



---

# Illustrated Parts Manual

**Models**  
**E400An/**  
**E400AJP/**  
**E400AJPn/**  
**M400AJP/**  
**M400AJPn**

SN 0300208530  
to Present

P/N  
3121718

January 18, 2019 - Rev 0

**ANSI**

**CE**



**AS/NZS**



An Oshkosh Corporation Company

# PARTS FINDER

**Search Website  
by Part Number**



**Search Manual  
Library For Parts  
Manual & Lookup Part  
Numbers – Purchase  
or Request Quote**

**Can't Find Part or  
Manual? Request Help  
by Manufacturer,  
Model & Description**

Discount-Equipment.com is your online resource for quality parts & equipment.

Florida: **561-964-4949** Outside Florida TOLL FREE: **877-690-3101**

## Need parts?

Click on this link: <http://www.discount-equipment.com/category/5443-parts/> and choose one of the options to help get the right parts and equipment you are looking for. Please have the machine model and serial number available in order to help us get you the correct parts. If you don't find the part on the website or on one of the online manuals, please fill out the request form and one of our experienced staff members will get back to you with a quote for the right part that your machine needs.

We sell worldwide for the brands: Genie, Terex, JLG, MultiQuip, Mikasa, Essick, Whiteman, Mayco, Toro Stone, Diamond Products, Generac Magnum, Airman, Haulotte, Barreto, Power Blanket, Nifty Lift, Atlas Copco, Chicago Pneumatic, Allmand, Miller Curber, Skyjack, Lull, Skytrak, Tsurumi, Husquvarna Target, Stow, Wacker, Sakai, Mi-T-M, Sullair, Basic, Dynapac, MBW, Weber, Bartell, Bennar Newman, Haulotte, Ditch Runner, Menegotti, Morrison, Contec, Buddy, Crown, Edco, Wyco, Bomag, Laymor, EZ Trench, Bil-Jax, F.S. Curtis, Gehl Pavers, Heli, Honda, ICS/PowerGrit, IHI, Partner, Imer, Clipper, MMD, Koshin, Rice, CH&E, General Equipment, Amida, Coleman, NAC, Gradall, Square Shooter, Kent, Stanley, Tamco, Toku, Hatz, Kohler, Robin, Wisconsin, Northrock, Oztec, Toker TK, Rol-Air, APT, Wylie, Ingersoll Rand / Doosan, Innovatech, Con X, Ammann, Mecalac, Makinex, Smith Surface Prep, Small Line, Wanco, Yanmar



## REVISION LOG

### NOTES:

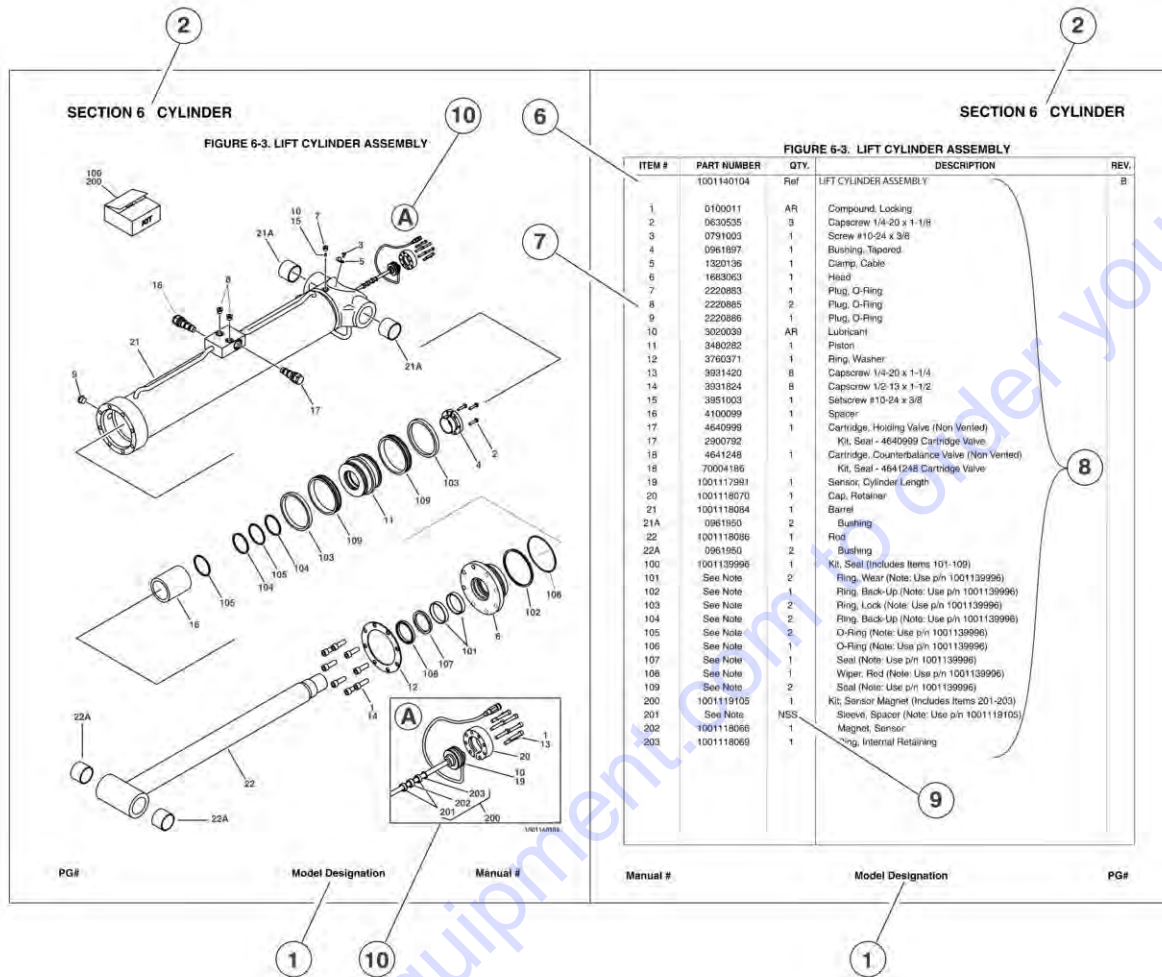
Note: SN 0300200544 and 0300202223 also built to the same specs as machines built SN 0300208530 to Present.

### REVISION LOG:

July 6, 2015 - A - Original Issue Of Manual (Edit to B/M 1001164638 Revision N)  
October 30, 2015 - B - Revised Manual (Edited to B/M 1001164638 Revision O)  
January 4, 2016 - C - Revised Manual (Edited to B/M 1001164638 Revision O)  
April 29, 2016 - D - Revised Manual (Edited to B/M 1001164638 Revision T)  
July 21, 2016 - E - Revised Manual (Edited to B/M 1001164638 Revision U)  
November 4, 2016 - F - Revised Manual (Edited to B/M 1001164638 Revision U)  
January 31, 2017 - G - Revised Manual (Edited to B/M 1001164638 Revision Y)  
April 28, 2017 - H - Revised Manual (Edited to B/M 1001164638 Revision AA)  
July 31, 2017 - I - Revised Manual (Edited to B/M 1001164638 Revision AD)  
October 31, 2017 - J - Revised Manual (Edited to B/M 1001164638 Revision AD)  
January 31, 2018 - K - Revised Manual (Edited to B/M 1001164638 Revision AD)  
April 26, 2018 - L - Revised Manual (Edited to B/M 1001164638 Revision AG)  
July 9, 2018 - M - Revised Manual (Edited to B/M 1001164638 Revision AH)  
October 10, 2018 - N - Revised Manual (Edited to B/M 1001164638 Revision AH)  
January 18, 2019 - O - Revised Manual (Edited to B/M 1001164638 Revision AR) (Revision 1)



## GENERAL INFORMATION



### 1) MACHINE IDENTIFICATION

Machines are identified by model and in some cases a combination of models, serial number (SN) or regional standard (i.e. ANSI, CE, CSA). Components may also be identified by SN or manufacturer. Common components that may be identified by these characteristics are engines and hydraulic components.

### 2) PARTS MANUAL ORGANIZATION

Product information in this manual is organized under section titles. Frame, Cylinder, Hydraulic and Electrical are a few examples. Each section is organized by figure and page number. The information within the figure is then organized by item number, part number, description and corresponding illustration(s).

### 3) TABLE OF CONTENTS

A table of contents is found toward the beginning of the manual. Figure number, description and page number are provided for quick reference to the page containing the related information.

### 4) RECOMMENDED SPARE PARTS

The Recommended Spare Parts, located near the end of the manual, reference most frequently used maintenance parts.

### 5) PART NUMBER INDEX

A numerical index listing all part numbers and the corresponding page number(s) appears at the back of the manual.

## GENERAL INFORMATION

### 6) NON-SERVICED PARTS

In some instances, it is necessary to display non-serviced parts, assemblies or installations. In the case of assemblies and installations there will be a Ref in the Qty column. In case of parts that are not available for service within assemblies or components, there will be a NSS (Not Sold Separately) or NLA (No Longer Available) listed in the Qty. column of the manual.

### 7) PARTS LIST ITEM NUMBERS

Numbers shown in the item# column correspond to numbers used in the associated illustration (s). Item numbers which are missing from the sequence in the parts list are not used on that page

### 8) INDENTED PARTS DESCRIPTION

An indented part description is included in the item under which it is indented.

### 9) ABBREVIATION AND SYMBOLS

|              |   |              |                                    |
|--------------|---|--------------|------------------------------------|
| AC.....      | .. Alternating Current                      | LCD.....     | .. Liquid Crystal Display          |
| ADE.....     | .. Advanced Design Electronics              | LED.....     | .. Light Emitting Diodes           |
| ANSI.....    | .. American National Standards Institute    | LH.....      | .. Left Hand                       |
| AR.....      | .. As Required                              | LSS.....     | .. Load Sensing System             |
| ASSY.....    | .. Assembly                                 | M(m).....    | .. Metric/Meter                    |
| AUX.....     | .. Auxiliary                                | MM (mm)..... | .. Milimeter                       |
| AWG.....     | .. American Wire Gauge                      | mA.....      | .. Milliamps                       |
| B/M.....     | .. Bill of Material                         | NLA.....     | .. No Longer Available             |
| CE.....      | .. European Conformity                      | NPT.....     | .. National Pipe Threads           |
| CCW.....     | .. Counter Clockwise                        | NSS.....     | .. Not Sold Separately             |
| cm.....      | .. Centimeter                               | OD.....      | .. Outside Diameter                |
| CW.....      | .. Clockwise                                | ORB.....     | .. O-Ring Boss                     |
| CSA.....     | .. Canadian Standards Association           | ORFS.....    | .. O-Ring Face Seal                |
| CYL.....     | .. Cylinder                                 | OZ (oz)..... | .. Ounces                          |
| DIA.....     | .. Diameter                                 | PG.....      | .. Page                            |
| DC.....      | .. Direct Current                           | P/N.....     | .. Part Number                     |
| EMS.....     | .. Emergency Stop                           | qt.....      | .. Quarts                          |
| ENG.....     | .. Engine                                   | QTY.....     | .. Quantity                        |
| FT (ft)..... | .. Feet                                     | REF.....     | .. Reference                       |
| GA (Ga)..... | .. Gauge                                    | REV.....     | .. Revision Level                  |
| HYD.....     | .. Hydraulic                                | RH.....      | .. Right Hand                      |
| HZ.....      | .. Hertz                                    | SAE.....     | .. Society of Automotive Engineers |
| ID.....      | .. Inside Diameter                          | SN.....      | .. Serial Number                   |
| in.....      | .. inches                                   | SPEC(S)..... | .. Specifications                  |
| ISO.....     | .. International Organization for Standards | T/T.....     | .. Turntable                       |
| JIC.....     | .. Joint Industry Council                   | UGM.....     | .. Universal Ground Module         |
| KG.....      | .. Kilogram                                 | V.....       | .. Volts                           |
| L.....       | .. Liter                                    | W.....       | .. Watts                           |
| LB.....      | .. Pounds                                   | #.....       | .. Number                          |

### 10) ILLUSTRATION REFERENCE LETTERS

When necessary, illustrations may contain reference letters that are intended to track information (i. e. hoses, harnesses) from one point to another or to track visual enlargement of components to show details that may be located in another area on the illustration.

*Note: Due to continuous product improvements, JLG Industries, Inc. reserves the right to make specification changes without prior notification.*



# TABLE OF CONTENTS

|   |     |
|---|-----|
| SECTION 1 - FRAME.....  | 13  |
| FIGURE 1-1. STEERING INSTALLATION - E400AJP / M400AJP (Prior to SN 0300244775).....                               | 14  |
| FIGURE 1-2. STEERING INSTALLATION - E400AJP / M400AJP (SN 0300244775 to Present).....                             | 16  |
| FIGURE 1-3. STEERING INSTALLATION - E400AN / E400AJPN / M400AJPN (Prior to SN 0300244775).....                    | 18  |
| FIGURE 1-4. STEERING INSTALLATION - E400AN / E400AJPN / M400AJPN (SN 0300244775 to Present).....                  | 20  |
| FIGURE 1-5. HUB - SPINDLE ASSEMBLY - RH - E400AJP/M400AJP.....  | 22  |
| FIGURE 1-6. HUB - SPINDLE ASSEMBLY - RH - E400AN/E400AJPN/M400AJPN.....   | 24  |
| FIGURE 1-7. HUB - SPINDLE ASSEMBLY - LH - E400AJP/M400AJP.....  | 26  |
| FIGURE 1-8. HUB - SPINDLE ASSEMBLY - LH - E400AN/E400AJPN/M400AJPN.....   | 28  |
| FIGURE 1-9. DRIVE INSTALLATION - E400AN, E400AJP AND E400AJPN.....  | 30  |
| FIGURE 1-10. DRIVE INSTALLATION - E400AN, E400AJP AND E400AJPN - UL SPECS.....                                    | 34  |
| FIGURE 1-11. DRIVE INSTALLATION - M400AJP AND M400AJPN.....   | 38  |
| FIGURE 1-12. DRIVE HUB ASSEMBLY.....  | 42  |
| FIGURE 1-13. DRIVE MOTOR ASSEMBLY.....  | 46  |
| FIGURE 1-14. ELECTRICAL PLATE ASSEMBLY - LH.....  | 48  |
| FIGURE 1-15. ELECTRICAL PLATE ASSEMBLY - LH - UL SPECS.....   | 50  |
| FIGURE 1-16. ELECTRICAL PLATE ASSEMBLY - RH.....  | 52  |
| FIGURE 1-17. ELECTRICAL PLATE ASSEMBLY - RH - UL SPECS.....   | 54  |
| FIGURE 1-18. TIRE/WHEEL - IN240/55-17.5 PNEUMATIC.....  | 56  |
| FIGURE 1-19. TIRE/WHEEL - IN240/55-17.5 PNEUMATIC NON MARKING.....  | 58  |
| FIGURE 1-20. TIRE/WHEEL - IN240/55-17.5 PNEUMATIC WITH TIRE SEALANT.....  | 60  |
| FIGURE 1-21. TIRE/WHEEL - IN240/55 - 17.5 FOAM FILLED.....  | 62  |
| FIGURE 1-22. TIRE/WHEEL - IN240/55-17.5 FOAM FILLED NON MARKING.....  | 64  |
| FIGURE 1-23. TIRE/WHEEL - 26 X 7 X 20 - SOLID NON MARKING.....  | 66  |
| FIGURE 1-24. TIRE/WHEEL - SOLID NON-MARKING.....  | 68  |
| FIGURE 1-25. MOTOR/PUMP/TANK - E400AN/E400AJP/E400AJPN INSTALLATION - NON-UL SPECS.....                           | 70  |
| FIGURE 1-26. MOTOR/PUMP/TANK - E400AN/E400AJP/E400AJPN INSTALLATION - UL SPECS.....                               | 72  |
| FIGURE 1-27. MOTOR/PUMP/TANK INSTALLATION - M400AJP.....  | 74  |
| FIGURE 1-28. MOTOR/PUMP/TANK INSTALLATION - M400AJPN.....   | 76  |
| FIGURE 1-29. MOTOR/PUMP ASSEMBLY.....   | 78  |
| FIGURE 1-30. HYDRAULIC TANK ASSEMBLY - E400AN/E400AJP/E400AJPN.....   | 80  |
| FIGURE 1-31. HYDRAULIC TANK ASSEMBLY - M400AJP/M400AJPN.....  | 82  |
| FIGURE 1-32. VALVE INSTALLATION - FRAME MOUNTED - E400AN.....   | 84  |
| FIGURE 1-33. VALVE INSTALLATION - FRAME MOUNTED - E400AJP AND E400AJPN (SN 0300208530 through 0300233432).....    | 86  |
| FIGURE 1-34. VALVE INSTALLATION - FRAME MOUNTED - E400AJP AND E400AJPN (SN 0300233433 to Present).....            | 88  |
| FIGURE 1-35. VALVE INSTALLATION - FRAME MOUNTED - M400AJP AND M400AJPN (SN 0300208530 through 0300233432).....    | 90  |
| FIGURE 1-36. VALVE INSTALLATION - FRAME MOUNTED - M400AJP AND M400AJPN (SN 0300233433 to Present).....            | 92  |
| FIGURE 1-37. BRAKE/STEER VALVE ASSEMBLY.....  | 94  |
| FIGURE 1-38. BATTERY BOX INSTALLATION - STANDARD (ALL SPECS EXCEPT AUSTRALIAN & CE SPECS).....                    | 96  |
| FIGURE 1-39. BATTERY BOX INSTALLATION - STANDARD (AUSTRALIAN & CE SPECS).....                                     | 98  |
| FIGURE 1-40. BATTERY BOX INSTALLATION - AGM BATTERIES (ALL SPECS EXCEPT AUSTRALIAN & CE SPECS).....               | 100 |
| FIGURE 1-41. BATTERY BOX INSTALLATION - AGM BATTERIES (AUSTRALIAN & CE SPECS).....                                | 102 |
| FIGURE 1-42. BATTERY CHARGER INSTALLATION - E400AN/E400AJP/E400AJPN (ALL SPECS EXCEPT AUSTRALIAN & CE SPECS)..... | 104 |
| FIGURE 1-43. BATTERY CHARGER INSTALLATION - E400AJP/E400AJPN (AUSTRALIAN SPEC).....                               | 106 |
| FIGURE 1-44. BATTERY CHARGER INSTALLATION - E400AN/E400AJP/E400AJPN (CE SPECS).....                               | 108 |
| FIGURE 1-45. BATTERY CHARGER INSTALLATION - M400AJP/M400AJPN (ALL SPECS EXCEPT AUSTRALIAN & CE SPECS).....        | 110 |
| FIGURE 1-46. BATTERY CHARGER INSTALLATION - M400AJP/M400AJPN (AUSTRALIAN SPEC).....                               | 112 |
| FIGURE 1-47. BATTERY CHARGER INSTALLATION - M400AJP/M400AJPN (CE SPECS).....                                      | 114 |
| FIGURE 1-48. BATTERY CHARGER ASSEMBLY.....  | 116 |
| FIGURE 1-49. INVERTER INSTALLATION - E400AJP/M400AJP.....   | 118 |
| FIGURE 1-50. INVERTER INSTALLATION - E400AN/E400AJPN/M400AJPN.....  | 120 |
| FIGURE 1-51. FRAME COVER INSTALLATION - E400AJP.....  | 122 |
| FIGURE 1-52. FRAME COVER INSTALLATION - M400AJP.....  | 124 |
| FIGURE 1-53. FRAME COVER INSTALLATION - E400AN/E400AJPN.....  | 126 |
| FIGURE 1-54. FRAME COVER INSTALLATION - M400AJPN.....   | 128 |
| SECTION 2 - TURNTABLE.....  | 131 |
| FIGURE 2-1. VALVE INSTALLATION- TURNTABLE MOUNTED - E400AN.....   | 132 |
| FIGURE 2-2. VALVE INSTALLATION - TURNTABLE MOUNTED - E400AJP-E400AJPN (SN 0300208530 through 0300233432).....     | 134 |



# TABLE OF CONTENTS

|  |            |
|--|------------|
| FIGURE 2-3. VALVE INSTALLATION - TURNTABLE MOUNTED - E400AJP-E400AJPN (SN 0300233433 to Present)                   | 136        |
| FIGURE 2-4. VALVE INSTALLATION - TURNTABLE MOUNTED - M400AJP-M400AJPN (SN 0300208530 through 0300233432)           | 138        |
| FIGURE 2-5. VALVE INSTALLATION - TURNTABLE MOUNTED - M400AJP-M400AJPN (SN 0300233433 to Present)                   | 140        |
| FIGURE 2-6. MAIN CONTROL VALVE ASSEMBLY  | 142        |
| FIGURE 2-7. RELEVELING VALVE ASSEMBLY  | 144        |
| FIGURE 2-8. JIB VALVE ASSEMBLY (SN 0300208530 through 0300233432)  | 146        |
| FIGURE 2-9. JIB VALVE ASSEMBLY (SN 0300233433 to Present)  | 148        |
| FIGURE 2-10. MOTION ALARM INSTALLATION   | 150        |
| FIGURE 2-11. TURNTABLE BEARING AND SWING DRIVE INSTALLATION  | 152        |
| FIGURE 2-12. SWING MOTOR ASSEMBLY  | 154        |
| FIGURE 2-13. SWING BEARING ASSEMBLY  | 156        |
| FIGURE 2-14. REMOTE BEARING LUBE INSTALLATION - OPTIONAL   | 158        |
| FIGURE 2-15. DRIVE ORIENTATION INSTALLATION  | 160        |
| FIGURE 2-16. FUEL TANK AND BATTERY INSTALLATION - M400AJP/M400AJPN   | 162        |
| FIGURE 2-17. GROUND CONTROL BOX INSTALLATION - E400AN (ALL SPECS EXCEPT CE AND AUSTRALIAN SPECS)                   | 164        |
| FIGURE 2-18. GROUND CONTROL BOX INSTALLATION - E400AN (CE SPEC)  | 166        |
| FIGURE 2-19. GROUND CONTROL BOX INSTALLATION - E400AJP/E400AJPN/M400AJP/M400AJPN (ALL SPECS EXCEPT CE SPEC)        | 168        |
| FIGURE 2-20. GROUND CONTROL BOX INSTALLATION - E400AJP/E400AJPN/M400AJP/M400AJPN (CE SPEC)                         | 170        |
| FIGURE 2-21. GROUND CONTROL BOX ELECTRICAL ASSEMBLY - E400AN (ALL SPECS EXCEPT CE AND AUSTRALIAN SPECS)            | 172        |
| FIGURE 2-22. GROUND CONTROL BOX ELECTRICAL ASSEMBLY - E400AN (CE SPEC)   | 174        |
| FIGURE 2-23. GROUND CONTROL BOX ELECTRICAL ASSEMBLY - E400AJP/E400AJPN/M400AJP/M400AJPN (ALL SPECS EXCEPT CE SPEC) | 176        |
| FIGURE 2-24. GROUND CONTROL BOX ELECTRICAL ASSEMBLY - E400AJP/E400AJPN/M400AJP/M400AJPN (CE SPEC)                  | 178        |
| FIGURE 2-25. MOTOR CONTROLS INSTALLATION - M400AJP/M400AJPN  | 180        |
| FIGURE 2-26. STROBE LIGHT INSTALLATION - AMBER (OPTIONAL)  | 182        |
| FIGURE 2-27. STROBE LIGHT ASSEMBLY - AMBER   | 184        |
| FIGURE 2-28. BEACON LIGHT INSTALLATION - BLUE (SN 0300208530 through 0300217464)                                   | 186        |
| FIGURE 2-29. BEACON LIGHT INSTALLATION - BLUE (SN 0300217465 through 0300256446)                                   | 188        |
| FIGURE 2-30. BEACON LIGHT INSTALLATION - BLUE (SN 0300256447 to Present)   | 190        |
| FIGURE 2-31. BEACON LIGHT INSTALLATION - RED (SN 0300208530 through 0300217164)                                    | 192        |
| FIGURE 2-32. BEACON LIGHT INSTALLATION - RED (SN 0300214165 through 0300256446)                                    | 194        |
| FIGURE 2-33. BEACON LIGHT INSTALLATION - RED (SN 0300256447 to Present)  | 196        |
| FIGURE 2-34. HOOD INSTALLATION - E400AJP/E400AJPN/E400AN   | 198        |
| FIGURE 2-35. HOOD INSTALLATION - M400AJP/M400AJPN  | 200        |
| <b>SECTION 3 - ENGINE</b>  | <b>203</b> |
| FIGURE 3-1. KUBOTA MOTOR/GENERATOR INSTALLATION - M400AJP/M400AJPN   | 204        |
| FIGURE 3-2. KUBOTA MOTOR/GENERATOR ASSEMBLY - M400AJP/M400AJPN (SN 0300208530 through 0300256446)                  | 206        |
| FIGURE 3-3. KUBOTA MOTOR/GENERATOR ASSEMBLY - M400AJP/M400AJPN (SN 0300256447 to Present)                          | 208        |
| FIGURE 3-4. KUBOTA MOTOR/GENERATOR COMPONENTS (SN 0300208530 through 0300256446)                                   | 210        |
| FIGURE 3-5. KUBOTA MOTOR/GENERATOR COMPONENTS (SN 0300256447 to Present)   | 214        |
| <b>SECTION 4 - BOOM</b>  | <b>217</b> |
| FIGURE 4-1. BOOM AND CYLINDERS INSTALLATION - E400AN   | 218        |
| FIGURE 4-2. BOOM AND CYLINDERS INSTALLATION - E400AJP/M400AJP/E400AJPN/M400AJPN                                    | 220        |
| FIGURE 4-3. MAIN BOOM ASSEMBLY - E400AN  | 224        |
| FIGURE 4-4. MAIN BOOM ASSEMBLY - E400AJP/M400AJP/E400AJPN/M400AJPN   | 228        |
| FIGURE 4-5. JIB INSTALLATION   | 232        |
| FIGURE 4-6. ROTATOR ASSEMBLY - E400AN  | 234        |
| FIGURE 4-7. ROTATOR ASSEMBLY - PLATFORM SUPPORT TO JIB - E400AJP/M400AJP/E400AJPN/M400AJPN                         | 236        |
| FIGURE 4-8. ROTATOR ASSEMBLY - MAIN BOOM TO JIB - E400AJP/M400AJP/E400AJPN/M400AJPN                                | 238        |
| FIGURE 4-9. PLATFORM SUPPORT INSTALLATION - WITHOUT LSS  | 240        |
| FIGURE 4-10. PLATFORM SUPPORT INSTALLATION - WITH 4 CELL LSS   | 242        |
| FIGURE 4-11. PLATFORM SUPPORT INSTALLATION - WITH 1 CELL LSS   | 244        |
| FIGURE 4-12. CABLES AND CLAMPS INSTALLATION - E400AN   | 246        |
| FIGURE 4-13. CABLES AND CLAMPS INSTALLATION - E400AJP/M400AJP/E400AJPN/M400AJPN                                    | 248        |
| FIGURE 4-14. BOOM LIMIT SWITCHES INSTALLATION  | 250        |
| <b>SECTION 5 - PLATFORM</b>  | <b>253</b> |
| FIGURE 5-1. PLATFORM ASSEMBLY - 4FT/1.22M - SIDE GATE ENTRY  | 254        |



# TABLE OF CONTENTS

|  |     |
|--|-----|
| FIGURE 5-2. PLATFORM ASSEMBLY - 5FT/1.52M - SIDE GATE ENTRY .....  | 256 |
| FIGURE 5-3. PLATFORM ASSEMBLY - 5FT/1.52M - SIDE GATE ENTRY - W/STOP AND WITHOUT LSS OR WITH 4 CELL LSS.....   | 258 |
| FIGURE 5-4. PLATFORM ASSEMBLY - 5FT/1.52M - SIDE GATE ENTRY - W/STOP AND 1 CELL LSS .....  | 260 |
| FIGURE 5-5. PLATFORM ASSEMBLY - 4FT/1.22M - DROP BAR ENTRY .....   | 262 |
| FIGURE 5-6. PLATFORM ASSEMBLY - 5FT/1.52M - DROP BAR ENTRY .....   | 264 |
| FIGURE 5-7. PLATFORM ASSEMBLY - 5FT/1.52M - DROP BAR ENTRY .....   | 266 |
| FIGURE 5-8. PLATFORM CONSOLE AND FOOTSWITCH INSTALLATION - WITHOUT LSS OR WITH 4 CELL LSS - WITHOUT SKYGUARD - E400AN .....  | 268 |
| FIGURE 5-9. PLATFORM CONSOLE AND FOOTSWITCH INSTALLATION - WITHOUT LSS OR WITH 4 CELL LSS - WITH SKYGUARD - E400AN - UL SPECS (SN 0300208530 through 0300256446) .....           | 270 |
| FIGURE 5-10. PLATFORM CONSOLE AND FOOTSWITCH INSTALLATION - WITHOUT LSS OR WITH 4 CELL LSS - E400AN - UL SPECS (SN 0300256447 to Present) .....                                  | 272 |
| FIGURE 5-11. PLATFORM CONSOLE AND FOOTSWITCH INSTALLATION - WITHOUT LSS OR WITH 4 CELL LSS - WITH SKYGUARD - E400AN (Prior to SN 0300240700) .....                               | 274 |
| FIGURE 5-12. PLATFORM CONSOLE AND FOOTSWITCH INSTALLATION - WITHOUT LSS OR WITH 4 CELL LSS - WITHOUT SKYGUARD - E400AJP/E400AJPN/M400AJP/M400AJPN.....                           | 276 |
| FIGURE 5-13. PLATFORM CONSOLE AND FOOTSWITCH INSTALLATION - WITHOUT LSS OR WITH 4 CELL LSS - WITH SKYGUARD - E400AJP/E400AJPN - UL SPECS (SN 0300208530 through 0300256446)..... | 278 |
| FIGURE 5-14. PLATFORM CONSOLE AND FOOTSWITCH INSTALLATION - WITHOUT LSS OR WITH 1 CELL LSS - E400AJP/E400AJPN - UL SPECS (SN 0300256447 to Present).....                         | 280 |
| FIGURE 5-15. PLATFORM CONSOLE AND FOOTSWITCH INSTALLATION - WITHOUT LSS OR WITH 4 CELL LSS - WITH SKYGUARD - E400AJP/E400AJPN/M400AJP/M400AJPN (Prior to SN 0300240700).....     | 282 |
| FIGURE 5-16. PLATFORM CONSOLE AND FOOTSWITCH INSTALLATION - WITH SKYGUARD AND 1 CELL LSS - E400AJP/E400AJPN/M400AJP/M400AJPN (SN 0300240700 through 0300256446) .....            | 284 |
| FIGURE 5-17. PLATFORM CONSOLE AND FOOTSWITCH INSTALLATION - WITH 1 CELL LSS - E400AJP/E400AJPN/M400AJP/M400AJPN (SN 0300256447 to Present).....                                  | 286 |
| FIGURE 5-18. PLATFORM CONSOLE AND FOOTSWITCH INSTALLATION - WITH SKYGUARD AND 1 CELL LSS - E400AN (SN 0300208530 through 0300256446) .....                                       | 288 |
| FIGURE 5-19. PLATFORM CONSOLE AND FOOTSWITCH INSTALLATION - WITH 1 CELL LSS - E400AN (SN 0300256447 to Present) .....  | 290 |
| FIGURE 5-20. PLATFORM CONSOLE ASSEMBLY - WITHOUT LSS OR WITH 4 CELL LSS - WITHOUT SKYGUARD - E400AN (SN 0300208530 through 0300219911) .....                                     | 292 |
| FIGURE 5-21. PLATFORM CONSOLE ASSEMBLY - WITHOUT LSS OR WITH 4 CELL LSS - WITHOUT SKYGUARD - E400AN (SN 0300219912 to Present) .....   | 296 |
| FIGURE 5-22. PLATFORM CONSOLE ASSEMBLY - WITHOUT LSS OR WITH 4 CELL LSS - WITH SKYGUARD - E400AN (SN 0300208530 through 0300219911).....   | 300 |
| FIGURE 5-23. PLATFORM CONSOLE ASSEMBLY - WITHOUT LSS OR WITH 4 CELL LSS - WITH SKYGUARD - E400AN (SN 0300219912 through 0300240700).....   | 304 |
| FIGURE 5-24. PLATFORM CONSOLE ASSEMBLY - WITHOUT LSS OR WITH 4 CELL LSS - WITH SKYGUARD - E400AN - UL SPECS (SN 0300208530 through 0300256446) .....                             | 308 |
| FIGURE 5-25. PLATFORM CONSOLE ASSEMBLY - WITHOUT LSS OR WITH 1 CELL LSS - E400AN - UL SPECS (SN 0300256447 to Present) .....   | 312 |
| FIGURE 5-26. PLATFORM CONSOLE ASSEMBLY - WITHOUT LSS OR WITH 4 CELL LSS - WITHOUT SKYGUARD - E400AJP/E400AJPN/M400AJP/M400AJPN (SN 0300208530 through 0300219911) .....          | 316 |
| FIGURE 5-27. PLATFORM CONSOLE ASSEMBLY - WITHOUT LSS OR WITH 4 CELL LSS - WITHOUT SKYGUARD - E400AJP/E400AJPN/M400AJP/M400AJPN (SN 0300219912 to Present) .....                  | 320 |
| FIGURE 5-28. PLATFORM CONSOLE ASSEMBLY - WITHOUT LSS OR WITH 4 CELL LSS - WITH SKYGUARD - E400AJP/E400AJPN - UL SPECS (SN 0300208530 through 0300256446) .....                   | 324 |
| FIGURE 5-29. PLATFORM CONSOLE ASSEMBLY - WITHOUT LSS OR WITH 1 CELL LSS - E400AJP/E400AJPN - UL SPECS (SN 0300256447 to Present) .....   | 328 |
| FIGURE 5-30. PLATFORM CONSOLE ASSEMBLY - WITHOUT LSS OR WITH 4 CELL LSS - WITH SKYGUARD - E400AJP/E400AJPN/M400AJP/M400AJPN (SN 0300208530 through 0300219911) .....             | 332 |
| FIGURE 5-31. PLATFORM CONSOLE ASSEMBLY - WITHOUT LSS OR WITH 4 CELL LSS - WITH SKYGUARD - E400AJP/E400AJPN/M400AJP/M400AJPN (SN 0300219912 through 0300240700) .....             | 336 |
| FIGURE 5-32. PLATFORM CONSOLE ASSEMBLY - WITH SKYGUARD AND 1 CELL LSS - E400AJP/E400AJPN/M400AJP/M400AJPN (SN 0300208530 through 0300256446) .....                               | 340 |
| FIGURE 5-33. PLATFORM CONSOLE ASSEMBLY - WITH 1 CELL LSS - E400AJP/E400AJPN/M400AJP/M400AJPN (SN 0300256447 to Present) .....  | 344 |
| FIGURE 5-34. PLATFORM CONSOLE ASSEMBLY - WITH SKYGUARD AND 1 CELL LSS - E400AN (SN 0300208530 through 0300256446) .....  | 348 |
| FIGURE 5-35. PLATFORM CONSOLE ASSEMBLY - WITH 1 CELL LSS - E400AN (SN 0300256447 to Present).....  | 352 |
| FIGURE 5-36. CONTROLLER ASSEMBLY - DRIVE AND STEER.....  | 356 |
| FIGURE 5-37. CONTROLLER ASSEMBLY - LIFT AND SWING .....  | 358 |
| FIGURE 5-38. FOOTSWITCH ASSEMBLY.....  | 362 |
| FIGURE 5-39. MOTOR CONTROLS INSTALLATION - M400AJP/M400AJPN.....   | 364 |
| FIGURE 5-40. TRAY ASSEMBLY .....   | 366 |

# TABLE OF CONTENTS

|   |            |
|---|------------|
| FIGURE 5-41. SEALED ENCLOSURES - UL SPECS .....   | 368        |
| FIGURE 5-42. SKYEYE INSTALLATION .....  | 370        |
| FIGURE 5-43. SKYGUARD SYSTEM INSTALLATION (SN 0300208530 through 0300256446) .....                                      | 372        |
| FIGURE 5-44. SKYGUARD BAR INSTALLATION (SN 0300256447 to Present) .....   | 374        |
| FIGURE 5-45. SKYLINE INSTALLATION .....   | 376        |
| FIGURE 5-46. CROSS RAIL INSTALLATION .....  | 378        |
| FIGURE 5-47. PIPE RACK INSTALLATION .....   | 380        |
| <b>SECTION 6 - CYLINDER.....</b>  | <b>383</b> |
| FIGURE 6-1. LEVEL (PLATFORM SLAVE) CYLINDER ASSEMBLY - E400AN .....   | 384        |
| FIGURE 6-2. LEVEL (PLATFORM SLAVE) CYLINDER ASSEMBLY - E400AJP/M400AJP/E400AJPN/M400AJPN .....                          | 386        |
| FIGURE 6-3. LIFT CYLINDER ASSEMBLY - JIB - E400AJP/M400AJP/E400AJPN/M400AJPN .....                                      | 388        |
| FIGURE 6-4. LIFT CYLINDER ASSEMBLY - LOWER - E400AN (SN 0300208530 through 0300239739) .....                            | 390        |
| FIGURE 6-5. LIFT CYLINDER ASSEMBLY - LOWER - E400AN (SN 0300239740 to Present) .....                                    | 392        |
| FIGURE 6-6. LIFT CYLINDER ASSEMBLY - LOWER - E400AJP/M400AJP/E400AJPN/M400AJPN (SN 0300208530 through 0300239237) ..... | 394        |
| FIGURE 6-7. CYLINDER ASSEMBLY - LOWER - E400AJP/M400AJP/E400AJPN/M400AJPN (SN 0300239237 to Present) .....              | 396        |
| FIGURE 6-8. LIFT CYLINDER ASSEMBLY - MID - E400AN (SN 0300208530 through 0300239739) .....                              | 398        |
| FIGURE 6-9. LIFT CYLINDER ASSEMBLY - MID - E400AN (SN 0300239740 to Present) .....                                      | 400        |
| FIGURE 6-10. LIFT CYLINDER ASSEMBLY - MID - E400AJP/M400AJP/E400AJPN/M400AJPN (SN 0300208530 through 0300239237) .....  | 402        |
| FIGURE 6-11. LIFT CYLINDER ASSEMBLY - MID - E400AJP/M400AJP/E400AJPN/M400AJPN (SN 0300239237 to Present) .....          | 404        |
| FIGURE 6-12. LIFT CYLINDER - UPPER - E400AN (SN 0300208530 through 0300239739) .....                                    | 406        |
| FIGURE 6-13. LIFT CYLINDER - UPPER - E400AN (SN 0300239740 to Present) .....  | 408        |
| FIGURE 6-14. LIFT CYLINDER - UPPER - E400AJP/M400AJP/E400AJPN/M400AJPN (SN 0300208530 through 0300239739) .....         | 410        |
| FIGURE 6-15. LIFT CYLINDER - UPPER - E400AJP/M400AJP/E400AJPN/M400AJPN (SN 0300239740 to Present) .....                 | 412        |
| FIGURE 6-16. MASTER CYLINDER ASSEMBLY - E400AN .....  | 414        |
| FIGURE 6-17. MASTER CYLINDER ASSEMBLY - E400AJP/M400AJP/E400AJPN/M400AJPN .....   | 416        |
| FIGURE 6-18. STEER CYLINDER ASSEMBLY .....  | 418        |
| FIGURE 6-19. TELESCOPE CYLINDER ASSEMBLY - E400AN (SN 0300208530 through 0300244775) .....                              | 420        |
| FIGURE 6-20. TELESCOPE CYLINDER ASSEMBLY - E400AN (SN 0300244775 to Present) .....                                      | 422        |
| FIGURE 6-21. TELESCOPE CYLINDER ASSEMBLY - E400AJP/M400AJP/E400AJPN/M400AJPN (SN 0300208530 through 0300244120) .....   | 424        |
| FIGURE 6-22. TELESCOPE CYLINDER ASSEMBLY - E400AJP/M400AJP/E400AJPN/M400AJPN (SN 0300244120 to Present) .....           | 426        |
| FIGURE 6-23. COUNTERBALANCE VALVE ASSEMBLY .....  | 428        |
| <b>SECTION 7 - HYDRAULIC .....</b>  | <b>431</b> |
| FIGURE 7-1. HYDRAULIC DIAGRAM - E400AN .....  | 432        |
| FIGURE 7-2. HYDRAULIC DIAGRAM - E400AJP/E400AJPN (SN 0300208530 through 0300233432) .....                               | 436        |
| FIGURE 7-3. HYDRAULIC DIAGRAM - E400AJP/E400AJPN (SN 0300233433 to Present) .....                                       | 440        |
| FIGURE 7-4. HYDRAULIC DIAGRAM - M400AJP/M400AJPN (SN 0300208530 through 0300233432) .....                               | 444        |
| FIGURE 7-5. HYDRAULIC DIAGRAM - M400AJP/M400AJPN (SN 0300233433 to Present) .....                                       | 448        |
| FIGURE 7-6. HYDRAULIC DIAGRAM LIST .....  | 452        |
| <b>SECTION 8 - ELECTRICAL .....</b>   | <b>453</b> |
| FIGURE 8-1. ELECTRICAL DIAGRAM LIST .....   | 454        |
| FIGURE 8-2. AC PLUGS AND SOCKETS INSTALLATION - AFSINT 107-2-01 KEYED GROUND - 2 X 4 BOX (CE SPEC) .....                | 456        |
| FIGURE 8-3. AC PLUGS AND SOCKETS INSTALLATION - CEE7 POST GROUND (CE SPEC) .....  | 458        |
| FIGURE 8-4. AC PLUGS AND SOCKETS INSTALLATION - CEE 7 SIDE GROUND (CE SPEC) .....                                       | 460        |
| FIGURE 8-5. AC PLUGS AND SOCKETS INSTALLATION - CEE7 POST GROUND - 2 X 4 BOX (CE SPEC) .....                            | 462        |
| FIGURE 8-6. AC PLUGS AND SOCKETS INSTALLATION - CEE7 SIDE GROUND - 2 X 4 BOX (CE SPEC) .....                            | 464        |
| FIGURE 8-7. AC PLUGS AND SOCKETS INSTALLATION - IEC 60309 BLUE (CE SPEC) .....  | 466        |
| FIGURE 8-8. AC PLUGS AND SOCKETS INSTALLATION - IEC 60309 YELLOW (CE SPEC) .....  | 468        |
| FIGURE 8-9. BATTERY CABLE KIT - E400AN, E400AJP AND E400AJPN .....  | 470        |
| FIGURE 8-10. BATTERY CABLE KIT - E400AN, E400AJP AND E400AJPN - UL SPECS .....  | 472        |
| FIGURE 8-11. BATTERY CABLE KIT - M400AJP AND M400AJPN .....   | 474        |
| FIGURE 8-12. BOOM CABLE - LOWER .....   | 476        |
| FIGURE 8-13. BOOM CABLE - UPPER .....   | 478        |
| FIGURE 8-14. BOOM LIMIT SWITCH HARNESS - LOWER .....  | 480        |
| FIGURE 8-15. BOOM LIMIT SWITCH HARNESS - UPPER .....  | 482        |
| FIGURE 8-16. BREAKER BOX INSTALLATION - DOUBLE BREAKER BOXES .....  | 484        |
| FIGURE 8-17. BREAKER BOX KIT WITH ONE BREAKERS - CE SPEC .....  | 486        |

# TABLE OF CONTENTS

|  |     |
|--|-----|
| FIGURE 8-18. BREAKER BOX KIT WITH TWO BREAKERS - CE SPEC .....   | 488 |
| FIGURE 8-19. CHARGER CORD PLUG INSTALLATION - 110V - IEC 60309 - YELLOW (CE SPEC).....                 | 490 |
| FIGURE 8-20. CHARGER CORD PLUG INSTALLATION - 220V - AFSINT 107 KEYED GROUND (CE SPEC) .....           | 492 |
| FIGURE 8-21. CHARGER CORD PLUG INSTALLATION - 220V - CEE7 POST GROUND (CE SPEC).....                   | 494 |
| FIGURE 8-22. CHARGER CORD PLUG INSTALLATION - 220V - CEE7 SIDE GROUND (CE SPEC).....                   | 496 |
| FIGURE 8-23. CHARGER CORD PLUG INSTALLATION - 220V - IEC 60309 - BLUE (CE SPEC) .....                  | 498 |
| FIGURE 8-24. CHASSIS TO TURNTABLE HARNESS.....   | 500 |
| FIGURE 8-25. GENERATOR HARNESS .....   | 502 |
| FIGURE 8-26. GROUND CONTROL PANEL HARNESS.....   | 504 |
| FIGURE 8-27. INVERTER HARNESS.....   | 506 |
| FIGURE 8-28. INVERTER IGNITION HARNESS.....  | 508 |
| FIGURE 8-29. LOWER BOOM 110V HARNESS ASSEMBLY .....  | 510 |
| FIGURE 8-30. LOWER BOOM 220V HARNESS ASSEMBLY - CE SPEC .....  | 512 |
| FIGURE 8-31. LOWER BOOM 220V HARNESS ASSEMBLY - CE SPEC .....  | 514 |
| FIGURE 8-32. LLS SYSTEM HARNESS.....   | 516 |
| FIGURE 8-33. PLATFORM CONSOLE HARNESS - WITHOUT LSS OR WITH 4 CELL LSS .....                           | 518 |
| FIGURE 8-34. PLATFORM CONSOLE HARNESS - WITH 1 CELL LSS.....   | 520 |
| FIGURE 8-35. PLUG AND RECEPTACLE INSTALLATION - 110V.....  | 522 |
| FIGURE 8-36. PLUG AND RECEPTACLE INSTALLATION - 220V.....  | 524 |
| FIGURE 8-37. PLUG AND RECEPTACLE INSTALLATION - SUPPLIED LOCALLY.....                                  | 526 |
| FIGURE 8-38. PLUG AND RECEPTACLE 110V INSTALLATION - IEC 60309 - YELLOW (CE SPEC).....                 | 528 |
| FIGURE 8-39. PLUG AND RECEPTACLE 220V INSTALLATION - AFSINT 107 KEYED GROUND - 2 X 4 BOX (CE SPEC) ... | 530 |
| FIGURE 8-40. PLUG AND RECEPTACLE 220V INSTALLATION - CEE7 POST GROUND - 2 X 4 BOX (CE SPEC).....       | 532 |
| FIGURE 8-41. PLUG AND RECEPTACLE 220VINSTALLATION - CEE7 POST GROUND - 70MM X 70MM BOX (CE SPEC) ..    | 534 |
| FIGURE 8-42. PLUG AND RECEPTACLE 220 INSTALLATION - CEE7 SIDE GROUND - 2 X 4 BOX (CE SPEC).....        | 536 |
| FIGURE 8-43. PLUG AND RECEPTACLE 220VINSTALLATION - CEE7 SIDE GROUND - 70MM X 70MM BOX (CE SPEC) ..    | 538 |
| FIGURE 8-44. PLUG AND RECEPTACLE 220VINSTALLATION - IEC 60309 - BLUE (CE SPEC).....                    | 540 |
| FIGURE 8-45. SKYEYE INTERMEDIATE HARNESS.....  | 542 |
| FIGURE 8-46. SKYEYE RECEIVER HARNESS .....   | 544 |
| FIGURE 8-47. SKYEYE EMITTER HARNESS.....   | 546 |
| FIGURE 8-48. SKYGUARD HARNESS - WITHOUT LSS OR WITH 4 CELL LSS .....                                   | 548 |
| FIGURE 8-49. SKYGUARD HARNESS - WITH 1 CELL LSS.....   | 550 |
| FIGURE 8-50. SKYLINE HARNESS.....  | 552 |
| FIGURE 8-51. STEER/BRAKE HARNESS.....  | 554 |
| FIGURE 8-52. TRACTION HARNESS .....  | 556 |
| FIGURE 8-53. TURNTABLE HARNESS .....   | 560 |
| FIGURE 8-54. UPPER BOOM 110V HARNESS ASSEMBLY.....   | 564 |
| FIGURE 8-55. UPPER BOOM 220V HARNESS ASSEMBLY - CE SPEC .....  | 566 |
| FIGURE 8-56. VALVE HARNESS .....   | 568 |
| SECTION 9 - DECALS.....  | 571 |
| FIGURE 9-1. DECAL INSTALLATION - ANSI SPEC - E400AN/E400AJP/E400AJPN .....                             | 572 |
| FIGURE 9-2. DECAL INSTALLATION - ANSI SPEC - M400AJP/M400AJPN.....                                     | 574 |
| FIGURE 9-3. DECAL INSTALLATION - AUSTRALIAN SPEC - E400AN/E400AJP/E400AJPN .....                       | 576 |
| FIGURE 9-4. DECAL INSTALLATION - AUSTRALIAN SPEC - M400AJP/M400AJPN.....                               | 578 |
| FIGURE 9-5. DECAL INSTALLATION - CE SPEC - E400AN/E400AJP/E400AJPN.....                                | 580 |
| FIGURE 9-6. DECAL INSTALLATION - CE SPEC - M400AJP/M400AJPN.....                                       | 582 |
| FIGURE 9-7. DECAL INSTALLATION - CHINESE/ENGLISH - E400AN/E400AJP/E400AJPN .....                       | 584 |
| FIGURE 9-8. DECAL INSTALLATION - CHINESE/ENGLISH - M400AJP/M400AJPN .....                              | 586 |
| FIGURE 9-9. DECAL INSTALLATION - FRENCH/ENGLISH SPECS - E400AN/E400AJP/E400AJPN .....                  | 588 |
| FIGURE 9-10. DECAL INSTALLATION - FRENCH/ENGLISH SPECS - M400AJP/M400AJPN .....                        | 590 |
| FIGURE 9-11. DECAL INSTALLATION - JAPANESE SPEC - E400AN/E400AJP/E400AJPN .....                        | 592 |
| FIGURE 9-12. DECAL INSTALLATION - JAPANESE SPEC - M400AJP/M400AJPN .....                               | 594 |
| FIGURE 9-13. DECAL INSTALLATION - KOREAN SPEC - E400AN/E400AJP/E400AJPN.....                           | 596 |
| FIGURE 9-14. DECAL INSTALLATION - KOREAN SPEC - M400AJP/M400AJPN.....                                  | 598 |
| FIGURE 9-15. DECAL INSTALLATION - SPANISH/ENGLISH SPECS - E400AN/E400AJP/E400AJPN .....                | 600 |
| FIGURE 9-16. DECAL INSTALLATION - SPANISH/ENGLISH SPECS - M400AJP/M400AJPN .....                       | 602 |
| FIGURE 9-17. DECAL INSTALLATION - SPANISH/PORTUGUESE SPECS - E400AN/E400AJP/E400AJPN.....              | 604 |
| FIGURE 9-18. DECAL INSTALLATION - SPANISH/PORTUGUESE SPECS - M400AJP/M400AJPN.....                     | 606 |
| FIGURE 9-19. DECAL INSTALLATION - OPTIONS .....  | 608 |
| SECTION 10 - RECOMMENDED SERVICE PARTS STOCK .....   | 611 |
| FIGURE 10-1. RECOMMENDED SERVICE PARTS STOCK .....   | 612 |
| SECTION 11 - SPECIAL OPTIONS.....  | 615 |

## TABLE OF CONTENTS

|                                    |     |
|------------------------------------|-----|
| FIGURE 11-1. SPECIAL OPTIONS ..... | 616 |
| PART NUMBER INDEX.....             | 619 |

Go to [Discount-Equipment.com](http://Discount-Equipment.com) to order your parts

**SECTION 1 - FRAME**

Go to Discount-Equipment.com to order your parts





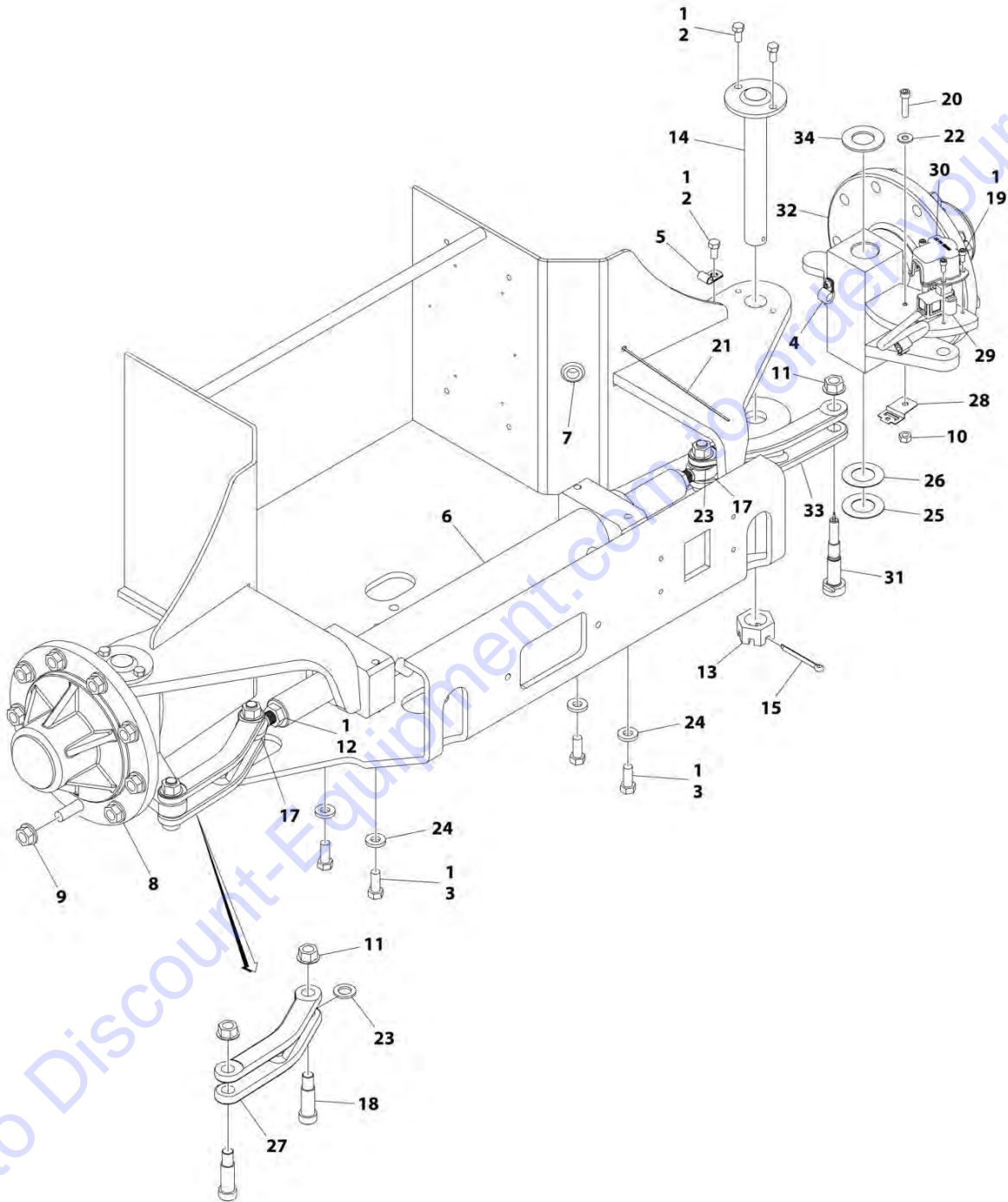
## SECTION 1 - FRAME

**FIGURE 1-1. STEERING INSTALLATION - E400AJP / M400AJP (Prior to SN 0300244775)**

| ITEM | PART NUMBER | QTY | DESCRIPTION   | REV |
|------|-------------|-----|---|-----|
|      | 1001180923  | Ref | STEERING INSTALLATION - E400AJP and M400AJP (Prior to SN 0300244775)        | G   |
| 1    | 0100011     | AR  | Compound, Locking   |     |
| 2    | 0440162     | 4   | Bearing, Thrust (SN 0300208530 through 0300213163)                          |     |
| 2    | 1001193047  | AR  | Bearing, Thrust (SN 0300213164 through 0300244775)                          |     |
| 3    | 0641606     | 5   | Bolt 3/8 X 3/4  |     |
| 4    | 0681810     | 4   | Bolt 1/2 X 1-1/4 Grade 8  |     |
| 5    | 1683591     | 1   | Steer Cylinder Assembly (See CYLINDER SECTION for Breakdown)                |     |
| 6    | 2780241     | 1   | Hub - Spindle Assembly - RH (See SPINDLE - HUB ASSEMBLY - RH for Breakdown) |     |
| 7    | 3300426     | 18  | Nut 5/8   |     |
| 8    | 3312008     | 4   | Nut 5/8   |     |
| 9    | 3322202     | 2   | Nut   |     |
| 10   | 3323003     | 2   | Nut 1-1/4   |     |
| 11   | 3422692     | 2   | Kingpin   |     |
| 12   | 3450810     | 2   | Pin, Cotter   |     |
| 13   | 3841517     | 2   | End, Tie-Rod  |     |
| 14   | 3900109     | 3   | Screw, Shoulder   |     |
| 18   | 4740156     | 2   | Washer  |     |
| 19   | 4891800     | 4   | Washer 1/2  |     |
| 20   | 1001153021  | 1   | Link  |     |
| 21   | 1001161117  | 1   | Switch, Angle Sensor  |     |
| 21   | 4460536     | 1   | Receptacle, Female - 3 Position   |     |
| 21   | 4460464     | 3   | Pin, Male   |     |
| 22   | 1001169423  | 1   | Cover   |     |
| 23   | 1001180835  | 1   | Pin   |     |
| 24   | 1001180839  | 1   | Hub - Spindle Assembly - LH (See SPINDLE - HUB ASSEMBLY - LH for Breakdown) |     |
| 25   | 1001180841  | 1   | Link  |     |
| 27   | 1320041     | 1   | Clamp   |     |
| 28   | 1320263     | 1   | Clamp, Cable  |     |
| 29   | 2540038     | 1   | Grommet   |     |
| 31   | 3931408     | 4   | Capscrew 1/4 X 1/2  |     |
| 33   | 1001151395  | 1   | Shim 18Ga   |     |
| 34   | 1001151428  | 1   | Shim 20Ga   |     |
| 35   | 1001153749  | 1   | Clip, Connector   |     |
| 36   | 4240175     | 1   | Tie-Strap   |     |
| 37   | 4711400     | 1   | Washer 1/4  |     |
| 38   | 3311405     | 1   | Nut 1/4   |     |
| 39   | 3931416     | 1   | Capscrew 1/4 x 1  |     |

# SECTION 1 - FRAME

FIGURE 1-2. STEERING INSTALLATION - E400AJP / M400AJP (SN 0300244775 to Present)



ART\_1001232203

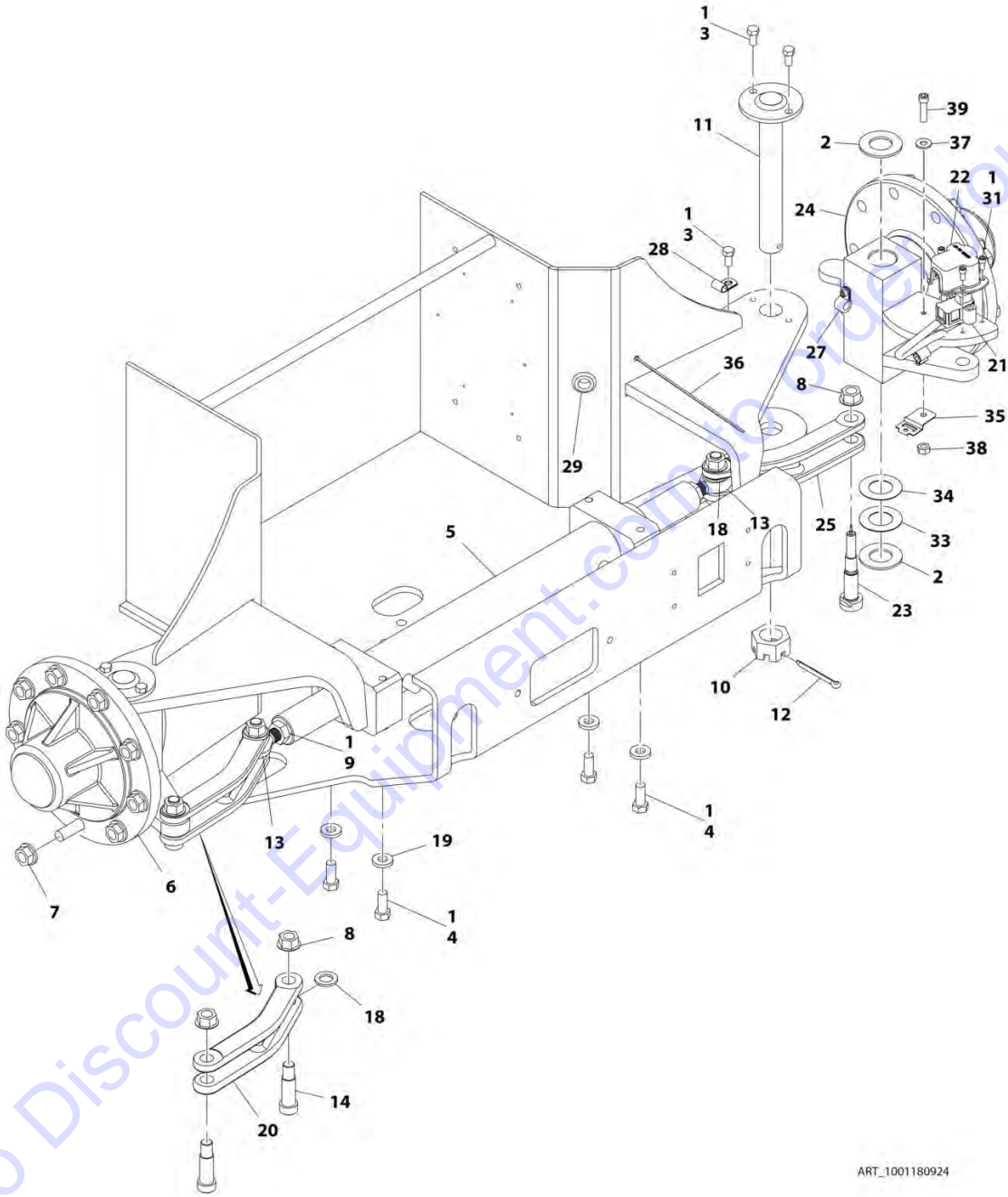
## SECTION 1 - FRAME

**FIGURE 1-2. STEERING INSTALLATION - E400AJP / M400AJP (SN 0300244775 to Present)**

| ITEM | PART NUMBER | QTY | DESCRIPTION   | REV |
|------|-------------|-----|---|-----|
|      | 1001232203  | Ref | STEERING INSTALLATION   | A   |
| 1    | 0100011     | AR  | Compound, Locking   |     |
| 2    | 0641606     | 5   | Bolt 3/8 X 3/4  |     |
| 3    | 0681810     | 4   | Bolt 1/2 X 1-1/4 Grade 8  |     |
| 4    | 1320041     | 1   | Clamp   |     |
| 5    | 1320263     | 1   | Clamp, Cable  |     |
| 6    | 1683591     | 1   | Steer Cylinder Assembly (See CYLINDER SECTION for Breakdown)                |     |
| 7    | 2540038     | 1   | Grommet   |     |
| 8    | 2780241     | 1   | Hub - Spindle Assembly - RH (See SPINDLE - HUB ASSEMBLY - RH for Breakdown) |     |
| 9    | 3300426     | 18  | Nut 5/8   |     |
| 10   | 3311405     | 1   | Nut 1/4   |     |
| 11   | 3312008     | 4   | Nut 5/8   |     |
| 12   | 3322202     | 2   | Nut   |     |
| 13   | 3323003     | 2   | Nut 1-1/4   |     |
| 14   | 3422692     | 2   | Kingpin   |     |
| 15   | 3450810     | 2   | Pin, Cotter   |     |
| 17   | 3841517     | 2   | End, Tie-Rod  |     |
| 18   | 3900109     | 3   | Screw, Shoulder   |     |
| 19   | 3931408     | 4   | Capscrew 1/4 X 1/2  |     |
| 20   | 3931416     | 1   | Capscrew 1/4 x 1  |     |
| 21   | 4240175     | 1   | Tie-Strap   |     |
| 22   | 4711400     | 1   | Washer 1/4  |     |
| 23   | 4740156     | 2   | Washer  |     |
| 24   | 4891800     | 4   | Washer 1/2  |     |
| 25   | 1001151395  | 1   | Shim 18Ga   |     |
| 26   | 1001151428  | 1   | Shim 20Ga   |     |
| 27   | 1001153021  | 1   | Link  |     |
| 28   | 1001153749  | 1   | Clip, Connector   |     |
| 29   | 1001161117  | 1   | Switch, Angle Sensor  |     |
| 29   | 4460536     | 1   | Receptacle, Female - 3 Position   |     |
| 29   | 4460464     | 3   | Pin, Male   |     |
| 30   | 1001169423  | 1   | Cover   |     |
| 31   | 1001180835  | 1   | Pin   |     |
| 32   | 1001180839  | 1   | Hub - Spindle Assembly - LH (See SPINDLE - HUB ASSEMBLY - LH for Breakdown) |     |
| 33   | 1001180841  | 1   | Link  |     |
| 34   | 1001193047  | 2   | Bearing, Thrust   |     |

# SECTION 1 - FRAME

FIGURE 1-3. STEERING INSTALLATION - E400AN / E400AJPN / M400AJPN (Prior to SN 0300244775)



ART\_1001180924



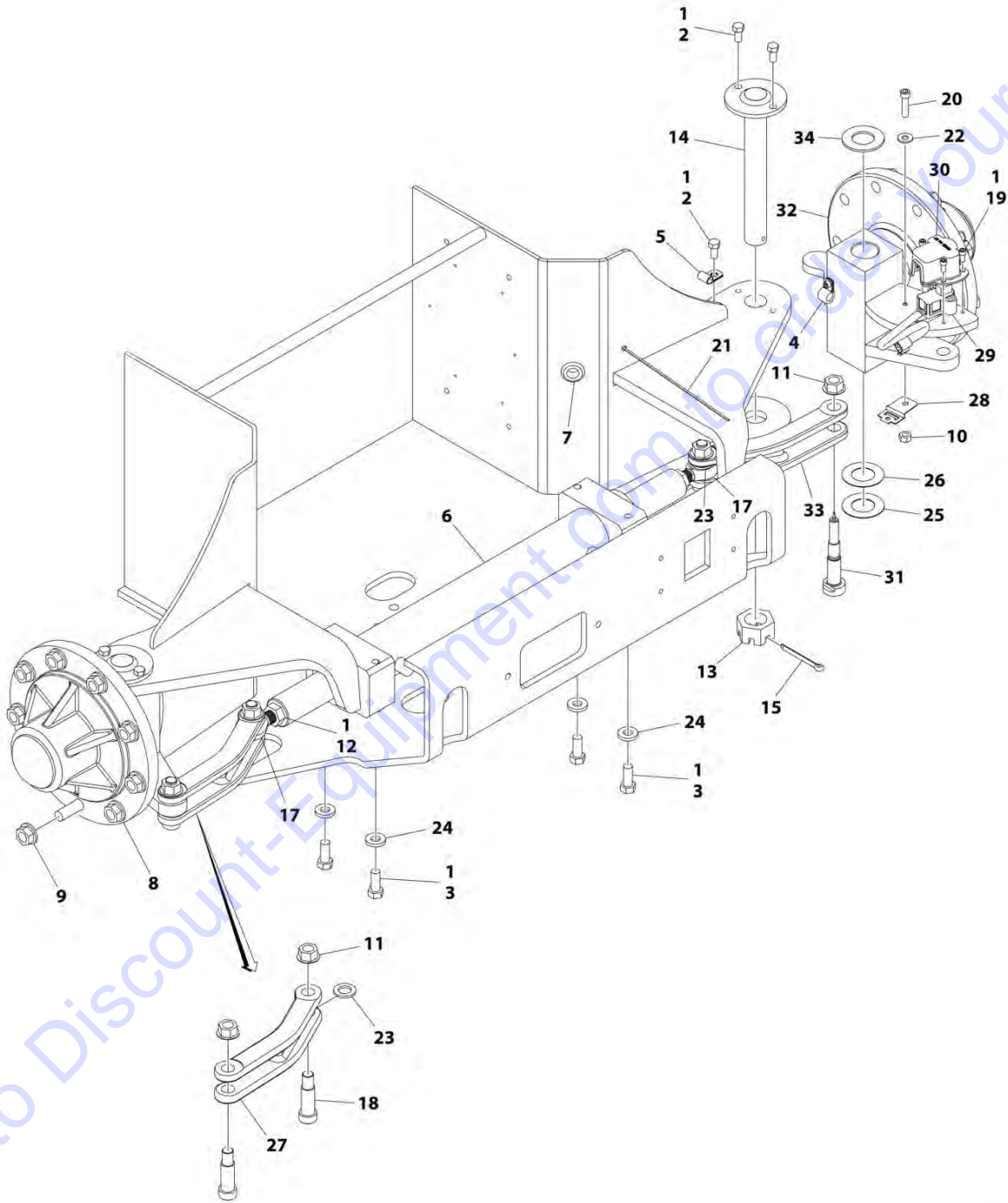
## SECTION 1 - FRAME

**FIGURE 1-3. STEERING INSTALLATION - E400AN / E400AJPN / M400AJPN (Prior to SN 0300244775)**

| ITEM | PART NUMBER | QTY | DESCRIPTION  | REV |
|------|-------------|-----|--|-----|
|      | 1001180924  | Ref | STEERING INSTALLATION - E400An, E400AJPN and M400AJPN<br><b>(Prior to SN 0300244775)</b> | G   |
| 1    | 0100011     | AR  | Compound, Locking  |     |
| 2    | 0440162     | 4   | Bearing, Thrust <b>(SN 0300208530 through 0300213163)</b>                                |     |
| 2    | 1001193047  | AR  | Bearing, Thrust <b>(SN 0300213164 through 0300244775)</b>                                |     |
| 3    | 0641606     | 5   | Bolt 3/8 X 3/4   |     |
| 4    | 0681810     | 4   | Bolt 1/2 X 1-1/4 Grade 8   |     |
| 5    | 1683591     | 1   | Steer Cylinder Assembly (See CYLINDER SECTION for Breakdown)                             |     |
| 6    | 2780251     | 1   | Hub - Spindle Assembly - RH (See SPINDLE - HUB ASSEMBLY - RH for Breakdown)              |     |
| 7    | 3300426     | 18  | Nut 5/8  |     |
| 8    | 3312008     | 4   | Nut 5/8  |     |
| 9    | 3322202     | 2   | Nut  |     |
| 10   | 3323003     | 2   | Nut 1-1/4  |     |
| 11   | 3422692     | 2   | Kingpin  |     |
| 12   | 3450810     | 2   | Pin, Cotter  |     |
| 13   | 3841517     | 2   | End, Tie-Rod   |     |
| 14   | 3900109     | 3   | Screw, Shoulder  |     |
| 18   | 4740156     | 2   | Washer   |     |
| 19   | 4891800     | 4   | Washer 1/2   |     |
| 20   | 1001153023  | 1   | Link   |     |
| 21   | 1001161117  | 1   | Switch, Angle Sensor   |     |
| 21   | 4460536     | 1   | Receptacle, Female - 3 Position  |     |
| 21   | 4460464     | 3   | Pin, Male  |     |
| 22   | 1001169423  | 1   | Cover  |     |
| 23   | 1001180835  | 1   | Pin  |     |
| 24   | 1001180838  | 1   | Hub - Spindle Assembly - LH (See SPINDLE - HUB ASSEMBLY - LH for Breakdown)              |     |
| 25   | 1001180840  | 1   | Link   |     |
| 27   | 1320041     | 1   | Clamp  |     |
| 28   | 1320263     | 1   | Clamp, Cable   |     |
| 29   | 2540038     | 1   | Grommet  |     |
| 31   | 3931408     | 4   | Capscrew 1/4 X 1/2   |     |
| 33   | 1001151395  | 1   | Shim 18Ga  |     |
| 34   | 1001151428  | 1   | Shim 20Ga  |     |
| 35   | 1001153749  | 1   | Clip, Connector  |     |
| 36   | 4240175     | 1   | Tie-Strap  |     |
| 37   | 4711400     | 1   | Washer 1/4   |     |
| 38   | 3311405     | 1   | Nut 1/4  |     |
| 39   | 3931416     | 1   | Capscrew 1/4 x 1   |     |

# SECTION 1 - FRAME

FIGURE 1-4. STEERING INSTALLATION - E400AN / E400AJPN / M400AJPN (SN 0300244775 to Present)



ART\_1001232204

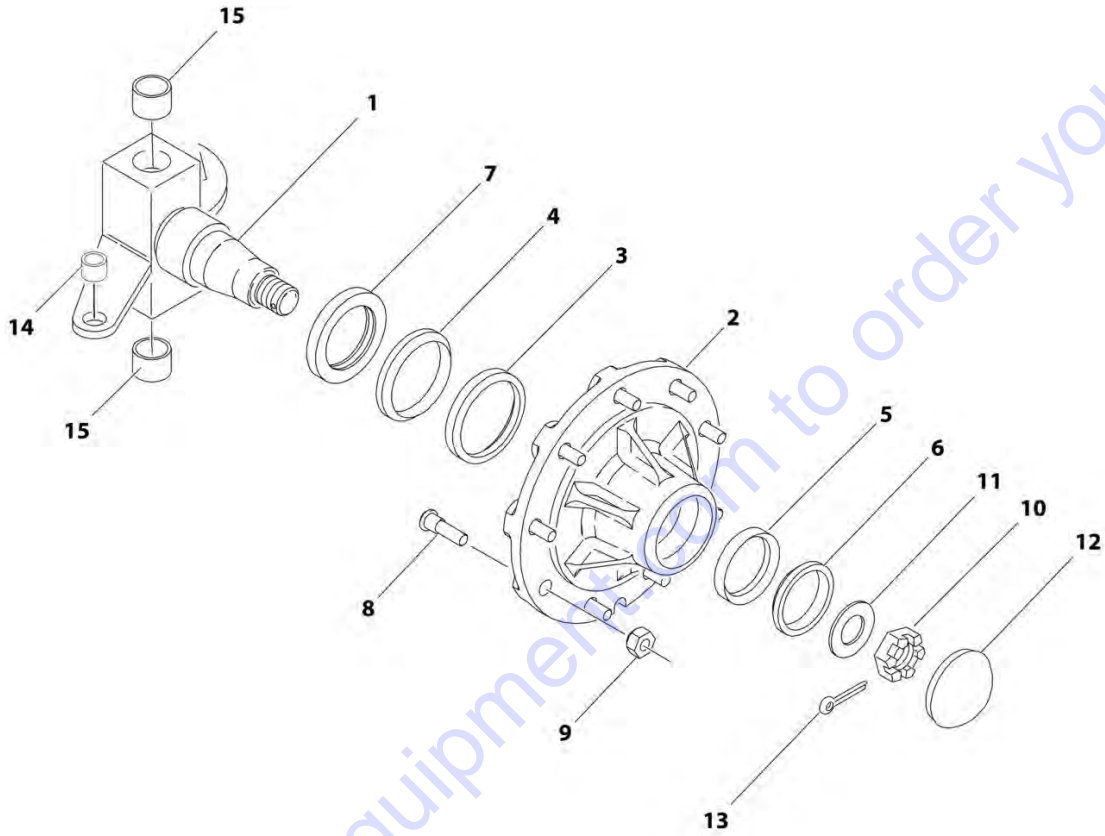
## SECTION 1 - FRAME

**FIGURE 1-4. STEERING INSTALLATION - E400AN / E400AJPN / M400AJPN (SN 0300244775 to Present)**

| ITEM | PART NUMBER | QTY | DESCRIPTION  | REV |
|------|-------------|-----|--|-----|
|      | 1001232204  | Ref | STEERING INSTALLATION - E400An, E400AJPN and M400AJPN<br><b>(SN 0300244775 to Present)</b> | A   |
| 1    | 0100011     | AR  | Compound, Locking  |     |
| 2    | 0641606     | 5   | Bolt 3/8 X 3/4   |     |
| 3    | 0681810     | 4   | Bolt 1/2 X 1-1/4 Grade 8   |     |
| 4    | 1320041     | 1   | Clamp  |     |
| 5    | 1320263     | 1   | Clamp, Cable   |     |
| 6    | 1683591     | 1   | Steer Cylinder Assembly (See CYLINDER SECTION for Breakdown)                               |     |
| 7    | 2540038     | 1   | Grommet  |     |
| 8    | 2780251     | 1   | Hub - Spindle Assembly - RH (See SPINDLE - HUB ASSEMBLY - RH for Breakdown)                |     |
| 9    | 3300426     | 18  | Nut 5/8  |     |
| 10   | 3311405     | 1   | Nut 1/4  |     |
| 11   | 3312008     | 4   | Nut 5/8  |     |
| 12   | 3322202     | 2   | Nut  |     |
| 13   | 3323003     | 2   | Nut 1-1/4  |     |
| 14   | 3422692     | 2   | Kingpin  |     |
| 15   | 3450810     | 2   | Pin, Cotter  |     |
| 17   | 3841517     | 2   | End, Tie-Rod   |     |
| 18   | 3900109     | 3   | Screw, Shoulder  |     |
| 19   | 3931408     | 4   | Capscrew 1/4 X 1/2   |     |
| 20   | 3931416     | 1   | Capscrew 1/4 x 1   |     |
| 21   | 4240175     | 1   | Tie-Strap  |     |
| 22   | 4711400     | 1   | Washer 1/4   |     |
| 23   | 4740156     | 2   | Washer   |     |
| 24   | 4891800     | 4   | Washer 1/2   |     |
| 25   | 1001151395  | 1   | Shim 18Ga  |     |
| 26   | 1001151428  | 1   | Shim 20Ga  |     |
| 27   | 1001153023  | 1   | Link   |     |
| 28   | 1001153749  | 1   | Clip, Connector  |     |
| 29   | 1001161117  | 1   | Switch, Angle Sensor   |     |
| 29   | 4460536     | 1   | Receptacle, Female - 3 Position  |     |
| 29   | 4460464     | 3   | Pin, Male  |     |
| 30   | 1001169423  | 1   | Cover  |     |
| 31   | 1001180835  | 1   | Pin  |     |
| 32   | 1001180838  | 1   | Hub - Spindle Assembly - LH (See SPINDLE - HUB ASSEMBLY - LH for Breakdown)                |     |
| 33   | 1001180840  | 1   | Link   |     |
| 34   | 1001193047  | 2   | Bearing, Thrust  |     |

# SECTION 1 - FRAME

FIGURE 1-5. HUB - SPINDLE ASSEMBLY - RH - E400AJP/M400AJP



ART. 2780241

## SECTION 1 - FRAME

**FIGURE 1-5. HUB - SPINDLE ASSEMBLY - RH - E400AJP/M400AJP**

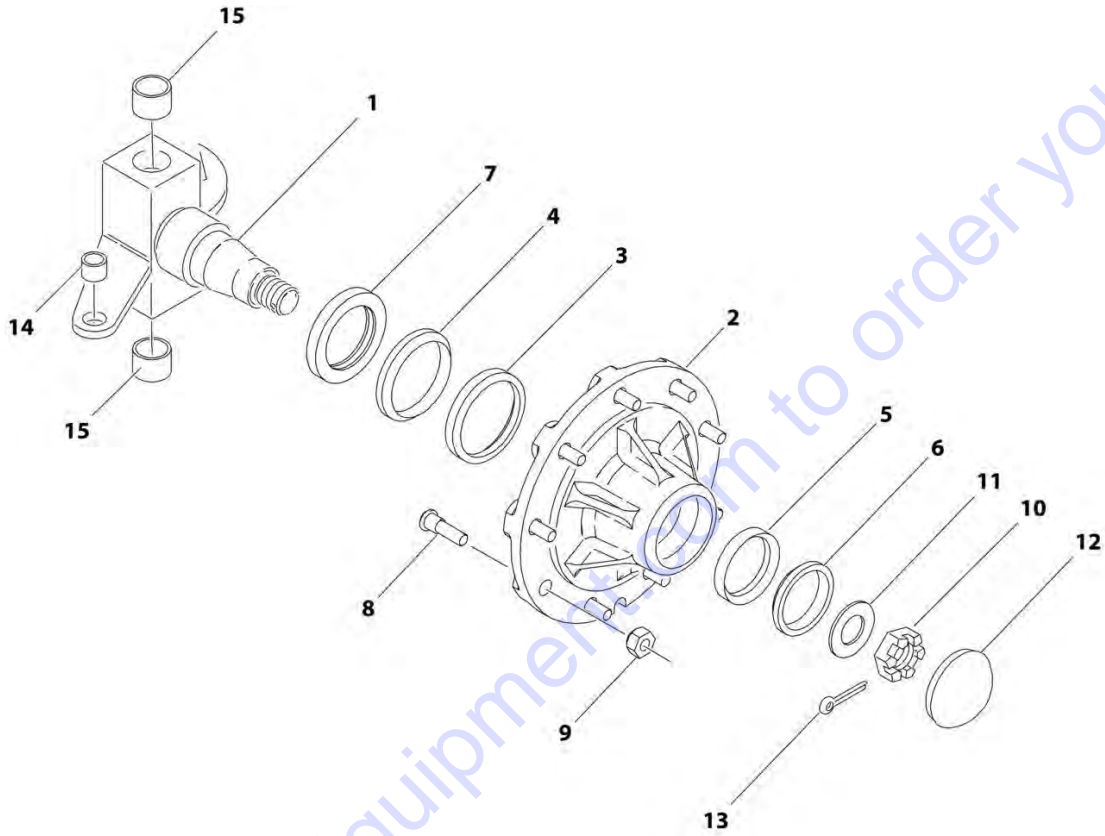
| ITEM | PART NUMBER | QTY | DESCRIPTION                | REV |
|------|-------------|-----|----------------------------|-----|
|      | 2780241     | Ref | HUB - SPINDLE ASSEMBLY, RH | C   |
| 1    | 4130351     | 1   | Spindle R.H .              |     |
| 2    | 7020035     | 1   | Hub                        |     |
| 3    | 7020036     | 1   | Cup, Bearing - Inner       |     |
| 4    | 7020037     | 1   | Cone, Bearing - Inner      |     |
| 5    | 7020038     | 1   | Cup, Bearing - Outer       |     |
| 6    | 7020039     | 1   | Cone, Bearing - Outer      |     |
| 7    | 7020040     | 1   | Seal                       |     |
| 8    | 7020041     | 9   | Stud, Wheel                |     |
| 9    | 7020042     | 9   | Lugnut                     |     |
| 10   | 7020054     | 1   | Nut, Castle                |     |
| 11   | 7020055     | 1   | Washer, Spindle            |     |
| 12   | 7020137     | 1   | Dust Cap                   |     |
| 13   | 7020140     | 1   | Pin, Cotter                |     |
| 14   | 0962140     | 1   | Bushing                    |     |
| 15   | 0961951     | 2   | Bushing                    |     |

Go to Discount-Equipment.com to order your parts



# SECTION 1 - FRAME

FIGURE 1-6. HUB - SPINDLE ASSEMBLY - RH - E400AN/E400AJPN/M400AJPN



ART. 2780251

## SECTION 1 - FRAME

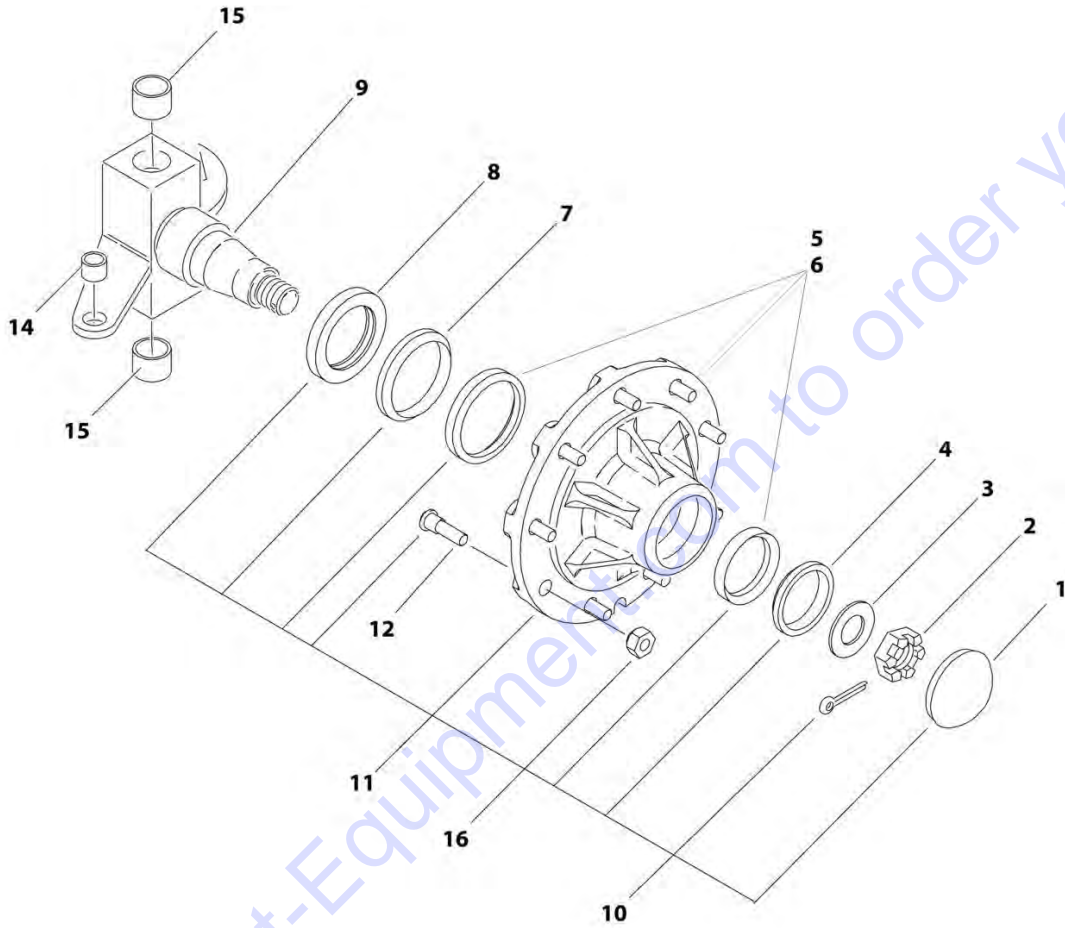
**FIGURE 1-6. HUB - SPINDLE ASSEMBLY - RH - E400AN/E400AJPN/M400AJPN**

| ITEM | PART NUMBER | QTY | DESCRIPTION                | REV |
|------|-------------|-----|----------------------------|-----|
|      | 2780251     | Ref | HUB - SPINDLE ASSEMBLY, RH | C   |
| 1    | 7023217     | 1   | Spindle, R.H.              |     |
| 2    | 7020035     | 1   | Hub                        |     |
| 3    | 7020036     | 1   | Cup, Bearing - Inner       |     |
| 4    | 7020037     | 1   | Cone, Bearing - Inner      |     |
| 5    | 7020038     | 1   | Cup, Bearing - Outer       |     |
| 6    | 7020039     | 1   | Cone, Bearing - Outer      |     |
| 7    | 7020040     | 1   | Seal                       |     |
| 8    | 7020041     | 9   | Stud, Wheel                |     |
| 9    | 7020042     | 9   | Lugnut                     |     |
| 10   | 7020054     | 1   | Nut, Castle                |     |
| 11   | 7020055     | 1   | Washer, Spindle            |     |
| 12   | 7020137     | 1   | Dust Cap                   |     |
| 13   | 7020140     | 1   | Pin, Cotter                |     |
| 14   | 0962140     | 1   | Bushing                    |     |
| 15   | 0961951     | 2   | Bushing                    |     |

Go to Discount-Equipment.com to order your parts

# SECTION 1 - FRAME

FIGURE 1-7. HUB - SPINDLE ASSEMBLY - LH - E400AJP/M400AJP



ART 1001180839

## SECTION 1 - FRAME

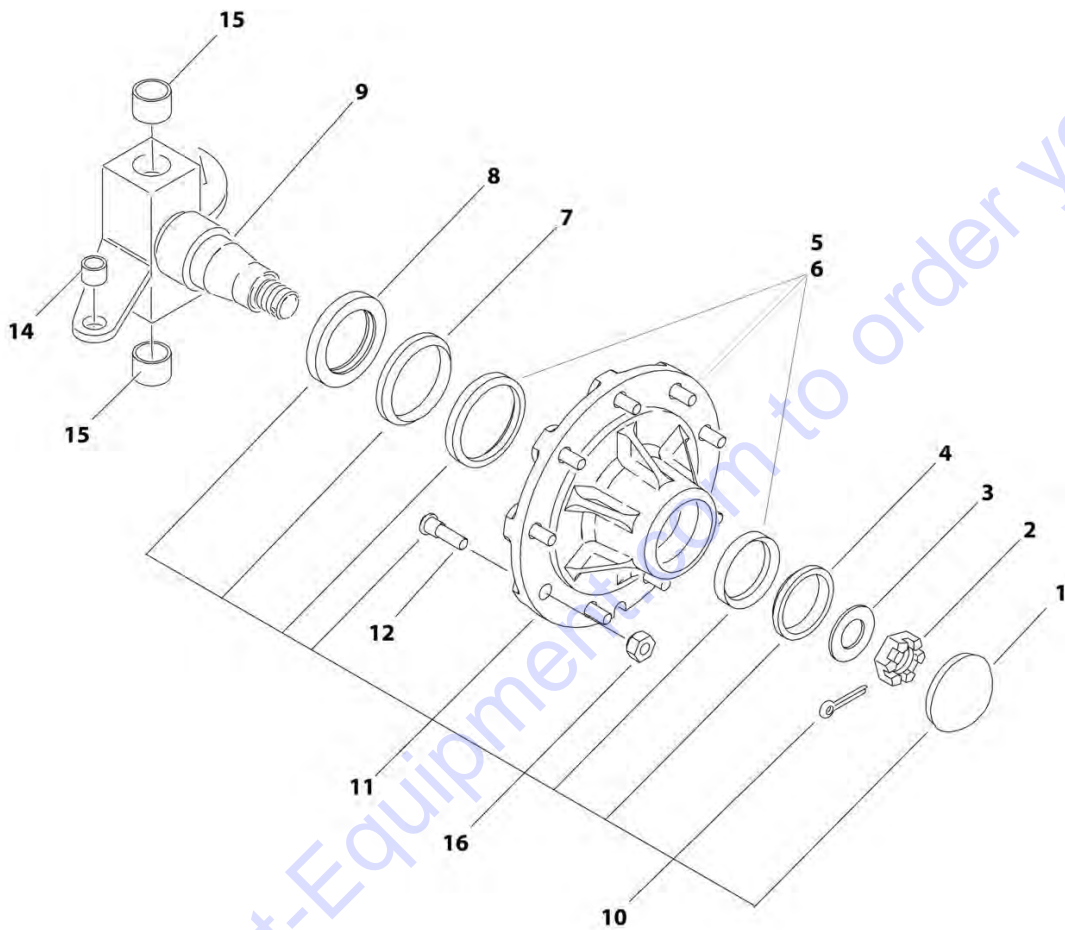
**FIGURE 1-7. HUB - SPINDLE ASSEMBLY - LH - E400AJP/M400AJP**

| ITEM | PART NUMBER | QTY | DESCRIPTION                                       | REV |
|------|-------------|-----|---|-----|
|      | 1001180839  | Ref | HUB - SPINDLE ASSEMBLY - LH - E400AJP AND M400AJP | B   |
| 1    | 7020137     | 1   | Dust Cap  |     |
| 2    | 7020054     | 1   | Nut, Castle                                       |     |
| 3    | 7020055     | 1   | Washer, Spindle                                   |     |
| 4    | 7020039     | 1   | Cone, Bearing - Outer                             |     |
| 5    | See Note    | NLA | Hub (Note: Use Item 11)                           |     |
| 6    | See Note    | 1   | Grease, Lithium (Note: Purchase Locally)          |     |
| 7    | 7020037     | 1   | Cone, Bearing - Inner                             |     |
| 8    | 7020040     | 1   | Seal  |     |
| 9    | 70005216    | 1   | Spindle   |     |
| 10   | 7020140     | 1   | Pin, Cotter                                       |     |
| 11   | 70005215    | 1   | Hub Assembly (Includes Items 1,4,5,7,8 & 12))     |     |
| 12   | 0630490     | 9   | Stud, Wheel                                       |     |
| 14   | 0962140     | 1   | Bearing   |     |
| 15   | 0961951     | 2   | Bearing   |     |
| 16   | 3300426     | 9   | Lugnut (Note: Must be Purchased Separately)       |     |

Go to Discount-Equipment.com to order your parts

# SECTION 1 - FRAME

FIGURE 1-8. HUB - SPINDLE ASSEMBLY - LH - E400AN/E400AJPN/M400AJPN



ART\_1001180838

## SECTION 1 - FRAME

**FIGURE 1-8. HUB - SPINDLE ASSEMBLY - LH - E400AN/E400AJPN/M400AJPN**

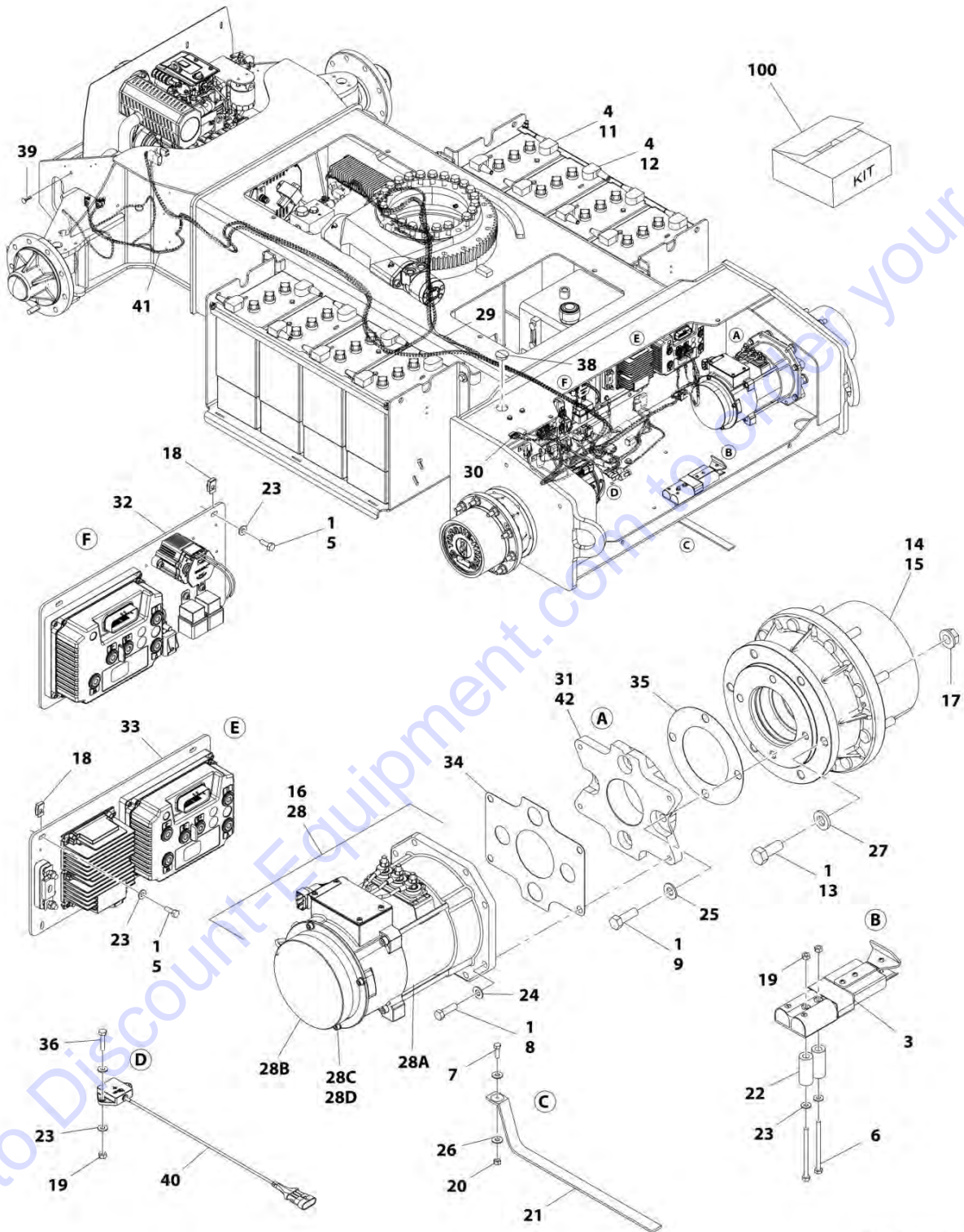
| ITEM | PART NUMBER | QTY | DESCRIPTION                                   | REV |
|------|-------------|-----|---|-----|
|      | 1001180838  | Ref | SPINDLE,HUB                                   | B   |
| 1    | 7020137     | 1   | Dust Cap                                      |     |
| 2    | 7020054     | 1   | Nut, Castle                                   |     |
| 3    | 7020055     | 1   | Washer, Spindle                               |     |
| 4    | 7020039     | 1   | Cone, Bearing - Outer                         |     |
| 5    | See Note    | NLA | Hub (Note: Use Item 11)                       |     |
| 6    | See Note    | 1   | Grease, Lithium (Note: Purchase Locally)      |     |
| 7    | 7020037     | 1   | Cone, Bearing - Inner                         |     |
| 8    | 7020040     | 1   | Seal  |     |
| 9    | 70005214    | 1   | Spindle                                       |     |
| 10   | 7020140     | 1   | Pin, Cotter                                   |     |
| 11   | 70005215    | 1   | Hub Assembly (Includes Items 1,4,5,7,8 & 12)) |     |
| 12   | 0630490     | 9   | Stud, Wheel                                   |     |
| 14   | 0962140     | 1   | Bearing                                       |     |
| 15   | 0961951     | 2   | Bearing                                       |     |
| 16   | 3300426     | 9   | Lugnut (Note: Must be Purchased Separately)   |     |

Go to Discount-Equipment.com to order your parts



# SECTION 1 - FRAME

## FIGURE 1-9. DRIVE INSTALLATION - E400AN, E400AJP AND E400AJPN



ART\_1001179134

## SECTION 1 - FRAME

**FIGURE 1-9. DRIVE INSTALLATION - E400An, E400AJP AND E400AJPN**

| ITEM | PART NUMBER | QTY   | DESCRIPTION   | REV |
|------|-------------|-------|---|-----|
|      | 1001179134  | Ref   | DRIVE INSTALLATION - E400An, E400AJP AND E400AJPN                                 | I   |
| 1    | 0100011     | AR    | Compound, Locking   |     |
| 3    | 0100048     | AR    | Compound, Silicone  |     |
| 4    | 0100051     | AR    | Grease, Battery Terminal  |     |
| 5    | 0641406     | 8     | Bolt 1/4 X 3/4  |     |
| 6    | 0641430     | 2     | Bolt 1/4 X 3-3/4  |     |
| 7    | 0641508     | 1     | Bolt 5/16 X 1   |     |
| 8    | 0641610     | 8     | Bolt 3/8 X 1-1/4  |     |
| 9    | 0641812     | 8     | Bolt 1/2 X 1-1/2  |     |
| 11   | 0840031     | 8     | Boot, Terminal - "d" Shaped   |     |
| 12   | 0840032     | 8     | Boot, Terminal - "b" Shaped   |     |
| 13   | 0682014     | 12    | Bolt 5/8 X 1-3/4 Grade 8  |     |
| 14   | 2780282     | 2     | Drive Hub Assembly (See DRIVE HUB ASSEMBLY for Breakdown)                         |     |
| 15   | 3020008     | 1.5 l | Lubricant, Gear - 80W-90  |     |
| 16   | 3020037     | AR    | Lube, Coupling Grease   |     |
| 17   | 3300426     | 18    | Nut 5/8   |     |
| 18   | 3300454     | 8     | Nut 1/4   |     |
| 19   | 3311401     | 4     | Nut 1/4   |     |
| 20   | 3311505     | 1     | Nut 5/16  |     |
| 21   | 4240084     | 1     | Strap, Anti-Static  |     |
| 22   | 4568114     | 2     | Tube, Spacer  |     |
| 23   | 4711400     | 14    | Washer 1/4  |     |
| 24   | 4711600     | 8     | Washer 3/8  |     |
| 25   | 4711800     | 8     | Washer 1/2  |     |
| 26   | 4751500     | 2     | Washer 5/16   |     |
| 27   | 4892000     | 12    | Washer 5/8  |     |
| 28   | 1001184854  | 2     | Drive Motor and Brake Assembly  |     |
| 28A  | 1001182550  | 2     | Drive Motor Assembly (See DRIVE MOTOR ASSEMBLY for Breakdown)                     |     |
| 28B  | 1001184852  | 2     | Drive Brake Assembly  |     |
| 28B  | 70005415    | 2     | O-Ring Between Brake and Motor (1 Per Assembly) (Not Shown)                       |     |
| 28C  | 4031707     | 8     | Capscrew M6 x 16  |     |
| 28D  | 1001109892  | 8     | Washer M6   |     |
| 29   | 1001178405  | 1     | Chassis to Turntable Harness (See ELECTRICAL SECTION for Breakdown)               |     |
| 30   | 1001178629  | 1     | Traction Harness (See ELECTRICAL SECTION for Breakdown)                           |     |
| 31   | 1001178921  | NLA   | Adapter, Motor (Use p/n 1001219722) <b>(SN 0300208530 through 0300226306)</b>     |     |
| 31   | 1001219722  | 2     | Adapter, Motor <b>(SN 0300226307 to Present)</b>                                  |     |
| 32   | 1001179060  | 1     | Electrical Plate Assembly - LH (See ELECTRICAL PLATE ASSEMBLY - LH for Breakdown) |     |
| 33   | 1001179061  | 1     | Electrical Plate Assembly - RH (See ELECTRICAL PLATE ASSEMBLY - RH for Breakdown) |     |
| 34   | 1001182959  | NLA   | Seal (Use p/n 1001220271) <b>(SN 0300208530 through 0300226306)</b>               |     |
| 34   | 1001220271  | 2     | Seal <b>(SN 0300226307 to Present)</b>  |     |
| 35   | 1001182960  | 2     | Seal  |     |
| 36   | 0641408     | 2     | Bolt 1/4-20 x 1   |     |
| 38   | 3520035     | 1     | Cap-Plug  |     |

## SECTION 1 - FRAME

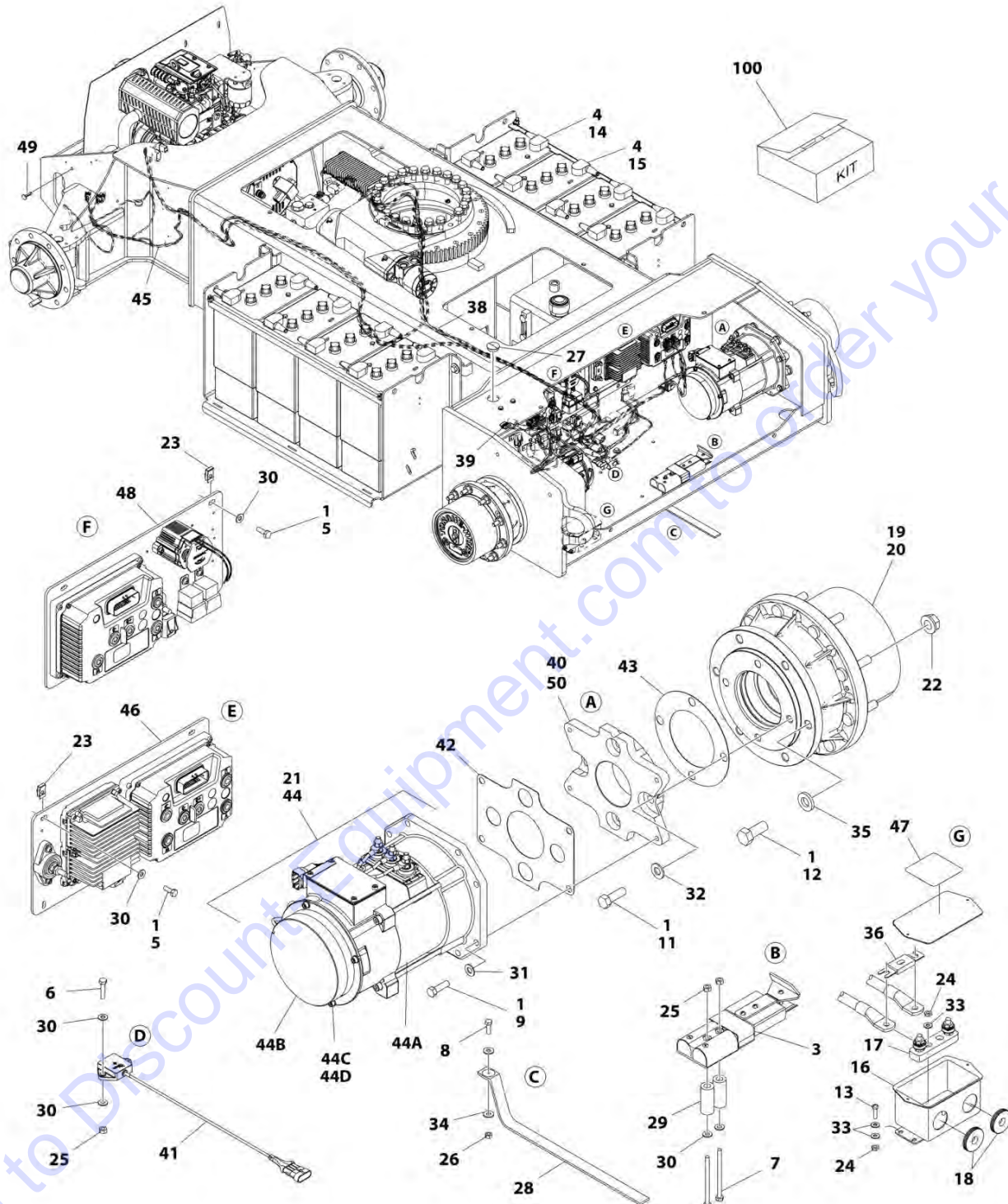
| ITEM | PART NUMBER | QTY | DESCRIPTION  | REV |
|------|-------------|-----|--|-----|
| 39   | 4240175     | 1   | Tie-Strap Clamp <b>(SN 0300214530 to Present)</b>                  |     |
| 40   | 1001181325  | NLA | Sensor (Use p/n 1001219601) <b>(Prior to SN 0300243633)</b>        |     |
| 40   | 1001219601  | 1   | Sensor <b>(SN 0300243633 to Present)</b>                           |     |
| 40   | See Note    | 1   | Receptacle, Female - 4 Position (Note: Not Available for Purchase) |     |
| 40   | 1001196589  | 4   | Terminal   |     |
| 41   | 1001188528  | 1   | Steer/Brake Harness (See ELECTRICAL SECTION for Breakdown)         |     |
| 42   | 0100020     | AR  | Sealant <b>(SN 0300226307 to Present)</b>                          |     |
| 100  | 1001190088  | 1   | Battery Cable Kit (See ELECTRICAL SECTION for Breakdown)           |     |

Go to Discount-Equipment.com to order your parts



# SECTION 1 - FRAME

## FIGURE 1-10. DRIVE INSTALLATION - E400AN, E400AJP AND E400AJPN - UL SPECS



ART\_1001212453



## SECTION 1 - FRAME

**FIGURE 1-10. DRIVE INSTALLATION - E400AN, E400AJP AND E400AJPN - UL SPECS**

| ITEM | PART NUMBER | QTY   | DESCRIPTION   | REV |
|------|-------------|-------|---|-----|
|      | 1001212453  | Ref   | DRIVE INSTALLATION - E400An, E400AJP AND E400AJPN - UL SPECS        | D   |
| 1    | 0100011     | AR    | Compound, Locking   |     |
| 3    | 0100048     | AR    | Compound, Silicone  |     |
| 4    | 0100051     | AR    | Grease, Battery Terminal  |     |
| 5    | 0641406     | 8     | Bolt 1/4 X 3/4  |     |
| 6    | 0641408     | 2     | Bolt 1/4 X 1  |     |
| 7    | 0641430     | 2     | Bolt 1/4 X 3-3/4  |     |
| 8    | 0641508     | 1     | Bolt 5/16 X 1   |     |
| 9    | 0641610     | 8     | Bolt 3/8 X 1-1/4  |     |
| 11   | 0641812     | 8     | Bolt 1/2 X 1-1/2  |     |
| 12   | 0682014     | 12    | Bolt 5/8 X 1-3/4 Grade 8  |     |
| 13   | 0721006     | 4     | Screw #10 x 3/4   |     |
| 14   | 0840031     | 8     | Boot, Terminal - "d" Shaped   |     |
| 15   | 0840032     | 8     | Boot, Terminal - "b" Shaped   |     |
| 16   | 0861375     | 1     | Cover   |     |
| 17   | 2400044     | 1     | Block, Fuse   |     |
| 18   | 2540037     | 2     | Grommet   |     |
| 19   | 2780282     | 2     | Drive Hub Assembly (See DRIVE HUB ASSEMBLY for Breakdown)           |     |
| 20   | 3020008     | 1.5 l | Lubricant, Gear - 80W-90  |     |
| 21   | 3020037     | AR    | Lube, Coupling Grease   |     |
| 22   | 3300426     | 18    | Nut 5/8   |     |
| 23   | 3300454     | 8     | Nut 1/4   |     |
| 24   | 3311001     | 6     | Nut #10   |     |
| 25   | 3311401     | 4     | Nut 1/4   |     |
| 26   | 3311505     | 1     | Nut 5/16  |     |
| 27   | 3520035     | 1     | Cap-Plug  |     |
| 28   | 4240084     | 1     | Strap, Anti-Static  |     |
| 29   | 4568114     | 2     | Tube, Spacer  |     |
| 30   | 4711400     | 14    | Washer 1/4  |     |
| 31   | 4711600     | 8     | Washer 3/8  |     |
| 32   | 4711800     | 8     | Washer 1/2  |     |
| 33   | 4751000     | 10    | Washer #10  |     |
| 34   | 4751500     | 2     | Washer 5/16   |     |
| 35   | 4892000     | 12    | Washer 5/8  |     |
| 36   | 1001170365  | 1     | Fuse 400 Amp  |     |
| 38   | 1001178405  | 1     | Chassis to Turntable Harness (See ELECTRICAL SECTION for Breakdown) |     |
| 39   | 1001178629  | 1     | Traction Harness (See ELECTRICAL SECTION for Breakdown)             |     |
| 40   | 1001219722  | 2     | Adapter, Motor  |     |
| 41   | 1001181325  | 1     | Sensor  |     |
| 42   | 1001220271  | 2     | Seal  |     |
| 43   | 1001182960  | 3     | Seal  |     |
| 44   | 1001184854  | 2     | Drive Motor and Brake Assembly                                      |     |
| 44A  | 1001182550  | 2     | Drive Motor Assembly (See DRIVE MOTOR ASSEMBLY for Breakdown)       |     |
| 44B  | 1001184852  | 2     | Drive Brake Assembly  |     |
| 44B  | 70005415    | 2     | O-Ring Between Brake and Motor (1 Per Assembly) (Not Shown)         |     |
| 44C  | 4031707     | 8     | Capscrew M6 x 16  |     |

## SECTION 1 - FRAME

| ITEM | PART NUMBER | QTY | DESCRIPTION  | REV |
|------|-------------|-----|--|-----|
| 44D  | 1001109892  | 8   | Washer M6  |     |
| 45   | 1001188528  | 1   | Steer/Brake Harness (See ELECTRICAL SECTION for Breakdown)                                   |     |
| 46   | 1001212456  | 1   | Electrical Plate Assembly - RH (See ELECTRICAL PLATE ASSEMBLY - RH - UL SPECS for Breakdown) |     |
| 47   | 1001213626  | 1   | Decal - 400 Amp Fuse   |     |
| 48   | 1001214668  | 1   | Electrical Plate Assembly - LH (See ELECTRICAL PLATE ASSEMBLY - LH - UL SPECS for Breakdown) |     |
| 49   | 4240175     | 1   | Tie-Strap Clamp  |     |
| 50   | 0100020     | AR  | Sealant  |     |
| 100  | 1001212454  | 1   | Battery Cable Kit (See ELECTRICAL SECTION for Breakdown)                                     |     |

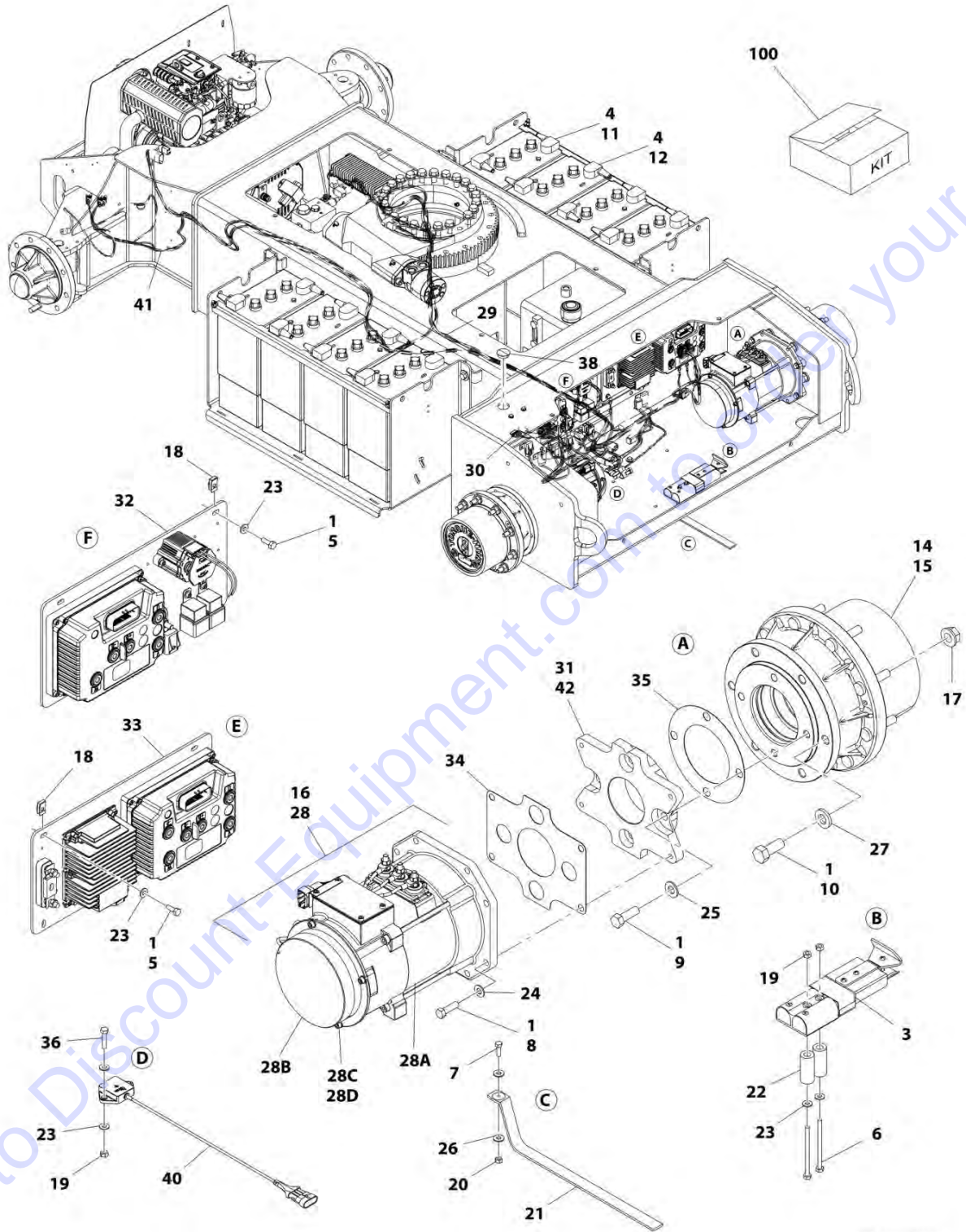
Go to Discount-Equipment.com to order your parts





# SECTION 1 - FRAME

## FIGURE 1-11. DRIVE INSTALLATION - M400AJP AND M400AJPN



ART\_1001179136

## SECTION 1 - FRAME

**FIGURE 1-11. DRIVE INSTALLATION - M400AJP AND M400AJPn**

| ITEM | PART NUMBER | QTY   | DESCRIPTION   | REV |
|------|-------------|-------|---|-----|
|      | 1001179136  | Ref   | DRIVE INSTALLATION - M400AJP AND M400AJPn   | I   |
| 1    | 0100011     | AR    | Compound, Locking   |     |
| 3    | 0100048     | AR    | Compound, Silicone  |     |
| 4    | 0100051     | AR    | Grease, Battery Terminal  |     |
| 5    | 0641406     | 8     | Bolt 1/4 X 3/4  |     |
| 6    | 0641430     | 2     | Bolt 1/4 X 3-3/4  |     |
| 7    | 0641508     | 1     | Bolt 5/16 X 1   |     |
| 8    | 0641610     | 8     | Bolt 3/8 X 1-1/4  |     |
| 9    | 0641812     | 8     | Bolt 1/2 X 1-1/2  |     |
| 10   | 0682014     | 12    | Bolt 5/8 X 1-3/4 Grade 8  |     |
| 11   | 0840031     | 8     | Boot, Terminal - "d" Shaped   |     |
| 12   | 0840032     | 8     | Boot, Terminal - "b" Shaped   |     |
| 14   | 2780282     | 2     | Drive Hub Assembly (See DRIVE HUB ASSEMBLY for Breakdown)                         |     |
| 15   | 3020008     | 1.5 l | Lubricant, Gear - 80W-90  |     |
| 16   | 3020037     | AR    | Lube, Coupling Grease   |     |
| 17   | 3300426     | 18    | Nut 5/8   |     |
| 18   | 3300454     | 8     | Nut 1/4   |     |
| 19   | 3311401     | 4     | Nut 1/4   |     |
| 20   | 3311505     | 1     | Nut 5/16  |     |
| 21   | 4240084     | 1     | Strap, Anti-Static  |     |
| 22   | 4568114     | 2     | Tube, Spacer  |     |
| 23   | 4711400     | 14    | Washer 1/4  |     |
| 24   | 4711600     | 8     | Washer 3/8  |     |
| 25   | 4711800     | 8     | Washer 1/2  |     |
| 26   | 4751500     | 2     | Washer 5/16   |     |
| 27   | 4892000     | 12    | Washer 5/8  |     |
| 28   | 1001184854  | 2     | Drive Motor and Brake Assembly  |     |
| 28A  | 1001182550  | 2     | Drive Motor Assembly (See DRIVE MOTOR ASSEMBLY for Breakdown)                     |     |
| 28B  | 1001184852  | 2     | Drive Brake Assembly  |     |
| 28B  | 70005415    | 2     | O-Ring Between Brake and Motor (1 Per Assembly) (Not Shown)                       |     |
| 28C  | 4031707     | 8     | Capscrew M6 x 16  |     |
| 28D  | 1001109892  | 8     | Washer M6   |     |
| 29   | 1001178405  | 1     | Chassis to Turntable Harness (See ELECTRICAL SECTION for Breakdown)               |     |
| 30   | 1001178629  | 1     | Traction Harness (See ELECTRICAL SECTION for Breakdown)                           |     |
| 31   | 1001178921  | NLA   | Adapter, Motor (Use p/n 1001219722) <b>(SN 0300208530 through 0300226306)</b>     |     |
| 31   | 1001219722  | 2     | Adapter, Motor <b>(SN 0300226307 to Present)</b>                                  |     |
| 32   | 1001179060  | 1     | Electrical Plate Assembly - LH (See ELECTRICAL PLATE ASSEMBLY - LH for Breakdown) |     |
| 33   | 1001179061  | 1     | Electrical Plate Assembly - RH (See ELECTRICAL PLATE ASSEMBLY - RH for Breakdown) |     |
| 34   | 1001182959  | NLA   | Seal (Use p/n 1001220271) <b>(SN 0300208530 through 0300226306)</b>               |     |
| 34   | 1001220271  | 2     | Seal <b>(SN 0300226307 to Present)</b>  |     |
| 35   | 1001182960  | 2     | Seal  |     |
| 36   | 0641408     | 2     | Bolt 1/4-20 X 1   |     |
| 38   | 3520035     | 1     | Cap-Plug  |     |

## SECTION 1 - FRAME

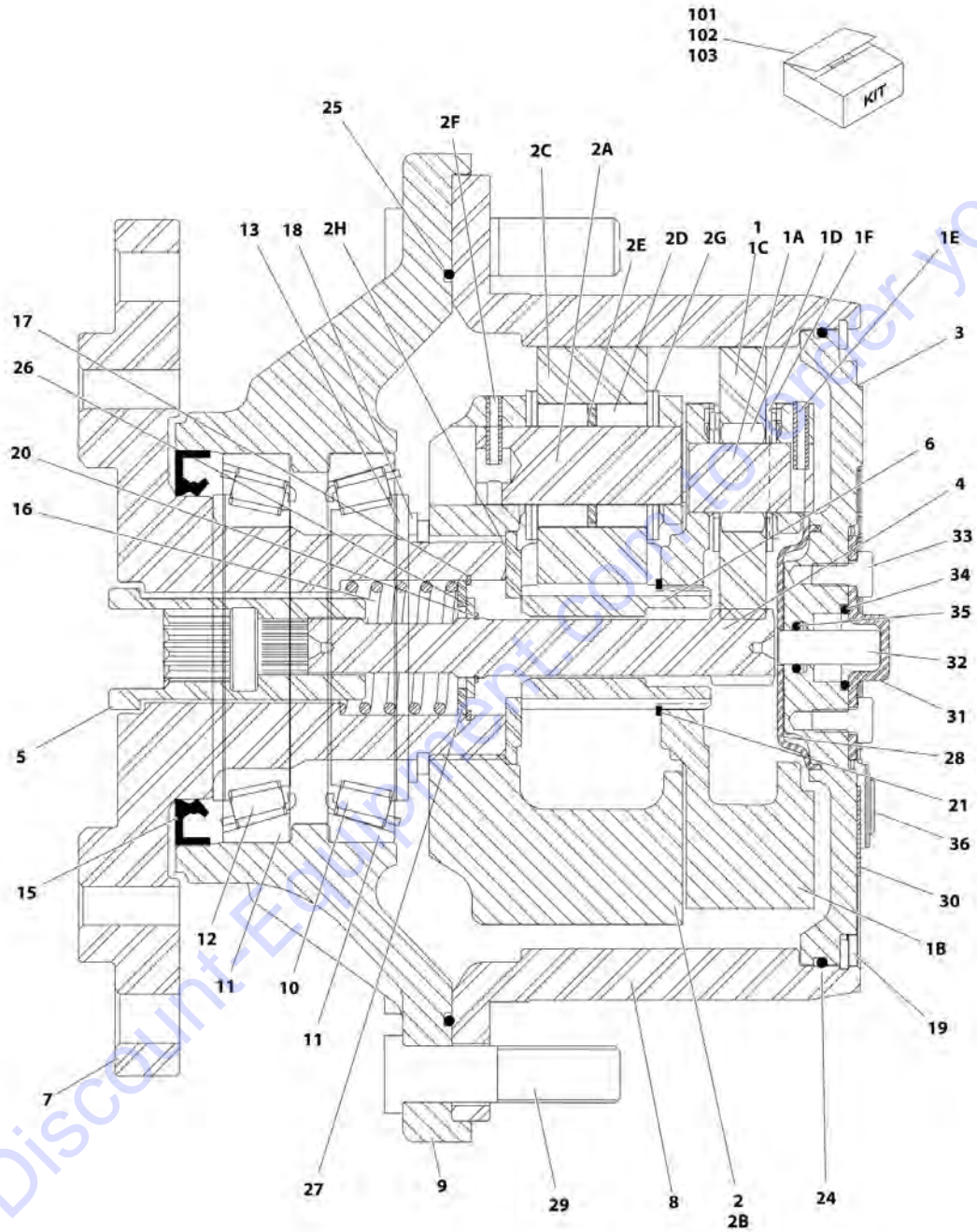
| ITEM | PART NUMBER | QTY | DESCRIPTION  | REV |
|------|-------------|-----|--|-----|
| 40   | 1001181325  | NLA | Sensor (Use p/n 1001219601) <b>(Prior to SN 0300243633)</b>        |     |
| 40   | 1001219601  | 1   | Sensor <b>(SN 0300243633 to Present)</b>                           |     |
| 40   | See Note    | 1   | Receptacle, Female - 4 Position (Note: Not Available for Purchase) |     |
| 40   | 1001196589  | 4   | Terminal   |     |
| 41   | 1001188528  | 1   | Steer/Brake Harness (See ELECTRICAL SECTION for Breakdown)         |     |
| 42   | 0100020     | AR  | Sealant <b>(SN 0300226307 to Present)</b>                          |     |
| 100  | 1001190020  | 1   | Battery Cable Kit (See ELECTRICAL SECTION for Breakdown)           |     |

Go to Discount-Equipment.com to order your parts



# SECTION 1 - FRAME

## FIGURE 1-12. DRIVE HUB ASSEMBLY



ART 2780282



FIGURE 1-12. DRIVE HUB ASSEMBLY

| ITEM | PART NUMBER | QTY | DESCRIPTION  | REV |
|------|-------------|-----|--|-----|
|      | 2780282     | Ref | DRIVE HUB ASSEMBLY                                       | A   |
| 1    | 70001366    | 1   | Carrier, Sub Assembly                                    |     |
| 1A   | See Note    | 3   | Shaft, Planet (Note: Purchase p/n 70001366)              |     |
| 1B   | See Note    | 1   | Carrier (Note: Purchase p/n 70001366)                    |     |
| 1C   | See Note    | 3   | Gear, Planet (Note: Purchase p/n 70001366)               |     |
| 1D   | See Note    | 42  | Bearing, Needle (Note: Purchase p/n 70001366)            |     |
| 1E   | See Note    | 3   | Pin, Roll (Note: Purchase p/n 70001366)                  |     |
| 1F   | See Note    | 6   | Washer, Thrust (Note: Purchase p/n 70001366)             |     |
| 2    | 70001367    | 1   | Carrier, Input   |     |
| 2A   | See Note    | 3   | Shaft, Planet (Note: Purchase p/n 70001367)              |     |
| 2B   | See Note    | 1   | Carrier (Note: Purchase p/n 70001367)                    |     |
| 2C   | See Note    | 1   | Gear, Planet (Note: Purchase p/n 70001367)               |     |
| 2D   | See Note    | 84  | Bearing, Needle (Note: Purchase p/n 70001367)            |     |
| 2E   | See Note    | 3   | Spacer, Thrust (Note: Purchase p/n 70001367)             |     |
| 2F   | See Note    | 3   | Pin, Roll (Note: Purchase p/n 70001367)                  |     |
| 2G   | See Note    | 12  | Washer, Thrust (Note: Purchase p/n 70001367)             |     |
| 2H   | See Note    | 1   | Washer, Thrust (Note: Purchase p/n 70001367)             |     |
| 3    | 70001368    | 1   | Cover  |     |
| 4    | 70001369    | 1   | Shaft, Input   |     |
| 5    | 70001370    | 1   | Coupling   |     |
| 6    | 70001371    | 1   | Shaft, Sun Gear  |     |
| 7    | 70001372    | 1   | Spindle  |     |
| 8    | 70001373    | 1   | Gear, Ring   |     |
| 9    | See Note    | 1   | Housing (Note: Purchase p/n 2780282)                     |     |
| 10   | See Note    | 1   | Bearing, Tapered-Cone (Note: Purchase p/n 7017007)       |     |
| 11   | See Note    | 2   | Bearing, Tapered-Cup (Note: Purchase p/n 7017007)        |     |
| 12   | See Note    | 1   | Bearing, Tapered-Cone (Note: Purchase p/n 7017007)       |     |
| 13   | 7017009     | 1   | Washer, Thrust   |     |
| 15   | See Note    | 1   | Seal, Lip (Note: Purchase p/n 70001380)                  |     |
| 16   | 70001374    | 1   | Spring   |     |
| 17   | 70001375    | 1   | Ring, Retaining (Internal)                               |     |
| 18   | See Note    | 1   | Ring, Retaining (External) (Note: Purchase p/n 70001380) |     |
| 19   | 7024738     | 1   | Ring, Retaining (Internal)                               |     |
| 20   | 70001376    | 1   | Ring, Retaining (External)                               |     |
| 21   | 70001377    | 1   | Ring, Retaining (External)                               |     |
| 22   | 7000281     | 4   | Screw (Not Shown - ID Plate Screws)                      |     |
| 23   | 7017022     | 3   | Bolt, Flathead (Not Shown - Located on front of hub)     |     |
| 24   | See Note    | 1   | O-Ring (Note: Purchase p/n 70001380)                     |     |
| 25   | See Note    | 1   | O-Ring (Note: Purchase p/n 70001380)                     |     |
| 26   | 70001378    | 1   | Spacer, Thrust   |     |
| 27   | 70001379    | 1   | Washer, Thrust   |     |
| 28   | 7024741     | 1   | Spacer, Thrust   |     |
| 29   | 7007640     | 9   | Stub, Wheel  |     |
| 30   | See Note    | 1   | Flange, Plate (Note: Purchase p/n 70001368)              |     |
| 31   | See Note    | 1   | Cap, Disengage (Note: Purchase p/n 70001368)             |     |
| 32   | See Note    | 1   | Pin, Dowel (Note: Purchase p/n 70001368)                 |     |
| 33   | See Note    | 2   | Bolt (Note: Purchase p/n 70001368)                       |     |
| 34   | See Note    | 1   | O-Ring (Note: Purchase p/n 70001368)                     |     |
| 35   | See Note    | 1   | O-Ring (Note: Purchase p/n 70001368)                     |     |
| 36   | See Note    | 1   | Plug (Note: Purchase p/n 70001368)                       |     |



## SECTION 1 - FRAME

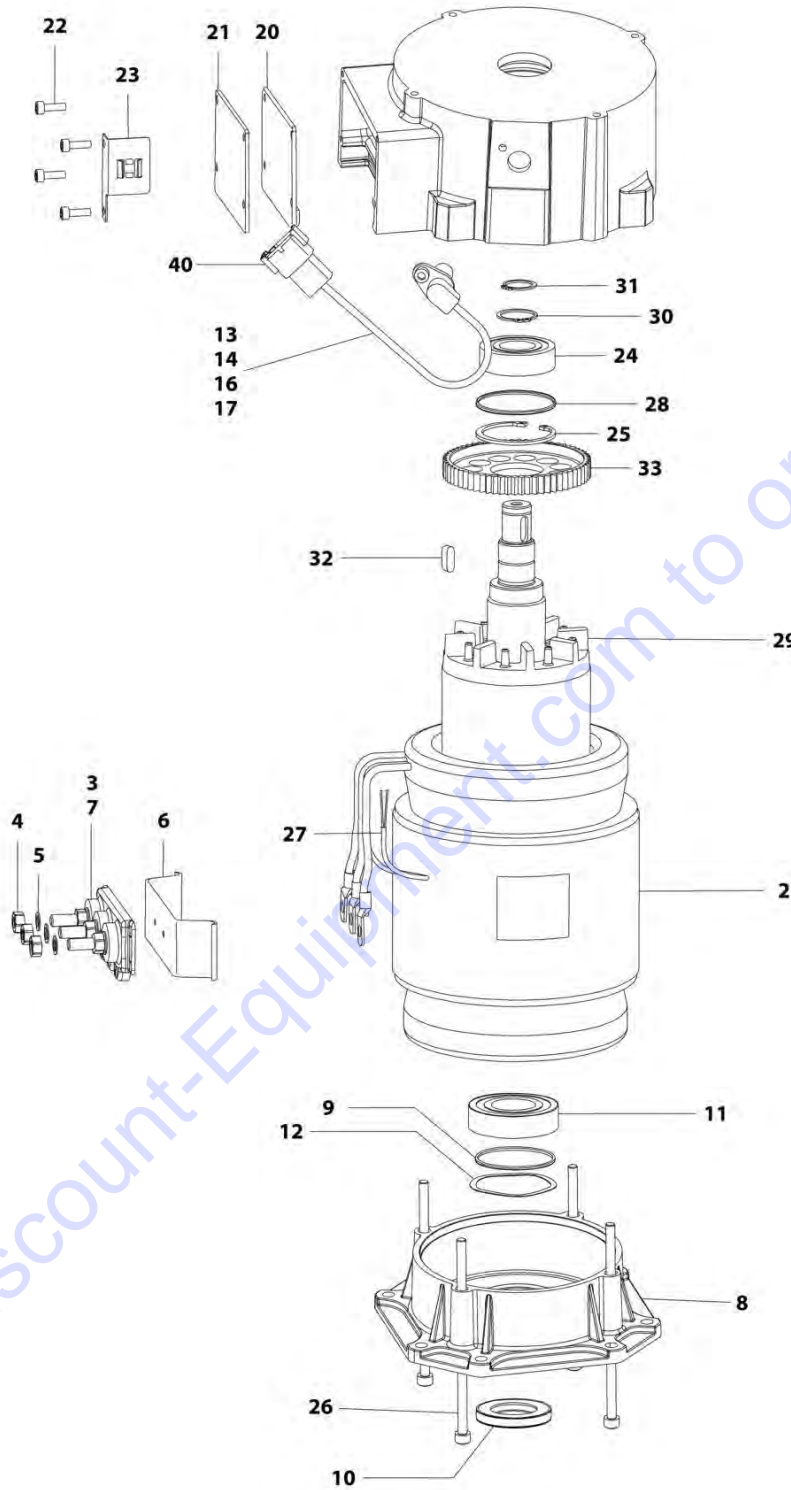
| ITEM | PART NUMBER | QTY | DESCRIPTION   | REV |
|------|-------------|-----|---|-----|
| 101  | 7017007     | 1   | Bearing Kit - Planet Gear (Includes Items 10-12)        |     |
| 102  | 70001380    | 1   | Seal Kit - Planet Gear (Includes Items 15, 18, 24 & 25) |     |
| 103  | 70001368    | 1   | Cap/Disengage Kit (Includes Items 30-36)                |     |

Go to Discount-Equipment.com to order your parts



# SECTION 1 - FRAME

## FIGURE 1-13. DRIVE MOTOR ASSEMBLY



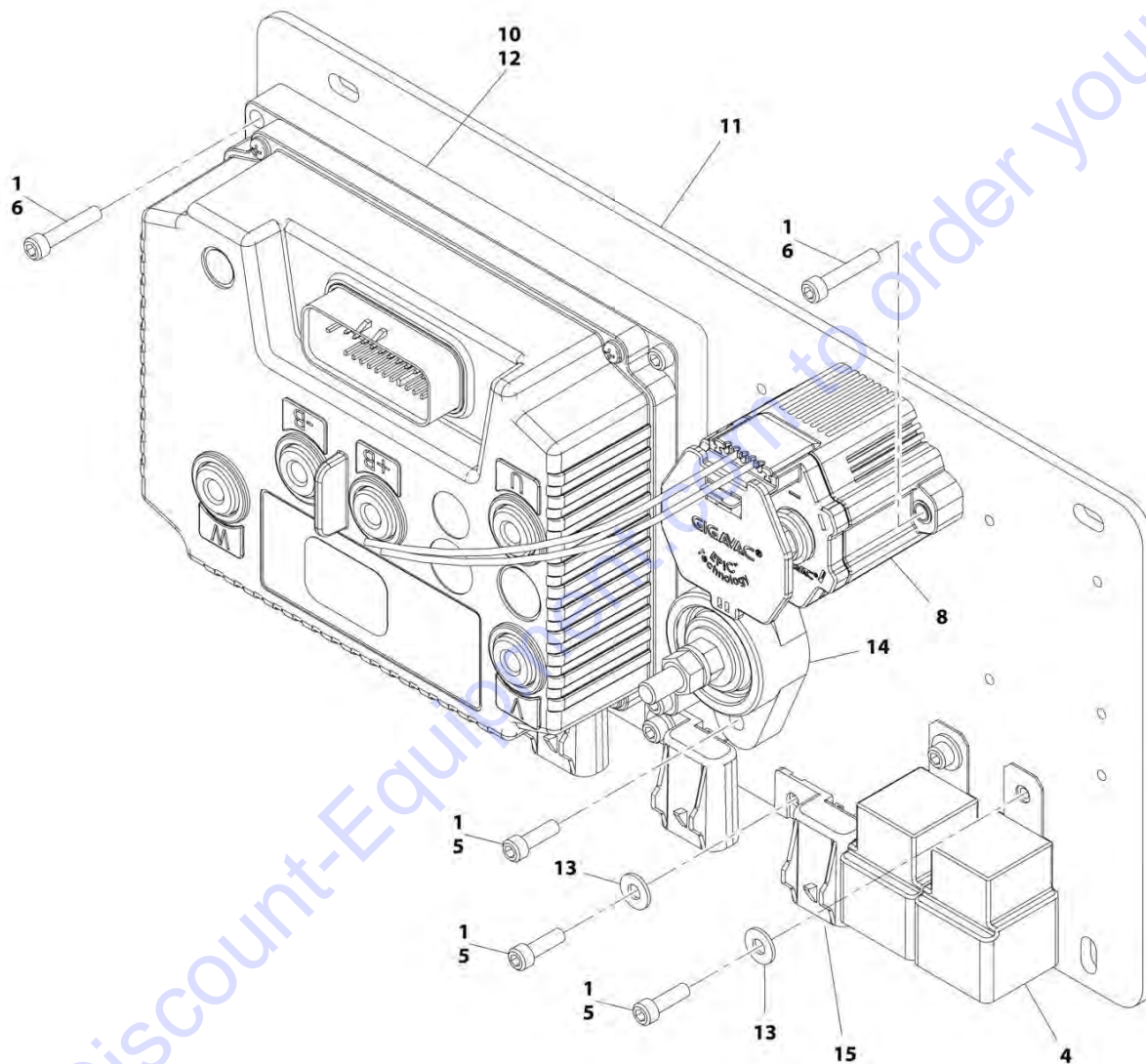
ART\_1001182550

FIGURE 1-13. DRIVE MOTOR ASSEMBLY

| ITEM | PART NUMBER | QTY | DESCRIPTION                   | REV |
|------|-------------|-----|-------------------------------|-----|
|      | 1001182550  | Ref | DRIVE MOTOR ASSEMBLY          | G   |
| 2    | 70005385    | 1   | Stator                        |     |
| 3    | 70005386    | 1   | Board, Terminal               |     |
| 4    | 70005387    | 3   | Nut, M8                       |     |
| 5    | 70005388    | 3   | Washer, M8                    |     |
| 6    | 70005389    | 1   | Base, Terminal                |     |
| 7    | 70005390    | 2   | Screw, M5 x 14                |     |
| 8    | 70006497    | 1   | Plate, Drive End              |     |
| 9    | 70004811    | 1   | O-Ring                        |     |
| 10   | 70006498    | 1   | Seal, Shaft                   |     |
| 11   | 70004809    | 1   | Bearing                       |     |
| 12   | 70005393    | 1   | Washer, Wavy                  |     |
| 13   | 70005394    | 1   | Sensor (Includes Items 14-17) |     |
| 14   | 70005395    | 1   | Screw, M8 x 16                |     |
| 16   | 70005397    | 1   | Connector                     |     |
| 17   | 4460516     | 4   | Pin, Male                     |     |
| 20   | 70005400    | 1   | Seal                          |     |
| 21   | 70005401    | 1   | Cover                         |     |
| 22   | 70005402    | 4   | Screw, M5 x 16                |     |
| 23   | 70005403    | 1   | Plate, Retaining              |     |
| 24   | 70005404    | 1   | Bearing                       |     |
| 25   | 70005405    | 1   | Clip, Retainer                |     |
| 26   | 70005406    | 4   | Screw, M8 x 180               |     |
| 27   | 70005407    | 1   | Temperature, Sensor           |     |
| 28   | 70005408    | 1   | O-Ring                        |     |
| 29   | 70005409    | 1   | Rotor                         |     |
| 30   | 70004820    | 1   | Clip, Retainer                |     |
| 31   | 70005410    | 1   | Clip, Retainer                |     |
| 32   | 70005411    | 1   | Key                           |     |
| 33   | 70005412    | 1   | Gear                          |     |
| 40   | 1001190577  | 1   | Connector - 8 Position        |     |
| 40   | 4460516     | 8   | Pin                           |     |

# SECTION 1 - FRAME

## FIGURE 1-14. ELECTRICAL PLATE ASSEMBLY - LH



ART\_1001179060

## SECTION 1 - FRAME

**FIGURE 1-14. ELECTRICAL PLATE ASSEMBLY - LH**

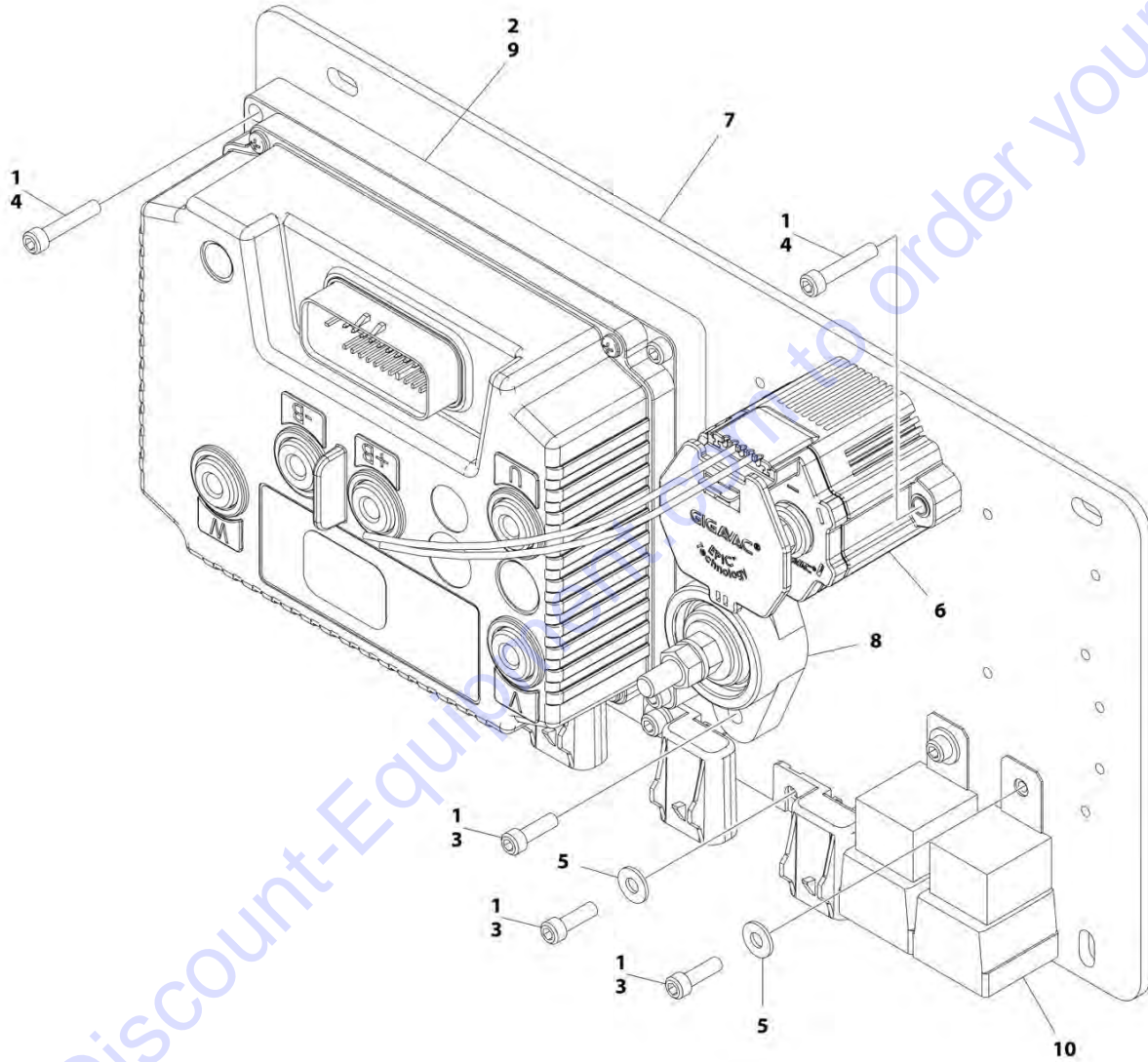
| ITEM | PART NUMBER | QTY | DESCRIPTION  | REV |
|------|-------------|-----|--|-----|
|      | 1001179060  | Ref | ELECTRICAL PLATE ASSEMBLY - LH                       | G   |
| 1    | 0100035     | AR  | Compound, Locking                                    |     |
| 4    | 3740080     | 2   | Relay  |     |
| 5    | 3931010     | 8   | Capscrew #10 X 5/8                                   |     |
| 6    | 3931016     | 6   | Capscrew #10 X 1                                     |     |
| 8    | 1001170367  | 1   | Relay, Contactor                                     |     |
| 8    | 70004827    | 1   | Receptacle, Female - 2 Position                      |     |
| 10   | 1001192212  | 1   | Module, Drive  |     |
| 11   | 1001179064  | 1   | Plate  |     |
| 12   | 0100083     | AR  | Grease, Heat Transfer                                |     |
| 13   | 4711000     | 6   | Washer #10   |     |
| 14   | 1001186860  | 1   | Stud, Power Distribution                             |     |
| 15   | 1001096134  | 4   | Fuseholder <b>(SN 0300208530 through 0300226306)</b> |     |
| 15   | 1001217842  | 4   | Fuseholder <b>(SN 0300226307 to Present)</b>         |     |

Go to Discount-Equipment.com to order your parts



# SECTION 1 - FRAME

## FIGURE 1-15. ELECTRICAL PLATE ASSEMBLY - LH - UL SPECS



ART\_1001214668

## SECTION 1 - FRAME

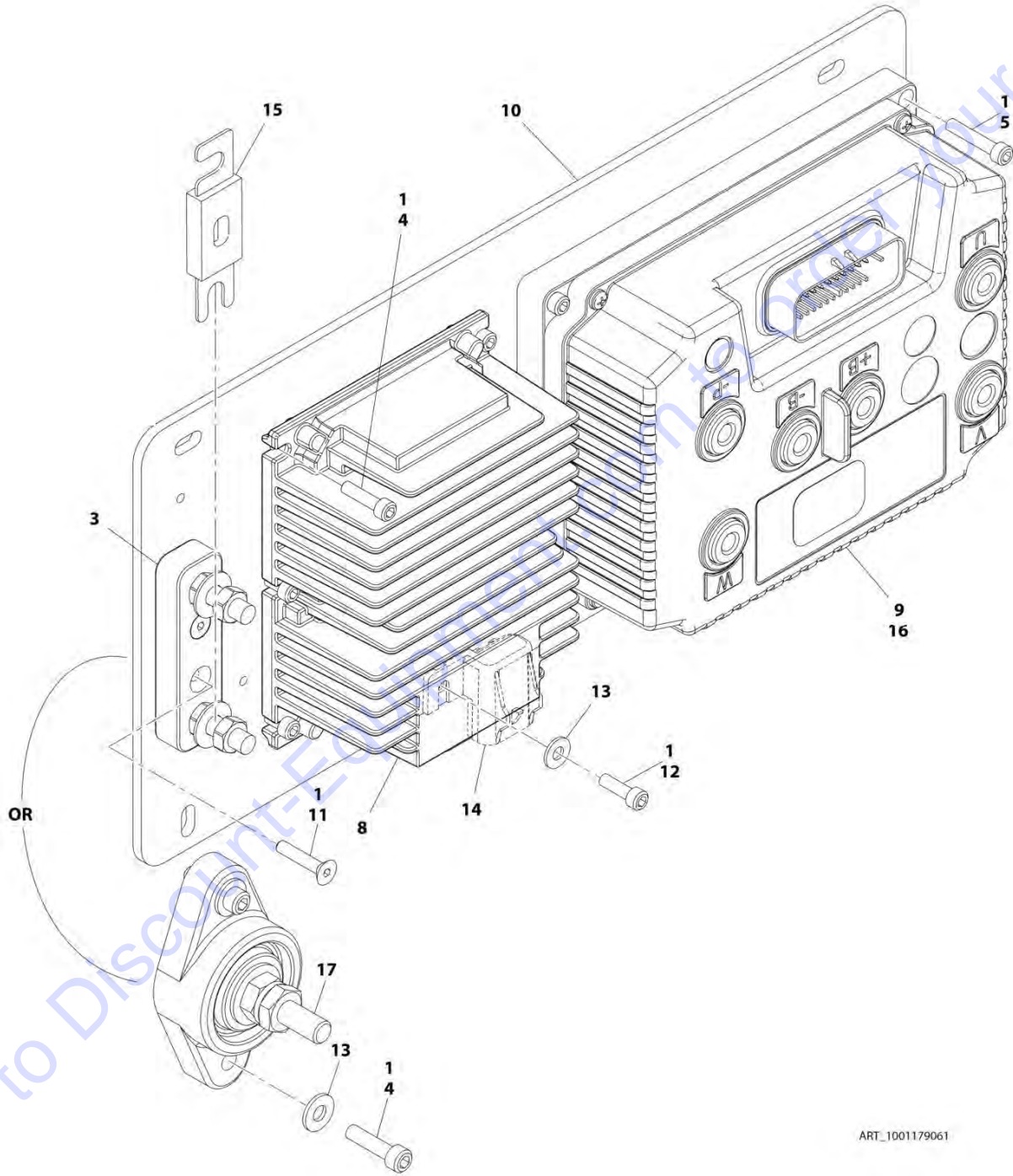
**FIGURE 1-15. ELECTRICAL PLATE ASSEMBLY - LH - UL SPECS**

| ITEM | PART NUMBER | QTY | DESCRIPTION                               | REV |
|------|-------------|-----|---|-----|
|      | 1001214668  | Ref | ELECTRICAL PLATE ASSEMBLY - LH - UL SPECS | A   |
| 1    | 0100035     | AR  | Compound, Locking                         |     |
| 2    | 0100083     | AR  | Grease, Heat Transfer                     |     |
| 3    | 3931010     | 8   | Capscrew #10 X 5/8                        |     |
| 4    | 3931016     | 6   | Capscrew #10 X 1                          |     |
| 5    | 4711000     | 6   | Washer #10                                |     |
| 6    | 1001170367  | 1   | Relay, Contactor                          |     |
| 6    | 70004827    | 1   | Receptacle, Female - 2 Position           |     |
| 7    | 1001179064  | 1   | Plate                                     |     |
| 8    | 1001186860  | 1   | Stud, Power Distribution                  |     |
| 9    | 1001192212  | 1   | Module, Drive                             |     |
| 10   | 1001214667  | 2   | Relay                                     |     |

Go to Discount-Equipment.com to order your parts

# SECTION 1 - FRAME

## FIGURE 1-16. ELECTRICAL PLATE ASSEMBLY - RH



ART\_1001179061

**SECTION 1 - FRAME**

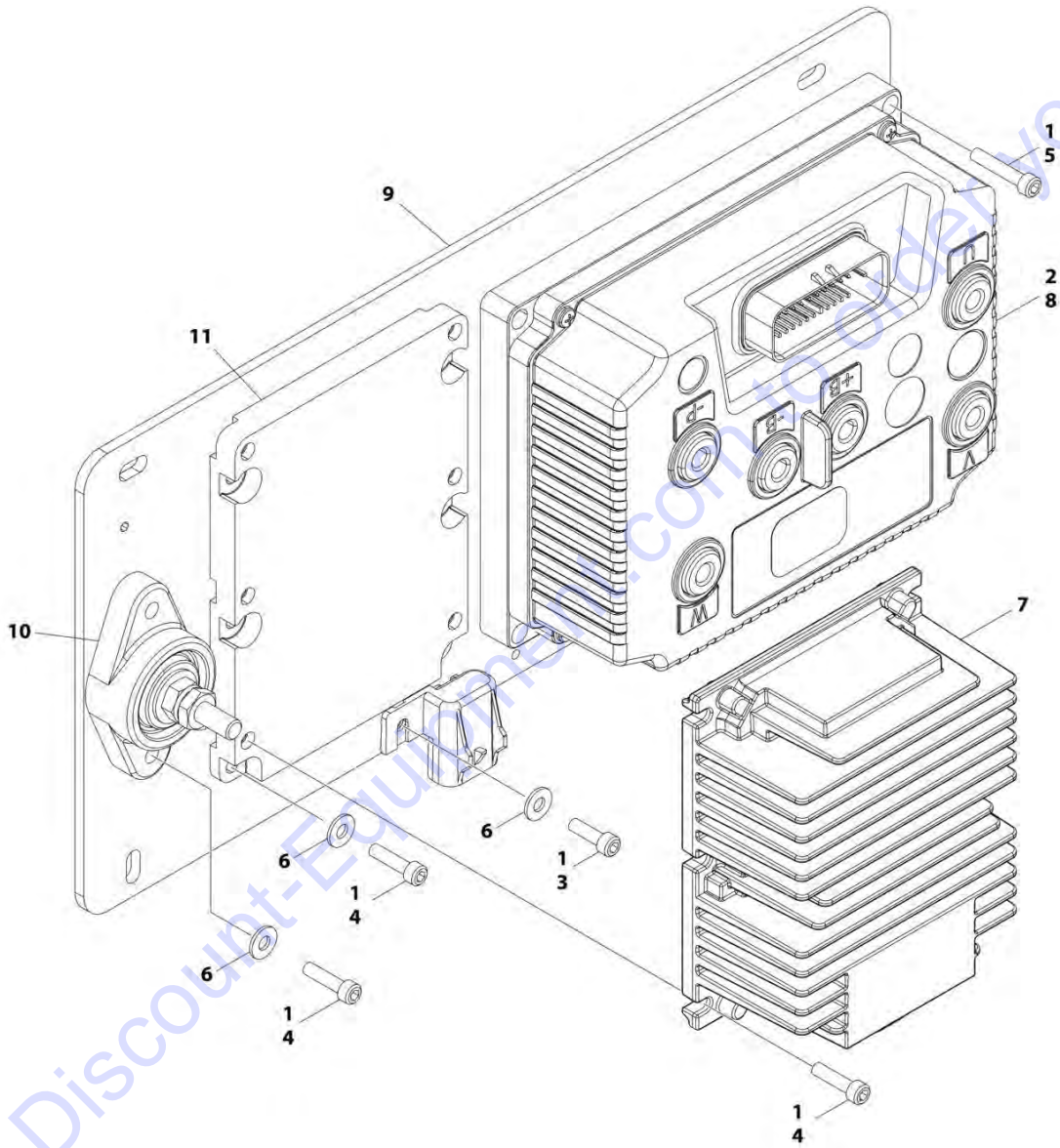
**FIGURE 1-16. ELECTRICAL PLATE ASSEMBLY - RH**

| ITEM | PART NUMBER | QTY | DESCRIPTION   | REV |
|------|-------------|-----|---|-----|
|      | 1001179061  | Ref | ELECTRICAL PLATE ASSEMBLY - RH                      | F   |
| 1    | 0100035     | AR  | Compound, Locking                                   |     |
| 3    | 2400044     | 1   | Block, Fuse (SN 0300208530 through 0300226306)      |     |
| 4    | 3931012     | AR  | Capscrew #10 X 3/4                                  |     |
| 5    | 3931016     | 4   | Capscrew #10 X 1                                    |     |
| 8    | 1001174447  | 1   | Converter   |     |
| 9    | 1001178339  | 1   | Module, Drive                                       |     |
| 10   | 1001179064  | 1   | Plate   |     |
| 11   | 0741008     | 2   | Capscrew #10 X 1 (SN 0300208530 through 0300226306) |     |
| 12   | 3931010     | 1   | Capscrew #10 X 5/8                                  |     |
| 13   | 4711000     | AR  | Washer #10  |     |
| 14   | 1001096134  | 1   | Fuseholder (SN 0300208530 through 0300214530)       |     |
| 15   | 1001170485  | 1   | Fuse 250Amp (SN 0300208530 through 0300226306)      |     |
| 16   | 0100083     | AR  | Grease, Heat Transfer (SN 0300214530 to Present)    |     |
| 17   | 1001212359  | 1   | Stud, Power Distribution (SN 0300226307 to Present) |     |

Go to Discount-Equipment.com to buy your parts

# SECTION 1 - FRAME

FIGURE 1-17. ELECTRICAL PLATE ASSEMBLY - RH - UL SPECS



ART\_1001212456

## SECTION 1 - FRAME

**FIGURE 1-17. ELECTRICAL PLATE ASSEMBLY - RH - UL SPECS**

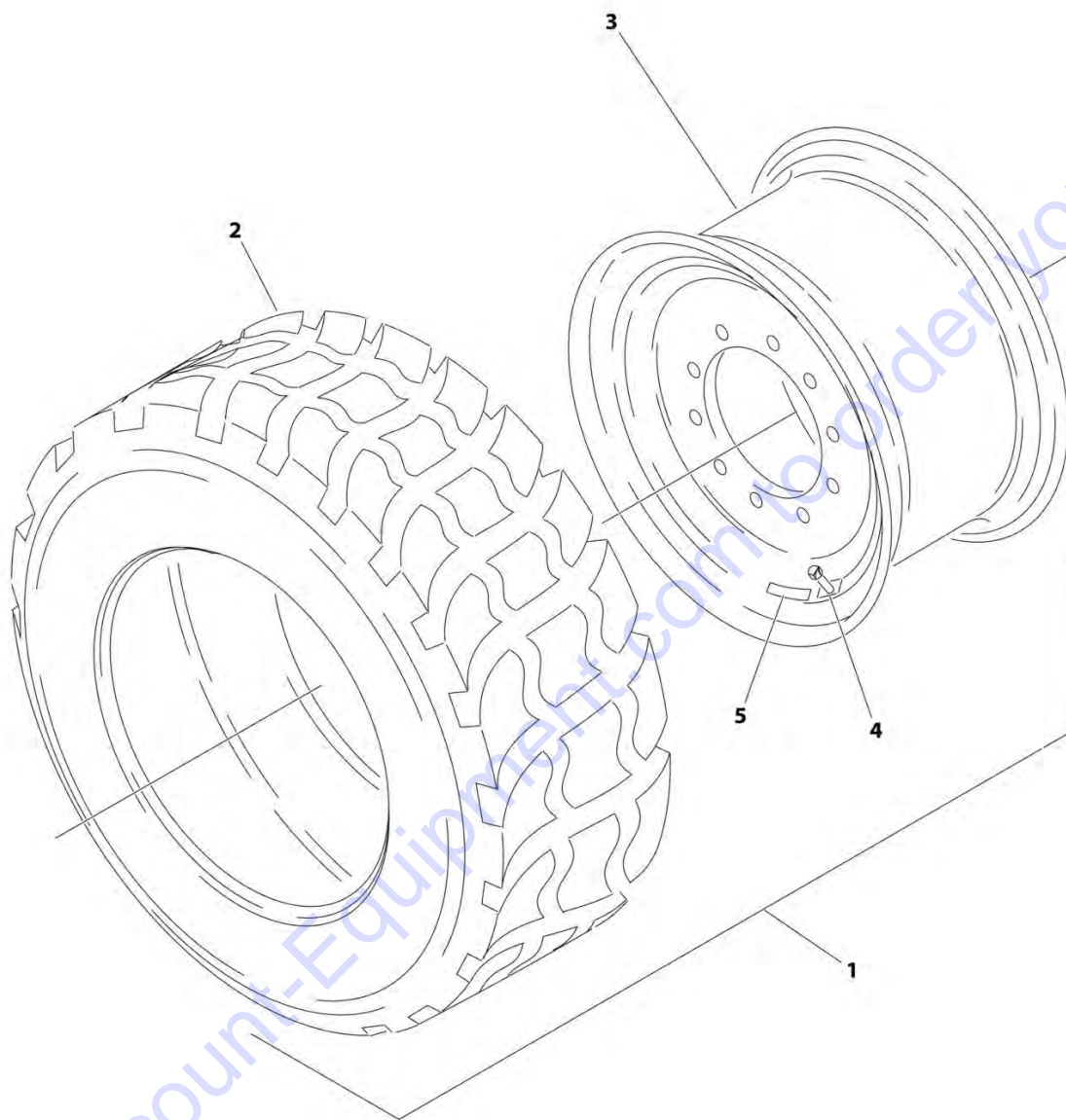
| ITEM | PART NUMBER | QTY | DESCRIPTION                               | REV |
|------|-------------|-----|---|-----|
|      | 1001212456  | Ref | ELECTRICAL PLATE ASSEMBLY - RH - UL SPECS | A   |
| 1    | 0100035     | AR  | Compound, Locking                         |     |
| 2    | 0100083     | AR  | Grease, Heat Transfer                     |     |
| 3    | 3931010     | 1   | Capscrew #10 X 5/8                        |     |
| 4    | 3931012     | 14  | Capscrew #10 X 3/4                        |     |
| 5    | 3931016     | 4   | Capscrew #10 X 1                          |     |
| 6    | 4711000     | 9   | Washer #10                                |     |
| 7    | 1001174447  | 1   | Converter                                 |     |
| 8    | 1001178339  | 1   | Module, Drive                             |     |
| 9    | 1001179064  | 1   | Plate                                     |     |
| 10   | 1001212359  | 1   | Stud, Power Distribution                  |     |
| 11   | 1001212450  | 1   | Insulate                                  |     |

Go to Discount-Equipment.com to order your parts



# SECTION 1 - FRAME

FIGURE 1-18. TIRE/WHEEL - IN240/55-17.5 PNEUMATIC



ART\_0258995

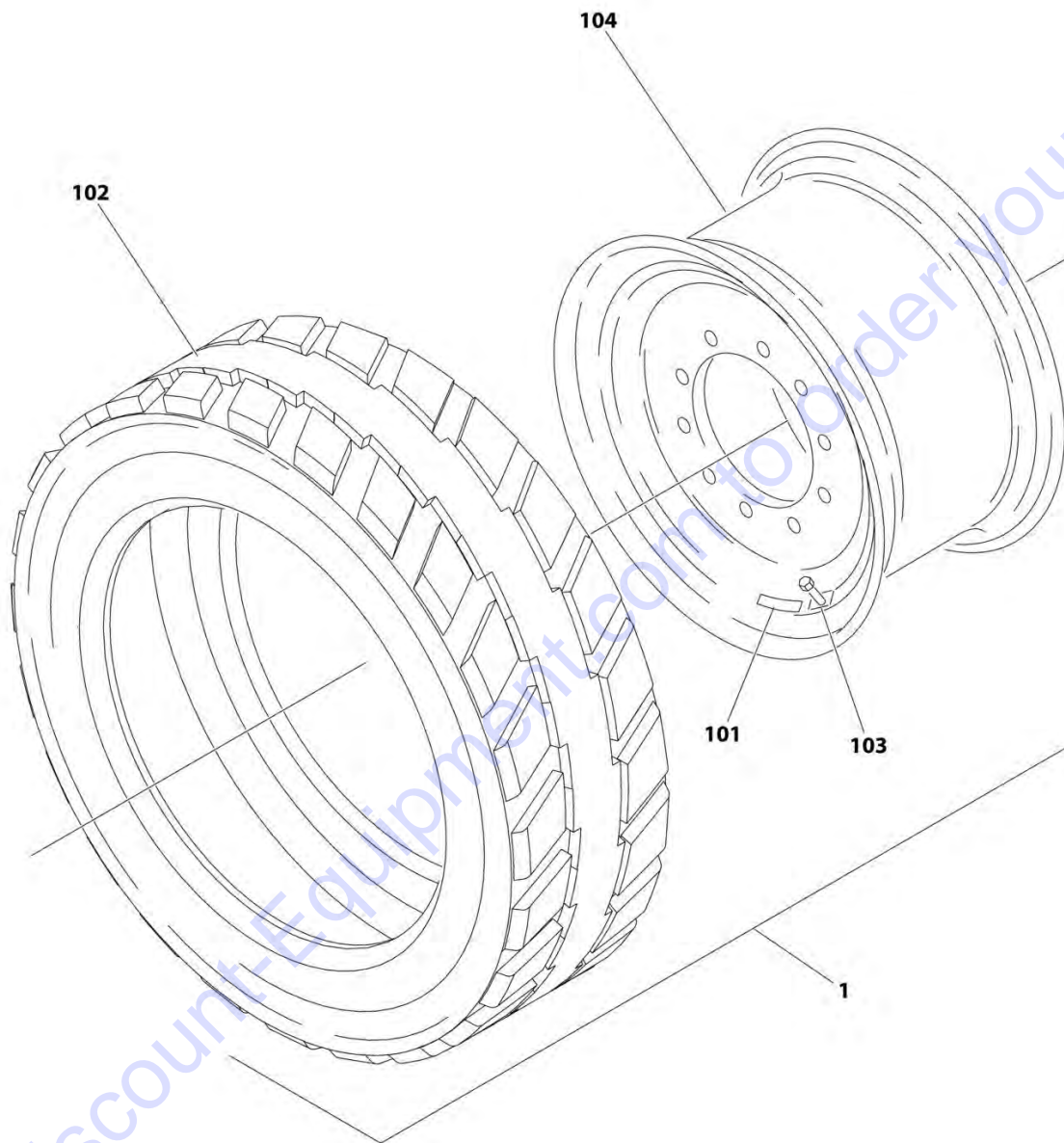
FIGURE 1-18. TIRE/WHEEL - IN240/55-17.5 PNEUMATIC

| ITEM | PART NUMBER | QTY | DESCRIPTION                        | REV |
|------|-------------|-----|------------------------------------|-----|
|      | 0258995     | Ref | TIRE AND WHEEL INSTALLATION        | 1   |
| 1    | 0258688     | 4   | Tire Assembly                      | 2   |
| 2    | 4520209     | 1   | Tire, OTR, IN240/55-17.5 Pneumatic |     |
| 3    | 4860191     | 1   | Rim, Wheel                         |     |
| 4    | 4641167     | 1   | Valve, Stem                        |     |
| 5    | 1702740     | 1   | Decal - Tire Pressure              |     |

Go to Discount-Equipment.com to order your parts

# SECTION 1 - FRAME

FIGURE 1-19. TIRE/WHEEL - IN240/55-17.5 PNEUMATIC NON MARKING



ART\_0273683

## SECTION 1 - FRAME

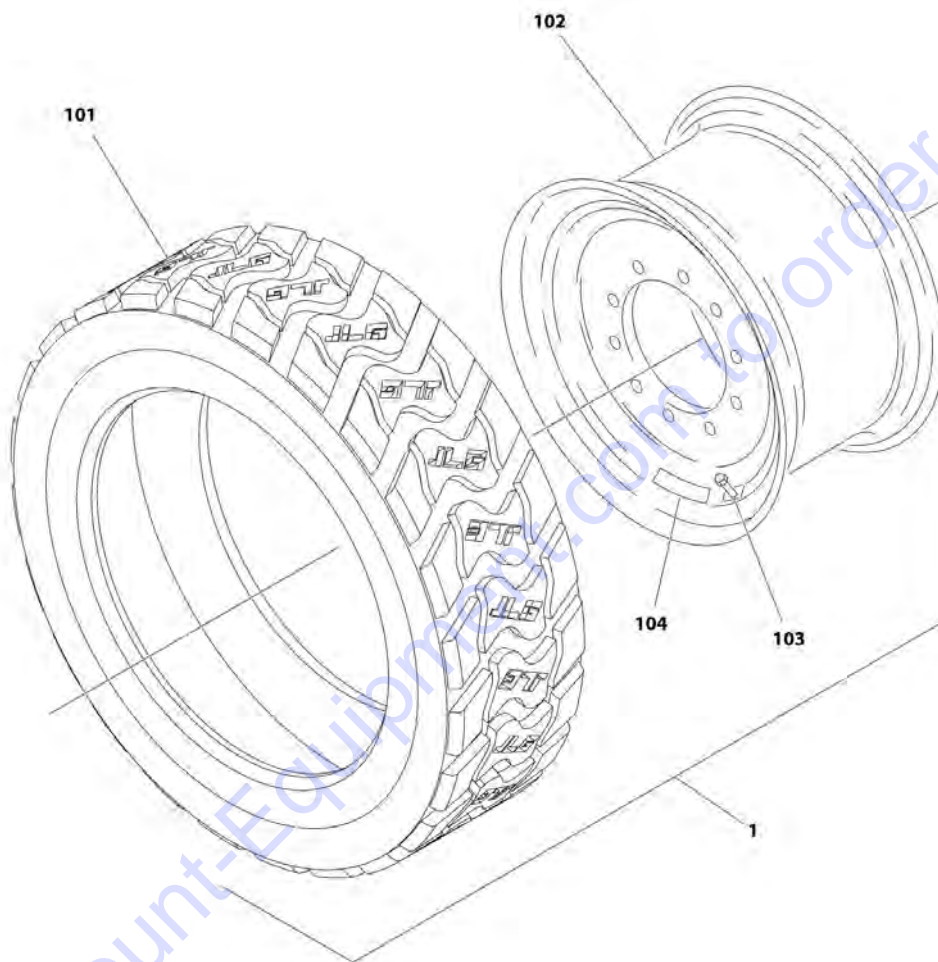
**FIGURE 1-19. TIRE/WHEEL - IN240/55-17.5 PNEUMATIC NON MARKING**

| ITEM | PART NUMBER | QTY | DESCRIPTION  | REV |
|------|-------------|-----|--|-----|
|      | 0273683     | Ref | TIRE AND WHEEL INSTALLATION  | A   |
|      |             | Ref | Note: Assemblies may require ballast/foam filling to manufacturer's prior to installing on a machine. Refer to Operation and Safety or Service and Maintenance Manuals. Purchase individual tire and/or rim only if able to foam fill tire and wheel assembly, otherwise purchase complete assembly. |     |
| 1    | 4520279     | 4   | Tire and Wheel Assembly  |     |
| 101  | 1702740     | 1   | Decal - Tire Pressure  |     |
| 102  | 4520269     | 1   | IN240/55-17.5 Non-Marking Tire with Lighting Tread Pattern   |     |
| 103  | 4641167     | 1   | Valve  |     |
| 104  | 4860191     | 1   | Rim, Wheel   |     |

Go to Discount-Equipment.com to order your parts

# SECTION 1 - FRAME

FIGURE 1-20. TIRE/WHEEL - IN240/55-17.5 PNEUMATIC WITH TIRE SEALANT



ART\_0272314

## SECTION 1 - FRAME

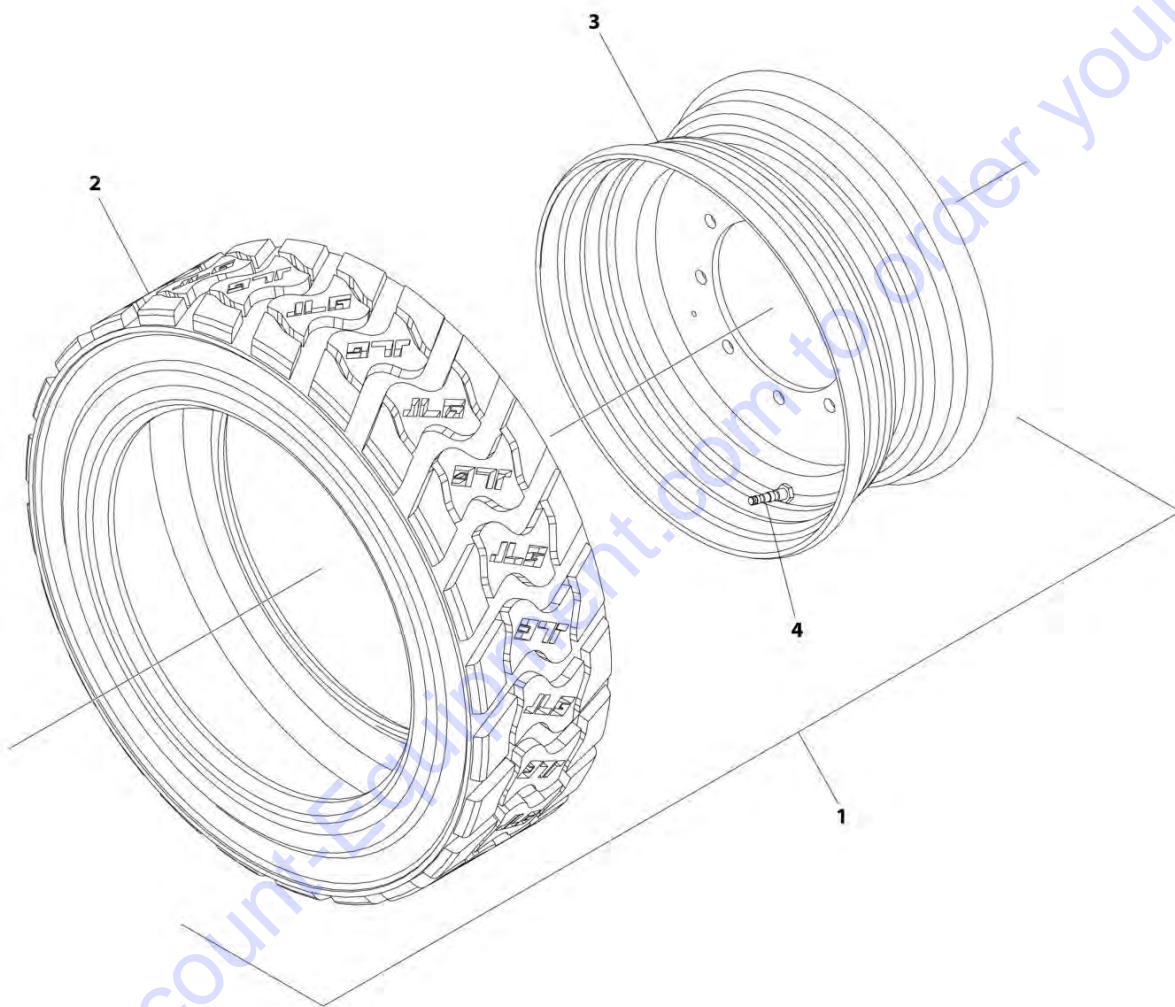
**FIGURE 1-20. TIRE/WHEEL - IN240/55-17.5 PNEUMATIC WITH TIRE SEALANT**

| ITEM | PART NUMBER | QTY | DESCRIPTION   | REV |
|------|-------------|-----|---|-----|
|      | 0272314     | Ref | TIRE AND WHEEL INSTALLATION   | 2   |
| 1    | 0272335     | 4   | Tire Assembly - ORT IN240/55-17.5 Pneumatic (Tire with JLG Pattern in Tread and Tire Sealant) |     |
| 101  | 4520209     | 1   | Tire, ORT, IN240/55-17.5 (With JLG Pattern in Tread)  |     |
| 102  | 4860191     | 1   | Rim, Wheel  |     |
| 103  | 4641167     | 1   | Valve, Stem   |     |
| 104  | 1702740     | 1   | Decal - Tire Air Pressure   |     |
| 105  | 1300019     | 1   | Sealant, Tire (Not Shown)   |     |
| 106  | 1705364     | 1   | Decal - Tire Sealant (Not Shown)  |     |

Go to Discount-Equipment.com to order your parts

# SECTION 1 - FRAME

FIGURE 1-21. TIRE/WHEEL - IN240/55 - 17.5 FOAM FILLED



ART\_0258996



## SECTION 1 - FRAME

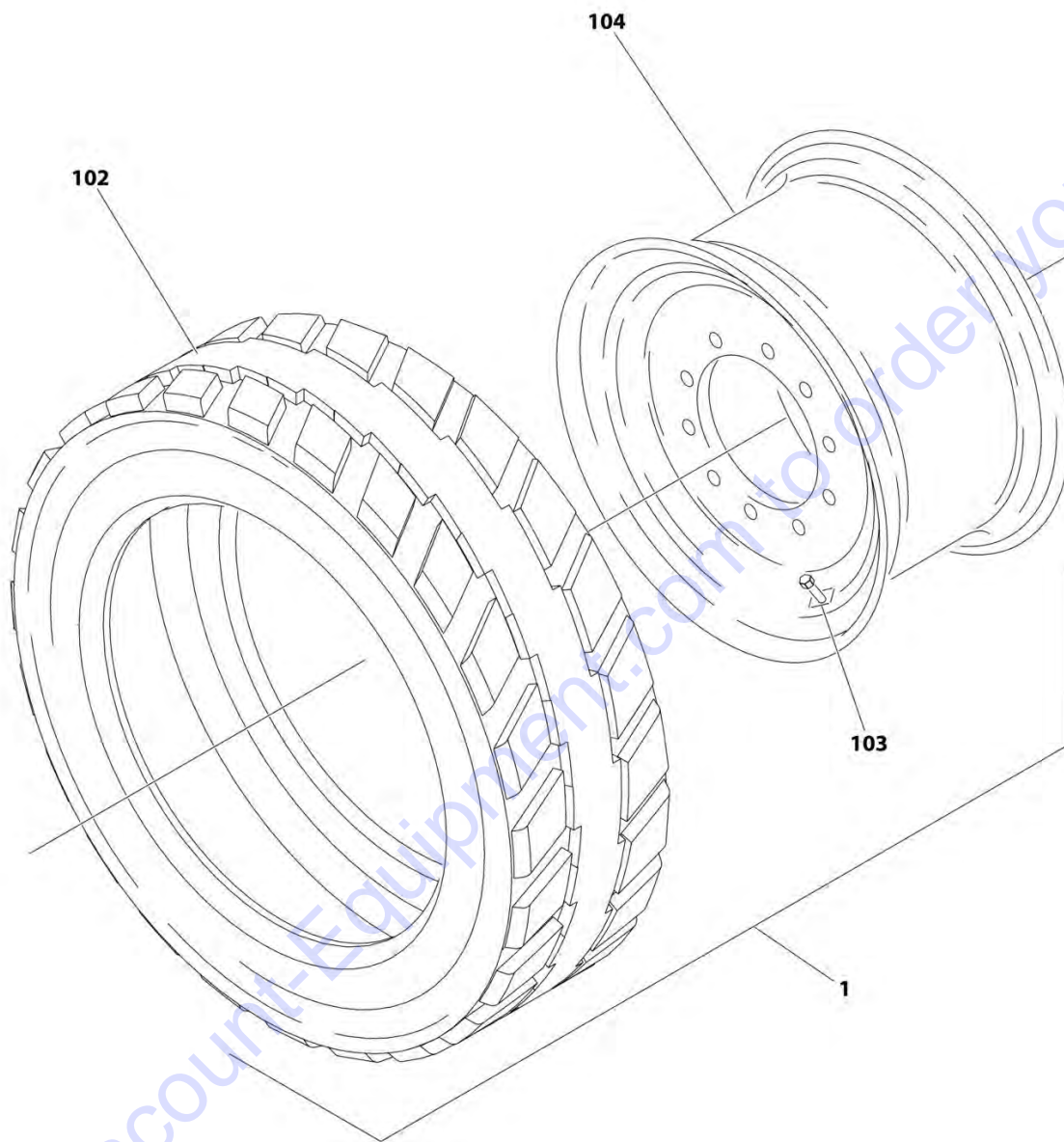
**FIGURE 1-21. TIRE/WHEEL - IN240/55 - 17.5 FOAM FILLED**

| ITEM | PART NUMBER | QTY | DESCRIPTION  | REV |
|------|-------------|-----|--|-----|
| 1    | 0258996     | Ref | TIRE AND WHEEL INSTALLATION  | 1   |
|      | 0258997     | 4   | Tire Assembly  | F   |
|      | See Note    | Ref | Note: Assemblies may require ballast/foam filling to manufacture's specifications prior to installing on a machine. Refer to Operation and Safety or Service and Maintenance Manuals. Purchase Individual tire and/or rim only if able to foam fill tire and wheel assembly, otherwise, purchase complete assembly |     |
| 2    | 4520209     | 1   | Tire, OTR, IN240/55-17.5   |     |
| 3    | 4860191     | 1   | Rim, Wheel   |     |
| 4    | 4641122     | 1   | Valve, Stem  |     |

Go to Discount-Equipment.com to order your parts

# SECTION 1 - FRAME

FIGURE 1-22. TIRE/WHEEL - IN240/55-17.5 FOAM FILLED NON MARKING



ART\_0273684

## SECTION 1 - FRAME

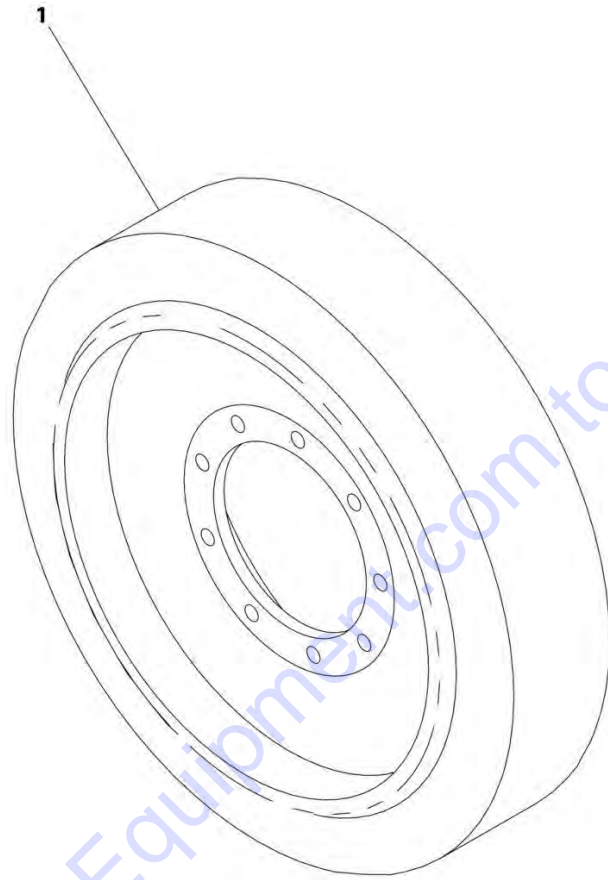
**FIGURE 1-22. TIRE/WHEEL - IN240/55-17.5 FOAM FILLED NON MARKING**

| ITEM | PART NUMBER | QTY | DESCRIPTION  | REV |
|------|-------------|-----|--|-----|
|      | 0273684     | Ref | TIRE AND WHEEL INSTALLATION  | A   |
|      |             | Ref | Note: Assemblies may require ballast/foam filling to manufacturer's specifications prior to installing on a machine. Refer to Operation and Safety or Service and Maintenance Manuals. Purchase individual tire and/or rim only if able to foam fill tire and wheel assembly, otherwise, purchase complete assembly. |     |
| 1    | 0273468     | 4   | Tire Assembly  | H   |
| 102  | 4520269     | 1   | Tire, OTR, IN240/55-17.5 Foam Filled Non Marking   |     |
| 103  | 4641122     | 1   | Valve, Stem  |     |
| 104  | 4860191     | 1   | Rim, Wheel   |     |

Go to Discount-Equipment.com to order your parts

## SECTION 1 - FRAME

FIGURE 1-23. TIRE/WHEEL - 26 X 7 X 20 - SOLID NON MARKING



ART\_0270037

**SECTION 1 - FRAME**

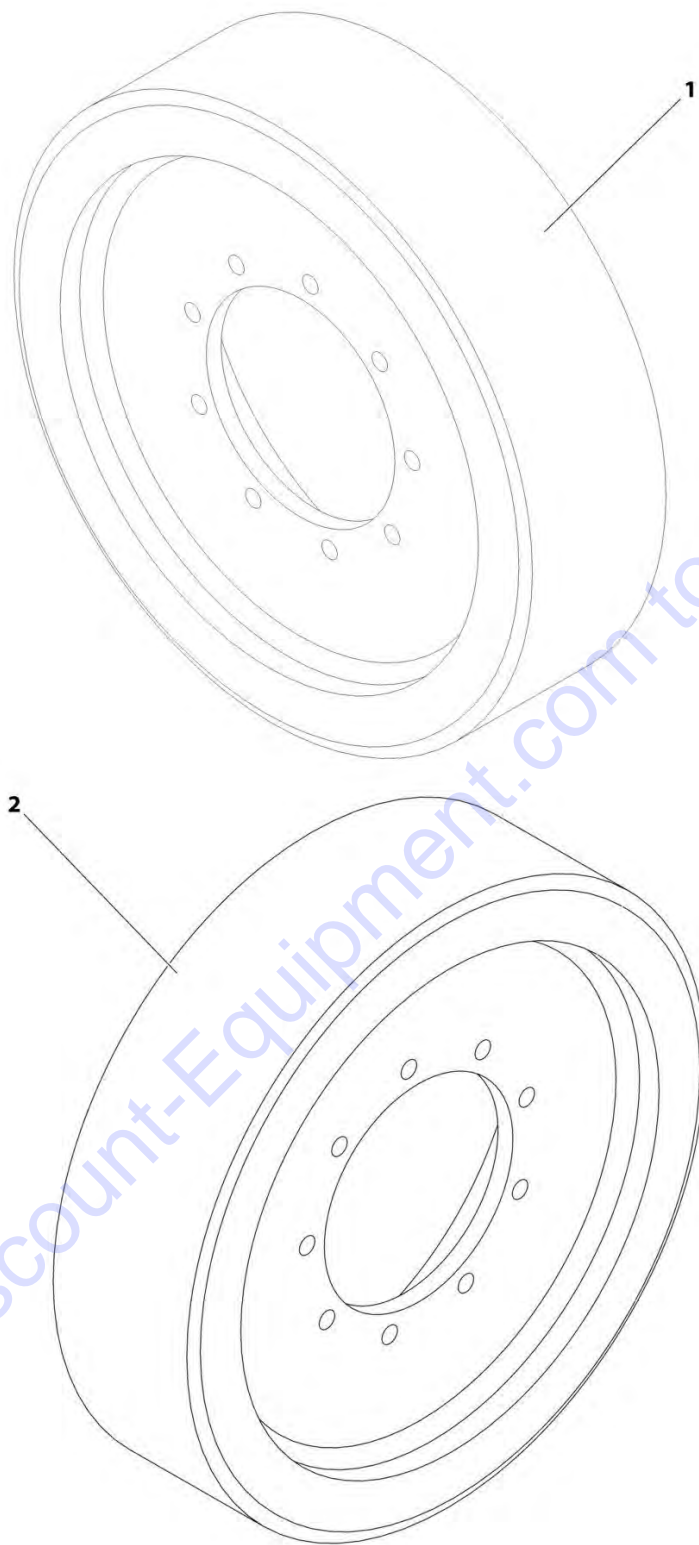
**FIGURE 1-23. TIRE/WHEEL - 26 X 7 X 20 - SOLID NON MARKING**

| ITEM | PART NUMBER | QTY | DESCRIPTION   | REV |
|------|-------------|-----|---|-----|
|      | 0270037     | Ref | TIRE AND WHEEL INSTALLATION                                     | 2   |
|      | See Note    | Ref | Note: Must replace Tire and Wheel Assemblies in pairs per axle. |     |
| 1    | 1001110775  | 4   | Tire Assembly   | B   |

Go to Discount-Equipment.com to order your parts

# SECTION 1 - FRAME

FIGURE 1-24. TIRE/WHEEL - SOLID NON-MARKING



ART\_0270028

FIGURE 1-24. TIRE/WHEEL - SOLID NON-MARKING

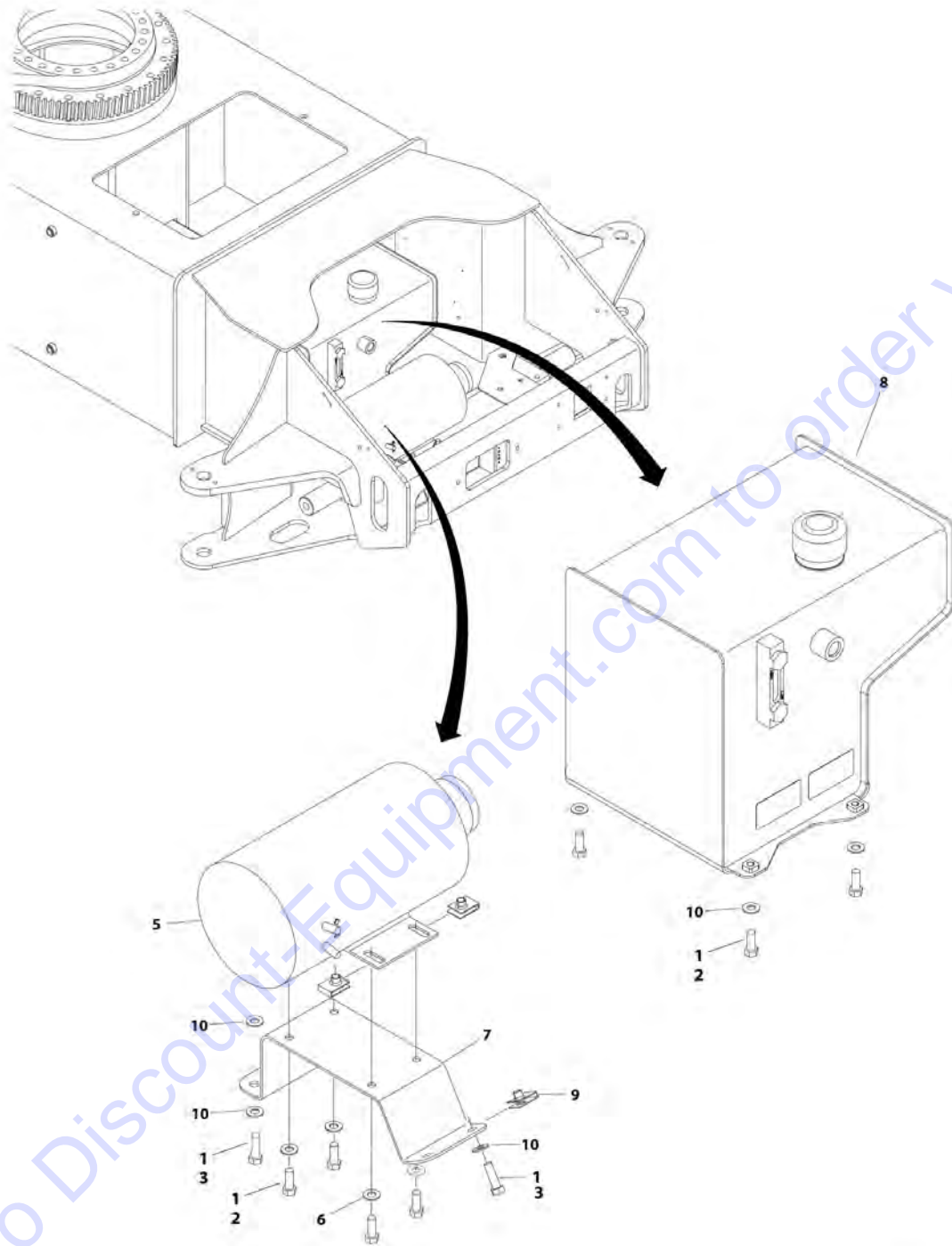
| ITEM | PART NUMBER | QTY | DESCRIPTION   | REV |
|------|-------------|-----|---|-----|
|      | 0270028     | Ref | TIRE/WHEEL INSTALLATION - NON MARKING                           | C   |
|      |             | Ref | E400An/E400AJPn/M400AJPn Machines Only                          |     |
|      |             | Ref | Note: Must replace Tire and Wheel Assemblies in pairs per axle. |     |
| 1    | 1001110772  | 2   | 25 x 7 x 16 - Solideal Tire and Wheel (Drive Axle Tire)         |     |
| 2    | 1001110774  | 2   | 22 x 6 x 17.75 - Solideal Tire and Wheel (Steer Axle Tire)      |     |

Go to Discount-Equipment.com to order your parts



# SECTION 1 - FRAME

FIGURE 1-25. MOTOR/PUMP/TANK - E400AN/E400AJP/E400AJPN INSTALLATION - NON-UL SPECS



ART\_1001106417

## SECTION 1 - FRAME

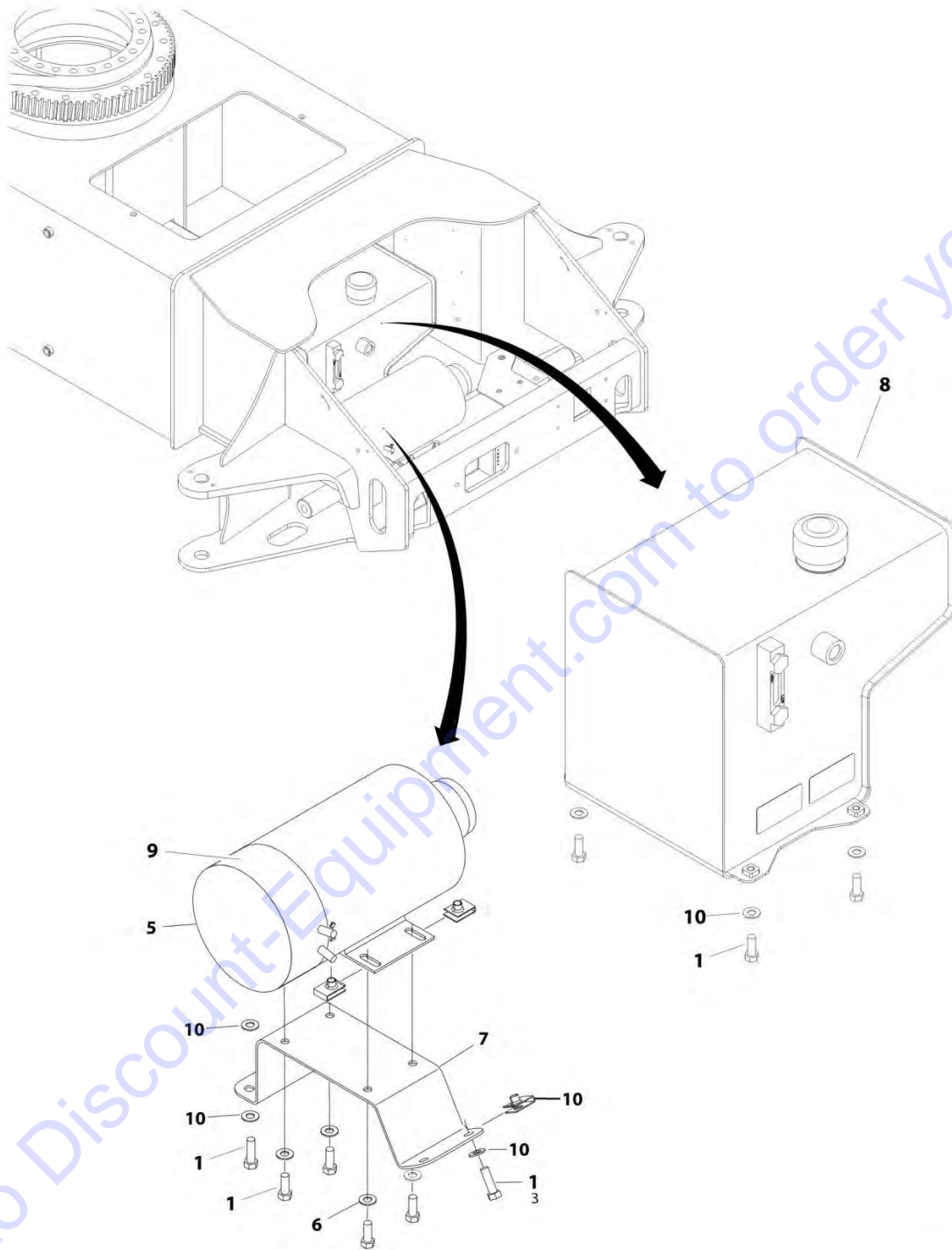
**FIGURE 1-25. MOTOR/PUMP/TANK - E400AN/E400AJP/E400AJPN INSTALLATION - NON-UL SPECS**

| ITEM | PART NUMBER | QTY | DESCRIPTION  | REV |
|------|-------------|-----|--|-----|
|      | 1001166417  | Ref | MOTOR/PUMP/TANK INSTALLATION -<br>E400An/E400AJP/E400AJPN - NON-UL SPECS | F   |
| 1    | 0100011     | AR  | Compound, Locking  |     |
| 2    | 0641608     | 8   | Bolt, 3/8-16 x 1   |     |
| 3    | 0641610     | 4   | Bolt, 3/8-16 x 1-1/4   |     |
| 5    | 3600289     | 1   | Motor/Pump Assembly (See MOTOR/PUMP ASSEMBLY for<br>Breakdown)           |     |
| 6    | 4711600     | 4   | Washer, 3/8  |     |
| 7    | 1001166419  | 1   | Plate, Mounting  |     |
| 8    | 1001171213  | 1   | Tank, Hydraulic (See HYDRAULIC TANK ASSEMBLY for<br>Breakdown)           |     |
| 9    | 88662523    | 8   | Nut, Tinnerman   |     |
| 10   | 4891600     | 8   | Washer, 3/8 Hardened   |     |

Go to Discount-Equipment.com to order your parts

# SECTION 1 - FRAME

FIGURE 1-26. MOTOR/PUMP/TANK - E400AN/E400AJP/E400AJPN INSTALLATION - UL SPECS



ART\_1001167487

## SECTION 1 - FRAME

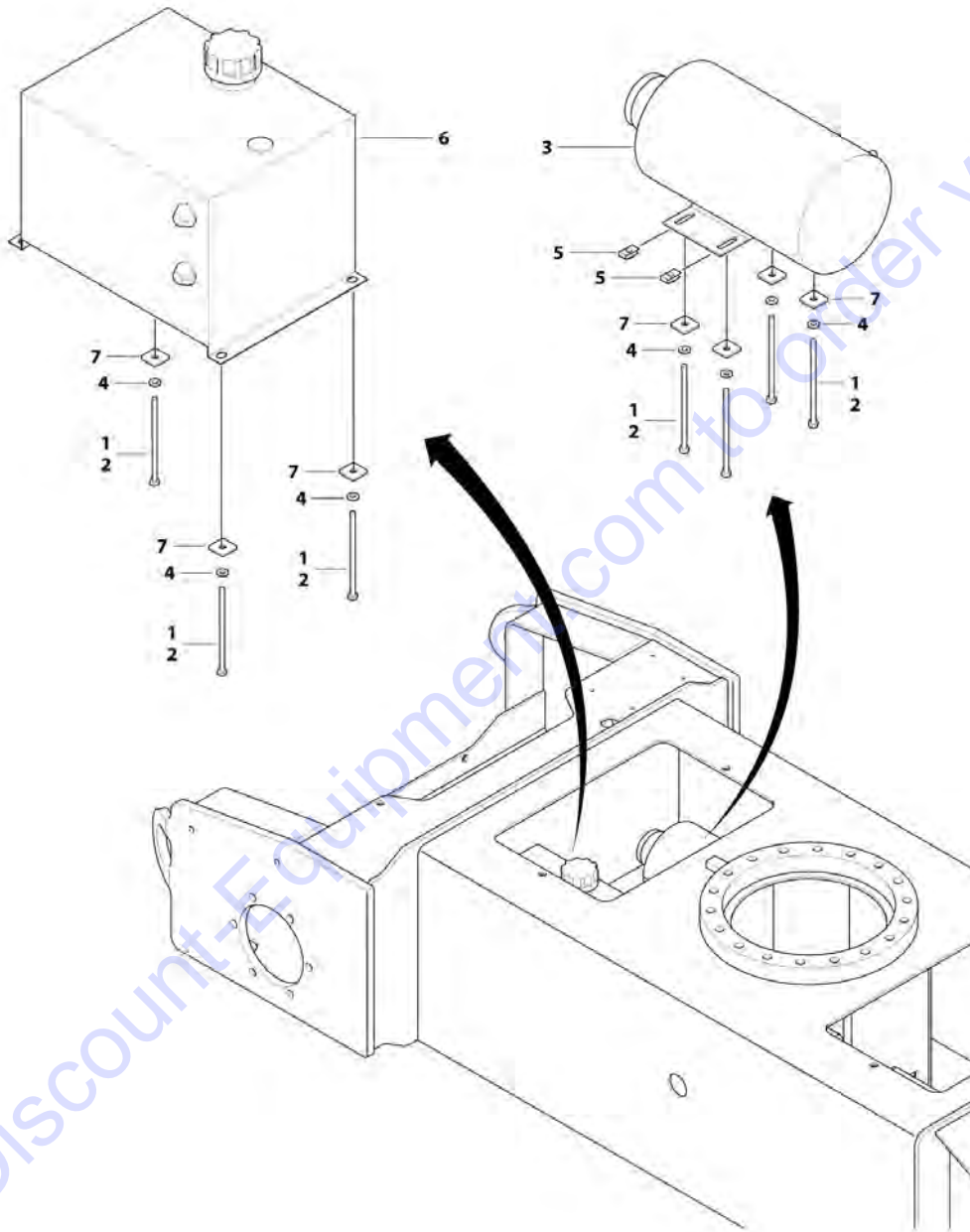
**FIGURE 1-26. MOTOR/PUMP/TANK - E400AN/E400AJP/E400AJPN INSTALLATION - UL SPECS**

| ITEM | PART NUMBER | QTY | DESCRIPTION  | REV |
|------|-------------|-----|--|-----|
|      | 1001167487  | Ref | MOTOR/PUMP/TANK INSTALLATION -<br>E400An/E400AJP/E400AJPN - UL SPECS | F   |
| 1    | 0100011     | AR  | Compound, Locking  |     |
| 2    | 0641608     | 8   | Bolt, 3/8-16 x 1   |     |
| 3    | 0641610     | 4   | Bolt, 3/8-16 x 1-1/4   |     |
| 5    | 3600289     | 1   | Motor/Pump Assembly (See MOTOR/PUMP ASSEMBLY for<br>Breakdown)       |     |
| 6    | 4751600     | 4   | Washer, 3/8  |     |
| 7    | 1001166419  | 1   | Plate, Mounting  |     |
| 8    | 1001171213  | 1   | Tank Hydraulic (See HYDRAULIC TANK ASSEMBLY for<br>Breakdown)        |     |
| 9    | 0340048     | 1   | Band, Motor  |     |
| 10   | 88662523    | 8   | Nut, Tinnerman   |     |
| 11   | 4891600     | 8   | Washer, 3/8 Hardened   |     |

Go to Discount-Equipment.com to order your parts

# SECTION 1 - FRAME

FIGURE 1-27. MOTOR/PUMP/TANK INSTALLATION - M400AJP



ART 1001167450

## SECTION 1 - FRAME

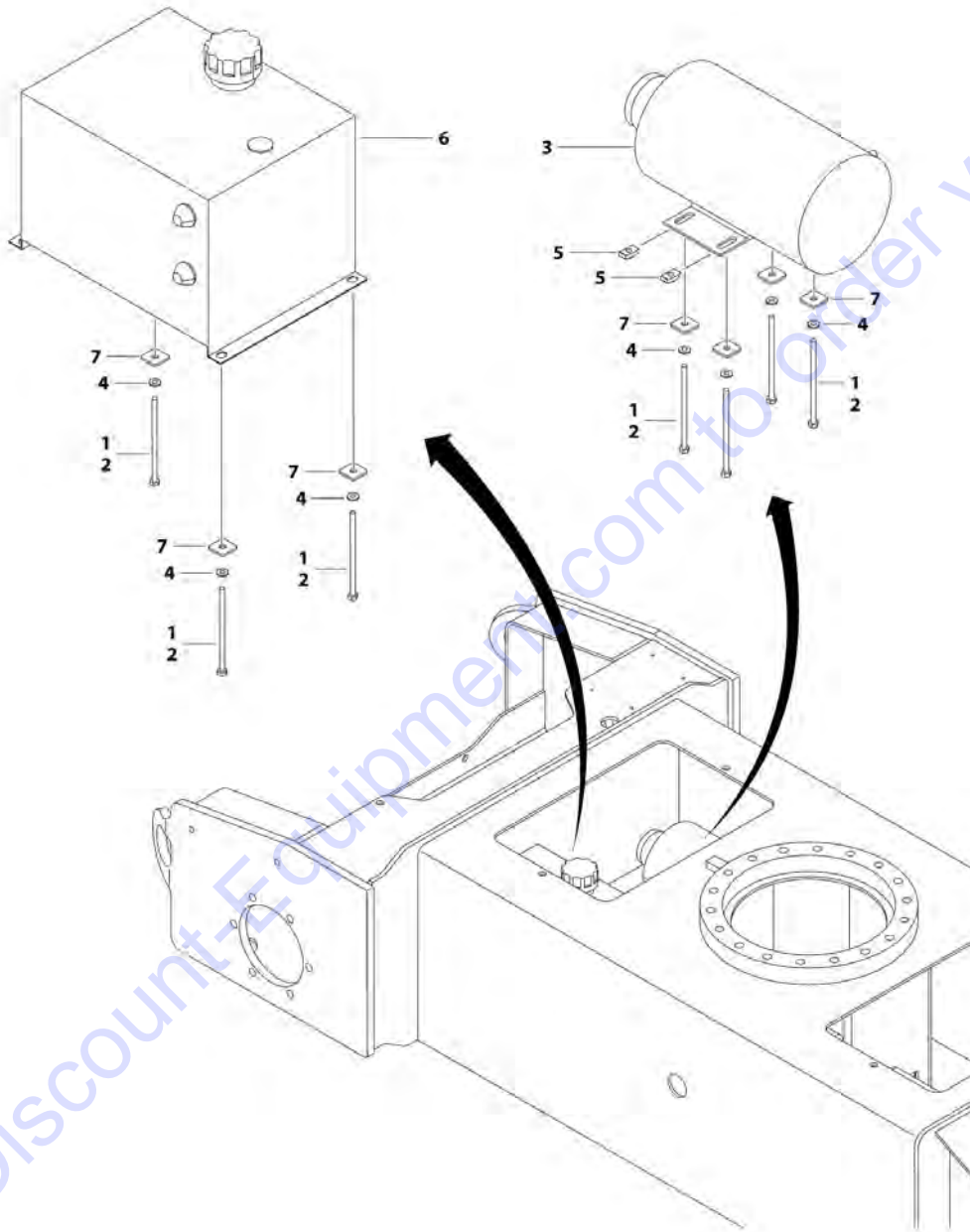
**FIGURE 1-27. MOTOR/PUMP/TANK INSTALLATION - M400AJP**

| ITEM | PART NUMBER | QTY | DESCRIPTION   | REV |
|------|-------------|-----|---|-----|
|      | 1001167450  | Ref | MOTOR/PUMP/TANK INSTALLATION - M400AJP                      | B   |
| 1    | 0100011     | AR  | Compound, Locking   |     |
| 2    | 0641424     | 7   | Bolt, 1/4-20 x 3  |     |
| 3    | 3600289     | 1   | Motor/Pump Assembly (See MOTOR/PUMP ASSEMBLY for Breakdown) |     |
| 4    | 4711400     | 7   | Washer, 1/4   |     |
| 5    | 3300454     | 4   | Nut, 1/4-20   |     |
| 6    | 1001171214  | 1   | Tank, Hydraulic (See HYDRAULIC TANK ASSEMBLY for Breakdown) |     |
| 7    | 1001167291  | 7   | Washer  |     |

Go to Discount-Equipment.com to order your parts

# SECTION 1 - FRAME

FIGURE 1-28. MOTOR/PUMP/TANK INSTALLATION - M400AJPN



ART 1001167363



## SECTION 1 - FRAME

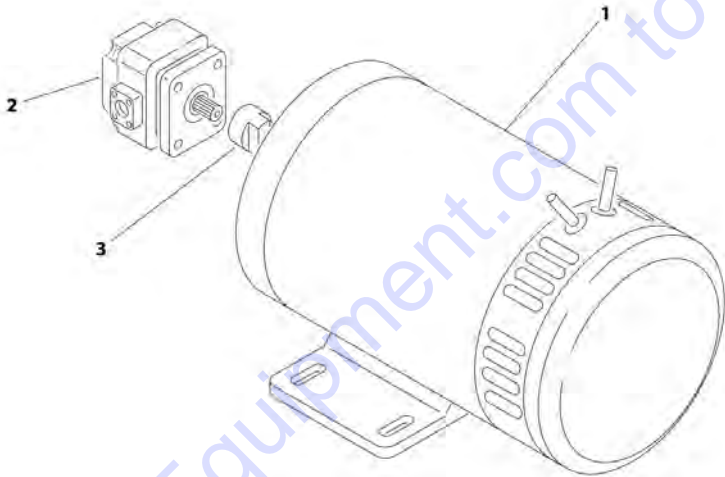
**FIGURE 1-28. MOTOR/PUMP/TANK INSTALLATION - M400AJPN**

| ITEM | PART NUMBER | QTY | DESCRIPTION   | REV |
|------|-------------|-----|---|-----|
|      | 1001167363  | Ref | MOTOR/PUMP/TANK INSTALLATION - M400AJPN                     | B   |
| 1    | 0100011     | AR  | Compound, Locking   |     |
| 2    | 0641440     | 7   | Bolt, 1/4-20 X 5  |     |
| 3    | 3600289     | 1   | Motor/Pump Assembly (See MOTOR/PUMP ASSEMBLY for Breakdown) |     |
| 4    | 4711400     | 7   | Washer, 1/4   |     |
| 5    | 3300454     | 4   | Nut, 1/4-20   |     |
| 6    | 1001171214  | 1   | Tank, Hydraulic (See HYDRAULIC TANK ASSEMBLY for Breakdown) |     |
| 7    | 1001167291  | 7   | Washer  |     |

Go to Discount-Equipment.com to order your parts

**SECTION 1 - FRAME**

**FIGURE 1-29. MOTOR/PUMP ASSEMBLY**



ART\_3000289

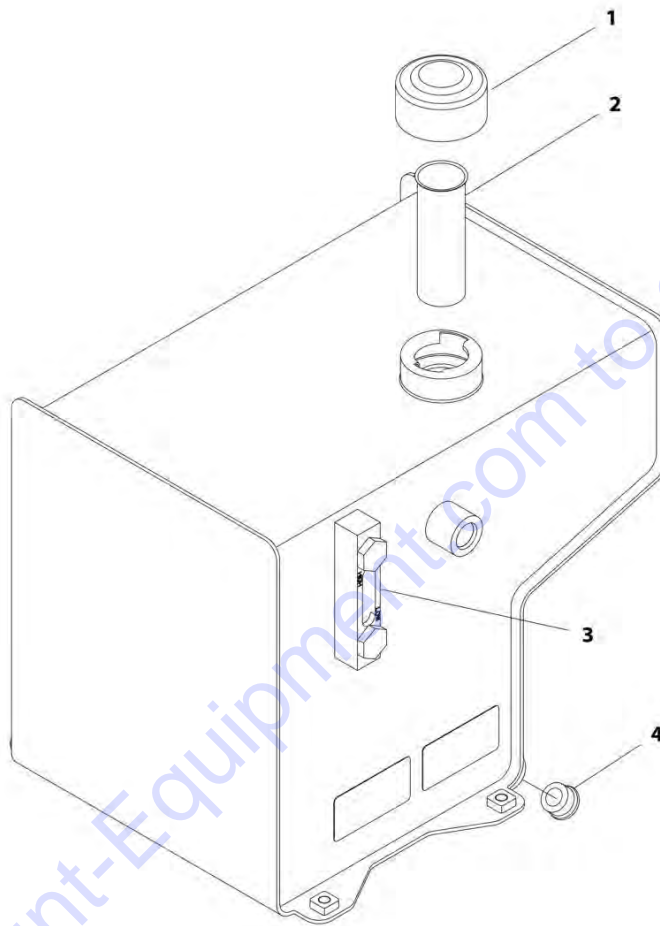
FIGURE 1-29. MOTOR/PUMP ASSEMBLY

| ITEM | PART NUMBER | QTY | DESCRIPTION         | REV |
|------|-------------|-----|---------------------|-----|
|      | 3600289     | Ref | MOTOR/PUMP ASSEMBLY | A   |
| 1    | 7021318     | 1   | Motor Assembly      |     |
| 1    | 7021361     | 1   | Brush Kit           |     |
| 1    | 70003171    | 1   | Spring, Brush       |     |
| 1    | 70001961    | 1   | Seal, Oil           |     |
| 2    | 7021319     | 1   | Pump Assembly       |     |
| 2    | 7021377     | 1   | Seal Kit            |     |
| 3    | 70002523    | 1   | Coupling            |     |

Go to Discount-Equipment.com to order your parts

# SECTION 1 - FRAME

FIGURE 1-30. HYDRAULIC TANK ASSEMBLY - E400AN/E400AJP/E400AJPN



ART\_1001171213

## SECTION 1 - FRAME

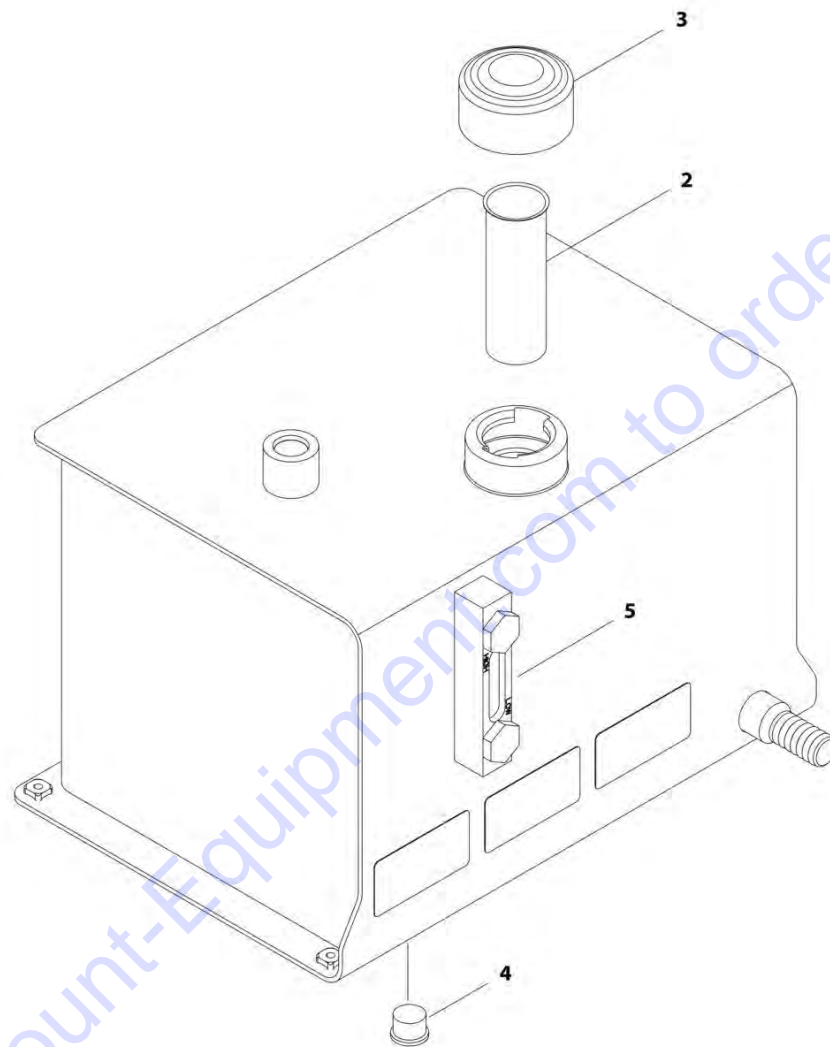
**FIGURE 1-30. HYDRAULIC TANK ASSEMBLY - E400AN/E400AJP/E400AJPN**

| ITEM | PART NUMBER | QTY | DESCRIPTION                                       | REV |
|------|-------------|-----|---|-----|
|      | 1001171213  | Ref | HYDRAULIC TANK ASSEMBLY - E400An/E400AJP/E400AJPN | B   |
| 1    | 7024444     | 1   | Cap, Breather                                     |     |
| 2    | 7024445     | 1   | Strainer  |     |
| 3    | 70005101    | 1   | Gauge, Sight                                      |     |
| 4    | 70002112    | 1   | Plug  |     |

Go to Discount-Equipment.com to order your parts

# SECTION 1 - FRAME

## FIGURE 1-31. HYDRAULIC TANK ASSEMBLY - M400AJP/M400AJPn



ART\_1001171214

## SECTION 1 - FRAME

**FIGURE 1-31. HYDRAULIC TANK ASSEMBLY - M400AJP/M400AJPN**

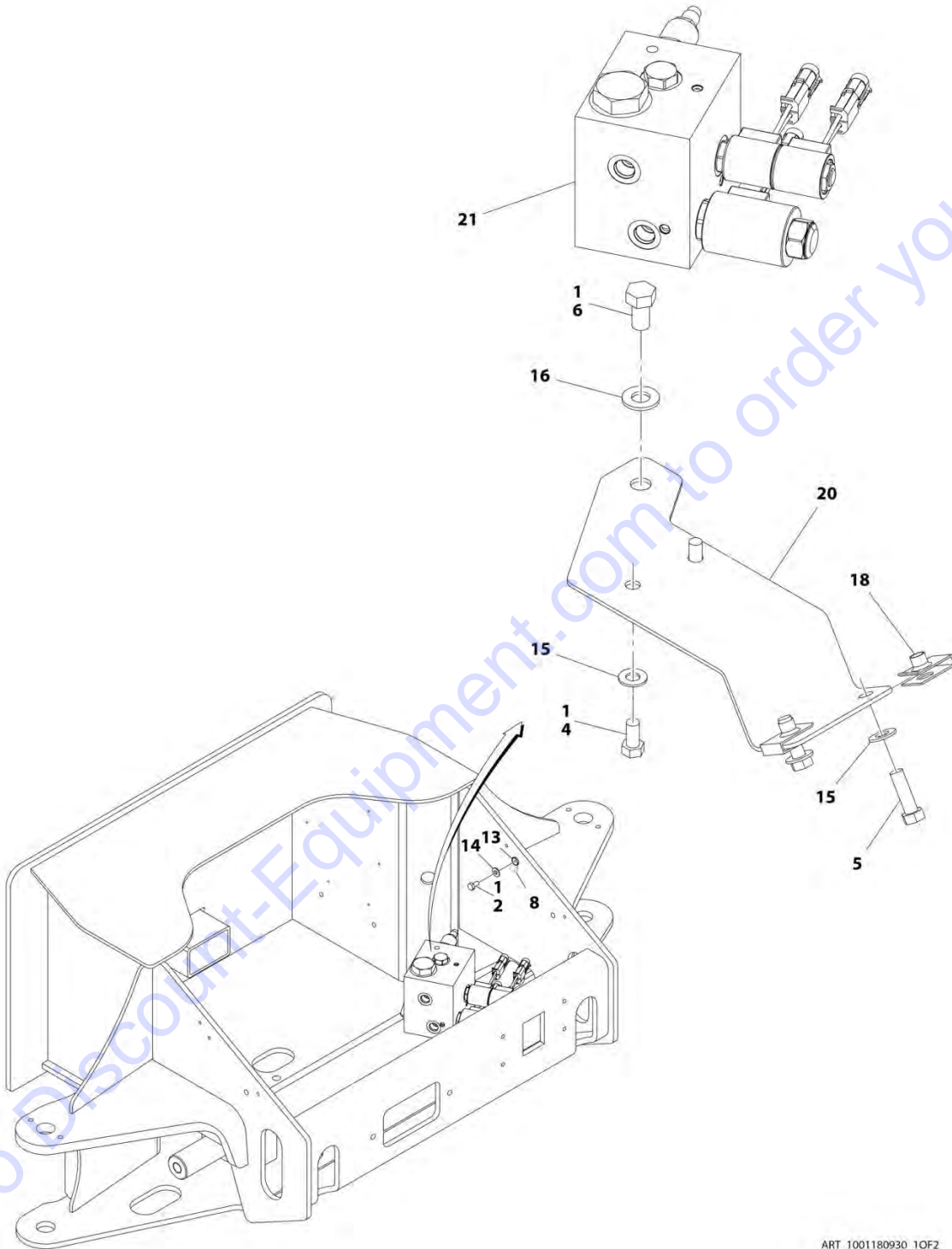
| ITEM | PART NUMBER | QTY | DESCRIPTION                                | REV |
|------|-------------|-----|--|-----|
|      | 1001171214  | Ref | HYDRAULIC TANK ASSEMBLY - M400AJP/M400AJPN | B   |
| 2    | 7024445     | 1   | Strainer                                   |     |
| 3    | 7024444     | 1   | Cap, Breather                              |     |
| 4    | 70002112    | 1   | Plug                                       |     |
| 5    | 70005101    | 1   | Gauge, Sight                               |     |

Go to Discount-Equipment.com to order your parts



# SECTION 1 - FRAME

## FIGURE 1-32. VALVE INSTALLATION - FRAME MOUNTED - E400AN



ART\_1001180930\_10F2

## SECTION 1 - FRAME

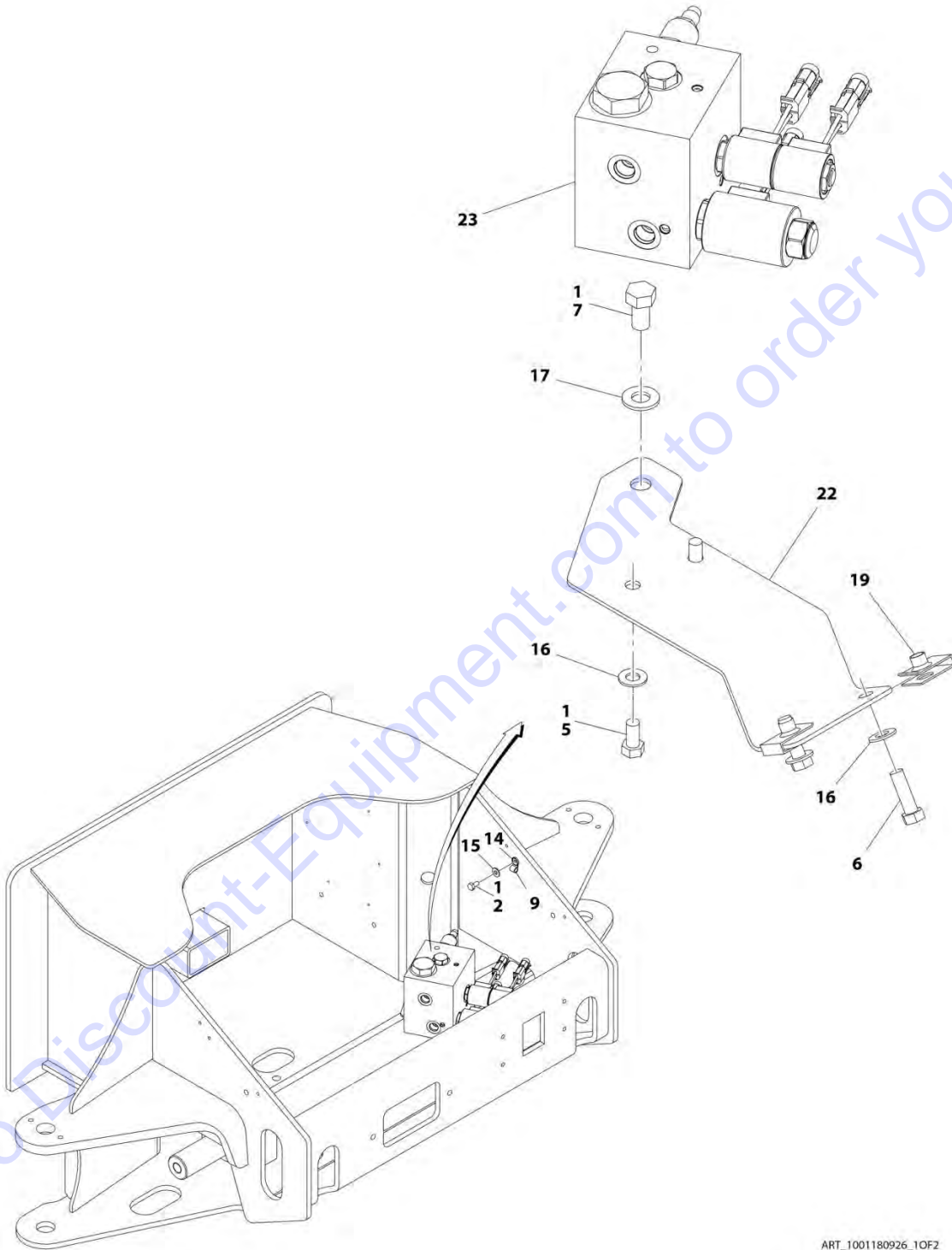
**FIGURE 1-32. VALVE INSTALLATION - FRAME MOUNTED - E400AN**

| ITEM | PART NUMBER | QTY | DESCRIPTION   | REV |
|------|-------------|-----|---|-----|
|      | 1001180930  | Ref | VALVE INSTALLATION - FRAME MOUNTED - E400An                               | B   |
| 1    | 0100011     | AR  | Compound, Locking   |     |
| 2    | 0641404     | 1   | Bolt, 1/4-20 x 1/2 <b>(SN 0300208530 through 0300225009)</b>              |     |
| 4    | 0641606     | 2   | Bolt, 3/8-16 X 3/4  |     |
| 5    | 0641610     | 2   | Bolt, 3/8-16 X 1-1/4  |     |
| 6    | 0641807     | 1   | Bolt, 1/2-13 X 7/8  |     |
| 8    | 1320040     | 1   | Clamp <b>(SN 0300208530 through 0300225009)</b>                           |     |
| 13   | 4240032     | 1   | Tie, Strap <b>(SN 0300208530 through 0300225009)</b>                      |     |
| 14   | 4711400     | 1   | Washer, 1/4 <b>(SN 0300208530 through 0300225009)</b>                     |     |
| 15   | 4711600     | 4   | Washer, 3/8   |     |
| 16   | 4711800     | 1   | Washer, 1/2   |     |
| 18   | 88662523    | 2   | Nut, Tinnerman  |     |
| 20   | 1001166420  | 1   | Bracket, Mounting   |     |
| 21   | 1001177364  | 1   | Steer/Brake Valve Assembly (See STEER/BRAKE VALVE ASSEMBLY for Breakdown) |     |

Go to Discount-Equipment.com to order your parts

# SECTION 1 - FRAME

FIGURE 1-33. VALVE INSTALLATION - FRAME MOUNTED - E400AJP AND E400AJPN (SN 0300208530 through 0300233432)



ART\_1001180926\_10F2

## SECTION 1 - FRAME

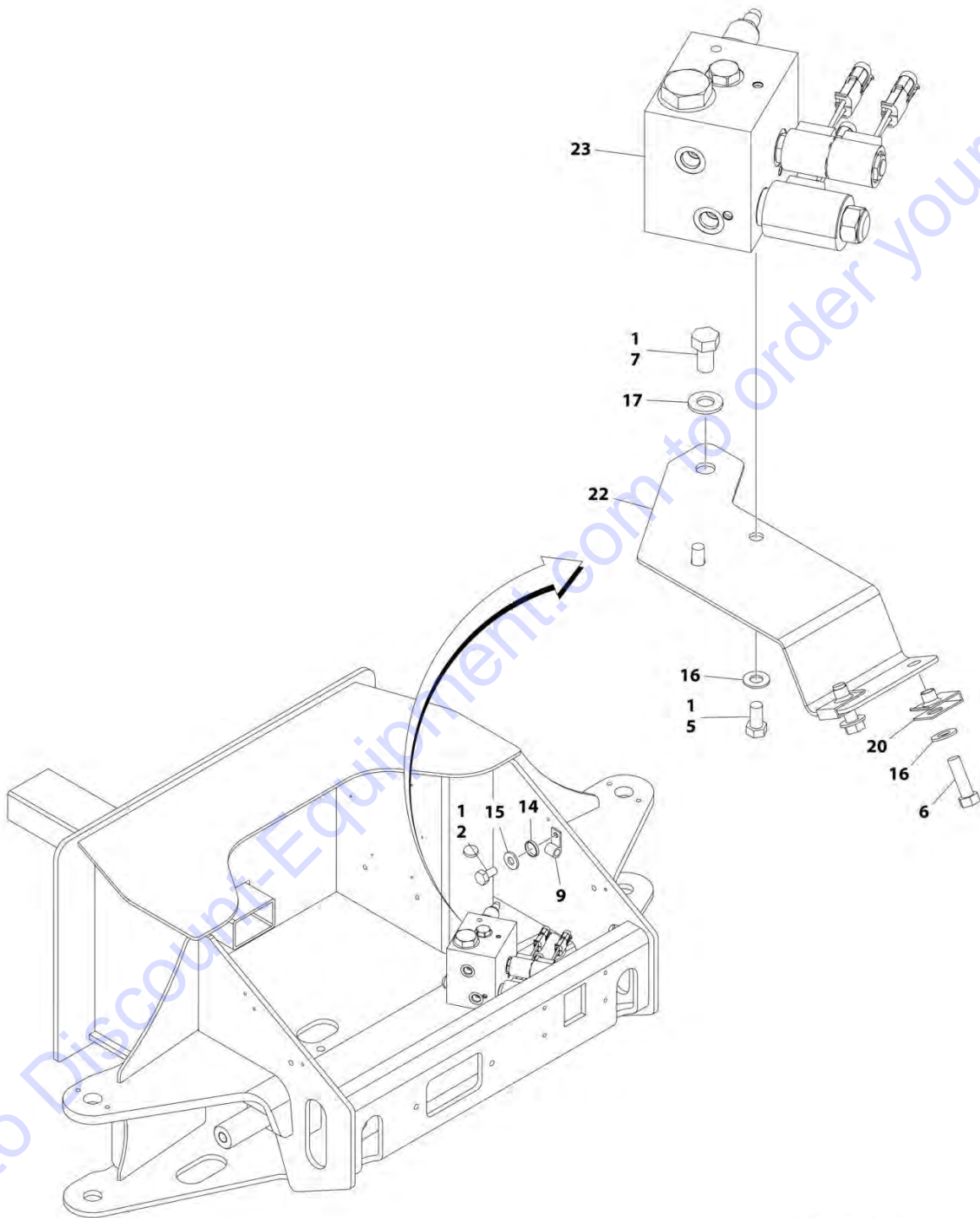
**FIGURE 1-33. VALVE INSTALLATION - FRAME MOUNTED - E400AJP AND E400AJPN (SN 0300208530 through 0300233432)**

| ITEM | PART NUMBER | QTY | DESCRIPTION  | REV |
|------|-------------|-----|--|-----|
|      | 1001180926  | Ref | VALVE INSTALLATION - FRAME MOUNTED - E400AJP AND E400AJPN (SN 0300208530 through 0300233432) | C   |
| 1    | 0100011     | AR  | Compound, Locking  |     |
| 2    | 0641404     | 1   | Bolt, 1/4-20 x 1/2 (SN 0300208530 through 0300225009)  |     |
| 5    | 0641606     | 2   | Bolt, 3/8-16 X 3/4   |     |
| 6    | 0641610     | 2   | Bolt, 3/8-16 X 1-1/4   |     |
| 7    | 0641807     | 1   | Bolt, 1/2-13 X 7/8   |     |
| 9    | 1320040     | 1   | Clamp (SN 0300208530 through 0300225009)   |     |
| 14   | 4240032     | 1   | Tie, Strap (SN 0300208530 through 0300225009)  |     |
| 15   | 4711400     | 1   | Washer, 1/4 (SN 0300208530 through 0300225009)   |     |
| 16   | 4711600     | 4   | Washer, 3/8  |     |
| 17   | 4711800     | 1   | Washer, 1/2  |     |
| 19   | 88662523    | 2   | Nut, Tinnerman   |     |
| 22   | 1001166420  | 1   | Bracket, Mounting  |     |
| 23   | 1001177364  | 1   | Steer/Brake Valve Assembly (See STEER/BRAKE VALVE ASSEMBLY for Breakdown)                    |     |

Go to Discount-Equipment.com to order your parts

# SECTION 1 - FRAME

FIGURE 1-34. VALVE INSTALLATION - FRAME MOUNTED - E400AJP AND E400AJPN (SN 0300233433 to Present)



ART\_1001218367\_10F2

## SECTION 1 - FRAME

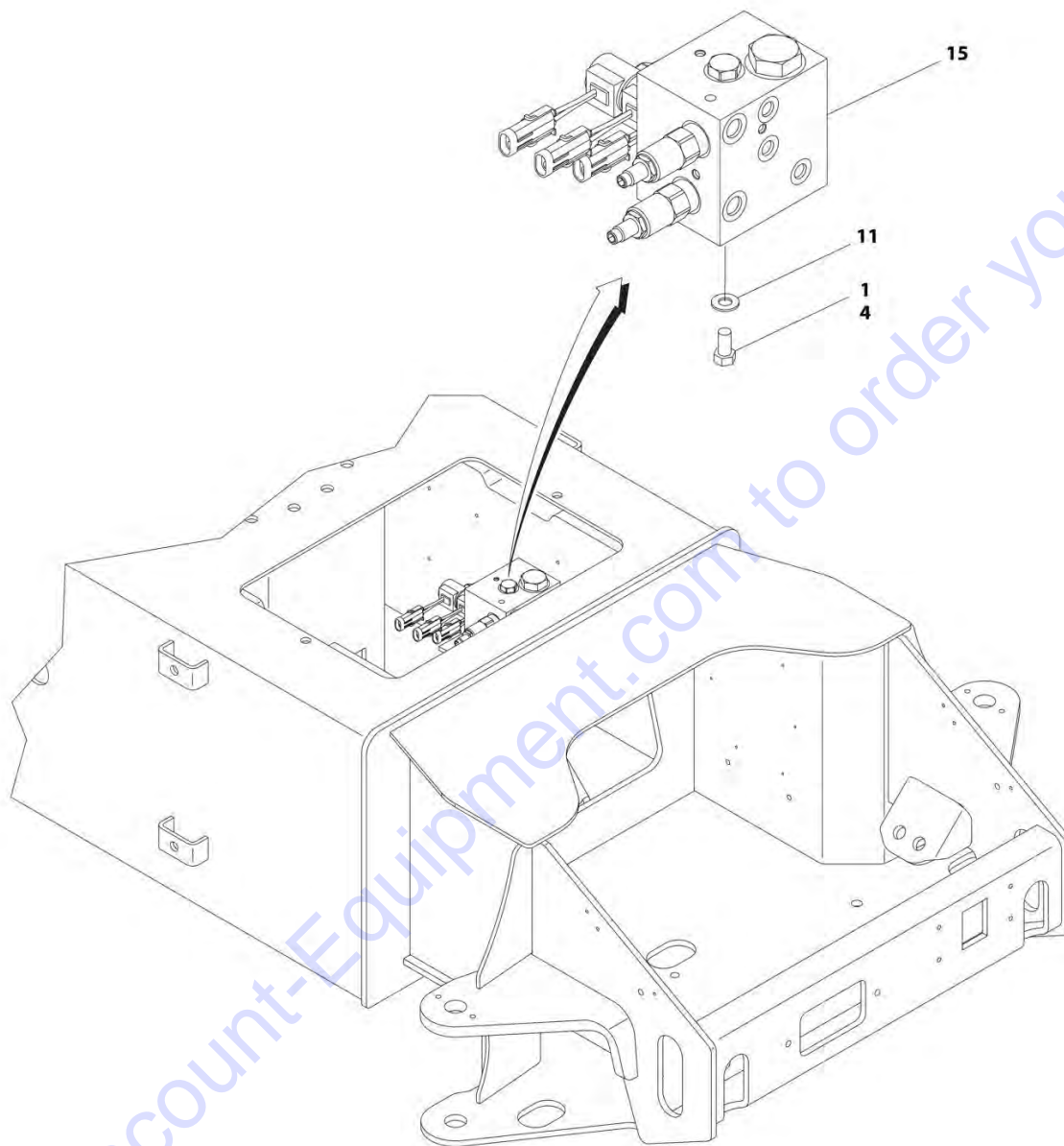
**FIGURE 1-34. VALVE INSTALLATION - FRAME MOUNTED - E400AJP AND E400AJPN (SN 0300233433 to Present)**

| ITEM | PART NUMBER | QTY | DESCRIPTION  | REV |
|------|-------------|-----|--|-----|
|      | 1001218367  | Ref | VALVE INSTALLATION - FRAME MOUNTED - E400AJP AND E400AJPN (SN 0300233433 to Present) | A   |
| 1    | 0100011     | AR  | Compound, Locking  |     |
| 2    | 0641404     | 1   | Bolt, 1/4-20 x 1/2   |     |
| 5    | 0641606     | 2   | Bolt, 3/8-16 X 3/4   |     |
| 6    | 0641610     | 2   | Bolt, 3/8-16 X 1-1/4   |     |
| 7    | 0641807     | 1   | Bolt, 1/2-13 X 7/8   |     |
| 9    | 1320040     | 1   | Clamp  |     |
| 14   | 4240032     | 1   | Tie, Strap   |     |
| 15   | 4711400     | 1   | Washer, 1/4  |     |
| 16   | 4711600     | 6   | Washer, 3/8  |     |
| 17   | 4711800     | 1   | Washer, 1/2  |     |
| 20   | 88662523    | 2   | Nut, Tinnerman   |     |
| 22   | 1001166420  | 1   | Bracket, Mounting  |     |
| 23   | 1001177364  | 1   | Steer/Brake Valve Assembly (See STEER/BRAKE VALVE ASSEMBLY for Breakdown)            |     |

Go to Discount-Equipment.com to order your parts

## SECTION 1 - FRAME

FIGURE 1-35. VALVE INSTALLATION - FRAME MOUNTED - M400AJP AND M400AJPN (SN 0300208530 through 0300233432)



ART\_1001180928\_10F2



## SECTION 1 - FRAME

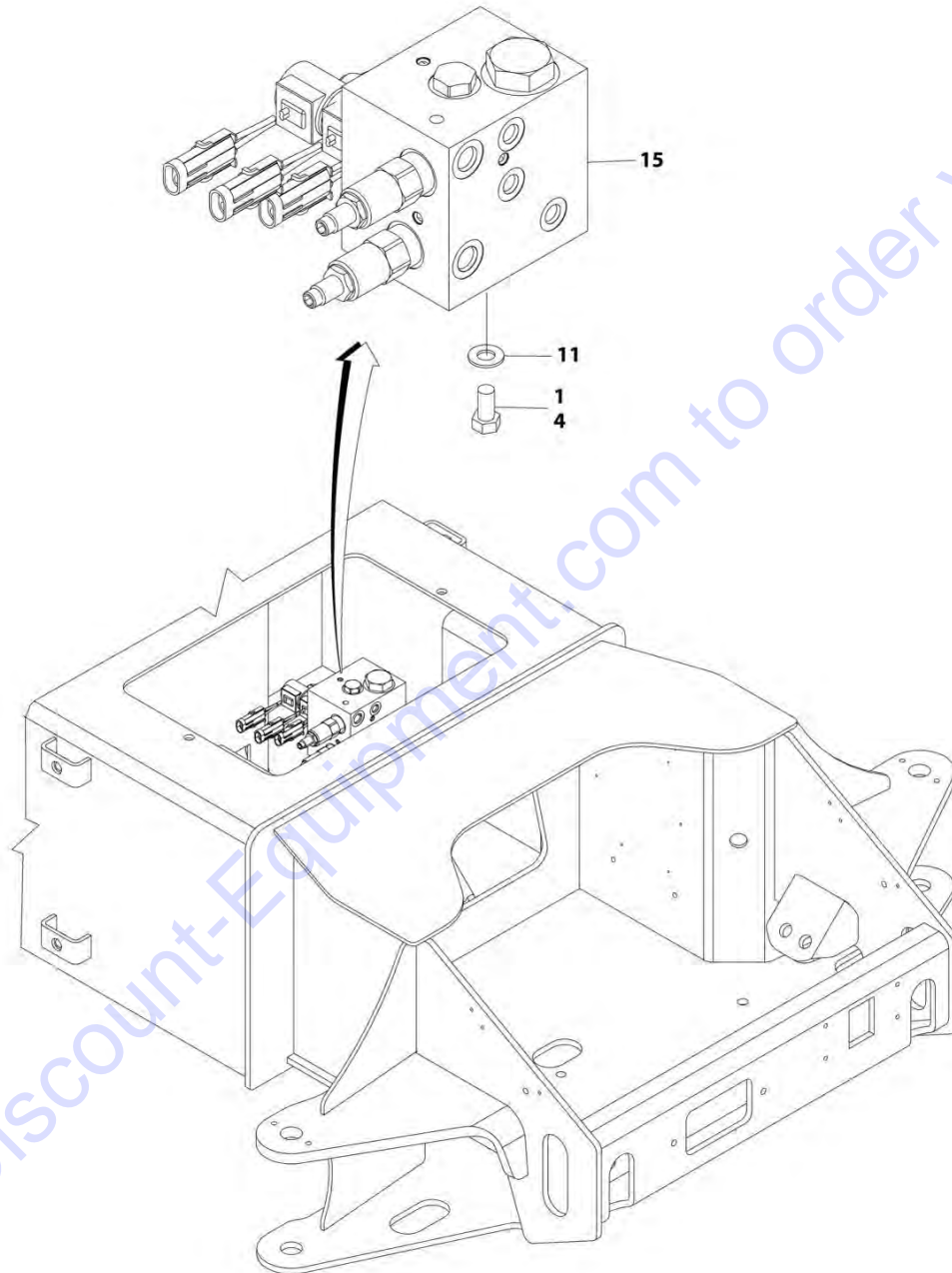
**FIGURE 1-35. VALVE INSTALLATION - FRAME MOUNTED - M400AJP AND M400AJPN (SN 0300208530 through 0300233432)**

| ITEM | PART NUMBER | QTY | DESCRIPTION  | REV |
|------|-------------|-----|--|-----|
|      | 1001180928  | Ref | VALVE INSTALLATION - FRAME MOUNTED - M400AJP AND M400AJPN (SN 0300208530 through 0300233432) | B   |
| 1    | 0100011     | AR  | Compound, Locking  |     |
| 4    | 0641606     | 2   | Bolt, 3/8-16 X 3/4   |     |
| 11   | 4711600     | 4   | Washer, 3/8  |     |
| 15   | 1001177364  | 1   | Steer/Brake Valve Assembly (See STEER/BRAKE VALVE ASSEMBLY for Breakdown)                    |     |

Go to Discount-Equipment.com to order your parts

# SECTION 1 - FRAME

FIGURE 1-36. VALVE INSTALLATION - FRAME MOUNTED - M400AJP AND M400AJPN (SN 0300233433 to Present)



ART\_1001218370

## SECTION 1 - FRAME

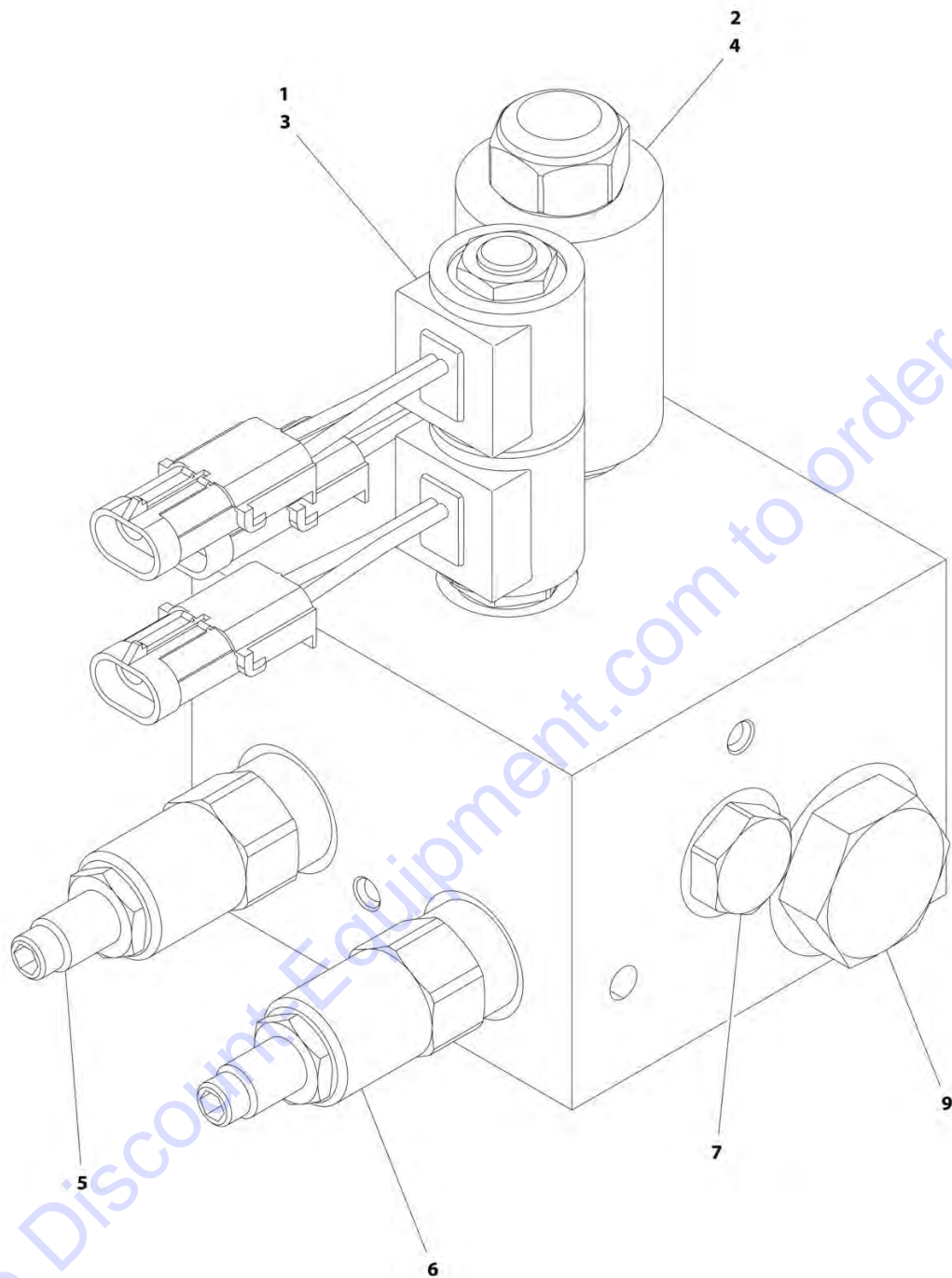
**FIGURE 1-36. VALVE INSTALLATION - FRAME MOUNTED - M400AJP AND M400AJPN (SN 0300233433 to Present)**

| ITEM | PART NUMBER | QTY | DESCRIPTION  | REV |
|------|-------------|-----|--|-----|
|      | 1001218370  | Ref | VALVE INSTALLATION - FRAME MOUNTED - M400AJP AND M400AJPN (SN 0300233433 to Present) | A   |
| 1    | 0100011     | AR  | Compound, Locking  |     |
| 4    | 0641606     | 2   | Bolt, 3/8-16 X 3/4   |     |
| 11   | 4711600     | 2   | Washer, 3/8  |     |
| 15   | 1001177364  | 1   | Steer/Brake Valve Assembly (See STEER/BRAKE VALVE ASSEMBLY for Breakdown)            |     |

Go to Discount-Equipment.com to order your parts

# SECTION 1 - FRAME

## FIGURE 1-37. BRAKE/STEER VALVE ASSEMBLY



ART\_1001177364

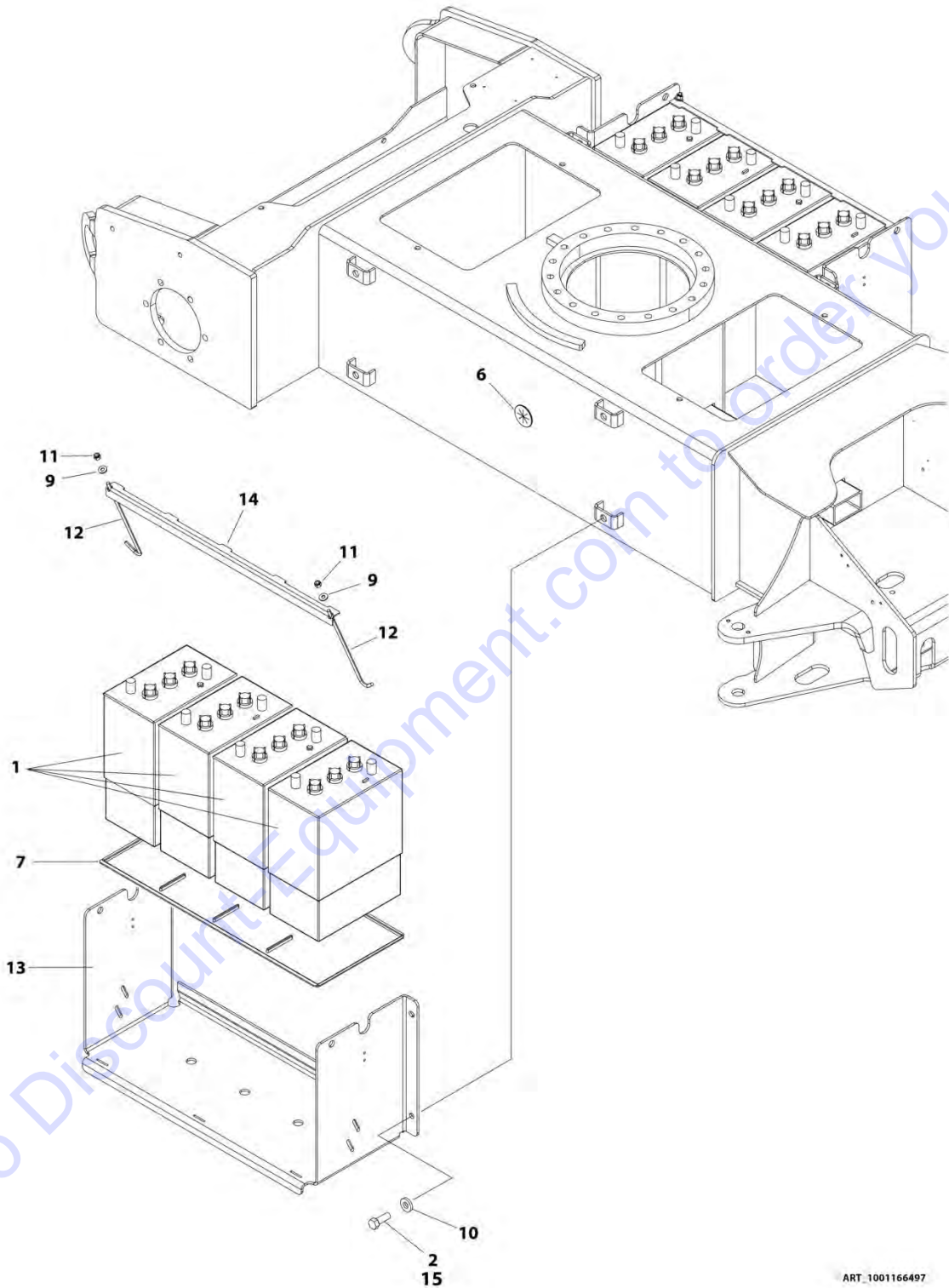
FIGURE 1-37. BRAKE/STEER VALVE ASSEMBLY

| ITEM | PART NUMBER | QTY | DESCRIPTION   | REV |
|------|-------------|-----|---|-----|
|      | 1001177364  | Ref | BRAKE/STEER VALVE ASSEMBLY                          | G   |
| 1    | 7017433     | 1   | Cartridge, without Coil (Steer)                     |     |
| 1    | 7017402     | 1   | Seal Kit - 7017433 Cartridge                        |     |
| 2    | 7021611     | 1   | Cartridge, Proportional without Coil (Flow Control) |     |
| 2    | 7012518     | 1   | Seal Kit - 7021611 Cartridge                        |     |
| 3    | 7021609     | 2   | Coil  |     |
| 4    | 7021618     | 1   | Coil  |     |
| 5    | 7021659     | 1   | Cartridge, Relief (Main)                            |     |
| 5    | 7012972     | 1   | Seal Kit - 7021659                                  |     |
| 6    | 7017488     | 1   | Cartridge, Relief (Steer)                           |     |
| 6    | 7012998     | 1   | Seal Kit - 7017488 Cartridge                        |     |
| 7    | 10837580    | 1   | Cartridge, Load Shuttle                             |     |
| 7    | 7010543     | 1   | Seal Kit - 7012941 Cartridge                        |     |
| 9    | 7021616     | 1   | Cartridge, Filter                                   |     |

Go to Discount-Equipment.com to order your parts

# SECTION 1 - FRAME

FIGURE 1-38. BATTERY BOX INSTALLATION - STANDARD (ALL SPECS EXCEPT AUSTRALIAN & CE SPECS)



ART\_1001166497

## SECTION 1 - FRAME

**FIGURE 1-38. BATTERY BOX INSTALLATION - STANDARD (ALL SPECS EXCEPT AUSTRALIAN & CE SPECS)**

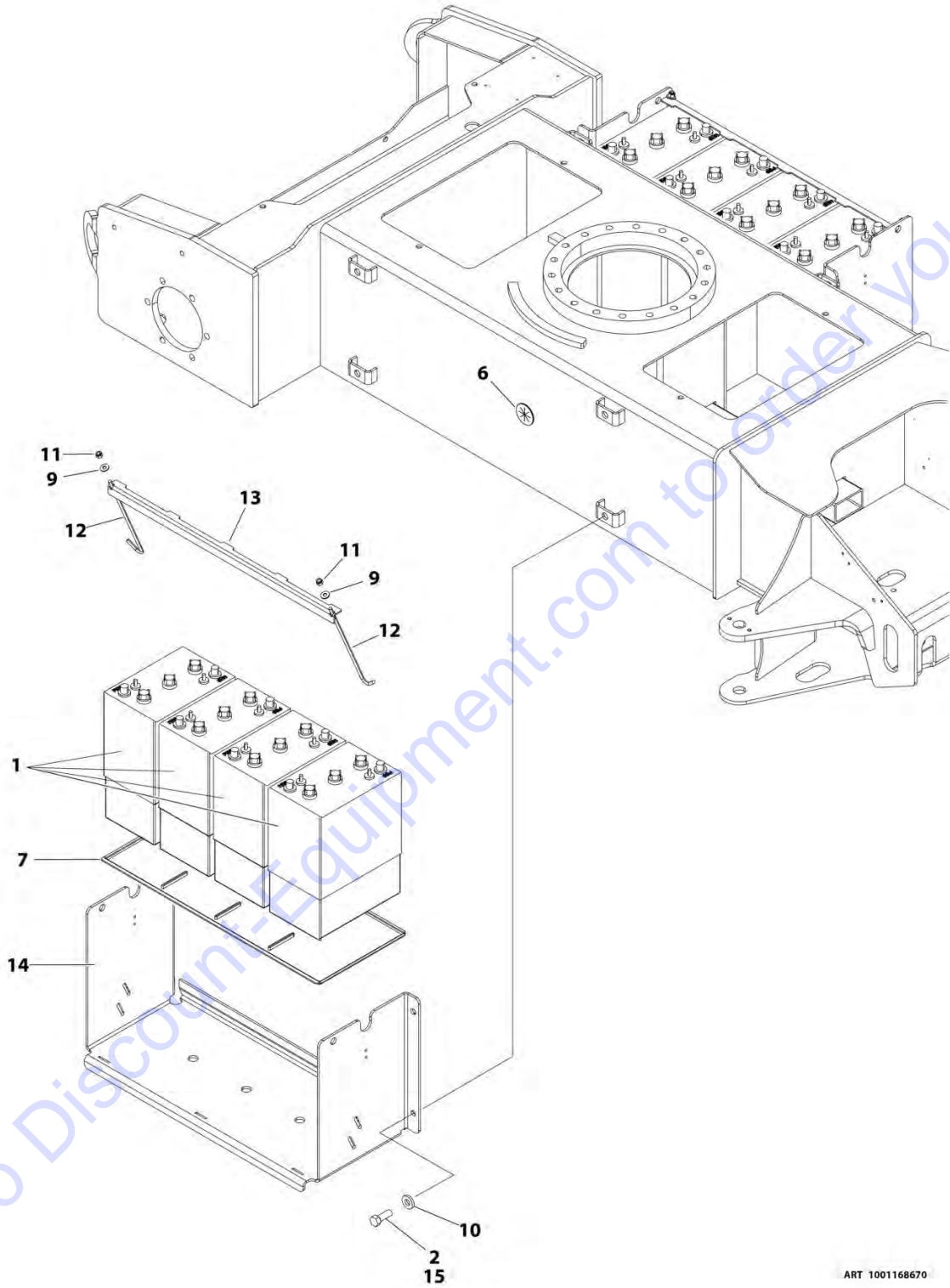
| ITEM | PART NUMBER | QTY | DESCRIPTION   | REV |
|------|-------------|-----|---|-----|
|      | 1001166497  | Ref | BATTERY BOX INSTALLATION (ALL SPECS EXCEPT AUSTRALIAN & CE SPECS) | C   |
| 1    | 0400055     | 8   | Battery (Wet)   |     |
| 1    | 7016177     | 8   | Battery (Dry)   |     |
| 2    | 0641811     | 8   | Bolt, 1/2-13 X 1-3/8  |     |
| 6    | 2540045     | 2   | Grommet   |     |
| 7    | 3000003     | 2   | Liner, Battery Box  |     |
| 9    | 4751500     | 4   | Washer, 5/16  |     |
| 10   | 4891800     | 8   | Washer, 1/2 Hardened  |     |
| 11   | 88521205    | 4   | Nut, Lock, 5/16-18  |     |
| 12   | 1001093382  | 4   | Bolt, J-Bolt  |     |
| 13   | 1001166495  | 2   | Tray, Battery   |     |
| 14   | 1001166496  | 2   | Battery Hold Down   |     |
| 15   | 0100011     | AR  | Compound, Locking   |     |

Go to Discount-Equipment.com to order your parts



# SECTION 1 - FRAME

FIGURE 1-39. BATTERY BOX INSTALLATION - STANDARD (AUSTRALIAN & CE SPECS)



ART 1001168670

## SECTION 1 - FRAME

**FIGURE 1-39. BATTERY BOX INSTALLATION - STANDARD (AUSTRALIAN & CE SPECS)**

| ITEM | PART NUMBER | QTY | DESCRIPTION   | REV |
|------|-------------|-----|---|-----|
|      | 1001168670  | Ref | BATTERY BOX INSTALLATION - STANDARD (AUSTRALIAN & CE SPECS) | C   |
| 1    | 0400055     | 8   | Battery (Wet)   |     |
| 1    | 7016177     | 8   | Battery (Dry)   |     |
| 2    | 0641811     | 8   | Bolt, 1/2-13 X 1-3/8  |     |
| 6    | 2540045     | 2   | Grommet   |     |
| 7    | 3000003     | 2   | Liner, Battery Box  |     |
| 9    | 4751500     | 4   | Washer, 5/16  |     |
| 10   | 4891800     | 8   | Washer, 1/2 Hardened  |     |
| 11   | 88521205    | 4   | Nut, Lock, 5/16-18  |     |
| 12   | 1001093382  | 4   | Bolt, J-Bolt  |     |
| 13   | 1001166496  | 2   | Battery Hold Down   |     |
| 14   | 1001168800  | 2   | Tray, Battery   |     |
| 15   | 0100011     | AR  | Compound, Locking   |     |

Go to Discount-Equipment.com to order your parts

# PARTS FINDER

**Search Website  
by Part Number**



**Search Manual  
Library For Parts  
Manual & Lookup Part  
Numbers – Purchase  
or Request Quote**

**Can't Find Part or  
Manual? Request Help  
by Manufacturer,  
Model & Description**

Discount-Equipment.com is your online resource for quality parts & equipment.

Florida: **561-964-4949** Outside Florida TOLL FREE: **877-690-3101**

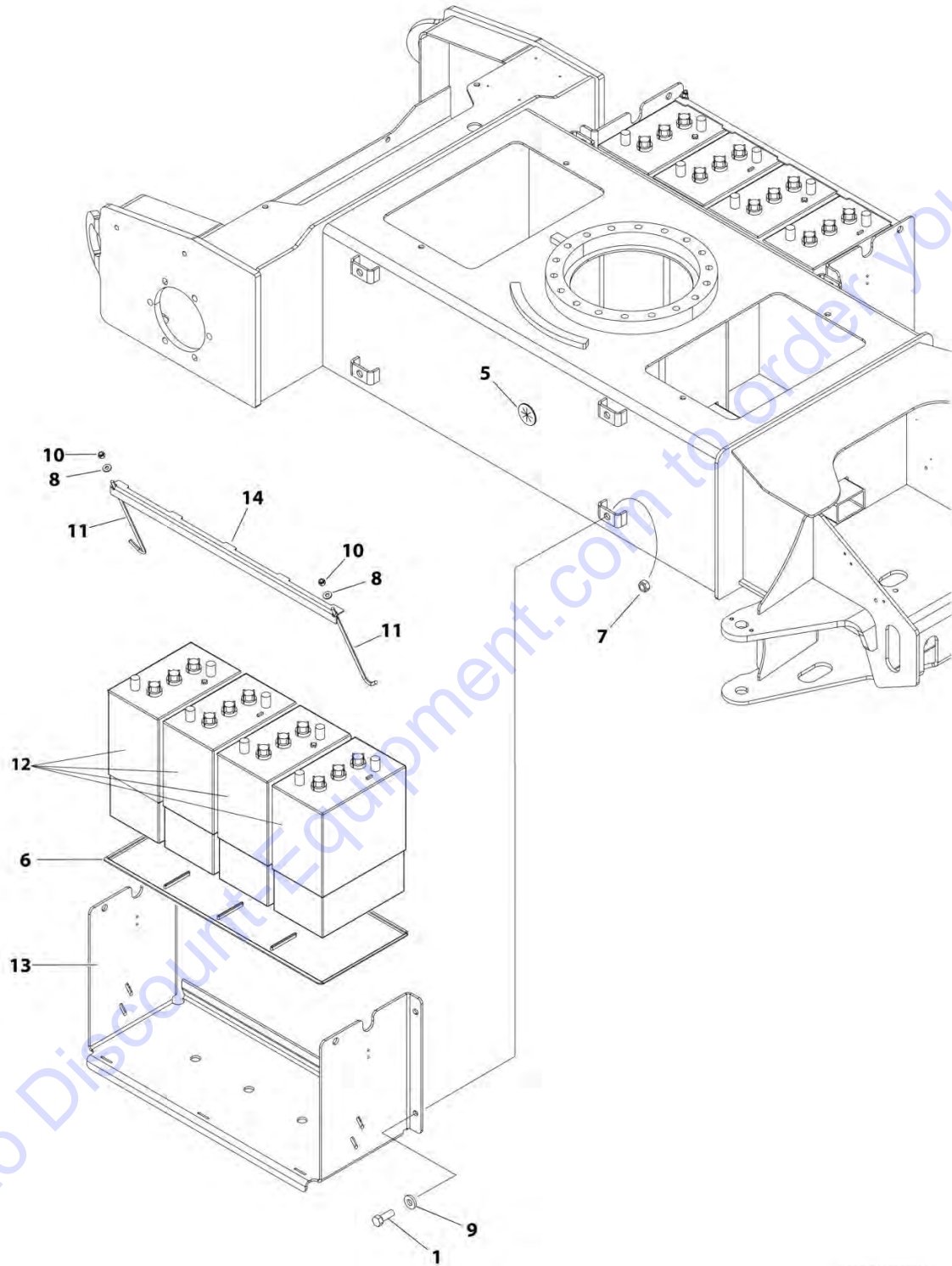
**Need parts?**

Click on this link: <http://www.discount-equipment.com/category/5443-parts/> and choose one of the options to help get the right parts and equipment you are looking for. Please have the machine model and serial number available in order to help us get you the correct parts. If you don't find the part on the website or on one of the online manuals, please fill out the request form and one of our experienced staff members will get back to you with a quote for the right part that your machine needs.

We sell worldwide for the brands: Genie, Terex, JLG, MultiQuip, Mikasa, Essick, Whiteman, Mayco, Toro Stone, Diamond Products, Generac Magnum, Airman, Haulotte, Barreto, Power Blanket, Nifty Lift, Atlas Copco, Chicago Pneumatic, Allmand, Miller Curber, Skyjack, Lull, Skytrak, Tsurumi, Husquvarna Target, Stow, Wacker, Sakai, Mi-T-M, Sullair, Basic, Dynapac, MBW, Weber, Bartell, Bennar Newman, Haulotte, Ditch Runner, Menegotti, Morrison, Contec, Buddy, Crown, Edco, Wyco, Bomag, Laymor, EZ Trench, Bil-Jax, F.S. Curtis, Gehl Pavers, Heli, Honda, ICS/PowerGrit, IHI, Partner, Imer, Clipper, MMD, Koshin, Rice, CH&E, General Equipment, Amida, Coleman, NAC, Gradall, Square Shooter, Kent, Stanley, Tamco, Toku, Hatz, Kohler, Robin, Wisconsin, Northrock, Oztec, Toker TK, Rol-Air, APT, Wylie, Ingersoll Rand / Doosan, Innovatech, Con X, Ammann, Mecalac, Makinex, Smith Surface Prep, Small Line, Wanco, Yanmar

# SECTION 1 - FRAME

FIGURE 1-40. BATTERY BOX INSTALLATION - AGM BATTERIES (ALL SPECS EXCEPT AUSTRALIAN & CE SPECS)



ART\_1001166498

## SECTION 1 - FRAME

**FIGURE 1-40. BATTERY BOX INSTALLATION - AGM BATTERIES (ALL SPECS EXCEPT AUSTRALIAN & CE SPECS)**

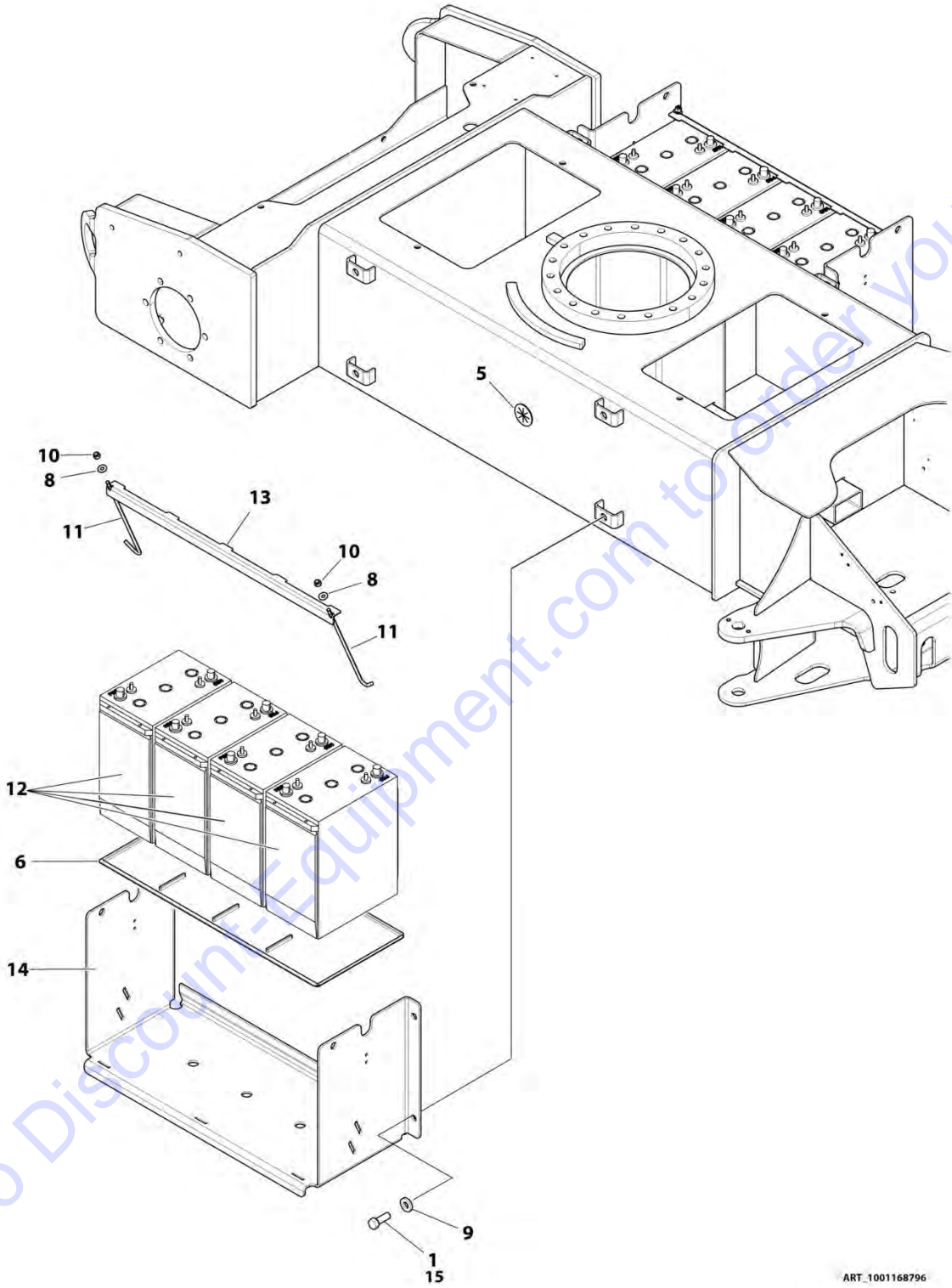
| ITEM | PART NUMBER | QTY | DESCRIPTION   | REV |
|------|-------------|-----|---|-----|
|      | 1001166498  | Ref | BATTERY BOX INSTALLATION - AGM BATTERIES (ALL SPECS EXCEPT AUSTRALIAN & CE SPECS) | C   |
| 1    | 0641811     | 8   | Bolt, 1/2-13 X 1-3/8  |     |
| 5    | 2540045     | 1   | Grommet   |     |
| 6    | 3000003     | 2   | Liner, Battery Box  |     |
| 8    | 4751500     | 4   | Washer, 5/16  |     |
| 9    | 4891800     | 8   | Washer, 1/2 Hardened  |     |
| 10   | 88521205    | 4   | Nut, Lock, 5/16-18  |     |
| 11   | 1001093382  | 4   | Bolt, J-Bolt  |     |
| 12   | 1001114782  | 8   | Battery (Wet) (AGM Batteries)   |     |
| 13   | 1001166495  | 2   | Tray, Battery   |     |
| 14   | 1001166496  | 2   | Battery Hold Down   |     |
| 15   | 0100011     | AR  | Compound, Locking   |     |

Go to Discount-Equipment.com to order your parts



# SECTION 1 - FRAME

FIGURE 1-41. BATTERY BOX INSTALLATION - AGM BATTERIES (AUSTRALIAN & CE SPECS)



ART. 1001168796

## SECTION 1 - FRAME

**FIGURE 1-41. BATTERY BOX INSTALLATION - AGM BATTERIES (AUSTRALIAN & CE SPECS)**

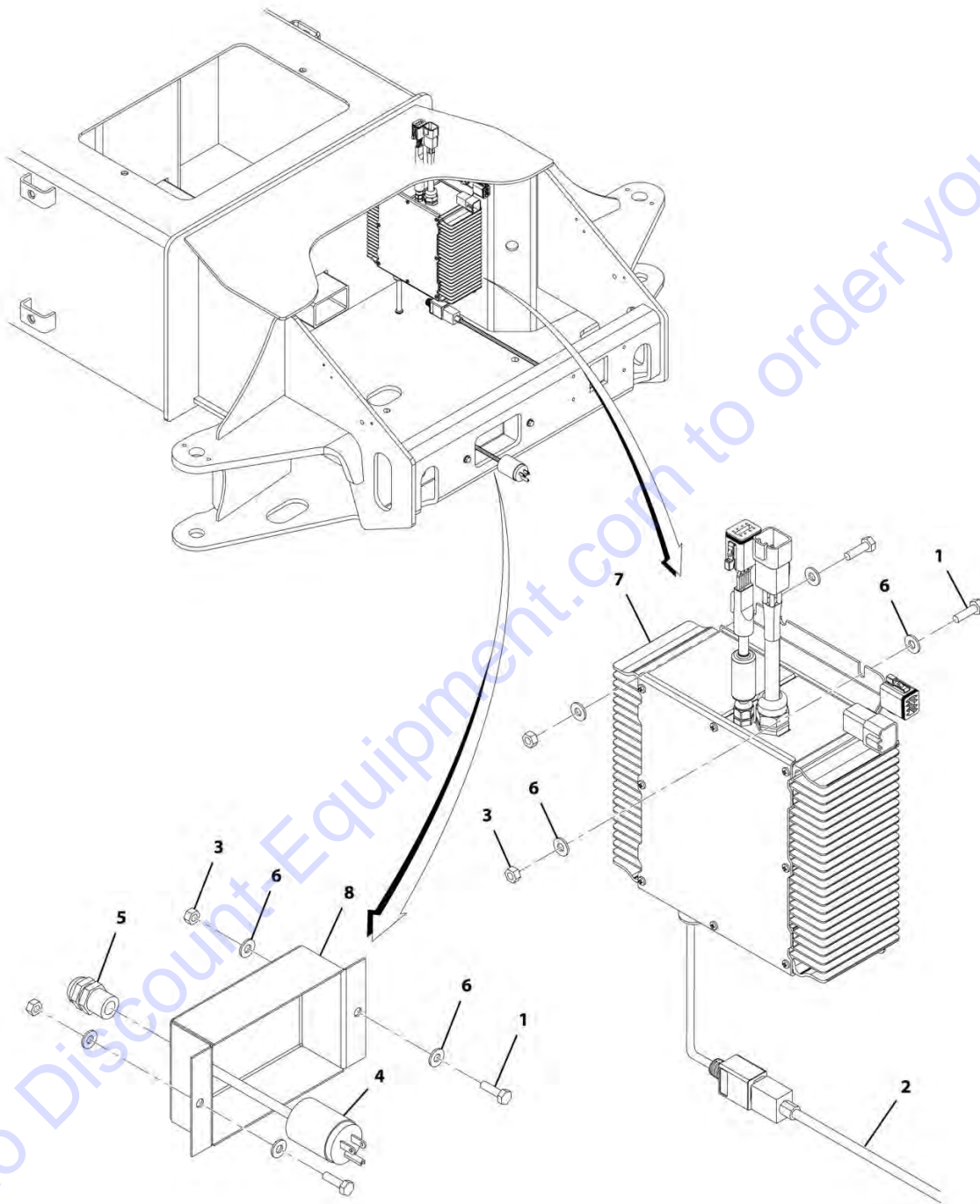
| ITEM | PART NUMBER | QTY | DESCRIPTION   | REV |
|------|-------------|-----|---|-----|
|      | 1001168796  | Ref | BATTERY BOX INSTALLATION - AGM BATTERIES<br>(AUSTRALIAN & CE SPECS) | C   |
| 1    | 0641811     | 8   | Bolt, 1/2-13 X 1-3/8  |     |
| 5    | 2540045     | 2   | Grommet   |     |
| 6    | 3000003     | 2   | Liner, Battery Box  |     |
| 8    | 4751500     | 4   | Washer, 5/16  |     |
| 9    | 4891800     | 8   | Washer, 1/2 Hardened  |     |
| 10   | 88521205    | 4   | Nut, Lock, 5/16-18  |     |
| 11   | 1001093382  | 4   | Bolt, J-Bolt  |     |
| 12   | 1001114782  | 8   | Battery (Wet) (AGM Batteries)                                       |     |
| 13   | 1001166496  | 2   | Battery Hold Down   |     |
| 14   | 1001168800  | 2   | Tray Battery  |     |
| 15   | 0100011     | AR  | Compound, Locking   |     |

Go to Discount-Equipment.com to order your parts



# SECTION 1 - FRAME

FIGURE 1-42. BATTERY CHARGER INSTALLATION - E400AN/E400AJP/E400AJPN (ALL SPECS EXCEPT AUSTRALIAN & CE SPECS)



ART\_1001191204

## SECTION 1 - FRAME

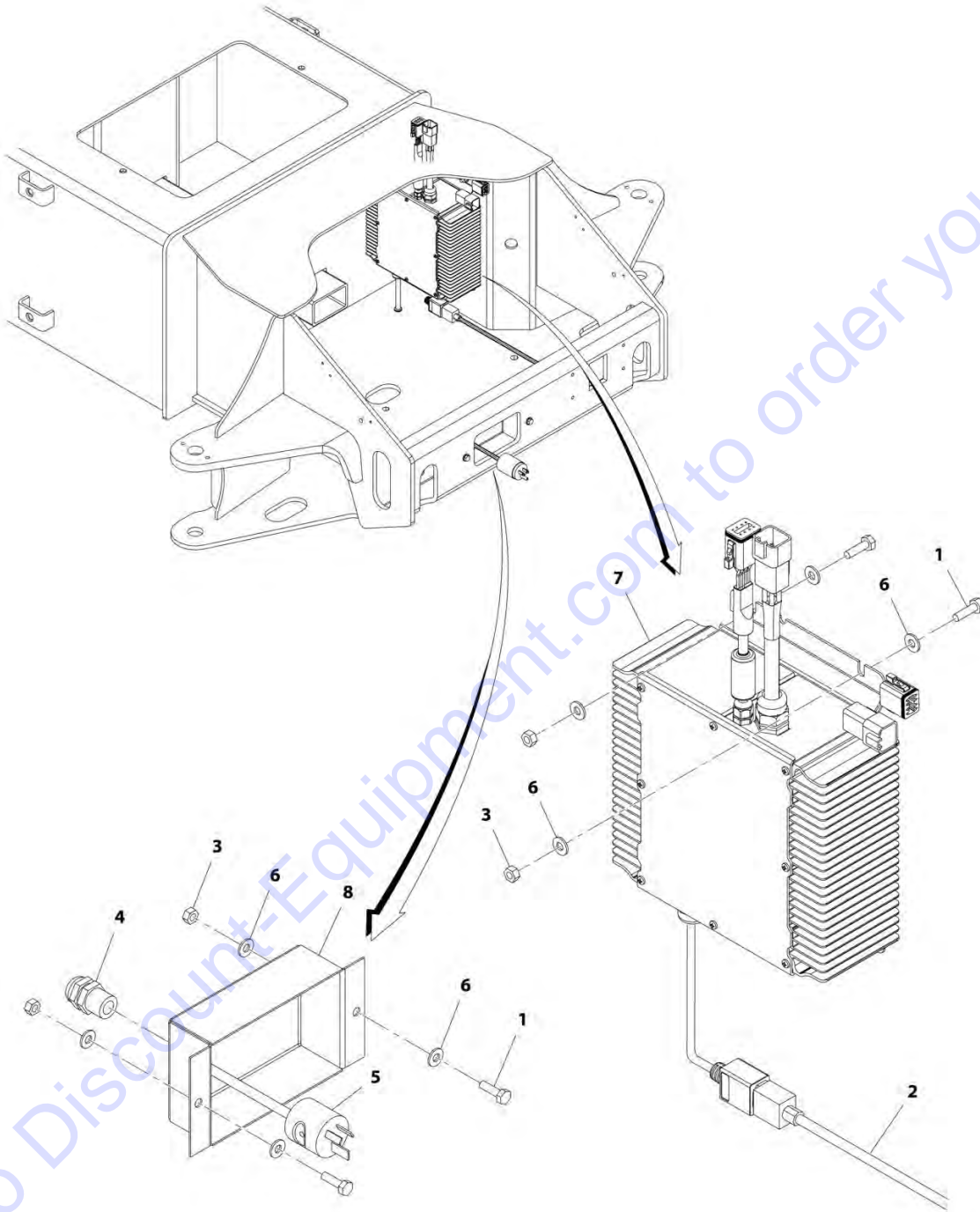
**FIGURE 1-42. BATTERY CHARGER INSTALLATION - E400AN/E400AJP/E400AJPN (ALL SPECS EXCEPT AUSTRALIAN & CE SPECS)**

| ITEM | PART NUMBER | QTY | DESCRIPTION   | REV |
|------|-------------|-----|---|-----|
|      | 1001191204  | Ref | BATTERY CHARGER INSTALLATION - E400An/E400AJP/E400AJPN (ALL SPECS EXCEPT AUSTRALIAN & CE SPECS) | A   |
| 1    | 0641407     | 6   | Bolt, 1/4-20 X 7/8  |     |
| 2    | 1060689     | 1   | AC Cord   |     |
| 3    | 0641405     | 1   | Bolt, 1/4-20 X 5/8  |     |
| 4    | 4460138     | 1   | Plug, AC  |     |
| 5    | 4460428     | 1   | Connector, Strain Relief  |     |
| 6    | 4711400     | 14  | Washer, 1/4   |     |
| 7    | 1001103105  | 1   | Battery Charger Assembly (See BATTERY CHARGER ASSEMBLY for Breakdown)                           |     |
| 8    | 1001191212  | 1   | Panel, Cable  |     |

Go to Discount-Equipment.com to order your parts

# SECTION 1 - FRAME

FIGURE 1-43. BATTERY CHARGER INSTALLATION - E400AJP/E400AJPN (AUSTRALIAN SPEC)



ART\_1001191206

## SECTION 1 - FRAME

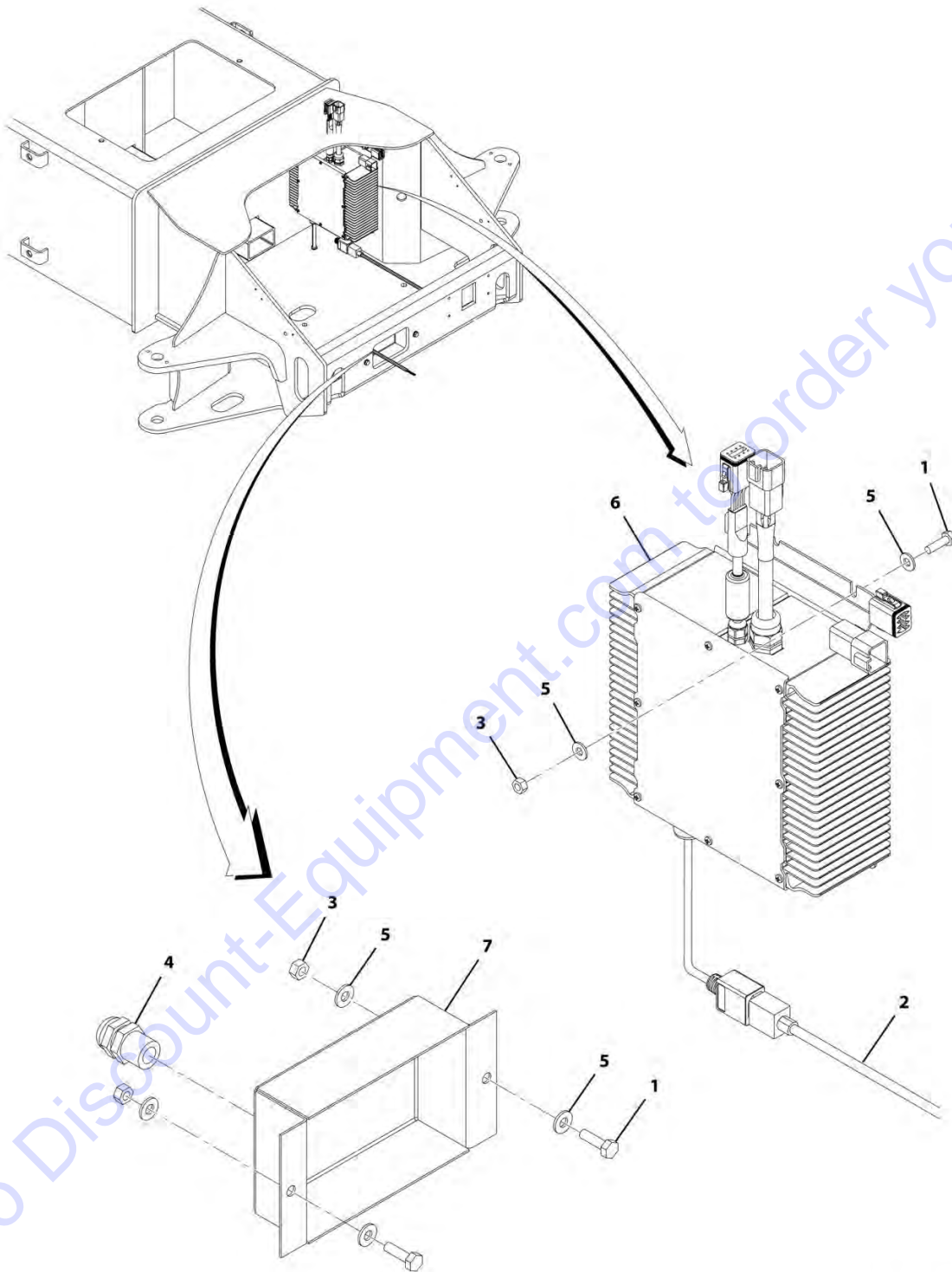
**FIGURE 1-43. BATTERY CHARGER INSTALLATION - E400AJP/E400AJPN (AUSTRALIAN SPEC)**

| ITEM | PART NUMBER | QTY | DESCRIPTION  | REV |
|------|-------------|-----|--|-----|
|      | 1001191206  | Ref | BATTERY CHARGER INSTALLATION - E400AJP/E400AJPN<br>(AUSTRALIAN SPECS)    | A   |
| 1    | 0641407     | 6   | Bolt, 1/4-20 X 7/8   |     |
| 2    | 1060689     | 1   | AC Cord  |     |
| 3    | 0641405     | 1   | Bolt, 1/4-20 X 5/8   |     |
| 4    | 4460428     | 1   | Connector, Strain Relief   |     |
| 5    | 4460805     | 1   | Plug   |     |
| 6    | 4711400     | 14  | Washer, 1/4  |     |
| 7    | 1001103105  | 1   | Battery Charger Assembly (See BATTERY CHARGER<br>ASSEMBLY for Breakdown) |     |
| 8    | 1001191212  | 1   | Panel, Cable   |     |

Go to Discount-Equipment.com to order your parts

# SECTION 1 - FRAME

FIGURE 1-44. BATTERY CHARGER INSTALLATION - E400AN/E400AJP/E400AJPN (CE SPECS)



ART 1001191203

## SECTION 1 - FRAME

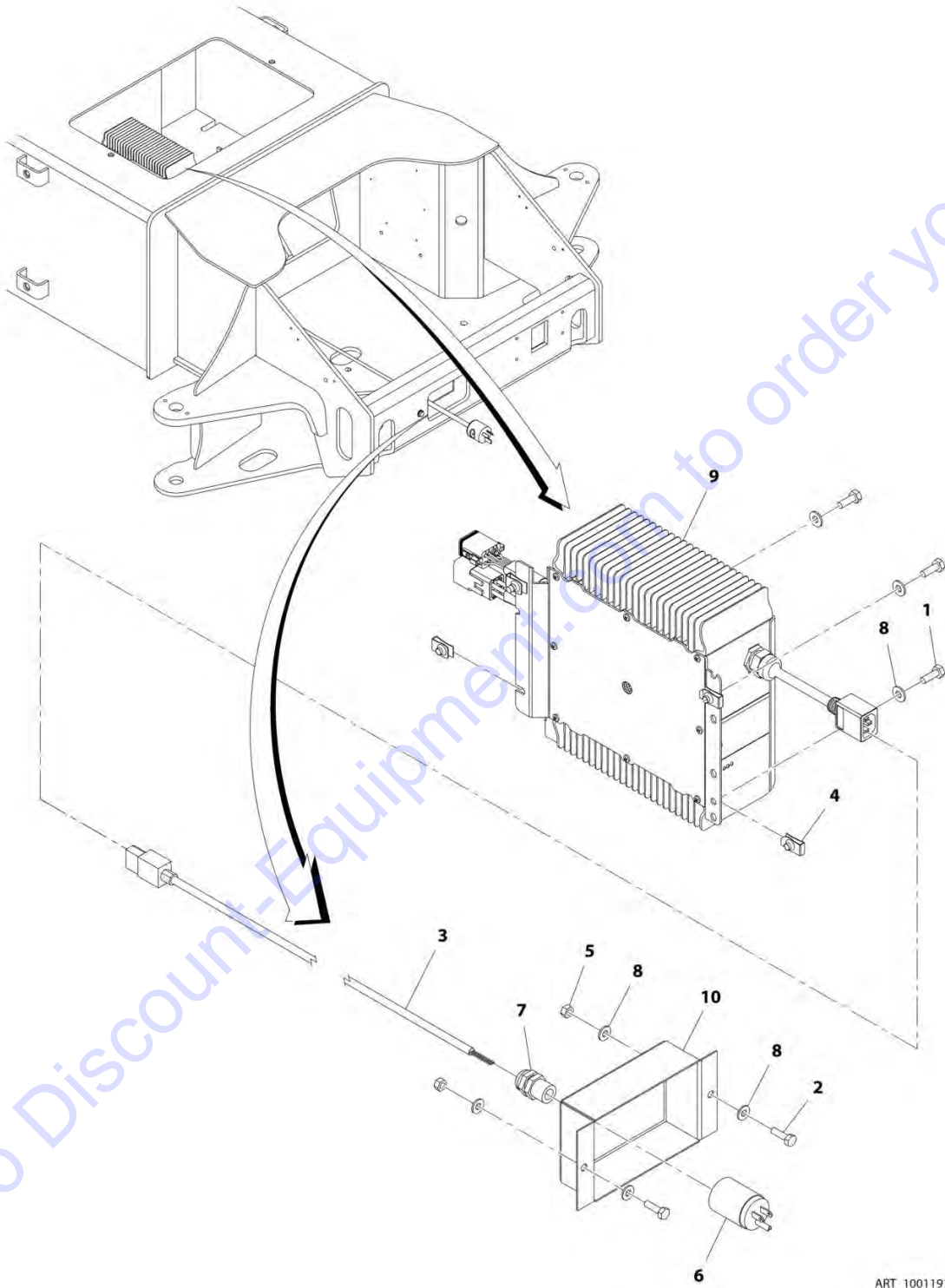
**FIGURE 1-44. BATTERY CHARGER INSTALLATION - E400AN/E400AJP/E400AJPN (CE SPECS)**

| ITEM | PART NUMBER | QTY | DESCRIPTION  | REV |
|------|-------------|-----|--|-----|
|      | 1001191203  | Ref | BATTERY CHARGER INSTALLATION -<br>E400An/E400AJP/E400AJPN (CE SPECS)     | A   |
| 1    | 0641407     | 6   | Bolt, 1/4-20 X 7/8   |     |
| 2    | 1060689     | 1   | AC Cord  |     |
| 3    | 0641405     | 1   | Bolt, 1/4-20 X 5/8   |     |
| 4    | 4460428     | 1   | Connector, Strain Relief   |     |
| 5    | 4711400     | 14  | Washer, 1/4  |     |
| 6    | 1001103105  | 1   | Battery Charger Assembly (See BATTERY CHARGER<br>ASSEMBLY for Breakdown) |     |
| 7    | 1001191212  | 1   | Panel, Cable   |     |

Go to Discount-Equipment.com to order your parts

# SECTION 1 - FRAME

FIGURE 1-45. BATTERY CHARGER INSTALLATION - M400AJP/M400AJPN (ALL SPECS EXCEPT AUSTRALIAN & CE SPECS)



ART\_1001191209



## SECTION 1 - FRAME

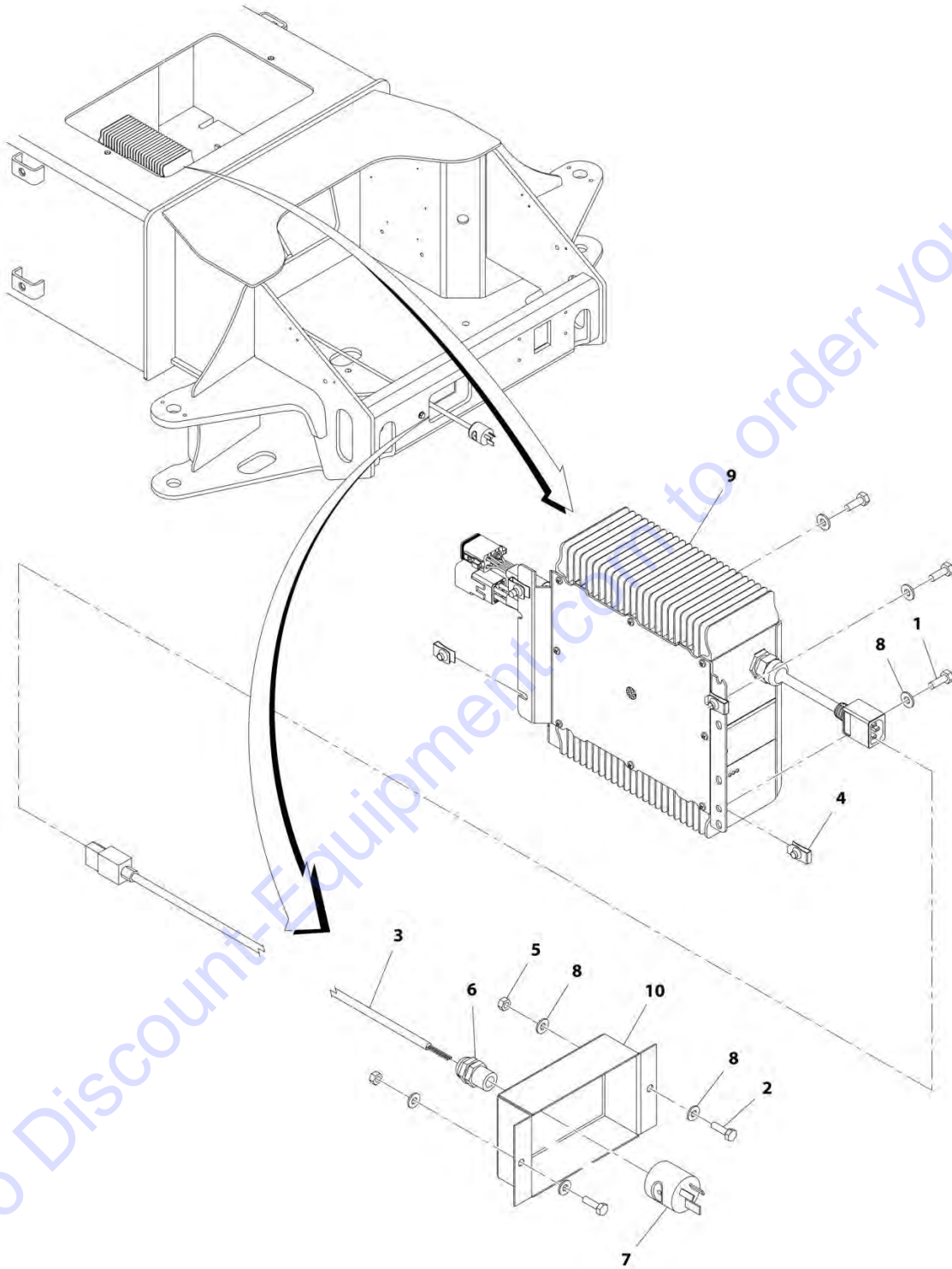
**FIGURE 1-45. BATTERY CHARGER INSTALLATION - M400AJP/M400AJPN (ALL SPECS EXCEPT AUSTRALIAN & CE SPECS)**

| ITEM | PART NUMBER | QTY | DESCRIPTION  | REV |
|------|-------------|-----|--|-----|
|      | 1001191209  | Ref | BATTERY CHARGER INSTALLATION - M400AJP/M400AJPN (ALL SPECS EXCEPT AUSTRALIAN & CE SPECS) | A   |
| 1    | 0641406     | 4   | Bolt 1/4 x 3/4   |     |
| 2    | 0641407     | 2   | Bolt 1/4 X 7/8   |     |
| 3    | 1060689     | 1   | AC Cord  |     |
| 4    | 3300454     | 4   | Nut, Tinnerman   |     |
| 5    | 0641405     | 2   | Bolt 1/4 X 5/8   |     |
| 6    | 4460138     | 1   | Plug   |     |
| 7    | 4460428     | 1   | Connector, Strain Relief   |     |
| 8    | 4711400     | 8   | Washer 1/4   |     |
| 9    | 1001103105  | 1   | Battery Charger Assembly (See BATTERY CHARGER ASSEMBLY for Breakdown)                    |     |
| 10   | 1001191212  | 1   | Panel, Cable   |     |

Go to Discount-Equipment.com to order your parts

# SECTION 1 - FRAME

FIGURE 1-46. BATTERY CHARGER INSTALLATION - M400AJP/M400AJPN (AUSTRALIAN SPEC)



ART\_1001191208

## SECTION 1 - FRAME

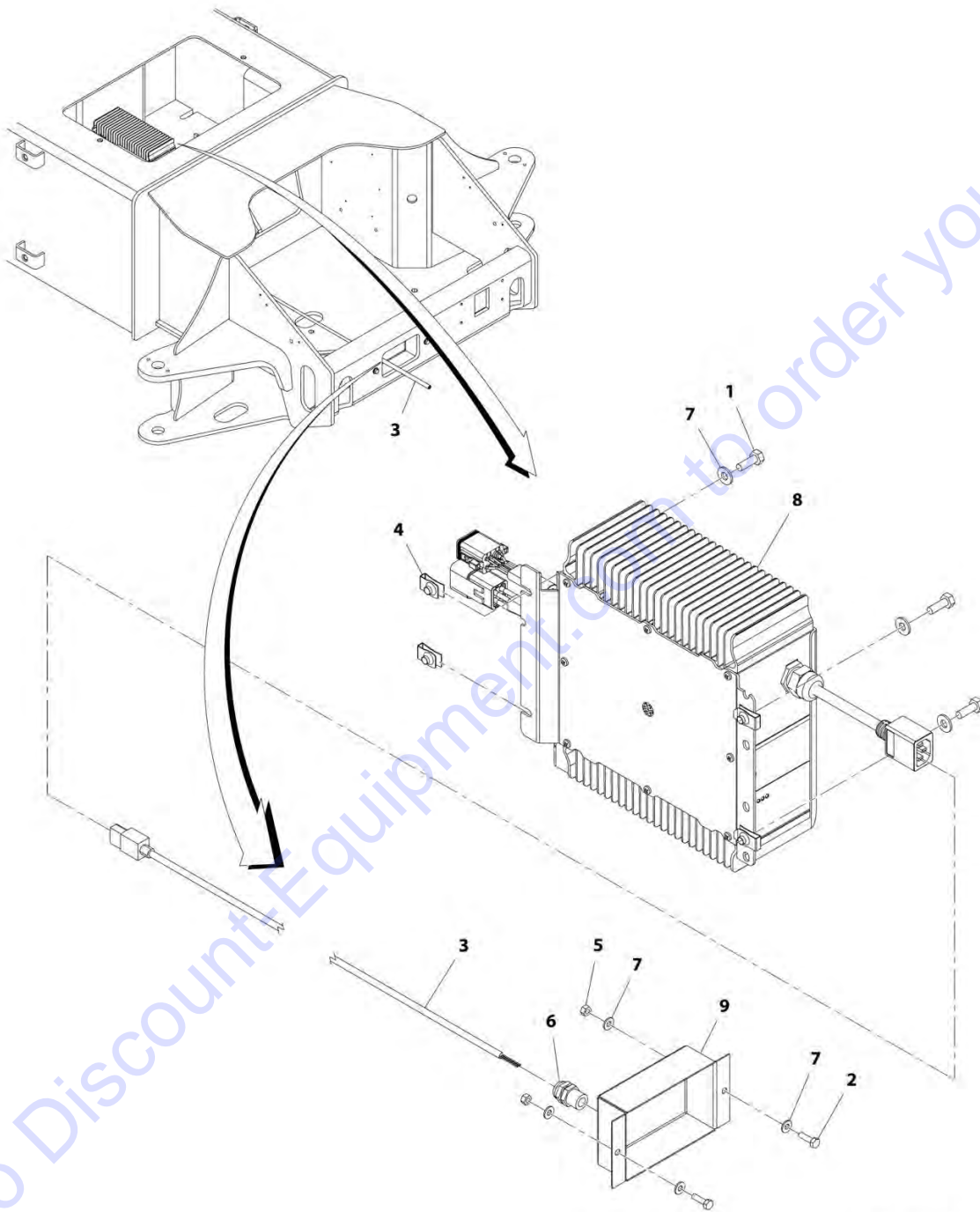
**FIGURE 1-46. BATTERY CHARGER INSTALLATION - M400AJP/M400AJPN (AUSTRALIAN SPEC)**

| ITEM | PART NUMBER | QTY | DESCRIPTION  | REV |
|------|-------------|-----|--|-----|
|      | 1001191208  | Ref | BATTERY CHARGER INSTALLATION - M400AJP/M400AJPN<br>(AUSTRALIAN SPECS)    | A   |
| 1    | 0641406     | 4   | Bolt 1/4 x 3/4   |     |
| 2    | 0641407     | 2   | Bolt 1/4 X 7/8   |     |
| 3    | 1060689     | 1   | AC Cord  |     |
| 4    | 3300454     | 4   | Nut, Tinnerman   |     |
| 5    | 0641405     | 2   | Bolt 1/4 X 5/8   |     |
| 6    | 4460428     | 1   | Connector, Strain Relief   |     |
| 7    | 4460805     | 1   | Plug   |     |
| 8    | 4711400     | 8   | Washer 1/4   |     |
| 9    | 1001103105  | 1   | Battery Charger Assembly (See BATTERY CHARGER<br>ASSEMBLY for Breakdown) |     |
| 10   | 1001191212  | 1   | Panel, Cable   |     |

Go to Discount-Equipment.com to order your parts

# SECTION 1 - FRAME

## FIGURE 1-47. BATTERY CHARGER INSTALLATION - M400AJP/M400AJPN (CE SPECS)



ART\_1001191207

## SECTION 1 - FRAME

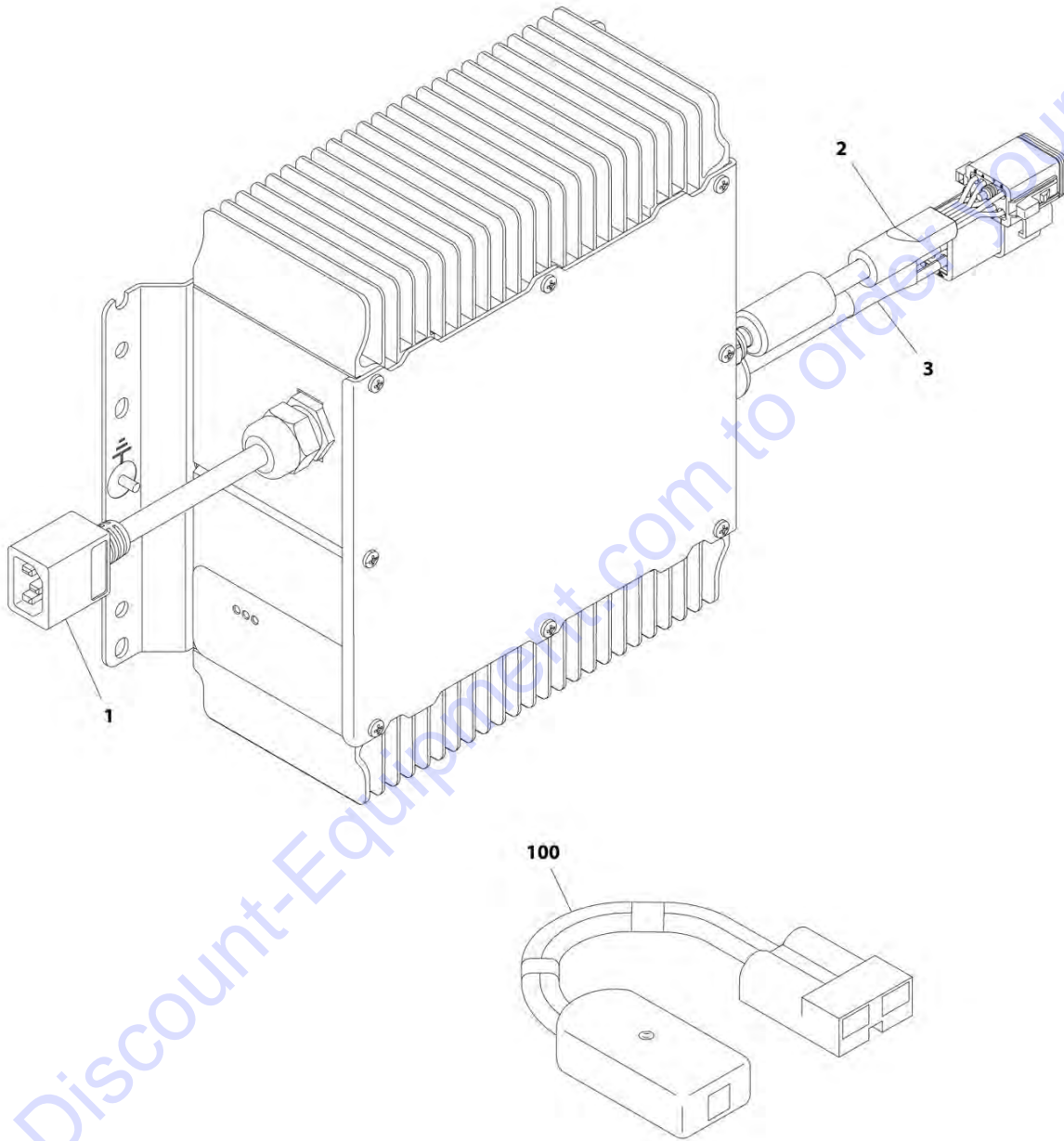
**FIGURE 1-47. BATTERY CHARGER INSTALLATION - M400AJP/M400AJPN (CE SPECS)**

| ITEM | PART NUMBER | QTY | DESCRIPTION   | REV |
|------|-------------|-----|---|-----|
|      | 1001191207  | Ref | BATTERY CHARGER INSTALLATION - M400AJP/M400AJPN (CE SPECS)            | A   |
| 1    | 0641406     | 4   | Bolt 1/4 x 3/4  |     |
| 2    | 0641407     | 2   | Bolt 1/4 X 7/8  |     |
| 3    | 1060689     | 1   | AC Cord   |     |
| 4    | 3300454     | 4   | Nut, Tinnerman  |     |
| 5    | 0641405     | 2   | Bolt 1/4 X 5/8  |     |
| 6    | 4460428     | 1   | Connector, Strain Relief  |     |
| 7    | 4711400     | 8   | Washer 1/4  |     |
| 8    | 1001103105  | 1   | Battery Charger Assembly (See BATTERY CHARGER ASSEMBLY for Breakdown) |     |
| 9    | 1001191212  | 1   | Panel, Cable  |     |

Go to Discount-Equipment.com to order your parts

# SECTION 1 - FRAME

## FIGURE 1-48. BATTERY CHARGER ASSEMBLY



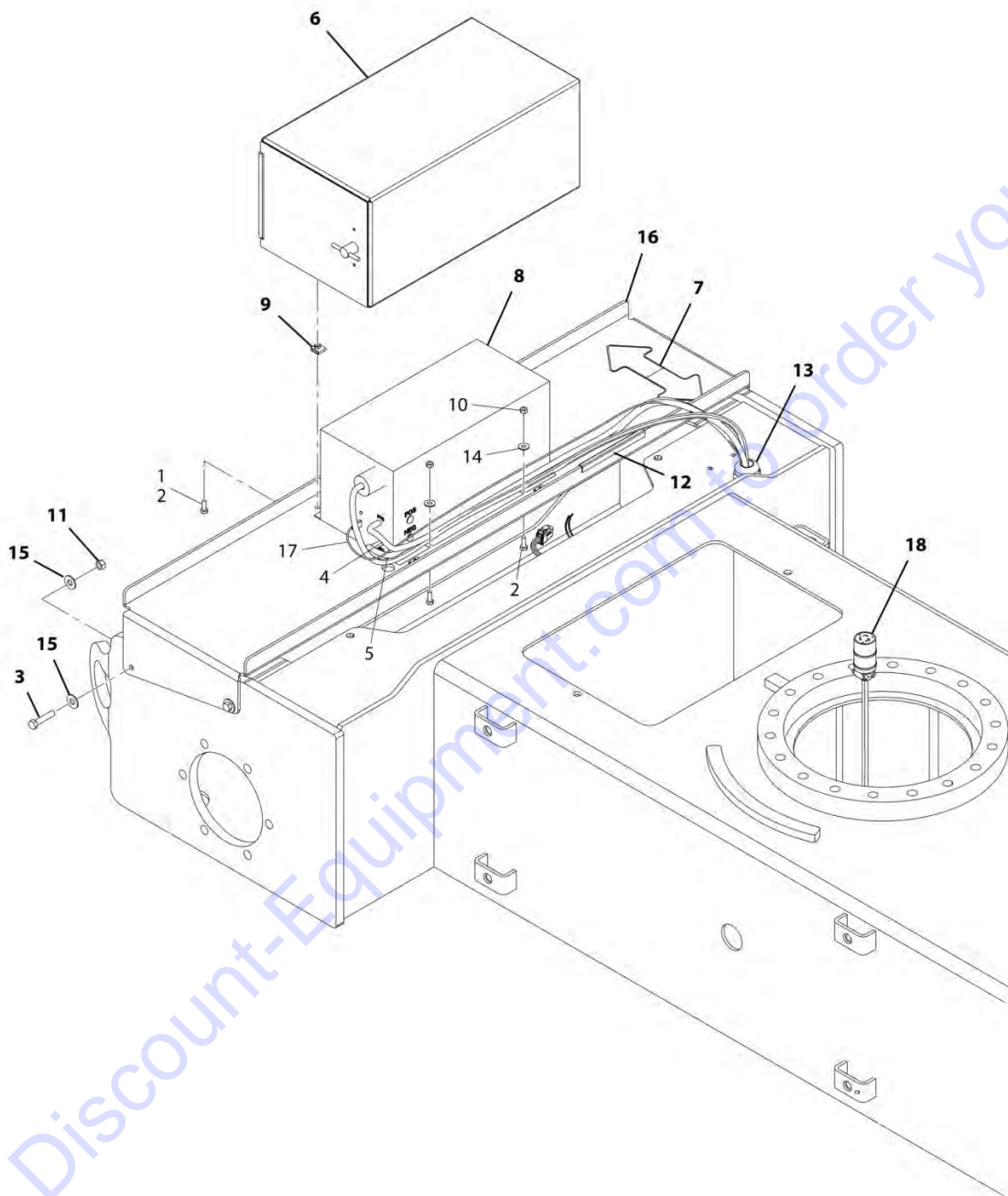
ART\_1001103105

FIGURE 1-48. BATTERY CHARGER ASSEMBLY

| ITEM | PART NUMBER | QTY | DESCRIPTION   | REV |
|------|-------------|-----|---|-----|
|      | 1001103105  | Ref | BATTERY CHARGER ASSEMBLY  | D   |
|      |             | Ref | Note: Internal Components are Not Serviceable Replace Complete Assembly.                  |     |
| 1    | See Note    | 1   | Harness, Battery Charger AC Plug (Note: Not Available for Purchase)                       |     |
| 1    | See Note    | 1   | Connector, Plug (Note: Not Available for Purchase)  |     |
| 2    | See Note    | 1   | Harness, Battery Charger Signal (Note: Not Available for Purchase)                        |     |
| 2    | 4460930     | 1   | Connector - 8 Position  |     |
| 2    | 4460464     | 7   | Socket, Female  |     |
| 3    | See Note    | 1   | Harness, Battery Charger Power (Note: Not Available - Purchase Complete Charger)          |     |
| 3    | 1001116811  | 1   | Connector - 4 Position  |     |
| 3    | 4460508     | 4   | Pin, Male   |     |
| 100  | 2915230     | 1   | BATTERY CHARGER REPROGRAM CONTROLLER KIT (Includes Controller, Software and Instructions) |     |

# SECTION 1 - FRAME

## FIGURE 1-49. INVERTER INSTALLATION - E400AJP/M400AJP



ART\_1001192502



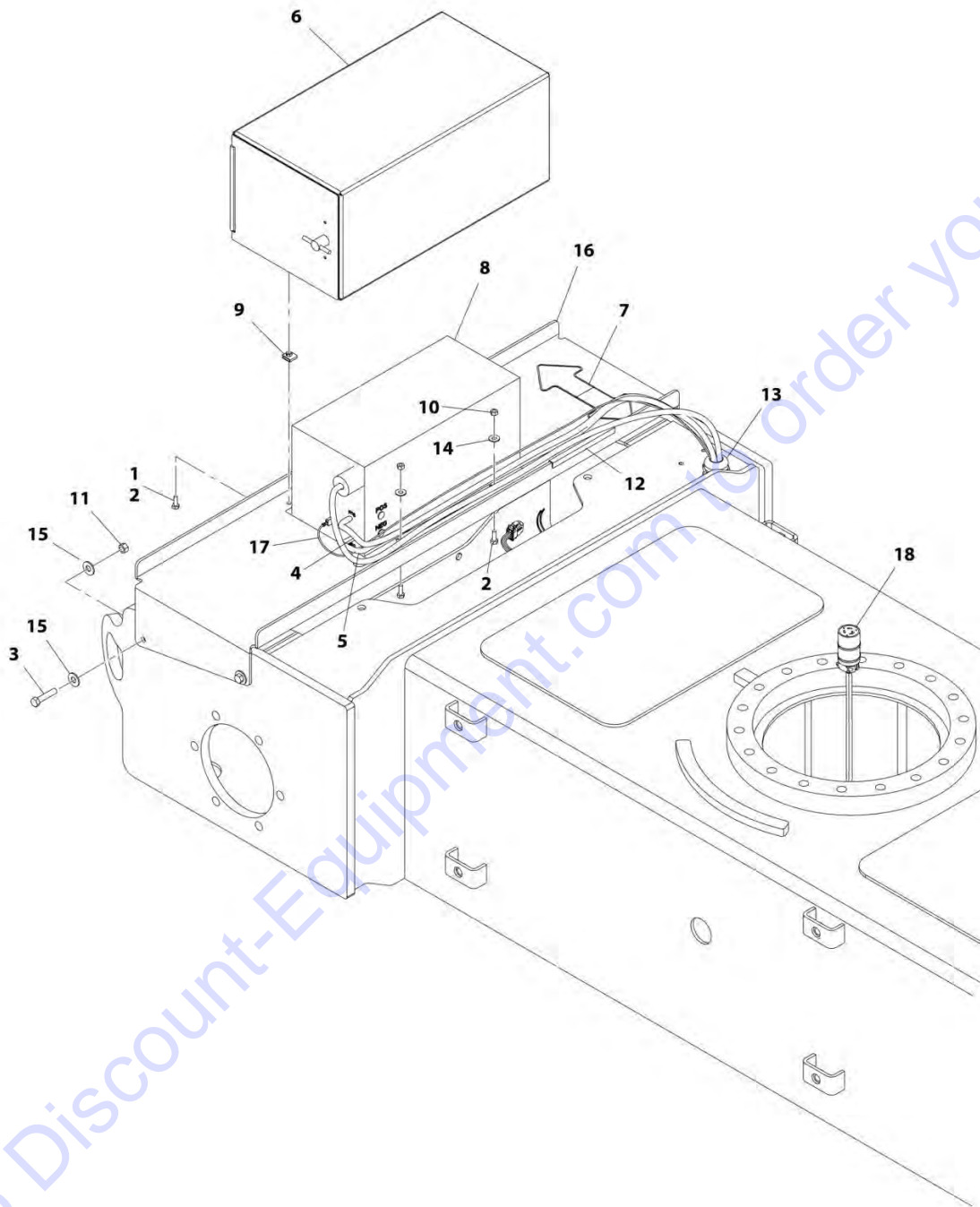
## SECTION 1 - FRAME

**FIGURE 1-49. INVERTER INSTALLATION - E400AJP/M400AJP**

| ITEM | PART NUMBER | QTY            | DESCRIPTION  | REV |
|------|-------------|----------------|--|-----|
|      | 1001192502  | Ref            | INVERTER INSTALLATION - E400AJP/M400AJP                          | A   |
| 1    | 0100011     | AR             | Compound, Locking  |     |
| 2    | 0641406     | 8              | Bolt, 1/4-20 X 3/4   |     |
| 3    | 0641614     | 4              | Bolt, 3/8-16 X 1-3/4   |     |
| 4    | 1060801     | 1              | Cable, Battery   |     |
| 5    | 1060802     | 1              | Cable, Ground  |     |
| 6    | 1670953     | 1              | Cover  |     |
| 7    | 1701642     | 1              | Decal - Arrow  |     |
| 8    | 2460037     | 1              | Inverter   |     |
| 9    | 3300353     | 4              | Nut, Tinnerman   |     |
| 10   | 3311405     | 4              | Nut, Lock, 1/4-20  |     |
| 11   | 3311605     | 4              | Nut, Lock, 3/8-16  |     |
| 12   | 4060805     | 6 in<br>/150mm | Shield, Flex Trim  |     |
| 13   | 4460426     | 1              | Connector, Strain Relief   |     |
| 14   | 4751400     | 4              | Washer, 1/4  |     |
| 15   | 4751600     | 8              | Washer, 3/8  |     |
| 16   | 1001167014  | 1              | Bracket  |     |
| 17   | 1001192293  | 1              | Inverter Ignition Harness (See ELECTRICAL SECTION for Breakdown) |     |
| 18   | 1001182296  | 1              | Inverter Harness (See ELECTRICAL SECTION for Breakdown)          |     |

# SECTION 1 - FRAME

## FIGURE 1-50. INVERTER INSTALLATION - E400AN/E400AJPN/M400AJPN



ART\_1001192501

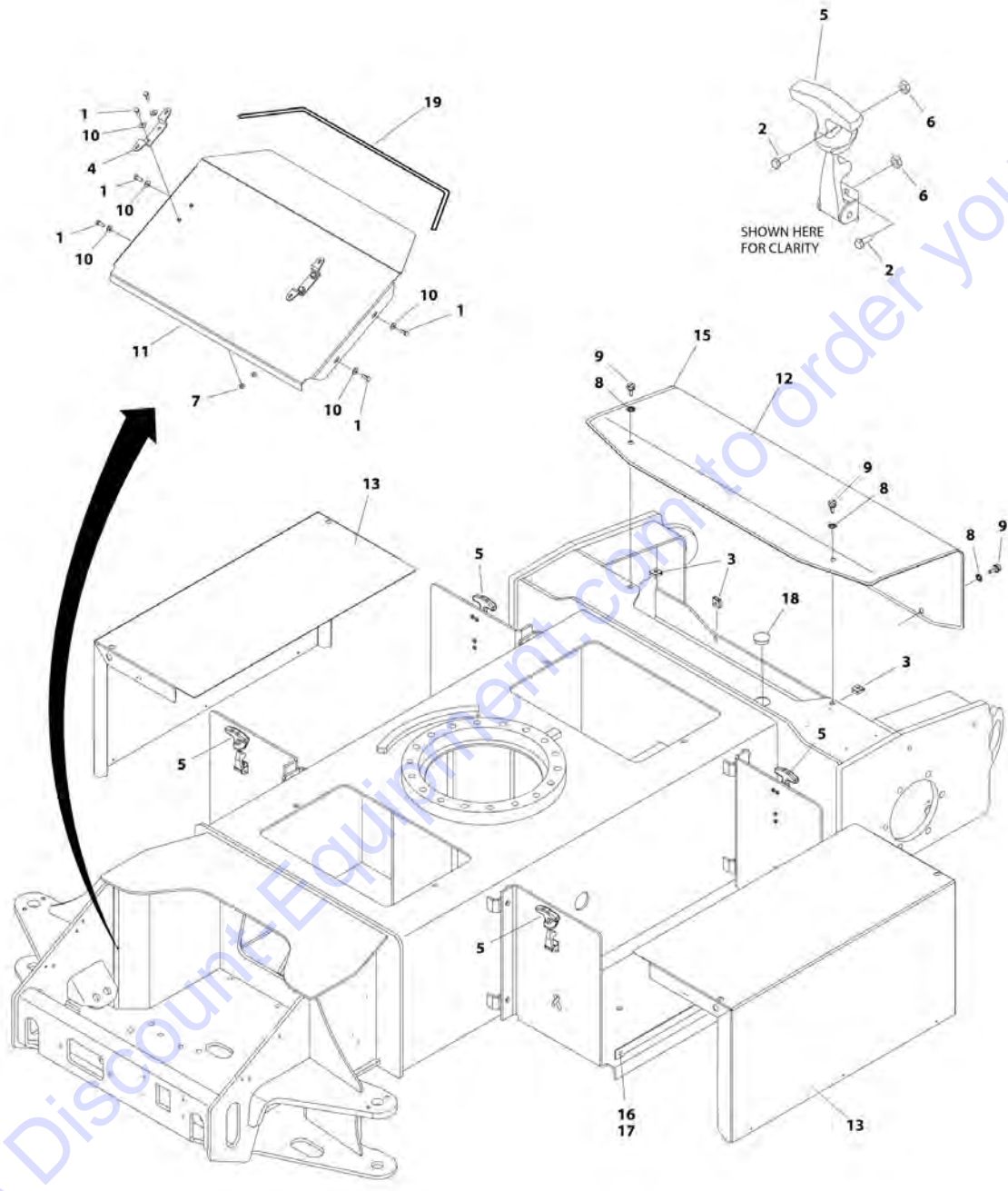
## SECTION 1 - FRAME

**FIGURE 1-50. INVERTER INSTALLATION - E400AN/E400AJPN/M400AJPN**

| ITEM | PART NUMBER | QTY            | DESCRIPTION  | REV |
|------|-------------|----------------|--|-----|
|      | 1001192501  | Ref            | INVERTER INSTALLATION - E400An/E400AJPN/M400AJPN                 | A   |
| 1    | 0100011     | AR             | Compound, Locking  |     |
| 2    | 0641406     | 8              | Bolt, 1/4-20 X 3/4   |     |
| 3    | 0641614     | 4              | Bolt, 3/8-16 X 1-3/4   |     |
| 4    | 1060801     | 1              | Cable, Battery   |     |
| 5    | 1060802     | 1              | Cable, Ground  |     |
| 6    | 1670953     | 1              | Cover  |     |
| 7    | 1701642     | 1              | Decal - Arrow  |     |
| 8    | 2460037     | 1              | Inverter   |     |
| 9    | 3300353     | 4              | Nut, Tinnerman   |     |
| 10   | 3311405     | 4              | Nut, Lock, 1/4-20  |     |
| 11   | 3311605     | 4              | Nut, Lock, 3/8-16  |     |
| 12   | 4060805     | 6 in<br>/150mm | Shield, Flex Trim  |     |
| 13   | 4460426     | 1              | Connector, Strain Relief   |     |
| 14   | 4751400     | 4              | Washer, 1/4  |     |
| 15   | 4751600     | 8              | Washer, 3/8  |     |
| 16   | 1001167013  | 1              | Bracket  |     |
| 17   | 1001192293  | 1              | Inverter Ignition Harness (See ELECTRICAL SECTION for Breakdown) |     |
| 18   | 1001182296  | 1              | Inverter Harness (See ELECTRICAL SECTION for Breakdown)          |     |

# SECTION 1 - FRAME

## FIGURE 1-51. FRAME COVER INSTALLATION - E400AJP



ART 1001166327

## SECTION 1 - FRAME

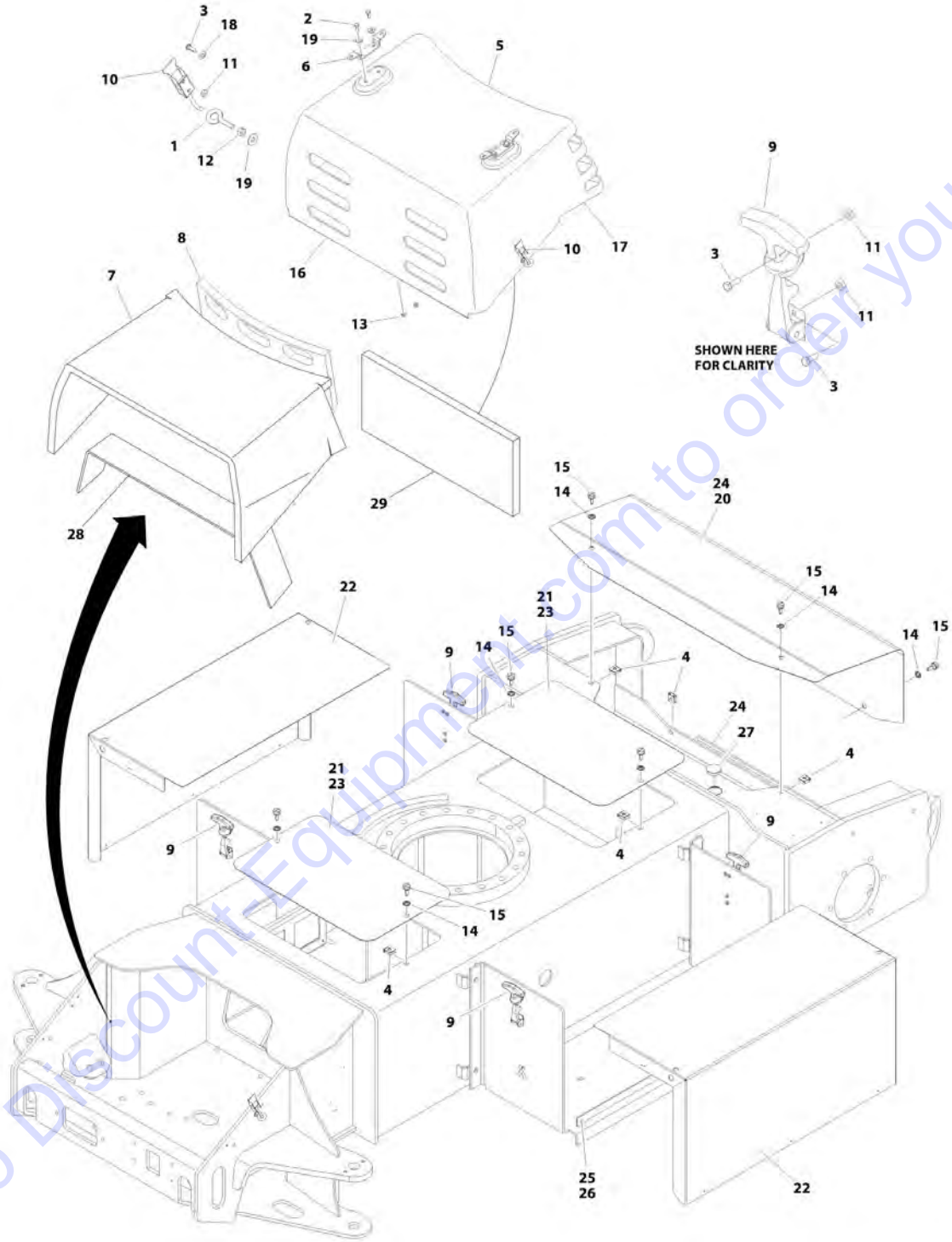
**FIGURE 1-51. FRAME COVER INSTALLATION - E400AJP**

| ITEM | PART NUMBER | QTY             | DESCRIPTION                           | REV |
|------|-------------|-----------------|---------------------------------------|-----|
|      | 1001166327  | Ref             | FRAME COVER INSTALLATION - E400AJP    | F   |
| 1    | 0641406     | 8               | Bolt, 1/4-20 X 3/4                    |     |
| 2    | 0721004     | 16              | Bolt, #10-24 X .500                   |     |
| 3    | 1380138     | 4               | Clip, Receptacle                      |     |
| 4    | 2700093     | 2               | Hook                                  |     |
| 5    | 2940095     | 4               | Latch                                 |     |
| 6    | 3311005     | 16              | Nut, Lock, #10-24                     |     |
| 7    | 3311405     | 4               | Nut, Lock, 1/4-20                     |     |
| 8    | 3760308     | 4               | Retainer                              |     |
| 9    | 1001112496  | 4               | Screw, Special                        |     |
| 10   | 4751400     | 8               | Washer, 1/4                           |     |
| 11   | 1001166321  | 1               | Cover                                 |     |
| 12   | 1001166330  | 1               | Axle Cover                            |     |
| 13   | 1001166493  | 2               | Battery Cover                         |     |
| 15   | 3960447     | 11 ft<br>/3.52m | Seal                                  |     |
| 16   | 3820019     | 6               | Rivet                                 |     |
| 17   | 1001175025  | 2               | Brace, Battery Tray                   |     |
| 18   | 3520035     | 1               | Plug, Cap                             |     |
| 19   | 1001110166  | 1 m             | Seal, Hood (SN 0300223487 to Present) |     |

Go to Discount-Equipment.com to order your parts

# SECTION 1 - FRAME

## FIGURE 1-52. FRAME COVER INSTALLATION - M400AJP



ART. 1001166328

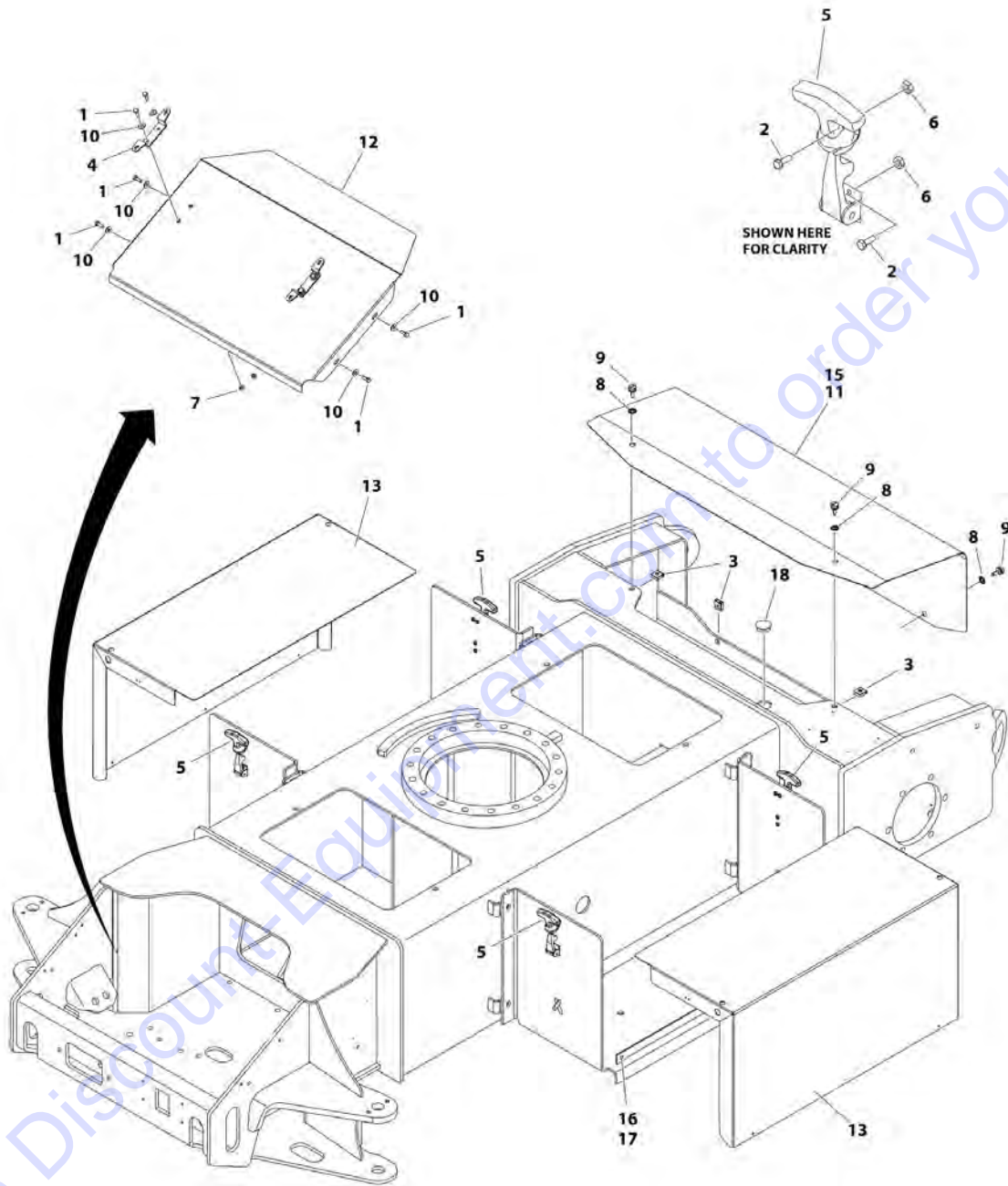
## SECTION 1 - FRAME

**FIGURE 1-52. FRAME COVER INSTALLATION - M400AJP**

| ITEM | PART NUMBER | QTY              | DESCRIPTION                        | REV |
|------|-------------|------------------|------------------------------------|-----|
|      | 1001166328  | Ref              | FRAME COVER INSTALLATION - M400AJP | F   |
| 1    | 0630440     | 2                | Eyebolt                            |     |
| 2    | 0641406     | 4                | Bolt, 1/4-20 X 3/4                 |     |
| 3    | 0721004     | 20               | Bolt, #10-24 X .500                |     |
| 4    | 1380138     | 8                | Clip, Receptacle                   |     |
| 5    | 1670880     | 1                | Cover                              |     |
| 6    | 2700093     | 2                | Hook                               |     |
| 7    | 2820105     | 1                | Insulation, Acoustical Foam        |     |
| 8    | 2820106     | 1                | Insulation, Acoustic Foam          |     |
| 9    | 2940095     | 4                | Latch                              |     |
| 10   | 2940115     | 2                | Latch                              |     |
| 11   | 3311005     | 20               | Nut, Lock, #10-24                  |     |
| 12   | 3311401     | 2                | Nut, 1/4-20                        |     |
| 13   | 3311405     | 4                | Nut, Lock, 1/4-20                  |     |
| 14   | 3760308     | 8                | Retainer                           |     |
| 15   | 1001112496  | 8                | Screw, Special                     |     |
| 16   | 3960389     | 2.5 ft<br>/0.76m | Seal                               |     |
| 17   | 4060804     | 6.5<br>ft/1.9m   | Flex Trim                          |     |
| 18   | 4751000     | 4                | Washer, 10                         |     |
| 19   | 4751400     | 6                | Washer, 1/4                        |     |
| 20   | 1001166330  | 1                | Axle, Cover                        |     |
| 21   | 1001166377  | 2                | Frame Cover                        |     |
| 22   | 1001166493  | 2                | Battery Cover                      |     |
| 23   | 3960417     | 12 ft<br>/3.66m  | Seal                               |     |
| 24   | 3960447     | 11 ft<br>/3.35m  | Seal                               |     |
| 25   | 3820019     | 6                | Rivet                              |     |
| 26   | 1001175025  | 2                | Brace, Battery Tray                |     |
| 27   | 3520035     | 1                | Plug, Cap                          |     |
| 28   | 1001182709  | 1                | Insulation                         |     |
| 29   | 2820110     | 1                | Insulation                         |     |

# SECTION 1 - FRAME

FIGURE 1-53. FRAME COVER INSTALLATION - E400AN/E400AJPN



ART\_1001166312



## SECTION 1 - FRAME

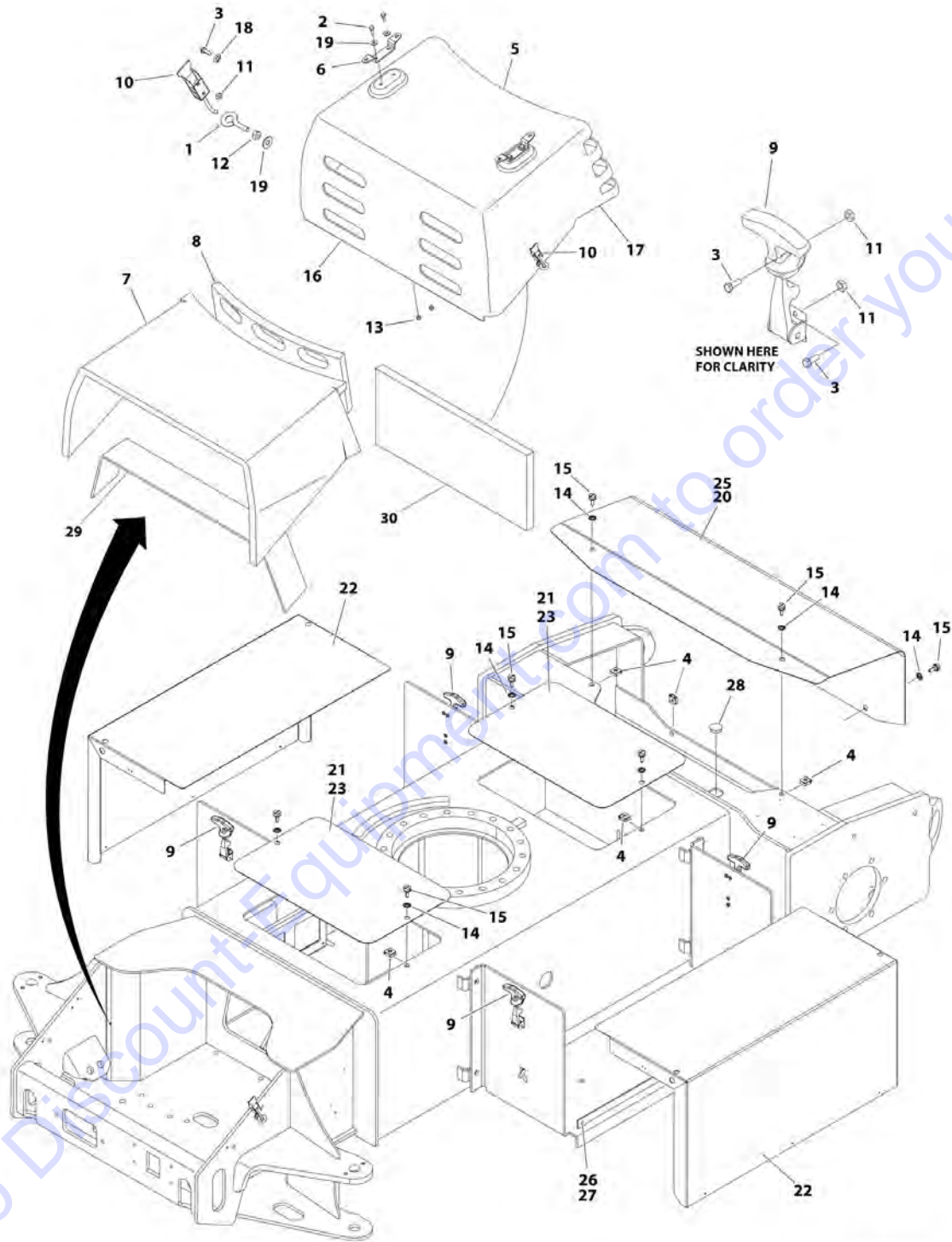
**FIGURE 1-53. FRAME COVER INSTALLATION - E400AN/E400AJPN**

| ITEM | PART NUMBER | QTY             | DESCRIPTION                                | REV |
|------|-------------|-----------------|--|-----|
|      | 1001166312  | Ref             | FRAME COVER INSTALLATION - E400An/E400AJPN | D   |
| 1    | 0641406     | 8               | Bolt, 1/4-20 X 3/4                         |     |
| 2    | 0721004     | 16              | Bolt, #10-24 X .500                        |     |
| 3    | 1380138     | 4               | Clip, Receptacle                           |     |
| 4    | 2700093     | 2               | Hook                                       |     |
| 5    | 2940095     | 4               | Latch                                      |     |
| 6    | 3311005     | 16              | Nut, Lock, #10-24                          |     |
| 7    | 3311405     | 5               | Nut, Lock, 1/4-20                          |     |
| 8    | 3760308     | 4               | Retainer                                   |     |
| 9    | 3900174     | 4               | Screw, Special                             |     |
| 10   | 4751400     | 8               | Washer, 1/4                                |     |
| 11   | 1001166296  | 1               | Axle Cover                                 |     |
| 12   | 1001166321  | 1               | Cover                                      |     |
| 13   | 1001166493  | 2               | Battery Cover                              |     |
| 15   | 3960447     | 9.5 ft<br>/2.9m | Seal                                       |     |
| 16   | 3820019     | 6               | Rivet                                      |     |
| 17   | 1001175025  | 2               | Brace, Battery Tray                        |     |
| 18   | 3520035     | 1               | Plug, Cap                                  |     |

Go to Discount-Equipment.com to order your parts

# SECTION 1 - FRAME

## FIGURE 1-54. FRAME COVER INSTALLATION - M400AJPN



ART\_1001166329

## SECTION 1 - FRAME

**FIGURE 1-54. FRAME COVER INSTALLATION - M400AJPN**

| ITEM | PART NUMBER | QTY              | DESCRIPTION                         | REV |
|------|-------------|------------------|-------------------------------------|-----|
|      | 1001166329  | Ref              | FRAME COVER INSTALLATION - M400AJPN | F   |
| 1    | 0630440     | 2                | Eyebolt                             |     |
| 2    | 0641406     | 4                | Bolt, 1/4-20 X 3/4                  |     |
| 3    | 0721004     | 20               | Bolt, #10-24 X .500                 |     |
| 4    | 1380138     | 8                | Clip, Receptacle                    |     |
| 5    | 1670880     | 1                | Cover                               |     |
| 6    | 2700093     | 2                | Hook                                |     |
| 7    | 2820105     | 1                | Insulation, Acoustical Foam         |     |
| 8    | 2820106     | 1                | Insulation, Acoustic Foam           |     |
| 9    | 2940095     | 4                | Latch                               |     |
| 10   | 2940115     | 2                | Latch                               |     |
| 11   | 3311005     | 20               | Nut, Lock, #10-24                   |     |
| 12   | 3311401     | 2                | Nut, 1/4-20                         |     |
| 13   | 3311405     | 4                | Nut, Lock, 1/4-20                   |     |
| 14   | 3760308     | 8                | Retainer                            |     |
| 15   | 1001112496  | 8                | Screw, Special                      |     |
| 16   | 3960389     | 2.5 ft<br>/0.76m | Seal                                |     |
| 17   | 4060804     | 6 ft<br>/1.83m   | Flex Trim                           |     |
| 18   | 4751000     | 4                | Washer, 10                          |     |
| 19   | 4751400     | 6                | Washer, 1/4                         |     |
| 20   | 1001166296  | 1                | Axle Cover                          |     |
| 21   | 1001166377  | 2                | Frame Cover                         |     |
| 22   | 1001166493  | 2                | Battery Cover                       |     |
| 23   | 3960417     | 12 ft<br>/3.66m  | Seal                                |     |
| 25   | 3960447     | 9.5<br>ft/2.9m   | Seal                                |     |
| 26   | 3820019     | 6                | Rivet                               |     |
| 27   | 1001175025  | 2                | Brace, Battery Tray                 |     |
| 28   | 3520035     | 1                | Plug, Cap                           |     |
| 29   | 1001182709  | 1                | Insulation                          |     |
| 30   | 2820110     | 1                | Insulation                          |     |

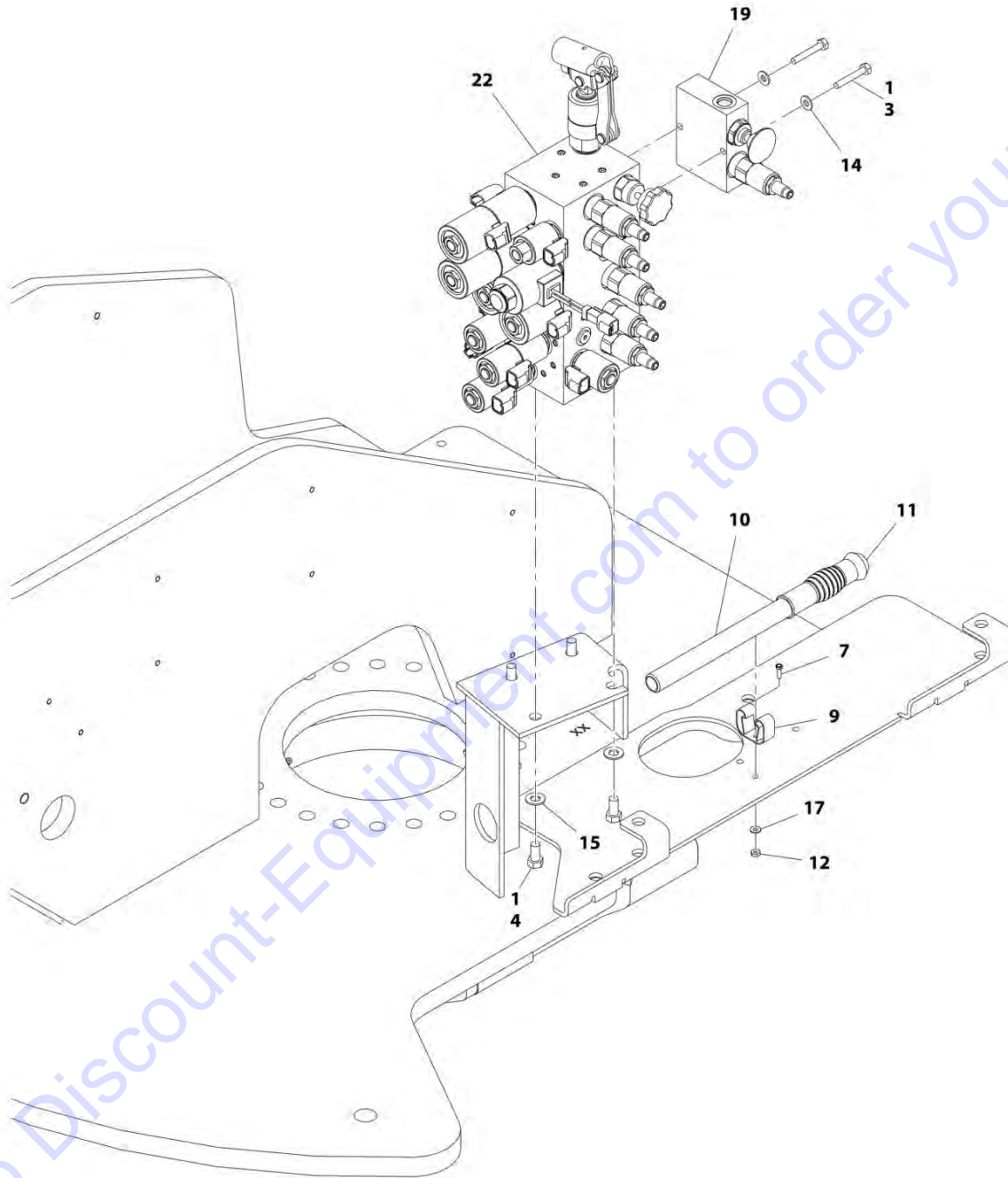


**SECTION 2 - TURNTABLE**

Go to Discount-Equipment.com to order your parts

## SECTION 2 - TURNTABLE

FIGURE 2-1. VALVE INSTALLATION- TURNTABLE MOUNTED - E400AN



ART\_1001180930\_20F2

**SECTION 2 - TURNTABLE**

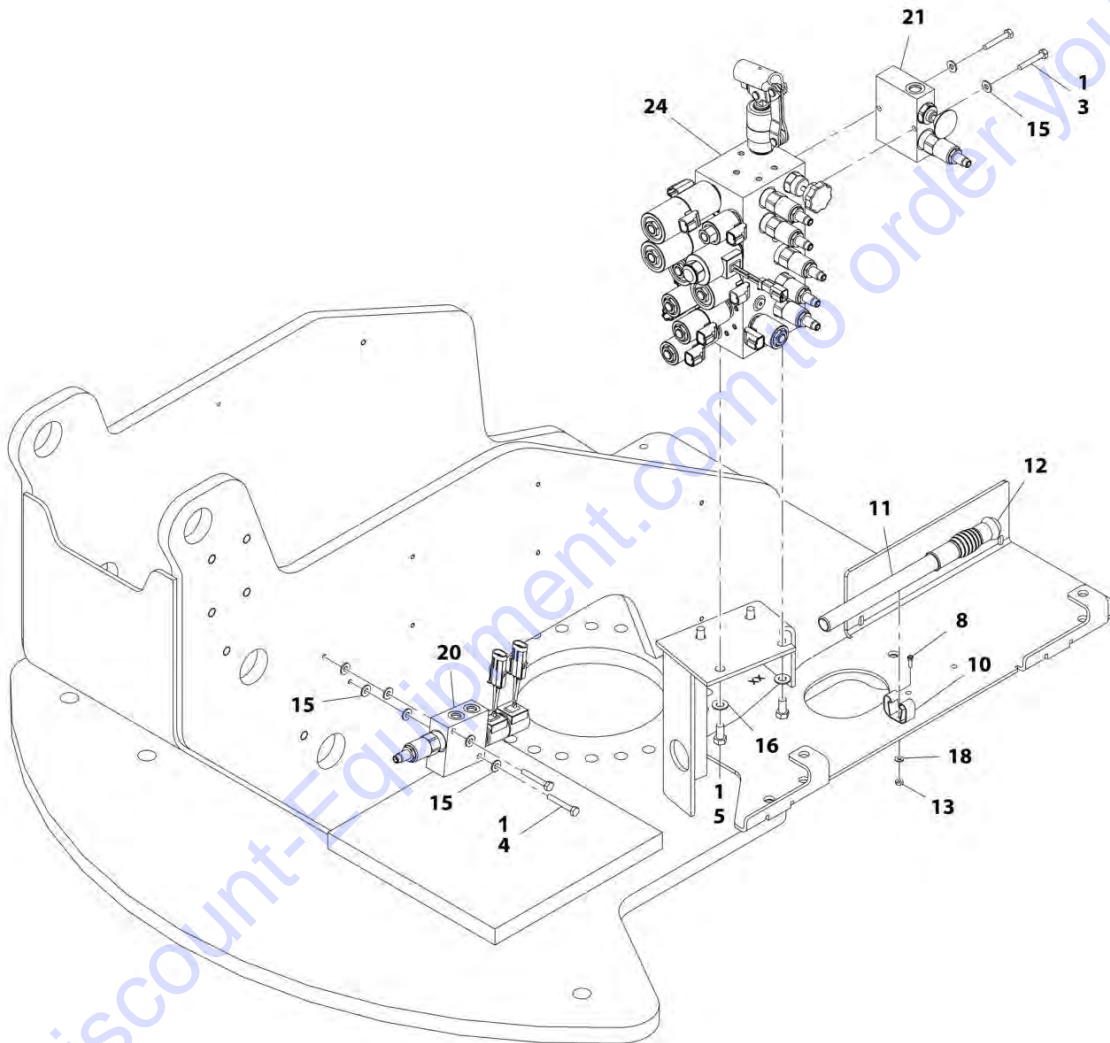
**FIGURE 2-1. VALVE INSTALLATION- TURNTABLE MOUNTED - E400AN**

| ITEM | PART NUMBER | QTY | DESCRIPTION   | REV |
|------|-------------|-----|---|-----|
|      | 1001180930  | Ref | VALVE INSTALLATION- TURNTABLE MOUNTED - E400An                              | B   |
| 1    | 0100011     | AR  | Compound, Locking   |     |
| 3    | 0641413     | 2   | Bolt, 1/4-20 X 1-5/8  |     |
| 4    | 0641606     | 4   | Bolt, 3/8-16 X 3/4  |     |
| 7    | 0720804     | 1   | Bolt, #8-32 X .500  |     |
| 9    | 1380136     | 1   | Clip, Gripper   |     |
| 10   | 2560122     | 1   | Handle  |     |
| 11   | 2560123     | 1   | Handle, Grip  |     |
| 12   | 3310805     | 1   | Nut, Lock #8-32   |     |
| 14   | 4711400     | 2   | Washer, 1/4   |     |
| 15   | 4711600     | 4   | Washer, 3/8   |     |
| 17   | 4750800     | 1   | Washer, #8  |     |
| 19   | 1001097777  | 1   | Releveling Valve Assembly (See RELEVELING VALVE ASSEMBLY for Breakdown)     |     |
| 22   | 1001180554  | 1   | Main Control Valve Assembly (See MAIN CONTROL VALVE ASSEMBLY for Breakdown) |     |

Go to Discount-Equipment.com to order your parts

## SECTION 2 - TURNTABLE

FIGURE 2-2. VALVE INSTALLATION - TURNTABLE MOUNTED - E400AJP-E400AJPN (SN 0300208530 through 0300233432)



ART\_1001180926\_20F2



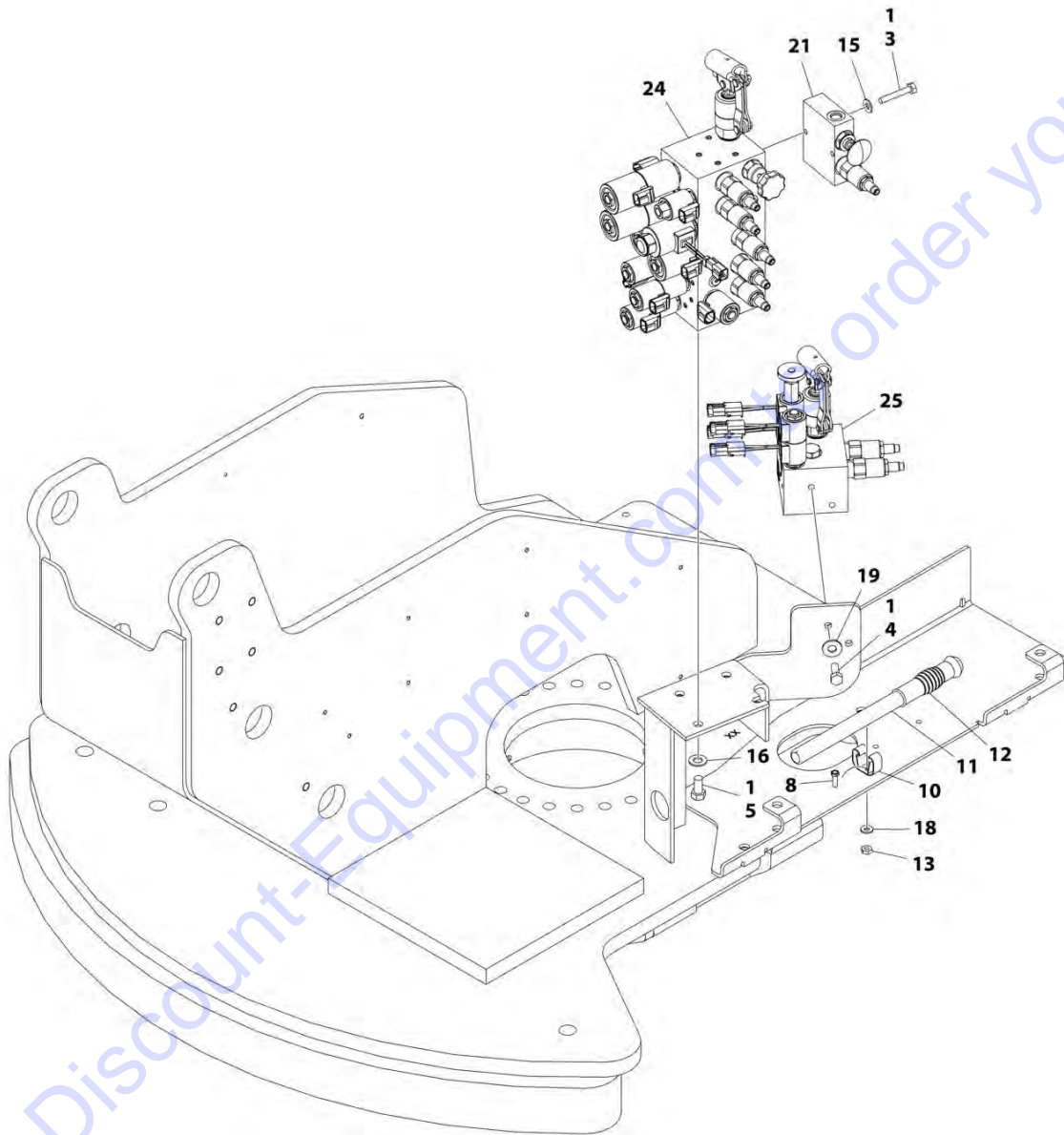
## SECTION 2 - TURNTABLE

**FIGURE 2-2. VALVE INSTALLATION - TURNTABLE MOUNTED - E400AJP-E400AJPN (SN 0300208530 through 0300233432)**

| ITEM | PART NUMBER | QTY | DESCRIPTION  | REV |
|------|-------------|-----|--|-----|
|      | 1001180926  | Ref | VALVE INSTALLATION - TURNTABLE MOUNTED - E400AJP-E400AJPN (SN 0300208530 through 0300233432) | C   |
| 1    | 0100011     | AR  | Compound, Locking  |     |
| 3    | 0641413     | 2   | Bolt, 1/4-20 X 1-5/8   |     |
| 4    | 0641426     | 2   | Bolt, 1/4-20 X 3-1/4   |     |
| 5    | 0641606     | 4   | Bolt, 3/8-16 X 3/4   |     |
| 8    | 0720804     | 1   | Bolt, #8-32 X .500   |     |
| 10   | 1380136     | 1   | Clip, Gripper  |     |
| 11   | 2560122     | 1   | Handle   |     |
| 12   | 2560123     | 1   | Handle, Grip   |     |
| 13   | 3310805     | 1   | Nut, Lock #8-32  |     |
| 15   | 4711400     | 8   | Washer, 1/4  |     |
| 16   | 4711600     | 2   | Washer, 3/8  |     |
| 18   | 4750800     | 1   | Washer, #8   |     |
| 20   | 1001097505  | 1   | Jib Valve Assembly (See JIB VALVE ASSEMBLY for Breakdown)                                    |     |
| 21   | 1001097777  | 1   | Releveling Valve Assembly (See RELEVELING VALVE ASSEMBLY for Breakdown)                      |     |
| 24   | 1001180554  | 1   | Main Control Valve Assembly (See MAIN CONTROL VALVE ASSEMBLY for Breakdown)                  |     |

## SECTION 2 - TURNTABLE

FIGURE 2-3. VALVE INSTALLATION - TURNTABLE MOUNTED - E400AJP-E400AJPN (SN 0300233433 to Present)



ART\_1001218367\_20F2

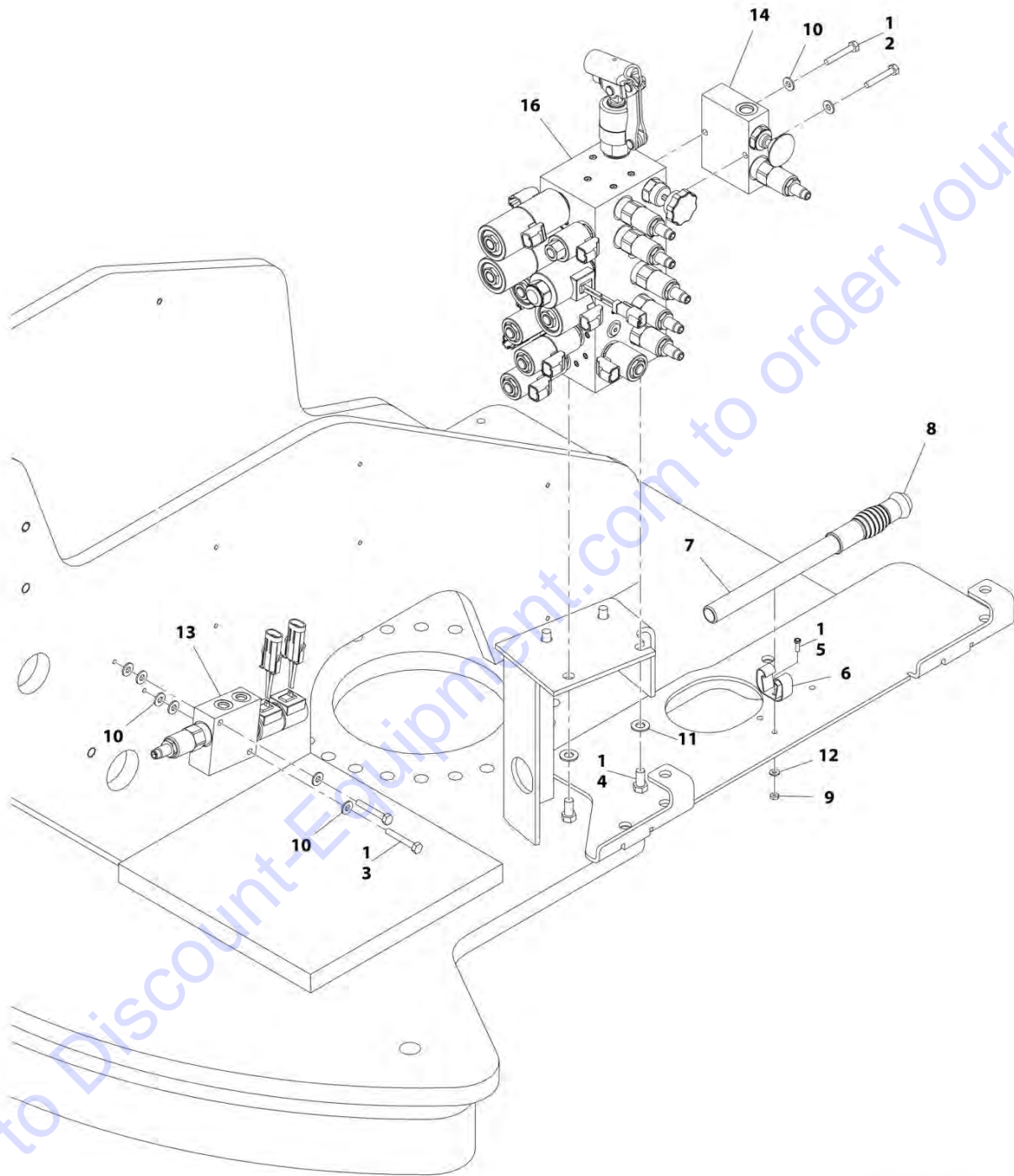
## SECTION 2 - TURNTABLE

**FIGURE 2-3. VALVE INSTALLATION - TURNTABLE MOUNTED - E400AJP-E400AJPN (SN 0300233433 to Present)**

| ITEM | PART NUMBER | QTY | DESCRIPTION  | REV |
|------|-------------|-----|--|-----|
|      | 1001218367  | Ref | VALVE INSTALLATION - TURNTABLE MOUNTED - E400AJP-E400AJPN (SN 0300233433 to Present) | A   |
| 1    | 0100011     | AR  | Compound, Locking  |     |
| 3    | 0641413     | 2   | Bolt, 1/4-20 X 1-5/8   |     |
| 4    | 0641507     | 2   | Bolt, 5/16-18 X 7/8  |     |
| 5    | 0641606     | 4   | Bolt, 3/8-16 X 3/4   |     |
| 8    | 0720804     | 1   | Bolt, #8-32 X .500   |     |
| 10   | 1380136     | 1   | Clip, Gripper  |     |
| 11   | 2560122     | 1   | Handle   |     |
| 12   | 2560123     | 1   | Handle, Grip   |     |
| 13   | 3310805     | 1   | Nut, Lock #8-32  |     |
| 15   | 4711400     | 2   | Washer, 1/4  |     |
| 16   | 4711600     | 2   | Washer, 3/8  |     |
| 18   | 4750800     | 1   | Washer, #8   |     |
| 19   | 4751500     | 2   | Washer, 5/16   |     |
| 21   | 1001097777  | 1   | Releveling Valve Assembly (See RELEVELING VALVE ASSEMBLY for Breakdown)              |     |
| 24   | 1001180554  | 1   | Main Control Valve Assembly (See MAIN CONTROL VALVE ASSEMBLY for Breakdown)          |     |
| 25   | 1001216921  | 1   | Jib Valve Assembly (See JIB VALVE ASSEMBLY for Breakdown)                            |     |

## SECTION 2 - TURNTABLE

FIGURE 2-4. VALVE INSTALLATION - TURNTABLE MOUNTED - M400AJP-M400AJPN (SN 0300208530 through 0300233432)



ART\_1001180928\_20F2

**SECTION 2 - TURNTABLE**

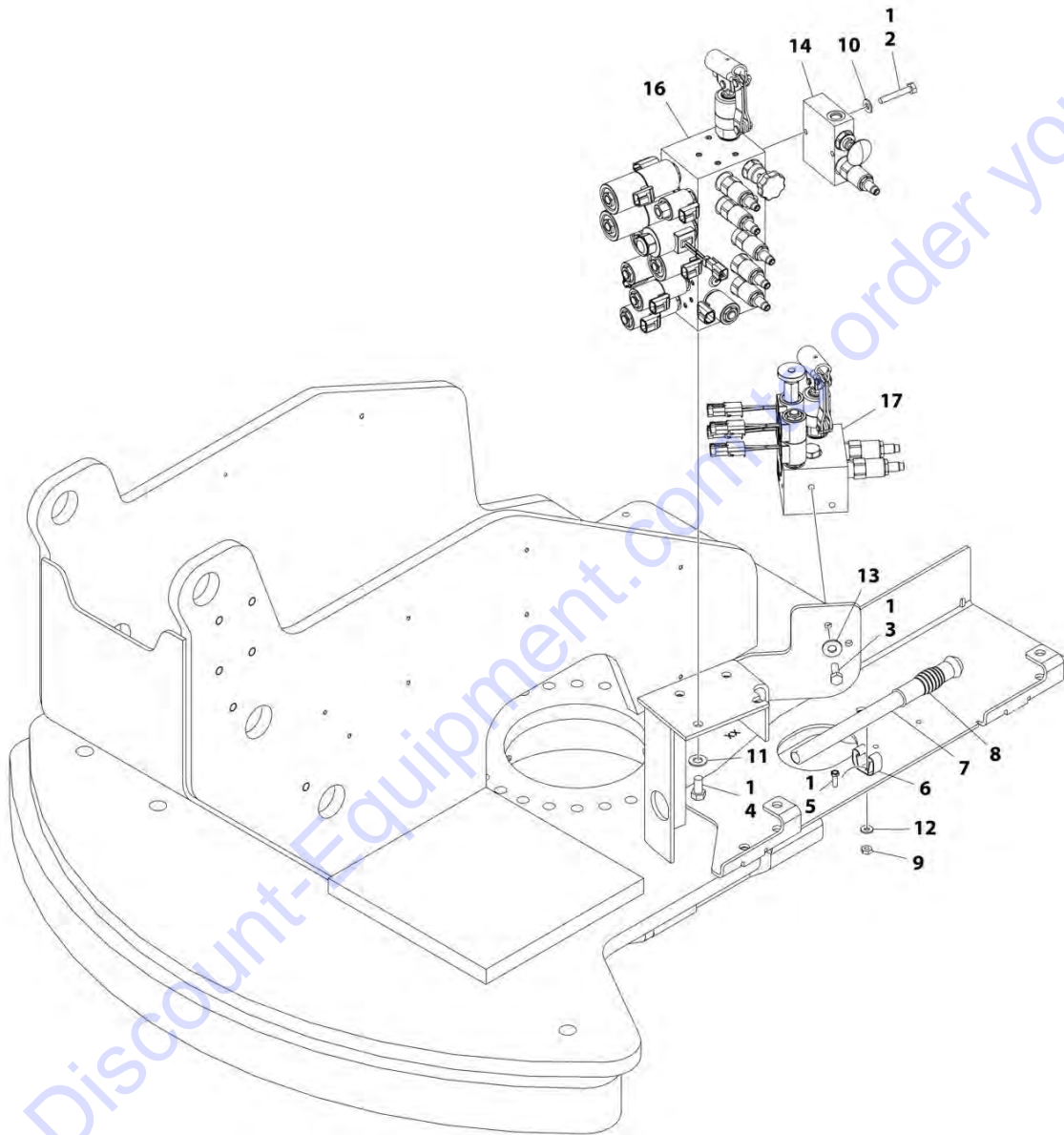
**FIGURE 2-4. VALVE INSTALLATION - TURNTABLE MOUNTED - M400AJP-M400AJPN (SN 0300208530 through 0300233432)**

| ITEM | PART NUMBER | QTY | DESCRIPTION  | REV |
|------|-------------|-----|--|-----|
|      | 1001180928  | Ref | VALVE INSTALLATION - TURNTABLE MOUNTED - M400AJP-M400AJPN (SN 0300208530 through 0300233432) | B   |
| 1    | 0100011     | AR  | Compound, Locking  |     |
| 2    | 0641413     | 2   | Bolt, 1/4-20 X 1-5/8   |     |
| 3    | 0641426     | 2   | Bolt, 1/4-20 X 3-1/4   |     |
| 4    | 0641606     | 4   | Bolt, 3/8-16 X 3/4   |     |
| 5    | 0720804     | 1   | Bolt, #8-32 X .500   |     |
| 6    | 1380136     | 1   | Clip, Gripper  |     |
| 7    | 2560122     | 1   | Handle   |     |
| 8    | 2560123     | 1   | Handle, Grip   |     |
| 9    | 3310805     | 1   | Nut, Lock #8-32  |     |
| 10   | 4711400     | 8   | Washer, 1/4  |     |
| 11   | 4711600     | 4   | Washer, 3/8  |     |
| 12   | 4750800     | 1   | Washer, #8   |     |
| 13   | 1001097505  | 1   | Jib Valve Assembly (See JIB VALVE ASSEMBLY for Breakdown)                                    |     |
| 14   | 1001097777  | 1   | Releveling Valve Assembly (See RELEVELING VALVE ASSEMBLY for Breakdown)                      |     |
| 16   | 1001180554  | 1   | Main Control Valve Assembly (See MAIN CONTROL VALVE ASSEMBLY for Breakdown)                  |     |

Go to Discount-Equipment.com to order your parts

## SECTION 2 - TURNTABLE

FIGURE 2-5. VALVE INSTALLATION - TURNTABLE MOUNTED - M400AJP-M400AJPN (SN 0300233433 to Present)



ART\_1001218370\_20F2

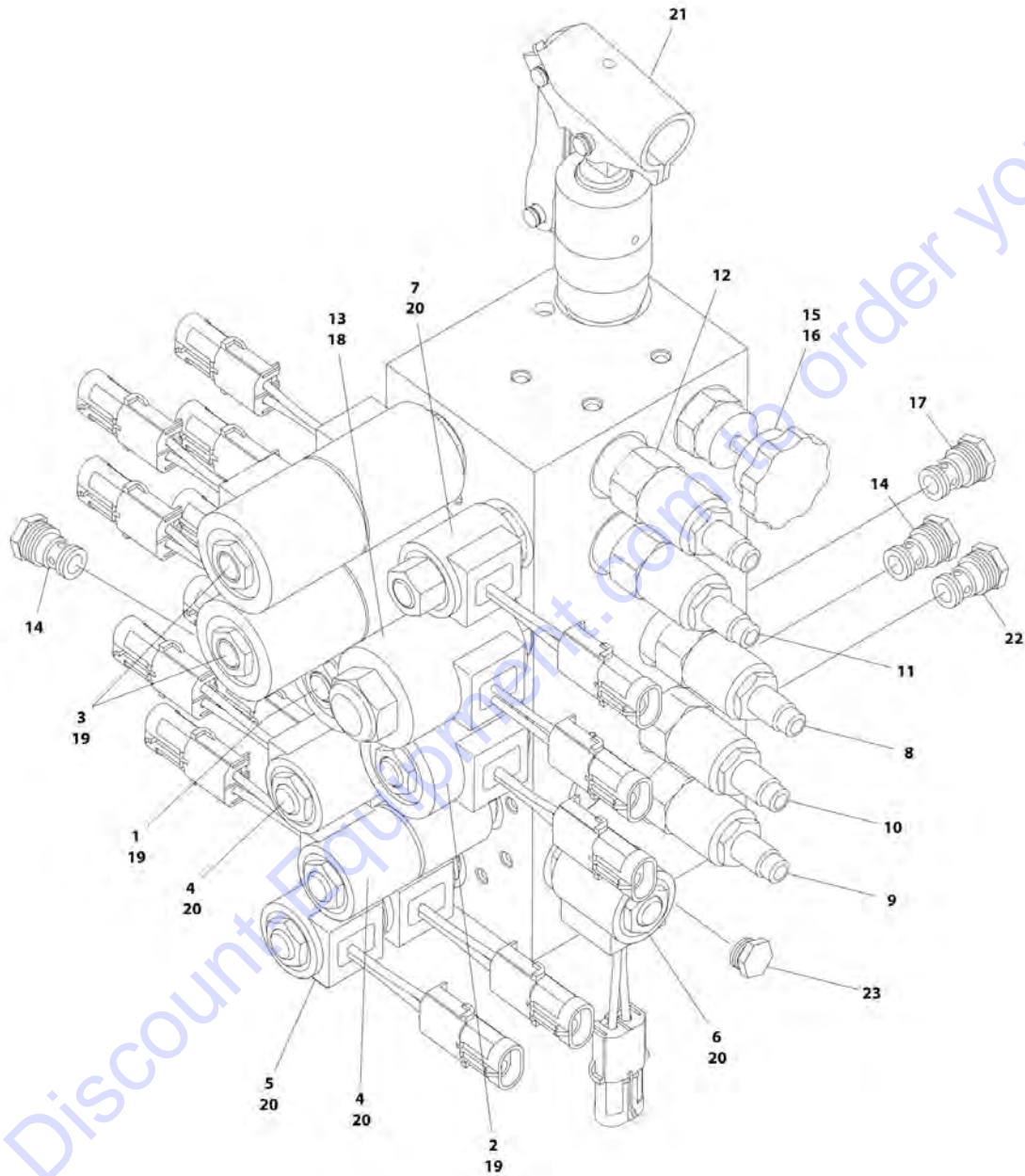
## SECTION 2 - TURNTABLE

**FIGURE 2-5. VALVE INSTALLATION - TURNTABLE MOUNTED - M400AJP-M400AJPN (SN 0300233433 to Present)**

| ITEM | PART NUMBER | QTY | DESCRIPTION  | REV |
|------|-------------|-----|--|-----|
|      | 1001218370  | Ref | VALVE INSTALLATION - TURNTABLE MOUNTED - M400AJP-M400AJPN (SN 0300233433 to Present) | A   |
| 1    | 0100011     | AR  | Compound, Locking  |     |
| 2    | 0641413     | 2   | Bolt, 1/4-20 X 1-5/8   |     |
| 3    | 0641507     | 2   | Bolt, 5/16-18 7/8  |     |
| 4    | 0641606     | 4   | Bolt, 3/8-16 X 3/4   |     |
| 5    | 0720804     | 1   | Bolt, #8-32 X .500   |     |
| 6    | 1380136     | 1   | Clip, Gripper  |     |
| 7    | 2560122     | 1   | Handle   |     |
| 8    | 2560123     | 1   | Handle, Grip   |     |
| 9    | 3310805     | 1   | Nut, Lock #8-32  |     |
| 10   | 4711400     | 2   | Washer, 1/4  |     |
| 11   | 4711600     | 4   | Washer, 3/8  |     |
| 12   | 4750800     | 1   | Washer, #8   |     |
| 13   | 4751500     | 2   | Washer 5/16  |     |
| 14   | 1001097777  | 1   | Releveling Valve Assembly (See RELEVELING VALVE ASSEMBLY for Breakdown)              |     |
| 16   | 1001180554  | 1   | Main Control Valve Assembly (See MAIN CONTROL VALVE ASSEMBLY for Breakdown)          |     |
| 17   | 1001216921  | 1   | Jib Valve Assembly (See JIB VALVE ASSEMBLY for Breakdown)                            |     |

## SECTION 2 - TURNTABLE

### FIGURE 2-6. MAIN CONTROL VALVE ASSEMBLY



ART\_1001180554



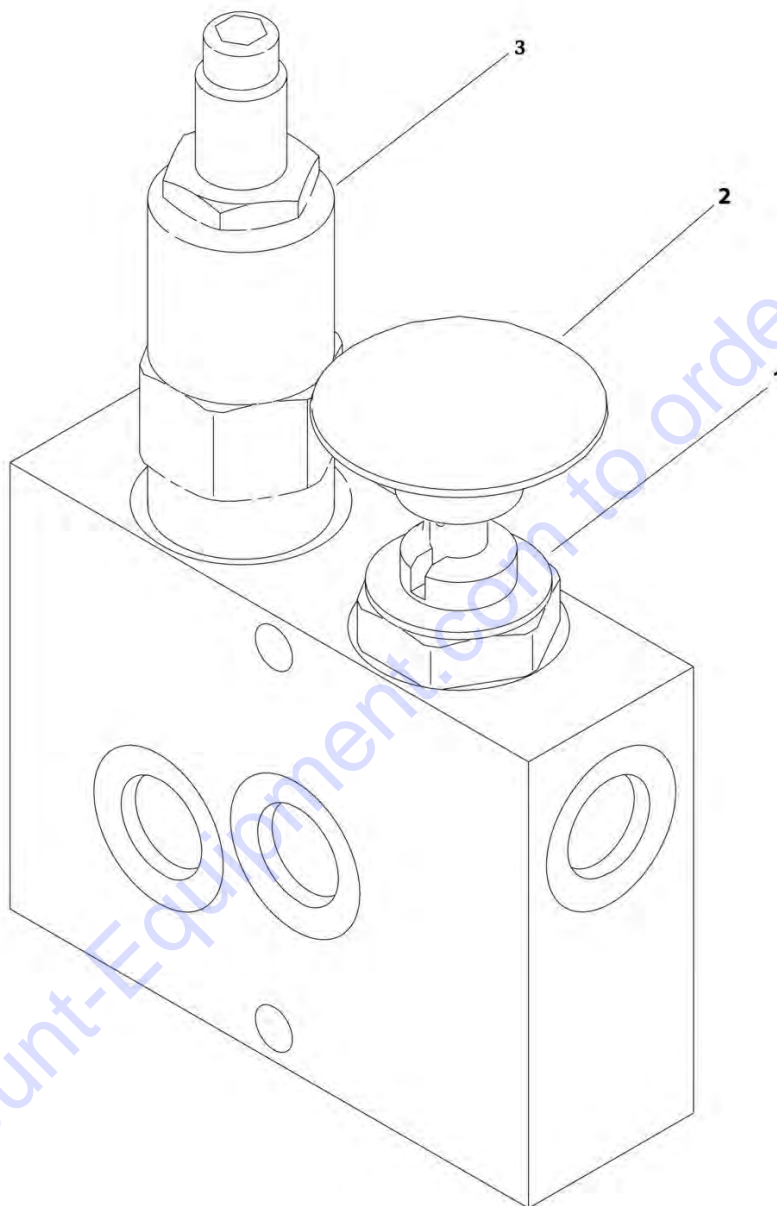
## SECTION 2 - TURNTABLE

**FIGURE 2-6. MAIN CONTROL VALVE ASSEMBLY**

| ITEM | PART NUMBER | QTY | DESCRIPTION                                    | REV |
|------|-------------|-----|--|-----|
|      | 1001180554  | Ref | MAIN CONTROL VALVE ASSEMBLY                    | F   |
| 1    | 7022394     | 1   | Cartridge without Coil (Telescope In)          |     |
| 1    | 7012518     | 1   | Seal Kit - 7022394 Cartridge                   |     |
| 2    | 7012995     | 1   | Cartridge without Coil (Telescope Out)         |     |
| 2    | 7012518     | 1   | Seal Kit - 7012995 Cartridge                   |     |
| 3    | 7021603     | 2   | Cartridge without Coil (Lower and Upper Lift)  |     |
| 3    | 7012903     | 2   | Seal Kit - 7021603 Cartridge                   |     |
| 4    | 7017452     | 2   | Cartridge without Coil (Platform Level)        |     |
| 4    | 7017402     | 2   | Seal Kit - 7017452 Cartridge                   |     |
| 5    | 7017433     | 1   | Cartridge without Coil (Swing)                 |     |
| 5    | 7017402     | 1   | Seal Kit - 7017433 Cartridge                   |     |
| 6    | 7021604     | 1   | Cartridge without Coil (Swing Arrest)          |     |
| 6    | 7012953     | 1   | Seal Kit - 7021604 Cartridge                   |     |
| 7    | 7017410     | 1   | Cartridge without Coil (Bypass Unloading)      |     |
| 7    | 7012967     | 1   | Seal Kit - 7017410 Cartridge                   |     |
| 8    | 7017418     | 1   | Cartridge (Telescope)                          |     |
| 8    | 7012998     | 1   | Seal Kit - 7017418 Cartridge                   |     |
| 9    | 7017421     | 1   | Cartridge (Platform Level Backward Piston End) |     |
| 9    | 7012998     | 1   | Seal Kit - 7017421 Cartridge                   |     |
| 10   | 7017418     | 1   | Cartridge (Platform Level Forward Rod End)     |     |
| 10   | 7012998     | 1   | Seal Kit - 7017418 Cartridge                   |     |
| 11   | 70001876    | 1   | Cartridge (Lower Lift Down)                    |     |
| 11   | 7012998     | 1   | Seal Kit - 70001876 Cartridge                  |     |
| 12   | 70002806    | 1   | Cartridge (Upper Lift Down)                    |     |
| 12   | 7012998     | 1   | Seal Kit - 70002806 Cartridge                  |     |
| 13   | 7021611     | 1   | Cartridge without Coil (Flow Regulator)        |     |
| 13   | 7012518     | 1   | Seal Kit - 7021611 Cartridge                   |     |
| 14   | 7012914     | 2   | Cartridge (Platform Level)                     |     |
| 14   | 7012918     | 2   | Seal Kit - 7012914 Cartridge                   |     |
| 15   | 7012947     | 1   | Cartridge (Emergency Descent)                  |     |
| 15   | 7012518     | 1   | Seal Kit - 7012947 Cartridge                   |     |
| 16   | 7012961     | 1   | Knob   |     |
| 17   | 10837580    | 1   | Cartridge (Telescope)                          |     |
| 17   | 7010543     | 1   | Seal Kit - 10837580 Cartridge                  |     |
| 18   | 70005210    | 1   | Coil   |     |
| 19   | 7024883     | 6   | Coil   |     |
| 20   | 7024885     | 8   | Coil   |     |
| 21   | 70004019    | 1   | Pump, Manual                                   |     |
| 21   | 2900756     | 1   | Seal Kit - 70004019 Pump                       |     |
| 21   | 2560122     | 1   | Handle (Not Shown)                             |     |
| 21   | 1001114761  | 1   | Handle, Grip (Red) (Not Shown)                 |     |
| 21   | 2560123     | 1   | Handle, Grip (Black) (Not Shown)               |     |
| 22   | 7012975     | 1   | Cartridge (Check)                              |     |
| 22   | 7012540     | 1   | Seal Kit - 7012975 Cartridge                   |     |
| 23   | 70000381    | 1   | Plug, Cartridge                                |     |
| 24   | 70005091    | 1   | Orifice (Swing) (Not Shown)                    |     |
| 25   | 70004884    | 1   | Orifice (Platform) (Not Shown)                 |     |

## SECTION 2 - TURNTABLE

FIGURE 2-7. RELEVELING VALVE ASSEMBLY



ART\_1001097777

**SECTION 2 - TURNTABLE**

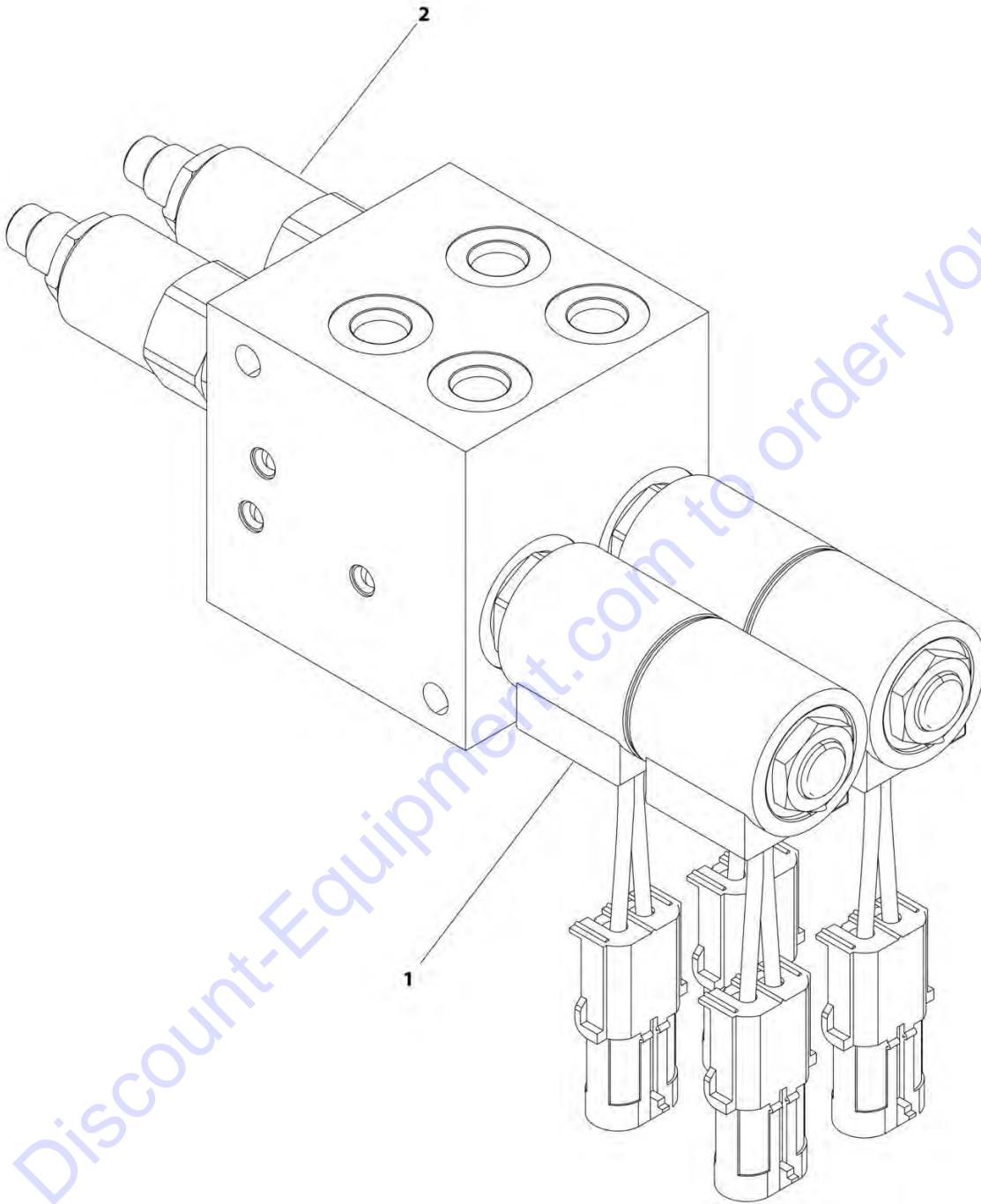
**FIGURE 2-7. RELEVELING VALVE ASSEMBLY**

| ITEM | PART NUMBER | QTY | DESCRIPTION                  | REV |
|------|-------------|-----|------------------------------|-----|
|      | 1001097777  | Ref | RELEVELING VALVE ASSEMBLY    | B   |
| 1    | 7017466     | 1   | Cartridge                    |     |
| 1    | 7017496     | 1   | Seal Kit - 7017466 Cartridge |     |
| 2    | 7012959     | 1   | Knob                         |     |
| 3    | 7024891     | 1   | Cartridge                    |     |
| 3    | 7012953     | 1   | Seal Kit - 7024891 Cartridge |     |

Go to Discount-Equipment.com to order your parts

## SECTION 2 - TURNTABLE

FIGURE 2-8. JIB VALVE ASSEMBLY (SN 0300208530 through 0300233432)



ART\_1001097505

**SECTION 2 - TURNTABLE**

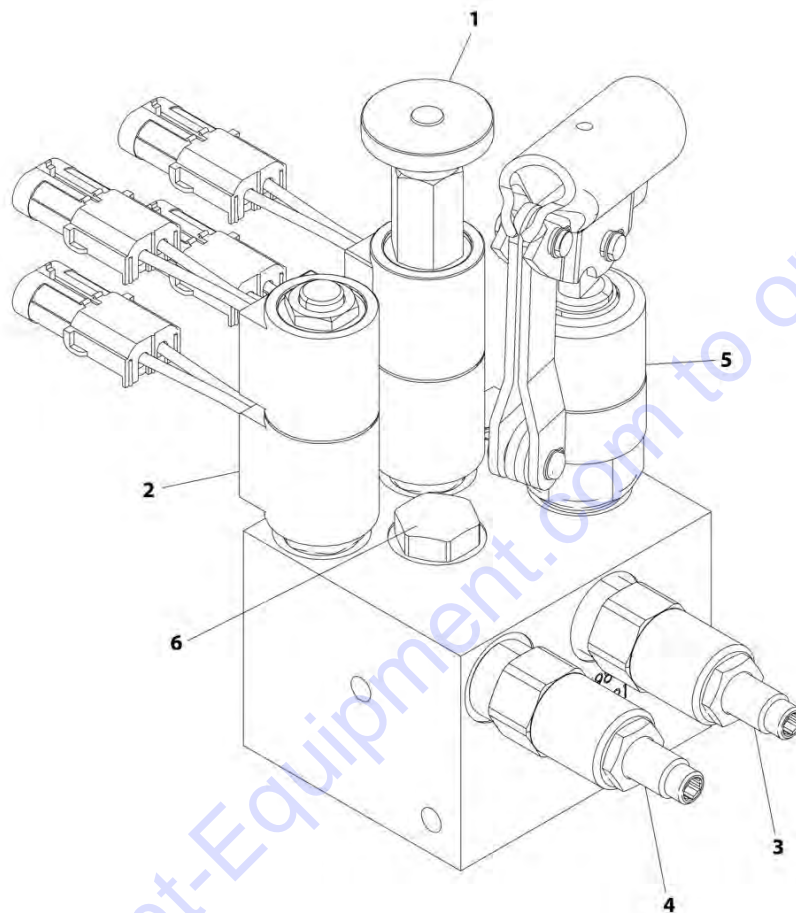
**FIGURE 2-8. JIB VALVE ASSEMBLY (SN 0300208530 through 0300233432)**

| ITEM | PART NUMBER | QTY | DESCRIPTION   | REV |
|------|-------------|-----|---|-----|
|      | 1001097505  | Ref | JIB VALVE ASSEMBLY (SN 0300208530 through 0300233432) | C   |
| 1    | 7017452     | 2   | Cartridge without Coil                                |     |
| 1    | 7017402     | 2   | Seal Kit - 7017452 Cartridge                          |     |
| 1    | 7021609     | 4   | Coil  |     |
| 2    | 70002808    | 2   | Cartridge   |     |
| 2    | 7021653     | 2   | Seal Kit - 70002808 Cartridge                         |     |

Go to Discount-Equipment.com to order your parts

## SECTION 2 - TURNTABLE

FIGURE 2-9. JIB VALVE ASSEMBLY (SN 0300233433 to Present)



ART\_1001216921

**SECTION 2 - TURNTABLE**

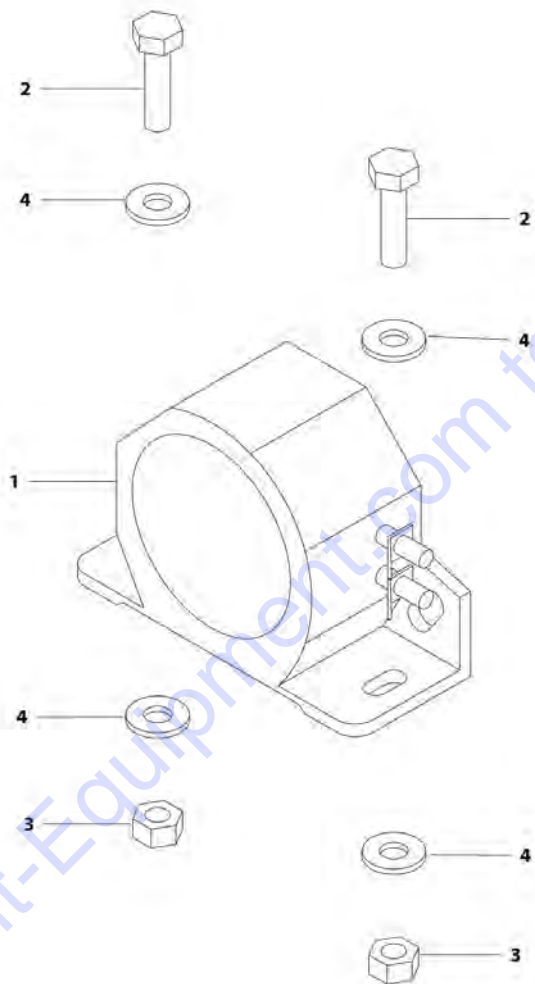
**FIGURE 2-9. JIB VALVE ASSEMBLY (SN 0300233433 to Present)**

| ITEM | PART NUMBER | QTY | DESCRIPTION                                   | REV |
|------|-------------|-----|---|-----|
|      | 1001216921  | Ref | JIB VALVE ASSEMBLY (SN 0300233433 to Present) | B   |
| 1    | 70006346    | 1   | Cartridge (Manual Override)                   |     |
| 1    | 7017402     | 1   | Seal Kit - 70006346 Cartridge                 |     |
| 1    | 70006348    | 1   | Coil Spacer                                   |     |
| 1    | 7021609     | 1   | Coil  |     |
| 1    | 70006347    | 1   | Coil Nut                                      |     |
| 2    | 7017452     | 1   | Cartridge                                     |     |
| 2    | 7017402     | 1   | Seal Kit - 7017452 Cartridge                  |     |
| 2    | 70006348    | 1   | Coil Spacer                                   |     |
| 2    | 7021609     | 1   | Coil  |     |
| 2    | 7022390     | 1   | Coil Nut                                      |     |
| 3    | 70006349    | 1   | Cartridge                                     |     |
| 3    | 7021653     | 1   | Seal Kit - 70006349 Cartridge                 |     |
| 4    | 70002808    | 1   | Cartridge                                     |     |
| 4    | 7021653     | 1   | Seal Kit - 70002808 Cartridge                 |     |
| 5    | 70005722    | 1   | Cartridge                                     |     |
| 5    | 7017496     | 1   | Seal Kit - 70005722 Cartridge                 |     |
| 5    | 2560122     | 1   | Handle  |     |
| 5    | 1001114761  | 1   | Grip, Handle (Red)                            |     |
| 5    | 2560123     | 1   | Grip, Handle (Black)                          |     |
| 6    | 7024887     | 1   | Cartridge                                     |     |
| 6    | 7012998     | 1   | Seal Kit - 7024887 Cartridge                  |     |

Go to Discount-Equipment.com to order your parts

## SECTION 2 - TURNTABLE

FIGURE 2-10. MOTION ALARM INSTALLATION



ART\_1001183367



**SECTION 2 - TURNTABLE**

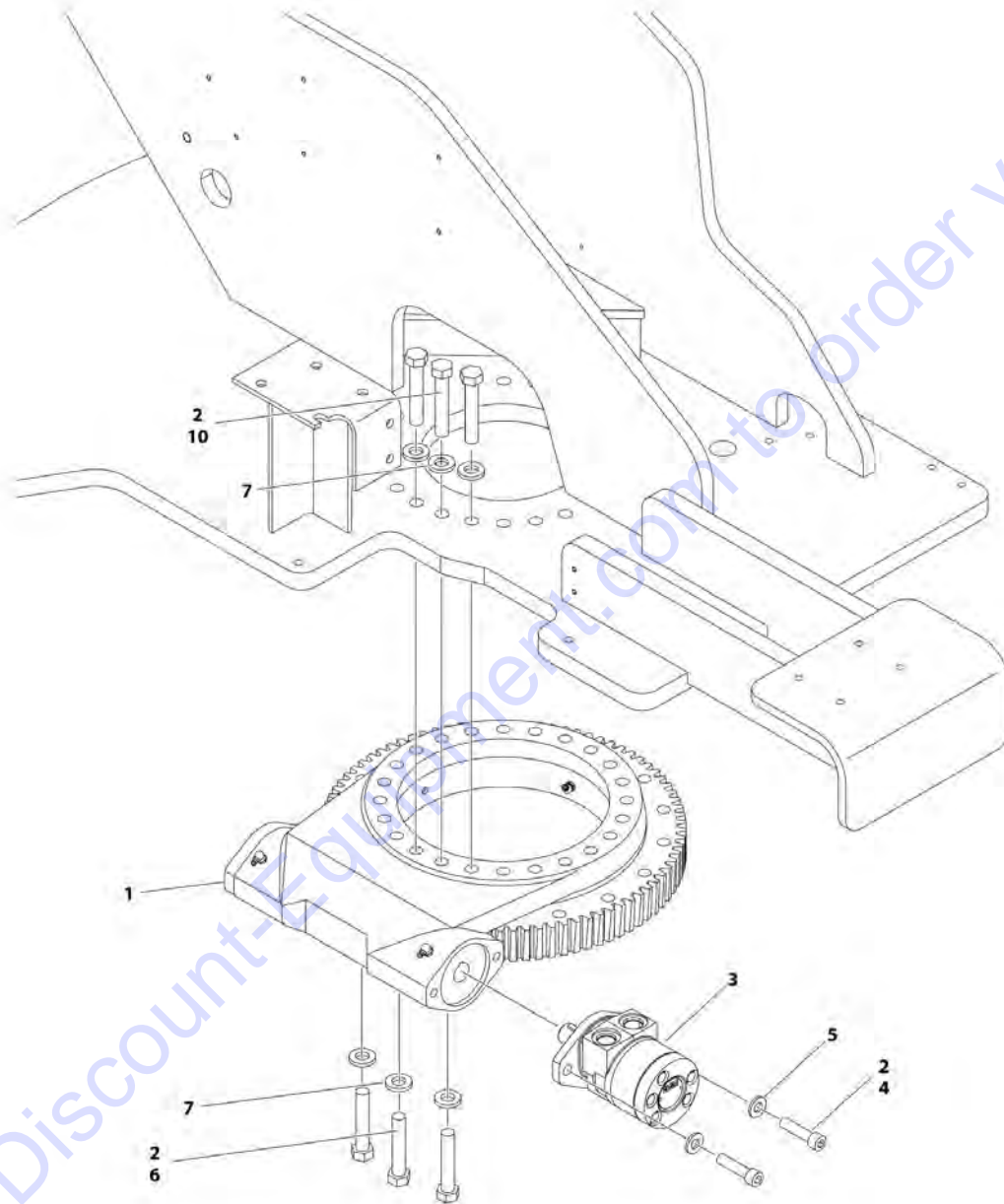
**FIGURE 2-10. MOTION ALARM INSTALLATION**

| ITEM | PART NUMBER | QTY | DESCRIPTION               | REV |
|------|-------------|-----|---------------------------|-----|
|      | 1001183367  | Ref | MOTION ALARM INSTALLATION | A   |
| 1    | 0140043     | 1   | Alarm, Motion             |     |
| 2    | 0641406     | 2   | Bolt, 1/4-20 X 3/4        |     |
| 3    | 3311405     | 2   | Nut, Lock 1/4-20          |     |
| 4    | 4711400     | 2   | Washer, 1/4               |     |

Go to Discount-Equipment.com to order your parts

## SECTION 2 - TURNTABLE

FIGURE 2-11. TURNTABLE BEARING AND SWING DRIVE INSTALLATION



ART\_1001166395

**SECTION 2 - TURNTABLE**

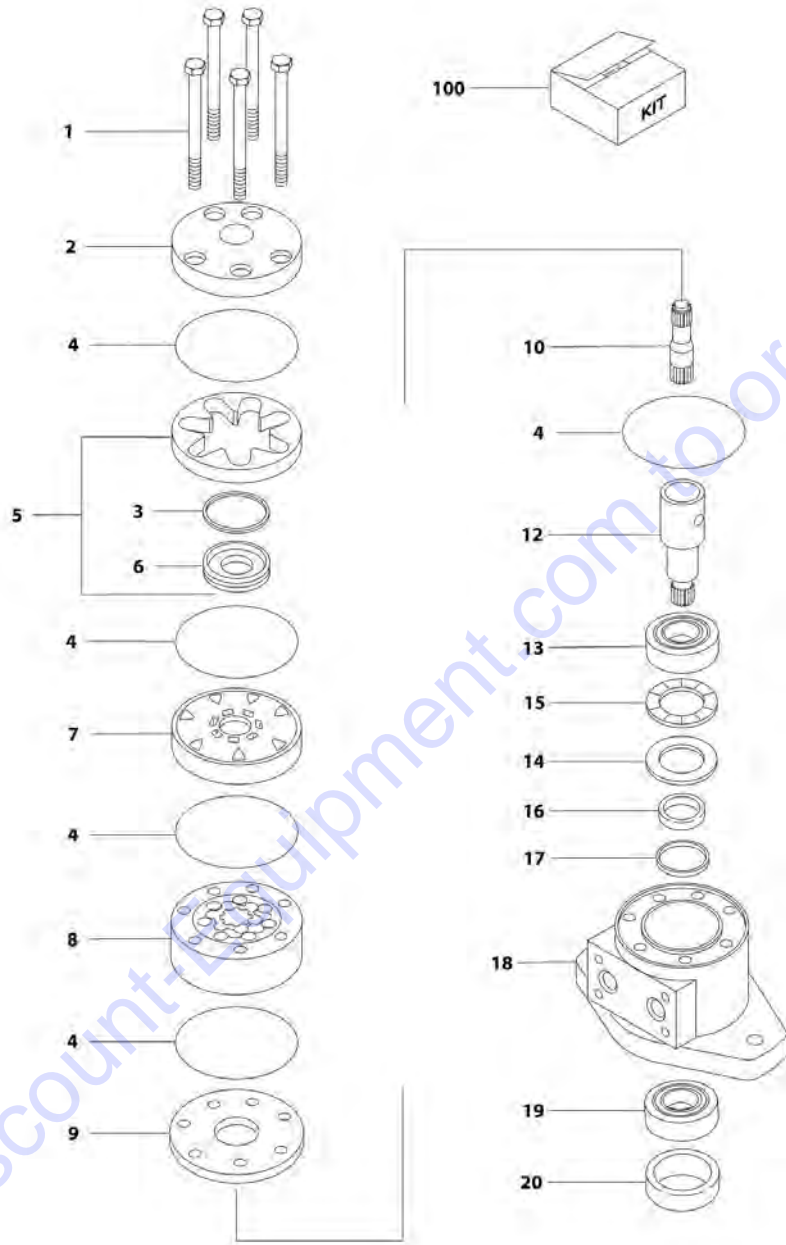
**FIGURE 2-11. TURNTABLE BEARING AND SWING DRIVE INSTALLATION**

| ITEM | PART NUMBER | QTY | DESCRIPTION   | REV |
|------|-------------|-----|---|-----|
|      | 1001166395  | Ref | TURNTABLE BEARING AND SWING DRIVE INSTALLATION                                      | B   |
| 1    | 1001153017  | 1   | Turntable Bearing and Worm Gear Assembly (See SWING BEARING ASSEMBLY for Breakdown) |     |
| 2    | 0100019     | AR  | Compound, Locking   |     |
| 3    | 1001104850  | 1   | Swing Motor Assembly (See SWING MOTOR ASSEMBLY for Breakdown)                       |     |
| 4    | 3931832     | 2   | Bolt, Allen Head, 1/2-13 X 2  |     |
| 5    | 4740171     | 2   | Washer  |     |
| 6    | 0682026     | 18  | Bolt, 5/8-11 X 3-1/4, Grade 8   |     |
| 7    | 4892000     | 41  | Washer, 5/8   |     |
| 9    | 3020029     | AR  | Lube, Bearing Grease  |     |
| 10   | 0682028     | 23  | Bolt, 5/8-11 X 3-1/2, Grade 8   |     |

Go to Discount-Equipment.com to order your parts

# SECTION 2 - TURNTABLE

## FIGURE 2-12. SWING MOTOR ASSEMBLY



ART. 1001104850

**SECTION 2 - TURNTABLE**

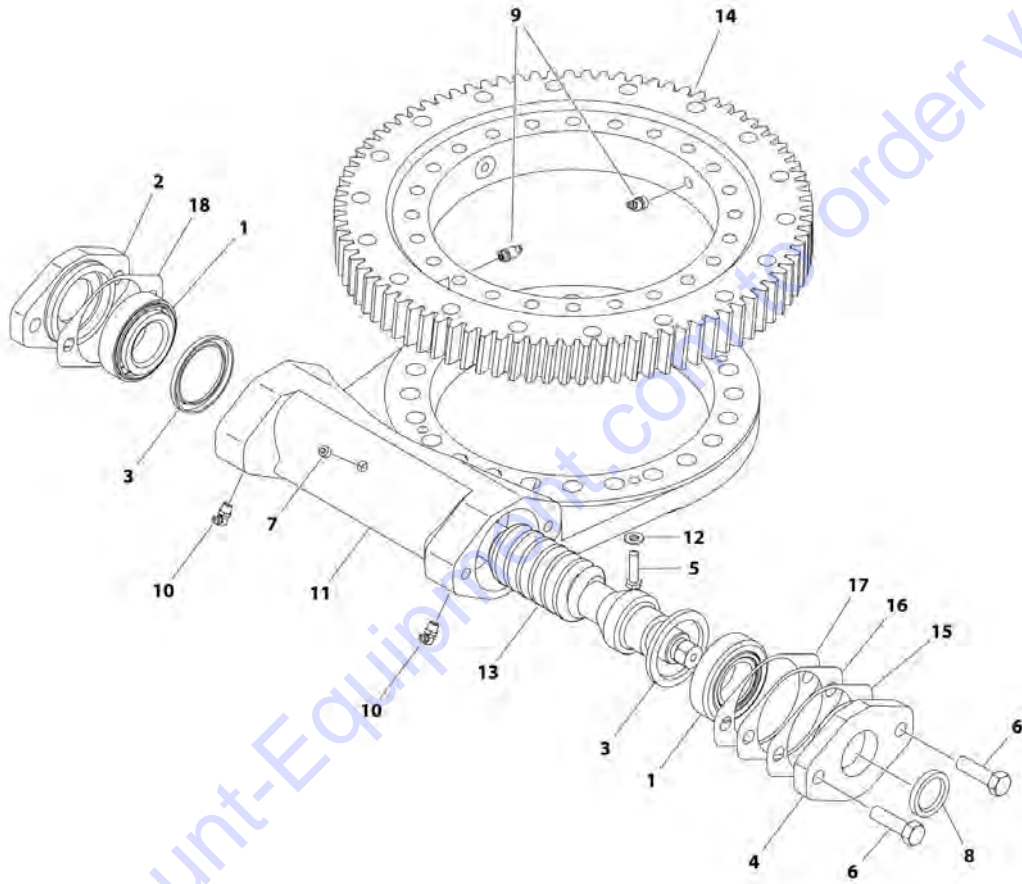
**FIGURE 2-12. SWING MOTOR ASSEMBLY**

| ITEM | PART NUMBER | QTY | DESCRIPTION                                 | REV |
|------|-------------|-----|---|-----|
|      | 1001104850  | Ref | SWING MOTOR ASSEMBLY                        | A   |
| 1    | See Note    | 5   | Bolt (Note: Not Available for Purchase)     |     |
| 2    | 7004035     | 1   | Cover, End                                  |     |
| 3    | 7023318     | 1   | Seal, Commutator                            |     |
| 4    | 7004036     | 5   | O-Ring                                      |     |
| 5    | 7024453     | 1   | Commutator and Ring Assembly                |     |
| 6    | See Note    | NSS | Ring (Note: Purchase p/n 7024453)           |     |
| 7    | 7024379     | 1   | Manifold                                    |     |
| 8    | 70002206    | 1   | Rotor Set                                   |     |
| 9    | 7024380     | 1   | Plate, Ware                                 |     |
| 10   | 70002207    | 1   | Link, Drive                                 |     |
| 12   | 70000088    | 1   | Shaft, Coupling                             |     |
| 12A  | 70000089    | 1   | Key, Woodruff                               |     |
| 13   | 7024381     | 1   | Bearing, Inner                              |     |
| 14   | 7004043     | 1   | Washer, Thrust                              |     |
| 15   | 7004044     | 1   | Bearing, Thrust                             |     |
| 16   | 7004049     | 1   | Seal, Inner                                 |     |
| 17   | 7004045     | 1   | Ring, Back-up                               |     |
| 18   | See Note    | NSS | Housing (Note: Purchase p/n 1001104850)     |     |
| 19   | 7024390     | 1   | Bearing, Outer                              |     |
| 20   | 7004047     | 1   | Seal  |     |
| 100  | 7024389     | 1   | Seal Kit (Includes Items 3, 4, 16, 17 & 20) |     |

Go to Discount-Equipment.com to order your parts

## SECTION 2 - TURNTABLE

FIGURE 2-13. SWING BEARING ASSEMBLY



ART\_1001153017

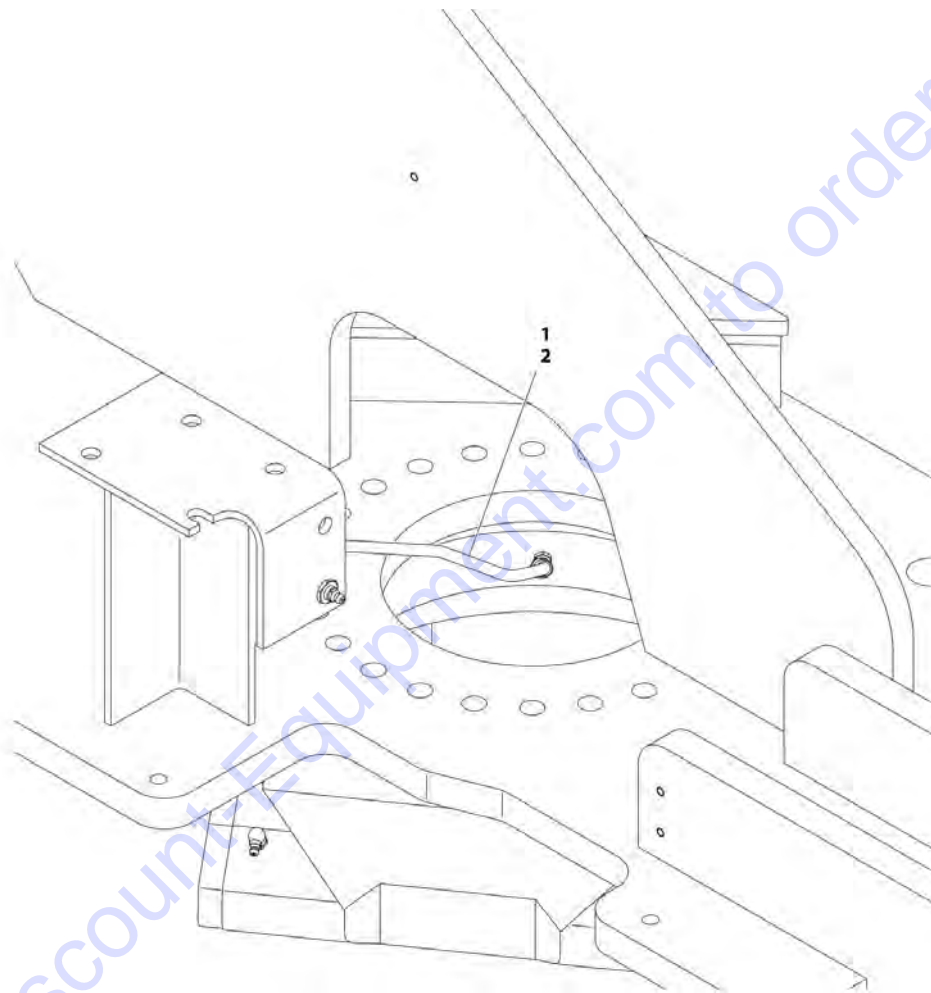
**SECTION 2 - TURNTABLE**

**FIGURE 2-13. SWING BEARING ASSEMBLY**

| ITEM | PART NUMBER | QTY | DESCRIPTION  | REV |
|------|-------------|-----|--|-----|
|      | 1001153017  | Ref | SWING BEARING ASSEMBLY                             | B   |
| 1    | 7026042     | 2   | Bearing, Cup                                       |     |
| 1    | 7026043     | 2   | Bearing, Cone                                      |     |
| 2    | 7027356     | 1   | Adapter, Motor                                     |     |
| 3    | 7027361     | 2   | Seal   |     |
| 4    | 7027354     | 1   | Cap, End   |     |
| 5    | 0641510     | 2   | Bolt, 5/16-18 x 1-1/4                              |     |
| 6    | 0641812     | 2   | Bolt, 1/2-13 x 1-1/2                               |     |
| 7    | 70000865    | 1   | Plug   |     |
| 8    | 7027360     | 1   | Seal   |     |
| 9    | 7027359     | 2   | Fitting, Grease - Straight                         |     |
| 9    | 2160003     | 2   | Fitting, Grease - 45                               |     |
| 10   | 7027358     | 2   | Fitting, Grease - 90                               |     |
| 11   | See Note    | NSS | Housing (Note: Not Sold Separate - Use 1001153017) |     |
| 12   | 4891500     | 1   | Washer, 5/16                                       |     |
| 13   | 7027363     | 1   | Gear, Worm   |     |
| 14   | 70004159    | 1   | Ring Gear  |     |
| 15   | 7027352     | AR  | Gasket (.010 - Brown)                              |     |
| 16   | 7027351     | AR  | Gasket (.0075 - Clear)                             |     |
| 17   | 7027350     | AR  | Gasket (.005 - Blue)                               |     |
| 18   | 7027353     | 1   | Gasket (.020 - Yellow)                             |     |

## SECTION 2 - TURNTABLE

FIGURE 2-14. REMOTE BEARING LUBE INSTALLATION - OPTIONAL



ART. 1001166341



**SECTION 2 - TURNTABLE**

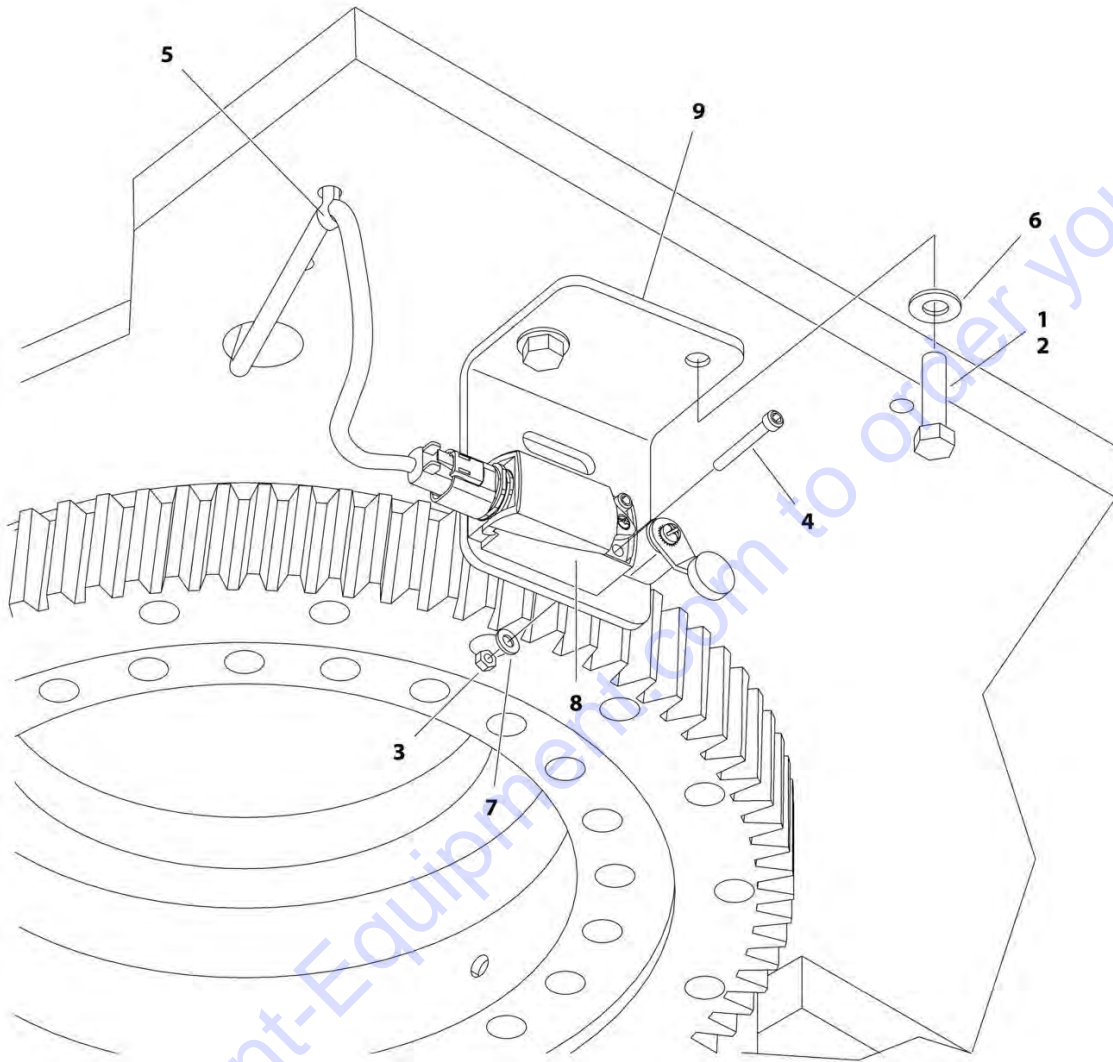
**FIGURE 2-14. REMOTE BEARING LUBE INSTALLATION - OPTIONAL**

| ITEM | PART NUMBER | QTY | DESCRIPTION                      | REV |
|------|-------------|-----|----------------------------------|-----|
|      | 1001166341  | Ref | REMOTE BEARING LUBE INSTALLATION | B   |
| 1    | 1001157058  | 1   | Hose, Remote Grease Line         |     |
| 2    | 0100011     | AR  | Compound, Locking                |     |

Go to Discount-Equipment.com to order your parts

## SECTION 2 - TURNTABLE

FIGURE 2-15. DRIVE ORIENTATION INSTALLATION



ART\_1001187790

**SECTION 2 - TURNTABLE**

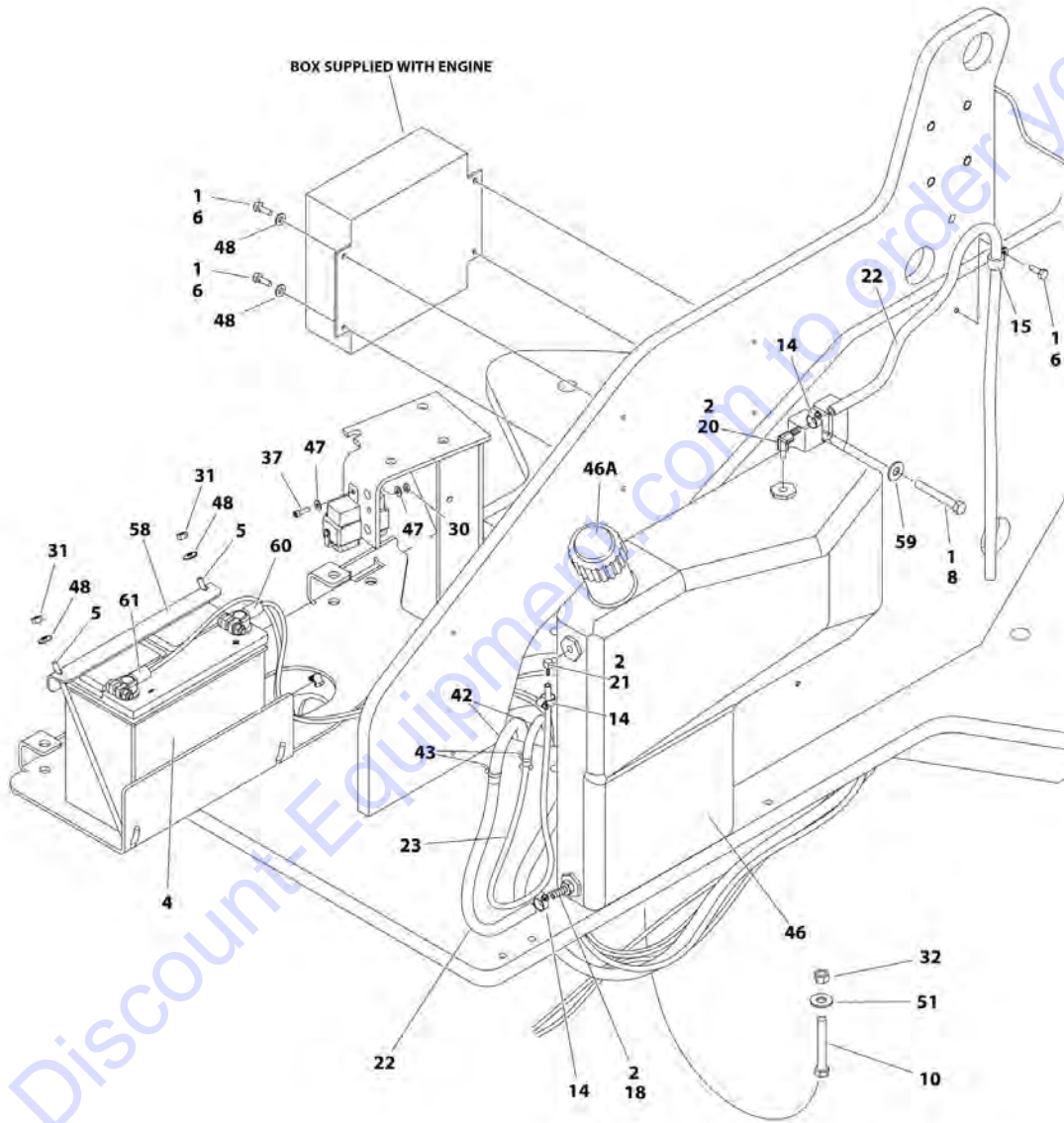
**FIGURE 2-15. DRIVE ORIENTATION INSTALLATION**

| ITEM | PART NUMBER | QTY | DESCRIPTION                     | REV |
|------|-------------|-----|---------------------------------|-----|
|      | 1001187790  | Ref | DRIVE ORIENTATION INSTALLATION  | B   |
| 1    | 0100011     | AR  | Compound, Locking               |     |
| 2    | 0641608     | 2   | Bolt, 3/8-16 X 1                |     |
| 3    | 3310805     | 2   | Nut, Lock, #8-32                |     |
| 4    | 3930824     | 2   | Bolt, Allen Head, #8-32 X 1-1/2 |     |
| 5    | 4240175     | 1   | Tie, Strap                      |     |
| 6    | 4711600     | 2   | Washer, 3/8                     |     |
| 7    | 4750800     | 2   | Washer, #8                      |     |
| 8    | 1001116232  | 1   | Switch, Limit                   |     |
| 9    | 1001171298  | 1   | Bracket, Mounting               |     |

Go to Discount-Equipment.com to order your parts

## SECTION 2 - TURNTABLE

FIGURE 2-16. FUEL TANK AND BATTERY INSTALLATION - M400AJP/M400AJPN



ART\_1001191232\_10F4

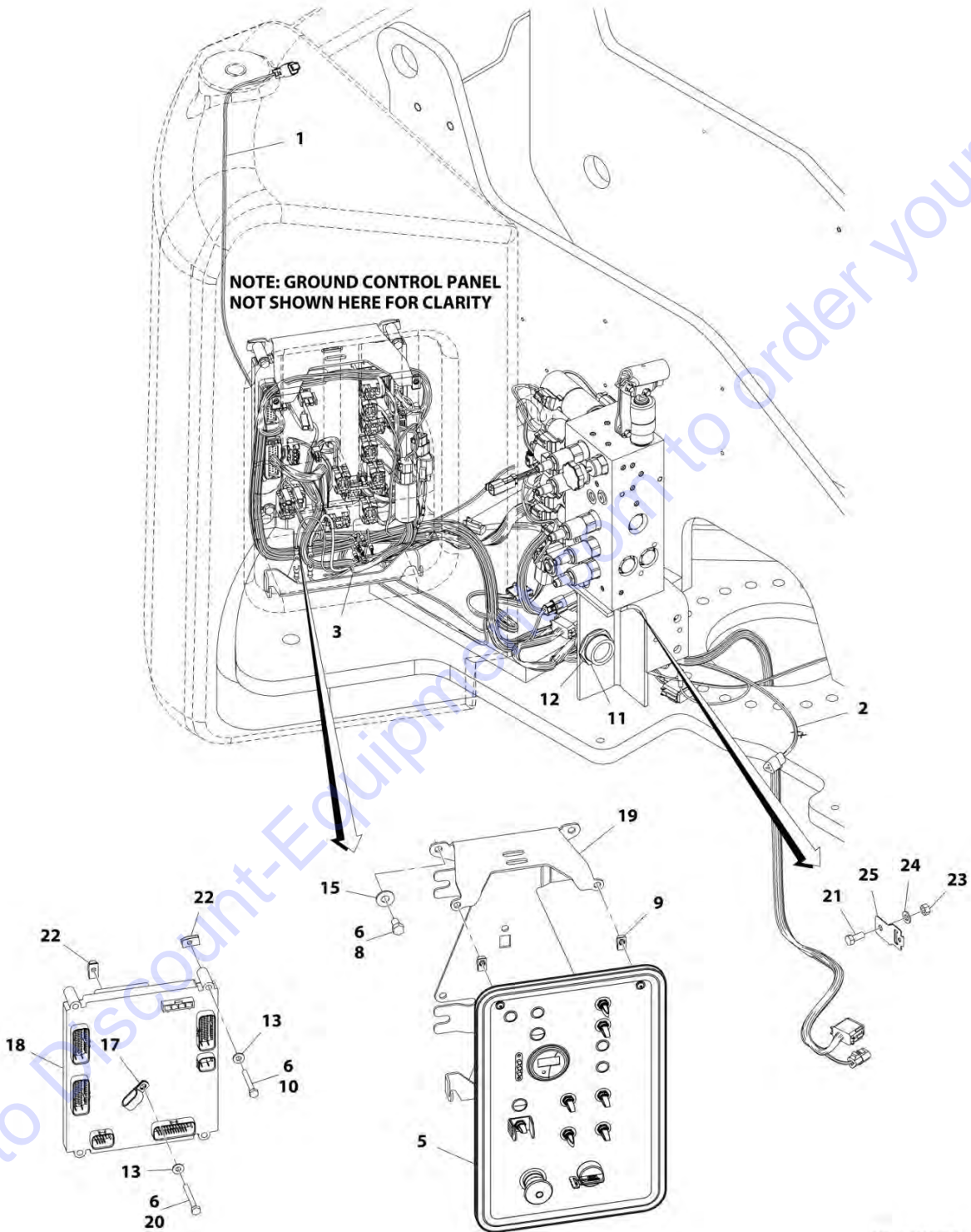
## SECTION 2 - TURNTABLE

**FIGURE 2-16. FUEL TANK AND BATTERY INSTALLATION - M400AJP/M400AJPN**

| ITEM | PART NUMBER | QTY        | DESCRIPTION   | REV |
|------|-------------|------------|---|-----|
|      | 1001191232  | Ref        | FUEL TANK AND BATTERY INSTALLATION - M400AJP/M400AJPN       | F   |
| 1    | 0100011     | AR         | Compound, Locking   |     |
| 2    | 0100020     | AR         | Sealant   |     |
| 4    | 0400201     | 1          | Battery   |     |
| 5    | 0630552     | 2          | Bolt, Battery Hold Down                                     |     |
| 6    | 0641406     | 5          | Bolt, 1/4-20 X 3/4  |     |
| 8    | 0641518     | 1          | Bolt, 5/16-18 x 2-1/4                                       |     |
| 10   | 0641622     | 1          | Bolt, 3/8-16 X 2-3/4  |     |
| 14   | 1320022     | 3          | Clamp   |     |
| 15   | 1320041     | 1          | Clamp   |     |
| 18   | 2180348     | 1          | Fitting, Straight, NPT - Barb                               |     |
| 20   | 2221046     | 1          | Fitting, 90, NPT - Barb                                     |     |
| 21   | 2221047     | 1          | Fitting, 90, NPT - Barb                                     |     |
| 22   | 2720058     | 16 ft/4.9m | Hose  |     |
| 23   | 2720271     | 10 ft/3m   | Hose  |     |
| 30   | 3311005     | 1          | Nut, Lock #10-24  |     |
| 31   | 3311405     | 2          | Nut, Lock, 1/4-20   |     |
| 32   | 3311605     | 1          | Nut, Lock, 3/8-16   |     |
| 37   | 3931010     | 1          | Bolt, #10-24 x 5/8  |     |
| 42   | 4100026     | 6 ft/1.8m  | Sleeve, Hose  |     |
| 43   | 4240033     | AR         | Tie, Wire   |     |
| 46   | 4400417     | 1          | Tank, Fuel  |     |
| 46A  | 7020179     | 1          | Cap, Fuel (Standard)  |     |
| 46A  | 1120487     | 1          | Cap, Lockable (Optional) (SN 0300208530 through 0300224562) |     |
| 47   | 4711000     | 2          | Washer, #10   |     |
| 48   | 4711400     | 6          | Washer, 1/4   |     |
| 51   | 4751600     | 1          | Washer, 3/8   |     |
| 58   | 1001165977  | 1          | Mount, Battery  |     |
| 59   | 1001167291  | 1          | Washer, Special   |     |
| 60   | 1001168004  | 1          | Cable, Battery +  |     |
| 61   | 1001168005  | 1          | Cable, Battery (-)  |     |

## SECTION 2 - TURNTABLE

FIGURE 2-17. GROUND CONTROL BOX INSTALLATION - E400AN (ALL SPECS EXCEPT CE AND AUSTRALIAN SPECS)



ART\_1001183515

## SECTION 2 - TURNTABLE

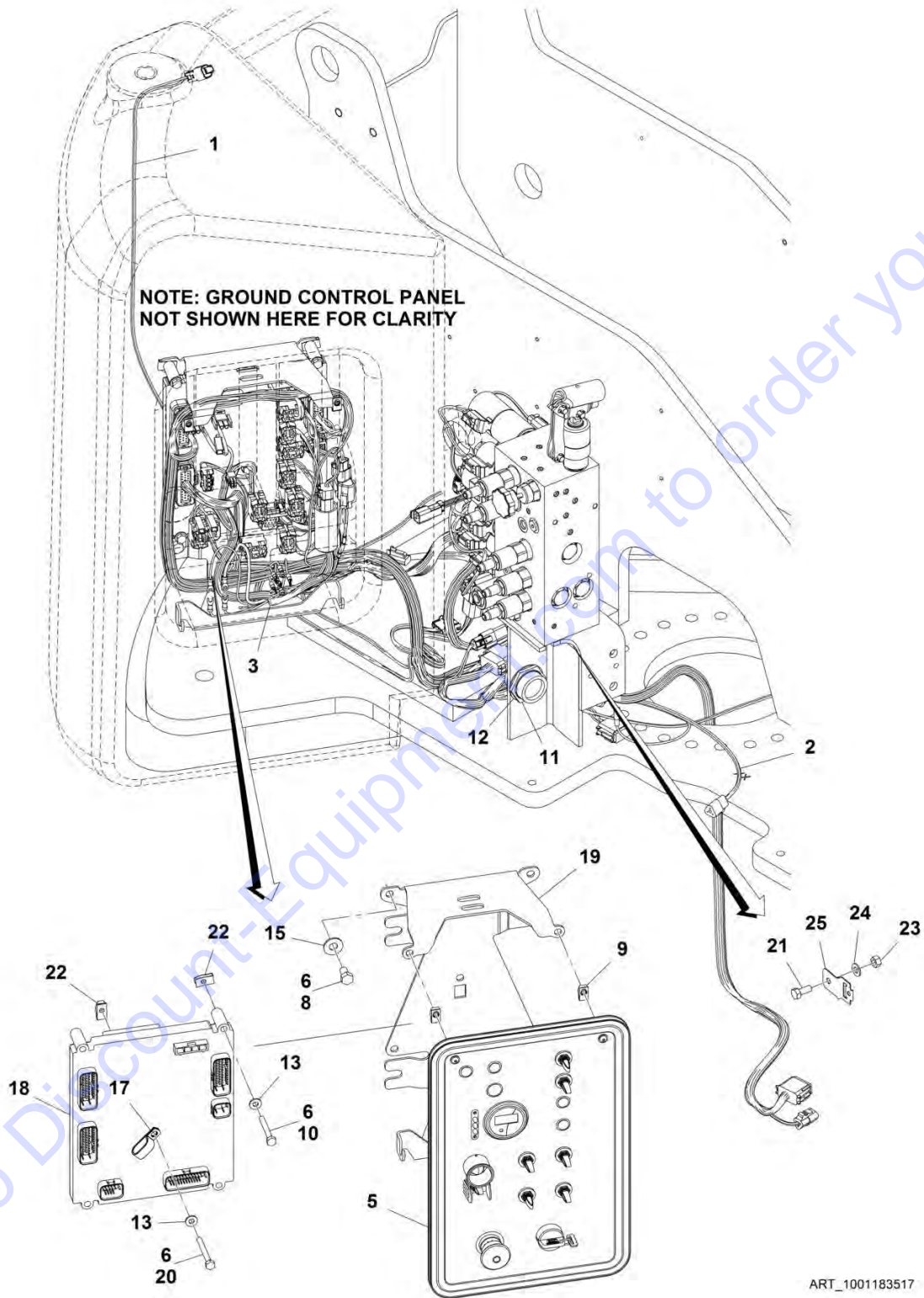
**FIGURE 2-17. GROUND CONTROL BOX INSTALLATION - E400AN (ALL SPECS EXCEPT CE AND AUSTRALIAN SPECS)**

| ITEM | PART NUMBER | QTY | DESCRIPTION  | REV |
|------|-------------|-----|--|-----|
|      | 1001183515  | Ref | GROUND CONTROL BOX INSTALLATION - E400An (ALL SPECS EXCEPT CE AND AUSTRALIAN SPECS)  | C   |
| 1    | 1001178793  | 1   | Harness, Turntable (See ELECTRICAL SECTION for Breakdown)  |     |
| 2    | 1001178794  | 1   | Harness, Valve (See ELECTRICAL SECTION for Breakdown)  |     |
| 3    | 1001179991  | 1   | Harness, Ground Panel (See ELECTRICAL SECTION for Breakdown)   |     |
| 5    | 1001183866  | 1   | GROUND CONTROL BOX ELECTRICAL ASSEMBLY - E400An (See GROUND CONTROL BOX ELECTRICAL ASSEMBLY - E400An (ALL SPECS EXCEPT CE AND AUSTRALIAN SPECS) for Breakdown) |     |
| 6    | 0100011     | AR  | Compound, Locking  |     |
| 8    | 0641605     | 4   | Bolt, 3/8-16 X 5/8   |     |
| 9    | 3300365     | 2   | Nut, Special   |     |
| 10   | 0641416     | 4   | Bolt, 1/4-20 X 2   |     |
| 11   | 4460470     | 1   | Nut, Terminal  |     |
| 12   | 4460471     | 1   | Washer, Lock   |     |
| 13   | 4711400     | 5   | Washer, 1/4  |     |
| 15   | 4751600     | 4   | Washer, 3/8  |     |
| 17   | 1321385     | 1   | Clamp  |     |
| 18   | 1001182700  | 1   | Module, Ground Control (Note: Re-calibration Required when Replaced)   |     |
| 19   | 1001188065  | 1   | Bracket  |     |
| 20   | 0641418     | 1   | Bolt, 1/4-20 X 2-1/4   |     |
| 21   | 0641506     | 1   | Bolt, 5/16-18 X 3/4  |     |
| 22   | 3300454     | 5   | Nut, 1/4-20  |     |
| 23   | 3311505     | 1   | Nut, Lock 5/16-18  |     |
| 24   | 4711500     | 1   | Washer, 5/16   |     |
| 25   | 1001153749  | 1   | Clip   |     |



## SECTION 2 - TURNTABLE

FIGURE 2-18. GROUND CONTROL BOX INSTALLATION - E400AN (CE SPEC)





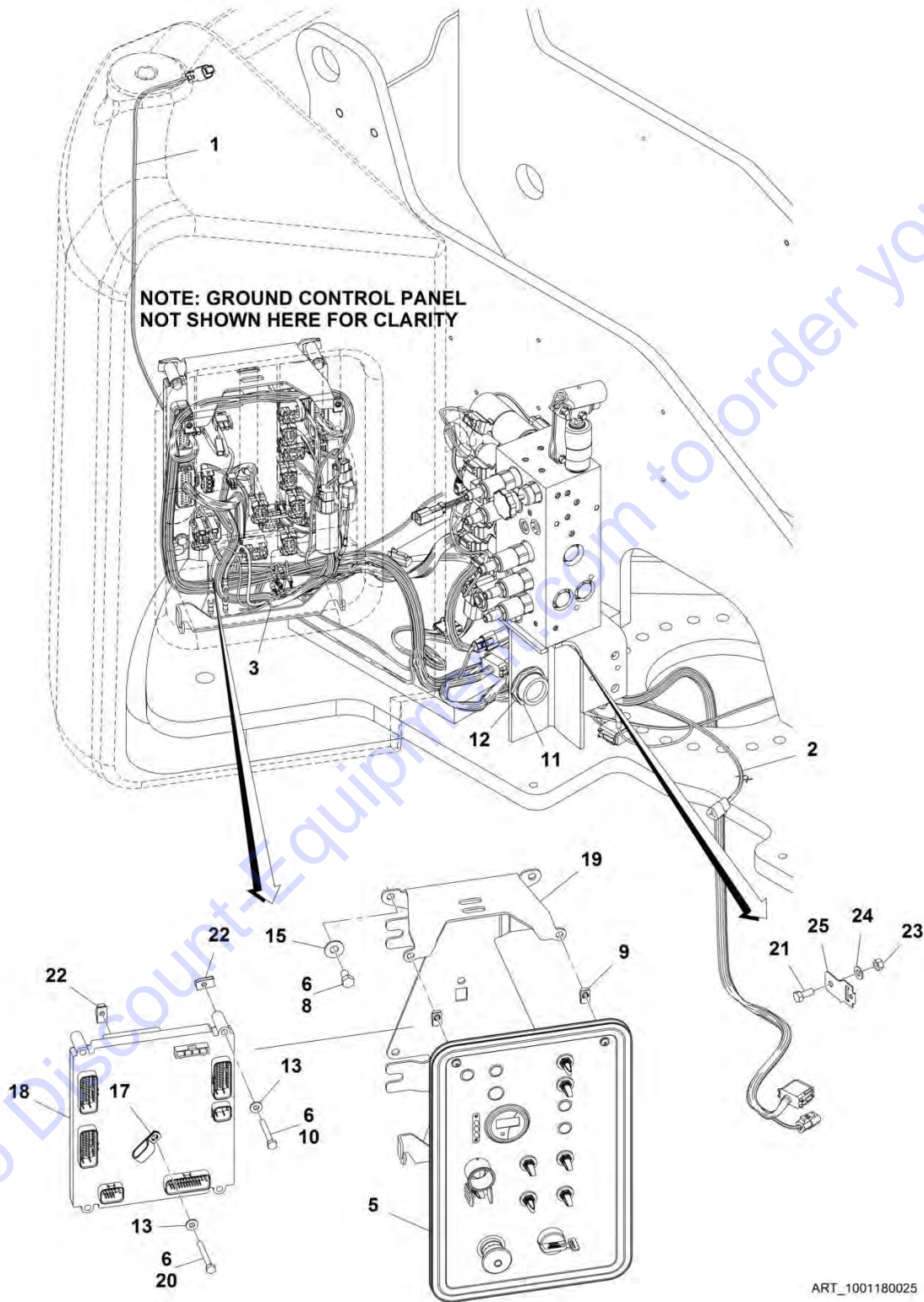
## SECTION 2 - TURNTABLE

**FIGURE 2-18. GROUND CONTROL BOX INSTALLATION - E400AN (CE SPEC)**

| ITEM | PART NUMBER | QTY | DESCRIPTION  | REV |
|------|-------------|-----|--|-----|
|      | 1001183517  | Ref | GROUND CONTROL BOX INSTALLATION - E400An (CE SPEC)   | C   |
| 1    | 1001178793  | 1   | Harness, Turntable (See ELECTRICAL SECTION for Breakdown)  |     |
| 2    | 1001178794  | 1   | Harness, Valve (See ELECTRICAL SECTION for Breakdown)  |     |
| 3    | 1001179991  | 1   | Harness, Ground Control Panel (See ELECTRICAL SECTION for Breakdown)   |     |
| 5    | 1001183765  | 1   | GROUND CONTROL BOX ELECTRICAL ASSEMBLY - E400An (See GROUND CONTROL BOX ELECTRICAL ASSEMBLY - E400An ( CE SPEC) for Breakdown) |     |
| 6    | 0100011     | AR  | Compound, Locking  |     |
| 8    | 0641605     | 4   | Bolt, 3/8-16 X 5/8   |     |
| 9    | 3300365     | 2   | Nut, Special   |     |
| 10   | 0641416     | 4   | Bolt, 1/4-20 X 2   |     |
| 11   | 4460470     | 1   | Nut, Terminal  |     |
| 12   | 4460471     | 1   | Washer, Lock   |     |
| 13   | 4711400     | 5   | Washer, 1/4  |     |
| 15   | 4751600     | 4   | Washer, 3/8  |     |
| 17   | 1321385     | 1   | Clamp  |     |
| 18   | 1001182700  | 1   | Module, Ground Control (Note: Re-calibration Required when Replaced)   |     |
| 19   | 1001188065  | 1   | Bracket  |     |
| 20   | 0641418     | 1   | Bolt, 1/4-20 X 2-1/4   |     |
| 21   | 0641506     | 1   | Bolt, 5/16-18 X 3/4  |     |
| 22   | 3300454     | 5   | Nut, 1/4-20  |     |
| 23   | 3311505     | 1   | Nut, Lock 5/16-18  |     |
| 24   | 4711500     | 1   | Washer, 5/16   |     |
| 25   | 1001153749  | 1   | Clip   |     |

## SECTION 2 - TURNTABLE

FIGURE 2-19. GROUND CONTROL BOX INSTALLATION - E400AJP/E400AJPN/M400AJP/M400AJPN  
(ALL SPECS EXCEPT CE SPEC)



ART\_1001180025

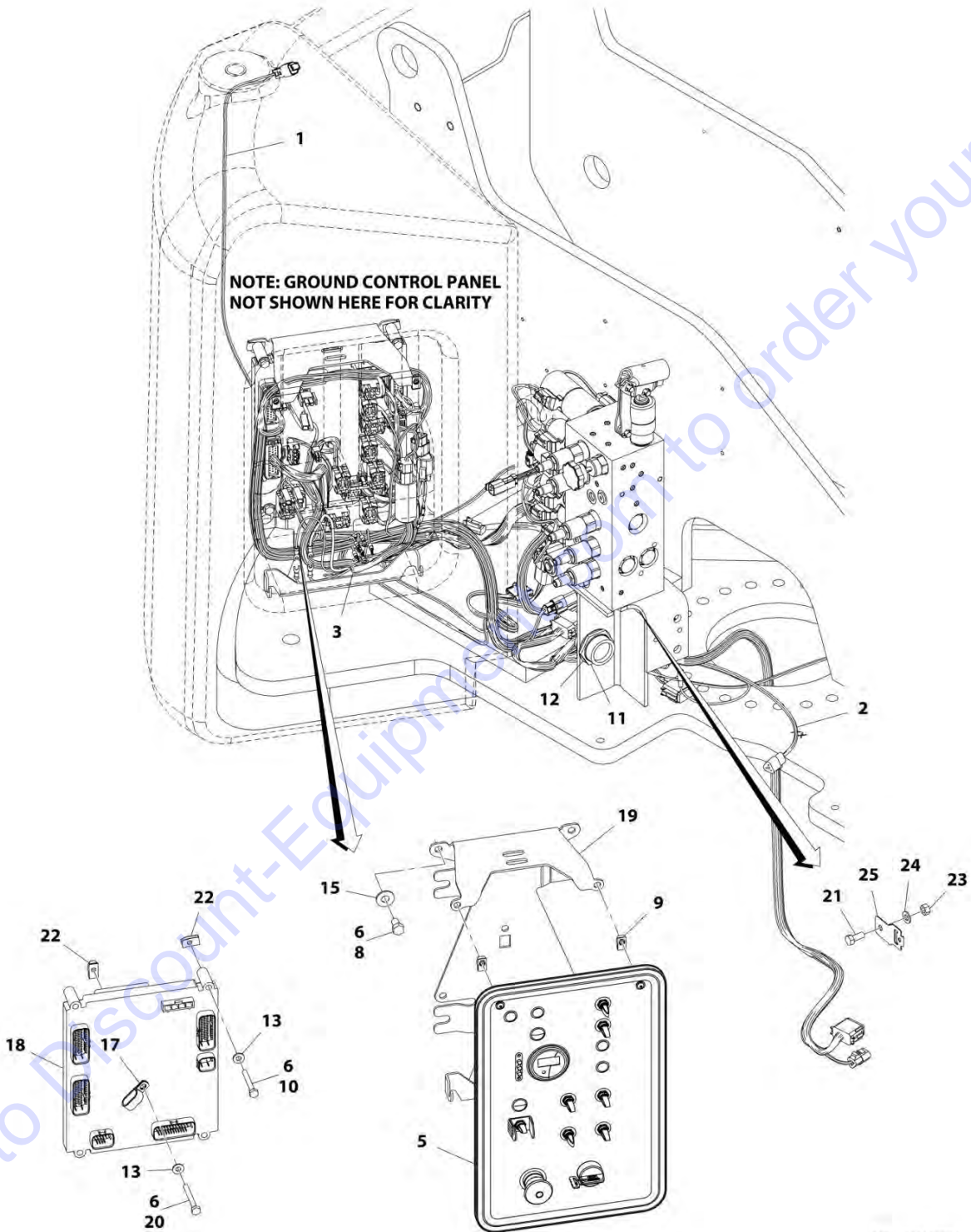
## SECTION 2 - TURNTABLE

**FIGURE 2-19. GROUND CONTROL BOX INSTALLATION - E400AJP/E400AJPN/M400AJP/M400AJPN  
(ALL SPECS EXCEPT CE SPEC)**

| ITEM | PART NUMBER | QTY | DESCRIPTION   | REV |
|------|-------------|-----|---|-----|
|      | 1001180025  | Ref | GROUND CONTROL BOX INSTALLATION - E400AJP/E400AJPN/M400AJP/M400AJPN (ALL SPECS EXCEPT CE SPEC)  | C   |
| 1    | 1001178793  | 1   | Harness, Turntable (See ELECTRICAL SECTION for Breakdown)   |     |
| 2    | 1001178794  | 1   | Harness, Valve (See ELECTRICAL SECTION for Breakdown)   |     |
| 3    | 1001179991  | 1   | Harness, Ground Control Panel (See ELECTRICAL SECTION for Breakdown)  |     |
| 5    | 1001183763  | 1   | GROUND CONTROL BOX ELECTRICAL ASSEMBLY - E400AJP/E400AJPN/M400AJP/M400AJPN (See GROUND CONTROL BOX ELECTRICAL ASSEMBLY - E400AJP/E400AJPN/M400AJP/M400AJPN (ALL SPEC EXCEPT CE SPEC) for Breakdown) |     |
| 6    | 0100011     | AR  | Compound, Locking   |     |
| 8    | 0641605     | 4   | Bolt, 3/8-16 X 5/8  |     |
| 9    | 3300365     | 2   | Nut, Special  |     |
| 10   | 0641416     | 4   | Bolt, 1/4-20 X 2  |     |
| 11   | 4460470     | 1   | Nut, Terminal   |     |
| 12   | 4460471     | 1   | Washer, Lock  |     |
| 13   | 4711400     | 5   | Washer, 1/4   |     |
| 15   | 4751600     | 4   | Washer, 3/8   |     |
| 17   | 1321385     | 1   | Clamp   |     |
| 18   | 1001182700  | 1   | Module, Ground Control (Note: Re-calibration Required when Replaced)  |     |
| 19   | 1001188065  | 1   | Bracket   |     |
| 20   | 0641418     | 1   | Bolt, 1/4-20 X 2-1/4  |     |
| 21   | 0641506     | 1   | Bolt, 5/16-18 X 3/4   |     |
| 22   | 3300454     | 5   | Nut, 1/4-20   |     |
| 23   | 3311505     | 1   | Nut, Lock 5/16-18   |     |
| 24   | 4711500     | 1   | Washer, 5/16  |     |
| 25   | 1001153749  | 1   | Clip  |     |

## SECTION 2 - TURNTABLE

FIGURE 2-20. GROUND CONTROL BOX INSTALLATION - E400AJP/E400AJPN/M400AJP/M400AJPN  
(CE SPEC)



## SECTION 2 - TURNTABLE

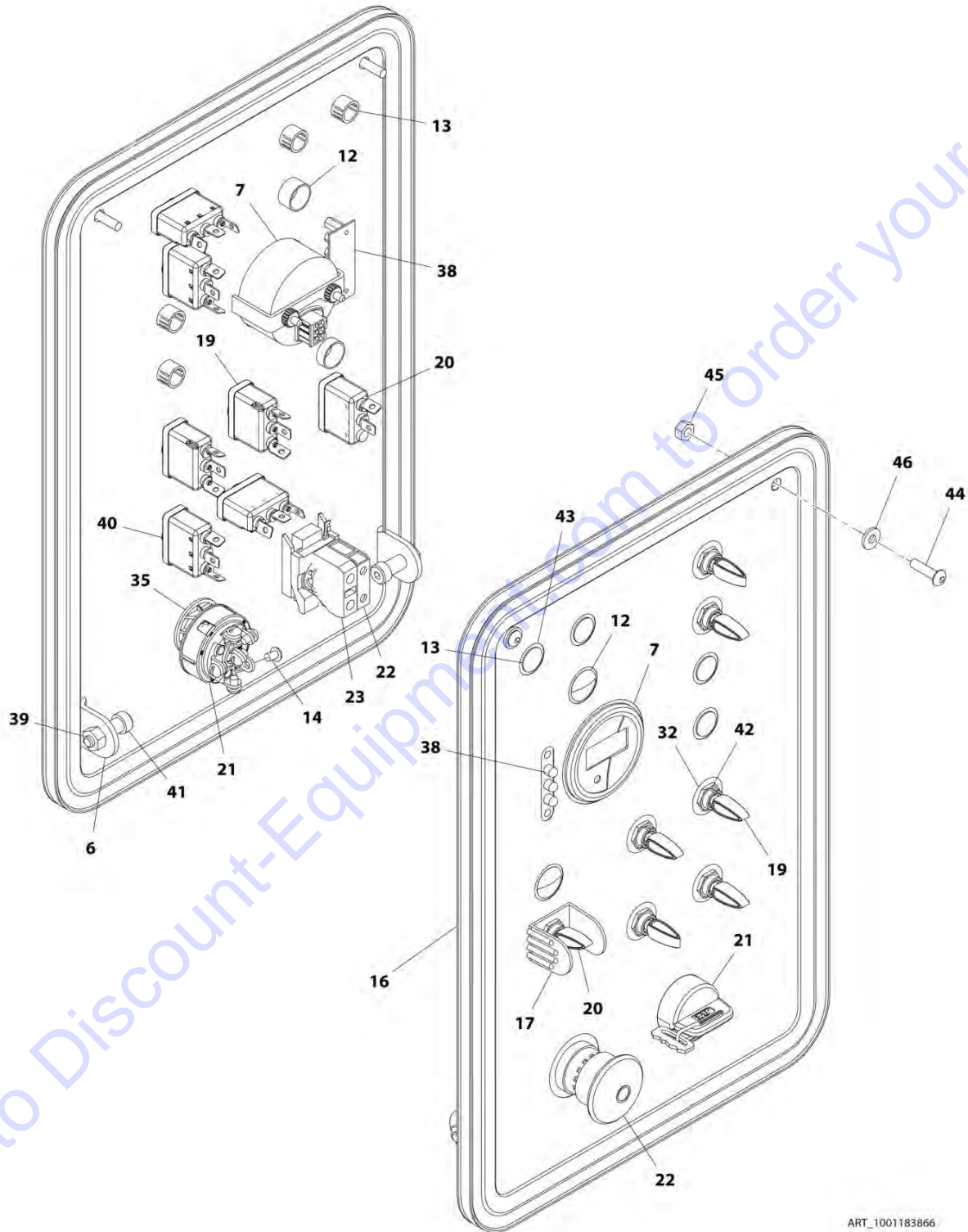
**FIGURE 2-20. GROUND CONTROL BOX INSTALLATION - E400AJP/E400AJPN/M400AJP/M400AJPN  
(CE SPEC)**

| ITEM | PART NUMBER | QTY | DESCRIPTION   | REV |
|------|-------------|-----|---|-----|
|      | 1001183516  | Ref | GROUND CONTROL BOX INSTALLATION - E400AJP/E400AJPN/M400AJP/M400AJPN (CE SPEC)   | C   |
| 1    | 1001178793  | 1   | Harness, Turntable (See ELECTRICAL SECTION for Breakdown)   |     |
| 2    | 1001178794  | 1   | Harness, Valve (See ELECTRICAL SECTION for Breakdown)   |     |
| 3    | 1001179991  | 1   | Harness, Ground Control Panel (See ELECTRICAL SECTION for Breakdown)  |     |
| 5    | 1001183764  | 1   | GROUND CONTROL BOX ELECTRICAL ASSEMBLY - E400AJP/E400AJPN/M400AJP/M400AJPN (See GROUND CONTROL BOX ELECTRICAL ASSEMBLY - E400AJP/E400AJPN/M400AJP/M400AJPN (CE SPEC) for Breakdown) |     |
| 6    | 0100011     | AR  | Compound, Locking   |     |
| 8    | 0641605     | 4   | Bolt, 3/8-16 X 5/8  |     |
| 9    | 3300365     | 2   | Nut, Special  |     |
| 10   | 0641416     | 4   | Bolt, 1/4-20 X 2  |     |
| 11   | 4460470     | 1   | Nut, Terminal   |     |
| 12   | 4460471     | 1   | Washer, Lock  |     |
| 13   | 4711400     | 5   | Washer, 1/4   |     |
| 15   | 4751600     | 4   | Washer, 3/8   |     |
| 17   | 1321385     | 1   | Clamp   |     |
| 18   | 1001182700  | 1   | Module, Ground Control (Note: Re-calibration Required when Replaced)  |     |
| 19   | 1001188065  | 1   | Bracket   |     |
| 20   | 0641418     | 1   | Bolt, 1/4-20 X 2-1/4  |     |
| 21   | 0641506     | 1   | Bolt, 5/16-18 X 3/4   |     |
| 22   | 3300454     | 5   | Nut, 1/4-20   |     |
| 23   | 3311505     | 1   | Nut, Lock 5/16-18   |     |
| 24   | 4711500     | 1   | Washer, 5/16  |     |
| 25   | 1001153749  | 1   | Clip  |     |



## SECTION 2 - TURNTABLE

FIGURE 2-21. GROUND CONTROL BOX ELECTRICAL ASSEMBLY - E400AN (ALL SPECS EXCEPT CE AND AUSTRALIAN SPECS)



ART\_1001183866

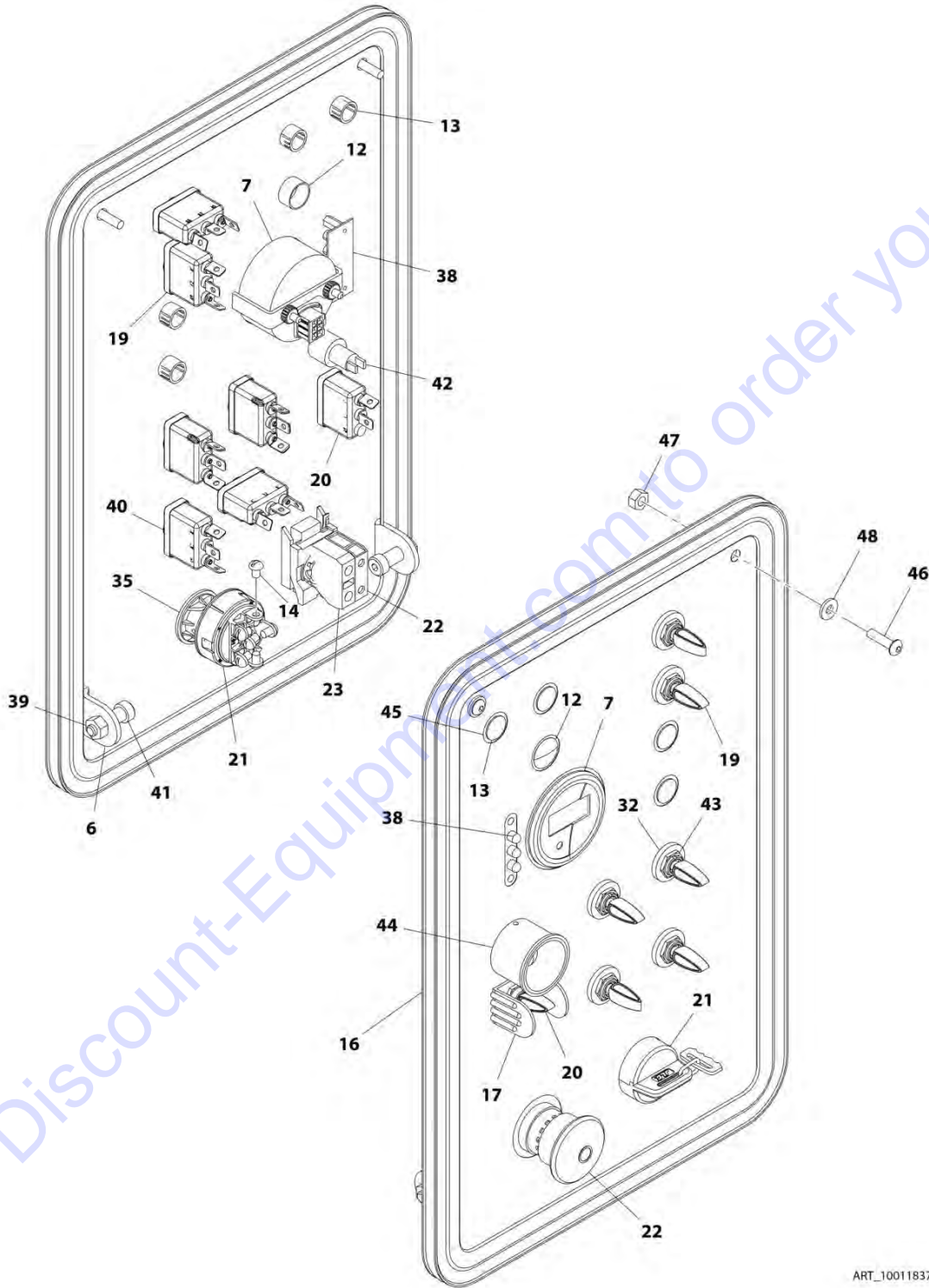
## SECTION 2 - TURNTABLE

**FIGURE 2-21. GROUND CONTROL BOX ELECTRICAL ASSEMBLY - E400AN (ALL SPECS EXCEPT CE AND AUSTRALIAN SPECS)**

| ITEM | PART NUMBER | QTY        | DESCRIPTION   | REV |
|------|-------------|------------|---|-----|
|      | 1001183866  | Ref        | GROUND CONTROL BOX ELECTRICAL ASSEMBLY - E400An<br>(ALL SPECS EXCEPT CE AND AUSTRALIAN SPECS) | A   |
| 6    | 1001188066  | 1          | Panel, Ground Control   |     |
| 7    | 1001109503  | 1          | Gauge, Indicator  |     |
| 12   | 3520026     | AR         | Plug, Hole  |     |
| 13   | 3520028     | 4          | Plug, Hole 1/2  |     |
| 14   | 3910804     | 6          | Screw, 8-32 X 1/4   |     |
| 16   | 1001166394  | 4 ft /1.2m | Seal  |     |
| 17   | 4060802     | 1          | Guard, Switch   |     |
| 19   | 1001155045  | 6          | Switch, Toggle  |     |
| 20   | 1001159256  | 1          | Switch, Toggle  |     |
| 21   | 4360469     | 1          | Keyswitch   |     |
| 21   | 2860030     | 1          | Key, Replacement (Set of 2)   |     |
| 22   | 4360475     | 1          | Switch, Emergency Stop  |     |
| 22A  | 7020175     | 1          | Cap, Mushroom Head  |     |
| 22B  | 7020176     | 1          | Block, Contact  |     |
| 23   | 4360476     | 1          | Block, Contact  |     |
| 32   | 4740397     | 6          | Spacer  |     |
| 35   | 1001151393  | 1          | Shim, .063  |     |
| 38   | 0610131     | 1          | P/C Board, Battery Charger  |     |
| 39   | 3311405     | 2          | Nut, Lock 1/4-20  |     |
| 40   | 3790012     | 7          | O-Ring  |     |
| 41   | 3900187     | 2          | Screw   |     |
| 42   | 1001155044  | 7          | Nut, Special 15/32-32   |     |
| 43   | 1001188484  | 1          | Decal - Ground Control Lid <b>(SN 0300208530 through 0300214529)</b>                          |     |
| 43   | 1001210576  | 1          | Decal - Ground Control Lid <b>(SN 0300214530 to Present)</b>                                  |     |
| 44   | 0630518     | 2          | Bolt, #10-24 X 3/4  |     |
| 45   | 3311011     | 2          | Nut, Push   |     |
| 46   | 4740120     | 2          | Washer, Nylon   |     |

# SECTION 2 - TURNTABLE

## FIGURE 2-22. GROUND CONTROL BOX ELECTRICAL ASSEMBLY - E400AN (CE SPEC)



ART\_1001183765



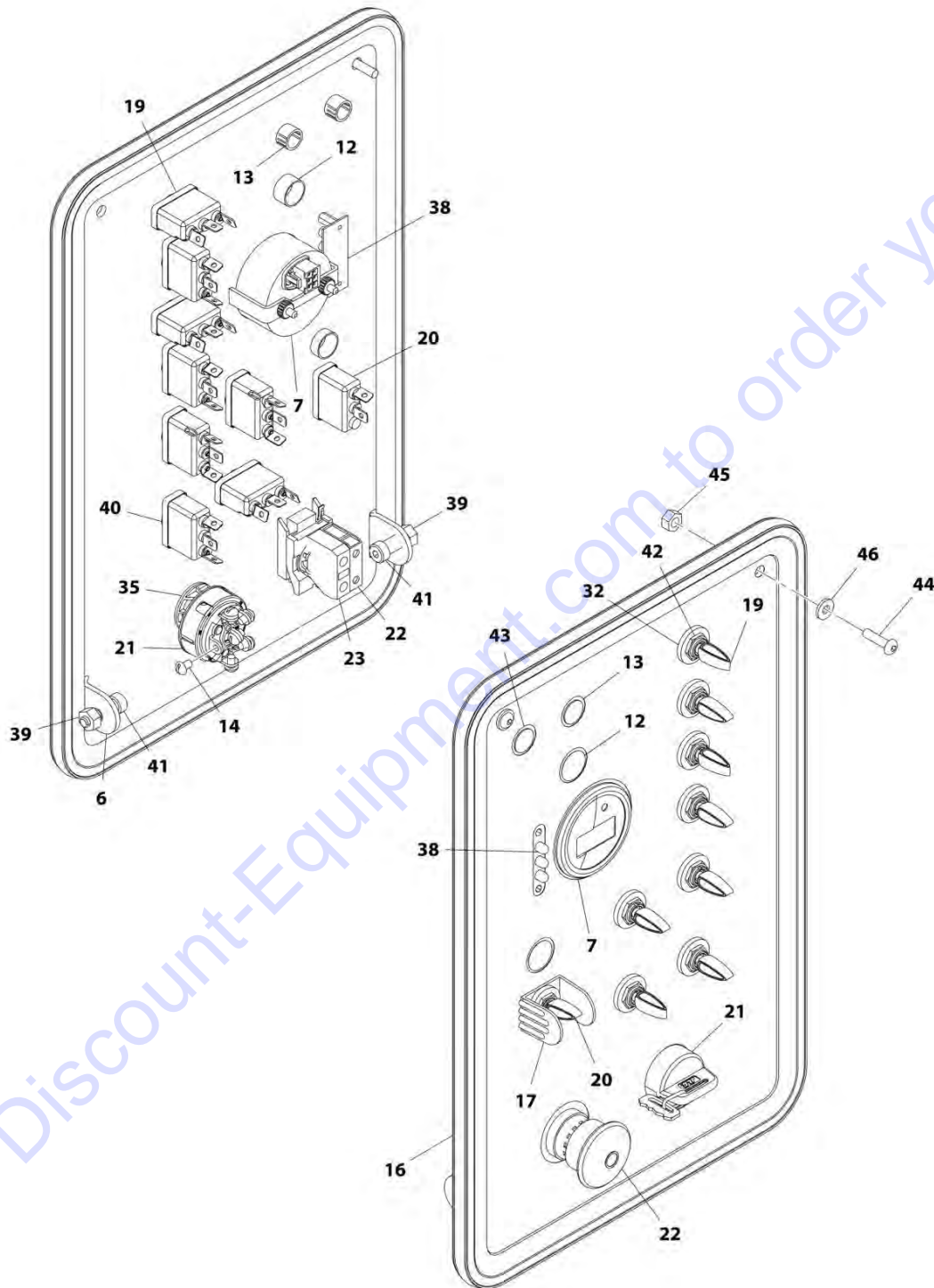
## SECTION 2 - TURNTABLE

**FIGURE 2-22. GROUND CONTROL BOX ELECTRICAL ASSEMBLY - E400AN (CE SPEC)**

| ITEM | PART NUMBER | QTY        | DESCRIPTION  | REV |
|------|-------------|------------|--|-----|
|      | 1001183765  | Ref        | GROUND CONTROL BOX ELECTRICAL ASSEMBLY - E400An<br>(CE SPEC) | D   |
| 6    | 1001188066  | 1          | Panel, Ground Control  |     |
| 7    | 1001109503  | 1          | Gauge, Indicator   |     |
| 12   | 3520026     | 1          | Plug, Hole   |     |
| 13   | 3520028     | 4          | Plug, Hole 1/2   |     |
| 14   | 3910804     | 6          | Screw, 8-32 X 1/4  |     |
| 16   | 1001166394  | 4 ft /1.2m | Seal   |     |
| 17   | 4060802     | 1          | Guard, Switch  |     |
| 19   | 1001155045  | 6          | Switch, Toggle   |     |
| 20   | 1001159256  | 1          | Switch, Toggle   |     |
| 21   | 4360469     | 1          | Keyswitch  |     |
| 21   | 2860030     | 1          | Key, Replacement (Set of 2)                                  |     |
| 22   | 4360475     | 1          | Switch, Emergency Stop                                       |     |
| 22A  | 7020175     | 1          | Cap, Mushroom Head   |     |
| 22B  | 7020176     | 1          | Block, Contact   |     |
| 23   | 4360476     | 1          | Block, Contact   |     |
| 32   | 4740397     | 6          | Spacer   |     |
| 35   | 1001151393  | 1          | Shim, .063   |     |
| 38   | 0610131     | 1          | P/C Board, Battery Charger                                   |     |
| 39   | 3311405     | 2          | Nut, Lock 1/4-20   |     |
| 40   | 3790012     | 7          | O-Ring   |     |
| 41   | 3900187     | 2          | Screw  |     |
| 42   | 4360387     | 1          | Switch, Push Button  |     |
| 43   | 1001155044  | 7          | Nut, Special 15/32-32  |     |
| 44   | 1001176469  | 1          | Shroud   |     |
| 45   | 1001188484  | 1          | Decal - Ground Control Lid                                   |     |
| 46   | 0630518     | 2          | Bolt, #10-24 X 3/4   |     |
| 47   | 3311011     | 2          | Nut, Push  |     |
| 48   | 4740120     | 2          | Washer, Nylon  |     |

## SECTION 2 - TURNTABLE

FIGURE 2-23. GROUND CONTROL BOX ELECTRICAL ASSEMBLY -  
E400AJP/E400AJPN/M400AJP/M400AJPN (ALL SPECS EXCEPT CE SPEC)



ART\_1001183763

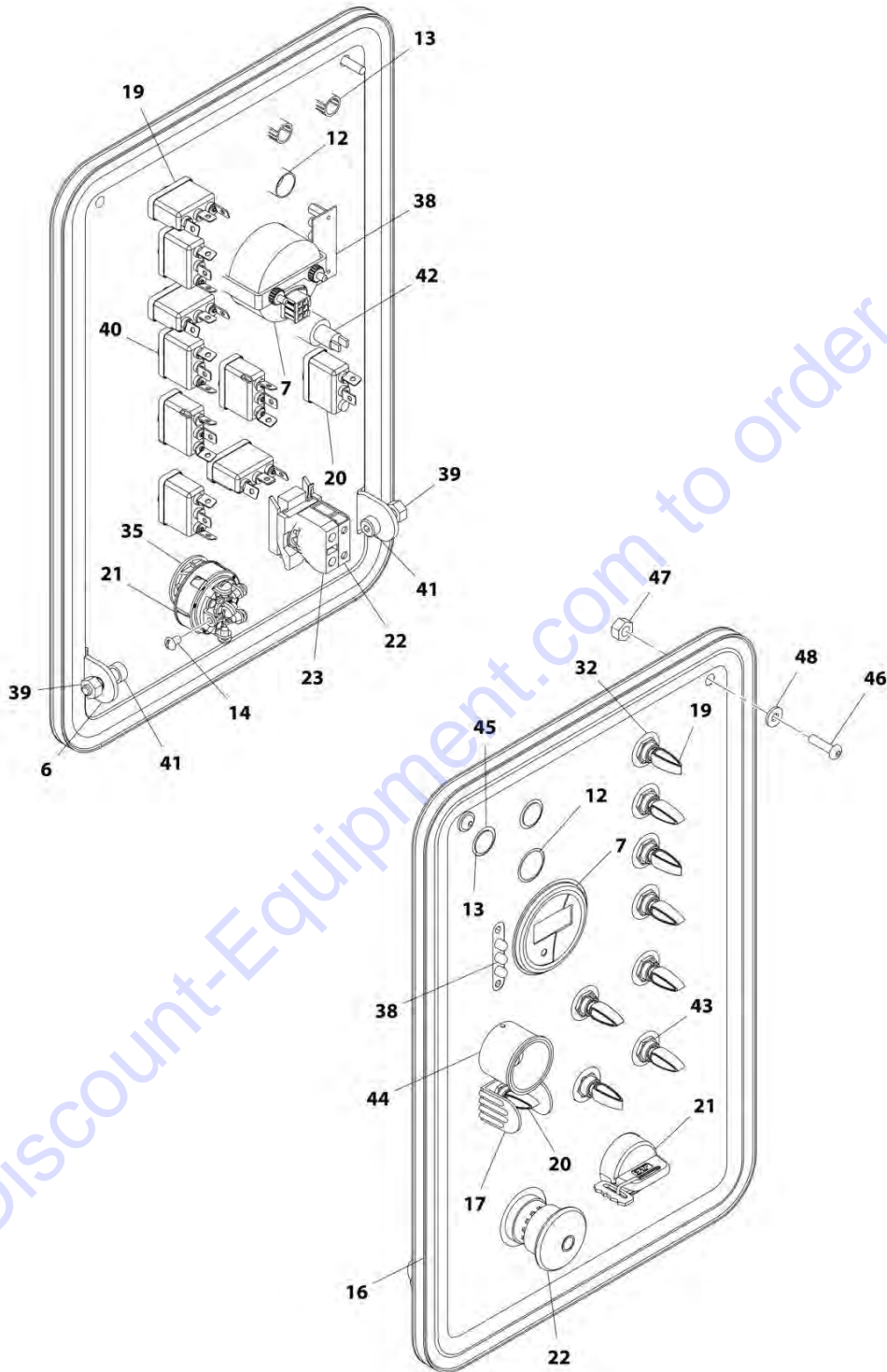
## SECTION 2 - TURNTABLE

**FIGURE 2-23. GROUND CONTROL BOX ELECTRICAL ASSEMBLY -  
E400AJP/E400AJPN/M400AJP/M400AJPN (ALL SPECS EXCEPT CE SPEC)**

| ITEM | PART NUMBER | QTY       | DESCRIPTION   | REV |
|------|-------------|-----------|---|-----|
|      | 1001183763  | Ref       | GROUND CONTROL BOX ELECTRICAL ASSEMBLY -<br>E400AJP/E400AJPN/M400AJP/M400AJPN (ALL SPECS EXCEPT<br>CE SPEC) | E   |
| 6    | 1001188066  | 1         | Panel, Ground Control   |     |
| 7    | 1001109503  | 1         | Gauge, Indicator  |     |
| 12   | 3520026     | AR        | Plug, Hole  |     |
| 13   | 3520028     | 2         | Plug, Hole 1/2  |     |
| 14   | 3910804     | 6         | Screw, 8-32 X 1/4   |     |
| 16   | 1001166394  | 4 ft/1.2m | Seal  |     |
| 17   | 4060802     | 1         | Guard, Switch   |     |
| 19   | 1001155045  | 8         | Switch, Toggle  |     |
| 20   | 1001159256  | 1         | Switch, Toggle  |     |
| 21   | 4360469     | 1         | Keyswitch   |     |
| 21   | 2860030     | 1         | Key, Replacement (Set of 2)   |     |
| 22   | 4360475     | 1         | Switch, Emergency Stop  |     |
| 22A  | 7020175     | 1         | Cap, Mushroom Head  |     |
| 22B  | 7020176     | 1         | Block, Contact  |     |
| 23   | 4360476     | 1         | Block, Contact  |     |
| 32   | 4740397     | 9         | Spacer  |     |
| 35   | 1001151393  | 1         | Shim, .063  |     |
| 38   | 0610131     | 1         | P/C Board, Battery Charger  |     |
| 39   | 3311405     | 2         | Nut, Lock 1/4-20  |     |
| 40   | 3790012     | 9         | O-Ring  |     |
| 41   | 3900187     | 2         | Screw   |     |
| 42   | 1001155044  | 9         | Nut, Special 15/32-32   |     |
| 43   | 1001188484  | 1         | Decal - Ground Control Lid (SN 0300208530 through<br>0300214529)  |     |
| 43   | 1001210576  | 1         | Decal - Ground Control Lid (SN 0300214530 to Present)   |     |
| 44   | 0630518     | 2         | Bolt, #10-24 X 3/4  |     |
| 45   | 3311011     | 2         | Nut, Push   |     |
| 46   | 4740120     | 2         | Washer, Nylon   |     |

## SECTION 2 - TURNTABLE

FIGURE 2-24. GROUND CONTROL BOX ELECTRICAL ASSEMBLY -  
E400AJP/E400AJPN/M400AJP/M400AJPN (CE SPEC)



ART\_1001183764

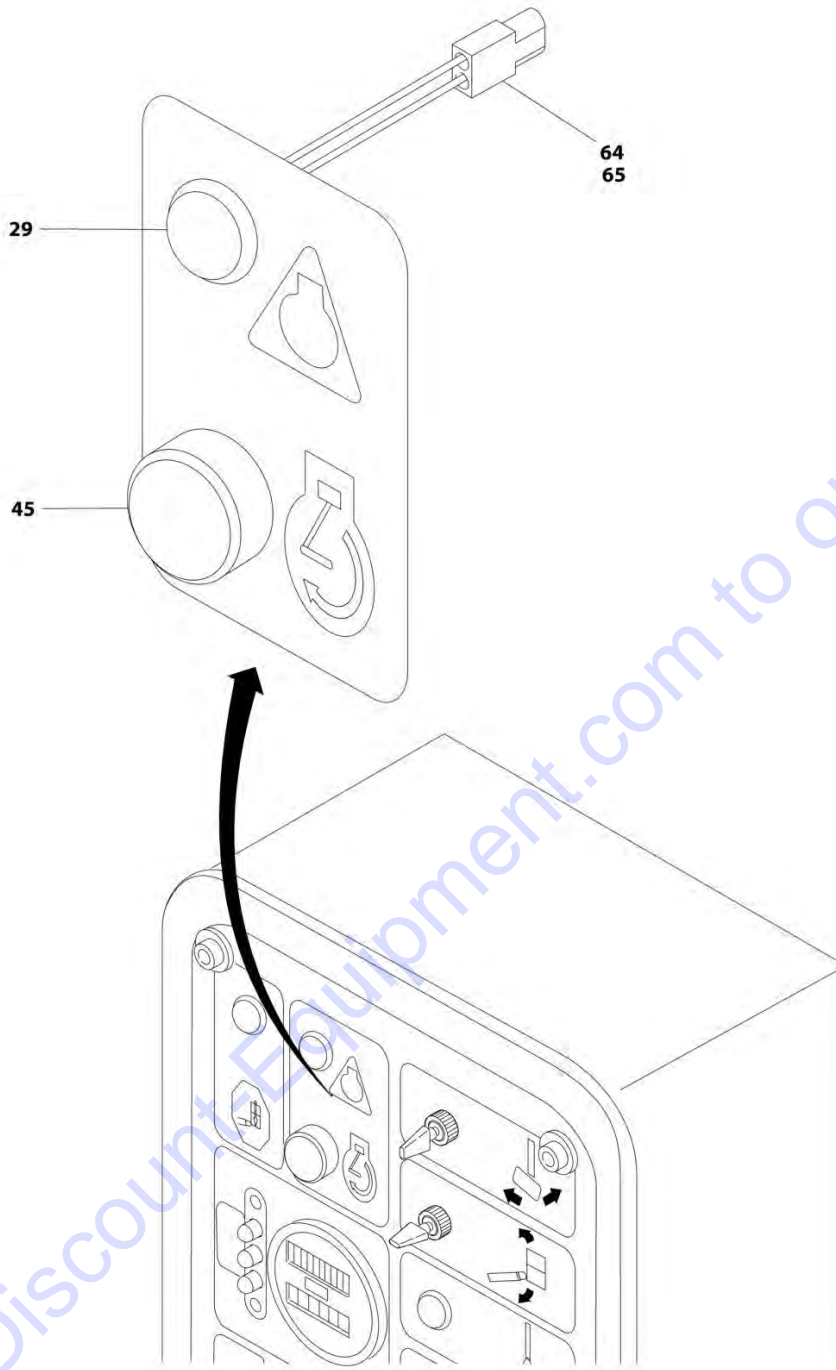
## SECTION 2 - TURNTABLE

**FIGURE 2-24. GROUND CONTROL BOX ELECTRICAL ASSEMBLY -  
E400AJP/E400AJPN/M400AJP/M400AJPN (CE SPEC)**

| ITEM | PART NUMBER | QTY        | DESCRIPTION   | REV |
|------|-------------|------------|---|-----|
|      | 1001183764  | Ref        | GROUND CONTROL BOX ELECTRICAL ASSEMBLY -<br>E400AJP/E400AJPN/M400AJP/M400AJPN (CE SPEC) | D   |
| 6    | 1001188066  | 1          | Panel, Ground Control   |     |
| 7    | 1001109503  | 1          | Gauge, Indicator  |     |
| 12   | 3520026     | 1          | Plug, Hole  |     |
| 13   | 3520028     | 2          | Plug, Hole 1/2  |     |
| 14   | 3910804     | 6          | Screw, 8-32 X 1/4   |     |
| 16   | 1001166394  | 4 ft /1.2m | Seal  |     |
| 17   | 4060802     | 1          | Guard, Switch   |     |
| 19   | 1001155045  | 8          | Switch, Toggle  |     |
| 20   | 1001159256  | 1          | Switch, Toggle  |     |
| 21   | 4360469     | 1          | Keyswitch   |     |
| 21   | 2860030     | 1          | Key, Replacement (Set of 2)   |     |
| 22   | 4360475     | 1          | Switch, Emergency Stop  |     |
| 22A  | 7020175     | 1          | Cap, Mushroom Head  |     |
| 22B  | 7020176     | 1          | Block, Contact  |     |
| 23   | 4360476     | 1          | Block, Contact  |     |
| 32   | 4740397     | 8          | Spacer  |     |
| 35   | 1001151393  | 1          | Shim, .063  |     |
| 38   | 0610131     | 1          | P/C Board, Battery Charger  |     |
| 39   | 3311405     | 2          | Nut, Lock 1/4-20  |     |
| 40   | 3790012     | 9          | O-Ring  |     |
| 41   | 3900187     | 2          | Screw   |     |
| 42   | 4360387     | 1          | Switch, Push Button   |     |
| 43   | 1001155044  | 9          | Nut, Special 15/32-32   |     |
| 44   | 1001176469  | 1          | Shroud  |     |
| 45   | 1001188484  | 1          | Decal - Ground Control Lid  |     |
| 46   | 0630518     | 2          | Bolt, #10-24 X 3/4  |     |
| 47   | 3311011     | 2          | Nut, Push   |     |
| 48   | 4740120     | 2          | Washer, Nylon   |     |

## SECTION 2 - TURNTABLE

FIGURE 2-25. MOTOR CONTROLS INSTALLATION - M400AJP/M400AJPN



ART\_1001191232\_20F4

**SECTION 2 - TURNTABLE**

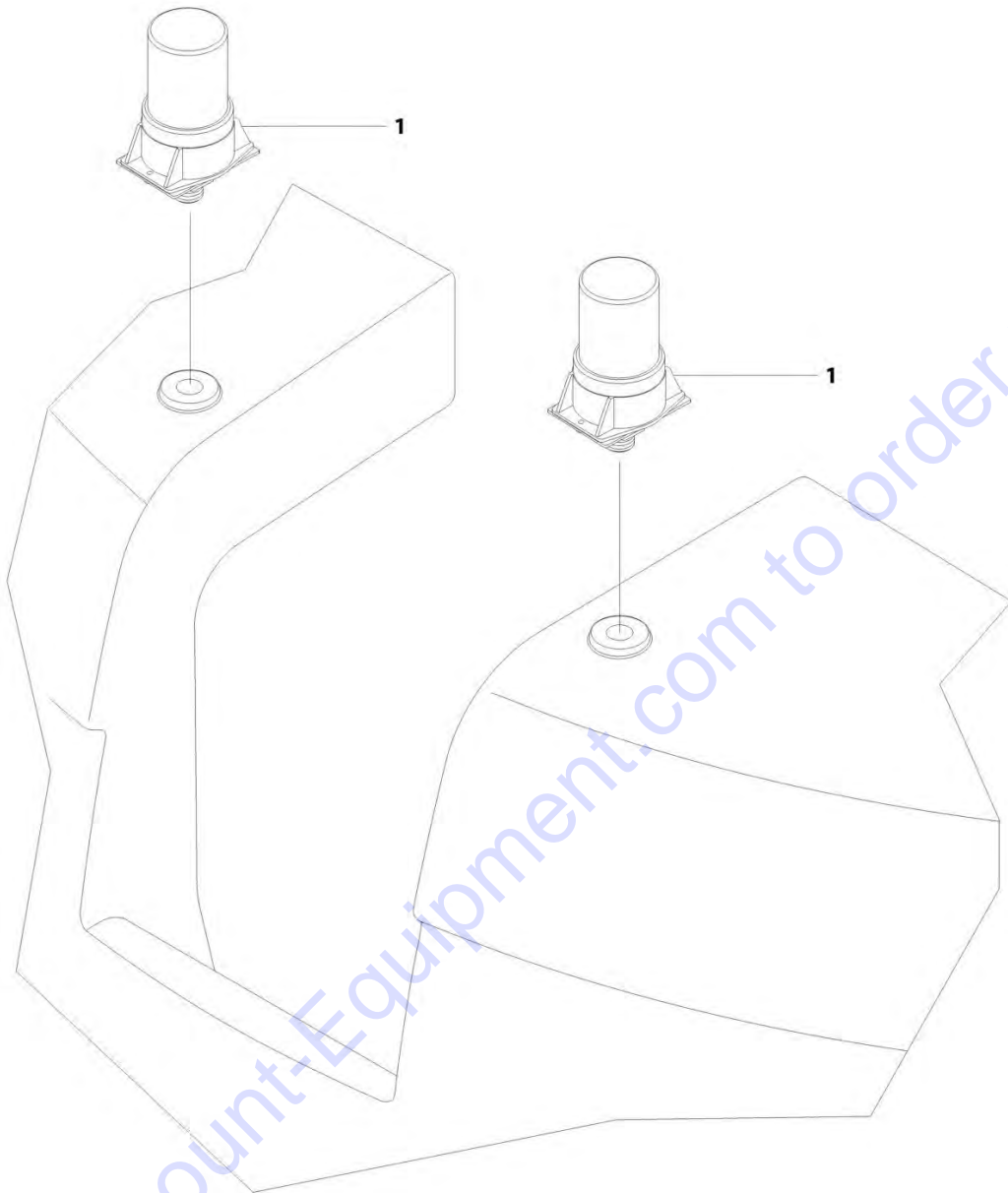
**FIGURE 2-25. MOTOR CONTROLS INSTALLATION - M400AJP/M400AJPN**

| ITEM | PART NUMBER | QTY | DESCRIPTION                                    | REV |
|------|-------------|-----|--|-----|
|      | 1001191232  | Ref | MOTOR CONTROLS INSTALLATION - M400AJP/M400AJPN | F   |
| 29   | 2920151     | 1   | Led (Red)                                      |     |
| 45   | 4360274     | 1   | Switch, Push Button                            |     |
| 64   | 4460226     | 2   | Socket, Female                                 |     |
| 65   | 4460424     | 1   | Connector, 2 Position                          |     |

Go to Discount-Equipment.com to order your parts

## SECTION 2 - TURNTABLE

FIGURE 2-26. STROBE LIGHT INSTALLATION - AMBER (OPTIONAL)



ART\_1001191142



**SECTION 2 - TURNTABLE**

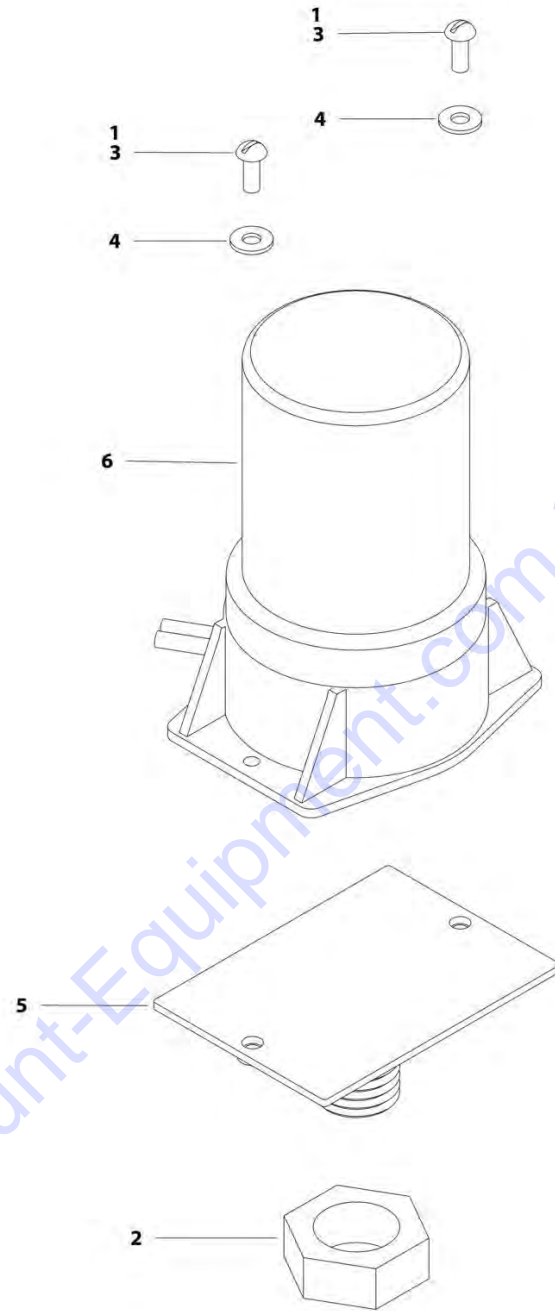
**FIGURE 2-26. STROBE LIGHT INSTALLATION - AMBER (OPTIONAL)**

| ITEM | PART NUMBER              | QTY      | DESCRIPTION  | REV |
|------|--------------------------|----------|--|-----|
| 1    | 1001191142<br>1001191140 | Ref<br>1 | STROBE LIGHT INSTALLATION - AMBER (OPTIONAL)<br>Strobe Light Assembly (See STROBE LIGHT ASSEMBLY for<br>Breakdown) | A   |

Go to Discount-Equipment.com to order your parts

## SECTION 2 - TURNTABLE

FIGURE 2-27. STROBE LIGHT ASSEMBLY - AMBER



ART\_1001191140

**SECTION 2 - TURNTABLE**

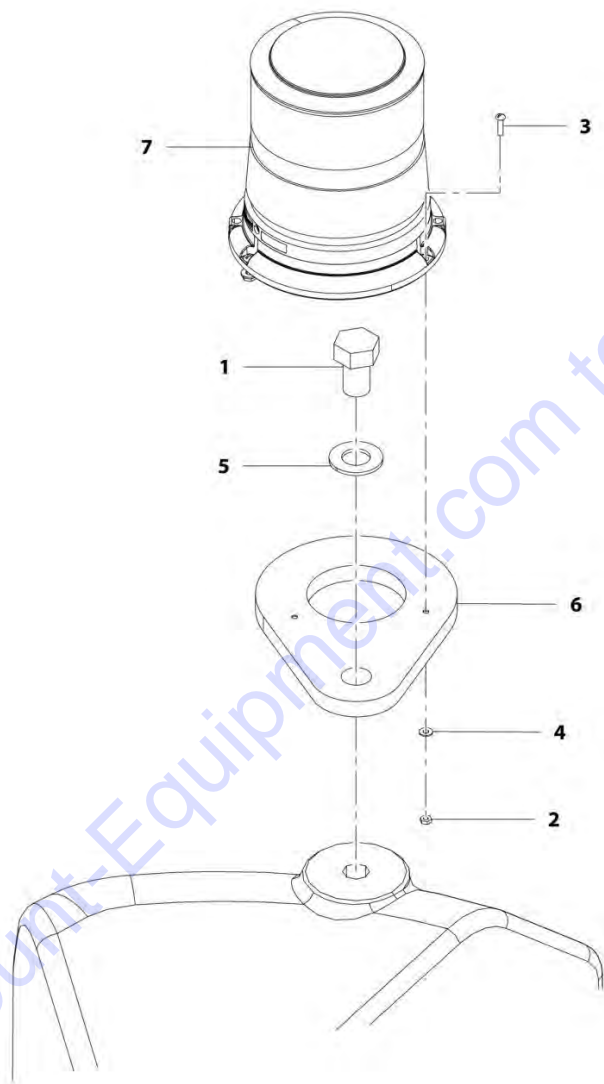
**FIGURE 2-27. STROBE LIGHT ASSEMBLY - AMBER**

| ITEM | PART NUMBER | QTY | DESCRIPTION                   | REV |
|------|-------------|-----|-------------------------------|-----|
|      | 1001191140  | Ref | STROBE LIGHT ASSEMBLY - AMBER | A   |
| 1    | 0100035     | AR  | Compound, Locking             |     |
| 2    | 3312602     | 1   | Nut, Jam 1-8                  |     |
| 3    | 3900085     | 2   | Screw, #10-32 x 1/2           |     |
| 4    | 4751000     | 2   | Washer, #10                   |     |
| 5    | 1001149994  | 1   | Plate, Mount                  |     |
| 6    | 1001191139  | 1   | Strobe Light/Harness Assembly |     |
| 6    | 4460891     | 1   | Connector - 2 Position        |     |
| 6    | 4460465     | 2   | Socket, Female                |     |

Go to Discount-Equipment.com to order your parts

## SECTION 2 - TURNTABLE

FIGURE 2-28. BEACON LIGHT INSTALLATION - BLUE (SN 0300208530 through 0300217464)



ART\_1001192386

**SECTION 2 - TURNTABLE**

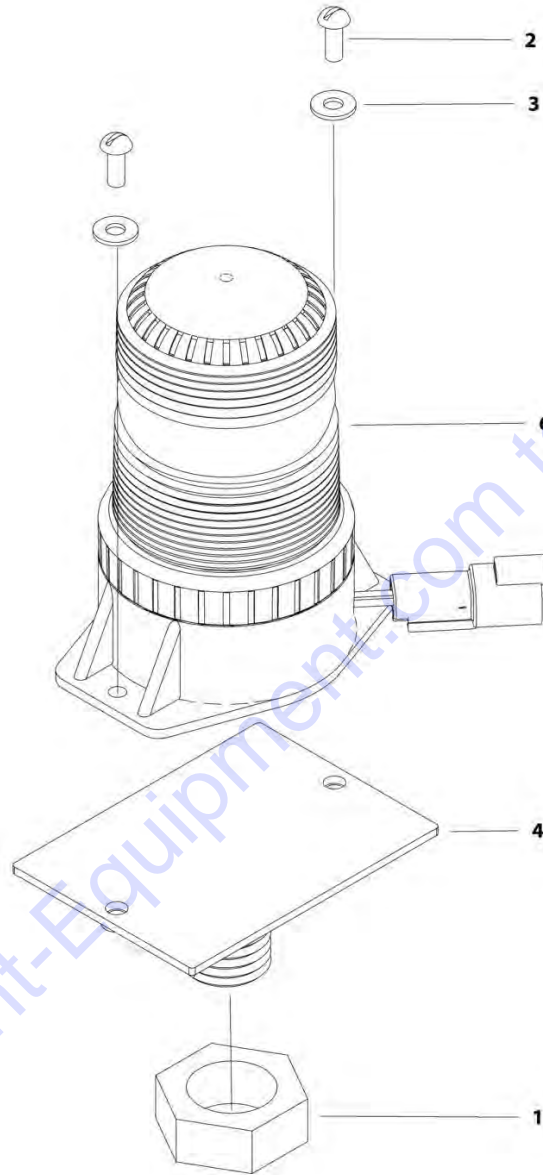
**FIGURE 2-28. BEACON LIGHT INSTALLATION - BLUE (SN 0300208530 through 0300217464)**

| ITEM | PART NUMBER | QTY | DESCRIPTION   | REV |
|------|-------------|-----|---|-----|
|      | 1001192386  | Ref | BEACON LIGHT INSTALLATION - BLUE (SN 0300208530 through 0300217464) | C   |
| 1    | 0642612     | 1   | Bolt, ,1-8 X 1-1/2  |     |
| 2    | 3311005     | 3   | Nut, Lock #10-24  |     |
| 3    | 3911012     | 3   | Screw, 10-24 X 3/4  |     |
| 4    | 4711000     | 3   | Washer, #10   |     |
| 5    | 4712600     | 1   | Washer, 1   |     |
| 6    | 1001142694  | 1   | Bracket   |     |
| 7    | 1001143431  | 1   | Light, Beacon   |     |
| 7    | 7028909     | 1   | Connector - 2 Position  |     |
| 7    | 4460943     | 1   | Pin, Male   |     |

Go to Discount-Equipment.com to order your parts

## SECTION 2 - TURNTABLE

FIGURE 2-29. BEACON LIGHT INSTALLATION – BLUE (SN 0300217465 through 0300256446)



ART\_1001205491

**SECTION 2 - TURNTABLE**

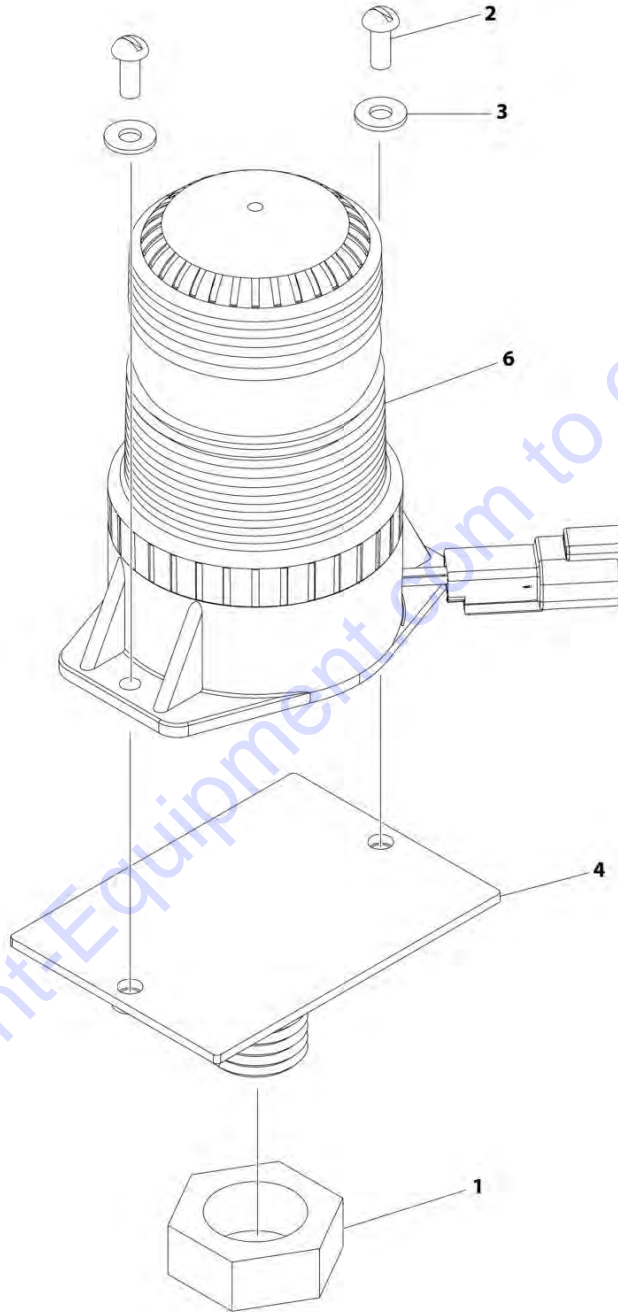
**FIGURE 2-29. BEACON LIGHT INSTALLATION – BLUE (SN 0300217465 through 0300256446)**

| ITEM | PART NUMBER | QTY | DESCRIPTION   | REV |
|------|-------------|-----|---|-----|
|      | 1001205491  | Ref | BEACON LIGHT INSTALLATION - BLUE (SN 0300217465 through 0300256446) | D   |
|      | 1001217005  | Ref | BEACON LIGHT KIT - BLUE   | B   |
| 1    | 3312602     | 1   | Nut, Jam 1-8  |     |
| 2    | 3900085     | 2   | Screw, #10-32 x 1/2   |     |
| 3    | 4751000     | 2   | Washer, #10   |     |
| 4    | 1001149994  | 1   | Plate, Mount  |     |
| 6    | 1001200910  | 1   | Light, Beacon   |     |
| 6    | 4460897     | 1   | Connector - 2 Position  |     |
| 6    | 4460943     | 2   | Pin, Male   |     |

Go to Discount-Equipment.com to order your parts

## SECTION 2 - TURNTABLE

FIGURE 2-30. BEACON LIGHT INSTALLATION - BLUE (SN 0300256447 to Present)



ART\_1001238557



**SECTION 2 - TURNTABLE**

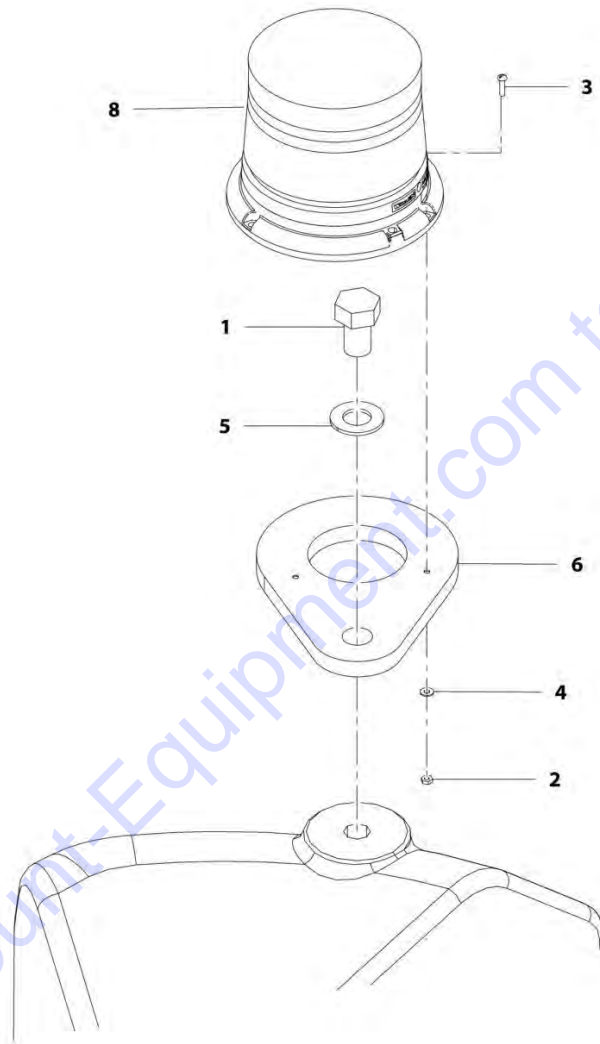
**FIGURE 2-30. BEACON LIGHT INSTALLATION - BLUE (SN 0300256447 to Present)**

| ITEM | PART NUMBER | QTY | DESCRIPTION                      | REV |
|------|-------------|-----|----------------------------------|-----|
|      | 1001238557  | Ref | BEACON LIGHT INSTALLATION – BLUE | A   |
|      | 1001217005  | Ref | BEACON LIGHT KIT - BLUE          | B   |
| 1    | 3312602     | 1   | Nut, Jam 1-8                     |     |
| 2    | 3900085     | 2   | Screw, #10-32 x 1/2              |     |
| 3    | 4751000     | 2   | Washer, #10                      |     |
| 4    | 1001149994  | 1   | Plate, Mount                     |     |
| 6    | 1001200910  | 1   | Light, Beacon                    |     |
| 6    | 4460897     | 1   | Connector - 2 Position           |     |
| 6    | 4460943     | 2   | Pin, Male                        |     |

Go to Discount-Equipment.com to order your parts

## SECTION 2 - TURNTABLE

FIGURE 2-31. BEACON LIGHT INSTALLATION – RED (SN 0300208530 through 0300217164)



ART\_1001201715

**SECTION 2 - TURNTABLE**

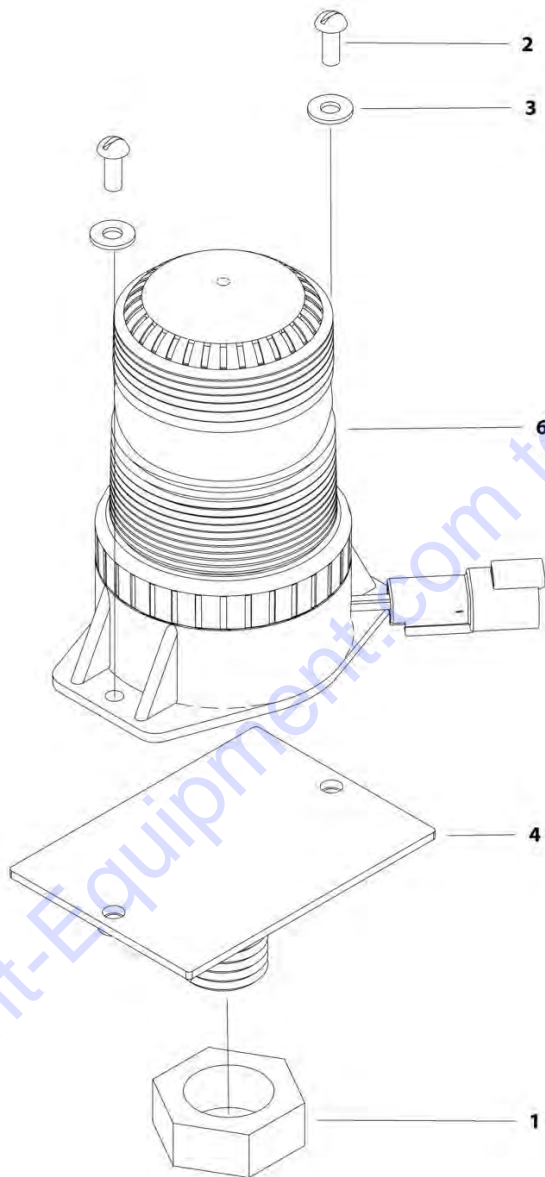
**FIGURE 2-31. BEACON LIGHT INSTALLATION – RED (SN 0300208530 through 0300217164)**

| ITEM | PART NUMBER | QTY | DESCRIPTION  | REV |
|------|-------------|-----|--|-----|
|      | 1001207314  | Ref | BEACON LIGHT INSTALLATION – RED (SN 0300208530 through 0300217164) | B   |
| 1    | 0642612     | 1   | Bolt, ,1-8 X 1-1/2   |     |
| 2    | 3311005     | 3   | Nut, Lock #10-24   |     |
| 3    | 3911012     | 3   | Screw, 10-24 X 3/4   |     |
| 4    | 4711000     | 3   | Washer, #10  |     |
| 5    | 4712600     | 1   | Washer, 1  |     |
| 6    | 1001142694  | 1   | Bracket  |     |
| 8    | 1001197067  | 1   | Light, Beacon  |     |
| 8    | 7028909     | 1   | Connector - 2 Position   |     |
| 8    | 4460464     | 2   | Pin, Male  |     |

Go to Discount-Equipment.com to order your parts

## SECTION 2 - TURNTABLE

FIGURE 2-32. BEACON LIGHT INSTALLATION – RED (SN 0300214165 through 0300256446)



ART\_1001209879

**SECTION 2 - TURNTABLE**

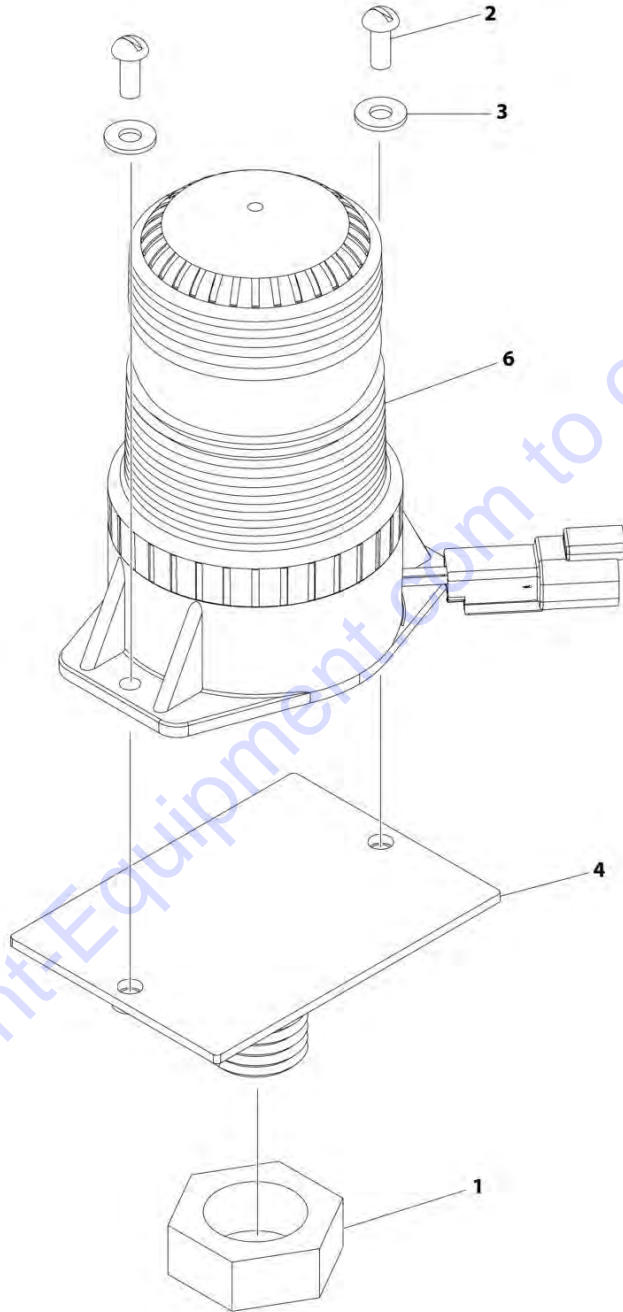
**FIGURE 2-32. BEACON LIGHT INSTALLATION – RED (SN 0300214165 through 0300256446)**

| ITEM | PART NUMBER | QTY | DESCRIPTION  | REV |
|------|-------------|-----|--|-----|
|      | 1001209879  | Ref | BEACON LIGHT INSTALLATION – RED (SN 0300217165 through 0300256446) | C   |
| 1    | 3312602     | 1   | Nut, Jam 1-8   |     |
| 2    | 3900085     | 2   | Screw, #10-32 x 1/2  |     |
| 3    | 4751000     | 2   | Washer, #10  |     |
| 4    | 1001149994  | 1   | Plate, Mount   |     |
| 6    | 1001207004  | 1   | Light, Beacon  |     |
| 6    | 4460897     | 1   | Connector - 2 Position   |     |
| 6    | 4460943     | 2   | Pin, Male  |     |

Go to Discount-Equipment.com to order your parts

## SECTION 2 - TURNTABLE

FIGURE 2-33. BEACON LIGHT INSTALLATION - RED (SN 0300256447 to Present)



ART\_1001238558

**SECTION 2 - TURNTABLE**

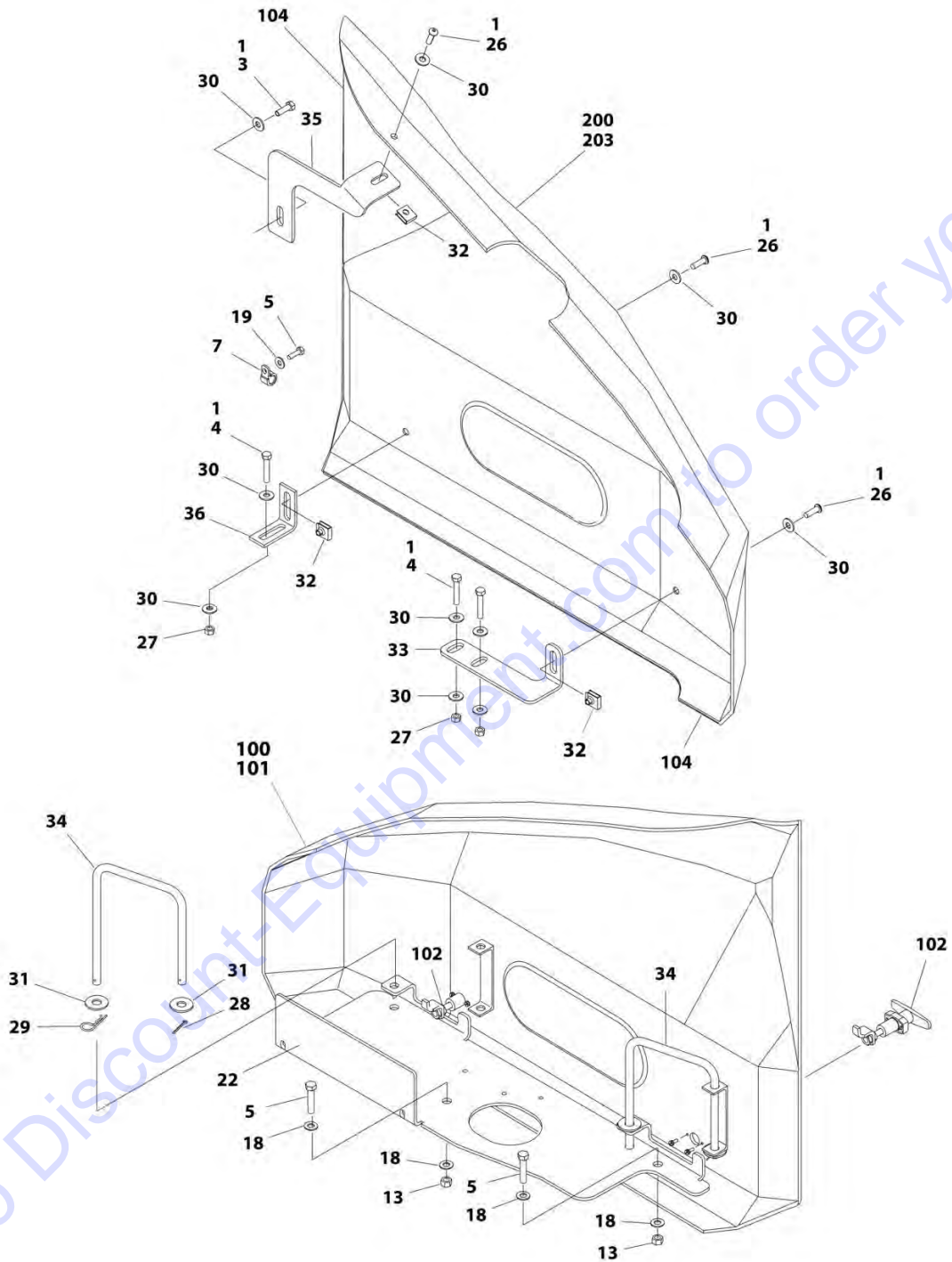
**FIGURE 2-33. BEACON LIGHT INSTALLATION - RED (SN 0300256447 to Present)**

| ITEM | PART NUMBER | QTY | DESCRIPTION                     | REV |
|------|-------------|-----|---------------------------------|-----|
|      | 1001238558  | Ref | BEACON LIGHT INSTALLATION – RED | A   |
| 1    | 3312602     | 1   | Nut, Jam 1-8                    |     |
| 2    | 3900085     | 2   | Screw, #10-32 x 1/2             |     |
| 3    | 4751000     | 2   | Washer, #10                     |     |
| 4    | 1001149994  | 1   | Plate, Mount                    |     |
| 6    | 1001207004  | 1   | Light, Beacon                   |     |
| 6    | 4460897     | 1   | Connector - 2 Position          |     |
| 6    | 4460943     | 2   | Pin, Male                       |     |

Go to Discount-Equipment.com to order your parts

# SECTION 2 - TURNTABLE

## FIGURE 2-34. HOOD INSTALLATION - E400AJP/E400AJPN/E400AN



ART\_1001166738



# PARTS FINDER

**Search Website  
by Part Number**



**Search Manual  
Library For Parts  
Manual & Lookup Part  
Numbers – Purchase  
or Request Quote**

**Can't Find Part or  
Manual? Request Help  
by Manufacturer,  
Model & Description**

Discount-Equipment.com is your online resource for quality parts & equipment.

Florida: **561-964-4949** Outside Florida TOLL FREE: **877-690-3101**

## Need parts?

Click on this link: <http://www.discount-equipment.com/category/5443-parts/> and choose one of the options to help get the right parts and equipment you are looking for. Please have the machine model and serial number available in order to help us get you the correct parts. If you don't find the part on the website or on one of the online manuals, please fill out the request form and one of our experienced staff members will get back to you with a quote for the right part that your machine needs.

We sell worldwide for the brands: Genie, Terex, JLG, MultiQuip, Mikasa, Essick, Whiteman, Mayco, Toro Stone, Diamond Products, Generac Magnum, Airman, Haulotte, Barreto, Power Blanket, Nifty Lift, Atlas Copco, Chicago Pneumatic, Allmand, Miller Curber, Skyjack, Lull, Skytrak, Tsurumi, Husquvarna Target, Stow, Wacker, Sakai, Mi-T-M, Sullair, Basic, Dynapac, MBW, Weber, Bartell, Bennar Newman, Haulotte, Ditch Runner, Menegotti, Morrison, Contec, Buddy, Crown, Edco, Wyco, Bomag, Laymor, EZ Trench, Bil-Jax, F.S. Curtis, Gehl Pavers, Heli, Honda, ICS/PowerGrit, IHI, Partner, Imer, Clipper, MMD, Koshin, Rice, CH&E, General Equipment, Amida, Coleman, NAC, Gradall, Square Shooter, Kent, Stanley, Tamco, Toku, Hatz, Kohler, Robin, Wisconsin, Northrock, Oztec, Toker TK, Rol-Air, APT, Wylie, Ingersoll Rand / Doosan, Innovatech, Con X, Ammann, Mecalac, Makinex, Smith Surface Prep, Small Line, Wanco, Yanmar

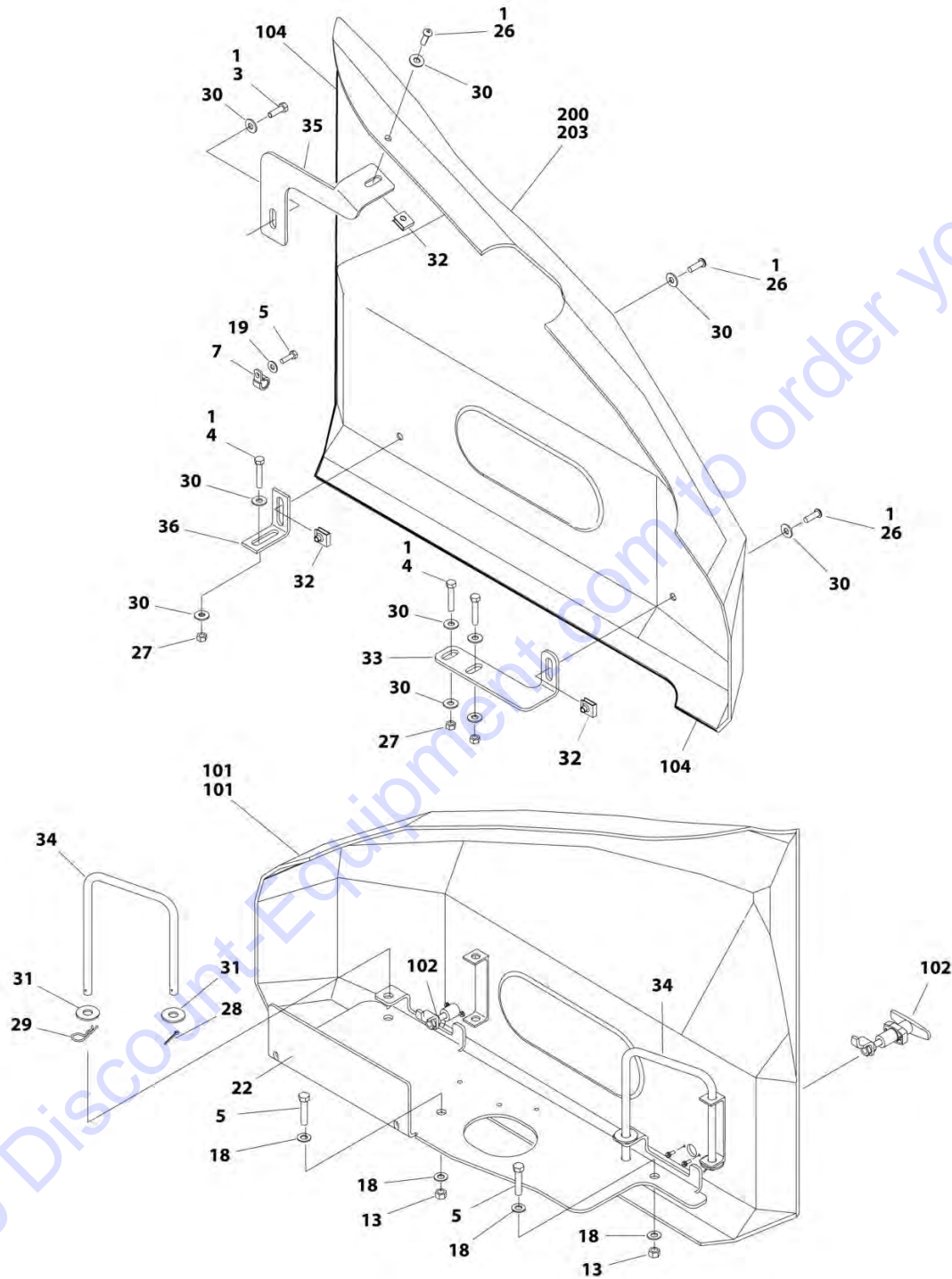
## SECTION 2 - TURNTABLE

**FIGURE 2-34. HOOD INSTALLATION - E400AJP/E400AJPN/E400AN**

| ITEM | PART NUMBER | QTY | DESCRIPTION  | REV |
|------|-------------|-----|--|-----|
|      | 1001166738  | Ref | HOOD INSTALLATION - E400AJP/E400AJPN/E400AN                              | D   |
| 1    | 0100011     | AR  | Compound, Locking  |     |
| 3    | 0641508     | 1   | Bolt, 5/16-18 X 1  |     |
| 4    | 0641514     | 3   | Bolt, 5/16-18 X 1-3/4  |     |
| 5    | 0641614     | 2   | Bolt, 3/8-16 X 1-3/4   |     |
| 7    | 1320041     | 1   | Clamp  |     |
| 13   | 3311601     | 2   | Nut, 3/8-16  |     |
| 15   | 0641407     | 1   | Bolt, 1/4-20 X 7/8   |     |
| 18   | 4711600     | 4   | Washer, 3/8  |     |
| 19   | 4751400     | 1   | Washer, 1/4  |     |
| 22   | 1001165963  | 1   | Plate, Tray  |     |
| 26   | 88261024    | 3   | Screw, 5/16-18 x 1   |     |
| 27   | 3311501     | 3   | Nut, 5/16-18   |     |
| 28   | 3420156     | 2   | Pin, Cotter  |     |
| 29   | 3450304     | 2   | Pin, Cotter  |     |
| 30   | 4751500     | 10  | Washer, 5/16   |     |
| 31   | 4751800     | 2   | Washer, 1/2  |     |
| 32   | 88662530    | 3   | Nut, Tinnerman   |     |
| 33   | 1001165981  | 1   | Mount, Hood - Lower  |     |
| 34   | 1001165985  | 2   | Mount, Hood Swing  |     |
| 35   | 1001182725  | 1   | Mount, Hood  |     |
| 36   | 1001183212  | 1   | Bracket, Hood Mount  |     |
| 100  | 1001176417  | 1   | LH Side Hood Kit (Includes Items 101-104)                                | B   |
|      | See Note    | Ref | Note: Replacement Decals Must be Ordered Separately - See DECAL SECTION. |     |
| 101  | See Note    | 1   | Hood, LH (Note: Use Item 100)  |     |
| 102  | 2940071     | 2   | Latch  |     |
| 104  | 3960453     | AR  | Seal, Door   |     |
| 200  | 1001176441  | 1   | RH Side Hood Kit (Includes Items 203 & 205)                              | B   |
|      | See Note    | Ref | Note: Replacement Decals Must be Ordered Separately - See DECAL SECTION. |     |
| 203  | See Note    | 1   | Hood, RH (Use Item 200)  |     |
| 205  | 3960453     | AR  | Seal, Door   |     |

# SECTION 2 - TURNTABLE

## FIGURE 2-35. HOOD INSTALLATION - M400AJP/M400AJPN



ART\_1001166250

## SECTION 2 - TURNTABLE

**FIGURE 2-35. HOOD INSTALLATION - M400AJP/M400AJPN**

| ITEM | PART NUMBER | QTY | DESCRIPTION  | REV |
|------|-------------|-----|--|-----|
|      | 1001166250  | Ref | HOOD INSTALLATION - M400AJP/M400AJPN                                     | D   |
| 1    | 0100011     | AR  | Compound, Locking  |     |
| 3    | 0641508     | 1   | Bolt, 5/16-18 X 1  |     |
| 4    | 0641514     | 3   | Bolt, 5/16-18 X 1-3/4  |     |
| 5    | 0641614     | 2   | Bolt, 3/8-16 X 1-3/4   |     |
| 7    | 1320041     | 1   | Clamp  |     |
| 13   | 3311601     | 2   | Nut, 3/8-16  |     |
| 15   | 0641407     | 1   | Bolt, 1/4-20 X 7/8   |     |
| 18   | 4711600     | 4   | Washer, 3/8  |     |
| 19   | 4751400     | 1   | Washer, 1/4  |     |
| 22   | 1001165962  | 1   | Plate, Tray  |     |
| 26   | 88261024    | 3   | Screw, 5/16-18 x 1   |     |
| 27   | 3311501     | 3   | Nut, 5/16-18   |     |
| 28   | 3420156     | 2   | Pin, Cotter  |     |
| 29   | 3450304     | 2   | Pin, Cotter  |     |
| 30   | 4751500     | 10  | Washer, 5/16   |     |
| 31   | 4751800     | 2   | Washer, 1/2  |     |
| 32   | 88662530    | 3   | Nut, Tinnerman   |     |
| 33   | 1001165981  | 1   | Mount, Hood - Lower  |     |
| 34   | 1001165985  | 2   | Mount, Hood Swing  |     |
| 35   | 1001182725  | 1   | Mount, Hood  |     |
| 36   | 1001183212  | 1   | Bracket, Hood Mount  |     |
| 100  | 1001176417  | 1   | LH Hood Kit (Includes Items 101-104)                                     | B   |
|      | See Note    | Ref | Note: Replacement Decals Must be Ordered Separately - See DECAL SECTION. |     |
| 101  | See Note    | 1   | Hood, LH (Note: Use Item 100)  |     |
| 102  | 2940071     | 2   | Latch  |     |
| 104  | 3960453     | AR  | Seal, Door   |     |
| 200  | 1001176441  | 1   | RH, Side Hood Kit (Includes Items 203 & 205)                             | B   |
|      | See Note    | Ref | Note: Replacement Decals Must be Ordered Separately - See DECAL SECTION. |     |
| 203  | See Note    | 1   | Hood, RH (Note: Use Item 200)  |     |
| 205  | 3960453     | AR  | Seal, Door   |     |



**SECTION 3 - ENGINE**

Go to [Discount-Equipment.com](http://Discount-Equipment.com) to order your parts





## SECTION 3 - ENGINE

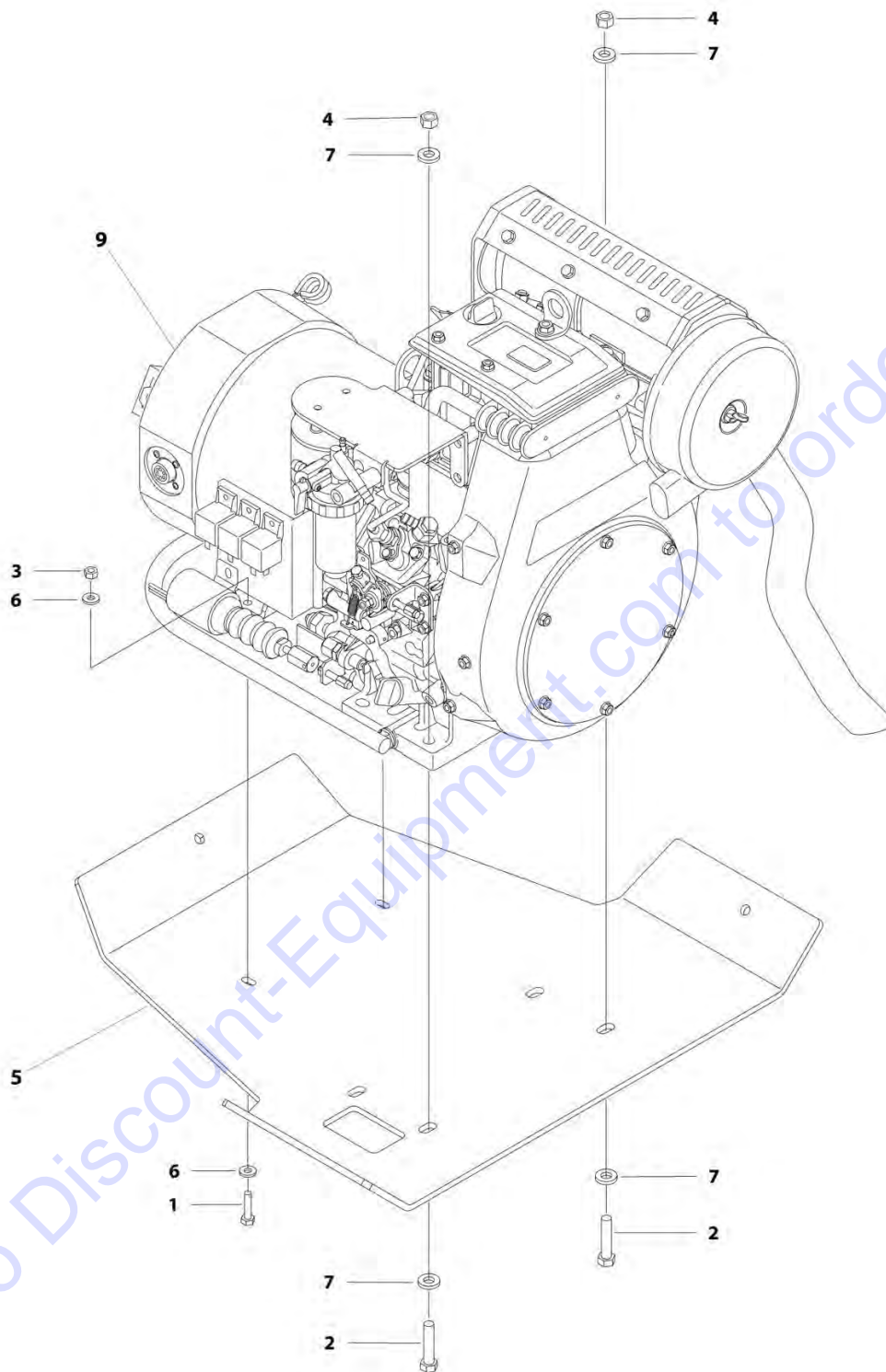
**FIGURE 3-1. KUBOTA MOTOR/GENERATOR INSTALLATION - M400AJP/M400AJPn**

| ITEM | PART NUMBER | QTY              | DESCRIPTION  | REV |
|------|-------------|------------------|--|-----|
|      | 1001191232  | Ref              | KUBOTA MOTOR/GENERATOR INSTALLATION - M400AJP/M400AJPn   | F   |
| 2    | 0100020     | AR               | Sealant  |     |
| 3    | 0259481     | 1                | Plenum Box Assembly  |     |
| 6    | 0641406     | 4                | Bolt, 1/4-20 X 3/4   |     |
| 7    | 0641510     | 2                | Bolt, 5/16-18 x 1-1/4  |     |
| 9    | 0641618     | 3                | Bolt, 3/8-16 X 2-1/4   |     |
| 11   | 1060754     | 1                | Cable, Battery (Includes Terminal Boot) (+ Generator)  |     |
| 12   | 1060755     | 1                | Cable, Battery (Includes Terminal Boot) (- Generator)  |     |
| 13   | 1320012     | 2                | Clamp  |     |
| 14   | 1320022     | 2                | Clamp  |     |
| 16   | 1320135     | 1                | Clamp  |     |
| 17   | 1380164     | 8                | Clip, Panel Retainer   |     |
| 19   | 2220805     | 1                | Fitting, NPT Coupling 90   |     |
| 24   | 2720559     | 1                | Hose   |     |
| 25   | 2820112     | 1                | Insulation, Left Side  |     |
| 26   | 2820116     | 1                | Insulation, Right Side   |     |
| 27   | 2820117     | 1                | Foam   |     |
| 28   | 2820218     | 1                | Insulation, Acoustic Barrier   |     |
| 31   | 3311405     | 4                | Nut, Lock, , 1/4-20  |     |
| 32   | 3311605     | 3                | Nut, Lock, 3/8-16  |     |
| 33   | 3380602     | 1                | Shield, Heat   |     |
| 34   | 3460457     | 1                | Pipe, Exhaust  |     |
| 35   | 3575961     | 2                | Plate, Exhaust Mount   |     |
| 38   | 3960389     | 8 ft<br>/2.44m   | Seal   |     |
| 39   | 3960417     | 2.3 ft<br>/0.70m | Seal   |     |
| 40   | 3960418     | 3 ft<br>/0.91m   | Seal   |     |
| 41   | 4100025     | 1.8 ft<br>/0.54  | Sleeve, Fiberglass   |     |
| 44   | 4341072     | 2                | Support, Exhaust Mount   |     |
| 48   | 4711400     | 8                | Washer, 1/4  |     |
| 50   | 4751500     | 2                | Washer, 5/16   |     |
| 51   | 4751600     | 3                | Washer, 3/8  |     |
| 52   | 4920385     | 7.3 in<br>/2.23m | Wire, Safety   |     |
| 53   | 88662530    | 2                | Nut, Tinnerman   |     |
| 54   | 1001125248  | 3                | Mount, Engine  |     |
| 57   | 1001159361  | NLA              | Kubota Engine Assembly (Use p/n 1001238783) (See KUBOTA ENGINE ASSEMBLY for Breakdown) <b>(SN 0300208530 through 0300256446)</b> |     |
| 57   | 1001238783  | 1                | Kubota Engine Assembly (See KUBOTA ENGINE ASSEMBLY for Breakdown) <b>(SN 0300256447 to Present)</b>                              |     |
| 62   | 1001181081  | 1                | Shield, Heat   |     |
| 63   | 1001192024  | 1                | Harness, Generator (See ELECTRICAL SECTION for Breakdown)  |     |
| 66   | 1001169138  | AR               | Pad, Snubbing Washer <b>(SN 0300243157 to Present)</b>   |     |



## SECTION 3 - ENGINE

FIGURE 3-2. KUBOTA MOTOR/GENERATOR ASSEMBLY - M400AJP/M400AJPN (SN 0300208530 through 0300256446)



ART\_1001159361

## SECTION 3 - ENGINE

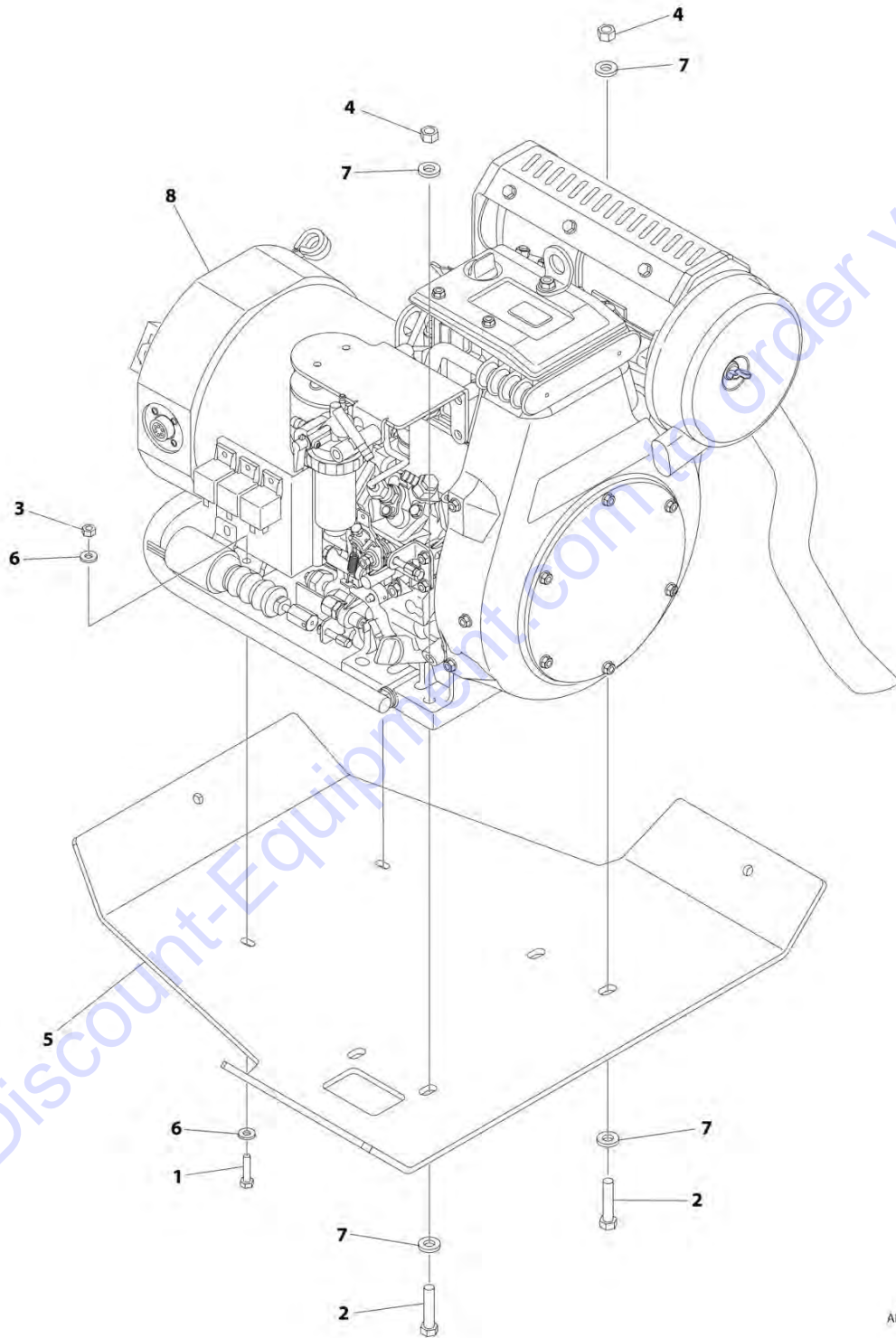
**FIGURE 3-2. KUBOTA MOTOR/GENERATOR ASSEMBLY - M400AJP/M400AJPN (SN 0300208530 through 0300256446)**

| ITEM | PART NUMBER | QTY | DESCRIPTION  | REV |
|------|-------------|-----|--|-----|
|      | 1001159361  | Ref | KUBOTA MOTOR/GENERATOR ASSEMBLY - M400AJP/M400AJPN   | D   |
| 1    | 0641409     | 2   | Bolt, 1/4-20 x 1-1/8   |     |
| 2    | 0641614     | 4   | Bolt, 3/8-16 x 1-3/4   |     |
| 3    | 3311405     | 2   | Nut, Lock, 1/4-20  |     |
| 4    | 3311605     | 4   | Nut, Lock, 3/8-16  |     |
| 5    | 3575952     | 1   | Plate, Base  |     |
| 6    | 4891400     | 4   | Washer, 1/4 Hardened   |     |
| 7    | 4891600     | 8   | Washer, 3/8 Hardened   |     |
| 9    | 1001159355  | NLA | Kubota Engine/Generator Assembly (Use p/n 1001238782) (See KUBOTA ENGINE/GENERATOR COMPONENTS for Breakdown) |     |

Go to Discount-Equipment.com to order your parts

# SECTION 3 - ENGINE

FIGURE 3-3. KUBOTA MOTOR/GENERATOR ASSEMBLY - M400AJP/M400AJPN (SN 0300256447 to Present)



ART\_1001238783

## SECTION 3 - ENGINE

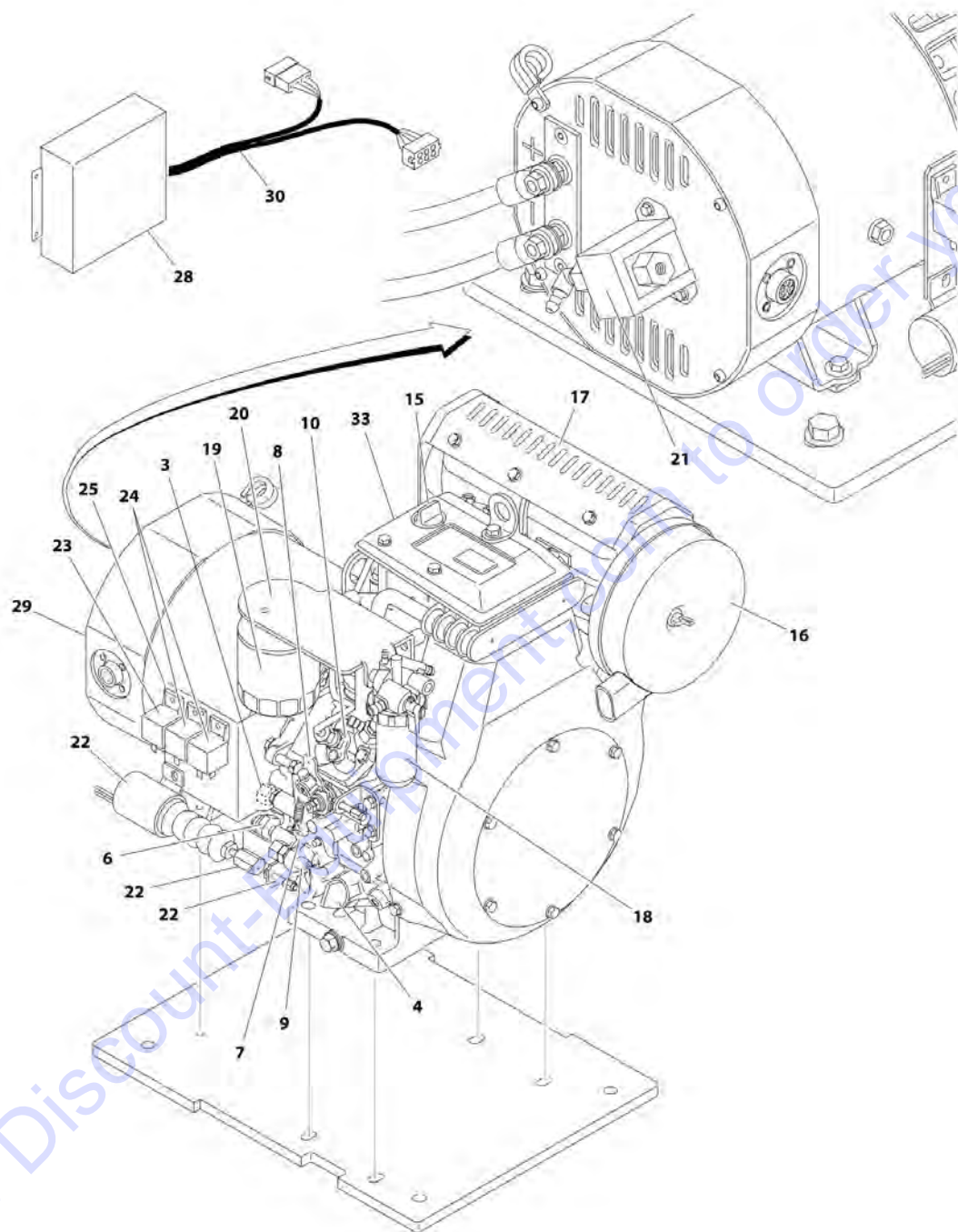
**FIGURE 3-3. KUBOTA MOTOR/GENERATOR ASSEMBLY - M400AJP/M400AJPN (SN 0300256447 to Present)**

| ITEM | PART NUMBER | QTY | DESCRIPTION   | REV |
|------|-------------|-----|---|-----|
|      | 1001238783  | Ref | KUBOTA MOTOR/GENERATOR ASSEMBLY   | A   |
| 1    | 0641409     | 2   | Bolt, 1/4-20 x 1-1/8  |     |
| 2    | 0641614     | 4   | Bolt, 3/8-16 X 1-3/4  |     |
| 3    | 3311405     | 2   | Nut, Lock, 1/4-20   |     |
| 4    | 3311605     | 4   | Nut, Lock, 3/8-16   |     |
| 5    | 3575952     | 1   | Plate, Base   |     |
| 6    | 4891400     | 4   | Washer, 1/4 Hardened  |     |
| 7    | 4891600     | 8   | Washer, 3/8 Hardened  |     |
| 8    | 1001238782  | 1   | Kubota Engine/Generator Assembly (See KUBOTA ENGINE/GENERATOR COMPONENTS for Breakdown) |     |

Go to Discount-Equipment.com to order your parts

## SECTION 3 - ENGINE

FIGURE 3-4. KUBOTA MOTOR/GENERATOR COMPONENTS (SN 0300208530 through 0300256446)



ART 1001159355

## SECTION 3 - ENGINE

**FIGURE 3-4. KUBOTA MOTOR/GENERATOR COMPONENTS (SN 0300208530 through 0300256446)**

| ITEM | PART NUMBER | QTY | DESCRIPTION  | REV |
|------|-------------|-----|--|-----|
|      | 1001159355  | Ref | KUBOTA MOTOR/GENERATOR COMPONENTS  | B   |
| 1    | 70000290    | 1   | Glow Plug (Not Shown)  |     |
| 1    | 70000291    | 1   | Harness, Glow Plug (Not Shown)   |     |
| 2    | 70000292    | 1   | Screen, Oil Sump (Includes O-Ring)   |     |
| 3    | 70000293    | 1   | Cap, Oil Filler (Includes O-Ring)  |     |
| 4    | 70000294    | 1   | Dipstick   |     |
| 5    | 70000295    | 1   | Pump, Oil Rotor (Not Shown - Located beside Item 6)                            |     |
| 5    | 70000296    | 1   | O-Ring Oil Rotor Pump (Not Shown)  |     |
| 6    | 70000297    | 1   | Switch, Oil  |     |
| 7    | 70000298    | 1   | Lever, Governor  |     |
| 7    | 70000299    | 1   | Pin, Governor Lever  |     |
| 7    | 70000300    | 1   | Spring, Governor Lever   |     |
| 8    | 70000301    | 1   | Spring, Idling   |     |
| 8    | 70000304    | 1   | Lever, Spring Control  |     |
| 8    | 70000305    | 1   | Spring, Stop (Speed Control Lever)   |     |
| 9    | 70000302    | 1   | Valve, Fuel Limit (Not Shown)  |     |
| 9    | 70000303    | 1   | Gasket, Fuel Limit (Not Shown)   |     |
| 10   | 70000306    | 1   | Pump, Injection  |     |
| 10   | 70000307    | 1   | Kit, Pump Adjustment Shim  |     |
| 11   | 70000308    | 1   | Flywheel/Ring Gear Assembly (Not Shown - Located Behind Front Cover)           |     |
| 11   | 70000309    | 1   | Ring Gear (Not Shown)  |     |
| 11   | 70001121    | 1   | Stator, Engine (Not Shown - Located Behind Flywheel) (Includes Coil & Grommet) |     |
| 12   | 70003557    | 1   | Regulator, Voltage (Not Shown - Located on Opposite Side of Engine)            |     |
| 13   | 70000310    | 1   | Starter (Not Shown - Located on Opposite of Engine)                            |     |
| 14   | 70000311    | 1   | Solenoid, Starter (Not Shown - Located on Opposite Side of Engine)             |     |
| 15   | 70002244    | 1   | Cap, Oil Filler (Includes O-Ring)  |     |
| 16   | 70000312    | 1   | Air Filter Assembly  |     |
| 16   | 70000313    | 1   | Element, Air Cleaner   |     |
| 16   | 70000314    | 1   | Gasket, Air Cleaner  |     |
| 17   | 70000315    | 1   | Muffler Assembly   |     |
| 17   | 70000316    | 1   | Gasket, Muffler  |     |
| 18   | 70000317    | 1   | Inline Fuel Check Valve Assembly   |     |
| 18   | 70000967    | 1   | Fuel Filter Assembly   |     |
| 18   | 70000318    | 1   | Element, Fuel Filter   |     |
| 19   | 70000319    | 1   | Element, Oil Filter  |     |
| 19   | 70001144    | 1   | Head, Oil Filter Head (Note: Does Not Include Element)                         |     |
| 20   | 70002544    | 1   | Bracket, Oil Filter Mount  |     |
| 21   | 70000320    | 1   | Pump, Fuel   |     |
| 22   | 70000321    | 1   | Solenoid, Fuel   |     |
| 22   | 70003618    | 1   | Adapter, Solenoid  |     |
| 22   | 70003619    | 1   | Screw  |     |
| 23   | 70000322    | 1   | Relay  |     |
| 24   | 70000323    | 2   | Relay  |     |
| 25   | 70002083    | 1   | Bracket, Solenoid/Relay  |     |
| 26   | 70000324    | 1   | Sensor, Speed (Not Shown - Located Inside Front Cover)                         |     |
| 26   | 70004265    | 1   | Bracket, Speed Sensor (Not Show - Located Inside Front Cover)                  |     |

## SECTION 3 - ENGINE

| ITEM | PART NUMBER | QTY | DESCRIPTION   | REV |
|------|-------------|-----|---|-----|
| 27   | 70000325    | 1   | Sensor, Oil Temperature (Not Shown - Located on Opposite Side of Engine Base) |     |
| 28   | 70000326    | 1   | Module, Engine Control  |     |
| 29   | 70000327    | 1   | Alternator  |     |
| 29   | 70000382    | 1   | Stator, Alternator  |     |
| 29   | 70004394    | 1   | Lead, Field Terminal Block Diode  |     |
| 30   | 70000328    | 1   | Harness, Generator  |     |
| 31   | 70000329    | 1   | Fuse 15Amp (Not Shown)  |     |
| 32   | 70000330    | 1   | Fuse 20Amp (Not Shown)  |     |
| 33   | 70002543    | 1   | Engine, Kubota (without Generator)  |     |
| 34   | 70000289    | 1   | Regulator, Voltage (Not Shown - Located on Opposite Side of Engine)           |     |

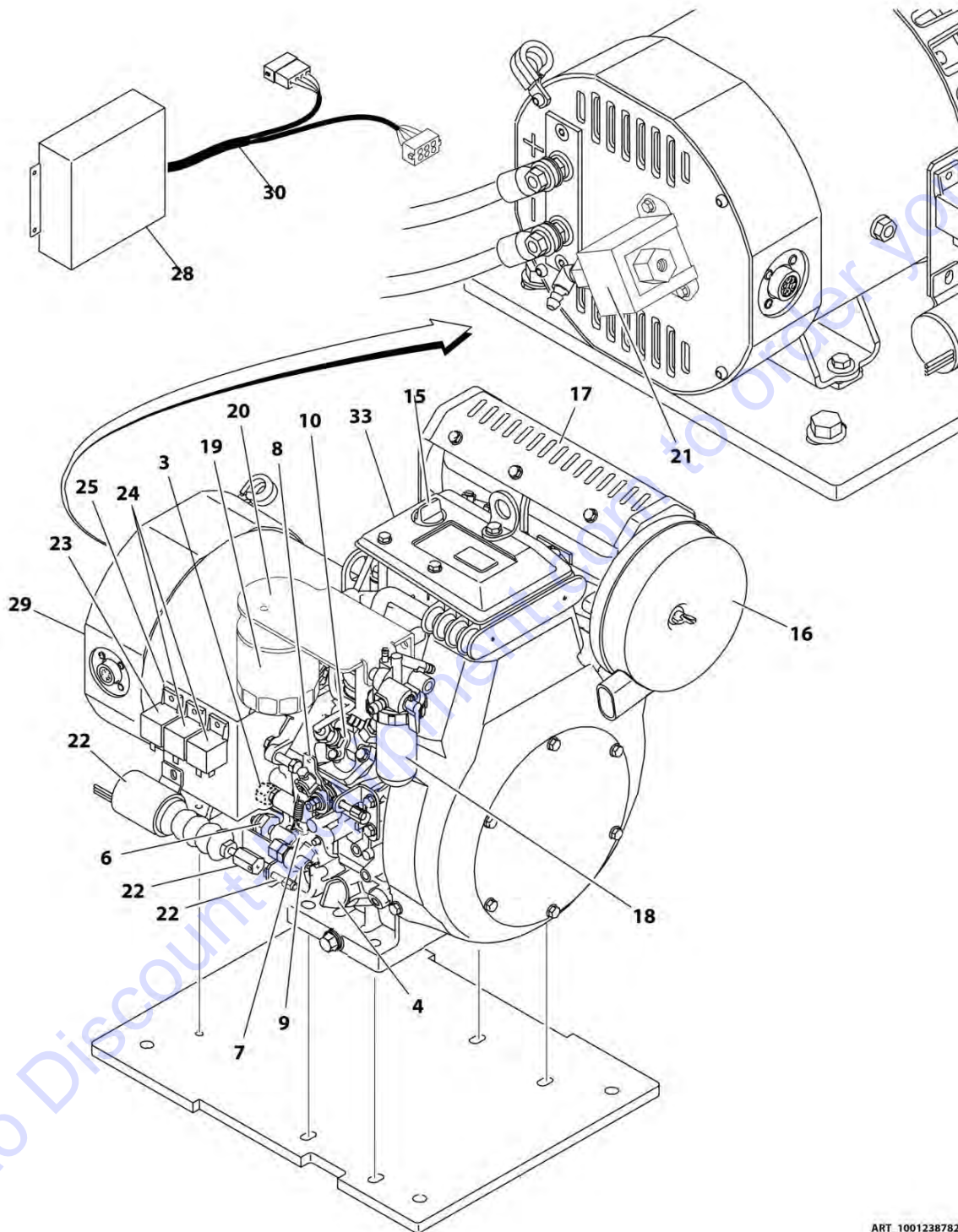
Go to Discount-Equipment.com to order your parts





# SECTION 3 - ENGINE

FIGURE 3-5. KUBOTA MOTOR/GENERATOR COMPONENTS (SN 0300256447 to Present)



ART\_1001238782

## SECTION 3 - ENGINE

**FIGURE 3-5. KUBOTA MOTOR/GENERATOR COMPONENTS (SN 0300256447 to Present)**

| ITEM | PART NUMBER | QTY | DESCRIPTION  | REV |
|------|-------------|-----|--|-----|
|      | 1001238782  | Ref | KUBOTA MOTOR/GENERATOR COMPONENTS  | A   |
| 1    | 70000290    | 1   | Glow Plug (Not Shown)  |     |
| 1    | 70000291    | 1   | Harness, Glow Plug (Not Shown)   |     |
| 2    | 70000292    | 1   | Screen, Oil Sump (Includes O-Ring)   |     |
| 3    | 70000293    | 1   | Cap, Oil Filler (Includes O-Ring)  |     |
| 4    | 70000294    | 1   | Dipstick   |     |
| 5    | 70000295    | 1   | Pump, Oil Rotor (Not Shown - Located beside Item 6)                            |     |
| 5    | 70000296    | 1   | O-Ring Oil Rotor Pump (Not Shown)  |     |
| 6    | 70000297    | 1   | Switch, Oil  |     |
| 7    | 70000298    | 1   | Lever, Governor  |     |
| 7    | 70000299    | 1   | Pin, Governor Lever  |     |
| 7    | 70000300    | 1   | Spring, Governor Lever   |     |
| 8    | 70000301    | 1   | Spring, Idling   |     |
| 8    | 70000304    | 1   | Lever, Spring Control  |     |
| 8    | 70000305    | 1   | Spring, Stop (Speed Control Lever)   |     |
| 9    | 70000302    | 1   | Valve, Fuel Limit (Not Shown)  |     |
| 9    | 70000303    | 1   | Gasket, Fuel Limit (Not Shown)   |     |
| 10   | 70000306    | 1   | Pump, Injection  |     |
| 10   | 70000307    | 1   | Kit, Pump Adjustment Shim  |     |
| 11   | 70000308    | 1   | Flywheel/Ring Gear Assembly (Not Shown - Located Behind Front Cover)           |     |
| 11   | 70000309    | 1   | Ring Gear (Not Shown)  |     |
| 11   | 70001121    | 1   | Stator, Engine (Not Shown - Located Behind Flywheel) (Includes Coil & Grommet) |     |
| 12   | 70003557    | 1   | Regulator, Voltage (Not Shown - Located on Opposite Side of Engine)            |     |
| 13   | 70000310    | 1   | Starter (Not Shown - Located on Opposite of Engine)                            |     |
| 14   | 70000311    | 1   | Solenoid, Starter (Not Shown - Located on Opposite Side of Engine)             |     |
| 15   | 70002244    | 1   | Cap, Oil Filler (Includes O-Ring)  |     |
| 16   | 70000312    | 1   | Air Filter Assembly  |     |
| 16   | 70000313    | 1   | Element, Air Cleaner   |     |
| 16   | 70000314    | 1   | Gasket, Air Cleaner  |     |
| 17   | 70000315    | 1   | Muffler Assembly   |     |
| 17   | 70000316    | 1   | Gasket, Muffler  |     |
| 18   | 70000317    | 1   | Inline Fuel Check Valve Assembly   |     |
| 18   | 70000967    | 1   | Fuel Filter Assembly   |     |
| 18   | 70000318    | 1   | Element, Fuel Filter   |     |
| 19   | 70000319    | 1   | Element, Oil Filter  |     |
| 19   | 70001144    | 1   | Head, Oil Filter Head (Note: Does Not Include Element)                         |     |
| 20   | 70002544    | 1   | Bracket, Oil Filter Mount  |     |
| 21   | 70000320    | 1   | Pump, Fuel   |     |
| 22   | 70000321    | 1   | Solenoid, Fuel   |     |
| 22   | 70003618    | 1   | Adapter, Solenoid  |     |
| 22   | 70003619    | 1   | Screw  |     |
| 23   | 70000322    | 1   | Relay  |     |
| 24   | 70000323    | 2   | Relay  |     |
| 25   | 70002083    | 1   | Bracket, Solenoid/Relay  |     |
| 26   | 70000324    | 1   | Sensor, Speed (Not Shown - Located Inside Front Cover)                         |     |
| 26   | 70004265    | 1   | Bracket, Speed Sensor (Not Show - Located Inside Front Cover)                  |     |

## SECTION 3 - ENGINE

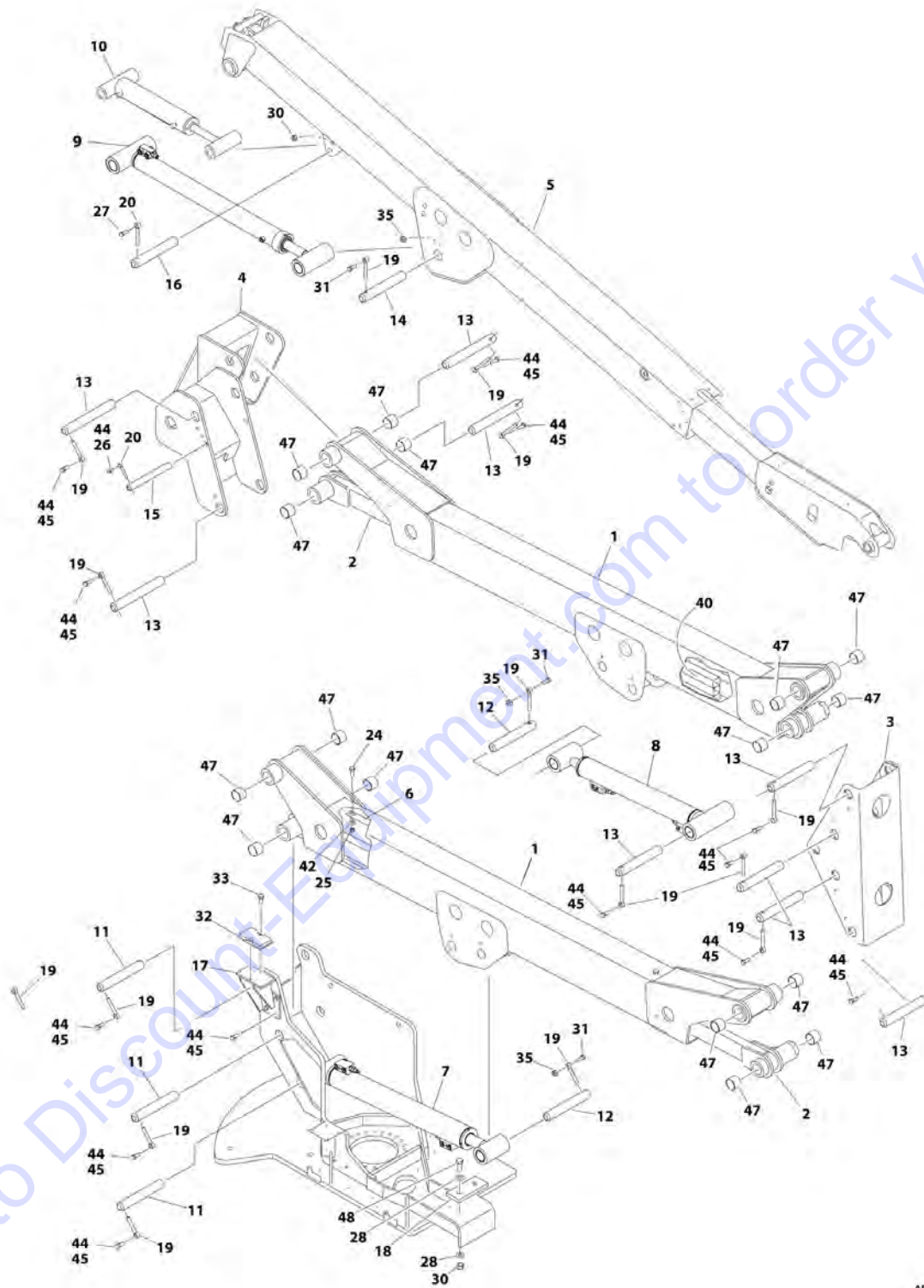
| ITEM | PART NUMBER | QTY | DESCRIPTION   | REV |
|------|-------------|-----|---|-----|
| 27   | 70000325    | 1   | Sensor, Oil Temperature (Not Shown - Located on Opposite Side of Engine Base) |     |
| 28   | 70000326    | 1   | Module, Engine Control  |     |
| 29   | 70000327    | 1   | Alternator  |     |
| 29   | 70000382    | 1   | Stator, Alternator  |     |
| 29   | 70004394    | 1   | Lead, Field Terminal Block Diode  |     |
| 30   | 70000328    | 1   | Harness, Generator  |     |
| 31   | 70000329    | 1   | Fuse 15Amp (Not Shown)  |     |
| 32   | 70000330    | 1   | Fuse 20Amp (Not Shown)  |     |
| 33   | 70002543    | 1   | Engine, Kubota (without Generator)  |     |
| 34   | 70000289    | 1   | Regulator, Voltage (Not Shown - Located on Opposite Side of Engine)           |     |

**SECTION 4 - BOOM**

Go to Discount-Equipment.com to order your parts

# SECTION 4 - BOOM

## FIGURE 4-1. BOOM AND CYLINDERS INSTALLATION - E400AN



ART\_0270724

## SECTION 4 - BOOM

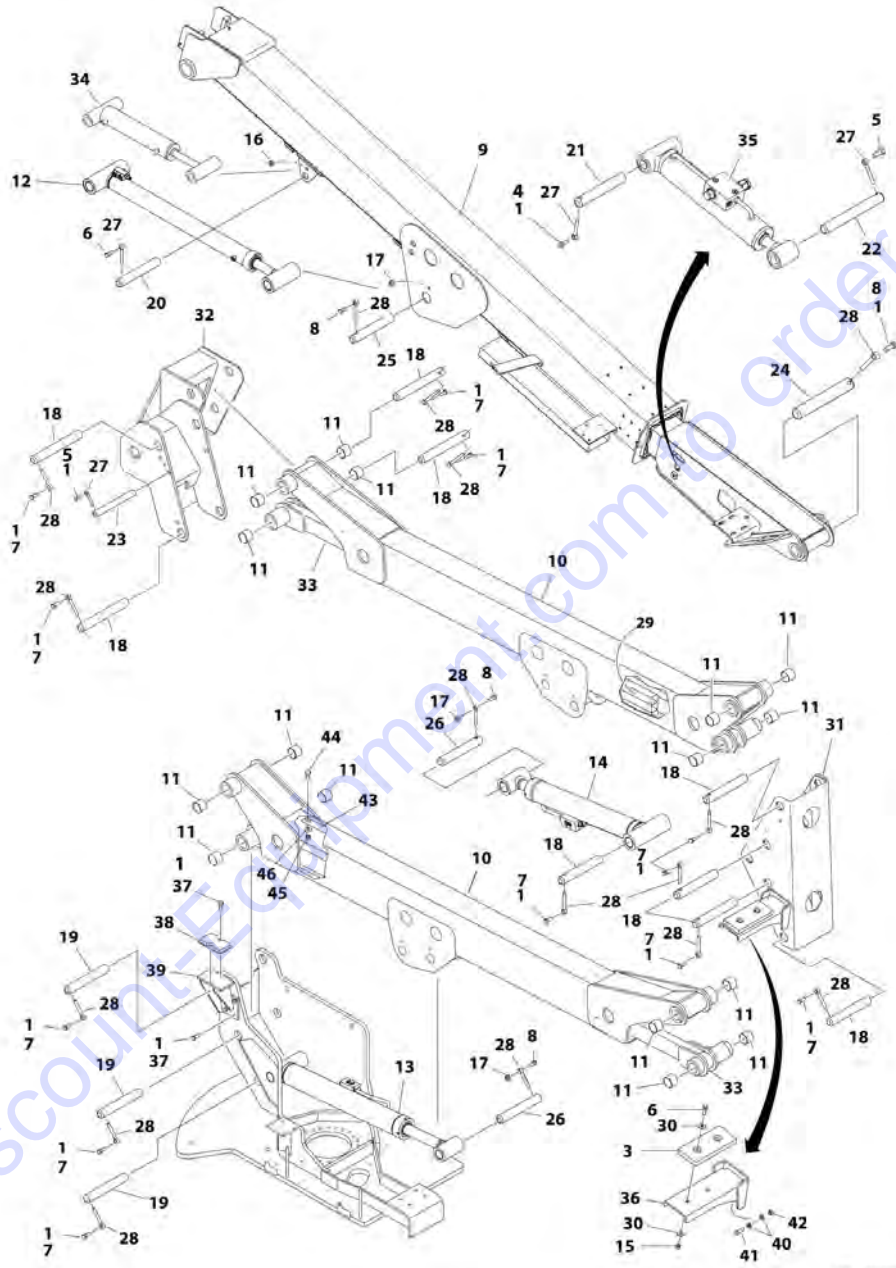
**FIGURE 4-1. BOOM AND CYLINDERS INSTALLATION - E400AN**

| ITEM | PART NUMBER | QTY | DESCRIPTION   | REV |
|------|-------------|-----|---|-----|
|      | 0270724     | Ref | BOOM AND CYLINDERS INSTALLATION - E400An  | J   |
| 1    | 0801262     | 2   | Boom Assembly - Tower   |     |
| 2    | 4846209     | 2   | Level Link  |     |
| 3    | 4844303     | 1   | Upright Weldment - Lower  |     |
| 4    | 4844304     | 1   | Upright Weldment - Upper  |     |
| 5    | 0270725     | 1   | Boom Assembly - Main (See MAIN BOOM ASSEMBLY - E400An for Breakdown)  |     |
| 6    | 3536491     | 1   | Plate   |     |
| 7    | 1684453     | NLA | Lift Cylinder Assembly - Lower (Use p/n 1001228037) (See CYLINDER SECTION for Breakdown) <b>(SN 0300208530 through 0300239739)</b>  |     |
| 7    | 1001228037  | 1   | Lift Cylinder Assembly - Lower (See CYLINDER SECTION for Breakdown) <b>(SN 0300239740 to Present)</b>                               |     |
| 8    | 1684454     | NLA | Lift Cylinder Assembly - Mid (Use p/n 1001228038) (See CYLINDER SECTION for Breakdown) <b>(SN 0300208530 through 0300239739)</b>    |     |
| 8    | 1001228038  | 1   | Lift Cylinder Assembly - Mid (See CYLINDER SECTION for Breakdown) <b>(SN 0300239740 to Present)</b>                                 |     |
| 9    | 1684061     | NLA | Lift Cylinder Assembly - Upper (Use p/n 1001228018) (See CYLINDER SECTION for Breakdown), <b>(SN 0300208530 through 0300239739)</b> |     |
| 9    | 1001228018  | 1   | Lift Cylinder Assembly - Upper (See CYLINDER SECTION for Breakdown) <b>(SN 0300239740 to Present)</b>                               |     |
| 10   | 1001140597  | 1   | Master Cylinder Assembly (See CYLINDER SECTION for Breakdown)   |     |
| 11   | 3422175     | 3   | Pin   |     |
| 12   | 3422176     | 2   | Pin   |     |
| 13   | 3422177     | 9   | Pin   |     |
| 14   | 3422178     | 1   | Pin   |     |
| 15   | 3422179     | 1   | Pin   |     |
| 16   | 3422180     | 1   | Pin   |     |
| 17   | 4844467     | 1   | Boom Rest Weldment  |     |
| 18   | 0561076     | 1   | Block, Boom Rest  |     |
| 19   | 3841203     | 15  | Keeper, Pin - 1/2   |     |
| 20   | 3841143     | 2   | Keeper, Pin - 3/8   |     |
| 24   | 0641506     | 4   | Bolt, 5/16-18 x 3/4   |     |
| 25   | 3311505     | 4   | Nut, Lock 5/16-18   |     |
| 26   | 0641608     | 1   | Bolt, 3/8-16 x 1  |     |
| 27   | 0641610     | 1   | Bolt, 3/8-16 x 1-1/4  |     |
| 28   | 4751600     | 4   | Washer, 3/8   |     |
| 30   | 3311605     | 3   | Nut, Lock 3/8-16  |     |
| 31   | 0641812     | 3   | Bolt, 1/2-13 x 1-1/2  |     |
| 32   | 0940048     | 1   | Bumper  |     |
| 33   | 0641806     | 2   | Bolt, 1/2-13 x 3/4  |     |
| 35   | 3311805     | 3   | Nut, Lock 1/2-13  |     |
| 40   | 4566427     | 1   | Tube  |     |
| 42   | 4751500     | 4   | Washer, 5/16  |     |
| 44   | 0100011     | AR  | Compound, Locking   |     |
| 45   | 0641810     | 15  | Bolt, 1/2-13 x 1-1/4  |     |
| 47   | 0961950     | 16  | Bushing   |     |
| 48   | 0641614     | 2   | Bolt, 3/8-16 x 1-3/4  |     |



# SECTION 4 - BOOM

FIGURE 4-2. BOOM AND CYLINDERS INSTALLATION - E400AJP/M400AJP/E400AJPN/M400AJPN



ART 1001188674

## SECTION 4 - BOOM

**FIGURE 4-2. BOOM AND CYLINDERS INSTALLATION - E400AJP/M400AJP/E400AJPN/M400AJPN**

| ITEM | PART NUMBER | QTY | DESCRIPTION  | REV |
|------|-------------|-----|--|-----|
|      | 1001168674  | Ref | BOOM AND CYLINDERS INSTALLATION - E400AJP/M400AJP/E400AJPN/M400AJPN  | G   |
| 1    | 0100011     | AR  | Compound, Locking  |     |
| 3    | 0561076     | 1   | Block, Boom Rest   |     |
| 4    | 0641607     | 1   | Bolt, 3/8-16 X 7/8   |     |
| 5    | 0641608     | 2   | Bolt, 3/8-16 X 1   |     |
| 6    | 0641610     | 3   | Bolt, 3/8-16 X 1-1/4   |     |
| 7    | 0641808     | 12  | Bolt, 1/2-13 x 1   |     |
| 8    | 0641810     | 13  | Bolt, 1/2-13 X 1-1/4   |     |
| 9    | 0801225     | 1   | Boom Assembly - Main (See MAIN BOOM ASSEMBLY - E400AJP/M400AJP/E400AJPN/M400AJPN for Breakdown)                                    |     |
| 10   | 0801227     | 1   | Boom Assembly - Tower  |     |
| 11   | 0961950     | 16  | Bushing  |     |
| 12   | 1683945     | NLA | Lift Cylinder Assembly - Upper (Use p/n 1001228016) (See CYLINDER SECTION for Breakdown) <b>(SN 0300208530 through 0300239739)</b> |     |
| 12   | 1001228016  | 1   | Lift Cylinder Assembly - Upper (See CYLINDER SECTION for Breakdown) <b>(SN 0300239740 to Present)</b>                              |     |
| 13   | 1684451     | NLA | Lift Cylinder Assembly - Lower (Use p/n 1001228035) (See CYLINDER SECTION for Breakdown) <b>(SN 0300208530 through 0300239236)</b> |     |
| 13   | 1001228035  | 1   | Lift Cylinder Assembly - Lower (See CYLINDER SECTION for Breakdown) <b>(SN 0300239237 to Present)</b>                              |     |
| 14   | 1684452     | NLA | Lift Cylinder Assembly - Mid (Use p/n 1001228036) (See CYLINDER SECTION for Breakdown) <b>(SN 0300208530 through 0300239236)</b>   |     |
| 14   | 1001228036  | 1   | Lift Cylinder Assembly - Mid (See CYLINDER SECTION for Breakdown) <b>(SN 0300239237 to Present)</b>                                |     |
| 15   | 3311601     | 2   | Nut, 3/8-16  |     |
| 16   | 3311605     | 1   | Nut, Lock, 3/8-16  |     |
| 17   | 3311805     | 3   | Nut, Lock, 1/2-13  |     |
| 18   | 3422480     | 9   | Pin  |     |
| 19   | 3422481     | 3   | Pin  |     |
| 20   | 3422582     | 1   | Pin  |     |
| 21   | 3422669     | 1   | Pin  |     |
| 22   | 3422792     | 1   | Pin  |     |
| 23   | 3422806     | 1   | Pin  |     |
| 24   | 3422814     | 1   | Pin  |     |
| 25   | 3422844     | 1   | Pin  |     |
| 26   | 3422845     | 2   | Pin  |     |
| 27   | 3841143     | 4   | Keeper, 3/8  |     |
| 28   | 3841203     | 16  | Keeper, 1/2  |     |
| 29   | 4566427     | 1   | Tube   |     |
| 30   | 4751600     | 4   | Washer, 3/8  |     |
| 31   | 4844427     | 1   | Upright Weldment - Lower   |     |
| 32   | 4846026     | 1   | Upright Weldment - Upper   |     |
| 33   | 4846209     | 2   | Level Link   |     |
| 34   | 1001140278  | 1   | Master Cylinder Assembly (See CYLINDER SECTION for Breakdown)  |     |
| 35   | 1001140279  | 1   | Platform Level Cylinder (See CYLINDER SECTION for Breakdown)   |     |
| 36   | 1001177483  | 1   | Support, Boom Rest   |     |



## SECTION 4 - BOOM

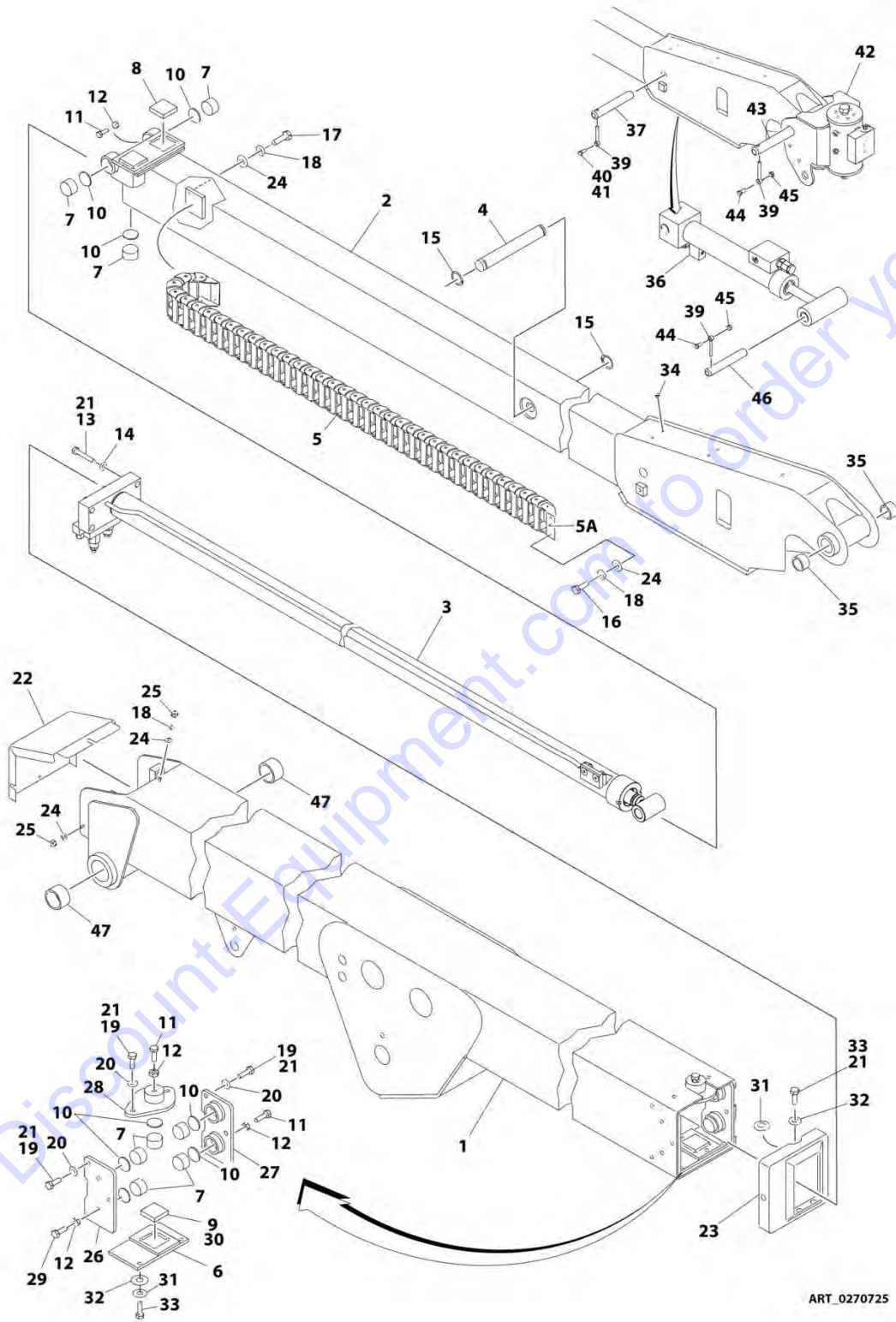
| ITEM | PART NUMBER | QTY | DESCRIPTION                   | REV |
|------|-------------|-----|-------------------------------|-----|
| 37   | 0641806     | 5   | Bolt, 1/2-13 X 3/4            |     |
| 38   | 0940048     | 1   | Bumper                        |     |
| 39   | 4844467     | 1   | Boom Rest Weldment            |     |
| 40   | 4891600     | 8   | Washer, 3/8                   |     |
| 41   | 0681610     | 4   | Bolt, 3/8-16 x 1-1/4, Grade 8 |     |
| 42   | 3271605     | 4   | Nut, Lock, 3/8-16, Grade 8    |     |
| 43   | 3536491     | 1   | Plate                         |     |
| 44   | 0641506     | 4   | Bolt, 5/16-18 x 3/4           |     |
| 45   | 3311505     | 4   | Nut, Lock 5/16-18             |     |
| 46   | 4751500     | 4   | Washer, 5/16                  |     |

Go to Discount-Equipment.com to order your parts



# SECTION 4 - BOOM

## FIGURE 4-3. MAIN BOOM ASSEMBLY - E400AN



ART\_0270725

## SECTION 4 - BOOM

FIGURE 4-3. MAIN BOOM ASSEMBLY - E400AN

| ITEM | PART NUMBER | QTY | DESCRIPTION   | REV |
|------|-------------|-----|---|-----|
|      | 0270725     | Ref | MAIN BOOM ASSEMBLY - E400An   | E   |
| 1    | 0801263     | 1   | Base, Weldment  |     |
| 2    | 0801267     | 1   | Fly, Weldment   |     |
| 3    | 1001151497  | 1   | Telescope Cylinder Assembly ( <b>Prior to SN 0300244775</b> )         |     |
| 3    | 1001228063  | 1   | Telescope Cylinder Assembly ( <b>SN 0300244755 to Present</b> )       |     |
| 4    | 3422901     | 1   | Pin   |     |
| 5    | 1180302     | 1   | Powertrack Assembly   |     |
| 5    | 7019698     | 1   | Link, Repair  |     |
| 5A   | 7019699     | 1   | Feet, Mounting  |     |
| 6    | 4844579     | 1   | Holder, Wear Pad  |     |
| 7    | 3340663     | 8   | Pad, Wear (Base Front Top and Sides/Fly Rear Sides and Bottom)        |     |
| 8    | 3340820     | 2   | Pad, Wear (Fly Rear Top)  |     |
| 9    | 3340682     | 1   | Pad, Wear (Base Front Bottom)   |     |
| 10   | 1760160     | 8   | Disc  |     |
| 11   | 0630487     | 6   | Bolt, 3/8-16 x 1-3/8  |     |
| 12   | 3311602     | 8   | Nut, Jam, 3/8-16  |     |
| 13   | 0641818     | 4   | Bolt, 1/2-13 x 2-1/4  |     |
| 14   | 4761800     | 4   | Washer, Lock, 1/2   |     |
| 15   | 3760115     | 2   | Ring, Snap  |     |
| 16   | 0641405     | 2   | Bolt, 1/4-20 x 5/8  |     |
| 17   | 0641404     | 2   | Bolt, 1/4-20 x 1/2  |     |
| 18   | 4761400     | 7   | Washer, Lock, 1/4   |     |
| 19   | 0641606     | 7   | Bolt, 3/8-16 x 3/4  |     |
| 20   | 4761600     | 7   | Washer, Lock, 3/8   |     |
| 21   | 0100011     | AR  | Compound, Locking   |     |
| 22   | 1670679     | 1   | Cover, boom   |     |
| 23   | 1670698     | 1   | Cover, Boom   |     |
| 24   | 4751400     | 7   | Washer, 1/4   |     |
| 25   | 3311401     | 3   | Nut, 1/4-20   |     |
| 26   | 1220038     | 1   | Holder, Wear Pad (Base Front Left Side)                               |     |
| 27   | 1220039     | 1   | Holder, Wear Pad (Base Front Right Side)                              |     |
| 28   | 1220040     | 1   | Holder, Wear Pad (Base Front Top)                                     |     |
| 29   | 0630399     | 2   | Bolt, Special, 3/8-16 x 2-1/4   |     |
| 30   | 0100009     | AR  | Silicone  |     |
| 31   | 4740413     | 5   | Washer, Spacer  |     |
| 32   | 4751600     | 5   | Washer, 3/8   |     |
| 33   | 0641608     | 5   | Bolt, 3/8-16 x 1  |     |
| 34   | 3520034     | 4   | Plug, Hole  |     |
| 35   | 0961951     | 2   | Bearing   |     |
| 36   | 1001140598  | 1   | Platform Level Cylinder Assembly (See CYLINDER SECTION for Breakdown) |     |
| 37   | 3422181     | 1   | Shaft, Pin  |     |
| 39   | 3841143     | 3   | Keeper  |     |
| 40   | 0641607     | 1   | Bolt, 3/8-16 x 7/8  |     |
| 41   | 0100011     | AR  | Compound, Locking   |     |
| 42   | 0060052     | 1   | Rotator Assembly (See ROTATOR ASSEMBLY for Breakdown)                 |     |
| 43   | 3422709     | 1   | Shaft, Pin  |     |
| 44   | 0641608     | 2   | Bolt, 3/8-16 x 1  |     |
| 45   | 3311605     | 2   | Nut, Lock, 3/8-16   |     |
| 46   | 3422180     | 1   | Shaft, Pin  |     |

## SECTION 4 - BOOM

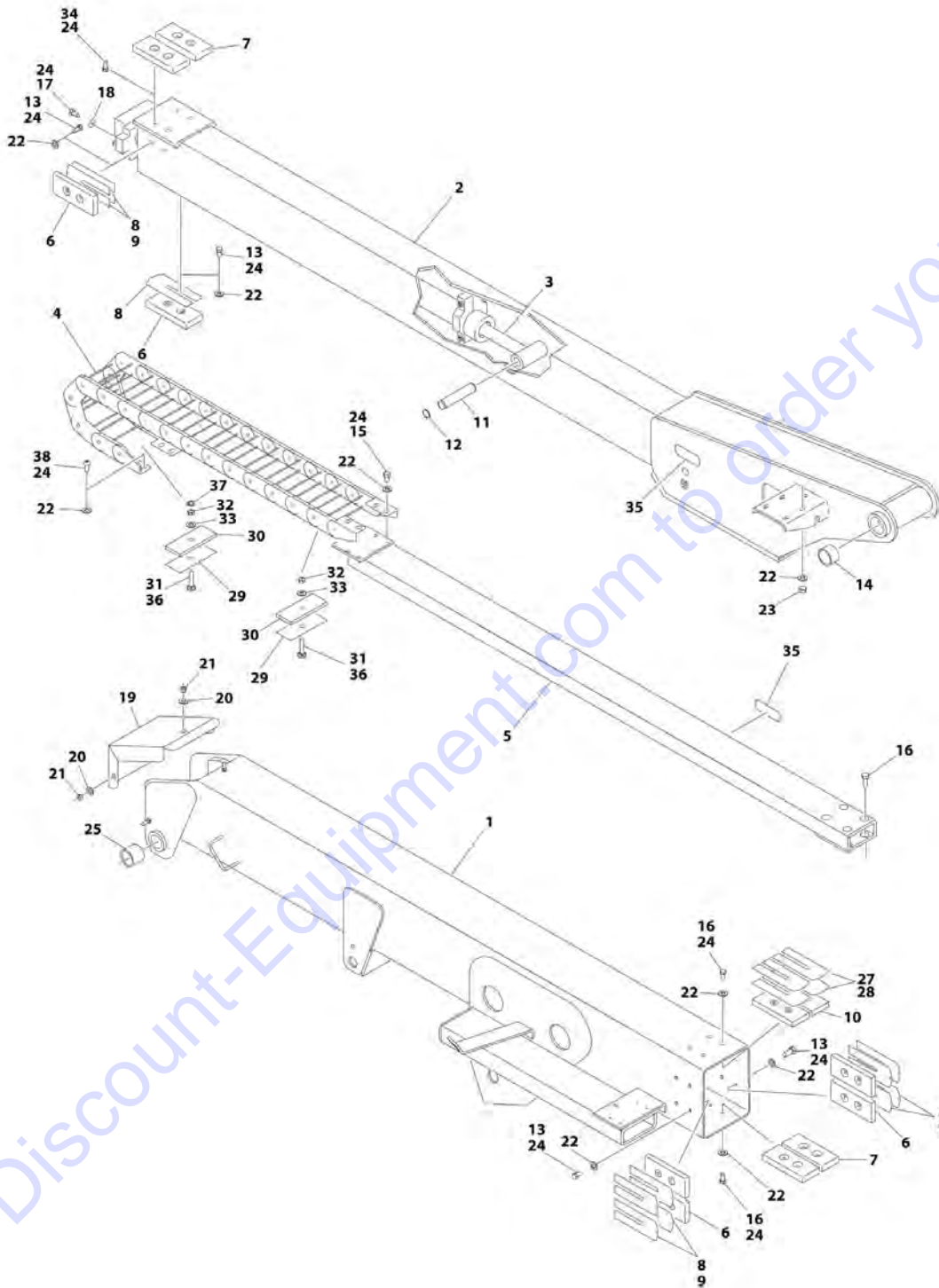
| ITEM | PART NUMBER | QTY | DESCRIPTION | REV |
|------|-------------|-----|-------------|-----|
| 47   | 0961950     | 2   | Bearing     |     |

Go to Discount-Equipment.com to order your parts



# SECTION 4 - BOOM

## FIGURE 4-4. MAIN BOOM ASSEMBLY - E400AJP/M400AJP/E400AJPN/M400AJPN



ART\_0801225

## SECTION 4 - BOOM

**FIGURE 4-4. MAIN BOOM ASSEMBLY - E400AJP/M400AJP/E400AJPN/M400AJPN**

| ITEM | PART NUMBER | QTY            | DESCRIPTION  | REV |
|------|-------------|----------------|--|-----|
|      | 0801225     | Ref            | MAIN BOOM ASSEMBLY -<br>E400AJP/M400AJP/E400AJPN/M400AJPN  | K   |
| 1    | 0801224     | 1              | Base Weldment  |     |
| 2    | 0801226     | 1              | Weldment, Fly Boom   |     |
| 3    | 1683911     | 1              | Cylinder, Telescope (See CYLINDER SECTION for Breakdown)   |     |
| 4    | 1001099834  | NLA            | Powertrack (Use p/n 1001224891) <b>(SN 0300208530 through 0300230220)</b>  |     |
| 4    | 1001224891  | 1              | Powertrack <b>(SN 0300230221 to Present)</b>   |     |
| 4    | 70001996    | 1              | 2ft Repair Section (Used on p/n 1001099834) (Includes 4 links, 10 pins, 10 washers, 10 snap rings, 2 Rod Carriers and 4 self-tapping screws)                                     |     |
| 4    | 70001998    | 1              | Bracket Kit (Used on p/n 1001099834) (Includes 2 Left and 2 Right Mounting Feet, 4 center pins, 4 center pin snap rings, 8 pins for bracket lockout, 8 washers and 8 snap rings) |     |
| 4    | 70006269    | 1              | 2ft Repair Section (Used on p/n 1001224891) (Includes 4 links, 10 pins, 10 washers, 10 snap rings, 2 Rod Carriers and 4 self-tapping screws)                                     |     |
| 4    | 70006280    | 1              | Bracket Kit (Used on p/n 1001224891) (Includes 2 Left and 2 Right Mounting Feet, 4 center pins, 4 center pin snap rings, 8 pins for bracket lockout, 8 washers and 8 snap rings) |     |
| 5    | 4846180     | 1              | Weldment, Push Tube  |     |
| 6    | 3340878     | 10             | Pad, Wear  |     |
| 7    | 3340884     | 4              | Pad, Wear  |     |
| 8    | 4070864     | 12             | Shim 18 Gauge  |     |
| 9    | 4070863     | 8              | Shim 11 Gauge  |     |
| 10   | 3340886     | 2              | Pad, Wear  |     |
| 11   | 3422804     | 1              | Pin  |     |
| 12   | 3760115     | 2              | Ring, Retaining  |     |
| 13   | 0641606     | 30             | Bolt, 3/8-16 x 3/4   |     |
| 13   | 0641607     | 30             | Bolt 3/8 x 7/8   |     |
| 14   | 0961948     | 2              | Bearing  |     |
| 15   | 0641605     | 4              | Bolt, 3/8-16 x 5/8   |     |
| 16   | 0641608     | 16             | Bolt, 3/8-16 x 1   |     |
| 17   | 0641818     | 4              | Bolt, 1/2-13 x 2-1/4   |     |
| 18   | 4761800     | 4              | Washer, Lock, 1/2  |     |
| 19   | 1670959     | 1              | Cover  |     |
| 20   | 4761400     | 3              | Washer, Lock, 1/4  |     |
| 21   | 3311401     | 3              | Nut 1/4-20   |     |
| 22   | 4711600     | AR             | Washer, 3/8  |     |
| 23   | 3311605     | 4              | Nut, Lock, 3/8-16  |     |
| 24   | 0100011     | AR             | Compound, Locking  |     |
| 25   | 0961950     | 2              | Bearing  |     |
| 27   | 4070997     | 2              | Shim 16 Gauge  |     |
| 28   | 4070998     | 2              | Shim 18 Gauge  |     |
| 29   | 1001106757  | AR             | Plate, Clamp   |     |
| 30   | 3340939     | AR             | Pad, Rubber  |     |
| 31   | 0630401     | 2              | Bolt, Carriage, 5/16-18 x 2  |     |
| 32   | 3311505     | 2              | Nut, Lock, 5/16/18   |     |
| 33   | 4711500     | 2              | Washer, 5/16   |     |
| 34   | 0741606     | 6              | Screw, Countersunk, 3/8-16 x 3/4   |     |
| 35   | 4060804     | 16 in<br>/41cm | Flex-Trim  |     |



## SECTION 4 - BOOM

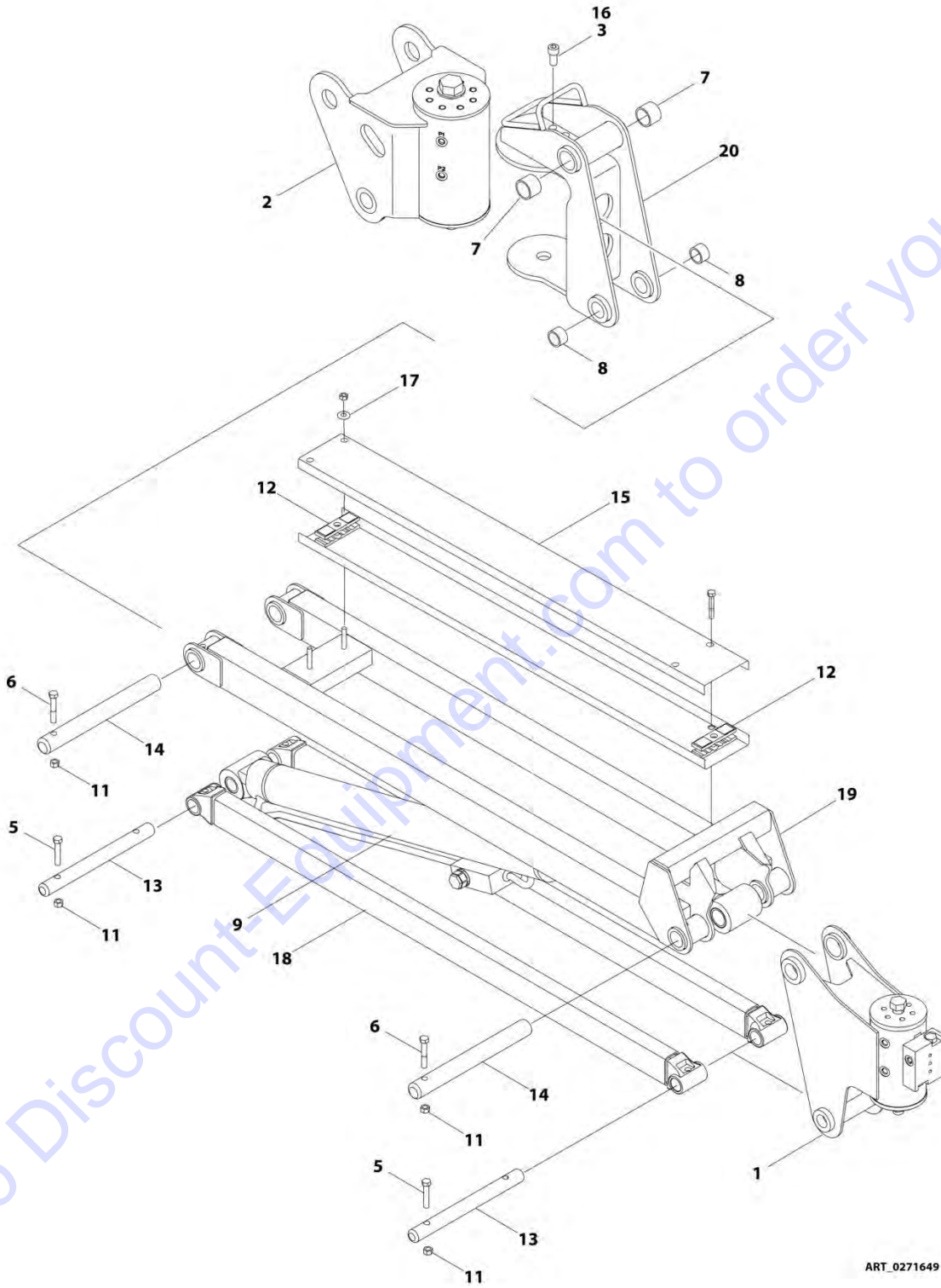
| ITEM | PART NUMBER | QTY | DESCRIPTION    | REV |
|------|-------------|-----|----------------|-----|
| 36   | 0100081     | AR  | Adhesive       |     |
| 37   | 1001119228  | 1   | Nut M8         |     |
| 38   | 0641605     | 4   | Bolt 3/8 x 5/8 |     |
| 38   | 88261026    | 4   | Bolt 3/8 x 5/8 |     |

Go to Discount-Equipment.com to order your parts



# SECTION 4 - BOOM

## FIGURE 4-5. JIB INSTALLATION



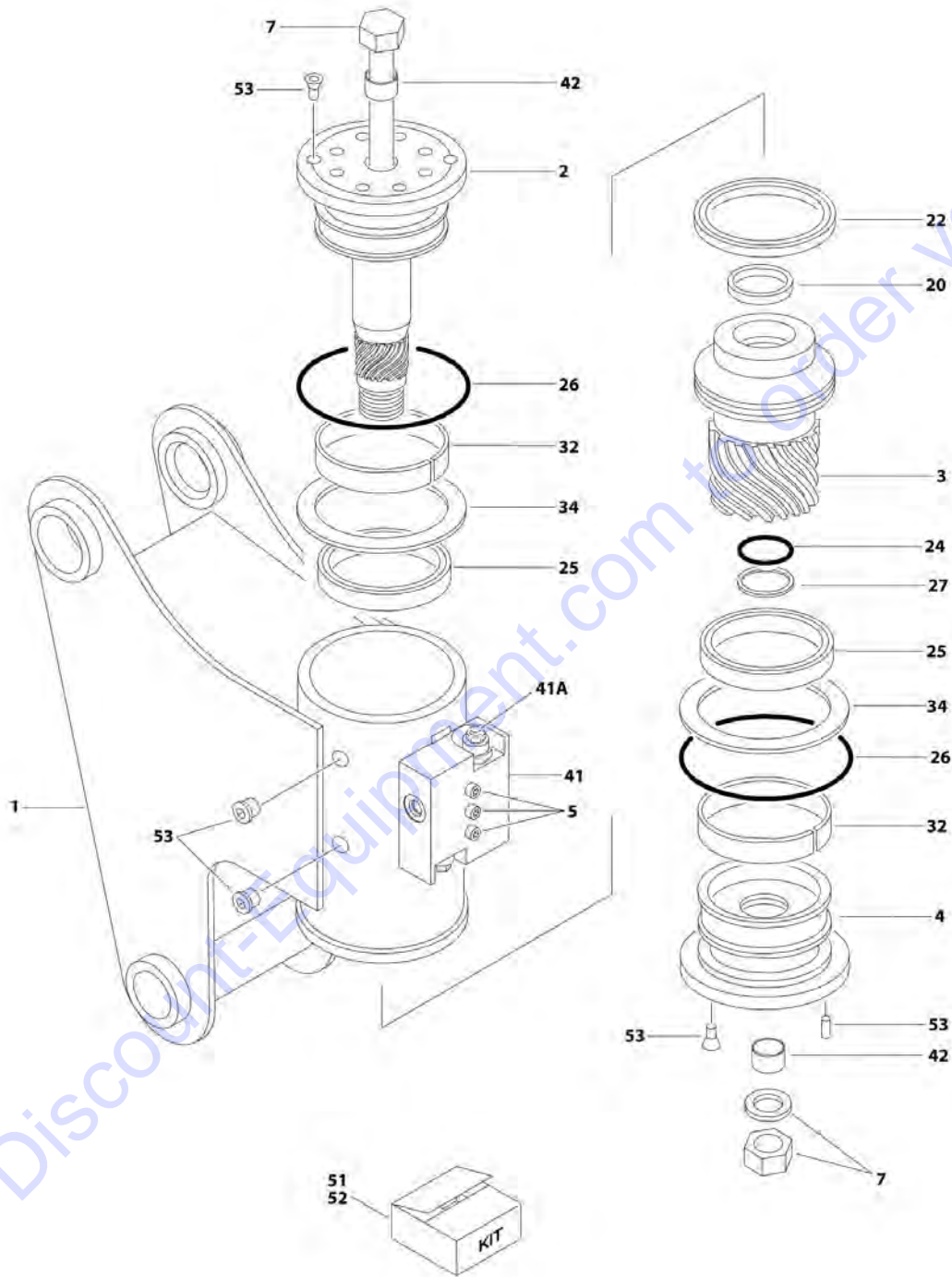
ART\_0271649

FIGURE 4-5. JIB INSTALLATION

| ITEM | PART NUMBER | QTY | DESCRIPTION   | REV |
|------|-------------|-----|---|-----|
|      | 0271649     | Ref | JIB INSTALLATION  | D   |
| 1    | 0060044     | 1   | Rotator Assembly - Jib to Platform Support (See ROTATOR ASSEMBLY for Breakdown) |     |
| 2    | 0060065     | 1   | Rotator Assembly - Main Boom to Jib (See ROTATOR ASSEMBLY for Breakdown)        |     |
| 3    | 0100011     | AR  | Compound, Locking   |     |
| 4    | 0641516     | 2   | Bolt, 5/16-18 x 2   |     |
| 5    | 0641616     | 4   | Bolt, 3/8-16 x 2  |     |
| 6    | 0641618     | 2   | Bolt, 3/8-16 x 2-1/4  |     |
| 7    | 0962292     | 2   | Bushing   |     |
| 8    | 0961951     | 2   | Bushing   |     |
| 9    | 1001140280  | 1   | Jib Cylinder Assembly (See CYLINDER SECTION for Breakdown)                      |     |
| 10   | 3311501     | 4   | Nut, 5/16-18  |     |
| 11   | 3311605     | 6   | Nut, Lock, 3/8-16   |     |
| 12   | 3340860     | 4   | Clamp, Block  |     |
| 13   | 3422791     | 2   | Pin   |     |
| 14   | 3422794     | 2   | Pin   |     |
| 15   | 3572551     | 2   | Plate, Jib Cover  |     |
| 16   | 3931816     | 8   | Bolt, 1/2-13 x 1  |     |
| 17   | 4751500     | 4   | Washer, 5/16  |     |
| 18   | 1001094670  | 2   | Link, Lower   |     |
| 19   | 4846278     | 1   | Link, Upper   |     |
| 20   | 4846502     | 1   | Pivot   |     |

# SECTION 4 - BOOM

## FIGURE 4-6. ROTATOR ASSEMBLY - E400AN



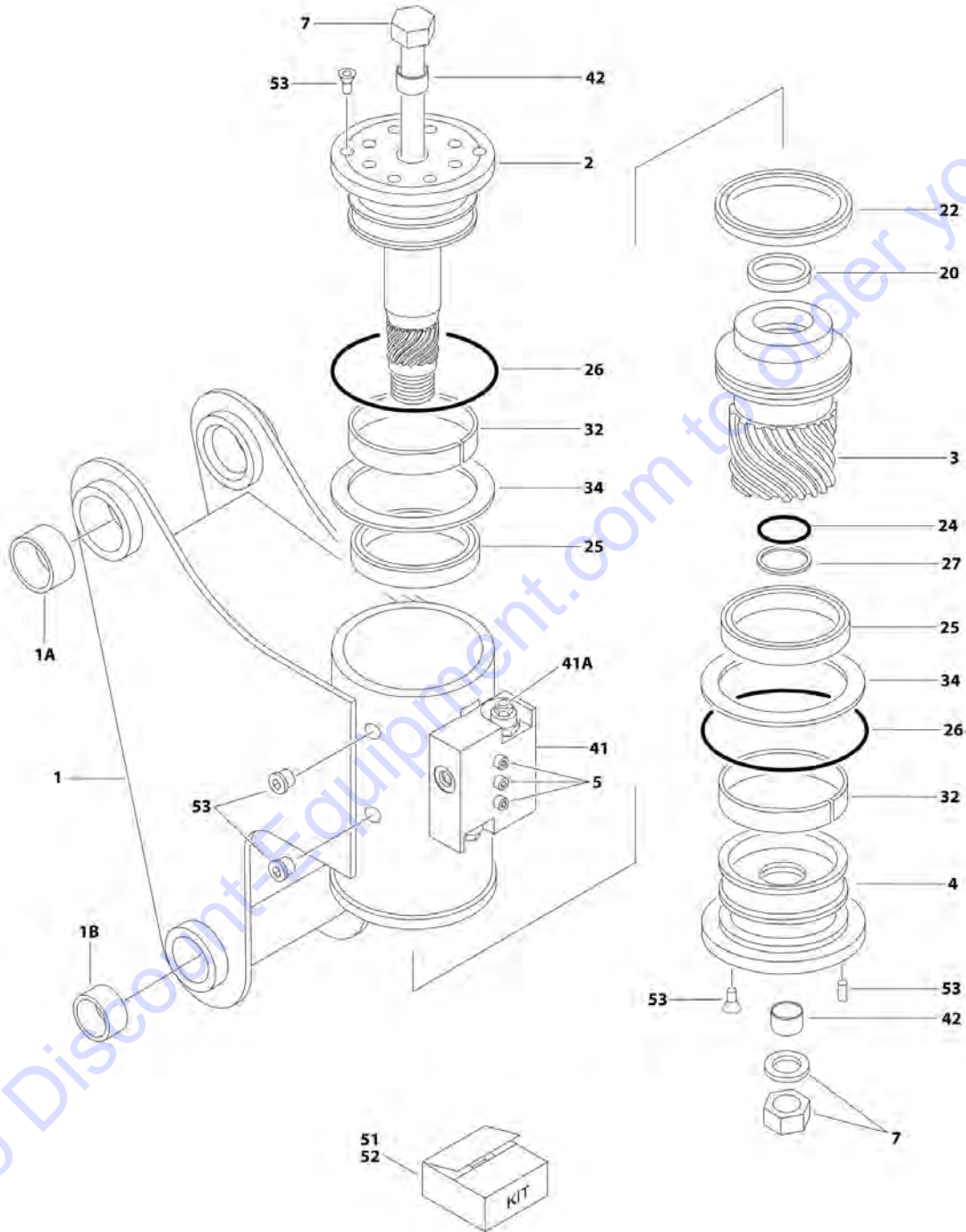
ART\_0060052

FIGURE 4-6. ROTATOR ASSEMBLY - E400AN

| ITEM | PART NUMBER | QTY | DESCRIPTION  | REV |
|------|-------------|-----|--|-----|
|      | 0060052     | Ref | ROTATOR ASSEMBLY - E400An  | F   |
| 1    | See Note    | 1   | Case/Bracket Weldment (Note: Not Available - Purchase Complete Assembly)                       |     |
| 2    | 7017120     | 1   | Shaft (Rotator with Helac Control #26409)  |     |
| 2    | 7017196     | 1   | Shaft (Rotator with Helac Control #26966)  |     |
| 3    | 7017121     | 1   | Piston Sleeve (Rotator with Helac Control #26409)  |     |
| 3    | 7027900     | 1   | Piston Sleeve (Rotator with Helac Control #26966)  |     |
| 4    | 7017153     | 1   | Cap, End (Rotator with Helac Control #26409)   |     |
| 4    | 7027901     | 1   | Cap, End (Rotator with Helac Control #26966)   |     |
| 5    | See Note    | 3   | Capscrew, 1/4-20 x 1-1/2, Grade 8 (Note: Not Available - Purchase Locally)                     |     |
| 7    | 7017126     | 1   | Tie Rod Assembly   |     |
| 20   | See Note    | 1   | Seal, Rod (Note: Use Items 52)   |     |
| 22   | See Note    | 1   | Seal, Piston (Note: Use Item 52)   |     |
| 24   | See Note    | 1   | Seal, Cap (Note: Use Item 52)  |     |
| 25   | See Note    | 2   | Packing, Bearing (Note: Use Item 52)   |     |
| 26   | See Note    | 2   | Seal (Note: Use Item 52)   |     |
| 27   | See Note    | 1   | Ring, Back-Up Cap (Note: Use Item 52)  |     |
| 32   | See Note    | 2   | Bearing, Shaft (Note: Use Item 51)   |     |
| 34   | See Note    | 2   | Washer, Thrust (Note: Use Item 51)   |     |
| 41   | 7017172     | 1   | Counterbalance Valve Assembly (Helac p/n 24327, 26553 or 26554 Stamped Beside Mounting Screws) |     |
| 41A  | 7011323     | 2   | Valve, Cartridge (Helac p/n 24327 Valve)   |     |
| 41A  | 2900770     | 2   | Seal Kit - 7011323 Cartridge ( 1 Per Assembly)   |     |
| 41A  | 7017192     | 2   | Valve Cartridge (Helac p/n 26553 or 26554) (No Seal Kit Available)                             |     |
| 42   | See Note    | 2   | Bushing, Shaft (Note: Not Available for Purchase)  |     |
| 51   | 7017122     | 1   | Bearing Kit (Includes Items 32-34)   |     |
| 52   | 7017127     | 1   | Seal Kit - Standard (Includes Items 20,22,24,25,26 & 27)                                       |     |
| 52   | 70000341    | 1   | Seal Kit - Low Temperature (Includes Items 20,22,24,25,26 & 27)                                |     |
| 53   | 7017123     | 1   | Hardware Kit   |     |

# SECTION 4 - BOOM

## FIGURE 4-7. ROTATOR ASSEMBLY - PLATFORM SUPPORT TO JIB - E400AJP/M400AJP/E400AJPN/M400AJPN



ART\_0060044

**SECTION 4 - BOOM**

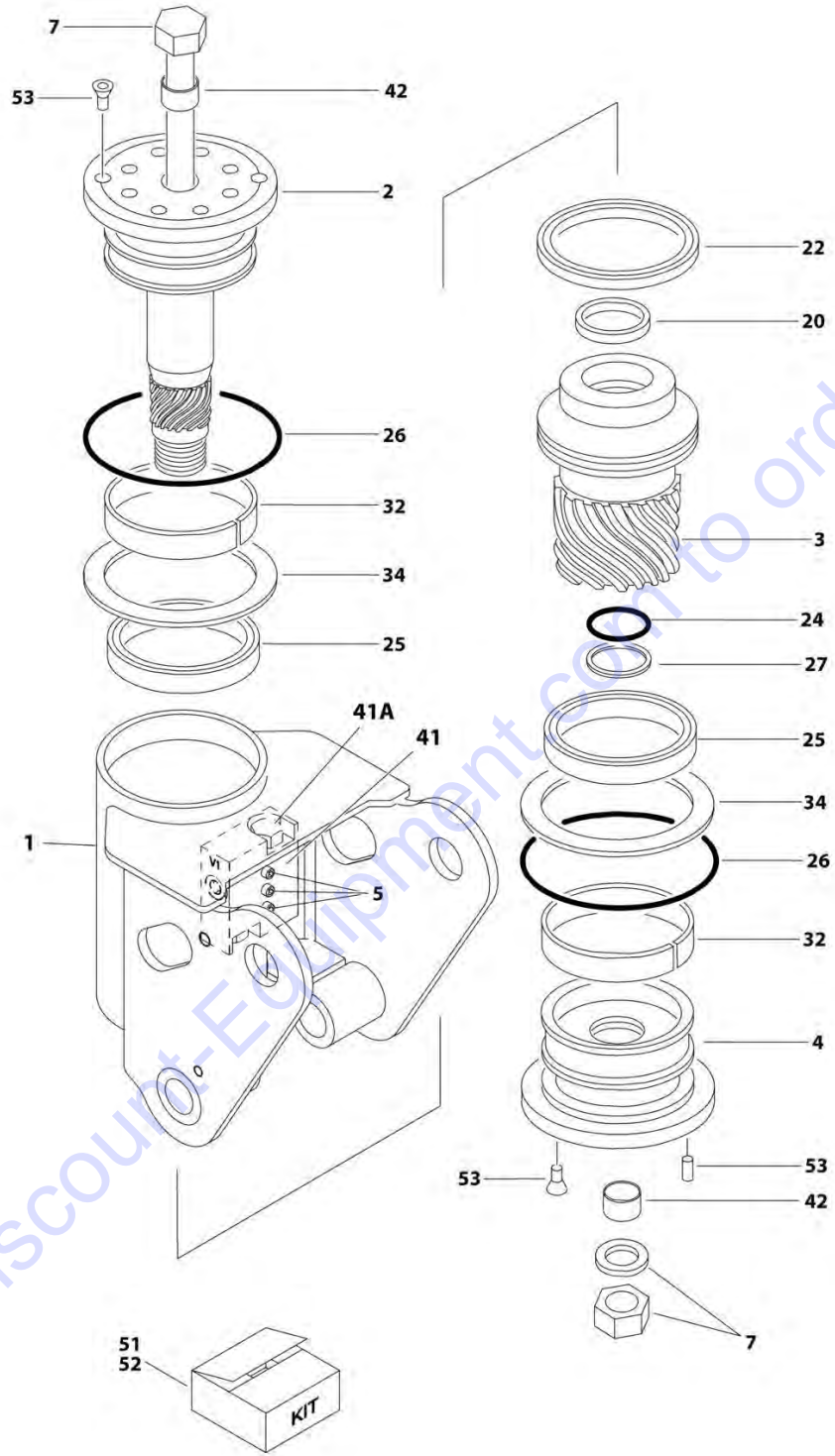
**FIGURE 4-7. ROTATOR ASSEMBLY - PLATFORM SUPPORT TO JIB -  
E400AJP/M400AJP/E400AJPN/M400AJPN**

| ITEM | PART NUMBER | QTY | DESCRIPTION   | REV |
|------|-------------|-----|---|-----|
|      | 0060044     | Ref | ROTATOR ASSEMBLY - PLATFORM SUPPORT TO JIB -<br>E400AJP/M400AJP/E400AJPN/M400AJPN                 | D   |
| 1    | See Note    | 1   | Case/Bracket Weldment (Note: Not Available - Purchase Complete<br>Assembly)                       |     |
| 1A   | 0962257     | 2   | Bushing   |     |
| 1B   | 0961947     | 2   | Bushing   |     |
| 2    | 7017120     | 1   | Shaft (Rotator with Helac Control #25928)   |     |
| 2    | 7017196     | 1   | Shaft (Rotator with Helac Control #26962)   |     |
| 3    | 7017121     | 1   | Piston Sleeve (Rotator with Helac Control #25928)   |     |
| 3    | 7027900     | 1   | Piston Sleeve (Rotator with Helac Control #26962)   |     |
| 4    | See Note    | 1   | Cap, End (Rotator with Helac Control #25928) (Note: Use p/n<br>0060044)                           |     |
| 4    | 7027901     | 1   | Cap, End (Rotator with Helac Control #26962)  |     |
| 5    | See Note    | 3   | Capscrew, 1/4-20 x 1-1/2, Grade 8 (Note: Not Available - Purchase<br>Locally)                     |     |
| 7    | 7017126     | 1   | Tie Rod Assembly  |     |
| 20   | See Note    | 1   | Seal, Rod (Note: Use Item 52)   |     |
| 22   | See Note    | 1   | Seal, Piston (Note: Use Item 52)  |     |
| 24   | See Note    | 1   | Seal, Cap (Note: Use Item 52)   |     |
| 25   | See Note    | 1   | Packing, Bearing (Note: Use Item 52)  |     |
| 26   | See Note    | 2   | Seal (Note: Use Item 52)  |     |
| 27   | See Note    | 1   | Ring, Back-Up Cap (Note: Use Item 52)   |     |
| 32   | See Note    | 2   | Bearing, Shaft (Note: Use Item 51)  |     |
| 34   | See Note    | 2   | Washer, Thrust (Note: Use Item 51)  |     |
| 41   | 7017172     | 1   | Counterbalance Valve Assembly (Helac p/n 24327, 26553 or<br>26554 Stamped Beside Mounting Screws) |     |
| 41A  | 7011323     | 2   | Valve, Cartridge (Helac p/n 24327 Valve)  |     |
| 41A  | 2900770     | 2   | Seal Kit - 7011323 Cartridge (1 Per Assembly)   |     |
| 41A  | 7017192     | 2   | Valve Cartridge (Helac p/n 26553 or 26554) (No Seal Kit<br>Available)                             |     |
| 42   | 70004323    | 2   | Bushing, Shaft  |     |
| 51   | 7017122     | 1   | Bearing Kit (Includes Items 32-34)  |     |
| 52   | 7017127     | 1   | Seal Kit - Standard (Includes Items 20,22,24,25,26 & 27)  |     |
| 52   | 70000341    | 1   | Seal Kit - Low Temperature (Includes Items 20,22,24,25,26 & 27)                                   |     |
| 53   | 7017123     | 1   | Hardware Kit  |     |
| 54   | 70001697    | 4   | Screw, Countersunk 1/4-20NC x 3/8   |     |



# SECTION 4 - BOOM

## FIGURE 4-8. ROTATOR ASSEMBLY - MAIN BOOM TO JIB - E400AJP/M400AJP/E400AJPN/M400AJPN



ART\_0060065

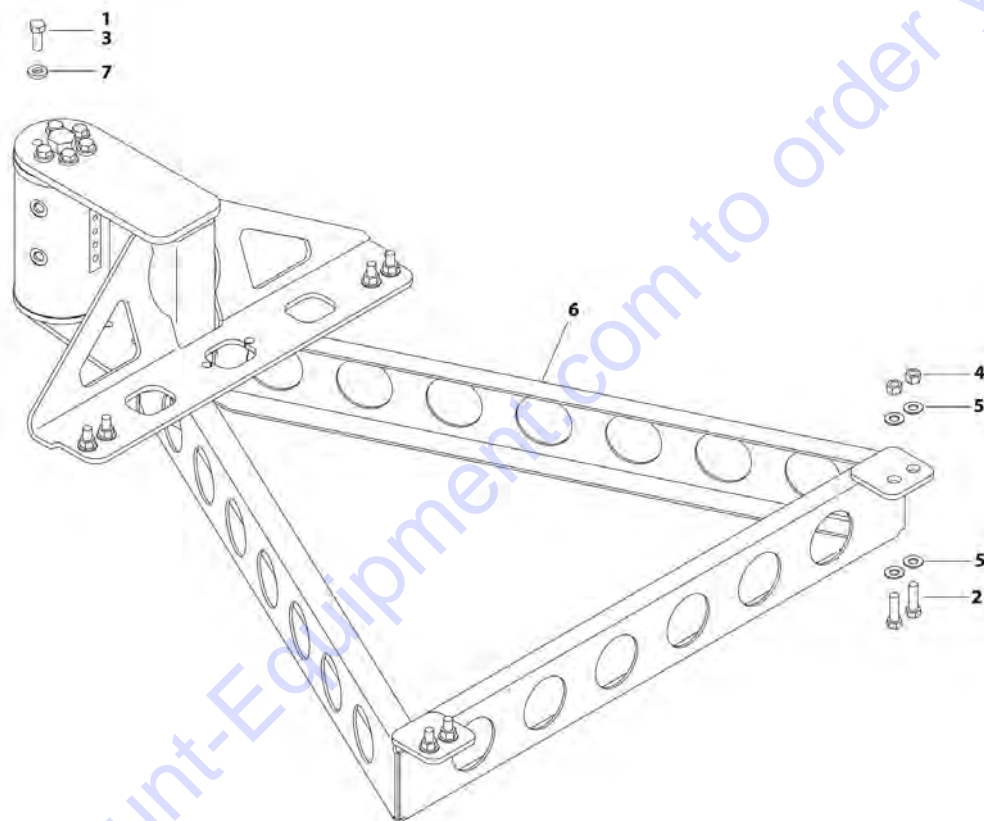
## SECTION 4 - BOOM

**FIGURE 4-8. ROTATOR ASSEMBLY - MAIN BOOM TO JIB -  
E400AJP/M400AJP/E400AJPn/M400AJPn**

| ITEM | PART NUMBER | QTY | DESCRIPTION  | REV |
|------|-------------|-----|--|-----|
|      | 0060065     | Ref | ROTATOR ASSEMBLY - MAIN BOOM TO JIB -<br>E400AJP/M400AJP/E400AJPn/M400AJPn | C   |
| 1    | See Note    | 1   | Case/Bracket Weldment (Note: Not Available - Purchase Complete Assembly)   |     |
| 2    | 7017167     | 1   | Shaft  |     |
| 3    | 7017168     | 1   | Piston Sleeve  |     |
| 4    | 7017169     | 1   | Cap, End   |     |
| 5    | See Note    | 3   | Capscrew, 1/4-20 x 1-1/2, Grade 8 (Note: Not Available - Purchase Locally) |     |
| 7    | 7017173     | 1   | Tie Rod Assembly   |     |
| 20   | See Note    | 1   | Seal, Rod (Note: Use Item 52)  |     |
| 22   | See Note    | 1   | Seal, Piston (Note: Use Item 52)   |     |
| 24   | See Note    | 1   | Seal, Cap (Note: Use Item 52)  |     |
| 25   | See Note    | 2   | Packing, Bearing (Note: Use Item 52)                                       |     |
| 26   | See Note    | 2   | Seal (Note: Use Item 52)   |     |
| 27   | See Note    | 1   | Ring, Back-Up (Note: Use Item 52)  |     |
| 32   | See Note    | 2   | Bearing, Shaft (Note: Use Item 51)   |     |
| 34   | See Note    | 2   | Washer, Thrust (Note: Use Item 51)   |     |
| 41   | 7017172     | 1   | Counterbalance Valve Assembly  |     |
| 41A  | 7017192     | 2   | Valve, Cartridge (No Seal Kit Available)                                   |     |
| 42   | See Note    | 2   | Bushing, Shaft (Note: Not Available for Purchase)                          |     |
| 51   | 7017178     | 1   | Bearing Kit (Includes Items 32-34)   |     |
| 52   | 7017165     | 1   | Seal Kit - Standard (Includes Items 20,22 & 24-27,                         |     |
| 52   | 70000340    | 1   | Seal Kit - Low Temperature (Includes Items 20,22 & 24-27)                  |     |
| 53   | 7017179     | 1   | Hardware Kit   |     |

# SECTION 4 - BOOM

## FIGURE 4-9. PLATFORM SUPPORT INSTALLATION - WITHOUT LSS



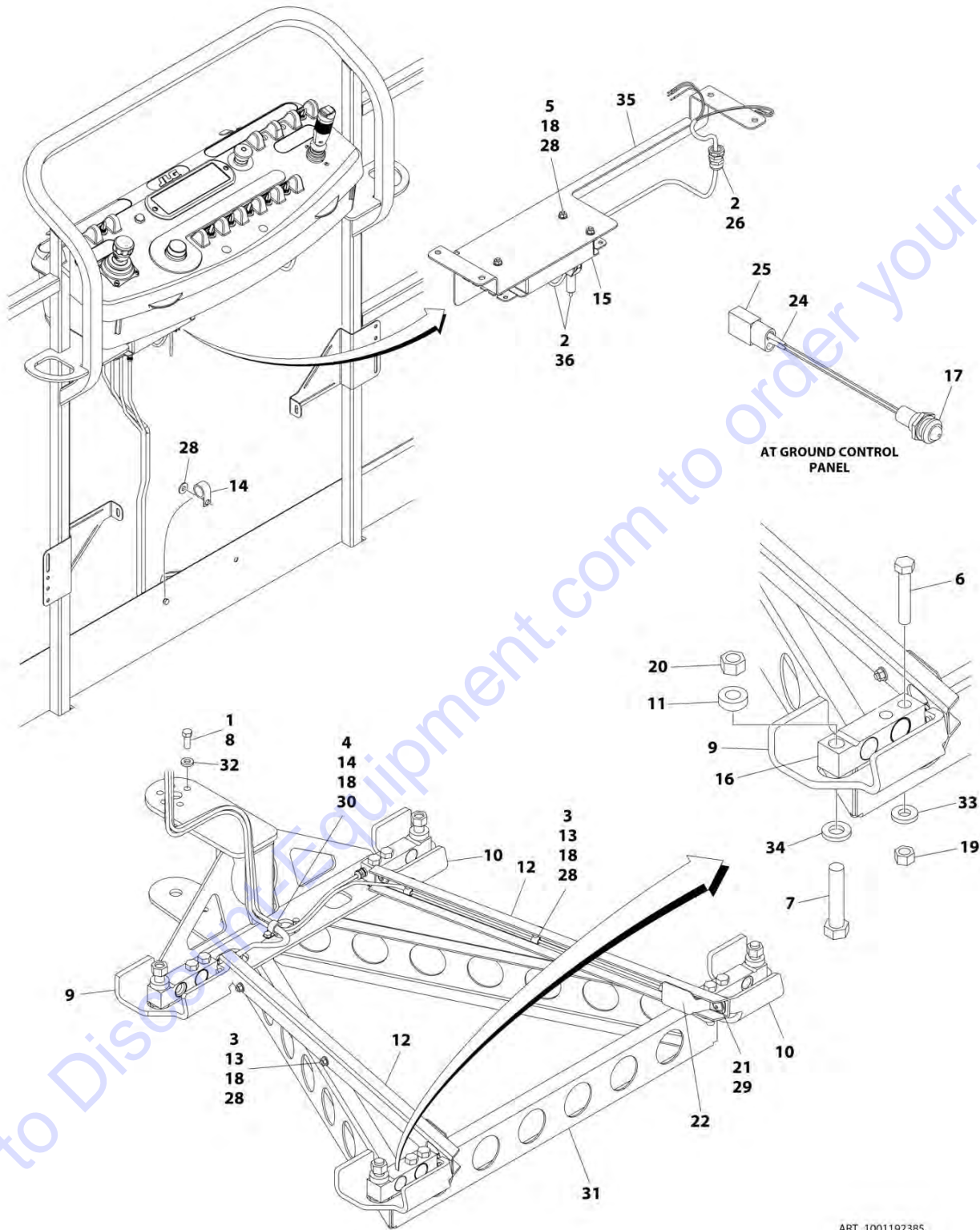
ART\_0272976

FIGURE 4-9. PLATFORM SUPPORT INSTALLATION - WITHOUT LSS

| ITEM | PART NUMBER | QTY | DESCRIPTION   | REV |
|------|-------------|-----|---|-----|
|      | 0272976     | Ref | PLATFORM SUPPORT INSTALLATION - WITHOUT LSS             | C   |
| 1    | 0100001     | AR  | Compound, Locking                                       |     |
| 2    | 0641610     | 8   | Bolt, 3/8-16 x 1-1/4 (SN 0300208530 through 0300223486) |     |
| 2    | 0641812     | 8   | Bolt, 1/2 x 1-1/2 (SN 0300223487 through 0300240700)    |     |
| 2    | 0761215     | AR  | Bolt, M12 x 35 (SN 0300240700 to Present)               |     |
| 3    | 0681608     | 6   | Bolt, 3/8-16 x 1, Grade 8                               |     |
| 4    | 3311605     | 8   | Nut, Lock, 3/8-16 (SN 0300208530 through 0300223486)    |     |
| 4    | 3311805     | 8   | Nut, Lock, 1/2-13 (SN 0300223487 through 0300240700)    |     |
| 4    | 3291205     | AR  | Nut, Lock, M12 x 1.75 (SN 0300240700 to Present)        |     |
| 5    | 4711600     | 16  | Washer, 3/8 (SN 0300208530 through 0300223486)          |     |
| 5    | 4711800     | 16  | Washer, 1/2 (SN 0300223487 through 0300240700)          |     |
| 5    | 5241200     | AR  | Washer, M12 (SN 0300240700 to Present)                  |     |
| 6    | 4846608     | 1   | Support, Weldment                                       |     |
| 7    | 4891600     | 6   | Washer, 3/8   |     |

# SECTION 4 - BOOM

## FIGURE 4-10. PLATFORM SUPPORT INSTALLATION - WITH 4 CELL LSS



ART\_1001192385

## SECTION 4 - BOOM

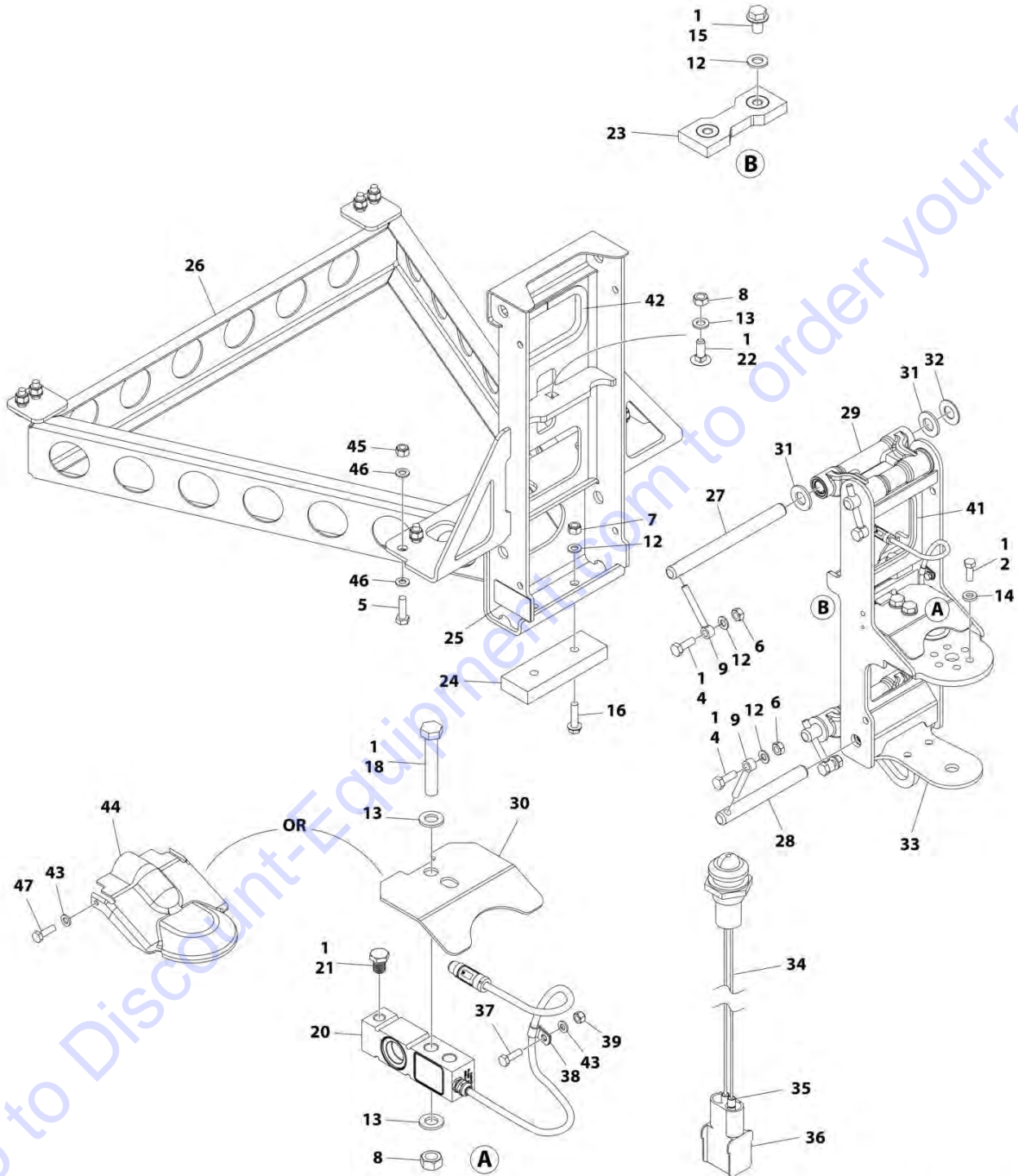
**FIGURE 4-10. PLATFORM SUPPORT INSTALLATION - WITH 4 CELL LSS**

| ITEM | PART NUMBER | QTY | DESCRIPTION   | REV |
|------|-------------|-----|---|-----|
|      | 1001192385  | Ref | PLATFORM SUPPORT INSTALLATION - WITH 4 CELL LSS                           | A   |
| 1    | 0100011     | AR  | Compound, Locking   |     |
| 2    | 0100048     | AR  | Grease, Dielectric  |     |
| 3    | 0641405     | 6   | Screw 1/4 x 5/8   |     |
| 4    | 0641407     | 1   | Bolt 1/4 x 7/8  |     |
| 5    | 0641416     | 3   | Bolt 1/4 x 2  |     |
| 6    | 0641822     | 8   | Bolt 1/2 x 2-3/4  |     |
| 7    | 0642024     | 4   | Bolt 5/8 x 3  |     |
| 8    | 0681608     | 6   | Bolt 3/8 x 1  |     |
| 9    | 0902919     | 2   | Bracket, Cell Guard   |     |
| 10   | 0902920     | 2   | Bracket, Cell Guard   |     |
| 11   | 0962450     | 4   | Bushing, Spacer   |     |
| 12   | 1271538     | 2   | Channel   |     |
| 13   | 1320136     | 6   | Clamp   |     |
| 14   | 1320224     | 2   | Clamp   |     |
| 15   | 1600387     | 1   | Electronic Interface Module (Note: Re-calibration Required when Replaced) |     |
| 16   | 2420202     | 4   | Load Cell Assembly  |     |
| 17   | 2920151     | 1   | Light   |     |
| 18   | 3311405     | 10  | Nut 1/4   |     |
| 19   | 3311805     | 8   | Nut 1/2   |     |
| 20   | 3312005     | 4   | Nut 5/8   |     |
| 21   | 3900283     | 4   | Screw 3/8 x 3/4   |     |
| 22   | 4061054     | 2   | Shield  |     |
| 23   | 4240033     | AR  | Tie-Strap (Not Shown)   |     |
| 24   | 4460226     | 2   | Socket, Female  |     |
| 25   | 4460424     | 1   | Connector - 2 Position  |     |
| 26   | 4460428     | 1   | Connector, Strain Relief  |     |
| 27   | 4460434     | 1   | Plug, Male - 15 Position (Not Shown - Located in Platform Console Box)    |     |
| 28   | 4711400     | 13  | Washer 1/4  |     |
| 29   | 4711600     | 4   | Washer 3/8  |     |
| 30   | 4751400     | 1   | Washer 1/4  |     |
| 31   | 4846608     | 1   | Platform Support  |     |
| 32   | 4891600     | 6   | Washer 3/8  |     |
| 33   | 4891800     | 8   | Washer 1/2  |     |
| 34   | 4892000     | 4   | Washer 5/8  |     |
| 35   | 1001113483  | 1   | Bracket, Module Mount   |     |
| 36   | 1001192283  | 1   | Harness, LSS System (See Separate Breakdown in ELECTRICAL SECTION)        |     |



# SECTION 4 - BOOM

## FIGURE 4-11. PLATFORM SUPPORT INSTALLATION - WITH 1 CELL LSS



ART\_1001219016

## SECTION 4 - BOOM

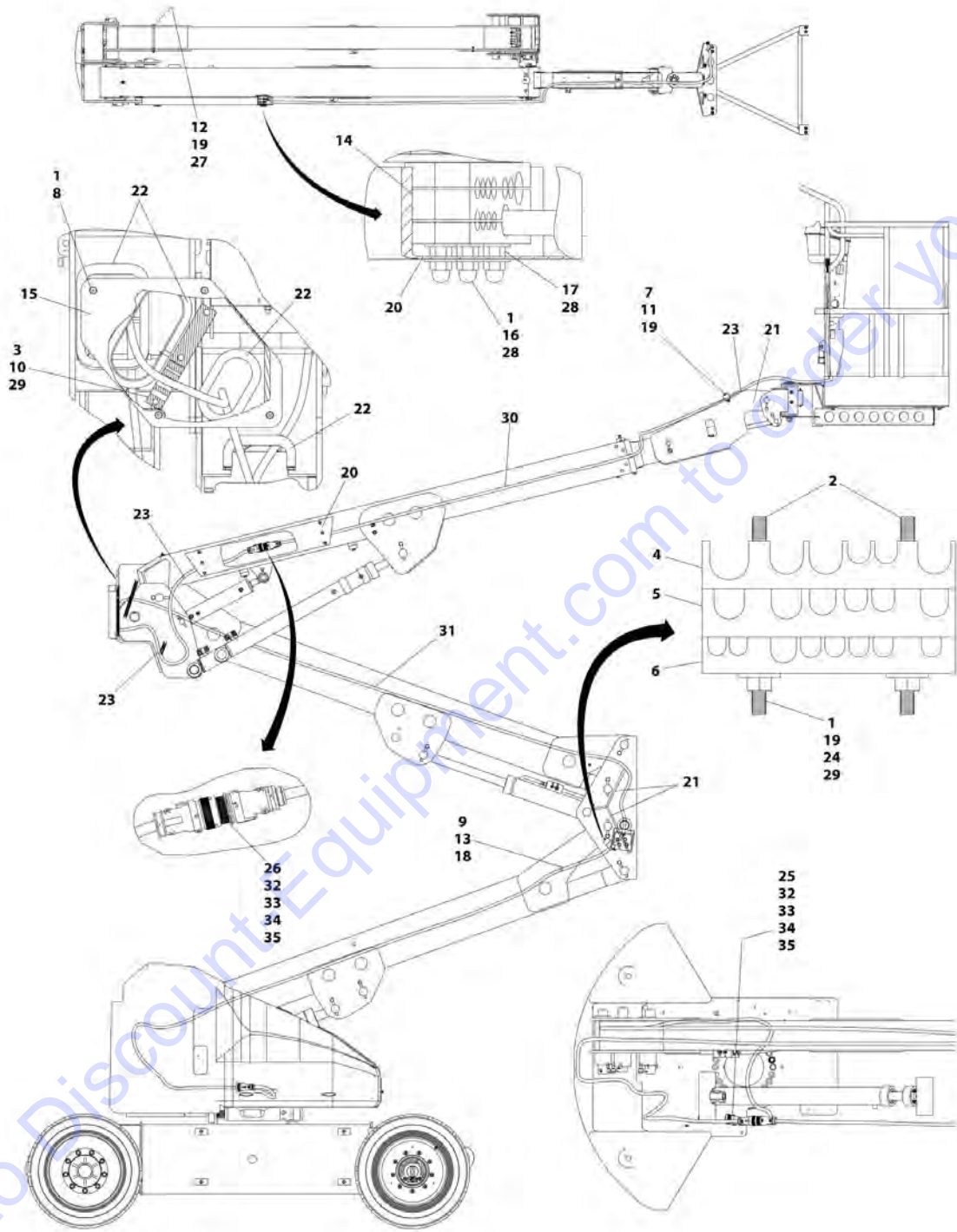
**FIGURE 4-11. PLATFORM SUPPORT INSTALLATION - WITH 1 CELL LSS**

| ITEM | PART NUMBER | QTY             | DESCRIPTION   | REV |
|------|-------------|-----------------|---|-----|
|      | 1001219016  | Ref             | PLATFORM SUPPORT INSTALLATION - WITH 1 CELL LSS                   | E   |
| 1    | 0100011     | AR              | Compound, Locking   |     |
| 2    | 0681608     | 6               | Bolt 3/8 x 1  |     |
| 4    | 0761014     | 4               | Bolt M10 x 30   |     |
| 5    | 0761015     | 8               | Bolt M10 x 35   |     |
| 5    | 0761215     | 8               | Bolt M12 x 35   |     |
| 6    | 3291001     | 4               | Nut M10   |     |
| 7    | 3291005     | 2               | Nut M10   |     |
| 8    | 3291201     | 3               | Nut M12   |     |
| 9    | 3841143     | 4               | Keeper  |     |
| 12   | 4812000     | 24              | Washer M10  |     |
| 13   | 4812100     | 5               | Washer M12  |     |
| 14   | 4891600     | 6               | Washer 3/8  |     |
| 15   | 5251008     | 2               | Bolt M10 x 16   |     |
| 16   | 5251016     | 2               | Bolt M10 x 40   |     |
| 18   | 1001098828  | 2               | Bolt M12 x 70 Grade 10.9  |     |
| 20   | 1001172663  | 1               | Gauge, Load Sensing   |     |
| 21   | 1001188622  | 1               | Screw M12   |     |
| 22   | 1001188844  | 1               | Bolt M12 x 35   |     |
| 23   | 1001190985  | 1               | Pad, Wear   |     |
| 24   | 1001200491  | 1               | Plate   |     |
| 25   | 1001216630  | 2               | Decal - Tie Down/No Lift  |     |
| 26   | 1001217228  | 1               | Platform Support  |     |
| 27   | 1001217242  | 2               | Pin   |     |
| 28   | 1001217243  | 2               | Pin   |     |
| 29   | 1001217244  | 2               | Link, LSS Assembly  |     |
| 29   | 1001217413  | 4               | Bearing   |     |
| 29   | 1001217249  | 4               | Seal  |     |
| 30   | 1001217250  | 1               | Plate <b>(Prior to SN 0300235576)</b>                             |     |
| 31   | 1001217253  | 8               | Bearing   |     |
| 32   | 1001217254  | 4               | Bearing   |     |
| 33   | 1001217267  | 1               | Support   |     |
| 34   | 2920151     | 1               | Light   |     |
| 35   | 4460226     | 2               | Socket, Female  |     |
| 36   | 4460424     | 1               | Connector - 2 Position  |     |
| 37   | 0760610     | 1               | Bolt M6 x 20  |     |
| 38   | 1320136     | 1               | Clamp   |     |
| 39   | 3290605     | 1               | Nut M6  |     |
| 41   | 4060804     | 1.2 ft/<br>0.4m | Flex-Trim   |     |
| 42   | 4060805     | 1.3 ft/<br>0.5m | Flex-Trim   |     |
| 43   | 4811702     | 3               | Washer M6   |     |
| 44   | 1001228627  | 1               | Cover, Platform Support and LSS <b>(SN 0300235576 to Present)</b> |     |
| 45   | 3291005     | 8               | Nut M10   |     |
| 45   | 3291205     | 8               | Nut M12   |     |
| 46   | 4812000     | 16              | Washer M10  |     |
| 46   | 5241200     | 16              | Washer M12  |     |
| 47   | 0760610     | 2               | Bolt M6 x 20  |     |
| 47   | 0760606     | 2               | Bolt M6 x 12  |     |



# SECTION 4 - BOOM

## FIGURE 4-12. CABLES AND CLAMPS INSTALLATION - E400AN



ART\_10011R3521

## SECTION 4 - BOOM

**FIGURE 4-12. CABLES AND CLAMPS INSTALLATION - E400AN**

| ITEM | PART NUMBER | QTY            | DESCRIPTION  | REV |
|------|-------------|----------------|--|-----|
|      | 1001183521  | Ref            | CABLES AND CLAMPS INSTALLATION - E400An                              | C   |
| 1    | 0100011     | AR             | Compound, Locking  |     |
| 2    | 0100019     | AR             | Compound, Locking  |     |
| 3    | 0561317     | 1              | Block, Hose Clamp  |     |
| 4    | 0561384     | 1              | Block, Hose Clamp  |     |
| 5    | 0561385     | 1              | Block, Hose Clamp  |     |
| 6    | 0561386     | 1              | Block, Hose Clamp  |     |
| 7    | 0561424     | 1              | Block, Hose Clamp  |     |
| 8    | 0630467     | 4              | Capscrew, Button 5-16-18 x 1/2                                       |     |
| 9    | 0641410     | 1              | Bolt, 1/4-20 x 1-1/4   |     |
| 10   | 0641514     | 3              | Bolt, 5/16-18 x 1-3/4  |     |
| 11   | 0641516     | 1              | Bolt, 5/16-18 x 2  |     |
| 12   | 0641560     | 1              | Bolt, 5/16-18 x 7-1/2  |     |
| 13   | 1320043     | 1              | Clamp, Cable   |     |
| 14   | 1320260     | 2              | Block, Hose Clamp  |     |
| 15   | 1670697     | 1              | Cover, Hose  |     |
| 16   | 3300151     | 6              | Nut, 1/4-20  |     |
| 17   | 3311401     | 6              | Nut, 1/4-20  |     |
| 18   | 3311405     | 1              | Nut, Lock, 1/4-20  |     |
| 19   | 3311505     | 4              | Nut, Lock, 5/16-18   |     |
| 20   | 3536999     | 1              | Shield   |     |
| 21   | 4060805     | 2 ft<br>/0.61m | Trim, Flex   |     |
| 22   | 4060808     | 6 ft<br>/1.83m | Trim, Flex   |     |
| 23   | 4240099     | AR             | Tie, Strap   |     |
| 24   | 4300140     | 2              | Stud, 5/16-18 x 3-5/8  |     |
| 25   | 1001188292  | 1              | Connector - 19 Position  |     |
| 26   | 1001188293  | 1              | Connector - 19 Position  |     |
| 27   | 4566243     | 1              | Roller   |     |
| 28   | 4751400     | 12             | Washer, 1/4  |     |
| 29   | 4751500     | 8              | Washer, 5/16   |     |
| 30   | 1001183867  | 1              | Harness Assembly - Upper Boom (See ELECTRICAL SECTION for Breakdown) |     |
| 31   | 1001183868  | 1              | Harness Assembly - Lower Boom (See ELECTRICAL SECTION for Breakdown) |     |
| 32   | 4240033     | AR             | Tie-Strap  |     |
| 33   | 4460466     | 8              | Terminal   |     |
| 34   | 1001188291  | 2              | Connector, Backshell   |     |
| 35   | 1001188354  | 2              | Grommet  |     |



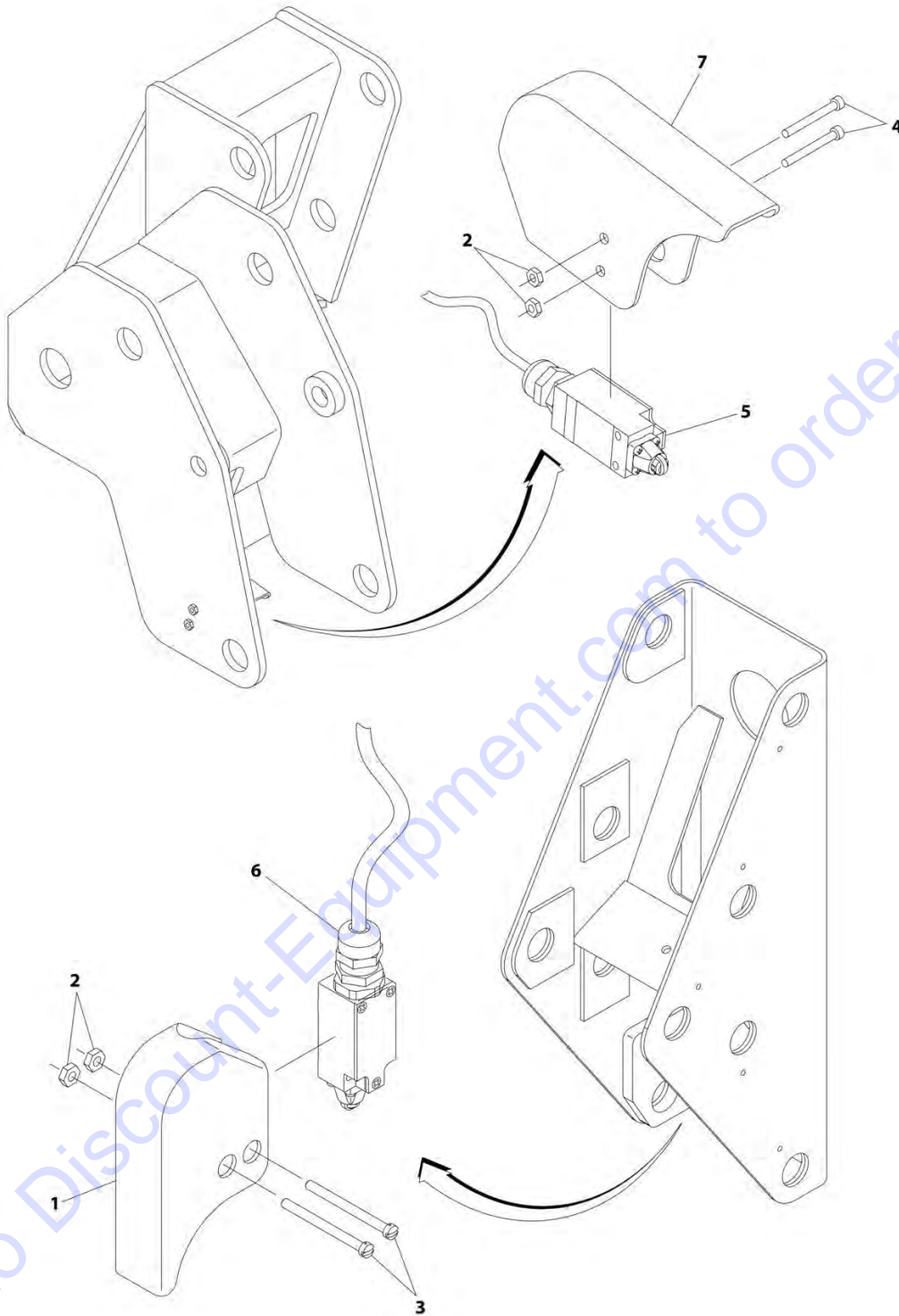
## SECTION 4 - BOOM

**FIGURE 4-13. CABLES AND CLAMPS INSTALLATION - E400AJP/M400AJP/E400AJPN/M400AJPN**

| ITEM | PART NUMBER | QTY              | DESCRIPTION  | REV |
|------|-------------|------------------|--|-----|
|      | 1001183520  | Ref              | CABLES AND CLAMPS INSTALLATION - E400AJP/M400AJP/E400AJPN/M400AJPN   | C   |
| 1    | 0100011     | AR               | Compound, Locking  |     |
| 2    | 0100019     | AR               | Compound, Locking  |     |
| 3    | 0561317     | 1                | Block, Hose Clamp  |     |
| 4    | 0561384     | 1                | Block, Hose Clamp  |     |
| 5    | 0561385     | 1                | Block, Hose Clamp  |     |
| 6    | 0561386     | 1                | Block, Hose Clamp  |     |
| 7    | 0630467     | 4                | Capscrew, Button 5-16-18 x 1/2                                       |     |
| 8    | 0641410     | 1                | Bolt, 1/4-20 x 1-1/4   |     |
| 9    | 0641514     | 3                | Bolt, 5/16-18 x 1-3/4  |     |
| 10   | 0641560     | 1                | Bolt, 5/16-18 x 7-1/2  |     |
| 11   | 1320043     | 1                | Clamp, Cable   |     |
| 12   | 1320260     | 2                | Block, Hose Clamp  |     |
| 13   | 1670697     | 1                | Cover, Hose  |     |
| 14   | 3300151     | 6                | Nut, 1/4-20  |     |
| 15   | 3311401     | 6                | Nut, 1/4-20  |     |
| 16   | 3311405     | 1                | Nut, Lock, 1/4-20  |     |
| 17   | 3311505     | 3                | Nut, Lock, 5/16-18   |     |
| 18   | 3571462     | 1                | Shield   |     |
| 19   | 4060805     | 1.5 ft<br>/0.46m | Trim, Flex   |     |
| 20   | 4060808     | 6 ft<br>/1.83m   | Trim, Flex   |     |
| 21   | 4100065     | 1                | Sleeve, Hose   |     |
| 22   | 4100067     | AR               | Sleeve, Hose   |     |
| 23   | 4240099     | AR               | Tie, Strap   |     |
| 24   | 4300140     | 2                | Stud, 5/16-18 x 3-5/8  |     |
| 25   | 1001188292  | 1                | Connector - 19 Position  |     |
| 26   | 1001188293  | 1                | Connector - 19 Position  |     |
| 27   | 4566243     | 1                | Roller   |     |
| 28   | 4751400     | 12               | Washer, 1/4  |     |
| 29   | 4751500     | 5                | Washer, 5/16   |     |
| 30   | 1001183867  | 1                | Harness Assembly - Upper Boom (See ELECTRICAL SECTION for Breakdown) |     |
| 31   | 1001183868  | 1                | Harness Assembly - Lower Boom (See ELECTRICAL SECTION for Breakdown) |     |
| 32   | 4240033     | AR               | Tie-Strap  |     |
| 33   | 4460466     | 8                | Terminal   |     |
| 34   | 1001188291  | 2                | Connector, Backshell   |     |
| 35   | 1001188354  | 2                | Grommet  |     |

# SECTION 4 - BOOM

## FIGURE 4-14. BOOM LIMIT SWITCHES INSTALLATION



ART\_1001187788

FIGURE 4-14. BOOM LIMIT SWITCHES INSTALLATION

| ITEM | PART NUMBER | QTY | DESCRIPTION   | REV |
|------|-------------|-----|---|-----|
|      | 1001187788  | Ref | BOOM LIMIT SWITCHES INSTALLATION  | D   |
| 1    | 1670832     | 1   | Cover, Switch - Lower   |     |
| 2    | 3311005     | 4   | Nut, Lock, #10-24   |     |
| 3    | 3900104     | 2   | Screw, Fillister Head, #10-24 x 2-1/4   |     |
| 4    | 3931028     | 2   | Screw, #10-24 x 1-3/4   |     |
| 5    | 1001187775  | 1   | Limit Switch Harness - Upper (Includes Limit Switch) (See ELECTRICAL SECTION for Breakdown) |     |
| 6    | 1001187776  | 1   | Limit Switch Harness - Lower (Includes Limit Switch) (See ELECTRICAL SECTION for Breakdown) |     |
| 7    | 1670833     | 1   | Cover, Switch   |     |

Go to Discount-Equipment.com to order your parts



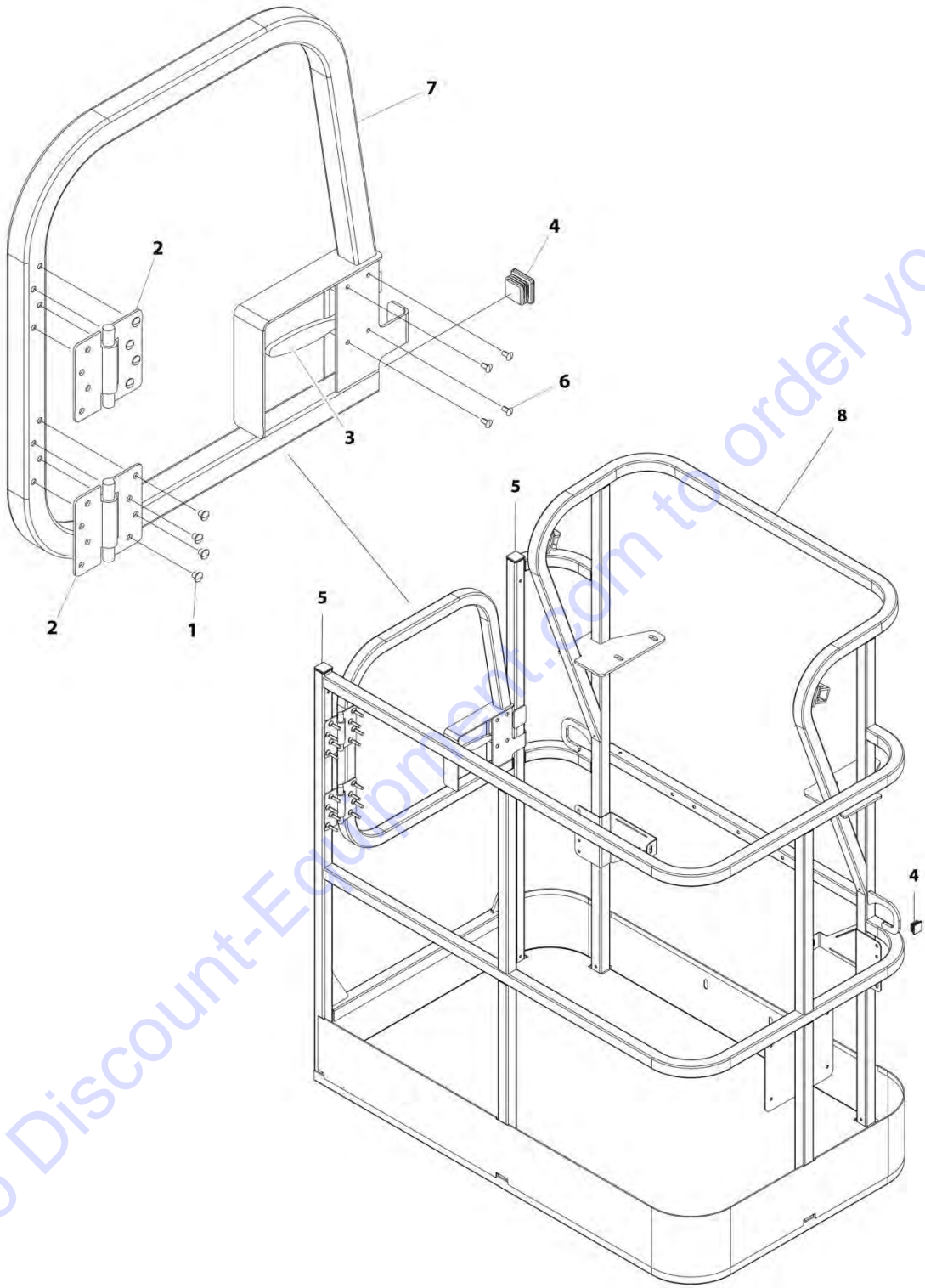
**SECTION 5 - PLATFORM**

Go to Discount-Equipment.com to order your parts



# SECTION 5 - PLATFORM

FIGURE 5-1. PLATFORM ASSEMBLY - 4FT/1.22M - SIDE GATE ENTRY



ART\_1001186387

## SECTION 5 - PLATFORM

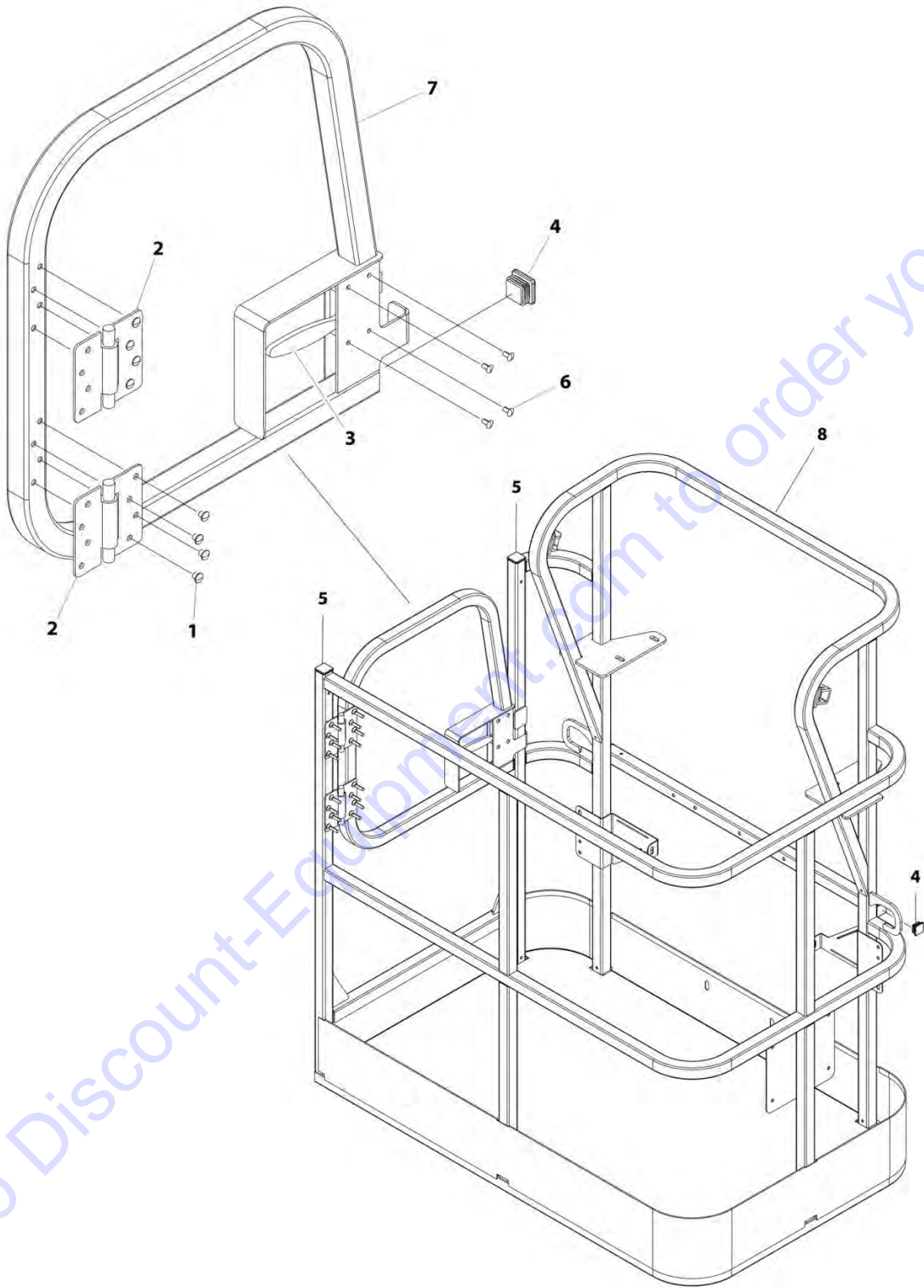
**FIGURE 5-1. PLATFORM ASSEMBLY - 4FT/1.22M - SIDE GATE ENTRY**

| ITEM | PART NUMBER | QTY | DESCRIPTION   | REV |
|------|-------------|-----|---|-----|
|      | 1001186387  | Ref | PLATFORM ASSEMBLY - 4ft/1.22m - SIDE GATE ENTRY   | C   |
|      |             | Ref | Note: Platform and Mesh must be ordered separately for Platforms with Mesh. See SPECIAL OPTIONS SECTION for Mesh Installations. |     |
|      |             | Ref | Note: Replacement Decals Must be Ordered Separately - See DECALS SECTION  |     |
| 1    | 2080040     | 16  | Fastener, Huck  |     |
| 2    | 2600281     | 2   | Hinge, Self-Closing   |     |
| 3    | 2940074     | 1   | Latch   |     |
| 4    | 3520072     | 3   | Plug, Cap   |     |
| 5    | 3520198     | 2   | Plug, Cap   |     |
| 6    | 3820020     | 4   | Rivet   |     |
| 7    | 1001144629  | 1   | Gate, Weldment  |     |
| 8    | See Note    | 1   | Platform, Weldment (Note: Not Available - Purchase Platform Assembly)   |     |

Go to Discount-Equipment.com to order your parts

# SECTION 5 - PLATFORM

FIGURE 5-2. PLATFORM ASSEMBLY - 5FT/1.52M - SIDE GATE ENTRY



ART\_1001186386

## SECTION 5 - PLATFORM

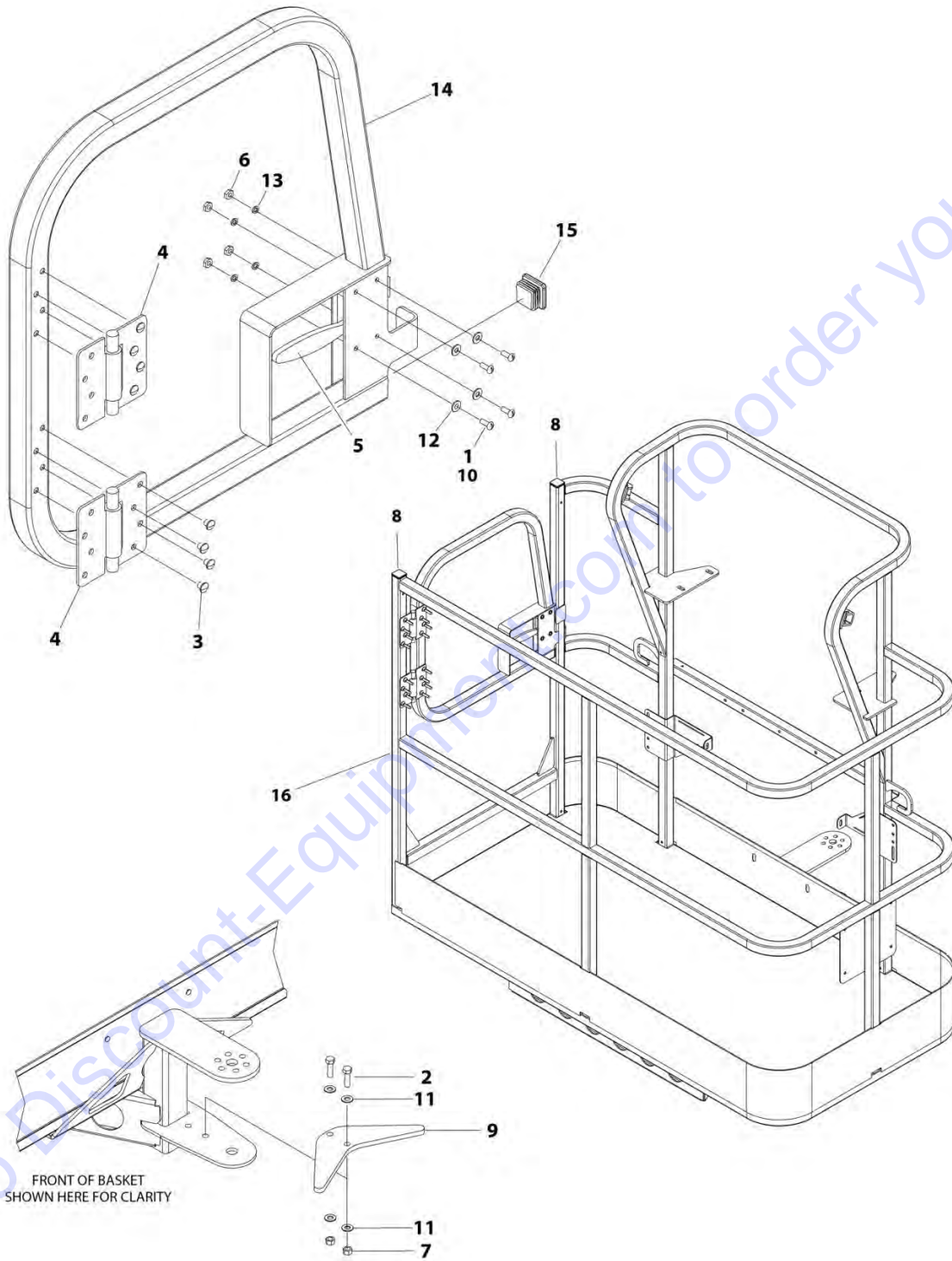
**FIGURE 5-2. PLATFORM ASSEMBLY - 5FT/1.52M - SIDE GATE ENTRY**

| ITEM | PART NUMBER | QTY | DESCRIPTION  | REV |
|------|-------------|-----|--|-----|
|      | 1001186386  | Ref | PLATFORM ASSEMBLY - 5ft/1.52m - SIDE GATE ENTRY  | C   |
|      |             | Ref | Note: Platform and Mesh must be ordered separately for Platforms with Mesh. See SPECTIAL OPTIONS SECTION for Mesh Installations. |     |
|      |             | Ref | Note: Replacement Decals Must be Ordered Separately - See DECALS SECTION   |     |
| 1    | 2080040     | 16  | Fastener, Huck   |     |
| 2    | 2600281     | 2   | Hinge, Self-Closing  |     |
| 3    | 2940074     | 1   | Latch  |     |
| 4    | 3520072     | 3   | Plug, Cap  |     |
| 5    | 3520198     | 2   | Plug, Cap  |     |
| 6    | 3820020     | 4   | Rivet  |     |
| 7    | 1001144629  | 1   | Gate, Weldment   |     |
| 8    | See Note    | 1   | Platform, Weldment (Note: Not Available - Purchase Platform Assembly)  |     |

Go to Discount-Equipment.com to order your parts

# SECTION 5 - PLATFORM

FIGURE 5-3. PLATFORM ASSEMBLY - 5FT/1.52M - SIDE GATE ENTRY - W/STOP AND WITHOUT LSS OR WITH 4 CELL LSS



## SECTION 5 - PLATFORM

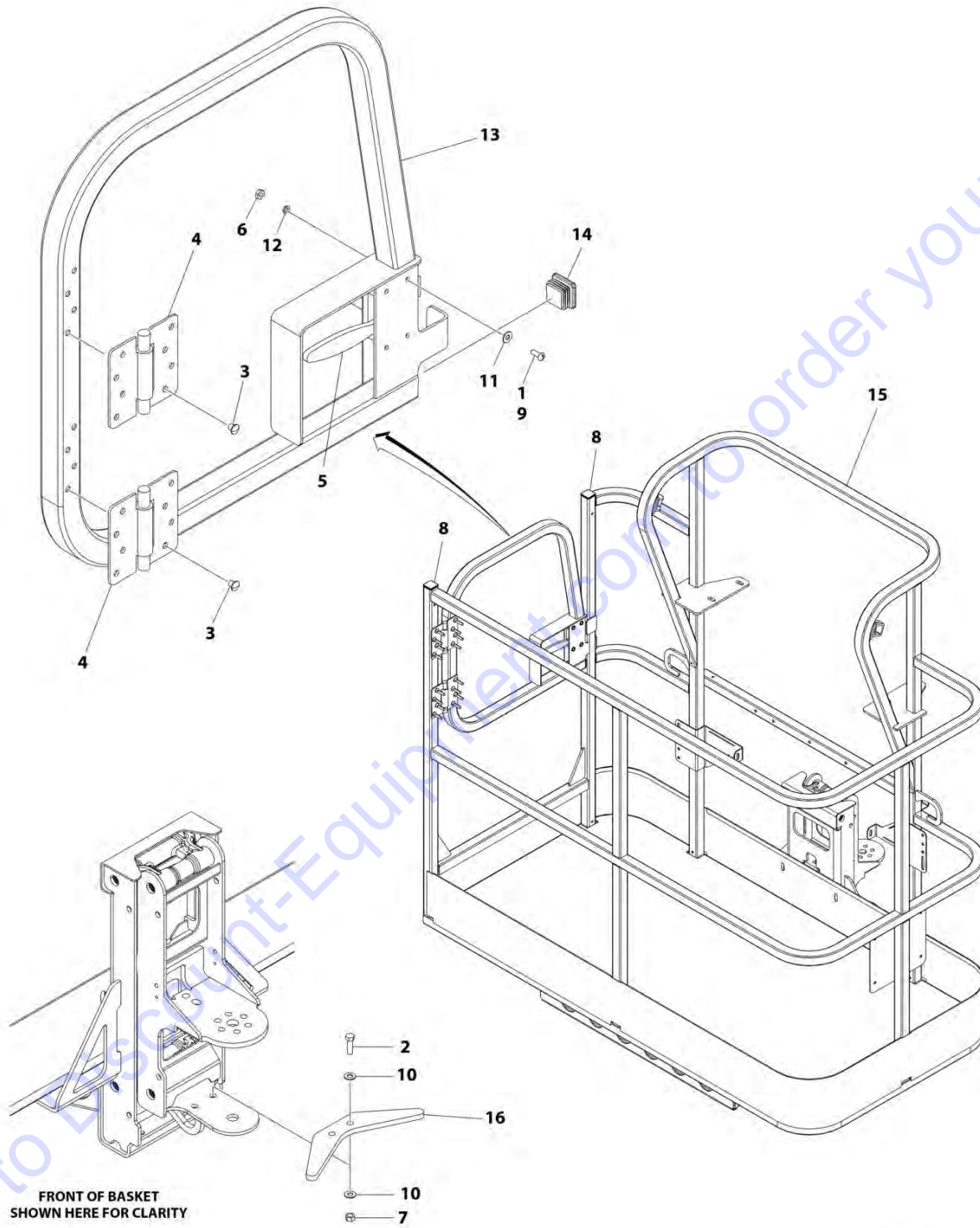
**FIGURE 5-3. PLATFORM ASSEMBLY - 5FT/1.52M - SIDE GATE ENTRY - W/STOP AND WITHOUT LSS OR WITH 4 CELL LSS**

| ITEM | PART NUMBER | QTY | DESCRIPTION  | REV |
|------|-------------|-----|--|-----|
|      | 1001188974  | Ref | PLATFORM ASSEMBLY - 5ft/1.52m - SIDE GATE ENTRY - W/STOP AND WITHOUT LSS OR WITH 4 CELL LSS                                      | C   |
|      |             | Ref | Note: Platform and Mesh must be ordered separately for Platforms with Mesh. See SPECTIAL OPTIONS SECTION for Mesh Installations. |     |
|      |             | Ref | Note: Replacement Decals Must be Ordered Separately - See DECAL SECTION.   |     |
| 1    | 0100011     | AR  | Compound, Locking  |     |
| 2    | 0641610     | 2   | Bolt 3/8-16 x 1-1/4  |     |
| 3    | 2080040     | 16  | Fastener, Huck (SN 0300208530 through 0300229853)  |     |
| 4    | 2600281     | 2   | Hinge, Self-Closing (SN 0300208530 through 0300229853)   |     |
| 5    | 2940074     | 1   | Latch (SN 0300208530 through 0300229853)   |     |
| 6    | 3311001     | 4   | Nut #10-24 (SN 0300208530 through 0300229853)  |     |
| 7    | 3311605     | 2   | Nut, Lock, 3/8-16  |     |
| 8    | 3520198     | 2   | Cap-Plug (SN 0300208530 through 0300229853)  |     |
| 9    | 3572413     | 1   | Stop   |     |
| 10   | 3911008     | 4   | Screw #10-24 x 1 (SN 0300208530 through 0300229853)  |     |
| 11   | 4761000     | 4   | Washer, Locking #10  |     |
| 12   | 4751000     | 4   | Washer, #10 (SN 0300208530 through 0300229853)   |     |
| 13   | 4711600     | 4   | Washer, 3/8 (SN 0300208530 through 0300229853)   |     |
| 14   | 1001144629  | 1   | Gate Weldment (SN 0300208530 through 0300229853)   |     |
| 15   | 1001144630  | 1   | Cap-Plug (SN 0300208530 through 0300229853)  |     |
| 16   | See Note    | 1   | Platform Weldment (Note: Not Available - Purchase Platform Assembly)   |     |



# SECTION 5 - PLATFORM

FIGURE 5-4. PLATFORM ASSEMBLY - 5FT/1.52M - SIDE GATE ENTRY - W/STOP AND 1 CELL LSS



ART\_1001222685

## SECTION 5 - PLATFORM

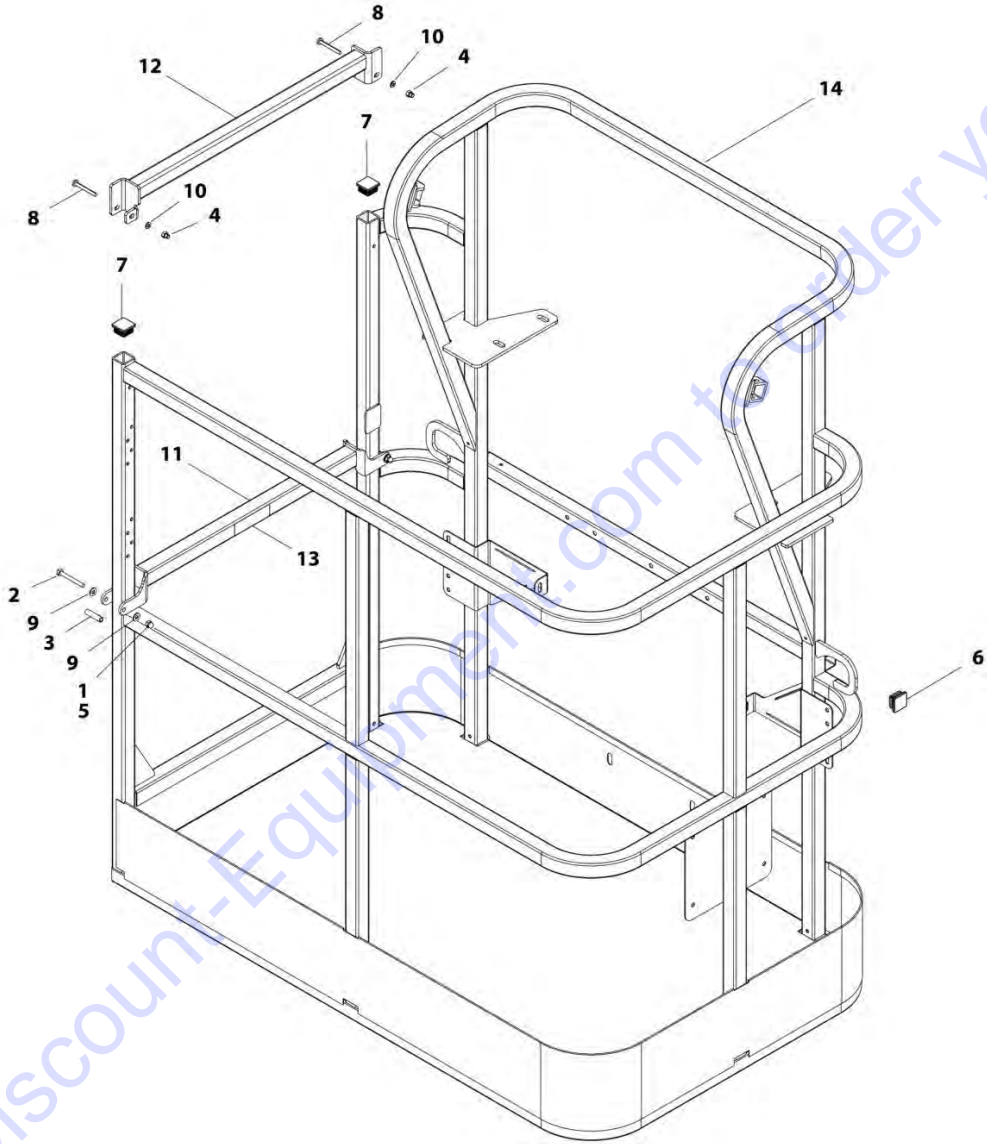
**FIGURE 5-4. PLATFORM ASSEMBLY - 5FT/1.52M - SIDE GATE ENTRY - W/STOP AND 1 CELL LSS**

| ITEM | PART NUMBER | QTY | DESCRIPTION  | REV |
|------|-------------|-----|--|-----|
|      | 1001222685  | Ref | PLATFORM ASSEMBLY - 5ft/1.52m - SIDE GATE ENTRY - W/STOP AND 1 CELL LSS  | A   |
|      |             | Ref | Note: Platform and Mesh must be ordered separately for Platforms with Mesh. See SPECTIAL OPTIONS SECTION for Mesh Installations. |     |
|      |             | Ref | Note: Replacement Decals Must be Ordered Separately - See DECAL SECTION.   |     |
| 1    | 0100011     | AR  | Compound, Locking  |     |
| 2    | 0641610     | 2   | Bolt 3/8-16 x 1-1/4  |     |
| 3    | 2080040     | 16  | Fastener, Huck   |     |
| 4    | 2600281     | 2   | Hinge, Self-Closing  |     |
| 5    | 2940074     | 1   | Latch  |     |
| 6    | 3311001     | 4   | Nut #10-24   |     |
| 7    | 3311605     | 2   | Nut, Lock, 3/8-16  |     |
| 8    | 3520198     | 2   | Cap-Plug   |     |
| 9    | 3911008     | 4   | Screw #10-24 x 1   |     |
| 10   | 4711600     | 4   | Washer, 3/8  |     |
| 11   | 4751000     | 4   | Washer, #10  |     |
| 12   | 4761000     | 4   | Washer, Locking #10  |     |
| 13   | 1001144629  | 1   | Gate Weldment  |     |
| 14   | 1001144630  | 1   | Cap-Plug   |     |
| 15   | See Note    | 1   | Platform Weldment (Note: Not Available - Purchase Platform Assembly)   |     |
| 16   | 1001217598  | 1   | Stop   |     |



# SECTION 5 - PLATFORM

FIGURE 5-5. PLATFORM ASSEMBLY - 4FT/1.22M - DROP BAR ENTRY



ART\_1001186375

## SECTION 5 - PLATFORM

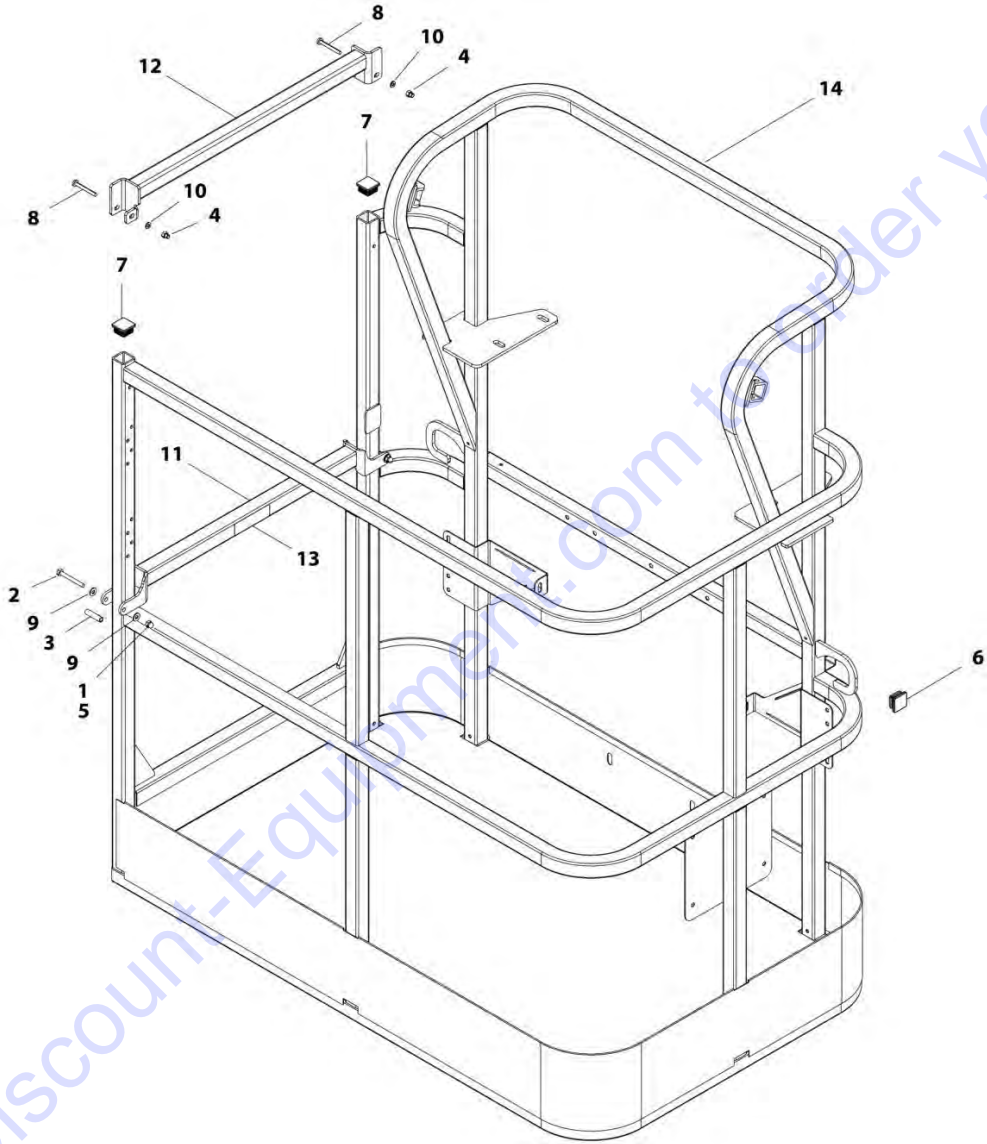
**FIGURE 5-5. PLATFORM ASSEMBLY - 4FT/1.22M - DROP BAR ENTRY**

| ITEM | PART NUMBER | QTY | DESCRIPTION  | REV |
|------|-------------|-----|--|-----|
|      | 1001186375  | Ref | PLATFORM ASSEMBLY - 4FT/1.22M - DROP BAR ENTRY                           | B   |
|      |             | Ref | Note: Replacement Decals Must be Ordered Separately - See DECALS SECTION |     |
| 1    | 0100011     | AR  | Compound, Locking  |     |
| 2    | 0641418     | 2   | Bolt, 1/4-20 X 2-1/4   |     |
| 3    | 0961845     | 2   | Bushing  |     |
| 4    | 3290606     | 2   | Nut, M6  |     |
| 5    | 3300151     | 2   | Nut, Acorn, 1/4-20   |     |
| 6    | 3520072     | 2   | Plug, Cap  |     |
| 7    | 3520198     | 2   | Plug, Cap  |     |
| 8    | 4010618     | 2   | Screw, M6 X 50   |     |
| 9    | 4711400     | 4   | Washer, 1/4  |     |
| 10   | 4811700     | 2   | Washer, M6   |     |
| 11   | 1001138494  | 1   | Bar, Drop  |     |
| 12   | 1001138514  | 1   | Rail - Top   |     |
| 13   | 1001140429  | 1   | Decal - Drop Bar   |     |
| 14   | See Note    | 1   | Platform, Weldment (Note: Not Available - Purchase Platform Assembly)    |     |

Go to Discount-Equipment.com to order your parts

# SECTION 5 - PLATFORM

FIGURE 5-6. PLATFORM ASSEMBLY - 5FT/1.52M - DROP BAR ENTRY



ART\_1001186377

## SECTION 5 - PLATFORM

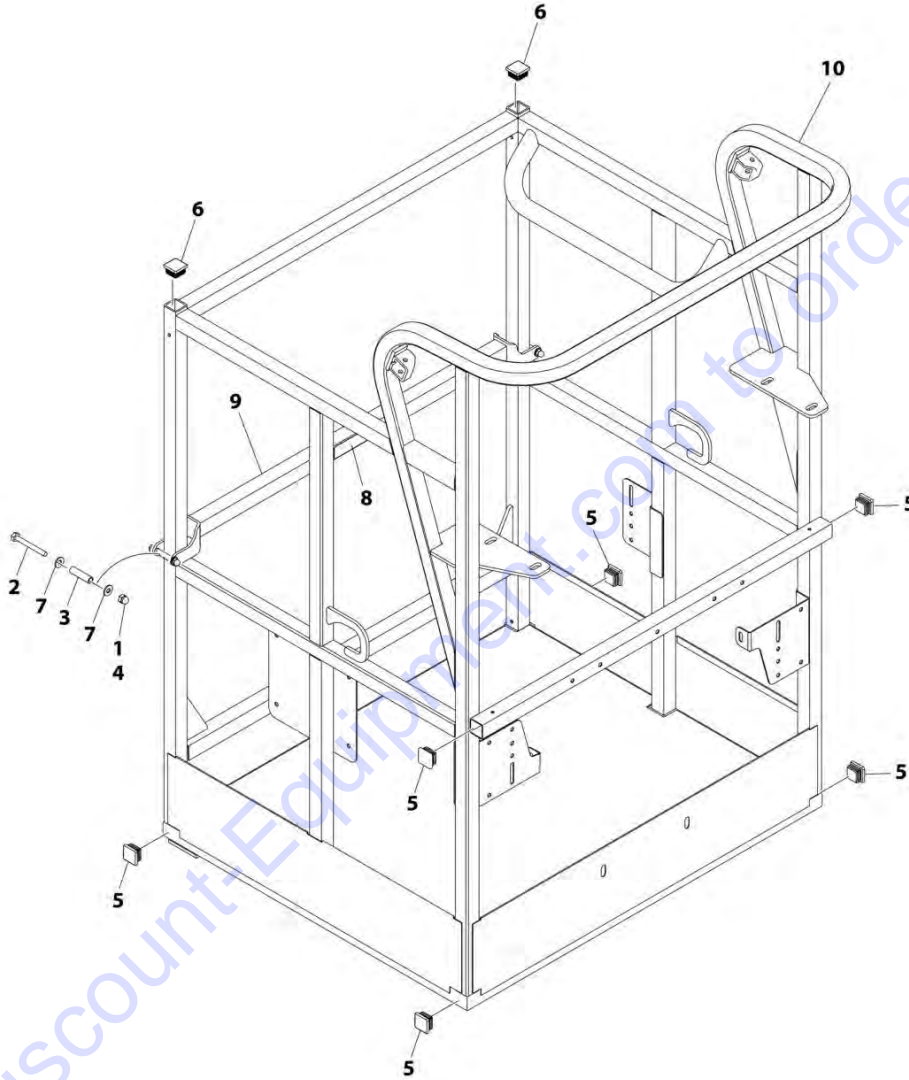
**FIGURE 5-6. PLATFORM ASSEMBLY - 5FT/1.52M - DROP BAR ENTRY**

| ITEM | PART NUMBER | QTY | DESCRIPTION  | REV |
|------|-------------|-----|--|-----|
|      | 1001186377  | Ref | PLATFORM ASSEMBLY - 5FT/1.52M - DROP BAR ENTRY                           | B   |
|      |             | Ref | Note: Replacement Decals Must be Ordered Separately - See DECALS SECTION |     |
| 1    | 0100011     | AR  | Compound, Locking  |     |
| 2    | 0641418     | 2   | Bolt, 1/4-20 X 2-1/4   |     |
| 3    | 0961845     | 2   | Bushing  |     |
| 4    | 3290606     | 2   | Nut, M6  |     |
| 5    | 3300151     | 2   | Nut, Acorn, 1/4-20   |     |
| 6    | 3520072     | 2   | Plug, Cap  |     |
| 7    | 3520198     | 2   | Plug, Cap  |     |
| 8    | 4010618     | 2   | Screw, M6 X 50   |     |
| 9    | 4711400     | 4   | Washer, 1/4  |     |
| 10   | 4811700     | 2   | Washer, M6   |     |
| 11   | 1001138494  | 1   | Bar, Drop  |     |
| 12   | 1001138514  | 1   | Rail - Top   |     |
| 13   | 1001140429  | 1   | Decal - Drop Bar   |     |
| 14   | See Note    | 1   | Platform, Weldment (Note: Not Available - Purchase Platform Assembly)    |     |

Go to Discount-Equipment.com to order your parts

# SECTION 5 - PLATFORM

FIGURE 5-7. PLATFORM ASSEMBLY - 5FT/1.52M - DROP BAR ENTRY



ART\_1001228215

## SECTION 5 - PLATFORM

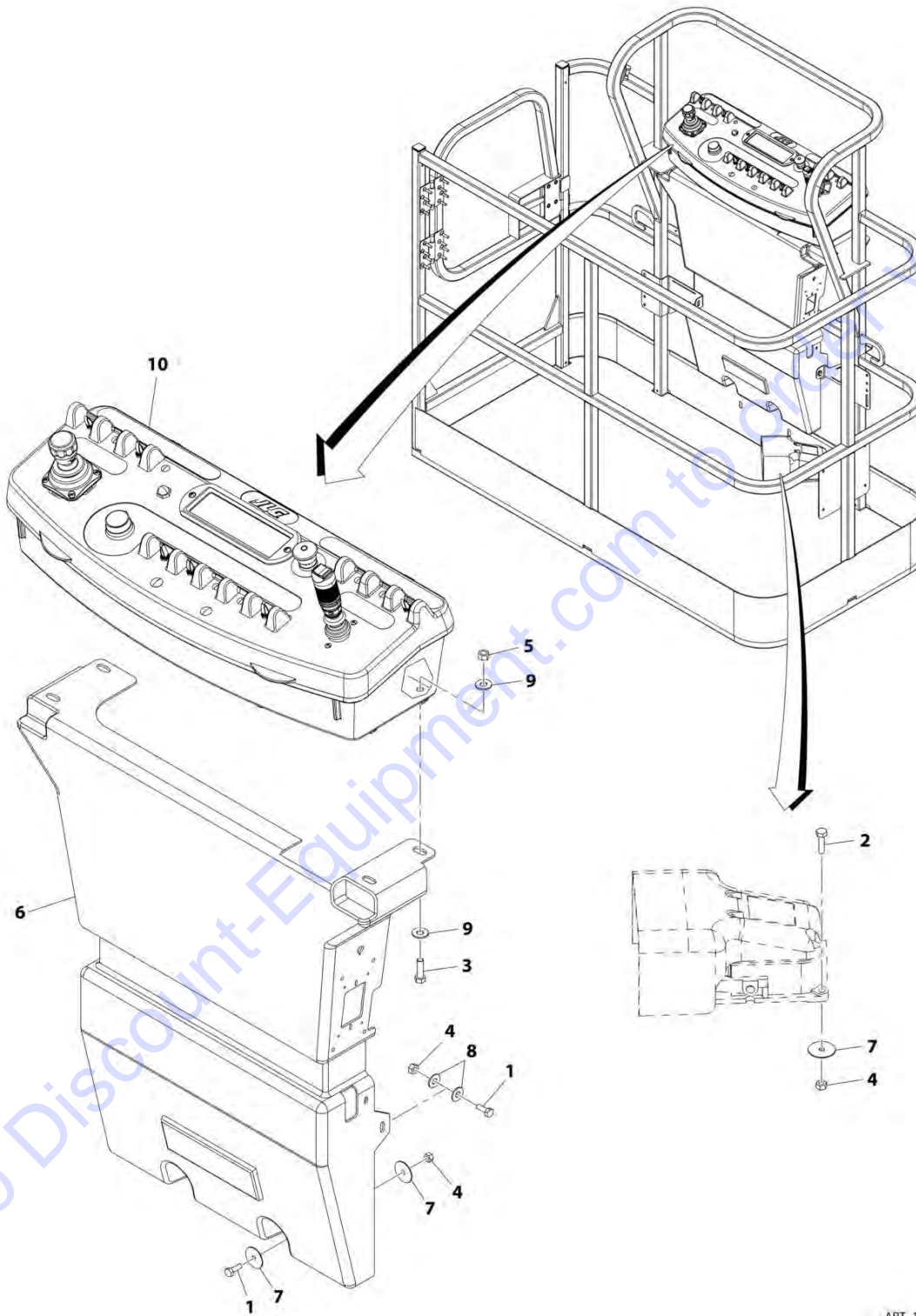
**FIGURE 5-7. PLATFORM ASSEMBLY - 5FT/1.52M - DROP BAR ENTRY**

| ITEM | PART NUMBER | QTY | DESCRIPTION   | REV |
|------|-------------|-----|---|-----|
|      | 1001228215  | Ref | PLATFORM ASSEMBLY - 30IN X 3FT (76CM X .91M) - DROP BAR ENTRY   | A   |
|      | See Note    | Ref | Note: Platform and Mesh must be ordered separately for Platforms with Mesh. See SPECIAL OPTIONS SECTION for Mesh Installations. |     |
|      | See Note    | Ref | Note: Replacement Decals Must be Ordered Separately - See DECAL SECTION.  |     |
| 1    | 0100011     | AR  | Compound, Locking   |     |
| 2    | 0641418     | 2   | Bolt 1/4 x 2-1/4  |     |
| 3    | 0961845     | 2   | Bushing   |     |
| 4    | 3300151     | 2   | Nut 1/4   |     |
| 5    | 3520072     | 6   | Cap, Plug   |     |
| 6    | 3520198     | 2   | Cap, Plug   |     |
| 7    | 4711400     | 4   | Washer 1/4  |     |
| 8    | 1001140429  | 1   | Decal - Drop Bar  |     |
| 9    | 1001226872  | 1   | Bar, Drop   |     |
| 10   | See Note    | NSS | Platform, Weldment (Note: Not Available - Purchase Platform Assembly)   |     |

Go to Discount-Equipment.com to order your parts

## SECTION 5 - PLATFORM

FIGURE 5-8. PLATFORM CONSOLE AND FOOTSWITCH INSTALLATION - WITHOUT LSS OR WITH 4 CELL LSS - WITHOUT SKYGUARD - E400AN



ART\_1001183512

## SECTION 5 - PLATFORM

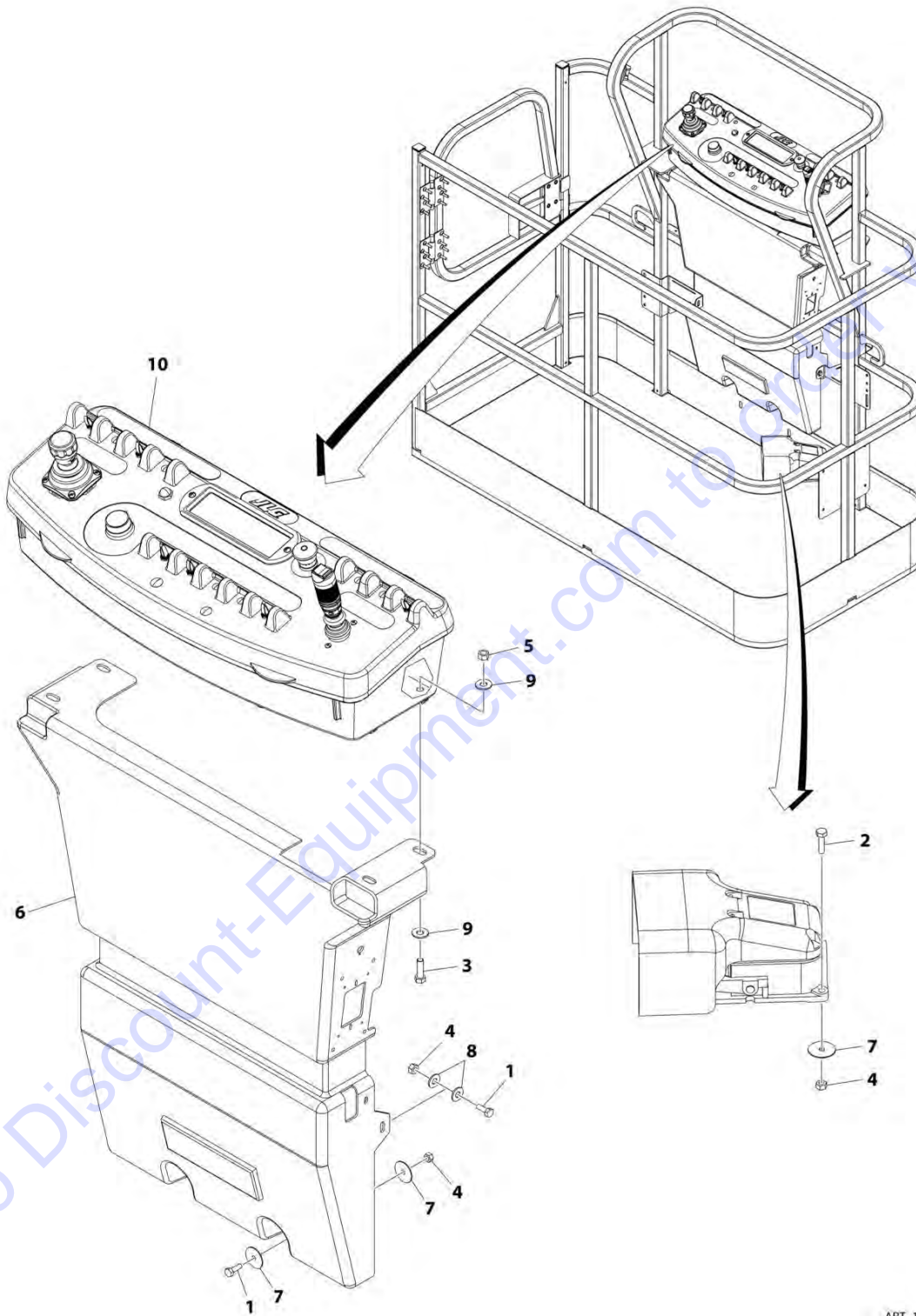
**FIGURE 5-8. PLATFORM CONSOLE AND FOOTSWITCH INSTALLATION - WITHOUT LSS OR WITH 4 CELL LSS - WITHOUT SKYGUARD - E400AN**

| ITEM | PART NUMBER | QTY | DESCRIPTION  | REV |
|------|-------------|-----|--|-----|
|      | 1001183512  | Ref | PLATFORM CONSOLE AND FOOTSWITCH INSTALLATION - WITHOUT LSS OR WITH 4 CELL LSS - WITHOUT SKYGUARD - E400An                              | B   |
| 1    | 0641406     | 4   | Bolt, 1/4-20 X 3/4   |     |
| 2    | 0641408     | 3   | Bolt, 1/4-20 X 1   |     |
| 3    | 0641610     | 4   | Bolt, 3/8-16 X 1-1/4   |     |
| 4    | 3311405     | 7   | Nut, Lock, 1/4-20  |     |
| 5    | 3311605     | 4   | Nut, Lock, 3/8-16  |     |
| 6    | 3380434     | 1   | Panel, Pedestal  |     |
| 7    | 4740362     | 7   | Washer, 1/4  |     |
| 8    | 4751400     | 4   | Washer, 1/4  |     |
| 9    | 4751600     | 8   | Washer, 3/8  |     |
| 10   | 1001183693  | NLA | Platform Console Assembly (See PLATFORM CONSOLE ASSEMBLY for Breakdown) (Use p/n 1001202581) <b>(SN 0300208530 through 0300219911)</b> |     |
| 10   | 1001202581  | 1   | Platform Console Assembly (See PLATFORM CONSOLE ASSEMBLY for Breakdown) <b>(SN 0300219912 to Present)</b>                              |     |



## SECTION 5 - PLATFORM

FIGURE 5-9. PLATFORM CONSOLE AND FOOTSWITCH INSTALLATION - WITHOUT LSS OR WITH 4 CELL LSS - WITH SKYGUARD - E400AN - UL SPECS (SN 0300208530 through 0300256446)



ART\_1001216147

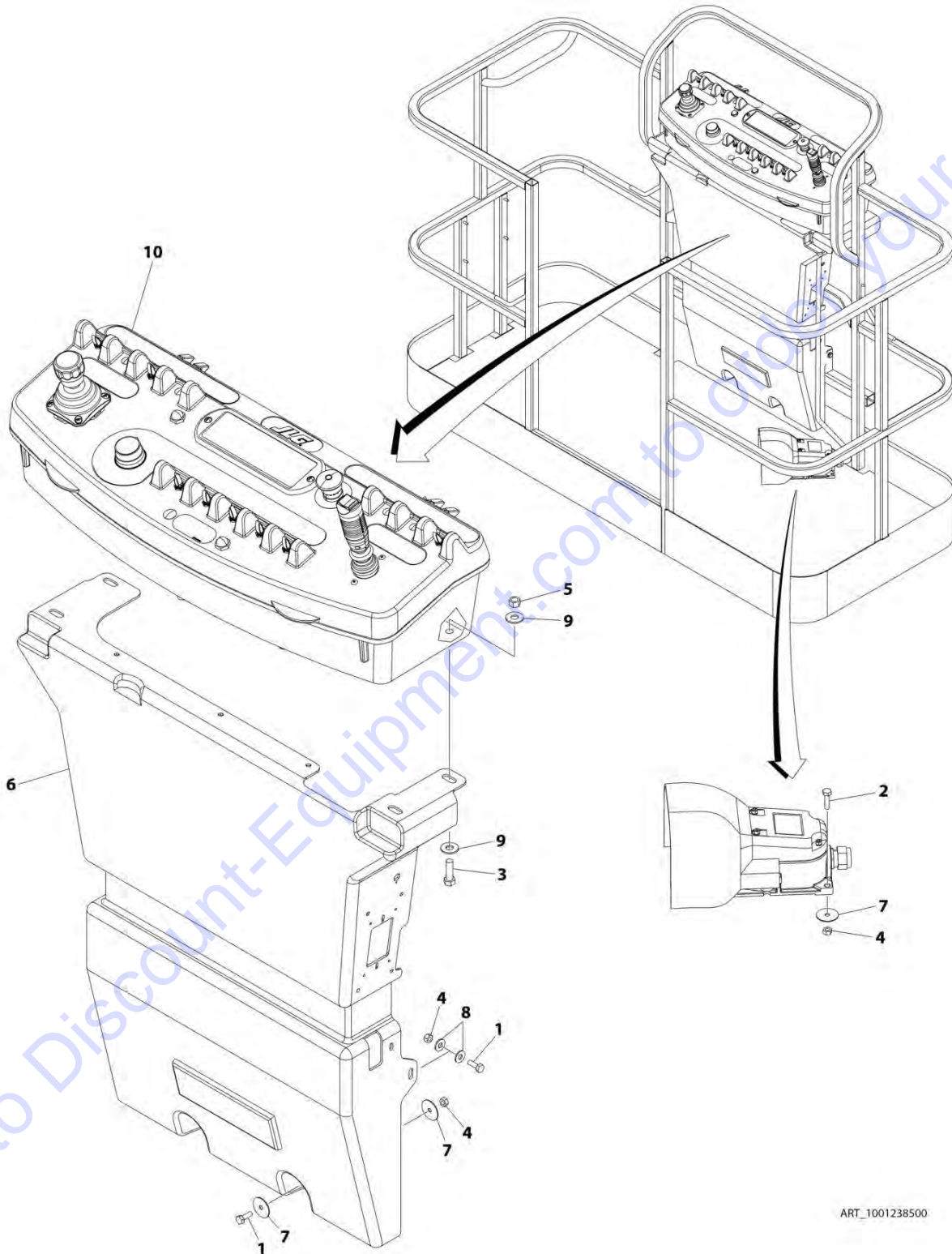
## SECTION 5 - PLATFORM

**FIGURE 5-9. PLATFORM CONSOLE AND FOOTSWITCH INSTALLATION - WITHOUT LSS OR WITH 4 CELL LSS - WITH SKYGUARD - E400AN - UL SPECS (SN 0300208530 through 0300256446)**

| ITEM | PART NUMBER | QTY | DESCRIPTION  | REV |
|------|-------------|-----|--|-----|
|      | 1001216147  | Ref | PLATFORM CONSOLE AND FOOTSWITCH INSTALLATION - WITHOUT LSS OR WITH 4 CELL LSS - WITH SKYGUARD - E400AN - UL SPECS                | B   |
| 1    | 0641406     | 4   | Bolt, 1/4-20 X 3/4   |     |
| 2    | 0641408     | 3   | Bolt, 1/4-20 X 1   |     |
| 3    | 0641610     | 4   | Bolt, 3/8-16 X 1-1/4   |     |
| 4    | 3311405     | 7   | Nut, Lock, 1/4-20  |     |
| 5    | 3311605     | 4   | Nut, Lock, 3/8-16  |     |
| 6    | 3380434     | 1   | Panel, Pedestal  |     |
| 7    | 4740362     | 7   | Washer, 1/4  |     |
| 8    | 4751400     | 4   | Washer, 1/4  |     |
| 9    | 4751600     | 8   | Washer, 3/8  |     |
| 10   | 1001216153  | NLA | Platform Console Assembly (Use p/n 1001238493) (See PLATFORM CONSOLE ASSEMBLY - WITH SKYGUARD - E400AN - UL SPECS for Breakdown) |     |

## SECTION 5 - PLATFORM

FIGURE 5-10. PLATFORM CONSOLE AND FOOTSWITCH INSTALLATION - WITHOUT LSS OR WITH 4 CELL LSS - E400AN - UL SPECS (SN 0300256447 to Present)



## SECTION 5 - PLATFORM

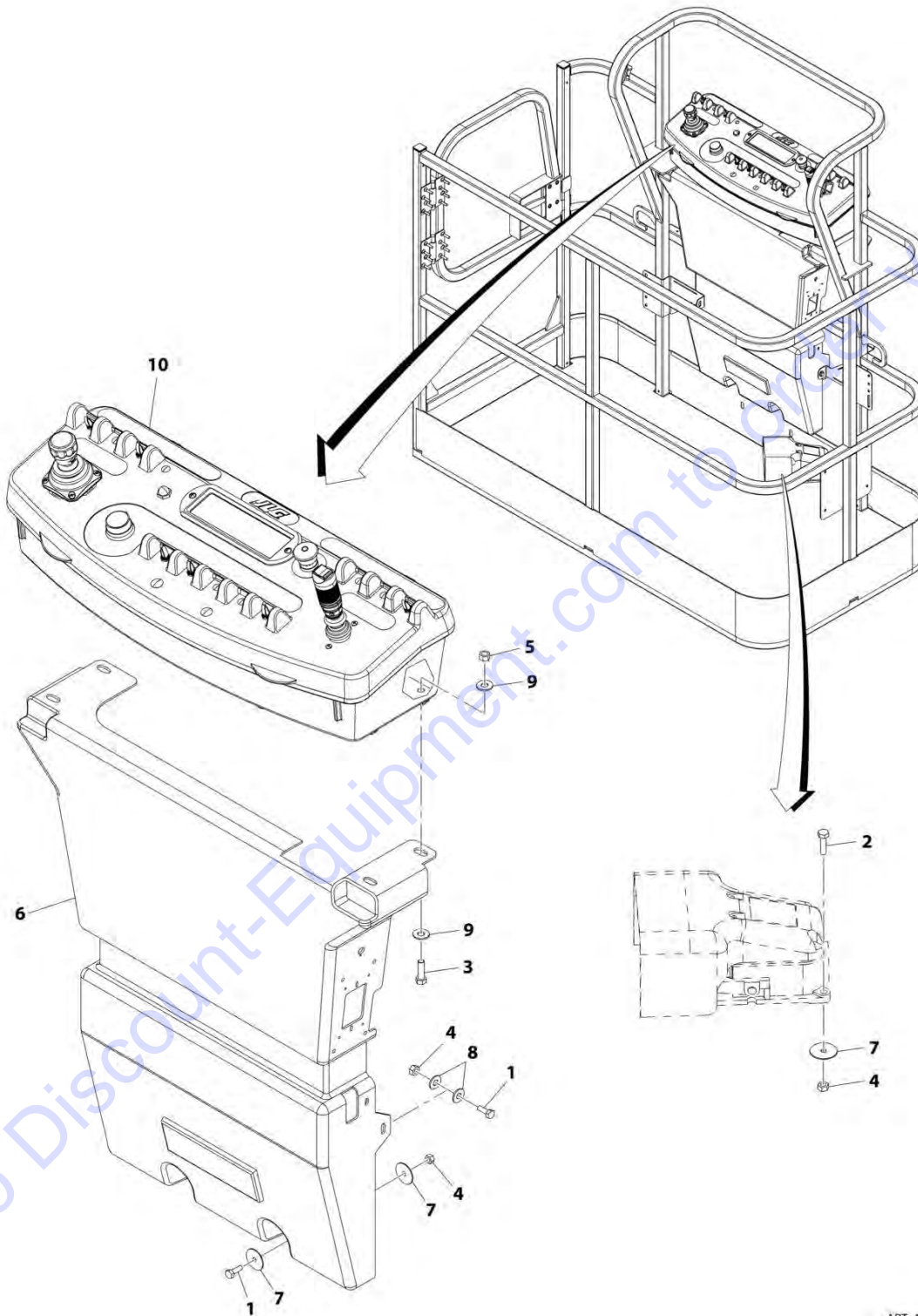
**FIGURE 5-10. PLATFORM CONSOLE AND FOOTSWITCH INSTALLATION - WITHOUT LSS OR WITH 4 CELL LSS - E400AN - UL SPECS (SN 0300256447 to Present)**

| ITEM | PART NUMBER | QTY | DESCRIPTION  | REV |
|------|-------------|-----|--|-----|
|      | 1001238500  | Ref | PLATFORM CONSOLE AND FOOTSWITCH INSTALLATION (UL SPECS)  | A   |
| 1    | 0641406     | 4   | Bolt, 1/4-20 X 3/4   |     |
| 2    | 0641408     | 3   | Bolt, 1/4-20 X 1   |     |
| 3    | 0641610     | 4   | Bolt, 3/8-16 X 1-1/4   |     |
| 4    | 3311405     | 7   | Nut, Lock, 1/4-20  |     |
| 5    | 3311605     | 4   | Nut, Lock, 3/8-16  |     |
| 6    | 3380434     | 1   | Panel, Pedestal  |     |
| 7    | 4740362     | 7   | Washer, 1/4  |     |
| 8    | 4751400     | 4   | Washer, 1/4  |     |
| 9    | 4751600     | 8   | Washer, 3/8  |     |
| 10   | 1001238493  | 1   | Platform Console Assembly (See PLATFORM CONSOLE ASSEMBLY - WITH SKYGUARD (UL SPECS) for Breakdown) |     |

Go to Discount-Equipment.com to order your parts

## SECTION 5 - PLATFORM

FIGURE 5-11. PLATFORM CONSOLE AND FOOTSWITCH INSTALLATION - WITHOUT LSS OR WITH 4 CELL LSS - WITH SKYGUARD - E400AN (Prior to SN 0300240700)



ART\_1001196487

## SECTION 5 - PLATFORM

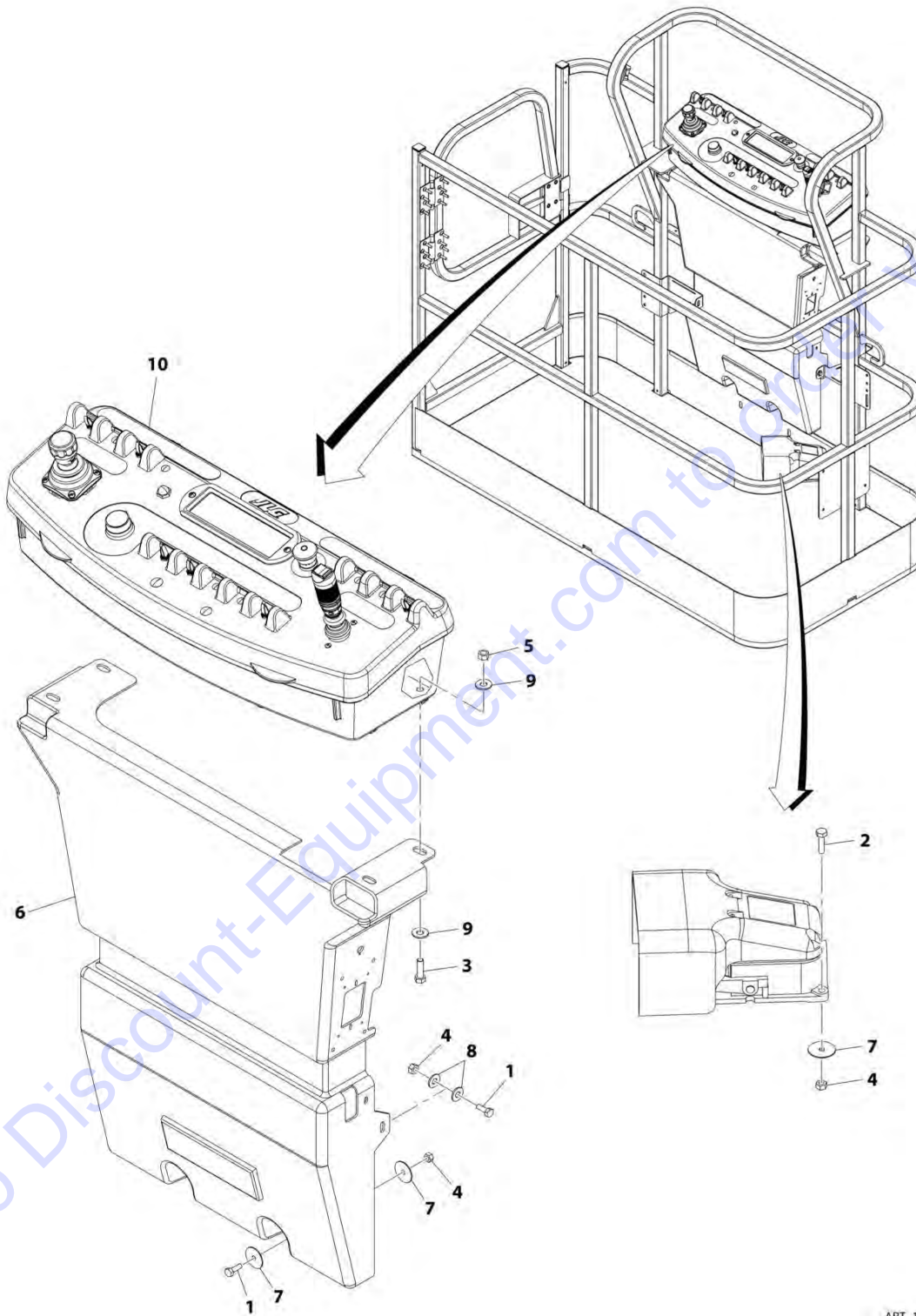
**FIGURE 5-11. PLATFORM CONSOLE AND FOOTSWITCH INSTALLATION - WITHOUT LSS OR WITH 4 CELL LSS - WITH SKYGUARD - E400An (Prior to SN 0300240700)**

| ITEM | PART NUMBER | QTY | DESCRIPTION  | REV |
|------|-------------|-----|--|-----|
|      | 1001196487  | Ref | PLATFORM CONSOLE AND FOOTSWITCH INSTALLATION - WITHOUT LSS OR WITH 4 CELL LSS - WITH SKYGUARD - E400An <b>(Prior to SN 0300240700)</b> | C   |
| 1    | 0641406     | 4   | Bolt, 1/4-20 X 3/4   |     |
| 2    | 0641408     | 3   | Bolt, 1/4-20 X 1   |     |
| 3    | 0641610     | 4   | Bolt, 3/8-16 X 1-1/4   |     |
| 4    | 3311405     | 7   | Nut, Lock, 1/4-20  |     |
| 5    | 3311605     | 4   | Nut, Lock, 3/8-16  |     |
| 6    | 3380434     | 1   | Panel, Pedestal  |     |
| 7    | 4740362     | 7   | Washer, 1/4  |     |
| 8    | 4751400     | 4   | Washer, 1/4  |     |
| 9    | 4751600     | 8   | Washer, 3/8  |     |
| 10   | 1001196486  | NLA | Platform Console Assembly (See PLATFORM CONSOLE ASSEMBLY for Breakdown) (Use p/n 1001202585) <b>(SN 0300208530 through 0300219911)</b> |     |
| 10   | 1001202585  | 1   | Platform Console Assembly (See PLATFORM CONSOLE ASSEMBLY for Breakdown) <b>(SN 0300219912 through 0300240700)</b>                      |     |



## SECTION 5 - PLATFORM

FIGURE 5-12. PLATFORM CONSOLE AND FOOTSWITCH INSTALLATION - WITHOUT LSS OR WITH 4 CELL LSS - WITHOUT SKYGUARD - E400AJP/E400AJPN/M400AJP/M400AJPN



ART\_1001183338

## SECTION 5 - PLATFORM

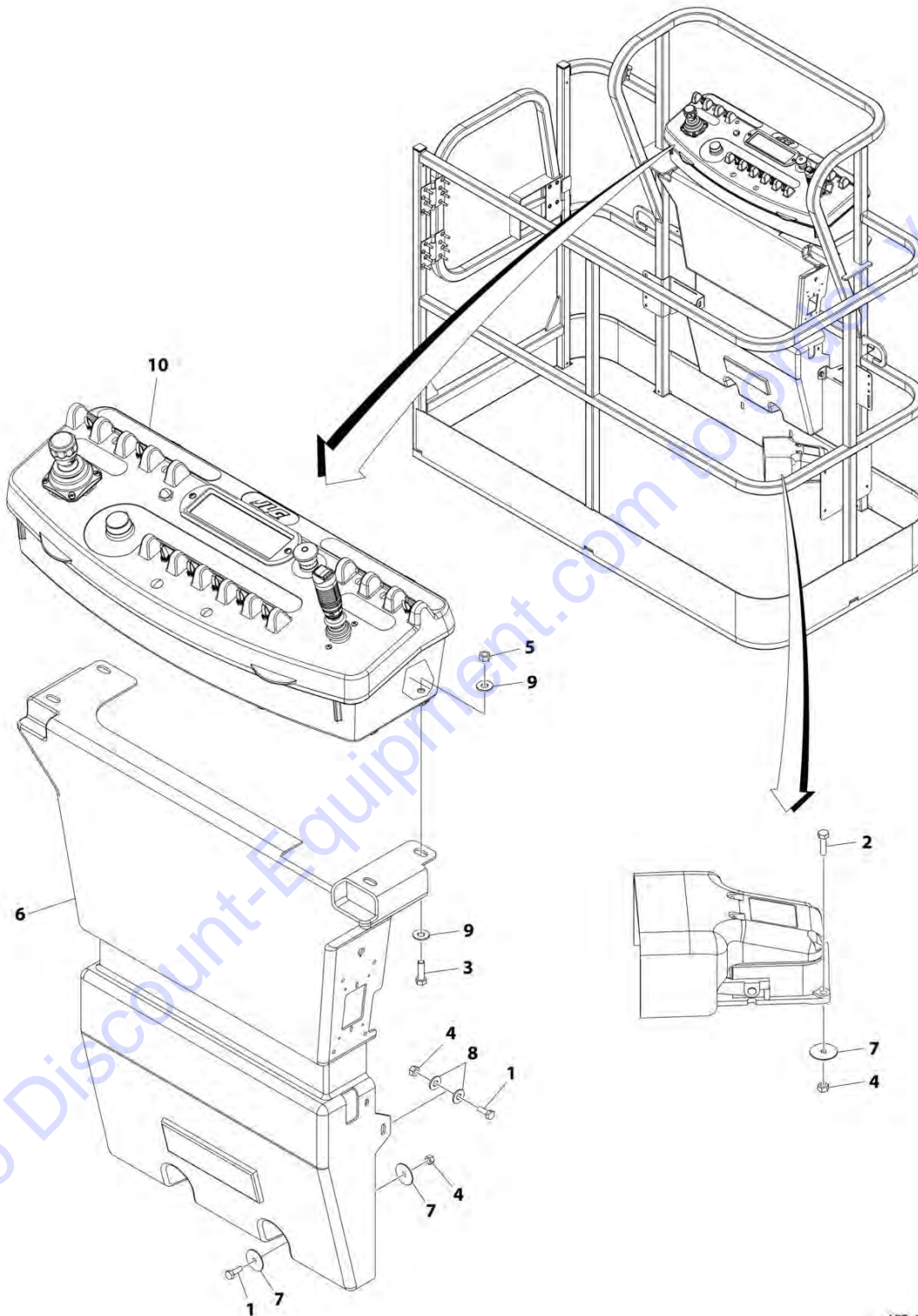
**FIGURE 5-12. PLATFORM CONSOLE AND FOOTSWITCH INSTALLATION - WITHOUT LSS OR WITH 4 CELL LSS - WITHOUT SKYGUARD - E400AJP/E400AJPN/M400AJP/M400AJPN**

| ITEM | PART NUMBER | QTY | DESCRIPTION  | REV |
|------|-------------|-----|--|-----|
|      | 1001183338  | Ref | PLATFORM CONSOLE AND FOOTSWITCH INSTALLATION - WITHOUT LSS OR WITH 4 CELL LSS - WITHOUT SKYGUARD - E400AJP/E400AJPN/M400AJP/M400AJPN   | B   |
| 1    | 0641406     | 4   | Bolt, 1/4-20 X 3/4   |     |
| 2    | 0641408     | 3   | Bolt, 1/4-20 X 1   |     |
| 3    | 0641610     | 4   | Bolt, 3/8-16 X 1-1/4   |     |
| 4    | 3311405     | 7   | Nut, Lock, 1/4-20  |     |
| 5    | 3311605     | 4   | Nut, Lock, 3/8-16  |     |
| 6    | 3380434     | 1   | Panel, Pedestal  |     |
| 7    | 4740362     | 7   | Washer, 1/4  |     |
| 8    | 4751400     | 4   | Washer, 1/4  |     |
| 9    | 4751600     | 8   | Washer, 3/8  |     |
| 10   | 1001176101  | NLA | Platform Console Assembly (See PLATFORM CONSOLE ASSEMBLY for Breakdown) (Use p/n 1001204515) <b>(SN 0300208530 through 0300219911)</b> |     |
| 10   | 1001204515  | 1   | Platform Console Assembly (See PLATFORM CONSOLE ASSEMBLY for Breakdown) <b>(SN 0300219912 to Present)</b>                              |     |



## SECTION 5 - PLATFORM

FIGURE 5-13. PLATFORM CONSOLE AND FOOTSWITCH INSTALLATION - WITHOUT LSS OR WITH 4 CELL LSS - WITH SKYGUARD - E400AJP/E400AJPN - UL SPECS (SN 0300208530 through 0300256446)



ART\_1001216148

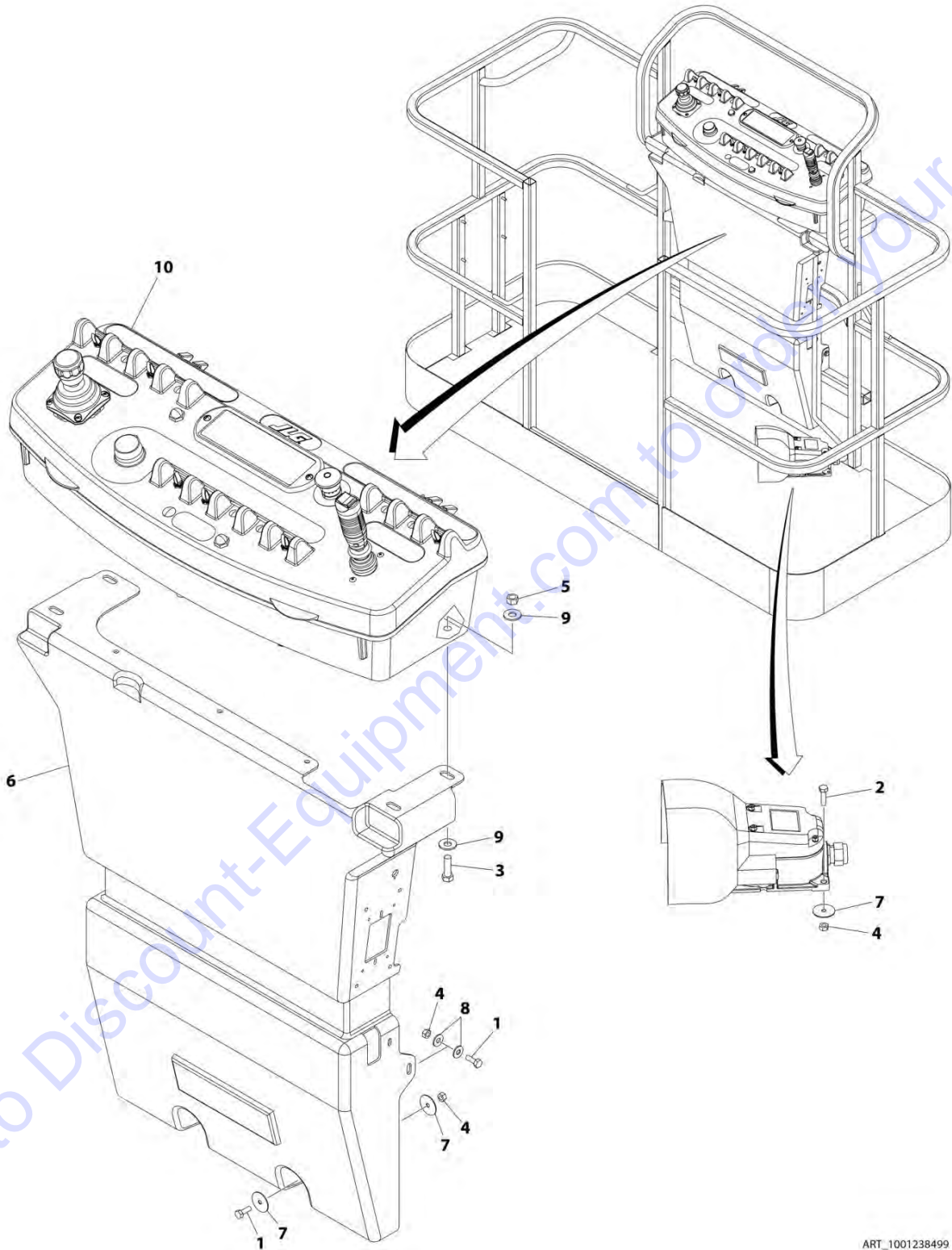
## SECTION 5 - PLATFORM

**FIGURE 5-13. PLATFORM CONSOLE AND FOOTSWITCH INSTALLATION - WITHOUT LSS OR WITH 4 CELL LSS - WITH SKYGUARD - E400AJP/E400AJPN - UL SPECS (SN 0300208530 through 0300256446)**

| ITEM | PART NUMBER | QTY | DESCRIPTION  | REV |
|------|-------------|-----|--|-----|
|      | 1001216148  | Ref | PLATFORM CONSOLE AND FOOTSWITCH INSTALLATION - WITHOUT LSS OR WITH 4 CELL LSS - WITH SKYGUARD - E400AJP/E400AJPN - UL SPECS                | B   |
| 1    | 0641406     | 4   | Bolt, 1/4-20 X 3/4   |     |
| 2    | 0641408     | 3   | Bolt, 1/4-20 X 1   |     |
| 3    | 0641610     | 4   | Bolt, 3/8-16 X 1-1/4   |     |
| 4    | 3311405     | 7   | Nut, Lock, 1/4-20  |     |
| 5    | 3311605     | 4   | Nut, Lock, 3/8-16  |     |
| 6    | 3380434     | 1   | Panel, Pedestal  |     |
| 7    | 4740362     | 7   | Washer, 1/4  |     |
| 8    | 4751400     | 4   | Washer, 1/4  |     |
| 9    | 4751600     | 8   | Washer, 3/8  |     |
| 10   | 1001216154  | NLA | Platform Console Assembly (Use p/n 1001238491) (See PLATFORM CONSOLE ASSEMBLY - WITH SKYGUARD - E400AJP/E400AJPN - UL SPECS for Breakdown) |     |

## SECTION 5 - PLATFORM

FIGURE 5-14. PLATFORM CONSOLE AND FOOTSWITCH INSTALLATION - WITHOUT LSS OR WITH 1 CELL LSS - E400AJP/E400AJPN - UL SPECS (SN 0300256447 to Present)



ART\_1001238499

## SECTION 5 - PLATFORM

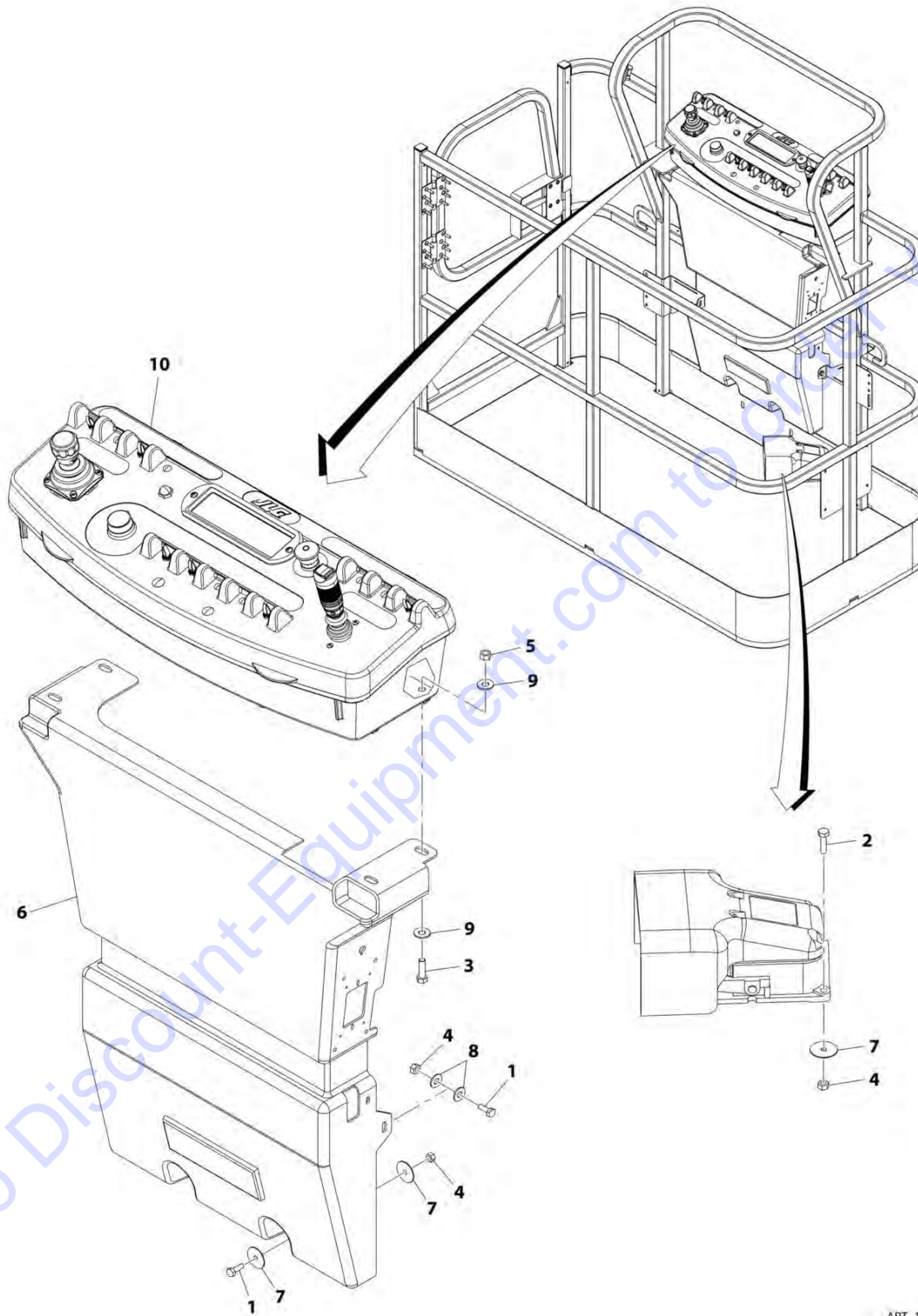
**FIGURE 5-14. PLATFORM CONSOLE AND FOOTSWITCH INSTALLATION - WITHOUT LSS OR WITH 1 CELL LSS - E400AJP/E400AJPN - UL SPECS (SN 0300256447 to Present)**

| ITEM | PART NUMBER | QTY | DESCRIPTION   | REV |
|------|-------------|-----|---|-----|
|      | 1001238499  | Ref | PLATFORM CONSOLE AND FOOTSWITCH INSTALLATION - WITHOUT LSS OR WITH 1 CELL LSS - E400AJP/E400AJPN - UL SPECS | A   |
| 1    | 0641406     | 4   | Bolt, 1/4-20 X 3/4  |     |
| 2    | 0641408     | 3   | Bolt, 1/4-20 X 1  |     |
| 3    | 0641610     | 4   | Bolt, 3/8-16 X 1-1/4  |     |
| 4    | 3311405     | 7   | Nut, Lock, 1/4-20   |     |
| 5    | 3311605     | 4   | Nut, Lock, 3/8-16   |     |
| 6    | 3380434     | 1   | Panel, Pedestal   |     |
| 7    | 4740362     | 7   | Washer, 1/4   |     |
| 8    | 4751400     | 4   | Washer, 1/4   |     |
| 9    | 4751600     | 8   | Washer, 3/8   |     |
| 10   | 1001238491  | 1   | Platform Console Assembly (See PLATFORM CONSOLE ASSEMBLY - E400AJP/E400AJPN - UL SPECS for Breakdown)       |     |

Go to Discount-Equipment.com to order your parts

## SECTION 5 - PLATFORM

FIGURE 5-15. PLATFORM CONSOLE AND FOOTSWITCH INSTALLATION - WITHOUT LSS OR WITH 4 CELL LSS - WITH SKYGUARD - E400AJP/E400AJPN/M400AJP/M400AJPN (Prior to SN 0300240700)



ART\_1001196500



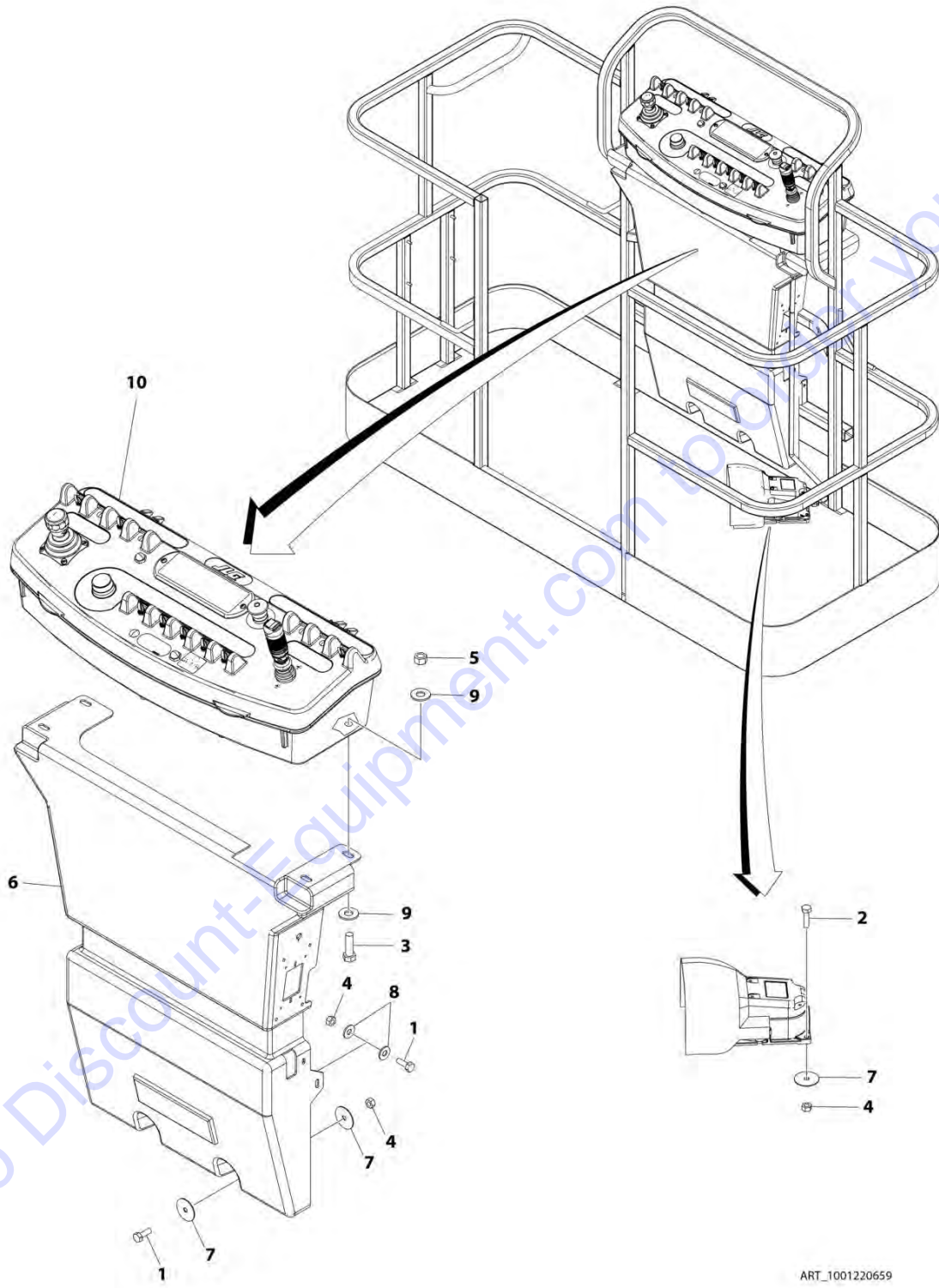
## SECTION 5 - PLATFORM

**FIGURE 5-15. PLATFORM CONSOLE AND FOOTSWITCH INSTALLATION - WITHOUT LSS OR WITH 4 CELL LSS - WITH SKYGUARD - E400AJP/E400AJPN/M400AJP/M400AJPN (Prior to SN 0300240700)**

| ITEM | PART NUMBER | QTY | DESCRIPTION   | REV |
|------|-------------|-----|---|-----|
|      | 1001196500  | Ref | PLATFORM CONSOLE AND FOOTSWITCH INSTALLATION - WITHOUT LSS OR WITH 4 CELL LSS - WITH SKYGUARD - E400AJP/E400AJPN/M400AJP/M400AJPN ( <b>Prior to SN 0300240700</b> ) | C   |
| 1    | 0641406     | 4   | Bolt, 1/4-20 X 3/4  |     |
| 2    | 0641408     | 3   | Bolt, 1/4-20 X 1  |     |
| 3    | 0641610     | 4   | Bolt, 3/8-16 X 1-1/4  |     |
| 4    | 3311405     | 7   | Nut, Lock, 1/4-20   |     |
| 5    | 3311605     | 4   | Nut, Lock, 3/8-16   |     |
| 6    | 3380434     | 1   | Panel, Pedestal   |     |
| 7    | 4740362     | 7   | Washer, 1/4   |     |
| 8    | 4751400     | 4   | Washer, 1/4   |     |
| 9    | 4751600     | 8   | Washer, 3/8   |     |
| 10   | 1001196484  | NLA | Platform Console Assembly (See PLATFORM CONSOLE ASSEMBLY for Breakdown) (Use p/n 1001202580) ( <b>SN 0300208530 through 0300219911</b> )                            |     |
| 10   | 1001202580  | 1   | Platform Console Assembly (See PLATFORM CONSOLE ASSEMBLY for Breakdown) ( <b>SN 0300219912 through 0300240699</b> )   |     |
| 10   | 1001218651  | NLA | Platform Console Assembly (Use p/n 1001238489) (See PLATFORM CONSOLE ASSEMBLY for Breakdown) ( <b>SN 0300240700 to Present</b> )                                    |     |

## SECTION 5 - PLATFORM

FIGURE 5-16. PLATFORM CONSOLE AND FOOTSWITCH INSTALLATION - WITH SKYGUARD AND 1 CELL LSS - E400AJP/E400AJPN/M400AJP/M400AJPN (SN 0300240700 through 0300256446)



ART\_1001220659

## SECTION 5 - PLATFORM

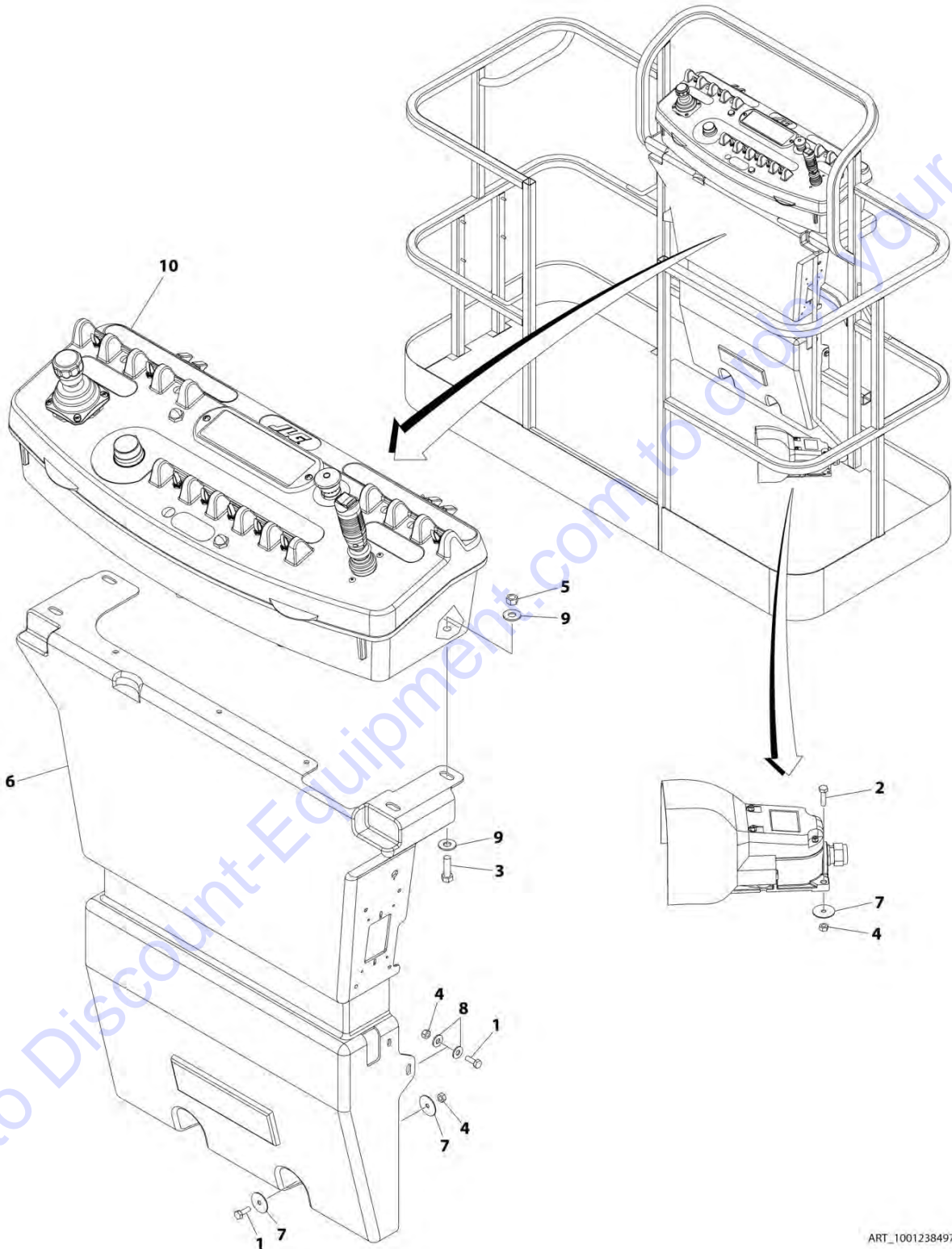
**FIGURE 5-16. PLATFORM CONSOLE AND FOOTSWITCH INSTALLATION - WITH SKYGUARD AND 1 CELL LSS - E400AJP/E400AJPN/M400AJP/M400AJPN (SN 0300240700 through 0300256446)**

| ITEM | PART NUMBER | QTY | DESCRIPTION   | REV |
|------|-------------|-----|---|-----|
|      | 1001220659  | Ref | PLATFORM CONSOLE AND FOOTSWITCH INSTALLATION - WITH SKYGUARD AND 1 CELL LSS - E400AJP/E400AJPN/M400AJP/M400AJPN | B   |
| 1    | 0641406     | 4   | Bolt, 1/4-20 X 3/4  |     |
| 2    | 0641408     | 3   | Bolt, 1/4-20 X 1  |     |
| 3    | 0641610     | 4   | Bolt, 3/8-16 X 1-1/4  |     |
| 4    | 3311405     | 7   | Nut, Lock, 1/4-20   |     |
| 5    | 3311605     | 4   | Nut, Lock, 3/8-16   |     |
| 6    | 3380434     | 1   | Panel, Pedestal   |     |
| 7    | 4740362     | 7   | Washer, 1/4   |     |
| 8    | 4751400     | 4   | Washer, 1/4   |     |
| 9    | 4751600     | 8   | Washer, 3/8   |     |
| 10   | 1001218651  | NLA | Platform Console Assembly (Use p/n 1001238489) (See PLATFORM CONSOLE ASSEMBLY for Breakdown)                    |     |



## SECTION 5 - PLATFORM

FIGURE 5-17. PLATFORM CONSOLE AND FOOTSWITCH INSTALLATION - WITH 1 CELL LSS - E400AJP/E400AJPN/M400AJP/M400AJPN (SN 0300256447 to Present)



ART\_1001238497

## SECTION 5 - PLATFORM

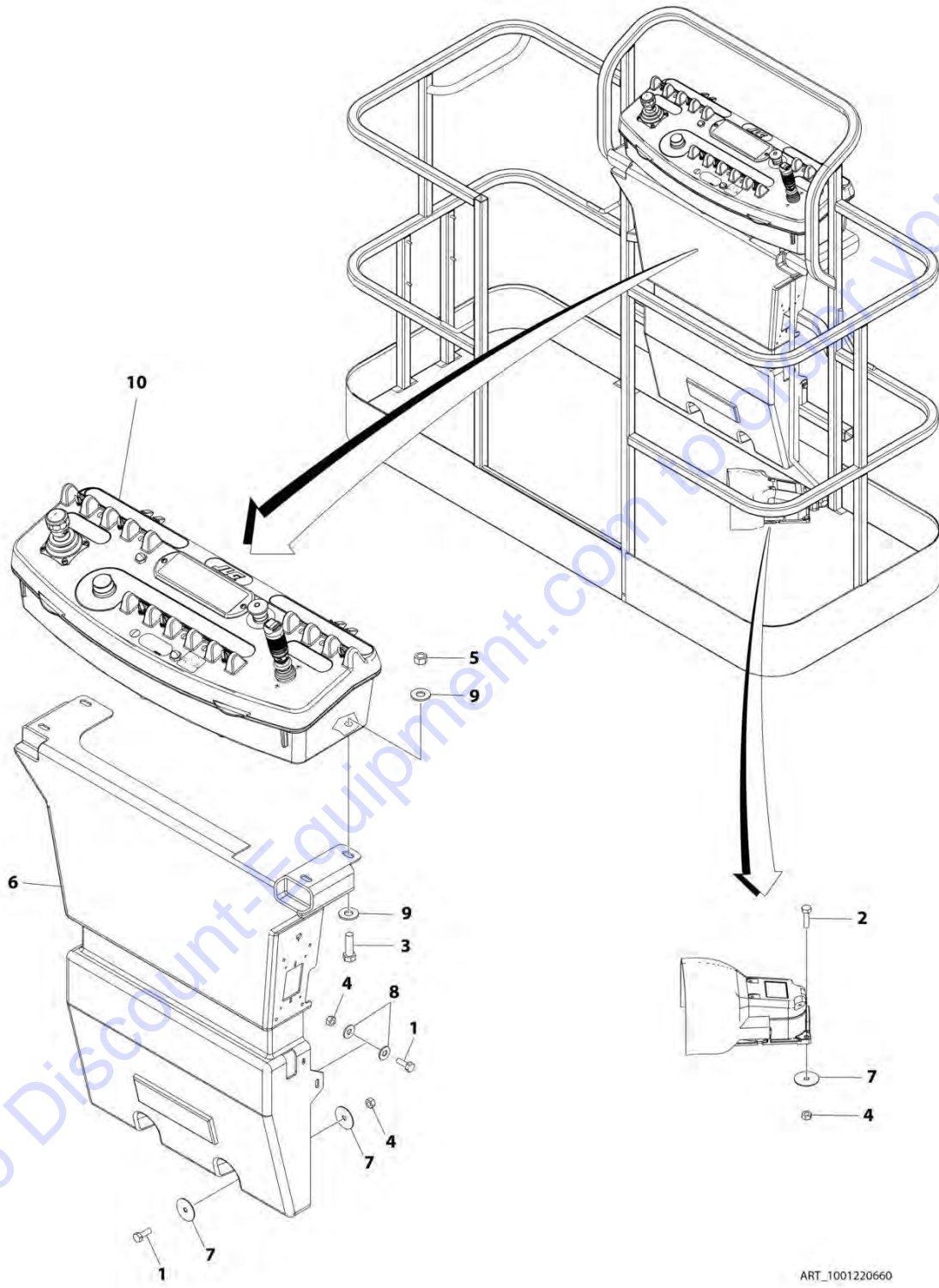
**FIGURE 5-17. PLATFORM CONSOLE AND FOOTSWITCH INSTALLATION - WITH 1 CELL LSS - E400AJP/E400AJPN/M400AJP/M400AJPN (SN 0300256447 to Present)**

| ITEM | PART NUMBER | QTY | DESCRIPTION  | REV |
|------|-------------|-----|--|-----|
|      | 1001238497  | Ref | PLATFORM CONSOLE AND FOOTSWITCH INSTALLATION - WITH 1 CELL LSS - E400AJP/E400AJPN/M400AJP/M400AJPN | A   |
| 1    | 0641406     | 4   | Bolt, 1/4-20 X 3/4   |     |
| 2    | 0641408     | 3   | Bolt, 1/4-20 X 1   |     |
| 3    | 0641610     | 4   | Bolt, 3/8-16 X 1-1/4   |     |
| 4    | 3311405     | 7   | Nut, Lock, 1/4-20  |     |
| 5    | 3311605     | 4   | Nut, Lock, 3/8-16  |     |
| 6    | 3380434     | 1   | Panel, Pedestal  |     |
| 7    | 4740362     | 7   | Washer, 1/4  |     |
| 8    | 4751400     | 4   | Washer, 1/4  |     |
| 9    | 4751600     | 8   | Washer, 3/8  |     |
| 10   | 1001238489  | 1   | Platform Console Assembly (See PLATFORM CONSOLE ASSEMBLY for Breakdown)                            |     |

Go to Discount-Equipment.com to order your parts

# SECTION 5 - PLATFORM

FIGURE 5-18. PLATFORM CONSOLE AND FOOTSWITCH INSTALLATION - WITH SKYGUARD AND 1 CELL LSS - E400AN (SN 0300208530 through 0300256446)



ART\_1001220660

## SECTION 5 - PLATFORM

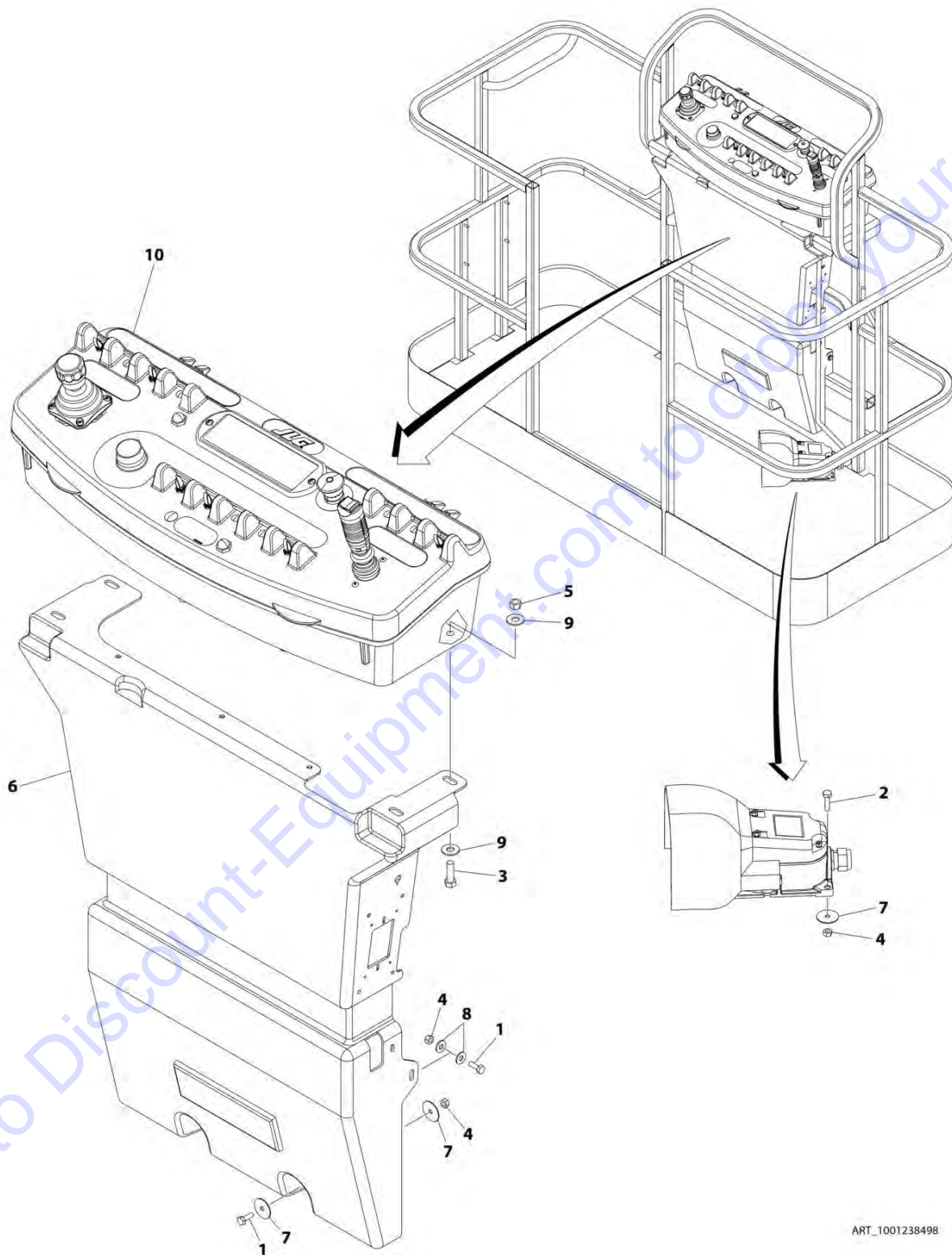
**FIGURE 5-18. PLATFORM CONSOLE AND FOOTSWITCH INSTALLATION - WITH SKYGUARD AND 1 CELL LSS - E400An (SN 0300208530 through 0300256446)**

| ITEM | PART NUMBER | QTY | DESCRIPTION  | REV |
|------|-------------|-----|--|-----|
|      | 1001220660  | Ref | PLATFORM CONSOLE AND FOOTSWITCH INSTALLATION - WITH SKYGUARD AND 1 CELL LSS - E400An         | B   |
| 1    | 0641406     | 4   | Bolt, 1/4-20 X 3/4   |     |
| 2    | 0641408     | 3   | Bolt, 1/4-20 X 1   |     |
| 3    | 0641610     | 4   | Bolt, 3/8-16 X 1-1/4   |     |
| 4    | 3311405     | 7   | Nut, Lock, 1/4-20  |     |
| 5    | 3311605     | 4   | Nut, Lock, 3/8-16  |     |
| 6    | 3380434     | 1   | Panel, Pedestal  |     |
| 7    | 4740362     | 7   | Washer, 1/4  |     |
| 8    | 4751400     | 4   | Washer, 1/4  |     |
| 9    | 4751600     | 8   | Washer, 3/8  |     |
| 10   | 1001218652  | NLA | Platform Console Assembly (Use p/n 1001238490) (See PLATFORM CONSOLE ASSEMBLY for Breakdown) |     |

Go to Discount-Equipment.com to order your parts

## SECTION 5 - PLATFORM

FIGURE 5-19. PLATFORM CONSOLE AND FOOTSWITCH INSTALLATION - WITH 1 CELL LSS - E400AN (SN 0300256447 to Present)



## SECTION 5 - PLATFORM

**FIGURE 5-19. PLATFORM CONSOLE AND FOOTSWITCH INSTALLATION - WITH 1 CELL LSS - E400AN (SN 0300256447 to Present)**

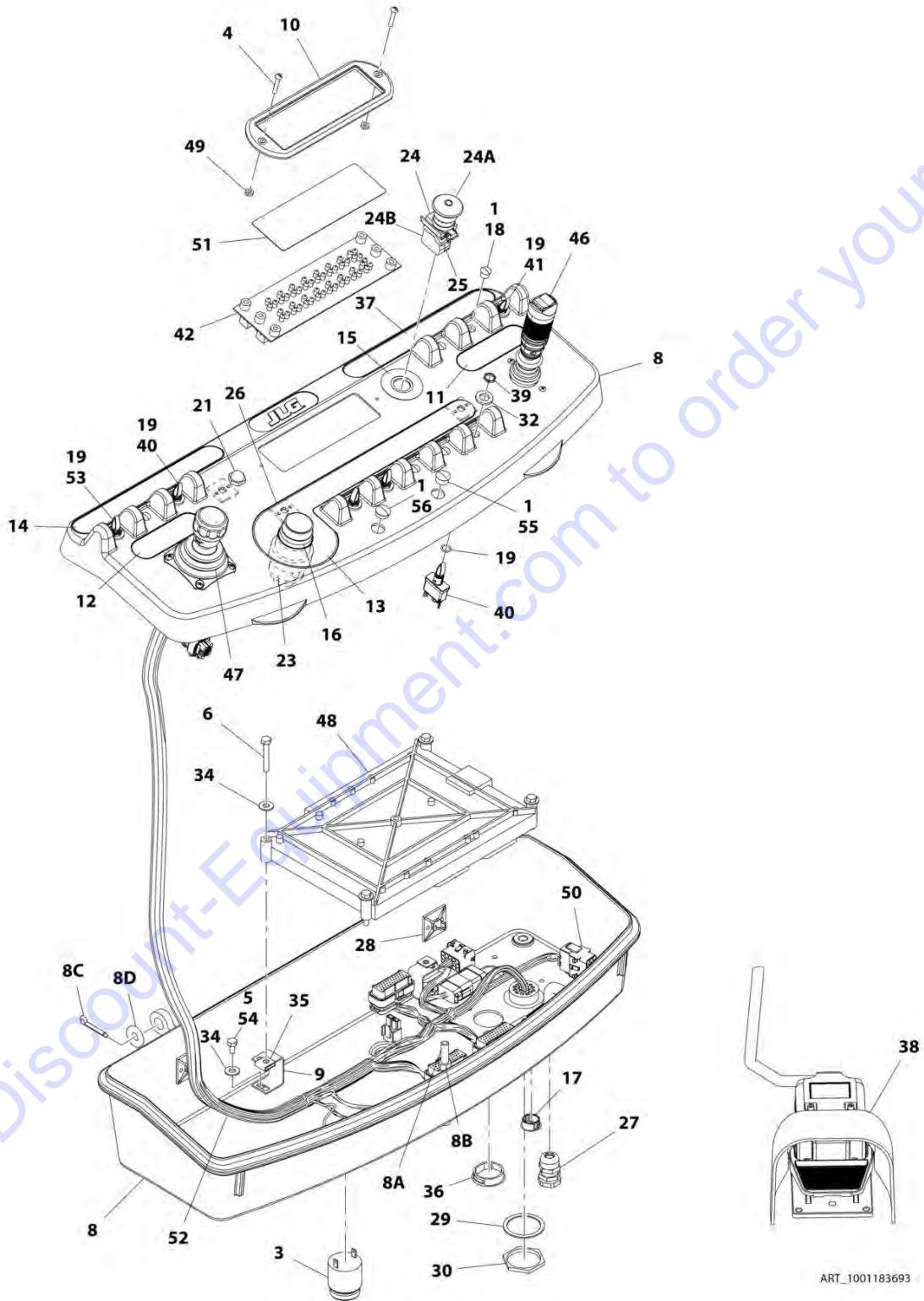
| ITEM | PART NUMBER | QTY | DESCRIPTION  | REV |
|------|-------------|-----|--|-----|
|      | 1001238498  | Ref | PLATFORM CONSOLE AND FOOTSWITCH INSTALLATION - WITH 1 CELL LSS AND WITH SKYGUARD | A   |
| 1    | 0641406     | 4   | Bolt 1/4 x 3/4   |     |
| 2    | 0641408     | 3   | Bolt 1/4 x 1   |     |
| 3    | 0641610     | 4   | Bolt 3/8-16 x 1  |     |
| 4    | 3311405     | 7   | Nut, Lock 1/4-20   |     |
| 5    | 3311605     | 4   | Nut, Lock 3/8-16   |     |
| 6    | 3380434     | 1   | Panel, Pedestal  |     |
| 7    | 4740362     | 7   | Washer 1/4   |     |
| 8    | 4751400     | 4   | Washer 1/4   |     |
| 9    | 4751600     | 8   | Washer 3/8   |     |
| 10   | 1001238490  | 1   | Platform Console Assembly (See PLATFORM CONSOLE ASSEMBLY for Breakdown)          |     |

Go to Discount-Equipment.com to order your parts



# SECTION 5 - PLATFORM

FIGURE 5-20. PLATFORM CONSOLE ASSEMBLY - WITHOUT LSS OR WITH 4 CELL LSS - WITHOUT SKYGUARD - E400AN (SN 0300208530 through 0300219911)



## SECTION 5 - PLATFORM

**FIGURE 5-20. PLATFORM CONSOLE ASSEMBLY - WITHOUT LSS OR WITH 4 CELL LSS - WITHOUT SKYGUARD - E400AN (SN 0300208530 through 0300219911)**

| ITEM | PART NUMBER | QTY | DESCRIPTION   | REV |
|------|-------------|-----|---|-----|
|      | 1001183693  | Ref | PLATFORM CONSOLE ASSEMBLY - WITHOUT LSS OR WITH 4 CELL LSS - WITHOUT SKYGUARD - E400An (SN 0300208530 through 0300219911) | H   |
| 1    | 0100009     | AR  | Sealant   |     |
| 3    | 0140011     | 1   | Alarm   |     |
| 4    | 3911018     | 2   | Screw, #10-24 x 1-1/8   |     |
| 5    | 0641404     | 4   | Bolt, 1/4-20 x 1/2  |     |
| 6    | 0641414     | 4   | Bolt, 1/4-20 x 1-3/4  |     |
| 8    | 1001190017  | 1   | Console Box Assembly  |     |
| 8A   | 0630568     | 1   | Capscrew, 3/8-16 x 4-1/2  |     |
| 8B   | 3311601     | 1   | Nut, 3/8-16   |     |
| 8C   | 3470003     | 2   | Pin, Cotter   |     |
| 8D   | 4711500     | 2   | Washer, 5/16  |     |
| 9    | 1001172760  | 4   | Bracket, Module   |     |
| 10   | 1671176     | 1   | Bezel   |     |
| 11   | 1702565     | 1   | Decal - Drive and Steer   |     |
| 12   | 1702566     | 1   | Decal - Lift and Swing  |     |
| 13   | 1702567     | 1   | Decal - Function Speed  |     |
| 14   | 1001193987  | 1   | Decal - Horn and Drive Select   |     |
| 15   | 1704260     | 1   | Decal - EMS   |     |
| 16   | 2560136     | 1   | Handle, Knob  |     |
| 17   | 3520030     | 1   | Plug, Hole  |     |
| 18   | 3520054     | 5   | Plug, Hole  |     |
| 19   | 3790012     | 6   | O-Ring  |     |
| 20   | 4240032     | AR  | Tie-Strap (Not Shown)   |     |
| 21   | 4360387     | 1   | Switch, Push Button   |     |
| 23   | 4360407     | 1   | Switch, Potentiometer   |     |
| 24   | 4360475     | 1   | Switch, Emergency Stop  |     |
| 24A  | 7020175     | 1   | Cap, Mushroom with Sealing Ring   |     |
| 24B  | 7020176     | 1   | Block, Contact  |     |
| 25   | 4360476     | 1   | Block, Contact  |     |
| 26   | 4460234     | 4   | Mount, Tie-Strap  |     |
| 27   | 4460428     | 1   | Connector, Strain Relief  |     |
| 28   | 4460488     | 2   | Base, Terminal Mounting   |     |
| 29   | 4460471     | 1   | Washer, Lock, Terminal  |     |
| 30   | 4460470     | 1   | Nut, Terminal   |     |
| 32   | 4740397     | 6   | Spacer  |     |
| 34   | 4751400     | 8   | Washer, 1/4   |     |
| 35   | 3300353     | 4   | Nut, Tinnerman  |     |
| 36   | 1001110434  | 2   | Plug, D-Shaped  |     |
| 37   | 1001132175  | 1   | Decal - Stop - Generator  |     |
| 38   | 1001189039  | 1   | Footswitch Assembly (See FOOTSWITCH ASSEMBLY for Breakdown)   |     |
| 39   | 1001155044  | 6   | Nut, 15/32-32   |     |
| 40   | 1001155045  | 4   | Switch, Toggle  |     |
| 41   | 1001159256  | 1   | Switch, Toggle  |     |
| 42   | 1001170838  | 1   | Gauge, Led Panel  |     |
| 46   | 1001166538  | NLA | Controller Assembly - Drive and Steer (Use p/n 1001212415) (See CONTROLLER ASSEMBLY - DRIVE AND STEER for Breakdown)      |     |
| 47   | 1001166539  | NLA | Controller Assembly - Lift and Swing (Use p/n 1001129555) (See  |     |



## SECTION 5 - PLATFORM

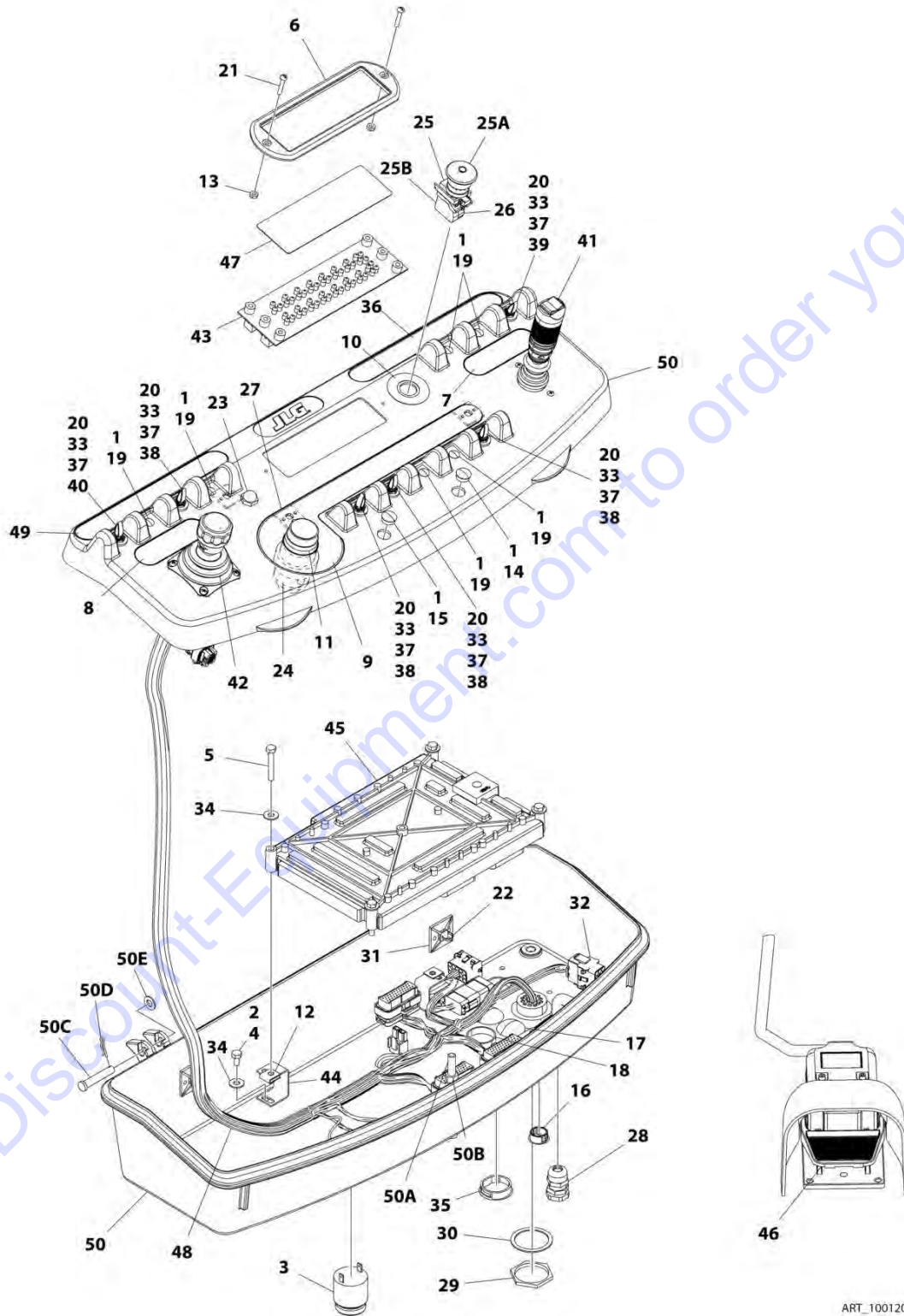
| ITEM | PART NUMBER | QTY | DESCRIPTION  | REV |
|------|-------------|-----|--|-----|
| 48   | 1001182724  | 1   | CONTROLLER ASSEMBLY LIFT AND SWING for Breakdown)                    |     |
|      |             |     | Module, PC (Note: Re-calibration Required when Replaced)             |     |
| 49   | 3300408     | 2   | Nut, Lock  |     |
| 50   | 4460708     | 1   | Connector - 15 Position  |     |
| 51   | 1001190797  | 1   | Decal - Platform Display   |     |
| 52   | 1001191318  | 1   | Harness, Platform Console Box (See ELECTRICAL SECTION for Breakdown) |     |
| 53   | 1001161710  | 1   | Switch, Toggle   |     |
| 54   | 0100075     | AR  | Sealant  |     |
| 55   | 3520026     | 1   | Plug, Hole   |     |
| 56   | 3520027     | 1   | Plug, Hole   |     |

Go to Discount-Equipment.com to order your parts



# SECTION 5 - PLATFORM

FIGURE 5-21. PLATFORM CONSOLE ASSEMBLY - WITHOUT LSS OR WITH 4 CELL LSS - WITHOUT SKYGUARD - E400AN (SN 0300219912 to Present)



ART\_1001202581

## SECTION 5 - PLATFORM

**FIGURE 5-21. PLATFORM CONSOLE ASSEMBLY - WITHOUT LSS OR WITH 4 CELL LSS - WITHOUT SKYGUARD - E400AN (SN 0300219912 to Present)**

| ITEM | PART NUMBER | QTY | DESCRIPTION  | REV |
|------|-------------|-----|--|-----|
|      | 1001202581  | Ref | PLATFORM CONSOLE ASSEMBLY - WITHOUT LSS OR WITH 4 CELL LSS - WITHOUT SKYGUARD - E400AN (SN 0300219912 to Present)    | C   |
| 1    | 0100009     | AR  | Sealant  |     |
| 2    | 0100075     | AR  | Sealant  |     |
| 3    | 0140011     | 1   | Alarm  |     |
| 4    | 0641404     | 4   | Bolt, 1/4-20 x 1/2   |     |
| 5    | 0641414     | 4   | Bolt, 1/4-20 x 1-3/4   |     |
| 6    | 1671176     | 1   | Bezel  |     |
| 7    | 1702565     | 1   | Decal - Drive and Steer  |     |
| 8    | 1702566     | 1   | Decal - Lift and Swing   |     |
| 9    | 1702567     | 1   | Decal - Function Speed   |     |
| 10   | 1704260     | 1   | Decal - EMS  |     |
| 11   | 2560136     | 1   | Handle, Knob   |     |
| 12   | 3300353     | 4   | Nut, Tinnerman   |     |
| 13   | 3300408     | 2   | Nut, Lock  |     |
| 14   | 3520026     | 1   | Plug, Hole   |     |
| 15   | 3520027     | 1   | Plug, Hole   |     |
| 16   | 3520030     | 1   | Plug, Hole   |     |
| 17   | 3520033     | 2   | Plug, Hole (SN 0300219912 through 0300226306)  |     |
| 17   | 1001220486  | 2   | Plug, Hole (SN 0300226307 to Present)  |     |
| 18   | 3520035     | 1   | Plug, Cap  |     |
| 19   | 3520054     | 6   | Plug, Hole   |     |
| 20   | 3790012     | 6   | O-Ring   |     |
| 21   | 3911018     | 2   | Screw, #10-24 x 1-1/8  |     |
| 22   | 4240032     | AR  | Tie-Strap (Not Shown)  |     |
| 23   | 4360387     | 1   | Switch, Push Button  |     |
| 24   | 4360407     | 1   | Switch, Potentiometer  |     |
| 25   | 4360475     | 1   | Switch, Emergency Stop   |     |
| 25A  | 7020175     | 1   | Cap, Mushroom with Sealing Ring  |     |
| 25B  | 7020176     | 1   | Block, Contact   |     |
| 26   | 4360476     | 1   | Block, Contact   |     |
| 27   | 4460234     | 4   | Mount, Tie-Strap   |     |
| 28   | 4460428     | 1   | Connector, Strain Relief   |     |
| 29   | 4460470     | 1   | Nut, Terminal  |     |
| 30   | 4460471     | 1   | Washer, Lock, Terminal   |     |
| 31   | 4460488     | 2   | Base, Terminal Mounting  |     |
| 32   | 4460708     | 1   | Connector - 15 Position  |     |
| 33   | 4740397     | 6   | Spacer   |     |
| 34   | 4751400     | 8   | Washer, 1/4  |     |
| 35   | 1001110434  | 1   | Plug, D-Shaped   |     |
| 36   | 1001132175  | 1   | Decal - Stop - Generator   |     |
| 37   | 1001155044  | 6   | Nut, 15/32-32  |     |
| 38   | 1001155045  | 4   | Switch, Toggle   |     |
| 39   | 1001159256  | 1   | Switch, Toggle   |     |
| 40   | 1001161710  | 1   | Switch, Toggle   |     |
| 41   | 1001166538  | NLA | Controller Assembly - Drive and Steer (Use p/n 1001212415) (See CONTROLLER ASSEMBLY - DRIVE AND STEER for Breakdown) |     |
| 42   | 1001166539  | NLA | Controller Assembly - Lift and Swing (Use p/n 1001129555) (See CONTROLLER ASSEMBLY LIFT AND SWING for Breakdown)     |     |

# PARTS FINDER

**Search Website  
by Part Number**



**Search Manual  
Library For Parts  
Manual & Lookup Part  
Numbers – Purchase  
or Request Quote**

**Can't Find Part or  
Manual? Request Help  
by Manufacturer,  
Model & Description**

Discount-Equipment.com is your online resource for quality parts & equipment.

Florida: **561-964-4949** Outside Florida TOLL FREE: **877-690-3101**

**Need parts?**

Click on this link: <http://www.discount-equipment.com/category/5443-parts/> and choose one of the options to help get the right parts and equipment you are looking for. Please have the machine model and serial number available in order to help us get you the correct parts. If you don't find the part on the website or on one of the online manuals, please fill out the request form and one of our experienced staff members will get back to you with a quote for the right part that your machine needs.

We sell worldwide for the brands: Genie, Terex, JLG, MultiQuip, Mikasa, Essick, Whiteman, Mayco, Toro Stone, Diamond Products, Generac Magnum, Airman, Haulotte, Barreto, Power Blanket, Nifty Lift, Atlas Copco, Chicago Pneumatic, Allmand, Miller Curber, Skyjack, Lull, Skytrak, Tsurumi, Husquvarna Target, Stow, Wacker, Sakai, Mi-T-M, Sullair, Basic, Dynapac, MBW, Weber, Bartell, Bennar Newman, Haulotte, Ditch Runner, Menegotti, Morrison, Contec, Buddy, Crown, Edco, Wyco, Bomag, Laymor, EZ Trench, Bil-Jax, F.S. Curtis, Gehl Pavers, Heli, Honda, ICS/PowerGrit, IHI, Partner, Imer, Clipper, MMD, Koshin, Rice, CH&E, General Equipment, Amida, Coleman, NAC, Gradall, Square Shooter, Kent, Stanley, Tamco, Toku, Hatz, Kohler, Robin, Wisconsin, Northrock, Oztec, Toker TK, Rol-Air, APT, Wylie, Ingersoll Rand / Doosan, Innovatech, Con X, Ammann, Mecalac, Makinex, Smith Surface Prep, Small Line, Wanco, Yanmar

## SECTION 5 - PLATFORM

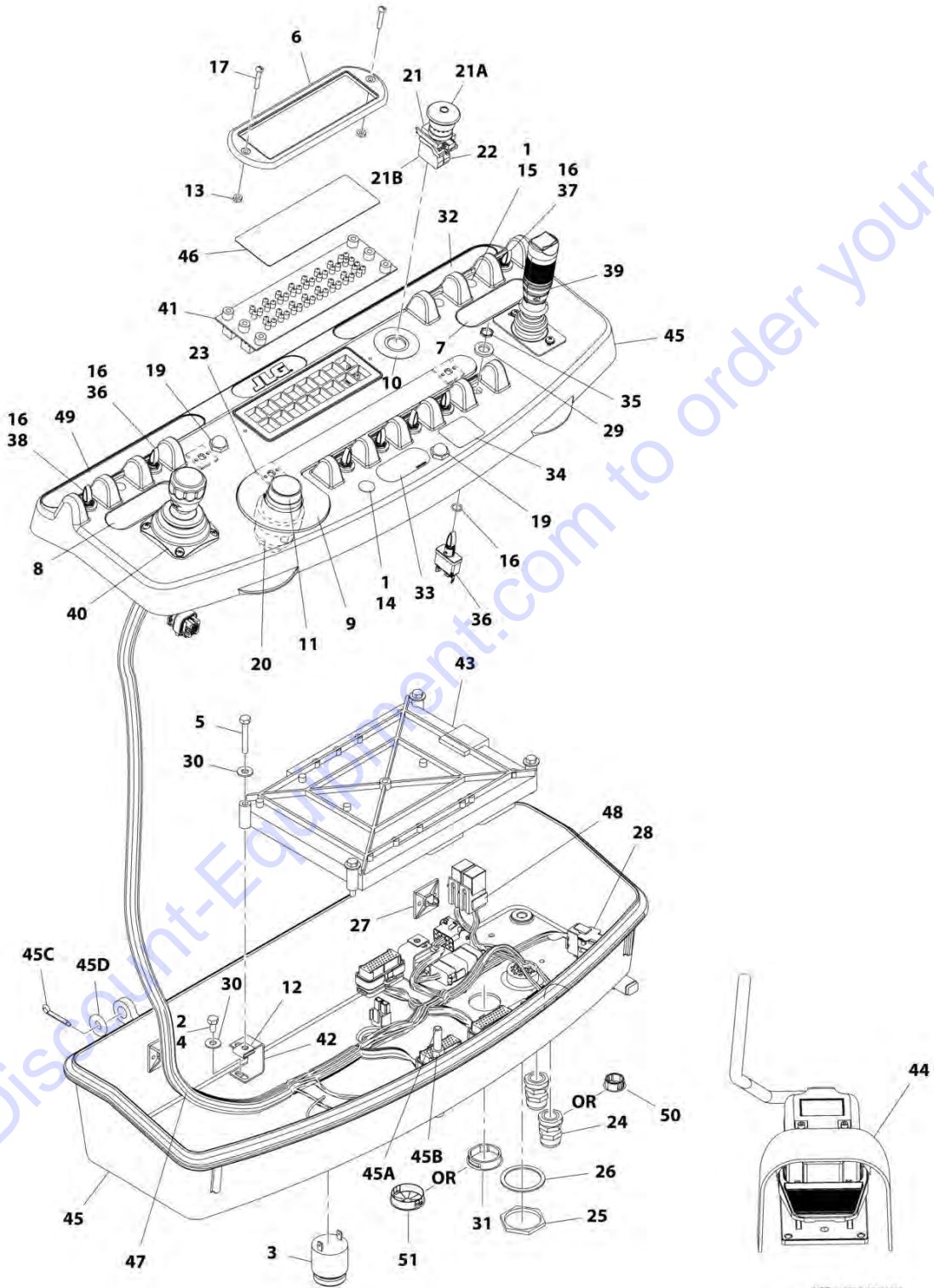
| ITEM | PART NUMBER | QTY | DESCRIPTION  | REV |
|------|-------------|-----|--|-----|
| 43   | 1001170838  | 1   | Gauge, Led Panel   |     |
| 44   | 1001172760  | 4   | Bracket, Module  |     |
| 45   | 1001182724  | 1   | Module, PC (Note: Re-calibration Required when Replaced)             |     |
| 46   | 1001189039  | 1   | Footswitch Assembly (See FOOTSWITCH ASSEMBLY for Breakdown)          |     |
| 47   | 1001190797  | 1   | Decal - Platform Display   |     |
| 48   | 1001191318  | 1   | Harness, Platform Console Box (See ELECTRICAL SECTION for Breakdown) |     |
| 49   | 1001193987  | 1   | Decal - Horn and Drive Select  |     |
| 50   | 1001201887  | 1   | Console Box Assembly   |     |
| 50A  | 0630568     | 1   | Capscrew, 3/8-16 x 4-1/2   |     |
| 50B  | 3311601     | 1   | Nut, 3/8-16  |     |
| 50C  | 3430616     | 2   | Pin, Clevis  |     |
| 50D  | 3470003     | 2   | Pin, Cotter  |     |
| 50E  | 4711500     | 2   | Washer, 5/16   |     |





# SECTION 5 - PLATFORM

FIGURE 5-22. PLATFORM CONSOLE ASSEMBLY - WITHOUT LSS OR WITH 4 CELL LSS - WITH SKYGUARD - E400AN (SN 0300208530 through 0300219911)



ART\_1001196486



## SECTION 5 - PLATFORM

**FIGURE 5-22. PLATFORM CONSOLE ASSEMBLY - WITHOUT LSS OR WITH 4 CELL LSS - WITH SKYGUARD - E400AN (SN 0300208530 through 0300219911)**

| ITEM | PART NUMBER | QTY | DESCRIPTION  | REV |
|------|-------------|-----|--|-----|
|      | 1001196486  | Ref | PLATFORM CONSOLE ASSEMBLY - WITHOUT LSS OR WITH 4 CELL LSS - WITH SKYGUARD - E400An (SN 0300208530 through 0300219911) | D   |
| 1    | 0100009     | AR  | Sealant  |     |
| 2    | 0100075     | AR  | Sealant  |     |
| 3    | 0140011     | 1   | Alarm  |     |
| 4    | 0641404     | 4   | Bolt, 1/4-20 x 1/2   |     |
| 5    | 0641414     | 4   | Bolt, 1/4-20 x 1-3/4   |     |
| 6    | 1671176     | 1   | Bezel  |     |
| 7    | 1702565     | 1   | Decal - Drive and Steer  |     |
| 8    | 1702566     | 1   | Decal - Lift and Swing   |     |
| 9    | 1702567     | 1   | Decal - Function Speed   |     |
| 10   | 1704260     | 1   | Decal - EMS  |     |
| 11   | 2560136     | 1   | Handle, Knob   |     |
| 12   | 3300353     | 4   | Nut, Tinnerman   |     |
| 13   | 3300408     | 2   | Nut, Lock  |     |
| 14   | 3520027     | 1   | Plug, Hole   |     |
| 15   | 3520054     | 5   | Plug, Hole   |     |
| 16   | 3790012     | 6   | O-Ring   |     |
| 17   | 3911018     | 2   | Screw, #10-24 x 1-1/8  |     |
| 18   | 4240032     | AR  | Tie-Strap (Not Shown)  |     |
| 19   | 4360387     | 2   | Switch, Push Button  |     |
| 20   | 4360407     | 1   | Switch, Potentiometer  |     |
| 21   | 4360475     | 1   | Switch, Emergency Stop   |     |
| 21A  | 7020175     | 1   | Cap, Mushroom with Sealing Ring  |     |
| 21B  | 7020176     | 1   | Block, Contact   |     |
| 22   | 4360476     | 1   | Block, Contact   |     |
| 23   | 4460234     | 4   | Mount, Tie-Strap   |     |
| 24   | 4460428     | AR  | Connector, Strain Relief   |     |
| 25   | 4460470     | 1   | Nut, Terminal  |     |
| 26   | 4460471     | 1   | Washer, Lock, Terminal   |     |
| 27   | 4460488     | 2   | Base, Terminal Mounting  |     |
| 28   | 4460708     | 1   | Connector - 15 Position  |     |
| 29   | 4740397     | 6   | Spacer   |     |
| 30   | 4751400     | 8   | Washer, 1/4  |     |
| 31   | 1001110434  | AR  | Plug, D-Shaped   |     |
| 32   | 1001132175  | 1   | Decal - Stop - Generator   |     |
| 33   | 1001141300  | 1   | Decal - Platform Sensor Override   |     |
| 34   | 1001144433  | 1   | Decal - No Weight SkyGuard   |     |
| 35   | 1001155044  | 6   | Nut, 15/32-32  |     |
| 36   | 1001155045  | 4   | Switch, Toggle   |     |
| 37   | 1001159256  | 1   | Switch, Toggle   |     |
| 38   | 1001161710  | 1   | Switch, Toggle   |     |
| 39   | 1001166538  | NLA | Controller Assembly - Drive and Steer (Use p/n 1001212415) (See CONTROLLER ASSEMBLY - DRIVE AND STEER for Breakdown)   |     |
| 40   | 1001166539  | NLA | Controller Assembly - Lift and Swing (Use p/n 1001129555) (See CONTROLLER ASSEMBLY LIFT AND SWING for Breakdown)       |     |
| 41   | 1001170838  | 1   | Gauge, Led Panel   |     |
| 42   | 1001172760  | 4   | Bracket, Module  |     |
| 43   | 1001182724  | 1   | Module, PC (Note: Re-calibration Required when Replaced)   |     |

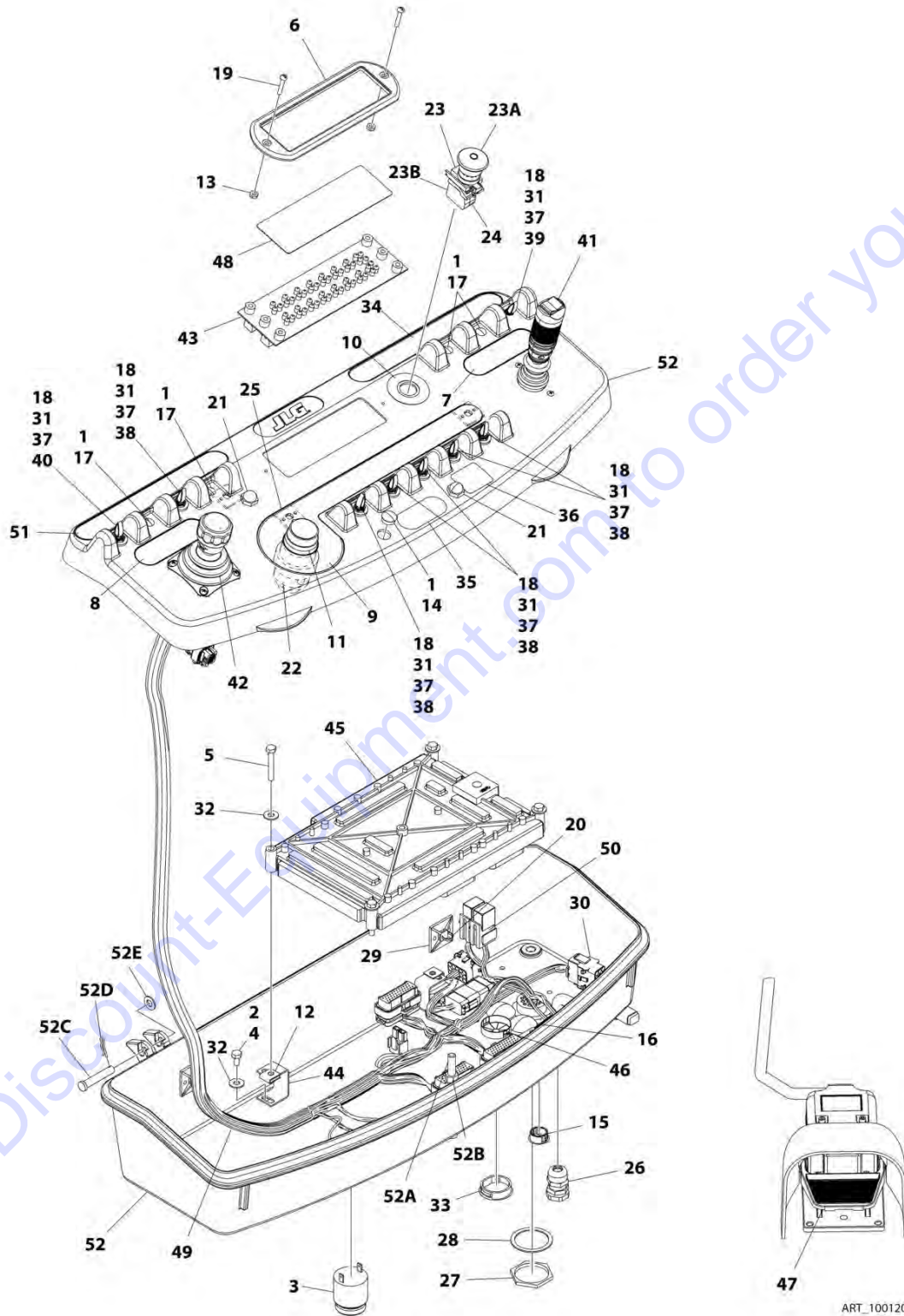
## SECTION 5 - PLATFORM

| ITEM | PART NUMBER | QTY | DESCRIPTION  | REV |
|------|-------------|-----|--|-----|
| 44   | 1001189039  | 1   | Footswitch Assembly (See FOOTSWITCH ASSEMBLY for Breakdown)          |     |
| 45   | 1001190017  | 1   | Console Box Assembly   |     |
| 45A  | 0630568     | 1   | Capscrew, 3/8-16 x 4-1/2   |     |
| 45B  | 3311601     | 1   | Nut, 3/8-16  |     |
| 45C  | 3470003     | 2   | Pin, Cotter  |     |
| 45D  | 4711500     | 2   | Washer, 5/16   |     |
| 46   | 1001190797  | 1   | Decal - Platform Display   |     |
| 47   | 1001191318  | 1   | Harness, Platform Console Box (See ELECTRICAL SECTION for Breakdown) |     |
| 48   | 1001192292  | 1   | Harness, SkyGuard (See ELECTRICAL SECTION for Breakdown)             |     |
| 49   | 1001193987  | 1   | Decal - Horn and Drive Select  |     |
| 50   | 3520030     | 1   | Plug, Hole (SN 0300214530 through 0300219911)                        |     |
| 51   | 1001185281  | 1   | Plug, Bushing (SN 0300214530 through 0300219911)                     |     |



# SECTION 5 - PLATFORM

FIGURE 5-23. PLATFORM CONSOLE ASSEMBLY - WITHOUT LSS OR WITH 4 CELL LSS - WITH SKYGUARD - E400AN (SN 0300219912 through 0300240700)



ART\_1001202585

## SECTION 5 - PLATFORM

**FIGURE 5-23. PLATFORM CONSOLE ASSEMBLY - WITHOUT LSS OR WITH 4 CELL LSS - WITH SKYGUARD - E400AN (SN 0300219912 through 0300240700)**

| ITEM | PART NUMBER | QTY | DESCRIPTION  | REV |
|------|-------------|-----|--|-----|
|      | 1001202585  | Ref | PLATFORM CONSOLE ASSEMBLY - WITHOUT LSS OR WITH 4 CELL LSS - WITH SKYGUARD - E400An (SN 0300219912 through 0300240700) | D   |
| 1    | 0100009     | AR  | Sealant  |     |
| 2    | 0100075     | AR  | Sealant  |     |
| 3    | 0140011     | 1   | Alarm  |     |
| 4    | 0641404     | 4   | Bolt, 1/4-20 x 1/2   |     |
| 5    | 0641414     | 4   | Bolt, 1/4-20 x 1-3/4   |     |
| 6    | 1671176     | 1   | Bezel  |     |
| 7    | 1702565     | 1   | Decal - Drive and Steer  |     |
| 8    | 1702566     | 1   | Decal - Lift and Swing   |     |
| 9    | 1702567     | 1   | Decal - Function Speed   |     |
| 10   | 1704260     | 1   | Decal - EMS  |     |
| 11   | 2560136     | 1   | Handle, Knob   |     |
| 12   | 3300353     | 4   | Nut, Tinnerman   |     |
| 13   | 3300408     | 2   | Nut, Lock  |     |
| 14   | 3520027     | 1   | Plug, Hole   |     |
| 15   | 3520030     | 1   | Plug, Hole   |     |
| 16   | 3520033     | 2   | Plug, Hole (SN 0300219912 through 0300226306)  |     |
| 16   | 1001220486  | 2   | Plug, Hole (SN 0300226307 through 0300240700)  |     |
| 17   | 3520054     | 4   | Plug, Hole   |     |
| 18   | 3790012     | 8   | O-Ring   |     |
| 19   | 3911018     | 2   | Screw, #10-24 x 1-1/8  |     |
| 20   | 4240032     | AR  | Tie-Strap (Not Shown)  |     |
| 21   | 4360387     | 2   | Switch, Push Button  |     |
| 22   | 4360407     | 1   | Switch, Potentiometer  |     |
| 23   | 4360475     | 1   | Switch, Emergency Stop   |     |
| 23A  | 7020175     | 1   | Cap, Mushroom with Sealing Ring  |     |
| 23B  | 7020176     | 1   | Block, Contact   |     |
| 24   | 4360476     | 1   | Block, Contact   |     |
| 25   | 4460234     | 4   | Mount, Tie-Strap   |     |
| 26   | 4460428     | 1   | Connector, Strain Relief   |     |
| 27   | 4460470     | 1   | Nut, Terminal  |     |
| 28   | 4460471     | 1   | Washer, Lock, Terminal   |     |
| 29   | 4460488     | 2   | Base, Terminal Mounting  |     |
| 30   | 4460708     | 1   | Connector - 15 Position  |     |
| 31   | 4740397     | 6   | Spacer   |     |
| 32   | 4751400     | 8   | Washer, 1/4  |     |
| 33   | 1001110434  | 1   | Plug, D-Shaped   |     |
| 34   | 1001132175  | 1   | Decal - Stop - Generator   |     |
| 35   | 1001141300  | 1   | Decal - Platform Sensor Override   |     |
| 36   | 1001144433  | 1   | Decal - No Weight SkyGuard   |     |
| 37   | 1001155044  | 8   | Nut, 15/32-32  |     |
| 38   | 1001155045  | 6   | Switch, Toggle   |     |
| 39   | 1001159256  | 1   | Switch, Toggle   |     |
| 40   | 1001161710  | 1   | Switch, Toggle   |     |
| 41   | 1001166538  | NLA | Controller Assembly - Drive and Steer (Use p/n 1001212415) (See CONTROLLER ASSEMBLY - DRIVE AND STEER for Breakdown)   |     |
| 42   | 1001166539  | NLA | Controller Assembly - Lift and Swing (Use p/n 1001129555) (See CONTROLLER ASSEMBLY LIFT AND SWING for Breakdown)       |     |

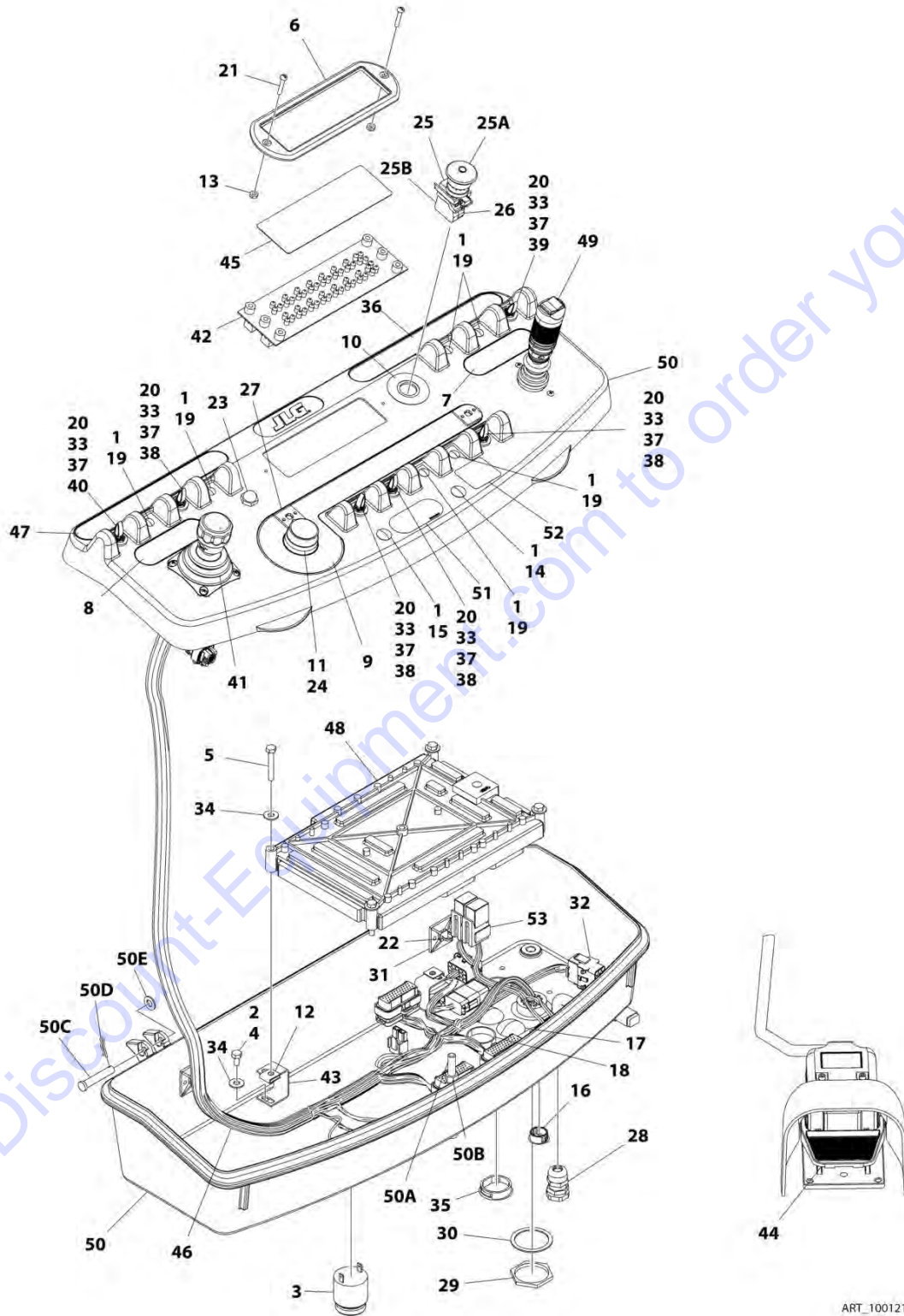
## SECTION 5 - PLATFORM

| ITEM | PART NUMBER | QTY | DESCRIPTION  | REV |
|------|-------------|-----|--|-----|
| 43   | 1001170838  | 1   | Gauge, Led Panel   |     |
| 44   | 1001172760  | 4   | Bracket, Module  |     |
| 45   | 1001182724  | 1   | Module, PC (Note: Re-calibration Required when Replaced)             |     |
| 46   | 1001185281  | 1   | Plug, Bushing  |     |
| 47   | 1001189039  | 1   | Footswitch Assembly (See FOOTSWITCH ASSEMBLY for Breakdown)          |     |
| 48   | 1001190797  | 1   | Decal - Platform Display   |     |
| 49   | 1001191318  | 1   | Harness, Platform Console Box (See ELECTRICAL SECTION for Breakdown) |     |
| 50   | 1001192292  | 1   | Harness, SkyGuard (See ELECTRICAL SECTION for Breakdown)             |     |
| 51   | 1001193987  | 1   | Decal - Horn and Drive Select  |     |
| 52   | 1001201887  | 1   | Console Box Assembly   |     |
| 52A  | 0630568     | 1   | Capscrew, 3/8-16 x 4-1/2   |     |
| 52B  | 3311601     | 1   | Nut, 3/8-16  |     |
| 52C  | 3430616     | 2   | Pin, Clevis  |     |
| 52D  | 3470003     | 2   | Pin, Cotter  |     |
| 52E  | 4711500     | 2   | Washer, 5/16   |     |



# SECTION 5 - PLATFORM

FIGURE 5-24. PLATFORM CONSOLE ASSEMBLY - WITHOUT LSS OR WITH 4 CELL LSS - WITH SKYGUARD - E400AN - UL SPECS (SN 0300208530 through 0300256446)



ART\_1001216153



## SECTION 5 - PLATFORM

**FIGURE 5-24. PLATFORM CONSOLE ASSEMBLY - WITHOUT LSS OR WITH 4 CELL LSS - WITH SKYGUARD - E400AN - UL SPECS (SN 0300208530 through 0300256446)**

| ITEM | PART NUMBER | QTY | DESCRIPTION  | REV |
|------|-------------|-----|--|-----|
|      | 1001216153  | Ref | PLATFORM CONSOLE ASSEMBLY - WITHOUT LSS OR WITH 4 CELL LSS - WITH SKYGUARD - E400An - UL SPECS                   | E   |
| 1    | 0100009     | AR  | Sealant  |     |
| 2    | 0100075     | AR  | Sealant  |     |
| 3    | 0140011     | 1   | Alarm  |     |
| 4    | 0641404     | 4   | Bolt, 1/4-20 x 1/2   |     |
| 5    | 0641414     | 4   | Bolt, 1/4-20 x 1-3/4   |     |
| 6    | 1671176     | 1   | Bezel  |     |
| 7    | 1702565     | 1   | Decal - Drive and Steer  |     |
| 8    | 1702566     | 1   | Decal - Lift and Swing   |     |
| 9    | 1702567     | 1   | Decal - Function Speed   |     |
| 10   | 1704260     | 1   | Decal - EMS  |     |
| 11   | 2560136     | 1   | Handle, Knob   |     |
| 12   | 3300353     | 4   | Nut, Tinnerman   |     |
| 13   | 3300408     | 2   | Nut, Lock  |     |
| 14   | 3520026     | 1   | Plug, Hole (SN 0300208530 through 0300229267)  |     |
| 15   | 3520027     | 1   | Plug, Hole   |     |
| 16   | 3520030     | 1   | Plug, Hole   |     |
| 17   | 1001220486  | 2   | Plug, Hole   |     |
| 18   | 3520035     | 1   | Plug, Cap (SN 0300208530 through 0300229267)   |     |
| 18   | 1001185281  | 1   | Plug, Bushing (SN 0300229268 through 0300256446)   |     |
| 19   | 3520054     | 6   | Plug, Hole   |     |
| 20   | 3790012     | 6   | O-Ring   |     |
| 21   | 3911018     | 2   | Screw, #10-24 x 1-1/8  |     |
| 22   | 4240032     | AR  | Tie-Strap (Not Shown)  |     |
| 23   | 4360387     | AR  | Switch, Push Button  |     |
| 24   | 4360407     | 1   | Switch, Potentiometer  |     |
| 25   | 4360475     | 1   | Switch, Emergency Stop   |     |
| 25A  | 7020175     | 1   | Cap, Mushroom with Sealing Ring  |     |
| 25B  | 7020176     | 1   | Block, Contact   |     |
| 26   | 4360476     | 1   | Block, Contact   |     |
| 27   | 4460234     | 4   | Mount, Tie-Strap   |     |
| 28   | 4460428     | 1   | Connector, Strain Relief   |     |
| 29   | 4460470     | 1   | Nut, Terminal  |     |
| 30   | 4460471     | 1   | Washer, Lock, Terminal   |     |
| 31   | 4460488     | 2   | Base, Terminal Mounting  |     |
| 32   | 4460708     | 1   | Connector - 15 Position  |     |
| 33   | 4740397     | 6   | Spacer   |     |
| 34   | 4751400     | 8   | Washer, 1/4  |     |
| 35   | 1001110434  | 1   | Plug, D-Shaped   |     |
| 36   | 1001132175  | 1   | Decal - Stop - Generator   |     |
| 37   | 1001155044  | 6   | Nut, 15/32-32  |     |
| 38   | 1001155045  | 4   | Switch, Toggle   |     |
| 39   | 1001159256  | 1   | Switch, Toggle   |     |
| 40   | 1001161710  | 1   | Switch, Toggle   |     |
| 41   | 1001166539  | NLA | Controller Assembly - Lift and Swing (Use p/n 1001129555) (See CONTROLLER ASSEMBLY LIFT AND SWING for Breakdown) |     |
| 42   | 1001170838  | 1   | Gauge, Led Panel   |     |
| 43   | 1001172760  | 4   | Bracket, Module  |     |

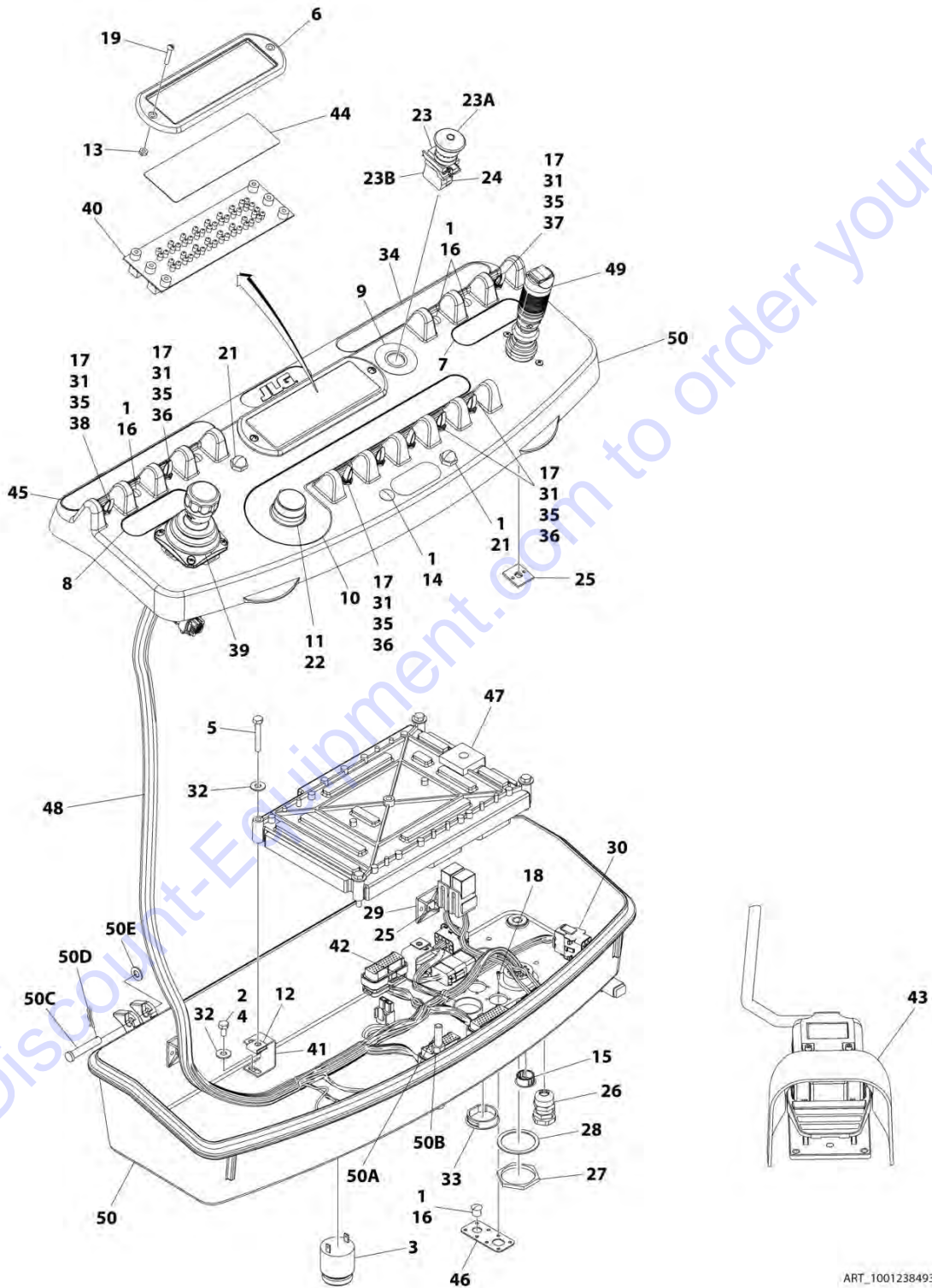
## SECTION 5 - PLATFORM

| ITEM | PART NUMBER | QTY | DESCRIPTION  | REV |
|------|-------------|-----|--|-----|
| 44   | 1001189039  | 1   | Footswitch Assembly (See FOOTSWITCH ASSEMBLY for Breakdown)  |     |
| 45   | 1001190797  | 1   | Decal - Platform Display   |     |
| 46   | 1001191318  | 1   | Harness, Platform Console Box (See ELECTRICAL SECTION for Breakdown)   |     |
| 47   | 1001193987  | 1   | Decal - Horn and Drive Select  |     |
| 48   | 1001215835  | 1   | Module, PC (Note: Re-calibration Required when Replaced)   |     |
| 49   | 1001166538  | NLA | Controller Assembly - Drive and Steer (Use p/n 1001212415) (See CONTROLLER ASSEMBLY - DRIVE AND STEER for Breakdown) |     |
| 50   | 1001201887  | 1   | Console Box Assembly   |     |
| 50A  | 0630568     | 1   | Capscrew, 3/8-16 x 4-1/2   |     |
| 50B  | 3311601     | 1   | Nut, 3/8-16  |     |
| 50C  | 3430616     | 2   | Pin, Clevis  |     |
| 50D  | 3470003     | 2   | Pin, Cotter  |     |
| 50E  | 4711600     | 2   | Washer, 5/16   |     |
| 51   | 1001141300  | 1   | Decal - Platform Sensor Override (SN 0300229268 through 0300239739)  |     |
| 52   | 1001144433  | 1   | Decal - No Weight SkyGuard (SN 0300229268 through 0300256446)  |     |
| 53   | 1001192292  | 1   | Harness, SkyGuard (See ELECTRICAL SECTION for Breakdown) (SN 0300229268 through 0300256446)                          |     |



# SECTION 5 - PLATFORM

FIGURE 5-25. PLATFORM CONSOLE ASSEMBLY - WITHOUT LSS OR WITH 1 CELL LSS - E400AN - UL SPECS (SN 0300256447 to Present)



ART\_1001238493

## SECTION 5 - PLATFORM

**FIGURE 5-25. PLATFORM CONSOLE ASSEMBLY - WITHOUT LSS OR WITH 1 CELL LSS - E400AN - UL SPECS (SN 0300256447 to Present)**

| ITEM | PART NUMBER | QTY | DESCRIPTION  | REV |
|------|-------------|-----|--|-----|
|      | 1001238493  | Ref | PLATFORM CONSOLE ASSEMBLY - WITH SKYGUARD (UL SPECS)   | A   |
| 1    | 0100009     | AR  | Sealant  |     |
| 2    | 0100035     | AR  | Compound, Locking  |     |
| 3    | 0140011     | 1   | Alarm  |     |
| 4    | 0641404     | 4   | Bolt, 1/4 x 1/2  |     |
| 5    | 0641414     | 4   | Bolt, 1/4 x 1-3/4  |     |
| 6    | 1671176     | 1   | Bezel  |     |
| 7    | 1702565     | 1   | Decal - Drive and Steer  |     |
| 8    | 1702566     | 1   | Decal - Lift and Swing   |     |
| 9    | 1704260     | 1   | Decal - EMS  |     |
| 10   | 1704422     | 1   | Decal - Function Speed   |     |
| 11   | 2560136     | 1   | Handle, Knob   |     |
| 12   | 3300353     | 4   | Nut, Tinnerman   |     |
| 13   | 3300408     | 2   | Nut, Lock  |     |
| 14   | 3520027     | 1   | Plug, Hole   |     |
| 15   | 3520030     | 1   | Plug, Hole   |     |
| 16   | 3520054     | 5   | Plug, Hole   |     |
| 17   | 3790012     | 8   | O-Ring   |     |
| 18   | 3900349     | 8   | Screw M2.5   |     |
| 19   | 3911018     | 2   | Screw, #10 x 1-1/8   |     |
| 20   | 4240032     | AR  | Tie-Strap (Not Shown)  |     |
| 21   | 4360387     | 2   | Switch, Push Button  |     |
| 22   | 4360407     | 1   | Switch, Potentiometer  |     |
| 23   | 4360475     | 1   | Switch, Emergency Stop   |     |
| 23A  | 7020175     | 1   | Cap, Mushroom with Sealing Ring  |     |
| 23B  | 7020176     | 1   | Block, Contact   |     |
| 24   | 4360476     | 1   | Block, Contact   |     |
| 25   | 4460234     | 4   | Mount, Tie-Strap   |     |
| 26   | 4460428     | 1   | Connector, Strain Relief   |     |
| 27   | 4460470     | 1   | Nut, Terminal  |     |
| 28   | 4460471     | 1   | Washer, Lock, Terminal   |     |
| 29   | 4460488     | 2   | Base, Terminal Mounting  |     |
| 30   | 4460708     | 1   | Connector - 15 Position  |     |
| 31   | 4740397     | 8   | Spacer   |     |
| 32   | 4751400     | 8   | Washer, 1/4  |     |
| 33   | 1001110434  | 1   | Plug, D-Shaped   |     |
| 34   | 1001132175  | 1   | Decal - Stop - Generator   |     |
| 35   | 1001155044  | 8   | Nut, 15/32   |     |
| 36   | 1001155045  | 6   | Switch, Toggle   |     |
| 37   | 1001159256  | 1   | Switch, Toggle   |     |
| 38   | 1001161710  | 1   | Switch, Toggle   |     |
| 39   | 1001166539  | NLA | Controller Assembly - Lift and Swing (Use p/n 1001129555) (See CONTROLLER ASSEMBLY LIFT AND SWING for Breakdown) |     |
| 40   | 1001170838  | 1   | Gauge, Led Panel   |     |
| 41   | 1001172760  | 4   | Bracket, Module  |     |
| 42   | 1001185281  | 1   | Plug, Bushing  |     |
| 43   | 1001189039  | 1   | Footswitch Assembly (See FOOTSWITCH ASSEMBLY for Breakdown)  |     |

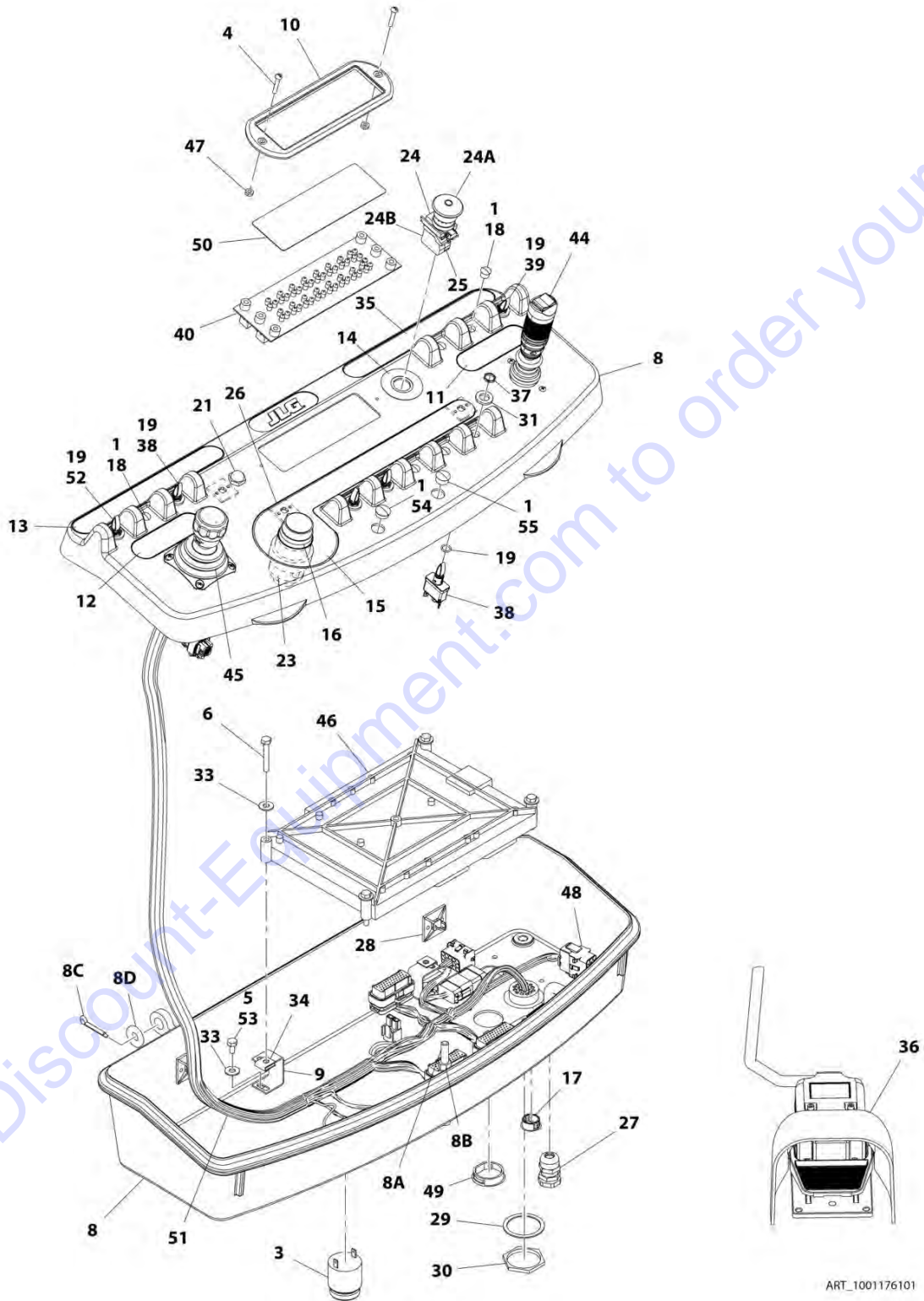
## SECTION 5 - PLATFORM

| ITEM | PART NUMBER | QTY | DESCRIPTION  | REV |
|------|-------------|-----|--|-----|
| 44   | 1001190797  | 1   | Decal - Platform Display   |     |
| 45   | 1001193987  | 1   | Decal - Horn and Drive Select  |     |
| 46   | 1001213882  | 1   | Mount, Connector   |     |
| 47   | 1001215835  | 1   | Module, PC (Note: Re-calibration Required when Replaced)   |     |
| 48   | 1001217621  | 1   | Harness, Platform Console Box (With 1 Cell LSS) (See ELECTRICAL SECTION for Breakdown)                               |     |
| 49   | 1001166538  | NLA | Controller Assembly - Drive and Steer (Use p/n 1001212415) (See CONTROLLER ASSEMBLY - DRIVE AND STEER for Breakdown) |     |
| 50   | 1001218068  | 1   | Console Box Assembly   |     |
| 50A  | 0630568     | 1   | Capscrew 3/8 x 4-1/2   |     |
| 50B  | 3311601     | 1   | Nut 3/8  |     |
| 50C  | 3430616     | 2   | Pin, Clevis  |     |
| 50D  | 3470003     | 2   | Pin, Cotter  |     |
| 50E  | 4711600     | 2   | Washer 3/8   |     |



# SECTION 5 - PLATFORM

FIGURE 5-26. PLATFORM CONSOLE ASSEMBLY - WITHOUT LSS OR WITH 4 CELL LSS - WITHOUT SKYGUARD - E400AJP/E400AJPN/M400AJP/M400AJPN (SN 0300208530 through 0300219911)





## SECTION 5 - PLATFORM

**FIGURE 5-26. PLATFORM CONSOLE ASSEMBLY - WITHOUT LSS OR WITH 4 CELL LSS - WITHOUT SKYGUARD - E400AJP/E400AJPN/M400AJP/M400AJPN (SN 0300208530 through 0300219911)**

| ITEM | PART NUMBER | QTY | DESCRIPTION  | REV |
|------|-------------|-----|--|-----|
|      | 1001176101  | Ref | PLATFORM CONSOLE ASSEMBLY - WITHOUT LSS OR WITH 4 CELL LSS - WITHOUT SKYGUARD - E400AJP/E400AJPN/M400AJP/M400AJPN (SN 0300208530 through 0300219911) | H   |
| 1    | 0100009     | AR  | Sealant  |     |
| 3    | 0140011     | 1   | Alarm  |     |
| 4    | 3911018     | 2   | Screw, #10-24 x 1-1/8  |     |
| 5    | 0641404     | 4   | Bolt, 1/4-20 x 1/2   |     |
| 6    | 0641414     | 4   | Bolt, 1/4-20 x 1-3/4   |     |
| 8    | 1001190017  | 1   | Console Box Assembly   |     |
| 8A   | 0630568     | 1   | Capscrew, 3/8-16 x 4-1/2   |     |
| 8B   | 3311601     | 1   | Nut, 3/8-16  |     |
| 8C   | 3470003     | 2   | Pin, Cotter  |     |
| 8D   | 4711500     | 2   | Washer, 5/16   |     |
| 9    | 1001172760  | 4   | Bracket, Module  |     |
| 10   | 1671176     | 1   | Bezel  |     |
| 11   | 1702565     | 1   | Decal - Drive and Steer  |     |
| 12   | 1702566     | 1   | Decal - Lift and Swing   |     |
| 13   | 1001193987  | 1   | Decal - Horn and Drive Select  |     |
| 14   | 1704260     | 1   | Decal - EMS  |     |
| 15   | 1704422     | 1   | Decal - Function Speed   |     |
| 16   | 2560136     | 1   | Handle, Knob   |     |
| 17   | 3520030     | 1   | Plug, Hole   |     |
| 18   | 3520054     | 3   | Plug, Hole   |     |
| 19   | 3790012     | 8   | O-Ring   |     |
| 20   | 4240032     | AR  | Tie-Strap (Not Shown)  |     |
| 21   | 4360387     | 1   | Switch, Push Button  |     |
| 23   | 4360407     | 1   | Switch, Potentiometer  |     |
| 24   | 4360475     | 1   | Switch, Emergency Stop   |     |
| 24A  | 7020175     | 1   | Cap, Mushroom with Sealing Ring  |     |
| 24B  | 7020176     | 1   | Block, Contact   |     |
| 25   | 4360476     | 1   | Block, Contact   |     |
| 26   | 4460234     | 4   | Mount, Tie-Strap   |     |
| 27   | 4460428     | 1   | Connector, Strain Relief   |     |
| 28   | 4460488     | 2   | Base, Terminal Mounting  |     |
| 29   | 4460471     | 1   | Washer, Lock, Terminal   |     |
| 30   | 4460470     | 1   | Nut, Terminal  |     |
| 31   | 4740397     | 8   | Spacer   |     |
| 33   | 4751400     | 8   | Washer, 1/4  |     |
| 34   | 3300353     | 4   | Nut, Tinnerman   |     |
| 35   | 1001132175  | 1   | Decal - Stop - Generator   |     |
| 36   | 1001189039  | 1   | Footswitch Assembly (See FOOTSWITCH ASSEMBLY for Breakdown)  |     |
| 37   | 1001155044  | 8   | Nut, 15/32-32  |     |
| 38   | 1001155045  | 6   | Switch, Toggle   |     |
| 39   | 1001159256  | 1   | Switch, Toggle   |     |
| 40   | 1001170838  | 1   | Gauge, Led Panel   |     |
| 44   | 1001166538  | NLA | Controller Assembly - Drive and Steer (Use p/n 1001212415) (See CONTROLLER ASSEMBLY - DRIVE AND STEER for Breakdown)                                 |     |
| 45   | 1001166539  | NLA | Controller Assembly - Lift and Swing (Use p/n 1001129555) (See   |     |

## SECTION 5 - PLATFORM

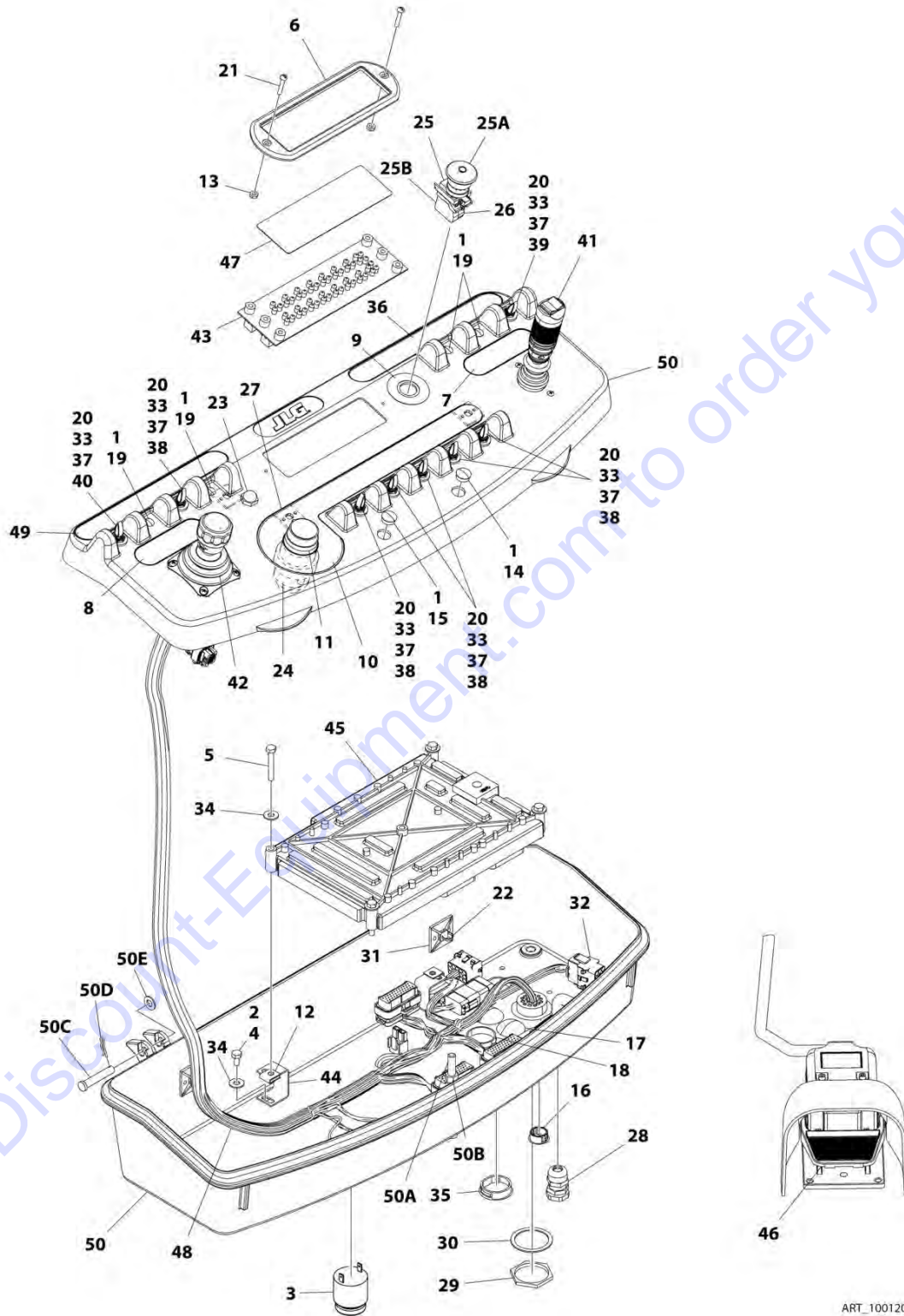
| ITEM | PART NUMBER | QTY | DESCRIPTION  | REV |
|------|-------------|-----|--|-----|
| 46   | 1001182724  | 1   | CONTROLLER ASSEMBLY LIFT AND SWING for Breakdown)                    |     |
|      |             |     | Module, PC (Note: Re-calibration Required when Replaced)             |     |
| 47   | 3300408     | 2   | Nut, Lock  |     |
| 48   | 4460708     | 1   | Connector - 15 Position  |     |
| 49   | 1001110434  | 2   | Plug, D-Shaped   |     |
| 50   | 1001190797  | 1   | Decal - Platform Display   |     |
| 51   | 1001191318  | 1   | Harness, Platform Console Box (See ELECTRICAL SECTION for Breakdown) |     |
| 52   | 1001161710  | 1   | Switch, Toggle   |     |
| 53   | 0100075     | AR  | Sealant  |     |
| 54   | 3520027     | 1   | Plug, Hole   |     |
| 55   | 3520026     | 1   | Plug, Hole   |     |

Go to Discount-Equipment.com to order your parts



# SECTION 5 - PLATFORM

FIGURE 5-27. PLATFORM CONSOLE ASSEMBLY - WITHOUT LSS OR WITH 4 CELL LSS - WITHOUT SKYGUARD - E400AJP/E400AJPN/M400AJP/M400AJPN (SN 0300219912 to Present)



ART\_1001204515

## SECTION 5 - PLATFORM

**FIGURE 5-27. PLATFORM CONSOLE ASSEMBLY - WITHOUT LSS OR WITH 4 CELL LSS - WITHOUT SKYGUARD - E400AJP/E400AJPn/M400AJP/M400AJPn (SN 0300219912 to Present)**

| ITEM | PART NUMBER | QTY | DESCRIPTION  | REV |
|------|-------------|-----|--|-----|
|      | 1001204515  | Ref | PLATFORM CONSOLE ASSEMBLY - WITHOUT LSS OR WITH 4 CELL LSS - WITHOUT SKYGUARD - E400AJP/E400AJPn/M400AJP/M400AJPn (SN 0300219912 to Present) | C   |
| 1    | 0100009     | AR  | Sealant  |     |
| 2    | 0100075     | AR  | Sealant  |     |
| 3    | 0140011     | 1   | Alarm  |     |
| 4    | 0641404     | 4   | Bolt, 1/4-20 x 1/2   |     |
| 5    | 0641414     | 4   | Bolt, 1/4-20 x 1-3/4   |     |
| 6    | 1671176     | 1   | Bezel  |     |
| 7    | 1702565     | 1   | Decal - Drive and Steer  |     |
| 8    | 1702566     | 1   | Decal - Lift and Swing   |     |
| 9    | 1704260     | 1   | Decal - EMS  |     |
| 10   | 1704422     | 1   | Decal - Function Speed   |     |
| 11   | 2560136     | 1   | Handle, Knob   |     |
| 12   | 3300353     | 4   | Nut, Tinnerman   |     |
| 13   | 3300408     | 2   | Nut, Lock  |     |
| 14   | 3520026     | 1   | Plug, Hole   |     |
| 15   | 3520027     | 1   | Plug, Hole   |     |
| 16   | 3520030     | 1   | Plug, Hole   |     |
| 17   | 3520033     | 2   | Plug, Hole (SN 0300219912 through 0300226306)  |     |
| 17   | 1001220486  | 2   | Plug, Hole (SN 0300226307 to Present)  |     |
| 18   | 3520035     | 1   | Plug, Cap  |     |
| 19   | 3520054     | 3   | Plug, Hole   |     |
| 20   | 3790012     | 8   | O-Ring   |     |
| 21   | 3911018     | 2   | Screw, #10-24 x 1-1/8  |     |
| 22   | 4240032     | AR  | Tie-Strap (Not Shown)  |     |
| 23   | 4360387     | 1   | Switch, Push Button  |     |
| 24   | 4360407     | 1   | Switch, Potentiometer  |     |
| 25   | 4360475     | 1   | Switch, Emergency Stop   |     |
| 25A  | 7020175     | 1   | Cap, Mushroom with Sealing Ring  |     |
| 25B  | 7020176     | 1   | Block, Contact   |     |
| 26   | 4360476     | 1   | Block, Contact   |     |
| 27   | 4460234     | 4   | Mount, Tie-Strap   |     |
| 28   | 4460428     | 1   | Connector, Strain Relief   |     |
| 29   | 4460470     | 1   | Nut, Terminal  |     |
| 30   | 4460471     | 1   | Washer, Lock, Terminal   |     |
| 31   | 4460488     | 2   | Base, Terminal Mounting  |     |
| 32   | 4460708     | 1   | Connector - 15 Position  |     |
| 33   | 4740397     | 8   | Spacer   |     |
| 34   | 4751400     | 8   | Washer, 1/4  |     |
| 35   | 1001110434  | 1   | Plug, D-Shaped   |     |
| 36   | 1001132175  | 1   | Decal - Stop - Generator   |     |
| 37   | 1001155044  | 8   | Nut, 15/32-32  |     |
| 38   | 1001155045  | 6   | Switch, Toggle   |     |
| 39   | 1001159256  | 1   | Switch, Toggle   |     |
| 40   | 1001161710  | 1   | Switch, Toggle   |     |
| 41   | 1001166538  | NLA | Controller Assembly - Drive and Steer (Use p/n 1001212415) (See CONTROLLER ASSEMBLY - DRIVE AND STEER for Breakdown)                         |     |
| 42   | 1001166539  | NLA | Controller Assembly - Lift and Swing (Use p/n 1001129555) (See   |     |

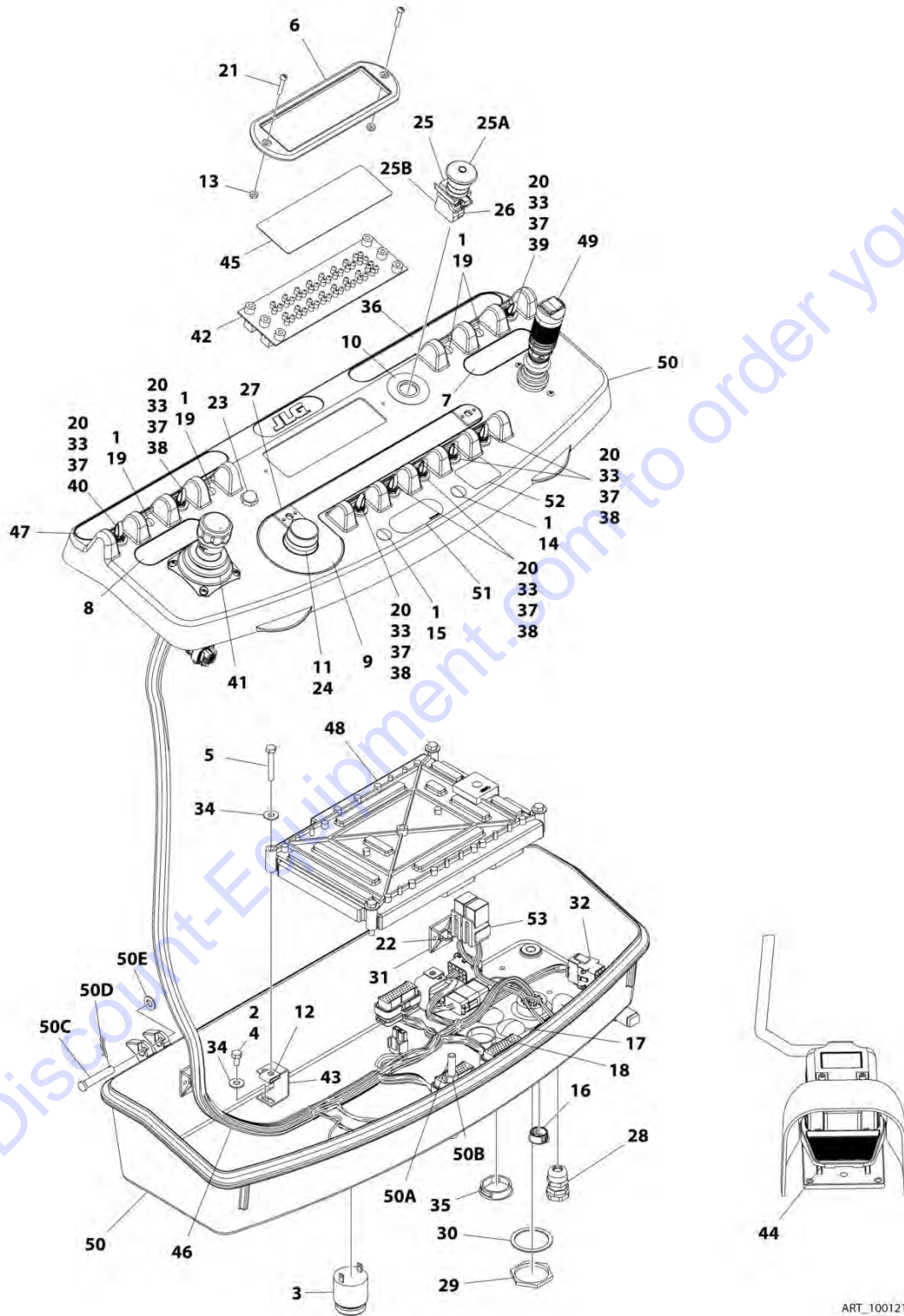
## SECTION 5 - PLATFORM

| ITEM | PART NUMBER | QTY | DESCRIPTION  | REV |
|------|-------------|-----|--|-----|
|      |             |     | CONTROLLER ASSEMBLY LIFT AND SWING for Breakdown)                    |     |
| 43   | 1001170838  | 1   | Gauge, Led Panel   |     |
| 44   | 1001172760  | 4   | Bracket, Module  |     |
| 45   | 1001182724  | 1   | Module, PC (Note: Re-calibration Required when Replaced)             |     |
| 46   | 1001189039  | 1   | Footswitch Assembly (See FOOTSWITCH ASSEMBLY for Breakdown)          |     |
| 47   | 1001190797  | 1   | Decal - Platform Display   |     |
| 48   | 1001191318  | 1   | Harness, Platform Console Box (See ELECTRICAL SECTION for Breakdown) |     |
| 49   | 1001193987  | 1   | Decal - Horn and Drive Select  |     |
| 50   | 1001201887  | 1   | Console Box Assembly   |     |
| 50A  | 0630568     | 1   | Capscrew, 3/8-16 x 4-1/2   |     |
| 50B  | 3311601     | 1   | Nut, 3/8-16  |     |
| 50C  | 3430616     | 2   | Pin, Clevis  |     |
| 50D  | 3470003     | 2   | Pin, Cotter  |     |
| 50E  | 4711500     | 2   | Washer, 5/16   |     |



# SECTION 5 - PLATFORM

FIGURE 5-28. PLATFORM CONSOLE ASSEMBLY - WITHOUT LSS OR WITH 4 CELL LSS - WITH SKYGUARD - E400AJP/E400AJPN - UL SPECS (SN 0300208530 through 0300256446)



ART\_1001216154



## SECTION 5 - PLATFORM

**FIGURE 5-28. PLATFORM CONSOLE ASSEMBLY - WITHOUT LSS OR WITH 4 CELL LSS - WITH SKYGUARD - E400AJP/E400AJPN - UL SPECS (SN 0300208530 through 0300256446)**

| ITEM | PART NUMBER | QTY | DESCRIPTION  | REV |
|------|-------------|-----|--|-----|
|      | 1001216154  | Ref | PLATFORM CONSOLE ASSEMBLY - WITHOUT LSS OR WITH 4 CELL LSS - WITH SKYGUARD - E400AJP/E400AJPN - UL SPECS         | E   |
| 1    | 0100009     | AR  | Sealant  |     |
| 2    | 0100075     | AR  | Sealant  |     |
| 3    | 0140011     | 1   | Alarm  |     |
| 4    | 0641404     | 4   | Bolt, 1/4-20 x 1/2   |     |
| 5    | 0641414     | 4   | Bolt, 1/4-20 x 1-3/4   |     |
| 6    | 1671176     | 1   | Bezel  |     |
| 7    | 1702565     | 1   | Decal - Drive and Steer  |     |
| 8    | 1702566     | 1   | Decal - Lift and Swing   |     |
| 9    | 1704260     | 1   | Decal - EMS  |     |
| 10   | 1704422     | 1   | Decal - Function Speed   |     |
| 11   | 2560136     | 1   | Handle, Knob   |     |
| 12   | 3300353     | 4   | Nut, Tinnerman   |     |
| 13   | 3300408     | 2   | Nut, Lock  |     |
| 14   | 3520026     | 1   | Plug, Hole (SN 0300208530 through 0300229267)  |     |
| 15   | 3520027     | 1   | Plug, Hole   |     |
| 16   | 3520030     | 1   | Plug, Hole   |     |
| 17   | 1001220486  | 2   | Plug, Hole   |     |
| 18   | 3520035     | 1   | Plug, Cap (SN 0300208530 through 0300229267)   |     |
| 18   | 1001185281  | 1   | Plug, Bushing (SN 0300229268 through 0300256446)   |     |
| 19   | 3520054     | 3   | Plug, Hole   |     |
| 20   | 3790012     | 8   | O-Ring   |     |
| 21   | 3911018     | 2   | Screw, #10-24 x 1-1/8  |     |
| 22   | 4240032     | AR  | Tie-Strap (Not Shown)  |     |
| 23   | 4360387     | AR  | Switch, Push Button  |     |
| 24   | 4360407     | 1   | Switch, Potentiometer  |     |
| 25   | 4360475     | 1   | Switch, Emergency Stop   |     |
| 25A  | 7020175     | 1   | Cap, Mushroom with Sealing Ring  |     |
| 25B  | 7020176     | 1   | Block, Contact   |     |
| 26   | 4360476     | 1   | Block, Contact   |     |
| 27   | 4460234     | 4   | Mount, Tie-Strap   |     |
| 28   | 4460428     | 1   | Connector, Strain Relief   |     |
| 29   | 4460470     | 1   | Nut, Terminal  |     |
| 30   | 4460471     | 1   | Washer, Lock, Terminal   |     |
| 31   | 4460488     | 2   | Base, Terminal Mounting  |     |
| 32   | 4460708     | 1   | Connector - 15 Position  |     |
| 33   | 4740397     | 8   | Spacer   |     |
| 34   | 4751400     | 8   | Washer, 1/4  |     |
| 35   | 1001110434  | 1   | Plug, D-Shaped   |     |
| 36   | 1001132175  | 1   | Decal - Stop - Generator   |     |
| 37   | 1001155044  | 8   | Nut, 15/32-32  |     |
| 38   | 1001155045  | 6   | Switch, Toggle   |     |
| 39   | 1001159256  | 1   | Switch, Toggle   |     |
| 40   | 1001161710  | 1   | Switch, Toggle   |     |
| 41   | 1001166539  | NLA | Controller Assembly - Lift and Swing (Use p/n 1001129555) (See CONTROLLER ASSEMBLY LIFT AND SWING for Breakdown) |     |
| 42   | 1001170838  | 1   | Gauge, Led Panel   |     |
| 43   | 1001172760  | 4   | Bracket, Module  |     |

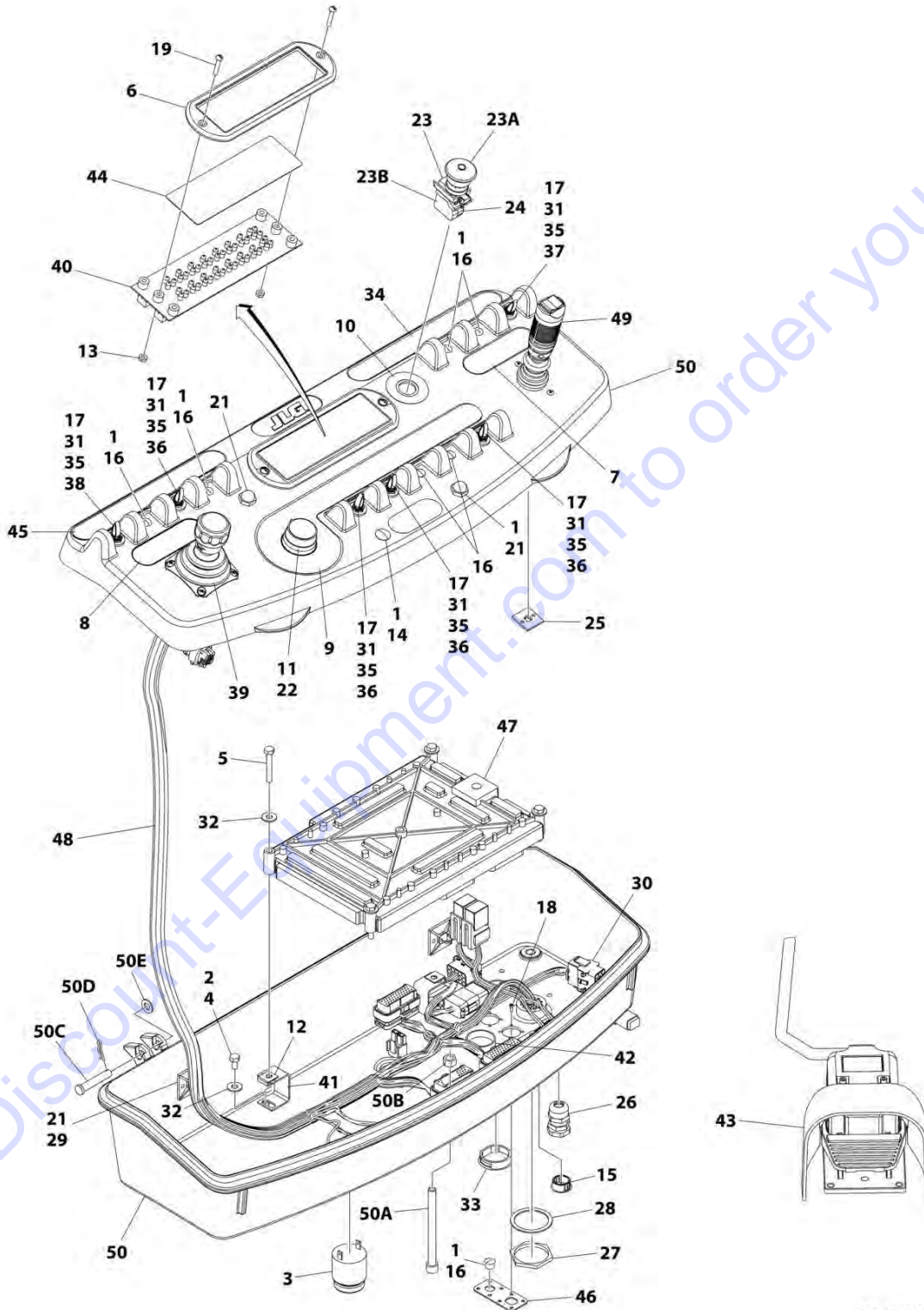
## SECTION 5 - PLATFORM

| ITEM | PART NUMBER | QTY | DESCRIPTION  | REV |
|------|-------------|-----|--|-----|
| 44   | 1001189039  | 1   | Footswitch Assembly (See FOOTSWITCH ASSEMBLY for Breakdown)  |     |
| 45   | 1001190797  | 1   | Decal - Platform Display   |     |
| 46   | 1001191318  | 1   | Harness, Platform Console Box (See ELECTRICAL SECTION for Breakdown)   |     |
| 47   | 1001193987  | 1   | Decal - Horn and Drive Select  |     |
| 48   | 1001215835  | 1   | Module, PC (Note: Re-calibration Required when Replaced)   |     |
| 49   | 1001166538  | NLA | Controller Assembly - Drive and Steer (Use p/n 1001212415) (See CONTROLLER ASSEMBLY - DRIVE AND STEER for Breakdown) |     |
| 50   | 1001201887  | 1   | Console Box Assembly   |     |
| 50A  | 0630568     | 1   | Capscrew, 3/8-16 x 4-1/2   |     |
| 50B  | 3311601     | 1   | Nut, 3/8-16  |     |
| 50C  | 3430616     | 2   | Pin, Clevis  |     |
| 50D  | 3470003     | 2   | Pin, Cotter  |     |
| 50E  | 4711600     | 2   | Washer, 5/16   |     |
| 51   | 1001141300  | 1   | Decal - Platform Sensor Override (SN 0300229268 through 0300239739)  |     |
| 52   | 1001144433  | 1   | Decal - No Weight SkyGuard (SN 0300229268 through 0300256446)  |     |
| 53   | 1001192292  | 1   | Harness, SkyGuard (See ELECTRICAL SECTION for Breakdown) (SN 0300229268 through 0300256446)                          |     |



# SECTION 5 - PLATFORM

FIGURE 5-29. PLATFORM CONSOLE ASSEMBLY - WITHOUT LSS OR WITH 1 CELL LSS - E400AJP/E400AJPN - UL SPECS (SN 0300256447 to Present)



ART\_1001238491

## SECTION 5 - PLATFORM

**FIGURE 5-29. PLATFORM CONSOLE ASSEMBLY - WITHOUT LSS OR WITH 1 CELL LSS - E400AJP/E400AJPN - UL SPECS (SN 0300256447 to Present)**

| ITEM | PART NUMBER | QTY | DESCRIPTION  | REV |
|------|-------------|-----|--|-----|
|      | 1001238491  | Ref | PLATFORM CONSOLE ASSEMBLY - WITHOUT LSS OR WITH 1 CELL LSS   | A   |
| 1    | 0100009     | AR  | Sealant  |     |
| 2    | 0100035     | AR  | Compound, Locking  |     |
| 3    | 0140011     | 1   | Alarm  |     |
| 4    | 0641404     | 4   | Bolt, 1/4-20 x 1/2   |     |
| 5    | 0641414     | 4   | Bolt, 1/4-20 x 1-3/4   |     |
| 6    | 1671176     | 1   | Bezel  |     |
| 7    | 1702565     | 1   | Decal - Drive and Steer  |     |
| 8    | 1702566     | 1   | Decal - Lift and Swing   |     |
| 9    | 1702567     | 1   | Decal - Function Speed   |     |
| 10   | 1704260     | 1   | Decal - EMS  |     |
| 11   | 2560136     | 1   | Handle, Knob   |     |
| 12   | 3300353     | 4   | Nut, Tinnerman   |     |
| 13   | 3300408     | 2   | Nut, Lock  |     |
| 14   | 3520027     | 1   | Plug, Hole   |     |
| 15   | 3520030     | 1   | Plug, Hole   |     |
| 16   | 3520054     | 7   | Plug, Hole   |     |
| 17   | 3790012     | 6   | O-Ring   |     |
| 18   | 3900349     | 8   | Screw M2.5   |     |
| 19   | 3911018     | 2   | Screw, #10-24 x 1-1/8  |     |
| 20   | 4240032     | AR  | Tie-Strap (Not Shown)  |     |
| 21   | 4360387     | 2   | Switch, Push Button  |     |
| 22   | 4360407     | 1   | Switch, Potentiometer  |     |
| 23   | 4360475     | 1   | Switch, Emergency Stop   |     |
| 23A  | 7020175     | 1   | Cap, Mushroom with Sealing Ring  |     |
| 23B  | 7020176     | 1   | Block, Contact   |     |
| 24   | 4360476     | 1   | Block, Contact   |     |
| 25   | 4460234     | 4   | Mount, Tie-Strap   |     |
| 26   | 4460428     | 1   | Connector, Strain Relief   |     |
| 27   | 4460470     | 1   | Nut, Terminal  |     |
| 28   | 4460471     | 1   | Washer, Lock, Terminal   |     |
| 29   | 4460488     | 2   | Base, Terminal Mounting  |     |
| 30   | 4460708     | 1   | Connector - 15 Position  |     |
| 31   | 4740397     | 6   | Spacer   |     |
| 32   | 4751400     | 8   | Washer, 1/4  |     |
| 33   | 1001110434  | 1   | Plug, D-Shaped   |     |
| 34   | 1001132175  | 1   | Decal - Stop - Generator   |     |
| 35   | 1001155044  | 6   | Nut, 15/32-32  |     |
| 36   | 1001155045  | 4   | Switch, Toggle   |     |
| 37   | 1001159256  | 1   | Switch, Toggle   |     |
| 38   | 1001161710  | 1   | Switch, Toggle   |     |
| 39   | 1001166539  | NLA | Controller Assembly - Lift and Swing (Use p/n 1001129555) (See CONTROLLER ASSEMBLY LIFT AND SWING for Breakdown) |     |
| 40   | 1001170838  | 1   | Gauge, Led Panel   |     |
| 41   | 1001172760  | 4   | Bracket, Module  |     |
| 42   | 1001185281  | 1   | Plug, Bushing  |     |
| 43   | 1001189039  | 1   | Footswitch Assembly (See FOOTSWITCH ASSEMBLY for Breakdown)  |     |

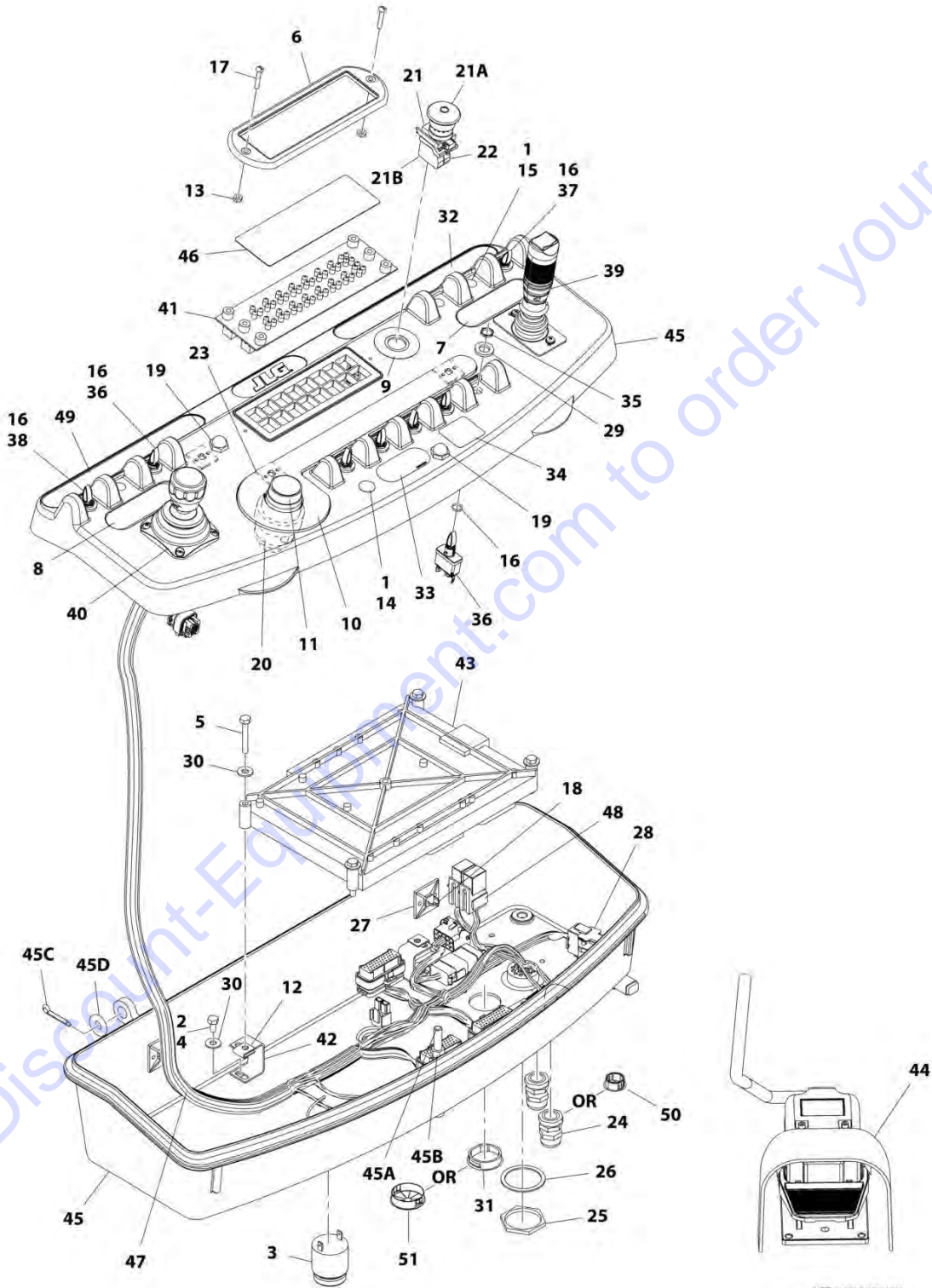
## SECTION 5 - PLATFORM

| ITEM | PART NUMBER | QTY | DESCRIPTION  | REV |
|------|-------------|-----|--|-----|
| 44   | 1001190797  | 1   | Decal - Platform Display   |     |
| 45   | 1001193987  | 1   | Decal - Horn and Drive Select  |     |
| 46   | 1001213882  | 1   | Mount, Connector   |     |
| 47   | 1001215835  | 1   | Module, PC (Note: Re-calibration Required when Replaced)   |     |
| 48   | 1001217621  | 1   | Harness, Platform Console Box (With 1 Cell LSS) (See ELECTRICAL SECTION for Breakdown)                               |     |
| 49   | 1001166538  | NLA | Controller Assembly - Drive and Steer (Use p/n 1001212415) (See CONTROLLER ASSEMBLY - DRIVE AND STEER for Breakdown) |     |
| 50   | 1001218068  | 1   | Console Box Assembly   |     |
| 50A  | 0630568     | 1   | Capscrew 3/8 x 4-1/2   |     |
| 50B  | 3311601     | 1   | Nut 3/8  |     |
| 50C  | 3430616     | 2   | Pin, Clevis  |     |
| 50D  | 3470003     | 2   | Pin, Cotter  |     |
| 50E  | 4711600     | 2   | Washer 3/8   |     |



# SECTION 5 - PLATFORM

FIGURE 5-30. PLATFORM CONSOLE ASSEMBLY - WITHOUT LSS OR WITH 4 CELL LSS - WITH SKYGUARD - E400AJP/E400AJPN/M400AJP/M400AJPN (SN 0300208530 through 0300219911)



ART\_1001196484



## SECTION 5 - PLATFORM

**FIGURE 5-30. PLATFORM CONSOLE ASSEMBLY - WITHOUT LSS OR WITH 4 CELL LSS - WITH SKYGUARD - E400AJP/E400AJPN/M400AJP/M400AJPN (SN 0300208530 through 0300219911)**

| ITEM | PART NUMBER | QTY | DESCRIPTION   | REV |
|------|-------------|-----|---|-----|
|      | 1001196484  | Ref | PLATFORM CONSOLE ASSEMBLY - WITHOUT LSS OR WITH 4 CELL LSS - WITH SKYGUARD - E400AJP/E400AJPN/M400AJP/M400AJPN (SN 0300208530 through 0300219911) | D   |
| 1    | 0100009     | AR  | Sealant   |     |
| 2    | 0100075     | AR  | Sealant   |     |
| 3    | 0140011     | 1   | Alarm   |     |
| 4    | 0641404     | 4   | Bolt, 1/4-20 x 1/2  |     |
| 5    | 0641414     | 4   | Bolt, 1/4-20 x 1-3/4  |     |
| 6    | 1671176     | 1   | Bezel   |     |
| 7    | 1702565     | 1   | Decal - Drive and Steer   |     |
| 8    | 1702566     | 1   | Decal - Lift and Swing  |     |
| 9    | 1704260     | 1   | Decal - EMS   |     |
| 10   | 1704422     | 1   | Decal - Function Speed  |     |
| 11   | 2560136     | 1   | Handle, Knob  |     |
| 12   | 3300353     | 4   | Nut, Tinnerman  |     |
| 13   | 3300408     | 2   | Nut, Lock   |     |
| 14   | 3520027     | 1   | Plug, Hole  |     |
| 15   | 3520054     | 3   | Plug, Hole  |     |
| 16   | 3790012     | 8   | O-Ring  |     |
| 17   | 3911018     | 2   | Screw, #10-24 x 1-1/8   |     |
| 18   | 4240032     | AR  | Tie-Strap (Not Shown)   |     |
| 19   | 4360387     | 2   | Switch, Push Button   |     |
| 20   | 4360407     | 1   | Switch, Potentiometer   |     |
| 21   | 4360475     | 1   | Switch, Emergency Stop  |     |
| 21A  | 7020175     | 1   | Cap, Mushroom with Sealing Ring   |     |
| 21B  | 7020176     | 1   | Block, Contact  |     |
| 22   | 4360476     | 1   | Block, Contact  |     |
| 23   | 4460234     | 4   | Mount, Tie-Strap  |     |
| 24   | 4460428     | AR  | Connector, Strain Relief  |     |
| 25   | 4460470     | 1   | Nut, Terminal   |     |
| 26   | 4460471     | 1   | Washer, Lock, Terminal  |     |
| 27   | 4460488     | 2   | Base, Terminal Mounting   |     |
| 28   | 4460708     | 1   | Connector - 15 Position   |     |
| 29   | 4740397     | 8   | Spacer  |     |
| 30   | 4751400     | 8   | Washer, 1/4   |     |
| 31   | 1001110434  | AR  | Plug, D-Shaped  |     |
| 32   | 1001132175  | 1   | Decal - Stop - Generator  |     |
| 33   | 1001141300  | 1   | Decal - Platform Sensor Override  |     |
| 34   | 1001144433  | 1   | Decal - No Weight SkyGuard  |     |
| 35   | 1001155044  | 8   | Nut, 15/32-32   |     |
| 36   | 1001155045  | 6   | Switch, Toggle  |     |
| 37   | 1001159256  | 1   | Switch, Toggle  |     |
| 38   | 1001161710  | 1   | Switch, Toggle  |     |
| 39   | 1001166538  | NLA | Controller Assembly - Drive and Steer (Use p/n 1001212415) (See CONTROLLER ASSEMBLY - DRIVE AND STEER for Breakdown)                              |     |
| 40   | 1001166539  | NLA | Controller Assembly - Lift and Swing (Use p/n 1001129555) (See CONTROLLER ASSEMBLY LIFT AND SWING for Breakdown)                                  |     |
| 41   | 1001170838  | 1   | Gauge, Led Panel  |     |
| 42   | 1001172760  | 4   | Bracket, Module   |     |

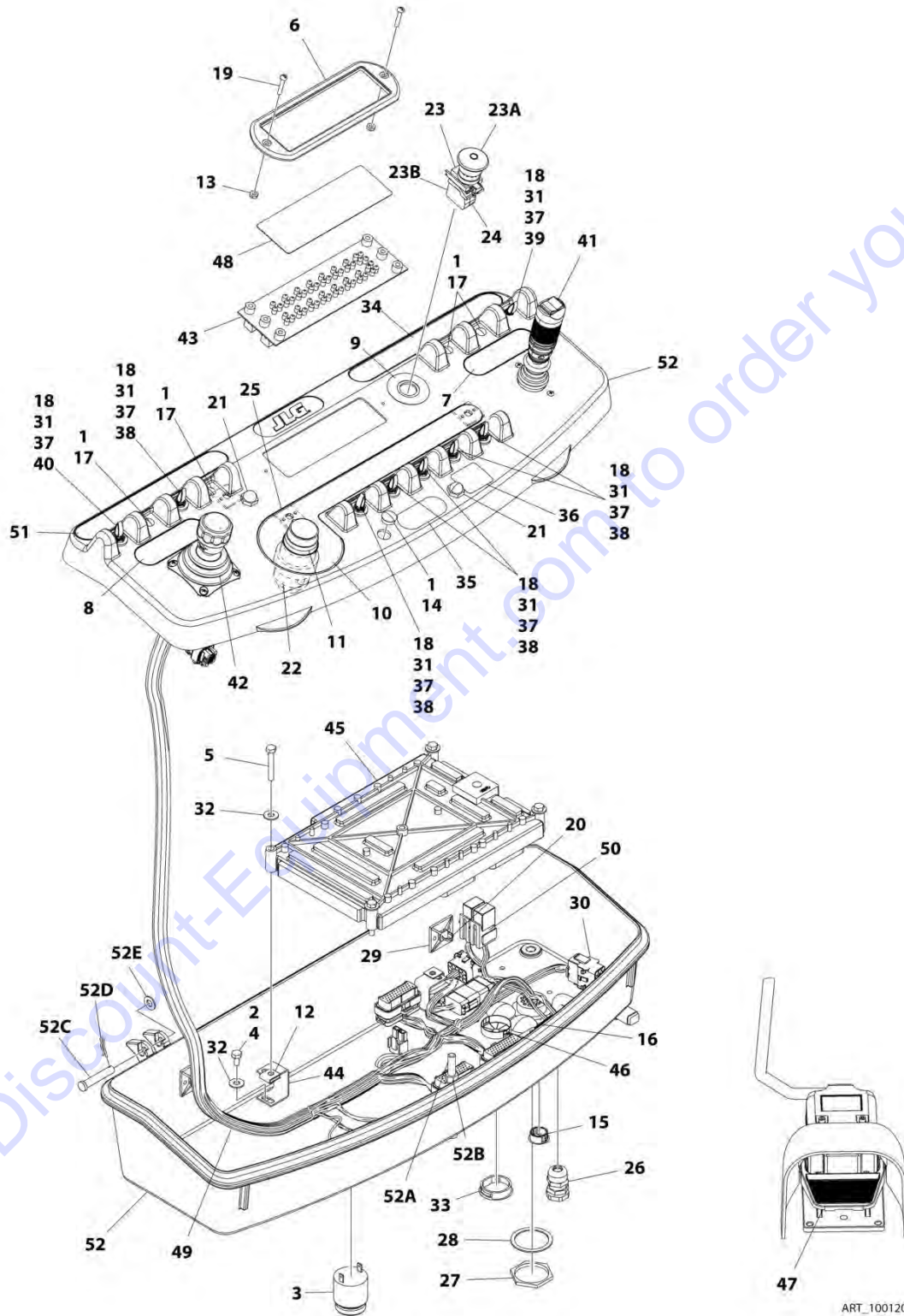
## SECTION 5 - PLATFORM

| ITEM | PART NUMBER | QTY | DESCRIPTION  | REV |
|------|-------------|-----|--|-----|
| 43   | 1001182724  | 1   | Module, PC (Note: Re-calibration Required when Replaced)             |     |
| 44   | 1001189039  | 1   | Footswitch Assembly (See FOOTSWITCH ASSEMBLY for Breakdown)          |     |
| 45   | 1001190017  | 1   | Console Box Assembly   |     |
| 45A  | 0630568     | 1   | Capscrew, 3/8-16 x 4-1/2   |     |
| 45B  | 3311601     | 1   | Nut, 3/8-16  |     |
| 45C  | 3470003     | 2   | Pin, Cotter  |     |
| 45D  | 4711500     | 2   | Washer, 5/16   |     |
| 46   | 1001190797  | 1   | Decal - Platform Display   |     |
| 47   | 1001191318  | 1   | Harness, Platform Console Box (See ELECTRICAL SECTION for Breakdown) |     |
| 48   | 1001192292  | 1   | Harness, SkyGuard (See ELECTRICAL SECTION for Breakdown)             |     |
| 49   | 1001193987  | 1   | Decal - Horn and Drive Select  |     |
| 50   | 3520030     | 1   | Plug, Hole (SN 0300214530 through 0300219911)                        |     |
| 51   | 1001185281  | 1   | Plug, Bushing (SN 0300214530 through 0300219911)                     |     |



# SECTION 5 - PLATFORM

**FIGURE 5-31. PLATFORM CONSOLE ASSEMBLY - WITHOUT LSS OR WITH 4 CELL LSS - WITH SKYGUARD - E400AJP/E400AJPN/M400AJP/M400AJPN (SN 0300219912 through 0300240700)**



ART\_1001202580

## SECTION 5 - PLATFORM

**FIGURE 5-31. PLATFORM CONSOLE ASSEMBLY - WITHOUT LSS OR WITH 4 CELL LSS - WITH SKYGUARD - E400AJP/E400AJPN/M400AJP/M400AJPN (SN 0300219912 through 0300240700)**

| ITEM | PART NUMBER | QTY | DESCRIPTION   | REV |
|------|-------------|-----|---|-----|
|      | 1001202580  | Ref | PLATFORM CONSOLE ASSEMBLY - WITHOUT LSS OR WITH 4 CELL LSS - WITH SKYGUARD - E400AJP/E400AJPN/M400AJP/M400AJPN (SN 0300219912 through 0300240700) | D   |
| 1    | 0100009     | AR  | Sealant   |     |
| 2    | 0100075     | AR  | Sealant   |     |
| 3    | 0140011     | 1   | Alarm   |     |
| 4    | 0641404     | 4   | Bolt, 1/4-20 x 1/2  |     |
| 5    | 0641414     | 4   | Bolt, 1/4-20 x 1-3/4  |     |
| 6    | 1671176     | 1   | Bezel   |     |
| 7    | 1702565     | 1   | Decal - Drive and Steer   |     |
| 8    | 1702566     | 1   | Decal - Lift and Swing  |     |
| 9    | 1704260     | 1   | Decal - EMS   |     |
| 10   | 1704422     | 1   | Decal - Function Speed  |     |
| 11   | 2560136     | 1   | Handle, Knob  |     |
| 12   | 3300353     | 4   | Nut, Tinnerman  |     |
| 13   | 3300408     | 2   | Nut, Lock   |     |
| 14   | 3520027     | 1   | Plug, Hole  |     |
| 15   | 3520030     | 1   | Plug, Hole  |     |
| 16   | 3520033     | 2   | Plug, Hole (SN 0300219912 through 0300226306)   |     |
| 16   | 1001220486  | 2   | Plug, Hole (SN 0300226307 through 0300240700)   |     |
| 17   | 3520054     | 4   | Plug, Hole  |     |
| 18   | 3790012     | 8   | O-Ring  |     |
| 19   | 3911018     | 2   | Screw, #10-24 x 1-1/8   |     |
| 20   | 4240032     | AR  | Tie-Strap (Not Shown)   |     |
| 21   | 4360387     | 2   | Switch, Push Button   |     |
| 22   | 4360407     | 1   | Switch, Potentiometer   |     |
| 23   | 4360475     | 1   | Switch, Emergency Stop  |     |
| 23A  | 7020175     | 1   | Cap, Mushroom with Sealing Ring   |     |
| 23B  | 7020176     | 1   | Block, Contact  |     |
| 24   | 4360476     | 1   | Block, Contact  |     |
| 25   | 4460234     | 4   | Mount, Tie-Strap  |     |
| 26   | 4460428     | 1   | Connector, Strain Relief  |     |
| 27   | 4460470     | 1   | Nut, Terminal   |     |
| 28   | 4460471     | 1   | Washer, Lock, Terminal  |     |
| 29   | 4460488     | 2   | Base, Terminal Mounting   |     |
| 30   | 4460708     | 1   | Connector - 15 Position   |     |
| 31   | 4740397     | 8   | Spacer  |     |
| 32   | 4751400     | 8   | Washer, 1/4   |     |
| 33   | 1001110434  | 1   | Plug, D-Shaped  |     |
| 34   | 1001132175  | 1   | Decal - Stop - Generator  |     |
| 35   | 1001141300  | 1   | Decal - Platform Sensor Override  |     |
| 36   | 1001144433  | 1   | Decal - No Weight SkyGuard  |     |
| 37   | 1001155044  | 8   | Nut, 15/32-32   |     |
| 38   | 1001155045  | 6   | Switch, Toggle  |     |
| 39   | 1001159256  | 1   | Switch, Toggle  |     |
| 40   | 1001161710  | 1   | Switch, Toggle  |     |
| 41   | 1001166538  | NLA | Controller Assembly - Drive and Steer (Use p/n 1001212415) (See CONTROLLER ASSEMBLY - DRIVE AND STEER for Breakdown)                              |     |
| 42   | 1001166539  | NLA | Controller Assembly - Lift and Swing (Use p/n 1001129555) (See  |     |

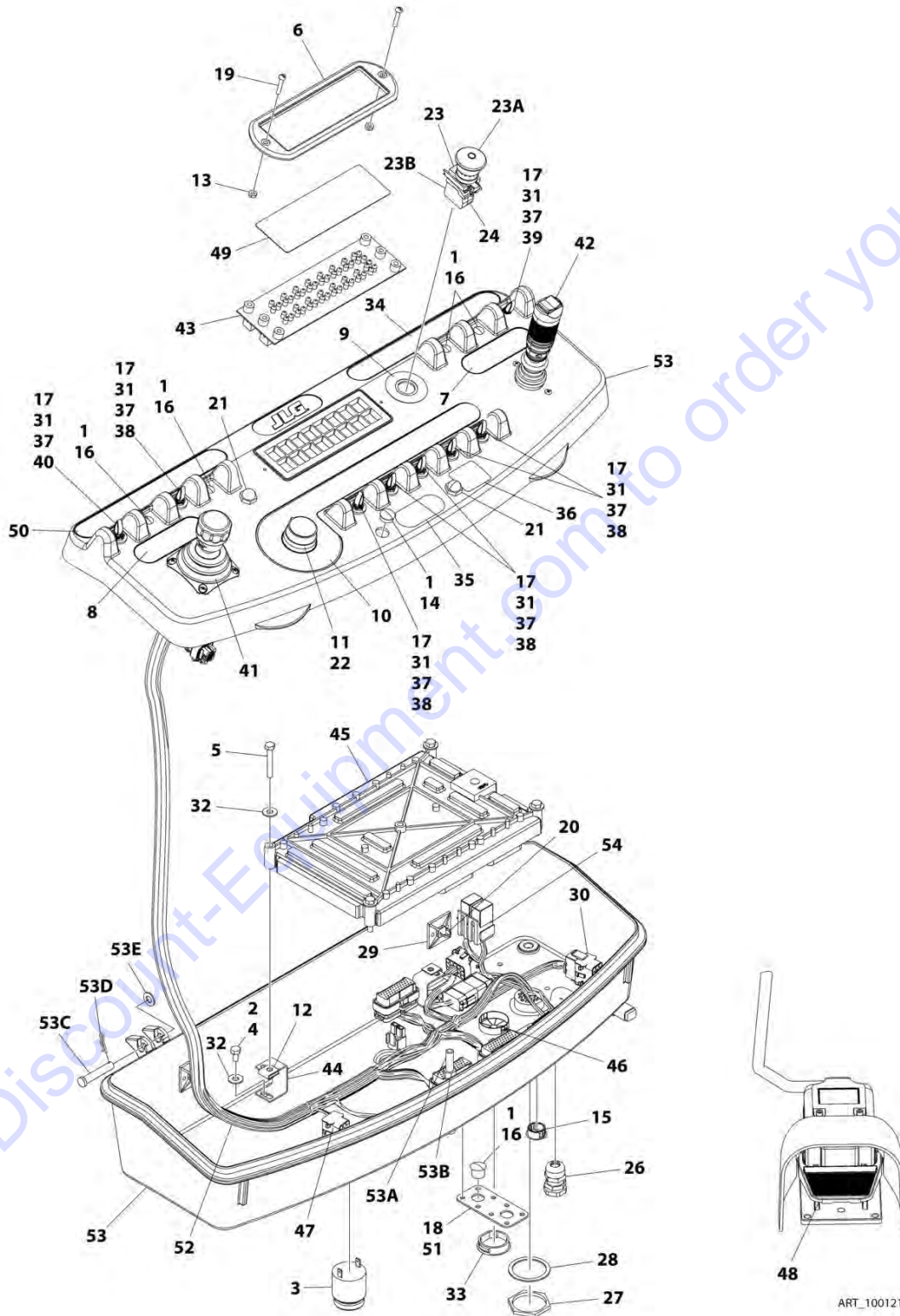
## SECTION 5 - PLATFORM

| ITEM | PART NUMBER | QTY | DESCRIPTION  | REV |
|------|-------------|-----|--|-----|
|      |             |     | CONTROLLER ASSEMBLY LIFT AND SWING for Breakdown)                    |     |
| 43   | 1001170838  | 1   | Gauge, Led Panel   |     |
| 44   | 1001172760  | 4   | Bracket, Module  |     |
| 45   | 1001182724  | 1   | Module, PC (Note: Re-calibration Required when Replaced)             |     |
| 46   | 1001185281  | 1   | Plug, Bushing  |     |
| 47   | 1001189039  | 1   | Footswitch Assembly (See FOOTSWITCH ASSEMBLY for Breakdown)          |     |
| 48   | 1001190797  | 1   | Decal - Platform Display   |     |
| 49   | 1001191318  | 1   | Harness, Platform Console Box (See ELECTRICAL SECTION for Breakdown) |     |
| 50   | 1001192292  | 1   | Harness, SkyGuard (See ELECTRICAL SECTION for Breakdown)             |     |
| 51   | 1001193987  | 1   | Decal - Horn and Drive Select  |     |
| 52   | 1001201887  | 1   | Console Box Assembly   |     |
| 52A  | 0630568     | 1   | Capscrew, 3/8-16 x 4-1/2   |     |
| 52B  | 3311601     | 1   | Nut, 3/8-16  |     |
| 52C  | 3430616     | 2   | Pin, Clevis  |     |
| 52D  | 3470003     | 2   | Pin, Cotter  |     |
| 52E  | 4711500     | 2   | Washer, 5/16   |     |



# SECTION 5 - PLATFORM

FIGURE 5-32. PLATFORM CONSOLE ASSEMBLY - WITH SKYGUARD AND 1 CELL LSS - E400AJP/E400AJPN/M400AJP/M400AJPN (SN 0300208530 through 0300256446)



ART\_1001218651



## SECTION 5 - PLATFORM

**FIGURE 5-32. PLATFORM CONSOLE ASSEMBLY - WITH SKYGUARD AND 1 CELL LSS - E400AJP/E400AJPN/M400AJP/M400AJPN (SN 0300208530 through 0300256446)**

| ITEM | PART NUMBER | QTY | DESCRIPTION  | REV |
|------|-------------|-----|--|-----|
|      | 1001218651  | Ref | PLATFORM CONSOLE ASSEMBLY - WITH SKYGUARD AND 1 CELL LSS - E400AJP/E400AJPN/M400AJP/M400AJPN                         | E   |
| 1    | 0100009     | AR  | Sealant  |     |
| 2    | 0100035     | AR  | Compound, Locking  |     |
| 3    | 0140011     | 1   | Alarm  |     |
| 4    | 0641404     | 4   | Bolt, 1/4-20 x 1/2   |     |
| 5    | 0641414     | 4   | Bolt, 1/4-20 x 1-3/4   |     |
| 6    | 1671176     | 1   | Bezel  |     |
| 7    | 1702565     | 1   | Decal - Drive and Steer  |     |
| 8    | 1702566     | 1   | Decal - Lift and Swing   |     |
| 9    | 1704260     | 1   | Decal - EMS  |     |
| 10   | 1704422     | 1   | Decal - Function Speed   |     |
| 11   | 2560136     | 1   | Handle, Knob   |     |
| 12   | 3300353     | 4   | Nut, Tinnerman   |     |
| 13   | 3300408     | 2   | Nut, Lock  |     |
| 14   | 3520027     | 1   | Plug, Hole   |     |
| 15   | 3520030     | 1   | Plug, Hole   |     |
| 16   | 3520054     | 5   | Plug, Hole   |     |
| 17   | 3790012     | 8   | O-Ring   |     |
| 18   | 3900349     | 8   | Screw M2.5   |     |
| 19   | 3911018     | 2   | Screw, #10-24 x 1-1/8  |     |
| 20   | 4240032     | AR  | Tie-Strap (Not Shown)  |     |
| 21   | 4360387     | 2   | Switch, Push Button  |     |
| 22   | 4360407     | 1   | Switch, Potentiometer  |     |
| 23   | 4360475     | 1   | Switch, Emergency Stop   |     |
| 23A  | 7020175     | 1   | Cap, Mushroom with Sealing Ring  |     |
| 23B  | 7020176     | 1   | Block, Contact   |     |
| 24   | 4360476     | 1   | Block, Contact   |     |
| 25   | 4460234     | 4   | Mount, Tie-Strap (Not Shown)   |     |
| 26   | 4460428     | 1   | Connector, Strain Relief   |     |
| 27   | 4460470     | 1   | Nut, Terminal  |     |
| 28   | 4460471     | 1   | Washer, Lock, Terminal   |     |
| 29   | 4460488     | 2   | Base, Terminal Mounting  |     |
| 30   | 4460708     | 1   | Connector - 15 Position  |     |
| 31   | 4740397     | 8   | Spacer   |     |
| 32   | 4751400     | 8   | Washer, 1/4  |     |
| 33   | 1001110434  | 1   | Plug, D-Shaped   |     |
| 34   | 1001132175  | 1   | Decal - Stop - Generator   |     |
| 35   | 1001141300  | 1   | Decal - Platform Sensor Override (SN 0300208530 through 0300239739)  |     |
| 36   | 1001144433  | 1   | Decal - No Weight SkyGuard   |     |
| 37   | 1001155044  | 8   | Nut, 15/32-32  |     |
| 38   | 1001155045  | 6   | Switch, Toggle   |     |
| 39   | 1001159256  | 1   | Switch, Toggle   |     |
| 40   | 1001161710  | 1   | Switch, Toggle   |     |
| 41   | 1001166539  | NLA | Controller Assembly - Lift and Swing (Use p/n 1001129555) (See CONTROLLER ASSEMBLY LIFT AND SWING for Breakdown)     |     |
| 42   | 1001166538  | NLA | Controller Assembly - Drive and Steer (Use p/n 1001212415) (See CONTROLLER ASSEMBLY - DRIVE AND STEER for Breakdown) |     |
| 43   | 1001170838  | 1   | Gauge, Led Panel   |     |

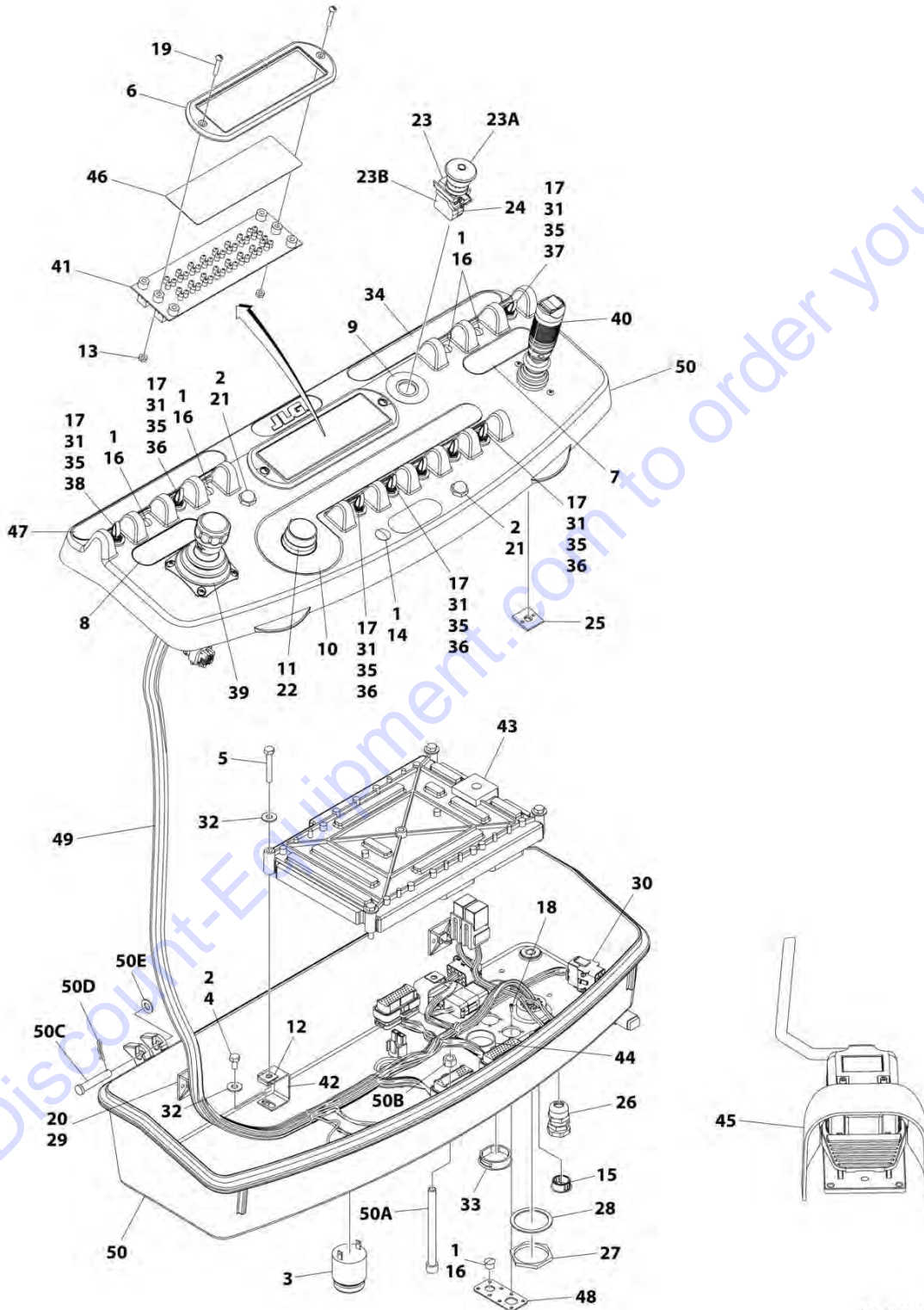
## SECTION 5 - PLATFORM

| ITEM | PART NUMBER | QTY | DESCRIPTION  | REV |
|------|-------------|-----|--|-----|
| 44   | 1001172760  | 4   | Bracket, Module  |     |
| 45   | 1001182724  | 1   | Module, PC (Note: Re-calibration Required when Replaced)                               |     |
| 46   | 1001185281  | 1   | Plug, Bushing  |     |
| 47   | 1001186431  | 2   | Relay  |     |
| 48   | 1001189039  | 1   | Footswitch Assembly (See FOOTSWITCH ASSEMBLY for Breakdown)                            |     |
| 49   | 1001190797  | 1   | Decal - Platform Display   |     |
| 50   | 1001193987  | 1   | Decal - Horn and Drive Select  |     |
| 51   | 1001213882  | 1   | Mount, Connector   |     |
| 52   | 1001217621  | 1   | Harness, Platform Console Box (With 1 Cell LSS) (See ELECTRICAL SECTION for Breakdown) |     |
| 53   | 1001201887  | 1   | Console Box Assembly   |     |
| 53A  | 0630568     | 1   | Capscrew, 3/8-16 x 4-1/2   |     |
| 53B  | 3311601     | 1   | Nut, 3/8-16  |     |
| 53C  | 3430616     | 2   | Pin, Clevis  |     |
| 53D  | 3470003     | 2   | Pin, Cotter  |     |
| 53E  | 4711600     | 2   | Washer, 3/8  |     |
| 54   | 1001225580  | 1   | Harness, SkyGuard (See ELECTRICAL SECTION for Breakdown)                               |     |



# SECTION 5 - PLATFORM

**FIGURE 5-33. PLATFORM CONSOLE ASSEMBLY - WITH 1 CELL LSS - E400AJP/E400AJPN/M400AJP/M400AJPN (SN 0300256447 to Present)**



ART\_1001238489

## SECTION 5 - PLATFORM

**FIGURE 5-33. PLATFORM CONSOLE ASSEMBLY - WITH 1 CELL LSS -  
E400AJP/E400AJPN/M400AJP/M400AJPN (SN 0300256447 to Present)**

| ITEM | PART NUMBER | QTY | DESCRIPTION   | REV |
|------|-------------|-----|---|-----|
|      | 1001238489  | Ref | PLATFORM CONSOLE ASSEMBLY - WITH 1 CELL LSS -<br>E400AJP/E400AJPN/M400AJP/M400AJPN                                      | A   |
| 1    | 0100009     | AR  | Sealant   |     |
| 2    | 0100035     | AR  | Compound, Locking   |     |
| 3    | 0140011     | 1   | Alarm   |     |
| 4    | 0641404     | 4   | Bolt, 1/4-20 x 1/2  |     |
| 5    | 0641414     | 4   | Bolt, 1/4-20 x 1-3/4  |     |
| 6    | 1671176     | 1   | Bezel   |     |
| 7    | 1702565     | 1   | Decal - Drive and Steer   |     |
| 8    | 1702566     | 1   | Decal - Lift and Swing  |     |
| 9    | 1704260     | 1   | Decal - EMS   |     |
| 10   | 1704422     | 1   | Decal - Function Speed  |     |
| 11   | 2560136     | 1   | Handle, Knob  |     |
| 12   | 3300353     | 4   | Nut, Tinnerman  |     |
| 13   | 3300408     | 2   | Nut, Lock   |     |
| 14   | 3520027     | 1   | Plug, Hole  |     |
| 15   | 3520030     | 1   | Plug, Hole  |     |
| 16   | 3520054     | 5   | Plug, Hole  |     |
| 17   | 3790012     | 8   | O-Ring  |     |
| 18   | 3900349     | 8   | Screw M2.5  |     |
| 19   | 3911018     | 2   | Screw, #10-24 x 1-1/8   |     |
| 20   | 4240032     | AR  | Tie-Strap   |     |
| 21   | 4360387     | 2   | Switch, Push Button   |     |
| 22   | 4360407     | 1   | Switch, Potentiometer   |     |
| 23   | 4360475     | 1   | Switch, Emergency Stop  |     |
| 23A  | 7020175     | 1   | Cap, Mushroom with Sealing Ring   |     |
| 23B  | 7020176     | 1   | Block, Contact  |     |
| 24   | 4360476     | 1   | Block, Contact  |     |
| 25   | 4460234     | 4   | Mount, Tie-Strap  |     |
| 26   | 4460428     | 1   | Connector, Strain Relief  |     |
| 27   | 4460470     | 1   | Nut, Terminal   |     |
| 28   | 4460471     | 1   | Washer, Lock, Terminal  |     |
| 29   | 4460488     | 2   | Base, Terminal Mounting   |     |
| 30   | 4460708     | 1   | Connector - 15 Position   |     |
| 31   | 4740397     | 8   | Spacer  |     |
| 32   | 4751400     | 8   | Washer, 1/4   |     |
| 33   | 1001110434  | 1   | Plug, D-Shaped  |     |
| 34   | 1001132175  | 1   | Decal - Stop - Generator  |     |
| 35   | 1001155044  | 8   | Nut, 15/32-32   |     |
| 36   | 1001155045  | 6   | Switch, Toggle  |     |
| 37   | 1001159256  | 1   | Switch, Toggle  |     |
| 38   | 1001161710  | 1   | Switch, Toggle  |     |
| 39   | 1001166539  | NLA | Controller Assembly - Lift and Swing (Use p/n 1001129555) (See<br>CONTROLLER ASSEMBLY LIFT AND SWING for Breakdown)     |     |
| 40   | 1001166538  | NLA | Controller Assembly - Drive and Steer (Use p/n 1001212415) (See<br>CONTROLLER ASSEMBLY - DRIVE AND STEER for Breakdown) |     |
| 41   | 1001170838  | 1   | Gauge, Led Panel  |     |
| 42   | 1001172760  | 4   | Bracket, Module   |     |
| 43   | 1001182724  | 1   | Module, PC (Note: Re-calibration Required when Replaced)  |     |

## SECTION 5 - PLATFORM

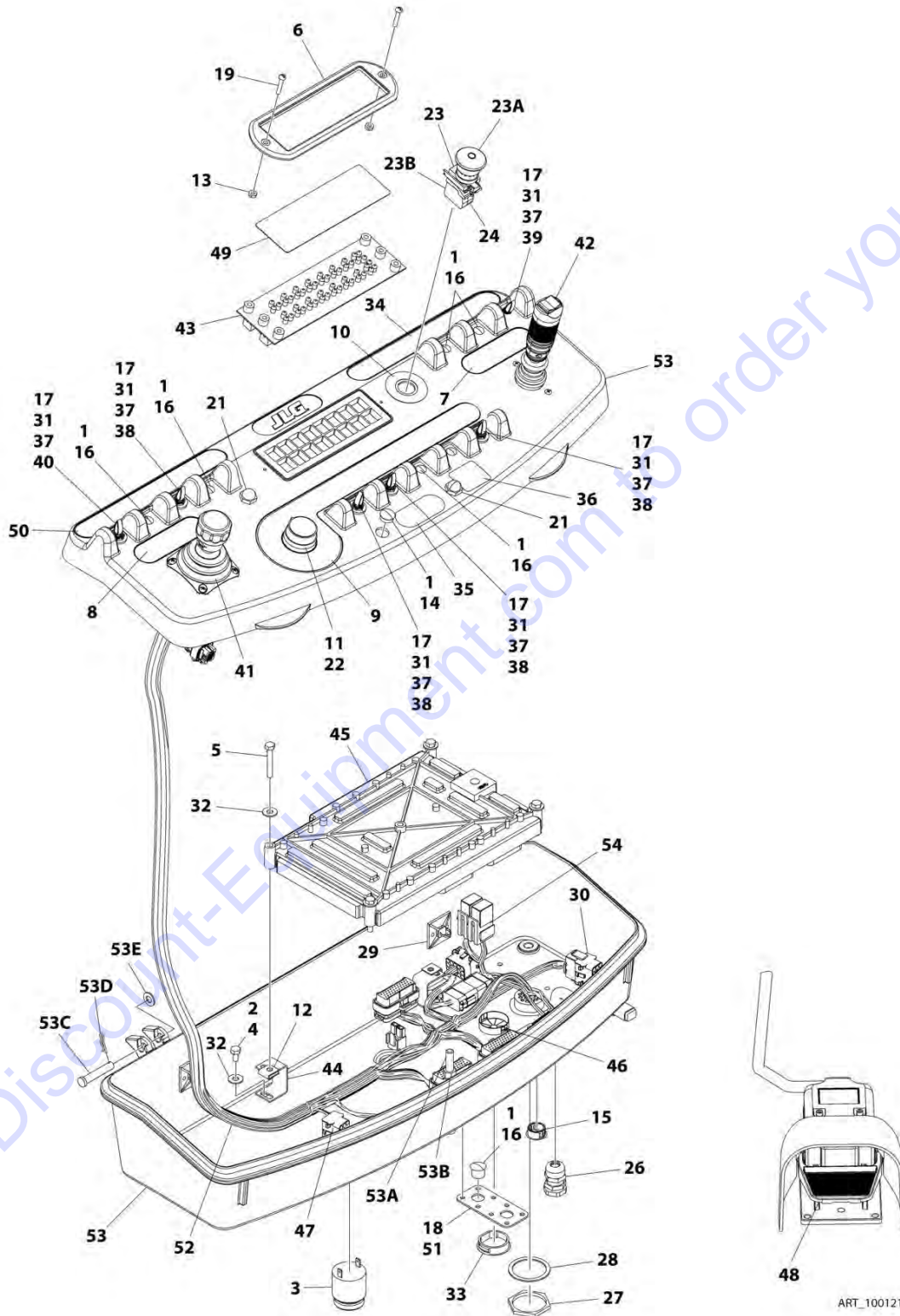
| ITEM | PART NUMBER | QTY | DESCRIPTION  | REV |
|------|-------------|-----|--|-----|
| 44   | 1001185281  | 1   | Plug, Bushing  |     |
| 45   | 1001189039  | 1   | Footswitch Assembly (See FOOTSWITCH ASSEMBLY for Breakdown)                            |     |
| 46   | 1001190797  | 1   | Decal - Platform Display   |     |
| 47   | 1001193987  | 1   | Decal - Horn and Drive Select  |     |
| 48   | 1001213882  | 1   | Mount, Connector   |     |
| 49   | 1001217621  | 1   | Harness, Platform Console Box (With 1 Cell LSS) (See ELECTRICAL SECTION for Breakdown) |     |
| 50   | 1001218068  | 1   | Console Box Assembly   |     |
| 50A  | 0630568     | 1   | Capscrew, 3/8-16 x 4-1/2   |     |
| 50B  | 3311601     | 1   | Nut, 3/8-16  |     |
| 50C  | 3430616     | 2   | Pin, Clevis  |     |
| 50D  | 3470003     | 2   | Pin, Cotter  |     |
| 50E  | 4711600     | 2   | Washer, 3/8  |     |

Go to Discount-Equipment.com to order your parts



# SECTION 5 - PLATFORM

FIGURE 5-34. PLATFORM CONSOLE ASSEMBLY - WITH SKYGUARD AND 1 CELL LSS - E400AN (SN 0300208530 through 0300256446)



ART\_1001218652



## SECTION 5 - PLATFORM

**FIGURE 5-34. PLATFORM CONSOLE ASSEMBLY - WITH SKYGUARD AND 1 CELL LSS - E400AN (SN 0300208530 through 0300256446)**

| ITEM | PART NUMBER | QTY | DESCRIPTION  | REV |
|------|-------------|-----|--|-----|
|      | 1001218652  | Ref | PLATFORM CONSOLE ASSEMBLY - WITH SKYGUARD AND 1 CELL LSS - E400AN  | E   |
| 1    | 0100009     | AR  | Sealant  |     |
| 2    | 0100035     | AR  | Compound, Locking  |     |
| 3    | 0140011     | 1   | Alarm  |     |
| 4    | 0641404     | 4   | Bolt, 1/4-20 x 1/2   |     |
| 5    | 0641414     | 4   | Bolt, 1/4-20 x 1-3/4   |     |
| 6    | 1671176     | 1   | Bezel  |     |
| 7    | 1702565     | 1   | Decal - Drive and Steer  |     |
| 8    | 1702566     | 1   | Decal - Lift and Swing   |     |
| 9    | 1702567     | 1   | Decal - Function Speed   |     |
| 10   | 1704260     | 1   | Decal - EMS  |     |
| 11   | 2560136     | 1   | Handle, Knob   |     |
| 12   | 3300353     | 4   | Nut, Tinnerman   |     |
| 13   | 3300408     | 2   | Nut, Lock  |     |
| 14   | 3520027     | 1   | Plug, Hole   |     |
| 15   | 3520030     | 1   | Plug, Hole   |     |
| 16   | 3520054     | 5   | Plug, Hole   |     |
| 17   | 3790012     | 6   | O-Ring   |     |
| 18   | 3900349     | 8   | Screw M2.5   |     |
| 19   | 3911018     | 2   | Screw, #10-24 x 1-1/8  |     |
| 20   | 4240032     | AR  | Tie-Strap (Not Shown)  |     |
| 21   | 4360387     | 2   | Switch, Push Button  |     |
| 22   | 4360407     | 1   | Switch, Potentiometer  |     |
| 23   | 4360475     | 1   | Switch, Emergency Stop   |     |
| 23A  | 7020175     | 1   | Cap, Mushroom with Sealing Ring  |     |
| 23B  | 7020176     | 1   | Block, Contact   |     |
| 24   | 4360476     | 1   | Block, Contact   |     |
| 25   | 4460234     | 4   | Mount, Tie-Strap (Not Shown)   |     |
| 26   | 4460428     | 1   | Connector, Strain Relief   |     |
| 27   | 4460470     | 1   | Nut, Terminal  |     |
| 28   | 4460471     | 1   | Washer, Lock, Terminal   |     |
| 29   | 4460488     | 3   | Base, Terminal Mounting  |     |
| 30   | 4460708     | 1   | Connector - 15 Position  |     |
| 31   | 4740397     | 6   | Spacer   |     |
| 32   | 4751400     | 8   | Washer, 1/4  |     |
| 33   | 1001110434  | 1   | Plug, D-Shaped   |     |
| 34   | 1001132175  | 1   | Decal - Stop - Generator   |     |
| 35   | 1001141300  | 1   | Decal - Platform Sensor Override (SN 0300208530 through 0300239739)  |     |
| 36   | 1001144433  | 1   | Decal - No Weight SkyGuard   |     |
| 37   | 1001155044  | 6   | Nut, 15/32-32  |     |
| 38   | 1001155045  | 4   | Switch, Toggle   |     |
| 39   | 1001159256  | 1   | Switch, Toggle   |     |
| 40   | 1001161710  | 1   | Switch, Toggle   |     |
| 41   | 1001166539  | NLA | Controller Assembly - Lift and Swing (Use p/n 1001129555) (See CONTROLLER ASSEMBLY LIFT AND SWING for Breakdown)     |     |
| 42   | 1001166538  | NLA | Controller Assembly - Drive and Steer (Use p/n 1001212415) (See CONTROLLER ASSEMBLY - DRIVE AND STEER for Breakdown) |     |
| 43   | 1001170838  | 1   | Gauge, Led Panel   |     |

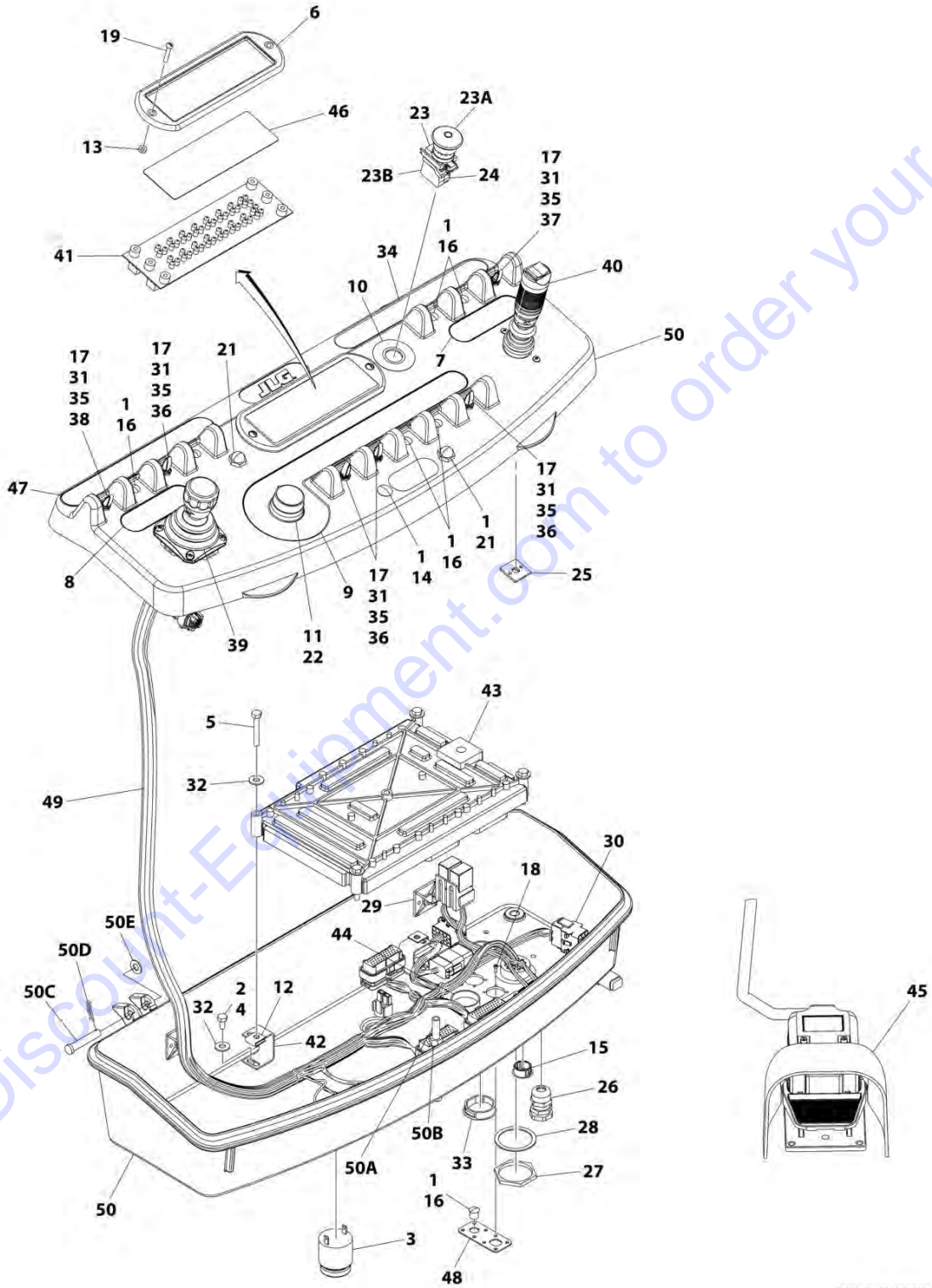
## SECTION 5 - PLATFORM

| ITEM | PART NUMBER | QTY | DESCRIPTION  | REV |
|------|-------------|-----|--|-----|
| 44   | 1001172760  | 4   | Bracket, Module  |     |
| 45   | 1001182724  | 1   | Module, PC (Note: Re-calibration Required when Replaced)                               |     |
| 46   | 1001185281  | 1   | Plug, Bushing  |     |
| 47   | 1001186431  | 2   | Relay  |     |
| 48   | 1001189039  | 1   | Footswitch Assembly (See FOOTSWITCH ASSEMBLY for Breakdown)                            |     |
| 49   | 1001190797  | 1   | Decal - Platform Display   |     |
| 50   | 1001193987  | 1   | Decal - Horn and Drive Select  |     |
| 51   | 1001213882  | 1   | Mount, Connector   |     |
| 52   | 1001217621  | 1   | Harness, Platform Console Box (With 1 Cell LSS) (See ELECTRICAL SECTION for Breakdown) |     |
| 53   | 1001218068  | 1   | Console Box Assembly   |     |
| 53A  | 0630568     | 1   | Capscrew, 3/8-16 x 4-1/2   |     |
| 53B  | 3311601     | 1   | Nut, 3/8-16  |     |
| 53C  | 3430616     | 2   | Pin, Clevis  |     |
| 53D  | 3470003     | 2   | Pin, Cotter  |     |
| 53E  | 4711600     | 2   | Washer, 3/8  |     |
| 54   | 1001225580  | 1   | Harness, SkyGuard (See ELECTRICAL SECTION for Breakdown)                               |     |



# SECTION 5 - PLATFORM

FIGURE 5-35. PLATFORM CONSOLE ASSEMBLY - WITH 1 CELL LSS - E400AN (SN 0300256447 to Present)



ART\_1001238490

## SECTION 5 - PLATFORM

**FIGURE 5-35. PLATFORM CONSOLE ASSEMBLY - WITH 1 CELL LSS - E400AN (SN 0300256447 to Present)**

| ITEM | PART NUMBER | QTY | DESCRIPTION  | REV |
|------|-------------|-----|--|-----|
|      | 1001238490  | Ref | PLATFORM CONSOLE ASSEMBLY - WITH 1 CELL LSS AND WITH SKYGUARD  | A   |
| 1    | 0100009     | AR  | Sealant  |     |
| 2    | 0100035     | AR  | Compound, Locking  |     |
| 3    | 0140011     | 1   | Alarm  |     |
| 4    | 0641404     | 4   | Bolt 1/4 x 1/2   |     |
| 5    | 0641414     | 4   | Bolt 1/4 x 1-3/4   |     |
| 6    | 1671176     | 1   | Bezel  |     |
| 7    | 1702565     | 1   | Decal - Drive and Steer  |     |
| 8    | 1702566     | 1   | Decal - Lift and Swing   |     |
| 9    | 17042567    | 1   | Decal - Function Speed   |     |
| 10   | 1704260     | 1   | Decal - EMS  |     |
| 11   | 2560136     | 1   | Handle, Knob   |     |
| 12   | 3300353     | 4   | Nut, Tinnerman   |     |
| 13   | 3300408     | 2   | Nut, Lock  |     |
| 14   | 3520027     | 1   | Plug, Hole   |     |
| 15   | 3520030     | 1   | Plug, Hole   |     |
| 16   | 3520054     | 7   | Plug, Hole   |     |
| 17   | 3790012     | 6   | O-Ring   |     |
| 18   | 3900349     | 8   | Screw M2.5   |     |
| 19   | 3911018     | 2   | Screw #10 x 1-1/8  |     |
| 20   | 4240032     | AR  | Tie-Strap (Not Shown)  |     |
| 21   | 4360387     | 2   | Switch, Push Button  |     |
| 22   | 4360407     | 1   | Switch, Potentiometer  |     |
| 23   | 4360475     | 1   | Switch, Emergency Stop   |     |
| 23A  | 7020175     | 1   | Cap, Mushroom with Sealing Ring  |     |
| 23B  | 7020176     | 1   | Block, Contact   |     |
| 24   | 4360476     | 1   | Block, Contact   |     |
| 25   | 4460234     | 4   | Mount, Tie-Strap   |     |
| 26   | 4460428     | 1   | Connector, Strain Relief   |     |
| 27   | 4460470     | 1   | Nut, Terminal  |     |
| 28   | 4460471     | 1   | Washer, Lock Terminal  |     |
| 29   | 4460488     | 3   | Base, Terminal Mounting  |     |
| 30   | 4460708     | 1   | Connector - 15 Position  |     |
| 31   | 4740397     | 6   | Spacer   |     |
| 32   | 4751400     | 8   | Washer 1/4   |     |
| 33   | 1001110434  | 1   | Plug, D-Shaped   |     |
| 34   | 1001132175  | 1   | Decal - Stop - Generator   |     |
| 35   | 1001155044  | 6   | Nut 15/32  |     |
| 36   | 1001155045  | 4   | Switch, Toggle   |     |
| 37   | 1001159256  | 1   | Switch, Toggle   |     |
| 38   | 1001161710  | 1   | Switch, Toggle   |     |
| 39   | 1001166539  | NLA | Controller Assembly - Lift and Swing (Use p/n 1001129555) (See CONTROLLER ASSEMBLY LIFT AND SWING for Breakdown)     |     |
| 40   | 1001166538  | NLA | Controller Assembly - Drive and Steer (Use p/n 1001212415) (See CONTROLLER ASSEMBLY - DRIVE AND STEER for Breakdown) |     |
| 41   | 1001170838  | 1   | Gauge, Led Panel   |     |
| 42   | 1001172760  | 4   | Bracket, Module  |     |
| 43   | 1001182724  | 1   | Module, PC (Note: Re-calibration Required when Replaced)   |     |

## SECTION 5 - PLATFORM

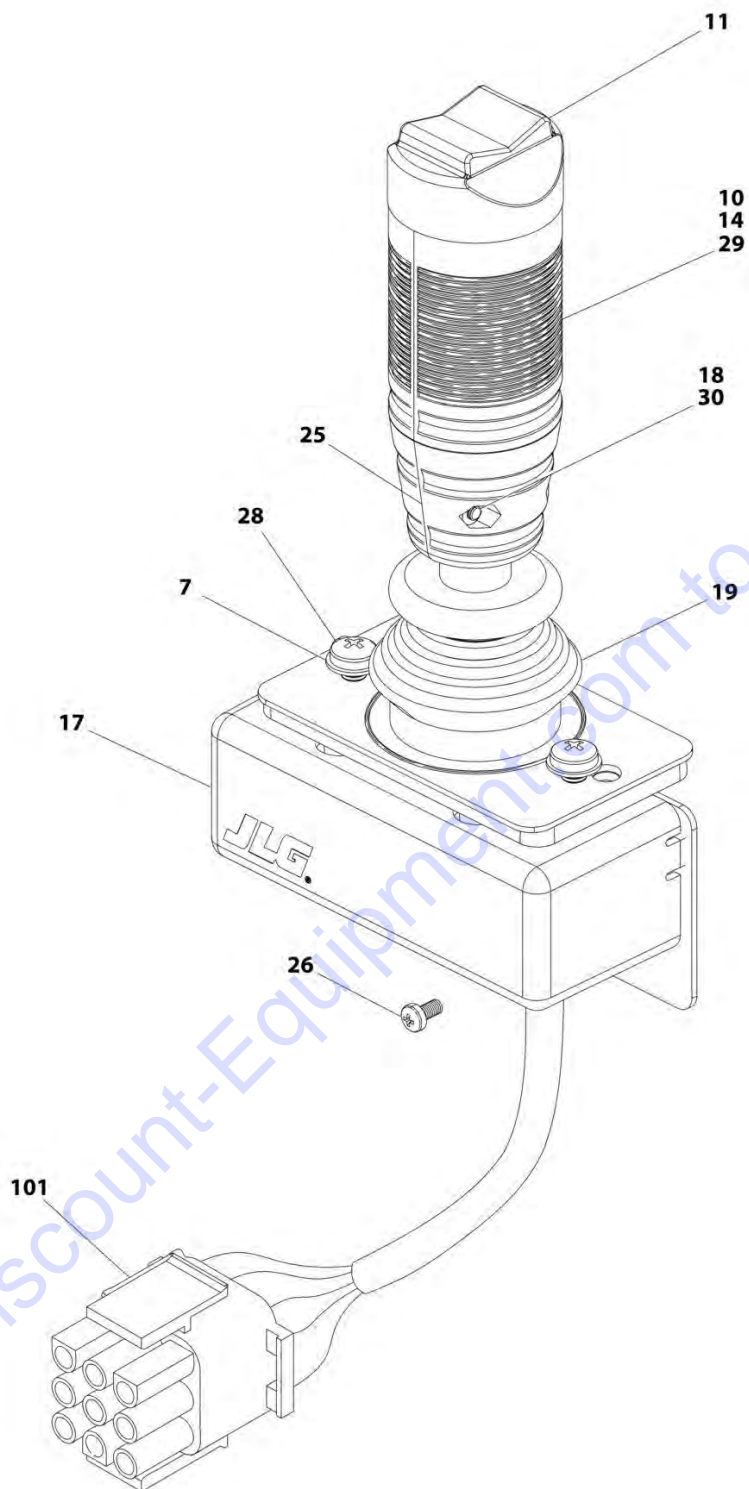
| ITEM | PART NUMBER | QTY | DESCRIPTION  | REV |
|------|-------------|-----|--|-----|
| 44   | 1001185281  | 1   | Plug, Bushing  |     |
| 45   | 1001189039  | 1   | Footswitch Assembly (See FOOTSWITCH ASSEMBLY for Breakdown)                            |     |
| 46   | 1001190797  | 1   | Decal - Platform Display   |     |
| 47   | 1001193987  | 1   | Decal - Horn and Drive Select  |     |
| 48   | 1001213882  | 1   | Mount, Connector   |     |
| 49   | 1001217621  | 1   | Harness, Platform Console Box (With 1 Cell LSS) (See ELECTRICAL SECTION for Breakdown) |     |
| 50   | 1001218068  | 1   | Console Box Assembly   |     |
| 50A  | 0630568     | 1   | Capscrew 3/8 x 4-1/2   |     |
| 50B  | 3311601     | 1   | Nut 3/8  |     |
| 50C  | 3430616     | 2   | Pin, Clevis  |     |
| 50D  | 3470003     | 2   | Pin, Cotter  |     |
| 50E  | 4711600     | 2   | Washer 3/8   |     |

Go to Discount-Equipment.com to order your parts



# SECTION 5 - PLATFORM

## FIGURE 5-36. CONTROLLER ASSEMBLY - DRIVE AND STEER



ART\_1001166538



## SECTION 5 - PLATFORM

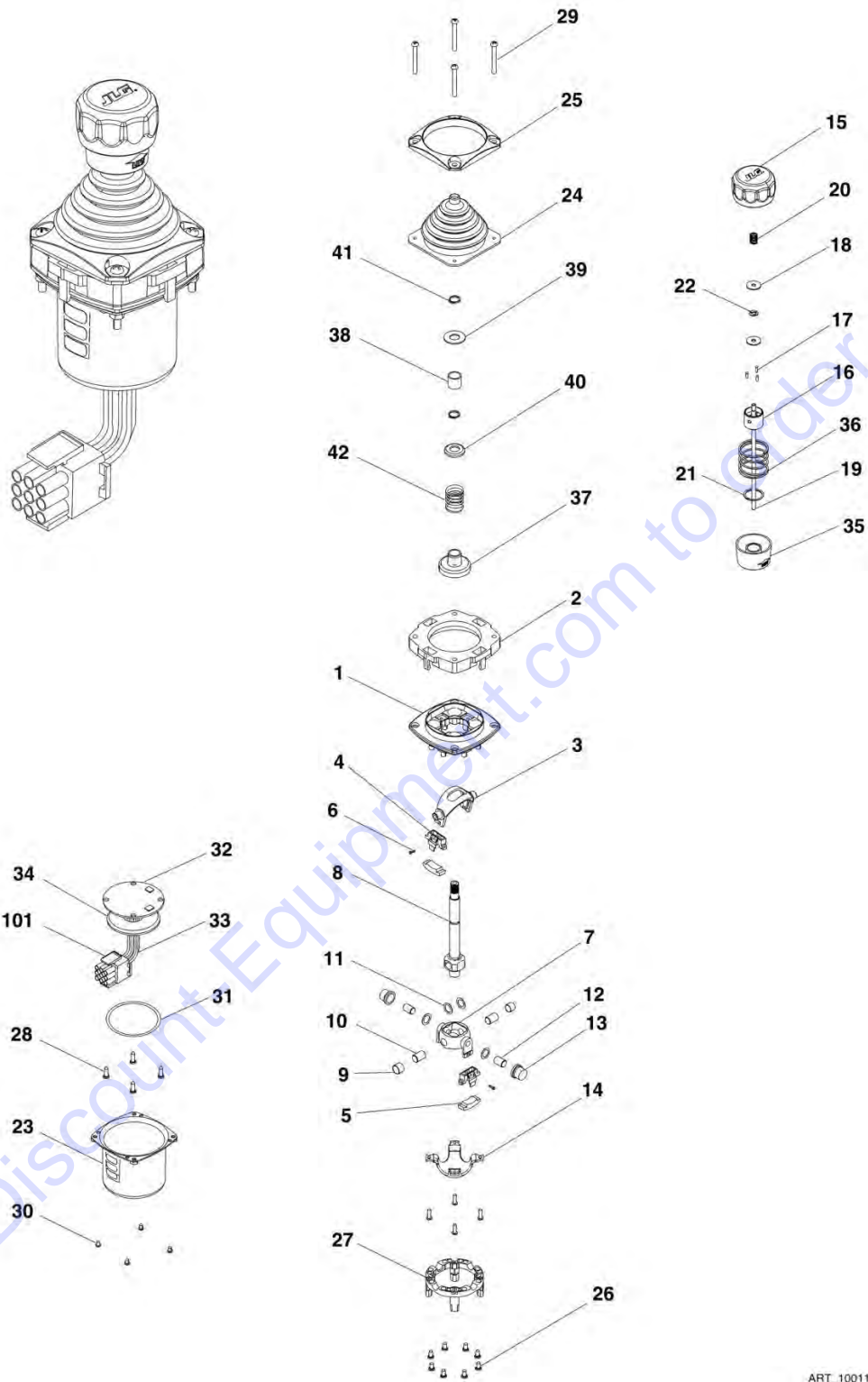
**FIGURE 5-36. CONTROLLER ASSEMBLY - DRIVE AND STEER**

| ITEM | PART NUMBER | QTY | DESCRIPTION                             | REV |
|------|-------------|-----|---|-----|
|      | 1001166538  | 1   | CONTROLLER ASSEMBLY - DRIVE AND STEER   | F   |
|      |             | Ref | Note: Use p/n 1001212415 as Replacement |     |
| 7    | 70004738    | 2   | Washer                                  |     |
| 10   | 70004739    | 1   | Roller                                  |     |
| 11   | 70004740    | 1   | Boot, Switch                            |     |
| 14   | 70004741    | 2   | Half, Handle                            |     |
| 17   | 70004742    | 1   | Enclosure                               |     |
| 18   | 70004743    | 4   | Nut                                     |     |
| 19   | 70004745    | NLA | Boot, Controller (Use Item 200)         |     |
| 20   | 70004746    | NLA | Tube, Locking (Use Item 200)            |     |
| 21   | 70004744    | NLA | Disc, Locking (Use Item 200)            |     |
| 25   | 70004747    | 2   | Seal, Rope                              |     |
| 26   | 70004748    | 1   | Screw, M3 x 6mm                         |     |
| 28   | 70004749    | 2   | Screw, M5 x 20mm                        |     |
| 29   | 70004750    | 1   | Pin, Dowel                              |     |
| 30   | 70004751    | 4   | Screw, M3 x 16mm                        |     |
| 101  | 4460265     | 1   | Connector - 9 Position                  |     |
| 101  | 4460226     | 7   | Socket, Female                          |     |
| 200  | 70005230    | 1   | Boot Kit (Includes Items 19-21)         |     |

Go to Discount-Equipment.com to order your parts

# SECTION 5 - PLATFORM

## FIGURE 5-37. CONTROLLER ASSEMBLY - LIFT AND SWING



ART\_1001166539

## SECTION 5 - PLATFORM

**FIGURE 5-37. CONTROLLER ASSEMBLY - LIFT AND SWING**

| ITEM | PART NUMBER | QTY | DESCRIPTION   | REV |
|------|-------------|-----|---|-----|
|      | 1001166539  | Ref | CONTROLLER ASSEMBLY - LIFT AND SWING                                  | D   |
|      |             | Ref | Note: Use p/n 1001129555 as a service replacement.                    |     |
| 1    | See Note    | 1   | Main Cast Body (Note: Not Available - Purchase Complete Assembly)     |     |
| 2    | 70004752    | 1   | Adapter   |     |
| 3    | See Note    | NSS | Pivot Arm, Plastic (Note: Not Available - Purchase Complete Assembly) |     |
| 4    | See Note    | NSS | Holder, Magnet (Note: Not Available - Purchase Complete Assembly)     |     |
| 5    | See Note    | NSS | Arc, Magnet (Note: Not Available - Purchase Complete Assembly)        |     |
| 6    | See Note    | NSS | Screw (Note: Not Available for Purchase)                              |     |
| 7    | See Note    | NSS | Pivot Arm, Cast (Note: Not Available - Purchase Complete Assembly)    |     |
| 8    | See Note    | NSS | Shaft, Main (Note: Not Available - Purchase Complete Assembly)        |     |
| 9    | See Note    | NSS | Bearing (Note: Not Available - Purchase Complete Assembly)            |     |
| 10   | See Note    | NSS | Pin (Note: Not Available - Purchase Complete Assembly)                |     |
| 11   | See Note    | NSS | Shim (Note: Not Available - Purchase Complete Assembly)               |     |
| 12   | See Note    | NSS | Pin (Note: Not Available - Purchase Complete Assembly)                |     |
| 13   | See Note    | NSS | Bearing (Note: Not Available - Purchase Complete Assembly)            |     |
| 14   | See Note    | NSS | Dome, Centering (Note: Not Available - Purchase Complete Assembly)    |     |
| 15   | 70004753    | 1   | Cap   |     |
| 16   | 70004754    | 1   | Insert, Cap   |     |
| 17   | 70004755    | 3   | Pin   |     |
| 18   | 70004756    | 2   | Washer  |     |
| 19   | 70004757    | 1   | Pin, Centering  |     |
| 20   | 70004758    | 1   | Spring  |     |
| 21   | 70004759    | 1   | Ring, Retaining   |     |
| 22   | 70004760    | 1   | E-Ring  |     |
| 23   | 70004761    | 1   | Can, Enclosure  |     |
| 24   | 70004762    | 1   | Boot  |     |
| 25   | 70004763    | 1   | Bezel   |     |
| 26   | See Note    | NSS | Screw (Note: Not Available for Purchase)                              |     |
| 27   | See Note    | NSS | Base Mounting (Note: Not Available - Purchase Complete Assembly)      |     |
| 28   | See Note    | NSS | Screw (Note: Not Available for Purchase)                              |     |
| 29   | 70004764    | 4   | Screw   |     |
| 30   | 70004765    | 4   | Screw   |     |
| 31   | 70004766    | 1   | O-Ring  |     |
| 32   | See Note    | NSS | Plate (Note: Not Available - Purchase Complete Assembly)              |     |
| 33   | See Note    | NSS | Harness (Note: Not Available - Purchase Complete Assembly)            |     |
| 34   | 70004767    | 1   | Grommet, Rubber   |     |
| 35   | 70004768    | 1   | Housing   |     |
| 36   | 70004769    | 1   | Spring  |     |
| 37   | 70004770    | 1   | Stopper   |     |
| 38   | 70004771    | 1   | Spacer  |     |
| 39   | 70004772    | 1   | Washer  |     |
| 40   | 70004773    | 1   | Disc  |     |
| 41   | 70004774    | 2   | Ring, Retaining   |     |
| 42   | 70004775    | 1   | Spring  |     |
| 101  | 4460265     | 1   | Connector - 9 Position  |     |

## SECTION 5 - PLATFORM

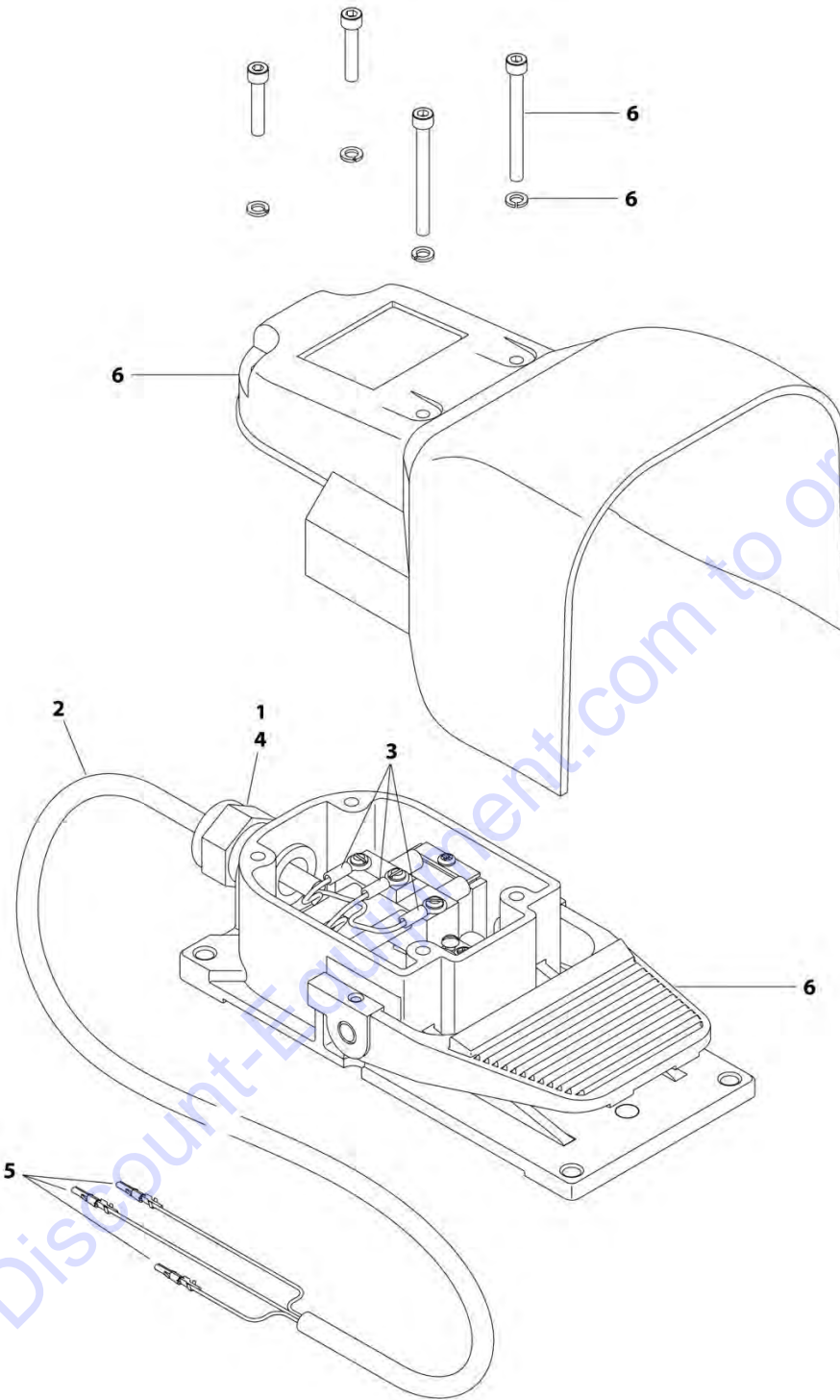
| ITEM | PART NUMBER | QTY | DESCRIPTION    | REV |
|------|-------------|-----|----------------|-----|
| 101  | 4460226     | 6   | Socket, Female |     |

Go to Discount-Equipment.com to order your parts



# SECTION 5 - PLATFORM

## FIGURE 5-38. FOOTSWITCH ASSEMBLY



ART\_1001189039

## SECTION 5 - PLATFORM

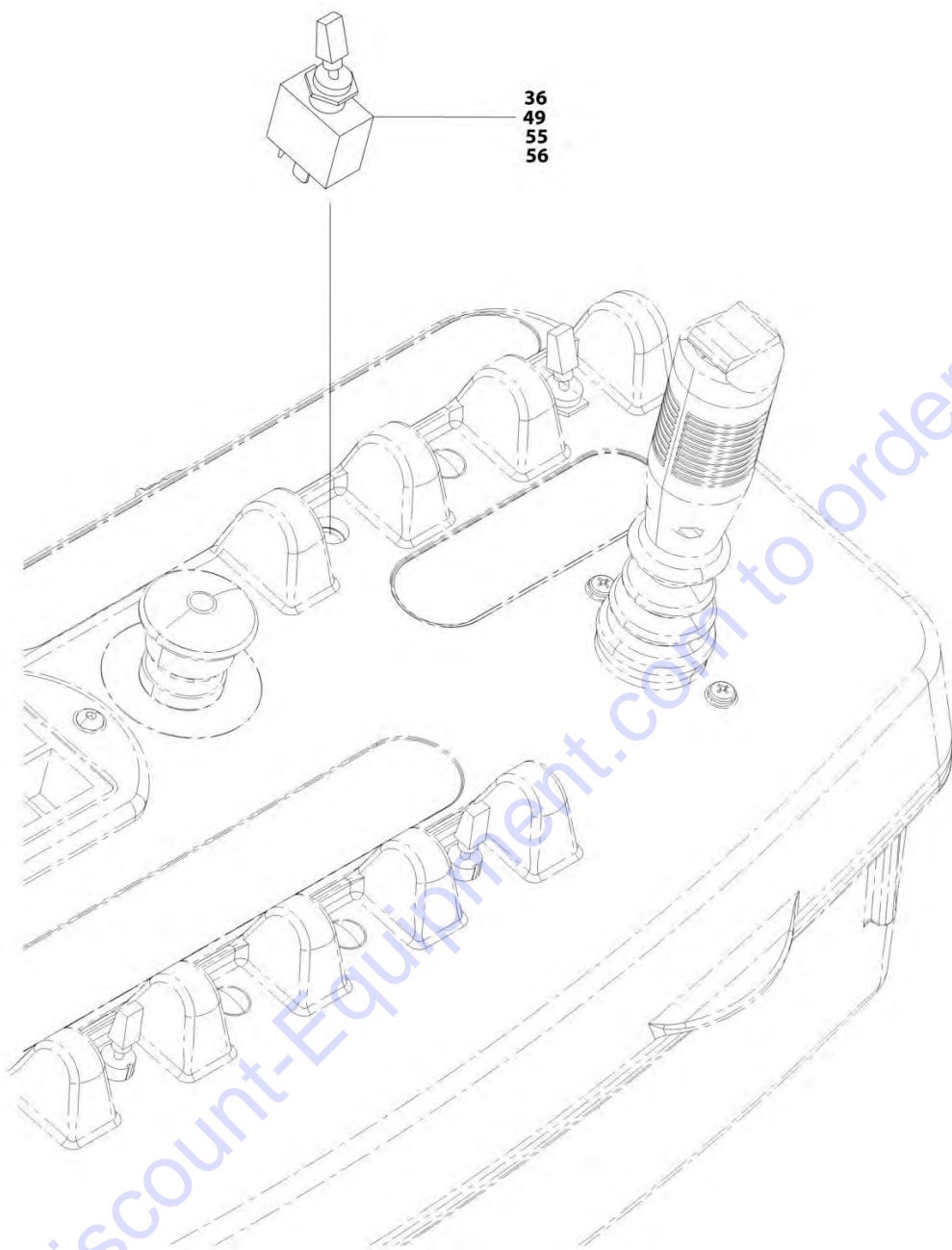
**FIGURE 5-38. FOOTSWITCH ASSEMBLY**

| ITEM | PART NUMBER | QTY            | DESCRIPTION              | REV |
|------|-------------|----------------|--------------------------|-----|
|      | 1001189039  | Ref            | FOOTSWITCH ASSEMBLY      | A   |
| 1    | 0100020     | AR             | Sealant                  |     |
| 2    | 1060330     | 6 ft<br>/1.83m | Cable, Electrical - 16/3 |     |
| 3    | 4460042     | 3              | Terminal                 |     |
| 4    | 4460071     | 1              | Connector, Strain Relief |     |
| 5    | 4460226     | 3              | Socket, Female           |     |
| 6    | 1001117172  | 1              | Footswitch               |     |
| 6    | 70002902    | 1              | Switch, 20Amp            |     |
| 6    | 70002903    | 1              | Gasket                   |     |
| 6    | 70002905    | 1              | Cover                    |     |
| 6    | 70002904    | 1              | Kit, Replacement Bolt    |     |

Go to Discount-Equipment.com to order your parts

# SECTION 5 - PLATFORM

## FIGURE 5-39. MOTOR CONTROLS INSTALLATION - M400AJP/M400AJPN



ART\_1001191232\_40F4



## SECTION 5 - PLATFORM

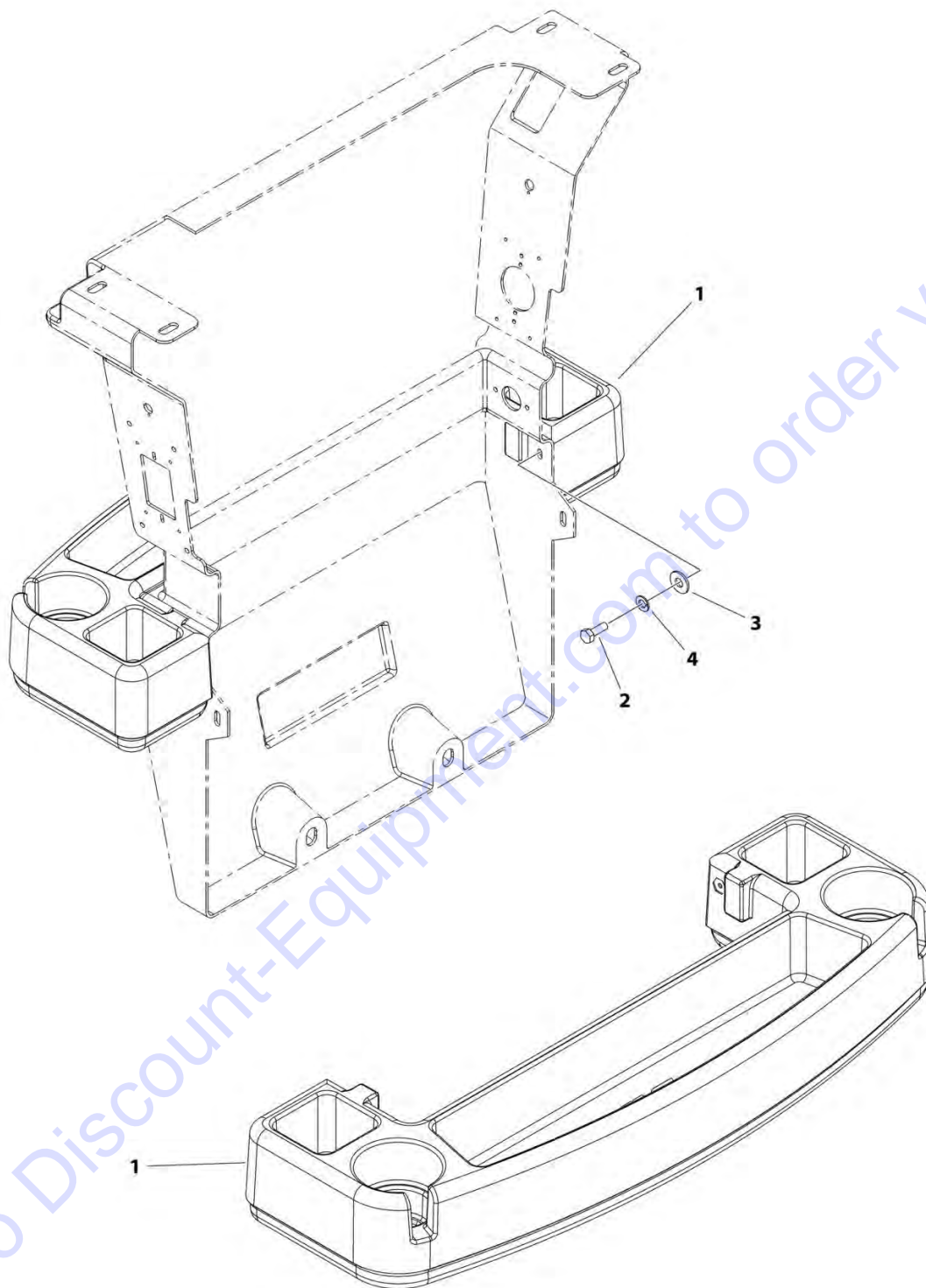
**FIGURE 5-39. MOTOR CONTROLS INSTALLATION - M400AJP/M400AJPN**

| ITEM | PART NUMBER | QTY | DESCRIPTION                                    | REV |
|------|-------------|-----|--|-----|
|      | 1001191232  | Ref | MOTOR CONTROLS INSTALLATION - M400AJP/M400AJPN | E   |
| 36   | 3790012     | 1   | O-Ring   |     |
| 49   | 4740397     | 1   | Washer, Spacer                                 |     |
| 55   | 1001155044  | 1   | Nut, Special                                   |     |
| 56   | 1001161710  | 1   | Switch, Toggle                                 |     |

Go to Discount-Equipment.com to order your parts

# SECTION 5 - PLATFORM

## FIGURE 5-40. TRAY ASSEMBLY



ART\_1580012

## SECTION 5 - PLATFORM

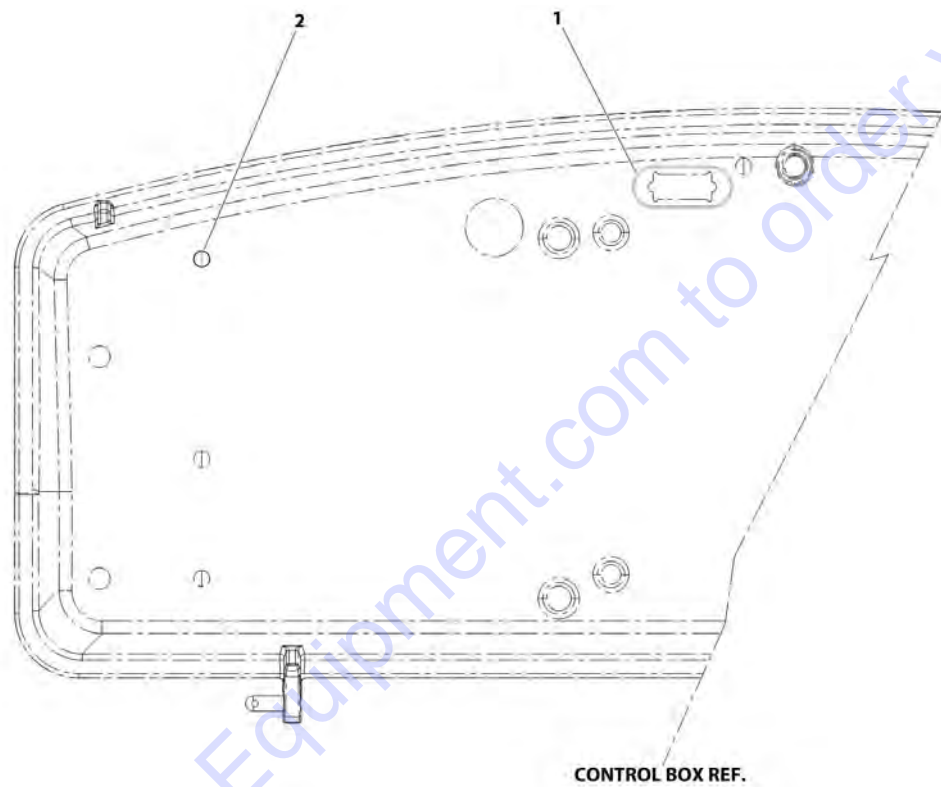
### FIGURE 5-40. TRAY ASSEMBLY

| ITEM | PART NUMBER | QTY | DESCRIPTION   | REV |
|------|-------------|-----|---|-----|
|      | 1580012     | Ref | TRAY INSTALLATION                                   | C   |
| 1    | See Note    | 1   | Tray, Storage - Center (Note: Purchase p/n 1580012) |     |
| 2    | 0641406     | 2   | Bolt, 1/4-20 x 3/4                                  |     |
| 3    | 4751400     | 2   | Washer, 1/4   |     |
| 4    | 4761400     | 2   | Washer, Locking, 1/4                                |     |

Go to Discount-Equipment.com to order your parts

# SECTION 5 - PLATFORM

## FIGURE 5-41. SEALED ENCLOSURES - UL SPECS



Go to Discount-Equipment.com to order your parts

ART\_0272111

## SECTION 5 - PLATFORM

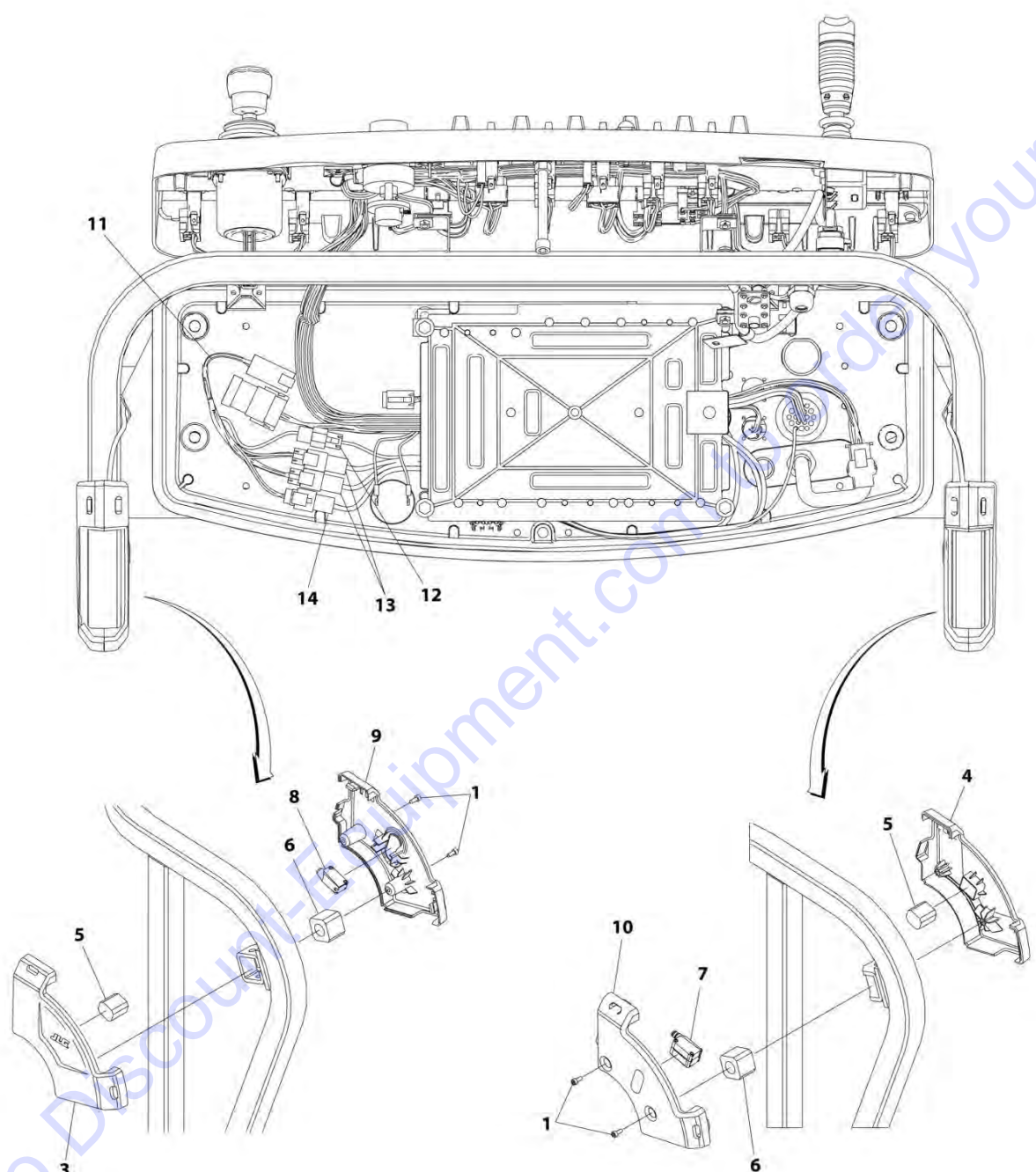
**FIGURE 5-41. SEALED ENCLOSURES - UL SPECS**

| ITEM | PART NUMBER | QTY | DESCRIPTION                             | REV |
|------|-------------|-----|---|-----|
|      | 0272111     | Ref | SEALED ENCLOSURES - UL SPECS            | B   |
| 1    | 0100009     | AR  | Sealant (Seal Around Analyzer Port)     |     |
| 2    | 3520173     | 8   | Plug (Located in Bottom of Console Box) |     |

Go to Discount-Equipment.com to order your parts

# SECTION 5 - PLATFORM

## FIGURE 5-42. SKYEYE INSTALLATION



ART\_1001229341

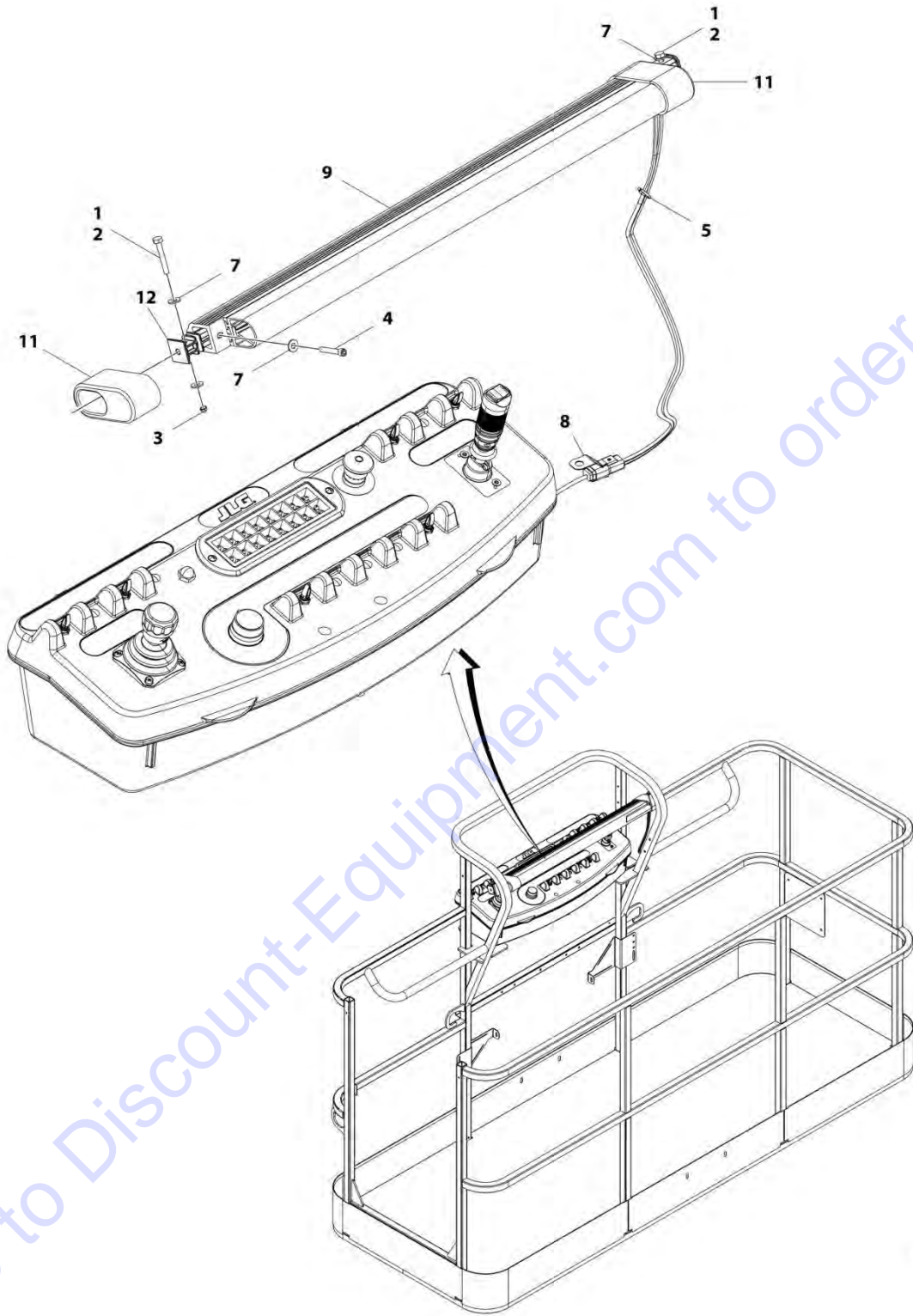
## SECTION 5 - PLATFORM

**FIGURE 5-42. SKYEYE INSTALLATION**

| ITEM | PART NUMBER | QTY | DESCRIPTION   | REV |
|------|-------------|-----|---|-----|
|      | 1001229341  | Ref | SKYEYE INSTALLATION   | A   |
| 1    | 4031505     | 4   | Bolt M4 x 10  |     |
| 2    | 4240033     | AR  | Tie-Strap (Not Shown)   |     |
| 3    | 1001227633  | 1   | Housing, LH Outer   |     |
| 4    | 1001227634  | 1   | Housing, RH Outer   |     |
| 5    | 1001227985  | 2   | Shim  |     |
| 6    | 1001227987  | 2   | Shim  |     |
| 7    | 1001228224  | 2   | Sensor, Receiver  |     |
| 8    | 1001228225  | 1   | Sensor, Emitter   |     |
| 9    | 1001232164  | 1   | Housing, LH Inner   |     |
| 10   | 1001232165  | 1   | Housing, RH Inner   |     |
| 11   | 1001237865  | 1   | Harness, Skyeye Intermediate (See Separate Breakdown in ELECTRICAL SECTION) |     |
| 12   | 1001238319  | 1   | Harness, Skyeye Drain Jumper  |     |
| 12   | 1001187674  | 1   | Plug, Male - 2 Position   |     |
| 12   | 4460942     | 1   | Terminal  |     |
| 12   | 4460466     | 1   | Plug, Terminal  |     |
| 12   | 4460508     | 1   | Pin, Male   |     |
| 13   | 1001237863  | 2   | Harness, Skyeye Receiver (See Separate Breakdown in ELECTRICAL SECTION)     |     |
| 14   | 1001237864  | 1   | Harness, Skyeye Emitter (See Separate Breakdown in ELECTRICAL SECTION)      |     |

# SECTION 5 - PLATFORM

FIGURE 5-43. SKYGUARD SYSTEM INSTALLATION (SN 0300208530 through 0300256446)



ART\_1001192387



## SECTION 5 - PLATFORM

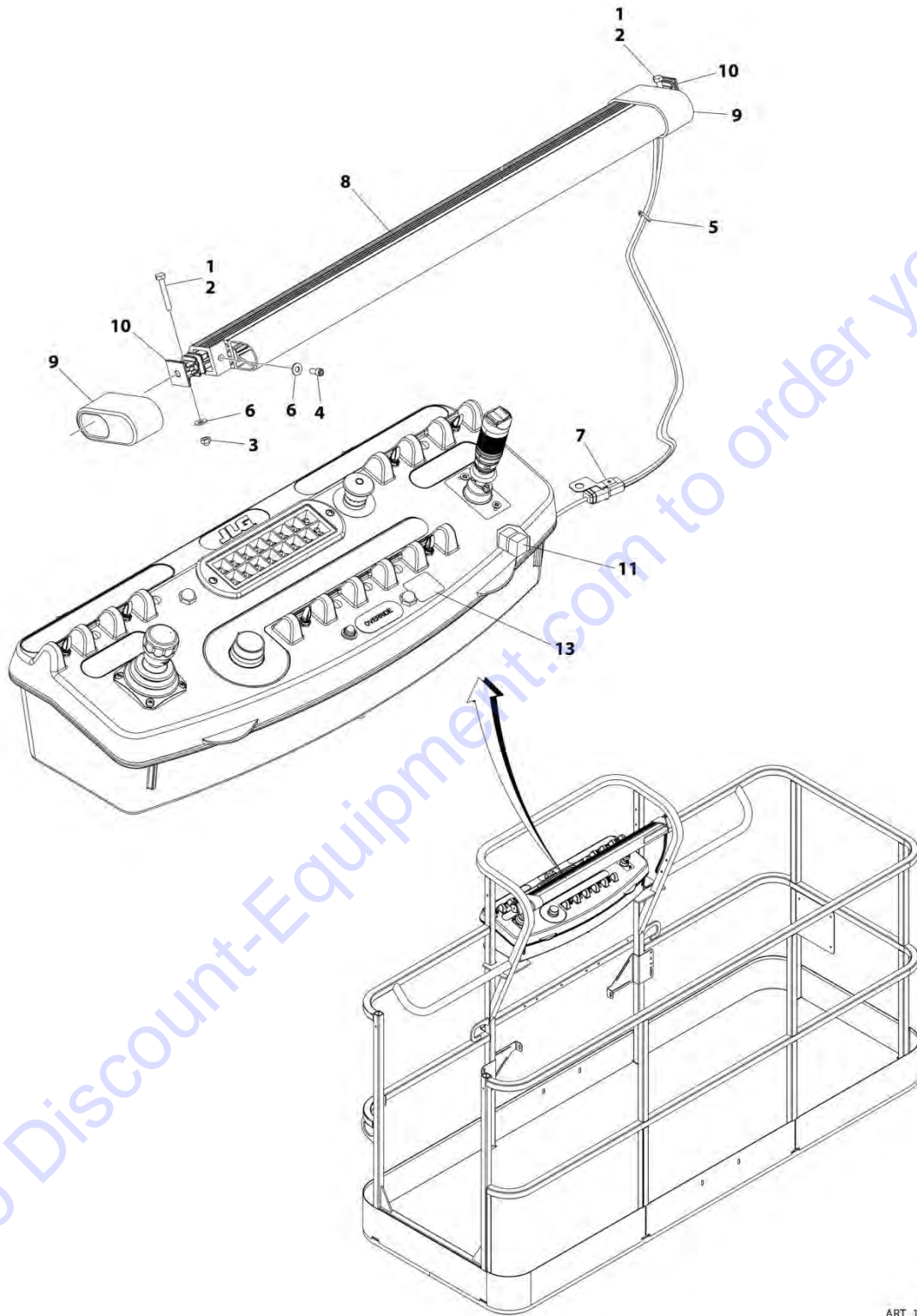
**FIGURE 5-43. SKYGUARD SYSTEM INSTALLATION (SN 0300208530 through 0300256446)**

| ITEM | PART NUMBER | QTY | DESCRIPTION   | REV |
|------|-------------|-----|---|-----|
|      | 1001192387  | Ref | SKYGUARD SYSTEM INSTALLATION                                  | C   |
| 1    | 0100011     | AR  | Compound, Locking   |     |
| 2    | 0641414     | 2   | Bolt, 1/4 x 1-3/4   |     |
| 3    | 3300430     | 2   | Nut, Acorn 1/4-20   |     |
| 4    | 3931424     | 2   | Capscrew, 1/4 x 1-1/2 <b>(Prior to SN 0300235313)</b>         |     |
| 4    | 3931408     | 2   | Capscrew, 1/4 x 1/2 <b>(SN 0300235313 through 0300256446)</b> |     |
| 5    | 4240033     | AR  | Tie-Strap   |     |
| 7    | 4711400     | 6   | Washer, 1/4   |     |
| 8    | 1001120328  | 1   | Mount   |     |
| 9    | 1001137673  | 1   | Switch, SkyGuard Assembly                                     |     |
| 11   | 1001186517  | 2   | Cover, Platform Sensor  |     |
| 12   | 1001188889  | 2   | Support, Block <b>(Prior to SN 0300235313)</b>                |     |
| 12   | 1001209664  | 2   | Support, Block <b>(SN 0300235313 through 0300256446)</b>      |     |

Go to Discount-Equipment.com to order your parts

# SECTION 5 - PLATFORM

FIGURE 5-44. SKYGUARD BAR INSTALLATION (SN 0300256447 to Present)



ART\_1001238495

## SECTION 5 - PLATFORM

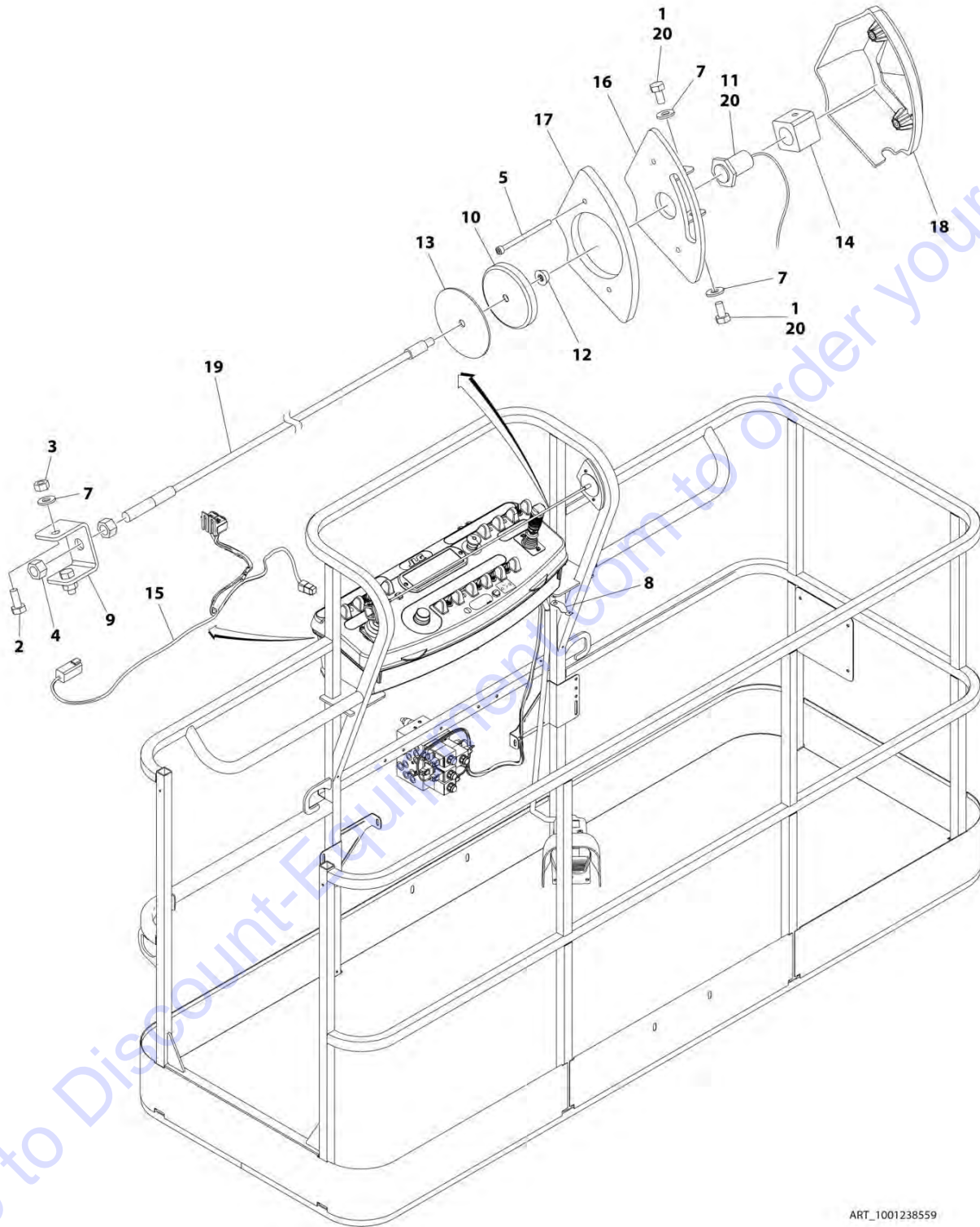
**FIGURE 5-44. SKYGUARD BAR INSTALLATION (SN 0300256447 to Present)**

| ITEM | PART NUMBER | QTY | DESCRIPTION  | REV |
|------|-------------|-----|--|-----|
|      | 1001238495  | Ref | SKYGUARD BAR INSTALLATION  | A   |
| 1    | 0100011     | AR  | Compound, Locking  |     |
| 2    | 0641414     | 2   | Bolt 1/4 x 1-3/4   |     |
| 3    | 3300430     | 2   | Nut 1/4  |     |
| 4    | 3931408     | 2   | Capscrew 1/4 x 1/2   |     |
| 5    | 4240033     | 8   | Tie-Strap  |     |
| 6    | 4711400     | 6   | Washer 1/4   |     |
| 7    | 1001120328  | 1   | Mount  |     |
| 8    | 1001137673  | 1   | SkyGuard Switch Assembly   |     |
| 9    | 1001186517  | 2   | Cover, Platform Sensor   |     |
| 10   | 1001209664  | 2   | Support, Block   |     |
| 11   | 1001186431  | 2   | Relay  |     |
| 12   | 1001225580  | 1   | Interface Harness Assembly (Not Shown - Located Inside Console Box) (See ELECTRICAL SECTION for Breakdown) |     |
| 13   | 1001144433  | 1   | Decal - No Weight SkyGuard   |     |

Go to Discount-Equipment.com to order your parts

# SECTION 5 - PLATFORM

## FIGURE 5-45. SKYLINE INSTALLATION



ART\_1001238559

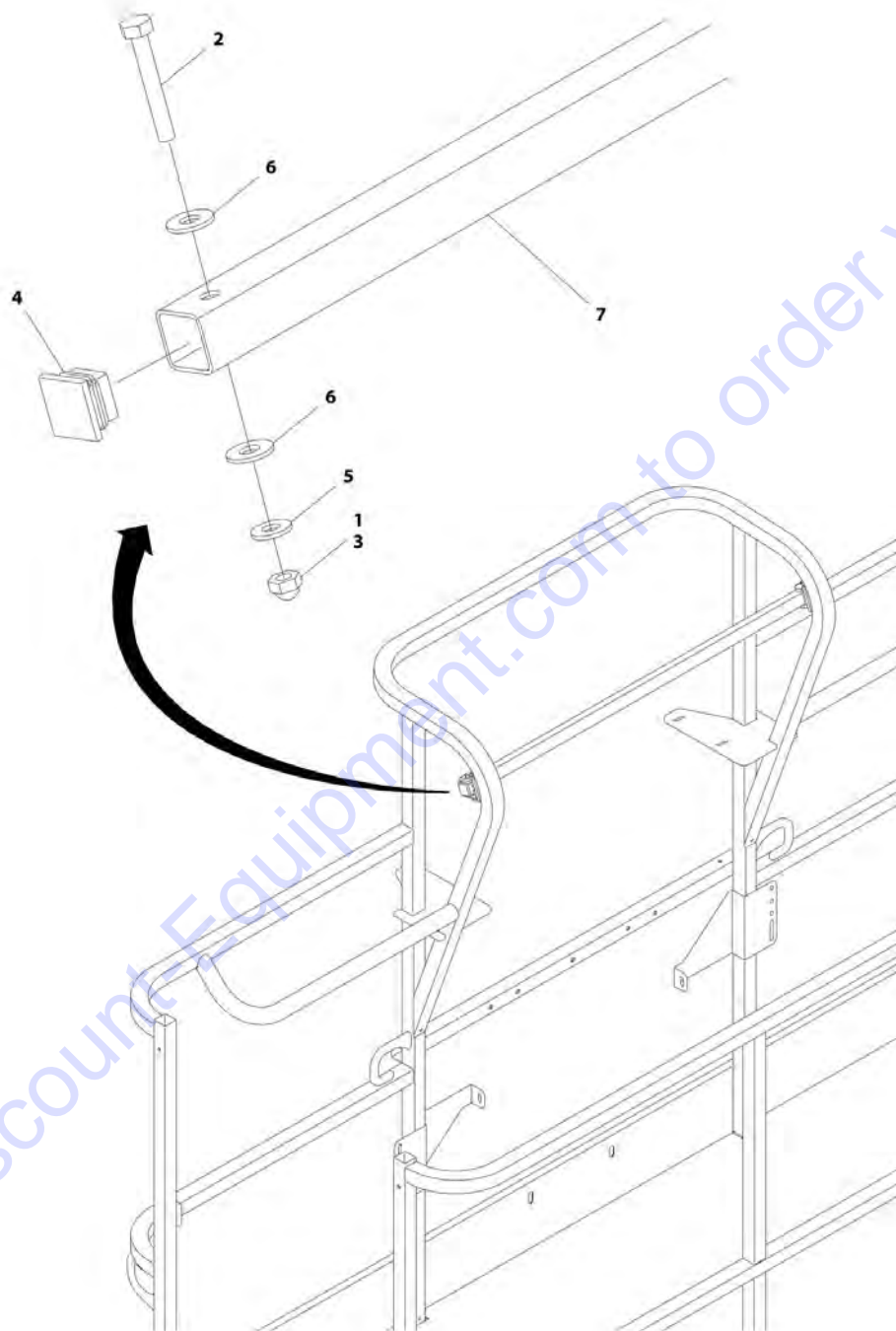
## SECTION 5 - PLATFORM

**FIGURE 5-45. SKYLINE INSTALLATION**

| ITEM | PART NUMBER | QTY | DESCRIPTION   | REV |
|------|-------------|-----|---|-----|
|      | 1001238559  | Ref | SKYLINE INSTALLATION  | B   |
| 1    | 0641404     | 2   | Bolt 1/4 x 1/2  |     |
| 2    | 0641405     | 2   | Bolt 1/4 x 5/8  |     |
| 3    | 3311405     | 2   | Nut 1/4   |     |
| 4    | 3311601     | 2   | Nut 3/8   |     |
| 5    | 4031516     | 2   | Capscrew M4 x 60  |     |
| 6    | 4240033     | AR  | Tie-Strap (Not Shown)   |     |
| 7    | 4711400     | 4   | Washer 1/4  |     |
| 8    | 1001120328  | 1   | Mount   |     |
| 9    | 1001232642  | 1   | Bracket   |     |
| 10   | 1001232650  | 1   | Magnet  |     |
| 11   | 1001232667  | 1   | Sensor, Proximity   |     |
| 12   | 1001235011  | 1   | Nut   |     |
| 13   | 1001235013  | 1   | Washer  |     |
| 14   | 1001236552  | 1   | Block   |     |
| 15   | 1001238418  | 1   | Harness, Skyline (See Separate Breakdown in ELECTRICAL SECTION) |     |
| 16   | 1001238472  | 1   | Mount   |     |
| 17   | 1001238477  | 1   | Housing, LH   |     |
| 18   | 1001241965  | 1   | Housing, RH   |     |
| 19   | 1001238824  | 1   | Rope  |     |
| 20   | 0100011     | AR  | Compound, Locking   |     |

# SECTION 5 - PLATFORM

## FIGURE 5-46. CROSS RAIL INSTALLATION



ART\_1001182138

## SECTION 5 - PLATFORM

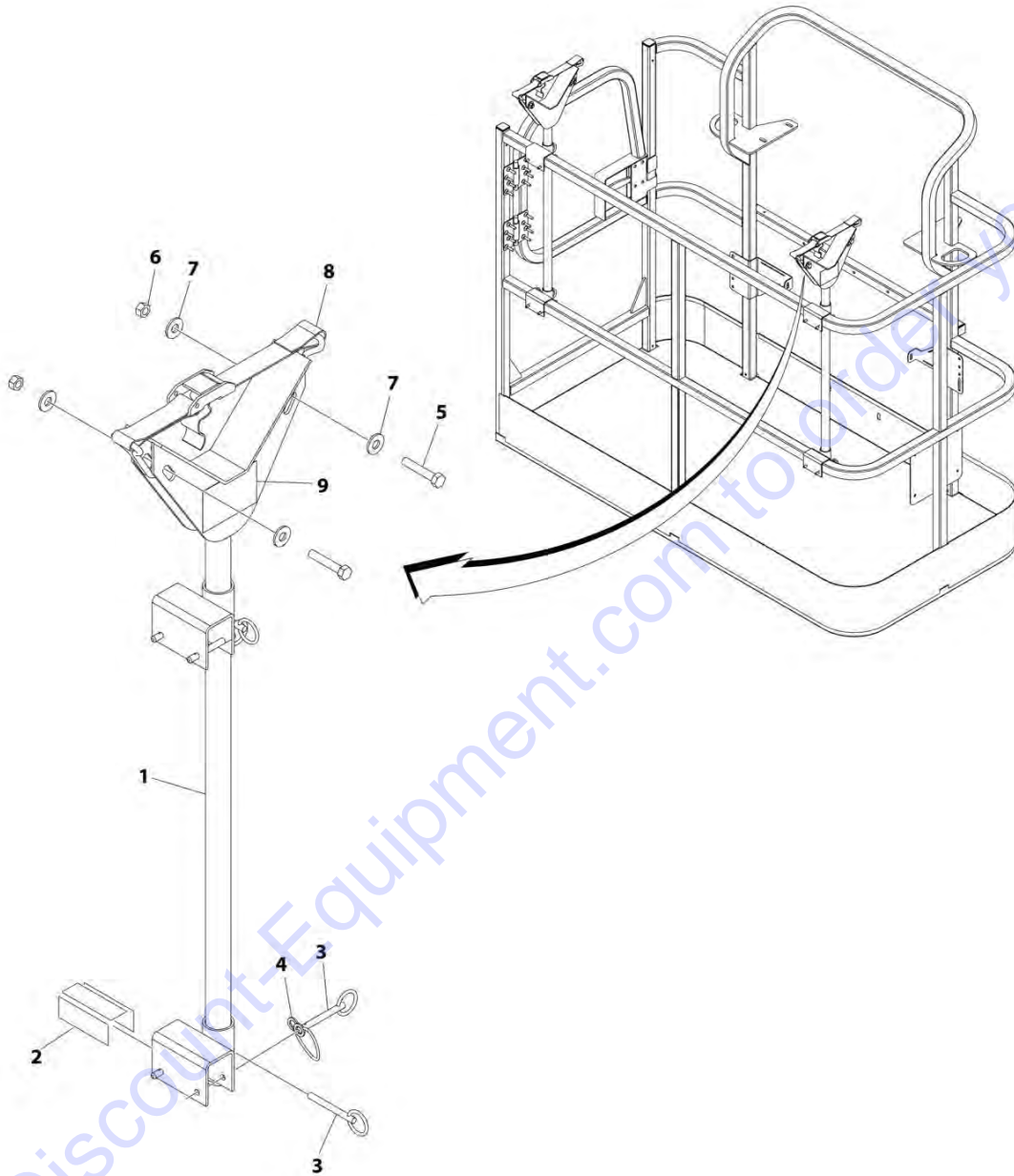
### FIGURE 5-46. CROSS RAIL INSTALLATION

| ITEM | PART NUMBER | QTY | DESCRIPTION                         | REV |
|------|-------------|-----|-------------------------------------|-----|
|      | 1001182138  | Ref | CROSS RAIL INSTALLATION (ALL SPECS) | A   |
| 1    | 0100071     | AR  | Compound, Locking                   |     |
| 2    | 0641414     | 2   | Bolt 1/4 X 1-3/4                    |     |
| 3    | 3300430     | 2   | Nut 1/4                             |     |
| 4    | 3520182     | 2   | Plug                                |     |
| 5    | 4711400     | 2   | Washer 1/4                          |     |
| 6    | 4751400     | 4   | Washer 1/4                          |     |
| 7    | 1001191708  | 1   | Bar                                 |     |

Go to Discount-Equipment.com to order your parts

# SECTION 5 - PLATFORM

## FIGURE 5-47. PIPE RACK INSTALLATION



ART\_0257728



## SECTION 5 - PLATFORM

**FIGURE 5-47. PIPE RACK INSTALLATION**

| ITEM | PART NUMBER | QTY | DESCRIPTION                   | REV |
|------|-------------|-----|-------------------------------|-----|
|      | 0257728     | Ref | <b>PIPE RACK INSTALLATION</b> | 2/C |
| 1    | 4845582     | 2   | Rack, Pipe                    |     |
| 2    | 4420062     | AR  | Tape                          |     |
| 3    | 3422661     | 10  | Pin                           |     |
| 4    | 1060379     | 4   | Lanyard                       |     |
| 5    | 0641514     | 4   | Bolt 5/16 x 1-3/4             |     |
| 6    | 3311505     | 4   | Nut 5/16                      |     |
| 7    | 4751500     | 8   | Washer 5/16                   |     |
| 8    | 0480100     | 2   | Tie-Down                      |     |
| 9    | 1703683     | 2   | Decal - Capacity              |     |

Go to Discount-Equipment.com to order your parts

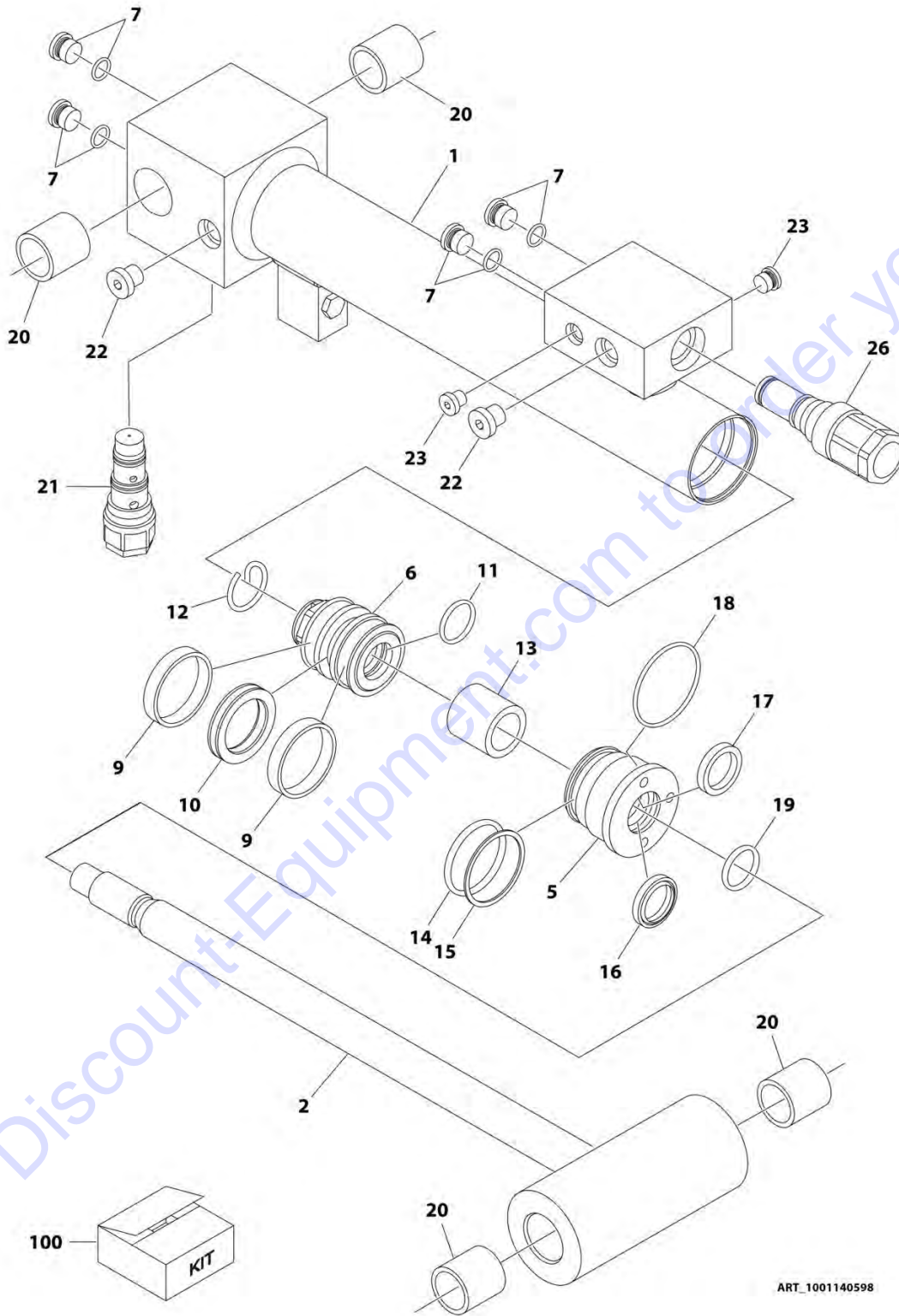


**SECTION 6 - CYLINDER**

Go to [Discount-Equipment.com](http://Discount-Equipment.com) to order your parts

# SECTION 6 - CYLINDER

## FIGURE 6-1. LEVEL (PLATFORM SLAVE) CYLINDER ASSEMBLY - E400AN



ART\_1001140598

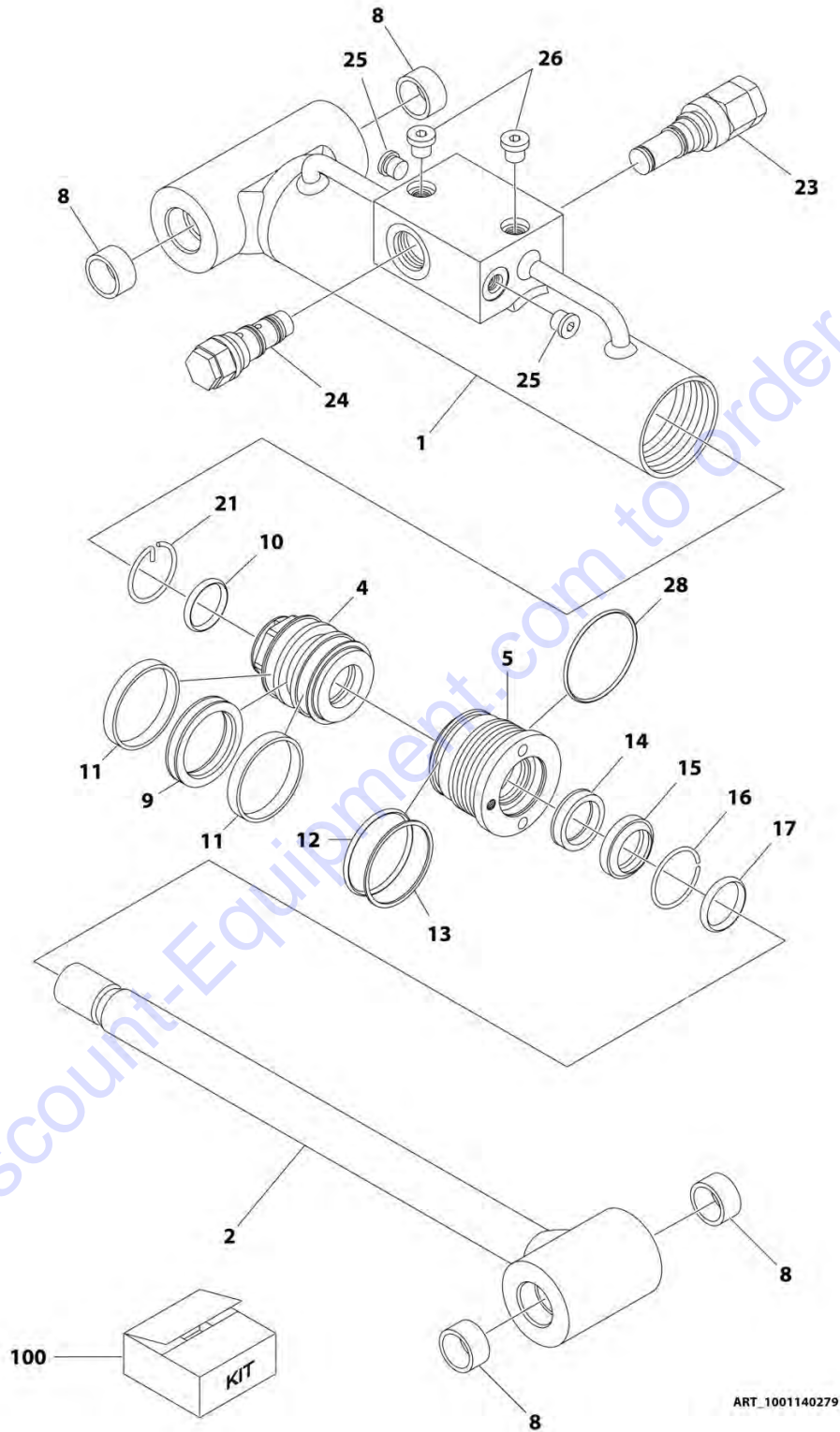
## SECTION 6 - CYLINDER

**FIGURE 6-1. LEVEL (PLATFORM SLAVE) CYLINDER ASSEMBLY - E400AN**

| ITEM | PART NUMBER | QTY | DESCRIPTION                                       | REV |
|------|-------------|-----|---|-----|
|      | 1001140598  | Ref | LEVEL (PLATFORM SLAVE) CYLINDER ASSEMBLY - E400An | A   |
| 1    | 70004146    | 1   | Barrel  |     |
| 2    | 70004147    | 1   | Rod   |     |
| 5    | 70000739    | 1   | Head  |     |
| 6    | 70004141    | 1   | Piston  |     |
| 7    | See Note    | 4   | Plug (Note: Not Available for Purchase)           |     |
| 9    | See Note    | NSS | Ring, Wear (Note: Use p/n 70004131)               |     |
| 10   | See Note    | NSS | Seal, Piston (Note: Use p/n 70004131)             |     |
| 11   | 70023094    | NSS | O-Ring (Note: Use p/n 70004131)                   |     |
| 12   | 70004142    | 1   | Retainer  |     |
| 13   | 70004143    | 1   | Spacer  |     |
| 14   | See Note    | NSS | O-Ring (Note: Use p/n 70004131)                   |     |
| 15   | See Note    | NSS | Ring, Back-Up (Note: Use p/n 70004131)            |     |
| 16   | See Note    | NSS | Wiper, Rod (Note: Use p/n 70004131)               |     |
| 17   | See Note    | NSS | Seal, Rod (Note: Use p/n 70004131)                |     |
| 18   | See Note    | NSS | O-Ring (Note: Use p/n 70004131)                   |     |
| 19   | 70000740    | 1   | O-Ring  |     |
| 20   | 0962356     | 4   | Bushing   |     |
| 21   | 4640509     | 1   | Cartridge, Counterbalance Valve                   |     |
| 21   | 2900792     | 1   | Seal Kit - 4640509 Valve                          |     |
| 22   | 70024262    | 2   | Plug  |     |
| 23   | See Note    | 2   | Plug (Note: Not Available for Purchase)           |     |
| 26   | 4640932     | 1   | Cartridge, Counterbalance Valve                   |     |
| 26   | 7011112     | 1   | Seal Kit - 4640932 Valve                          |     |
| 100  | 70004131    | 1   | Seal Kit (Includes Items 9-11 & 14-18)            |     |

# SECTION 6 - CYLINDER

## FIGURE 6-2. LEVEL (PLATFORM SLAVE) CYLINDER ASSEMBLY - E400AJP/M400AJP/E400AJPN/M400AJPN



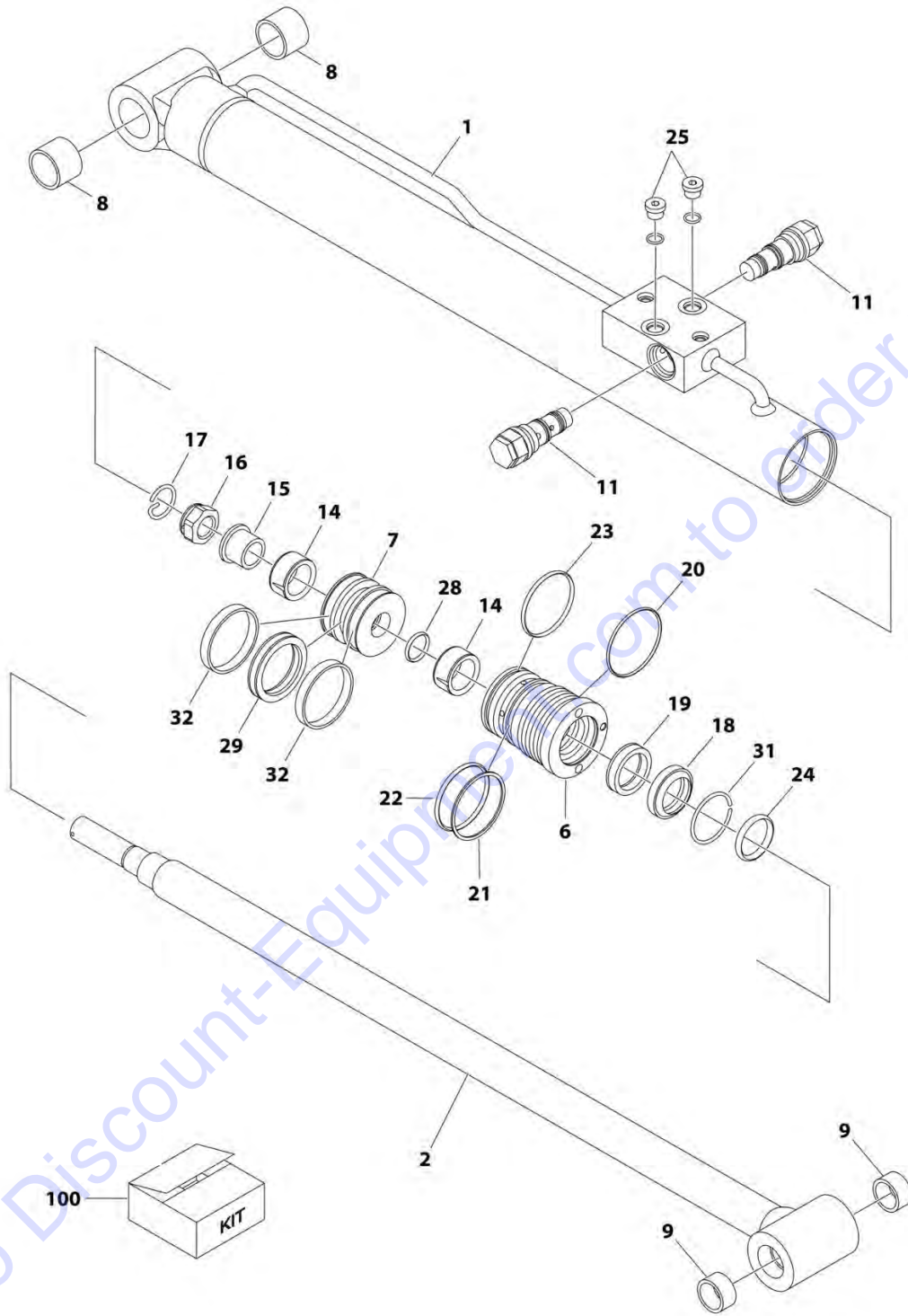
## SECTION 6 - CYLINDER

**FIGURE 6-2. LEVEL (PLATFORM SLAVE) CYLINDER ASSEMBLY -  
E400AJP/M400AJP/E400AJPN/M400AJPN**

| ITEM | PART NUMBER | QTY | DESCRIPTION   | REV |
|------|-------------|-----|---|-----|
|      | 1001140279  | Ref | LEVEL (PLATFORM SLAVE) CYLINDER ASSEMBLY -<br>E400AJP/M400AJP/E400AJPN/M400AJPN | A   |
| 1    | 70003846    | 1   | Barrel  |     |
| 2    | 70003847    | 1   | Rod   |     |
| 4    | 70003819    | 1   | Piston  |     |
| 5    | 7026082     | 1   | Head  |     |
| 8    | 0961951     | 4   | Bushing   |     |
| 9    | See Note    | NSS | Seal, Piston (Note: Use p/n 70003845)   |     |
| 10   | See Note    | NSS | O-Ring (Note: Use p/n 70003845)   |     |
| 11   | See Note    | NSS | Ring, Wear (Note: Use p/n 70003845)   |     |
| 12   | See Note    | NSS | O-Ring (Note: Use p/n 70003845)   |     |
| 13   | See Note    | NSS | Ring, Back-Up (Note: Use p/n 70003845)  |     |
| 14   | See Note    | NSS | Seal, Rod (Note: Use p/n 70003845)  |     |
| 15   | See Note    | NSS | Wiper, Rod (Note: Use p/n 70003845)   |     |
| 16   | 70002217    | 1   | Ring, Retaining   |     |
| 17   | 7026084     | 1   | O-Ring  |     |
| 21   | 70002216    | 1   | Retainer  |     |
| 23   | 4640932     | 1   | Cartridge, Counterbalance Valve   |     |
| 23   | 7011112     | 1   | Seal Kit - 4640932 Valve  |     |
| 24   | 4641086     | 1   | Cartridge, Counterbalance Valve   |     |
| 24   | 2900792     | 1   | Seal Kit - 4641086 Valve  |     |
| 25   | 7024844     | 2   | Plug  |     |
| 26   | See Note    | 2   | Plug (Note: Not Available for Purchase)   |     |
| 28   | See Note    | NSS | O-Ring (Note: Use p/n 70003845)   |     |
| 100  | 70003845    | 1   | Seal Kit (Includes Items 9-15 & 28)   |     |

# SECTION 6 - CYLINDER

FIGURE 6-3. LIFT CYLINDER ASSEMBLY - JIB - E400AJP/M400AJP/E400AJPN/M400AJPN



ART 1001140280



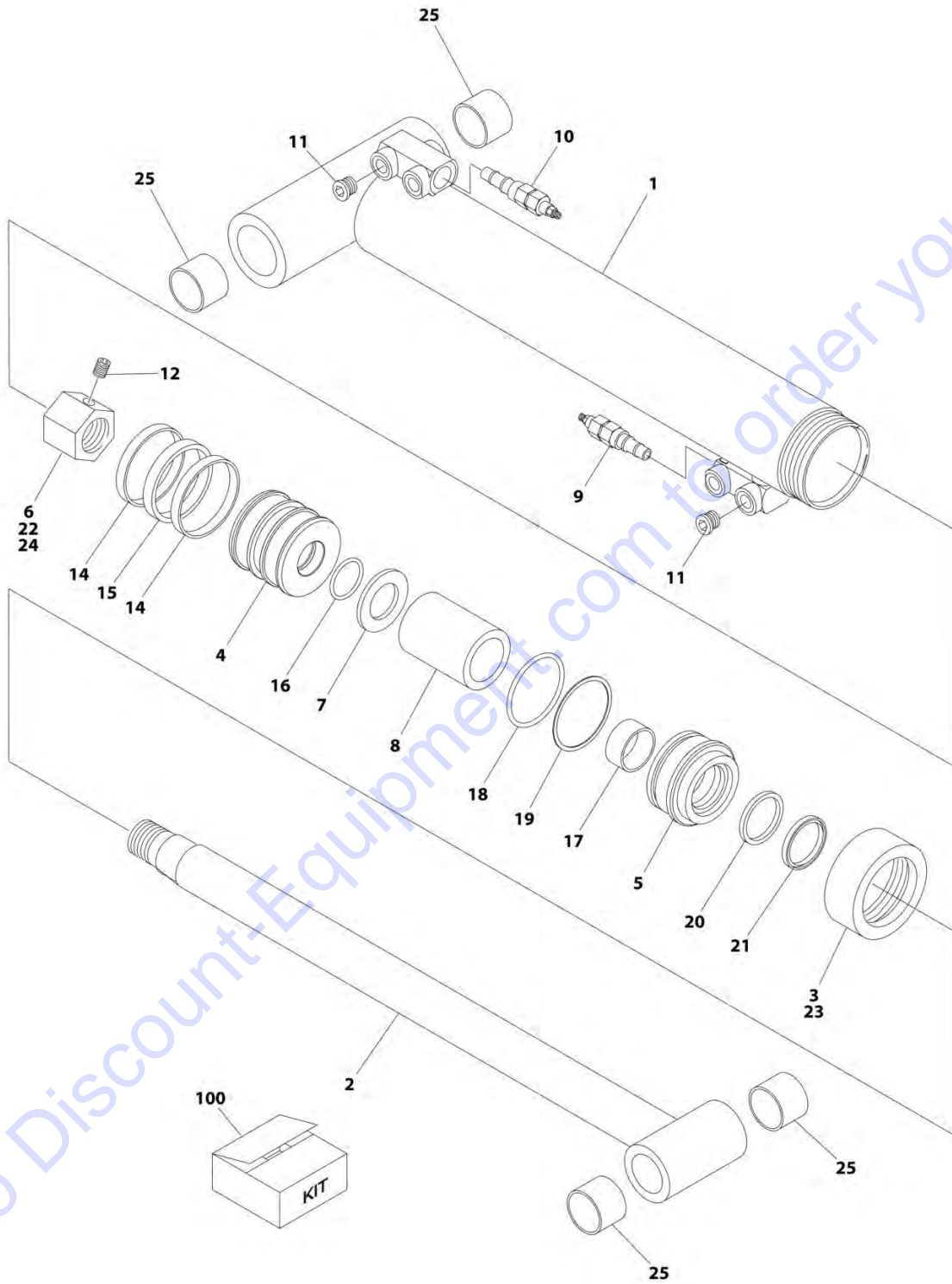
## SECTION 6 - CYLINDER

**FIGURE 6-3. LIFT CYLINDER ASSEMBLY - JIB - E400AJP/M400AJP/E400AJPN/M400AJPN**

| ITEM | PART NUMBER | QTY | DESCRIPTION  | REV |
|------|-------------|-----|--|-----|
|      | 1001140280  | Ref | LIFT CYLINDER ASSEMBLY - JIB -<br>E400AJP/M400AJP/E400AJPN/M400AJPN      | A   |
|      |             | Ref | Note: For Jib Cylinder with Manual Descent Valve see SPECIAL<br>OPTIONS. |     |
| 1    | 70003863    | 1   | Barrel   |     |
| 2    | 70003864    | 1   | Rod  |     |
| 6    | 7026088     | 1   | Head   |     |
| 7    | 70003833    | 1   | Piston   |     |
| 8    | 0961951     | 2   | Bushing  |     |
| 9    | 0961947     | 2   | Bushing  |     |
| 11   | 4640509     | 2   | Cartridge, Counterbalance Valve  |     |
| 11   | 2900792     | 2   | Seal Kit - 4640509   |     |
| 14   | 7026090     | 2   | Bushing  |     |
| 15   | 7026091     | 1   | Sleeve   |     |
| 16   | 7026092     | 1   | Nut  |     |
| 17   | 70002223    | 1   | Retainer   |     |
| 18   | See Note    | NSS | Wiper, Rod (Note: Use p/n 70003836)                                      |     |
| 19   | See Note    | NSS | Seal, Rod (Note: Use p/n 70003836)                                       |     |
| 20   | See Note    | NSS | O-Ring (Note: Use p/n 70003836)  |     |
| 21   | See Note    | NSS | Ring, Back-Up (Note: Use p/n 70003836)                                   |     |
| 22   | See Note    | NSS | O-Ring (Note: Use p/n 70003836)  |     |
| 23   | See Note    | 1   | O-Ring (Note: Use p/n 70003836)  |     |
| 24   | 7026068     | 1   | O-Ring   |     |
| 25   | 7024844     | 2   | Plug   |     |
| 28   | See Note    | NSS | O-Ring (Note: Use p/n 70003836)  |     |
| 29   | See Note    | NSS | Seal, Piston (Note: Use p/n 70003836)                                    |     |
| 31   | 70002220    | 1   | Ring, Retaining  |     |
| 32   | See Note    | NSS | Ring, Wear (Note: Use p/n 70003836)                                      |     |
| 100  | 70003836    | 1   | Seal Kit (Includes Items 18-23, 28, 29 & 32)                             |     |

# SECTION 6 - CYLINDER

FIGURE 6-4. LIFT CYLINDER ASSEMBLY - LOWER - E400AN (SN 0300208530 through 0300239739)



ART\_1684453

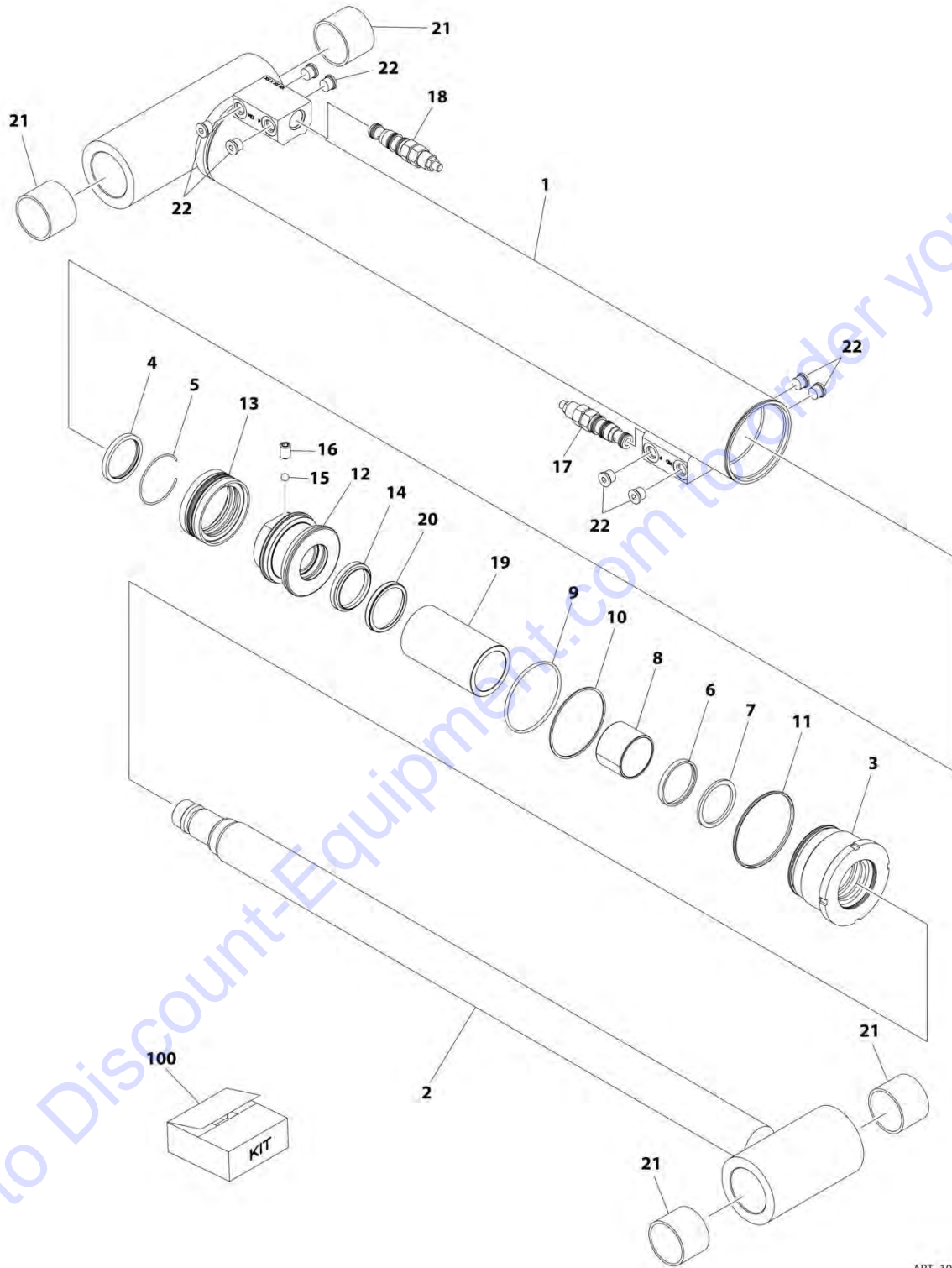
## SECTION 6 - CYLINDER

**FIGURE 6-4. LIFT CYLINDER ASSEMBLY - LOWER - E400AN (SN 0300208530 through 0300239739)**

| ITEM | PART NUMBER | QTY | DESCRIPTION   | REV |
|------|-------------|-----|---|-----|
|      | 1684453     | Ref | LIFT CYLINDER ASSEMBLY - LOWER - E400An   | D   |
|      |             | Ref | Note: Original Cylinder May Have Been Replaced with Service Replacement. Identify PN Stamped on Cylinder Before Ordering Parts. |     |
| 1    | 1684022     | 1   | Barrel  |     |
| 2    | 1684023     | 1   | Rod   |     |
| 3    | 1120305     | 1   | Retainer  |     |
| 4    | 3480242     | 1   | Piston  |     |
| 5    | 1683712     | 1   | Head  |     |
| 6    | 3300281     | 1   | Nut   |     |
| 7    | 4740207     | 1   | Washer  |     |
| 8    | 4565992     | 1   | Spacer  |     |
| 9    | 4640634     | 1   | Cartridge, Holding Valve  |     |
| 9    | 2900770     | 1   | Seal Kit - 4640634 Valve  |     |
| 10   | 4641386     | 1   | Cartridge, Holding Valve  |     |
| 10   | 7011376     | 1   | Seal Kit - 4641386 Valve  |     |
| 11   | 2220885     | 2   | Plug  |     |
| 12   | 3900170     | 1   | Setscrew  |     |
| 14   | See Note    | 2   | Ring, Wear (Note: Use p/n 2901805)  |     |
| 15   | See Note    | 1   | Seal, Piston (Note: Use p/n 2901805)  |     |
| 16   | See Note    | 1   | O-Ring (Note: Use p/n 2901805)  |     |
| 17   | See Note    | 1   | Ring, Wear (Note: Use p/n 2901805)  |     |
| 18   | See Note    | 1   | O-Ring (Note: Use p/n 2901805)  |     |
| 19   | See Note    | 1   | Ring, Back-Up (Note: Use p/n 2901805)   |     |
| 20   | See Note    | 1   | Seal, Rod (Note: Use p/n 2901805)   |     |
| 21   | See Note    | 1   | Wiper, Rod (Note: Use p/n 2901805)  |     |
| 22   | 0100011     | AR  | Compound, Locking   |     |
| 23   | 0100035     | AR  | Compound, Locking   |     |
| 24   | 0100038     | AR  | Primer, Locking   |     |
| 25   | 0961950     | 4   | Bushing   |     |
| 100  | 2901805     | 1   | Seal Kit (Includes Items 14-21)   |     |

# SECTION 6 - CYLINDER

FIGURE 6-5. LIFT CYLINDER ASSEMBLY - LOWER - E400AN (SN 0300239740 to Present)



ART\_1001228037

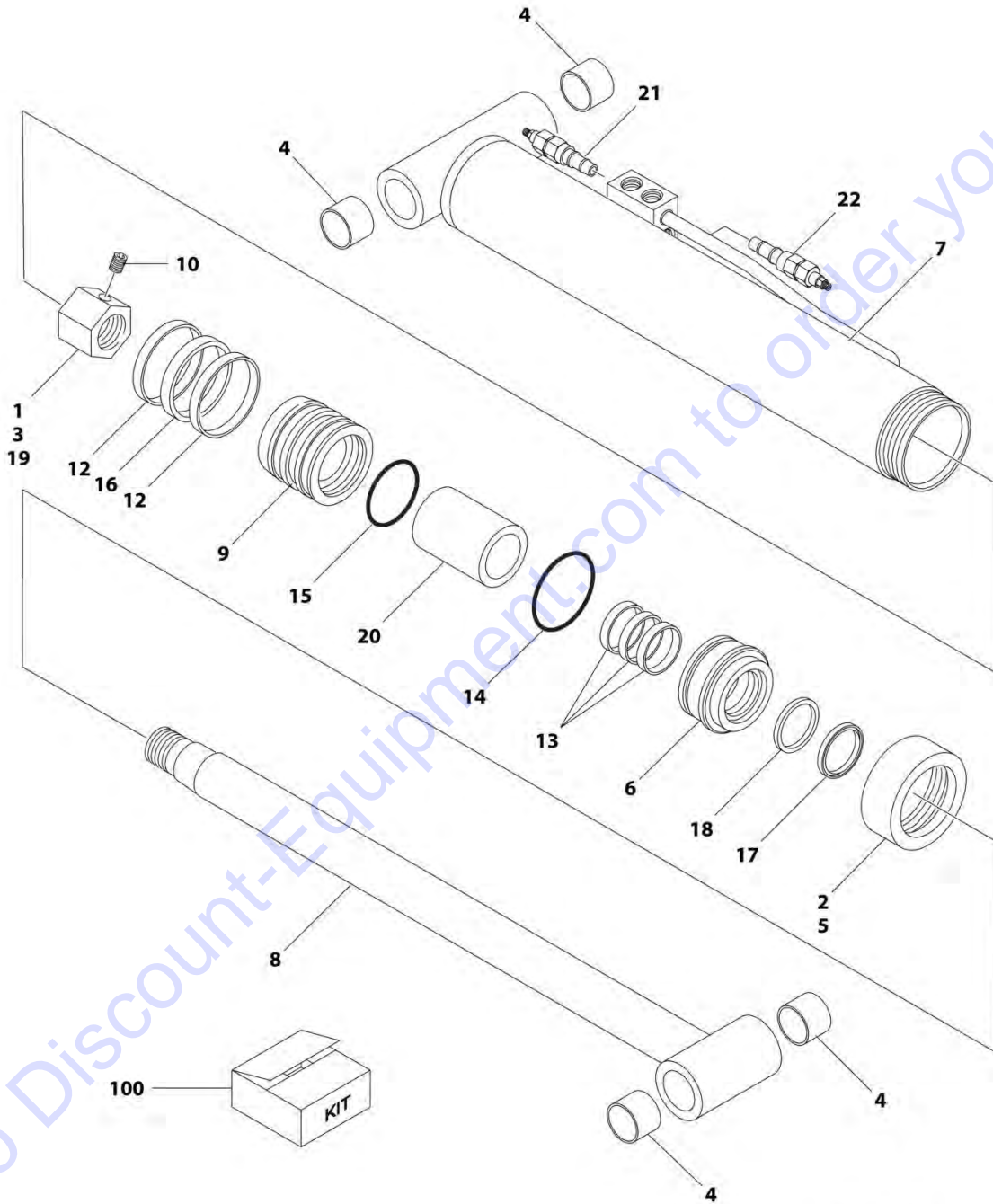
## SECTION 6 - CYLINDER

**FIGURE 6-5. LIFT CYLINDER ASSEMBLY - LOWER - E400AN (SN 0300239740 to Present)**

| ITEM | PART NUMBER | QTY | DESCRIPTION   | REV |
|------|-------------|-----|---|-----|
|      | 1001228037  | Ref | LIFT CYLINDER ASSEMBLY - LOWER  | A   |
|      |             | Ref | Note: Original Cylinder may have been replaced with Service Replacement. Identify PN Stamped on Cylinder Before Ordering Parts. |     |
| 1    | See Note    | NSS | Barrel (Note: Not Available for Purchase)   |     |
| 2    | 70006593    | 1   | Rod   |     |
| 3    | 70006592    | 1   | Head  |     |
| 4    | See Note    | NSS | Wiper (Note: Use Item 100)  |     |
| 5    | 70002412    | 1   | Retainer  |     |
| 6    | See Note    | NSS | Seal, Rod (Note: Use Item 100)  |     |
| 7    | See Note    | NSS | Ring, Back-up (Note: Use Item 100)  |     |
| 8    | 70006591    | 1   | Bearing   |     |
| 9    | See Note    | NSS | O-Ring (Note: Use Item 100)   |     |
| 10   | See Note    | NSS | Ring, Back-up (Note: Use Item 100)  |     |
| 11   | 70050801    | 1   | O-Ring  |     |
| 12   | 70006590    | 1   | Piston  |     |
| 13   | See Note    | NSS | Seal (Note: Use Item 100)   |     |
| 14   | See Note    | NSS | O-Ring (Note: Use Item 100)   |     |
| 15   | 70022564    | 1   | Ball, Steel   |     |
| 16   | 70006601    | 1   | Setscrew  |     |
| 17   | 4640634     | 1   | Cartridge, Holding Valve  |     |
| 17   | 2900770     | 1   | Seal Kit - 4640634 Valve  |     |
| 18   | 4641386     | 1   | Cartridge, Holding Valve  |     |
| 18   | 7011376     | 1   | Seal Kit - 4641386 Valve  |     |
| 19   | 70006589    | 1   | Spacer  |     |
| 20   | 70006588    | 1   | O-Ring  |     |
| 21   | 0961950     | 4   | Bushing   |     |
| 22   | 2220883     | 8   | Plug, O-Ring  |     |
| 100  | 70006587    | 1   | Seal Kit (Includes Items 4, 6, 7, 9, 10, 13 & 14)   |     |

# SECTION 6 - CYLINDER

FIGURE 6-6. LIFT CYLINDER ASSEMBLY - LOWER - E400AJP/M400AJP/E400AJPN/M400AJPN (SN 0300208530 through 0300239237)



ART\_1684451

## SECTION 6 - CYLINDER

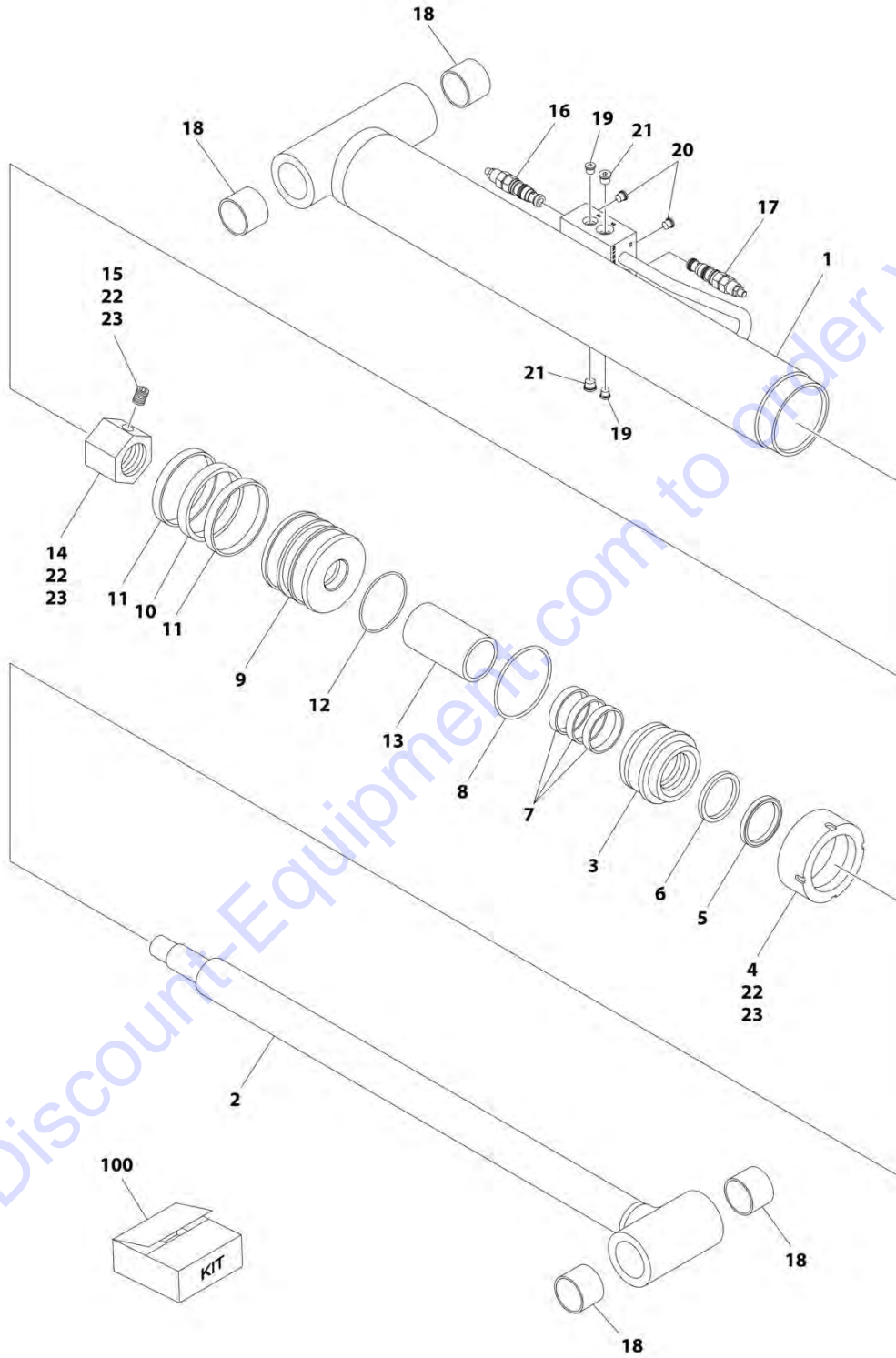
**FIGURE 6-6. LIFT CYLINDER ASSEMBLY - LOWER - E400AJP/M400AJP/E400AJPN/M400AJPN (SN 0300208530 through 0300239237)**

| ITEM | PART NUMBER | QTY | DESCRIPTION   | REV |
|------|-------------|-----|---|-----|
|      | 1684451     | Ref | LIFT CYLINDER ASSEMBLY - LOWER - E400AJP/M400AJP/E400AJPN/M400AJPN  | E   |
|      |             | Ref | Note: Original Cylinder May Have Been Replaced with Service Replacement. Identify PN Stamped on Cylinder Before Ordering Parts. |     |
| 1    | 0100011     | AR  | Compound, Locking   |     |
| 2    | 0100035     | 1   | Compound, Locking   |     |
| 4    | 0961950     | 4   | Bushing   |     |
| 5    | 1120094     | 1   | Retainer  |     |
| 6    | 1683710     | 1   | Head  |     |
| 7    | 1683940     | 1   | Barrel  |     |
| 8    | 1683941     | 1   | Rod   |     |
| 9    | 3480241     | 1   | Piston  |     |
| 10   | 3900170     | 1   | Setscrew  |     |
| 12   | See Note    | NSS | Ring, Wear (Note: Use p/n 2901806)  |     |
| 13   | See Note    | NSS | Ring, Wear (Note: Use p/n 2901806)  |     |
| 14   | See Note    | NSS | O-Ring (Note: Use p/n 2901806)  |     |
| 15   | See Note    | NSS | O-Ring (Note: Use p/n 2901806)  |     |
| 16   | See Note    | NSS | Seal, Piston (Note: Use p/n 2901806)  |     |
| 17   | See Note    | NSS | Wiper, Rod (Note: Use p/n 2901806)  |     |
| 18   | See Note    | 1   | Seal, Rod (Note: Use p/n 2901806)   |     |
| 19   | 3300281     | 1   | Nut   |     |
| 20   | 4566432     | 1   | Spacer  |     |
| 21   | 4640634     | 1   | Cartridge, Holding Valve  |     |
| 21   | 2900770     | 1   | Seal Kit - 4640634 Valve  |     |
| 22   | 4641386     | 1   | Cartridge, Holding Valve  |     |
| 22   | 7011376     | 1   | Seal Kit - 4641386 Valve  |     |
| 23   | 0100038     | 1   | Primer, Locking   |     |
| 100  | 2901806     | 1   | Seal Kit (Includes Items 12-18)   |     |



# SECTION 6 - CYLINDER

FIGURE 6-7. CYLINDER ASSEMBLY - LOWER - E400AJP/M400AJP/E400AJPN/M400AJPN (SN 0300239237 to Present)



ART\_1001228035



# PARTS FINDER

**Search Website  
by Part Number**



**Search Manual  
Library For Parts  
Manual & Lookup Part  
Numbers – Purchase  
or Request Quote**

**Can't Find Part or  
Manual? Request Help  
by Manufacturer,  
Model & Description**

Discount-Equipment.com is your online resource for quality parts & equipment.

Florida: **561-964-4949** Outside Florida TOLL FREE: **877-690-3101**

## Need parts?

Click on this link: <http://www.discount-equipment.com/category/5443-parts/> and choose one of the options to help get the right parts and equipment you are looking for. Please have the machine model and serial number available in order to help us get you the correct parts. If you don't find the part on the website or on one of the online manuals, please fill out the request form and one of our experienced staff members will get back to you with a quote for the right part that your machine needs.

We sell worldwide for the brands: Genie, Terex, JLG, MultiQuip, Mikasa, Essick, Whiteman, Mayco, Toro Stone, Diamond Products, Generac Magnum, Airman, Haulotte, Barreto, Power Blanket, Nifty Lift, Atlas Copco, Chicago Pneumatic, Allmand, Miller Curber, Skyjack, Lull, Skytrak, Tsurumi, Husquvarna Target, Stow, Wacker, Sakai, Mi-T-M, Sullair, Basic, Dynapac, MBW, Weber, Bartell, Bennar Newman, Haulotte, Ditch Runner, Menegotti, Morrison, Contec, Buddy, Crown, Edco, Wyco, Bomag, Laymor, EZ Trench, Bil-Jax, F.S. Curtis, Gehl Pavers, Heli, Honda, ICS/PowerGrit, IHI, Partner, Imer, Clipper, MMD, Koshin, Rice, CH&E, General Equipment, Amida, Coleman, NAC, Gradall, Square Shooter, Kent, Stanley, Tamco, Toku, Hatz, Kohler, Robin, Wisconsin, Northrock, Oztec, Toker TK, Rol-Air, APT, Wylie, Ingersoll Rand / Doosan, Innovatech, Con X, Ammann, Mecalac, Makinex, Smith Surface Prep, Small Line, Wanco, Yanmar

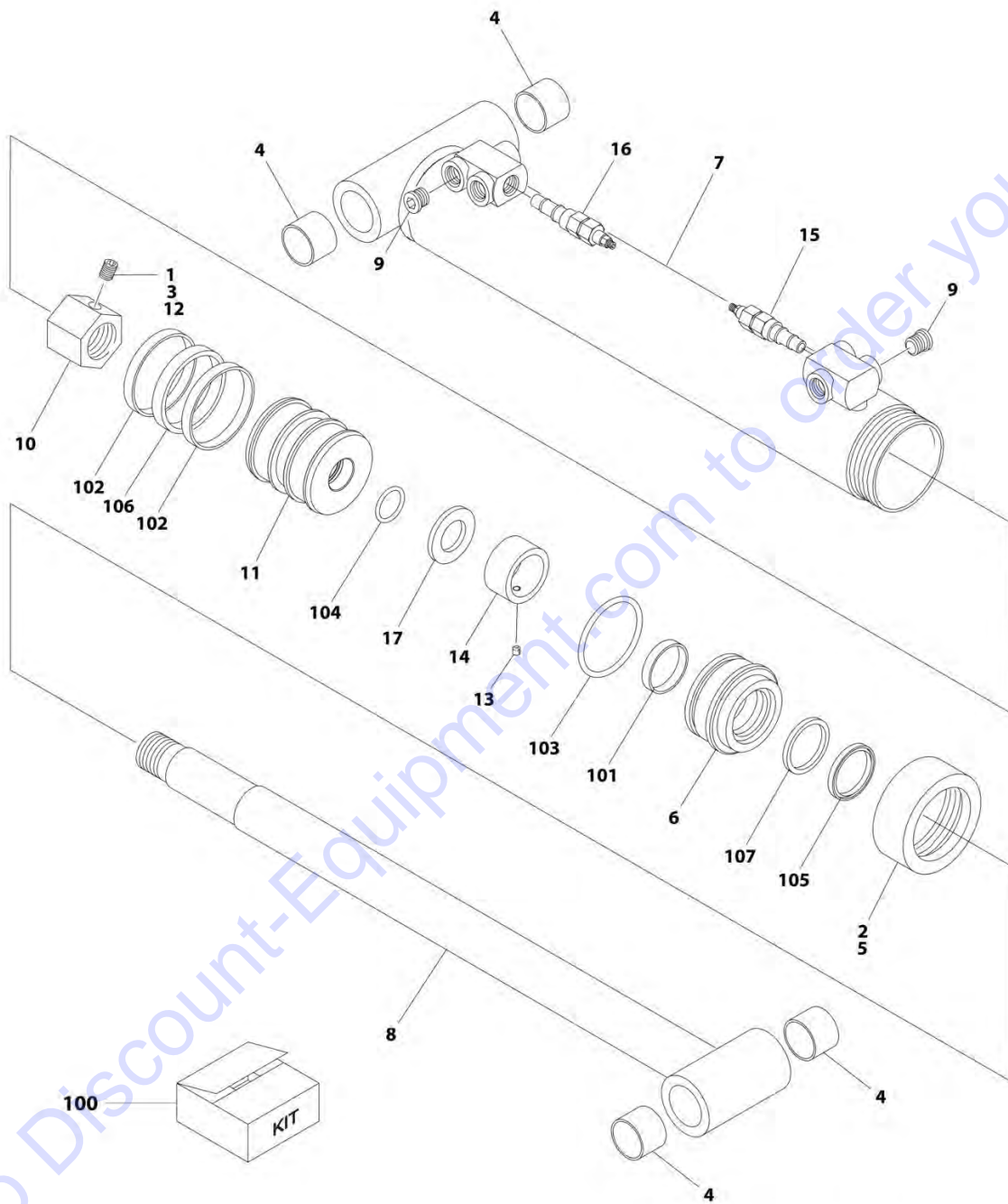
## SECTION 6 - CYLINDER

**FIGURE 6-7. CYLINDER ASSEMBLY - LOWER - E400AJP/M400AJP/E400AJPN/M400AJPN (SN 0300239237 to Present)**

| ITEM | PART NUMBER | QTY | DESCRIPTION   | REV |
|------|-------------|-----|---|-----|
|      | 1001228035  | Ref | LIFT CYLINDER ASSEMBLY - LOWER  | B   |
|      |             | Ref | Note: Original Cylinder may have been replaced with Service Replacement. Identify PN Stamped on Cylinder Before Ordering Parts. |     |
| 1    | See Note    | NSS | Barrel Weldment (Note: Not Available for Purchase)  |     |
| 2    | 70006535    | 1   | Rod Weldment  |     |
| 3    | 70006533    | 1   | Head  |     |
| 4    | 70006533    | 1   | Retainer  |     |
| 5    | See Note    | NSS | Wiper (Note: Use Item 100)  |     |
| 6    | See Note    | NSS | Seal, Rod (Note: Use Item 100)  |     |
| 7    | See Note    | NSS | Ring, Wear (Note: Use Item 100)   |     |
| 8    | See Note    | NSS | O-Ring (Note: Use Item 100)   |     |
| 9    | 70006532    | 1   | Piston  |     |
| 10   | See Note    | NSS | Seal (Note: Use Item 100)   |     |
| 11   | See Note    | NSS | Ring, Wear (Note: Use Item 100)   |     |
| 12   | See Note    | NSS | O-Ring (Note: Use Item 100)   |     |
| 13   | 70006531    | 1   | Spacer  |     |
| 14   | 3300281     | 1   | Nut   |     |
| 15   | 3900170     | 1   | Setscrew  |     |
| 16   | 4640634     | 1   | Cartridge, Holding Valve  |     |
| 16   | 2900770     | 1   | Seal Kit - 4640634 Valve  |     |
| 17   | 4641386     | 1   | Cartridge, Holding Valve  |     |
| 17   | 7011376     | 1   | Seal Kit - 4641386 Valve  |     |
| 18   | 0961950     | 4   | Bushing   |     |
| 19   | 2220883     | 2   | Plug, O-Ring  |     |
| 20   | 2220883     | 2   | Plug, O-Ring  |     |
| 21   | 2220885     | 2   | Plug, O-Ring  |     |
| 22   | 0100011     | AR  | Compound, Locking   |     |
| 23   | 0100038     | AR  | Primer, Locking   |     |
| 100  | 2901806     | 1   | Seal Kit (Includes Items 5-8 & 10-12)   |     |

# SECTION 6 - CYLINDER

FIGURE 6-8. LIFT CYLINDER ASSEMBLY - MID - E400AN (SN 0300208530 through 0300239739)



ART\_1684454

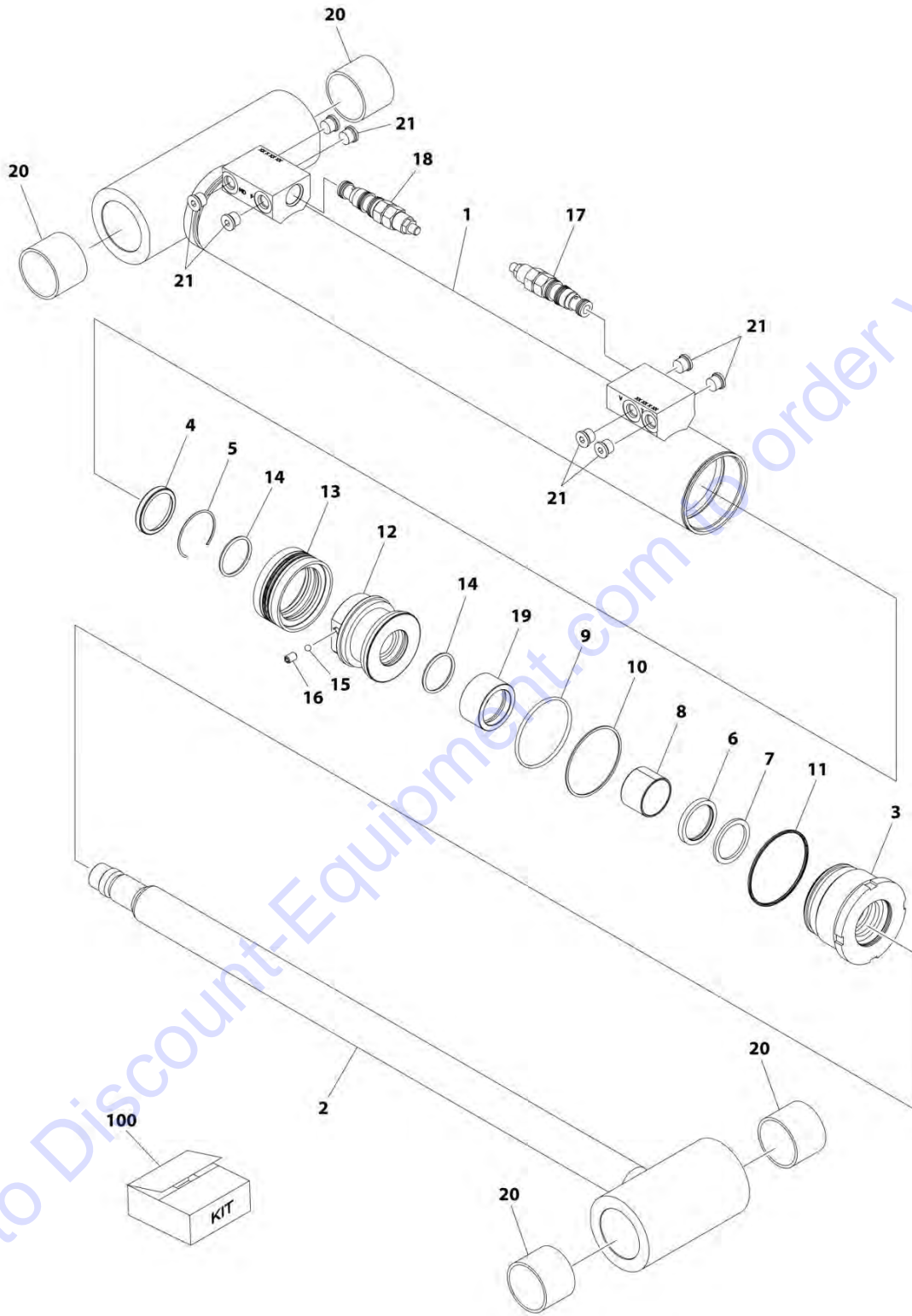
## SECTION 6 - CYLINDER

**FIGURE 6-8. LIFT CYLINDER ASSEMBLY - MID - E400AN (SN 0300208530 through 0300239739)**

| ITEM | PART NUMBER | QTY | DESCRIPTION   | REV |
|------|-------------|-----|---|-----|
|      | 1684454     | Ref | LIFT CYLINDER ASSEMBLY - MID - E400An   | B   |
|      |             | Ref | Note: Original Cylinder May Have Been Replaced with Service Replacement. Identify PN Stamped on Cylinder Before Ordering Parts. |     |
| 1    | 0100011     | AR  | Compound, Locking   |     |
| 2    | 0100035     | AR  | Compound, Locking   |     |
| 3    | 0100038     | AR  | Primer, Locking   |     |
| 4    | 0961950     | 4   | Bushing   |     |
| 5    | 1120108     | 1   | Retainer  |     |
| 6    | 1681344     | 1   | Head  |     |
| 7    | 1684025     | 1   | Barrel  |     |
| 8    | 1684026     | 1   | Rod   |     |
| 9    | 2220885     | 2   | Plug  |     |
| 10   | 3300279     | 1   | Nut   |     |
| 11   | 3480240     | 1   | Piston  |     |
| 12   | 3900170     | 1   | Setscrew  |     |
| 13   | 3951402     | 1   | Setscrew, 1/4-20 x 1/4  |     |
| 14   | 4565994     | 1   | Spacer  |     |
| 15   | 4640634     | 1   | Cartridge, Holding Valve  |     |
| 15   | 2900770     | 1   | Seal Kit - 4640634 Valve  |     |
| 16   | 4641386     | 1   | Cartridge, Holding Valve  |     |
| 16   | 7011376     | 1   | Seal Kit - 4641386 Valve  |     |
| 17   | 4740394     | 1   | Washer  |     |
| 100  | 2902419     | 1   | Seal Kit (Includes Items 101-107)   |     |
| 101  | See Note    | 1   | Ring, Wear (Note: Use p/n 2902419)  |     |
| 102  | See Note    | 2   | Ring, Wear (Note: Use p/n 2902419)  |     |
| 103  | See Note    | 1   | O-Ring (Note: Use p/n 2902419)  |     |
| 104  | See Note    | 1   | O-Ring (Note: Use p/n 2902419)  |     |
| 105  | See Note    | 1   | Wiper, Rod (Note: Use p/n 2902419)  |     |
| 106  | See Note    | 1   | Seal, Piston (Note: Use p/n 2902419)  |     |
| 107  | See Note    | 1   | Seal, Rod (Note: Use p/n 2902419)   |     |

# SECTION 6 - CYLINDER

FIGURE 6-9. LIFT CYLINDER ASSEMBLY - MID - E400AN (SN 0300239740 to Present)



ART\_1001228038

## SECTION 6 - CYLINDER

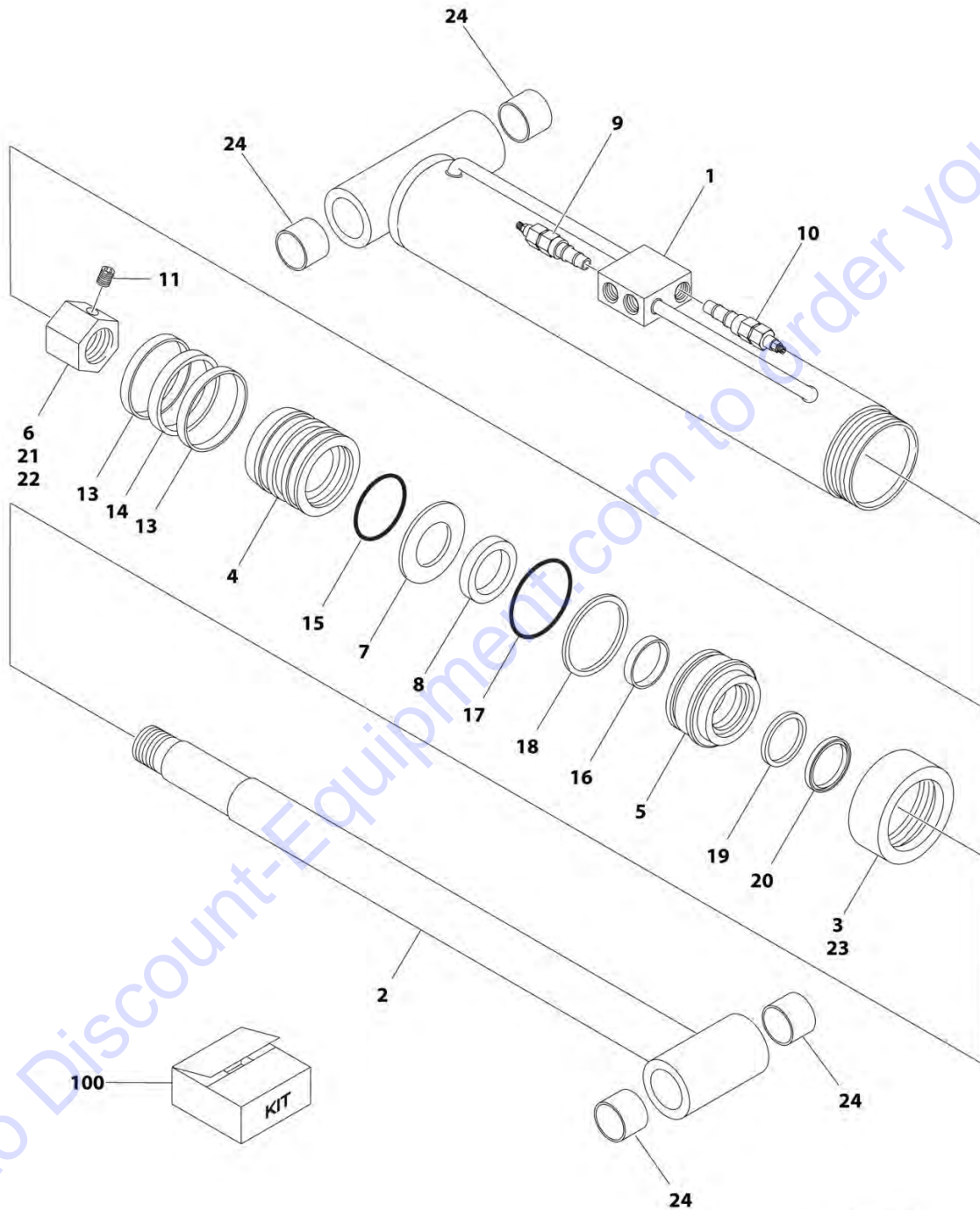
**FIGURE 6-9. LIFT CYLINDER ASSEMBLY - MID - E400AN (SN 0300239740 to Present)**

| ITEM | PART NUMBER | QTY | DESCRIPTION   | REV |
|------|-------------|-----|---|-----|
|      | 1001228038  | Ref | LIFT CYLINDER ASSEMBLY - MID - E400An   | A   |
|      |             | Ref | Note: Original Cylinder may have been replaced with Service Replacement. Identify PN Stamped on Cylinder Before Ordering Parts. |     |
| 1    | See Note    | NSS | Barrel Weldment (Note: Not Available for Purchase)  |     |
| 2    | 70006600    | 1   | Rod Weldment  |     |
| 3    | 70006599    | 1   | Head  |     |
| 4    | See Note    | 1   | Wiper (Note: Use Item 100)  |     |
| 5    | 70002373    | 1   | Retainer  |     |
| 6    | See Note    | NSS | Seal, Rod (Note: Use Item 100)  |     |
| 7    | See Note    | NSS | Ring, Back-up (Note: Use Item 100)  |     |
| 8    | 70005143    | 1   | Bearing   |     |
| 9    | See Note    | NSS | O-Ring (Note: Use Item 100)   |     |
| 10   | See Note    | NSS | Ring, Back-up (Note: Use Item 100)  |     |
| 11   | 70006598    | 1   | O-Ring  |     |
| 12   | 70006597    | 1   | Piston  |     |
| 13   | See Note    | NSS | Seal (Note: Use Item 100)   |     |
| 14   | See Note    | NSS | O-Ring (Note: Use Item 100)   |     |
| 15   | 70022564    | 1   | Ball, Steel   |     |
| 16   | 70006596    | 1   | Setscrew  |     |
| 17   | 4640634     | 1   | Cartridge, Holding Valve  |     |
| 17   | 2900770     | 1   | Seal Kit - 4640634 Valve  |     |
| 18   | 4641386     | 1   | Cartridge, Holding Valve  |     |
| 18   | 7011376     | 1   | Seal Kit - 4641386 Valve  |     |
| 19   | 70006595    | 1   | Spacer  |     |
| 20   | 0961950     | 4   | Bushing   |     |
| 21   | 2220885     | 8   | Plug, O-Ring  |     |
| 100  | 70006594    | 1   | Seal Kit (Includes 4, 6, 7, 9, 10, 13 & 14)   |     |



# SECTION 6 - CYLINDER

FIGURE 6-10. LIFT CYLINDER ASSEMBLY - MID - E400AJP/M400AJP/E400AJPN/M400AJPN (SN 0300208530 through 0300239237)



ART\_1684452

## SECTION 6 - CYLINDER

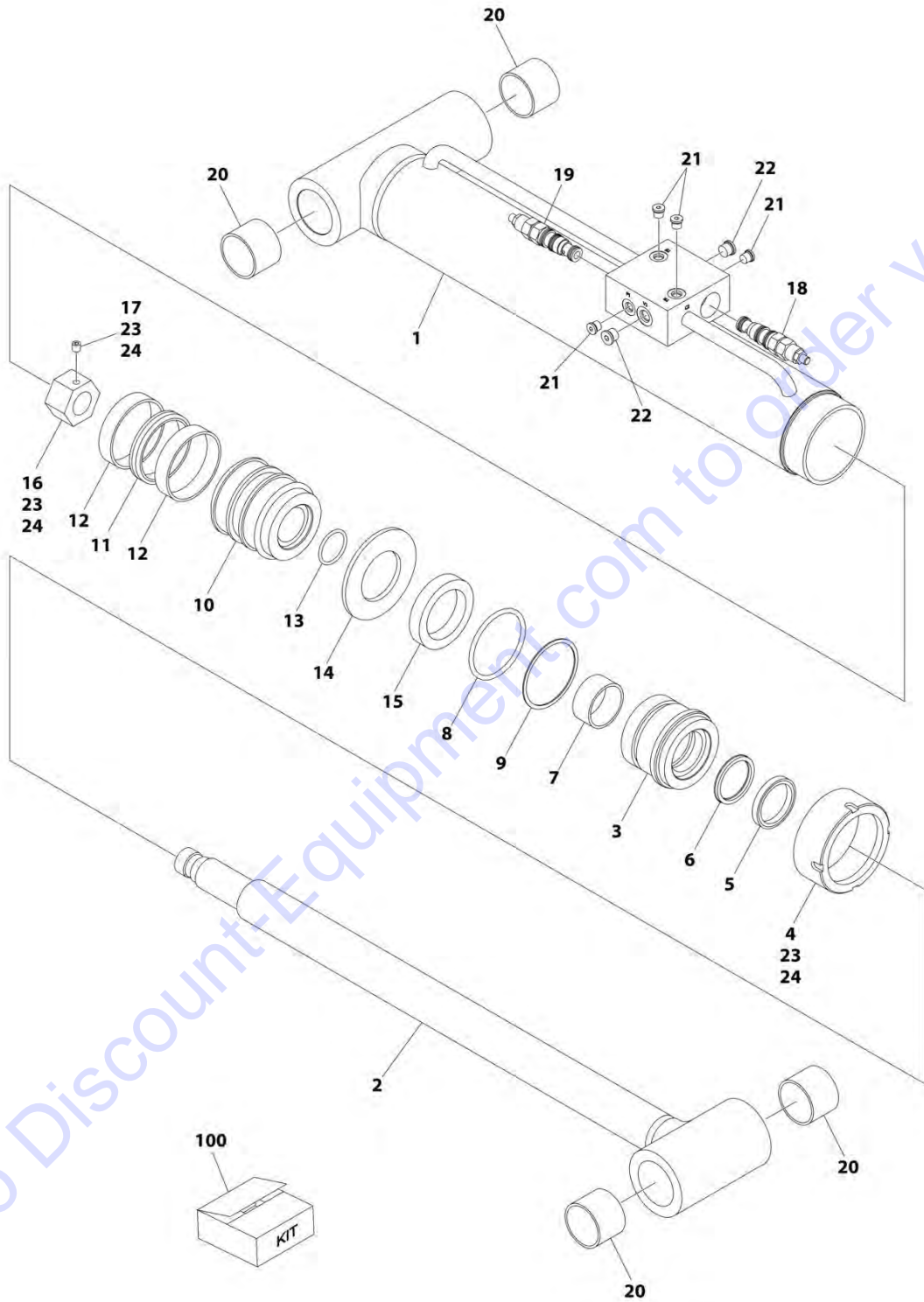
**FIGURE 6-10. LIFT CYLINDER ASSEMBLY - MID - E400AJP/M400AJP/E400AJPN/M400AJPN (SN 0300208530 through 0300239237)**

| ITEM | PART NUMBER | QTY | DESCRIPTION   | REV |
|------|-------------|-----|---|-----|
|      | 1684452     | Ref | LIFT CYLINDER ASSEMBLY - MID - E400AJP/M400AJP/E400AJPN/M400AJPN  | D   |
|      |             | Ref | Note: Original Cylinder May Have Been Replaced with Service Replacement. Identify PN Stamped on Cylinder Before Ordering Parts. |     |
| 1    | 1683943     | 1   | Barrel  |     |
| 2    | 1683944     | 1   | Rod   |     |
| 3    | 1120305     | 1   | Retainer  |     |
| 4    | 3480242     | 1   | Piston  |     |
| 5    | 1683712     | 1   | Head  |     |
| 6    | 3300281     | 1   | Nut   |     |
| 7    | 4740207     | 1   | Washer  |     |
| 8    | 4566435     | 1   | Spacer  |     |
| 9    | 4640634     | 1   | Cartridge, Holding Valve  |     |
| 9    | 2900770     | 1   | Seal Kit - 4640634 Valve  |     |
| 10   | 4641386     | 1   | Cartridge, Holding Valve  |     |
| 10   | 7011376     | 1   | Seal Kit - 4641386 Valve  |     |
| 11   | 3900170     | 1   | Setscrew  |     |
| 13   | See Note    | NSS | Ring, Wear (Note: Use p/n 2901805)  |     |
| 14   | See Note    | NSS | Seal, Piston (Note: Use p/n 2901805)  |     |
| 15   | See Note    | NSS | O-Ring (Note: Use p/n 2901805)  |     |
| 16   | See Note    | NSS | Ring, Wear (Note: Use p/n 2901805)  |     |
| 17   | See Note    | NSS | O-Ring (Note: Use p/n 2901805)  |     |
| 18   | See Note    | NSS | Ring, Back-Up (Note: Use p/n 2901805)   |     |
| 19   | See Note    | NSS | Seal, Rod (Note: Use p/n 2901805)   |     |
| 20   | See Note    | NSS | Wiper, Rod (Note: Use p/n 2901805)  |     |
| 21   | 0100011     | AR  | Compound, Locking   |     |
| 22   | 0100038     | AR  | Primer, Locking   |     |
| 23   | 0100035     | 1   | Compound, Locking   |     |
| 24   | 0961950     | 4   | Bushing   |     |
| 100  | 2901805     | 1   | Seal Kit (Includes Items 13-20)   |     |



# SECTION 6 - CYLINDER

FIGURE 6-11. LIFT CYLINDER ASSEMBLY - MID - E400AJP/M400AJP/E400AJPN/M400AJPN (SN 0300239237 to Present)



ART\_1001228036

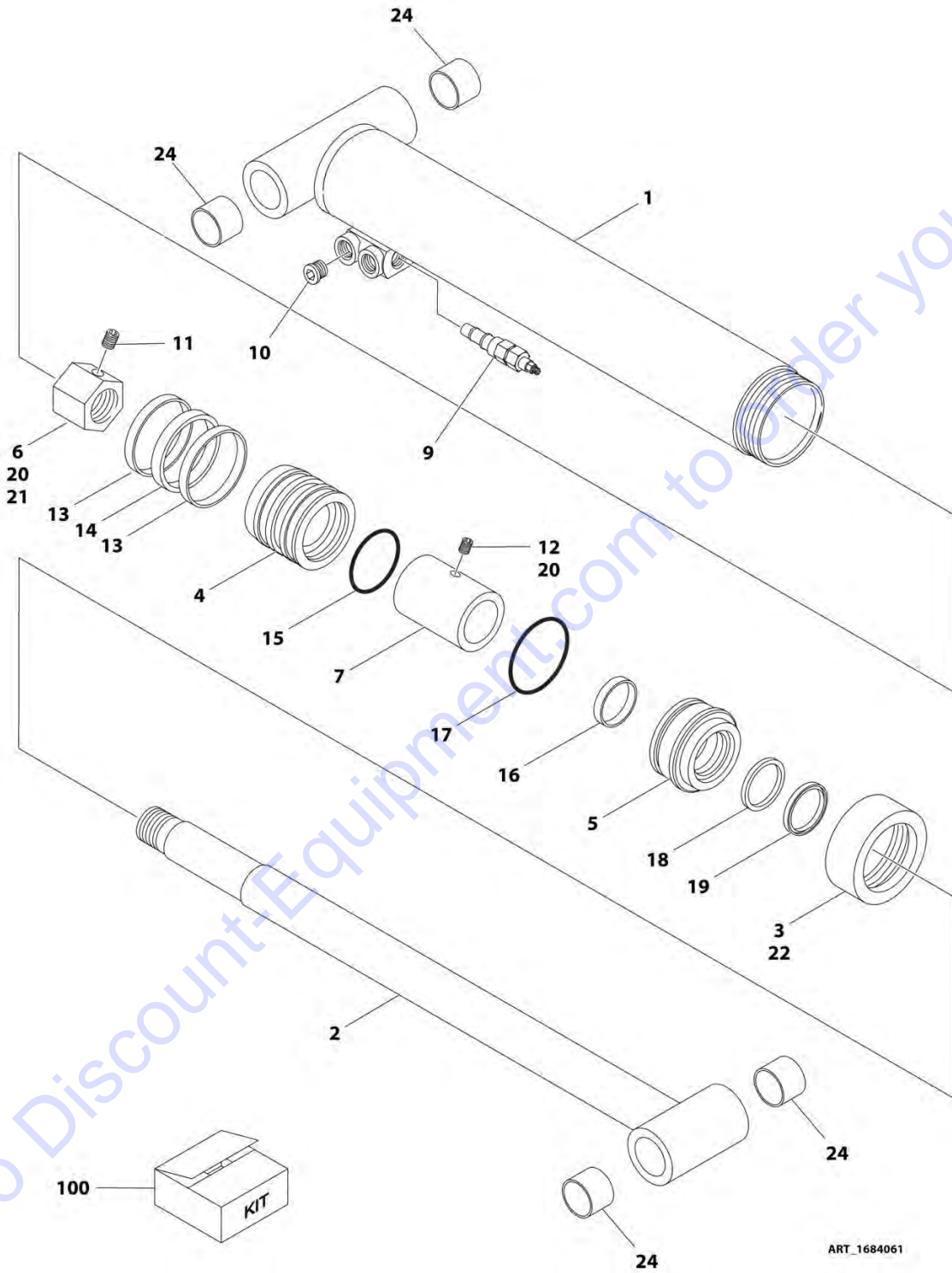
## SECTION 6 - CYLINDER

**FIGURE 6-11. LIFT CYLINDER ASSEMBLY - MID - E400AJP/M400AJP/E400AJPN/M400AJPN (SN 0300239237 to Present)**

| ITEM | PART NUMBER | QTY | DESCRIPTION   | REV |
|------|-------------|-----|---|-----|
|      | 1001228036  | Ref | LIFT CYLINDER ASSEMBLY - MID  | E   |
|      |             | Ref | Note: Original Cylinder may have been replaced with Service Replacement. Identify PN Stamped on Cylinder Before Ordering Parts. |     |
| 1    | See Note    | NSS | Barrel Weldment (Note: Not Available for Purchase)  |     |
| 2    | 70006543    | 1   | Rod Weldment  |     |
| 3    | 70006542    | 1   | Head  |     |
| 4    | 70006533    | 1   | Retainer  |     |
| 5    | See Note    | NSS | Wiper (Note: Use Item 100)  |     |
| 6    | See Note    | NSS | Seal, Rod (Note: Use Item 100)  |     |
| 7    | See Note    | NSS | Ring, Wear (Note: Use Item 100)   |     |
| 8    | See Note    | NSS | O-Ring (Note: Use Item 100)   |     |
| 9    | See Note    | NSS | Ring, Back-up (Note: Use Item 100)  |     |
| 10   | 70006532    | 1   | Piston  |     |
| 11   | See Note    | NSS | Seal (Note: Use Item 100)   |     |
| 12   | See Note    | NSS | Ring, Wear (Note: Use Item 100)   |     |
| 13   | See Note    | NSS | O-Ring (Note: Use Item 100)   |     |
| 14   | 4740207     | 1   | Washer  |     |
| 15   | 70006539    | 1   | Spacer  |     |
| 16   | 3300281     | 1   | Nut   |     |
| 17   | 3900170     | 1   | Setscrew  |     |
| 18   | 4640634     | 1   | Cartridge, Holding Valve  |     |
| 18   | 2900770     | 1   | Seal Kit - 4640634 Valve  |     |
| 19   | 4641386     | 1   | Cartridge, Holding Valve  |     |
| 19   | 7011376     | 1   | Seal Kit - 4641386 Valve  |     |
| 20   | 0961950     | 4   | Bushing   |     |
| 21   | 2220883     | 4   | Plug, O-Ring  |     |
| 22   | 2220885     | 2   | Plug, O-Ring  |     |
| 23   | 0100011     | AR  | Compound, Locking   |     |
| 24   | 0100038     | AR  | Primer, Locking   |     |
| 100  | 2901806     | 1   | Seal Kit (Includes Items 5-9 & 11-13)   |     |

# SECTION 6 - CYLINDER

FIGURE 6-12. LIFT CYLINDER - UPPER - E400AN (SN 0300208530 through 0300239739)



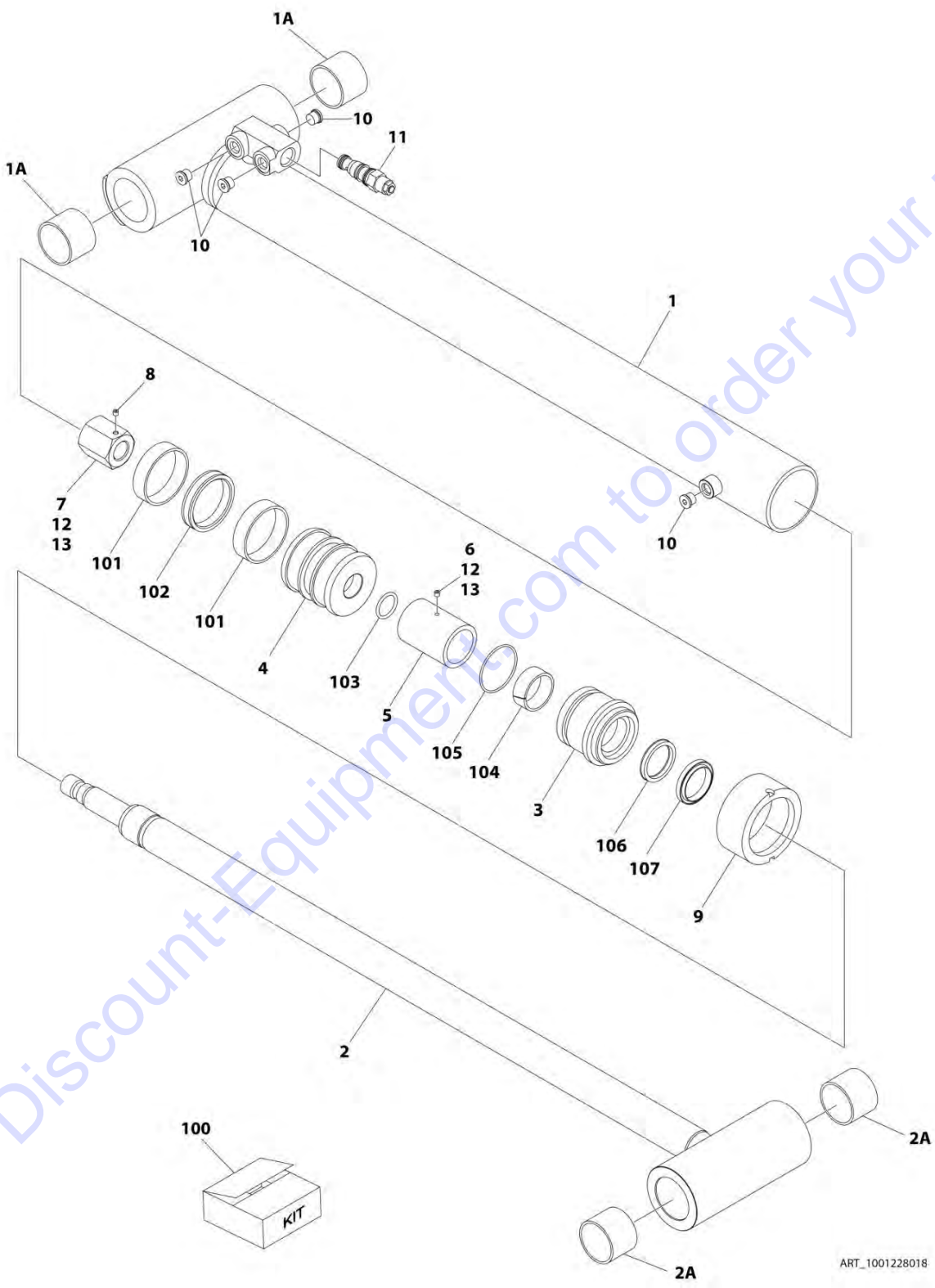
## SECTION 6 - CYLINDER

**FIGURE 6-12. LIFT CYLINDER - UPPER - E400AN (SN 0300208530 through 0300239739)**

| ITEM | PART NUMBER | QTY | DESCRIPTION   | REV |
|------|-------------|-----|---|-----|
|      | 1684061     | Ref | LIFT CYLINDER - UPPER - E400An  | G   |
|      |             | Ref | Note: Original Cylinder May Have Been Replaced with Service Replacement. Identify PN Stamped on Cylinder Before Ordering Parts. |     |
| 1    | 1684060     | 1   | Barrel  |     |
| 2    | 1684059     | 1   | Rod   |     |
| 3    | 1120108     | 1   | Retainer  |     |
| 4    | 3480240     | 1   | Piston  |     |
| 5    | 1683709     | 1   | Head  |     |
| 6    | 3300315     | 1   | Nut   |     |
| 7    | 4567177     | 1   | Spacer  |     |
| 9    | 4640936     | 1   | Cartridge, Valve  |     |
| 9    | 2900770     | 1   | Seal, Kit - 4640936 Valve   |     |
| 10   | 2220885     | 4   | Plug  |     |
| 11   | 3900170     | 1   | Setscrew  |     |
| 12   | 3951402     | 1   | Setscrew  |     |
| 13   | See Note    | 2   | Ring, Wear (Note: Use p/n 2901804)  |     |
| 14   | See Note    | 1   | Seal, Piston (Note: Use p/n 2901804)  |     |
| 15   | See Note    | 1   | O-Ring (Note: Use p/n 2901804)  |     |
| 16   | See Note    | 1   | Ring, Wear (Note: Use p/n 2901804)  |     |
| 17   | See Note    | 1   | O-Ring (Note: Use p/n 2901804)  |     |
| 18   | See Note    | 1   | Seal, Rod (Note: Use p/n 2901804)   |     |
| 19   | See Note    | 1   | Wiper, Rod (Note: Use p/n 2901804)  |     |
| 20   | 0100011     | AR  | Compound, Locking   |     |
| 21   | 0100038     | AR  | Primer, Locking   |     |
| 22   | 0100035     | AR  | Compound, Locking   |     |
| 24   | 0961950     | 4   | Bushing   |     |
| 100  | 2901804     | 1   | Seal Kit (Includes Items 13-19)   |     |

# SECTION 6 - CYLINDER

FIGURE 6-13. LIFT CYLINDER - UPPER - E400AN (SN 0300239740 to Present)



Go to Discount-Equipment.com to order your parts

ART\_1001228018

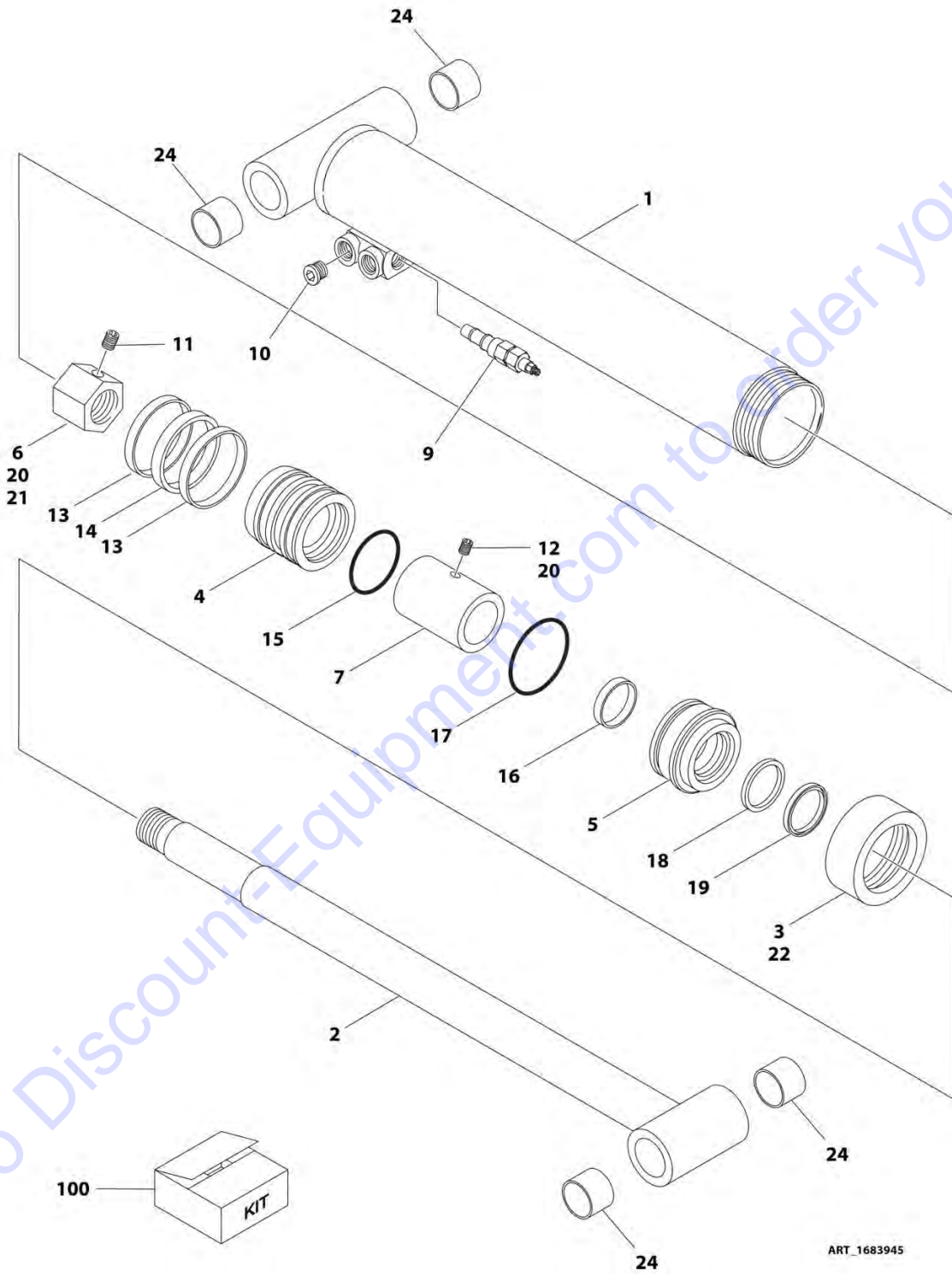
## SECTION 6 - CYLINDER

**FIGURE 6-13. LIFT CYLINDER - UPPER - E400AN (SN 0300239740 to Present)**

| ITEM | PART NUMBER | QTY | DESCRIPTION   | REV |
|------|-------------|-----|---|-----|
|      | 1001228018  | Ref | LIFT CYLINDER ASSEMBLY - UPPER  | B   |
|      |             | Ref | Note: Original Cylinder may have been replaced with Service Replacement. Identify PN Stamped on Cylinder Before Ordering Parts. |     |
| 1    | See Note    | NSS | Barrel Weldment (Note: Not Available for Purchase)  |     |
| 1A   | 0961950     | 2   | Bushing   |     |
| 2    | 70006415    | 1   | Rod Weldment  |     |
| 2A   | 0961950     | 2   | Bushing   |     |
| 3    | 70006401    | 1   | Head  |     |
| 4    | 70006400    | 1   | Piston  |     |
| 5    | 70006414    | 1   | Spacer  |     |
| 6    | 70006413    | 1   | Setscrew  |     |
| 7    | 70006412    | 1   | Nut   |     |
| 8    | 70023915    | 1   | Setscrew  |     |
| 9    | 70006411    | 4   | Retainer  |     |
| 10   | 2220885     | 1   | Plug, O-Ring  |     |
| 11   | 4640936     | 1   | Cartridge, Holding Valve  |     |
| 11   | 2900770     | 1   | Seal Kit - 4640936 Valve  |     |
| 12   | 0100011     | AR  | Compound, Locking   |     |
| 13   | 0100038     | AR  | Primer, Locking   |     |
| 100  | 2901804     | 1   | Seal Kit (Includes Items 101-107)   |     |
| 101  | See Note    | NSS | Ring, Wear (Note: Use Item 100)   |     |
| 102  | See Note    | NSS | Seal, Piston (Note: Use Item 100)   |     |
| 103  | See Note    | NSS | O-Ring (Note: Use Item 100)   |     |
| 104  | See Note    | NSS | Ring, Wear (Note: Use Item 100)   |     |
| 105  | See Note    | NSS | O-Ring (Note: Use Item 100)   |     |
| 106  | See Note    | NSS | Seal, Rod (Note: Use Item 100)  |     |
| 107  | See Note    | NSS | Wiper, Rod (Note: Use Item 100)   |     |

# SECTION 6 - CYLINDER

FIGURE 6-14. LIFT CYLINDER - UPPER - E400AJP/M400AJP/E400AJPN/M400AJPN (SN 0300208530 through 0300239739)





## SECTION 6 - CYLINDER

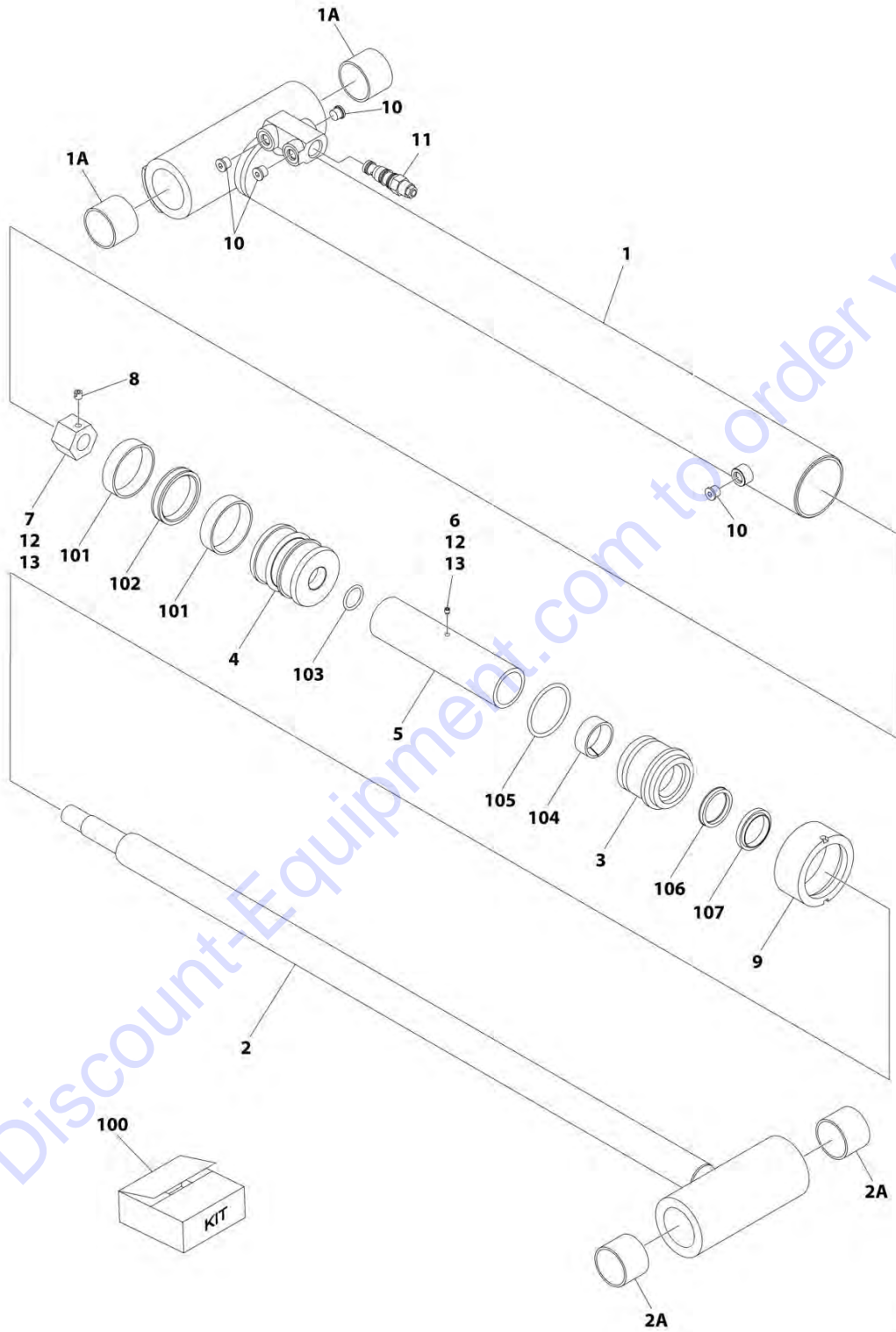
**FIGURE 6-14. LIFT CYLINDER - UPPER - E400AJP/M400AJP/E400AJPn/M400AJPn (SN 0300208530 through 0300239739)**

| ITEM | PART NUMBER | QTY | DESCRIPTION   | REV |
|------|-------------|-----|---|-----|
|      | 1683945     | Ref | LIFT CYLINDER - UPPER -<br>E400AJP/M400AJP/E400AJPn/M400AJPn  | G   |
|      |             | Ref | Note: Original Cylinder May Have Been Replaced with Service Replacement. Identify PN Stamped on Cylinder Before Ordering Parts. |     |
| 1    | 1683946     | 1   | Barrel  |     |
| 2    | 1683947     | 1   | Rod   |     |
| 3    | 1120108     | 1   | Retainer  |     |
| 4    | 3480240     | 1   | Piston  |     |
| 5    | 1683709     | 1   | Head  |     |
| 6    | 3300279     | 1   | Nut   |     |
| 7    | 4567908     | 1   | Spacer  |     |
| 9    | 4640936     | 1   | Cartridge, Holding Valve  |     |
| 9    | 2900770     | 1   | Seal Kit - 4640936 Valve  |     |
| 10   | 2220885     | 4   | Plug  |     |
| 11   | 3900170     | 1   | Setscrew  |     |
| 12   | 3900142     | 1   | Setscrew  |     |
| 13   | See Note    | 2   | Ring, Wear (Note: Use p/n 2901804)  |     |
| 14   | See Note    | 1   | Seal, Piston (Note: Use p/n 2901804)  |     |
| 15   | See Note    | 1   | O-Ring (Note: Use p/n 2901804)  |     |
| 16   | See Note    | 1   | Ring, Wear (Note: Use p/n 2901804)  |     |
| 17   | See Note    | 1   | O-Ring (Note: Use p/n 2901804)  |     |
| 18   | See Note    | 1   | Seal, Rod (Note: Use p/n 2901804)   |     |
| 19   | See Note    | 1   | Wiper, Rod (Note: Use p/n 2901804)  |     |
| 20   | 0100011     | AR  | Compound, Locking   |     |
| 21   | 0100038     | AR  | Primer, Locking   |     |
| 22   | 0100035     | AR  | Compound, Locking   |     |
| 24   | 0961950     | 4   | Bushing   |     |
| 100  | 2901804     | 1   | Seal Kit (Includes Items 13-19)   |     |



# SECTION 6 - CYLINDER

FIGURE 6-15. LIFT CYLINDER - UPPER - E400AJP/M400AJP/E400AJPN/M400AJPN (SN 0300239740 to Present)



ART\_1001228016

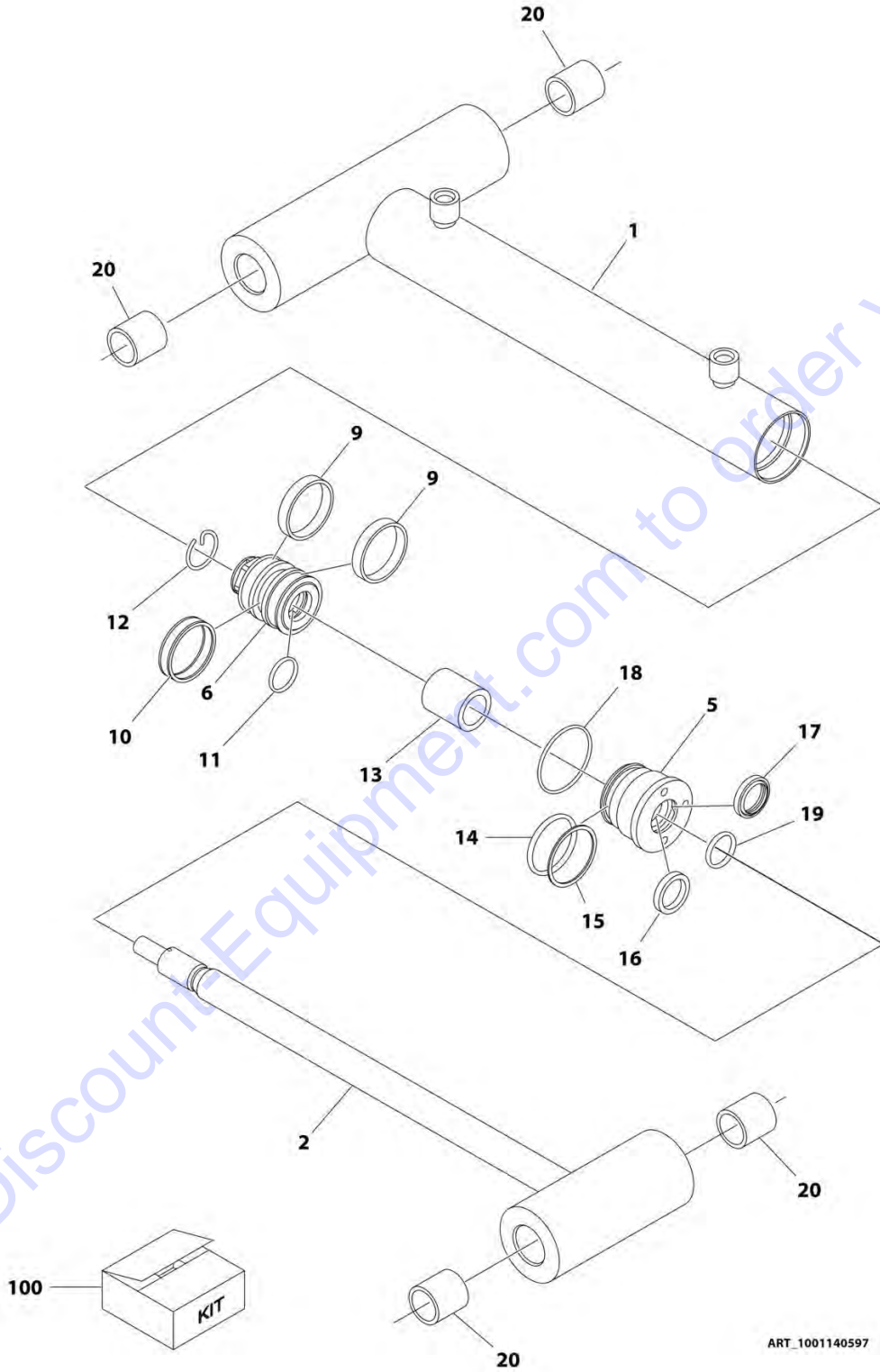
## SECTION 6 - CYLINDER

**FIGURE 6-15. LIFT CYLINDER - UPPER - E400AJP/M400AJP/E400AJPN/M400AJPN (SN 0300239740 to Present)**

| ITEM | PART NUMBER | QTY | DESCRIPTION   | REV |
|------|-------------|-----|---|-----|
|      | 1001228016  | Ref | LIFT CYLINDER ASSEMBLY - UPPER  | B   |
|      |             | Ref | Note: Original Cylinder may have been replaced with Service Replacement. Identify PN Stamped on Cylinder Before Ordering Parts. |     |
| 1    | See Note    | NSS | Barrel Weldment (Note: Not Available for Purchase)  |     |
| 1A   | 0961950     | 2   | Bushing   |     |
| 2    | 70006402    | 1   | Rod Weldment  |     |
| 2A   | 0961950     | 2   | Bushing   |     |
| 3    | 70006401    | 1   | Head  |     |
| 4    | 70006400    | 1   | Piston  |     |
| 5    | 70006399    | 1   | Spacer  |     |
| 6    | 70006398    | 1   | Setscrew  |     |
| 7    | 70006397    | 1   | Nut   |     |
| 8    | 70023915    | 1   | Setscrew  |     |
| 9    | 70006396    | 1   | Retainer  |     |
| 10   | 2220885     | 4   | Plug, O-Ring  |     |
| 11   | 4640936     | 1   | Cartridge, Holding Valve  |     |
| 11   | 2900770     | 1   | Seal Kit - 4640936 Valve  |     |
| 12   | 0100011     | AR  | Compound, Locking   |     |
| 13   | 0100038     | AR  | Primer, Locking   |     |
| 100  | 2901804     | 1   | Seal Kit (Includes Items 101-107)   |     |
| 101  | See Note    | NSS | Ring, Wear (Note: Use Item 100)   |     |
| 102  | See Note    | NSS | Seal, Piston (Note: Use Item 100)   |     |
| 103  | See Note    | NSS | O-Ring (Note: Use Item 100)   |     |
| 104  | See Note    | NSS | Ring, Wear (Note: Use Item 100)   |     |
| 105  | See Note    | NSS | O-Ring (Note: Use Item 100)   |     |
| 106  | See Note    | NSS | Seal, Rod (Note: Use Item 100)  |     |
| 107  | See Note    | NSS | Wiper, Rod (Note: Use Item 100)   |     |

# SECTION 6 - CYLINDER

## FIGURE 6-16. MASTER CYLINDER ASSEMBLY - E400AN



## SECTION 6 - CYLINDER

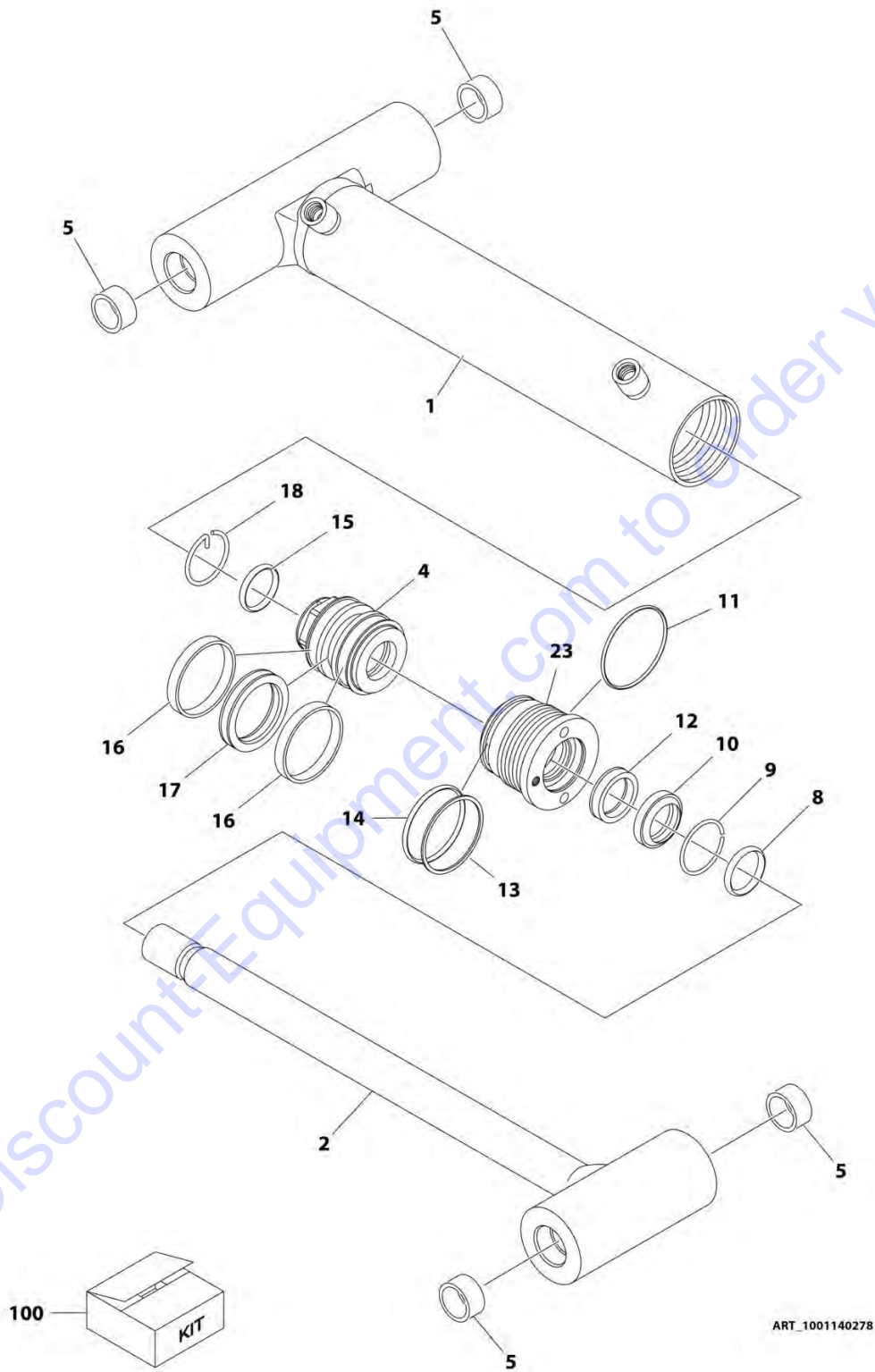
**FIGURE 6-16. MASTER CYLINDER ASSEMBLY - E400AN**

| ITEM | PART NUMBER | QTY | DESCRIPTION                            | REV |
|------|-------------|-----|--|-----|
|      | 1001140597  | Ref | MASTER CYLINDER ASSEMBLY - E400An      | A   |
| 1    | 70004144    | 1   | Barrel                                 |     |
| 2    | 70004145    | 1   | Rod                                    |     |
| 5    | 70000739    | 1   | Head                                   |     |
| 6    | 70004141    | 1   | Piston                                 |     |
| 9    | See Note    | 2   | Ring, Wear (Note: Use p/n 70004130)    |     |
| 10   | See Note    | 1   | Seal, Piston (Note: Use p/n 70004130)  |     |
| 11   | 70023094    | 1   | O-Ring                                 |     |
| 12   | 70004142    | 1   | Retainer                               |     |
| 13   | 70004143    | 1   | Spacer                                 |     |
| 14   | See Note    | 1   | O-Ring (Note: Use p/n 70004130)        |     |
| 15   | See Note    | 1   | Ring, Back-Up (Note: Use p/n 70004130) |     |
| 16   | See Note    | 1   | Seal, Rod (Note: Use p/n 70004130)     |     |
| 17   | See Note    | 1   | Wiper, Rod (Note: Use p/n 70004130)    |     |
| 18   | See Note    | 1   | O-Ring (Note: Use p/n 70004130)        |     |
| 19   | See Note    | 1   | O-Ring (Note: Use p/n 70004130)        |     |
| 20   | 0962356     | 4   | Bushing                                |     |
| 100  | 70004130    | 1   | Seal Kit (Includes Items 9-11 & 14-18) |     |

Go to Discount-Equipment.com to order your parts

# SECTION 6 - CYLINDER

FIGURE 6-17. MASTER CYLINDER ASSEMBLY - E400AJP/M400AJP/E400AJPN/M400AJPN



## SECTION 6 - CYLINDER

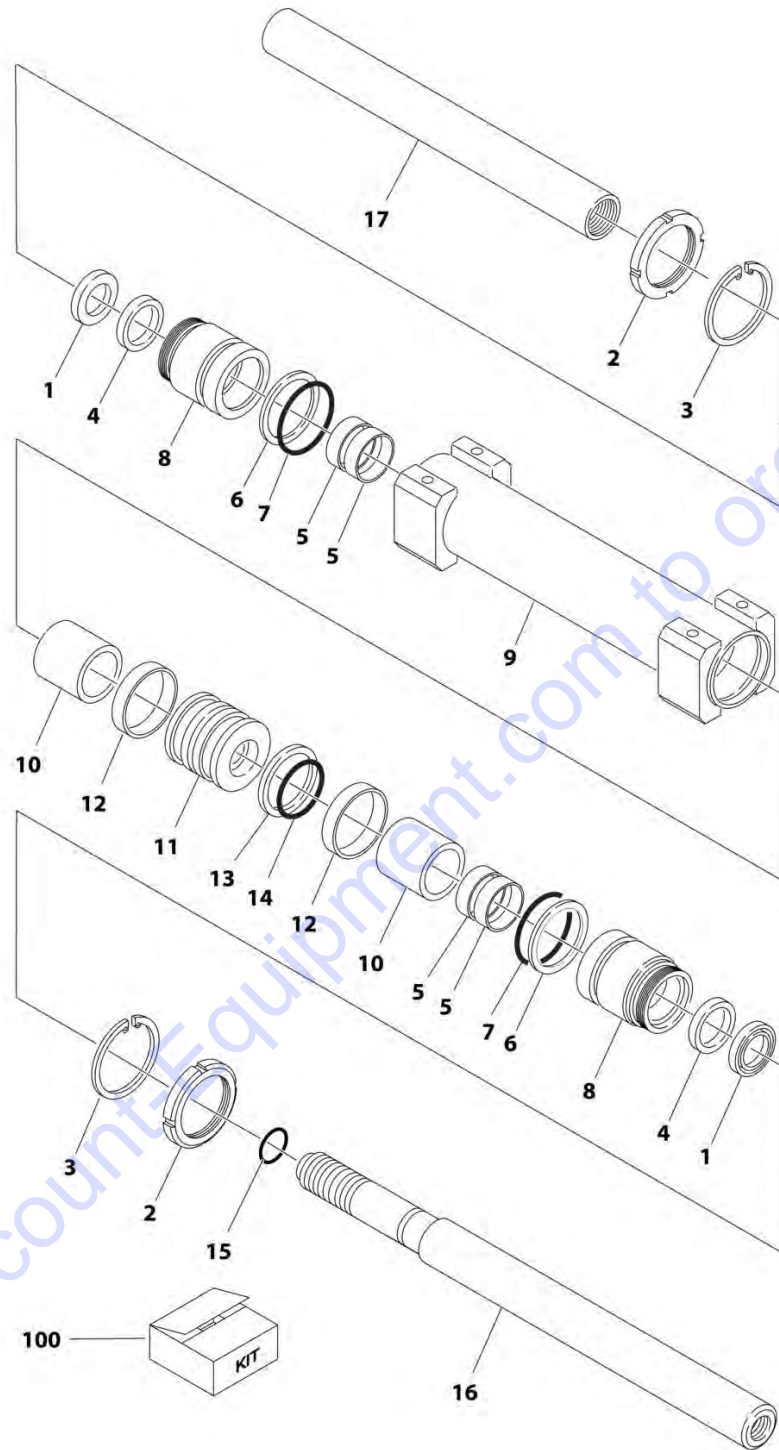
**FIGURE 6-17. MASTER CYLINDER ASSEMBLY - E400AJP/M400AJP/E400AJPN/M400AJPN**

| ITEM | PART NUMBER | QTY | DESCRIPTION   | REV |
|------|-------------|-----|---|-----|
|      | 1001140278  | Ref | MASTER CYLINDER ASSEMBLY -<br>E400AJP/M400AJP/E400AJPN/M400AJPN | A   |
| 1    | 70003843    | 1   | Barrel  |     |
| 2    | 70003844    | 1   | Rod   |     |
| 4    | 70003819    | 1   | Piston  |     |
| 5    | 0961951     | 4   | Bushing   |     |
| 8    | 7026084     | 1   | O-Ring  |     |
| 9    | 70002217    | 1   | Ring, Retaining   |     |
| 10   | See Note    | 1   | Wiper, Rod (Note: Use p/n 70003845)                             |     |
| 11   | See Note    | 1   | O-Ring (Note: Use p/n 70003845)                                 |     |
| 12   | See Note    | 1   | Seal, Rod (Note: Use p/n 70003845)                              |     |
| 13   | See Note    | 1   | Ring, Back-Up (Note: Use p/n 70003845)                          |     |
| 14   | See Note    | 1   | O-Ring (Note: Use p/n 70003845)                                 |     |
| 15   | See Note    | 1   | O-Ring (Note: Use p/n 70003845)                                 |     |
| 16   | See Note    | 2   | Ring, Wear (Note: Use p/n 70003845)                             |     |
| 17   | See Note    | 1   | Seal, Piston (Note: Use p/n 70003845)                           |     |
| 18   | 70002216    | 1   | Retainer  |     |
| 23   | 7026082     | 1   | Head  |     |
| 100  | 70003845    | 1   | Seal Kit (Includes Items 10-17)                                 |     |

Go to Discount-Equipment.com to order your parts

# SECTION 6 - CYLINDER

## FIGURE 6-18. STEER CYLINDER ASSEMBLY



ART\_1683591

## SECTION 6 - CYLINDER

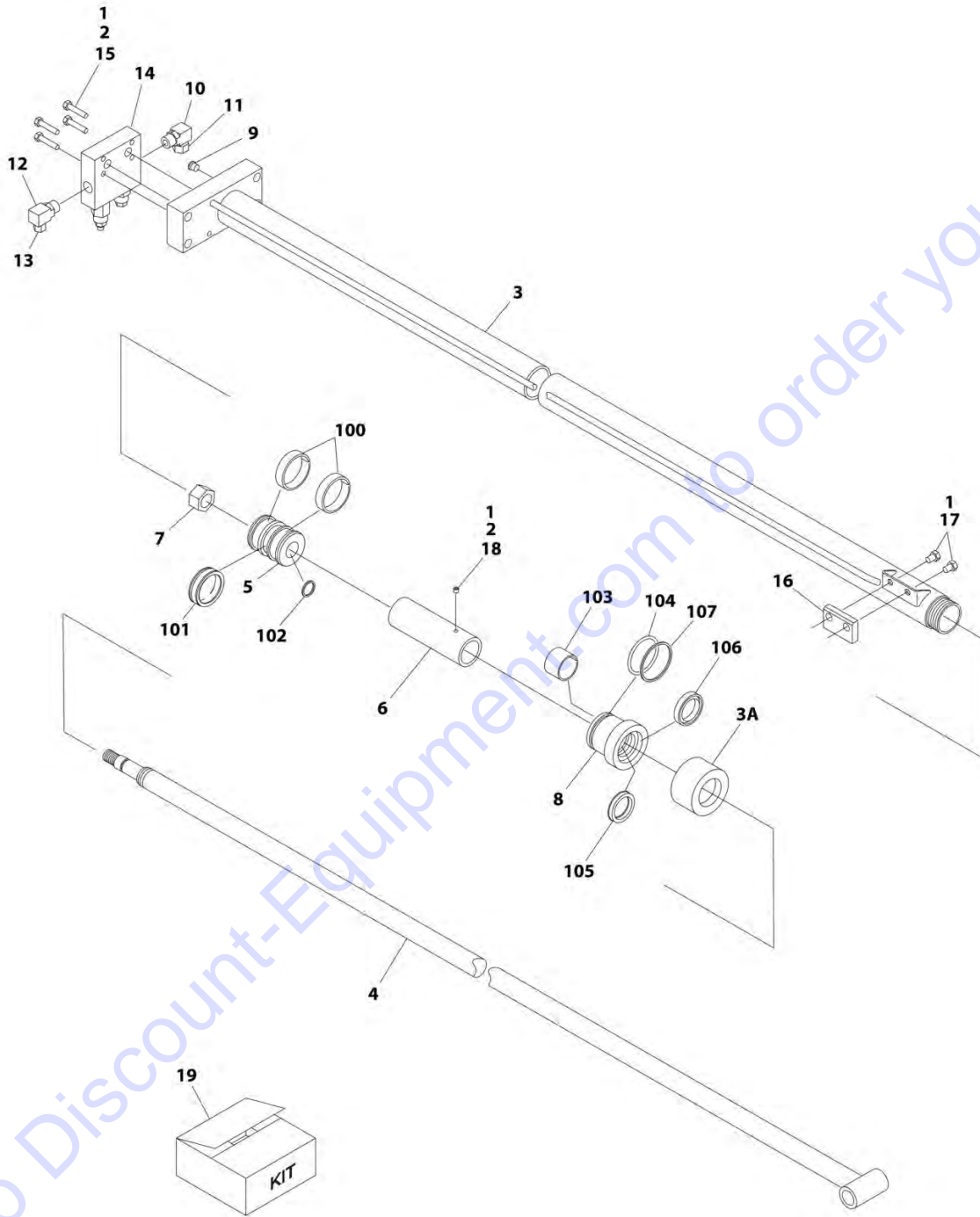
**FIGURE 6-18. STEER CYLINDER ASSEMBLY**

| ITEM | PART NUMBER | QTY | DESCRIPTION                             | REV |
|------|-------------|-----|---|-----|
|      | 1683591     | Ref | STEER CYLINDER ASSEMBLY                 | B   |
| 1    | See Note    | 2   | Wiper (Note: Use p/n 7017246)           |     |
| 2    | 7001630     | 2   | Nut, Spanner                            |     |
| 3    | 7017247     | 2   | Ring, Retaining                         |     |
| 4    | See Note    | 2   | Seal, Lip (Note: Use p/n 7017246)       |     |
| 5    | See Note    | 4   | Ring, Wear (Note: Use p/n 7017246)      |     |
| 6    | See Note    | 2   | Ring, Back-Up (Note: Use p/n 7017246)   |     |
| 7    | See Note    | 2   | O-Ring (Note: Use p/n 7017246)          |     |
| 8    | 7017248     | 2   | Guide                                   |     |
| 9    | 70003341    | 1   | Barrel                                  |     |
| 10   | 7017249     | 2   | Tube                                    |     |
| 11   | 7017250     | 1   | Piston                                  |     |
| 12   | See Note    | 2   | Ring, Wear (Note: Use p/n 7017246)      |     |
| 13   | See Note    | 1   | Seal (Note: Use p/n 7017246)            |     |
| 14   | See Note    | 1   | O-Ring (Note: Use p/n 7017246)          |     |
| 15   | See Note    | 1   | O-Ring (Note: Use p/n 7017246)          |     |
| 16   | 7017251     | 1   | Rod - Male End                          |     |
| 17   | 7017252     | 1   | Rod - Female End                        |     |
| 100  | 7017246     | 1   | Seal Kit (Includes Items 1,4-7 & 12-15) |     |



# SECTION 6 - CYLINDER

FIGURE 6-19. TELESCOPE CYLINDER ASSEMBLY - E400AN (SN 0300208530 through 0300244775)



ART\_1001151497

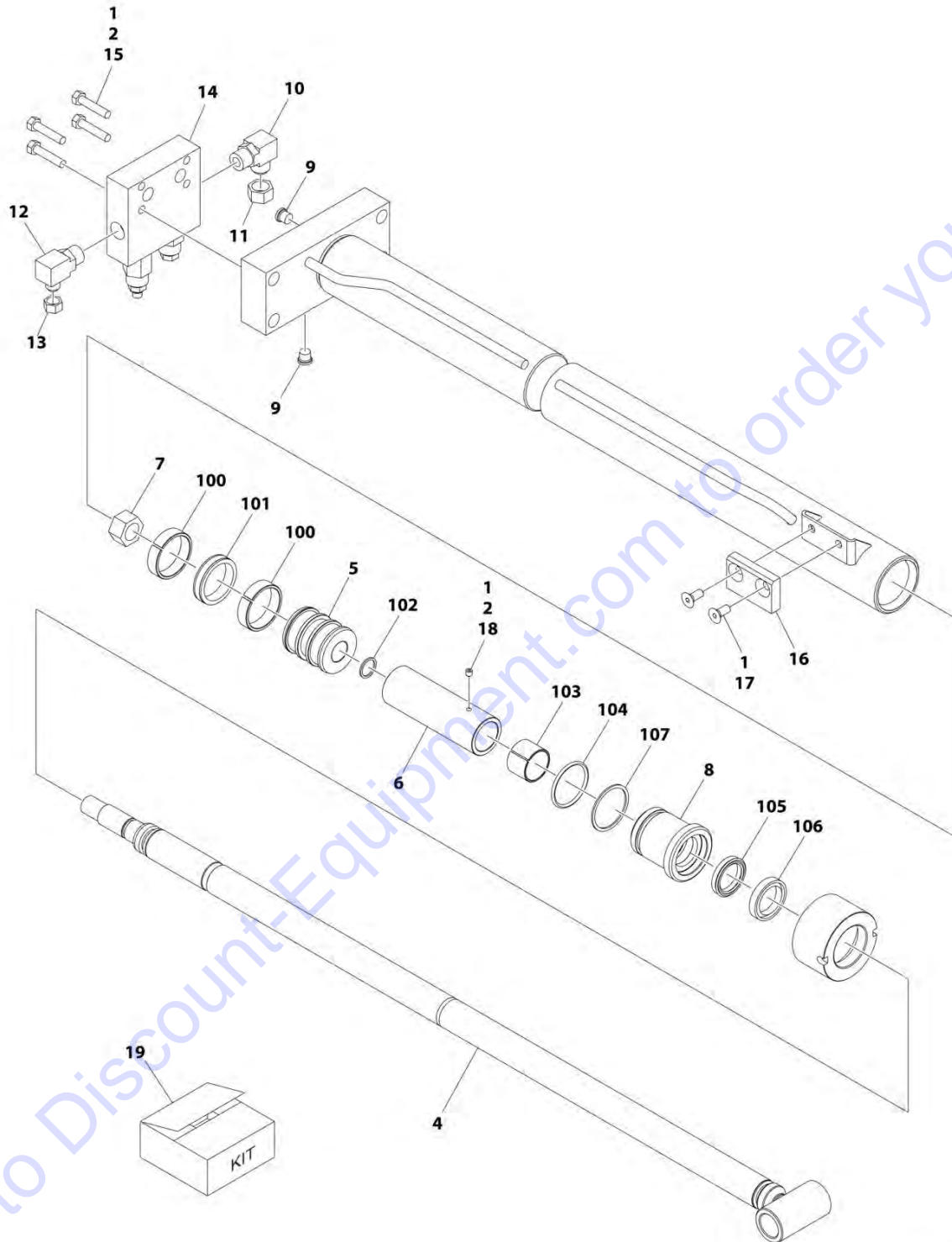
## SECTION 6 - CYLINDER

**FIGURE 6-19. TELESCOPE CYLINDER ASSEMBLY - E400AN (SN 0300208530 through 0300244775)**

| ITEM | PART NUMBER | QTY | DESCRIPTION   | REV |
|------|-------------|-----|---|-----|
|      | 1001151497  | Ref | TELESCOPE CYLINDER ASSEMBLY - E400An  | C   |
| 1    | 0100011     | AR  | Compound, Locking   |     |
| 2    | 0100038     | AR  | Primer, Locking   |     |
| 3    | 1001151496  | 1   | Barrel  |     |
| 3A   | 1120110     | 1   | Cap, End  |     |
| 4    | 1684029     | 1   | Rod   |     |
| 5    | 3480239     | 1   | Piston  |     |
| 6    | 4567704     | 1   | Spacer  |     |
| 7    | 3322205     | 1   | Nut, Lock, 3/4-16   |     |
| 8    | 1683584     | 1   | Head  |     |
| 9    | 2220883     | 1   | Plug  |     |
| 10   | 2220596     | 1   | Fitting, 90 JIC/ORB   |     |
| 11   | 2220517     | 1   | Fitting, Cap  |     |
| 12   | 2220628     | 1   | Fitting, 90 JIC/ORB   |     |
| 13   | 2220516     | 1   | Fitting, Cap  |     |
| 14   | 4640807     | 1   | Counterbalance Valve Assembly (See COUNTERBALANCE VALVE ASSEMBLY for Breakdown) |     |
| 15   | 0641512     | 4   | Bolt, 5/16-18 X 1-1/2   |     |
| 16   | 3340679     | 1   | Pad, Wear   |     |
| 17   | 0641604     | 2   | Bolt, 3/8-16 X 1/2  |     |
| 18   | 3951402     | 1   | Setscrew 1/4-20 X 1/4   |     |
| 19   | 1001152230  | 1   | Seal Kit (Includes Items 100-107)   |     |
| 100  | See Note    | NSS | Ring, Wear (Note: Use p/n 1001152230)   |     |
| 101  | See Note    | NSS | Seal, Piston (Note: Use p/n 1001152230)   |     |
| 102  | See Note    | NSS | O-Ring (Note: Use p/n 1001152230)   |     |
| 103  | See Note    | NSS | Ring, Wear (Note: Use p/n 1001152230)   |     |
| 104  | See Note    | NSS | O-Ring (Note: Use p/n 1001152230)   |     |
| 105  | See Note    | NSS | Seal, Rod (Note: Use p/n 1001152230)  |     |
| 106  | See Note    | NSS | Seal, Rod (Note: Use p/n 1001152230)  |     |
| 107  | See Note    | NSS | Ring, Back-Up (Note: Use p/n 1001152230)  |     |

# SECTION 6 - CYLINDER

FIGURE 6-20. TELESCOPE CYLINDER ASSEMBLY - E400AN (SN 0300244775 to Present)



ART\_1001228063

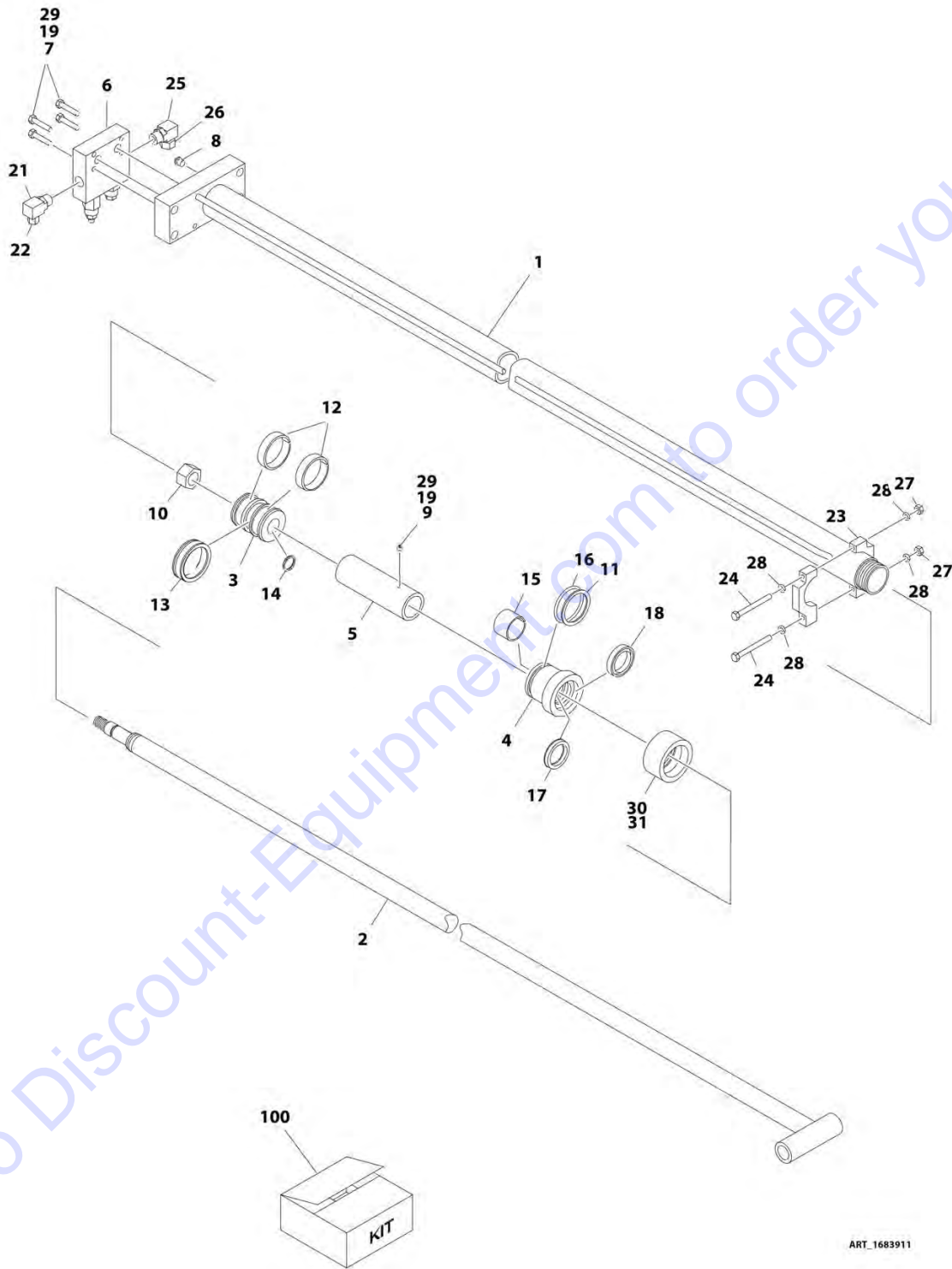
## SECTION 6 - CYLINDER

**FIGURE 6-20. TELESCOPE CYLINDER ASSEMBLY - E400AN (SN 0300244775 to Present)**

| ITEM | PART NUMBER | QTY | DESCRIPTION   | REV |
|------|-------------|-----|---|-----|
|      | 1001228063  | Ref | TELESCOPE CYLINDER ASSEMBLY   | E   |
|      |             | Ref | Note: Original Cylinder may have been replaced with Service Replacement. Identify PN Stamped on Cylinder Before Ordering Parts. |     |
| 1    | 0100011     | AR  | Compound, Locking   |     |
| 2    | 0100038     | AR  | Primer, Locking   |     |
| 4    | 70006566    | 1   | Rod   |     |
| 5    | 70006564    | 1   | Piston  |     |
| 6    | 70006563    | 1   | Spacer  |     |
| 7    | 70006971    | 1   | Nut   |     |
| 8    | 70006565    | 1   | Head  |     |
| 9    | 2220883     | 1   | Plug  |     |
| 10   | 2220596     | 1   | Fitting, 90 JIC/ORB   |     |
| 11   | 2220517     | 1   | Fitting, Cap  |     |
| 12   | 2220628     | 1   | Fitting, 90 JIC/ORB   |     |
| 13   | 2220516     | 1   | Fitting, Cap  |     |
| 14   | 4640807     | 1   | Counterbalance Valve Assembly (See COUNTERBALANCE VALVE ASSEMBLY for Breakdown)   |     |
| 15   | 0641512     | 4   | Bolt, 5/16 x 1-1/2  |     |
| 16   | 3340679     | 1   | Pad, Wear   |     |
| 17   | 70006976    | 2   | Screw   |     |
| 18   | 70023915    | 1   | Setscrew, M6 x 8  |     |
| 19   | 1001152230  | 1   | Seal Kit (Includes Items 100-107)   |     |
| 100  | See Note    | NSS | Ring, Wear (Note: Use p/n 1001152230)   |     |
| 101  | See Note    | NSS | Seal, Piston (Note: Use p/n 1001152230)   |     |
| 102  | See Note    | NSS | O-Ring (Note: Use p/n 1001152230)   |     |
| 103  | See Note    | NSS | Ring, Wear (Note: Use p/n 1001152230)   |     |
| 104  | See Note    | NSS | O-Ring (Note: Use p/n 1001152230)   |     |
| 105  | See Note    | NSS | Seal, Rod (Note: Use p/n 1001152230)  |     |
| 106  | See Note    | NSS | Seal, Rod (Note: Use p/n 1001152230)  |     |
| 107  | See Note    | NSS | Ring, Back-Up (Note: Use p/n 1001152230)  |     |

# SECTION 6 - CYLINDER

FIGURE 6-21. TELESCOPE CYLINDER ASSEMBLY - E400AJP/M400AJP/E400AJPN/M400AJPN (SN 0300208530 through 0300244120)



ART\_1683911

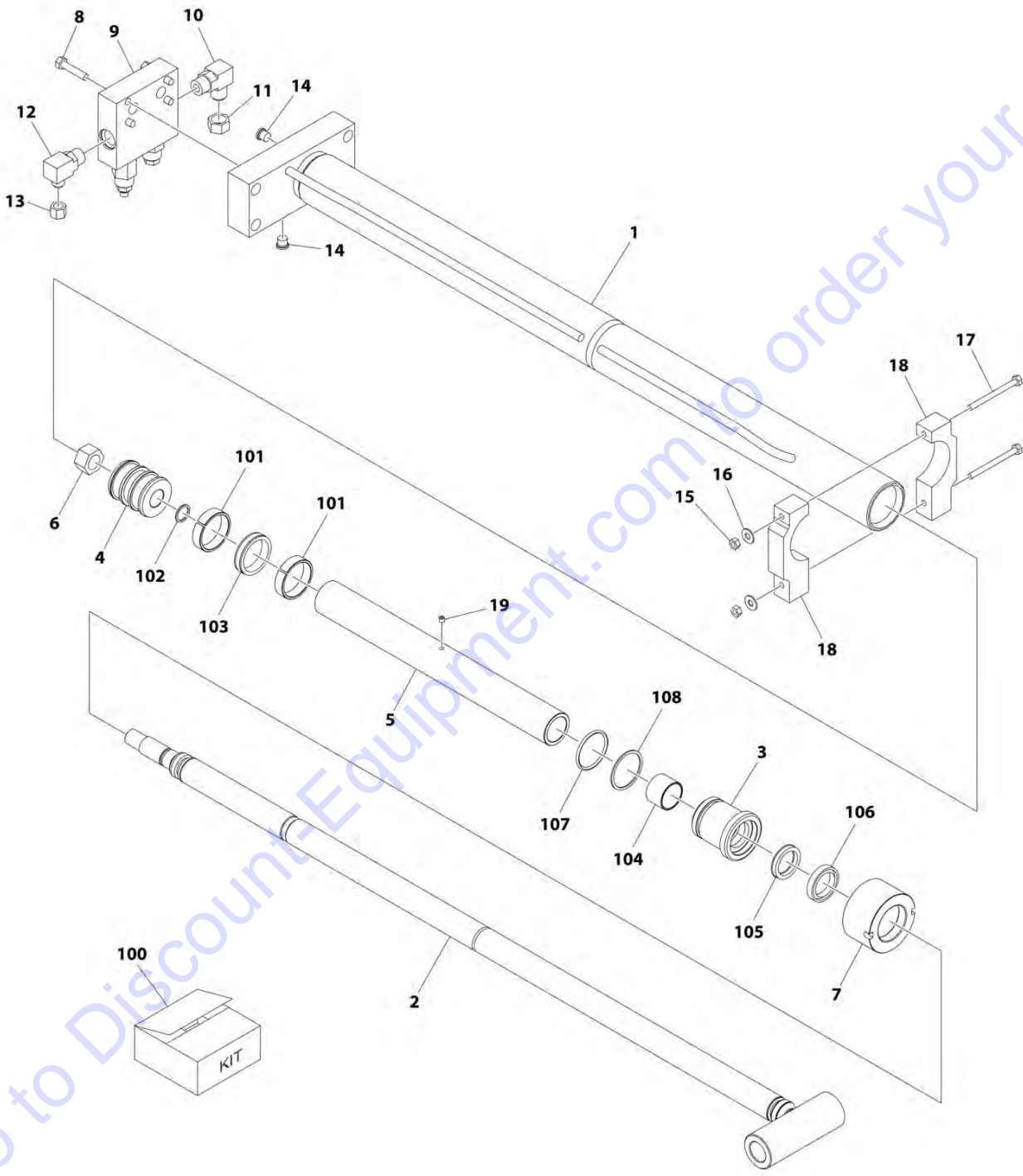
## SECTION 6 - CYLINDER

**FIGURE 6-21. TELESCOPE CYLINDER ASSEMBLY - E400AJP/M400AJP/E400AJPN/M400AJPN (SN 0300208530 through 0300244120)**

| ITEM | PART NUMBER | QTY | DESCRIPTION   | REV |
|------|-------------|-----|---|-----|
|      | 1683911     | Ref | TELESCOPE CYLINDER ASSEMBLY - E400AJP/M400AJP/E400AJPN/M400AJPN                 | 4   |
| 1    | 1683912     | 1   | Barrel  |     |
| 1A   | 1120110     | 1   | Cap, End  |     |
| 2    | 1683980     | 1   | Rod   |     |
| 4    | 1683584     | 1   | Head  |     |
| 5    | 4567963     | 1   | Spacer  |     |
| 6    | 4640807     | 1   | Counterbalance Valve Assembly (See COUNTERBALANCE VALVE ASSEMBLY for Breakdown) |     |
| 7    | 0641512     | 4   | Bolt, 5/16-18 X 1-1/2   |     |
| 8    | 2220883     | 2   | Plug  |     |
| 9    | 3951402     | 1   | Setscrew 1/4-20 X 1/4   |     |
| 10   | 3322205     | 1   | Nut, Lock, 3/4-16   |     |
| 11   | See Note    | 1   | Ring, Back-up (Note: Use p/n 2901903)   |     |
| 12   | See Note    | 2   | Ring, Wear (Note: Use p/n 2901903)  |     |
| 13   | See Note    | 1   | Seal, Cap (Note: Use p/n 2901903)   |     |
| 14   | See Note    | 1   | O-Ring (Note: Use p/n 2901903)  |     |
| 15   | See Note    | 1   | Ring, Wear (Note: Use p/n 2901903)  |     |
| 16   | See Note    | 1   | O-Ring (Note: Use p/n 2901903)  |     |
| 17   | See Note    | 1   | Seal, Rod (Note: Use p/n 2901903)   |     |
| 18   | See Note    | 1   | Wiper, Rod (Note: Use p/n 2901903)  |     |
| 19   | 0100011     | AR  | Compound, Locking   |     |
| 21   | 2220628     | 1   | Fitting, 90 JIC/ORB   |     |
| 22   | 2220516     | 1   | Fitting, Cap  |     |
| 23   | 3340882     | 2   | Pad   |     |
| 24   | 0641424     | 2   | Bolt, 1/4-20 x 3  |     |
| 25   | 2220596     | 1   | Fitting, 90 JIC/ORB   |     |
| 26   | 2220517     | 1   | Fitting, Cap  |     |
| 27   | 3311405     | 2   | Nut, 1/4-20   |     |
| 28   | 4751400     | 4   | Washer, 1/4   |     |
| 29   | 0100038     | AR  | Primer, Locking   |     |
| 30   | 0100035     | AR  | Compound, Locking   |     |
| 31   | 1120110     | 1   | Cap, End  |     |
| 100  | 2901903     | 1   | Seal Kit (Includes Items 11-18)   |     |

# SECTION 6 - CYLINDER

FIGURE 6-22. TELESCOPE CYLINDER ASSEMBLY - E400AJP/M400AJP/E400AJPN/M400AJPN (SN 0300244120 to Present)



ART\_1001228015



## SECTION 6 - CYLINDER

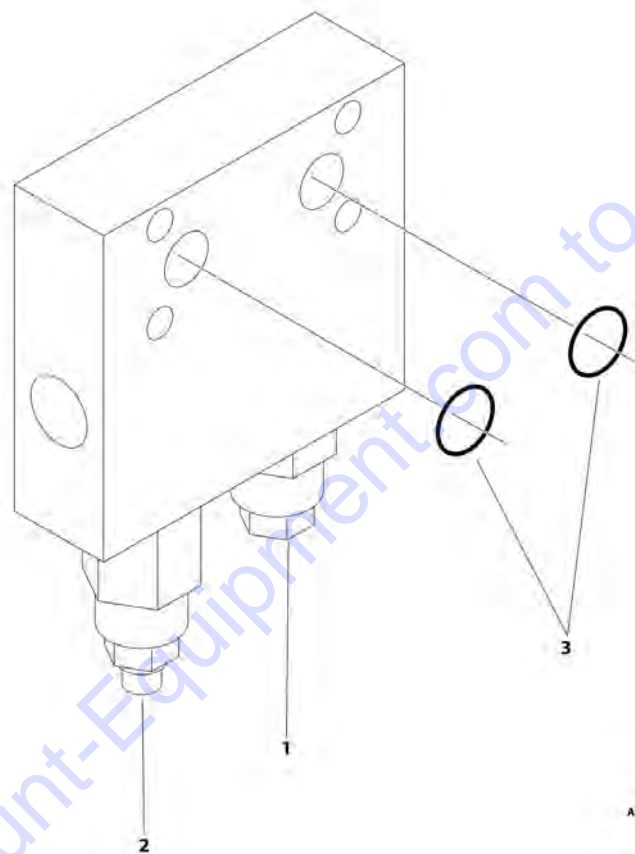
**FIGURE 6-22. TELESCOPE CYLINDER ASSEMBLY - E400AJP/M400AJP/E400AJPN/M400AJPN (SN 0300244120 to Present)**

| ITEM | PART NUMBER | QTY | DESCRIPTION   | REV |
|------|-------------|-----|---|-----|
|      | 1001228015  | Ref | TELESCOPE CYLINDER ASSEMBLY   | B   |
|      |             | Ref | Note: Original Cylinder may have been replaced with Service Replacement. Identify PN Stamped on Cylinder Before Ordering Parts. |     |
| 1    | See Note    | NSS | Barrel Weldment (Note: Not Available for Purchase)  |     |
| 2    | 70006975    | 1   | Rod   |     |
| 3    | 70006565    | 1   | Head  |     |
| 4    | 70006564    | 1   | Piston  |     |
| 5    | 70006974    | 1   | Spacer  |     |
| 6    | 70006971    | 1   | Nut, Lock   |     |
| 7    | 70006561    | 1   | Cap, End  |     |
| 8    | 0641512     | 4   | Bolt, 5/16 x 1-1/2  |     |
| 9    | 4640807     | 1   | Counterbalance Valve Assembly (See COUNTERBALANCE VALVE ASSEMBLY for Breakdown)   |     |
| 10   | 2220596     | 1   | Fitting, 90 JIC/ORB   |     |
| 11   | 2220517     | 1   | Fitting, Cap  |     |
| 12   | 2220628     | 1   | Fitting, 90 JIC/ORB   |     |
| 13   | 2220516     | 1   | Fitting, Cap  |     |
| 14   | 2220883     | 2   | Plug  |     |
| 15   | 3311405     | 2   | Nut 1/4 x 20  |     |
| 16   | 4751400     | 4   | Flatwasher 1/4  |     |
| 17   | 0641424     | 2   | Bolt 1/4 x 3  |     |
| 18   | 3340882     | 2   | Wear Pad Assembly   |     |
| 19   | 70006413    | 1   | Setscrew  |     |
| 100  | 2901903     | 1   | Seal Kit (Includes Items 101-108)   |     |
| 101  | See Note    | NSS | Ring, Wear (Note: Use p/n 2901903)  |     |
| 102  | See Note    | NSS | O-Ring (Note: Use p/n 2901903)  |     |
| 103  | See Note    | NSS | Seal, Piston (Note: Use p/n 2901903)  |     |
| 104  | See Note    | NSS | Ring, Wear (Note: Use p/n 2901903)  |     |
| 105  | See Note    | NSS | Seal, Rod (Note: Use p/n 2901903)   |     |
| 106  | See Note    | NSS | Wiper, Rod (Note: Use p/n 2901903)  |     |
| 107  | See Note    | NSS | O-Ring (Note: Use p/n 2901903)  |     |
| 108  | See Note    | NSS | Ring, Back-Up (Note: Use p/n 2901903)   |     |



## SECTION 6 - CYLINDER

FIGURE 6-23. COUNTERBALANCE VALVE ASSEMBLY



## SECTION 6 - CYLINDER

### FIGURE 6-23. COUNTERBALANCE VALVE ASSEMBLY

| ITEM | PART NUMBER | QTY | DESCRIPTION                               | REV |
|------|-------------|-----|---|-----|
|      | 4640807     | Ref | COUNTERBALANCE VALVE ASSEMBLY             | E   |
| 1    | 4640495     | 1   | Cartridge, Counterbalance                 |     |
| 1    | 2900770     | 1   | Seal Kit - 4640495 Cartridge              |     |
| 2    | 4640709     | 1   | Cartridge, Vented Counterbalance          |     |
| 2    | 2900770     | 1   | Seal Kit - 4640709 Cartridge              |     |
| 3    | 3790113     | 2   | O-Ring (Between Valve and Cylinder Block) |     |

Go to Discount-Equipment.com to order your parts

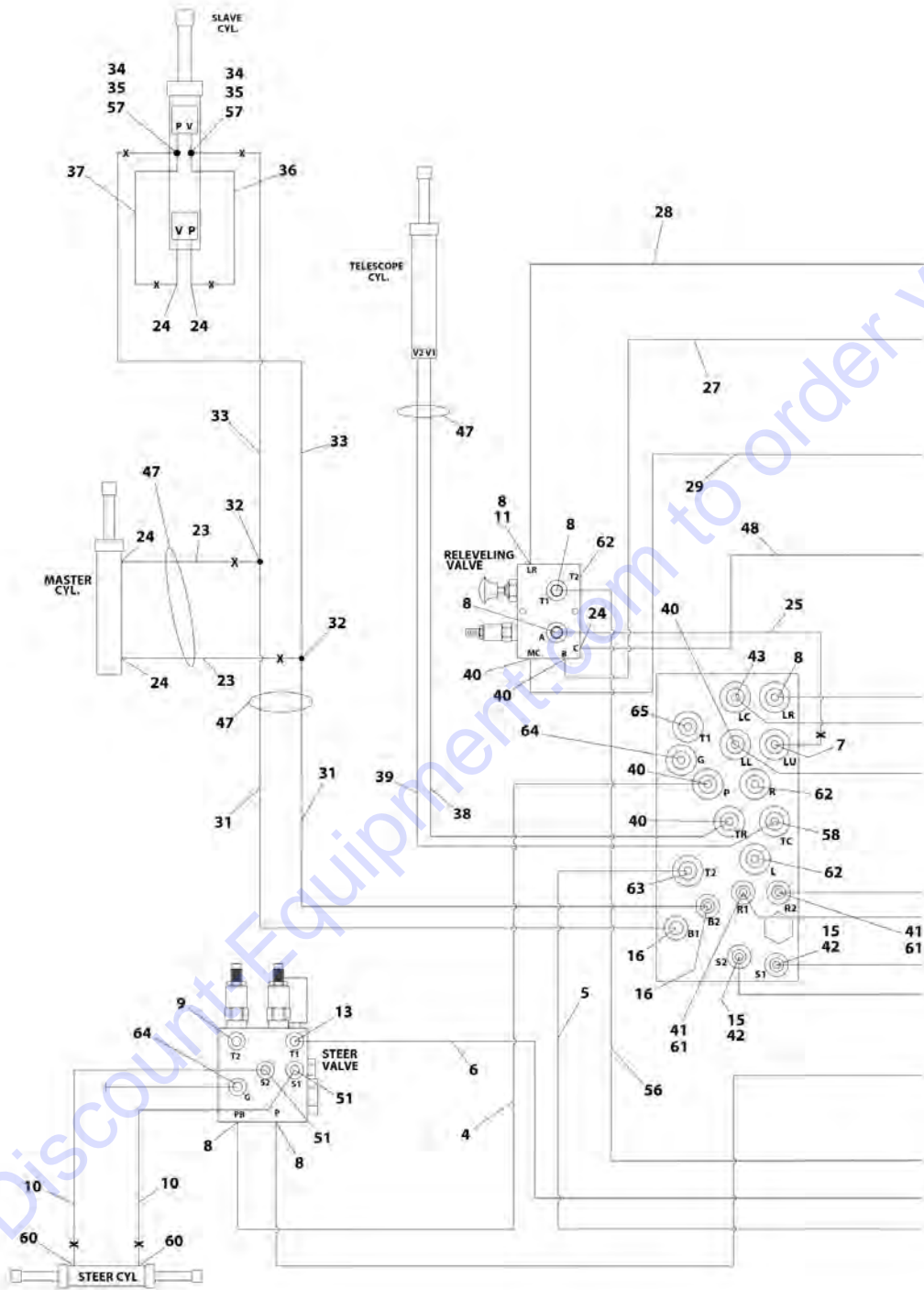


SECTION 7 - HYDRAULIC

Go to Discount-Equipment.com to order your parts

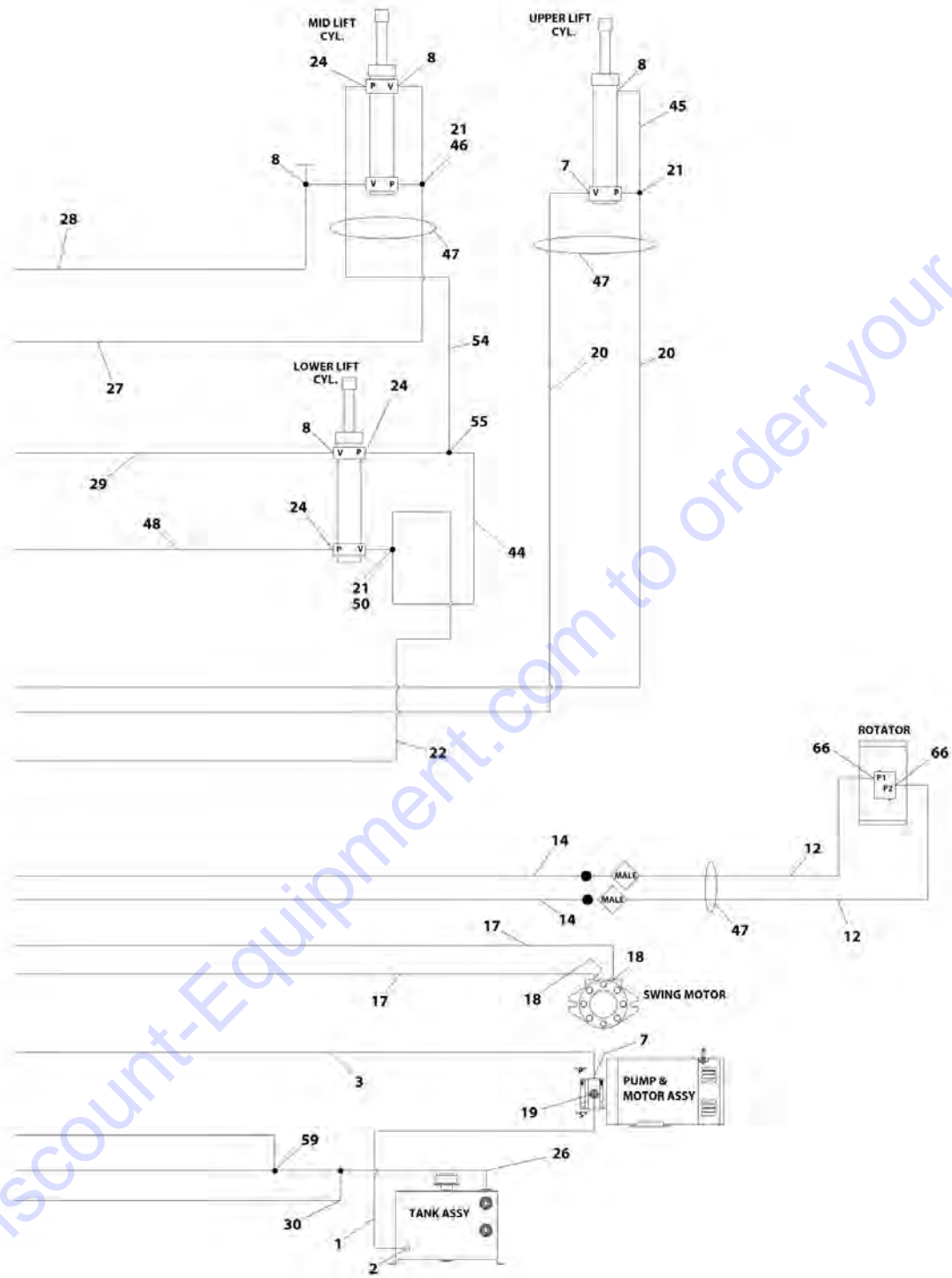
# SECTION 7 - HYDRAULIC

## FIGURE 7-1. HYDRAULIC DIAGRAM - E400AN



AWL 1001178184\_1DF3

# SECTION 7 - HYDRAULIC



ART 1001178383\_20F2

# SECTION 7 - HYDRAULIC

## FIGURE 7-1. HYDRAULIC DIAGRAM - E400AN

| ITEM | PART NUMBER | QTY              | DESCRIPTION                             | REV |
|------|-------------|------------------|---|-----|
|      | 1001178384  | Ref              | HYDRAULIC DIAGRAM - E400An              | F   |
| 1    | 2753973     | 1                | Hose                                    |     |
| 2    | 2220498     | 1                | Fitting, 45 JIC/ORB                     |     |
| 3    | 1001152635  | 1                | Hose                                    |     |
| 4    | 2750915     | 1                | Hose                                    |     |
| 5    | 1001177666  | 1                | Hose                                    |     |
| 6    | 2752467     | 1                | Hose                                    |     |
| 7    | 2220371     | 3                | Fitting, Straight, JIC/ORB              |     |
| 8    | 2220473     | 10               | Fitting, 90 JIC/ORB                     |     |
| 9    | 2220885     | 1                | Plug                                    |     |
| 10   | 2752453     | 2                | Hose                                    |     |
| 11   | 2220507     | 1                | Fitting, 90 JIC/JIC                     |     |
| 12   | 1001185828  | 2                | Hose                                    |     |
| 13   | 2220371     | 1                | Fitting, Straight, JIC/ORB              |     |
| 14   | 1001185829  | 2                | Hose (SN 0300208530 through 0300216259) |     |
| 14   | 2753520     | 2                | Hose (SN 0300216260 to Present)         |     |
| 15   | 2220415     | 2                | Fitting, Straight JIC/ORB               |     |
| 16   | 2220502     | 2                | Fitting, 45 JIC/ORB                     |     |
| 17   | 2752459     | 2                | Hose                                    |     |
| 18   | 2221033     | 2                | Fitting, Straight JIC/ORB               |     |
| 19   | 2220593     | 1                | Fitting, Straight JIC/ORB               |     |
| 20   | 2753519     | 2                | Hose                                    |     |
| 21   | 2220899     | 3                | Fitting, Tee JIC/ORB/JIC                |     |
| 22   | 2752620     | 1                | Hose                                    |     |
| 23   | 2752437     | 2                | Hose                                    |     |
| 24   | 2220472     | 8                | Fitting, 90 JIC/ORB                     |     |
| 25   | 2750910     | 1                | Hose                                    |     |
| 26   | 2220999     | 1                | Fitting, Tee JIC/ORB/JIC                |     |
| 27   | 2753335     | 1                | Hose                                    |     |
| 28   | 2753334     | 1                | Hose                                    |     |
| 29   | 2752475     | 1                | Hose                                    |     |
| 30   | 2220386     | 1                | Fitting, 90 JIC/JIC                     |     |
| 31   | 2753520     | 2                | Hose                                    |     |
| 32   | 2220504     | 2                | Fitting, Tee JIC/JIC/JIC                |     |
| 33   | 2753535     | 2                | Hose                                    |     |
| 34   | 2220727     | 2                | Fitting, Reducer ORB                    |     |
| 35   | 2220684     | 2                | Fitting, Tee NPT/JIC/JIC                |     |
| 36   | 2752435     | 1                | Hose                                    |     |
| 37   | 2752573     | 1                | Hose                                    |     |
| 38   | 2753474     | 1                | Hose                                    |     |
| 39   | 2753475     | 1                | Hose                                    |     |
| 40   | 2220501     | 5                | Fitting, 45 JIC/ORB                     |     |
| 41   | 2220502     | 2                | Fitting, 45 JIC/ORB                     |     |
| 42   | 2220677     | 2                | Fitting, 45 JIC/JIC                     |     |
| 43   | 2221147     | 1                | Fitting, 90 JIC/ORB                     |     |
| 44   | 2752581     | 1                | Hose                                    |     |
| 45   | 4566188     | 1                | Tube                                    |     |
| 46   | 4566187     | 1                | Tube (Prior to SN 0300242039)           |     |
| 47   | 4100026     | 13.7 ft<br>/4.2m | Nylon, Sleeve                           |     |

## SECTION 7 - HYDRAULIC

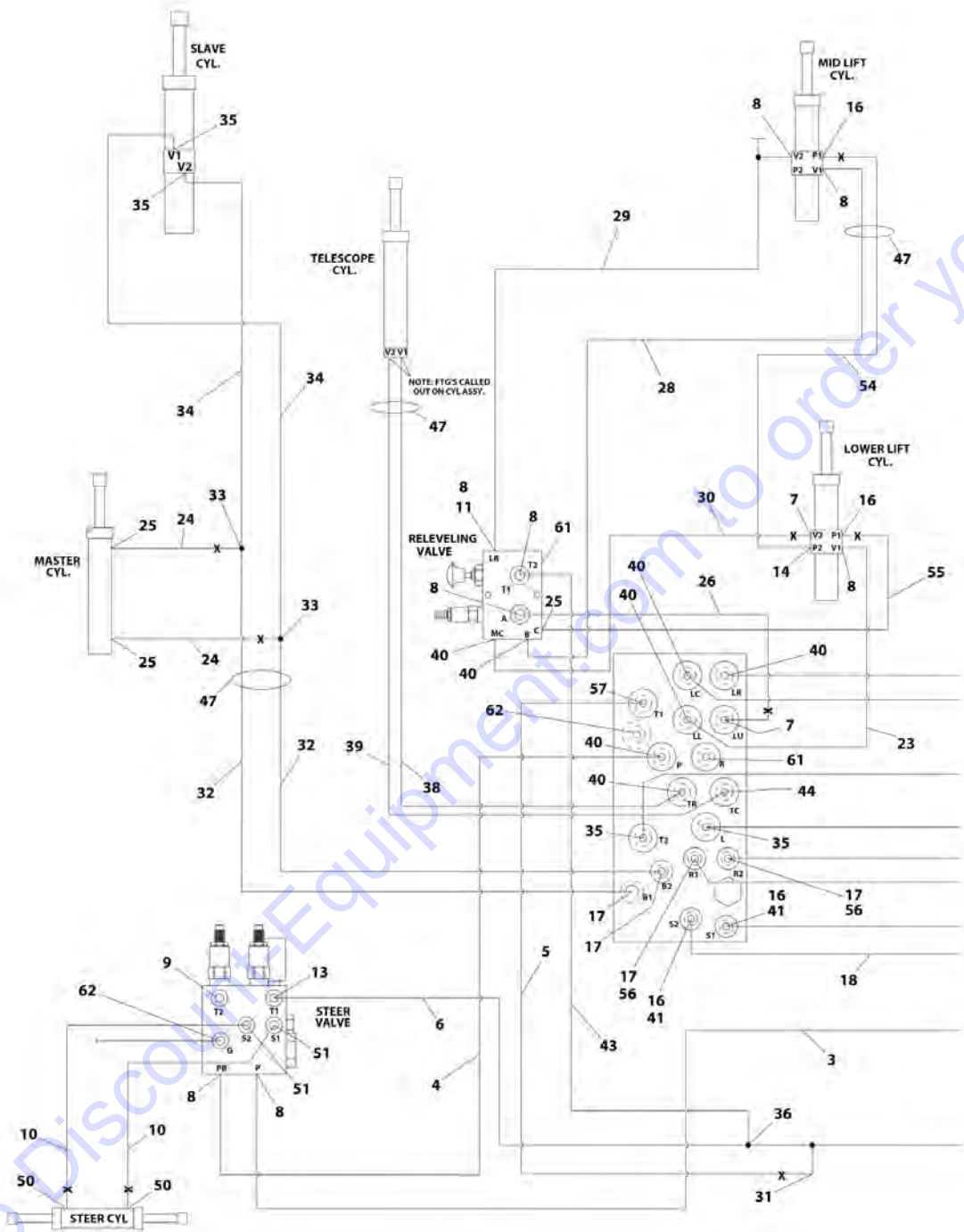
| ITEM | PART NUMBER | QTY | DESCRIPTION               | REV |
|------|-------------|-----|---------------------------|-----|
| 48   | 2752983     | 1   | Hose                      |     |
| 49   | 1702124     | 1   | Hose, Tag (Not Shown)     |     |
| 50   | 2220609     | 1   | Fitting, Straight JIC/JIC |     |
| 51   | 2220415     | 2   | Fitting, Straight JIC/ORB |     |
| 54   | 2752440     | 1   | Hose                      |     |
| 55   | 2220605     | 1   | Fitting, Tee JIC/JIC/JIC  |     |
| 56   | 2750915     | 1   | Hose                      |     |
| 57   | 0100020     | AR  | Sealant                   |     |
| 58   | 2220600     | 1   | Fitting, Straight JIC/ORB |     |
| 59   | 2221054     | 1   | Fitting, Tee JIC/JIC/JIC  |     |
| 60   | 2220582     | 2   | Fitting, Straight JIC/ORB |     |
| 61   | 2220909     | 2   | Fitting, Restrictor       |     |
| 62   | 2220237     | 3   | Plug, ORB                 |     |
| 63   | 1001136881  | 1   | Fitting, 45 JIC/ORB       |     |
| 64   | 2221086     | 2   | Fitting, Nipple           |     |
| 65   | 2220239     | 1   | Plug, ORB                 |     |
| 66   | 2220940     | 2   | Fitting, 90 JIC/ORB       |     |

Go to Discount-Equipment.com to order your parts



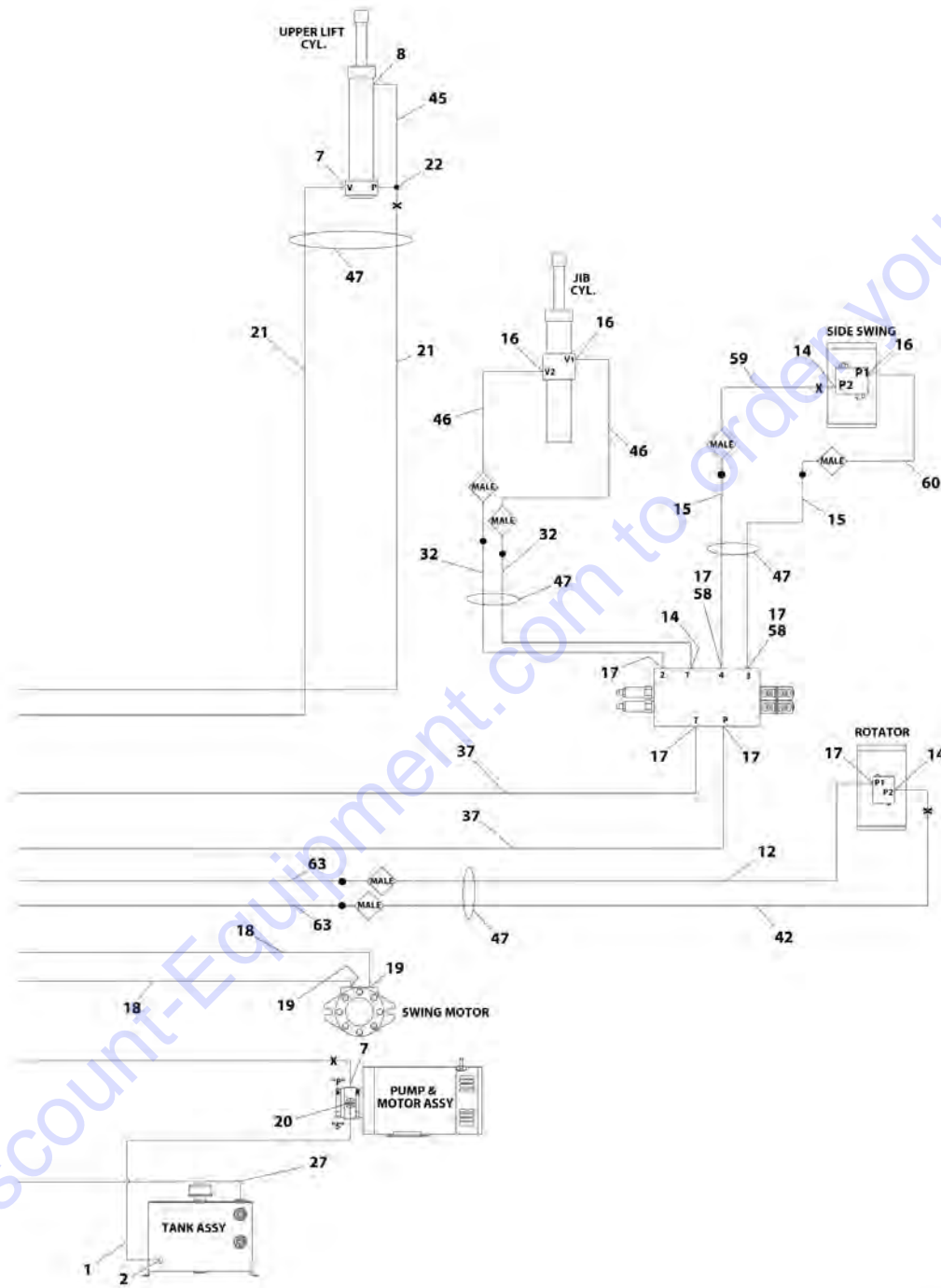
# SECTION 7 - HYDRAULIC

## FIGURE 7-2. HYDRAULIC DIAGRAM - E400AJP/E400AJPN (SN 0300208530 through 0300233432)



ART\_1001178382\_10F2

# SECTION 7 - HYDRAULIC



ANY 100119#462\_20F2

## SECTION 7 - HYDRAULIC

**FIGURE 7-2. HYDRAULIC DIAGRAM - E400AJP/E400AJPn (SN 0300208530 through 0300233432)**

| ITEM | PART NUMBER | QTY              | DESCRIPTION   | REV |
|------|-------------|------------------|---|-----|
|      | 1001178382  | Ref              | HYDRAULIC DIAGRAM - E400AJP/E400AJPn (SN 0300208530 through 0300233432) | C   |
| 1    | 2753973     | 1                | Hose  |     |
| 2    | 2220498     | 1                | Fitting, 45 JIC/ORB   |     |
| 3    | 1001152635  | 1                | Hose  |     |
| 4    | 2750915     | 1                | Hose  |     |
| 5    | 1001177666  | 1                | Hose  |     |
| 6    | 2752467     | 1                | Hose  |     |
| 7    | 2220371     | 4                | Fitting, Straight JIC/ORB   |     |
| 8    | 2220473     | 9                | Fitting, 90 JIC/ORB   |     |
| 9    | 2220885     | 1                | Plug  |     |
| 10   | 2752453     | 2                | Hose  |     |
| 11   | 2220507     | 1                | Fitting, 90 JIC/JIC   |     |
| 12   | 1001185828  | 1                | Hose  |     |
| 13   | 2220371     | 1                | Fitting, Straight JIC/ORB   |     |
| 14   | 2220466     | 4                | Fitting, 90 JIC/ORB   |     |
| 15   | 2753332     | 2                | Hose  |     |
| 16   | 2220415     | 7                | Fitting, Straight JIC/ORB   |     |
| 17   | 2220502     | 10               | Fitting, 45 JIC/ORB   |     |
| 18   | 2752459     | 2                | Hose  |     |
| 19   | 2221033     | 2                | Fitting, Straight JIC/ORB   |     |
| 20   | 2220593     | 1                | Fitting, Straight JIC/ORB   |     |
| 21   | 2752619     | 2                | Hose  |     |
| 22   | 2220899     | 1                | Fitting, Tee JIC/ORB/JIC  |     |
| 23   | 2752466     | 1                | Hose  |     |
| 24   | 2752437     | 2                | Hose  |     |
| 25   | 2220472     | 3                | Fitting, 90 JIC/ORB   |     |
| 26   | 2750910     | 1                | Hose  |     |
| 27   | 2220999     | 1                | Fitting, Tee JIC/ORB/JIC  |     |
| 28   | 2753335     | 1                | Hose  |     |
| 29   | 2753334     | 1                | Hose  |     |
| 30   | 2752611     | 1                | Hose  |     |
| 31   | 2220386     | 1                | Fitting, 90 JIC/JIC   |     |
| 32   | 2752571     | 4                | Hose  |     |
| 33   | 2220504     | 2                | Fitting, Tee JIC/JIC/JIC  |     |
| 34   | 2753333     | 2                | Hose  |     |
| 35   | 2220582     | 4                | Fitting, Straight JIC/ORB   |     |
| 36   | 2221054     | 1                | Fitting, Tee JIC/JIC/JIC  |     |
| 37   | 2752430     | 2                | Hose  |     |
| 38   | 2753474     | 1                | Hose  |     |
| 39   | 2753475     | 1                | Hose  |     |
| 40   | 2220501     | 7                | Fitting, 45 JIC/ORB   |     |
| 41   | 2220677     | 2                | Fitting, 45 JIC/JIC   |     |
| 42   | 1001185829  | 1                | Hose  |     |
| 43   | 2750915     | 1                | Hose  |     |
| 44   | 2220600     | 1                | Fitting, Straight JIC/ORB   |     |
| 45   | 4567946     | 1                | Tube  |     |
| 46   | 2753329     | 2                | Hose  |     |
| 47   | 4100026     | 17.2 ft<br>/5.2m | Nylon, Sleeve   |     |

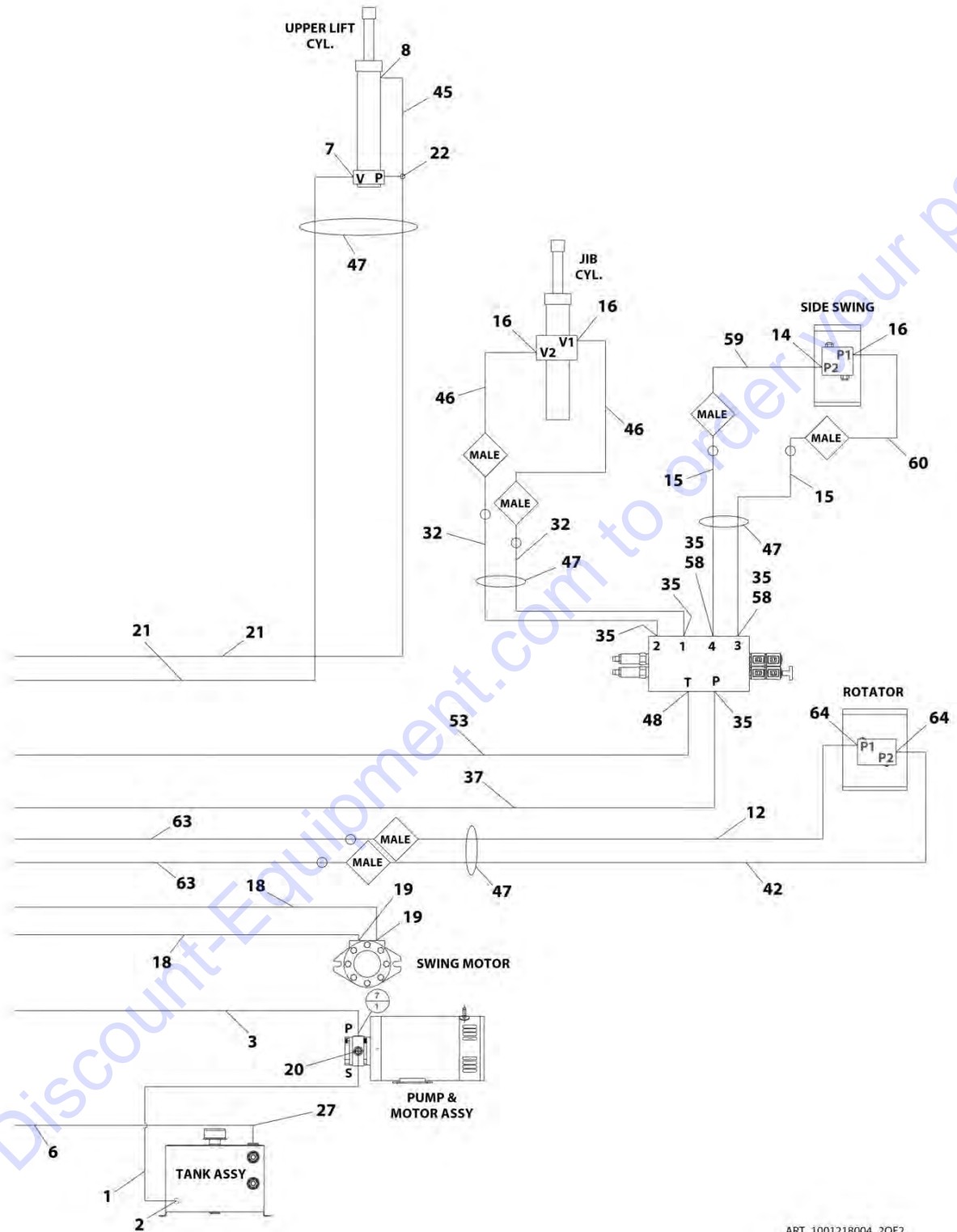
## SECTION 7 - HYDRAULIC

| ITEM | PART NUMBER | QTY | DESCRIPTION               | REV |
|------|-------------|-----|---------------------------|-----|
| 49   | 1702124     | 1   | Hose, Tag (Not Shown)     |     |
| 50   | 2220582     | 2   | Fitting, Straight JIC/ORB |     |
| 51   | 2220415     | 2   | Fitting, Straight JIC/ORB |     |
| 54   | 2751890     | 1   | Hose                      |     |
| 55   | 2752600     | 1   | Hose                      |     |
| 56   | 2220909     | 2   | Fitting, Restrictor       |     |
| 57   | 2220499     | 1   | Fitting, 45 JIC/ORB       |     |
| 58   | 2221039     | 2   | Fitting, Orifice          |     |
| 59   | 2753330     | 1   | Hose                      |     |
| 60   | 2753331     | 1   | Hose                      |     |
| 61   | 2220237     | 2   | Plug, ORB                 |     |
| 62   | 2221086     | 2   | Fitting, Nipple           |     |
| 63   | 2753520     | 2   | Hose                      |     |

Go to Discount-Equipment.com to order your parts



# SECTION 7 - HYDRAULIC



ART\_1001218004\_2OF2

## SECTION 7 - HYDRAULIC

FIGURE 7-3. HYDRAULIC DIAGRAM - E400AJP/E400AJPn (SN 0300233433 to Present)

| ITEM | PART NUMBER | QTY              | DESCRIPTION   | REV |
|------|-------------|------------------|---|-----|
|      | 1001218004  | Ref              | HYDRAULIC DIAGRAM - E400AJP/E400AJPn (SN 0300233433 to Present) | C   |
| 1    | 2753973     | 1                | Hose  |     |
| 2    | 2220498     | 1                | Fitting, 45 JIC/ORB   |     |
| 3    | 1001152635  | 1                | Hose  |     |
| 4    | 2750915     | 1                | Hose  |     |
| 5    | 1001177666  | 1                | Hose  |     |
| 6    | 2752467     | 1                | Hose  |     |
| 7    | 2220371     | 4                | Fitting, Straight JIC/ORB                                       |     |
| 8    | 2220473     | 9                | Fitting, 90 JIC/ORB   |     |
| 9    | 2220885     | 1                | Plug  |     |
| 10   | 2752453     | 2                | Hose  |     |
| 11   | 2220507     | 1                | Fitting, 90 JIC/JIC   |     |
| 12   | 1001185828  | 1                | Hose  |     |
| 13   | 2220371     | 1                | Fitting, Straight JIC/ORB                                       |     |
| 14   | 2220466     | 2                | Fitting, 90 JIC/ORB   |     |
| 15   | 2753332     | 2                | Hose  |     |
| 16   | 2220415     | 7                | Fitting, Straight JIC/ORB                                       |     |
| 17   | 2220502     | 4                | Fitting, 45 JIC/ORB   |     |
| 18   | 2752459     | 2                | Hose  |     |
| 19   | 2221033     | 2                | Fitting, Straight JIC/ORB                                       |     |
| 20   | 2220593     | 1                | Fitting, Straight JIC/ORB                                       |     |
| 21   | 2752619     | 2                | Hose  |     |
| 22   | 2220899     | 1                | Fitting, Tee JIC/ORB/JIC  |     |
| 23   | 2752466     | 1                | Hose  |     |
| 24   | 2752437     | 2                | Hose  |     |
| 25   | 2220472     | 3                | Fitting, 90 JIC/ORB   |     |
| 26   | 2750910     | 1                | Hose  |     |
| 27   | 2220999     | 1                | Fitting, Tee JIC/ORB/JIC  |     |
| 28   | 2753335     | 1                | Hose  |     |
| 29   | 2753334     | 1                | Hose  |     |
| 30   | 2752611     | 1                | Hose  |     |
| 31   | 2220386     | 1                | Fitting, 90 JIC/JIC   |     |
| 32   | 2752571     | 4                | Hose  |     |
| 33   | 2220504     | 2                | Fitting, Tee JIC/JIC/JIC  |     |
| 34   | 2753333     | 2                | Hose  |     |
| 35   | 2220582     | 9                | Fitting, Straight JIC/ORB                                       |     |
| 36   | 2221054     | 1                | Fitting, Tee JIC/JIC/JIC  |     |
| 37   | 2752442     | 1                | Hose  |     |
| 38   | 2753474     | 1                | Hose  |     |
| 39   | 2753475     | 1                | Hose  |     |
| 40   | 2220501     | 7                | Fitting, 45 JIC/ORB   |     |
| 41   | 2220677     | 2                | Fitting, 45 JIC/JIC   |     |
| 42   | 1001185829  | 1                | Hose  |     |
| 43   | 2750915     | 1                | Hose  |     |
| 44   | 2220600     | 1                | Fitting, Straight JIC/ORB                                       |     |
| 45   | 4567946     | 1                | Tube  |     |
| 46   | 2753329     | 2                | Hose  |     |
| 47   | 4100026     | 17.2 ft/<br>5.2m | Nylon, Sleeve   |     |

## SECTION 7 - HYDRAULIC

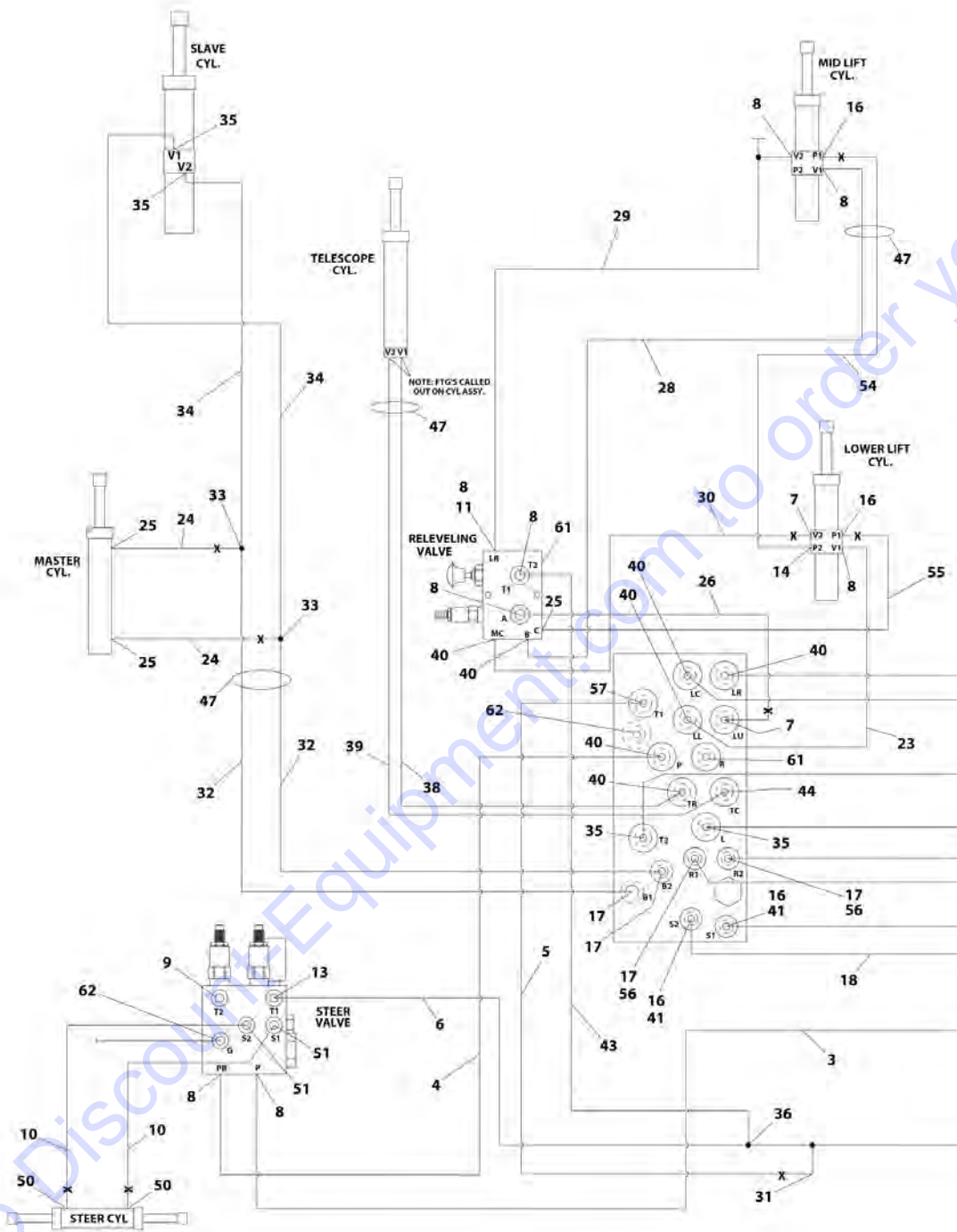
| ITEM | PART NUMBER | QTY | DESCRIPTION               | REV |
|------|-------------|-----|---------------------------|-----|
| 48   | 2220373     | 1   | Fitting, Straight JIC/ORB |     |
| 49   | 1702124     | 1   | Hose, Tag (Not Shown)     |     |
| 50   | 2220582     | 2   | Fitting, Straight JIC/ORB |     |
| 51   | 2220415     | 2   | Fitting, Straight JIC/ORB |     |
| 52   | 8760554     | 1   | Fitting, Tee JIC/JIC/ ORB |     |
| 53   | 2752493     | 1   | Hose                      |     |
| 54   | 2751890     | 1   | Hose                      |     |
| 55   | 2752600     | 1   | Hose                      |     |
| 56   | 2220909     | 2   | Fitting, Restrictor       |     |
| 58   | 2221039     | 2   | Fitting, Orifice          |     |
| 59   | 2753330     | 1   | Hose                      |     |
| 60   | 2753331     | 1   | Hose                      |     |
| 61   | 2220237     | 3   | Plug, ORB                 |     |
| 62   | 2221086     | 2   | Fitting, Nipple           |     |
| 63   | 2753520     | 2   | Hose                      |     |
| 64   | 2220940     | 2   | Fitting, 90 JIC/ORB       |     |

Go to Discount-Equipment.com to order your parts



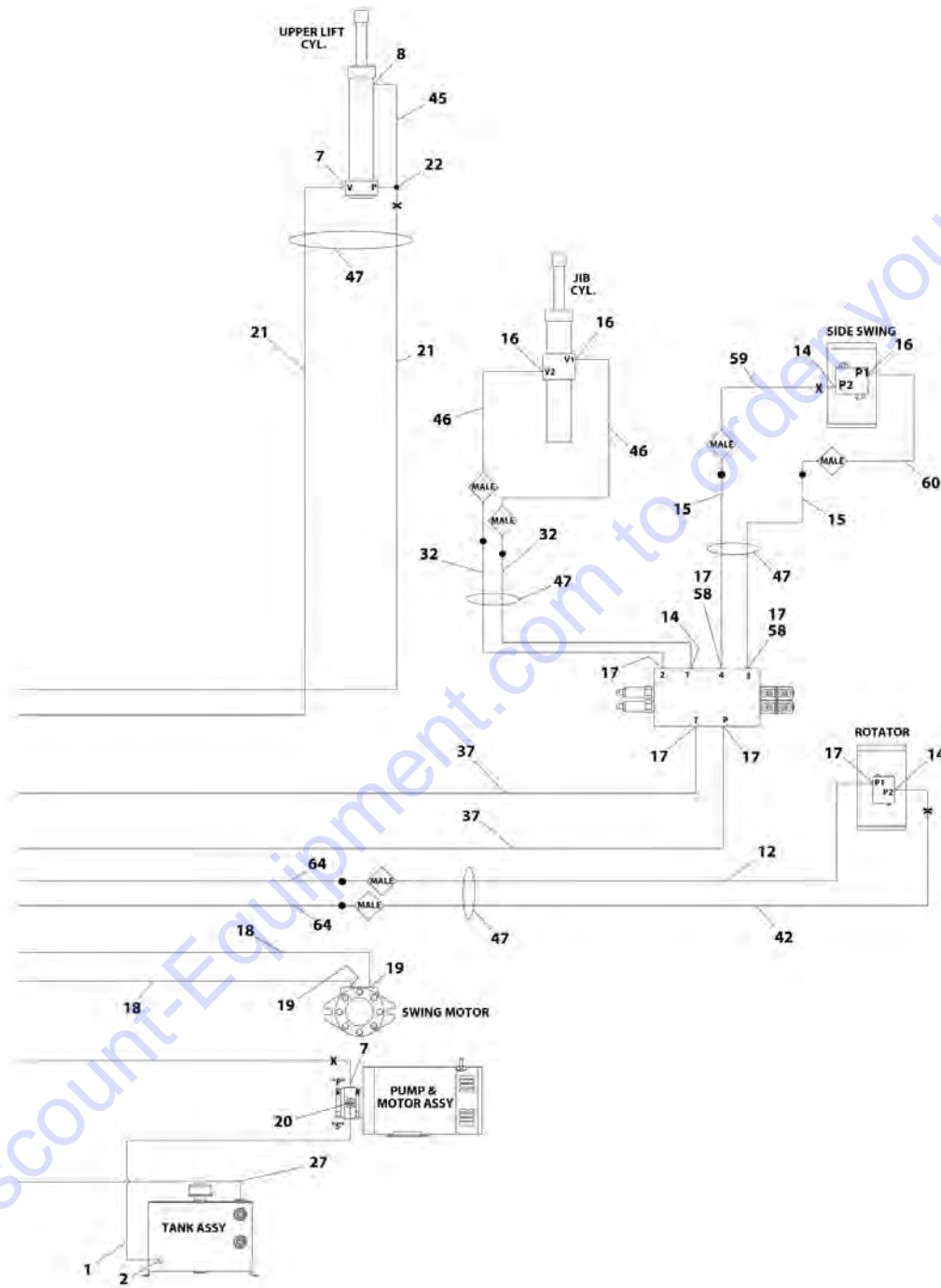
# SECTION 7 - HYDRAULIC

## FIGURE 7-4. HYDRAULIC DIAGRAM - M400AJP/M400AJPN (SN 0300208530 through 0300233432)



ART\_1001178353\_10F2

# SECTION 7 - HYDRAULIC



AME\_1001178484\_20F2

## SECTION 7 - HYDRAULIC

FIGURE 7-4. HYDRAULIC DIAGRAM - M400AJP/M400AJPN (SN 0300208530 through 0300233432)

| ITEM | PART NUMBER | QTY              | DESCRIPTION   | REV |
|------|-------------|------------------|---|-----|
|      | 1001178383  | Ref              | HYDRAULIC DIAGRAM - M400AJP/M400AJPN (SN 0300208530 through 0300233432) | C   |
| 1    | 2752675     | 1                | Hose  |     |
| 2    | 1320033     | 1                | Clamp   |     |
| 3    | 2752486     | 1                | Hose  |     |
| 4    | 2752466     | 1                | Hose  |     |
| 5    | 2752519     | 1                | Hose  |     |
| 6    | 2752462     | 1                | Hose  |     |
| 7    | 2220371     | 4                | Fitting, Straight JIC/ORB   |     |
| 8    | 2220473     | 9                | Fitting, 90 JIC/ORB   |     |
| 9    | 2220885     | 1                | Plug  |     |
| 10   | 2752574     | 2                | Hose  |     |
| 11   | 2220507     | 1                | Fitting, 90 JIC/JIC   |     |
| 12   | 1001185828  | 1                | Hose  |     |
| 13   | 2220473     | 1                | Fitting, 90 JIC/ORB   |     |
| 14   | 2220466     | 4                | Fitting, 90 JIC/ORB   |     |
| 15   | 2753332     | 2                | Hose  |     |
| 16   | 2220415     | 7                | Fitting, Straight JIC/ORB   |     |
| 17   | 2220502     | 10               | Fitting, 45 JIC/ORB   |     |
| 18   | 2752459     | 2                | Hose  |     |
| 19   | 2221033     | 2                | Fitting, Straight JIC/ORB   |     |
| 20   | 2220593     | 1                | Fitting, Straight JIC/ORB   |     |
| 21   | 2752619     | 2                | Hose  |     |
| 22   | 2220899     | 1                | Fitting, Tee JIC/ORB/JIC  |     |
| 23   | 2752466     | 1                | Hose  |     |
| 24   | 2752437     | 2                | Hose  |     |
| 25   | 2220472     | 3                | Fitting, 90 JIC/ORB   |     |
| 26   | 2750910     | 1                | Hose  |     |
| 27   | 2220999     | 1                | Fitting, Tee JIC/ORB/JIC  |     |
| 28   | 2753335     | 1                | Hose  |     |
| 29   | 2753334     | 1                | Hose  |     |
| 30   | 2752611     | 1                | Hose  |     |
| 31   | 2220386     | 1                | Fitting, 90 JIC/JIC   |     |
| 32   | 2752571     | 4                | Hose  |     |
| 33   | 2220504     | 2                | Fitting, Tee JIC/JIC/JIC  |     |
| 34   | 2753333     | 2                | Hose  |     |
| 35   | 2220582     | 4                | Fitting, Straight JIC/ORB   |     |
| 36   | 2221054     | 1                | Fitting, Tee JIC/JIC/JIC  |     |
| 37   | 2752430     | 2                | Hose  |     |
| 38   | 2753474     | 1                | Hose  |     |
| 39   | 2753475     | 1                | Hose  |     |
| 40   | 2220501     | 7                | Fitting, 45 JIC/ORB   |     |
| 41   | 2220677     | 2                | Fitting, 45 JIC/JIC   |     |
| 42   | 1001185829  | 1                | Hose  |     |
| 43   | 2752466     | 1                | Hose  |     |
| 44   | 2220600     | 1                | Fitting, Straight JIC/ORB   |     |
| 45   | 4567946     | 1                | Tube  |     |
| 46   | 2753329     | 2                | Hose  |     |
| 47   | 4100026     | 17.2 ft<br>/5.2m | Nylon, Sleeve   |     |

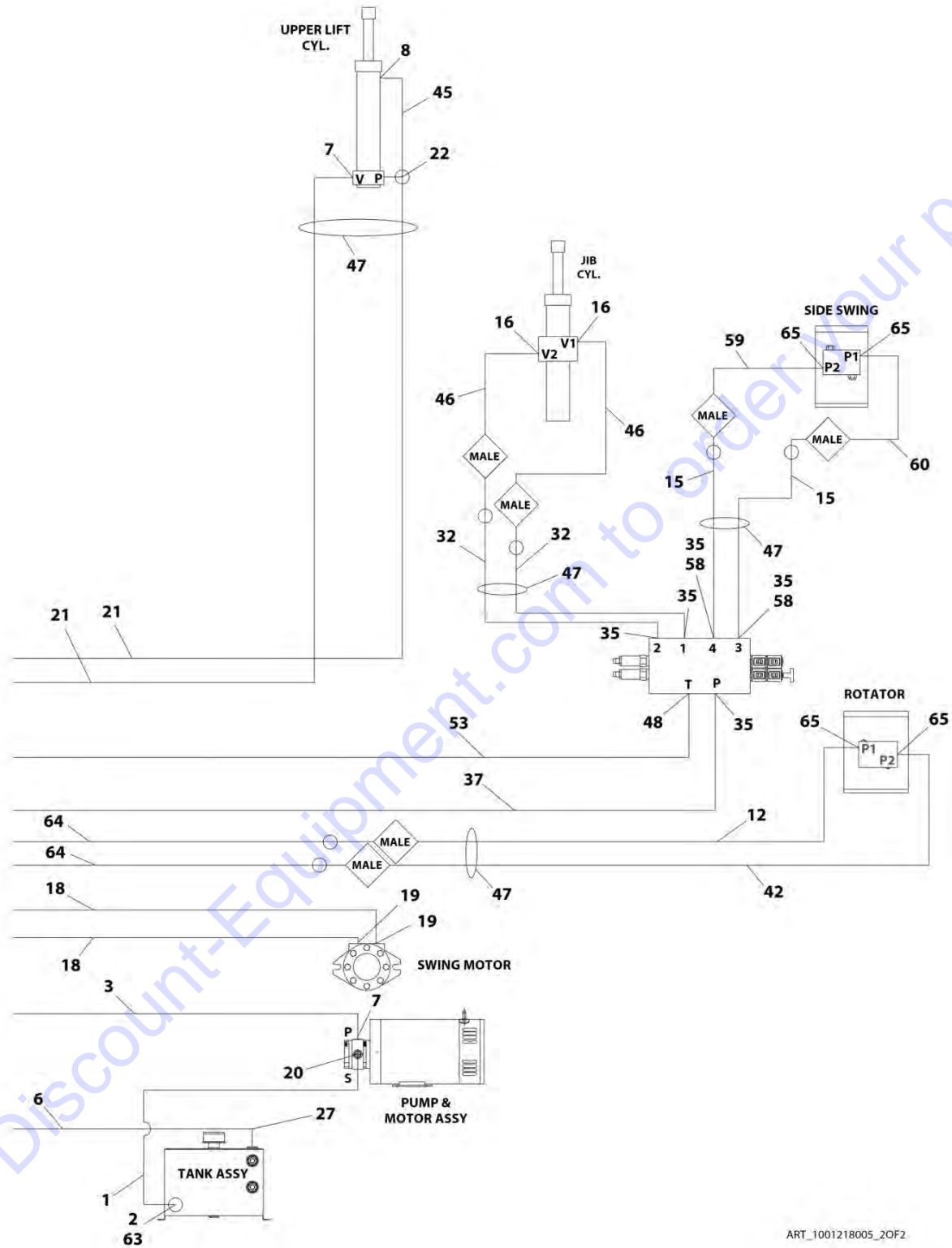
## SECTION 7 - HYDRAULIC

| ITEM | PART NUMBER | QTY | DESCRIPTION               | REV |
|------|-------------|-----|---------------------------|-----|
| 49   | 1702124     | 1   | Hose, Tag (Not Shown)     |     |
| 50   | 2220582     | 2   | Fitting, Straight JIC/ORB |     |
| 51   | 2220415     | 2   | Fitting, Straight JIC/ORB |     |
| 54   | 2751890     | 1   | Hose                      |     |
| 55   | 2752600     | 1   | Hose                      |     |
| 56   | 2220909     | 2   | Fitting, Restrictor       |     |
| 57   | 2220499     | 1   | Fitting, 45 JIC/ORB       |     |
| 58   | 2221039     | 2   | Fitting, Orifice          |     |
| 59   | 2753330     | 1   | Hose                      |     |
| 60   | 2753331     | 1   | Hose                      |     |
| 61   | 2220237     | 2   | Plug, ORB                 |     |
| 62   | 2221086     | 2   | Fitting, Nipple           |     |
| 63   | 4061032     | 1   | Shield, Hose              |     |
| 64   | 2753520     | 2   | Hose                      |     |

Go to Discount-Equipment.com to order your parts



# SECTION 7 - HYDRAULIC



ART\_1001218005\_20F2

## SECTION 7 - HYDRAULIC

FIGURE 7-5. HYDRAULIC DIAGRAM - M400AJP/M400AJPN (SN 0300233433 to Present)

| ITEM | PART NUMBER | QTY              | DESCRIPTION   | REV |
|------|-------------|------------------|---|-----|
|      | 1001218005  | Ref              | HYDRAULIC DIAGRAM - M400AJP/M400AJPN (SN 0300233433 to Present) | D   |
| 1    | 2752675     | 1                | Hose  |     |
| 2    | 1320033     | 1                | Clamp   |     |
| 3    | 2752486     | 1                | Hose  |     |
| 4    | 2752466     | 1                | Hose  |     |
| 5    | 2752519     | 1                | Hose  |     |
| 6    | 2752462     | 1                | Hose  |     |
| 7    | 2220371     | 4                | Fitting, Straight JIC/ORB                                       |     |
| 8    | 2220473     | 9                | Fitting, 90 JIC/ORB   |     |
| 9    | 2220885     | 1                | Plug  |     |
| 10   | 2752574     | 2                | Hose  |     |
| 11   | 2220507     | 1                | Fitting, 90 JIC/JIC   |     |
| 12   | 1001185828  | 1                | Hose  |     |
| 13   | 2220473     | 1                | Fitting, 90 JIC/ORB   |     |
| 14   | 2220466     | 3                | Fitting, 90 JIC/ORB   |     |
| 15   | 2753332     | 2                | Hose  |     |
| 16   | 2220415     | 2                | Fitting, Straight JIC/ORB                                       |     |
| 17   | 2220502     | 9                | Fitting, 45 JIC/ORB   |     |
| 18   | 2752459     | 2                | Hose  |     |
| 19   | 2221033     | 2                | Fitting, Straight JIC/ORB                                       |     |
| 20   | 2220593     | 1                | Fitting, Straight JIC/ORB                                       |     |
| 21   | 2752619     | 2                | Hose  |     |
| 22   | 2220899     | 1                | Fitting, Tee JIC/ORB/JIC  |     |
| 23   | 2752466     | 1                | Hose  |     |
| 24   | 2752437     | 2                | Hose  |     |
| 25   | 2220472     | 3                | Fitting, 90 JIC/ORB   |     |
| 26   | 2750910     | 1                | Hose  |     |
| 27   | 2220999     | 1                | Fitting, Tee JIC/ORB/JIC  |     |
| 28   | 2753335     | 1                | Hose  |     |
| 29   | 2753334     | 1                | Hose  |     |
| 30   | 2752611     | 1                | Hose  |     |
| 31   | 2220386     | 1                | Fitting, 90 JIC/JIC   |     |
| 32   | 2752571     | 4                | Hose  |     |
| 33   | 2220504     | 2                | Fitting, Tee JIC/JIC/JIC  |     |
| 34   | 2753333     | 2                | Hose  |     |
| 35   | 2220582     | 4                | Fitting, Straight JIC/ORB                                       |     |
| 36   | 2221054     | 1                | Fitting, Tee JIC/JIC/JIC  |     |
| 37   | 2752442     | 1                | Hose  |     |
| 38   | 2753474     | 1                | Hose  |     |
| 39   | 2753475     | 1                | Hose  |     |
| 40   | 2220501     | 7                | Fitting, 45 JIC/ORB   |     |
| 41   | 2220677     | 2                | Fitting, 45 JIC/JIC   |     |
| 42   | 1001185829  | 1                | Hose  |     |
| 43   | 2752466     | 1                | Hose  |     |
| 44   | 2220600     | 1                | Fitting, Straight JIC/ORB                                       |     |
| 45   | 4567946     | 1                | Tube  |     |
| 46   | 2753329     | 2                | Hose  |     |
| 47   | 4100026     | 17.2 ft/<br>5.2m | Nylon, Sleeve   |     |

## SECTION 7 - HYDRAULIC

| ITEM | PART NUMBER | QTY | DESCRIPTION                                     | REV |
|------|-------------|-----|---|-----|
| 48   | 2220373     | 1   | Fitting, Straight JIC/ORB                       |     |
| 49   | 1702124     | 1   | Hose, Tag (Not Shown)                           |     |
| 50   | 2220582     | 2   | Fitting, Straight JIC/ORB                       |     |
| 51   | 2220415     | 2   | Fitting, Straight JIC/ORB                       |     |
| 52   | 8760554     | 1   | Fitting, Tee JIC/JIC/ ORB                       |     |
| 53   | 2752493     | 1   | Hose  |     |
| 54   | 2751890     | 1   | Hose  |     |
| 55   | 2752600     | 1   | Hose  |     |
| 56   | 2220909     | 2   | Fitting, Restrictor                             |     |
| 58   | 2221039     | 2   | Fitting, Orifice                                |     |
| 59   | 2753330     | 1   | Hose  |     |
| 60   | 2753331     | 1   | Hose  |     |
| 61   | 2220237     | 2   | Plug, ORB                                       |     |
| 62   | 2221086     | 2   | Fitting, Nipple                                 |     |
| 63   | 4061032     | 1   | Shield, Hose (SN 0300233433 through 0300240700) |     |
| 64   | 2753520     | 2   | Hose  |     |
| 65   | 2220940     | 2   | Fitting, 90 JIC/ORB                             |     |

Go to Discount-Equipment.com to order your parts



## SECTION 7 - HYDRAULIC

FIGURE 7-6. HYDRAULIC DIAGRAM LIST

| ITEM | PART NUMBER | QTY | DESCRIPTION   | REV |
|------|-------------|-----|---|-----|
|      |             | Ref | Note: Diagrams are available from Discount-equipment.com.<br>See Service and Maintenance Manual for Schematics. |     |
|      | 1001179226  | Ref | HYDRAULIC SCHEMATIC (SN 0300208530 through<br>0300233432)   |     |
|      | 1001218114  | Ref | HYDRAULIC SCHEMATIC (SN 0300233433 to Present)  |     |

Go to Discount-Equipment.com to order your parts

**SECTION 8 - ELECTRICAL**

Go to Discount-Equipment.com to order your parts

## SECTION 8 - ELECTRICAL

FIGURE 8-1. ELECTRICAL DIAGRAM LIST

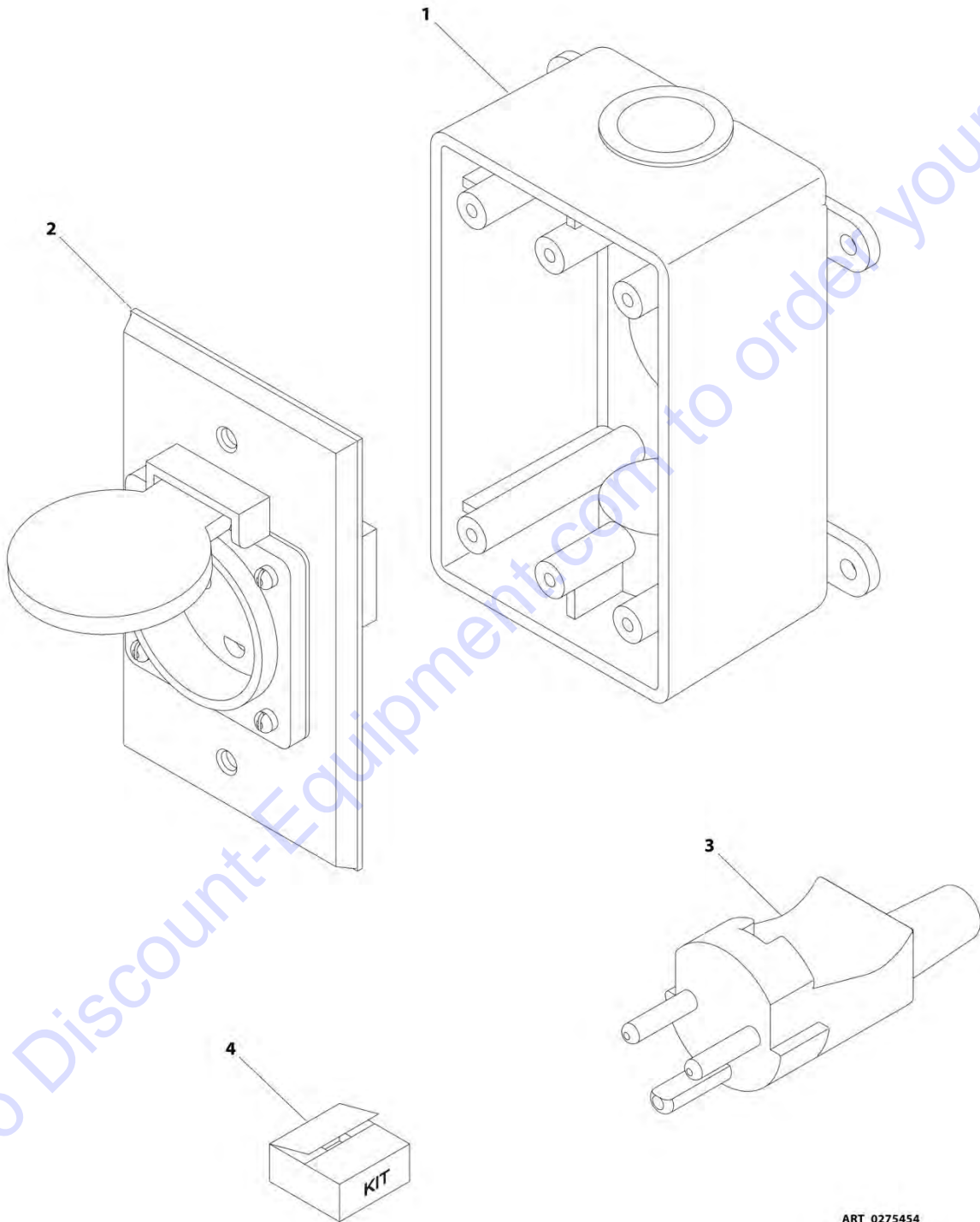
| ITEM | PART NUMBER | QTY | DESCRIPTION   | REV |
|------|-------------|-----|---|-----|
|      |             | Ref | Note: Diagrams are available from Discount-equipment.com.<br>See Service and Maintenance Manual for Schematics. |     |
|      | 1001173941  | Ref | Electrical Schematic  |     |

Go to Discount-Equipment.com to order your parts



## SECTION 8 - ELECTRICAL

FIGURE 8-2. AC PLUGS AND SOCKETS INSTALLATION - AFSINT 107-2-01 KEYED GROUND - 2 X 4 BOX (CE SPEC)



ART\_0275454

## SECTION 8 - ELECTRICAL

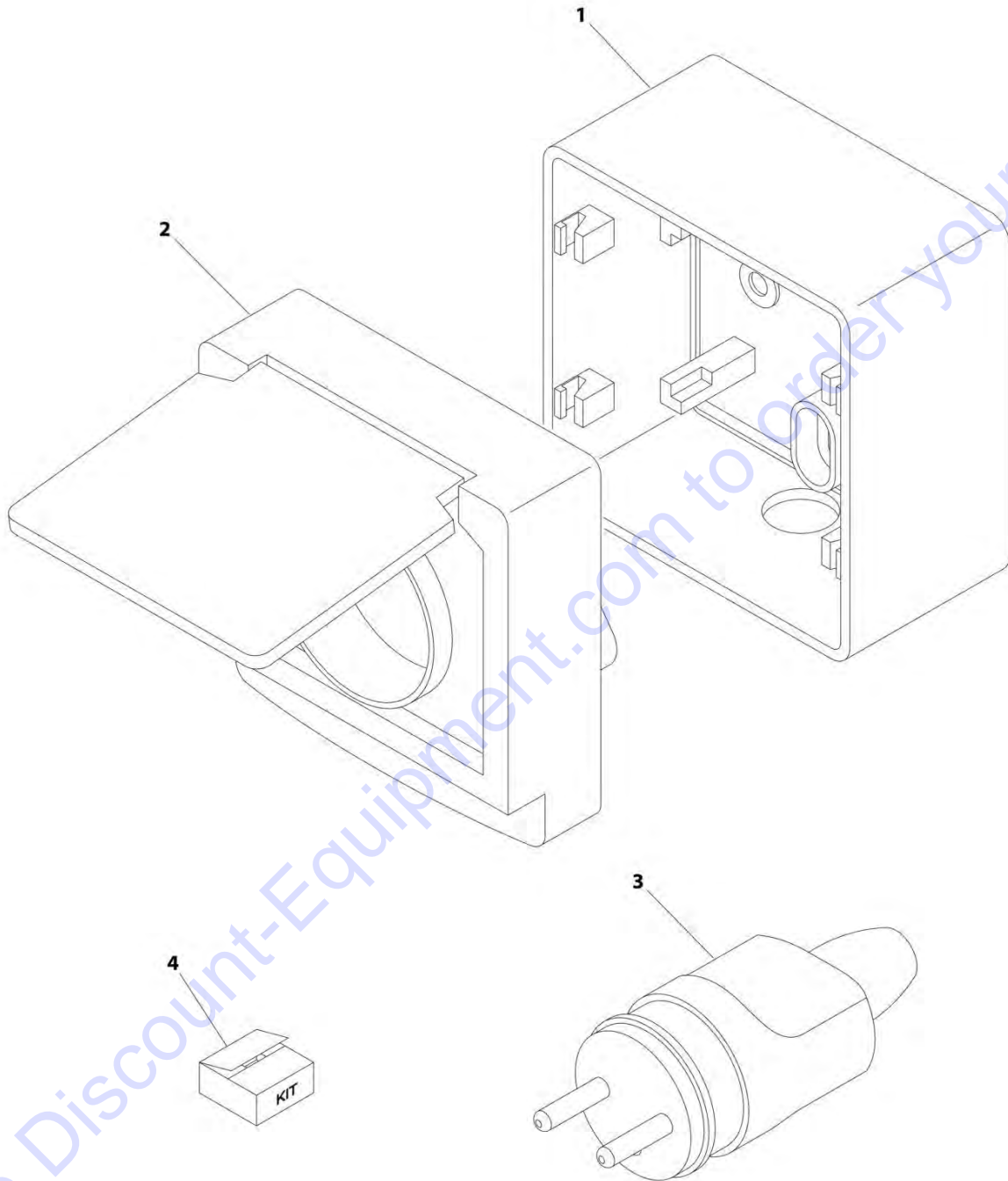
**FIGURE 8-2. AC PLUGS AND SOCKETS INSTALLATION - AFSINT 107-2-01 KEYED GROUND - 2 X 4 BOX (CE SPEC)**

| ITEM | PART NUMBER | QTY | DESCRIPTION   | REV |
|------|-------------|-----|---|-----|
|      | 0275454     | Ref | AC PLUGS AND SOCKETS INSTALLATION - AFSINT 107-2-01<br>KEYED GROUND - 2 X 4 BOX (CE SPEC) | 1   |
| 1    | 0861731     | 1   | Box, Switch   |     |
| 2    | 4461246     | 1   | Receptacle  |     |
| 3    | 4461249     | 1   | Plug, Male  |     |
| 4    | 1001100346  | 1   | Plug and Socket Kit (Includes Items 1-3 and Female Plug p/n<br>4461250)                   |     |

Go to Discount-Equipment.com to order your parts

## SECTION 8 - ELECTRICAL

FIGURE 8-3. AC PLUGS AND SOCKETS INSTALLATION - CEE7 POST GROUND (CE SPEC)



ART\_0275218

## SECTION 8 - ELECTRICAL

**FIGURE 8-3. AC PLUGS AND SOCKETS INSTALLATION - CEE7 POST GROUND (CE SPEC)**

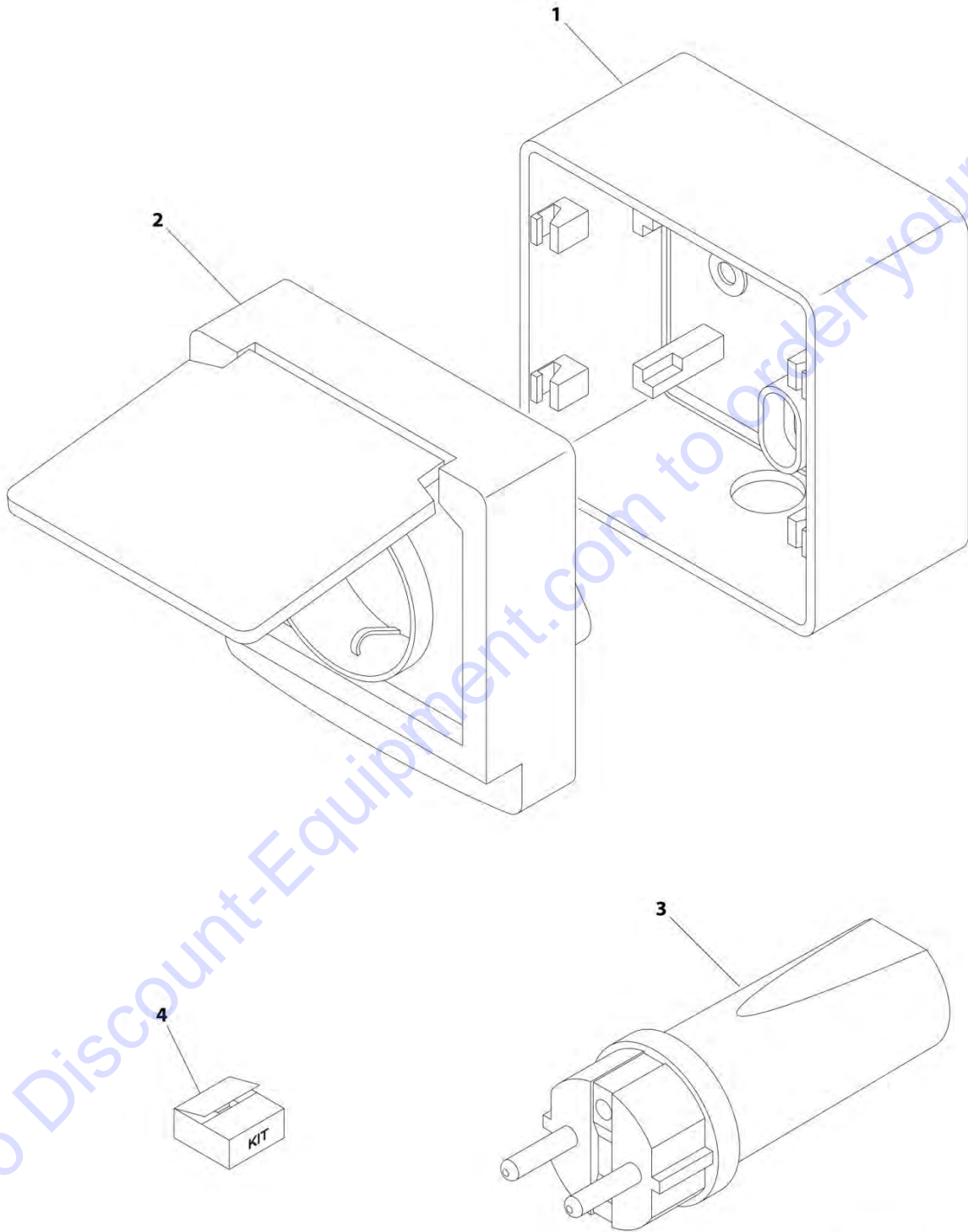
| ITEM | PART NUMBER | QTY | DESCRIPTION  | REV |
|------|-------------|-----|--|-----|
|      | 0275218     | Ref | AC PLUGS AND SOCKETS INSTALLATION - CEE7 POST GROUND (CE SPEC)   | C   |
| 1    | 1001141967  | 1   | Box, Switch  |     |
| 2    | 1001141968  | 1   | Receptacle   |     |
| 3    | 4461202     | 1   | Plug, Male   |     |
| 3    | 4461205     | 1   | Plug, Male <b>(SN 0300208530 through 0300218382)</b>   |     |
| 4    | 1001141971  | 1   | Plug and Socket Kit (Includes Items 1-3 and Female Plug p/n 4461206) <b>(SN 0300218383 to Present)</b> |     |

Go to Discount-Equipment.com to order your parts



# SECTION 8 - ELECTRICAL

FIGURE 8-4. AC PLUGS AND SOCKETS INSTALLATION - CEE 7 SIDE GROUND (CE SPEC)



ART\_0275219

## SECTION 8 - ELECTRICAL

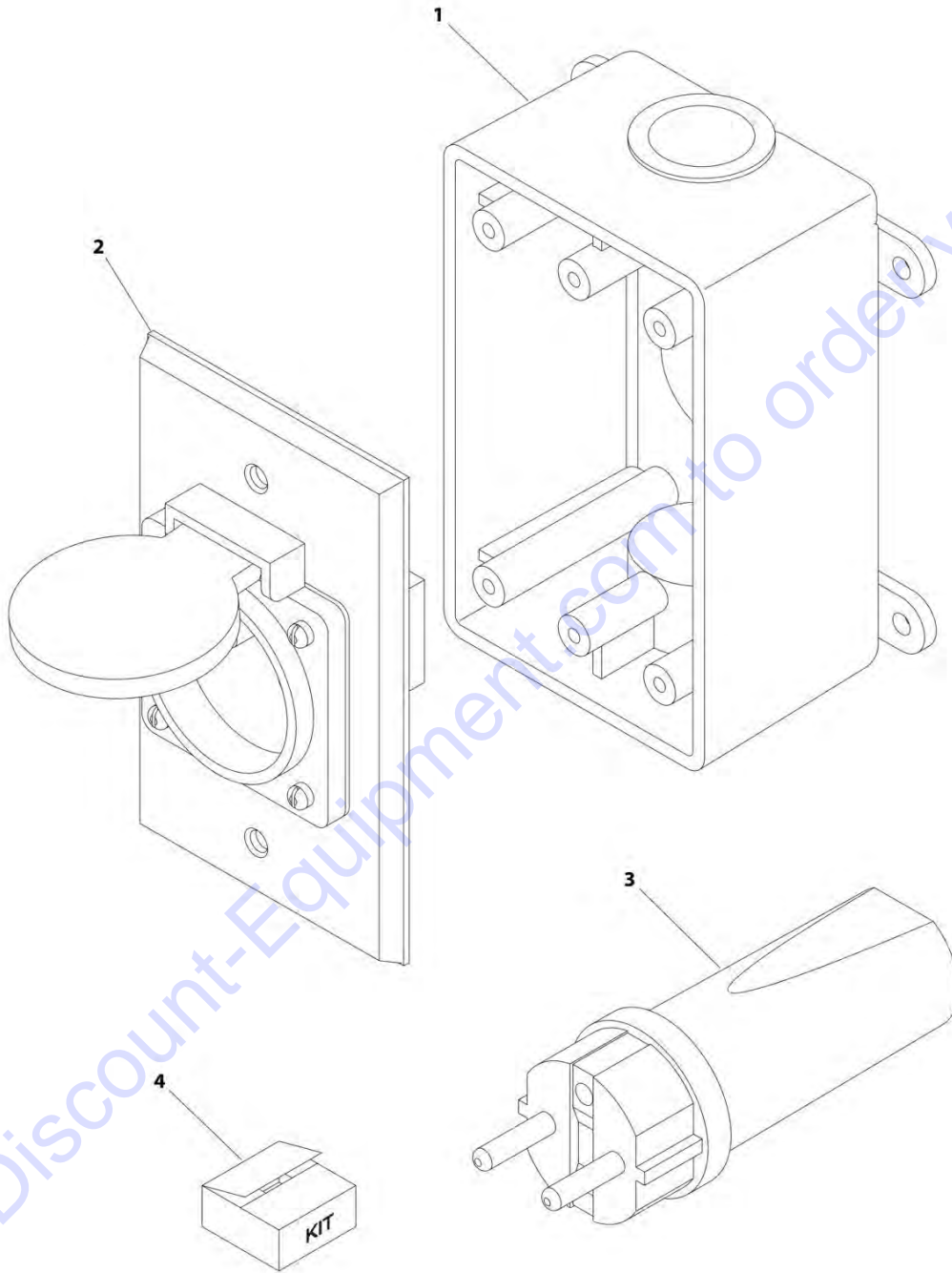
**FIGURE 8-4. AC PLUGS AND SOCKETS INSTALLATION - CEE 7 SIDE GROUND (CE SPEC)**

| ITEM | PART NUMBER | QTY | DESCRIPTION  | REV |
|------|-------------|-----|--|-----|
|      | 0275219     | Ref | AC PLUGS AND SOCKETS INSTALLATION - CEE 7 SIDE GROUND (CE SPEC)      | B   |
| 1    | 1001141967  | 1   | Box, Switch  |     |
| 2    | 1001141969  | 1   | Receptacle   |     |
| 3    | 4461205     | 1   | Plug, Male   |     |
| 4    | 1001141970  | 1   | Plug and Socket Kit (Includes Items 1-3 and Female Plug p/n 4461206) |     |

Go to Discount-Equipment.com to order your parts

## SECTION 8 - ELECTRICAL

FIGURE 8-5. AC PLUGS AND SOCKETS INSTALLATION - CEE7 POST GROUND - 2 X 4 BOX (CE SPEC)



ART\_0275452

## SECTION 8 - ELECTRICAL

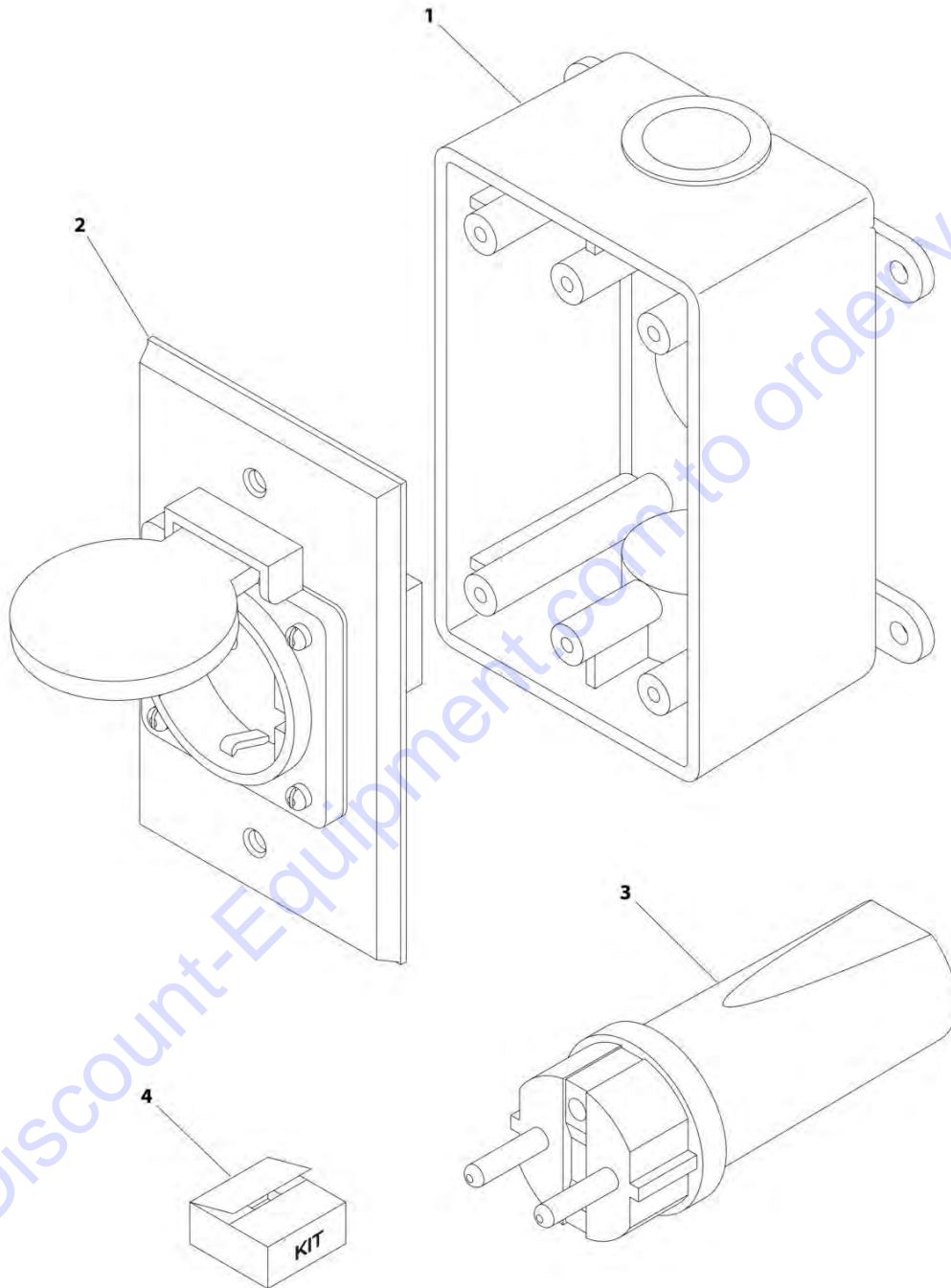
**FIGURE 8-5. AC PLUGS AND SOCKETS INSTALLATION - CEE7 POST GROUND - 2 X 4 BOX (CE SPEC)**

| ITEM | PART NUMBER | QTY | DESCRIPTION  | REV |
|------|-------------|-----|--|-----|
|      | 0275452     | Ref | AC PLUGS AND SOCKETS INSTALLATION - CEE7 POST GROUND - 2 X 4 BOX (CE SPEC) | C   |
| 1    | 0861731     | 1   | Box, Switch  |     |
| 2    | 4461244     | 1   | Receptacle   |     |
| 3    | 4461202     | 1   | Plug, Male <b>(SN 0300208530 through 0300218382)</b>                       |     |
| 3    | 4461205     | 1   | Plug, Male <b>(SN 0300218383 to Present)</b>                               |     |
| 4    | 1001100345  | 1   | Plug and Socket Kit (Includes Items 1-3 and Female Plug p/n 4461206)       |     |

Go to Discount-Equipment.com to order your parts

## SECTION 8 - ELECTRICAL

FIGURE 8-6. AC PLUGS AND SOCKETS INSTALLATION - CEE7 SIDE GROUND - 2 X 4 BOX (CE SPEC)



ART\_0275453

## SECTION 8 - ELECTRICAL

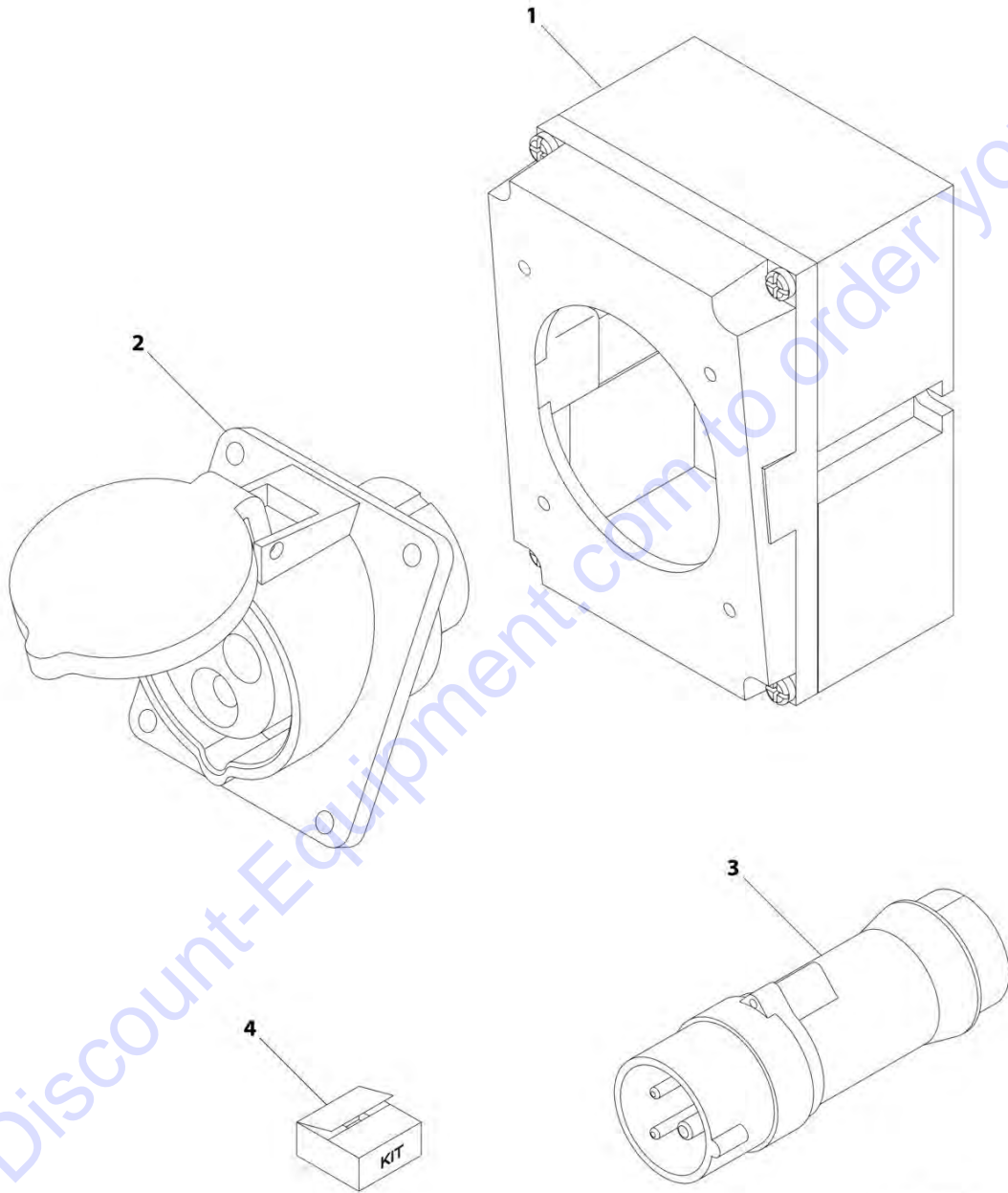
**FIGURE 8-6. AC PLUGS AND SOCKETS INSTALLATION - CEE7 SIDE GROUND - 2 X 4 BOX (CE SPEC)**

| ITEM | PART NUMBER | QTY | DESCRIPTION  | REV |
|------|-------------|-----|--|-----|
|      | 0275453     | Ref | AC PLUGS AND SOCKETS INSTALLATION - CEE7 SIDE GROUND - 2 X 4 BOX (CE SPEC) | 1   |
| 1    | 0861731     | 1   | Box, Switch  |     |
| 2    | 4461245     | 1   | Receptacle   |     |
| 3    | 4461205     | 1   | Plug, Male   |     |
| 4    | 1001100347  | 1   | Plug and Socket Kit (Includes Items 1-3 and Female Plug p/n 4461206)       |     |

Go to Discount-Equipment.com to order your parts

# SECTION 8 - ELECTRICAL

FIGURE 8-7. AC PLUGS AND SOCKETS INSTALLATION - IEC 60309 BLUE (CE SPEC)



ART\_0275217

## SECTION 8 - ELECTRICAL

**FIGURE 8-7. AC PLUGS AND SOCKETS INSTALLATION - IEC 60309 BLUE (CE SPEC)**

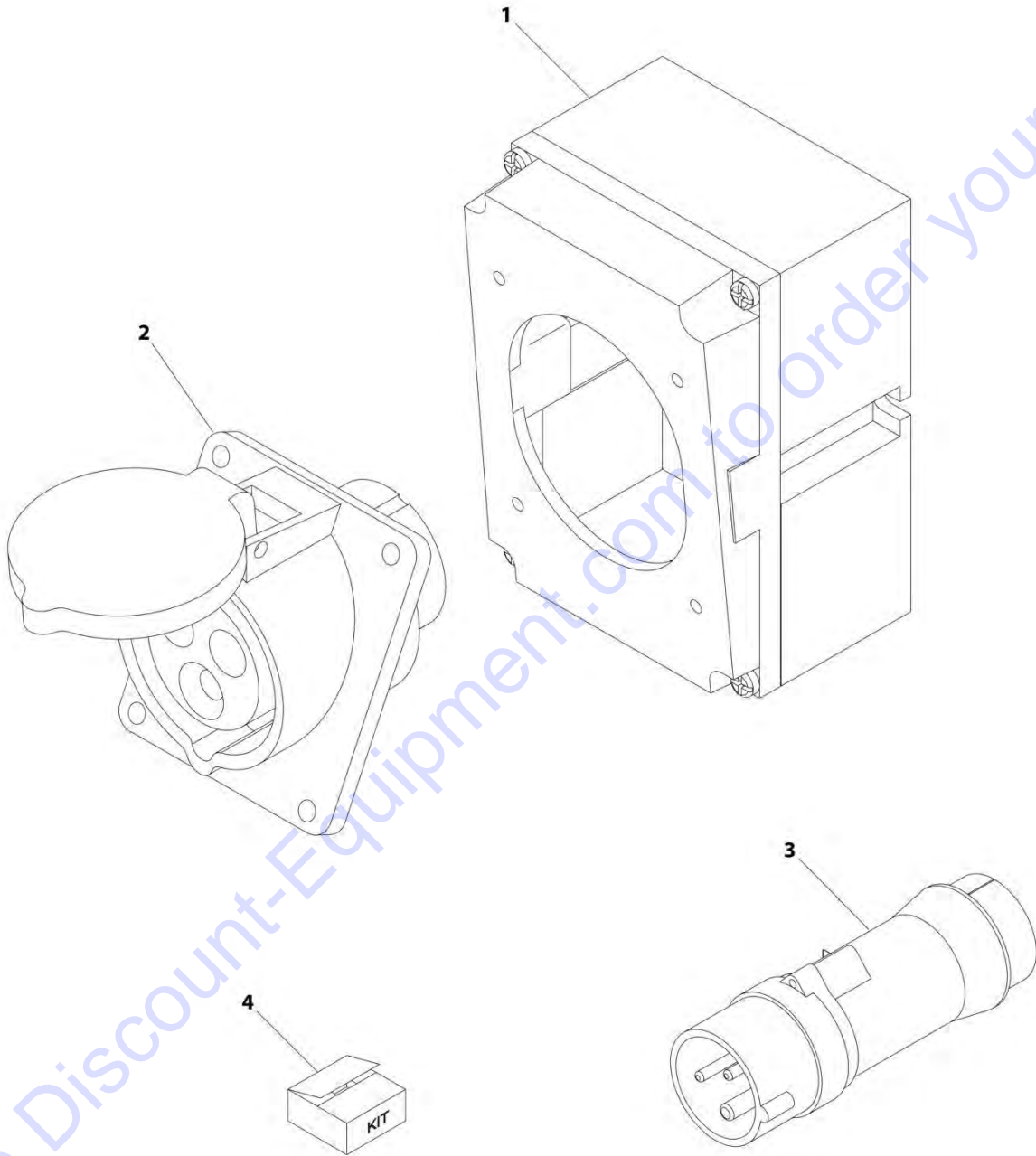
| ITEM | PART NUMBER | QTY | DESCRIPTION  | REV |
|------|-------------|-----|--|-----|
|      | 0275217     | Ref | AC PLUGS AND SOCKETS INSTALLATION - IEC 60309 BLUE (CE SPEC)         | 1   |
| 1    | 0861781     | 1   | Box, Switch  |     |
| 2    | 4461201     | 1   | Receptacle   |     |
| 3    | 4461199     | 1   | Plug, Male   |     |
| 4    | 1001100342  | 1   | Plug and Socket Kit (Includes Items 1-3 and Female Plug p/n 4461200) |     |

Go to Discount-Equipment.com to order your parts



## SECTION 8 - ELECTRICAL

FIGURE 8-8. AC PLUGS AND SOCKETS INSTALLATION - IEC 60309 YELLOW (CE SPEC)



ART\_0275216

## SECTION 8 - ELECTRICAL

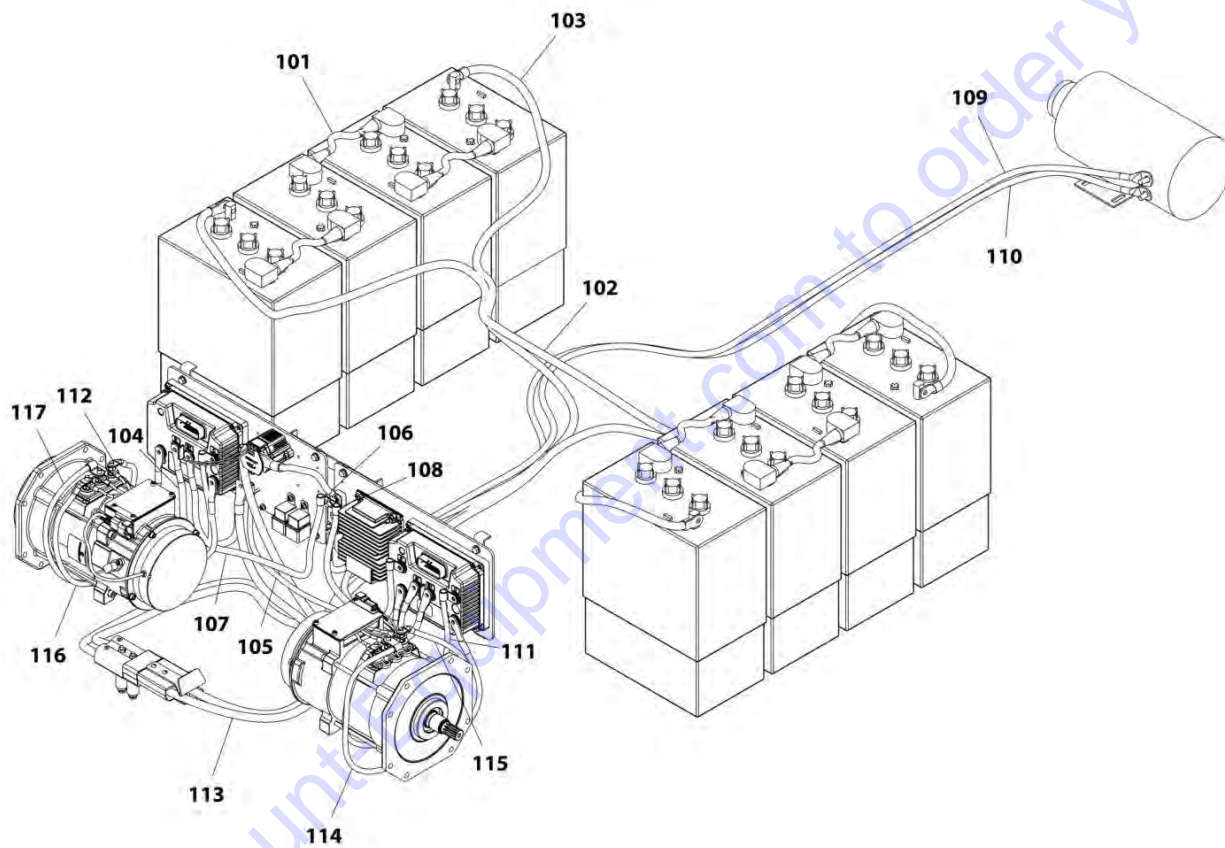
**FIGURE 8-8. AC PLUGS AND SOCKETS INSTALLATION - IEC 60309 YELLOW (CE SPEC)**

| ITEM | PART NUMBER | QTY | DESCRIPTION  | REV |
|------|-------------|-----|--|-----|
|      | 0275216     | Ref | AC PLUGS AND SOCKETS INSTALLATION - IEC 60309 YELLOW (CE SPEC)       | 1   |
| 1    | 0861781     | 1   | Box, Switch  |     |
| 2    | 4461198     | 1   | Receptacle   |     |
| 3    | 4461196     | 1   | Plug, Male   |     |
| 4    | 1001100341  | 1   | Plug and Socket Kit (Includes Items 1-3 and Female Plug p/n 4461197) |     |

Go to Discount-Equipment.com to order your parts

# SECTION 8 - ELECTRICAL

## FIGURE 8-9. BATTERY CABLE KIT - E400AN, E400AJP AND E400AJPN



ART\_1001190088

## SECTION 8 - ELECTRICAL

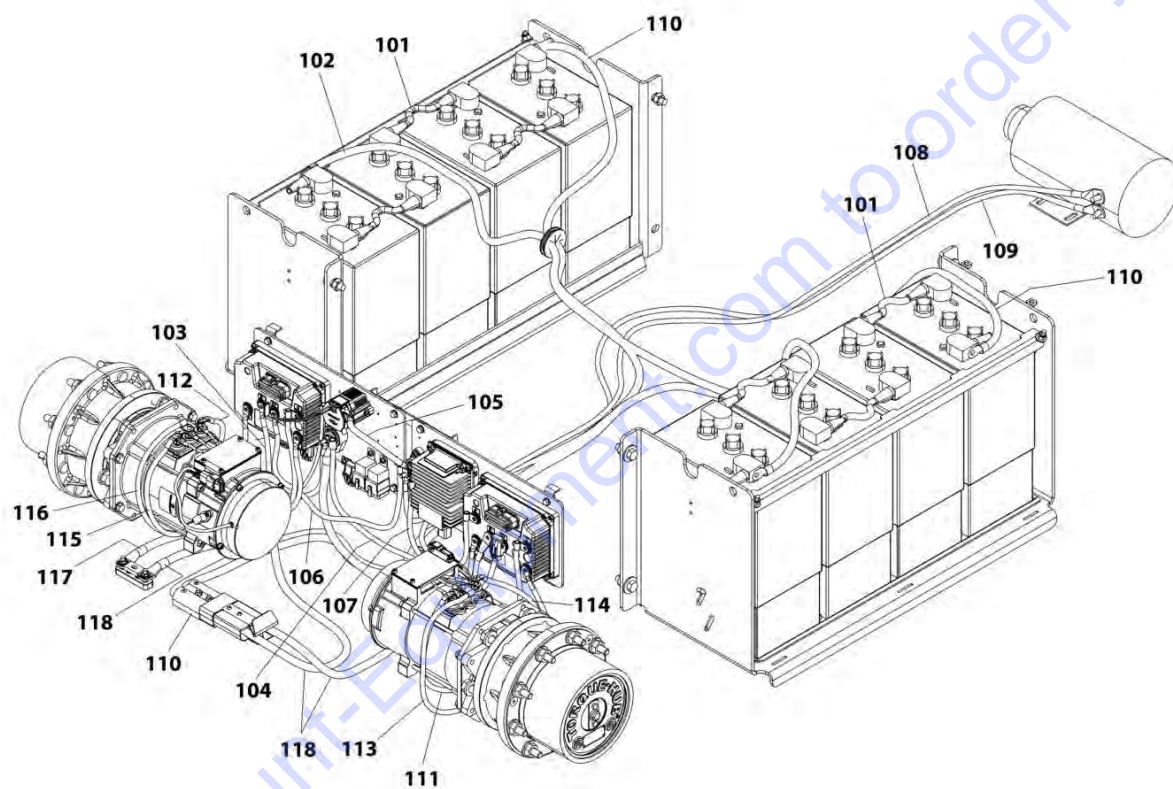
**FIGURE 8-9. BATTERY CABLE KIT - E400AN, E400AJP AND E400AJPN**

| ITEM | PART NUMBER | QTY | DESCRIPTION                                      | REV |
|------|-------------|-----|--|-----|
|      | 1001190088  | Ref | BATTERY CABLE KIT - E400An, E400AJP AND E400AJPN | I   |
| 101  | 1060092     | 1   | Cable, Battery                                   |     |
| 102  | 1001177245  | 1   | Cable, Interconnect                              |     |
| 103  | 1001177246  | 1   | Cable, Battery                                   |     |
| 104  | 1001178394  | 1   | Cable, Negative to LH Module                     |     |
| 105  | 1001178395  | 1   | Cable, Negative to RH Module                     |     |
| 106  | 1001178396  | 1   | Cable, Positive to Pump Motor Fuse               |     |
| 107  | 1001178398  | 1   | Cable, Positive to LH Module                     |     |
| 108  | 1001178399  | 1   | Cable, Positive to RH Module                     |     |
| 109  | 1001178400  | 1   | Cable, Pump Motor Positive                       |     |
| 110  | 1001178401  | 1   | Cable, Pump Motor Negative                       |     |
| 111  | 1001178402  | 1   | Cable, Motor R U                                 |     |
| 112  | 1001178403  | 1   | Cable, Motor L U                                 |     |
| 113  | 1001178660  | 1   | Cable, Battery                                   |     |
| 114  | 1001189027  | 1   | Cable, Motor R V                                 |     |
| 115  | 1001189030  | 1   | Cable, Motor R W                                 |     |
| 116  | 1001189031  | 1   | Cable, Motor L W                                 |     |
| 117  | 1001189032  | 1   | Cable, Motor L V                                 |     |

Go to Discount-Equipment.com to order your parts

## SECTION 8 - ELECTRICAL

FIGURE 8-10. BATTERY CABLE KIT - E400AN, E400AJP AND E400AJPN - UL SPECS



ART\_1001212454

## SECTION 8 - ELECTRICAL

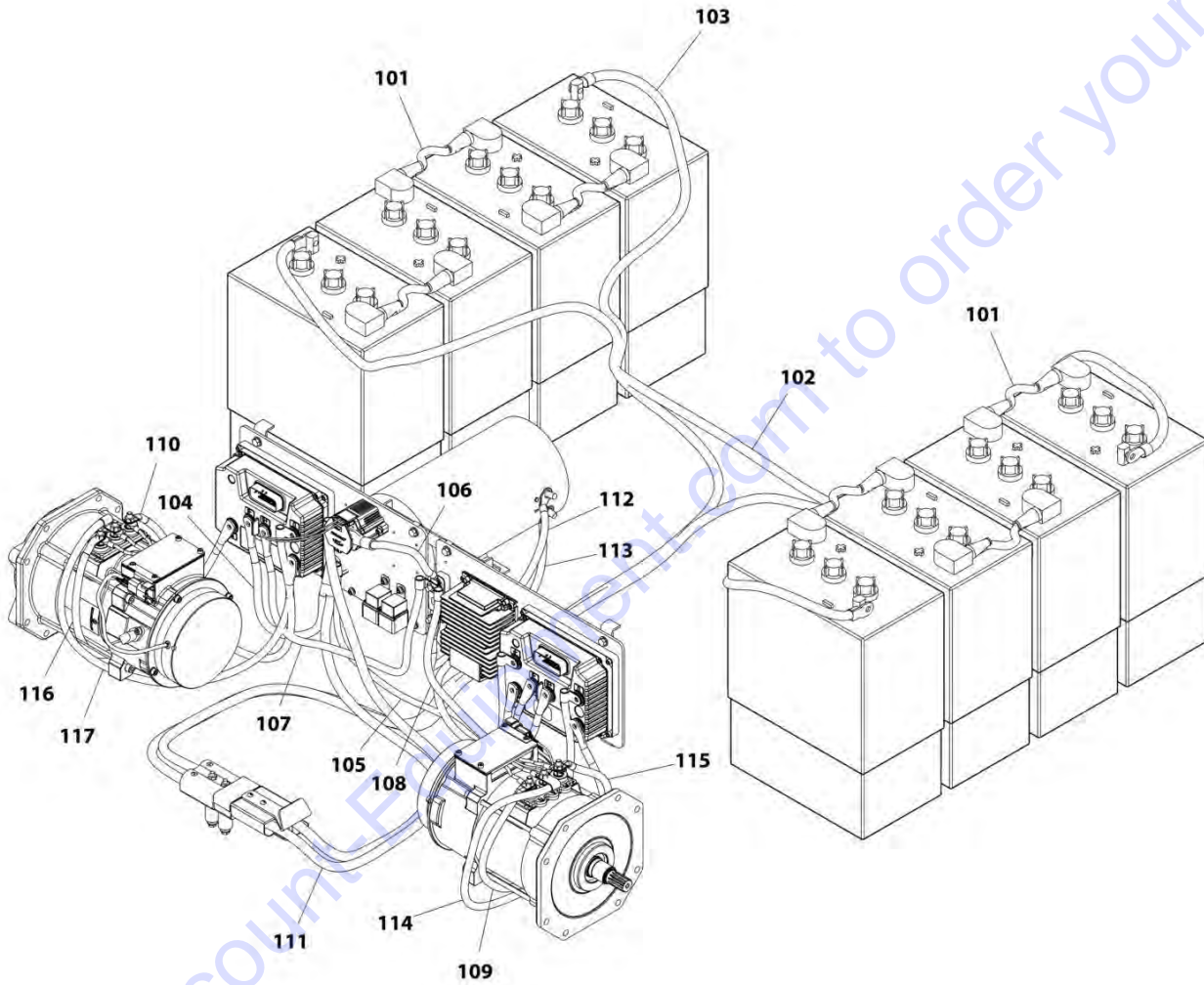
**FIGURE 8-10. BATTERY CABLE KIT - E400AN, E400AJP AND E400AJPN - UL SPECS**

| ITEM | PART NUMBER | QTY | DESCRIPTION   | REV |
|------|-------------|-----|---|-----|
|      | 1001212454  | Ref | BATTERY CABLE KIT - E400An, E400AJP AND E400AJPN - UL SPECS | D   |
| 101  | 1060092     | 1   | Cable, Battery  |     |
| 102  | 1001177245  | 1   | Cable, Interconnect   |     |
| 103  | 1001178394  | 1   | Cable, Negative to LH Module                                |     |
| 104  | 1001178395  | 1   | Cable, Negative to RH Module                                |     |
| 105  | 1001178396  | 1   | Cable, Positive to Pump Motor Fuse                          |     |
| 106  | 1001178398  | 1   | Cable, Positive to LH Module                                |     |
| 107  | 1001178399  | 1   | Cable, Positive to RH Module                                |     |
| 108  | 1001178400  | 1   | Cable, Pump Motor Positive                                  |     |
| 109  | 1001178401  | 1   | Cable, Pump Motor Negative                                  |     |
| 110  | 1001177246  | 1   | Cable, Battery  |     |
| 111  | 1001178402  | 1   | Cable, Motor R U  |     |
| 112  | 1001178403  | 1   | Cable, Motor L U  |     |
| 113  | 1001189027  | 1   | Cable, Motor R V  |     |
| 114  | 1001189030  | 1   | Cable, Motor R W  |     |
| 115  | 1001189031  | 1   | Cable, Motor L W  |     |
| 116  | 1001189032  | 1   | Cable, Motor L V  |     |
| 117  | 1001212455  | 1   | Cable, Drive Jumper   |     |
| 118  | 1001212480  | 1   | Cable, Battery  |     |

Go to Discount-Equipment.com to order your parts

# SECTION 8 - ELECTRICAL

## FIGURE 8-11. BATTERY CABLE KIT - M400AJP AND M400AJPN



ART\_1001190020

## SECTION 8 - ELECTRICAL

**FIGURE 8-11. BATTERY CABLE KIT - M400AJP AND M400AJPN**

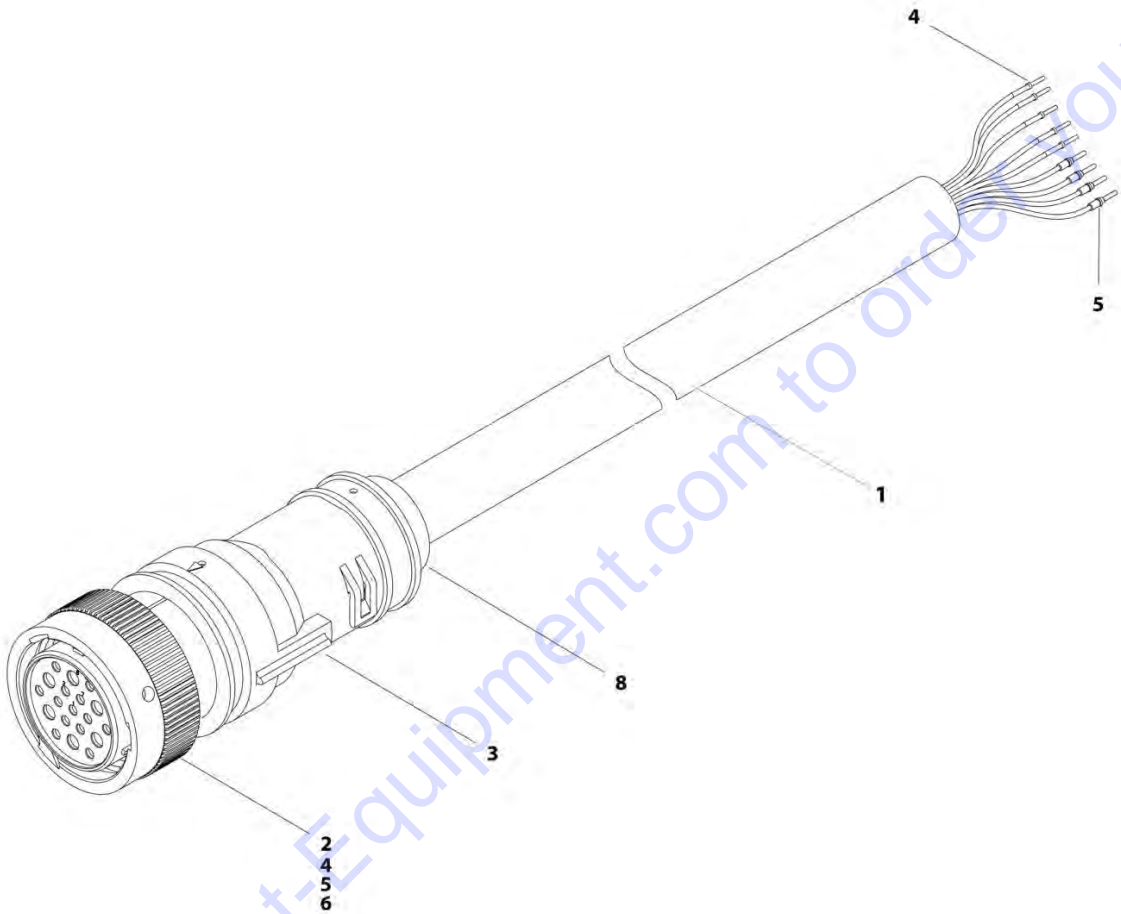
| ITEM | PART NUMBER | QTY | DESCRIPTION                              | REV |
|------|-------------|-----|--|-----|
|      | 1001190020  | Ref | BATTERY CABLE KIT - M400AJP AND M400AJPN | I   |
| 101  | 1060092     | 1   | Cable, Battery                           |     |
| 102  | 1001177245  | 1   | Cable, Interconnect                      |     |
| 103  | 1001177246  | 1   | Cable, Battery                           |     |
| 104  | 1001178394  | 1   | Cable, Negative to LH Module             |     |
| 105  | 1001178395  | 1   | Cable, Negative to RH Module             |     |
| 106  | 1001178396  | 1   | Cable, Positive to Pump Motor Fuse       |     |
| 107  | 1001178398  | 1   | Cable, Positive to LH Module             |     |
| 108  | 1001178399  | 1   | Cable, Positive to RH Module             |     |
| 109  | 1001178402  | 1   | Cable, Motor R U                         |     |
| 110  | 1001178403  | 1   | Cable, Motor L U                         |     |
| 111  | 1001178660  | 1   | Cable, Battery                           |     |
| 112  | 1001178822  | 1   | Cable, Pump Motor Positive               |     |
| 113  | 1001178823  | 1   | Cable, Pump Motor Negative               |     |
| 114  | 1001189027  | 1   | Cable, Motor R V                         |     |
| 115  | 1001189030  | 1   | Cable, Motor R W                         |     |
| 116  | 1001189031  | 1   | Cable, Motor L W                         |     |
| 117  | 1001189032  | 1   | Cable, Motor L V                         |     |

Go to Discount-Equipment.com to order your parts



**SECTION 8 - ELECTRICAL**

**FIGURE 8-12. BOOM CABLE - LOWER**



ART\_1001183868

## SECTION 8 - ELECTRICAL

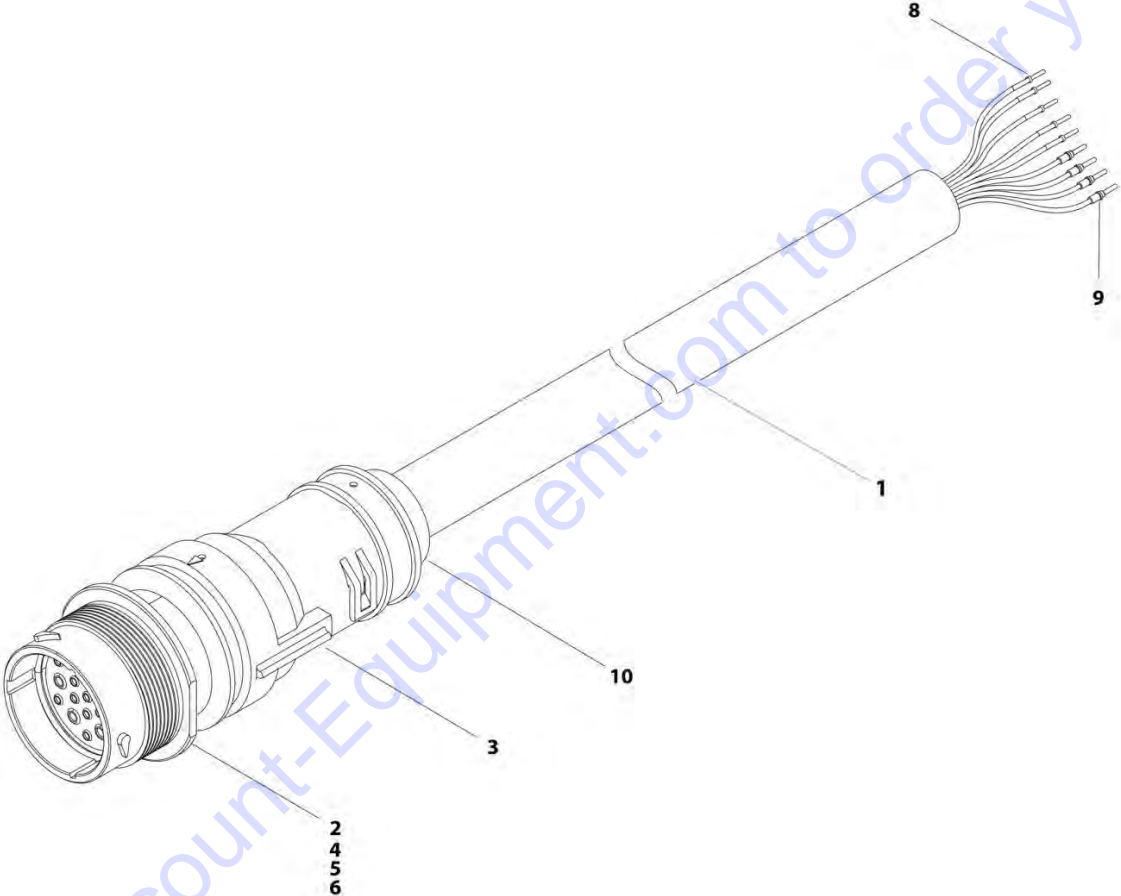
**FIGURE 8-12. BOOM CABLE - LOWER**

| ITEM | PART NUMBER | QTY              | DESCRIPTION                   | REV |
|------|-------------|------------------|-------------------------------|-----|
| 1    | 1001183868  | Ref              | BOOM CABLE - LOWER            | C   |
|      | 1060896     | 32 ft<br>/9.8m   | Cable, Electrical             |     |
| 2    | 1001188292  | 1                | Connector - 19 Position       |     |
| 3    | 1001188291  | 1                | Connector, Backshell          |     |
| 4    | 4460465     | 22               | Socket, Female                |     |
| 5    | 4460509     | 8                | Socket, Female                |     |
| 6    | 4460466     | 4                | Plug, Seal                    |     |
| 7    | 2820118     | 6 in /15.3<br>cm | Insulator, Tubing (Not Shown) |     |
| 8    | 1001188354  | 1                | Grommet                       |     |
| 9    | 4240033     | 2                | Tie-Strap (Not Shown)         |     |

Go to Discount-Equipment.com to order your parts

**SECTION 8 - ELECTRICAL**

**FIGURE 8-13. BOOM CABLE - UPPER**



ART\_1001183867

## SECTION 8 - ELECTRICAL

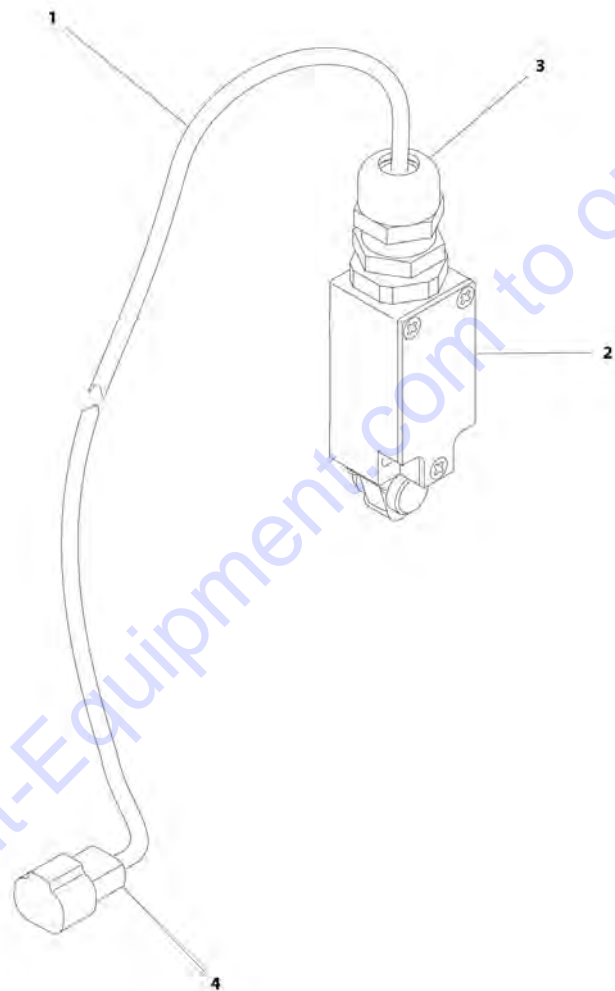
**FIGURE 8-13. BOOM CABLE - UPPER**

| ITEM | PART NUMBER | QTY              | DESCRIPTION                   | REV |
|------|-------------|------------------|-------------------------------|-----|
| 1    | 1001183867  | Ref              | BOOM CABLE - UPPER            | D   |
|      | 1060896     | 25.5 ft<br>/7.8m | Cable, Electrical             |     |
| 2    | 1001188293  | 1                | Connector - 19 Position       |     |
| 3    | 1001188291  | 1                | Connector, Backshell          |     |
| 4    | 4460465     | 11               | Socket, Female                |     |
| 5    | 4460509     | 4                | Socket, Female                |     |
| 6    | 4460466     | 4                | Plug, Seal                    |     |
| 7    | 2820118     | 6 in /15.3<br>cm | Insulator, Tubing (Not Shown) |     |
| 8    | 4460464     | 11               | Pin, Male                     |     |
| 9    | 4460508     | 4                | Pin, Male                     |     |
| 10   | 1001188354  | 1                | Grommet                       |     |
| 11   | 4240033     | 2                | Tie-Strap (Not Shown)         |     |

Go to Discount-Equipment.com to order your parts

## SECTION 8 - ELECTRICAL

FIGURE 8-14. BOOM LIMIT SWITCH HARNESS - LOWER



ART\_100118776

## SECTION 8 - ELECTRICAL

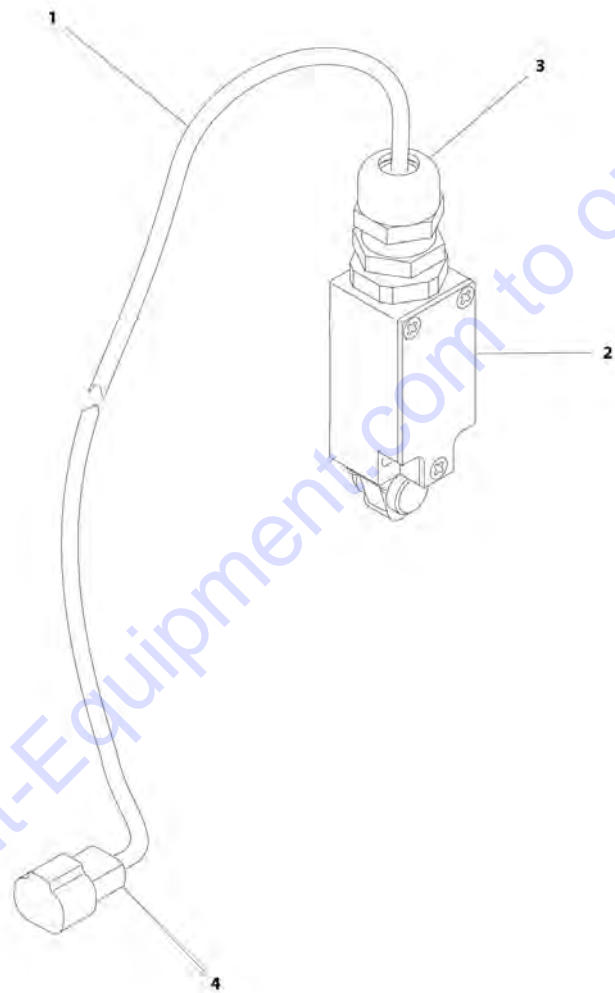
**FIGURE 8-14. BOOM LIMIT SWITCH HARNESS - LOWER**

| ITEM | PART NUMBER | QTY             | DESCRIPTION   | REV |
|------|-------------|-----------------|---|-----|
|      | 1001187776  | Ref             | BOOM LIMIT SWITCH HARNESS - LOWER                               | C   |
| 1    | 1060341     | 14 ft<br>/4.27m | Cable, Electrical - 16/2  |     |
| 2    | 4360548     | 1               | Switch, Limit   |     |
| 3    | 4460968     | 1               | Connector, Strain Relief  |     |
| 4    | 1001187681  | 1               | Connector- 2 Position <b>(SN 0300208530 through 0300214529)</b> |     |
| 4    | 4460897     | 1               | Connector - 2 Position <b>(SN 0300214530 to Present)</b>        |     |
| 4    | 4460464     | 2               | Pin, Male   |     |
| 4    | 1001187683  | 1               | Connector, Wedge Lock <b>(SN 0300208530 through 0300214529)</b> |     |

Go to Discount-Equipment.com to order your parts

## SECTION 8 - ELECTRICAL

FIGURE 8-15. BOOM LIMIT SWITCH HARNESS - UPPER



ART\_100118775

## SECTION 8 - ELECTRICAL

**FIGURE 8-15. BOOM LIMIT SWITCH HARNESS - UPPER**

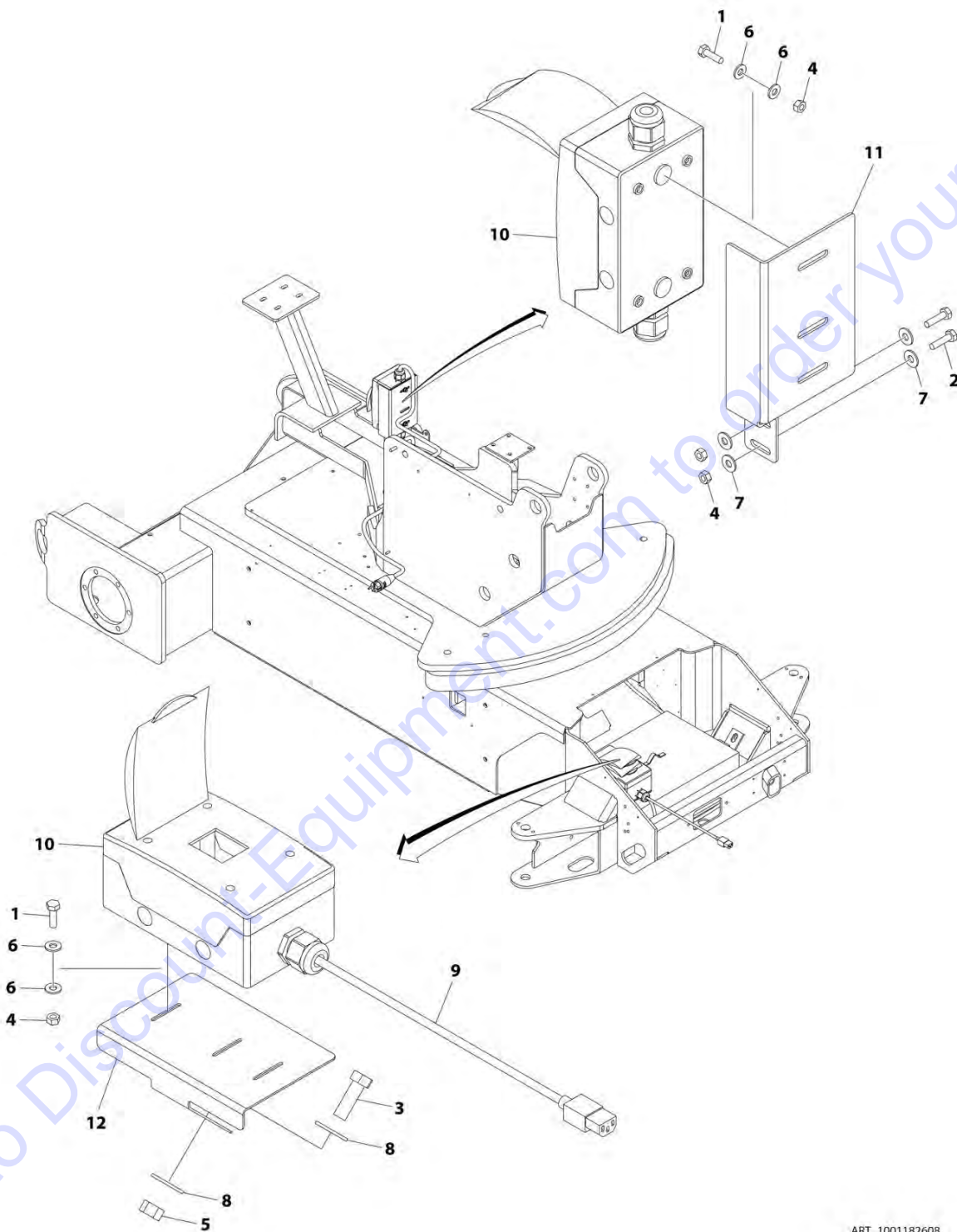
| ITEM | PART NUMBER | QTY             | DESCRIPTION   | REV |
|------|-------------|-----------------|---|-----|
|      | 1001187775  | Ref             | BOOM LIMIT SWITCH HARNESS - UPPER                               | C   |
| 1    | 1060341     | 27 ft<br>/8.23m | Cable, Electrical - 16/2  |     |
| 2    | 4360548     | 1               | Switch, Limit   |     |
| 3    | 4460968     | 1               | Connector, Strain Relief  |     |
| 4    | 1001187681  | 1               | Connector- 2 Position <b>(SN 0300208530 through 0300214529)</b> |     |
| 4    | 4460897     | 1               | Connector - 2 Position <b>(SN 0300214530 to Present)</b>        |     |
| 4    | 4460464     | 2               | Pin, Male   |     |
| 4    | 1001187684  | 1               | Connector, Wedge Lock <b>(SN 0300208530 through 0300214529)</b> |     |

Go to Discount-Equipment.com to order your parts



# SECTION 8 - ELECTRICAL

## FIGURE 8-16. BREAKER BOX INSTALLATION - DOUBLE BREAKER BOXES



ART\_1001182608

## SECTION 8 - ELECTRICAL

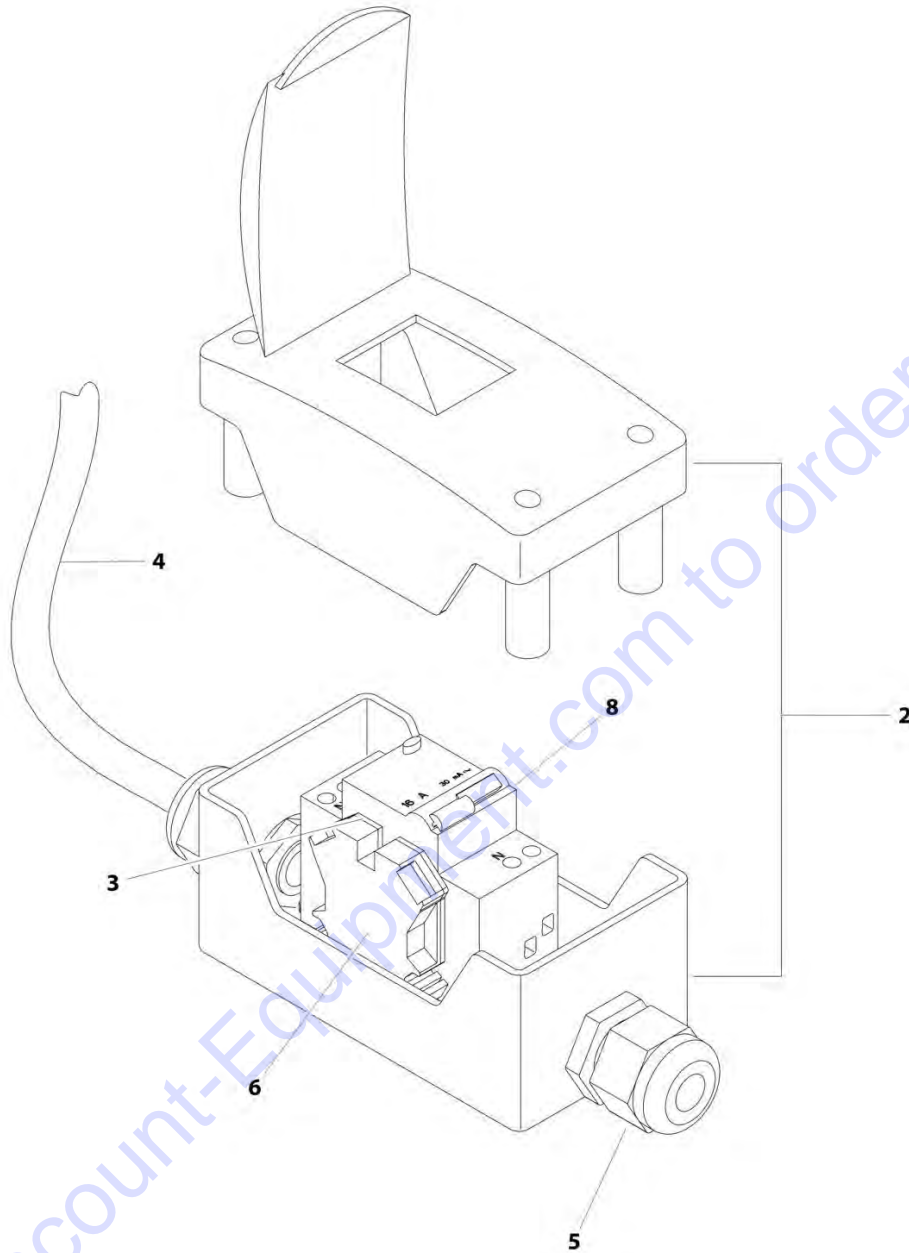
**FIGURE 8-16. BREAKER BOX INSTALLATION - DOUBLE BREAKER BOXES**

| ITEM | PART NUMBER | QTY | DESCRIPTION   | REV |
|------|-------------|-----|---|-----|
|      | 1001182608  | Ref | BREAKER BOX INSTALLATION - DOUBLE BREAKER BOXES   | A   |
| 1    | 0641407     | 4   | Bolt, 1/4 x 7/8   |     |
| 2    | 0641408     | 2   | Bolt, 1/4 x 1   |     |
| 3    | 0641812     | 1   | Bolt, 1/2 x 1-1/2   |     |
| 4    | 3311405     | 6   | Nut, Lock, 1/4  |     |
| 5    | 3311805     | 1   | Nut, 1/2  |     |
| 6    | 4711400     | 8   | Washer, 1/4   |     |
| 7    | 4751400     | 4   | Washer, 1/4   |     |
| 8    | 4751800     | 2   | Washer, 1/2   |     |
| 9    | 1001103258  | 1   | Cable, Charger AC Input   |     |
| 10   | 1001152485  | 2   | Breaker Box Kit with Two Breakers - CE Spec (See BREAKER BOX KIT WITH TWO BREAKERS - CE SPEC for Breakdown) |     |
| 11   | 1001153899  | 1   | Bracket   |     |
| 12   | 1001182607  | 1   | Bracket   |     |

Go to Discount-Equipment.com to order your parts

## SECTION 8 - ELECTRICAL

FIGURE 8-17. BREAKER BOX KIT WITH ONE BREAKERS - CE SPEC



ART\_2902549

## SECTION 8 - ELECTRICAL

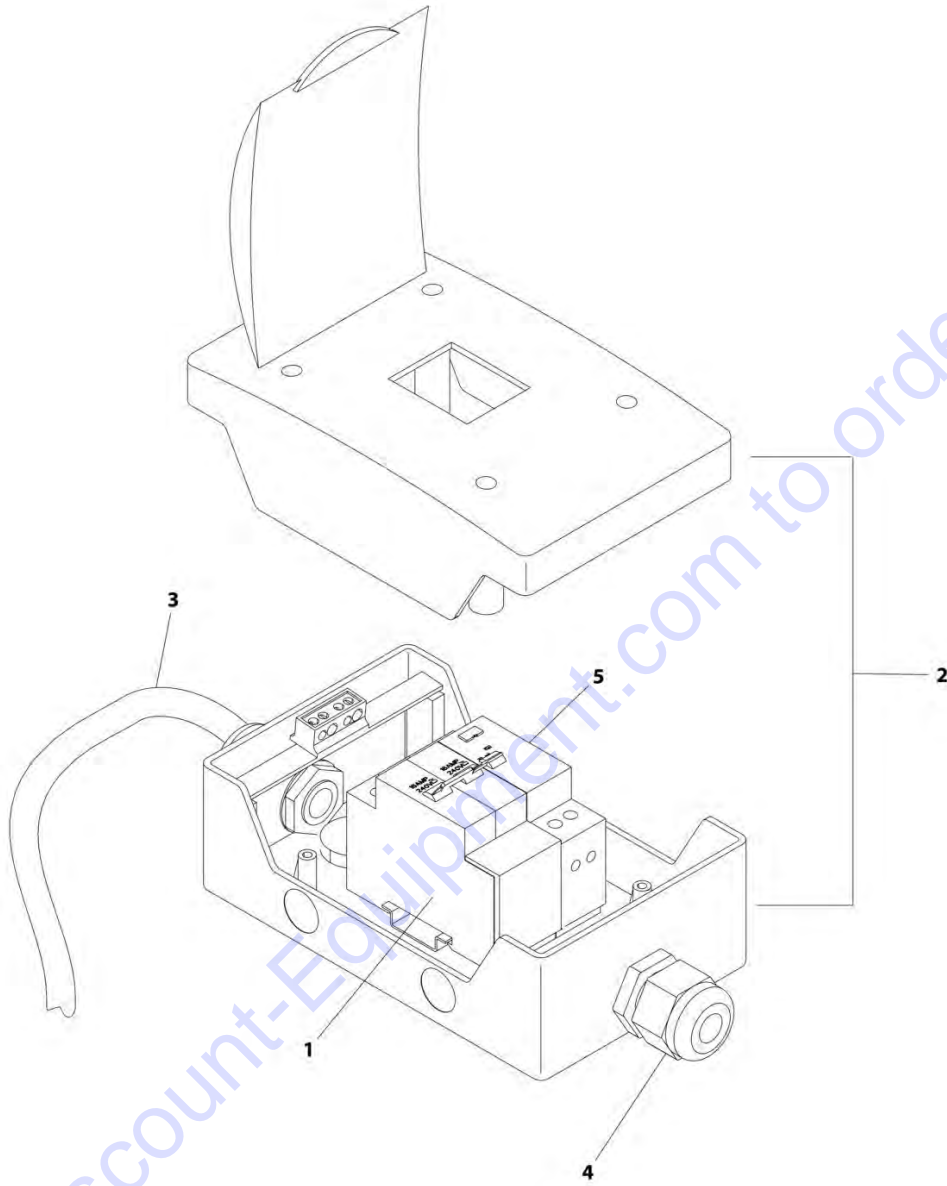
**FIGURE 8-17. BREAKER BOX KIT WITH ONE BREAKERS - CE SPEC**

| ITEM | PART NUMBER | QTY       | DESCRIPTION                                 | REV |
|------|-------------|-----------|---|-----|
|      | 2902549     | Ref       | BREAKER BOX KIT WITH ONE BREAKERS - CE SPEC | F   |
| 2    | 0861880     | 1         | Box   |     |
| 3    | 4460956     | 1         | Barrier, Terminal                           |     |
| 4    | 1060908     | 6 ft/1.8m | Cable, 12/3                                 |     |
| 5    | 1001097150  | 2         | Connector, Strain Relief                    |     |
| 6    | 4460957     | 1         | Block, Terminal                             |     |
| 8    | 1001181045  | 1         | Breaker, 30mA                               |     |

Go to Discount-Equipment.com to order your parts

## SECTION 8 - ELECTRICAL

FIGURE 8-18. BREAKER BOX KIT WITH TWO BREAKERS - CE SPEC



ART\_1001152485

## SECTION 8 - ELECTRICAL

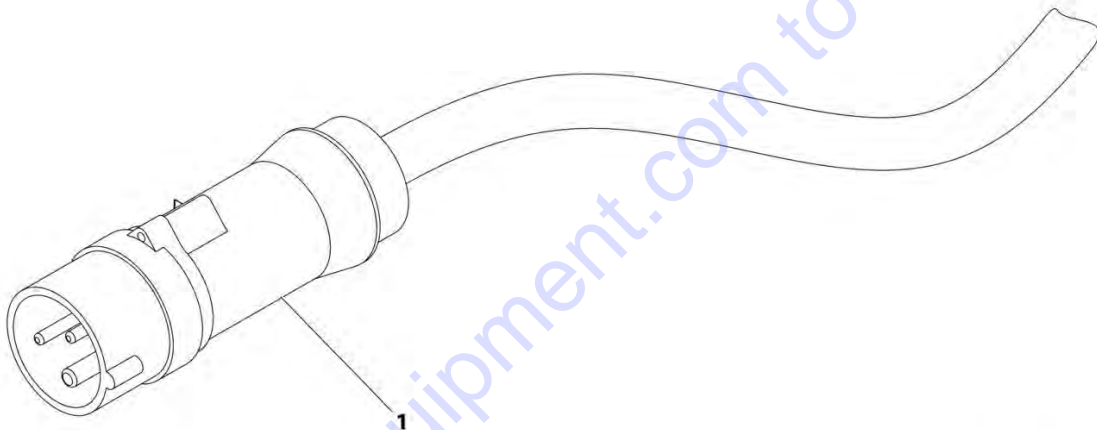
**FIGURE 8-18. BREAKER BOX KIT WITH TWO BREAKERS - CE SPEC**

| ITEM | PART NUMBER | QTY       | DESCRIPTION                                 | REV |
|------|-------------|-----------|---|-----|
|      | 1001152485  | Ref       | BREAKER BOX KIT WITH TWO BREAKERS - CE SPEC | C   |
| 1    | 1001189172  | 1         | Breaker, 16 Amp, (Double)                   |     |
| 2    | 1001152483  | 1         | Box   |     |
| 3    | 1060908     | 6 ft/1.8m | Cable, 12/3                                 |     |
| 4    | 1001097150  | 2         | Connector, Strain Relief                    |     |
| 5    | 1001189171  | 1         | Breaker, 30mA                               |     |

Go to Discount-Equipment.com to order your parts

## SECTION 8 - ELECTRICAL

FIGURE 8-19. CHARGER CORD PLUG INSTALLATION - 110V - IEC 60309 - YELLOW (CE SPEC)



ART\_0275666

## SECTION 8 - ELECTRICAL

**FIGURE 8-19. CHARGER CORD PLUG INSTALLATION - 110V - IEC 60309 - YELLOW (CE SPEC)**

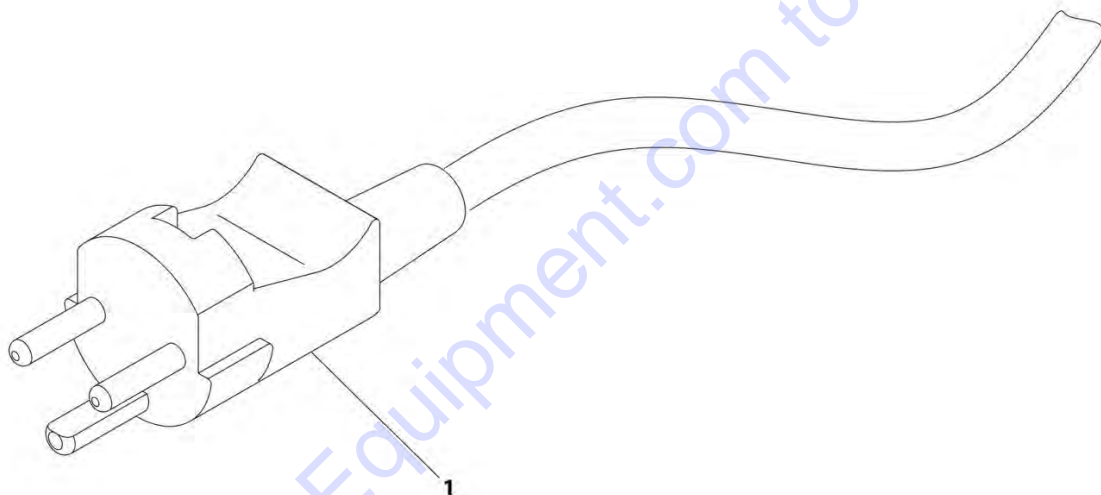
| ITEM | PART NUMBER | QTY | DESCRIPTION  | REV |
|------|-------------|-----|--|-----|
|      | 0275666     | Ref | CHARGER CORD PLUG INSTALLATION - 110V - IEC 60309 - YELLOW (CE SPEC) | A   |
| 1    | 4461196     | 1   | Plug   |     |

Go to Discount-Equipment.com to order your parts



## SECTION 8 - ELECTRICAL

FIGURE 8-20. CHARGER CORD PLUG INSTALLATION - 220V - AFSINT 107 KEYED GROUND (CE SPEC)



ART\_0275665

## SECTION 8 - ELECTRICAL

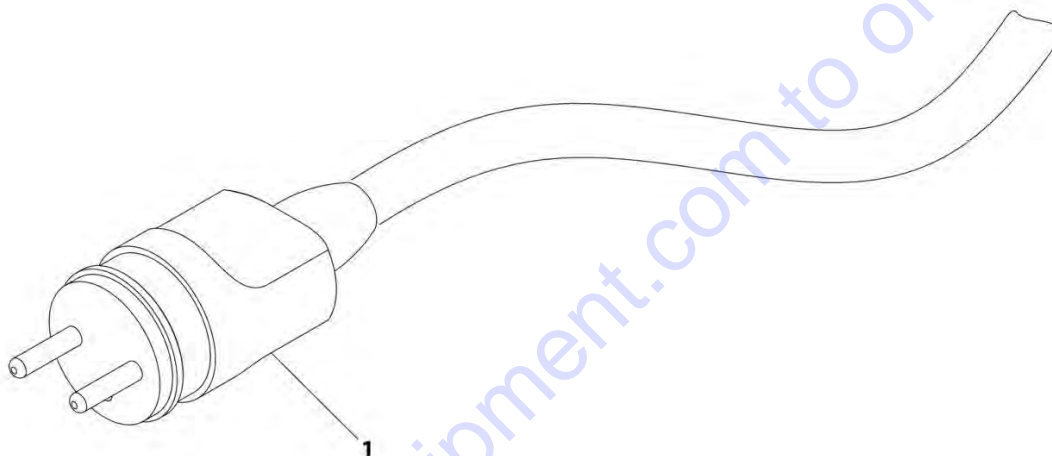
**FIGURE 8-20. CHARGER CORD PLUG INSTALLATION - 220V - AFSINT 107 KEYED GROUND (CE SPEC)**

| ITEM | PART NUMBER | QTY | DESCRIPTION  | REV |
|------|-------------|-----|--|-----|
|      | 0275665     | Ref | CHARGER CORD PLUG INSTALLATION - 220V - AFSINT 107<br>KEYED GROUND (CE SPEC) | A   |
| 1    | 4461249     | 1   | Plug   |     |

Go to Discount-Equipment.com to order your parts

## SECTION 8 - ELECTRICAL

FIGURE 8-21. CHARGER CORD PLUG INSTALLATION - 220V - CEE7 POST GROUND (CE SPEC)



ART\_0275663

## SECTION 8 - ELECTRICAL

**FIGURE 8-21. CHARGER CORD PLUG INSTALLATION - 220V - CEE7 POST GROUND (CE SPEC)**

| ITEM | PART NUMBER | QTY | DESCRIPTION   | REV |
|------|-------------|-----|---|-----|
|      | 0275663     | Ref | CHARGER CORD PLUG INSTALLATION - 220V - CEE7 POST<br>GROUND (CE SPEC) | A   |
| 1    | 4461202     | 1   | Plug  |     |

Go to Discount-Equipment.com to order your parts

# PARTS FINDER

**Search Website  
by Part Number**



**Search Manual  
Library For Parts  
Manual & Lookup Part  
Numbers – Purchase  
or Request Quote**

**Can't Find Part or  
Manual? Request Help  
by Manufacturer,  
Model & Description**

Discount-Equipment.com is your online resource for quality parts & equipment.

Florida: **561-964-4949** Outside Florida TOLL FREE: **877-690-3101**

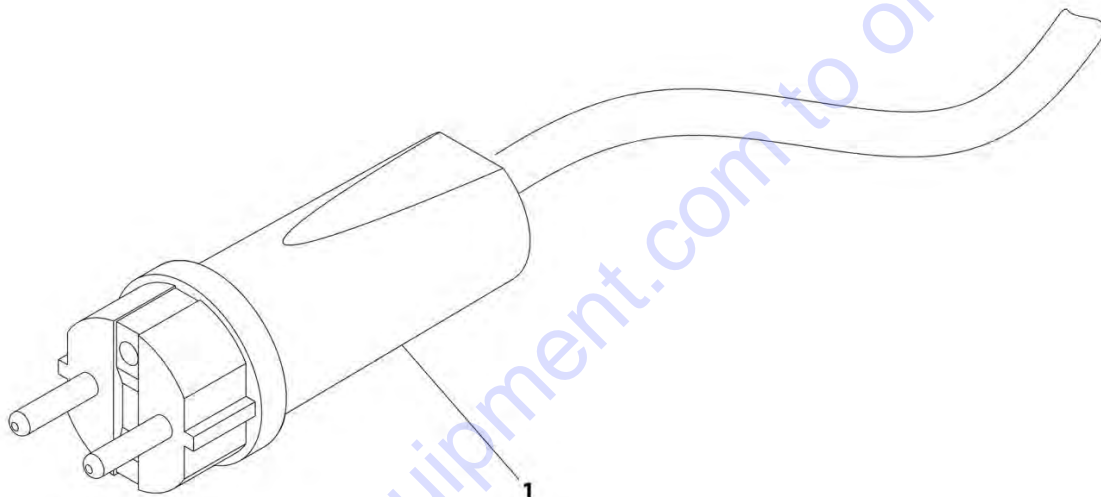
## Need parts?

Click on this link: <http://www.discount-equipment.com/category/5443-parts/> and choose one of the options to help get the right parts and equipment you are looking for. Please have the machine model and serial number available in order to help us get you the correct parts. If you don't find the part on the website or on one of the online manuals, please fill out the request form and one of our experienced staff members will get back to you with a quote for the right part that your machine needs.

We sell worldwide for the brands: Genie, Terex, JLG, MultiQuip, Mikasa, Essick, Whiteman, Mayco, Toro Stone, Diamond Products, Generac Magnum, Airman, Haulotte, Barreto, Power Blanket, Nifty Lift, Atlas Copco, Chicago Pneumatic, Allmand, Miller Curber, Skyjack, Lull, Skytrak, Tsurumi, Husquvarna Target, Stow, Wacker, Sakai, Mi-T-M, Sullair, Basic, Dynapac, MBW, Weber, Bartell, Bennar Newman, Haulotte, Ditch Runner, Menegotti, Morrison, Contec, Buddy, Crown, Edco, Wyco, Bomag, Laymor, EZ Trench, Bil-Jax, F.S. Curtis, Gehl Pavers, Heli, Honda, ICS/PowerGrit, IHI, Partner, Imer, Clipper, MMD, Koshin, Rice, CH&E, General Equipment, Amida, Coleman, NAC, Gradall, Square Shooter, Kent, Stanley, Tamco, Toku, Hatz, Kohler, Robin, Wisconsin, Northrock, Oztec, Toker TK, Rol-Air, APT, Wylie, Ingersoll Rand / Doosan, Innovatech, Con X, Ammann, Mecalac, Makinex, Smith Surface Prep, Small Line, Wanco, Yanmar

## SECTION 8 - ELECTRICAL

FIGURE 8-22. CHARGER CORD PLUG INSTALLATION - 220V - CEE7 SIDE GROUND (CE SPEC)



ART\_0275664

## SECTION 8 - ELECTRICAL

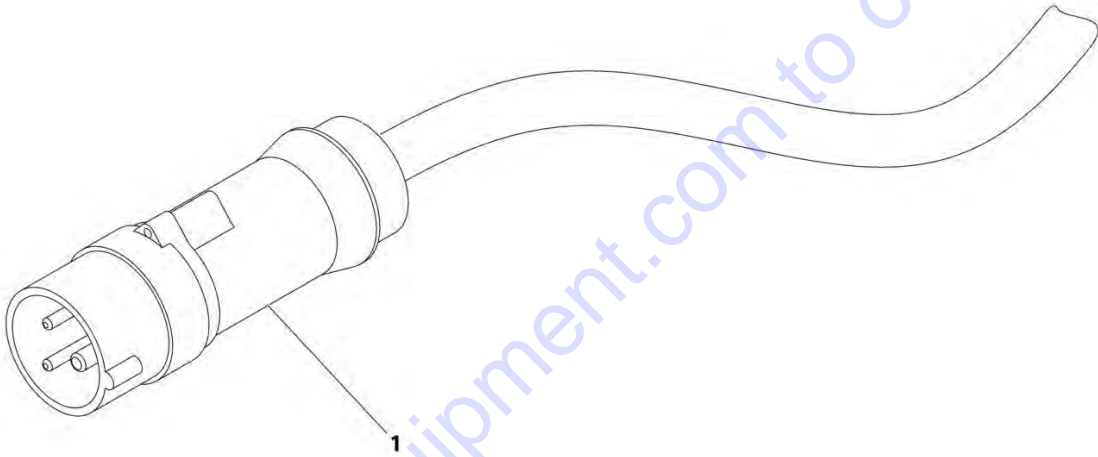
**FIGURE 8-22. CHARGER CORD PLUG INSTALLATION - 220V - CEE7 SIDE GROUND (CE SPEC)**

| ITEM | PART NUMBER | QTY | DESCRIPTION  | REV |
|------|-------------|-----|--|-----|
|      | 0275664     | Ref | CHARGER CORD PLUG INSTALLATION - 220V - CEE7 SIDE GROUND (CE SPEC) | A   |
| 1    | 4461205     | 1   | Plug   |     |

Go to Discount-Equipment.com to order your parts

## SECTION 8 - ELECTRICAL

FIGURE 8-23. CHARGER CORD PLUG INSTALLATION - 220V - IEC 60309 - BLUE (CE SPEC)



ART\_0275667



## SECTION 8 - ELECTRICAL

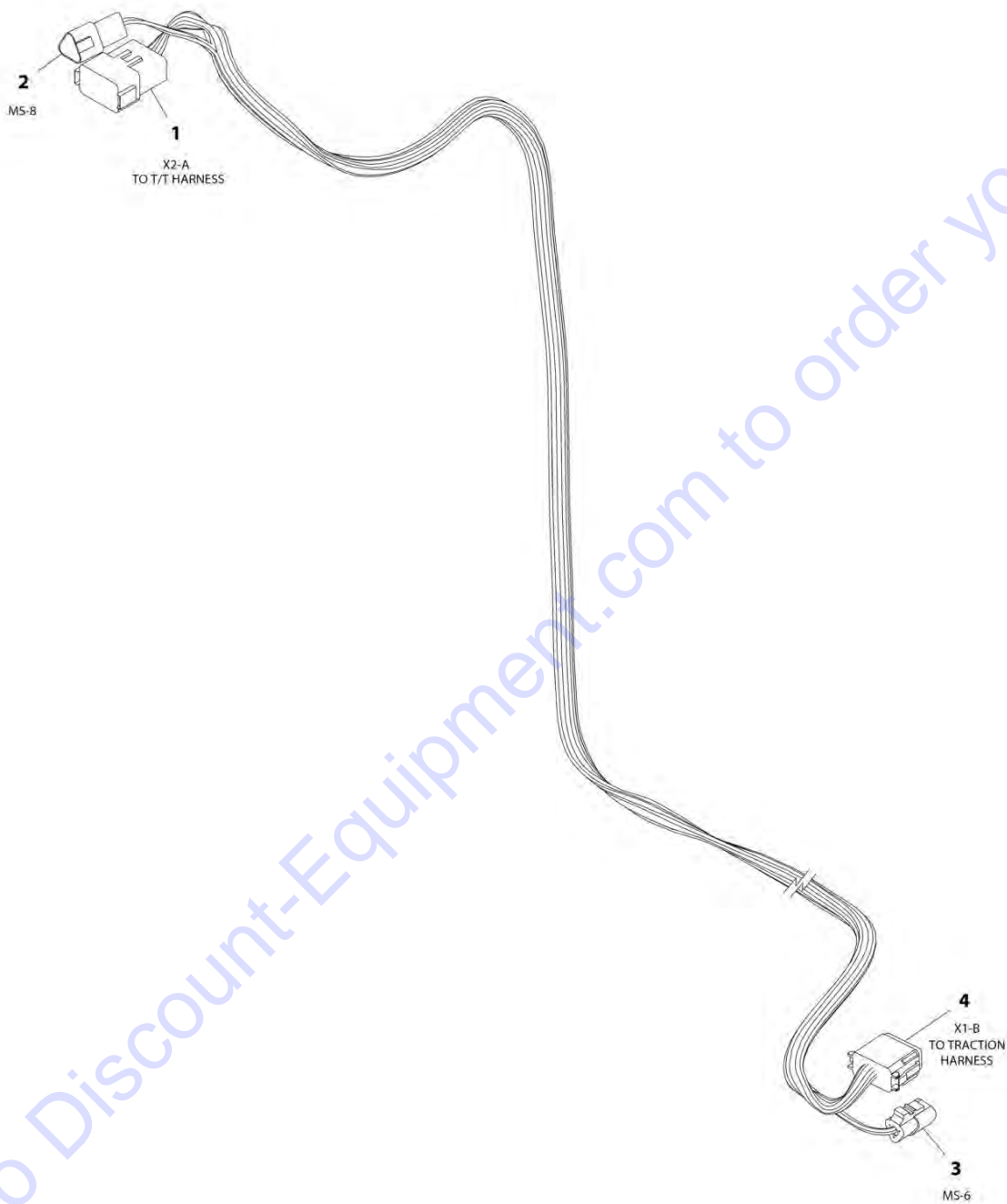
**FIGURE 8-23. CHARGER CORD PLUG INSTALLATION - 220V - IEC 60309 - BLUE (CE SPEC)**

| ITEM | PART NUMBER | QTY | DESCRIPTION  | REV |
|------|-------------|-----|--|-----|
|      | 0275667     | Ref | CHARGER CORD PLUG INSTALLATION - 220V - IEC 60309 - BLUE (CE SPEC) | A   |
| 1    | 4461199     | 1   | Plug   |     |

Go to Discount-Equipment.com to order your parts

# SECTION 8 - ELECTRICAL

## FIGURE 8-24. CHASSIS TO TURNTABLE HARNESS



ART\_1001178405

## SECTION 8 - ELECTRICAL

**FIGURE 8-24. CHASSIS TO TURNTABLE HARNESS**

| ITEM | PART NUMBER | QTY | DESCRIPTION                     | REV |
|------|-------------|-----|---------------------------------|-----|
|      | 1001178405  | Ref | CHASSIS TO TURNTABLE HARNESS    | G   |
| 1    | 4460950     | 1   | Connector - 12 Position         |     |
| 1    | 1001157891  | 4   | Terminal                        |     |
| 1    | 4460464     | 5   | Pin, Male                       |     |
| 1    | 4460941     | 1   | Terminal                        |     |
| 1    | 4460943     | 2   | Pin, Male                       |     |
| 2    | 1001144147  | 1   | Receptacle, Female - 3 Position |     |
| 2    | 4460943     | 3   | Pin, Male                       |     |
| 3    | 4460539     | 1   | Plug, Male - 3 Position         |     |
| 3    | 4460944     | 3   | Socket, Female                  |     |
| 4    | 4460836     | 1   | Connector - 12 Position         |     |
| 4    | 1001157890  | 4   | Terminal                        |     |
| 4    | 4460465     | 5   | Socket, Female                  |     |
| 4    | 4460942     | 1   | Terminal                        |     |
| 4    | 4460944     | 2   | Socket, Female                  |     |

Go to Discount-Equipment.com to order your parts

# SECTION 8 - ELECTRICAL

## FIGURE 8-25. GENERATOR HARNESS



ART\_1001192024

## SECTION 8 - ELECTRICAL

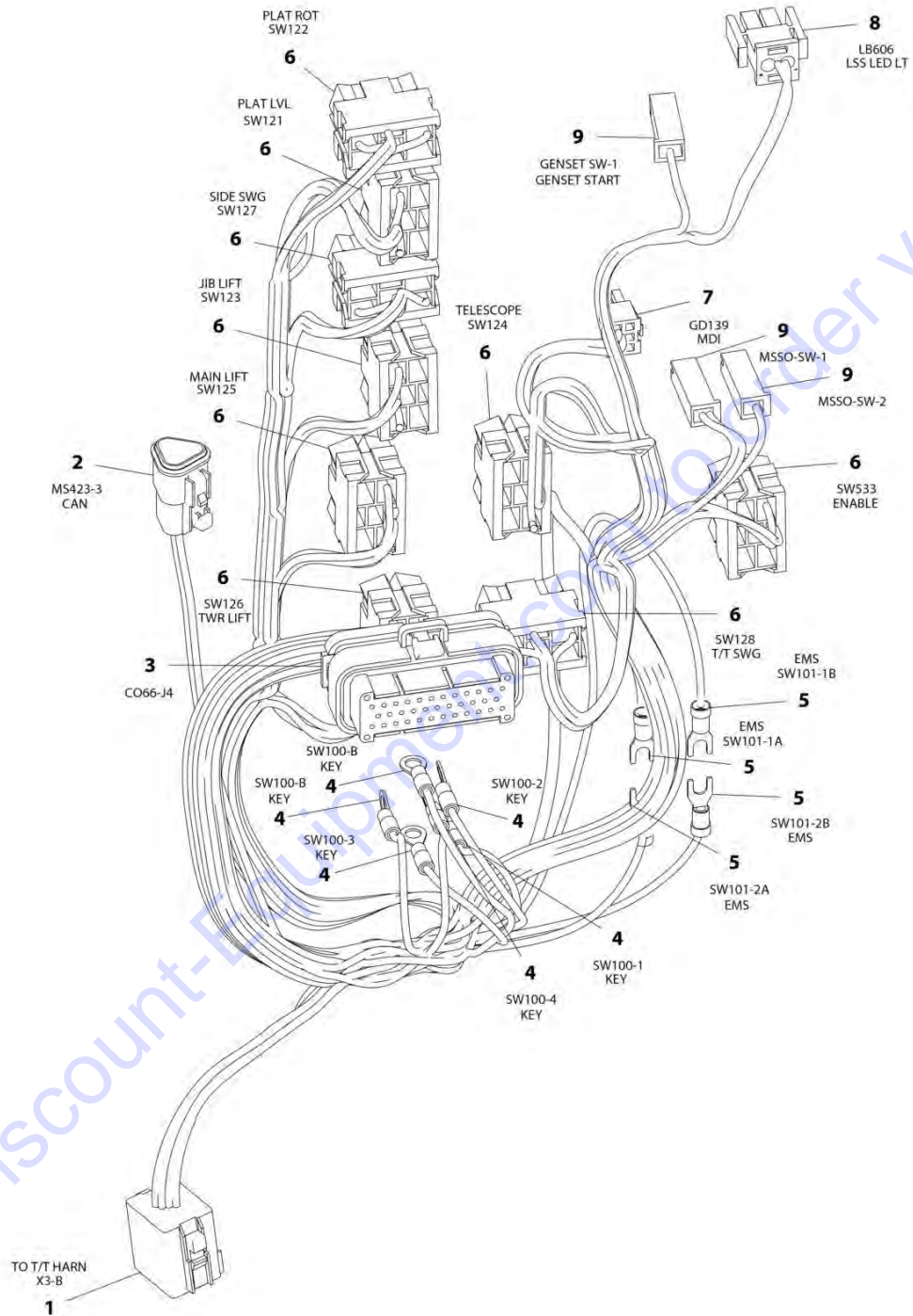
### FIGURE 8-25. GENERATOR HARNESS

| ITEM | PART NUMBER | QTY | DESCRIPTION                     | REV |
|------|-------------|-----|---------------------------------|-----|
|      | 1001192024  | Ref | GENERATOR HARNESS               | C   |
| 1    | 4460260     | 1   | Housing, Terminal               |     |
| 1    | 4460259     | 1   | Terminal                        |     |
| 2    | 4460320     | 1   | Plug, Male - 2 Position         |     |
| 2    | 4460227     | 2   | Pin, Male                       |     |
| 3    | 4460225     | 1   | Connector - 6 Position          |     |
| 3    | 4460267     | 5   | Pin, Male                       |     |
| 4    | 3740080     | 2   | Relay                           |     |
| 4    | 4460374     | 2   | Plug, Relay                     |     |
| 4    | 1001116733  | 8   | Terminal                        |     |
| 4    | 1001128128  | 2   | Plug, Terminal                  |     |
| 5    | 4460465     | 1   | Socket, Female                  |     |
| 6    | 4460464     | 1   | Pin, Male                       |     |
| 7    | 4460897     | 1   | Receptacle, Female - 2 Position |     |
| 7    | 4460464     | 1   | Pin, Male                       |     |
| 7    | 4460466     | 1   | Plug, Terminal                  |     |

Go to Discount-Equipment.com to order your parts

# SECTION 8 - ELECTRICAL

## FIGURE 8-26. GROUND CONTROL PANEL HARNESS



ART\_1001179991

## SECTION 8 - ELECTRICAL

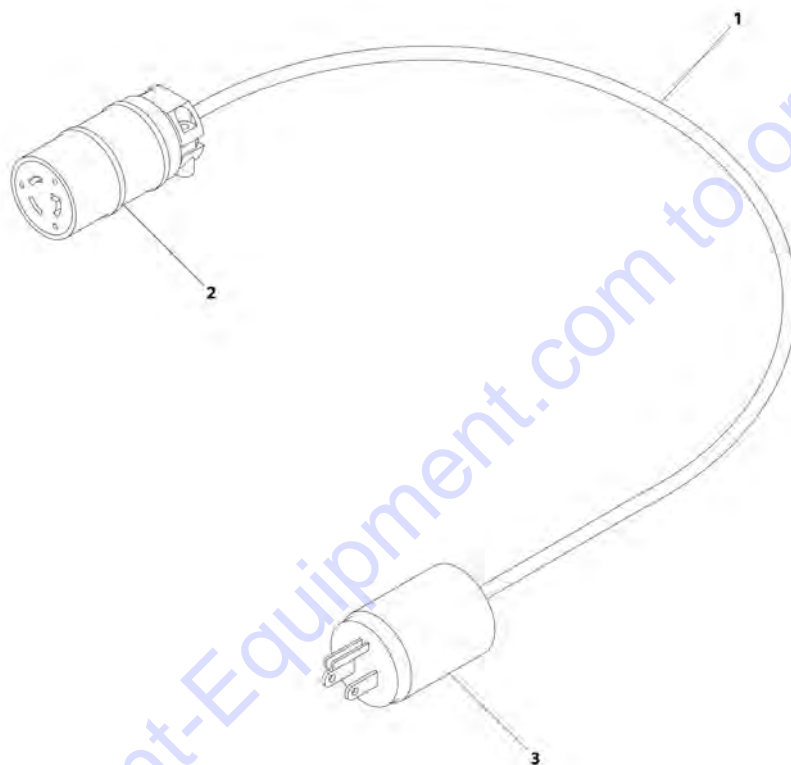
**FIGURE 8-26. GROUND CONTROL PANEL HARNESS**

| ITEM | PART NUMBER | QTY | DESCRIPTION                  | REV |
|------|-------------|-----|------------------------------|-----|
|      | 1001179991  | Ref | GROUND CONTROL PANEL HARNESS | 1   |
| 1    | 4460851     | 1   | Connector - 8 Position       |     |
| 2    | 1001157890  | 1   | Socket, Female               |     |
| 4    | 1001116692  | 1   | Socket, Female               |     |
| 1    | 4460465     | 1   | Socket, Female               |     |
| 1    | 4460466     | 1   | Plug, Terminal               |     |
| 2    | 1001116812  | 1   | Plug, Male - 3 Position      |     |
| 2    | 4460944     | 2   | Socket, Female               |     |
| 2    | 4460466     | 1   | Plug, Terminal               |     |
| 3    | 4460876     | 1   | Connector - 35 Position      |     |
| 3    | 4460871     | 23  | Socket, Female               |     |
| 3    | 4460905     | 12  | Plug, Terminal               |     |
| 4    | 4460313     | 6   | Terminal, Ring               |     |
| 5    | 4460806     | 4   | Terminal, Fork               |     |
| 6    | 4460418     | 9   | Connector - 6 Position       |     |
| 6    | 4460419     | 18  | Terminal                     |     |
| 6    | 1001159186  | 17  | Terminal                     |     |
| 7    | 4460868     | 1   | Plug, Male - 6 Position      |     |
| 7    | 4460877     | 4   | Terminal                     |     |
| 8    | 4460320     | 1   | Plug, Male - 2 Position      |     |
| 8    | 4460227     | 2   | Pin, Male                    |     |
| 9    | 4460260     | 3   | Housing, Terminal            |     |
| 9    | 4460259     | 3   | Terminal                     |     |

Go to Discount-Equipment.com to order your parts

## SECTION 8 - ELECTRICAL

FIGURE 8-27. INVERTER HARNESS



ART\_1001182296



## SECTION 8 - ELECTRICAL

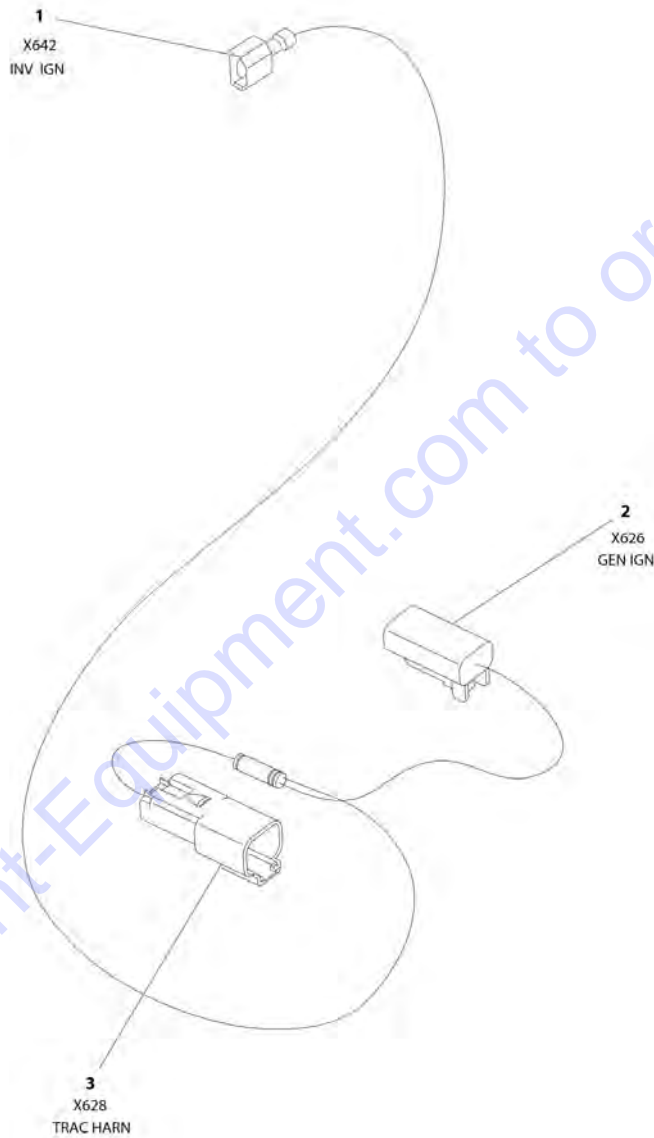
### FIGURE 8-27. INVERTER HARNESS

| ITEM | PART NUMBER           | QTY                     | DESCRIPTION                                | REV |
|------|-----------------------|-------------------------|--|-----|
| 1    | 1001182296<br>1060494 | Ref<br>115 in<br>/292cm | INVERTER HARNESS<br>Cable, Electrical 12/3 | A   |
| 2    | 4460134               | 1                       | Connector, Female                          |     |
| 3    | 4460138               | 1                       | Plug, Connector                            |     |

Go to Discount-Equipment.com to order your parts

# SECTION 8 - ELECTRICAL

## FIGURE 8-28. INVERTER IGNITION HARNESS



ART\_1001192293

## SECTION 8 - ELECTRICAL

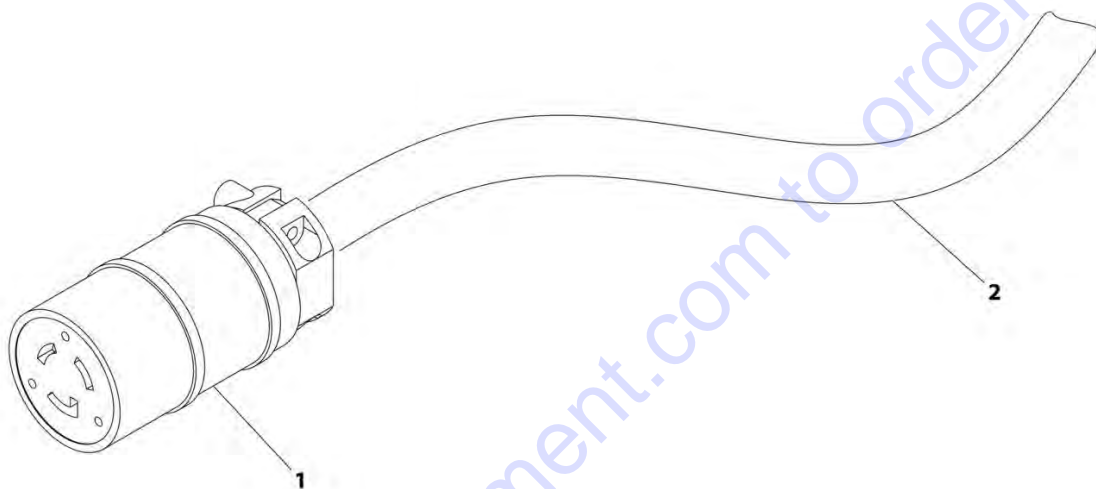
**FIGURE 8-28. INVERTER IGNITION HARNESS**

| ITEM | PART NUMBER | QTY | DESCRIPTION                     | REV |
|------|-------------|-----|---------------------------------|-----|
|      | 1001192293  | Ref | INVERTER IGNITION HARNESS       | C   |
| 1    | 1001193545  | 1   | Terminal                        |     |
| 2    | 4460891     | 1   | Plug, Male - 2 Position         |     |
| 2    | 4460465     | 1   | Socket, Female                  |     |
| 2    | 4460466     | 1   | Plug, Terminal                  |     |
| 3    | 4460897     | 1   | Receptacle, Female - 2 Position |     |
| 3    | 4460464     | 1   | Pin, Male                       |     |
| 3    | 4460466     | 1   | Plug, Seal                      |     |

Go to Discount-Equipment.com to order your parts

## SECTION 8 - ELECTRICAL

FIGURE 8-29. LOWER BOOM 110V HARNESS ASSEMBLY



ART\_4922611

## SECTION 8 - ELECTRICAL

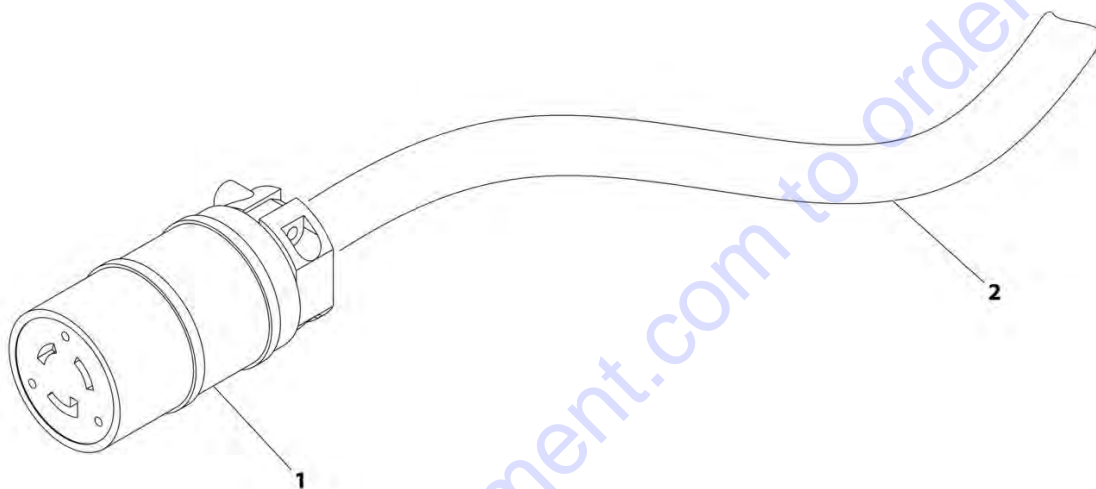
### FIGURE 8-29. LOWER BOOM 110V HARNESS ASSEMBLY

| ITEM | PART NUMBER | QTY              | DESCRIPTION                      | REV |
|------|-------------|------------------|----------------------------------|-----|
|      | 4922611     | Ref              | LOWER BOOM 110V HARNESS ASSEMBLY | 1   |
| 1    | 4460134     | 1                | Connector, Female                |     |
| 2    | 1060494     | 32.5 ft<br>/9.9m | Electrical Cable, 12/3           |     |

Go to Discount-Equipment.com to order your parts

## SECTION 8 - ELECTRICAL

FIGURE 8-30. LOWER BOOM 220V HARNESS ASSEMBLY - CE SPEC



ART\_4922609

## SECTION 8 - ELECTRICAL

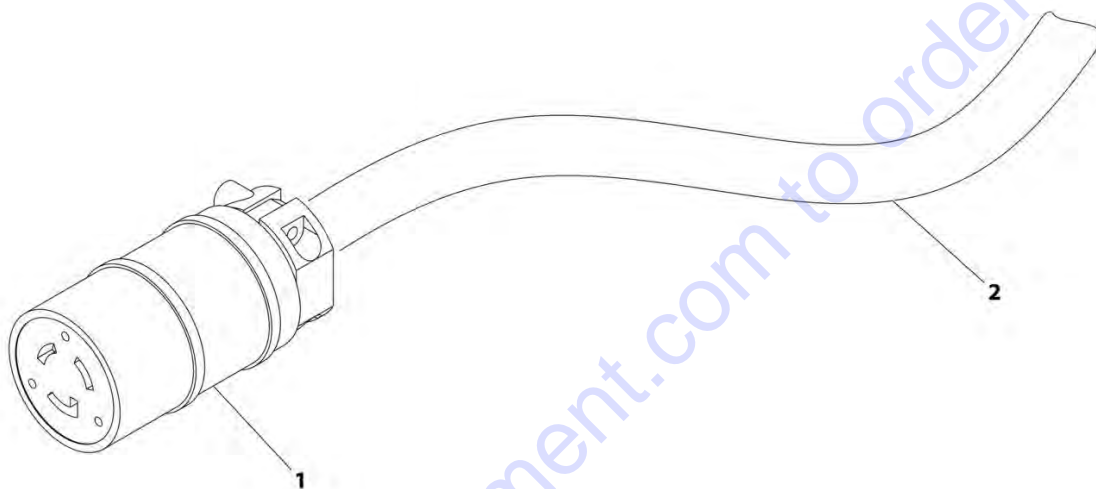
**FIGURE 8-30. LOWER BOOM 220V HARNESS ASSEMBLY - CE SPEC**

| ITEM | PART NUMBER | QTY             | DESCRIPTION                                | REV |
|------|-------------|-----------------|--|-----|
|      | 4922609     | Ref             | LOWER BOOM 220V HARNESS ASSEMBLY - CE SPEC | 1   |
| 1    | 4460710     | 1               | Connector, Female                          |     |
| 2    | 1060461     | 37 ft<br>/11.3m | Electrical Cable, 12/3                     |     |

Go to Discount-Equipment.com to order your parts

## SECTION 8 - ELECTRICAL

FIGURE 8-31. LOWER BOOM 220V HARNESS ASSEMBLY - CE SPEC



ART\_4922612



## SECTION 8 - ELECTRICAL

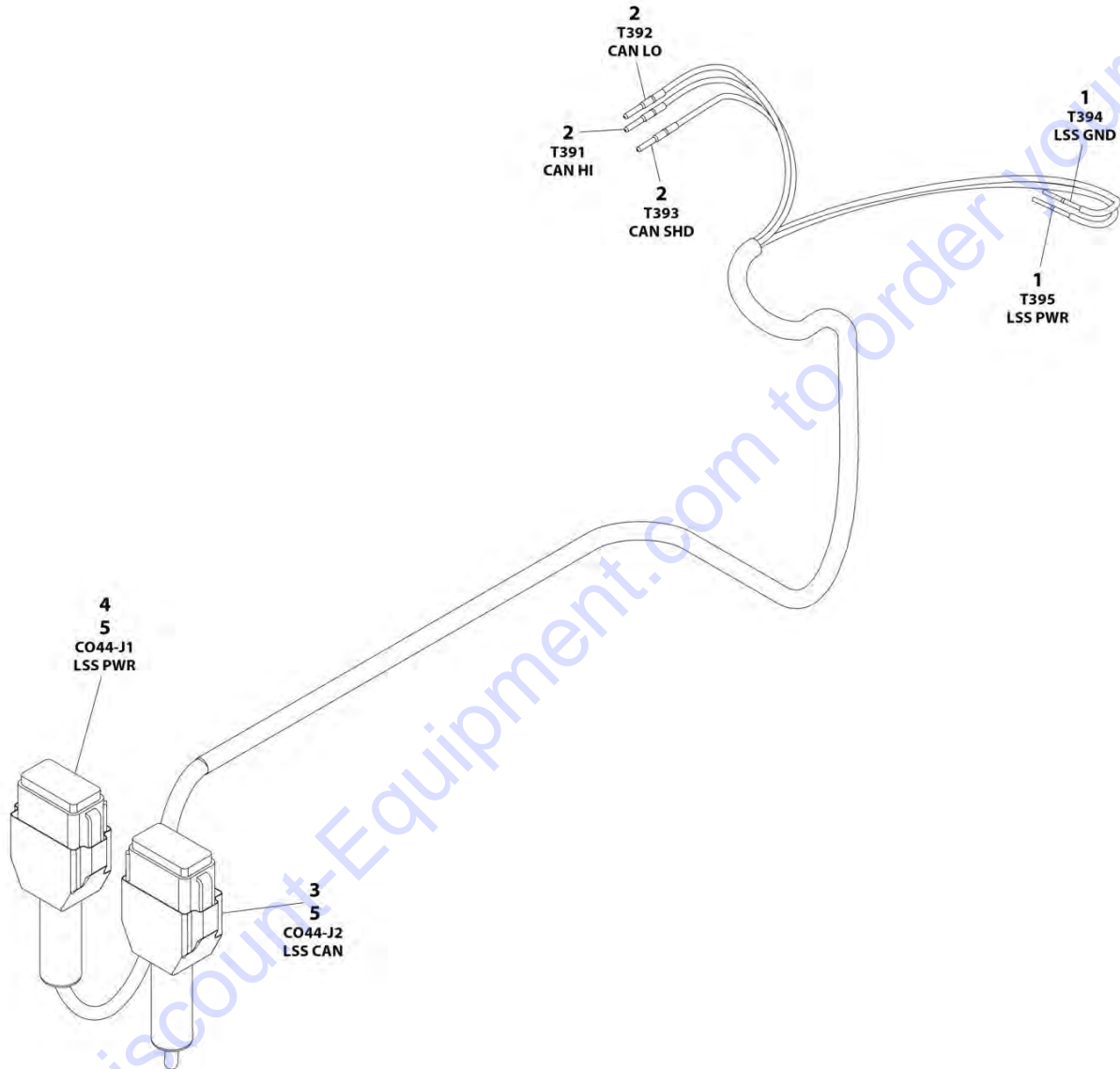
FIGURE 8-31. LOWER BOOM 220V HARNESS ASSEMBLY - CE SPEC

| ITEM | PART NUMBER | QTY              | DESCRIPTION                                | REV |
|------|-------------|------------------|--|-----|
|      | 4922612     | Ref              | LOWER BOOM 220V HARNESS ASSEMBLY - CE SPEC | 2   |
| 1    | 4460710     | 1                | Connector, Female                          |     |
| 2    | 1060461     | 32.5 ft<br>/9.9m | Electrical Cable, 12/3                     |     |

Go to Discount-Equipment.com to order your parts

# SECTION 8 - ELECTRICAL

## FIGURE 8-32. LLS SYSTEM HARNESS



ART\_1001192283

## SECTION 8 - ELECTRICAL

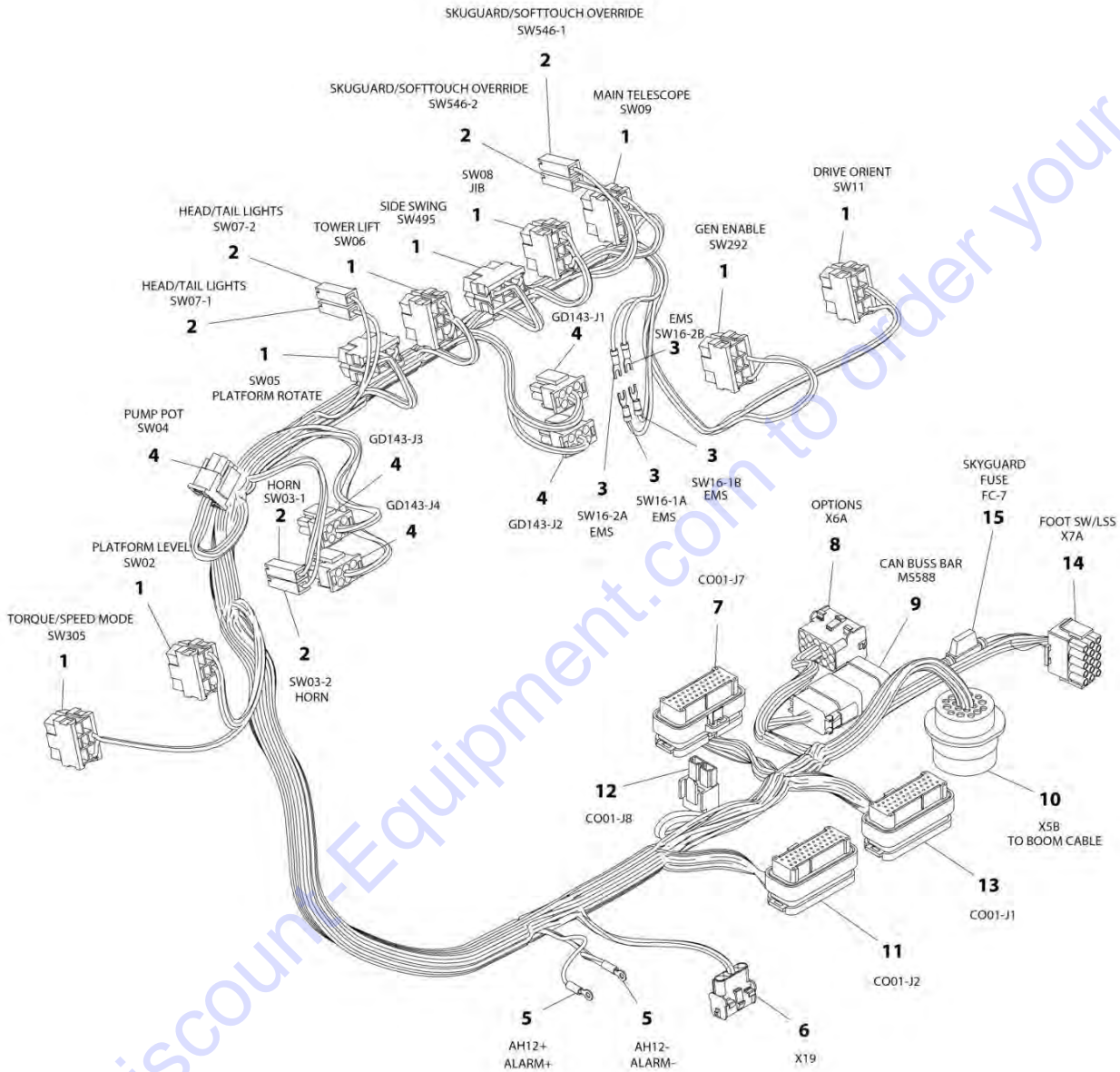
### FIGURE 8-32. LLS SYSTEM HARNESS

| ITEM | PART NUMBER | QTY | DESCRIPTION              | REV |
|------|-------------|-----|--------------------------|-----|
|      | 1001192283  | Ref | LSS SYSTEM HARNESS       | B   |
| 1    | 4460226     | 2   | Socket, Female           |     |
| 2    | 4460227     | 3   | Pin, Male                |     |
| 3    | 4460836     | 1   | Plug, Male - 12 Position |     |
| 3    | 4460944     | 2   | Socket, Female           |     |
| 3    | 4460466     | 10  | Plug, Terminal           |     |
| 3    | 1001174455  | 1   | Boot                     |     |
| 4    | 4460933     | 1   | Plug, Male - 12 Position |     |
| 4    | 4460465     | 2   | Socket, Female           |     |
| 4    | 4460466     | 10  | Plug, Terminal           |     |
| 4    | 1001174455  | 1   | Boot                     |     |
| 5    | 2820030     | AR  | Heat Shrink              |     |

Go to Discount-Equipment.com to order your parts

# SECTION 8 - ELECTRICAL

FIGURE 8-33. PLATFORM CONSOLE HARNESS - WITHOUT LSS OR WITH 4 CELL LSS



ART\_1001191318

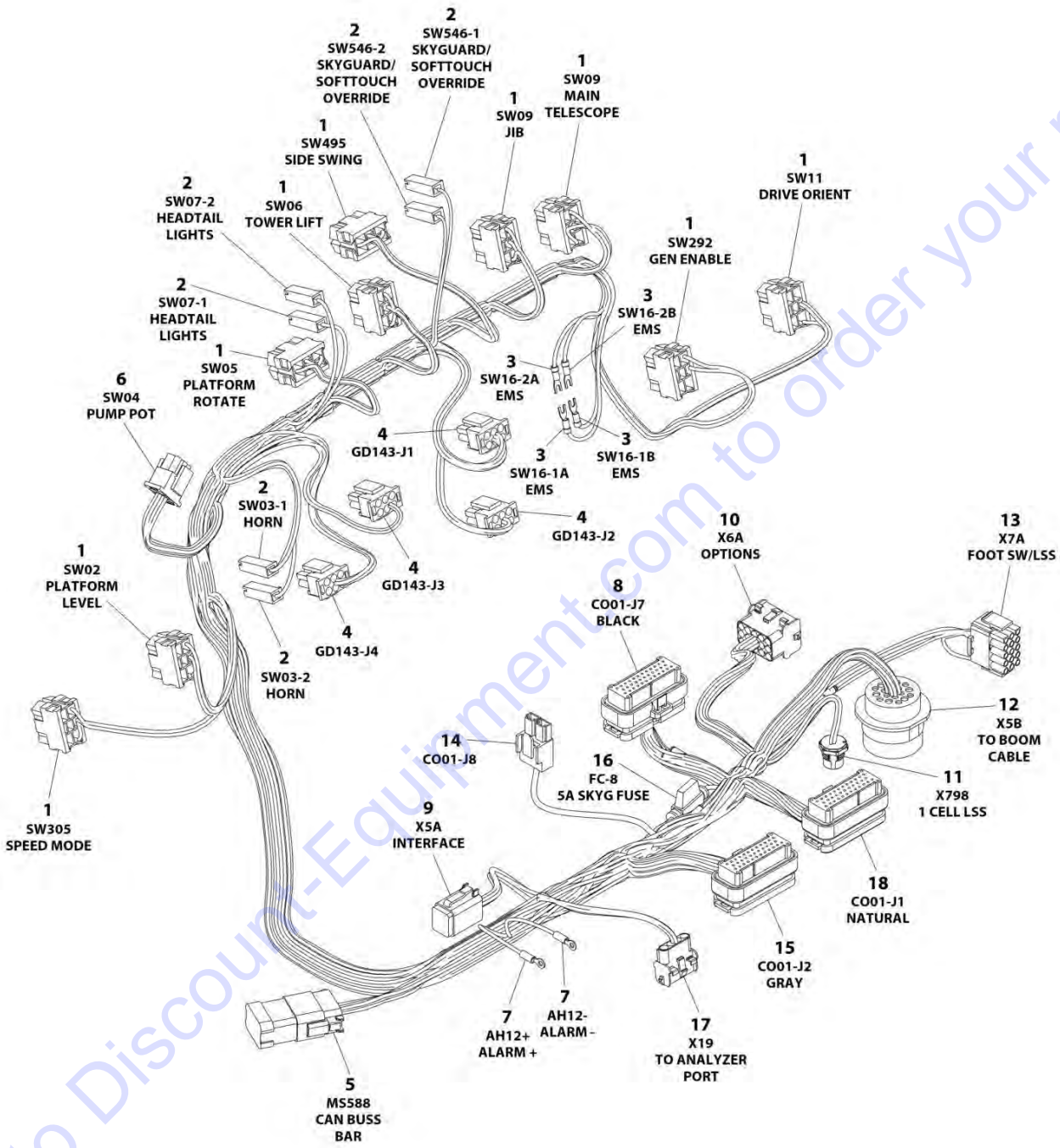
## SECTION 8 - ELECTRICAL

**FIGURE 8-33. PLATFORM CONSOLE HARNESS - WITHOUT LSS OR WITH 4 CELL LSS**

| ITEM | PART NUMBER | QTY | DESCRIPTION   | REV |
|------|-------------|-----|---|-----|
|      | 1001191318  | Ref | PLATFORM CONSOLE HARNESS - WITHOUT LSS OR WITH 4 CELL LSS | I   |
| 1    | 4460418     | 9   | Connector - 6 Position                                    |     |
| 1    | 4460419     | 14  | Terminal  |     |
| 1    | 1001159186  | 17  | Terminal  |     |
| 2    | 4460260     | 6   | Housing, Terminal   |     |
| 2    | 4460259     | 6   | Terminal  |     |
| 3    | 4460888     | 4   | Terminal, Fork  |     |
| 4    | 4460225     | 5   | Connector - 6 Position                                    |     |
| 4    | 4460226     | 14  | Socket, Female  |     |
| 4    | 4460267     | 6   | Pin, Male   |     |
| 5    | 1001098122  | 2   | Terminal, Ring  |     |
| 6    | 4460761     | 1   | Receptacle, Female - 4 Position                           |     |
| 6    | 4460227     | 4   | Pin, Male   |     |
| 7    | 4460873     | 1   | Connector - 35 Position                                   |     |
| 7    | 4460871     | 21  | Socket, Female  |     |
| 7    | 4460905     | 14  | Plug, Terminal  |     |
| 8    | 4460708     | 1   | Connector - 15 Position                                   |     |
| 8    | 4460226     | 12  | Socket, Female  |     |
| 9    | 4460930     | 1   | Plug, Male - 8 Position                                   |     |
| 9    | 4460465     | 6   | Socket, Female  |     |
| 9    | 4460466     | 2   | Plug, Terminal  |     |
| 10   | 4460866     | 1   | Connector - 19 Position                                   |     |
| 10   | 4460464     | 10  | Pin, Male   |     |
| 10   | 4460508     | 2   | Pin, Male   |     |
| 10   | 4460466     | 7   | Plug, Terminal  |     |
| 11   | 4460875     | 1   | Connector - 35 Position                                   |     |
| 11   | 4460871     | 24  | Socket, Female  |     |
| 11   | 4460905     | 12  | Plug, Terminal  |     |
| 12   | 4460879     | 1   | Plug, Male - 2 Position                                   |     |
| 12   | 4460887     | 2   | Terminal  |     |
| 13   | 4460874     | 1   | Connector - 35 Position                                   |     |
| 13   | 4460871     | 24  | Socket, Female  |     |
| 13   | 4460905     | 11  | Plug, Terminal  |     |
| 14   | 4460434     | 1   | Plug, Male - 15 Position                                  |     |
| 14   | 4460227     | 13  | Pin, Male   |     |
| 15   | 2400060     | 1   | Fuseholder with Cover                                     |     |
| 15   | 8229242     | 1   | Fuse - 5Amp   |     |

# SECTION 8 - ELECTRICAL

FIGURE 8-34. PLATFORM CONSOLE HARNESS - WITH 1 CELL LSS



Go to Discount-Equipment.com to order your parts

ART\_1001217621

## SECTION 8 - ELECTRICAL

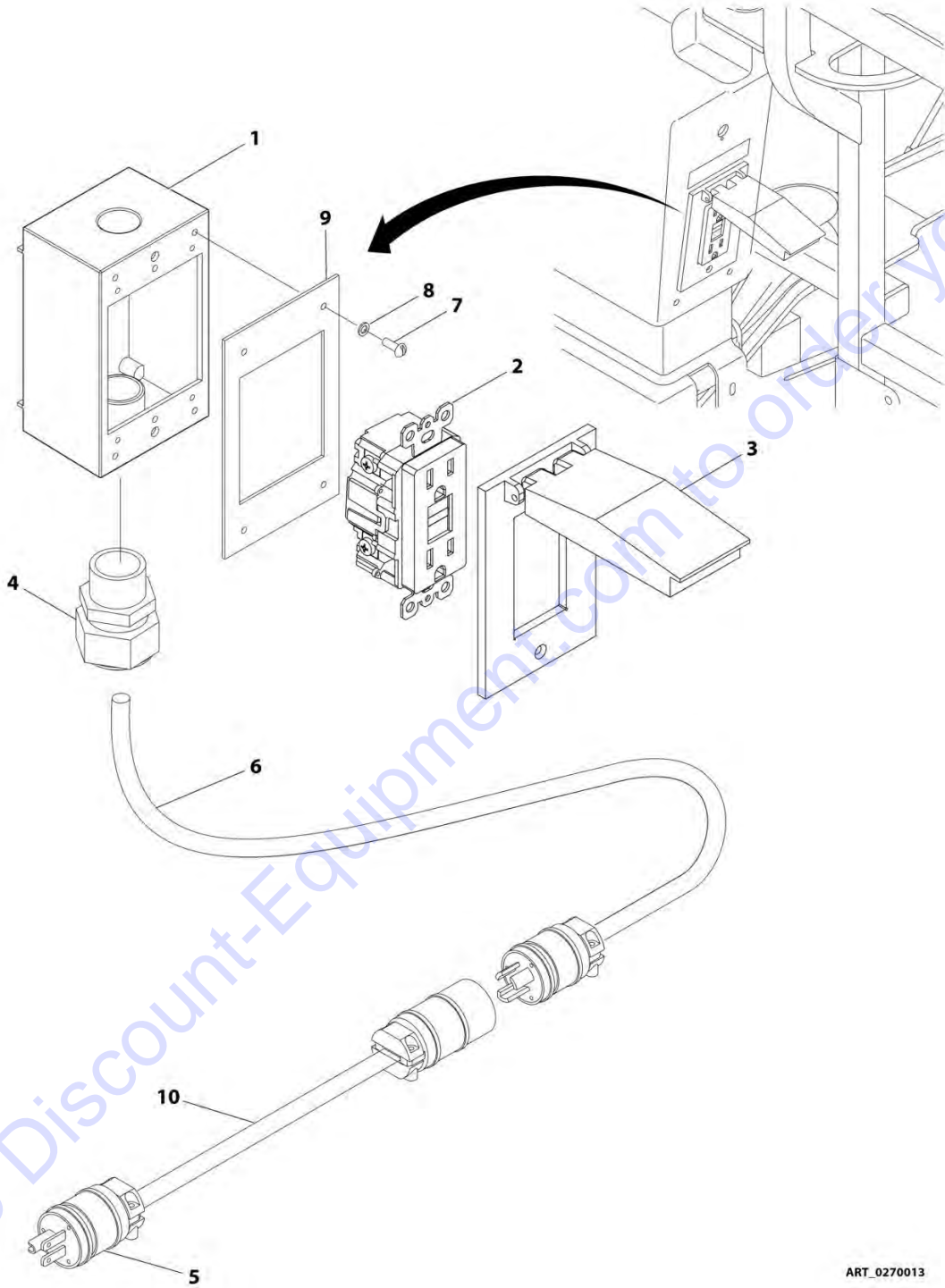
**FIGURE 8-34. PLATFORM CONSOLE HARNESS - WITH 1 CELL LSS**

| ITEM | PART NUMBER | QTY | DESCRIPTION                                | REV |
|------|-------------|-----|--|-----|
|      | 1001217621  | Ref | PLATFORM CONSOLE HARNESS - WITH 1 CELL LSS | D   |
| 1    | 4460418     | 9   | Connector - 6 Position                     |     |
| 1    | 4460419     | 15  | Terminal                                   |     |
| 1    | 1001159186  | 17  | Terminal                                   |     |
| 2    | 4460260     | 6   | Housing, Terminal                          |     |
| 2    | 4460259     | 8   | Terminal                                   |     |
| 3    | 4460888     | 4   | Terminal, Fork                             |     |
| 4    | 4460225     | 4   | Connector - 6 Position                     |     |
| 4    | 4460226     | 15  | Socket, Female                             |     |
| 5    | 4460930     | 1   | Plug, Male - 8 Position                    |     |
| 5    | 4460465     | 6   | Socket, Female                             |     |
| 5    | 4460466     | 2   | Plug, Terminal                             |     |
| 6    | 4460224     | 1   | Plug, Male - 6 Position                    |     |
| 6    | 4460267     | 7   | Pin, Male                                  |     |
| 7    | 1001098122  | 2   | Terminal, Ring                             |     |
| 8    | 4460873     | 1   | Connector - 35 Position                    |     |
| 8    | 4460871     | 23  | Socket, Female                             |     |
| 8    | 4460905     | 13  | Plug, Terminal                             |     |
| 9    | 4460894     | 1   | Plug, Male - 6 Position                    |     |
| 9    | 4460465     | 6   | Socket, Female                             |     |
| 10   | 4460708     | 1   | Connector - 15 Position                    |     |
| 10   | 4460226     | 12  | Socket, Female                             |     |
| 11   | 1001213447  | 1   | Connector, Female - 5 Position             |     |
| 12   | 4460866     | 1   | Connector - 19 Position                    |     |
| 12   | 4460466     | 7   | Plug, Terminal                             |     |
| 12   | 4460464     | 10  | Pin, Male                                  |     |
| 12   | 4460508     | 2   | Pin, Male                                  |     |
| 13   | 4460434     | 1   | Plug, Male - 15 Position                   |     |
| 13   | 4460227     | 9   | Pin, Male                                  |     |
| 14   | 4460879     | 1   | Plug, Male - 2 Position                    |     |
| 14   | 4460887     | 2   | Terminal                                   |     |
| 15   | 4460875     | 1   | Connector - 35 Position                    |     |
| 15   | 4460905     | 13  | Plug, Terminal                             |     |
| 15   | 4460871     | 22  | Socket, Female                             |     |
| 16   | 2400060     | 1   | Holder, Fuse                               |     |
| 16   | 8229242     | 1   | Fuse - 5Amp                                |     |
| 17   | 4460761     | 1   | Receptacle, Female - 4 Position            |     |
| 17   | 4460227     | 4   | Pin, Male                                  |     |
| 18   | 4460874     | 1   | Connector - 35 Position                    |     |
| 18   | 4460871     | 24  | Socket, Female                             |     |
| 18   | 4460905     | 11  | Plug, Terminal                             |     |



# SECTION 8 - ELECTRICAL

## FIGURE 8-35. PLUG AND RECEPTACLE INSTALLATION - 110V



ART\_0270013



## SECTION 8 - ELECTRICAL

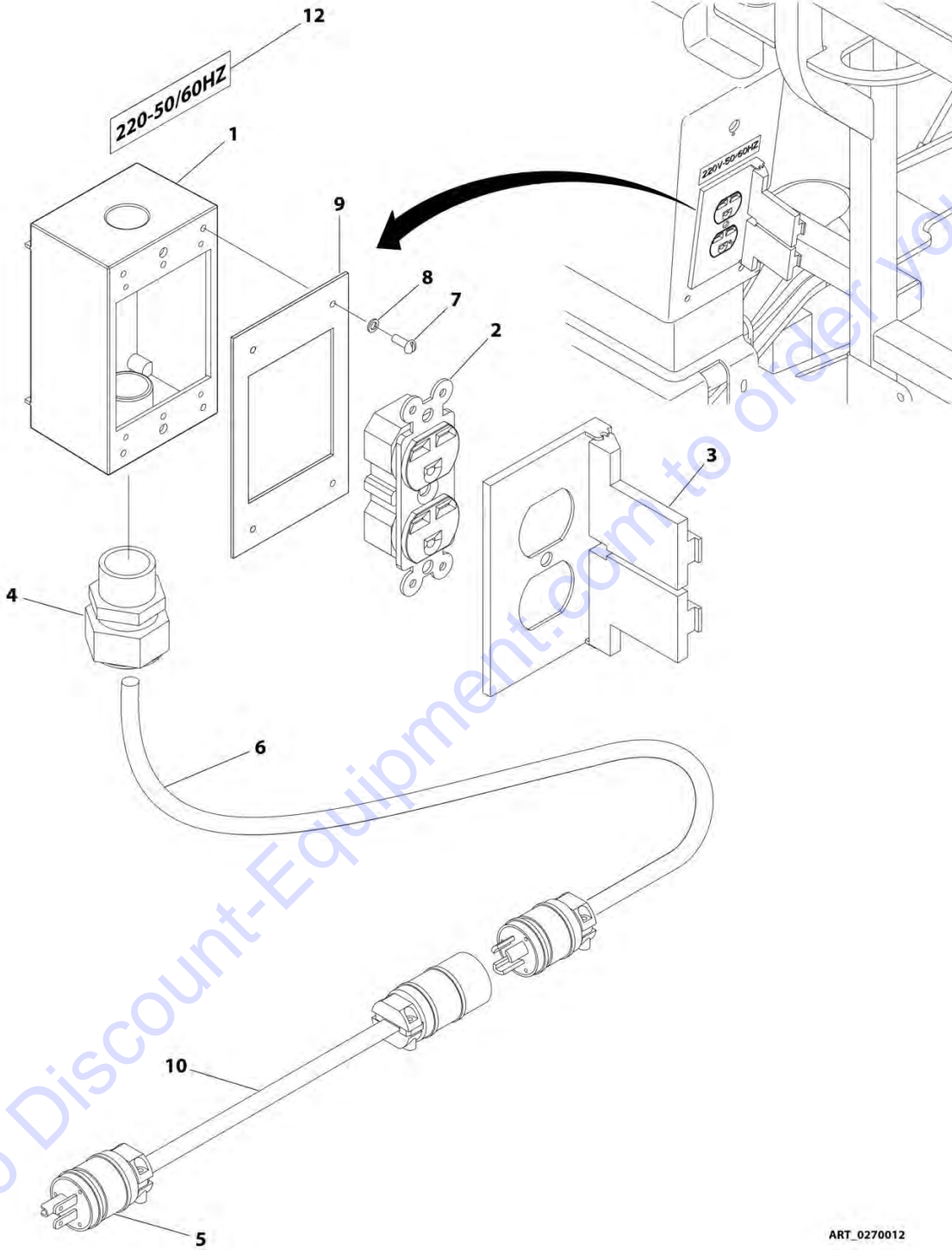
**FIGURE 8-35. PLUG AND RECEPTACLE INSTALLATION - 110V**

| ITEM | PART NUMBER | QTY | DESCRIPTION   | REV |
|------|-------------|-----|---|-----|
|      | 0270013     | Ref | PLUG AND RECEPTACLE INSTALLATION - 110V   | 5   |
| 1    | 0860038     | 1   | Box, Switch   |     |
| 2    | 4460346     | 1   | Receptacle  |     |
| 3    | 1001110873  | 1   | Shield, Cover   |     |
| 4    | 4460071     | 1   | Connector, Strain Relief  |     |
| 5    | 4460205     | 1   | Plug, Male  |     |
| 6    | 4922608     | 1   | Main Boom 110V Harness Assembly (See MAIN BOOM 110V HARNESS ASSEMBLY for Breakdown)   |     |
| 7    | 3910610     | 4   | Screw, Self-tapping, #6-32 x 5/8  |     |
| 8    | 4760600     | 4   | Washer, #6  |     |
| 9    | 3960422     | 1   | Gasket  |     |
| 10   | 4922611     | 1   | Lower Boom 110V Harness Assembly (See LOWER BOOM 110V HARNESS ASSEMBLY for Breakdown) |     |

Go to Discount-Equipment.com to order your parts

# SECTION 8 - ELECTRICAL

## FIGURE 8-36. PLUG AND RECEPTACLE INSTALLATION - 220V



ART\_0270012

## SECTION 8 - ELECTRICAL

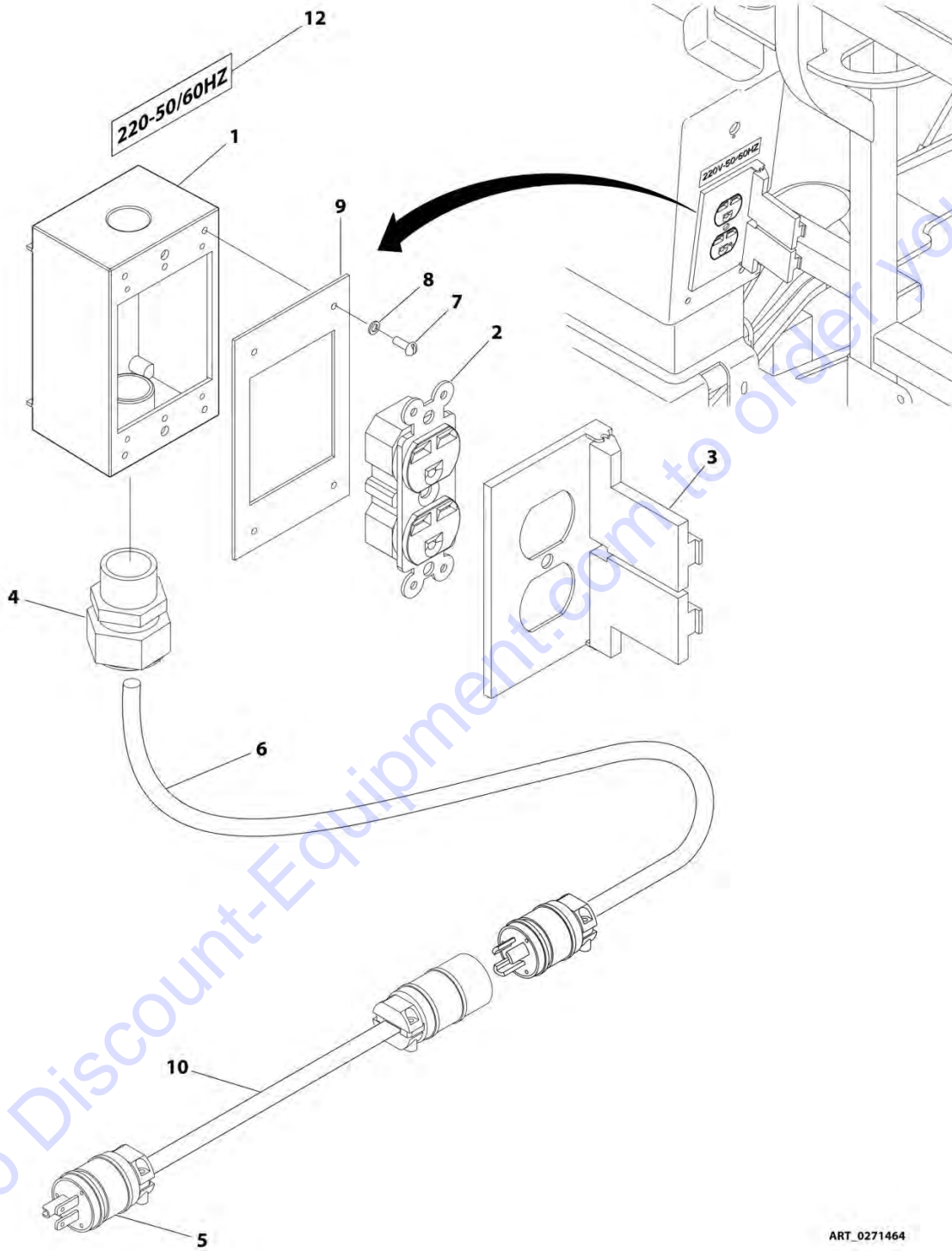
**FIGURE 8-36. PLUG AND RECEPTACLE INSTALLATION - 220V**

| ITEM | PART NUMBER | QTY | DESCRIPTION   | REV |
|------|-------------|-----|---|-----|
|      | 0270012     | Ref | PLUG AND RECEPTACLE INSTALLATION - 220V   | 4   |
| 1    | 0860038     | 1   | Box, Switch   |     |
| 2    | 4460125     | 1   | Receptacle  |     |
| 3    | 4060092     | 1   | Shield, Cover   |     |
| 4    | 4460071     | 1   | Connector, Strain Relief  |     |
| 5    | 4460233     | 1   | Plug, Male  |     |
| 6    | 4922608     | 1   | Main Boom 110V Harness Assembly (See MAIN BOOM 110V HARNESS ASSEMBLY for Breakdown)   |     |
| 7    | 3910610     | 4   | Screw, Self-tapping, #6-32 x 5/8  |     |
| 8    | 4760600     | 4   | Washer, #6  |     |
| 9    | 3960422     | 1   | Gasket  |     |
| 10   | 4922611     | 1   | Lower Boom 110V Harness Assembly (See LOWER BOOM 110V HARNESS ASSEMBLY for Breakdown) |     |
| 12   | 3252507     | 1   | Decal - 220V-50/60 Hz   |     |

Go to Discount-Equipment.com to order your parts

# SECTION 8 - ELECTRICAL

## FIGURE 8-37. PLUG AND RECEPTACLE INSTALLATION - SUPPLIED LOCALLY



ART\_0271464

## SECTION 8 - ELECTRICAL

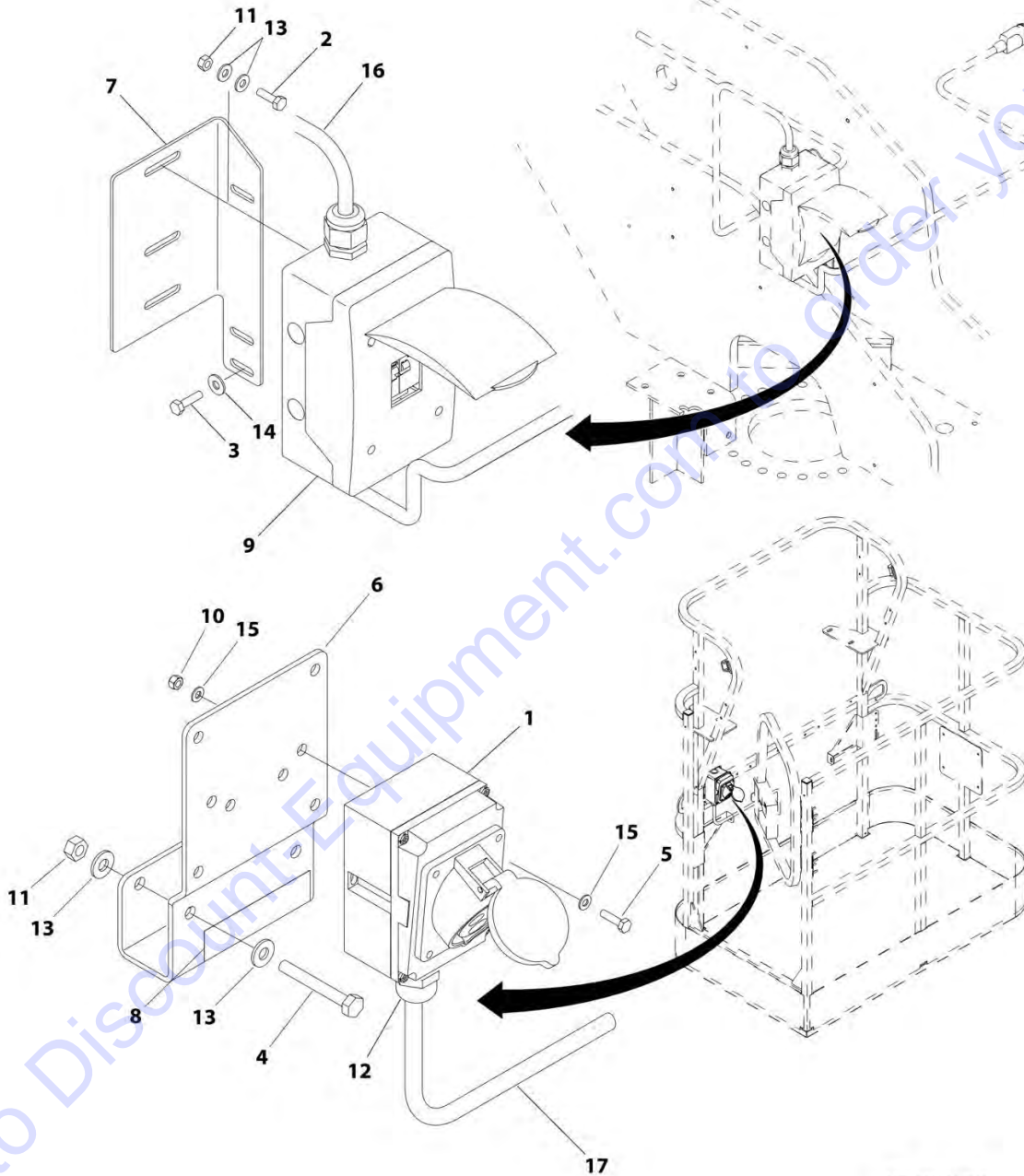
**FIGURE 8-37. PLUG AND RECEPTACLE INSTALLATION - SUPPLIED LOCALLY**

| ITEM | PART NUMBER | QTY | DESCRIPTION   | REV |
|------|-------------|-----|---|-----|
|      | 0271464     | Ref | PLUG AND RECEPTACLE INSTALLATION - SUPPLIED LOCALLY   | 2   |
| 1    | See Note    | 1   | Box, Switch (Note: Supplied Locally)  |     |
| 2    | See Note    | 1   | Receptacle (Note: Supplied Locally)   |     |
| 3    | See Note    | 1   | Shield, Cover (Note: Supplied Locally)  |     |
| 4    | See Note    | 1   | Connector, Strain Relief (Note: Supplied Locally)   |     |
| 5    | See Note    | 1   | Plug, Male (Note: Supplied Locally)   |     |
| 6    | 4922610     | 1   | Main Boom 220V Harness Assembly - CE Spec (See MAIN BOOM 220V HARNESS ASSEMBLY - CE SPEC for Breakdown)   |     |
| 7    | See Note    | 4   | Screw, Self-tapping, #6-32 x 5/8 (Note: Supplied Locally)   |     |
| 8    | See Note    | 4   | Washer, #6 (Note: Supplied Locally)   |     |
| 9    | See Note    | 1   | Gasket (Note: Supplied Locally)   |     |
| 10   | 4922612     | 1   | Lower Boom 220V Harness Assembly - CE Spec (See LOWER BOOM 220V HARNESS ASSEMBLY - CE SPEC for Breakdown) |     |
| 12   | See Note    | 1   | Decal - 220V-50/60Hz (Note: Supplied Locally)   |     |

Go to Discount-Equipment.com to order your parts

## SECTION 8 - ELECTRICAL

FIGURE 8-38. PLUG AND RECEPTACLE 110V INSTALLATION - IEC 60309 - YELLOW (CE SPEC)



ART\_1001166263

## SECTION 8 - ELECTRICAL

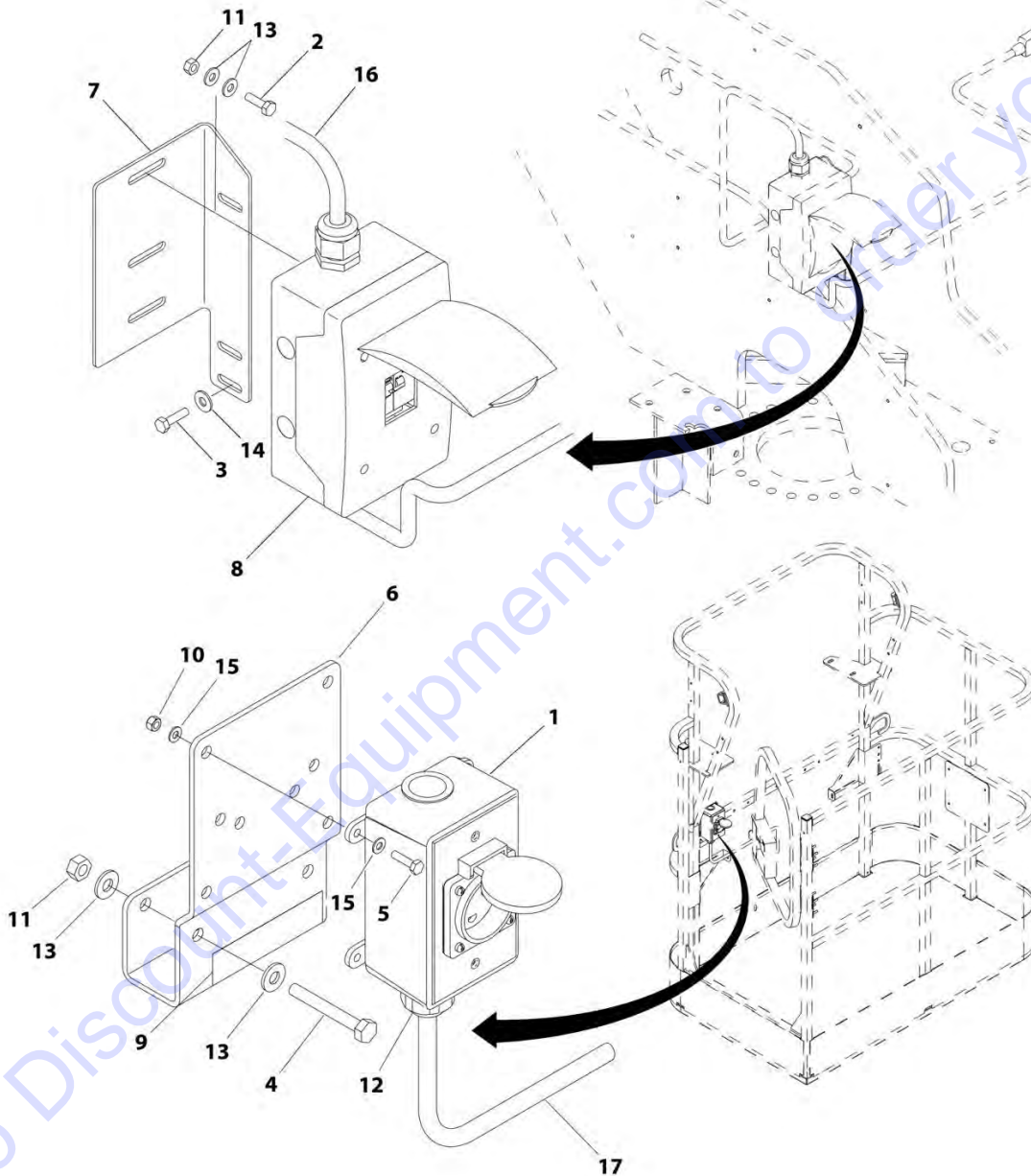
**FIGURE 8-38. PLUG AND RECEPTACLE 110V INSTALLATION - IEC 60309 - YELLOW (CE SPEC)**

| ITEM | PART NUMBER | QTY | DESCRIPTION   | REV |
|------|-------------|-----|---|-----|
|      | 1001166263  | Ref | PLUG AND RECEPTACLE 110V INSTALLATION - IEC 60309 - YELLOW (CE SPEC)  | C   |
| 1    | 0275216     | 1   | AC Plugs and Sockets Installation - CE Spec (See AC PLUGS AND SOCKETS INSTALLATION - CE SPEC for Breakdown) |     |
| 2    | 0641407     | 2   | Bolt, 1/4-20 x 7/8  |     |
| 3    | 0641408     | 2   | Bolt, 1/4-20 x 1  |     |
| 4    | 0641416     | 2   | Bolt, 1/4-20 x 2  |     |
| 5    | 0700408     | 2   | Bolt, M4 x 16   |     |
| 6    | 1001193018  | 1   | Bracket   |     |
| 7    | 1001178491  | 1   | Bracket   |     |
| 8    | 1705325     | 2   | Decal - 120V - 50 Hz  |     |
| 9    | 2902549     | 1   | Breaker Box Kit with One Breakers - CE Spec (See BREAKER BOX KIT WITH ONE BREAKERS CE SPEC for Breakdown)   |     |
| 10   | 3290405     | 2   | Nut, Lock, M4 x 0.7   |     |
| 11   | 3311405     | 4   | Nut, Lock, 1/4-20   |     |
| 12   | 4460968     | 1   | Connector, Strain Relief  |     |
| 13   | 4711400     | 8   | Washer, 1/4   |     |
| 14   | 4751400     | 2   | Washer, 1/4   |     |
| 15   | 4811400     | 4   | Washer, 4mm   |     |
| 16   | 4922609     | 1   | Lower Boom 220V Harness Assembly - CE Spec (See LOWER BOOM 220V HARNESS ASSEMBLY - CE SPEC for Breakdown)   |     |
| 17   | 4922610     | 1   | Main Boom 220V Harness Assembly - CE Spec (See MAIN BOOM 220V HARNESS ASSEMBLY - CE SPEC for Breakdown)     |     |



## SECTION 8 - ELECTRICAL

FIGURE 8-39. PLUG AND RECEPTACLE 220V INSTALLATION - AFSINT 107 KEYED GROUND - 2 X 4 BOX (CE SPEC)



ART\_1001166259



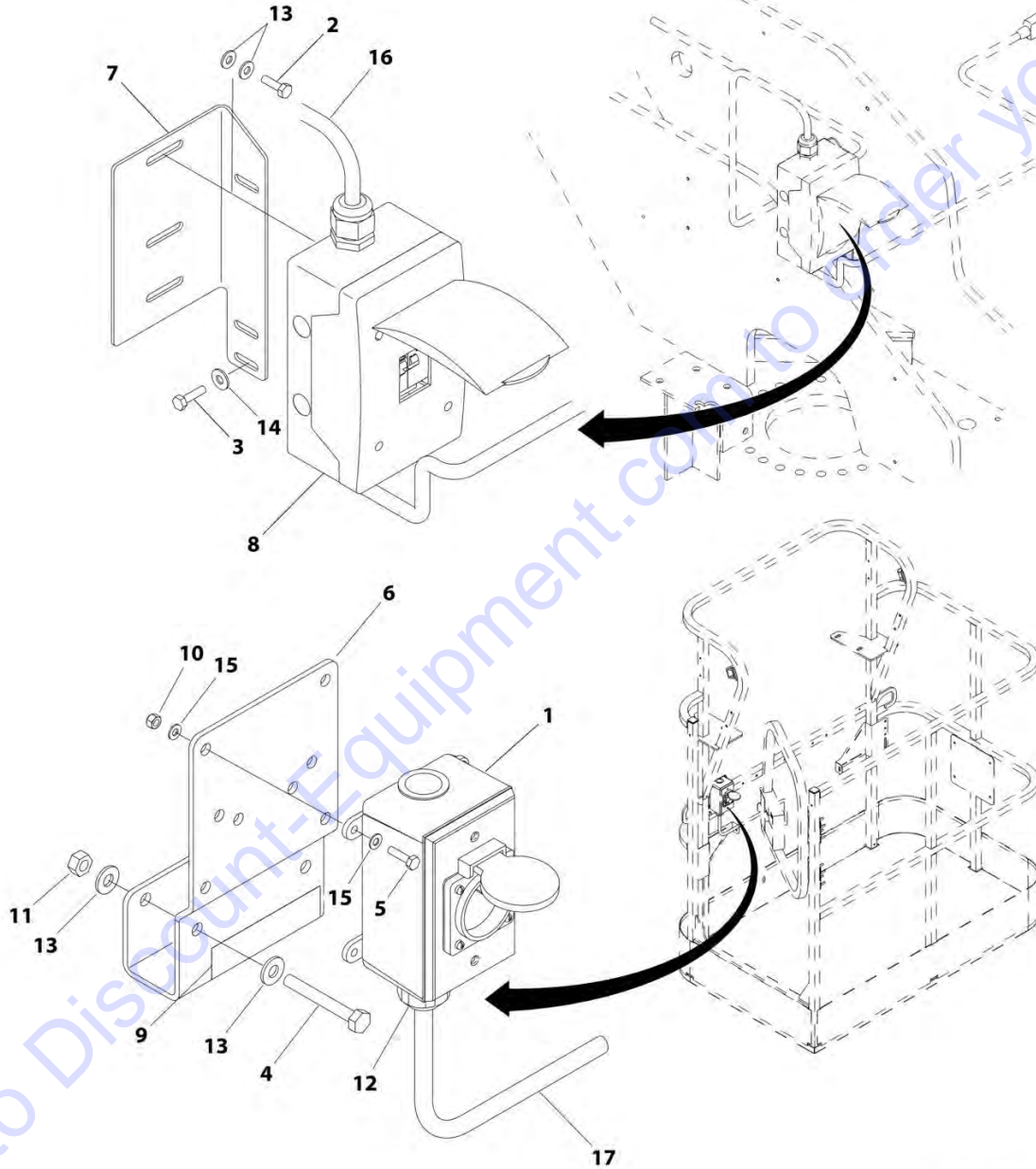
## SECTION 8 - ELECTRICAL

**FIGURE 8-39. PLUG AND RECEPTACLE 220V INSTALLATION - AFSINT 107 KEYED GROUND - 2 X 4 BOX (CE SPEC)**

| ITEM | PART NUMBER | QTY | DESCRIPTION   | REV |
|------|-------------|-----|---|-----|
|      | 1001166259  | Ref | PLUG AND RECEPTACLE 220V INSTALLATION - AFSINT 107 KEYED GROUND - 2 X 4 BOX (CE SPEC)                       | C   |
| 1    | 0275454     | 1   | AC Plugs and Sockets Installation - CE Spec (See AC PLUGS AND SOCKETS INSTALLATION - CE SPEC for Breakdown) |     |
| 2    | 0641407     | 2   | Bolt, 1/4-20 x 7/8  |     |
| 3    | 0641408     | 2   | Bolt, 1/4-20- x 1   |     |
| 4    | 0641416     | 2   | Bolt, 1/4-20 x 2  |     |
| 5    | 0700408     | 4   | Bolt, M4 x 16   |     |
| 6    | 1001193018  | 1   | Bracket   |     |
| 7    | 1001178491  | 1   | Bracket   |     |
| 8    | 2902549     | 1   | Breaker Box Kit with One Breakers - CE Spec (See BREAKER BOX KIT WITH ONE BREAKERS - CE SPEC for Breakdown) |     |
| 9    | 3252507     | 2   | Decal - 220V - 50/60 Hz   |     |
| 10   | 3290405     | 4   | Nut, Lock, M4 x 0.7   |     |
| 11   | 3311405     | 4   | Nut, Lock, 1/4-20   |     |
| 12   | 4460662     | 1   | Connector, Strain Relief  |     |
| 13   | 4711400     | 8   | Washer, 1/4   |     |
| 14   | 4751400     | 2   | Washer, 1/4   |     |
| 15   | 4811400     | 8   | Washer, 4mm   |     |
| 16   | 4922609     | 1   | Lower Boom 220V Harness Assembly - CE Spec (See LOWER BOOM 220V HARNESS ASSEMBLY - CE SPEC for Breakdown)   |     |
| 17   | 4922610     | 1   | Main Boom 220V Harness Assembly - CE Spec (See MAIN BOOM 220V HARNESS ASSEMBLY - CE SPEC for Breakdown)     |     |

# SECTION 8 - ELECTRICAL

FIGURE 8-40. PLUG AND RECEPTACLE 220V INSTALLATION - CEE7 POST GROUND - 2 X 4 BOX (CE SPEC)



ART\_1001166251

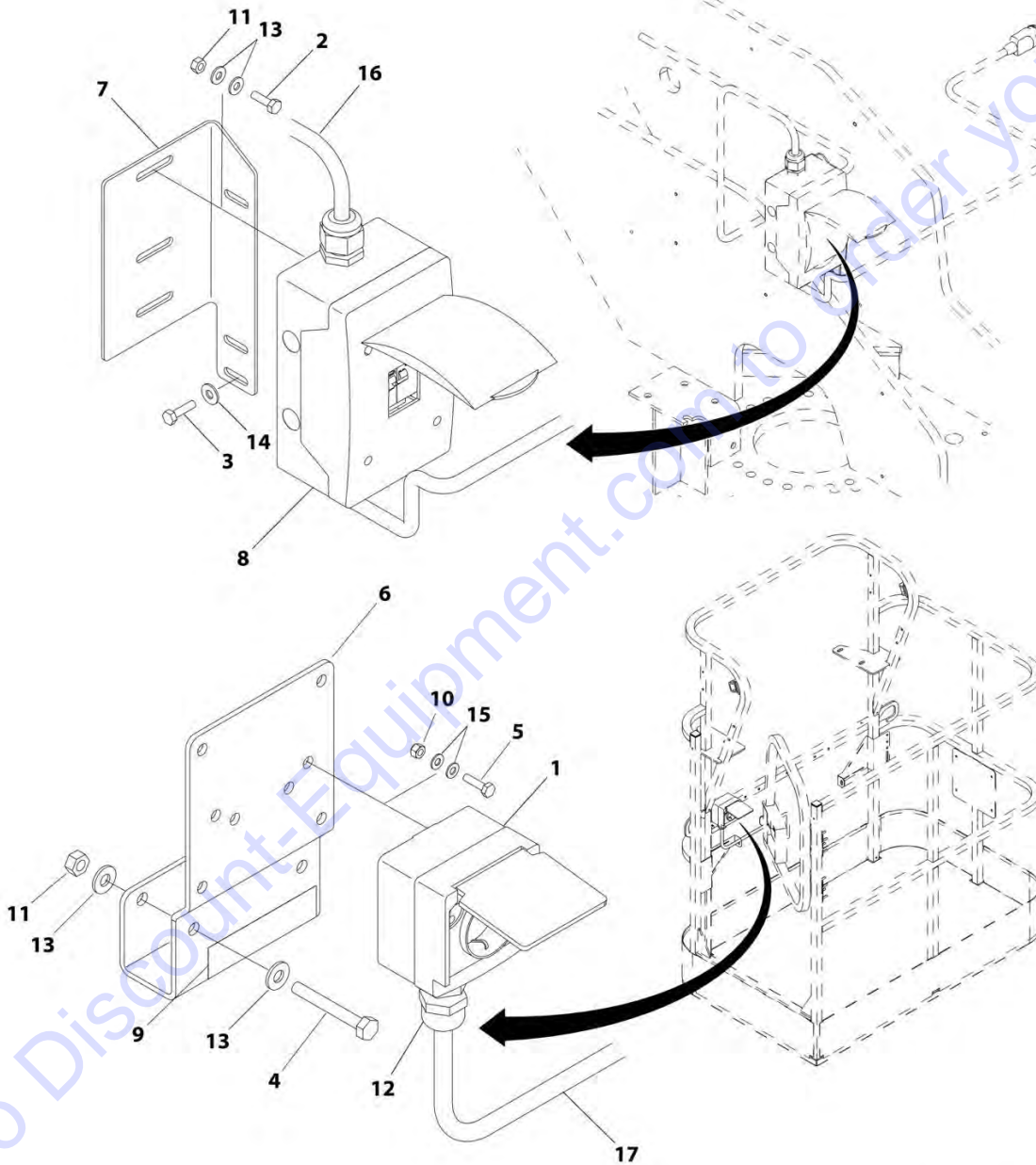
## SECTION 8 - ELECTRICAL

**FIGURE 8-40. PLUG AND RECEPTACLE 220V INSTALLATION - CEE7 POST GROUND - 2 X 4 BOX (CE SPEC)**

| ITEM | PART NUMBER | QTY | DESCRIPTION   | REV |
|------|-------------|-----|---|-----|
|      | 1001166251  | Ref | PLUG AND RECEPTACLE 220V INSTALLATION - CEE7 POST GROUND - 2 X 4 BOX (CE SPEC)                              | C   |
| 1    | 0275452     | 1   | AC Plugs and Sockets Installation - CE Spec (See AC PLUGS AND SOCKETS INSTALLATION - CE SPEC for Breakdown) |     |
| 2    | 0641407     | 2   | Bolt, 1/4-20 x 7/8  |     |
| 3    | 0641408     | 2   | Bolt, 1/4-20 x 1  |     |
| 4    | 0641416     | 2   | Bolt, 1/4-20 x 2  |     |
| 5    | 0700408     | 4   | Bolt, M4 x 16   |     |
| 6    | 1001193018  | 1   | Bracket   |     |
| 7    | 1001178491  | 1   | Bracket   |     |
| 8    | 2902549     | 1   | Breaker Box Kit with One Breakers - CE Spec (See BREAKER BOX KIT WITH ONE BREAKERS CE SPEC for Breakdown)   |     |
| 9    | 3252507     | 2   | Decal - 220V - 50/60Hz  |     |
| 10   | 3290405     | 4   | Nut, Lock, M4 x 0.7   |     |
| 11   | 3311405     | 4   | Nut, Lock, 1/4-20   |     |
| 12   | 4460662     | 1   | Connector, Strain Relief  |     |
| 13   | 4711400     | 8   | Washer, 1/4   |     |
| 14   | 4751400     | 2   | Washer, 1/4   |     |
| 15   | 4811400     | 8   | Washer, 4mm   |     |
| 16   | 4922609     | 1   | Lower Boom 220V Harness Assembly - CE Spec (See LOWER BOOM 220V HARNESS ASSEMBLY - CE SPEC for Breakdown)   |     |
| 17   | 4922610     | 1   | Main Boom 220V Harness Assembly - CE Spec (See MAIN BOOM 220V HARNESS ASSEMBLY - CE SPEC for Breakdown)     |     |

## SECTION 8 - ELECTRICAL

FIGURE 8-41. PLUG AND RECEPTACLE 220V INSTALLATION - CEE7 POST GROUND - 70MM X 70MM BOX (CE SPEC)



ART\_1001166261

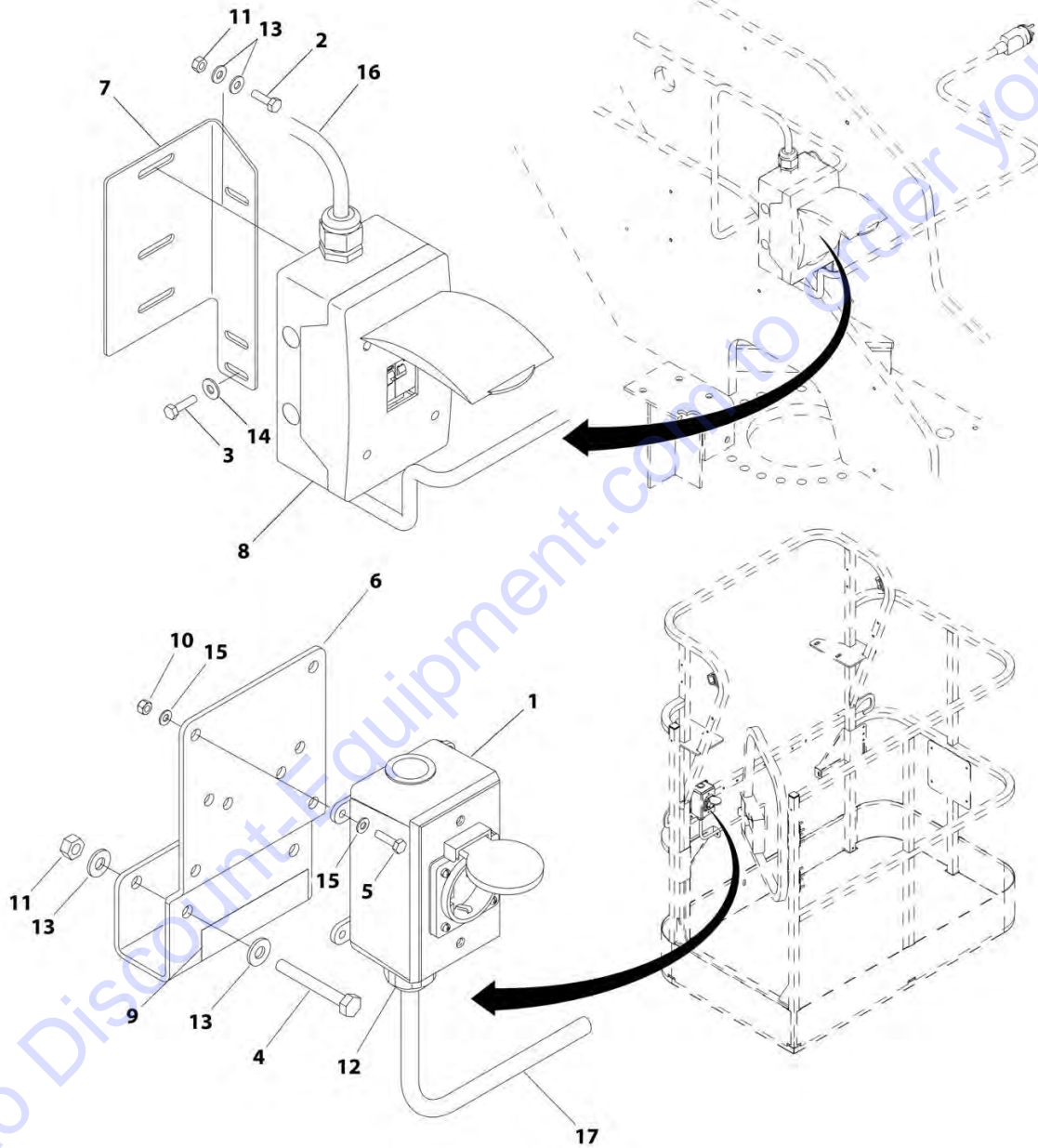
## SECTION 8 - ELECTRICAL

**FIGURE 8-41. PLUG AND RECEPTACLE 220V INSTALLATION - CEE7 POST GROUND - 70MM X 70MM BOX (CE SPEC)**

| ITEM | PART NUMBER | QTY | DESCRIPTION   | REV |
|------|-------------|-----|---|-----|
|      | 1001166261  | Ref | PLUG AND RECEPTACLE 220V INSTALLATION - CEE7 POST GROUND - 70MM X 70MM BOX (CE SPEC)                        | C   |
| 1    | 0275218     | 1   | AC Plugs and Sockets Installation - CE Spec (See AC PLUGS AND SOCKETS INSTALLATION - CE SPEC for Breakdown) |     |
| 2    | 0641407     | 2   | Bolt, 1/4-20 x 7/8  |     |
| 3    | 0641408     | 2   | Bolt, 1/4-20 x 1  |     |
| 4    | 0641416     | 2   | Bolt, 1/4-20 x 2  |     |
| 5    | 0700408     | 2   | Bolt, M4 x 16   |     |
| 6    | 1001193018  | 1   | Bracket   |     |
| 7    | 1001178491  | 1   | Bracket   |     |
| 8    | 2902549     | 1   | Breaker Box Kit with One Breakers - CE Spec (See BREAKER BOX KIT WITH ONE BREAKERS CE Spec for Breakdown)   |     |
| 9    | 3252507     | 2   | Decal - 220V - 50/60 Hz   |     |
| 10   | 3290405     | 2   | Nut, Lock, M4 x 0.7   |     |
| 11   | 3311405     | 4   | Nut, Lock, 1/4-20   |     |
| 12   | 4460968     | 1   | Connector, Strain Relief  |     |
| 13   | 4711400     | 8   | Washer, 1/4   |     |
| 14   | 4751400     | 2   | Washer, 1/4   |     |
| 15   | 4811400     | 4   | Washer, 4mm   |     |
| 16   | 4922609     | 1   | Lower Boom 220V Harness Assembly - CE Spec (See LOWER BOOM 220V HARNESS ASSEMBLY - CE SPEC for Breakdown)   |     |
| 17   | 4922610     | 1   | Main Boom 220V Harness Assembly - CE Spec (See MAIN BOOM 220V HARNESS ASSEMBLY - CE SPEC for Breakdown)     |     |

# SECTION 8 - ELECTRICAL

FIGURE 8-42. PLUG AND RECEPTACLE 220 INSTALLATION - CEE7 SIDE GROUND - 2 X 4 BOX (CE SPEC)



ART\_1001166258

## SECTION 8 - ELECTRICAL

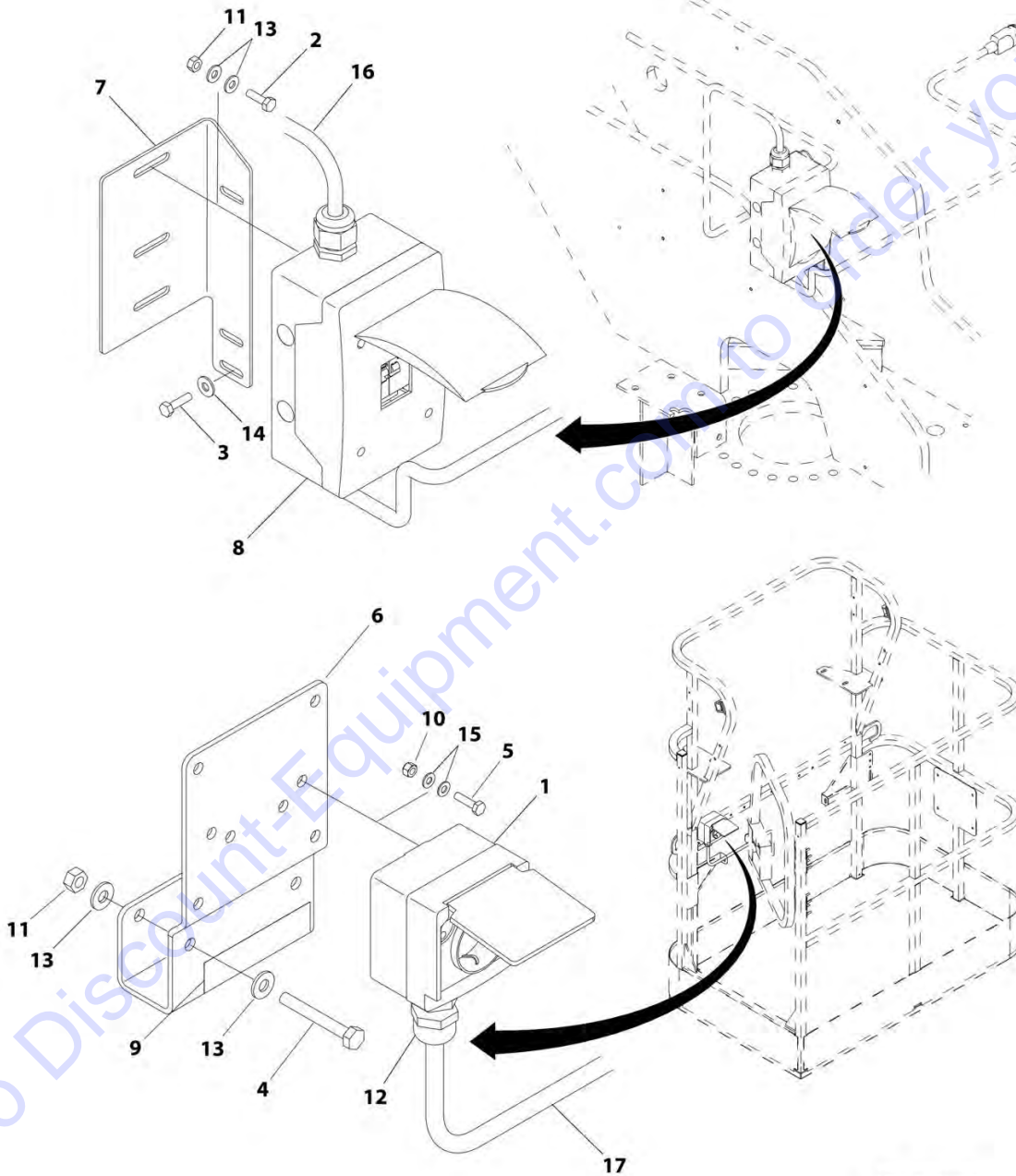
**FIGURE 8-42. PLUG AND RECEPTACLE 220 INSTALLATION - CEE7 SIDE GROUND - 2 X 4 BOX (CE SPEC)**

| ITEM | PART NUMBER | QTY | DESCRIPTION   | REV |
|------|-------------|-----|---|-----|
|      | 1001166258  | Ref | PLUG AND RECEPTACLE 220 INSTALLATION - CEE7 SIDE GROUND - 2 X 4 BOX (CE SPEC)                               | C   |
| 1    | 0275453     | 1   | AC Plugs and Sockets Installation - CE Spec (See AC PLUGS AND SOCKETS INSTALLATION - CE SPEC for Breakdown) |     |
| 2    | 0641407     | 2   | Bolt, 1/4-20 x 7/8  |     |
| 3    | 0641408     | 2   | Bolt, 1/4-20 x 1  |     |
| 4    | 0641416     | 2   | Bolt, 1/4-20 x 2  |     |
| 5    | 0700408     | 4   | Bolt, M4 x 16   |     |
| 6    | 1001193018  | 1   | Bracket   |     |
| 7    | 1001178491  | 1   | Bracket   |     |
| 8    | 1001152485  | 1   | Breaker Box Kit with Two Breakers - CE Spec (See BREAKER BOX KIT WITH TWO BREAKERS - CE SPEC for Breakdown) |     |
| 9    | 3252507     | 2   | Decal - 220V - 50/60 Hz   |     |
| 10   | 3290405     | 4   | Nut, Lock, M4 x 0.7   |     |
| 11   | 3311405     | 4   | Nut, Lock, 1/4-20   |     |
| 12   | 4460662     | 1   | Connector, Strain Relief  |     |
| 13   | 4711400     | 8   | Washer, 1/4   |     |
| 14   | 4751400     | 2   | Washer, 1/4   |     |
| 15   | 4811400     | 8   | Washer, 4mm   |     |
| 16   | 4922609     | 1   | Lower Boom 220V Harness Assembly - CE Spec (See LOWER BOOM 220V HARNESS ASSEMBLY - CE SPEC for Breakdown)   |     |
| 17   | 4922610     | 1   | Main Boom 220V Harness Assembly - CE Spec (See MAIN BOOM 220V HARNESS ASSEMBLY - CE SPEC for Breakdown)     |     |



## SECTION 8 - ELECTRICAL

FIGURE 8-43. PLUG AND RECEPTACLE 220V INSTALLATION - CEE7 SIDE GROUND - 70MM X 70MM BOX (CE SPEC)



ART\_1001166262



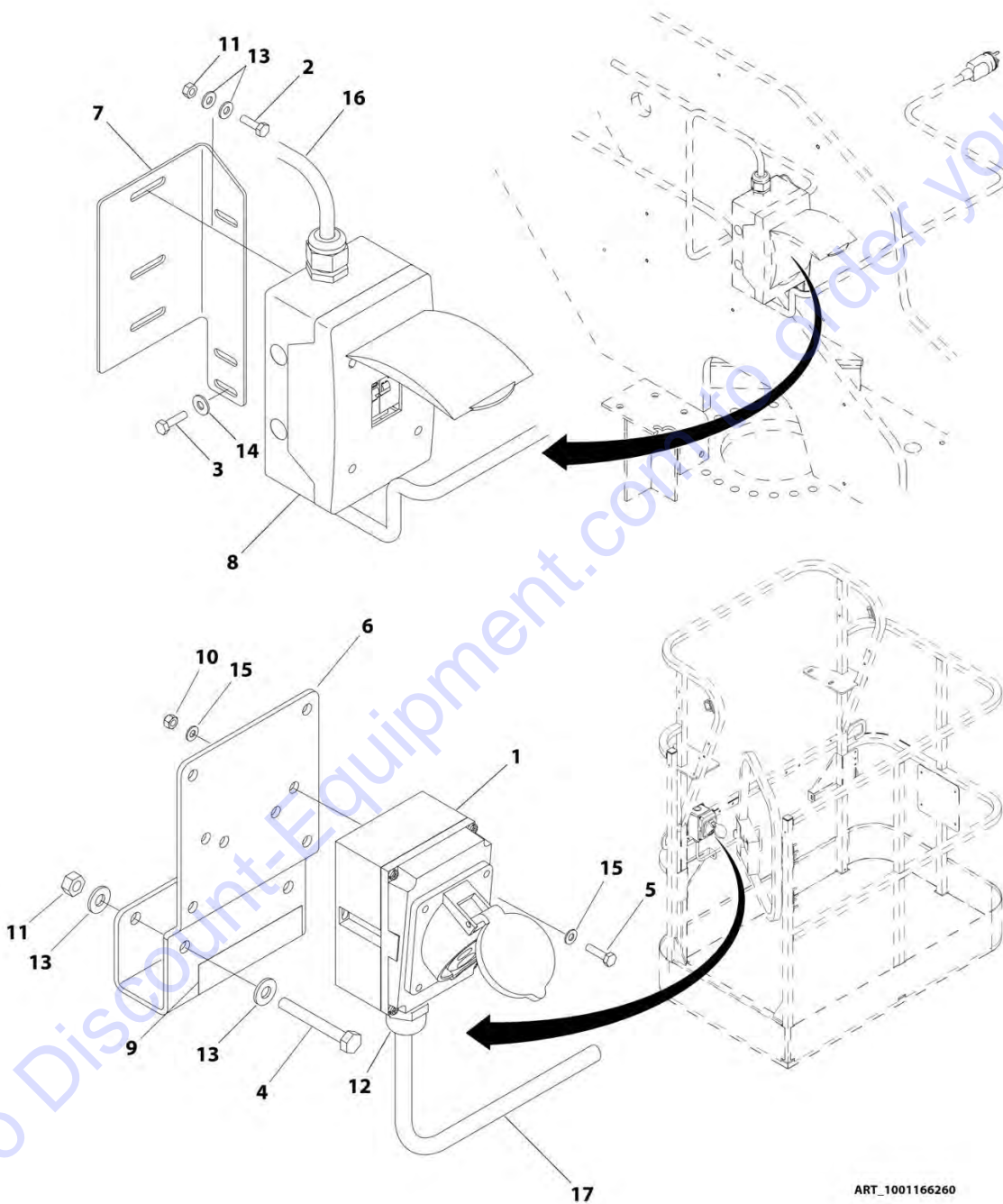
## SECTION 8 - ELECTRICAL

**FIGURE 8-43. PLUG AND RECEPTACLE 220V INSTALLATION - CEE7 SIDE GROUND - 70MM X 70MM BOX (CE SPEC)**

| ITEM | PART NUMBER | QTY | DESCRIPTION   | REV |
|------|-------------|-----|---|-----|
|      | 1001166262  | Ref | PLUG AND RECEPTACLE 220V INSTALLATION - CEE7 SIDE GROUND - 70MM X 70MM BOX (CE SPEC)                        | C   |
| 1    | 0275219     | 1   | AC Plugs and Sockets Installation - CE Spec (See AC PLUGS AND SOCKETS INSTALLATION - CE SPEC for Breakdown) |     |
| 2    | 0641407     | 2   | Bolt, 1/4-20 x 7/8  |     |
| 3    | 0641408     | 2   | Bolt, 1/4-20 x 1  |     |
| 4    | 0641416     | 2   | Bolt, 1/4-20 x 2  |     |
| 5    | 0700408     | 2   | Bolt, M4 x 16   |     |
| 6    | 1001193018  | 1   | Bracket   |     |
| 7    | 1001178491  | 1   | Bracket   |     |
| 8    | 1001152485  | 1   | Breaker Box Kit with Two Breakers - CE Spec (See BREAKER BOX KIT WITH TWO BREAKERS - CE SPEC for Breakdown) |     |
| 9    | 3252507     | 2   | Decal - 220V - 50/60 Hz   |     |
| 10   | 3290405     | 2   | Nut, Lock, M4 x 0.7   |     |
| 11   | 3311405     | 4   | Nut, Lock, 1/4-20   |     |
| 12   | 4460968     | 1   | Connector, Strain Relief  |     |
| 13   | 4711400     | 8   | Washer, 1/4   |     |
| 14   | 4751400     | 2   | Washer, 1/4   |     |
| 15   | 4811400     | 4   | Washer, 4mm   |     |
| 16   | 4922609     | 1   | Lower Boom 220V Harness Assembly - CE Spec (See LOWER BOOM 220V HARNESS ASSEMBLY - CE SPEC for Breakdown)   |     |
| 17   | 4922610     | 1   | Main Boom 220V Harness Assembly - CE Spec (See MAIN BOOM 220V HARNESS ASSEMBLY - CE SPEC for Breakdown)     |     |

# SECTION 8 - ELECTRICAL

FIGURE 8-44. PLUG AND RECEPTACLE 220V INSTALLATION - IEC 60309 - BLUE (CE SPEC)



ART\_1001166260

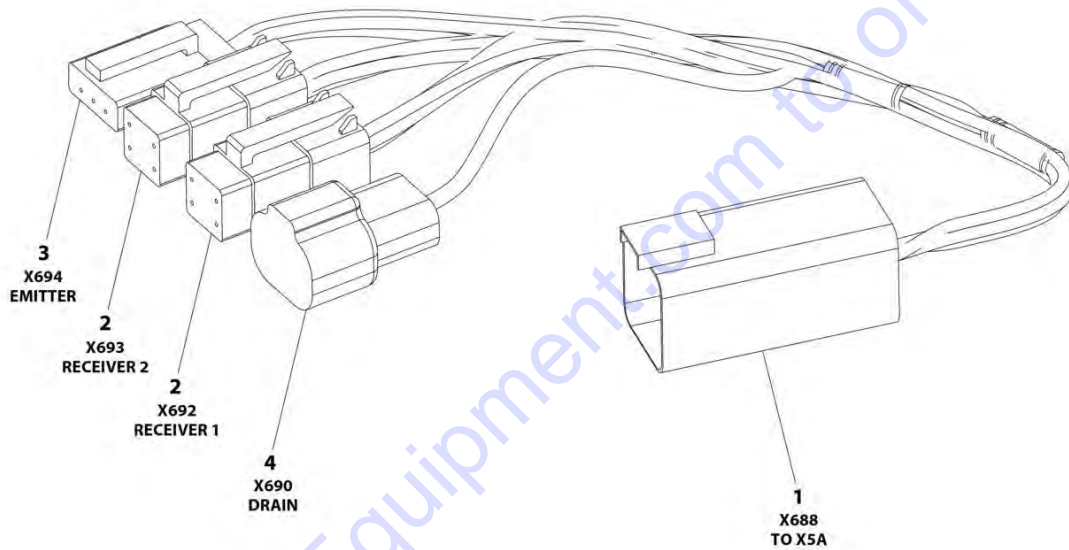
## SECTION 8 - ELECTRICAL

**FIGURE 8-44. PLUG AND RECEPTACLE 220VINSTALLATION - IEC 60309 - BLUE (CE SPEC)**

| ITEM | PART NUMBER | QTY | DESCRIPTION   | REV |
|------|-------------|-----|---|-----|
|      | 1001166260  | Ref | PLUG AND RECEPTACLE 220VINSTALLATION - IEC 60309 - BLUE (CE SPEC)   | C   |
| 1    | 0275217     | 1   | AC Plugs and Sockets Installation - CE Spec (See AC PLUGS AND SOCKETS INSTALLATION - CE SPEC for Breakdown) |     |
| 2    | 0641407     | 2   | Bolt, 1/4-20 x 7/8  |     |
| 3    | 0641408     | 2   | Bolt, 1/4-20 x 1  |     |
| 4    | 0641416     | 2   | Bolt, 1/4-20 x 2  |     |
| 5    | 0700408     | 2   | Bolt, M4 x 16   |     |
| 6    | 1001193018  | 1   | Bracket   |     |
| 7    | 1001178491  | 1   | Bracket   |     |
| 8    | 2902549     | 1   | Breaker Box Kit with One Breakers - CE Spec (See BREAKER BOX KIT WITH ONE BREAKERS - CE SPEC for Breakdown) |     |
| 9    | 3252507     | 2   | Decal - 220V - 50/60 Hz   |     |
| 10   | 3290405     | 2   | Nut, Lock, M4 x 0.7   |     |
| 11   | 3311405     | 4   | Nut, Lock, 1/4-20   |     |
| 12   | 4460968     | 1   | Connector, Strain Relief  |     |
| 13   | 4711400     | 8   | Washer, 1/4   |     |
| 14   | 4751400     | 2   | Washer, 1/4   |     |
| 15   | 4811400     | 4   | Washer, 4mm   |     |
| 16   | 4922609     | 1   | Lower Boom 220V Harness Assembly - CE Spec (See LOWER BOOM 220V HARNESS ASSEMBLY - CE SPEC for Breakdown)   |     |
| 17   | 4922610     | 1   | Main Boom 220V Harness Assembly - CE Spec (See MAIN BOOM 220V HARNESS ASSEMBLY - CE SPEC for Breakdown)     |     |

# SECTION 8 - ELECTRICAL

## FIGURE 8-45. SKYEYE INTERMEDIATE HARNESS



ART\_1001237865

## SECTION 8 - ELECTRICAL

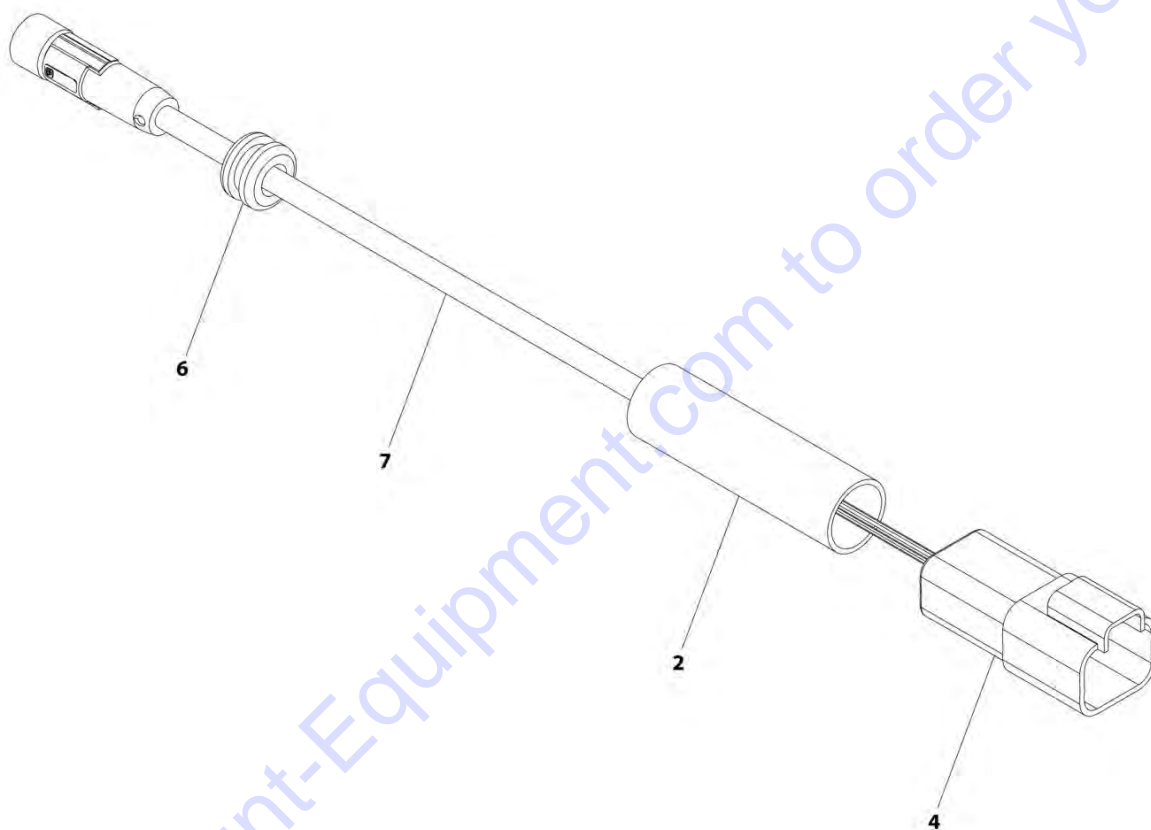
**FIGURE 8-45. SKYEYE INTERMEDIATE HARNESS**

| ITEM | PART NUMBER | QTY | DESCRIPTION                 | REV |
|------|-------------|-----|-----------------------------|-----|
|      | 1001237865  | Ref | SKYEYE INTERMEDIATE HARNESS | A   |
| 1    | 4460899     | 1   | Connector - 6 Position      |     |
| 1    | 4460943     | 4   | Pin, Male                   |     |
| 1    | 4460466     | 2   | Plug, Terminal              |     |
| 2    | 4461077     | 2   | Connector - 4 Position      |     |
| 2    | 1001119619  | 8   | Socket, Female              |     |
| 3    | 4460911     | 1   | Connector - 3 Position      |     |
| 3    | 1001119619  | 3   | Socket, Female              |     |
| 4    | 1001187681  | 1   | Connector - 2 Position      |     |
| 4    | 4460941     | 1   | Pin, Male                   |     |
| 4    | 4460466     | 1   | Plug, Terminal              |     |

Go to Discount-Equipment.com to order your parts

# SECTION 8 - ELECTRICAL

## FIGURE 8-46. SKYEYE RECEIVER HARNESS



ART\_1001237863

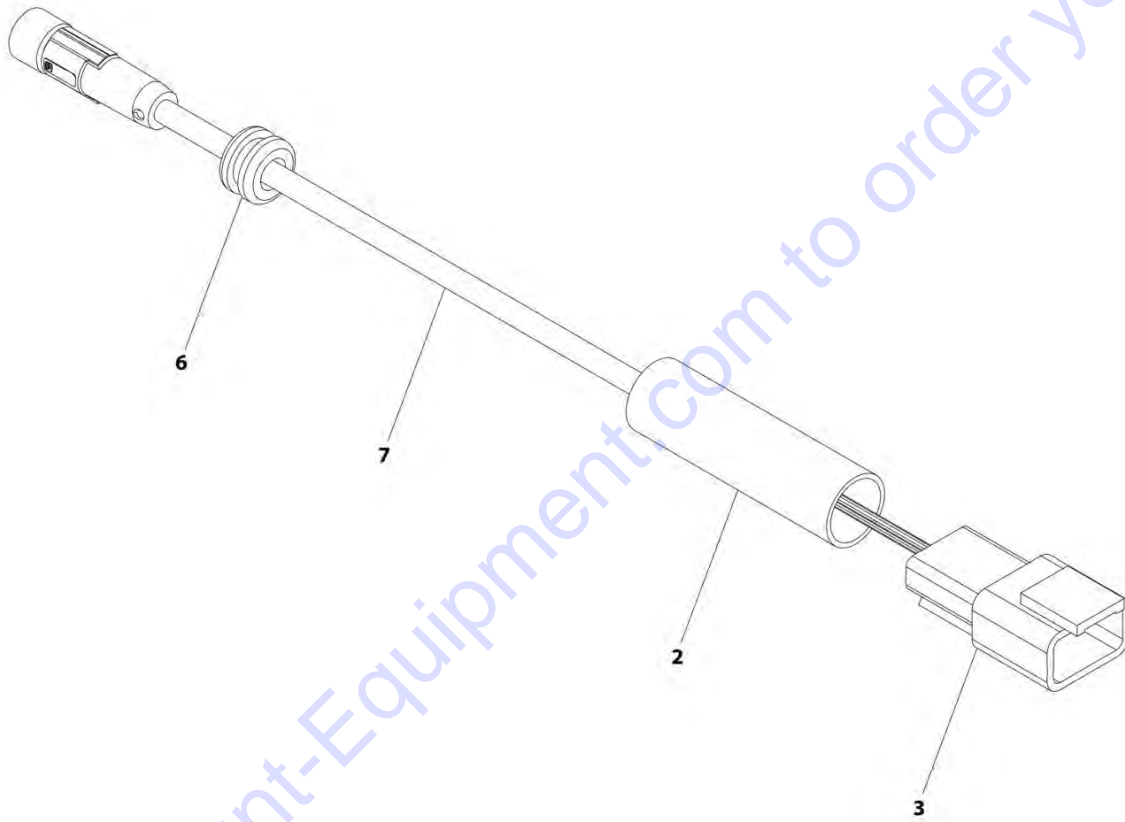
FIGURE 8-46. SKYEYE RECEIVER HARNESS

| ITEM | PART NUMBER | QTY | DESCRIPTION              | REV |
|------|-------------|-----|--------------------------|-----|
|      | 1001237863  | Ref | SKYEYE RECEIVER HARNESS  | A   |
| 2    | 2820247     | AR  | Tubing, Heat Shrink      |     |
| 4    | 1001097051  | 1   | Connector - 4 Position   |     |
| 4    | 1001119620  | 4   | Pin, Male                |     |
| 6    | 1001227996  | 1   | Grommet                  |     |
| 7    | 1001237862  | 1   | Cable, M8 Female Cordset |     |

Go to Discount-Equipment.com to order your parts

# SECTION 8 - ELECTRICAL

## FIGURE 8-47. SKYEYE EMITTER HARNESS



ART\_1001237864



## SECTION 8 - ELECTRICAL

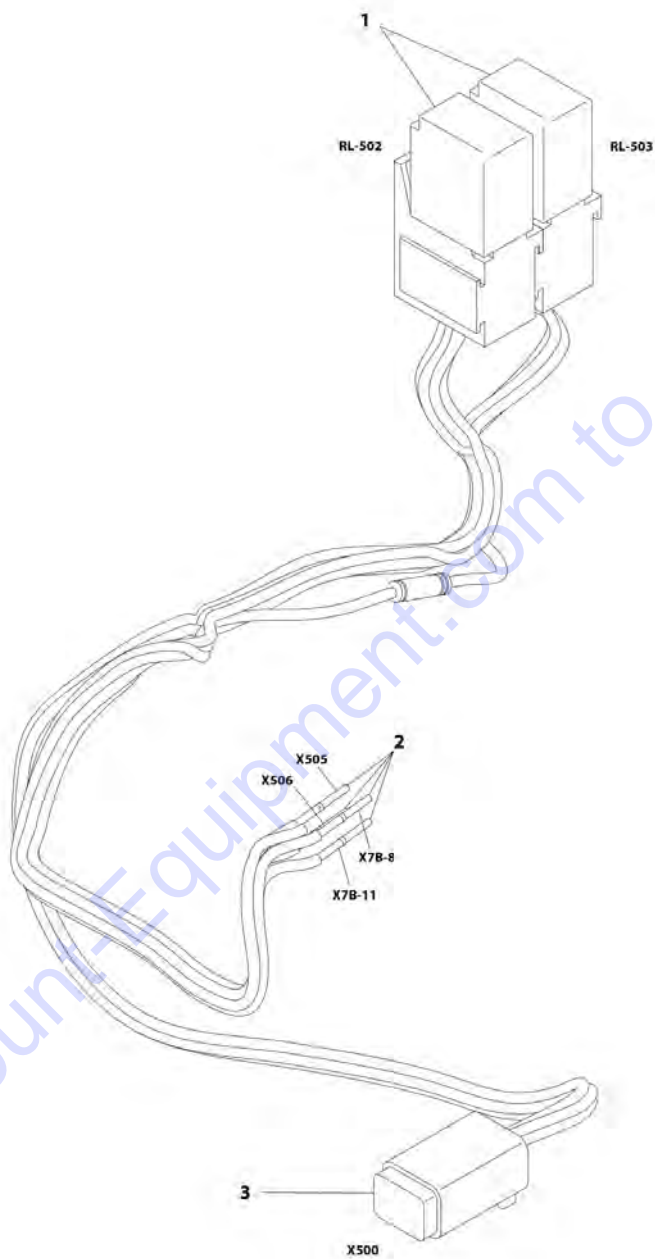
### FIGURE 8-47. SKYEYE EMITTER HARNESS

| ITEM | PART NUMBER | QTY | DESCRIPTION              | REV |
|------|-------------|-----|--------------------------|-----|
|      | 1001237864  | Ref | SKYEYE EMITTER HARNESS   | A   |
| 2    | 2820247     | AR  | Tubing, Heat Shrink      |     |
| 3    | 4460910     | 1   | Connector - 3 Position   |     |
| 3    | 1001119620  | 3   | Pin, Male                |     |
| 6    | 1001227996  | 1   | Grommet                  |     |
| 7    | 1001237862  | 1   | Cable, M8 Female Cordset |     |

Go to Discount-Equipment.com to order your parts

## SECTION 8 - ELECTRICAL

FIGURE 8-48. SKYGUARD HARNESS - WITHOUT LSS OR WITH 4 CELL LSS



ART\_1001192292

## SECTION 8 - ELECTRICAL

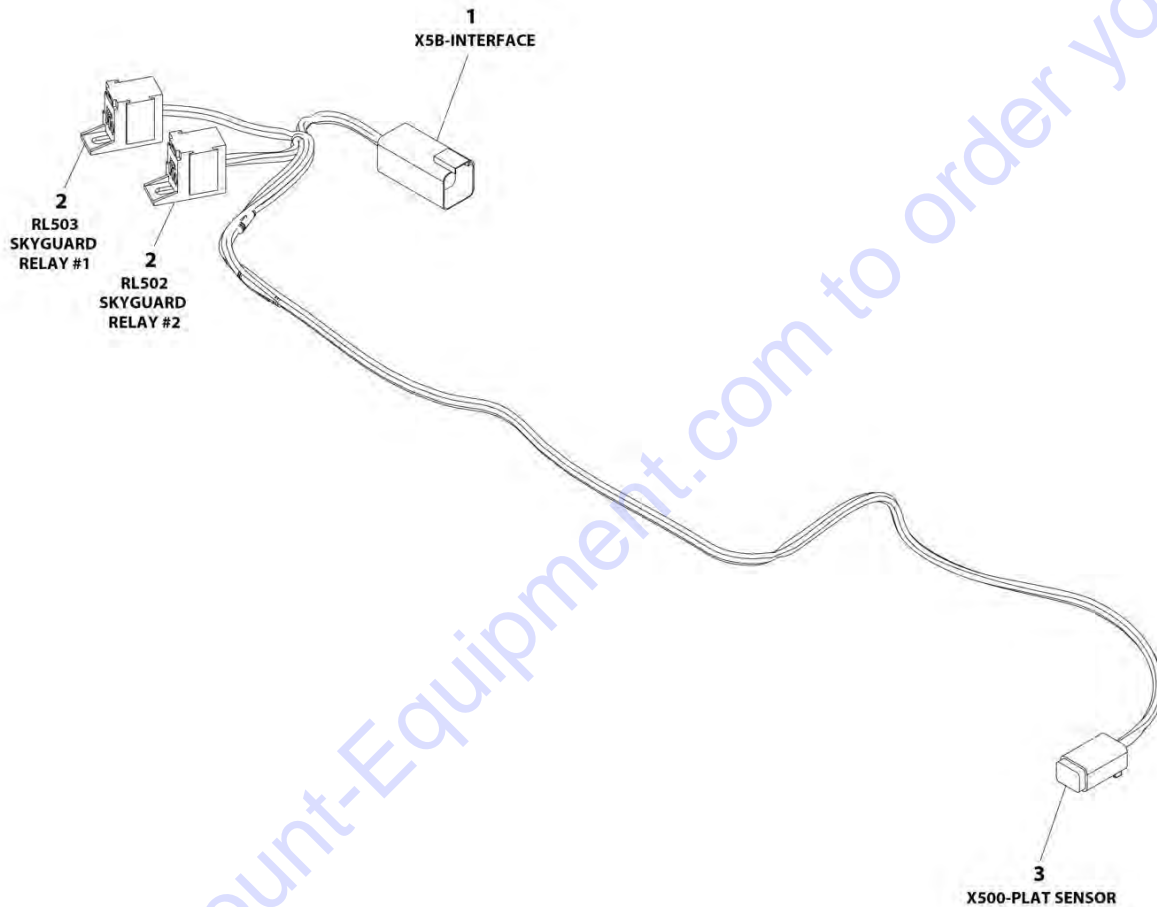
**FIGURE 8-48. SKYGUARD HARNESS - WITHOUT LSS OR WITH 4 CELL LSS**

| ITEM | PART NUMBER | QTY | DESCRIPTION                                       | REV |
|------|-------------|-----|---|-----|
|      | 1001192292  | Ref | SKYGUARD HARNESS - WITHOUT LSS OR WITH 4 CELL LSS | B   |
| 1    | 1001186432  | 1   | Holder, Relay                                     |     |
| 1    | 1001186431  | 1   | Relay, 35Amp                                      |     |
| 1    | 1001116720  | 5   | Terminal  |     |
| 2    | 1001186432  | 1   | Holder, Relay                                     |     |
| 2    | 1001186431  | 1   | Relay, 35Amp                                      |     |
| 2    | 1001116720  | 6   | Terminal  |     |
| 3    | 4460226     | 4   | Socket, Female                                    |     |
| 4    | 4460884     | 1   | Connector - 4 Position                            |     |
| 4    | 4460465     | 4   | Socket, Female                                    |     |

Go to Discount-Equipment.com to order your parts

# SECTION 8 - ELECTRICAL

## FIGURE 8-49. SKYGUARD HARNESS - WITH 1 CELL LSS



ART\_1001225580

## SECTION 8 - ELECTRICAL

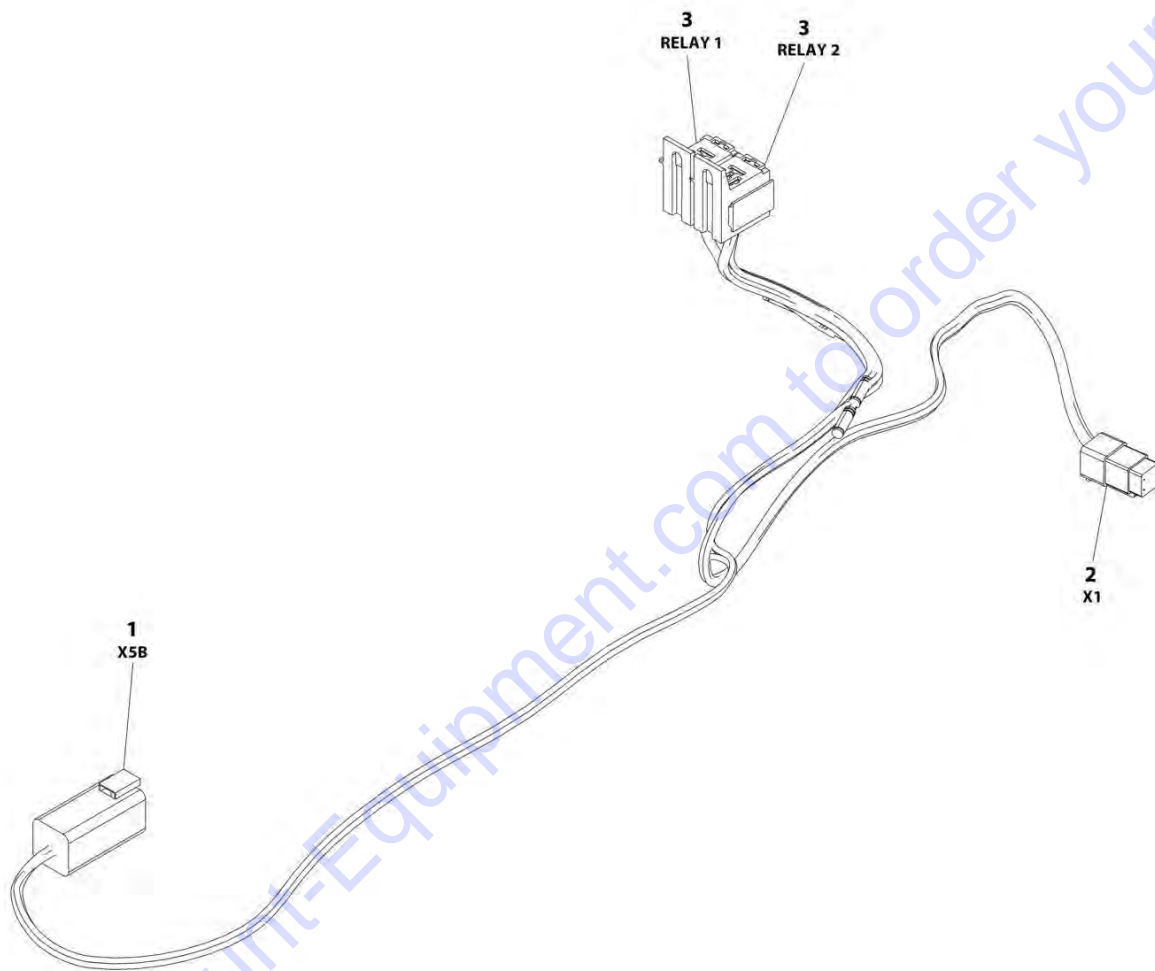
**FIGURE 8-49. SKYGUARD HARNESS - WITH 1 CELL LSS**

| ITEM | PART NUMBER | QTY | DESCRIPTION                        | REV |
|------|-------------|-----|------------------------------------|-----|
|      | 1001225580  | Ref | SKYGUARD HARNESS - WITH 1 CELL LSS | C   |
| 1    | 4460899     | 1   | Receptacle, Female - 6 Position    |     |
| 1    | 4460464     | 4   | Pin, Male                          |     |
| 1    | 4460466     | 2   | Plug, Terminal                     |     |
| 2    | 1001186432  | 2   | Holder, Relay                      |     |
| 2    | 1001186431  | 1   | Relay, 35Amp                       |     |
| 2    | 1001116720  | 4   | Terminal                           |     |
| 2    | 1001118388  | 4   | Terminal                           |     |
| 3    | 4460884     | 1   | Connector - 4 Position             |     |
| 3    | 4460465     | 4   | Socket, Female                     |     |

Go to Discount-Equipment.com to order your parts

# SECTION 8 - ELECTRICAL

## FIGURE 8-50. SKYLINE HARNESS



ART\_1001238418

## SECTION 8 - ELECTRICAL

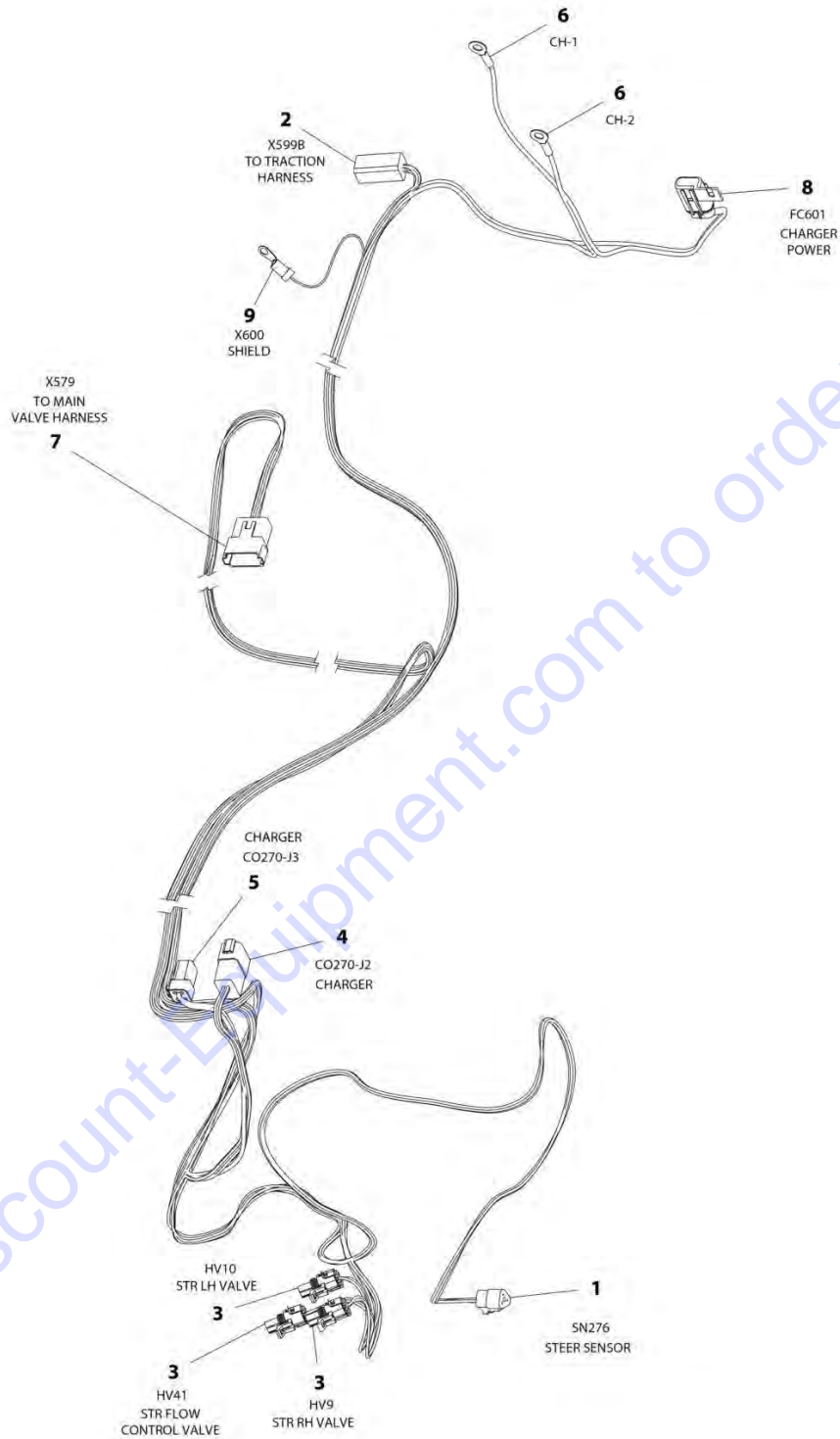
**FIGURE 8-50. SKYLINE HARNESS**

| ITEM | PART NUMBER | QTY | DESCRIPTION            | REV |
|------|-------------|-----|------------------------|-----|
|      | 1001238418  | Ref | SKYLINE HARNESS        | A   |
| 1    | 4460899     | 1   | Connector - 6 Position |     |
| 1    | 4460464     | 4   | Pin, Male              |     |
| 1    | 4460466     | 2   | Plug, Terminal         |     |
| 2    | 4461077     | 1   | Connector - 4 Position |     |
| 2    | 1001126009  | 4   | Socket, Female         |     |
| 3    | 1001186432  | 2   | Plug, Relay            |     |
| 3    | 1001118388  | 5   | Terminal               |     |
| 3    | 1001118384  | 3   | Terminal               |     |
| 3    | 3740086     | 2   | Relay                  |     |
| 3    | 3990013     | 2   | Diode                  |     |

Go to Discount-Equipment.com to order your parts

# SECTION 8 - ELECTRICAL

## FIGURE 8-51. STEER/BRAKE HARNESS



ART\_1001188528



## SECTION 8 - ELECTRICAL

### FIGURE 8-51. STEER/BRAKE HARNESS

| ITEM | PART NUMBER | QTY | DESCRIPTION  | REV |
|------|-------------|-----|--|-----|
|      | 1001188528  | Ref | STEER/BRAKE HARNESS  | H   |
| 1    | 4460539     | 1   | Plug, Male - 4 Position  |     |
| 1    | 4460465     | 3   | Socket, Female   |     |
| 2    | 4460899     | 1   | Receptacle, Female - 6 Position  |     |
| 2    | 4460464     | AR  | Pin, Male  |     |
| 2    | 4460466     | 1   | Plug, Terminal <b>(SN 0300226307 to Present)</b>                             |     |
| 3    | 4460742     | 3   | Plug, Male - 2 Position  |     |
| 3    | 4460743     | 6   | Socket, Female   |     |
| 4    | 4460931     | 1   | Receptacle, Female - 8 Position  |     |
| 4    | 4460464     | 6   | Pin, Male  |     |
| 4    | 4460466     | 2   | Plug, Terminal   |     |
| 5    | 1001116810  | 1   | Plug, Male - 4 Position  |     |
| 5    | 4460509     | 2   | Terminal   |     |
| 5    | 4460466     | 2   | Plug, Terminal   |     |
| 6    | 8220045     | 2   | Ring, Terminal   |     |
| 7    | 4460970     | 1   | Receptacle, Female - 12 Position   |     |
| 7    | 4460464     | 9   | Pin, Male  |     |
| 7    | 4460466     | 3   | Plug, Terminal   |     |
| 8    | 1001117070  | 1   | Fuseholder with Cover & 30Amp Fuse <b>(SN 0300208530 through 0300226306)</b> |     |
| 8    | 8229245     | 1   | Fuse 30 Amp <b>(SN 0300208530 through 0300226306)</b>                        |     |
| 8    | 1001217844  | 1   | Fuseholder <b>(SN 0300226307 to Present)</b>                                 |     |
| 8    | 1001217842  | 1   | Cover <b>(SN 0300226307 to Present)</b>                                      |     |
| 8    | 8229236     | 1   | Fuse - 30 Amp <b>(SN 0300226307 to Present)</b>                              |     |
| 8    | 1001116734  | 1   | Terminal, Female <b>(SN 0300226307 to Present)</b>                           |     |
| 9    | 4460142     | 1   | Terminal, Ring <b>(SN 0300226307 to Present)</b>                             |     |



## SECTION 8 - ELECTRICAL

### FIGURE 8-52. TRACTION HARNESS

| ITEM | PART NUMBER | QTY | DESCRIPTION  | REV |
|------|-------------|-----|--|-----|
|      | 1001178629  | Ref | TRACTION HARNESS   | K   |
| 1    | 1001103012  | 1   | Connector - 4 Position                                       |     |
| 1    | 1001107854  | 4   | Socket, Female   |     |
| 2    | 4460891     | 1   | Plug, Male - 2 Position                                      |     |
| 2    | 4460465     | 1   | Socket, Female   |     |
| 2    | 4460466     | 1   | Plug, Terminal   |     |
| 3    | 4460670     | AR  | Terminal, Ring   |     |
| 4    | 1001117023  | 3   | Connector with 10Amp Fuse (SN 0300208530 through 0300208352) |     |
| 4    | 1001117024  | 3   | Connector with 10Amp Fuse (SN 0300208353 through 0300226306) |     |
| 4    | 1001096134  | 3   | Cover, Fuse (SN 0300208530 through 0300226306)               |     |
| 4    | 1001217844  | 3   | Fuseholder (SN 0300226307 to Present)                        |     |
| 4    | 1001217842  | 3   | Cover (SN 0300226307 to Present)                             |     |
| 4    | 8229261     | 1   | Fuse - 5 Amp (SN 0300226307 to Present)                      |     |
| 4    | 8229237     | 1   | Fuse - 15 Amp (SN 0300226307 to Present)                     |     |
| 4    | 8229235     | 1   | Fuse - 20 Amp (SN 0300226307 to Present)                     |     |
| 4    | 1001116734  | 6   | Terminal, Female   |     |
| 5    | 1001117069  | 1   | Connector with 20Amp Fuse (SN 0300208530 through 0300226306) |     |
| 5    | 1001096134  | 1   | Cover, Fuseholder (SN 0300208530 through 0300226306)         |     |
| 5    | 1001217844  | 1   | Fuseholder (SN 0300226307 to Present)                        |     |
| 5    | 1001217842  | 1   | Cover (SN 0300226307 to Present)                             |     |
| 5    | 8229235     | 1   | Fuse - 20 Amp (SN 0300226307 to Present)                     |     |
| 5    | 1001116734  | 2   | Terminal, Female   |     |
| 6    | 4460873     | 1   | Connector - 35 Position                                      |     |
| 6    | 4460871     | 11  | Terminal, Female   |     |
| 6    | 4460905     | 24  | Seal, Terminal   |     |
| 7    | 1001126245  | 1   | Connector - 2 Position                                       |     |
| 7    | 1001126008  | 2   | Terminal   |     |
| 8    | 2400060     | 2   | Fuseholder with Cover (SN 0300208530 through 0300210635)     |     |
| 8    | 1001201642  | 2   | Fuseholder with Cover (SN 0300210636 through 0300226306)     |     |
| 8    | 1001170760  | 2   | Fuse - 10 Amp (SN 0300208530 through 0300226306)             |     |
| 8    | 1001217843  | 2   | Fuseholder (SN 0300226307 to Present)                        |     |
| 8    | 1001217842  | 2   | Cover (SN 0300226307 to Present)                             |     |
| 8    | 8229234     | 2   | Fuse - 10 Amp (SN 0300226307 to Present)                     |     |
| 9    | 1001190577  | 2   | Plug, Male - 8 Position                                      |     |
| 9    | 1001126008  | 16  | Terminal   |     |
| 10   | 4460374     | 2   | Plug, Relay (SN 0300208530 through 0300214529)               |     |
| 10   | 1001203734  | 1   | Plug, Relay (SN 0300214530 to Present)                       |     |
| 10   | 1001116732  | 8   | Terminal   |     |
| 10   | 1001128128  | 2   | Plug, Terminal (SN 0300208530 through 0300214529)            |     |
| 11   | 4460019     | 1   | Terminal, Ring   |     |
| 12   | 4460950     | 1   | Connector - 12 Position                                      |     |
| 12   | 1001157891  | 4   | Terminal   |     |
| 12   | 1001116693  | 4   | Pin, Male  |     |
| 12   | 4460464     | 2   | Pin, Male  |     |
| 12   | 4460943     | 2   | Pin, Male  |     |
| 13   | 4460945     | 1   | Receptacle, 3 Way  |     |
| 14   | 1001116815  | 1   | Resistor, 3 Position   |     |

## SECTION 8 - ELECTRICAL

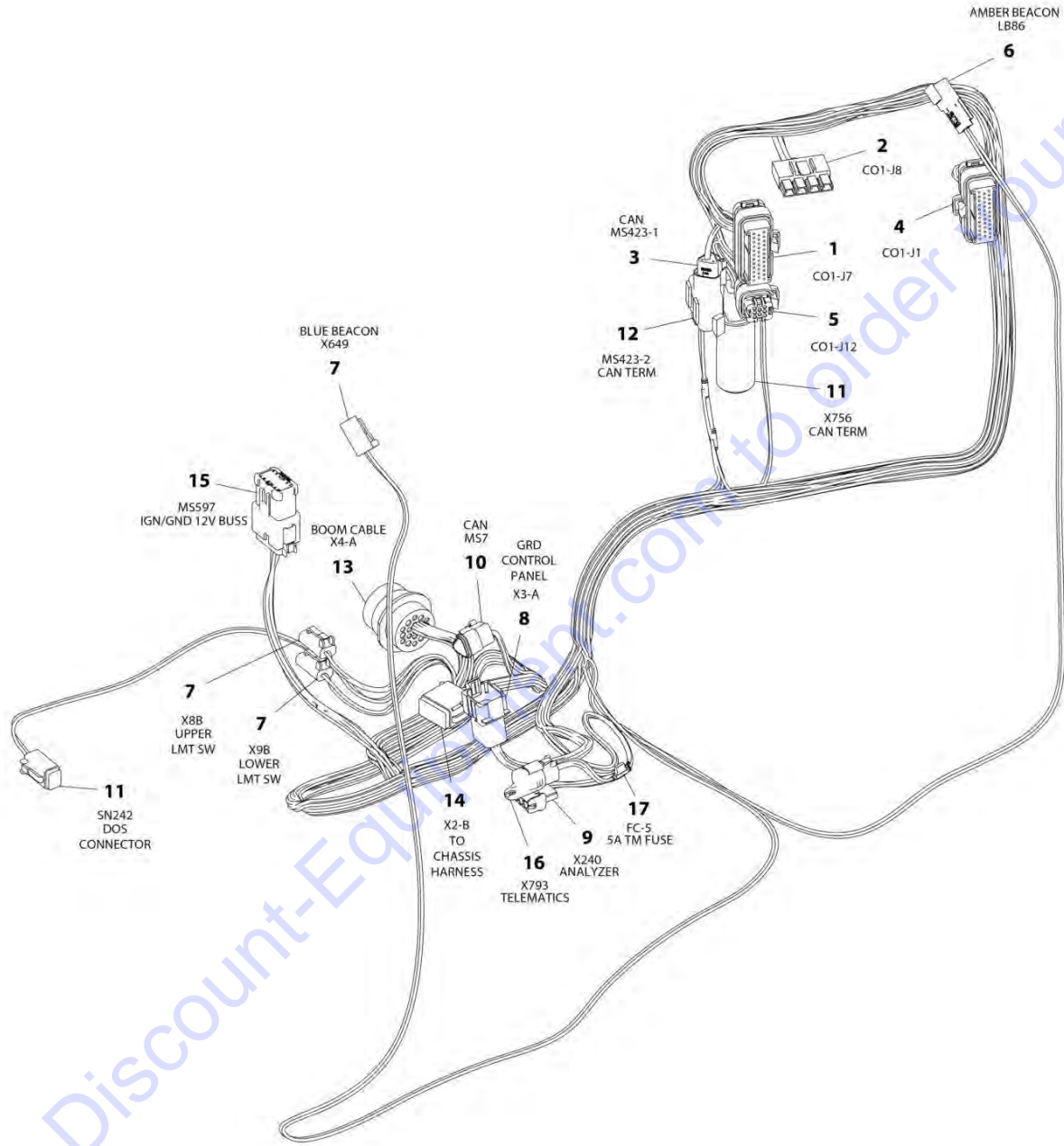
| ITEM | PART NUMBER | QTY | DESCRIPTION                                       | REV |
|------|-------------|-----|---|-----|
| 15   | 4460894     | 1   | Plug, Male - 6 Position                           |     |
| 15   | 1001157890  | 5   | Terminal  |     |
| 15   | 1001116692  | 1   | Socket, Female                                    |     |
| 16   | 4460894     | 1   | Plug, Male - 6 Position                           |     |
| 16   | 4460465     | AR  | Socket, Female                                    |     |
| 16   | 4460466     | 1   | Plug, Terminal (SN 0300226307 to Present)         |     |
| 17   | 1001116812  | 1   | Plug, Male - 3 Position                           |     |
| 17   | 4460944     | 3   | Socket, Female                                    |     |
| 18   | 4460670     | 1   | Terminal, Ring (SN 0300208530 through 0300214529) |     |
| 18   | 4460738     | 1   | Terminal, Ring (SN 0300214530 to Present)         |     |
| 19   | 4460142     | 2   | Terminal, Ring (SN 0300226307 to Present)         |     |

Go to Discount-Equipment.com to order your parts



# SECTION 8 - ELECTRICAL

## FIGURE 8-53. TURNTABLE HARNESS



ART\_1001178793

## SECTION 8 - ELECTRICAL

### FIGURE 8-53. TURNTABLE HARNESS

| ITEM | PART NUMBER | QTY | DESCRIPTION                               | REV |
|------|-------------|-----|---|-----|
|      | 1001178793  | Ref | TURNTABLE HARNESS                         | H   |
| 1    | 4460873     | 1   | Connector - 35 Position                   |     |
| 1    | 4460871     | 15  | Socket, Female                            |     |
| 1    | 4460905     | 20  | Plug, Terminal                            |     |
| 2    | 4460878     | 1   | Connector - 4 Position                    |     |
| 2    | 4460887     | 4   | Terminal                                  |     |
| 3    | 1001116812  | 2   | Plug, Male -3 Position                    |     |
| 3    | 4460944     | 5   | Socket, Female                            |     |
| 3    | 4460466     | 1   | Plug, Terminal                            |     |
| 4    | 4460874     | 1   | Connector - 35 Position                   |     |
| 4    | 4460871     | 9   | Socket, Female                            |     |
| 4    | 4460905     | 26  | Plug, Terminal                            |     |
| 5    | 1001113961  | 1   | Plug, Male - 8 Position                   |     |
| 5    | 4460871     | 3   | Socket, Female                            |     |
| 5    | 4460905     | 5   | Plug, Terminal                            |     |
| 6    | 4460897     | 1   | Receptacle, Female - 2 Position           |     |
| 6    | 4460464     | 2   | Pin, Male                                 |     |
| 7    | 4460891     | 3   | Plug, Male - 2 Position                   |     |
| 7    | 4460465     | 6   | Socket, Female                            |     |
| 8    | 1001116813  | 1   | Receptacle, Female - 8 Position           |     |
| 8    | 1001116693  | 6   | Pin, Male                                 |     |
| 8    | 4460464     | 1   | Pin, Male                                 |     |
| 8    | 4460466     | 1   | Plug, Terminal                            |     |
| 9    | 4460761     | 1   | Connector - 4 Position                    |     |
| 9    | 4460227     | 4   | Pin, Male                                 |     |
| 10   | 4460539     | 1   | Plug, Male - 3 Position                   |     |
| 10   | 4460944     | 2   | Socket, Female                            |     |
| 10   | 4460466     | 1   | Plug, Terminal                            |     |
| 11   | 4460884     | 2   | Plug, Male - 4 Position                   |     |
| 11   | 4460465     | 8   | Socket, Female                            |     |
| 11   | 1001186231  | 1   | Connector, Fuse/Diode Can                 |     |
| 12   | 4460945     | 1   | Receptacle, 3 Way                         |     |
| 13   | 4460866     | 1   | Connector - 19 Position                   |     |
| 13   | 4460943     | 2   | Pin, Male                                 |     |
| 13   | 4460508     | 4   | Pin, Male                                 |     |
| 13   | 4460464     | 7   | Pin, Male                                 |     |
| 13   | 4460466     | 6   | Plug, Terminal                            |     |
| 14   | 4460836     | 1   | Plug, Male - 12 Position                  |     |
| 14   | 1001157890  | 5   | Socket, Female                            |     |
| 14   | 4460465     | 2   | Socket, Female                            |     |
| 14   | 4460944     | 2   | Socket, Female                            |     |
| 14   | 1001116692  | 3   | Socket, Female                            |     |
| 15   | 4460933     | 1   | Plug, Male - 12 Position                  |     |
| 15   | 4460942     | 6   | Socket, Female                            |     |
| 15   | 4460465     | 2   | Socket, Female                            |     |
| 15   | 4460466     | 4   | Plug, Terminal                            |     |
| 16   | 4460884     | 1   | Connector - 4 Position                    |     |
| 16   | 4460465     | AR  | Socket, Female                            |     |
| 16   | 4460942     | 1   | Socket, Female (SN 0300226307 to Present) |     |
| 16   | 1001192401  | 1   | Connector, Dust Cap                       |     |

## SECTION 8 - ELECTRICAL

| ITEM | PART NUMBER | QTY | DESCRIPTION                                      | REV |
|------|-------------|-----|--|-----|
| 17   | 2400060     | 1   | Fuseholder with Cover (SN 0300226307 to Present) |     |
| 17   | 8229242     | 1   | Fuse - 5 Amp (SN 0300226307 to Present)          |     |

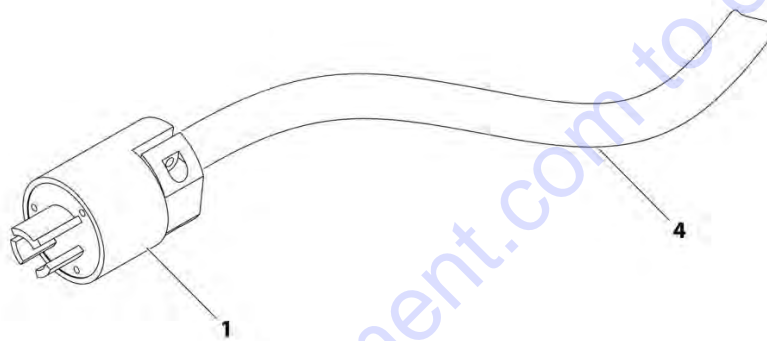
Go to Discount-Equipment.com to order your parts





## SECTION 8 - ELECTRICAL

FIGURE 8-54. UPPER BOOM 110V HARNESS ASSEMBLY



ART 4922608

## SECTION 8 - ELECTRICAL

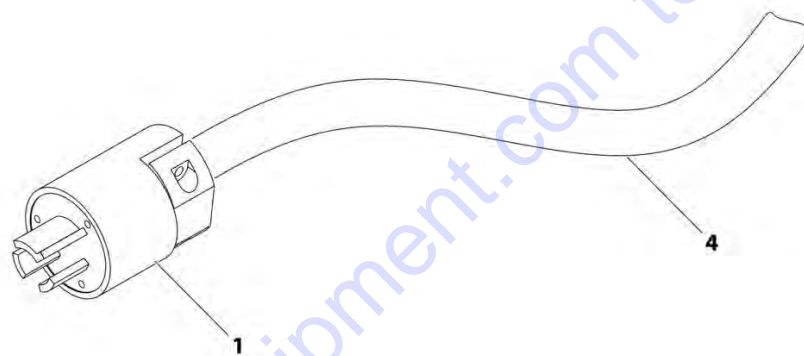
### FIGURE 8-54. UPPER BOOM 110V HARNESS ASSEMBLY

| ITEM | PART NUMBER | QTY              | DESCRIPTION                      | REV |
|------|-------------|------------------|----------------------------------|-----|
|      | 4922608     | Ref              | UPPER BOOM 110V HARNESS ASSEMBLY | 2   |
| 1    | 4460205     | 1                | Plug, Male                       |     |
| 4    | 1060494     | 27.2 ft<br>/8.3m | Electrical Cable, 12/3           |     |

Go to Discount-Equipment.com to order your parts

## SECTION 8 - ELECTRICAL

FIGURE 8-55. UPPER BOOM 220V HARNESS ASSEMBLY - CE SPEC



ART 4922610

## SECTION 8 - ELECTRICAL

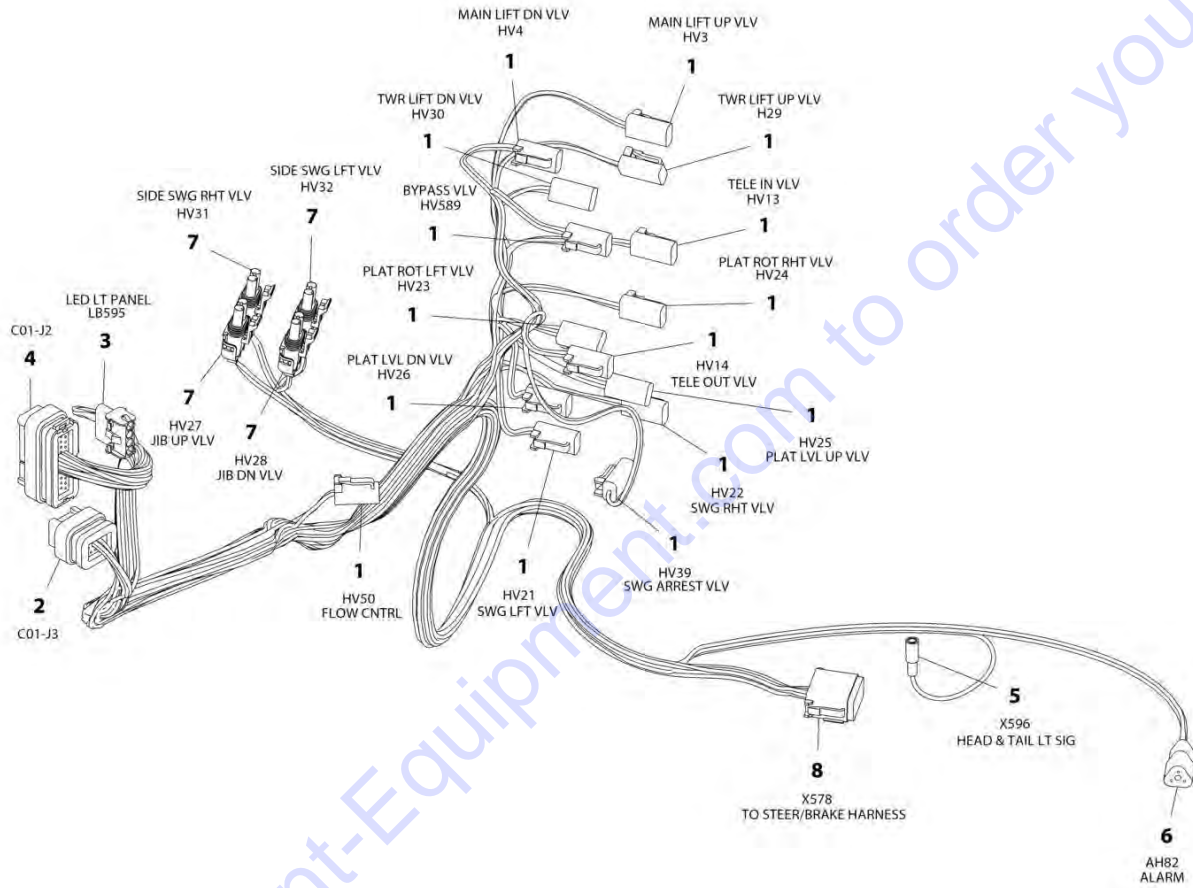
**FIGURE 8-55. UPPER BOOM 220V HARNESS ASSEMBLY - CE SPEC**

| ITEM | PART NUMBER | QTY        | DESCRIPTION                                | REV |
|------|-------------|------------|--|-----|
|      | 4922610     | Ref        | UPPER BOOM 220V HARNESS ASSEMBLY - CE SPEC | 1   |
| 1    | 4460709     | 1          | Plug, Male                                 |     |
| 4    | 1060461     | 28 ft/8.5m | Electrical Cable, 12/3                     |     |

Go to Discount-Equipment.com to order your parts

# SECTION 8 - ELECTRICAL

## FIGURE 8-56. VALVE HARNESS



ART\_1001178794

## SECTION 8 - ELECTRICAL

### FIGURE 8-56. VALVE HARNESS

| ITEM | PART NUMBER | QTY | DESCRIPTION              | REV |
|------|-------------|-----|--------------------------|-----|
|      | 1001178794  | Ref | VALVE HARNESS            | I   |
| 1    | 4460891     | 15  | Plug, Male - 2 Position  |     |
| 1    | 4460465     | 30  | Socket, Female           |     |
| 2    | 4460872     | 1   | Connector - 14 Position  |     |
| 2    | 4460871     | 6   | Socket, Female           |     |
| 2    | 4460905     | 8   | Plug, Terminal           |     |
| 3    | 4460761     | 1   | Connector - 4 Position   |     |
| 3    | 4460226     | 4   | Socket, Female           |     |
| 4    | 4460875     | 1   | Connector - 35 Position  |     |
| 4    | 4460871     | 30  | Socket, Female           |     |
| 4    | 4460905     | 5   | Plug, Terminal           |     |
| 5    | 8220068     | 1   | Connector - 1 Position   |     |
| 6    | 4460539     | 1   | Plug, Male - 3 Position  |     |
| 6    | 4460465     | 3   | Socket, Female           |     |
| 7    | 4460742     | 4   | Plug, Male - 2 Position  |     |
| 7    | 4460743     | 8   | Socket, Female           |     |
| 7    | 4460458     | 8   | Seal, Terminal           |     |
| 8    | 4460933     | 1   | Plug, Male - 12 Position |     |
| 8    | 1001116692  | 9   | Socket, Female           |     |
| 8    | 4460466     | 3   | Plug, Terminal           |     |

Go to Discount-Equipment.com to order your parts



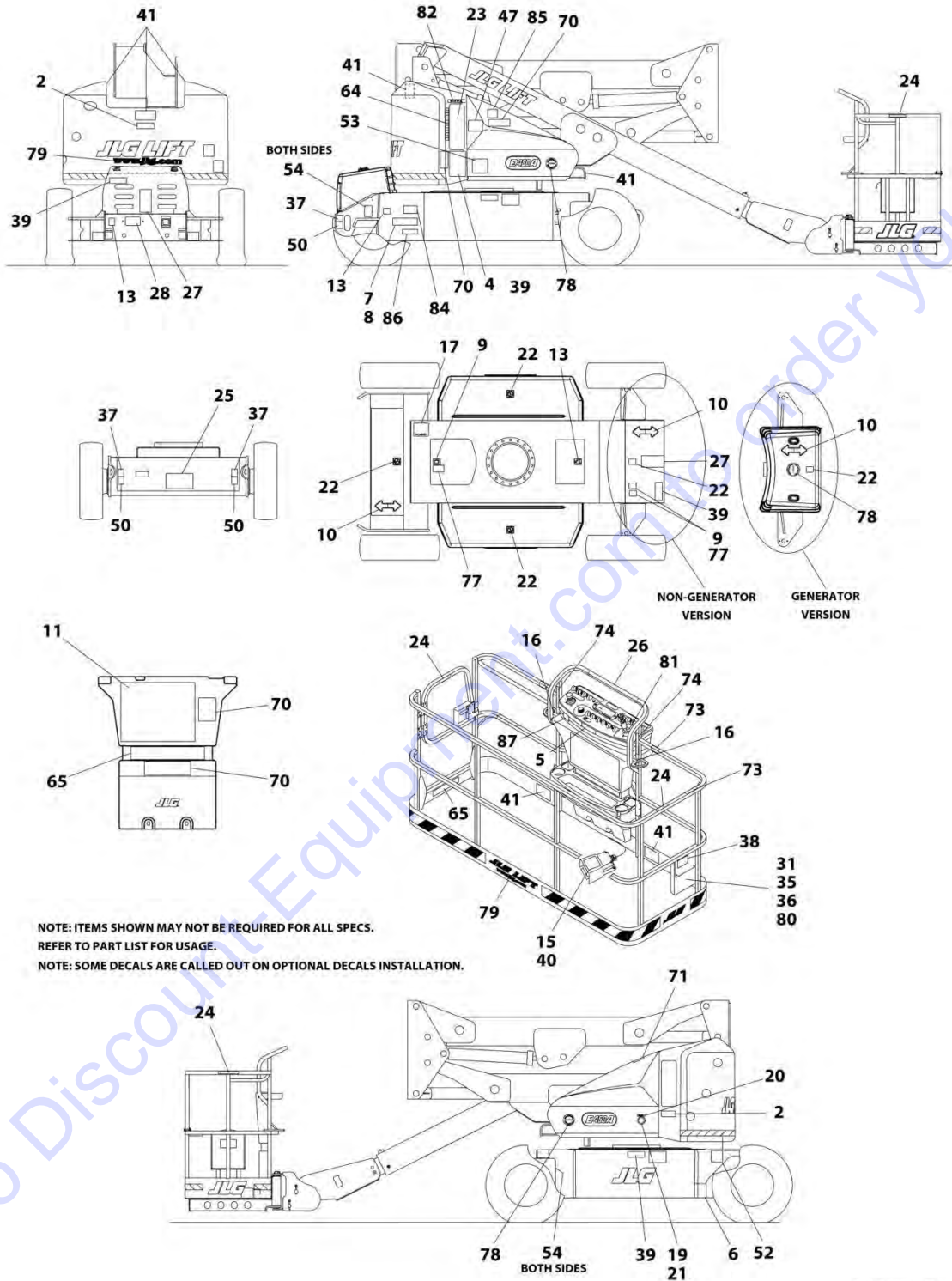


**SECTION 9 - DECALS**

Go to Discount-Equipment.com to order your parts

# SECTION 9 - DECALS

FIGURE 9-1. DECAL INSTALLATION - ANSI SPEC - E400AN/E400AJP/E400AJPN



ART\_1001178364

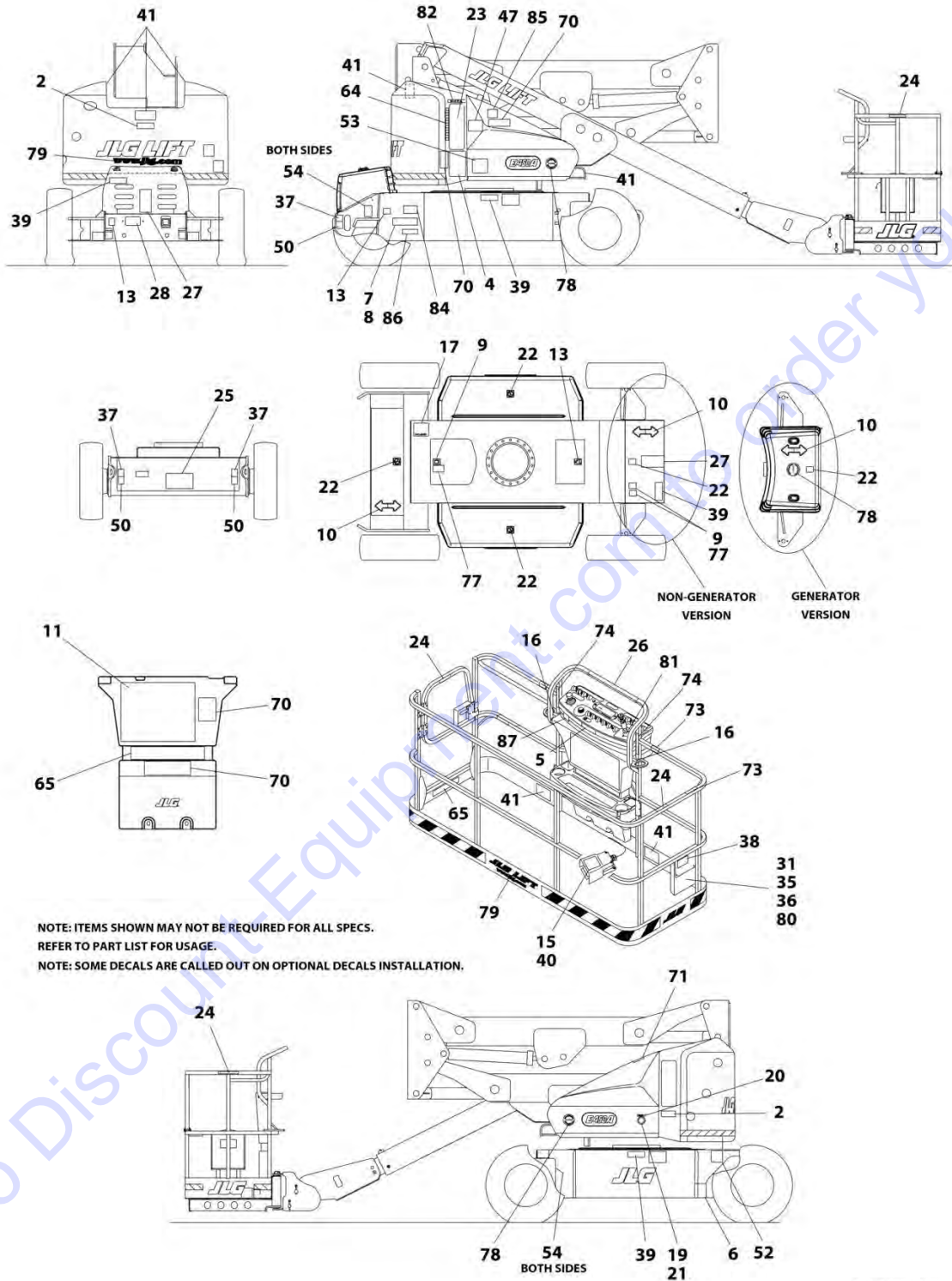
## SECTION 9 - DECALS

**FIGURE 9-1. DECAL INSTALLATION - ANSI SPEC - E400AN/E400AJP/E400AJPN**

| ITEM | PART NUMBER | QTY | DESCRIPTION   | REV |
|------|-------------|-----|---|-----|
|      | 1001178379  | Ref | DECAL INSTALLATION - REFERENCE CHART  | L   |
|      | 1001178364  | Ref | DECAL INSTALLATION - ANSI SPEC - E400An/E400AJP/E400AJPN                        | H   |
| 2    | 1703805     | 2   | Decal - Electrocutation   |     |
| 4    | 1703798     | 1   | Decal - Crushing  |     |
| 5    | 1705514     | 1   | Decal - CSA Spec <b>(SN 0300222730 to Present)</b>                              |     |
| 6    | 1001131269  | 1   | Decal - Patent  |     |
| 7    | See Note    | 1   | Nameplate - Serial Number (Note: Not Available for Purchase)                    |     |
| 8    | 3820001     | 2   | Rivet   |     |
| 9    | 1701504     | 1   | Decal - Hydraulic Oil   |     |
| 10   | 1701642     | 2   | Decal - Arrow   |     |
| 11   | 1703797     | 1   | Decal - Caution/Danger  |     |
| 13   | 1701644     | 2   | Decal - Charger   |     |
| 16   | 1704277     | 2   | Decal - Attach Lanyard  |     |
| 19   | 0961127     | 1   | Bushing, Snap   |     |
| 20   | 3251243     | 1   | Nameplate 120V-60Hz   |     |
| 21   | 0100010     | AR  | Adhesive  |     |
| 22   | 1701691     | 4   | Decal - No Step   |     |
| 23   | 1001104864  | 1   | Decal - Manual Descent  |     |
| 24   | 1702868     | 2   | Decal - No Hands  |     |
| 25   | 1001193949  | 1   | Decal - Cable Routing   |     |
| 26   | 1001196811  | 1   | Decal - Legend Platform   |     |
| 27   | 1704446     | 1   | Decal - Charger   |     |
| 28   | 1704431     | 1   | Decal - Battery Charger LED Indicator <b>(SN 0300208530 through 0300214530)</b> |     |
| 31   | 0860520     | 1   | Box, Manual Storage   |     |
| 35   | 4751400     | 4   | Washer, 1/4   |     |
| 36   | 3311405     | 4   | Nut, 1/4-20   |     |
| 37   | 1701500     | 4   | Decal - Lift  |     |
| 38   | 1701509     | 1   | Decal - Manual  |     |
| 39   | 1703813     | 3   | Decal - Danger  |     |
| 40   | 3252347     | 1   | Nameplate - Footswitch  |     |
| 41   | 1703804     | 6   | Decal - Crushing Hazard   |     |
| 47   | 1702265     | 1   | Decal   |     |
| 50   | 1702300     | 4   | Decal - Tie Down  |     |
| 52   | See Note    | 1   | Decal - Bar Code (Note: Not Available for Purchase)                             |     |
| 53   | 1001121814  | 1   | Decal - 500 LBS Max Capacity  |     |
| 64   | 1706950     | 1   | Decal - Key Main Terminal Box   |     |
| 65   | 1001121801  | 2   | Decal - 500 LBS Max Capacity  |     |
| 77   | 1704412     | 1   | Decal - Oil Type  |     |
| 79   | 1704885     | 2   | Decal - Website   |     |
| 80   | 0641406     | 4   | Bolt, 1/4-20 x 3/4  |     |
| 81   | 1705351     | 1   | Decal - Drive/Steer Instruction   |     |
| 82   | 1001189882  | 1   | Decal - MSSO Operation  |     |
| 84   | 1001223055  | 1   | Decal - Yearly Inspection <b>(SN 0300233810 to Present)</b>                     |     |
| 85   | 1001222801  | 1   | Decal - Manual Jib Pump <b>(SN 0300233810 to Present)</b>                       |     |
| 86   | 1001228370  | 1   | Decal - CSA Ices <b>(SN 0300233810 to Present)</b>                              |     |
| 87   | 1001231801  | 1   | Decal - Prop 65 Warning <b>(SN 0300256447 to Present)</b>                       |     |

# SECTION 9 - DECALS

## FIGURE 9-2. DECAL INSTALLATION - ANSI SPEC - M400AJP/M400AJPN



ART\_1001178362

## SECTION 9 - DECALS

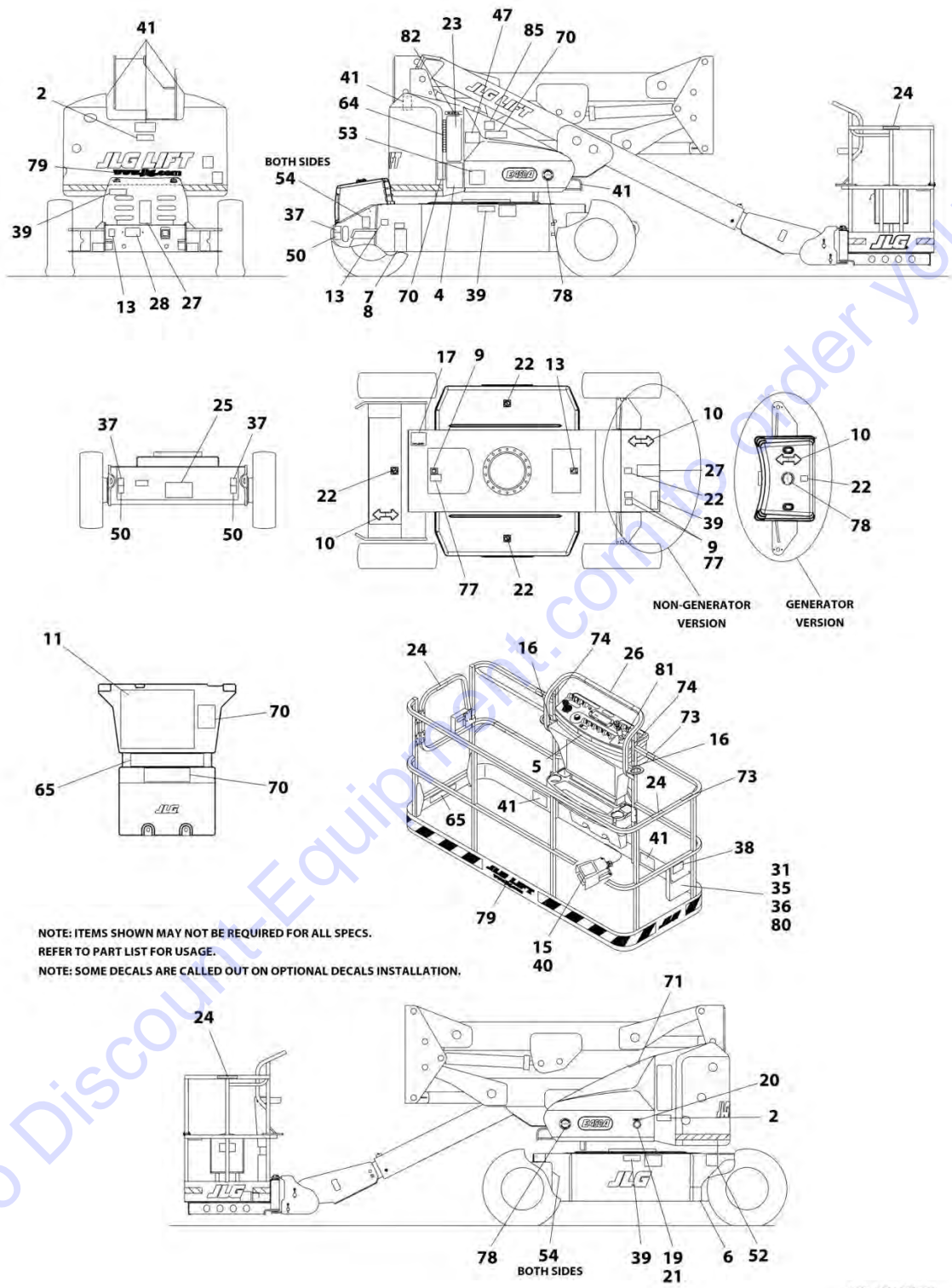
**FIGURE 9-2. DECAL INSTALLATION - ANSI SPEC - M400AJP/M400AJPN**

| ITEM | PART NUMBER | QTY | DESCRIPTION   | REV |
|------|-------------|-----|---|-----|
|      | 1001178379  | Ref | DECAL INSTALLATION - REFERENCE CHART  | L   |
|      | 1001178362  | Ref | DECAL INSTALLATION - ANSI SPEC - M400AJP/M400AJPN                               | H   |
| 2    | 1703805     | 2   | Decal - Electrocution   |     |
| 4    | 1703798     | 1   | Decal - Crushing  |     |
| 5    | 1705514     | 1   | Decal - CSA Spec <b>(SN 0300222730 to Present)</b>                              |     |
| 6    | 1001131269  | 1   | Decal - Patent  |     |
| 7    | See Note    | 1   | Nameplate - Serial Number (Note: Not Available for Purchase)                    |     |
| 8    | 3820001     | 2   | Rivet   |     |
| 9    | 1701504     | 1   | Decal - Hydraulic Oil   |     |
| 10   | 1701642     | 2   | Decal - Arrow   |     |
| 11   | 1703797     | 1   | Decal - Caution/Danger  |     |
| 13   | 1701644     | 2   | Decal - Charger   |     |
| 16   | 1704277     | 2   | Decal - Attach Lanyard  |     |
| 19   | 0961127     | 1   | Bushing, Snap   |     |
| 20   | 3251243     | 1   | Nameplate 120V-60Hz   |     |
| 21   | 0100010     | AR  | Adhesive  |     |
| 22   | 1701691     | 4   | Decal - No Step   |     |
| 23   | 1001104864  | 1   | Decal - Manual Descent  |     |
| 24   | 1702868     | 2   | Decal - No Hands  |     |
| 25   | 1001193949  | 1   | Decal - Cable Routing   |     |
| 26   | 1001196811  | 1   | Decal - Legend Platform   |     |
| 27   | 1704446     | 1   | Decal - Charger   |     |
| 28   | 1704431     | 1   | Decal - Battery Charger LED Indicator <b>(SN 0300208530 through 0300214530)</b> |     |
| 31   | 0860520     | 1   | Box, Manual Storage   |     |
| 35   | 4751400     | 4   | Washer, 1/4   |     |
| 36   | 3311405     | 4   | Nut, 1/4-20   |     |
| 37   | 1701500     | 4   | Decal - Lift  |     |
| 38   | 1701509     | 1   | Decal - Manual  |     |
| 39   | 1703813     | 3   | Decal - Danger  |     |
| 40   | 3252347     | 1   | Nameplate - Footswitch  |     |
| 41   | 1703804     | 6   | Decal - Crushing Hazard   |     |
| 47   | 1702265     | 1   | Decal   |     |
| 50   | 1702300     | 4   | Decal - Tie Down  |     |
| 52   | See Note    | 1   | Decal - Bar Code (Note: Not Available for Purchase)                             |     |
| 53   | 1001121814  | 1   | Decal - 500 LBS Max Capacity  |     |
| 64   | 1706950     | 1   | Decal - Key Main Terminal Box   |     |
| 65   | 1001121801  | 2   | Decal - 500 LBS Max Capacity  |     |
| 70   | 1704286     | 2   | Decal - Generator Danger  |     |
| 73   | 1702962     | 1   | Decal - Fuel Warning  |     |
| 77   | 1704412     | 1   | Decal - Oil Type  |     |
| 78   | 1001121510  | 3   | Decal - Hybrid  |     |
| 79   | 1704885     | 2   | Decal - Website   |     |
| 80   | 0641406     | 4   | Bolt, 1/4-20 x 3/4  |     |
| 81   | 1705351     | 1   | Decal - Drive/Steer Instruction   |     |
| 82   | 1001189882  | 1   | Decal - MSSO Operation  |     |
| 84   | 1001223055  | 1   | Decal - Yearly Inspection <b>(SN 0300233810 to Present)</b>                     |     |
| 85   | 1001222801  | 1   | Decal - Manual Jib Pump <b>(SN 0300233810 to Present)</b>                       |     |
| 86   | 1001228370  | 1   | Decal - CSA Ices <b>(SN 0300233810 to Present)</b>                              |     |
| 87   | 1001231801  | 1   | Decal - Prop 65 Warning <b>(SN 0300256447 to Present)</b>                       |     |



# SECTION 9 - DECALS

FIGURE 9-3. DECAL INSTALLATION - AUSTRALIAN SPEC - E400AN/E400AJP/E400AJPN



ART\_1001178378

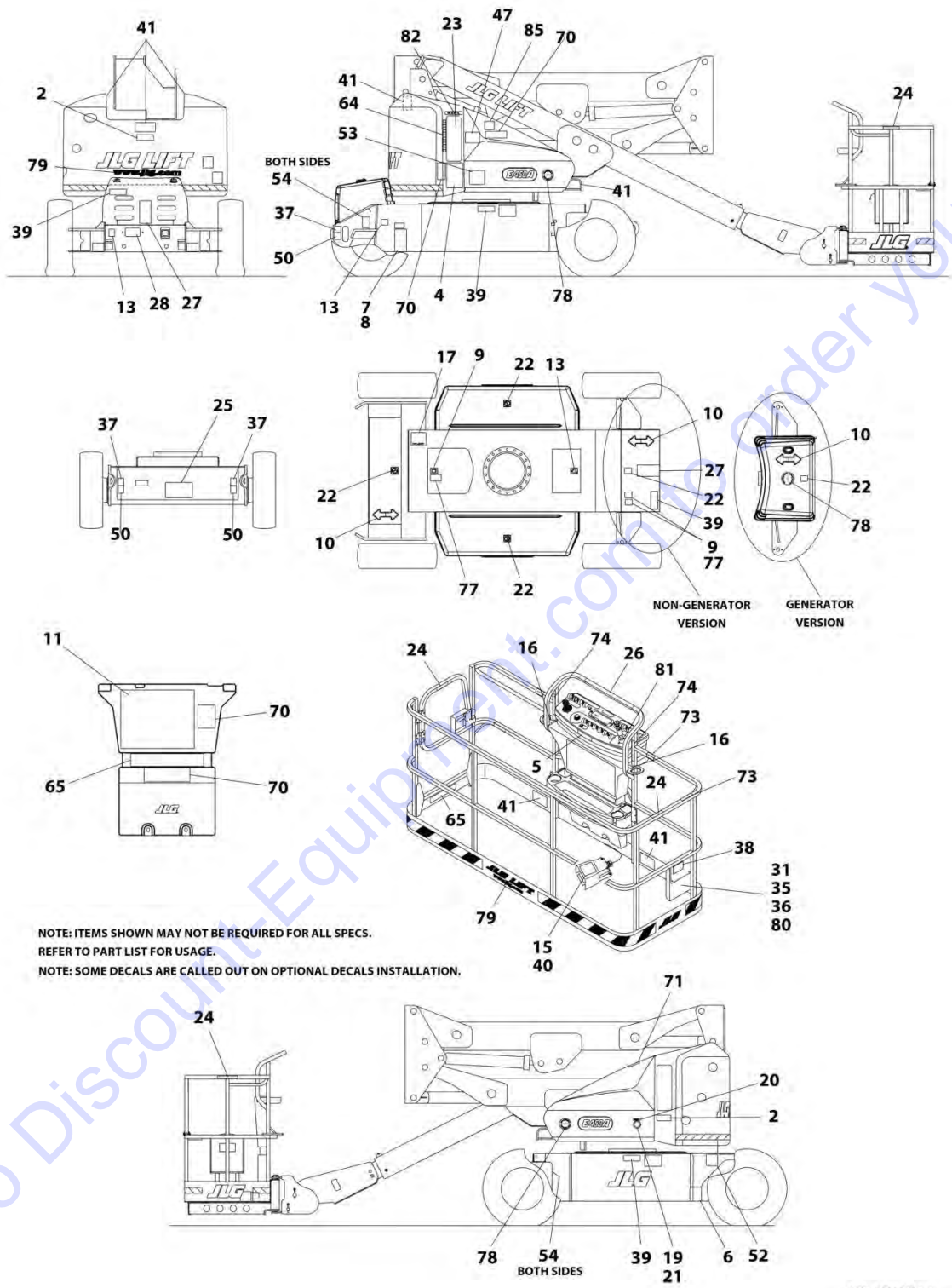
## SECTION 9 - DECALS

**FIGURE 9-3. DECAL INSTALLATION - AUSTRALIAN SPEC - E400AN/E400AJP/E400AJPN**

| ITEM | PART NUMBER | QTY | DESCRIPTION  | REV |
|------|-------------|-----|--|-----|
|      | 1001178379  | Ref | DECAL INSTALLATION - REFERENCE CHART                                     | L   |
|      | 1001178378  | Ref | DECAL INSTALLATION - AUSTRALIAN SPEC - E400An/E400AJP/E400AJPN           | H   |
| 4    | 1705822     | 1   | Decal - Danger/Caution   |     |
| 7    | See Note    | 1   | Nameplate - Serial Number (Note: Not Available for Purchase)             |     |
| 8    | 3820001     | 2   | Rivet  |     |
| 9    | 1701504     | 1   | Decal - Hydraulic Oil  |     |
| 10   | 1701642     | 2   | Decal - Arrow  |     |
| 11   | 1705921     | 1   | Decal - Danger/Caution   |     |
| 13   | 1701644     | 2   | Decal - Charger  |     |
| 15   | 1705828     | 1   | Decal - Footswitch   |     |
| 16   | 1704277     | 2   | Decal - Attach Lanyard   |     |
| 19   | 0961127     | 1   | Bushing, Snap  |     |
| 21   | 0100010     | AR  | Adhesive   |     |
| 22   | 1701691     | 4   | Decal - No Step  |     |
| 23   | 1001104864  | 1   | Decal - Manual Descent   |     |
| 25   | 1001193949  | 1   | Decal - Cable Routing  |     |
| 27   | 1706378     | 1   | Decal - Charging Instructions  |     |
| 28   | 1704431     | 1   | Decal - Battery Charger LED Indicator (SN 0300208530 through 0300214530) |     |
| 31   | 0860520     | 1   | Box, Manual Storage  |     |
| 35   | 4751400     | 4   | Washer, 1/4  |     |
| 36   | 3311405     | 4   | Nut, 1/4-20  |     |
| 37   | 1703811     | 4   | Decal - Lift   |     |
| 38   | 1701509     | 1   | Decal - Manual   |     |
| 39   | 1705670     | AR  | Decal - Explosion Warning  |     |
| 41   | 1701518     | 6   | Decal - Crushing Hazard  |     |
| 47   | 1705977     | 1   | Decal - Upright Level Over-Ride  |     |
| 50   | 1703814     | 4   | Decal - Tie Down   |     |
| 52   | See Note    | 1   | Decal - Bar Code (Note: Not Available for Purchase)                      |     |
| 53   | 1705978     | 1   | Decal - Capacity   |     |
| 65   | 1705978     | 1   | Decal - Capacity   |     |
| 77   | 1704412     | 1   | Decal - Oil Type   |     |
| 79   | 1704885     | 2   | Decal - Website  |     |
| 80   | 0641406     | 4   | Bolt, 1/4-20 x 3/4   |     |
| 82   | 1001189882  | 1   | Decal - MSSO Operation   |     |
| 85   | 1001222801  | 1   | Decal - Manual Jib Pump (SN 0300233810 to Present)                       |     |

# SECTION 9 - DECALS

FIGURE 9-4. DECAL INSTALLATION - AUSTRALIAN SPEC - M400AJP/M400AJPN



NOTE: ITEMS SHOWN MAY NOT BE REQUIRED FOR ALL SPECS.  
 REFER TO PART LIST FOR USAGE.  
 NOTE: SOME DECALS ARE CALLED OUT ON OPTIONAL DECALS INSTALLATION.

ART\_1001178377



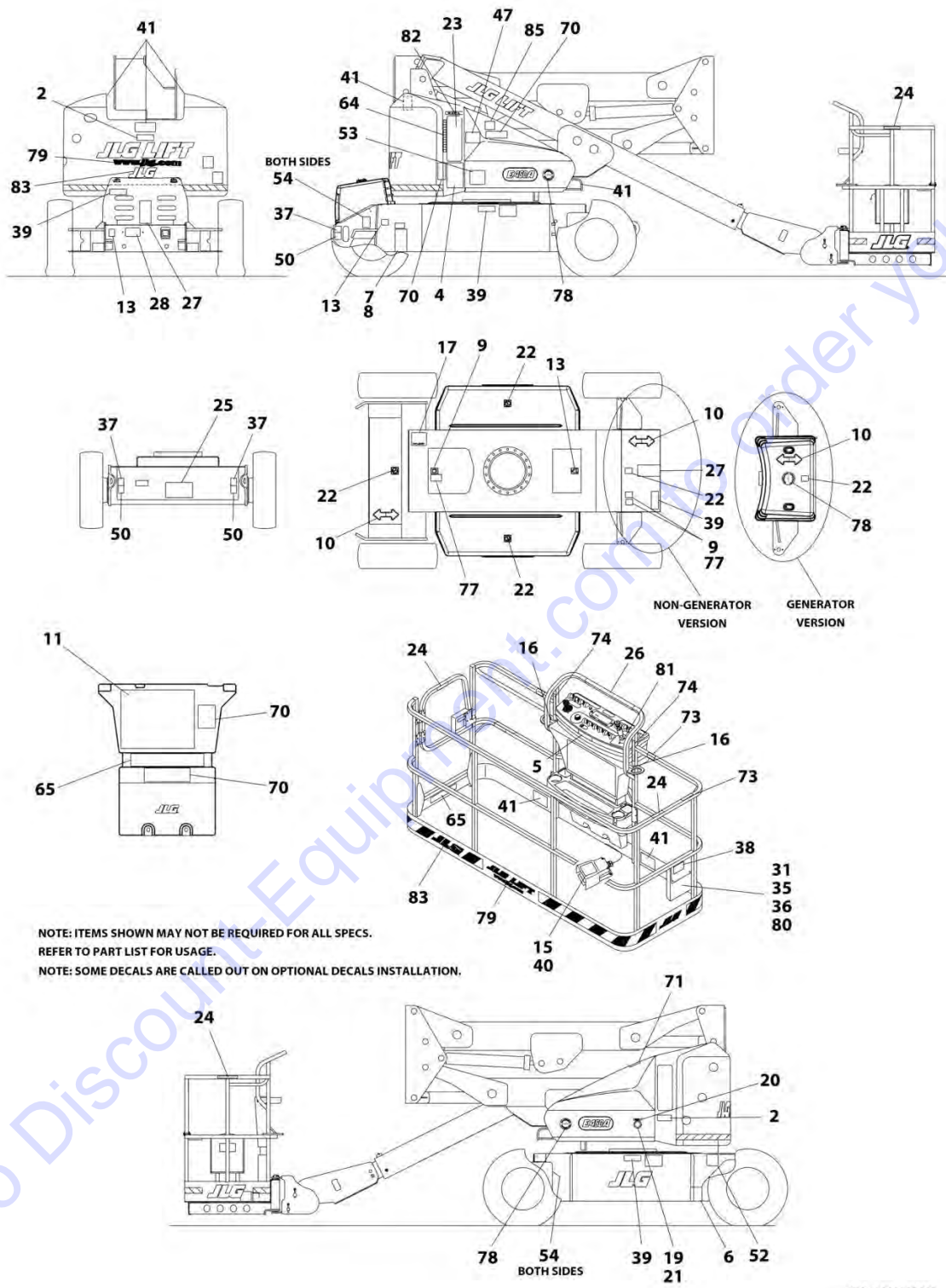
## SECTION 9 - DECALS

**FIGURE 9-4. DECAL INSTALLATION - AUSTRALIAN SPEC - M400AJP/M400AJPN**

| ITEM | PART NUMBER | QTY | DESCRIPTION  | REV |
|------|-------------|-----|--|-----|
|      | 1001178379  | Ref | DECAL INSTALLATION - REFERENCE CHART                                     | L   |
|      | 1001178377  | Ref | DECAL INSTALLATION - AUSTRALIAN SPEC - M400AJP/M400AJPN                  | H   |
| 4    | 1705822     | 1   | Decal - Danger/Caution   |     |
| 7    | See Note    | 1   | Nameplate - Serial Number (Note: Not Available for Purchase)             |     |
| 8    | 3820001     | 2   | Rivet  |     |
| 9    | 1701504     | 1   | Decal - Hydraulic Oil  |     |
| 10   | 1701642     | 2   | Decal - Arrow  |     |
| 11   | 1705921     | 1   | Decal - Danger/Caution   |     |
| 13   | 1701644     | 2   | Decal - Charger  |     |
| 15   | 1705828     | 1   | Decal - Footswitch   |     |
| 16   | 1704277     | 2   | Decal - Attach Lanyard   |     |
| 19   | 0961127     | 1   | Bushing, Snap  |     |
| 21   | 0100010     | AR  | Adhesive   |     |
| 22   | 1701691     | 4   | Decal - No Step  |     |
| 23   | 1001104864  | 1   | Decal - Manual Descent   |     |
| 25   | 1001193949  | 1   | Decal - Cable Routing  |     |
| 27   | 1706378     | 1   | Decal - Charging Instructions  |     |
| 28   | 1704431     | 1   | Decal - Battery Charger LED Indicator (SN 0300208530 through 0300214530) |     |
| 31   | 0860520     | 1   | Box, Manual Storage  |     |
| 35   | 4751400     | 4   | Washer, 1/4  |     |
| 36   | 3311405     | 4   | Nut, 1/4-20  |     |
| 37   | 1703811     | 4   | Decal - Lift   |     |
| 38   | 1701509     | 1   | Decal - Manual   |     |
| 39   | 1705670     | AR  | Decal - Warning Explosion  |     |
| 41   | 1701518     | 6   | Decal - Crushing Hazard  |     |
| 47   | 1705977     | 1   | Decal - Upright Level Over-Ride  |     |
| 50   | 1703814     | 4   | Decal - Tie Down   |     |
| 52   | See Note    | 1   | Decal - Bar Code (Note: Not Available for Purchase)                      |     |
| 53   | 1705978     | 1   | Decal - Capacity   |     |
| 65   | 1705978     | 1   | Decal - Capacity   |     |
| 77   | 1704412     | 1   | Decal - Oil Type   |     |
| 78   | 1001121510  | 3   | Decal - Hybrid   |     |
| 79   | 1704885     | 2   | Decal - Website  |     |
| 80   | 0641406     | 4   | Bolt 1/4-20 x 3/4  |     |
| 82   | 1001189882  | 1   | Decal - MSSO Operation   |     |
| 85   | 1001222801  | 1   | Decal - Manual Jib Pump (SN 0300233810 to Present)                       |     |

# SECTION 9 - DECALS

FIGURE 9-5. DECAL INSTALLATION - CE SPEC - E400AN/E400AJP/E400AJPN



ART\_1001190003

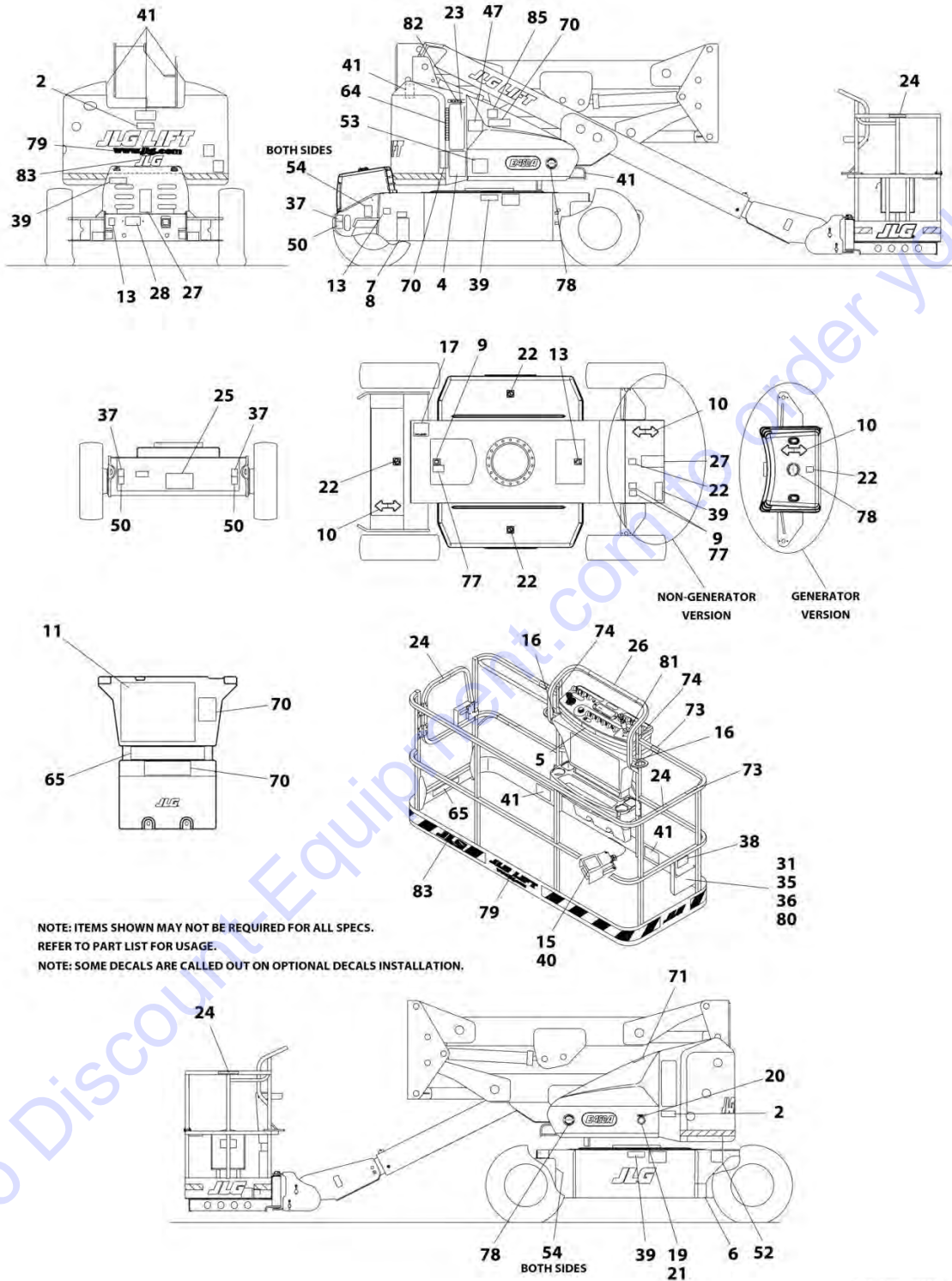
## SECTION 9 - DECALS

**FIGURE 9-5. DECAL INSTALLATION - CE SPEC - E400AN/E400AJP/E400AJPN**

| ITEM | PART NUMBER | QTY | DESCRIPTION  | REV |
|------|-------------|-----|--|-----|
|      | 1001178379  | Ref | DECAL INSTALLATION - REFERENCE CHART (SN 0300208530 through 0300220844)  | F   |
|      | 1001217465  | Ref | DECAL INSTALLATION - REFERENCE CHART (SN 0300220845 to Present)          | D   |
|      | 1001190003  | Ref | DECAL INSTALLATION - CE SPEC - E400An/E400AJP/E400AJPN                   | G   |
| 4    | 1705822     | 1   | Decal - Danger/Caution   |     |
| 7    | See Note    | 1   | Nameplate - Serial Number (Note: Not Available for Purchase)             |     |
| 8    | 3820001     | 2   | Rivet  |     |
| 9    | 1701504     | 1   | Decal - Hydraulic Oil  |     |
| 10   | 1701642     | 2   | Decal - Arrow  |     |
| 11   | 1705921     | 1   | Decal - Danger/Caution   |     |
| 13   | 1701644     | 2   | Decal - Charger  |     |
| 15   | 1705828     | 1   | Decal - Footswitch   |     |
| 16   | 1704277     | 2   | Decal - Attach Lanyard   |     |
| 19   | 0961127     | 1   | Bushing, Snap  |     |
| 21   | 0100010     | AR  | Adhesive   |     |
| 22   | 1701691     | 4   | Decal - No Step  |     |
| 23   | 1001104864  | 1   | Decal - Manual Descent   |     |
| 25   | 1001173577  | 1   | Decal - Cable Routing  |     |
| 27   | 1706378     | 1   | Decal - Charging Instructions  |     |
| 28   | 1704431     | 1   | Decal - Battery Charger LED Indicator (SN 0300208530 through 0300214530) |     |
| 31   | 0860520     | 1   | Box, Manual Storage  |     |
| 35   | 4751400     | 4   | Washer, 1/4  |     |
| 36   | 3311405     | 4   | Nut, 1/4-20  |     |
| 37   | 1703811     | 4   | Decal - Lift   |     |
| 38   | 1701509     | 1   | Decal - Manual   |     |
| 39   | 1705670     | 2   | Decal - Explosion Warning  |     |
| 41   | 1701518     | 6   | Decal - Crushing Hazard  |     |
| 47   | 1705977     | 1   | Decal - Upright Level Over-Ride  |     |
| 50   | 1703814     | 4   | Decal - Tie Down   |     |
| 52   | See Note    | 1   | Decal - Bar Code (Note: Not Available for Purchase)                      |     |
| 53   | 1705978     | 1   | Decal - Capacity   |     |
| 65   | 1705978     | 1   | Decal - Capacity   |     |
| 77   | 1704412     | 1   | Decal - Oil Type   |     |
| 79   | 1704885     | 2   | Decal - Website (SN 0300208530 through 0300220844)                       |     |
| 80   | 0641406     | 4   | Bolt, 1/4-20 x 3/4   |     |
| 83   | 1702773     | 2   | Decal - JLG  |     |
| 85   | 1001222801  | 1   | Decal - Manual Jib Pump (SN 0300233810 to Present)                       |     |

# SECTION 9 - DECALS

## FIGURE 9-6. DECAL INSTALLATION - CE SPEC - M400AJP/M400AJPN



ART\_1001190004

## SECTION 9 - DECALS

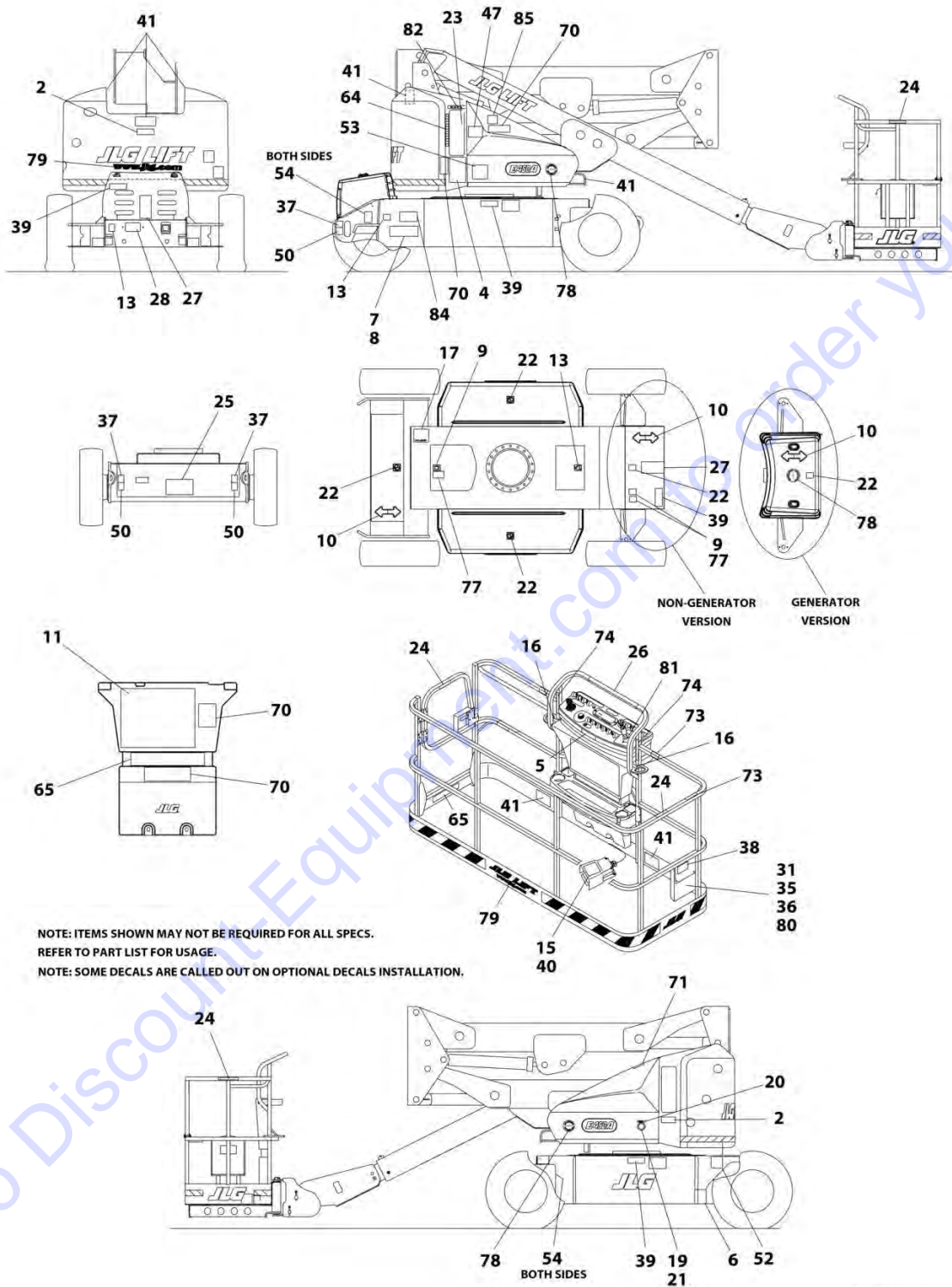
**FIGURE 9-6. DECAL INSTALLATION - CE SPEC - M400AJP/M400AJPN**

| ITEM | PART NUMBER | QTY | DESCRIPTION  | REV |
|------|-------------|-----|--|-----|
|      | 1001178379  | Ref | DECAL INSTALLATION - REFERENCE CHART (SN 0300208530 through 0300220844)  | F   |
|      | 1001217465  | Ref | DECAL INSTALLATION - REFERENCE CHART (SN 0300220845 to Present)          | D   |
|      | 1001190004  | Ref | DECAL INSTALLATION - CE SPEC - M400AJP/M400AJPN                          | H   |
| 4    | 1705822     | 1   | Decal - Danger/Caution   |     |
| 7    | See Note    | 1   | Nameplate - Serial Number (Note: Not Available for Purchase)             |     |
| 8    | 3820001     | 2   | Rivet  |     |
| 9    | 1701504     | 1   | Decal - Hydraulic Oil  |     |
| 10   | 1701642     | 2   | Decal - Arrow  |     |
| 11   | 1705921     | 1   | Decal - Danger/Caution   |     |
| 13   | 1701644     | 2   | Decal - Charger  |     |
| 15   | 1705828     | 1   | Decal - Footswitch   |     |
| 16   | 1704277     | 2   | Decal - Attach Lanyard   |     |
| 19   | 0961127     | 1   | Bushing, Snap  |     |
| 21   | 0100010     | AR  | Adhesive   |     |
| 22   | 1701691     | 4   | Decal - No Step  |     |
| 23   | 1001104864  | 1   | Decal - Manual Descent   |     |
| 25   | 1001173577  | 1   | Decal - Cable Routing  |     |
| 27   | 1706378     | 1   | Decal - Charging Instructions  |     |
| 28   | 1704431     | 1   | Decal - Battery Charger LED Indicator (SN 0300208530 through 0300214530) |     |
| 31   | 0860520     | 1   | Box, Manual Storage  |     |
| 35   | 4751400     | 4   | Washer, 1/4  |     |
| 36   | 3311405     | 4   | Nut, 1/4-20  |     |
| 37   | 1703811     | 4   | Decal - Lift   |     |
| 38   | 1701509     | 1   | Decal - Manual   |     |
| 39   | 1705670     | 2   | Decal - Warning Explosion  |     |
| 41   | 1701518     | 6   | Decal - Crushing Hazard  |     |
| 47   | 1705977     | 1   | Decal - Upright Level Over-Ride  |     |
| 50   | 1703814     | 4   | Decal - Tie Down   |     |
| 52   | See Note    | 1   | Decal - Bar Code (Note: Not Available for Purchase)                      |     |
| 53   | 1705978     | 1   | Decal - Capacity   |     |
| 65   | 1705978     | 1   | Decal - Capacity   |     |
| 77   | 1704412     | 1   | Decal - Oil Type   |     |
| 78   | 1001121510  | 3   | Decal - Hybrid   |     |
| 79   | 1704885     | 2   | Decal - Website (SN 0300208530 through 0300220844)                       |     |
| 80   | 0641406     | 4   | Bolt 1/4-20 x 3/4  |     |
| 83   | 1702773     | 2   | Decal - JLG  |     |
| 85   | 1001222801  | 1   | Decal - Manual Jib Pump (SN 0300233810 to Present)                       |     |



# SECTION 9 - DECALS

FIGURE 9-7. DECAL INSTALLATION - CHINESE/ENGLISH - E400AN/E400AJP/E400AJPN



ART\_1001178376

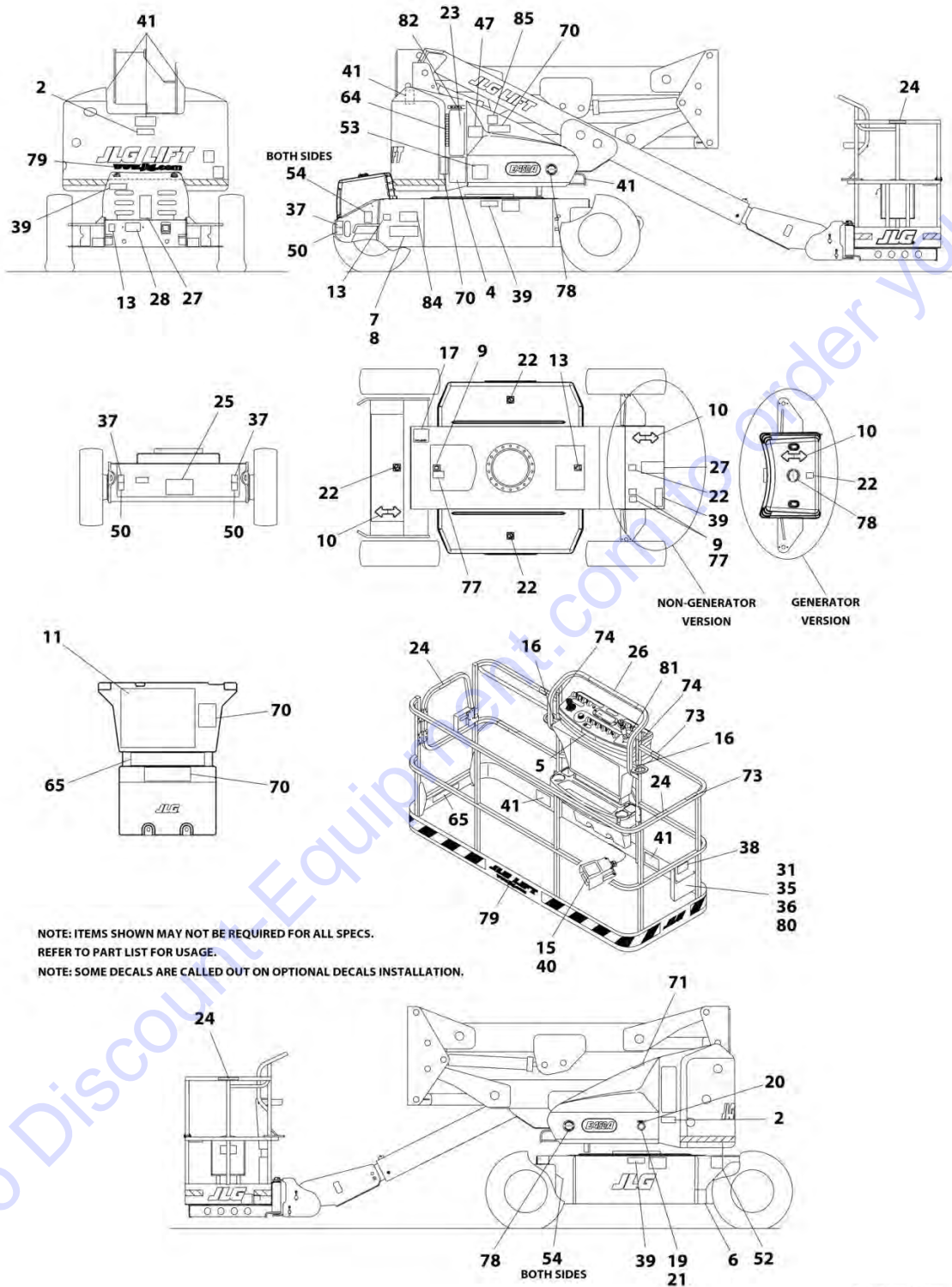
## SECTION 9 - DECALS

**FIGURE 9-7. DECAL INSTALLATION - CHINESE/ENGLISH - E400AN/E400AJP/E400AJPN**

| ITEM | PART NUMBER | QTY | DESCRIPTION  | REV |
|------|-------------|-----|--|-----|
|      | 1001178379  | Ref | DECAL INSTALLATION - REFERENCE CHART                                     | L   |
|      | 1001178376  | Ref | DECAL INSTALLATION - CHINESE/ENGLISH - E400An/E400AJP/E400AJPN           | G   |
| 2    | 1703937     | 2   | Decal - Electrocutation  |     |
| 4    | 1703931     | 1   | Decal - Danger/Caution   |     |
| 7    | See Note    | 1   | Nameplate - Serial Number (Note: Not Available for Purchase)             |     |
| 8    | 3820001     | 2   | Rivet  |     |
| 9    | 1701504     | 1   | Decal - Hydraulic Oil  |     |
| 10   | 1701642     | 2   | Decal - Arrow  |     |
| 11   | 1703925     | 1   | Decal - Caution/Danger   |     |
| 13   | 1701644     | 2   | Decal - Charger  |     |
| 15   | 1703982     | 1   | Decal - Footswitch   |     |
| 16   | 1704277     | 2   | Decal - Attach Lanyard   |     |
| 19   | 0961127     | 1   | Bushing, Snap  |     |
| 21   | 0100010     | AR  | Adhesive   |     |
| 22   | 1701691     | 4   | Decal - No Step  |     |
| 23   | 1001104864  | 1   | Decal - Manual Descent   |     |
| 25   | 1001193949  | 1   | Decal - Cable Routing  |     |
| 27   | 1704419     | 1   | Decal - Charger  |     |
| 28   | 1704431     | 1   | Decal - Battery Charger LED Indicator (SN 0300208530 through 0300214530) |     |
| 31   | 0860520     | 1   | Box, Manual Storage  |     |
| 35   | 4751400     | AR  | Washer, 1/4  |     |
| 36   | 3311405     | AR  | Nut, Lock, 1/4-20  |     |
| 37   | 1701500     | 4   | Decal - Lift   |     |
| 38   | 1701509     | 1   | Decal - Manual   |     |
| 39   | 1704344     | 3   | Decal - Explosion Warning  |     |
| 41   | 1703949     | 6   | Decal - Crushing Hazard  |     |
| 47   | 1703988     | 1   | Decal - Upright Level Override   |     |
| 50   | 1702300     | 4   | Decal - Tie Down   |     |
| 52   | See Note    | 1   | Decal - Bar Code (Note: Not Available for Purchase)                      |     |
| 53   | 1001121823  | 1   | Decal - 500 LBS. Max Capacity  |     |
| 65   | 1001121810  | 2   | Decal - 500 LBS. Max Capacity  |     |
| 77   | 1704412     | 1   | Decal - Oil Type   |     |
| 79   | 1704885     | 2   | Decal - Website  |     |
| 80   | 0641406     | 4   | Bolt 1/4-20 x 3/4  |     |
| 81   | 1705430     | 1   | Decal - Drive/Steer Instruction  |     |
| 82   | 1001189882  | 1   | Decal - MSSO Operation   |     |
| 84   | 1001224050  | 1   | Decal - Yearly Inspection (SN 0300233810 to Present)                     |     |
| 85   | 1001222801  | 1   | Decal - Manual Jib Pump (SN 0300233810 to Present)                       |     |

# SECTION 9 - DECALS

FIGURE 9-8. DECAL INSTALLATION - CHINESE/ENGLISH - M400AJP/M400AJPN



ART\_1001178375



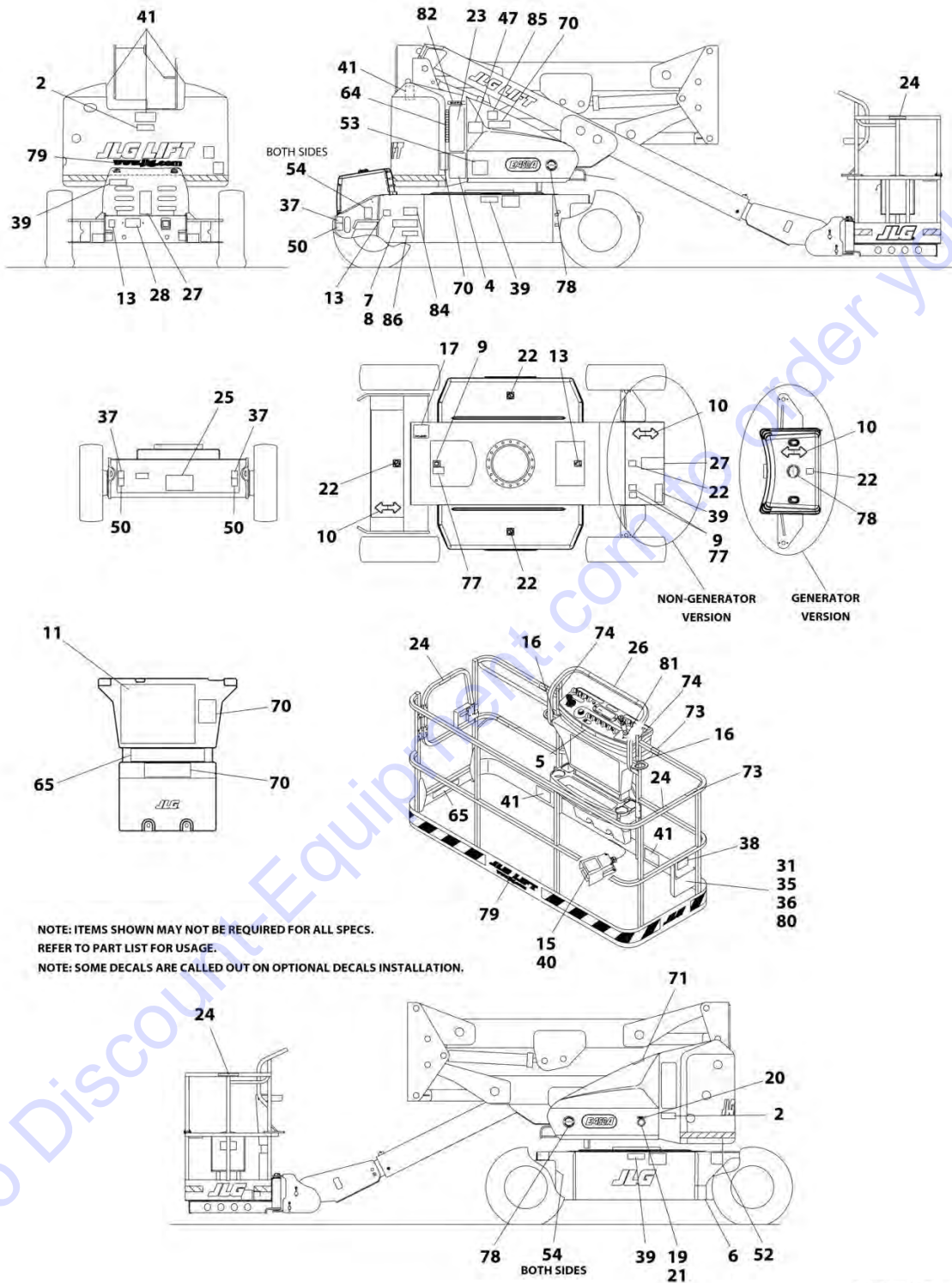
## SECTION 9 - DECALS

**FIGURE 9-8. DECAL INSTALLATION - CHINESE/ENGLISH - M400AJP/M400AJPN**

| ITEM | PART NUMBER | QTY | DESCRIPTION  | REV |
|------|-------------|-----|--|-----|
|      | 1001178379  | Ref | DECAL INSTALLATION - REFERENCE CHART                                     | L   |
|      | 1001178375  | Ref | DECAL INSTALLATION - CHINESE/ENGLISH - M400AJP/M400AJPN                  | G   |
| 2    | 1703937     | 2   | Decal - Electrocutation  |     |
| 4    | 1703931     | 1   | Decal - Danger/Caution   |     |
| 7    | See Note    | 1   | Nameplate - Serial Number (Note: Not Available for Purchase)             |     |
| 8    | 3820001     | 2   | Rivet  |     |
| 9    | 1701504     | 1   | Decal - Hydraulic Oil  |     |
| 10   | 1701642     | 2   | Decal - Arrow  |     |
| 11   | 1703925     | 1   | Decal - Caution/Danger   |     |
| 13   | 1701644     | 2   | Decal - Charger  |     |
| 15   | 1703982     | 1   | Decal - Footswitch   |     |
| 16   | 1704277     | 2   | Decal - Attach Lanyard   |     |
| 19   | 0961127     | 1   | Bushing, Snap  |     |
| 21   | 0100010     | AR  | Adhesive   |     |
| 22   | 1701691     | 4   | Decal - No Step  |     |
| 23   | 1001104864  | 1   | Decal - Manual Descent   |     |
| 25   | 1001193949  | 1   | Decal - Cable Routing  |     |
| 27   | 1704419     | 1   | Decal - Charger  |     |
| 28   | 1704431     | 1   | Decal - Battery Charger LED Indicator (SN 0300208530 through 0300214530) |     |
| 31   | 0860520     | 1   | Box, Manual Storage  |     |
| 35   | 4751400     | AR  | Washer, 1/4  |     |
| 36   | 3311405     | AR  | Nut, Lock, 1/4-20  |     |
| 37   | 1701500     | 4   | Decal - Lift   |     |
| 38   | 1701509     | 1   | Decal - Manual   |     |
| 39   | 1704344     | 3   | Decal - Explosion Warning  |     |
| 41   | 1703949     | 6   | Decal - Crushing Hazard  |     |
| 47   | 1703988     | 1   | Decal - Upright Level Override   |     |
| 50   | 1702300     | 4   | Decal - Tie Down   |     |
| 52   | See Note    | 1   | Decal - Bar Code (Note: Not Available for Purchase)                      |     |
| 53   | 1001121823  | 1   | Decal - 500 LBS. Max Capacity  |     |
| 65   | 1001121810  | 2   | Decal - 500 LBS. Max Capacity  |     |
| 70   | 1001093687  | 2   | Decal - Generator Danger   |     |
| 71   | 1701505     | 1   | Decal - Fuel   |     |
| 77   | 1704412     | 1   | Decal - Oil Type   |     |
| 78   | 1001121510  | 3   | Decal - Hybrid   |     |
| 79   | 1704885     | 2   | Decal - Website  |     |
| 80   | 0641406     | 4   | Bolt 1/4-20 x 3/4  |     |
| 81   | 1705430     | 1   | Decal - Drive/Steer Instruction  |     |
| 82   | 1001189882  | 1   | Decal - MSSO Operation   |     |
| 84   | 1001224050  | 1   | Decal - Yearly Inspection (SN 0300233810 to Present)                     |     |
| 85   | 1001222801  | 1   | Decal - Manual Jib Pump (SN 0300233810 to Present)                       |     |

# SECTION 9 - DECALS

FIGURE 9-9. DECAL INSTALLATION - FRENCH/ENGLISH SPECS - E400AN/E400AJP/E400AJPN



NOTE: ITEMS SHOWN MAY NOT BE REQUIRED FOR ALL SPECS.  
 REFER TO PART LIST FOR USAGE.  
 NOTE: SOME DECALS ARE CALLED OUT ON OPTIONAL DECALS INSTALLATION.

ART\_1001178366

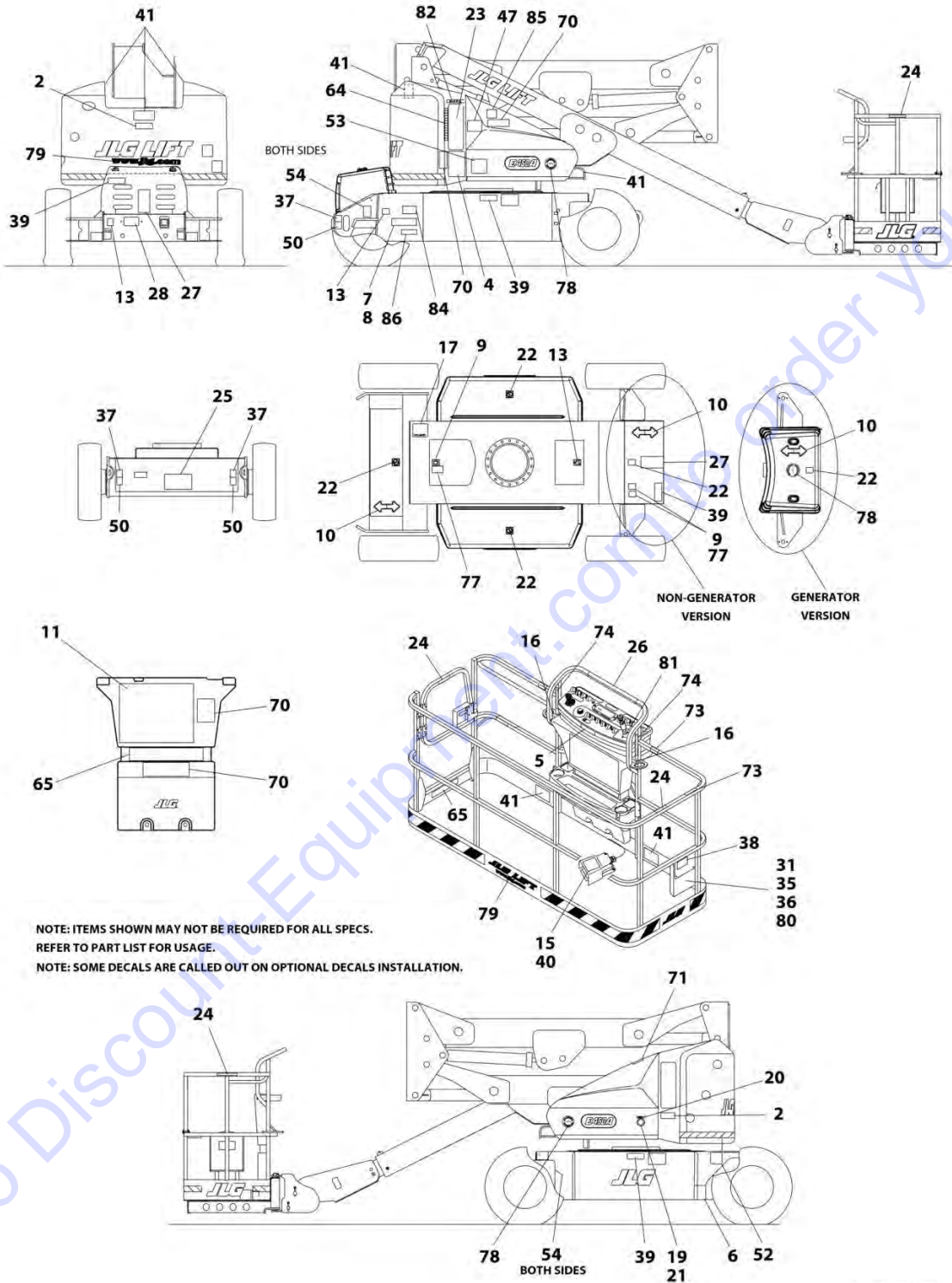
## SECTION 9 - DECALS

**FIGURE 9-9. DECAL INSTALLATION - FRENCH/ENGLISH SPECS - E400AN/E400AJP/E400AJPN**

| ITEM | PART NUMBER | QTY | DESCRIPTION  | REV |
|------|-------------|-----|--|-----|
|      | 1001178379  | Ref | DECAL INSTALLATION - REFERENCE CHART                                     | L   |
|      | 1001178366  | Ref | DECAL INSTALLATION - FRENCH/ENGLISH SPECS - E400An/E400AJP/E400AJPN      | G   |
| 2    | 1703936     | 2   | Decal - Electrocutation  |     |
| 4    | 1703930     | 1   | Decal - Danger/Caution   |     |
| 5    | 1705514     | 1   | Decal - CSA  |     |
| 6    | 1700584     | 1   | Decal - Patent   |     |
| 7    | See Note    | 1   | Nameplate - Serial Number (Note: Not Available for Purchase)             |     |
| 8    | 3820001     | 2   | Rivet  |     |
| 9    | 1701504     | 1   | Decal - Hydraulic Oil  |     |
| 10   | 1701642     | 2   | Decal - Arrow  |     |
| 11   | 1703924     | 1   | Decal - Caution/Danger   |     |
| 13   | 1701644     | 2   | Decal - Charger  |     |
| 15   | 1703984     | 1   | Decal - Footswitch   |     |
| 16   | 1704277     | 2   | Decal - Attach Lanyard   |     |
| 19   | 0961127     | 1   | Bushing, Snap  |     |
| 20   | 3251243     | 1   | Nameplate - 120V/60HZ  |     |
| 21   | 0100010     | AR  | Adhesive   |     |
| 22   | 1701691     | 4   | Decal - No Step  |     |
| 23   | 1001104864  | 1   | Decal - Manual Descent   |     |
| 24   | 1704000     | 2   | Decal - No Hands   |     |
| 25   | 1001193949  | 1   | Decal - Cable Routing  |     |
| 26   | 1001196811  | 1   | Decal - Legend Platform  |     |
| 27   | 1704452     | 1   | Decal - Charger  |     |
| 28   | 1704431     | 1   | Decal - Battery Charger LED Indicator (SN 0300208530 through 0300214530) |     |
| 31   | 0860520     | 1   | Box, Manual Storage  |     |
| 35   | 4751400     | AR  | Washer, 1/4  |     |
| 36   | 3311405     | AR  | Nut, Lock, 1/4-20  |     |
| 37   | 1701500     | 4   | Decal - Lift   |     |
| 38   | 1701509     | 1   | Decal - Manual   |     |
| 39   | 1704340     | 3   | Decal - Explosion Warning  |     |
| 41   | 1703948     | 6   | Decal - Crushing Hazard  |     |
| 47   | 1702265     | 1   | Decal - Boom Sequence  |     |
| 50   | 1702300     | 4   | Decal - Tie Down   |     |
| 52   | See Note    | 1   | Decal - Bar Code (Note: Not Available for Purchase)                      |     |
| 53   | 1001121816  | 1   | Decal - 500 LBS. Max Capacity  |     |
| 64   | 1706950     | 1   | Decal - Key, Main Terminal Box   |     |
| 65   | 1001121803  | 2   | Decal - 500 LBS. Max Capacity  |     |
| 77   | 1704412     | 1   | Decal - Oil Type   |     |
| 79   | 1704885     | 2   | Decal - Website  |     |
| 80   | 0641406     | 4   | Bolt 1/4-20 x 3/4  |     |
| 81   | 1705429     | 1   | Decal - Drive/Steer Instruction  |     |
| 82   | 1001189882  | 1   | Decal - MSSO Operation   |     |
| 84   | 1001223971  | 1   | Decal - Yearly Inspection (SN 0300233810 to Present)                     |     |
| 85   | 1001222801  | 1   | Decal - Manual Jib Pump (SN 0300233810 to Present)                       |     |
| 86   | 1001228370  | 1   | Decal - CSA Ices (SN 0300233810 to Present)                              |     |

# SECTION 9 - DECALS

FIGURE 9-10. DECAL INSTALLATION - FRENCH/ENGLISH SPECS - M400AJP/M400AJPN



ART\_1001178365

## SECTION 9 - DECALS

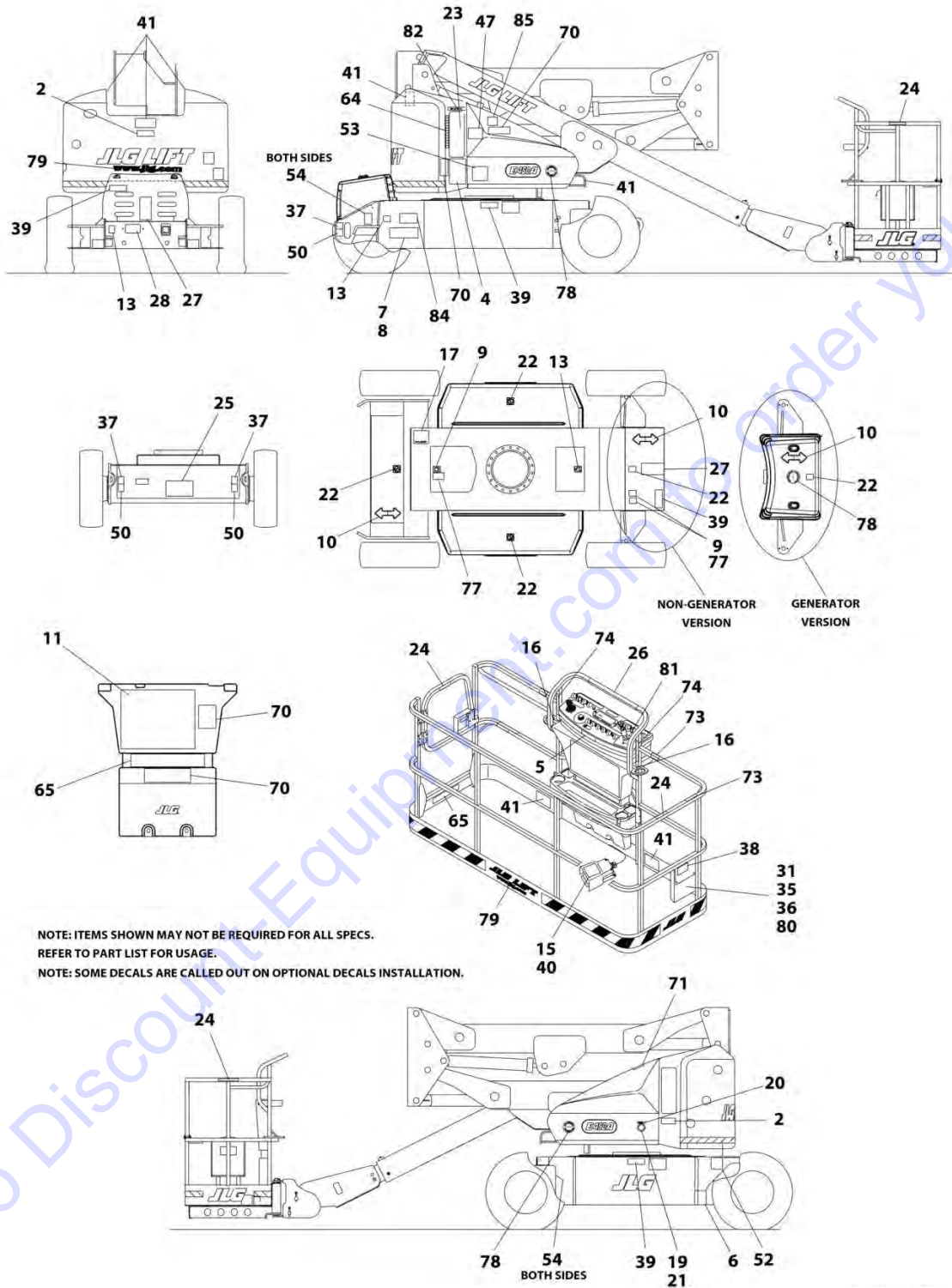
**FIGURE 9-10. DECAL INSTALLATION - FRENCH/ENGLISH SPECS - M400AJP/M400AJPN**

| ITEM | PART NUMBER | QTY | DESCRIPTION  | REV |
|------|-------------|-----|--|-----|
|      | 1001178379  | Ref | DECAL INSTALLATION - REFERENCE CHART                                     | L   |
|      | 1001178365  | Ref | DECAL INSTALLATION - FRENCH/ENGLISH SPECS - M400AJP/M400AJPN             | G   |
| 2    | 1703936     | 2   | Decal - Electrocutation  |     |
| 4    | 1703930     | 1   | Decal - Danger/Caution   |     |
| 5    | 1705514     | 1   | Decal - CSA  |     |
| 7    | See Note    | 1   | Nameplate - Serial Number (Note: Not Available for Purchase)             |     |
| 8    | 3820001     | 2   | Rivet  |     |
| 9    | 1701504     | 1   | Decal - Hydraulic Oil  |     |
| 10   | 1701642     | 2   | Decal - Arrow  |     |
| 11   | 1703924     | 1   | Decal - Caution/Danger   |     |
| 13   | 1701644     | 2   | Decal - Charger  |     |
| 15   | 1703984     | 1   | Decal - Footswitch   |     |
| 16   | 1704277     | 2   | Decal - Attach Lanyard   |     |
| 19   | 0961127     | 1   | Bushing, Snap  |     |
| 20   | 3251243     | 1   | Nameplate - 120V/60HZ  |     |
| 21   | 0100010     | AR  | Adhesive   |     |
| 22   | 1701691     | 4   | Decal - No Step  |     |
| 23   | 1001104864  | 1   | Decal - Manual Descent   |     |
| 24   | 1704000     | 2   | Decal - No Hands   |     |
| 25   | 1001193949  | 1   | Decal - Cable Routing  |     |
| 26   | 1001196811  | 1   | Decal - Legend Platform  |     |
| 27   | 1704452     | 1   | Decal - Charger  |     |
| 28   | 1704431     | 1   | Decal - Battery Charger LED Indicator (SN 0300208530 through 0300214530) |     |
| 31   | 0860520     | 1   | Box, Manual Storage  |     |
| 35   | 4751400     | AR  | Washer, 1/4  |     |
| 36   | 3311405     | AR  | Nut, Lock, 1/4-20  |     |
| 37   | 1701500     | 4   | Decal - Lift   |     |
| 38   | 1701509     | 1   | Decal - Manual   |     |
| 39   | 1704340     | 3   | Decal - Explosion Warning  |     |
| 41   | 1703948     | 6   | Decal - Crushing Hazard  |     |
| 47   | 1702265     | 1   | Decal - Boom Sequence  |     |
| 50   | 1702300     | 1   | Decal - Tie Down   |     |
| 52   | See Note    | 1   | Decal - Bar Code (Note: Not Available for Purchase)                      |     |
| 53   | 1001121816  | 1   | Decal - 500 LBS. Max Capacity  |     |
| 64   | 1706950     | 1   | Decal - Key, Main Terminal Box   |     |
| 65   | 1001121803  | 2   | Decal - 500 LBS. Max Capacity  |     |
| 70   | 1001093687  | 2   | Decal - Generator Danger   |     |
| 77   | 1704412     | 1   | Decal - Oil Type   |     |
| 78   | 1001121510  | 3   | Decal - Hybrid   |     |
| 79   | 1704885     | 2   | Decal - Website  |     |
| 80   | 0641406     | 4   | Bolt 1/4-20 x 3/4  |     |
| 81   | 1705429     | 1   | Decal - Drive/Steer Instruction  |     |
| 82   | 1001189882  | 1   | Decal - MSSO Operation   |     |
| 84   | 1001223971  | 1   | Decal - Yearly Inspection (SN 0300233810 to Present)                     |     |
| 85   | 1001222801  | 1   | Decal - Manual Jib Pump (SN 0300233810 to Present)                       |     |
| 86   | 1001228370  | 1   | Decal - CSA Ices (SN 0300233810 to Present)                              |     |



# SECTION 9 - DECALS

FIGURE 9-11. DECAL INSTALLATION - JAPANESE SPEC - E400AN/E400AJP/E400AJPN



ART\_1001178372

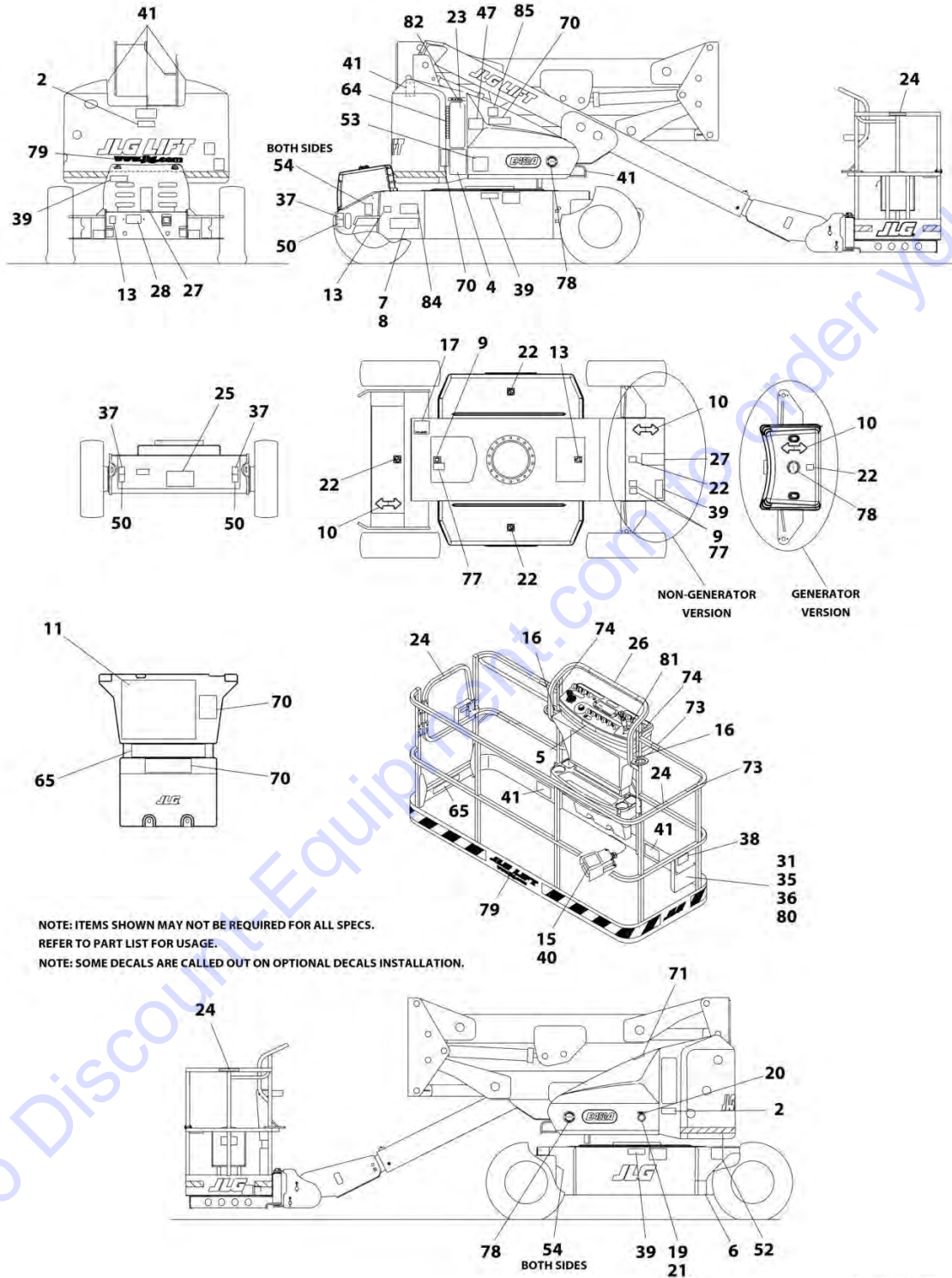
## SECTION 9 - DECALS

**FIGURE 9-11. DECAL INSTALLATION - JAPANESE SPEC - E400AN/E400AJP/E400AJPN**

| ITEM | PART NUMBER | QTY | DESCRIPTION  | REV |
|------|-------------|-----|--|-----|
|      | 1001178379  | Ref | DECAL INSTALLATION - REFERENCE CHART                                     | L   |
|      | 1001178372  | Ref | DECAL INSTALLATION - JAPANESE SPEC - E400An/E400AJP/E400AJPN             | G   |
| 2    | 1703938     | 2   | Decal - Electrocutation  |     |
| 4    | 1703932     | 1   | Decal - Danger/Caution   |     |
| 7    | See Note    | 1   | Nameplate - Serial Number (Note: Not Available for Purchase)             |     |
| 8    | 3820001     | 2   | Rivet  |     |
| 9    | 1701504     | 1   | Decal - Hydraulic Oil  |     |
| 10   | 1701642     | 2   | Decal - Arrow  |     |
| 11   | 1703926     | 1   | Decal - Caution/Danger   |     |
| 13   | 1701644     | 2   | Decal - Charger  |     |
| 15   | 1703980     | 1   | Decal - Footswitch   |     |
| 16   | 1704277     | 2   | Decal - Attach Lanyard   |     |
| 19   | 0961127     | 1   | Bushing, Snap  |     |
| 21   | 0100010     | AR  | Adhesive   |     |
| 22   | 1701691     | 4   | Decal - No Step  |     |
| 23   | 1001104864  | 1   | Decal - Manual Descent   |     |
| 25   | 1001193949  | 1   | Decal - Cable Routing  |     |
| 26   | 1001196811  | 1   | Decal - Legend Platform  |     |
| 27   | 1704417     | 1   | Decal - Charger  |     |
| 28   | 1704431     | 1   | Decal - Battery Charger LED Indicator (SN 0300208530 through 0300214530) |     |
| 31   | 0860520     | 1   | Box, Manual Storage  |     |
| 35   | 4751400     | 4   | Washer, 1/4  |     |
| 36   | 3311405     | 4   | Nut, Lock, 1/4-20  |     |
| 37   | 1701500     | 4   | Decal - Lift   |     |
| 38   | 1701509     | 1   | Decal - Manual   |     |
| 39   | 1704342     | 3   | Decal - Explosion Warning  |     |
| 41   | 1703950     | 6   | Decal - Crushing Hazard  |     |
| 47   | 1702271     | 1   | Decal  |     |
| 50   | 1702300     | 4   | Decal - Tie Down   |     |
| 52   | See Note    | 1   | Decal - Bar Code (Note: Not Available for Purchase)                      |     |
| 53   | 1001121821  | 1   | Decal - 500 LBS. Max Capacity  |     |
| 65   | 1001121808  | 2   | Decal - 500 LBS. Max Capacity  |     |
| 77   | 1704412     | 1   | Decal - Oil Type   |     |
| 79   | 1704885     | 2   | Decal - Website  |     |
| 80   | 0641406     | 4   | Bolt 1/4-20 x 3/4  |     |
| 81   | 1705426     | 1   | Decal - Drive/Steer Instruction  |     |
| 82   | 1001189882  | 1   | Decal - MSSO Operation   |     |
| 84   | 1001224053  | 1   | Decal - Yearly Inspection (SN 0300233810 to Present)                     |     |
| 85   | 1001222801  | 1   | Decal - Manual Jib Pump (SN 0300233810 to Present)                       |     |

# SECTION 9 - DECALS

FIGURE 9-12. DECAL INSTALLATION - JAPANESE SPEC - M400AJP/M400AJPN



NOTE: ITEMS SHOWN MAY NOT BE REQUIRED FOR ALL SPECS.  
 REFER TO PART LIST FOR USAGE.  
 NOTE: SOME DECALS ARE CALLED OUT ON OPTIONAL DECALS INSTALLATION.

ART\_1001178371



# PARTS FINDER

**Search Website  
by Part Number**



**Search Manual  
Library For Parts  
Manual & Lookup Part  
Numbers – Purchase  
or Request Quote**

**Can't Find Part or  
Manual? Request Help  
by Manufacturer,  
Model & Description**

Discount-Equipment.com is your online resource for quality parts & equipment.

Florida: **561-964-4949** Outside Florida TOLL FREE: **877-690-3101**

## Need parts?

Click on this link: <http://www.discount-equipment.com/category/5443-parts/> and choose one of the options to help get the right parts and equipment you are looking for. Please have the machine model and serial number available in order to help us get you the correct parts. If you don't find the part on the website or on one of the online manuals, please fill out the request form and one of our experienced staff members will get back to you with a quote for the right part that your machine needs.

We sell worldwide for the brands: Genie, Terex, JLG, MultiQuip, Mikasa, Essick, Whiteman, Mayco, Toro Stone, Diamond Products, Generac Magnum, Airman, Haulotte, Barreto, Power Blanket, Nifty Lift, Atlas Copco, Chicago Pneumatic, Allmand, Miller Curber, Skyjack, Lull, Skytrak, Tsurumi, Husquvarna Target, Stow, Wacker, Sakai, Mi-T-M, Sullair, Basic, Dynapac, MBW, Weber, Bartell, Bennar Newman, Haulotte, Ditch Runner, Menegotti, Morrison, Contec, Buddy, Crown, Edco, Wyco, Bomag, Laymor, EZ Trench, Bil-Jax, F.S. Curtis, Gehl Pavers, Heli, Honda, ICS/PowerGrit, IHI, Partner, Imer, Clipper, MMD, Koshin, Rice, CH&E, General Equipment, Amida, Coleman, NAC, Gradall, Square Shooter, Kent, Stanley, Tamco, Toku, Hatz, Kohler, Robin, Wisconsin, Northrock, Oztec, Toker TK, Rol-Air, APT, Wylie, Ingersoll Rand / Doosan, Innovatech, Con X, Ammann, Mecalac, Makinex, Smith Surface Prep, Small Line, Wanco, Yanmar

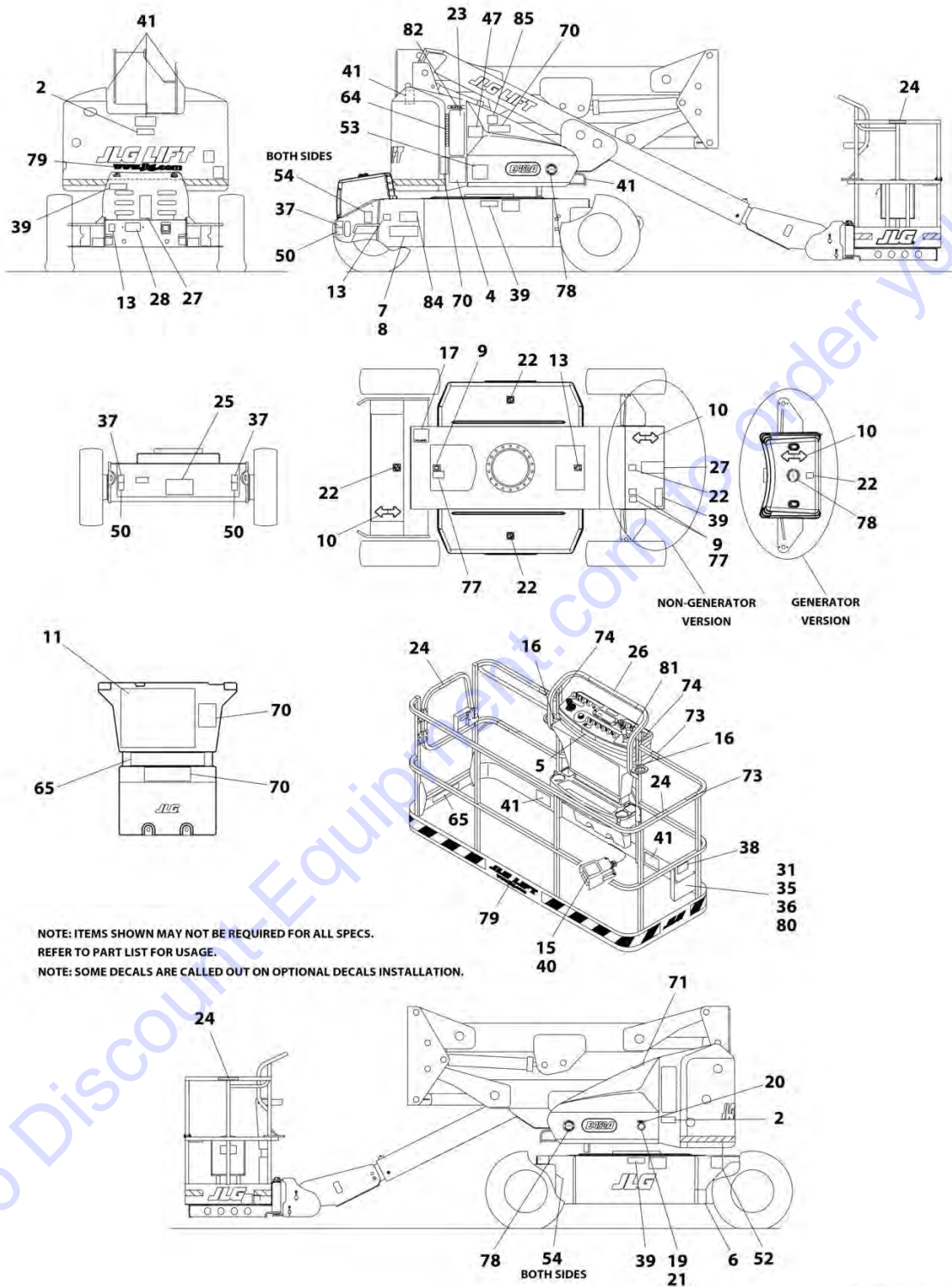
## SECTION 9 - DECALS

**FIGURE 9-12. DECAL INSTALLATION - JAPANESE SPEC - M400AJP/M400AJPN**

| ITEM | PART NUMBER | QTY | DESCRIPTION  | REV |
|------|-------------|-----|--|-----|
|      | 1001178379  | Ref | DECAL INSTALLATION - REFERENCE CHART                                     | L   |
|      | 1001178371  | Ref | DECAL INSTALLATION - JAPANESE SPEC - M400AJP/M400AJPN                    | G   |
| 2    | 1703938     | 2   | Decal - Electrocutation  |     |
| 4    | 1703932     | 1   | Decal - Danger/Caution   |     |
| 7    | See Note    | 1   | Nameplate - Serial Number (Note: Not Available for Purchase)             |     |
| 8    | 3820001     | 2   | Rivet  |     |
| 9    | 1701504     | 1   | Decal - Hydraulic Oil  |     |
| 10   | 1701642     | 2   | Decal - Arrow  |     |
| 11   | 1703926     | 1   | Decal - Caution/Danger   |     |
| 13   | 1701644     | 2   | Decal - Charger  |     |
| 15   | 1703980     | 1   | Decal - Footswitch   |     |
| 16   | 1704277     | 2   | Decal - Attach Lanyard   |     |
| 19   | 0961127     | 1   | Bushing, Snap  |     |
| 21   | 0100010     | AR  | Adhesive   |     |
| 22   | 1701691     | 4   | Decal - No Step  |     |
| 23   | 1001104864  | 1   | Decal - Manual Descent   |     |
| 25   | 1001193949  | 1   | Decal - Cable Routing  |     |
| 27   | 1704417     | 1   | Decal - Charger  |     |
| 28   | 1704431     | 1   | Decal - Battery Charger LED Indicator (SN 0300208530 through 0300214530) |     |
| 31   | 0860520     | 1   | Box, Manual Storage  |     |
| 35   | 4751400     | 4   | Washer, 1/4  |     |
| 36   | 3311405     | 4   | Nut, Lock, 1/4-20  |     |
| 37   | 1701500     | 4   | Decal - Lift   |     |
| 38   | 1701509     | 1   | Decal - Manual   |     |
| 39   | 1704342     | 3   | Decal - Explosion Warning  |     |
| 41   | 1703950     | 6   | Decal - Crushing Hazard  |     |
| 47   | 1702271     | 1   | Decal  |     |
| 50   | 1702300     | 4   | Decal - Tie Down   |     |
| 52   | See Note    | 1   | Decal - Bar Code (Note: Not Available for Purchase)                      |     |
| 53   | 1001121821  | 1   | Decal - 500 LBS. Max Capacity  |     |
| 65   | 1001121808  | 2   | Decal - 500 LBS. Max Capacity  |     |
| 70   | 1001093687  | 2   | Decal - Generator Danger   |     |
| 77   | 1704412     | 1   | Decal - Oil Type   |     |
| 78   | 1001121510  | 3   | Decal - Hybrid   |     |
| 79   | 1704885     | 2   | Decal - Website  |     |
| 80   | 0641406     | 4   | Bolt 1/4-20 x 3/4  |     |
| 81   | 1705426     | 1   | Decal - Drive/Steer Instruction  |     |
| 82   | 1001189882  | 1   | Decal - MSSO Operation   |     |
| 84   | 1001224053  | 1   | Decal - Yearly Inspection (SN 0300233810 to Present)                     |     |
| 85   | 1001222801  | 1   | Decal - Manual Jib Pump (SN 0300233810 to Present)                       |     |

# SECTION 9 - DECALS

FIGURE 9-13. DECAL INSTALLATION - KOREAN SPEC - E400AN/E400AJP/E400AJPN



ART\_1001178374

## SECTION 9 - DECALS

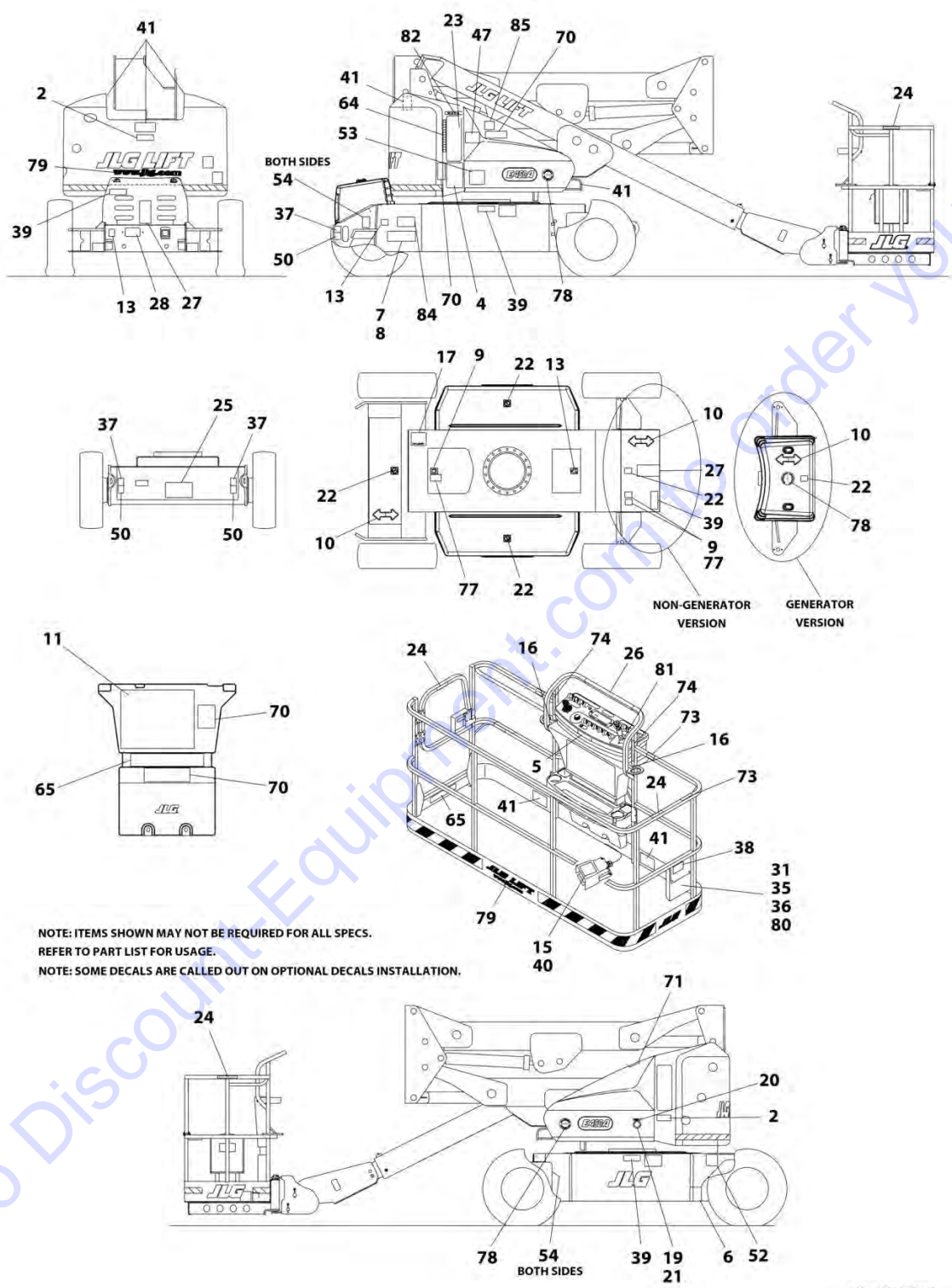
**FIGURE 9-13. DECAL INSTALLATION - KOREAN SPEC - E400AN/E400AJP/E400AJPN**

| ITEM | PART NUMBER | QTY | DESCRIPTION  | REV |
|------|-------------|-----|--|-----|
|      | 1001178379  | Ref | DECAL INSTALLATION - REFERENCE CHART                                     | L   |
|      | 1001178374  | Ref | DECAL INSTALLATION - KOREAN SPEC - E400An/E400AJP/E400AJPN               | G   |
| 2    | 1703939     | 2   | Decal - Electrocutation  |     |
| 4    | 1703933     | 1   | Decal - Danger/Caution   |     |
| 7    | See Note    | 1   | Nameplate - Serial Number (Note: Not Available for Purchase)             |     |
| 8    | 3820001     | 2   | Rivet  |     |
| 9    | 1701504     | 1   | Decal - Hydraulic Oil  |     |
| 10   | 1701642     | 2   | Decal - Arrow  |     |
| 11   | 1703927     | 1   | Decal - Caution/Danger   |     |
| 13   | 1701644     | 2   | Decal - Charger  |     |
| 15   | 1703981     | 1   | Decal - Footswitch   |     |
| 16   | 1704277     | 2   | Decal - Attach Lanyard   |     |
| 19   | 0961127     | 1   | Bushing, Snap  |     |
| 21   | 0100010     | AR  | Adhesive   |     |
| 22   | 1701691     | 4   | Decal - No Step  |     |
| 23   | 1001104864  | 1   | Decal - Manual Descent   |     |
| 25   | 1001193949  | 1   | Decal - Cable Routing  |     |
| 27   | 1704418     | 1   | Decal - Charger  |     |
| 28   | 1704431     | 1   | Decal - Battery Charger LED Indicator (SN 0300208530 through 0300214530) |     |
| 31   | 0860520     | 1   | Box, Manual Storage  |     |
| 35   | 4751400     | AR  | Washer, 1/4  |     |
| 36   | 3311405     | AR  | Nut, Lock, 1/4-20  |     |
| 37   | 1701500     | 4   | Decal - Lift   |     |
| 38   | 1701509     | 1   | Decal - Manual   |     |
| 39   | 1704343     | 3   | Decal - Explosion Warning  |     |
| 41   | 1703951     | 6   | Decal - Crushing Hazard  |     |
| 47   | 1703987     | 1   | Decal - Upright Level Override   |     |
| 50   | 1702300     | 4   | Decal - Tie Down   |     |
| 52   | See Note    | 1   | Decal - Bar Code (Note: Not Available for Purchase)                      |     |
| 53   | 1001121921  | 1   | Decal - 500 LBS. Max Capacity  |     |
| 65   | 1001121918  | 2   | Decal - 500 LBS. Max Capacity  |     |
| 77   | 1704412     | 1   | Decal - Oil Type   |     |
| 79   | 1704885     | 2   | Decal - Website  |     |
| 80   | 0641406     | 4   | Bolt 1/4-20 x 3/4  |     |
| 81   | 1705427     | 1   | Decal - Drive/Steer Instruction  |     |
| 82   | 1001189882  | 1   | Decal - MSSO Operation   |     |
| 84   | 1001224048  | 1   | Decal - Yearly Inspection (SN 0300233810 to Present)                     |     |
| 85   | 1001222801  | 1   | Decal - Manual Jib Pump (SN 0300233810 to Present)                       |     |



# SECTION 9 - DECALS

FIGURE 9-14. DECAL INSTALLATION - KOREAN SPEC - M400AJP/M400AJPN



ART\_1001178373

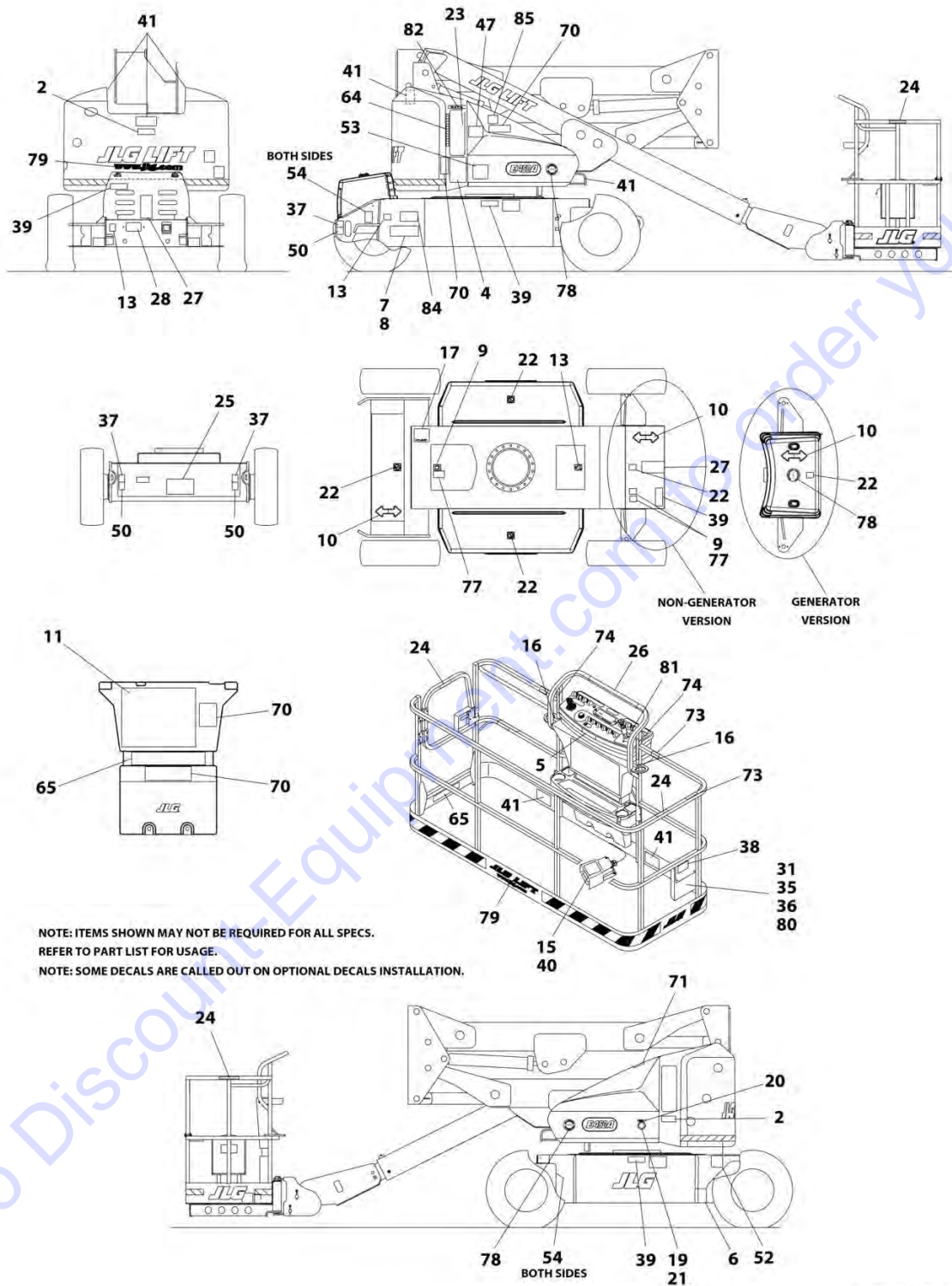
## SECTION 9 - DECALS

**FIGURE 9-14. DECAL INSTALLATION - KOREAN SPEC - M400AJP/M400AJPN**

| ITEM | PART NUMBER | QTY | DESCRIPTION  | REV |
|------|-------------|-----|--|-----|
|      | 1001178379  | Ref | DECAL INSTALLATION - REFERENCE CHART                                     | L   |
|      | 1001178373  | Ref | DECAL INSTALLATION - KOREAN SPEC - M400AJP/M400AJPN                      | G   |
| 2    | 1703939     | 2   | Decal - Electrocution  |     |
| 4    | 1703933     | 1   | Decal - Danger/Caution   |     |
| 7    | See Note    | 1   | Nameplate - Serial Number (Note: Not Available for Purchase)             |     |
| 8    | 3820001     | 2   | Rivet  |     |
| 9    | 1701504     | 1   | Decal - Hydraulic Oil  |     |
| 10   | 1701642     | 2   | Decal - Arrow  |     |
| 11   | 1703927     | 1   | Decal - Caution/Danger   |     |
| 13   | 1701644     | 2   | Decal - Charger  |     |
| 15   | 1703981     | 1   | Decal - Footswitch   |     |
| 16   | 1704277     | 2   | Decal - Attach Lanyard   |     |
| 19   | 0961127     | 1   | Bushing, Snap  |     |
| 21   | 0100010     | AR  | Adhesive   |     |
| 22   | 1701691     | 4   | Decal - No Step  |     |
| 23   | 1001104864  | 1   | Decal - Manual Descent   |     |
| 25   | 1001193949  | 1   | Decal - Cable Routing  |     |
| 27   | 1704418     | 1   | Decal - Charger  |     |
| 28   | 1704431     | 1   | Decal - Battery Charger LED Indicator (SN 0300208530 through 0300214530) |     |
| 31   | 0860520     | 1   | Box, Manual Storage  |     |
| 35   | 4751400     | 4   | Washer, 1/4  |     |
| 36   | 3311405     | 4   | Nut, Lock, 1/4-20  |     |
| 37   | 1701500     | 4   | Decal - Lift   |     |
| 38   | 1701509     | 1   | Decal - Manual   |     |
| 39   | 1704343     | 3   | Decal - Explosion Warning  |     |
| 41   | 1703951     | 6   | Decal - Crushing Hazard  |     |
| 47   | 1703987     | 1   | Decal - Upright Level Override   |     |
| 50   | 1702300     | 4   | Decal - Tie Down   |     |
| 52   | See Note    | 1   | Decal - Bar Code (Note: Not Available for Purchase)                      |     |
| 53   | 1001121921  | 1   | Decal - 500 LBS. Max Capacity  |     |
| 54   | 1704445     | 4   | Decal - Tire Load  |     |
| 65   | 1001121918  | 2   | Decal - 500 LBS. Max Capacity  |     |
| 70   | 1001093687  | 3   | Decal - Generator Danger   |     |
| 77   | 1704412     | 1   | Decal - Oil Type   |     |
| 78   | 1001121510  | 3   | Decal - Hybrid   |     |
| 79   | 1704885     | 2   | Decal - Website  |     |
| 80   | 0641406     | 4   | Bolt 1/4-20 x 3/4  |     |
| 81   | 1705427     | 1   | Decal - Drive/Steer Instruction  |     |
| 82   | 1001189882  | 1   | Decal - MSSO Operation   |     |
| 84   | 1001224048  | 1   | Decal - Yearly Inspection (SN 0300233810 to Present)                     |     |
| 85   | 1001222801  | 1   | Decal - Manual Jib Pump (SN 0300233810 to Present)                       |     |

# SECTION 9 - DECALS

FIGURE 9-15. DECAL INSTALLATION - SPANISH/ENGLISH SPECS - E400AN/E400AJP/E400AJPN



ART\_1001178368

## SECTION 9 - DECALS

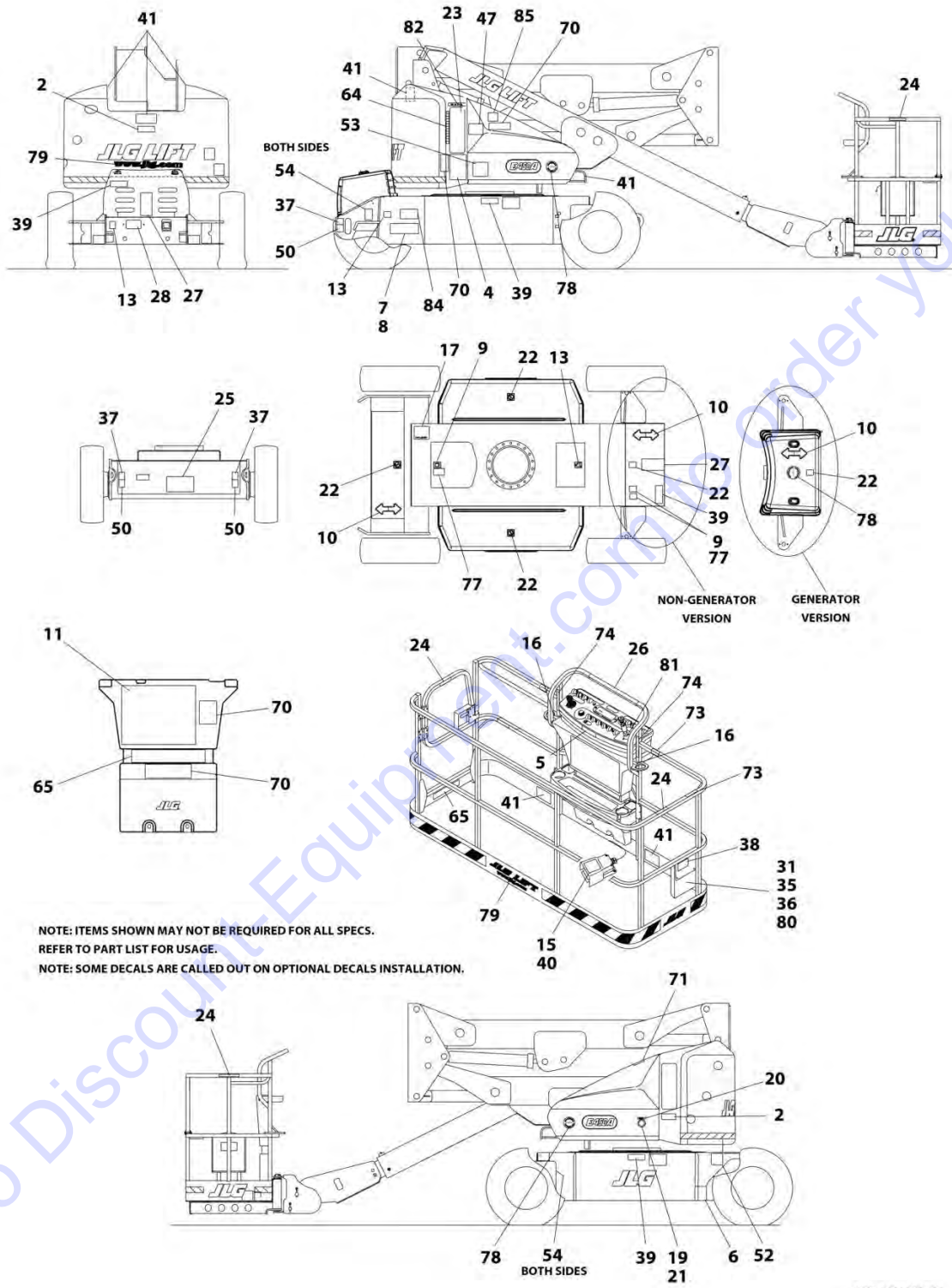
**FIGURE 9-15. DECAL INSTALLATION - SPANISH/ENGLISH SPECS - E400AN/E400AJP/E400AJPN**

| ITEM | PART NUMBER | QTY | DESCRIPTION  | REV |
|------|-------------|-----|--|-----|
|      | 1001178379  | Ref | DECAL INSTALLATION - REFERENCE CHART                                     | L   |
|      | 1001178368  | Ref | DECAL INSTALLATION - SPANISH/ENGLISH SPECS - E400An/E400AJP/E400AJPN     | G   |
| 2    | 1703935     | 2   | Decal - Electrocutation  |     |
| 4    | 1703929     | 1   | Decal - Danger/Caution   |     |
| 7    | See Note    | 1   | Nameplate - Serial Number (Note: Not Available for Purchase)             |     |
| 8    | 3820001     | 2   | Rivet  |     |
| 9    | 1701504     | 1   | Decal - Hydraulic Oil  |     |
| 10   | 1701642     | 2   | Decal - Arrow  |     |
| 11   | 1703923     | 1   | Decal - Caution/Danger   |     |
| 13   | 1701644     | 2   | Decal - Charger  |     |
| 15   | 1703983     | 1   | Decal - Footswitch   |     |
| 16   | 1704277     | 2   | Decal - Attach Lanyard   |     |
| 19   | 0961127     | 1   | Bushing, Snap  |     |
| 20   | 3251243     | 1   | Nameplate - 120V/60HZ  |     |
| 21   | 0100010     | AR  | Adhesive   |     |
| 22   | 1701691     | 4   | Decal - No Step  |     |
| 23   | 1001104864  | 1   | Decal - Manual Descent   |     |
| 24   | 1704001     | 2   | Decal - No Hands   |     |
| 25   | 1001193949  | 1   | Decal - Cable Routing  |     |
| 26   | 1001196811  | 1   | Decal - Legend Platform  |     |
| 27   | 1704454     | 1   | Decal - Charger  |     |
| 28   | 1704431     | 1   | Decal - Battery Charger LED Indicator (SN 0300208530 through 0300214530) |     |
| 31   | 0860520     | 1   | Box, Manual Storage  |     |
| 35   | 4751400     | AR  | Washer, 1/4  |     |
| 36   | 3311405     | AR  | Nut, Lock, 1/4-20  |     |
| 37   | 1701500     | 4   | Decal - Lift   |     |
| 38   | 1701509     | 1   | Decal - Manual   |     |
| 39   | 1704339     | 3   | Decal - Explosion Warning  |     |
| 41   | 1703947     | 6   | Decal - Crushing Hazard  |     |
| 47   | 1702265     | 1   | Decal - Boom Sequence  |     |
| 50   | 1702300     | 4   | Decal - Tie Down   |     |
| 52   | See Note    | 1   | Decal - Bar Code (Note: Not Available for Purchase)                      |     |
| 53   | 1001121818  | 1   | Decal - 500 LBS. Max Capacity  |     |
| 64   | 1706950     | 1   | Decal - Key, Main Terminal Box   |     |
| 65   | 1001121805  | 2   | Decal - 500 LBS. Max Capacity  |     |
| 77   | 1704412     | 1   | Decal - Oil Type   |     |
| 79   | 1704885     | 2   | Decal - Website  |     |
| 80   | 0641406     | 4   | Bolt 1/4-20 x 3/4  |     |
| 81   | 1705910     | 1   | Decal - Drive/Steer Instruction  |     |
| 82   | 1001189882  | 1   | Decal - MSSO Operation   |     |
| 84   | 1001224049  | 1   | Decal - Yearly Inspection (SN 0300233810 to Present)                     |     |
| 85   | 1001222801  | 1   | Decal - Manual Jib Pump (SN 0300233810 to Present)                       |     |



# SECTION 9 - DECALS

FIGURE 9-16. DECAL INSTALLATION - SPANISH/ENGLISH SPECS - M400AJP/M400AJPN



ART\_1001178367

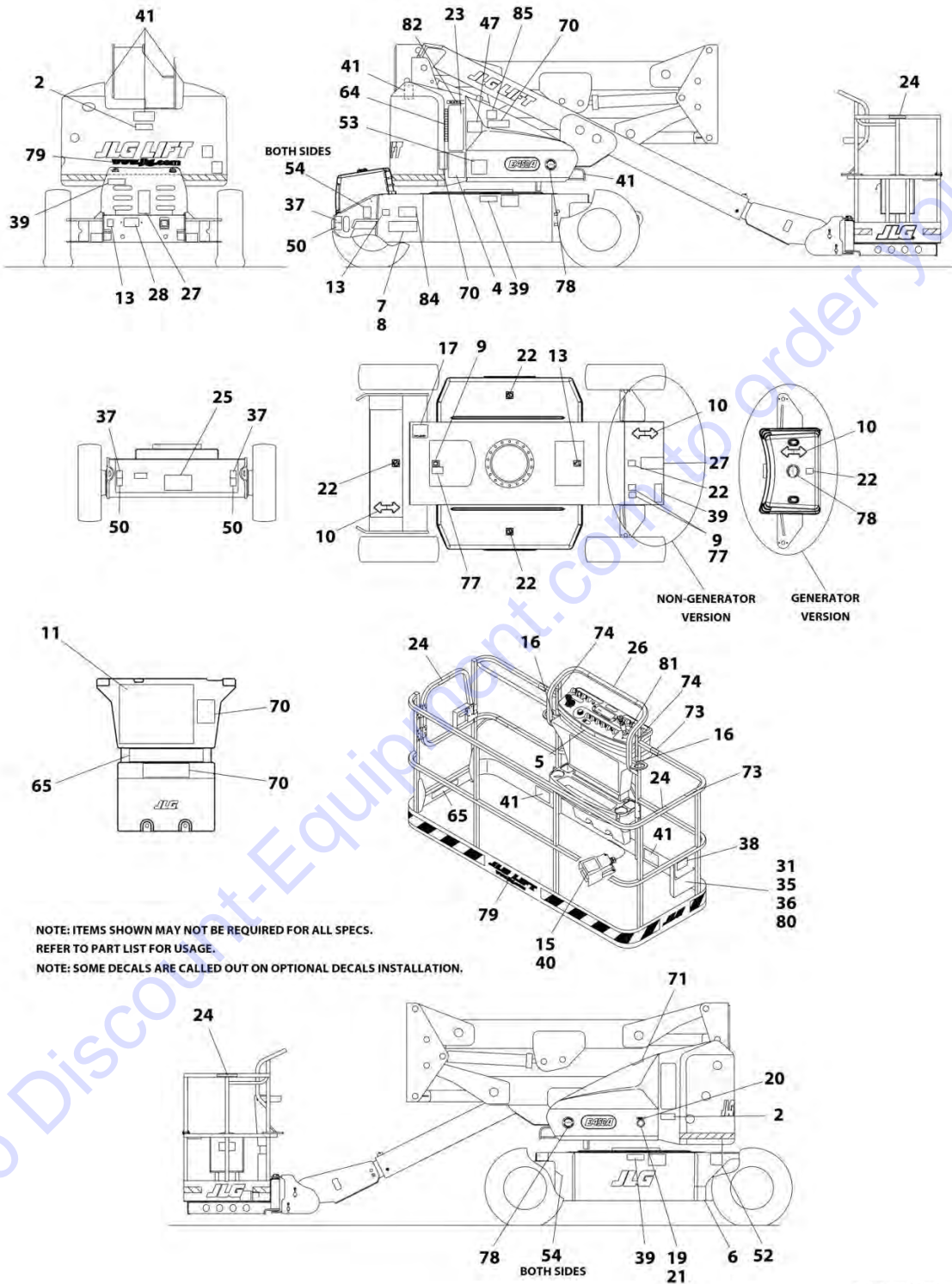
## SECTION 9 - DECALS

**FIGURE 9-16. DECAL INSTALLATION - SPANISH/ENGLISH SPECS - M400AJP/M400AJPN**

| ITEM | PART NUMBER | QTY | DESCRIPTION  | REV |
|------|-------------|-----|--|-----|
|      | 1001178379  | Ref | DECAL INSTALLATION - REFERENCE CHART                                     | L   |
|      | 1001178367  | Ref | DECAL INSTALLATION - SPANISH/ENGLISH SPECS - M400AJP/M400AJPN            | G   |
| 2    | 1703935     | 2   | Decal - Electrocutation  |     |
| 4    | 1703929     | 1   | Decal - Danger/Caution   |     |
| 7    | See Note    | 1   | Nameplate - Serial Number (Note: Not Available for Purchase)             |     |
| 8    | 3820001     | 2   | Rivet  |     |
| 9    | 1701504     | 1   | Decal - Hydraulic Oil  |     |
| 10   | 1701642     | 2   | Decal - Arrow  |     |
| 11   | 1703923     | 1   | Decal - Caution/Danger   |     |
| 13   | 1701644     | 2   | Decal - Charger  |     |
| 15   | 1703983     | 1   | Decal - Footswitch   |     |
| 16   | 1704277     | 2   | Decal - Attach Lanyard   |     |
| 19   | 0961127     | 1   | Bushing, Snap  |     |
| 20   | 3251243     | 1   | Nameplate - 120V/60HZ  |     |
| 21   | 0100010     | AR  | Adhesive   |     |
| 22   | 1701691     | 4   | Decal - No Step  |     |
| 23   | 1001104864  | 1   | Decal - Manual Descent   |     |
| 24   | 1704001     | 2   | Decal - No Hands   |     |
| 25   | 1001193949  | 1   | Decal - Cable Routing  |     |
| 26   | 1001196811  | 1   | Decal - Legend Platform  |     |
| 27   | 1704454     | 1   | Decal - Charger  |     |
| 28   | 1704431     | 1   | Decal - Battery Charger LED Indicator (SN 0300208530 through 0300214530) |     |
| 31   | 0860520     | 1   | Box, Manual Storage  |     |
| 35   | 4751400     | AR  | Washer, 1/4  |     |
| 36   | 3311405     | AR  | Nut, Lock, 1/4-20  |     |
| 37   | 1701500     | 4   | Decal - Lift   |     |
| 38   | 1701509     | 1   | Decal - Manual   |     |
| 39   | 1704339     | 3   | Decal - Explosion Warning  |     |
| 41   | 1703947     | 6   | Decal - Crushing Hazard  |     |
| 47   | 1702265     | 1   | Decal - Boom Sequence  |     |
| 50   | 1702300     | 4   | Decal - Tie Down   |     |
| 52   | See Note    | 1   | Decal - Bar Code (Note: Not Available for Purchase)                      |     |
| 53   | 1001121818  | 1   | Decal - 500 LBS. Max Capacity  |     |
| 64   | 1706950     | 1   | Decal - Key, Main Terminal Box   |     |
| 65   | 1001121805  | 2   | Decal - 500 LBS. Max Capacity  |     |
| 70   | 1704371     | 2   | Decal - Generator Danger   |     |
| 77   | 1704412     | 1   | Decal - Oil Type   |     |
| 78   | 1001121510  | 3   | Decal - Hybrid   |     |
| 79   | 1704885     | 2   | Decal - Website  |     |
| 80   | 0641406     | 4   | Bolt 1/4-20 x 3/4  |     |
| 81   | 1705910     | 1   | Decal - Drive/Steer Instruction  |     |
| 82   | 1001189882  | 1   | Decal - MSSO Operation   |     |
| 84   | 1001224049  | 1   | Decal - Yearly Inspection (SN 0300233810 to Present)                     |     |
| 85   | 1001222801  | 1   | Decal - Manual Jib Pump (SN 0300233810 to Present)                       |     |

# SECTION 9 - DECALS

FIGURE 9-17. DECAL INSTALLATION - SPANISH/PORTUGUESE SPECS - E400AN/E400AJP/E400AJPN



ART\_1001178370

## SECTION 9 - DECALS

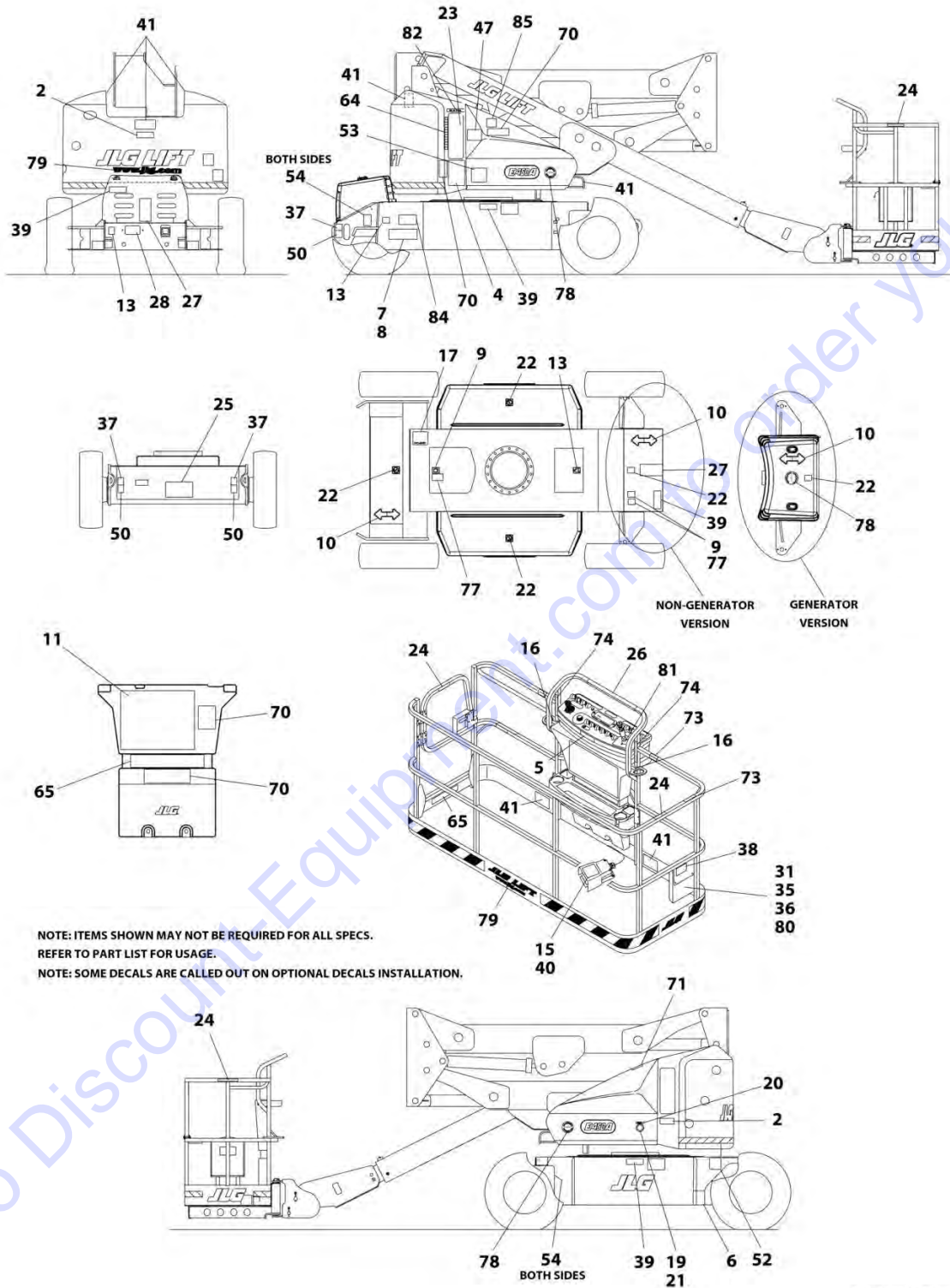
**FIGURE 9-17. DECAL INSTALLATION - SPANISH/PORTUGUESE SPECS -  
E400AN/E400AJP/E400AJPN**

| ITEM | PART NUMBER | QTY | DESCRIPTION   | REV |
|------|-------------|-----|---|-----|
|      | 1001178379  | Ref | DECAL INSTALLATION - REFERENCE CHART  | L   |
|      | 1001178370  | Ref | DECAL INSTALLATION - SPANISH/PORTUGUESE SPECS - E400An/E400AJP/E400AJPN         | G   |
| 2    | 1703940     | 2   | Decal - Electrocution   |     |
| 4    | 1703934     | 1   | Decal - Danger/Caution  |     |
| 7    | See Note    | 1   | Nameplate - Serial Number (Note: Not Available for Purchase)                    |     |
| 8    | 3820001     | 2   | Rivet   |     |
| 9    | 1701504     | 1   | Decal - Hydraulic Oil   |     |
| 10   | 1701642     | 1   | Decal - Arrow   |     |
| 11   | 1703928     | 1   | Decal - Caution/Danger  |     |
| 13   | 1701644     | 2   | Decal - Charger   |     |
| 15   | 1703985     | 1   | Decal - Footswitch  |     |
| 16   | 1704277     | 2   | Decal - Footswitch  |     |
| 17   | 1704008     | 1   | Decal - Inspection <b>(SN 0300208530 through 0300233809)</b>                    |     |
| 19   | 0961127     | 1   | Bushing, Snap   |     |
| 20   | 3251243     | 1   | Nameplate - 120V/60HZ   |     |
| 21   | 0100010     | AR  | Adhesive  |     |
| 22   | 1701691     | 4   | Decal - No Step   |     |
| 23   | 1001104864  | 1   | Decal - Manual Descent  |     |
| 24   | 1704002     | 2   | Decal - No Hands  |     |
| 25   | 1001193949  | 1   | Decal - Cable Routing   |     |
| 26   | 1001196811  | 1   | Decal - Legend Platform   |     |
| 27   | 1704453     | 1   | Decal - Charger   |     |
| 28   | 1704431     | 1   | Decal - Battery Charger LED Indicator <b>(SN 0300208530 through 0300214530)</b> |     |
| 31   | 0860520     | 1   | Box, Manual Storage   |     |
| 35   | 4751400     | AR  | Washer, 1/4   |     |
| 36   | 3311405     | AR  | Nut, Lock, 1/4-20   |     |
| 37   | 1701500     | 4   | Decal - Lift  |     |
| 38   | 1701509     | 1   | Decal - Manual  |     |
| 39   | 1704341     | 3   | Decal - Explosion Warning   |     |
| 41   | 1703952     | 6   | Decal - Crushing Hazard   |     |
| 47   | 1703991     | 1   | Decal - Boom Sequence   |     |
| 50   | 1702300     | 4   | Decal - Tie Down  |     |
| 52   | See Note    | 1   | Decal - Bar Code (Note: Not Available for Purchase)                             |     |
| 53   | 1001121923  | 1   | Decal - 500 LBS. Max Capacity   |     |
| 64   | 1706950     | 1   | Decal - Key, Main Terminal Box  |     |
| 65   | 1001121920  | 2   | Decal - 500 LBS. Max Capacity   |     |
| 77   | 1704412     | 1   | Decal - Oil Type  |     |
| 79   | 1704885     | 2   | Decal - Website   |     |
| 80   | 0641406     | 4   | Bolt, 1/4-20 x 3/4  |     |
| 81   | 1001113680  | 1   | Decal - Drive/Steer Instruction   |     |
| 82   | 1001189882  | 1   | Decal - MSSO Operation  |     |
| 84   | 1001224052  | 1   | Decal - Yearly Inspection <b>(SN 0300233810 to Present)</b>                     |     |
| 85   | 1001222801  | 1   | Decal - Manual Jib Pump <b>(SN 0300233810 to Present)</b>                       |     |



# SECTION 9 - DECALS

FIGURE 9-18. DECAL INSTALLATION - SPANISH/PORTUGUESE SPECS - M400AJP/M400AJPN



NOTE: ITEMS SHOWN MAY NOT BE REQUIRED FOR ALL SPECS.  
REFER TO PART LIST FOR USAGE.  
NOTE: SOME DECALS ARE CALLED OUT ON OPTIONAL DECALS INSTALLATION.

ART\_1001178369

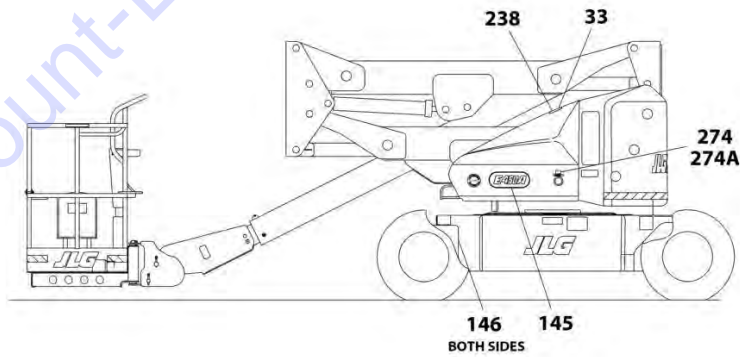
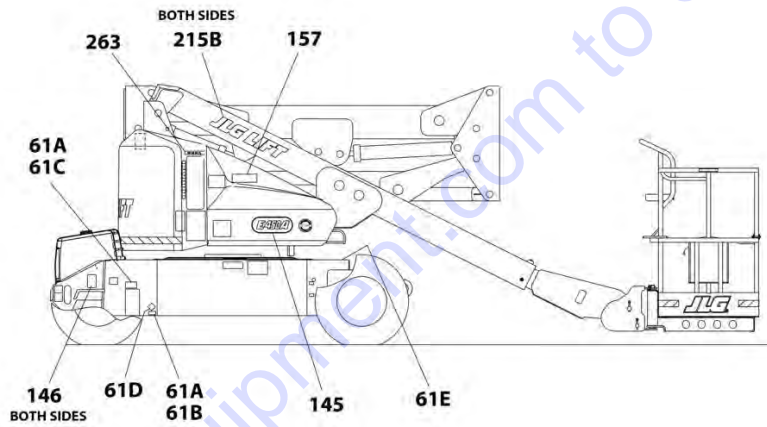
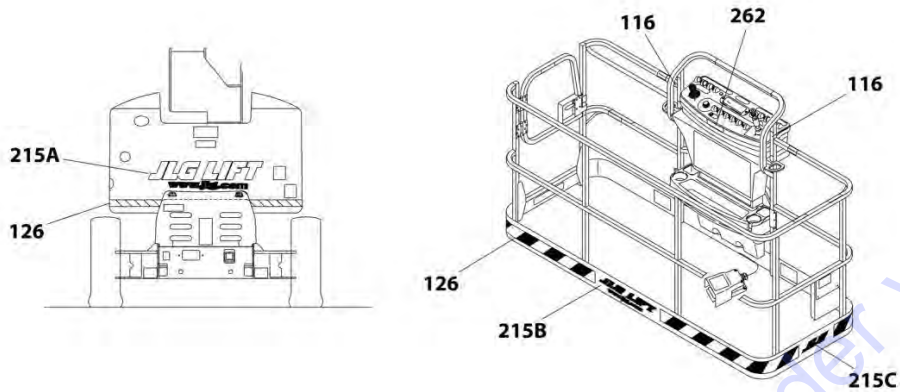
## SECTION 9 - DECALS

**FIGURE 9-18. DECAL INSTALLATION - SPANISH/PORTUGUESE SPECS - M400AJP/M400AJPN**

| ITEM | PART NUMBER | QTY | DESCRIPTION  | REV |
|------|-------------|-----|--|-----|
|      | 1001178379  | Ref | DECAL INSTALLATION - REFERENCE CHART                                     | L   |
|      | 1001178369  | Ref | DECAL INSTALLATION - SPANISH/PORTUGUESE SPECS - M400AJP/M400AJPN         | G   |
| 2    | 1703940     | 2   | Decal - Electrocutation  |     |
| 4    | 1703934     | 1   | Decal - Danger/Caution   |     |
| 7    | See Note    | 1   | Nameplate - Serial Number (Note: Not Available for Purchase)             |     |
| 8    | 3820001     | 2   | Rivet  |     |
| 9    | 1701504     | 1   | Decal - Hydraulic Oil  |     |
| 10   | 1701642     | 2   | Decal - Arrow  |     |
| 11   | 1703928     | 1   | Decal - Caution/Danger   |     |
| 13   | 1701644     | 2   | Decal - Charger  |     |
| 15   | 1703985     | 1   | Decal - Footswitch   |     |
| 16   | 1704277     | 2   | Decal - Attach Lanyard   |     |
| 17   | 1704008     | 1   | Decal - Inspection (SN 0300208530 through 0300233809)                    |     |
| 19   | 0961127     | 1   | Bushing, Snap  |     |
| 20   | 3251243     | 1   | Nameplate - 120V/60HZ  |     |
| 21   | 0100010     | AR  | Adhesive   |     |
| 22   | 1701691     | 4   | Decal - No Step  |     |
| 23   | 1001104864  | 1   | Decal - Manual Descent   |     |
| 24   | 1704002     | 2   | Decal - No Hands   |     |
| 25   | 1001173577  | 1   | Decal - Cable Routing  |     |
| 26   | 1001196811  | 1   | Decal - Legend Platform  |     |
| 27   | 1704453     | 1   | Decal - Charger  |     |
| 28   | 1704431     | 1   | Decal - Battery Charger LED Indicator (SN 0300208530 through 0300214530) |     |
| 31   | 0860520     | 1   | Box, Manual Storage  |     |
| 35   | 4751400     | AR  | Washer, 1/4  |     |
| 36   | 3311405     | AR  | Nut, Lock, 1/4-20  |     |
| 37   | 1701500     | 4   | Decal - Lift   |     |
| 38   | 1701509     | 1   | Decal - Manual   |     |
| 39   | 1704341     | 3   | Decal - Explosion Warning  |     |
| 41   | 1703952     | 6   | Decal - Crushing Hazard  |     |
| 47   | 1703991     | 1   | Decal - Boon Sequence  |     |
| 50   | 1702300     | 4   | Decal - Tie Down   |     |
| 52   | See Note    | 1   | Decal - Bar Code (Note: Not Available for Purchase)                      |     |
| 53   | 1001121923  | 1   | Decal - 500 LBS. Max Capacity  |     |
| 64   | 1706950     | 1   | Decal - Key, Main Terminal Box   |     |
| 65   | 1001121920  | 2   | Decal - 500 LBS. Max Capacity  |     |
| 70   | 1001093687  | 2   | Decal - Generator Danger   |     |
| 77   | 1704412     | 1   | Decal - Oil Type   |     |
| 78   | 1001121510  | 3   | Decal - Hybrid   |     |
| 79   | 1704885     | 2   | Decal - Website  |     |
| 80   | 0641406     | 4   | Bolt 1/4-20 x 3/4  |     |
| 81   | 1001113680  | 1   | Decal - Drive/Steer Instruction  |     |
| 82   | 1001189882  | 1   | Decal - MSSO Operation   |     |
| 84   | 1001224052  | 1   | Decal - Yearly Inspection (SN 0300233810 to Present)                     |     |
| 85   | 1001222801  | 1   | Decal - Manual Jib Pump (SN 0300233810 to Present)                       |     |

# SECTION 9 - DECALS

## FIGURE 9-19. DECAL INSTALLATION - OPTIONS



ART\_DECAL\_OPTIONS

## SECTION 9 - DECALS

**FIGURE 9-19. DECAL INSTALLATION - OPTIONS**

| ITEM | PART NUMBER | QTY               | DESCRIPTION  | REV |
|------|-------------|-------------------|--|-----|
|      | 1001178379  | Ref               | DECAL INSTALLATION - REFERENCE CHART   | L   |
|      | 1001164638  | Ref               | DECAL INSTALLATION - OPTIONS   | AH  |
| 33   | 1701505     | 1                 | Decal - Diesel   |     |
| 61   | 0270433     | Ref               | Decal Installation - UL Tags   | B   |
| 61A  | 3820001     | 8                 | Rivet  |     |
| 61B  | 3252331     | 1                 | Nameplate, Battery Information   |     |
| 61C  | 3252780     | 1                 | Nameplate, UL Certification  |     |
| 61D  | 1702251     | 2                 | Nameplate, EE  |     |
| 61E  | 1001213625  | 1                 | Decal - Replacement Fuse 400 Amp   |     |
| 126  | 0259550     | Ref               | Warning Strip Installation (Not Shown)   | 2   |
| 116  | 1703175     | 2                 | Decal - Lanyard Attach (GM K-1 Spec)   |     |
| 126  | 4420051     | 17.5 ft/<br>5.33m | Tape, Safety   |     |
| 145  | 1704900     | 2                 | Decal - Model Designation (E400An)   |     |
| 145  | 1704791     | 2                 | Decal - Model Designation (E400AJP)  |     |
| 145  | 1704792     | 2                 | Decal - Model Designation (E400AJPn)   |     |
| 145  | 1704793     | 2                 | Decal - Model Designation (M400AJP)  |     |
| 145  | 1704794     | 2                 | Decal - Model Designation (M400AJPn)   |     |
| 146  | 1703488     | 4                 | Decal - Tire Load (E400A)  |     |
| 146  | 1704727     | 4                 | Decal - Tire Load (E400AJP/M400AJP)  |     |
| 146  | 1704752     | 4                 | Decal - Tire Load (E400AJPn/M400AJPn)  |     |
| 157  | 1704286     | 2                 | Decal - Generator Warning (ANSI and ANSI Export Specs)                               |     |
| 157  | 1001093687  | 2                 | Decal - Generator Warning (Australian and CE Specs)                                  |     |
| 157  | 1704369     | 2                 | Decal - Generator Warning (Japanese Spec - Dual Language English/Japanese)           |     |
| 157  | 1704370     | 2                 | Decal - Generator Warning (ANSI Export Spec - Dual Language English/Korean)          |     |
| 157  | 1704371     | 2                 | Decal - Generator Warning (ANSI Export Spec - Dual Language English/Spanish)         |     |
| 157  | 1704368     | 2                 | Decal - Generator Warning (CSA Spec - Dual Language English/French)                  |     |
| 157  | 1704372     | 2                 | Decal - Generator Warning (ANSI Export and CE Specs - Dual Language English/Chinese) |     |
| 157  | 1704373     | 2                 | Decal - Generator Warning (ANSI Export Spec - Dual Language Portuguese/Spanish)      |     |
| 215  | 0270273     | Ref               | Decal Installation - JLG Logo (E400An) (Not Shown)                                   | C   |
| 215  | 0270274     | Ref               | Decal Installation - JLG Logo (E400AJP/E400AJPn/M400AJP/M400AJPn) (Not Shown)        | C   |
| 215A | 1702860     | 1                 | Decal - JLG Lift   |     |
| 215B | 1702774     | 3                 | Decal - JLG Lift   |     |
| 215C | 1702773     | 1                 | Decal - JLG (E400An)   |     |
| 215C | 1704200     | 1                 | Decal - Jib Plus (E400AJP/E400AJPn/M400AJP/M400AJPn)                                 |     |
| 238  | 1001108923  | 1                 | Decal - Fuel Low Sulfur (ANSI and CSA Spec Only)                                     |     |
| 262  | 1001141300  | 1                 | Decal - Platform Sensor Override <b>(SN 030029740 to Present)</b>                    |     |
| 263  | 1001189882  | 1                 | Decal - MSSO Instructions  |     |
| 274  | 1001214031  | Ref               | Decal - EAC Installation (CIS and Russia Specs)                                      |     |
| 274A | 1001173703  | 1                 | Decal - EAC  |     |





**SECTION 10 - RECOMMENDED SERVICE PARTS STOCK**

**SECTION 10 - RECOMMENDED SERVICE PARTS STOCK**

Go to [Discount-Equipment.com](http://Discount-Equipment.com) to order your parts

## SECTION 10 - RECOMMENDED SERVICE PARTS STOCK

FIGURE 10-1. RECOMMENDED SERVICE PARTS STOCK

| ITEM | PART NUMBER | QTY | DESCRIPTION   | REV |
|------|-------------|-----|---|-----|
|      |             | Ref | Note: The following list will service one machine (built to current production per date on the front cover) with emergency repair parts which can be installed in the field. Parts from the list should be replaced when inventory is depleted to keep service parts stock supplied. For further information, go to Discount-equipment.com. |     |
|      |             | Ref | STANDARD PARTS  |     |
|      | 7021618     | 1   | Coil  |     |
|      | 7021609     | 1   | Coil  |     |
|      | 70005210    | 1   | Coil  |     |
|      | 7024883     | 1   | Coil  |     |
|      | 7024885     | 1   | Coil  |     |
|      | 1001166538  | 1   | Controller (Drive and Steer)  |     |
|      | 1001212415  | 1   | Controller Assembly (Drive and Steer)   |     |
|      | 1001166539  | 1   | Controller (Lift and Swing)   |     |
|      | 1001129555  | 1   | Controller Assembly (Lift and Swing)  |     |
|      | 4360476     | 1   | Contact, Switch   |     |
|      | 7021616     | 4   | Filter Cartridge  |     |
|      | 8229242     | 1   | Fuse - 5 Amp  |     |
|      | 8229261     | 1   | Fuse - 5 Amp  |     |
|      | 8229234     | 1   | Fuse - 10 Amp   |     |
|      | 8229237     | 1   | Fuse - 15 Amp   |     |
|      | 8229235     | 1   | Fuse - 20 Amp   |     |
|      | 8229236     | 1   | Fuse - 30 Amp   |     |
|      | 1001170365  | 1   | Fuse - 400 Amp  |     |
|      | 2860030     | 1   | Key Replacement   |     |
|      | 2940074     | 1   | Latch   |     |
|      | 1001155045  | 1   | Switch, Toggle  |     |
|      | 1001159256  | 1   | Switch, Toggle  |     |
|      | 4360475     | 1   | Switch, Emergency   |     |
|      | 4360469     | 1   | Switch, Key   |     |
|      | 4360387     | 1   | Switch, Push Button   |     |
|      | 1001161710  | 1   | Switch, Toggle  |     |
|      |             | Ref | VARIABLE PARTS  |     |
|      | 1001181045  | 1   | Breaker 30mA (CE Spec)  |     |
|      | 1001189172  | 1   | Breaker 16Amp (CE Spec)   |     |
|      | 1001189171  | 1   | Breaker 30mA (CE Spec)  |     |
|      | 70000313    | 1   | Element, Air Cleaner (M400AJP/M400AJPn Only)  |     |
|      | 70000318    | 1   | Element, Fuel Filter (M400AJP/M400AJPn Only)  |     |
|      | 70000319    | 1   | Element, Oil Filter (M400AJP/M400AJPn Only)   |     |
|      | 70000329    | 1   | Fuse 15Amp (M400AJP/M400AJPn Only)  |     |
|      | 70000330    | 1   | Fuse 20Amp (M450AJ Only)  |     |
|      | 1001192212  | 1   | Module (Drive - LH)   |     |
|      | 1001178339  | 1   | Module (Drive - RH)   |     |
|      | 1001182700  | 1   | Module (Ground Control)   |     |
|      | 1001182724  | 1   | Module (Platform Control)   |     |
|      | 70000326    | 1   | Module (Engine Control)   |     |
|      | 7019698     | 1   | Power Track - 1 Link  |     |
|      | 70001996    | 1   | Power Track - 2ft. Section  |     |

## SECTION 10 - RECOMMENDED SERVICE PARTS STOCK

| ITEM | PART NUMBER | QTY | DESCRIPTION                                 | REV |
|------|-------------|-----|---|-----|
|      | 70001998    | 1   | Power Track - Bracket Kit                   |     |
|      | 4360548     | 1   | Switch, Limit                               |     |
|      | 1001116232  | 1   | Switch, Limit                               |     |
|      | 4360274     | 1   | Switch, Push Button (M400AJP/M400AJPn Only) |     |

Go to Discount-Equipment.com to order your parts



**SECTION 11 - SPECIAL OPTIONS**

Go to Discount-Equipment.com to order your parts

## SECTION 11 - SPECIAL OPTIONS

FIGURE 11-1. SPECIAL OPTIONS

| ITEM | PART NUMBER | QTY | DESCRIPTION   | REV |
|------|-------------|-----|---|-----|
|      |             | Ref | MISCELLANEOUS SPECIAL OPTIONS   |     |
|      |             | Ref | Note: This list is to accommodate machines ordered with special equipment. Options may not be applicable to all models. For more specific parts information go to Discount-equipment.com. |     |
|      | 0271801     | Ref | Airline Installation - 1/2in (E400An Model)   |     |
|      | 1001210041  | NLA | Alert Beacon Kit (Red) (Use p/n 1001218503)   |     |
|      | 1001218503  | Ref | Alert Beacon Kit (Red)  |     |
|      | 1001229107  | Ref | ClearSky Telematics Installation - 3 Wire Connection (Factory Installed) (ANSI and CSA Specs Only)  |     |
|      | 1001233237  | Ref | ClearSky Telematics Installation - 3 Wire Connection (Factory Installed) (ANSI Export and CE Specs Only)  |     |
|      | 1001235649  | Ref | ClearSky Telematics Installation - Canbus (Factory Installed) (ANSI & CSA Specs)  |     |
|      | 1001246541  | Ref | ClearSky Telematics Installation - Canbus (Factory Installed) (Australian Specs)  |     |
|      | 1001236535  | Ref | ClearSky Telematics Installation - Canbus (Factory Installed) (ANSI Export & CE Specs)  |     |
|      | 1001246542  | Ref | ClearSky Telematics Installation - Canbus (Factory Installed) (China Specs)   |     |
|      | 1001195304  | Ref | Console Cover   |     |
|      | 1001205175  | Ref | Console Cover Kit   |     |
|      |             | Ref | Cylinder Bellows Installations  |     |
|      | 0259397     | Ref | Cylinder Bellows Installations (E400An)   |     |
|      | 0271251     | Ref | Cylinder Bellows Installations (E400AJP/E400AJPn/M400AJP/M400AJPn)  |     |
|      | 0460194     | 2   | Bellows - Platform Level and Master Cylinders (E400AJP/E400AJPn/M400AJP/M400AJPn)   |     |
|      | 0460115     | 1   | Bellows - Main Lift Cylinder  |     |
|      | 0460113     | 1   | Bellows - Mid Lift Cylinder   |     |
|      | 0460114     | 1   | Bellows - Tower Lift Cylinder   |     |
|      | 0460196     | 1   | Bellows - Jib Cylinder (E400AJP/E400AJPn/M400AJP/M400AJPn)  |     |
|      | 1320037     | 6   | Clamp   |     |
|      |             | Ref | Decal Installations   |     |
|      | 1001229690  | Ref | Decal - ClearSky Installation (ANSI, ANSI Export, Australian, CE, China and CSA Specs Only)   |     |
|      | 1702868     | Ref | Decal - No Hands (English) (ANSI Spec) (Used with Platform Padding or Mesh to Top Rail)   |     |
|      | 1704000     | Ref | Decal - No Hands (English and French) (CSA Spec) (Used with Platform Padding or Mesh to Top Rail)   |     |
|      | 1001108727  | Ref | Decal Kit - Platform  |     |
|      | 1001223824  | Ref | Decal Kit - Platform Console  |     |
|      | 1001198647  | Ref | Decal Kit - Service   |     |
|      | 1001198649  | Ref | Decal Kit - E/M400  |     |
|      |             | Ref | Electrical Connector Kits   |     |
|      | 1001148902  | Ref | Amp Connector Kit   |     |
|      | 1001148903  | Ref | Deutsch DT Connector Kit  |     |
|      | 1001148904  | Ref | Deutsch HD Connector Kit  |     |
|      | 1001148905  | Ref | Packard Connector Kit   |     |
|      | 1001148906  | Ref | Various Connector Kit   |     |
|      | 1001152523  | Ref | Fire Extinguisher Installation (Platform Mounted)   |     |

## SECTION 11 - SPECIAL OPTIONS

| ITEM | PART NUMBER | QTY | DESCRIPTION  | REV |
|------|-------------|-----|--|-----|
|      | 1001191395  | Ref | Fuel Cap Cover (Lockable) (Green)  |     |
|      | 1001202749  | Ref | Fuel Cap Cover (Lockable) (Black)  |     |
|      | 1001191314  | Ref | Headlight and Tail Lights Installation   |     |
|      | 1001198658  | Ref | Hose Kit - Boom (E400An)   |     |
|      | 1001198657  | Ref | Hose Kit - Boom (E/M400AJP)  |     |
|      |             | Ref | Hydraulic Fluids   |     |
|      | 2300028     | Ref | Hydraulic Fluid - Mobil DTE 10 Excel 15  |     |
|      | 2300042     | Ref | Hydraulic Fluid - Biodegradeable   |     |
|      | 1001151286  | Ref | Jib Cylinder with Manual Descent Valve Kit   |     |
|      | 1001183407  | Ref | Low Temp Cutout Installation (Russia Specs Only) <b>(SN 0300237406 through 0300241682)</b>         |     |
|      | 1001189162  | Ref | Low Temp Cutout Installation (Russia Specs Only) <b>(SN 0300241683 through 0300243635)</b>         |     |
|      |             | Ref | Platform Mesh To Mid Rail Add-on Kits  |     |
|      | 1001214478  | Ref | 30in X 4ft (76cm x 1.22m)  |     |
|      | 1001214515  | Ref | 30in X 5ft (76cm x 1.52m)  |     |
|      |             | Ref | Platform Mesh To Mid Rail Installations  |     |
|      | 1001140318  | Ref | 30in x 4ft (76cm x 1.22m)  |     |
|      | 1001140315  | Ref | 30in x 5ft (76cm x 1.52m)  |     |
|      |             | Ref | Platform Mesh Top Rail Add-on Kits   |     |
|      | 1001214552  | Ref | 30in X 4ft (76cm x 1.22m)  |     |
|      | 1001214559  | Ref | 30in X 5ft (76cm x 1.52m)  |     |
|      |             | Ref | Platform Mesh Top Rail Installations   |     |
|      | 0273146     | Ref | 30in x 5ft (76cm x 1.52m)  |     |
|      | 0273147     | Ref | 30in x 4ft (76cm x 1.22m)  |     |
|      |             | Ref | Platform Padding Installation  |     |
|      | 0273381     | Ref | 30 x 48 Platform   |     |
|      | 0273382     | Ref | 30 x 60 Platform   |     |
|      |             | Ref | Platform Top Rail Extension Installation   |     |
|      | 1001103617  | Ref | 30 x 48 Platform   |     |
|      | 1001103558  | Ref | 30 x 60 Platform   |     |
|      | 1001120466  | Ref | Platform Worklights Installation   |     |
|      | 1001209059  | Ref | Platform Work Surface Installation   |     |
|      | 1001246695  | Ref | Protection Kit (Covers, Hoses & Valves)  |     |
|      | 1001212202  | Ref | Rotator Actuator Protection Kit  |     |
| M    | 1001190896  | Ref | Service Kits   |     |
|      | 1001247073  | Ref | SkyEye Retrofit Kit  |     |
|      | 1001149561  | NLA | SkyGuard Complete Add-on Kit (Blue) (Use p/n 1001206996) <b>(SN 0300208530 through 0300217464)</b> |     |
|      | 1001206996  | Ref | SkyGuard Complete Add-on Kit (Blue) <b>(SN 0300217465 to Present)</b>                              |     |
|      | 1001210033  | Ref | SkyGuard Complete Add-on Kit (Red)   |     |
|      | 1001176372  | Ref | SkyGuard Removal Plug Kit  |     |
|      | 1001201620  | Ref | SkyGuard (Service) Kit   |     |
|      | 1001209413  | NLA | SkyGuard with Beacon (Blue) (Use p/n 1001218502)   |     |
|      | 1001218502  | Ref | SkyGuard with Beacon (Blue)  |     |
|      | 1001210032  | Ref | SkyGuard with Beacon (Red)   |     |
|      | 1001218499  | Ref | SkyGuard without Beacon  |     |
|      | 1001232643  | Ref | SkyLine Add-on Kit   |     |
|      |             | Ref | Strobe Light Installations (Amber) Options:  |     |
|      | 1001191144  | Ref | Strobe Light Installation (Amber) Platform Mounted   |     |
|      | 1001191145  | Ref | Strobe Light Installation (Amber) Platform/Ground Mounted  |     |



## SECTION 11 - SPECIAL OPTIONS

| ITEM | PART NUMBER | QTY | DESCRIPTION  | REV |
|------|-------------|-----|--|-----|
|      | 1001243183  | Ref | Telematics Access Control Canbus Add-on Kit (ANSI & CSA Specs) |     |
|      | 1001243184  | Ref | Telematics Access Control Canbus Add-on Kit (CE Specs)         |     |
|      | 1001243185  | Ref | Telematics Access Control Add-on Kit                           |     |
|      | 0272315     | Ref | Tire Sealant   |     |
|      | 0272341     | Ref | Tire Sealant Decal Installation                                |     |
|      | 1705363     | Ref | Decal - Tire Sealant (Located on Hood)                         |     |
|      | 1001197883  | Ref | Telematics Installation  |     |
|      | 1001239568  | Ref | Upper Powertrack Service Kit E/M400 Narrow                     |     |
|      | 1001239569  | Ref | Upper Powertrack Service Kit E/M400AJP                         |     |
|      | 1001241268  | Ref | Wear Pad Kit E400A   |     |
|      | 1001241269  | Ref | Wear Pad Kit E400AJP   |     |
|      | 0259302     | Ref | Wheel Cover (IN240/55-17.5 Tires)                              |     |
|      | 1001231804  | Ref | White Noise Alarm  |     |
|      | 1001231870  | Ref | White Noise Ambient Alarm                                      |     |

Go to Discount-Equipment.com to order your parts

**PART NUMBER INDEX**

Go to [Discount-Equipment.com](http://Discount-Equipment.com) to order your parts

# PART NUMBER INDEX

|                            |                            |                            |                            |
|----------------------------|----------------------------|----------------------------|----------------------------|
| 0060044.....233, 237       | 0270037.....67             | 0641404 .85, 87, 89, 225,  | 0641606....15, 17, 19, 21, |
| 0060052.....225, 235       | 0270273.....609            | 293, 297, 301, 305,        | 85, 87, 89, 91, 93, 133,   |
| 0060065.....233, 239       | 0270274.....609            | 309, 313, 317, 321,        | 135, 137, 139, 141,        |
| 0100001.....241            | 0270433.....609            | 325, 329, 333, 337,        | 225, 229                   |
| 0100009....225, 293, 297,  | 0270724.....219            | 341, 345, 349, 353, 377    | 0641607....221, 225, 229   |
| 301, 305, 309, 313,        | 0270725.....219, 225       | 0641405 ... 105, 107, 109, | 064160871, 73, 161, 219,   |
| 317, 321, 325, 329,        | 0271251.....616            | 111, 113, 115, 225,        | 221, 225, 229              |
| 333, 337, 341, 345,        | 0271464.....527            | 243, 377                   | 0641610....31, 35, 39, 71, |
| 349, 353, 369              | 0271649.....233            | 0641406 .31, 35, 39, 111,  | 73, 85, 87, 89, 219,       |
| 0100010....573, 575, 577,  | 0271801.....616            | 113, 115, 119, 121,        | 221, 241, 259, 261,        |
| 579, 581, 583, 585,        | 0272111.....369            | 123, 125, 127, 129,        | 269, 271, 273, 275,        |
| 587, 589, 591, 593,        | 0272314.....61             | 151, 163, 205, 269,        | 277, 279, 281, 283,        |
| 595, 597, 599, 601,        | 0272315.....618            | 271, 273, 275, 277,        | 285, 287, 289, 291         |
| 603, 605, 607              | 0272335.....61             | 279, 281, 283, 285,        | 0641614....119, 121, 199,  |
| 0100011....15, 17, 19, 21, | 0272341.....618            | 287, 289, 291, 367,        | 201, 207, 209, 219         |
| 31, 35, 39, 71, 73, 75,    | 0272976.....241            | 573, 575, 577, 579,        | 0641616.....233            |
| 77, 85, 87, 89, 91, 93,    | 0273146.....617            | 581, 583, 585, 587,        | 0641618.....205, 233       |
| 97, 99, 101, 103, 119,     | 0273147.....617            | 589, 591, 593, 595,        | 0641622.....163            |
| 121, 133, 135, 137,        | 0273381.....617            | 597, 599, 601, 603,        | 0641806.....219, 222       |
| 139, 141, 159, 161,        | 0273382.....617            | 605, 607                   | 0641807.....85, 87, 89     |
| 163, 165, 167, 169,        | 0273468.....65             | 0641407 ... 105, 107, 109, | 0641808.....221            |
| 171, 199, 201, 219,        | 0273683.....59             | 111, 113, 115, 199,        | 0641810.....219, 221       |
| 221, 225, 229, 233,        | 0273684.....65             | 201, 243, 485, 529,        | 0641811.97, 99, 101, 103   |
| 243, 245, 247, 249,        | 0275216.....469, 529       | 531, 533, 535, 537,        | 0641812..31, 35, 39, 157,  |
| 259, 261, 263, 265,        | 0275217.....467, 541       | 539, 541                   | 219, 241, 485              |
| 267, 373, 375, 377,        | 0275218.....459, 535       | 0641408 .31, 35, 39, 269,  | 0641818.....225, 229       |
| 391, 395, 397, 399,        | 0275219.....461, 539       | 271, 273, 275, 277,        | 0641822.....243            |
| 403, 405, 407, 409,        | 0275452.....463, 533       | 279, 281, 283, 285,        | 0642024.....243            |
| 411, 413, 421, 423, 425    | 0275453.....465, 537       | 287, 289, 291, 485,        | 0642612.....187, 193       |
| 0100019....153, 247, 249   | 0275454.....457, 531       | 529, 531, 533, 535,        | 0681608....241, 243, 245   |
| 0100020..32, 36, 40, 163,  | 0275663.....495            | 537, 539, 541              | 0681610.....222            |
| 205, 363, 435              | 0275664.....497            | 0641409 .....207, 209      | 0681810....15, 17, 19, 21  |
| 0100035....49, 51, 53, 55, | 0275665.....493            | 0641410 .....247, 249      | 0682014.....31, 35, 39     |
| 185, 313, 329, 341,        | 0275666.....491            | 0641413 ... 133, 135, 137, | 0682026.....153            |
| 345, 349, 353, 391,        | 0275667.....499            | 139, 141                   | 0682028.....153            |
| 395, 399, 403, 407,        | 0340048 .....73            | 0641414 ... 293, 297, 301, | 0700408....529, 531, 533,  |
| 411, 425                   | 0400055 .....97, 99        | 305, 309, 313, 317,        | 535, 537, 539, 541         |
| 0100038....391, 395, 397,  | 0400201 .....163           | 321, 325, 329, 333,        | 0720804....133, 135, 137,  |
| 399, 403, 405, 407,        | 0440162 .....15, 19        | 337, 341, 345, 349,        | 139, 141                   |
| 409, 411, 413, 421,        | 0460113 .....616           | 353, 373, 375, 379         | 0721004....123, 125, 127,  |
| 423, 425                   | 0460114 .....616           | 0641416 ... 165, 167, 169, | 129                        |
| 0100048...31, 35, 39, 243  | 0460115 .....616           | 171, 243, 529, 531,        | 0721006.....35             |
| 0100051.....31, 35, 39     | 0460194 .....616           | 533, 535, 537, 539, 541    | 0741008.....53             |
| 0100071.....379            | 0460196 .....616           | 0641418 ... 165, 167, 169, | 0741606.....229            |
| 0100075....294, 297, 301,  | 0480100 .....381           | 171, 263, 265, 267         | 0760606.....245            |
| 305, 309, 318, 321,        | 0561076 .....219, 221      | 0641424 .....75, 425, 427  | 0760610.....245            |
| 325, 333, 337              | 0561317 .....247, 249      | 0641426 .....135, 139      | 0761014.....245            |
| 0100081.....230            | 0561384 .....247, 249      | 0641430 .....31, 35, 39    | 0761015.....245            |
| 0100083....49, 51, 53, 55  | 0561385 .....247, 249      | 0641440 .....77            | 0761215.....241, 245       |
| 0140011....293, 297, 301,  | 0561386 .....247, 249      | 0641506 ... 165, 167, 169, | 0801224.....229            |
| 305, 309, 313, 317,        | 0561424 .....247           | 171, 219, 222              | 0801225.....221, 229       |
| 321, 325, 329, 333,        | 0610131 ... 173, 175, 177, | 0641507 .....137, 141      | 0801226.....229            |
| 337, 341, 345, 349, 353    | 179                        | 0641508 .31, 35, 39, 199,  | 0801227.....221            |
| 0140043.....151            | 0630399 .....225           | 201                        | 0801262.....219            |
| 0257728.....381            | 0630401 .....229           | 0641510 .....157, 205      | 0801263.....225            |
| 0258688.....57             | 0630440 .....125, 129      | 0641512 ... 421, 423, 425, | 0801267.....225            |
| 0258995.....57             | 0630467 .....247, 249      | 427                        | 0840031.....31, 35, 39     |
| 0258996.....63             | 0630487 .....225           | 0641514 ... 199, 201, 247, | 0840032.....31, 35, 39     |
| 0258997.....63             | 0630490 .....27, 29        | 249, 381                   | 0860038.....523, 525       |
| 0259302.....618            | 0630518 ... 173, 175, 177, | 0641516 .....233, 247      | 0860520....573, 575, 577,  |
| 0259397.....616            | 179                        | 0641518 .....163           | 579, 581, 583, 585,        |
| 0259481.....205            | 0630552 .....163           | 0641560 .....247, 249      | 587, 589, 591, 593,        |
| 0259550.....609            | 0630568 ... 293, 298, 302, | 0641604 .....421           | 595, 597, 599, 601,        |
| 0270012.....525            | 306, 310, 314, 317,        | 0641605 ... 165, 167, 169, | 603, 605, 607              |
| 0270013.....523            | 322, 326, 330, 334,        | 171, 229, 230              | 0861375.....35             |
| 0270028.....69             | 338, 342, 346, 350, 354    |                            | 0861731....457, 463, 465   |

# PART NUMBER INDEX

|                             |                           |                            |                            |
|-----------------------------|---------------------------|----------------------------|----------------------------|
| 0861781 ..... 467, 469      | 333, 337, 341, 345,       | 333, 337, 341, 345,        | 333, 337, 341, 345,        |
| 0861880 ..... 487           | 349, 353                  | 349, 353                   | 349, 353, 365              |
| 0902919 ..... 243           | 1001110772..... 69        | 1001136881.....435         | 1001155045 ..... 173, 175, |
| 0902920 ..... 243           | 1001110774..... 69        | 1001137673..... 373, 375   | 177, 179, 293, 297,        |
| 0940048 ..... 219, 222      | 1001110775..... 67        | 1001138494..... 263, 265   | 301, 305, 309, 313,        |
| 0961127 ... 573, 575, 577,  | 1001110873..... 523       | 1001138514..... 263, 265   | 317, 321, 325, 329,        |
| 579, 581, 583, 585,         | 1001112496..... 123, 125, | 1001140278..... 221, 417   | 333, 337, 341, 345,        |
| 587, 589, 591, 593,         | 129                       | 1001140279..... 221, 387   | 349, 353, 612              |
| 595, 597, 599, 601,         | 1001113483..... 243       | 1001140280..... 233, 389   | 1001157058 ..... 159       |
| 603, 605, 607               | 1001113680..... 605, 607  | 1001140315..... 617        | 1001157890 ..... 501, 505, |
| 0961845 .... 263, 265, 267  | 1001113961..... 561       | 1001140318..... 617        | 558, 561                   |
| 0961947 ..... 237, 389      | 1001114761..... 143, 149  | 1001140429..... 263, 265,  | 1001157891 ..... 501, 557  |
| 0961948 ..... 229           | 1001114782..... 101, 103  | 267                        | 1001159186 ..... 505, 519, |
| 0961950 ... 219, 221, 226,  | 1001116232..... 161, 613  | 1001140597..... 219, 415   | 521                        |
| 229, 391, 393, 395,         | 1001116692..... 505, 558, | 1001140598..... 225, 385   | 1001159256 ..... 173, 175, |
| 397, 399, 401, 403,         | 561, 569                  | 1001141300..... 301, 305,  | 177, 179, 293, 297,        |
| 405, 407, 409, 411, 413     | 1001116693..... 557, 561  | 310, 326, 333, 337,        | 301, 305, 309, 313,        |
| 0961951 ... 23, 25, 27, 29, | 1001116720..... 549, 551  | 341, 349, 609              | 317, 321, 325, 329,        |
| 225, 233, 387, 389, 417     | 1001116732..... 557       | 1001141967..... 459, 461   | 333, 337, 341, 345,        |
| 0962140 .... 23, 25, 27, 29 | 1001116733..... 503       | 1001141968..... 459        | 349, 353, 612              |
| 0962257 ..... 237           | 1001116734..... 555, 557  | 1001141969..... 461        | 1001159355 ..... 207, 211  |
| 0962292 ..... 233           | 1001116810..... 555       | 1001141970..... 461        | 1001159361 ..... 205, 207  |
| 0962356 ..... 385, 415      | 1001116811..... 117       | 1001141971..... 459        | 1001161117 ... 15, 17, 19, |
| 0962450 ..... 243           | 1001116812..... 505, 558, | 1001142694..... 187, 193   | 21                         |
| 1001093382 . 97, 99, 101,   | 561                       | 1001143431..... 187        | 1001161710 ..... 294, 297, |
| 103                         | 1001116813..... 561       | 1001144147..... 501        | 301, 305, 309, 313,        |
| 1001093687 .... 587, 591,   | 1001116815..... 557       | 1001144433..... 301, 305,  | 318, 321, 325, 329,        |
| 595, 599, 607, 609          | 1001117023..... 557       | 310, 326, 333, 337,        | 333, 337, 341, 345,        |
| 1001094670 ..... 233        | 1001117024..... 557       | 341, 349, 375              | 349, 353, 365, 612         |
| 1001096134 ... 49, 53, 557  | 1001117069..... 557       | 1001144629..... 255, 257,  | 1001164638 ..... 609       |
| 1001097051 ..... 545        | 1001117070..... 555       | 259, 261                   | 1001165962 ..... 201       |
| 1001097150 ..... 487, 489   | 1001117172..... 363       | 1001144630..... 259, 261   | 1001165963 ..... 199       |
| 1001097505 .... 135, 139,   | 1001118384..... 553       | 1001148902..... 616        | 1001165977 ..... 163       |
| 147                         | 1001118388..... 551, 553  | 1001148903..... 616        | 1001165981 ..... 199, 201  |
| 1001097777 .... 133, 135,   | 1001119228..... 230       | 1001148904..... 616        | 1001165985 ..... 199, 201  |
| 137, 139, 141, 145          | 1001119619..... 543       | 1001148905..... 616        | 1001166250 ..... 201       |
| 1001098122 ..... 519, 521   | 1001119620..... 545, 547  | 1001148906..... 616        | 1001166251 ..... 533       |
| 1001098828 ..... 245        | 1001120328..... 373, 375, | 1001149561..... 617        | 1001166258 ..... 537       |
| 1001099834 ..... 229        | 377                       | 1001149994..... 185, 189,  | 1001166259 ..... 531       |
| 1001100341 ..... 469        | 1001120466..... 617       | 191, 195, 197              | 1001166260 ..... 541       |
| 1001100342 ..... 467        | 1001121510..... 575, 579, | 1001151286..... 617        | 1001166261 ..... 535       |
| 1001100345 ..... 463        | 583, 587, 591, 595,       | 1001151393..... 173, 175,  | 1001166262 ..... 539       |
| 1001100346 ..... 457        | 599, 603, 607             | 177, 179                   | 1001166263 ..... 529       |
| 1001100347 ..... 465        | 1001121801..... 573, 575  | 1001151395.... 15, 17, 19, | 1001166296 ..... 127, 129  |
| 1001103012 ..... 557        | 1001121803..... 589, 591  | 21                         | 1001166312 ..... 127       |
| 1001103105 .... 105, 107,   | 1001121805..... 601, 603  | 1001151428.... 15, 17, 19, | 1001166321 ..... 123, 127  |
| 109, 111, 113, 115, 117     | 1001121808..... 593, 595  | 21                         | 1001166327 ..... 123       |
| 1001103258 ..... 485        | 1001121810..... 585, 587  | 1001151496..... 421        | 1001166328 ..... 125       |
| 1001103558 ..... 617        | 1001121814..... 573, 575  | 1001151497..... 225, 421   | 1001166329 ..... 129       |
| 1001103617 ..... 617        | 1001121816..... 589, 591  | 1001152230..... 421, 423   | 1001166330 ..... 123, 125  |
| 1001104850 ..... 153, 155   | 1001121818..... 601, 603  | 1001152483..... 489        | 1001166341 ..... 159       |
| 1001104864 .... 573, 575,   | 1001121821..... 593, 595  | 1001152485..... 485, 489,  | 1001166377 ..... 125, 129  |
| 577, 579, 581, 583,         | 1001121823..... 585, 587  | 537, 539                   | 1001166394 ..... 173, 175, |
| 585, 587, 589, 591,         | 1001121918..... 597, 599  | 1001152523..... 616        | 177, 179                   |
| 593, 595, 597, 599,         | 1001121920..... 605, 607  | 1001152635..... 434, 438,  | 1001166395 ..... 153       |
| 601, 603, 605, 607          | 1001121921..... 597, 599  | 442                        | 1001166417 ..... 71        |
| 1001106757 ..... 229        | 1001121923..... 605, 607  | 1001153017..... 153, 157   | 1001166419 ..... 71, 73    |
| 1001107854 ..... 557        | 1001125248..... 205       | 1001153021..... 15, 17     | 1001166420 ... 85, 87, 89  |
| 1001108727 ..... 616        | 1001126008..... 557       | 1001153023..... 19, 21     | 1001166493 ..... 123, 125, |
| 1001108923 ..... 609        | 1001126009..... 553       | 1001153749.... 15, 17, 19, | 127, 129                   |
| 1001109503 .... 173, 175,   | 1001126245..... 557       | 21, 165, 167, 169, 171     | 1001166495 ..... 97, 101   |
| 177, 179                    | 1001128128..... 503, 557  | 1001153899..... 485        | 1001166496 . 97, 99, 101,  |
| 1001109892 .... 31, 36, 39  | 1001129555..... 612       | 1001155044..... 173, 175,  | 103                        |
| 1001110166 ..... 123        | 1001131269..... 573, 575  | 177, 179, 293, 297,        | 1001166497 ..... 97        |
| 1001110434 .... 293, 297,   | 1001132175..... 293, 297, | 301, 305, 309, 313,        | 1001166498 ..... 101       |
| 301, 305, 309, 313,         | 301, 305, 309, 313,       | 317, 321, 325, 329,        | 1001166538 ..... 293, 297, |
| 318, 321, 325, 329,         | 317, 321, 325, 329,       |                            | 301, 305, 310, 314,        |

## PART NUMBER INDEX

|   |   |   |  |  |
|---|---|---|--|--|
| 317, 321, 326, 330,<br>333, 337, 341, 345,<br>349, 353, 357, 612  | 1001166539.....293, 297,<br>301, 305, 309, 313,<br>317, 321, 325, 329,<br>333, 337, 341, 345,<br>349, 353, 359, 612 | 1001178365 ..... 591  | 1001180839 .... 15, 17, 27   | 1001186860.....49, 51  |
| 1001166738.....199  | 1001167013.....121  | 1001178366 ..... 589  | 1001180840 ..... 19, 21  | 1001187674.....371   |
| 1001167014.....119  | 1001167291...75, 77, 163  | 1001178367 ..... 603  | 1001180841 ..... 15, 17  | 1001187681.....481, 483,<br>543  |
| 1001167363.....77   | 1001167450.....75   | 1001178368 ..... 601  | 1001180923 ..... 15  | 1001187683.....481   |
| 1001167487.....73   | 1001168004.....163  | 1001178369 ..... 607  | 1001180924 ..... 19  | 1001187684.....483   |
| 1001168005.....163  | 1001168796.....103  | 1001178370 ..... 605  | 1001180926 ..... 87, 135   | 1001187775.....251, 483  |
| 1001168670.....99   | 1001168800.....99, 103  | 1001178371 ..... 595  | 1001180928 ..... 91, 139   | 1001187776.....251, 481  |
| 1001168674.....221  | 1001169138.....205  | 1001178372 ..... 593  | 1001180930 ..... 85, 133   | 1001187788.....251   |
| 1001168796.....103  | 1001169423....15, 17, 19,<br>21   | 1001178373 ..... 599  | 1001181045 ..... 487, 612  | 1001187790.....161   |
| 1001168800.....99, 103  | 1001170365.....35, 612  | 1001178374 ..... 597  | 1001181081 ..... 205   | 1001188065.....165, 167,<br>169, 171   |
| 1001169138.....205  | 1001170367.....49, 51   | 1001178375 ..... 587  | 1001181325 .... 32, 35, 40   | 1001188066.....173, 175,<br>177, 179   |
| 1001169423....15, 17, 19,<br>21   | 1001170485.....53   | 1001178376 ..... 585  | 1001182138 ..... 379   | 1001188291.....247, 249,<br>477, 479   |
| 1001170365.....35, 612  | 1001170760.....557  | 1001178377 ..... 579  | 1001182296 .... 119, 121,<br>507   | 1001188292.....247, 249,<br>477  |
| 1001170367.....49, 51   | 1001170838.....293, 298,<br>301, 306, 309, 313,<br>317, 322, 325, 329,<br>333, 338, 341, 345,<br>349, 353           | 1001178378 ..... 577  | 1001182550 ... 31, 35, 39,<br>47   | 1001188293.....247, 249,<br>479  |
| 1001170485.....53   | 1001171213....71, 73, 81  | 1001178379 .... 573, 575,<br>577, 579, 581, 583,<br>585, 587, 589, 591,<br>593, 595, 597, 599,<br>601, 603, 605, 607, 609 | 1001182607 ..... 485   | 1001188354.....247, 249,<br>477, 479   |
| 1001170760.....557  | 1001171214....75, 77, 83  | 1001178382 ..... 438  | 1001182608 ..... 485   | 1001188484.....173, 175,<br>177, 179   |
| 1001170838.....293, 298,<br>301, 306, 309, 313,<br>317, 322, 325, 329,<br>333, 338, 341, 345,<br>349, 353 | 1001171298.....161  | 1001178383 ..... 446  | 1001182700 .... 165, 167,<br>169, 171, 612   | 1001188528....32, 36, 40,<br>555   |
| 1001171213....71, 73, 81  | 1001172663.....245  | 1001178384 ..... 434  | 1001182709 ..... 125, 129  | 1001188622.....245   |
| 1001171214....75, 77, 83  | 1001172760.....293, 298,<br>301, 306, 309, 313,<br>317, 322, 325, 329,<br>333, 338, 342, 345,<br>350, 353           | 1001178388 ..... 475  | 1001182724 .... 294, 298,<br>301, 306, 318, 322,<br>334, 338, 342, 345,<br>350, 353, 612 | 1001188844.....245   |
| 1001171298.....161  | 1001173577 .....581, 583,<br>607  | 1001178394 .... 471, 473,<br>475  | 1001182725 .... 199, 201   | 1001188889.....373   |
| 1001172663.....245  | 1001173703.....609  | 1001178395 .... 471, 473,<br>475  | 1001182959 ..... 31, 39  | 1001188974.....259   |
| 1001172760.....293, 298,<br>301, 306, 309, 313,<br>317, 322, 325, 329,<br>333, 338, 342, 345,<br>350, 353 | 1001173941.....454  | 1001178398 .... 471, 473,<br>475  | 1001182960 .... 31, 35, 39   | 1001189027.....471, 473,<br>475  |
| 1001173577 .....581, 583,<br>607  | 1001174447 .....53, 55  | 1001178399 .... 471, 473,<br>475  | 1001183212 ..... 199, 201  | 1001189030.....471, 473,<br>475  |
| 1001173703.....609  | 1001174455 .....517   | 1001178400 ..... 471, 473   | 1001183338 ..... 277   | 1001189031.....471, 473,<br>475  |
| 1001173941.....454  | 1001175025.....123, 125,<br>127, 129  | 1001178401 ..... 471, 473   | 1001183367 ..... 151   | 1001189032.....471, 473,<br>475  |
| 1001174447 .....53, 55  | 1001176101.....277, 317   | 1001178402 .... 471, 473,<br>475  | 1001183407 ..... 617   | 1001189039.....293, 298,<br>302, 306, 310, 313,<br>317, 322, 326, 329,<br>334, 338, 342, 346,<br>350, 354, 363 |
| 1001174455 .....517   | 1001176372 .....617   | 1001178403 .... 471, 473,<br>475  | 1001183512 ..... 269   | 1001189162.....617   |
| 1001175025.....123, 125,<br>127, 129  | 1001176417 .....199, 201  | 1001178405 ... 31, 35, 39,<br>501   | 1001183515 ..... 165   | 1001189171.....489, 612  |
| 1001176101.....277, 317   | 1001176441 .....199, 201  | 1001178491 ..... 529, 531,<br>533, 535, 537, 539, 541   | 1001183516 ..... 171   | 1001189172.....489, 612  |
| 1001176372 .....617   | 1001176469 .....175, 179  | 1001178629 ... 31, 35, 39,<br>557   | 1001183517 ..... 167   | 1001189882.....573, 575,<br>577, 579, 585, 587,<br>589, 591, 593, 595,<br>597, 599, 601, 603,<br>605, 607, 609 |
| 1001176417 .....199, 201  | 1001177245.....471, 473,<br>475   | 1001178660 ..... 471, 475   | 1001183520 ..... 249   | 1001190003.....581   |
| 1001176441 .....199, 201  | 1001177246.....471, 473,<br>475   | 1001178793 .... 165, 167,<br>169, 171, 561  | 1001183521 ..... 247   | 1001190004.....583   |
| 1001176469 .....175, 179  | 1001177364 ....85, 87, 89,<br>91, 93, 95  | 1001178794 .... 165, 167,<br>169, 171, 569  | 1001183693 ..... 269, 293  | 1001190017.....293, 302,<br>317, 334   |
| 1001177245.....471, 473,<br>475   | 1001177483.....221  | 1001178822 ..... 475  | 1001183763 ..... 169, 177  | 1001190020.....40, 475   |
| 1001177246.....471, 473,<br>475   | 1001177666.....434, 438,<br>442   | 1001178823 ..... 475  | 1001183764 ..... 171, 179  | 1001190088.....32, 471   |
| 1001177364 ....85, 87, 89,<br>91, 93, 95  | 1001178339...53, 55, 612  | 1001178921 ..... 31, 39   | 1001183765 ..... 167, 175  | 1001190577.....47, 557   |
| 1001177483.....221  | 1001178362 .....575   | 1001179060 .... 31, 39, 49  | 1001183866 ..... 165, 173  | 1001190797.....294, 298,<br>302, 306, 310, 314,<br>318, 322, 326, 330,<br>334, 338, 342, 346,<br>350, 354      |
| 1001177666.....434, 438,<br>442   | 1001178364 .....573   | 1001179061 .... 31, 39, 53  | 1001183867 .... 247, 249,<br>479   | 1001190896.....617   |
| 1001178339...53, 55, 612  |   | 1001179064 ... 49, 51, 53,<br>55  | 1001183868 .... 247, 249,<br>477   | 1001190985.....245   |
| 1001178362 .....575   |   | 1001179134 ..... 31   | 1001184852 .... 31, 35, 39   | 1001191139.....185   |
| 1001178364 .....573   |   | 1001179136 ..... 39   | 1001184854 .... 31, 35, 39   | 1001191140.....183, 185  |
|   |   | 1001179226 ..... 452  | 1001185281 ..... 302, 306,<br>309, 313, 325, 329,<br>334, 338, 342, 346,<br>350, 354     |  |
|   |   | 1001179991 ..... 165, 167,<br>169, 171, 505   | 1001185828 .... 434, 438,<br>442, 446, 450   |  |
|   |   | 1001180025 ..... 169  | 1001185829 .... 434, 438,<br>442, 446, 450   |  |
|   |   | 1001180554 .... 133, 135,<br>137, 139, 141, 143   | 1001186231 ..... 561   |  |
|   |   | 1001180835 ... 15, 17, 19,<br>21  | 1001186375 ..... 263   |  |
|   |   | 1001180838 .... 19, 21, 29  | 1001186377 ..... 265   |  |
|   |   |   | 1001186386 ..... 257   |  |
|   |   |   | 1001186387 ..... 255   |  |
|   |   |   | 1001186431 .... 342, 350,<br>375, 549, 551   |  |
|   |   |   | 1001186432 .... 549, 551,<br>553   |  |
|   |   |   | 1001186517 ..... 373, 375  |  |

## PART NUMBER INDEX

|   |  |  |   |
|---|--|--|---|
| 1001191142 ..... 183  | 1001202580..... 283, 337                             | 1001218004..... 442  | 1001232204 ..... 21                           |
| 1001191144 ..... 617  | 1001202581..... 269, 297                             | 1001218005..... 450  | 1001232642 ..... 377                          |
| 1001191145 ..... 617  | 1001202585..... 275, 305                             | 1001218068..... 314, 330,<br>346, 350, 354   | 1001232643 ..... 617                          |
| 1001191203 ..... 109  | 1001202749..... 617                                  | 1001218114..... 452  | 1001232650 ..... 377                          |
| 1001191204 ..... 105  | 1001203734..... 557                                  | 1001218367 ..... 89, 137   | 1001232667 ..... 377                          |
| 1001191206 ..... 107  | 1001204515..... 277, 321                             | 1001218370..... 93, 141  | 1001233237 ..... 616                          |
| 1001191207 ..... 115  | 1001205175..... 616                                  | 1001218499..... 617  | 1001235011 ..... 377                          |
| 1001191208 ..... 113  | 1001205491..... 189                                  | 1001218502..... 617  | 1001235013 ..... 377                          |
| 1001191209 ..... 111  | 1001206996..... 617                                  | 1001218503..... 616  | 1001235649 ..... 616                          |
| 1001191212 ..... 105, 107,<br>109, 111, 113, 115  | 1001207004..... 195, 197                             | 1001218651..... 283, 285,<br>341   | 1001236535 ..... 616                          |
| 1001191232 ..... 163, 181,<br>205, 365  | 1001207314..... 193                                  | 1001218652..... 289, 349   | 1001236552 ..... 377                          |
| 1001191314 ..... 617  | 1001209059..... 617                                  | 1001219016..... 245  | 1001237862 ..... 545, 547                     |
| 1001191318 ..... 294, 298,<br>302, 306, 310, 318,<br>322, 326, 334, 338, 519                                | 1001209413..... 617                                  | 1001219601..... 32, 40   | 1001237863 ..... 371, 545                     |
| 1001191395 ..... 617  | 1001209664..... 373, 375                             | 1001219722 ..... 31, 35, 39  | 1001237864 ..... 371, 547                     |
| 1001191708 ..... 379  | 1001209879..... 195                                  | 1001220271..... 31, 35, 39   | 1001237865 ..... 371, 543                     |
| 1001192024 ..... 205, 503   | 1001210032..... 617                                  | 1001220486..... 297, 305,<br>309, 321, 325, 337  | 1001238319 ..... 371                          |
| 1001192212 ..... 49, 51, 612  | 1001210033..... 617                                  | 1001220659..... 285  | 1001238418 ..... 377, 553                     |
| 1001192283 ..... 243, 517   | 1001210041..... 616                                  | 1001220660..... 289  | 1001238472 ..... 377                          |
| 1001192292 ..... 302, 306,<br>310, 326, 334, 338, 549   | 1001210576..... 173, 177                             | 1001222685 ..... 261   | 1001238477 ..... 377                          |
| 1001192293 ..... 119, 121,<br>509   | 1001212202..... 617                                  | 1001222801..... 573, 575,<br>577, 579, 581, 583,<br>585, 587, 589, 591,<br>593, 595, 597, 599,<br>601, 603, 605, 607 | 1001238489 ..... 287, 345                     |
| 1001192385 ..... 243  | 1001212359..... 53, 55                               | 1001223055..... 573, 575   | 1001238490 ..... 291, 353                     |
| 1001192386 ..... 187  | 1001212415..... 612                                  | 1001223824 ..... 616   | 1001238491 ..... 281, 329                     |
| 1001192387 ..... 373  | 1001212450..... 55                                   | 1001223971 ..... 589, 591  | 1001238493 ..... 273, 313                     |
| 1001192401 ..... 561  | 1001212453..... 35                                   | 1001224048..... 597, 599   | 1001238495 ..... 375                          |
| 1001192501 ..... 121  | 1001212454..... 36, 473                              | 1001224049..... 601, 603   | 1001238497 ..... 287                          |
| 1001192502 ..... 119  | 1001212455..... 473                                  | 1001224050..... 585, 587   | 1001238498 ..... 291                          |
| 1001193018 ..... 529, 531,<br>533, 535, 537, 539, 541   | 1001212456..... 36, 55                               | 1001224052..... 605, 607   | 1001238499 ..... 281                          |
| 1001193047 ..... 15, 17, 19,<br>21  | 1001212480..... 473                                  | 1001224053..... 593, 595   | 1001238500 ..... 273                          |
| 1001193545 ..... 509  | 1001213447..... 521                                  | 1001224891..... 229  | 1001238557 ..... 191                          |
| 1001193949 ..... 573, 575,<br>577, 579, 585, 587,<br>589, 591, 593, 595,<br>597, 599, 601, 603, 605         | 1001213625..... 609                                  | 1001225580..... 342, 350,<br>375, 551  | 1001238558 ..... 197                          |
| 1001193987 ..... 293, 298,<br>302, 306, 310, 314,<br>317, 322, 326, 330,<br>334, 338, 342, 346,<br>350, 354 | 1001213626..... 36                                   | 1001226872..... 267  | 1001238559 ..... 377                          |
| 1001195304 ..... 616  | 1001213882..... 314, 330,<br>342, 346, 350, 354      | 1001227633..... 371  | 1001238782 ..... 209, 215                     |
| 1001196484 ..... 283, 333   | 1001214031..... 609                                  | 1001227634..... 371  | 1001238783 ..... 205, 209                     |
| 1001196486 ..... 275, 301   | 1001214478..... 617                                  | 1001227985 ..... 371   | 1001238824 ..... 377                          |
| 1001196487 ..... 275  | 1001214515..... 617                                  | 1001227987..... 371  | 1001239568 ..... 618                          |
| 1001196500 ..... 283  | 1001214552..... 617                                  | 1001227996..... 545, 547   | 1001239569 ..... 618                          |
| 1001196589 ..... 32, 40   | 1001214559..... 617                                  | 1001228015..... 427  | 1001241268 ..... 618                          |
| 1001196811 ..... 573, 575,<br>589, 591, 593, 601,<br>603, 605, 607  | 1001214667..... 51                                   | 1001228016..... 221, 413   | 1001241269 ..... 618                          |
| 1001197067 ..... 193  | 1001214668..... 36, 51                               | 1001228018..... 219, 409   | 1001241965 ..... 377                          |
| 1001197883 ..... 618  | 1001215835..... 310, 314,<br>326, 330                | 1001228035..... 221, 397   | 1001243183 ..... 618                          |
| 1001198647 ..... 616  | 1001216147..... 271                                  | 1001228036..... 221, 405   | 1001243184 ..... 618                          |
| 1001198649 ..... 616  | 1001216148..... 279                                  | 1001228037..... 219, 393   | 1001243185 ..... 618                          |
| 1001198657 ..... 617  | 1001216153..... 271, 309                             | 1001228038..... 219, 401   | 1001246541 ..... 616                          |
| 1001198658 ..... 617  | 1001216154..... 279, 325                             | 1001228063..... 225, 423   | 1001246542 ..... 616                          |
| 1001200491 ..... 245  | 1001216630..... 245                                  | 1001228215..... 267  | 1001246695 ..... 617                          |
| 1001200910 ..... 189, 191   | 1001216921..... 137, 141,<br>149                     | 1001228224..... 371  | 1001247073 ..... 617                          |
| 1001201620 ..... 617  | 1001217005..... 189, 191                             | 1001228225..... 371  | 1060092 ..... 471, 473, 475                   |
| 1001201642 ..... 557  | 1001217228..... 245                                  | 1001228370..... 573, 575,<br>589, 591  | 1060330 ..... 363                             |
| 1001201887 ..... 298, 306,<br>310, 322, 326, 338, 342   | 1001217242..... 245                                  | 1001228627..... 245  | 1060341 ..... 481, 483                        |
|   | 1001217243..... 245                                  | 1001229107..... 616  | 1060379 ..... 381                             |
|   | 1001217244..... 245                                  | 1001229341..... 371  | 1060461 ..... 513, 515, 567                   |
|   | 1001217249..... 245                                  | 1001229690..... 616  | 1060494 ..... 507, 511, 565                   |
|   | 1001217250..... 245                                  | 1001231801..... 573, 575   | 1060689 ..... 105, 107, 109,<br>111, 113, 115 |
|   | 1001217253..... 245                                  | 1001231804..... 618  | 1060754 ..... 205                             |
|   | 1001217254..... 245                                  | 1001231870..... 618  | 1060755 ..... 205                             |
|   | 1001217267..... 245                                  | 1001232164..... 371  | 1060801 ..... 119, 121                        |
|   | 1001217413..... 245                                  | 1001232165..... 371  | 1060802 ..... 119, 121                        |
|   | 1001217465..... 581, 583                             | 1001232203..... 17   | 1060896 ..... 477, 479                        |
|   | 1001217598..... 261                                  |  | 1060908 ..... 487, 489                        |
|   | 1001217621..... 314, 330,<br>342, 346, 350, 354, 521 |  | 10837580 ..... 95, 143                        |
|   | 1001217842..... 49, 555, 557                         |  | 1120094 ..... 395                             |
|   | 1001217843..... 557                                  |  | 1120108 ..... 399, 407, 411                   |
|   | 1001217844..... 555, 557                             |  | 1120110 ..... 421, 425                        |
|   |  |  | 1120305 ..... 391, 403                        |
|   |  |  | 1120487 ..... 163                             |
|   |  |  | 1180302 ..... 225                             |



# PART NUMBER INDEX

|   |  |  |  |
|---|--|--|--|
| 1220038.....225   | 1684454 ..... 219, 399   | 1703811 ... 577, 579, 581,<br>583  | 1704412.... 573, 575, 577,<br>579, 581, 583, 585,<br>587, 589, 591, 593,<br>595, 597, 599, 601,<br>603, 605, 607 |
| 1220039.....225   | 1700584 ..... 589  | 1703813 ..... 573, 575   | 1704417.....593, 595   |
| 1220040.....225   | 1701500 ... 573, 575, 585,<br>587, 589, 591, 593,<br>595, 597, 599, 601,<br>603, 605, 607                                  | 1703814 ... 577, 579, 581,<br>583  | 1704418.....597, 599   |
| 1271538.....243   |  | 1703923 ..... 601, 603   | 1704419.....585, 587   |
| 1300019.....61  |  | 1703924 ..... 589, 591   | 1704422.... 313, 317, 321,<br>325, 333, 337, 341, 345  |
| 1320012.....205   | 1701504 ... 573, 575, 577,<br>579, 581, 583, 585,<br>587, 589, 591, 593,<br>595, 597, 599, 601,<br>603, 605, 607           | 1703925 ..... 585, 587   | 1704431.... 573, 575, 577,<br>579, 581, 583, 585,<br>587, 589, 591, 593,<br>595, 597, 599, 601,<br>603, 605, 607 |
| 1320022..... 163, 205   | 1701505 ..... 587, 609   | 1703926 ..... 593, 595   | 1704445..... 599   |
| 1320033..... 446, 450   | 1701509 ... 573, 575, 577,<br>579, 581, 583, 585,<br>587, 589, 591, 593,<br>595, 597, 599, 601,<br>603, 605, 607           | 1703927 ..... 597, 599   | 1704446..... 573, 575  |
| 1320037..... 616  |  | 1703928 ..... 605, 607   | 1704452..... 589, 591  |
| 1320040..... 85, 87, 89   |  | 1703929 ..... 601, 603   | 1704453..... 605, 607  |
| 1320041.... 15, 17, 19, 21,<br>163, 199, 201  |  | 1703930 ..... 589, 591   | 1704454..... 601, 603  |
| 1320043..... 247, 249   | 1701518 ... 577, 579, 581,<br>583  | 1703931 ..... 585, 587   | 1704727..... 609   |
| 1320135..... 205  | 1701642 ... 119, 121, 573,<br>575, 577, 579, 581,<br>583, 585, 587, 589,<br>591, 593, 595, 597,<br>599, 601, 603, 605, 607 | 1703932 ..... 593, 595   | 1704752..... 609   |
| 1320136..... 243, 245   |  | 1703933 ..... 597, 599   | 1704791..... 609   |
| 1320224..... 243  |  | 1703934 ..... 605, 607   | 1704792..... 609   |
| 1320260..... 247, 249   |  | 1703935 ..... 601, 603   | 1704793..... 609   |
| 1320263.... 15, 17, 19, 21  |  | 1703936 ..... 589, 591   | 1704794..... 609   |
| 1321385.... 165, 167, 169,<br>171   |  | 1703937 ..... 585, 587   | 1704885.... 573, 575, 577,<br>579, 581, 583, 585,<br>587, 589, 591, 593,<br>595, 597, 599, 601,<br>603, 605, 607 |
| 1380136.... 133, 135, 137,<br>139, 141  |  | 1703938 ..... 593, 595   | 1704900..... 609   |
| 1380138.... 123, 125, 127,<br>129   |  | 1703939 ..... 597, 599   | 1705325..... 529   |
| 1380164..... 205  | 1701644 ... 573, 575, 577,<br>579, 581, 583, 585,<br>587, 589, 591, 593,<br>595, 597, 599, 601,<br>603, 605, 607           | 1703940 ..... 605, 607   | 1705351..... 573, 575  |
| 1580012..... 367  |  | 1703947 ..... 601, 603   | 1705363..... 618   |
| 1600387..... 243  |  | 1703948 ..... 589, 591   | 1705364..... 61  |
| 1670679..... 225  |  | 1703949 ..... 585, 587   | 1705426..... 593, 595  |
| 1670697..... 247, 249   |  | 1703950 ..... 593, 595   | 1705427..... 597, 599  |
| 1670698..... 225  | 1701691 ... 573, 575, 577,<br>579, 581, 583, 585,<br>587, 589, 591, 593,<br>595, 597, 599, 601,<br>603, 605, 607           | 1703951 ..... 597, 599   | 1705429..... 589, 591  |
| 1670832..... 251  |  | 1703952 ..... 605, 607   | 1705430..... 585, 587  |
| 1670833..... 251  |  | 1703980 ..... 593, 595   | 1705514.... 573, 575, 589,<br>591  |
| 1670880..... 125, 129   |  | 1703981 ..... 597, 599   | 1705670.... 577, 579, 581,<br>583  |
| 1670953..... 119, 121   |  | 1703982 ..... 585, 587   | 1705822.... 577, 579, 581,<br>583  |
| 1670959..... 229  | 1702124 ... 435, 439, 443,<br>447, 451   | 1703983 ..... 601, 603   | 1705828.... 577, 579, 581,<br>583  |
| 1671176.... 293, 297, 301,<br>305, 309, 313, 317,<br>321, 325, 329, 333,<br>337, 341, 345, 349, 353 | 1702251 ..... 609  | 1703984 ..... 589, 591   | 1705910..... 601, 603  |
| 1681344..... 399  | 1702265 ... 573, 575, 589,<br>591, 601, 603  | 1703985 ..... 605, 607   | 1705921.... 577, 579, 581,<br>583  |
| 1683584..... 421, 425   | 1702271 ..... 593, 595   | 1703987 ..... 597, 599   | 1705977.... 577, 579, 581,<br>583  |
| 1683591.... 15, 17, 19, 21,<br>419  | 1702300 ... 573, 575, 585,<br>587, 589, 591, 593,<br>595, 597, 599, 601,<br>603, 605, 607                                  | 1703988 ..... 585, 587   | 1705978.... 577, 579, 581,<br>583  |
| 1683709..... 407, 411   |  | 1703991 ..... 605, 607   | 1706378.... 577, 579, 581,<br>583  |
| 1683710..... 395  | 1702565 ... 293, 297, 301,<br>305, 309, 313, 317,<br>321, 325, 329, 333,<br>337, 341, 345, 349, 353                        | 1704000 .... 589, 591, 616   | 1706950.... 573, 575, 589,<br>591, 601, 603, 605, 607  |
| 1683712..... 391, 403   |  | 1704001 ..... 601, 603   | 1760160..... 225   |
| 1683911..... 229, 425   |  | 1704002 ..... 605, 607   | 2080040.... 255, 257, 259,<br>261  |
| 1683912..... 425  | 1702566 ... 293, 297, 301,<br>305, 309, 313, 317,<br>321, 325, 329, 333,<br>337, 341, 345, 349, 353                        | 1704008 ..... 605, 607   | 2160003..... 157   |
| 1683940..... 395  |  | 1704200 ..... 609  | 2180348..... 163   |
| 1683941..... 395  |  | 17042567 ..... 353   | 2220237.... 435, 439, 443,<br>447, 451   |
| 1683943..... 403  | 1702740 ..... 57, 59, 61   | 1704260 ... 293, 297, 301,<br>305, 309, 313, 317,<br>321, 325, 329, 333,<br>337, 341, 345, 349, 353              | 2220239..... 435   |
| 1683944..... 403  | 1702773 .... 581, 583, 609   | 1704277 ... 573, 575, 577,<br>579, 581, 583, 585,<br>587, 589, 591, 593,<br>595, 597, 599, 601,<br>603, 605, 607 |  |
| 1683945..... 221, 411   | 1702774 ..... 609  | 1704286 ..... 575, 609   |  |
| 1683946..... 411  | 1702860 ..... 609  | 1704339 ..... 601, 603   |  |
| 1683947..... 411  | 1702868 .... 573, 575, 616   | 1704340 ..... 589, 591   |  |
| 1683980..... 425  | 1702962 ..... 575  | 1704341 ..... 605, 607   |  |
| 1684022..... 391  | 1703175 ..... 609  | 1704342 ..... 593, 595   |  |
| 1684023..... 391  | 1703488 ..... 609  | 1704343 ..... 597, 599   |  |
| 1684025..... 399  | 1703683 ..... 381  | 1704344 ..... 585, 587   |  |
| 1684026..... 399  | 1703797 ..... 573, 575   | 1704368 ..... 609  |  |
| 1684029..... 421  | 1703798 ..... 573, 575   | 1704369 ..... 609  |  |
| 1684059..... 407  | 1703804 ..... 573, 575   | 1704370 ..... 609  |  |
| 1684060..... 407  | 1703805 ..... 573, 575   | 1704371 ..... 603, 609   |  |
| 1684061..... 219, 407   |  | 1704372 ..... 609  |  |
| 1684451..... 221, 395   |  | 1704373 ..... 609  |  |
| 1684452..... 221, 403   |  |  |  |
| 1684453..... 219, 391   |  |  |  |

## PART NUMBER INDEX

|   |   |  |  |
|---|---|--|--|
| 2220371 ... 434, 438, 442,<br>446, 450  | 2221086 ... 435, 439, 443,<br>447, 451  | 2753330....439, 443, 447,<br>451   | 3252507 ... 525, 531, 533,<br>535, 537, 539, 541   |
| 2220373 ..... 443, 451  | 2221147 ..... 434   | 2753331....439, 443, 447,<br>451   | 3252780 ..... 609  |
| 2220386 ... 434, 438, 442,<br>446, 450  | 2300028 ..... 617   | 2753332....438, 442, 446,<br>450   | 3271605 ..... 222  |
| 2220415 ... 434, 435, 438,<br>439, 442, 443, 446,<br>447, 450, 451                        | 2300042 ..... 617   | 2753333....438, 442, 446,<br>450   | 3290405 ... 529, 531, 533,<br>535, 537, 539, 541   |
| 2220466 ... 438, 442, 446,<br>450   | 2400044 ..... 35, 53  | 2753334....434, 438, 442,<br>446, 450  | 3290605 ..... 245  |
| 2220472 ... 434, 438, 442,<br>446, 450  | 2400060 ... 519, 521, 557,<br>562   | 2753335....434, 438, 442,<br>446, 450  | 3290606 ..... 263, 265   |
| 2220473 ... 434, 438, 442,<br>446, 450  | 2420202 ..... 243   | 2753474....434, 438, 442,<br>446, 450  | 3291001 ..... 245  |
| 2220498 ... 434, 438, 442   | 2460037 ..... 119, 121  | 2753475....434, 438, 442,<br>446, 450  | 3291005 ..... 245  |
| 2220499 ..... 439, 447  | 2540037 ..... 35  | 2753519.....434  | 3291201 ..... 245  |
| 2220501 ... 434, 438, 442,<br>446, 450  | 2540038 .... 15, 17, 19, 21   | 2753520....434, 439, 443,<br>447, 451  | 3291205 ..... 241, 245   |
| 2220502 ... 434, 438, 442,<br>446, 450  | 2540045 97, 99, 101, 103  | 2753535.....434  | 3300151 ... 247, 249, 263,<br>265, 267   |
| 2220504 ... 434, 438, 442,<br>446, 450  | 2560122 ... 133, 135, 137,<br>139, 141, 143, 149  | 2753973.....434, 438, 442  | 3300279 ..... 399, 411   |
| 2220507 ... 434, 438, 442,<br>446, 450  | 2560123 ... 133, 135, 137,<br>139, 141, 143, 149  | 2780241..... 15, 17, 23  | 3300281 ... 391, 395, 397,<br>403, 405   |
| 2220516 ... 421, 423, 425,<br>427   | 2560136 ... 293, 297, 301,<br>305, 309, 313, 317,<br>321, 325, 329, 333,<br>337, 341, 345, 349, 353 | 2780251..... 19, 21, 25  | 3300315 ..... 407  |
| 2220517 ... 421, 423, 425,<br>427   | 2600281 ... 255, 257, 259,<br>261   | 2780282..... 31, 35, 39, 43  | 3300353 ... 119, 121, 293,<br>297, 301, 305, 309,<br>313, 317, 321, 325,<br>329, 333, 337, 341,<br>345, 349, 353   |
| 2220582 ... 435, 438, 439,<br>442, 443, 446, 447,<br>450, 451                             | 2700093 ... 123, 125, 127,<br>129   | 2820030..... 517   | 3300365 ... 165, 167, 169,<br>171  |
| 2220593 ... 434, 438, 442,<br>446, 450  | 2720058 ..... 163   | 2820105..... 125, 129  | 3300408 ... 294, 297, 301,<br>305, 309, 313, 318,<br>321, 325, 329, 333,<br>337, 341, 345, 349, 353  |
| 2220596 ... 421, 423, 425,<br>427   | 2720271 ..... 163   | 2820106..... 125, 129  | 3300426 ... 15, 17, 19, 21,<br>27, 29, 31, 35, 39  |
| 2220600 ... 435, 438, 442,<br>446, 450  | 2720559 ..... 205   | 2820110..... 125, 129  | 3300430 .... 373, 375, 379   |
| 2220605 ..... 435   | 2750910 ... 434, 438, 442,<br>446, 450  | 2820112..... 205   | 3300454 ... 31, 35, 39, 75,<br>77, 111, 113, 115, 165,<br>167, 169, 171  |
| 2220609 ..... 435   | 2750915 ... 434, 435, 438,<br>442   | 2820116..... 205   | 3310805 ... 133, 135, 137,<br>139, 141, 161  |
| 2220628 ... 421, 423, 425,<br>427   | 2751890 ... 439, 443, 447,<br>451   | 2820117..... 205   | 3311001 ..... 35, 259, 261   |
| 2220677 ... 434, 438, 442,<br>446, 450  | 2752430 ..... 438, 446  | 2820118..... 477, 479  | 3311005 ... 123, 125, 127,<br>129, 163, 187, 193, 251  |
| 2220684 ..... 434   | 2752435 ..... 434   | 2820218..... 205   | 3311011 ... 173, 175, 177,<br>179  |
| 2220727 ..... 434   | 2752437 ... 434, 438, 442,<br>446, 450  | 2820247..... 545, 547  | 3311401 . 31, 35, 39, 125,<br>129, 225, 229, 247, 249  |
| 2220805 ..... 205   | 2752440 ..... 435   | 2860030.... 173, 175, 177,<br>179, 612   | 3311405 ... 15, 17, 19, 21,<br>119, 121, 123, 125,<br>127, 129, 151, 163,<br>173, 175, 177, 179,<br>205, 207, 209, 243,<br>247, 249, 269, 271,<br>273, 275, 277, 279,<br>281, 283, 285, 287,<br>289, 291, 377, 425,<br>427, 485, 529, 531,<br>533, 535, 537, 539,<br>541, 573, 575, 577,<br>579, 581, 583, 585, 587,<br>589, 591, 593, 595,<br>597, 599, 601, 603,<br>605, 607 |
| 2220883 ... 393, 397, 405,<br>421, 423, 425, 427  | 2752442 ..... 442, 450  | 2900756..... 143   | 3311501 .... 199, 201, 233   |
| 2220885 ... 391, 397, 399,<br>401, 405, 407, 409,<br>411, 413, 434, 438,<br>442, 446, 450 | 2752453 .... 434, 438, 442  | 2900770.... 235, 237, 391,<br>393, 395, 397, 399,<br>401, 403, 405, 407,<br>409, 411, 413, 429 | 3311505 . 31, 35, 39, 165,<br>167, 169, 171, 219,<br>222, 229, 247, 249, 381   |
| 2220899 ... 434, 438, 442,<br>446, 450  | 2752459 ... 434, 438, 442,<br>446, 450  | 2900792..... 385, 387, 389   | 3311601 ... 199, 201, 221,<br>293, 298, 302, 306,<br>310, 314, 317, 322,   |
| 2220909 ... 435, 439, 443,<br>447, 451  | 2752462 ..... 446, 450  | 2901804.... 407, 409, 411,<br>413  |  |
| 2220940 .... 435, 443, 451  | 2752466 ... 438, 442, 446,<br>450   | 2901805..... 391, 403  |  |
| 2220999 ... 434, 438, 442,<br>446, 450  | 2752467 .... 434, 438, 442  | 2901806..... 395, 397, 405   |  |
| 2221033 ... 434, 438, 442,<br>446, 450  | 2752475 ..... 434   | 2901903..... 425, 427  |  |
| 2221039 ... 439, 443, 447,<br>451   | 2752475 ..... 434   | 2902419..... 399   |  |
| 2221046 ..... 163   | 2752486 ..... 446, 450  | 2902549.... 487, 529, 531,<br>533, 535, 541  |  |
| 2221047 ..... 163   | 2752493 ..... 443, 451  | 2915230..... 117   |  |
| 2221054 ... 435, 438, 442,<br>446, 450  | 2752519 ..... 446, 450  | 2920151..... 181, 243, 245   |  |
|   | 2752571 ... 438, 442, 446,<br>450   | 2940071..... 199, 201  |  |
|   | 2752573 ..... 434   | 2940074 ... 255, 257, 259,<br>261, 612   |  |
|   | 2752574 ..... 446, 450  | 2940095.... 123, 125, 127,<br>129  |  |
|   | 2752581 ..... 434   | 2940115..... 125, 129  |  |
|   | 2752600 ... 439, 443, 447,<br>451   | 3000003 . 97, 99, 101, 103   |  |
|   | 2752611 ... 438, 442, 446,<br>450   | 3020008..... 31, 35, 39  |  |
|   | 2752619 ... 438, 442, 446,<br>450   | 3020029..... 153   |  |
|   | 2752620 ..... 434   | 3020037..... 31, 35, 39  |  |
|   | 2752675 ..... 446, 450  | 3251243.... 573, 575, 589,<br>591, 601, 603, 605, 607  |  |
|   | 2752983 ..... 435   | 3252331 ..... 609  |  |
|   | 2753329 ... 438, 442, 446,<br>450   | 3252347 ..... 573, 575   |  |



# PART NUMBER INDEX

|   |  |   |  |
|---|--|---|--|
| 326, 330, 334, 338,<br>342, 346, 350, 354, 377  | 3480239 ..... 421  | 3900085 ... 185, 189, 191,<br>195, 197  | 4130351 ..... 23   |
| 3311602 ..... 225   | 3480240 ... 399, 407, 411  | 3900104 ..... 251   | 4240032.. 85, 87, 89, 293,<br>297, 301, 305, 309,<br>313, 317, 321, 325,<br>329, 333, 337, 341,<br>345, 349, 353                   |
| 3311605... 119, 121, 163,<br>205, 207, 209, 219,<br>221, 225, 229, 233,<br>241, 259, 261, 269,<br>271, 273, 275, 277,<br>279, 281, 283, 285,<br>287, 289, 291 | 3480242 ..... 391, 403   | 3900109 ... 15, 17, 19, 21  | 4240033... 163, 243, 247,<br>249, 371, 373, 375,<br>377, 477, 479  |
| 3311805... 219, 221, 241,<br>243, 485   | 3520026 ... 173, 175, 177,<br>179, 294, 297, 309,<br>318, 321, 325   | 3900142 ..... 411   | 4240084..... 31, 35, 39  |
| 3312005 ..... 243   | 3520027 ... 294, 297, 301,<br>305, 309, 313, 318,<br>321, 325, 329, 333,<br>337, 341, 345, 349, 353                                | 3900170 ... 391, 395, 397,<br>399, 403, 405, 407, 411   | 4240099..... 247, 249  |
| 3312008... 15, 17, 19, 21   | 3520028 ... 173, 175, 177,<br>179  | 3900174 ..... 127   | 4240175... 15, 17, 19, 21,<br>32, 36, 161  |
| 3312602... 185, 189, 191,<br>195, 197   | 3520030 ... 293, 297, 302,<br>305, 309, 313, 317,<br>321, 325, 329, 334,<br>337, 341, 345, 349, 353                                | 3900349 ... 313, 329, 341,<br>345, 349, 353   | 4300140..... 247, 249  |
| 3322202... 15, 17, 19, 21   | 3520033 ... 297, 305, 321,<br>337  | 3910610 ..... 523, 525  | 4341072..... 205   |
| 3322205..... 421, 425   | 3520034 ..... 225  | 3910804 ... 173, 175, 177,<br>179   | 4360274..... 181, 613  |
| 3323003... 15, 17, 19, 21   | 3520035 31, 35, 39, 123,<br>125, 127, 129, 297,<br>309, 321, 325   | 3911008 ..... 259, 261  | 4360387... 175, 179, 293,<br>297, 301, 305, 309,<br>313, 317, 321, 325,<br>329, 333, 337, 341,<br>345, 349, 353, 612               |
| 3340663 ..... 225   | 3520054 ... 293, 297, 301,<br>305, 309, 313, 317,<br>321, 325, 329, 333,<br>337, 341, 345, 349, 353                                | 3911012 ..... 187, 193  | 4360407.... 293, 297, 301,<br>305, 309, 313, 317,<br>321, 325, 329, 333,<br>337, 341, 345, 349, 353                                |
| 3340679..... 421, 423   | 3520072 ... 255, 257, 263,<br>265, 267   | 3911018 ... 293, 297, 301,<br>305, 309, 313, 317,<br>321, 325, 329, 333,<br>337, 341, 345, 349, 353 | 4360469.... 173, 175, 177,<br>179, 612   |
| 3340682 ..... 225   | 3520173 ..... 369  | 3930824 ..... 161   | 4360475... 173, 175, 177,<br>179, 293, 297, 301,<br>305, 309, 313, 317,<br>321, 325, 329, 333,<br>337, 341, 345, 349,<br>353, 612  |
| 3340820 ..... 225   | 3520182 ..... 379  | 3931010 ... 49, 51, 53, 55,<br>163  | 4360476.... 173, 175, 177,<br>179, 293, 297, 301,<br>305, 309, 313, 317,<br>321, 325, 329, 333,<br>337, 341, 345, 349,<br>353, 612 |
| 3340860 ..... 233   | 3520198 ... 255, 257, 259,<br>261, 263, 265, 267   | 3931012 ..... 53, 55  | 4400417..... 163   |
| 3340878 ..... 229   | 3536491 ..... 219, 222   | 3931016 ... 49, 51, 53, 55  | 4420051..... 609   |
| 3340882 ..... 425, 427  | 3536999 ..... 247  | 3931028 ..... 251   | 4420062..... 381   |
| 3340884 ..... 229   | 3571462 ..... 249  | 3931408 ... 15, 17, 19, 21,<br>373, 375   | 4460019..... 557   |
| 3340886 ..... 229   | 3572413 ..... 259  | 3931416 ... 15, 17, 19, 21  | 4460042..... 363   |
| 3340939 ..... 229   | 3572551 ..... 233  | 3931424 ..... 373   | 4460071.... 363, 523, 525  |
| 3380434 ... 269, 271, 273,<br>275, 277, 279, 281,<br>283, 285, 287, 289, 291  | 3575952 ..... 207, 209   | 3931816 ..... 233   | 4460125..... 525   |
| 3380602 ..... 205   | 3575961 ..... 205  | 3931832 ..... 153   | 4460134..... 507, 511  |
| 3420156 ..... 199, 201  | 3600289 ... 71, 73, 75, 77,<br>79  | 3951402 ... 399, 407, 421,<br>425   | 4460138.... 105, 111, 507  |
| 3422175 ..... 219   | 3740080 ..... 49, 503  | 3960389 ... 125, 129, 205   | 4460142..... 555, 558  |
| 3422176 ..... 219   | 3740086 ..... 553  | 3960417 ... 125, 129, 205   | 4460205..... 523, 565  |
| 3422177 ..... 219   | 3760115 ..... 225, 229   | 3960418 ..... 205   | 4460224..... 521   |
| 3422178 ..... 219   | 3760308 ... 123, 125, 127,<br>129  | 3960422 ..... 523, 525  | 4460225.... 503, 519, 521  |
| 3422179 ..... 219   | 3790012 ... 173, 175, 177,<br>179, 293, 297, 301,<br>305, 309, 313, 317,<br>321, 325, 329, 333,<br>337, 341, 345, 349,<br>353, 365 | 3960447 ... 123, 125, 127,<br>129   | 4460226... 181, 243, 245,<br>357, 360, 363, 517,<br>519, 521, 549, 569   |
| 3422180 ..... 219, 225  | 3820001 ... 573, 575, 577,<br>579, 581, 583, 585,<br>587, 589, 591, 593,<br>595, 597, 599, 601,<br>603, 605, 607, 609              | 3960453 ..... 199, 201  | 4460227.... 503, 505, 517,<br>519, 521, 561  |
| 3422181 ..... 225   | 3820019 ... 123, 125, 127,<br>129  | 3990013 ..... 553   | 4460233..... 525   |
| 3422480 ..... 221   | 3820020 ..... 255, 257   | 4010618 ..... 263, 265  | 4460234.... 293, 297, 301,<br>305, 309, 313, 317,<br>321, 325, 329, 333,<br>337, 341, 345, 349, 353                                |
| 3422481 ..... 221   | 3841143 ... 219, 221, 225,<br>245  | 4031505 ..... 371   | 4460259.... 503, 505, 519,<br>521  |
| 3422582 ..... 221   | 3841203 ..... 219, 221   | 4031516 ..... 377   | 4460260.... 503, 505, 519,<br>521  |
| 3422661 ..... 381   | 3841517 ... 15, 17, 19, 21   | 4031707 ..... 31, 35, 39  |  |
| 3422669 ..... 221   |  | 4060092 ..... 525   |  |
| 3422692... 15, 17, 19, 21   |  | 4060802 ... 173, 175, 177,<br>179   |  |
| 3422709 ..... 225   |  | 4060804 ... 125, 129, 229,<br>245   |  |
| 3422791 ..... 233   |  | 4060805 ... 119, 121, 245,<br>247, 249  |  |
| 3422792 ..... 221   |  | 4060808 ..... 247, 249  |  |
| 3422794 ..... 233   |  | 4061032 ..... 447, 451  |  |
| 3422804 ..... 229   |  | 4061054 ..... 243   |  |
| 3422806 ..... 221   |  | 4070863 ..... 229   |  |
| 3422814 ..... 221   |  | 4070864 ..... 229   |  |
| 3422844 ..... 221   |  | 4070997 ..... 229   |  |
| 3422845 ..... 221   |  | 4070998 ..... 229   |  |
| 3422901 ..... 225   |  | 4100025 ..... 205   |  |
| 3430616... 298, 306, 310,<br>314, 322, 326, 330,<br>338, 342, 346, 350, 354   |  | 4100026 ... 163, 434, 438,<br>442, 446, 450   |  |
| 3450304 ..... 199, 201  |  | 4100065 ..... 249   |  |
| 3450810... 15, 17, 19, 21   |  | 4100067 ..... 249   |  |
| 3460457 ..... 205   |  |   |  |
| 3470003... 293, 298, 302,<br>306, 310, 314, 317,<br>322, 326, 330, 334,<br>338, 342, 346, 350, 354  |  |   |  |

## PART NUMBER INDEX

|  |   |  |   |
|--|---|--|---|
| 4460265 ..... 357, 359   | 4460761 ... 519, 521, 561,<br>569                             | 4565994 ..... 399  | 305, 309, 313, 317,<br>321, 325, 329, 333,<br>337, 341, 345, 349,<br>353, 365   |
| 4460267 .... 503, 519, 521   | 4460805 ..... 107, 113  | 4566187 ..... 434  | 4740413 ..... 225   |
| 4460313 ..... 505  | 4460806 ..... 505   | 4566188 ..... 434  | 4750800 ... 133, 135, 137,<br>139, 141, 161   |
| 4460320 ..... 503, 505   | 4460836 ... 501, 517, 561                                     | 4566243 ..... 247, 249   | 4751000 .... 35, 125, 129,<br>185, 189, 191, 195,<br>197, 259, 261  |
| 4460346 ..... 523  | 4460851 ..... 505   | 4566427 ..... 219, 221   | 4751400 ... 119, 121, 123,<br>125, 127, 129, 199,<br>201, 225, 243, 247,<br>249, 269, 271, 273,<br>275, 277, 279, 281,<br>283, 285, 287, 289,<br>291, 293, 297, 301,<br>305, 309, 313, 317,<br>321, 325, 329, 333,<br>337, 341, 345, 349,<br>353, 367, 379, 425,<br>427, 485, 529, 531,<br>533, 535, 537, 539,<br>541, 573, 575, 577,<br>579, 581, 583, 585,<br>587, 589, 591, 593,<br>595, 597, 599, 601,<br>603, 605, 607 |
| 4460374 ..... 503, 557   | 4460866 ... 519, 521, 561                                     | 4566432 ..... 395  | 4751500 ... 31, 35, 39, 97,<br>99, 101, 103, 137, 141,<br>199, 201, 205, 219,<br>222, 233, 247, 249, 381  |
| 4460418 ... 505, 519, 521  | 4460868 ..... 505   | 4566435 ..... 403  | 4751600 .... 73, 119, 121,<br>163, 165, 167, 169,<br>171, 205, 219, 221,<br>225, 269, 271, 273,<br>275, 277, 279, 281,<br>283, 285, 287, 289, 291   |
| 4460419 ... 505, 519, 521  | 4460871 ... 505, 519, 521,<br>557, 561, 569                   | 4567177 ..... 407  | 4751800 .... 199, 201, 485  |
| 4460424 ... 181, 243, 245  | 4460872 ..... 569   | 4567704 ..... 421  | 4760600 ..... 523, 525  |
| 4460426 ..... 119, 121   | 4460873 ... 519, 521, 557,<br>561                             | 4567908 ..... 411  | 4761000 ..... 259, 261  |
| 4460428 ... 105, 107, 109,<br>111, 113, 115, 243,<br>293, 297, 301, 305,<br>309, 313, 317, 321,<br>325, 329, 333, 337,<br>341, 345, 349, 353 | 4460874 ... 519, 521, 561                                     | 4567946 ... 438, 442, 446,<br>450  | 4761400 .... 225, 229, 367  |
| 4460434 ... 243, 519, 521  | 4460875 ... 519, 521, 569                                     | 4567963 ..... 425  | 4761600 ..... 225   |
| 4460458 ..... 569  | 4460876 ..... 505   | 4568114 ..... 31, 35, 39   | 4761800 ..... 225, 229  |
| 4460464 ... 15, 17, 19, 21,<br>117, 193, 479, 481,<br>483, 501, 503, 509,<br>519, 521, 551, 553,<br>555, 557, 561                            | 4460877 ..... 505   | 4640495 ..... 429  | 4811400 ... 529, 531, 533,<br>535, 537, 539, 541  |
| 4460465 ... 185, 477, 479,<br>501, 503, 505, 509,<br>517, 519, 521, 549,<br>551, 555, 557, 558,<br>561, 569                                  | 4460878 ..... 561   | 4640634 ... 391, 393, 395,<br>397, 399, 401, 403, 405  | 4811700 ..... 263, 265  |
| 4460466 ... 247, 249, 371,<br>477, 479, 503, 505,<br>509, 517, 519, 521,<br>543, 551, 553, 555,<br>557, 558, 561, 569                        | 4460879 ..... 519, 521  | 4640709 ..... 429  | 4811702 ..... 245   |
| 4460470 ... 165, 167, 169,<br>171, 293, 297, 301,<br>305, 309, 313, 317,<br>321, 325, 329, 333,<br>337, 341, 345, 349, 353                   | 4460884 ... 549, 551, 561                                     | 4640807 ... 421, 423, 425,<br>427, 429   | 4812000 ..... 245   |
| 4460471 ... 165, 167, 169,<br>171, 293, 297, 301,<br>305, 309, 313, 317,<br>321, 325, 329, 333,<br>337, 341, 345, 349, 353                   | 4460887 ... 519, 521, 561                                     | 4640932 ..... 385, 387   | 4812100 ..... 245   |
| 4460488 ... 293, 297, 301,<br>305, 309, 313, 317,<br>321, 325, 329, 333,<br>337, 341, 345, 349, 353  | 4460888 ..... 519, 521  | 4640936 ... 407, 409, 411,<br>413  | 4844303 ..... 219   |
| 4460508 ... 117, 371, 479,<br>519, 521, 561  | 4460891 ... 185, 509, 557,<br>561, 569                        | 4641086 ..... 387  | 4844304 ..... 219   |
| 4460509 .... 477, 479, 555   | 4460894 ..... 521, 558  | 4641122 ..... 63, 65   | 4844427 ..... 221   |
| 4460516 ..... 47   | 4460897 ... 189, 191, 195,<br>197, 481, 483, 503,<br>509, 561 | 4641167 ..... 57, 59, 61   | 4844467 ..... 219, 222  |
| 4460536 .... 15, 17, 19, 21  | 4460899 ... 543, 551, 553,<br>555                             | 4641386 ... 391, 393, 395,<br>397, 399, 401, 403, 405  | 4844579 ..... 225   |
| 4460539 ... 501, 555, 561,<br>569  | 4460905 ... 505, 519, 521,<br>557, 561, 569                   | 4711000 ... 49, 51, 53, 55,<br>163, 187, 193   | 4845582 ..... 381   |
| 4460662 .... 531, 533, 537   | 4460910 ..... 547   | 4711400 ... 15, 17, 19, 21,<br>31, 35, 39, 75, 77, 85,<br>87, 89, 105, 107, 109,<br>111, 113, 115, 133,<br>135, 137, 139, 141,<br>151, 163, 165, 167,<br>169, 171, 205, 243,<br>263, 265, 267, 373,<br>375, 377, 379, 485,<br>529, 531, 533, 535,<br>537, 539, 541 | 4846026 ..... 221   |
| 4460670 ..... 557, 558   | 4460911 ..... 543   | 4711500 ... 165, 167, 169,<br>171, 229, 293, 298,<br>302, 306, 317, 322,<br>334, 338   | 4846180 ..... 229   |
| 4460708 ... 294, 297, 301,<br>305, 309, 313, 318,<br>321, 325, 329, 333,<br>337, 341, 345, 349,<br>353, 519, 521                             | 4460930 ... 117, 519, 521                                     | 4711600 ... 31, 35, 39, 71,<br>85, 87, 89, 91, 93, 133,<br>135, 137, 139, 141,<br>161, 199, 201, 229,<br>241, 243, 259, 261,<br>310, 314, 326, 330,<br>342, 346, 350, 354  | 4846209 ..... 219, 221  |
| 4460709 ..... 567  | 4460931 ..... 555   | 4711800 ... 31, 35, 39, 85,<br>87, 89, 241   | 4846278 ..... 233   |
| 4460710 ..... 513, 515   | 4460933 ... 517, 561, 569                                     | 4712600 ..... 187, 193   | 4846502 ..... 233   |
| 4460738 ..... 558  | 4460941 ..... 501, 543  | 4740120 ... 173, 175, 177,<br>179  | 4846608 ..... 241, 243  |
| 4460742 ..... 555, 569   | 4460942 ... 371, 501, 561                                     | 4740156 ... 15, 17, 19, 21   | 4860191 ... 57, 59, 61, 63,<br>65   |
| 4460743 ..... 555, 569   | 4460943 ... 187, 189, 191,<br>195, 197, 501, 543,<br>557, 561 | 4740171 ..... 153  | 4891400 ..... 207, 209  |
|  | 4460944 ... 501, 505, 517,<br>558, 561                        | 4740207 ... 391, 403, 405  | 4891500 ..... 157   |
|  | 4460945 ..... 557, 561  | 4740362 ... 269, 271, 273,<br>275, 277, 279, 281,<br>283, 285, 287, 289, 291   |   |
|  | 4460950 ..... 501, 557  | 4740394 ..... 399  |   |
|  | 4460956 ..... 487   | 4740397 ... 173, 175, 177,<br>179, 293, 297, 301,  |   |
|  | 4460957 ..... 487   |  |   |
|  | 4460968 ... 481, 483, 529,<br>535, 539, 541                   |  |   |
|  | 4460970 ..... 555   |  |   |
|  | 4461077 ..... 543, 553  |  |   |
|  | 4461196 ..... 469, 491  |  |   |
|  | 4461198 ..... 469   |  |   |
|  | 4461199 ..... 467, 499  |  |   |
|  | 4461201 ..... 467   |  |   |
|  | 4461202 ... 459, 463, 495                                     |  |   |
|  | 4461205 ... 459, 461, 463,<br>465, 497                        |  |   |
|  | 4461244 ..... 463   |  |   |
|  | 4461245 ..... 465   |  |   |
|  | 4461246 ..... 457   |  |   |
|  | 4461249 ..... 457, 493  |  |   |
|  | 4520209 ..... 57, 61, 63                                      |  |   |
|  | 4520269 ..... 59, 65  |  |   |
|  | 4520279 ..... 59  |  |   |
|  | 4565992 ..... 391   |  |   |

# PART NUMBER INDEX

|   |                         |                         |                           |
|---|-------------------------|-------------------------|---------------------------|
| 489160071, 73, 207, 209,<br>222, 241, 243, 245                | 70000740 ..... 385      | 70004144 ..... 415      | 70005395 ..... 47         |
| 4891800.... 15, 17, 19, 21,<br>97, 99, 101, 103, 243          | 70000865 ..... 157      | 70004145 ..... 415      | 70005397 ..... 47         |
| 4892000.. 31, 35, 39, 153,<br>243                             | 70000967 ..... 211, 215 | 70004146 ..... 385      | 70005400 ..... 47         |
| 4920385 ..... 205   | 70001121 ..... 211, 215 | 70004147 ..... 385      | 70005401 ..... 47         |
| 4922608.... 523, 525, 565                                     | 70001144 ..... 211, 215 | 70004159 ..... 157      | 70005402 ..... 47         |
| 4922609.... 513, 529, 531,<br>533, 535, 537, 539, 541         | 70001366 ..... 43       | 70004265 ..... 211, 215 | 70005403 ..... 47         |
| 4922610.... 527, 529, 531,<br>533, 535, 537, 539,<br>541, 567 | 70001367 ..... 43       | 70004323 ..... 237      | 70005404 ..... 47         |
| 4922611.... 511, 523, 525                                     | 70001368 ..... 43, 44   | 70004394 ..... 212, 216 | 70005405 ..... 47         |
| 4922612 ..... 515, 527  | 70001369 ..... 43       | 70004738 ..... 357      | 70005406 ..... 47         |
| 5241200 ..... 241, 245  | 70001370 ..... 43       | 70004739 ..... 357      | 70005407 ..... 47         |
| 5251008 ..... 245   | 70001371 ..... 43       | 70004740 ..... 357      | 70005408 ..... 47         |
| 5251016 ..... 245   | 70001372 ..... 43       | 70004741 ..... 357      | 70005409 ..... 47         |
| 70000088 ..... 155  | 70001373 ..... 43       | 70004742 ..... 357      | 70005410 ..... 47         |
| 70000089 ..... 155  | 70001374 ..... 43       | 70004743 ..... 357      | 70005411 ..... 47         |
| 70000289 ..... 212, 216                                       | 70001375 ..... 43       | 70004744 ..... 357      | 70005412 ..... 47         |
| 70000290 ..... 211, 215                                       | 70001376 ..... 43       | 70004745 ..... 357      | 70005415 ..... 31, 35, 39 |
| 70000291 ..... 211, 215                                       | 70001377 ..... 43       | 70004746 ..... 357      | 70005722 ..... 149        |
| 70000292 ..... 211, 215                                       | 70001378 ..... 43       | 70004747 ..... 357      | 70006269 ..... 229        |
| 70000293 ..... 211, 215                                       | 70001379 ..... 43       | 70004748 ..... 357      | 70006280 ..... 229        |
| 70000294 ..... 211, 215                                       | 70001380 ..... 44       | 70004749 ..... 357      | 70006346 ..... 149        |
| 70000295 ..... 211, 215                                       | 70001697 ..... 237      | 70004750 ..... 357      | 70006347 ..... 149        |
| 70000296 ..... 211, 215                                       | 70001876 ..... 143      | 70004751 ..... 357      | 70006348 ..... 149        |
| 70000297 ..... 211, 215                                       | 70001961 ..... 79       | 70004752 ..... 359      | 70006349 ..... 149        |
| 70000298 ..... 211, 215                                       | 70001996 ..... 229, 612 | 70004753 ..... 359      | 70006396 ..... 413        |
| 70000299 ..... 211, 215                                       | 70001998 ..... 229, 613 | 70004754 ..... 359      | 70006397 ..... 413        |
| 70000300 ..... 211, 215                                       | 70002083 ..... 211, 215 | 70004755 ..... 359      | 70006398 ..... 413        |
| 70000301 ..... 211, 215                                       | 70002112 ..... 81, 83   | 70004756 ..... 359      | 70006399 ..... 413        |
| 70000302 ..... 211, 215                                       | 70002206 ..... 155      | 70004757 ..... 359      | 70006400 ..... 409, 413   |
| 70000303 ..... 211, 215                                       | 70002207 ..... 155      | 70004758 ..... 359      | 70006401 ..... 409, 413   |
| 70000304 ..... 211, 215                                       | 70002216 ..... 387, 417 | 70004759 ..... 359      | 70006402 ..... 413        |
| 70000305 ..... 211, 215                                       | 70002217 ..... 387, 417 | 70004760 ..... 359      | 70006411 ..... 409        |
| 70000306 ..... 211, 215                                       | 70002220 ..... 389      | 70004761 ..... 359      | 70006412 ..... 409        |
| 70000307 ..... 211, 215                                       | 70002223 ..... 389      | 70004762 ..... 359      | 70006413 ..... 409, 427   |
| 70000308 ..... 211, 215                                       | 70002244 ..... 211, 215 | 70004763 ..... 359      | 70006414 ..... 409        |
| 70000309 ..... 211, 215                                       | 70002373 ..... 401      | 70004764 ..... 359      | 70006415 ..... 409        |
| 70000310 ..... 211, 215                                       | 70002412 ..... 393      | 70004765 ..... 359      | 70006497 ..... 47         |
| 70000311 ..... 211, 215                                       | 70002523 ..... 79       | 70004766 ..... 359      | 70006498 ..... 47         |
| 70000312 ..... 211, 215                                       | 70002543 ..... 212, 216 | 70004767 ..... 359      | 70006531 ..... 397        |
| 70000313... 211, 215, 612                                     | 70002544 ..... 211, 215 | 70004768 ..... 359      | 70006532 ..... 397, 405   |
| 70000314 ..... 211, 215                                       | 70002806 ..... 143      | 70004769 ..... 359      | 70006533 ..... 397, 405   |
| 70000315 ..... 211, 215                                       | 70002808 ..... 147, 149 | 70004770 ..... 359      | 70006535 ..... 397        |
| 70000316 ..... 211, 215                                       | 7000281 ..... 43        | 70004771 ..... 359      | 70006539 ..... 405        |
| 70000317 ..... 211, 215                                       | 70002902 ..... 363      | 70004772 ..... 359      | 70006542 ..... 405        |
| 70000318... 211, 215, 612                                     | 70002903 ..... 363      | 70004773 ..... 359      | 70006543 ..... 405        |
| 70000319... 211, 215, 612                                     | 70002904 ..... 363      | 70004774 ..... 359      | 70006561 ..... 427        |
| 70000320 ..... 211, 215                                       | 70002905 ..... 363      | 70004775 ..... 359      | 70006563 ..... 423        |
| 70000321 ..... 211, 215                                       | 70003171 ..... 79       | 70004809 ..... 47       | 70006564 ..... 423, 427   |
| 70000322 ..... 211, 215                                       | 70003341 ..... 419      | 70004811 ..... 47       | 70006565 ..... 423, 427   |
| 70000323 ..... 211, 215                                       | 70003557 ..... 211, 215 | 70004820 ..... 47       | 70006566 ..... 423        |
| 70000324 ..... 211, 215                                       | 70003618 ..... 211, 215 | 70004827 ..... 49, 51   | 70006587 ..... 393        |
| 70000325 ..... 212, 216                                       | 70003619 ..... 211, 215 | 70004884 ..... 143      | 70006588 ..... 393        |
| 70000326... 212, 216, 612                                     | 70003819 ..... 387, 417 | 70005091 ..... 143      | 70006589 ..... 393        |
| 70000327 ..... 212, 216                                       | 70003833 ..... 389      | 70005101 ..... 81, 83   | 70006590 ..... 393        |
| 70000328 ..... 212, 216                                       | 70003836 ..... 389      | 70005143 ..... 401      | 70006591 ..... 393        |
| 70000329... 212, 216, 612                                     | 70003843 ..... 417      | 70005210 ..... 143, 612 | 70006592 ..... 393        |
| 70000330... 212, 216, 612                                     | 70003844 ..... 417      | 70005214 ..... 29       | 70006593 ..... 393        |
| 700003340 ..... 239   | 70003845 ..... 387, 417 | 70005215 ..... 27, 29   | 70006594 ..... 401        |
| 70000341 ..... 235, 237                                       | 70003846 ..... 387      | 70005216 ..... 27       | 70006595 ..... 401        |
| 70000381 ..... 143  | 70003847 ..... 387      | 70005230 ..... 357      | 70006596 ..... 401        |
| 70000382 ..... 212, 216                                       | 70003863 ..... 389      | 70005385 ..... 47       | 70006597 ..... 401        |
| 70000739 ..... 385, 415                                       | 70003864 ..... 389      | 70005386 ..... 47       | 70006598 ..... 401        |
|   | 70004019 ..... 143      | 70005387 ..... 47       | 70006599 ..... 401        |
|   | 70004130 ..... 415      | 70005388 ..... 47       | 70006600 ..... 401        |
|   | 70004131 ..... 385      | 70005389 ..... 47       | 70006601 ..... 393        |
|   | 70004141 ..... 385, 415 | 70005390 ..... 47       | 70006971 ..... 423, 427   |
|   | 70004142 ..... 385, 415 | 70005393 ..... 47       | 70006974 ..... 427        |
|   | 70004143 ..... 385, 415 | 70005394 ..... 47       | 70006975 ..... 427        |

## PART NUMBER INDEX

|                         |                |               |                |                         |                |                |                 |
|-------------------------|----------------|---------------|----------------|-------------------------|----------------|----------------|-----------------|
| 70006976 .....          | 423            | 7017127 ..... | 235, 237       | 7020175....             | 173, 175, 177, | 7026042 .....  | 157             |
| 7001630 .....           | 419            | 7017153 ..... | 235            | 179, 293, 297, 301,     |                | 7026043 .....  | 157             |
| 70022564 .....          | 393, 401       | 7017165 ..... | 239            | 305, 309, 313, 317,     |                | 7026068 .....  | 389             |
| 70023094 .....          | 385, 415       | 7017167 ..... | 239            | 321, 325, 329, 333,     |                | 7026082 .....  | 387, 417        |
| 70023915 ..             | 409, 413, 423  | 7017168 ..... | 239            | 337, 341, 345, 349, 353 |                | 7026084 .....  | 387, 417        |
| 70024262 .....          | 385            | 7017169 ..... | 239            | 7020176....             | 173, 175, 177, | 7026088 .....  | 389             |
| 7004035 .....           | 155            | 7017172 ....  | 235, 237, 239  | 179, 293, 297, 301,     |                | 7026090 .....  | 389             |
| 7004036 .....           | 155            | 7017173 ..... | 239            | 305, 309, 313, 317,     |                | 7026091 .....  | 389             |
| 7004043 .....           | 155            | 7017178 ..... | 239            | 321, 325, 329, 333,     |                | 7026092 .....  | 389             |
| 7004044 .....           | 155            | 7017179 ..... | 239            | 337, 341, 345, 349, 353 |                | 7027350 .....  | 157             |
| 7004045 .....           | 155            | 7017192 ....  | 235, 237, 239  | 7020179.....            | 163            | 7027351 .....  | 157             |
| 7004047 .....           | 155            | 7017196 ..... | 235, 237       | 7021318.....            | 79             | 7027352 .....  | 157             |
| 7004049 .....           | 155            | 7017246 ..... | 419            | 7021319.....            | 79             | 7027353 .....  | 157             |
| 70050801 .....          | 393            | 7017247 ..... | 419            | 7021361.....            | 79             | 7027354 .....  | 157             |
| 7007640 .....           | 43             | 7017248 ..... | 419            | 7021377.....            | 79             | 7027356 .....  | 157             |
| 7010543 .....           | 95, 143        | 7017249 ..... | 419            | 7021603.....            | 143            | 7027358 .....  | 157             |
| 7011112 .....           | 385, 387       | 7017250 ..... | 419            | 7021604.....            | 143            | 7027359 .....  | 157             |
| 7011323 .....           | 235, 237       | 7017251 ..... | 419            | 7021609.....            | 95, 147, 149,  | 7027360 .....  | 157             |
| 7011376 ...             | 391, 393, 395, | 7017252 ..... | 419            | 612                     |                | 7027361 .....  | 157             |
| 397, 399, 401, 403, 405 |                | 7017402 ....  | 95, 143, 147,  | 7021611.....            | 95, 143        | 7027363 .....  | 157             |
| 7012518 .....           | 95, 143        | 149           |                | 7021616.....            | 95, 612        | 7027900 .....  | 235, 237        |
| 7012540 .....           | 143            | 7017410 ..... | 143            | 7021618.....            | 95, 612        | 7027901 .....  | 235, 237        |
| 7012903 .....           | 143            | 7017418 ..... | 143            | 7021653.....            | 147, 149       | 7028909 .....  | 187, 193        |
| 7012914 .....           | 143            | 7017421 ..... | 143            | 7021659.....            | 95             | 8220045 .....  | 555             |
| 7012918 .....           | 143            | 7017433 ..... | 95, 143        | 7022390.....            | 149            | 8220068 .....  | 569             |
| 7012947 .....           | 143            | 7017452 ....  | 143, 147, 149  | 7022394.....            | 143            | 8229234 .....  | 557, 612        |
| 7012953 .....           | 143, 145       | 7017466 ..... | 145            | 7023217.....            | 25             | 8229235 .....  | 557, 612        |
| 7012959 .....           | 145            | 7017488 ..... | 95             | 7023318.....            | 155            | 8229236 .....  | 555, 612        |
| 7012961 .....           | 143            | 7017496 ..... | 145, 149       | 7024379.....            | 155            | 8229237 .....  | 557, 612        |
| 7012967 .....           | 143            | 7019698 ..... | 225, 612       | 7024380.....            | 155            | 8229242 ...    | 519, 521, 562,  |
| 7012972 .....           | 95             | 7019699 ..... | 225            | 7024381.....            | 155            | 612            |                 |
| 7012975 .....           | 143            | 7020035 ..... | 23, 25         | 7024389.....            | 155            | 8229245 .....  | 555             |
| 7012995 .....           | 143            | 7020036 ..... | 23, 25         | 7024390.....            | 155            | 8229261 .....  | 557, 612        |
| 7012998 ....            | 95, 143, 149   | 7020037 ....  | 23, 25, 27, 29 | 7024444.....            | 81, 83         | 8760554 .....  | 443, 451        |
| 7016177 .....           | 97, 99         | 7020038 ..... | 23, 25         | 7024445.....            | 81, 83         | 88261024 ..... | 199, 201        |
| 7017007 .....           | 44             | 7020039 ....  | 23, 25, 27, 29 | 7024453.....            | 155            | 88261026 ..... | 230             |
| 7017009 .....           | 43             | 7020040 ....  | 23, 25, 27, 29 | 7024738.....            | 43             | 88521205....   | 97, 99, 101,    |
| 7017022 .....           | 43             | 7020041 ..... | 23, 25         | 7024741.....            | 43             | 103            |                 |
| 7017120 .....           | 235, 237       | 7020042 ..... | 23, 25         | 7024844.....            | 387, 389       | 88662523 .     | 71, 73, 85, 87, |
| 7017121 .....           | 235, 237       | 7020054 ....  | 23, 25, 27, 29 | 7024883.....            | 143, 612       | 89             |                 |
| 7017122 .....           | 235, 237       | 7020055 ....  | 23, 25, 27, 29 | 7024885.....            | 143, 612       | 88662530 ..    | 199, 201, 205   |
| 7017123 .....           | 235, 237       | 7020137 ....  | 23, 25, 27, 29 | 7024887.....            | 149            |                |                 |
| 7017126 .....           | 235, 237       | 7020140 ....  | 23, 25, 27, 29 | 7024891.....            | 145            |                |                 |



