



---

# Illustrated Parts Manual

**Models**  
**E300A**  
**E300AJ**  
**E300AJP**

PRIOR TO  
SN 0300138358

P/N  
3120888

March 31, 2017



An Oshkosh Corporation Company

# PARTS FINDER

**Search Website  
by Part Number**



**Search Manual  
Library For Parts  
Manual & Lookup Part  
Numbers – Purchase  
or Request Quote**

**Can't Find Part or  
Manual? Request Help  
by Manufacturer,  
Model & Description**

Discount-Equipment.com is your online resource for quality parts & equipment.

Florida: **561-964-4949** Outside Florida TOLL FREE: **877-690-3101**

## Need parts?

Click on this link: <http://www.discount-equipment.com/category/5443-parts/> and choose one of the options to help get the right parts and equipment you are looking for. Please have the machine model and serial number available in order to help us get you the correct parts. If you don't find the part on the website or on one of the online manuals, please fill out the request form and one of our experienced staff members will get back to you with a quote for the right part that your machine needs.

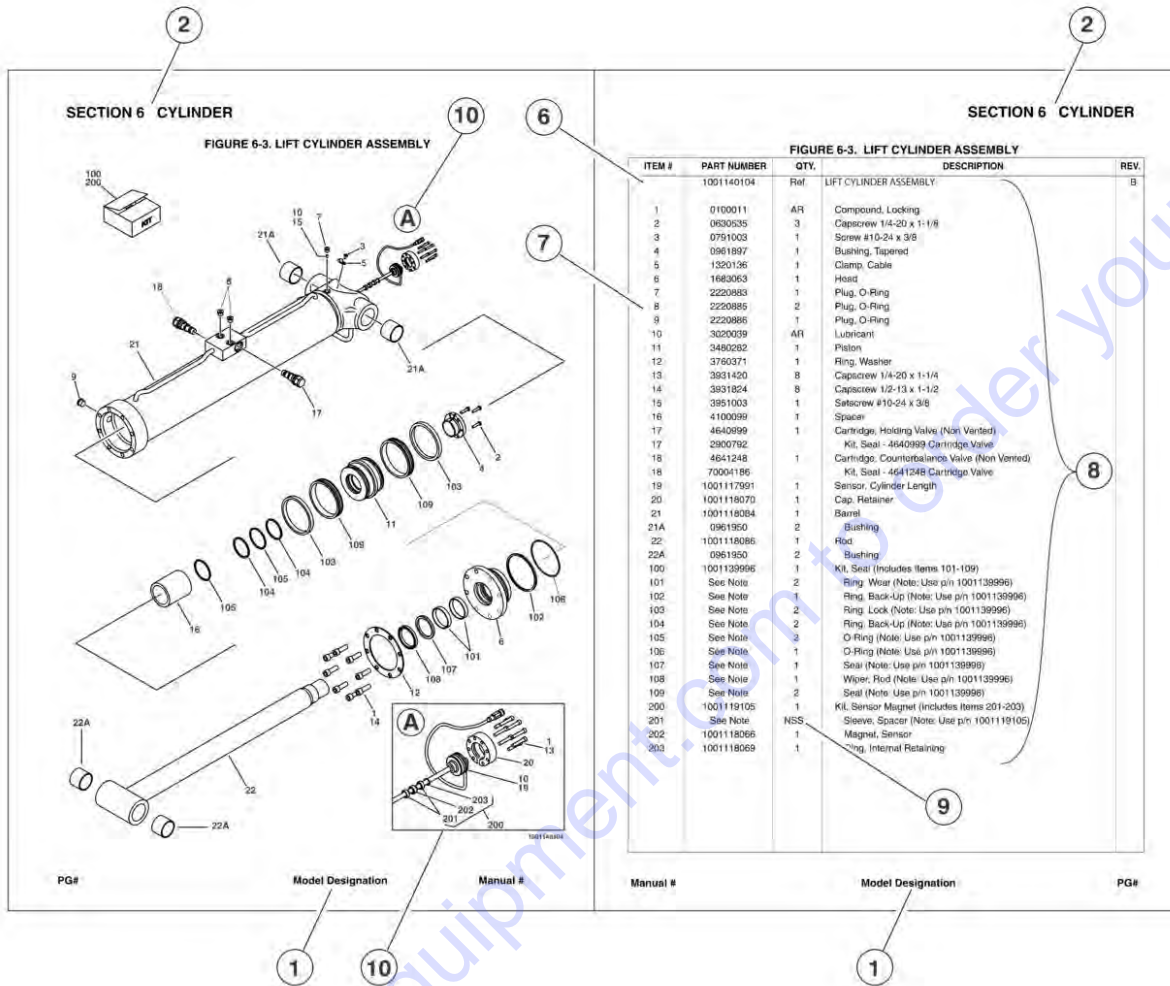
We sell worldwide for the brands: Genie, Terex, JLG, MultiQuip, Mikasa, Essick, Whiteman, Mayco, Toro Stone, Diamond Products, Generac Magnum, Airman, Haulotte, Barreto, Power Blanket, Nifty Lift, Atlas Copco, Chicago Pneumatic, Allmand, Miller Curber, Skyjack, Lull, Skytrak, Tsurumi, Husquvarna Target, Stow, Wacker, Sakai, Mi-T-M, Sullair, Basic, Dynapac, MBW, Weber, Bartell, Bennar Newman, Haulotte, Ditch Runner, Menegotti, Morrison, Contec, Buddy, Crown, Edco, Wyco, Bomag, Laymor, EZ Trench, Bil-Jax, F.S. Curtis, Gehl Pavers, Heli, Honda, ICS/PowerGrit, IHI, Partner, Imer, Clipper, MMD, Koshin, Rice, CH&E, General Equipment, Amida, Coleman, NAC, Gradall, Square Shooter, Kent, Stanley, Tamco, Toku, Hatz, Kohler, Robin, Wisconsin, Northrock, Oztec, Toker TK, Rol-Air, APT, Wylie, Ingersoll Rand / Doosan, Innovatech, Con X, Ammann, Mecalac, Makinex, Smith Surface Prep, Small Line, Wanco, Yanmar



## REVISION LOG

June 1, 1999 - Original Issue Of Manual (Edited to 0010559 Revision 5)  
August 1, 1999 - Removed Platform Rotator Cylinder Components from Manual. All Production Machines use Hydraulic Platform Rotator. Added E300AJP Components. (Edited to 0010559 Revision 6)  
September 15, 1999 - Revised Manual (Edited to 0010559 Revision 7)  
November 1, 1999 - Updated Page 2-23  
March 15, 2000 - Revised Manual (Edited to 0010559 Revision 9)  
June 15, 2000 - Updated Pages 7-8 & 7-9  
March 1, 2001 - Revised Manual (Edited to 0010559 Revision 20)  
August 31, 2001 - Revised Manual (Edited to 0010559 Revision 22)  
June 30, 2002 - Revised Manual (Edited to 0010559 Revision 26)  
June 15, 2003 - Revised Manual (Edited to 0010559 Revision 37)  
September 23, 2003 - Revised Manual (Edited to 0010559 Revision 39)  
September 23, 2004 - Revised Manual (Edited to 0010559 Revision 41)  
June 8, 2006 - Revised Manual (Edited to 0010559 Revision 44)  
August 31, 2006 - Revised Manual (Edited to 0010559 Revision 46)  
January 24, 2007 - Revised Manual (Edited to 0010559 Revision 48)  
August 14, 2007 - Revised Manual (Edited to 0010559 Revision 54)  
February 10, 2008 - Revised Manual (Edited to 0010559 Revision 55)  
August 31, 2008 - Revised Manual (Edited to 0010559 Revision 56)  
March 31, 2009 - Revised Manual (Edited to 0010559 Revision 56)  
October 15, 2009 - Revised Manual (Edited to 0010559 Revision 57)  
October 25, 2010 - Revised Manual  
March 16, 2011 - Revised Manual  
June 10, 2011 - Revised Manual  
September 16, 2011 - Revised Manual  
November 29, 2011 - Revised Manual  
March 20, 2012 - Revised Manual  
July 10, 2012 - Revised Manual  
October 10, 2012 - Revised Manual  
February 12, 2013 - Revised Manual  
May 2, 2013 - Revised Manual  
August 6, 2013 - Revised Manual  
November 4, 2013 - Revised Manual  
July 31, 2015 - Revised Manual  
September 15, 2015 - Revised Manual  
March 25, 2016 - Revised Manual (Revision 1)  
March 31, 2017 - Revised Manual

# GENERAL INFORMATION



## 1) MACHINE IDENTIFICATION

Machines are identified by model and in some cases a combination of models, serial number (SN) or regional standard (i.e. ANSI, CE, CSA). Components may also be identified by SN or manufacturer. Common components that may be identified by these characteristics are engines and hydraulic components.

## 2) PARTS MANUAL ORGANIZATION

Product information in this manual is organized under section titles. Frame, Cylinder, Hydraulic and Electrical are a few examples. Each section is organized by figure and page number. The information within the Figure is then organized by item number, part number, description and corresponding illustration(s).

## 3) TABLE OF CONTENTS

A table of contents is found toward the beginning of the manual. Figure number, description and page number are provided for quick reference to the page containing the related information.

## 4) RECOMMENDED SPARE PARTS

The Recommended Spare Parts, located near the end of the manual, reference most frequently used maintenance parts.

## 5) PART NUMBER INDEX

A numerical index listing all part numbers and the corresponding page number(s) appears at the back of the manual.

## GENERAL INFORMATION

### 6) NON-SERVICED PARTS

In some instances, it is necessary to display non-serviced parts, assemblies or installations. In the case of assemblies and installations there will be a Ref in the Qty column. In case of parts that are not available for service within assemblies or components, there will be a NSS (Not Sold Separately) or NLA (No Longer Available) listed in the Qty. column of the manual.

### 7) PARTS LIST ITEM NUMBERS

Numbers shown in the item# column correspond to numbers used in the associated illustration (s). Item numbers which are missing from the sequence in the parts list are not used on that page

### 8) INDENTED PARTS DESCRIPTION

An indented part description is included in the item under which it is indented.

### 9) ABBREVIATION AND SYMBOLS

AC.....	Alternating Current	LCD.....	Liquid Crystal Display
ADE.....	Advanced Design Electronics	LED.....	Light Emitting Diodes
ANSI.....	American National Standards Institute	LH.....	Left Hand
AR.....	As Required	LSS.....	Load Sensing System
ASSY.....	Assembly	M(m).....	Metric/Meter
AUX.....	Auxiliary	MM (mm).....	Millimeter
AWG.....	American Wire Gauge	mA.....	Miliamps
B/M.....	Bill of Material	NLA.....	No Longer Available
CE.....	European Conformity	NPT.....	National Pipe Threads
CCW.....	Counter Clockwise	NSS.....	Not Sold Separately
cm.....	Centimeter	OD.....	Outside Diameter
CW.....	Clockwise	ORB.....	O-Ring Boss
CSA.....	Canadian Standards Association	ORFS.....	O-Ring Face Seal
CYL.....	Cylinder	OZ (oz).....	Ounces
DIA.....	Diameter	PG.....	Page
DC.....	Direct Current	P/N.....	Part Number
EMS.....	Emergency Stop	qt.....	Quarts
ENG.....	Engine	QTY.....	Quantity
FT (ft).....	Feet	REF.....	Reference
GA (Ga).....	Gauge	REV.....	Revision Level
HYD.....	Hydraulic	RH.....	Right Hand
Hz.....	Hertz	SAE.....	Society of Automotive Engineers
ID.....	Inside Diameter	SN.....	Serial Number
in.....	inches	SPEC(S).....	Specifications
ISO.....	International Organization for Standards	T/T.....	Turntable
JIC.....	Joint Industry Council	UGM.....	Universal Ground Module
KG.....	Kilogram	V.....	Volts
L.....	Liter	W.....	Watts
LB.....	Pounds	#.....	Number

### 10) ILLUSTRATION REFERENCE LETTERS

When necessary, illustrations may contain reference letters that are intended to track information (i.e. hoses, harnesses) from one point to another or to track visual enlargement of components to show details that may be located in another area on the illustration.

*Note: Due to continuous product improvements, JLG Industries, Inc. reserves the right to make specification changes without prior notification.*



# TABLE OF CONTENTS

SECTION 1 - FRAME.....	9
FIGURE 1-1. STEER INSTALLATION.....	10
FIGURE 1-2. TIRE AND WHEEL DRIVE INSTALLATION.....	12
FIGURE 1-3. DRIVE HUB ASSEMBLY (Prior to SN 0300116217).....	16
FIGURE 1-4. DRIVE HUB ASSEMBLY (SN 0300116217 through 0300138358).....	20
FIGURE 1-5. DRIVE MOTOR ASSEMBLY.....	24
FIGURE 1-6. ELECTRICAL COMPONENTS INSTALLATION.....	26
FIGURE 1-7. BATTERY BOX INSTALLATIONS.....	28
FIGURE 1-8. FRAME COVERS INSTALLATION.....	30
FIGURE 1-9. INVERTER INSTALLATION (OPTIONAL ON E300AJ & E300AJP).....	32
SECTION 2 - TURNTABLE.....	35
FIGURE 2-1. VALVES AND HORN INSTALLATIONS.....	36
FIGURE 2-2. MAIN CONTROL VALVE ASSEMBLY.....	40
FIGURE 2-3. STEER/BRAKE VALVE ASSEMBLY.....	44
FIGURE 2-4. TURNTABLE BEARING AND SWING DRIVE INSTALLATION.....	48
FIGURE 2-5. SWING BEARING ASSEMBLY.....	50
FIGURE 2-6. SWING MOTOR ASSEMBLY (WHITE ROLLER STATOR).....	52
FIGURE 2-7. SWING MOTOR ASSEMBLY (PARKER).....	54
FIGURE 2-8. PUMP, MOTOR AND TANK INSTALLATION.....	56
FIGURE 2-9. ELECTRICAL COMPONENTS INSTALLATION.....	58
FIGURE 2-10. GROUND CONTROL BOX ASSEMBLY.....	62
FIGURE 2-11. BATTERY CHARGER ASSEMBLY.....	66
FIGURE 2-12. HOODS INSTALLATIONS.....	68
SECTION 3 - BOOM.....	71
FIGURE 3-1. BOOM INSTALLATION - E300A.....	72
FIGURE 3-2. BOOM INSTALLATION - E300AJ.....	76
FIGURE 3-3. BOOM INSTALLATION - E300AJP.....	78
FIGURE 3-4. TOWER BOOM ASSEMBLY.....	80
FIGURE 3-5. MAIN BOOM ASSEMBLY.....	82
FIGURE 3-6. JIB ASSEMBLIES (E300AJ & E300AJP).....	86
FIGURE 3-7. PLATFORM ROTATOR ASSEMBLIES.....	90
FIGURE 3-8. JIB SWING ROTATOR ASSEMBLY (E300AJP ONLY) (Prior to SN 0300064982).....	92
FIGURE 3-9. JIB SWING ROTATOR ASSEMBLY (E300AJP ONLY) (SN 0300064982 through 0300138358).....	94
FIGURE 3-10. PLATFORM SUPPORT INSTALLATION - WITH LSS.....	96
FIGURE 3-11. CABLES, CLAMPS AND LIMIT SWITCHES INSTALLATION.....	100
SECTION 4 - PLATFORM.....	103
FIGURE 4-1. PLATFORM COMPONENTS INSTALLATION (FRONT ENTRY).....	104
FIGURE 4-2. PLATFORM COMPONENTS INSTALLATION (SIDE ENTRY).....	108
FIGURE 4-3. PLATFORM CONSOLE ASSEMBLY.....	112
FIGURE 4-4. CONTROLLER ASSEMBLY (SWING AND LIFT).....	116
FIGURE 4-5. CONTROLLER ASSEMBLY (DRIVE AND STEER).....	118
SECTION 5 - CYLINDER.....	121
FIGURE 5-1. JIB CYLINDER ASSEMBLY (ORIGINAL EQUIPMENT).....	122
FIGURE 5-2. JIB CYLINDER ASSEMBLY (SERVICE REPLACEMENT).....	124
FIGURE 5-3. LEVEL (PLATFORM SLAVE) CYLINDER ASSEMBLY (ORIGINAL EQUIPMENT).....	126
FIGURE 5-4. LEVEL (PLATFORM SLAVE) CYLINDER ASSEMBLY (SERVICE REPLACEMENT).....	128
FIGURE 5-5. LIFT CYLINDER ASSEMBLY - MAIN BOOM - E300A-E300AJ.....	130
FIGURE 5-6. LIFT CYLINDER ASSEMBLY - TOWER BOOM.....	132
FIGURE 5-7. MASTER CYLINDER ASSEMBLY (ORIGINAL EQUIPMENT) - E300A-E300AJ.....	134
FIGURE 5-8. MASTER CYLINDER ASSEMBLY (SERVICE REPLACEMENT) - E300AJ-E300AJP.....	136
FIGURE 5-9. STEER CYLINDER ASSEMBLY.....	138
FIGURE 5-10. TELESCOPE CYLINDER ASSEMBLY.....	140
FIGURE 5-11. CYLINDER BELLOWS INSTALLATIONS.....	144
SECTION 6 - HYDRAULIC.....	147
FIGURE 6-1. STANDARD HYDRAULIC DIAGRAM (E300A & E300AJ).....	148



# TABLE OF CONTENTS

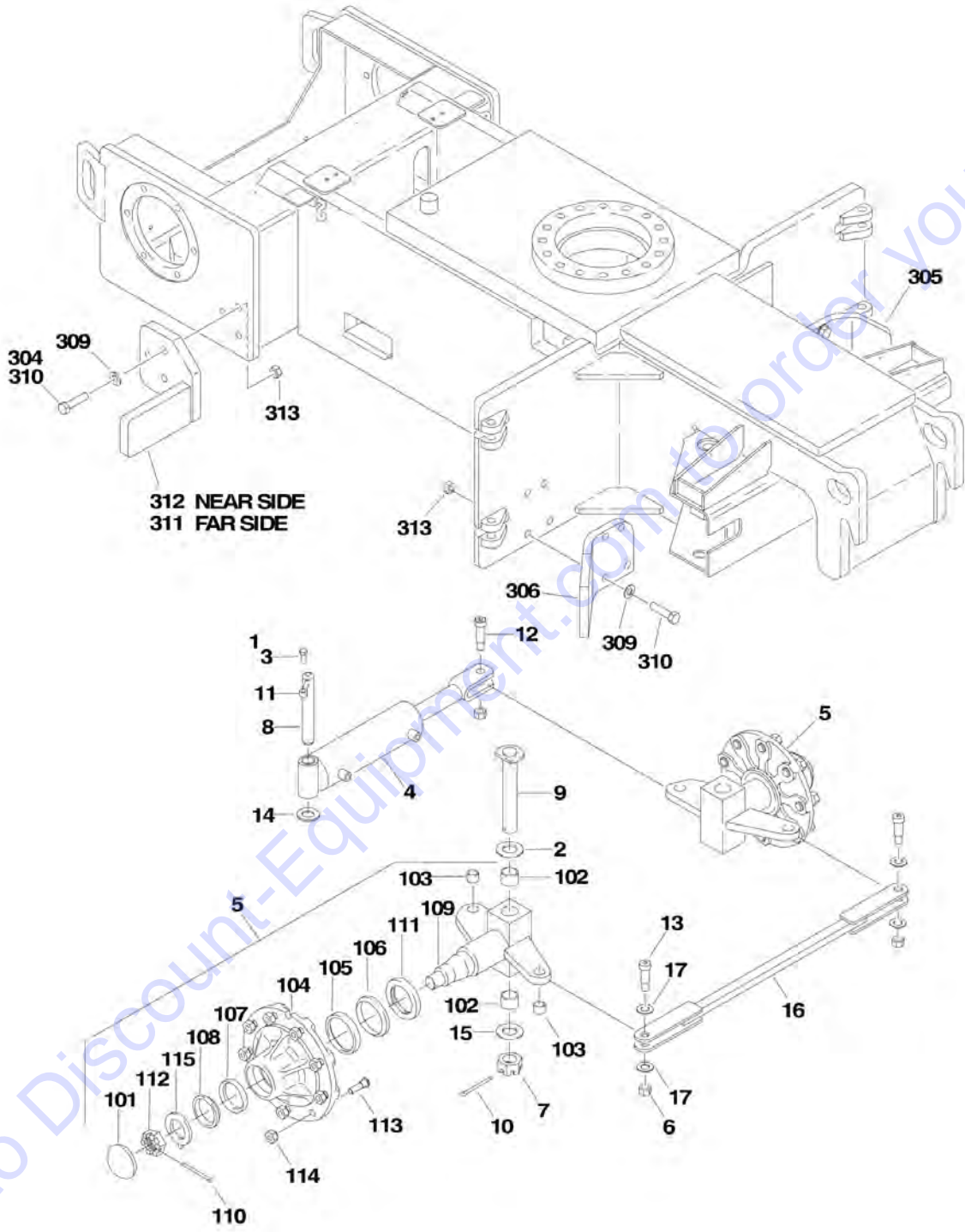
FIGURE 6-2. STANDARD HYDRAULIC DIAGRAM (E300AJP) .....	152
FIGURE 6-3. HYDRAULIC DIAGRAM LIST.....	156
SECTION 7 - ELECTRICAL.....	157
FIGURE 7-1. ELECTRICAL DIAGRAM LIST .....	158
FIGURE 7-2. HARNESS COMPONENTS INSTALLATION .....	160
SECTION 8 - DECALS .....	171
FIGURE 8-1. DECAL INSTALLATION - STANDARD (Prior to SN 0300095662).....	172
FIGURE 8-2. DECAL INSTALLATION - STANDARD (SN 0300095662 through 0300138358) .....	176
SECTION 9 - RECOMMENDED SERVICE PARTS STOCK.....	179
FIGURE 9-1. MODEL E300A/E300AJ/E300AJP STANDARD PARTS .....	180
FIGURE 9-2. MODEL E300A/E300AJ/E300AJP VARIABLE PARTS .....	182
SECTION 10 - SPECIAL OPTIONS .....	183
FIGURE 10-1. SPECIAL OPTIONS .....	184
PART NUMBER INDEX.....	187

**SECTION 1 - FRAME**

Go to [Discount-Equipment.com](http://Discount-Equipment.com) to order your parts

# SECTION 1 - FRAME

## FIGURE 1-1. STEER INSTALLATION



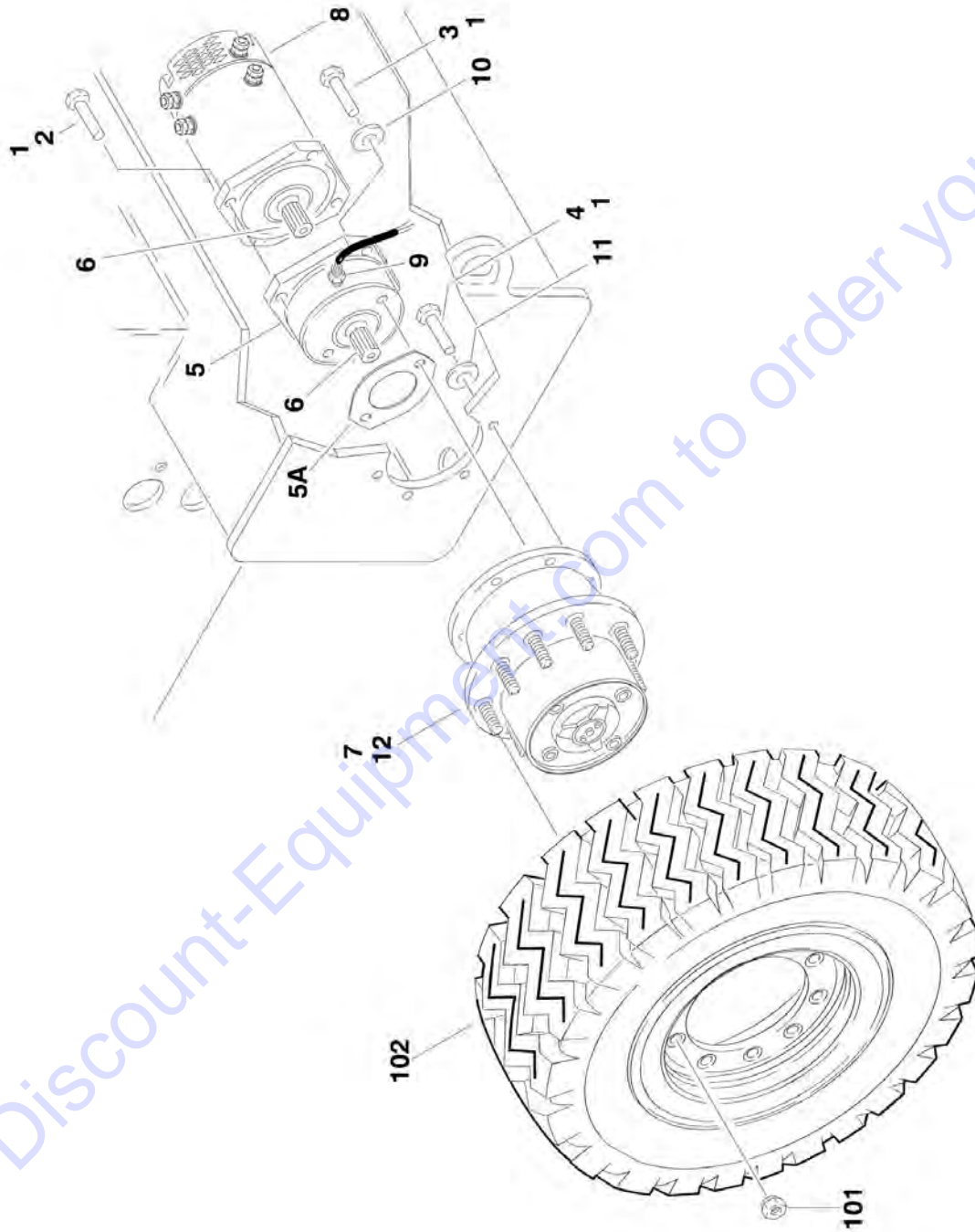
# SECTION 1 - FRAME

## FIGURE 1-1. STEER INSTALLATION

ITEM	PART NUMBER	QTY	DESCRIPTION	REV
	0258985	Ref	<b>STEER INSTALLATION</b>	F
1	0100011	AR	Compound, Locking	
2	0440162	2	Bearing, Thrust	
3	0641608	1	Bolt 3/8in-16NC x 1in	
4	1683732	1	Steer Cylinder Assembly (See CYLINDER SECTION for Breakdown)	
5	2780234	2	Hub/Spindle Assembly (See Items 101-115 for Breakdown)	
6	3312005	3	Locknut 5/8in-11NC	
7	3313003	2	Nut, Castle 1-1/4in-11NF	
8	3422327	1	Pin	
9	3422774	2	Kingpin	
10	3450812	2	Pin, Cotter	
11	3841143	1	Keeper	
12	3900109	1	Bolt, Shoulder	
13	3900118	2	Bolt, Shoulder	
14	4712600	1	Flatwasher, Thin 1in ( <b>Prior to SN 0300045452</b> )	
15	4713000	2	Flatwasher, Thin 1-1/4in	
16	4845897	1	Tie-Rod	
17	4740156	4	Thrustwasher ( <b>SN 0300080297 through 0300138358</b> )	
	2780234	Ref	<b>HUB/SPINDLE ASSEMBLIES</b>	D
101	7020033	2	Cap, Dust (1 per Assembly)	
102	0961951	4	Bushing (2 Per Assembly)	
103	0962140	4	Bearing (2 per Assembly)	
104	7020035	2	Hub (1 Per Assembly)	
105	7020036	2	Cup, Bearing (Inner) (1 per Assembly)	
106	7020037	2	Cone, Bearing (Inner) (1 per Assembly)	
107	7020038	2	Cup, Bearing (Outer) (1 per Assembly)	
108	7020039	2	Cone, Bearing (Outer) (1 per Assembly)	
109	7020148	2	Spindle (1 per Assembly)	
110	7020140	2	Pin, Cotter (1 per Assembly)	
111	7020040	2	Seal (1 Per Assembly)	
112	7020054	2	Nut, Castle 1-1/4in-12 (1 per Assembly)	
113	7020041	18	Stud 5/8in-18NF (9 per Assembly)	
114	7020042	18	Lugnut 5/8in-18NF (9 per Assembly)	
115	7020055	2	Washer, Tanged 1-1/4in (1 per Assembly)	
	0259459	Ref	<b>EXTENSION PLATES INSTALLATION</b>	D
304	0100011	AR	Compound, Locking	
305	3571626	1	Plate, Extension (Left Front)	
306	3571627	1	Plate, Extension (Right Front)	
309	4711800	14	Flatwasher 1/2in Thin ( <b>Prior to SN 0300046450</b> )	
309	4712000	28	Flatwasher 5/8in Thin ( <b>SN 0300046450 through 0300138358</b> )	
310	0641816	14	Bolt 1/2in-13NC x 2in (Grade 8) ( <b>Prior to SN 0300046450</b> )	
310	0682020	14	Bolt 5/8in-11NC x 2-1/2in (Grade 8) ( <b>SN 0300046450 through 0300138358</b> )	
311	4846093	1	Extension Weldment (Left Rear)	
312	4846094	1	Extension Weldment (Right Rear)	
313	Not Required	0	Nut ( <b>Prior to SN 0300046450</b> )	
313	3272001	14	Nut 5/8in-11NC ( <b>SN 0300046450 through 0300138358</b> )	

# SECTION 1 - FRAME

FIGURE 1-2. TIRE AND WHEEL DRIVE INSTALLATION



## SECTION 1 - FRAME

### FIGURE 1-2. TIRE AND WHEEL DRIVE INSTALLATION

ITEM	PART NUMBER	QTY	DESCRIPTION	REV
		Ref	<b>WHEEL DRIVE INSTALLATION</b>	
	0258984	Ref	<b>Wheel Drive Installation (Prior to SN 0300116217)</b>	K
	0274282	Ref	<b>Wheel Drive Installation (SN 0300116217 through 0300138358)</b>	C
1	0100019	AR	Compound, Locking	
2	0641609	8	Bolt 3/8in-16NC x 1-1/8in	
3	0641826	4	Bolt 1/2in-13NC x 3-1/2in	
4		Ref	Bolt Options:	
4	0682010	12	Bolt 5/8in-11NC x 1-1/4in <b>(Prior to SN 0300116217)</b>	
4	0682012	12	Bolt 5/8in-11NC x 1-1/2in <b>(SN 0300116217 through 0300138358)</b>	
5	0920113	2	Drive Brake Assembly	E
5	See Note	NLA	Ring, Sensor (1 Per Assembly) (Note: was p/n 7027275 which is no longer available. Replace Complete Brake)	
5	7007977	2	Ring, Bearing Retaining (Large) (1 per Assembly)	
5	7011716	2	Ring, Bearing Retaining (Small) (1 per Assembly)	
5	7007913	4	Bolt	
5	7007912	4	Washer	
5	7011757	2	Complete Repair Kit (Includes Case and Oil Seals, O-Rings, Back-up Rings, Stator and Rotor Discs, Return Plate, Springs, Bearing and Brake To Hub Gasket) (1 Per Assembly)	
5	2900768	2	Bearing Kit (1 per Assembly)	
5	7007900	2	Seal, Oil - Front (1 per Assembly)	
5A	7007933	2	Gasket (1 Per Assembly)	
5B	70002408	2	Gasket, Brake to Motor (1 Per Assembly) (Not Included in Repair Kit)	
6	3020037	AR	Lube, Coupling Grease	
7		Ref	Drive Hub Assembly Options:	
7	2780236	2	Drive Hub Assembly (See DRIVE HUB ASSEMBLY for Breakdown) <b>(Prior to SN 0300116217)</b>	
7	2780282	2	Drive Hub Assembly (See DRIVE HUB ASSEMBLY for Breakdown) <b>(SN 0300116217 through 0300138358)</b>	
8	3160237	2	Drive Motor Assembly (See DRIVE MOTOR ASSEMBLY for Breakdown)	
8	7020149	2	Brush	
9	3990105	2	Speed Sensor Assembly	
10	4711600	8	Flatwasher 3/8in Thin	
11	4892000	12	Flatwasher 5/8in Hardened	
12	3020008	AR	Lubricant, Mobilube HD 80W-90	
		Ref	<b>TIRE AND WHEEL INSTALLATIONS</b>	
	0258986	Ref	<b>Tire and Wheel Installations (Prior to SN 0300100669)</b>	B
	0273587	Ref	<b>Tire and Wheel Installations (SN 0300100669 through 0300134241)</b>	E
	0273587	Ref	<b>Tire and Wheel Installations Australian Specs (SN 0300134242 through 0300138358)</b>	E
	0258986	Ref	<b>Tire and Wheel Installations CE Specs (SN 0300134242 through 0300138358)</b>	B
101	3300106	18	Lugnut	
102		Ref	Tire and Wheel Assembly	
102	4520208	NLA	Tire and Wheel Assembly (Use p/n 1001110772) (See Note Below) <b>(Prior to SN 0300100669)</b>	
102	4520675	NLA	Tire and Wheel Assembly (Use p/n 1001110776) (See Note Below) <b>(SN 0300100669 through 0300134241)</b>	

## SECTION 1 - FRAME

ITEM	PART NUMBER	QTY	DESCRIPTION	REV
102	4520675	NLA	Tire and Wheel Assembly Australian Specs (Use p/n 1001110776) (See Note Below) <b>(SN 0300134242 through 0300138358)</b>	
102	4520208	NLA Ref	Tire and Wheel Assembly CE Specs (Use p/n 1001110772) (See Note Below) <b>(SN 0300134242 through 0300138358)</b> <b>Note: When replacing tires and wheels with either p/n 1001110772 or 1001110776, assemblies must be replaced in complete sets only.</b>	

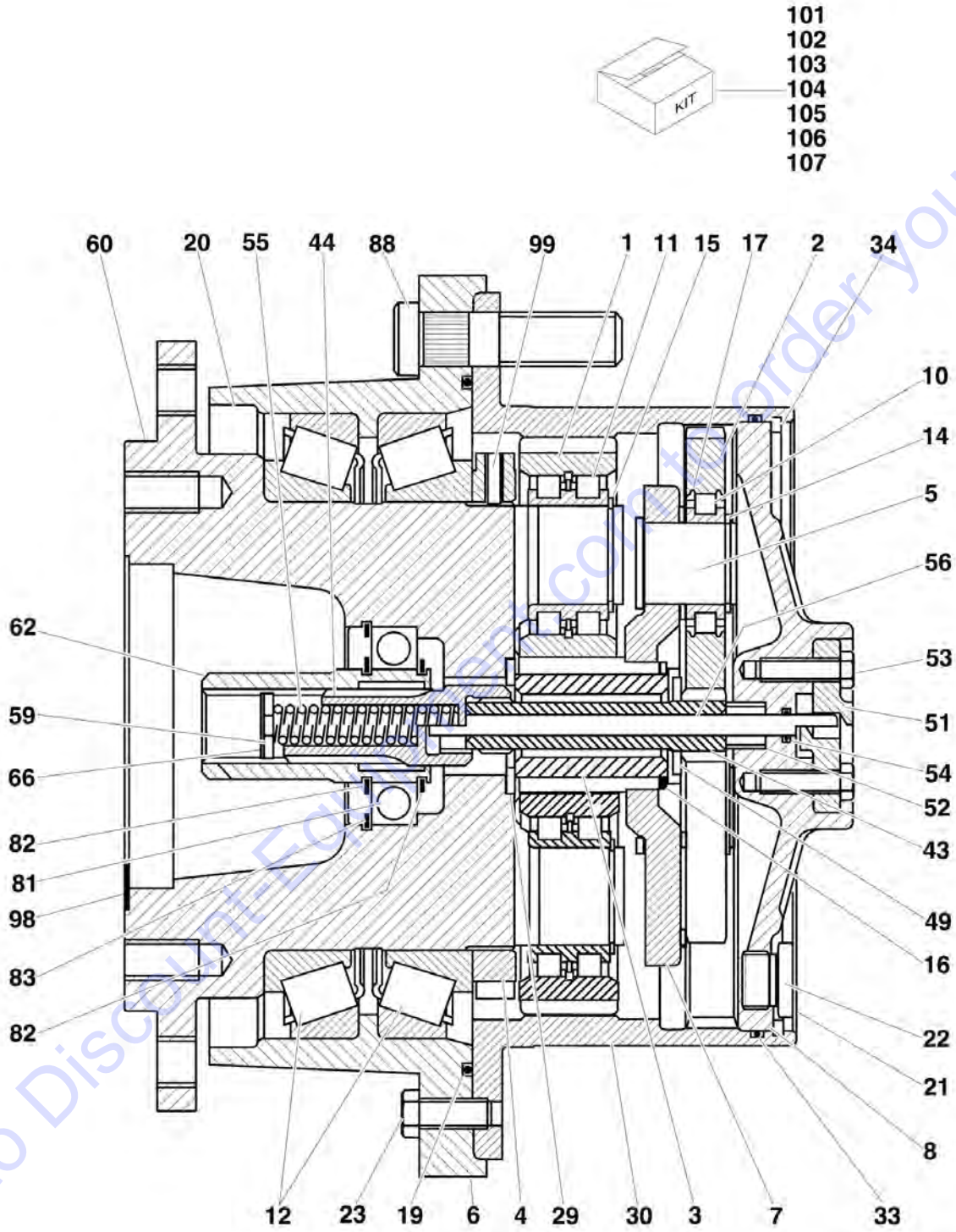
Go to Discount-Equipment.com to order your parts





# SECTION 1 - FRAME

FIGURE 1-3. DRIVE HUB ASSEMBLY (Prior to SN 0300116217)



## SECTION 1 - FRAME

**FIGURE 1-3. DRIVE HUB ASSEMBLY (Prior to SN 0300116217)**

ITEM	PART NUMBER	QTY	DESCRIPTION	REV
	2780236	Ref	<b>DRIVE HUB ASSEMBLY</b>	D
1	7021323	4	Gear, Planet	
2	7021324	3	Gear, Planet	
3	7021325	1	Gear, Sun	
4	7023803	1	Nut, Shaft	
		Ref	<b>Note: Unless there is capability to torque shaft nut (Item 4) to 625 ft/lbs. (850Nm) Repair beyond this level is not advised.</b>	
5	7021326	3	Bolt, Planet	
6	7021327	1	Ring, Support	
7	7021328	1	Carrier, Planet	
8	70003711	1	Cover	
10	70003712	3	Bearing, Roller	
11	70003713	4	Bearing, Roller	
12	70003714	2	Bearing, Roller	
14	70003715	3	Ring, Retaining	
15	70003716	4	Ring, Retaining	
16	7021341	1	Ring, Retaining	
17	70003717	3	Disk, Support	
19	See Note	1	O-Ring (Note: Use Item 103 or 107)	
20	See Note	1	Seal, Ring (Note: Use Item 103 or 107)	
21	See Note	3	Plug (Note: Use Item 103 or 107)	
22	See Note	3	Seal, Ring (Note: Use Item 103 or 107)	
23	7021342	3	Bolt	
29	7024049	1	Washer, Housing	
30	7021335	1	Gear, Ring	
33	See Note	1	O-Ring (Note: Use Item 103, 104 or 107)	
34	70003718	1	Ring, Retaining	
43	7021336	1	Shaft, Sun Gear	
44	7021337	1	Shaft, Input	
49	7024051	1	Thrustwasher	
51	70003719	1	Cover	
52	70003720	1	Disk	
53	70003721	2	Bolt	
54	See Note	1	O-Ring (Note: Use Item 104, 105, 106 or 107)	
55	7024053	1	Spring, Pressure	
56	70003722	1	Rod, Shaft	
59	70003723	1	Disk, Rotor	
60	7021339	1	Spindle	
62	7021340	1	Coupler	
66	70003724	1	Ring, Retaining	
81	7024983	1	Bearing, Ball	
82	7021341	2	Ring, Retaining	
83	7024931	1	Ring, Retaining	
88	7021344	9	Stud, Wheel (was p/n 7024984)	
98	7024985	1	Plug	
99		Ref	Component Options:	
99	See Note	2	Ball (Note: Not Available - Use Slotted Pin in Item 103 Kit) <b>(Prior to SN 0300089391)</b>	
99	See Note	2	Expander (Note: Not Available - Use Slotted Pin in Item 103 Kit) <b>(Prior to SN 0300089391)</b>	

## SECTION 1 - FRAME

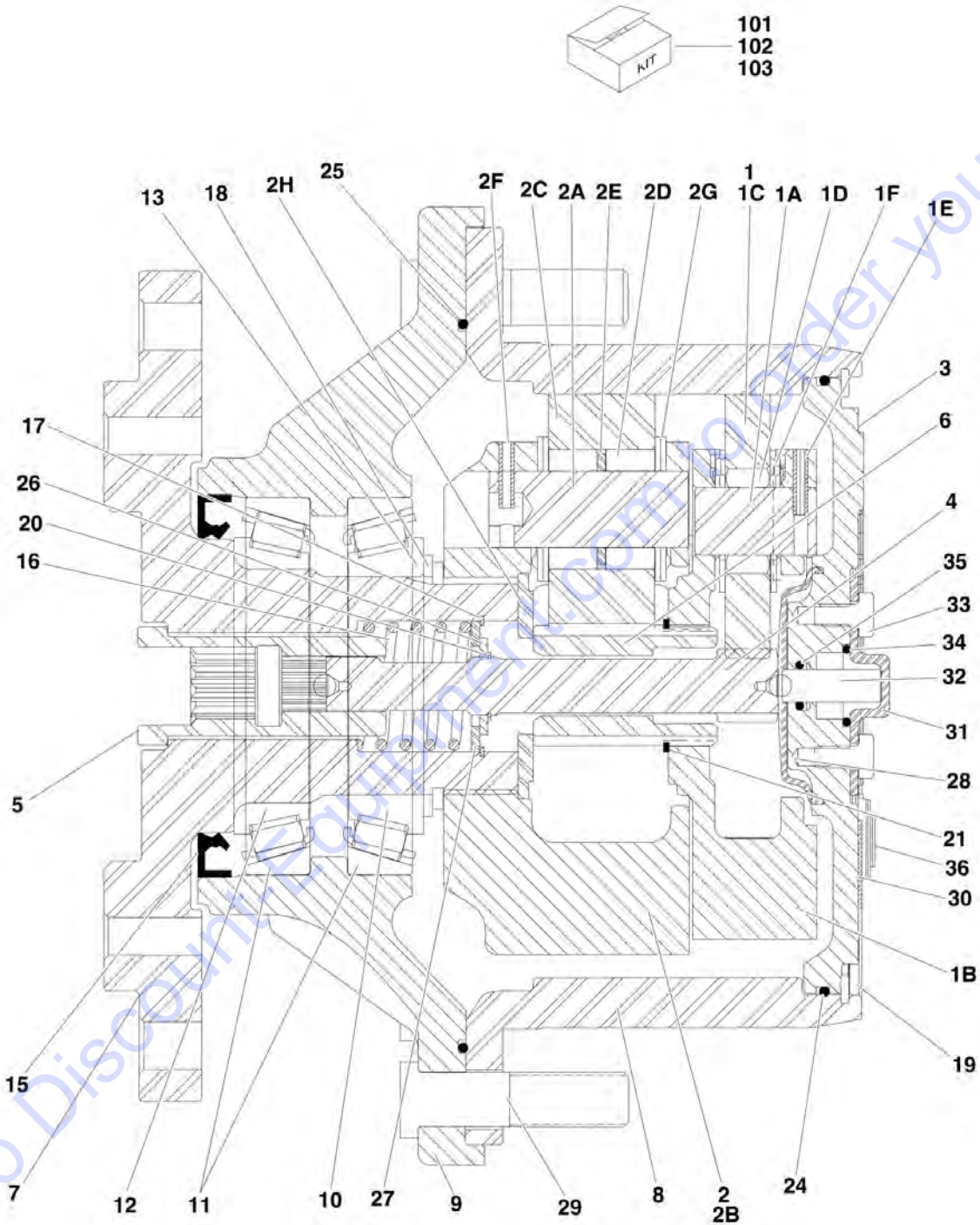
ITEM	PART NUMBER	QTY	DESCRIPTION	REV
99	See Note	2	Plug (Note: Not Available - Use Slotted Pin in Item 103 Kit) ( <b>Prior to SN 0300089391</b> )	
99	70003725	2	Pin, Slotted ( <b>SN 0300089391 through 0300115723</b> )	
		Ref	<b>KIT OPTIONS</b>	
101	7024981	1	Planet Gear Kit 1 (Includes Items 1, 11 & 15)	
102	7024986	1	Planet Gear Kit 2 (Includes Items 2, 10,14 & 17)	
103	7024047	1	Bearing Kit (Includes Items 4, 12, 19, 20, 23, 33 & 99)	
		Ref	<b>Note: Unless there is capability to torque shaft nut (Item 4) to 625 ft/lbs. (850Nm) Repair beyond this level is not advised.</b>	
104	7021329	1	Cover Kit (Includes Items 8, 21, 22, 33, 34 & 51-54)	
105	7021338	1	Mechanical Disconnect Kit (Includes Items 54-56, 59 & 66)	
106	7024054	1	Mechanical Disconnect Kit (Includes Items 51, 53, 54 & 56)	
107	7021333	1	Seal Kit (Includes Items 19-22, 33 & 54)	

Go to Discount-Equipment.com to order your parts



# SECTION 1 - FRAME

FIGURE 1-4. DRIVE HUB ASSEMBLY (SN 0300116217 through 0300138358)



## SECTION 1 - FRAME

**FIGURE 1-4. DRIVE HUB ASSEMBLY (SN 0300116217 through 0300138358)**

ITEM	PART NUMBER	QTY	DESCRIPTION	REV
	2780282	Ref	<b>DRIVE HUB ASSEMBLY</b>	A
1	70001366	1	Carrier, Sub Assembly	
1A	See Note	NSS	Shaft, Planet (Note: Use Item 1)	
1B	See Note	NSS	Carrier (Note: Use Item 1)	
1C	See Note	NSS	Gear, Planet (Note: Use Item 1)	
1D	See Note	NSS	Bearing, Needle (Note: Use Item 1)	
1E	See Note	NSS	Pin, Roll (Note: Use Item 1)	
1F	See Note	NSS	Thrustwasher (Note: Use Item 1)	
2	70001367	1	Carrier, Input	
2A	See Note	NSS	Shaft, Planet (Note: Use Item 2)	
2B	See Note	NSS	Carrier (Note: Use Item 2)	
2C	See Note	NSS	Gear, Planet (Note: Use Item 2)	
2D	See Note	NSS	Bearing, Needle (Note: Use Item 2)	
2E	See Note	NSS	Spacer, Thrust (Note: Use Item 2)	
2F	See Note	NSS	Pin, Roll (Note: Use Item 2)	
2G	See Note	NSS	Thrustwasher (Note: Use Item 2)	
2H	See Note	NSS	Thrustwasher (Note: Use Item 2)	
3	See Note	NSS	Cover (Note: Use Item 103)	
4	70001369	1	Shaft, Input	
5	70001370	1	Coupling	
6	70001371	1	Shaft, Sun Gear	
7	70001372	1	Spindle	
8	70001373	1	Gear, Ring	
9	2780282	1	Housing	
10	See Note	NSS	Bearing, Tapered-Cone (Note: Use Item 101)	
11	See Note	NSS	Bearing, Tapered-Cup (Note: Use Item 101)	
12	See Note	NSS	Bearing, Tapered-Cone (Note: Use Item 101)	
13	7017009	1	Thrustwasher	
15	See Note	NSS	Seal, Lip (Note: Use Item 102)	
16	70001374	1	Spring	
17	70001375	1	Ring, Retaining (Internal)	
18	See Note	NSS	Ring, Retaining (External) (Note: Use Item 102)	
19	7024738	1	Ring, Retaining (Internal)	
20	70001376	1	Ring, Retaining (External)	
21	70001377	1	Ring, Retaining (External)	
22	7000281	4	Screw (Not Shown - ID plate screws)	
23	7017022	3	Bolt, Flathead (Not Shown - Located on front of hub)	
24	See Note	NSS	O-Ring (Note: Use Item 102)	
25	See Note	NSS	O-Ring (Note: Use Item 102)	
26	70001378	1	Spacer, Thrust	
27	70001379	1	Thrustwasher	
28	7024741	1	Spacer, Thrust	
29	7007640	9	Stud, Wheel	
30	See Note	NSS	Flange, Plate (Note: Use Item 103)	
31	See Note	NSS	Cap, Disengage (Note: Use Item 103)	
32	See Note	NSS	Pin, Dowel (Note: Use Item 103)	
33	See Note	NSS	Bolt (Note: Use Item 103)	
34	See Note	NSS	O-Ring (Note: Use Item 103)	
35	See Note	NSS	O-Ring (Note: Use Item 103)	
36	See Note	NSS	Plug (Note: Use Item 103)	

## SECTION 1 - FRAME

ITEM	PART NUMBER	QTY	DESCRIPTION	REV
		Ref	<b>Kit Options</b>	
101	7017007	1	Planet Gear Bearing Kit (Includes Items 10-12)	
102	70001380	1	Planet Gear Seal Kit (Includes Items 15, 18, 24 & 25)	
103	70001368	1	Cover/Cap/Disengage Kit (Includes Items 30-36)	

Go to Discount-Equipment.com to order your parts





# SECTION 1 - FRAME

## FIGURE 1-5. DRIVE MOTOR ASSEMBLY

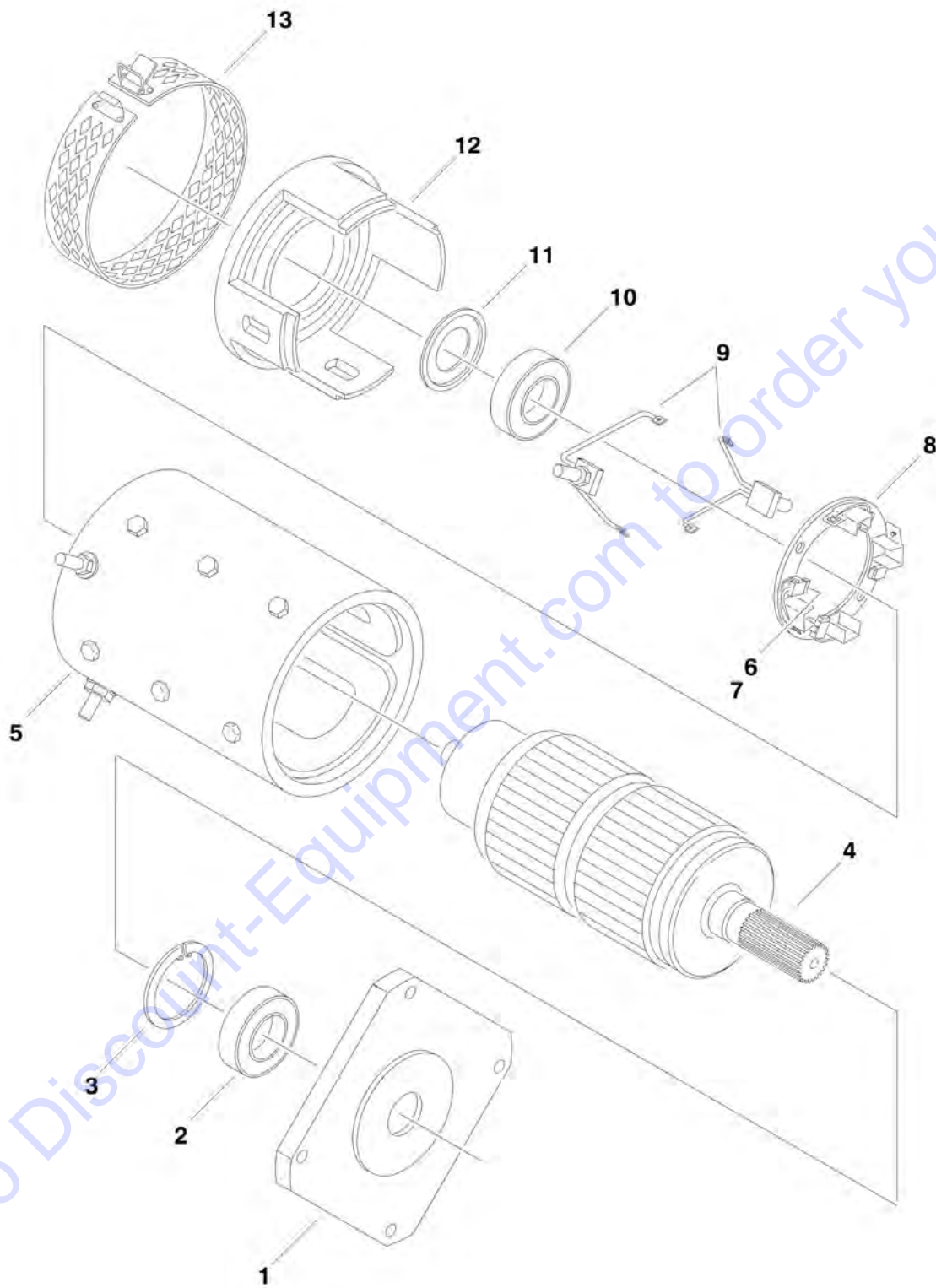


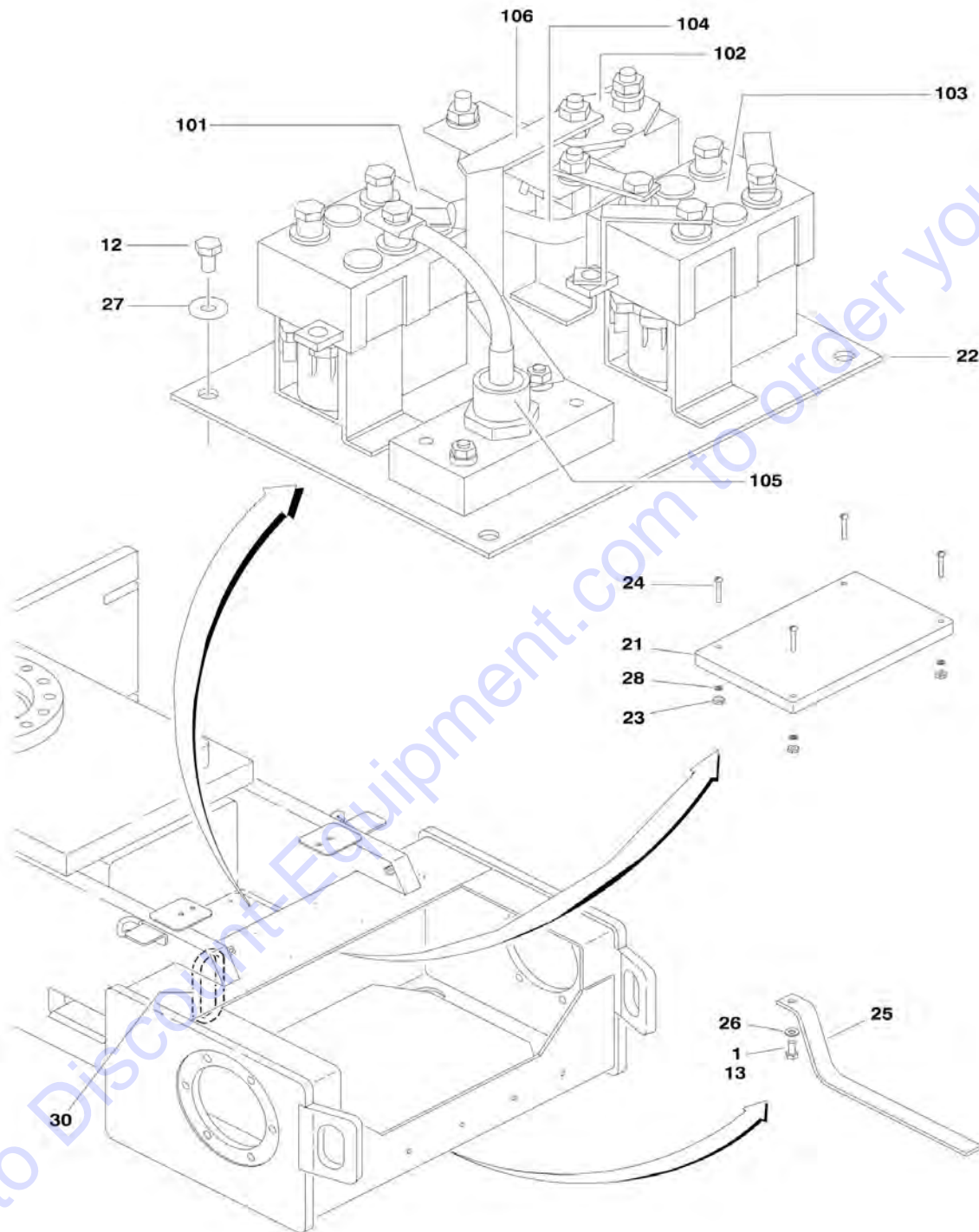
FIGURE 1-5. DRIVE MOTOR ASSEMBLY

ITEM	PART NUMBER	QTY	DESCRIPTION	REV
	3160237	Ref	<b>DRIVE MOTOR ASSEMBLY</b>	G
1	7020184	1	Plate, Drive End	
2	7012545	1	Bearing	
3	7020185	1	Ring, Retaining	
4	3160237	1	Armature	
5	3160237	1	Frame and Field Assembly	
6	7012548	4	Spring, Brush	
7	7020149	4	Brush	
8	7020150	1	Holder, Brush	
9	7020151	2	Brush Lead Assembly Kit	
10	7012545	1	Bearing	
11	7012549	1	Washer, Wavy	
12	7020189	1	End, Commutator	
13	7019609	1	Headband Assembly	

Go to Discount-Equipment.com to order your parts

# SECTION 1 - FRAME

## FIGURE 1-6. ELECTRICAL COMPONENTS INSTALLATION



## SECTION 1 - FRAME

**FIGURE 1-6. ELECTRICAL COMPONENTS INSTALLATION**

ITEM	PART NUMBER	QTY	DESCRIPTION	REV
		Ref	<b>ELECTRICAL COMPONENTS INSTALLATIONS</b>	
	0258984	Ref	<b>Electrical Components Installations (Prior to SN 0300116217)</b>	K
	0274282	Ref	<b>Electrical Components Installations (SN 0300116217 through 0300138358)</b>	C
1	0100019	AR	Compound, Locking	
12	0641404	4	Bolt 1/4in-20NC x 1/2in	
13	0641506	1	Bolt 5/16in-18NC x 3/4in	
21	1600293	1	Module (Note: Calibration is required when replaced)	
22	1600294	1	Contactactor Plate Assembly (See Items 101-106 for Breakdown)	
23	3310601	4	Nut #6-32NC	
24	3910636	4	Bolt #6-32NC	
25	4240084	1	Strap	
26	4711500	1	Flatwasher 5/16in Thin	
27	4751400	4	Flatwasher 1/4in Regular	
28	4760600	4	Lockwasher #6	
30	4060807	15 in /30cm	Shield, Flex Trim	
	1600294	Ref	<b>CONTACTOR PLATE ASSEMBLY</b>	E
	7022003	1	Harness, Contactor (Not Shown) (See ELECTRICAL SECTION for Breakdown)	
	7022004	1	Harness, Posi-Track Contactor (Not Shown) (See ELECTRICAL SECTION for Breakdown)	
	7022005	1	Harness, Shunt (Not Shown) (See ELECTRICAL SECTION for Breakdown)	
101	7022002	1	Contactor, FWD/REV	
102	7022001	1	Contactor, Main	
103	7022000	1	Contactor, Posi-Track	
104	7022012	1	Cable, Power	
105	7022011	1	Diode, Power	
106	70001052	1	Shunt/Bus Bar with Harness Assembly	

# SECTION 1 - FRAME

## FIGURE 1-7. BATTERY BOX INSTALLATIONS

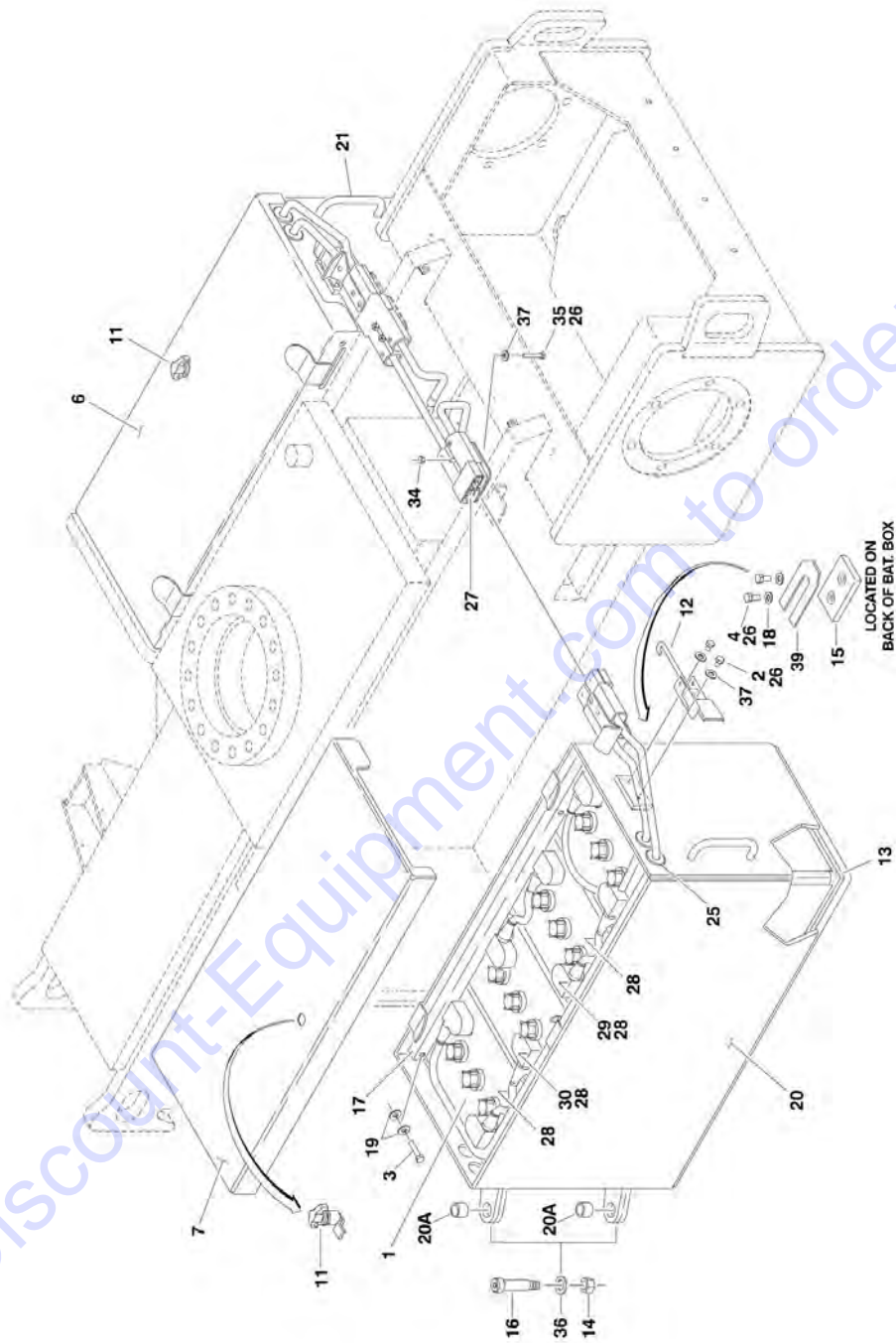


FIGURE 1-7. BATTERY BOX INSTALLATIONS

ITEM	PART NUMBER	QTY	DESCRIPTION	REV
	0259042	Ref	<b>BATTERIES INSTALLATION</b>	J
1		Ref	Battery Options:	
1	0400055	8	Wet	
1	0400107	8	Dry	
2	0641403	4	Bolt 1/4in-20NC x 3/8in	
3	0641512	4	Bolt 5/16in-18NC x 1 1/2in	
4	0641606	4	Bolt 3/8in-16NC x 3/4in	
6	1670878	1	Cover (Right)	
7	1670890	1	Cover (Left)	
11	2940073	2	Latch	
12	2940114	2	Latch	
13	3000003	2	Liner	
14	3312005	4	Locknut 5/8in-11NC	
15	3340852	2	Pad	
16	3900266	4	Screw, Shoulder	
17	4567739	2	Tube	
18	4711600	4	Flatwasher 3/8in Narrow	
19	4751500	8	Flatwasher 5/16in Regular	
20	4845923	1	Box, Battery (Left)	
20A	0962233	2	Bushing	
21	4845924	1	Box, Battery (Right)	
21A	0962233	2	Bushing (Not Shown)	
25	2540020	4	Grommet	
26	0100011	AR	Compound, Locking	
27	0100048	AR	Grease, Dielectric	
28	0100051	AR	Grease, Battery Terminal	
29	0840031	9	Boot	
30	0840032	7	Boot	
34	3311401	4	Nut 1/4in-20NC	
35	3931430	4	Bolt 1/4in-20NC x 1 7/8in	
36	4740086	4	Thrustwasher	
37	4751400	8	Flatwasher 1/4in Regular	
38	4420055	AR	Tape (Not Shown) <b>(Prior to SN 0300103058)</b>	
39	4070904	2	Shim	

# SECTION 1 - FRAME

## FIGURE 1-8. FRAME COVERS INSTALLATION

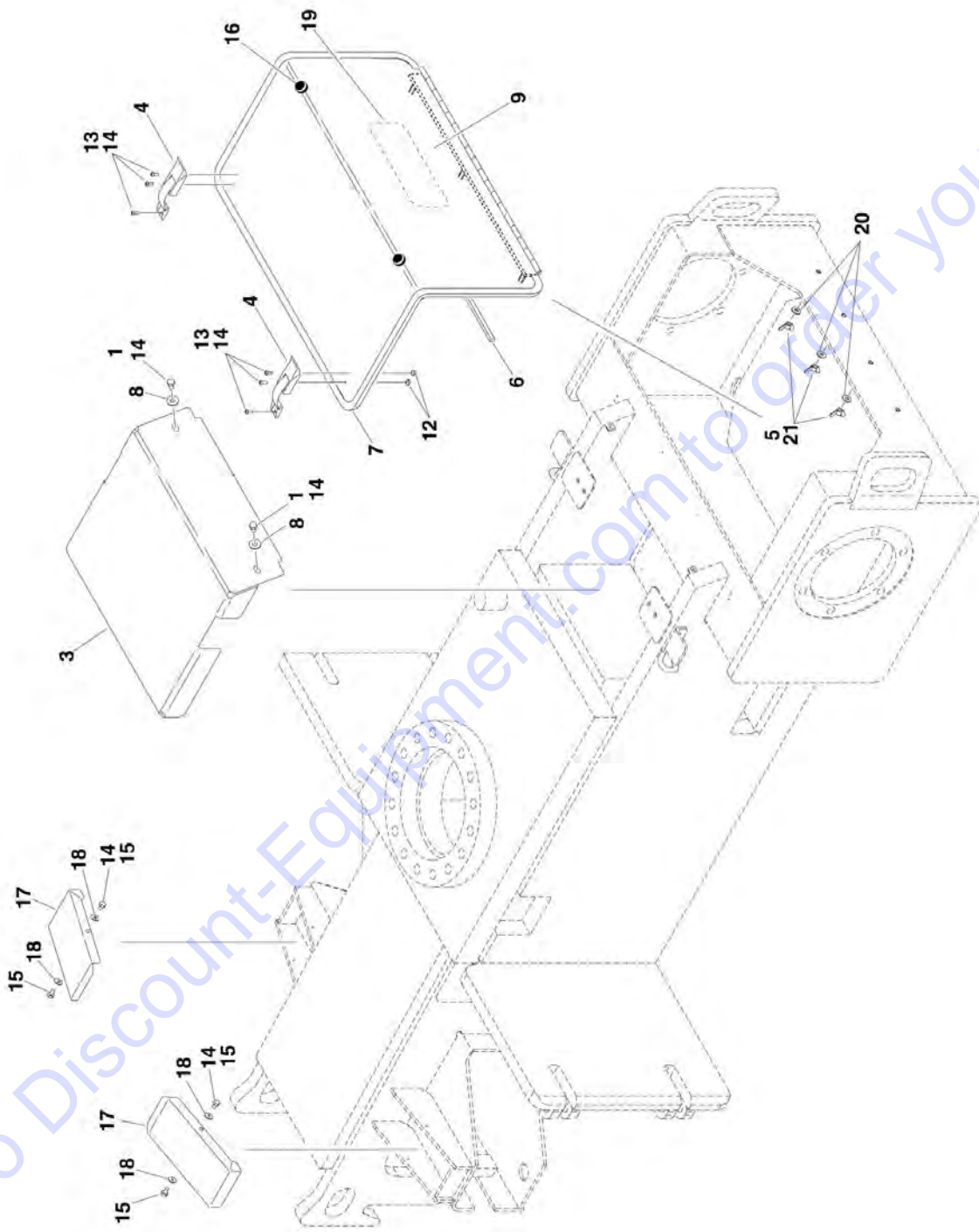


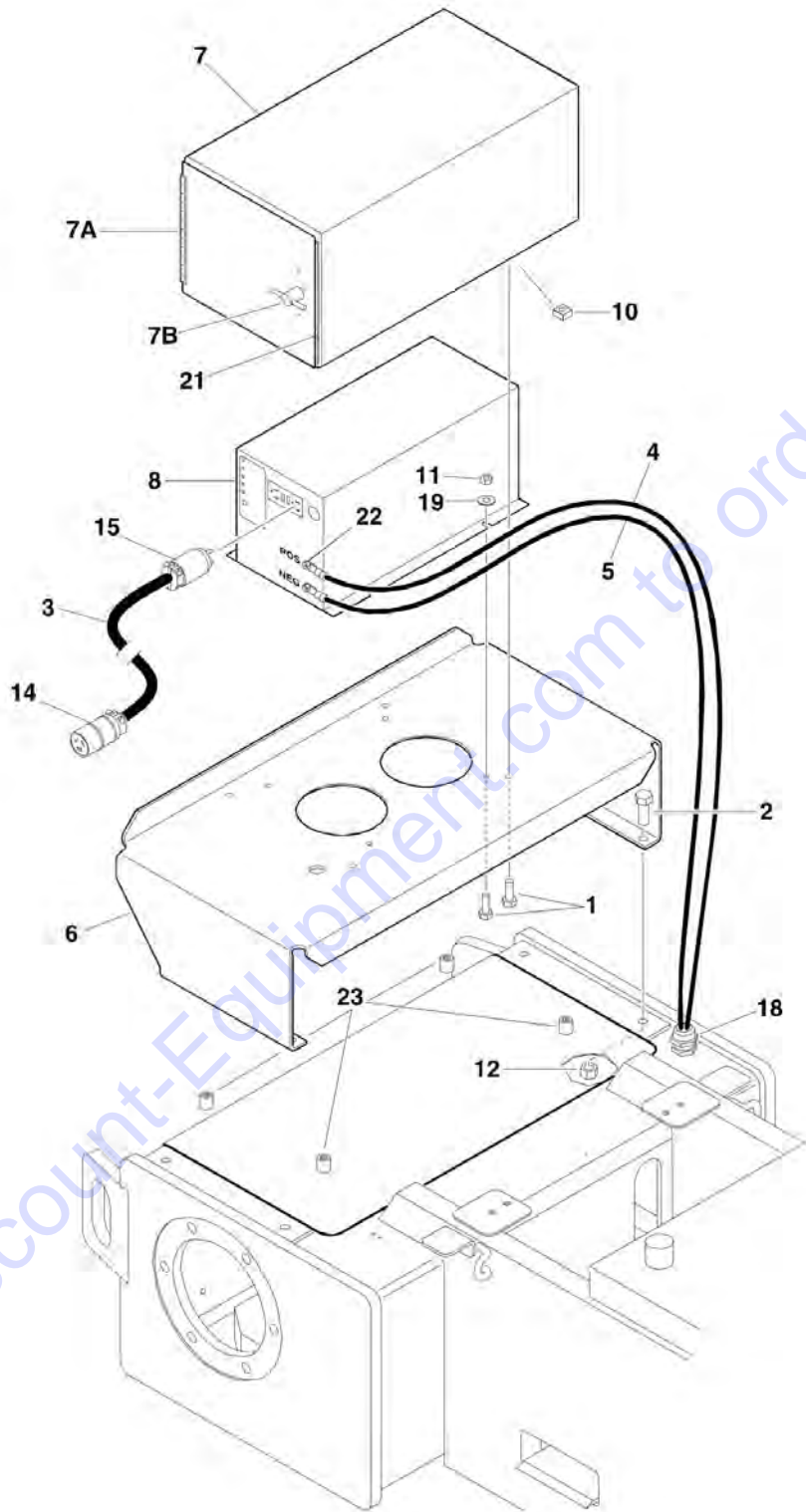
FIGURE 1-8. FRAME COVERS INSTALLATION

ITEM	PART NUMBER	QTY	DESCRIPTION	REV
	0258991	Ref	<b>FRAME SHIELDS INSTALLATION</b>	H
1	0641504	2	Bolt 5/16in-18NC x 1/2in	
3	1670897	1	Cover, Contractor	
4	2940118	2	Latch, Draw	
5		Ref	Hardware Options:	
5	3300371	5	Wingnut <b>(Prior to SN 0300102714)</b>	
5	3311401	3	Nut 1/4in-20NC <b>(SN 0300102714 through 0300138358)</b>	
6	3960433	22 in /56cm	Seal	
7	3960447	6.3 ft /1.9m	Seal	
8	4751500	2	Flatwasher 5/16in Regular	
9	4845962	1	Cover, Rear Axle	
12	3311005	4	Locknut #10-24NC	
13	0630464	6	Screw	
14	0100011	AR	Compound, Locking	
15	0641403	4	Bolt 1/4in-20NC x 3/8 <b>(Prior to SN 0300073793)</b>	
16	0940036	2	Bumper, Door	
17	1670902	2	Cover, Kingpin <b>(Prior to SN 0300073793)</b>	
18	4711400	4	Flatwasher 1/4in Thin <b>(Prior to SN 0300073793)</b>	
19	1704246	1	Decal	
20	4751400	3	Flatwasher 1/4in (Regular) <b>(SN 0300102714 through 0300138358)</b>	
21	0100035	AR	Compound, Locking <b>(SN 0300102714 through 0300138358)</b>	



# SECTION 1 - FRAME

FIGURE 1-9. INVERTER INSTALLATION (OPTIONAL ON E300AJ & E300AJP)



Go to Discount-Equipment.com to order your parts

## SECTION 1 - FRAME

**FIGURE 1-9. INVERTER INSTALLATION (OPTIONAL ON E300AJ & E300AJP)**

ITEM	PART NUMBER	QTY	DESCRIPTION	REV
	0259879	Ref	<b>INVERTER INSTALLATION</b>	G
1	0641406	8	Bolt 1/4in-20NC x 3/4in	
2		Ref	Bolt 3/8in-16NC x 1in Options:	
2	0641608	NLA	Bolt 3/8in-16NC x 1in (Use p/n 0641618) <b>(Prior to SN 0300057318)</b>	
2	0641618	4	Bolt 3/8in-16NC x 1in <b>(SN 0300057318 through 0300138358)</b>	
3	1060494	11 ft/3.4m	Cable, Electrical - 12/3	
4	1060801	1	Cable, Electrical (+)	
5	1060802	1	Cable, Electrical (-)	
6	1271463	1	Channel, Mounting	
7	1670953	1	Cover Weldment	
7A	2600103	1	Hinge (Welded on Part)	
7B	2940048	1	Latch	
8	2460023	NLA	Inverter/Generator (Use p/n 2460037)	
9	2820035	11 ft /3.4m	Loom, Expandable (Not Shown - Covers Items 4 & 5)	
10	3300353	4	Nut, Retainer	
11	3311405	4	Locknut 1/4in-20NC	
12	3311605	4	Locknut 3/8in-16NC	
14	4460134	1	Connector, Female	
15	4460138	1	Plug, Connector	
16	4460259	1	Terminal <b>(Prior to SN 0300057318)</b>	
17	4460260	1	Housing, Positive <b>(Prior to SN 0300057318)</b>	
18		Ref	Connector, Strain Relief Options:	
18	4460526	NLA	Connector, Strain Relief (Use p/n 4460426) <b>(Prior to SN 0300057318)</b>	
18	4460426	1	Connector, Strain Relief <b>(SN 0300057318 through 0300138358)</b>	
19	4751400	4	Flatwasher 1/4in Regular	
21	4060803	8.5 in /21cm	Flex-Trim <b>(Prior to SN 0300136647)</b>	
22	4460035	1	Terminal, Butt 14-16 Gauge	
23	4568165	4	Tube, Spacer	

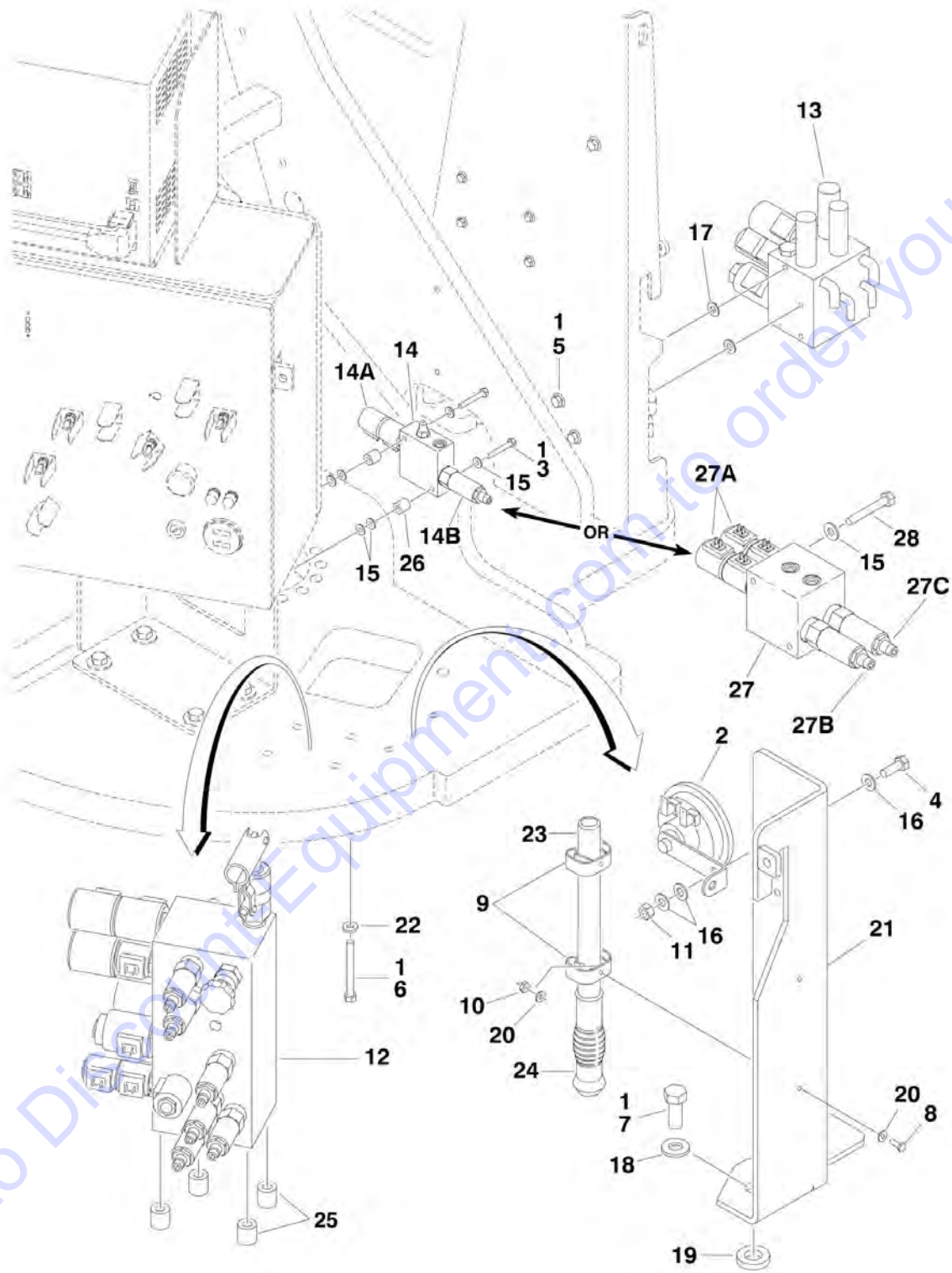


**SECTION 2 - TURNTABLE**

Go to Discount-Equipment.com to order your parts

# SECTION 2 - TURNTABLE

## FIGURE 2-1. VALVES AND HORN INSTALLATIONS



SECTION 2 - TURNTABLE

FIGURE 2-1. VALVES AND HORN INSTALLATIONS

ITEM	PART NUMBER	QTY	DESCRIPTION	REV
		Ref	<b>VALVES AND HORN INSTALLATIONS</b>	
	0258989	Ref	<b>Valves and Horn Installations E300A</b>	K
	0258990	Ref	<b>Valves and Horn Installations E300AJ</b>	I
	0259505	Ref	<b>Valves and Horn Installations E300AJP</b>	G
1	0100011	AR	Compound, Locking	
2	0140028	1	Horn	
3	0641414	AR	Bolt 1/4in-20NC x 1 3/4in	
4	0641507	1	Bolt 5/16in-18NC x 7/8in	
5	0641608	2	Bolt 3/8in-16NC x 1in	
6	0641628	4	Bolt 3/8in-16NC x 3-1/2in	
7	0641810	2	Bolt 1/2in-13NC x 1-1/4in	
8	0721005	2	Bolt #10-24NC x 5/8in	
9	1380136	2	Clip	
10	3311005	2	Locknut #10-24NC	
11	3311505	1	Locknut 5/16in-18NC	
12		Ref	Main Control Valve Assembly Options: (See MAIN CONTROL VALVE ASSEMBLY for Breakdown)	
12	4641110	1	Main Control Valve Assembly ( <b>Prior to SN 0300063313, Excluding 0300062845 and 0300063278</b> )	
12	4641196	NLA	Main Control Valve Assembly (Use p/n 1001109260) ( <b>Including 0300062845 and 0300063278</b> )	
12	4641196	NLA	Main Control Valve Assembly (Use p/n 1001109260) ( <b>SN 0300063313 through 0300127574</b> )	
12	1001097776	1	Main Control Valve Assembly ( <b>SN 0300127575 through 0300138358</b> )	
13		Ref	Steer/Brake Valve Assembly Options: (See STEER/BRAKE VALVE ASSEMBLY for Breakdown):	
13	4641113	NLA	Steer/Brake Valve Assembly (Use p/n 1001097506) ( <b>Prior to SN 0300050453</b> )	
13	4641149	NLA	Steer/Brake Valve Assembly (Use p/n 1001097506) ( <b>SN 0300050453 through 0300127574</b> )	
13	1001097506	1	Steer/Brake Valve Assembly ( <b>SN 0300127575 through 0300138358</b> )	
14		Ref	Jib Valve Assembly Options:	
14	Not Required	0	Jib Valve Assembly E300A	
14	4641102	NLA	Jib Valve Assembly (Use p/n 1001097775) E300AJ ( <b>Prior to SN 0300127575</b> )	
14	1001097775	1	Jib Valve Assembly E300AJ ( <b>SN 0300127575 through 0300138358</b> )	
14	4641102	NLA	Jib Valve Assembly (Use p/n 1001097775) E300AJP ( <b>Prior to SN 0300047973</b> )	
14	Not Required	0	Jib Valve Assembly (Uses Item 27) E300AJP ( <b>SN 0300047973 through 0300138358</b> )	
14A	7017452	1	Cartridge without Coils	
14A	7017402	1	Seal Kit - 701452 Cartridge	
14A	7021609	2	Coil	
14B		Ref	Cartridge Options:	
14B	7017460	1	Cartridge ( <b>Prior to SN 0300127575</b> )	
14B	7017461	1	Seal Kit 7017460 Cartridge	
14B	70002807	1	Cartridge ( <b>SN 0300127575 through 0300138358</b> )	
14B	7021653	1	Seal Kit 70002807 Cartridge	
15	4711400	AR	Flatwasher 1/4in Thin	

## SECTION 2 - TURNTABLE

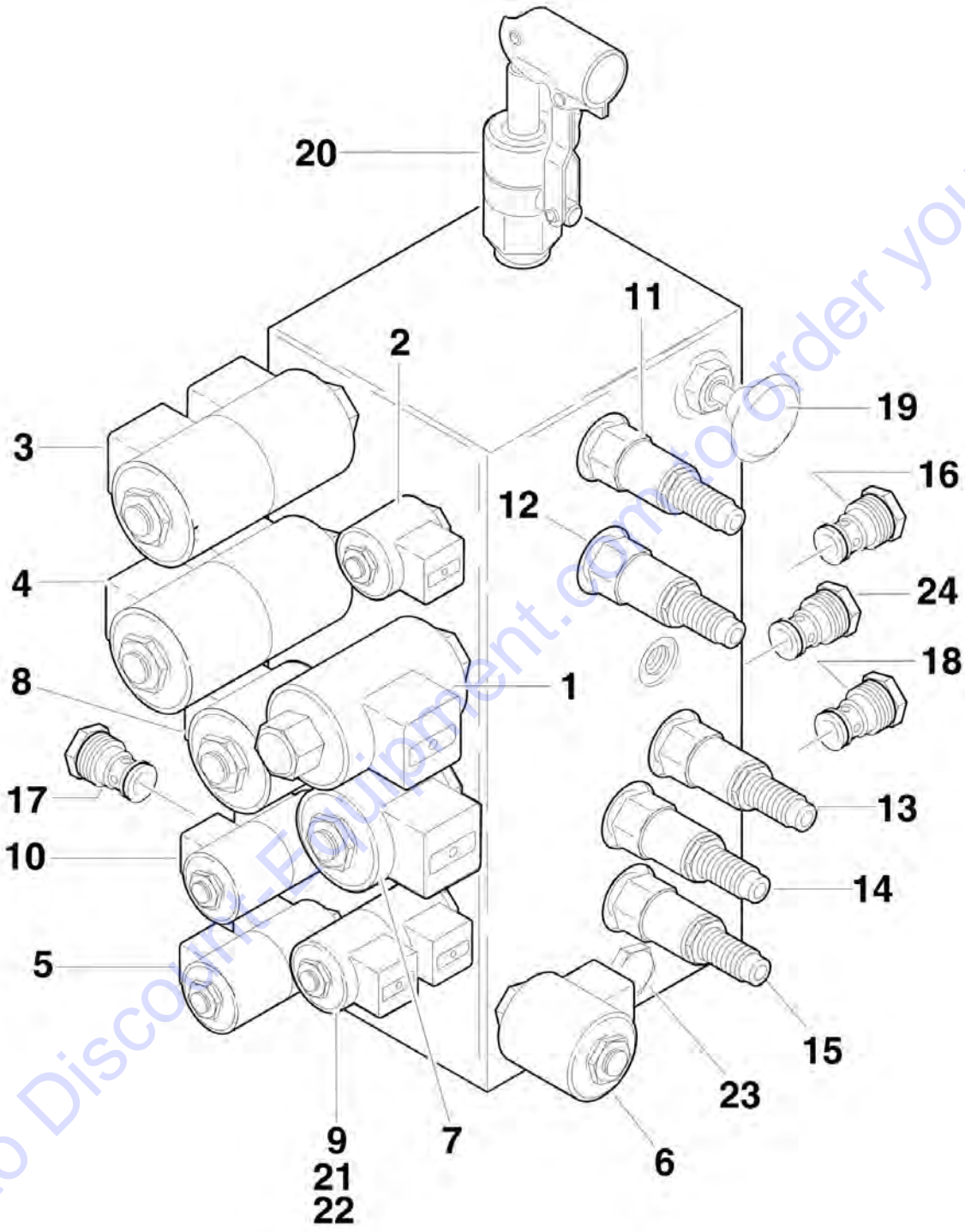
ITEM	PART NUMBER	QTY	DESCRIPTION	REV
16	4711500	3	Flatwasher 5/16in Thin	
17	4711600	4	Flatwasher 3/8in Thin	
18		Ref	Flatwasher 1/2in Thin Options:	
18	4711800	NLA	Flatwasher 1/2in Thin (Use p/n 4891800 - Thin) <b>(Prior to SN 0300055743)</b>	
18	4891800	2	Flatwasher 1/2in Thin (Regular) <b>(SN 0300055743 through 0300138358)</b>	
19	4740393	2	Flatwasher, Special	
20	4751000	4	Flatwasher #10 Regular	
21	4846016	1	Hood Attachment	
22	4891600	4	Flatwasher 3/8in Hardened	
23	2560122	1	Handle	
24	2560123	1	Grip, Handle	
25	4567922	4	Spacer, Tube	
26		Ref	Spacer, Tube Options:	
26	Not Required	0	Spacer, Tube E300A & E300AJ	
26	4565256	2	Spacer, Tube (Located between Item 14 Valves) E300AJP <b>(Prior to SN 0300047973)</b>	
26	Not Required	0	Spacer, Tube E300AJP <b>(SN 0300047973 through 0300138358)</b>	
27		Ref	Jib Valve Assembly Options:	
27	Not Required	0	Jib Valve Assembly E300A & E300AJ	
27	Not Required	0	Jib Valve Assembly (Uses Qty 2 of Item 14) E300AJP <b>(Prior to SN 0300047973)</b>	
27	4641119	NLA	Jib Valve Assembly (Use p/n 1001097505) E300AJP <b>(SN 0300047973 through 0300127574)</b>	
27	1001097505	1	Jib Valve Assembly E300AJP <b>(SN 0300127575 through 0300138358)</b>	
27A	7017452	2	Cartridge without Coils	
27A	7017402	2	Seal Kit- 701452 Cartridge (1 Per Cartridge)	
27A	7021609	4	Coil	
27B		Ref	Cartridge Options:	
27B	7017460	1	Cartridge Used on 4641119 Valve (was p/n 7021623) <b>(SN 0300047973 through 0300127574)</b>	
27B	7017461	1	Seal Kit - 7021623 & 7017460 Cartridge (1 Per Cartridge)	
27B	70002807	1	Cartridge Used on 1001097505 Valve <b>(SN 0300127575 through 0300138358)</b>	
27B	7021653	1	Seal Kit - 70002807 Cartridge (1 Per Cartridge)	
27C		Ref	Cartridge Options:	
27C	7017460	1	Cartridge Used on 4641119 Valve (was p/n 7021623) <b>(SN 0300047973 through 0300127574)</b>	
27C	7017461	1	Seal Kit - 7021623 & 7017460 Cartridge (1 Per Cartridge)	
27C	70002808	1	Cartridge Used on 1001097505 Valve <b>(SN 0300127575 through 0300138358)</b>	
27C	7021653	2	Seal Kit - 70002808 Cartridge (1 Per Cartridge)	
28	0641426	AR	Bolt 1/4in-20NC x 3-1/4in	





# SECTION 2 - TURNTABLE

## FIGURE 2-2. MAIN CONTROL VALVE ASSEMBLY



**SECTION 2 - TURNTABLE**

**FIGURE 2-2. MAIN CONTROL VALVE ASSEMBLY**

ITEM	PART NUMBER	QTY	DESCRIPTION	REV
		Ref	<b>MAIN CONTROL VALVE ASSEMBLY OPTIONS:</b>	
	4641110	Ref	<b>Main Control Valve Assembly (Prior to SN 0300063313, Excluding 0300062845 and 0300063278)</b>	C
	4641196	1	<b>Main Control Valve Assembly (Including 0300062845 and 0300063278)</b>	G
	4641196	Ref	<b>Main Control Valve Assembly (Original Equipment) (SN 0300063313 through 0300127574)</b>	G
	1001109260	Ref	<b>Main Control Valve Assembly (Service Replacement for p/n 4641196) (SN 0300063313 through 0300127574)</b>	A
	1001097776	Ref	<b>Main Control Valve Assembly (SN 0300127575 through 0300138358)</b>	E
		Ref	<b>Note: Original Equipment Valve may have been replaced with Service Replacement Valve. Identify p/n stamped on valve before ordering parts.</b>	
1	7021611	1	Cartridge without Coil (Flow Regulator)	
1	7012518	1	Seal Kit - 7021611 Cartridge	
1	7021618	1	Coil	
2	7017410	1	Cartridge without Coil (Bypass Unloading)	
2	7012967	1	Seal Kit - 7017410 Cartridge	
2	7021609	2	Coil	
3	7021603	1	Cartridge without Coil (Lift)	
3	7012903	1	Seal Kit - 7021603 Cartridge	
3	7021610	2	Coil	
4	7021603	1	Cartridge without Coil (Lift)	
4	7012903	1	Seal Kit - 7021603 Cartridge	
4	7021610	2	Coil	
5	7017433	1	Cartridge without Coil (Swing)	
5	7017402	1	Seal Kit - 7017433 Cartridge	
5	7021609	1	Coil	
6	7021604	1	Cartridge without Coil (Swing Restrictor)	
6	7012953	1	Seal Kit - 7021604 Cartridge	
6	7021609	1	Coil	
7		Ref	Cartridge without Coil (Telescope In) Options:	
7	7017479	1	Cartridge <b>(Prior to SN 0300127575)</b>	
7	7012995	1	Cartridge <b>(SN 0300127575 through 0300138358)</b>	
7	7012518	1	Seal Kit - 7017479 & 7012995 Cartridges	
7	7021610	1	Coil	
8		Ref	Cartridge without Coil (Telescope Out) Options:	
8	7017479	1	Cartridge <b>(Prior to SN 0300127575)</b>	
8	7022394	1	Cartridge <b>(SN 0300127575 through 0300138358)</b>	
8	7012518	1	Seal Kit - 7017479 & 7022394 Cartridge	
8	7021610	1	Coil	
9	7017452	1	Cartridge without Coil (Platform Level)	
9	7017402	1	Seal Kit - 7017452 Cartridge	
9	7021609	2	Coil	
10	7017452	1	Cartridge without Coil (Rotator)	
10	7017402	1	Seal Kit - 7017452 Cartridge	
10	7021609	2	Coil	
11		Ref	Cartridge Options:	
11	7017423	1	Cartridge (Lower Lift Down) <b>(Prior to SN 0300127575)</b>	
11	7021606	1	Cartridge (Upper Lift Down) <b>(SN 0300127575 through</b>	

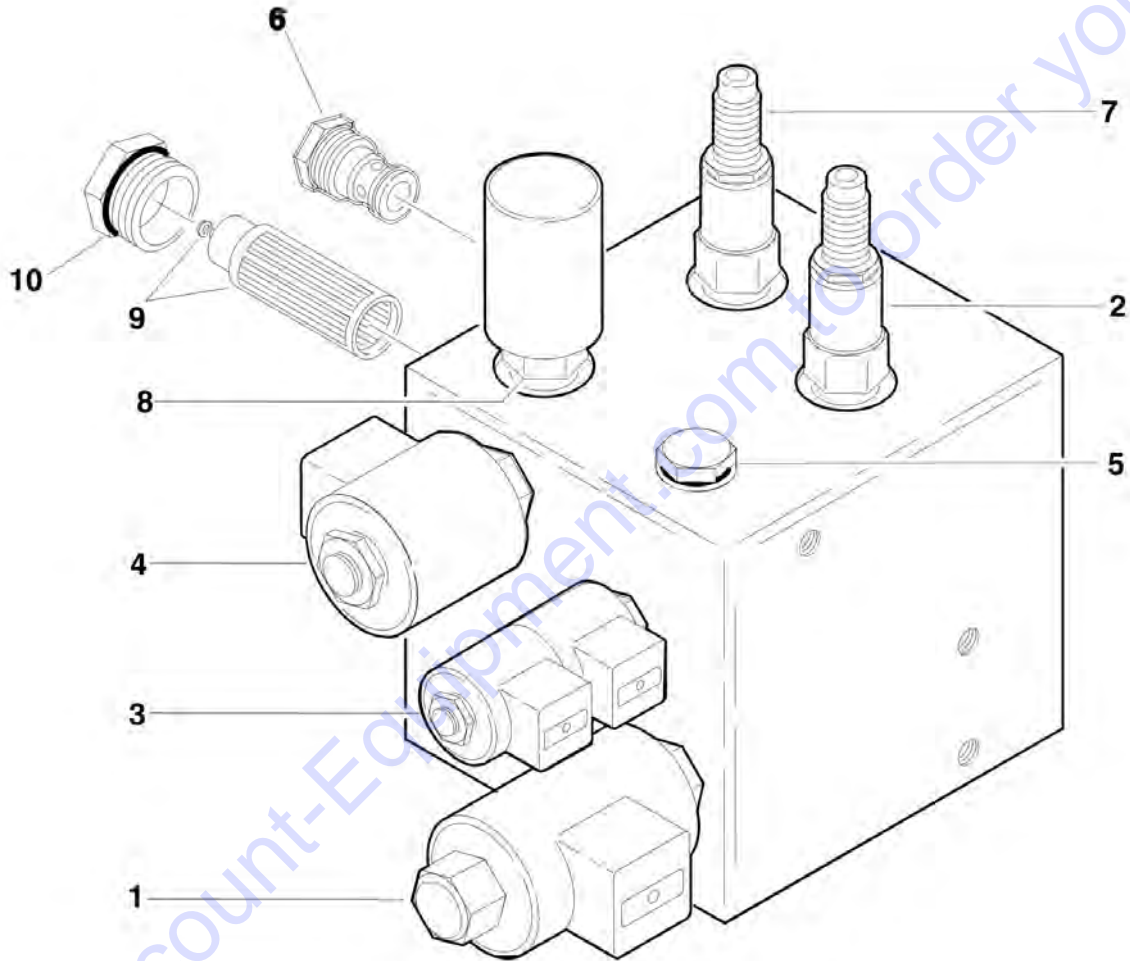
## SECTION 2 - TURNTABLE

ITEM	PART NUMBER	QTY	DESCRIPTION	REV
			<b>0300138358)</b>	
11	7012998	1	Seal Kit - 7017423 & 7021606 Cartridges	
12		Ref	Cartridge Options:	
12	7021606	1	Cartridge (Upper Lift Down) ( <b>Prior to SN 0300127575</b> )	
12	7017423	1	Cartridge (Lower Lift Down) ( <b>SN 0300127575 through 0300138358</b> )	
12	7012998	1	Seal Kit - 7017423 & 7021606 Cartridges	
13		Ref	Cartridge (Telescope) Options:	
13	7021607	1	Cartridge (Telescope) ( <b>Prior to SN 0300127575</b> )	
13	70001875	1	Cartridge (Telescope) ( <b>SN 0300127575 through 0300138358</b> )	
13	7012998	1	Cartridge (Telescope) Seal Kit - 70001875 & 7021607 Cartridge	
14		Ref	Cartridge (Platform Level Backward Piston End)	
14	7017421	1	Cartridge ( <b>Prior to SN 0300127575</b> )	
14	7017418	1	Cartridge ( <b>SN 0300127575 through 0300138358</b> )	
14	7012998	1	Seal Kit - 7017421 & 7017418 Cartridges	
15		Ref	Cartridge (Platform Level Forward Rod End) Options:	
15	7017422	1	Cartridge ( <b>Prior to SN 0300063313</b> )	
15	7017418	1	Cartridge ( <b>SN 0300063313 through 0300127574</b> )	
15	7017421	1	Cartridge ( <b>SN 0300127575 through 0300138358</b> )	
15	7012998	1	Seal Kit - 7017422, 7017421 & 7017418 Cartridges	
16	10837580	1	Cartridge (Telescope) (was p/n 7010542)	
16	7010543	1	Seal Kit - 7010542/10837580 Cartridge	
17	7012914	1	Cartridge (Platform Level Piston Side)	
17	7012918	1	Seal Kit - 7012914 Cartridge	
18		Ref	Cartridge/Plug Options:	
18	7012914	1	Cartridge (Platform Level Rod Side ( <b>Prior to SN 0300127575</b> ))	
18	7024845	1	Plug ( <b>SN 0300127575 through 0300138358</b> )	
18	7012918	1	Seal Kit - 7012914 Cartridge	
19	7012947	1	Cartridge, (Emergency Descent)	
19	7012518	1	Seal Kit - 7012947 Cartridge	
19		Ref	Knob Options:	
19	7012949	1	Knob ( <b>Prior to SN 0300127575</b> )	
19	7012961	1	Knob ( <b>SN 0300127575 through 0300138358</b> )	
20	70004019	1	Pump, Manual (was p/n 7012694)	
20	2900756	1	Seal Kit - 7012694/70004019 Cartridge	
21	See Note	1	Plug, Orifice .031in (Note: Not Available for Purchase)	
22		Ref	Disc, Orifice .028in	
22	7021624	1	Orifice ( <b>Prior to SN 0300127575</b> )	
22	See Note	1	Orifice (Note: Not Available for Purchase) ( <b>SN 0300127575 through 0300138358</b> )	
23	7017460	1	Cartridge (Swing Relief)	
23	7017461	1	Seal Kit - 7017460 Cartridge	
24		Ref	Cartridge/Plug Options:	
24	See Note	1	Plug (Note: Not Available for Purchase) ( <b>Prior to SN 0300127575</b> )	
24	7012914	1	Cartridge ( <b>SN 0300127575 through 0300138358</b> )	
24	7012918	1	Seal Kit - 7012914 Cartridge	



## SECTION 2 - TURNTABLE

FIGURE 2-3. STEER/BRAKE VALVE ASSEMBLY



**SECTION 2 - TURNTABLE**

**FIGURE 2-3. STEER/BRAKE VALVE ASSEMBLY**

ITEM	PART NUMBER	QTY	DESCRIPTION	REV
		Ref	<b>STEER/BRAKE VALVE ASSEMBLY</b>	
	4641113	Ref	<b>Steer/Brake Valve Assembly (Prior to SN 0300050453)</b>	B
	4641149	Ref	<b>Steer/Brake Valve Assembly (SN 0300053453 through 03000127574)</b>	F
	1001097506	Ref	<b>Steer/Brake Valve Assembly (SN 0300127575 through 0300138358)</b>	B
		Ref	<b>Note: Original Equipment Valve may have been replaced with Service Replacement Valve. Identify p/n stamped on valve before ordering parts.</b>	
1		Ref	Cartridge, Proportional without Coil (Flow Control) Options:	
1	7017450	1	Cartridge, Proportional without Coil (Flow Control) <b>(Prior to SN 0300050453)</b>	
1	7021611	1	Cartridge, Proportional without Coil (Flow Control) <b>(SN 0300050453 through 0300138358)</b>	
1	7012518	1	Seal Kit - 7017450/7021611 Cartridge	
1	7021618	1	Coil	
2		Ref	Cartridge, Relief (Main) Options:	
2	7012912	1	Cartridge, Relief (Main) <b>(Prior to SN 0300050453)</b>	
2	7021659	1	Cartridge, Relief (Main) <b>(SN 0300050453 through 0300138358)</b>	
2		Ref	Seal Kit - Cartridge Options:	
2	7012998	1	Seal Kit - 7012912 Cartridge <b>(Prior to SN 0300050453)</b>	
2	7012972	1	Seal Kit - 7021659 Cartridge <b>(SN 0300050453 through 0300138358)</b>	
3	7017433	1	Cartridge (Steer)	
3	7017402	1	Seal Kit - 7017433 Cartridge	
3	7021609	2	Coil	
4		Ref	Cartridge without Coil (Brake Release) Options:	
4	7017455	1	Cartridge without Coil (Brake Release) <b>(Prior to SN 0300050453)</b>	
4	7012941	1	Cartridge without Coil (Brake Release) <b>(SN 0300050453 through 0300138358)</b>	
4		Ref	Seal Kit - Cartridge Options:	
4	7017463	1	Seal Kit - 7017455 Cartridge <b>(Prior to SN 0300050453)</b>	
4	7010543	1	Seal Kit - 7012941 Cartridge <b>(SN 0300050453 through 0300138358)</b>	
4		Ref	Coil Options:	
4	7021610	1	Coil <b>(Prior to SN 0300050453)</b>	
4	7021609	1	Coil <b>(SN 0300050453 through 0300138358)</b>	
5		Ref	Cartridge, Check Options:	
5	7017412	1	Cartridge, Check <b>(Prior to SN 0300050453)</b>	
5	7022391	1	Cartridge, Check <b>(SN 0300050453 through 0300138358)</b>	
5	7012967	1	Seal Kit - 7017412 & 7022391 Cartridge	
6	7010542	1	Cartridge, Shuttle	
6	7010543	1	Seal Kit - 7010542 Cartridge	
7		Ref	Cartridge, Relief (Steer) Options:	
7	7012912	1	Cartridge, Relief (Steer) <b>(Prior to SN 0300050453)</b>	
7	7017428	1	Cartridge, Relief (Steer) <b>(SN 0300050453 through 0300102542)</b>	
7	7017488	1	Cartridge, Relief (Steer) <b>(SN 0300102543 through 0300138358)</b>	
7		Ref	Seal Kit - Cartridge Options:	

## SECTION 2 - TURNTABLE

ITEM	PART NUMBER	QTY	DESCRIPTION	REV
7	7012953	1	Seal Kit - 7012912 Cartridge <b>(Prior to SN 0300050453)</b>	
7	7012998	1	Seal Kit - 7017428 & 7017488 Cartridges <b>(SN 0300050453 through 0300138358)</b>	
8	7021619	1	Switch, Pressure	
9	7021616	1	Cartridge, Filter	
10	7024832	1	Plug	

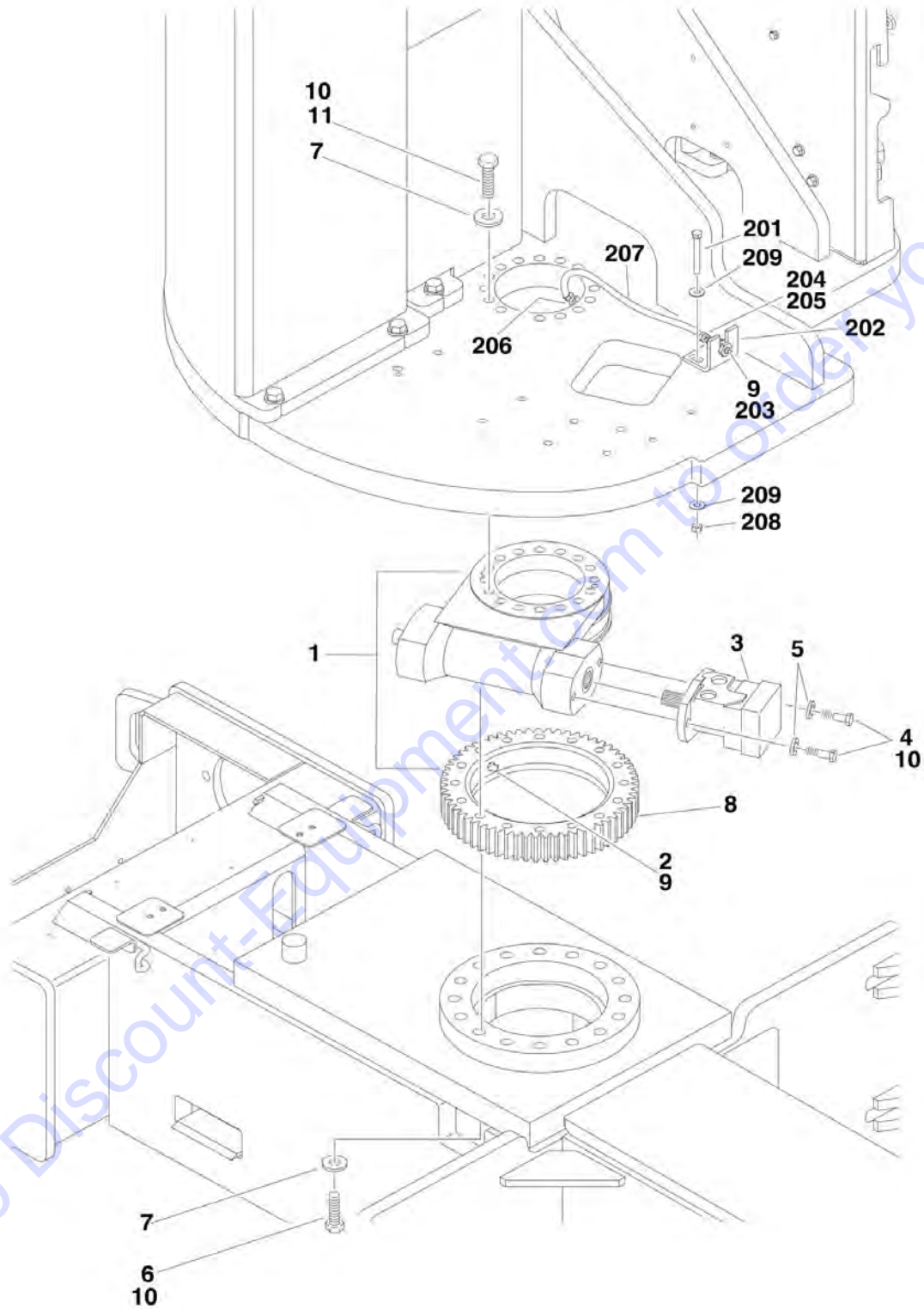
Go to Discount-Equipment.com to order your parts





## SECTION 2 - TURNTABLE

FIGURE 2-4. TURNTABLE BEARING AND SWING DRIVE INSTALLATION



## SECTION 2 - TURNTABLE

### FIGURE 2-4. TURNTABLE BEARING AND SWING DRIVE INSTALLATION

ITEM	PART NUMBER	QTY	DESCRIPTION	REV
	0258987	Ref	<b>TURNTABLE BEARING AND SWING INSTALLATION</b>	10
1		Ref	Bearing/Worm Assembly Options (See SWING BEARING ASSEMBLY for Breakdown):	
1	0440202	NLA	Bearing/Worm Assembly (Use p/n 0440338) <b>(Prior to SN 0300097889)</b>	
1	0440338	1	Bearing/Worm Assembly <b>(SN 0300097889 through 0300138358)</b>	
2	2160003	1	Fitting, Elbow	
3		Ref	Swing Motor Assembly	
3	3160182	NLA	Swing Motor Assembly (Kit includes p/n 1001104851 motor and mounting hardware) (Use p/n 1001105456 - See SWING MOTOR ASSEMBLY (WHITE ROLLER STATOR) for Breakdown) <b>(Prior to SN 0300135648)</b>	
3	1001104851	1	Swing Motor Assembly (See SWING MOTOR ASSEMBLY (PARKER) for Breakdown) <b>(SN 0300135648 through 0300138358)</b>	
4		Ref	Bolt 1/2in-13NC Options: <b>(Prior to SN 0300099082)</b>	
4	0681814	2	Bolt 1/2in-13NC x 1-7/8in (Grade 8) <b>(Prior to SN 0300099082)</b>	
4	0681816	2	Bolt 1/2in-13NC (Grade 8) <b>(SN 0300099082 through 0300135647)</b>	
4	3931832	2	Bolt 1/2in-13NC (Socket Head Capscrew) <b>(SN 0300135648 through 0300138358)</b>	
5	4740171	2	Washer, Hardened	
6		Ref	Bolt Options:	
6	0682036	16	Bolt 5/8in-11NC x 4-1/2in (Grade 8)	
6	0682040	16	Bolt 5/8in-11NC x 5in (Grade 8)	
7	4892000	32	Washer, Hardened	
8	3020036	AR	Lube	
9	3020029	AR	Grease	
10	0100019	AR	Compound, Locking	
11	0682036	16	Bolt 5/8in-11NC x 4-1/2in (Grade 8)	
	0259005	Ref	<b>REMOTE BEARING LUBE INSTALLATIONS</b>	A
201	0641624	1	Bolt 3/16in-16NC x 3in	
202	0902520	1	Bracket	
203	2160002	1	Fitting, Grease	
204	2180344	1	Fitting, Bulkhead	
205	2220001	1	Fitting, Straight	
206	2220124	1	Fitting, Elbow	
207	2750529	1	Hose	
208	3311605	1	Locknut 3/8in-16NC	
209	4751600	2	Flatwasher 3/8in Regular	

# PARTS FINDER

**Search Website  
by Part Number**



**Search Manual  
Library For Parts  
Manual & Lookup Part  
Numbers – Purchase  
or Request Quote**

**Search Manuals**

Part Number:

Serial Number:

Make:

Model:

Part Name:

Quantity:

Comments:

**Can't Find Part or  
Manual? Request Help  
by Manufacturer,  
Model & Description**

**Parts Order Form**

Manufacturer:

Model:

Description:

Quantity:

Comments:

Discount-Equipment.com is your online resource for quality parts & equipment.

Florida: **561-964-4949** Outside Florida TOLL FREE: **877-690-3101**

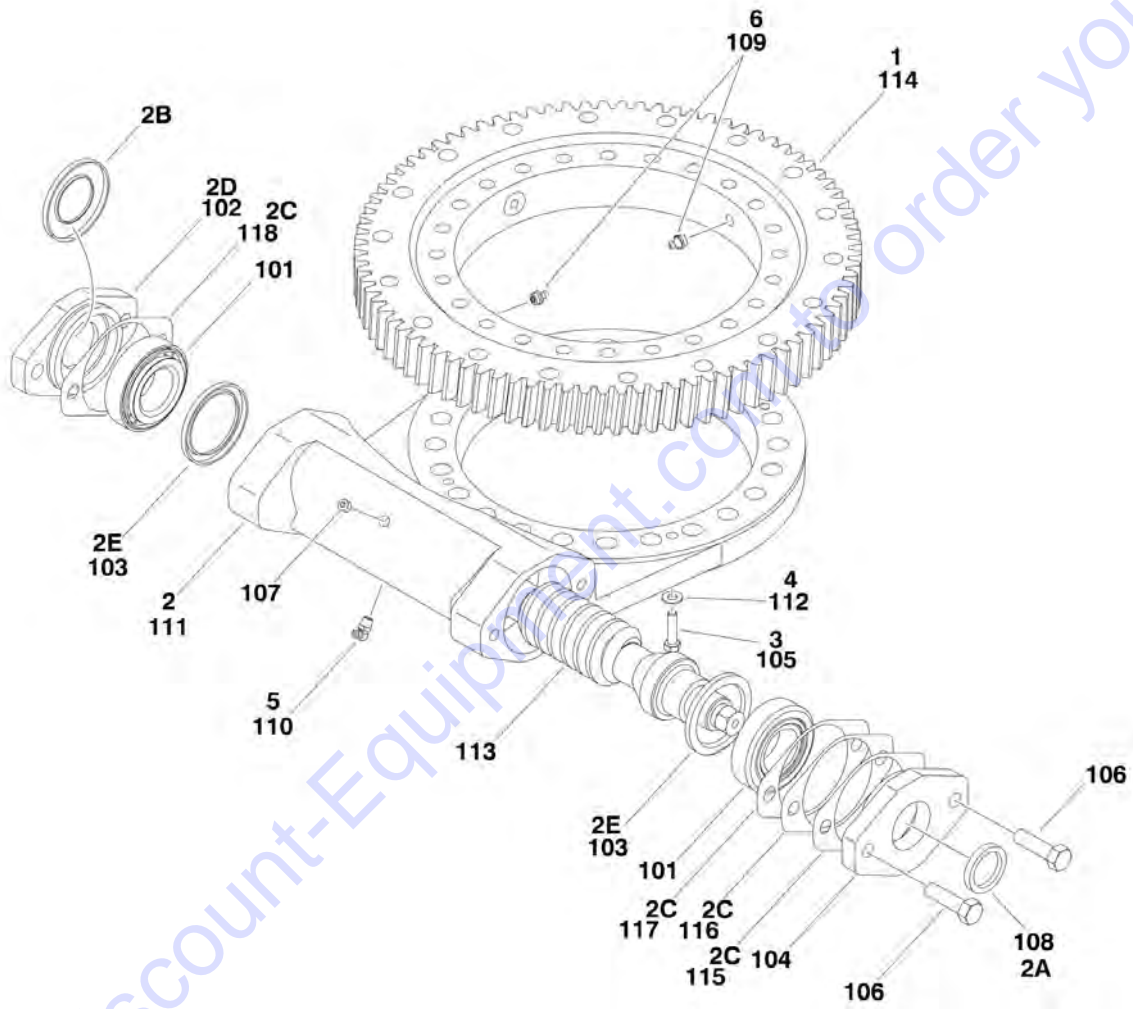
**Need parts?**

Click on this link: <http://www.discount-equipment.com/category/5443-parts/> and choose one of the options to help get the right parts and equipment you are looking for. Please have the machine model and serial number available in order to help us get you the correct parts. If you don't find the part on the website or on one of the online manuals, please fill out the request form and one of our experienced staff members will get back to you with a quote for the right part that your machine needs.

We sell worldwide for the brands: Genie, Terex, JLG, MultiQuip, Mikasa, Essick, Whiteman, Mayco, Toro Stone, Diamond Products, Generac Magnum, Airman, Haulotte, Barreto, Power Blanket, Nifty Lift, Atlas Copco, Chicago Pneumatic, Allmand, Miller Curber, Skyjack, Lull, Skytrak, Tsurumi, Husquvarna Target, Stow, Wacker, Sakai, Mi-T-M, Sullair, Basic, Dynapac, MBW, Weber, Bartell, Bennar Newman, Haulotte, Ditch Runner, Menegotti, Morrison, Contec, Buddy, Crown, Edco, Wyco, Bomag, Laymor, EZ Trench, Bil-Jax, F.S. Curtis, Gehl Pavers, Heli, Honda, ICS/PowerGrit, IHI, Partner, Imer, Clipper, MMD, Koshin, Rice, CH&E, General Equipment, Amida, Coleman, NAC, Gradall, Square Shooter, Kent, Stanley, Tamco, Toku, Hatz, Kohler, Robin, Wisconsin, Northrock, Oztec, Toker TK, Rol-Air, APT, Wylie, Ingersoll Rand / Doosan, Innovatech, Con X, Ammann, Mecalac, Makinex, Smith Surface Prep, Small Line, Wanco, Yanmar

## SECTION 2 - TURNTABLE

### FIGURE 2-5. SWING BEARING ASSEMBLY



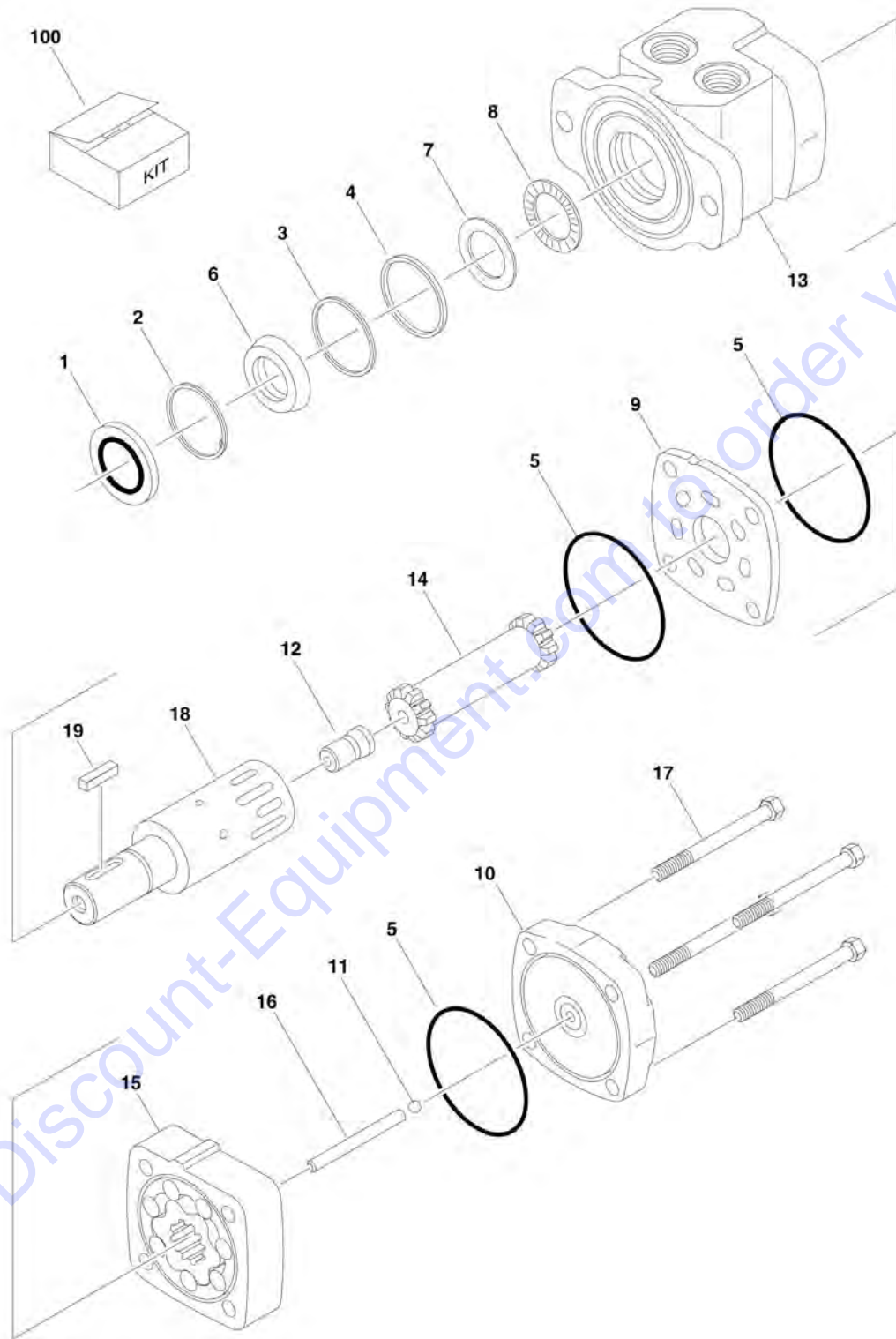
## SECTION 2 - TURNTABLE

### FIGURE 2-5. SWING BEARING ASSEMBLY

ITEM	PART NUMBER	QTY	DESCRIPTION	REV
		Ref	<b>Note: Original Equipment Swing Bearing may have been replaced with Service Replacement Swing Bearing. Visually identify component before ordering parts.</b>	
	0440202	Ref	<b>SWING BEARING ASSEMBLY (Prior to SN 0300097889)</b>	E
		Ref	<b>Note: Items 1-6 are the only service components available.</b>	
1	7012584	1	Bearing, Turntable	
2	7012585	1	Swing Rotation Box Assembly	
2A	7012654	1	Seal, Outer - Capped End (1.75 OD)	
2A	7016676	1	Seal, Outer - Capped End (2.063 OD)	
2B	7012655	1	Seal, Outer - Motor End	
2C	7016682	1	Shims Kit	
2D	7023484	1	Cap, End	
2E	7027730	2	Seal, Inner	
3	3931414	2	Bolt, Socket Head 1/4in-20NC	
4	4761400	2	Lockwasher 1/4in	
5		Ref	Fitting Options:	
5	2160001	AR	Fitting, Grease	
5	See Note	AR	Plug (Note: Not Available for Purchase)	
6	See Note	2	Fitting, Grease (Note: See TURNTABLE AND SWING DRIVE INSTALLATION)	
	0440338	Ref	<b>SWING BEARING ASSEMBLY (SN 0300097889 through 0300138358)</b>	C
101	7026042	2	Cup, Bearing	
101	7026043	2	Cone, Bearing	
102	7027356	1	Adapter, Motor	
103	7027361	2	Seal	
104	7027354	1	Cap, End	
105	70000864	2	Bolt, 1/4in-20 x 1-1/8in	
106	0641812	2	Bolt, 1/2in-13 x 1-1/2in	
107	70000865	1	Plug	
108	7027360	1	Seal	
109	See Note	2	Fitting, Grease (Note: See TURNTABLE AND SWING DRIVE INSTALLATION)	
110	7027358	2	Fitting, Grease	
111	0440338	1	Housing	
112	4891400	2	Flatwasher, 1/4in Hardened	
113	70000866	1	Gear, Worm	
114	1001104629	1	Ring Gear Kit (was p/n 70000867) (Kit Includes Ring Gear and Mounting Hardware)	
115	7027352	AR	Gasket, .010 (Brown)	
116	7027351	AR	Gasket, .0075 (Clear)	
117	7027350	AR	Gasket, .005 (Blue)	
118	7027353	1	Gasket, .020 (Yellow)	

## SECTION 2 - TURNTABLE

FIGURE 2-6. SWING MOTOR ASSEMBLY (WHITE ROLLER STATOR)



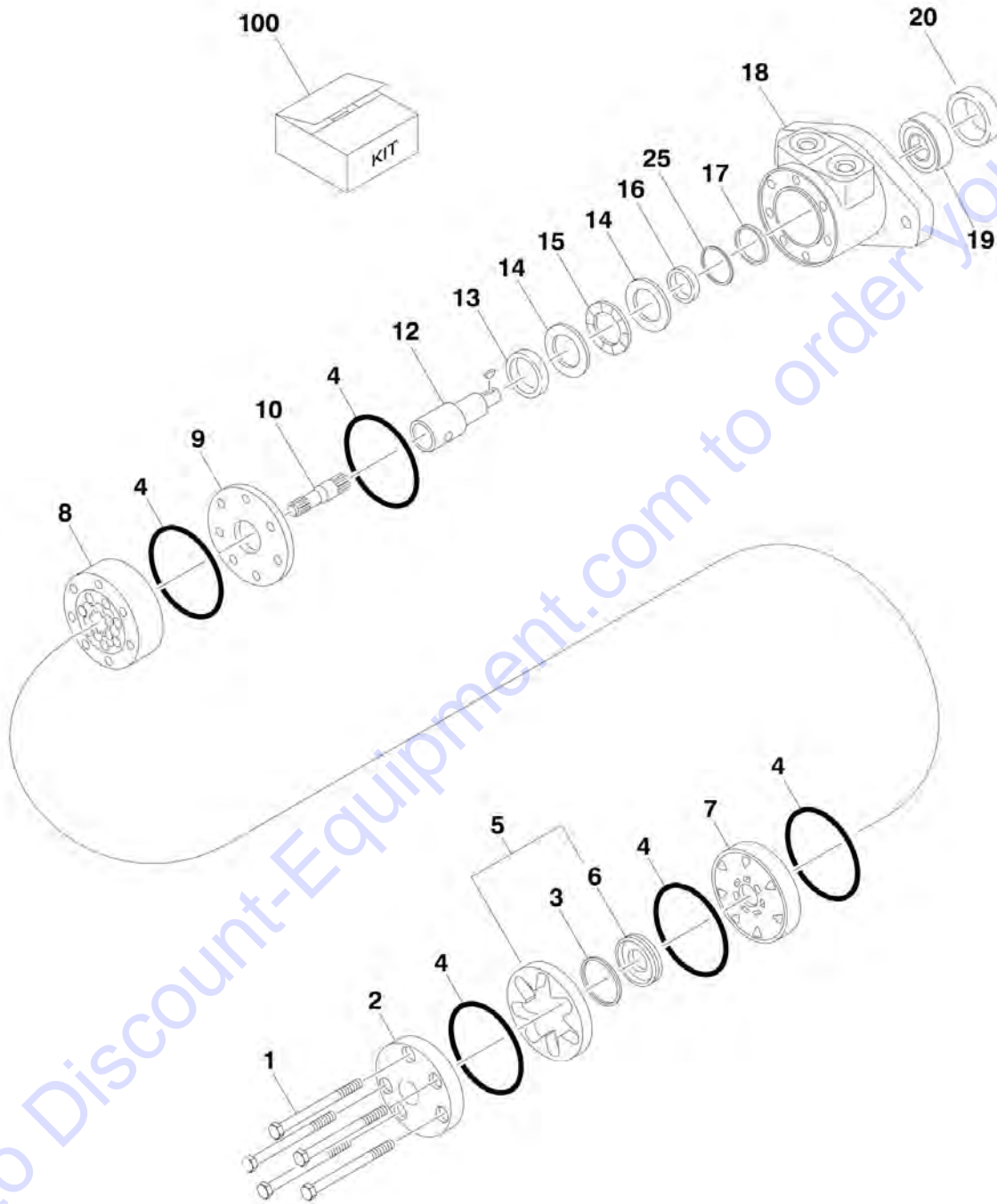
## SECTION 2 - TURNTABLE

**FIGURE 2-6. SWING MOTOR ASSEMBLY (WHITE ROLLER STATOR)**

ITEM	PART NUMBER	QTY	DESCRIPTION	REV
	3160182	Ref	<b>SWING MOTOR ASSEMBLY</b>	D
1	See Note	NSS	Seal, Dust (Note: Use Item 100)	
2	See Note	NSS	Ring, Retainer (Note: Use Item 100)	
3	See Note	NSS	Shim, Back-up (Note: Use Item 100)	
4	See Note	NSS	Seal, Housing (Note: Use Item 100)	
5	See Note	NSS	Seal, Body (Note: Use Item 100)	
6	See Note	NSS	Seal, Shaft (Note: Use Item 100)	
6	See Note	NSS	Ring, Teflon Back-up (Note: Use Item 100)	
6	See Note	NSS	Shim, Back-up (Note: Use Item 100)	
7	7016417	1	Thrustwasher	
8	7005809	1	Bearing, Thrust	
9	7005812	1	Plate, Wear	
10	7005874	1	Cover, End	
11	See Note	AR	Ball (Part of Item 10) (Note: Not Available for Purchase)	
12	7005876	1	Plug, Cooling	
13	7005804	1	Housing	
14	7005811	1	Link, Drive	
15	7005877	1	Rotor Set Assembly	
16	7005878	AR	Pin, Drive Link	
17	7005821	4	Bolt	
18	7005879	1	Shaft	
19	7005880	1	Key	
100	7005881	1	Seal Kit (Includes Items 1-6)	

## SECTION 2 - TURNTABLE

FIGURE 2-7. SWING MOTOR ASSEMBLY (PARKER)





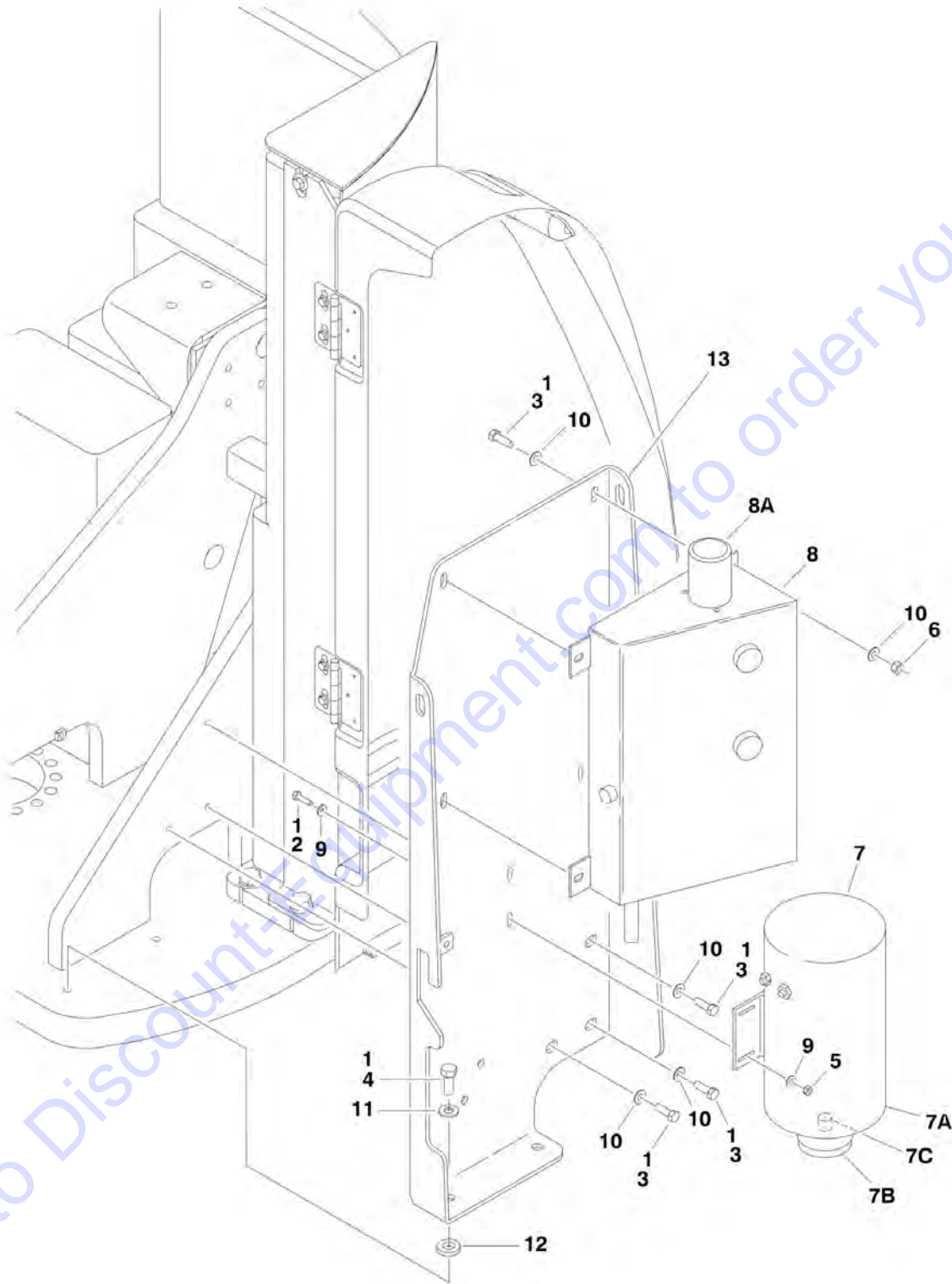
**SECTION 2 - TURNTABLE**

**FIGURE 2-7. SWING MOTOR ASSEMBLY (PARKER)**

ITEM	PART NUMBER	QTY	DESCRIPTION	REV
	1001104851	Ref	<b>SWING MOTOR ASSEMBLY (PARKER)</b>	A
1	70002243	5	Bolt	
2	7004035	1	Cover, End	
3	See Note	NSS	Seal, Commutator (Note: Use Item 100)	
4	See Note	NSS	Seal, Ring (Note: Use Item 100)	
5	7024453	1	Commutator and Ring Assembly	
6	7024453	1	Ring	
7	7024379	1	Manifold	
8	70002208	1	Rotor Set	
9	7024380	1	Plate, Wear	
10	83304150	1	Link, Drive	
12	70000088	1	Shaft, Coupling	
12	70000089	1	Key, Woodruff	
13	7024381	1	Bushing, Bronze	
14	7004043	2	Thrustwasher	
15	7004044	1	Bearing, Thrust	
16	See Note	NSS	Seal, Inner (Note: Use Item 100)	
17	See Note	NSS	Washer, Back-up (Note: Use Item 100)	
18	1001104851	1	Housing	
19	7024390	1	Bearing	
20	See Note	NSS	Seal (Note: Use Item 100)	
25	See Note	NSS	Washer, Back-up (Note: Use Item 100)	
100	7024389	1	Seal Kit (Includes Items 3, 4, 16, 17, 20 & 25)	

## SECTION 2 - TURNTABLE

FIGURE 2-8. PUMP, MOTOR AND TANK INSTALLATION



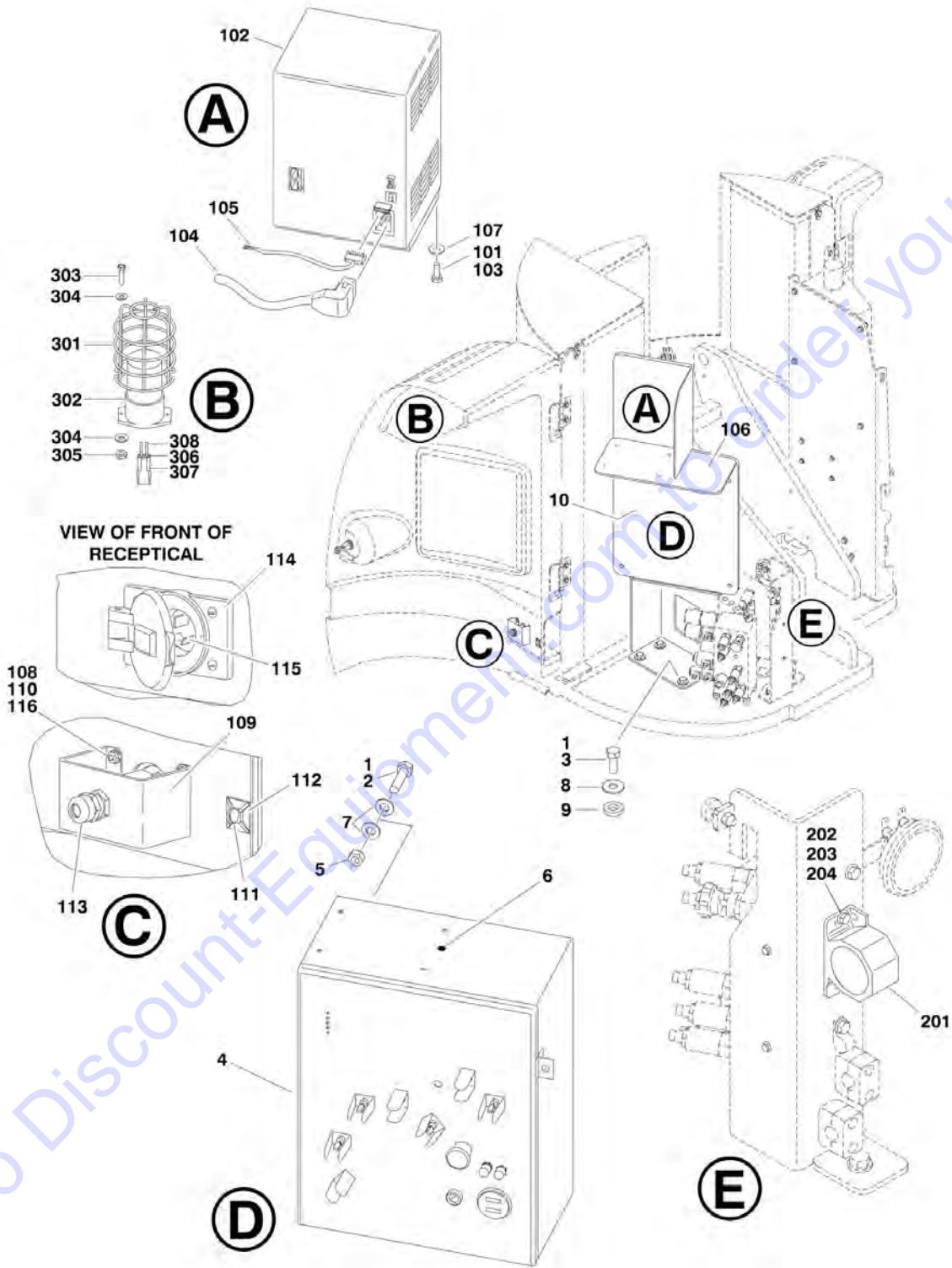
## SECTION 2 - TURNTABLE

### FIGURE 2-8. PUMP, MOTOR AND TANK INSTALLATION

ITEM	PART NUMBER	QTY	DESCRIPTION	REV
	0258983	Ref	<b>PUMP, MOTOR AND TANK INSTALLATIONS</b>	G
1	0100011	AR	Compound, Locking	
2	0641408	4	Bolt 1/4in-20NC x 1in	
3	0641609	7	Bolt 3/8in-16NC x 1 1/8in	
4	0641810	2	Bolt 1/2in-13NC x 1 1/4in	
5	3311401	4	Nut 1/4in-20NC	
6	3311601	4	Nut 3/8in-16NC	
7	3600289	NLA	Pump/Motor Assembly (Use p/n 3600302)	
7A		Ref	Motor Assembly Options:	
7A	7021318	1	Motor Assembly ( <b>Prior to SN 0300047082</b> )	
7A	7021360	1	Motor Assembly ( <b>SN 0300047082 through 0300138358</b> )	
7A		Ref	Brush Kit Options:	
7A	7021368	1	Brush Kit ( <b>Prior to SN 0300047082</b> )	
7A	7021361	1	Brush Kit ( <b>SN 0300047082 through 0300138358</b> )	
7A	7022526	1	Seal, Shaft	
7B	7021319	1	Pump Assembly	
7B	7021377	1	Seal Kit	
7C	7021367	1	Coupling	
8	4400419	1	Tank, Hydraulic	
8A	7021320	1	Cap	
9		Ref	Flatwasher Options:	
9	4711400	8	Flatwasher ( <b>Prior to SN 0300100059</b> )	
9	4751400	8	Flatwasher ( <b>SN 0300100059 through 0300138358</b> )	
10	4711600	AR	Flatwasher 3/8in Thin	
11		Ref	Flatwasher 1/2in Thin Options:	
11	4711800	NLA	Flatwasher 1/2in Thin (Use p/n 4891800) ( <b>Prior to SN 0300055743</b> )	
11	4891800	2	Flatwasher 1/2in Thin ( <b>SN 0300055743 through 0300138358</b> )	
12	4740393	13	Flatwasher, Special	
13	4846022	1	Plate, Mounting	
17	4891600	3	Flatwasher, 3/8in Hardened ( <b>SN 0300100059 through 0300138358</b> )	

# SECTION 2 - TURNTABLE

## FIGURE 2-9. ELECTRICAL COMPONENTS INSTALLATION



## SECTION 2 - TURNTABLE

### FIGURE 2-9. ELECTRICAL COMPONENTS INSTALLATION

ITEM	PART NUMBER	QTY	DESCRIPTION	REV
		Ref	<b>GROUND CONTROL BOX INSTALLATIONS</b>	
	0259374	Ref	<b>Ground Control Box Installations E300A</b>	B
	0259373	Ref	<b>Ground Control Box Installations E300AJ</b>	C
	0259372	Ref	<b>Ground Control Box Installations E300AJP</b>	C
1	0100011	AR	Compound, Locking	
2	0641510	6	Bolt 5/16in-18NC x 1-1/4in	
3	0641810	4	Bolt 1/2in-13NC x 1-1/4in	
4		Ref	Ground Control Box Assemblies Options (See GROUND CONTROL BOX ASSEMBLY for Breakdown):	
4	0861296	1	Ground Control Box Assemblies E300A	
4		Ref	Ground Control Box Assemblies E300AJ	
4	0861297	1	Ground Control Box Assemblies ( <b>Prior to SN 0300099776</b> )	
4	1810130	1	Ground Control Box Assemblies ( <b>SN 0300099776 through 0300138358</b> )	
4		Ref	Ground Control Box Assemblies E300AJP	
4	0861298	1	Ground Control Box Assemblies ( <b>Prior to SN 0300099776</b> )	
4	1810132	1	Ground Control Box Assemblies ( <b>SN 0300099776 through 0300138358</b> )	
5	3311501	6	Nut 5/16in-18NC	
6	3520028	1	Hole Plug	
7	4711500	12	Flatwasher 5/16in Thin	
8	4711800	4	Flatwasher 1/2in Thin	
9	4740393	4	Flatwasher, Special	
10	4845964	1	Support	
		Ref	<b>BATTERY CHARGER INSTALLATIONS</b>	
	0259047	Ref	<b>120-240V/50-60Hz (CE Spec) (Prior to SN 0300109330)</b>	C
	0275730	Ref	<b>120-240V/50-60Hz (CE Spec) (SN 0300109330 through 0300138358)</b>	B
	0259048	Ref	<b>250V/50Hz (Australian Spec)</b>	C
101	0100011	AR	Compound, Locking	
102		Ref	Battery Charger Assembly Options (See BATTERY CHARGER ASSEMBLY for Breakdown):	
102	0400190	1	Battery Charger Assembly 120-240V/50-60Hz (CE Spec)	
102	0400191	1	Battery Charger Assembly 250V/50Hz (Australian Spec)	
103	0641406	4	Bolt 1/4in-20NC x 3/4in	
104	1060759	1	Cable, Battery	
105	1060753	1	Cable, Remote	
106	3571492	1	Plate, Mounting	
107	4751400	4	Flatwasher 1/4in Regular	
108	3311005	4	Locknut #10-24NC	
109	3571584	1	Plate, Mounting	
110	3911016	4	Screw #10-24NC x 1in	
111	4240032	1	Tie, Wire	
112	4460234	1	Tie-Strap	
113	4460428	1	Connector, Strain Relief	
114	4460802	1	Terminal and Cover (0259047 & 0259048 Installations Only)	
115		Ref	Plug Options:	
115		Ref	Plug 110-230V/50-60Hz (CE Spec) (See ELECTRICAL SECTION for Breakdown)	
115	4460805	1	Plug 250V/50Hz (Australian Spec)	
116	4751000	AR	Flatwasher #10 Regular	

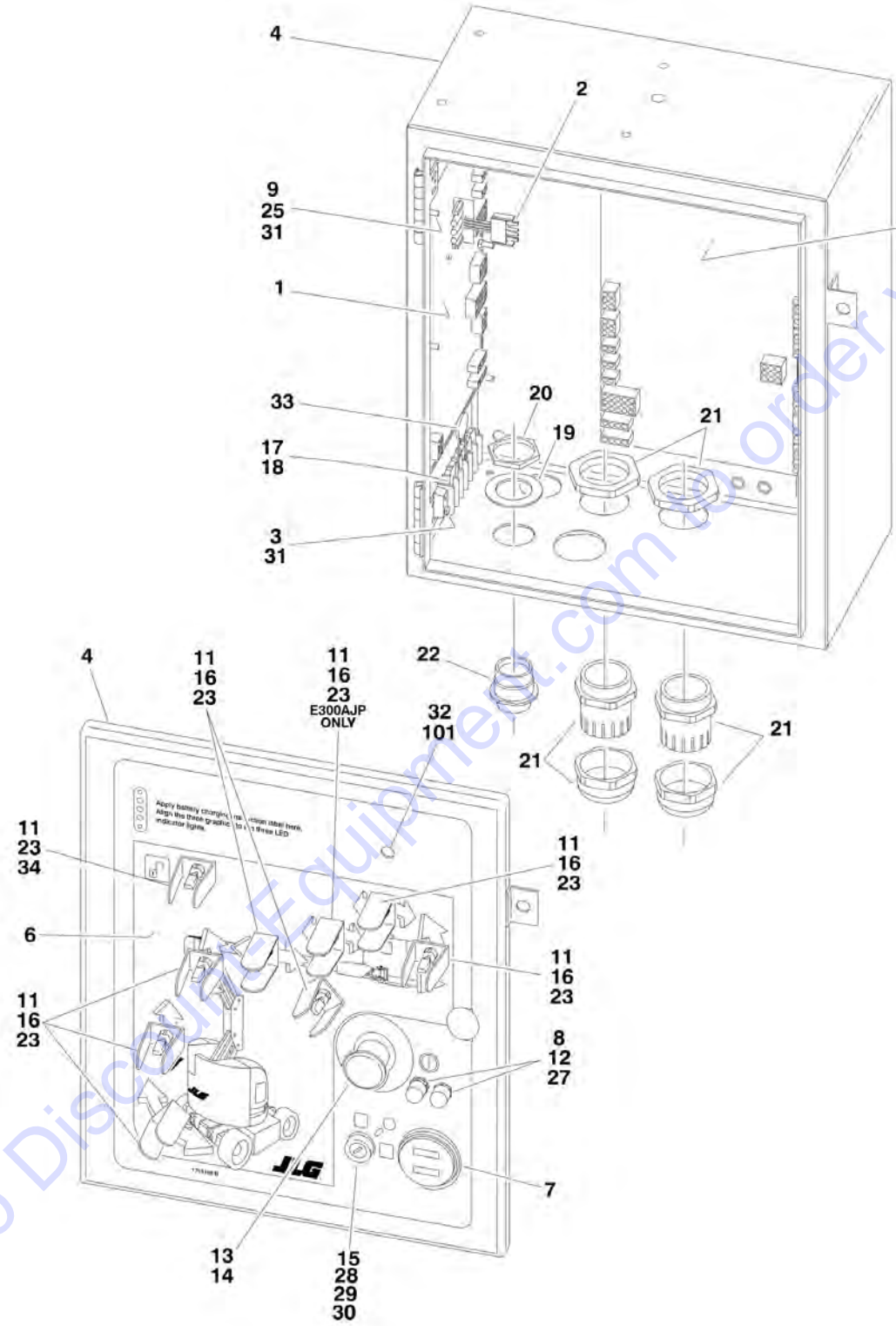
## SECTION 2 - TURNTABLE

ITEM	PART NUMBER	QTY	DESCRIPTION	REV
	0259041	Ref	<b>ALARM INSTALLATIONS</b>	A
201	0140031	1	Alarm, Motion	
202	0641406	2	Bolt 1/4in-20NC x 3/4in	
203	3311405	2	Locknut 1/4in-20NC	
204	4711400	4	Flatwasher 1/4in Thin	
	0259043	Ref	<b>STROBE LIGHT INSTALLATION (AMBER) (OPTIONAL)</b>	B
		Ref	<b>Note: If machine is equipped with BLUE Strobe Light, See SPECIAL OPTIONS SECTION for SkyGuard Kit.</b>	
301	4060865	1	Guard, Strobe	
302	2920146	1	Light, Strobe	
302	7016319	1	Bulb, Light	
302	7016372	1	Lens	
303	0721008	2	Bolt #10-24NC x 1in	
304	3311005	2	Locknut #10-24NC	
305	4751000	4	Flatwasher #10 Regular	
306	4460424	1	Terminal, 2 Position	
307	4460226	2	Socket Contact	
308	2820035	0.33 ft /.1m	1/4 Expandable Loom	



# SECTION 2 - TURNTABLE

FIGURE 2-10. GROUND CONTROL BOX ASSEMBLY





## SECTION 2 - TURNTABLE

### FIGURE 2-10. GROUND CONTROL BOX ASSEMBLY

ITEM	PART NUMBER	QTY	DESCRIPTION	REV
		Ref	<b>GROUND CONTROL BOX ASSEMBLIES</b>	
	0861296	Ref	<b>Ground Control Box Assemblies E300A</b>	G
		Ref	<b>Ground Control Box Assemblies E300AJ</b>	
	0861297	Ref	<b>Ground Control Box Assemblies (Prior to SN 0300099776)</b>	I
	1810130	Ref	<b>Ground Control Box Assemblies (SN 0300099776 through 0300138358)</b>	C
		Ref	<b>Ground Control Box Assemblies E300AJP</b>	
	0861298	Ref	<b>Ground Control Box Assemblies (Prior to SN 0300099776)</b>	I
	1810132	Ref	<b>Ground Control Box Assemblies (SN 0300099776 through 0300138358)</b>	C
1		Ref	Module, Control Options:	
		Ref	<b>Note: Reclibration Required when Replaced.</b>	
1	0610129	NLA	Module Control (Use p/n 1001109497) <b>(Prior to SN 0300059838)</b>	
1	0610139	NLA	Module Control (Use p/n 1001109497) <b>(SN 0300059838 through 0300072453)</b>	
1	0610166	NLA	Module Control (Use p/n 1001109497) <b>(SN 0300072454 through 0300138358)</b>	
2	0610131	1	LED, Battery Charger	
3	0731005	1	Bolt #10-24NC x 5/8in	
4	0861253	1	Box	
5	1600292	1	Module, Power	
		Ref	<b>Note: Reclibration Required when Replaced.</b>	
6		Ref	Decal Options:	
6	1704196	1	Decal E300A	
6		Ref	Decal E300AJ	
6	1704197	1	Decal <b>(Prior to SN 0300072732)</b>	
6	1705737	1	Decal <b>(SN 0300072732 through 0300099775)</b>	
6	1707012	1	Decal <b>(SN 0300099776 through 0300138358)</b>	
6		Ref	Decal E300AJP	
6	1704266	1	Decal <b>(Prior to SN 0300072732)</b>	
6	1705738	1	Decal <b>(SN 0300072732 through 0300099775)</b>	
6	1706934	1	Decal <b>(SN 0300099776 through 0300138358)</b>	
7	2420106	1	Gauge	
8	3300396	2	Cover	
9	3310601	6	Nut #6-32NC	
10	3311501	4	Locknut 5/16in-18NC	
11	4060906	AR	Guard, Switch	
12	4360070	2	Breaker, Circuit-10AMP	
13	4360476	AR	Contact	
14	4360475	1	Switch, Emergency Stop	
14	7020175	1	Mushroom Head	
14	7020176	1	Contact	
15	4360470	1	Keyswitch	
15	7020174	AR	Key, Replacement	
16	4360328	AR	Switch, Toggle	
17	4460007	1	Bar, Buss	
18	4460264	2	Jumper	
19	4460496	1	Lockwasher, Terminal	
20	4460497	1	Nut, Terminal	
21	4460526	2	Connector, Strain Relief	

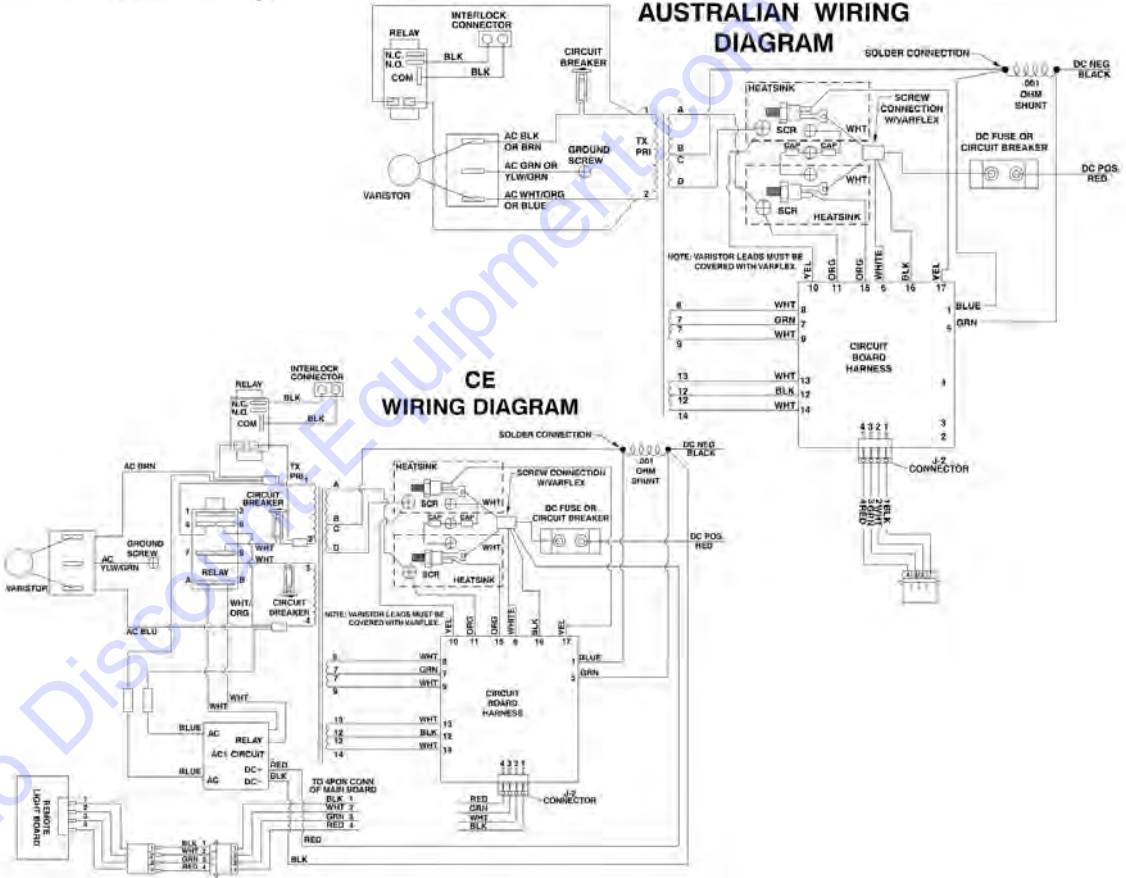
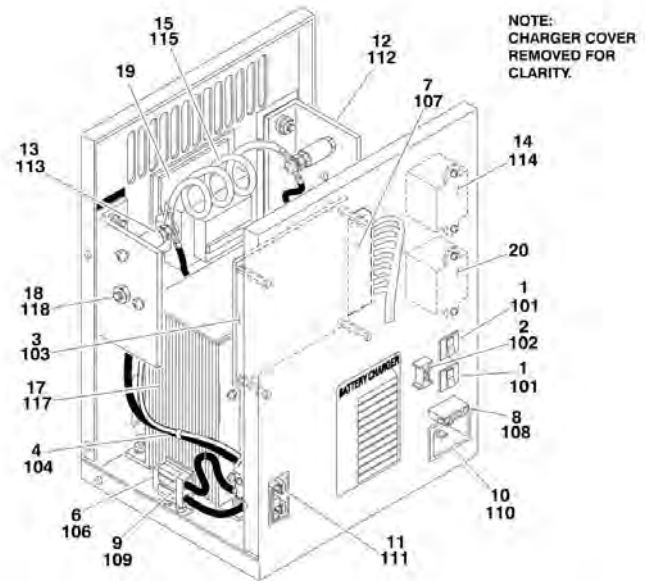
## SECTION 2 - TURNTABLE

ITEM	PART NUMBER	QTY	DESCRIPTION	REV
22	4460752	1	Connector - 14 Position	
23	4740420	AR	Washer, O-Ring	
24	4711500	4	Flatwasher 5/16in Thin	
25	4760600	6	Flatwasher #6	
27	3790012	2	O-Ring	
28	3910804	6	Bolt #8-32NC x 1/4in	
29	4070987	1	Spacer, Plastic	
30	4070991	1	Spacer, Plastic	
31	0100035	AR	Compound, Locking	
32	3520028	1	Plug, Hole (SN 0300072732 through 0300138358)	
33	3990106	1	Limiter, Inrush	
34	4360330	1	Switch, Toggle	
	0273151	Ref	<b>INDICATOR LAMP INSTALLATION</b>	A
101	2920151	1	Light, LED	
101	4460226	2	Socket, Female	
101	4460424	1	Connector, Female - 2 Position	
101	4922926	1	Harness	



# SECTION 2 - TURNTABLE

## FIGURE 2-11. BATTERY CHARGER ASSEMBLY



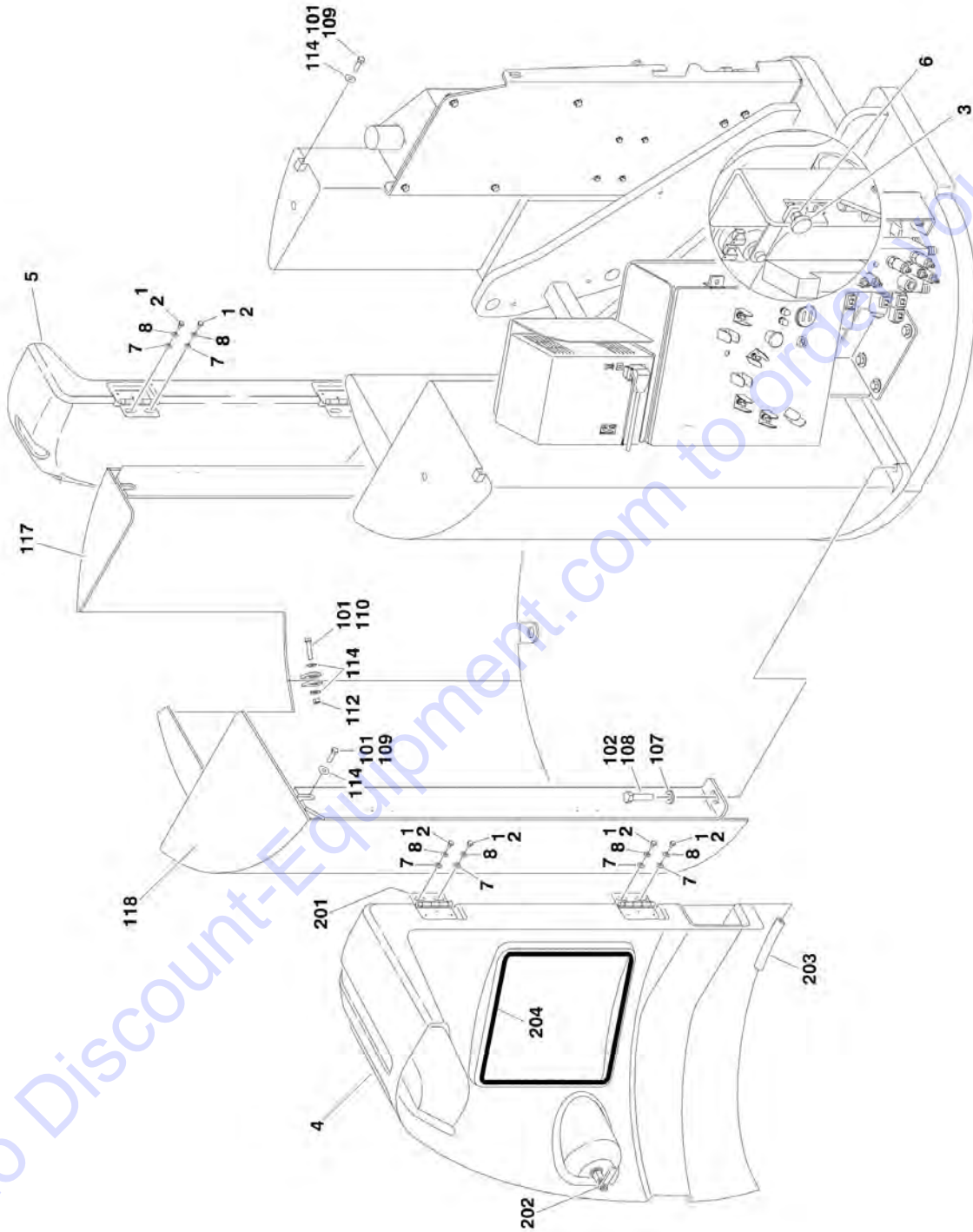
## SECTION 2 - TURNTABLE

### FIGURE 2-11. BATTERY CHARGER ASSEMBLY

ITEM	PART NUMBER	QTY	DESCRIPTION	REV
		Ref	<b>BATTERY CHARGER ASSEMBLIES</b>	
	0400190	Ref	<b>110-230V/50-60Hz (CE Spec)</b>	B
1	7020653	2	Breaker, Circuit - 10 Amp	
2	7011621	1	Connector - 2 Position	
3	7022924	1	PC Board (was p/n 7020643)	
4	7020644	1	Cord, DC	
5	7018571	1	Holder, Fuse (Not Shown)	
6	7018570	1	Fuse - 80 DC Amp	
7	7020645	1	Harness - 17 Position	
8	7020646	1	Harness - 4 Position	
9	7018571	1	Holder, Fuse	
10	7020648	1	Plug, AC Inlet	
11	7011590	1	Plug, DC	
12	7020649	2	Rectifier, Replacement	
13	7020650	2	SCR, Replacement	
14	7020654	1	Relay	
15	7020651	1	Shunt Assembly	
16	7011529	2	Connector, Strain Relief (Not Shown)	
17	7020662	1	Transformer	
18	7018537	1	Varistor	
19	7020640	1	Controller - AC	
20	7018564	1	Relay	
	0400191	Ref	<b>250V/50Hz (Australian Spec)</b>	C
101	7020653	2	Breaker, Circuit - 10 Amp	
102	7011621	1	Connector - 2 Position	
103	7022924	1	PC Board (was p/n 7020643 or 7022906)	
104		Ref	DC Cord Options:	
104	7020644	1	DC Cord Use with 80 or 50 Amp Automotive Fuse	
104	7022910	1	DC Cord Use with 45 Amp Fuse	
105	7018571	1	Holder, Fuse (Not Shown)	
106		Ref	Fuse - DC Options:	
106	7018570	1	Fuse - DC 80 Amp (Automotive Fuse)	
106	7020690	1	Fuse - DC 50 Amp (Automotive Fuse)	
106	7011593	1	Fuse - DC 45 Amp	
107	7020645	1	Harness - 17 Position	
108	7020646	1	Harness - 4 Position	
109		Ref	Fuse Holder Options:	
109	7018571	1	Fuse Holder 80 Amp (Automotive Fuse)	
109	7020691	1	Fuse Holder 50 Amp (Automotive Fuse)	
109	7011594	1	Fuse Holder 45 Amp	
110	7020648	1	Plug, AC Inlet	
111	7011590	1	Plug, DC	
112	7020649	2	Rectifier, Replacement	
113	7020650	2	SCR, Replacement	
114	7018535	1	Relay	
115	7020651	1	Shunt Assembly	
116	7011529	2	Connector, Strain Relief (Not Shown)	
117	7020683	1	Transformer	
118	7018537	1	Varistor	

# SECTION 2 - TURNTABLE

## FIGURE 2-12. HOODS INSTALLATIONS



**SECTION 2 - TURNTABLE**

**FIGURE 2-12. HOODS INSTALLATIONS**

ITEM	PART NUMBER	QTY	DESCRIPTION	REV
	0258982	Ref	<b>HOODS INSTALLATION</b>	C
1	0100011	AR	Compound, Locking	
2	0641404	8	Bolt 1/4in-20NC x 1/2in	
3	0940049	2	Stopper, Hood	
4	2680456	1	Hood Assembly (Left Side) (See Items 201-204 for Breakdown)	
5	2680457	1	Hood Assembly (Right Side) (See Items 201-204 for Breakdown)	
6	3311501	4	Nut 5/16in-18NC	
7	4751400	8	Flatwasher 1/4in	
8	4761400	8	Lockwasher 1/4in	
	0259126	Ref	<b>COUNTERWEIGHT COVERS INSTALLATIONS</b>	F
101	0100011	AR	Compound, Locking	
102	0682020	AR	Bolt 5/8in-16NC x 2 1/2in (Grade 8)	
107	4740393	AR	Flatwasher, Special	
108	0100019	AR	Compound, Locking	
109	0641610	2	Bolt 3/8in-16NC x 1 1/4in	
110	0641614	1	Bolt 3/8in-16NC x 1 3/4in	
112	3271601	1	Nut 3/8in-16NC	
113	4891800	1	Flatwasher 1/2in Hardened (Not Shown)	
114	4751600	4	Flatwasher 3/8in Regular	
117	4845998	1	Cover, Counterweight (Right Side)	
118	4846019	1	Cover, Counterweight (Left Side)	
		Ref	<b>HOOD ASSEMBLIES</b>	
	2680456	Ref	<b>Left Side</b>	L
	2680457	Ref	<b>Right Side</b>	I
		Ref	<b>Note: Replacement Decals Must Be Ordered Separately - See DECALS SECTION for Breakdown.</b>	
201	2600258	4	Hinge (2 Per Assembly)	
202	2940117	2	Latch (1 Per Assembly)	
203	3960514	AR	Seal Options:	
203	3960514	30 in /76m	Left Side	
203	3960514	22 in /55m	Right Side	
204		Ref	Seal Options:	
204	3960418	35 in /90cm	Left Side	
204	Not Required	0	Right Side	



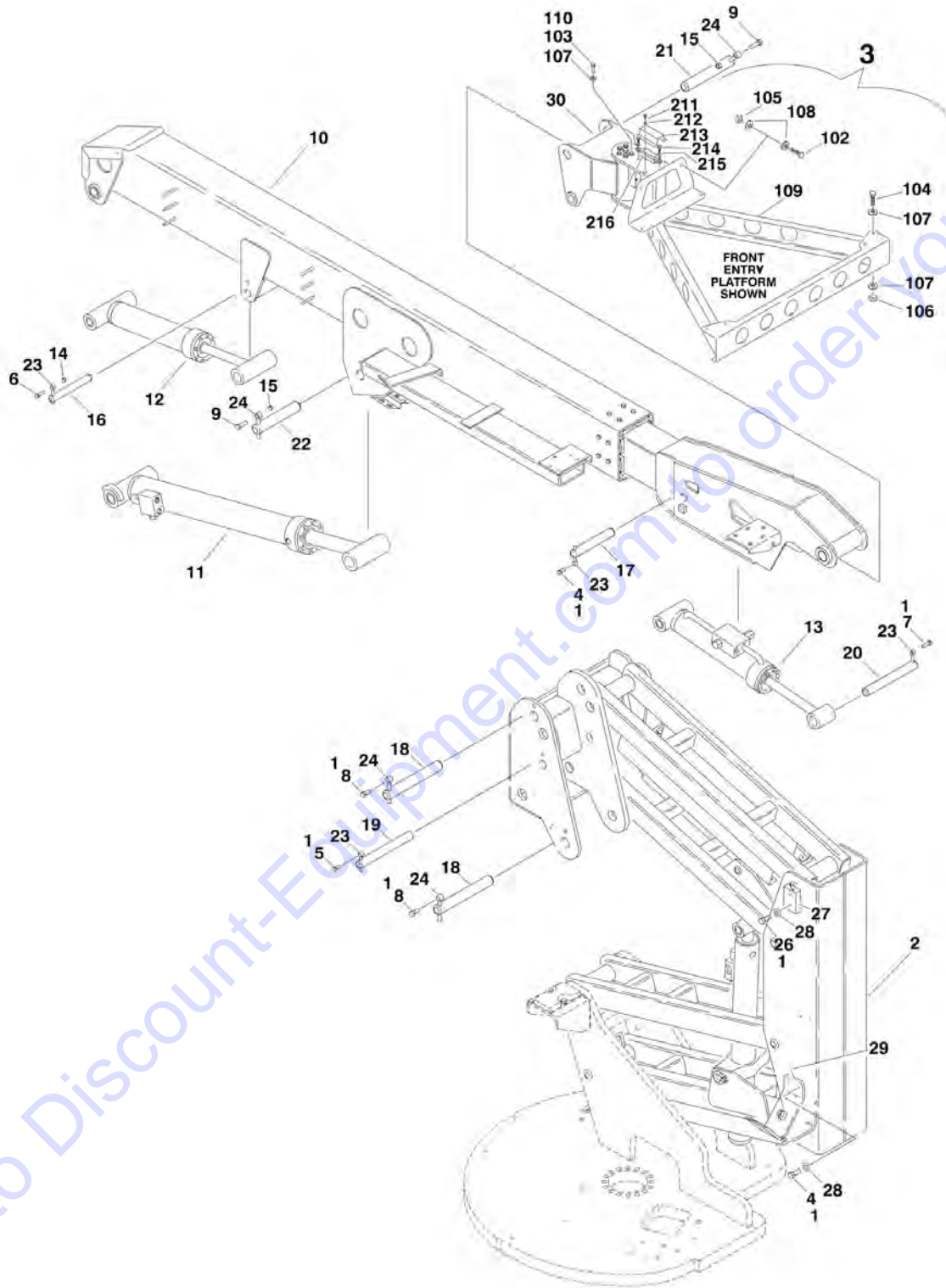


**SECTION 3 - BOOM**

Go to Discount-Equipment.com to order your parts

# SECTION 3 - BOOM

## FIGURE 3-1. BOOM INSTALLATION - E300A



## SECTION 3 - BOOM

**FIGURE 3-1. BOOM INSTALLATION - E300A**

ITEM	PART NUMBER	QTY	DESCRIPTION	REV
		Ref	<b>BOOM INSTALLATION</b>	
	0258979	Ref	<b>Boom Installation E300A</b>	H
1	0100011	AR	Compound, Locking	
2	0258962	1	Tower Boom Assembly (See TOWER BOOM ASSEMBLY for Breakdown)	
3		Ref	Support and Rotator Assembly (See Items 101-110 for Breakdown)	
4	0641407	2	Bolt 3/8in-16NC x 7/8in	
5	0641608	NLA	Bolt 3/8in-16NC x 1in (Use p/n 0681608) <b>(Prior to SN 0300056245)</b>	
6	0641610	6	Bolt 3/8in-16NC x 1-1/4in	
7	0641609	1	Bolt 3/8in-16NC x 1-1/8in	
8	0641808	2	Bolt 1/2in-13NC x 1in	
9	0641812	1	Bolt 1/2in-13NC x 1-1/2in	
10	0801174	1	Main Boom Assembly (See MAIN BOOM ASSEMBLY for Breakdown)	
11	1683750	1	Main Boom Lift Cylinder Assembly (See CYLINDER SECTION for Breakdown)	
12	1683757	NLA	Master Cylinder Assembly (Use p/n 1684065) (See CYLINDER SECTION for Breakdown) <b>(Prior to SN 0300059743)</b>	
13	1683760	NLA	Platform Level Cylinder Assembly (Use p/n 1001140279) (See CYLINDER SECTION for Breakdown) <b>(Prior to SN 0300059743)</b>	
13	1683924	NLA	Platform Level Cylinder Assembly (Use p/n 1001140279) (See CYLINDER SECTION for Breakdown) <b>(Prior to SN 0300059743)</b>	
14	3311605	2	Locknut 3/8in-16NC	
15	3311805	2	Locknut 1/2in-13NC	
16		Ref	Pin Options:	
16	3422799	NLA	Pin (Use p/n 3422582) <b>(Prior to SN 0300071032)</b>	
16	3422582	1	Pin <b>(SN 0300071032 through 0300138358)</b>	
17	3422669	1	Pin	
18	3422787	2	Pin	
19	3422790	1	Pin	
20	3422792	1	Pin	
21	3422793	1	Pin	
22	3422796	1	Pin	
23	3841143	4	Keeper, Pin 3/8in	
24	3841203	4	Keeper, Pin 1/2in	
25	0641810	1	Bolt 1/2in-13NC x 1-1/4in	
26	0641606	2	Bolt 3/8in-16NC x 3/4in	
27	3340854	1	Pad	
28	4711600	5	Flatwasher, 3/8in Thin	
29	4846031	1	Boom Rest	
30	0060043	1	Rotator Assembly (See PLATFORM ROTATOR ASSEMBLIES for Breakdown)	
		Ref	<b>SUPPORT AND ROTATOR ASSEMBLY</b>	
		Ref	<b>Machines without LSS</b>	
	0259439	Ref	<b>Front Entry Platform</b>	E
	0272976	Ref	<b>Side Entry Platform</b>	A
	See Note	Ref	<b>Machines with LSS (Note: See Separate Breakdown in this Section)</b>	
102	0641407	2	Bolt 1/4in-20NC x 7/8in (Front Entry Platform Only)	
103	0641608	NLA	Bolt 3/8in-16NC x 1in (Use p/n 0681608)	

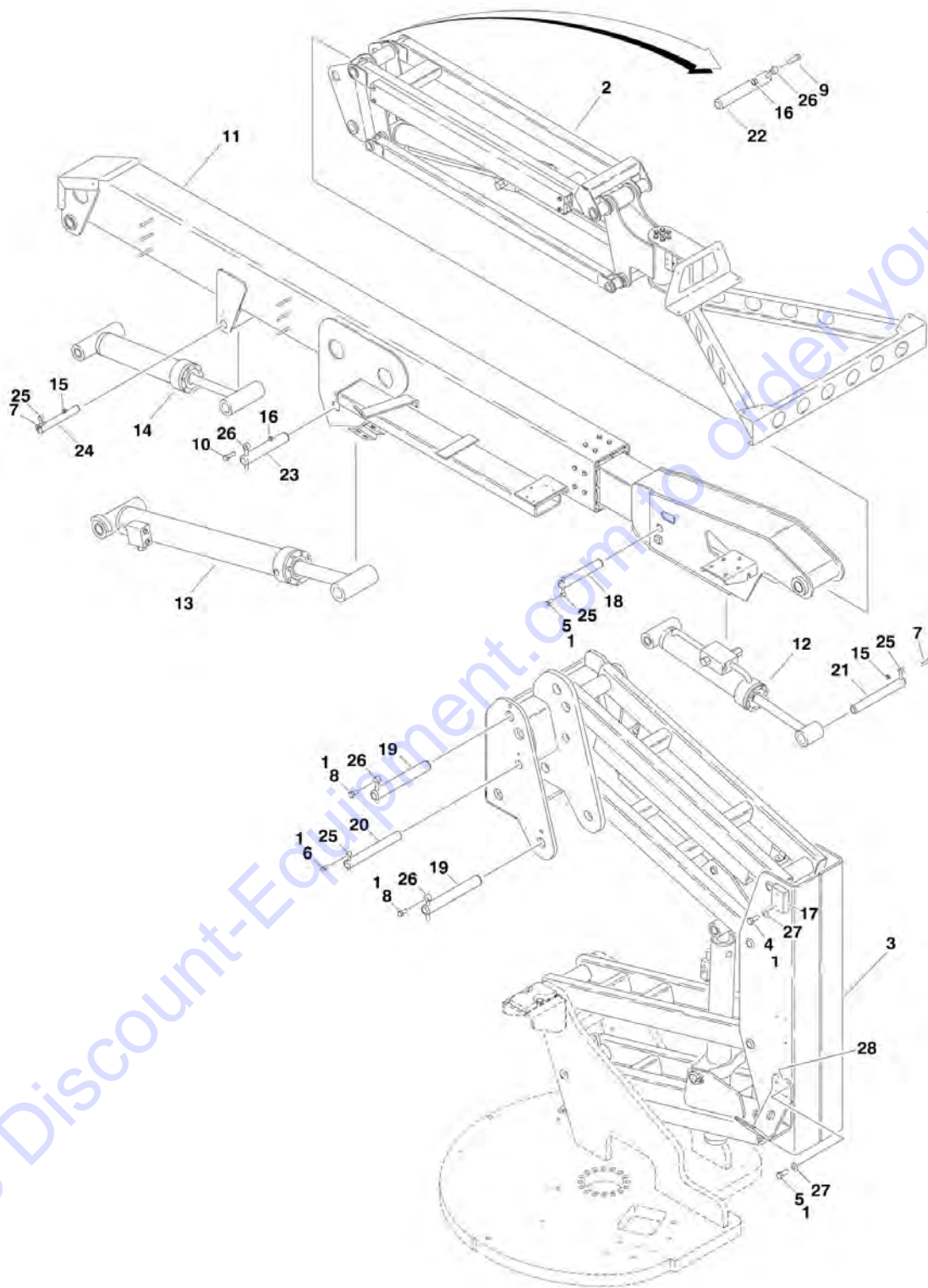
## SECTION 3 - BOOM

ITEM	PART NUMBER	QTY	DESCRIPTION	REV
104	0641610	6	Bolt 3/8in-16NC x 1-1/4in	
105	3311405	2	Locknut 1/4in-20NC (Front Entry Platform Only)	
106	3311605	AR	Locknut 3/8in-16NC	
107	4711600	18	Flatwasher 3/8in Thin	
108	4740362	4	Flatwasher, Special 1/4in (Front Entry Platform Only)	
109		Ref	Support Weldment Options:	
109	4846050	NLA	Front Entry Platform (Use p/n 4846322)	
109	4846608	1	Side Entry Platform	
110	0100011	AR	Compound, Locking	
	0259358	Ref	<b>BPE OVERLOAD INSTALLATION (FRONT ENTRY PLATFORM ONLY)</b>	<b>D</b>
211	0641404	2	Bolt 1/4in - 20NC x 1/2in	
212	4711400	2	Flatwasher 1/4in Thin	
213	1670905	1	Cover, Load Cell	
214	0701010	2	Bolt (Metric) 10 x 20LG	
215		Ref	Lockwasher Options:	
215	4761700	2	Lockwasher <b>(Prior to SN 0300062855)</b>	
215	4812000	2	Lockwasher <b>(SN 0300062855 through 0300138358)</b>	
216	3990108	1	Load Cell, Load Device 100mm	



# SECTION 3 - BOOM

## FIGURE 3-2. BOOM INSTALLATION - E300AJ



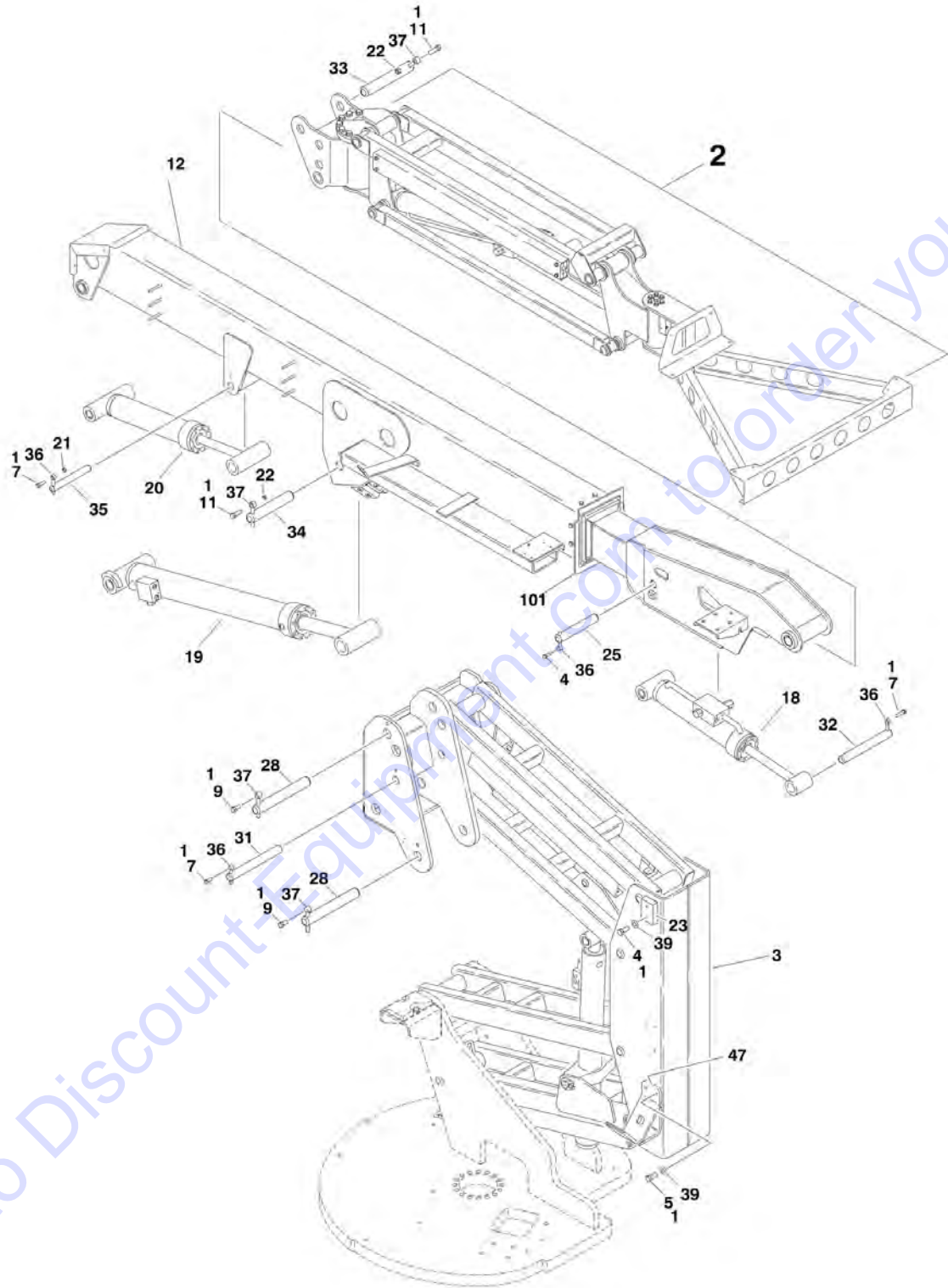
## SECTION 3 - BOOM

### FIGURE 3-2. BOOM INSTALLATION - E300AJ

ITEM	PART NUMBER	QTY	DESCRIPTION	REV
		Ref	<b>BOOM INSTALLATION</b>	
	0258980	Ref	<b>Boom Installation E300AJ</b>	G
1	0100011	AR	Compound, Locking	
2		Ref	Jib Assembly Options: (See JIB ASSEMBLIES (E300AJ & E300AJP) for Breakdown)	
2	0259440	1	Jib Assembly ( <b>Prior to SN 0300063766</b> )	
2	0270400	1	Jib Assembly ( <b>SN 0300063766 through 0300138358</b> )	
3	0259204	1	Tower Boom Assembly (See TOWER BOOM ASSEMBLY for Breakdown)	
4	0641606	2	Bolt 3/8in-16NC x 3/4in	
5	0641607	4	Bolt 3/8in-16NC x 7/8in	
6	0641608	1	Bolt 3/8in-16NC x 1in	
7	0641610	2	Bolt 3/8in-16NC x 1-1/4in	
8	0641808	2	Bolt 1/2in-13NC x 1in	
9	0641810	1	Bolt 1/2in-13NC x 1-1/4in	
10	0641812	2	Bolt 1/2in-13NC x 1-1/2in	
11	0801177	1	Main Boom Assembly (See MAIN BOOM ASSEMBLY for Breakdown)	
12	1683760	NLA	Platform Level Cylinder Assembly (Use p/n 1683924) (See CYLINDER SECTION for Breakdown) ( <b>Prior to SN 0300059743</b> )	
13	1683762	1	Main Boom Lift Cylinder Assembly (See CYLINDER SECTION for Breakdown)	
14	1683773	NLA	Master Cylinder Assembly (Use p/n 1001140278) (See CYLINDER SECTION for Breakdown) ( <b>Prior to SN 0300059743</b> )	
14	1683923	NLA	Master Cylinder Assembly (Use p/n 1001140278) (See CYLINDER SECTION for Breakdown) ( <b>Prior to SN 0300059743</b> )	
15	3311605	2	Locknut 3/8in-16NC	
16	3311805	2	Locknut 1/2in-13NC	
17	3340854	1	Pad	
18	3422669	1	Pin	
19	3422787	2	Pin	
20	3422790	1	Pin	
21	3422792	1	Pin	
22	3422793	1	Pin	
23	3422796	1	Pin	
24	3422799	NLA	Pin (Use p/n 3422582)	
25	3841143	4	Keeper, Pin	
26	3841203	4	Keeper, Pin 1/2in	
27	4711600	5	Flatwasher 3/8in Thin	
28	4846031	1	Boom Rest	

# SECTION 3 - BOOM

## FIGURE 3-3. BOOM INSTALLATION - E300AJP





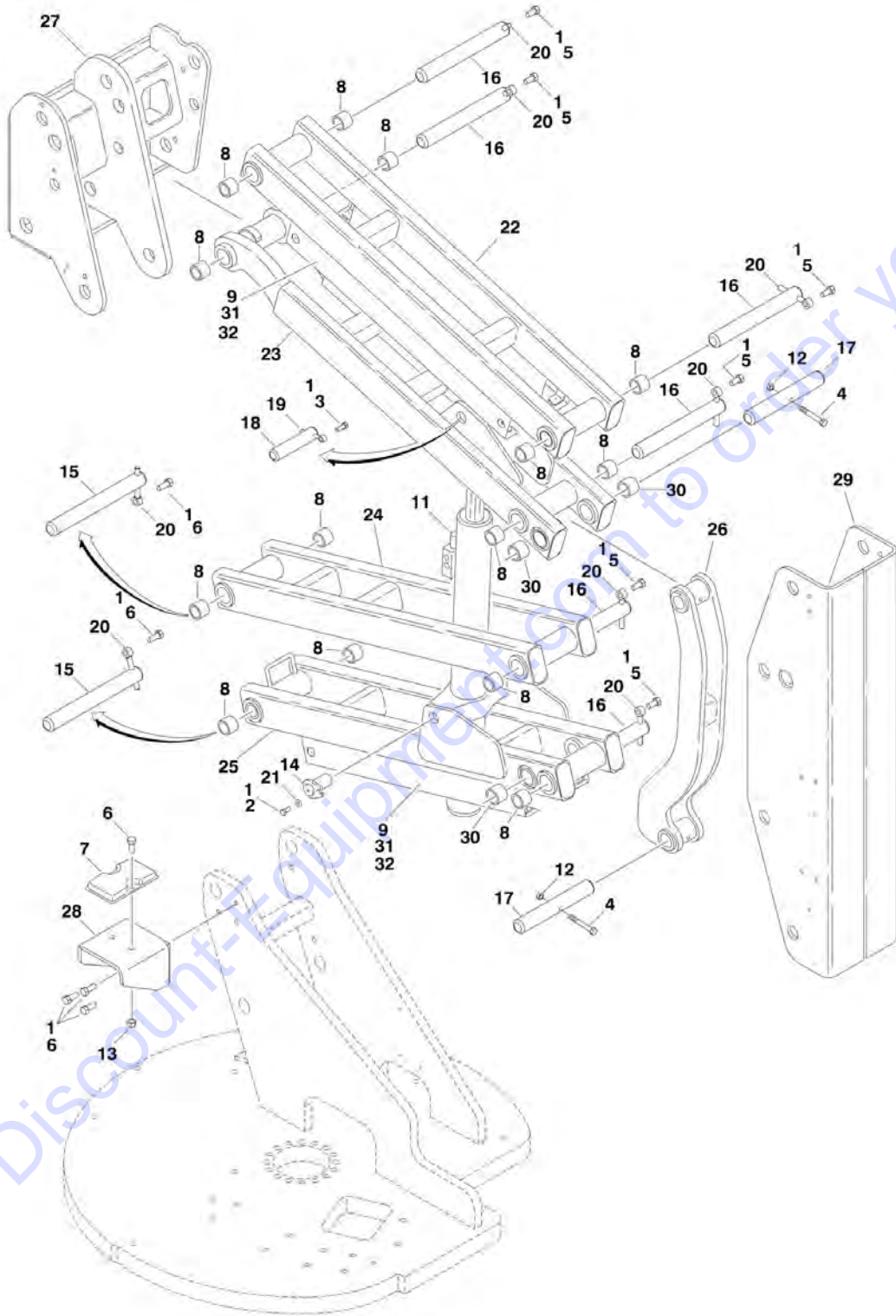
## SECTION 3 - BOOM

### FIGURE 3-3. BOOM INSTALLATION - E300AJP

ITEM	PART NUMBER	QTY	DESCRIPTION	REV
		Ref	<b>BOOM INSTALLATION</b>	
	0259480	Ref	<b>Boom Installation E300AJP (Prior to SN 0300064982)</b>	E
	0271648	Ref	<b>Boom Installation E300AJP (SN 0300064982 through 0300138358)</b>	D
1	0100011	AR	Compound, Locking	
2		Ref	Jib Assembly Options: (See JIB ASSEMBLIES (E300AJ & E300AJP) for Breakdown)	
2	0259441	1	Jib Assembly <b>(Prior to SN 0300063766)</b>	
2	0270402	1	Jib Assembly <b>(SN 0300063766 through 0300064981)</b>	
2	0271649	1	Jib Assembly <b>(SN 0300064982 through 0300138358)</b>	
3	See Note	1	Tower Boom Assembly (See TOWER BOOM ASSEMBLY for Breakdown) (Note: Not Available as a Complete Assembly. Must Purchase Individual Parts)	
4	0641606	2	Bolt 3/8in-16NC x 3/4in	
5	0641607	3	Bolt 3/8in-16NC x 7/8in	
7	0641610	3	Bolt 3/8in-16NC x 1-1/4in <b>(Prior to SN 0300056245)</b>	
9	0641808	2	Bolt 1/2in-13NC x 1in	
11	0641812	2	Bolt 1/2in-13NC x 1-1/2in	
12		Ref	Main Boom Assembly Options (See MAIN BOOM ASSEMBLY for Breakdown):	
12	0801203	1	Main Boom Assembly <b>(Prior to SN 0300049988)</b>	
12	0801222	1	Main Boom Assembly <b>(SN 0300049988 through 0300138358)</b>	
18	1683760	NLA	Platform Level Cylinder Assembly (Use p/n 1683924) (See CYLINDER SECTION for Breakdown) <b>(Prior to SN 0300059743)</b>	
19	1683762	1	Main Boom Lift Cylinder Assembly (See CYLINDER SECTION for Breakdown)	
20	1683773	NLA	Master Cylinder Assembly (Use p/n 1683923) (See CYLINDER SECTION for Breakdown) <b>(Prior to SN 0300059743)</b>	
21	3311605	6	Locknut 3/8in-16NC	
22	3311805	2	Locknut 1/2in-13NC	
23	3340854	1	Pad	
25	3422669	1	Pin	
28	3422787	2	Pin	
31	3422790	1	Pin	
32	3422792	1	Pin	
33	3422814	1	Pin	
34	3422796	1	Pin	
35	3422799	NLA	Pin (Use p/n 3422582)	
36	3841143	4	Keeper, Pin	
37	3841203	4	Keeper, Pin 1/2in	
39	4711600	4	Flatwasher 3/8in Thin <b>(Prior to SN 0300056245)</b>	
47	4846031	1	Boom Rest	
	0270704	Ref	<b>BOOM WIPER COVER INSTALLATION</b>	A
101	1670976	1	Cover, Boom Wiper	

# SECTION 3 - BOOM

## FIGURE 3-4. TOWER BOOM ASSEMBLY



## SECTION 3 - BOOM

### FIGURE 3-4. TOWER BOOM ASSEMBLY

ITEM	PART NUMBER	QTY	DESCRIPTION	REV
		Ref	<b>TOWER BOOM ASSEMBLY</b>	
	0258962	Ref	<b>Tower Boom Assembly E300A</b>	F
	0259204	Ref	<b>Tower Boom Assembly E300AJ</b>	H
	See Note	Ref	<b>Tower Boom Assembly E300AJP (Note: Not Available as a Complete Assembly. Must Purchase Individual Parts)</b>	
1	0100011	AR	Compound, Locking	
2	0641606	2	Bolt 3/8in-16NC x 3/4in	
3	0641608	1	Bolt 3/8in-16NC x 1in	
4	0641622	2	Bolt 3/8in-16NC x 2-3/4in	
5	0641808	6	Bolt 1/2in-13NC x 1in	
6	0641810	7	Bolt 1/2in-13NC x 1-1/4in	
7	0940048	1	Bumper	
8	0961948	16	Bearing	
9	1271433	4	Channel	
11	1683719	1	Tower Lift Cylinder Assembly (See CYLINDER SECTION for Breakdown)	
12	3311605	2	Locknut 3/8in-16NC	
13	3311805	2	Locknut 1/2in-13NC	
14	3422424	2	Pin	
15	3422785	2	Pin	
16	3422786	6	Pin	
17	3422788	2	Pin	
18	3422789	1	Pin	
19	3841143	1	Keeper, Pin 3/8in	
20	3841203	8	Keeper, Pin 1/2in	
21	4711600	2	Flatwasher 3/8in Thin	
22	4845940	1	Link, Mid	
23		Ref	Boom, Mid Options:	
23	4845941	1	Boom, Mid E300A & E300AJ	
23	4846083	1	Boom, Mid E300AJP	
24	4845942	1	Link, Lower	
25	4845943	1	Boom, Lower	
26		Ref	Link, Timing Options:	
26	4845944	NLA	Link (Use p/n 1001097487) <b>(Prior to SN 0300136291)</b>	
26	1001097487	1	Link <b>(SN 0300136291 through 0300138358)</b>	
27		Ref	Upright, Upper Options:	
27	4845921	1	Upright, Upper E300A	
27	4845963	1	Upright, Upper E300AJ & E300AJP <b>(Prior to SN 0300053753)</b>	
27	4846272	1	Upright, Upper E300AJ & E300AJP <b>(SN 0300053753 through 0300138358)</b>	
28	4845968	1	Rest, Boom	
29		Ref	Upright, Lower Options:	
29	4845972	1	Upright, Lower <b>(Prior to SN 0300132771)</b>	
29	1001103639	1	Upright, Lower <b>(SN 0300132771 through 0300138358)</b>	
30	0962259	4	Bearing	
31	0641403	12	Bolt 1/4in-20NC x 3/8in	
32	4711400	12	Flatwasher 1/4in Thin	

# SECTION 3 - BOOM

## FIGURE 3-5. MAIN BOOM ASSEMBLY

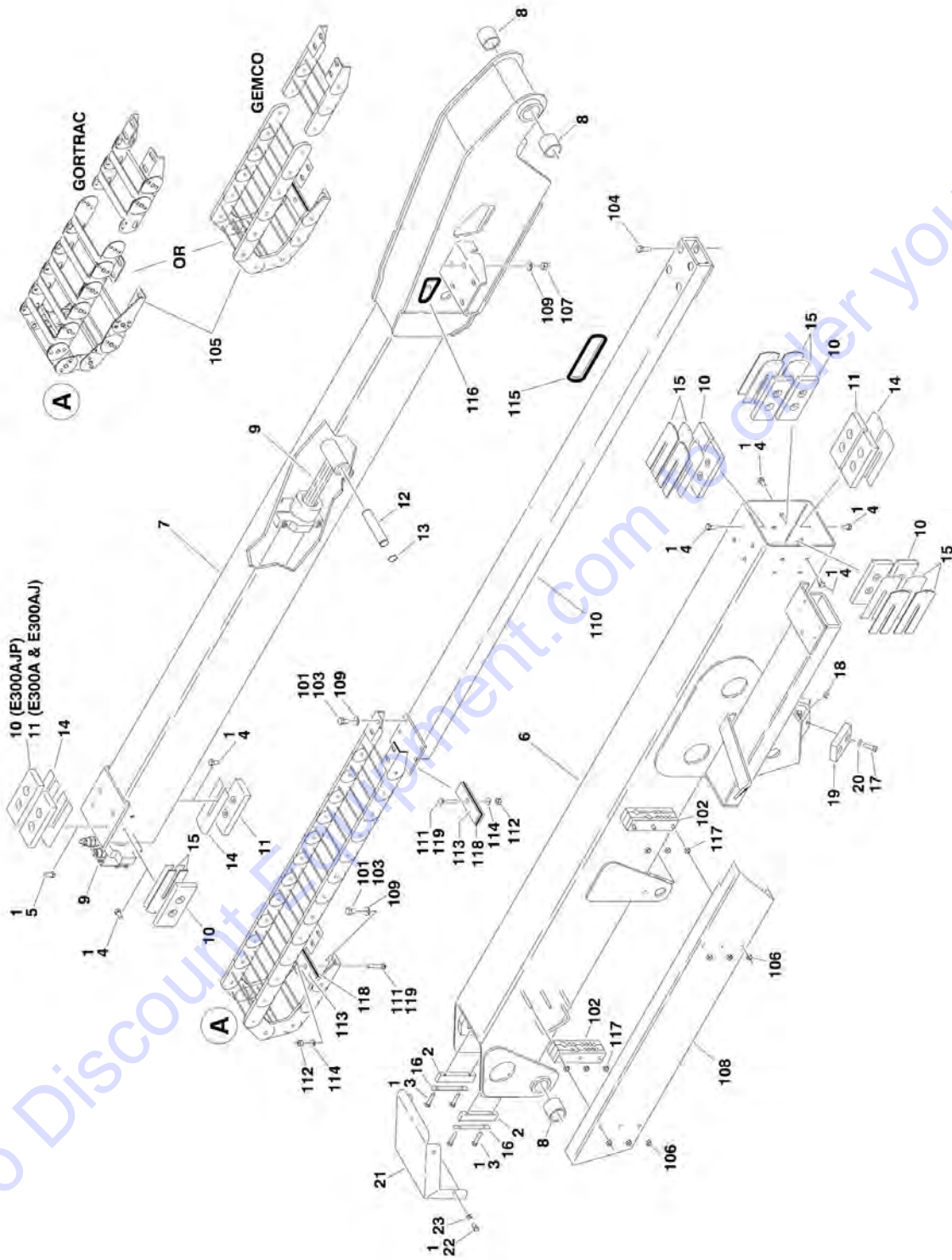


FIGURE 3-5. MAIN BOOM ASSEMBLY

ITEM	PART NUMBER	QTY	DESCRIPTION	REV
		Ref	<b>MAIN BOOM ASSEMBLY</b>	
	0801174	Ref	<b>Main Boom Assembly E300A</b>	E
	0801177	Ref	<b>Main Boom Assembly E300AJ</b>	E
	0801203	Ref	<b>Main Boom Assembly E300AJP (Prior to SN 0300049988)</b>	B
	0801222	Ref	<b>Main Boom Assembly E300AJP (SN 0300049988 through 0300138358)</b>	F
1	0100011	AR	Compound, Locking	
2	0561350	2	Block, Telescope Attach	
3	0641512	4	Bolt 5/16in-18NC x 1-1/2in	
4	0641606	AR	Bolt 3/8in-16NC x 3/4in	
5	0641607	4	Bolt 3/8in-16NC x 7/8in	
6		Ref	Boom, Base Options:	
6	0801181	1	Boom, Base E300A	
6	0801179	1	Boom, Base E300AJ	
6	0801205	1	Boom, Base E300AJP ( <b>Prior to SN 0300049988</b> )	
6	0801220	1	Boom, Base E300AJP ( <b>SN 0300049988 through 0300138358</b> )	
7		Ref	Boom, Fly Options:	
7	0801182	1	Boom, Fly E300A	
7	0801178	1	Boom, Fly E300AJ	
7	0801204	1	Boom, Fly E300AJP ( <b>Prior to SN 0300049988</b> )	
7	0801221	1	Boom, Fly E300AJP ( <b>SN 0300049988 through 0300138358</b> )	
8	0961948	4	Bearing	
9		Ref	Telescope Cylinder Assembly Options (See CYLINDER SECTION for Breakdown):	
9	1683784	1	Telescope Cylinder Assembly E300A	
9	1683793	1	Telescope Cylinder Assembly E300AJ	
9	1683864	1	Telescope Cylinder Assembly E300AJP	
10		Ref	Pad Options:	
10		Ref	Pad E300A & E300AJ	
10	3340756	10	Pad ( <b>Prior to SN 0300063766</b> )	
10	3340881	10	Pad ( <b>SN 0300063766 through 0300138358</b> )	
10	3340862	12	Pad E300AJP	
11		Ref	Pad Options:	
11	3340837	5	Pad E300A & E300AJ	
11	3340863	4	Pad E300AJP	
12	3422745	1	Pin	
13	3760115	2	Ring, Retaining	
14	4070897	AR	Shim 18 Ga	
15	4070898	AR	Shim 11 Ga	
16	4070982	2	Shim 12 Ga	
17	0641609	4	Bolt 3/8in-16NC x 1-1/8in	
18	3311605	4	Locknut 3/8in-16NC	
19	3340853	2	Pad, Boom Rest	
20	4711600	1	Flatwasher 3/8in Thin	
21	1670901	1	Boom Cover	
22	0641504	4	Bolt 5/16in-18NC x 1/2in	
23	4711500	4	Flatwasher 5/16in Thin	
		Ref	<b>POWER TRACK ASSEMBLY</b>	
	0259243	Ref	<b>Power Track Assembly E300A</b>	I
	0259244	Ref	<b>Power Track Assembly E300AJ &amp; E300AJP</b>	J

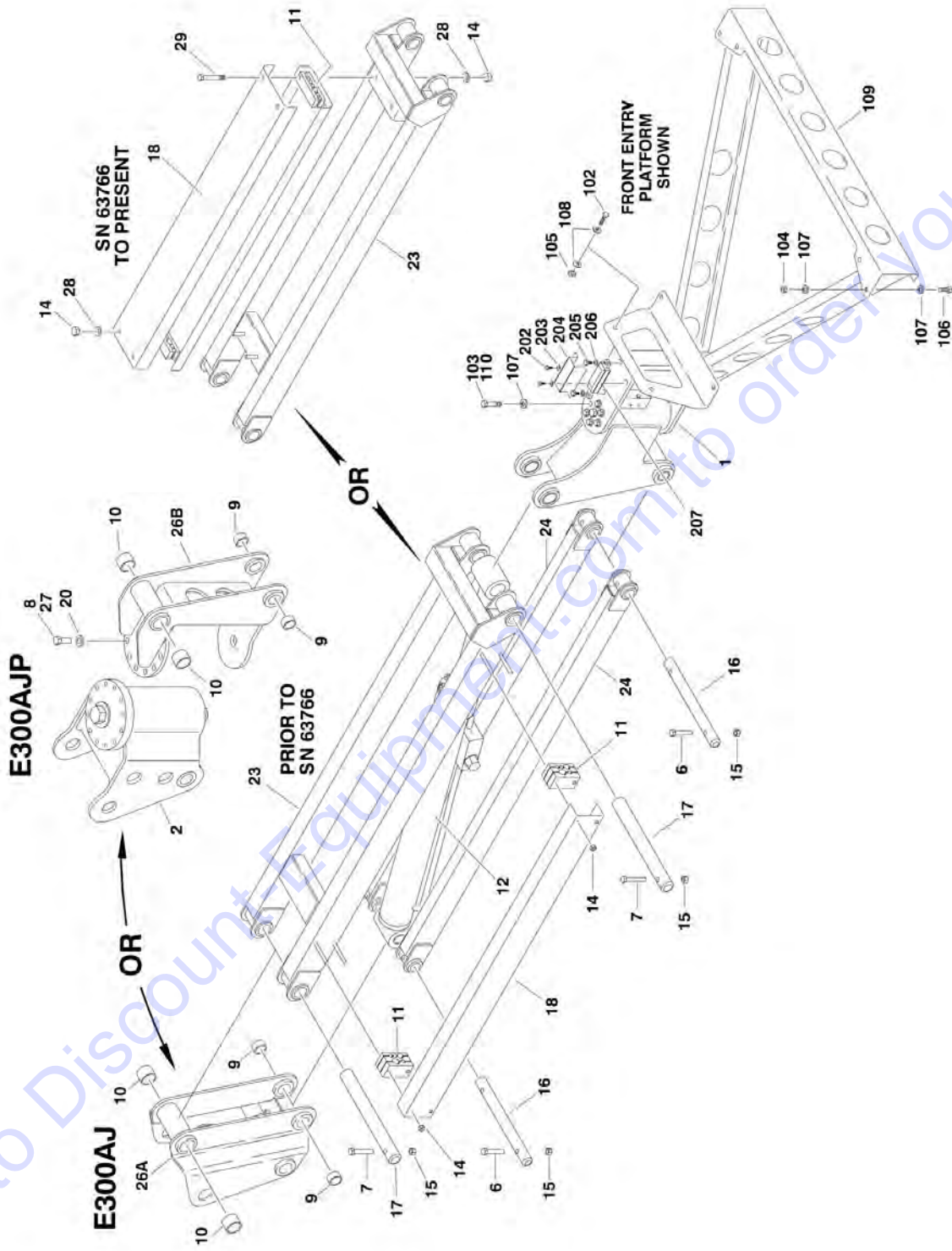
## SECTION 3 - BOOM

ITEM	PART NUMBER	QTY	DESCRIPTION	REV
101	0100011	AR	Compound, Locking	
102	1320260	2	Block, Clamp	
103	0641605	8	Bolt 3/8in-16NC x 5/8in	
104	0641608	4	Bolt 3/8in-16NC x 1in	
105		Ref	Power Track Options:	
		Ref	<b>Note: Original Power Track may have been replaced with a Service Replacement. Visually identify the power track before ordering parts.</b>	
105	1180352	NLA	Power Track E300A (Use p/n 1001099833)	
105	1180353	NLA	Power Track E300AJ & E300AJP (Use p/n 1001099834)	
105		Ref	Gemco Brand (Original Equipment) Parts:	
105	7006139	AR	Repair Section for 1180352 & 1180353 Power Tracks (Includes Repair Section, 4 Rod Carriers, Pins and Mounting Slugs)	
105	7006151	2 pr.	Mounting Feet for 1180352 & 1180353 Power Tracks (Includes Left and Right Mounting Feet and 2 Round Spacers)	
105	7006152	AR	Pin Kit for 1180352 & 1180353 Power Tracks (Includes 1 Pin, 4 Washers and 1 Retaining Ring)	
105		Ref	Gortrac Brand (Service Replacement) Parts:	
105	70001996	AR	Repair Section for 1001099833 & 1001099834 Power Tracks	
105	70001998	2 pr.	Mounting Bracket Kit for 1001099833 & 1001099834 Power Tracks	
106	3311501	6	Nut 5/16in-18NC	
107	3311605	4	Locknut 3/8in-16NC	
108	3571472	1	Shield	
109	4711600	12	Flatwasher 3/8in Thin	
110	4846007	1	Cover, Hose	
111	0630401	2	Bolt, Carriage 5/16in-18NC x 2in	
112	3311505	2	Locknut 5/16in-18NC	
113	3570958	2	Plate, Clamp	
114	4711500	2	Flatwasher 5/16in Thin	
115		Ref	Trim, Flex Options:	
115	4060803	AR	Trim, Flex 1/8in <b>(Prior to SN 0300074274)</b>	
115	4060804	AR	Trim, Flex 3/16in <b>(SN 0300074274 through 0300138358)</b>	
116	4060805	AR	Trim, Flex 1/4in <b>(Prior to SN 0300057115)</b>	
117	3311502	6	Nut, Jam 5/16in-18NC	
118		Ref	Pad, Rubber Options:	
118	3340859	2	Pad, Rubber <b>(Prior to SN 0300073801)</b>	
118	3340940	2	Pad, Rubber <b>(SN 0300073801 through 0300138358)</b>	
119	0100081	AR	Adhesive	



# SECTION 3 - BOOM

## FIGURE 3-6. JIB ASSEMBLIES (E300AJ & E300AJP)





## SECTION 3 - BOOM

### FIGURE 3-6. JIB ASSEMBLIES (E300AJ & E300AJP)

ITEM	PART NUMBER	QTY	DESCRIPTION	REV
		Ref	<b>JIB ASSEMBLY OPTIONS:</b>	
	0259440	Ref	<b>Jib Assemblies E300AJ (Prior to SN 0300063766)</b>	E
	0270400	Ref	<b>Jib Assemblies E300AJ (SN 0300063766 through 0300138358)</b>	F
	0259441	Ref	<b>Jib Assemblies E300AJP (Prior to SN 0300063766)</b>	F
	0270402	Ref	<b>Jib Assemblies E300AJP (SN 0300063766 through 0300064981)</b>	C
	0271649	Ref	<b>Jib Assemblies E300AJP (SN 0300064982 through 0300138358)</b>	D
1	0060044	1	Rotator Assembly (See PLATFORM ROTATOR ASSEMBLIES for Breakdown)	
2		Ref	Rotator Assembly Options:	
2	Not Required	0	Rotator Assembly E300AJ	
2	0060046	AR	Rotator Assembly (See JIB SWING ROTATOR ASSEMBLY (E300AJP Only) for Breakdown) <b>(Prior to SN 0300064982)</b>	
2	0060065	AR	Rotator Assembly (See JIB SWING ROTATOR ASSEMBLY (E300AJP Only) for Breakdown) <b>(SN 0300064982 through 0300138358)</b>	
6	0641616	4	Bolt 3/8in-16NC x 2in	
7	0641618	2	Bolt 3/8in-16NC x 2-1/4in	
8		Ref	Hardware Options:	
8	0641810	AR	Bolt 1/2in-13NC x 1-1/4in <b>(Prior to SN 0300064982)</b>	
8	3931816	AR	Bolt 1/2in-13NC x 1in <b>(SN 0300064982 through 0300138358)</b>	
9		Ref	Bushing Options:	
9	0961947	2	Bushing 5/8in Length	
9	0962292	2	Bushing 3/4in Length	
10	0961951	2	Bushing	
11		Ref	Clamp, Block Options:	
11	1320259	2	Clamp, Block <b>(Prior to SN 0300063766)</b>	
11	3340860	4	Clamp, Block <b>(SN 0300063766 through 0300138358)</b>	
12	1683779	NLA	Jib Cylinder Assembly (Use p/n 1001140280) (See CYLINDER SECTION for Breakdown)	
14	3311501	AR	Nut 5/16in-18NC	
15	3311605	4	Locknut 3/8in-16NC	
16	3422791	2	Pin	
17	3422794	2	Pin	
18		Ref	Plate, Jib Cover Options:	
18	3571406	1	Plate, Jib Cover <b>(Prior to SN 0300063766)</b>	
18	3572551	2	Plate, Jib Cover <b>(SN 0300063766 through 0300138358)</b>	
18	3571406	1	Plate, Jib Cover	
19	4711600	AR	Flatwasher 3/8in Thin	
20	4711800	AR	Flatwasher 1/2in Thin	
23		Ref	Link Options: (Upper)	
23	4845926	1	Link <b>(Prior to SN 0300063766)</b>	
23	4846278	1	Link <b>(SN 0300063766 through 0300138358)</b>	
24	4845927	NLA	Link (Lower) (Use p/n 1001094670)	
26		Ref	Pivot Options:	
26A	4845925	1	Pivot E300AJ	
26B		Ref	Pivot E300AJP Options:	
26B	4846073	1	Pivot <b>(Prior to SN 0300064982)</b>	
26B	4846502	1	Pivot <b>(SN 0300064982 through 0300138358)</b>	
27	0100011	AR	Compound, Locking	

## SECTION 3 - BOOM

ITEM	PART NUMBER	QTY	DESCRIPTION	REV
28	4751500	4	Flatwasher 5/16in Regular (SN 0300063766 through 0300138358)	
29	0641516	2	Bolt 5/16in-18NC x 2in (SN 0300063766 through 0300138358)	
		Ref	<b>SUPPORT AND ROTATOR ASSEMBLY</b>	
		Ref	<b>Machines without LSS</b>	
	0259439	Ref	<b>Front Entry Platform</b>	E
	0272976	Ref	<b>Side Entry Platform</b>	A
	See Note	Ref	<b>Machines with LSS (Note: See Separate Breakdown in this Section)</b>	
102	0641407	2	Bolt 1/4in-20NC x 7/8in (Front Entry Platform Only)	
103	0641608	NLA	Bolt 3/8in-16NC x 1in (Use p/n 0681608)	
104	0641610	6	Bolt 3/8in-16NC x 1-1/4in	
105	3311405	2	Locknut 1/4in-20NC (Front Entry Platform Only)	
106	3311605	AR	Locknut 3/8in-16NC	
107	4711600	18	Flatwasher 3/8in Thin	
108	4740362	4	Flatwasher, Special 1/4in (Front Entry Platform Only)	
109		Ref	Support Weldment Options:	
109	4846050	NLA	Front Entry Platform (Use p/n 4846322)	
109	4846608	1	Side Entry Platform	
110	0100011	AR	Compound, Locking	
	0259358	Ref	<b>BPE OVERLOAD INSTALLATION (FRONT ENTRY PLATFORM ONLY)</b>	D
202	0641404	2	Bolt 1/4in - 20NC x 1/2in	
203	4711400	2	Flatwasher 1/4in Thin	
204	1670905	1	Cover, Load Cell	
205	0701010	2	Bolt (Metric) 10 x 20LG	
206		Ref	Lockwasher Options:	
206	4761700	2	Lockwasher (Prior to SN 0300062855)	
206	4812000	2	Lockwasher (SN 0300062855 through 0300138358)	
207	3990108	1	Load Cell, Load Device 100mm	



# SECTION 3 - BOOM

## FIGURE 3-7. PLATFORM ROTATOR ASSEMBLIES

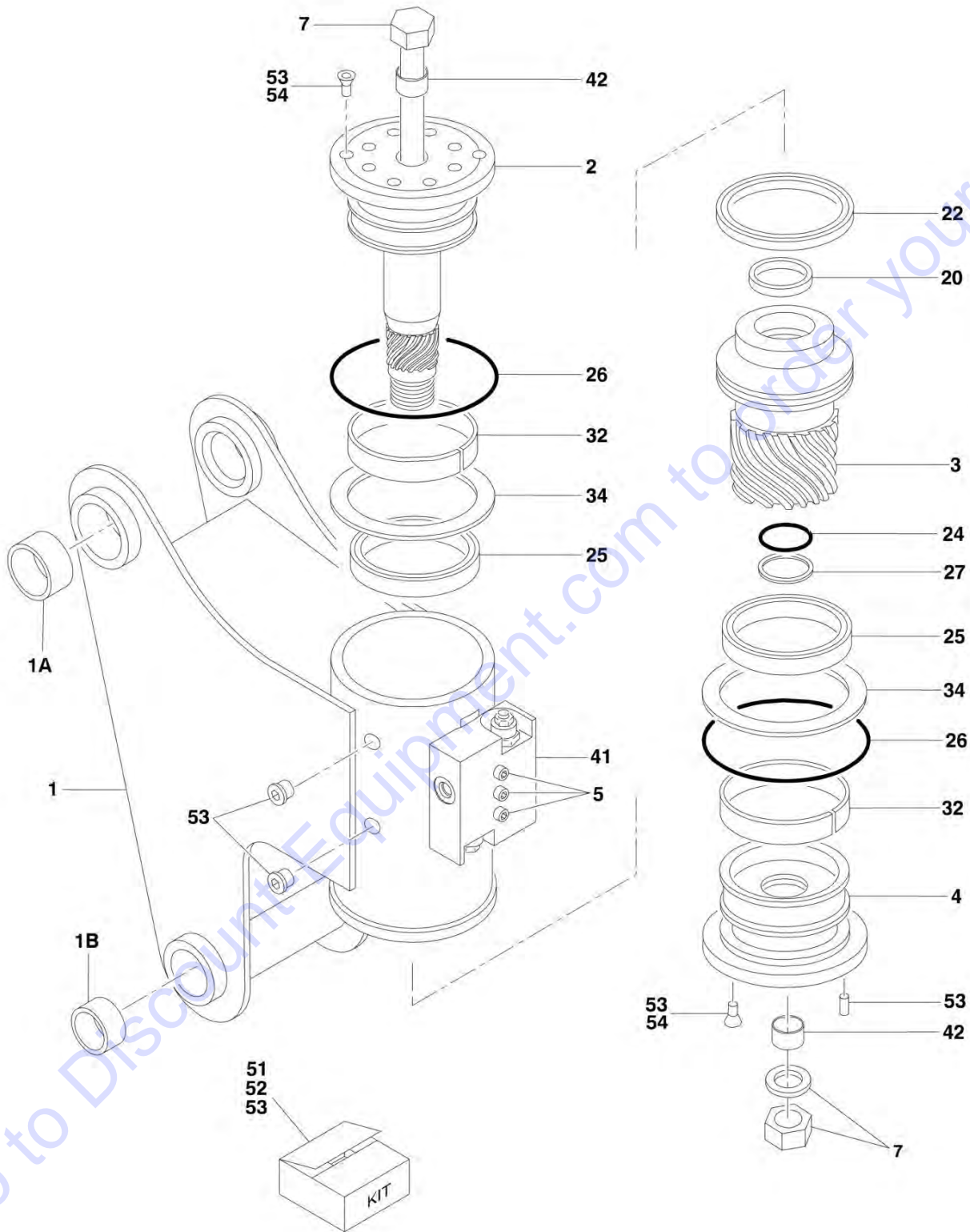
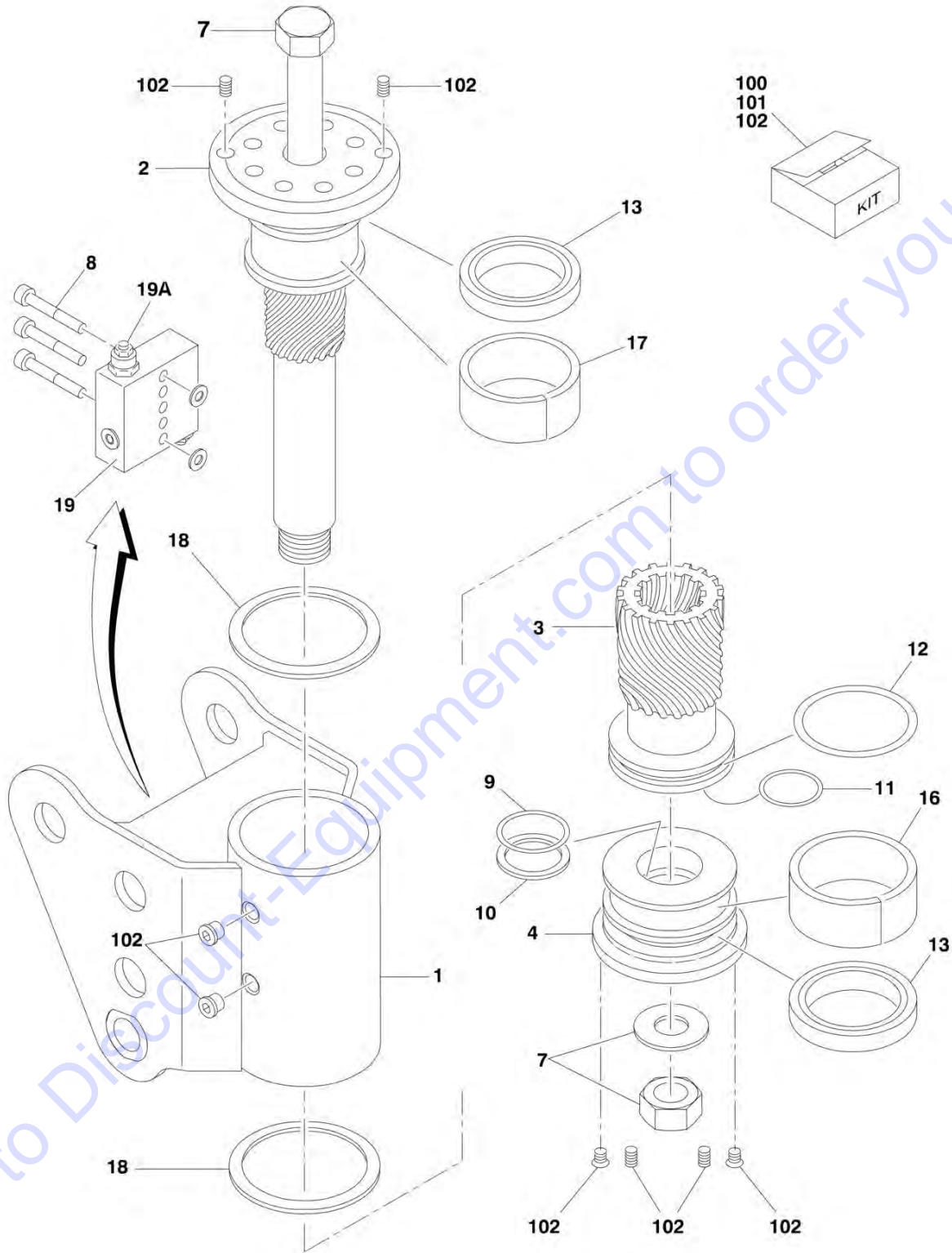


FIGURE 3-7. PLATFORM ROTATOR ASSEMBLIES

ITEM	PART NUMBER	QTY	DESCRIPTION	REV
		Ref	<b>ROTATOR ASSEMBLIES</b>	
	0060043	Ref	<b>Rotator Assemblies E300A Platform Rotate</b>	C
	0060044	Ref	<b>Rotator Assemblies E300AJ &amp; E300AJP Platform Rotate</b>	D
		Ref	<b>Note: There are 2 different versions of Rotator p/n 0060044 and no SN break exists. Order internal parts by the Helac Control #.</b>	
1	See Note	1	Case/Bracket Weldment (Note: Purchase Complete Assembly)	
1A	0962257	2	Bushing (0060044 Rotator Only)	
1B	0961947	2	Bushing (0060044 Rotator Only)	
2		Ref	Shaft Options:	
2	7017120	1	0060043 Rotators	
2	7017120	1	0060044 Rotators with Helac Control #25928	
2	7017196	1	0060044 Rotators with Helac Control #26962	
3		Ref	Sleeve, Piston Options:	
3	7017121	1	0060043 Rotators	
3	7017121	1	0060044 Rotators with Helac Control #25928	
3	7027900	1	0060044 Rotators with Helac Control #26962	
4		Ref	Cap, End Options:	
4	See Note	1	0060043 Rotators (Note: Not Available for Purchase)	
4	See Note	1	0060044 Rotators with Helac Control #25928 (Note: Not Available for Purchase)	
4	7027901	1	0060044 Rotators with Helac Control #26962	
5	See Note	3	Capscrew 1/4in-20NC (Grade 8) (Note: Not Available for Purchase)	
7	7017126	1	Tie Rod Assembly	
20	See Note	NSS	Seal, Rod (Note: Use Item 52)	
22	See Note	NSS	Seal, Piston (Note: Use Item 52)	
24	See Note	NSS	Seal, Cap (Note: Use Item 52)	
25	See Note	NSS	Packing, Bearing (Note: Use Item 52)	
26	See Note	NSS	Seal (Note: Use Item 52)	
27	See Note	NSS	Ring, Cap Back-up (Note: Use Item 52)	
32	See Note	NSS	Bearing, Shaft (Note: Use Item 51)	
34	See Note	NSS	Thrustwasher (Note: Use Item 51)	
41		Ref	Counterbalance Valve Assembly Options:	
41	7017125	NLA	Valve - Helac p/n 24327 Stamped beside Mounting Screws (Use p/n 7017172)	
41	7017172	1	Valve - Helac p/n 26553 or 26554 Stamped beside Mounting Screws	
41		Ref	Valve, Cartridge Options:	
41	7011323	2	Valve, Cartridge for Helac p/n 24327 Valve	
41	2900770	2	Seal Kit - 7011323 Cartridge (1 Per Assembly)	
41	7017192	2	Valve, Cartridge Helac p/n 26553 or 26554 (No Seal Kit Available)	
42	70004323	1	Bushing, Shaft	
51	7017122	1	Bearing Kit (Includes Items 32 & 34)	
52		Ref	Seal Kit Options (Includes Items 20, 22, 24, 25, 26 & 27):	
52	7017127	1	Standard	
52	70000341	1	Cold Climate	
53	7017123	1	Hardware Kit	
54	70001697	4	Screw, Countersunk 1/4in-20NC x 3/8in (Grade 8)	

# SECTION 3 - BOOM

FIGURE 3-8. JIB SWING ROTATOR ASSEMBLY (E300AJP ONLY) (Prior to SN 0300064982)



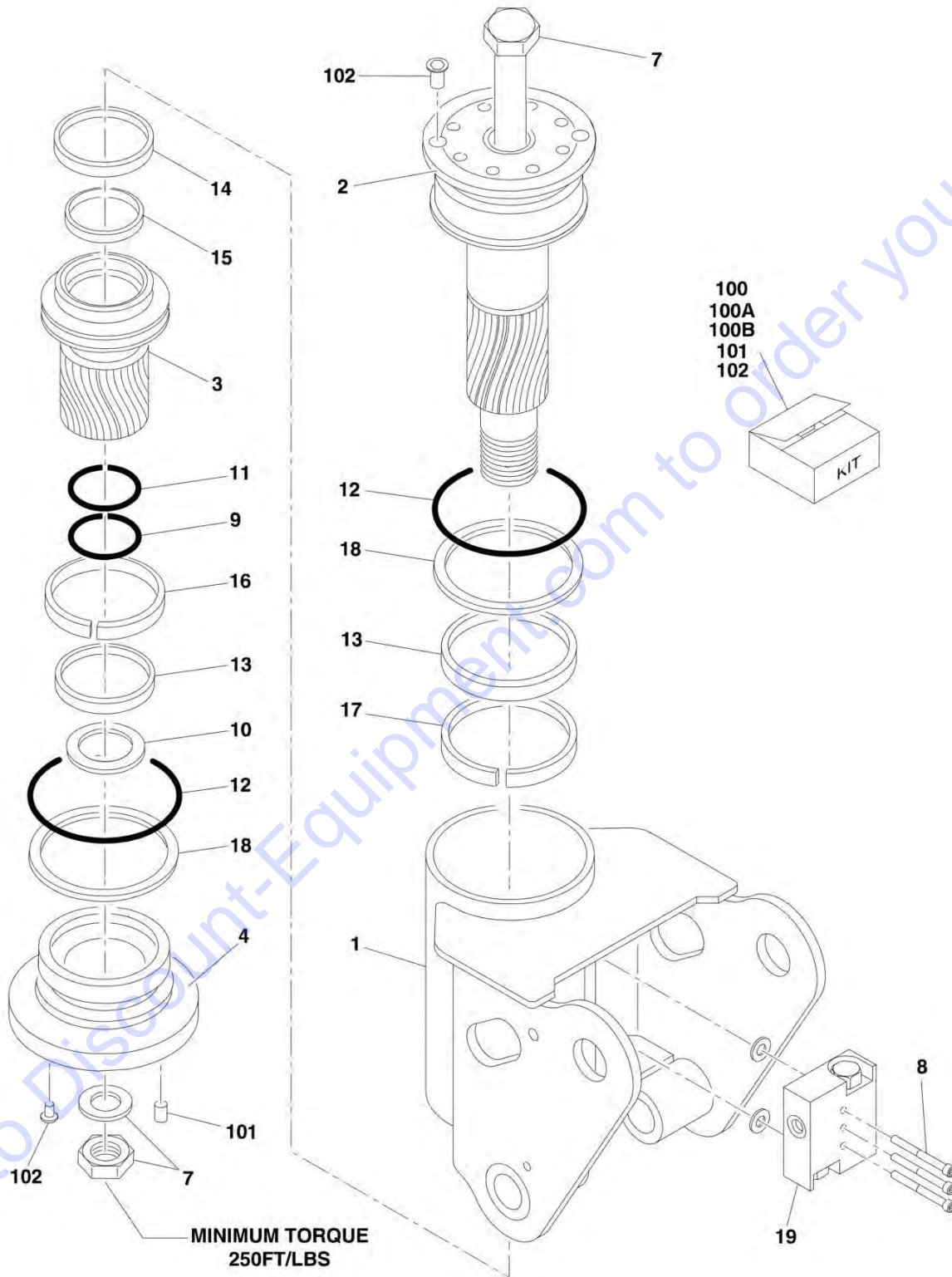
## SECTION 3 - BOOM

**FIGURE 3-8. JIB SWING ROTATOR ASSEMBLY (E300AJP ONLY) (Prior to SN 0300064982)**

ITEM	PART NUMBER	QTY	DESCRIPTION	REV
		Ref	<b>ROTATOR ASSEMBLY</b>	
	0060046	Ref	<b>Rotator Assembly E300AJP Side Swing Rotate (Prior to SN 0300064982)</b>	C
1	0060046	1	Case/Bracket Weldment (Note: Not Available - Purchase Complete Assembly)	
2	7017130	1	Shaft	
3	7017131	1	Sleeve, Piston	
4	See Note	1	Cap, End (Note: Not Available for Purchase)	
7	7017135	1	Tie Rod Assembly	
8	See Note	3	Capscrew 1/4in-20NC (Grade 8) (Note: Not Available for Purchase)	
9	See Note	NSS	Seal, Cap (Note: Use Item 52)	
10	See Note	NSS	Ring, Back-up Cap (Note: Use Item 52)	
11	See Note	NSS	Seal, Rod (Note: Use Item 52)	
12	See Note	NSS	Seal, Piston (Note: Use Item 52)	
13	See Note	NSS	Packing, Bearing (Note: Use Item 52)	
16	See Note	NSS	Bearing, Cap (Note: Use Item 51)	
17	See Note	NSS	Bearing, Shaft (Note: Use Item 51)	
18	See Note	NSS	Thrustwasher (Note: Use Item 51)	
19		Ref	Counterbalance Valve Assembly Options:	
19	7017125	NLA	Valve - Helac p/n 24327 Stamped beside Mounting Screws (Use p/n 7017172)	
19	7017172	1	Valve - Helac p/n 26553 or 26554 Stamped beside Mounting Screws	
19A		Ref	Valve, Cartridge Options:	
19A	7011323	2	Valve, Cartridge for Helac p/n 24327 Valve	
19A	2900770	2	Seal Kit - 7011323 Cartridge (1 Per Assembly)	
19A	7017192	2	Valve, Cartridge Helac p/n 26553 or 26554 (No Seal Kit Available)	
		Ref	<b>KIT OPTIONS</b>	
100	7017133	1	Seal Kit (Includes Items 9-13)	
101	7017134	1	Bearing Kit (Includes Items 16-18)	
102	7017132	1	Hardware Kit (Includes Plugs and Setscrews)	

# SECTION 3 - BOOM

FIGURE 3-9. JIB SWING ROTATOR ASSEMBLY (E300AJP ONLY) (SN 0300064982 through 0300138358)





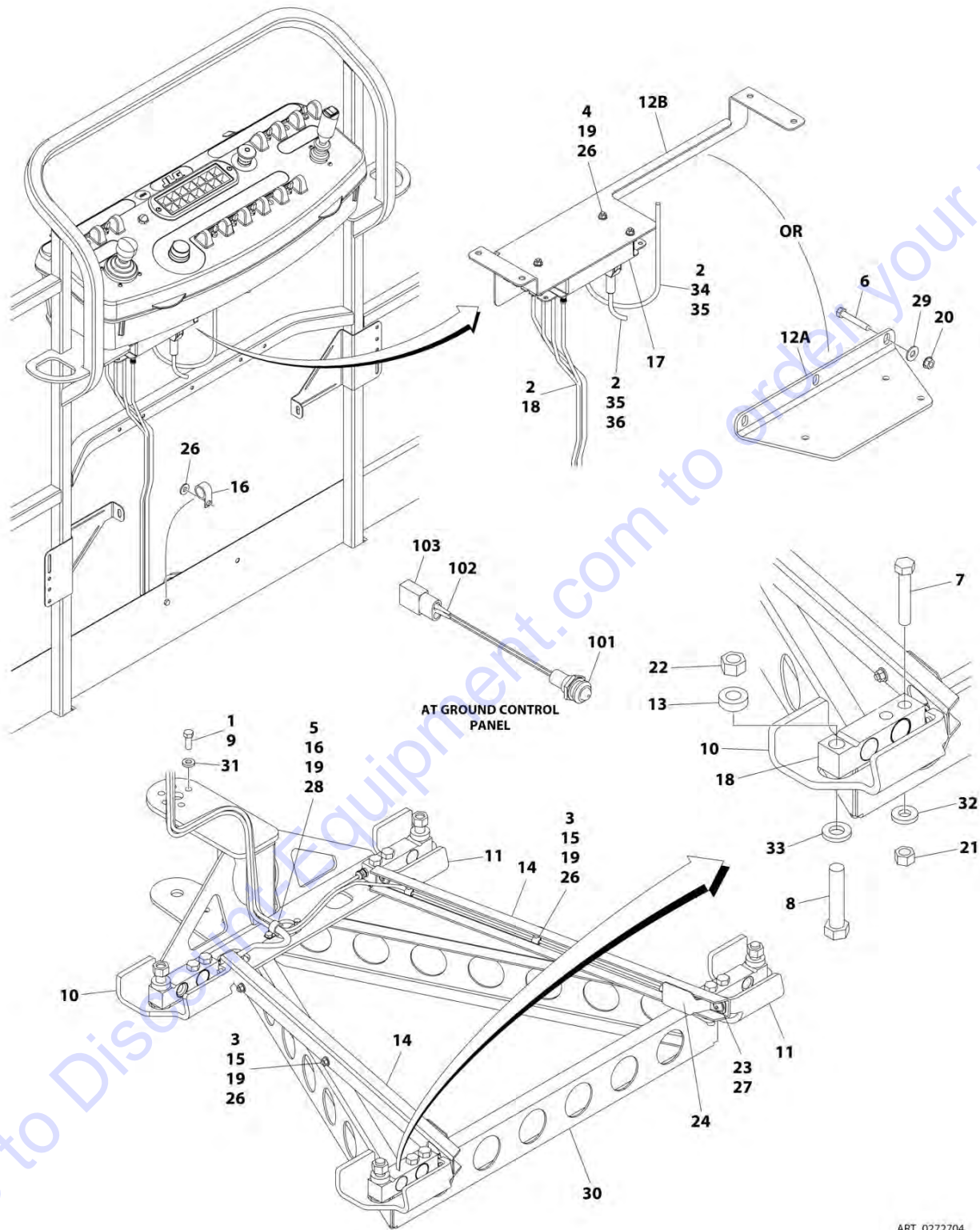
## SECTION 3 - BOOM

**FIGURE 3-9. JIB SWING ROTATOR ASSEMBLY (E300AJP ONLY) (SN 0300064982 through 0300138358)**

ITEM	PART NUMBER	QTY	DESCRIPTION	REV
	0060065	Ref	<b>JIB SWING ROTATOR ASSEMBLY</b>	C
1	0060065	1	Case/Bracket Weldment (Note: Not Available - Purchase Complete Assembly)	
2	7017167	1	Shaft	
3	7017168	1	Sleeve, Piston	
4	See Note	1	Cap, End (Note: Not Available for Purchase)	
7	See Note		Tie Rod Assembly (Note: Not Available for Purchase)	
8	See Note	3	Capscrew 1/4in-20NC (Grade 8) (Note: Not Available for Purchase)	
9	See Note	NSS	Seal, Cap (Note: Use Item 100A or 100B)	
10	See Note	NSS	Ring, Back-up Cap (Note: Use Item 100A or 100B)	
11	See Note	NSS	Seal, Rod (Note: Use Item 100A or 100B)	
12	See Note	NSS	Seal, Piston (Note: Use Item 100A or 100B)	
13	See Note	NSS	Packing, Bearing (Note: Use Item 100A or 100B)	
14	See Note	NSS	Seal (Note: Use Item 100A or 100B)	
15	See Note	NSS	Seal (Note: Use Item 100A or 100B)	
16	See Note	NSS	Bearing, Cap (Note: Use Item 101)	
17	See Note	NSS	Bearing, Shaft (Note: Use Item 101)	
18	See Note	NSS	Thrustwasher (Note: Use Item 101)	
19	7017172	1	Counterbalance Valve Assembly	
19	7017192	2	Cartridge, Valve (No Seal Kit Available)	
100		Ref	Seal Kit Options (Includes Item 9-15):	
100A	7017165	1	Standard	
100B	70000340	1	Cold Climate	
101	7017178	1	Bearing Kit (Includes Item 16-18)	
102	7017179	1	Hardware Kit (Includes Plugs and Setscrews)	

# SECTION 3 - BOOM

## FIGURE 3-10. PLATFORM SUPPORT INSTALLATION - WITH LSS



ART\_0272704

## SECTION 3 - BOOM

**FIGURE 3-10. PLATFORM SUPPORT INSTALLATION - WITH LSS**

ITEM	PART NUMBER	QTY	DESCRIPTION	REV
	0272704	Ref	<b>PLATFORM SUPPORT INSTALLATION - WITH LSS</b>	K
1	0100011	AR	Compound, Locking	
2	0100048	AR	Grease, Dielectric	
3		Ref	Bolt Options:	
3	0630407	6	Capscrew 1/4 x 5/8	
3	0641405	6	Screw 1/4 x 5/8	
4		Ref	Bolt Options:	
4	0641405	3	Bolt 1/4 x 5/8	
4	0641406	3	Bolt 1/4 x 3/4	
4	0641416	3	Bolt 1/4 x 2	
5	0641407	1	Bolt 1/4 x 7/8	
6	0641516	3	Bolt 5/16 x 2 <b>(Prior to SN 0300076525)</b>	
7	0641822	8	Bolt 1/2 x 2-3/4	
8	0642024	4	Bolt 5/8 x 3	
9	0681608	6	Bolt 3/8 x 1	
10	0902919	2	Bracket, Cell Guard	
11	0902920	2	Bracket, Cell Guard	
12		Ref	Bracket, Module Mounting Options:	
12A	0902894	1	Design A <b>(Prior to SN 0300138471)</b>	
12B	1001113483	1	Design B <b>(SN 0300138471 to Present)</b>	
13	0962450	4	Bushing, Spacer	
14	1271538	2	Channel	
15	1320136	6	Clamp	
16	1320224	2	Clamp	
17		Ref	Electronic Interface Module Options (Note: Re-calibration Required when Replaced):	
17	1600350	1	Electronic Interface Module <b>(Prior to SN 0300076525)</b>	
17	1600387	1	Electronic Interface Module <b>(SN 0300076525 to Present)</b>	
18	2420202	4	Load Cell Assembly	
19	3311405	10	Nut 1/4	
20	3311508	3	Nut 5/16 <b>(Prior to SN 0300076525)</b>	
21	3311805	8	Nut 1/2	
22	3312005	4	Nut 5/8	
23	3900283	4	Screw 3/8 x 3/4	
24	4061054	2	Shield	
25	4240033	AR	Tie-Strap (Not Shown)	
26	4711400	13	Washer 1/4	
27	4711600	4	Washer 3/8	
28	4751400	1	Washer 1/4	
29	4751500	3	Washer 5/16 <b>(Prior to SN 0300076525)</b>	
30	4846608	1	Platform Support	
31	4891600	6	Washer 3/8	
32	4891800	8	Washer 1/2	
33	4892000	4	Washer 5/8	
34	4922916	1	Harness, LSS System	
34	4460933	1	Connector - 12 Position (Grey) (J1)	
34	4460465	3	Socket, Female	
34	4460466	9	Plug, Terminal	
34	0840055	1	Boot	
34	4460313	3	Terminal, Ring	

## SECTION 3 - BOOM

ITEM	PART NUMBER	QTY	DESCRIPTION	REV
35	4933289	1	EIM Load Cell to Platform Console Box Wiring (See Separate Breakdown in ELECTRICAL SECTION)	
36	4922917	1	Harness, Analyzer	
36	4460836	1	Connector - 12 Position (Black) (J2)	
36	4460465	4	Socket, Female	
36	4460466	8	Plug, Terminal	
36	0840055	1	Boot	
36	4460761	1	Connector - 4 Position	
36	4460227	4	Pin, Male	
	0273151	Ref	<b>INDICATOR LIGHT INSTALLATION (LSS)</b>	
101	2920151	1	Light (Located on Ground Control Box)	
102	4460226	2	Socket, Female	
103	4460424	1	Connector - 2 Position	
104	4922926	1	Harness, Indicator Lamp (Not Shown - Located at Ground Control Box)	
104	4460265	1	Plug, Male - 9 Position	
104	4460320	1	Plug, Male - 2 Position	
104	4460226	3	Socket, Female	
104	4460227	2	Pin, Male	
104	4460042	1	Terminal, Ring	
104	4460313	1	Terminal, Ring	

# PARTS FINDER

**Search Website  
by Part Number**



**Search Manual  
Library For Parts  
Manual & Lookup Part  
Numbers – Purchase  
or Request Quote**

**Can't Find Part or  
Manual? Request Help  
by Manufacturer,  
Model & Description**

Discount-Equipment.com is your online resource for quality parts & equipment.

Florida: **561-964-4949** Outside Florida TOLL FREE: **877-690-3101**

**Need parts?**

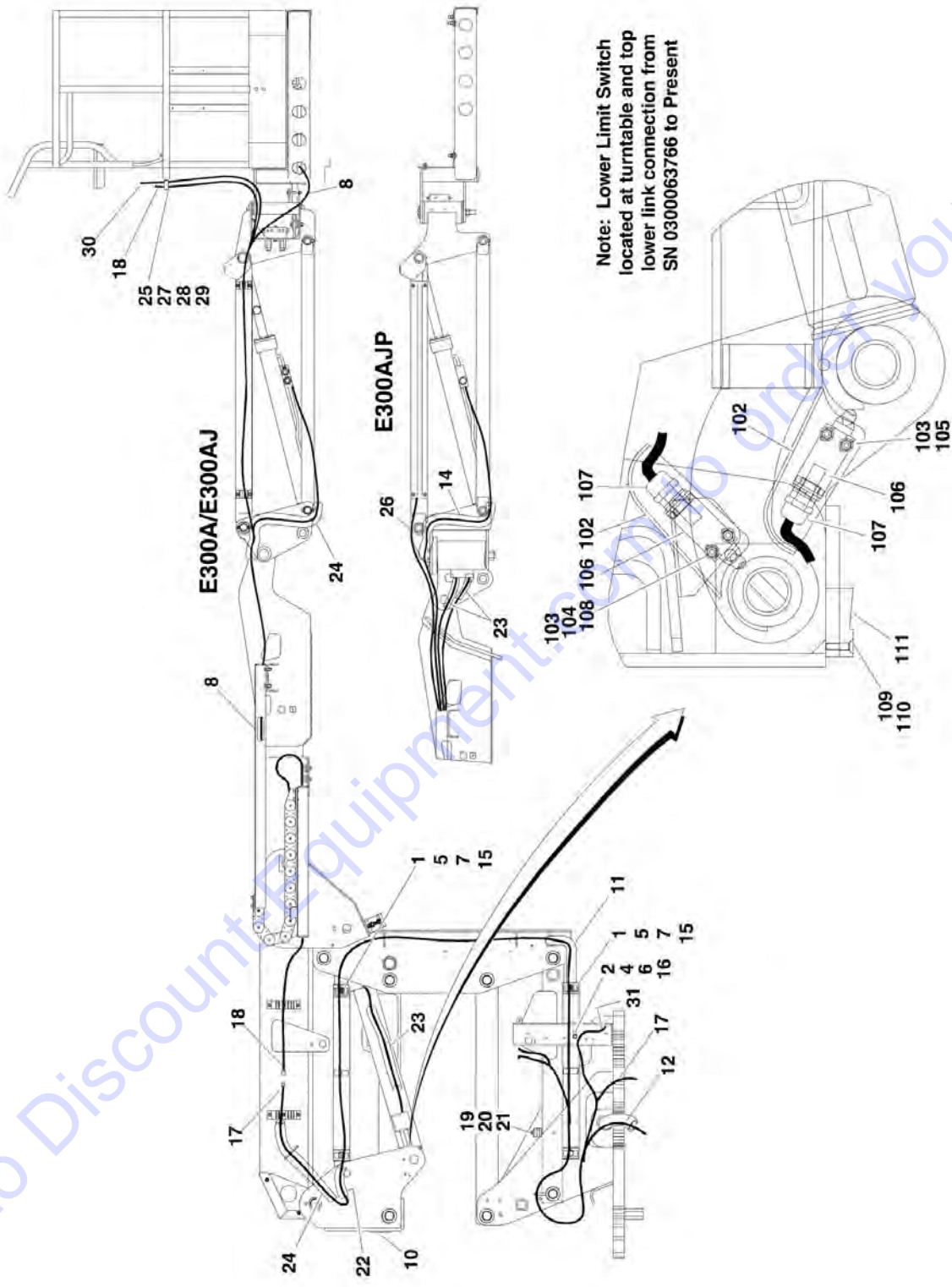
Click on this link: <http://www.discount-equipment.com/category/5443-parts/> and choose one of the options to help get the right parts and equipment you are looking for. Please have the machine model and serial number available in order to help us get you the correct parts. If you don't find the part on the website or on one of the online manuals, please fill out the request form and one of our experienced staff members will get back to you with a quote for the right part that your machine needs.

We sell worldwide for the brands: Genie, Terex, JLG, MultiQuip, Mikasa, Essick, Whiteman, Mayco, Toro Stone, Diamond Products, Generac Magnum, Airman, Haulotte, Barreto, Power Blanket, Nifty Lift, Atlas Copco, Chicago Pneumatic, Allmand, Miller Curber, Skyjack, Lull, Skytrak, Tsurumi, Husquvarna Target, Stow, Wacker, Sakai, Mi-T-M, Sullair, Basic, Dynapac, MBW, Weber, Bartell, Bennar Newman, Haulotte, Ditch Runner, Menegotti, Morrison, Contec, Buddy, Crown, Edco, Wyco, Bomag, Laymor, EZ Trench, Bil-Jax, F.S. Curtis, Gehl Pavers, Heli, Honda, ICS/PowerGrit, IHI, Partner, Imer, Clipper, MMD, Koshin, Rice, CH&E, General Equipment, Amida, Coleman, NAC, Gradall, Square Shooter, Kent, Stanley, Tamco, Toku, Hatz, Kohler, Robin, Wisconsin, Northrock, Oztec, Toker TK, Rol-Air, APT, Wylie, Ingersoll Rand / Doosan, Innovatech, Con X, Ammann, Mecalac, Makinex, Smith Surface Prep, Small Line, Wanco, Yanmar



# SECTION 3 - BOOM

FIGURE 3-11. CABLES, CLAMPS AND LIMIT SWITCHES INSTALLATION



**SECTION 3 - BOOM**

**FIGURE 3-11. CABLES, CLAMPS AND LIMIT SWITCHES INSTALLATION**

ITEM	PART NUMBER	QTY	DESCRIPTION	REV
		Ref	<b>CABLE AND CLAMP INSTALLATIONS</b>	
	0259034	Ref	<b>Cable and Clamp E300A &amp; E300AJ</b>	15
	0259624	Ref	<b>Cable and Clamp E300AJP</b>	13
1	0641416	6	Bolt 1/4in-20NC x 2in	
2	0721006	1	Screw	
4		Ref	Clamp, Cable	
4	1320043	1	Clamp, Cable <b>(Prior to SN 0300067830)</b>	
4	1320041	1	Clamp, Cable <b>(SN 0300067830 through 0300138358)</b>	
5	1320261	4	Clamp, Hose	
6	3311005	1	Locknut #10-24NC	
7	3311405	6	Locknut 1/4in-20NC	
8	4060803	19 in /48cm	Shield, Flex Trim 1/8 <b>(Prior to SN 0300056416)</b>	
10	4060807	14 in /36cm	Shield, Flex Trim 3/8in	
11	4100058	2	Sleeve, Hose <b>(Prior to SN 0300056416)</b>	
12	4100063	1	Sleeve, Hose Wrap	
14		Ref	Sleeve, Hose Wrap Options:	
14	Not Required	0	Sleeve, Hose Wrap E300A & E300AJ	
14	4100066	2	Sleeve, Hose Wrap E300AJP	
15	4711400	6	Flatwasher 1/4in Thin	
16	4751000	2	Flatwasher #10 Regular	
17	4922270	1	Harness, Lower Platform (See ELECTRICAL SECTION for Breakdown)	
18	4922273	1	Harness, Upper Platform (See ELECTRICAL SECTION for Breakdown)	
19	0100011	AR	Compound, Locking	
20	0641510	1	Bolt 5/16in-18NC x 1 1/4in	
21	1320262	1	Clamp	
22	4100066	4	Sleeve, Hose Wrap	
23	4100067	AR	Sleeve, Hose Wrap	
23		Ref	Sleeve, Hose Wrap <b>(Prior to SN 0300071754)</b>	
23		Ref	Sleeve, Hose Wrap <b>(SN 0300071754 through 0300093852)</b>	
23		Ref	Sleeve, Hose Wrap <b>(SN 0300093853 through 0300138358)</b>	
24	4100068	2	Sleeve, Hose Wrap <b>(Prior to SN 0300066703)</b>	
25	1320130	1	Clamp, Hose <b>(Prior to SN 0300071754)</b>	
26	Not Required	0	Clamp, Hose	
27	0641616	1	Bolt 3/8in-16NC x 2 <b>(Prior to SN 0300071754)</b>	
28	4711600	1	Flatwasher 1/4in Narrow <b>(Prior to SN 0300071754)</b>	
29	3271601	1	Nut 3/8in-16NC <b>(Prior to SN 0300071754)</b>	
30	1060878	NLA	Cable (Use p/n 4922603) <b>(Prior to SN 0300063425)</b>	
31	1060879	21 ft/6.4m	Cable	
		Ref	<b>BOOM LIMIT SWITCHES OPTIONS:</b>	
	0259255	Ref	<b>Boom Limit Switches (Prior to SN 0300063766)</b>	C
	0270339	Ref	<b>Boom Limit Switches (SN 0300063766 through 0300138358)</b>	D
102	1670899	1	Cover, Switch	
103	3311005	4	Locknut #10-24NC	
104	3931024	2	Bolt #10-24NC x 1 1/2in	
105	3931028	2	Bolt #10-24NC x 1 3/4in	
106	4360321	2	Switch, Limit (Use p/n 4360548)	



## SECTION 3 - BOOM

ITEM	PART NUMBER	QTY	DESCRIPTION	REV
107		Ref	Connector, Terminal Options:	
107	4460428	2	Use with Limit Switch p/n 4360321	
107	4360968	2	Use with Limit Switch p/n 4360548	
108	4751000	2	Flatwasher #10	
109	0741408	2	Screw 1/4in-20NC x 1in	
110	0100011	AR	Compound, Locking	
111	3340865	1	Pad (SN 0300046300 through 0300138358)	

Go to Discount-Equipment.com to order your parts

**SECTION 4 - PLATFORM**

Go to Discount-Equipment.com to order your parts



## SECTION 4 - PLATFORM

**FIGURE 4-1. PLATFORM COMPONENTS INSTALLATION (FRONT ENTRY)**

ITEM	PART NUMBER	QTY	DESCRIPTION	REV
		Ref	<b>PLATFORM INSTALLATIONS:</b>	
		Ref	<b>NOTE: REPLACEMENT DECALS MUST BE ORDERED SEPARATELY - See DECALS SECTION for Breakdown.</b>	
	3510714	Ref	<b>Australian Spec (4ft/1.22m Width)</b>	C
1	0100011	AR	Compound, Locking	
2	0100040	AR	Sealant, Silicone	
4	2080040	13	Fastener, Huck	
5	2600219	NLA	Hinge (Use p/n 2600287)	
6	2940074	1	Latch	
7	3311005	4	Locknut #10-24NC	
9	3510714	1	Platform (Note: Not Available for Purchase)	
10	3520072	3	Cap-Plug	
11	3539685	1	Plate, Latch	
12	3911008	4	Screw #10-24NC x 1in	
13	4060803	6 in/15cm	Trimlock	
14	4220165	1	Stop, Gate	
16	4751000	4	Flatwasher #10	
17	4845426	1	Gate	
	3510696	Ref	<b>CE Spec (4ft/1.22m Width)</b>	B
51	0641418	2	Bolt 1/4in-20NC x 2-1/4in (Grade 8)	
53	0961845	2	Bushing	
54	3300151	2	Nut Acorn 1/4in-20NC	
56	3510696	1	Platform (Note: Not Available for Purchase)	
57	4420055	4 in/10cm	Tape	
59	4740411	4	Washer, Nylon	
60	4845288	1	Bar, Slide	
		Ref	<b>PEDESTAL PANEL AND FOOTSWITCH INSTALLATIONS</b>	
		Ref	<b>Pedestal Panel and Footswitch E300A &amp; E300AJ</b>	
	0861176	Ref	<b>Pedestal Panel and Footswitch (Prior to SN 0300068944)</b>	7-F
	0272082	Ref	<b>Pedestal Panel and Footswitch (SN 0300068944 through 0300138358)</b>	A
	0861311	Ref	<b>Pedestal Panel and Footswitch E300AJP</b>	1-A
	0861311	Ref	<b>Pedestal Panel and Footswitch (Prior to SN 0300049315)</b>	1-A
	0861314	Ref	<b>Pedestal Panel and Footswitch (SN 0300049315 through 0300068943)</b>	5-D
	0272106	Ref	<b>Pedestal Panel and Footswitch (SN 0300068944 through 0300138358)</b>	A
101	0641406	4	Bolt 1/4in-20NC x 3/4in	
102	0641408	3	Bolt 1/4in-20NC x 1in	
103	0641610	4	Bolt 3/8in-16NC x 1-1/4in	
105	3311405	7	Locknut 1/4in-20NC	
106	3311605	4	Locknut 3/8in-16NC	
107	3380434	1	Panel, Pedestal	
108	4740362	7	Washer, Fender 1/4in	
109	4751400	4	Flatwasher 1/4in Regular	
110	4751600	8	Flatwasher 3/8in Regular	
111	4360031	1	Footswitch	
111	7000625	2	Block, Contact	
111	3252347	1	Nameplate (Note: See DECALS SECTION for Other Languages)	
112	4460071	1	Connector, Strain Relief (Not Shown - Located at Console Box)	

## SECTION 4 - PLATFORM

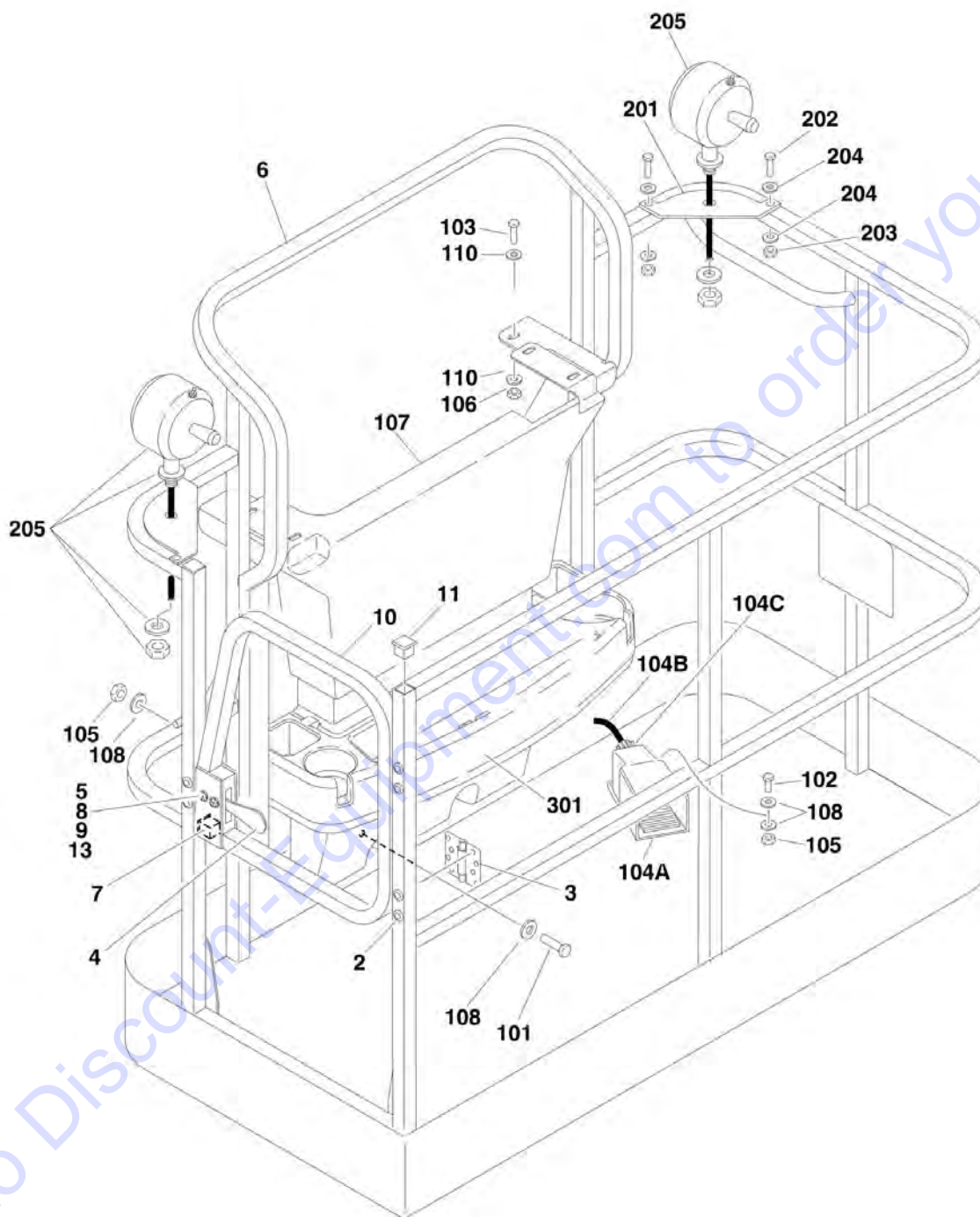
ITEM	PART NUMBER	QTY	DESCRIPTION	REV
		Ref	<b>TRAY INSTALLATIONS (OPTIONAL)</b>	
201	1580012	1	Tray, Storage (Center)	
202	1580013	1	Tray, Storage (Rail Mounted - Not Shown)	
	0259338	Ref	<b>WORKLIGHTS INSTALLATION (OPTIONAL)</b>	2-B
301	3536089	2	Plate, Mounting	
302	0641414	4	Bolt 1/4in-20NC x 1-3/4in	
303	3311405	4	Locknut 1/4in-20NC	
304	4711400	8	Flatwasher 1/4in Thin	
305	2920095	2	Worklight Assembly	
305	7016356	2	Bulb, Replacement	
306	4240099	10	Tie-Strap (Not Shown)	

Go to Discount-Equipment.com to order your parts



# SECTION 4 - PLATFORM

## FIGURE 4-2. PLATFORM COMPONENTS INSTALLATION (SIDE ENTRY)



## SECTION 4 - PLATFORM

**FIGURE 4-2. PLATFORM COMPONENTS INSTALLATION (SIDE ENTRY)**

ITEM	PART NUMBER	QTY	DESCRIPTION	REV
		Ref	<b>PLATFORM ASSEMBLIES:</b>	
	3510831	Ref	<b>Platform Assemblies 30 in x 5ft (76cm x 1.52m) with No Mesh (Original Equipment)</b>	L
	1001144026	Ref	<b>Platform Assemblies 30 in x 5ft (76cm x 1.52m) with No Mesh (Service Replacement for p/n 3510831)</b>	B
	3510830	Ref	<b>Platform Assemblies 30 in x 4ft (76cm x 1.22m) with No Mesh (Original Equipment)</b>	M
	1001144027	Ref	<b>Platform Assemblies 30 in x 4ft (76cm x 1.22m) with No Mesh (Service Replacement for p/n 3510830)</b>	B
		Ref	<b>Note: Original Equipment platform may have been replaced with Service Replacement platform. Identify platform before ordering parts.</b>	
		Ref	<b>Note: Platform and Mesh must be ordered separately for Platforms with Mesh. See SPECIAL OPTIONS SECTION for Mesh Installations.</b>	
		Ref	<b>Note: Replacement Decals Must be Ordered Separately - See DECALS SECTION for Breakdown.</b>	
2	2080040	16	Fastener, Huck	
3	2600281	2	Hinge, Self-Closing	
4	2940074	1	Latch	
5	3311001	4	Nut #10-24NC <b>(Prior to SN 0300077390)</b>	
6	See Note	1	Platform (Note: Purchase Platform Assembly)	
7	3520072	1	Cap-Plug	
8		Ref	Hardware Options:	
8	3911008	4	Screw #10-24NC x 1in <b>(Prior to SN 0300077390)</b>	
8	3820020	4	Rivet, Pop <b>(SN 0300077390 through 0300138358)</b>	
9	4751000	8	Flatwasher #10 Regular <b>(Prior to SN 0300077390)</b>	
10		Ref	Gate Options:	
10	4846452	1	Platform p/n 3510830 & p/n 3510831 (Original Equipment)	
10	1001144629	1	Platform p/n 1001144026 & p/n 1001144027 (Service Replacement)	
11	3520198	2	Cap-Plug	
13	4761000	4	Lockwasher #10 <b>(Prior to SN 0300077390)</b>	
		Ref	<b>PEDESTAL PANEL AND FOOTSWITCH INSTALLATIONS</b>	
	0272082	Ref	<b>Pedestal Panel and Footswitch E300A &amp; E300AJ MODELS</b>	A
	0272106	Ref	<b>Pedestal Panel and Footswitch E300AJP MODELS</b>	A
101	0641406	4	Bolt 1/4in-20NC x 3/4in	
102	0641408	3	Bolt 1/4in-20NC x 1in	
103	0641610	4	Bolt 3/8in-16NC x 1-1/4in	
104		Ref	Console Box Assembly (Not Shown - See PLATFORM CONSOLE ASSEMBLY for Breakdown)	
104A	4360031	1	Footswitch	
104A	7000625	2	Block, Contact	
104A	3252347	1	Nameplate (Note: See DECALS SECTION for Other Languages)	
104B	1060330	7 ft/2.2m	Cable, Electrical 16/3	
104C	4460071	1	Connector, Strain Relief	
105	3311405	7	Locknut 1/4in-20NC	
106	3311605	4	Locknut 3/8in-16NC	
107	3380434	1	Panel, Pedestal	
108	4740362	7	Washer, Fender 1/4in	
109	4751400	4	Flatwasher 1/4in Regular	



## SECTION 4 - PLATFORM

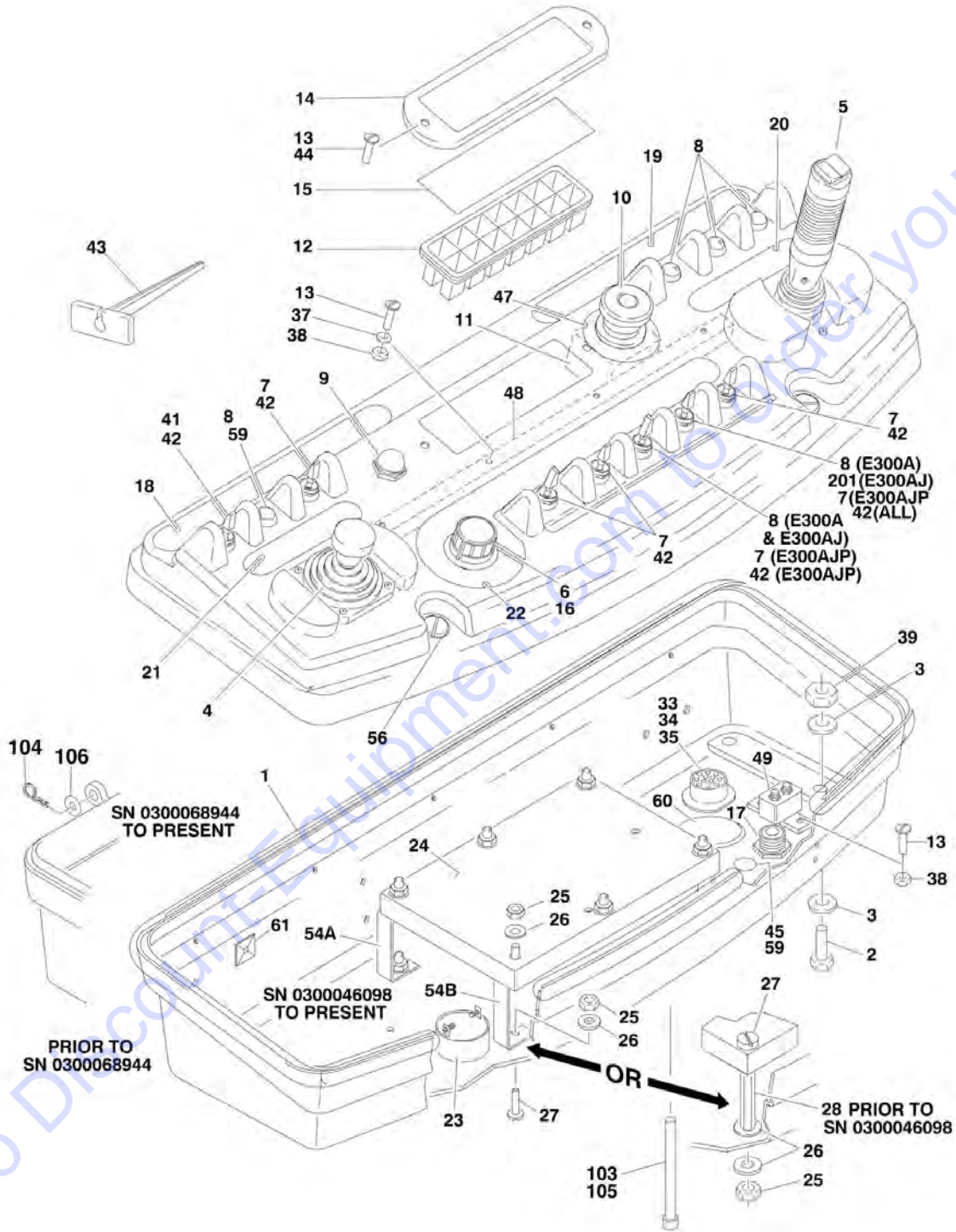
ITEM	PART NUMBER	QTY	DESCRIPTION	REV
110	4751600	8	Flatwasher 3/8in Regular	1-A
	0259338	Ref	<b>WORKLIGHTS INSTALLATION OPTIONS:</b>	
201	3536089	2	Plate, Mounting	
202	0641414	4	Bolt 1/4in-20NC x 1-3/4in	
203	3311405	4	Locknut 1/4in-20NC	
204	4711400	8	Flatwasher 1/4in Thin	
205	2920095	2	Worklight Assembly	
205	7016356	2	Bulb, Replacement	
206	4240099	10	Tie-Strap (Not Shown)	
		Ref	<b>TRAY INSTALLATIONS (OPTIONAL)</b>	
301	1580012	1	Tray, Storage (Center)	
302	1580013	1	Tray, Storage (Rail Mounted - Not Shown)	

Go to Discount-Equipment.com to order your parts



# SECTION 4 - PLATFORM

## FIGURE 4-3. PLATFORM CONSOLE ASSEMBLY



## SECTION 4 - PLATFORM

**FIGURE 4-3. PLATFORM CONSOLE ASSEMBLY**

ITEM	PART NUMBER	QTY	DESCRIPTION	REV
		Ref	<b>CONSOLE BOX ASSEMBLIES</b>	
		Ref	<b>Console Box Assemblies E300A &amp; E300AJ</b>	
	0861176	Ref	<b>Console Box Assemblies (Prior to SN 0300068944)</b>	7-F
	0861529	Ref	<b>Console Box Assemblies (SN 0300068944 through 0300138358)</b>	H
		Ref	<b>Console Box Assemblies E300AJP</b>	
	0861314	Ref	<b>Console Box Assemblies (Prior to SN 0300068944)</b>	2-B
	0861532	Ref	<b>Console Box Assemblies (SN 0300068944 through 0300138358)</b>	H
	0273089	Ref	<b>LIGHT DISPLAY DECAL INSTALLATION</b>	A
		Ref	Console Box Assemblies Options:	
1		1	Console Assembly <b>(Prior to SN 0300068944)</b>	
1	0861215	1	Console Assembly <b>(Prior to SN 0300068944)</b>	
1	7020099	2	Screw	
1	3760308	2	Retainer, Screw	
1	7020100	2	Receptacle, Clip-on Screw	
1	0861537	1	Console Assembly (See Items 101-106 for Breakdown) <b>(SN 0300068944 through 0300138358)</b>	
2	0641610	4	Bolt 3/8in-16NC x 1-1/4in	
3	4751600	8	Flatwasher 3/8in Regular	
4	1600274	NLA	Controller Assembly (Lift and Swing) (See CONTROLLER ASSEMBLY (LIFT AND SWING) for Breakdown) (Use p/n 1001118419)	
5	1600273	NLA	Controller Assembly (Drive and Steer) (See CONTROLLER ASSEMBLY (DRIVE AND STEER) for Breakdown) (Use p/n 1001118418)	
6	4360462	1	Switch, Potentiometer	
7	4360328	AR	Switch, Toggle	
8		Ref	Plug, Hole Options:	
8	3520028	6	Plug, Hole <b>(Prior to SN 0300079697)</b>	
8	3520054	6	Plug, Hole <b>(SN 0300079697 through 0300138358)</b>	
9	4360387	1	Switch, Push Button	
10	4360475	1	Switch, Emergency Stop	
10	7020175	1	Cap, Mushroom with Sealing Ring	
10	7020176	1	Block, Contact	
11	4360476	1	Block, Contact	
12	2760105	1	Housing, Display Light	
13	0630464	8	Screw, Button Head #10-24NC x 1/2in	
14	1670829	1	Bezel	
15	1704239	1	Display - Light Panel	
16	2560115	NLA	Knob, Speed Control (Use p/n 2560136)	
17	4460428	1	Connector, Strain Relief	
18	1704240	1	Decal - Horn	
19	1704192	1	Decal - Stop	
20	1702565	1	Decal - Drive and Steer	
21	1702566	1	Decal - Lift and Swing	
22		Ref	Decal - Function Speed Options:	
22	1702567	1	Decal - Function Speed E300A & E300AJ	
22	1704422	1	Decal - Function Speed E300AJP	
23		Ref	Alarm Options:	
23	0140019	NLA	Alarm (Use p/n 0140011) <b>(Prior to SN 0300046839)</b>	
23	0140011	1	Alarm <b>(SN 0300046839 through 0300138358)</b>	

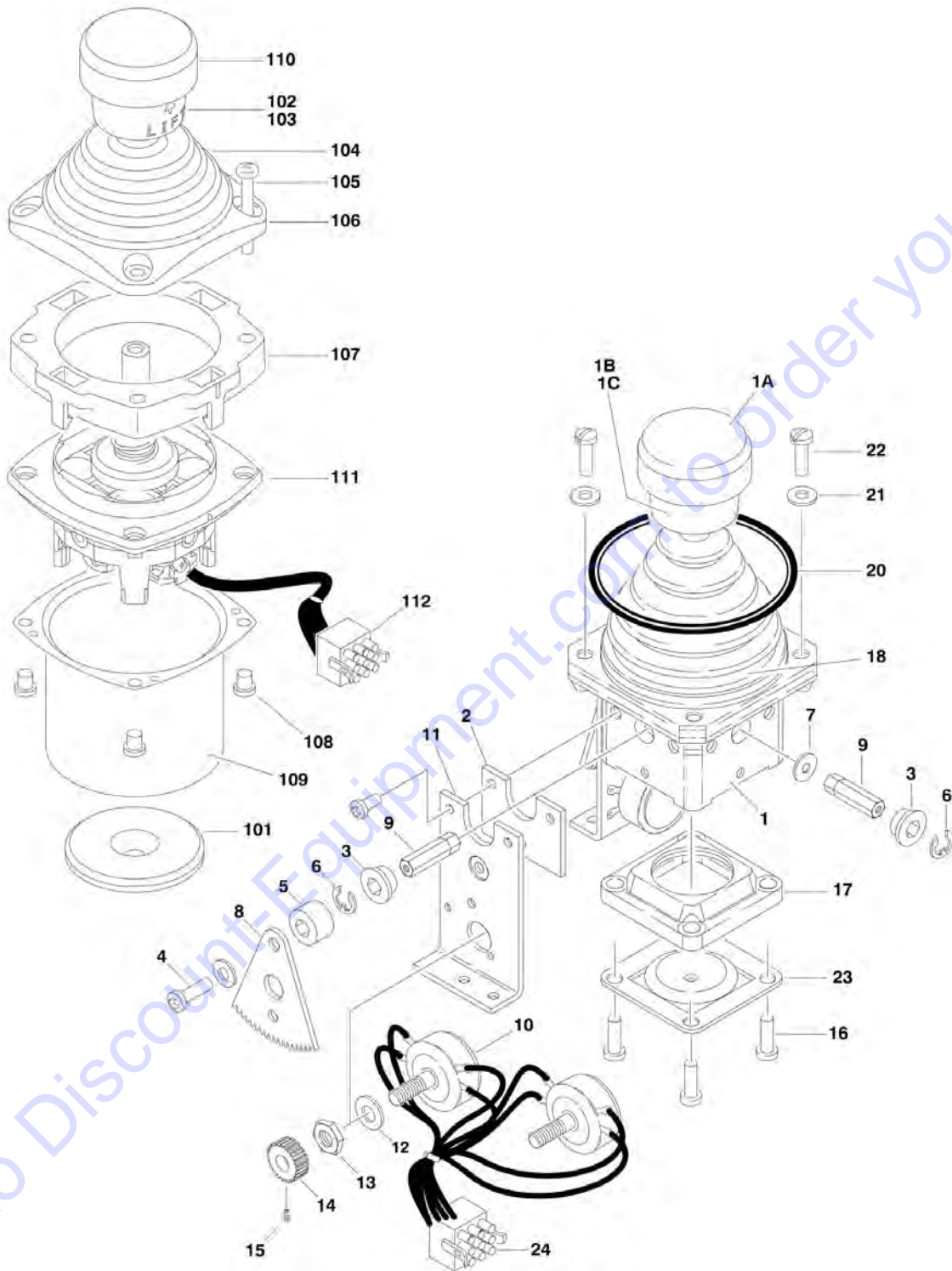
## SECTION 4 - PLATFORM

ITEM	PART NUMBER	QTY	DESCRIPTION	REV
24	0610128	NLA	Module, Platform (Use p/n 1001109498)	
		Ref	<b>Note: Reclibration Required when Replaced.</b>	
25	3310601	AR	Nut #6-32NC	
26	4750600	AR	Flatwasher #6 Regular	
27	3910612	AR	Screw #8-32NC x 3/4in <b>(Prior to SN 0300068944)</b>	
28	4300132	6	Stud, Stand-Off <b>(Prior to SN 0300046098)</b>	
33	4460752	1	Connector - 14 Position	
34	4460497	1	Nut, Receptacle	
35	4460496	1	Lockwasher, Receptacle	
36	4240032	2	Tie-Strap	
37	4740120	4	Washer, Nylon <b>(Prior to SN 0300068944)</b>	
38	3311005	6	Locknut #10-24NC <b>(Prior to SN 0300068944)</b>	
39	3311605	4	Locknut 3/8in-16NC <b>(Prior to SN 0300068944)</b>	
41	4360330	1	Switch, Toggle	
42	3790012	AR	O-Ring	
43	4460467	1	Tool, Extraction <b>(Prior to SN 0300068944)</b>	
44	0100035	AR	Compound, Locking	
45	3520030	2	Hole, Plug	
47	1704260	1	Decal - Emergency Stop Switch	
48	3571222	1	Angle, Relay Mounting <b>(Prior to SN 0300068944)</b>	
49	4360448	1	Breaker, Circuit - 10Amp	
54		Ref	Bracket Options:	
54A	0902575	1	Bracket - Rear <b>(SN 0300046098 through 0300047441)</b>	
54A	0902588	1	Bracket - Rear <b>(SN 0300047442 through 0300138358)</b>	
54B	0902575	1	Bracket - Front	
55		Ref	Jumper Harness Options (Not Shown - See ELECTRICAL SECTION for Breakdown) <b>(Prior to SN 0300068944)</b>	
55	Not Required	0	Jumper Harness E300A & E300AJ	
55	4922307	1	Jumper Harness E300AJP	
56	7020099	2	Screw <b>(Prior to SN 0300068944)</b>	
57	7020100	2	Clip, Mounting (Not Shown)	
58	3760308	2	Ring, Retainer (Not Shown)	
59	0100009	AR	Adhesive, Silicon	
60	1671037	NLA	Cover, Control Box (Use p/n 1001110435) <b>(SN 0300068944 through 0300138358)</b>	
61	4460488	1	Mounting Base, Terminal <b>(SN 0300068944 through 0300138358)</b>	
	0861537	Ref	<b>CONSOLE ASSEMBLY (SN 0300068944 through 0300138358)</b>	E
101	0861537	1	Casting, Console (Bottom)	
102	0861537	1	Casting, Console (Top)	
103	3311601	1	Nut 3/8in-16NC	
104	3470003	2	Pin, Cotter	
105	0630568	1	Bolt 3/8in-16NC x 4-1/2in	
106	4711500	2	Flatwasher 5/16in Thin	
	0259102	Ref	<b>JIB CONSOLE SWITCH (E300AJ ONLY)</b>	2-B
201	4360328	1	Switch, Toggle	
201	3790012	1	O-Ring	
201	4922294	1	Harness, Jib Function (See ELECTRICAL SECTION for Breakdown)	
201	4240032	6	Tie-Strap	
202	4922534	1	Harness, Overload Light (Not Shown - See ELECTRICAL SECTION for Breakdown)	



# SECTION 4 - PLATFORM

## FIGURE 4-4. CONTROLLER ASSEMBLY (SWING AND LIFT)



## SECTION 4 - PLATFORM

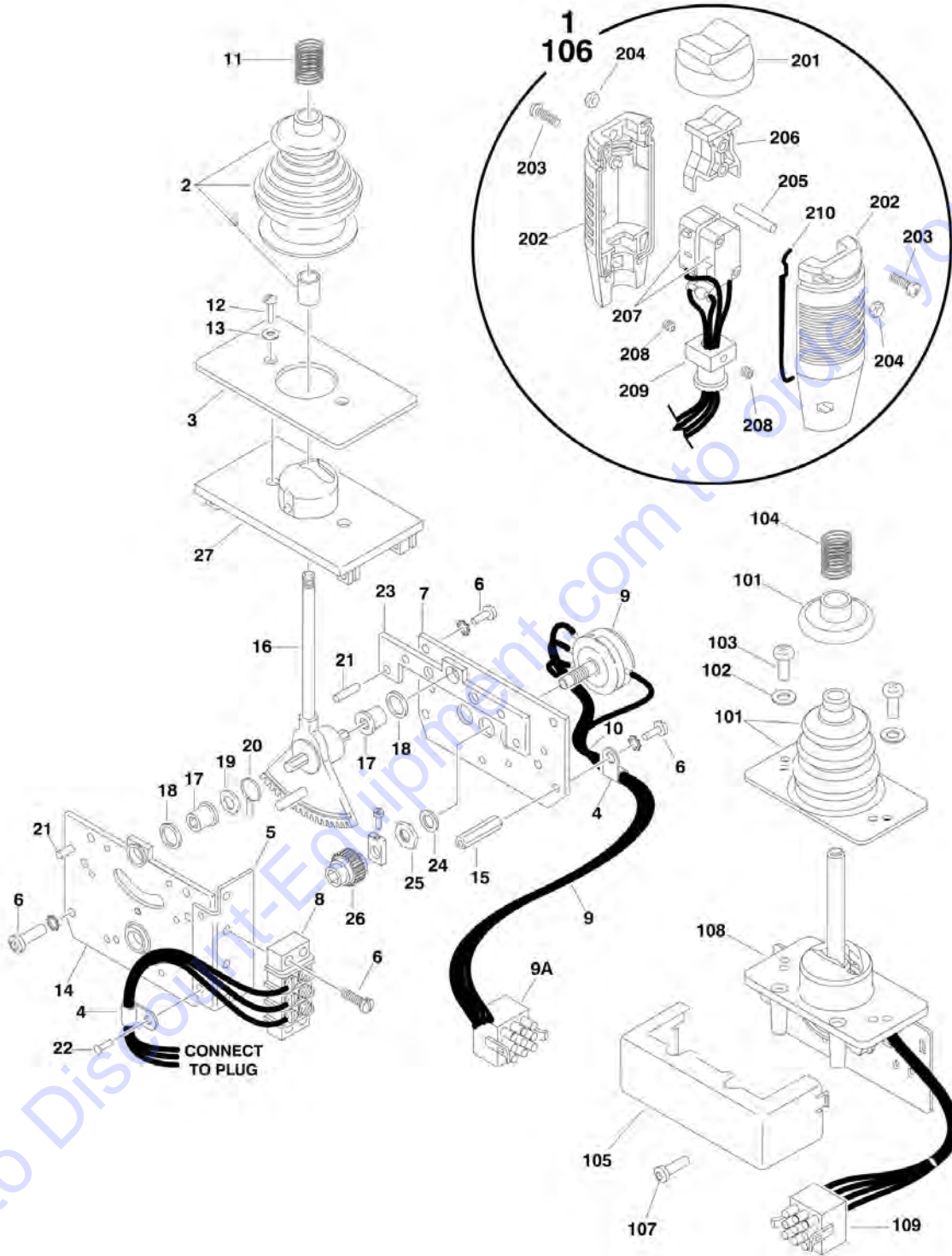
**FIGURE 4-4. CONTROLLER ASSEMBLY (SWING AND LIFT)**

ITEM	PART NUMBER	QTY	DESCRIPTION	REV
		Ref	<b>Note: Original Equipment component may be replaced with Service Replacement component. Visually identify controller before ordering parts.</b>	
		Ref	<b>CONTROLLER ASSEMBLY</b>	
	1600274	Ref	<b>Controller Assembly (Use 1001118419 as Replacement)</b>	F
1	7019141	1	Mechanical Assembly (Includes Base, Handle Stem and Items 18, 1A, 1B & 1C)	
1A	7019197	1	Handle Cap and Rod	
1B	7003928	1	Spring	
1C	7022808	1	Cap, Lift	
2	7019142	2	Plate	
3	7019111	4	Bearing, Gear	
4	7019143	2	Screw	
5	7019144	2	Spacer	
6	7019145	4	E-Clip	
7	7019174	2	Spacer, Cam	
8	7003977	2	Gear, Drive	
9	7019147	4	Shaft	
10	7019195	2	Potentiometer Assembly	
10	7003974	1	Potentiometer	
11	7019142	2	Plate	
12	7003992	2	Washer	
13	7003993	2	Nut	
14	7003976	2	Gear, Slave	
15	7019149	2	Setscrew	
16	7003952	4	Screw	
17	7019150	1	Gate	
18	7022813	1	Boot (was p/n 7003955)	
19	7022813	1	Plate, Plastic (was p/n 7003954)	
20	7003956	1	O-Ring	
21	7003953	4	Washer	
22	7019137	4	Screw	
23	7019170	1	Center, Detent	
24	4460265	1	Plug, Male - 9 Position	
24	4460226	8	Socket, Female	
	1001118419	Ref	<b>Controller Assembly (Service Replacement)</b>	B
101	70002730	1	Gasket	
102	7003928	1	Spring	
103	7022808	1	Cap, Lift	
104	70002731	1	Boot	
105	70002732	4	Screw	
106	7022815	1	Bezel	
107	70002733	1	Adapter	
108	70002734	4	Screw	
109	70002735	1	Can, Enclosure	
110	70002906	1	Cap	
111	1001118419	1	Mechanical Assembly	
112	4460265	1	Plug, Male - 9 Position	
112	4460226	8	Socket, Female	



# SECTION 4 - PLATFORM

## FIGURE 4-5. CONTROLLER ASSEMBLY (DRIVE AND STEER)



## SECTION 4 - PLATFORM

**FIGURE 4-5. CONTROLLER ASSEMBLY (DRIVE AND STEER)**

ITEM	PART NUMBER	QTY	DESCRIPTION	REV
		Ref	<b>Note: Original Equipment component may be replaced with Service Replacement component. Visually identify controller before ordering parts.</b>	
		Ref	<b>CONTROLLER ASSEMBLY</b>	
	1600273	Ref	<b>Controller Assembly (Use 1001118418 as Replacement)</b>	G
1	7022812	1	Handle Assembly (See Items 201-210 for Breakdown)	
2	7019161	1	Boot and Sleeve	
3	7003933	1	Gasket	
4	7019154	2	Clamp, Wire	
5	7019159	1	Bracket, Mounting	
6	7003994	10	Screw	
7	7019157	1	Plate, Pot Mounting	
8	7003986	1	Strip, Terminal - 3 Position	
9	7019191	1	Electric Assembly	
9	7003974	1	Potentiometer	
9A	4460265	1	Plug, Male - 9 Position	
9A	4460226	7	Socket, Female	
10	7019151	AR	Tie-Strap	
11	7019162	1	Spring	
12	7003940	2	Screw (was p/n 7003969)	
13	7003941	2	Washer	
14	7019158	1	Plate, Mounting (Left Side)	
15	7019115	2	Stand-Off	
16	See Note	1	Shaft 8mm (Note: Not Available for Purchase)	
17	7019111	2	Bearing	
18	7019110	2	Spacer, Head Gear	
19	7019112	1	Washer	
20	7003946	1	Spring, Return	
21	7019103	4	Pin	
22	See Note	1	Rivet (Note: Not Available - Purchase Locally)	
23	7019168	1	Plate, Mounting (Right Side)	
24	7003992	1	Washer	
25	7003993	1	Nut	
26	7003935	1	Gear, Slave	
27	7019160	1	Base	
	1001118418	Ref	<b>Controller Assembly (Service Replacement)</b>	B
101	70002724	1	Boot and Control Lock Assembly	
102	7003941	2	Washer	
103	70002725	2	Screw	
104	7019162	1	Spring	
105	70002726	1	Enclosure	
106	70002736	1	Handle Assembly (See Items 201-210 for Breakdown)	
107	70002728	1	Screw	
108	1001118418	1	Mechanical Assembly	
109	4460265	1	Plug, Male - 9 Position	
109	4460226	7	Socket, Female	
		Ref	<b>HANDLE ASSEMBLIES</b>	
	7022812	Ref	<b>Controller Assembly p/n 1600273</b>	
	70002736	Ref	<b>Controller Assembly p/n 1001118418</b>	
201	7003972	1	Boot, Switch	

## SECTION 4 - PLATFORM

ITEM	PART NUMBER	QTY	DESCRIPTION	REV
202	7003973	2	Half, Handle	
203	7003980	4	Screw	
204	7019167	4	Nut	
205	7019164	1	Axle	
206	7019165	1	Rocker	
207		Ref	Wiring Assembly Options:	
207	7019196	1	Controller Assembly p/n 1600273	
207	7003982	2	Switch, Micro	
207	70002737	1	Controller Assembly p/n 1001118418	
207	7003982	2	Switch, Micro	
208	7003983	2	Setscrew	
209	7019194	1	Coupling	
210	7003989	2	Gasket	

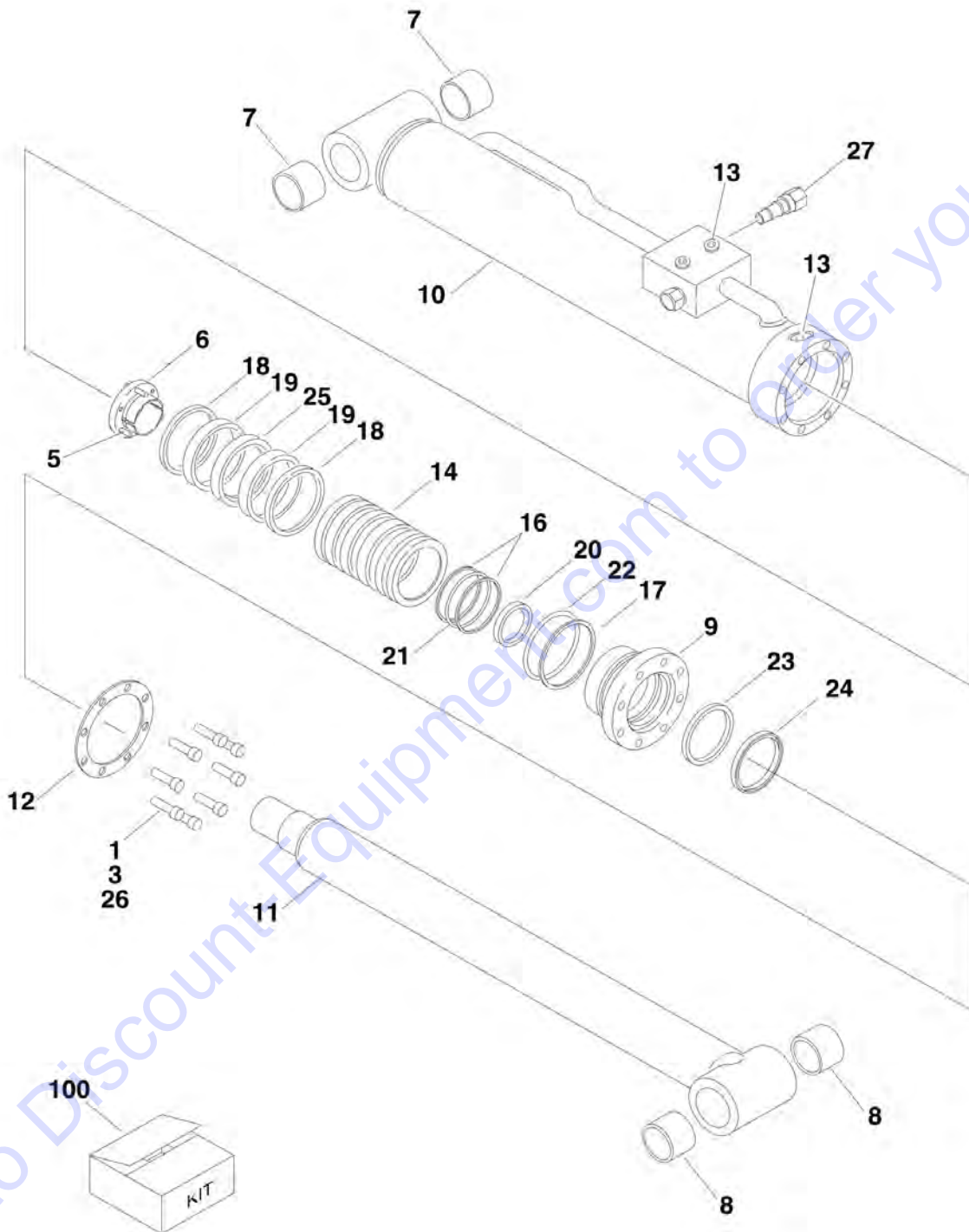
Go to Discount-Equipment.com to order your parts

**SECTION 5 - CYLINDER**

Go to Discount-Equipment.com to order your parts

# SECTION 5 - CYLINDER

FIGURE 5-1. JIB CYLINDER ASSEMBLY (ORIGINAL EQUIPMENT)



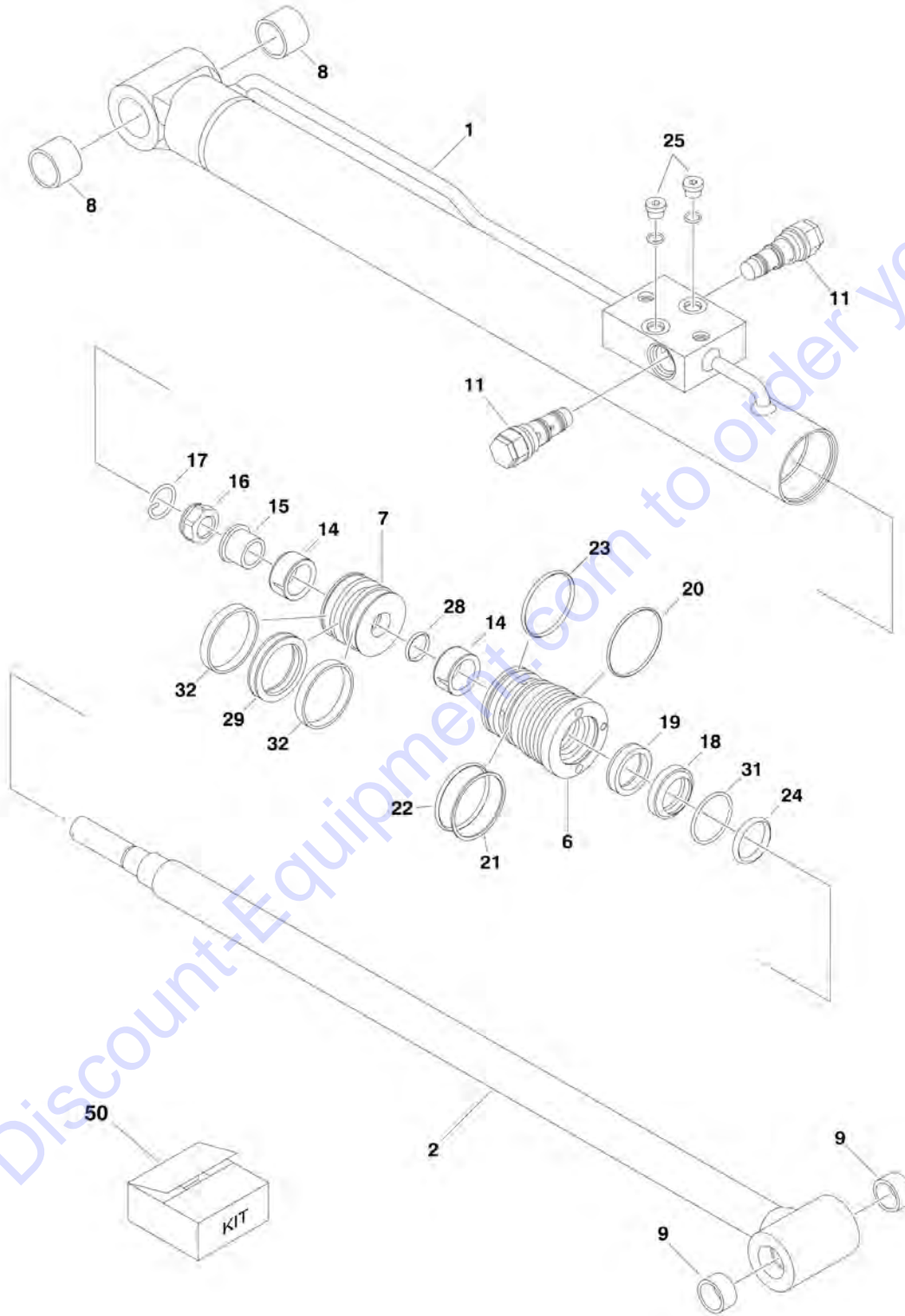
## SECTION 5 - CYLINDER

**FIGURE 5-1. JIB CYLINDER ASSEMBLY (ORIGINAL EQUIPMENT)**

ITEM	PART NUMBER	QTY	DESCRIPTION	REV
		Ref	<b>JIB CYLINDER ASSEMBLY</b>	
	1683779	Ref	<b>Jib Cylinder Assembly, All Machines (Excluding 0300058438)</b>	G
	1001103695	Ref	<b>Jib Cylinder Assembly (Including 0300058438)</b>	A
		Ref	<b>Note: Original Equipment component may have been replaced with Service Replacement component. Identify p/n stamped on cylinder before ordering parts.</b>	
1	0100011	AR	Compound, Locking	
3	0100038	AR	Primer, Locking	
5	0630534	3	Bolt #10-24NC x 1in	
6	0961893	1	Bushing, Tapered	
7	0961947	2	Bearing	
8	0961951	2	Bushing	
9	1683051	1	Head, Cylinder	
10		Ref	Barrel Options:	
10	1683780	1	Barrel <b>(Excluding 0300058438)</b>	
10	1001103696	1	Barrel <b>(Including 0300058438)</b>	
11	1683783	1	Rod	
12	3760367	1	Ring, Washer	
13	2220885	3	O-Ring Plug	
14	3480249	1	Piston, Head	
16	See Note	NSS	Ring, Back-up (Note: Use Item 100)	
17	See Note	NSS	Ring, Back-up (Note: Use Item 100)	
18	See Note	NSS	Ring, Seal (Note: Use Item 100)	
19	See Note	NSS	Ring, Wear (Note: Use Item 100)	
20	See Note	NSS	Ring, Wear (Note: Use Item 100)	
21	See Note	NSS	O-Ring (Note: Use Item 100)	
22	See Note	NSS	O-Ring (Note: Use Item 100)	
23	See Note	NSS	Seal (Note: Use Item 100)	
24	See Note	NSS	Ring, Wiper (Note: Use Item 100)	
25	See Note	NSS	Seal (Note: Use Item 100)	
26	3931516	8	Bolt 5/16in-18NC x 1in	
27	4640509	2	Cartridge, Valve	
27	2900792	2	Seal Kit - 4640509 Valve (1 Per Cartridge)	
27	4640902	2	Cartridge, Manual Descent (Not Shown) <b>(Including 0300058438)</b>	
27	See Note	NSS	Seal Kit - 4640902 Valve (1 Per Cartridge) (Note: Not Available for Purchase)	
100	2902209	1	Seal Kit (Includes Items 16-25)	

# SECTION 5 - CYLINDER

## FIGURE 5-2. JIB CYLINDER ASSEMBLY (SERVICE REPLACEMENT)



## SECTION 5 - CYLINDER

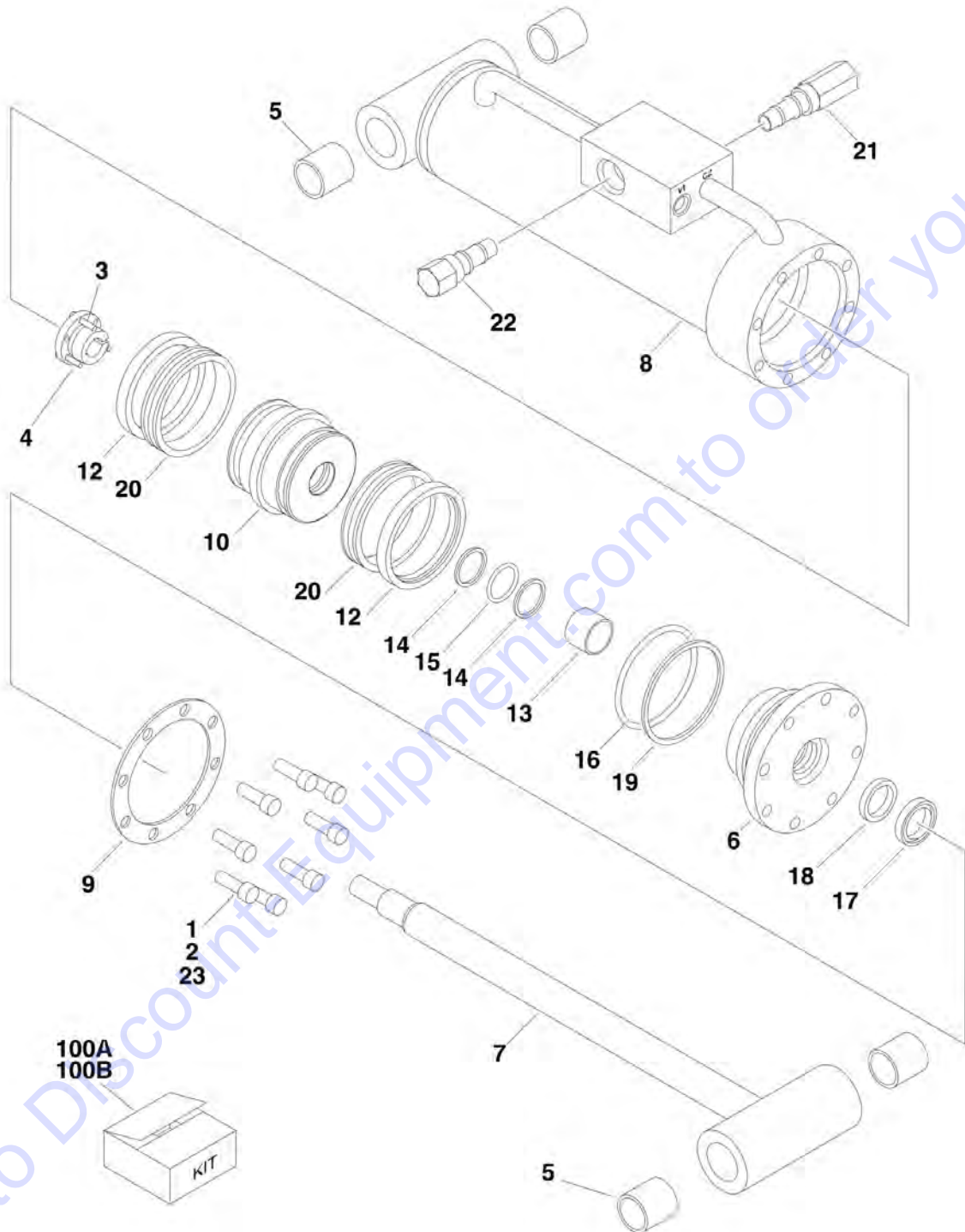
**FIGURE 5-2. JIB CYLINDER ASSEMBLY (SERVICE REPLACEMENT)**

ITEM	PART NUMBER	QTY	DESCRIPTION	REV
	1001140280	Ref	<b>JIB CYLINDER ASSEMBLY</b>	A
		Ref		
1	70003863	1	Barrel	
2	70003864	1	Rod	
6	7026088	1	Head	
7	70003833	1	Piston	
8	0961951	2	Bushing	
9	0961947	2	Bushing	
11	464509	2	Cartridge, Counterbalance Valve	
11	2900792	2	Seal Kit - 4640509 Valve	
14	7026090	2	Bushing	
15	7026091	1	Sleeve	
16	7026092	1	Nut	
17	70002223	1	Retainer	
18	See Note	NSS	Wiper (Note: Use Item 50)	
19	See Note	NSS	Seal (Note: Use Item 50)	
20	See Note	NSS	O-Ring (Note: Use Item 50)	
21	See Note	NSS	Ring, Back-up (Note: Use Item 50)	
22	See Note	NSS	O-Ring (Note: Use Item 50)	
23	See Note	NSS	O-Ring (Note: Use Item 50)	
24	7026068	1	O-Ring	
25	7024844	2	Plug	
28	See Note	NSS	O-Ring (Note: Use Item 50)	
29	See Note	NSS	Seal (Note: Use Item 50)	
31	70002220	1	Ring, Retaining	
32	70003836	2	Ring, Wear	
50	70003836	1	Seal Kit - 1001140280 Cylinder (Includes Items 18-23, 28, 29 & 32)	



# SECTION 5 - CYLINDER

FIGURE 5-3. LEVEL (PLATFORM SLAVE) CYLINDER ASSEMBLY (ORIGINAL EQUIPMENT)



Go to DiscountEquipment.com to order your parts

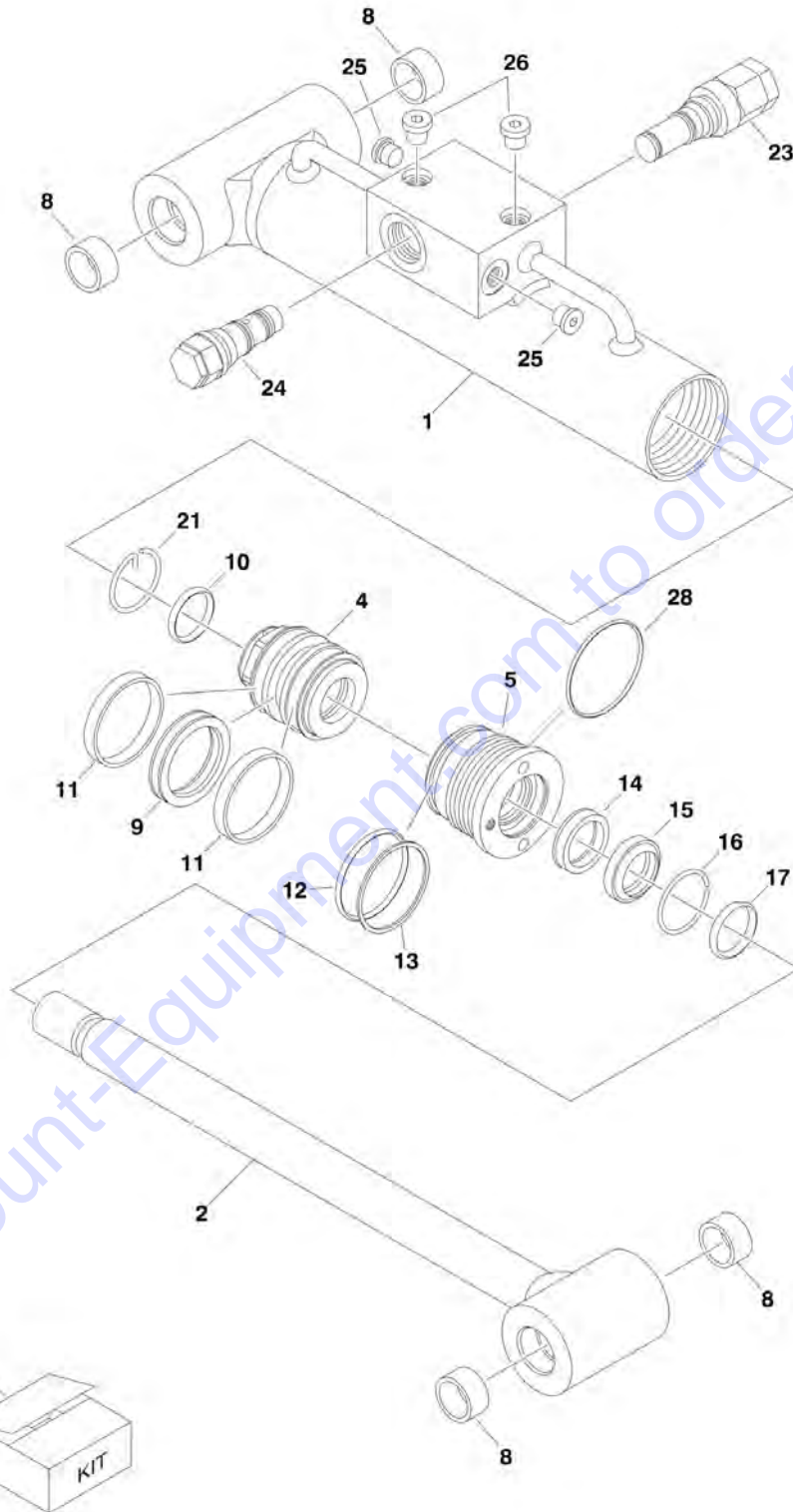
## SECTION 5 - CYLINDER

**FIGURE 5-3. LEVEL (PLATFORM SLAVE) CYLINDER ASSEMBLY (ORIGINAL EQUIPMENT)**

ITEM	PART NUMBER	QTY	DESCRIPTION	REV
		Ref	<b>PLATFORM LEVEL CYLINDER ASSEMBLY</b>	
	1683760	Ref	<b>Platform Level Cylinder Assembly (Prior to SN 0300059743)</b>	C
	1683924	Ref	<b>Platform Level Cylinder Assembly (SN 0300059743 through 0300138358)</b>	G
		Ref	<b>Note: Original Equipment component may have been replaced with Service Replacement component. Identify p/n stamped on cylinder before ordering parts.</b>	
1	0100011	AR	Compound, Locking	
2	0100038	AR	Primer, Locking	
3	3931016	3	Bolt, Socket Head #10-24NC x 1in	
4		Ref	Bushing, Tapered	
4	0961900	1	Bushing, Tapered <b>(Prior to SN 0300054155)</b>	
4	0962185	1	Bushing, Tapered <b>(SN 0300054155 through 0300138358)</b>	
5	0961951	4	Bushing	
6		Ref	Head	
6	1683052	1	Head <b>(Prior to SN 0300059743)</b>	
6	1683925	1	Head <b>(SN 0300059743 through 0300138358)</b>	
7	1683759	1	Rod	
8	1683761	1	Barrel	
9	3760368	1	Washer, Ring	
10		Ref	Piston	
10	3480247	1	Piston <b>(Prior to SN 0300059743)</b>	
10	3480259	1	Piston <b>(SN 0300059743 through 0300138358)</b>	
12	See Note	NSS	Ring, Lock (Note: Use Item 100A or 100B)	
13	See Note	NSS	Ring, Wear (Note: Use Item 100A or 100B)	
14	See Note	NSS	Ring, Back-up (Note: Use Item 100A or 100B)	
15	See Note	NSS	O-Ring (Note: Use Item 100A or 100B)	
16	See Note	NSS	O-Ring (Note: Use Item 100A or 100B)	
17	See Note	NSS	Wiper (Note: Use Item 100A or 100B)	
18	See Note	NSS	Seal (Note: Use Item 100A or 100B)	
19	See Note	NSS	Ring, Back-up (Note: Use Item 100A or 100B)	
20	See Note	NSS	Seal (Note: Use Item 100A or 100B)	
21	4640932	1	Cartridge, Valve (Counterbalance Vented)	
21	7011112	1	Seal Kit - 4640932 Valve	
22	4641086	1	Cartridge, Valve (Counterbalance Nonvented)	
22	2900792	1	Seal Kit - 4641086 Valve	
23	3931516	8	Bolt, Socket Head 5/16in-18NC x 1in	
100		Ref	Seal Kit (Includes Items 12-20)	
100A	2901776	1	Seal Kit <b>(Prior to SN 0300059743)</b>	
100B	2901898	1	Seal Kit <b>(SN 0300059743 through 0300138358)</b>	

# SECTION 5 - CYLINDER

FIGURE 5-4. LEVEL (PLATFORM SLAVE) CYLINDER ASSEMBLY (SERVICE REPLACEMENT)



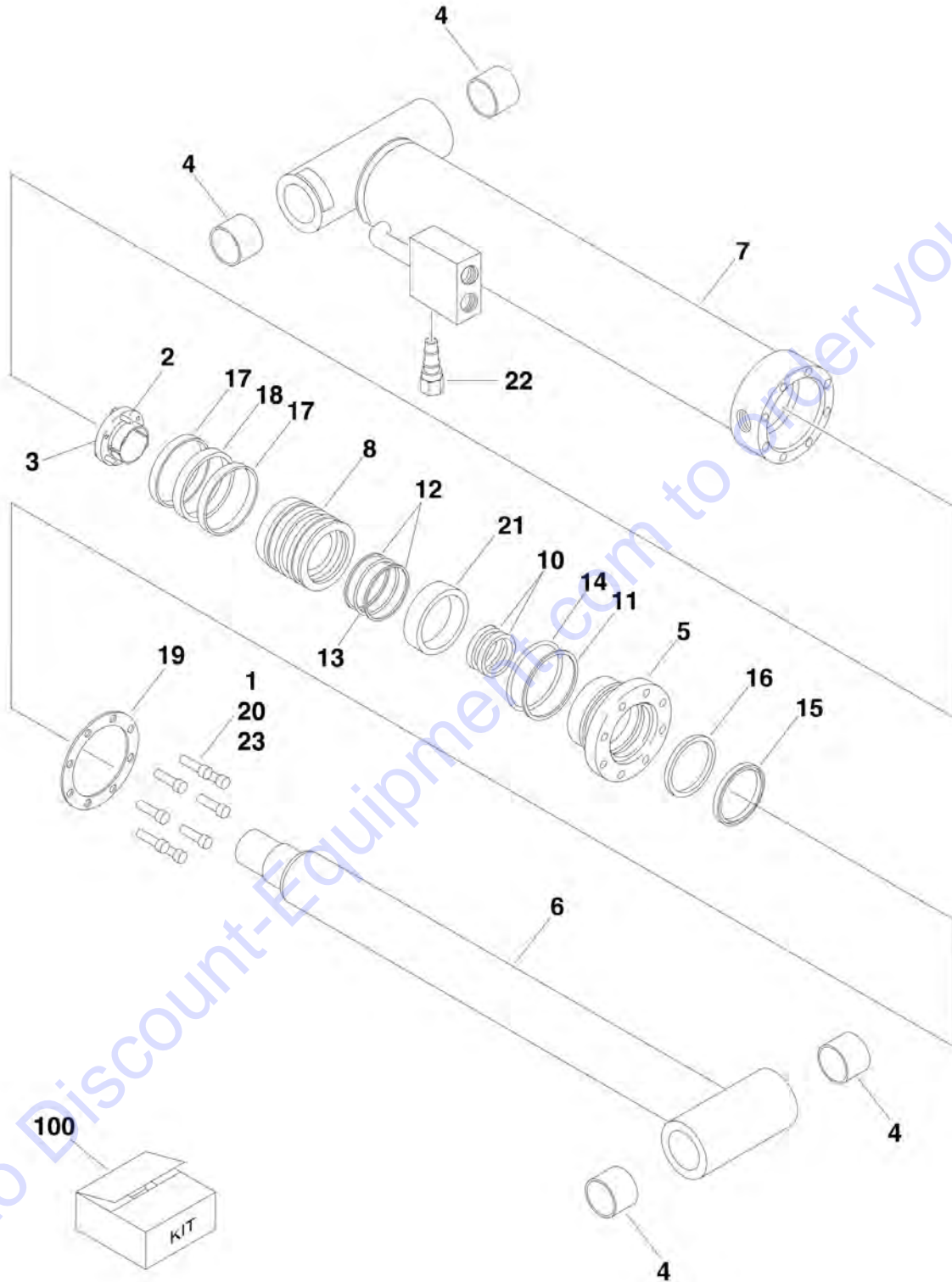
## SECTION 5 - CYLINDER

**FIGURE 5-4. LEVEL (PLATFORM SLAVE) CYLINDER ASSEMBLY (SERVICE REPLACEMENT)**

ITEM	PART NUMBER	QTY	DESCRIPTION	REV
	1001140279	Ref	<b>PLATFORM LEVEL CYLINDER ASSEMBLY</b> <b>Note: Original Equipment component may have been replaced with Service Replacement component. Identify p/n stamped on cylinder before ordering parts.</b>	A
		Ref		
1	70003846	1	Barrel	
2	70003847	1	Rod	
4	70003819	1	Piston	
5	7026082	1	Head	
8	0961951	4	Bushing	
9	See Note	NSS	Seal (Note: Use Item 50)	
10	See Note	NSS	O-Ring (Note: Use Item 50)	
11	See Note	NSS	Ring, Wear (Note: Use Item 50)	
12	See Note	NSS	O-Ring (Note: Use Item 50)	
13	See Note	NSS	Ring, Back-up (Note: Use Item 50)	
14	See Note	NSS	Seal (Note: Use Item 50)	
15	See Note	NSS	Wiper (Note: Use Item 50)	
16	70002217	1	Ring, Retaining	
17	7026084	1	O-Ring	
21	70002216	1	Retainer	
23	4640932	1	Cartridge, Counterbalance Valve	
23	7011112	1	Seal Kit - 4640932 Valve	
24	4641086	1	Cartridge, Counterbalance Valve	
24	2900792	1	Seal Kit - 4641086 Valve	
25	7024844	2	Plug	
26	See Note	2	Plug (Note: Not Available for Purchase)	
28	See Note	NSS	O-Ring (Note: Use Item 50)	
50	70003845	1	Seal Kit (Includes Items 9-15 & 28)	

# SECTION 5 - CYLINDER

FIGURE 5-5. LIFT CYLINDER ASSEMBLY - MAIN BOOM - E300A-E300AJ



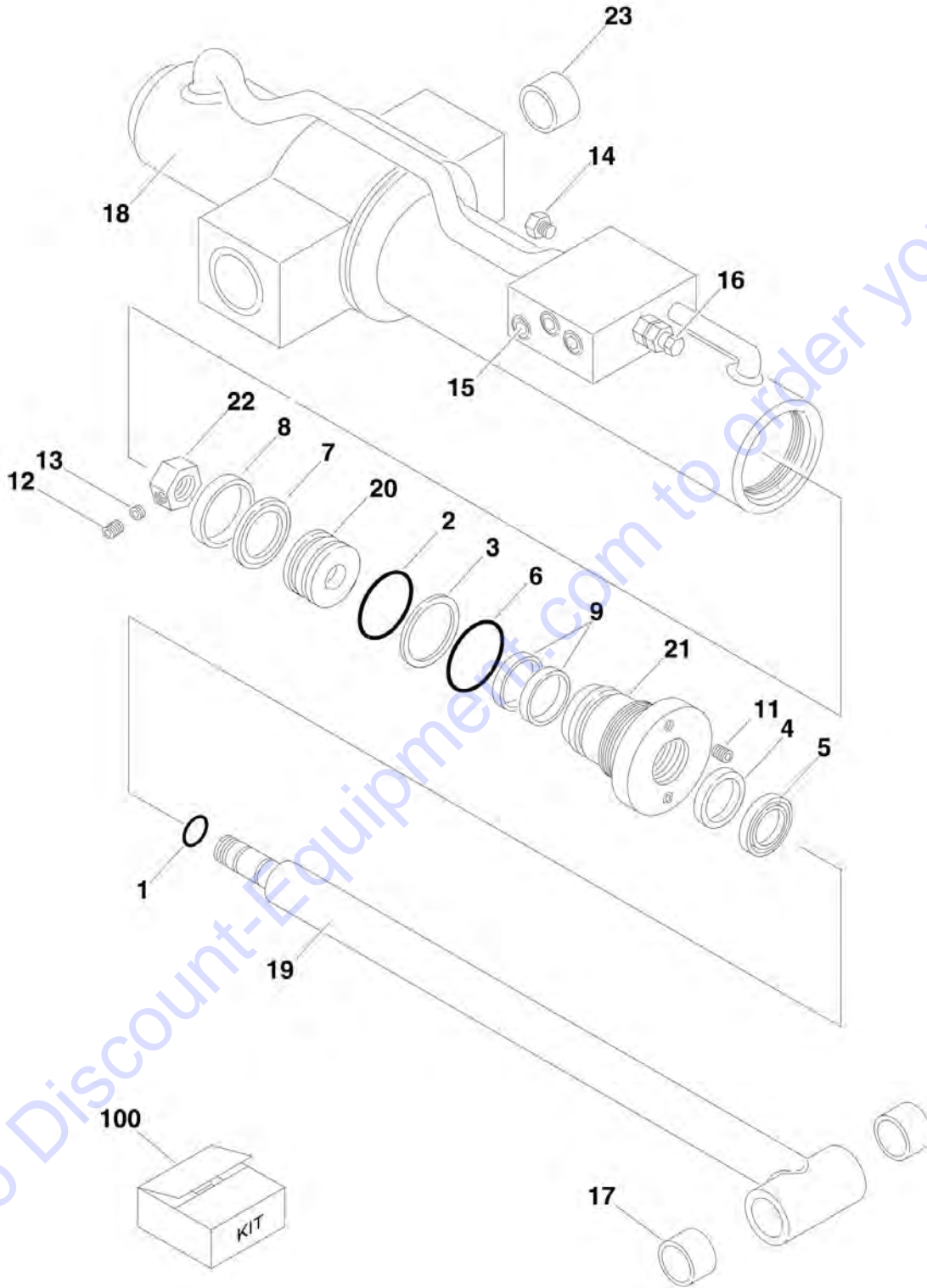
## SECTION 5 - CYLINDER

**FIGURE 5-5. LIFT CYLINDER ASSEMBLY - MAIN BOOM - E300A-E300AJ**

ITEM	PART NUMBER	QTY	DESCRIPTION	REV
		Ref	<b>LIFT CYLINDER ASSEMBLY- MAIN BOOM</b>	
	1683750	Ref	<b>Lift Cylinder Assembly - Main Boom E300A</b>	E
	1683762	Ref	<b>Lift Cylinder Assembly - Main Boom E300AJ</b>	F
1	0100011	AR	Compound, Locking	
2	0630535	3	Bolt 1/4in-20NC x 1in	
3	0961896	1	Bushing, Tapered	
4	0961948	4	Bushing	
5	1683056	1	Head	
6		Ref	Rod Options:	
6	1683752	1	Rod E300A	
6	1683766	1	Rod E300AJ	
7		Ref	Barrel Options:	
7	1683754	1	Barrel E300A	
7	1683764	1	Barrel E300AJ	
8	3480248	1	Piston	
10	See Note	NSS	Ring, Wear (Note: Use Item 100)	
11	See Note	NSS	Ring, Back-up (Note: Use Item 100)	
12	See Note	NSS	Ring, Back-up (Note: Use Item 100)	
13	See Note	NSS	O-Ring (Note: Use Item 100)	
14	See Note	NSS	O-Ring (Note: Use Item 100)	
15	See Note	NSS	Wiper (Note: Use Item 100)	
16	See Note	NSS	Seal (Note: Use Item 100)	
17	See Note	NSS	Ring, Wear (Note: Use Item 100)	
18	See Note	NSS	Cap (Note: Use Item 100)	
19	3760369	1	Washer, Ring	
20	3931620	8	Bolt, Socket Head 3/8in-16NC x 1-1/4in	
21	4567810	1	Spacer, Tube	
22	4640999	1	Cartridge, Valve (Counterbalance Non-Vented)	
22	7011185	1	Seal Kit-4640999 Valve	
23	0100038	AR	Primer, Locking	
100	2901773	1	Seal Kit (Includes Items 10-18)	

# SECTION 5 - CYLINDER

## FIGURE 5-6. LIFT CYLINDER ASSEMBLY - TOWER BOOM



## SECTION 5 - CYLINDER

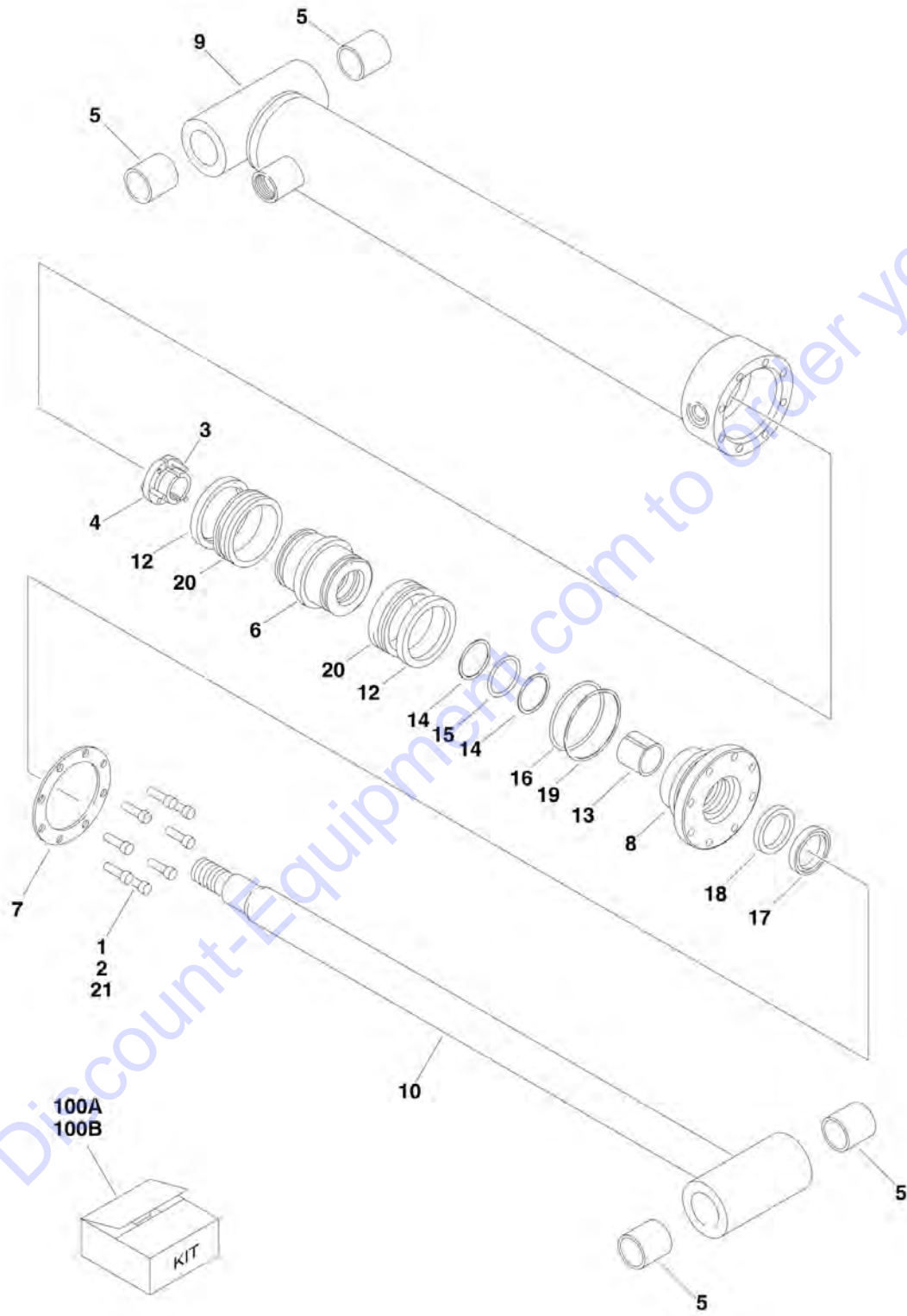
**FIGURE 5-6. LIFT CYLINDER ASSEMBLY - TOWER BOOM**

ITEM	PART NUMBER	QTY	DESCRIPTION	REV
	1683719	Ref	<b>LIFT CYLINDER ASSEMBLY - TOWER BOOM</b>	E
1	See Note	NSS	O-Ring (Note: Use Item 100)	
2	See Note	NSS	O-Ring (Note: Use Item 100)	
3	See Note	NSS	Ring, Back-up (Note: Use Item 100)	
4	See Note	NSS	Seal (Note: Use Item 100)	
5	See Note	NSS	Wiper (Note: Use Item 100)	
6	See Note	NSS	O-Ring (Note: Use Item 100)	
7	See Note	NSS	Seal (Note: Use Item 100)	
8	See Note	NSS	Ring, Wear (Note: Use Item 100)	
9	See Note	NSS	Ring, Wear (Note: Use Item 100)	
11	7019864	2	Setscrew	
12	7003225	1	Setscrew	
13	7003223	1	Plug, Nylon	
14	7005358	2	Plug	
15	7005365	3	Plug	
16	7011381	1	Cartridge, Valve	
16	2900770	1	Seal Kit - 7011381 Valve	
17	0961951	4	Bushing	
18	See Note	NSS	Barrel (Note: Use p/n 1683719)	
19	7019863	1	Rod	
20	7019862	1	Piston	
21	7019861	1	Head	
22	7019860	1	Locknut	
23		Ref	Bushing Options:	
23	0961951	2	Bushing <b>(Prior to SN 0300052569)</b>	
23	0961951	2	Bushing <b>(SN 0300052569 through 0300138358)</b>	
100	7019859	1	Seal Kit - 1683719 Cylinder (Includes Items 1-9)	



# SECTION 5 - CYLINDER

FIGURE 5-7. MASTER CYLINDER ASSEMBLY (ORIGINAL EQUIPMENT) - E300A-E300AJ



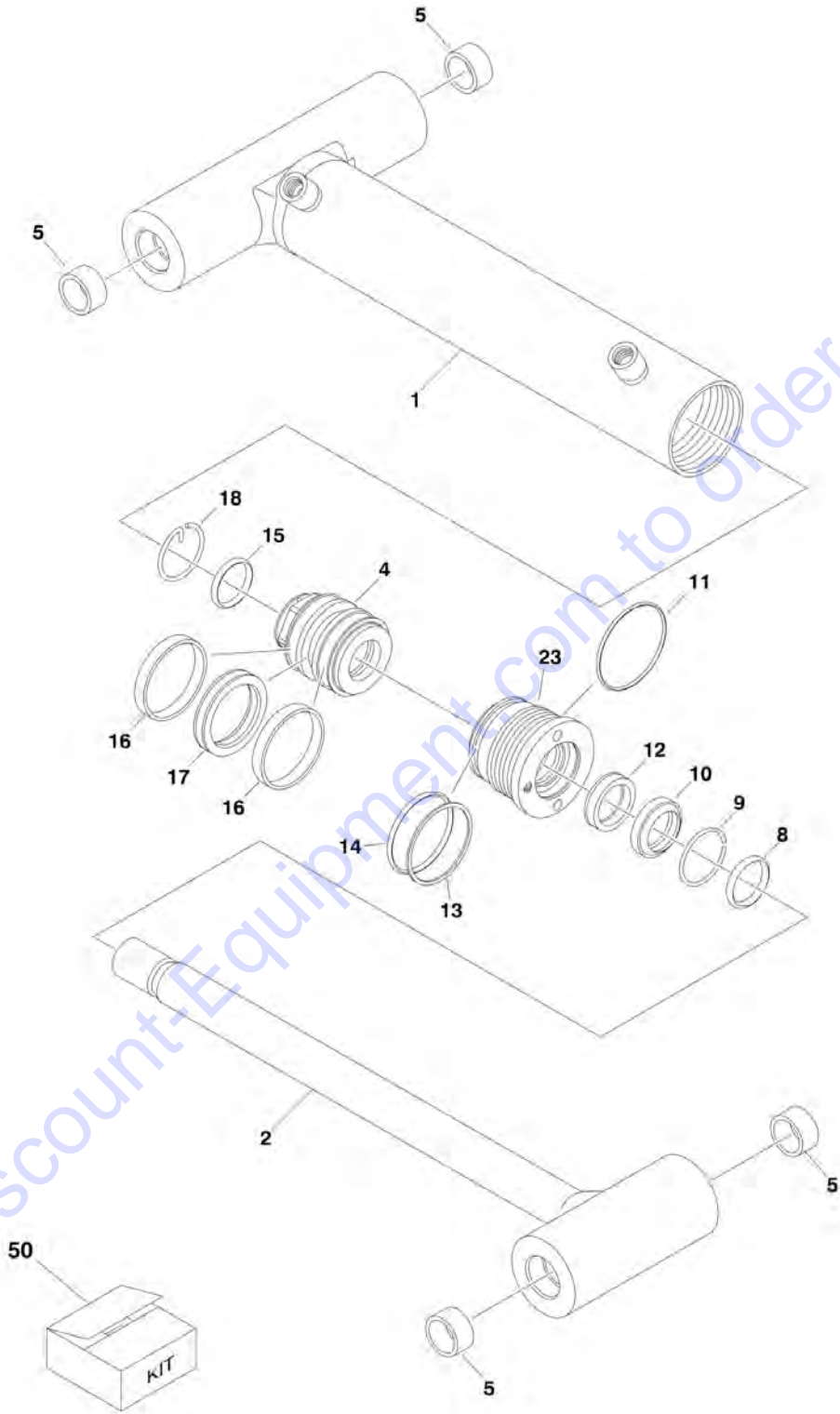
## SECTION 5 - CYLINDER

**FIGURE 5-7. MASTER CYLINDER ASSEMBLY (ORIGINAL EQUIPMENT) - E300A-E300AJ**

ITEM	PART NUMBER	QTY	DESCRIPTION	REV
		Ref	<b>MASTER CYLINDER ASSEMBLY</b>	
		Ref	<b>Master Cylinder Assembly E300A</b>	
	1683757	Ref	<b>Master Cylinder Assembly (Prior to SN 0300059743)</b>	A
	1684065	Ref	<b>Master Cylinder Assembly (SN 0300059743 through 0300138358)</b>	B
		Ref	<b>Master Cylinder Assembly E300AJ</b>	
	1683773	Ref	<b>Master Cylinder Assembly (Prior to SN 0300059743)</b>	C
	1683923	Ref	<b>Master Cylinder Assembly (SN 0300059743 through 0300138358)</b>	E
		Ref	<b>Note: Original Equipment component may have been replaced with Service Replacement component. Identify p/n stamped on cylinder before ordering parts.</b>	
1	0100011	AR	Compound, Locking	
2	0100038	AR	Primer, Locking	
3	3931016	3	Bolt Socket Head #10-24NC x 1in	
4		Ref	Bushing, Tapered Options:	
4	0961900	1	Bushing, Tapered <b>(Prior to SN 0300054155)</b>	
4	0962185	1	Bushing, Tapered <b>(SN 0300054155 through 0300138358)</b>	
5	0961951	4	Bushing	
6		Ref	Piston Options:	
6	3480247	1	Piston <b>(Prior to SN 0300059743)</b>	
6	3480259	1	Piston <b>(SN 0300059743 through 0300138358)</b>	
7	3760368	1	Washer, Ring	
8		Ref	Head Options:	
8	1683052	1	Head <b>(Prior to SN 0300059743)</b>	
8	1683925	1	Head <b>(SN 0300059743 through 0300138358)</b>	
9	1683756	1	Barrel	
10		Ref	Rod Options:	
10	1683770	1	Rod E300A	
10	1683772	1	Rod E300AJ	
12	See Note	NSS	Ring, Lock (Note: Use Item 100A or 100B)	
13	See Note	NSS	Ring, Wear (Note: Use Item 100A or 100B)	
14	See Note	NSS	Ring, Back-up (Note: Use Item 100A or 100B)	
15	See Note	NSS	O-Ring (Note: Use Item 100A or 100B)	
16	See Note	NSS	O-Ring (Note: Use Item 100A or 100B)	
17	See Note	NSS	Wiper (Note: Use Item 100A or 100B)	
18	See Note	NSS	Seal (Note: Use Item 100A or 100B)	
19	See Note	NSS	Ring, Back-up (Note: Use Item 100A or 100B)	
20	See Note	NSS	Seal (Note: Use Item 100A or 100B)	
21	3931516	8	Bolt Socket Head 5/16in-18NC x 1in	
100		Ref	Seal Kit Option: (Includes Items 12-20)	
100A	2901776	1	Seal Kit <b>(Prior to SN 0300059743)</b>	
100B	2901898	1	Seal Kit <b>(SN 0300059743 through 0300138358)</b>	

# SECTION 5 - CYLINDER

FIGURE 5-8. MASTER CYLINDER ASSEMBLY (SERVICE REPLACEMENT) - E300AJ-E300AJP



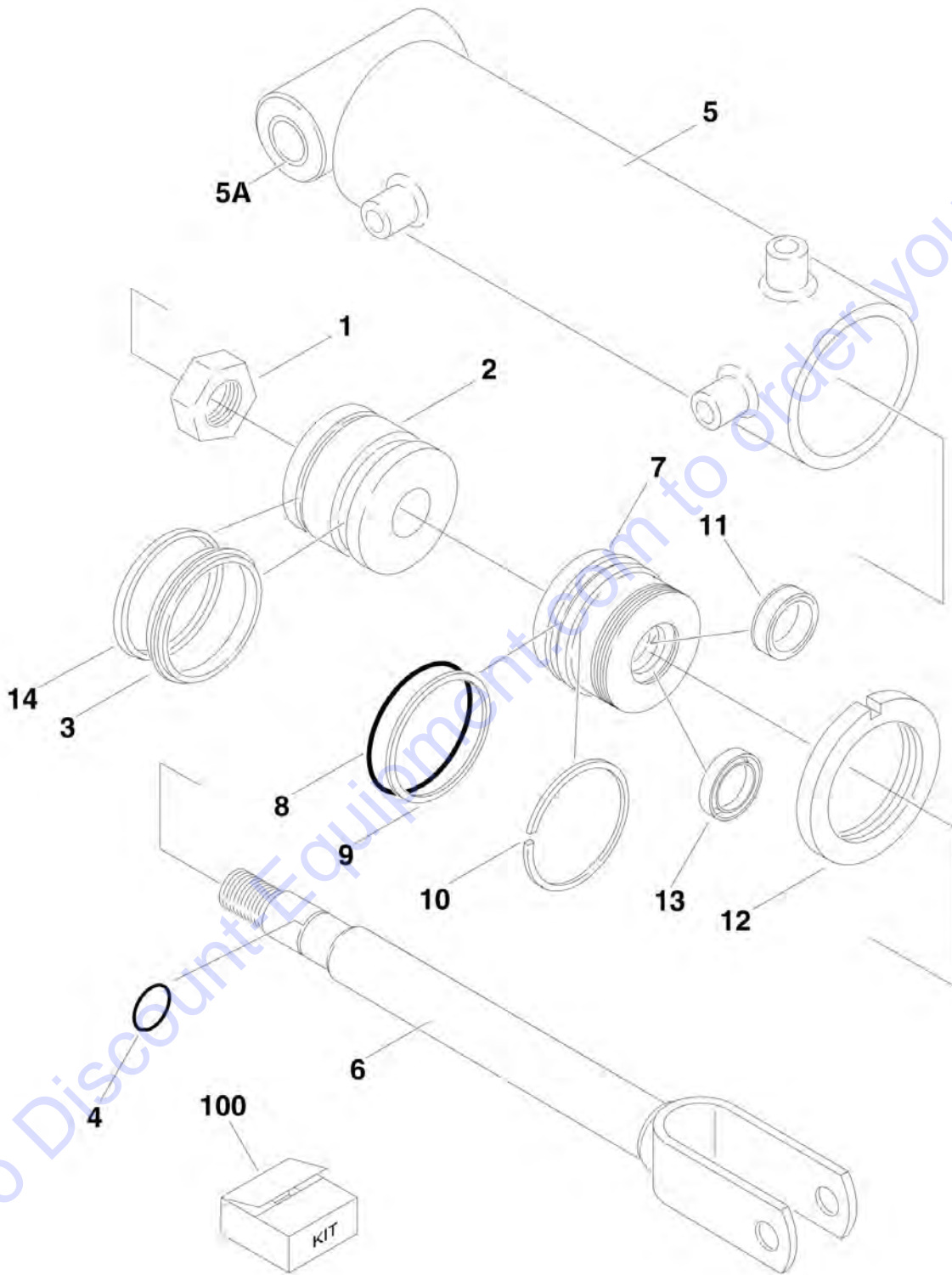
## SECTION 5 - CYLINDER

**FIGURE 5-8. MASTER CYLINDER ASSEMBLY (SERVICE REPLACEMENT) - E300AJ-E300AJP**

ITEM	PART NUMBER	QTY	DESCRIPTION	REV
	1001140278	Ref	<b>MASTER CYLINDER ASSEMBLY (FOR E300AJ &amp; E300AJP ONLY)</b> <b>Note: Original Equipment component may have been replaced with Service Replacement component. Identify p/n stamped on cylinder before ordering parts.</b>	A
		Ref		
1	70003843	1	Barrel	
2	70003844	1	Rod	
4	70003819	1	Piston	
5	0961951	4	Bushing	
8	7026084	1	O-Ring	
9	70002217	1	Ring, Retaining	
10	See Note	NSS	Wiper (Note: Use Item 50)	
11	See Note	NSS	O-Ring (Note: Use Item 50)	
12	See Note	NSS	Seal (Note: Use Item 50)	
13	See Note	NSS	Ring, Back-up (Note: Use Item 50)	
14	See Note	NSS	O-Ring (Note: Use Item 50)	
15	See Note	NSS	O-Ring (Note: Use Item 50)	
16	See Note	NSS	Ring, Wear (Note: Use Item 50)	
17	See Note	NSS	Seal (Note: Use Item 50)	
18	70002216	1	Retainer	
23	7026082	1	Head	
50	70003845	1	Seal Kit (Includes Items 10-17)	

# SECTION 5 - CYLINDER

## FIGURE 5-9. STEER CYLINDER ASSEMBLY



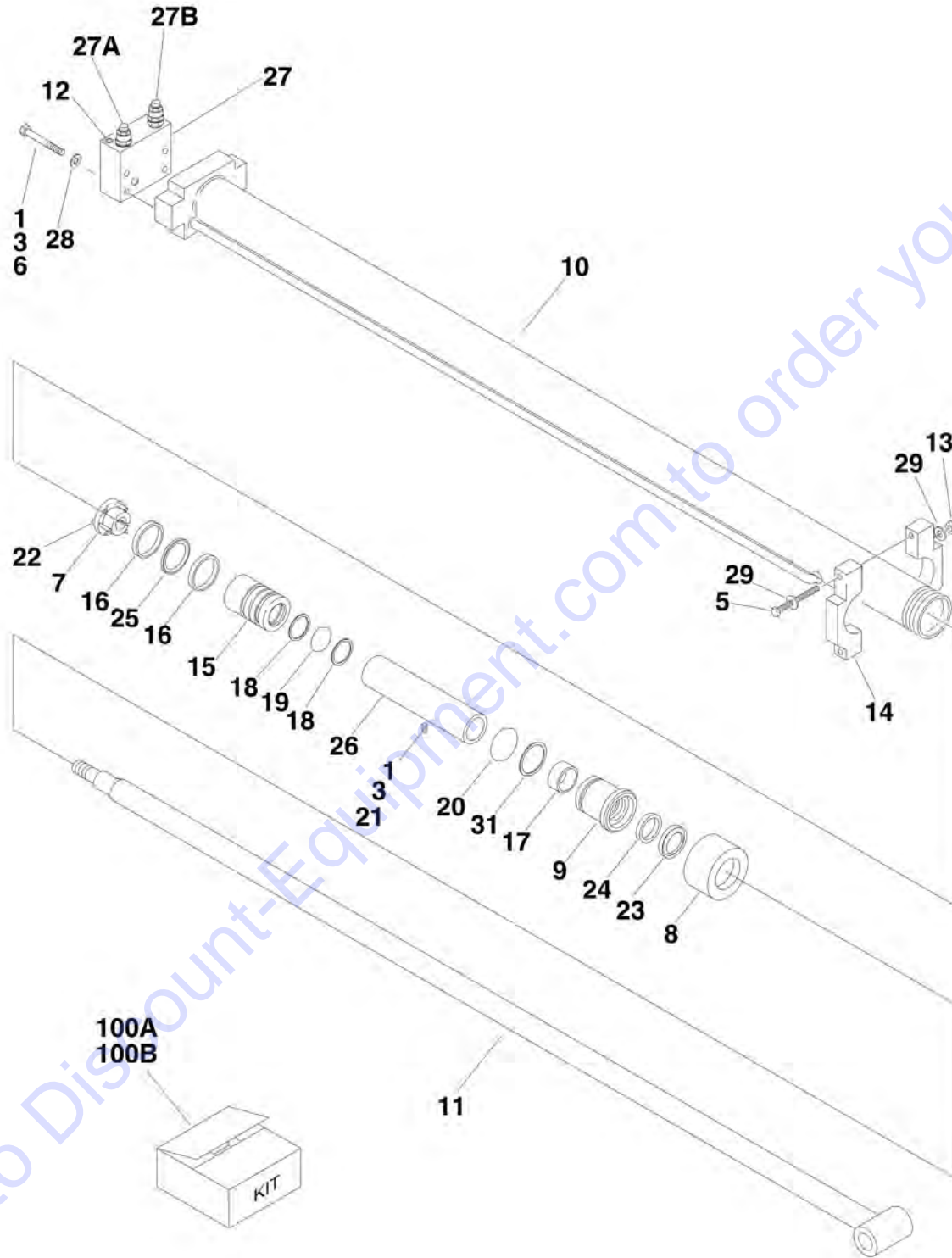
## SECTION 5 - CYLINDER

**FIGURE 5-9. STEER CYLINDER ASSEMBLY**

ITEM	PART NUMBER	QTY	DESCRIPTION	REV
	1683732	Ref	<b>STEER CYLINDER ASSEMBLY</b>	D
1	7017210	1	Locknut	
2	7017253	1	Piston	
3	See Note	NSS	Seal, Piston (Note: Use Item 100)	
4	See Note	NSS	O-Ring (Note: Use Item 100)	
5	1683732	1	Barrel (Note: Not Available for Purchase)	
5A	7017256	1	Bushing	
6	7017254	1	Rod	
7	7017213	1	Guide	
8	See Note	NSS	O-Ring (Note: Use Item 100)	
9	See Note	NSS	Ring, Back-up (Note: Use Item 100)	
10	See Note	NSS	Ring, Retaining (Note: Use Item 100)	
11	See Note	NSS	Seal (Note: Use Item 100)	
12	7017214	1	Nut	
13	See Note	NSS	Wiper (Note: Use Item 100)	
14	See Note	NSS	Ring, Wear (Note: Use Item 100)	
100	7017255	1	Seal Kit (Includes Items 3-4, 8-11 & 13-14)	

# SECTION 5 - CYLINDER

FIGURE 5-10. TELESCOPE CYLINDER ASSEMBLY



Go to Discount-Equipment.com to order your parts

## SECTION 5 - CYLINDER

### FIGURE 5-10. TELESCOPE CYLINDER ASSEMBLY

ITEM	PART NUMBER	QTY	DESCRIPTION	REV
		Ref	<b>TELESCOPE CYLINDER ASSEMBLY</b>	
	1683784	Ref	<b>Telescope Cylinder Assembly E300A</b>	C
	1683793	Ref	<b>Telescope Cylinder Assembly E300AJ</b>	D
	1683864	Ref	<b>Telescope Cylinder Assembly E300AJP</b>	F
1	0100011	AR	Compound, Locking	
3	0100038	AR	Primer, Locking	
5	0641424	2	Bolt 1/4in-20NC x 3in	
6	0641520	4	Bolt 5/16in-18NC x 2-1/2in	
7	0962185	1	Bushing, Tapered	
8	1120110	1	Cap	
9		Ref	Head Options:	
9	1683584	1	Head E300A & E300AJ	
9	1683863	1	Head E300AJP ( <b>Prior to SN 0300112424</b> )	
9	1683584	1	Head E300AJP ( <b>SN 0300112424 through 0300138358</b> )	
10		Ref	Barrel Options:	
10	1683785	1	Barrel E300A	
10	1683789	1	Barrel E300AJ & E300AJP	
11		Ref	Rod Options:	
11	1683786	1	Rod E300A	
11	1683791	1	Rod E300AJ & E300AJP	
12	2220883	5	Plug, O-Ring	
13	3311405	2	Locknut 1/4in-20NC	
14		Ref	Pad Options:	
14	3340847	2	Pad E300A & E300AJ	
14	3340864	2	Pad E300AJP	
15		Ref	Piston Options:	
15	3480227	1	Piston E300A & E300AJ	
15	3480254	1	Piston E300AJP	
16	See Note	NSS	Ring, Wear (Note: Use Item 100A or 100B)	
17	See Note	NSS	Ring, Wear (Note: Use Item 100A or 100B)	
18	See Note	NSS	Ring, Back-up (Note: Use Item 100A or 100B)	
19	See Note	NSS	O-Ring (Note: Use Item 100A or 100B)	
20	See Note	NSS	O-Ring (Note: Use Item 100A or 100B)	
21	3900142	1	Setscrew	
22	0630534	3	Bolt, Socket Head #10-24NC x 1in	
23	See Note	NSS	Wiper (Note: Use Item 100A or 100B)	
24	See Note	NSS	Seal (Note: Use Item 100A or 100B)	
25	See Note	NSS	Seal, Teflon (Note: Use Item 100A or 100B)	
26		Ref	Spacer, Tube Options:	
26	4567839	1	Spacer, Tube E300A & E300AJ	
26	4567963	1	Spacer, Tube E300AJP	
27	4641101	1	Valve Assembly	
27A	4640771	1	Cartridge, Valve	
27A	2900770	1	Seal Kit-4640771	
27B	4641103	1	Cartridge, Valve	
27B	2900770	1	Seal Kit-4641103	
28	4711500	4	Flatwasher 5/16in Thin	
29	4751400	4	Flatwasher 1/4in Regular	
31	See Note	NSS	Ring, Back-up (Note: Use Item 100A or 100B)	
100		Ref	Seal Kit Options (Includes Items 16-20, 23-25 & 31):	



## SECTION 5 - CYLINDER

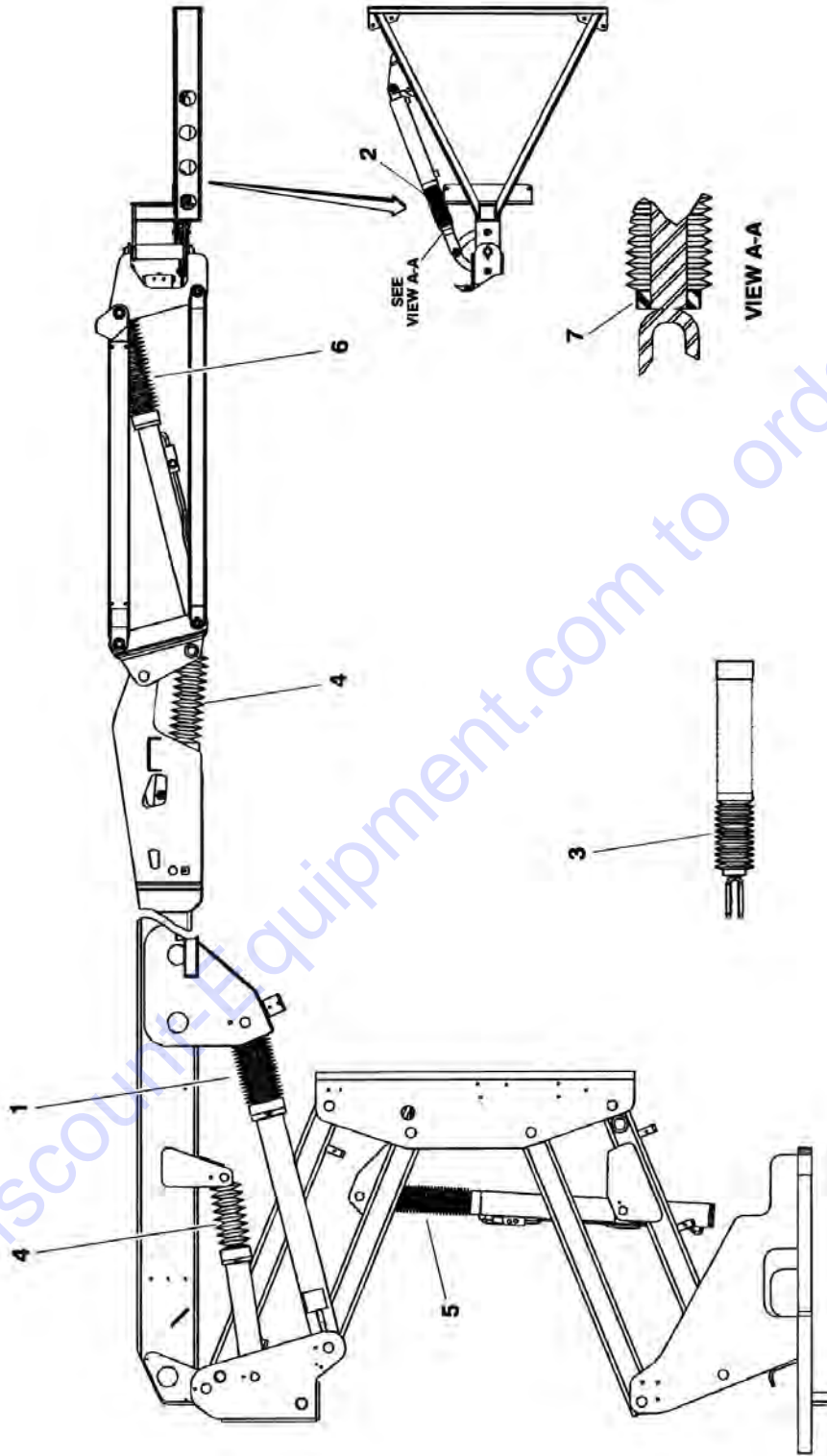
ITEM	PART NUMBER	QTY	DESCRIPTION	REV
100A	2901544	1	Seal Kit E300A & E300AJ	
100B	2901860	1	Seal Kit E300AJP	

Go to [Discount-Equipment.com](http://Discount-Equipment.com) to order your parts



# SECTION 5 - CYLINDER

FIGURE 5-11. CYLINDER BELLOWS INSTALLATIONS



## SECTION 5 - CYLINDER

**FIGURE 5-11. CYLINDER BELLOWS INSTALLATIONS**

ITEM	PART NUMBER	QTY	DESCRIPTION	REV
		Ref	<b>CYLINDER BELLOWS INSTALLATIONS</b>	
	0259383	Ref	<b>Cylinder Bellows Installations E300A</b>	A
	0259384	Ref	<b>Cylinder Bellows Installations E300AJ &amp; E300AJP</b>	B
1	0460187	1	Bellows, Cylinder	
2	0460192	1	Bellows, Cylinder <b>(Prior to SN 0300100059)</b>	
3	0460193	1	Bellows, Cylinder	
4	0460194	2	Bellows, Cylinder	
5	0460195	1	Bellows, Cylinder	
6		Ref	Bellows, Cylinder Options:	
6	Not Required	0	Bellows, Cylinder E300A	
6	0460196	1	Bellows, Cylinder E300AJ & E300AJP	
7	0561364	1	Adaptors, Bellows <b>(Prior to SN 0300100059)</b>	

Go to Discount-Equipment.com to order your parts



SECTION 6 - HYDRAULIC

Go to Discount-Equipment.com to order your parts

# PARTS FINDER

**Search Website  
by Part Number**



**Search Manual  
Library For Parts  
Manual & Lookup Part  
Numbers – Purchase  
or Request Quote**

**Can't Find Part or  
Manual? Request Help  
by Manufacturer,  
Model & Description**

Discount-Equipment.com is your online resource for quality parts & equipment.

Florida: **561-964-4949** Outside Florida TOLL FREE: **877-690-3101**

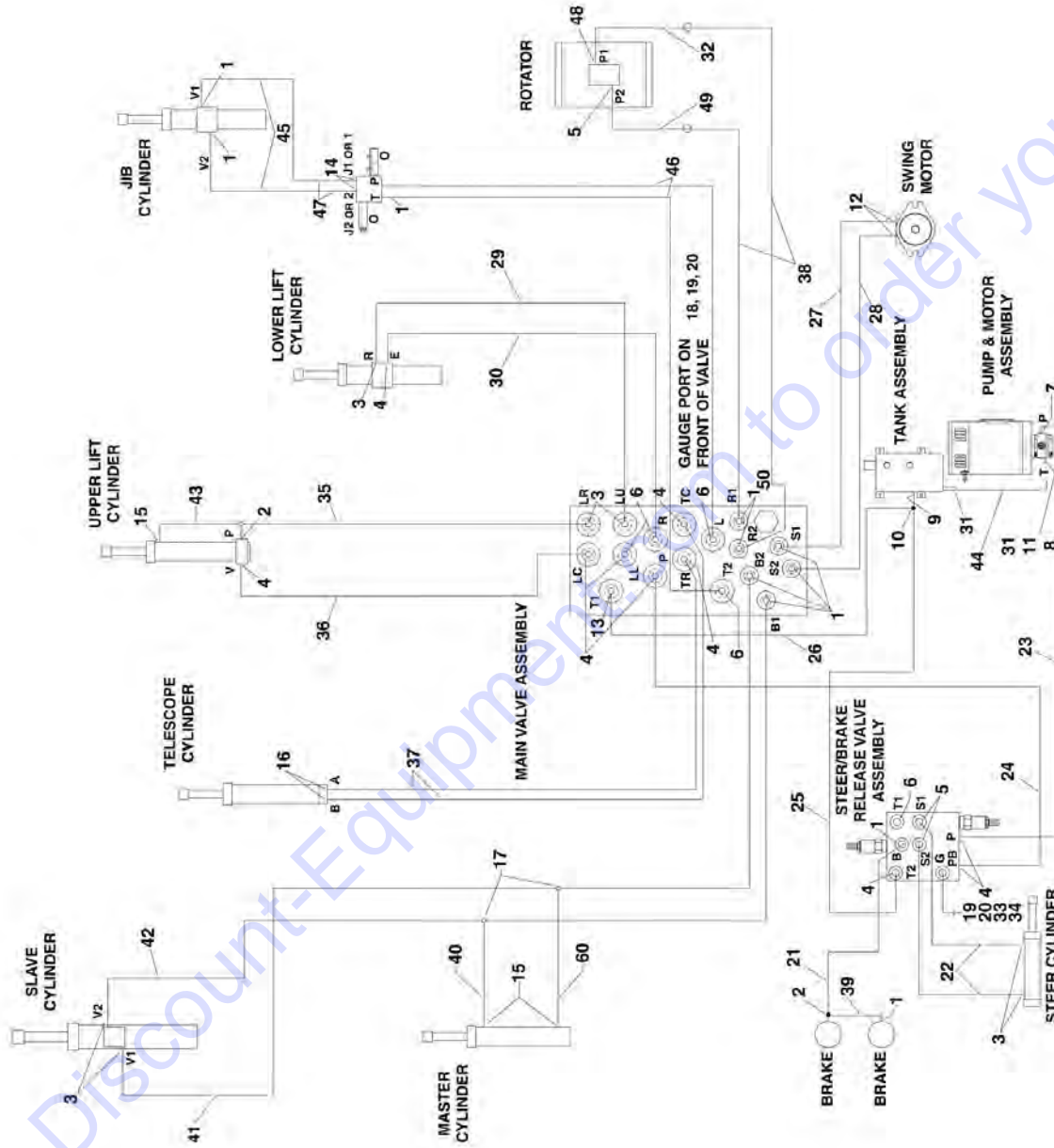
## Need parts?

Click on this link: <http://www.discount-equipment.com/category/5443-parts/> and choose one of the options to help get the right parts and equipment you are looking for. Please have the machine model and serial number available in order to help us get you the correct parts. If you don't find the part on the website or on one of the online manuals, please fill out the request form and one of our experienced staff members will get back to you with a quote for the right part that your machine needs.

We sell worldwide for the brands: Genie, Terex, JLG, MultiQuip, Mikasa, Essick, Whiteman, Mayco, Toro Stone, Diamond Products, Generac Magnum, Airman, Haulotte, Barreto, Power Blanket, Nifty Lift, Atlas Copco, Chicago Pneumatic, Allmand, Miller Curber, Skyjack, Lull, Skytrak, Tsurumi, Husquvarna Target, Stow, Wacker, Sakai, Mi-T-M, Sullair, Basic, Dynapac, MBW, Weber, Bartell, Bennar Newman, Haulotte, Ditch Runner, Menegotti, Morrison, Contec, Buddy, Crown, Edco, Wyco, Bomag, Laymor, EZ Trench, Bil-Jax, F.S. Curtis, Gehl Pavers, Heli, Honda, ICS/PowerGrit, IHI, Partner, Imer, Clipper, MMD, Koshin, Rice, CH&E, General Equipment, Amida, Coleman, NAC, Gradall, Square Shooter, Kent, Stanley, Tamco, Toku, Hatz, Kohler, Robin, Wisconsin, Northrock, Oztec, Toker TK, Rol-Air, APT, Wylie, Ingersoll Rand / Doosan, Innovatech, Con X, Ammann, Mecalac, Makinex, Smith Surface Prep, Small Line, Wanco, Yanmar

# SECTION 6 - HYDRAULIC

FIGURE 6-1. STANDARD HYDRAULIC DIAGRAM (E300A & E300AJ)





## SECTION 6 - HYDRAULIC

**FIGURE 6-1. STANDARD HYDRAULIC DIAGRAM (E300A & E300AJ)**

ITEM	PART NUMBER	QTY	DESCRIPTION	REV
		Ref	<b>STANDARD HYDRAULIC DIAGRAM</b>	
		Ref	<b>Standard Hydraulic Diagram E300A Options:</b>	
	2792379	Ref	<b>Standard Hydraulic Diagram (Prior to SN 0300063313)</b>	4-E
	2792524	Ref	<b>Standard Hydraulic Diagram (SN 0300063313 through 0300138358)</b>	2-C
		Ref	<b>Standard Hydraulic Diagram E300AJ Options:</b>	
	2792390	Ref	<b>Standard Hydraulic Diagram (Prior to SN 0300063314)</b>	4-F
	2792525	Ref	<b>Standard Hydraulic Diagram (SN 0300063314 through 0300138358)</b>	3-C
1	2220415	AR	Fitting, Straight	
2	2221034	2	Fitting, Tee	
3	2220582	9	Fitting, Straight	
4	2220371	10	Fitting, Straight	
5	2220466	3	Fitting, Elbow	
6	2220237	AR	Fitting, Plug	
7	2220473	1	Fitting, Elbow	
8	2220593	1	Fitting, Straight	
9	2220596	1	Fitting, Elbow	
10	2221035	1	Fitting, Tee	
11	2210008	1	Fitting, Elbow	
12	2221033	2	Fitting, Straight	
13		Ref	Fitting, Straight Options:	
13	2220600	1	Fitting, Straight <b>(Prior to SN 0300063313)</b>	
13	2220374	1	Fitting, Straight <b>(SN 0300063313 through 0300138358)</b>	
14		Ref	Fitting, Elbow Options:	
14	Not Required	0	Fitting, Elbow E300A	
14	2220502	2	Fitting, Elbow E300AJ	
15	2220472	3	Fitting, Elbow	
16	2220501	2	Fitting, Elbow	
17	2220504	2	Fitting, Tee	
18	2220873	1	Fitting, Straight	
19	2220428	2	Fitting, Straight	
20	2220429	2	Cap, Dust	
21	2752999	1	Hose	
22	2753013	2	Hose	
23	2752472	1	Hose	
24	2752461	1	Hose	
25	2753131	1	Hose	
26	2752504	1	Hose	
27	2753011	1	Hose	
28	2753012	1	Hose	
29	2752591	1	Hose	
30	2753051	1	Hose	
31	1320030	2	Clamp, Hose	
32	2753258	1	Hose	
33	2752435	1	Hose	
34	2220414	1	Fitting, Straight	
35	2753275	1	Hose	
36	2753136	1	Hose	
37	2753137	2	Hose	

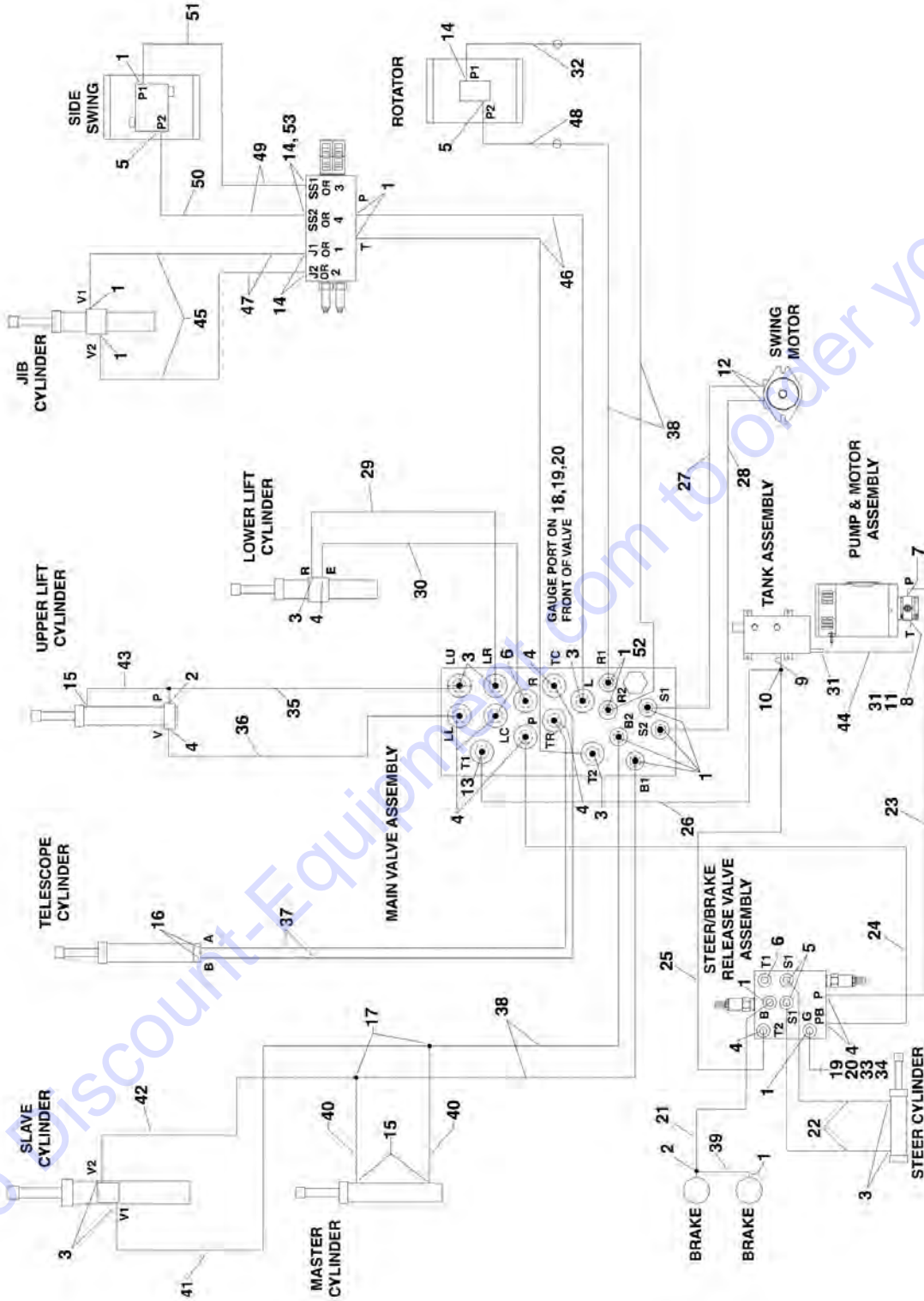
## SECTION 6 - HYDRAULIC

ITEM	PART NUMBER	QTY	DESCRIPTION	REV
38	2753259	4	Hose	
39	2753255	1	Hose	
40	2752575	1	Hose	
41		Ref	Hose Options:	
41	2753276	1	Hose E300A	
41	2753281	1	Hose E300AJ	
42		Ref	Hose Options:	
42	2753277	1	Hose E300A	
42	2753280	1	Hose E300AJ	
43		Ref	Hose Options:	
43	2753273	1	Hose E300A	
43	2752433	1	Hose E300AJ	
44	2720452	9.5 in /24cm	Hose, Suction	
45		Ref	Hose Options:	
45	Not Required	0	Hose E300A	
45	2753278	2	Hose E300AJ	
46		Ref	Hose Options:	
46	Not Required	0	Hose E300A	
46	2753274	2	Hose E300AJ	
47		Ref	Hose Options:	
47	Not Required	0	Hose E300A	
47	2753279	2	Hose E300AJ	
48	2220502	1	Fitting, Elbow	
49	2753300	1	Hose	
50	2220909	2	Orifice (.015)	
60		Ref	Hose Options:	
60	2752434	1	Hose E300A	
60	2752575	1	Hose E300AJ	



# SECTION 6 - HYDRAULIC

FIGURE 6-2. STANDARD HYDRAULIC DIAGRAM (E300AJP)



## SECTION 6 - HYDRAULIC

**FIGURE 6-2. STANDARD HYDRAULIC DIAGRAM (E300AJP)**

ITEM	PART NUMBER	QTY	DESCRIPTION	REV
		Ref	<b>STANDARD HYDRAULIC DIAGRAM</b>	
		Ref	<b>Standard Hydraulic Diagram E300AJP Options:</b>	
	2792392	Ref	<b>Standard Hydraulic Diagram (Prior to SN 0300063314)</b>	4-D
	2792526	Ref	<b>Standard Hydraulic Diagram (SN 0300063314 through 0300138358)</b>	3-C
1	2220415	14	Fitting, Straight	
2	2221034	2	Fitting, Tee	
3	2220582	9	Fitting, Straight	
4	2220371	10	Fitting, Straight	
5	2220466	4	Fitting, Elbow	
6	2220237	3	Fitting, Plug	
7	2220473	1	Fitting, Elbow	
8	2220593	1	Fitting, Straight	
9	2220596	1	Fitting, Elbow	
10	2221035	1	Fitting, Tee	
11	2210008	1	Fitting, Elbow	
12	2221033	2	Fitting, Straight	
13		Ref	Fitting, Straight Options:	
13	2220600	1	Fitting, Straight (Prior to SN 0300063314)	
13	2220374	1	Fitting, Straight (SN 0300063314 through 0300138358)	
14	2220502	5	Fitting, Elbow	
15	2220472	3	Fitting, Elbow	
16	2220501	2	Fitting, Elbow	
17	2220504	2	Fitting, Tee	
18	2220873	1	Fitting, Straight	
19	2220428	2	Fitting, Straight	
20	2220429	2	Cap, Dust	
21	2752999	1	Hose	
22	2753013	2	Hose	
23	2752472	1	Hose	
24	2752461	1	Hose	
25	2753131	1	Hose	
26	2752504	1	Hose	
27	2753011	1	Hose	
28	2753012	1	Hose	
29	2752591	1	Hose	
30	2753051	1	Hose	
31	1320030	2	Clamp, Hose	
32	2753309	1	Hose	
33	2752435	1	Hose	
34	2220414	1	Fitting, Straight	
35	2753275	1	Hose	
36	2753136	1	Hose	
37	2753137	2	Hose	
38	2753259	4	Hose	
39	2753255	1	Hose	
40	2752575	2	Hose	
41	2753281	1	Hose	
42	2753280	1	Hose	
43	2752433	1	Hose	

## SECTION 6 - HYDRAULIC

ITEM	PART NUMBER	QTY	DESCRIPTION	REV
44	2720452	9.5 in /24cm	Hose, Suction	
45	2753311	2	Hose	
46	2753274	2	Hose	
47	2753279	2	Hose	
48	2753310	1	Hose	
49	2753308	2	Hose	
50	2753307	1	Hose	
51	2753306	1	Hose	
52	2220909	2	Orifice (.015)	
53	2221039	2	Orifice (.022)	

Go to Discount-Equipment.com to order your parts



## SECTION 6 - HYDRAULIC

FIGURE 6-3. HYDRAULIC DIAGRAM LIST

ITEM	PART NUMBER	QTY	DESCRIPTION	REV
		Ref	<b>Note: Information on diagrams not shown is available from Discount-equipment.com</b>	
		Ref	<b>Standard Hydraulic Diagrams</b>	
		Ref	Standard Hydraulic Diagrams E300A Options:	
	2792379	Ref	Standard Hydraulic Diagrams ( <b>Prior to SN 0300063313</b> )	
	2792524	Ref	Standard Hydraulic Diagrams ( <b>SN 0300063313 through 0300138358</b> )	
		Ref	Standard Hydraulic Diagrams E300AJ Options:	
	2792390	Ref	Standard Hydraulic Diagrams ( <b>Prior to SN 0300063314</b> )	
	2792525	Ref	Standard Hydraulic Diagrams ( <b>SN 0300063314 through 0300138358</b> )	
		Ref	Standard Hydraulic Diagrams E300AJP Options:	
	2792392	Ref	Standard Hydraulic Diagrams ( <b>Prior to SN 0300063314</b> )	
	2792526	Ref	Standard Hydraulic Diagrams ( <b>SN 0300063314 through 0300138358</b> )	
		Ref	<b>Standard Hydraulic Schematic Options:</b>	
		Ref	Standard Hydraulic Schematic E300A	
	2792391	Ref	Standard Hydraulic Schematic ( <b>Prior to SN 0300063314</b> )	
	2792521	Ref	Standard Hydraulic Schematic ( <b>SN 0300063314 through 0300138358</b> )	
		Ref	Standard Hydraulic Schematic E300AJ	
	2792380	Ref	Standard Hydraulic Schematic ( <b>Prior to SN 0300063314</b> )	
	2792522	Ref	Standard Hydraulic Schematic ( <b>SN 0300063314 through 0300138358</b> )	
		Ref	Standard Hydraulic Schematic E300AJP	
	2792393	Ref	Standard Hydraulic Schematic ( <b>Prior to SN 0300063314</b> )	
	2792523	Ref	Standard Hydraulic Schematic ( <b>SN 0300063314 through 0300138358</b> )	



**SECTION 7 - ELECTRICAL**

Go to Discount-Equipment.com to order your parts

## SECTION 7 - ELECTRICAL

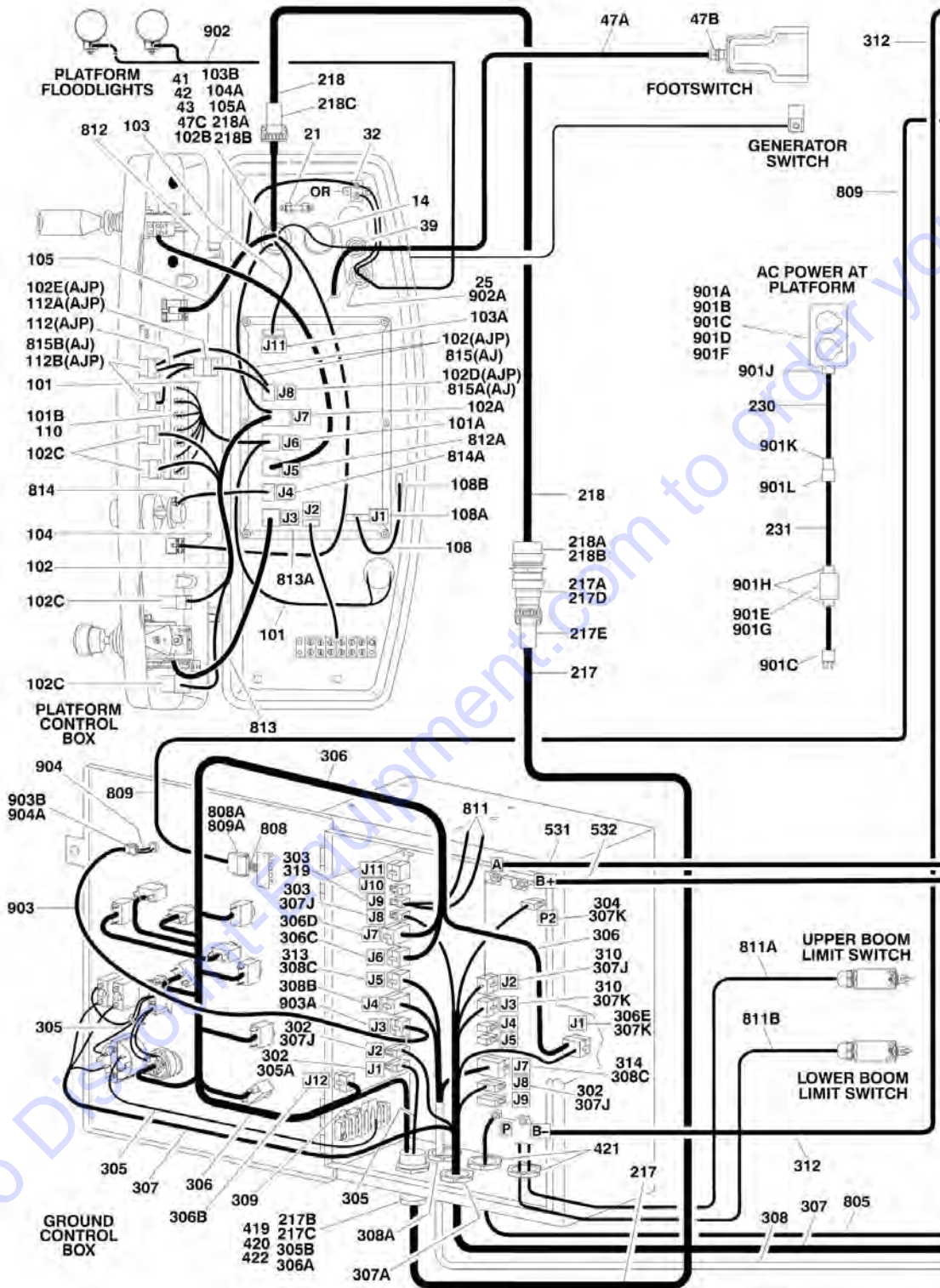
FIGURE 7-1. ELECTRICAL DIAGRAM LIST

ITEM	PART NUMBER	QTY	DESCRIPTION	REV
		Ref	<b>Note: Diagrams not shown are available from Discount-equipment. Schematics shown in the Service and Maintenance Manual.</b>	
	4933075	Ref	<b>ALARM ELECTRICAL DIAGRAM</b>	
	4933100	Ref	<b>DRIVE ELECTRICAL DIAGRAM</b>	
	0259879	Ref	<b>INVERTER ELECTRICAL DIAGRAM</b>	
	4933289	Ref	<b>LSS PLATFORM MODULE ELECTRICAL DIAGRAM</b>	
		Ref	<b>PLATFORM ELECTRICAL DIAGRAMS</b>	
	4933060	Ref	<b>Platform Electrical Diagrams E300A &amp; E300AJ</b>	
	4933105	Ref	<b>Platform Electrical Diagrams E300AJP</b>	
		Ref	<b>STANDARD ELECTRICAL DIAGRAMS</b>	
	4933080	Ref	<b>Standard Electrical Diagrams (Prior to SN 0300099776)</b>	
	4933386	Ref	<b>Standard Electrical Diagrams (SN 0300099776 through 0300138358)</b>	
		Ref	<b>STANDARD ELECTRICAL SCHEMATIC</b>	
	1870090	Ref	<b>Standard Electrical Schematic (Prior to SN 0300099776)</b>	
	1870225	Ref	<b>Standard Electrical Schematic (SN 0300099776 through 0300138358)</b>	
	4933099	Ref	<b>VALVE ELECTRICAL DIAGRAM</b>	

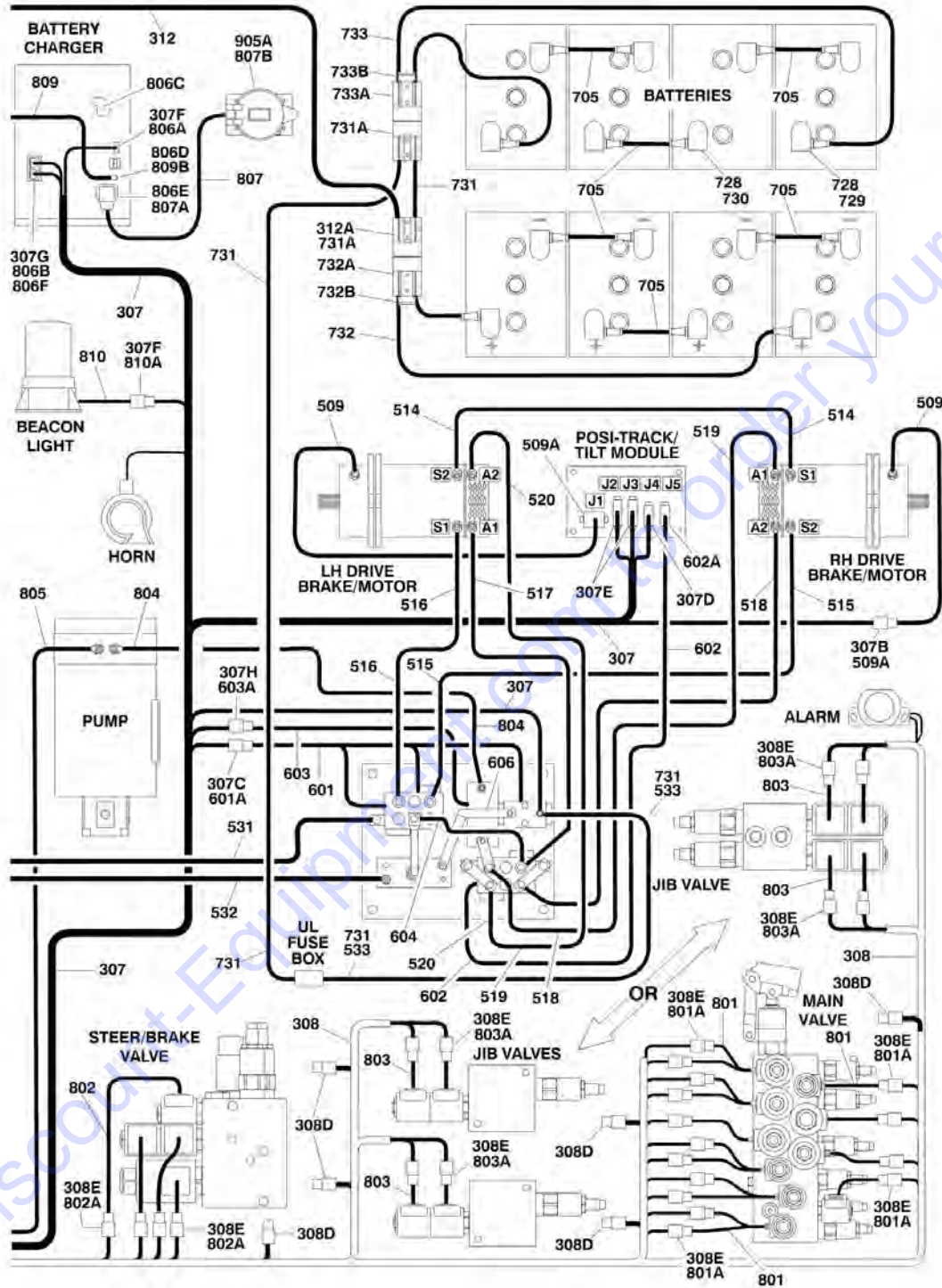


# SECTION 7 - ELECTRICAL

## FIGURE 7-2. HARNESS COMPONENTS INSTALLATION



# SECTION 7 - ELECTRICAL



# SECTION 7 - ELECTRICAL

## FIGURE 7-2. HARNESS COMPONENTS INSTALLATION

ITEM	PART NUMBER	QTY	DESCRIPTION	REV
		Ref	<b>PLATFORM BOX ASSEMBLY COMPONENTS</b>	
		Ref	<b>Platform Box Assembly Components E300A &amp; E300AJ</b>	
	0861176	Ref	<b>Platform Box Assembly Components (Prior to SN 0300068944)</b>	7-F
	0861529	Ref	<b>Platform Box Assembly Components (SN 0300068944 through 0300138358)</b>	G
		Ref	<b>Platform Box Assembly Components E300AJP</b>	
	0861314	Ref	<b>Platform Box Assembly Components (Prior to SN 0300068944)</b>	2-B
	0861532	Ref	<b>Platform Box Assembly Components (SN 0300068944 through 0300138358)</b>	E
14	1671037	NLA	Plug (Use p/n 1001110435)	
21	Not Required	0	Not Required	
25	4360030	1	Plug	
32	4360448		Breaker, Circuit 10A Auto Reset	
39	4460428	1	Connector, Strain Relief	
41	4460496	1	Lockwasher, Conduit	
42	4460497	1	Nut, Conduit	
43	4460752	1	Connector - 14 Position	
46		Ref	Wiring Diagram - Platform Control Box Options (See Items 101-114 for Breakdown):	
46	4933060	Ref	Wiring Diagram - Platform Control Box E300A & E300AJ	
46	4933105	Ref	Wiring Diagram - Platform Control Box E300AJP	
47	0272971	1	Footswitch Kit	
47A	1060330	7 ft/2.2m	Cable, Electrical - 16/3	
47B	4460071	1	Connector, Strain Relief	
47C	4460464	1	Pin, Male	
47C	4460226	1	Socket, Female (Not Shown)	
		Ref	<b>PLATFORM BOX ELECTRICAL DIAGRAMS</b>	
	4933060	Ref	<b>Platform Box Electrical Diagrams E300A &amp; E300AJ</b>	5-I
	4933105	Ref	<b>Platform Box Electrical Diagrams E300AJP</b>	3-E
101	4922074	1	Harness, Indicator Lamp	5-H
101A	4460265	1	Plug, Male - 9 Position	
101A	4460227	8	Pin, Male	
101B	4120035	7	Socket, Lamp	
101C	4460634	8	Socket (Single Wire)	
101C	4460635	6	Socket (Two Wire)	
102		Ref	Harness, Function Switch Options:	
102	4922060	1	Harness, Function Switch E300A & E300AJ	2-C
102	4922303	1	Harness, Function Switch E300AJP	5-D
102A	4460434	1	Plug, Male - 15 Position	
102A	4460226	12	Pin, Male	
102B	4460464	2	Pin, Male	
102C	4460418	4	Connector, Female	
102C	4460419	12	Terminal	
102D	4460225	1	Plug, Male - 6 Position (E300AJP Only)	
102D	4460227	5	Socket, Female	
102E	4460343	1	Plug, Male - 12 Position (E300AJP Only)	
102E	4460227	10	Socket, Female	
103	4922071	1	Harness, Can Bus	2-B
103A	4460321	1	Plug, Male - 4 Position	

## SECTION 7 - ELECTRICAL

ITEM	PART NUMBER	QTY	DESCRIPTION	REV
103A	4460227	2	Pin, Male	
103A	4460267	1	Pin, Male	
103B	4460464	3	Pin, Male	
104	4922118	1	Harness, Box Horn	2-B
104A	4460464	1	Pin, Male	
105	4922157	1	Harness, Miscellaneous	4-D
105A	4460464	AR	Pin, Male	
108	4922160	1	Harness, Analyzer	3-C
108A	4460321	1	Plug, Male - 4 Position	
108A	4460226	4	Socket, Female	
108B	4460761	1	Connector, Female - 4 Position	
108B	4460227	4	Pin, Male	
110	2920129	AR	Bulb, Light	
112	4922307	1	Jib Harness (E300AJP Only)	3-C
112A	4460367	1	Connector, Female - 12 Position	
112A	4460226	10	Socket, Female	
112B	4460260	6	Connector, Female	
112B	4460259	6	Terminal	
		Ref	Overload Light Harness Assembly	C
113	4922534	1	Harness, Lamp	
113A	2920129	1	Lamp, Display	
113B	4460428	1	Connector, Strain Relief	
114	4460268	1	Terminal, Socket (Not Shown)	
		Ref	<b>BOOM CABLES INSTALLATION</b>	
	0259034	Ref	<b>Boom Cables Installation E300A &amp; E300AJ Models</b>	15
	0259624	Ref	<b>Boom Cables Installation E300AJP Models</b>	13
217	4922270	1	Harness Assembly - Tower Boom	4
217	1060677	21 ft/6.4m	Cable, Electrical - 10/4-18/16	
217A	4460752	1	Connector - 14 Position	
217B	4460465	14	Socket, Female	
217C	4460754	1	Connector - 14 Position	
217D	4460464	14	Pin, Male	
217E	4460492	1	Clamp, Cable	
218	4922273	1	Harness Assembly - Main Boom	4
218	1060677	24 ft/7.3m	Cable, Electrical	
218A	4460754	2	Plug, Male	
218B	4460465	28	Socket, Female	
218C	4460492	1	Clamp, Cable (Not Shown)	
230	4922603	1	AC Cable - 12/3 (Upper) (24ft/7.3m Length of p/n 1060461 Cable)	
231	1060879	1	AC Cable - 12/3 (Lower) (21ft/5.4m Length of p/n 1060461 Cable)	
		Ref	<b>GROUND CONTROL BOX DIAGRAM</b>	
	4933080	Ref	<b>Ground Control Box Diagram (Prior to SN 0300099776)</b>	8-L
	4933386	Ref	<b>Ground Control Box Diagram (SN 0300099776 through 0300138358)</b>	3-C
302	4460321	3	Plug, Male - 4 Position	
303	4460320	2	Plug, Male - 2 Position	
303	4460227	2	Pin, Male	
304	4460326	1	Plug, Male - 3 Position	
305	4922291	1	Harness, Miscellaneous	
305A	4460321	1	Plug, Male - 4 Position	

## SECTION 7 - ELECTRICAL

ITEM	PART NUMBER	QTY	DESCRIPTION	REV
305A	4460227	3	Pin, Male	
305B	4460464	3	Pin, Male	
306		Ref	Harness Assembly - Ground Control Options:	
306	4922237	1	Harness Assembly - Ground Control <b>(Prior to SN 0300099776)</b>	5-E
306	4923614	1	Harness Assembly - Ground Control <b>(SN 0300099776 through 0300138358)</b>	3-C
306A	4460464	7	Pin, Male	
306B	4460225	1	Plug, Male - 6 Position	
306B	4460226	6	Socket, Female	
306C	4460265	1	Plug, Male - 9 Position	
306C	4460227	AR	Pin, Male	
306D	4460434	1	Plug, Male - 15 Position	
306D	4460226	15	Socket, Female	
306E	4460343	1	Plug, Male, 12 Position	
306E	4460226	7	Socket, Female	
307	4922238	1	Harness Assembly	10-I
307A	4460526	1	Connector, Strain Relief	
307B	4460224	1	Connector - 6 Position	
307B	4460226	4	Socket, Female	
307C	4460224	1	Connector - 6 Position	
307C	4460227	4	Pin, Male	
307D	4460326	1	Plug, Male - 3 Position	
307D	4460227	3	Pin, Male	
307E	4460321	2	Plug, Male - 4 Position	
307E	4460227	6	Pin, Male	
307F	4460320	2	Plug, Male - 2 Position	
307F	4460226	4	Socket, Female	
307G	4460444	1	Connector, Anderson	
307H	4460445	1	Connector - 3 Position	
307H	4460227	3	Pin, Male	
307J	4460227	12	Pin, Male	
307K	4460226	10	Socket, Female	
308	4922239	1	Harness Assembly - Main Valve	5-E
308A	4460426	1	Connector, Strain Relief	
308B	4460227	15	Pin, Male	
308C	4460226	14	Socket, Female	
308D	4460744	3	Connector, 6 Position	
308D	4460746	36	Socket, Female	
308D	4460745	6	Lock, Secondary	
308D	4460749	6	Cap, Shell	
308D	4460750	6	Bar, Buss - 6 Position	
308D	4460458	33	Seal	
308D	4460748	3	Plug, Cavity	
308E	4460742	24	Plug, Male - 2 Position	
308E	4460743	48	Terminal, Female	
308E	4460458	48	Seal	
309	3990106	1	Limiter, Inrush	
310	4460225	2	Plug, Male - 6 Position	
311	1060752	1	Cable, Electrical (Pump -)	
312	1060757	1	Cable, Electrical (Battery -)	
312A	4460025	1	Connector, Anderson	
313	4460265	1	Plug, Male - 9 Position	



## SECTION 7 - ELECTRICAL

ITEM	PART NUMBER	QTY	DESCRIPTION	REV
314	4460434	2	Plug, Male - 15 Position	
319		Ref	Pin Options:	
319	4460227	2	Pin (Prior to SN 0300099776)	
319	4460268	2	Pin (SN 0300099776 through 0300138358)	
		Ref	<b>GROUND CONTROL BOX ASSEMBLY COMPONENTS</b>	
	0861296	Ref	<b>Ground Control Box Assembly Components E300A</b>	G
		Ref	<b>Ground Control Box Assembly Components E300AJ</b>	
	0861297	Ref	<b>Ground Control Box Assembly Components (Prior to SN 0300099776)</b>	!
	1810130	Ref	<b>Ground Control Box Assembly Components (SN 0300099776 through 0300138358)</b>	B
		Ref	<b>Ground Control Box Assembly Components E300AJP</b>	
	0861298	Ref	<b>Ground Control Box Assembly Components (Prior to SN 0300099776)</b>	I
	1810132	Ref	<b>Ground Control Box Assembly Components (SN 0300099776 through 0300138358)</b>	B
419	4460496	1	Lockwasher, Terminal	
420	4460497	1	Nut, Terminal	
421	4460526	2	Connector, Strain Relief	
422	4460752	1	Connector - 14 Position	
432		Ref	Wiring Diagram - Ground Control Box Options (See Items 301-319 for Breakdown):	
432	4933080	Ref	Wiring Diagram - Ground Control Box (Prior to SN 0300099776)	
432	4933386	Ref	Wiring Diagram - Ground Control Box (SN 0300099776 through 0300138358)	
		Ref	<b>ELECTRICAL COMPONENTS INSTALLATION</b>	
	0258984	Ref	<b>Standard Spec (Prior to SN 0300116217)</b>	K
	0274282	Ref	<b>Standard Spec (SN 0300116217 through 0300138358)</b>	B
509	3990105	2	Speed Sensor Harness (P/N 3990105 Includes Speed Sensor)	
509A	4460225	2	Plug, Male - 6 Position	
509A	4460226	8	Socket, Female	
514	1060732	1	Cable	
515	1060733	1	Cable	
516	1060734	1	Cable	
517	1060735	1	Cable	
518	1060736	1	Cable	
519	1060737	1	Cable	
520	1060738	1	Cable	
531	1060739	1	Cable	
532	1060740	1	Cable	
533	Not Required	0	Cable Options (UL Fuse Box to Contactor Plate)	
	2901818	1	Cable Kit (Includes Items 514-520)	
	1600294	Ref	<b>CONTACTOR PLATE ASSEMBLY</b>	E
601	7022003	1	Contactor Harness	
601A	4460225	1	Plug, Male - 6 Position	
601A	4460226	6	Socket, Female	
602	7022004	1	Posi-Track Harness	
602A	4460326	1	Plug, Male - 3 Position	
602A	4460227	3	Pin, Male	
603	7022005	1	Shunt Harness	
603A	4460326	1	Plug, Male - 3 Position	
603A	4460226	3	Socket, Female	

## SECTION 7 - ELECTRICAL

ITEM	PART NUMBER	QTY	DESCRIPTION	REV
604	7022012	1	Cable, Power	
606	70001052	1	Shunt/Bus Bar with Harness Assembly	
		Ref	<b>BATTERIES INSTALLATION</b>	
	0259042	Ref	<b>Standard Machines</b>	J
705	1060092	6	Cable, Battery	
727	0100048	AR	Grease, Dielectric	
728	0100051	AR	Grease, Battery Terminal	
729	0840031	9	Boot - "d" shaped	
730	0840032	7	Boot - "b" shaped	
731		Ref	Cable, Assembly Options:	
731	1060741	NLA	Cable, Assembly (Use p/n 1060805) <b>(Prior to SN 0300035281)</b>	
731	1060805	1	Cable, Assembly <b>(SN 0300035281 through 0300138358)</b>	
731A	4460025	2	Connector, Anderson	
732	1060742	1	Cable, Battery (Right)	
732A	4460025	1	Connector, Anderson	
732B	1320172	1	Handle	
733	1060743	1	Cable, Battery (Left)	
733A	4460025	1	Connector, Anderson	
733B	1320172	1	Handle	
		Ref	<b>STANDARD HARNESS COMPONENTS</b>	
801	See Note	15	Solenoid Harness - Main Valve (Note: Not Available - Purchase Complete Solenoid)	
801A	See Note	15	Connector, Female - 2 Position (Note: Not Available - Purchase Complete Solenoid)	
801A	See Note	30	Terminal, Male (Purchase Complete Solenoid) (Note: Not Available - Purchase Complete Solenoid)	
802	See Note	15	Solenoid Harness - Steer/Brake Valve (Note: Not Available - Purchase Complete Solenoid)	
802A	See Note	15	Connector, Female - 2 Position (Note: Not Available - Purchase Complete Solenoid)	
802A	See Note	30	Terminal, Male (Purchase Complete Solenoid) (Note: Not Available for Purchase)	
803	See Note	15	Solenoid Harness - Jib Valve (Note: Not Available - Purchase Complete Solenoid)	
803A	See Note	15	Connector, Female - 2 Position (Note: Not Available - Purchase Complete Solenoid)	
803A	See Note	30	Terminal, Male (Purchase Complete Solenoid) (Note: Not Available - Purchase Complete Solenoid)	
804		Ref	Cable, Electrical Options: (Drive - Positive)	
804	1060756	1	ANSI Spec	
804	1060756	1	UL Spec <b>(Prior to SN 0300035281)</b>	
804	1060863	1	UL Spec <b>(SN 0300035281 through 0300138358)</b>	
805		Ref	Cable, Electrical (Drive - Negative)	
805	1060752	1	ANSI Spec	
805	1060752	1	UL Spec <b>(Prior to SN 0300035281)</b>	
805	1060861	1	UL Spec <b>(SN 0300035281 through 0300138358)</b>	
806		Ref	Battery Charger Components:	
806A	7011621	1	Connector, Enable Switch	
806B		Ref	DC Cord Options:	
806B	7020644	1	Cord with 80 or 50 Amp Automotive Fuse	
806B	7022910	1	Cord with 45 Amp Fuse	
806C	7020645	1	Harness - 17 Position	
806D	7020646	1	Harness - 4 Position	

## SECTION 7 - ELECTRICAL

ITEM	PART NUMBER	QTY	DESCRIPTION	REV
806E	7020648	1	Plug, AC Inlet	
806F	7011590	1	Connector, DC	
807	1060759	1	Cable, Battery (Note: Does not include Items 807B-807D):	
807A	1060759	1	Connector, Female (Note: Not Available for Purchase)	
807B	4460428	AR	Connector, Strain Relief	
807C	4460802	1	Terminal and Cover	
807D		Ref	Plug Options:	
807D	See Note	1	110-220V/50-60Hz (CE Spec) (Note: Not Available - Purchase Locally)	
807D	4460805	1	250V/50Hz (Australian Spec)	
808	See Note	1	LED Harness (Note: Not Available for Purchase)	
808A	4460321	1	Plug, Male - 4 Position	
808A	4460227	4	Pin, Male	
809	1060753	1	Cable, LED Remote LEAD	
809A	4460321	1	Plug, Male - 4 Position	
809A	4460226	4	Socket, Female	
809B	4460226	4	Socket, Female	
810	See Note	1	Beacon Light Harness (Note: Not Available - Purchase Complete Light)	
810A	4460424	1	Receptacle, Female - 2 Position	
810A	4460226	2	Socket, Female	
811	See Note	1	Boom Limit Switches Harness (Note: Not Available for Purchase)	
811A		Ref	Cable Options (Upper Limit Switch):	
811A	1060341	20 ft /6m	<b>Prior to SN 0300063766</b> (Bulk Length)	
811A	1060881	1	Cable (Upper Limit Switch) <b>(SN 0300063766 through 0300138358)</b>	
811B		Ref	Cable (Lower Limit Switch) Options:	
811B	1060341	17.5 ft /5.4m	Cable (Lower Limit Switch) (Bulk Length) <b>(Prior to SN 0300063766)</b>	
811B	1060880	1	Cable (Lower Limit Switch) (Cut to Required Length of 17.5ft/5.4m - Less Limit Switch and Strain Relief Connector - See BOOM SECTION for Limit Switch p/n) <b>(Prior to SN 0300063766)</b>	
811B	1060341	6.5 ft /2m	Cable (Lower Limit Switch) (Bulk Length -Less Limit Switch and Strain Relief Connector - See BOOM SECTION for Limit Switch p/n) <b>(SN 0300063766 through 0300138358)</b>	
811B	4922598	1	Cable (Lower Limit Switch) (Cut to Required Length of 6.5ft/2m - Includes Limit Switch and Strain Relief Connector) <b>(SN 0300063766 through 0300138358)</b>	
812	See Note	1	Controller Harness/Circuit Board Assembly (Drive and Steer) (Note: Not Available for Purchase)	
812A	4460265	1	Plug, Male - 9 Position	
812A	4460226	7	Socket, Female	
813	See Note	1	Controller Harness Assembly (Lift and Swing) (Note: Not Available for Purchase)	
813A	4460265	1	Plug, Male - 9 Position	
813A	4460226	8	Socket, Female	
814	See Note	1	Controller Harness Assembly (Speed) (Note: Not Available for Purchase)	
814A	4460225	1	Plug, Male - 6 Position	
814A	4460226	4	Socket, Female	
815	4922294	1	Jib Harness (E300AJ Only)	1-A
815A	4460225	1	Plug, Male - 6 Position	
815A	4460227	3	Pin, Male	
815B	4460418	1	Connector, Female	

## SECTION 7 - ELECTRICAL

ITEM	PART NUMBER	QTY	DESCRIPTION	REV
815B	4460419	3	Terminal	
		Ref	<b>OPTIONAL HARNESS COMPONENTS</b>	
901		Ref	AC to Platform Receptacle Components	
901	0258304	NLA	110V/220V (Plug and Receptacle Supplied Locally) (Use p/n 0271449) (Australian and CE Spec)	1
901	0275711	Ref	220V with CEE Post Ground Receptacle and Plug and Circuit Breaker (2x4 Box) (CE Spec Only)	D
901	0275712	Ref	220V with CEE Side Ground Receptacle and Plug and Circuit Breaker (2x4 Box) (CE Spec Only)	D
901	0275713	Ref	220V with AFSINT 107 Keyed Ground Receptacle and Plug and Circuit Breaker (2x4 Box) (CE Spec Only)	D
901	0275714	Ref	110V with IEC Yellow Receptacle and Plug and Circuit Breaker (CE Spec Only)	D
901	0275715	Ref	220V with IEC Blue Receptacle and Plug and Circuit Breaker (CE Spec Only)	D
901	0275716	Ref	220V with CEE Post Ground Receptacle and Plug and Circuit Breaker (70mm x 70mm Box) (CE Spec Only)	D
901	0275717	Ref	220V with CEE Side Ground Receptacle and Plug and Circuit Breaker (70mm x 70mm Box) (CE Spec Only)	D
901A		Ref	Box, Switch Options:	
901A	See Note	1	0271449 Installation (Note: Not Available - Purchase Locally)	
901A	0861731	1	0275711 & 0275712 Installations	
901A	0861781	1	0275713, 0275714 & 0275715 Installations	
901A	See Note	1	0275716 & 0275717 Installations (Note: Was p/n0861782 which is no longer available. Use p/n 1001100344 CEE 7 Side Ground Service Kit or p/n 1001100343 CEE 7 Post Ground Service Kit. Kits includes Box p/n 1001141967 and items 901B & 901C.)	
901A	1001141967	1	1001100343, 1001100344, 1001141970 & 1001141971 Kits	
901B		Ref	Receptacle Options:	
901B	See Note	1	0271449 Installation (Note: Not Available - Purchase Locally)	
901B	4461244	1	0275711 Installation	
901B	4461245	1	0275712 Installation	
901B	4461246	1	0275713 Installation	
901B	4461198	1	0275714 Installation	
901B	4461201	1	0275715 Installation	
901B	4461204	NLA	0275716 Installation (Use p/n 1001141971)	
901B	4461207	NLA	0275717 Installation (Use p/n 1001141970)	
901B	1001141968	1	1001100343 & 1001141971 Kit	
901B	1001141969	1	1001100344 & 1001141970 Kit	
901C		Ref	Plug Options:	
901C	See Note	1	0271449 Installation (Note: Not Available - Purchase Locally)	
901C	4461202	1	0275711, 0275716 Installations and 1001100343 & 1001141971 Kits	
901C	4461205	1	0275712, 0275717 Installations and 1001100344 & 1001141970 Kits	
901C	4461249	1	0275713 Installation	
901C	4461196	1	0275714 Installation	
901C	4461199	1	0275715 Installation	
901D	0903484	1	Bracket (All except 0271449 Installation)	
901E	0903612	1	Bracket (All except 0271449 Installation)	
901F		Ref	Decal Options:	
901F	1705325	1	110V	
901F	3252507	1	220V	

## SECTION 7 - ELECTRICAL

ITEM	PART NUMBER	QTY	DESCRIPTION	REV
901G	2902549	1	Circuit Breaker Kit (All Installations except 0271449 Installation)	D
901G	See Note	1	Breaker, Circuit 16 AMP (Note: Was p/n 2400093. Use qty 1 each of p/ns 1001109475 & 1001109482 as replacement) <b>(Prior to SN 0300136274)</b>	
901G	1001109475	NLA	Breaker, Circuit 16 AMP (Use p/n 1001181045) <b>(SN 0300136274 through 0300138358)</b>	
901G	1001109482	NLA	Breaker, Circuit 30 AMP (Use p/n 1001181045) <b>(SN 0300136274 through 0300138358)</b>	
901G	0861880	1	Box, Breaker	
901G	4460956	1	Terminal, Block End Barrier	
901G	4460957	1	Block, Terminal	
901H		Ref	Connector, Strain Relief Options:	
901H	4460633	2	M20	
901H	1001097150	2	M25	
901J		Ref	Connector, Strain Relief	
901J	See Note	1	0271449 Installation (Note: Not Available - Purchase Locally)	
901J	4460968	1	All Installations except 0271449 Installation	
901K	4460709	1	Plug, Male	
901L	4460710	1	Receptacle, Female	
	0275216		Receptacle Box Kit (110V IEC Yellow) (Includes Items 901A, 901B & 901C) (0255714 Installation)	1
	0275217		Receptacle Box Kit (220V IEC Blue) (Includes Items 901A, 901B & 901C) (0275715 Installation)	1
	0275218	NLA	Receptacle Box Kit (220V CEE 7 Post Ground) (Includes Items 901A, 901B & 901C) (0275716 Installation) (Use p/n 10011400343)	B-B
	0275219	NLA	Receptacle Box Kit (220V CEE 7 Side Ground) (Includes Items 901A, 901B & 901C) (0275717 Installation) (Use p/n 10011400344)	B-B
	0275452		Receptacle Box Kit (220V CEE 7 Post Ground) (Includes Items 901A, 901B & 901C) (0275711 Installation)	1
	0275453		Receptacle Box Kit (220V CEE 7 Side Ground) (Includes Items 901A, 901B & 901C) (0275712 Installation)	1
	0275454		Receptacle Box Kit (220V AFSINT 107 Keyed Ground) (Includes Items 901A, 901B & 901C) (0275713 Installation)	1
902	2920095	2	Platform Worklights Harness (Includes Light and Wire Only)	
902A	4460428	1	Connector, Strain Relief	
903	4922926	1	Indicator Lamp Harness (CE Spec)	1-A
903A	4460265	1	Plug, Male - 9 Position	
903A	4460226	2	Socket, Female	
903B	4460320	1	Plug, Male -2 Position	
903B	4460227	2	Pin, Male	
904	0273151	1	Indicator Lamp Components (CE Spec)	1-A
904A	4460424	1	Connector, Female - 2 Position	
904A	4460226	2	Socket, Female	
905		Ref	Charger Cord Plug Installation	
905	0275663	Ref	220V with CEE7 Post Ground	A
905	0275664	Ref	220V with CEE7 Side Ground	A
905	0275665	Ref	220V with AFSINT 107 Keyed Ground	A
905	0275666	Ref	110V with IEC Yellow	A
905	0275667	Ref	110V with IEC Blue	A
905A		Ref	Plug Options:	
905A	4461202	1	0275663 Installation	
905A	4461205	1	0275664 Installation	

## SECTION 7 - ELECTRICAL

ITEM	PART NUMBER	QTY	DESCRIPTION	REV
905A	4461249	1	0275665 Installation	
905A	4461196	1	0275666 Installation	
905A	4461199	1	0275667 Installation	
		Ref	<b>TOOLS</b>	
	7002821	1	Crimper (For Wire to Pin/Socket Connections)	
	7002823	1	Extractor (For Removal of Pin/Socket from Connectors)	
	4460467	1	Extractor, Pin (Blue 16-18 Gauge) (For Removal of Pin/Socket from Connectors)	
	4460510	1	Extractor, Pin (Yellow 12-14 Gauge) (For Removal of Pin/Socket from Connectors)	
	7002828	1	Stripper, Wire	
	1600244	1	Module Analyzer (Not Shown)	
	1001137005	1	Software Cable Kit (Not Shown)	

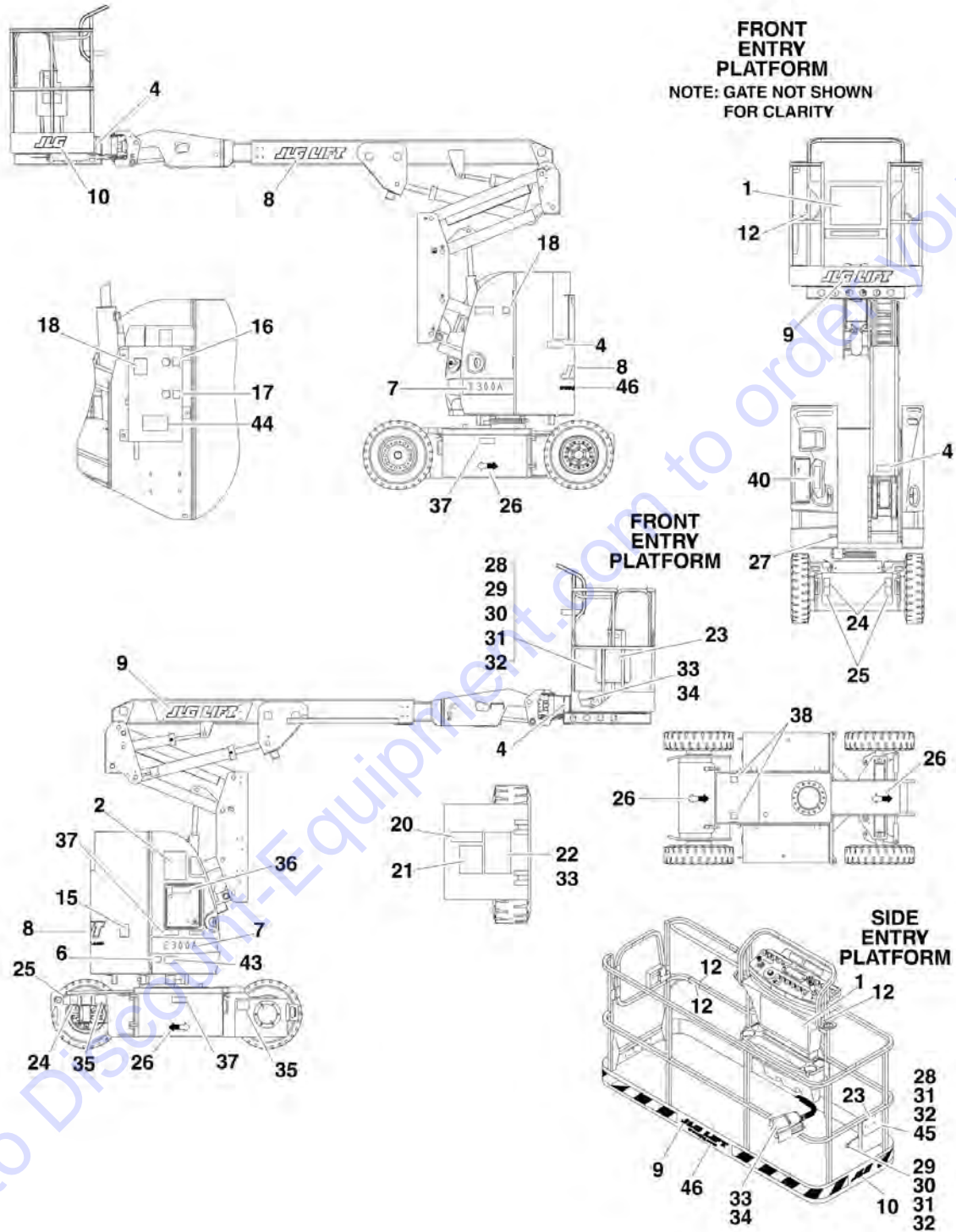
Go to Discount-Equipment.com to order your parts

SECTION 8 - DECALS

Go to Discount-Equipment.com to order your parts

# SECTION 8 - DECALS

FIGURE 8-1. DECAL INSTALLATION - STANDARD (Prior to SN 0300095662)





## SECTION 8 - DECALS

**FIGURE 8-1. DECAL INSTALLATION - STANDARD (Prior to SN 0300095662)**

ITEM	PART NUMBER	QTY	DESCRIPTION	REV
		Ref	<b>DECAL INSTALLATIONS</b>	
		Ref	<b>Common Decals</b>	
	0271033	Ref	<b>Decal Installations E300A (Front Entry Platform)</b>	1
	0273105	Ref	<b>Decal Installations E300A (Side Entry Platform)</b>	2
	0271035	Ref	<b>Decal Installations E300AJ (Front Entry Platform)</b>	1
	0273108	Ref	<b>Decal Installations E300AJ (Side Entry Platform)</b>	2
	0271034	Ref	<b>Decal Installations E300AJP (Front Entry Platform)</b>	1
	0273106	Ref	<b>Decal Installations E300AJP (Side Entry Platform)</b>	2
		Ref	<b>Decal Installations E300A:</b>	
	0259009	Ref	<b>Australian English Language</b>	4
	0259015	Ref	<b>Dutch Language</b>	5
	0259019	Ref	<b>French Language</b>	5
	0259013	Ref	<b>German Language</b>	5
	0259017	Ref	<b>Italian Language</b>	5
	0273209	Ref	<b>Norwegian Language</b>	2
	0259021	Ref	<b>Spanish Language</b>	5
	0259314	Ref	<b>UK English Language</b>	5
		Ref	<b>Decal Installations E300AJ:</b>	
	0259010	Ref	<b>Australian English Language</b>	5
	0259016	Ref	<b>Dutch Language</b>	6
	0259020	Ref	<b>French Language</b>	6
	0259014	Ref	<b>German Language</b>	6
	0259018	Ref	<b>Italian Language</b>	6
	0273210	Ref	<b>Norwegian Language</b>	3
	0259022	Ref	<b>Spanish Language</b>	6
	0259315	Ref	<b>UK English Language</b>	6
		Ref	<b>Decal Installations E300AJP:</b>	
	0259507	Ref	<b>Australian English Language</b>	6
	0259510	Ref	<b>Dutch Language</b>	6
	0259512	Ref	<b>French Language</b>	5
	0259509	Ref	<b>German Language</b>	6
	0259511	Ref	<b>Italian Language</b>	5
	0273211	Ref	<b>Norwegian Language</b>	3
	0274988	Ref	<b>Pictogram</b>	2
	0259513	Ref	<b>Spanish Language</b>	5
	0259508	Ref	<b>UK English Language</b>	6
1		Ref	<b>Decal - Danger/Warning Options:</b>	
1	1703992	1	Australian English Language	
1	1703913	1	Dutch Language	
1	1703917	1	French Language	
1	1703799	1	German Language	
1	1703915	1	Italian Language	
1	1705254	1	Norwegian Language	
1	1705921	1	Pictogram	
1	1703919	1	Spanish Language	
1	1703806	1	UK English Language	
2		Ref	<b>Decal - Danger/Warning Options:</b>	
2	1703807	1	Australian English Language	
2	1703914	1	Dutch Language	
2	1703918	1	French Language	

## SECTION 8 - DECALS

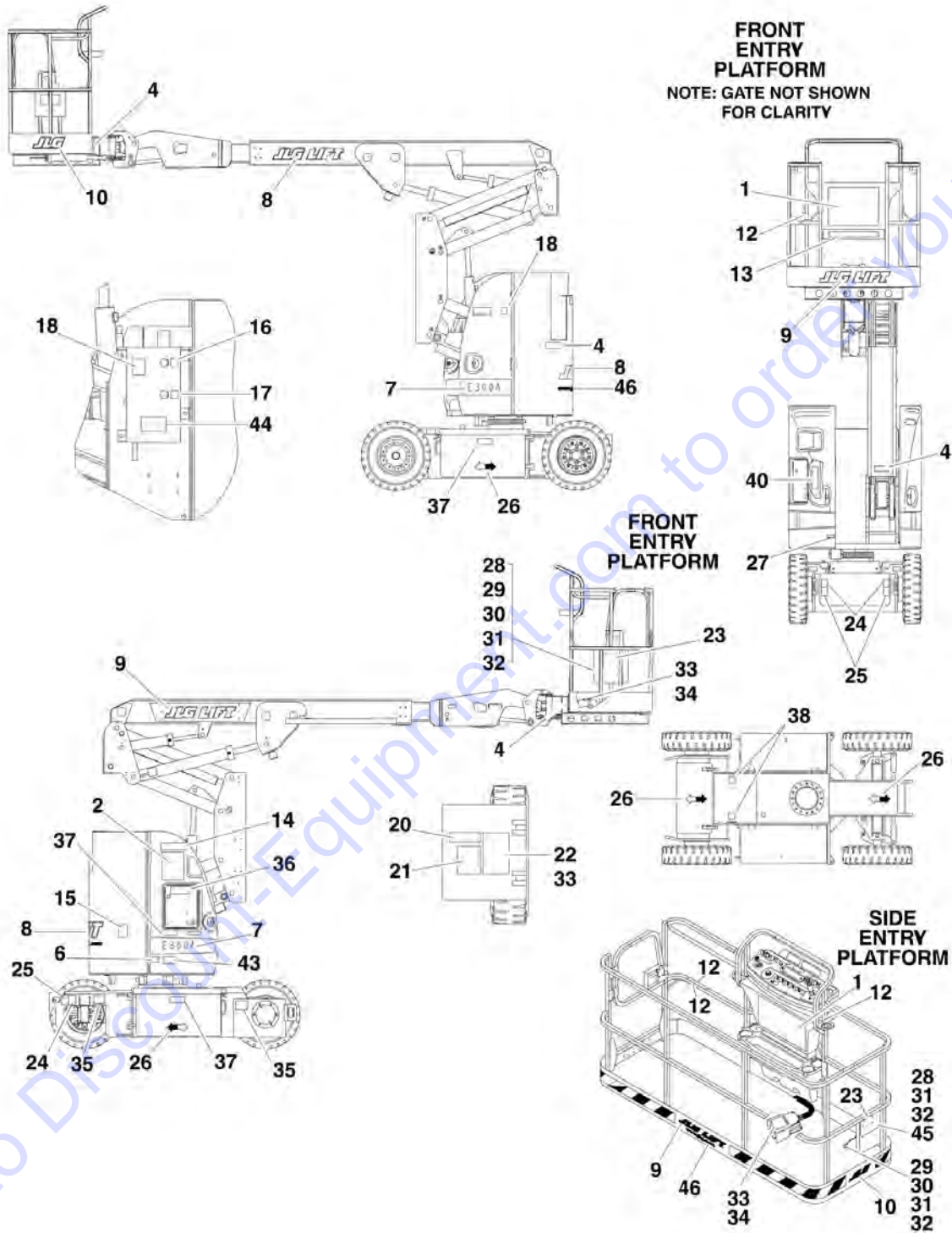
ITEM	PART NUMBER	QTY	DESCRIPTION	REV
2	1703800	1	German Language	
2	1703916	1	Italian Language	
2	1705255	1	Norwegian Language	
2	1705922	1	Pictogram	
2	1703920	1	Spanish Language	
2	1703807	1	UK English Language	
4	1701518	6	Decal - Warning/Crushing	
5	Not Required	0	Decal - Legend	
6	1701644	1	Decal - Charger Plug	
7		Ref	Decal - Model Options:	
7	1704198	2	Decal - Model E300A	
7	1704199	2	Decal - Model E300AJ	
7	1704267	2	Decal - Model E300AJP	
8	1702860	AR	Decal - JLG Lift (5in)	
8		Ref	Decal - JLG Lift (5in) E300A	
8		Ref	Decal - JLG Lift (5in) E300AJ & E300AJP	
9	1702774	2	Decal - JLG Lift (3 1/2in)	
10		Ref	Decal Options:	
10	1702773	1	Decal JLG (5in) (E300A & E300AJ)	
10	1704200	1	Decal JLG Plus (E300AJP)	
12	1704277	3	Decal - Attach Lanyard Here	
15		Ref	Decal - CE Options:	
15	Not Required	0	Australian English/Norwegian Languages and Pictogram	
15	1702928	1	Dutch/French/German/Italian/Spanish/UK English Languages <b>(Prior to SN 0300073199)</b>	
15	Not Required	0	Dutch/French/German/Italian/Spanish/UK English Languages <b>(SN 0300073199 through 0300095662)</b>	
16	1701502	1	Decal - High Oil Level	
17	1701503	1	Decal - Low Oil Level	
18	1701504	2	Decal - Hydraulic Oil	
20	See Note	1	Decal - Bar Code (Note: Not Available for Purchase)	
21	1700584	1	Decal - Patent	
22	See Note	1	Nameplate - Serial Number (Note: Not Available for Purchase)	
23	1701509	1	Decal - Manual	
24	1702300	4	Decal - Tie Down /Lift	
25	1701500	4	Decal - Tie Down /Lift	
26	1701529	4	Decal- Arrow	
27		Ref	Nameplate - 250V/50Hz Options:	
27	3251242	1	Australian English Languages	
27	Not Required	0	Dutch/French/German/Italian/Norwegian/Spanish/UK English Languages and Pictogram	
28	0860520	1	Box, Manual Storage	
29	1060279	1	Cable, Lanyard	
30	0641408	1	Bolt 1/4in-20NC x 1in	
31	4751400	6	Flatwasher 1/4in Regular	
32	3311405	5	Nut 1/4in-20NC	
33	3820001	NLA	Rivet (Use p/n 2080057) <b>(Prior to SN 0300056928)</b>	
33	2080057		Amtak Fastener <b>(SN 0300056928 through 0300095662)</b>	
34		Ref	Decal - Footswitch Options:	
34	3252347	1	Australian English/UK English Languages	
34	1703518	1	Dutch Spec	
34	1693292	1	French Spec	

## SECTION 8 - DECALS

ITEM	PART NUMBER	QTY	DESCRIPTION	REV
34	1693294	1	German Spec	
34	1701600	1	Italian Spec	
34	1705275	1	Norwegian Spec	
34	1705828	1	Pictogram	
34	1701791	1	Spanish Spec	
35	1704276	4	Decal - Maximum Tire Load	
36		Ref	Decal - Battery Charger Options:	
36	1704248	1	Australian English Language	
36	1704324	1	Dutch Language	
36	1704326	1	French Language	
36	1704323	1	German Language	
36	1704325	1	Italian Language	
36	1705259	1	Norwegian Language	
36	1706378	1	Pictogram	
36	1704327	1	Spanish Language	
36	1704248	1	UK English Language	
37		Ref	Decal - Warning Explosion Options:	
37	1703813	3	Australian English Language	
37	1704335	3	Dutch Language	
37	1704337	3	French Language	
37	1704334	3	German Language	
37	1704336	3	Italian Language	
37	1705256	3	Norwegian Language	
37	1705670	3	Pictogram	
37	1704338	3	Spanish Language	
37	1703813	3	UK English Language	
38	1702155	2	Decal - Battery Disconnect	
40		Ref	Decal - Manual Descent	
40		Ref	<b>Note: Refer to p/n stamped on hose side of valve.</b>	
40	1704262	1	4641110 Valve	
40	1705085	1	4641196 Valve	
40	1001104864	1	1001097776 Valve	
43		Ref	Decals - Instructions Inside Options:	
43	1702901	1	All Specs except Norwegian Spec	
43	1705246	1	Norwegian Spec	
43	1706392	1	Pictogram	
44	1704412	1	Decal - Hydraulic Oil	
45	0641406	4	Bolt 1/4in-20NC x 3/4in	
46	1704885	2	Decal - Website (SN 0300073199 through 0300095662)	

# SECTION 8 - DECALS

FIGURE 8-2. DECAL INSTALLATION - STANDARD (SN 0300095662 through 0300138358)



## SECTION 8 - DECALS

**FIGURE 8-2. DECAL INSTALLATION - STANDARD (SN 0300095662 through 0300138358)**

ITEM	PART NUMBER	QTY	DESCRIPTION	REV
		Ref	<b>DECAL INSTALLATIONS</b>	
	0273108	Ref	<b>Decals JLG - E300AJ</b>	2
	0273106	Ref	<b>Decals JLG - E300AJP</b>	2
	0275064	Ref	<b>Decal Installations E300AJ</b>	6
	0275065	Ref	<b>Decal Installations E300AJP</b>	6
1	1705921	1	Decal - Danger/Caution (Platform)	
2	1705922	1	Decal - Danger/Caution (Ground)	
4	1701518	6	Decal - Warning/Crushing	
6	1701644	1	Decal - Charger Plug	
7		Ref	Decal - Model Options:	
7	1704199	2	Decal - Model E300AJ	
7	1704267	2	Decal - Model E300AJP	
8	1702860	1	Decal - JLG Lift (5in)	
9	1702774	2	Decal - JLG Lift (3 1/2in)	
10		Ref	Decal Options:	
10	1702773	1	JLG (5in) (E300AJ)	
10	1704200	1	JLG Plus (E300AJP)	
12	1704277	3	Decal - Attach Lanyard Here	
13	1705978	1	Decal - Capacity <b>(SN 0300096810 through 0300138358)</b>	
14	1705978	1	Decal - Capacity <b>(SN 0300102543 through 0300138358)</b>	
16	1701502	1	Decal - High Oil Level	
17	1701503	1	Decal - Low Oil Level	
18	1701504	2	Decal - Hydraulic Oil	
20	See Note	1	Decal - Bar Code (Note: Not Available for Purchase)	
21	1700584	1	Decal - Patent	
22	See Note	1	Nameplate - Serial Number (Note: Not Available for Purchase)	
23	1701509	1	Decal - Manual	
24	1703814	4	Decal - Tie Down /Lift	
25	1703811	4	Decal - Tie Down /Lift	
26	1701642	4	Decal- Arrow	
27	Not Required	0	Nameplate - 120V/60Hz	
28	0860520	1	Box, Manual Storage	
29	1060279	1	Cable, Lanyard	
30	0641408	1	Bolt 1/4in-20NC x 1in	
31	4751400	6	Flatwasher 1/4in Regular	
32	3311405	5	Nut 1/4in-20NC	
33	3820001	4	Rivet, Pop	
34	1705828	1	Decal - Footswitch	
35		Ref	Decal - Maximum Tire Load Options:	
35	1704276	4	Decal - Maximum Tire Load <b>(SN 0300095662 through 0300100540)</b>	
35	1706942	4	Decal - Maximum Tire Load <b>(SN 0300100541 through 0300138358)</b>	
36	1706378	1	Decal - Battery Charger	
37	1705670	3	Decal - Warning Explosion	
38	1702155	2	Decal - Battery Disconnect	
40		Ref	Decal - Manual Descent	
		Ref	<b>Note: Refer to p/n stamped on hose side of valve.</b>	
40	1704262	1	4641110 Valve	
40	1705085	1	4641196 Valve	

## SECTION 8 - DECALS

ITEM	PART NUMBER	QTY	DESCRIPTION	REV
40	1001104864	1	1001097776 Valve	
43	1706392	1	Decals - Instructions Inside	
44	1704412	1	Decal - Hydraulic Oil	
45	0641406	4	Bolt 1/4in-20NC x 3/4in	
46	1704885	2	Decal - Website	

Go to Discount-Equipment.com to order your parts

## SECTION 9 - RECOMMENDED SERVICE PARTS STOCK

### SECTION 9 - RECOMMENDED SERVICE PARTS STOCK

Go to [Discount-Equipment.com](http://Discount-Equipment.com) to order your parts

## SECTION 9 - RECOMMENDED SERVICE PARTS STOCK

FIGURE 9-1. MODEL E300A/E300AJ/E300AJP STANDARD PARTS

ITEM	PART NUMBER	QTY	DESCRIPTION	REV
		Ref	<b>Note: The following list will service one machine (built to current production per date on the front cover) with emergency repair parts which can be installed in the field. Parts from the list should be replaced when inventory is depleted to keep service parts stock supplied. For further information, go to Discount-equipment.com</b>	
		Ref	<b>STANDARD PARTS</b>	
	7022011	2	Diode, Power	
	7021609	1	Coil	
	7021618	1	Coil	
	7021610	1	Coil	
	7021616	1	Filter Cartridge	
	7021320	1	Cap, Breather	
	4360070	1	Breaker, Circuit	
	4360476	1	Contact, Switch Block	
	4360475	1	Switch, Mushroom	
	4360470	1	Switch, Key	
	2860030	1	Key, Replacement (Set of 2)	
	4360328	1	Switch, Toggle	
	7018571	1	Fuse Assembly	
	7018570	2	Fuse 80 Amp	
	2940074	1	Latch	
	1001118419	1	Controller (Lift and Swing)	
	1001118418	1	Controller (Drive and Steer)	
	4360462	1	Controller, Speed	
	4360387	1	Switch, Push Button	
	4360330	1	Switch, Toggle	
	4360448	1	Breaker, Circuit	





## SECTION 9 - RECOMMENDED SERVICE PARTS STOCK

FIGURE 9-2. MODEL E300A/E300AJ/E300AJP VARIABLE PARTS

ITEM	PART NUMBER	QTY	DESCRIPTION	REV
		Ref	<b>Note: The following list will service one machine (built to current production per date on the front cover) with emergency repair parts which can be installed in the field. Parts from the list should be replaced when inventory is depleted to keep service parts stock supplied. For further information, go to Discount-equipment.com</b>	
		Ref	<b>VARIABLE PARTS</b>	
	1001109497	1	Module, Control (Ground)	
	7020653	1	Breaker, Circuit - 10 Amp (Australian Spec)	
	7020654	1	Relay (CE Spec)	
	7018564	1	Relay (CE Spec)	
	7018535	1	Relay (Australian Spec)	
	4360548	1	Switch, Limit	
	1001109498	1	Module, Control (Platform)	
	1600387	1	Module, Control (LSS System)	

**SECTION 10 - SPECIAL OPTIONS**

Go to Discount-Equipment.com to order your parts

## SECTION 10 - SPECIAL OPTIONS

FIGURE 10-1. SPECIAL OPTIONS

ITEM	PART NUMBER	QTY	DESCRIPTION	REV
		Ref	<b>Note: This list is to accommodate machines ordered with special equipment. Options may not be applicable to all models. For more specific parts information go to Discount-equipment.com</b>	
		Ref	<b>MISCELLANEOUS SPECIAL OPTIONS</b>	
	0259250	Ref	<b>Airline to Platform Installation</b>	
	0258443	Ref	<b>Boom Wipers Installation (E300A &amp; E300AJ Models)</b>	
	0256789	Ref	<b>Camera Mount Assembly</b>	
		Ref	<b>Decal Installations Options:</b>	
	1702788	1	Biodegradeable Hydraulic Fluid (All except German Spec)	
	1703479	1	Biodegradeable Hydraulic Fluid (German Spec)	
	1704174	1	Synthetic Biodegradeable Hydraulic Fluid (All except German Spec)	
	1704175	1	Synthetic Biodegradeable Hydraulic Fluid (German Spec)	
	0259045	Ref	Warning Safety Stripes Installation	
		Ref	<b>Decal Kits</b>	
	1001198652	Ref	Decal Kit - Machine	
	2910866	Ref	Decal Kit - Platform Console	
		Ref	<b>Electrical Connector Kits</b>	
	1001148902	Ref	Amp/Tyco Electrical Connector Kit	
	1001148903	Ref	Deutsch DT Electrical Connector Kit	
	1001148904	Ref	Deutsch HD Electrical Connector Kit	
	1001148905	Ref	Packard Electrical Connector Kit	
	1001148906	Ref	Various Electrical Connectors Kit	
	4060959	Ref	<b>Footswitch Shield (Note: Move Decal to Shield)</b>	
		Ref	<b>Hydraulic Fluids Options:</b>	
	2300014	Ref	Mobil 424	
	2300016	Ref	Mobil DTE 13M	
	2300019	Ref	Quaker State Quintolubric 888-46 Fire Res.	
	2300027	Ref	Mobil 224H Bio	
	2300028	Ref	Mobil DTE 11M	
	2300029	Ref	Mobil EAL ISO 46 Bio	
	1001148971	Ref	<b>Lanyard (Bolt-on) Kit Installation</b>	
	1001222307	Ref	<b>LSS Override Kit</b>	
	0270723	Ref	<b>Platform Beacon Installation</b>	
	0258703	Ref	<b>Platform Console Cover Installation</b>	
	1001205175	Ref	<b>Platform Console Cover Add-on Kit</b>	
		Ref	<b>Platform Entry Kits</b>	
	1001142504	Ref	<b>Drop Bar (Replacing Swing Gate with Drop Bar)</b>	
	1001142505	Ref	<b>Swing Gate (Replacing Drop Bar with Swing Gate)</b>	
	1001099635	Ref	<b>Security Lock (Programmable) Installation</b>	
		Ref	<b>SkyGuard Component</b>	
	1001143669	Ref	SkyGuard Complete Add-on Kit (UGM Machines)	
	1001137672	Ref	SkyGuard Platform Sensor Kit (UGM Machines)	
	1001143256	Ref	SkyGuard Blue Beacon Kit	
	1001201620	Ref	SkyGuard Add-on Kit	
		Ref	<b>Tools for Service</b>	
	1600244	1	Module Analyzer	
	7002828	1	Wire Stripper	

## SECTION 10 - SPECIAL OPTIONS

ITEM	PART NUMBER	QTY	DESCRIPTION	REV
	7002821	1	Wire Crimper (To install wire ends to wires)	
	7002823	1	Pin/Socket Extractor - Universal (To Remove Pins/Sockets from Connectors)	
	4460467	1	Extractor - 16-18 Gauge (For Removal of Pins/Sockets for Deutsch Connectors)	
	4460510	1	Extractor - 12-14 Gauge (For Removal of Pins/Sockets for Deutsch Connectors)	
	7016652	1	Huck Fastener Tool (Small Fasteners Only)	
	7002822	1	Screwdriver, Potentiometer (To Adjust Drive Controllers)	
	7016654	1	Screwdriver, Magnetic	
	7004275	1	Seal Installation Tool - 1in	
	7004276	1	Seal Installation Tool - 1 1/2in	
	7002826	1	Seal Installation Tool - 2in	
	1001137005	1	Software Cable Kit	
	2900838	1	U.S. Standards Fastener (Hardware) Kit	
	7014676	1	U.S. Standards Tool Kit	
	0257728	Ref	<b>Tube Rack Installation</b>	
	0259044	Ref	<b>Weld Leads to Platform Installation Options</b>	

Go to Discount-Equipment.com to order your parts



PART NUMBER INDEX

Go to Discount-Equipment.com to order your parts

# PART NUMBER INDEX

0060043.....73, 91	0259255.....101	0275712.....168	0641624.....49
0060044.....87, 91	0259314.....173	0275713.....168	0641628.....37
0060046.....87, 93	0259315.....173	0275714.....168	0641808.....73, 77, 79, 81
0060065.....87, 95	0259338.....106, 110	0275715.....168	0641810.....37, 57, 59, 73,
0100009.....114	0259358.....74, 88	0275716.....168	77, 81, 87
0100011.....11, 29, 31, 37,	0259372.....59	0275717.....168	0641812.....51, 73, 77, 79
57, 59, 69, 73, 74, 77,	0259373.....59	0275730.....59	0641816.....11
79, 81, 83, 84, 87, 88,	0259374.....59	0400055.....29	0641822.....97
97, 101, 102, 105, 123,	0259383.....145	0400107.....29	0641826.....13
127, 131, 135, 141	0259384.....145	0400190.....59, 67	0642024.....97
0100019.....13, 27, 49, 69	0259439.....73, 88	0400191.....59, 67	0681608.....97
0100035.....31, 64, 114	0259440.....77, 87	0440162.....11	0681814.....49
0100038.....123, 127, 131,	0259441.....79, 87	0440202.....49, 51	0681816.....49
135, 141	0259459.....11	0440338.....49, 51	0682010.....13
0100040.....105	0259480.....79	0460187.....145	0682012.....13
0100048.....29, 97, 166	0259505.....37	0460192.....145	0682020.....11, 69
0100051.....29, 166	0259507.....173	0460193.....145	0682036.....49
0100081.....84	0259508.....173	0460194.....145	0682040.....49
0140011.....113	0259509.....173	0460195.....145	0701010.....74, 88
0140019.....113	0259510.....173	0460196.....145	0721005.....37
0140028.....37	0259511.....173	0561350.....83	0721006.....101
0140031.....60	0259512.....173	0561364.....145	0721008.....60
0256789.....184	0259513.....173	0610128.....114	0731005.....63
0257728.....185	0259624.....101, 163	0610129.....63	0741408.....102
0258304.....168	0259879.....33, 158	0610131.....63	0801174.....73, 83
0258443.....184	0270339.....101	0610139.....63	0801177.....77, 83
0258703.....184	0270400.....77, 87	0610166.....63	0801178.....83
0258962.....73, 81	0270402.....79, 87	0630401.....84	0801179.....83
0258979.....73	0270704.....79	0630407.....97	0801181.....83
0258980.....77	0270723.....184	0630464.....31, 113	0801182.....83
0258982.....69	0271033.....173	0630534.....123, 141	0801203.....79, 83
0258983.....57	0271034.....173	0630535.....131	0801204.....83
0258984.....13, 27, 165	0271035.....173	0630568.....114	0801205.....83
0258985.....11	0271648.....79	0641403.....29, 31, 81	0801220.....83
0258986.....13	0271649.....79, 87	0641404.....27, 69, 74, 88	0801221.....83
0258987.....49	0272082.....105, 109	0641405.....97	0801222.....79, 83
0258989.....37	0272106.....105, 109	0641406.....33, 59, 60, 97,	0840031.....29, 166
0258990.....37	0272704.....97	105, 109, 175, 178	0840032.....29, 166
0258991.....31	0272971.....162	0641407.....73, 88, 97	0840055.....97, 98
0259005.....49	0272976.....73, 88	0641408.....57, 105, 109,	0860520.....174, 177
0259009.....173	0273089.....113	174, 177	0861176.....105, 113, 162
0259010.....173	0273105.....173	0641414.....37, 106, 110	0861215.....113
0259013.....173	0273106.....173, 177	0641416.....97, 101	0861253.....63
0259014.....173	0273108.....173, 177	0641418.....105	0861296.....59, 63, 165
0259015.....173	0273151.....64, 98, 169	0641424.....141	0861297.....59, 63, 165
0259016.....173	0273209.....173	0641426.....38	0861298.....59, 63, 165
0259017.....173	0273210.....173	0641504.....31, 83	0861311.....105
0259018.....173	0273211.....173	0641506.....27	0861314.....105, 113, 162
0259019.....173	0273587.....13	0641507.....37	0861529.....113, 162
0259020.....173	0274282.....13, 27, 165	0641510.....59, 101	0861532.....113, 162
0259021.....173	0274988.....173	0641512.....29, 83	0861537.....113, 114
0259022.....173	0275064.....177	0641516.....88, 97	0861731.....168
0259034.....101, 163	0275065.....177	0641520.....141	0861781.....168
0259041.....60	0275216.....169	0641605.....84	0861880.....169
0259042.....29, 166	0275217.....169	0641606.....29, 73, 77, 79,	0902520.....49
0259043.....60	0275218.....169	81, 83	0902575.....114
0259044.....185	0275219.....169	0641607.....77, 79, 83	0902588.....114
0259045.....184	0275452.....169	0641608.....11, 33, 37, 73,	0902894.....97
0259047.....59	0275453.....169	77, 81, 84, 88	0902919.....97
0259048.....59	0275454.....169	0641609.....13, 57, 73, 83	0902920.....97
0259102.....114	0275663.....169	0641610.....69, 73, 74, 77,	0903484.....168
0259126.....69	0275664.....169	79, 88, 105, 109, 113	0903612.....168
0259204.....77, 81	0275665.....169	0641614.....69	0920113.....13
0259243.....83	0275666.....169	0641616.....87, 101	0940036.....31
0259244.....83	0275667.....169	0641618.....33, 87	0940048.....81
0259250.....184	0275711.....168	0641622.....81	0940049.....69



## PART NUMBER INDEX

0961845 .....	105	1060732 .....	165	1683052.....	127, 135	1703814.....	177
0961893 .....	123	1060733 .....	165	1683056.....	131	1703913.....	173
0961896 .....	131	1060734 .....	165	1683584.....	141	1703914.....	173
0961900 .....	127, 135	1060735 .....	165	1683719.....	81, 133	1703915.....	173
0961947 .....	87, 91, 123, 125	1060736 .....	165	1683732.....	11, 139	1703916.....	174
0961948 .....	81, 83, 131	1060737 .....	165	1683750.....	73, 131	1703917.....	173
0961951 .....	11, 87, 123, 125, 127, 129, 133, 135, 137	1060738 .....	165	1683752.....	131	1703918.....	173
0962140 .....	11	1060739 .....	165	1683754.....	131	1703919.....	173
0962185 .....	127, 135, 141	1060740 .....	165	1683756.....	135	1703920.....	174
0962233 .....	29	1060741 .....	166	1683757.....	73, 135	1703992.....	173
0962257 .....	91	1060742 .....	166	1683759.....	127	1704174.....	184
0962259 .....	81	1060743 .....	166	1683760.....	73, 77, 79, 127	1704175.....	184
0962292 .....	87	1060752 .....	164, 166	1683761.....	127	1704192.....	113
0962450 .....	97	1060753 .....	59, 167	1683762.....	77, 79, 131	1704196.....	63
1001097150 .....	169	1060756 .....	166	1683764.....	131	1704197.....	63
1001097487 .....	81	1060757 .....	164	1683766.....	131	1704198.....	174
1001097505 .....	38	1060759 .....	59, 167	1683770.....	135	1704199.....	174, 177
1001097506 .....	37, 45	1060801 .....	33	1683772.....	135	1704200.....	174, 177
1001097775 .....	37	1060802 .....	33	1683773.....	77, 79, 135	1704239.....	113
1001097776 .....	37, 41	1060805 .....	166	1683779.....	87, 123	1704240.....	113
1001099635 .....	184	1060861 .....	166	1683780.....	123	1704246.....	31
1001103639 .....	81	1060863 .....	166	1683783.....	123	1704248.....	175
1001103695 .....	123	1060878 .....	101	1683784.....	83, 141	1704260.....	114
1001103696 .....	123	1060879 .....	101, 163	1683785.....	141	1704262.....	175, 177
1001104629 .....	51	1060880 .....	167	1683786.....	141	1704266.....	63
1001104851 .....	49, 55	1060881 .....	167	1683789.....	141	1704267.....	174, 177
1001104864 .....	175, 178	10837580 .....	42	1683791.....	141	1704276.....	175, 177
1001109260 .....	41	1120110 .....	141	1683793.....	83, 141	1704277.....	174, 177
1001109475 .....	169	1180352 .....	84	1683863.....	141	1704323.....	175
1001109482 .....	169	1180353 .....	84	1683864.....	83, 141	1704324.....	175
1001109497 .....	182	1271433 .....	81	1683923.....	77, 135	1704325.....	175
1001109498 .....	182	1271463 .....	33	1683924.....	73, 127	1704326.....	175
1001113483 .....	97	1271538 .....	97	1683925.....	127, 135	1704327.....	175
1001118418 .....	119, 180	1320030 .....	149, 153	1684065.....	135	1704334.....	175
1001118419 .....	117, 180	1320041 .....	101	1693292.....	174	1704335.....	175
1001137005 .....	170, 185	1320043 .....	101	1693294.....	175	1704336.....	175
1001137672 .....	184	1320130 .....	101	1700584.....	174, 177	1704337.....	175
1001140278 .....	137	1320136 .....	97	1701500.....	174	1704338.....	175
1001140279 .....	129	1320172 .....	166	1701502.....	174, 177	1704412.....	175, 178
1001140280 .....	125	1320224 .....	97	1701503.....	174, 177	1704422.....	113
1001141967 .....	168	1320259 .....	87	1701504.....	174, 177	1704885.....	175, 178
1001141968 .....	168	1320260 .....	84	1701509.....	174, 177	1705085.....	175, 177
1001141969 .....	168	1320261 .....	101	1701518.....	174, 177	1705246.....	175
1001141969 .....	168	1320262 .....	101	1701529.....	174	1705254.....	173
1001142504 .....	184	1380136 .....	37	1701600.....	175	1705255.....	174
1001142505 .....	184	1580012 .....	106, 110	1701642.....	177	1705256.....	175
1001143256 .....	184	1580013 .....	106, 110	1701644.....	174, 177	1705259.....	175
1001143669 .....	184	1600244 .....	170, 184	1701791.....	175	1705275.....	175
1001144026 .....	109	1600273 .....	113, 119	1702155.....	175, 177	1705325.....	168
1001144027 .....	109	1600274 .....	113, 117	1702300.....	174	1705670.....	175, 177
1001144629 .....	109	1600292 .....	63	1702565.....	113	1705737.....	63
1001148902 .....	184	1600293 .....	27	1702566.....	113	1705738.....	63
1001148903 .....	184	1600294 .....	27, 165	1702567.....	113	1705828.....	175, 177
1001148904 .....	184	1600350 .....	97	1702773.....	174, 177	1705921.....	173, 177
1001148905 .....	184	1600387 .....	97, 182	1702774.....	174, 177	1705922.....	174, 177
1001148906 .....	184	1670829 .....	113	1702788.....	184	1705978.....	177
1001148971 .....	184	1670878 .....	29	1702860.....	174, 177	1706378.....	175, 177
1001198652 .....	184	1670890 .....	29	1702901.....	175	1706392.....	175, 178
1001201620 .....	184	1670897 .....	31	1702928.....	174	1706934.....	63
1001205175 .....	184	1670899 .....	101	1703479.....	184	1706942.....	177
1001222307 .....	184	1670901 .....	83	1703518.....	174	1707012.....	63
1060092 .....	166	1670902 .....	31	1703799.....	173	1810130.....	59, 63, 165
1060279 .....	174, 177	1670905 .....	74, 88	1703800.....	174	1810132.....	59, 63, 165
1060330 .....	109, 162	1670953 .....	33	1703806.....	173	1870090.....	158
1060341 .....	167	1670976 .....	79	1703807.....	173, 174	1870225.....	158
1060494 .....	33	1671037 .....	114, 162	1703811.....	177	2080040.....	105, 109
1060677 .....	163	1683051 .....	123	1703813.....	175	2080057.....	174

# PART NUMBER INDEX

2160001.....51	2753136 ..... 149, 153	3020036 ..... 49	3422799..... 73, 77, 79
2160002.....49	2753137 ..... 149, 153	3020037 ..... 13	3422814..... 79
2160003.....49	2753255 ..... 150, 153	3160182 ..... 49, 53	3450812..... 11
2180344.....49	2753258 ..... 149	3160237 ..... 13, 25	3470003.....114
2210008..... 149, 153	2753259 ..... 150, 153	3251242 ..... 174	3480227.....141
2220001.....49	2753273 ..... 150	3252347 ... 105, 109, 174	3480247..... 127, 135
2220124.....49	2753274 ..... 150, 154	3252507 ..... 168	3480248.....131
2220237..... 149, 153	2753275 ..... 149, 153	3271601 ..... 69, 101	3480249.....123
2220371..... 149, 153	2753276 ..... 150	3272001 ..... 11	3480254.....141
2220374..... 149, 153	2753277 ..... 150	3300106 ..... 13	3480259..... 127, 135
2220414..... 149, 153	2753278 ..... 150	3300151 ..... 105	3510696.....105
2220415..... 149, 153	2753279 ..... 150, 154	3300353 ..... 33	3510714.....105
2220428..... 149, 153	2753280 ..... 150, 153	3300371 ..... 31	3510830.....109
2220429..... 149, 153	2753281 ..... 150, 153	3300396 ..... 63	3510831.....109
2220466..... 149, 153	2753300 ..... 150	3310601 ..... 27, 63, 114	3520028..... 59, 64, 113
2220472..... 149, 153	2753306 ..... 154	3311001 ..... 109	3520030.....114
2220473..... 149, 153	2753307 ..... 154	3311005 ... 31, 37, 59, 60,	3520054.....113
2220501..... 149, 153	2753308 ..... 154	101, 105, 114	3520072..... 105, 109
2220502..... 149, 150, 153	2753309 ..... 153	3311401 ..... 29, 31, 57	3520198.....109
2220504..... 149, 153	2753310 ..... 154	3311405 ... 33, 60, 74, 88,	3536089..... 106, 110
2220582..... 149, 153	2753311 ..... 154	97, 101, 105, 106, 109,	3539685..... 105
2220593..... 149, 153	2760105 ..... 113	110, 141, 174, 177	3570958..... 84
2220596..... 149, 153	2780234 ..... 11	3311501 ... 59, 63, 69, 84,	3571222.....114
2220600..... 149, 153	2780236 ..... 13, 17	87	3571406..... 87
2220873..... 149, 153	2780282 ..... 13, 21	3311502 ..... 84	3571472..... 84
2220883.....141	2792379 ..... 149, 156	3311505 ..... 37, 84	3571492..... 59
2220885.....123	2792380 ..... 156	3311508 ..... 97	3571584..... 59
2220909..... 150, 154	2792390 ..... 149, 156	3311601 ..... 57, 114	3571626..... 11
2221033..... 149, 153	2792391 ..... 156	3311605 ... 33, 49, 73, 74,	3571627..... 11
2221034..... 149, 153	2792392 ..... 153, 156	77, 79, 81, 83, 84, 87,	3572551..... 87
2221035..... 149, 153	2792393 ..... 156	88, 105, 109, 114	3600289..... 57
2221039..... 154	2792521 ..... 156	3311805 ... 73, 77, 79, 81,	3760115..... 83
2300014..... 184	2792522 ..... 156	97	3760308..... 113, 114
2300016..... 184	2792523 ..... 156	3312005 ..... 11, 29, 97	3760367.....123
2300019..... 184	2792524 ..... 149, 156	3313003 ..... 11	3760368..... 127, 135
2300027..... 184	2792525 ..... 149, 156	3340756 ..... 83	3760369.....131
2300028..... 184	2792526 ..... 153, 156	3340837 ..... 83	3790012..... 64, 114
2300029..... 184	2820035 ..... 33, 60	3340847 ..... 141	3820001..... 174, 177
2420106..... 63	2860030 ..... 180	3340852 ..... 29	3820020.....109
2420202..... 97	2900756 ..... 42	3340853 ..... 83	3841143.... 11, 73, 77, 79,
2460023..... 33	2900768 ..... 13	3340854 ..... 73, 77, 79	81
2540020..... 29	2900770 .91, 93, 133, 141	3340859 ..... 84	3841203.... 73, 77, 79, 81
2560115..... 113	2900792 ... 123, 125, 127,	3340860 ..... 87	3900109..... 11
2560122..... 38	129	3340862 ..... 83	3900118..... 11
2560123..... 38	2900838 ..... 185	3340863 ..... 83	3900142.....141
2600103..... 33	2901544 ..... 142	3340864 ..... 141	3900266..... 29
2600219..... 105	2901773 ..... 131	3340865 ..... 102	3900283..... 97
2600258..... 69	2901776 ..... 127, 135	3340881 ..... 83	3910612.....114
2600281..... 109	2901818 ..... 165	3340940 ..... 84	3910636..... 27
2680456..... 69	2901860 ..... 142	3380434 ..... 105, 109	3910804..... 64
2680457..... 69	2901898 ..... 127, 135	3422327 ..... 11	3911008..... 105, 109
2720452..... 150, 154	2902209 ..... 123	3422424 ..... 81	3911016..... 59
2750529..... 49	2902549 ..... 169	3422582 ..... 73	3931016..... 127, 135
2752433..... 150, 153	2910866 ..... 184	3422669 ..... 73, 77, 79	3931024..... 101
2752434..... 150	2920095 ... 106, 110, 169	3422745 ..... 83	3931028..... 101
2752435..... 149, 153	2920129 ..... 163	3422774 ..... 11	3931414..... 51
2752461..... 149, 153	2920146 ..... 60	3422785 ..... 81	3931430..... 29
2752472..... 149, 153	2920151 ..... 64, 98	3422786 ..... 81	3931516.... 123, 127, 135
2752504..... 149, 153	2940048 ..... 33	3422787 ..... 73, 77, 79	3931620.....131
2752575..... 150, 153	2940073 ..... 29	3422788 ..... 81	3931816..... 87
2752591..... 149, 153	2940074 ... 105, 109, 180	3422789 ..... 81	3931832..... 49
2752999..... 149, 153	2940114 ..... 29	3422790 ..... 73, 77, 79	3960418..... 69
2753011..... 149, 153	2940117 ..... 69	3422791 ..... 87	3960433..... 31
2753012..... 149, 153	2940118 ..... 31	3422792 ..... 73, 77, 79	3960447..... 31
2753013..... 149, 153	3000003 ..... 29	3422793 ..... 73, 77	3960514..... 69
2753051..... 149, 153	3020008 ..... 13	3422794 ..... 87	3990105..... 13, 165
2753131..... 149, 153	3020029 ..... 49	3422796 ..... 73, 77, 79	3990106..... 64, 164

## PART NUMBER INDEX

3990108 ..... 74, 88	4460313 ..... 97, 98	4520208..... 13, 14	4845927 ..... 87
4060803 33, 84, 101, 105	4460320 .... 98, 163, 164, 169	4520675..... 13, 14	4845940 ..... 81
4060804 ..... 84	4460321 ... 162, 163, 164, 167	4565256..... 38	4845941 ..... 81
4060805 ..... 84	4460326 .... 163, 164, 165	4567739..... 29	4845942 ..... 81
4060807 ..... 27, 101	4460343 ..... 162, 164	4567810..... 131	4845943 ..... 81
4060865 ..... 60	4460367 ..... 163	4567839..... 141	4845944 ..... 81
4060906 ..... 63	4460418 ..... 162, 167	4567922..... 38	4845962 ..... 31
4060959 ..... 184	4460419 ..... 162, 168	4567963..... 141	4845963 ..... 81
4061054 ..... 97	4460424 . 60, 64, 98, 167, 169	4568165..... 33	4845964 ..... 59
4070897 ..... 83	4460426 ..... 33, 164	4640509..... 123	4845968 ..... 81
4070898 ..... 83	4460428 ..... 59, 102, 113, 162, 163, 167, 169	4640771..... 141	4845972 ..... 81
4070904 ..... 29	4460434 .... 162, 164, 165	4640902..... 123	4845998 ..... 69
4070982 ..... 83	4460444 ..... 164	4640932..... 127, 129	4846007 ..... 84
4070987 ..... 64	4460445 ..... 164	4640999..... 131	4846016 ..... 38
4070991 ..... 64	4460458 ..... 164	4641086..... 127, 129	4846019 ..... 69
4100058 ..... 101	4460464 .... 162, 163, 164	4641101..... 141	4846022 ..... 57
4100063 ..... 101	4460465 ..... 97, 98, 163	4641102..... 37	4846031 ..... 73, 77, 79
4100066 ..... 101	4460466 ..... 97, 98	4641103..... 141	4846050 ..... 74, 88
4100067 ..... 101	4460467 .... 114, 170, 185	4641110..... 37, 41	4846073 ..... 87
4100068 ..... 101	4460488 ..... 114	4641113..... 37, 45	4846083 ..... 81
4120035 ..... 162	4460492 ..... 163	4641119..... 38	4846093 ..... 11
4220165 ..... 105	4460496 .... 63, 114, 162, 165	4641149..... 37, 45	4846094 ..... 11
4240032 ..... 59, 114	4460497 .... 63, 114, 162, 165	4641196..... 37, 41	4846272 ..... 81
4240033 ..... 97	4460510 ..... 170, 185	464509..... 125	4846278 ..... 87
4240084 ..... 27	4460526 33, 63, 164, 165	4711400.... 31, 37, 57, 60, 74, 81, 88, 97, 101, 106, 110	4846452 ..... 109
4240099 ..... 106, 110	4460633 ..... 169	4711500.... 27, 38, 59, 64, 83, 84, 114, 141	4846502 ..... 87
4300132 ..... 114	4460634 ..... 162	4711600.... 13, 29, 38, 57, 73, 74, 77, 79, 81, 83, 84, 87, 88, 97, 101	4846608 ..... 74, 88, 97
4360030 ..... 162	4460635 ..... 162	4711800.... 11, 38, 57, 59, 87	4891400 ..... 51
4360031 ..... 105, 109	4460709 ..... 169	4712000..... 11	4891600 ..... 38, 57, 97
4360070 ..... 63, 180	4460710 ..... 169	4712600..... 11	4891800 .... 38, 57, 69, 97
4360321 ..... 101	4460742 ..... 164	4713000..... 11	4892000 ..... 13, 49, 97
4360328 ..... 63, 113, 114, 180	4460743 ..... 164	4740086..... 29	4922060 ..... 162
4360330 ..... 64, 114, 180	4460744 ..... 164	4740120..... 114	4922071 ..... 162
4360387 ..... 113, 180	4460745 ..... 164	4740156..... 11	4922074 ..... 162
4360448 .... 114, 162, 180	4460746 ..... 164	4740171..... 49	4922118 ..... 163
4360462 ..... 113, 180	4460748 ..... 164	4740362. 74, 88, 105, 109	4922157 ..... 163
4360470 ..... 63, 180	4460749 ..... 164	4740393.... 38, 57, 59, 69	4922160 ..... 163
4360475 ..... 63, 113, 180	4460750 ..... 164	4740411..... 105	4922237 ..... 164
4360476 ..... 63, 113, 180	4460752 .... 64, 114, 162, 163, 165	4740420..... 64	4922238 ..... 164
4360548 ..... 182	4460754 ..... 163	4750600..... 114	4922239 ..... 164
4360968 ..... 102	4460761 ..... 98, 163	4751000.. 38, 59, 60, 101, 102, 105, 109	4922270 ..... 101, 163
4400419 ..... 57	4460802 ..... 59, 167	4751400.... 27, 29, 31, 33, 57, 59, 69, 97, 105, 109, 141, 174, 177	4922273 ..... 101, 163
4420055 ..... 29, 105	4460805 ..... 59, 167	4751500.... 29, 31, 88, 97	4922291 ..... 163
4460007 ..... 63	4460836 ..... 98	4751600 49, 69, 105, 110, 113	4922294 ..... 114, 167
4460025 ..... 164, 166	4460933 ..... 97	4760600..... 27, 64	4922303 ..... 162
4460035 ..... 33	4460956 ..... 169	4761000..... 109	4922307 ..... 114, 163
4460042 ..... 98	4460957 ..... 169	4761400..... 51, 69	4922534 ..... 114, 163
4460071 .... 105, 109, 162	4460968 ..... 169	4761700..... 74, 88	4922598 ..... 167
4460134 ..... 33	4461196 ..... 168, 170	4812000..... 74, 88	4922603 ..... 163
4460138 ..... 33	4461198 ..... 168	4845288..... 105	4922916 ..... 97
4460224 ..... 164	4461199 ..... 168, 170	4845426..... 105	4922917 ..... 98
4460225 ... 162, 164, 165, 167	4461201 ..... 168	4845897..... 11	4922926 ..... 64, 98, 169
4460226 . 60, 64, 98, 117, 119, 162, 163, 164, 165, 167, 169	4461202 ..... 168, 169	4845921..... 81	4923614 ..... 164
4460227 .... 98, 162, 163, 164, 165, 167, 169	4461204 ..... 168	4845923..... 29	4933060 ..... 158, 162
4460234 ..... 59	4461205 ..... 168, 169	4845924..... 29	4933075 ..... 158
4460259 ..... 33, 163	4461207 ..... 168	4845925..... 87	4933080 .... 158, 163, 165
4460260 ..... 33, 163	4461244 ..... 168	4845926..... 87	4933099 ..... 158
4460264 ..... 63	4461245 ..... 168		4933100 ..... 158
4460265 ..... 98, 117, 119, 162, 164, 167, 169	4461246 ..... 168		4933105 ..... 158, 162
4460267 ..... 163	4461249 ..... 168, 170		4933289 ..... 98, 158
4460268 ..... 163, 165			4933386 .... 158, 163, 165

## PART NUMBER INDEX

70000866.....	51	70003863.....	125	7011381.....	133	7017255.....	139
70001052.....	27, 166	70003864.....	125	7011529.....	67	7017256.....	139
70001366.....	21	70004019.....	42	7011590.....	67, 167	7017402.....	37, 38, 41, 45
70001367.....	21	70004323.....	91	7011593.....	67	7017410.....	41
70001368.....	22	7000625.....	105, 109	7011594.....	67	7017412.....	45
70001369.....	21	7002821.....	170, 185	7011621.....	67, 166	7017418.....	42
70001370.....	21	7002822.....	185	7011716.....	13	7017421.....	42
70001371.....	21	7002823.....	170, 185	7011757.....	13	7017422.....	42
70001372.....	21	7002826.....	185	7012518.....	41, 42, 45	7017423.....	41, 42
70001373.....	21	7002828.....	170, 184	7012545.....	25	7017428.....	45
70001374.....	21	7003223.....	133	7012548.....	25	7017433.....	41, 45
70001375.....	21	7003225.....	133	7012549.....	25	7017450.....	45
70001376.....	21	7003928.....	117	7012584.....	51	7017452.....	37, 38, 41
70001377.....	21	7003933.....	119	7012585.....	51	7017455.....	45
70001378.....	21	7003935.....	119	7012654.....	51	7017460.....	37, 38, 42
70001379.....	21	7003940.....	119	7012655.....	51	7017461.....	37, 38, 42
70001380.....	22	7003941.....	119	7012903.....	41	7017463.....	45
70001697.....	91	7003946.....	119	7012912.....	45	7017479.....	41
70001875.....	42	7003952.....	117	7012914.....	42	7017488.....	45
70001996.....	84	7003953.....	117	7012918.....	42	7018535.....	67, 182
70001998.....	84	7003956.....	117	7012941.....	45	7018537.....	67
70002208.....	55	7003972.....	119	7012947.....	42	7018564.....	67, 182
70002216.....	129, 137	7003973.....	120	7012949.....	42	7018570.....	67, 180
70002217.....	129, 137	7003974.....	117, 119	7012953.....	41, 46	7018571.....	67, 180
70002220.....	125	7003976.....	117	7012961.....	42	7019103.....	119
70002223.....	125	7003977.....	117	7012967.....	41, 45	7019110.....	119
70002243.....	55	7003980.....	120	7012972.....	45	7019111.....	117, 119
70002408.....	13	7003982.....	120	7012995.....	41	7019112.....	119
70002724.....	119	7003983.....	120	7012998.....	42, 45, 46	7019115.....	119
70002725.....	119	7003986.....	119	7014676.....	185	7019137.....	117
70002726.....	119	7003989.....	120	7016319.....	60	7019141.....	117
70002728.....	119	7003992.....	117, 119	7016356.....	106, 110	7019142.....	117
70002730.....	117	7003993.....	117, 119	7016372.....	60	7019143.....	117
70002731.....	117	7003994.....	119	7016417.....	53	7019144.....	117
70002732.....	117	7004035.....	55	7016652.....	185	7019145.....	117
70002733.....	117	7004043.....	55	7016654.....	185	7019147.....	117
70002734.....	117	7004044.....	55	7016676.....	51	7019149.....	117
70002735.....	117	7004275.....	185	7016682.....	51	7019150.....	117
70002736.....	119	7004276.....	185	7017007.....	22	7019151.....	119
70002737.....	120	7005358.....	133	7017009.....	21	7019154.....	119
70002807.....	37, 38	7005365.....	133	7017022.....	21	7019157.....	119
70002808.....	38	7005804.....	53	7017120.....	91	7019158.....	119
7000281.....	21	7005809.....	53	7017121.....	91	7019159.....	119
70002906.....	117	7005811.....	53	7017122.....	91	7019160.....	119
70003711.....	17	7005812.....	53	7017123.....	91	7019161.....	119
70003712.....	17	7005821.....	53	7017125.....	91, 93	7019162.....	119
70003713.....	17	7005874.....	53	7017126.....	91	7019164.....	120
70003714.....	17	7005876.....	53	7017127.....	91	7019165.....	120
70003715.....	17	7005877.....	53	7017130.....	93	7019167.....	120
70003716.....	17	7005878.....	53	7017131.....	93	7019168.....	119
70003717.....	17	7005879.....	53	7017132.....	93	7019170.....	117
70003718.....	17	7005880.....	53	7017133.....	93	7019174.....	117
70003719.....	17	7005881.....	53	7017134.....	93	7019191.....	119
70003720.....	17	7006139.....	84	7017135.....	93	7019194.....	120
70003721.....	17	7006151.....	84	7017165.....	95	7019195.....	117
70003722.....	17	7006152.....	84	7017167.....	95	7019196.....	120
70003723.....	17	7007640.....	21	7017168.....	95	7019197.....	117
70003724.....	17	7007900.....	13	7017172.....	91, 93, 95	7019609.....	25
70003725.....	18	7007912.....	13	7017178.....	95	7019859.....	133
70003819.....	129, 137	7007913.....	13	7017179.....	95	7019860.....	133
70003833.....	125	7007933.....	13	7017192.....	91, 93, 95	7019861.....	133
70003836.....	125	7007977.....	13	7017196.....	91	7019862.....	133
70003843.....	137	7010542.....	45	7017210.....	139	7019863.....	133
70003844.....	137	7010543.....	42, 45	7017213.....	139	7019864.....	133
70003845.....	129, 137	7011112.....	127, 129	7017214.....	139	7020033.....	11
70003846.....	129	7011185.....	131	7017253.....	139	7020035.....	11
70003847.....	129	7011323.....	91, 93	7017254.....	139	7020036.....	11

## PART NUMBER INDEX

7020037 ..... 11	7020691 ..... 67	7021616.....46, 180	7024390 ..... 55
7020038 ..... 11	7021318 ..... 57	7021618..... 41, 45, 180	7024453 ..... 55
7020039 ..... 11	7021319 ..... 57	7021619.....46	7024738 ..... 21
7020040 ..... 11	7021320 ..... 57, 180	7021624.....42	7024741 ..... 21
7020041 ..... 11	7021323 ..... 17	7021653.....37, 38	7024832 ..... 46
7020042 ..... 11	7021324 ..... 17	7021659.....45	7024844 ..... 125, 129
7020054 ..... 11	7021325 ..... 17	7022000.....27	7024845 ..... 42
7020055 ..... 11	7021326 ..... 17	7022001.....27	7024931 ..... 17
7020099 ..... 113, 114	7021327 ..... 17	7022002.....27	7024981 ..... 18
7020100 ..... 113, 114	7021328 ..... 17	7022003.....27, 165	7024983 ..... 17
7020140 ..... 11	7021329 ..... 18	7022004.....27, 165	7024985 ..... 17
7020148 ..... 11	7021333 ..... 18	7022005.....27, 165	7024986 ..... 18
7020149 ..... 13, 25	7021335 ..... 17	7022011 ..... 27, 180	7026042 ..... 51
7020150 ..... 25	7021336 ..... 17	7022012 ..... 27, 166	7026043 ..... 51
7020151 ..... 25	7021337 ..... 17	7022391 ..... 45	7026068 ..... 125
7020174 ..... 63	7021338 ..... 18	7022394 ..... 41	7026082 ..... 129, 137
7020175 ..... 63, 113	7021339 ..... 17	7022526.....57	7026084 ..... 129, 137
7020176 ..... 63, 113	7021340 ..... 17	7022808.....117	7026088 ..... 125
7020184 ..... 25	7021341 ..... 17	7022812.....119	7026090 ..... 125
7020185 ..... 25	7021342 ..... 17	7022813.....117	7026091 ..... 125
7020189 ..... 25	7021344 ..... 17	7022815.....117	7026092 ..... 125
7020640 ..... 67	7021360 ..... 57	7022910..... 67, 166	7027350 ..... 51
7020644 ..... 67, 166	7021361 ..... 57	7022924.....67	7027351 ..... 51
7020645 ..... 67, 166	7021367 ..... 57	7023484.....51	7027352 ..... 51
7020646 ..... 67, 166	7021368 ..... 57	7023803.....17	7027353 ..... 51
7020648 ..... 67, 167	7021377 ..... 57	7024047 ..... 18	7027354 ..... 51
7020649 ..... 67	7021603 ..... 41	7024049 ..... 17	7027356 ..... 51
7020650 ..... 67	7021604 ..... 41	7024051 ..... 17	7027358 ..... 51
7020651 ..... 67	7021606 ..... 41, 42	7024053 ..... 17	7027360 ..... 51
7020653 ..... 67, 182	7021607 ..... 42	7024054 ..... 18	7027361 ..... 51
7020654 ..... 67, 182	7021609 ... 37, 38, 41, 45, 180	7024379 ..... 55	7027730 ..... 51
7020662 ..... 67	7021610 ..... 41, 45, 180	7024380 ..... 55	7027900 ..... 91
7020683 ..... 67	7021611 ..... 41, 45	7024381 ..... 55	7027901 ..... 91
7020690 ..... 67		7024389 ..... 55	83304150 ..... 55

# PARTS FINDER

**Search Website  
by Part Number**



**Search Manual  
Library For Parts  
Manual & Lookup Part  
Numbers – Purchase  
or Request Quote**

**Can't Find Part or  
Manual? Request Help  
by Manufacturer,  
Model & Description**

Discount-Equipment.com is your online resource for quality parts & equipment.

Florida: **561-964-4949** Outside Florida TOLL FREE: **877-690-3101**

**Need parts?**

Click on this link: <http://www.discount-equipment.com/category/5443-parts/> and choose one of the options to help get the right parts and equipment you are looking for. Please have the machine model and serial number available in order to help us get you the correct parts. If you don't find the part on the website or on one of the online manuals, please fill out the request form and one of our experienced staff members will get back to you with a quote for the right part that your machine needs.

We sell worldwide for the brands: Genie, Terex, JLG, MultiQuip, Mikasa, Essick, Whiteman, Mayco, Toro Stone, Diamond Products, Generac Magnum, Airman, Haulotte, Barreto, Power Blanket, Nifty Lift, Atlas Copco, Chicago Pneumatic, Allmand, Miller Curber, Skyjack, Lull, Skytrak, Tsurumi, Husquvarna Target, Stow, Wacker, Sakai, Mi-T-M, Sullair, Basic, Dynapac, MBW, Weber, Bartell, Bennar Newman, Haulotte, Ditch Runner, Menegotti, Morrison, Contec, Buddy, Crown, Edco, Wyco, Bomag, Laymor, EZ Trench, Bil-Jax, F.S. Curtis, Gehl Pavers, Heli, Honda, ICS/PowerGrit, IHI, Partner, Imer, Clipper, MMD, Koshin, Rice, CH&E, General Equipment, Amida, Coleman, NAC, Gradall, Square Shooter, Kent, Stanley, Tamco, Toku, Hatz, Kohler, Robin, Wisconsin, Northrock, Oztec, Toker TK, Rol-Air, APT, Wylie, Ingersoll Rand / Doosan, Innovatech, Con X, Ammann, Mecalac, Makinex, Smith Surface Prep, Small Line, Wanco, Yanmar