



Illustrated Parts Manual

Models
E300A
E300AJ
E300AJP

PRIOR TO
SN 0300138358

P/N
3120773

March 31, 2017

ANSI



An Oshkosh Corporation Company

PARTS FINDER

**Search Website
by Part Number**



**Search Manual
Library For Parts
Manual & Lookup Part
Numbers – Purchase
or Request Quote**

**Can't Find Part or
Manual? Request Help
by Manufacturer,
Model & Description**

Discount-Equipment.com is your online resource for quality parts & equipment.

Florida: **561-964-4949** Outside Florida TOLL FREE: **877-690-3101**

Need parts?

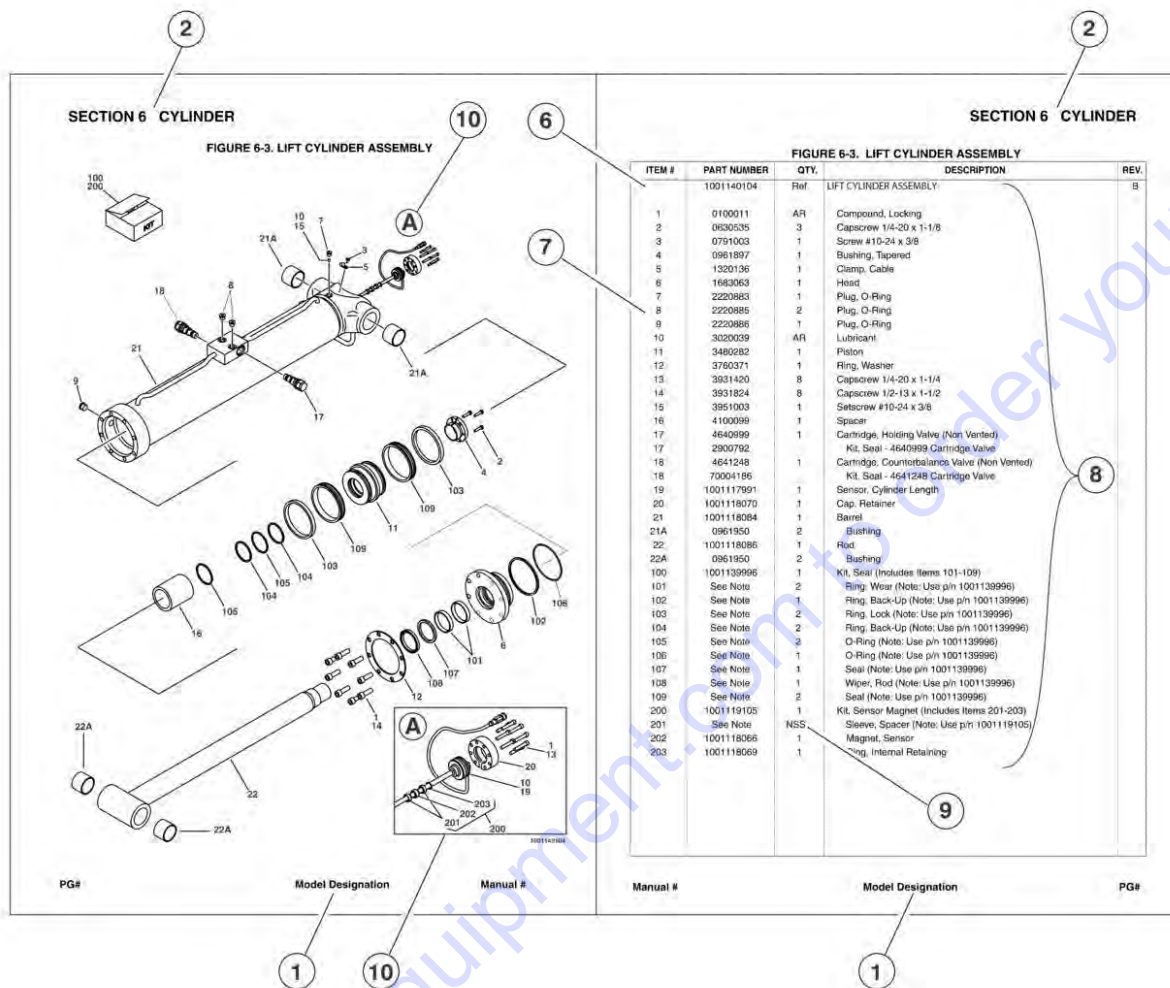
Click on this link: <http://www.discount-equipment.com/category/5443-parts/> and choose one of the options to help get the right parts and equipment you are looking for. Please have the machine model and serial number available in order to help us get you the correct parts. If you don't find the part on the website or on one of the online manuals, please fill out the request form and one of our experienced staff members will get back to you with a quote for the right part that your machine needs.

We sell worldwide for the brands: Genie, Terex, JLG, MultiQuip, Mikasa, Essick, Whiteman, Mayco, Toro Stone, Diamond Products, Generac Magnum, Airman, Haulotte, Barreto, Power Blanket, Nifty Lift, Atlas Copco, Chicago Pneumatic, Allmand, Miller Curber, Skyjack, Lull, Skytrak, Tsurumi, Husquvarna Target, Stow, Wacker, Sakai, Mi-T-M, Sullair, Basic, Dynapac, MBW, Weber, Bartell, Bennar Newman, Haulotte, Ditch Runner, Menegotti, Morrison, Contec, Buddy, Crown, Edco, Wyco, Bomag, Laymor, EZ Trench, Bil-Jax, F.S. Curtis, Gehl Pavers, Heli, Honda, ICS/PowerGrit, IHI, Partner, Imer, Clipper, MMD, Koshin, Rice, CH&E, General Equipment, Amida, Coleman, NAC, Gradall, Square Shooter, Kent, Stanley, Tamco, Toku, Hatz, Kohler, Robin, Wisconsin, Northrock, Oztec, Toker TK, Rol-Air, APT, Wylie, Ingersoll Rand / Doosan, Innovatech, Con X, Ammann, Mecalac, Makinex, Smith Surface Prep, Small Line, Wanco, Yanmar

REVISION LOG

May 10, 1999 - Original Issue Of Manual (Edited to 0010559 Revision 3)
June 1, 1999 - Revised Manual (Edited to 0010559 Revision 5)
August 1, 1999 - Removed Platform Rotator Cylinder Components from Manual. All Production Machines use Hydraulic Platform Rotator. Added E300AJP Components. (Edited to 0010559 Revision 6)
September 15, 1999 - Revised Manual (Edited to 0010559 Revision 7)
November 1, 1999 - Updated Page 2-23
March 15, 2000 - Revised Manual (Edited to 0010559 Revision 9)
March 1, 2001 - Revised Manual (Edited to 0010599 Revision 20)
August 31, 2001 - Revised Manual (Edited to 0010559 Revision 22)
June 30, 2002 - Revised Manual (Edited to 0010559 Revision 26)
June 15, 2003 - Revised Manual (Edited to 0010559 Revision 37)
September 23, 2003 - Revised Manual (Edited to 0010559 Revision 39)
September 23, 2004 - Revised Manual (Edited to 0010559 Revision 41)
June 8, 2006 - Revised Manual (Edited to 0010559 Revision 44)
August 31, 2006 - Revised Manual (Edited to 0010559 Revision 46)
January 24, 2007 - Revised Manual (Edited to 0010559 Revision 48)
August 14, 2007 - Revised Manual (Edited to 0010559 Revision 54)
February 10, 2008 - Revised Manual (Edited to 0010559 Revision 55)
August 31, 2008 - Revised Manual (Edited to 0010559 Revision 56)
March 31, 2009 - Revised Manual (Edited to 0010559 Revision 56)
October 15, 2009 - Revised Manual (Edited to 0010559 Revision 57)
October 25, 2010 - Revised Manual
March 16, 2011 - Revised Manual
June 10, 2011 - Revised Manual
November 29, 2011 - Revised Manual
March 20, 2012 - Revised Manual
July 10, 2012 - Revised Manual
October 10, 2012 - Revised Manual
February 12, 2013 - Revised Manual
May 2, 2013 - Revised Manual
August 6, 2013 - Revised Manual
November 4, 2013 - Revised Manual
July 31, 2015 - Revised Manual
September 15, 2015 - Revised Manual
March 25, 2016 - Revised Manual (Revision 1)
March 31, 2017 - Revised Manual

GENERAL INFORMATION



1) MACHINE IDENTIFICATION

Machines are identified by model and in some cases a combination of models, serial number (SN) or regional standard (i.e. ANSI, CE, CSA). Components may also be identified by SN or manufacturer. Common components that may be identified by these characteristics are engines and hydraulic components.

2) PARTS MANUAL ORGANIZATION

Product information in this manual is organized under section titles. Frame, Cylinder, Hydraulic and Electrical are a few examples. Each section is organized by figure and page number. The information within the Figure is then organized by item number, part number, description and corresponding illustration(s).

3) TABLE OF CONTENTS

A table of contents is found toward the beginning of the manual. Figure number, description and page number are provided for quick reference to the page containing the related information.

4) RECOMMENDED SPARE PARTS

The Recommended Spare Parts, located near the end of the manual, reference most frequently used maintenance parts.

5) PART NUMBER INDEX

A numerical index listing all part numbers and the corresponding page number(s) appears at the back of the manual.

GENERAL INFORMATION

6) NON-SERVICED PARTS

In some instances, it is necessary to display non-serviced parts, assemblies or installations. In the case of assemblies and installations there will be a Ref in the Qty column. In case of parts that are not available for service within assemblies or components, there will be a NSS (Not Sold Separately) or NLA (No Longer Available) listed in the Qty. column of the manual.

7) PARTS LIST ITEM NUMBERS

Numbers shown in the item# column correspond to numbers used in the associated illustration (s). Item numbers which are missing from the sequence in the parts list are not used on that page

8) INDENTED PARTS DESCRIPTION

An indented part description is included in the item under which it is indented.

9) ABB REVIATION AND SYMBOLS

AC.....	Alternating Current	LCD.....	Liquid Crystal Display
ADE.....	Advanced Design Electronics	LED.....	Light Emitting Diodes
ANSI.....	American National Standards Institute	LH.....	Left Hand
AR.....	As Required	LSS.....	Load Sensing System
ASSY.....	Assembly	M(m).....	Metric/Meter
AUX.....	Auxiliary	MM (mm).....	Milimeter
AWG.....	American WireGauge	mA.....	Miliamps
B/M.....	Bill of Material	NLA.....	No Longer Available
CE.....	European Conformity	NPT.....	National Pipe Threads
CCW.....	Counter Clockwise	NSS.....	Not So Id Separately
cm.....	Centimeter	OD.....	Outside Diameter
CW.....	Clockwise	ORB.....	O-Ring Boss
CSA.....	Canadian Standards Association	ORFS.....	O-Ring Face Seal
CYL.....	Cylinder	OZ (oz).....	Ounces
DIA.....	Diameter	PG.....	Page
DC.....	Direct Current	P/N.....	Part Number
EMS.....	Emergency Stop	qt.....	Quarts
ENG.....	Engine	QTY.....	Quantity
FT (ft).....	Feet	REF.....	Reference
GA (Ga).....	Gauge	REV.....	Revision Level
HYD.....	Hydraulic	RH.....	Right Hand
Hz.....	Hertz	SAE.....	Society of Automotive Engineers
ID.....	Inside Diameter	SN.....	Serial Number
in.....	inches	SPEC(S).....	Specifications
ISO.....	International Organization for Standards	T/T.....	Turntable
JIC.....	Joint Industry Council	UGM.....	Universal Ground Module
KG.....	Kilogram	V.....	Volts
L.....	Liter	W.....	Watts
LB.....	Pounds	#.....	Number

10) ILLUSTRATION REFERENCE LETTERS

When necessary, illustrations may contain reference letters that are intended to track information (i. e. hoses, harnesses) from one point to another or to track visual enlargement of components to show details that may be located in another area on the illustration.

Note: Due to continuous product improvements, JLG Industries, Inc. reserves the right to make specification changes without prior notification.

TABLE OF CONTENTS

SECTION 1 - FRAME.....	9
FIGURE 1-1. STEER INSTALLATION.....	10
FIGURE 1-2. TIRE AND WHEEL DRIVE INSTALLATION.....	12
FIGURE 1-3. DRIVE HUB ASSEMBLY (Prior to SN 0300116217).....	16
FIGURE 1-4. DRIVE HUB ASSEMBLY (SN 0300116217 through 0300138358).....	20
FIGURE 1-5. DRIVE MOTOR ASSEMBLY.....	24
FIGURE 1-6. ELECTRICAL COMPONENTS INSTALLATION.....	26
FIGURE 1-7. ELECTRICAL COMPONENTS INSTALLATION (U/L MACHINES ONLY) (SN 0300035281 through 0300138358).....	28
FIGURE 1-8. BATTERY BOX INSTALLATIONS.....	30
FIGURE 1-9. FRAME COVERS INSTALLATION.....	32
FIGURE 1-10. INVERTER INSTALLATION (OPTIONAL ON E300AJ AND E300AJP).....	34
SECTION 2 - TURNTABLE.....	37
FIGURE 2-1. VALVES AND HORN INSTALLATIONS.....	38
FIGURE 2-2. MAIN CONTROL VALVE ASSEMBLY.....	42
FIGURE 2-3. STEER/BRAKE VALVE ASSEMBLY.....	46
FIGURE 2-4. TURNTABLE BEARING AND SWING DRIVE INSTALLATION.....	50
FIGURE 2-5. SWING BEARING ASSEMBLY.....	52
FIGURE 2-6. SWING MOTOR ASSEMBLY (WHITE ROLLER STATOR).....	54
FIGURE 2-7. SWING MOTOR ASSEMBLY (PARKER).....	56
FIGURE 2-8. PUMP, MOTOR AND TANK INSTALLATION.....	58
FIGURE 2-9. ELECTRICAL COMPONENTS INSTALLATION.....	60
FIGURE 2-10. GROUND CONTROL BOX ASSEMBLY.....	64
FIGURE 2-11. BATTERY CHARGER ASSEMBLY.....	68
FIGURE 2-12. HOODS INSTALLATIONS.....	72
SECTION 3 - BOOM.....	75
FIGURE 3-1. BOOM INSTALLATION - E300A.....	76
FIGURE 3-2. BOOM INSTALLATION - E300AJ.....	80
FIGURE 3-3. BOOM INSTALLATION - E300AJP.....	82
FIGURE 3-4. TOWER BOOM ASSEMBLY.....	84
FIGURE 3-5. MAIN BOOM ASSEMBLY.....	86
FIGURE 3-6. JIB ASSEMBLIES (E300AJ AND E300AJP).....	90
FIGURE 3-7. PLATFORM ROTATOR ASSEMBLIES.....	94
FIGURE 3-8. JIB SWING ROTATOR ASSEMBLY (E300AJP ONLY) (Prior to SN 0300064982).....	96
FIGURE 3-9. JIB SWING ROTATOR ASSEMBLY (E300AJP ONLY) (SN 0300064982 through 0300138358).....	98
FIGURE 3-10. PLATFORM SUPPORT INSTALLATION - WITH LSS.....	100
FIGURE 3-11. CABLES, CLAMPS AND LIMIT SWITCHES INSTALLATION.....	104
SECTION 4 - PLATFORM.....	107
FIGURE 4-1. PLATFORM COMPONENTS INSTALLATION (FRONT ENTRY).....	108
FIGURE 4-2. PLATFORM COMPONENTS INSTALLATION (SIDE ENTRY).....	112
FIGURE 4-3. PLATFORM CONSOLE ASSEMBLY.....	116
FIGURE 4-4. CONTROLLER ASSEMBLY (SWING AND LIFT).....	120
FIGURE 4-5. CONTROLLER ASSEMBLY (DRIVE AND STEER).....	122
FIGURE 4-6. PLATFORM PADDING INSTALLATION (FRONT ENTRY PLATFORM).....	126
FIGURE 4-7. PLATFORM PADDING INSTALLATION (SIDE ENTRY PLATFORM).....	128
SECTION 5 - CYLINDER.....	131
FIGURE 5-1. JIB CYLINDER ASSEMBLY (ORIGINAL EQUIPMENT).....	132
FIGURE 5-2. JIB CYLINDER ASSEMBLY (SERVICE REPLACEMENT).....	134
FIGURE 5-3. LEVEL (PLATFORM SLAVE) CYLINDER ASSEMBLY (ORIGINAL EQUIPMENT).....	136
FIGURE 5-4. LEVEL (PLATFORM SLAVE) CYLINDER ASSEMBLY (SERVICE REPLACEMENT).....	138
FIGURE 5-5. LIFT CYLINDER ASSEMBLY - MAIN BOOM - E300A-E300AJ.....	140
FIGURE 5-6. LIFT CYLINDER ASSEMBLY - TOWER BOOM.....	142
FIGURE 5-7. MASTER CYLINDER ASSEMBLY (ORIGINAL EQUIPMENT).....	144
FIGURE 5-8. MASTER CYLINDER ASSEMBLY (SERVICE REPLACEMENT) - E300AJ-E300AJP.....	146
FIGURE 5-9. STEER CYLINDER ASSEMBLY.....	148
FIGURE 5-10. TELESCOPE CYLINDER ASSEMBLY.....	150
FIGURE 5-11. CYLINDER BELLOWS INSTALLATIONS.....	154

TABLE OF CONTENTS

SECTION 6 - HYDRAULIC	157
FIGURE 6-1. STANDARD HYDRAULIC DIAGRAM (E300A AND E300AJ)	158
FIGURE 6-2. STANDARD HYDRAULIC DIAGRAM (E300AJP)	162
FIGURE 6-3. HYDRAULIC DIAGRAM LIST	166
SECTION 7 - ELECTRICAL	167
FIGURE 7-1. ELECTRICAL DIAGRAM LIST	168
FIGURE 7-2. HARNESS COMPONENTS INSTALLATION	170
SECTION 8 - DECALS	181
FIGURE 8-1. DECAL INSTALLATION (ANSI SPEC)	182
FIGURE 8-2. DECAL INSTALLATION (COUNTRY SPEC)	186
SECTION 9 - RECOMMENDED SERVICE PARTS STOCK	191
FIGURE 9-1. MODEL E300A/E300AJ/E300AJP STANDARD PARTS	192
FIGURE 9-2. MODEL E300A/E300AJ/E300AJP VARIABLE PARTS	194
SECTION 10 - SPECIAL OPTIONS	195
FIGURE 10-1. SPECIAL OPTIONS	196
PART NUMBER INDEX	199

Go to Discount-Equipment.com to order your parts

SECTION 1 - FRAME

Go to Discount-Equipment.com to order your parts

SECTION 1 - FRAME

FIGURE 1-1. STEER INSTALLATION

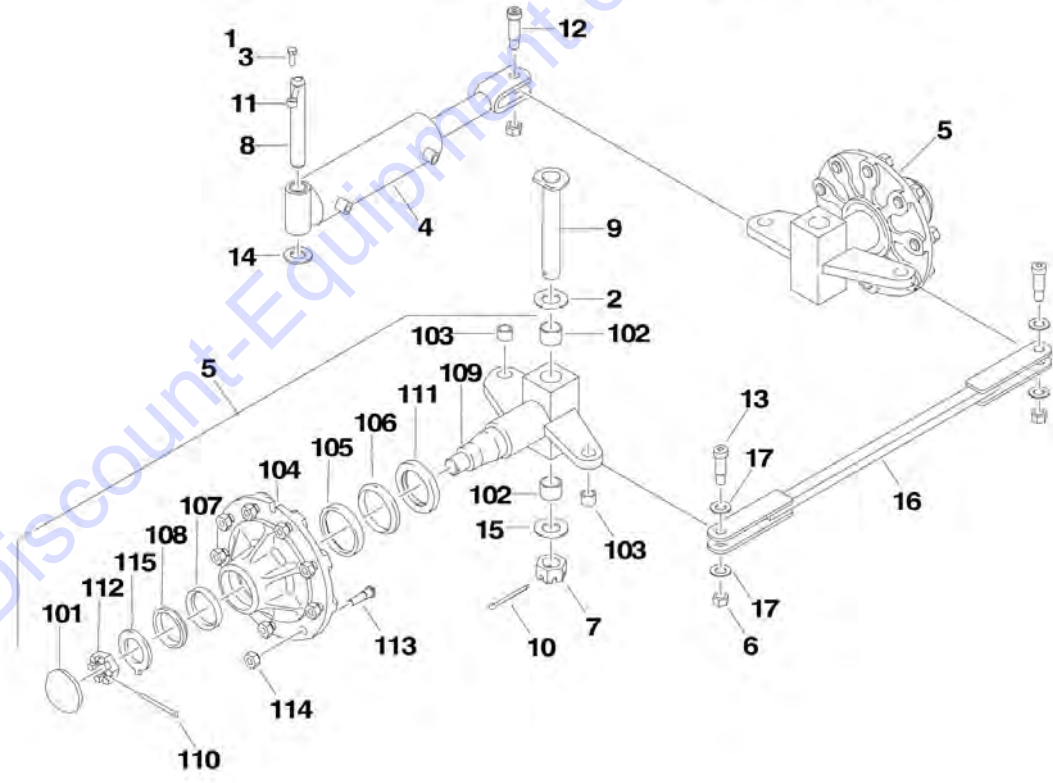
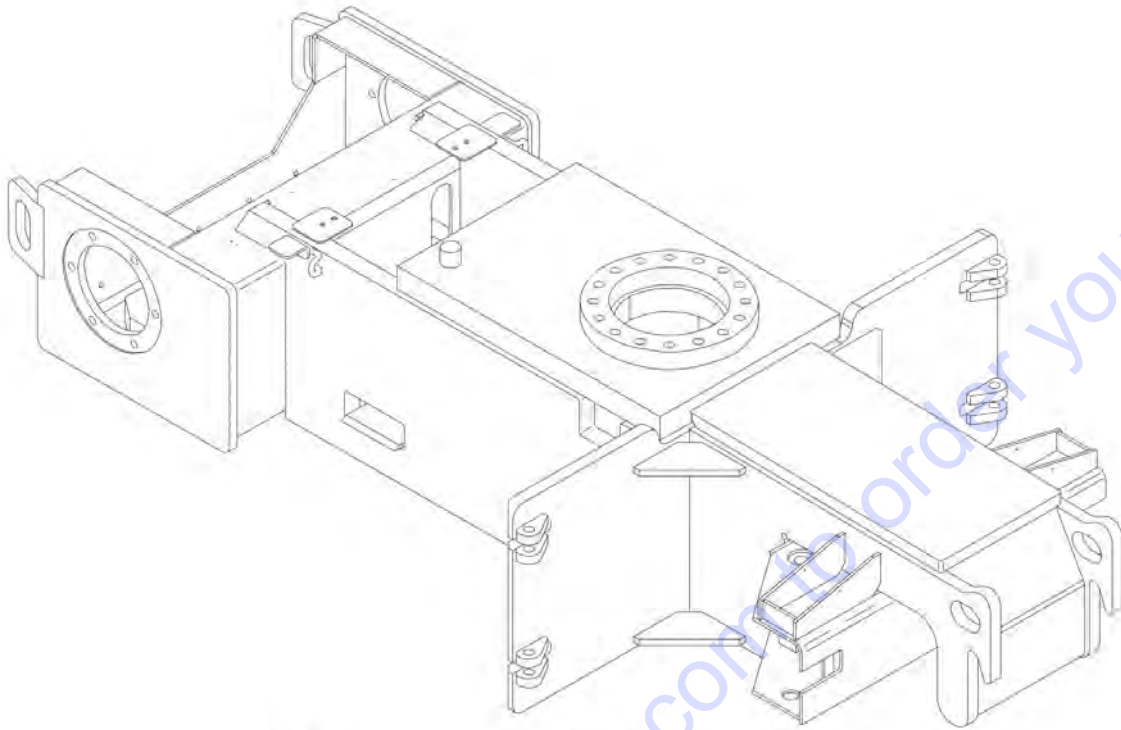
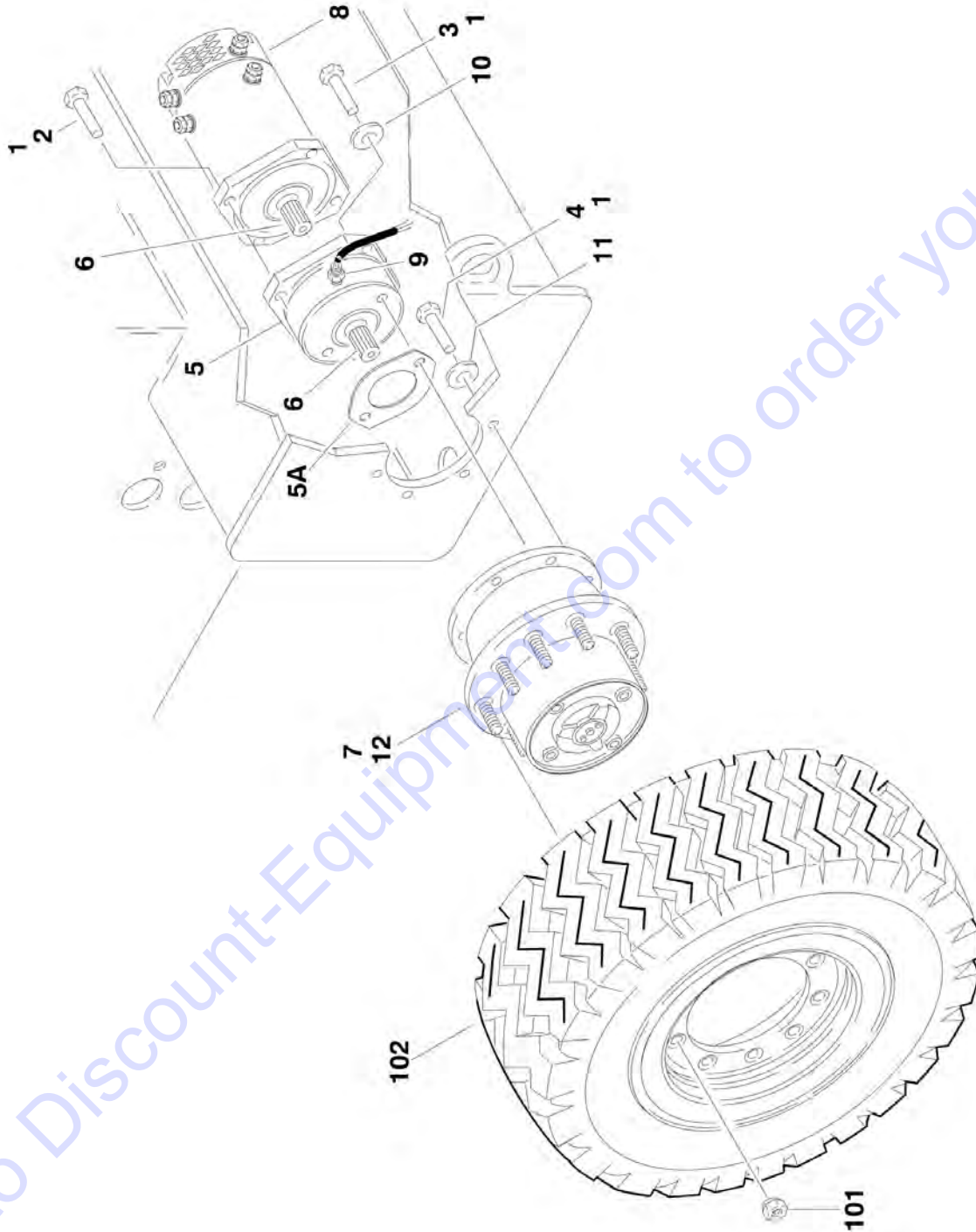


FIGURE 1-1. STEER INSTALLATION

ITEM	PART NUMBER	QTY	DESCRIPTION	REV
	0258985	Ref	STEER INSTALLATION	F
1	0100011	AR	Compound, Locking	
2	0440162	2	Bearing, Thrust	
3	0641608	1	Bolt 3/8in-16NC x 1in	
4	1683732	1	Steer Cylinder Assembly (See CYLINDER SECTION for Breakdown)	
5	2780234	2	Hub/Spindle Assembly (See Items 101-115 for Breakdown)	
6	3312005	3	Locknut 5/8in-11NC	
7	3313003	2	Nut, Castle 1-1/4in-11NF	
8	3422327	1	Pin	
9	3422774	2	Kingpin	
10	3450812	2	Pin, Cotter	
11	3841143	1	Keeper	
12	3900109	1	Bolt, Shoulder	
13	3900118	2	Bolt, Shoulder	
14	4712600	1	Flatwasher 1in Thin (Prior to SN 0300045452)	
15	4713000	2	Flatwasher 1-1/4in Thin	
16	4845897	1	Tie-Rod	
17	4740156	4	Thrustwasher (SN 0300080297 through 0300138358)	
	2780234	Ref	HUB/SPINDLE ASSEMBLIES	D
101	7020033	2	Cap, Dust (1 per Assembly)	
102	0961951	4	Bushing (2 per Assembly)	
103	0962140	4	Bearing (2 per Assembly)	
104	7020035	2	Hub (1 Per Assembly)	
105	7020036	2	Cup, Bearing (Inner) (1 per Assembly)	
106	7020037	2	Cone, Bearing (Inner) (1 per Assembly)	
107	7020038	2	Cup, Bearing (Outer) (1 per Assembly)	
108	7020039	2	Cone, Bearing (Outer) (1 per Assembly)	
109	7020148	2	Spindle (1 per Assembly)	
110	7020140	2	Pin, Cotter (1 per Assembly)	
111	7020040	2	Seal (1 Per Assembly)	
112	7020054	2	Nut, Castle 1-1/4in-12 (1 per Assembly)	
113	7020041	18	Stud 5/8in-18NF (9 per Assembly)	
114	7020042	18	Lugnut 5/8in-18NF (9 per Assembly)	
115	7020055	2	Washer, Tanged 1-1/4in (1 per Assembly)	

SECTION 1 - FRAME

FIGURE 1-2. TIRE AND WHEEL DRIVE INSTALLATION



SECTION 1 - FRAME

FIGURE 1-2. TIRE AND WHEEL DRIVE INSTALLATION

ITEM	PART NUMBER	QTY	DESCRIPTION	REV
		Ref	WHEEL DRIVE INSTALLATION OPTIONS:	
	0258984	Ref	Standard Spec (2WD) (Prior to SN 0300116217)	K
	0274282	Ref	Standard Spec (2WD) (SN 0300116217 through 0300138358)	C
	0258984	Ref	UL Spec (Prior to SN 0300035281)	K
	0259396	Ref	UL Spec (SN 0300035281 through 0300116216)	C
	0274283	Ref	UL Spec (SN 0300116217 through 0300138358)	C
1	0100019	AR	Compound, Locking	
2	0641609	8	Bolt 3/8in-16NC x 1-1/8in	
3	0641826	4	Bolt 1/2in-13NC x 3-1/2in	
4		Ref	Bolt Options:	
4	0682010	12	Bolt 5/8in-11NC x 1-1/4in (Prior to SN 0300116217)	
4	0682012	12	Bolt 5/8in-11NC x 1-1/2in (SN 0300116217 through 0300138358)	
5	0920113	2	Drive Brake Assembly	E
5	See Note	NLA	Ring, Sensor (1 Per Assembly) (Note: was p/n 7027275 which is no longer available. Replace Complete Brake)	
5	7007977	2	Ring, Bearing Retaining (Large) (1 per Assembly)	
5	7011716	2	Ring, Bearing Retaining (Small) (1 per Assembly)	
5	7007913	4	Bolt	
5	7007912	4	Washer	
5	7011757	2	Complete Repair Kit (Includes Case and Oil Seals, O-Rings, Back-up Rings, Stator and Rotor Discs, Return Plate, Springs, Bearing and Brake to Hub Gasket) (1 per Assembly)	
5	2900768	2	Bearing Kit (1 per Assembly)	
5	7007900	2	Seal, Oil - Front (1 per Assembly)	
5A	7007933	2	Gasket (1 Per Assembly)	
5B	70002408	2	Gasket, Brake to Motor (1 Per Assembly) (Not Included in Repair Kit)	
6	3020037	AR	Lube, Coupling Grease	
7		Ref	Drive Hub Assembly Options:	
7	2780236	2	Drive Hub Assembly (See DRIVE HUB ASSEMBLY for Breakdown) (Prior to SN 0300116217)	
7	2780282	2	Drive Hub Assembly (See DRIVE HUB ASSEMBLY for Breakdown) (SN 0300116217 through 0300138358)	
8	3160237	2	Drive Motor Assembly (See DRIVE MOTOR ASSEMBLY for Breakdown)	
8	7020149	2	Brush	
9	3990105	2	Speed Sensor Assembly	
10	4711600	8	Flatwasher 3/8in Thin	
11	4892000	12	Flatwasher 5/8in Hardened	
12	3020008	AR	Lubricant, Mobilube HD 80W-90	
		Ref	TIRE AND WHEEL INSTALLATIONS	
		Ref	Tire and Wheel Installations (Prior to SN 0300100669)	
	0258986	Ref	Standard	B
	0273587	Ref	CSA Spec	E
	0273587	Ref	Tire and Wheel Installations (SN 0300100669 through 0300138358)	E
101	3300106	18	Lugnut	
102		Ref	Tire and Wheel Assembly	
102		Ref	Tire and Wheel Assembly (Prior to SN 0300100669)	
102	4520208	NLA	Standard (Use p/n 1001110772) (See Notes Below)	
102	4520276	NLA	CSA Specs (Use p/n 1001110776) (See Notes Below)	

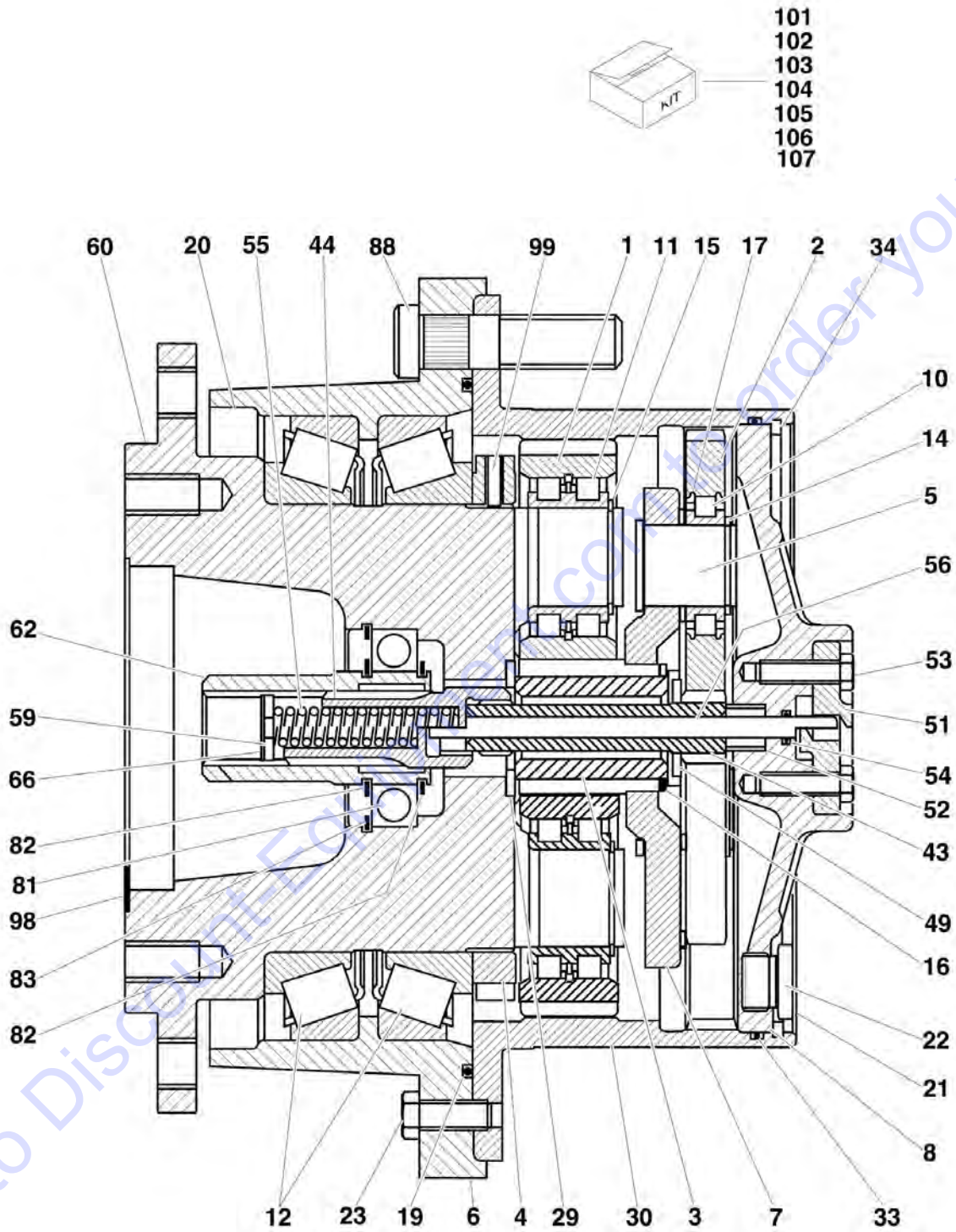
SECTION 1 - FRAME

ITEM	PART NUMBER	QTY	DESCRIPTION	REV
102	4520675	NLA	CSA Specs (Use p/n 1001110776) (See Notes Below)	
102	4520675	NLA	Tire and Wheel Assembly (Use p/n 1001110776) (See Notes Below) (SN 0300100669 through 0300138358)	
		Ref	Note: Wheel is now gray, Orange Wheel is no longer available.	
		Ref	Note: When replacing tires and wheels with either p/n 1001110772 or 1001110776, assemblies must be replaced in complete sets only.	

Go to Discount-Equipment.com to order your parts

SECTION 1 - FRAME

FIGURE 1-3. DRIVE HUB ASSEMBLY (Prior to SN 0300116217)



SECTION 1 - FRAME

FIGURE 1-3. DRIVE HUB ASSEMBLY (Prior to SN 0300116217)

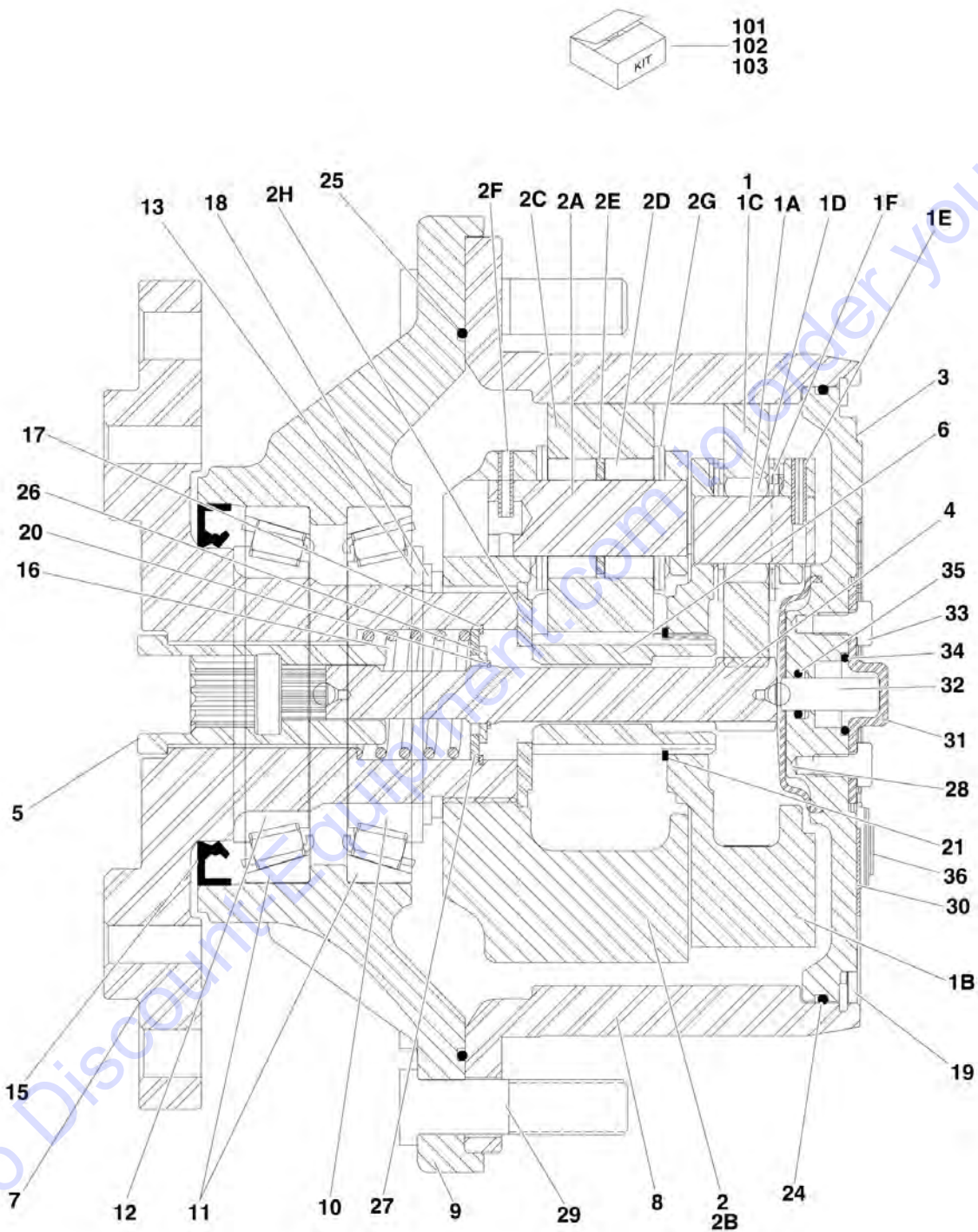
ITEM	PART NUMBER	QTY	DESCRIPTION	REV
	2780236	Ref	DRIVE HUB ASSEMBLY	D
1	7021323	4	Gear, Planet	
2	7021324	3	Gear, Planet	
3	7021325	1	Gear, Sun	
4	7023803	1	Nut, Shaft	
		Ref	Note: Unless there is capability to torque shaft nut (item 4) to 625 ft/lbs. (850Nm) Repair beyond this level is not advised.	
5	7021326	3	Bolt, Planet	
6	7021327	1	Ring, Support	
7	7021328	1	Carrier, Planet	
8	70003711	1	Cover	
10	70003712	3	Bearing, Roller	
11	70003713	4	Bearing, Roller	
12	70003714	2	Bearing, Roller	
14	70003715	3	Ring, Retaining	
15	70003716	4	Ring, Retaining	
16	7021341	1	Ring, Retaining	
17	70003717	3	Disk, Support	
19	See Note	1	O-Ring (Note: Use Item 103 or 107)	
20	See Note	1	Seal, Ring (Note: Use Item 103 or 107)	
21	See Note	3	Plug (Note: Use Item 104 or 107)	
22	See Note	3	Seal, Ring (Note: Use Item 104 or 107)	
23	7021342	3	Bolt	
29	7024049	1	Washer, Housing	
30	7021335	1	Gear, Ring	
33	See Note	1	O-Ring (Note: Use Item 103, 104 or 107)	
34	70003718	1	Ring, Retaining	
43	7021336	1	Shaft, Sun Gear	
44	7021337	1	Shaft, Input	
49	7024051	1	Thrustwasher	
51	70003719	1	Cover	
52	70003720	1	Disk	
53	70003721	2	Bolt	
54	See Note	1	O-Ring (Note: Use Item 104, 105, 106 or 107)	
55	7024053	1	Spring, Pressure	
56	70003722	1	Rod, Shaft	
59	70003723	1	Disk, Rotor	
60	7021339	1	Spindle	
62	7021340	1	Coupler	
66	70003724	1	Ring, Retaining	
81	7024983	1	Bearing, Ball	
82	7021341	2	Ring, Retaining	
83	7024931	1	Ring, Retaining	
88	7021344	9	Stud, Wheel (was p/n 7024984)	
98	7024985	1	Plug	
99		Ref	Component Options:	
99	See Note	2	Ball (Note: Not Available - Use Slotted Pin in Item 103 Kit) (Prior to SN 0300089391)	
99	See Note	2	Expander (Note: Not Available - Use Slotted Pin in Item 103 Kit) (Prior to SN 0300089391)	

SECTION 1 - FRAME

ITEM	PART NUMBER	QTY	DESCRIPTION	REV
99	See Note	2	Plug (Note: Not Available - Use Slotted Pin in Item 103 Kit) (Prior to SN 0300089391)	
99	70003725	2	Pin, Slotted (SN 0300089391 through 0300115723)	
		Ref	Kit Options	
101	7024981	1	Planet Gear Kit 1 (Includes Items 1, 11 & 15)	
102	7024986	1	Planet Gear Kit 2 (Includes Items 2, 10, 14 & 17)	
103	7024047	1	Bearing Kit (Includes Items 4, 12, 19, 20, 23, 33 & 99)	
		Ref	Note: Unless there is capability to torque shaft nut (item 4) to 625 ft/lbs. (850Nm) Repair beyond this level is not advised.	
104	7021329	1	Cover Kit (Includes Items 8, 21, 22, 33, 34 & 51-54)	
105	7021338	1	Mechanical Disconnect Kit (Includes Items 54-56, 59 & 66)	
106	7024054	1	Mechanical Disconnect Kit (Includes Items 51, 53, 54 & 56)	
107	7021333	1	Seal Kit (Includes Items 19-22, 33 & 54)	

SECTION 1 - FRAME

FIGURE 1-4. DRIVE HUB ASSEMBLY (SN 0300116217 through 0300138358)



SECTION 1 - FRAME

FIGURE 1-4. DRIVE HUB ASSEMBLY (SN 0300116217 through 0300138358)

ITEM	PART NUMBER	QTY	DESCRIPTION	REV
	2780282	Ref	DRIVE HUB ASSEMBLY	A
1	70001366	1	Carrier, Sub Assembly	
1A	See Note	NSS	Shaft, Planet (Note: Use Item 1)	
1B	See Note	NSS	Carrier (Note: Use Item 1)	
1C	See Note	NSS	Gear, Planet (Note: Use Item 1)	
1D	See Note	NSS	Bearing, Needle (Note: Use Item 1)	
1E	See Note	NSS	Pin, Roll (Note: Use Item 1)	
1F	See Note	NSS	Thrustwasher (Note: Use Item 1)	
2	70001367	1	Carrier, Input	
2A	See Note	NSS	Shaft, Planet (Note: Use Item 2)	
2B	See Note	NSS	Carrier (Note: Use Item 2)	
2C	See Note	NSS	Gear, Planet (Note: Use Item 2)	
2D	See Note	NSS	Bearing, Needle (Note: Use Item 2)	
2E	See Note	NSS	Spacer, Thrust (Note: Use Item 2)	
2F	See Note	NSS	Pin, Roll (Note: Use Item 2)	
2G	See Note	NSS	Thrustwasher (Note: Use Item 2)	
2H	See Note	NSS	Thrustwasher (Note: Use Item 2)	
3	See Note	NSS	Cover (Note: Use Item 103)	
4	70001369	1	Shaft, Input	
5	70001370	1	Coupling	
6	70001371	1	Shaft, Sun Gear	
7	70001372	1	Spindle	
8	70001373	1	Gear, Ring	
9	2780282	1	Housing	
10	See Note	NSS	Bearing, Tapered-Cone (Note: Use Item 101)	
11	See Note	NSS	Bearing, Tapered-Cup (Note: Use Item 101)	
12	See Note	NSS	Bearing, Tapered-Cone (Note: Use Item 101)	
13	7017009	1	Thrustwasher	
15	See Note	NSS	Seal, Lip (Note: Use Item 102)	
16	70001374	1	Spring	
17	70001375	1	Ring, Retaining (Internal)	
18	See Note	NSS	Ring, Retaining (External) (Note: Use Item 102)	
19	7024738	1	Ring, Retaining (Internal)	
20	70001376	1	Ring, Retaining (External)	
21	70001377	1	Ring, Retaining (External)	
22	7000281	4	Screw (Not Shown - ID plate screws)	
23	7017022	3	Bolt, Flathead (Not Shown - Located on front of hub)	
24	See Note	NSS	O-Ring (Note: Use Item 102)	
25	See Note	NSS	O-Ring (Note: Use Item 102)	
26	70001378	1	Spacer, Thrust	
27	70001379	1	Thrustwasher	
28	7024741	1	Spacer, Thrust	
29	7007640	9	Stud, Wheel	
30	See Note	NSS	Flange, Plate (Note: Use Item 103)	
31	See Note	NSS	Cap, Disengage (Note: Use Item 103)	
32	See Note	NSS	Pin, Dowel (Note: Use Item 103)	
33	See Note	NSS	Bolt (Note: Use Item 103)	
34	See Note	NSS	O-Ring (Note: Use Item 103)	
35	See Note	NSS	O-Ring (Note: Use Item 103)	
36	See Note	NSS	Plug (Note: Use Item 103)	

SECTION 1 - FRAME

ITEM	PART NUMBER	QTY	DESCRIPTION	REV
		Ref	Kit Options	
101	7017007	1	Planet Gear Bearing Kit (Includes Items 10-12)	
102	70001380	1	Planet Gear Seal Kit (Includes Items 15, 18, 24 & 25)	
103	70001368	1	Cover/Cap/Disengage Kit (Includes Items 30-36)	

Go to Discount-Equipment.com to order your parts

SECTION 1 - FRAME

FIGURE 1-5. DRIVE MOTOR ASSEMBLY

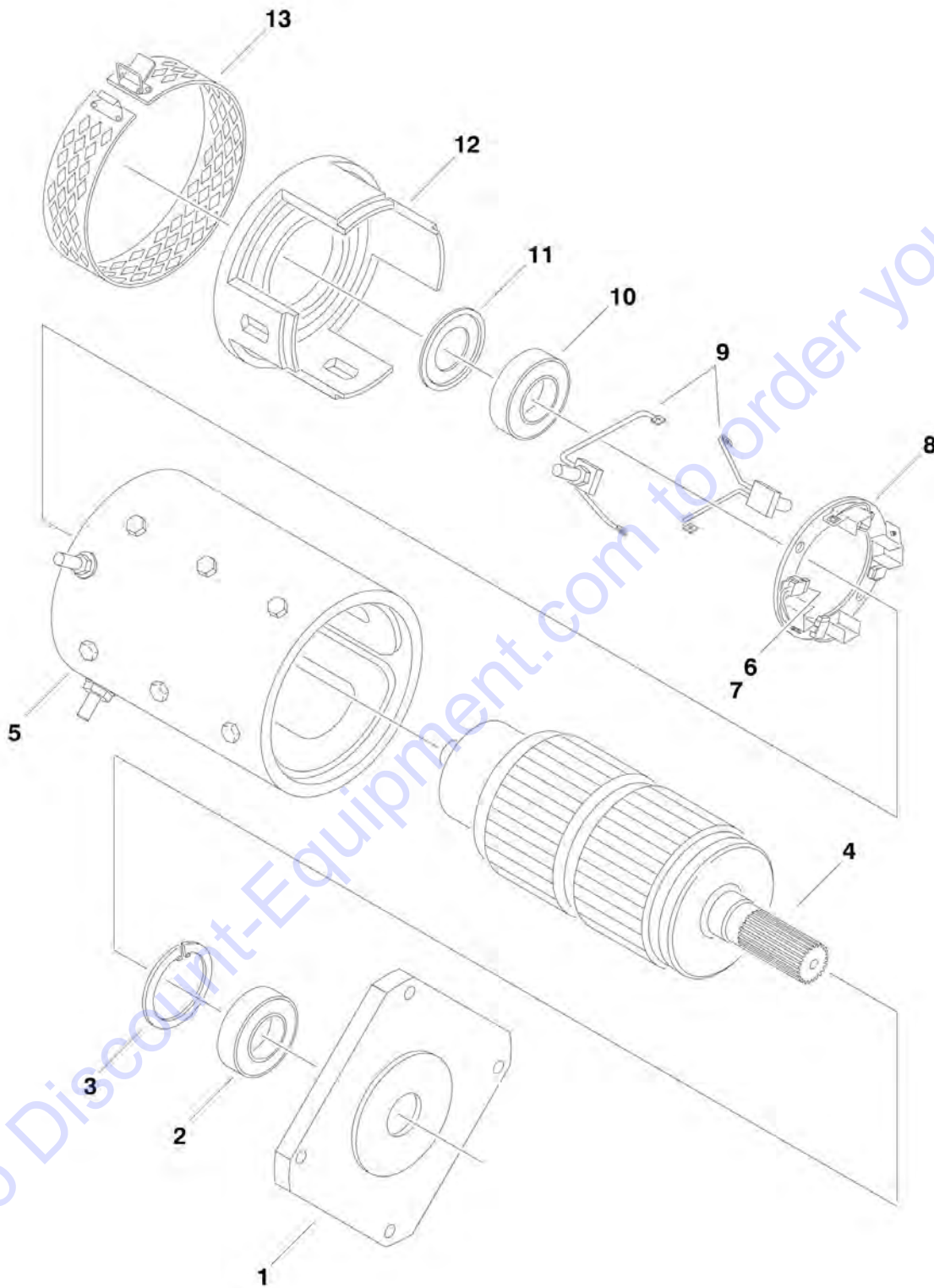


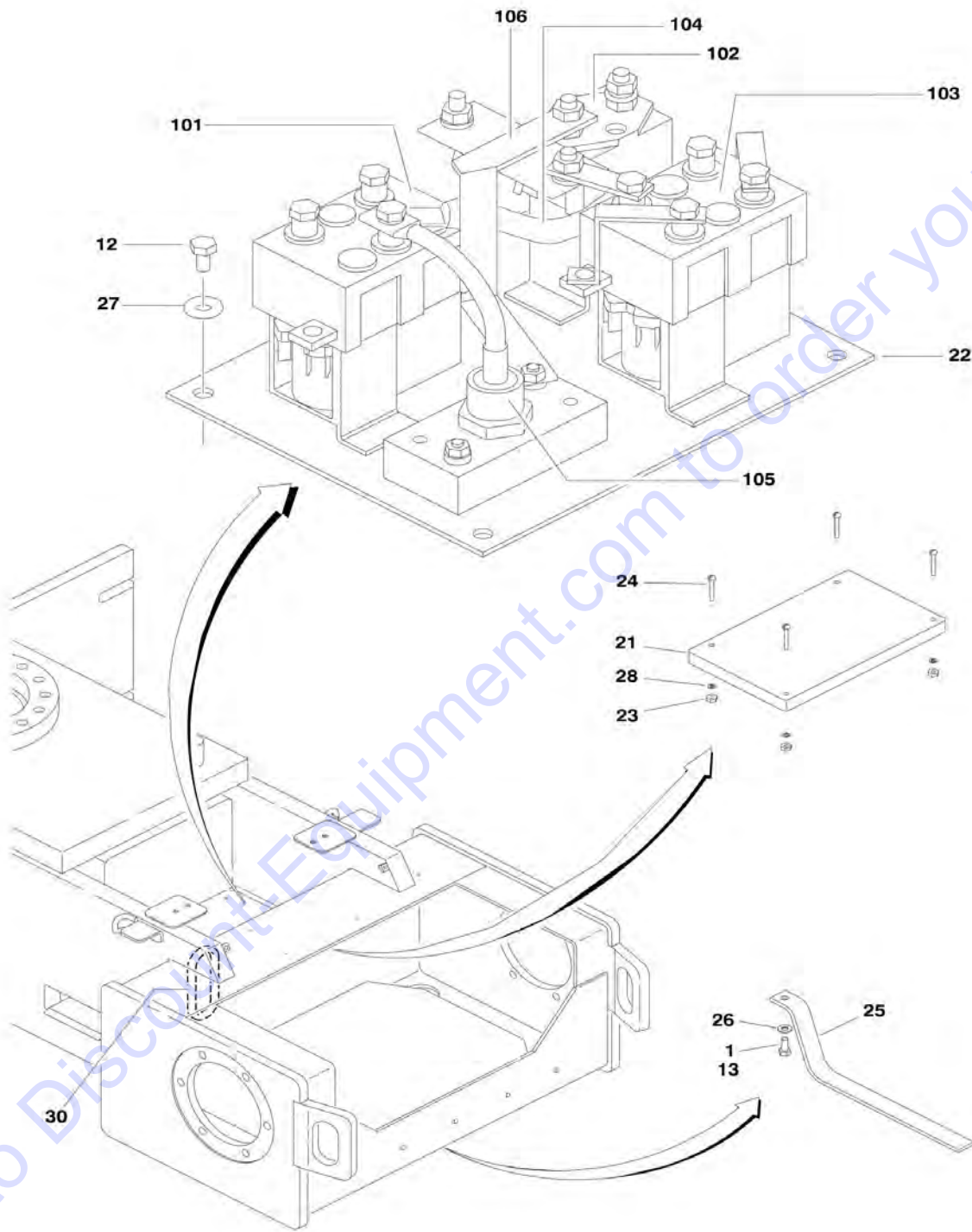
FIGURE 1-5. DRIVE MOTOR ASSEMBLY

ITEM	PART NUMBER	QTY	DESCRIPTION	REV
	3160237	Ref	DRIVE MOTOR ASSEMBLY	G
1	7020184	1	Plate, Drive End	
2	7012545	1	Bearing	
3	7020185	1	Ring, Retaining	
4	3160237	1	Armature	
5	3160237	1	Frame and Field Assembly	
6	7012548	4	Spring, Brush	
7	7020149	4	Brush	
8	7020150	1	Holder, Brush	
9	7020151	2	Brush Lead Assembly Kit	
10	7012545	1	Bearing	
11	7012549	1	Washer, Wavy	
12	7020189	1	End, Commutator	
13	7019609	1	Headband Assembly	

Go to Discount-Equipment.com to order your parts

SECTION 1 - FRAME

FIGURE 1-6. ELECTRICAL COMPONENTS INSTALLATION



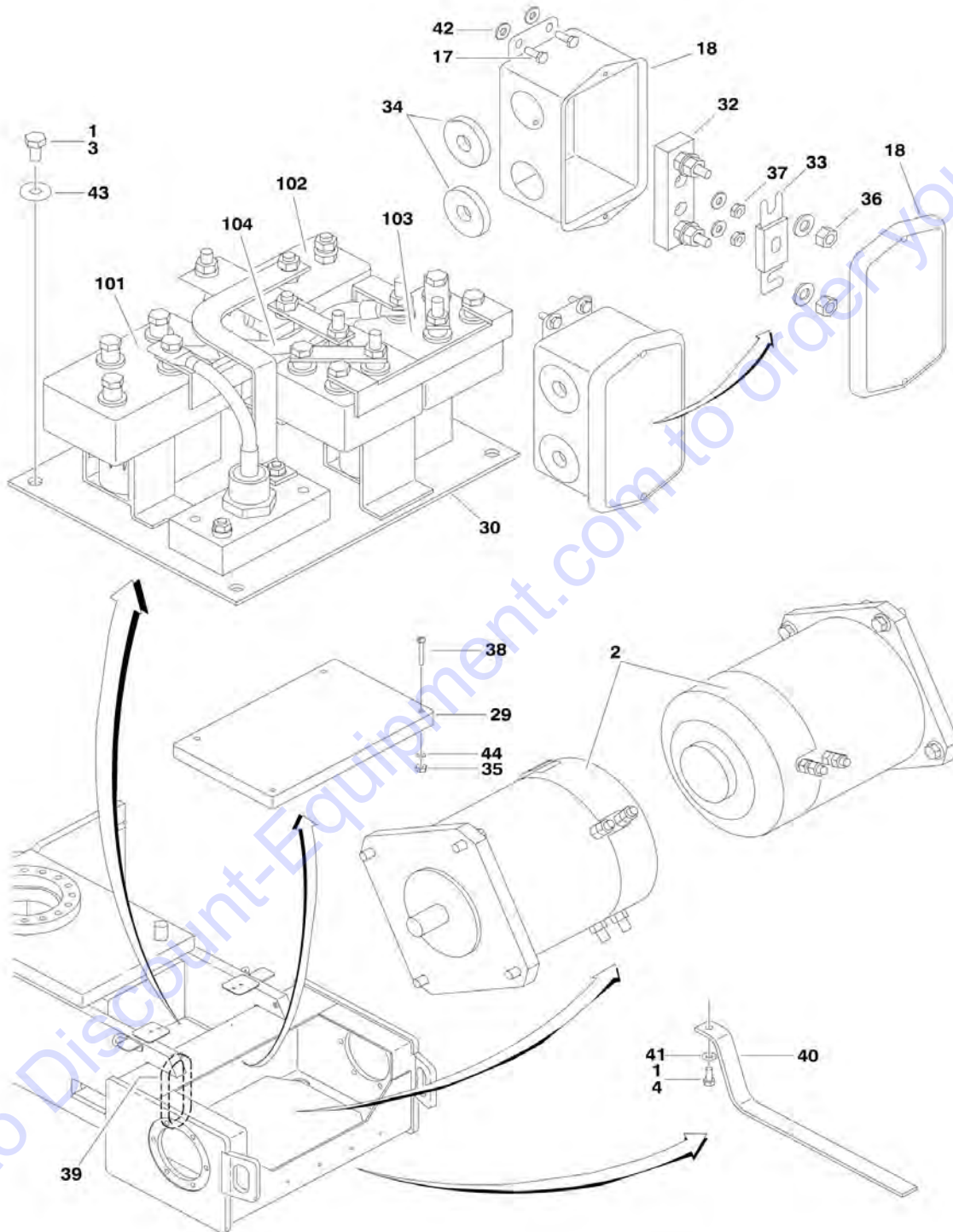
SECTION 1 - FRAME

FIGURE 1-6. ELECTRICAL COMPONENTS INSTALLATION

ITEM	PART NUMBER	QTY	DESCRIPTION	REV
		Ref	ELECTRICAL COMPONENTS INSTALLATION	
	0258984	Ref	Standard Spec (2WD) (Prior to SN 0300116217)	K
	0274282	Ref	Standard Spec (2WD) (SN 0300116217 through 0300138358)	C
	0258984	Ref	UL Spec (Prior to SN 0300035281)	K
1	0100019	AR	Compound, Locking	
12	0641404	4	Bolt 1/4in-20NC x 1/2in	
13	0641506	1	Bolt 5/16in-18NC x 3/4in	
21	1600293	1	Module (Note: Calibration is required when replaced)	
22	1600294	1	Contactora Plate Assembly (See Items 101-106 for Breakdown)	
23	3310601	4	Nut #6-32NC	
24	3910636	4	Bolt #6-32NC	
25	4240084	1	Strap	
26	4711500	1	Flatwasher 5/16in Thin	
27	4751400	4	Flatwasher 1/4in Regular	
28	4760600	4	Lockwasher #6	
30	4060807	15 in /30cm	Shield, Flex Trim	
	1600294	Ref	CONTACTOR PLATE ASSEMBLY	E
	7022003	1	Harness, Contactor (Not Shown) (See ELECTRICAL SECTION for Breakdown)	
	7022004	1	Harness, Posi-Track Contactor (Not Shown) (See ELECTRICAL SECTION for Breakdown)	
	7022005	1	Harness, Shunt (Not Shown) (See ELECTRICAL SECTION for Breakdown)	
101	7022002	1	Contactora, FWD/REV	
102	7022001	1	Contactora, Main	
103	7022000	1	Contactora, Posi-Track	
104	7022012	1	Cable, Power	
105	7022011	1	Diode, Power	
106	70001052	1	Shunt/Bus Bar with Harness Assembly	

SECTION 1 - FRAME

FIGURE 1-7. ELECTRICAL COMPONENTS INSTALLATION (U/L MACHINES ONLY) (SN 0300035281 through 0300138358)



SECTION 1 - FRAME

FIGURE 1-7. ELECTRICAL COMPONENTS INSTALLATION (U/L MACHINES ONLY) (SN 0300035281 through 0300138358)

ITEM	PART NUMBER	QTY	DESCRIPTION	REV
		Ref	ELECTRICAL COMPONENTS INSTALLATION	
	0259396	Ref	UL Machines Only (SN 0300035281 through 0300116216)	C
	0274283	Ref	UL Machines Only (SN 0300116217 through 0300138358)	C
1	0100019	AR	Compound, Locking	
2	0340047	2	Band, Motor	
3	0641404	4	Bolt 1/4in-20NC x 1/2in	
4	0641506	1	Bolt 5/16in-18NC x 3/4in	
17	0721005	4	Screw, Hex Head	
18	0861375	1	Box, Cover	
29	1600293	1	Module (Note: Calibration is required when replaced)	
30	1600300	1	Contactor Plate Assembly (See Items 101-104 for Breakdown)	B
31	1704712	1	Decal, 300 Amp Fuse (Not Shown)	
32	2400044	1	Fuse, Mounting Block	
33	2400062	1	Fuse, 300 Amp	
34	2540037	2	Grommet, Fuse Box	
35	3310601	4	Nut #6-32NC	
36	3311001	2	Nut, #10-24NC	
37	3311501	2	Nut, 5/16-18NC	
38	3910636	4	Bolt #6-32NC	
39	4060807	15 in /30cm	Shield, Flex Trim	
40	4240084	1	Strap, Anti-Static	
41	4711500	5	Flatwasher 5/16in Thin	
42	4751000	6	Flatwasher, #10 Regular	
43	4751400	4	Flatwasher 1/4in Regular	
44	4760600	4	Lockwasher #6	
	1600300	Ref	Contactor Plate Assembly	B
	7022008	1	Harness, Contactor (Not Shown) (See ELECTRICAL SECTION for Breakdown)	
	7022004	1	Harness, Posi-Track Contactor (Not Shown) (See ELECTRICAL SECTION for Breakdown)	
	7022005	1	Harness, Shunt (Not Shown) (See ELECTRICAL SECTION for Breakdown)	
101	7022007	1	Contactor, FWD / REV	
102	7022009	1	Contactor, Main	
103	7022010	2	Contactor, Posi-Track	
104	7022012	1	Cable, Power	

SECTION 1 - FRAME

FIGURE 1-8. BATTERY BOX INSTALLATIONS

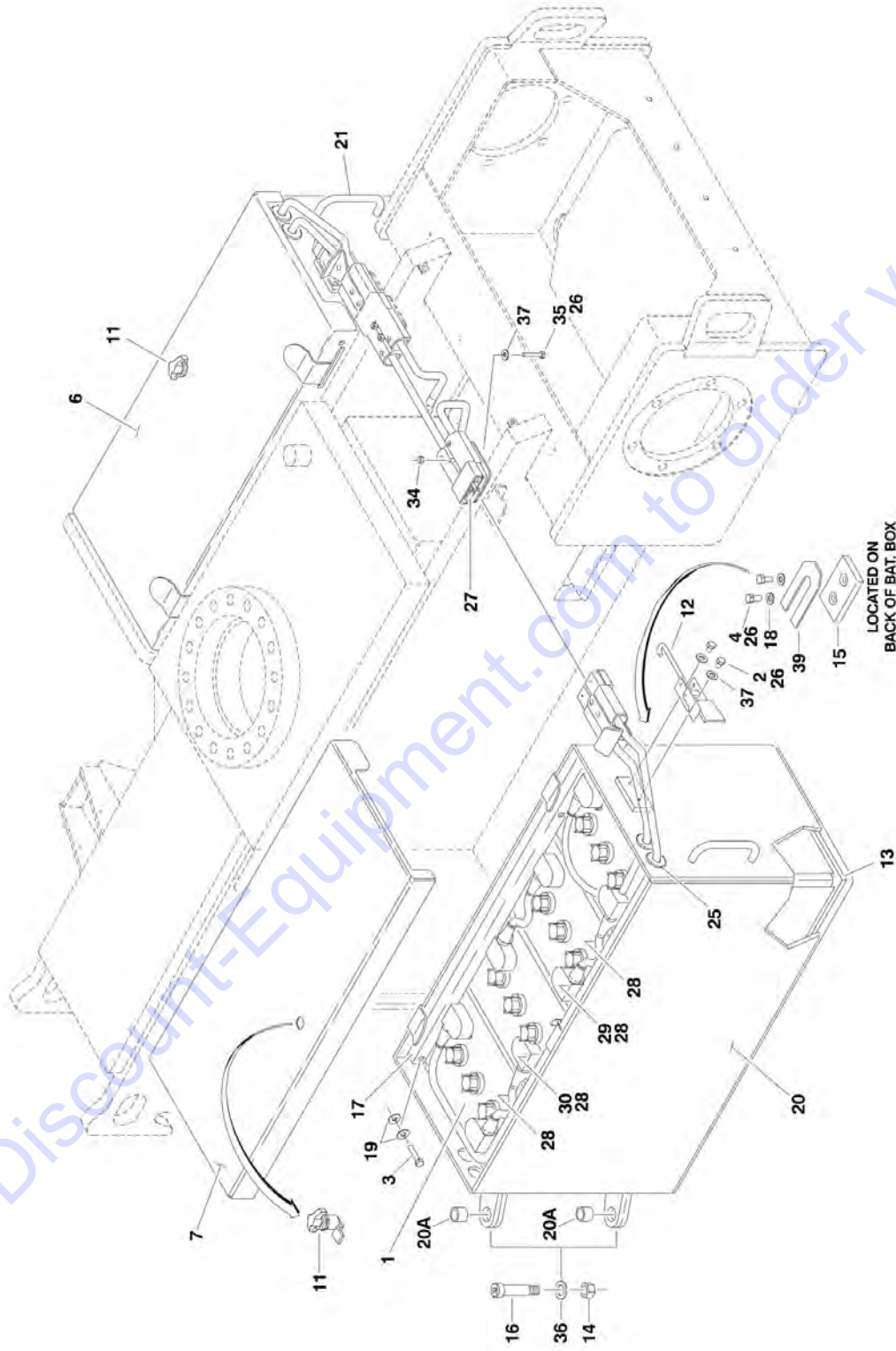


FIGURE 1-8. BATTERY BOX INSTALLATIONS

ITEM	PART NUMBER	QTY	DESCRIPTION	REV
		Ref	BATTERIES INSTALLATION	
	0259042	Ref	Standard Machines	J
	0259417	Ref	U/L Machines	F
1		Ref	Battery Options:	
1	0400055	8	Wet	
1	0400107	8	Dry	
2	0641403	4	Bolt 1/4in-20NC x 3/8in	
3	0641512	4	Bolt 5/16in-18NC x 1 1/2in	
4	0641606	4	Bolt 3/8in-16NC x 3/4in	
6	1670878	1	Cover, (Right)	
7	1670890	1	Cover, (Left)	
11	2940073	2	Latch	
12	2940114	2	Latch	
13	3000003	2	Liner	
14	3312005	4	Locknut 5/8in-11NC	
15	3340852	2	Pad	
16	3900266	4	Screw, Shoulder	
17	4567739	2	Tube	
18	4711600	4	Flatwasher 3/8in Narrow	
19	4751500	8	Flatwasher 5/16in Regular	
20	4845923	1	Box, Battery (Left)	
20A	0962233	2	Bushing	
21	4845924	1	Box, Battery (Right)	
21A	0962233	2	Bushing (Not Shown)	
22	2820066	4	Insulator - Sides (Prior to SN 0300052764)	
23	2820101	4	Insulator - Ends (Prior to SN 0300052764)	
24	2820102	2	Insulator - Tops (U/L Machines Only) (Not Shown)	
25	2540020	4	Grommet	
26	0100011	AR	Compound, Locking	
27	0100048	AR	Grease, Dielectric	
28	0100051	AR	Grease, Battery Terminal	
29	0840031	9	Boot	
30	0840032	7	Boot	
34	3311401	4	Nut 1/4in-20NC	
35	3931430	4	Bolt 1/4in-20NC x 1 7/8in	
36	4740086	8	Thrustwasher	
37	4751400	8	Flatwasher 1/4in Regular	
38	4420055	AR	Tape (Not Shown) (Prior to SN 0300103058)	
39	4070904	2	Shim	

SECTION 1 - FRAME

FIGURE 1-9. FRAME COVERS INSTALLATION

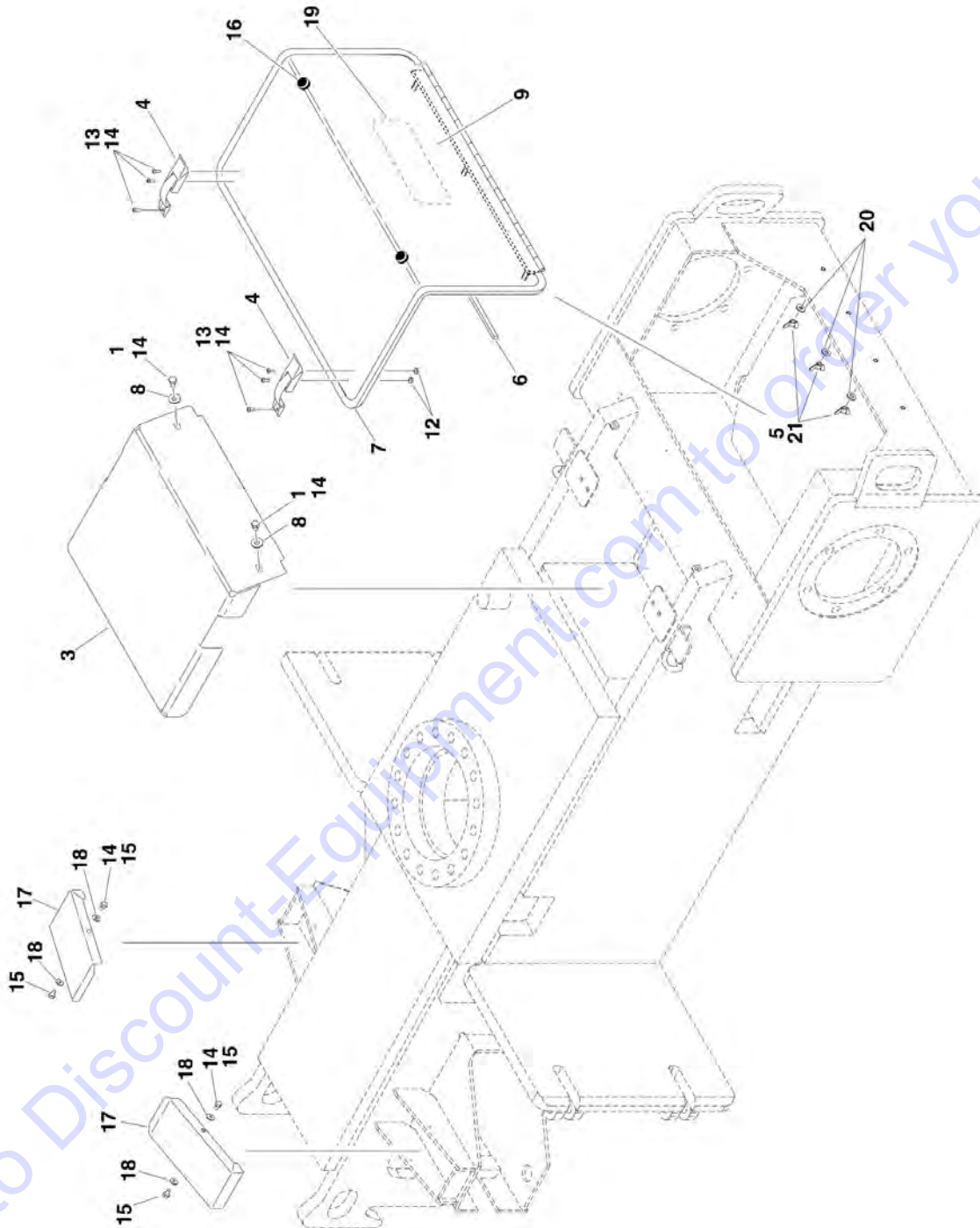
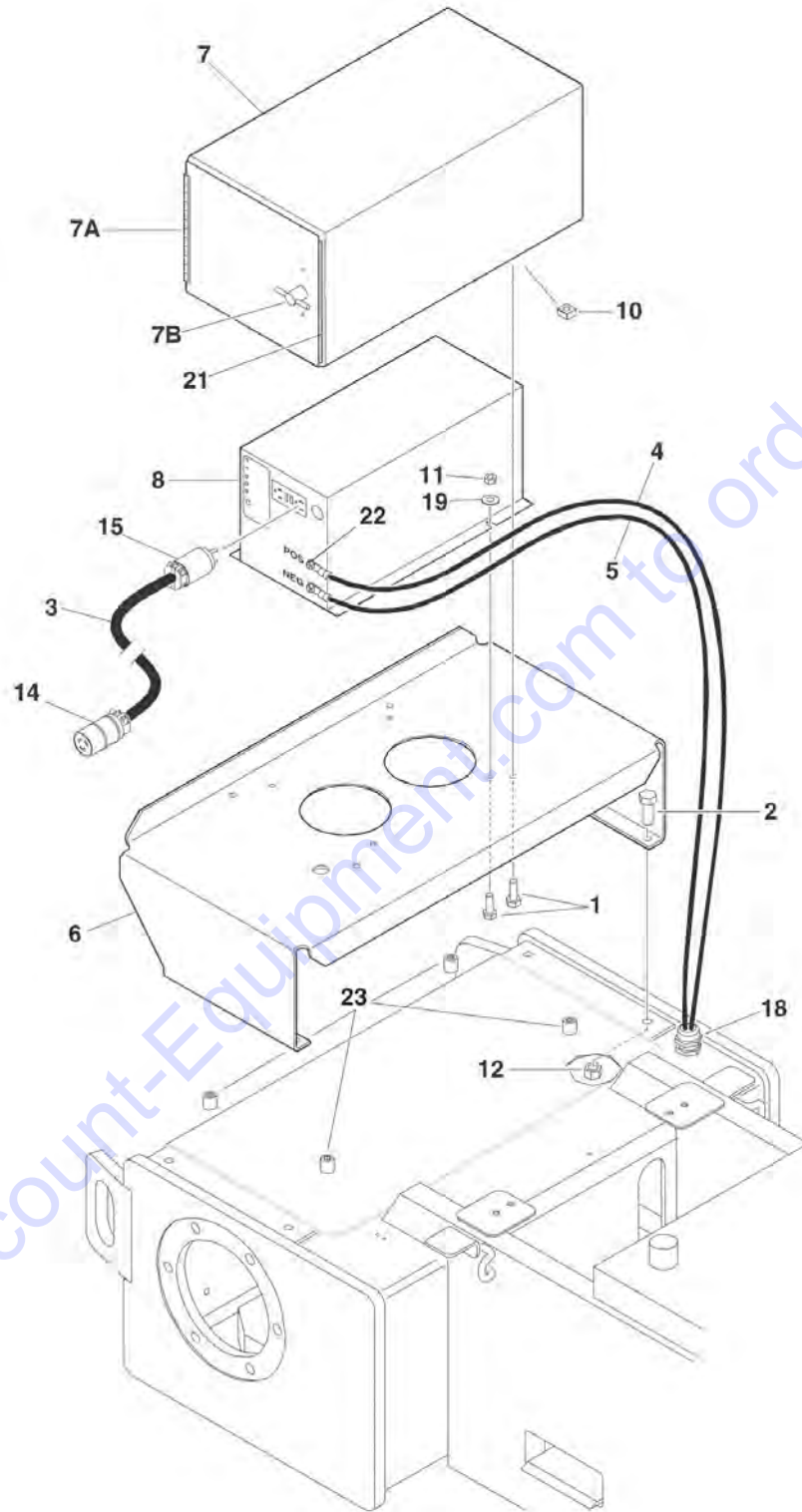


FIGURE 1-9. FRAME COVERS INSTALLATION

ITEM	PART NUMBER	QTY	DESCRIPTION	REV
	0258991	Ref	FRAME SHIELDS INSTALLATION	H
1	0641504	2	Bolt 5/16in-18NC x 1/2in	
3	1670897	1	Cover, Contractor	
4	2940118	2	Latch, Draw	
5		Ref	Hardware Options:	
5	3300371	5	Wingnut (Prior to SN 0300102714)	
5	3311401	3	Nut 1/4in-20NC (SN 0300102714 through 0300138358)	
6	3960433	22 in /56cm	Seal	
7	3960447	6.3 ft /1.9m	Seal	
8	4751500	2	Flatwasher 5/16in Regular	
9	4845962	1	Cover, Rear Axle	
12	3311005	4	Locknut #10-24NC	
13	0630464	6	Screw	
14	0100011	AR	Compound, Locking	
15	0641403	4	Bolt 1/4in-20NC x 3/8 (Prior to SN 0300073793)	
16	0940036	2	Bumper, Door	
17	1670902	2	Cover, Kingpin (Prior to SN 0300073793)	
18	4711400	4	Flatwasher 1/4in Thin (Prior to SN 0300073793)	
19	1704246	1	Decal	
20	4751400	3	Flatwasher 1/4in (Regular) (SN 0300102714 through 0300138358)	
21	0100035	AR	Compound, Locking (SN 0300102714 through 0300138358)	

SECTION 1 - FRAME

FIGURE 1-10. INVERTER INSTALLATION (OPTIONAL ON E300AJ AND E300AJP)



SECTION 1 - FRAME

FIGURE 1-10. INVERTER INSTALLATION (OPTIONAL ON E300AJ AND E300AJP)

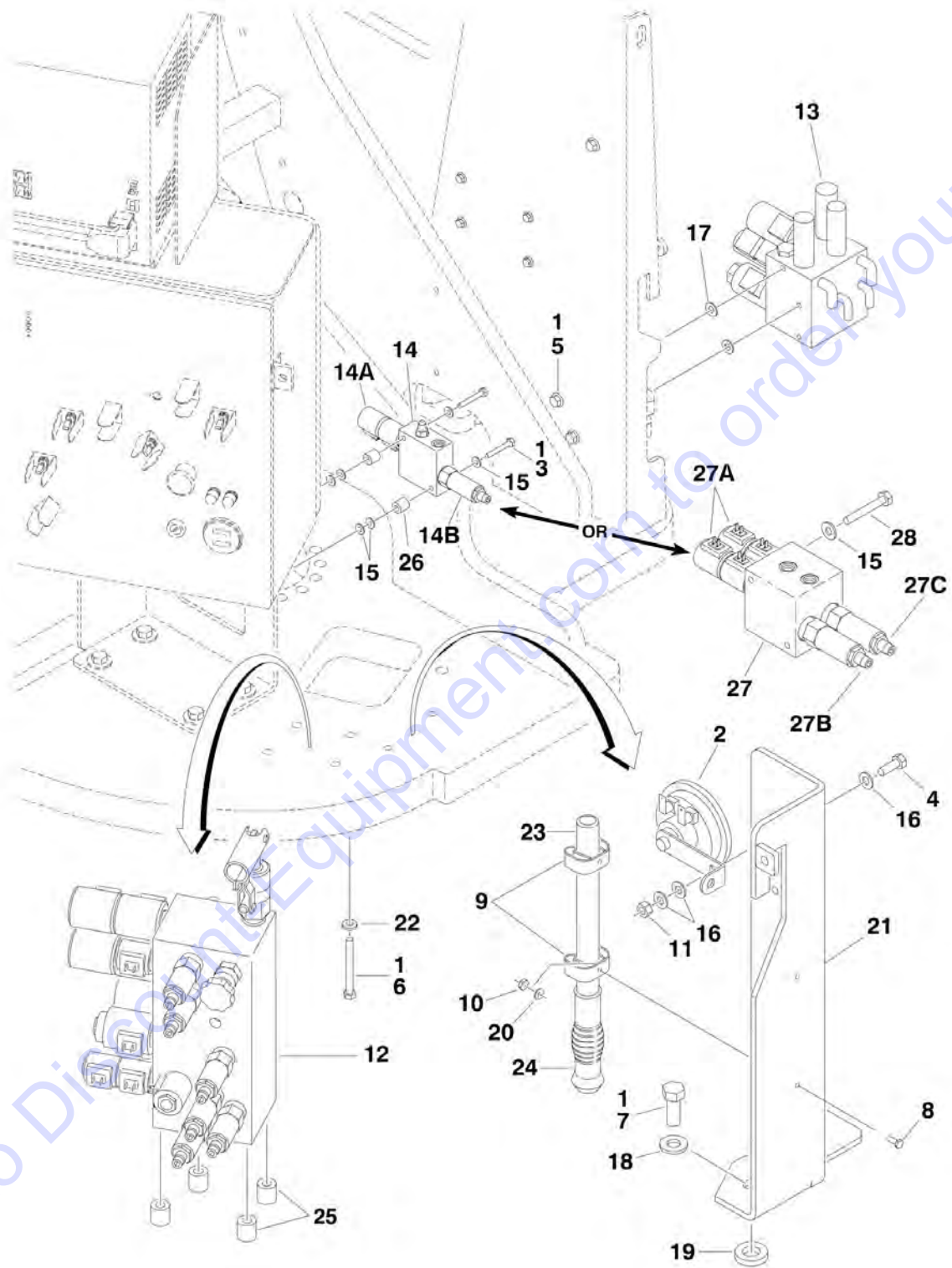
ITEM	PART NUMBER	QTY	DESCRIPTION	REV
	0259879	Ref	INVERTER INSTALLATION	G
1	0641406	8	Bolt 1/4in-20NC x 3/4in	
2		Ref	Bolt 3/8in-16NC x 1in Options:	
2	0641608	NLA	Bolt 3/8in-16NC x 1in (Use p/n 0641618) (Prior to SN 0300057318)	
2	0641618	4	Bolt 3/8in-16NC x 1in (SN 0300057318 through 0300138358)	
3	1060494	11 ft/3.4m	Cable, Electrical - 12/3	
4	1060801	1	Cable, Electrical (+)	
5	1060802	1	Cable, Electrical (-)	
6	1271463	1	Channel, Mounting	
7	1670953	1	Cover Weldment	
7A	2600103	1	Hinge (Welded on Part)	
7B	2940048	1	Latch	
8	2460023	NLA	Inverter/Generator (Use p/n 2460037)	
9	2820035	11 ft/3.4m	Loom, Expandable (Not Shown - Covers Items 4 & 5)	
10	3300353	4	Nut, Retainer	
11	3311405	4	Locknut 1/4in-20NC	
12	3311605	4	Locknut 3/8in-16NC	
14	4460134	1	Connector, Female	
15	4460138	1	Plug, Connector	
16	4460259	1	Terminal (Prior to SN 0300057318)	
17	4460260	1	Housing, Positive (Prior to SN 0300057318)	
18		Ref	Connector, Strain Relief Options:	
18	4460526	NLA	Connector, Strain Relief (Use p/n 4460426) (Prior to SN 0300057318)	
18	4460426	1	Connector, Strain Relief (SN 0300057318 through 0300138358)	
19	4751400	4	Flatwasher 1/4in	
21	4060803	8.5 in /21cm	Flex-Trim (Prior to SN 0300136647)	
22	4460035	1	Terminal, Butt 14-16 Gauge	
23	4568165	4	Tube, Spacer	

SECTION 2 - TURNTABLE

Go to Discount-Equipment.com to order your parts

SECTION 2 - TURNTABLE

FIGURE 2-1. VALVES AND HORN INSTALLATIONS



Go to DixieEquipment.com to order your parts

SECTION 2 - TURNTABLE

FIGURE 2-1. VALVES AND HORN INSTALLATIONS

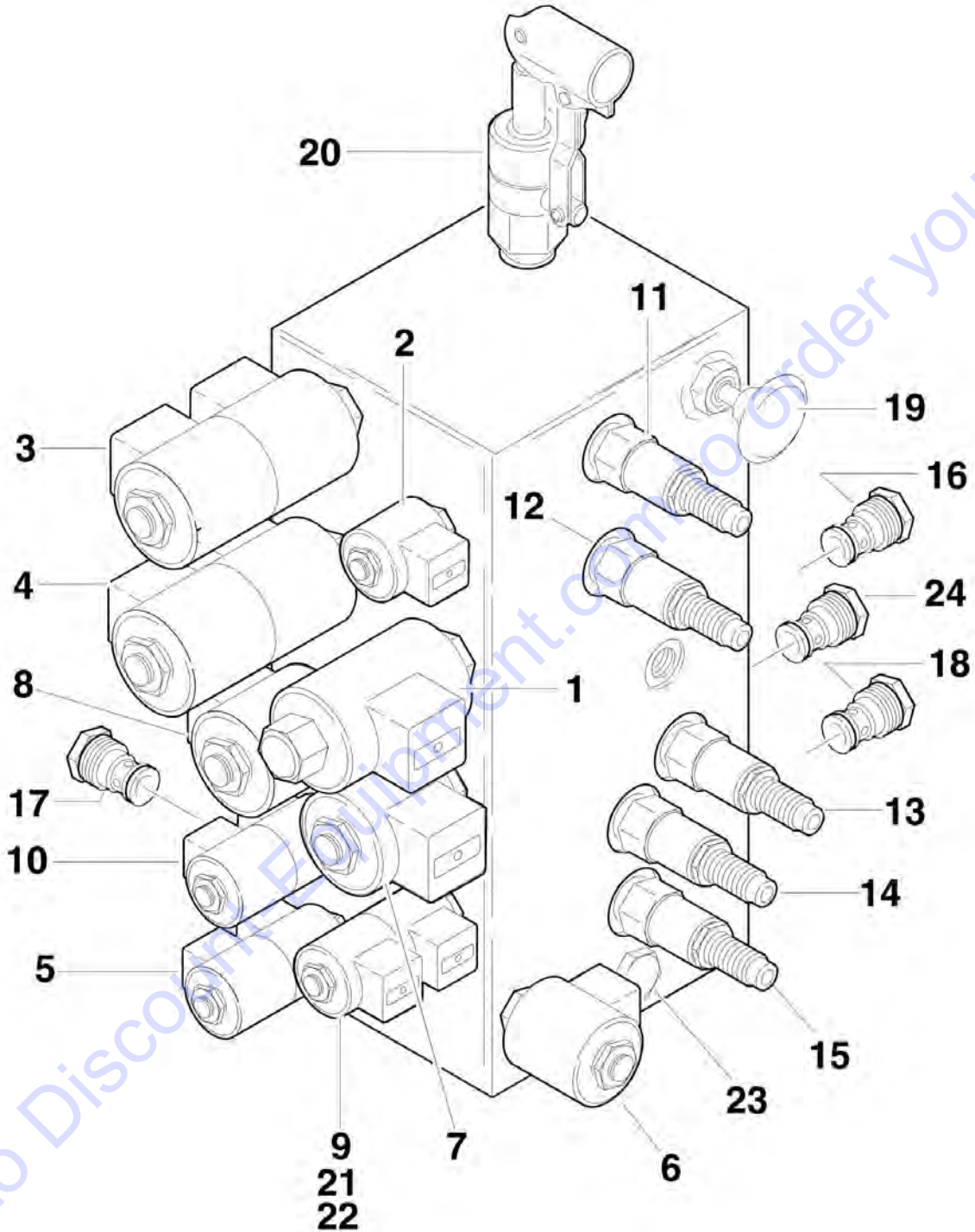
ITEM	PART NUMBER	QTY	DESCRIPTION	REV
		Ref	VALVES AND HORN INSTALLATIONS	
	0258989	Ref	Valves and Horn E300A	K
	0258990	Ref	Valves and Horn E300AJ	I
	0259505	Ref	Valves and Horn E300AJP	G
1	0100011	AR	Compound, Locking	
2	0140028	1	Horn	
3	0641414	AR	Bolt 1/4in-20NC x 1-3/4in	
4	0641507	1	Bolt 5/16in-18NC x 7/8in	
5	0641608	2	Bolt 3/8in-16NC x 1in	
6	0641628	4	Bolt 3/8in-16NC x 3-1/2in	
7	0641810	2	Bolt 1/2in-13NC x 1-1/4in	
8	0721005	2	Bolt #10-24NC x 5/8in	
9	1380136	2	Clip	
10	3311005	2	Locknut #10-24NC	
11	3311505	1	Locknut 5/16in-18NC	
12		Ref	Main Control Valve Assembly Options: (See MAIN CONTROL VALVE ASSEMBLY for Breakdown)	
12	4641110	1	Main Control Valve Assembly (Prior to SN 0300063313, Excluding 0300062845 and 0300063278)	
12	4641196	NLA	Main Control Valve Assembly (Use p/n 10011109260) (Including 0300062845 and 0300063278)	
12	4641196	NLA	Main Control Valve Assembly (Use p/n 10011109260) (SN 0300063313 through 0300127574)	
12	1001097776	1	Main Control Valve Assembly (SN 0300127575 through 0300138358)	
13		Ref	Steer/Brake Valve Assembly Options: (See STEER/BRAKE VALVE ASSEMBLY for Breakdown):	
13	4641113	NLA	Steer/Brake Valve Assembly (Use p/n 1001097506) (Prior to SN 0300050453)	
13	4641149	NLA	Steer/Brake Valve Assembly (Use p/n 1001097506) (SN 0300050453 through 0300127574)	
13	1001097506	1	Steer/Brake Valve Assembly (SN 0300127575 through 0300138358)	
14		Ref	Jib Valve Assembly Options:	
14	Not Required	0	Jib Valve Assembly E300A	
14	4641102	NLA	Jib Valve Assembly (E300AJ) (Use p/n 1001197775) (Prior to SN 0300127575)	
14	1001097775	1	Jib Valve Assembly (E300AJ) (SN 0300127575 through 0300138358)	
14	4641102	NLA	Jib Valve Assembly (E300AJ) (Use p/n 1001197775) (Prior to SN 0300047973)	
14	Not Required	0	Jib Valve Assembly (E300AJP) (Uses Item 27) (SN 0300047973 through 0300138358)	
14A	7017452	1	Cartridge without Coils	
14A	7017402	1	Seal Kit- 701452 Cartridge	
14A	7021609	2	Coil	
14B		Ref	Cartridge Options:	
14B	7017460	1	Cartridge (Prior to SN 0300127575)	
14B	7017461	1	Seal Kit 7017460 Cartridge	
14B	70002807	1	Cartridge (SN 0300127575 through 0300138358)	
14B	7021653	1	Seal Kit 70002807 Cartridge	
15	4711400	AR	Flatwasher 1/4in Thin	

SECTION 2 - TURNTABLE

ITEM	PART NUMBER	QTY	DESCRIPTION	REV
16	4711500	3	Flatwasher 5/16in Thin	
17	4711600	4	Flatwasher 3/8in Thin	
18		Ref	Flatwasher 1/2in Options:	
18	4711800	NLA	Flatwasher 1/2in (Use p/n 4891800 - Thin) (Prior to SN 0300055743)	
18	4891800	2	Flatwasher 1/2in (Hardened) (SN 0300055743 through 0300138358)	
19	4740393	2	Flatwasher, Special	
20	4751000	4	Flatwasher #10 Regular	
21	4846016	1	Hood Attachment	
22	4891600	4	Flatwasher 3/8in Hardened	
23	2560122	1	Handle	
24	2560123	1	Grip, Handle	
25	4567922	4	Spacer, Tube	
26		Ref	Spacer, Tube Options:	
26	Not Required	0	Spacer, Tube E300A & E300AJ	
26	4565256	2	Spacer, Tube E300AJP (Located between Item 14 Valves) (Prior to SN 0300047973)	
26	Not Required	0	Spacer, Tube E300AJP (SN 0300047973 through 0300138358)	
27		Ref	Jib Valve Assembly Options:	
27	Not Required	0	Jib Valve Assembly E300A & E300AJ	
27	Not Required	0	Jib Valve Assembly E300AJP (Uses Qty 2 of Item 14) (Prior to SN 0300047973)	
27	4641119	NLA	Jib Valve Assembly E300AJP (Use p/n 1001097505) (SN 0300047973 through 0300127574)	
27	1001097505	1	Jib Valve Assembly E300AJP (SN 0300127575 through 0300138358)	
27A	7017452	2	Cartridge without Coils	
27A	7017402	2	Seal Kit- 701452 Cartridge (1 Per Cartridge)	
27A	7021609	4	Coil	
27B		Ref	Cartridge Options:	
27B	7017460	1	Cartridge Used on 4641119 Valve (was p/n 7021623) (SN 0300047973 through 0300127574)	
27B	7017461	1	Seal Kit - 7021623 & 7017460 Cartridge (1 Per Cartridge)	
27B	70002807	1	Cartridge Used on 1001097505 Valve (SN 0300127575 through 0300138358)	
27B	7021653	1	Seal Kit - 70002807 Cartridge (1 Per Cartridge)	
27C		Ref	Cartridge Options:	
27C	7017460	1	Cartridge Used on 4641119 Valve (was p/n 7021623) (SN 0300047973 through 0300127574)	
27C	7017461	1	Seal Kit - 7021623 & 7017460 Cartridge (1 Per Cartridge)	
27C	70002808	1	Cartridge Used on 1001097505 Valve (SN 0300127575 through 0300138358)	
27C	7021653	2	Seal Kit - 70002808 Cartridge (1 Per Cartridge)	
28	0641426	AR	Bolt 1/4in-20NC x 3-1/4in	

SECTION 2 - TURNTABLE

FIGURE 2-2. MAIN CONTROL VALVE ASSEMBLY



SECTION 2 - TURNTABLE

FIGURE 2-2. MAIN CONTROL VALVE ASSEMBLY

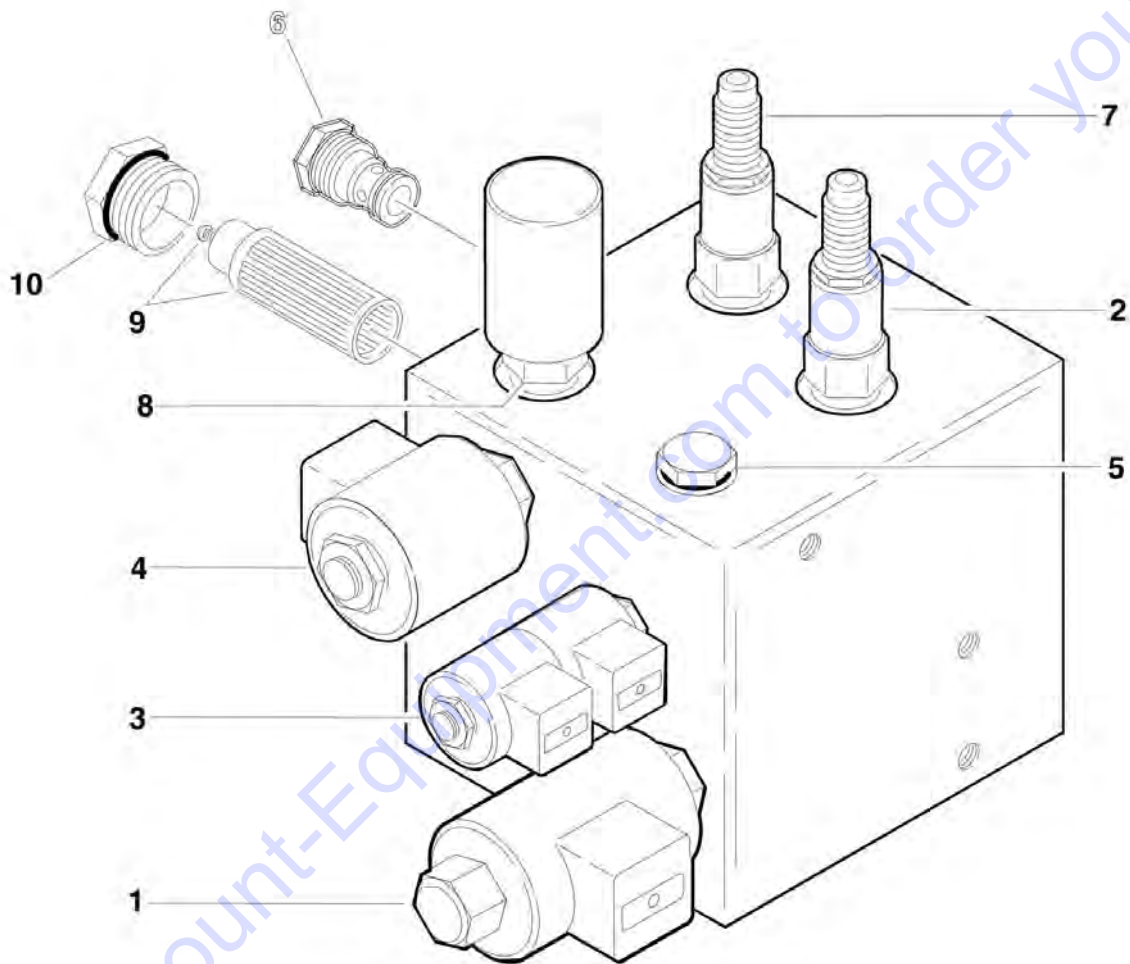
ITEM	PART NUMBER	QTY	DESCRIPTION	REV
		Ref	MAIN CONTROL VALVE ASSEMBLY OPTIONS:	
	4641110	Ref	Main Control Valve Assembly (Prior to SN 0300063313, Excluding 0300062845 and 0300063278)	C
	4641196	Ref	Main Control Valve Assembly (Including 0300062485 and 0300063278)	G
	4641196	Ref	Main Control Valve Assembly (Original Equipment) (SN 0300063313 through 0300127574)	G
	1001109260	Ref	Main Control Valve Assembly (Service Replacement for p/n 4641196) (SN 0300063313 through 0300127574)	A
	1001097776	Ref	Main Control Valve Assembly (SN 0300127575 through 0300138358)	E
		Ref	Note: Original Equipment Valve may have been replaced with Service Replacement Valve. Identify p/n stamped on valve before ordering parts.	
1	7021611	1	Cartridge without Coil (Flow Regulator)	
1	7012518	1	Seal Kit - 7021611 Cartridge	
1	7021618	1	Coil	
2	7017410	1	Cartridge without Coil (Bypass Unloading)	
2	7012967	1	Seal Kit - 7017410 Cartridge	
2	7021609	2	Coil	
3	7021603	1	Cartridge without Coil (Lift)	
3	7012903	1	Seal Kit - 7021603 Cartridge	
3	7021610	2	Coil	
4	7021603	1	Cartridge without Coil (Lift)	
4	7012903	1	Seal Kit - 7021603 Cartridge	
4	7021610	2	Coil	
5	7017433	1	Cartridge without Coil (Swing)	
5	7017402	1	Seal Kit - 7017433 Cartridge	
5	7021609	1	Coil	
6	7021604	1	Cartridge without Coil (Swing Restrictor)	
6	7012953	1	Seal Kit - 7021604 Cartridge	
6	7021609	1	Coil	
7		Ref	Cartridge without Coil (Telescope In) Options:	
7	7017479	1	Cartridge (Prior to SN 0300127575)	
7	7012995	1	Cartridge (SN 0300127575 through 0300138358)	
7	7012518	1	Seal Kit - 7017479 & 7012995 Cartridges	
7	7021610	1	Coil	
8		Ref	Cartridge without Coil (Telescope Out) Options:	
8	7017479	1	Cartridge (Prior to SN 0300127575)	
8	7022394	1	Cartridge (SN 0300127575 through 0300138358)	
8	7012518	1	Seal Kit - 7017479 & 7022394 Cartridge	
8	7021610	1	Coil	
9	7017452	1	Cartridge without Coil (Platform Level)	
9	7017402	1	Seal Kit - 7017452 Cartridge	
9	7021609	2	Coil	
10	7017452	1	Cartridge without Coil (Rotator)	
10	7017402	1	Seal Kit - 7017452 Cartridge	
10	7021609	2	Coil	
11		Ref	Cartridge Options:	
11	7017423	1	Cartridge (Lower Lift Down) (Prior to SN 0300127575)	
11	7021606	1	Cartridge (Upper Lift Down) (SN 0300127575 through	

SECTION 2 - TURNTABLE

ITEM	PART NUMBER	QTY	DESCRIPTION	REV
			0300138358)	
11	7012998	1	Seal Kit - 7017423 & 7021606 Cartridges	
12		Ref	Cartridge Options:	
12	7021606	1	Cartridge (Upper Lift Down) (Prior to SN 0300127575)	
12	7017423	1	Cartridge (Lower Lift Down) (SN 0300127575 through 0300138358)	
12	7012998	1	Seal Kit - 7017423 & 7021606 Cartridges	
13		Ref	Cartridge (Telescope) Options:	
13	7021607	1	Cartridge (Telescope) (Prior to SN 0300127575)	
13	70001875	1	Cartridge (Telescope) (SN 0300127575 through 0300138358)	
13	7012998	1	Seal Kit - 70001875 & 7021607 Cartridge	
14		Ref	Cartridge (Platform Level Backward Piston End)	
14	7017421	1	Cartridge (Prior to SN 0300127575)	
14	7017418	1	Cartridge (SN 0300127575 through 0300138358)	
14	7012998	1	Seal Kit - 7017421 & 7017418 Cartridges	
15		Ref	Cartridge (Platform Level Forward Rod End) Options:	
15	7017422	1	Cartridge (Prior to SN 0300063313)	
15	7017418	1	Cartridge (SN 0300063313 through 0300127574)	
15	7017421	1	Cartridge (SN 0300127575 through 0300138358)	
15	7012998	1	Seal Kit - 7017422, 7017421 & 7017418 Cartridges	
16	10837580	1	Cartridge (Telescope) (was p/n 7010542)	
16	7010543	1	Seal Kit - 7010542/10837580 Cartridge	
17	7012914	1	Cartridge (Platform Level Piston Side)	
17	7012918	1	Seal Kit - 7012914 Cartridge	
18		Ref	Cartridge/Plug Options:	
18	7012914	1	Cartridge (Platform Level Rod Side (Prior to SN 0300127575))	
18	7024845	1	Plug (SN 0300127575 through 0300138358)	
18	7012918	1	Seal Kit - 7012914 Cartridge	
19	7012947	1	Cartridge, (Emergency Descent)	
19	7012518	1	Seal Kit - 7012947 Cartridge	
19		Ref	Knob Options:	
19	7012949	1	Knob (Prior to SN 0300127575)	
19	7012961	1	Knob (SN 0300127575 through 0300138358)	
20	70004019	1	Pump, Manual (was p/n 7012694)	
20	2900756	1	Seal Kit - 7012694/70004019 Cartridge	
21	See Note	1	Plug, Orifice .031in (Note: Not Available for Purchase)	
22		Ref	Disc, Orifice .028in	
22	7021624	1	Orifice (Prior to SN 0300127575)	
22	See Note	1	Orifice (Note: Not Available for Purchase) (SN 0300127575 through 0300138358)	
23	7017460	1	Cartridge (Swing Relief)	
23	7017461	1	Seal Kit - 7017460 Cartridge	
24		Ref	Cartridge/Plug Options:	
24	See Note	1	Plug (Note: Not Available for Purchase) (Prior to SN 0300127575)	
24	7012914	1	Cartridge (SN 0300127575 through 0300138358)	
24	7012918	1	Seal Kit - 7012914 Cartridge	

SECTION 2 - TURNTABLE

FIGURE 2-3. STEER/BRAKE VALVE ASSEMBLY



SECTION 2 - TURNTABLE

FIGURE 2-3. STEER/BRAKE VALVE ASSEMBLY

ITEM	PART NUMBER	QTY	DESCRIPTION	REV
		Ref	STEER/BRAKE VALVE ASSEMBLY	
	4641113	Ref	Steer/Brake Valve Assembly (Prior to SN 0300050453)	B
	4641149	Ref	Steer/Brake Valve Assembly (SN 0300050453 through 0300127574)	F
	1001097506	Ref	Steer/Brake Valve Assembly (SN 0300127575 through 0300138358)	B
		Ref	Note: Original Equipment Valve may have been replaced with Service Replacement Valve. Identify p/n stamped on valve before ordering parts.	
1		Ref	Cartridge, Proportional without Coil (Flow Control) Options:	
1	7017450	1	Cartridge (Prior to SN 0300050453)	
1	7021611	1	Cartridge (SN 0300050453 through 0300138358)	
1	7012518	1	Seal Kit - 7017450/7021611 Cartridge	
1	7021618	1	Coil	
2		Ref	Cartridge, Relief (Main) Options:	
2	7012912	1	Cartridge, Relief (Main) (Prior to SN 0300050453)	
2	7021659	1	Cartridge, Relief (Main) (SN 0300050453 through 0300138358)	
2		Ref	Seal Kit - Cartridge Options:	
2	7012998	1	Seal Kit - 7012912 Cartridge (Prior to SN 0300050453)	
2	7012972	1	Seal Kit - 7021659 Cartridge (SN 0300050453 through 0300138358)	
3	7017433	1	Cartridge (Steer)	
3	7017402	1	Seal Kit - 7017433 Cartridge	
3	7021609	2	Coil	
4		Ref	Cartridge without Coil (Brake Release) Options:	
4	7017455	1	Cartridge without Coil (Brake Release) (Prior to SN 0300050453)	
4	7012941	1	Cartridge without Coil (Brake Release) (SN 0300050453 through 0300138358)	
4		Ref	Seal Kit - Cartridge Options:	
4	7017463	1	Seal Kit - 7017455 Cartridge (Prior to SN 0300050453)	
4	7010543	1	Seal Kit - 7012941 Cartridge (SN 0300050453 through 0300138358)	
4		Ref	Coil Options:	
4	7021610	1	Coil (Prior to SN 0300050453)	
4	7021609	1	Coil (SN 0300050453 through 0300138358)	
5		Ref	Cartridge, Check Options:	
5	7017412	1	Cartridge, Check (Prior to SN 0300050453)	
5	7022391	1	Cartridge, Check (SN 0300050453 through 0300138358)	
5	7012967	1	Seal Kit - 7017412 & 7022391 Cartridge	
6	7010542	1	Cartridge, Shuttle	
6	7010543	1	Seal Kit - 7010542 Cartridge	
7		Ref	Cartridge, Relief (Steer) Options:	
7	7012912	1	Cartridge, Relief (Steer) (Prior to SN 0300050453)	
7	7017428	1	Cartridge, Relief (Steer) (SN 0300050453 through 0300102542)	
7	7017488	1	Cartridge, Relief (Steer) (SN 0300102543 through 0300138358)	
7		Ref	Seal Kit - Cartridge Options:	
7	7012953	1	Seal Kit - 7012912 Cartridge (Prior to SN 0300050453)	
7	7012998	1	Seal Kit - 7017428 & 7017488 Cartridges (SN 0300050453)	

SECTION 2 - TURNTABLE

ITEM	PART NUMBER	QTY	DESCRIPTION	REV
			through 0300138358)	
8	7021619	1	Switch, Pressure	
9	7021616	1	Cartridge, Filter	
10	7024832	1	Plug	

Go to Discount-Equipment.com to order your parts

PARTS FINDER

**Search Website
by Part Number**



**Search Manual
Library For Parts
Manual & Lookup Part
Numbers – Purchase
or Request Quote**

**Can't Find Part or
Manual? Request Help
by Manufacturer,
Model & Description**

Discount-Equipment.com is your online resource for quality parts & equipment.

Florida: **561-964-4949** Outside Florida TOLL FREE: **877-690-3101**

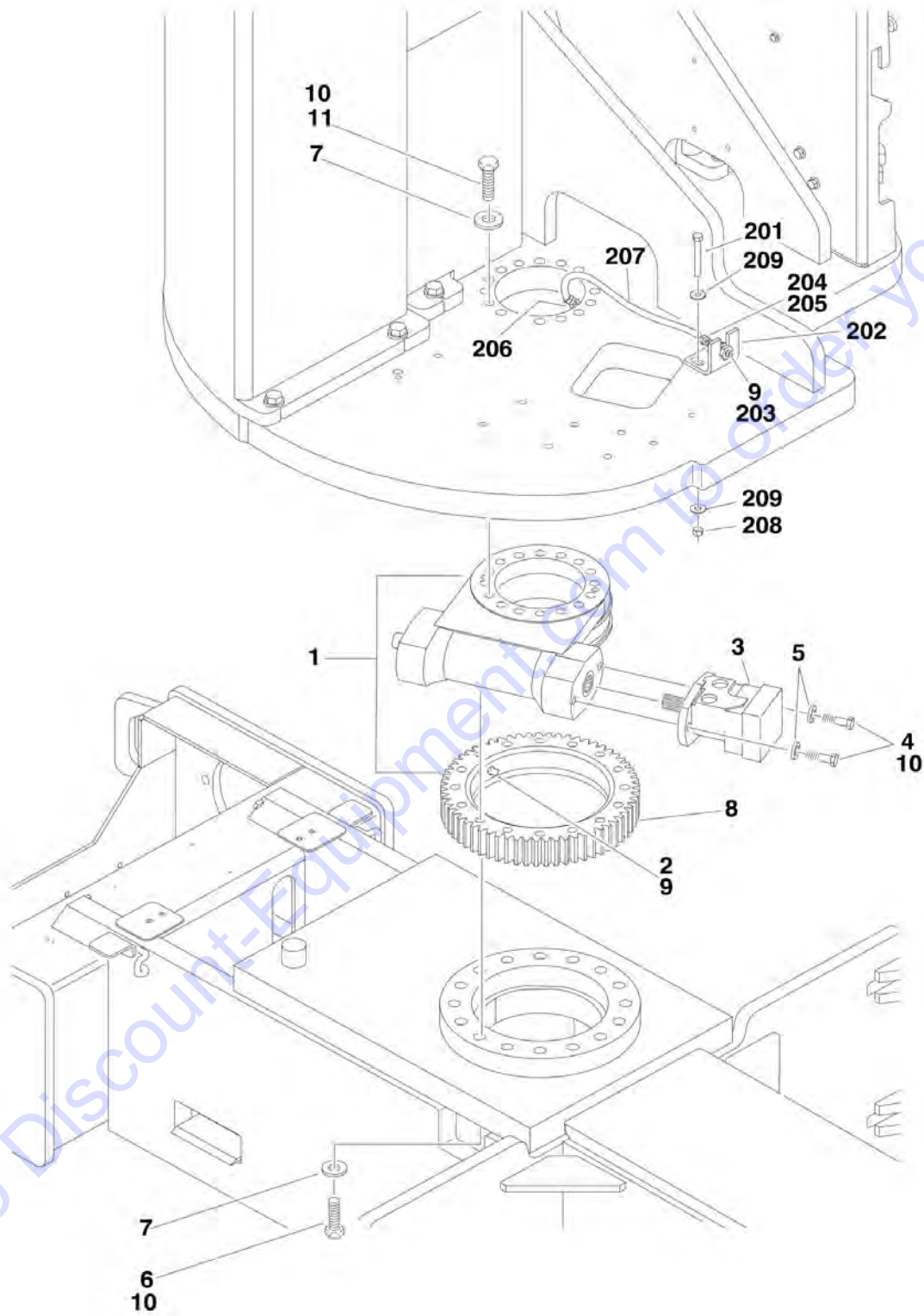
Need parts?

Click on this link: <http://www.discount-equipment.com/category/5443-parts/> and choose one of the options to help get the right parts and equipment you are looking for. Please have the machine model and serial number available in order to help us get you the correct parts. If you don't find the part on the website or on one of the online manuals, please fill out the request form and one of our experienced staff members will get back to you with a quote for the right part that your machine needs.

We sell worldwide for the brands: Genie, Terex, JLG, MultiQuip, Mikasa, Essick, Whiteman, Mayco, Toro Stone, Diamond Products, Generac Magnum, Airman, Haulotte, Barreto, Power Blanket, Nifty Lift, Atlas Copco, Chicago Pneumatic, Allmand, Miller Curber, Skyjack, Lull, Skytrak, Tsurumi, Husquvarna Target, Stow, Wacker, Sakai, Mi-T-M, Sullair, Basic, Dynapac, MBW, Weber, Bartell, Bennar Newman, Haulotte, Ditch Runner, Menegotti, Morrison, Contec, Buddy, Crown, Edco, Wyco, Bomag, Laymor, EZ Trench, Bil-Jax, F.S. Curtis, Gehl Pavers, Heli, Honda, ICS/PowerGrit, IHI, Partner, Imer, Clipper, MMD, Koshin, Rice, CH&E, General Equipment, Amida, Coleman, NAC, Gradall, Square Shooter, Kent, Stanley, Tamco, Toku, Hatz, Kohler, Robin, Wisconsin, Northrock, Oztec, Toker TK, Rol-Air, APT, Wylie, Ingersoll Rand / Doosan, Innovatech, Con X, Ammann, Mecalac, Makinex, Smith Surface Prep, Small Line, Wanco, Yanmar

SECTION 2 - TURNTABLE

FIGURE 2-4. TURNTABLE BEARING AND SWING DRIVE INSTALLATION



SECTION 2 - TURNTABLE

FIGURE 2-4. TURNTABLE BEARING AND SWING DRIVE INSTALLATION

ITEM	PART NUMBER	QTY	DESCRIPTION	REV
	0258987	Ref	TURNTABLE BEARING AND SWING INSTALLATION	10
1		Ref	Bearing/Worm Assembly Options (See SWING BEARING ASSEMBLY for Breakdown):	
1	0440202	NLA	Bearing/Worm Assembly (Use p/n 0440338) (Prior to SN 0300097889)	
1	0440338	1	Bearing/Worm Assembly (SN 0300097889 through 0300138358)	
2	2160003	1	Fitting, Elbow	
3		Ref	Swing Motor Assembly	
3	3160182	1	Swing Motor (Kit includes p/n 1001104851 motor and mounting hardware) (Use p/n 1001105456 - See SWING MOTOR ASSEMBLY (WHITE ROLLER STATOR) for Breakdown) (Prior to SN 0300135648)	
3	1001104851	1	Swing Motor (See SWING MOTOR ASSEMBLY (PARKER) for Breakdown) (SN 0300135648 through 0300138358)	
4		Ref	Bolt 1/2in-13NC Options:	
4	0681814	2	Bolt 1/2in-13NC x 1-7/8in (Grade 8) (Prior to SN 0300099082)	
4	0681816	2	Bolt 1/2in-13NC x 2in (Grade 8) (SN 0300099082 through 03000135647)	
4	3931832	2	Bolt 1/2in-13NC (Socket Head Capscrew) (SN 0300135648 through 0300138358)	
5	4740171	2	Washer, Hardened	
6		Ref	Bolt Options:	
6	0682036	16	Bolt 5/8in-11NC x 4-1/2in (Grade 8)	
6	0682040	16	Bolt 5/8in-11NC x 5in (Grade 8)	
7	4892000	32	Washer, Hardened	
8	3020036	AR	Lube	
9	3020029	AR	Grease	
10	0100019	AR	Compound, Locking	
11	0682036	16	Bolt 5/8in-11NC x 4-1/2in (Grade 8)	
	0259005	Ref	REMOTE BEARING LUBE INSTALLATIONS	A
201	0641624	1	Bolt 3/16in-16NC x 3in	
202	0902520	1	Bracket	
203	2160002	1	Fitting, Grease	
204	2180344	1	Fitting, Bulkhead	
205	2220001	1	Fitting, Straight	
206	2220124	1	Fitting, Elbow	
207	2750529	1	Hose	
208	3311605	1	Locknut 3/8in-16NC	
209	4751600	2	Flatwasher 3/8in Regular	

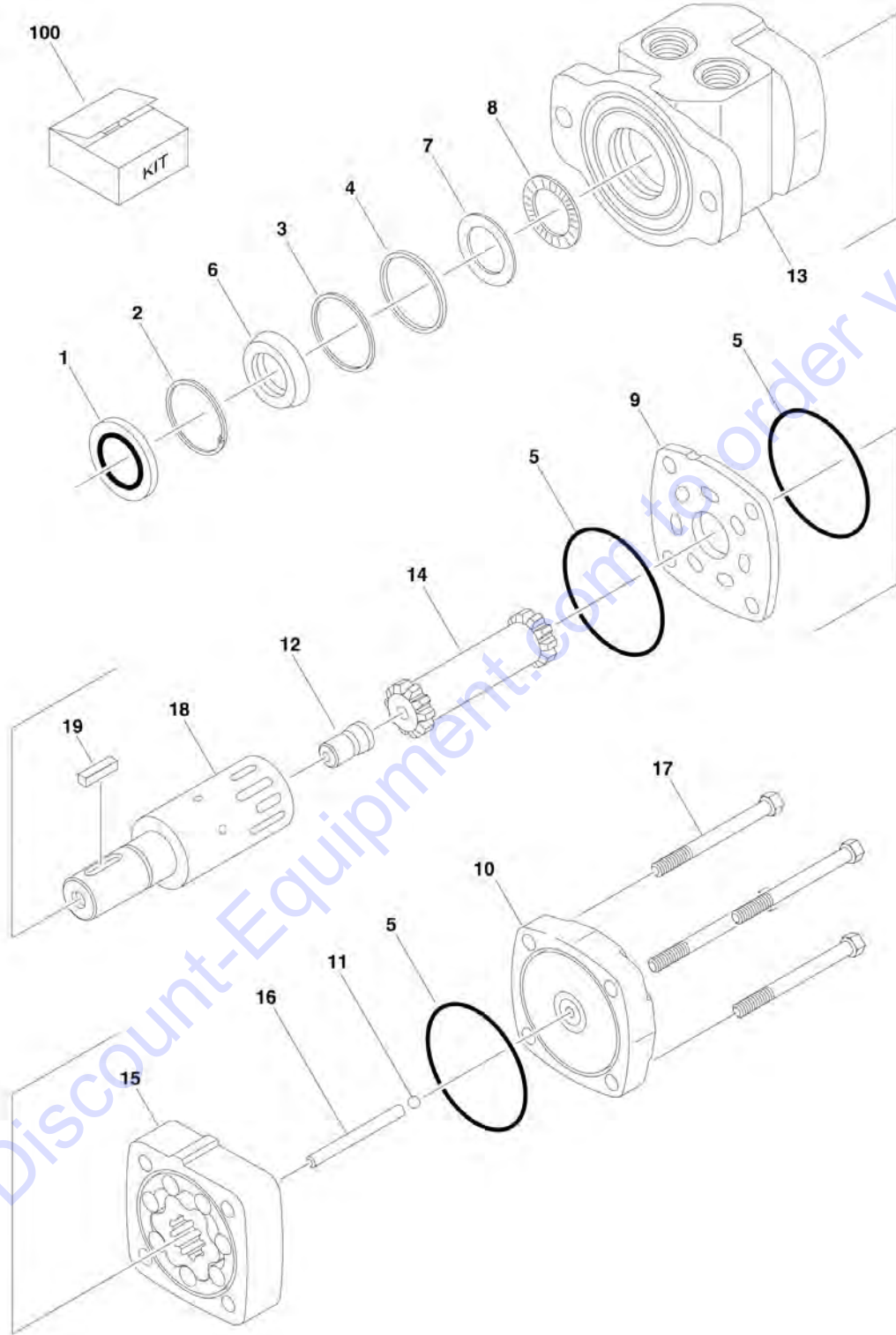
SECTION 2 - TURNTABLE

FIGURE 2-5. SWING BEARING ASSEMBLY

ITEM	PART NUMBER	QTY	DESCRIPTION	REV
		Ref	Note: Original Equipment Swing Bearing may have been replaced with Service Replacement Swing Bearing. Visually identify component before ordering parts.	
	0440202	Ref	SWING BEARING ASSEMBLY (ORIGINAL EQUIPMENT)	E
		Ref	Note: Items 1-6 are the only service components available.	
1	7012584	1	Bearing, Turntable	
2	7012585	1	Swing Rotation Box Assembly	
2A	7012654	1	Seal, Outer - Capped End (1.75 OD)	
2A	7016676	1	Seal, Outer - Capped End (2.063 OD)	
2B	7012655	1	Seal, Outer - Motor End	
2C	7016682	1	Shims Kit	
2D	7023484	1	Cap, End	
2E	7027730	2	Seal, Inner	
3	3931414	2	Bolt, Socket Head 1/4in-20NC	
4	4761400	2	Lockwasher 1/4in	
5		Ref	Fitting Options:	
5	2160001	AR	Fitting, Grease	
5	See Note	AR	Plug (Note: Not Available for Purchase)	
6	See Note	2	Fitting, Grease (Note: See TURNTABLE AND SWING DRIVE INSTALLATION)	
	0440338	Ref	SWING BEARING ASSEMBLY (SERVICE REPLACEMENT)	C
101	7026042	2	Cup, Bearing	
101	7026043	2	Cone, Bearing	
102	7027356	1	Adapter, Motor	
103	7027361	2	Seal	
104	7027354	1	Cap, End	
105	70000864	2	Bolt, 1/4in-20 x 1-1/8in	
106	0641812	2	Bolt, 1/2in-13 x 1-1/2in	
107	70000865	1	Plug	
108	7027360	1	Seal	
109	See Note	2	Fitting, Grease (Note: See TURNTABLE AND SWING DRIVE INSTALLATION)	
110	7027358	2	Fitting, Grease	
111	0440338	1	Housing (Note: Not Available for Purchase)	
112	4891400	2	Flatwasher, 1/4in Hardened	
113	70000866	1	Gear, Worm	
114	1001104629	1	Ring Gear Kit (was p/n 70000867) (Kit Includes Ring Gear and Mounting Hardware)	
115	7027352	AR	Gasket, .010 (Brown)	
116	7027351	AR	Gasket, .0075 (Clear)	
117	7027350	AR	Gasket, .005 (Blue)	
118	7027353	1	Gasket, .020 (Yellow)	

SECTION 2 - TURNTABLE

FIGURE 2-6. SWING MOTOR ASSEMBLY (WHITE ROLLER STATOR)



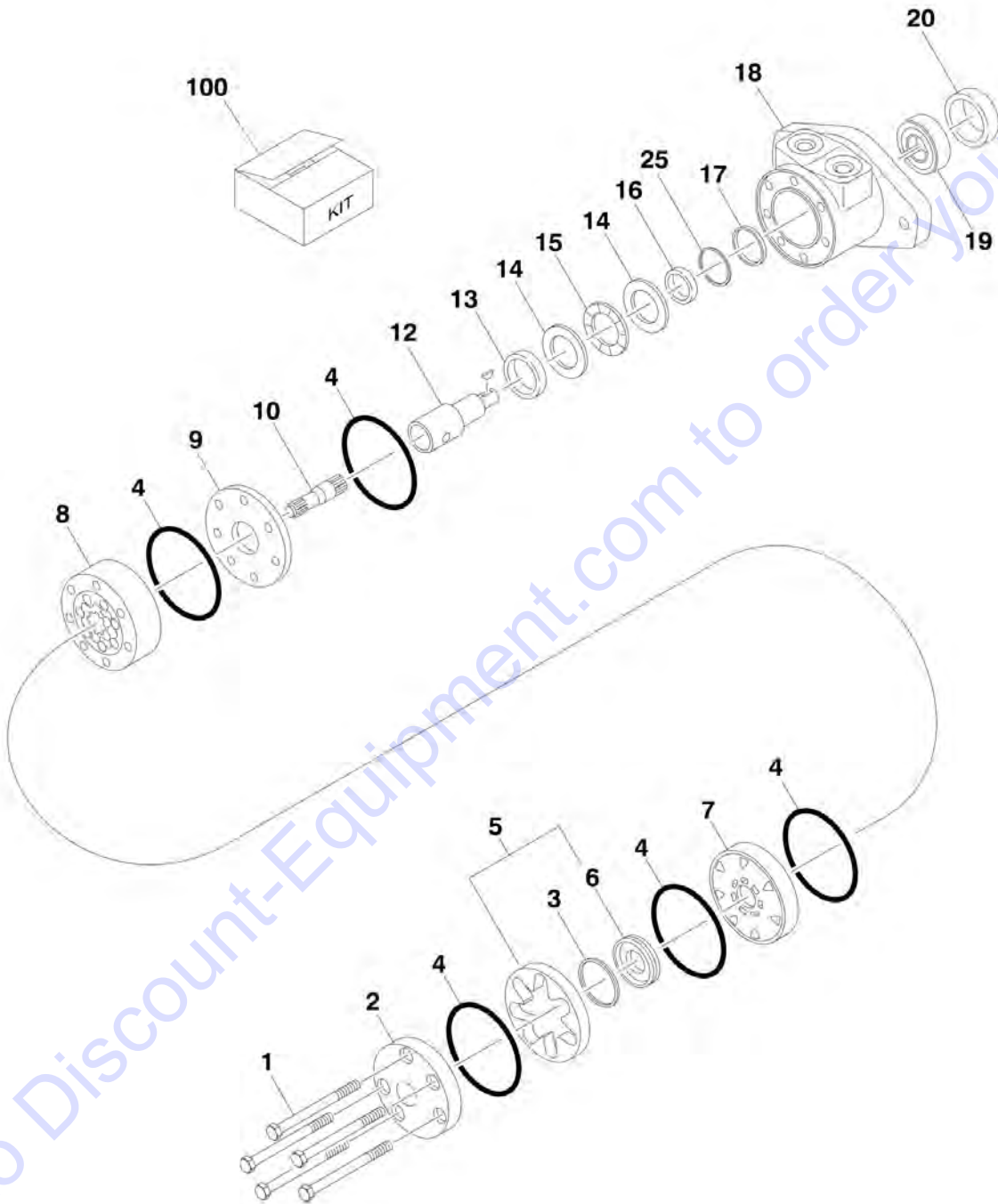
SECTION 2 - TURNTABLE

FIGURE 2-6. SWING MOTOR ASSEMBLY (WHITE ROLLER STATOR)

ITEM	PART NUMBER	QTY	DESCRIPTION	REV
	3160182	Ref	SWING MOTOR ASSEMBLY	D
1	See Note	NSS	Seal, Dust (Note: Use Item 100)	
2	See Note	NSS	Ring, Retainer (Note: Use Item 100)	
3	See Note	NSS	Shim, Back-up (Note: Use Item 100)	
4	See Note	NSS	Seal, Housing (Note: Use Item 100)	
5	See Note	NSS	Seal, Body (Note: Use Item 100)	
6	See Note	NSS	Seal, Shaft (Note: Use Item 100)	
6	See Note	NSS	Ring, Teflon Back-up (Note: Use Item 100)	
6	See Note	NSS	Shim, Back-up (Note: Use Item 100)	
7	7016417	1	Thrustwasher	
8	7005809	1	Bearing, Thrust	
9	7005812	1	Plate, Wear	
10	7005874	1	Cover, End	
11	See Note	AR	Ball (Part of Item 10) (Note: Not Available for Purchase)	
12	7005876	1	Plug, Cooling	
13	7005804	1	Housing	
14	7005811	1	Link, Drive	
15	7005877	1	Rotor Set Assembly	
16	7005878	AR	Pin, Drive Link	
17	7005821	4	Bolt	
18	7005879	1	Shaft	
19	7005880	1	Key	
100	7005881	1	Seal Kit (Includes Items 1-6)	

SECTION 2 - TURNTABLE

FIGURE 2-7. SWING MOTOR ASSEMBLY (PARKER)



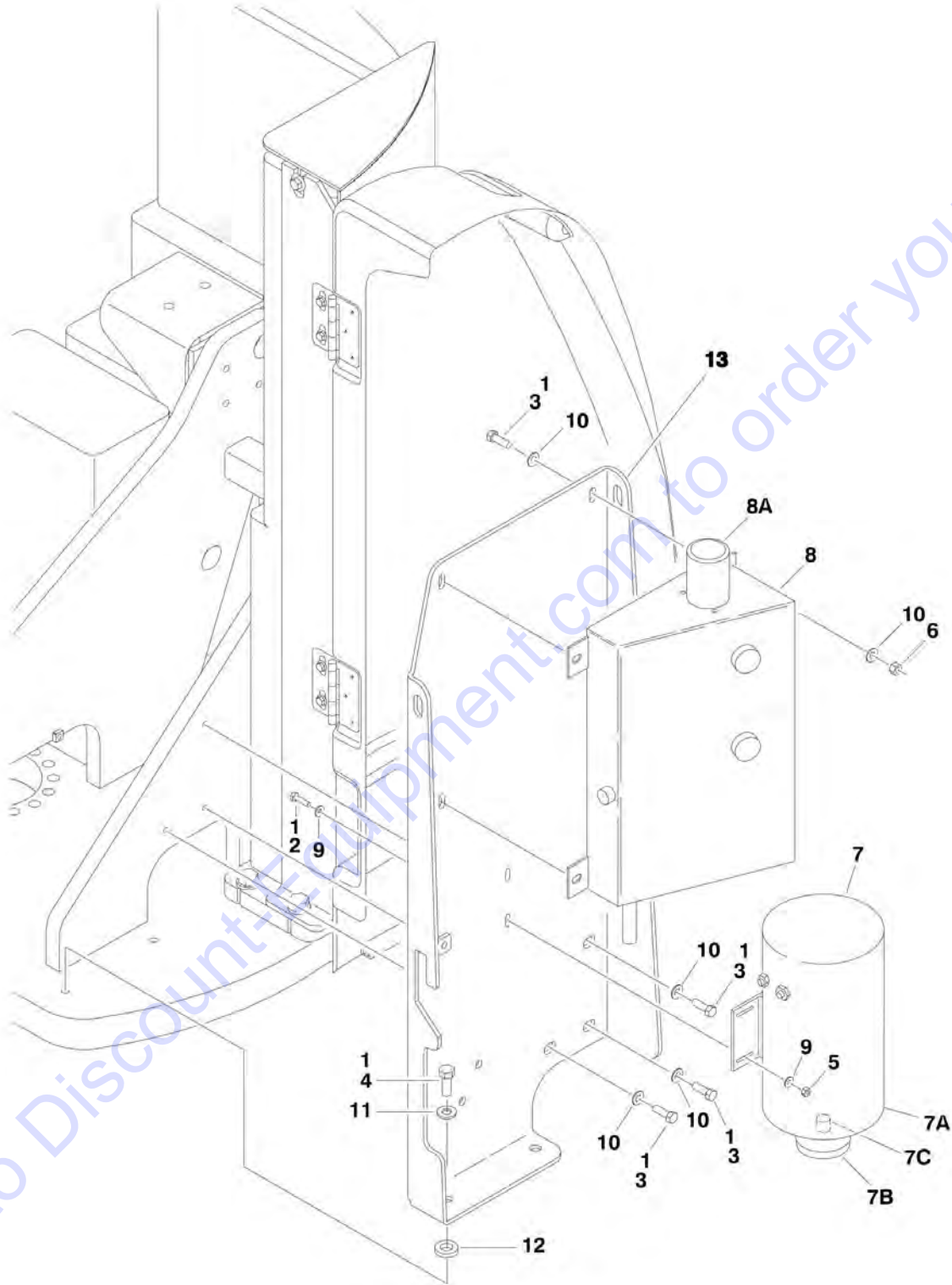
SECTION 2 - TURNTABLE

FIGURE 2-7. SWING MOTOR ASSEMBLY (PARKER)

ITEM	PART NUMBER	QTY	DESCRIPTION	REV
	1001104851	Ref	SWING MOTOR ASSEMBLY (PARKER)	A
1	70002243	5	Bolt	
2	7004035	1	Cover, End	
3	See Note	NSS	Seal, Commutator (Note: Use Item 100)	
4	See Note	NSS	Seal, Ring (Note: Use Item 100)	
5	7024453	1	Commutator and Ring Assembly	
6	7024453	1	Ring	
7	7024379	1	Manifold	
8	70002208	1	Rotor Set	
9	7024380	1	Plate, Wear	
10	83304150	1	Link, Drive	
12	70000088	1	Shaft, Coupling	
12	70000089	1	Key, Woodruff	
13	7024381	1	Bushing, Bronze	
14	7004043	2	Thrustwasher	
15	7004044	1	Bearing, Thrust	
16	See Note	NSS	Seal, Inner (Note: Use Item 100)	
17	See Note	NSS	Washer, Back-up (Note: Use Item 100)	
18	1001104851	1	Housing (Note: Not Available for Purchase)	
19	7024390	1	Bearing	
20	See Note	NSS	Seal (Note: Use Item 100)	
25	See Note	NSS	Washer, Back-up (Note: Use Item 100)	
100	7024389	1	Seal Kit (Includes Items 3, 4, 16, 17, 20 & 25)	

SECTION 2 - TURNTABLE

FIGURE 2-8. PUMP, MOTOR AND TANK INSTALLATION



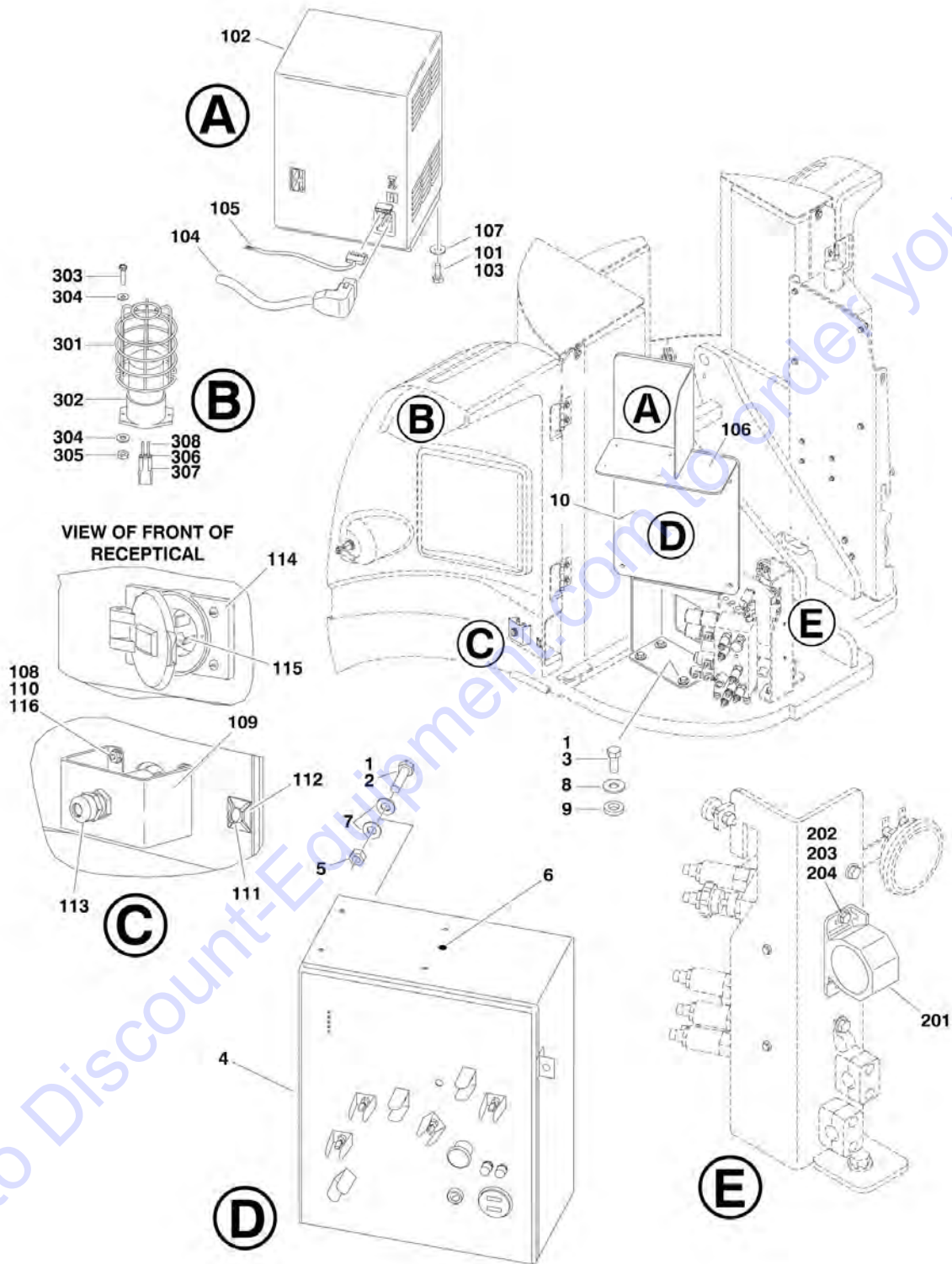
SECTION 2 - TURNTABLE

FIGURE 2-8. PUMP, MOTOR AND TANK INSTALLATION

ITEM	PART NUMBER	QTY	DESCRIPTION	REV
		Ref	PUMP, MOTOR AND TANK INSTALLATION OPTIONS:	
	0258983	Ref	Pump, Motor and Tank Installation ANSI Spec	G
	0258983	Ref	Pump, Motor and Tank Installation UL Spec (Prior to SN 0300035281)	G
	0270375	Ref	Pump, Motor and Tank Installation UL Spec (SN 0300035281 through 0300138358)	B
1	0100011	AR	Compound, Locking	
2	0641408	4	Bolt 1/4in-20NC x 1in	
3	0641609	7	Bolt 3/8in-16NC x 1-1/8in	
4	0641810	2	Bolt 1/2in-13NC x 1-1/4in	
5	3311401	4	Nut 1/4in-20NC	
6	3311601	4	Nut 3/8in-16NC	
	3600289	1	Pump/Motor Assembly (Use p/n 3600302)	
7A		Ref	Motor Assembly Options:	
7A	7021318	1	Motor Assembly (Prior to SN 0300047082)	
7A	7021360	1	Motor Assembly (SN 0300047082 through 0300138358)	
7A		Ref	Brush Kit Options:	
7A	7021368	1	Brush Kit (Prior to SN 0300047082)	
7A	7021361	1	Brush Kit (SN 0300047082 through 0300138358)	
7A	7022526	1	Seal, Shaft	
7B	7021319	1	Pump Assembly	
7B	7021377	1	Seal Kit	
7C	7021367	1	Coupling	
8	4400419	1	Tank, Hydraulic	
8A	7021320	1	Cap	
9		Ref	Flatwasher Options:	
9	4711400	8	Flatwasher (Prior to SN 0300100059)	
9	4751400	8	Flatwasher (SN 0300100059 through 0300138358)	
10	4711600	AR	Flatwasher 3/8in Narrow	
11		Ref	Flatwasher 1/2in Narrow Options:	
11	4711800	NLA	Flatwasher 1/2in Thin (Use p/n 4891800) (Prior to SN 030055743)	
11	4891800	2	Flatwasher 1/2in Thin (SN 0300055743 through 0300138358)	
12	4740393	13	Flatwasher Hardened	
13	4846022	1	Plate, Mounting	
17	4891600	3	Flatwasher, 3/8in Hardened (SN 0300100059 through 0300138358)	

SECTION 2 - TURNTABLE

FIGURE 2-9. ELECTRICAL COMPONENTS INSTALLATION



SECTION 2 - TURNTABLE

FIGURE 2-9. ELECTRICAL COMPONENTS INSTALLATION

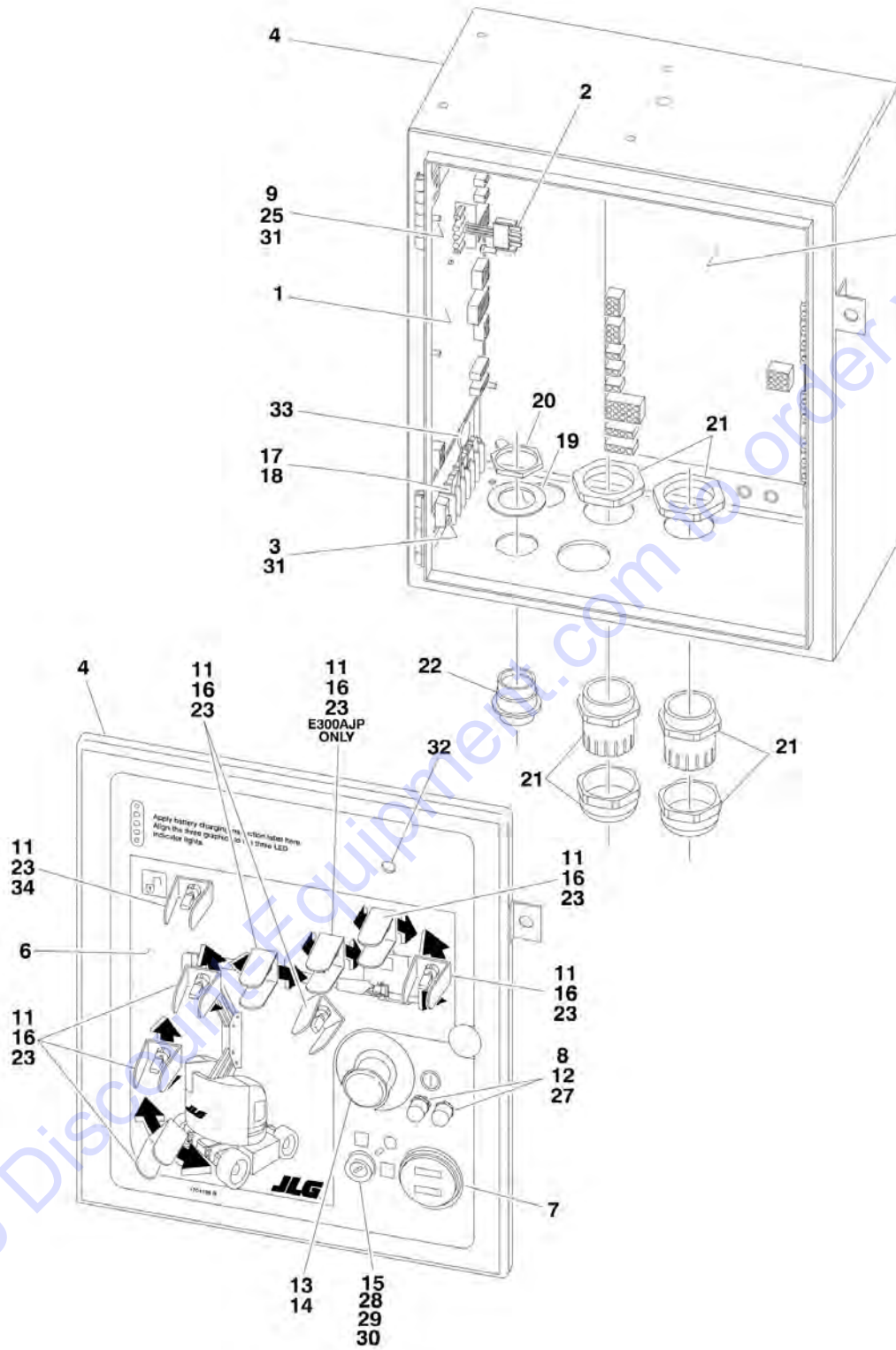
ITEM	PART NUMBER	QTY	DESCRIPTION	REV
		Ref	GROUND CONTROL BOX INSTALLATIONS	
	0258958	Ref	Ground Control Box Installations E300A	C
	0259002	Ref	Ground Control Box Installations E300AJ	E
	0259247	Ref	Ground Control Box Installations E300AJP	D
1	0100011	AR	Compound, Locking	
2	0641510	6	Bolt 5/16in-18NC x 1-1/4in	
3	0641810	4	Bolt 1/2in-13NC x 1-1/4in	
4		Ref	Ground Control Box Assemblies Options (See GROUND CONTROL BOX ASSEMBLY for Breakdown):	
4	0861265	1	Ground Control Box Assemblies E300A	
4		Ref	Ground Control Box Assemblies E300AJ	
4	0861268	1	Ground Control Box Assemblies (Prior to SN 0300099776)	
4	1810128	1	Ground Control Box Assemblies (SN 0300099776 through 0300138358)	
4		Ref	Ground Control Box Assemblies E300AJP	
4	0861290	1	Ground Control Box Assemblies (Prior to SN 0300099776)	
4	1810131	1	Ground Control Box Assemblies (SN 0300099776 through 0300138358)	
5	3311501	6	Nut 5/16in-18NC	
6	3520028	1	Plug, Hole	
7	4711500	12	Flatwasher 5/16in Thin	
8	4711800	4	Flatwasher 1/2in Thin	
9	4740393	4	Flatwasher, Special	
10	4845964	1	Support	
		Ref	BATTERY CHARGER INSTALLATIONS	
	0259046	Ref	110V/60Hz (ANSI Spec)	G
	0259047	Ref	110-230V/50-60Hz (ANSI Export Spec Option)	C
	0259048	Ref	250V/50Hz (ANSI Export Spec Option)	C
	0259049	Ref	100V/50-60Hz (Japanese Spec)	E
101	0100011	AR	Compound, Locking	
102		Ref	Battery Charger Assembly Options (See BATTERY CHARGER ASSEMBLY for Breakdown):	
102	0400188	1	110V/60Hz (ANSI Spec)	
102	0400190	1	110-230V/50-60Hz (ANSI Export Spec Option)	
102	0400191	1	250V/50Hz (ANSI Export Spec Option)	
102	0400189	1	100V/50-60Hz (Japanese Spec)	
103	0641406	4	Bolt 1/4in-20NC x 3/4in	
104		Ref	Cable, Battery Options:	
104	1060751	1	110V/60Hz (ANSI Spec)	
104	1060759	1	110-230V/50-60Hz (ANSI Export Spec Option)	
104	1060759	1	250V/50Hz (ANSI Export Spec Option)	
104	1060751	1	100V/50-60Hz (Japanese Spec)	
105	1060753	1	Cable, Remote	
106	3571492	1	Plate, Mounting	
107	4751400	4	Flatwasher 1/4in Regular	
108	3311005	4	Locknut #10-24NC	
109		Ref	Plate, Mounting Options:	
109	Not Required	0	110V/60Hz (ANSI Spec)	
109	3571584	1	110-230V/50-60Hz (ANSI Export Spec Option)	
109	3571584	1	250V/50Hz (ANSI Export Spec Option)	

SECTION 2 - TURNTABLE

ITEM	PART NUMBER	QTY	DESCRIPTION	REV
109	Not Required	0	100V/50-60Hz (Japanese Spec)	
110	3911016	4	Screw #10-24NC x 1in	
111	4240032	1	Tie, Wire	
112	4460234	1	Tie-Strap	
113		Ref	Connector, Strain Relief Options:	
113	Not Required	0	110V/60Hz (ANSI Spec)	
113	4460428	1	110-230V/50-60Hz (ANSI Export Spec Option)	
113	4460428	1	250V/50Hz (ANSI Export Spec Option)	
113	Not Required	0	100V/50-60Hz (Japanese Spec)	
114	4460802	1	Terminal and Cover	
115		Ref	Plug Options:	
115	4460803	1	110V/60Hz (ANSI Spec)	
115	See Note	1	110-230V/50-60Hz (ANSI Export Spec Option) (Note: Not Available - Purchase Locally)	
115	4460805	1	250V/50Hz (ANSI Export Spec Option)	
115	4460803	1	100V/50-60Hz (Japanese Spec)	
116	4751000	4	Flatwasher #10 Regular	
		Ref	ALARM INSTALLATIONS	
	0259041	Ref	All Specs except Japanese	A
	0259415	Ref	Japanese Specs	A
201		Ref	Alarm, Motion Options:	
201	0140031	1	All Specs except Japanese	
201	0140033	1	Japanese Specs	
202	0641406	2	Bolt 1/4in-20NC x 3/4in	
203	3311405	2	Locknut 1/4in-20NC	
204	4711400	4	Flatwasher 1/4in Thin	
	0259043	Ref	STROBE LIGHT INSTALLATION (AMBER) (OPTIONAL)	B
		Ref	Note: If machine is equipped with Blue Strobe Light, See SPECIAL OPTIONS SECTION SkyGuard Kit.	
301	4060865	1	Guard, Strobe	
302	2920146	1	Light, Strobe	
302	7016319	1	Bulb, Light	
302	7016372	1	Lens	
303	0721008	2	Bolt #10-24NC x 1in	
304	3311005	2	Locknut #10-24NC	
305	4751000	4	Flatwasher #10 Regular	
306	4460424	1	Terminal, 2 Position	
307	4460226	2	Socket Contact	
308	2820035	0.33 ft /.1m	1/4 Expandable Loom	

SECTION 2 - TURNTABLE

FIGURE 2-10. GROUND CONTROL BOX ASSEMBLY



SECTION 2 - TURNTABLE

FIGURE 2-10. GROUND CONTROL BOX ASSEMBLY

ITEM	PART NUMBER	QTY	DESCRIPTION	REV
		Ref	GROUND CONTROL BOX ASSEMBLIES	
		Ref	Ground Control Box Assemblies E300A	
	0861265	Ref	Ground Control Box Assemblies (Prior to SN 0300099776)	I
	1810128	Ref	Ground Control Box Assemblies (SN 0300099776 through 0300138358)	C
	0861268	Ref	Ground Control Box Assemblies E300AJ	H
		Ref	Ground Control Box Assemblies E300AJP	
	0861290	Ref	Ground Control Box Assemblies (Prior to SN 0300099776)	I
	1810131	Ref	Ground Control Box Assemblies (SN 0300099776 through 0300138358)	C
1		Ref	Module, Control Options:	
		Ref	Note: Reclibration Required when Replaced.	
1	0610129	NLA	Module Control (Use p/n 1001109497) (Prior to SN 0300059838)	
1	0610139	NLA	Module Control (Use p/n 1001109497) (SN 0300059838 through 0300072453)	
	0610166	NLA	Module Control (Use p/n 1001109497) (SN 0300072454 through 0300138358)	
2	0610131	1	LED, Battery Charger	
3	0731005	1	Bolt #10-24NC x 5/8in	
4	0861253	1	Box	
5	1600292	1	Module, Power	
		Ref	Note: Reclibration Required when Replaced.	
6		Ref	Decal Options:	
6	1704196	1	Decal E300A	
6		Ref	Decal E300AJ	
6	1704197	NLA	Decal (Use p/n 1705737) (Prior to SN 0300099776)	
6	1707012	1	Decal (SN 0300099776 through 0300138358)	
6		Ref	Decal E300AJP	
6	1704266	NLA	Decal (Use p/n 1705738) (Prior to SN 0300099776)	
6	1706934	1	Decal (SN 0300099776 through 0300138358)	
7	2420106	1	Gauge	
8	3300396	2	Cover	
9	3310601	6	Nut #6-32NC	
10	3311501	4	Locknut 5/16in-18NC	
11	4060906	AR	Guard, Switch	
12	4360070	2	Breaker, Circuit-10AMP	
13	4360476	Ref	Contact	
13	4360476	2	Contact E300A	
13	4360476	1	Contact E300AJ & E300AJP	
14	4360475	1	Switch, Emergency Stop	
14	7020175	1	Mushroom Head	
14	7020176	1	Contact	
15	4360469	1	Keyswitch	
15	2860030	AR	Key, Replacement (Set of 2) (was p/n 7020174)	
16	4360328	AR	Switch, Toggle	
17	4460007	1	Bar, Buss	
18	4460264	2	Jumper	
19	4460496	1	Lockwasher, Terminal	
20	4460497	1	Nut, Terminal	
21	4460526	2	Connector, Strain Relief	

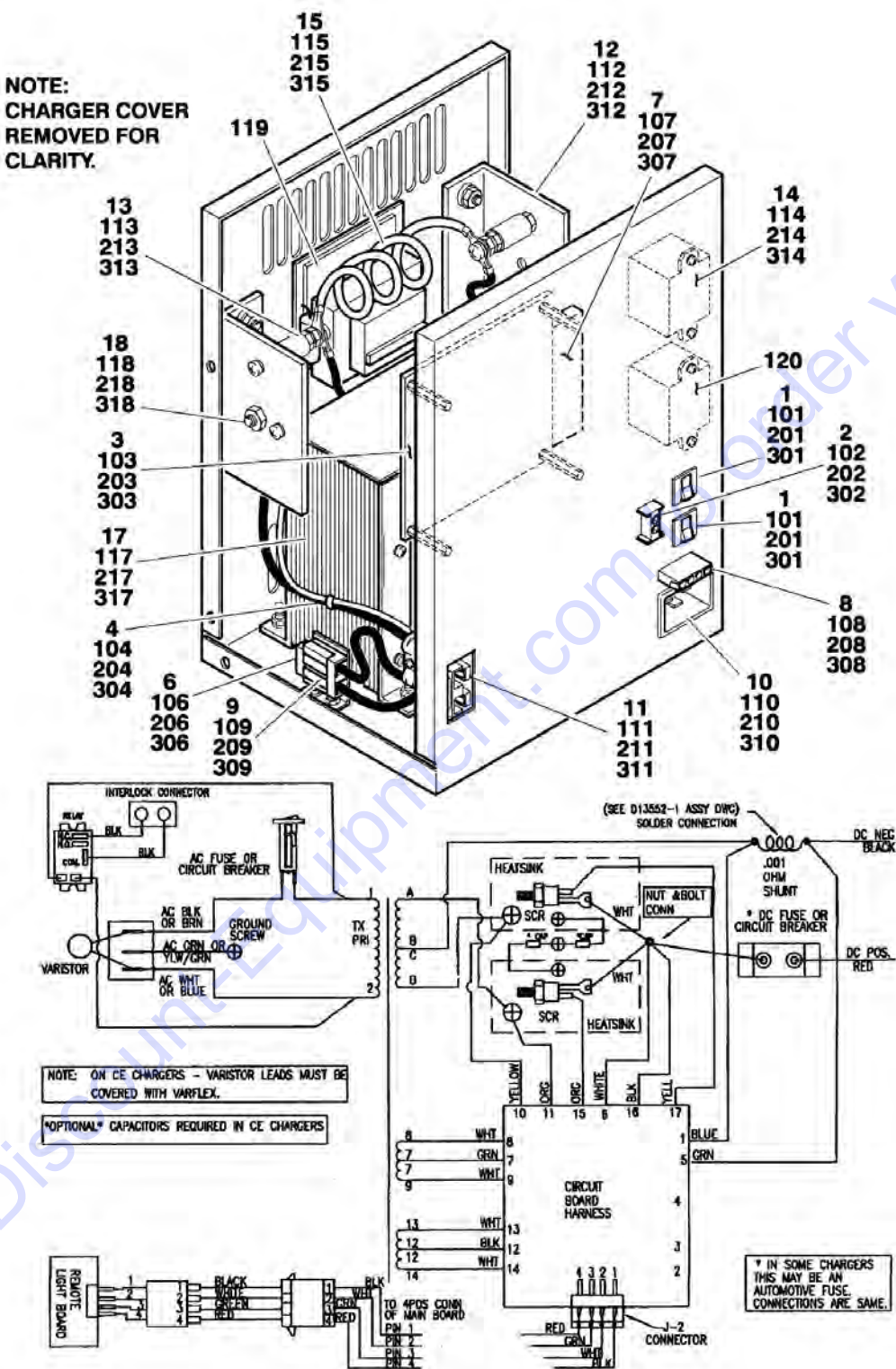
SECTION 2 - TURNTABLE

ITEM	PART NUMBER	QTY	DESCRIPTION	REV
22	4460752	1	Connector - 14 Position	
23	4740420	AR	Washer, O-Ring	
24	4711500	4	Flatwasher 5/16in Narrow	
25	4760600	6	Flatwasher #6	
27	3790012	2	O-Ring	
28	3910804	6	Bolt #8-32NC x 1/4in	
29	4070987	1	Spacer, Plastic	
30	4070991	1	Spacer, Plastic	
31	0100035	AR	Compound, Locking	
32	3520028	1	Plug (SN 0300075534 through 0300138358)	
33	3990106	1	Limiter, Inrush	
34	4360330	1	Switch, Toggle (SN 0300099776 through 0300138358)	

Go to Discount-Equipment.com to order your parts

SECTION 2 - TURNTABLE

FIGURE 2-11. BATTERY CHARGER ASSEMBLY



SECTION 2 - TURNTABLE

FIGURE 2-11. BATTERY CHARGER ASSEMBLY

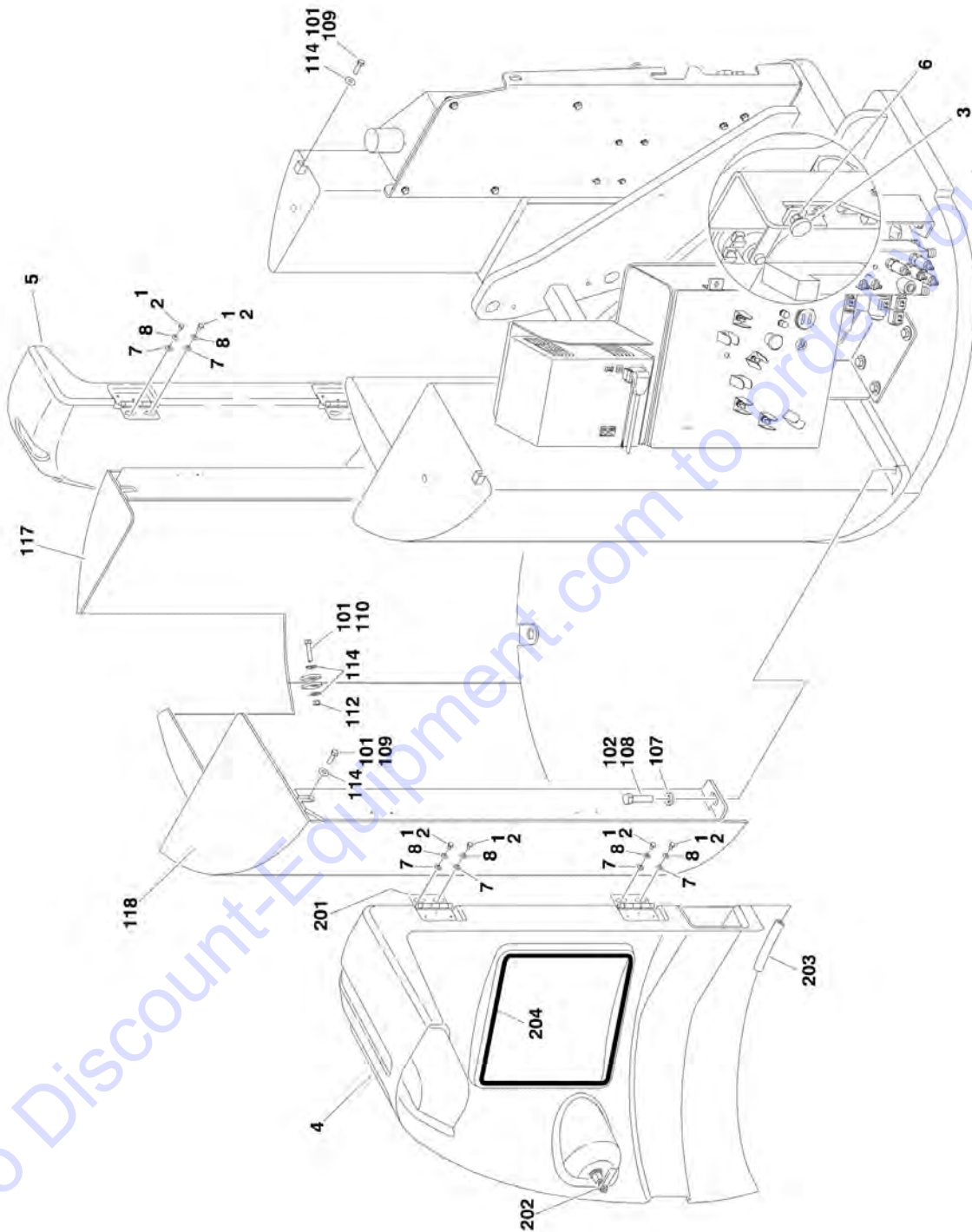
ITEM	PART NUMBER	QTY	DESCRIPTION	REV
		Ref	BATTERY CHARGER ASSEMBLIES	
	0400188	Ref	110V/60Hz (ANSI Spec)	C
1	7020642	1	Breaker, Circuit - 20 Amp	
2	7011621	1	Connector - 2 Position	
3	7022924	1	PC Board (was p/n 7020643 or 7022906)	
4		Ref	DC Cord Options:	
4	7020644	1	Use with 80 or 50 Amp Automotive Fuse	
4	7022910	1	Use with 45 Amp Fuse	
5	7018571	1	Holder, Fuse (Not Shown)	
6		Ref	Fuse - DC Options:	
6	7018570	1	80 Amp (Automotive Fuse)	
6	7020690	1	50 Amp (Automotive Fuse)	
6	7011593	1	45 Amp	
7	7020645	1	Harness - 17 Position	
8	7020646	1	Harness - 4 Position	
9		Ref	Fuse Holder Options:	
9	7018571	1	80 Amp (Automotive Fuse)	
9	7020691	1	50 Amp (Automotive Fuse)	
9	7011594	1	45 Amp	
10	7020648	1	Plug, AC Inlet	
11	7011590	1	Plug, DC	
12	7020649	2	Rectifier, Replacement	
13	7020650	2	SCR, Replacement	
14	7018506	1	Relay	
15	7020651	1	Shunt Assembly	
16	7011529	2	Connector, Strain Relief (Not Shown)	
17	7020652	1	Transformer	
18	7020603	1	Varistor	
	0400190	Ref	110-230V/50-60Hz (ANSI Export Spec Option)	B
101	7020653	2	Breaker, Circuit - 10 Amp	
102	7011621	1	Connector - 2 Position	
103	7022924	1	PC Board (was p/n 7020643)	
104	7020644	1	Cord, DC	
105	7018571	1	Holder, Fuse (Not Shown)	
106	7018570	1	Fuse - 80 DC Amp	
107	7020645	1	Harness - 17 Position	
108	7020646	1	Harness - 4 Position	
109	7018571	1	Holder, Fuse	
110	7020648	1	Plug, AC Inlet	
111	7011590	1	Plug, DC	
112	7020649	2	Rectifier, Replacement	
113	7020650	2	SCR, Replacement	
114	7020654	1	Relay	
115	7020651	1	Shunt Assembly	
116	7011529	2	Connector, Strain Relief (Not Shown)	
117	7020662	1	Transformer	
118	7018537	1	Varistor	
119	7020640	1	Controller - AC	
120	7018564	1	Relay	
	0400191	Ref	250V/50Hz (ANSI Export Spec Option)	C

SECTION 2 - TURNTABLE

ITEM	PART NUMBER	QTY	DESCRIPTION	REV
201	7020653	2	Breaker, Circuit - 10 Amp	
202	7011621	1	Connector - 2 Position	
203	7022924	1	PC Board (was p/n 7020643 or 7022906)	
204		Ref	DC Cord Options:	
204	7020644	1	Use with 80 or 50 Amp Automotive Fuse	
204	7022910	1	Use with 45 Amp Fuse	
205	7018571	1	Holder, Fuse (Not Shown)	
206		Ref	Fuse - DC Options:	
206	7018570	1	80 Amp (Automotive Fuse)	
206	7020690	1	50 Amp (Automotive Fuse)	
206	7011593	1	45 Amp	
207	7020645	1	Harness - 17 Position	
208	7020646	1	Harness - 4 Position	
209		Ref	Fuse Holder Options:	
209	7018571	1	80 Amp (Automotive Fuse)	
209	7020691	1	50 Amp (Automotive Fuse)	
209	7011594	1	45 Amp	
210	7020648	1	Plug, AC Inlet	
211	7011590	1	Plug, DC	
212	7020649	2	Rectifier, Replacement	
213	7020650	2	SCR, Replacement	
214	7018535	1	Relay	
215	7020651	1	Shunt Assembly	
216	7011529	2	Connector, Strain Relief (Not Shown)	
217	7020683	1	Transformer	
218	7018537	1	Varistor	
	0400189	Ref	100V/50-60Hz (Japanese Spec)	B
301	7020642	1	Breaker, Circuit - 20 Amp	
302	7011621	1	Connector - 2 Position	
303	7020689	1	PC Board	
304	7020644	1	Cord, DC	
305	7020690	1	Holder, Fuse (Not Shown)	
306	7020691	1	Fuse - 80 DC Amp	
307	7020692	1	Harness - 17 Position	
308	7020693	1	Harness - 4 Position	
309	7018571	1	Holder, Fuse	
310	7020648	1	Plug, AC Inlet	
311	7011590	1	Plug, DC	
312	7020649	2	Rectifier, Replacement	
313	7020650	2	SCR, Replacement	
314	7018506	1	Relay	
315	7020651	1	Shunt Assembly	
316	7011529	2	Connector, Strain Relief (Not Shown)	
317	7020694	1	Transformer	
318	7020603	1	Varistor	

SECTION 2 - TURNTABLE

FIGURE 2-12. HOODS INSTALLATIONS



SECTION 2 - TURNTABLE

FIGURE 2-12. HOODS INSTALLATIONS

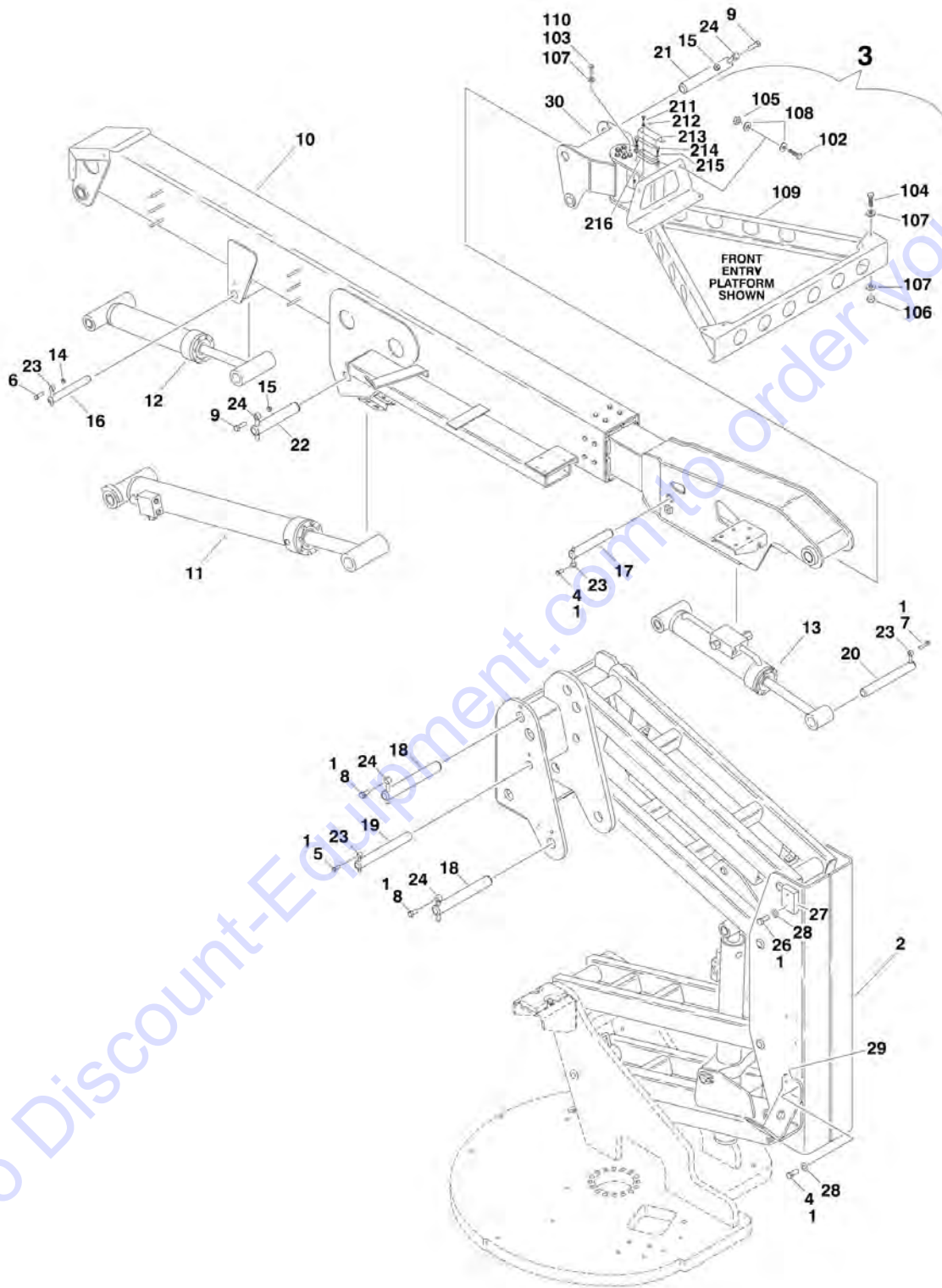
ITEM	PART NUMBER	QTY	DESCRIPTION	REV
	0258982	Ref	HOODS INSTALLATION	C
1	0100011	AR	Compound, Locking	
2	0641404	8	Bolt 1/4in-20NC x 1/2in	
3	0940049	2	Stopper, Hood	
4	2680456	1	Hood Assembly (Left Side) (See Items 201-204 for Breakdown)	
5	2680457	1	Hood Assembly (Right Side) (See Items 201-204 for Breakdown)	
6	3311501	4	Nut 5/16in-18NC	
7	4751400	8	Flatwasher 1/4in Regular	
8	4761400	8	Lockwasher 1/4in	
	0259126	Ref	COUNTERWEIGHT COVERS INSTALLATIONS	F
101	0100011	AR	Compound, Locking	
102	0682020	AR	Bolt 5/8in-16NC x 2-1/2in (Grade 8)	
107	4740393	AR	Flatwasher, Special 5/8in	
108	0100019	AR	Compound, Locking	
109	0641610	2	Bolt 3/8in-16NC x 1-1/4in	
110	0641614	1	Bolt 3/8in-16NC x 1-3/4in	
112	3271601	1	Nut 3/8in-16NC	
113	4891800	1	Flatwasher 1/2in Hardened (Not Shown)	
114	4751600	4	Flatwasher 3/8in Regular	
117	4845998	1	Cover, Counterweight (Right Side)	
118	4846019	1	Cover, Counterweight (Left Side)	
		Ref	HOOD ASSEMBLIES	
	2680456	Ref	Left Side	L
	2680457	Ref	Right Side	I
		Ref	Note: Replacement Decals Must Be Ordered Separately - See DECALS SECTION.	
201	2600258	4	Hinge (2 Per Assembly)	
202		Ref	Latch (1 Per Assembly) Options:	
202	2940117	2	Non-Lockable	
202	7027858	2	Lockable	
203	3960514	Ref	Seal Options:	
203	3960514	30 in /76cm	Left Side	
203	3960514	22 in /55cm	Right Side	
204		Ref	Seal Options:	
204	3960418	35 in /90cm	Left Side	
204	Not Required	0	Right Side	

SECTION 3 - BOOM

Go to Discount-Equipment.com to order your parts

SECTION 3 - BOOM

FIGURE 3-1. BOOM INSTALLATION - E300A



SECTION 3 - BOOM

FIGURE 3-1. BOOM INSTALLATION - E300A

ITEM	PART NUMBER	QTY	DESCRIPTION	REV
		Ref	BOOM INSTALLATION	
	0258979	Ref	Boom Installation E300A	H
1	0100011	AR	Compound, Locking	
2	0258962	1	Tower Boom Assembly (See TOWER BOOM ASSEMBLY for Breakdown)	
3		Ref	Support and Rotator Assembly (See Items 101-110 for Breakdown)	
4	0641407	2	Bolt 3/8in-16NC x 7/8in	
5	0641608	NLA	Bolt 3/8in-16NC x 1in (Use p/n 0681608) (Prior to SN 0300056245)	
6	0641610	6	Bolt 3/8in-16NC x 1-1/4in	
7	0641609	1	Bolt 3/8in-16NC x 1-1/8in	
8	0641808	2	Bolt 1/2in-13NC x 1in	
9	0641812	1	Bolt 1/2in-13NC x 1-1/2in	
10	0801174	1	Main Boom Assembly (See MAIN BOOM ASSEMBLY for Breakdown)	
11	1683750	1	Main Boom Lift Cylinder Assembly (See CYLINDER SECTION for Breakdown)	
12	1683757	NLA	Master Cylinder Assembly (Use p/n 1684065) (See CYLINDER SECTION for Breakdown) (Prior to SN 0300059743)	
13	1683760	NLA	Platform Level Cylinder Assembly (Use p/n 1001140279) (See CYLINDER SECTION for Breakdown) (Prior to SN 0300059743)	
13	1683924	NLA	Platform Level Cylinder Assembly (Use p/n 1001140279) (See CYLINDER SECTION for Breakdown) (Prior to SN 0300059743)	
14	3311605	2	Locknut 3/8in-16NC	
15	3311805	2	Locknut 1/2in-13NC	
16		Ref	Pin Options:	
16	3422799	NLA	Pin (Use p/n 3422582) (Prior to SN 0300071032)	
16	3422582	1	Pin (SN 0300071032 through 0300138358)	
17	3422669	1	Pin	
18	3422787	2	Pin	
19	3422790	1	Pin	
20	3422792	1	Pin	
21	3422793	1	Pin	
22	3422796	1	Pin	
23	3841143	4	Keeper, Pin 3/8in	
24	3841203	4	Keeper, Pin 1/2in	
25	0641810	1	Bolt 1/2in-13NC x 1-1/4in	
26	0641606	2	Bolt 3/8in-16NC x 3/4in	
27	3340854	1	Pad	
28	4711600	5	Flatwasher, 3/8in Thin	
29	4846031	1	Boom Rest	
30	0060043	1	Rotator Assembly (See PLATFORM ROTATOR ASSEMBLIES for Breakdown)	
		Ref	SUPPORT AND ROTATOR ASSEMBLY	
		Ref	Machines without LSS	
	0259439	Ref	Front Entry Platform	E
	0272976	Ref	Side Entry Platform	A
	See Note	Ref	Machines with LSS (Note: See Separate Breakdown in this Section)	
102	0641407	2	Bolt 1/4in-20NC x 7/8in (Front Entry Platform Only)	
103	0641608	NLA	Bolt 3/8in-16NC x 1in (Use p/n 0681608)	

SECTION 3 - BOOM

ITEM	PART NUMBER	QTY	DESCRIPTION	REV
104	0641610	6	Bolt 3/8in-16NC x 1-1/4in	
105	3311405	2	Locknut 1/4in-20NC (Front Entry Platform Only)	
106	3311605	AR	Locknut 3/8in-16NC	
107	4711600	18	Flatwasher 3/8in Thin	
108	4740362	4	Flatwasher, Special 1/4in (Front Entry Platform Only)	
109		Ref	Support Weldment Options:	
109	4846050	NLA	Front Entry Platform (Use p/n 4846322)	
109	4846608	1	Side Entry Platform	
110	0100011	AR	Compound, Locking	
	0259358	Ref	BPE OVERLOAD INSTALLATION (FRONT ENTRY PLATFORM ONLY)	D
211	0641404	2	Bolt 1/4in - 20NC x 1/2in	
212	4711400	2	Flatwasher 1/4in Thin	
213	1670905	1	Cover, Load Cell	
214	0701010	2	Bolt (Metric) M10 x 20mm	
215		Ref	Lockwasher Options:	
215	4761700	2	Lockwasher (Prior to SN 0300062855)	
215	4812000	2	Lockwasher (SN 0300062855 through 0300138358)	
216	3990108	1	Load Cell, Load Device 100mm	

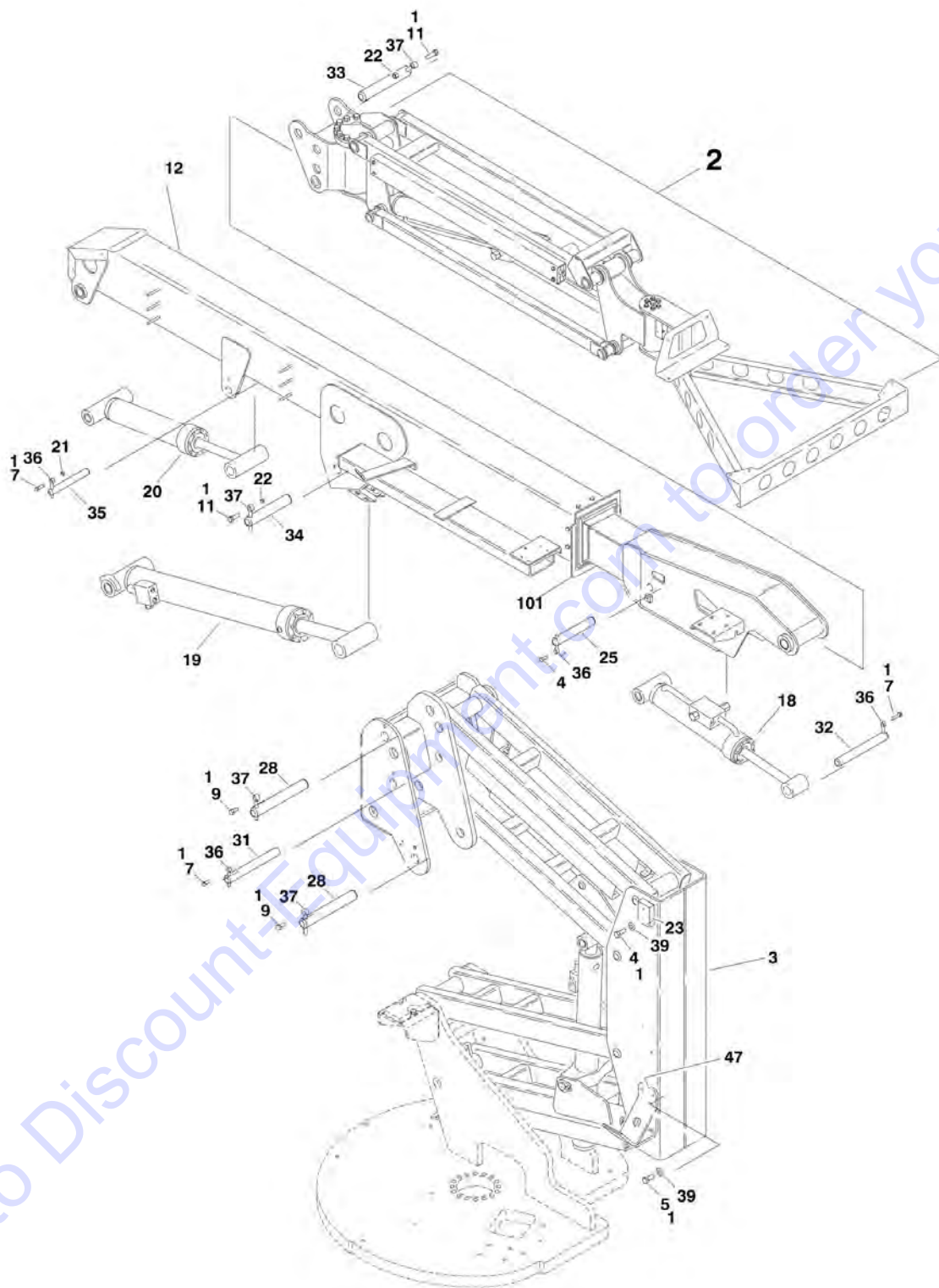
SECTION 3 - BOOM

FIGURE 3-2. BOOM INSTALLATION - E300AJ

ITEM	PART NUMBER	QTY	DESCRIPTION	REV
		Ref	BOOM INSTALLATION	
	0258980	Ref	Boom Installation E300AJ	G
1	0100011	AR	Compound, Locking	
2		Ref	Jib Assembly Options: (See JIB ASSEMBLIES (E300AJ & E300AJP) for Breakdown)	
2	0259440	1	Jib Assembly (Prior to SN 0300063766)	
2	0270400	1	Jib Assembly (SN 0300063766 through 0300138358)	
3	0259204	1	Tower Boom Assembly (See TOWER BOOM ASSEMBLY for Breakdown)	
4	0641606	2	Bolt 3/8in-16NC x 3/4in	
5	0641607	4	Bolt 3/8in-16NC x 7/8in	
6	0641608	1	Bolt 3/8in-16NC x 1in	
7	0641610	2	Bolt 3/8in-16NC x 1-1/4in	
8	0641808	2	Bolt 1/2in-13NC x 1in	
9	0641810	1	Bolt 1/2in-13NC x 1-1/4in	
10	0641812	2	Bolt 1/2in-13NC x 1-1/2in	
11	0801177	1	Main Boom Assembly (See MAIN BOOM ASSEMBLY for Breakdown)	
12	1683760	NLA	Platform Level Cylinder Assembly (Use p/n 1683924) (See CYLINDER SECTION for Breakdown) (Prior to SN 0300059743)	
13	1683762	1	Main Boom Lift Cylinder Assembly (See CYLINDER SECTION for Breakdown)	
14	1683773	NLA	Master Cylinder Assembly (Use p/n 1001140278) (See CYLINDER SECTION for Breakdown) (Prior to SN 0300059743)	
14	1683923	NLA	Master Cylinder Assembly (Use p/n 1001140278) (See CYLINDER SECTION for Breakdown) (Prior to SN 0300059743)	
15	3311605	2	Locknut 3/8in-16NC	
16	3311805	2	Locknut 1/2in-13NC	
17	3340854	1	Pad	
18	3422669	1	Pin	
19	3422787	2	Pin	
20	3422790	1	Pin	
21	3422792	1	Pin	
22	3422793	1	Pin	
23	3422796	1	Pin	
24	3422799	NLA	Pin (Use p/n 3422582)	
25	3841143	4	Keeper, Pin	
26	3841203	4	Keeper, Pin 1/2in	
27	4711600	5	Flatwasher 3/8in Thin	
28	4846031	1	Boom Rest	

SECTION 3 - BOOM

FIGURE 3-3. BOOM INSTALLATION - E300AJP



SECTION 3 - BOOM

FIGURE 3-3. BOOM INSTALLATION - E300AJP

ITEM	PART NUMBER	QTY	DESCRIPTION	REV
		Ref	BOOM INSTALLATION	
	0259480	Ref	Boom Installation (E300AJP) (Prior to SN 0300064982)	E
	0271648	Ref	Boom Installation (E300AJP) (SN 0300064982 through 0300138358)	D
1	0100011	AR	Compound, Locking	
2		Ref	Jib Assembly Options: (See JIB ASSEMBLIES (E300AJ & E300AJP) for Breakdown)	
2	0259441	1	Jib Assembly (Prior to SN 0300063766)	
2	0270402	1	Jib Assembly (SN 0300063766 through 0300064981)	
2	0271649	1	Jib Assembly (SN 0300064982 through 0300138358)	
3	See Note	1	Tower Boom Assembly (See TOWER BOOM ASSEMBLY for Breakdown) (Note: Not Available as a Complete Assembly. Must Purchase Individual Parts)	
4	0641606	2	Bolt 3/8in-16NC x 3/4in	
5	0641607	3	Bolt 3/8in-16NC x 7/8in	
7	0641610	3	Bolt 3/8in-16NC x 1-1/4in (Prior to SN 0300056245)	
9	0641808	2	Bolt 1/2in-13NC x 1in	
11	0641812	2	Bolt 1/2in-13NC x 1-1/2in	
12		Ref	Main Boom Assembly Options (See MAIN BOOM ASSEMBLY for Breakdown):	
12	0801203	1	Main Boom Assembly (Prior to SN 0300049988)	
12	0801222	1	Main Boom Assembly (SN 0300049988 through 0300138358)	
18	1683760	NLA	Platform Level Cylinder Assembly (Use p/n 1683924) (See CYLINDER SECTION for Breakdown) (Prior to SN 0300059743)	
19	1683762	1	Main Boom Lift Cylinder Assembly (See CYLINDER SECTION for Breakdown)	
20	1683733	NLA	Master Cylinder Assembly (Use p/n 1001140278) (See CYLINDER SECTION for Breakdown) (Prior to SN 0300059743)	
20	1683923	NLA	Master Cylinder Assembly (Use p/n 1001140278) (See CYLINDER SECTION for Breakdown) (Prior to SN 0300059743)	
21	3311605	6	Locknut 3/8in-16NC	
22	3311805	2	Locknut 1/2in-13NC	
23	3340854	1	Pad	
25	3422669	1	Pin	
28	3422787	2	Pin	
31	3422790	1	Pin	
32	3422792	1	Pin	
33	3422814	1	Pin	
34	3422796	1	Pin	
35	3422799	NLA	Pin (Use p/n 3422582)	
36	3841143	4	Keeper, Pin	
37	3841203	4	Keeper, Pin 1/2in	
39	4711600	4	Flatwasher 3/8in Thin (Prior to SN 0300056245)	
47	4846031	1	Boom Rest	
	0270704	Ref	Boom Wiper Cover Installation	A
101	1670976	1	Cover, Boom Wiper	

SECTION 3 - BOOM

FIGURE 3-4. TOWER BOOM ASSEMBLY

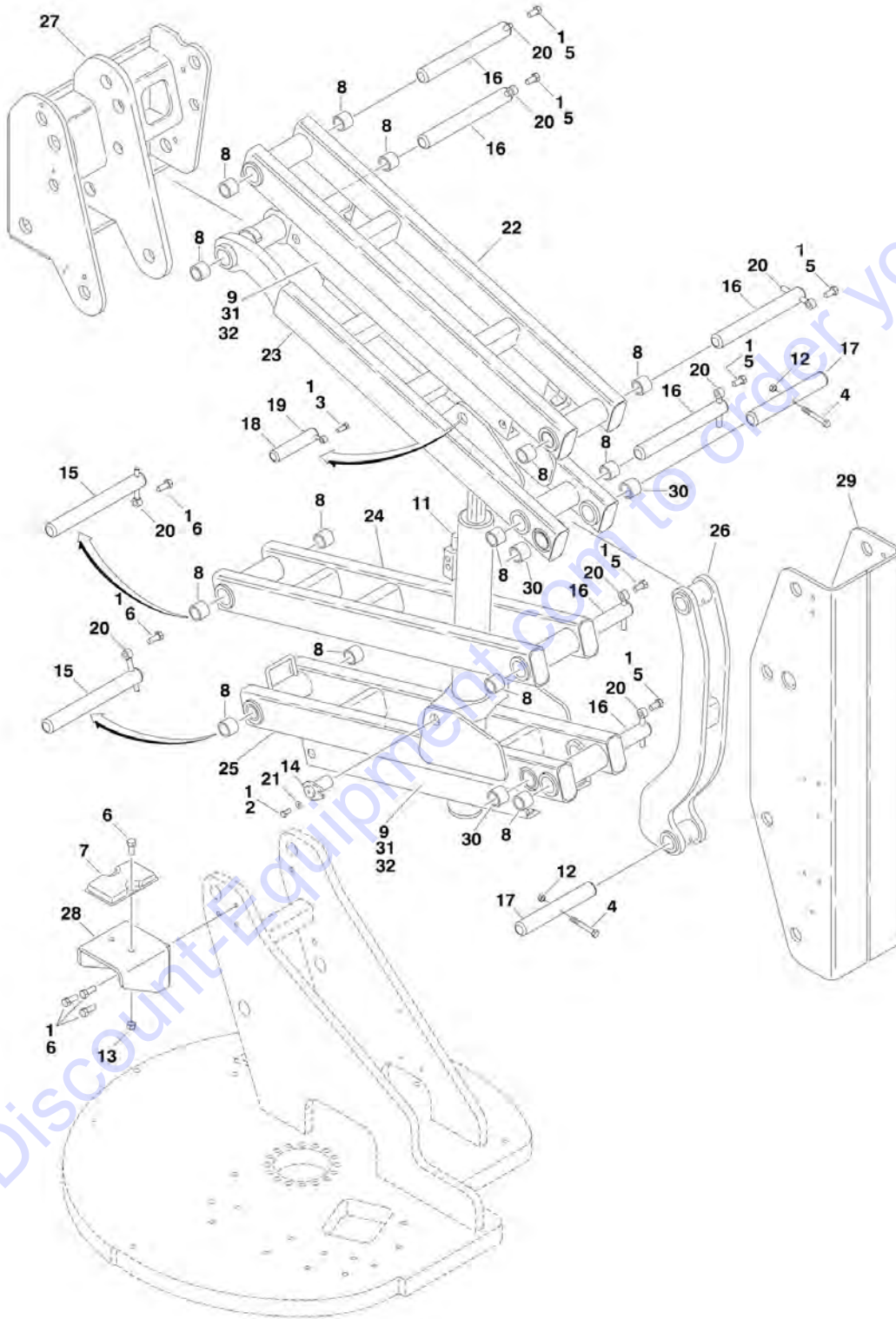
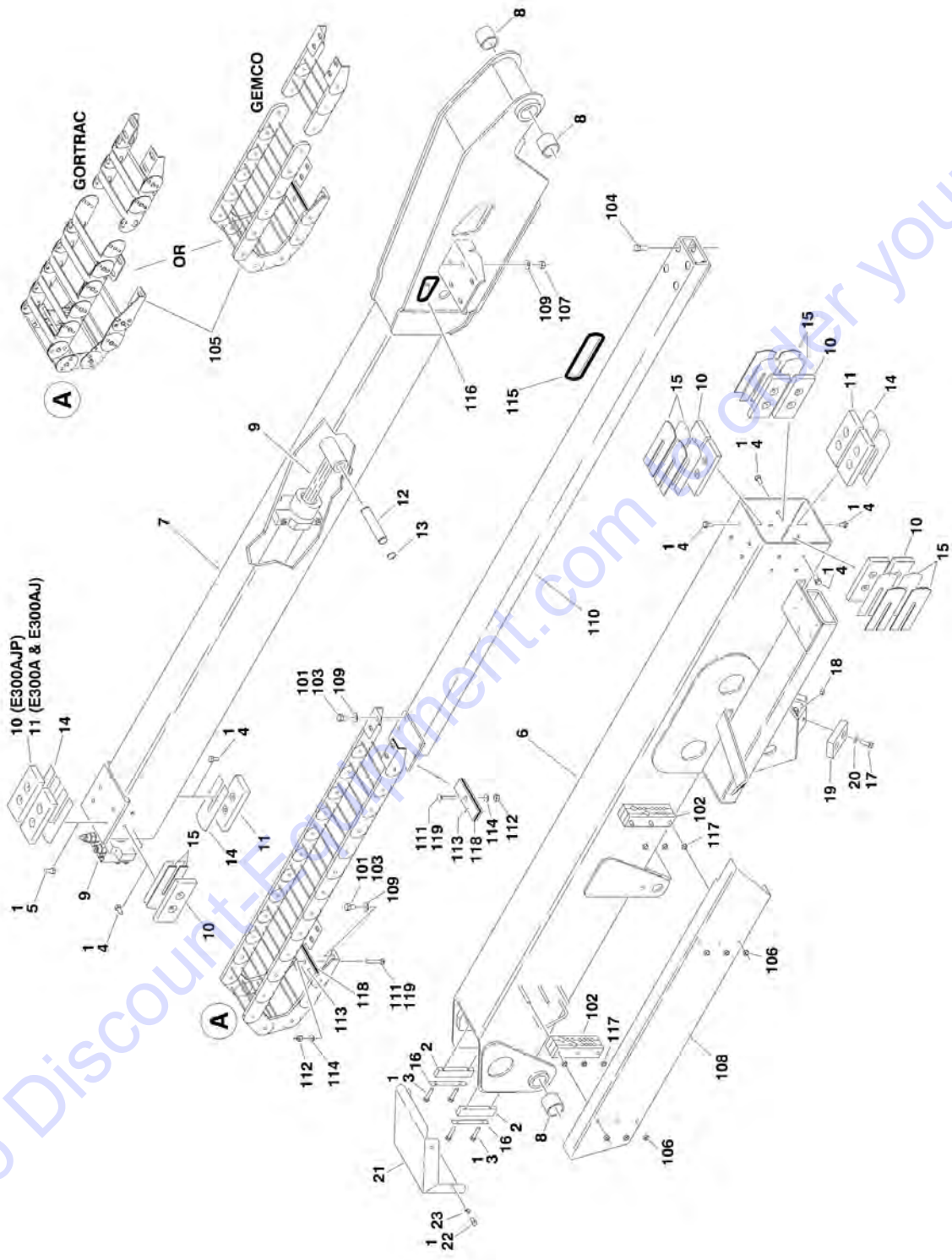


FIGURE 3-4. TOWER BOOM ASSEMBLY

ITEM	PART NUMBER	QTY	DESCRIPTION	REV
		Ref	TOWER BOOM ASSEMBLY	
	0258962	Ref	Tower Boom Assembly (E300A)	F
	0259204	Ref	Tower Boom Assembly (E300AJ)	H
	See Note	Ref	Tower Boom Assembly (E300AJP) (Note: Not Available as a Complete Assembly. Must Purchase Individual Parts)	A
1	0100011	AR	Compound, Locking	
2	0641606	2	Bolt 3/8in-16NC x 3/4in	
3	0641608	1	Bolt 3/8in-16NC x 1in	
4	0641622	2	Bolt 3/8in-16NC x 2-3/4in	
5	0641808	6	Bolt 1/2in-13NC x 1in	
6	0641810	7	Bolt 1/2in-13NC x 1-1/4in	
7	0940048	1	Bumper	
8	0961948	16	Bearing	
9	1271433	4	Channel	
11	1683719	1	Tower Lift Cylinder Assembly (See CYLINDER SECTION for Breakdown)	
12	3311605	2	Locknut 3/8in-16NC	
13	3311805	2	Locknut 1/2in-13NC	
14	3422424	2	Pin	
15	3422785	2	Pin	
16	3422786	6	Pin	
17	3422788	2	Pin	
18	3422789	1	Pin	
19	3841143	1	Keeper, Pin 3/8in	
20	3841203	8	Keeper, Pin 1/2in	
21	4711600	2	Flatwasher 3/8in Thin	
22	4845940	1	Link, Mid	
23		Ref	Boom, Mid Options:	
23	4845941	1	Boom, Mid E300A & E300AJ	
23	4846083	1	Boom, Mid E300AJP	
24	4845942	1	Link, Lower	
25	4845943	1	Boom, Lower	
26		Ref	Link, Timing Options:	
26	4845944	NLA	Link (Use p/n 1001197487) (Prior to SN 0300136291)	
26	1001097487	1	Link (SN 0300136291 through 0300138358)	
27		Ref	Upright, Upper Options:	
27	4845921	1	Upright, Upper (E300A)	
27	4845963	1	Upright, Upper E300AJ & E300AJP (Prior to SN 0300053753)	
27	4846272	1	Upright, Upper E300AJ & E300AJP (SN 0300053753 through 0300138358)	
28	4845968	1	Rest, Boom	
29		Ref	Upright, Lower Options:	
29	4845972	1	Upright, Lower (Prior to SN 0300132771)	
29	1001103639	1	Upright, Lower (SN 0300132771 through 0300138358)	
30	0962259	4	Bearing	
31	0641403	12	Bolt 1/4in-20NC x 3/8in	
32	4711400	12	Flatwasher 1/4in Thin	

SECTION 3 - BOOM

FIGURE 3-5. MAIN BOOM ASSEMBLY



SECTION 3 - BOOM

FIGURE 3-5. MAIN BOOM ASSEMBLY

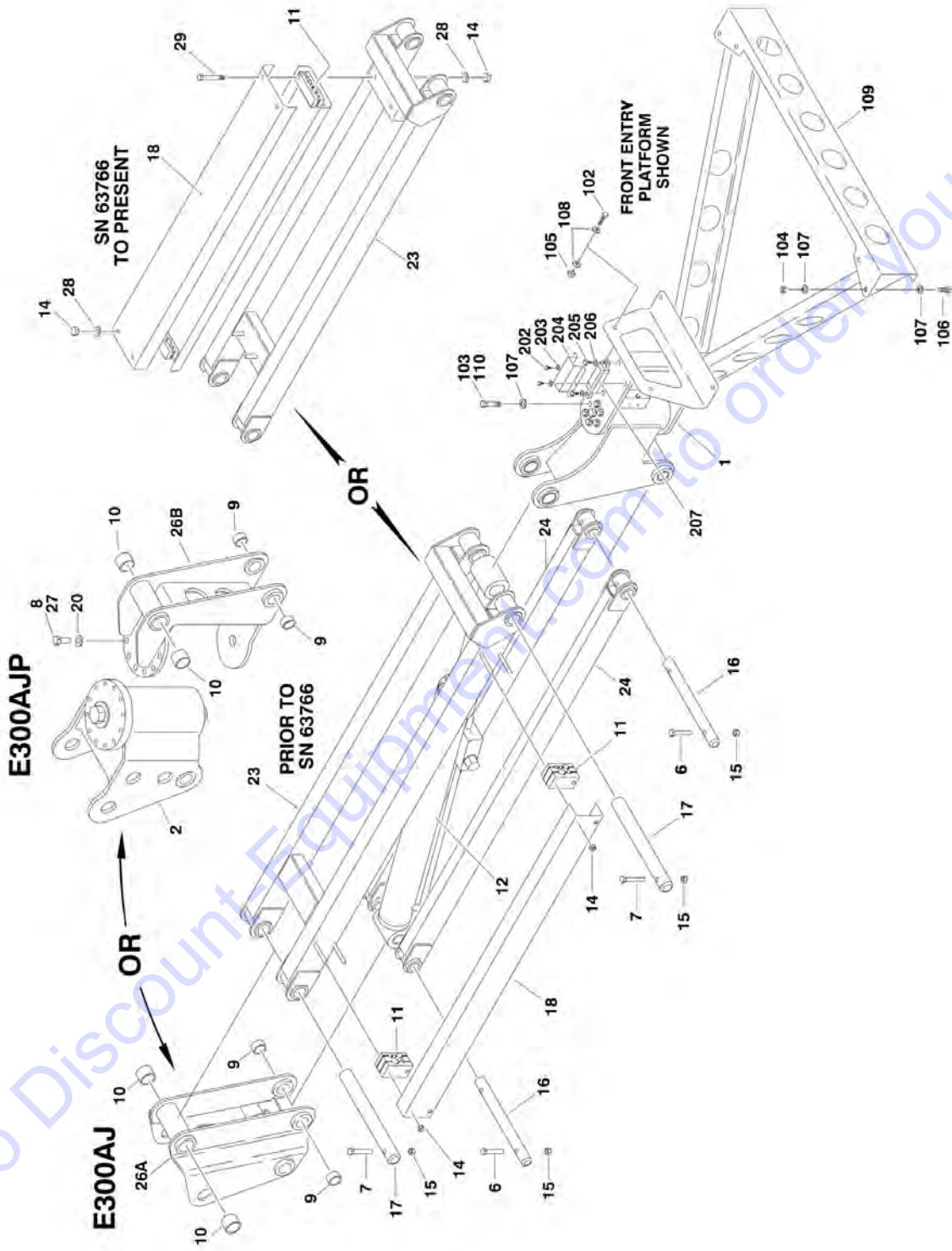
ITEM	PART NUMBER	QTY	DESCRIPTION	REV
		Ref	MAIN BOOM ASSEMBLY	
	0801174	Ref	Main Boom Assembly (E300A)	E
	0801177	Ref	Main Boom Assembly (E300AJ)	E
	0801203	Ref	Main Boom Assembly (E300AJP) (Prior to SN 0300049988)	B
	0801222	Ref	Main Boom Assembly (E300AJP) (SN 0300049988 through 0300138358)	F
1	0100011	AR	Compound, Locking	
2	0561350	2	Block, Telescope Attach	
3	0641512	4	Bolt 5/16in-18NC x 1-1/2in	
4	0641606	AR	Bolt 3/8in-16NC x 3/4in	
5	0641607	4	Bolt 3/8in-16NC x 7/8in	
6		Ref	Boom, Base Options:	
6	0801181	1	Boom, Base (E300A)	
6	0801179	1	Boom, Base (E300AJ)	
6	0801205	1	Boom, Base (E300AJP) (Prior to SN 0300049988)	
6	0801220	1	Boom, Base (E300AJP) (SN 0300049988 through 0300138358)	
7		Ref	Boom, Fly Options:	
7	0801182	1	Boom, Fly (E300A)	
7	0801178	1	Boom, Fly (E300AJ)	
7	0801204	1	Boom, Fly (E300AJP) (Prior to SN 0300049988)	
7	0801221	1	Boom, Fly (E300AJP) (SN 0300049988 through 0300138358)	
8	0961948	4	Bearing	
9		Ref	Telescope Cylinder Assembly Options (See CYLINDER SECTION for Breakdown):	
9	1683784	1	Telescope Cylinder Assembly (E300A)	
9	1683793	1	Telescope Cylinder Assembly (E300AJ)	
9	1683864	1	Telescope Cylinder Assembly (E300AJP)	
10		Ref	Pad Options:	
10		Ref	Pad (E300A & E300AJ)	
10	3340756	10	Pad (Prior to SN 0300063766)	
10	3340881	10	Pad (SN 0300063766 through 0300138358)	
10	3340862	12	Pad (E300AJP)	
11		Ref	Pad Options:	
11	3340837	5	Pad (E300A & E300AJ)	
11	3340863	4	Pad (E300AJP)	
12	3422745	1	Pin	
13	3760115	2	Ring, Retaining	
14	4070897	AR	Shim 18 Ga	
15	4070898	AR	Shim 11 Ga	
16	4070982	2	Shim 16 Ga	
17	0641609	4	Bolt 3/8in-16NC x 1-1/8in	
18	3311605	4	Locknut 3/8in-16NC	
19	3340853	2	Pad, Boom Rest	
20	4711600	1	Flatwasher 3/8in Thin	
21	1670901	1	Boom Cover	
22	0641504	4	Bolt 5/16in-18NC x 1/2in	
23	4711500	4	Flatwasher 5/16in Thin	
		Ref	POWER TRACK ASSEMBLY	
	0259243	Ref	Power Track Assembly (E300A)	I

SECTION 3 - BOOM

ITEM	PART NUMBER	QTY	DESCRIPTION	REV
	0259244	Ref	Power Track Assembly (E300AJ & E300AJP)	J
101	0100011	AR	Compound, Locking	
102	1320260	2	Block, Clamp	
103	0641605	8	Bolt 3/8in-16NC x 5/8in	
104	0641608	4	Bolt 3/8in-16NC x 1in	
105		Ref	Power Track Options:	
		Ref	Note: Original Power Track may have been replaced with a Service Replacement. Visually identify the power track before ordering parts.	
105	1180352	NLA	Power Track E300A (Use p/n 1001199833)	
105	1180353	NLA	Power Track E300AJ & E300AJP (Use p/n 1001199834)	
105		Ref	Gemco Brand (Original Equipment) Parts:	
105	7006139	AR	Repair Section for 1180352 & 1180353 Power Tracks (Includes Repair Section, 4 Rod Carriers, Pins and Mounting Slugs)	
105	7006151	2 pr	Mounting Feet for 1180352 & 1180353 Power Tracks (Includes Left and Right Mounting Feet and 2 Round Spacers)	
105	7006152	AR	Pin Kit for 1180352 & 1180353 Power Tracks (Includes 1 Pin, 4 Washers and 1 Retaining Ring)	
105		Ref	Gortrac Brand (Service Replacement) Parts:	
105	70001996	AR	Repair Section for 1001099833 & 1001099834 Power Tracks	
105	70001998	2 pr	Mounting Bracket Kit for 1001099833 & 1001099834 Power Tracks	
106	3311501	6	Nut 5/16in-18NC	
107	3311605	4	Locknut 3/8in-16NC	
108	3571472	1	Shield	
109	4711600	12	Flatwasher 3/8in Thin	
110	4846007	1	Cover, Hose	
111	0630401	2	Bolt, Carriage 5/16in-18NC x 2in	
112	3311505	2	Locknut 5/16in-18NC	
113	3570958	2	Plate, Clamp	
114	4711500	2	Flatwasher 5/16in Thin	
115		Ref	Trim, Flex Options:	
115	4060803	AR	Trim, Flex 1/8in (Prior to SN 0300074274)	
115	4060804	AR	Trim, Flex 3/16in (SN 0300074274 through 0300138358)	
116	4060805	AR	Trim, Flex 1/4in (Prior to SN 0300057115)	
117	3311502	6	Nut, Jam 5/16in-18NC	
118		Ref	Pad, Rubber Options:	
118	3340859	2	Pad, Rubber (Prior to SN 0300073801)	
118	3340940	2	Pad, Rubber (SN 0300073801 through 0300138358)	
119	0100081	AR	Adhesive	

SECTION 3 - BOOM

FIGURE 3-6. JIB ASSEMBLIES (E300AJ AND E300AJP)



SECTION 3 - BOOM

FIGURE 3-6. JIB ASSEMBLIES (E300AJ AND E300AJP)

ITEM	PART NUMBER	QTY	DESCRIPTION	REV
		Ref	JIB ASSEMBLY OPTIONS:	
	0259440	Ref	Jib Assembly E300AJ (Prior to SN 0300063766)	E
	0270400	Ref	Jib Assembly E300AJ (SN 0300063766 through 0300138358)	F
	0259441	Ref	Jib Assembly E300AJP (Prior to SN 0300063766)	F
	0270402	Ref	Jib Assembly E300AJP (SN 0300063766 through 0300064981)	C
	0271649	Ref	Jib Assembly E300AJP (SN 0300064982 through 0300138358)	D
1	0060044	1	Rotator Assembly (See PLATFORM ROTATOR ASSEMBLIES for Breakdown)	
2		Ref	Rotator Assembly Options:	
2	Not Required	0	Rotator Assembly E300AJ	
2	0060046	AR	Rotator Assembly (See JIB SWING ROTATOR ASSEMBLY (E300AJP ONLY) for Breakdown) (Prior to SN 0300064982)	
2	0060065	AR	Rotator Assembly (See JIB SWING ROTATOR ASSEMBLY (E300AJP ONLY) for Breakdown) (SN 0300064982 through 0300138358)	
6	0641616	4	Bolt 3/8in-16NC x 2in	
7	0641618	2	Bolt 3/8in-16NC x 2-1/4in	
8		Ref	Hardware Options:	
8	0641810	AR	Bolt 1/2in-13NC x 1-1/4in (Prior to SN 0300064982)	
8	3931816	AR	Bolt 1/2in-13NC x 1in (SN 0300064982 through 0300138358)	
9		Ref	Bushing Options:	
9	0961947	2	Bushing 5/8in Length	
9	0962292	2	Bushing 3/4in Length	
10	0961951	2	Bushing	
11		Ref	Clamp, Block Options:	
11	1320259	2	Clamp, Block (Prior to SN 0300063766)	
11	3340860	4	Clamp, Block (SN 0300063766 through 0300138358)	
12	1683779	NLA	Jib Cylinder Assembly (Use p/n 1001140280) (See CYLINDER SECTION for Breakdown)	
14	3311501	AR	Nut 5/16in-18NC	
15	3311605	4	Locknut 3/8in-16NC	
16	3422791	2	Pin	
17	3422794	2	Pin	
18		Ref	Plate, Jib Cover Options:	
18	3571406	1	Plate, Jib Cover (Prior to SN 0300063766)	
18	3572551	2	Plate, Jib Cover (SN 0300063766 through 0300138358)	
18	3571406	1	Plate, Jib Cover	
19	4711600	AR	Flatwasher 3/8in Thin	
20	4711800	AR	Flatwasher 1/2in Thin	
23		Ref	Link Options: (Upper)	
23	4845926	1	Link (Prior to SN 0300063766)	
23	4846278	1	Link (SN 0300063766 through 0300138358)	
24	4845927	NLA	Link (Lower) (Use p/n 1001094670)	
26		Ref	Pivot Options:	
26A	4845925	1	Pivot (E300AJ)	
26B		Ref	E300AJP Options:	
26B	4846073	1	Pivot (E300AJP) (Prior to SN 0300064982)	
26B	4846502	1	Pivot (E300AJP) (SN 0300064982 through 0300138358)	
27	0100011	AR	Compound, Locking	
28	4751500	4	Flatwasher 5/16in Regular (SN 0300063766 through 0300138358)	

SECTION 3 - BOOM

ITEM	PART NUMBER	QTY	DESCRIPTION	REV
29	0641516	2	Bolt 5/16in-18NC x 2in (SN 0300063766 through 0300138358)	E A
		Ref	SUPPORT AND ROTATOR ASSEMBLY	
		Ref	Machines without LSS	
	0259439	Ref	Front Entry Platform	
	0272976	Ref	Side Entry Platform	
	See Note	Ref	Machines with LSS (Note: See Separate Breakdown in this Section)	
102	0641407	2	Bolt 1/4in-20NC x 7/8in (Front Entry Platform Only)	
103	0641608	NLA	Bolt 3/8in-16NC x 1in (Use p/n 0681608)	
104	0641610	6	Bolt 3/8in-16NC x 1-1/4in	
105	3311405	2	Locknut 1/4in-20NC (Front Entry Platform Only)	
106	3311605	AR	Locknut 3/8in-16NC	
107	4711600	18	Flatwasher 3/8in Thin	
108	4740362	4	Flatwasher, Special 1/4in (Front Entry Platform Only)	
109		Ref	Support Weldment Options:	
109	4846050	NLA	Front Entry Platform (Use p/n 4846322)	
109	4846608	1	Side Entry Platform	
110	0100011	AR	Compound, Locking	
	0259358	Ref	BPE OVERLOAD INSTALLATION (FRONT ENTRY PLATFORM ONLY)	D
202	0641404	2	Bolt 1/4in - 20NC x 1/2in	
203	4711400	2	Flatwasher 1/4in Thin	
204	1670905	1	Cover, Load Cell	
205	0701010	2	Bolt (Metric) M10 x 20mm	
206		Ref	Lockwasher Options:	
206	4761700	2	Lockwasher (Prior to SN 0300062855)	
206	4812000	2	Lockwasher (SN 0300062855 through 0300138358)	
207	3990108	1	Load Cell, Load Device 100mm	

SECTION 3 - BOOM

FIGURE 3-7. PLATFORM ROTATOR ASSEMBLIES

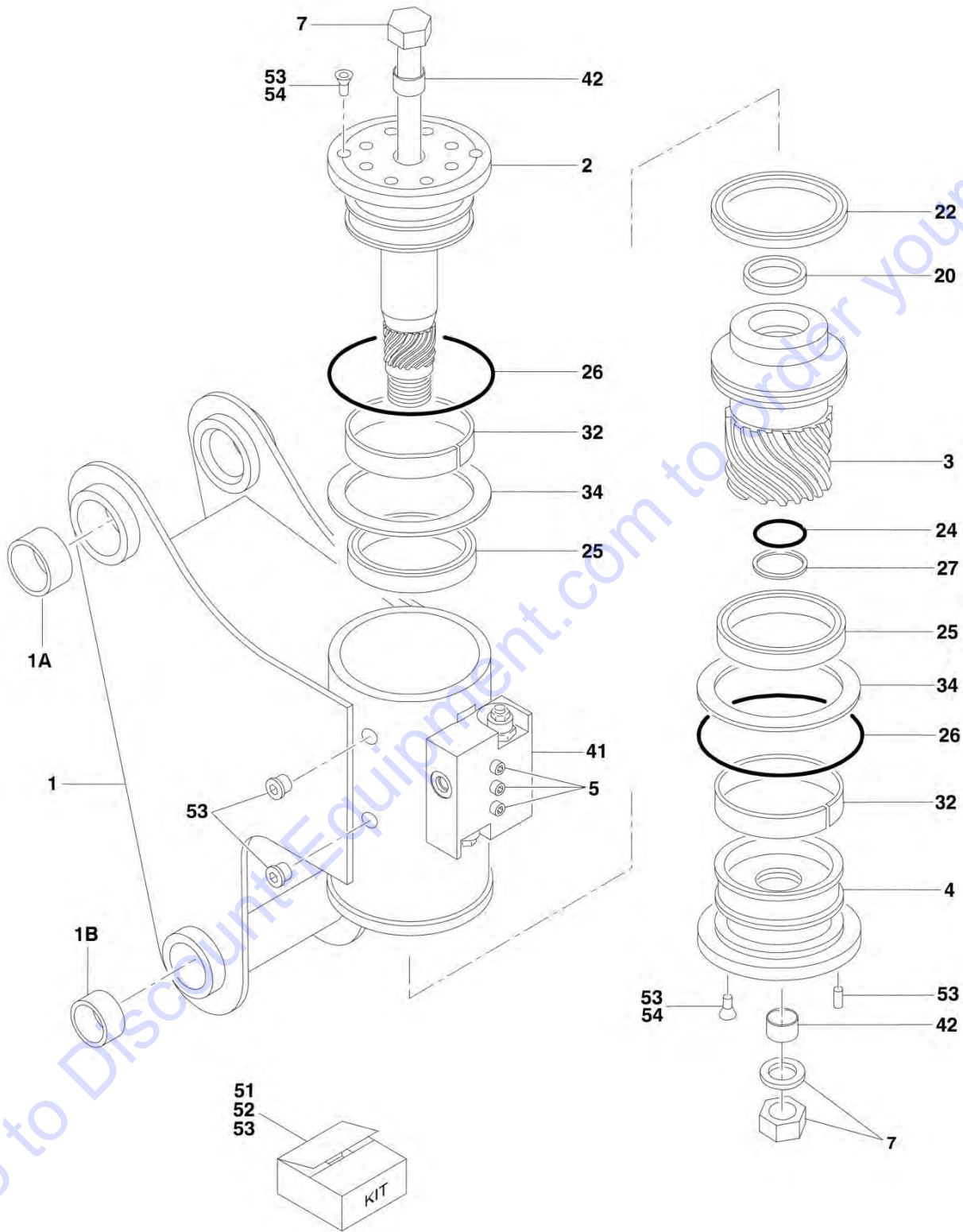
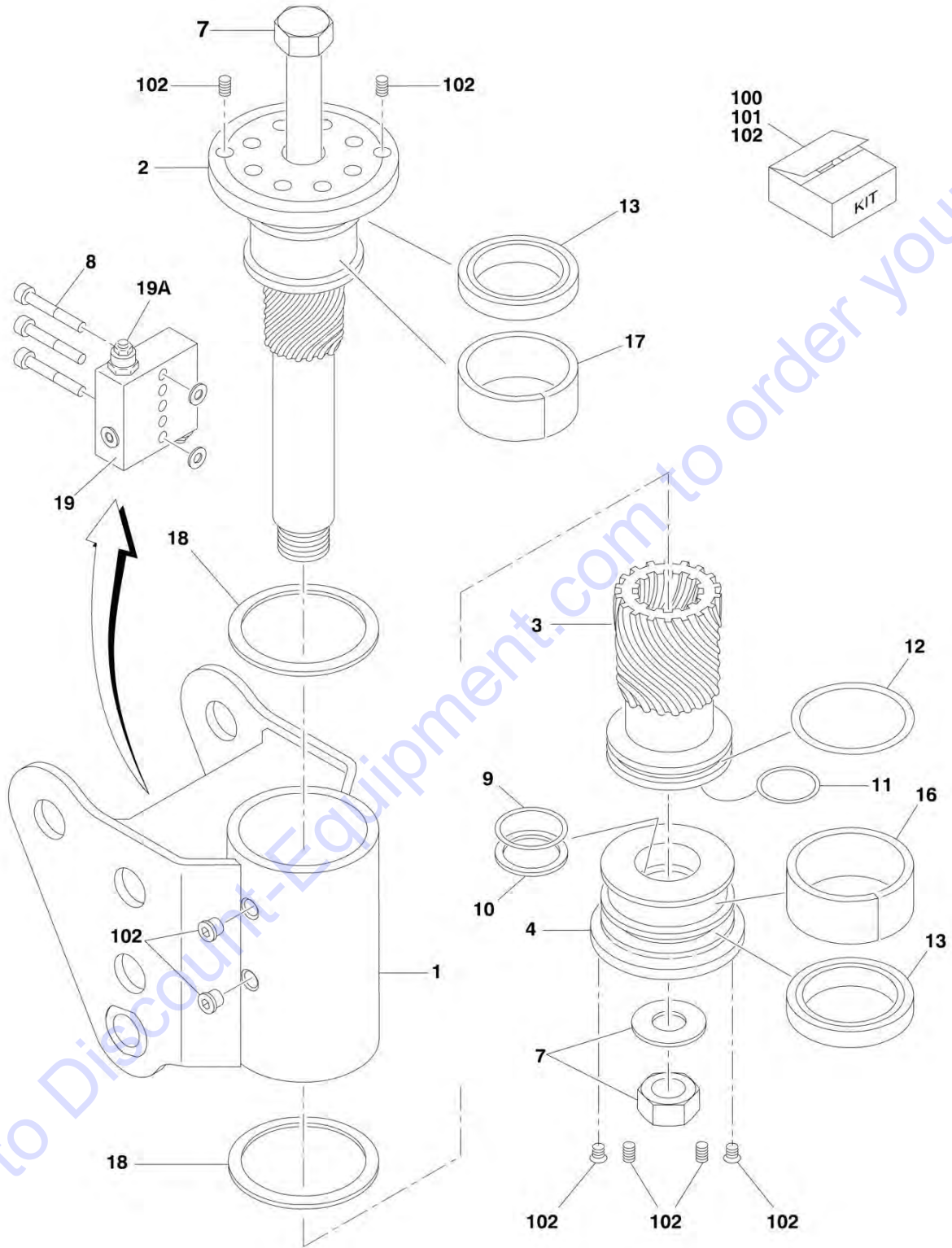


FIGURE 3-7. PLATFORM ROTATOR ASSEMBLIES

ITEM	PART NUMBER	QTY	DESCRIPTION	REV
		Ref	ROTATOR ASSEMBLIES	
	0060043	Ref	Rotator Assemblies (E300A Platform Rotate)	C
	0060044	Ref	Rotator Assemblies (E300AJ & E300AJP) Platform Rotate	D
		Ref	Note: There are 2 different versions of Rotator p/n 0060044 & no SN break exists. Order internal parts by the Helac Control #.	
1	See Note	1	Case/Bracket Weldment (Note: Not Available - Purchase Complete Assembly)	
1A	0962257	2	Bushing (0060044 Rotator Only)	
1B	0961947	2	Bushing (0060044 Rotator Only)	
2		Ref	Shaft Options:	
2	7017120	1	0060043 Rotators	
2	7017120	1	0060044 Rotators with Helac Control #25928	
2	7017196	1	0060044 Rotators with Helac Control #26962	
3		Ref	Sleeve, Piston Options:	
3	7017121	1	0060043 Rotators	
3	7017121	1	0060044 Rotators with Helac Control #25928	
3	7027900	1	0060044 Rotators with Helac Control #26962	
4		Ref	Cap, End Options:	
4	See Note	1	0060043 Rotators (Note: Not Available for Purchase)	
4	See Note	1	0060044 Rotators with Helac Control #25928 (Note: Not Available for Purchase)	
4	7027901	1	0060044 Rotators with Helac Control #26962	
5	See Note	3	Capscrew 1/4in-20NC (Grade 8) (Note: Not Available for Purchase)	
7	7017126	1	Tie Rod Assembly	
20	See Note	NSS	Seal, Rod (Note: Use Item 52)	
22	See Note	NSS	Seal, Piston (Note: Use Item 52)	
24	See Note	NSS	Seal, Cap (Note: Use Item 52)	
25	See Note	NSS	Packing, Bearing (Note: Use Item 52)	
26	See Note	NSS	Seal (Note: Use Item 52)	
27	See Note	NSS	Ring, Cap Back-up (Note: Use Item 52)	
32	See Note	NSS	Bearing, Shaft (Note: Use Item 51)	
34	See Note	NSS	Thrustwasher (Note: Use Item 51)	
41		Ref	Counterbalance Valve Assembly Options:	
41	7017125	NLA	Valve - Helac p/n 24327 Stamped beside Mounting Screws (Use p/n 7017172)	
41	7017172	1	Valve - Helac p/n 26553 or 26554 Stamped beside Mounting Screws	
41		Ref	Valve, Cartridge Options:	
41	7011323	2	Valve, Cartridge for Helac p/n 24327 Valve	
41	2900770	2	Seal Kit - 7011323 Cartridge (1 Per Assembly)	
41	7017192	2	Valve, Cartridge Helac p/n 26553 or 26554 (Note: No Seal Kit Available)	
42	70004323	2	Bushing, Shaft	
51	7017122	1	Bearing Kit (Includes Items 32 & 34)	
52		Ref	Seal Kit Options (Includes Items 20, 22, 24, 25, 26 & 27):	
52	7017127	1	Standard	
52	70000341	1	Cold Climate	
53	7017123	1	Hardware Kit	
54	70001697	4	Screw, Countersunk 1/4in-20NC x 3/8in (Grade 8)	

SECTION 3 - BOOM

FIGURE 3-8. JIB SWING ROTATOR ASSEMBLY (E300AJP ONLY) (Prior to SN 0300064982)



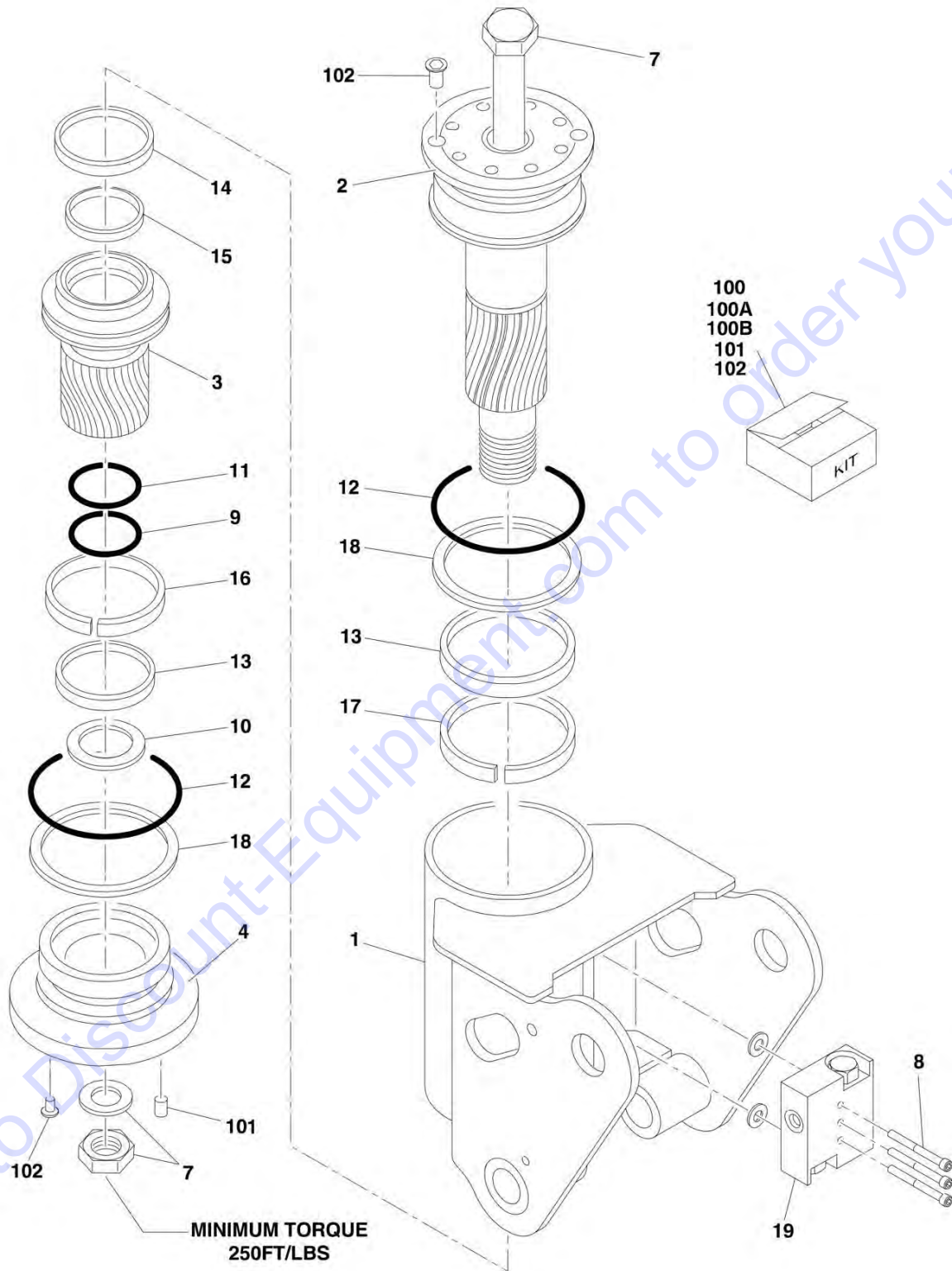
SECTION 3 - BOOM

FIGURE 3-8. JIB SWING ROTATOR ASSEMBLY (E300AJP ONLY) (Prior to SN 0300064982)

ITEM	PART NUMBER	QTY	DESCRIPTION	REV
		Ref	ROTATOR ASSEMBLY	
	0060046	Ref	Rotator Assembly (E300AJP) Side Swing Rotate (Prior to SN 0300064982)	C
1	0060046	1	Case/Bracket Weldment	
2	7017130	1	Shaft	
3	7017131	1	Sleeve, Piston	
4	See Note	1	Cap, End (Note: Not Available for Purchase)	
7	7017135	1	Tie Rod Assembly	
8	See Note	3	Capscrew 1/4in-20NC (Grade 8) (Note: Not Available for Purchase)	
9	See Note	NSS	Seal, Cap (Note: Use Item 52)	
10	See Note	NSS	Ring, Back-up Cap (Note: Use Item 52)	
11	See Note	NSS	Seal, Rod (Note: Use Item 52)	
12	See Note	NSS	Seal, Piston (Note: Use Item 52)	
13	See Note	NSS	Packing, Bearing (Note: Use Item 52)	
16	See Note	NSS	Bearing, Cap (Note: Use Item 51)	
17	See Note	NSS	Bearing, Shaft (Note: Use Item 51)	
18	See Note	NSS	Thrustwasher (Note: Use Item 51)	
19		Ref	Counterbalance Valve Assembly Options:	
19	7017125	NLA	Valve - Helac p/n 24327 Stamped beside Mounting Screws (Use p/n 7017172)	
19	7017172	1	Valve - Helac p/n 26553 or 26554 Stamped beside Mounting Screws	
19A		Ref	Valve, Cartridge Options:	
19A	7011323	2	Valve, Cartridge for Helac p/n 24327 Valve	
19A	2900770	2	Seal Kit - 7011323 Cartridge (1 Per Assembly)	
19A	7017192	2	Valve, Cartridge Helac p/n 26553 or 26554 (No Seal Kit Available)	
		Ref	Kit Options	
100	7017133	1	Seal Kit (Includes Items 9-13)	
101	7017134	1	Bearing Kit (Includes Items 16-18)	
102	7017132	1	Hardware Kit (Includes Plugs and Setscrews)	

SECTION 3 - BOOM

FIGURE 3-9. JIB SWING ROTATOR ASSEMBLY (E300AJP ONLY) (SN 0300064982 through 0300138358)



PARTS FINDER

**Search Website
by Part Number**



**Search Manual
Library For Parts
Manual & Lookup Part
Numbers – Purchase
or Request Quote**

**Can't Find Part or
Manual? Request Help
by Manufacturer,
Model & Description**

Discount-Equipment.com is your online resource for quality parts & equipment.

Florida: **561-964-4949** Outside Florida TOLL FREE: **877-690-3101**

Need parts?

Click on this link: <http://www.discount-equipment.com/category/5443-parts/> and choose one of the options to help get the right parts and equipment you are looking for. Please have the machine model and serial number available in order to help us get you the correct parts. If you don't find the part on the website or on one of the online manuals, please fill out the request form and one of our experienced staff members will get back to you with a quote for the right part that your machine needs.

We sell worldwide for the brands: Genie, Terex, JLG, MultiQuip, Mikasa, Essick, Whiteman, Mayco, Toro Stone, Diamond Products, Generac Magnum, Airman, Haulotte, Barreto, Power Blanket, Nifty Lift, Atlas Copco, Chicago Pneumatic, Allmand, Miller Curber, Skyjack, Lull, Skytrak, Tsurumi, Husquvarna Target, Stow, Wacker, Sakai, Mi-T-M, Sullair, Basic, Dynapac, MBW, Weber, Bartell, Bennar Newman, Haulotte, Ditch Runner, Menegotti, Morrison, Contec, Buddy, Crown, Edco, Wyco, Bomag, Laymor, EZ Trench, Bil-Jax, F.S. Curtis, Gehl Pavers, Heli, Honda, ICS/PowerGrit, IHI, Partner, Imer, Clipper, MMD, Koshin, Rice, CH&E, General Equipment, Amida, Coleman, NAC, Gradall, Square Shooter, Kent, Stanley, Tamco, Toku, Hatz, Kohler, Robin, Wisconsin, Northrock, Oztec, Toker TK, Rol-Air, APT, Wylie, Ingersoll Rand / Doosan, Innovatech, Con X, Ammann, Mecalac, Makinex, Smith Surface Prep, Small Line, Wanco, Yanmar

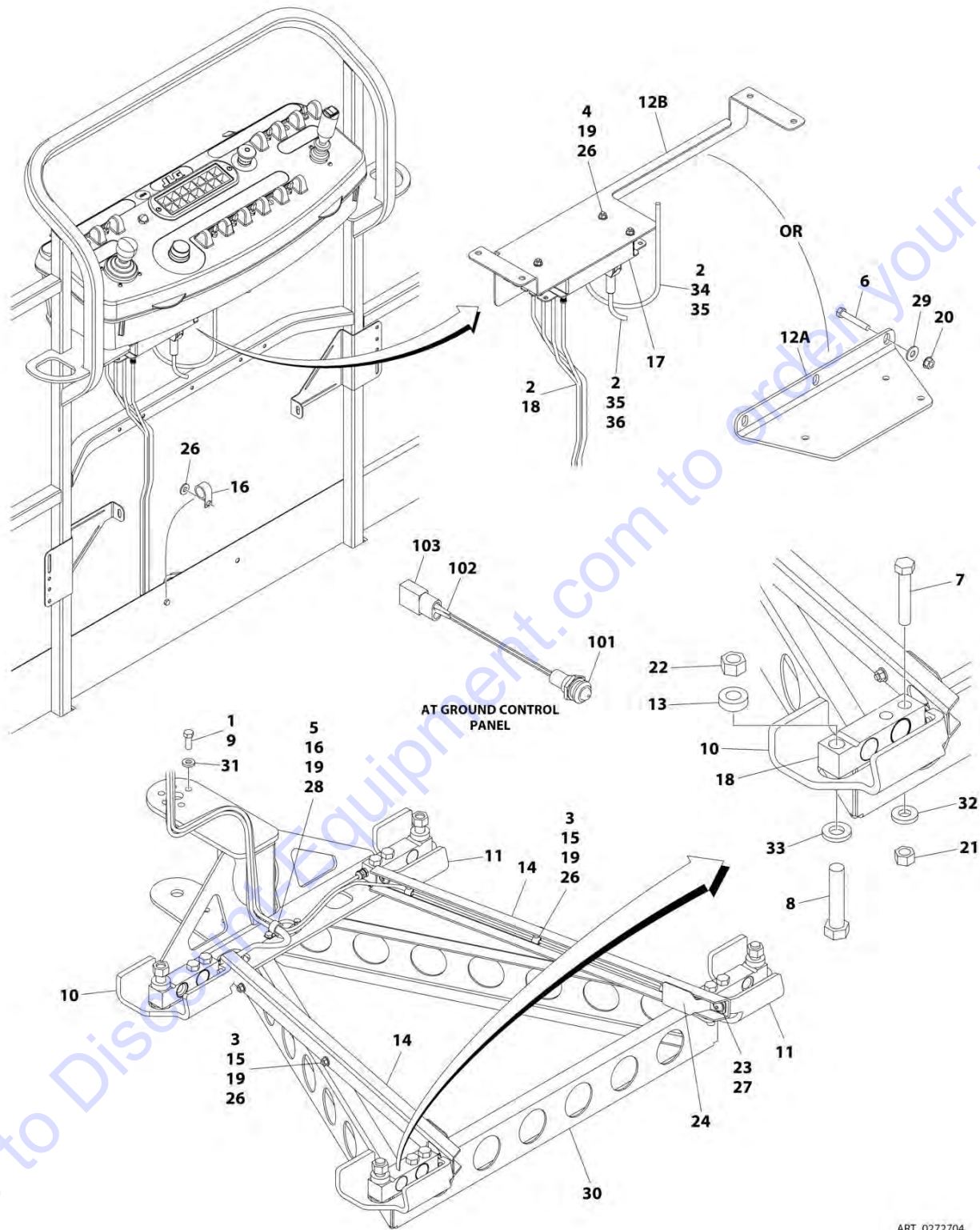
SECTION 3 - BOOM

FIGURE 3-9. JIB SWING ROTATOR ASSEMBLY (E300AJP ONLY) (SN 0300064982 through 0300138358)

ITEM	PART NUMBER	QTY	DESCRIPTION	REV
	0060065	Ref	JIB SWING ROTATOR ASSEMBLY	C
1	0060065	1	Case/Bracket Weldment	
2	7017167	1	Shaft	
3	7017168	1	Sleeve, Piston	
4	See Note	1	Cap, End (Note: Not Available for Purchase)	
7	See Note	1	Tie Rod Assembly (Note: Not Available for Purchase)	
8	See Note	3	Capscrew 1/4in-20NC (Grade 8) (Note: Not Available for Purchase)	
9	See Note	NSS	Seal, Cap (Note: Use Item 100A or 100B)	
10	See Note	NSS	Ring, Back-up Cap (Note: Use Item 100A or 100B)	
11	See Note	NSS	Seal, Rod (Note: Use Item 100A or 100B)	
12	See Note	NSS	Seal, Piston (Note: Use Item 100A or 100B)	
13	See Note	NSS	Packing, Bearing (Note: Use Item 100A or 100B)	
14	See Note	NSS	Seal (Note: Use Item 100A or 100B)	
15	See Note	NSS	Seal (Note: Use Item 100A or 100B)	
16	See Note	NSS	Bearing, Cap (Note: Use Item 101)	
17	See Note	NSS	Bearing, Shaft (Note: Use Item 101)	
18	See Note	NSS	Thrustwasher (Note: Use Item 101)	
19	7017172	1	Counterbalance Valve Assembly	
19	7017192	2	Cartridge, Valve (No Seal Kit Available)	
100		Ref	Seal Kit Options (Includes Item 9-15):	
100A	7017165	1	Standard	
100B	70000340	1	Cold Climate	
101	7017178	1	Bearing Kit (Includes Item 16-18)	
102	7017179	1	Hardware Kit	

SECTION 3 - BOOM

FIGURE 3-10. PLATFORM SUPPORT INSTALLATION - WITH LSS



ART_0272704

SECTION 3 - BOOM

FIGURE 3-10. PLATFORM SUPPORT INSTALLATION - WITH LSS

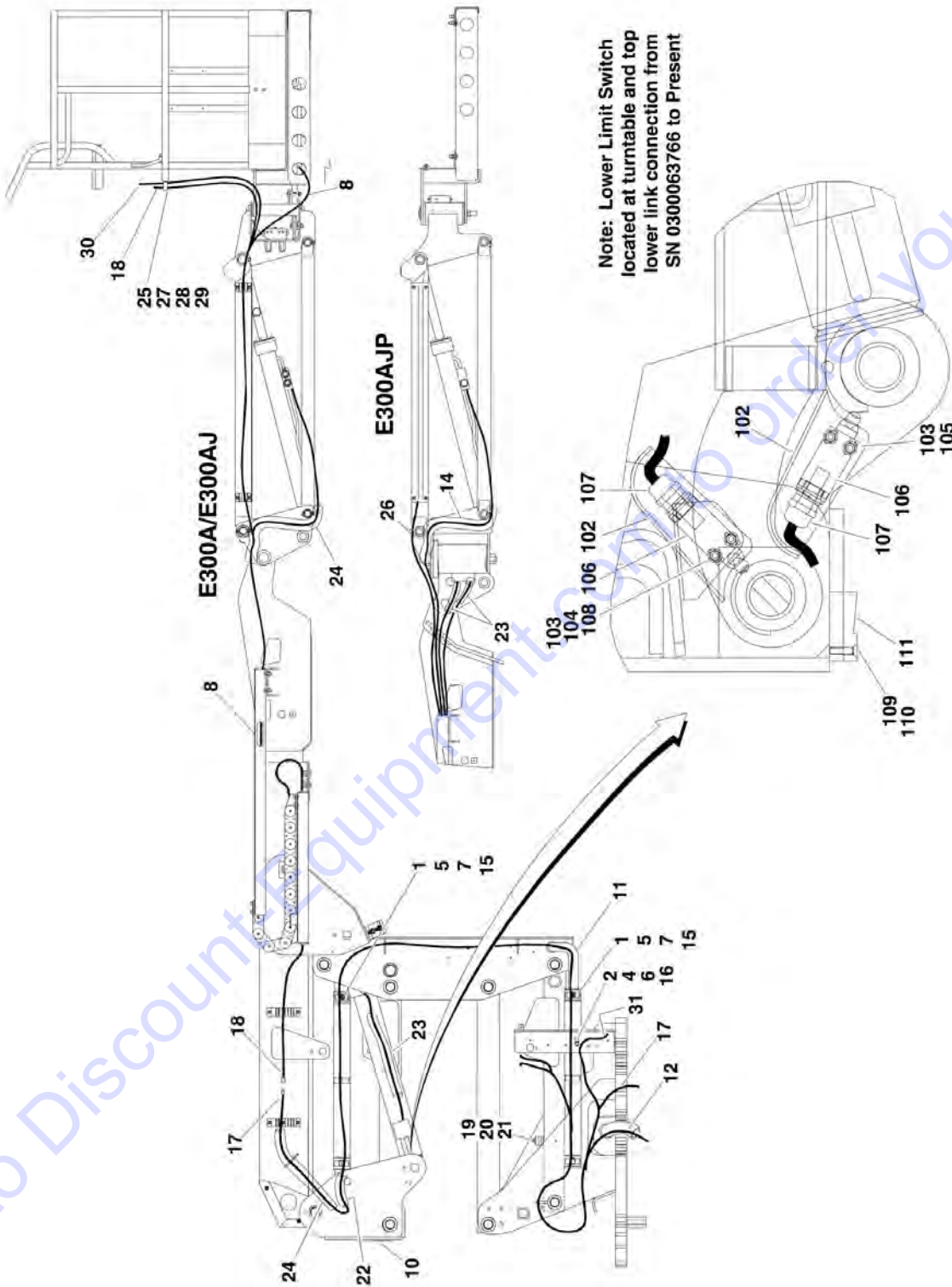
ITEM	PART NUMBER	QTY	DESCRIPTION	REV
	0272704	Ref	PLATFORM SUPPORT INSTALLATION - WITH LSS	K
1	0100011	AR	Compound, Locking	
2	0100048	AR	Grease, Dielectric	
3		Ref	Bolt Options:	
3	0630407	6	Capscrew 1/4 x 5/8	
3	0641405	6	Screw 1/4 x 5/8	
4		Ref	Bolt Options:	
4	0641405	3	Bolt 1/4 x 5/8	
4	0641406	3	Bolt 1/4 x 3/4	
4	0641416	3	Bolt 1/4 x 2	
5	0641407	1	Bolt 1/4 x 7/8	
6	0641516	3	Bolt 5/16 x 2 (Prior to SN 0300138471)	
7	0641822	8	Bolt 1/2 x 2-3/4	
8	0642024	4	Bolt 5/8 x 3	
9	0681608	6	Bolt 3/8 x 1	
10	0902919	2	Bracket, Cell Guard	
11	0902920	2	Bracket, Cell Guard	
12		Ref	Bracket, Module Mounting Options:	
12A	0902894	1	Design A (Prior to SN 0300138471)	
12B	1001113483	1	Design B (SN 0300138471 to Present)	
13	0962450	4	Bushing, Spacer	
14	1271538	2	Channel	
15	1320136	6	Clamp	
16	1320224	2	Clamp	
17		Ref	Electronic Interface Module Options (Note: Re-calibration Required when Replaced):	
17	1600350	1	Electronic Interface Module (Prior to SN 0300076525)	
17	1600387	1	Electronic Interface Module (SN 0300076525 to Present)	
18	2420202	4	Load Cell Assembly	
19	3311405	10	Nut 1/4	
20	3311508	3	Nut 5/16 (Prior to SN 0300138471)	
21	3311805	8	Nut 1/2	
22	3312005	4	Nut 5/8	
23	3900283	4	Screw 3/8 x 3/4	
24	4061054	2	Shield	
25	4240033	AR	Tie-Strap (Not Shown)	
26	4711400	13	Washer 1/4	
27	4711600	4	Washer 3/8	
28	4751400	1	Washer 1/4	
29	4751500	3	Washer 5/16 (Prior to SN 0300138471)	
30	4846608	1	Platform Support	
31	4891600	6	Washer 3/8	
32	4891800	8	Washer 1/2	
33	4892000	4	Washer 5/8	
34	4922916	1	Harness, LSS System	
34	4460933	1	Connector - 12 Position (Grey) (J1)	
34	4460465	3	Socket, Female	
34	4460466	9	Plug, Terminal	
34	0840055	1	Boot	
34	4460313	3	Terminal, Ring	

SECTION 3 - BOOM

ITEM	PART NUMBER	QTY	DESCRIPTION	REV
35	4933289	1	EIM Load Cell to Platform Console Box Wiring (See Separate Breakdown in ELECTRICAL SECTION)	
36	4922917	1	Harness, Analyzer	
36	4460836	1	Connector - 12 Position (Black) (J2)	
36	4460465	4	Socket, Female	
36	4460466	8	Plug, Terminal	
36	0840055	1	Boot	
36	4460761	1	Connector - 4 Position	
36	4460227	4	Pin, Male	
	0273151	Ref	INDICATOR LIGHT INSTALLATION (LSS)	
101	2920151	1	Light (Located on Ground Control Box)	
102	4460226	2	Socket, Female	
103	4460424	1	Connector - 2 Position	
104	4922926	1	Harness, Indicator Lamp (Not Shown - Located at Ground Control Box)	
104	4460265	1	Plug, Male - 9 Position	
104	4460320	1	Plug, Male - 2 Position	
104	4460226	3	Socket, Female	
104	4460227	2	Pin, Male	
104	4460042	1	Terminal, Ring	
104	4460313	1	Terminal, Ring	

SECTION 3 - BOOM

FIGURE 3-11. CABLES, CLAMPS AND LIMIT SWITCHES INSTALLATION



SECTION 3 - BOOM

FIGURE 3-11. CABLES, CLAMPS AND LIMIT SWITCHES INSTALLATION

ITEM	PART NUMBER	QTY	DESCRIPTION	REV
		Ref	CABLE AND CLAMP INSTALLATIONS	
	0259033	Ref	Cable and Clamp Installations (E300A & E300AJ)	12
	0259623	Ref	Cable and Clamp Installations (E300AJP)	11
1	0641416	6	Bolt 1/4in-20NC x 2in	
2	0721006	1	Screw	
4	1320043	1	Clamp, Cable	
5	1320261	4	Clamp, Hose	
6	3311005	1	Locknut #10-24NC	
7	3311405	6	Locknut 1/4in-20NC	
8	4060803	19 in /48cm	Shield, Flex Trim 1/8 (Prior to SN 0300056416)	
10	4060807	14 in /36cm	Shield, Flex Trim 3/8in	
11	4100058	2	Sleeve, Hose (Prior to SN 0300056416)	
12	4100063	1	Sleeve, Hose Wrap	
14		Ref	Sleeve, Hose Wrap Options:	
14	Not Required	0	Sleeve, Hose Wrap (E300A & E300AJ)	
14	4100066	2	Sleeve, Hose Wrap (E300AJP)	
15	4711400	6	Flatwasher 1/4in Thin	
16	4751000	2	Flatwasher #10 Regular	
17	4922270	1	Harness, Lower Platform (See ELECTRICAL SECTION for Breakdown)	
18	4922273	1	Harness, Upper Platform (See ELECTRICAL SECTION for Breakdown)	
19	0100011	AR	Compound, Locking	
20	0641510	1	Bolt 5/16in-18NC x 1 1/4in	
21	1320262	1	Clamp	
22	4100066	AR	Sleeve, Hose Wrap	
23	4100067	Ref	Sleeve, Hose Wrap	
23	4100067	4	Sleeve, Hose Wrap (Prior to SN 0300071754)	
23	4100067	2	Sleeve, Hose Wrap (SN 0300071754 through 0300093852)	
23	4100067	1	Sleeve, Hose Wrap (SN 0300093853 through 0300138358)	
24	4100068	2	Sleeve, Hose Wrap (Prior to SN 0300066703)	
25	1320130	1	Clamp, Hose (Prior to SN 0300071754)	
26	Not Required	0	Clamp, Hose	
27	0641616	1	Bolt 3/8in-16NC x 2 (Prior to SN 0300071754)	
28	4711600	1	Flatwasher 1/4in Narrow (Prior to SN 0300071754)	
29	3271601	1	Nut 3/8in-16NC (Prior to SN 0300071754)	
30	1060876	24 ft/7.4m	Cable	
31	1060877	21 ft/6.4m	Cable	
		Ref	BOOM LIMIT SWITCHES OPTIONS:	
	0259255	Ref	Boom Limit Switches (Prior to SN 0300063766)	C
	0270339	Ref	Boom Limit Switches (SN 0300063766 through 0300138358)	D
102	1670899	1	Cover, Switch	
103	3311005	4	Locknut #10-24NC	
104	3931024	2	Bolt #10-24NC x 1 1/2in	
105	3931028	2	Bolt #10-24NC x 1 3/4in	
106	4360321	NLA	Switch, Limit (Use p/n 4360548)	
107		Ref	Connector, Terminal Options:	
107	4460428	2	Use with Limit Switch p/n 4360321	

SECTION 3 - BOOM

ITEM	PART NUMBER	QTY	DESCRIPTION	REV
107	4360968	2	Use with Limit Switch p/n 4360548	
108	4751000	2	Flatwasher #10	
109	0741408	2	Screw 1/4in-20NC x 1in	
110	0100011	AR	Compound, Locking	
111	3340865	1	Pad (SN 0300046300 through 0300138358)	

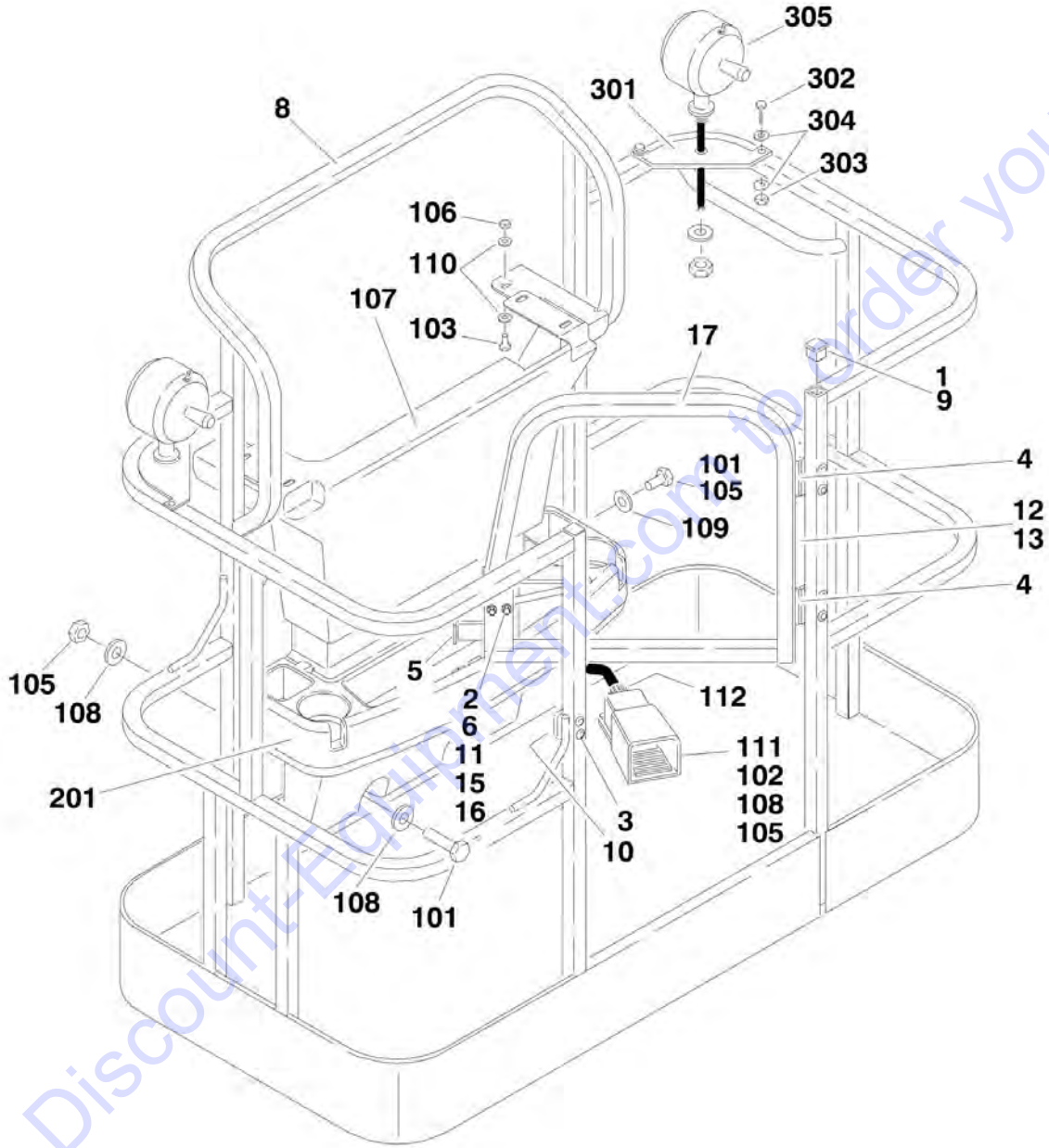
Go to Discount-Equipment.com to order your parts

SECTION 4 - PLATFORM

Go to Discount-Equipment.com to order your parts

SECTION 4 - PLATFORM

FIGURE 4-1. PLATFORM COMPONENTS INSTALLATION (FRONT ENTRY)



SECTION 4 - PLATFORM

FIGURE 4-1. PLATFORM COMPONENTS INSTALLATION (FRONT ENTRY)

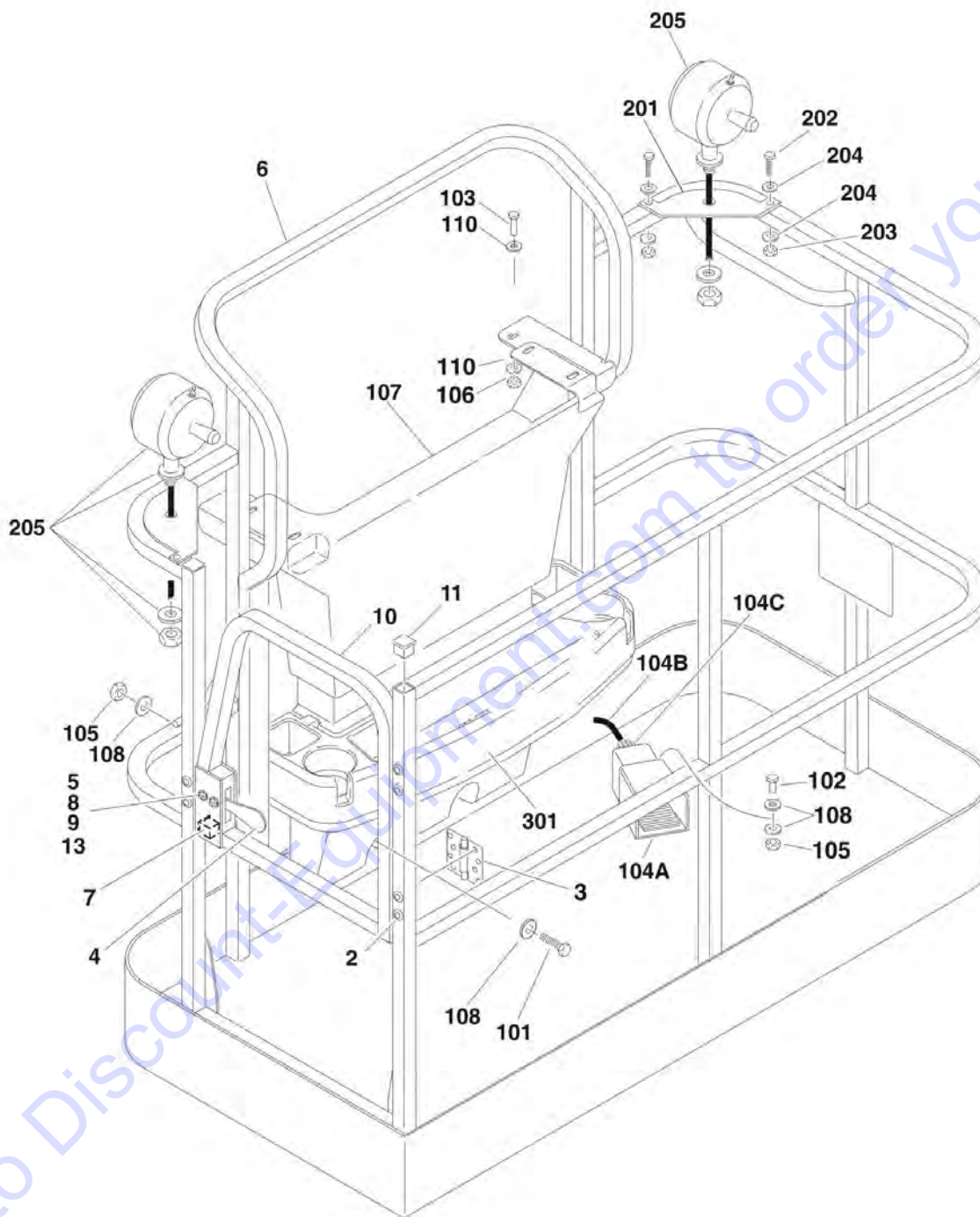
ITEM	PART NUMBER	QTY	DESCRIPTION	REV
		Ref	PLATFORM INSTALLATIONS:	
	3510694	Ref	4ft with Swing Gate and No Mesh	D
	3510711	Ref	4ft with Swing Gate and Mesh to Top Rail	B
	3510714	Ref	4ft with Self-Closing Gate and No Mesh	C
	3510725	Ref	4ft with Self-Closing Gate and Mesh to Top Rail	C
	3510693	Ref	5ft with Swing Gate and No Mesh (E300A Only)	D
		Ref	Note: Replacement Decals Must Be Ordered Separately - See DECALS SECTION.	
1	0100040	AR	Sealant, Silicone	
2	0100011	AR	Compound, Locking	
3	2080040	13	Fastener, Huck	
4		Ref	Hinge Options:	
4	2600216	2	With Swing Gate	
4	2600219	NLA	With Self-Closing Gate (Use p/n 2600287)	
5	2940074	1	Latch	
6	3311005	4	Locknut #10-24NC	
8	See Note	1	Platform (Note: Not Available - Purchase Platform Assembly)	
9	3520072	3	Cap-Plug	
10	3539685	1	Plate, Latch	
11	3911008	4	Screw #10-24NC x 1in	
12	4060803	6 in/15cm	Trimlock	
13	4220165	1	Stop, Gate	
15	4751000	4	Flatwasher #10	
16	4761000	4	Lockwasher #10	
17		Ref	Gate Options:	
17	4845327	1	With Swing Gate and No Mesh	
17	4845824	1	With Swing Gate and Mesh to Top Rail	
17	4845426	1	With Self-Closing Gate and No Mesh	
17	4845951	1	With Self-Closing Gate and Mesh to Top Rail	
		Ref	PEDESTAL PANEL AND FOOTSWITCH INSTALLATIONS	
		Ref	PEDESTAL PANEL AND FOOTSWITCH INSTALLATIONS	
			E300A & E300AJ MODELS	
		Ref	ANSI Spec Options:	
	0861176	Ref	ANSI Spec (Prior to SN 0300068944)	7-F
	0272082	Ref	ANSI Spec (SN 0300068944 through 0300138358)	A
		Ref	UL Spec Options:	
	0861176	Ref	UL Spec (Prior to SN 0300056965)	7-F
	0861452	Ref	UL Spec (SN 0300056965 through 0300068943)	1-A
	0272105	Ref	UL Spec (SN 0300068944 through 0300138358)	A
		Ref	PEDESTAL PANEL AND FOOTSWITCH INSTALLATION	
			E300AJP MODELS	
		Ref	ANSI Spec Options:	
	0861311	Ref	ANSI Spec (Prior to SN 0300049315)	1-A
	0861314	Ref	ANSI Spec (SN 0300049315 through 0300068943)	5-D
	0272106	Ref	ANSI Spec (SN 0300068944 through 0300138358)	A
		Ref	UL Spec Options:	
	0861311	Ref	UL Spec (Prior to SN 0300049315)	1-A
	0861314	Ref	UL Spec (SN 0300049315 through 0300056964)	5-D
	0861449	Ref	UL Spec (SN 0300056965 through 0300068943)	1-A
	0272104	Ref	UL Spec (SN 0300068944 through 0300138358)	A

SECTION 4 - PLATFORM

ITEM	PART NUMBER	QTY	DESCRIPTION	REV
101	0641406	4	Bolt 1/4in-20NC x 3/4in	
102	0641408	3	Bolt 1/4in-20NC x 1in	
103	0641610	4	Bolt 3/8in-16NC x 1-1/4in	
105	3311405	7	Locknut 1/4in-20NC	
106	3311605	4	Locknut 3/8in-16NC	
107	3380434	1	Panel, Pedestal	
108	4740362	7	Washer, Fender 1/4in	
109	4751400	4	Flatwasher 1/4in (Wide)	
110	4751600	8	Flatwasher 3/8in (Wide)	
111	4360031	1	Footswitch	
111	7000625	2	Block, Contact	
111	3252347	1	Nameplate (Note: See DECALS SECTION for Other Languages)	
112	4460071	1	Connector, Strain Relief (Not Shown - Located at Console Box)	
		Ref	TRAY INSTALLATIONS (OPTIONAL)	
201	1580012	1	Tray, Storage (Center)	
202	1580013	1	Tray, Storage (Rail Mounted - Not Shown)	
		Ref	WORKLIGHTS INSTALLATION OPTIONS:	
	0259338	Ref	Worklights Installation (Optional)	2-B
	0271301	Ref	Worklights Installation (UL Machines Only)	2-B
301	3536089	2	Plate, Mounting	
302	0641414	4	Bolt 1/4in-20NC x 1-3/4in	
303	3311405	4	Locknut 1/4in-20NC	
304	4711400	8	Flatwasher 1/4in Thin	
305	2920095	2	Worklight Assembly	
305	7016356	2	Bulb, Replacement	
306	4240099	10	Tie-Strap (Not Shown)	

SECTION 4 - PLATFORM

FIGURE 4-2. PLATFORM COMPONENTS INSTALLATION (SIDE ENTRY)



SECTION 4 - PLATFORM

FIGURE 4-2. PLATFORM COMPONENTS INSTALLATION (SIDE ENTRY)

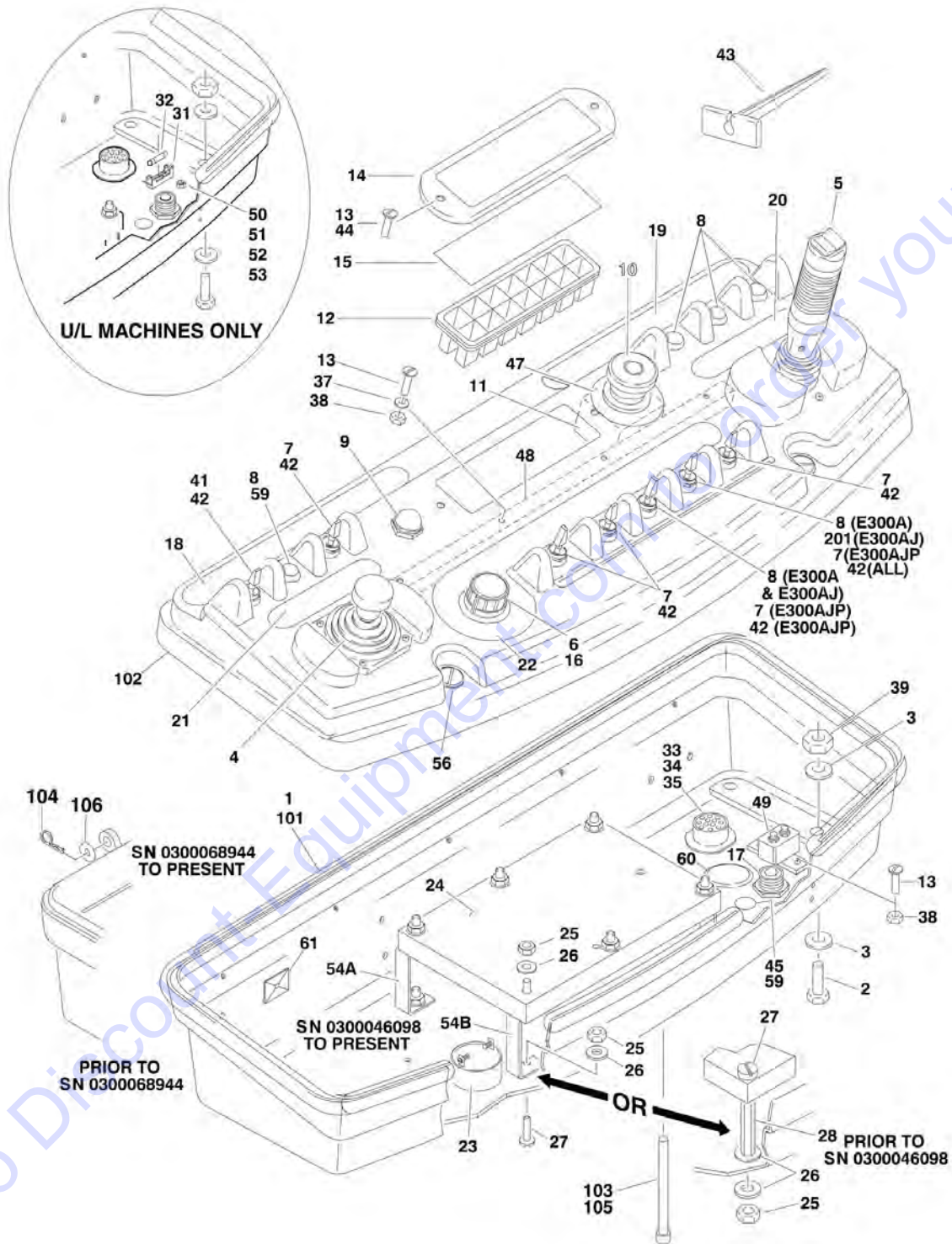
ITEM	PART NUMBER	QTY	DESCRIPTION	REV
		Ref	PLATFORM ASSEMBLIES:	
	3510831	Ref	Platform Assemblies 30 in x 5ft (76cm x 1.52m) with No Mesh (Original Equipment)	L
	1001144026	Ref	Platform Assemblies 30 in x 5ft (76cm x 1.52m) with No Mesh (Service Replacement for p/n 3510831)	B
	3510830	Ref	Platform Assemblies 30 in x 4ft (76cm x 1.22m) with No Mesh (Original Equipment)	M
	1001144027	Ref	Platform Assemblies 30 in x 4ft (76cm x 1.22m) with No Mesh (Service Replacement for p/n 3510830)	B
		Ref	Note: Original Equipment platform may have been replaced with Service Replacement platform. Identify platform before ordering parts.	
		Ref	Note: Platform and Mesh must be ordered separately for Platforms with Mesh. See SPECIAL OPTIONS SECTION for Mesh Installations.	
		Ref	Note: Replacement Decals Must Be Ordered Separately - See DECALS SECTION.	
2	2080040	16	Fastener, Huck	
3	2600281	2	Hinge, Self-Closing	
4	2940074	1	Latch	
5	3311001	4	Nut #10-24NC (Prior to SN 0300077390)	
6	See Note	1	Platform (Note: Not Available - Purchase Platform Assembly)	
7	3520072	1	Cap-Plug	
8		Ref	Hardware Options:	
8	3911008	4	Screw #10-24NC x 1in (Prior to SN 0300077390)	
8	3820020	4	Rivet, Pop (SN 0300077390 through 0300138358)	
9	4751000	8	Flatwasher #10 Regular (Prior to SN 0300077390)	
10		Ref	Gate Options:	
10	4846452	1	Platform p/n 3510830 & p/n 3510831 (Original Equipment)	
10	1001144629	1	Platform p/n 1001144026 & p/n 1001144027 (Service Replacement)	
11	3520198	2	Cap-Plug	
13	4761000	4	Lockwasher #10 (Prior to SN 0300077390)	
		Ref	PEDESTAL PANEL AND FOOTSWITCH INSTALLATIONS	
		Ref	Pedestal Panel and Footswitch Installations E300A & E300AJ Models	
	0272082	Ref	ANSI Spec	A
	0272105	Ref	UL Spec	A
		Ref	Pedestal Panel and Footswitch Installations E300AJP Models	
	0272106	Ref	ANSI Spec	A
	0272104	Ref	UL Spec	A
101	0641406	4	Bolt 1/4in-20NC x 3/4in	
102	0641408	3	Bolt 1/4in-20NC x 1in	
103	0641610	4	Bolt 3/8in-16NC x 1-1/4in	
104		Ref	Console Box Assembly (Not Shown - See PLATFORM CONSOLE ASSEMBLY for Breakdown)	
104A	4360031	1	Footswitch	
104A	7000625	2	Block, Contact	
104A	3252347	1	Nameplate (Note: See DECALS SECTION for Other Languages)	
104B	1060330	7 ft/2.2m	Cable, Electrical 16/3	
104C	4460071	1	Connector, Strain Relief	

SECTION 4 - PLATFORM

ITEM	PART NUMBER	QTY	DESCRIPTION	REV
105	3311405	7	Locknut 1/4in-20NC	
106	3311605	4	Locknut 3/8in-16NC	
107	3380434	1	Panel, Pedestal	
108	4740362	7	Washer, Fender 1/4in	
109	4751400	4	Flatwasher 1/4in Regular	
110	4751600	8	Flatwasher 3/8in Regular	
		Ref	WORKLIGHTS INSTALLATION OPTIONS:	
	0259338	Ref	Worklights Installation (Optional)	1-A
	0271301	Ref	Worklights Installation (UL Machines Only)	2-B
201	3536089	2	Plate, Mounting	
202	0641414	4	Bolt 1/4in-20NC x 1-3/4in	
203	3311405	4	Locknut 1/4in-20NC	
204	4711400	8	Flatwasher 1/4in Thin	
205	2920095	2	Worklight Assembly	
205	7016356	2	Bulb, Replacement	
206	4240099	10	Tie-Strap (Not Shown)	
		Ref	TRAY INSTALLATIONS (OPTIONAL)	
301	1580012	1	Tray, Storage (Center)	
302	1580013	1	Tray, Storage (Rail Mounted - Not Shown)	

SECTION 4 - PLATFORM

FIGURE 4-3. PLATFORM CONSOLE ASSEMBLY



SECTION 4 - PLATFORM

FIGURE 4-3. PLATFORM CONSOLE ASSEMBLY

ITEM	PART NUMBER	QTY	DESCRIPTION	REV
		Ref	CONSOLE BOX ASSEMBLY OPTIONS:	
		Ref	Console Box Assembly (Prior to SN 0300068944)	
	0861176	Ref	Console Box Assembly (E300A & E300AJ)	10-H
	0861314	Ref	Console Box Assembly (E300AJP)	4-D
	0861452	Ref	Console Box Assembly (E300A & E300AJ) (U/L Machines Only)	1-A
	0861449	Ref	Console Box Assembly (E300AJP) (U/L Machines Only)	1-A
		Ref	Console Box Assembly (SN 0300068944 through 0300138358)	
	0861529	Ref	Console Box Assembly (E300A & E300AJ)	H
	0861532	Ref	Console Box Assembly (E300AJP)	H
	0861531	Ref	Console Box Assembly (E300A & E300AJ) (U/L Machines Only)	E
	0861530	Ref	Console Box Assembly (E300AJP) (U/L Machines Only)	G
	0273089	Ref	LIGHT DISPLAY DECAL INSTALLATION	A
1		Ref	Console Box Assembly Options:	
1	0861215	1	Console Assembly (Prior to SN 0300068944)	
1	7020099	2	Screw	
1	3760308	2	Retainer, Screw	
1	7020100	2	Receptacle, Clip-on Screw	
1	0861537	1	Console Assembly (See Items 101-106 for Breakdown) (SN 0300068944 through 0300138358)	
2	0641610	4	Bolt 3/8in-16NC x 1-1/4in	
3	4751600	8	Flatwasher 3/8in Regular	
4	1600274	NLA	Controller Assembly (Lift and Swing) (See CONTROLLER ASSEMBLY (LIFT AND SWING) for Breakdown) (Use p/n 1001118419)	
5	1600273	NLA	Controller Assembly (Drive and Steer) (See CONTROLLER ASSEMBLY (DRIVE AND STEER) for Breakdown) (Use p/n 1001118418)	
6	4360462	1	Switch, Potentiometer	
7	4360328	AR	Switch, Toggle	
8	3520028	NLA	Plug, Hole (Use p/n 3520054)	
9	4360387	1	Switch, Push Button	
10	4360475	1	Switch, Emergency Stop	
10	7020175	1	Cap, Mushroom with Sealing Ring	
10	7020176	1	Block, Contact	
11	4360476	1	Block, Contact	
12	2760105	1	Housing, Display Light	
13	0630464	8	Screw, Button Head #10-24NC x 1/2in	
14	1670829	1	Bezel	
15	1704239	1	Display - Light Panel	
16	2560115	NLA	Knob, Speed Control (Use p/n 2560136)	
17	4460428	1	Connector, Strain Relief	
18	1704240	1	Decal - Horn	
19	1704192	1	Decal - Stop	
20	1702565	1	Decal - Drive and Steer	
21	1702566	1	Decal - Lift and Swing	
22		Ref	Decal - Function Speed Options:	
22	1702567	1	Decal - Function Speed E300A & E300AJ	
22	1704422	1	Decal - Function Speed E300AJP	
23		Ref	Alarm Options:	

SECTION 4 - PLATFORM

ITEM	PART NUMBER	QTY	DESCRIPTION	REV
23	0140019	NLA	Alarm (Use p/n 0140011) (Prior to SN 0300046839)	
23	0140011	1	Alarm (SN 0300046839 through 0300138358)	
24	0610128	NLA	Module, Platform (Use p/n 1001109498)	
		Ref	Note: Reclibration Required when Replaced.	
25	3310601	AR	Nut #6-32NC	
26	4750600	AR	Flatwasher #6 Regular	
27	3910612	AR	Screw #8-32NC x 3/4in (Prior to SN 0300068944)	
28	4300132	6	Stud, Stand-Off (Prior to SN 0300046098)	
31	2400067	1	Fuse Holder, Glass (U/L Machines Only)	
32	2400068	1	Fuse, 10 Amp (U/L Machines Only)	
33	4460752	1	Connector - 14 Position	
34	4460497	1	Nut, Receptacle	
35	4460496	1	Lockwasher, Receptacle	
36	4240032	2	Tie-Strap	
37	4740120	4	Washer, Nylon (Prior to SN 0300068944)	
38	3311005	6	Locknut #10-24NC (Prior to SN 0300068944)	
39	3311605	4	Locknut 3/8in-16NC (Prior to SN 0300068944)	
41	4360330	1	Switch, Toggle	
42	3790012	AR	O-Ring	
43	4460467	1	Tool, Extraction (Prior to SN 0300068944)	
44	0100035	AR	Compound, Locking	
45	3520030	2	Hole, Plug	
47	1704260	1	Decal - Emergency Stop Switch	
48	3571222	1	Angle, Relay Mounting (Prior to SN 0300068944)	
49	4360448	1	Breaker, Circuit - 10Amp	
50	3910808	2	Screw (U/L Machines Only)	
51	4750600	3	Flatwasher #6 Regular (U/L Machines Only) (Prior to SN 0300068944)	
52	4760600	2	Lockwasher Spring (U/L Machines Only) (Prior to SN 0300068944)	
53	3310601	2	Nut, Grade 2 (U/L Machines Only) (Prior to SN 0300068944)	
54		Ref	Bracket Options:	
54A	0902575	1	Bracket - Rear (SN 0300046098 through 0300047441)	
54A	0902588	1	Bracket - Rear (SN 0300047442 through 0300138358)	
54B	0902575	1	Bracket - Front	
55		Ref	Jumper Harness Options (Not Shown - See ELECTRICAL SECTION for Breakdown): (Prior to SN 0300068944)	
55	Not Required	0	Jumper Harness (E300A & E300AJ)	
55	4922307	1	Jumper Harness (E300AJP)	
56	7020099	2	Screw (Prior to SN 0300068944)	
57	7020100	2	Clip, Mounting (Not Shown)	
58	3760308	2	Ring, Retainer	
59	0100009	AR	Adhesive, Silicon	
60	1671037	NLA	Cover, Control Box (Use p/n 1001110435) (SN 0300068944 through 0300138358)	
61	4460488	1	Mounting Base, Terminal (SN 0300068944 through 0300138358)	
	0861537	Ref	CONSOLE ASSEMBLY (SN 0300068944 through 0300138358)	E
101	0861537	1	Casting, Console (Bottom)	
102	0861537	1	Casting, Console (Top)	
103	3311601	1	Nut 3/8in-16NC	
104	3470003	2	Pin, Cotter	

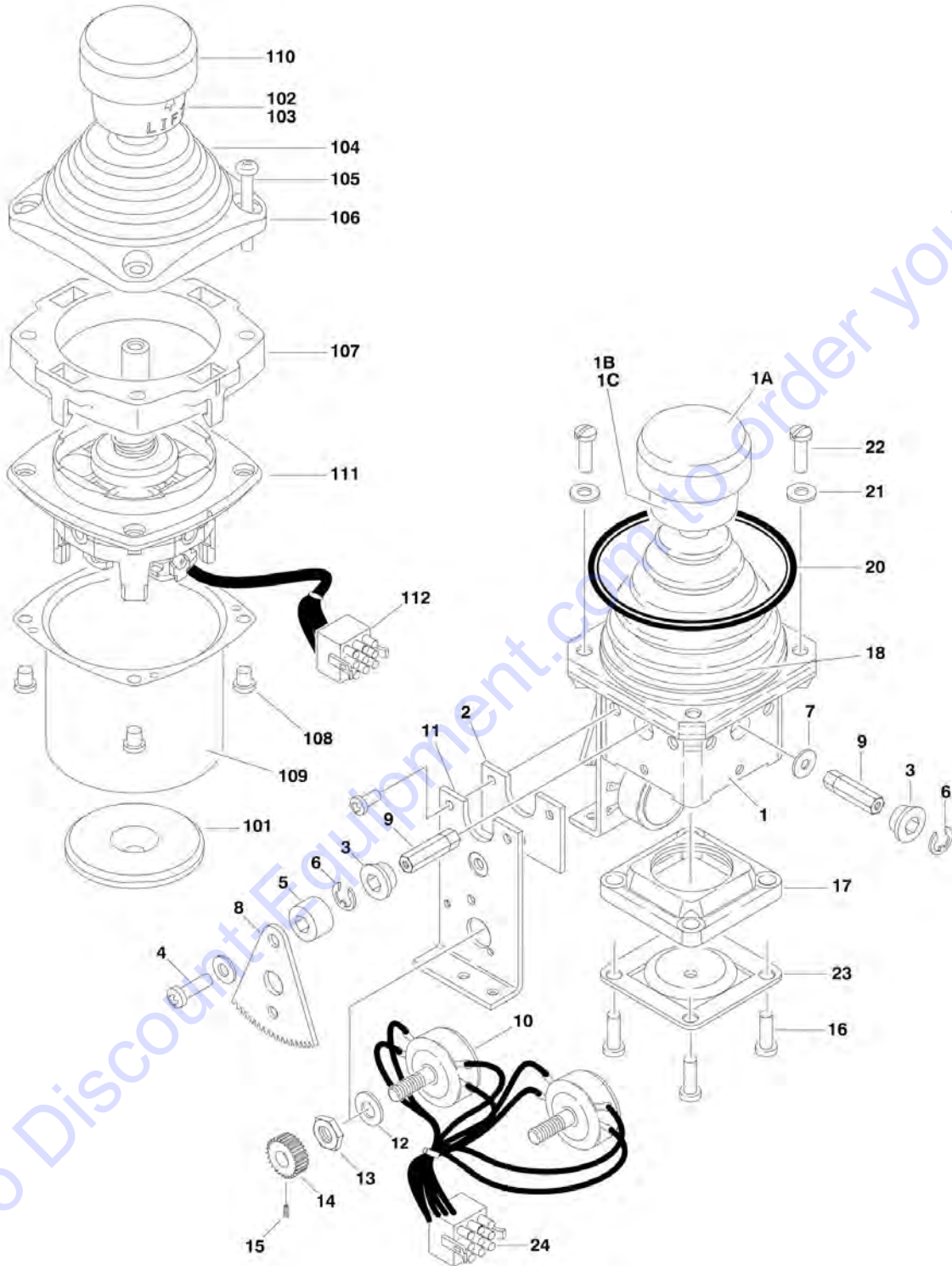
SECTION 4 - PLATFORM

ITEM	PART NUMBER	QTY	DESCRIPTION	REV
105	0630568	1	Bolt 3/8in-16NC x 4-1/2in	2-B
106	4711500	2	Flatwasher 5/16in Thin	
	0259102	Ref	JIB CONSOLE SWITCH (E300AJ ONLY)	
201	4360328	1	Switch, Toggle	
201	3790012	1	O-Ring	
201	4922294	1	Harness, Jib Function (See ELECTRICAL SECTION for Breakdown)	
201	4240032	6	Tie-Strap	
202	4922534	1	Harness, Overload Light (Not Shown - See ELECTRICAL SECTION for Breakdown)	

Go to Discount-Equipment.com to order your parts

SECTION 4 - PLATFORM

FIGURE 4-4. CONTROLLER ASSEMBLY (SWING AND LIFT)



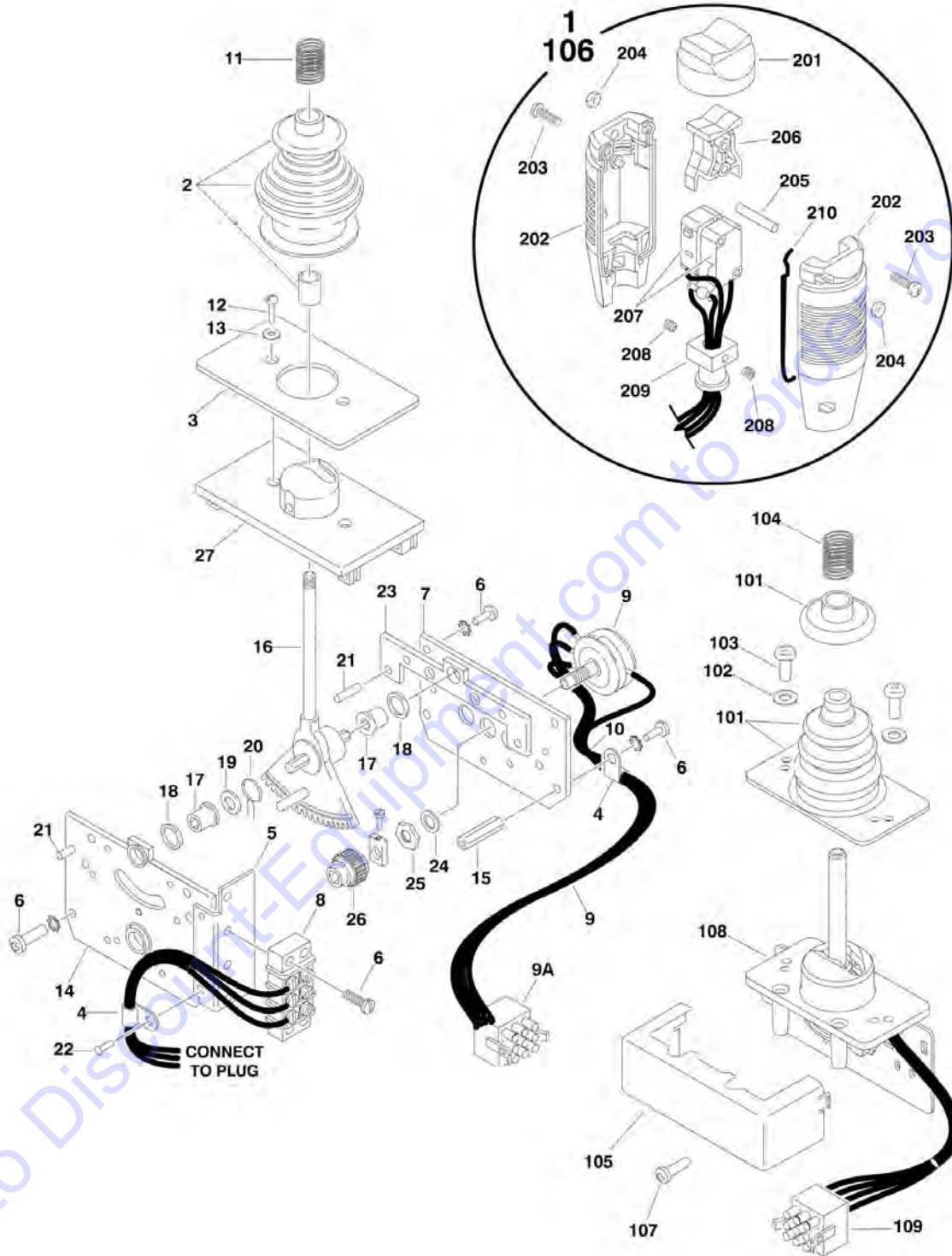
SECTION 4 - PLATFORM

FIGURE 4-4. CONTROLLER ASSEMBLY (SWING AND LIFT)

ITEM	PART NUMBER	QTY	DESCRIPTION	REV
		Ref	Note: Original Equipment component may be replaced with Service Replacement component. Visually identify controller before ordering parts.	
		Ref	CONTROLLER ASSEMBLY	
	1600274	Ref	Controller Assembly (Use 1001118419 as Replacement)	F
1	7019141	1	Mechanical Assembly (Includes Base, Handle Stem and Items 18, 1A, 1B & 1C)	
1A	7019197	1	Handle Cap and Rod	
1B	7003928	1	Spring	
1C	7022808	1	Cap, Lift	
2	7019142	2	Plate	
3	7019111	4	Bearing, Gear	
4	7019143	2	Screw	
5	7019144	2	Spacer	
6	7019145	4	E-Clip	
7	7019174	2	Spacer, Cam	
8	7003977	2	Gear, Drive	
9	7019147	4	Shaft	
10	7019195	2	Potentiometer Assembly	
10	7003974	1	Potentiometer	
11	7019142	2	Plate	
12	7003992	2	Washer	
13	7003993	2	Nut	
14	7003976	2	Gear, Slave	
15	7019149	2	Setscrew	
16	7003952	4	Screw	
17	7019150	1	Gate	
18	7022813	1	Boot (was p/n 7003955)	
19	7022813	1	Plate, Plastic (was p/n 7003954)	
20	7003956	1	O-Ring	
21	7003953	4	Washer	
22	7019137	4	Screw	
23	7019170	1	Center, Detent	
24	4460265	1	Plug, Male - 9 Position	
24	4460226	8	Socket, Female	
	1001118419	Ref	Controller Assembly (Service Replacement)	B
101	70002730	1	Gasket	
102	7003928	1	Spring	
103	7022808	1	Cap, Lift	
104	70002731	1	Boot	
105	70002732	4	Screw	
106	7022815	1	Bezel	
107	70002733	1	Adapter	
108	70002734	4	Screw	
109	70002735	1	Can, Enclosure	
110	70002906	1	Cap	
111	1001118419	1	Mechanical Assembly	
112	4460265	1	Plug, Male - 9 Position	
112	4460226	8	Socket, Female	

SECTION 4 - PLATFORM

FIGURE 4-5. CONTROLLER ASSEMBLY (DRIVE AND STEER)



SECTION 4 - PLATFORM

FIGURE 4-5. CONTROLLER ASSEMBLY (DRIVE AND STEER)

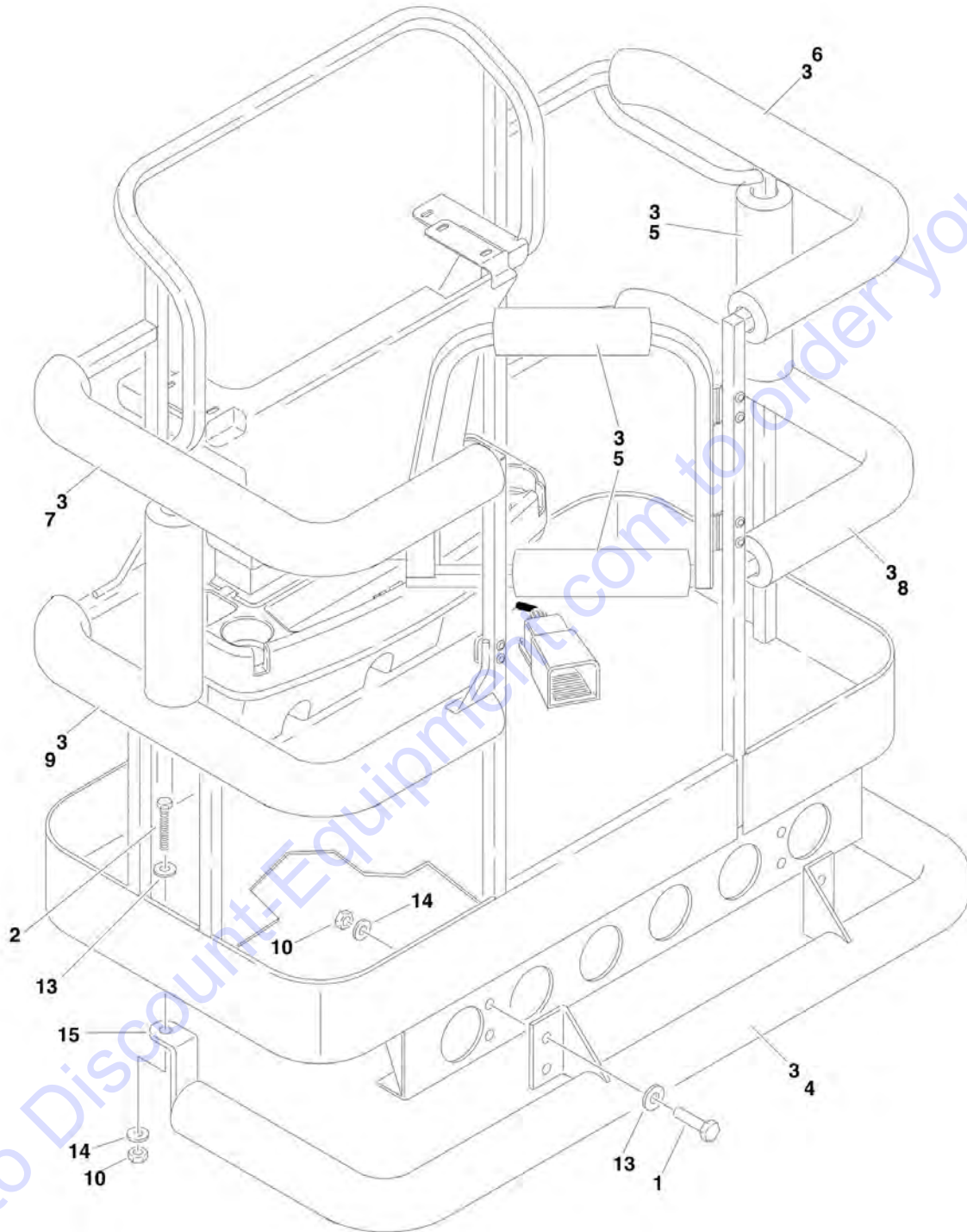
ITEM	PART NUMBER	QTY	DESCRIPTION	REV
		Ref	Note: Original Equipment component may be replaced with Service Replacement component. Visually identify controller before ordering parts.	
		Ref	CONTROLLER ASSEMBLY	
	1600273	Ref	Controller Assembly (Use 1001118418 as Replacement)	G
1	7022812	1	Handle Assembly (See Items 201-210 for Breakdown)	
2	7019161	1	Boot and Sleeve	
3	7003933	1	Gasket	
4	7019154	2	Clamp, Wire	
5	7019159	1	Bracket, Mounting	
6	7003994	10	Screw	
7	7019157	1	Plate, Pot Mounting	
8	7003986	1	Strip, Terminal - 3 Position	
9	7019191	1	Electric Assembly	
9	7003974	1	Potentiometer	
9A	4460265	1	Plug, Male - 9 Position	
9A	4460226	7	Socket, Female	
10	7019151	AR	Tie-Strap	
11	7019162	1	Spring	
12	7003940	2	Screw (was p/n 7003969)	
13	7003941	2	Washer	
14	7019158	1	Plate, Mounting (Left Side)	
15	7019115	2	Stand-off	
16	See Note	1	Shaft 8mm (Note: Not Available for Purchase)	
17	7019111	2	Bearing	
18	7019110	2	Spacer, Head Gear	
19	7019112	1	Washer	
20	7003946	1	Spring, Return	
21	7019103	4	Pin	
22	See Note	1	Rivet (Note: Not Available - Purchase Locally)	
23	7019168	1	Plate, Mounting (Right Side)	
24	7003992	1	Washer	
25	7003993	1	Nut	
26	7003935	1	Gear, Slave	
27	7019160	1	Base	
	1001118418	Ref	Controller Assembly (Service Replacement)	B
101	70002724	1	Boot and Control Lock Assembly	
102	7003941	2	Washer	
103	70002725	2	Screw	
104	7019162	1	Spring	
105	70002726	1	Enclosure	
106	70002736	1	Handle Assembly (See Items 201-210 for Breakdown)	
107	70002728	1	Screw	
108	1001118418	1	Mechanical Assembly	
109	4460265	1	Plug, Male - 9 Position	
109	4460226	7	Socket, Female	
		Ref	HANDLE ASSEMBLIES	
	7022812	Ref	Controller Assembly p/n 1600273	
	70002736	Ref	Controller Assembly p/n 1001118418	
201	7003972	1	Boot, Switch	

SECTION 4 - PLATFORM

ITEM	PART NUMBER	QTY	DESCRIPTION	REV
202	7003973	2	Half, Handle	
203	7003980	4	Screw	
204	7019167	4	Nut	
205	7019164	1	Axle	
206	7019165	1	Rocker	
207		Ref	Wiring Assembly Options:	
207	7019196	1	Controller Assembly p/n 1600273	
207	7003982	2	Switch, Micro	
207	70002737	1	Controller Assembly p/n 1001118418	
207	7003982	2	Switch, Micro	
208	7003983	2	Setscrew	
209	7019194	1	Coupling	
210	7003989	2	Gasket	

SECTION 4 - PLATFORM

FIGURE 4-6. PLATFORM PADDING INSTALLATION (FRONT ENTRY PLATFORM)



SECTION 4 - PLATFORM

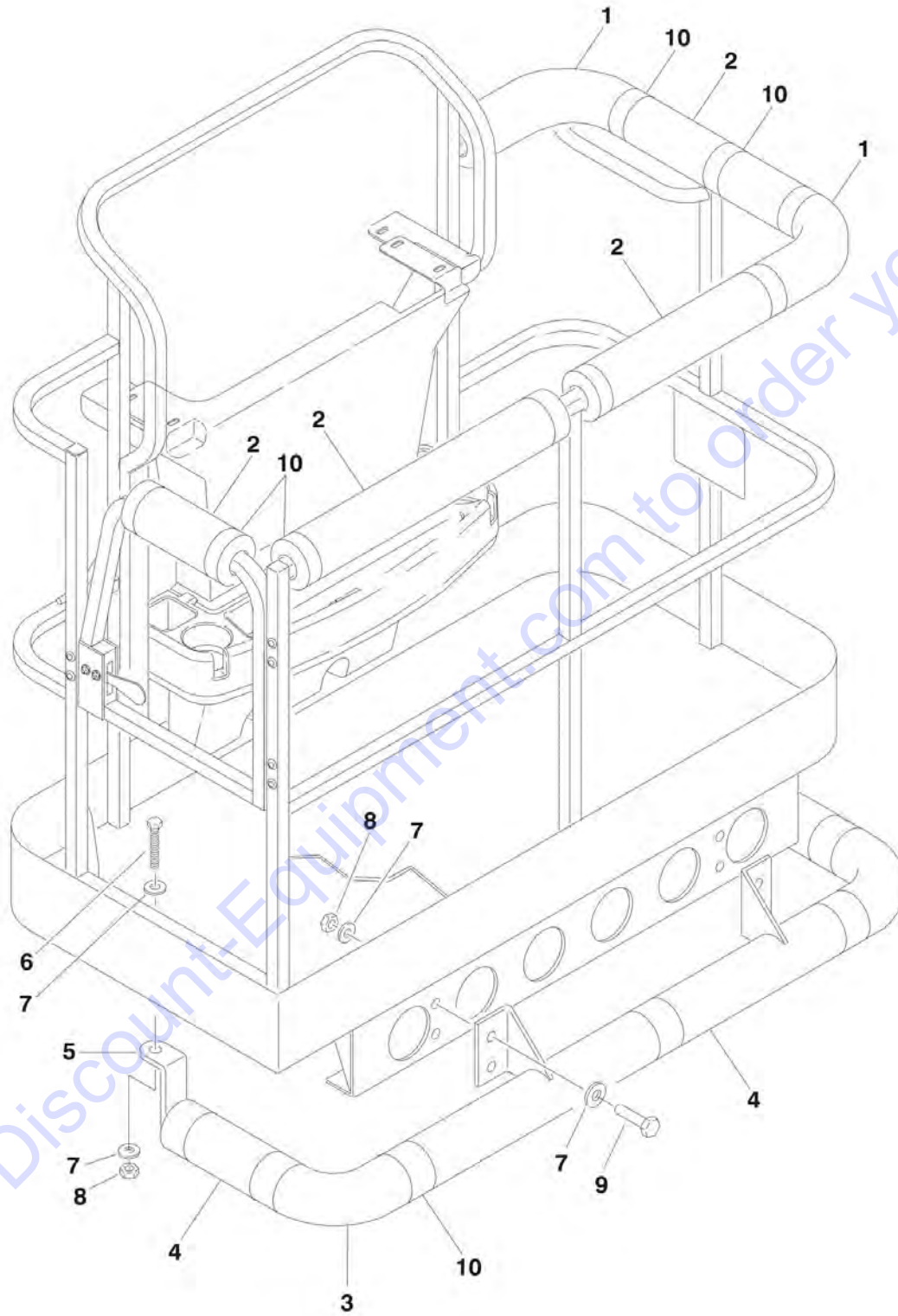
FIGURE 4-6. PLATFORM PADDING INSTALLATION (FRONT ENTRY PLATFORM)

ITEM	PART NUMBER	QTY	DESCRIPTION	REV
	0270283	Ref	PLATFORM PADDING INSTALLATION	C
1	0641508	4	Bolt 5/16in-18NC x 1in	
2	0641516	2	Bolt 5/16in-18NC x 2in	
3	0940038	24 ft/7.3m	Padding	
4	1670745	1	Cover, Bumper Rail	
5	1670788	4	Cover, Gate	
6	1670966	1	Cover, Right End Top Rail	
7	1670967	1	Cover, Left End Top Rail	
8	1670968	1	Cover, Right End Mid Rail	
9	1670969	1	Cover, Left End Mid Rail	
10	3311501	6	Nut 5/16in-18NC	
13	4751500	6	Flatwasher 5/16in Regular	
14	4761500	6	Lockwasher 5/16in	
15	4844917	1	Rail, Bumper	

Go to Discount-Equipment.com to order your parts

SECTION 4 - PLATFORM

FIGURE 4-7. PLATFORM PADDING INSTALLATION (SIDE ENTRY PLATFORM)



SECTION 4 - PLATFORM

FIGURE 4-7. PLATFORM PADDING INSTALLATION (SIDE ENTRY PLATFORM)

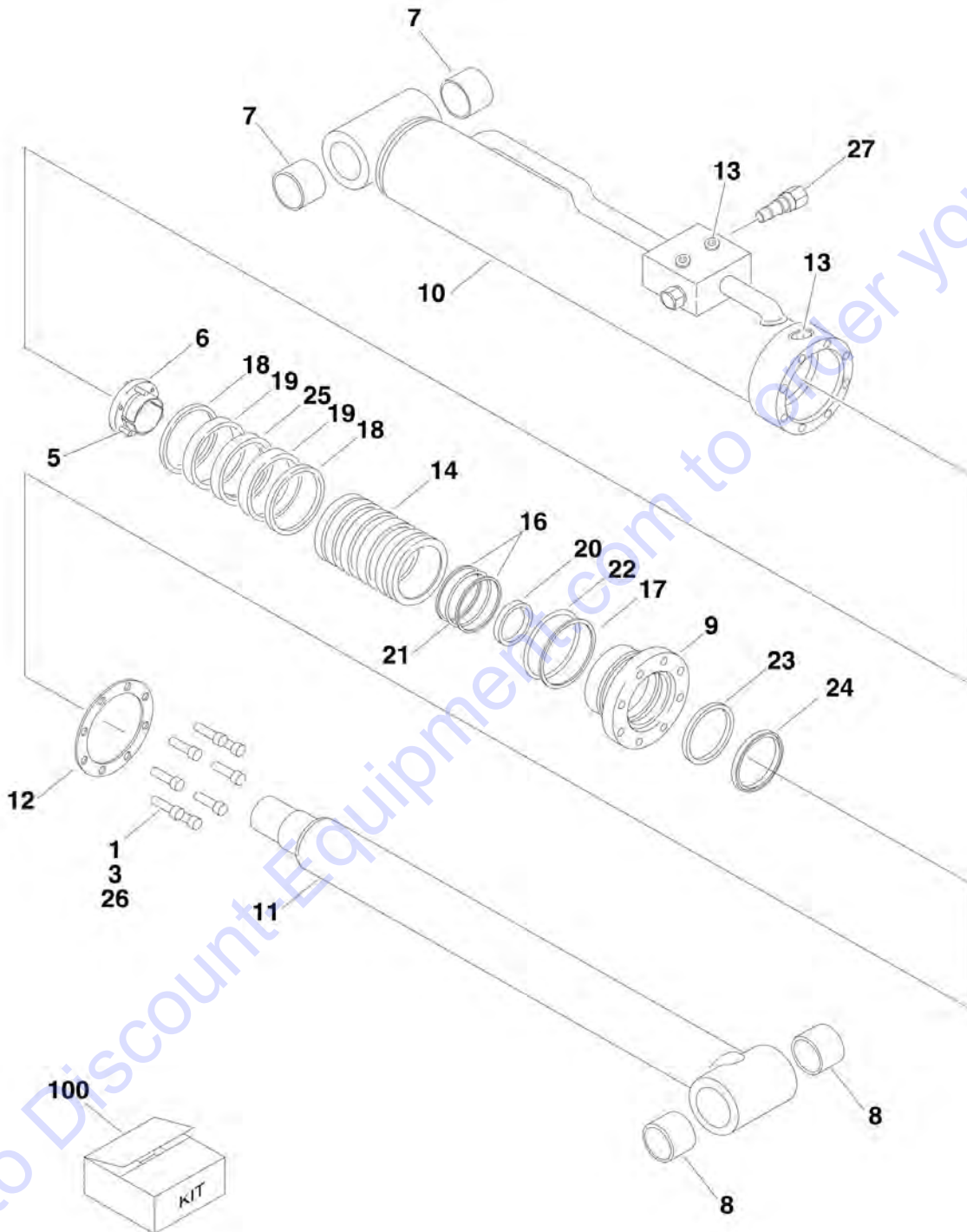
ITEM	PART NUMBER	QTY	DESCRIPTION	REV
		Ref	PLATFORM PADDING INSTALLATION	
	0273381	Ref	30in x 48in Platform	2-A
	0273382	Ref	30in x 60in Platform	2-A
1	0940092	Ref	Pad, Corner Bumper Options:	
1	0940092	2	30in x 48in Platform	
1	0940092	3	30in x 60in Platform	
2	0940094	Ref	Pad, Bumper Options:	
2	0940094	63 in /160cm	30in x 48in Platform	
2	0940094	87 in /220cm	30in x 60in Platform	
3	0940091	2	Pad, Corner Bumper	
4	0940093	Ref	Pad, Bumper Options:	
4	0940093	51 in /129cm	30in x 48in Platform	
4	0940093	66 in /167cm	30in x 60in Platform	
5		Ref	Rail, Bumper Options:	
5	4846936	51 in /129cm	30in x 48in Platform	
5	4846937	66 in /167cm	30in x 60in Platform	
6	0641516	2	Bolt 5/16in-18NC x 2in	
7	4751500	6	Flatwasher 5/16in Regular	
8	3311501	6	Nut 5/16in-18NC	
9	0641506	4	Bolt 5/16in-18NC x 3/4in	
10	4420068	Ref	Tape, Yellow Safety Options:	
10	4420068	30 ft /9.1m	30in x 48in Platform	
10	4420068	34 ft /10.3m	30in x 60in Platform	

SECTION 5 - CYLINDER

Go to Discount-Equipment.com to order your parts

SECTION 5 - CYLINDER

FIGURE 5-1. JIB CYLINDER ASSEMBLY (ORIGINAL EQUIPMENT)



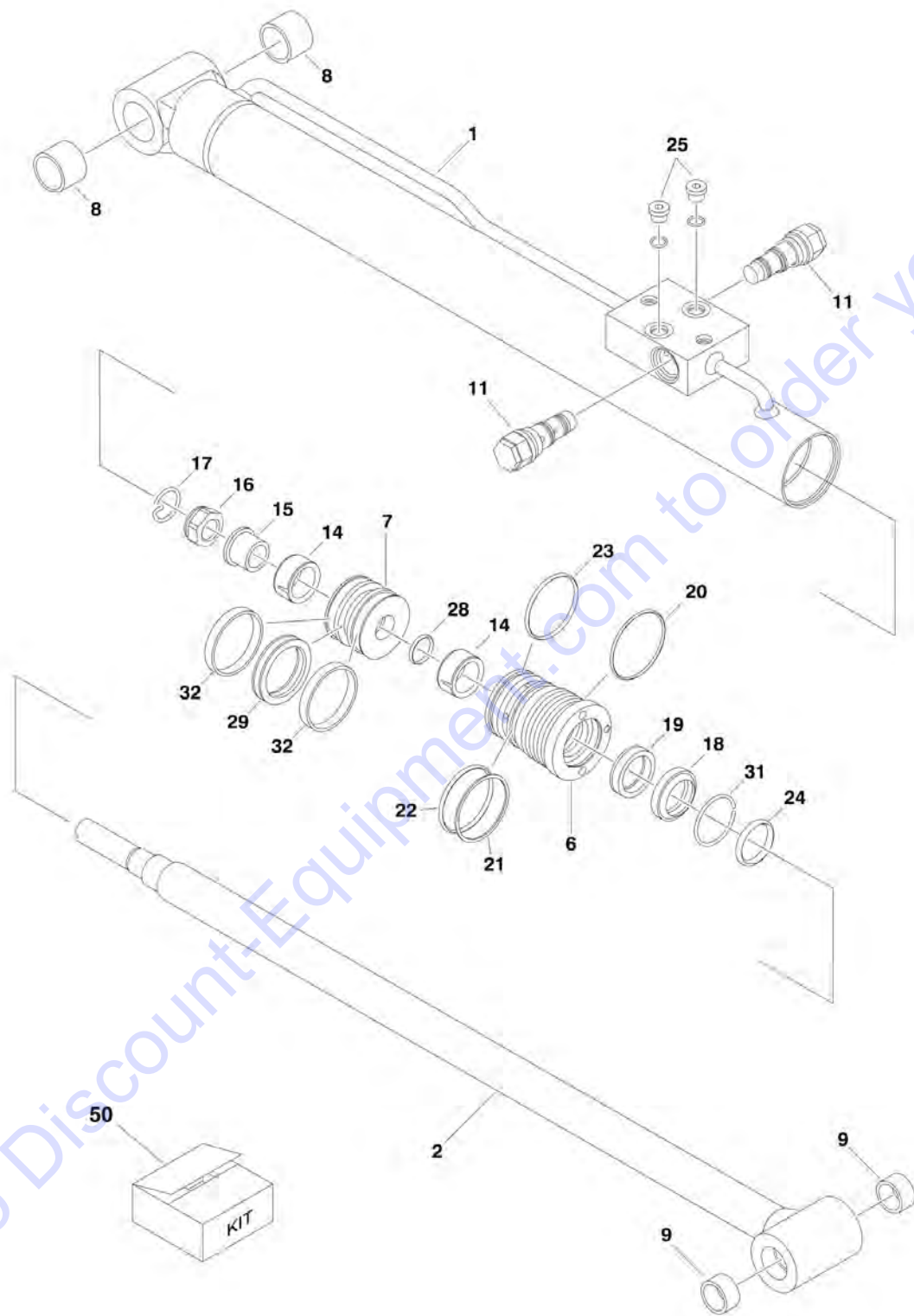
SECTION 5 - CYLINDER

FIGURE 5-1. JIB CYLINDER ASSEMBLY (ORIGINAL EQUIPMENT)

ITEM	PART NUMBER	QTY	DESCRIPTION	REV
		Ref	JIB CYLINDER ASSEMBLY	
	1683779	Ref	Jib Cylinder Assembly, All Machines (Excluding 0300058438)	G
	1001103695	Ref	Jib Cylinder Assembly (Including 0300058438)	A
		Ref	Note: Original Equipment component may have been replaced with Service Replacement component. Identify p/n stamped on cylinder before ordering parts.	
1	0100011	AR	Compound, Locking	
3	0100038	AR	Primer, Locking	
5	0630534	3	Bolt #10-24NC x 1in	
6	0961893	1	Bushing, Tapered	
7	0961947	2	Bearing	
8	0961951	2	Bushing	
9	1683051	1	Head, Cylinder	
10		Ref	Barrel Options:	
10	1683780	1	Barrel (Excluding 0300058438)	
10	1001103696	1	Barrel (Including 0300058438)	
11	1683783	1	Rod	
12	3760367	1	Ring, Washer	
13	2220885	3	O-Ring Plug	
14	3480249	1	Piston, Head	
16	See Note	NSS	Ring, Back-up (Note: Use Item 100)	
17	See Note	NSS	Ring, Back-up (Note: Use Item 100)	
18	See Note	NSS	Ring, Seal (Note: Use Item 100)	
19	See Note	NSS	Ring, Wear (Note: Use Item 100)	
20	See Note	NSS	Ring, Wear (Note: Use Item 100)	
21	See Note	NSS	O-Ring (Note: Use Item 100)	
22	See Note	NSS	O-Ring (Note: Use Item 100)	
23	See Note	NSS	Seal (Note: Use Item 100)	
24	See Note	NSS	Ring, Wiper (Note: Use Item 100)	
25	See Note	NSS	Seal (Note: Use Item 100)	
26	3931516	8	Bolt 5/16in-18NC x 1in	
27	4640509	2	Cartridge, Valve	
27	2900792	2	Seal Kit - 4640509 Valve (1 Per Cartridge)	
27	4640902	2	Cartridge, Manual Descent (Not Shown) (Including 0300058438)	
27	See Note	NSS	Seal Kit - 4640902 Valve (1 Per Cartridge) (Note: Not Available for Purchase)	
100	2902209	1	Seal Kit (Includes Items 16-25)	

SECTION 5 - CYLINDER

FIGURE 5-2. JIB CYLINDER ASSEMBLY (SERVICE REPLACEMENT)



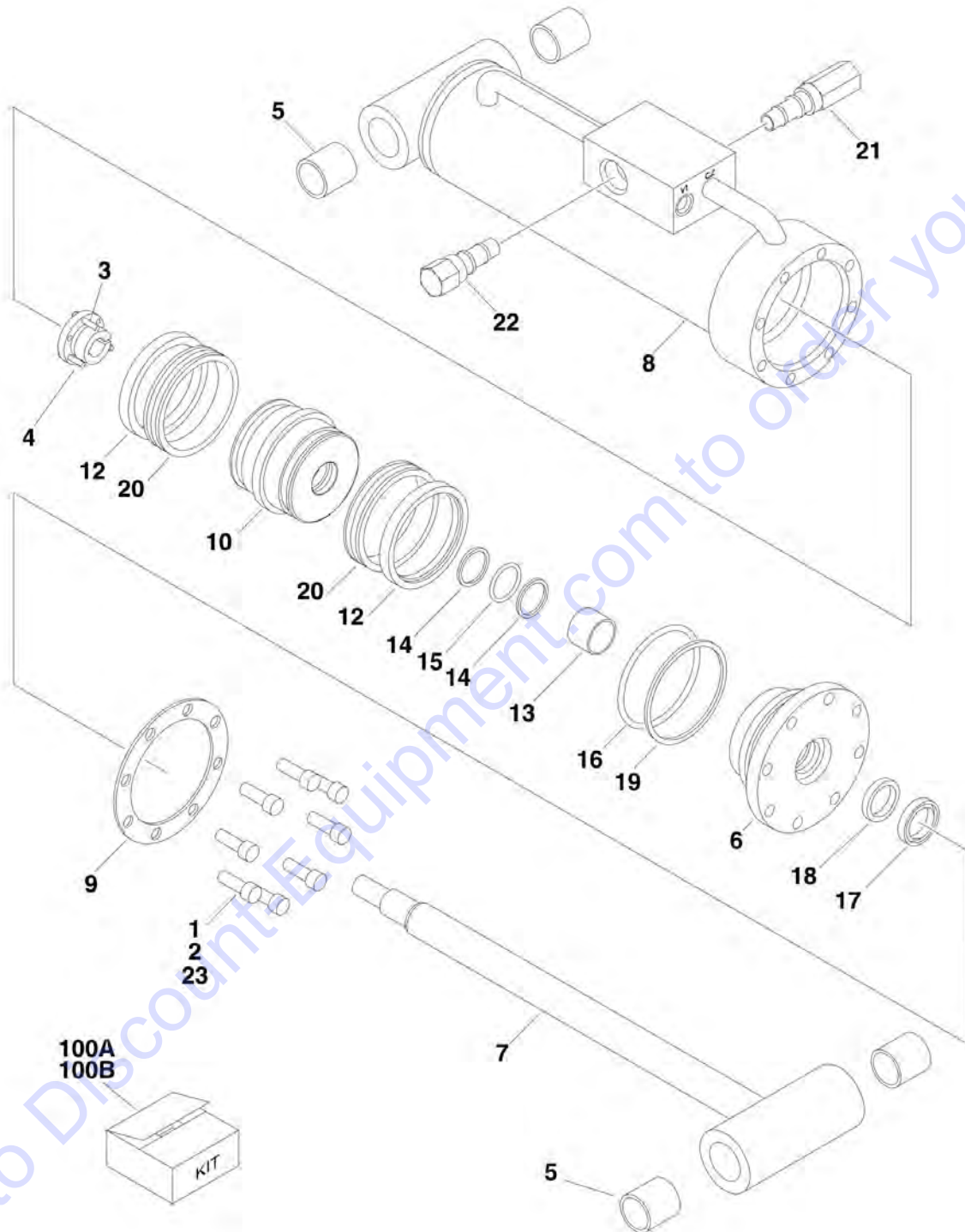
SECTION 5 - CYLINDER

FIGURE 5-2. JIB CYLINDER ASSEMBLY (SERVICE REPLACEMENT)

ITEM	PART NUMBER	QTY	DESCRIPTION	REV
	1001140280	Ref	JIB CYLINDER ASSEMBLY	A
		Ref		
1	70003863	1	Barrel	
2	70003864	1	Rod	
6	7026088	1	Head	
7	70003833	1	Piston	
8	0961951	2	Bushing	
9	0961947	2	Bushing	
11	464509	2	Cartridge, Counterbalance Valve	
11	2900792	2	Seal Kit - 4640509 Valve	
14	7026090	2	Bushing	
15	7026091	1	Sleeve	
16	7026092	1	Nut	
17	70002223	1	Retainer	
18	See Note	NSS	Wiper (Note: Use Item 50)	
19	See Note	NSS	Seal (Note: Use Item 50)	
20	See Note	NSS	O-Ring (Note: Use Item 50)	
21	See Note	NSS	Ring, Back-up (Note: Use Item 50)	
22	See Note	NSS	O-Ring (Note: Use Item 50)	
23	See Note	NSS	O-Ring (Note: Use Item 50)	
24	7026068	1	O-Ring	
25	7024844	2	Plug	
28	See Note	NSS	O-Ring (Note: Use Item 50)	
29	See Note	NSS	Seal (Note: Use Item 50)	
31	70002220	1	Ring, Retaining	
32	70003836	2	Ring, Wear	
50	70003836	1	Seal Kit - 1001140280 Cylinder (Includes Items 18-23, 28, 29 & 32)	

SECTION 5 - CYLINDER

FIGURE 5-3. LEVEL (PLATFORM SLAVE) CYLINDER ASSEMBLY (ORIGINAL EQUIPMENT)



Go to DiscountEquipment.com to order your parts

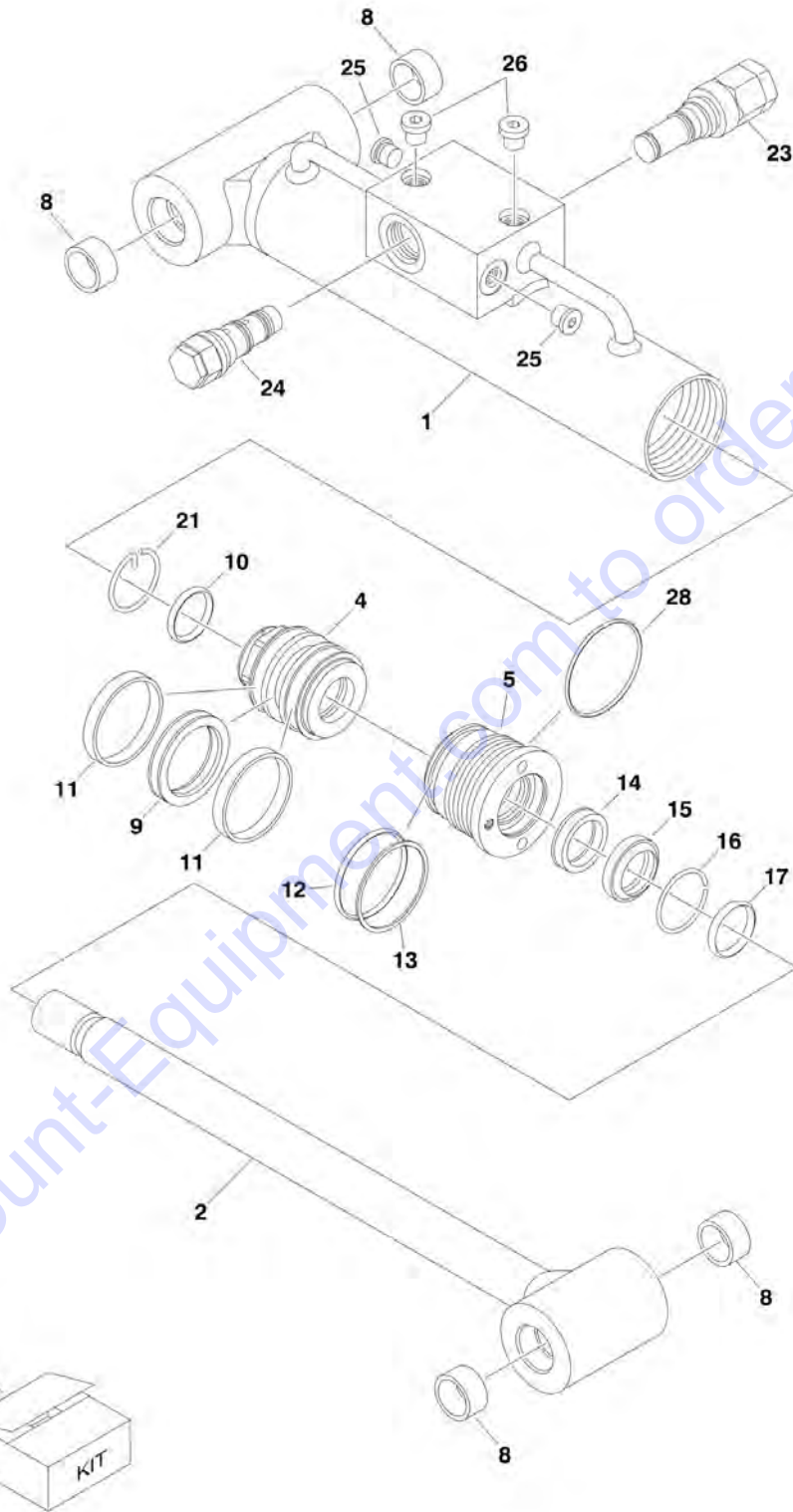
SECTION 5 - CYLINDER

FIGURE 5-3. LEVEL (PLATFORM SLAVE) CYLINDER ASSEMBLY (ORIGINAL EQUIPMENT)

ITEM	PART NUMBER	QTY	DESCRIPTION	REV
		Ref	PLATFORM LEVEL CYLINDER ASSEMBLY	
	1683760	Ref	Platform Level Cylinder Assembly (Prior to SN 0300059743)	C
	1683924	Ref	Platform Level Cylinder Assembly (SN 0300059743 through 0300138358)	G
		Ref	Note: Original Equipment component may have been replaced with Service Replacement component. Identify p/n stamped on cylinder before ordering parts.	
1	0100011	AR	Compound, Locking	
2	0100038	AR	Primer, Locking	
3	3931016	3	Bolt, Socket Head #10-24NC x 1in	
4		Ref	Bushing, Tapered	
4	0961900	1	Bushing (Prior to SN 0300054155)	
4	0962185	1	Bushing (SN 0300054155 through 0300138358)	
5	0961951	4	Bushing	
6		Ref	Head	
6	1683052	1	Head (Prior to SN 0300059743)	
6	1683925	1	Head (SN 0300059743 through 0300138358)	
7	1683759	1	Rod	
8	1683761	1	Barrel	
9	3760368	1	Washer, Ring	
10		Ref	Piston	
10	3480247	1	Piston (Prior to SN 0300059743)	
10	3480259	1	Piston (SN 0300059743 through 0300138358)	
12	See Note	NSS	Ring, Lock (Note: Use Item 100A or 100B)	
13	See Note	NSS	Ring, Wear (Note: Use Item 100A or 100B)	
14	See Note	NSS	Ring, Back-up (Note: Use Item 100A or 100B)	
15	See Note	NSS	O-Ring (Note: Use Item 100A or 100B)	
16	See Note	NSS	O-Ring (Note: Use Item 100A or 100B)	
17	See Note	NSS	Wiper (Note: Use Item 100A or 100B)	
18	See Note	NSS	Seal (Note: Use Item 100A or 100B)	
19	See Note	NSS	Ring, Back-up (Note: Use Item 100A or 100B)	
20	See Note	NSS	Seal (Note: Use Item 100A or 100B)	
21	4640932	1	Cartridge, Valve (Counterbalance Vented)	
21	7011112	1	Seal Kit - 4640932 Valve	
22	4641086	1	Cartridge, Valve (Counterbalance Nonvented)	
22	2900792	1	Seal Kit - 4641086 Valve	
23	3931516	8	Bolt, Socket Head 5/16in-18NC x 1in	
100		Ref	Seal Kit (Includes Items 12-20)	
100A	2901776	1	Seal Kit (Prior to SN 0300059743)	
100B	2901898	1	Seal Kit (SN 0300059743 through 0300138358)	

SECTION 5 - CYLINDER

FIGURE 5-4. LEVEL (PLATFORM SLAVE) CYLINDER ASSEMBLY (SERVICE REPLACEMENT)



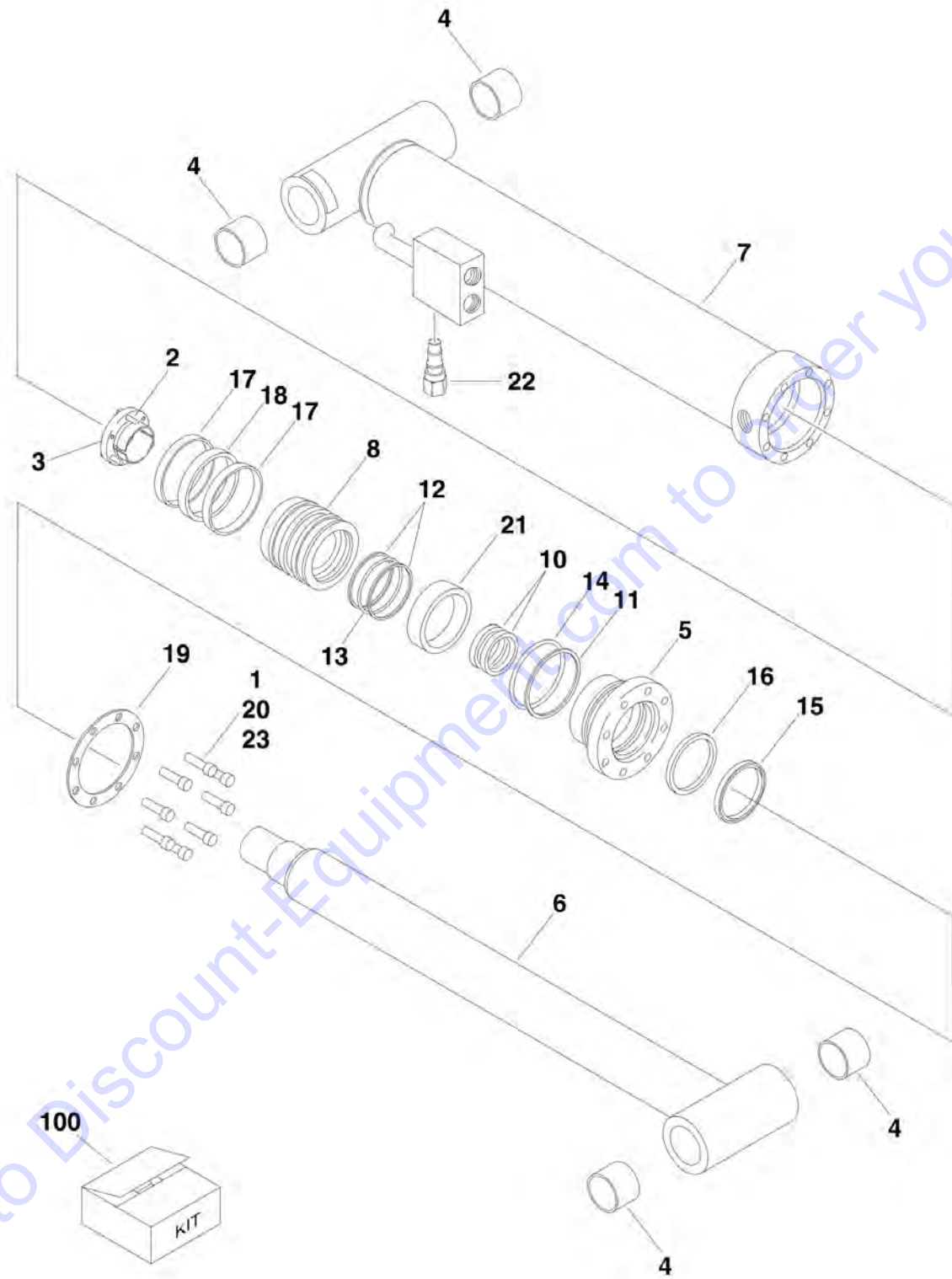
SECTION 5 - CYLINDER

FIGURE 5-4. LEVEL (PLATFORM SLAVE) CYLINDER ASSEMBLY (SERVICE REPLACEMENT)

ITEM	PART NUMBER	QTY	DESCRIPTION	REV
	1001140279	Ref	PLATFORM LEVEL CYLINDER ASSEMBLY	A
		Ref	Note: Original Equipment component may have been replaced with Service Replacement component. Identify p/n stamped on cylinder before ordering parts.	
1	70003846	1	Barrel	
2	70003847	1	Rod	
4	70003819	1	Piston	
5	7026082	1	Head	
8	0961951	4	Bushing	
9	See Note	NSS	Seal (Note: Use Item 50)	
10	See Note	NSS	O-Ring (Note: Use Item 50)	
11	See Note	NSS	Ring, Wear (Note: Use Item 50)	
12	See Note	NSS	O-Ring (Note: Use Item 50)	
13	See Note	NSS	Ring, Back-up (Note: Use Item 50)	
14	See Note	NSS	Seal (Note: Use Item 50)	
15	See Note	NSS	Wiper (Note: Use Item 50)	
16	70002217	1	Ring, Retaining	
17	7026084	1	O-Ring	
21	70002216	1	Retainer	
23	4640932	1	Cartridge, Counterbalance Valve	
23	7011112	1	Seal Kit - 4640932 Valve	
24	4641086	1	Cartridge, Counterbalance Valve	
24	2900792	1	Seal Kit - 4641086 Valve	
25	7024844	2	Plug	
26	See Note	2	Plug (Note: Not Available for Purchase)	
28	See Note	NSS	O-Ring (Note: Use Item 50)	
50	70003845	1	Seal Kit (Includes Items 9-15 & 28)	

SECTION 5 - CYLINDER

FIGURE 5-5. LIFT CYLINDER ASSEMBLY - MAIN BOOM - E300A-E300AJ



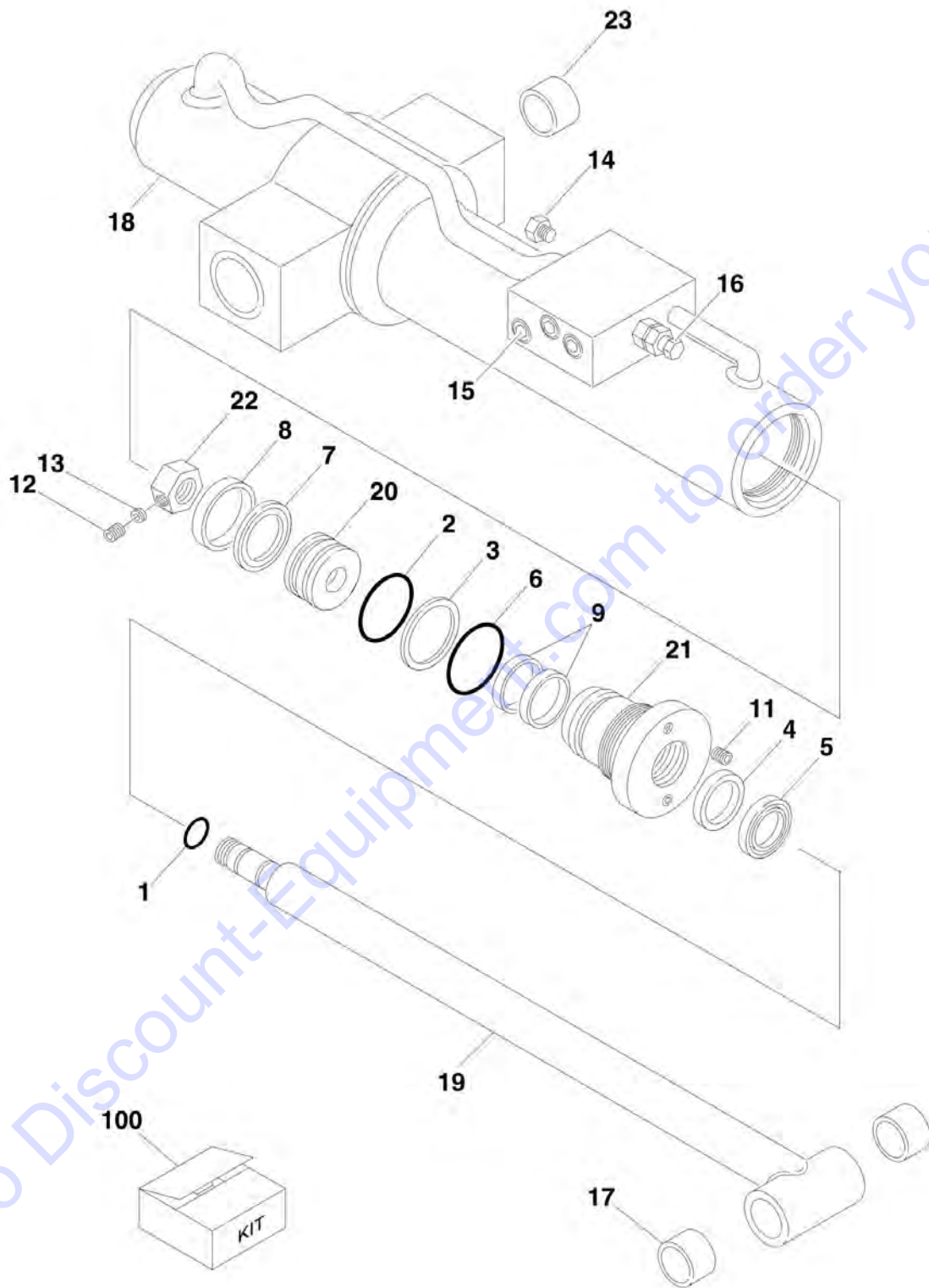
SECTION 5 - CYLINDER

FIGURE 5-5. LIFT CYLINDER ASSEMBLY - MAIN BOOM - E300A-E300AJ

ITEM	PART NUMBER	QTY	DESCRIPTION	REV
		Ref	LIFT CYLINDER ASSEMBLY- MAIN BOOM	
	1683750	Ref	Lift Cylinder Assembly E300A	E
	1683762	Ref	Lift Cylinder Assembly E300AJ	F
1	0100011	AR	Compound, Locking	
2	0630535	3	Bolt 1/4in-20NC x 1in	
3	0961896	1	Bushing, Tapered	
4	0961948	4	Bushing	
5	1683056	1	Head	
6		Ref	Rod Options:	
6	1683752	1	Rod E300A	
6	1683766	1	Rod E300AJ	
7		Ref	Barrel Options:	
7	1683754	1	Barrel E300A	
7	1683764	1	Barrel E300AJ	
8	3480248	1	Piston	
10	See Note	NSS	Ring, Wear (Note: Use Item 100)	
11	See Note	NSS	Ring, Back-up (Note: Use Item 100)	
12	See Note	NSS	Ring, Back-up (Note: Use Item 100)	
13	See Note	NSS	O-Ring (Note: Use Item 100)	
14	See Note	NSS	O-Ring (Note: Use Item 100)	
15	See Note	NSS	Wiper (Note: Use Item 100)	
16	See Note	NSS	Seal (Note: Use Item 100)	
17	See Note	NSS	Ring, Wear (Note: Use Item 100)	
18	See Note	NSS	Cap (Note: Use Item 100)	
19	3760369	1	Washer, Ring	
20	3931620	8	Bolt, Socket Head 3/8in-16NC x 1-1/4in	
21	4567810	1	Spacer, Tube	
22	4640999	1	Cartridge, Valve (Counterbalance Non-Vented)	
22	7011185	1	Seal Kit-4640999 Valve	
23	0100038	AR	Primer, Locking	
100	2901773	1	Seal Kit (Includes Items 10-18)	

SECTION 5 - CYLINDER

FIGURE 5-6. LIFT CYLINDER ASSEMBLY - TOWER BOOM



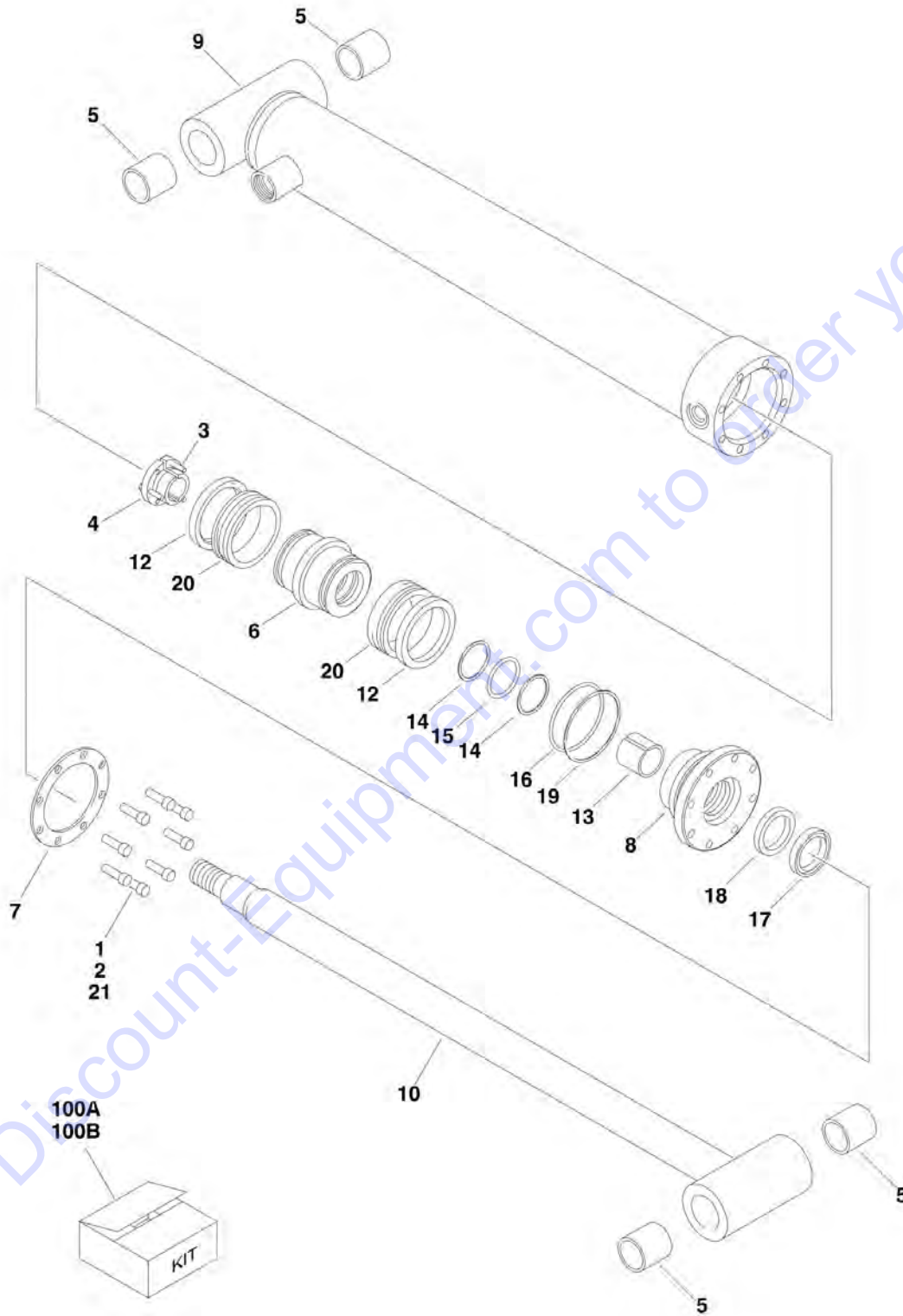
SECTION 5 - CYLINDER

FIGURE 5-6. LIFT CYLINDER ASSEMBLY - TOWER BOOM

ITEM	PART NUMBER	QTY	DESCRIPTION	REV
	1683719	Ref	LIFT CYLINDER ASSEMBLY- TOWER BOOM	E
1	See Note	NSS	O-Ring (Note: Use Item 100)	
2	See Note	NSS	O-Ring (Note: Use Item 100)	
3	See Note	NSS	Ring, Back-up (Note: Use Item 100)	
4	See Note	NSS	Seal (Note: Use Item 100)	
5	See Note	NSS	Wiper (Note: Use Item 100)	
6	See Note	NSS	O-Ring (Note: Use Item 100)	
7	See Note	NSS	Seal (Note: Use Item 100)	
8	See Note	NSS	Ring, Wear (Note: Use Item 100)	
9	See Note	NSS	Ring, Wear (Note: Use Item 100)	
11	7019864	2	Setscrew	
12	7003225	1	Setscrew	
13	7003223	1	Plug, Nylon	
14	7005358	2	Plug	
15	7005365	3	Plug	
16	7011381	1	Cartridge, Valve	
16	2900770	1	Seal Kit - 7011381 Valve	
17	0961951	2	Bushing	
18	See Note	NSS	Barrel (Note: Use p/n 1683719)	
19	7019863	1	Rod	
20	7019862	1	Piston	
21	7019861	1	Head	
22	7019860	1	Locknut	
23		Ref	Bushing Options:	
23	0961951	2	Bushing (Prior to SN 0300052569)	
23	0961951	2	Bushing (SN 0300052569 through 0300138358)	
100	7019859	1	Seal Kit - 1683719 Cylinder (Includes Items 1-9)	

SECTION 5 - CYLINDER

FIGURE 5-7. MASTER CYLINDER ASSEMBLY (ORIGINAL EQUIPMENT)



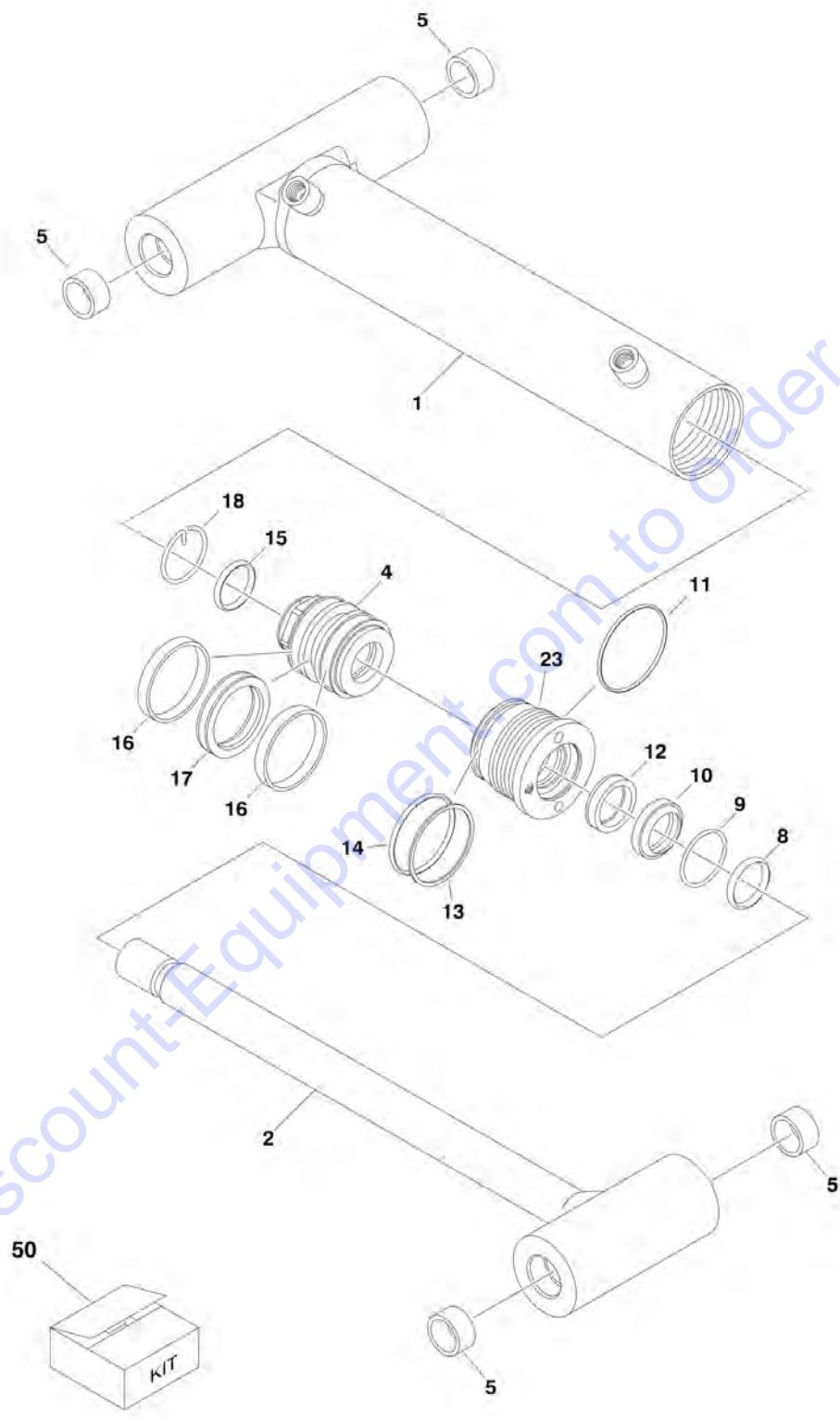
SECTION 5 - CYLINDER

FIGURE 5-7. MASTER CYLINDER ASSEMBLY (ORIGINAL EQUIPMENT)

ITEM	PART NUMBER	QTY	DESCRIPTION	REV
		Ref	MASTER CYLINDER ASSEMBLY	A
		Ref	Master Cylinder Assembly E300A	
	1683757	Ref	Master Cylinder Assembly (Prior to SN 0300059743)	A
	1684065	Ref	Master Cylinder Assembly (SN 0300059743 through 0300138358)	B
		Ref	Master Cylinder Assembly E300AJ/ E300AJP	
	1683773	Ref	Master Cylinder Assembly (Prior to SN 0300059743)	C
	1683923	Ref	Master Cylinder Assembly (SN 0300059743 through 0300138358)	E
		Ref	Note: Original Equipment component may have been replaced with Service Replacement component. Identify p/n stamped on cylinder before ordering parts.	
1	0100011	AR	Compound, Locking	
2	0100038	AR	Primer, Locking	
3	3931016	3	Bolt Socket Head #10-24NC x 1in	
4		Ref	Bushing, Tapered Options:	
4	0961900	1	Bushing (Prior to SN 0300054155)	
4	0962185	1	Bushing (SN 0300054155 through 0300138358)	
5	0961951	4	Bushing	
6		Ref	Piston Options:	
6	3480247	1	Piston (Prior to SN 0300059743)	
6	3480259	1	Piston (SN 0300059743 through 0300138358)	
7	3760368	1	Washer, Ring	
8		Ref	Head Options:	
8	1683052	1	Head (Prior to SN 030059743)	
8	1683925	1	Head (SN 0300059743 through 0300138358)	
9	1683756	1	Barrel	
10		Ref	Rod Options:	
10	1683770	1	Rod E300A	
10	1683772	1	Rod E300AJ/ E300AJP	
12	See Note	NSS	Ring, Lock (Note: Use Item 100A or 100B)	
13	See Note	NSS	Ring, Wear (Note: Use Item 100A or 100B)	
14	See Note	NSS	Ring, Back-up (Note: Use Item 100A or 100B)	
15	See Note	NSS	O-Ring (Note: Use Item 100A or 100B)	
16	See Note	NSS	O-Ring (Note: Use Item 100A or 100B)	
17	See Note	NSS	Wiper (Note: Use Item 100A or 100B)	
18	See Note	NSS	Seal (Note: Use Item 100A or 100B)	
19	See Note	NSS	Ring, Back-up (Note: Use Item 100A or 100B)	
20	See Note	NSS	Seal (Note: Use Item 100A or 100B)	
21	3931516	8	Bolt Socket Head 5/16in-18NC x 1in	
100		Ref	Seal Kit Option: (Includes Items 12-20)	
100A	2901776	1	Seal Kit (Prior to SN 0300059743)	
100B	2901898	1	Seal Kit (SN 0300059743 through 0300138358)	

SECTION 5 - CYLINDER

FIGURE 5-8. MASTER CYLINDER ASSEMBLY (SERVICE REPLACEMENT) - E300AJ-E300AJP



SECTION 5 - CYLINDER

FIGURE 5-8. MASTER CYLINDER ASSEMBLY (SERVICE REPLACEMENT) - E300AJ-E300AJP

ITEM	PART NUMBER	QTY	DESCRIPTION	REV
	1001140278	Ref	MASTER CYLINDER ASSEMBLY (FOR E300AJ & E300AJP ONLY) Note: Original Equipment component may have been replaced with Service Replacement component. Identify p/n stamped on cylinder before ordering parts.	A
		Ref		
1	70003843	1	Barrel	
2	70003844	1	Rod	
4	70003819	1	Piston	
5	0961951	4	Bushing	
8	7026084	1	O-Ring	
9	70002217	1	Ring, Retaining	
10	See Note	NSS	Wiper (Note: Use Item 50)	
11	See Note	NSS	O-Ring (Note: Use Item 50)	
12	See Note	NSS	Seal (Note: Use Item 50)	
13	See Note	NSS	Ring, Back-up (Note: Use Item 50)	
14	See Note	NSS	O-Ring (Note: Use Item 50)	
15	See Note	NSS	O-Ring (Note: Use Item 50)	
16	See Note	NSS	Ring, Wear (Note: Use Item 50)	
17	See Note	NSS	Seal (Note: Use Item 50)	
18	70002216	1	Retainer	
23	7026082	1	Head	
50	70003845	1	Seal Kit (Includes Items 10-17)	

PARTS FINDER

**Search Website
by Part Number**



**Search Manual
Library For Parts
Manual & Lookup Part
Numbers – Purchase
or Request Quote**

**Can't Find Part or
Manual? Request Help
by Manufacturer,
Model & Description**

Discount-Equipment.com is your online resource for quality parts & equipment.

Florida: **561-964-4949** Outside Florida TOLL FREE: **877-690-3101**

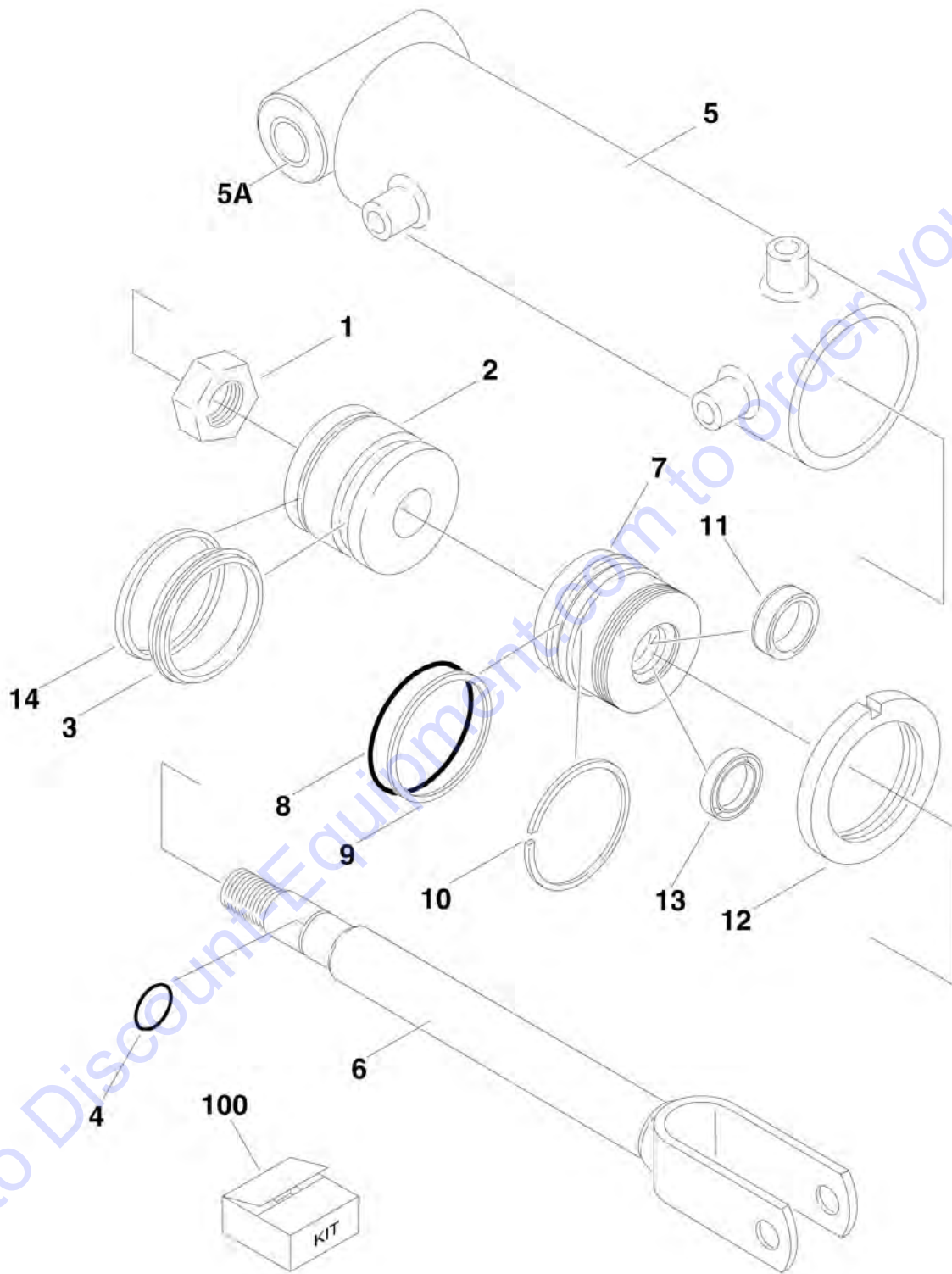
Need parts?

Click on this link: <http://www.discount-equipment.com/category/5443-parts/> and choose one of the options to help get the right parts and equipment you are looking for. Please have the machine model and serial number available in order to help us get you the correct parts. If you don't find the part on the website or on one of the online manuals, please fill out the request form and one of our experienced staff members will get back to you with a quote for the right part that your machine needs.

We sell worldwide for the brands: Genie, Terex, JLG, MultiQuip, Mikasa, Essick, Whiteman, Mayco, Toro Stone, Diamond Products, Generac Magnum, Airman, Haulotte, Barreto, Power Blanket, Nifty Lift, Atlas Copco, Chicago Pneumatic, Allmand, Miller Curber, Skyjack, Lull, Skytrak, Tsurumi, Husquvarna Target, Stow, Wacker, Sakai, Mi-T-M, Sullair, Basic, Dynapac, MBW, Weber, Bartell, Bennar Newman, Haulotte, Ditch Runner, Menegotti, Morrison, Contec, Buddy, Crown, Edco, Wyco, Bomag, Laymor, EZ Trench, Bil-Jax, F.S. Curtis, Gehl Pavers, Heli, Honda, ICS/PowerGrit, IHI, Partner, Imer, Clipper, MMD, Koshin, Rice, CH&E, General Equipment, Amida, Coleman, NAC, Gradall, Square Shooter, Kent, Stanley, Tamco, Toku, Hatz, Kohler, Robin, Wisconsin, Northrock, Oztec, Toker TK, Rol-Air, APT, Wylie, Ingersoll Rand / Doosan, Innovatech, Con X, Ammann, Mecalac, Makinex, Smith Surface Prep, Small Line, Wanco, Yanmar

SECTION 5 - CYLINDER

FIGURE 5-9. STEER CYLINDER ASSEMBLY



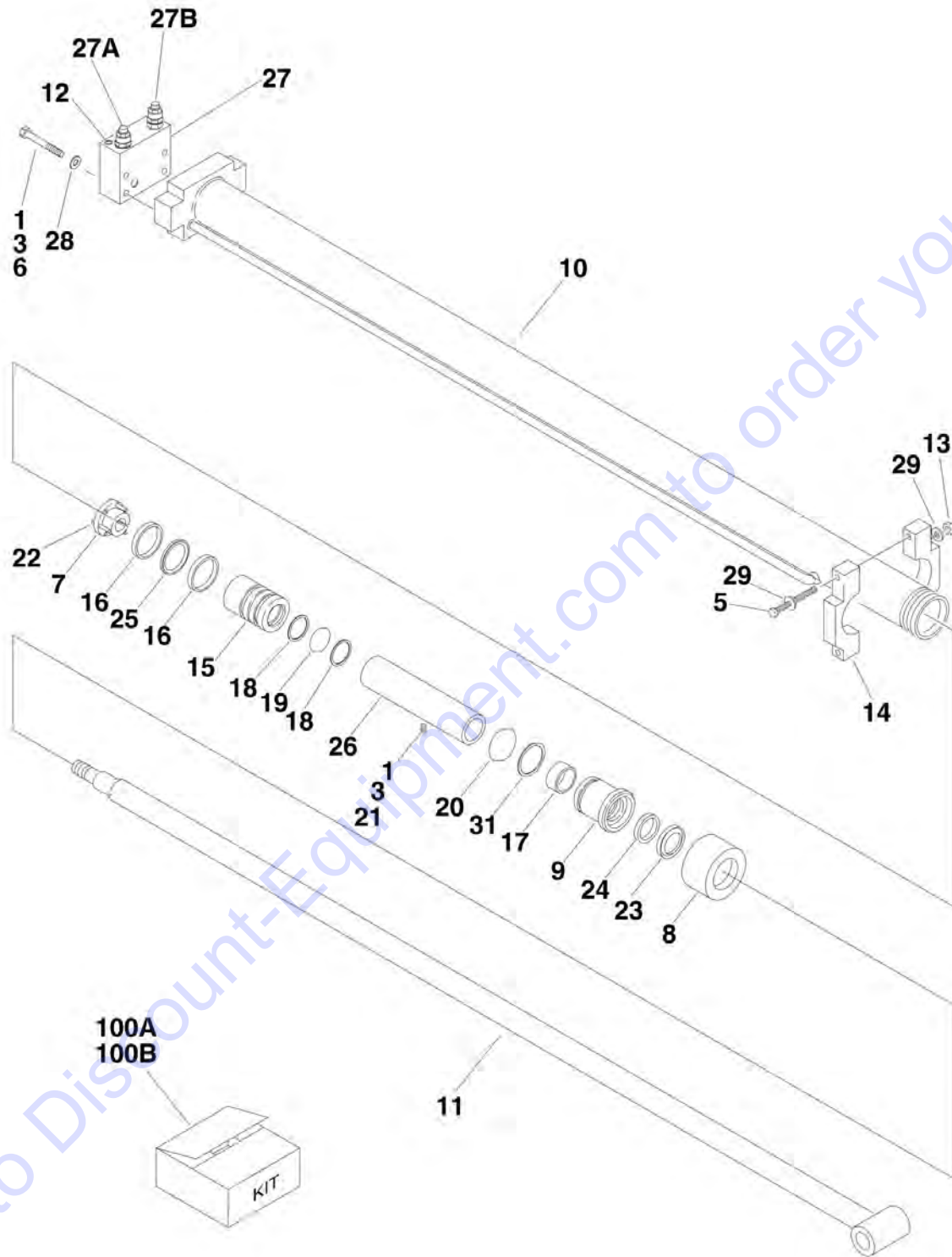
SECTION 5 - CYLINDER

FIGURE 5-9. STEER CYLINDER ASSEMBLY

ITEM	PART NUMBER	QTY	DESCRIPTION	REV
	1683732	Ref	STEER CYLINDER ASSEMBLY	D
1	7017210	1	Locknut	
2	7017253	1	Piston	
3	See Note	NSS	Seal, Piston (Note: Use Item 100)	
4	See Note	NSS	O-Ring (Note: Use Item 100)	
5	1683732	1	Barrel (Note: Not Available for Purchase)	
5A	7017256	1	Bushing	
6	7017254	1	Rod	
7	7017213	1	Guide	
8	See Note	NSS	O-Ring (Note: Use Item 100)	
9	See Note	NSS	Ring, Back-up (Note: Use Item 100)	
10	See Note	NSS	Ring, Retaining (Note: Use Item 100)	
11	See Note	NSS	Seal (Note: Use Item 100)	
12	7017214	1	Nut	
13	See Note	NSS	Wiper (Note: Use Item 100)	
14	See Note	NSS	Ring, Wear (Note: Use Item 100)	
100	7017255	1	Seal Kit (Includes Items 3-4, 8-11 & 13-14)	

SECTION 5 - CYLINDER

FIGURE 5-10. TELESCOPE CYLINDER ASSEMBLY



Go to Discount-Equipment.com to order your parts

SECTION 5 - CYLINDER

FIGURE 5-10. TELESCOPE CYLINDER ASSEMBLY

ITEM	PART NUMBER	QTY	DESCRIPTION	REV
		Ref	TELESCOPE CYLINDER ASSEMBLY	
	1683784	Ref	Telescope Cylinder Assembly E300A	C
	1683793	Ref	Telescope Cylinder Assembly E300AJ	D
	1683864	Ref	Telescope Cylinder Assembly E300AJP	F
1	0100011	AR	Compound, Locking	
3	0100038	AR	Primer, Locking	
5	0641424	2	Bolt 1/4in-20NC x 3in	
6	0641520	4	Bolt 5/16in-18NC x 2-1/2in	
7	0962185	1	Bushing, Tapered	
8	1120110	1	Cap	
9		Ref	Head Options:	
9	1683584	1	Head E300A & E300AJ	
9	1683863	1	Head E300AJP (Prior to SN 0300112424)	
9	1683584	1	Head E300AJP (SN 0300112424 through 0300138358)	
10		Ref	Barrel Options:	
10	1683785	1	Barrel E300A	
10	1683789	1	Barrel E300AJ & E300AJP	
11		Ref	Rod Options:	
11	1683786	1	Rod E300A	
11	1683791	1	Rod E300AJ & E300AJP	
12	2220883	5	Plug, O-Ring	
13	3311405	2	Locknut 1/4in-20NC	
14		Ref	Pad Options:	
14	3340847	2	Pad E300A & E300AJ	
14	3340864	2	Pad E300AJP	
15		Ref	Piston Options:	
15	3480227	1	Piston E300A & E300AJ	
15	3480254	1	Piston E300AJP	
16	See Note	NSS	Ring, Wear (Note: Use Item 100A or 100B)	
17	See Note	NSS	Ring, Wear (Note: Use Item 100A or 100B)	
18	See Note	NSS	Ring, Back-up (Note: Use Item 100A or 100B)	
19	See Note	NSS	O-Ring (Note: Use Item 100A or 100B)	
20	See Note	NSS	O-Ring (Note: Use Item 100A or 100B)	
21	3900142	1	Setscrew	
22	0630534	3	Bolt, Socket Head #10-24NC x 1in	
23	See Note	NSS	Wiper (Note: Use Item 100A or 100B)	
24	See Note	NSS	Seal (Note: Use Item 100A or 100B)	
25	See Note	NSS	Seal, Teflon (Note: Use Item 100A or 100B)	
26		Ref	Spacer, Tube Options:	
26	4567839	1	Spacer E300A & E300AJ	
26	4567963	1	Spacer E300AJP	
27	4641101	1	Valve Assembly	
27A	4640771	1	Cartridge, Valve	
27A	2900770	1	Seal Kit - 4640771	
27B	4641103	1	Cartridge, Valve	
27B	2900770	1	Seal Kit - 4641103	
28	4711500	4	Flatwasher 5/16in Thin	
29	4751400	4	Flatwasher 1/4in Regular	
31	See Note	NSS	Ring, Back-up (Note: Use Item 100A or 100B)	
100		Ref	Seal Kit Options (Includes Items 16-20, 23-25 & 31):	

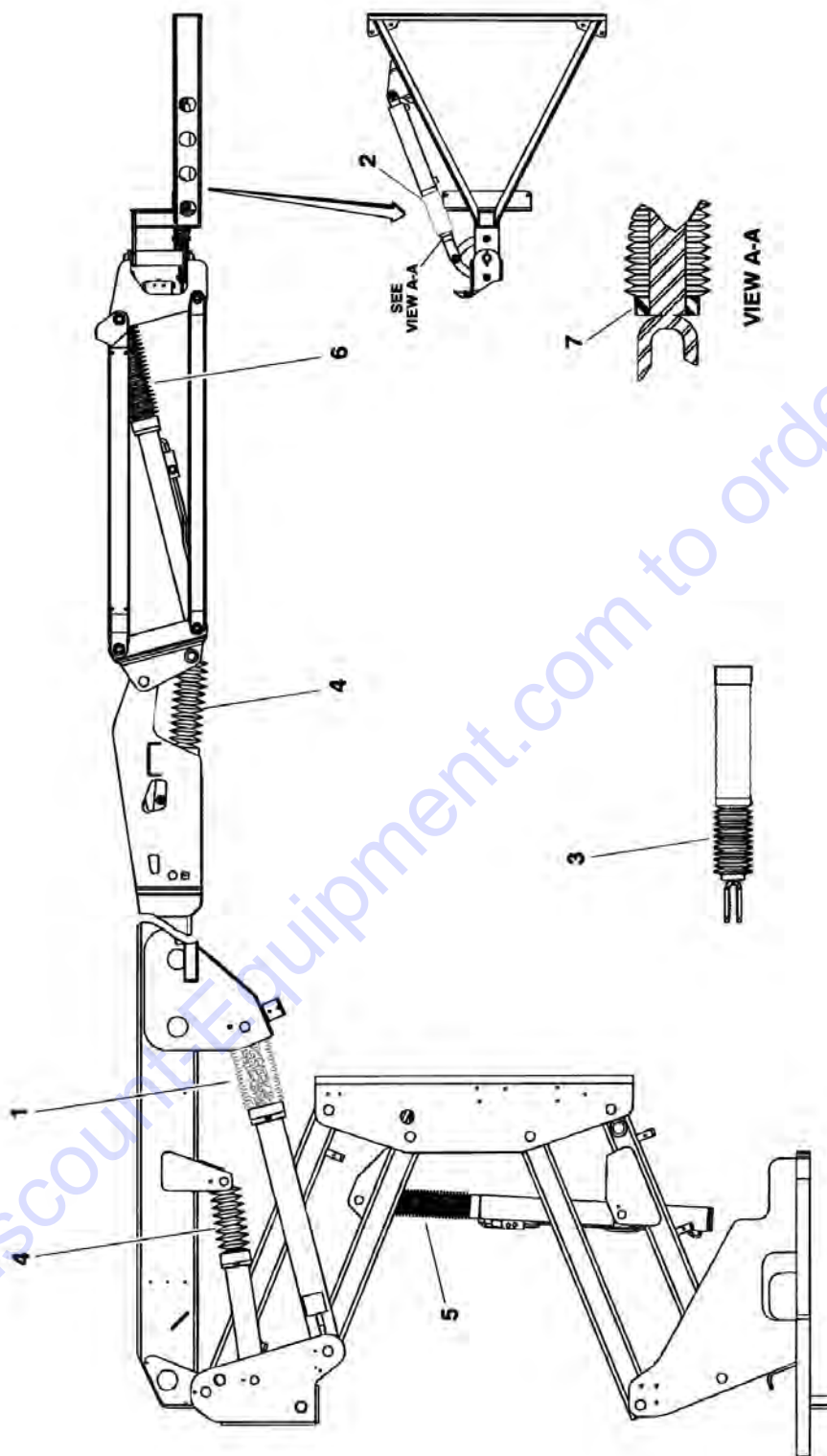
SECTION 5 - CYLINDER

ITEM	PART NUMBER	QTY	DESCRIPTION	REV
100A	2901544	1	Seal Kit E300A & E300AJ	
100B	2901860	1	Seal Kit E300AJP	

Go to Discount-Equipment.com to order your parts

SECTION 5 - CYLINDER

FIGURE 5-11. CYLINDER BELLOWS INSTALLATIONS



SECTION 5 - CYLINDER

FIGURE 5-11. CYLINDER BELLOWS INSTALLATIONS

ITEM	PART NUMBER	QTY	DESCRIPTION	REV
		Ref	CYLINDER BELLOWS INSTALLATIONS	
	0259383	Ref	Cylinder Bellows Installations E300A	A
	0259384	Ref	Cylinder Bellows Installations E300AJ & E300AJP	B
1	0460187	1	Bellows, Cylinder	
2	0460192	1	Bellows, Cylinder (Prior to SN 0300100059)	
3	0460193	1	Bellows, Cylinder	
4	0460194	2	Bellows, Cylinder	
5	0460195	1	Bellows, Cylinder	
6		Ref	Bellows, Cylinder Options:	
6	Not Required	0	Bellows E300A	
6	0460196	1	Bellows E300AJ & E300AJP	
7	0561364	1	Adaptors, Bellows (Prior to SN 0300100059)	

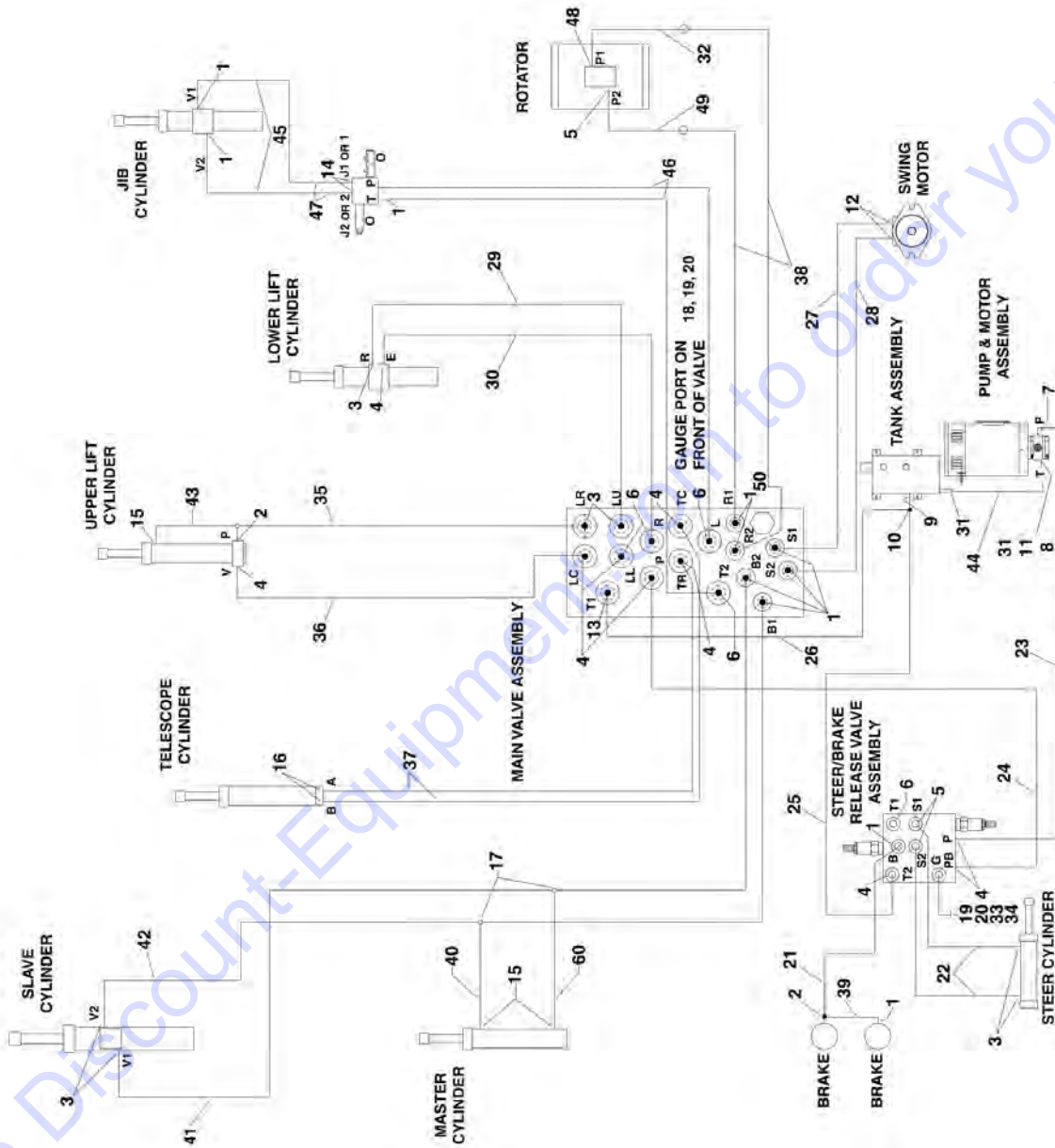
Go to Discount-Equipment.com to order your parts

SECTION 6 - HYDRAULIC

Go to Discount-Equipment.com to order your parts

SECTION 6 - HYDRAULIC

FIGURE 6-1. STANDARD HYDRAULIC DIAGRAM (E300A AND E300AJ)



SECTION 6 - HYDRAULIC

FIGURE 6-1. STANDARD HYDRAULIC DIAGRAM (E300A AND E300AJ)

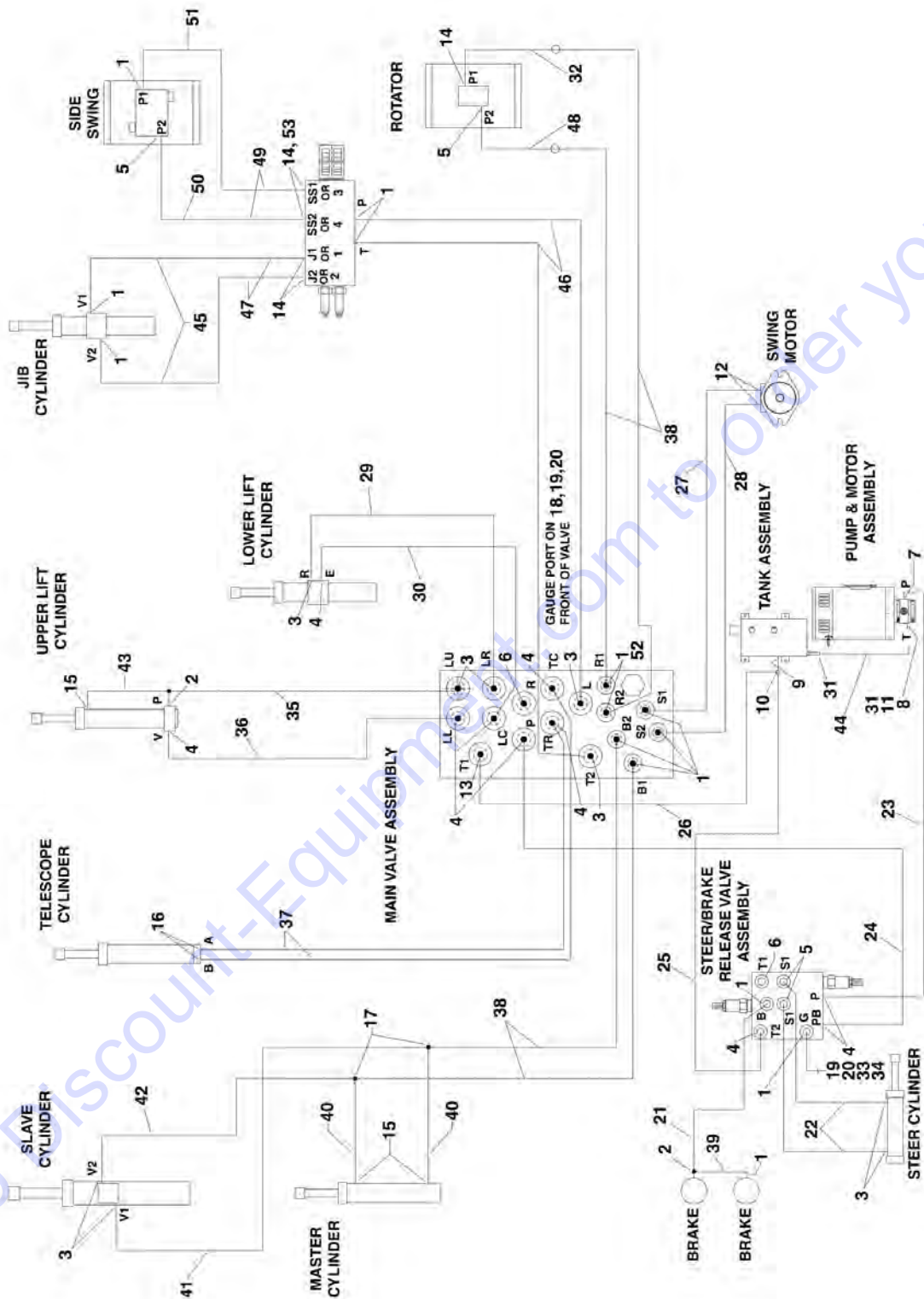
ITEM	PART NUMBER	QTY	DESCRIPTION	REV
		Ref	STANDARD HYDRAULIC DIAGRAM	
		Ref	Standard Hydraulic Diagram E300A Options:	
	2792379	Ref	Standard Hydraulic Diagram (Prior to SN 0300063313)	4-E
	2792524	Ref	Standard Hydraulic Diagram (SN 0300063313 through 0300138358)	2-C
		Ref	Standard Hydraulic Diagram E300AJ Options:	
	2792390	Ref	Standard Hydraulic Diagram (Prior to SN 0300063314)	4-F
	2792525	Ref	Standard Hydraulic Diagram (SN 0300063314 through 0300138358)	3-C
1	2220415	AR	Fitting, Straight	
2	2221034	2	Fitting, Tee	
3	2220582	9	Fitting, Straight	
4	2220371	10	Fitting, Straight	
5	2220466	3	Fitting, Elbow	
6	2220237	AR	Fitting, Plug	
7	2220473	1	Fitting, Elbow	
8	2220593	1	Fitting, Straight	
9	2220596	1	Fitting, Elbow	
10	2221035	1	Fitting, Tee	
11	2210008	1	Fitting, Elbow	
12	2221033	2	Fitting, Straight	
13		Ref	Fitting, Straight Options:	
13	2220600	1	Fitting (Prior to SN 0300063313)	
13	2220374	1	Fitting (SN 0300063313 through 0300138358)	
14		Ref	Fitting, Elbow Options:	
14	Not Required	0	Fitting E300A	
14	2220502	2	Fitting E300AJ	
15	2220472	3	Fitting, Elbow	
16	2220501	2	Fitting, Elbow	
17	2220504	2	Fitting, Tee	
18	2220873	1	Fitting, Straight	
19	2220428	2	Fitting, Straight	
20	2220429	2	Cap, Dust	
21	2752999	1	Hose	
22	2753013	2	Hose	
23	2752472	1	Hose	
24	2752461	1	Hose	
25	2753131	1	Hose	
26	2752504	1	Hose	
27	2753011	1	Hose	
28	2753012	1	Hose	
29	2752591	1	Hose	
30	2753051	1	Hose	
31	1320030	2	Clamp, Hose	
32	2753258	1	Hose	
33	2752435	1	Hose	
34	2220414	1	Fitting, Straight	
35	2753275	1	Hose	
36	2753136	1	Hose	
37	2753137	2	Hose	

SECTION 6 - HYDRAULIC

ITEM	PART NUMBER	QTY	DESCRIPTION	REV
38	2753259	4	Hose	
39	2753255	1	Hose	
40	2752575	1	Hose	
41		Ref	Hose Options:	
41	2753276	1	Hose E300A	
41	2753281	1	Hose E300AJ	
42		Ref	Hose Options:	
42	2753277	1	Hose E300A	
42	2753280	1	Hose E300AJ	
43		Ref	Hose Options:	
43	2753273	1	Hose E300A	
43	2752433	1	Hose E300AJ	
44	2720452	9.5 in /24cm	Hose, Suction	
45		Ref	Hose Options:	
45	Not Required	0	Hose E300A	
45	2753278	2	Hose E300AJ	
46		Ref	Hose Options:	
46	Not Required	0	Hose E300A	
46	2753274	2	Hose E300AJ	
47		Ref	Hose Options:	
47	Not Required	0	Hose E300A	
47	2753279	2	Hose E300AJ	
48	2220502	1	Fitting, Elbow	
49	2753300	1	Hose	
50	2220909	2	Orifice (.015)	
60		Ref	Hose Options:	
60	2752434	1	Hose E300A	
60	2752575	1	Hose E300AJ	

SECTION 6 - HYDRAULIC

FIGURE 6-2. STANDARD HYDRAULIC DIAGRAM (E300AJP)



SECTION 6 - HYDRAULIC

FIGURE 6-2. STANDARD HYDRAULIC DIAGRAM (E300AJP)

ITEM	PART NUMBER	QTY	DESCRIPTION	REV
		Ref	STANDARD HYDRAULIC DIAGRAM	
		Ref	Standard Hydraulic Diagram E300AJP Options:	
	2792392	Ref	Standard Hydraulic Diagram (Prior to SN 0300063314)	4-D
	2792526	Ref	Standard Hydraulic Diagram (SN 0300063314 through 0300138358)	3-C
1	2220415	14	Fitting, Straight	
2	2221034	2	Fitting, Tee	
3	2220582	9	Fitting, Straight	
4	2220371	10	Fitting, Straight	
5	2220466	4	Fitting, Elbow	
6	2220237	3	Fitting, Plug	
7	2220473	1	Fitting, Elbow	
8	2220593	1	Fitting, Straight	
9	2220596	1	Fitting, Elbow	
10	2221035	1	Fitting, Tee	
11	2210008	1	Fitting, Elbow	
12	2221033	2	Fitting, Straight	
13		Ref	Fitting, Straight Options:	
13	2220600	1	Fitting (Prior to SN 0300063314)	
13	2220374	1	Fitting (SN 0300063314 through 0300138358)	
14	2220502	5	Fitting, Elbow	
15	2220472	3	Fitting, Elbow	
16	2220501	2	Fitting, Elbow	
17	2220504	2	Fitting, Tee	
18	2220873	1	Fitting, Straight	
19	2220428	2	Fitting, Straight	
20	2220429	2	Cap, Dust	
21	2752999	1	Hose	
22	2753013	2	Hose	
23	2752472	1	Hose	
24	2752461	1	Hose	
25	2753131	1	Hose	
26	2752504	1	Hose	
27	2753011	1	Hose	
28	2753012	1	Hose	
29	2752591	1	Hose	
30	2753051	1	Hose	
31	1320030	2	Clamp, Hose	
32	2753309	1	Hose	
33	2752435	1	Hose	
34	2220414	1	Fitting, Straight	
35	2753275	1	Hose	
36	2753136	1	Hose	
37	2753137	2	Hose	
38	2753259	4	Hose	
39	2753255	1	Hose	
40	2752575	2	Hose	
41	2753281	1	Hose	
42	2753280	1	Hose	
43	2752433	1	Hose	

SECTION 6 - HYDRAULIC

ITEM	PART NUMBER	QTY	DESCRIPTION	REV
44	2720452	9.5 in /24cm	Hose, Suction	
45	2753311	2	Hose	
46	2753274	2	Hose	
47	2753279	2	Hose	
48	2753310	1	Hose	
49	2753308	2	Hose	
50	2753307	1	Hose	
51	2753306	1	Hose	
52	2220909	2	Orifice (.015)	
53	2221039	2	Orifice (.022)	

Go to Discount-Equipment.com to order your parts

SECTION 6 - HYDRAULIC

FIGURE 6-3. HYDRAULIC DIAGRAM LIST

ITEM	PART NUMBER	QTY	DESCRIPTION	REV
		Ref	Note: Information on diagrams not shown is available from Discount-equipment.com	Ref
		Ref	Standard Hydraulic Diagrams	
		Ref	Standard Hydraulic Diagram E300A Options:	
	2792379	Ref	Standard Hydraulic Diagram (Prior to SN 0300063313)	
	2792524	Ref	Standard Hydraulic Diagram (SN 0300063313 through 0300138358)	
		Ref	Standard Hydraulic Diagram E300AJ Options:	
	2792390	Ref	Standard Hydraulic Diagram (Prior to SN 0300063314)	
	2792525	Ref	Standard Hydraulic Diagram (SN 0300063314 through 0300138358)	
		Ref	Standard Hydraulic Diagram E300AJP Options:	
	2792392	Ref	Standard Hydraulic Diagram (Prior to SN 0300063314)	
	2792526	Ref	Standard Hydraulic Diagram (SN 0300063314 through 0300138358)	
		Ref	Standard Hydraulic Schematic Options:	
		Ref	Standard Hydraulic Schematic E300A	
	2792391	Ref	Standard Hydraulic Schematic (Prior to SN 0300063314)	
	2792521	Ref	Standard Hydraulic Schematic (SN 0300063314 through 0300138358)	
		Ref	Standard Hydraulic Schematic E300AJ	
	2792380	Ref	Standard Hydraulic Schematic (Prior to SN 0300063314)	
	2792522	Ref	Standard Hydraulic Schematic (SN 0300063314 through 0300138358)	
		Ref	Standard Hydraulic Schematic E300AJP	
	2792393	Ref	Standard Hydraulic Schematic (Prior to SN 0300063314)	
	2792523	Ref	Standard Hydraulic Schematic (SN 0300063314 through 0300138358)	

SECTION 7 - ELECTRICAL

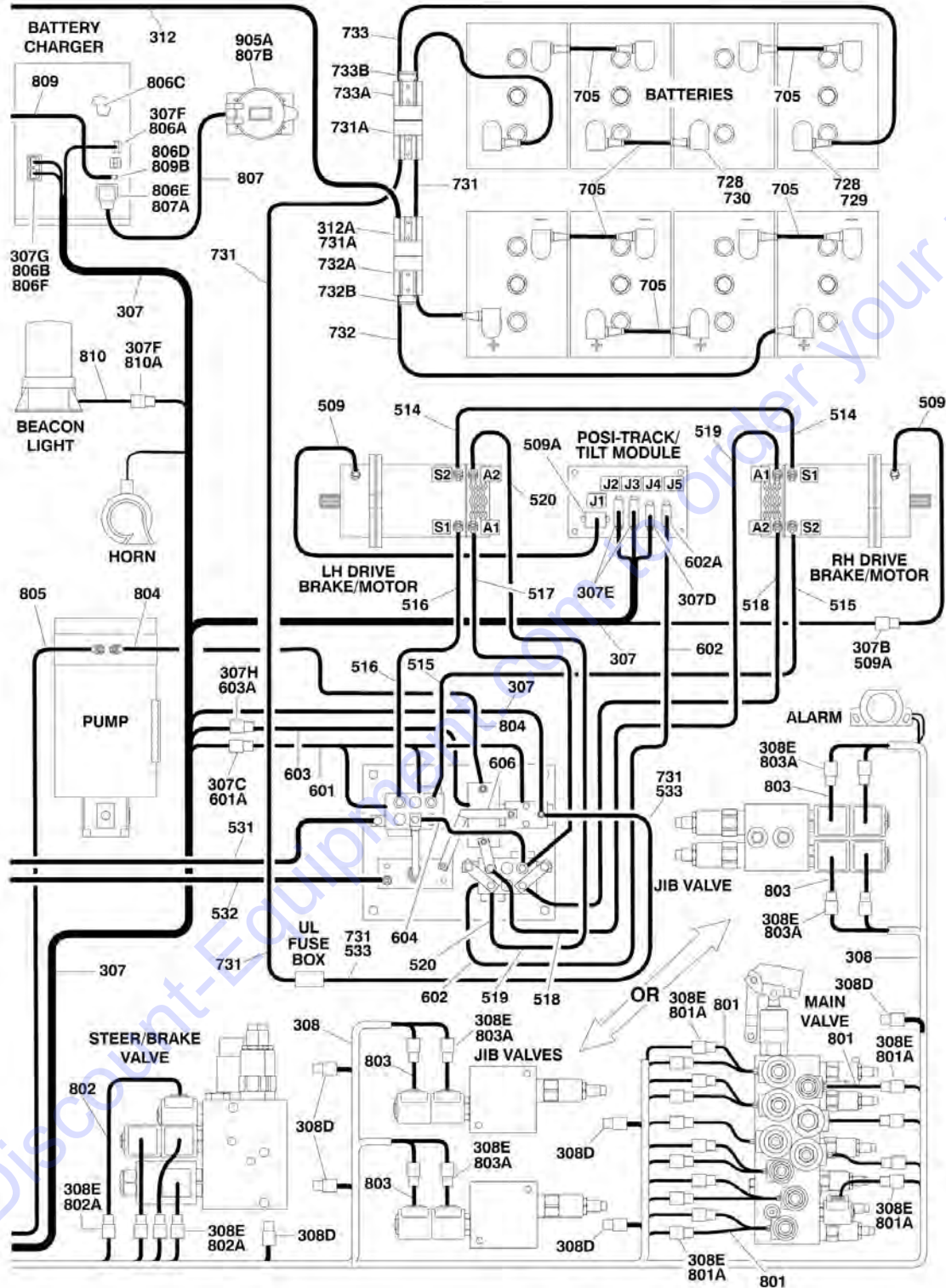
Go to Discount-Equipment.com to order your parts

SECTION 7 - ELECTRICAL

FIGURE 7-1. ELECTRICAL DIAGRAM LIST

ITEM	PART NUMBER	QTY	DESCRIPTION	REV
		Ref	Note: Diagrams not shown are available from Discount-equipment.com. Schematics shown in the Service and Maintenance Manual.	
	4933075	Ref	ALARM ELECTRICAL DIAGRAM	
	4933100	Ref	DRIVE ELECTRICAL DIAGRAM	
	0259879	Ref	INVERTER ELECTRICAL DIAGRAM	
	4933289	Ref	LSS PLATFORM MODULE ELECTRICAL DIAGRAM	
		Ref	PLATFORM ELECTRICAL DIAGRAMS	
	4933060	Ref	PLATFORM ELECTRICAL DIAGRAMS (E300A & E300AJ)	
	4933105	Ref	PLATFORM ELECTRICAL DIAGRAMS (E300AJP)	
	4933181	Ref	PLATFORM ELECTRICAL DIAGRAMS (E300A & E300AJ) (U/L MACHINES ONLY)	
	4933182	Ref	PLATFORM ELECTRICAL DIAGRAMS (E300AJP) (U/L MACHINES ONLY)	
		Ref	STANDARD ELECTRICAL DIAGRAMS	
	4933080	Ref	Standard Electrical Diagrams (Prior to SN 0300099776)	
	4933386	Ref	Standard Electrical Diagrams (SN 0300099776 through 0300138358)	
		Ref	STANDARD ELECTRICAL SCHEMATIC	
	1870090	Ref	Standard Electrical Schematic (Prior to SN 0300099776)	
	1870225	Ref	Standard Electrical Schematic (SN 0300099776 through 0300138358)	
	4933099	Ref	VALVE ELECTRICAL DIAGRAM	

SECTION 7 - ELECTRICAL



SECTION 7 - ELECTRICAL

FIGURE 7-2. HARNESS COMPONENTS INSTALLATION

ITEM	PART NUMBER	QTY	DESCRIPTION	REV
		Ref	PLATFORM BOX ASSEMBLY COMPONENTS	
		Ref	Platform Box Assembly Components (Prior to SN 0300068944)	
	0861176	Ref	Platform Box Assembly Components E300A & E300AJ	10-H
	0861314	Ref	Platform Box Assembly Components E300AJP	4-D
	0861452	Ref	Platform Box Assembly Components E300A & E300AJ (U/L Machines Only)	1-A
	0861449	Ref	Platform Box Assembly Components E300AJP (U/L Machines Only)	1-A
		Ref	Platform Box Assembly Components (SN 0300068944 through 0300138358)	
	0861529	Ref	Platform Box Assembly Components E300A & E300AJ	G
	0861532	Ref	Platform Box Assembly Components E300AJP	E
	0861531	Ref	Platform Box Assembly Components E300A & E300AJ (U/L Machines Only)	D
	0861530	Ref	Platform Box Assembly Components E300AJP (U/L Machines Only)	D
14	1671037	NLA	Plug (Use p/n 1001110435)	
21	2400067	1	Folder, Fuse (UL Machines Only)	
21	2400068	1	Fuse (UL Machines Only)	
25	4360030	1	Plug	
32	4360448		Breaker, Circuit 10A Auto Reset (Non-UL Machines Only)	
39	4460428	1	Connector, Strain Relief	
41	4460496	1	Lockwasher, Conduit	
42	4460497	1	Nut, Conduit	
43	4460752	1	Connector - 14 Position	
46		Ref	Wiring Diagram - Platform Control Box Options (See items 101-114 for Breakdown):	
46	4933060	Ref	Wiring Diagram E300A & E300AJ	
46	4933105	Ref	Wiring Diagram E300AJP	
46	4933181	Ref	Wiring Diagram E300A & E300AJ (U/L Machines Only)	
46	4933182	Ref	Wiring Diagram E300AJP (U/L Machines Only)	
47	0272971	1	Footswitch Kit	
47A	1060330	7 ft/2.2m	Cable, Electrical - 16/3	
47B	4460071	1	Connector, Strain Relief	
47C	4460464	1	Pin, Male	
47C	4460226	1	Socket, Female (Not Shown)	
		Ref	PLATFORM BOX ELECTRICAL DIAGRAMS	
	4933060	Ref	Platform Box Electrical Diagrams E300A & E300AJ	5-I
	4933105	Ref	Platform Box Electrical Diagrams E300AJP	3-E
	4933181	Ref	Platform Box Electrical Diagrams E300A & E300AJ (U/L Machines Only)	3-E
	4933182	Ref	Platform Box Electrical Diagrams E300AJP (U/L Machines Only)	3-E
101	4922074	1	Harness, Indicator Lamp	5-H
101A	4460265	1	Plug, Male - 9 Position	
101A	4460227	8	Pin, Male	
101B	4120035	7	Socket, Lamp	
101B	4460634	8	Socket (Single Wire)	
101B	4460635	6	Socket (Two Wire)	
102		Ref	Harness, Function Switch Options:	
102	4922060	1	Harness E300A & E300AJ	2-C

SECTION 7 - ELECTRICAL

ITEM	PART NUMBER	QTY	DESCRIPTION	REV
102	4922303	1	Harness E300AJP	5-D
102A	4460434	1	Plug, Male - 15 Position	
102A	4460226	12	Pin, Male	
102B	4460464	2	Pin, Male	
102C	4460418	4	Connector, Female	
102C	4460419	12	Terminal	
102D	4460225	1	Plug, Male - 6 Position (E300AJP Only)	
102D	4460227	5	Socket, Female	
102E	4460343	1	Plug, Male - 12 Position (E300AJP Only)	
102E	4460227	10	Socket, Female	
103	4922071	1	Harness, Can Bus	2-B
103A	4460321	1	Plug, Male - 4 Position	
103A	4460227	2	Pin, Male	
103A	4460267	1	Pin, Male	
103B	4460464	3	Pin, Male	
104		Ref	Harness, Box Horn Options:	
104	4922118	1	Standard Spec Machines	2-B
104	4922555	1	U/L Spec Machines Only	1-A
104A	4460464	1	Pin, Male	
105		Ref	Harness, Miscellaneous Options:	
105	4922157	1	Standard Spec Machines	4-D
105	4922556	1	U/L Spec Machines Only	B
105A	4460464	AR	Pin, Male	
108	4922160	1	Harness, Analyzer	3-C
108A	4460321	1	Plug, Male - 4 Position	
108A	4460226	4	Socket, Female	
108B	4460761	1	Connector, Female - 4 Position	
108B	4460227	4	Pin, Male	
110	2920129	AR	Bulb, Light	
112	4922307	1	Jib Harness (E300AJP Only)	3-C
112A	4460367	1	Connector, Female - 12 Position	
112A	4460226	10	Socket, Female	
112B	4460260	6	Connector, Female	
112B	4460259	6	Terminal	
		Ref	Overload Light Harness Assembly	C
113	4922534	1	Harness, Lamp	
113A	2920129	1	Lamp, Display	
113B	4460428	1	Connector, Strain Relief	
114	4460268	1	Terminal, Socket (Not Shown)	
		Ref	BOOM CABLES INSTALLATION	
	0259033	Ref	Boom Cables Installation E300A & E300AJ Models	12
	0259623	Ref	Boom Cables Installation E300AJP Models	11
217	4922270	1	Harness Assembly - Tower Boom	4
217	1060677	21 ft /6.4m	Cable, Electrical - 10/4-18/16	
217A	4460752	1	Connector - 14 Position	
217B	4460465	14	Socket, Female	
217C	4460754	1	Connector - 14 Position	
217D	4460464	14	Pin, Male	
217E	4460492	1	Clamp, Cable	
218	4922273	1	Harness Assembly - Main Boom	4
218	1060677	24 ft/7.3m	Cable, Electrical	

SECTION 7 - ELECTRICAL

ITEM	PART NUMBER	QTY	DESCRIPTION	REV
218A	4460754	2	Connector - 14 Position	
218B	4460465	28	Socket, Female	
218C	4460492	1	Clamp, Cable	
230	1060876	1	AC Cable - 12/3 (Upper) (24ft/7.3m Length of p/n 1060494 Cable)	
231	1060877	1	AC Cable - 12/3 (Lower) (21ft/5.4m Length of p/n 1060494 Cable)	
		Ref	GROUND CONTROL BOX DIAGRAM	
	4933080	Ref	Ground Control Box Diagram (Prior to SN 0300099776)	8-L
	4933386	Ref	Ground Control Box Diagram (SN 0300099776 through 0300138358)	3-C
302	4460321	3	Plug, Male - 4 Position	
303	4460320	2	Plug, Male - 2 Position	
303	4460227	2	Pin, Male	
304	4460326	1	Plug, Male - 3 Position	
305	4922291	1	Harness, Miscellaneous	4-C
305A	4460321	1	Plug, Male - 4 Position	
305A	4460227	3	Pin, Male	
305B	4460464	3	Pin, Male	
306		Ref	Harness Assembly - Ground Control Options:	
306	4922237	1	Harness Assembly (Prior to SN 0300099776)	5-E
306	4923614	1	Harness Assembly (SN 0300099776 through 0300138358)	3-C
306A	4460464	7	Pin, Male	
306B	4460225	1	Plug, Male - 6 Position	
306B	4460226	6	Socket, Female	
306C	4460265	1	Plug, Male - 9 Position	
306C	4460227	AR	Pin, Male	
306D	4460434	1	Plug, Male - 15 Position	
306D	4460226	15	Socket, Female	
306E	4460343	1	Plug, Male, 12 Position	
306E	4460226	7	Socket, Female	
307	4922238	1	Harness Assembly	10-I
307A	4460526	1	Connector, Strain Relief	
307B	4460224	1	Connector - 6 Position	
307B	4460226	4	Socket, Female	
307C	4460224	1	Connector - 6 Position	
307C	4460227	4	Pin, Male	
307D	4460326	1	Plug, Male - 3 Position	
307D	4460227	3	Pin, Male	
307E	4460321	2	Plug, Male - 4 Position	
307E	4460227	6	Pin, Male	
307F	4460320	2	Plug, Male - 2 Position	
307F	4460226	4	Socket, Female	
307G	4460444	1	Connector, Anderson	
307H	4460445	1	Connector - 3 Position	
307H	4460227	3	Pin, Male	
307J	4460227	12	Pin, Male	
307K	4460226	10	Socket, Female	
308	4922239	1	Harness Assembly - Main Valve	5-E
308A	4460426	1	Connector, Strain Relief	
308B	4460227	15	Pin, Male	
308C	4460226	14	Socket, Female	

SECTION 7 - ELECTRICAL

ITEM	PART NUMBER	QTY	DESCRIPTION	REV
308D	4460744	3	Connector, 6 Position	
308D	4460746	36	Socket, Female	
308D	4460745	6	Lock, Secondary	
308D	4460749	6	Cap, Shell	
308D	4460750	6	Bar, Buss - 6 Position	
308D	4460458	33	Seal	
308D	4460748	3	Plug, Cavity	
308E	4460742	24	Plug, Male - 2 Position	
308E	4460743	48	Terminal, Female	
308E	4460458	48	Seal	
309	3990106	1	Limiter, Inrush	
310	4460225	2	Plug, Male - 6 Position	
312	1060757	1	Cable, Electrical (Battery -)	
312A	4460025	1	Connector, Anderson	
313	4460265	1	Plug, Male - 9 Position	
314	4460434	2	Plug, Male - 15 Position	
319		Ref	Pin Options:	
319	4460227	2	Pin (Prior to SN 0300099776)	
319	4460268	2	Pin (SN 0300099776 through 0300138358)	
		Ref	GROUND CONTROL BOX ASSEMBLY COMPONENTS	
	0861265	Ref	Ground Control Box Assembly Components E300A	I
		Ref	Ground Control Box Assembly Components E300AJ	
	0861268	Ref	Ground Control Box Assembly Components (Prior to SN 0300099776)	H
	1810128	Ref	Ground Control Box Assembly Components (SN 0300099776 through 0300138358)	B
		Ref	Ground Control Box Assembly Components E300AJP	
	0861290	Ref	Ground Control Box Assembly Components (Prior to SN 0300099776)	I
	1810131	Ref	Ground Control Box Assembly Components (SN 0300099776 through 0300138358)	B
419	4460496	1	Lockwasher, Terminal	
420	4460497	1	Nut, Terminal	
421	4460526	2	Connector, Strain Relief	
422	4460752	1	Connector - 14 Position	
432		Ref	Wiring Diagram - Ground Control Box Options (See items 301-319 for Breakdown):	
432	4933080	Ref	Wiring Diagram (Prior to SN 0300099776)	
432	4933386	Ref	Wiring Diagram (SN 0300099776 through 0300138358)	
		Ref	ELECTRICAL COMPONENTS INSTALLATION	
	0258984	Ref	Standard Spec (Prior to SN 0300116217)	K
	0274282	Ref	Standard Spec (SN 0300116217 through 0300138358)	B
	0258984	Ref	UL Spec (Prior to SN 0300035281)	K
	0259396	Ref	UL Spec (SN 0300035281 through 0300116216)	C
	0274283	Ref	UL Spec (SN 0300116217 through 0300138358)	B
509	3990105	2	Speed Sensor Harness (P/N 3990105 Includes Speed Sensor)	
509A	4460225	2	Plug, Male - 6 Position	
509A	4460226	8	Socket, Female	
514		Ref	Cable Options:	
514	1060732	1	Standard Machines	
514	1060732	1	UL Machines (Prior to SN 0300035281)	
514	1060767	1	UL Machines (SN 0300035281 through 0300138358)	

SECTION 7 - ELECTRICAL

ITEM	PART NUMBER	QTY	DESCRIPTION	REV
515		Ref	Cable Options:	
515	1060733	1	Standard Machines	
515	1060733	1	UL Machines (Prior to SN 0300035281)	
515	1060768	1	UL Machines (SN 0300035281 through 0300138358)	
516		Ref	Cable Options:	
516	1060734	1	Standard Machines	
516	1060734	1	UL Machines (Prior to SN 0300035281)	
516	1060769	1	UL Machines (SN 0300035281 through 0300138358)	
517		Ref	Cable Options:	
517	1060735	1	Standard Machines	
517	1060735	1	UL Machines (Prior to SN 0300035281)	
517	1060770	1	UL Machines (SN 0300035281 through 0300138358)	
518		Ref	Cable Options:	
518	1060736	1	Standard Machines	
518	1060736	1	UL Machines (Prior to SN 0300035281)	
518	1060771	1	UL Machines (SN 0300035281 through 0300138358)	
519		Ref	Cable Options:	
519	1060737	1	Standard Machines	
519	1060737	1	UL Machines (Prior to SN 0300035281)	
519	1060772	1	UL Machines (SN 0300035281 through 0300138358)	
520		Ref	Cable Options:	
520	1060738	1	Standard Machines	
520	1060738	1	UL Machines (Prior to SN 0300035281)	
520	1060773	1	UL Machines (SN 0300035281 through 0300138358)	
531		Ref	Cable Options:	
531	1060739	1	Standard Machines	
531	1060739	1	UL Machines (Prior to SN 0300035281)	
531	1060862	1	UL Machines (SN 0300035281 through 0300138358)	
532		Ref	Cable Options:	
532	1060740	1	Standard Machines	
532	1060740	1	UL Machines (Prior to SN 0300035281)	
532	1060860	1	UL Machines (SN 0300035281 through 0300138358)	
533		Ref	Cable Options (UL Fuse Box to Contactor Plate):	
533	Not Required	0	Standard Machines	
533	Not Required	0	UL Machines (Prior to SN 0300035281)	
533	1060847	1	UL Machines (SN 0300035281 through 0300138358)	
		Ref	Cable Kit Options:	
	2901818	1	Standard Machines (Includes Items 514-520)	
	2901818	1	UL Machines (Includes Items 514-520) (Prior to SN 0300035281)	
	2901864	1	UL Machines (Includes Items 514-520 & 533) (SN 0300035281 through 0300138358)	
		Ref	CONTACTOR PLATE ASSEMBLY	
	1600294	Ref	Standard Machines	E
	1600294	Ref	UL Machines (Prior to SN 0300035281)	E
	1600300	Ref	UL Machines (SN 0300035281 through 0300138358)	B
601		Ref	Contactor Harness Options:	
601	7022003	1	Contactor Harness E300A/AJ/AJP (Standard Machines)	
601	7022008	1	Contactor Harness E300A/AJ/AJP (U/L Machines)	
601A	4460225	1	Plug, Male - 6 Position	
601A	4460226	6	Socket, Female	
602	7022004	1	Posi-Track Harness	

SECTION 7 - ELECTRICAL

ITEM	PART NUMBER	QTY	DESCRIPTION	REV
602A	4460326	1	Plug, Male - 3 Position	
602A	4460227	3	Pin, Male	
603	7022005	1	Shunt Harness	
603A	4460326	1	Plug, Male - 3 Position	
603A	4460226	3	Socket, Female	
604	7022012	1	Cable, Power	
606		Ref	Shunt/Bus Bar with Harness Assembly	
606	70001052	1	Standard Machines	
606	70001052	1	UL Machines (Prior to SN 0300035281)	
606	See Note	1	UL Machines (Note: Not Available for Purchase) (SN 0300035281 through 0300138358)	
		Ref	BATTERIES INSTALLATION	
	0259042	Ref	Standard Machines	J
	0259417	Ref	U/L Machines	E
705	1060092	6	Cable, Battery	
727	0100048	AR	Grease, Dielectric	
728	0100051	AR	Grease, Battery Terminal	
729	0840031	9	Boot - "d" shaped	
730	0840032	7	Boot - "b" shaped	
731		Ref	Cable, Assembly Options:	
731	1060741	NLA	Cable (Use p/n 1060805) (Prior to SN 0300035281)	
731	1060805	1	Cable (SN 0300035281 through 0300138358)	
731A	4460025	2	Connector, Anderson	
732	1060742	1	Cable, Battery (Right)	
732A	4460025	1	Connector, Anderson	
732B	1320172	1	Handle	
733	1060743	1	Cable, Battery (Left)	
733A	4460025	1	Connector, Anderson	
733B	1320172	1	Handle	
		Ref	STANDARD HARNESS COMPONENTS	
801	See Note	15	Solenoid Harness - Main Valve (Note: Not Available - Purchase Complete Solenoid)	
801A	See Note	15	Connector, Female - 2 Position (Note: Not Available - Purchase Complete Solenoid)	
801A	See Note	30	Terminal, Male (Note: Not Available - Purchase Complete Solenoid)	
802	See Note	15	Solenoid Harness - Steer/Brake Valve (Note: Not Available - Purchase Complete Solenoid)	
802A	See Note	15	Connector, Female - 2 Position (Note: Not Available - Purchase Complete Solenoid)	
802A	See Note	30	Terminal, Male (Note: Not Available - Purchase Complete Solenoid)	
803	See Note	15	Solenoid Harness - Jib Valve (Note: Not Available - Purchase Complete Solenoid)	
803A	See Note	15	Connector, Female - 2 Position (Note: Not Available - Purchase Complete Solenoid)	
803A	See Note	30	Terminal, Male (Note: Not Available - Purchase Complete Solenoid)	
804		Ref	Cable, Electrical Options: (Drive - Positive)	
804	1060756	1	ANSI Spec	
804	1060756	1	UL Spec (Prior to SN 0300035281)	
804	1060863	1	UL Spec (SN 0300035281 through 0300138358)	
805		Ref	Cable, Electrical (Drive - Negative)	
805	1060752	1	ANSI Spec	

SECTION 7 - ELECTRICAL

ITEM	PART NUMBER	QTY	DESCRIPTION	REV
805	1060752	1	UL Spec (Prior to SN 0300035281)	
805	1060861	1	UL Spec (SN 0300035281 through 0300138358)	
806		Ref	Battery Charger Components	
806A	7011621	1	Connector, Enable Switch	
806B		Ref	DC Cord Options:	
806B	7020644	1	Cord with 80 or 50 Amp Automotive Fuse	
806B	7022910	1	Cord with 45 Amp Fuse	
806C		Ref	Harness - 17 Position Options:	
806C	7020645	1	All Specs except Japanese Spec	
806C	7020692	1	Japanese Spec Only	
806D		Ref	Harness - 4 Position Options:	
806D	7020646	1	All Specs except Japanese Spec	
806D	7020693	1	Japanese Spec Only	
806E	7020648	1	Plug, AC Inlet	
806F	7011590	1	Connector, DC	
807		Ref	Cable, Battery Options:	
		Ref	(Note: Does not include Items 807B-807D)	
807	1060751	1	110V/60Hz (ANSI Spec)	
807	1060759	1	110-230V/50-60Hz (ANSI Export Spec Option)	
807	1060759	1	250V/50Hz (ANSI Export Spec Option)	
807	1060751	1	100V/50-60Hz (Japanese Spec)	
807A	See Note	1	Connector, Female (Note: Not Available for Purchase)	
807B		Ref	Connector, Strain Relief Options:	
807B	Not Required	0	110V/60Hz (ANSI Spec)	
807B	4460428	1	110-230V/50-60Hz (ANSI Export Spec Option)	
807B	4460428	1	250V/50Hz (ANSI Export Spec Option)	
807B	Not Required	0	100V/50-60Hz (Japanese Spec)	
807C	4460802	1	Terminal and Cover	
807D		Ref	Plug Options:	
807D	4460803	1	110V/60Hz (ANSI Spec)	
807D	See Note	1	110-230V/50-60Hz (ANSI Export Spec Option) (Note: Not Available for Purchase)	
807D	4460805	1	250V/50Hz (ANSI Export Spec Option)	
807D	4460803	1	100V/50-60Hz (Japanese Spec)	
808	See Note	1	LED Harness (Note: Not Available for Purchase)	
808A	4460321	1	Plug, Male - 4 Position	
808A	4460227	4	Pin, Male	
809	1060753	1	Cable, LED Remote LEAD	
809A	4460321	1	Plug, Male - 4 Position	
809A	4460226	4	Socket, Female	
809B	4460226	4	Socket, Female	
810	See Note	1	Beacon Light Harness (Note: Not Available for Purchase)	
810A	4460424	1	Receptacle, Female - 2 Position	
810A	4460226	2	Socket, Female	
811	See Note	1	Boom Limit Switches Harness (Note: Not Available for Purchase)	
811A		Ref	Cable Options (Upper Limit Switch):	
811A	1060341	20 ft /6m	Cable (Upper Limit Switch) (Bulk Length) (Prior to SN 0300063766)	
811A	1060881	1	Cable (Upper Limit Switch) (Cut to Required Length) (SN 0300063766 through 0300138358)	
811B		Ref	Cable (Lower Limit Switch) Options:	
811B	1060341	17.5 ft	Cable (Lower Limit Switch) (Bulk Length) (Prior to SN	

SECTION 7 - ELECTRICAL

ITEM	PART NUMBER	QTY	DESCRIPTION	REV
		/5.4m	0300063766)	
811B	1060880	1	Cable (Lower Limit Switch) (Cut to Required Length of 17.5ft/5.4m - Less Limit Switch and Strain Relief Connector - See BOOM SECTION for Limit Switch p/n) (Prior to SN 0300063766)	
811B	1060341	6.5 ft /2m	Cable (Lower Limit Switch) (Bulk Length -Less Limit Switch and Strain Relief Connector - See BOOM SECTION for Limit Switch p/n) (SN 0300063766 through 0300138358)	
811B	4922598	1	Cable (Lower Limit Switch) (Cut to Required Length of 6.5ft/2m - Includes Limit Switch and Strain Relief Connector) (SN 0300063766 through 0300138358)	
812	See Note	1	Controller Harness/Circuit Board Assembly (Drive and Steer) (Note: Not Available for Purchase)	
812A	4460265	1	Plug, Male - 9 Position	
812A	4460226	7	Socket, Female	
813	See Note	1	Controller Harness Assembly (Lift and Swing) (Note: Not Available for Purchase)	
813A	4460265	1	Plug, Male - 9 Position	
813A	4460226	8	Socket, Female	
814	See Note	1	Controller Harness Assembly (Speed) (Note: Not Available for Purchase)	
814A	4460225	1	Plug, Male - 6 Position	
814A	4460226	4	Socket, Female	
815	4922294	1	Jib Harness (E300AJ Only)	1-A
815A	4460225	1	Plug, Male - 6 Position	
815A	4460227	3	Pin, Male	
815B	4460418	1	Connector, Female	
815B	4460419	3	Terminal	
		Ref	OPTIONAL HARNESS COMPONENTS	
901		Ref	AC to Platform Receptacle Components Options	
901	0258303	Ref	110V GFI Receptacle	6-D
901	0258305	Ref	220V GFI Receptacle	4-D
901	0271449		110V/220V(When Plug and Receptacle Supplied Locally)	1
901A		Ref	Box, Switch Options:	
901A	0860038	1	0258303 & 0258305 Installations	
901A	See Note	1	0271449 Installation (Note: Not Available - Purchase Locally)	
901B		Ref	Receptacle Options:	
901B	4460346	1	0258303 Installation (110V GFI)	
901B	4460125	1	0258305 Installation (220V GFI)	
901B	See Note	1	0271449 Installation (Note: Not Available - Purchase Locally)	
901C		Ref	Plug, Male Options:	
901C	4460205	2	0258303 Installation (110V GFI)	
901C	4460233	2	0258305 Installation (220V GFI)	
901C	See Note	2	0271449 Installation (Note: Not Available - Purchase Locally)	
901D		Ref	Shield, Cover Options:	
901D	4060700	1	0258303 Installation (110V GFI) (Side Hinged)	
901D	1001110873	1	0258303 Installation (110V GFI) (Top Hinged)	
901D	4060092	1	0258305 Installation (220V GFI)	
901D	See Note	1	0271449 Installation (Note: Not Available - Purchase Locally)	
901D	3960422	1	Gasket	
901E	Not Required	0	Not Required	
901F	Not Required	0	Not Required	
901G	Not Required	0	Not Required	
901H	Not Required	0	Not Required	

SECTION 7 - ELECTRICAL

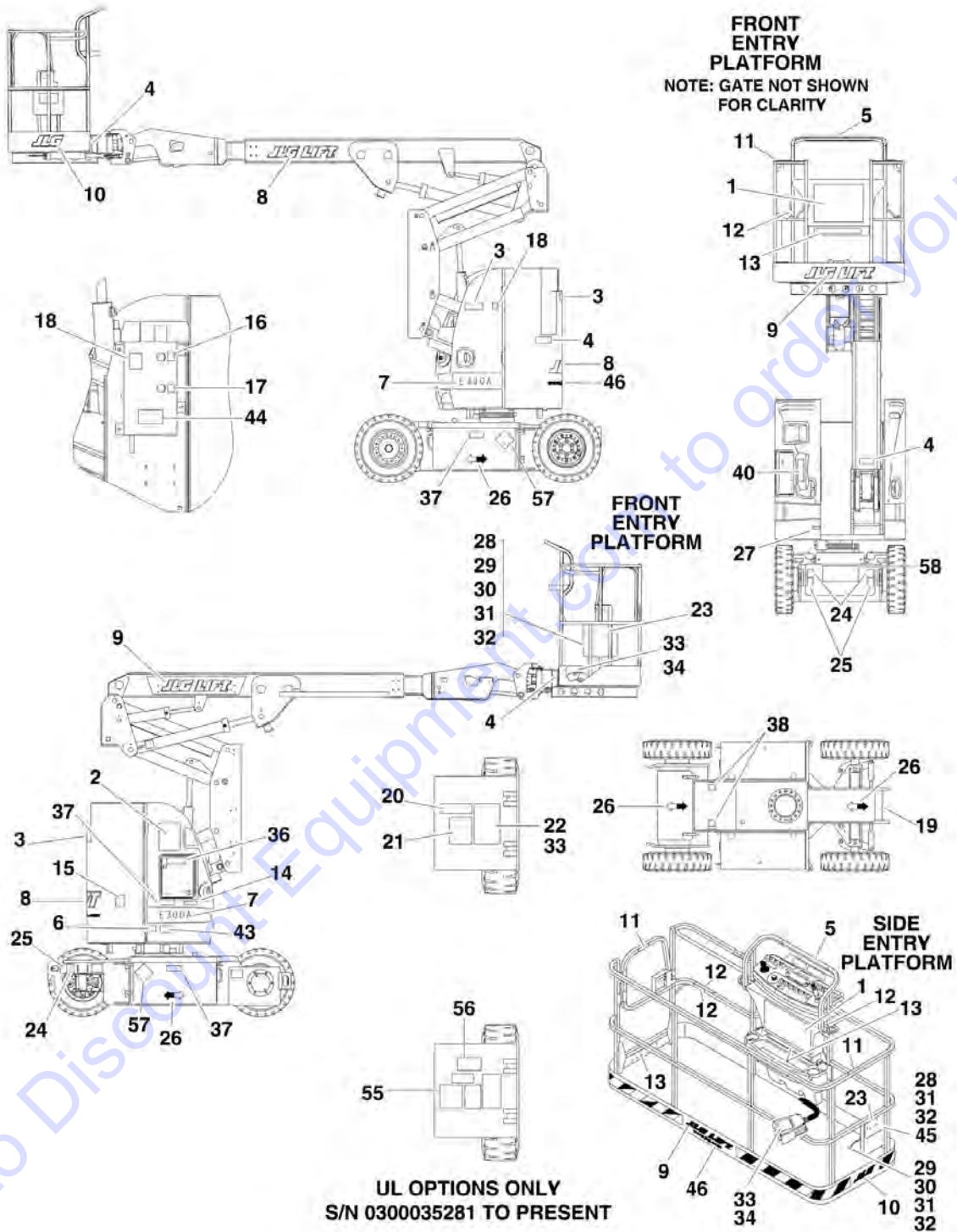
ITEM	PART NUMBER	QTY	DESCRIPTION	REV
901I	Not Required	0	Not Required	
901J		Ref	Connector, Strain Relief	
901J	4460071	1	0258303 & 0258305 Installations	
901J	See Note	1	0271449 Installation (Note: Not Available - Purchase Locally)	
901K		Ref	Plug, Male Options:	
901K	4460205	2	110V GFI	
901K	4460233	2	220V GFI	
901L	4460134	1	Receptacle, Female	
902	2920095	2	Platform Worklights Harness (Includes Light and Wire Only)	
902	4460297	1	Terminal (10-12 Ga) (UL Machines Only) (Not Shown)	
902	4460260	1	Housing, Terminal (10-12 Ga) (UL Machines Only) (Not Shown)	
902	4923061	1	Harness, Platform Box (UL Machines Only) (Not Shown)	
902	2820035	9	Loom, Vinyl	
902A	4460428	1	Connector, Strain Relief	
903	Not Required	0	Not Required	
904	Not Required	0	Not Required	
905	Not Required	0	Not Required	
905A	Not Required	0	Not Required	
		Ref	TOOLS	
	7002821	1	Crimper (For Wire to Pin/Socket Connections)	
	7002823	1	Extractor (For Removal of Pin/Socket from Connectors)	
	4460467	1	Extractor, Pin (Blue 16-18 Gauge) (For Removal of Pin/Socket from Connectors)	
	4460510	1	Extractor, Pin (Yellow 12-14 Gauge) (For Removal of Pin/Socket from Connectors)	
	7002828	1	Stripper, Wire	
	1600244	1	Module Analyzer (Not Shown)	
	1001137005	1	Software Cable Kit (Not Shown)	

SECTION 8 - DECALS

Go to Discount-Equipment.com to order your parts

SECTION 8 - DECALS

FIGURE 8-1. DECAL INSTALLATION (ANSI SPEC)



SECTION 8 - DECALS

FIGURE 8-1. DECAL INSTALLATION (ANSI SPEC)

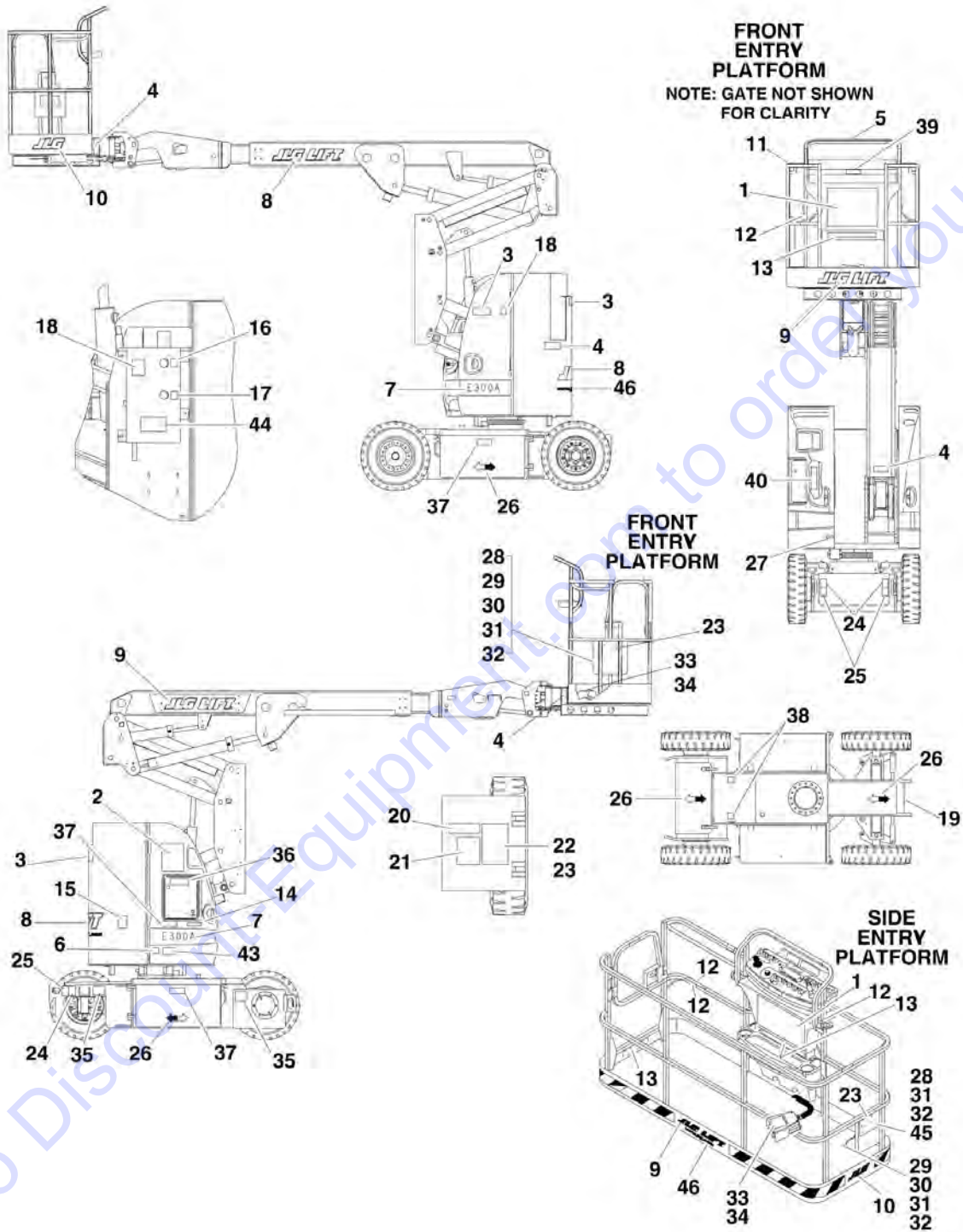
ITEM	PART NUMBER	QTY	DESCRIPTION	REV
		Ref	STANDARD DECAL INSTALLATIONS	
	0259007	Ref	Standard Decal E300A (Model Specific Decals)	9
	0271033	Ref	Standard Decal E300A (Common Decals) (Front Entry Platform)	1
	0273105	Ref	Standard Decal E300A (Common Decals) (Side Entry Platform)	2
	0259008	Ref	Standard Decal E300AJ (Model Specific Decals)	11
	0271035	Ref	Standard Decal E300AJ (Common Decals) (Front Entry Platform)	1
	0273108	Ref	Standard Decal E300AJ (Common Decals) (Side Entry Platform)	2
	0259506	Ref	Standard Decal E300AJP (Model Specific Decals)	10
	0271034	Ref	Standard Decal E300AJP (Common Decals) (Front Entry Platform)	1
	0273106	Ref	Standard Decal E300AJP (Common Decals) (Side Entry Platform)	2
	0254454	Ref	UL Machines Only (Prior to SN 0300035281)	4
	0270432	Ref	UL Machines Only (SN 0300035281 through 0300138358)	2
1	1703797	1	Decal - Danger/Warning	
2	1703798	1	Decal - Danger/Warning	
3	1703805	2	Decal - Danger/Electrocution	
4	1703804	6	Decal - Warning/Crushing	
5	1704253	1	Decal - Legend	
6	1701644	1	Decal - Charger Plug	
7		Ref	Decal - Model Options:	
7	1704198	2	Decal E300A	
7	1704199	2	Decal E300AJ	
7	1704267	2	Decal E300AJP	
8	1702860	Ref	Decal - JLG Lift (5in)	
8	1702860	2	Decal E300A	
8	1702860	1	Decal E300AJ & E300AJP	
9	1702774	2	Decal - JLG Lift (3 1/2in)	
10		Ref	Decal Options:	
10	1702773	1	Decal JLG (5in) (E300A & E300AJ)	
10	1704200	1	Decal JLG Plus (E300AJP)	
11	1702868	2	Decal - No Hands	
12	1704277	3	Decal - Attach Lanyard Here	
13	1701645	1	Decal - 500LBS Max Capacity	
14		Ref	Decal - 500LBS Max Capacity Options:	
14	1702688	1	Decal - 500LBS Max Capacity (Prior to SN 0300100303)	
14	1707013	1	Decal - 500LBS Max Capacity (SN 0300100303 through 0300138358)	
15	3251813	1	Decal - USA	
16	1701502	1	Decal - High Oil Level	
17	1701503	1	Decal - Low Oil Level	
18	1701504	2	Decal - Hydraulic Oil	
19	1702153	1	Decal - Inspection	
20	See Note	1	Decal - Bar Code (Note: Not Available for Purchase)	
21	1700584	1	Decal - Patent	
22	See Note	1	Nameplate - Serial Number (Note: Not Available for Purchase)	
23	1701509	2	Decal - Manual	
24	1702300	4	Decal - Tie Down /Lift	

SECTION 8 - DECALS

ITEM	PART NUMBER	QTY	DESCRIPTION	REV
25	1701500	4	Decal - Tie Down /Lift	
26	1701529	4	Decal- Arrow	
27		Ref	Nameplate - Options:	
27	3251243	1	120V/60HZ	
27	3252507	1	220V/50-60HZ	
28	0860520	1	Box, Manual Storage	
29	1060279	1	Cable, Lanyard	
30	0641408	1	Bolt 1/4in-20NC x 1in	
31	4751400	6	Flatwasher 1/4in Regular	
32	3311405	5	Nut 1/4in-20NC	
33		Ref	Rivet Options:	
33	3820001	NLA	Rivet (Use p/n 2080057) (Prior to SN 0300056928)	
33	2080057	AR	Rivet (SN 0300056928 through 0300100302)	
33	3820001	AR	Rivet (SN 0300100303 through 0300138358)	
34	3252347	1	Decal - Foot Switch	
35	1706942	4	Decal - Max Tire Load (SN 0300100541 through 0300138358)	
36	1704248	1	Decal - Battery Charger	
37	1703813	3	Decal - Warning Explosion	
38	1702155	2	Decal - Battery Disconnect	
40		Ref	Decal - Manual Descent	
		Ref	Note: Refer to p/n stamped on hose side of valve.	
40	1704262	1	4641110 Valve	
40	1705085	1	4641196 Valve	
40	1001104864	1	1001097776 Valve	
43	1702901	1	Decals - Instructions Inside	
44	1704412	1	Decal - Hydraulic Oil	
45	0641406	4	Bolt 1/4in-20NC x 3/4in	
46	1704885	2	Decal - Website (SN 0300073199 through 0300138358)	
55	3252331	1	Nameplate - Battery Info. (UL Machines Only)	
56	3252780	1	Nameplate - U/L Cert. "EE" (UL Machines Only)	
57	1702251	2	Nameplate - "EE" (UL Machines Only)	
58	1704720	1	Decal - Replacement Fuse (UL Machines Only)	

SECTION 8 - DECALS

FIGURE 8-2. DECAL INSTALLATION (COUNTRY SPEC)



SECTION 8 - DECALS

FIGURE 8-2. DECAL INSTALLATION (COUNTRY SPEC)

ITEM	PART NUMBER	QTY	DESCRIPTION	REV
		Ref	DECAL INSTALLATIONS	
		Ref	Common Decals	
	0271033	Ref	Common Decals E300A (Front Entry Platform)	1
	0273105	Ref	Common Decals E300A (Side Entry Platform)	2
	0271035	Ref	Common Decals E300AJ (Front Entry Platform)	1
	0273108	Ref	Common Decals E300AJ (Side Entry Platform)	2
	0271034	Ref	Common Decals E300AJP (Front Entry Platform)	1
	0273106	Ref	Common Decals E300AJP (Side Entry Platform)	2
		Ref	Decal E300A:	
	0259029	Ref	Canadian French Language	5
	0259031	Ref	Chinese Language	5
	0259027	Ref	English/Spanish Dual Language	5
	0259023	Ref	Japanese Language	4
	0259025	Ref	Korean Language	5
	0259035	Ref	Spanish/Portuguese Dual Language	6
		Ref	Decal E300AJ:	
	0259030	Ref	Canadian French Language	9
	0259032	Ref	Chinese Language	8
	0259028	Ref	English/Spanish Dual Language	7
	0259024	Ref	Japanese Language	8
	0259026	Ref	Korean Language	8
	0259036	Ref	Spanish/Portuguese Dual Language	7
		Ref	Decal E300AJP:	
	0259517	Ref	Canadian French Language	9
	0259518	Ref	Chinese Language	8
	0259516	Ref	English/Spanish Dual Language	7
	0259514	Ref	Japanese Language	7
	0259515	Ref	Korean Language	8
	0259519	Ref	Spanish/Portuguese Dual Language	7
1		Ref	Decal - Danger/Warning Options:	
1	1703924	1	Canadian French Language	
1	1703925	1	Chinese Language	
1	1703923	1	English/Spanish Dual Language	
1	1703926	1	Japanese Language	
1	1703927	1	Korean Language	
1	1703928	1	Spanish/Portuguese Dual Language	
2		Ref	Decal - Danger/Warning Options:	
2	1703930	1	Canadian French Language	
2	1703931	1	Chinese Language	
2	1703929	1	English/Spanish Dual Language	
2	1703932	1	Japanese Language	
2	1703933	1	Korean Language	
2	1703934	1	Spanish/Portuguese Dual Language	
3		Ref	Decal - Danger/Electrocution Options:	
3	1703936	2	Canadian French Language	
3	1703937	2	Chinese Language	
3	1703935	2	English/Spanish Dual Language	
3	1703938	2	Japanese Language	
3	1703939	2	Korean Language	
3	1703940	2	Spanish/Portuguese Dual Language	

SECTION 8 - DECALS

ITEM	PART NUMBER	QTY	DESCRIPTION	REV
4		Ref	Decal - Warning/Crushing Options:	
4	1703948	6	Canadian French Language	
4	1703949	6	Chinese Language	
4	1703947	6	English/Spanish Dual Language	
4	1703950	6	Japanese Language	
4	1703951	6	Korean Language	
4	1703952	6	Spanish/Portuguese Dual Language	
5		Ref	Decal - Legend Options:	
5	1704253	1	Canadian French and English/Spanish Dual Languages	
5	Not Required	0	Chinese/Japanese/Korean/Spanish and Portuguese Dual Language	
6	1701644	1	Decal - Charger Plug	
7		Ref	Decal - Model Options:	
7	1704198	2	Decal E300A	
7	1704199	2	Decal E300AJ	
7	1704267	2	Decal E300AJP	
8	1702860	Ref	Decal - JLG Lift (5in)	
8	1702860	2	Decal - JLG Lift (5in) E300A	
8	1702860	1	Decal - JLG Lift (5in) E300AJ & E300AJP	
8		Ref	Canadian Specs	
9	1702774	2	Decal - JLG Lift (3 1/2in) Options:	
9		Ref	Decal (Canadian Specs Only)	
10		Ref	Decal Options:	
10	1702773	1	Decal JLG (5in) (E300A & E300AJ)	
10	1704200	1	Decal JLG Plus (E300AJP)	
10		Ref	(Canadian Specs Only)	
11		Ref	Decal - No Hands Options:	
11	1704000	2	Canadian French Language	
11	Not Required	0	Chinese Language	
11	1704001	2	English/Spanish Dual Language	
11	Not Required	0	Japanese Language	
11	Not Required	0	Korean Language	
11	1704002	2	Spanish/Portuguese Dual Language	
12	1704277	3	Decal - Attach Lanyard Here	
13		Ref	Decal - 500LBS Max Capacity Options:	
13	1703996	2	Decal - 500LBS Max Capacity (Prior to SN 0300100303)	
13		Ref	Decal - 500LBS Max Capacity (SN 0300100303 through 0300138358)	
13	1707059	2	Japanese Language	
13	1707058	2	Korean Language	
13	1707056	2	English/Spanish Dual Language	
13	1707055	2	Canadian French	
13	1707060	2	Chinese Language	
13	1707057	2	Spanish/Portuguese Dual Language	
14		Ref	Decal - 500LBS Max Capacity Options:	
14		Ref	Canadian French	
14	1704112	1	Canadian French (Prior to SN 0300100303)	
14	1707047	1	Canadian French (SN 0300100303 through 0300138358)	
14	1707044	1	Chinese Languages (SN 0300102543 through 0300138358)	
14		Ref	English/Spanish Dual Languages	
14	1702688	1	English/Spanish Dual Languages (Prior to SN 0300100541)	
14	1707049	1	English/Spanish Dual Languages (SN 0300100541 through	

SECTION 8 - DECALS

ITEM	PART NUMBER	QTY	DESCRIPTION	REV
			0300138358)	
14		Ref	Spanish/Portuguese Dual Languages	
14	1702688	1	Spanish/Portuguese Dual Languages (Prior to SN 0300100541)	
14	1707052	1	Spanish/Portuguese Dual Languages (SN 0300100541 through 0300138358)	
14	1707054	1	Japanese Language (SN 0300102543 through 0300138358)	
14	1707042	1	Korean Languages (SN 0300102543 through 0300138358)	
15		Ref	Decal - USA Options:	
15	3251813	1	Canadian French and English/Spanish Dual and Spanish/Portuguese Dual Languages	
15	Not Required	0	Chinese/Japanese/Korean Languages	
16	1701502	1	Decal - High Oil Level	
17	1701503	1	Decal - Low Oil Level	
18	1701504	2	Decal - Hydraulic Oil	
19		Ref	Decal - Inspection Options:	
19	1704006	1	Canadian French Language	
19	Not Required	0	Chinese Language	
19	1704007	1	English/Spanish Dual Language	
19	Not Required	0	Japanese Language	
19	Not Required	0	Korean Language	
19	1704008	1	Spanish/Portuguese Dual Language	
20	See Note	1	Decal - Bar Code (Note: Not Available for Purchase)	
21	1700584	1	Decal - Patent	
22	See Note	1	Nameplate - Serial Number (Note: Not Available for Purchase)	
23	1701509	1	Decal - Manual	
24	1702300	4	Decal - Tie Down /Lift	
25	1701500	4	Decal - Tie Down /Lift	
26	1701529	4	Decal- Arrow	
27		Ref	Nameplate - 120V/60Hz Options:	
27	3251243	1	Canadian French and English/Spanish Dual and Spanish/Portuguese Dual Languages	
27	Not Required	0	Chinese/Japanese/Korean Languages	
28	0860520	1	Box, Manual Storage	
29	1060279	1	Cable, Lanyard	
30	0641408	1	Bolt 1/4in-20NC x 1in	
31	4751400	6	Flatwasher 1/4in Regular	
32	3311405	5	Nut 1/4in-20NC	
33	3820001	AR	Rivet	
34		Ref	Decal - Foot Switch Options:	
34	1703984	1	Canadian French Language	
34	1703982	1	Chinese Language	
34	1703983	1	English/Spanish Dual Language	
34	1703980	1	Japanese Language	
34	1703981	1	Korean Language	
34	1703985	1	Spanish/Portuguese Dual Language	
35		Ref	Decal - Maximum Tire Load Options:	
35	1706942	4	Canadian French Language (SN 0300100541 through 0300138358)	
35		Ref	Chinese Language	
35	1703809	4	Chinese Language (Prior to SN 0300100541)	
35	1706942	4	Chinese Language (SN 0300100541 through 0300138358)	

SECTION 8 - DECALS

ITEM	PART NUMBER	QTY	DESCRIPTION	REV
35	1706942	4	English/Spanish Dual Language (SN 0300100541 through 0300138358)	
35		Ref	Japanese Language	
35	1704276	4	Japanese Language (Prior to SN 0300100541)	
35	1706942	4	Japanese Language (SN 0300100541 through 0300138358)	
35		Ref	Korean Language	
35	1704276	4	Korean Language (Prior to SN 0300100541)	
35	1706942	4	Korean Language (SN 0300100541 through 0300138358)	
35	1706942	4	Spanish/Portuguese Dual Language (SN 0300100541 through 0300138358)	
36		Ref	Decal - Battery Charger Options:	
36	1704329	1	Canadian French Language	
36	1704333	1	Chinese Language	
36	1704328	1	English/Spanish Dual Language	
36	1704331	1	Japanese Language	
36	1704332	1	Korean Language	
36	1704330	1	Spanish/Portuguese Dual Language	
37		Ref	Decal - Warning Explosion Options:	
37	1704340	3	Canadian French Language	
37	1704344	3	Chinese Language	
37	1704339	3	English/Spanish Dual Language	
37	1704342	3	Japanese Language	
37	1704343	3	Korean Language	
37	1704341	3	Spanish/Portuguese Dual Language	
38	1702155	2	Decal - Battery Disconnect	
39		Ref	Decal - CSA Options:	
39	3252221	1	Canadian French Languages (Prior to SN 0300078592)	
39	1705514	1	Canadian French Languages (SN 0300078592 through 0300138358)	
39	Not Required	0	Chinese/English and Spanish Dual/Japanese/Korean/Spanish and Portuguese Dual Languages	
40		Ref	Decal - Manual Descent Options:	
		Ref	Note: Refer to p/n stamped on hose side of valve.	
40	1704262	1	4641110 Valve	
40	1705085	1	4641196 Valve	
40	1001104864	1	1001097776 Valve	
43		Ref	Decals - Instructions Inside Options:	
43	1704116	1	Canadian French Languages	
43	1702901	1	Chinese/English and Spanish Dual/Japanese/Korean/Spanish and Portuguese Dual Languages	
44	1704412	1	Decal - Hydraulic Oil	
45	0641406	4	Bolt 1/4in-20NC x 3/4in	
46	1704885	2	Decal - Website (SN 0300073199 through 0300138358)	

SECTION 9 - RECOMMENDED SERVICE PARTS STOCK

SECTION 9 - RECOMMENDED SERVICE PARTS STOCK

Go to Discount-Equipment.com to order your parts

SECTION 9 - RECOMMENDED SERVICE PARTS STOCK

FIGURE 9-1. MODEL E300A/E300AJ/E300AJP STANDARD PARTS

ITEM	PART NUMBER	QTY	DESCRIPTION	REV
		Ref	Note: The following list will service one machine (built to current production per date on the front cover) with emergency repair parts which can be installed in the field. Parts from the list should be replaced when inventory is depleted to keep service parts stock supplied. For further information, go to Discount-equipment.com	
		Ref	STANDARD PARTS	
	7022011	2	Diode, Power	
	7021609	1	Coil	
	7021618	1	Coil	
	7021610	1	Coil	
	7021616	1	Filter Cartridge	
	7021320	1	Cap, Breather	
	4360070	1	Breaker, Circuit	
	4360476	1	Contact, Switch Block	
	4360475	1	Switch, Mushroom	
	4360469	1	Switch, Key	
	2860030	1	Key, Replacement (Set of 2)	
	4360328	1	Switch, Toggle	
	7020642	1	Breaker, Circuit	
	7018571	1	Fuse Assembly	
	7018570	2	Fuse 80 Amp	
	7018506	1	Relay	
	2940074	1	Latch	
	1001118419	1	Controller (Lift and Swing)	
	1001118418	1	Controller (Drive and Steer)	
	4360462	1	Controller, Speed	
	4360387	1	Switch, Push Button	
	4360289	1	Switch, Mushroom	
	4360282	1	Contact, Switch Block	
	4360330	1	Switch, Toggle	
	4360448	1	Breaker, Circuit	

SECTION 9 - RECOMMENDED SERVICE PARTS STOCK

FIGURE 9-2. MODEL E300A/E300AJ/E300AJP VARIABLE PARTS

ITEM	PART NUMBER	QTY	DESCRIPTION	REV
		Ref	Note: The following list will service one machine (built to current production per date on the front cover) with emergency repair parts which can be installed in the field. Parts from the list should be replaced when inventory is depleted to keep service parts stock supplied. For further information, go to Discount-equipment.com	
		Ref	VARIABLE PARTS	
	1001109497	1	Module, Control (Ground)	
	7020653	1	Breaker, Circuit - 10 Amp	
	7020654	1	Relay	
	7018564	1	Relay	
	7018535	1	Relay	
	4360548	1	Switch, Limit	
	1001109497	1	Module, Control (Ground)	
	1001109498	1	Module, Control (Platform)	
	1600387	1	Module, Control (LSS System)	

SECTION 10 - SPECIAL OPTIONS

Go to Discount-Equipment.com to order your parts

SECTION 10 - SPECIAL OPTIONS

FIGURE 10-1. SPECIAL OPTIONS

ITEM	PART NUMBER	QTY	DESCRIPTION	REV
		Ref	MISCELLANEOUS SPECIAL OPTIONS	
		Ref	Note: This list is to accommodate machines ordered with special equipment. Options may not be applicable to all models. For more specific parts information go to Discount-equipment.com	
	0259250	Ref	Airline to Platform Installation	
	0258443	Ref	Boom Wipers Installation (E300A & E300AJ Models)	
	0256789	Ref	Camera Mount Assembly	
		Ref	Decal Installations Options:	
	1702788	1	Biodegradeable Hydraulic Fluid (ANSI Spec)	
	1703479	1	Biodegradeable Hydraulic Fluid (UL Spec)	
	1001098897	Ref	FedEx Decals Installation	
	0273262	Ref	Hertz Decals Installation	
	0274530	Ref	Head and Engquist Equipment L.L.C (H and E) Decals Installation	
	1703175	Ref	Lanyard Attach Decal (GM K-1 Spec)	
	0270469	Ref	Nations Rent Decals Installation	
	1702868	2	No Hands Decal (English Language) (Used with Platform Padding or Platform with Mesh)	
	1704000	2	No Hands Decal (English/French Language) (Used with Platform Padding or Platform with Mesh)	
	1001095410	Ref	RSC Equipment Decals Installation	
	0271114	Ref	Sunbelt Decals Installation	
	1704174	1	Synthetic Biodegradeable Hydraulic Fluid (ANSI Spec)	
	1704175	1	Synthetic Biodegradeable Hydraulic Fluid (UL Spec)	
		Ref	U/L Decals Installation Options:	
	0254454	1	U/L Decals Installation (Prior to SN 0300035281)	
	0270432	1	U/L Decals Installation (SN 0300035281 through 0300138358)	
	0271897	Ref	United Rentals Decals Installation	
	0259045	Ref	Warning Safety Stripes Installation	
		Ref	Decal Kits	
	1001198652	Ref	Decal Kit - Machine	
	2910866	Ref	Decal Kit - Platform Console	
		Ref	Electrical Connector Kits	
	1001148902	Ref	Amp/Tyco Electrical Connector Kit	
	1001148903	Ref	Deutsch DT Electrical Connector Kit	
	1001148904	Ref	Deutsch HD Electrical Connector Kit	
	1001148905	Ref	Packard Electrical Connector Kit	
	1001148906	Ref	Various Electrical Connectors Kit	
	4060959	Ref	Footswitch Shield (Note: Move Decal to Shield)	
		Ref	Hydraulic Fluids Options:	
	2300014	Ref	Mobil 424	
	2300016	Ref	Mobil DTE 13M	
	2300019	Ref	Quaker State Quintolubric 888-46 Fire Res.	
	2300027	Ref	Mobil 224H Bio	
	2300028	Ref	Mobil DTE 11M	
	2300029	Ref	Mobil EAL ISO 46 Bio	
	1001148971	Ref	Lanyard (Bolt-on) Kit Installation	
	1001222307	Ref	LSS Override Kit	
	0257728	Ref	Pipe Rack Installation	

SECTION 10 - SPECIAL OPTIONS

ITEM	PART NUMBER	QTY	DESCRIPTION	REV
	0270723	Ref	Platform Beacon Installation	
	0258703	Ref	Platform Console Cover Installation	
	1001205175	Ref	Platform Console Cover Add-on Kit	
		Ref	Platform Entry Kits	
	1001142504	Ref	Drop Bar (Replacing Swing Gate with Drop Bar)	
	1001142505	Ref	Swing Gate (Replacing Drop Bar with Swing Gate)	
		Ref	Platform Mesh Installations (Side Entry Platform)	
	0273146	Ref	30in x 5ft (76cm x 1.52m)	
	0273147	Ref	30in x 4ft (76cm x 1.22m)	
	1001099635	Ref	Security Lock (Programmable) Installation	
		Ref	SkyGuard Component	
	1001143669	Ref	SkyGuard Complete Add-on Kit (UGM Machines)	
	1001137672	Ref	SkyGuard Platform Sensor Kit (UGM Machines)	
	1001143256	Ref	SkyGuard Blue Beacon Kit	
	1001201620	Ref	SkyGuard Kit	
		Ref	Tools for Service	
	1600244	1	Module Analyzer	
	7002828	1	Wire Stripper	
	7002821	1	Wire Crimper (To install wire ends to wires)	
	7002823	1	Pin/Socket Extractor - Universal (To Remove Pins/ Sockets from Connectors)	
	4460467	1	Extractor - 16-18 Gauge (For Removal of Pins/Sockets for Deutsch Connectors)	
	4460510	1	Extractor - 12-14 Gauge (For Removal of Pins/Sockets for Deutsch Connectors)	
	7016652	1	Huck Fastener Tool (Small Fasteners Only)	
	7002822	1	Screwdriver, Potentiometer (To Adjust Drive Controllers)	
	7016654	1	Screwdriver, Magnetic	
	7004275	1	Seal Installation Tool - 1in	
	7004276	1	Seal Installation Tool - 1 1/2in	
	7002826	1	Seal Installation Tool - 2in	
	1001137005	1	Software Cable Kit	
	0257728	Ref	Tube Rack Installation	
		Ref	Water Tight Fitting Enclosure Installation (EE/UL)	
	0259673	Ref	Water Tight Fitting Enclosure Installation (Prior to SN 0300067774)	
	0272111	Ref	Water Tight Fitting Enclosure Installation (SN 0300067774 through 0300138358)	
	0259044	Ref	Weld Leads to Platform Installation	

PART NUMBER INDEX

Go to Discount-Equipment.com to order your parts

PART NUMBER INDEX

0060043.....77, 95	0259046.....61	0273151.....102	0641610....73, 77, 78, 81,
0060044.....91, 95	0259047.....61	0273262.....196	83, 92, 110, 113, 117
0060046.....91, 97	0259048.....61	0273381.....129	0641614.....73
0060065.....91, 99	0259049.....61	0273382.....129	0641616.....91, 105
0100009.....118	0259102.....119	0273587.....13	0641618.....35, 91
0100011....11, 31, 33, 39,	0259126.....73	0274282.....13, 27, 175	0641622.....85
59, 61, 73, 77, 78, 81,	0259204.....81, 85	0274283.....13, 29, 175	0641624.....51
83, 85, 87, 88, 91, 92,	0259243.....87	0274530.....196	0641628.....39
101, 105, 106, 109,	0259244.....88	0340047.....29	0641808....77, 81, 83, 85
133, 137, 141, 145, 151	0259247.....61	0400055.....31	0641810....39, 59, 61, 77,
0100019....13, 27, 29, 51,	0259250.....196	0400107.....31	81, 85, 91
73	0259255.....105	0400188.....61, 69	0641812....53, 77, 81, 83
0100035.....33, 66, 118	0259338.....110, 114	0400189.....61, 70	0641822.....101
0100038....133, 137, 141,	0259358.....78, 92	0400190.....61, 69	0641826.....13
145, 151	0259383.....155	0400191.....61, 69	0642024.....101
0100040.....109	0259384.....155	0440162.....11	0681608.....101
0100048.....31, 101, 177	0259396.....13, 29, 175	0440202.....51, 53	0681814.....51
0100051.....31, 177	0259415.....62	0440338.....51, 53	0681816.....51
0100081.....88	0259417.....31, 177	0460187.....155	0682010.....13
0140011.....118	0259439.....77, 92	0460192.....155	0682012.....13
0140019.....118	0259440.....81, 91	0460193.....155	0682020.....73
0140028.....39	0259441.....83, 91	0460194.....155	0682036.....51
0140031.....62	0259480.....83	0460195.....155	0682040.....51
0140033.....62	0259505.....39	0460196.....155	0701010.....78, 92
0254454.....183, 196	0259506.....183	0561350.....87	0721005.....29, 39
0256789.....196	0259514.....187	0561364.....155	0721006.....105
0257728.....196, 197	0259515.....187	0610128.....118	0721008.....62
0258303.....179	0259516.....187	0610129.....65	0731005.....65
0258305.....179	0259517.....187	0610131.....65	0741408.....106
0258443.....196	0259518.....187	0610139.....65	0801174.....77, 87
0258703.....197	0259519.....187	0610166.....65	0801177.....81, 87
0258958.....61	0259623.....105, 173	0630401.....88	0801178.....87
0258962.....77, 85	0259673.....197	0630407.....101	0801179.....87
0258979.....77	0259879.....35, 168	0630464.....33, 117	0801181.....87
0258980.....81	0270283.....127	0630534.....133, 151	0801182.....87
0258982.....73	0270339.....105	0630535.....141	0801203.....83, 87
0258983.....59	0270375.....59	0630568.....119	0801204.....87
0258984.....13, 27, 175	0270400.....81, 91	0641403.....31, 33, 85	0801205.....87
0258985.....11	0270402.....83, 91	0641404 ...27, 29, 73, 78,	0801220.....87
0258986.....13	0270432.....183, 196	92	0801221.....87
0258987.....51	0270469.....196	0641405.....101	0801222.....83, 87
0258989.....39	0270704.....83	0641406 .35, 61, 62, 101,	0840031.....31, 177
0258990.....39	0270723.....197	110, 113, 184, 190	0840032.....31, 177
0258991.....33	0271033.....183, 187	0641407.....77, 92, 101	0840055.....101, 102
0259002.....61	0271034.....183, 187	064140859, 110, 113,	0860038.....179
0259005.....51	0271035.....183, 187	184, 189	0860520.....184, 189
0259007.....183	0271114.....196	064141439, 110, 114	0861176....109, 117, 172
0259008.....183	0271301.....110, 114	0641416.....101, 105	0861215.....117
0259023.....187	0271449.....179	0641424.....151	0861253.....65
0259024.....187	0271648.....83	0641426.....40	0861265.....61, 65, 175
0259025.....187	0271649.....83, 91	0641504.....33, 87	0861268.....61, 65, 175
0259026.....187	0271897.....196	0641506.....27, 29, 129	0861290.....61, 65, 175
0259027.....187	0272082.....109, 113	0641507.....39	0861311.....109
0259028.....187	0272104.....109, 113	0641508.....127	0861314....109, 117, 172
0259029.....187	0272105.....109, 113	0641510.....61, 105	0861375.....29
0259030.....187	0272106.....109, 113	0641512.....31, 87	0861449....109, 117, 172
0259031.....187	0272111.....197	064151692, 101, 127,	0861452....109, 117, 172
0259032.....187	0272704.....101	129	0861529.....117, 172
0259033.....105, 173	0272971.....172	0641520.....151	0861530.....117, 172
0259035.....187	0272976.....77, 92	0641605.....88	0861531.....117, 172
0259036.....187	0273089.....117	0641606 ...31, 77, 81, 83,	0861532.....117, 172
0259041.....62	0273105.....183, 187	85, 87	0861537.....117, 118
0259042.....31, 177	0273106.....183, 187	064160781, 83, 87	0902520.....51
0259043.....62	0273108.....183, 187	0641608 ...11, 35, 39, 77,	0902575.....118
0259044.....197	0273146.....197	81, 85, 88, 92	0902588.....118
0259045.....196	0273147.....197	064160913, 59, 77, 87	0902894.....101

PART NUMBER INDEX

0902919	101	1001222307	196	1600292	65	1701645	183
0902920	101	1060092	177	1600293	27, 29	1702153	183
0920113	13	1060279	184, 189	1600294	27, 176	1702155	184, 190
0940036	33	1060330	113, 172	1600300	29, 176	1702251	184
0940038	127	1060341	178, 179	1600350	101	1702300	183, 189
0940048	85	1060494	35	1600387	101, 194	1702565	117
0940049	73	1060677	173	1670745	127	1702566	117
0940091	129	1060732	175	1670788	127	1702567	117
0940092	129	1060733	176	1670829	117	1702688	183, 188, 189
0940093	129	1060734	176	1670878	31	1702773	183, 188
0940094	129	1060735	176	1670890	31	1702774	183, 188
0961893	133	1060736	176	1670897	33	1702788	196
0961896	141	1060737	176	1670899	105	1702860	183, 188
0961900	137, 145	1060738	176	1670901	87	1702868	183, 196
0961947	91, 95, 133, 135	1060739	176	1670902	33	1702901	184, 190
0961948	85, 87, 141	1060740	176	1670905	78, 92	1703175	196
0961951	11, 91, 133, 135, 137, 139, 143, 145, 147	1060741	177	1670953	35	1703479	196
0962140	11	1060742	177	1670966	127	1703797	183
0962185	137, 145, 151	1060743	177	1670967	127	1703798	183
0962233	31	1060751	61, 178	1670968	127	1703804	183
0962257	95	1060752	177, 178	1670969	127	1703805	183
0962259	85	1060753	61, 178	1670976	83	1703809	189
0962292	91	1060756	177	1671037	118, 172	1703813	184
0962450	101	1060757	175	1683051	133	1703923	187
1001095410	196	1060759	61, 178	1683052	137, 145	1703924	187
1001097487	85	1060767	175	1683056	141	1703925	187
1001097505	40	1060768	176	1683584	151	1703926	187
1001097506	39, 47	1060769	176	1683719	85, 143	1703927	187
1001097775	39	1060770	176	1683732	11, 149	1703928	187
1001097776	39, 43	1060771	176	1683733	83	1703929	187
1001098897	196	1060772	176	1683750	77, 141	1703930	187
1001099635	197	1060773	176	1683752	141	1703931	187
1001103639	85	1060801	35	1683754	141	1703932	187
1001103695	133	1060802	35	1683756	145	1703933	187
1001103696	133	1060805	177	1683757	77, 145	1703934	187
1001104629	53	1060847	176	1683759	137	1703935	187
1001104851	51, 57	1060860	176	1683760	77, 81, 83, 137	1703936	187
1001104864	184, 190	1060861	178	1683761	137	1703937	187
1001109260	43	1060862	176	1683762	81, 83, 141	1703938	187
1001109497	194	1060863	177	1683764	141	1703939	187
1001109498	194	1060876	105, 174	1683766	141	1703940	187
1001110873	179	1060877	105, 174	1683766	141	1703947	188
1001113483	101	1060880	179	1683770	145	1703948	188
1001118418	123, 192	1060881	178	1683772	145	1703949	188
1001118419	121, 192	10837580	44	1683773	81, 145	1703950	188
1001137005	180, 197	1120110	151	1683779	91, 133	1703951	188
1001137672	197	1180352	88	1683780	133	1703952	188
1001140278	147	1180353	88	1683783	133	1703952	188
1001140279	139	1271433	85	1683784	87, 151	1703980	189
1001140280	135	1271463	35	1683785	151	1703981	189
1001142504	197	1271538	101	1683786	151	1703982	189
1001142505	197	1320030	159, 163	1683789	151	1703983	189
1001143256	197	1320043	105	1683791	151	1703984	189
1001143669	197	1320130	105	1683793	87, 151	1703985	189
1001144026	113	1320136	101	1683863	151	1703996	188
1001144027	113	1320136	101	1683864	87, 151	1704000	188, 196
1001144629	113	1320172	177	1683923	81, 83, 145	1704001	188
1001148902	196	1320224	101	1683924	77, 137	1704002	188
1001148903	196	1320259	91	1683925	137, 145	1704006	189
1001148904	196	1320260	88	1684065	145	1704007	189
1001148905	196	1320261	105	1700584	183, 189	1704008	189
1001148906	196	1320262	105	1701500	184, 189	1704112	188
1001148971	196	1380136	39	1701502	183, 189	1704116	190
1001198652	196	1580012	110, 114	1701503	183, 189	1704174	196
1001201620	197	1580013	110, 114	1701504	183, 189	1704175	196
1001205175	197	1600244	180, 197	1701509	183, 189	1704192	117
		1600273	117, 123	1701529	184, 189	1704196	65
		1600274	117, 121	1701644	183, 188	1704197	65

PART NUMBER INDEX

1704198.....	183, 188	2220428.....	159, 163	2753274.....	160, 164	3251243.....	184, 189
1704199.....	183, 188	2220429.....	159, 163	2753275.....	159, 163	3251813.....	183, 189
1704200.....	183, 188	2220466.....	159, 163	2753276.....	160	3252221.....	190
1704239.....	117	2220472.....	159, 163	2753277.....	160	3252331.....	184
1704240.....	117	2220473.....	159, 163	2753278.....	160	3252347.....	110, 113, 184
1704246.....	33	2220501.....	159, 163	2753279.....	160, 164	3252507.....	184
1704248.....	184	2220502.....	159, 160, 163	2753280.....	160, 163	3252780.....	184
1704253.....	183, 188	2220504.....	159, 163	2753281.....	160, 163	3271601.....	73, 105
1704260.....	118	2220582.....	159, 163	2753300.....	160	3300106.....	13
1704262.....	184, 190	2220593.....	159, 163	2753306.....	164	3300353.....	35
1704266.....	65	2220596.....	159, 163	2753307.....	164	3300371.....	33
1704267.....	183, 188	2220600.....	159, 163	2753308.....	164	3300396.....	65
1704276.....	190	2220873.....	159, 163	2753309.....	163	3310601.....	27, 29, 65, 118
1704277.....	183, 188	2220883.....	151	2753310.....	164	3311001.....	29, 113
1704328.....	190	2220885.....	133	2753311.....	164	3311005.....	33, 39, 61, 62, 105, 109, 118
1704329.....	190	2220909.....	160, 164	2760105.....	117	3311401.....	31, 33, 59
1704330.....	190	2221033.....	159, 163	2780234.....	11	3311405.....	35, 62, 78, 92, 101, 105, 110, 114, 151, 184, 189
1704331.....	190	2221034.....	159, 163	2780236.....	13, 17	3311501.....	29, 61, 65, 73, 88, 91, 127, 129
1704332.....	190	2221035.....	159, 163	2780282.....	13, 21	3311502.....	88
1704333.....	190	2221039.....	164	2792379.....	159, 166	3311505.....	39, 88
1704339.....	190	2300014.....	196	2792380.....	166	3311508.....	101
1704340.....	190	2300016.....	196	2792390.....	159, 166	3311601.....	59, 118
1704341.....	190	2300019.....	196	2792391.....	166	3311605.....	35, 51, 77, 78, 81, 83, 85, 87, 88, 91, 92, 110, 114, 118
1704342.....	190	2300027.....	196	2792392.....	163, 166	3311805.....	77, 81, 83, 85, 101
1704343.....	190	2300028.....	196	2792393.....	166	3312005.....	11, 31, 101
1704344.....	190	2300029.....	196	2792521.....	166	3313003.....	11
1704412.....	184, 190	2400044.....	29	2792522.....	166	3340756.....	87
1704422.....	117	2400062.....	29	2792523.....	166	3340837.....	87
1704712.....	29	2400067.....	118, 172	2792524.....	159, 166	3340847.....	151
1704720.....	184	2400068.....	118, 172	2792525.....	159, 166	3340852.....	31
1704885.....	184, 190	2420106.....	65	2792526.....	163, 166	3340853.....	87
1705085.....	184, 190	2420202.....	101	2820035.....	35, 62, 180	3340854.....	77, 81, 83
1705514.....	190	2460023.....	35	2820066.....	31	3340859.....	88
1706934.....	65	2540020.....	31	2820101.....	31	3340860.....	91
1706942.....	184, 189, 190	2540037.....	29	2820102.....	31	3340862.....	87
1707012.....	65	2560115.....	117	2860030.....	65, 192	3340863.....	87
1707013.....	183	2560122.....	40	2900756.....	44	3340864.....	151
1707042.....	189	2560123.....	40	2900768.....	13	3340865.....	106
1707044.....	188	2600103.....	35	2900770.....	95, 97, 143, 151	3340881.....	87
1707047.....	188	2600216.....	109	2900792.....	133, 135, 137, 139	3340940.....	88
1707049.....	188	2600219.....	109	2901544.....	152	3380434.....	110, 114
1707052.....	189	2600258.....	73	2901773.....	141	3422327.....	11
1707054.....	189	2600281.....	113	2901776.....	137, 145	3422424.....	85
1707055.....	188	2680456.....	73	2901818.....	176	3422582.....	77
1707056.....	188	2680457.....	73	2901860.....	152	3422669.....	77, 81, 83
1707057.....	188	2720452.....	160, 164	2901864.....	176	3422745.....	87
1707058.....	188	2750529.....	51	2901898.....	137, 145	3422774.....	11
1707059.....	188	2752433.....	160, 163	2902209.....	133	3422785.....	85
1707060.....	188	2752434.....	160	2910866.....	196	3422786.....	85
1810128.....	61, 65, 175	2752435.....	159, 163	2920095.....	110, 114, 180	3422787.....	77, 81, 83
1810131.....	61, 65, 175	2752461.....	159, 163	2920129.....	173	3422788.....	85
1870090.....	168	2752472.....	159, 163	2920146.....	62	3422789.....	85
1870225.....	168	2752504.....	159, 163	2920151.....	102	3422790.....	77, 81, 83
2080040.....	109, 113	2752575.....	160, 163	2940048.....	35	3422791.....	91
2080057.....	184	2752591.....	159, 163	2940073.....	31	3422792.....	77, 81, 83
2160001.....	53	2752999.....	159, 163	2940074.....	109, 113, 192	3422793.....	77, 81
2160002.....	51	2753011.....	159, 163	2940114.....	31	3422794.....	91
2160003.....	51	2753012.....	159, 163	2940117.....	73	3422796.....	77, 81, 83
2180344.....	51	2753013.....	159, 163	2940118.....	33	3422799.....	77, 81, 83
2210008.....	159, 163	2753051.....	159, 163	3000003.....	31	3422814.....	83
2220001.....	51	2753131.....	159, 163	3020008.....	13		
2220124.....	51	2753136.....	159, 163	3020029.....	51		
2220237.....	159, 163	2753137.....	159, 163	3020036.....	51		
2220371.....	159, 163	2753255.....	160, 163	3020037.....	13		
2220374.....	159, 163	2753258.....	159	3160182.....	51, 55		
2220414.....	159, 163	2753259.....	160, 163	3160237.....	13, 25		
2220415.....	159, 163	2753273.....	160				

PART NUMBER INDEX

3450812..... 11	3990108 78, 92	4460233..... 179, 180	4567963..... 151
3470003 118	4060092 179	4460234..... 62	4568165..... 35
3480227 151	4060700 179	4460259..... 35, 173	4640509..... 133
3480247 137, 145	4060803 35, 88, 105, 109	4460260..... 35, 173, 180	4640771..... 151
3480248 141	4060804 88	4460264..... 65	4640902..... 133
3480249 133	4060805 88	4460265.... 102, 121, 123, 172, 174, 175, 179	4640932 137, 139
3480254 151	4060807 27, 29, 105	4460267..... 173	4640999..... 141
3480259 137, 145	4060865 62	4460268..... 173, 175	4641086..... 137, 139
3510693 109	4060906 65	4460297..... 180	4641101..... 151
3510694 109	4060959 196	4460313..... 101, 102	4641102..... 39
3510711 109	4061054 101	4460320..... 102, 174	4641103..... 151
3510714 109	4070897 87	4460321.... 173, 174, 178	4641110..... 39, 43
3510725 109	4070898 87	4460326..... 174, 177	4641113..... 39, 47
3510830 113	4070904 31	4460343..... 173, 174	4641119..... 40
3510831 113	4070982 87	4460346..... 179	4641149..... 39, 47
3520028 61, 66, 117	4070987 66	4460367..... 173	4641196..... 39, 43
3520030 118	4070991 66	4460418..... 173, 179	464509..... 135
3520072 109, 113	4100058 105	4460419..... 173, 179	4711400... 33, 39, 59, 62, 78, 85, 92, 101, 105, 110, 114
3520198 113	4100063 105	4460424..... 62, 102, 178	4711500... 27, 29, 40, 61, 66, 87, 88, 119, 151
3536089 110, 114	4100066 105	4460426..... 35, 174	4711600... 13, 31, 40, 59, 77, 78, 81, 83, 85, 87, 88, 91, 92, 101, 105
3539685 109	4100067 105	4460428..... 62, 105, 117, 172, 173, 178, 180	4711800.... 40, 59, 61, 91
3570958 88	4100068 105	4460434.... 173, 174, 175	4712600..... 11
3571222 118	4120035 172	4460444..... 174	4713000..... 11
3571406 91	4220165 109	4460445..... 174	4740086..... 31
3571472 88	4240032 62, 118, 119	4460458..... 175	4740120..... 118
3571492 61	4240033 101	4460464.... 172, 173, 174	4740156..... 11
3571584 61	4240084 27, 29	4460465.... 101, 102, 173, 174	4740171..... 51
3572551 91	4240099 110, 114	4460466..... 101, 102	4740362.78, 92, 110, 114
3600289 59	4300132 118	4460467.... 118, 180, 197	4740393.... 40, 59, 61, 73
3760115 87	4360030 172	4460488..... 118	4740420 66
3760308 117, 118	4360031 110, 113	4460492..... 173, 174	4750600..... 118
3760367 133	4360070 65, 192	4460496..... 65, 118, 172, 175	4751000. 29, 40, 62, 105, 106, 109, 113
3760368 137, 145	4360282 192	4460497..... 65, 118, 172, 175	4751400... 27, 29, 31, 33, 35, 59, 61, 73, 101, 110, 114, 151, 184, 189
3760369 141	4360289 192	4460510..... 180, 197	4751500. 31, 33, 91, 101, 127, 129
3790012 66, 118, 119	4360289 192	4460526.35, 65, 174, 175	475160051, 73, 110, 114, 117
3820001 184, 189	4360321 105	4460634..... 172	4760600...27, 29, 66, 118
3820020 113	4360328 65, 117, 119, 192	4460635..... 172	4761000..... 109, 113
3841143... 11, 77, 81, 83, 85	4360330 66, 118, 192	4460742..... 175	4761400..... 53, 73
3841203.... 77, 81, 83, 85	4360387 117, 192	4460743..... 175	4761500..... 127
3900109 11	4360448 118, 172, 192	4460744..... 175	4761700..... 78, 92
3900118 11	4360462 117, 192	4460745..... 175	4812000..... 78, 92
3900142 151	4360469 65, 192	4460746..... 175	4844917 127
3900266 31	4360475 65, 117, 192	4460748..... 175	4845327..... 109
3900283 101	4360476 65, 117, 192	4460749..... 175	4845426..... 109
3910612 118	4360548 194	4460750..... 175	4845824..... 109
3910636 27, 29	4360968 106	4460752.... 66, 118, 172, 173, 175	4845897..... 11
3910804 66	4400419 59	4460754..... 173, 174	4845921..... 85
3910808 118	4420055 31	4460761..... 102, 173	4845923..... 31
3911008 109, 113	4420068 129	4460802..... 62, 178	4845924..... 31
3911016 62	4460007 65	4460803..... 62, 178	4845925..... 91
3931016 137, 145	4460025 175, 177	4460805..... 62, 178	4845926..... 91
3931024 105	4460035 35	4460836..... 102	4845927..... 91
3931028 105	4460042 102	4460933..... 101	4845940..... 85
3931414 53	4460071 ... 110, 113, 172, 180	4520208..... 13	4845941..... 85
3931430 31	4460125 179	4520276..... 13	4845942..... 85
3931516 133, 137, 145	4460134 35, 180	4520675..... 14	4845943..... 85
3931620 141	4460138 35	4565256..... 40	4845944..... 85
3931816 91	4460205 179, 180	4567739..... 31	
3931832 51	4460224 174	4567810..... 141	
3960418 73	4460225 ... 173, 174, 175, 176, 179	4567839..... 151	
3960422 179	4460226 62, 102, 121, 123, 172, 173, 174, 175, 176, 177, 178, 179	4567922..... 40	
3960433 33			
3960447 33			
3960514 73			
3990105 13, 175			
3990106 66, 175			

PART NUMBER INDEX

4845951.....	109	70001052.....	27, 177	70003864.....	135	7011529.....	69, 70
4845962.....	33	70001366.....	21	70004019.....	44	7011590.....	69, 70, 178
4845963.....	85	70001367.....	21	70004323.....	95	7011593.....	69, 70
4845964.....	61	70001368.....	22	7000625.....	110, 113	7011594.....	69, 70
4845968.....	85	70001369.....	21	7002821.....	180, 197	7011621.....	69, 70, 178
4845972.....	85	70001370.....	21	7002822.....	197	7011716.....	13
4845998.....	73	70001371.....	21	7002823.....	180, 197	7011757.....	13
4846007.....	88	70001372.....	21	7002826.....	197	7012518.....	43, 44, 47
4846016.....	40	70001373.....	21	7002828.....	180, 197	7012545.....	25
4846019.....	73	70001374.....	21	7003223.....	143	7012548.....	25
4846022.....	59	70001375.....	21	7003225.....	143	7012549.....	25
4846031.....	77, 81, 83	70001376.....	21	7003928.....	121	7012584.....	53
4846050.....	78, 92	70001377.....	21	7003933.....	123	7012585.....	53
4846073.....	91	70001378.....	21	7003935.....	123	7012654.....	53
4846083.....	85	70001379.....	21	7003940.....	123	7012655.....	53
4846272.....	85	70001380.....	22	7003941.....	123	7012903.....	43
4846278.....	91	70001697.....	95	7003946.....	123	7012912.....	47
4846452.....	113	70001875.....	44	7003952.....	121	7012914.....	44
4846502.....	91	70001996.....	88	7003953.....	121	7012918.....	44
4846608.....	78, 92, 101	70001998.....	88	7003956.....	121	7012941.....	47
4846936.....	129	70002208.....	57	7003972.....	123	7012947.....	44
4846937.....	129	70002216.....	139, 147	7003973.....	124	7012949.....	44
4891400.....	53	70002217.....	139, 147	7003974.....	121, 123	7012953.....	43, 47
4891600.....	40, 59, 101	70002220.....	135	7003976.....	121	7012961.....	44
4891800.....	40, 59, 73, 101	70002223.....	135	7003977.....	121	7012967.....	43, 47
4892000.....	13, 51, 101	70002243.....	57	7003980.....	124	7012972.....	47
4922060.....	172	70002248.....	13	7003982.....	124	7012995.....	43
4922071.....	173	70002724.....	123	7003983.....	124	7012998.....	44, 47
4922074.....	172	70002725.....	123	7003986.....	123	7016319.....	62
4922118.....	173	70002726.....	123	7003989.....	124	7016356.....	110, 114
4922157.....	173	70002728.....	123	7003992.....	121, 123	7016372.....	62
4922160.....	173	70002730.....	121	7003993.....	121, 123	7016417.....	55
4922237.....	174	70002731.....	121	7003994.....	123	7016652.....	197
4922238.....	174	70002732.....	121	7004035.....	57	7016654.....	197
4922239.....	174	70002733.....	121	7004043.....	57	7016676.....	53
4922270.....	105, 173	70002734.....	121	7004044.....	57	7016682.....	53
4922273.....	105, 173	70002735.....	121	7004275.....	197	7017007.....	22
4922291.....	174	70002736.....	123	7004276.....	197	7017009.....	21
4922294.....	119, 179	70002737.....	124	7005358.....	143	7017022.....	21
4922303.....	173	70002807.....	39, 40	7005365.....	143	7017120.....	95
4922307.....	118, 173	70002808.....	40	7005804.....	55	7017121.....	95
4922534.....	119, 173	7000281.....	21	7005809.....	55	7017122.....	95
4922555.....	173	70002906.....	121	7005811.....	55	7017123.....	95
4922556.....	173	70003711.....	17	7005812.....	55	7017125.....	95, 97
4922598.....	179	70003712.....	17	7005821.....	55	7017126.....	95
4922916.....	101	70003713.....	17	7005874.....	55	7017127.....	95
4922917.....	102	70003714.....	17	7005876.....	55	7017130.....	97
4922926.....	102	70003715.....	17	7005877.....	55	7017131.....	97
4923061.....	180	70003716.....	17	7005878.....	55	7017132.....	97
4923614.....	174	70003717.....	17	7005879.....	55	7017133.....	97
4933060.....	168, 172	70003718.....	17	7005880.....	55	7017134.....	97
4933075.....	168	70003719.....	17	7005881.....	55	7017135.....	97
4933080.....	168, 174, 175	70003720.....	17	7006139.....	88	7017165.....	99
4933099.....	168	70003721.....	17	7006151.....	88	7017167.....	99
4933100.....	168	70003722.....	17	7006152.....	88	7017168.....	99
4933105.....	168, 172	70003723.....	17	7007640.....	21	7017172.....	95, 97, 99
4933181.....	168, 172	70003724.....	17	7007900.....	13	7017178.....	99
4933182.....	168, 172	70003725.....	18	7007912.....	13	7017179.....	99
4933289.....	102, 168	70003819.....	139, 147	7007913.....	13	7017192.....	95, 97, 99
4933386.....	168, 174, 175	70003833.....	135	7007933.....	13	7017196.....	95
70000088.....	57	70003836.....	135	7007977.....	13	7017210.....	149
70000089.....	57	70003843.....	147	7010542.....	47	7017213.....	149
70000340.....	99	70003844.....	147	7010543.....	44, 47	7017214.....	149
70000341.....	95	70003845.....	139, 147	7011112.....	137, 139	7017253.....	149
70000864.....	53	70003846.....	139	7011185.....	141	7017254.....	149
70000865.....	53	70003847.....	139	7011323.....	95, 97	7017255.....	149
70000866.....	53	70003863.....	135	7011381.....	143	7017256.....	149

PART NUMBER INDEX

7017402	39, 40, 43, 47	7019196	124	7021319	59	7022812	123
7017410	43	7019197	121	7021320	59, 192	7022813	121
7017412	47	7019609	25	7021323	17	7022815	121
7017418	44	7019859	143	7021324	17	7022910	69, 70, 178
7017421	44	7019860	143	7021325	17	7022924	69, 70
7017422	44	7019861	143	7021326	17	7023484	53
7017423	43, 44	7019862	143	7021327	17	7023803	17
7017428	47	7019863	143	7021328	17	7024047	18
7017433	43, 47	7019864	143	7021329	18	7024049	17
7017450	47	7020033	11	7021333	18	7024051	17
7017452	39, 40, 43	7020035	11	7021335	17	7024053	17
7017455	47	7020036	11	7021336	17	7024054	18
7017460	39, 40, 44	7020037	11	7021337	17	7024379	57
7017461	39, 40, 44	7020038	11	7021338	18	7024380	57
7017463	47	7020039	11	7021339	17	7024381	57
7017479	43	7020040	11	7021340	17	7024389	57
7017488	47	7020041	11	7021341	17	7024390	57
7018506	69, 70, 192	7020042	11	7021342	17	7024453	57
7018535	70, 194	7020054	11	7021344	17	7024738	21
7018537	69, 70	7020055	11	7021360	59	7024741	21
7018564	69, 194	7020099	117, 118	7021361	59	7024832	48
7018570	69, 70, 192	7020100	117, 118	7021367	59	7024844	135, 139
7018571	69, 70, 192	7020140	11	7021368	59	7024845	44
7019103	123	7020148	11	7021377	59	7024931	17
7019110	123	7020149	13, 25	7021603	43	7024981	18
7019111	121, 123	7020150	25	7021604	43	7024983	17
7019112	123	7020151	25	7021606	43, 44	7024985	17
7019115	123	7020175	65, 117	7021607	44	7024986	18
7019137	121	7020176	65, 117	7021609	39, 40, 43, 47, 192	7026042	53
7019141	121	7020184	25	7021610	43, 47, 192	7026043	53
7019142	121	7020185	25	7021611	43, 47	7026068	135
7019143	121	7020189	25	7021616	48, 192	7026082	139, 147
7019144	121	7020603	69, 70	7021618	43, 47, 192	7026084	139, 147
7019145	121	7020640	69	7021619	48	7026088	135
7019147	121	7020642	69, 70, 192	7021624	44	7026090	135
7019149	121	7020644	69, 70, 178	7021653	39, 40	7026091	135
7019150	121	7020645	69, 70, 178	7021659	47	7026092	135
7019151	123	7020646	69, 70, 178	7022000	27	7027350	53
7019154	123	7020648	69, 70, 178	7022001	27	7027351	53
7019157	123	7020649	69, 70	7022002	27	7027352	53
7019158	123	7020650	69, 70	7022003	27, 176	7027353	53
7019159	123	7020651	69, 70	7022004	27, 29, 176	7027354	53
7019160	123	7020652	69	7022005	27, 29, 177	7027356	53
7019161	123	7020653	69, 70, 194	7022007	29	7027358	53
7019162	123	7020654	69, 194	7022008	29, 176	7027360	53
7019164	124	7020662	69	7022009	29	7027361	53
7019165	124	7020683	70	7022010	29	7027730	53
7019167	124	7020689	70	7022011	27, 192	7027858	73
7019168	123	7020690	69, 70	7022012	27, 29, 177	7027900	95
7019170	121	7020691	69, 70	7022391	47	7027901	95
7019174	121	7020692	70, 178	7022394	43	83304150	57
7019191	123	7020693	70, 178	7022526	59		
7019194	124	7020694	70	7022808	121		
7019195	121	7021318	59				

PARTS FINDER

**Search Website
by Part Number**



**Search Manual
Library For Parts
Manual & Lookup Part
Numbers – Purchase
or Request Quote**

**Can't Find Part or
Manual? Request Help
by Manufacturer,
Model & Description**

Discount-Equipment.com is your online resource for quality parts & equipment.

Florida: **561-964-4949** Outside Florida TOLL FREE: **877-690-3101**

Need parts?

Click on this link: <http://www.discount-equipment.com/category/5443-parts/> and choose one of the options to help get the right parts and equipment you are looking for. Please have the machine model and serial number available in order to help us get you the correct parts. If you don't find the part on the website or on one of the online manuals, please fill out the request form and one of our experienced staff members will get back to you with a quote for the right part that your machine needs.

We sell worldwide for the brands: Genie, Terex, JLG, MultiQuip, Mikasa, Essick, Whiteman, Mayco, Toro Stone, Diamond Products, Generac Magnum, Airman, Haulotte, Barreto, Power Blanket, Nifty Lift, Atlas Copco, Chicago Pneumatic, Allmand, Miller Curber, Skyjack, Lull, Skytrak, Tsurumi, Husquvarna Target, Stow, Wacker, Sakai, Mi-T-M, Sullair, Basic, Dynapac, MBW, Weber, Bartell, Bennar Newman, Haulotte, Ditch Runner, Menegotti, Morrison, Contec, Buddy, Crown, Edco, Wyco, Bomag, Laymor, EZ Trench, Bil-Jax, F.S. Curtis, Gehl Pavers, Heli, Honda, ICS/PowerGrit, IHI, Partner, Imer, Clipper, MMD, Koshin, Rice, CH&E, General Equipment, Amida, Coleman, NAC, Gradall, Square Shooter, Kent, Stanley, Tamco, Toku, Hatz, Kohler, Robin, Wisconsin, Northrock, Oztec, Toker TK, Rol-Air, APT, Wylie, Ingersoll Rand / Doosan, Innovatech, Con X, Ammann, Mecalac, Makinex, Smith Surface Prep, Small Line, Wanco, Yanmar