



---

# Illustrated Parts Manual

**Model  
1850SJ**

**3121620**

December 21, 2018 - Rev N

**ANSI**

**CE**



**AS/NZS**



An Dshkosh Corporation Company

# PARTS FINDER

**Search Website  
by Part Number**



**Search Manual  
Library For Parts  
Manual & Lookup Part  
Numbers – Purchase  
or Request Quote**

A screenshot of the "Search Manuals" form. The form has a title "Search Manuals" and a subtitle "Please enter the model number or serial number of the machine you are looking for." It includes input fields for "Find" (with a dropdown menu), "Serial Number", "Year", "Make", "Model", "Part Number", "Part Description", and "Category". A "Search" button is located at the bottom of the form.

**Can't Find Part or  
Manual? Request Help  
by Manufacturer,  
Model & Description**

A screenshot of the "Parts Order Form". The form has a title "Parts Order Form" and a subtitle "Please fill out the form below." It includes a "Manufacturer" dropdown menu, a "Model" dropdown menu, and a "Description" text area. There are also several checkboxes for "Quantity", "Unit of Measure", "Part Number", "Part Description", "Category", "Part Number", "Part Description", "Category", "Part Number", "Part Description", "Category", and "Part Number". A "Submit" button is located at the bottom of the form.

Discount-Equipment.com is your online resource for quality parts & equipment.

Florida: **561-964-4949** Outside Florida TOLL FREE: **877-690-3101**

**Need parts?**

Click on this link: <http://www.discount-equipment.com/category/5443-parts/> and choose one of the options to help get the right parts and equipment you are looking for. Please have the machine model and serial number available in order to help us get you the correct parts. If you don't find the part on the website or on one of the online manuals, please fill out the request form and one of our experienced staff members will get back to you with a quote for the right part that your machine needs.

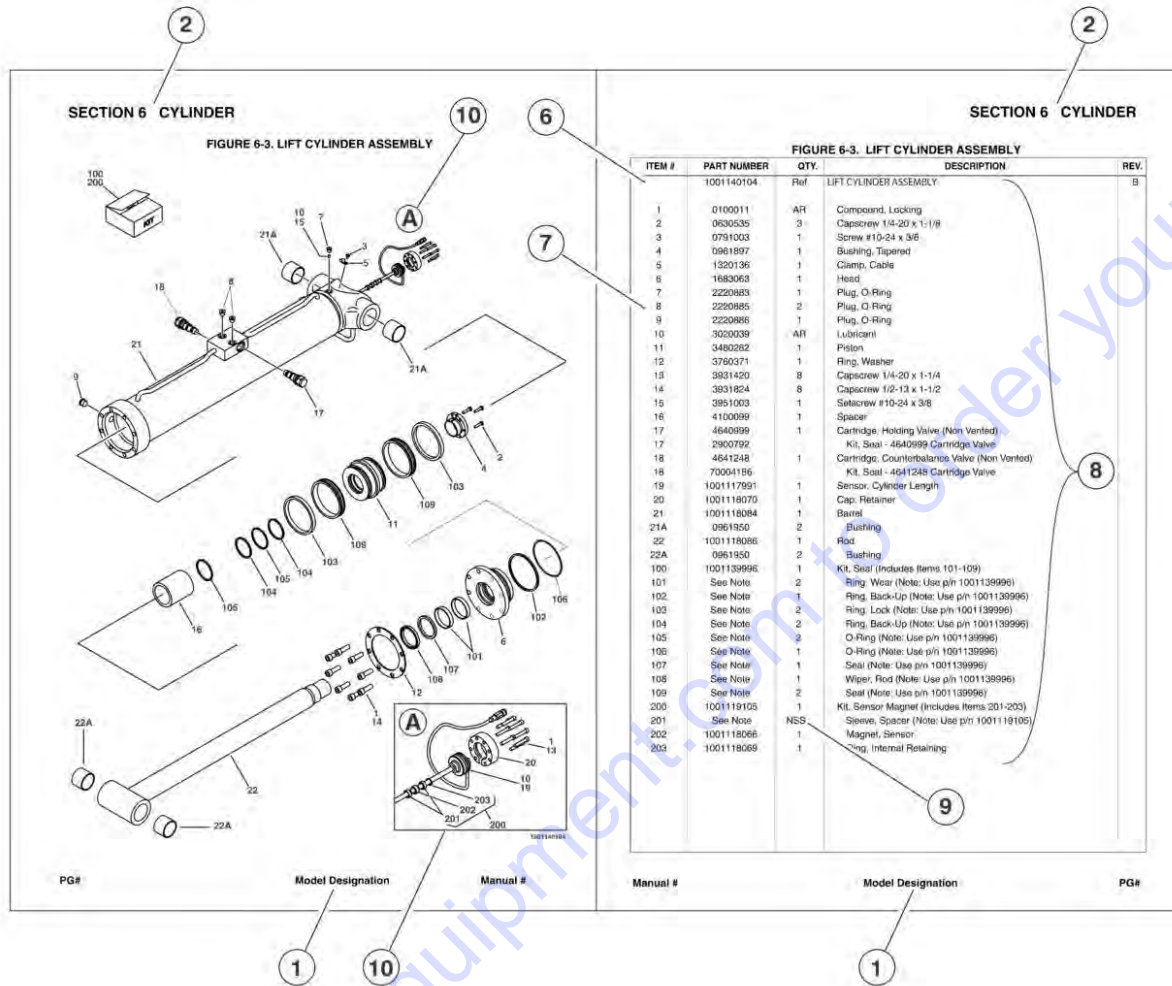
We sell worldwide for the brands: Genie, Terex, JLG, MultiQuip, Mikasa, Essick, Whiteman, Mayco, Toro Stone, Diamond Products, Generac Magnum, Airman, Haulotte, Barreto, Power Blanket, Nifty Lift, Atlas Copco, Chicago Pneumatic, Allmand, Miller Curber, Skyjack, Lull, Skytrak, Tsurumi, Husquvarna Target, Stow, Wacker, Sakai, Mi-T-M, Sullair, Basic, Dynapac, MBW, Weber, Bartell, Bennar Newman, Haulotte, Ditch Runner, Menegotti, Morrison, Contec, Buddy, Crown, Edco, Wyco, Bomag, Laymor, EZ Trench, Bil-Jax, F.S. Curtis, Gehl Pavers, Heli, Honda, ICS/PowerGrit, IHI, Partner, Imer, Clipper, MMD, Koshin, Rice, CH&E, General Equipment, Amida, Coleman, NAC, Gradall, Square Shooter, Kent, Stanley, Tamco, Toku, Hatz, Kohler, Robin, Wisconsin, Northrock, Oztec, Toker TK, Rol-Air, APT, Wylie, Ingersoll Rand / Doosan, Innovatech, Con X, Ammann, Mecalac, Makinex, Smith Surface Prep, Small Line, Wanco, Yanmar



## REVISION LOG

March 31, 2014 - A - Original Issue of Manual (Edited to B/M 1001154100 Revision E)  
December 17, 2014 - B - Revised Manual (Edited to B/M 1001154100 Revision H)  
October 30 , 2015 - C - Revised Manual (Edited to B/M 1001154100 Revision AA)  
January 15 , 2016 - D - Revised Manual (Edited to B/M 1001154100 Revision AA) (Revision 2)  
July 1, 2016 - E - Revised Manual (Edited to B/M 1001154100 Revision AK)  
September 20, 2016 - F - Revised Manual (Edited to B/M 1001154100 Revision AQ) (Revision 1)  
February 15, 2017 - G - Revised Manual (Edited to B/M 1001154100 Revision AW)  
May 19, 2017 - H - Revised Manual (Edited to B/M 1001154100 Revision AW)  
August 18, 2017 - I - Revised Manual (Edited to B/M 1001154100 Revision AX)  
November 17, 2017 - J - Revised Manual (Edited to B/M 1001154100 Revision AZ)  
February 23, 2018 - K - Revised Manual (Edited to B/M 1001154100 Revision AZ)  
May 1, 2018 - L - Revised Manual (Edited to B/M 1001154100 Revision AZ)  
August 10, 2018 - M - Revised Manual (Edited to B/M 1001154100 Revision BA) (Revision 1)  
December 21, 2018 - N - Revised Manual (Edited to B/M 1001154100 Revision BT) (Revision 2)

# GENERAL INFORMATION



## 1) MACHINE IDENTIFICATION

Machines are identified by model and in some cases a combination of models, serial number (SN) or regional standard (i.e. ANSI, CE, CSA). Components may also be identified by SN or manufacturer. Common components that may be identified by these characteristics are engines and hydraulic components.

## 2) PARTS MANUAL ORGANIZATION

Product information in this manual is organized under section titles. Frame, Cylinder, Hydraulic and Electrical are a few examples. Each section is organized by figure and page number. The information within the Figure is then organized by item number, part number, description and corresponding illustration (s).

## 3) TABLE OF CONTENTS

A table of contents is found toward the beginning of the manual. Figure number, description and page number are provided for quick reference to the page containing the related information.

## 4) RECOMMENDED SPARE PARTS

The Recommended Spare Parts, located near the end of the manual, reference most frequently used maintenance parts.

## 5) PART NUMBER INDEX

A numerical index listing all part numbers and the corresponding page number(s) appears at the back of the manual.

## GENERAL INFORMATION

### 6) NON-SERVICED PARTS

In some instances, it is necessary to display non-serviced parts, assemblies or installations. In the case of assemblies and installations there will be a Ref in the Qty column. In case of parts that are not available for service within assemblies or components, there will be a NSS (Not Sold Separately) or NLA (No Longer Available) listed in the Qty. column of the manual.

### 7) PARTS LIST ITEM NUMBERS

Numbers shown in the item# column correspond to numbers used in the associated illustration (s). Item numbers which are missing from the sequence in the parts list are not used on that page

### 8) INDENTED PARTS DESCRIPTION

An indented part description is included in the item under which it is indented.

### 9) ABBREVIATION AND SYMBOLS

AC.....	.. Alternating Current	LCD.....	.. Liquid Crystal Display
ADE.....	.. Advanced Design Electronics	LED.....	.. Light Emitting Diodes
ANSI.....	.. American National Standards Institute	LH.....	.. Left Hand
AR.....	.. As Required	LSS.....	.. Load Sensing System
ASSY.....	.. Assembly	M(m).....	.. Metric/Meter
AUX.....	.. A uxiliary	MM (mm).....	.. Milimeter
AWG.....	.. American WireGauge	mA.....	.. Miliamps
B/M.....	.. Bill of Material	NLA.....	.. No Longer A vailable
CE.....	.. European Conformity	NPT.....	.. National Pipe Threads
CCW.....	.. Counter Clockwise	NSS.....	.. Not So ld Separately
cm.....	.. Centimeter	OD.....	.. Outside Diameter
CW.....	.. Clockwise	ORB.....	.. O-Ring Boss
CSA.....	.. Canadian Standards Association	ORFS.....	.. O-Ring Face Seal
CYL.....	.. Cylinder	OZ (oz).....	.. Ounces
DIA.....	.. Diameter	PG.....	.. Page
DC.....	.. Direct Current	P/N.....	.. Part Number
EMS.....	.. Emergency Stop	qt.....	.. Quarts
ENG.....	.. Engine	QTY.....	.. Quantity
FT (ft).....	.. Feet	REF.....	.. Reference
GA (Ga).....	.. Gauge	REV.....	.. Revision Level
HYD.....	.. Hydraulic	RH.....	.. Right Hand
Hz.....	.. Hertz	SAE.....	.. Society of A utomotive E ngineers
ID.....	.. Inside Diameter	SN.....	.. Serial Number
in.....	.. inches	SPEC(S).....	.. Specifications
ISO.....	.. International Organization for Standards	T/T.....	.. Turntable
JIC.....	.. Joint Industry Council	UGM.....	.. Univ ersal G round Module
KG.....	.. Kilogram	V.....	.. Volts
L.....	.. Liter	W.....	.. Watts
LB.....	.. P ounds	#.....	.. Number

### 10) ILLUSTRATION REFERENCE LETTERS

When necessary, illustrations may contain reference letters that are intended to track information (i. e. hoses, harnesses) from one point to another or to track visual enlargement of components to show details that may be located in another area on the illustration.

*Note: Due to continuous product improvements, JLG Industries, Inc. reserves the right to make specification changes without prior notification.*



# TABLE OF CONTENTS

SECTION 1 - FRAME.....	13
FIGURE 1-1. AXLES INSTALLATION (Prior to SN 0300215612) .....	14
FIGURE 1-2. AXLES INSTALLATION (SN 0300215612 to Present).....	16
FIGURE 1-3. STEERING INSTALLATION .....	18
FIGURE 1-4. WHEEL DRIVE INSTALLATION .....	20
FIGURE 1-5. DRIVE MOTOR ASSEMBLY .....	22
FIGURE 1-6. DRIVE HUB ASSEMBLY .....	24
FIGURE 1-7. TIRE/WHEEL INSTALLATION - IN445/50D710 FOAM-FILLED .....	28
FIGURE 1-8. TIRE/WHEEL INSTALLATION - SOLID TIRES .....	30
FIGURE 1-9. VALVES INSTALLATION - FRAME (WITHOUT LSS).....	32
FIGURE 1-10. VALVES INSTALLATION - FRAME (WITH LSS).....	34
FIGURE 1-11. TRACTION VALVE ASSEMBLY (Prior to SN 0300224866) .....	36
FIGURE 1-12. TRACTION VALVE ASSEMBLY (SN 0300224866 to Present) .....	38
FIGURE 1-13. STEER/AXLE EXTEND VALVE ASSEMBLY .....	40
FIGURE 1-14. ELECTRICAL COMPONENTS INSTALLATION - FRAME .....	42
FIGURE 1-15. ELECTRICAL COMPONENTS INSTALLATION - FRAME (ANSI, ANSI EXPORT (HRC), CSA AND JAPANESE SPECS) (SN 0300210987 to Present).....	44
FIGURE 1-16. ELECTRICAL COMPONENTS INSTALLATION - FRAME (CE SPECS).....	46
FIGURE 1-17. ELECTRICAL COMPONENTS INSTALLATION - FRAME (CE SPECS) (SN 0300210988 to Present) .....	48
FIGURE 1-18. COVERS INSTALLATION - FRAME.....	50
SECTION 2 - TURNTABLE .....	53
FIGURE 2-1. VALVES AND HYDRAULIC FILTERS INSTALLATION - TURNTABLE (WITHOUT LSS).....	54
FIGURE 2-2. VALVES AND HYDRAULIC FILTERS INSTALLATION - TURNTABLE (WITH LSS) .....	56
FIGURE 2-3. MAIN VALVE ASSEMBLY (Prior to SN 0300247850).....	58
FIGURE 2-4. MAIN VALVE ASSEMBLY (SN 0300247850 to Present).....	62
FIGURE 2-5. TURNTABLE BEARING INSTALLATION .....	66
FIGURE 2-6. TURNTABLE LOCK INSTALLATION.....	68
FIGURE 2-7. SWING DRIVE INSTALLATION .....	70
FIGURE 2-8. SWING HUB/BRAKE/ MOTOR ASSEMBLY.....	72
FIGURE 2-9. COUPLING/COLLECTOR RING INSTALLATION .....	76
FIGURE 2-10. TANKS INSTALLATION (Prior to SN 0300210987).....	78
FIGURE 2-11. TANKS INSTALLATION (SN 0300210987 to Present) .....	80
FIGURE 2-12. TANKS INSTALLATION - WITH DIESEL EXHAUST FLUID TANK (SN 0300210987 through 0300255120).....	82
FIGURE 2-13. TANKS INSTALLATION - WITH DIESEL EXHAUST FLUID TANK (SN 0300255121 to Present) .....	84
FIGURE 2-14. HYDRAULIC TANK ASSEMBLY.....	86
FIGURE 2-15. AUXILIARY POWER/BATTERIES INSTALLATIONS .....	88
FIGURE 2-16. AUXILIARY PUMP AND MOTOR ASSEMBLY (Prior to SN 0300238870) .....	90
FIGURE 2-17. AUXILIARY PUMP AND MOTOR ASSEMBLY (SN 0300238870 to Present) .....	92
FIGURE 2-18. TURNTABLE ELECTRICAL COMPONENTS INSTALLATION.....	94
FIGURE 2-19. TURNTABLE ELECTRICAL COMPONENTS INSTALLATION (ANSI, CSA AND JAPANESE SPECS) (SN 0300210987 to Present) .....	98
FIGURE 2-20. TURNTABLE ELECTRICAL COMPONENTS INSTALLATION.....	102
FIGURE 2-21. TURNTABLE ELECTRICAL COMPONENTS INSTALLATION (CE SPECS) (SN 0300210988 to Present).....	106
FIGURE 2-22. GROUND CONTROL CONSOLE ASSEMBLY.....	110
FIGURE 2-23. GROUND CONTROL CONSOLE ASSEMBLY.....	112
FIGURE 2-24. GROUND CONTROL CONSOLE ASSEMBLY.....	114
FIGURE 2-25. GROUND CONTROL CONSOLE ASSEMBLY.....	116
FIGURE 2-26. KEY SWITCH - ANSI, ANSI EXPORT, AUSTRALIAN AND CSA SPECS.....	118
FIGURE 2-27. KEY SWITCH - CE SPECS (Prior to SN 0300201023).....	120
FIGURE 2-28. LIGHT PANEL.....	122
FIGURE 2-29. LIGHT PANEL.....	124
FIGURE 2-30. LIGHT PANEL.....	126
FIGURE 2-31. LIGHT PANEL.....	128
FIGURE 2-32. ELECTRICAL PANEL ASSEMBLY.....	130
FIGURE 2-33. ALARM INSTALLATION .....	132
FIGURE 2-34. BEACON LIGHT INSTALLATION - AMBER.....	134
FIGURE 2-35. STROBE LIGHT INSTALLATION - BLUE (Prior to SN 0300217096).....	136
FIGURE 2-36. STROBE LIGHT INSTALLATION - BLUE (SN 0300217096 through 0300259338).....	138
FIGURE 2-37. STROBE LIGHT INSTALLATION - BLUE (SN 0300259339 to Present) .....	140
FIGURE 2-38. STROBE LIGHT INSTALLATION - RED (Prior to SN 0300217096).....	142
FIGURE 2-39. STROBE LIGHT INSTALLATION - RED (SN 0300217096 through 0300259338) .....	144
FIGURE 2-40. STROBE LIGHT INSTALLATION - RED (SN 0300259339 to Present) .....	146
FIGURE 2-41. HOOD INSTALLATION (Prior to SN 0300205509).....	148



# TABLE OF CONTENTS

FIGURE 2-42. HOOD INSTALLATION (SN 0300205509 through 0300210986)	154
FIGURE 2-43. HOOD INSTALLATION (SN 0300210987 to Present)	160
FIGURE 2-44. VENTURI INSTALLATION	166
FIGURE 2-45. VENTURI INSTALLATION	168
 SECTION 3 - ENGINE	 171
FIGURE 3-1. DEUTZ LRC ENGINE INSTALLATION - NO COLD WEATHER PKG	172
FIGURE 3-2. DEUTZ LRC ENGINE/PUMP ASSEMBLY - NO COLD WEATHER PKG	176
FIGURE 3-3. DEUTZ LRC ENGINE ASSEMBLY - NO COLD WEATHER PKG	178
FIGURE 3-4. DEUTZ LRC ENGINE INSTALLATION - WITH COLD WEATHER PKG	184
FIGURE 3-5. DEUTZ LRC ENGINE/PUMP ASSEMBLY - WITH COLD WEATHER PKG	188
FIGURE 3-6. DEUTZ LRC ENGINE ASSEMBLY - WITH COLD WEATHER PKG	190
FIGURE 3-7. DEUTZ LRC ENGINE COMPONENTS	196
FIGURE 3-8. DEUTZ T4I ENGINE INSTALLATION - NO COLD WEATHER PKG	200
FIGURE 3-9. DEUTZ T4I ENGINE/PUMP ASSEMBLY - NO COLD WEATHER PKG	204
FIGURE 3-10. DEUTZ T4I ENGINE ASSEMBLY - NO COLD WEATHER PKG	206
FIGURE 3-11. DEUTZ T4I ENGINE INSTALLATION - WITH COLD WEATHER PKG	212
FIGURE 3-12. DEUTZ T4I ENGINE/PUMP ASSEMBLY - WITH COLD WEATHER PKG	216
FIGURE 3-13. DEUTZ T4I ENGINE ASSEMBLY - WITH COLD WEATHER PKG	218
FIGURE 3-14. DEUTZ T4I ENGINE COMPONENTS	224
FIGURE 3-15. DEUTZ EPA FLEX T4I ENGINE INSTALLATION - NO COLD WEATHER PKG	228
FIGURE 3-16. DEUTZ EPA FLEX T4I ENGINE/PUMP ASSEMBLY - NO COLD WEATHER PKG	232
FIGURE 3-17. DEUTZ EPA FLEX T4I ENGINE ASSEMBLY - NO COLD WEATHER PKG	234
FIGURE 3-18. DEUTZ EPA FLEX T4I ENGINE INSTALLATION - WITH COLD WEATHER PKG	240
FIGURE 3-19. DEUTZ EPA FLEX T4I ENGINE/PUMP ASSEMBLY - WITH COLD WEATHER PKG	244
FIGURE 3-20. DEUTZ EPA FLEX T4I ENGINE ASSEMBLY - WITH COLD WEATHER PKG	246
FIGURE 3-21. DEUTZ EPA FLEX T4I ENGINE COMPONENTS	252
FIGURE 3-22. DEUTZ EU FLEX T4I ENGINE INSTALLATION - NO COLD WEATHER PKG	256
FIGURE 3-23. DEUTZ EU FLEX T4I ENGINE/PUMP ASSEMBLY - NO COLD WEATHER PKG	260
FIGURE 3-24. DEUTZ EU FLEX T4I ENGINE ASSEMBLY - NO COLD WEATHER PKG	262
FIGURE 3-25. DEUTZ EU FLEX T4I ENGINE COMPONENTS	268
FIGURE 3-26. DEUTZ T4F ENGINE INSTALLATION - NO COLD WEATHER PKG (Prior to SN 0300255121)	272
FIGURE 3-27. DEUTZ T4F ENGINE INSTALLATION - NO COLD WEATHER PKG (SN 0300255121 to Present)	276
FIGURE 3-28. DEUTZ T4F ENGINE/PUMP ASSEMBLY - NO COLD WEATHER PKG (Prior to SN 0300255121)	280
FIGURE 3-29. DEUTZ T4F ENGINE/PUMP ASSEMBLY - NO COLD WEATHER PKG (SN 0300255121 to Present)	282
FIGURE 3-30. DEUTZ T4F ENGINE ASSEMBLY - NO COLD WEATHER PKG (Prior to SN 0300255121)	284
FIGURE 3-31. DEUTZ T4F ENGINE ASSEMBLY - NO COLD WEATHER PKG (SN 0300255121 to Present)	290
FIGURE 3-32. DEUTZ T4F ENGINE INSTALLATION - WITH COLD WEATHER PKG (Prior to SN 0300255121)	296
FIGURE 3-33. DEUTZ T4F ENGINE INSTALLATION - WITH COLD WEATHER PKG (SN 0300255121 to Present)	300
FIGURE 3-34. DEUTZ T4F ENGINE/PUMP ASSEMBLY - WITH COLD WEATHER PKG (Prior to SN 0300255121)	304
FIGURE 3-35. DEUTZ T4F ENGINE/PUMP ASSEMBLY - WITH COLD WEATHER PKG (SN 0300255121 to Present)	306
FIGURE 3-36. DEUTZ T4F ENGINE ASSEMBLY - WITH COLD WEATHER PKG (Prior to SN 0300255121)	308
FIGURE 3-37. DEUTZ T4F ENGINE ASSEMBLY - WITH COLD WEATHER PKG (SN 0300255121 to Present)	314
FIGURE 3-38. DEUTZ T4F ENGINE COMPONENTS (Prior to SN 0300255121)	320
FIGURE 3-39. DEUTZ T4F ENGINE COMPONENTS (SN 0300255121 to Present)	326
FIGURE 3-40. PUMP COUPLING KIT	332
FIGURE 3-41. TANDEM PUMP ASSEMBLY	334
FIGURE 3-42. PISTON PUMP ASSEMBLY	338
FIGURE 3-43. GEAR PUMP ASSEMBLY	342
FIGURE 3-44. SPARK ARRESTOR INSTALLATION - DEUTZ T4I (OPTIONAL) (Prior to SN 0300251465)	344
FIGURE 3-45. SPARK ARRESTOR INSTALLATION - DEUTZ LRC (OPTIONAL)	346
FIGURE 3-46. SPARK ARRESTOR INSTALLATION - DEUTZ T4F (OPTIONAL)	348
FIGURE 3-47. 4000W GENERATOR INSTALLATION - 50HZ SPEC (OPTIONAL)	350
FIGURE 3-48. 7500W SKYPOWER GENERATOR INSTALLATION - 60HZ (OPTIONAL)	354
FIGURE 3-49. 7500W SKYPOWER GENERATOR INSTALLATION - 50HZ (OPTIONAL)	358
 SECTION 4 - BOOM	 361
FIGURE 4-1. BOOM INSTALLATION	362
FIGURE 4-2. BOOM ASSEMBLY	364
FIGURE 4-3. JIB INSTALLATION	372
FIGURE 4-4. JIB ASSEMBLY	376
FIGURE 4-5. PLATFORM ROTATOR ASSEMBLY (Prior to SN 0300199535)	378
FIGURE 4-6. PLATFORM ROTATOR ASSEMBLY (SN 0300199535 to Present)	380
FIGURE 4-7. JIB ROTATOR ASSEMBLY (Prior to SN 0300199535)	382
FIGURE 4-8. JIB ROTATOR ASSEMBLY (SN 0300199535 to Present)	384

# TABLE OF CONTENTS

FIGURE 4-9. PLATFORM SUPPORT INSTALLATION - NO LSS .....	386
FIGURE 4-10. PLATFORM SUPPORT INSTALLATION - WITH 4 CELL LSS .....	388
FIGURE 4-11. PLATFORM SUPPORT INSTALLATION - WITH 1 CELL LSS .....	390
FIGURE 4-12. POWER TRACK INSTALLATION - BOOM.....	392
FIGURE 4-13. VALVES INSTALLATION - BOOM (WITHOUT LSS).....	396
FIGURE 4-14. VALVES INSTALLATION - BOOM (WITH LSS) .....	398
FIGURE 4-15. JIB VALVE ASSEMBLY .....	400
FIGURE 4-16. PLATFORM VALVE ASSEMBLY.....	402
FIGURE 4-17. BOOM SENSORS AND SWITCHES INSTALLATION.....	404
FIGURE 4-18. BOOM CABLES - ANSI, ANSI EXPORT, CHINA, CSA AND JAPANESE SPECS .....	410
FIGURE 4-19. BOOM CABLES (AUSTRALIAN AND CE SPECS).....	412
FIGURE 4-20. BOOM CABLES - SKYPOWER .....	414
FIGURE 4-21. BOOM CABLES INSTALLATION - 4000W 50HZ GENERATOR (ANSI EXPORT, AUSTRALIAN, CE, CHINA AND JAPANESE SPECS).....	416
FIGURE 4-22. JIB ENCLOSURE BOX ASSEMBLY.....	418
SECTION 5 - PLATFORM.....	421
FIGURE 5-1. PLATFORM ASSEMBLY - 36IN X 6FT (91.5CM X 1.83M) WITH SWING GATE.....	422
FIGURE 5-2. PLATFORM ASSEMBLY - SIDE GATE ENTRY (Prior to SN 0300201023) .....	424
FIGURE 5-3. PLATFORM ASSEMBLY - SIDE GATE ENTRY (SN 0300201023 to Present) .....	426
FIGURE 5-4. PLATFORM ASSEMBLY - SIDE GATE/DROP BAR TRI-ENTRY .....	428
FIGURE 5-5. PLATFORM ASSEMBLY - 36IN X 8FT (91.5CM X 2.44M) WITH TRI-ENTRY (1 GATE/2 DROP BARS) .....	430
FIGURE 5-6. PLATFORM ASSEMBLY - DROP BAR ENTRY .....	432
FIGURE 5-7. PLATFORM ASSEMBLY - DROP BAR ENTRY (Prior to SN 0300201023).....	434
FIGURE 5-8. PLATFORM ASSEMBLY - DROP BAR ENTRY (SN 0300201023 to Present).....	436
FIGURE 5-9. PLATFORM ASSEMBLY - DROP BAR TRI-ENTRY .....	438
FIGURE 5-10. PLATFORM ASSEMBLY - 36IN X 8FT (91.5CM X 2.44M) WITH TRI-ENTRY (3 DROP BARS) .....	440
FIGURE 5-11. PLATFORM ASSEMBLY - FALL ARREST - ANSI SPEC (Prior to SN 0300201023) .....	442
FIGURE 5-12. PLATFORM ASSEMBLY - FALL ARREST - ANSI SPEC (SN 0300201023 to Present) .....	444
FIGURE 5-13. PLATFORM ASSEMBLY - FALL ARREST - AUSTRALIAN AND CE SPECS (Prior to SN 0300201023) .....	446
FIGURE 5-14. PLATFORM ASSEMBLY - FALL ARREST - AUSTRALIAN AND CE SPECS (SN 0300201023 to Present) .....	448
FIGURE 5-15. TRAY INSTALLATION .....	450
FIGURE 5-16. LCD DISPLAY INSTALLATION (Prior to SN 0300201023).....	452
FIGURE 5-17. LCD DISPLAY INSTALLATION (SN 0300201023 through 0300249008) .....	454
FIGURE 5-18. LCD DISPLAY INSTALLATION (SN 0300249009 to Present).....	456
FIGURE 5-19. PLATFORM CONTROLS INSTALLATION - WITHOUT SKYGUARD .....	458
FIGURE 5-20. PLATFORM CONTROLS INSTALLATION - WITH SKYGUARD (Prior to SN 0300234077) .....	460
FIGURE 5-21. PLATFORM CONTROLS INSTALLATION - WITH SKYGUARD (SN 0300234077 through 0300258338).....	462
FIGURE 5-22. PLATFORM CONTROLS INSTALLATION - WITH SKYGUARD (SN 0300259339 to Present) .....	464
FIGURE 5-23. PLATFORM CONSOLE ASSEMBLY - WITHOUT SKYGUARD (Prior to SN 0300212338) .....	466
FIGURE 5-24. PLATFORM CONSOLE ASSEMBLY - WITHOUT SKYGUARD (SN 0300212338 through 0300218317).....	470
FIGURE 5-25. PLATFORM CONSOLE ASSEMBLY - WITHOUT SKYGUARD (SN 0300218318 to Present) .....	474
FIGURE 5-26. PLATFORM CONSOLE ASSEMBLY - WITH SKYGUARD (Prior to SN 0300212338).....	478
FIGURE 5-27. PLATFORM CONSOLE ASSEMBLY - WITH SKYGUARD (SN 0300212338 through 0300218317) .....	482
FIGURE 5-28. PLATFORM CONSOLE ASSEMBLY - WITH SKYGUARD (SN 0300218318 through 0300234076) .....	486
FIGURE 5-29. PLATFORM CONSOLE ASSEMBLY - WITH SKYGUARD (SN 0300234077 through 0300259338) .....	490
FIGURE 5-30. PLATFORM CONSOLE ASSEMBLY - WITH SKYGUARD (SN 0300229339 to Present).....	494
FIGURE 5-31. DECAL AND LIGHT PANEL .....	498
FIGURE 5-32. DECAL AND LIGHT PANEL .....	500
FIGURE 5-33. DECAL AND LIGHT PANEL .....	502
FIGURE 5-34. DECAL AND LIGHT PANEL .....	504
FIGURE 5-35. LIFT AND SWING CONTROLLER ASSEMBLY (Prior to SN 0300188926).....	506
FIGURE 5-36. CONTROLLER ASSEMBLY (LIFT AND SWING) (SN 0300188926 to Present) .....	508
FIGURE 5-37. DRIVE AND STEER CONTROLLER ASSEMBLY (Prior to SN 0300188926) .....	512
FIGURE 5-38. CONTROLLER ASSEMBLY (DRIVE AND STEER) (SN 0300188926 to Present).....	514
FIGURE 5-39. FOOTSWITCH ASSEMBLY.....	516
FIGURE 5-40. SKYGUARD SYSTEM INSTALLATION (SN 0300201023 through 0300259338).....	518
FIGURE 5-41. SKYGUARD BAR INSTALLATION (SN 0300259339 to Present).....	520
FIGURE 5-42. CROSS RAIL INSTALLATION.....	522
FIGURE 5-43. PIPE RACK INSTALLATION (ANSI AND CSA SPECS).....	524
FIGURE 5-44. PIPE RACK INSTALLATION (AUSTRALIAN SPEC).....	526
FIGURE 5-45. SKYCUTTER INSTALLATION .....	528
FIGURE 5-46. SKYEYE INSTALLATION .....	530
FIGURE 5-47. SKYWELDER/SKYCUTTER COMBO INSTALLATION (60HZ).....	532
FIGURE 5-48. SKYGLAZIER INSTALLATION (ANSI, AUSTRALIAN AND CSA SPECS).....	536
FIGURE 5-49. SKYGLAZIER INSTALLATION - WITH 4 CELL LSS (AUSTRALIAN SPECS) (SN 0300221070 to Present).....	538

# TABLE OF CONTENTS

FIGURE 5-50. SKYGLAZIER INSTALLATION - WITH 1 CELL LSS (AUSTRALIAN SPECS).....	540
FIGURE 5-51. SKYGLAZIER INSTALLATION (BRAZIL SPECS).....	542
FIGURE 5-52. SKYGLAZIER INSTALLATION (DANISH SPECS).....	544
FIGURE 5-53. SKYGLAZIER INSTALLATION (LATIN AMERICAN SPECS).....	546
FIGURE 5-54. SKYGLAZIER INSTALLATION - WITH 4 CELL LSS (ENGLISH/FRENCH SPECS).....	548
FIGURE 5-55. SKYGLAZIER INSTALLATION - WITH 1 CELL LSS (ENGLISH/FRENCH SPECS).....	550
FIGURE 5-56. SKYGLAZIER INSTALLATION - WITH 4 CELL LSS (GERMAN SPECS).....	552
FIGURE 5-57. SKYGLAZIER INSTALLATION - WITH 1 CELL LSS (GERMAN SPECS).....	554
FIGURE 5-58. SKYGLAZIER INSTALLATION - WITH 4 CELL LSS (ITALIAN SPECS).....	556
FIGURE 5-59. SKYGLAZIER INSTALLATION - WITH 1 CELL LSS (ITALIAN SPECS).....	558
FIGURE 5-60. SKYGLAZIER INSTALLATION - WITH 4 CELL LSS (PORTUGUESE SPECS).....	560
FIGURE 5-61. SKYGLAZIER INSTALLATION - WITH 1 CELL LSS (PORTUGUESE SPECS).....	562
FIGURE 5-62. SKYGLAZIER INSTALLATION - WITH 4 CELL LSS (SPANISH SPECS).....	564
FIGURE 5-63. SKYGLAZIER INSTALLATION - WITH 1 CELL LSS (SPANISH SPECS).....	566
FIGURE 5-64. SKYGLAZIER INSTALLATION - WITH 4 CELL LSS (SWEDISH SPECS).....	568
FIGURE 5-65. SKYGLAZIER INSTALLATION - WITH 1 CELL LSS (SWEDISH SPECS).....	570
FIGURE 5-66. SKYGLAZIER INSTALLATION - WITH 4 CELL LSS (UK SPECS).....	572
FIGURE 5-67. SKYGLAZIER INSTALLATION - WITH 1 CELL LSS (UK SPECS).....	574
FIGURE 5-68. SKYLINE INSTALLATION.....	576
FIGURE 5-69. SKYWELDER INSTALLATION (50HZ).....	578
FIGURE 5-70. SKYWELDER INSTALLATION (60HZ).....	580
FIGURE 5-71. SKYWELDER PREP PACKAGE (60HZ).....	582
FIGURE 5-72. SOFT TOUCH INSTALLATION - 8FT (2.4M) PLATFORM (OPTIONAL).....	584
FIGURE 5-73. SOFT TOUCH INSTALLATION - 8FT (2.4M) FALL ARREST PLATFORM (OPTIONAL).....	586
FIGURE 5-74. PLASMA CUTTER ASSEMBLY.....	588
FIGURE 5-75. WELDER ASSEMBLY.....	590
FIGURE 5-76. FALL ARREST INSTALLATION (BOLT - ON) (6FT/1.82M PLATFORM).....	592
FIGURE 5-77. FALL ARREST INSTALLATION (BOLT-ON) (6FT/1.82M TRI-ENTRY PLATFORM).....	594
FIGURE 5-78. FALL ARREST INSTALLATION (BOLT - ON) (8FT/2.4M PLATFORM).....	596
 SECTION 6 - CYLINDER.....	 599
FIGURE 6-1. AXLE EXTEND CYLINDER ASSEMBLY (Prior to SN 0300239676).....	600
FIGURE 6-2. AXLE EXTEND CYLINDER ASSEMBLY (SN 0300239676 to Present).....	602
FIGURE 6-3. LEVEL CYLINDER ASSEMBLY - JIB SLAVE (Prior to SN 0300239676).....	604
FIGURE 6-4. LEVEL CYLINDER ASSEMBLY - JIB SLAVE (SN 0300239676 to Present).....	606
FIGURE 6-5. LEVEL CYLINDER ASSEMBLY - PLATFORM SLAVE (Prior to SN 0300239170).....	608
FIGURE 6-6. LEVEL CYLINDER ASSEMBLY - PLATFORM SLAVE (SN 0300239170 to Present).....	610
FIGURE 6-7. LIFT CYLINDER ASSEMBLY - BOOM (Prior to SN 0300239676).....	612
FIGURE 6-8. LIFT CYLINDER ASSEMBLY - BOOM (SN 0300239676 to Present).....	614
FIGURE 6-9. LIFT CYLINDER ASSEMBLY - JIB (Prior to SN 0300239676).....	616
FIGURE 6-10. LIFT CYLINDER ASSEMBLY - JIB (SN 0300239676 to Present).....	618
FIGURE 6-11. LOCK CYLINDER ASSEMBLY - JIB (Prior to SN 0300239170).....	620
FIGURE 6-12. LOCK CYLINDER ASSEMBLY - JIB (SN 0300239170 to Present).....	622
FIGURE 6-13. STEER CYLINDER ASSEMBLY (Prior to SN 0300239676).....	624
FIGURE 6-14. STEER CYLINDER ASSEMBLY (SN 0300239676 to Present).....	626
FIGURE 6-15. TELESCOPE CYLINDER ASSEMBLY - BOOM.....	628
FIGURE 6-16. TELESCOPE CYLINDER ASSEMBLY - BOOM (SN 0300244678 to Present).....	630
FIGURE 6-17. TELESCOPE CYLINDER ASSEMBLY - JIB.....	632
 SECTION 7 - HYDRAULIC.....	 635
FIGURE 7-1. BOOM AND JIB HYDRAULIC DIAGRAM.....	636
FIGURE 7-2. CHASSIS HYDRAULIC DIAGRAM.....	638
FIGURE 7-3. TURNTABLE HYDRAULIC DIAGRAM.....	642
FIGURE 7-4. HYDRAULIC DIAGRAM LIST.....	646
 SECTION 8 - ELECTRICAL.....	 647
FIGURE 8-1. ELECTRICAL DIAGRAM LIST.....	648
FIGURE 8-2. AC BOX AT PLATFORM INSTALLATION - 110V IEC 60309 YELLOW WITHOUT 4000W GENERATOR (CE SPECS).....	650
FIGURE 8-3. AC BOX AT PLATFORM INSTALLATION - 220V IEC 60309 BLUE WITHOUT 4000W GENERATOR (CE SPECS).....	652
FIGURE 8-4. AC BOX AT PLATFORM INSTALLATION - 220V CEE7 POST GROUND (2X4 BOX) WITHOUT 4000W GENERATOR (CE SPECS).....	654

# TABLE OF CONTENTS

FIGURE 8-5. AC BOX AT PLATFORM INSTALLATION - 220V AFSINT 107 KEYED GROUND (2X4 BOX) WITHOUT 4000W GENERATOR (CE SPECS) .....	656
FIGURE 8-6. AC BOX AT PLATFORM INSTALLATION - 220V CEE7 SIDE GROUND (2X4 BOX) WITHOUT 4000W GENERATOR (CE SPECS) .....	658
FIGURE 8-7. AC BOX AT PLATFORM INSTALLATION - BOX WITH COVER (2X4 BOX) WITH 4000W GENERATOR (ANSI EXPORT, AUSTRALIAN AND CE SPECS).....	660
FIGURE 8-8. BATTERY CABLE KIT - DEUTZ T4I ENGINES .....	662
FIGURE 8-9. BATTERY CABLE KIT - DEUTZ T4F ENGINES .....	664
FIGURE 8-10. BATTERY DISCONNECT INSTALLATION .....	666
FIGURE 8-11. BEACON CONTROL HARNESS .....	668
FIGURE 8-12. BLAM HARNESS .....	670
FIGURE 8-13. BOOM AC CABLE - ANSI, ANSI EXPORT, CSA AND JAPANESE SPECS .....	672
FIGURE 8-14. BOOM AC CABLE - AUSTRALIAN AND CE SPECS .....	674
FIGURE 8-15. BOOM AC CABLE - SKYPOWER (Prior to SN 0300228529).....	676
FIGURE 8-16. BOOM AC CABLE - SKYPOWER (SN 0300228529 to Present).....	678
FIGURE 8-17. BOOM AC CABLE - MAIN BOOM WITH 4000W 50HZ GENERATOR (ANSI EXPORT, AUSTRALIAN, CE AND JAPANESE SPECS).....	680
FIGURE 8-18. BOOM AC CABLE - JIB BOOM WITH 4000W 50HZ GENERATOR (ANSI EXPORT, AUSTRALIAN, CE AND JAPANESE SPECS).....	682
FIGURE 8-19. BOOM HARNESS (Prior to SN 0300224828) .....	684
FIGURE 8-20. BOOM SENSOR HARNESS (Prior to SN 0300224828).....	686
FIGURE 8-21. BOOM SENSOR HARNESS (SN 0300224828 to Present) .....	688
FIGURE 8-22. BREAKER BOX ASSEMBLY - AC CABLE (CE SPEC) .....	690
FIGURE 8-23. BREAKER BOX KIT - AC CABLE .....	692
FIGURE 8-24. BREAKER BOX KIT - 4000W 50HZ GENERATOR .....	694
FIGURE 8-25. CHASSIS HARNESS .....	696
FIGURE 8-26. COUPLING/COLLECTOR RING HARNESS AND COMPONENTS .....	700
FIGURE 8-27. DEF TANK EXTENSION HARNESS .....	702
FIGURE 8-28. DRIVE PUMP HARNESS .....	704
FIGURE 8-29. ENGINE CAN HARNESS .....	706
FIGURE 8-30. ENGINE HARNESS - DEUTZ T4I ENGINES .....	708
FIGURE 8-31. ENGINE HARNESS - DEUTZ T4F ENGINES .....	712
FIGURE 8-32. FUEL PUMP AND WIF HARNESS (Prior to SN 0300237158) .....	716
FIGURE 8-33. FUEL PUMP AND WIF HARNESS (SN 0300237158 to Present).....	718
FIGURE 8-34. GENERATOR HARNESS - 4000W GENERATOR.....	720
FIGURE 8-35. GENERATOR ENABLE HARNESS - 7500W GENERATOR.....	722
FIGURE 8-36. GROUND CONTROL PANEL HARNESS .....	724
FIGURE 8-37. JIB AC CABLE - ANSI, ANSI EXPORT, CSA AND JAPANESE SPECS .....	728
FIGURE 8-38. JIB AC CABLE - AUSTRALIAN AND CE SPECS .....	730
FIGURE 8-39. JIB AC CABLE - SKYPOWER (Prior to SN 0300228529).....	732
FIGURE 8-40. JIB AC CABLE - SKYPOWER (SN 0300228529 to Present).....	734
FIGURE 8-41. JIB CONTROL CABLE .....	736
FIGURE 8-42. JIB VALVE HARNESS .....	738
FIGURE 8-43. LCD DISPLAY HARNESS (Prior to SN 0300249009).....	742
FIGURE 8-44. LCD DISPLAY HARNESS (SN 0300249009 to Present).....	744
FIGURE 8-45. LOAD SENSOR CABLE .....	746
FIGURE 8-46. MAIN BOOM 16/4 CABLE .....	748
FIGURE 8-47. MAIN BOOM CONTROL CABLE .....	750
FIGURE 8-48. MTS CONNECTION CABLE.....	752
FIGURE 8-49. PLATFORM CONSOLE HARNESS - WITHOUT SKYGUARD .....	754
FIGURE 8-50. PLATFORM CONSOLE HARNESS - WITH SKYGUARD (Prior to SN 0300234077).....	758
FIGURE 8-51. PLATFORM CONSOLE HARNESS - WITH SKYGUARD (SN 0300234077 to Present).....	762
FIGURE 8-52. PLATFORM INTERFACE HARNESS .....	766
FIGURE 8-53. PLATFORM VALVE HARNESS.....	768
FIGURE 8-54. RECEPTACLE AND CLAMP INSTALLATION - 110V - ANSI SPEC .....	770
FIGURE 8-55. RECEPTACLE AND CLAMP INSTALLATION - 220V - ANSI SPEC .....	772
FIGURE 8-56. RECEPTACLE AND CLAMP INSTALLATION - SUPPLIED LOCALLY .....	774
FIGURE 8-57. SKYEYE INTERMEDIATE HARNESS .....	776
FIGURE 8-58. SKYEYE RECEIVER HARNESS .....	778
FIGURE 8-59. SKYEYE EMITTER HARNESS .....	780
FIGURE 8-60. SKYLINE HARNESS.....	782
FIGURE 8-61. STEER HARNESS .....	784
FIGURE 8-62. TURNTABLE HARNESS .....	786
FIGURE 8-63. TURNTABLE HARNESS .....	790
FIGURE 8-64. TRANSPORT SWITCH HARNESS.....	794
FIGURE 8-65. UREA TANK HARNESS .....	796
FIGURE 8-66. VALVE BANK HARNESS (Prior to SN 0300201023).....	798

# TABLE OF CONTENTS

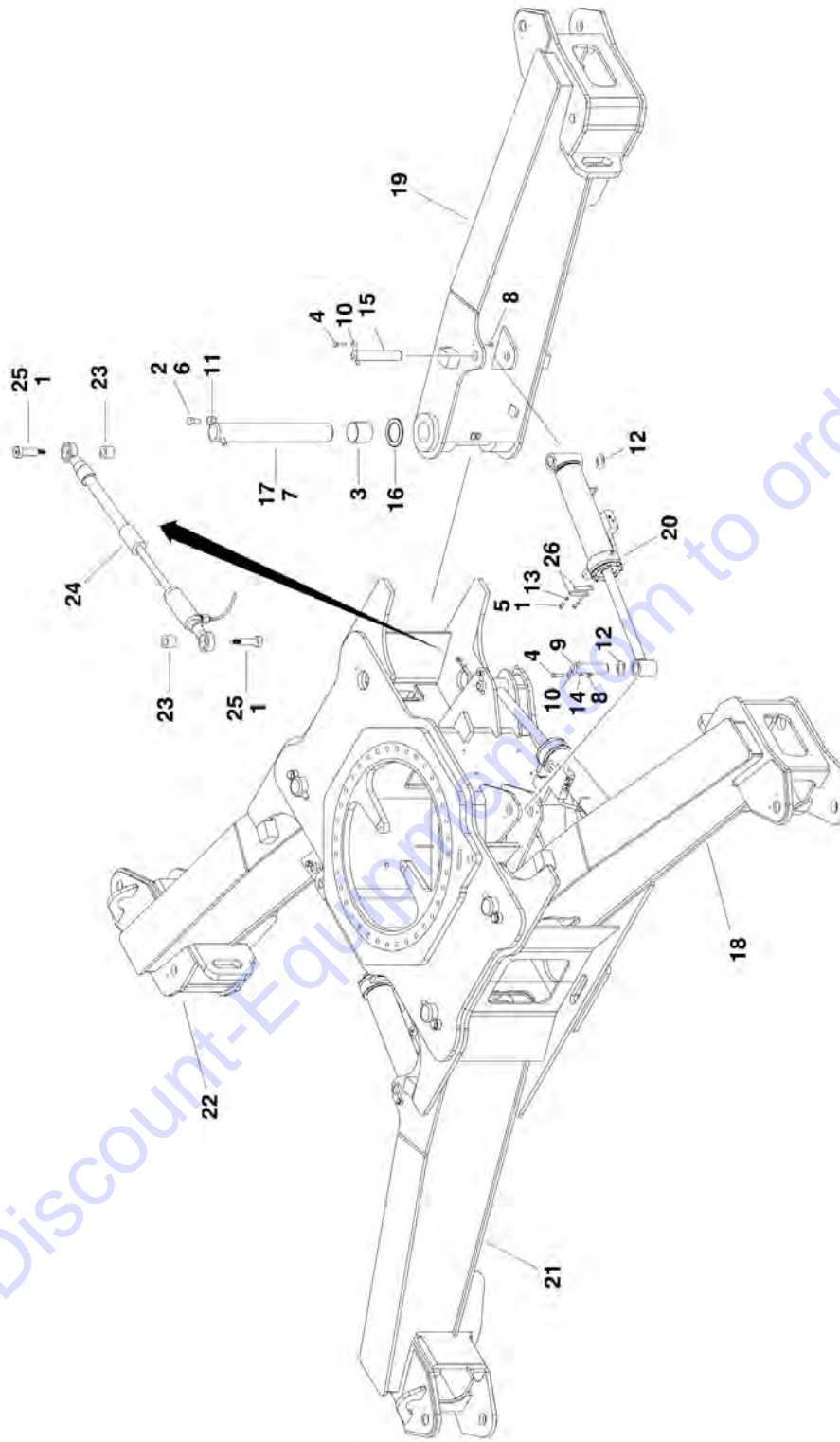
FIGURE 8-67. VALVE BANK HARNESS (SN 0300201023 to Present).....	802
SECTION 9 - DECALS .....	805
FIGURE 9-1. DECAL INSTALLATION - ANSI SPEC .....	806
FIGURE 9-2. DECAL INSTALLATION - ANSI EXPORT SPEC .....	810
FIGURE 9-3. DECAL INSTALLATION - AUSTRALIAN SPEC.....	814
FIGURE 9-4. DECAL INSTALLATION - BRAZIL SPEC.....	816
FIGURE 9-5. DECAL INSTALLATION - CE SPEC .....	820
FIGURE 9-6. DECAL INSTALLATION - CHINESE SPEC .....	824
FIGURE 9-7. DECAL INSTALLATION - CSA SPEC .....	828
FIGURE 9-8. DECAL INSTALLATION - JAPANESE SPEC.....	832
FIGURE 9-9. DECAL INSTALLATION - KOREAN SPEC .....	836
FIGURE 9-10. DECAL INSTALLATION - OPTIONS .....	840
SECTION 10 - RECOMMENDED SERVICE PARTS STOCK.....	843
FIGURE 10-1. MODEL 1850SJ STANDARD PARTS .....	844
FIGURE 10-2. MODEL 1850SJ VARIABLE PARTS .....	846
SECTION 11 - SPECIAL OPTIONS .....	847
FIGURE 11-1. SPECIAL OPTIONS .....	848
PART NUMBER INDEX.....	853

**SECTION 1 - FRAME**

Go to Discount-Equipment.com to order your parts

# SECTION 1 - FRAME

FIGURE 1-1. AXLES INSTALLATION (Prior to SN 0300215612)



1001156464

## SECTION 1 - FRAME

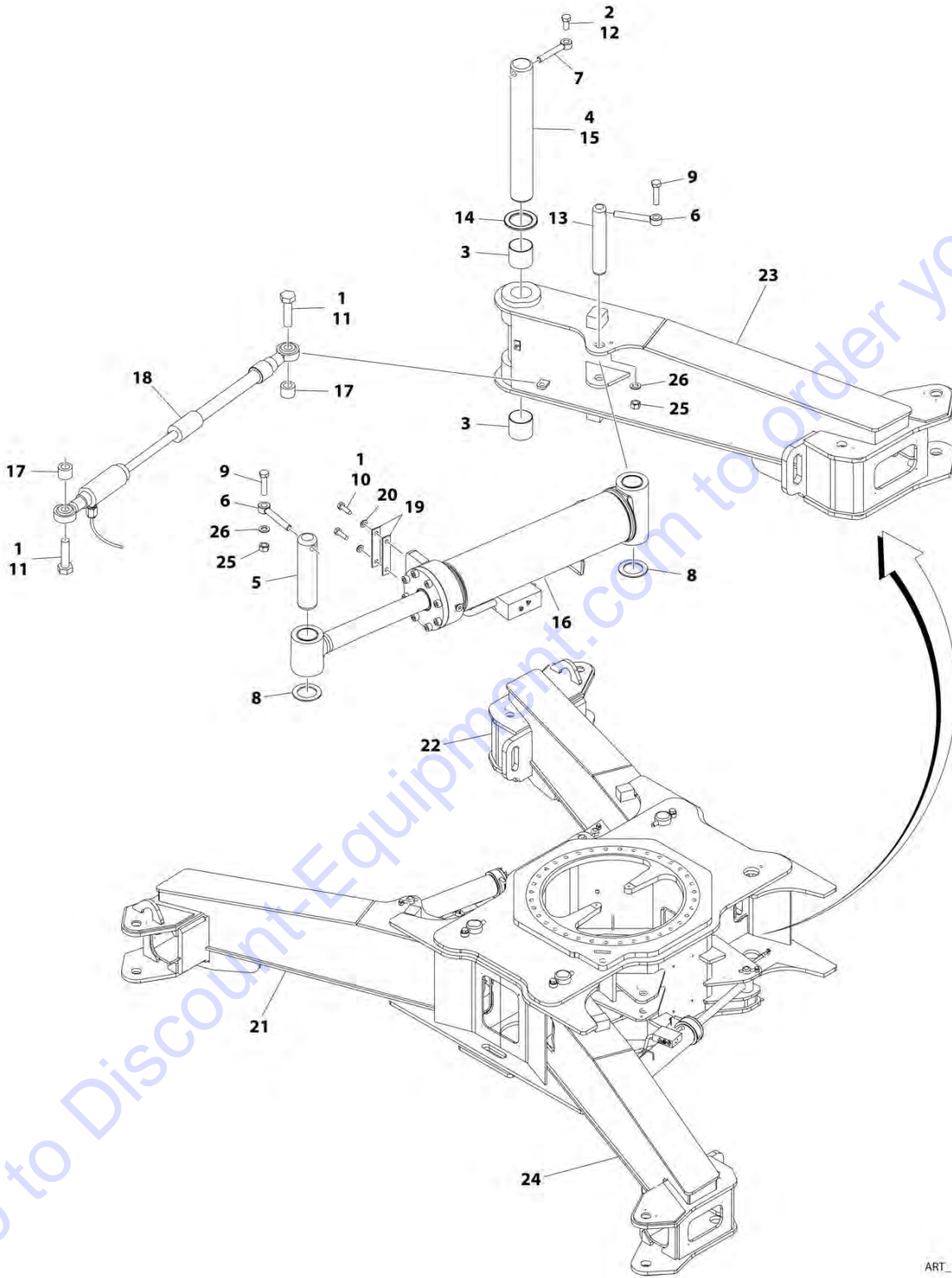
**FIGURE 1-1. AXLES INSTALLATION (Prior to SN 0300215612)**

ITEM	PART NUMBER	QTY	DESCRIPTION	REV
	1001156464	Ref	AXLES INSTALLATION (Prior to SN 0300215612)	F
1	0100011	AR	Compound, Locking	
2	0100071	AR	Compound, Locking	
3	0440273	8	Bushing	
4	0701420001	8	Bolt M14 x 60	
5	0761015001	8	Bolt M10 x 35	
6	0762418001	8	Bolt M24 x 50	
7	3020039	AR	Lubricant	
8	3291407001	8	Nut M14	
9	3422912	4	Pin	
10	3841258	8	Keeper, Pin	
11	3841356	4	Keeper, Pin	
12	4740229	8	Washer, Thrust	
13	1001172358	8	Washer M10	
14	4812200001	8	Washer M14	
15	1001120000	4	Pin	
16	1001155133	4	Washer, Thrust	
17	1001155363	4	Pin	
18	1001155619	1	Axle - Front RH	
19	1001155690	1	Axle - Front LH	
20	1001156648	NLA	Axle Extend Cylinder Assembly (Use p/n 1001228066) (See CYLINDER SECTION for Breakdown)	
21	1001156862	1	Axle - Rear RH	
22	1001156863	1	Axle - Rear LH	
23	1001157007	8	Sleeve	
24	1001157084	4	Axle Sensor and Harness Assembly	
24	4460910	1	Receptacle, Female - 3 Position	
24	4460917	6	Pin, Male	
25		Ref	Bolt Options:	
25	1001157466	8	Bolt M10 x 30 (Prior to SN 0300189331)	
25	0761016001	8	Bolt M10 x 40 (SN 0300189331 through 0300215611)	
26	1001158017	AR	Shim	



# SECTION 1 - FRAME

FIGURE 1-2. AXLES INSTALLATION (SN 0300215612 to Present)



ART\_1001195541

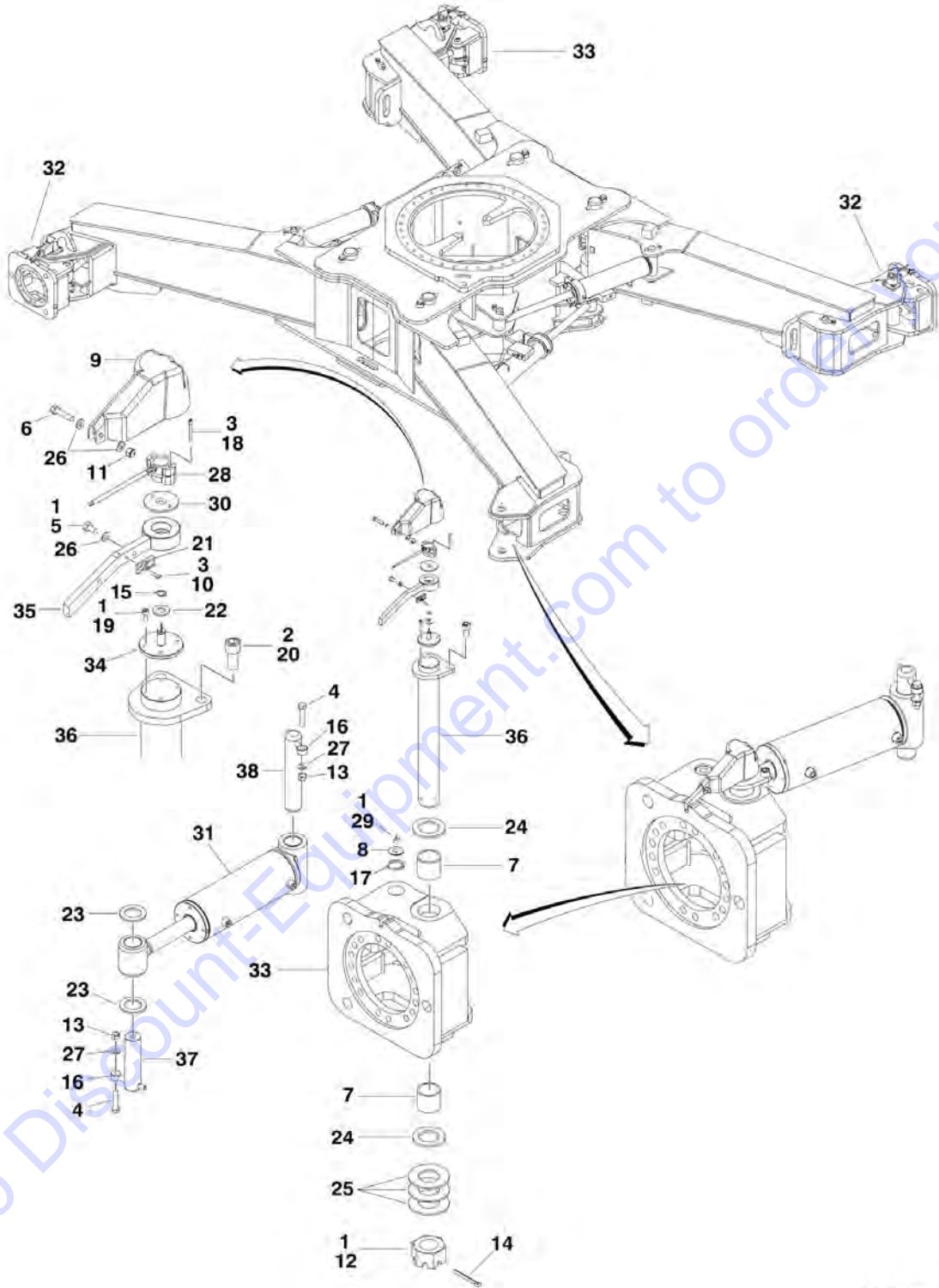
## SECTION 1 - FRAME

**FIGURE 1-2. AXLES INSTALLATION (SN 0300215612 to Present)**

ITEM	PART NUMBER	QTY	DESCRIPTION	REV
	1001195541	Ref	AXLES INSTALLATION (SN 0300215612 to Present)	C
1	0100011	AR	Compound, Locking	
2	0100071	AR	Compound, Locking	
3	0440273	8	Bushing	
4	3020039	AR	Lubricant	
5	3422912	4	Pin	
6	3841258	8	Keeper, Pin	
7	3841356	4	Keeper, Pin	
8	4740229	8	Washer, Thrust	
9	0701420001	8	Bolt M14 x 60	
10	0761015001	8	Bolt M10 x 35	
11	0761016001	8	Bolt M10 x 40	
12	0762418001	4	Bolt M24 x 50	
13	1001120000	4	Pin	
14	1001155133	4	Washer, Thrust	
15	1001155363	4	Pin	
16	1001156648	NLA	Axle Extend Cylinder Assembly (Use p/n 1001228066) (See CYLINDER SECTION for Breakdown) <b>(Prior to SN 0300239676)</b>	
16	1001228066	4	Axle Extend Cylinder Assembly (See CYLINDER SECTION for Breakdown) <b>(SN 0300239676 to Present)</b>	
17	1001157007	8	Sleeve	
18	1001157084	4	Axle Sensor and Harness Assembly	
18	4460910	1	Receptacle, Female - 3 Position	
18	4460917	6	Pin, Male	
19	1001158017	AR	Shim	
20	1001172358	8	Washer M10	
21	1001197553	1	Axle - Front RH	
22	1001197554	1	Axle - Front LH	
23	1001197555	1	Axle - Rear RH	
24	1001197556	1	Axle - Rear LH	
25	3291407001	8	Nut M14	
26	4812200001	8	Washer M14	

# SECTION 1 - FRAME

## FIGURE 1-3. STEERING INSTALLATION



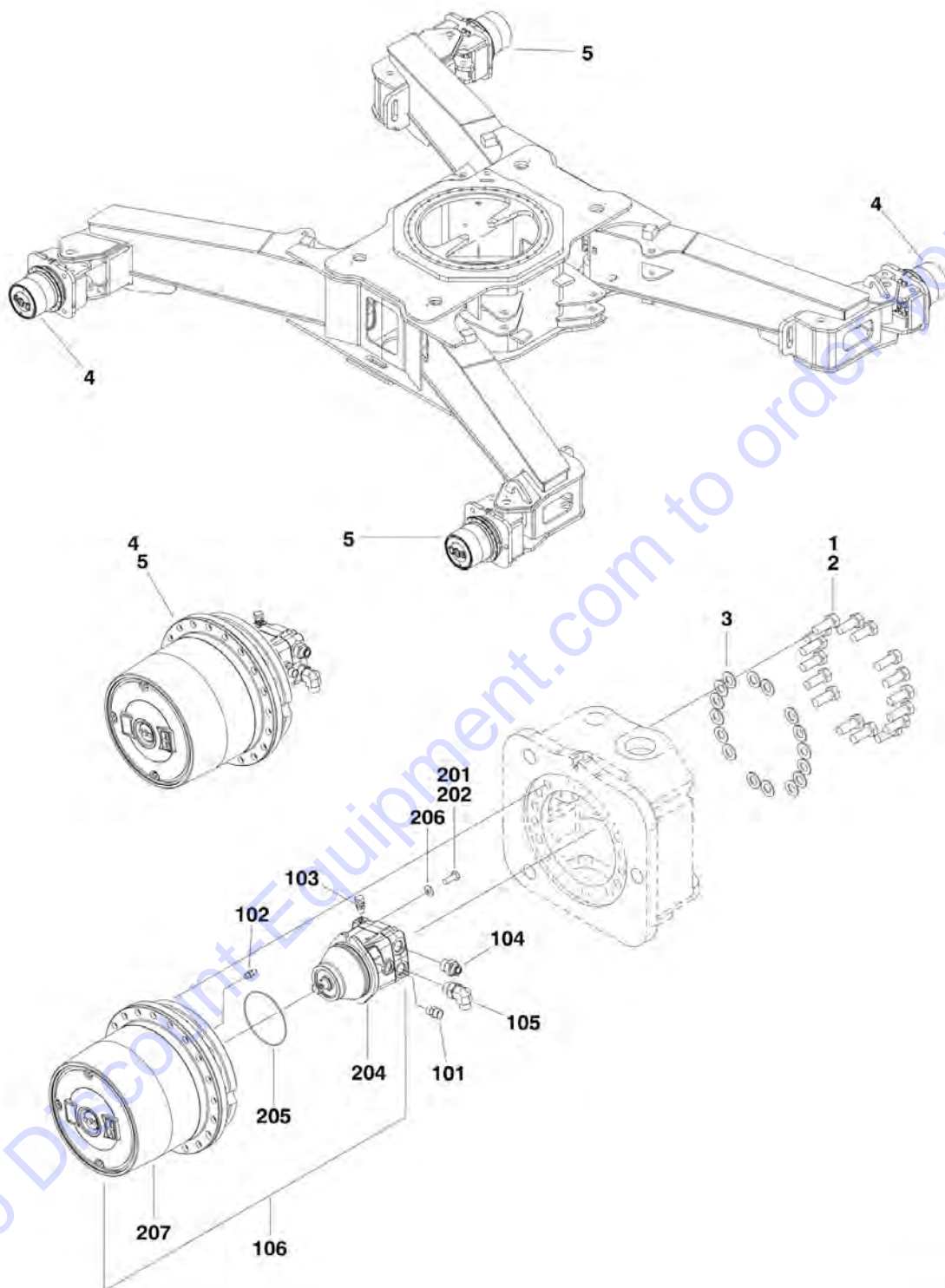
ART\_1001156606

FIGURE 1-3. STEERING INSTALLATION

ITEM	PART NUMBER	QTY	DESCRIPTION	REV
	1001156606	Ref	STEERING INSTALLATION	F
1	0100011	AR	Compound, Locking	
2	0100019	AR	Compound, Locking	
3	0100035	AR	Compound, Locking	
4	0701422001	8	Bolt M14 x 70	
5	0760808001	4	Bolt M8 x 16	
6	0760815001	4	Bolt M8 x 35	
7	0962423	8	Bushing	
8	1120549	4	Cap	
9	1671040	4	Cover	
10	2080091	4	Screw M4 x 16	
11	3290805001	4	Nut M8	
12	3300464001	4	Nut	
13	3291214001	8	Nut M14	
14	3451214	4	Pin, Cotter	
15	3760383	4	Ring	
16	3841258	8	Keeper, Pin	
17	3960551	4	Seal	
18	4031512	8	Capscrew M4 x 40	
19	4031707	16	Capscrew M6 x 16	
20	4032311001	8	Capscrew M16 x 35	
21	4460914	4	Base, Terminal	
22	4711800	4	Washer 1/2	
23	4740229	8	Washer, Thrust	
24	4740505	8	Washer, Thrust	
25	4755000001	AR	Washer 2-1/2	
26	4811900001	12	Washer M8	
27	4812200001	8	Washer M14	
28	1001146963	4	Sensor Assembly	
28	4460899	1	Connector - 6 Position	
28	4460464	6	Socket, Female	
29	1001174345	4	Screw M20 x 20	
30	1001155836	4	Adapter	
31	1001155986	NLA	Steer Cylinder Assembly (Use p/n 1001228065) (See CYLINDER SECTION for Breakdown) <b>(Prior to SN 0300239676)</b>	
31	1001228065	4	Steer Cylinder Assembly (See CYLINDER SECTION for Breakdown) <b>(SN 0300239676 to Present)</b>	
32	1001156678	2	Spindle - Front LH and Rear RH	
33	1001156679	2	Spindle - Front RH and Rear LH	
34	1001156778	4	Pin	
35	1001156785	4	Link	
36	1001156815	4	Kingpin	
37	1001156991	4	Pin	
38	1001156996	4	Pin	
39	1001155817	4	Steer Harness (Not Shown - See ELECTRICAL SECTION for Breakdown)	

# SECTION 1 - FRAME

## FIGURE 1-4. WHEEL DRIVE INSTALLATION



1001157850

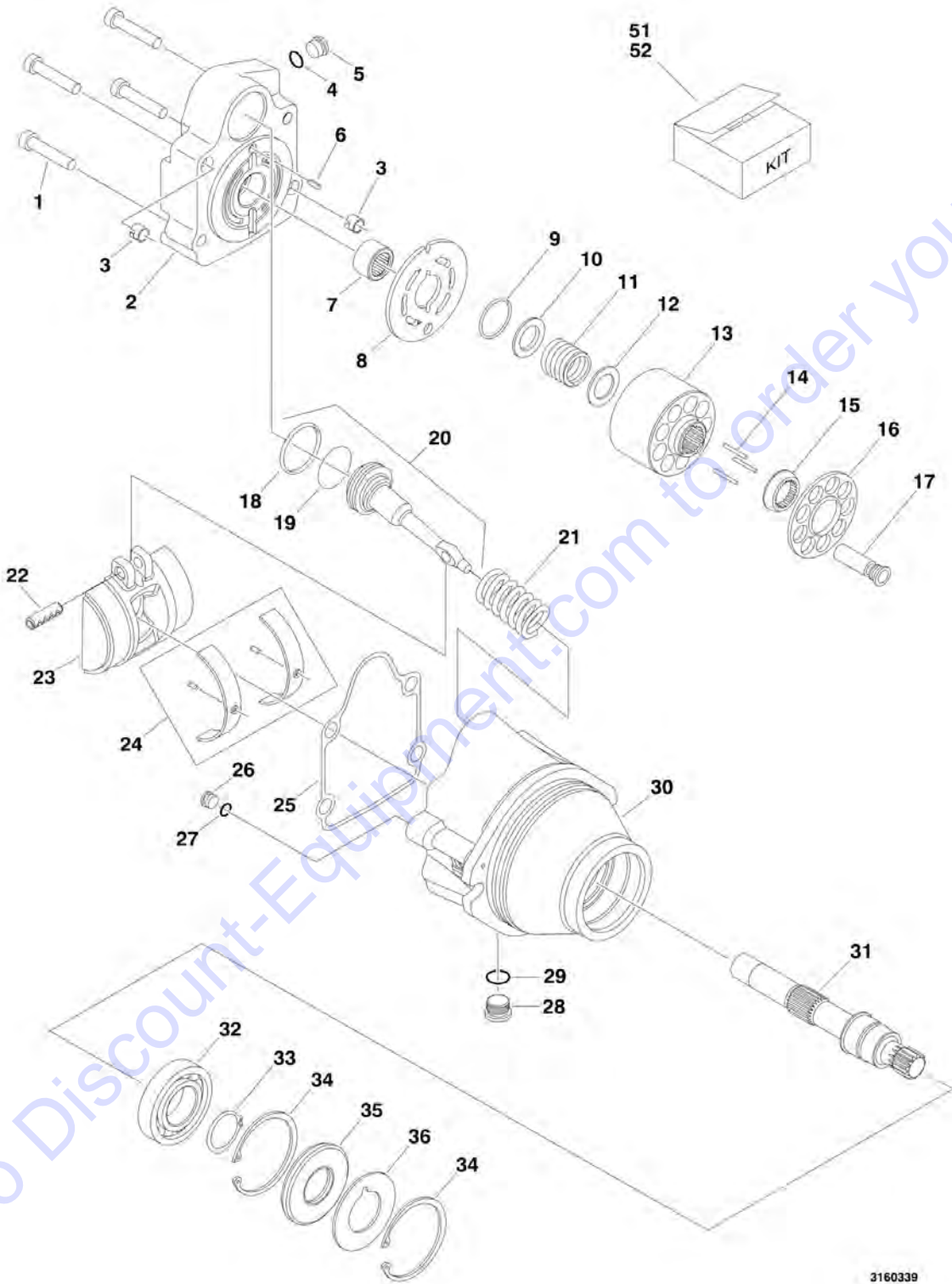
## SECTION 1 - FRAME

**FIGURE 1-4. WHEEL DRIVE INSTALLATION**

ITEM	PART NUMBER	QTY	DESCRIPTION	REV
	1001157850	Ref	WHEEL DRIVE INSTALLATION	F
1	0100019	AR	Compound, Locking	
2	0762018001	64	Bolt M20 x 50	
3	5242000001	64	Washer M20	
4	1001154759	2	Drive Hub/Motor with Fittings - Front LH and Rear RH (See Items 101-106 for Breakdown)	
5	1001157849	2	Drive Hub/Motor with Fittings - Front RH and Rear LH (See Items 101-106 for Breakdown)	
	1001154759	Ref	HUB/MOTOR ASSEMBLY WITH FITTINGS - FRONT LH AND REAR RH	E
	1001157849	Ref	HUB/MOTOR ASSEMBLY WITH FITTINGS - FRONT RH AND REAR LH	E
101	2110808	1	Fitting, Straight ORFS/ORB	
102	2220415	1	Fitting, Straight JIC/ORB	
103	2220472	1	Fitting, 90 JIC/ORB	
104	2111012	1	Fitting, Straight ORFS/ORB	
104	2131012	1	Fitting, 90 ORFS/ORB	
105	2111012	1	Fitting, Straight ORFS/ORB	
105	2131012	1	Fitting, 90 ORFS/ORB	
106	1001154772	1	Drive Hub/Motor (See Items 201-207 for Breakdown)	
	1001154772	Ref	DRIVE HUB/MOTOR ASSEMBLY	C
201	0100011	AR	Compound, Locking	
202	0761214	2	Bolt M12 x 30	
203	3020008	2.6 qt /2.5L	Lube, Gear (Not Shown)	
204	3160339	1	Motor - Drive (See DRIVE MOTOR ASSEMBLY for Breakdown)	
205	3790158	1	O-Ring	
206	5241200	2	Washer M12	
207	1001149921	1	Hub - Drive (See DRIVE HUB ASSEMBLY for Breakdown)	

# SECTION 1 - FRAME

## FIGURE 1-5. DRIVE MOTOR ASSEMBLY



3160339

## SECTION 1 - FRAME

### FIGURE 1-5. DRIVE MOTOR ASSEMBLY

ITEM	PART NUMBER	QTY	DESCRIPTION	REV
	3160339	Ref	DRIVE MOTOR ASSEMBLY	D
1	7022368	4	Bolt	
2	70000859	1	End Cap, Motor	
3	70003628	2	Locating Pin	
4	See Note	NSS	O-Ring (Note: Use p/n 70000862)	
5	7007420	1	Plug (Includes Item 4)	
6	7007446	1	Pin, Dowel	
7	7021249	1	Bearing, Needle	
8	70000854	1	Plate, Valve	
9	7022311	1	Snap Ring	
10	7022314	1	Retainer, Spring	
11	7024867	1	Spring	
12	7024868	1	Washer (was p/n 7022313)	
13	70000855	1	Block, Cylinder	
14	7021275	3	Pin, Slipper	
15	70000856	1	Guide	
16	70000857	1	Retainer, Slipper	
17	7024865	9	Piston, Cylinder	
18	See Note	NSS	Ring, Piston (Note: Use p/n 70000862)	
19	See Note	NSS	O-Ring (Note: Use p/n 70000862)	
20	70000860	1	Piston, Servo (Includes Items 18 & 19)	
21	70000861	1	Spring	
22	See Note	NSS	Pin (Note: Not Available for Purchase)	
23	70000853	1	Swashplate	
24	70000852	1	Kit, Bearing	
25	See Note	NSS	Gasket (Note: Use p/n 70000862)	
26	See Note	NSS	Plug (Note: Not Available for Purchase)	
27	See Note	NSS	O-Ring (Note: Use p/n 70000862)	
28	7022321	1	Plug (Includes Item 29)	
29	See Note	NSS	O-Ring (Note: Use p/n 70000862)	
30	See Note	NSS	Housing (Note: Not Available - Purchase Complete Motor)	
31	70000858	1	Shaft	
32	7007437	1	Bearing	
33	7007439	1	Snap Ring	
34	7007438	2	Snap Ring	
35	See Note	NSS	Seal (Note: Use p/n 70000862)	
36	7022371	1	Washer, Seal Support	
51	70000862	1	Kit, Motor Seal (Includes Items 4, 18, 19, 25, 27, 29 & 35)	
52	7027740	1	Kit, Cylinder Block (Includes Items 9 - 17)	



# SECTION 1 - FRAME

## FIGURE 1-6. DRIVE HUB ASSEMBLY

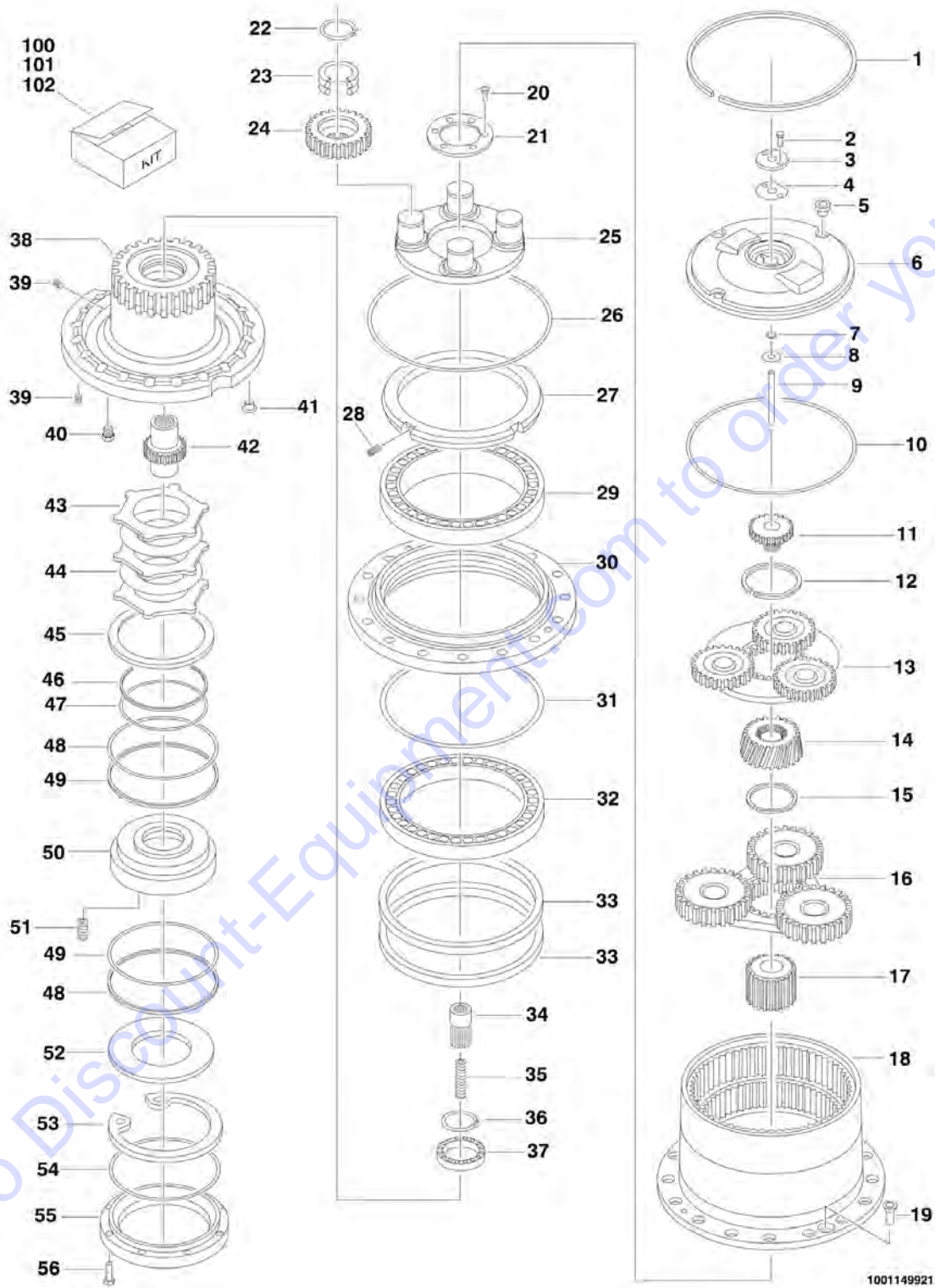


FIGURE 1-6. DRIVE HUB ASSEMBLY

ITEM	PART NUMBER	QTY	DESCRIPTION	REV
	1001149921	Ref	DRIVE HUB ASSEMBLY	G
1	70004429	1	Ring	
2	See Note	NSS	Screw M6x20 (Note: Use p/n 70004452)	
3	See Note	NSS	Cover (Note: Use p/n 70004452)	
4	70002201	1	Gasket (Note: Use p/n 70004452 or 70004451)	
5	70002057	3	Plug (Includes O-Ring) (Note: Use p/n 70004452)	
6	See Note	NSS	Cover (Note: Use p/n 70004452)	
7	See Note	NSS	O-Ring (Note: Use p/n 70004452 or 70004451)	
8	See Note	NSS	Shim (Note: Use p/n 70004452)	
9	See Note	NSS	Pin (Note: Use p/n 70004452)	
10	See Note	NSS	O-Ring (Note: Use p/n 70004452 or 70004451)	
11	70004430	1	Pinion	
12	70004431	1	Ring, Retaining	
13	70004432	1	Assembly, Gear Reduction	
14	70004433	1	Pinion	
15	70004434	1	Ring	
16	70004435	1	Assembly, Gear Reduction	
17	70004436	1	Pinion	
18	See Note	NSS	Housing, Hub (Note: Use p/n 1001149921)	
19	70002052	2	Screw M10 x 25	
20	70004437	6	Screw M6 x 14	
21	70004438	1	Plug	
22	70002032	4	Ring, Retaining	
23	70002031	4	Bearing	
24	70004439	4	Wheel, Planet	
25	70004440	1	Flange	
26	See Note	NSS	O-Ring (Note: Use p/n 70004451)	
27	70004441	1	Nut	
28	70004363	2	Screw M6 x 10	
29	70004442	1	Bearing	
30	See Note	NSS	Support, Hub (Note: Use p/n 1001149921)	
31	See Note	NSS	O-Ring (Note: Use p/n 70004451)	
32	70004443	1	Bearing	
33	See Note	1	Seal (Note: Use p/n 70004451)	
34	70004444	1	Coupling	
35	70002036	1	Spring	
36	70004445	1	Ring, Retaining	
37	70004446	1	Bearing	
38	See Note	NSS	Axle (Note: Use p/n 1001149921)	
39	70004447	3	Plug	
40	70002057	3	Plug (Includes O-Ring)	
41	70002028	1	Plug, Plastic	
42	70004448	1	Shaft, Input	
43	See Note	NSS	Disc, Iron (Note: Use p/n 70004453)	
44	See Note	NSS	Disc, Brake (Note: Use p/n 70004453)	
45	See Note	NSS	Spacer (Note: Use p/n 70004453)	
46	See Note	NSS	Seal (Note: Use p/n 70004453 or 70004451)	
47	See Note	NSS	O-Ring (Note: Use p/n 70004453 or 70004451)	
48	See Note	NSS	Seal (Note: Use p/n 70004453 or 70004451)	
49	See Note	NSS	O-Ring (Note: Use p/n 70004453 or 70004451)	

## SECTION 1 - FRAME

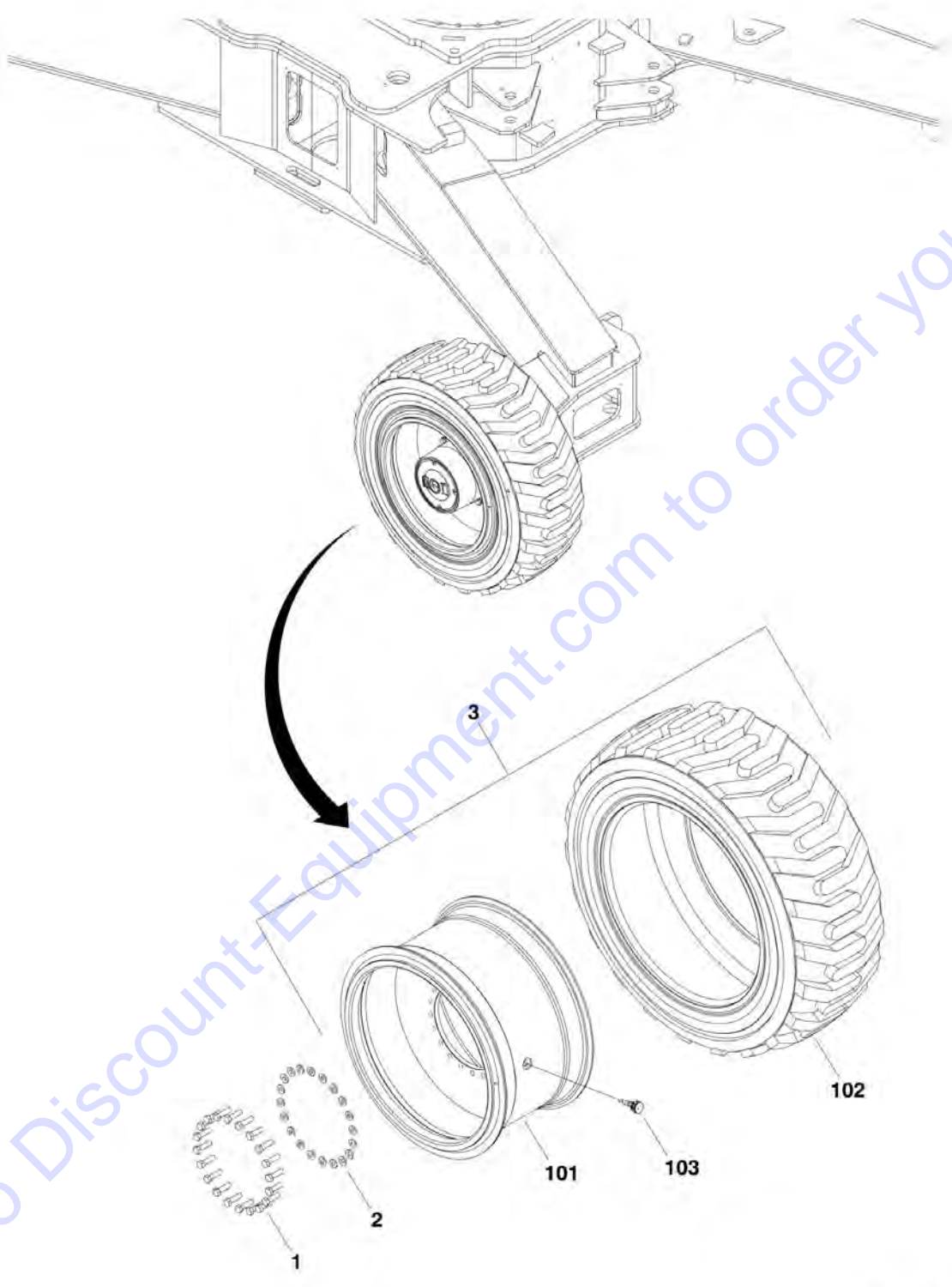
ITEM	PART NUMBER	QTY	DESCRIPTION	REV
50	See Note	NSS	Piston, Brake (Note: Use p/n 70004453)	
51	See Note	NSS	Spring, Brake (Note: Use p/n 70004453)	
52	See Note	NSS	Spacer (Note: Use p/n 70004453)	
53	See Note	NSS	Ring, Retaining (Note: Use p/n 70004453)	
54	See Note	NSS	O-Ring (Note: Use p/n 70004451)	
55	70004449	1	Support, Motor	
56	70004450	6	Screw M8 x 25	
100	70004451	1	Kit, Seal (Includes Items 4, 7, 10, 26, 31, 33, 46-49 & 54)	
101	70004452	1	Kit, Cover (Includes Items 2-10)	
102	70004453	1	Kit, Brake (Includes Items 43-53)	

Go to Discount-Equipment.com to order your parts



# SECTION 1 - FRAME

## FIGURE 1-7. TIRE/WHEEL INSTALLATION - IN445/50D710 FOAM-FILLED



1001157216

## SECTION 1 - FRAME

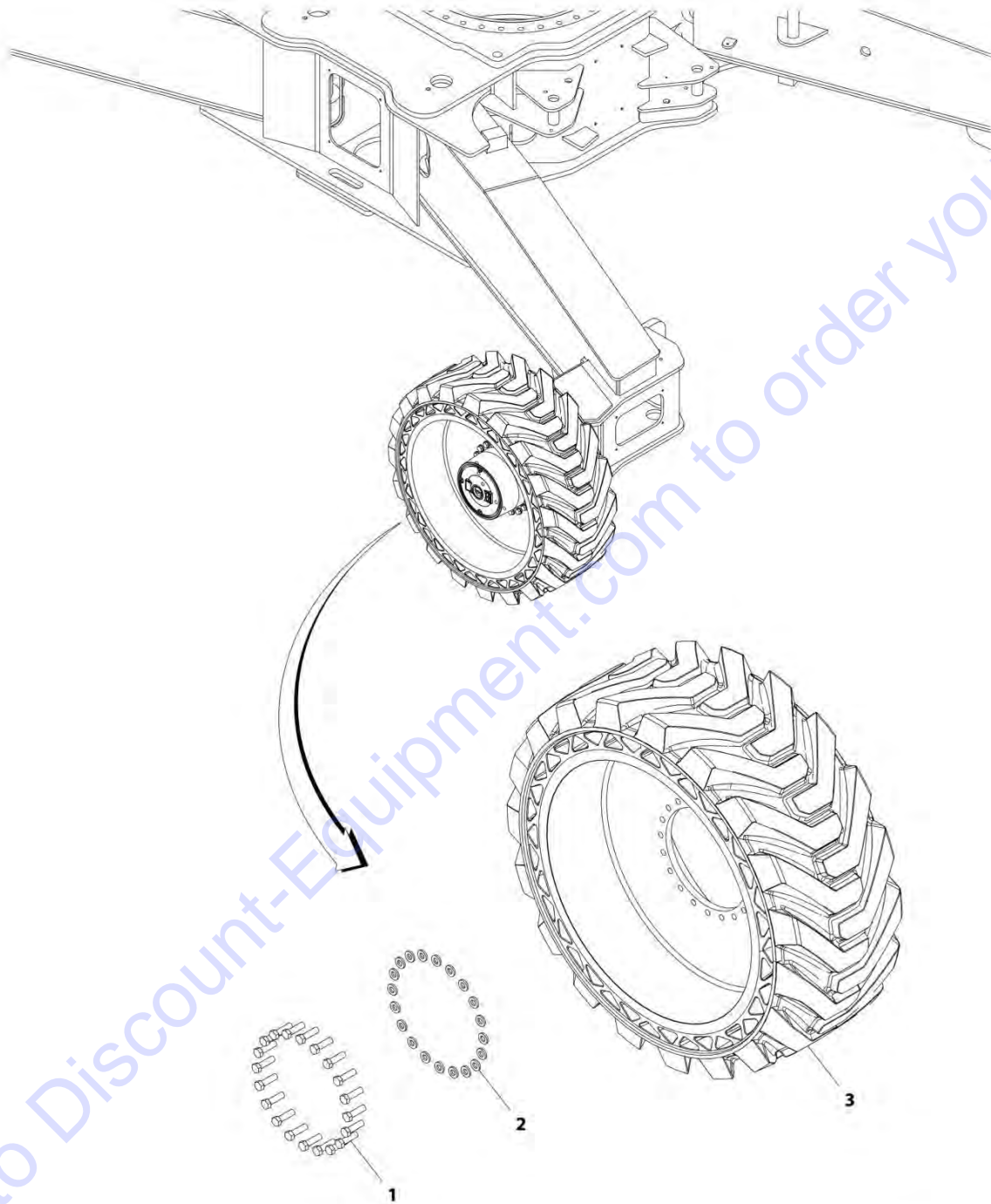
**FIGURE 1-7. TIRE/WHEEL INSTALLATION - IN445/50D710 FOAM-FILLED**

ITEM	PART NUMBER	QTY	DESCRIPTION	REV
	1001157216	Ref	TIRE/WHEEL INSTALLATION - IN445/50D710 FOAM-FILLED	F
		Ref	Note: Requires ballast/foam filling to manufacturer's specifications prior to installing on a machine. Refer to Service and Maintenance Manuals. Purchase individual tire and/or rim only if able to foam fill tire and wheel assembly, otherwise, purchase complete.	
1	0701619001	80	Bolt M16 x 55 (20 Per Wheel)	
2	1001172356	80	Washer 5/8 (20 Per Wheel)	
3	1001147616	2	Tire/Wheel (RH Side) (See Items 101-103 for Breakdown)	
3	1001149711	2	Tire/Wheel (LH Side) (See Items 101-103 for Breakdown)	
	1001147616	Ref	TIRE/WHEEL ASSEMBLY (RH SIDE)	I
	1001149711	Ref	TIRE/WHEEL ASSEMBLY (LH SIDE)	I
101	1001147617	4	Wheel (1 per Tire/Wheel)	
102	1001147618	4	Tire (1 per Tire/Wheel)	
103	1001157467	4	Valve (1 per Tire/Wheel)	

Go to Discount-Equipment.com to order your parts

# SECTION 1 - FRAME

## FIGURE 1-8. TIRE/WHEEL INSTALLATION - SOLID TIRES



ART\_1001188459

**FIGURE 1-8. TIRE/WHEEL INSTALLATION - SOLID TIRES**

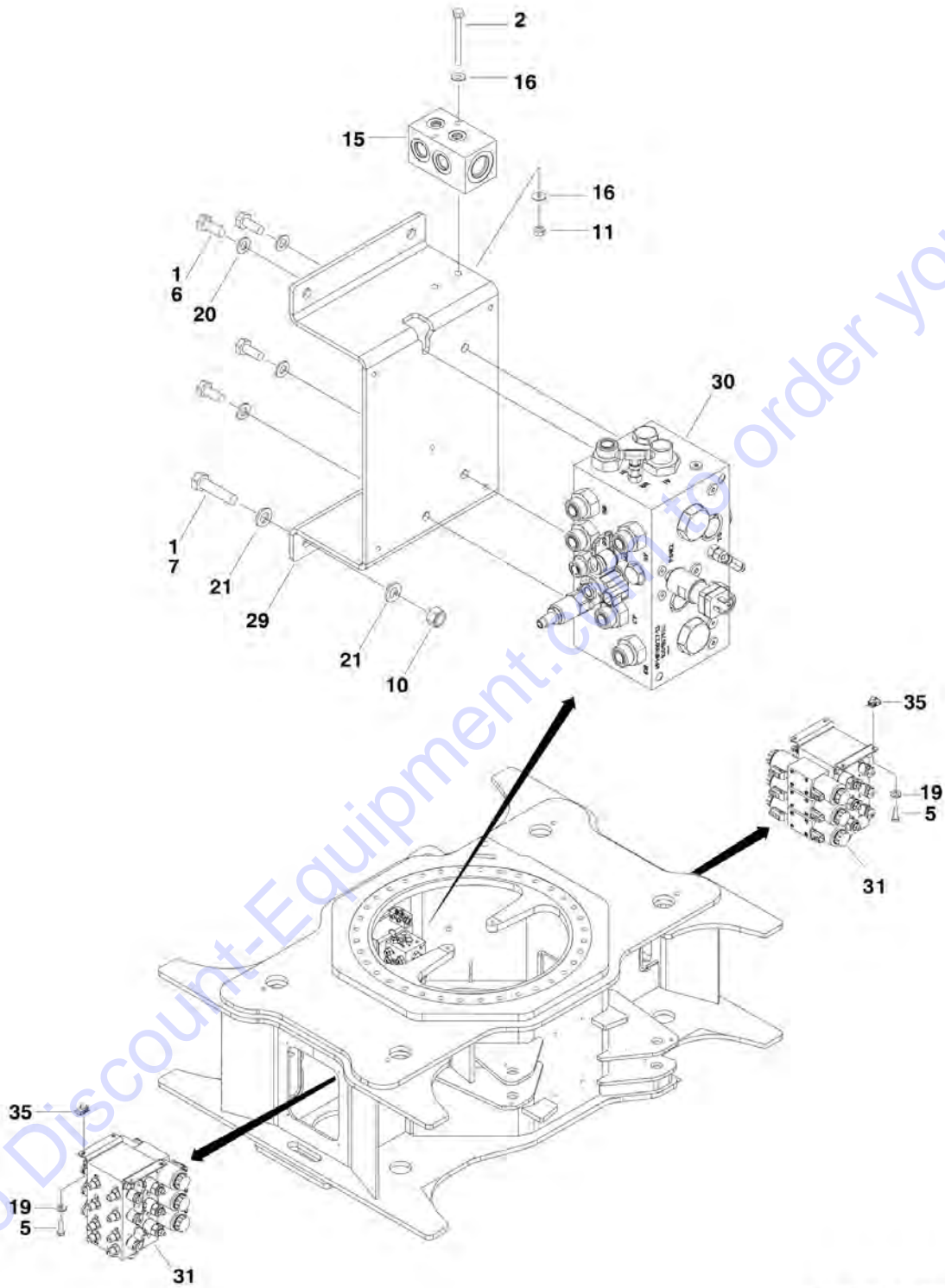
ITEM	PART NUMBER	QTY	DESCRIPTION	REV
	1001188459	Ref	TIRE/WHEEL INSTALLATION - SOLID TIRES	F
1	0701619001	80	Bolt M16 x 55 (20 Per Wheel)	
2	1001172356	80	Washer 5/8 (20 Per Wheel)	
3	1001188461	2	Tire/Wheel (RH Side) (Breakdown Not Currently Available)	
3	1001188462	2	Tire/Wheel (LH Side) (Breakdown Not Currently Available)	

Go to Discount-Equipment.com to order your parts



# SECTION 1 - FRAME

## FIGURE 1-9. VALVES INSTALLATION - FRAME (WITHOUT LSS)



1001157706\_PG 1 OF 3

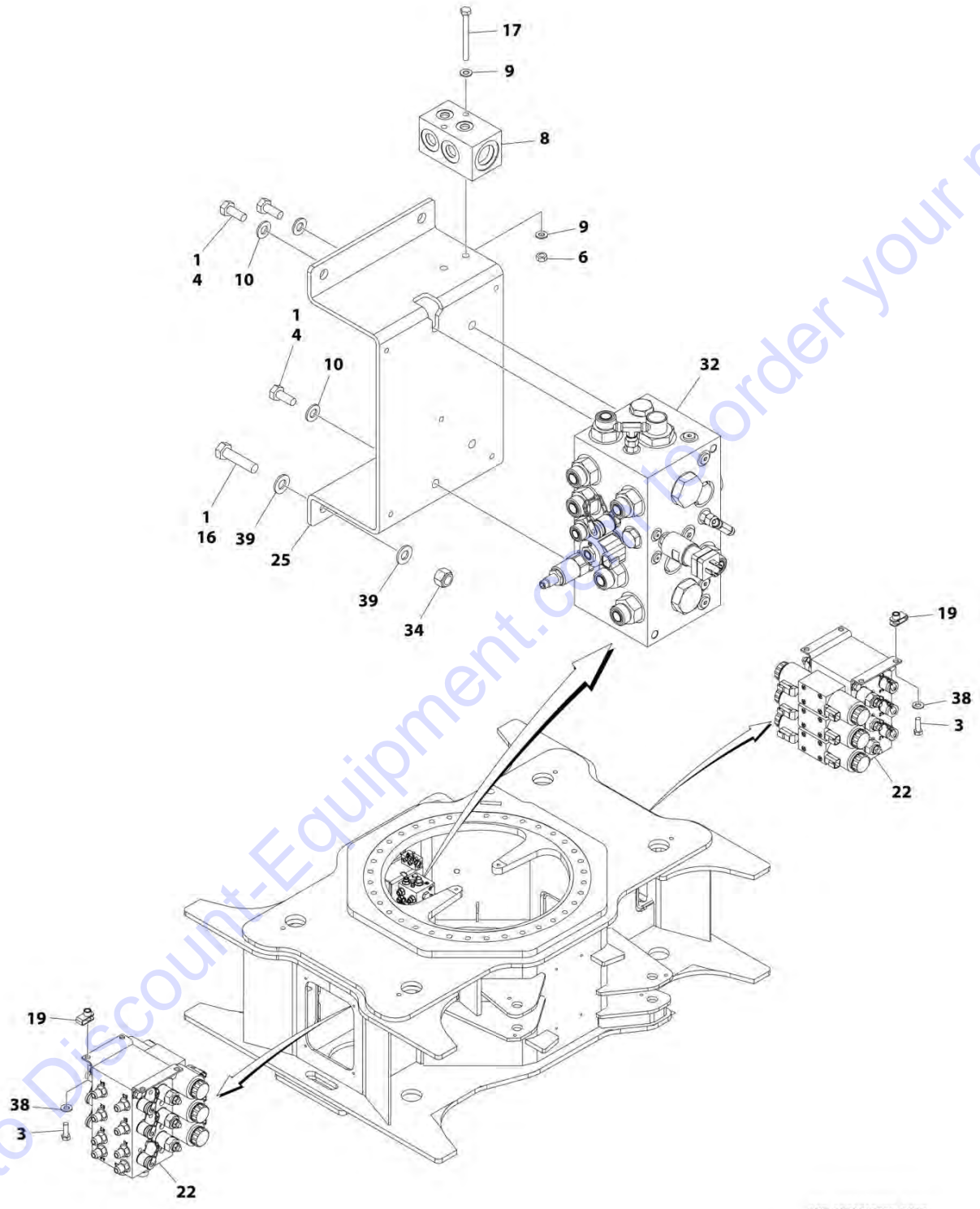
## SECTION 1 - FRAME

**FIGURE 1-9. VALVES INSTALLATION - FRAME (WITHOUT LSS)**

ITEM	PART NUMBER	QTY	DESCRIPTION	REV
	1001157706	Ref	VALVES INSTALLATION - FRAME (WITHOUT LSS)	M
1	0100011	AR	Compound, Locking	
2	0641422	2	Bolt 1/4 x 2-3/4 <b>(Prior to SN 0300218318)</b>	
2	1001096653	2	Bolt M6 x 70 <b>(SN 0300218318 to Present)</b>	
5	0760812	8	Bolt M8 x 25	
6	0761012	4	Bolt M10 x 25	
7	0761218001	4	Bolt M12 x 50	
10	3291205001	4	Nut M12	
11	3311405	2	Nut 1/4 <b>(Prior to SN 0300218318)</b>	
11	3290607	2	Nut M6 <b>(SN 0300218318 to Present)</b>	
15	4641155	1	Manifold, Junction	
16	4711400	4	Washer 1/4 <b>(Prior to SN 0300218318)</b>	
16	4811700	4	Washer M6 <b>(SN 0300218318 to Present)</b>	
19	4811900001	8	Washer M8	
20	4812000	4	Washer M10	
21	4812100001	8	Washer M12	
29	1001164354	1	Bracket	
30	1001157198	NLA	Traction Valve Assembly (Use p/n 1001219110) (See TRACTION VALVE ASSEMBLY for Breakdown) <b>(Prior to SN 0300224866)</b>	
30	1001219110	1	Traction Valve Assembly (See TRACTION VALVE ASSEMBLY for Breakdown) <b>(SN 0300224866 to Present)</b>	
31	1001157207	2	Steer/Axle Extend Valve Assembly (See STEER/AXLE EXTEND VALVE ASSEMBLY for Breakdown)	
35	1001118274	8	Nut M8	

# SECTION 1 - FRAME

## FIGURE 1-10. VALVES INSTALLATION - FRAME (WITH LSS)



ART\_1001219995\_10F3

## SECTION 1 - FRAME

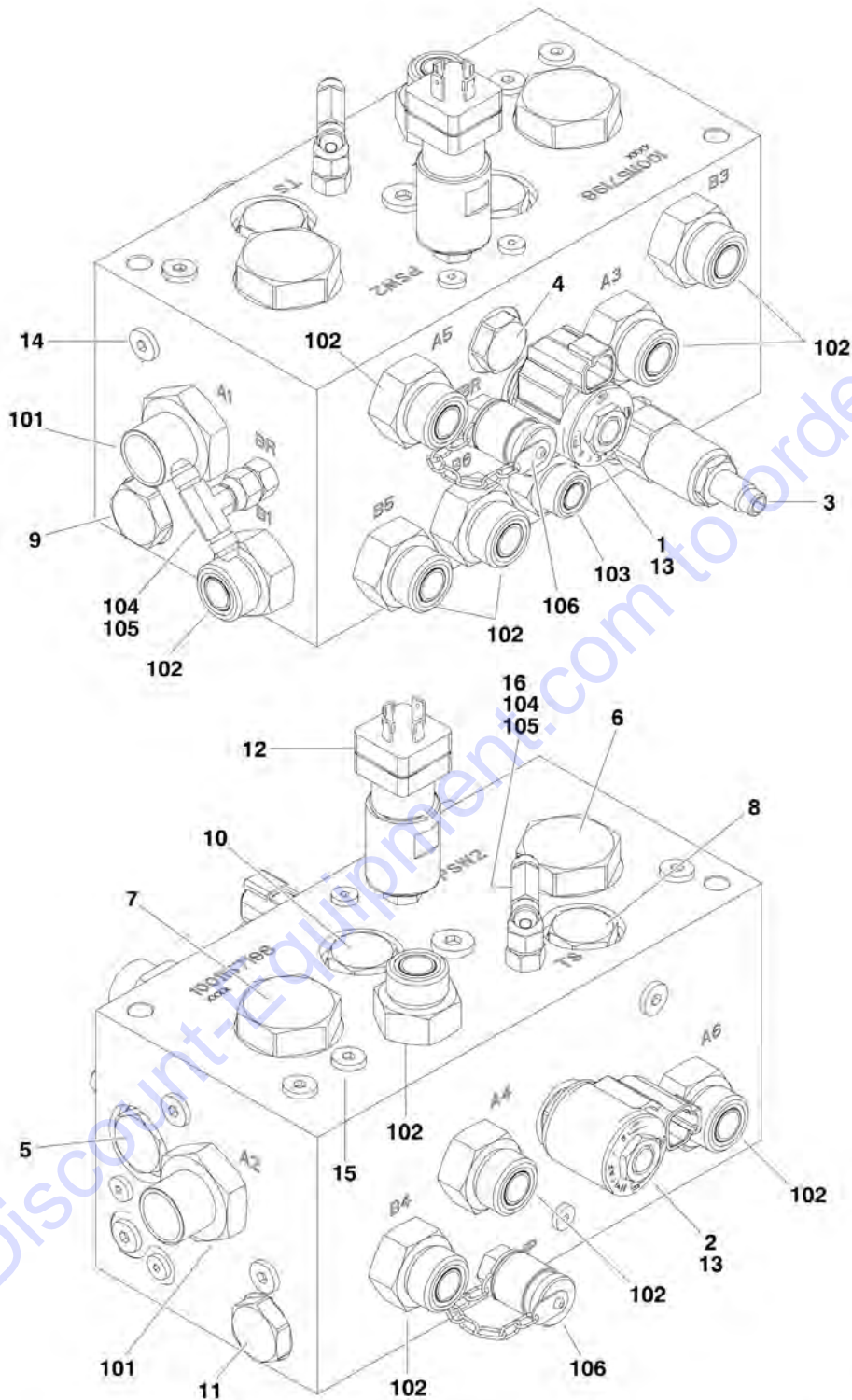
**FIGURE 1-10. VALVES INSTALLATION - FRAME (WITH LSS)**

ITEM	PART NUMBER	QTY	DESCRIPTION	REV
	1001219995	Ref	VALVES INSTALLATION - FRAME (WITH LSS)	B
1	0100011	AR	Compound, Locking	
3	0760812	8	Bolt M8 x 25	
4	0761012	4	Bolt M10 x 25	
6	3290607	2	Nut M6	
8	4641155	1	Manifold, Junction	
9	4811700	4	Washer M6	
10	4812000	4	Washer M10	
16	0761218001	4	Bolt M12 x 50	
17	1001096653	2	Bolt M6 x 70	
19	1001118274	8	Nut M8	
22	1001157207	2	Steer/Axle Extend Valve Assembly (See STEER/AXLE EXTEND VALVE ASSEMBLY for Breakdown)	
25	1001164354	1	Bracket	
32	1001219110	1	Traction Valve Assembly (See TRACTION VALVE ASSEMBLY for Breakdown)	
34	3291205001	4	Nut M12	
38	4811900001	4	Washer M8	
39	4812100001	8	Washer M12	

Go to Discount-Equipment.com to order your parts

# SECTION 1 - FRAME

FIGURE 1-11. TRACTION VALVE ASSEMBLY (Prior to SN 0300224866)



1001157198

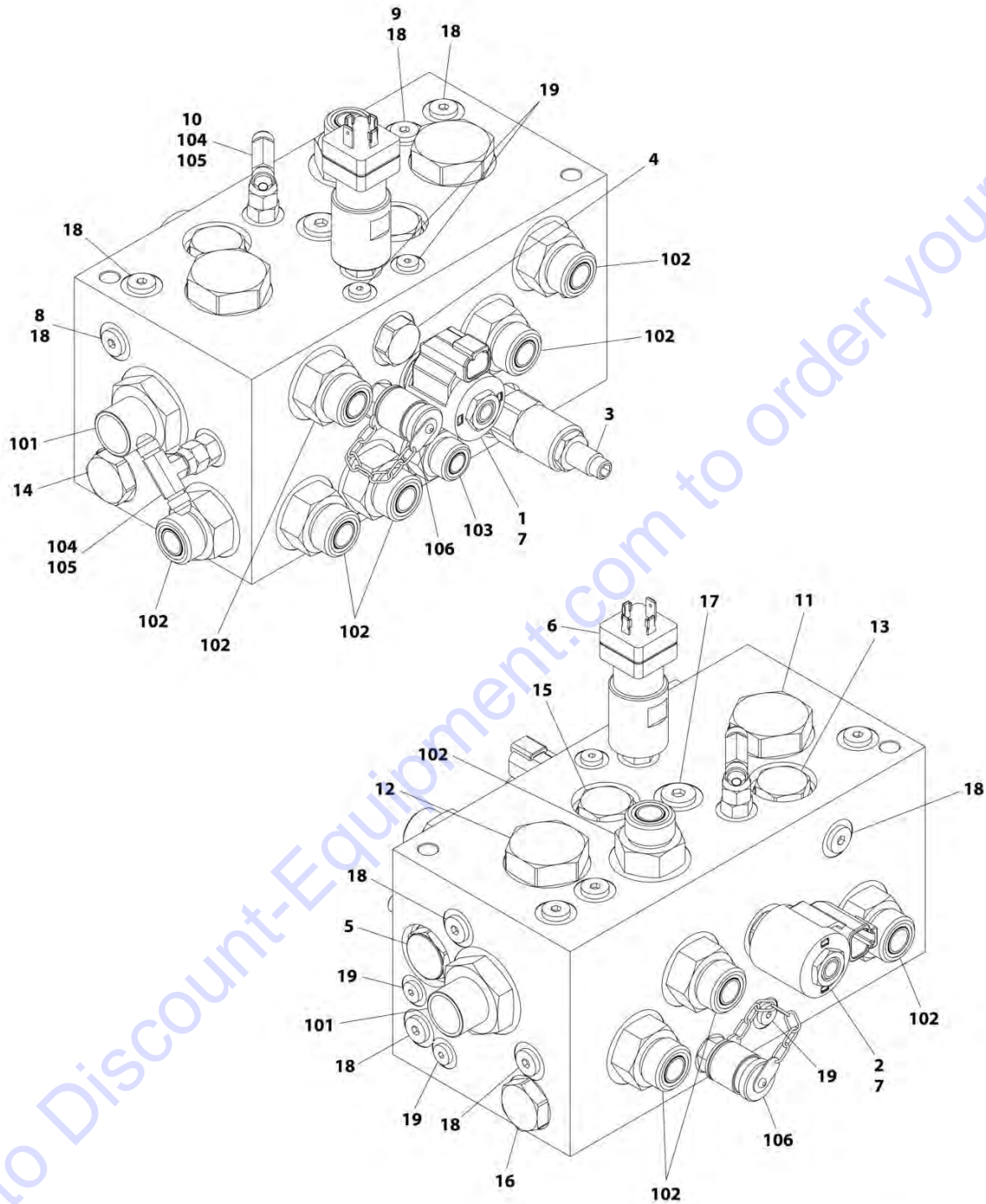
## SECTION 1 - FRAME

**FIGURE 1-11. TRACTION VALVE ASSEMBLY (Prior to SN 0300224866)**

ITEM	PART NUMBER	QTY	DESCRIPTION	REV
	1001157198	Ref	TRACTION VALVE ASSEMBLY (Prior to SN 0300224866)	H
1	7012941	1	Cartridge, Solenoid Less Coil	
1	7010543	1	Kit, Seal	
2	7012941	1	Cartridge, Solenoid Less Coil	
2	7010543	1	Kit, Seal	
3	70004383	1	Cartridge, Relief	
3	7012998	1	Kit, Seal	
4	70004384	1	Cartridge, Load Shuttle	
4	7012973	1	Kit, Seal	
5	70004385	1	Cartridge	
5	70002978	1	Kit, Seal	
6	70004017	1	Cartridge, Flow Divider	
6	7021625	1	Kit, Seal	
7	70004017	1	Cartridge, Flow Divider	
7	7021625	1	Kit, Seal	
8	70003408	1	Cartridge, Check	
8	7022399	1	Kit, Seal	
9	70003408	1	Cartridge, Check	
9	7022399	1	Kit, Seal	
10	70003408	1	Cartridge, Check	
10	7022399	1	Kit, Seal	
11	70003408	1	Cartridge, Check	
11	7022399	1	Kit, Seal	
12	70000803	1	Cartridge, Pressure Switch	
13	70002386	2	Coil	
14	7017493	1	Orifice	
15	7017493	1	Orifice	
16	70004386	1	Orifice	
101	2111016	2	Fitting, Straight ORB/ORFS	
102	2111012	10	Fitting, Straight ORB/ORFS	
103	2110810	1	Fitting, Straight ORB/ORFS	
104	2220415	2	Fitting, Straight JIC/ORB	
105	2220861	2	Fitting, Tee JIC/ORB	
106	2221086	2	Fitting, Test	

# SECTION 1 - FRAME

## FIGURE 1-12. TRACTION VALVE ASSEMBLY (SN 0300224866 to Present)



ART\_1001219110

## SECTION 1 - FRAME

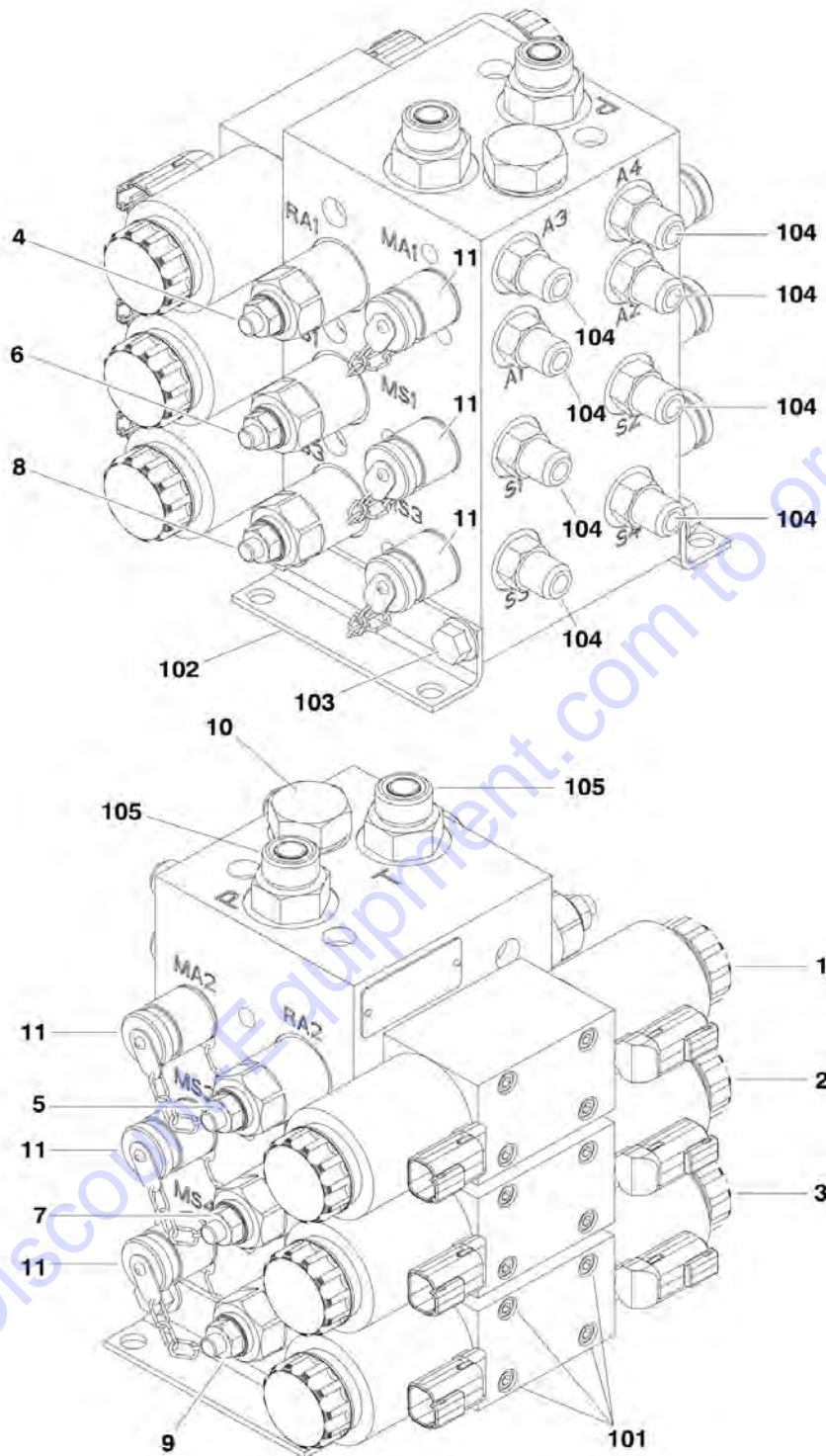
**FIGURE 1-12. TRACTION VALVE ASSEMBLY (SN 0300224866 to Present)**

ITEM	PART NUMBER	QTY	DESCRIPTION	REV
	1001219110	Ref	TRACTION VALVE ASSEMBLY (SN 0300224866 to Present)	B
1	7012941	1	Cartridge, Solenoid Less Coil	
1	7010543	1	Kit, Seal	
2	7012941	1	Cartridge, Solenoid Less Coil	
2	7010543	1	Kit, Seal	
3	70004383	1	Cartridge, Relief	
3	7012998	1	Kit, Seal	
4	70004384	1	Cartridge, Load Shuttle	
4	7012973	1	Kit, Seal	
5	70000804	1	Cartridge	
5	70000805	1	Kit, Seal	
6	70000803	1	Cartridge, Pressure Switch	
7	70002386	2	Coil	
8	7017493	1	Orifice	
9	7017493	1	Orifice	
10	70004386	1	Orifice	
11	70004017	1	Cartridge, Flow Divider	
11	7021625	1	Kit, Seal	
12	70004017	1	Cartridge, Flow Divider	
12	7021625	1	Kit, Seal	
13	70003408	1	Cartridge, Check	
13	7022399	1	Kit, Seal	
14	70003408	1	Cartridge, Check	
14	7022399	1	Kit, Seal	
15	70003408	1	Cartridge, Check	
15	7022399	1	Kit, Seal	
16	70003408	1	Cartridge, Check	
16	7022399	1	Kit, Seal	
17	2220885	1	Plug	
18	2220883	9	Plug	
19	2220881	8	Plug	
101	2111016	2	Fitting, Straight ORB/ORFS	
102	2111012	10	Fitting, Straight ORB/ORFS	
103	2110810	1	Fitting, Straight ORB/ORFS	
104	2220415	2	Fitting, Straight JIC/ORB	
105	2220861	2	Fitting, Tee JIC/ORB	
106	2221086	2	Fitting, Test	



# SECTION 1 - FRAME

## FIGURE 1-13. STEER/AXLE EXTEND VALVE ASSEMBLY



1001157207

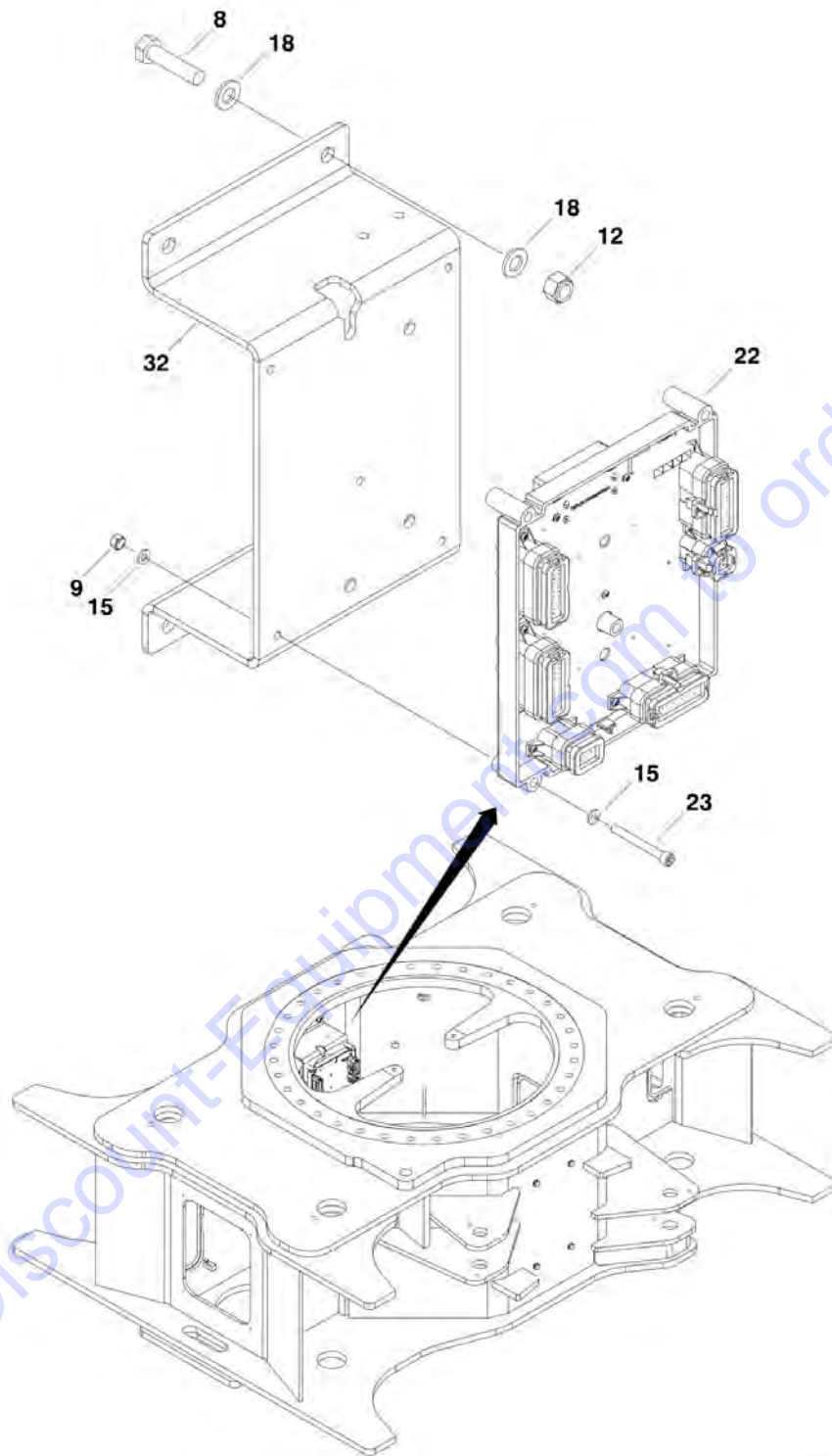
## SECTION 1 - FRAME

**FIGURE 1-13. STEER/AXLE EXTEND VALVE ASSEMBLY**

ITEM	PART NUMBER	QTY	DESCRIPTION	REV
	1001157207	Ref	STEER/AXLE EXTEND VALVE ASSEMBLY	E
1	70004459	1	Valve, Direction Control	
1	7012773	1	Kit, Seal	
1	70004460	2	Coil	
1	7021375	2	Nut, Coil	
1	70004461	2	O-Ring, Solenoid Pole	
2	70004462	1	Valve, Direction Control	
2	7012773	1	Kit, Seal	
2	70004463	2	Coil	
2	7021375	2	Nut, Coil	
2	70004461	2	O-Ring, Solenoid Pole	
3	70004462	1	Valve, Direction Control	
3	7012773	1	Kit, Seal	
3	70004463	2	Coil	
3	7021375	2	Nut, Coil	
3	70004461	2	O-Ring, Solenoid Pole	
4	70004464	1	Cartridge, Relief	
4	70004055	1	Kit, Seal	
5	70004464	1	Cartridge, Relief	
5	70004055	1	Kit, Seal	
6	70004464	1	Cartridge, Relief	
6	70004055	1	Kit, Seal	
7	70004464	1	Cartridge, Relief	
7	70004055	1	Kit, Seal	
8	70004464	1	Cartridge, Relief	
8	70004055	1	Kit, Seal	
9	70004464	1	Cartridge, Relief	
9	70004055	1	Kit, Seal	
10	70004465	1	Cartridge, Flow Divider	
10	70004164	1	Kit, Seal	
11	2221086	6	Fitting, Test	
101	See Note	NSS	Capscrew #10 x 2 (Note: Purchase Locally)	
102	See Note	NSS	Bracket (Note: Not Available for Purchase)	
103	0641504	4	Bolt 5/16-18 x 1/2	
104	2220371	8	Fitting, Straight JIC/ORB	
105	2110810	2	Fitting, Straight ORB/ORFS	

# SECTION 1 - FRAME

## FIGURE 1-14. ELECTRICAL COMPONENTS INSTALLATION - FRAME



1001156522\_PG 1 OF 2

## SECTION 1 - FRAME

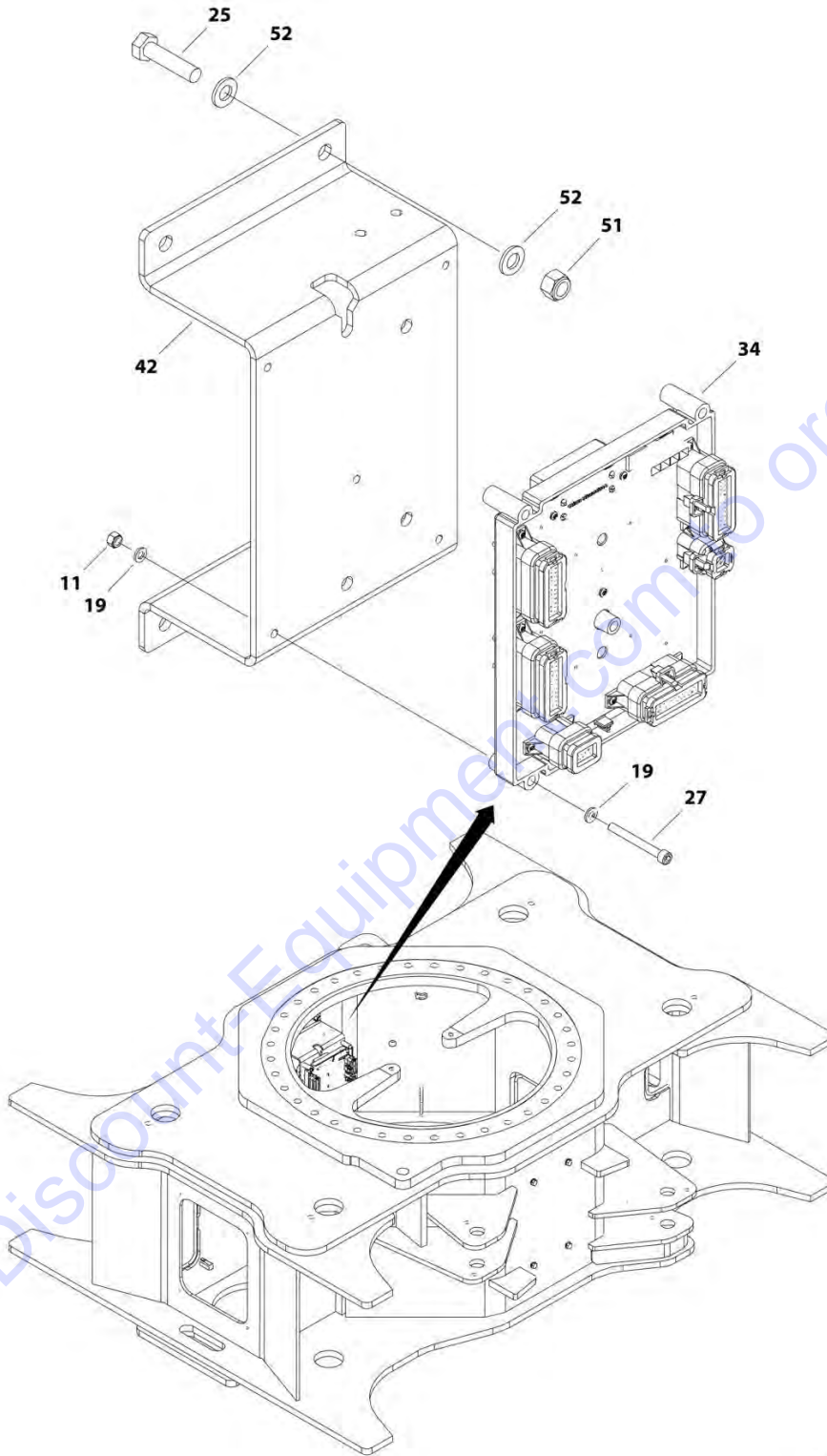
**FIGURE 1-14. ELECTRICAL COMPONENTS INSTALLATION - FRAME**

ITEM	PART NUMBER	QTY	DESCRIPTION	REV
	1001156522	Ref	ELECTRICAL COMPONENTS INSTALLATION - FRAME (ANSI EXPORT (LRC), AUSTRALIAN AND CHINA SPECS)	O
	1001156522	Ref	ELECTRICAL COMPONENTS INSTALLATION - FRAME (ANSI, CSA AND JAPANESE SPECS) <b>(Prior to SN 0300210987)</b>	L
	1001156522	Ref	ELECTRICAL COMPONENTS INSTALLATION - FRAME (CE SPECS) <b>(Prior to SN 0300201023)</b>	K
8	0761218001	4	Bolt M12 x 50	
9	3290605	5	Nut M6	
12	3291205001	4	Nut M12	
15	4811700	10	Washer M6	
18	4812100001	8	Washer M12	
22	1001150162	1	Module, Control (Note: Re-calibration Required When Replaced)	
23	1001118878	5	Capscrew M6 x 55	
30	1001149975	1	Chassis Harness (Not Shown - See ELECTRICAL SECTION for Breakdown)	
32	1001164354	1	Bracket	

Go to Discount-Equipment.com to order your parts

# SECTION 1 - FRAME

FIGURE 1-15. ELECTRICAL COMPONENTS INSTALLATION - FRAME (ANSI, ANSI EXPORT (HRC), CSA AND JAPANESE SPECS) (SN 0300210987 to Present)



ART\_1001198619\_10F2

## SECTION 1 - FRAME

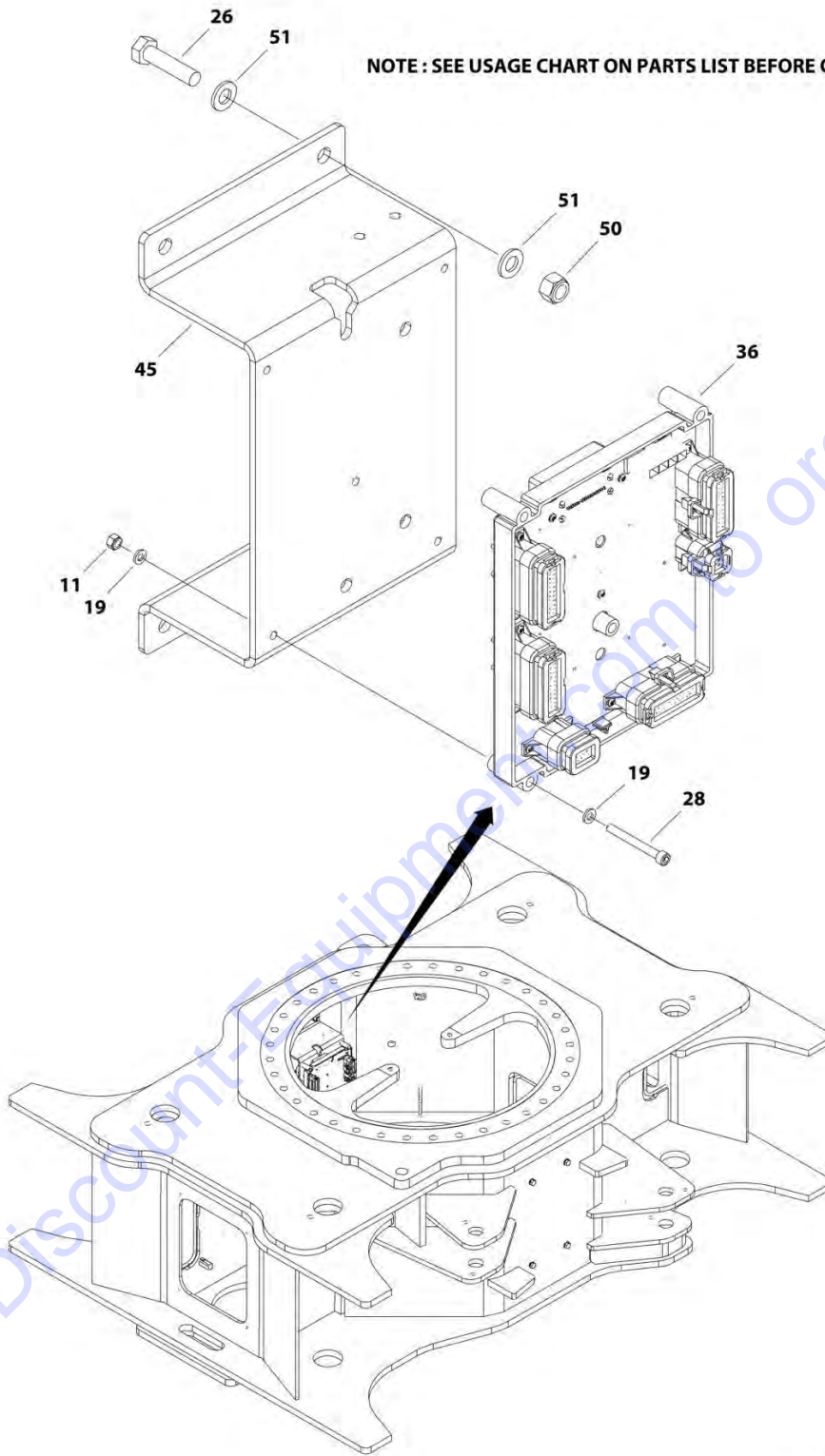
**FIGURE 1-15. ELECTRICAL COMPONENTS INSTALLATION - FRAME (ANSI, ANSI EXPORT (HRC), CSA AND JAPANESE SPECS) (SN 0300210987 to Present)**

ITEM	PART NUMBER	QTY	DESCRIPTION	REV
	1001198619	Ref	ELECTRICAL COMPONENTS INSTALLATION - FRAME (ANSI, ANSI EXPORT (HRC), CSA AND JAPANESE SPECS) (SN 0300210987 to Present)	F
11	3290605	6	Nut M6	
19	4811700	10	Washer M6	
25	0761218001	4	Bolt M12 x 50	
27	1001118878	5	Capscrew M6 x 55	
32	1001149975	1	Chassis Harness (Not Shown - See ELECTRICAL SECTION for Breakdown)	
34	1001150162	1	Module, Control (Note: Re-calibration Required When Replaced)	
42	1001164354	1	Bracket	
51	3291205001	4	Nut M12	
52	4812100001	8	Washer M12	

Go to Discount-Equipment.com to order your parts

# SECTION 1 - FRAME

## FIGURE 1-16. ELECTRICAL COMPONENTS INSTALLATION - FRAME (CE SPECS)



ART\_1001184702\_10F2

## SECTION 1 - FRAME

**FIGURE 1-16. ELECTRICAL COMPONENTS INSTALLATION - FRAME (CE SPECS)**

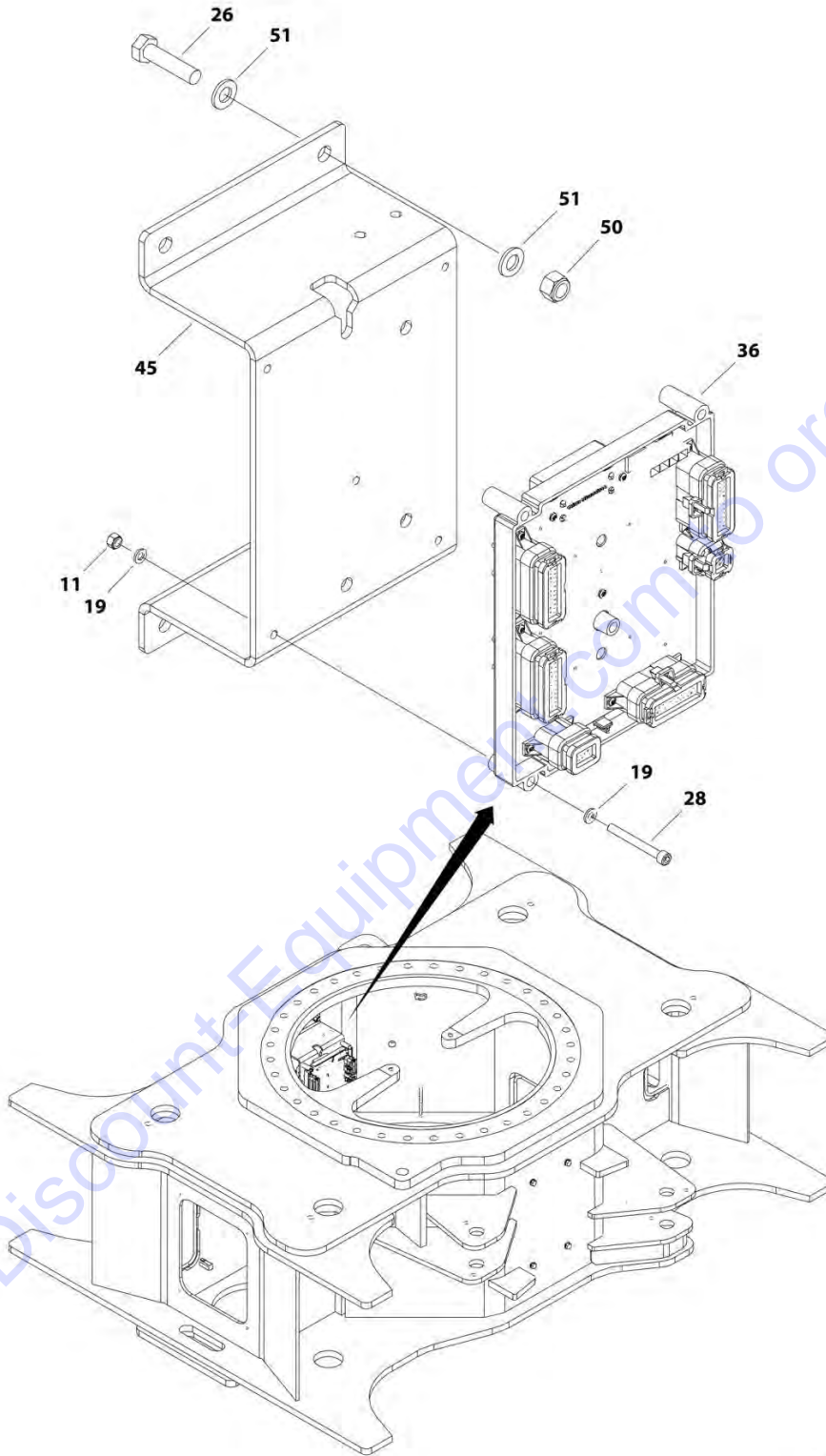
ITEM	PART NUMBER	QTY	DESCRIPTION	REV
	1001184702	Ref	ELECTRICAL COMPONENTS INSTALLATION - FRAME (CE SPECS)	E
		Ref	Usage Chart	
		Ref	CE Specs <b>(SN 0300201023 through 0300210987)</b>	
		Ref	CE (LRC) Specs <b>(SN 0300223410 to Present)</b>	
11	3290605	6	Nut M6	
19	4811700	10	Washer M6	
26	0761218001	4	Bolt M12 x 50	
28	1001118878	5	Capscrew M6 x 55	
34	1001149975	1	Chassis Harness (Not Shown - See ELECTRICAL SECTION for Breakdown)	
36	1001150162	1	Module, Control (Note: Re-calibration Required When Replaced)	
45	1001164354	1	Bracket	
50	3291205001	4	Nut M12	
51	4812100001	8	Washer M12	

Go to Discount-Equipment.com to order your parts



# SECTION 1 - FRAME

FIGURE 1-17. ELECTRICAL COMPONENTS INSTALLATION - FRAME (CE SPECS) (SN 0300210988 to Present)



ART\_1001198624\_10F2

## SECTION 1 - FRAME

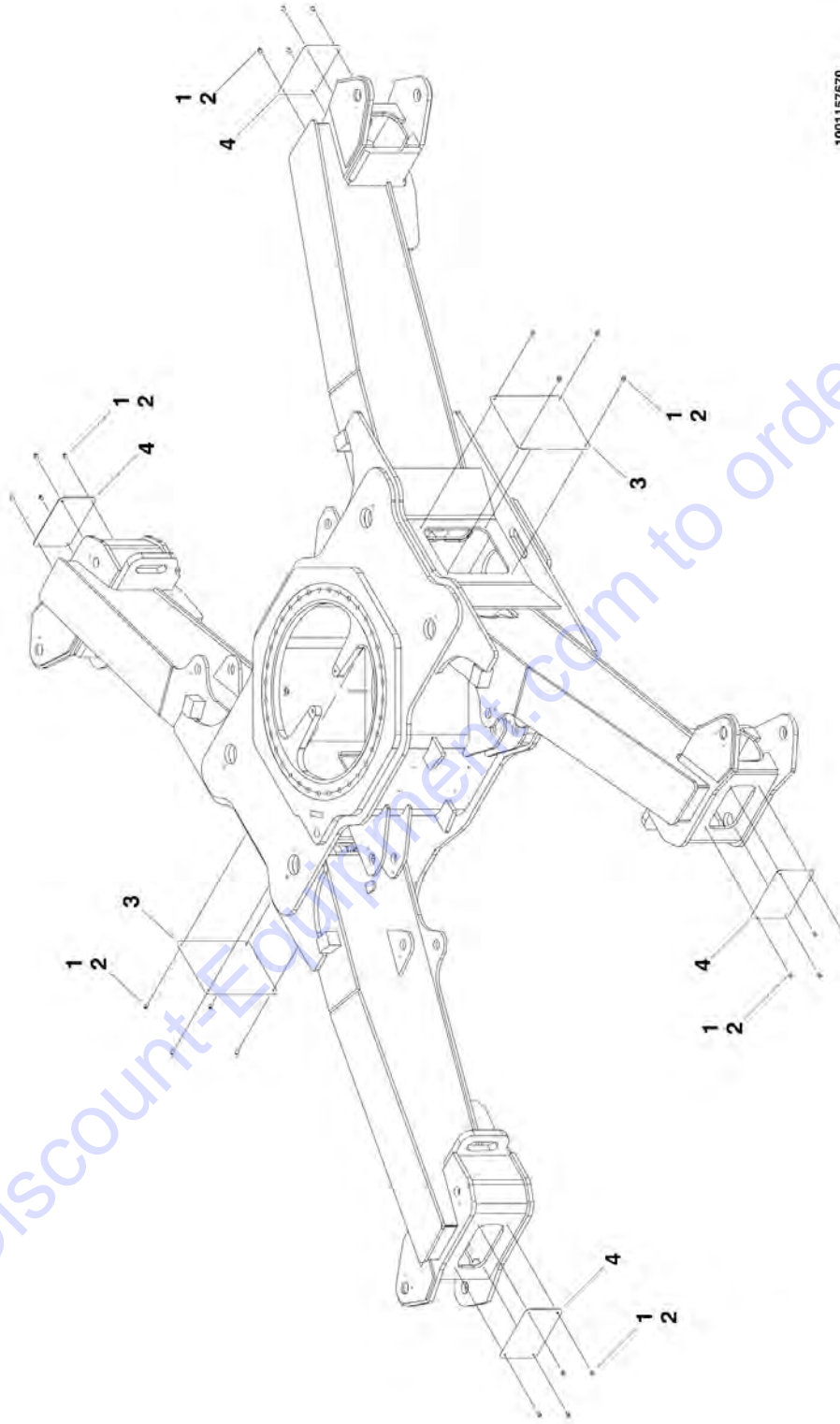
**FIGURE 1-17. ELECTRICAL COMPONENTS INSTALLATION - FRAME (CE SPECS) (SN 0300210988 to Present)**

ITEM	PART NUMBER	QTY	DESCRIPTION	REV
	1001198624	Ref	ELECTRICAL COMPONENTS INSTALLATION - FRAME (CE SPECS) (SN 0300210988 to Present)	F
11	3290605	6	Nut M6	
19	4811700	10	Washer M6	
26	0761218001	4	Bolt M12 x 50	
28	1001118878	5	Capscrew M6 x 55	
34	1001149975	1	Chassis Harness (Not Shown - See ELECTRICAL SECTION for Breakdown)	
36	1001150162	1	Module, Control (Note: Re-calibration Required When Replaced)	
45	1001164354	1	Bracket	
50	3291205001	4	Nut M12	
51	4812100001	8	Washer M12	

Go to Discount-Equipment.com to order your parts

# SECTION 1 - FRAME

## FIGURE 1-18. COVERS INSTALLATION - FRAME



1001157670

Go to Discount-Equipment.com to order your parts

**SECTION 1 - FRAME**

**FIGURE 1-18. COVERS INSTALLATION - FRAME**

ITEM	PART NUMBER	QTY	DESCRIPTION	REV
	1001157670	Ref	COVERS INSTALLATION - FRAME	B
1	0100011	AR	Compound, Locking	
2	5251210001	24	Bolt M12 x 20	
3	1001155561	2	Cover	
4	1001156867	4	Cover	

Go to Discount-Equipment.com to order your parts

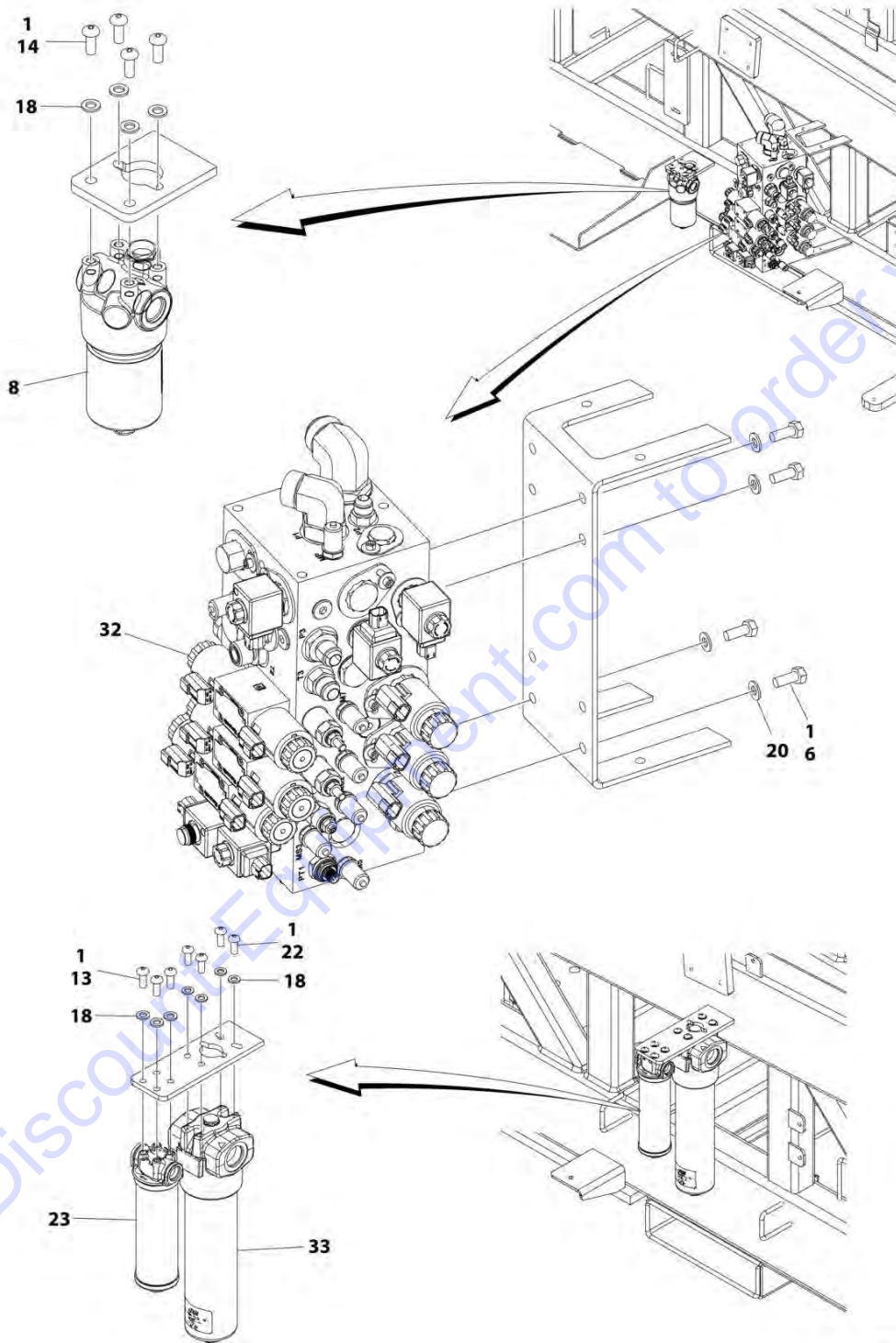


**SECTION 2 - TURNTABLE**

*Go to Discount-Equipment.com to order your parts*

## SECTION 2 - TURNTABLE

FIGURE 2-1. VALVES AND HYDRAULIC FILTERS INSTALLATION - TURNTABLE (WITHOUT LSS)



ART\_1001157706\_2 OF 3

## SECTION 2 - TURNTABLE

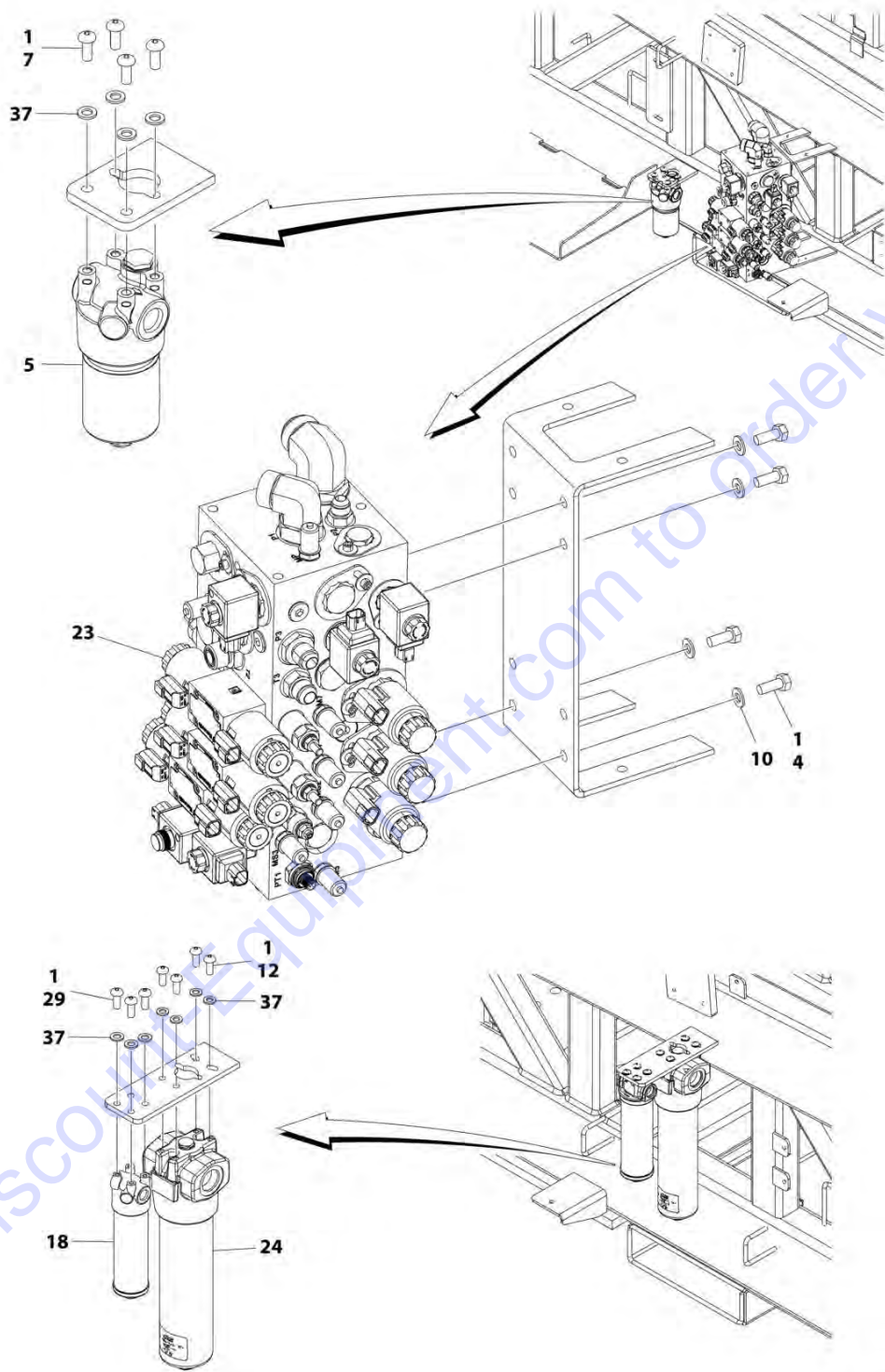
**FIGURE 2-1. VALVES AND HYDRAULIC FILTERS INSTALLATION - TURNTABLE (WITHOUT LSS)**

ITEM	PART NUMBER	QTY	DESCRIPTION	REV
	1001157706	Ref	VALVES AND HYDRAULIC FILTERS INSTALLATION - TURNTABLE (WITHOUT LSS)	M
1	0100011	AR	Compound, Locking	
6	0761012	4	Bolt M10 x 25	
8	2120217	1	Filter	
8	70002097	1	Element	
8	70001499	1	Kit, Seal	
8	70004328	1	Plug, Indicator	
13	1001173846	4	Screw 3/8-16 x 3/4	
13	1001238236	4	Screw 3/8-16 x 7/8	
14	3900316	4	Screw 3/8-16 x 1	
18	4711600001	12	Washer 3/8	
20	4812000	4	Washer M10	
22	88261128	4	Screw 3/8-16 x 1	
23	1001108617	1	Filter	
23	70002231	1	Element	
32	1001158406	NLA	Main Valve Assembly (Use p/n 1001234548) (See MAIN VALVE ASSEMBLY for Breakdown) <b>(Prior to SN 0300247850)</b>	
32	1001234548	1	Main Valve Assembly (See MAIN VALVE ASSEMBLY for Breakdown) <b>(SN 0300247850 to Present)</b>	
33	1001158412	1	Filter	
33	1001161232	1	Element	



## SECTION 2 - TURNTABLE

FIGURE 2-2. VALVES AND HYDRAULIC FILTERS INSTALLATION - TURNTABLE (WITH LSS)



ART\_1001219995\_2OF3

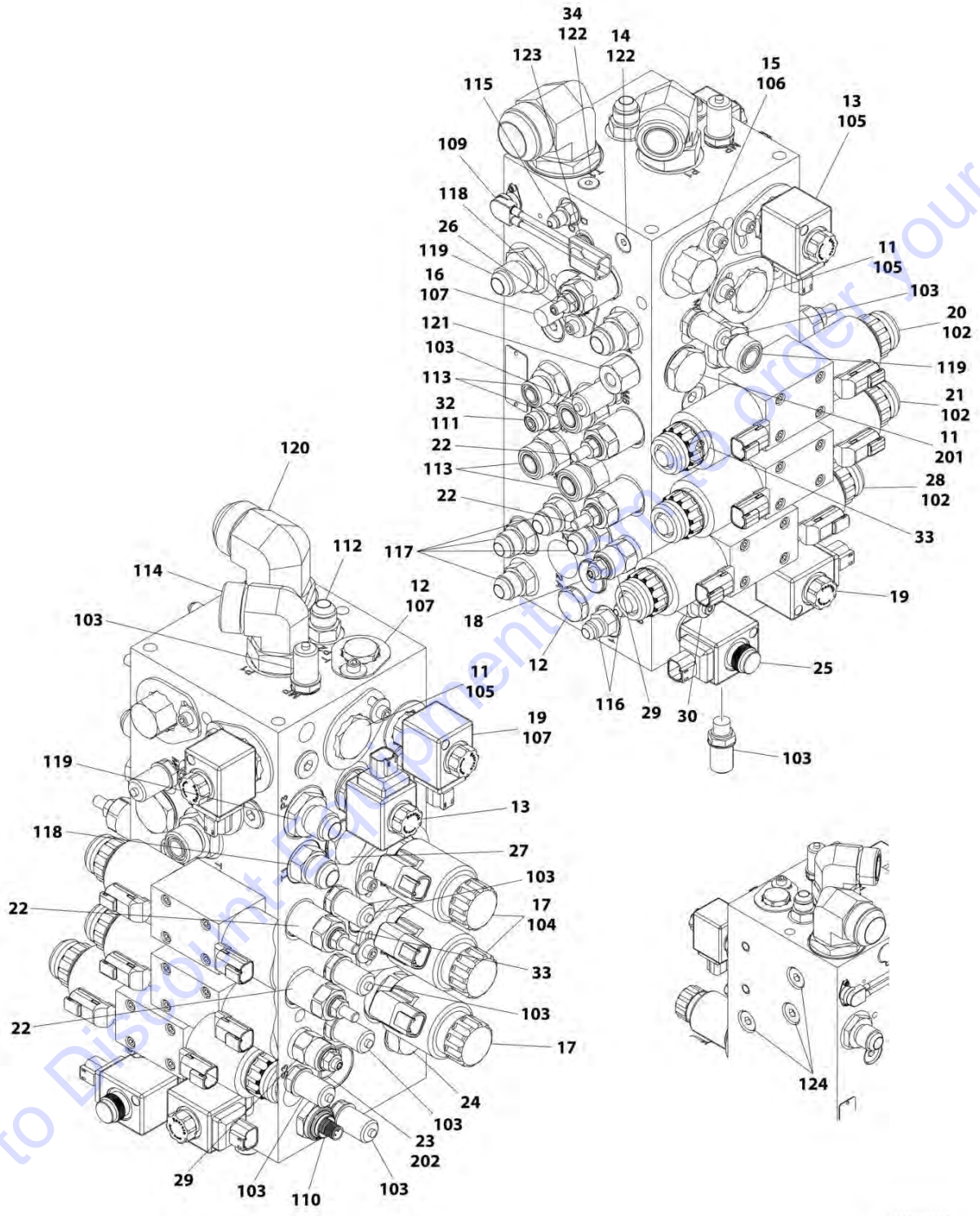
## SECTION 2 - TURNTABLE

**FIGURE 2-2. VALVES AND HYDRAULIC FILTERS INSTALLATION - TURNTABLE (WITH LSS)**

ITEM	PART NUMBER	QTY	DESCRIPTION	REV
	1001219995	Ref	VALVES AND HYDRAULIC FILTERS INSTALLATION - TURNTABLE (WITH LSS)	B
1	0100011	AR	Compound, Locking	
4	0761012	4	Bolt M10 x 25	
5	2120217	1	Filter	
5	70002097	1	Element	
5	70001499	1	Kit, Seal	
7	3900316	4	Screw 3/8-16 x 1	
10	4812000	4	Washer M10	
12	88261128	4	Screw 3/8-16 x 1	
18	1001108617	1	Filter	
18	70002231	1	Element	
23	1001158406	NLA	Main Valve Assembly (Use p/n 1001234548) (See MAIN VALVE ASSEMBLY for Breakdown) <b>(Prior to SN 0300247850)</b>	
23	1001234548	1	Main Valve Assembly (See MAIN VALVE ASSEMBLY for Breakdown) <b>(SN 0300247850 to Present)</b>	
24	1001158412	1	Filter	
24	1001161232	1	Element	
29	1001173846	4	Screw 3/8-16 x 3/4	
29	1001238236	4	Screw 3/8-16 x 7/8	
37	4711600001	12	Washer 3/8	

# SECTION 2 - TURNTABLE

## FIGURE 2-3. MAIN VALVE ASSEMBLY (Prior to SN 0300247850)



ART\_1001158406

**SECTION 2 - TURNTABLE**

**FIGURE 2-3. MAIN VALVE ASSEMBLY (Prior to SN 0300247850)**

ITEM	PART NUMBER	QTY	DESCRIPTION	REV
	1001158406	Ref	MAIN VALVE ASSEMBLY	K
11	70004583	3	Cartridge, Check	
11	70004584	3	Kit, Seal	
12	70004585	2	Cartridge, Check	
12	70004052	2	Kit, Seal	
13	70004586	2	Cartridge, Solenoid	
13	70004587	2	Kit, Seal	
13	70004588	2	Coil	
14	70004589	1	Orifice	
15	70004590	1	Cartridge, Directional	
15	70023862	1	Kit, Seal	
16	70004591	1	Cartridge, Pressure Reducing	
16	70004592	1	Kit, Seal	
17	70004593	3	Cartridge, Solenoid	
17	70004594	3	Kit, Seal	
17	70004595	3	Coil	
18	70023859	1	Cartridge, Shuttle	
18	70023860	1	Kit, Seal	
19	70004598	2	Cartridge, Dump	
19	70004055	2	Kit, Seal	
19	70004588	2	Coil	
20	70004459	1	Valve	
20	7012773	1	Kit, Seal	
20	70004460	2	Coil	
20	7021375	2	Nut	
21	70004600	1	Valve	
21	7012773	1	Kit, Seal	
21	70004460	2	Coil	
21	7021375	2	Nut	
22	70004601	4	Cartridge, Relief Valve	
22	70004602	4	Kit, Seal	
23	70004603	1	Plug	
24	70004604	1	Cartridge, Pilot Check	
24	70004605	1	Kit, Seal	
25	70004606	1	Cartridge, Solenoid	
25	70004053	1	Kit, Seal	
25	70004599	1	Coil	
26	70004607	1	Cartridge, Relief Valve	
26	70004602	1	Kit, Seal	
27	70004608	1	Cartridge, Check	
27	70004584	1	Kit, Seal	
28	70004609	1	Valve	
28	7012773	1	Kit, Seal	
28	70004460	2	Coil	
28	7021375	2	Nut	
29	70004610	2	Cartridge, Counterbalance	
29	70004611	2	Kit, Seal	
30	70004612	1	Cartridge, Throttle	
30	70004052	1	Kit, Seal	
32	7023821	1	Orifice	

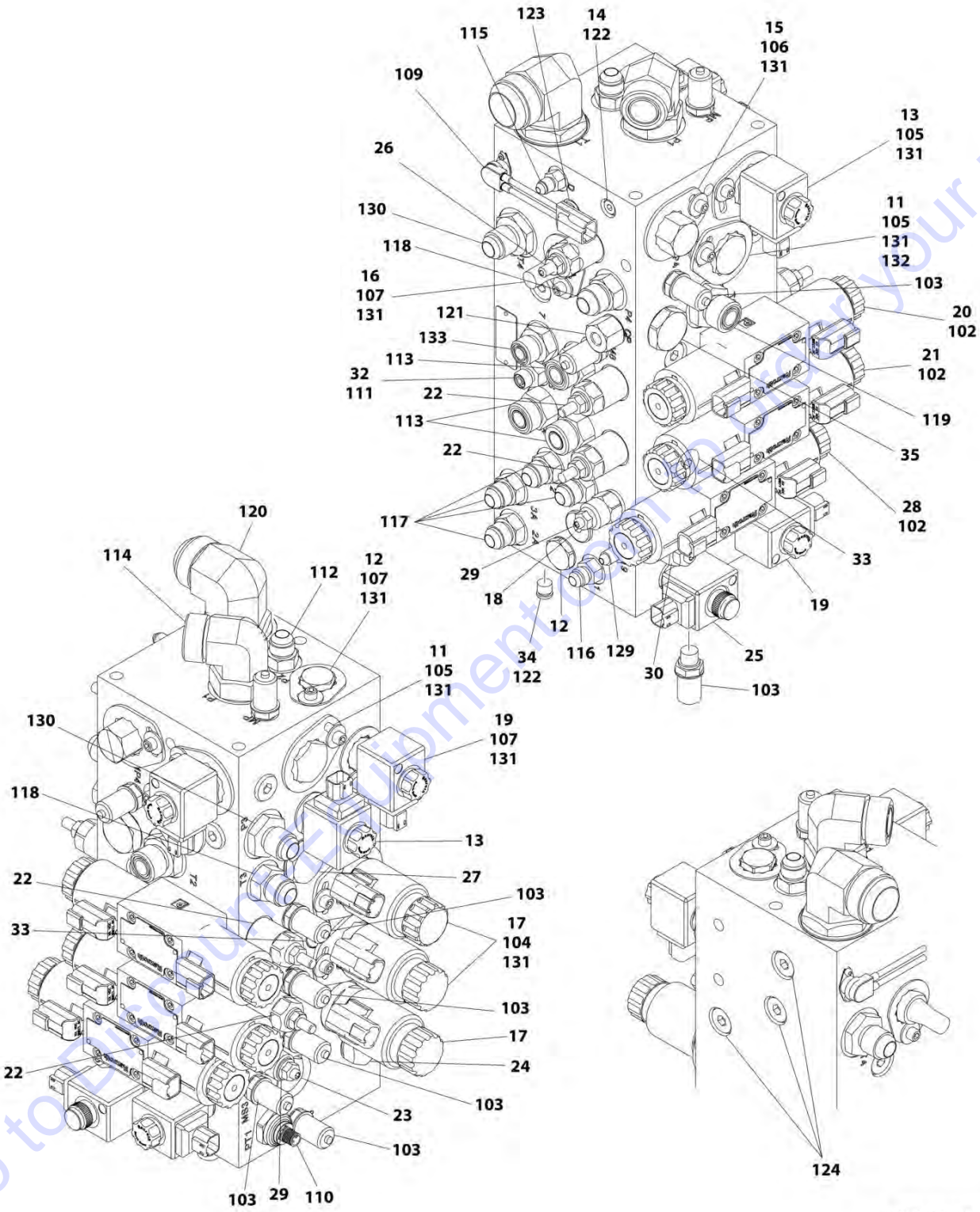
## SECTION 2 - TURNTABLE

ITEM	PART NUMBER	QTY	DESCRIPTION	REV
33	70004613	2	Cartridge, Shuttle	
34	70004668	1	Plug, Orifice	
102	7018942	12	Capscrew #10 x 2	
103	2221086	9	Fitting, Test	
104	70005954	2	Kit, Locking	
105	70005957	3	Kit, Locking	
106	70005956	1	Kit, Locking	
107	70005955	3	Kit, Locking	
109	70004614	1	Sensor, Thermostat	
109	70004615	1	Capscrew #6 x 3/8-16	
110	70004616	1	Switch, Transducer Switch	
111	2110406	1	Fitting, Straight ORB/ORFS	
112	2220373	1	Fitting, Straight JIC/ORB	
113	2111010	3	Fitting, Straight ORB/ORFS	
113	2110810	1	Fitting, Straight ORB/ORFS	
114	2131616	1	Fitting, Elbow ORFS/ORB	
115	2220415	1	Fitting, Straight JIC/ORB	
116	2220582	1	Fitting, Straight JIC/ORB	
116	2220371	1	Fitting, Straight JIC/ORB	
117	2220373	4	Fitting, Straight JIC/ORB	
118	2220947	2	Fitting, Straight JIC/ORB	
119	2111012	1	Fitting, Straight JIC/ORB	
119	2220865	2	Fitting, Straight JIC/ORB	
120	88662070	1	Fitting, 90 JIC/ORB	
121	See Note	NSS	Fitting, Straight (Note: Not Available for Purchase)	
122	70002758	2	Plug, Zero Leak	
123	70004617	1	Plug, Zero Leak	
124	70002759	AR	Plug, Zero Leak	
	1001237930	Ref	Main Control Valve Kit	
201	1001235159	1	Valve, Check	
202	1001238260	1	Valve, Check	



# SECTION 2 - TURNTABLE

## FIGURE 2-4. MAIN VALVE ASSEMBLY (SN 0300247850 to Present)



ART\_1001234548

**SECTION 2 - TURNTABLE**

**FIGURE 2-4. MAIN VALVE ASSEMBLY (SN 0300247850 to Present)**

ITEM	PART NUMBER	QTY	DESCRIPTION	REV
	1001234548	Ref	MAIN VALVE ASSEMBLY	A
11	70004583	3	Cartridge, Check	
11	70004584	3	Kit, Seal	
12	70004585	2	Cartridge, Check	
12	70004052	2	Kit, Seal	
13	70004586	2	Cartridge, Solenoid	
13	70004587	2	Kit, Seal	
13	70004588	5	Coil	
14	70004589	1	Orifice	
15	70004590	1	Cartridge, Directional	
15	70023862	1	Kit, Seal	
16	70004591	1	Cartridge, Pressure Reducing	
16	70004592	1	Kit, Seal	
17	70004593	3	Cartridge, Solenoid	
17	70004594	3	Kit, Seal	
17	70004595	3	Coil	
18	70023859	1	Cartridge, Shuttle	
18	70023860	1	Kit, Seal	
19	70004598	2	Cartridge, Dump	
19	70004055	2	Kit, Seal	
19	70004588	2	Coil	
20	70004459	1	Valve	
20	7012773	1	Kit, Seal	
20	70004460	2	Coil	
20	7021375	2	Nut	
21	70004600	1	Valve	
21	7012773	1	Kit, Seal	
21	70004463	2	Coil	
21	7021375	2	Nut	
22	70004601	4	Cartridge, Relief Valve	
22	70004602	4	Kit, Seal	
23	70023866	1	Valve, Cartridge (Check)	
23	70023867	1	Kit, Seal	
24	70004604	1	Cartridge, Pilot Check	
24	70004605	1	Kit, Seal	
25	70004606	1	Cartridge, Solenoid	
25	70004053	1	Kit, Seal	
25	70004599	1	Coil	
26	70004607	1	Cartridge, Relief Valve	
26	70004602	1	Kit, Seal	
27	70004608	1	Cartridge, Check	
27	70004584	1	Kit, Seal	
28	70004609	1	Valve	
28	7012773	1	Kit, Seal	
28	70004463	2	Coil	
28	7021375	2	Nut	
29	70004610	2	Cartridge, Counterbalance	
29	70004611	1	Kit, Seal	
30	70004612	1	Cartridge, Throttle	
30	70004052	1	Kit, Seal	



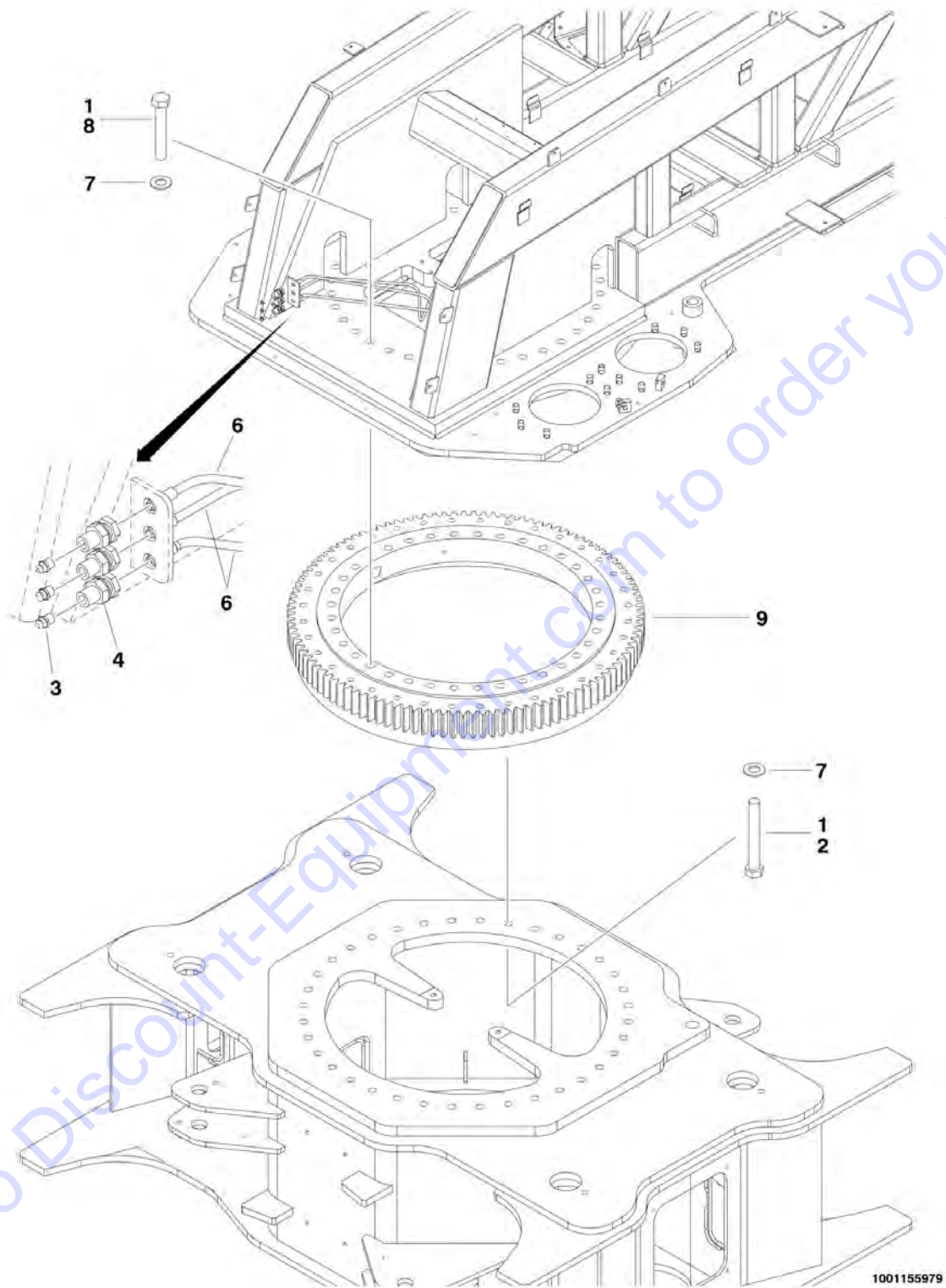
## SECTION 2 - TURNTABLE

ITEM	PART NUMBER	QTY	DESCRIPTION	REV
32	7023821	1	Orifice	
33	70004613	2	Cartridge, Shuttle	
34	70004668	1	Plug, Orifice	
35	10837489	NLA	Cartridge, Check Valve (Use p/n 1001235159)	
102	7018942	12	Capscrew #10 x 2	
103	2221086	9	Fitting, Test	
104	70000781	2	Kit, Locking	
105	70002962	3	Kit, Locking	
106	70004618	1	Kit, Locking	
107	70004619	3	Kit, Locking	
109	70004614	1	Sensor, Thermostat	
109	70004615	2	Capscrew #6 x 3/8-16	
109	70005961	2	Insert, Threaded	
110	70004616	1	Switch, Transducer Switch	
111	2110406	1	Fitting, Straight ORB/ORFS	
112	2220373	1	Fitting, Straight JIC/ORB	
113	2111010	3	Fitting, Straight ORB/ORFS	
114	2131616	1	Fitting, Elbow ORFS/ORB	
115	2220415	1	Fitting, Straight JIC/ORB	
116	2220371	1	Fitting, Straight JIC/ORB	
117	2220373	4	Fitting, Straight JIC/ORB	
118	2220947	2	Fitting, Straight JIC/ORB	
119	2111012	1	Fitting, Straight JIC/ORB	
120	88662070	1	Fitting, 90 JIC/ORB	
121	See Note	NSS	Fitting, Straight (Note: Not Available for Purchase)	
122	70002758	2	Plug, Zero Leak	
123	70004617	1	Plug, Zero Leak	
124	70002759	AR	Plug, Zero Leak	
129	2220582	1	Fitting, Straight JIC/ORB	
130	2220865	2	Fitting, Straight JIC/ORB	
131	70005958	9	Capscrew	
132	4751400	1	Washer 1/4	
133	2110810	1	Fitting, Straight ORB/ORFS	



## SECTION 2 - TURNTABLE

FIGURE 2-5. TURNTABLE BEARING INSTALLATION



**SECTION 2 - TURNTABLE**

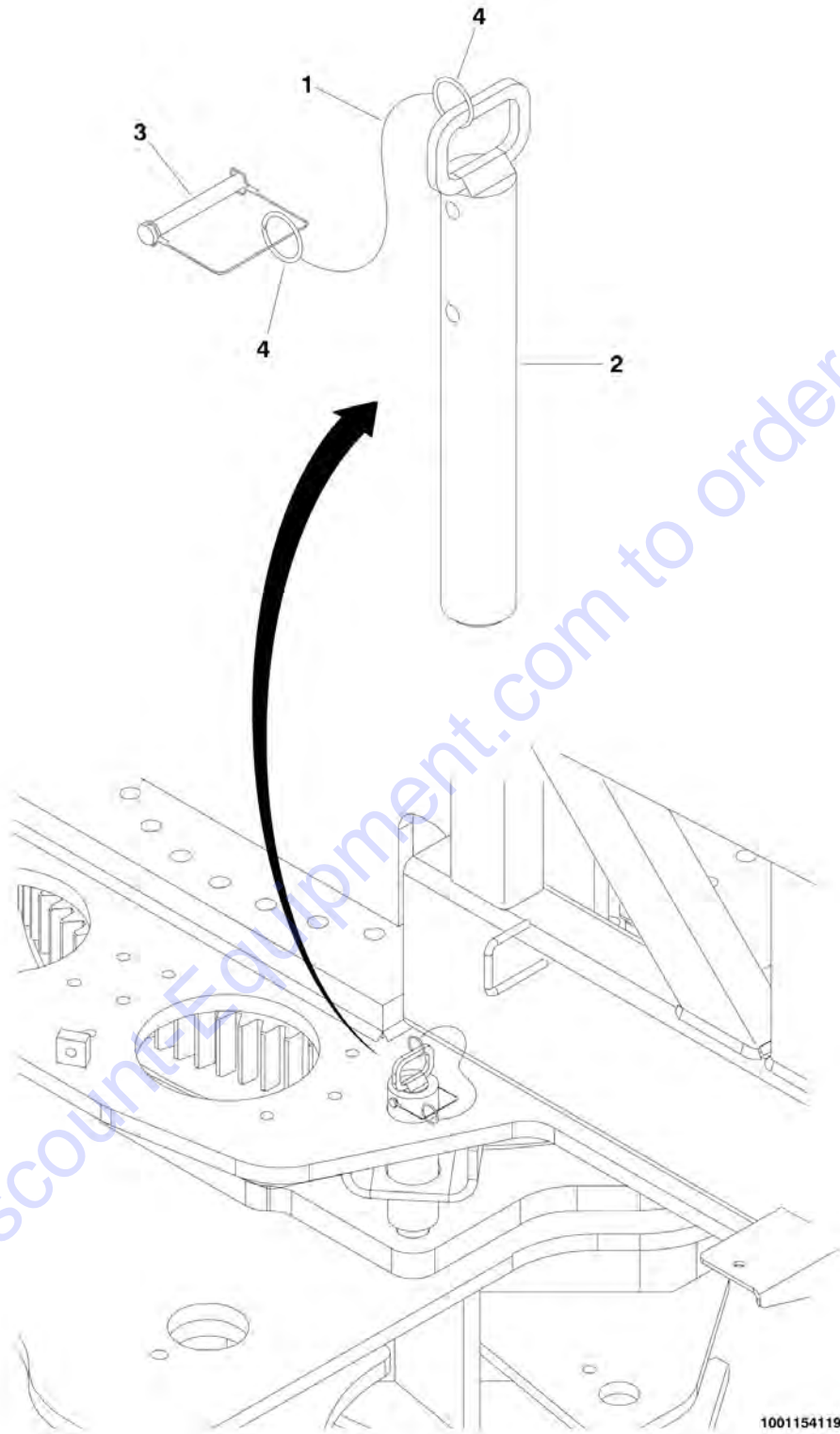
**FIGURE 2-5. TURNTABLE BEARING INSTALLATION**

ITEM	PART NUMBER	QTY	DESCRIPTION	REV
	1001153979	Ref	TURNTABLE BEARING INSTALLATION	C
1	0100019	AR	Compound, Locking	
2	0712435	36	Bolt M24 x 180 Grade 10.9	
3	2160002	1	Fitting, Grease	
4	2180344	3	Fitting, Bulkhead NPT	
3	2751032	1	Hose	
7	5242400	71	Washer M24	
8	1001097587	35	Bolt M24 x 150 Grade 10.9	
9	1001149823	1	Bearing, Swing	

Go to Discount-Equipment.com to order your parts

## SECTION 2 - TURNTABLE

FIGURE 2-6. TURNTABLE LOCK INSTALLATION



**SECTION 2 - TURNTABLE**

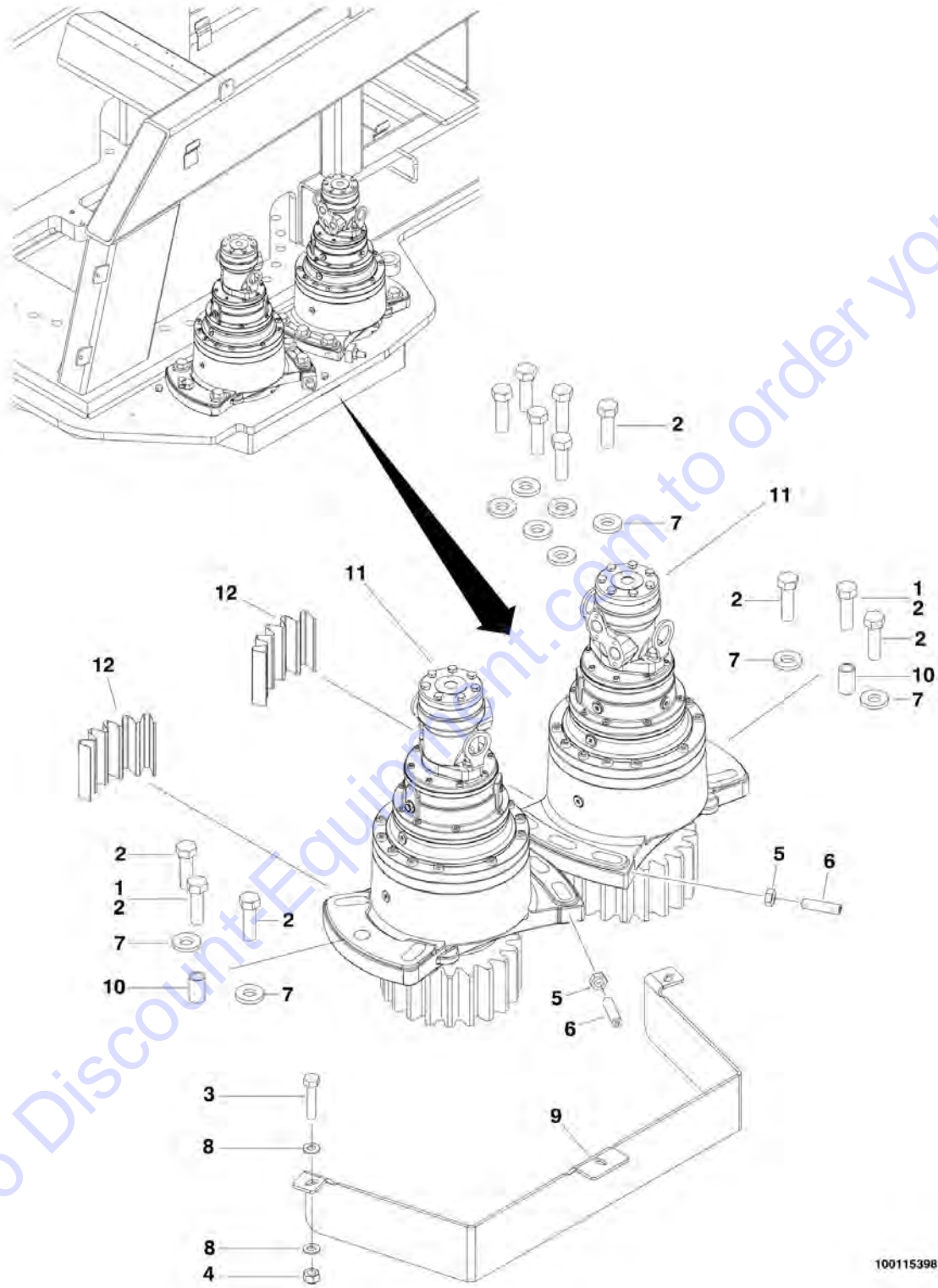
**FIGURE 2-6. TURNTABLE LOCK INSTALLATION**

ITEM	PART NUMBER	QTY	DESCRIPTION	REV
	1001154119	Ref	TURNTABLE LOCK INSTALLATION	A
1	1260017	8 in/20cm	Chain	
2	3421563	1	Pin	
3	3421565	1	Pin	
4	3760170	2	Ring	

Go to Discount-Equipment.com to order your parts

# SECTION 2 - TURNTABLE

## FIGURE 2-7. SWING DRIVE INSTALLATION



**SECTION 2 - TURNTABLE**

**FIGURE 2-7. SWING DRIVE INSTALLATION**

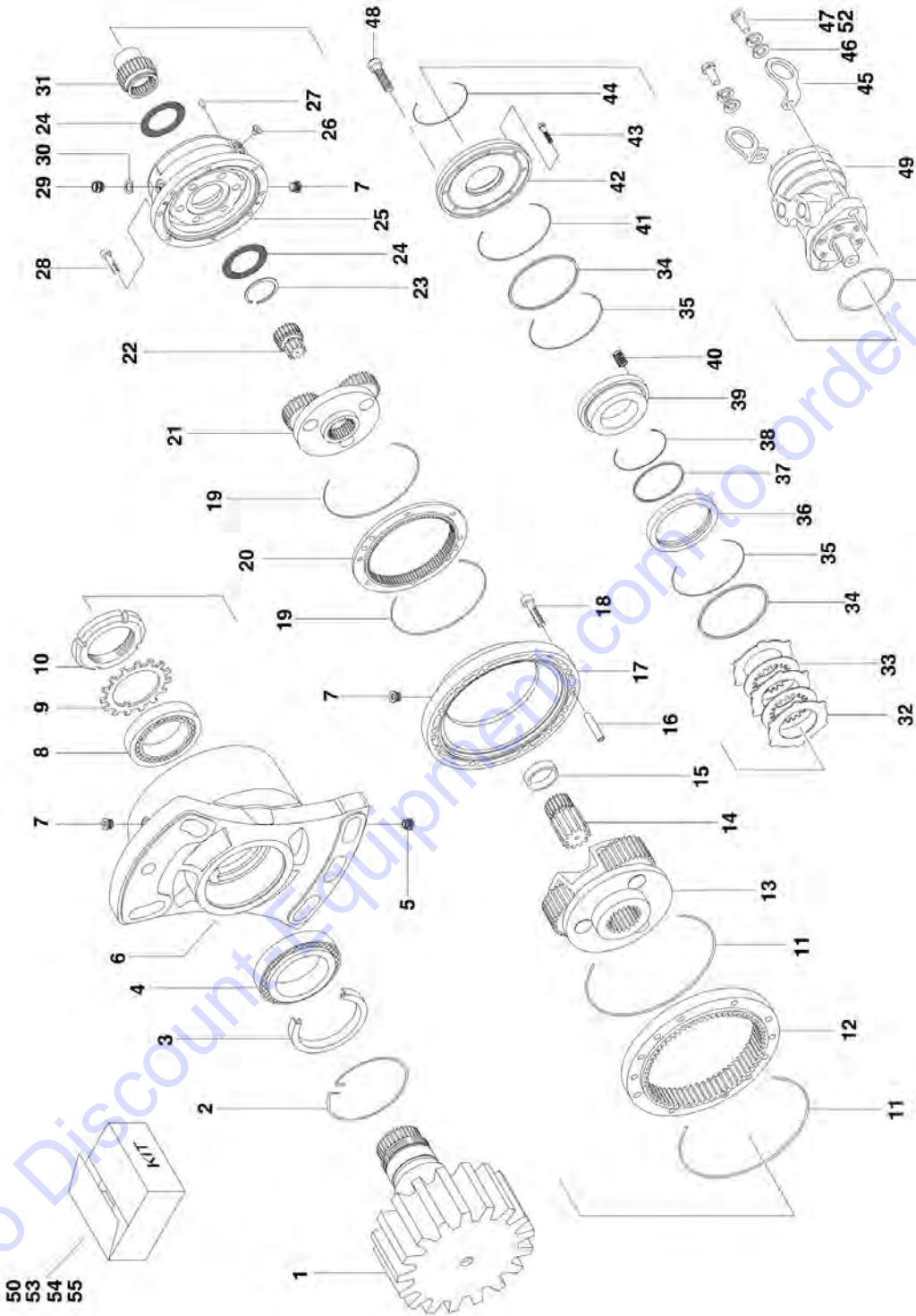
ITEM	PART NUMBER	QTY	DESCRIPTION	REV
	1001153981	Ref	SWING DRIVE INSTALLATION	C
1	0100019	AR	Compound, Locking	
2	0682220	12	Bolt 3/4 x 2-1/2 Grade 8	
3	0701018	3	Bolt M10 x 50	
4	3291005	3	Nut M10	
5	3312002	2	Nut 5/8-11	
6	3952020	2	Setscrew 5/8-11 x 2-1/2	
7	4740057	10	Washer	
8	4812000	6	Washer M10	
9	1001150725	1	Shield	
10	1001153983	2	Bar	
11	1001153984	2	Swing Hub/Brake/Motor Assembly (See SWING HUB/BRAKE/MOTOR ASSEMBLY for Breakdown)	
12	1001154377	2	Shim	

Go to Discount-Equipment.com to order your parts



# SECTION 2 - TURNTABLE

## FIGURE 2-8. SWING HUB/BRAKE/ MOTOR ASSEMBLY



1001153984

Go to Discount Equipment.com to order your parts

## SECTION 2 - TURNTABLE

### FIGURE 2-8. SWING HUB/BRAKE/ MOTOR ASSEMBLY

ITEM	PART NUMBER	QTY	DESCRIPTION	REV
	1001153984	Ref	HUB/BRAKE/MOTOR - SWING	E
1	70004466	1	Shaft	
2	70004467	1	Ring	
3	See Note	NSS	Seal, Oil (Use p/n 70004489)	
4	70004468	1	Bearing	
5	70004469	1	Plug with O-Ring	
6	70004470	1	Support, Output	
7	70002057	5	Plug with O-Ring	
8	70004471	1	Bearing	
9	70004472	1	Washer	
10	70004473	1	Nut, Ring	
11	See Note	NSS	O-Ring (Use p/n 70004489)	
12	70004474	1	Ring, Planetary	
13	70004475	1	Reduction, Gear - Complete	
14	70004476	1	Pinion	
15	70004477	1	Spacer	
16	70004478	4	Pin, Spring	
17	70004479	1	Spacer	
18	70004480	8	Capscrew M10x55	
19	See Note	NSS	O-Ring (Use p/n 70004489)	
20	70004481	1	Ring, Planetary	
21	70004482	1	Reduction, Gear - Complete	
22	70004483	1	Pinion	
23	See Note	NSS	Ring (Use p/n 70004488)	
24	See Note	NSS	Washer (Use p/n 70004488)	
25	See Note	NSS	Housing, Brake (Use p/n 70004488)	
26	See Note	NSS	Plug (Use p/n 70004488)	
27	See Note	NSS	Plug (Use p/n 70004488)	
28	See Note	NSS	Capscrew M8x35 (Use p/n 70004488)	
29	See Note	NSS	Plug (Use p/n 70004488)	
30	See Note	NSS	Washer (Use p/n 70004488)	
31	See Note	NSS	Shaft, Input (Use p/n 70004488)	
32	See Note	NSS	Disc, Steel (Use p/n 70004488)	
33	See Note	NSS	Disc (Use p/n 70004488)	
34	See Note	NSS	Seal (Use p/n 70004488 or 70004490)	
35	See Note	NSS	O-Ring (Use p/n 70004488 or 70004490)	
36	See Note	NSS	Spacer (Use p/n 70004488)	
37	See Note	NSS	Seal (Use p/n 70004488 or 70004490)	
38	See Note	NSS	O-Ring (Use p/n 70004488 or 70004490)	
39	See Note	NSS	Piston, Brake (Use p/n 70004488)	
40	See Note	NSS	Spring, Brake (Use p/n 70004488)	
41	See Note	NSS	O-Ring (Use p/n 70004488 or 70004490)	
42	See Note	NSS	Cover (Use p/n 70004488 or 70004490)	
43	See Note	NSS	Screw M6x25 (Use p/n 70004488)	
44	See Note	NSS	O-Ring (Use p/n 70004488 or 70004490)	
45	70004484	2	Lug, Lifting	
46	70004485	4	Washer, Lock	
47	70004486	2	Capscrew M12x25	
48	70004487	2	Capscrew M12x35	
49	70004491	1	Motor	

## SECTION 2 - TURNTABLE

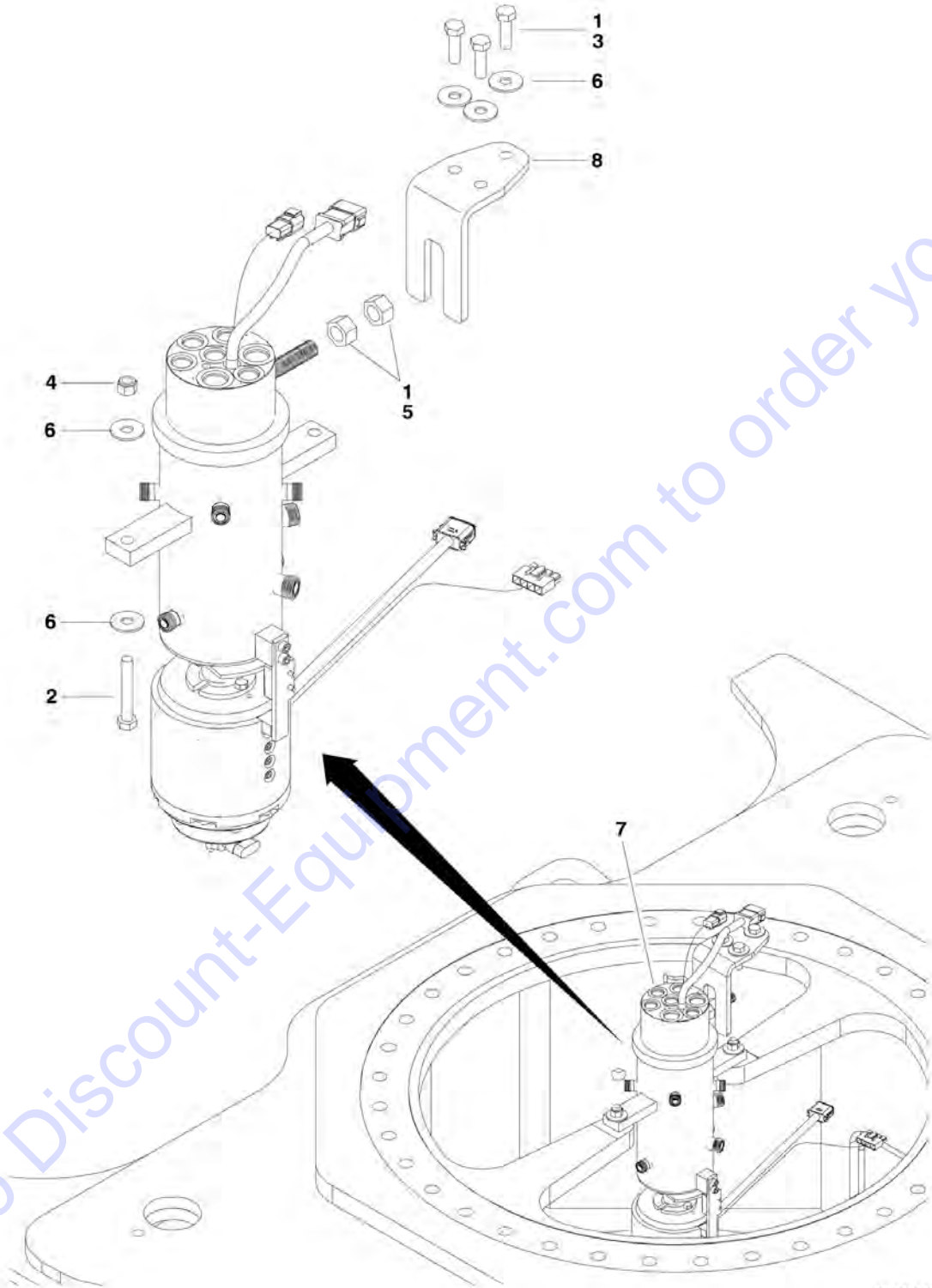
ITEM	PART NUMBER	QTY	DESCRIPTION	REV
		Ref	Note: Seal Kit is the on replacement component available. Otherwise, replacement complete motor.	
50	70004492	1	Kit, Seal - Motor	
51	70004493	1	O-Ring	
52	70004494	2	Bolt	
53	70004488	1	Kit, Brake (Includes Items 23-44)	
54	70004489	1	Kit, Seal - Gearbox (Includes Items 3, 11 & 19)	
55	70004490	1	Kit, Brake Seal (Includes Items 34, 35, 37, 38 & 44)	

Go to Discount-Equipment.com to order your parts



## SECTION 2 - TURNTABLE

FIGURE 2-9. COUPLING/COLLECTOR RING INSTALLATION



1001154192

**SECTION 2 - TURNTABLE**

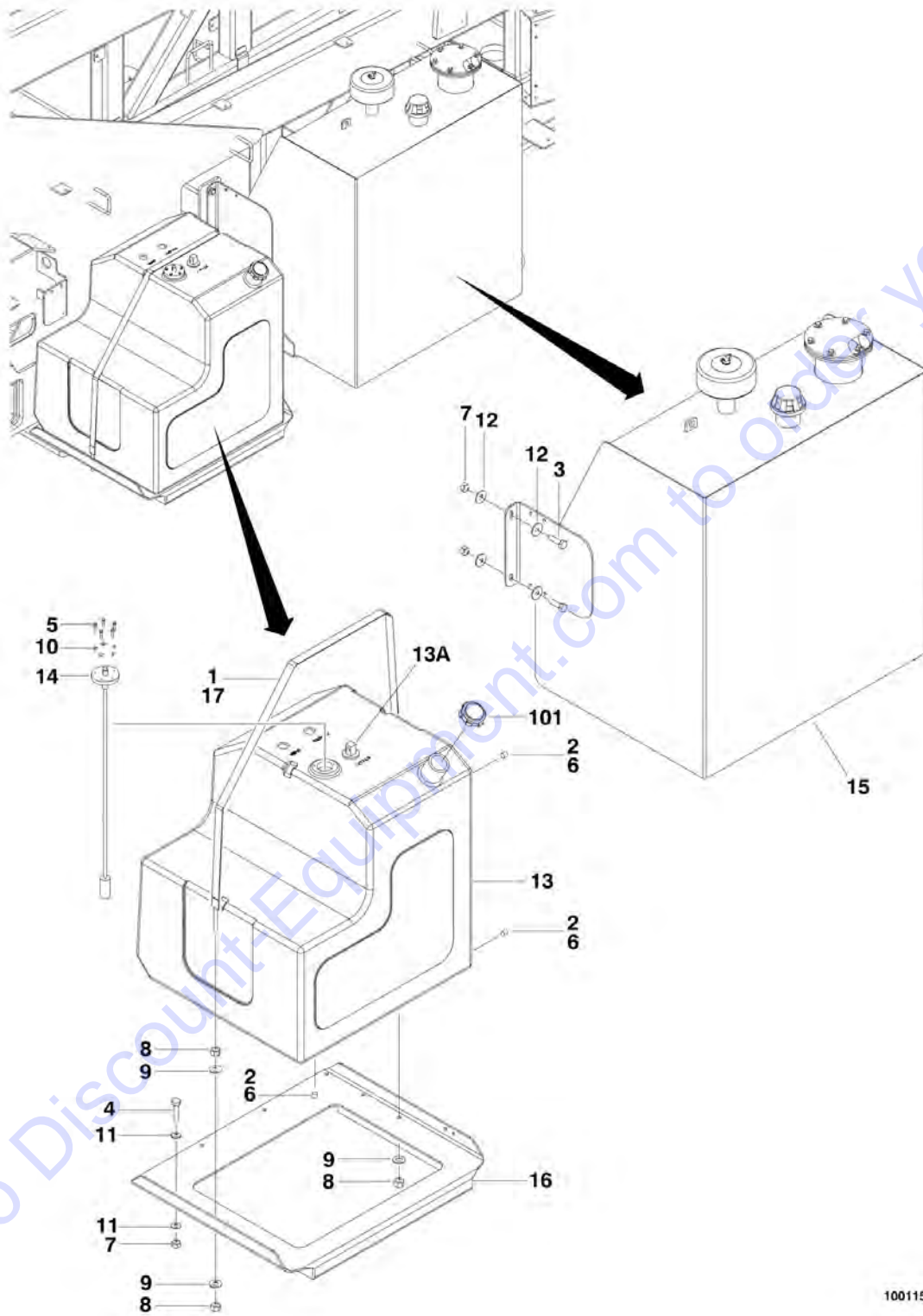
**FIGURE 2-9. COUPLING/COLLECTOR RING INSTALLATION**

ITEM	PART NUMBER	QTY	DESCRIPTION	REV
	1001154192	Ref	COUPLING/COLLECTOR RING INSTALLATION	A
1	0100011	AR	Compound, Locking	
2	0701224	2	Bolt M12 x 80	
3	0761216	3	Bolt M12 x 40	
4	3291205	2	Nut M12	
5	3322201	2	Nut 3/4	
6	4812102	7	Washer M12	
7	1001146978	1	Coupling/Collector Ring Assembly (See ELECTRICAL SECTION for Breakdown)	
8	1001154196	1	Bracket	

Go to Discount-Equipment.com to order your parts

## SECTION 2 - TURNTABLE

FIGURE 2-10. TANKS INSTALLATION (Prior to SN 0300210987)



1001154006

**SECTION 2 - TURNTABLE**

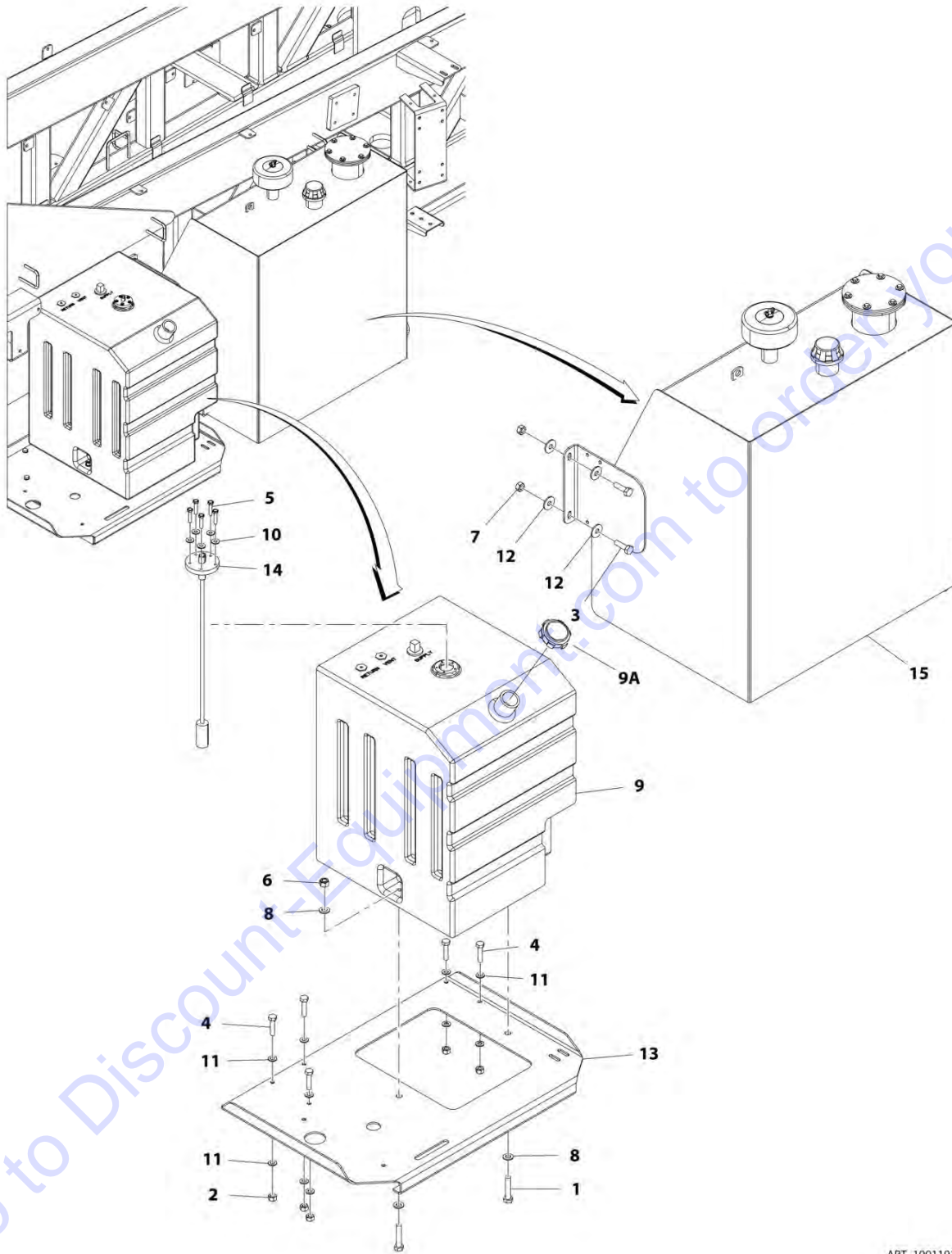
**FIGURE 2-10. TANKS INSTALLATION (Prior to SN 0300210987)**

ITEM	PART NUMBER	QTY	DESCRIPTION	REV
	1001154006	Ref	TANKS INSTALLATION (Prior to SN 0300210987)	D
1	0100011	AR	Compound, Locking	
2	0100020	AR	Sealant	
3	0701015	4	Bolt M10 x 35	
4	0701017	6	Bolt M10 x 45	
5	0731007	5	Screw, Machine #10-24 x 7/8	
6	2200222	3	Plug	
7	3291007	10	Nut M10	
8	3311601	4	Nut 3/8-16	
9	4711600	4	Washer 3/8	
10	4751000	5	Washer #10	
11	4812000	12	Washer M10	
12	4812002	8	Washer M10	
13	1001108579	1	Tank, Fuel	
13A	70004413	1	Tube, Pickup	
14	1001109048	1	Gauge, Fuel	
14	3960525	1	Gasket (Gauge to Tank)	
15	1001147879	1	Tank, Hydraulic (See HYDRAULIC TANK ASSEMBLY for Breakdown)	
16	1001154005	1	Tray	
17	1001110059	1	Strap	
		Ref	FUEL TANK CAP	
101	7016314	1	Cap - Standard Black Non-Locking (Part of Item 13)	
101	1120487	1	Cap - Optional Blue Lockable (Lock Not Included) (Not Shown)	



## SECTION 2 - TURNTABLE

FIGURE 2-11. TANKS INSTALLATION (SN 0300210987 to Present)



ART\_1001191215

**SECTION 2 - TURNTABLE**

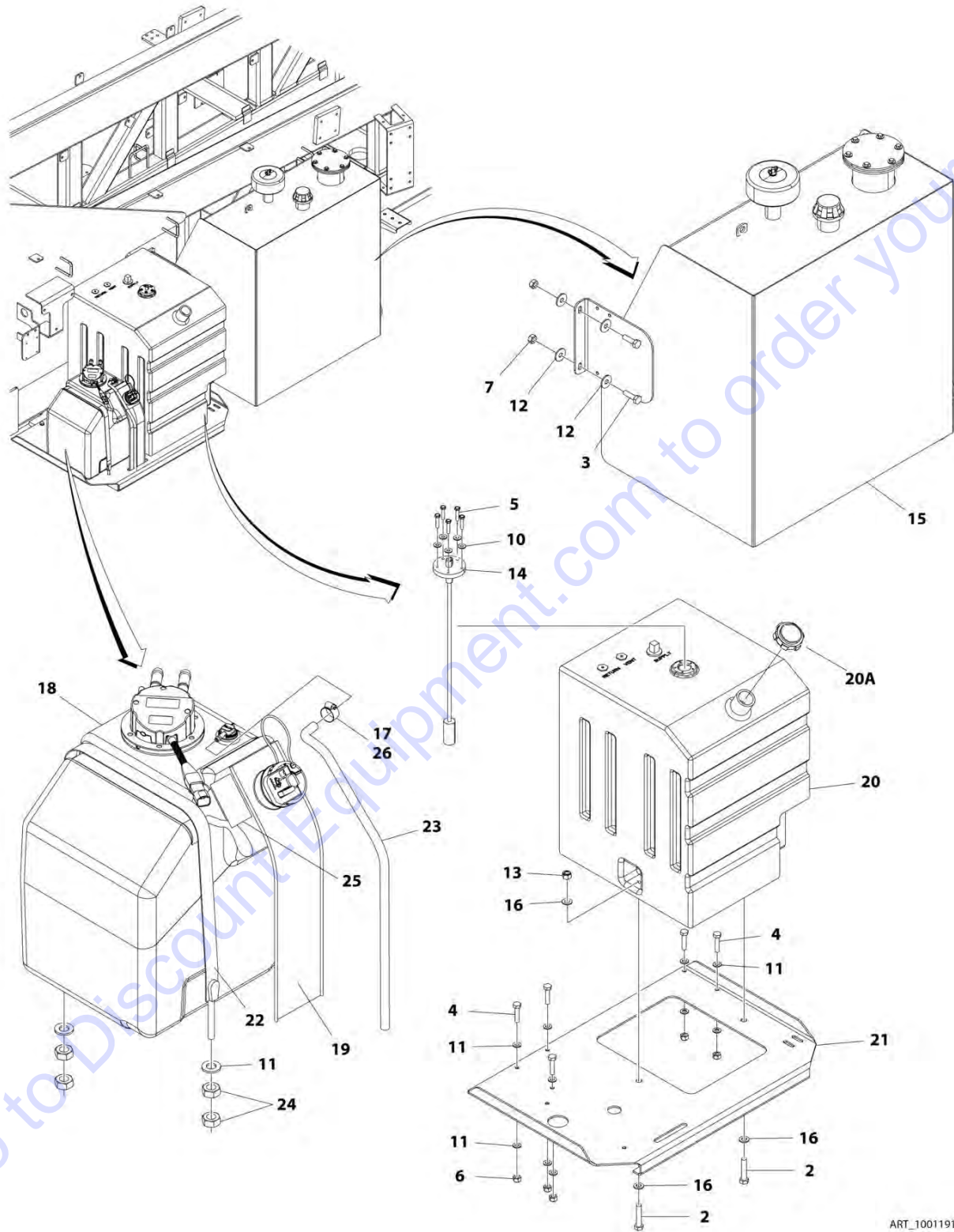
**FIGURE 2-11. TANKS INSTALLATION (SN 0300210987 to Present)**

ITEM	PART NUMBER	QTY	DESCRIPTION	REV
	1001191215	Ref	TANKS INSTALLATION (SN 0300210987 to Present)	A
1	0701220	2	Bolt M12 x 60	
2	3291005	5	Nut, Lock M10	
3	0701015	4	Bolt M10 x 35	
4	0701017	5	Bolt M10 x 45	
5	0731007	5	Screw, Machine #10-24 x 7/8	
6	3291205	2	Nut, Lock M12	
7	3291007	4	Nut M10	
8	4812100	4	Washer M12	
9	1001188491	1	Tank, Fuel	
9A	70005565	1	Cap, Fuel	
10	4751000	5	Washer #10	
11	4812000	10	Washer M10	
12	4812002	8	Washer M10	
13	1001189008	1	Tray	
14	1001109048	1	Gauge, Fuel	
14	3960525	1	Gasket (Gauge to Tank)	
15	1001147879	1	Tank, Hydraulic (See HYDRAULIC TANK ASSEMBLY for Breakdown)	

Go to Discount-Equipment.com to order your parts

# SECTION 2 - TURNTABLE

FIGURE 2-12. TANKS INSTALLATION - WITH DIESEL EXHAUST FLUID TANK (SN 0300210987 through 0300255120)



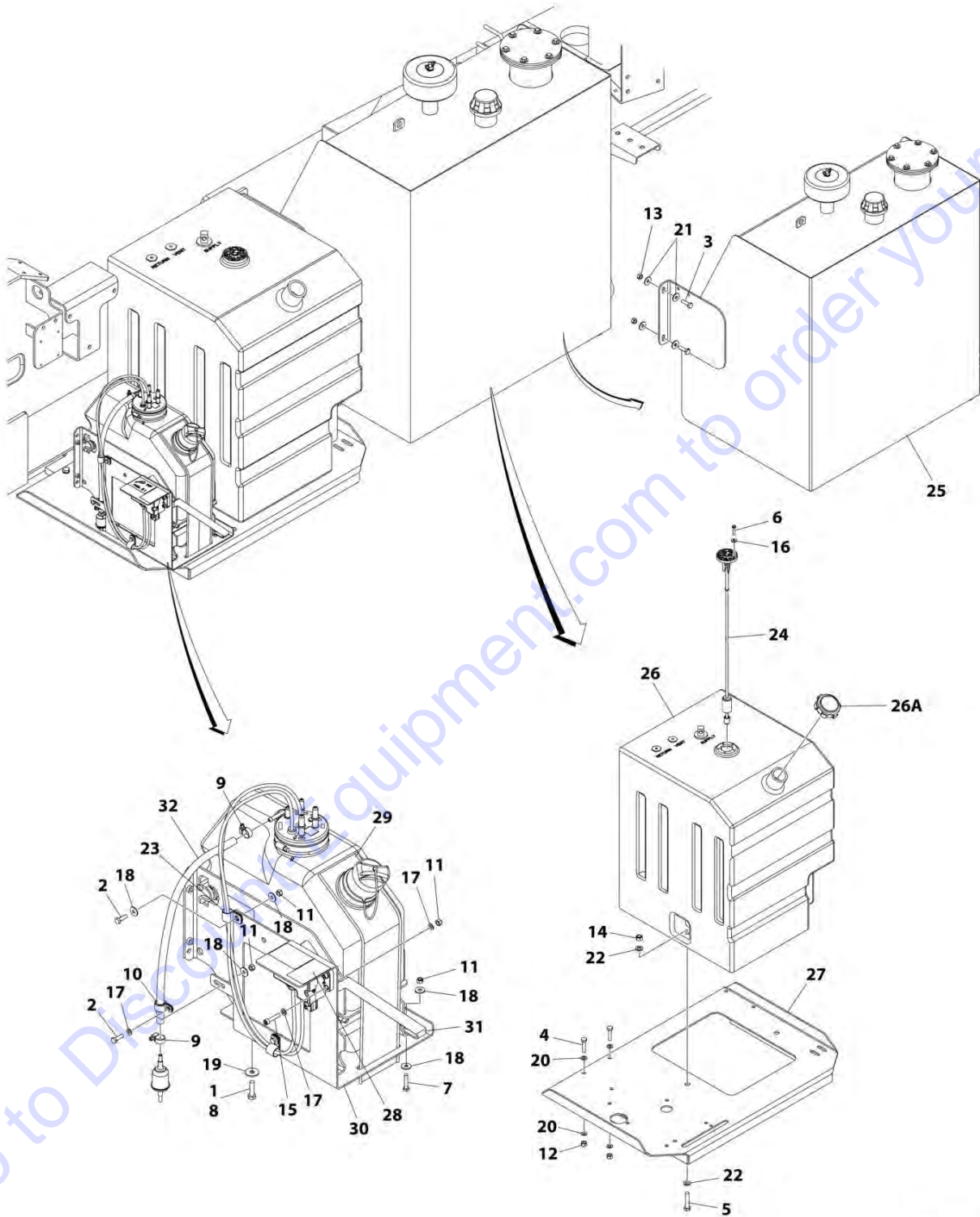
## SECTION 2 - TURNTABLE

**FIGURE 2-12. TANKS INSTALLATION - WITH DIESEL EXHAUST FLUID TANK (SN 0300210987 through 0300255120)**

ITEM	PART NUMBER	QTY	DESCRIPTION	REV
	1001191216	Ref	TANKS INSTALLATION - WITH DIESEL EXHAUST FLUID TANK	G
1	0100011	AR	Compound, Locking (Not Shown)	
2	0701220	2	Bolt M12 x 60	
3	0701015	4	Bolt M10 x 35	
4	0701017	5	Bolt M10 x 45	
5	0731007	5	Screw, Machine #10-24 x 7/8	
6	3291005	5	Nut, Lock M10	
7	3291007	4	Nut M10	
10	4751000	5	Washer #10	
11	4812000	12	Washer M10	
12	4812002	8	Washer M10	
13	3291205	2	Nut, Lock M12	
14	1001109048	1	Gauge, Fuel	
14	3960525	1	Gasket (Gauge to Tank)	
15	1001147879	1	Tank, Hydraulic (See HYDRAULIC TANK ASSEMBLY for Breakdown)	
16	4812100	4	Washer M12	
17	8405006	1	Clamp <b>(Prior to SN 0300226724)</b>	
18	1001164968	NLA	Tank - Diesel Exhaust Fluid (Use p/n 1001244863) <b>(Prior to SN 0300226724)</b>	
18	1001174795	1	Cap	
18	1001164965	NLA	Electrical Assembly (Use p/n 1001225677)	
18	1001225676	NLA	Tank - Diesel Exhaust Fluid (Use 1001244863) <b>(SN 0300226724 through 0300255120)</b>	
18	1001174795	1	Cap	
18	1001225677	1	Electrical Assembly	
18	1001215319	1	Valve, Breather	
19	1001168272	1	Sleeve, Spill Guard	
20	1001188491	1	Tank, Fuel	
20A	70005565	1	Cap, Fuel	
21	1001189008	1	Tray	
22	1001189159	1	Strap	
23	1001175201	28 in/ 0.7m	Hose	
24	3291001	4	Nut M10	
25	1001196806	1	Decal, Exhaust Fluid	
26	1320022	1	Clamp <b>(SN 0300226724 through 0300255120)</b>	

## SECTION 2 - TURNTABLE

FIGURE 2-13. TANKS INSTALLATION - WITH DIESEL EXHAUST FLUID TANK (SN 0300255121 to Present)



ART\_1001242389

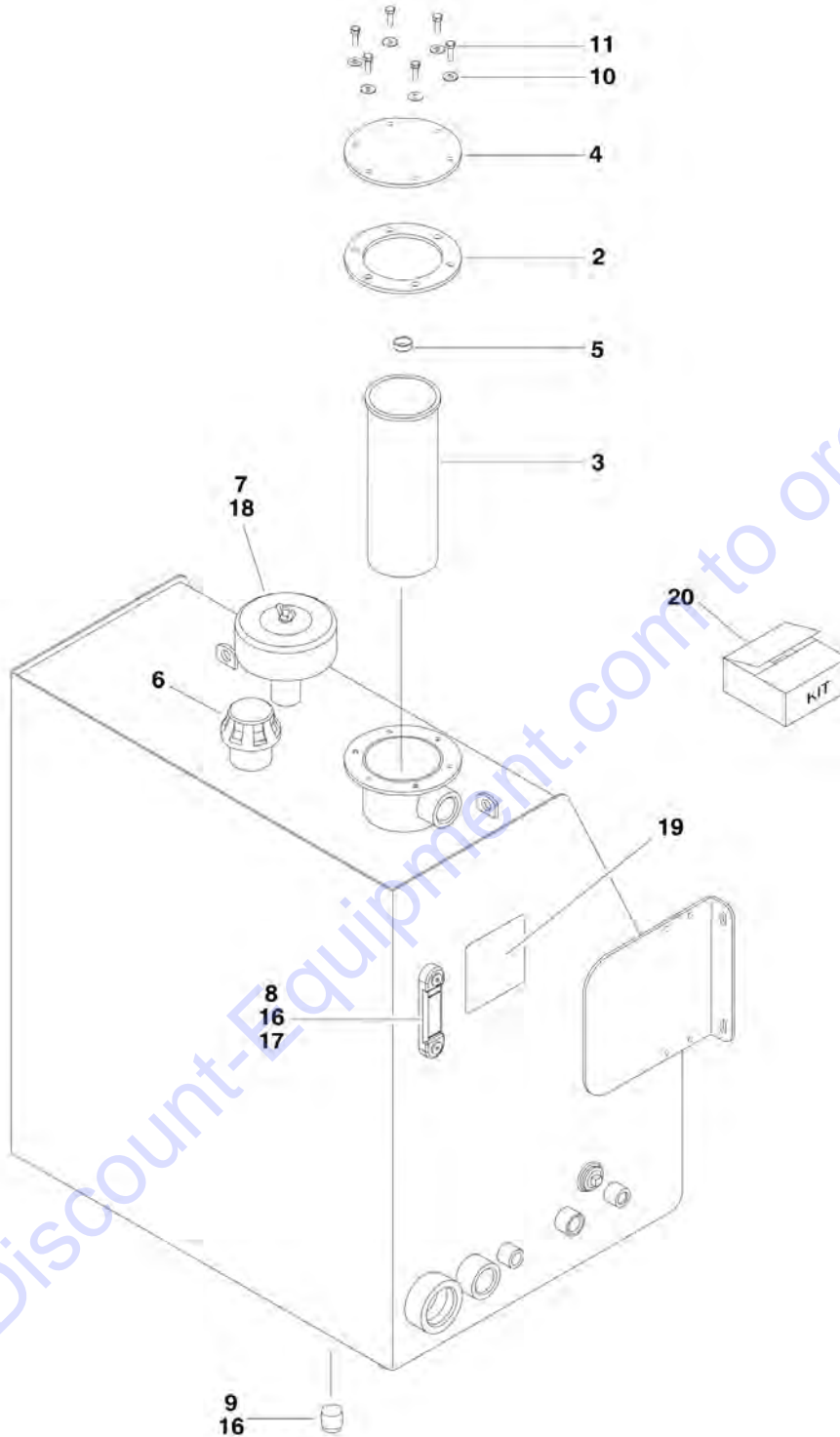
## SECTION 2 - TURNTABLE

**FIGURE 2-13. TANKS INSTALLATION - WITH DIESEL EXHAUST FLUID TANK (SN 0300255121 to Present)**

ITEM	PART NUMBER	QTY	DESCRIPTION	REV
	1001242389	Ref	TANKS INSTALLATION - WITH DIESEL EXHAUST FLUID TANK	A
1	0100011	AR	Compound, Locking (Not Shown)	
2	0700610	3	Bolt M6 x 20	
3	0701015	4	Bolt M10 x 35	
4	0701017	5	Bolt M10 x 45	
5	0701220	2	Bolt M12 x 60	
6	0731007	5	Screw, Machine #10-24 x 7/8	
7	0760614	1	Bolt M6 X 30	
8	0760814	4	Bolt M8 x 30	
9	1320022	2	Clamp	
10	1320041	1	Clamp	
11	3290605	8	Nut, M6	
12	3291005	5	Nut, Lock M10	
13	3291007	4	Nut M10	
14	3291205	2	Nut, Lock M12	
15	4031710	4	Bolt M6 x 30	
16	4751000	5	Washer #10	
17	4811700	9	Washer M6	
18	4811702	7	Washer M6	
19	4811902	4	Washer M8	
20	4812000	12	Washer M10	
21	4812002	8	Washer M10	
22	4812100	4	Washer M12	
23	8406101	2	Clip	
24	1001109048	1	Gauge, Fuel	
24	3960525	1	Gasket (Gauge to Tank)	
25	1001147879	1	Tank, Hydraulic (See HYDRAULIC TANK ASSEMBLY for Breakdown)	
26	1001188491	1	Tank, Fuel	
26A	70005565	1	Cap, Fuel	
27	1001189008	1	Tray	
28	1001196806	1	Decal, Exhaust Fluid	
29	1001238158	1	Sleeve, Spill Guard	
30	1001238262	1	Support	
31	1001241631	1	Brace	
32	1001175201	17 in/ 0.43m	Hose	

## SECTION 2 - TURNTABLE

FIGURE 2-14. HYDRAULIC TANK ASSEMBLY



1001147879

**SECTION 2 - TURNTABLE**

**FIGURE 2-14. HYDRAULIC TANK ASSEMBLY**

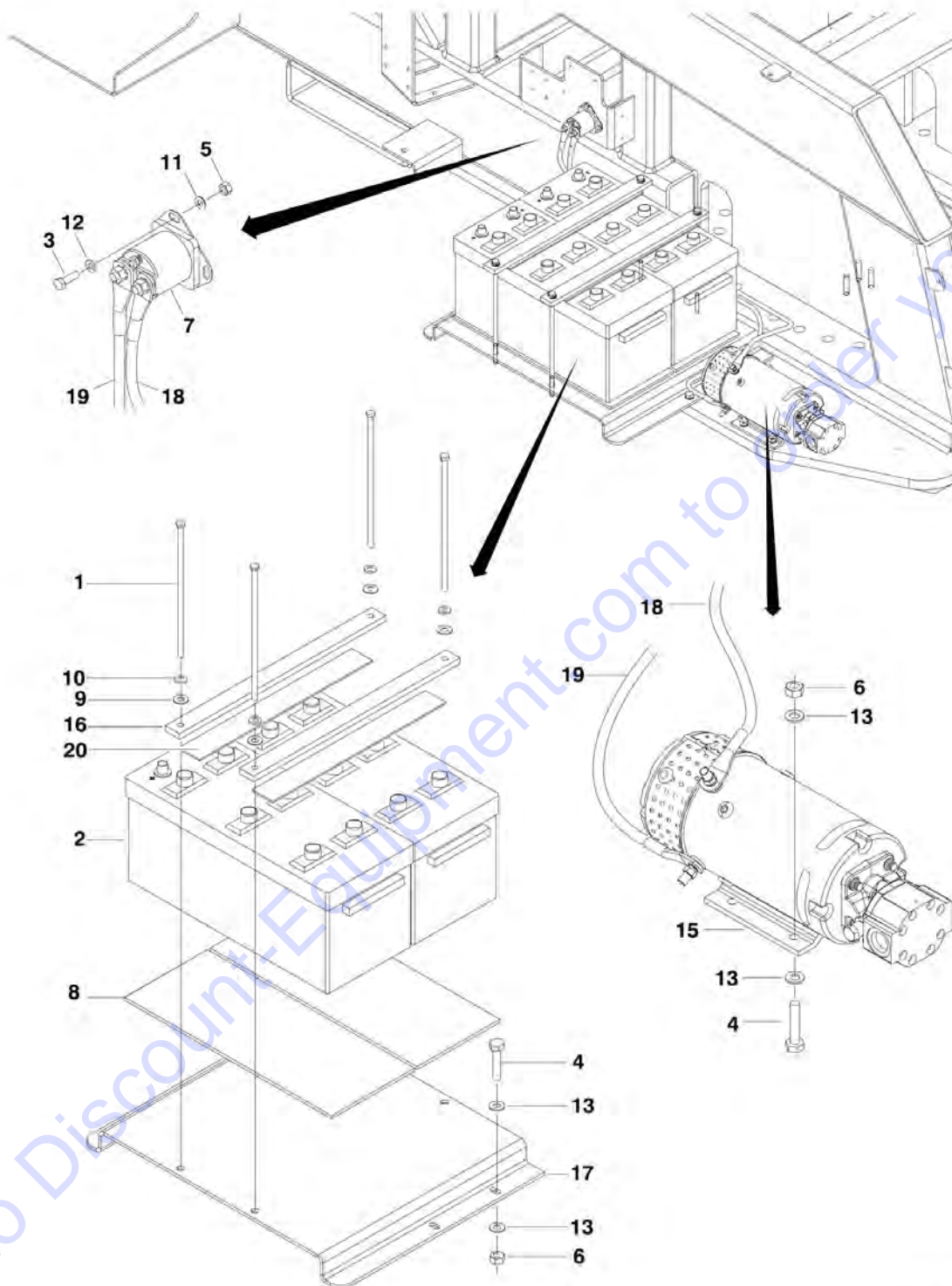
ITEM	PART NUMBER	QTY	DESCRIPTION	REV
	1001147879	Ref	HYDRAULIC TANK ASSEMBLY	G
2	See Note	NSS	Gasket (Use p/n 70004150)	
3	See Note	NSS	Element, Filter (Use p/n 70004150)	
4	See Note	NSS	Cover (Note: Not Available for Purchase)	
5	70004412	1	Spring	
6	70002838	1	Cap, Fill	
7	See Note	NSS	Breather (Use p/n 70004150)	
8	7024441	1	Gauge	
9	See Note	NSS	Plug (Note: Purchase Locally)	
10	See Note	NSS	Washer 5/16in Stainless Steel (Note: Purchase Locally)	
11	See Note	NSS	Bolt 5/16-18 x 1 Stainless Steel (Note: Purchase Locally)	
16	See Note	AR	Loctite #243 (Note: Purchase Locally)	
17	See Note	AR	Lubricant (Note: Purchase Locally)	
18	See Note	AR	Loctite #565 (Note: Purchase Locally)	
19	70004411	1	Decal, Service	
20	70004150	1	Kit, Service (Includes Item 2, 3 & 7)	

Go to Discount-Equipment.com to order your parts



## SECTION 2 - TURNTABLE

FIGURE 2-15. AUXILIARY POWER/BATTERIES INSTALLATIONS



1001154034

**SECTION 2 - TURNTABLE**

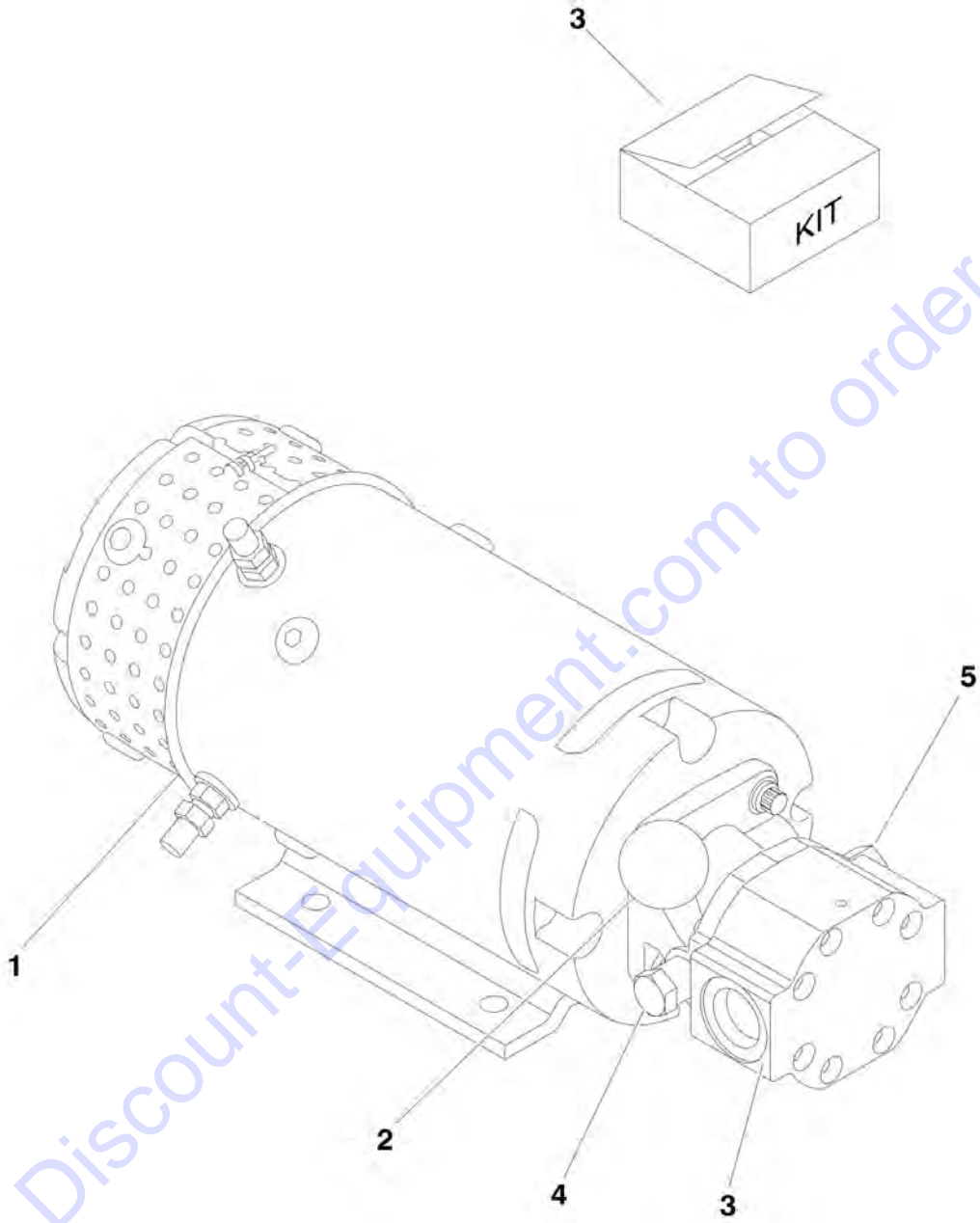
**FIGURE 2-15. AUXILIARY POWER/BATTERIES INSTALLATIONS**

ITEM	PART NUMBER	QTY	DESCRIPTION	REV
	1001154034	Ref	AUXILIARY POWER/BATTERIES INSTALLATIONS	D
1	0236768	4	Bolt, Tie-Down	
2	0400020	2	Battery	
3	0700610	2	Bolt M6 x 20	
4	0701018	8	Bolt M10 x 50	
5	3290607	2	Nut M6	
6	3291007	8	Nut M10	
7	3740067	1	Relay	
8	3980006	2	Seat, battery	
9	4711600	4	Washer 3/8	
10	4761600	4	Washer 3/8	
11	4791400	2	Washer 1/4	
12	4811700	2	Washer M6	
13	4812000	16	Washer M10	
15	3600465	NLA	Pump/Motor, Auxiliary (Use p/n 1001224066) (See AUXILIARY PUMP/MOTOR ASSEMBLY for Breakdown) <b>(Prior to SN 0300238870)</b>	
15	1001224066	1	Pump/Motor, Auxiliary (See AUXILIARY PUMP/MOTOR ASSEMBLY for Breakdown) (Note: Not Available at time of printing) <b>(SN 0300238870 to Present)</b>	
16	1001154035	2	Plate	
17	1001164056	1	Bracket	
18	1001154144	1	Cable, Electrical (Positive)	
19	1001154145	1	Cable, Electrical (Negative)	
20	4420038	34 in /85cm	Tape	

Go to Discount-Equipment.com to order your parts

## SECTION 2 - TURNTABLE

FIGURE 2-16. AUXILIARY PUMP AND MOTOR ASSEMBLY (Prior to SN 0300238870)



3600465

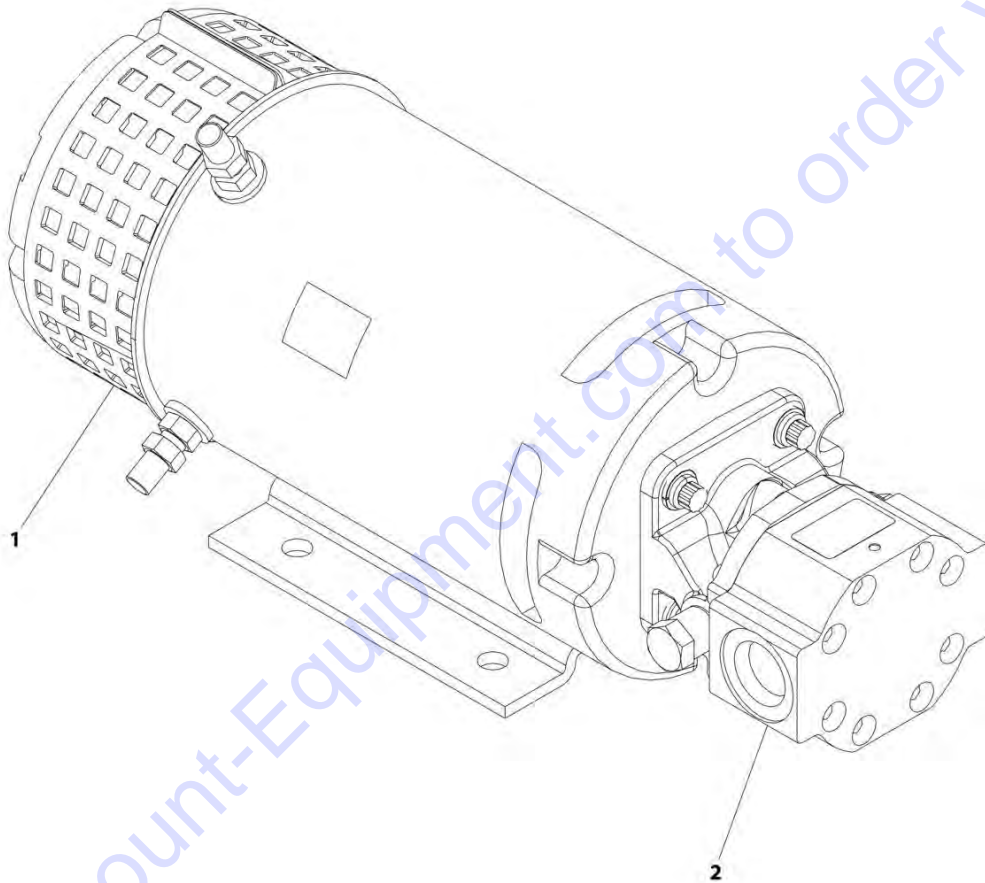
## SECTION 2 - TURNTABLE

**FIGURE 2-16. AUXILIARY PUMP AND MOTOR ASSEMBLY (Prior to SN 0300238870)**

ITEM	PART NUMBER	QTY	DESCRIPTION	REV
	3600465	Ref	AUXILIARY PUMP AND MOTOR ASSEMBLY	E
1	7010924	1	Motor	
1	7010639	2	Brush	
1	7010640	8	Spring, Brush	
2	7011044	1	Gasket, Adapter to Motor	
2	70000998	1	Coupling	
2	70000999	1	Key, Woodruff	
2	See Note	NSS	Adapter (Note: Not Available for Purchase)	
3	70001001	1	Kit, Pump (Includes Pump, Adapter to Motor Gasket p/n 7011044 & Mounting Hardware)	
3	7011043	4	Screw	
3	7011048	4	Washer	
3	70001000	1	Kit, Seal (Includes Adapter to Motor Gasket p/n 7011044, Pump to Adapter Gasket, Shaft Seal and O-Rings for Hex Caps on Adapter)	
4	See Note	NSS	Ball (Note: Not Available for Purchase)	
4	See Note	NSS	Spring (Note: Not Available for Purchase)	
4	See Note	NSS	Screw, Valve Adjustment (Note: Not Available for Purchase)	
5	See Note	NSS	Ball and Spring Assembly (Note: Not Available for Purchase)	
5	See Note	NSS	Plug (Note: Not Available for Purchase)	

## SECTION 2 - TURNTABLE

FIGURE 2-17. AUXILIARY PUMP AND MOTOR ASSEMBLY (SN 0300238870 to Present)



ART\_1001224066

**SECTION 2 - TURNTABLE**

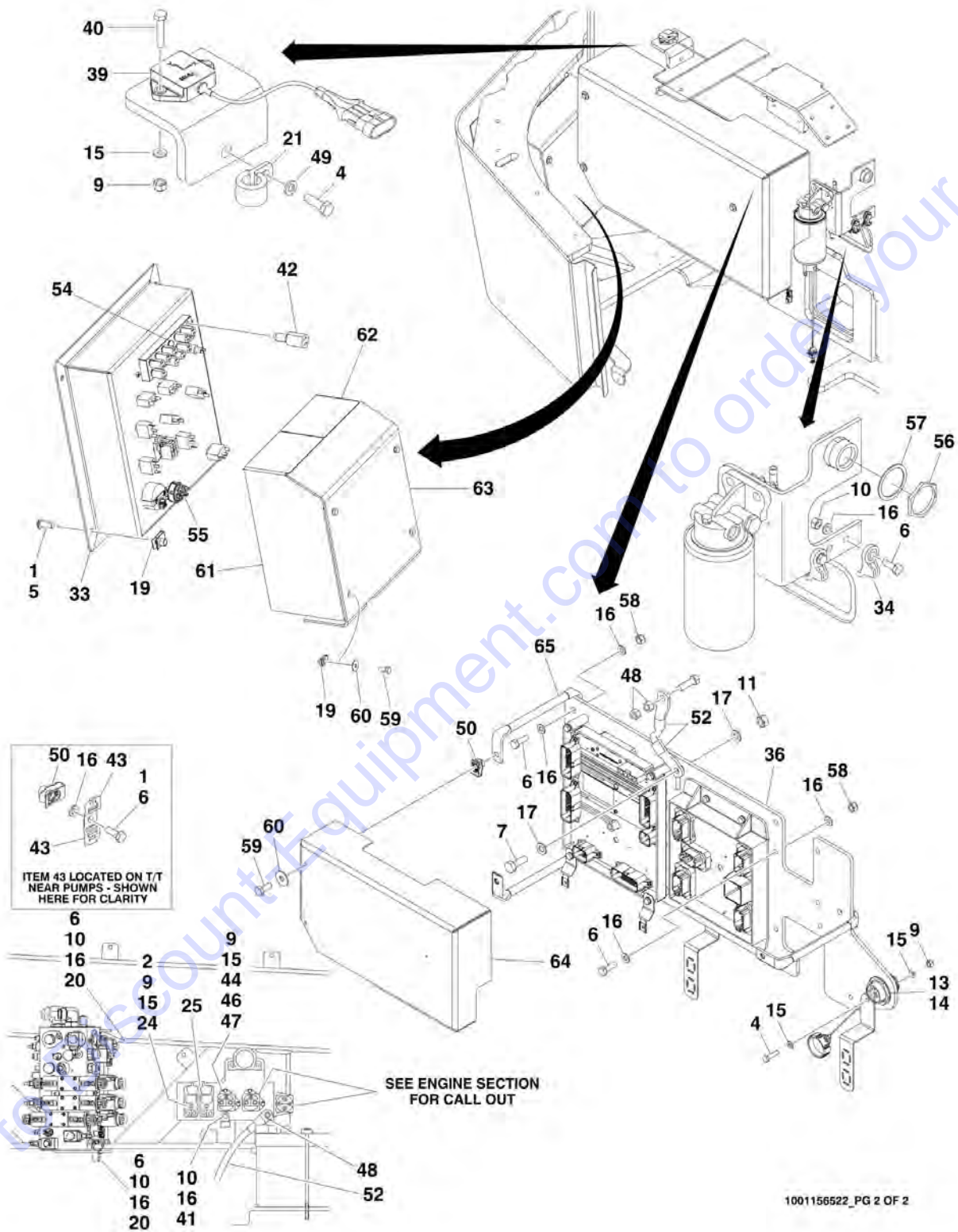
**FIGURE 2-17. AUXILIARY PUMP AND MOTOR ASSEMBLY (SN 0300238870 to Present)**

ITEM	PART NUMBER	QTY	DESCRIPTION	REV
	1001224066	Ref	AUXILIARY PUMP ASSEMBLY	B
1	7010924	1	Motor	
1	7010639	2	Brush	
1	7010640	8	Spring, Brush	
1	7011044	1	Gasket, Adapter to Motor	
2	70001001	1	Pump Kit (Includes Pump, Adapter to Motor Gasket p/n 7011044 and Mounting Hardware)	
2	70001000	1	Seal Kit (Includes Adapter to Motor Gasket p/n 7011044, Pump to Adapter Gasket, Shaft Seal and O-Rings for Hex Caps on Adapter)	

Go to Discount-Equipment.com to order your parts

# SECTION 2 - TURNTABLE

FIGURE 2-18. TURNTABLE ELECTRICAL COMPONENTS INSTALLATION



1001156522\_PG 2 OF 2

## SECTION 2 - TURNTABLE

**FIGURE 2-18. TURNTABLE ELECTRICAL COMPONENTS INSTALLATION**

ITEM	PART NUMBER	QTY	DESCRIPTION	REV
	1001156522	Ref	TURNTABLE ELECTRICAL COMPONENTS INSTALLATION (ANSI EXPORT, AUSTRALIAN, CE (LRC) AND CHINA SPECS)	O
	1001156522	Ref	TURNTABLE ELECTRICAL COMPONENTS INSTALLATION (ANSI, CSA AND JAPANESE SPECS) <b>(Prior to SN 0300210987)</b>	L
	1001156522	Ref	TURNTABLE ELECTRICAL COMPONENTS INSTALLATION (CE SPECS) <b>(Prior to SN 0300201023)</b>	K
1	0100035	AR	Compound, Locking	
2	0700618	2	Bolt M6 x 50	
4	0760612	5	Bolt M6 x 25	
5	1001164726	4	Capscrew M8 X 20	
6	0760812	AR	Bolt M8 x 25	
7	0761014	1	Bolt, M10 X 30	
9	3290605	16	Nut, M6	
10	3290807	9	Nut, M8	
11	3291007	1	Nut, M10	
13	4460496	1	Washer, Terminal	
14	4460497	1	Nut, Terminal	
15	4811700	24	Washer M6	
16	4811900	AR	Washer M8	
17	4812000	2	Washer M10	
19	8310686	AR	Nut, Retainer, M8	
20	8406201	2	Clip	
21	1320041	1	Clamp	
24	1001174871	2	Fuse, Power Module	
25	1001135027	1	Bussbar	
26	1001149970	1	Harness - Drive Pump (Not Shown - See ELECTRICAL SECTION for Breakdown)	
27	1001149972	1	Harness - Turntable (Not Shown - See ELECTRICAL SECTION for Breakdown)	
28	1001149973	1	Harness - Ground Control Panel (Not Shown - See ELECTRICAL SECTION for Breakdown)	
29	1001149974	1	Harness - Main Valve (Not Shown - See ELECTRICAL SECTION for Breakdown) <b>(Prior to SN 0300210987)</b>	
29	1001197446	1	Harness - Main Valve (Not Shown - See ELECTRICAL SECTION for Breakdown) <b>(SN 0300210987 to Present)</b>	
31	1001149979	1	Harness - Blam (Not Shown - See ELECTRICAL SECTION for Breakdown)	
33	1001154512	1	Panel, Ground Control (See GROUND CONTROL CONSOLE ASSEMBLY for Breakdown)	
34	1001156107	6	Holder, Cable	
34		Ref	Note: Qty 4 Not Shown - Located Behind Hydraulic Tank	
35	1001156135	1	Harness - Fuel Pump (Not Shown - See ELECTRICAL SECTION for Breakdown) <b>(Prior to SN 0300237158)</b>	
35	1001211885	1	Harness - Fuel Pump (Not Shown - See ELECTRICAL SECTION for Breakdown) <b>(SN 0300237158 to Present)</b>	
36	1001156859	1	Panel, Electrical (See ELECTRICAL PANEL ASSEMBLY for Breakdown)	
37	1001158922	1	Kit, Battery Cable (Not Shown - See ELECTRICAL SECTION for Breakdown)	
39	1001151895	1	Sensor, Tilt	
40	0760614	2	Bolt M6 X 30	
41	0760815	1	Bolt M8 X 35	
42	2920129	10	Lamp, Display	



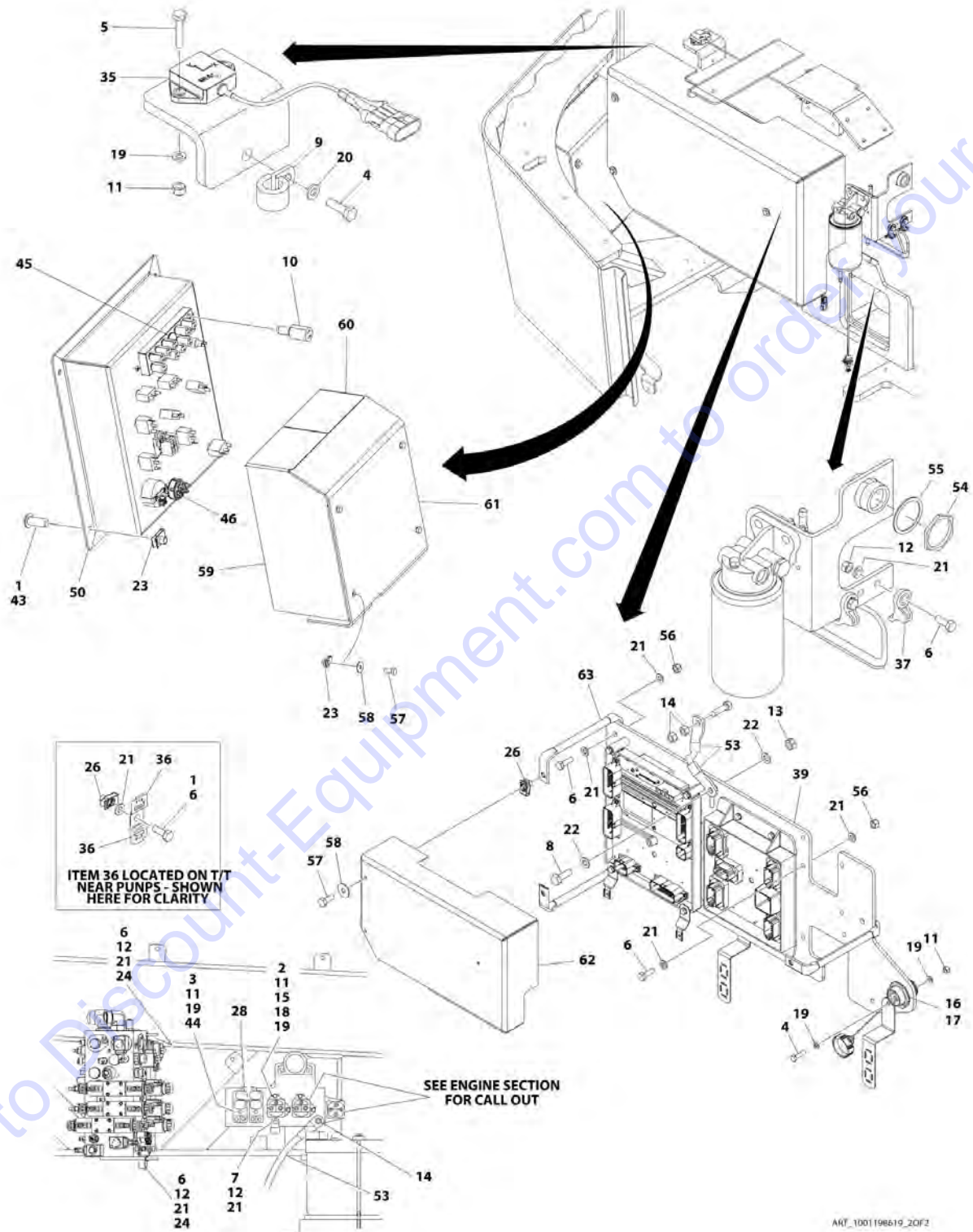
## SECTION 2 - TURNTABLE

ITEM	PART NUMBER	QTY	DESCRIPTION	REV
43	1001155967	4	Holder, Side Mount	
44	0700610	2	Bolt M6 x 20	
46	3740067	1	Relay	
47	4791400	2	Starwasher 1/4	
48	3311601	4	Nut 3/8-16	
49	4811702	1	Washer M6	
50	1001118274	AR	Nut M8	
51	1001163631	4	Cable, MTS Connection (Not Shown - See ELECTRICAL SECTION for Breakdown)	
52	6611172	2	Cable, Ground to Frame	
53	1001157646	1	Cable, Load Sensor (Not Shown - Runs from Item 36 RH Module to Lift Cylinder) (See ELECTRICAL SECTION for Breakdown)	
54	1001184083	4	Plug, Large, 1/2	
55	1001187744	AR	Chemical, Battery Protector and Sealer	
56	4460470	1	Nut <b>(SN 0300223410 to Present)</b>	
57	4460471	1	Washer <b>(SN 0300223410 to Present)</b>	
58	3290805	3	Nut M8 <b>(SN 0300232595 to Present)</b>	
59	0760810001	7	Bolt M8 x 20 <b>(SN 0300232595 to Present)</b>	
60	4811902001	7	Washer M8 <b>(SN 0300232595 to Present)</b>	
61	1001223167	1	Cover <b>(SN 0300232595 to Present)</b>	
62	1001223168	1	Cover <b>(SN 0300232595 to Present)</b>	
63	1001223169	1	Cover <b>(SN 0300232595 to Present)</b>	
64	1001223170	1	Cover <b>(Including 0300232595)</b>	
65	1001225279	3	Brace <b>(SN 0300232595 to Present)</b>	
66	4922160	1	Harness, Analyzer (Not Shown) <b>(SN 0300232595 to Present)</b>	



## SECTION 2 - TURNTABLE

FIGURE 2-19. TURNTABLE ELECTRICAL COMPONENTS INSTALLATION (ANSI, CSA AND JAPANESE SPECS) (SN 0300210987 to Present)



## SECTION 2 - TURNTABLE

**FIGURE 2-19. TURNTABLE ELECTRICAL COMPONENTS INSTALLATION (ANSI, CSA AND JAPANESE SPECS) (SN 0300210987 to Present)**

ITEM	PART NUMBER	QTY	DESCRIPTION	REV
	1001198619	Ref	TURNTABLE ELECTRICAL COMPONENTS INSTALLATION (ANSI, CSA AND JAPANESE SPECS) (SN 0300210987 to Present)	F
1	0100035	AR	Compound, Locking	
2	0700610	2	Bolt M6 x 20	
3	0700618	2	Bolt M6 x 50	
4	0760612	5	Bolt M6 x 25	
5	0760614	2	Bolt M6 X 30	
6	0760812	AR	Bolt M8 x 25	
7	0760815	1	Bolt M8 X 35	
8	0761014	1	Bolt, M10 X 30	
9	1320041	1	Clamp	
10	2920129	10	Lamp, Display	
11	3290605	16	Nut, M6	
12	3290807	9	Nut, M8	
13	3291007	1	Nut, M10	
14	3311601	4	Nut 3/8-16	
15	3740067	1	Relay	
16	4460496	1	Washer, Terminal	
17	4460497	1	Nut, Terminal	
18	4791400	2	Starwasher 1/4	
19	4811700	24	Washer M6	
20	4811702	1	Washer M6	
21	4811900	AR	Washer M8	
22	4812000	2	Washer M10	
23	8310686	AR	Nut, Retainer, M8	
24	8406201	2	Clip	
26	1001118274	AR	Nut M8	
28	1001135027	1	Bussbar	
29	1001149970	1	Harness - Drive Pump (Not Shown - See ELECTRICAL SECTION for Breakdown)	
30	1001149972	1	Harness - Turntable (Not Shown - See ELECTRICAL SECTION for Breakdown) (SN 0300210987 through 0300259695)	
30	1001232711	1	Harness - Turntable (Not Shown - See ELECTRICAL SECTION for Breakdown) (SN 0300259696 to Present)	
31	1001149973	1	Harness - Ground Control Panel (Not Shown - See ELECTRICAL SECTION for Breakdown)	
33	1001149979	1	Harness - Blam (Not Shown - See ELECTRICAL SECTION for Breakdown)	
35	1001151895	1	Sensor, Tilt	
36	1001155967	4	Holder, Side Mount	
37	1001156107	6	Holder, Cable	
37		Ref	Note: Qty 4 Not Shown - Located Behind Hydraulic Tank	
38	1001156135	1	Harness - Fuel Pump (Not Shown - See ELECTRICAL SECTION for Breakdown) (Prior to SN 0300237158)	
38	1001211885	1	Harness - Fuel Pump (Not Shown - See ELECTRICAL SECTION for Breakdown) (SN 0300237158 to Present)	
39	1001156859	1	Panel, Electrical (See ELECTRICAL PANEL ASSEMBLY for Breakdown)	
40	1001157646	1	Cable, Load Sensor (Not Shown - Runs from Item 36 RH Module to Lift Cylinder) (See ELECTRICAL SECTION for Breakdown)	

# PARTS FINDER

**Search Website  
by Part Number**



**Search Manual  
Library For Parts  
Manual & Lookup Part  
Numbers – Purchase  
or Request Quote**

A screenshot of the "Search Manuals" form. It includes a search bar, a "Search" button, and a "Manuals" section with a list of manual titles and descriptions. The form is titled "Search Manuals" and has a "Search" button at the bottom.

**Can't Find Part or  
Manual? Request Help  
by Manufacturer,  
Model & Description**

A screenshot of the "Parts Order Form". It is a form with several fields for entering information, including "Manufacturer", "Model", "Description", "Part Number", "Quantity", "Price", and "Notes". The form is titled "Parts Order Form" and has a "Submit" button at the bottom.

Discount-Equipment.com is your online resource for quality parts & equipment.

Florida: **561-964-4949** Outside Florida TOLL FREE: **877-690-3101**

**Need parts?**

Click on this link: <http://www.discount-equipment.com/category/5443-parts/> and choose one of the options to help get the right parts and equipment you are looking for. Please have the machine model and serial number available in order to help us get you the correct parts. If you don't find the part on the website or on one of the online manuals, please fill out the request form and one of our experienced staff members will get back to you with a quote for the right part that your machine needs.

We sell worldwide for the brands: Genie, Terex, JLG, MultiQuip, Mikasa, Essick, Whiteman, Mayco, Toro Stone, Diamond Products, Generac Magnum, Airman, Haulotte, Barreto, Power Blanket, Nifty Lift, Atlas Copco, Chicago Pneumatic, Allmand, Miller Curber, Skyjack, Lull, Skytrak, Tsurumi, Husquvarna Target, Stow, Wacker, Sakai, Mi-T-M, Sullair, Basic, Dynapac, MBW, Weber, Bartell, Bennar Newman, Haulotte, Ditch Runner, Menegotti, Morrison, Contec, Buddy, Crown, Edco, Wyco, Bomag, Laymor, EZ Trench, Bil-Jax, F.S. Curtis, Gehl Pavers, Heli, Honda, ICS/PowerGrit, IHI, Partner, Imer, Clipper, MMD, Koshin, Rice, CH&E, General Equipment, Amida, Coleman, NAC, Gradall, Square Shooter, Kent, Stanley, Tamco, Toku, Hatz, Kohler, Robin, Wisconsin, Northrock, Oztec, Toker TK, Rol-Air, APT, Wylie, Ingersoll Rand / Doosan, Innovatech, Con X, Ammann, Mecalac, Makinex, Smith Surface Prep, Small Line, Wanco, Yanmar

## SECTION 2 - TURNTABLE

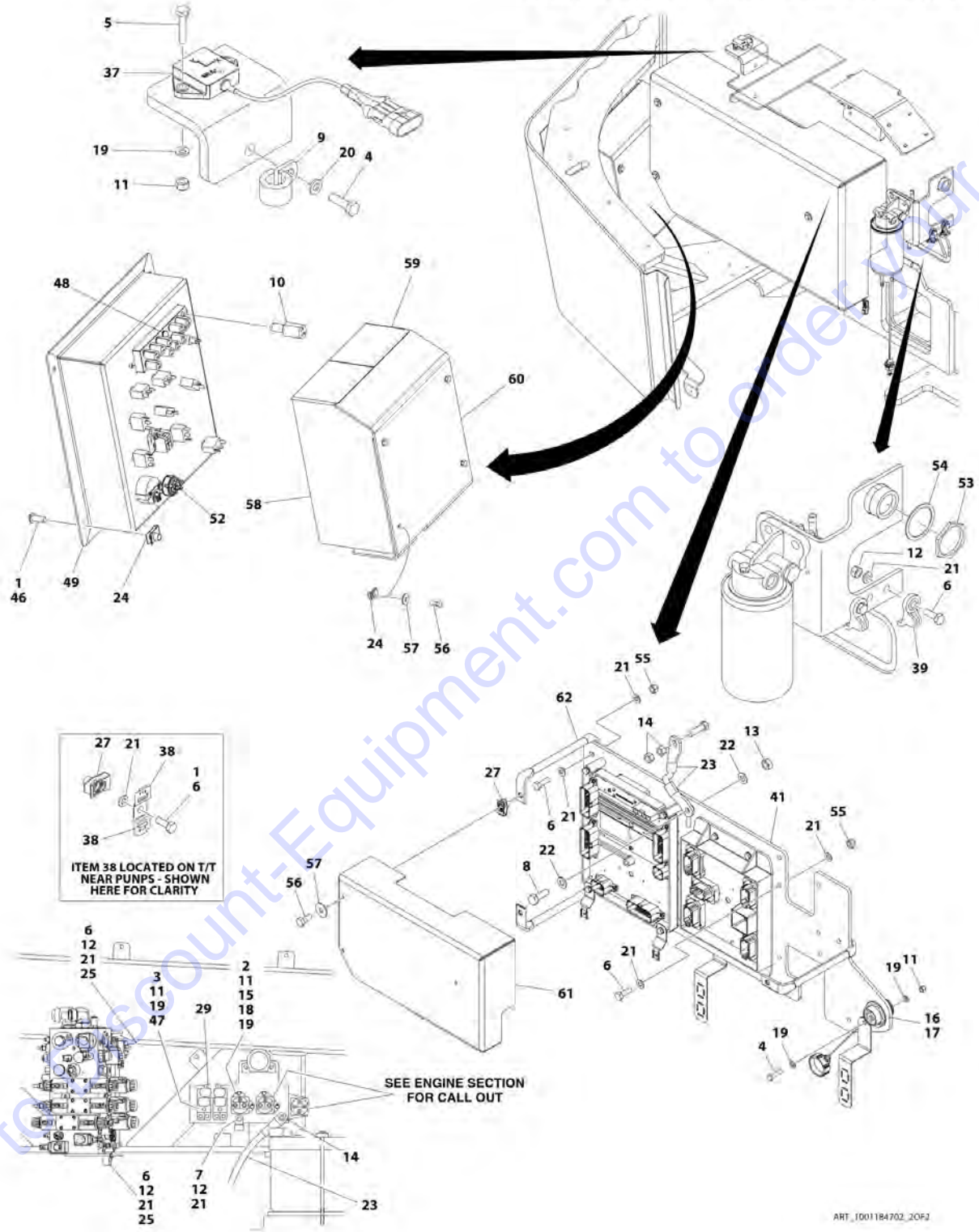
ITEM	PART NUMBER	QTY	DESCRIPTION	REV
41	1001163631	4	Cable, MTS Connection (Not Shown - See ELECTRICAL SECTION for Breakdown)	
43	1001164726	4	Capscrew M8 X 20	
44	1001174871	2	Fuse, Power Module	
45	1001184083	4	Plug, Large, 1/2	
46	1001187744	AR	Chemical, Battery Protector and Sealer	
47	1001191166	1	Harness, UREA Tank (Not Shown - See ELECTRICAL SECTION for Breakdown)	
48	1001197442	1	Kit, Battery Cable (Not Shown - See ELECTRICAL SECTION for Breakdown)	
49	1001197446	1	Harness - Main Valve (Not Shown - See ELECTRICAL SECTION for Breakdown)	
50	1001198625	1	Panel, Ground Control (See GROUND CONTROL CONSOLE ASSEMBLY for Breakdown)	
53	6611172	2	Cable, Ground to Frame	
54	4460470	1	Terminal Nut <b>(SN 0300217780 to Present)</b>	
55	4460471	1	Terminal Washer <b>(SN 0300217780 to Present)</b>	
56	3290805	3	Nut M8 <b>(SN 0300232595 to Present)</b>	
57	0760810001	7	Bolt M8 x 20 <b>(SN 0300232595 to Present)</b>	
58	4811902001	7	Washer M8 <b>(SN 0300232595 to Present)</b>	
59	1001223167	1	Cover <b>(SN 0300232595 to Present)</b>	
60	1001223168	1	Cover <b>(SN 0300232595 to Present)</b>	
61	1001223169	1	Cover <b>(SN 0300232595 to Present)</b>	
62	1001223170	1	Cover <b>(SN 0300232595 to Present)</b>	
63	1001225279	3	Brace <b>(SN 0300232595 to Present)</b>	
64	4922160	1	Harness, Analyzer (Not Shown) <b>(SN 0300232595 to Present)</b>	
65	1001238483	1	Harness, Def Tank Extension (Not Shown - See ELECTRICAL SECTION for Breakdown) <b>(SN 0300255121 to Present)</b>	



# SECTION 2 - TURNTABLE

## FIGURE 2-20. TURNTABLE ELECTRICAL COMPONENTS INSTALLATION

NOTE : SEE USAGE CHART ON PARTS LIST BEFORE ORDERING PARTS.





## SECTION 2 - TURNTABLE

### FIGURE 2-20. TURNTABLE ELECTRICAL COMPONENTS INSTALLATION

ITEM	PART NUMBER	QTY	DESCRIPTION	REV
	1001184702	Ref	TURNTABLE ELECTRICAL COMPONENTS INSTALLATION (CE SPECS)	E
		Ref	Usage Chart	
		Ref	CE Specs ( <b>SN 0300201023 through 0300210987</b> )	
		Ref	CE (LRC) Specs ( <b>SN 0300223410 to Present</b> )	
1	0100035	AR	Compound, Locking	
2	0700610	2	Bolt M6 x 20	
3	0700618	2	Bolt M6 x 50	
4	0760612	5	Bolt M6 x 25	
5	0760614	2	Bolt M6 X 30	
6	0760812	AR	Bolt M8 x 25	
7	0760815	1	Bolt M8 X 35	
8	0761014	1	Bolt, M10 X 30	
9	1320041	1	Clamp	
10	2920129	10	Lamp, Display	
11	3290605	16	Nut, M6	
12	3290807	9	Nut, M8	
13	3291007	1	Nut, M10	
14	3311601	4	Nut 3/8-16	
15	3740067	1	Relay	
16	4460496	1	Washer, Terminal	
17	4460497	1	Nut, Terminal	
18	4791400	2	Starwasher 1/4	
19	4811700	24	Washer M6	
20	4811702	1	Washer M6	
21	4811900	AR	Washer M8	
22	4812000	2	Washer M10	
23	6611172	2	Cable, Ground to Frame	
24	8310686	AR	Nut, Retainer, M8	
25	8406201	2	Clip	
27	1001118274	AR	Nut M8	
29	1001135027	1	Bussbar	
30	1001149970	1	Harness - Drive Pump (Not Shown - See ELECTRICAL SECTION for Breakdown)	
31	1001149972	1	Harness - Turntable (Not Shown - See ELECTRICAL SECTION for Breakdown)	
32	1001149973	1	Harness - Ground Control Panel (Not Shown - See ELECTRICAL SECTION for Breakdown)	
33	1001197446	1	Harness - Main Valve (Not Shown - See ELECTRICAL SECTION for Breakdown)	
35	1001149979	1	Harness - Blam (Not Shown - See ELECTRICAL SECTION for Breakdown)	
37	1001151895	1	Sensor, Tilt	
38	1001155967	4	Holder, Side Mount	
39	1001156107	6	Holder, Cable	
39		Ref	Note: Qty 4 Not Shown - Located Behind Hydraulic Tank	
40	1001156135	1	Harness - Fuel Pump (Not Shown - See ELECTRICAL SECTION for Breakdown) ( <b>Prior to SN 0300237158</b> )	
40	1001211885	1	Harness - Fuel Pump (Not Shown - See ELECTRICAL SECTION for Breakdown) ( <b>SN 0300237158 to Present</b> )	
41	1001156859	1	Panel, Electrical (See ELECTRICAL PANEL ASSEMBLY for Breakdown)	

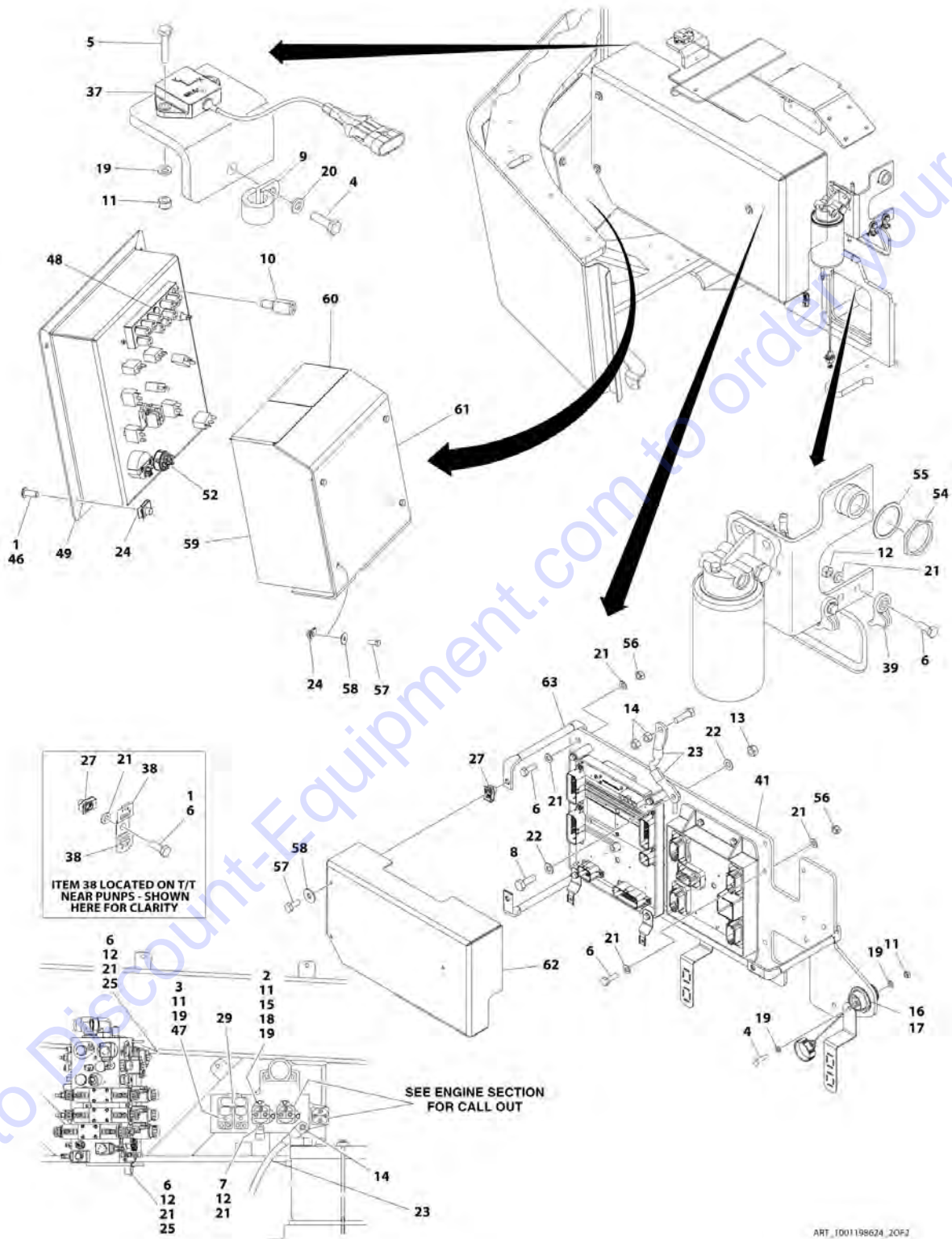
## SECTION 2 - TURNTABLE

ITEM	PART NUMBER	QTY	DESCRIPTION	REV
42	1001157646	1	Cable, Load Sensor (Not Shown - Runs from Item 36 RH Module to Lift Cylinder) (See ELECTRICAL SECTION for Breakdown)	
43	1001158922	1	Kit, Battery Cable (Not Shown - See ELECTRICAL SECTION for Breakdown)	
44	1001163631	4	Cable, MTS Connection (Not Shown - See ELECTRICAL SECTION for Breakdown)	
46	1001164726	4	Capscrew M8 X 20	
47	1001174871	2	Fuse, Power Module	
48	1001184083	4	Plug, Large, 1/2	
49	1001184701	1	Panel, Ground Control (See GROUND CONTROL CONSOLE ASSEMBLY for Breakdown)	
52	1001187744	AR	Chemical, Battery Protector and Sealer	
53	4460470	1	Nut <b>(SN 0300223410 to Present)</b>	
54	4460471	1	Washer <b>(SN 0300223410 to Present)</b>	
55	3290805	3	Nut M8 <b>(SN 0300232595 to Present)</b>	
56	0760810001	7	Bolt M8 x 20 <b>(SN 0300232595 to Present)</b>	
57	4811902001	7	Washer M8 <b>(SN 0300232595 to Present)</b>	
58	1001223167	1	Cover <b>(SN 0300232595 to Present)</b>	
59	1001223168	1	Cover <b>(SN 0300232595 to Present)</b>	
60	1001223169	1	Cover <b>(SN 0300232595 to Present)</b>	
61	1001223170	1	Cover <b>(SN 0300232595 to Present)</b>	
62	1001225279	3	Brace <b>(SN 0300232595 to Present)</b>	
63	4922160	1	Harness, Analyzer (Not Shown) <b>(SN 0300232595 to Present)</b>	



# SECTION 2 - TURNTABLE

## FIGURE 2-21. TURNTABLE ELECTRICAL COMPONENTS INSTALLATION (CE SPECS) (SN 0300210988 to Present)



## SECTION 2 - TURNTABLE

**FIGURE 2-21. TURNTABLE ELECTRICAL COMPONENTS INSTALLATION (CE SPECS) (SN 0300210988 to Present)**

ITEM	PART NUMBER	QTY	DESCRIPTION	REV
	1001198624	Ref	TURNTABLE ELECTRICAL COMPONENTS INSTALLATION (CE SPECS) (SN 0300210988 to Present)	F
1	0100035	AR	Compound, Locking	
2	0700610	2	Bolt M6 x 20	
3	0700618	2	Bolt M6 x 50	
4	0760612	5	Bolt M6 x 25	
5	0760614	2	Bolt M6 X 30	
6	0760812	AR	Bolt M8 x 25	
7	0760815	1	Bolt M8 X 35	
8	0761014	1	Bolt, M10 X 30	
9	1320041	1	Clamp	
10	2920129	10	Lamp, Display	
11	3290605	16	Nut, M6	
12	3290807	9	Nut, M8	
13	3291007	1	Nut, M10	
14	3311601	4	Nut 3/8-16	
15	3740067	1	Relay	
16	4460496	1	Washer, Terminal	
17	4460497	1	Nut, Terminal	
18	4791400	2	Starwasher 1/4	
19	4811700	24	Washer M6	
20	4811702	1	Washer M6	
21	4811900	AR	Washer M8	
22	4812000	2	Washer M10	
23	6611172	2	Cable, Ground to Frame	
24	8310686	AR	Nut, Retainer, M8	
25	8406201	2	Clip	
27	1001118274	AR	Nut M8	
29	1001135027	1	Bussbar	
30	1001149970	1	Harness - Drive Pump (Not Shown - See ELECTRICAL SECTION for Breakdown)	
31	1001149972	1	Harness - Turntable (Not Shown - See ELECTRICAL SECTION for Breakdown) (SN 0300210988 through 0300259695)	
31	1001232711	1	Harness - Turntable (Not Shown - See ELECTRICAL SECTION for Breakdown) (SN 0300259696 to Present)	
32	1001149973	1	Harness - Ground Control Panel (Not Shown - See ELECTRICAL SECTION for Breakdown)	
33	1001197446	1	Harness - Main Valve (Not Shown - See ELECTRICAL SECTION for Breakdown)	
35	1001149979	1	Harness - Blam (Not Shown - See ELECTRICAL SECTION for Breakdown)	
37	1001151895	1	Sensor, Tilt	
38	1001155967	4	Holder, Side Mount	
39	1001156107	6	Holder, Cable	
39		Ref	Note: Qty 4 Not Shown - Located Behind Hydraulic Tank	
40	1001156135	1	Harness - Fuel Pump (Not Shown - See ELECTRICAL SECTION for Breakdown) (Prior to SN 0300237158)	
40	1001211885	1	Harness - Fuel Pump (Not Shown - See ELECTRICAL SECTION for Breakdown) (SN 0300237158 to Present)	
41	1001156859	1	Panel, Electrical (See ELECTRICAL PANEL ASSEMBLY for Breakdown)	

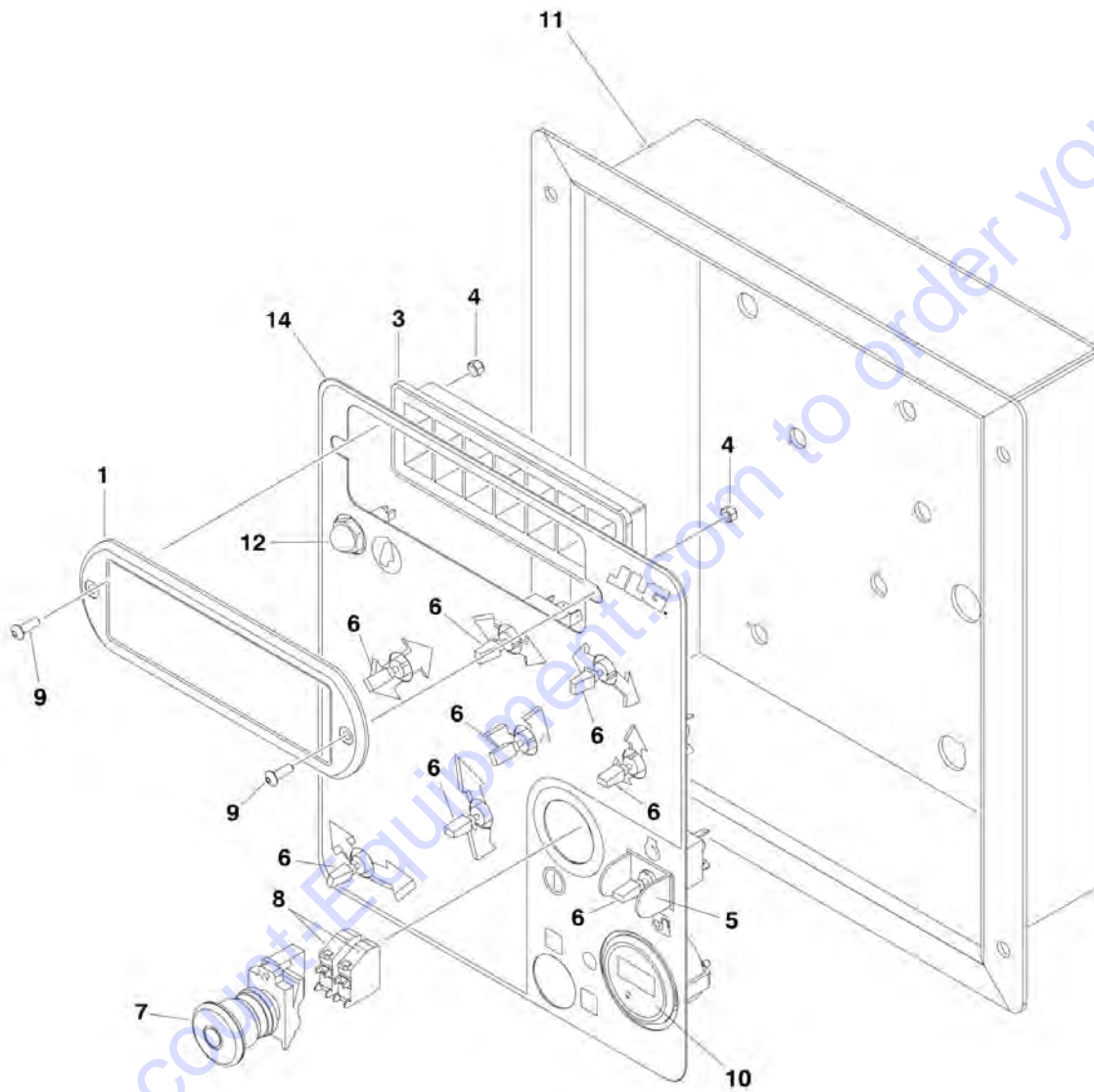
## SECTION 2 - TURNTABLE

ITEM	PART NUMBER	QTY	DESCRIPTION	REV
42	1001157646	1	Cable, Load Sensor (Not Shown - Runs from Item 36 RH Module to Lift Cylinder) (See ELECTRICAL SECTION for Breakdown)	
43	1001197442	1	Kit, Battery Cable (Not Shown - See ELECTRICAL SECTION for Breakdown)	
44	1001163631	4	Cable, MTS Connection (Not Shown - See ELECTRICAL SECTION for Breakdown)	
46	1001164726	4	Capscrew M8 X 20	
47	1001174871	2	Fuse, Power Module	
48	1001184083	4	Plug, Large, 1/2	
49	1001198626	1	Panel, Ground Control (See GROUND CONTROL CONSOLE ASSEMBLY for Breakdown)	
52	1001187744	AR	Chemical, Battery Protector and Sealer	
53	1001191166	1	Harness, UREA Tank (Not Shown - See ELECTRICAL SECTION for Breakdown)	
54	4460470	1	Terminal Nut <b>(SN 0300217780 to Present)</b>	
55	4460471	1	Terminal Washer <b>(SN 0300217780 to Present)</b>	
56	3290805	3	Nut M8 <b>(SN 0300232595 to Present)</b>	
57	0760810001	7	Bolt M8 x 20 <b>(SN 0300232595 to Present)</b>	
58	4811902001	7	Washer M8 <b>(SN 0300232595 to Present)</b>	
59	1001223167	1	Cover <b>(SN 0300232595 to Present)</b>	
60	1001223168	1	Cover <b>(SN 0300232595 to Present)</b>	
61	1001223169	1	Cover <b>(SN 0300232595 to Present)</b>	
62	1001223170	1	Cover <b>(SN 0300232595 to Present)</b>	
63	1001225279	3	Brace <b>(SN 0300232595 to Present)</b>	
64	4922160	1	Harness, Analyzer (Not Shown) <b>(SN 0300232595 to Present)</b>	
65	1001238483	1	Harness, Def Tank Extension (Not Shown - See ELECTRICAL SECTION for Breakdown) <b>(SN 0300255121 to Present)</b>	



## SECTION 2 - TURNTABLE

FIGURE 2-22. GROUND CONTROL CONSOLE ASSEMBLY



1001154512



**SECTION 2 - TURNTABLE**

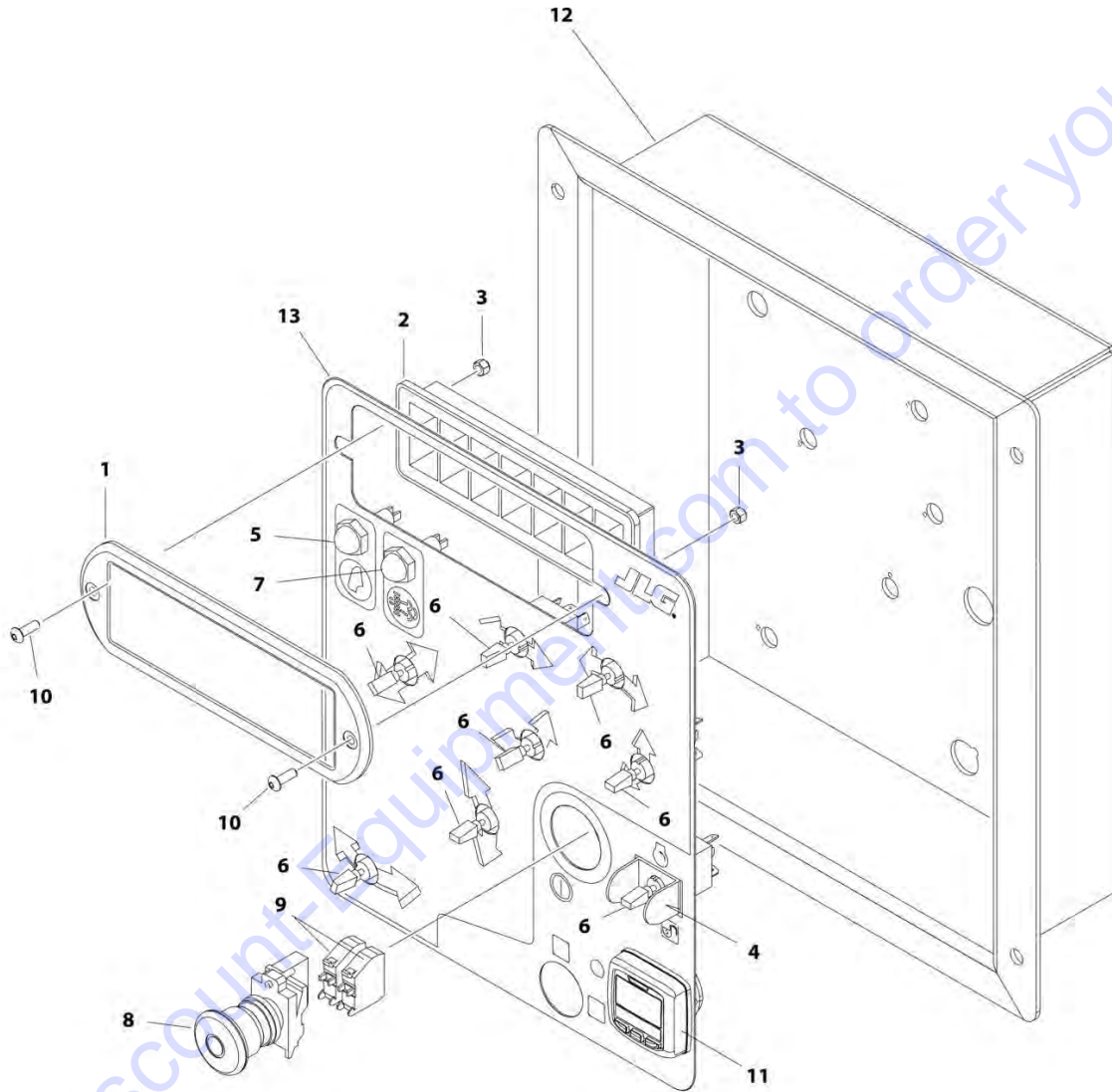
**FIGURE 2-22. GROUND CONTROL CONSOLE ASSEMBLY**

ITEM	PART NUMBER	QTY	DESCRIPTION	REV
	1001154512	Ref	GROUND CONTROL CONSOLE ASSEMBLY (ANSI EXPORT AND AUSTRALIAN SPECS)	C
	1001154512	Ref	GROUND CONTROL CONSOLE ASSEMBLY (ANSI, CSA AND JAPANESE SPECS) <b>(Prior to SN 0300210987)</b>	C
	1001154512	Ref	GROUND CONTROL CONSOLE ASSEMBLY (CE SPECS) <b>(Prior to SN 0300201023)</b>	C
1	1670829	1	Bezel	
3	2760105	1	Housing, Light	
4	3290505	2	Nut M5	
5	4060906	1	Guard, Switch	
6	4360328	8	Switch, Toggle	
7	4360475	1	Switch, Push-Pull Emergency	
7	7020175	1	Cap	
7	7020176	1	Block, Contact	
8	4360476	2	Block, Contact	
9	1001099125	2	Screw M5 x 16 Grade 10.9	
10	1001109503	1	Gauge	
11	1001154513	1	Panel	
12	4360274	1	Switch, Pushbutton	
14	1001156232	1	Decal - Ground Control	

Go to Discount-Equipment.com to order your parts

## SECTION 2 - TURNTABLE

FIGURE 2-23. GROUND CONTROL CONSOLE ASSEMBLY



ART\_1001198625

**SECTION 2 - TURNTABLE**

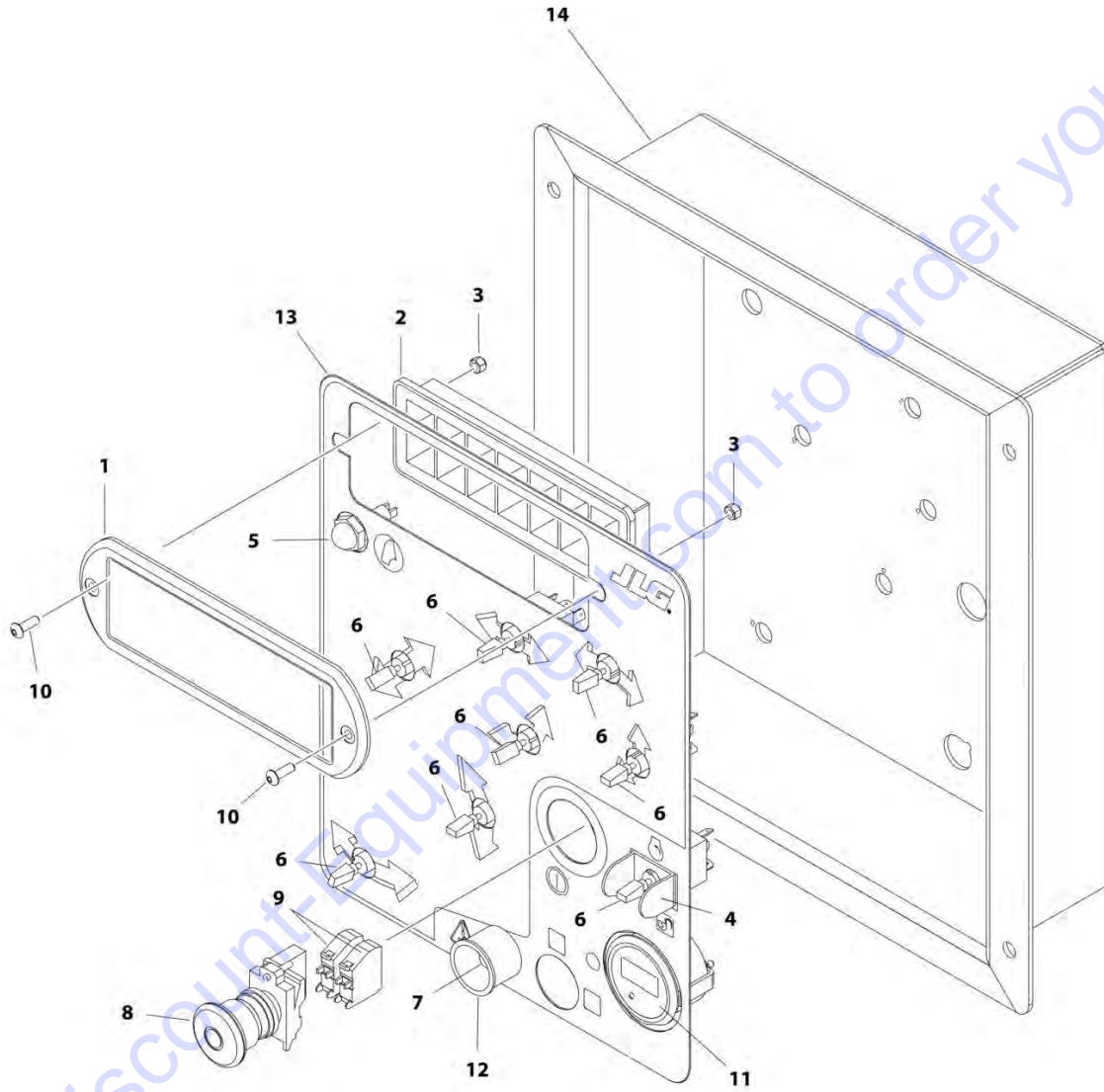
**FIGURE 2-23. GROUND CONTROL CONSOLE ASSEMBLY**

ITEM	PART NUMBER	QTY	DESCRIPTION	REV
	1001198625	Ref	GROUND CONTROL CONSOLE ASSEMBLY (ANSI, CSA AND JAPANESE SPECS) (SN 0300210987 to Present)	A
1	1670829	1	Bezel	
2	2760105	1	Housing, Light	
3	3290505	2	Nut M5	
4	4060906	1	Guard, Switch	
5	4360274	1	Switch, Pushbutton	
6	4360328	8	Switch, Toggle	
7	4360387	1	Switch, Push Button	
8	4360475	1	Switch, Push-Pull Emergency	
8	7020175	1	Cap	
8	7020176	1	Block, Contact	
9	4360476	2	Block, Contact	
10	1001099125	2	Screw M5 x 16 Grade 10.9	
11	1001171482	1	Gauge	
12	1001198627	1	Panel	
13	1001198682	1	Decal - Ground Control	

Go to Discount-Equipment.com to order your parts

## SECTION 2 - TURNTABLE

FIGURE 2-24. GROUND CONTROL CONSOLE ASSEMBLY



ART\_1001184701

**SECTION 2 - TURNTABLE**

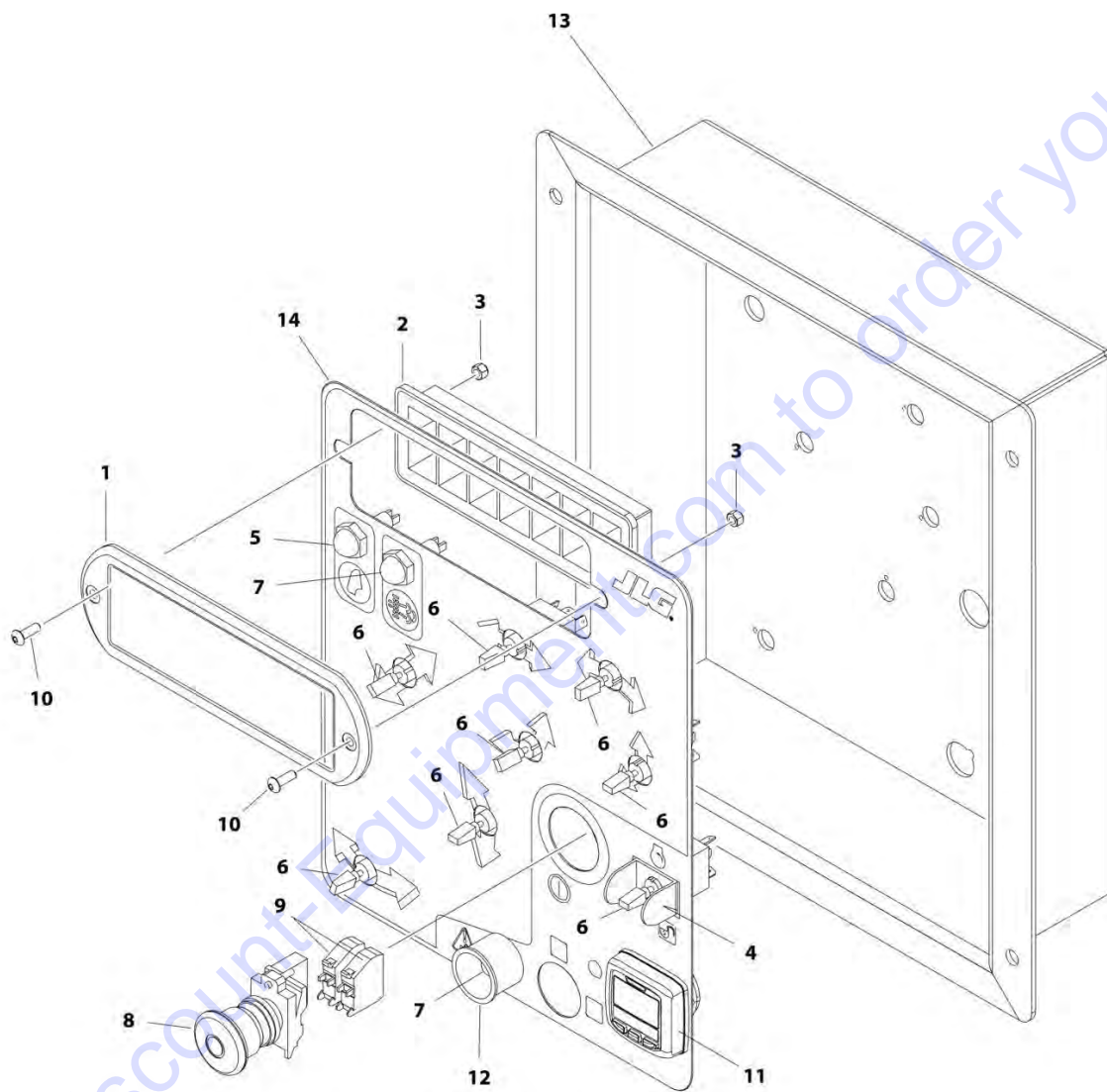
**FIGURE 2-24. GROUND CONTROL CONSOLE ASSEMBLY**

ITEM	PART NUMBER	QTY	DESCRIPTION	REV
	1001184701	Ref	GROUND CONTROL CONSOLE ASSEMBLY (CE SPECS) (SN <b>0300201023 through 0300210986</b> )	A
1	1670829	1	Bezel	
2	2760105	1	Housing, Light	
3	3290505	2	Nut M5	
4	4060906	1	Guard, Switch	
5	4360274	1	Switch, Pushbutton	
6	4360328	8	Switch, Toggle	
7	4360387	1	Switch, Push Button	
8	4360475	1	Switch, Push-Pull Emergency	
8	7020175	1	Cap	
8	7020176	1	Block, Contact	
9	4360476	2	Block, Contact	
10	1001099125	2	Screw M5 x 16 Grade 10.9	
11	1001109503	1	Gauge	
12	1001176469	1	Shroud	
13	1001180096	1	Decal - Ground Control	
14	1001184697	1	Panel	

Go to Discount-Equipment.com to order your parts

## SECTION 2 - TURNTABLE

FIGURE 2-25. GROUND CONTROL CONSOLE ASSEMBLY



ART\_100119826

**SECTION 2 - TURNTABLE**

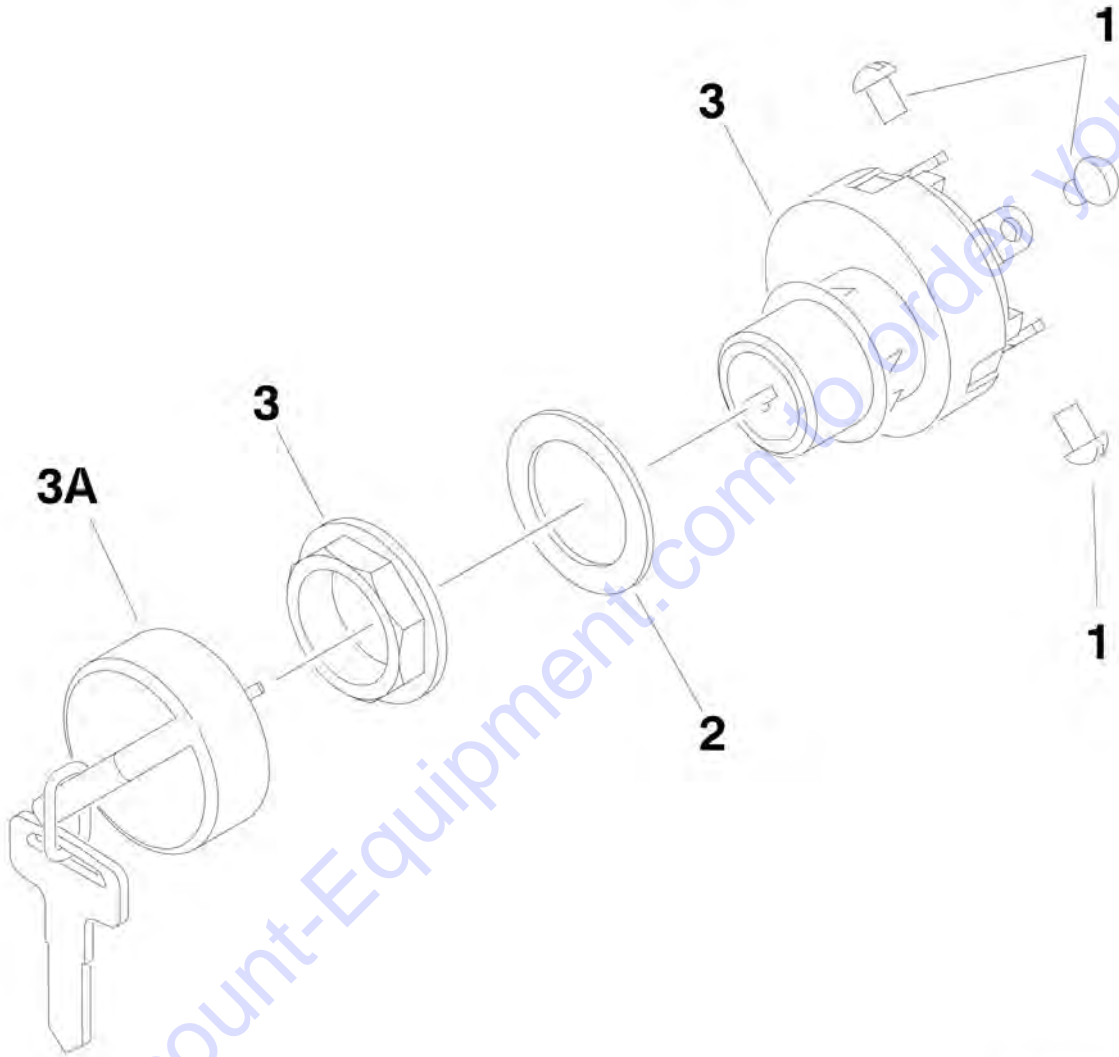
**FIGURE 2-25. GROUND CONTROL CONSOLE ASSEMBLY**

ITEM	PART NUMBER	QTY	DESCRIPTION	REV
	1001198626	Ref	GROUND CONTROL CONSOLE ASSEMBLY (CE SPECS) (SN <b>0300210987 to Present</b> )	A
1	1670829	1	Bezel	
2	2760105	1	Housing, Light	
3	3290505	2	Nut M5	
4	4060906	1	Guard, Switch	
5	4360274	1	Switch, Pushbutton	
6	4360328	8	Switch, Toggle	
7	4360387	2	Switch, Push Button	
8	4360475	1	Switch, Push-Pull Emergency	
8	7020175	1	Cap	
8	7020176	1	Block, Contact	
9	4360476	2	Block, Contact	
10	1001099125	2	Screw M5 x 16 Grade 10.9	
11	1001171482	1	Gauge	
12	1001176469	1	Shroud	
13	1001198628	1	Panel	
14	1001198683	1	Decal - Ground Control	

Go to Discount-Equipment.com to order your parts

## SECTION 2 - TURNTABLE

FIGURE 2-26. KEY SWITCH - ANSI, ANSI EXPORT, AUSTRALIAN AND CSA SPECS



0259666  
0259667



**SECTION 2 - TURNTABLE**

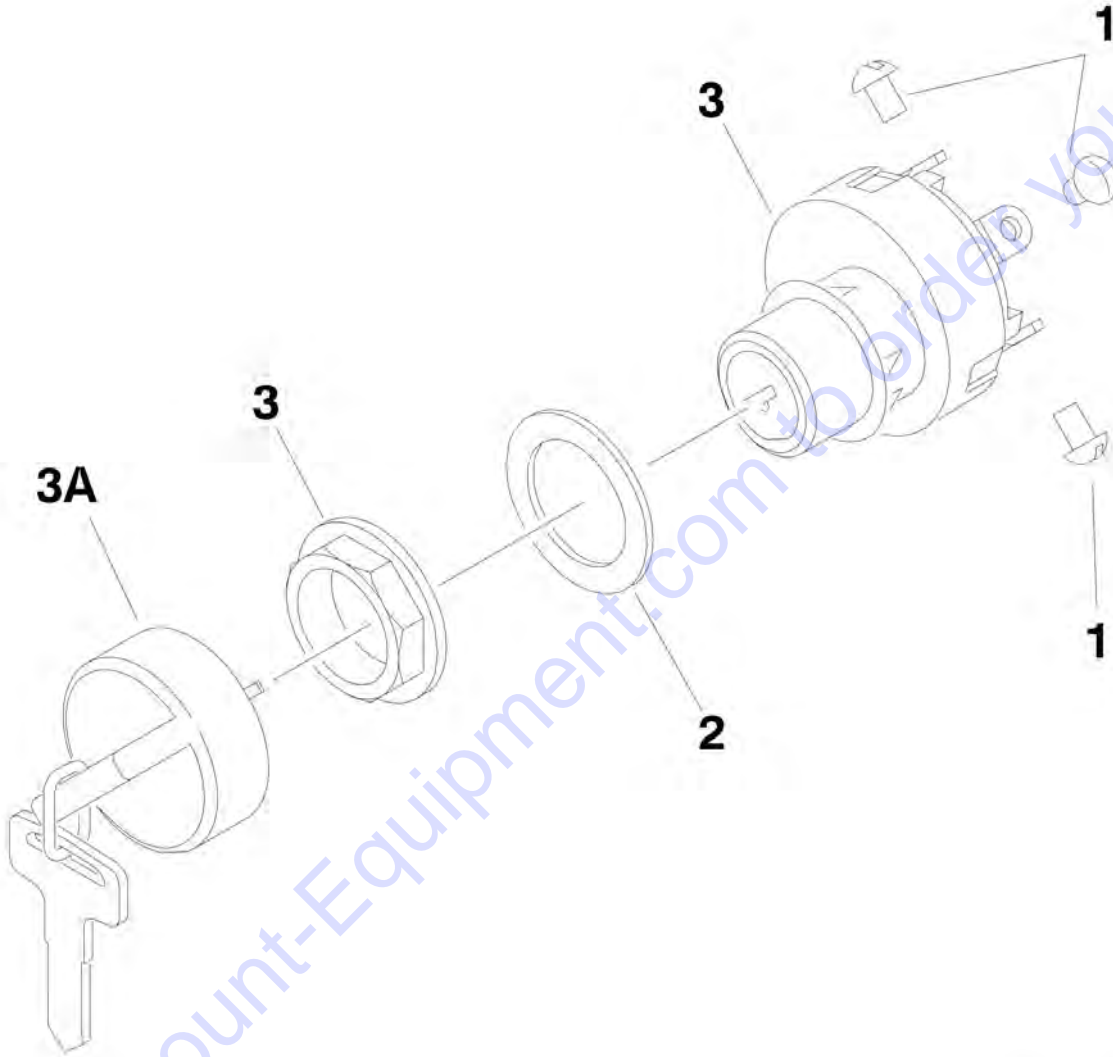
**FIGURE 2-26. KEY SWITCH - ANSI, ANSI EXPORT, AUSTRALIAN AND CSA SPECS**

ITEM	PART NUMBER	QTY	DESCRIPTION	REV
	0259666	Ref	KEY SWITCH INSTALLATION (ANSI, ANSI EXPORT, AUSTRALIAN AND CSA SPECS)	C
1	3910804	6	Screw #8 x 1/8	
2	1001151393		Shim .063	
3	4360469	1	Keyswitch	
3A	2860030	1	Key, Replacement	

Go to Discount-Equipment.com to order your parts

## SECTION 2 - TURNTABLE

FIGURE 2-27. KEY SWITCH - CE SPECS (Prior to SN 0300201023)



0259666  
0259667

**SECTION 2 - TURNTABLE**

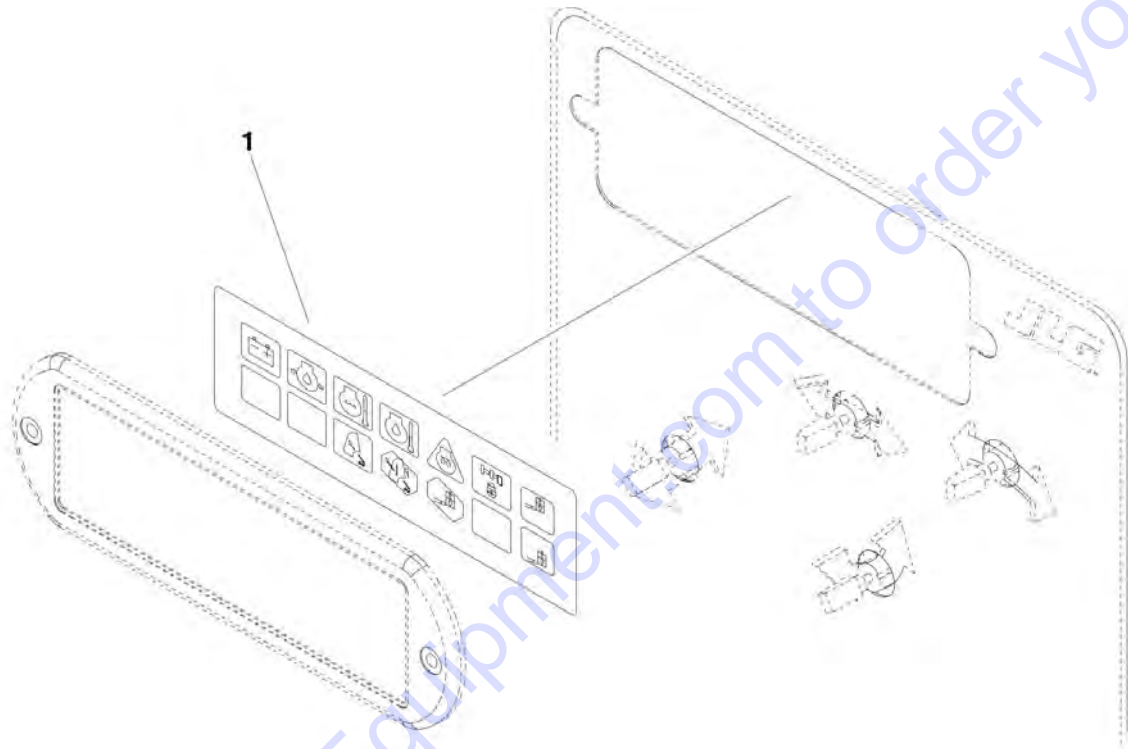
**FIGURE 2-27. KEY SWITCH - CE SPECS (Prior to SN 0300201023)**

ITEM	PART NUMBER	QTY	DESCRIPTION	REV
	0259667	Ref	KEY SWITCH INSTALLATION (CE SPECS) (Prior to SN <b>0300201023</b> )	B
1	3910804	6	Screw #8 x 1/8	
2	1001151393		Shim .063	
3	4360470	1	Keyswitch	
3A	2860030	1	Key, Replacement	

Go to Discount-Equipment.com to order your parts

## SECTION 2 - TURNTABLE

FIGURE 2-28. LIGHT PANEL



1001121826\_PG 1 OF 2

**SECTION 2 - TURNTABLE**

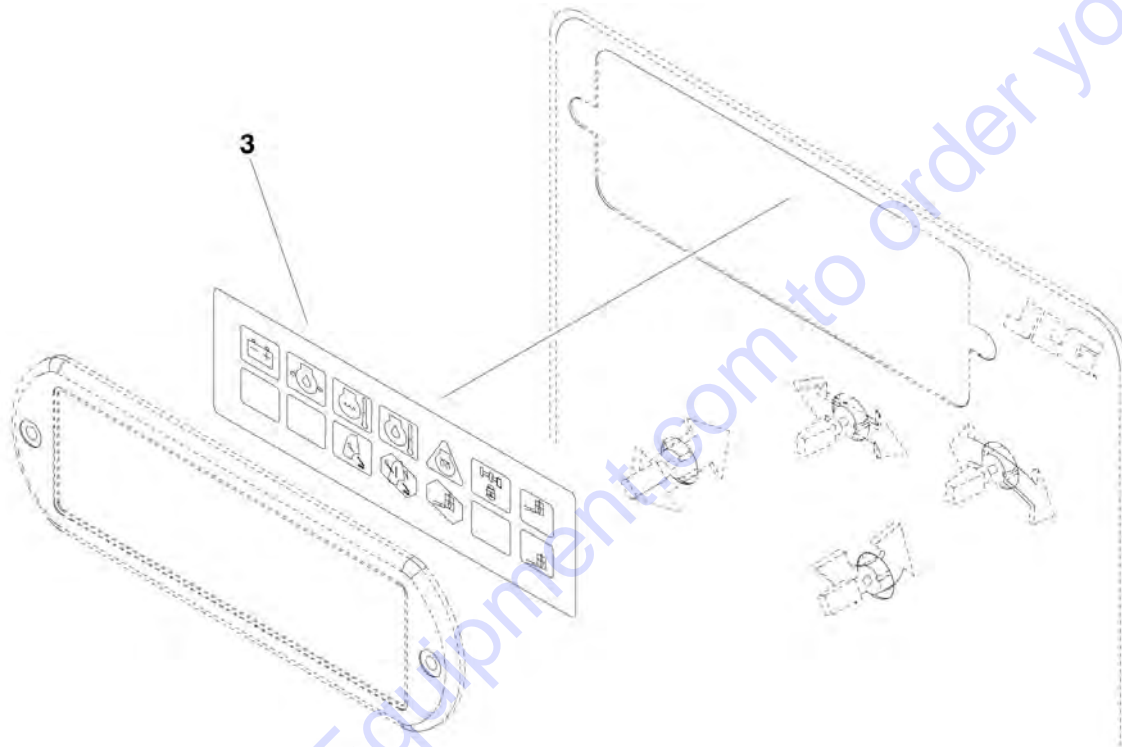
**FIGURE 2-28. LIGHT PANEL**

ITEM	PART NUMBER	QTY	DESCRIPTION	REV
	1001121826	Ref	LIGHT PANEL INSTALLATION (ANSI EXPORT (LRC) AND CHINA SPECS)	A
	1001121826	Ref	LIGHT PANEL INSTALLATION (ANSI, CSA AND JAPANESE SPECS) <b>(Prior to SN 0300210987)</b>	A
1	1001122383	1	Decal - Display	

Go to Discount-Equipment.com to order your parts

## SECTION 2 - TURNTABLE

FIGURE 2-29. LIGHT PANEL



1001121827\_PG 1 OF 2

**SECTION 2 - TURNTABLE**

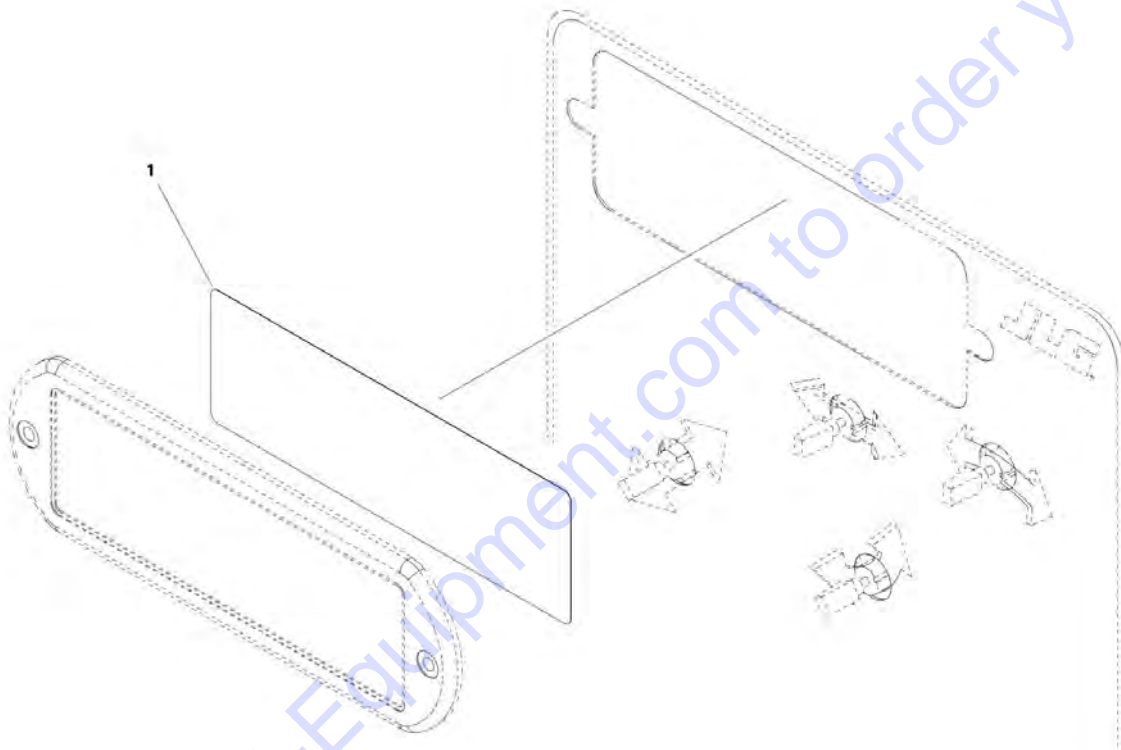
**FIGURE 2-29. LIGHT PANEL**

ITEM	PART NUMBER	QTY	DESCRIPTION	REV
	1001121827	Ref	LIGHT PANEL INSTALLATION (CE (LRC) AND AUSTRALIAN SPECS)	A
	1001121827	Ref	LIGHT PANEL INSTALLATION (CE SPECS) <b>(Prior to SN 0300210987)</b>	A
3	1705974	1	Decal - Display	

Go to Discount-Equipment.com to order your parts

## SECTION 2 - TURNTABLE

FIGURE 2-30. LIGHT PANEL



ART\_1001198867\_1OF2



**SECTION 2 - TURNTABLE**

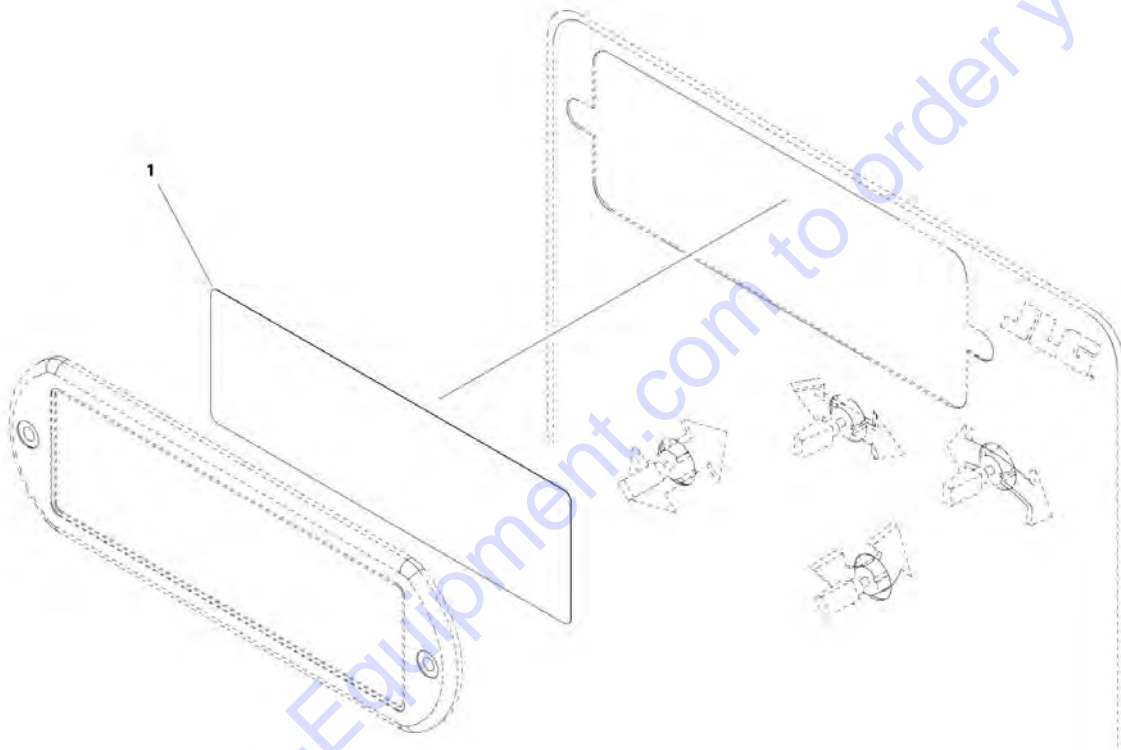
**FIGURE 2-30. LIGHT PANEL**

ITEM	PART NUMBER	QTY	DESCRIPTION	REV
	1001198867	Ref	LIGHT PANEL INSTALLATION (ANSI, ANSI EXPORT (HRC), CSA AND JAPANESE SPECS) (SN 0300210987 to Present)	A
1	1001198869	1	Decal - Display	

Go to Discount-Equipment.com to order your parts

## SECTION 2 - TURNTABLE

FIGURE 2-31. LIGHT PANEL



ART\_1001198868\_1OF2

**SECTION 2 - TURNTABLE**

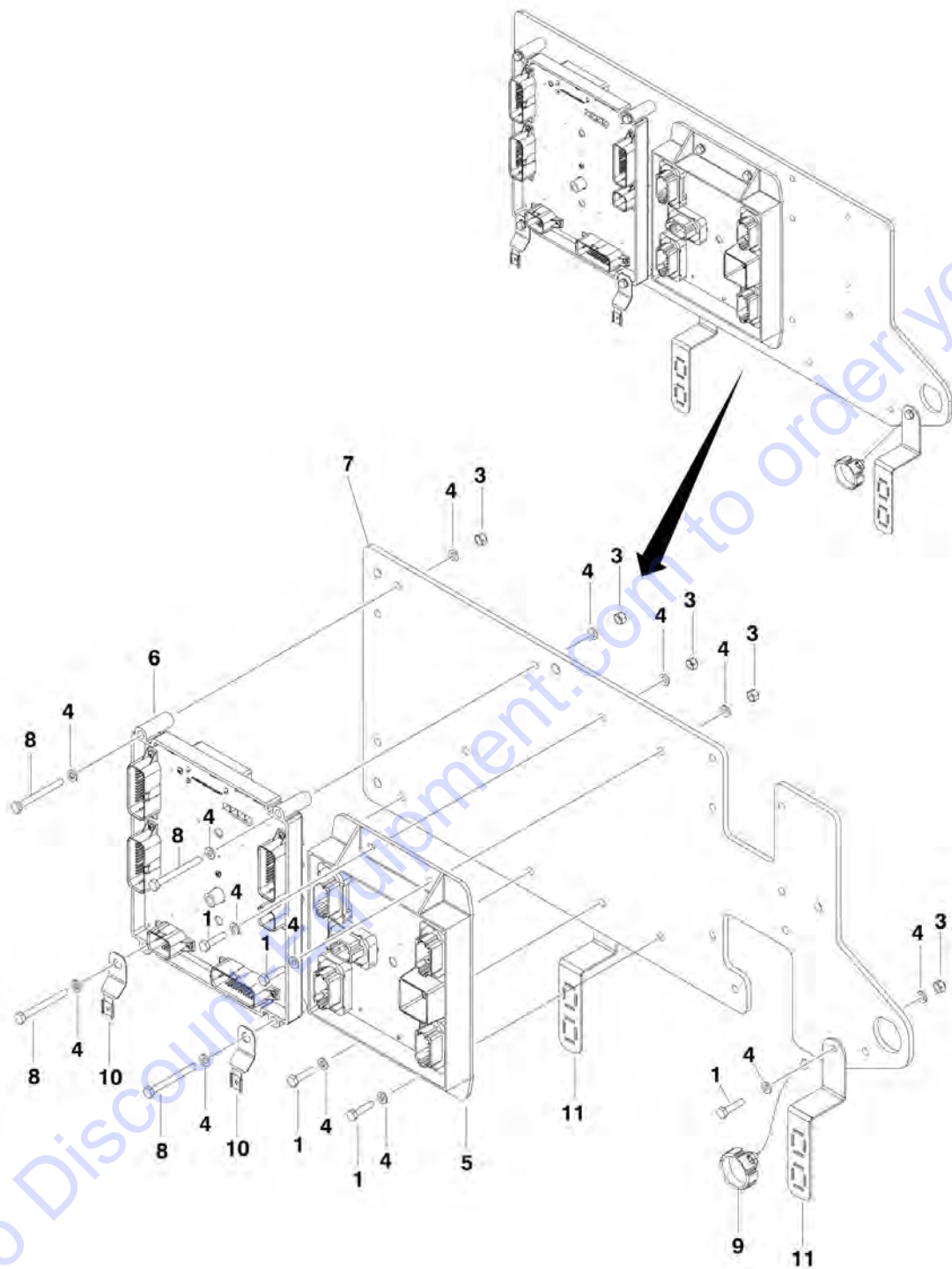
**FIGURE 2-31. LIGHT PANEL**

ITEM	PART NUMBER	QTY	DESCRIPTION	REV
	1001198868	Ref	LIGHT PANEL INSTALLATION (CE SPECS) (SN 0300210987 to Present)	A
1	1001198870	1	Decal - Display	

Go to Discount-Equipment.com to order your parts

# SECTION 2 - TURNTABLE

## FIGURE 2-32. ELECTRICAL PANEL ASSEMBLY



ART\_1001156859

**SECTION 2 - TURNTABLE**

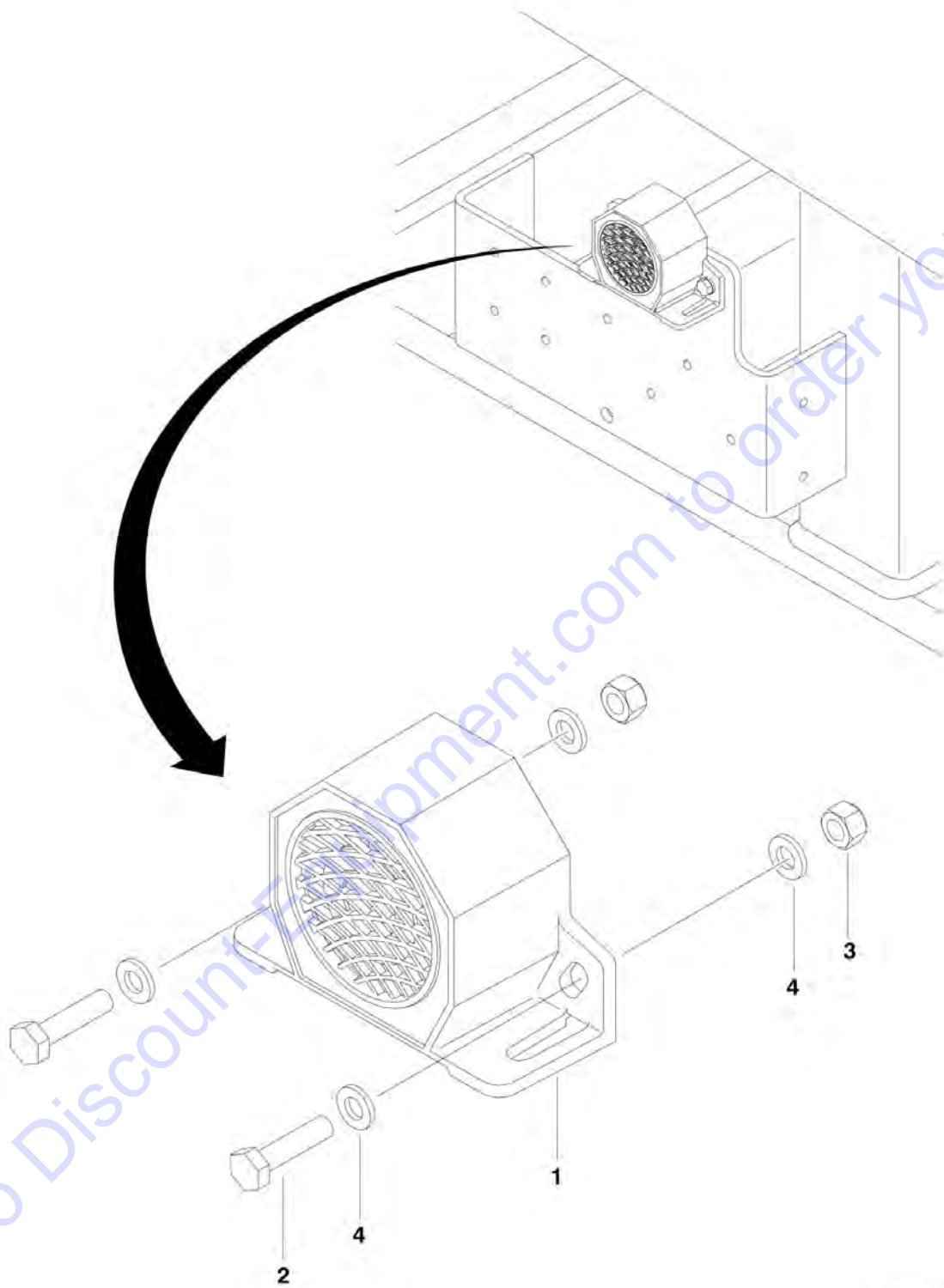
**FIGURE 2-32. ELECTRICAL PANEL ASSEMBLY**

ITEM	PART NUMBER	QTY	DESCRIPTION	REV
	1001156859	Ref	ELECTRICAL PANEL ASSEMBLY	E
1	0760612	5	Bolt M6 x 25	
3	3290605	9	Nut M6	
4	4811700	18	Washer M6	
5	1001112757	NLA	Module, Controller (Use p/n 1001227960) (Note: Control System Must Be Recalibrated When Controller is Replaced.) <b>(Prior to SN 0300248235)</b>	
5	1001227960	1	Module, Controller (Note: Control System Must Be Recalibrated When Controller is Replaced.) <b>(SN 0300248235 to Present)</b>	
6	1001119509	1	Module, Controller (Note: Control System Must Be Recalibrated When Controller is Replaced.)	
7	1001156860	NLA	Plate (Use p/n 1001227704) <b>(Prior to SN 0300232595)</b>	
7	1001227704	1	Plate <b>(SN 0300232595 to Present)</b>	
8	0700620	4	Bolt M6 x 60	
9	1001106736	1	Cap, Dust	
10	1001120328	2	Mount, Connector	
11	1001159162	2	Bracket	

Go to Discount-Equipment.com to order your parts

## SECTION 2 - TURNTABLE

FIGURE 2-33. ALARM INSTALLATION



1001147879

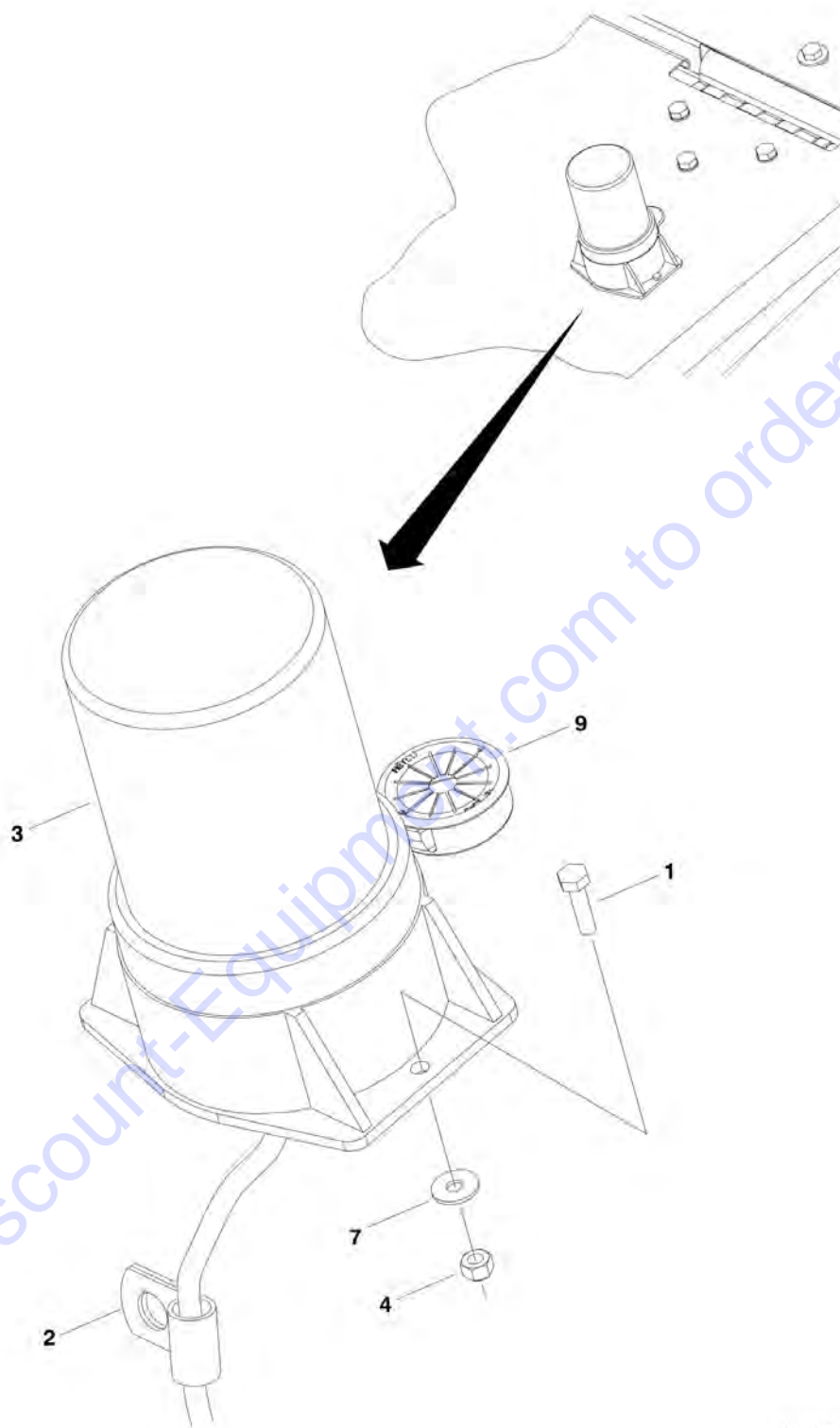
FIGURE 2-33. ALARM INSTALLATION

ITEM	PART NUMBER	QTY	DESCRIPTION	REV
	1001154030	Ref	ALARM INSTALLATION	A
1	0140043	1	Alarm	
1	4460536	1	Receptacle, Female - 3 Position	
1	4460943	3	Pin, Male	
2	0700612	2	Bolt M6 x 25	
3	3290605	2	Nut M6	
4	4811700	4	Washer M6	

Go to Discount-Equipment.com to order your parts

## SECTION 2 - TURNTABLE

FIGURE 2-34. BEACON LIGHT INSTALLATION - AMBER



1001157031



**SECTION 2 - TURNTABLE**

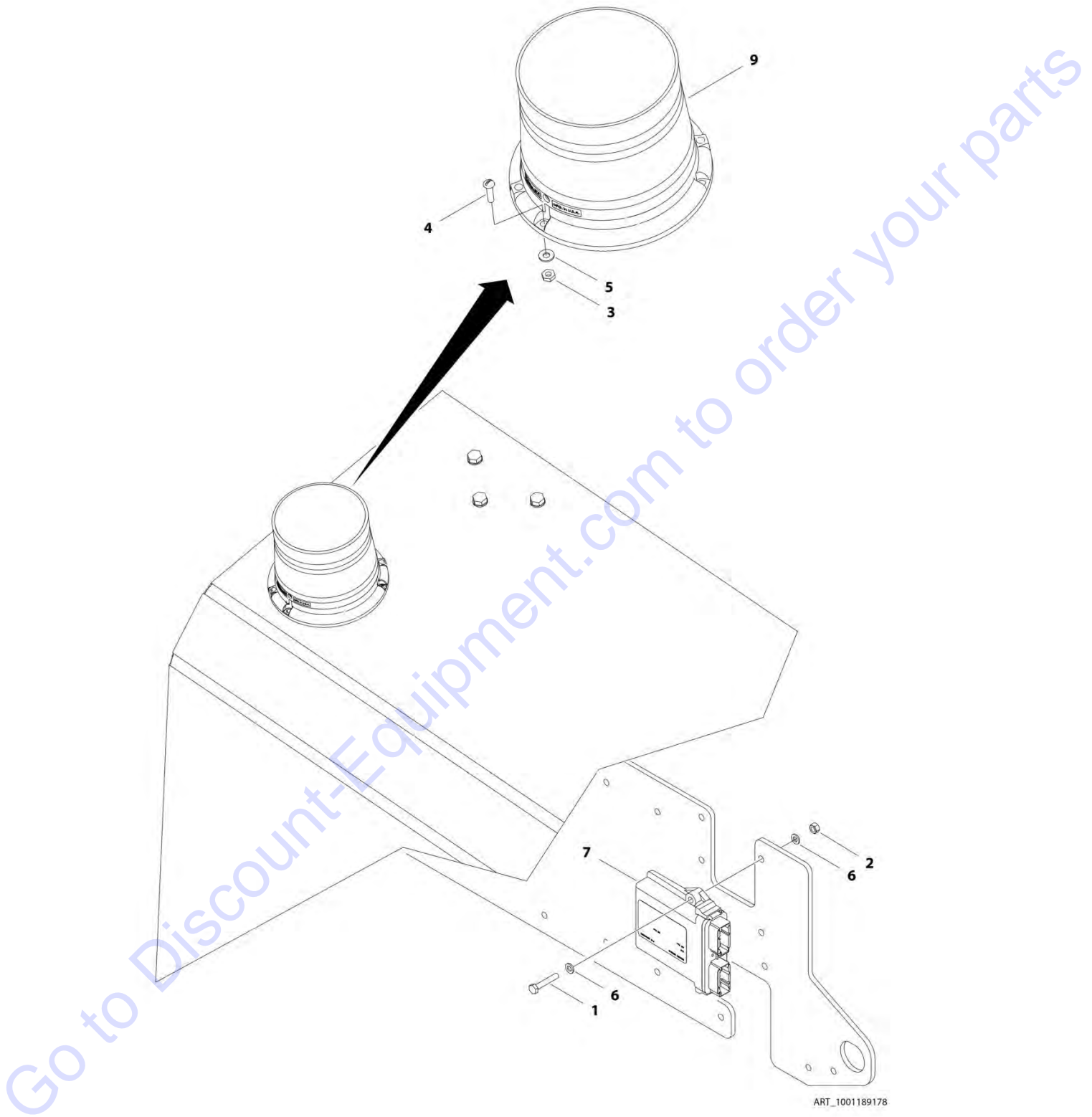
**FIGURE 2-34. BEACON LIGHT INSTALLATION - AMBER**

ITEM	PART NUMBER	QTY	DESCRIPTION	REV
	1001157031	Ref	BEACON LIGHT INSTALLATION - AMBER	C
1	0760408	2	Bolt M4 x 16	
2	1320263	2	Clamp	
3	2920161	1	Strobe Light/Guard/Harness Assembly (Amber) (See ELECTRICAL SECTION for Breakdown)	B
3	7016319	1	Bulb, Replacement	
3	7016272	1	Lens, Replacement	
3	4460891	1	Plug, Male - 2 Position	
3	4460465	1	Socket, Female	
4	3290405	2	Nut M4	
7	1001091102	2	Washer M4	
9	1001169085	1	Grommet	
100	4060865	1	Guard (Not Shown - Must be Purchased Separately)	

Go to Discount-Equipment.com to order your parts

## SECTION 2 - TURNTABLE

FIGURE 2-35. STROBE LIGHT INSTALLATION - BLUE (Prior to SN 0300217096)



**SECTION 2 - TURNTABLE**

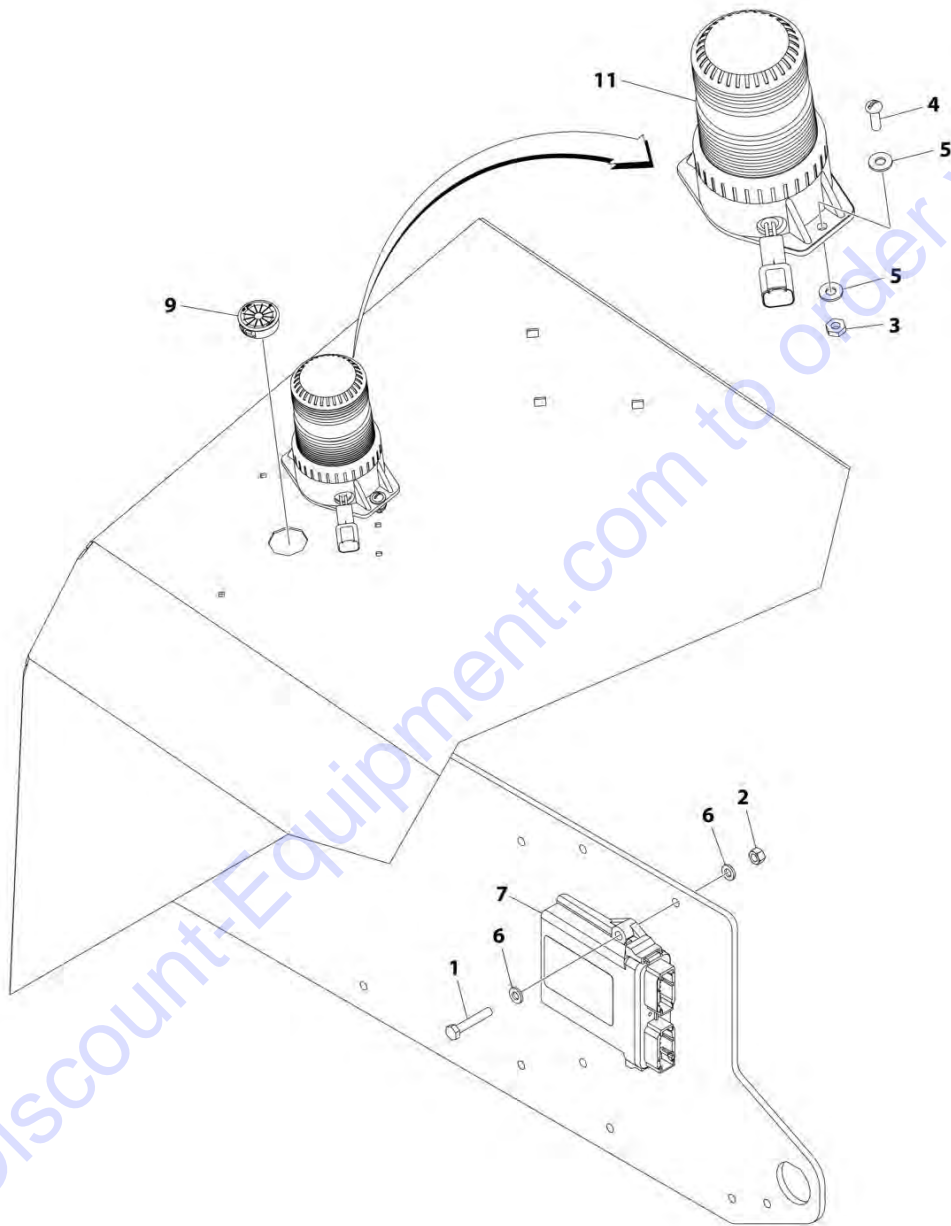
**FIGURE 2-35. STROBE LIGHT INSTALLATION - BLUE (Prior to SN 0300217096)**

ITEM	PART NUMBER	QTY	DESCRIPTION	REV
	1001189178	Ref	STROBE LIGHT INSTALLATION - BLUE (Prior to SN 0300217096)	B
1	0700615	2	Bolt M6 x 35	
2	3290607	2	Nut M6	
3	3311005	3	Nut #10	
4	3911012	3	Screw 10 x 3/4	
5	4711000	3	Washer #10	
6	4811700	4	Washer M6	
7	1001142683	1	Module, Control Beacon	
8	1001142736	1	Beacon Control Harness (See ELECTRICAL SECTION for Breakdown)	
9	1001179196	NLA	Strobe Light/Harness Assembly (Use Mounting Kit p/n 1001210696 & Strobe Light p/n 1001200910)	
9	7028909	1	Connector - 2 Position	
9	4460943	2	Pin, Male (Gold)	
9	80604017	2	Wedgelock	

Go to Discount-Equipment.com to order your parts

## SECTION 2 - TURNTABLE

FIGURE 2-36. STROBE LIGHT INSTALLATION - BLUE (SN 0300217096 through 0300259338)



ART\_1001205962

## SECTION 2 - TURNTABLE

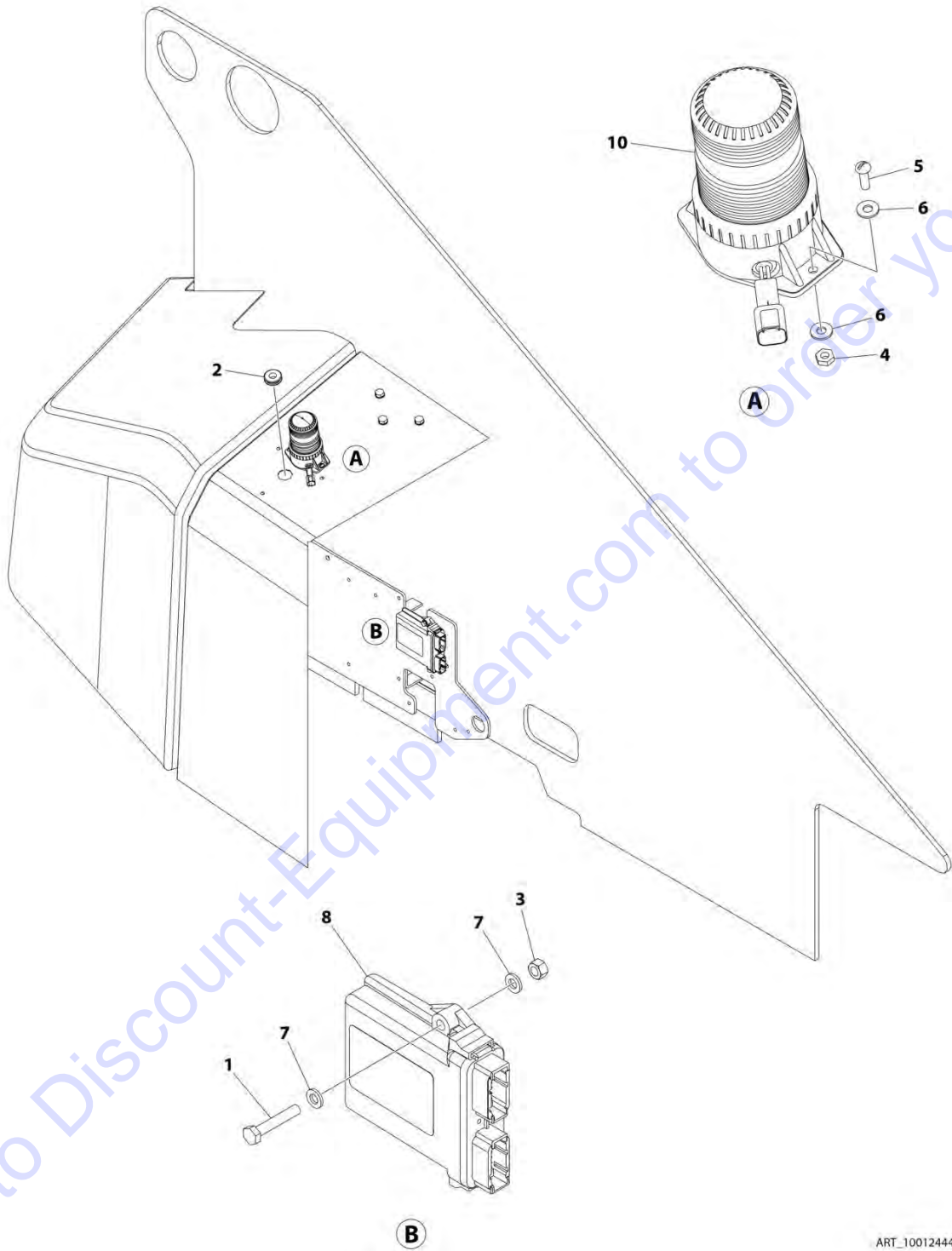
**FIGURE 2-36. STROBE LIGHT INSTALLATION - BLUE (SN 0300217096 through 0300259338)**

ITEM	PART NUMBER	QTY	DESCRIPTION	REV
	1001205962	Ref	STROBE LIGHT INSTALLATION - BLUE	E
1	0700615	2	Bolt M6 x 35	
2	3290607	2	Nut M6	
3	3311005	2	Nut #10	
4	3911010	2	Screw 10 x 5/8	
5	4711000	4	Washer #10	
6	4811700	4	Washer M6	
7	1001142683	1	Module, Control Beacon	
8	1001142736	1	Beacon Control Harness (See ELECTRICAL SECTION for Breakdown)	
9	2540020	1	Grommet	
11	1001200910	1	Lamp, Blue Beacon	
11	7028909	1	Connector - 2 Position	
11	4460943	2	Pin, Male	

Go to Discount-Equipment.com to order your parts

## SECTION 2 - TURNTABLE

FIGURE 2-37. STROBE LIGHT INSTALLATION - BLUE (SN 0300259339 to Present)



ART\_1001244453

**SECTION 2 - TURNTABLE**

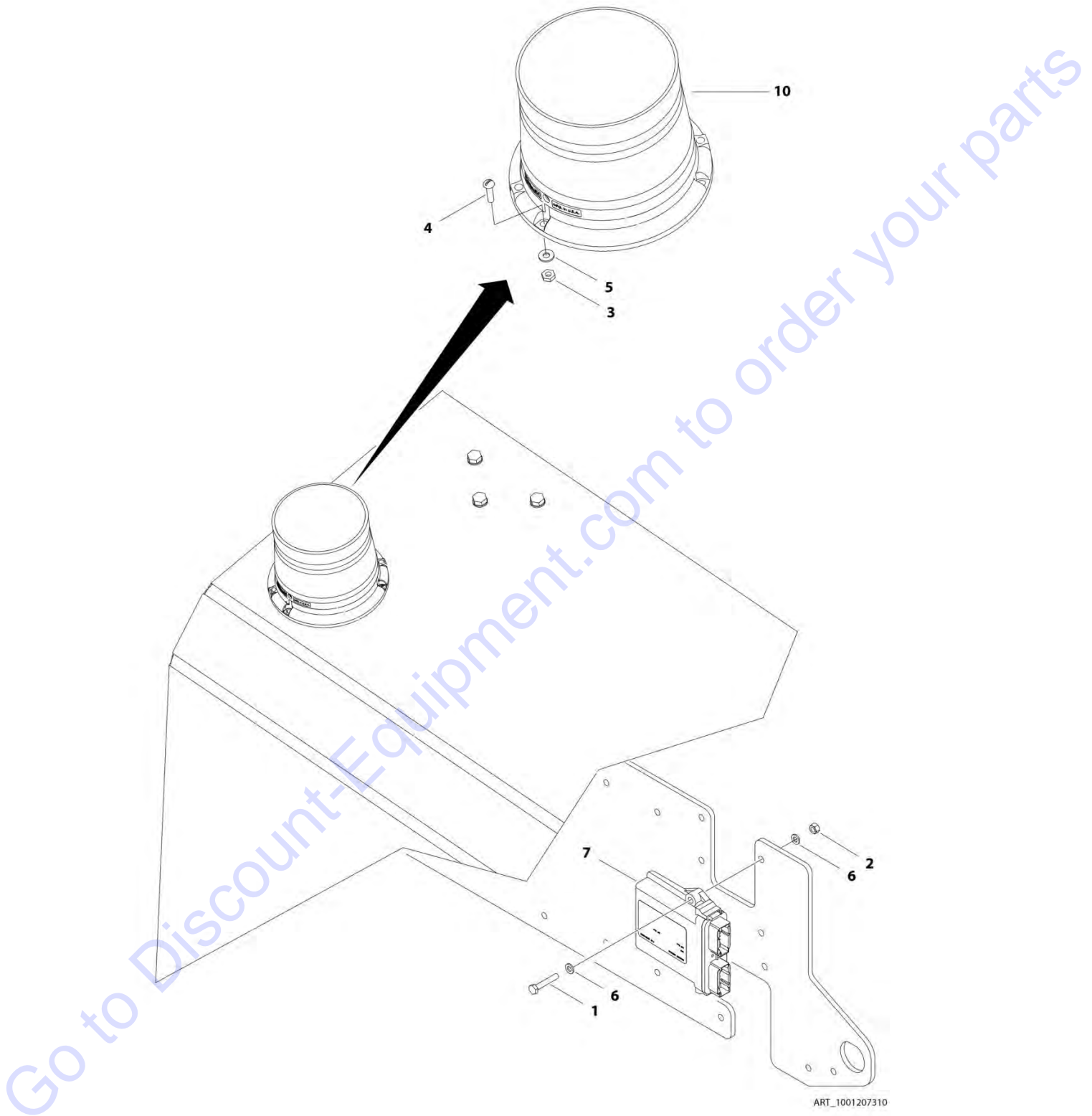
**FIGURE 2-37. STROBE LIGHT INSTALLATION - BLUE (SN 0300259339 to Present)**

ITEM	PART NUMBER	QTY	DESCRIPTION	REV
	1001244453	Ref	STROBE LIGHT INSTALLATION - BLUE	A
1	0700615	2	Bolt M6 x 35	
2	2540020	1	Grommet	
3	3290607	2	Nut M6	
4	3311005	2	Nut #10	
5	3911010	2	Screw 10 x 5/8	
6	4711000	4	Washer #10	
7	4811700	4	Washer M6	
8	1001142683	1	Module, Control Beacon	
9	1001142736	1	Beacon Control Harness (Not Shown - See ELECTRICAL SECTION for Breakdown)	
10	1001200910	1	Lamp, Blue Beacon	
10	7028909	1	Connector - 2 Position	
10	4460943	2	Pin, Male	

Go to Discount-Equipment.com to order your parts

## SECTION 2 - TURNTABLE

FIGURE 2-38. STROBE LIGHT INSTALLATION - RED (Prior to SN 0300217096)





**SECTION 2 - TURNTABLE**

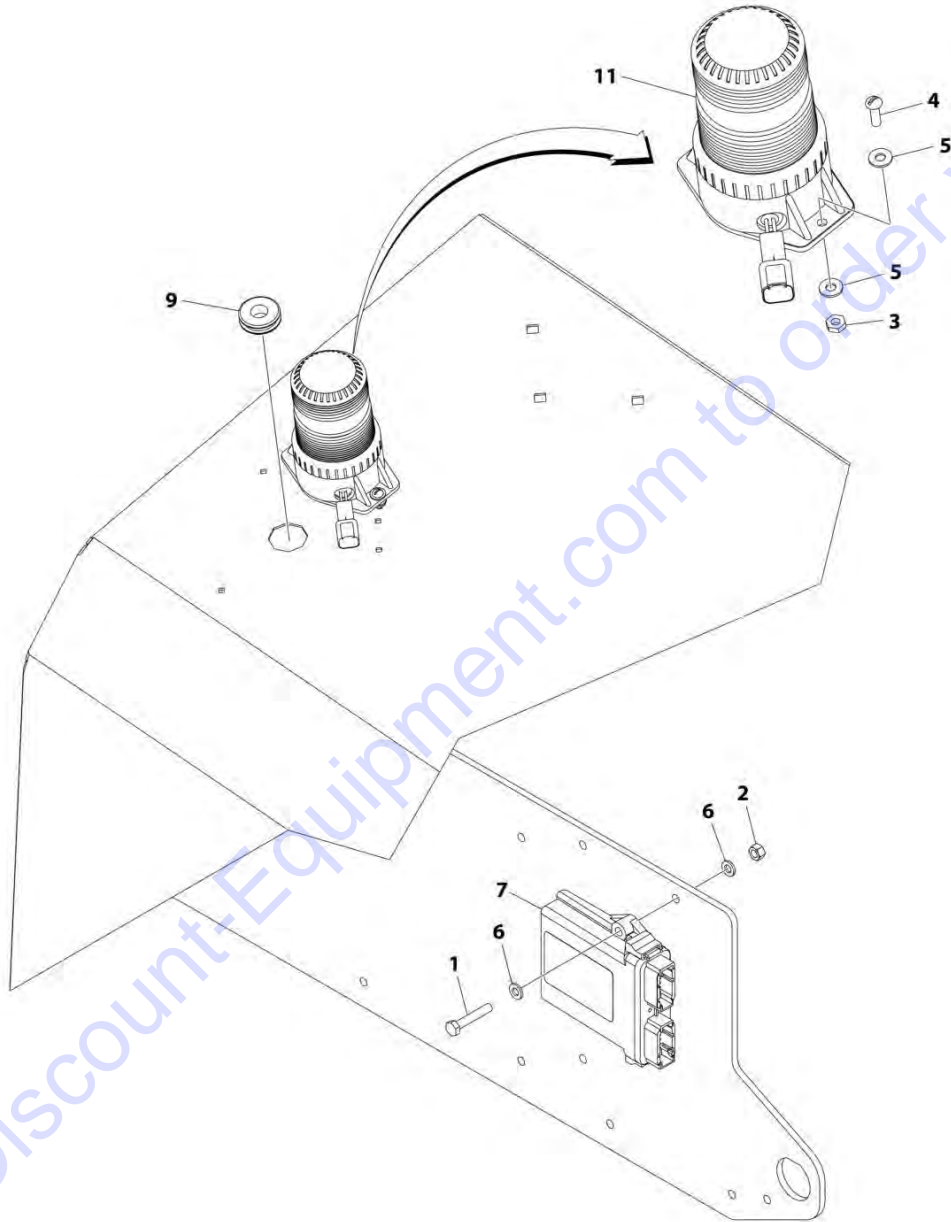
**FIGURE 2-38. STROBE LIGHT INSTALLATION - RED (Prior to SN 0300217096)**

ITEM	PART NUMBER	QTY	DESCRIPTION	REV
	1001207310	Ref	STROBE LIGHT INSTALLATION - RED (Prior to SN 0300217096)	B
1	0700615	2	Bolt M6 x 35	
2	3290607	2	Nut M6	
3	3311005	3	Nut #10	
4	3911012	3	Screw #10 x 3/4	
5	4711000	3	Washer #10	
6	4811700	4	Washer M6	
7	1001142683	1	Module, Beacon Control	
8	1001142736	1	Strobe Light Harness - Red Light (Not Shown - See ELECTRICAL SECTION for Breakdown)	
10	1001197067	NLA	Strobe Light Assembly - Red (Use Mounting Kit p/n 1001210696 & Strobe Light p/n 1001207004)	
10	4460897	1	Receptacle, Female - 2 Position	
10	4460464	1	Pin, Male	

Go to Discount-Equipment.com to order your parts

## SECTION 2 - TURNTABLE

FIGURE 2-39. STROBE LIGHT INSTALLATION - RED (SN 0300217096 through 0300259338)



ART\_1001209874

**SECTION 2 - TURNTABLE**

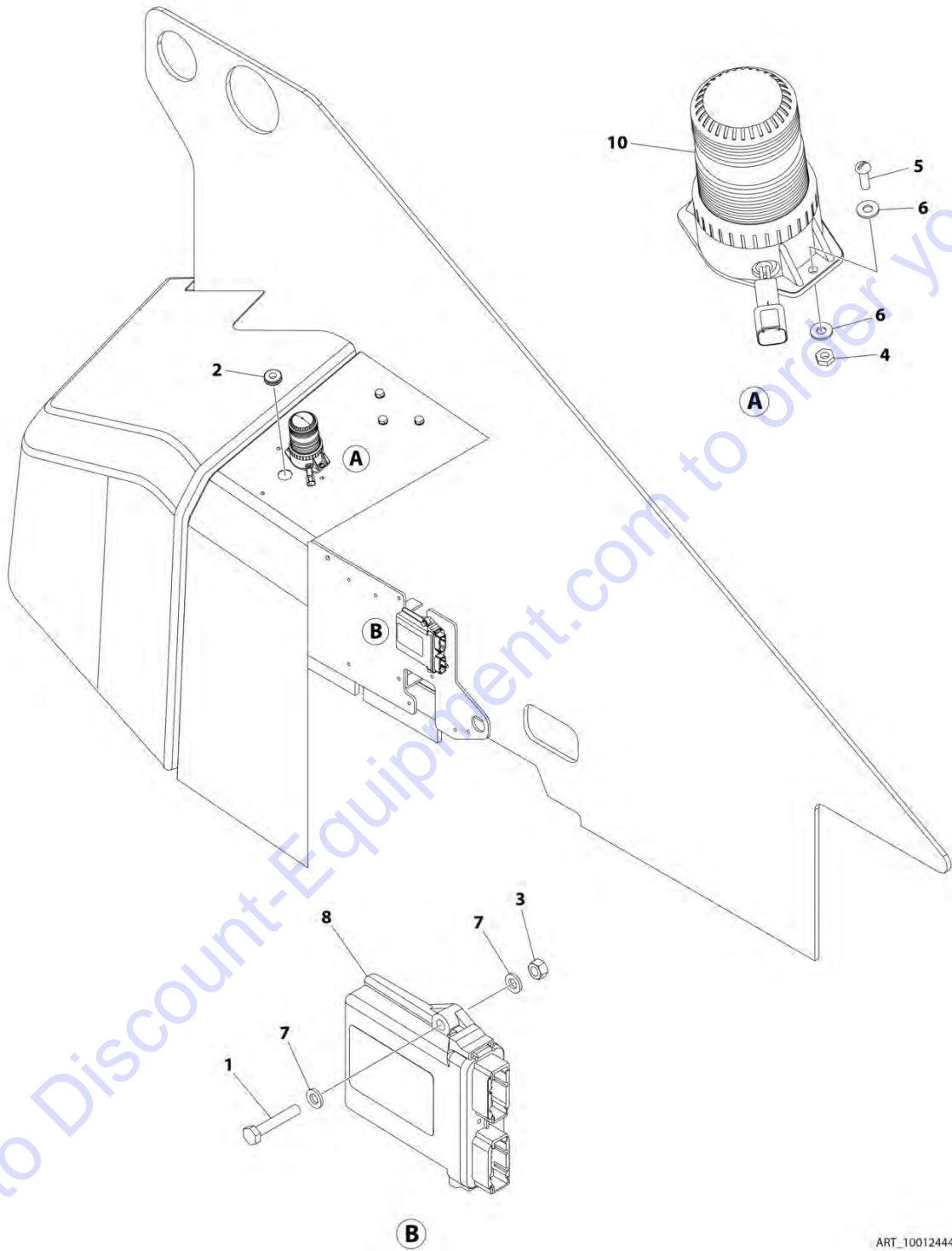
**FIGURE 2-39. STROBE LIGHT INSTALLATION - RED (SN 0300217096 through 0300259338)**

ITEM	PART NUMBER	QTY	DESCRIPTION	REV
	1001209874	Ref	STROBE LIGHT INSTALLATION - RED	E
1	0700615	2	Bolt M6 x 35	
2	3290607	2	Nut M6	
3	3311005	2	Nut #10	
4	3911012	2	Screw #10 x 3/4	
5	4711000	4	Washer #10	
6	4811700	4	Washer M6	
7	1001142683	1	Module, Beacon Control	
8	1001142736	1	Strobe Light Harness - Red Light (Not Shown - See ELECTRICAL SECTION for Breakdown)	
9	2540020	1	Grommet	
11	1001207004	1	Light, Strobe	
11	7028909	1	Connector - 2 Position	
11	4460943	2	Pin, Male	

Go to Discount-Equipment.com to order your parts

## SECTION 2 - TURNTABLE

FIGURE 2-40. STROBE LIGHT INSTALLATION - RED (SN 0300259339 to Present)



ART\_100124454

**SECTION 2 - TURNTABLE**

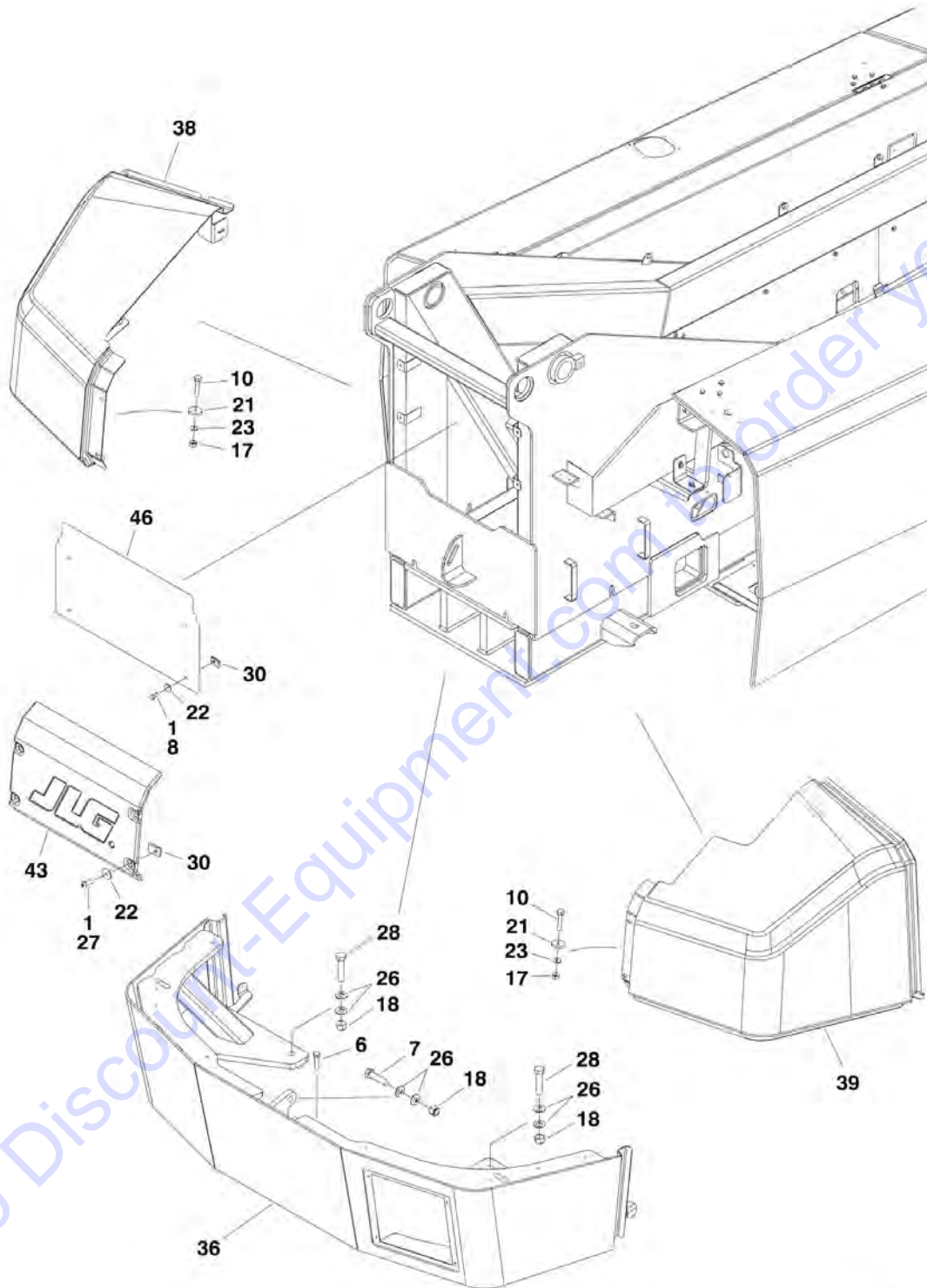
**FIGURE 2-40. STROBE LIGHT INSTALLATION - RED (SN 0300259339 to Present)**

ITEM	PART NUMBER	QTY	DESCRIPTION	REV
	1001244454	Ref	STROBE LIGHT INSTALLATION - RED	A
1	0700615	2	Bolt M6 x 35	
2	2540020	1	Grommet	
3	3290607	2	Nut M6	
4	3311005	2	Nut #10	
5	3911010	2	Screw #10 x 5/8	
6	4711000	4	Washer #10	
7	4811700	4	Washer M6	
8	1001142683	1	Module, Beacon Control	
9	1001142736	1	Strobe Light Harness - Red Light (Not Shown - See ELECTRICAL SECTION for Breakdown)	
10	1001207004	1	Light, Strobe	
10	7028909	1	Connector - 2 Position	
10	4460943	2	Pin, Male	

Go to Discount-Equipment.com to order your parts

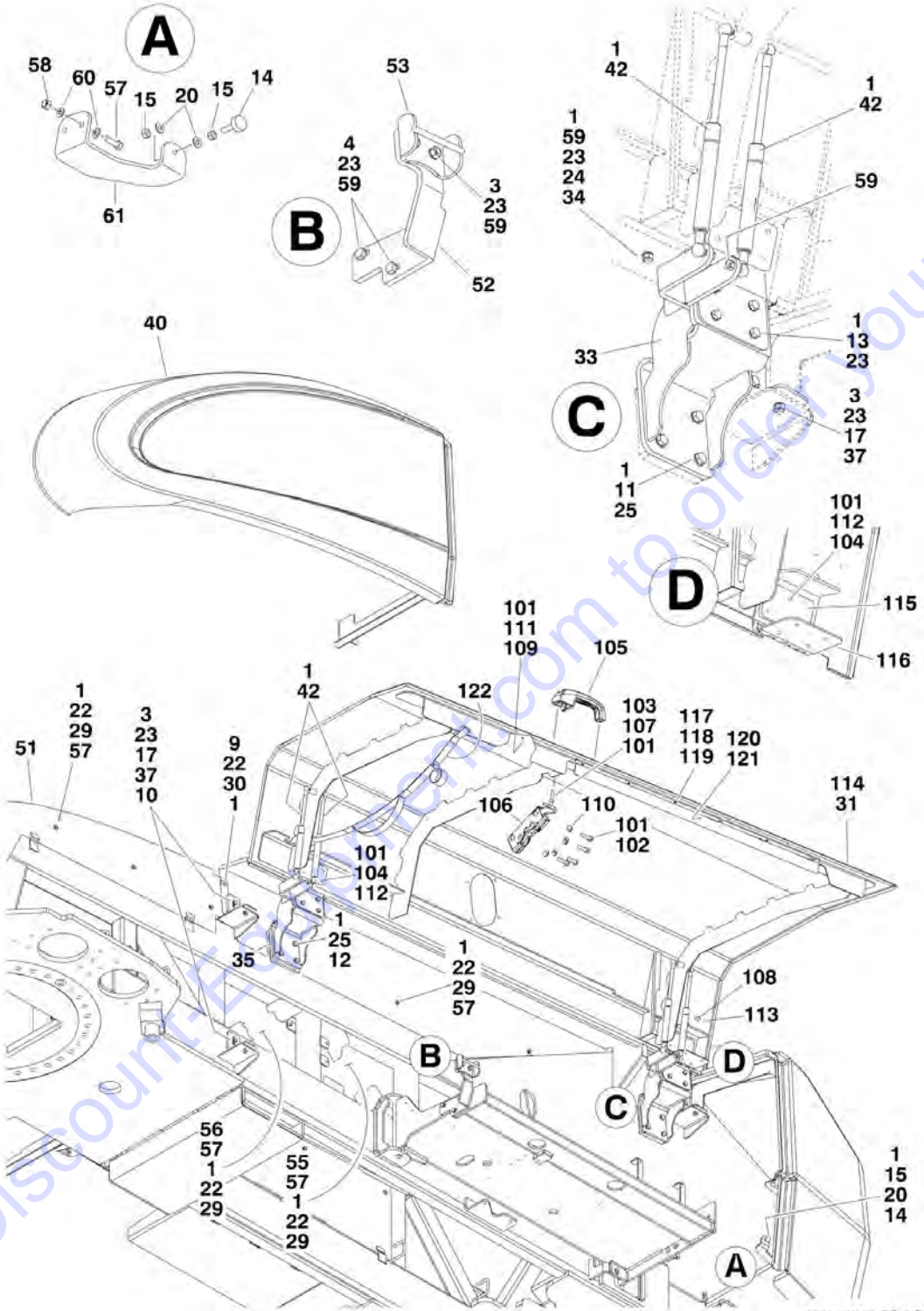
# SECTION 2 - TURNTABLE

FIGURE 2-41. HOOD INSTALLATION (Prior to SN 0300205509)



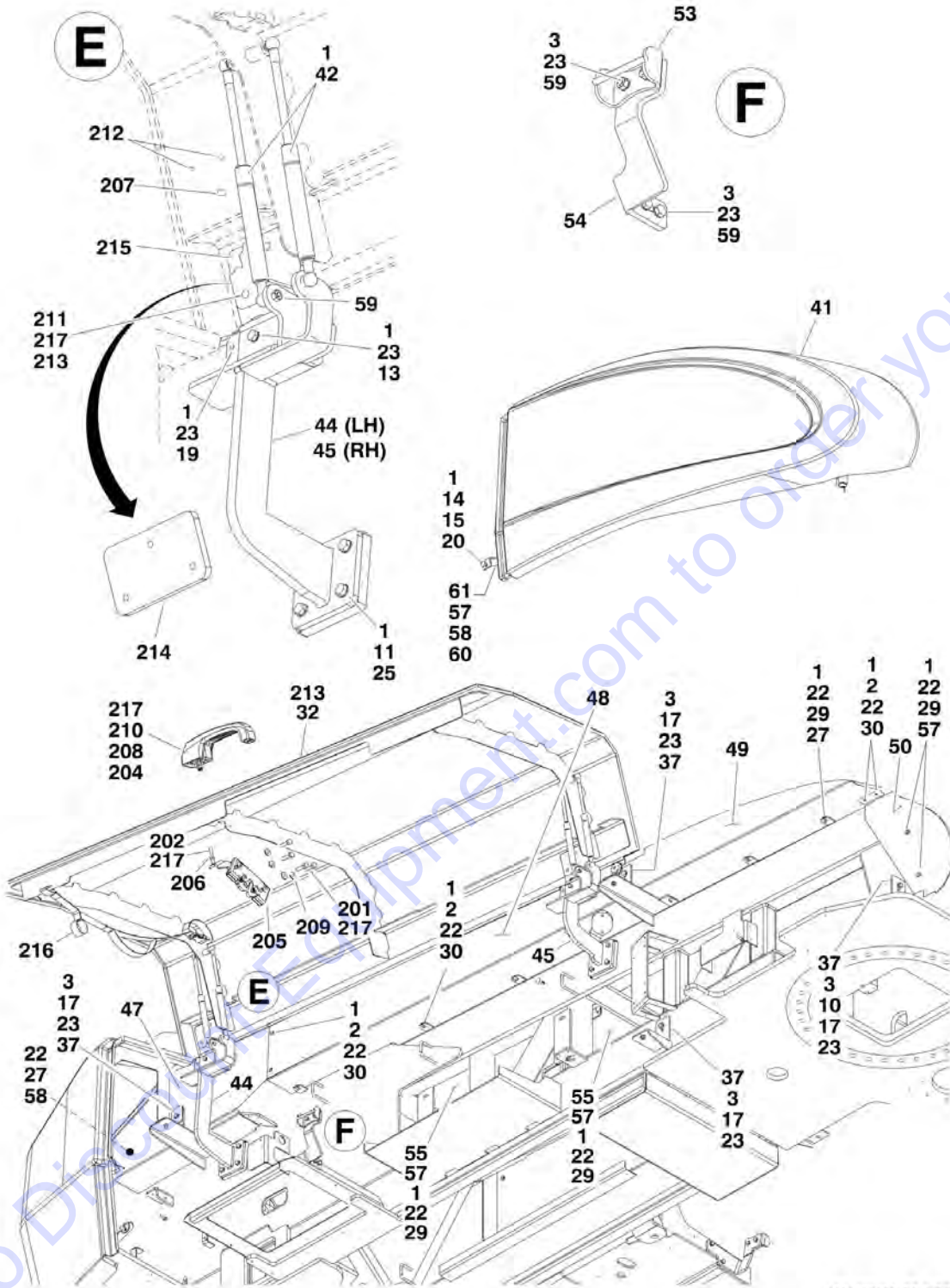
1001157000\_PG 1 OF 3

SECTION 2 - TURNTABLE



1001157000\_PG 2 OF 3

# SECTION 2 - TURNTABLE



1001157000\_PG 3 OF 3



## SECTION 2 - TURNTABLE

**FIGURE 2-41. HOOD INSTALLATION (Prior to SN 0300205509)**

ITEM	PART NUMBER	QTY	DESCRIPTION	REV
		Ref	Note: Replacement Decals Must Be Ordered Separately - See DECALS SECTION.	
	1001157000	Ref	<b>HOOD INSTALLATION (Prior to SN 0300205509)</b>	J
1	0100011	AR	Compound, Locking	
2	0630615001	8	Bolt M8 x 16	
3	0701014001	22	Bolt M10 x 30	
4	0701015	2	Bolt M10 x 35	
6	1001110853	1	Bolt M16 x 70	
7	0712426	1	Bolt M24 x 90 Grade 10.9	
8	0760808001	4	Bolt M8 x 16	
9	0760810001	2	Bolt M8 x 20	
10	0761018	12	Bolt M10 x 30	
11	0761214	12	Bolt M12 x 30	
12		Ref	Bolt Options:	
12	0761215	NLA	Bolt M12 x 35 (Use p/n 0761216) <b>(Prior to SN 0300190128)</b>	
12	0761216	4	Bolt M12 x 40 <b>(SN 0300190128 through 0300205508)</b>	
13	0761012	16	Bolt M10 x 25	
14	0940049	4	Stopper	
15	3271501	8	Nut 5/16-18 Grade 8	
17	3291005	26	Nut M10	
18	3292405	3	Nut M24	
19	3900393001	4	Screw M10 x 20	
20	4711500	8	Washer 5/16	
21	4740572	10	Washer M10	
22	4811902001	AR	Washer M8	
23	1001172358	AR	Washer M10	
24	4812002001	AR	Washer M10	
25	4812100	AR	Washer M12	
26	5242400	AR	Washer M24	
27	8310643	11	Screw M8 x 25 Grade 10.9	
28	1001095136	2	Screw M24 x 110 Grade 10.9	
29	1001118274	28	Nut M8	
30	1001149160	8	Nut, Tinnerman	
31	1001155438	1	Hood - Engine Side (See Items 101-122 for Breakdown)	
32	1001155456	1	Hood - Tank Side (See Items 201-217 for Breakdown)	
33	1001155591	2	Bracket	
34	1001155734	1	Cover	
35	1001155832	1	Plate	
36	1001155880	1	Cover, Counterweight	
37	1001155902	8	Bracket	
38	1001155908	1	Cover	
39	1001155909	1	Cover	
40	1001155918	1	Cover	
41	1001155919	1	Cover	
42	1001156242	NLA	Spring, Gas (Use p/n 1001227710)	
43	1001169081	1	Cover	
44	1001156456	1	Bracket	
45	1001156457	1	Bracket	
46	1001156520	1	Panel	
47	1001157217	1	Trough	

## SECTION 2 - TURNTABLE

ITEM	PART NUMBER	QTY	DESCRIPTION	REV
48	1001157218	1	Trough	
49	1001157219	1	Trough	
50	1001157223	1	Panel	
51	1001157224	1	Panel	
52	1001157730	1	Bracket	
53	1001157731	2	Bracket	
54	1001157732	1	Bracket	
55	1001159652	2	Cover	
56	1001159653	2	Cover	
57	0760812001	26	Bolt M8 x 25	
58	3290805	5	Nut M8	
59	3291007	18	Nut M10	
60	4811900	8	Washer M8	
61	1001165306	2	Brace	
	1001155438	Ref	HOOD ASSEMBLY - ENGINE SIDE	C
		Ref	Note: Replacement Decals Must be Ordered Separately - See DECAL SECTION.	
101	0100011	AR	Compound, Locking	
102	0641408	4	Bolt 1/4-20 x1	
103	0700616	1	Bolt 5/16-18 x 3/4	
104	0761012	6	Bolt M10 x 25	
105	2560187	1	Handle, Push Button	
106	2940173	1	Latch	
107	3290601	1	Nut M6	
108	3520032	1	Plug	
109	3900363	2	Screw M6 x 25	
110	4711400	AR	Washer 1/4	
111	4811900	AR	Washer M8	
112	4812000	AR	Washer M10	
113	3520173	2	Plug	
114	1001155437	1	Hood	
115	1001155584	2	Plate	
116	1001156347	2	Hinge	
117	3290605	6	Nut M6	
118	4811700	AR	Washer M6	
119	0760612	6	Bolt M6 x 25	
120	1001157906	1	Seal	
121	1001157907	1	Plate	
122	1001160505	1	Strap	
	1001155456	Ref	HOOD ASSEMBLY - TANK SIDE	D
		Ref	Note: Replacement Decals Must be Ordered Separately - See DECAL SECTION.	
201	0641408	4	Bolt 1/4-20 x1	
202	0700616	1	Bolt 5/16-18 x 3/4	
203	0761012001	6	Bolt M10 x 25	
204	2560187	1	Handle, Push Button	
205	2940173	1	Latch	
206	3290601	1	Nut M6	
207	3520032	1	Plug	
208	3900363	2	Screw M6 x 25	
209	4711400	AR	Washer 1/4	
210	4811900	AR	Washer M8	

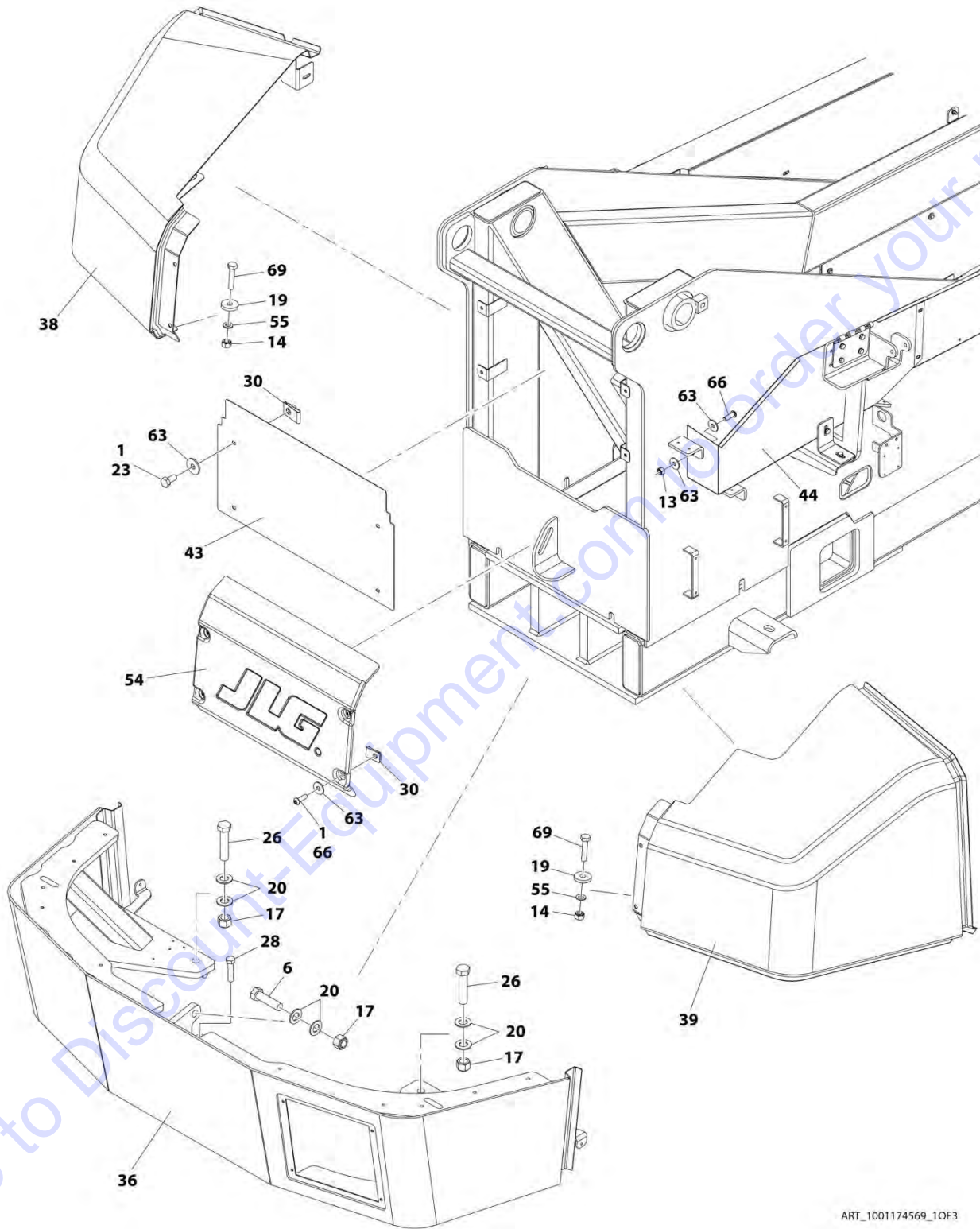
**SECTION 2 - TURNTABLE**

<b>ITEM</b>	<b>PART NUMBER</b>	<b>QTY</b>	<b>DESCRIPTION</b>	<b>REV</b>
211	1001172358	AR	Washer M10	
212	3520173	2	Plug	
213	1001155454	1	Hood	
214	1001155584	2	Plate	
215	1001156347	2	Hinge	
216	1001160505	1	Strap	
217	0100011	AR	Compound, Locking	

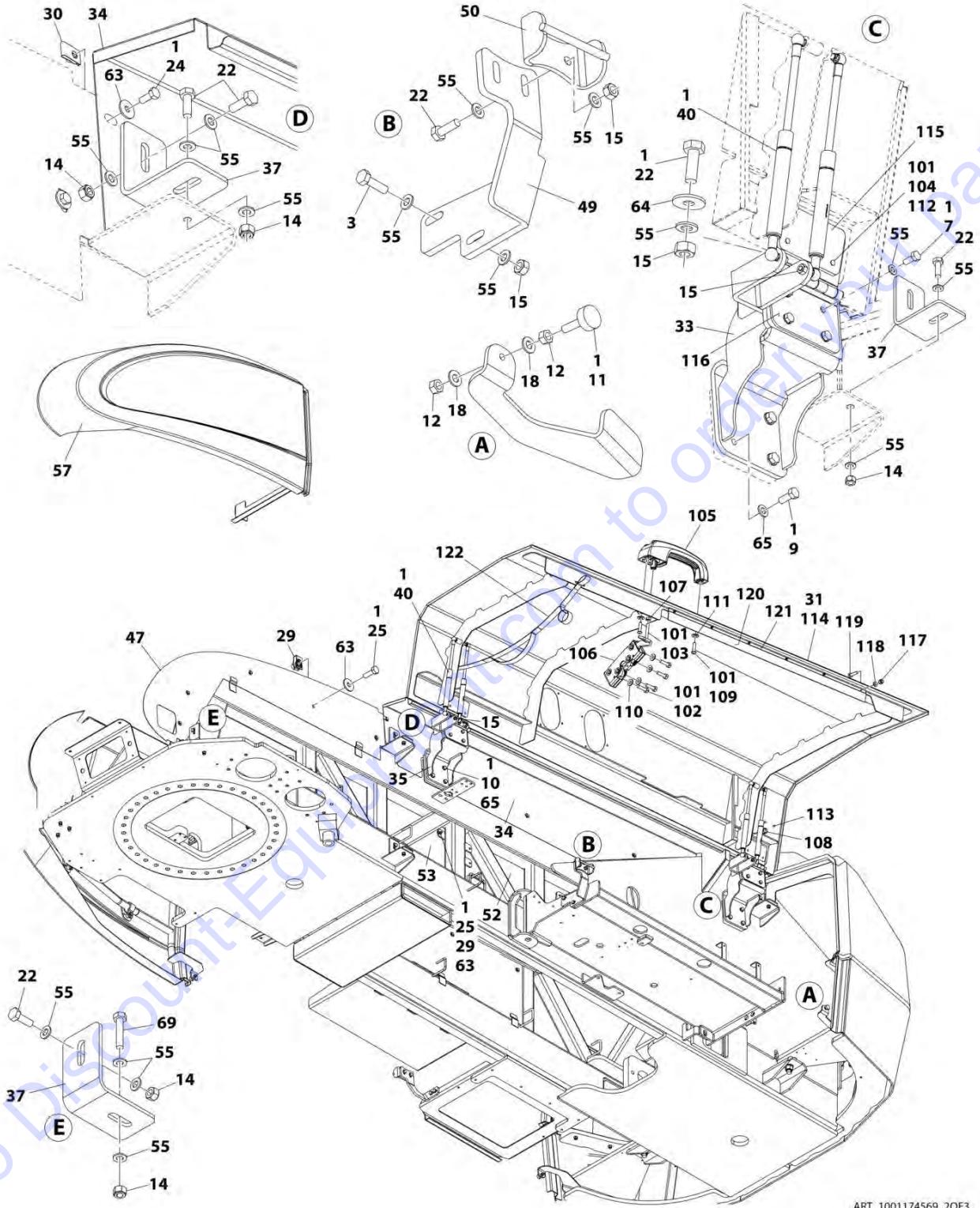
Go to Discount-Equipment.com to order your parts

# SECTION 2 - TURNTABLE

FIGURE 2-42. HOOD INSTALLATION (SN 0300205509 through 0300210986)

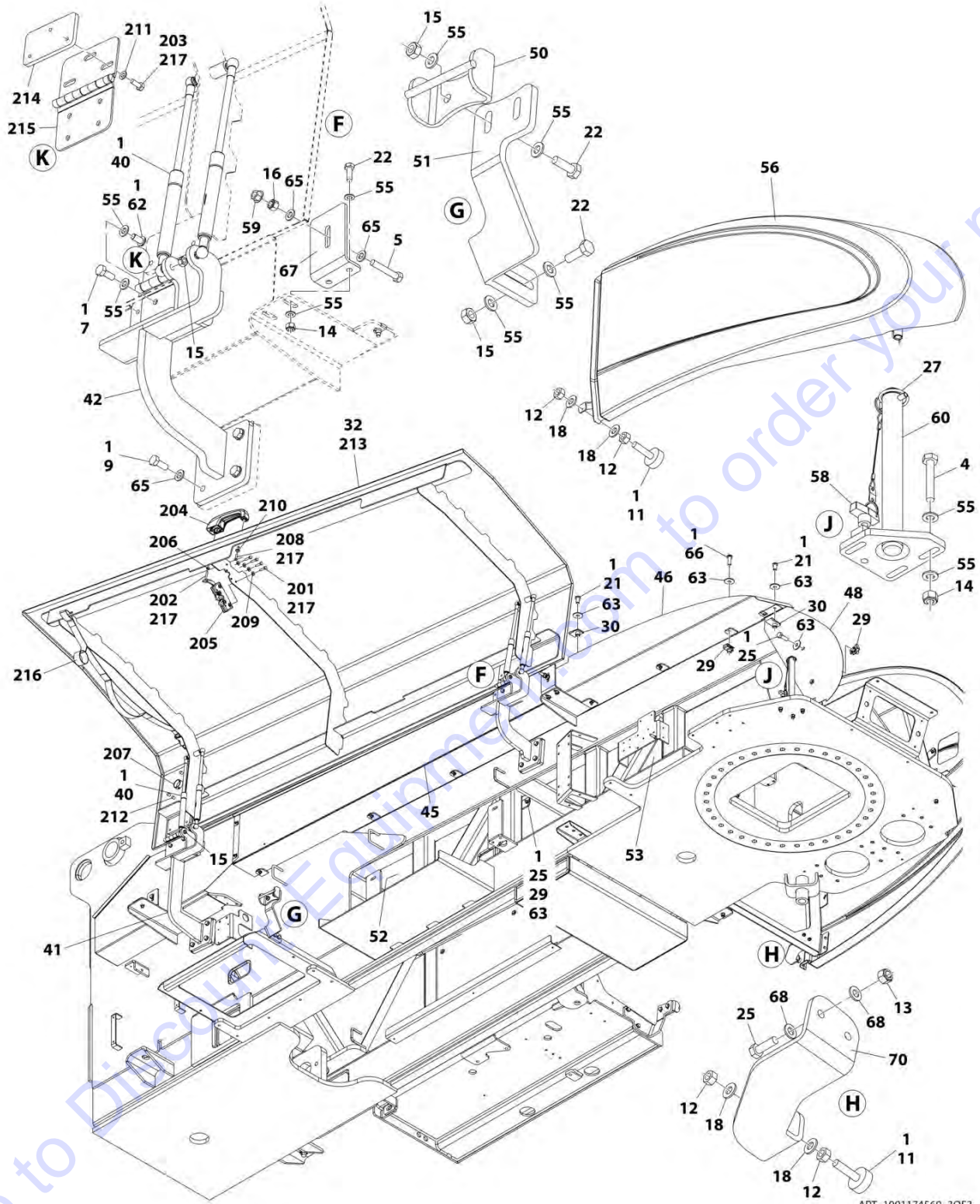


**SECTION 2 - TURNTABLE**



ART\_1001174569\_20F3

# SECTION 2 - TURNTABLE



ART\_1001174569\_30F3

## SECTION 2 - TURNTABLE

**FIGURE 2-42. HOOD INSTALLATION (SN 0300205509 through 0300210986)**

ITEM	PART NUMBER	QTY	DESCRIPTION	REV
		Ref	Note: Replacement Decals Must Be Ordered Separately - See DECALS SECTION.	
	1001174569	Ref	HOOD INSTALLATION (SN 0300205509 through 0300210986)	F
1	0100011	AR	Compound, Locking	
3	0701015	2	Bolt M10 x 35	
4	0701020	3	Bolt M10 x 60	
5	0761222	1	Bolt M12 x 70	
6	0712426	1	Bolt M24 x 90 Grade 10.9	
7	0761012	16	Bolt M10 x 25	
9	0761214	12	Bolt M12 x 30	
10	0761216	4	Bolt M12 x 40	
11	0940049	4	Stopper	
12	3271501	8	Nut 5/16-18 Grade 8	
13	3290805	3	Nut M8	
14	3291005001	25	Nut, Lock M10	
15	3291007	18	Nut M10	
16	3291205	1	Nut, Lock M12	
17	3292405	3	Nut M24	
18	4711500	8	Washer 5/16	
19	4740572	10	Washer M10	
20	5242400	AR	Washer M24	
21	0630615001	8	Bolt M8 x 16	
22	0701014001	19	Bolt M10 x 30	
23	0760808001	4	Bolt M8 x 16	
24	0760810001	2	Bolt M8 x 20	
25	0760812001	24	Bolt M8 x 25	
26	1001095136	2	Screw M24 x 110 Grade 10.9	
27	1001183022	1	Pin	
28	1001110853	1	Bolt M16 x 70	
29	1001118274	28	Nut M8	
30	1001149160	18	Nut, Tinnerman	
31	1001155438	1	Hood - Engine Side (See Items 101-122 for Breakdown)	
32	1001155456	1	Hood - Tank Side (See Items 201-217 for Breakdown)	
33	1001155591	2	Bracket	
34	1001155734	1	Cover	
35	1001155832	1	Plate	
36	1001155880	1	Cover, Counterweight	
37	1001155902	5	Bracket	
38	1001155908	1	Cover	
39	1001155909	1	Cover	
40	1001156242	NLA	Spring, Gas (Use p/n 1001227710)	
41	1001156456	1	Bracket	
42	1001156457	1	Bracket	
43	1001156520	1	Panel	
44	1001157217	1	Trough	
45	1001157218	1	Trough	
46	1001174597	1	Though	
47	1001157224	1	Panel	
48	1001174596	1	Panel	
49	1001157730	1	Bracket	

## SECTION 2 - TURNTABLE

ITEM	PART NUMBER	QTY	DESCRIPTION	REV
50	1001157731	2	Bracket	
51	1001157732	1	Bracket	
52	1001159652	2	Cover	
53	1001159653	2	Cover	
54	1001169081	1	Cover	
55	1001172358	AR	Washer M10	
56	1001172781	1	Cover	
56	1001174516	1	Receiver	
56	1001183003	2	Bearing, Flange	
57	1001155918	1	Cover	
58	1001174514	1	Pin, T-Handle	
59	5261200	1	Nut M12	
60	1001174520	1	Pin, Hood Hinge	
62	3900393001	4	Screw M10 x 20	
63	4811902001	AR	Washer M8	
64	4812002001	AR	Washer M10	
65	4812100001	18	Washer M12	
66	8310643001	11	Bolt M8 x 25	
67	1001183047	1	Bracket	
68	4811900	8	Washer M8	
69	0761018001	11	Bolt M10 x 50	
70	1001165306	1	Brace	
	1001155438	Ref	HOOD ASSEMBLY - ENGINE SIDE	C
		Ref	Note: Replacement Decals Must be Ordered Separately - See DECAL SECTION.	
101	0100011	AR	Compound, Locking	
102	0641408	4	Bolt 1/4-20 x1	
103	0700616	1	Bolt 5/16-18 x 3/4	
104	0761012	6	Bolt M10 x 25	
105	2560187	1	Handle, Push Button	
106	2940173	1	Latch	
107	3290601	1	Nut M6	
108	3520032	1	Plug	
109	3900363	2	Screw M6 x 25	
110	4711400	AR	Washer 1/4	
111	4811900	AR	Washer M8	
112	4812000	AR	Washer M10	
113	3520173	2	Plug	
114	1001155437	1	Hood	
115	1001155584	2	Plate	
116	1001156347	2	Hinge	
117	3290605	6	Nut M6	
118	4811700	AR	Washer M6	
119	0760612	6	Bolt M6 x 25	
120	1001157906	1	Seal	
121	1001157907	1	Plate	
122	1001160505	1	Strap	
	1001155456	Ref	HOOD ASSEMBLY - TANK SIDE	D
		Ref	Note: Replacement Decals Must be Ordered Separately - See DECAL SECTION.	
201	0641408	4	Bolt 1/4-20 x1	
202	0700616	1	Bolt 5/16-18 x 3/4	



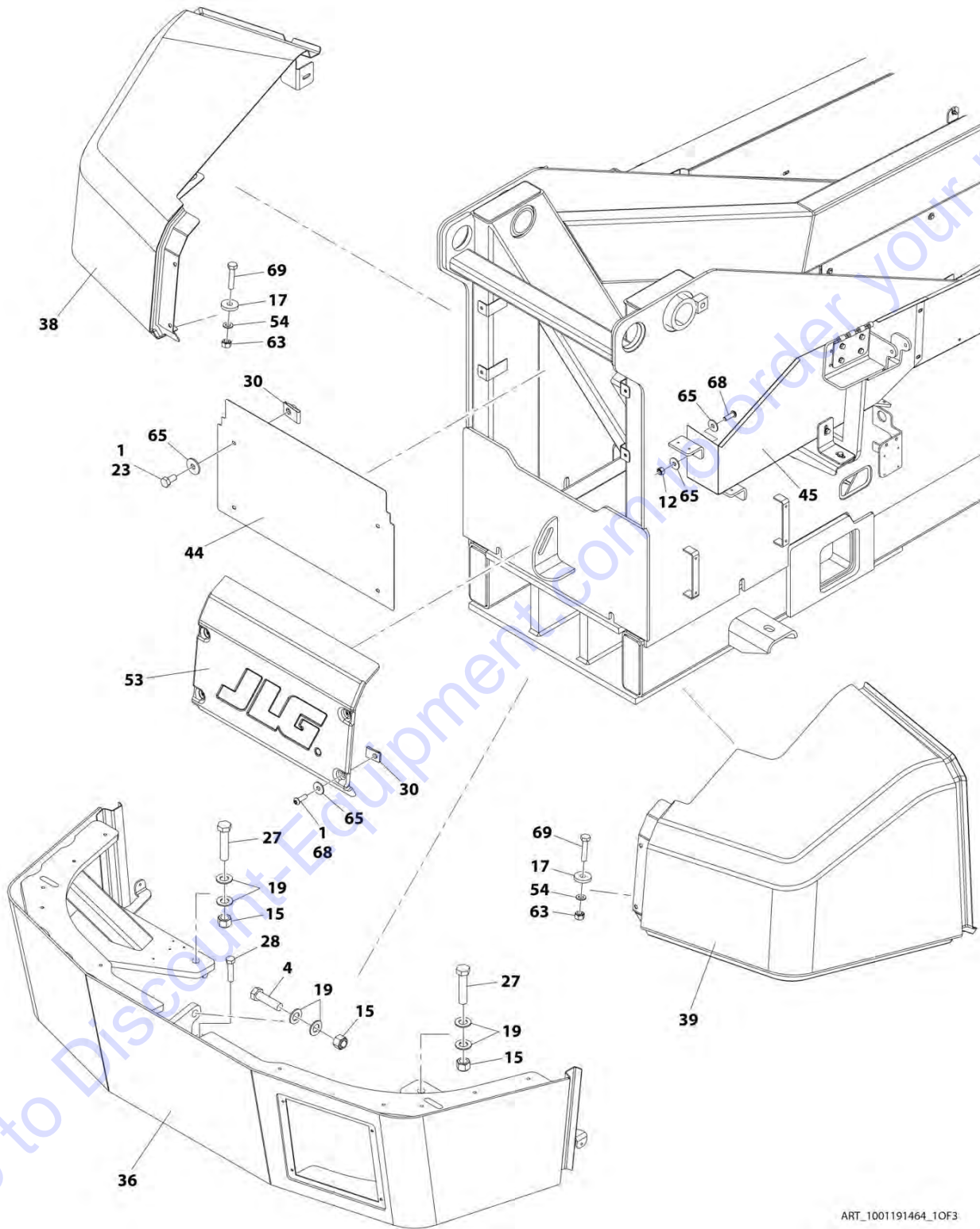
**SECTION 2 - TURNTABLE**

ITEM	PART NUMBER	QTY	DESCRIPTION	REV
203	0761012001	6	Bolt M10 x 25	
204	2560187	1	Handle, Push Button	
205	2940173	1	Latch	
206	3290601	1	Nut M6	
207	3520032	1	Plug	
208	3900363	2	Screw M6 x 25	
209	4711400	AR	Washer 1/4	
210	4811900	AR	Washer M8	
211	1001172358	AR	Washer M10	
212	3520173	2	Plug	
213	1001155454	1	Hood	
214	1001155584	2	Plate	
215	1001156347	2	Hinge	
216	1001160505	1	Strap	
217	0100011	AR	Compound, Locking	

Go to Discount-Equipment.com to order your parts

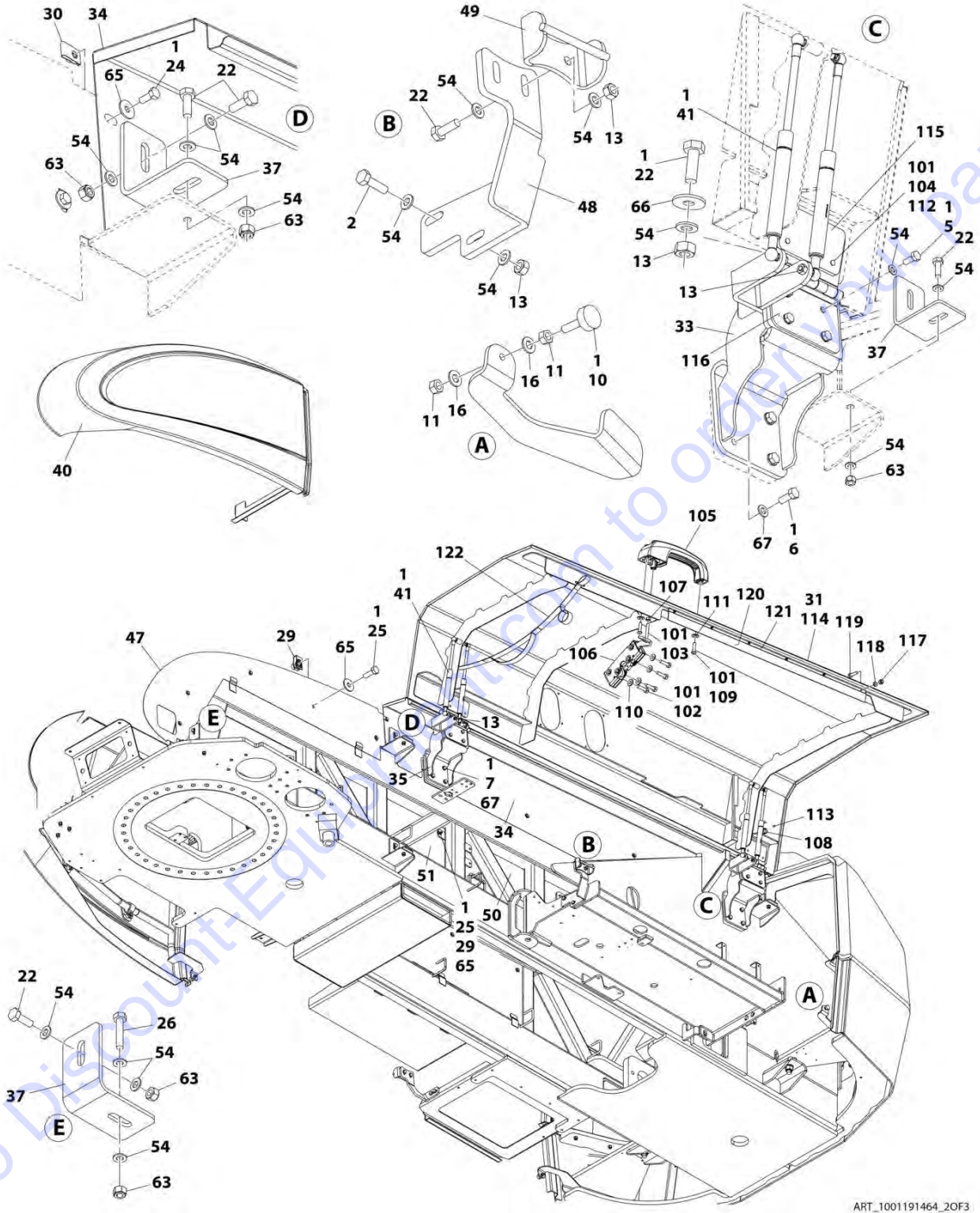
## SECTION 2 - TURNTABLE

FIGURE 2-43. HOOD INSTALLATION (SN 0300210987 to Present)



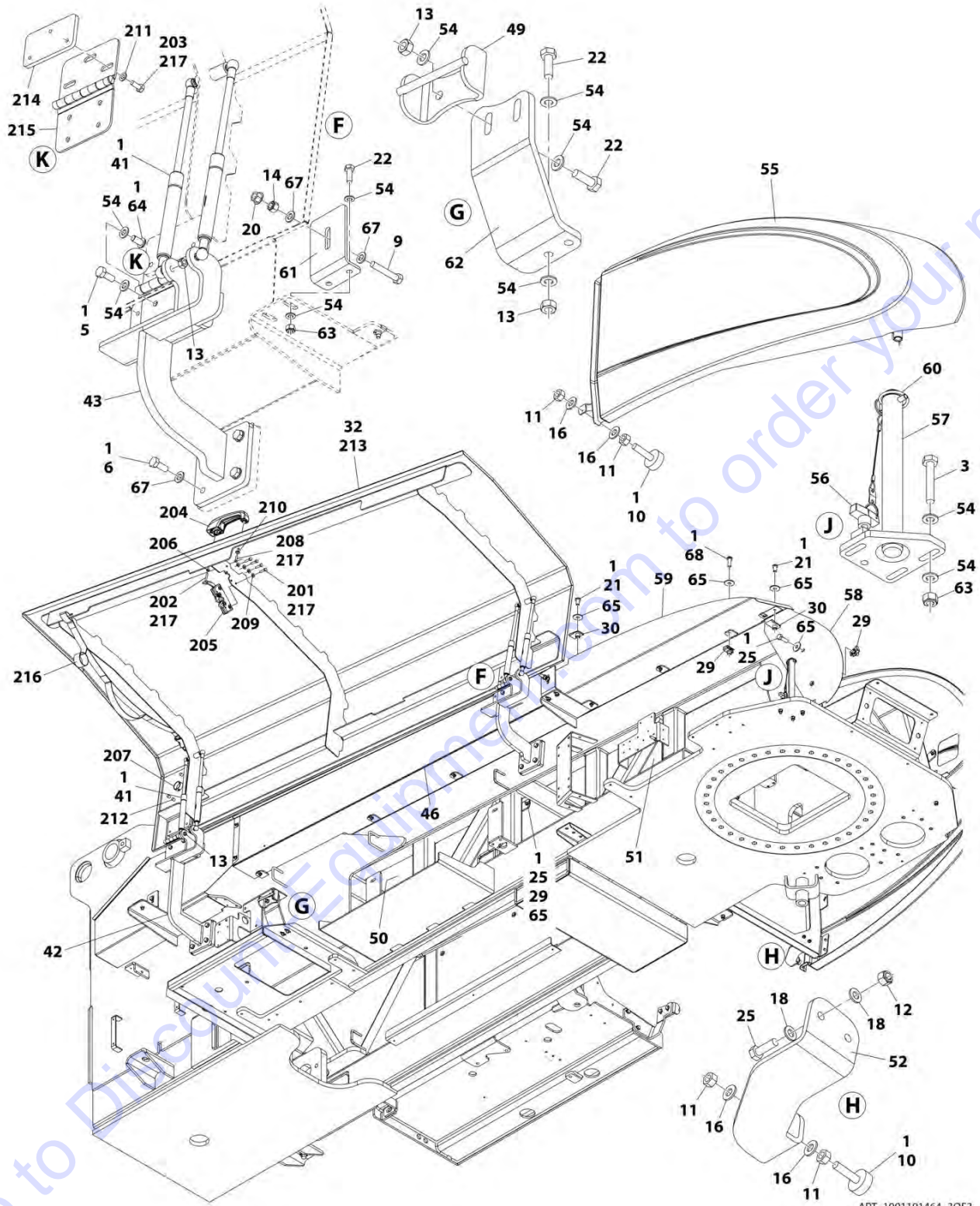
ART\_1001191464\_10F3

# SECTION 2 - TURNTABLE



ART\_1001191464\_20F3

# SECTION 2 - TURNTABLE



ART\_1001191464\_30F3

## SECTION 2 - TURNTABLE

**FIGURE 2-43. HOOD INSTALLATION (SN 0300210987 to Present)**

ITEM	PART NUMBER	QTY	DESCRIPTION	REV
		Ref	Note: Replacement Decals Must Be Ordered Separately - See DECALS SECTION.	
	1001191464	Ref	<b>HOOD INSTALLATION (SN 0300210987 to Present)</b>	E
1	0100011	AR	Compound, Locking	
2	0701015	2	Bolt M10 x 35	
3	0701020	3	Bolt M10 x 60	
4	0712426	1	Bolt M24 x 90 Grade 10.9	
5	0761012	16	Bolt M10 x 25	
6	0761214	12	Bolt M12 x 30	
7	0761216	4	Bolt M12 x 40	
9	0761222	1	Bolt M12 x 70	
10	0940049	4	Stopper	
11	3271501	8	Nut 5/16-18 Grade 8	
12	3290805	3	Nut M8	
13	3291007	AR	Nut M10	
14	3291205	1	Nut, Lock M12	
15	3292405	3	Nut M24	
16	4711500	8	Washer 5/16	
17	4740572	10	Washer M10	
18	4811900	4	Washer M8	
19	5242400	AR	Washer M24	
20	5261200	1	Nut M12	
21	0630615001	8	Bolt M8 x 16	
22	0701014001	19	Bolt M10 x 30	
23	0760808001	4	Bolt M8 x 16	
24	0760810001	2	Bolt M8 x 20	
25	0760812001	24	Bolt M8 x 25	
26	0761018001	1	Bolt M10 x 50	
27	1001095136	2	Screw M24 x 110 Grade 10.9	
28	1001110853	1	Bolt M16 x 70	
29	1001118274	28	Nut M8	
30	1001149160	18	Nut, Tinnerman	
31	1001155438	1	Hood - Engine Side (See Items 101-122 for Breakdown)	
32	1001155456	1	Hood - Tank Side (See Items 201-217 for Breakdown)	
33	1001155591	2	Bracket	
34	1001155734	1	Cover	
35	1001155832	1	Plate	
36	1001155880	NLA	Cover, Counterweight (Use p/n 1001196553) <b>(SN 0300210987 through 0300212337)</b>	
36	1001196553	1	Cover, Counterweight <b>(SN 0300212338 to Present)</b>	
37	1001155902	5	Bracket	
38	1001155908	1	Cover	
39	1001155909	1	Cover	
40	1001155918	1	Cover	
41	1001156242	8	Spring, Gas (Use p/n 1001227710) <b>(Prior to SN 0300239479)</b>	
41	1001227710	8	Spring, Gas <b>(SN 0300239479 to Present)</b>	
42	1001156456	1	Bracket	
43	1001156457	1	Bracket	
44	1001156520	1	Panel	
45	1001157217	1	Trough	

## SECTION 2 - TURNTABLE

ITEM	PART NUMBER	QTY	DESCRIPTION	REV
46	1001157218	1	Trough	
47	1001157224	1	Panel	
48	1001157730	1	Bracket	
49	1001157731	2	Bracket	
50	1001159652	2	Cover	
51	1001159653	2	Cover	
52	1001165306	1	Brace	
53	1001169081	1	Cover	
54	1001172358	AR	Washer M10	
55	1001172781	1	Cover	
55	1001174516	1	Receiver	
55	1001183003	2	Bearing, Flange	
56	1001174514	1	Pin, T-Handle	
57	1001174520	1	Pin, Hood Hinge	
58	1001174596	1	Panel	
59	1001174597	1	Though	
60	1001183022	1	Pin	
61	1001183047	1	Bracket	
62	1001189009	1	Bracket	
63	3291005001	25	Nut, Lock M10	
64	3900393001	4	Screw M10 x 20	
65	4811902001	AR	Washer M8	
66	4812002001	AR	Washer M10	
67	4812100001	18	Washer M12	
68	8310643001	11	Bolt M8 x 25	
69	0761018001	10	Bolt M10 x 50 (SN 0300210987 through 0300212337)	
69	0761016001	10	Bolt M10 x 40 (SN 0300212338 to Present)	
	1001155438	Ref	HOOD ASSEMBLY - ENGINE SIDE	C
		Ref	Note: Replacement Decals Must be Ordered Separately - See DECAL SECTION.	
101	0100011	AR	Compound, Locking	
102	0641408	4	Bolt 1/4-20 x1	
103	0700616	1	Bolt 5/16-18 x 3/4	
104	0761012	6	Bolt M10 x 25	
105	2560187	1	Handle, Push Button	
106	2940173	1	Latch	
107	3290601	1	Nut M6	
108	3520032	1	Plug	
109	3900363	2	Screw M6 x 25	
110	4711400	AR	Washer 1/4	
111	4811900	AR	Washer M8	
112	4812000	AR	Washer M10	
113	3520173	2	Plug	
114	1001155437	1	Hood	
115	1001155584	2	Plate	
116	1001156347	2	Hinge	
117	3290605	6	Nut M6	
118	4811700	AR	Washer M6	
119	0760612	6	Bolt M6 x 25	
120	1001157906	1	Seal	
121	1001157907	1	Plate	
122	1001160505	1	Strap	

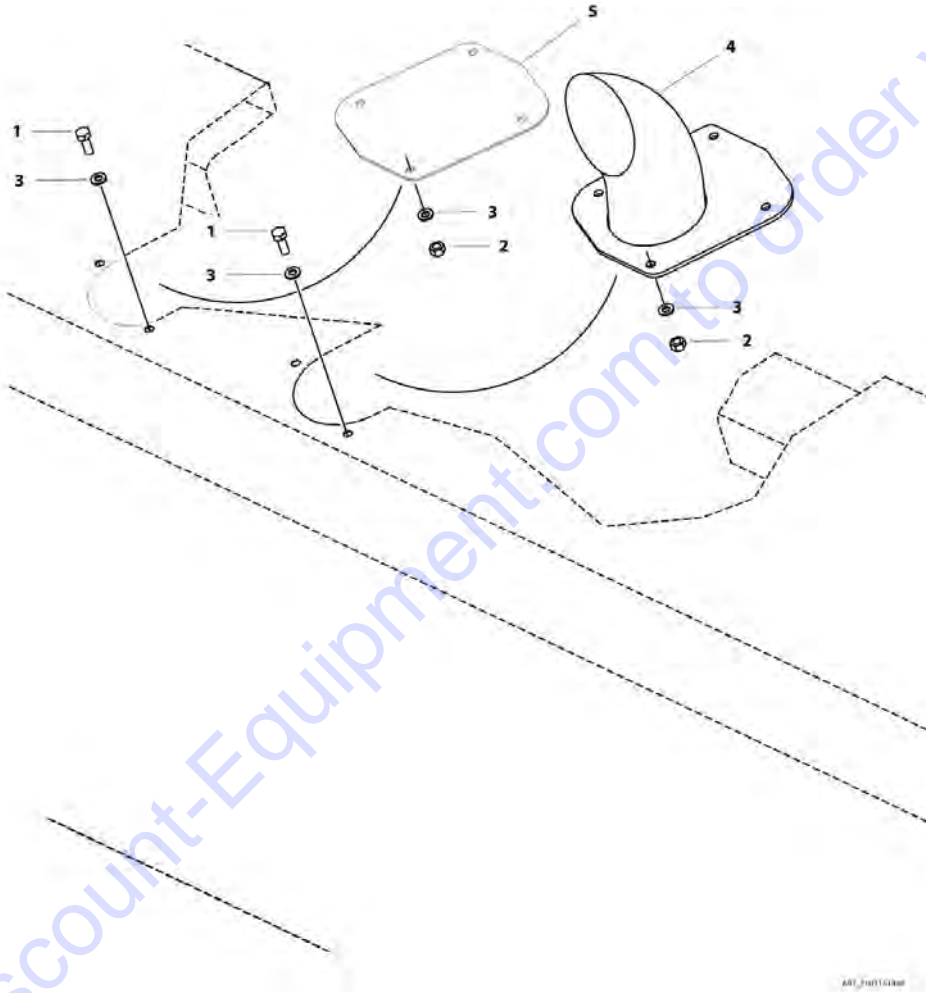
**SECTION 2 - TURNTABLE**

ITEM	PART NUMBER	QTY	DESCRIPTION	REV
	1001155456	Ref	HOOD ASSEMBLY - TANK SIDE	D
		Ref	Note: Replacement Decals Must be Ordered Separately - See DECAL SECTION.	
201	0641408	4	Bolt 1/4-20 x1	
202	0700616	1	Bolt 5/16-18 x 3/4	
203	0761012001	6	Bolt M10 x 25	
204	2560187	1	Handle, Push Button	
205	2940173	1	Latch	
206	3290601	1	Nut M6	
207	3520032	1	Plug	
208	3900363	2	Screw M6 x 25	
209	4711400	AR	Washer 1/4	
210	4811900	AR	Washer M8	
211	1001172358	AR	Washer M10	
212	3520173	2	Plug	
213	1001155454	1	Hood	
214	1001155584	2	Plate	
215	1001156347	2	Hinge	
216	1001160505	1	Strap	
217	0100011	AR	Compound, Locking	

Go to Discount-Equipment.com to order your parts

## SECTION 2 - TURNTABLE

FIGURE 2-44. VENTURI INSTALLATION





**SECTION 2 - TURNTABLE**

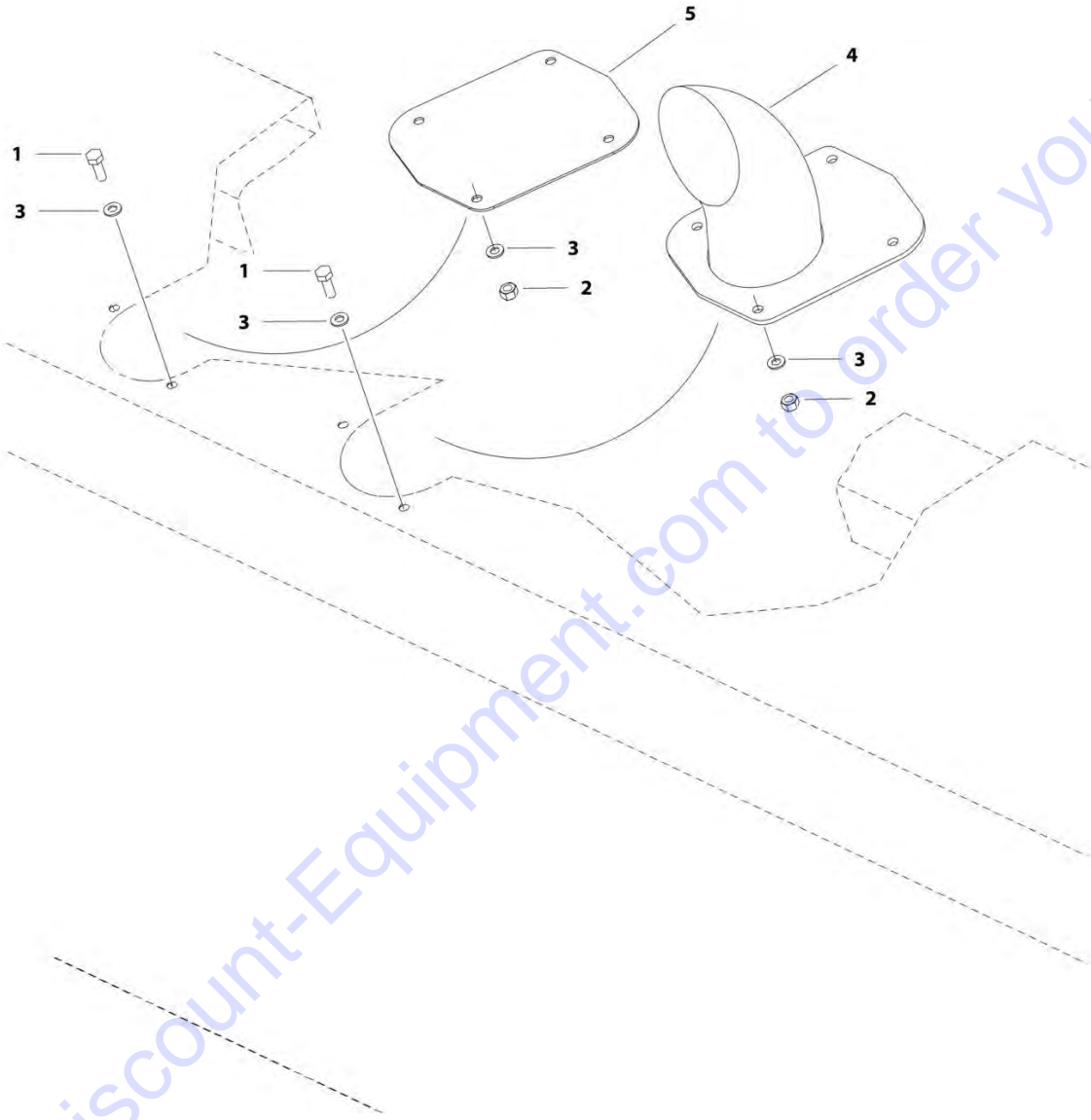
**FIGURE 2-44. VENTURI INSTALLATION**

ITEM	PART NUMBER	QTY	DESCRIPTION	REV
	1001161488	Ref	VENTURI INSTALLATION (HRC) (ALL SPECS EXCEPT ANSI EXPORT AND AUSTRALIAN SPECS)	E
	1001161488	Ref	VENTURI INSTALLATION (HRC) (ANSI EXPORT AND AUSTRALIAN SPECS) <b>(Prior to SN 0300199535)</b>	D
1	0701014001	AR	Bolt M10 x 30	
2	3291005001	AR	Nut M10	
3	1001172358	AR	Washer M10	
4	1001155527	1	Venturi, Exhaust	
5	1001190927	1	Panel <b>(SN 0300210987 to Present)</b>	

Go to Discount-Equipment.com to order your parts

## SECTION 2 - TURNTABLE

FIGURE 2-45. VENTURI INSTALLATION



ART\_1001190032

Go to Discount-Equipment.com to order your parts

**SECTION 2 - TURNTABLE**

**FIGURE 2-45. VENTURI INSTALLATION**

ITEM	PART NUMBER	QTY	DESCRIPTION	REV
	1001190032	Ref	VENTURI INSTALLATION (LRC) (ANSI EXPORT, AUSTRALIAN, CE (CLR) AND CHINA SPECS) <b>(SN 0300199535 to Present)</b>	B
1	0701014001	AR	Bolt M10 x 30	
2	3291005001	AR	Nut M10	
3	1001172358	AR	Washer M10	
4	1001161470	1	Venturi, Exhaust	
5	1001190927	1	Panel <b>(SN 0300210987 to Present)</b>	

Go to Discount-Equipment.com to order your parts

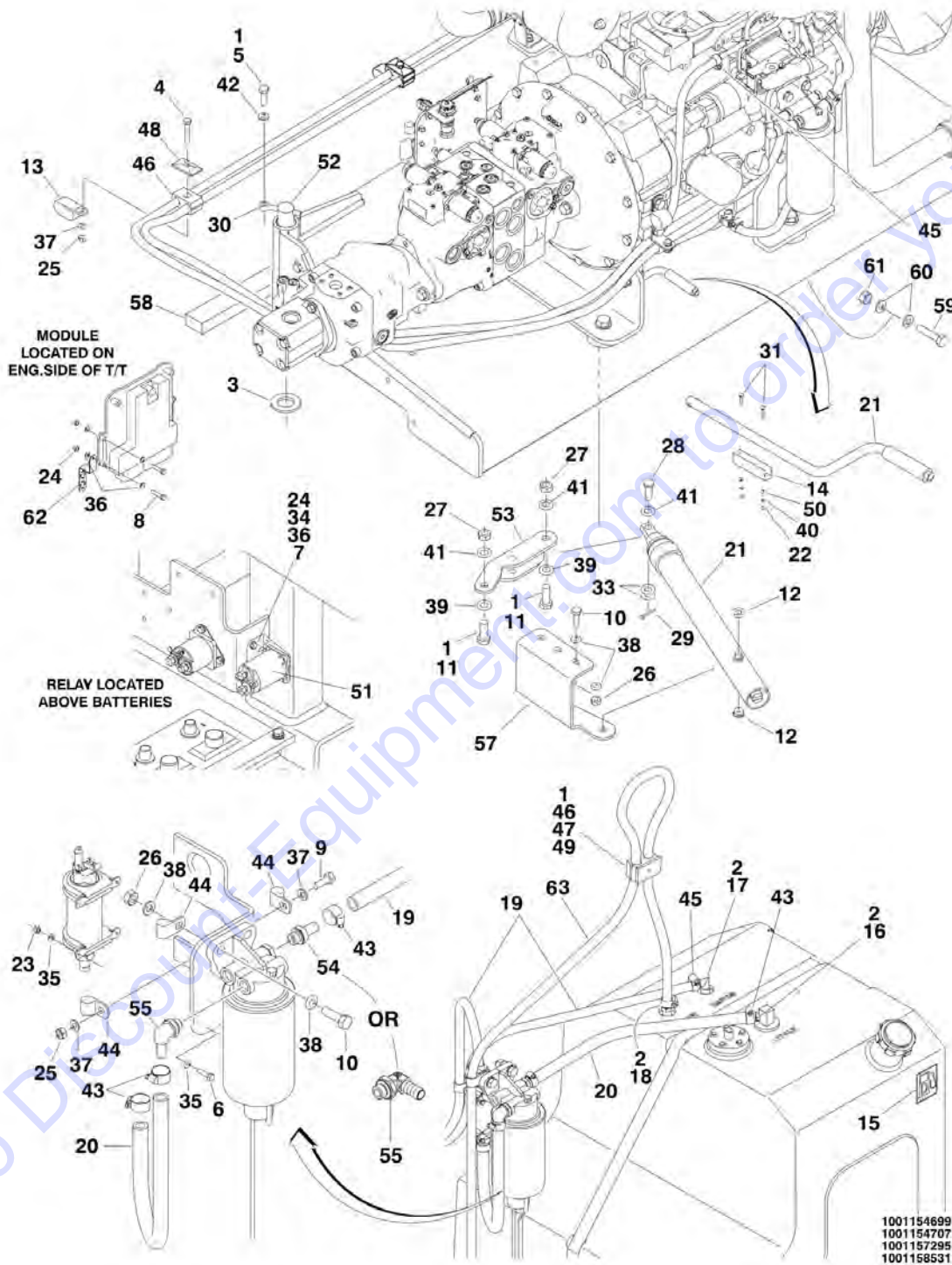


**SECTION 3 - ENGINE**

Go to Discount-Equipment.com to order your parts

# SECTION 3 - ENGINE

## FIGURE 3-1. DEUTZ LRC ENGINE INSTALLATION - NO COLD WEATHER PKG



## SECTION 3 - ENGINE

**FIGURE 3-1. DEUTZ LRC ENGINE INSTALLATION - NO COLD WEATHER PKG**

ITEM	PART NUMBER	QTY	DESCRIPTION	REV
	1001154707	Ref	DEUTZ LRC ENGINE INSTALLATION - NO COLD WEATHER PKG	L
1	0100011	AR	Compound, Locking	
2	0100020	AR	Sealant	
3	0440162	1	Bearing, Thrust	
4	0700818	3	Bolt M8 x 50	
5	0711015	1	Bolt M10 x 35 Grade 10.9	
6	0760408	4	Bolt M4 x 16	
7	0760610	2	Bolt M6 x 20	
8	0760613	4	Bolt M6 x 28	
9	0760812	1	Bolt M8 x 25	
10	0761015	5	Bolt M10 x 35	
11	0771416	2	Bolt M14 x 40 Grade 10.9	
12	0962051	2	Bearing, Flange	
13	1321716	3	Clamp	
14	1380147	1	Clip	
15	1701505	1	Decal - Fuel ( <b>Prior to SN 0300188926</b> )	
16	2180832	1	Fitting, Straight NPT/Barbed	
17	2220313	1	Fitting, 90 NPT/Barbed	
18	2221114	1	Fitting, Straight NPT/Barbed	
19	1001165035	35 ft/10.5m	Hose	
20	2720615	3 ft/1m	Hose ( <b>Prior to SN 0300239993</b> )	
20	1001154405	4.5 ft /1.37m	Hose ( <b>SN 0300239993 to Present</b> )	
21	2840016	1	Jack with Handle	
21	7016374	1	Handle (Burr Manufacturing Brand)	
21	7024598	1	Handle (Hammerblow Corp Brand)	
21	7016322	1	Wiper (Burr Manufacturing Brand Only)	
22	3290301	2	Nut M3	
23	3290405	4	Nut M4	
24	3290607	6	Nut M6	
25	3290807	4	Nut M8	
26	3291007	5	Nut M10	
27	3331411	2	Nut M14	
28	3430816	1	Pin	
29	3450404	1	Pin, Cotter 1/8 x 1	
30	3841143	1	Keeper	
31	4010308	2	Screw M3 x16	
32	4240099	AR	Tie-Strap (Not Shown)	
33	4711800	2	Washer 1/2	
34	4791400	2	Washer 1/4	
35	4811400	8	Washer M4	
36	4811700	10	Washer M6	
37	4811900	5	Washer M8	
38	4812000	10	Washer M10	
39	4812200	4	Washer M14	
40	4871200	2	Washer M3	
41	4891800	1	Washer 1/2	
42	5241000	1	Washer M10	
43	8405006	4	Clamp ( <b>Prior to SN 0300250353</b> )	

## SECTION 3 - ENGINE

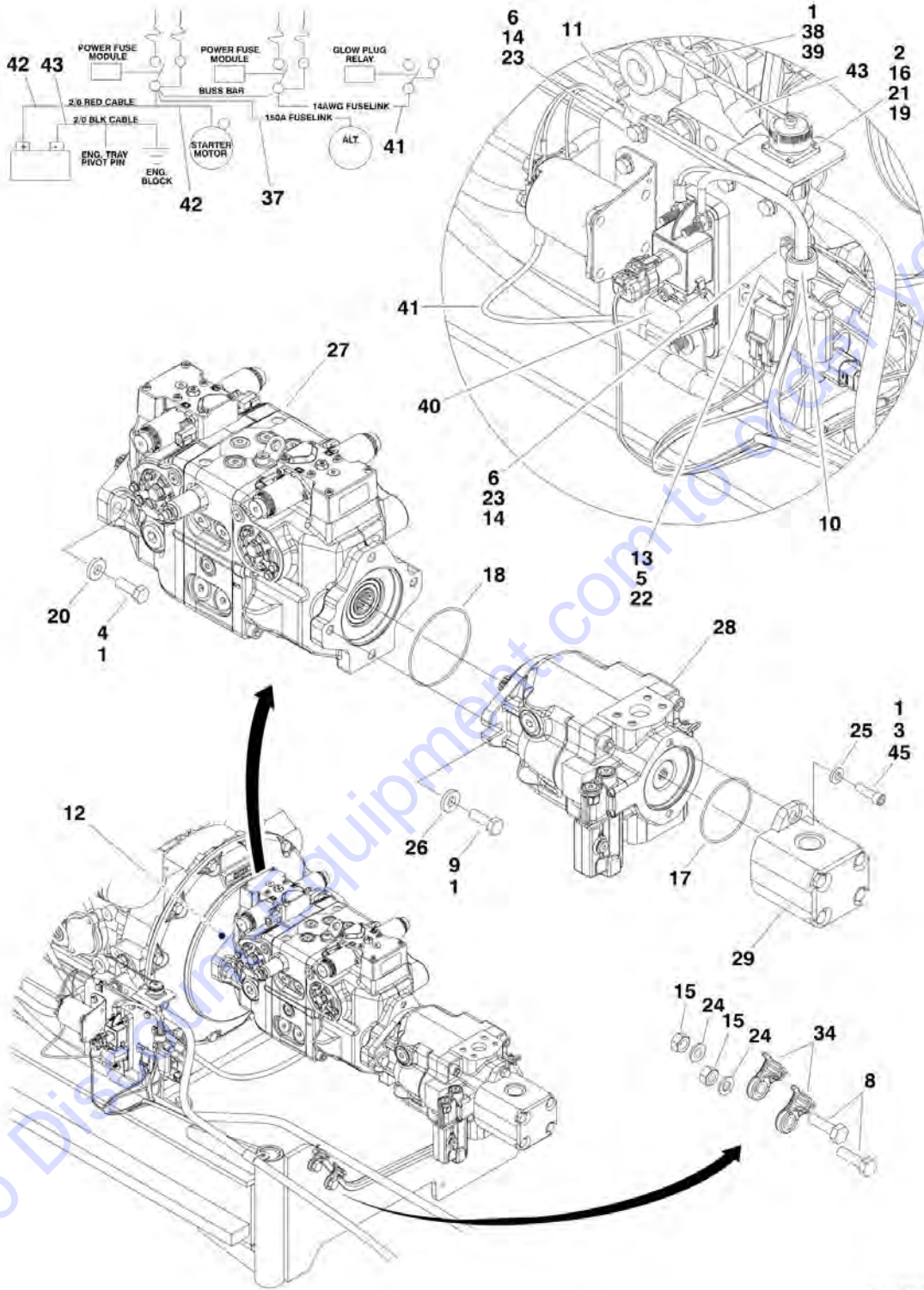
ITEM	PART NUMBER	QTY	DESCRIPTION	REV
43	1001186342	4	Clamp (SN 0300250353 to Present)	
44	8406101	3	Clip	
45	8410013	5	Clamp	
46	8750014	4	Clamp	
47	8750031	1	Plate	
48	8769128	3	Cover	
49	1001101580	1	Screw M8 x 30	
50	1001110544	2	Washer M3	
51	1001117308	2	Relay	
52	1001135196	1	Pin	
53	1001135497	1	Support	
54	1001141718	1	Fitting, Straight NPT/Barbed (Prior to SN 0300250353)	
55	1001142501	AR	Fitting, 90 NPT/Barbed	
57	1001155939	1	Plate	
58	1001156719	1	Seal	
59	0642220	1	Bolt 3/4-10 x 2-1/2	
60	4712200	2	Washer 3/4	
61	8310067	1	Nut 3/4-10	
62	1001159162	1	Bracket, Support	
63	1001165035	7 ft/2.1m	Hose (Prior to SN 0300226994)	
63	2750532	7 ft/2.1m	Hose (SN 0300226994 to Present)	





# SECTION 3 - ENGINE

## FIGURE 3-2. DEUTZ LRC ENGINE/PUMP ASSEMBLY - NO COLD WEATHER PKG



1001154706F

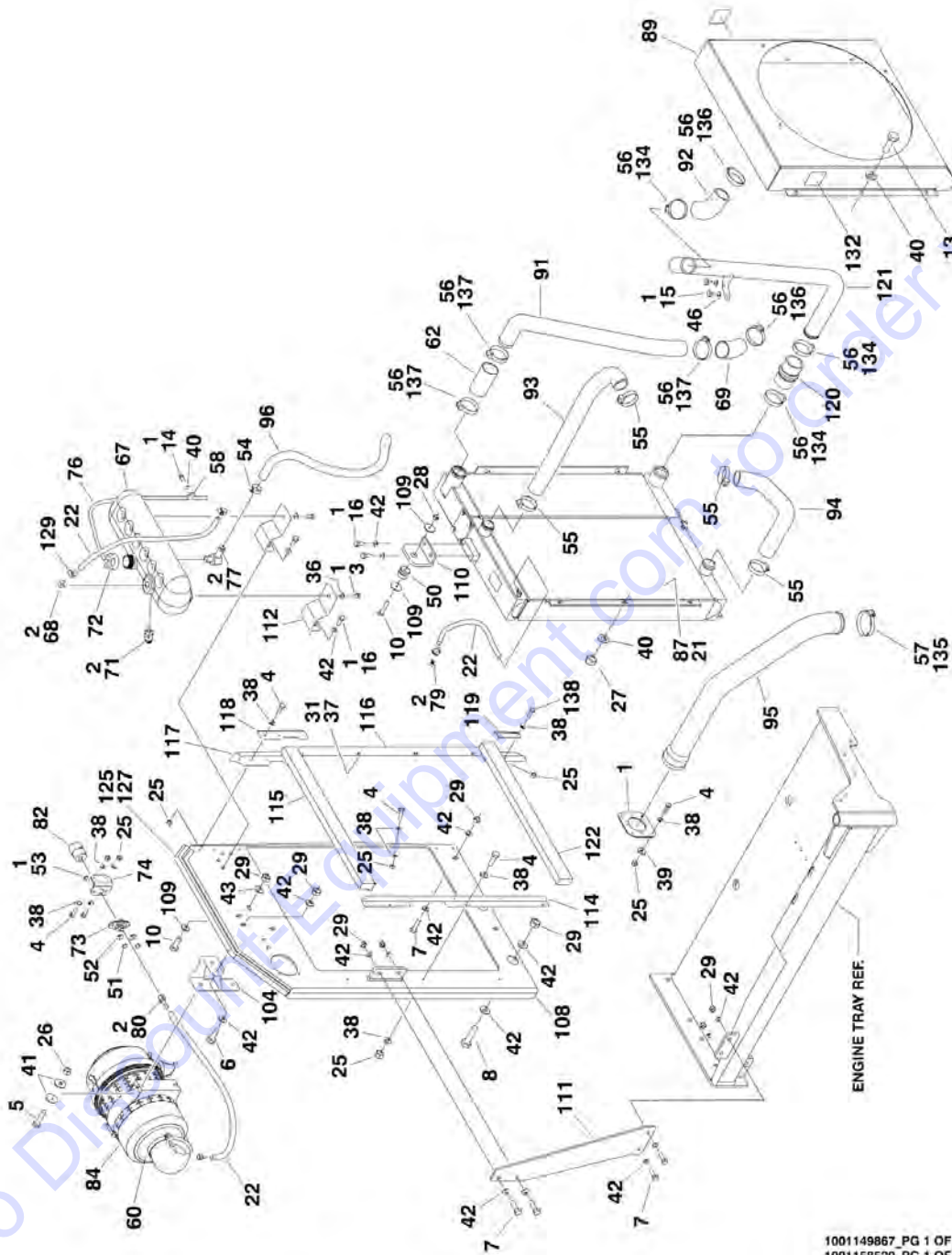
## SECTION 3 - ENGINE

**FIGURE 3-2. DEUTZ LRC ENGINE/PUMP ASSEMBLY - NO COLD WEATHER PKG**

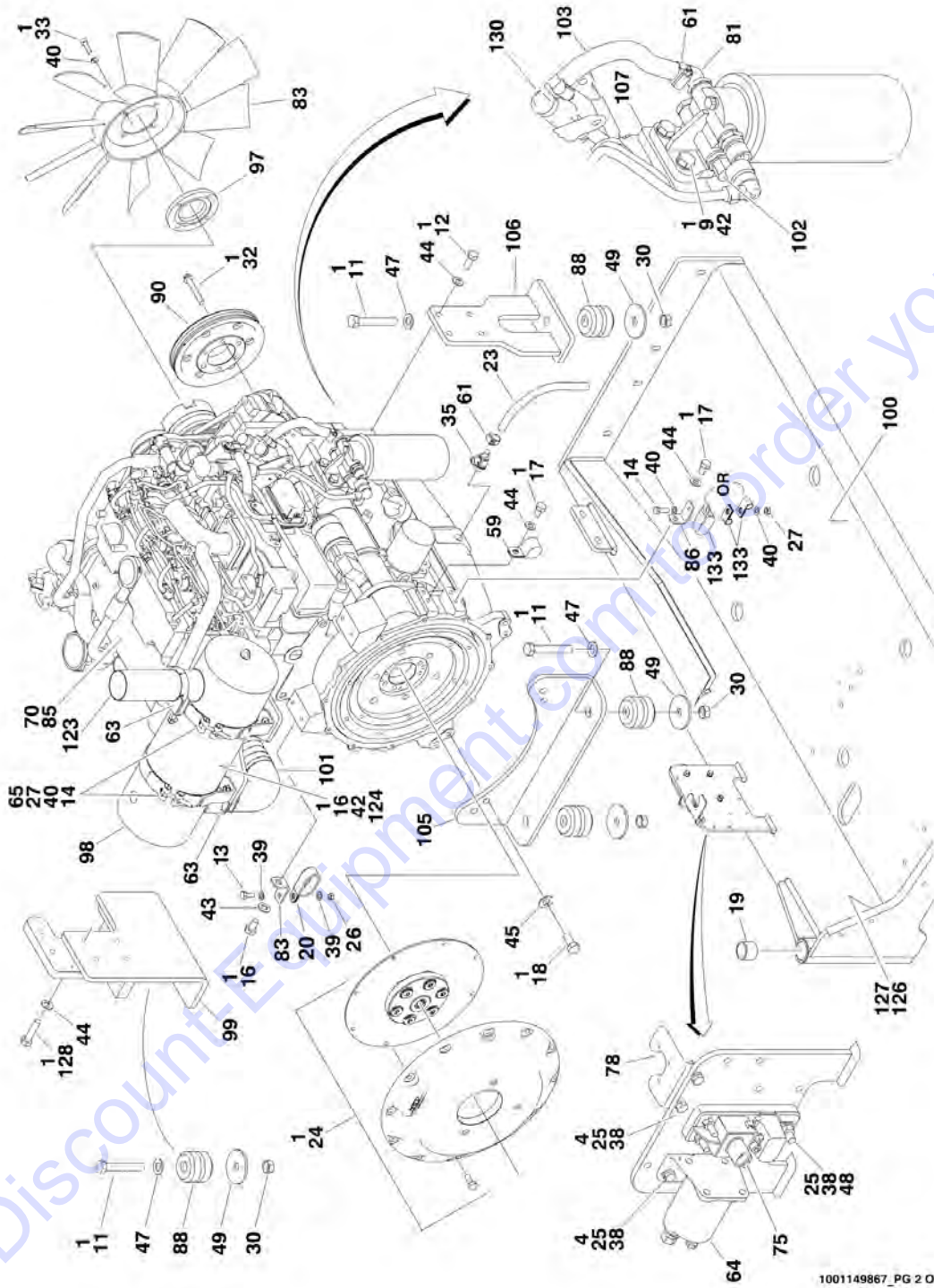
ITEM	PART NUMBER	QTY	DESCRIPTION	REV
	1001154706	Ref	DEUTZ LRC ENGINE/PUMP ASSEMBLY - NO COLD WEATHER PKG	I
1	0100011	AR	Compound, Locking	
2	0100035	AR	Compound, Locking	
3	0641608	2	Bolt 3/8-18 x 1 ( <b>Prior to SN 0300216486</b> )	
4	0841812	2	Bolt 1/2-13 x 1-1/2	
5	0700510	1	Bolt M5 x 20	
6	0760610	2	Bolt M6 x 20	
8	0761015	2	Bolt M10 x 35	
9	0761215	2	Bolt M12 x 35	
10	1320041	1	Clamp	
11	1320136	1	Clamp	
12	3020037	AR	Lubricant	
13	3290507	1	Nut M5	
14	3290607	2	Nut M6	
15	3291007	2	Nut M10	
16	3310401	3	Nut #4-40NC	
17	3790152	1	O-Ring	
18	3790155	1	O-Ring	
19	3910408	3	Screw #4-40 x 1/2	
20	4740171	2	Washer	
21	4750400	3	Washer #4	
22	4811600	2	Washer M5	
23	4811700	2	Washer M6	
24	4812000	2	Washer M10	
25	4891600	2	Washer 3/8	
26	4891800	2	Washer 1/2	
27	1001108616	1	Tandem Pump Assembly (See TANDEM PUMP ASSEMBLY for Breakdown)	
28	1001169892	1	Piston Pump Assembly (See PISTON PUMP ASSEMBLY for Breakdown)	
29	1001112927	1	Gear Pump Assembly (See GEAR PUMP ASSEMBLY for Breakdown)	
31	1001149971	1	Harness, Engine (Not Shown - See ELECTRICAL SECTION for Breakdown)	
33	1001156001	1	Harness Can (Not Shown - See ELECTRICAL SECTION for Breakdown)	
34	1001156107	2	Holder, Cable	
35	1001156718	1	Seal (Not Shown - Located on Side of Radiator Mounting Plate)	
36	1001156719	1	Seal (Not Shown)	
37	1001157073	1	Cable, Alternator Power	
38	0761210	1	Bolt M12 x 20	
39	4812100	1	Washer M12	
40	1001135027	1	Insulator	
41	1001141304	1	Wire, Glow Plug	
42	1001154142	1	Cable, Battery (Positive)	
43	1001154143	1	Cable, Battery (Negative)	
44	1001168734	1	Wire, Glow Plug (Not Shown)	
45	3931620	2	Screw 3/8 x 1-1/4 ( <b>SN 0300216486 to Present</b> )	

# SECTION 3 - ENGINE

## FIGURE 3-3. DEUTZ LRC ENGINE ASSEMBLY - NO COLD WEATHER PKG



SECTION 3 - ENGINE



## SECTION 3 - ENGINE

FIGURE 3-3. DEUTZ LRC ENGINE ASSEMBLY - NO COLD WEATHER PKG

ITEM	PART NUMBER	QTY	DESCRIPTION	REV
	1001149867	Ref	DEUTZ LRC ENGINE ASSEMBLY - NO COLD WEATHER PKG	O
1	0100011	AR	Compound, Locking	
2	0100020	AR	Sealant	
3	0641606	2	Bolt 3/8-18 x 3/4	
4		Ref	Bolt Options:	
4	0700610	22	Bolt M6 x 20 <b>(Prior to SN 0300190128)</b>	
4	0700612	20	Bolt M6 x 25 <b>(SN 0300190128 to Present)</b>	
5	0700815	2	Bolt M8 x 35	
6	0701013	2	Bolt M10 x 28	
7	0701015	6	Bolt M10 x 35	
8	0701016	2	Bolt M10 x 40	
9	0701017	2	Bolt M10 x 45	
10	0701019	1	Bolt M10 x 55	
11	0701627	4	Bolt M16 x 100	
12	0711214	4	Bolt M12 x 30 Grade 10.9	
13	0760810	5	Bolt M8 x 20	
14	0760812	7	Bolt M8 x 25	
15	0761008	2	Bolt M10 x 16	
16	0761012	10	Bolt M10 x 25	
17	0761210	3	Bolt M12 x 20	
18	0771414	4	Bolt M14 x 30 Grade 10.9	
18	0771415	4	Bolt M14 x 35 Grade 10.9	
19	0961951	2	Bushing	
20	1321716	1	Clamp	
21	2300004	13.2 qt/ 12.5L	Coolant, Anti-Freeze <b>(Prior to SN 0300212076)</b>	
21	1001103452	13.2 qt/ 12.5L	Coolant, Anti-Freeze <b>(SN 0300212076 to Present)</b>	
22	2720015	5 ft/1.5m	Hose	
23	2720340	1 ft/30.5m	Hose <b>(Prior to SN 0300242692)</b>	
23	1001165035	1 ft/30.5m	Hose <b>(SN 0300242692 to Present)</b>	
24	2902065	1	Pump Coupling Kit (See PUMP COUPLING KIT for Breakdown)	
25	3290607	23	Nut M6	
26	3290805	2	Nut M8	
27	3290807	9	Nut M8	
28	3291005	1	Nut M10	
29	3291007	10	Nut M10	
30	3291601	4	Nut M16	
31	3820032	9	Rivet	
32	5251022	6	Bolt M10 x 70	
33		Ref	Capscrew Options:	
33	4031910	4	Capscrew M8 x 30 <b>(Prior to SN 0300190128)</b>	
33	4031912	4	Capscrew M8 x 40 <b>(SN 0300190128 to Present)</b>	
34	4240099	AR	Tie-Strap (Not Shown)	
35	4640751	1	Valve, Oil Drain	
36	4711600	2	Washer 3/8	
37	4811600	4	Washer M5	
38	4811700	41	Washer M6	
39	4811702	4	Washer M6	
40	4811900	25	Washer M8	

## SECTION 3 - ENGINE

ITEM	PART NUMBER	QTY	DESCRIPTION	REV
41	4811902	4	Washer M8	
42	4812000	34	Washer M10	
43	4812002	1	Washer M10	
44	4812100	11	Washer M12	
45	4812200	4	Washer M14	
46	5241000	2	Washer M10	
47	5241600	4	Washer M16	
48	5271614	1	Capscrew M16 x 50	
49	7300435	4	Washer	
50	8278020	1	Mount	
51	8305401	2	Nut 1/4	
52	8307109	2	Washer 1/4	
53	8310548	2	Screw 1/4 x 1/2	
54	8405007	2	Clamp	
55	8405104	4	Clamp	
56	8405201	8	Clamp (Prior to SN 0300213776)	
57	8405204	1	Clamp (Prior to SN 0300213776)	
58	8406109	2	Clamp	
59	8406303	1	Clip	
60	8410011	1	Clamp	
61	8410013	3	Clamp	
62	91563070	1	Coupling, Rubber	
63	1001111116	2	Clamp	
64	1001117308	1	Relay	
65	1001119727	2	Clamp	
67	1001166393	1	Tank	
68	1001134488	1	Fitting, 90 NPT/Barbed	
69	1001135943	1	Coupling	
70	1001136079	9.6 qt/ 9.1L	Oil, Motor	
71	1001138827	1	Sensor	
72	1001136834	1	Cap	
73	1001138173	1	Support	
74	1001138175	1	Bracket	
75	1001138228	1	Module, Relay	
75	70023592	1	Fuse 20Amp	
75	70023593	1	Fuse 30Amp	
76	1001138248	5 ft/1.5m	Tubing	
77	1001138559	1	Fitting, 90 NPT	
78	1001139240	1	Bracket	
79	1001140564	1	Fitting, 90 NPT/Barbed	
80	1001141995	1	Fitting, Straight NPT/Barbed	
81	1001142501	1	Fitting, 90 NPT/Barbed	
82	1001143390	1	Indicator, Air Restriction	
83		Ref	Fan Options:	
83	1001147567	1	Fan (Prior to SN 0300190128)	
83	1001177137	1	Fan (SN 0300190128 to Present)	
84	1001147847	1	Filter, Air	
84	70023809	1	Element	
84	70023872	1	Secondary Element	
84	70024328	1	Elbow, Rubber	
84	70024329	1	Clamp, Mounting	

## SECTION 3 - ENGINE

ITEM	PART NUMBER	QTY	DESCRIPTION	REV
85	1001148076	1	Deutz LRC Engine (See DEUTZ LRC ENGINE COMPONENTS for Breakdown)	
86	1001148641	2	Bracket	
87	1001149407	1	Radiator	
88	1001149517	4	Mount, Motor	
89	1001149736	1	Shroud	
90	1001149746	1	Pulley	
91	1001150498	1	Tube	
92	1001150499	1	Hose	
93	1001150500	1	Hose	
94	1001150504	1	Hose	
95	1001150505	1	Pipe	
96	1001150553	1	Hose	
97		Ref	Adapter Options:	
97	1001150900	1	Adapter <b>(Prior to SN 0300190128)</b>	
97	1001177134	1	Adapter <b>(SN 0300190128 to Present)</b>	
98	1001151432	1	Muffler	
99	1001151491	1	Support	
100	1001151749	1	Tray	
101	1001151761	1	Pipe, Exhaust	
102	1001152489	1	Fitting, 90 Barbed	
103	1001154405	8.5 in/ 21cm	Hose	
104	1001155023	1	Plate	
105	1001155496	1	Support	
106	1001160518	1	Support	
107	1001155498	1	Plate	
108	1001155525	1	Support	
109	1001155540	2	Washer	
110	1001157862	1	Bracket	
111	1001155550	1	Plate <b>(Prior to SN 0300228229)</b>	
111	1001212817	1	Plate <b>(SN 0300228229 to Present)</b>	
112	1001155557	2	Plate	
113	1001155563	1	Seal	
114	1001155564	1	Bracket	
115	1001155565	1	Seal	
116	1001155566	1	Bracket	
117	1001156034	1	Seal	
118	1001156035	1	Bracket	
119	1001156062	1	Bracket	
120	1001156091	1	Hose	
121	1001156112	1	Tube	
122	1001156644	2	Seal	
123	1001158262	1	Pipe, Exhaust	
124	1001158289	1	Bracket	
125	1001155728	1	Seal	
126	4060807	22 in/ 55cm	Flex-Trim	
127	0100081	AR	Adhesive	
128	0711218	4	Bolt M12 x 50 Grade 10.9	
129	1320022	4	Clamp <b>(Prior to SN 0300228229)</b>	
130	1001170982	1	Fitting, 90 SAE/Barbed	



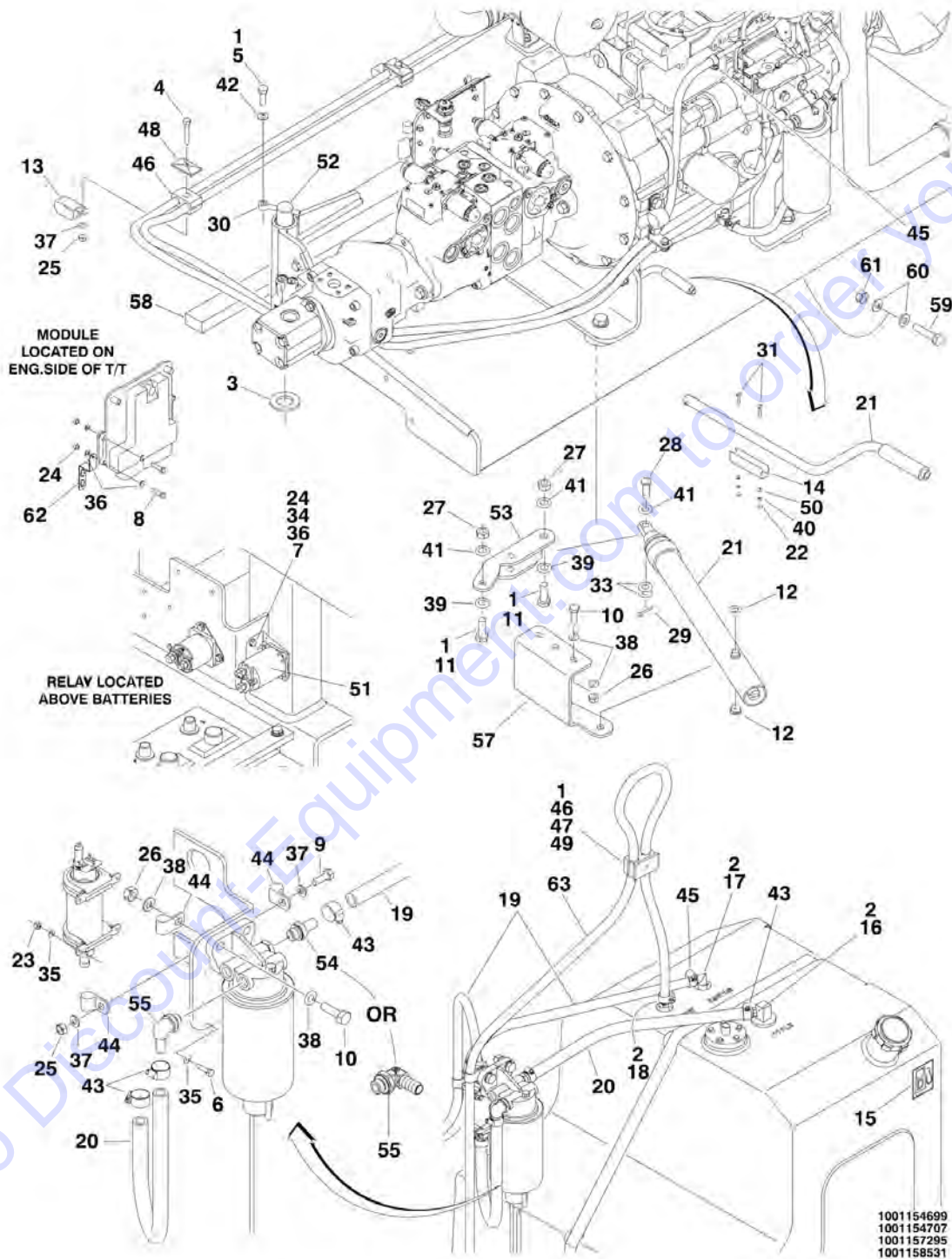
## SECTION 3 - ENGINE

ITEM	PART NUMBER	QTY	DESCRIPTION	REV
132	1703162	2	Decal - Fan Blade (SN 0300190128 to Present)	
133	1321716	1	Clamp (Prior to SN 0300190128)	
133	8406110	2	Clip (SN 0300190128 to Present)	
134	8410012	3	Clamp (SN 0300213776 to Present)	
135	1001208297	1	Clamp (SN 0300213776 to Present)	
136	1001208298	2	Clamp (SN 0300213776 to Present)	
137	1001208299	3	Clamp (SN 0300213776 to Present)	
138	0700612	2	Bolt M6 x 25	
138	0760614	2	Bolt M6 x 30	

Go to Discount-Equipment.com to order your parts

# SECTION 3 - ENGINE

## FIGURE 3-4. DEUTZ LRC ENGINE INSTALLATION - WITH COLD WEATHER PKG



## SECTION 3 - ENGINE

**FIGURE 3-4. DEUTZ LRC ENGINE INSTALLATION - WITH COLD WEATHER PKG**

ITEM	PART NUMBER	QTY	DESCRIPTION	REV
	1001158531	Ref	DEUTZ LRC ENGINE INSTALLATION - WITH COLD WEATHER PKG	L
1	0100011	AR	Compound, Locking	
2	0100020	AR	Sealant	
3	0440162	1	Bearing, Thrust	
4	0700818	3	Bolt M8 x 50	
5	0711015	1	Bolt M10 x 35 Grade 10.9	
6	0760408	4	Bolt M4 x 16	
7	0760610	2	Bolt M6 x 20	
8	0760613	4	Bolt M6 x 28	
9	0760812	1	Bolt M8 x 25	
10	0761015	5	Bolt M10 x 35	
11	0771416	2	Bolt M14 x 40 Grade 10.9	
12	0962051	2	Bearing, Flange	
13	1321716	3	Clamp	
14	1380147	1	Clip	
15	1701505	1	Decal - Fuel <b>(Prior to SN 0300188926)</b>	
16	2180832	1	Fitting, Straight NPT/Barbed	
17	2220313	1	Fitting, 90 NPT/Barbed	
18	2221114	1	Fitting, Straight NPT/Barbed	
19	1001165035	35 ft/10.5m	Hose	
20	2720615	3 ft/1m	Hose <b>(Prior to SN 0300239993)</b>	
20	1001154405	4.5 ft /1.37m	Hose <b>(SN 0300239993 to Present)</b>	
21	2840016	1	Jack with Handle	
21	7016374	1	Handle (Burr Manufacturing Brand)	
21	7024598	1	Handle (Hammerblow Corp Brand)	
21	7016322	1	Wiper (Burr Manufacturing Brand Only)	
22	3290301	2	Nut M3	
23	3290405	4	Nut M4	
24	3290607	6	Nut M6	
25	3290807	4	Nut M8	
26	3291007	5	Nut M10	
27	3331411	2	Nut M14	
28	3430816	1	Pin	
29	3450404	1	Pin, Cotter 1/8 x 1	
30	3841143	1	Keeper	
31	4010308	2	Screw M3 x16	
32	4240099	AR	Tie-Strap (Not Shown)	
33	4711800	2	Washer 1/2	
34	4791400	2	Washer 1/4	
35	4811400	8	Washer M4	
36	4811700	10	Washer M6	
37	4811900	5	Washer M8	
38	4812000	10	Washer M10	
39	4812200	4	Washer M14	
40	4871200	2	Washer M3	
41	4891800	1	Washer 1/2	
42	5241000	1	Washer M10	

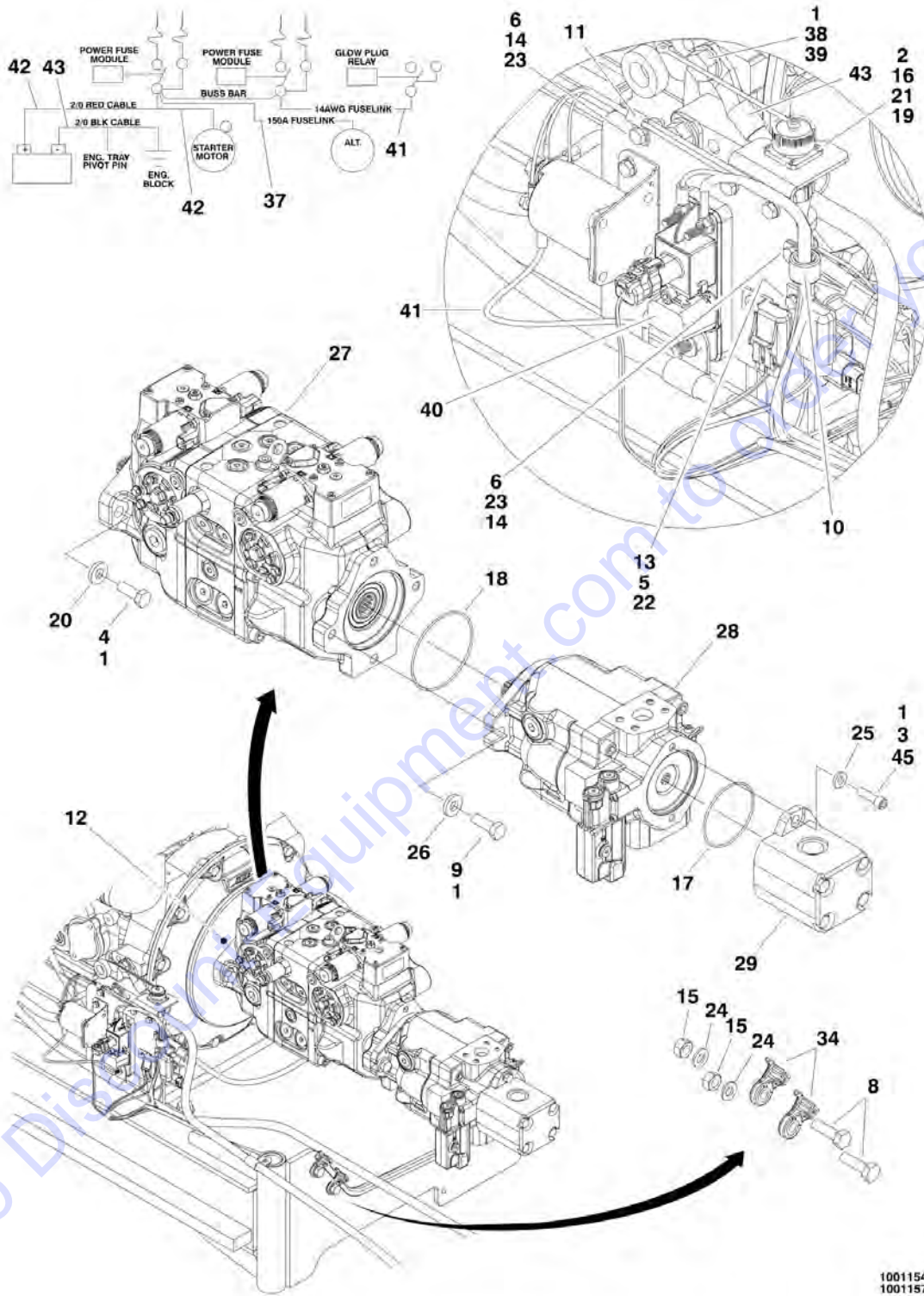
## SECTION 3 - ENGINE

ITEM	PART NUMBER	QTY	DESCRIPTION	REV
43	8405006	4	Clamp <b>(Prior to SN 0300250353)</b>	
43	1001186342	4	Clamp <b>(SN 0300250353 to Present)</b>	
44	8406101	3	Clip	
45	8410013	5	Clamp	
46	8750014	4	Clamp	
47	8750031	1	Plate	
48	8769128	3	Cover	
49	1001101580	1	Screw M8 x 30	
50	1001110544	2	Washer M3	
51	1001117308	2	Relay	
52	1001135196	1	Pin	
53	1001135497	1	Support	
54	1001141718	1	Fitting, Straight NPT/Barbed <b>(Prior to SN 0300250353)</b>	
55	1001142501	AR	Fitting, 90 NPT/Barbed	
57	1001155939	1	Plate	
58	1001156719	1	Seal	
59	0642220	1	Bolt 3/4-10 x 2-1/2	
60	4712200	2	Washer 3/4	
61	8310067	1	Nut 3/4-10	
62	1001159162	1	Bracket, Support	
63	1001165035	7 ft/2.1m	Hose <b>(Prior to SN 0300226994)</b>	
63	2750532	7 ft/2.1m	Hose <b>(SN 0300226994 to Present)</b>	



# SECTION 3 - ENGINE

FIGURE 3-5. DEUTZ LRC ENGINE/PUMP ASSEMBLY - WITH COLD WEATHER PKG



1001154796  
1001157294  
1001158530

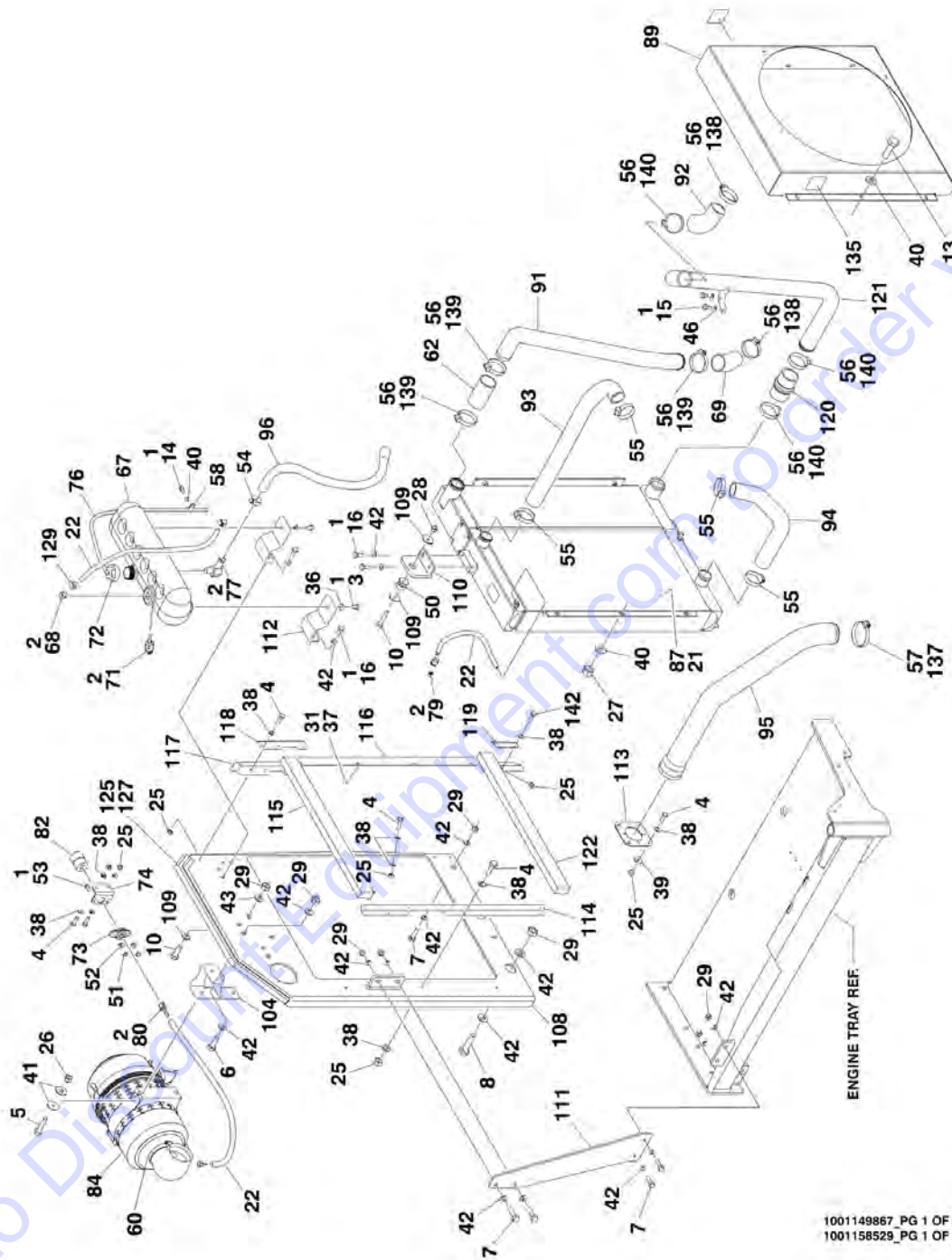
## SECTION 3 - ENGINE

**FIGURE 3-5. DEUTZ LRC ENGINE/PUMP ASSEMBLY - WITH COLD WEATHER PKG**

ITEM	PART NUMBER	QTY	DESCRIPTION	REV
	1001158530	Ref	DEUTZ LRC ENGINE/PUMP ASSEMBLY - WITH COLD WEATHER PKG	1
1	0100011	AR	Compound, Locking	
2	0100035	AR	Compound, Locking	
3	0641608	2	Bolt 3/8-18 x 1 <b>(Prior to SN 0300216486)</b>	
4	0841812	2	Bolt 1/2-13 x 1-1/2	
5	0700510	1	Bolt M5 x 20	
6	0760610	2	Bolt M6 x 20	
8	0761015	2	Bolt M10 x 35	
9	0761215	2	Bolt M12 x 35	
10	1320041	1	Clamp	
11	1320136	1	Clamp	
12	3020037	AR	Lubricant	
13	3290507	1	Nut M5	
14	3290607	2	Nut M6	
15	3291007	2	Nut M10	
16	3310401	3	Nut #4-40NC	
17	3790152	1	O-Ring	
18	3790155	1	O-Ring	
19	3910408	3	Screw #4 x 1/2	
20	4740171	2	Washer,	
21	4750400	3	Washer #4	
22	4811600	2	Washer M5	
23	4811700	2	Washer M6	
24	4812000	2	Washer M10	
25	4891600	2	Washer 3/8	
26	4891800	2	Washer 1/2	
27	1001108616	1	Pump, Tandem (See TANDEM PUMP ASSEMBLY for Breakdown)	
28	1001169892	1	Pump, Piston (See PISTON PUMP ASSEMBLY for Breakdown)	
29	1001112927	1	Pump, Gear (See GEAR PUMP ASSEMBLY for Breakdown)	
31	1001149971	1	Harness, Engine (Not Shown - See ELECTRICAL SECTION for Breakdown)	
33	1001156001	1	Harness Can (Not Shown - See ELECTRICAL SECTION for Breakdown)	
34	1001156107	2	Holder, Cable	
35	1001156718	1	Seal (Not Shown - Located on Side of Radiator Mounting Plate)	
36	1001156719	1	Seal	
37	1001157073	1	Cable, Alternator Power	
38	0761210	1	Bolt M12 x 20	
39	4812100	1	Washer M12	
40	1001135027	1	Insulator	
41	1001141304	1	Wire, Glow Plug	
42	1001154142	1	Cable, Battery (Positive)	
43	1001154143	1	Cable, Battery (Negative)	
44	1001168734	1	Wire, Glow Plug (Not Shown)	
45	3931620	2	Screw 3/8 x 1-1/4 <b>(SN 0300216486 to Present)</b>	

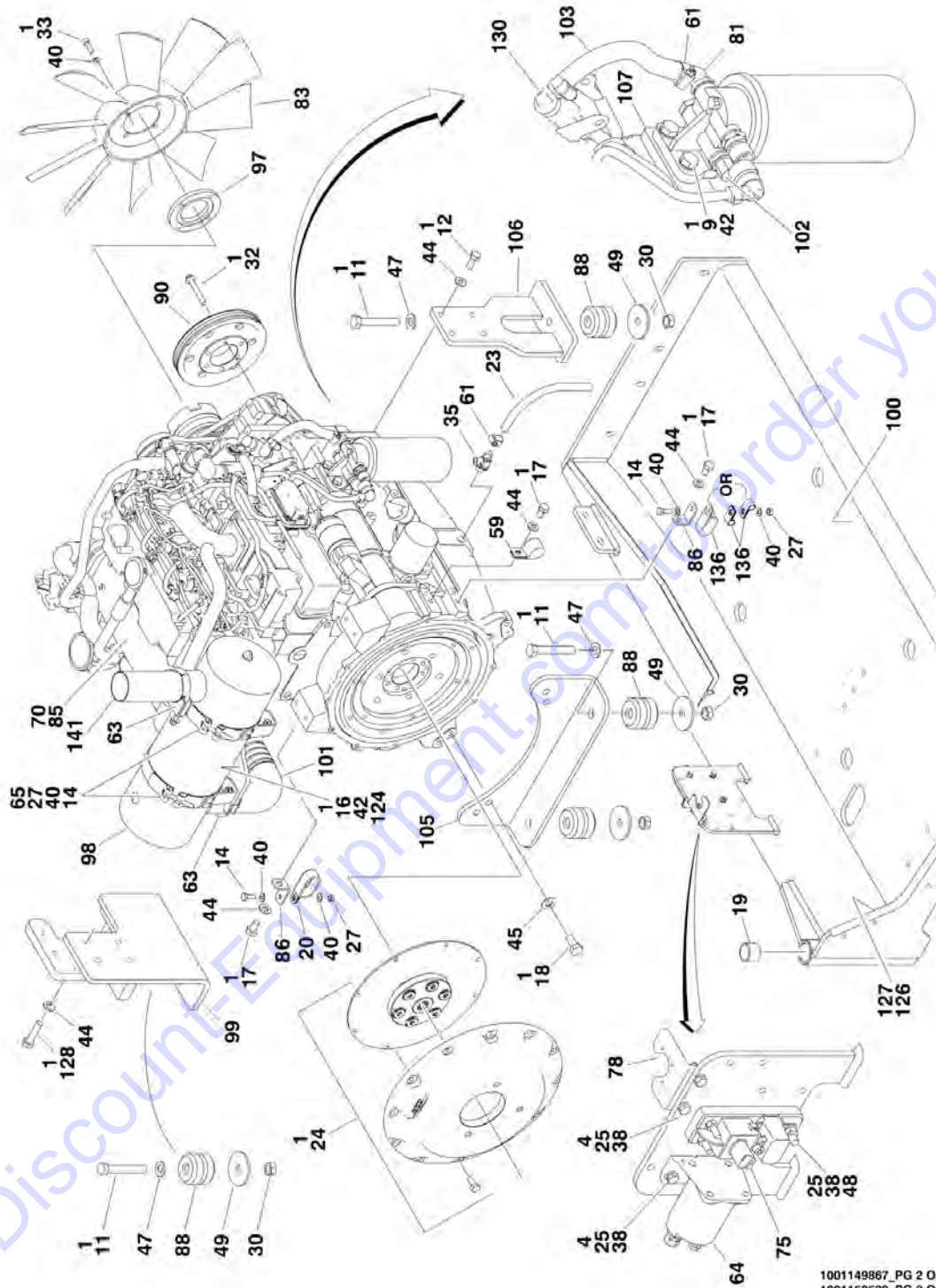
# SECTION 3 - ENGINE

## FIGURE 3-6. DEUTZ LRC ENGINE ASSEMBLY - WITH COLD WEATHER PKG





# SECTION 3 - ENGINE



1001149867\_PG 2 OF 2  
1001158529\_PG 2 OF 2

## SECTION 3 - ENGINE

FIGURE 3-6. DEUTZ LRC ENGINE ASSEMBLY - WITH COLD WEATHER PKG

ITEM	PART NUMBER	QTY	DESCRIPTION	REV
	1001158529	Ref	DEUTZ LRC ENGINE ASSEMBLY - WITH COLD WEATHER PKG	O
1	0100011	AR	Compound, Locking	
2	0100020	AR	Sealant	
3	0641606	2	Bolt 3/8-18 x 3/4	
4		Ref	Bolt Options:	
4	0700610	22	Bolt M6 x 20 <b>(Prior to SN 0300190128)</b>	
4	0700612	20	Bolt M6 x 25 <b>(SN 0300190128 to Present)</b>	
5	0700815	2	Bolt M8 x 35	
6	0701013	2	Bolt M10 x 28	
7	0701015	6	Bolt M10 x 35	
8	0701016	2	Bolt M10 x 40	
9	0701017	2	Bolt M10 x 45	
10	0701019	1	Bolt M10 x 55	
11	0701627	4	Bolt M16 x 100	
12	0711214	4	Bolt M12 x 30 Grade 10.9	
13	0760810	5	Bolt M8 x 20	
14	0760812	7	Bolt M8 x 25	
15	0761008	2	Bolt M10 x 16	
16	0761012	10	Bolt M10 x 25	
17	0761210	3	Bolt M12 x 20	
18	0771414	4	Bolt M14 x 30 Grade 10.9	
18	0771415	4	Bolt M14 x 35 Grade 10.9	
19	0961951	2	Bushing	
20	1321716	1	Clamp	
21	2300041	13.2 qt/ 12.5L	Coolant, Anti-Freeze <b>(Prior to SN 0300212076)</b>	
21	1001198361	13.2 qt/ 12.5L	Coolant, Anti-Freeze <b>(SN 0300212076 through 0300228228)</b>	
21	1001103452	13.2 qt/ 12.5L	Coolant, Anti-Freeze <b>(SN 0300228229 to Present)</b>	
22	2720015	5 ft/1.5m	Hose	
23	2720340	1 ft/30.5m	Hose <b>(Prior to SN 0300242692)</b>	
23	1001165035	1 ft/30.5m	Hose <b>(SN 0300242692 to Present)</b>	
24	2902065	1	Pump Coupling Kit (See PUMP COUPLING KIT for Breakdown)	
25	3290607	23	Nut M6	
26	3290805	2	Nut M8	
27	3290807	9	Nut M8	
28	3291005	1	Nut M10	
29	3291007	10	Nut M10	
30	3291601	4	Nut M16	
31	3820032	9	Rivet	
32	5251022	6	Bolt M10 x 70	
33		Ref	Capscrew Options:	
33	4031910	4	Capscrew M8 x 30 <b>(Prior to SN 0300190128)</b>	
33	4031912	4	Capscrew M8 x 40 <b>(SN 0300190128 to Present)</b>	
34	4240099	AR	Tie-Strap (Not Shown)	
35	4640751	1	Valve, Oil Drain	
36	4711600	AR	Washer 3/8	
37	4811600	AR	Washer M5	
38	4811700	AR	Washer M6	

## SECTION 3 - ENGINE

ITEM	PART NUMBER	QTY	DESCRIPTION	REV
39	4811702	AR	Washer M6	
40	4811900	AR	Washer M8	
41	4811902	AR	Washer M8	
42	4812000	AR	Washer M10	
43	4812002	AR	Washer M10	
44	4812100	AR	Washer M12	
45	4812200	AR	Washer M14	
46	5241000	AR	Washer M10	
47	5241600	AR	Washer M16	
48	5271614	1	Capscrew M16 x 50	
49	7300435	4	Washer	
50	8278020	1	Mount	
51	8305401	2	Nut 1/4	
52	8307109	2	Washer 1/4	
53	8310548	2	Screw 1/4 x 1/2	
54	8405007	2	Clamp	
55	8405104	4	Clamp	
56	8405201	8	Clamp <b>(Prior to SN 0300213776)</b>	
57	8405204	1	Clamp <b>(Prior to SN 0300213776)</b>	
58	8406109	2	Clamp	
59	8406303	1	Clip	
60	8410011	1	Clamp	
61	8410013	3	Clamp	
62	91563070	1	Coupling, Rubber	
63	1001111116	2	Clamp	
64	1001117308	1	Relay	
65	1001119727	2	Clamp	
67	1001166393	1	Tank	
68	1001134488	1	Fitting, 90 NPT/Barbed	
69	1001135943	1	Coupling	
70	1001136172	9.6 qt/ 9.1L	Oil, Motor	
71	1001138827	1	Sensor	
72	1001136834	1	Cap	
73	1001138173	1	Support	
74	1001138175	1	Bracket	
75	1001138228	1	Module, Relay	
76	1001138248	5 ft/1.5m	Tubing	
77	1001138559	1	Fitting, 90 NPT	
78	1001139240	1	Bracket	
79	1001140564	1	Fitting, 90 NPT/Barbed	
80	1001141995	1	Fitting, Straight NPT/Barbed	
81	1001142501	1	Fitting, 90 NPT/Barbed	
82	1001143390	1	Indicator, Air Restriction	
83		Ref	Fan Options:	
83	1001147567	1	Fan <b>(Prior to SN 0300190128)</b>	
83	1001177137	1	Fan <b>(SN 0300190128 to Present)</b>	
84	1001147847	1	Filter, Air	
84	70023809	1	Element	
84	70024328	1	Elbow, Rubber	
84	70024329	1	Clamp, Mounting	
85	1001148076	1	Deutz LRC Engine (See DEUTZ LRC ENGINE COMPONENTS for	

## SECTION 3 - ENGINE

ITEM	PART NUMBER	QTY	DESCRIPTION	REV
			Breakdown)	
86	1001148641	2	Bracket	
87	1001149407	1	Radiator	
88	1001149517	4	Mount, Motor	
89	1001149736	1	Shroud	
90	1001149746	1	Pulley	
91	1001150498	1	Tube	
92	1001150499	1	Hose	
93	1001150500	1	Hose	
94	1001157300	1	Hose, Lower Radiator (Top Section)	
94	1001157301	1	Hose, Lower Radiator (Bottom Section)	
94	1001152112	1	Heater, Engine Block (Not Shown)	
94	1702942	1	Decal - Engine Block Heater (Not Shown)	
95	1001150505	1	Pipe	
96	1001150553	1	Hose	
97		Ref	Adapter Options:	
97	1001150900	1	Adapter <b>(Prior to SN 0300190128)</b>	
97	1001177134	1	Adapter <b>(SN 0300190128 to Present)</b>	
98	1001151432	1	Muffler	
99	1001151491	1	Support	
100	1001151749	1	Tray	
101	1001151761	1	Pipe, Exhaust	
102	1001152489	1	Fitting, 90 Barbed	
103	1001154405	8.5 in /21cm	Hose	
104	1001155023	1	Plate	
105	1001155496	1	Support	
106	1001160518	1	Support	
107	1001155498	1	Plate	
108	1001155525	1	Support	
109	1001155540	2	Washer	
110	1001157862	1	Bracket	
111	1001155550	1	Plate <b>(Prior to SN 0300228229)</b>	
111	1001212817	1	Plate <b>(SN 0300228229 to Present)</b>	
112	1001155557	2	Plate	
113	1001155563	1	Seal	
114	1001155564	1	Bracket	
115	1001155565	1	Seal	
116	1001155566	1	Bracket	
117	1001156034	1	Seal	
118	1001156035	1	Bracket	
119	1001156062	1	Bracket	
120	1001156091	1	Hose	
121	1001156112	1	Tube	
122	1001156644	2	Seal	
	1001158289	1	Bracket	
125	1001155728	1	Seal	
126	4060807	22 in/ 55cm	Flex-Trim	
127	0100081	AR	Adhesive	
128	0711218	4	Bolt M12 x 50 Grade 10.9	
129	1320022	4	Clamp	

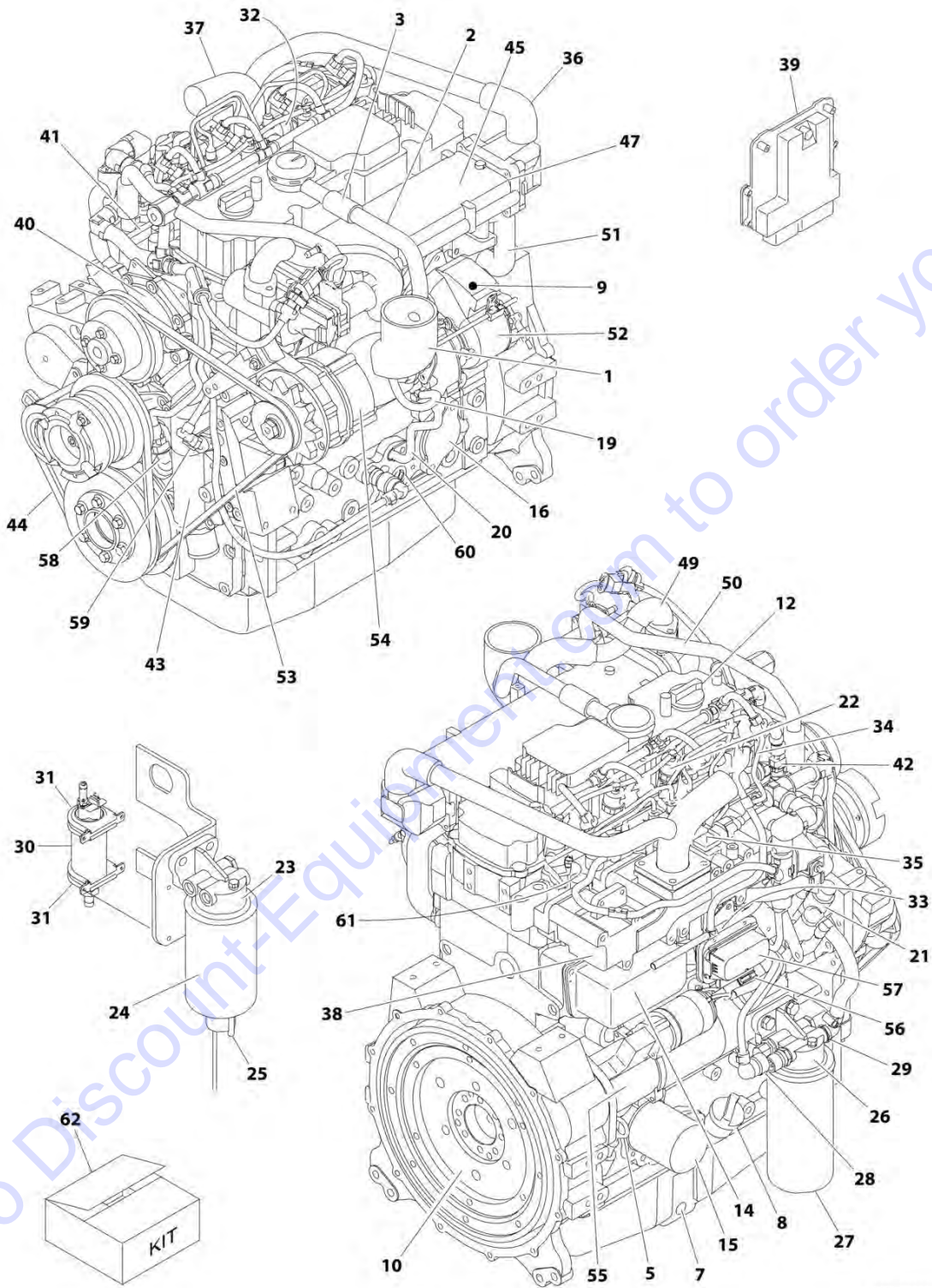
## SECTION 3 - ENGINE

ITEM	PART NUMBER	QTY	DESCRIPTION	REV
130	1001170982	1	Fitting, 90 SAE/Barbed	
135	1703162	2	Decal - Fan Blade (SN 0300190128 to Present)	
136	1321716	1	Clamp (Prior to SN 0300190128)	
136	8406110	2	Clip (SN 0300190128 to Present)	
137	1001208297	1	Clamp (SN 0300213776 to Present)	
138	1001208298	2	Clamp (SN 0300213776 to Present)	
139	1001208299	3	Clamp (SN 0300213776 to Present)	
140	8410012	3	Clamp (SN 0300213776 to Present)	
141	1001158262	1	Pipe, Exhaust	
142	0700612	2	Bolt M6 x 25	
142	0760614	2	Bolt M6 x 30	

Go to Discount-Equipment.com to order your parts

# SECTION 3 - ENGINE

## FIGURE 3-7. DEUTZ LRC ENGINE COMPONENTS



ART\_1001148076

## SECTION 3 - ENGINE

### FIGURE 3-7. DEUTZ LRC ENGINE COMPONENTS

ITEM	PART NUMBER	QTY	DESCRIPTION	REV
	1001148076	Ref	DEUTZ LRC ENGINE COMPONENTS	G
1	70024497	1	Pipe, Intake	
1	70025680	1	Clamp	
2	70025111	1	Clamp	
2	70025128	1	Bolt	
2	70025116	1	Clamp	
2	See Note	NSS	Line, Breather (Includes Item 3) (Note: Not Available for Purchase)	
3	70025119	1	Sleeve, Rubber	
3	7002511	1	Clamp	
4	70002718	1	Seal, Rear Main (Not Shown)	
5	70025745	1	Dipstick	
5	70025755	1	Tube, Dipstick	
5	7020442	1	O-Seal	
6	70025123	24	Screw, Oil Pan (Not Shown)	
7	70025088	1	Plug	
8	7020465	1	Cap	
8	See Note	NSS	Tube, Fill (Note: Not Available for Purchase)	
8	70024471	1	Gasket (Tube to Engine Block)	
9	70025786	1	Plug	
10	70001870	1	Flywheel	
10	7024579	1	Gear, Rim	
11	70025789	1	Gasket, Head (Not Shown)	
11	70024481	1	Gasket, Valve Cover (Not Shown)	
12	7020465	1	Cap, Fill	
13	70025763	1	Pump, Oil (Not Shown)	
13	70025717	2	Tube, Adapter (Not Shown)	
13	70025718	4	O-Ring (Not Shown)	
13	70025714	2	Bushing, Dowel (Not Shown)	
14	70004275	1	Cooler, Oil	
14	70024495	1	Gasket	
15	7016331	1	Filter, Oil	
15	70025137	1	Bushing, Screw	
16	70025731	1	Cover	
16	70002813	1	Seal	
17	70025730	1	Pipe, Transfer (Not Shown - Located in Oil Pan)	
18	70025722	1	Line, Oil Suction (Not Shown - Located in Oil Pan)	
19	70024489	1	Line, Lube	
19	70025087	2	Screw	
19	70025105	4	Ring, Sealing	
20	See Note	NSS	Line, Lube Return (Note: Not Available for Purchase)	
20	70025132	1	O-Seal	
20	70025234	1	Flange, Upper	
20	70024509	1	Gasket, Upper Flange	
21	70024487	1	Pump, High Pressure	
21	70025152	1	O-Ring	
21	70004505	1	Valve, Overflow	
21	70004506	1	O-Ring	
21	70004507	1	O-Ring	
21	70004508	1	Valve, Volume Control	
21	70004509	1	O-Ring	

## SECTION 3 - ENGINE

ITEM	PART NUMBER	QTY	DESCRIPTION	REV
21	70004510	1	Gasket	
21	See Note	NSS	O-Seal (Between Pump and Block) (Note: Not Available for Purchase)	
21	70025729	1	Gear	
22	70024485	4	Injector, Fuel	
22	70025140	4	Washer, Sealing	
22	70025146	4	Clamp	
22	70025145	4	O-Seal	
22	70025154	4	Shoe, Clamping	
23	70024961	1	Head and Filter Assembly	
24	70025153	NLA	Filter (Use p/n 1001225430)	
25	70024513	1	Sensor with Cable	
25	70025239	1	Ring, Sealing	
26	70004511	1	Head and Filter Assembly	
27	70004512	NLA	Filter (Use p/n 1001225432)	
28	70024504	1	Sensor, Pressure	
28	70024920	1	O-Seal	
29	70004514	1	Fitting	
29	70004513	1	Ring, Sealing	
30	70024486	1	Pump, Fuel Supply	
31	70025144	2	Clamp	
32	70025151	1	Rail, Fuel	
32	70025235	1	Kit, Repair - Fuel Rail	
32	70025240	1	O-Ring	
32	70025534	1	Pipe, Pressure Pump to Fuel Rail	
32	70024498	1	Pipe, Fuel Rail to Cylinders 1 & 2	
32	70024499	1	Pipe, Fuel Rail to Cylinders 3 & 4	
33	70024501	1	Line, Fuel	
33	70025109	3	Clamp, Band	
33	70025686	3	Clamp, Pipe	
34	70025766	1	Pipe, Fuel Leakage	
34	70025756	2	Retainer for Fuel Leakage Pipe	
35	70024921	1	Sensor, Pressure	
35	70025120	1	O-Seal	
36	70025721	1	Hose, Elbow	
36	70025675	1	Clamp (Manifold Side)	
36	70025681	1	Clamp (Pipe Side)	
37	70025748	1	Pipe, Air Charge	
37	70025726	1	Gasket	
38	70025772	1	Manifold, Air Charge	
38	70024475	1	Gasket (Manifold to Head)	
39	70025210	1	Module, Engine Control	
40	70004515	1	Pump, Water	
40	70025713	1	Seal (RH Side Pump to Item 43)	
40	70004516	2	Ring, Sealing (For Smaller Plug)	
40	7016309	1	Ring, Sealing (For Larger Plug)	
41	70025741	1	Housing, Thermostat	
41	70024473	1	Thermostat	
41	7016309	1	Ring, Sealing (For Bottom Plug)	
41	70024493	1	Gasket (Housing to Head)	
42	70024918	1	Sender, Temperature	
43	70025762	1	Manifold, Coolant	



# PARTS FINDER

**Search Website  
by Part Number**



**Search Manual  
Library For Parts  
Manual & Lookup Part  
Numbers – Purchase  
or Request Quote**

**Can't Find Part or  
Manual? Request Help  
by Manufacturer,  
Model & Description**

Discount-Equipment.com is your online resource for quality parts & equipment.

Florida: **561-964-4949** Outside Florida TOLL FREE: **877-690-3101**

## Need parts?

Click on this link: <http://www.discount-equipment.com/category/5443-parts/> and choose one of the options to help get the right parts and equipment you are looking for. Please have the machine model and serial number available in order to help us get you the correct parts. If you don't find the part on the website or on one of the online manuals, please fill out the request form and one of our experienced staff members will get back to you with a quote for the right part that your machine needs.

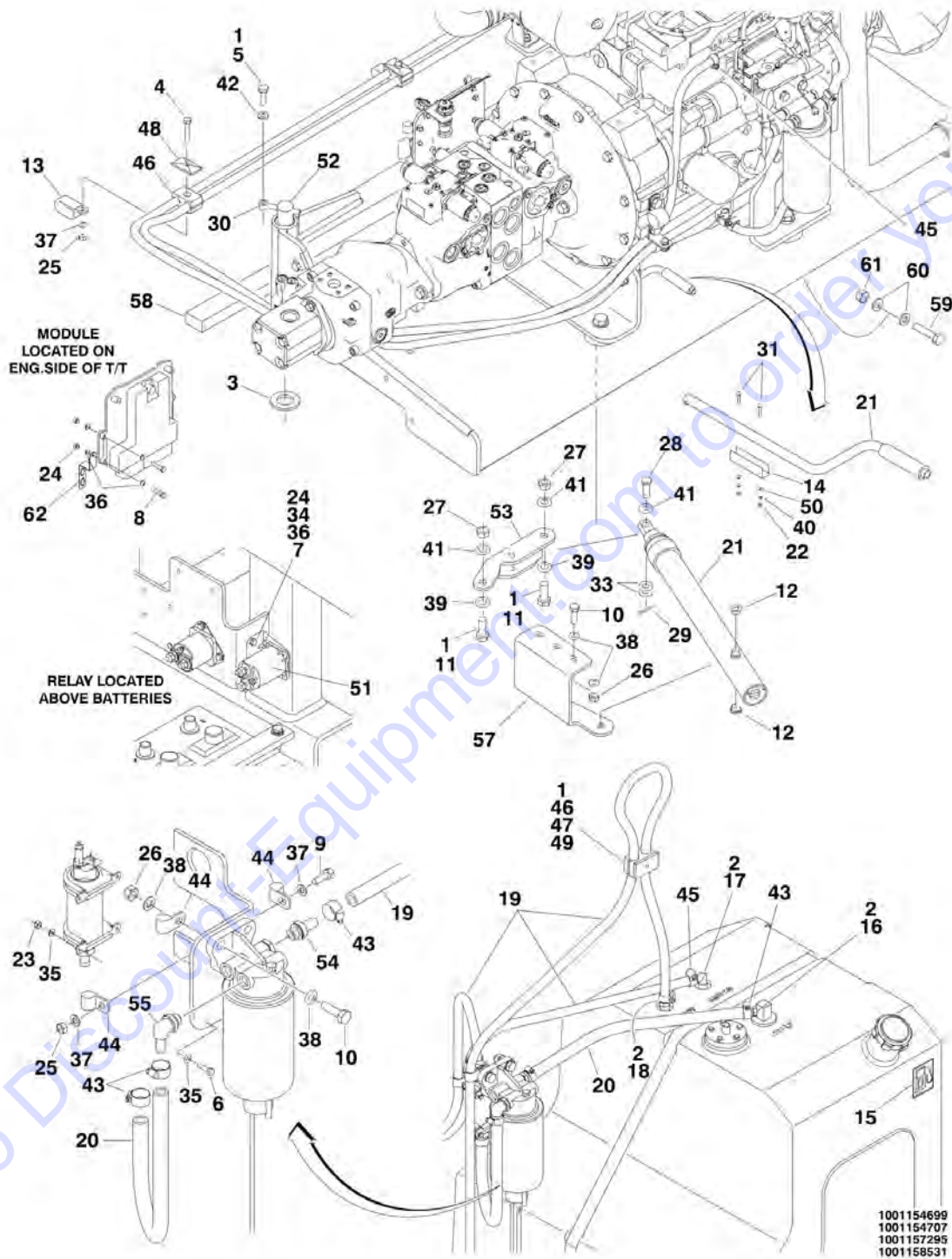
We sell worldwide for the brands: Genie, Terex, JLG, MultiQuip, Mikasa, Essick, Whiteman, Mayco, Toro Stone, Diamond Products, Generac Magnum, Airman, Haulotte, Barreto, Power Blanket, Nifty Lift, Atlas Copco, Chicago Pneumatic, Allmand, Miller Curber, Skyjack, Lull, Skytrak, Tsurumi, Husquvarna Target, Stow, Wacker, Sakai, Mi-T-M, Sullair, Basic, Dynapac, MBW, Weber, Bartell, Bennar Newman, Haulotte, Ditch Runner, Menegotti, Morrison, Contec, Buddy, Crown, Edco, Wyco, Bomag, Laymor, EZ Trench, Bil-Jax, F.S. Curtis, Gehl Pavers, Heli, Honda, ICS/PowerGrit, IHI, Partner, Imer, Clipper, MMD, Koshin, Rice, CH&E, General Equipment, Amida, Coleman, NAC, Gradall, Square Shooter, Kent, Stanley, Tamco, Toku, Hatz, Kohler, Robin, Wisconsin, Northrock, Oztec, Toker TK, Rol-Air, APT, Wylie, Ingersoll Rand / Doosan, Innovatech, Con X, Ammann, Mecalac, Makinex, Smith Surface Prep, Small Line, Wanco, Yanmar

## SECTION 3 - ENGINE

ITEM	PART NUMBER	QTY	DESCRIPTION	REV
44	70004517	1	V-Belt	
44	See Note	NSS	Tensioner, Pulley (Note: Not Available for Purchase)	
45	70025723	1	EGR Manifold Assembly	
45	70025708	1	Module, EGR	
45	70025710	1	O-Seal	
45	70025709	1	O-Seal	
47	70025768	1	Valve, Shuttle	
48	70024482	1	Gasket, Exhaust Manifold to Head (Not Shown)	
49	See Note	NSS	Tube, Compensator (Note: Not Available for Purchase)	
49	70024500	2	Gasket	
50	70024496	1	Line, Water	
50	7020492	1	Ring, Sealing (For Plug in Line)	
50	70024478	1	Gasket (Water Line to EGR Valve)	
50	70025701	1	Sleeve, Rubber	
50	70025687	2	Clamp (For Sleeve)	
50	70025699	1	Clamp, Insulated	
51	70024479	1	Hose	
51	70025687	1	Clamp (Lower)	
51	70025773	1	Clamp (Upper)	
51	70025744	1	Fitting (at Lower End of Hose)	
51	70024469	1	O-Seal (For Fitting)	
52	70004518	1	Turbocharger	
52	70024480	1	Gasket	
53	70004519	1	V-Belt	
54	70025533	1	Generator	
54	70025149	1	Controller	
54	70025131	1	Fan	
54	70025150	1	Pulley	
54	70025141	1	Nut, Pulley	
55	70004520	1	Starter	
56	70025780	1	Relay	
57	70025783	1	Harness, Engine	
58	70024916	1	Tacho-Generator	
58	70024917	1	O-Seal	
59	70024503	1	Tacho-Generator	
59	70024917	1	O-Seal	
60	70024504	1	Switch, Pressure	
60	70024920	1	O-Seal	
61	70024474	4	Plug, Glow	
62	70025707	1	Gasket Kit	

# SECTION 3 - ENGINE

## FIGURE 3-8. DEUTZ T4I ENGINE INSTALLATION - NO COLD WEATHER PKG



## SECTION 3 - ENGINE

**FIGURE 3-8. DEUTZ T4I ENGINE INSTALLATION - NO COLD WEATHER PKG**

ITEM	PART NUMBER	QTY	DESCRIPTION	REV
	1001154699	Ref	DEUTZ T4I ENGINE INSTALLATION - NO COLD WEATHER PKG	J
1	0100011	AR	Compound, Locking	
2	0100020	AR	Sealant	
3	0440162	1	Bearing, Thrust	
4	0700818	3	Bolt M8 x 50	
5	0711015	1	Bolt M10 x 35 Grade 10.9	
6	0760408	4	Bolt M4 x 16	
7	0760610	2	Bolt M6 x 20	
8	0760613	4	Bolt M6 x 28	
9	0760812	1	Bolt M8 x 25	
10	0761015	5	Bolt M10 x 35	
11	0771416	2	Bolt M14 x 40 Grade 10.9	
12	0962051	2	Bearing, Flange	
13	1321716	3	Clamp	
14	1380147	1	Clip	
15	1701505	1	Decal - Fuel ( <b>Prior to SN 0300190128</b> )	
16	2180832	1	Fitting, Straight NPT/Barbed	
17	2220313	1	Fitting, 90 NPT/Barbed	
18	2221114	1	Fitting, Straight NPT/Barbed	
19	1001165035	42 in/13m	Hose	
20	2720615	3 ft/1m	Hose	
21	2840016	1	Jack with Handle	
21	7016374	1	Handle (Burr Manufacturing Brand)	
21	7024598	1	Handle (Hammerblow Corp Brand)	
21	7016322	1	Wiper (Burr Manufacturing Brand Only)	
22	3290301	2	Nut M3	
23	3290405	4	Nut M4	
24	3290607	6	Nut M6	
25	3290807	4	Nut M8	
26	3291007	5	Nut M10	
27	3331411	2	Nut M14	
28	3430816	1	Pin	
29	3450404	1	Pin, Cotter 1/8 x 1	
30	3841143	1	Keeper	
31	4010308	2	Screw M3 x16	
32	4240099	AR	Tie-Strap (Not Shown)	
33	4711800	2	Washer 1/2	
34	4791400	2	Washer 1/4	
35	4811400	8	Washer M4	
36	4811700	10	Washer M6	
37	4811900	5	Washer M8	
38	4812000	10	Washer M10	
39	4812200	4	Washer M14	
40	4871200	2	Washer M3	
41	4891800	1	Washer 1/2	
42	5241000	1	Washer M10	
43	8405006	4	Clamp	
44	8406101	3	Clip	
45	8410013	5	Clamp	
46	8750014	4	Clamp	

## SECTION 3 - ENGINE

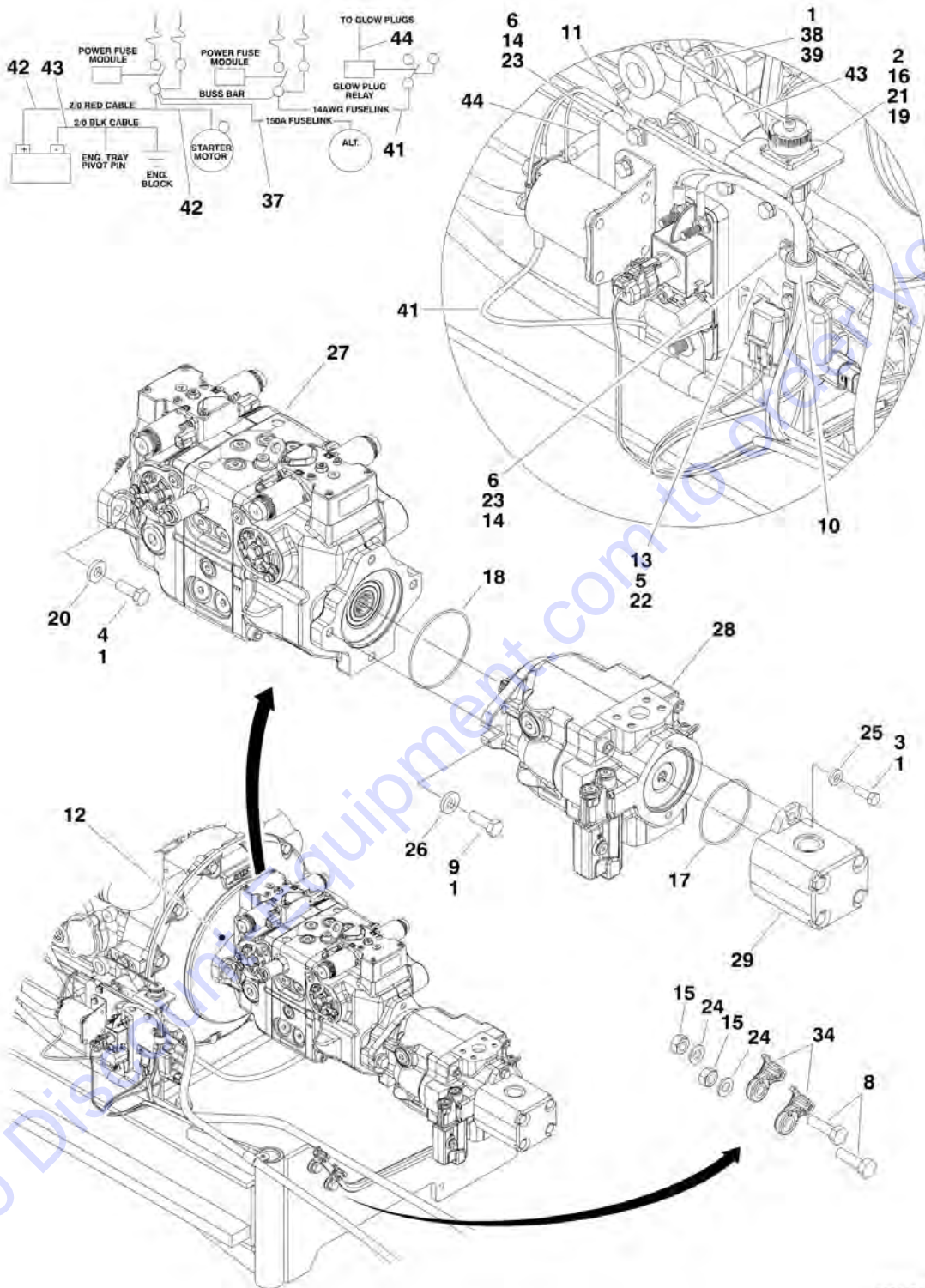
ITEM	PART NUMBER	QTY	DESCRIPTION	REV
47	8750031	1	Plate	
48	8769128	3	Cover	
49	1001101580	1	Screw M8 x 30	
50	1001110544	2	Washer M3	
51	1001117308	2	Relay	
52	1001135196	1	Pin	
53	1001135497	1	Support	
54	1001141718	1	Fitting, Straight NPT/Barbed	
55	1001142501	1	Fitting, 90 NPT/Barbed	
57	1001155939	1	Plate	
58	1001156719	1	Seal	
59	0642220	1	Bolt 3/4-10 x 2-1/2	
60	4712200	2	Washer 3/4	
61	8310067	1	Nut 3/4-10	
62	1001159162	1	Bracket, Support	

Go to Discount-Equipment.com to order your parts



# SECTION 3 - ENGINE

## FIGURE 3-9. DEUTZ T41 ENGINE/PUMP ASSEMBLY - NO COLD WEATHER PKG



1001154697

## SECTION 3 - ENGINE

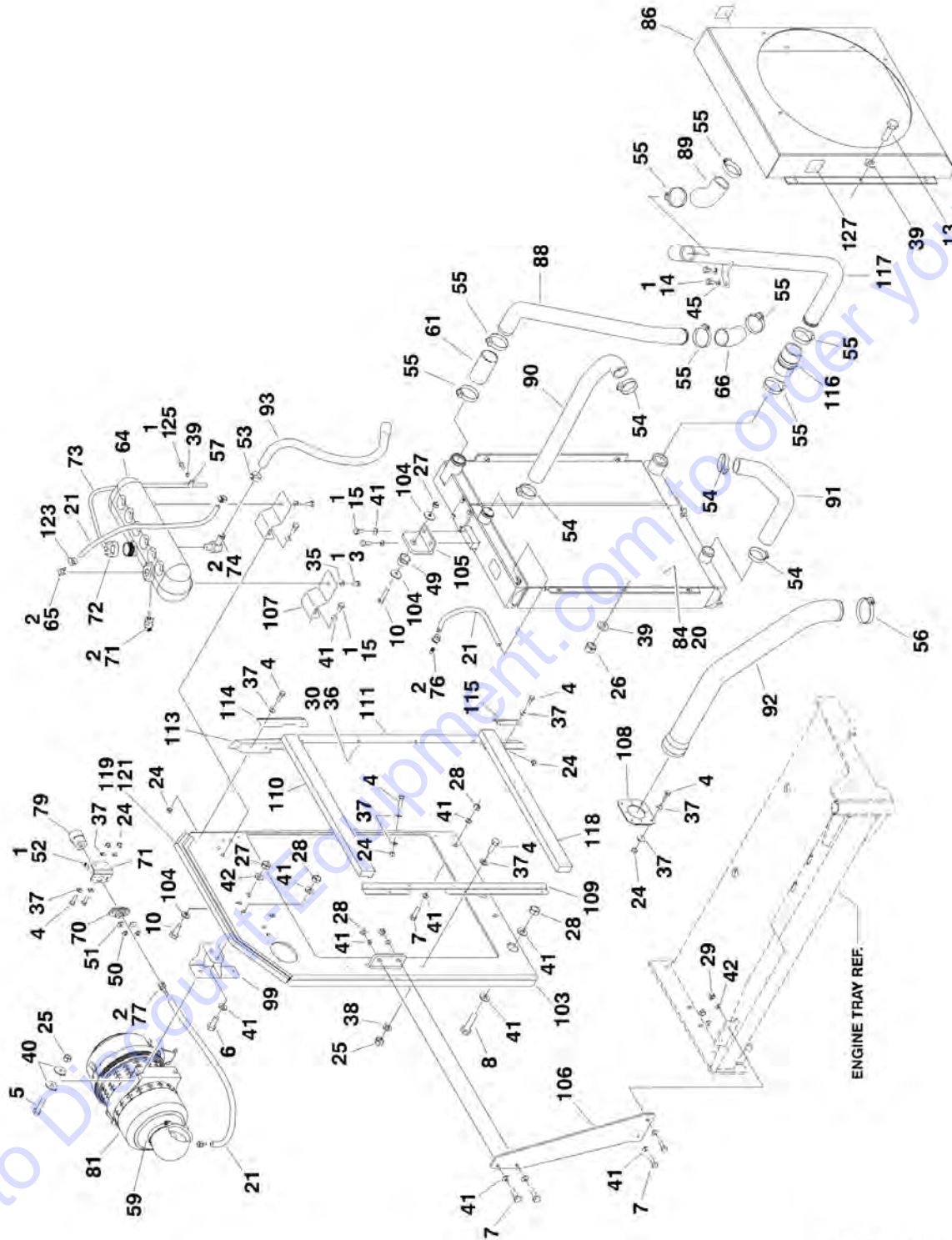
**FIGURE 3-9. DEUTZ T4I ENGINE/PUMP ASSEMBLY - NO COLD WEATHER PKG**

ITEM	PART NUMBER	QTY	DESCRIPTION	REV
	1001154697	Ref	DEUTZ T4I ENGINE/PUMP ASSEMBLY - NO COLD WEATHER PKG	I
1	0100011	AR	Compound, Locking	
2	0100035	AR	Compound, Locking	
3	0641608	2	Bolt 3/8-18 x 1	
4	0841812	2	Bolt 1/2-13 x 1-1/2	
5	0700510	1	Bolt M5 x 20	
6	0760610	2	Bolt M6 x 20	
8	0761015	2	Bolt M10 x 35	
9	0761215	2	Bolt M12 x 35	
10	1320041	1	Clamp	
11	1320136	1	Clamp	
12	3020037	AR	Lubricant	
13	3290507	1	Nut M5	
14	3290607	2	Nut M6	
15	3291007	2	Nut M10	
16	3310401	3	Nut #4-40NC	
17	3790152	1	O-Ring	
18	3790155	1	O-Ring	
19	3910408	3	Screw #4 x 1/2	
20	4740171	2	Washer,	
21	4750400	3	Washer #4	
22	4811600	2	Washer M5	
23	4811700	2	Washer M6	
24	4812000	2	Washer M10	
25	4891600	2	Washer 3/8	
26	4891800	2	Washer 1/2	
27	1001108616	1	Tandem Pump Assembly (See TANDEM PUMP ASSEMBLY for Breakdown)	
28	1001169892	1	Piston Pump Assembly (See PISTON PUMP ASSEMBLY for Breakdown)	
29	1001112927	1	Gear Pump Assembly (See GEAR PUMP ASSEMBLY for Breakdown)	
31	1001149971	1	Harness, Engine (Not Shown - See ELECTRICAL SECTION for Breakdown)	
33	1001156001	1	Harness Can (Not Shown - See ELECTRICAL SECTION for Breakdown)	
34	1001156107	2	Holder, Cable	
35	1001156718	1	Seal (Not Shown - Located on Side of Radiator Mounting Plate)	
36	1001156719	1	Seal	
37	1001157073	1	Cable, Alternator Power	
38	0761210	1	Bolt M12 x 20	
39	4812100	1	Washer M12	
41	1001141304	1	Wire, Glow Plug Fuse	
42	1001154142	1	Cable, Battery (Positive)	
43	1001154143	1	Cable, Battery (Negative)	
44	1001168734	1	Wire, Glow Plug	



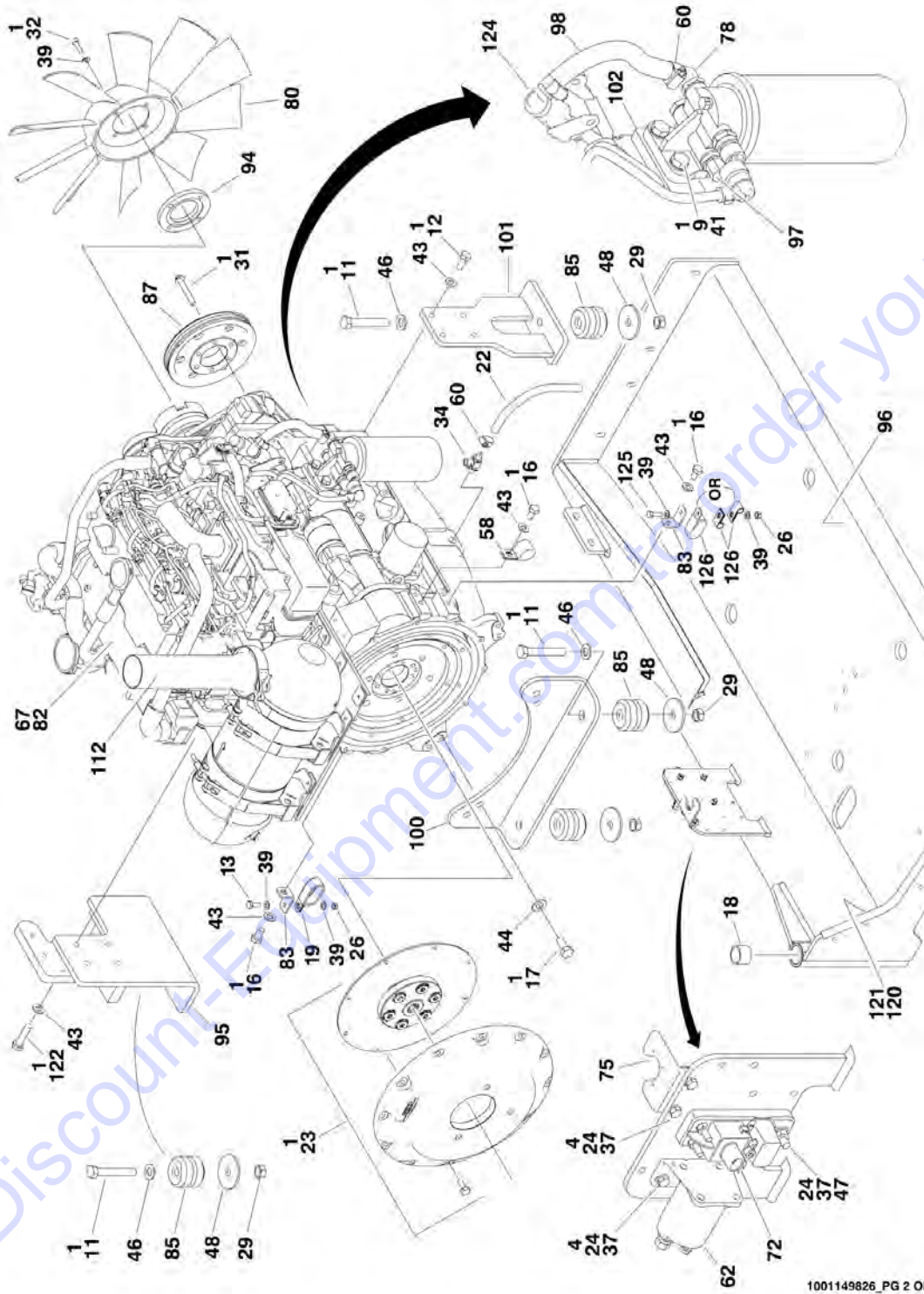
# SECTION 3 - ENGINE

## FIGURE 3-10. DEUTZ T4I ENGINE ASSEMBLY - NO COLD WEATHER PKG



1001149826\_PG 1 OF 2  
1001157293\_PG 1 OF 2

SECTION 3 - ENGINE



Go to DiscountEquipment.com to order your parts

## SECTION 3 - ENGINE

FIGURE 3-10. DEUTZ T4I ENGINE ASSEMBLY - NO COLD WEATHER PKG

ITEM	PART NUMBER	QTY	DESCRIPTION	REV
	1001149826	Ref	DEUTZ T4I ENGINE ASSEMBLY - NO COLD WEATHER PKG	L
1	0100011	AR	Compound, Locking	
2	0100020	AR	Sealant	
3	0641606	2	Bolt 3/8-18 x 3/4	
4		Ref	Bolt Options:	
4	0700610	22	Bolt M6 x 20 (Prior to SN 0300190128)	
4	0700612	22	Bolt M6 x 25 (SN 0300190128 to Present)	
5	0700815	2	Bolt M8 x 35	
6	0701013	2	Bolt M10 x 28	
7	0701015	6	Bolt M10 x 35	
8	0701016	2	Bolt M10 x 40	
9	0701017	2	Bolt M10 x 45	
10	0701019	1	Bolt M10 x 55	
11	0701627	4	Bolt M16 x 100	
12	0711214	4	Bolt M12 x 30 Grade 10.9	
13	0760810	AR	Bolt M8 x 20	
14	0761008	2	Bolt M10 x 16	
15	0761012	6	Bolt M10 x 25	
16	0761210	3	Bolt M12 x 20	
17	0771414	4	Bolt M14 30 Grade 10.9	
18	0961951	2	Bushing	
19	1321716	AR	Clamp	
20	2300004	13.2 qt /12.5L	Coolant, Anti-Freeze	
21	2720015	5 ft/1.5m	Hose	
22	2720340	1 ft/30.5m	Hose	
23	2902065	1	Pump Coupling Kit (See PUMP COUPLING KIT for Breakdown)	
24	3290607	23	Nut M6	
25	3290805	2	Nut M8	
26	3290807	5	Nut M8	
27	3291005	1	Nut M10	
28	3291007	10	Nut M10	
29	3291601	4	Nut M16	
30	3820032	9	Rivet	
31	5251022	6	Bolt M10 x 70	
32		Ref	Capscrew Options:	
32	4031910	4	Capscrew M8 x 30 (Prior to SN 0300190128)	
32	4031912	4	Capscrew M8 x 40 (SN 0300190128 to Present)	
33	4240099	AR	Tie-Strap (Not Shown)	
34	4640751	1	Valve, Oil Drain	
35	4711600	2	Washer 3/8	
36	4811600	4	Washer M5	
37	4811700	41	Washer M6	
38	4811702	4	Washer M6	
39	4811900	17	Washer M8	
40	4811902	4	Washer M8	
41	4812000	30	Washer M10	
42	4812002	1	Washer M10	
43	4812100	11	Washer M12	
44	4812200	4	Washer M14	

## SECTION 3 - ENGINE

ITEM	PART NUMBER	QTY	DESCRIPTION	REV
45	5241000	2	Washer M10	
46	5241600	4	Washer M16	
47	5271614	1	Capscrew M16 x 50	
48	7300435	4	Washer	
49	8278020	1	Mount	
50	8305401	2	Nut 1/4	
51	8307109	2	Washer 1/4	
52	8310548	2	Screw 1/4 x 1/2	
53	8405007	2	Clamp	
54	8405104	4	Clamp	
55	8405201	8	Clamp	
56	8405204	1	Clamp	
57	8406109	2	Clamp	
58	8406303	1	Clip	
59	8410011	1	Clamp	
60	8410013	3	Clamp	
61	91563070	1	Coupling, Rubber	
62	1001111116	2	Clamp	
64	1001166393	1	Tank	
65	1001134488	1	Fitting, 90 NPT/Barbed	
66	1001135943	1	Coupling	
67	1001136079	9.6 qt /9.1L	Oil, Motor	
68	1001138827	1	Sensor	
69	1001136834	1	Cap	
70	1001138173	1	Support	
71	1001138175	1	Bracket	
72	1001138228	1	Module, Relay	
73	1001138248	5 ft/1.5m	Tubing	
74	1001138559	1	Fitting, 90 NPT	
75	1001139240	1	Bracket	
76	1001140564	1	Fitting, 90 NPT/Barbed	
77	1001141995	1	Fitting, Straight NPT/Barbed	
78	1001142501	1	Fitting, 90 NPT/Barbed	
79	1001143390	1	Indicator, Air Restriction	
80		Ref	Fan Options:	
80	1001147567	1	Fan (Prior to SN 0300190128)	
80	1001177137	1	Fan (SN 0300190128 to Present)	
81	1001147847	1	Filter, Air	
81	70023809	1	Element	
81	70024328	1	Elbow, Rubber	
81	70024329	1	Clamp, Mounting	
82	1001148075	1	Deutz T4i Engine (See Deutz T4i ENGINE COMPONENTS for Breakdown)	
83	1001148641	2	Bracket	
84	1001149407	1	Radiator	
85	1001149517	4	Mount, Motor	
86	1001149736	1	Shroud	
87	1001149746	1	Pulley	
88	1001150498	1	Tube	
89	1001150499	1	Hose	
90	1001150500	1	Hose	

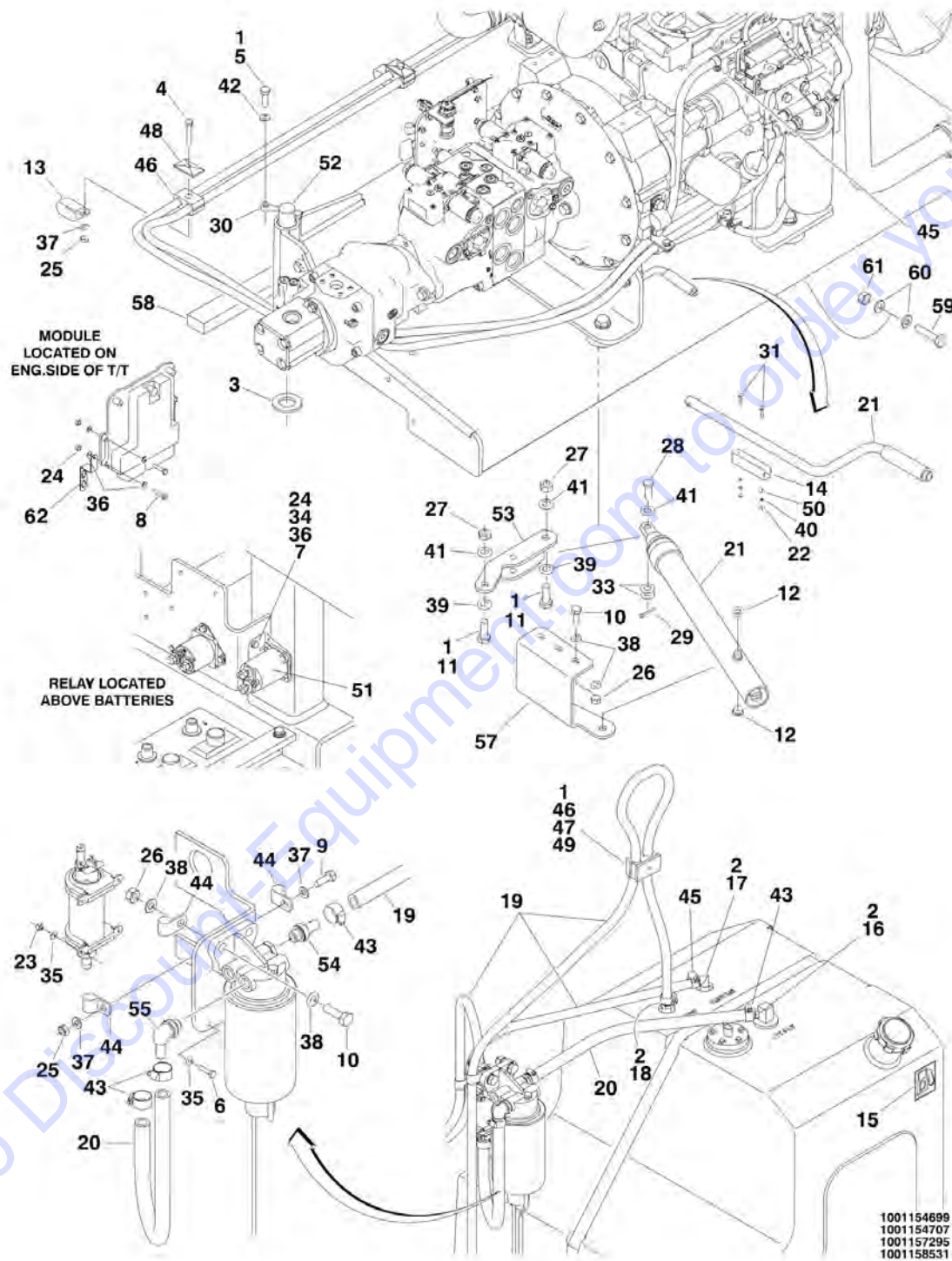
## SECTION 3 - ENGINE

ITEM	PART NUMBER	QTY	DESCRIPTION	REV
91	1001150504	1	Hose	
92	1001150505	1	Pipe	
93	1001150553	1	Hose	
94		Ref	Adapter Options:	
94	1001150900	1	Adapter <b>(Prior to SN 0300190128)</b>	
94	1001177134	1	Adapter <b>(SN 0300190128 to Present)</b>	
95	1001151491	1	Support	
96	1001151749	1	Tray	
97	1001152489	1	Fitting, 90 Barbed	
98	1001154405	8.5 in /21cm	Hose	
99	1001155023	1	Plate	
100	1001155496	1	Support	
101	1001160518	1	Support	
102	1001155498	1	Plate	
103	1001155525	1	Support	
104	1001155540	2	Washer	
105	1001157862	1	Bracket	
106	1001155550	1	Plate	
107	1001155557	2	Plate	
108	1001155563	1	Seal	
109	1001155564	1	Bracket	
110	1001155565	1	Seal	
111	1001155566	1	Bracket	
112	1001155567	1	Pipe, Exhaust	
113	1001156034	1	Seal	
114	1001156035	1	Bracket	
115	1001156062	1	Bracket	
116	1001156091	1	Hose	
117	1001156112	1	Tube	
118	1001156644	2	Seal	
119	1001155728	1	Seal	
120	4060807	22 in /55cm	Flex-Trim	
121	0100081	AR	Adhesive	
122	0711218	4	Bolt M12 x 50 Grade 10.9	
123	1320022	4	Clamp	
124	1001170982	1	Fitting, 90 SAE/Barbed	
125	0760812	3	Bolt M8 x 25 <b>(SN 0300190128 to Present)</b>	
126	1321716	1	Clamp <b>(Prior to SN 0300190128)</b>	
126	8406110	2	Clip <b>(SN 0300190128 to Present)</b>	
127	1703162	2	Decal - Fan Blade <b>(SN 0300190128 to Present)</b>	



# SECTION 3 - ENGINE

FIGURE 3-11. DEUTZ T4I ENGINE INSTALLATION - WITH COLD WEATHER PKG



## SECTION 3 - ENGINE

**FIGURE 3-11. DEUTZ T4I ENGINE INSTALLATION - WITH COLD WEATHER PKG**

ITEM	PART NUMBER	QTY	DESCRIPTION	REV
	1001157295	Ref	DEUTZ T4I ENGINE INSTALLATION - NO COLD WEATHER PKG	J
1	0100011	AR	Compound, Locking	
2	0100020	AR	Sealant	
3	0440162	1	Bearing, Thrust	
4	0700818	3	Bolt M8 x 50	
5	0711015	1	Bolt M10 x 35 Grade 10.9	
6	0760408	4	Bolt M4 x 16	
7	0760610	2	Bolt M6 x 20	
8	0760613	4	Bolt M6 x 28	
9	0760812	1	Bolt M8 x 25	
10	0761015	5	Bolt M10 x 35	
11	0771416	2	Bolt M14 x 40 Grade 10.9	
12	0962051	2	Bearing, Flange	
13	1321716	3	Clamp	
14	1380147	1	Clip	
15	1701505	1	Decal - Fuel ( <b>Prior to SN 0300188926</b> )	
16	2180832	1	Fitting, Straight NPT/Barbed	
17	2220313	1	Fitting, 90 NPT/Barbed	
18	2221114	1	Fitting, Straight NPT/Barbed	
19	1001165035	42 in/13m	Hose	
20	2720615	3 ft/1m	Hose	
21	2840016	1	Jack with Handle	
21	7016374	1	Handle (Burr Manufacturing Brand)	
21	7024598	1	Handle (Hammerblow Corp Brand)	
21	7016322	1	Wiper (Burr Manufacturing Brand Only)	
22	3290301	2	Nut M3	
23	3290405	4	Nut M4	
24	3290607	6	Nut M6	
25	3290807	4	Nut M8	
26	3291007	5	Nut M10	
27	3331411	2	Nut M14	
28	3430816	1	Pin	
29	3450404	1	Pin, Cotter 1/8 x 1	
30	3841143	1	Keeper	
31	4010308	2	Screw M3 x16	
32	4240099	AR	Tie-Strap (Not Shown)	
33	4711800	2	Washer 1/2	
34	4791400	2	Washer 1/4	
35	4811400	8	Washer M4	
36	4811700	10	Washer M6	
37	4811900	5	Washer M8	
38	4812000	10	Washer M10	
39	4812200	4	Washer M14	
40	4871200	2	Washer M3	
41	4891800	1	Washer 1/2	
42	5241000	1	Washer M10	
43	8405006	4	Clamp	
44	8406101	3	Clip	
45	8410013	5	Clamp	
46	8750014	4	Clamp	



## SECTION 3 - ENGINE

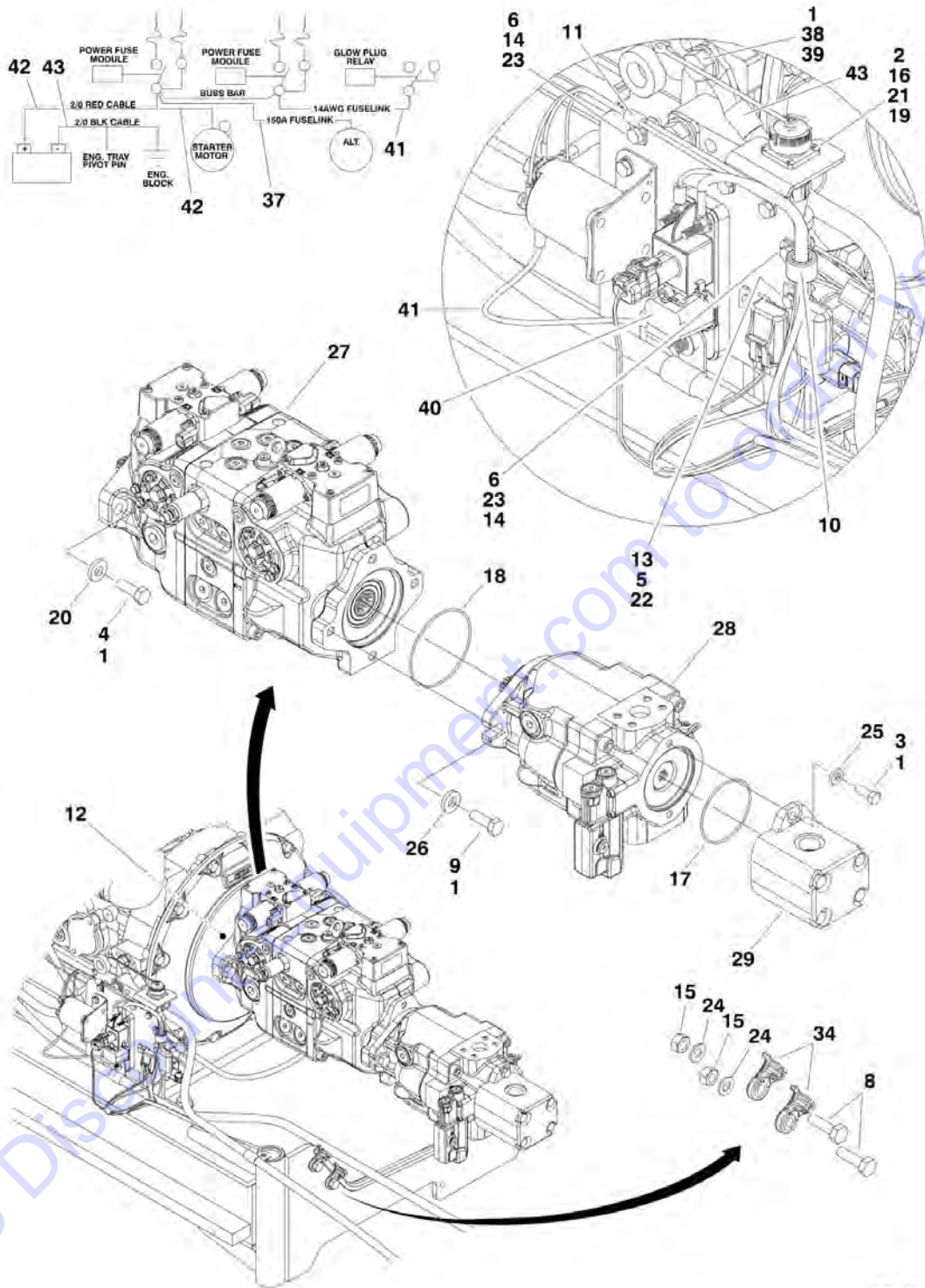
ITEM	PART NUMBER	QTY	DESCRIPTION	REV
47	8750031	1	Plate	
48	8769128	3	Cover	
49	1001101580	1	Screw M8 x 30	
50	1001110544	2	Washer M3	
51	1001117308	2	Relay	
52	1001135196	1	Pin	
53	1001135497	1	Support	
54	1001141718	1	Fitting, Straight NPT/Barbed	
55	1001142501	1	Fitting, 90 NPT/Barbed	
57	1001155939	1	Plate	
58	1001156719	1	Seal	
59	0642220	1	Bolt 3/4-10 x 2-1/2	
60	4712200	2	Washer 3/4	
61	8310067	1	Nut 3/4-10	
62	1001159162	1	Bracket, Support	

Go to Discount-Equipment.com to order your parts



# SECTION 3 - ENGINE

FIGURE 3-12. DEUTZ T4I ENGINE/PUMP ASSEMBLY - WITH COLD WEATHER PKG



1001154706  
1001157294  
1001158530

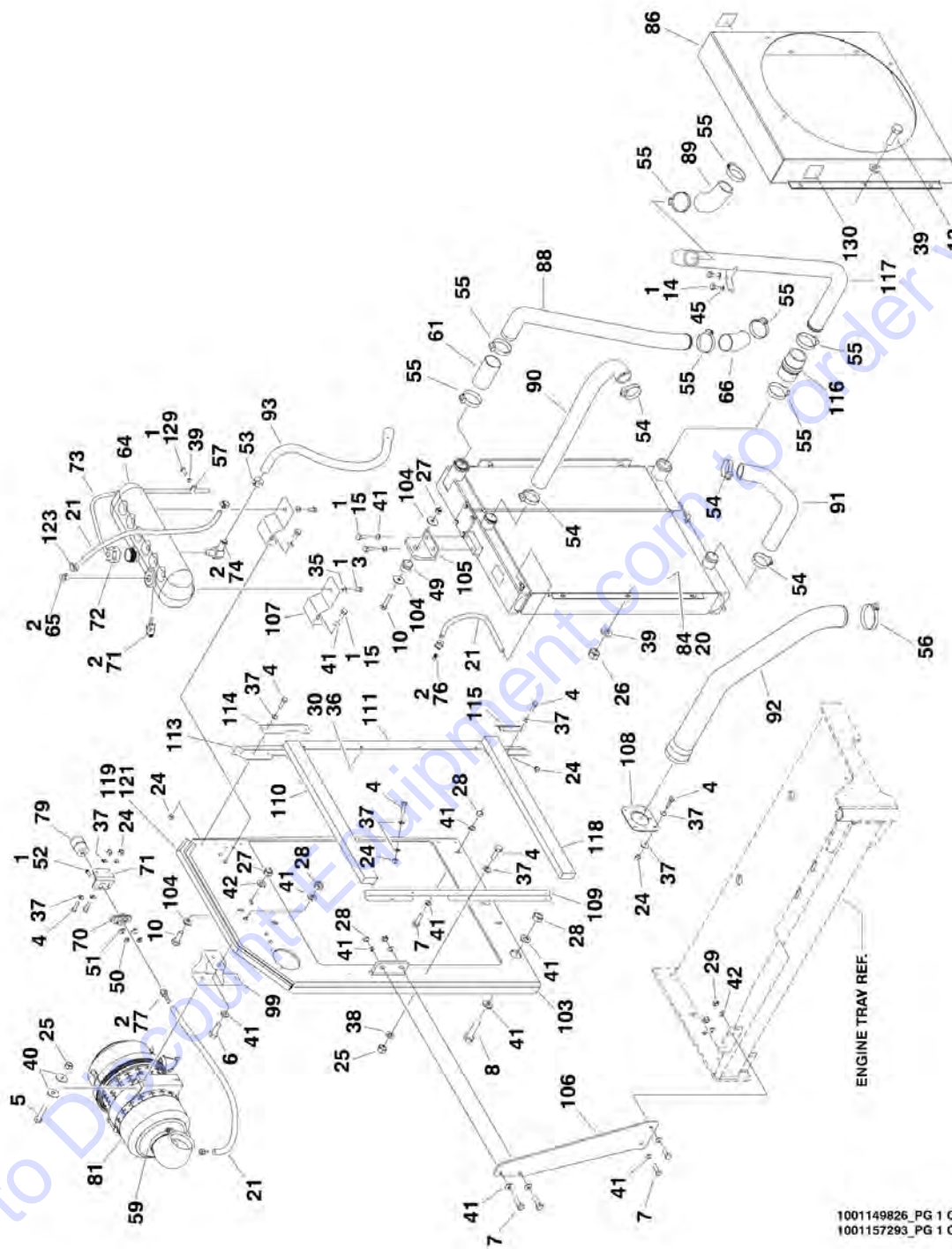
## SECTION 3 - ENGINE

**FIGURE 3-12. DEUTZ T4I ENGINE/PUMP ASSEMBLY - WITH COLD WEATHER PKG**

ITEM	PART NUMBER	QTY	DESCRIPTION	REV
	1001157294	Ref	DEUTZ T4I ENGINE/PUMP ASSEMBLY - WITH COLD WEATHER PKG	J
1	0100011	AR	Compound, Locking	
2	0100035	AR	Compound, Locking	
3	0641608	2	Bolt 3/8-18 x 1	
4	0841812	2	Bolt 1/2-13 x 1-1/2	
5	0700510	1	Bolt M5 x 20	
6	0760610	2	Bolt M6 x 20	
8	0761015	2	Bolt M10 x 35	
9	0761215	2	Bolt M12 x 35	
10	1320041	1	Clamp	
11	1320136	1	Clamp	
12	3020037	AR	Lubricant	
13	3290507	1	Nut M5	
14	3290607	2	Nut M6	
15	3291007	2	Nut M10	
16	3310401	3	Nut #4	
17	3790152	1	O-Ring	
18	3790155	1	O-Ring	
19	3910408	3	Screw #4 x 1/2	
20	4740171	2	Washer,	
21	4750400	3	Washer #4	
22	4811600	2	Washer M5	
23	4811700	2	Washer M6	
24	4812000	2	Washer M10	
25	4891600	2	Washer 3/8n	
26	4891800	2	Washer 1/2in	
27	1001108616	1	Tandem Pump Assembly (See TANDEM PUMP ASSEMBLY for Breakdown)	
28	1001169892	1	Piston Pump Assembly (See PISTON PUMP ASSEMBLY for Breakdown)	
29	1001112927	1	Gear Pump Assembly (See GEAR PUMP ASSEMBLY for Breakdown)	
31	1001149971	1	Harness, Engine (Not Shown - See ELECTRICAL SECTION for Breakdown)	
33	1001156001	1	Harness Can (Not Shown - See ELECTRICAL SECTION for Breakdown)	
34	1001156107	2	Holder, Cable	
35	1001156718	1	Seal (Not Shown - Located on Side of Radiator Mounting Plate)	
36	1001156719	1	Seal	
37	1001157073	1	Cable, Alternator Power	
38	0761210	1	Bolt M12 x 20	
39	4812100	1	Washer M12	
40	1001135027	1	Insulator	
41	Not Required	AR	Wire, Glow Plug	
42	1001154142	1	Cable, Battery (Positive)	
43	1001154143	1	Cable, Battery (Negative)	

# SECTION 3 - ENGINE

FIGURE 3-13. DEUTZ T4I ENGINE ASSEMBLY - WITH COLD WEATHER PKG



1001149826\_PG 1 OF 2  
1001157293\_PG 1 OF 2



## SECTION 3 - ENGINE

FIGURE 3-13. DEUTZ T4I ENGINE ASSEMBLY - WITH COLD WEATHER PKG

ITEM	PART NUMBER	QTY	DESCRIPTION	REV
	1001157293	Ref	DEUTZ T4I ENGINE ASSEMBLY - WITH COLD WEATHER PKG	M
1	0100011	AR	Compound, Locking	
2	0100020	AR	Sealant	
3	0641606	2	Bolt 3/8-18 x 3/4	
4		Ref	Bolt Options:	
4	0700610	22	Bolt M6 x 20 (Prior to SN 0300190128)	
4	0700612	22	Bolt M6 x 25 (SN 0300190128 to Present)	
5	0700815	2	Bolt M8 x 35	
6	0701013	2	Bolt M10 x 28	
7	0701015	6	Bolt M10 x 35	
8	0701016	2	Bolt M10 x 40	
9	0701017	2	Bolt M10 x 45	
10	0701019	1	Bolt M10 x 55	
11	0701627	4	Bolt M16 x 100	
12	0711214	4	Bolt M12 x 30 Grade 10.9	
13	0760810	5	Bolt M8 x 20	
14	0761008	2	Bolt M10 x 16	
15	0761012	6	Bolt M10 x 25	
16	0761210	3	Bolt M12 x 20	
17	0771414	4	Bolt M14 30 Grade 10.9	
18	0961951	2	Bushing	
19	1321716	1	Clamp	
20	2300041	13.2 qt /12.5L	Coolant, Anti-Freeze	
21	2720015	5 ft/1.5m	Hose	
22	2720340	1 ft/30.5m	Hose	
23	2902065	1	Pump Coupling Kit (See PUMP COUPLING KIT for Breakdown)	
24	3290607	23	Nut M6	
25	3290805	2	Nut M8	
26	3290807	5	Nut M8	
27	3291005	1	Nut M10	
28	3291007	10	Nut M10	
29	3291601	4	Nut M16	
30	3820032	9	Rivet	
31	5251022	6	Bolt M10 x 70	
32		Ref	Capscrew Options:	
32	4031910	4	Capscrew M8 x 30 (Prior to SN 0300190128)	
32	4031912	4	Capscrew M8 x 40 (SN 0300190128 to Present)	
33	4240099	AR	Tie-Strap (Not Shown)	
34	4640751	1	Valve, Oil Drain	
35	4711600	AR	Washer 3/8	
36	4811600	AR	Washer M5	
37	4811700	AR	Washer M6	
38	4811702	AR	Washer M6	
39	4811900	AR	Washer M8	
40	4811902	AR	Washer M8	
41	4812000	AR	Washer M10	
42	4812002	AR	Washer M10	
43	4812100	AR	Washer M12	
44	4812200	AR	Washer M14	

## SECTION 3 - ENGINE

ITEM	PART NUMBER	QTY	DESCRIPTION	REV
45	5241000	AR	Washer M10	
46	5241600	AR	Washer M16	
47	5271614	1	Capscrew M16 x 50	
48	7300435	AR	Washer	
49	8278020	1	Mount	
50	8305401	2	Nut 1/4	
51	8307109	2	Washer 1/4	
52	8310548	2	Screw 1/4 x 1/2	
53	8405007	2	Clamp	
54	8405104	4	Clamp	
55	8405201	8	Clamp	
56	8405204	1	Clamp	
57	8406109	2	Clamp	
58	8406303	1	Clip	
59	8410011	1	Clamp	
60	8410013	3	Clamp	
61	91563070	1	Coupling, Rubber	
62	1001111116	2	Clamp	
64	1001166393	1	Tank	
65	1001134488	1	Fitting, 90 NPT/Barbed	
66	1001135943	1	Coupling	
67	1001136079	9.6 qt /9.1L	Oil, Motor	
68	1001138827	1	Sensor	
69	1001136834	1	Cap	
70	1001138173	1	Support	
71	1001138175	1	Bracket	
72	1001138228	1	Module, Relay	
73	1001138248	5 ft/1.5m	Tubing	
74	1001138559	1	Fitting, 90 NPT	
75	1001139240	1	Bracket	
76	1001140564	1	Fitting, 90 NPT/Barbed	
77	1001141995	1	Fitting, Straight NPT/Barbed	
78	1001142501	1	Fitting, 90 NPT/Barbed	
79	1001143390	1	Indicator, Air Restriction	
80		Ref	Fan Options:	
80	1001147567	1	Fan (Prior to SN 0300190128)	
80	1001177137	1	Fan (SN 0300190128 to Present)	
81	1001147847	1	Filter, Air	
81	70023809	1	Element	
81	70024328	1	Elbow, Rubber	
81	70024329	1	Clamp, Mounting	
82	1001148075	1	Deutz T4i Engine (See Deutz T4i ENGINE COMPONENTS for Breakdown)	
83	1001148641	2	Bracket	
84	1001149407	1	Radiator	
85	1001149517	4	Mount, Motor	
86	1001149736	1	Shroud	
87	1001149746	1	Pulley	
88	1001150498	1	Tube	
89	1001150499	1	Hose	
90	1001150500	1	Hose	



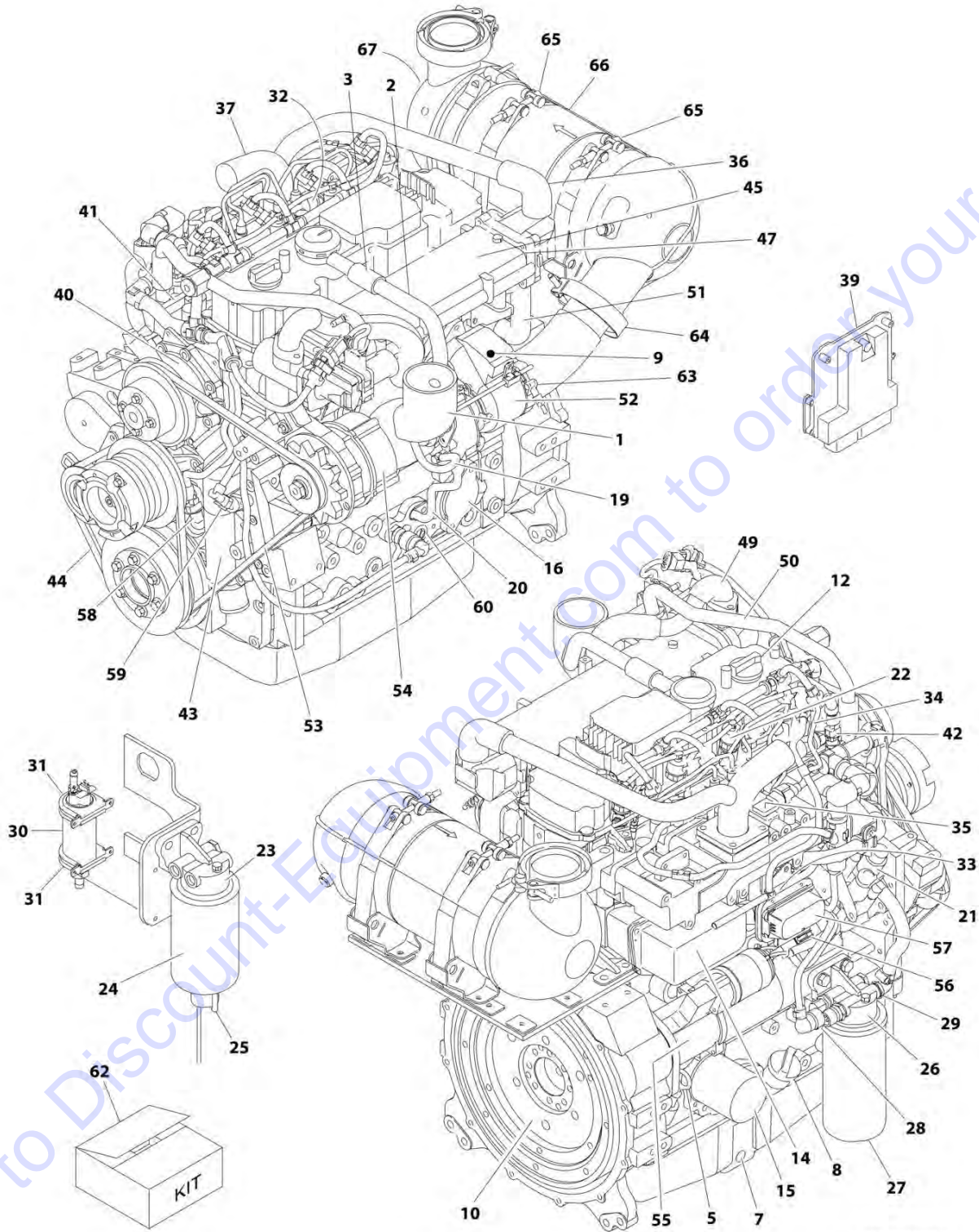
## SECTION 3 - ENGINE

ITEM	PART NUMBER	QTY	DESCRIPTION	REV
91	1001157300	1	Hose, Lower Radiator (Top Section)	
91	1001157301	1	Hose, Lower Radiator (Bottom Section)	
91	1001152112	1	Heater, Engine Block (Not Shown)	
91	1702942	1	Decal - Engine Block Heater (Not Shown)	
92	1001150505	1	Pipe	
93	1001150553	1	Hose	
94		Ref	Adapter Options:	
94	1001150900	1	Adapter <b>(Prior to SN 0300190128)</b>	
94	1001177134	1	Adapter <b>(SN 0300190128 to Present)</b>	
95	1001151491	1	Support	
96	1001151749	1	Tray	
97	1001152489	1	Fitting, 90 Barbed	
98	1001154405	8.5 in /21cm	Hose	
99	1001155023	1	Plate	
100	1001155496	1	Support	
101	1001160518	1	Support	
102	1001155498	1	Plate	
103	1001155525	1	Support	
104	1001155540	AR	Washer	
105	1001157862	1	Bracket	
106	1001155550	1	Plate	
107	1001155557	2	Plate	
108	1001155563	1	Seal	
109	1001155564	1	Bracket	
110	1001155565	1	Seal	
111	1001155566	1	Bracket	
112	1001155567	1	Pipe, Exhaust	
113	1001156034	1	Seal	
114	1001156035	1	Bracket	
115	1001156062	1	Bracket	
116	1001156091	1	Hose	
117	1001156112	1	Tube	
118	1001156644	2	Seal	
119	1001155728	1	Seal	
120	4060807	22 in /55cm	Flex-Trim	
121	0100081	AR	Adhesive	
122	0711218	4	Bolt M12 x 50 Grade 10.9	
123	1320022	4	Clamp	
124	1001170982	1	Fitting, 90 SAE/Barbed	
129	0760812	3	Bolt M8 x 25 <b>(SN 0300190128 to Present)</b>	
130	1703162	2	Decal - Fan Blade <b>(SN 0300190128 to Present)</b>	
131	1321716	1	Clamp <b>(Prior to SN 0300190128)</b>	
131	8406110	2	Clip <b>(SN 0300190128 to Present)</b>	



# SECTION 3 - ENGINE

## FIGURE 3-14. DEUTZ T4I ENGINE COMPONENTS



ART\_1001148075

## SECTION 3 - ENGINE

**FIGURE 3-14. DEUTZ T4I ENGINE COMPONENTS**

ITEM	PART NUMBER	QTY	DESCRIPTION	REV
	1001148075	Ref	DEUTZ T4I ENGINE COMPONENTS	D
1	70024497	1	Pipe, Intake	
1	70025680	1	Clamp	
2	70025111	1	Clamp	
2	70025128	1	Bolt	
2	70025116	1	Clamp	
2	See Note	NSS	Line, Breather (Includes Item 3) (Note: Not Available for Purchase)	
3	70025119	1	Sleeve, Rubber	
3	7002511	1	Clamp	
4	70002718	1	Seal, Rear Main (Not Shown)	
5	70025745	1	Dipstick	
5	70025755	1	Tube, Dipstick	
5	7020442	1	O-Seal	
6	70025123	24	Screw, Oil Pan (Not Shown)	
7	70025088	1	Plug	
8	7020465	1	Cap	
8	See Note	NSS	Tube, Fill (Note: Not Available for Purchase)	
8	70024471	1	Gasket (Tube to Engine Block)	
9	70025786	1	Plug	
10	70001870	1	Flywheel	
10	7024579	1	Gear, Rim	
11	70025789	1	Gasket, Head (Not Shown)	
11	70024481	1	Gasket, Valve Cover (Not Shown)	
12	7020465	1	Cap, Fill	
13	70025763	1	Pump, Oil (Not Shown)	
13	70025717	2	Tube, Adapter (Not Shown)	
13	70025718	4	O-Ring (Not Shown)	
13	70025714	2	Bushing, Dowel (Not Shown)	
14	70004275	1	Cooler, Oil	
14	70024495	1	Gasket	
15	7016331	1	Filter, Oil	
15	70025137	1	Bushing, Screw	
16	70025731	1	Cover	
16	70002813	1	Seal	
17	70025730	1	Pipe, Transfer (Not Shown - Located in Oil Pan)	
18	70025722	1	Line, Oil Suction (Not Shown - Located in Oil Pan)	
19	70024489	1	Line, Lube	
19	70025087	2	Screw	
19	70025105	4	Ring, Sealing	
20	See Note	NSS	Line, Lube Return (Note: Not Available for Purchase)	
20	70025132	1	O-Seal	
20	70025234	1	Flange, Upper	
20	70024509	1	Gasket, Upper Flange	
21	70024487	1	Pump, High Pressure	
21	70025152	1	O-Ring	
21	70004505	1	Valve, Overflow	
21	70004506	1	O-Ring	
21	70004507	1	O-Ring	
21	70004508	1	Valve, Volume Control	
21	70004509	1	O-Ring	

## SECTION 3 - ENGINE

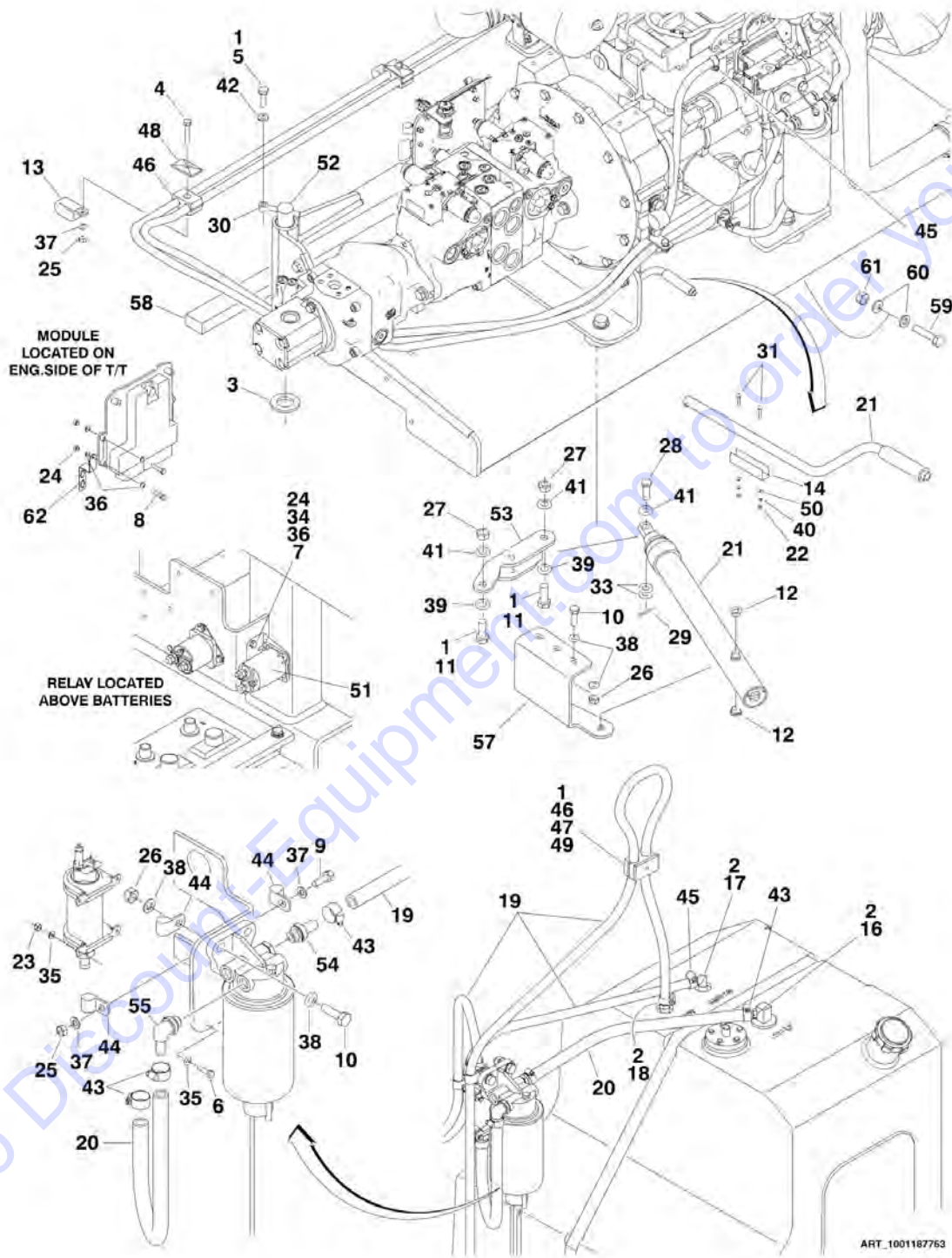
ITEM	PART NUMBER	QTY	DESCRIPTION	REV
21	70004510	1	Gasket	
21	See Note	NSS	O-Seal (Between Pump and Block) (Note: Not Available for Purchase)	
21	70025729	1	Gear	
22	70024485	4	Injector, Fuel	
22	70025140	4	Washer, Sealing	
22	70025146	4	Clamp	
22	70025145	4	O-Seal	
22	70025154	4	Shoe, Clamping	
23	70024961	1	Head and Filter Assembly	
24	70025153	NLA	Filter (Use p/n 1001225430)	
25	70024513	1	Sensor with Cable	
25	70025239	1	Ring, Sealing	
26	70004511	1	Head and Filter Assembly	
27	70004512	NLA	Filter (Use p/n 1001225432)	
28	70024504	1	Sensor, Pressure	
28	70024920	1	O-Seal	
29	70004514	1	Fitting	
29	70004513	1	Ring, Sealing	
30	70024486	1	Pump, Fuel Supply	
31	70025144	2	Clamp	
32	70025151	1	Rail, Fuel	
32	70025235	1	Kit, Repair - Fuel Rail	
32	70025240	1	O-Ring	
32	70025534	1	Pipe, Pressure Pump to Fuel Rail	
32	70024498	1	Pipe, Fuel Rail to Cylinders 1 & 2	
32	70024499	1	Pipe, Fuel Rail to Cylinders 3 & 4	
33	70024501	1	Line, Fuel	
33	70025109	3	Clamp, Band	
33	70025686	3	Clamp, Pipe	
34	70025766	1	Pipe, Fuel Leakage	
34	70025756	2	Retainer for Fuel Leakage Pipe	
35	70024921	1	Sensor, Pressure	
35	70025120	1	O-Seal	
36	70025721	1	Hose, Elbow	
36	70025675	1	Clamp (Manifold Side)	
36	70025681	1	Clamp (Pipe Side)	
37	70025748	1	Pipe, Air Charge	
37	70025726	1	Gasket	
38	70025772	1	Manifold, Air Charge	
38	70024475	1	Gasket (Manifold to Head)	
39	70025210	1	Module, Engine Control	
40	70004515	1	Pump, Water	
40	70025713	1	Seal (RH Side Pump to Item 43)	
40	70004516	2	Ring, Sealing (For Smaller Plug)	
40	7016309	1	Ring, Sealing (For Larger Plug)	
41	70025741	1	Housing, Thermostat	
41	70024473	1	Thermostat	
41	7016309	1	Ring, Sealing (For Bottom Plug)	
41	70024493	1	Gasket (Housing to Head)	
42	70024918	1	Sender, Temperature	
43	70025762	1	Manifold, Coolant	

## SECTION 3 - ENGINE

ITEM	PART NUMBER	QTY	DESCRIPTION	REV
44	70004517	1	V-Belt	
44	See Note	NSS	Tensioner, Pulley (Note: Not Available for Purchase)	
45	70025723	1	EGR Manifold Assembly	
46	70025708	1	Module, EGR	
46	70025710	1	O-Seal	
46	70025709	1	O-Seal	
47	70025768	1	Valve, Shuttle	
48	70024482	1	Gasket, Exhaust Manifold to Head (Not Shown)	
49	See Note	NSS	Tube, Compensator (Note: Not Available for Purchase)	
49	70024500	2	Gasket	
50	70024496	1	Line, Water	
50	7020492	1	Ring, Sealing (For Plug in Line)	
50	70024478	1	Gasket (Water Line to EGR Valve)	
50	70025701	1	Sleeve, Rubber	
50	70025687	2	Clamp (For Sleeve)	
50	70025699	1	Clamp, Insulated	
51	70024479	1	Hose	
51	70025687	1	Clamp (Lower)	
51	70025773	1	Clamp (Upper)	
51	70025744	1	Fitting (at Lower End of Hose)	
51	70024469	1	O-Seal (For Fitting)	
52	70004518	1	Turbocharger	
52	70024480	1	Gasket	
53	70004519	1	V-Belt	
54	70025533	1	Generator	
54	70025149	1	Controller	
54	70025131	1	Fan	
54	70025150	1	Pulley	
54	70025141	1	Nut, Pulley	
55	70004520	1	Starter	
56	70025780	1	Relay	
57	70025783	1	Harness, Engine	
58	70024916	1	Tacho-Generator	
58	70024917	1	O-Seal	
59	70024503	1	Tacho-Generator	
59	70024917	1	O-Seal	
60	70024504	1	Switch, Pressure	
60	70024920	1	O-Seal	
61	70024474	4	Plug, Glow	
62	70025707	1	Gasket Kit	
63	70024512	1	Clamp	
63	70025788	1	Nut	
64	70025877	1	Clamp	
64	70025242	1	Gasket	
65	70025245	2	Bracket	
66	See Note	NSS	Muffler (Note: Not Available for Purchase)	
67	70025246	1	Cap, End	

# SECTION 3 - ENGINE

## FIGURE 3-15. DEUTZ EPA FLEX T4I ENGINE INSTALLATION - NO COLD WEATHER PKG



## SECTION 3 - ENGINE

**FIGURE 3-15. DEUTZ EPA FLEX T4I ENGINE INSTALLATION - NO COLD WEATHER PKG**

ITEM	PART NUMBER	QTY	DESCRIPTION	REV
	1001187763	Ref	DEUTZ EPA FLEX T4i ENGINE INSTALLATION - NO COLD WEATHER PKG	A
1	0100011	AR	Compound, Locking	
2	0100020	AR	Sealant	
3	0440162	1	Bearing, Thrust	
4	0700818	3	Bolt M8 x 50	
5	0711015	1	Bolt M10 x 35 Grade 10.9	
6	0760408	4	Bolt M4 x 16	
7	0760610	2	Bolt M6 x 20	
8	0760613	4	Bolt M6 x 28	
9	0760812	1	Bolt M8 x 25	
10	0761015	5	Bolt M10 x 35	
11	0771416	2	Bolt M14 x 40 Grade 10.9	
12	0962051	2	Bearing, Flange	
13	1321716	3	Clamp	
14	1380147	1	Clip	
16	2180832	1	Fitting, Straight NPT/Barbed	
17	2220313	1	Fitting, 90 NPT/Barbed	
18	2221114	1	Fitting, Straight NPT/Barbed	
19	1001165035	42 in/13m	Hose	
20	2720615	3 ft/1m	Hose	
21	2840016	1	Jack with Handle	
21	7016374	1	Handle (Burr Manufacturing Brand)	
21	7024598	1	Handle (Hammerblow Corp Brand)	
21	7016322	1	Wiper (Burr Manufacturing Brand Only)	
22	3290301	2	Nut M3	
23	3290405	4	Nut M4	
24	3290607	6	Nut M6	
25	3290807	4	Nut M8	
26	3291007	5	Nut M10	
27	3331411	2	Nut M14	
28	3430816	1	Pin	
29	3450404	1	Pin, Cotter 1/8 x 1	
30	3841143	1	Keeper	
31	4010308	2	Screw M3 x16	
32	4240099	AR	Tie-Strap (Not Shown)	
33	4711800	2	Washer 1/2	
34	4791400	2	Washer 1/4	
35	4811400	8	Washer M4	
36	4811700	10	Washer M6	
37	4811900	5	Washer M8	
38	4812000	10	Washer M10	
39	4812200	4	Washer M14	
40	4871200	2	Washer M3	
41	4891800	1	Washer 1/2	
42	5241000	1	Washer M10	
43	8405006	4	Clamp	
44	8406101	3	Clip	
45	8410013	5	Clamp	
46	8750014	4	Clamp	



## SECTION 3 - ENGINE

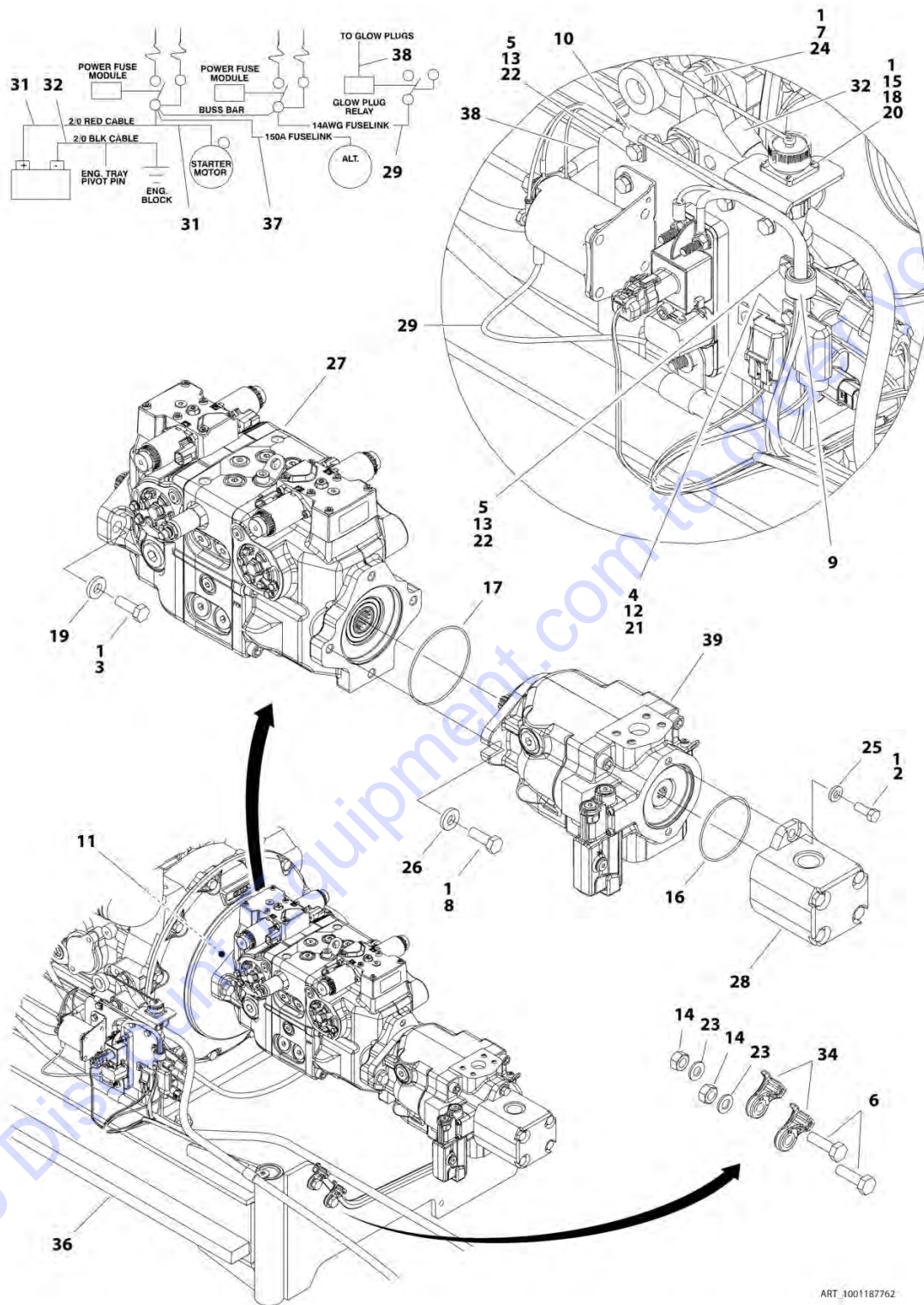
ITEM	PART NUMBER	QTY	DESCRIPTION	REV
47	8750031	1	Plate	
48	8769128	3	Cover	
49	1001101580	1	Screw M8 x 30	
50	1001110544	2	Washer M3	
51	1001117308	2	Relay	
52	1001135196	1	Pin	
53	1001135497	1	Support	
54	1001141718	1	Fitting, Straight NPT/Barbed	
55	1001142501	1	Fitting, 90 NPT/Barbed	
57	1001155939	1	Plate	
58	1001156719	1	Seal	
59	0642220	1	Bolt 3/4-10 x 2-1/2	
60	4712200	2	Washer 3/4	
61	8310067	1	Nut 3/4-10	
62	1001159162	1	Bracket, Support	

Go to Discount-Equipment.com to order your parts



# SECTION 3 - ENGINE

FIGURE 3-16. DEUTZ EPA FLEX T4I ENGINE/PUMP ASSEMBLY - NO COLD WEATHER PKG



ART\_1001167762

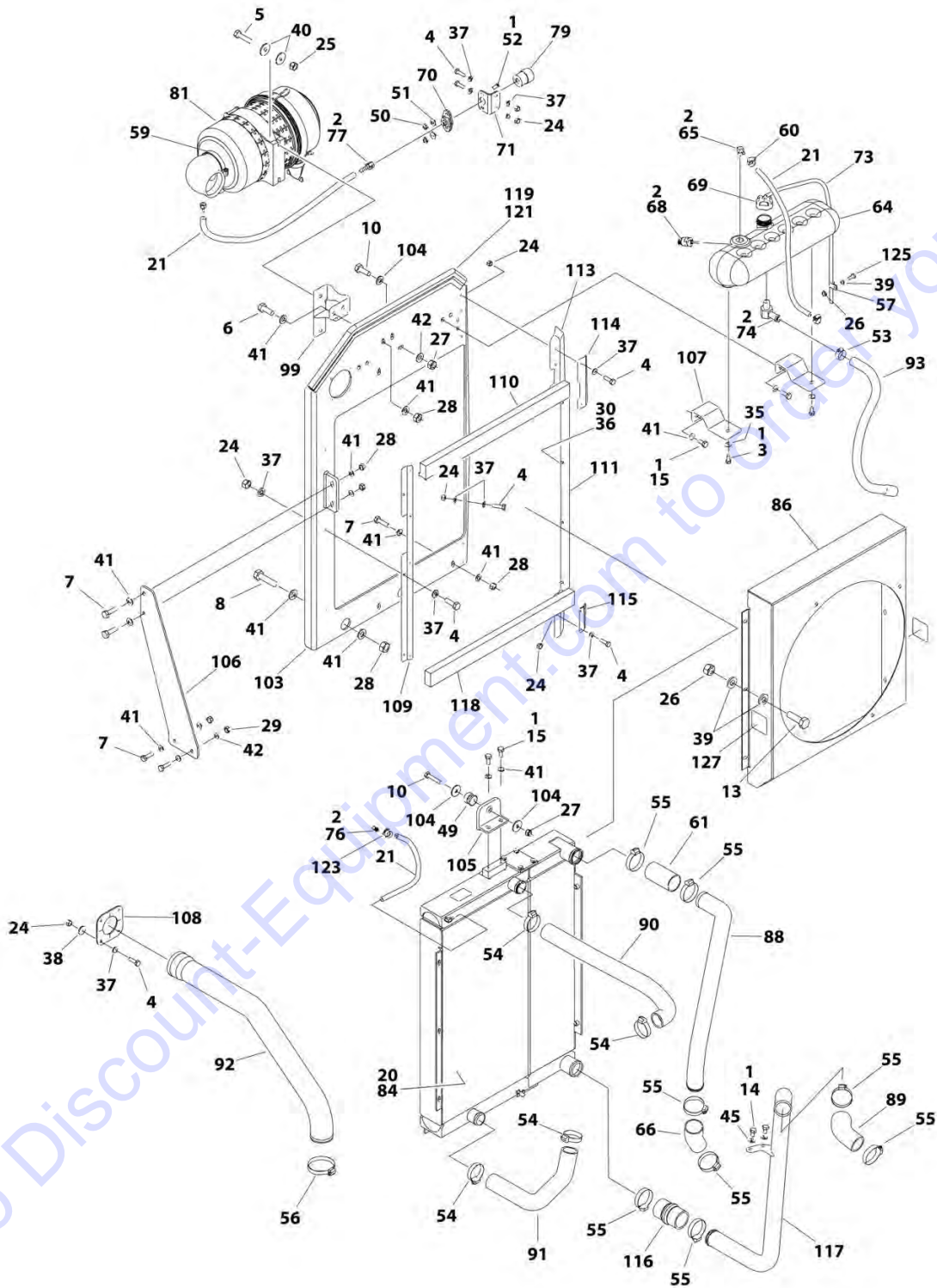
## SECTION 3 - ENGINE

**FIGURE 3-16. DEUTZ EPA FLEX T4I ENGINE/PUMP ASSEMBLY - NO COLD WEATHER PKG**

ITEM	PART NUMBER	QTY	DESCRIPTION	REV
	1001187762	Ref	DEUTZ EPA FLEX T4i ENGINE/PUMP ASSEMBLY - NO COLD WEATHER PKG	A
1	0100011	AR	Compound, Locking	
2	0641608	2	Bolt 3/8-18 x 1	
3	0841812	2	Bolt 1/2-13 x 1-1/2	
4	0700510	1	Bolt M5 x 20	
5	0760610	2	Bolt M6 x 20	
6	0761015	2	Bolt M10 x 35	
7	0761210	1	Bolt M12 x 20	
8	0761215	2	Bolt M12 x 35	
9	1320041	1	Clamp	
10	1320136	1	Clamp	
11	3020037	AR	Lubricant	
12	3290507	1	Nut M5	
13	3290607	2	Nut M6	
14	3291007	2	Nut M10	
15	3310401	3	Nut #4-40NC	
16	3790152	1	O-Ring	
17	3790155	1	O-Ring	
18	3910408	3	Screw #4 x 1/2	
19	4740171	2	Washer,	
20	4750400	3	Washer #4	
21	4811600	2	Washer M5	
22	4811700	2	Washer M6	
23	4812000	2	Washer M10	
24	4812100	1	Washer M12	
25	4891600	2	Washer 3/8	
26	4891800	2	Washer 1/2	
27	1001108616	1	Tandem Pump Assembly (See TANDEM PUMP ASSEMBLY for Breakdown)	
28	1001112927	1	Gear Pump Assembly (See GEAR PUMP ASSEMBLY for Breakdown)	
29	1001141304	1	Wire, Glow Plug Fuse	
30	1001149971	1	Harness, Engine (Not Shown - See ELECTRICAL SECTION for Breakdown)	
31	1001154142	1	Cable, Battery (Positive)	
32	1001154143	1	Cable, Battery (Negative)	
33	1001156001	1	Harness Can (Not Shown - See ELECTRICAL SECTION for Breakdown)	
34	1001156107	2	Holder, Cable	
35	1001156718	1	Seal (Not Shown - Located on Side of Radiator Mounting Plate)	
36	1001156719	1	Seal	
37	1001157073	1	Cable, Alternator Power	
38	1001168734	1	Wire, Glow Plug	
39	1001169892	1	Piston Pump Assembly (See PISTON PUMP ASSEMBLY for Breakdown)	

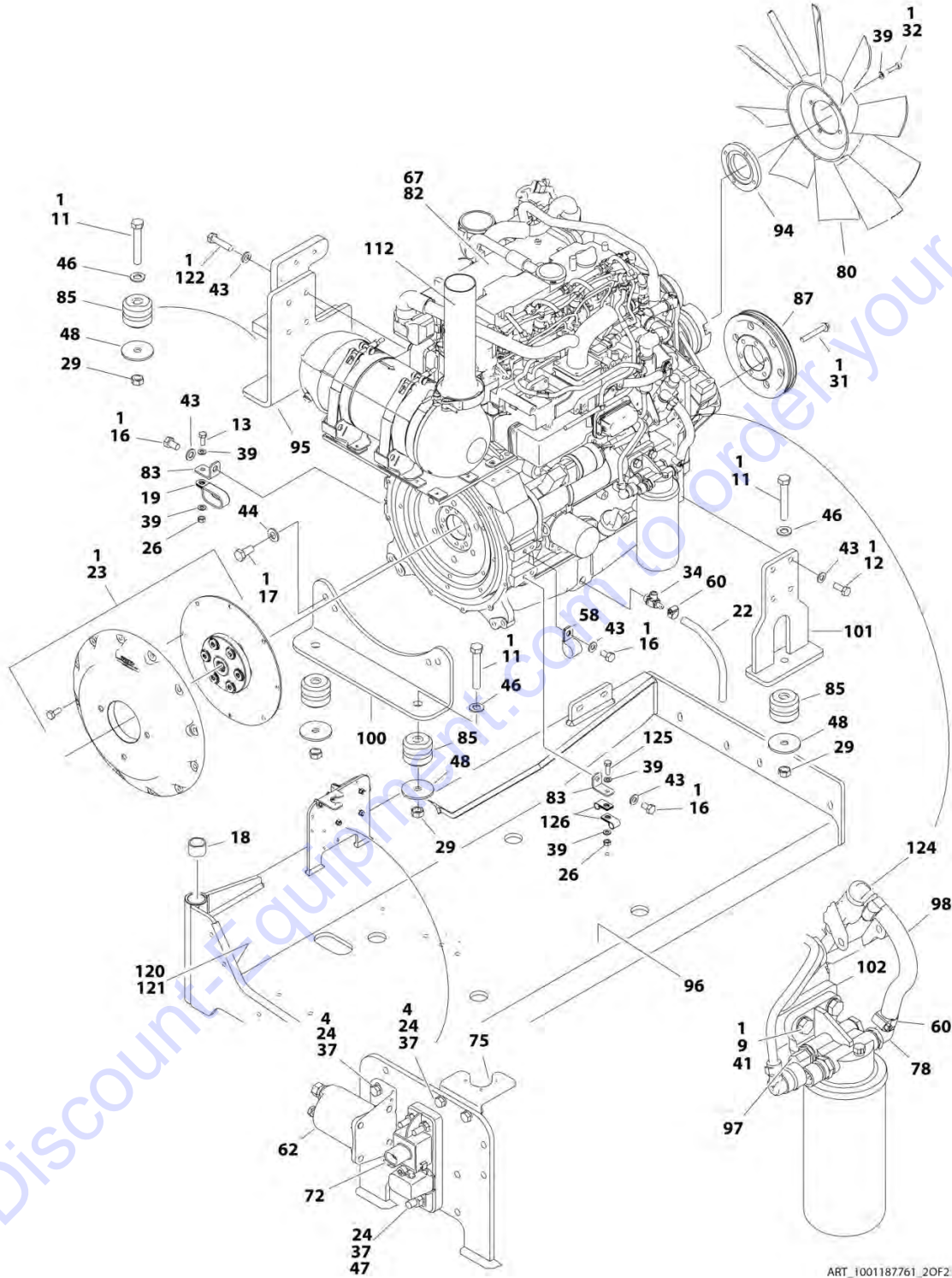
# SECTION 3 - ENGINE

## FIGURE 3-17. DEUTZ EPA FLEX T4I ENGINE ASSEMBLY - NO COLD WEATHER PKG



ART\_1001187761\_10F2

# SECTION 3 - ENGINE



ART\_1001187761\_20F2

## SECTION 3 - ENGINE

FIGURE 3-17. DEUTZ EPA FLEX T4I ENGINE ASSEMBLY - NO COLD WEATHER PKG

ITEM	PART NUMBER	QTY	DESCRIPTION	REV
	1001187761	Ref	DEUTZ EPA FLEX T4i ENGINE ASSEMBLY - NO COLD WEATHER PKG	A
1	0100011	AR	Compound, Locking	
2	0100020	AR	Sealant	
3	0641606	2	Bolt 3/8-18 x 3/4	
4	0700612	22	Bolt M6 x 25	
5	0700815	2	Bolt M8 x 35	
6	0701013	2	Bolt M10 x 28	
7	0701015	6	Bolt M10 x 35	
8	0701016	2	Bolt M10 x 40	
9	0701017	2	Bolt M10 x 45	
10	0701019	1	Bolt M10 x 55	
11	0701627	4	Bolt M16 x 100	
12	0711214	4	Bolt M12 x 30 Grade 10.9	
13	0760810	5	Bolt M8 x 20	
14	0761008	2	Bolt M10 x 16	
15	0761012	6	Bolt M10 x 25	
16	0761210	3	Bolt M12 x 20	
17	0771414	4	Bolt M14 30 Grade 10.9	
18	0961951	2	Bushing	
19	1321716	1	Clamp	
20	2300004	13.2 qt /12.5L	Coolant, Anti-Freeze	
21	2720015	5 ft/1.5m	Hose	
22	2720340	1 ft/30.5m	Hose	
23	2902065	1	Pump Coupling Kit (See PUMP COUPLING KIT for Breakdown)	
24	3290607	23	Nut M6	
25	3290805	2	Nut M8	
26	3290807	5	Nut M8	
27	3291005	1	Nut M10	
28	3291007	10	Nut M10	
29	3291601	4	Nut M16	
30	3820032	9	Rivet	
31	5251022	6	Bolt M10 x 70	
32	4031912	4	Capscrew M8 x 40	
33	4240099	AR	Tie-Strap (Not Shown)	
34	4640751	1	Valve, Oil Drain	
35	4711600	2	Washer 3/8	
36	4811600	4	Washer M5	
37	4811700	41	Washer M6	
38	4811702	4	Washer M6	
39	4811900	17	Washer M8	
40	4811902	4	Washer M8	
41	4812000	30	Washer M10	
42	4812002	1	Washer M10	
43	4812100	11	Washer M12	
44	4812200	4	Washer M14	
45	5241000	2	Washer M10	
46	5241600	4	Washer M16	
47	5271614	1	Capscrew M16 x 50	

## SECTION 3 - ENGINE

ITEM	PART NUMBER	QTY	DESCRIPTION	REV
48	7300435	4	Washer	
49	8278020	1	Mount	
50	8305401	2	Nut 1/4	
51	8307109	2	Washer 1/4	
52	8310548	2	Screw 1/4 x 1/2	
53	8405007	2	Clamp	
54	8405104	4	Clamp	
55	8405201	8	Clamp	
56	8405204	1	Clamp	
57	8406109	2	Clamp	
58	8406303	1	Clip	
59	8410011	1	Clamp	
60	8410013	5	Clamp	
61	91563070	1	Coupling, Rubber	
62	1001117308	1	Relay, 200Amp	
64	1001166393	1	Tank	
65	1001134488	1	Fitting, 90 NPT/Barbed	
66	1001135943	1	Coupling	
67	1001136079	9.6 qt /9.1L	Oil, Motor	
68	1001138827	1	Sensor	
69	1001136834	1	Cap	
70	1001138173	1	Support	
71	1001138175	1	Bracket	
72	1001138228	1	Module, Relay	
73	1001138248	5 ft/1.5m	Tubing	
74	1001138559	1	Fitting, 90 NPT	
75	1001139240	1	Bracket	
76	1001140564	1	Fitting, 90 NPT/Barbed	
77	1001141995	1	Fitting, Straight NPT/Barbed	
78	1001142501	1	Fitting, 90 NPT/Barbed	
79	1001143390	1	Indicator, Air Restriction	
80	1001177137	1	Fan	
81	1001147847	1	Filter, Air	
81	70023809	1	Element	
81	70024328	1	Elbow, Rubber	
81	70024329	1	Clamp, Mounting	
82	1001187760	1	Deutz EPA Flex T4i Engine (See DEUTZ EPA FLEX T4i ENGINE COMPONENTS for Breakdown)	
83	1001148641	2	Bracket	
84	1001149407	1	Radiator	
85	1001149517	4	Mount, Motor	
86	1001149736	1	Shroud	
87	1001149746	1	Pulley	
88	1001150498	1	Tube	
89	1001150499	1	Hose	
90	1001150500	1	Hose	
91	1001150504	1	Hose	
92	1001150505	1	Pipe	
93	1001150553	1	Hose	
94	1001177134	1	Adapter	
95	1001151491	1	Support	



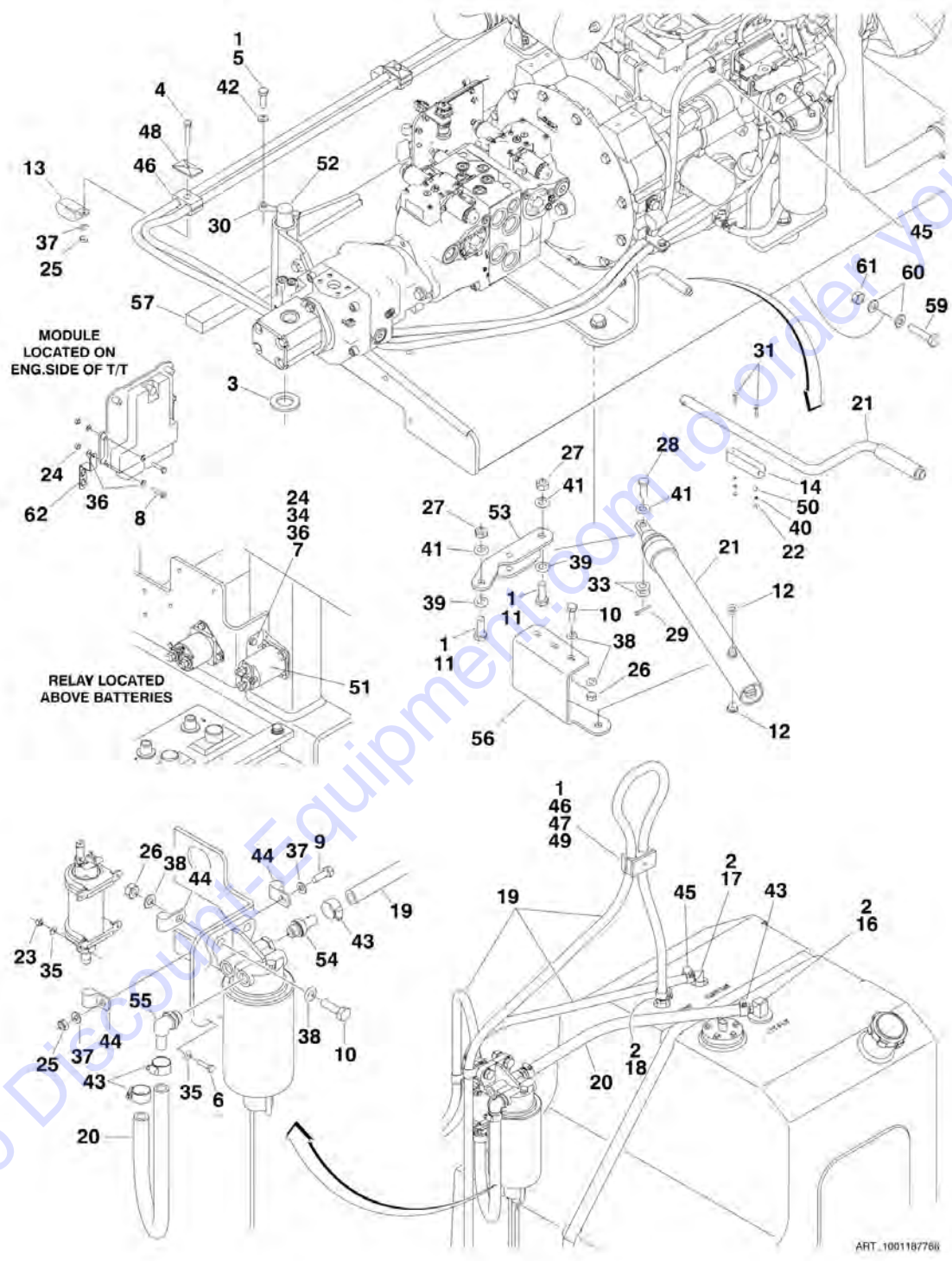
## SECTION 3 - ENGINE

ITEM	PART NUMBER	QTY	DESCRIPTION	REV
96	1001151749	1	Tray	
97	1001152489	1	Fitting, 90 Barbed	
98	1001154405	8.5 in /21cm	Hose	
99	1001155023	1	Plate	
100	1001155496	1	Support	
101	1001160518	1	Support	
102	1001155498	1	Plate	
103	1001155525	1	Support	
104	1001155540	2	Washer	
105	1001157862	1	Bracket	
106	1001155550	1	Plate	
107	1001155557	2	Plate	
108	1001155563	1	Seal	
109	1001155564	1	Bracket	
110	1001155565	1	Seal	
111	1001155566	1	Bracket	
112	1001155567	1	Pipe, Exhaust	
113	1001156034	1	Seal	
114	1001156035	1	Bracket	
115	1001156062	1	Bracket	
116	1001156091	1	Hose	
117	1001156112	1	Tube	
118	1001156644	2	Seal	
119	1001155728	1	Seal	
120	4060807	22 in /55cm	Flex-Trim	
121	0100081	AR	Adhesive	
122	0711218	4	Bolt M12 x 50 Grade 10.9	
123	1320022	4	Clamp	
124	1001170982	1	Fitting, 90 SAE/Barbed	
125	0760812	3	Bolt M8 x 25	
126	8406110	2	Clip	
127	1703162	2	Decal - Fan Blade	



# SECTION 3 - ENGINE

## FIGURE 3-18. DEUTZ EPA FLEX T4I ENGINE INSTALLATION - WITH COLD WEATHER PKG



## SECTION 3 - ENGINE

**FIGURE 3-18. DEUTZ EPA FLEX T4I ENGINE INSTALLATION - WITH COLD WEATHER PKG**

ITEM	PART NUMBER	QTY	DESCRIPTION	REV
	1001187766	Ref	DEUTZ EPA FLEX T4i ENGINE INSTALLATION - WITH COLD WEATHER PKG	A
1	0100011	AR	Compound, Locking	
2	0100020	AR	Sealant	
3	0440162	1	Bearing, Thrust	
4	0700818	3	Bolt M8 x 50	
5	0711015	1	Bolt M10 x 35 Grade 10.9	
6	0760408	4	Bolt M4 x 16	
7	0760610	2	Bolt M6 x 20	
8	0760613	4	Bolt M6 x 28	
9	0760812	1	Bolt M8 x 25	
10	0761015	5	Bolt M10 x 35	
11	0771416	2	Bolt M14 x 40 Grade 10.9	
12	0962051	2	Bearing, Flange	
13	1321716	3	Clamp	
14	1380147	1	Clip	
16	2180832	1	Fitting, Straight NPT/Barbed	
17	2220313	1	Fitting, 90 NPT/Barbed	
18	2221114	1	Fitting, Straight NPT/Barbed	
19	1001165035	42 in/13m	Hose	
20	2720615	3 ft/1m	Hose	
21	2840016	1	Jack with Handle	
21	7016374	1	Handle (Burr Manufacturing Brand)	
21	7024598	1	Handle (Hammerblow Corp Brand)	
21	7016322	1	Wiper (Burr Manufacturing Brand Only)	
22	3290301	2	Nut M3	
23	3290405	4	Nut M4	
24	3290607	6	Nut M6	
25	3290807	4	Nut M8	
26	3291007	5	Nut M10	
27	3331411	2	Nut M14	
28	3430816	1	Pin	
29	3450404	1	Pin, Cotter 1/8 x 1	
30	3841143	1	Keeper	
31	4010308	2	Screw M3 x16	
32	4240099	AR	Tie-Strap (Not Shown)	
33	4711800	2	Washer 1/2	
34	4791400	2	Washer 1/4	
35	4811400	8	Washer M4	
36	4811700	10	Washer M6	
37	4811900	5	Washer M8	
38	4812000	10	Washer M10	
39	4812200	4	Washer M14	
40	4871200	2	Washer M3	
41	4891800	1	Washer 1/2	
42	5241000	1	Washer M10	
43	8405006	4	Clamp	
44	8406101	3	Clip	
45	8410013	5	Clamp	
46	8750014	4	Clamp	

## SECTION 3 - ENGINE

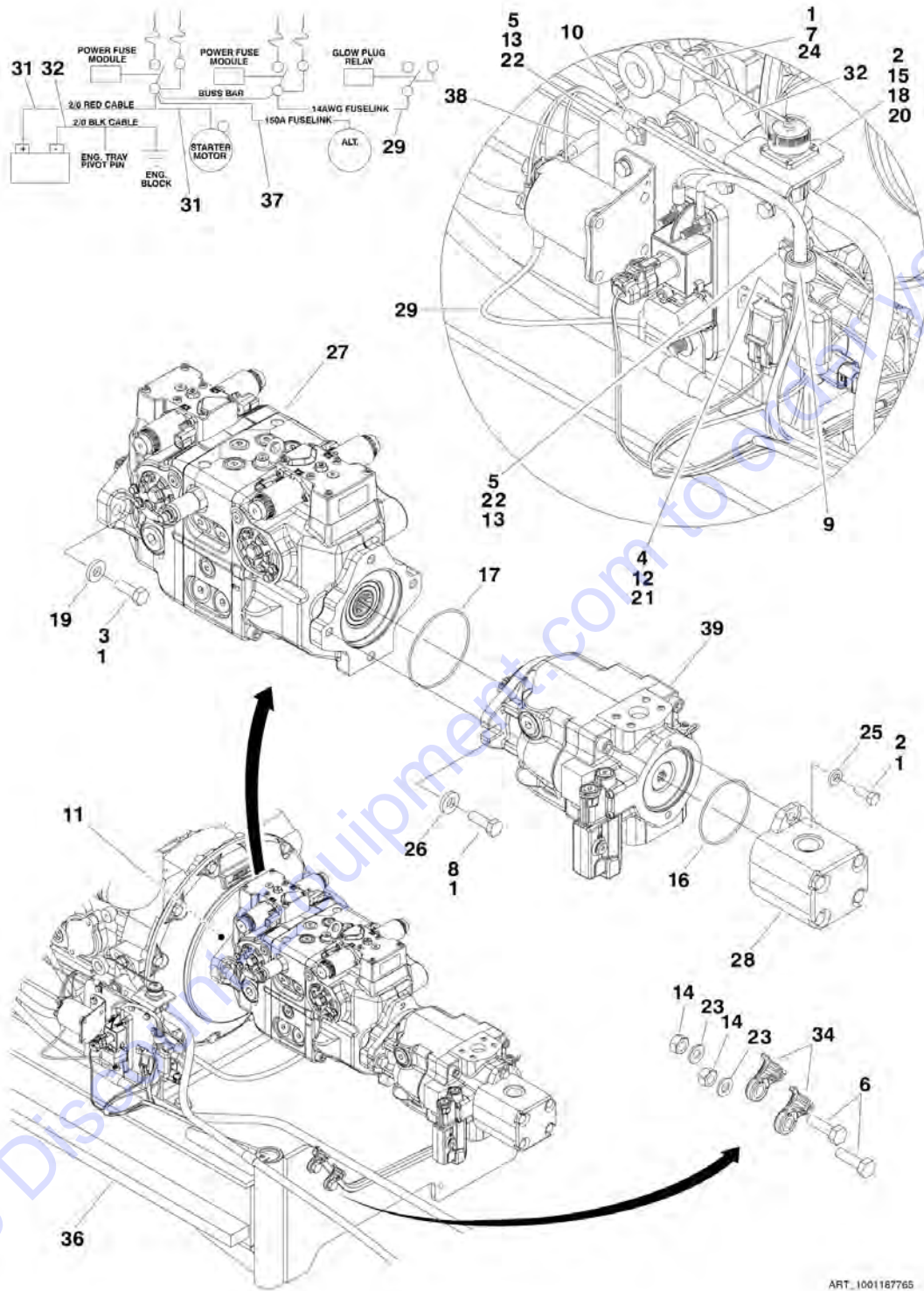
ITEM	PART NUMBER	QTY	DESCRIPTION	REV
47	8750031	1	Plate	
48	8769128	3	Cover	
49	1001101580	1	Screw M8 x 30	
50	1001110544	2	Washer M3	
51	1001117308	2	Relay	
52	1001135196	1	Pin	
53	1001135497	1	Support	
54	1001141718	1	Fitting, Straight NPT/Barbed	
55	1001142501	1	Fitting, 90 NPT/Barbed	
56	1001155939	1	Plate	
57	1001156719	1	Seal	
59	0642220	1	Bolt 3/4-10 x 2-1/2	
60	4712200	2	Washer 3/4	
61	8310067	1	Nut 3/4-10	
62	1001159162	1	Bracket, Support	

Go to Discount-Equipment.com to order your parts



# SECTION 3 - ENGINE

FIGURE 3-19. DEUTZ EPA FLEX T41 ENGINE/PUMP ASSEMBLY - WITH COLD WEATHER PKG)



## SECTION 3 - ENGINE

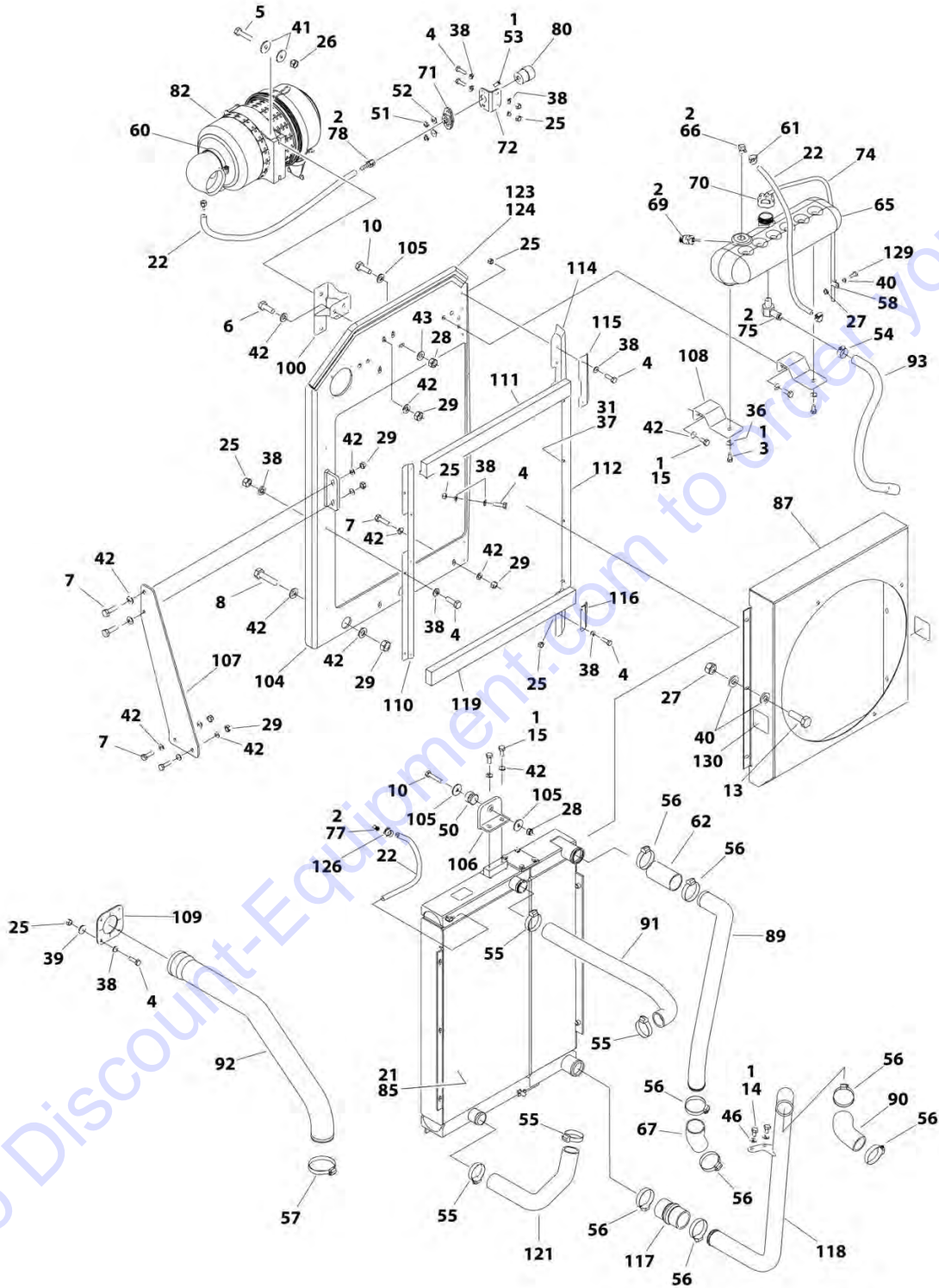
**FIGURE 3-19. DEUTZ EPA FLEX T4I ENGINE/PUMP ASSEMBLY - WITH COLD WEATHER PKG)**

ITEM	PART NUMBER	QTY	DESCRIPTION	REV
	1001187765	Ref	DEUTZ EPA FLEX T4i ENGINE/PUMP ASSEMBLY - WITH COLD WEATHER PKG	A
1	0100011	AR	Compound, Locking	
2	0641608	2	Bolt 3/8-18 x 1	
3	0841812	2	Bolt 1/2-13 x 1-1/2	
4	0700510	1	Bolt M5 x 20	
5	0760610	2	Bolt M6 x 20	
6	0761015	2	Bolt M10 x 35	
7	0761210	1	Bolt M12 x 20	
8	0761215	2	Bolt M12 x 35	
9	1320041	1	Clamp	
10	1320136	1	Clamp	
11	3020037	AR	Lubricant	
12	3290507	1	Nut M5	
13	3290607	2	Nut M6	
14	3291007	2	Nut M10	
15	3310401	3	Nut #4	
16	3790152	1	O-Ring	
17	3790155	1	O-Ring	
18	3910408	3	Screw #4 x 1/2	
19	4740171	2	Washer,	
20	4750400	3	Washer #4	
21	4811600	2	Washer M5	
22	4811700	2	Washer M6	
23	4812000	2	Washer M10	
24	4812100	1	Washer M12	
25	4891600	2	Washer 3/8n	
26	4891800	2	Washer 1/2in	
27	1001108616	1	Tandem Pump Assembly (See TANDEM PUMP ASSEMBLY for Breakdown)	
28	1001112927	1	Gear Pump Assembly (See GEAR PUMP ASSEMBLY for Breakdown)	
29	1001141304	1	Wire, Glow Plug	
30	1001149971	1	Harness, Engine (Not Shown - See ELECTRICAL SECTION for Breakdown)	
31	1001154142	1	Cable, Battery (Positive)	
32	1001154143	1	Cable, Battery (Negative)	
33	1001156001	1	Harness Can (Not Shown - See ELECTRICAL SECTION for Breakdown)	
34	1001156107	2	Holder, Cable	
35	1001156718	1	Seal (Not Shown - Located on Side of Radiator Mounting Plate)	
36	1001156719	1	Seal	
37	1001157073	1	Cable, Alternator Power	
38	1001168734	1	Cable, Glow Plug	
39	1001169892	1	Piston Pump Assembly (See PISTON PUMP ASSEMBLY for Breakdown)	



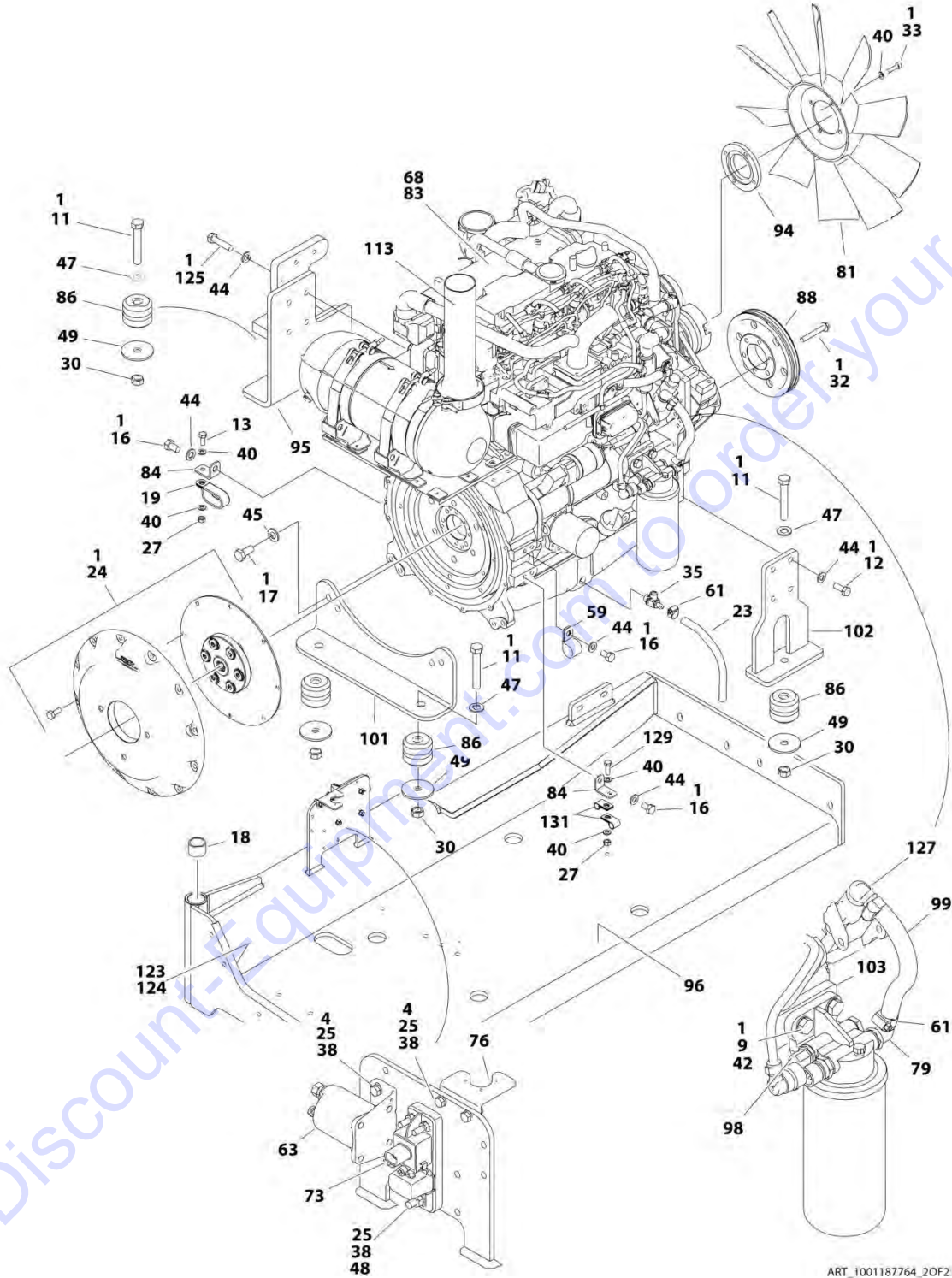
# SECTION 3 - ENGINE

## FIGURE 3-20. DEUTZ EPA FLEX T4I ENGINE ASSEMBLY - WITH COLD WEATHER PKG



ART\_1001187764\_10F2

# SECTION 3 - ENGINE



ART\_1001187764\_20F2

## SECTION 3 - ENGINE

FIGURE 3-20. DEUTZ EPA FLEX T4I ENGINE ASSEMBLY - WITH COLD WEATHER PKG

ITEM	PART NUMBER	QTY	DESCRIPTION	REV
	1001187764	Ref	DEUTZ EPA FLEX T4i ENGINE ASSEMBLY - WITH COLD WEATHER PKG	A
1	0100011	AR	Compound, Locking	
2	0100020	AR	Sealant	
3	0641606	2	Bolt 3/8-18 x 3/4	
4	0700612	22	Bolt M6 x 25	
5	0700815	2	Bolt M8 x 35	
6	0701013	2	Bolt M10 x 28	
7	0701015	6	Bolt M10 x 35	
8	0701016	2	Bolt M10 x 40	
9	0701017	2	Bolt M10 x 45	
10	0701019	1	Bolt M10 x 55	
11	0701627	4	Bolt M16 x 100	
12	0711214	4	Bolt M12 x 30 Grade 10.9	
13	0760810	5	Bolt M8 x 20	
14	0761008	2	Bolt M10 x 16	
15	0761012	6	Bolt M10 x 25	
16	0761210	3	Bolt M12 x 20	
17	0771414	4	Bolt M14 30 Grade 10.9	
18	0961951	2	Bushing	
19	1321716	1	Clamp	
20	1702942	1	Decal - Engine Block Heater (Not Shown)	
21	2300041	13.2 qt /12.5L	Coolant, Anti-Freeze	
22	2720015	5 ft/1.5m	Hose	
23	2720340	1 ft/30.5m	Hose	
24	2902065	1	Pump Coupling Kit (See PUMP COUPLING KIT for Breakdown)	
25	3290607	23	Nut M6	
26	3290805	2	Nut M8	
27	3290807	5	Nut M8	
28	3291005	1	Nut M10	
29	3291007	10	Nut M10	
30	3291601	4	Nut M16	
31	3820032	9	Rivet	
32	5251022	6	Bolt M10 x 70	
33	4031912	4	Capscrew M8 x 40	
34	4240099	AR	Tie-Strap (Not Shown)	
35	4640751	1	Valve, Oil Drain	
36	4711600	2	Washer 3/8	
37	4811600	4	Washer M5	
38	4811700	41	Washer M6	
39	4811702	4	Washer M6	
40	4811900	17	Washer M8	
41	4811902	4	Washer M8	
42	4812000	30	Washer M10	
43	4812002	1	Washer M10	
44	4812100	11	Washer M12	
45	4812200	4	Washer M14	
46	5241000	2	Washer M10	
47	5241600	4	Washer M16	

## SECTION 3 - ENGINE

ITEM	PART NUMBER	QTY	DESCRIPTION	REV
48	5271614	1	Capscrew M16 x 50	
49	7300435	4	Washer	
50	8278020	1	Mount	
51	8305401	2	Nut 1/4	
52	8307109	2	Washer 1/4	
53	8310548	2	Screw 1/4 x 1/2	
54	8405007	2	Clamp	
55	8405104	4	Clamp	
56	8405201	8	Clamp	
57	8405204	1	Clamp	
58	8406109	2	Clamp	
59	8406303	1	Clip	
60	8410011	1	Clamp	
61	8410013	5	Clamp	
62	91563070	1	Coupling, Rubber	
63	1001117308	1	Relay, 200Amp	
65	1001166393	1	Tank	
66	1001134488	1	Fitting, 90 NPT/Barbed	
67	1001135943	1	Coupling	
68	1001136172	9.6 qt /9.1L	Oil, Motor	
69	1001138827	1	Sensor	
70	1001136834	1	Cap	
71	1001138173	1	Support	
72	1001138175	1	Bracket	
73	1001138228	1	Module, Relay	
74	1001138248	5 ft/1.5m	Tubing	
75	1001138559	1	Fitting, 90 NPT	
76	1001139240	1	Bracket	
77	1001140564	1	Fitting, 90 NPT/Barbed	
78	1001141995	1	Fitting, Straight NPT/Barbed	
79	1001142501	1	Fitting, 90 NPT/Barbed	
80	1001143390	1	Indicator, Air Restriction	
81	1001177137	1	Fan	
82	1001147847	1	Filter, Air	
82	70023809	1	Element	
82	70024328	1	Elbow, Rubber	
82	70024329	1	Clamp, Mounting	
83	1001187760	1	Deutz EPA Flex T4i Engine (See DEUTZ EPA FLEX T4i ENGINE COMPONENTS for Breakdown)	
84	1001148641	2	Bracket	
85	1001149407	1	Radiator	
86	1001149517	4	Mount, Motor	
87	1001149736	1	Shroud	
88	1001149746	1	Pulley	
89	1001150498	1	Tube	
90	1001150499	1	Hose	
91	1001150500	1	Hose	
92	1001150505	1	Pipe	
93	1001150553	1	Hose	
94	1001177134	1	Adapter	
95	1001151491	1	Support	

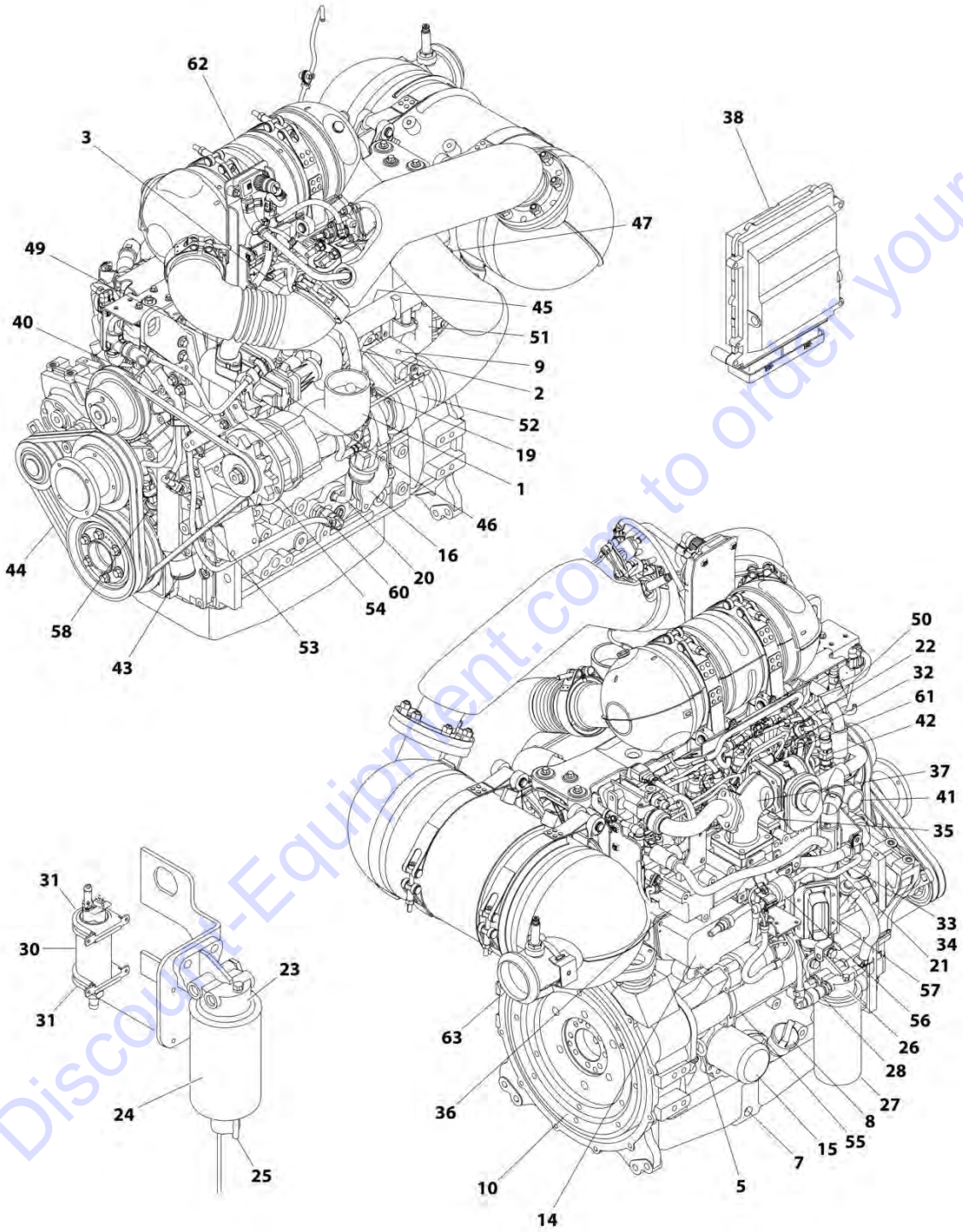
## SECTION 3 - ENGINE

ITEM	PART NUMBER	QTY	DESCRIPTION	REV
96	1001151749	1	Tray	
97	1001152112	1	Heater, Engine Block (Not Shown)	
98	1001152489	1	Fitting, 90 Barbed	
99	1001154405	8.5 in /21cm	Hose	
100	1001155023	1	Plate	
101	1001155496	1	Support	
102	1001160518	1	Support	
103	1001155498	1	Plate	
104	1001155525	1	Support	
105	1001155540	2	Washer	
106	1001157862	1	Bracket	
107	1001155550	1	Plate	
108	1001155557	2	Plate	
109	1001155563	1	Seal	
110	1001155564	1	Bracket	
111	1001155565	1	Seal	
112	1001155566	1	Bracket	
113	1001155567	1	Pipe, Exhaust	
114	1001156034	1	Seal	
115	1001156035	1	Bracket	
116	1001156062	1	Bracket	
117	1001156091	1	Hose	
118	1001156112	1	Tube	
119	1001156644	2	Seal	
120	1001157300	1	Hose, Lower Radiator (Top Section)	
121	1001157301	1	Hose, Lower Radiator (Bottom Section)	
122	1001155728	1	Seal	
123	4060807	22 in /55cm	Flex-Trim	
124	0100081	AR	Adhesive	
125	0711218	4	Bolt M12 x 50 Grade 10.9	
126	1320022	4	Clamp	
127	1001170982	1	Fitting, 90 SAE/Barbed	
129	0760812	3	Bolt M8 x 25	
130	1703162	2	Decal - Fan Blade	
131	8406110	2	Clip	



# SECTION 3 - ENGINE

## FIGURE 3-21. DEUTZ EPA FLEX T4I ENGINE COMPONENTS



ART\_1001187760

## SECTION 3 - ENGINE

**FIGURE 3-21. DEUTZ EPA FLEX T4I ENGINE COMPONENTS**

ITEM	PART NUMBER	QTY	DESCRIPTION	REV
	1001187760	Ref	DEUTZ EPA FLEX T4i ENGINE COMPONENTS	B
1	70024497	1	Pipe, Intake	
1	70025680	1	Clamp	
2	70025111	1	Clamp	
2	70025128	1	Bolt	
2	70025116	1	Clamp	
2	See Note	NSS	Line, Breather (Includes Item 3) (Note: Not Available for Purchase)	
3	70025119	1	Sleeve, Rubber	
3	7002511	1	Clamp	
4	70002718	1	Seal, Rear Main (Not Shown)	
5	70025745	1	Dipstick	
5	7020442	1	O-Seal	
5	70025755	1	Tube, Dipstick	
6	70025123	24	Screw, Oil Pan (Not Shown)	
7	70025088	1	Plug	
8	7020465	1	Cap	
8	70005487	1	Tube, Fill	
8	70024471	1	Gasket (Tube to Engine Block)	
9	70025786	1	Plug	
10	70001870	1	Flywheel	
10	7024579	1	Gear, Rim	
11	70024483	1	Gasket, Head (Not Shown)	
11	70024481	1	Gasket, Valve Cover (Not Shown)	
12	7020465	1	Cap, Fill (Not Shown - Located on top of Valve Cover)	
13	70025763	1	Pump, Oil (Not Shown)	
13	70025718	4	O-Ring (Not Shown)	
14	70024494	1	Cooler, Oil	
14	70024495	1	Gasket	
15	7016331	1	Filter, Oil	
15	70025137	1	Bushing, Screw	
16	70025731	1	Cover	
16	70002813	1	Seal	
17	70025730	1	Pipe, Transfer (Not Shown - Located in Oil Pan)	
18	70025722	1	Line, Oil Suction (Not Shown - Located in Oil Pan)	
19	70024489	1	Line, Lube	
19	70025085	2	Screw	
19	70025105	4	Ring, Sealing	
20	See Note	NSS	Line, Lube Return (Note: Not Available for Purchase)	
20	70025132	1	O-Seal	
20	70025234	1	Flange, Upper	
20	70024509	1	Gasket, Upper Flange	
21	70024487	1	Pump, High Pressure	
21	70025152	1	O-Ring	
21	70004505	1	Valve, Overflow	
21	70004506	1	O-Ring	
21	70004507	1	O-Ring	
21	70004508	1	Valve, Volume Control	
21	70004509	1	O-Ring	
21	70004510	1	Gasket	
21	See Note	NSS	O-Seal (Between Pump and Block) (Note: Not Available for	



## SECTION 3 - ENGINE

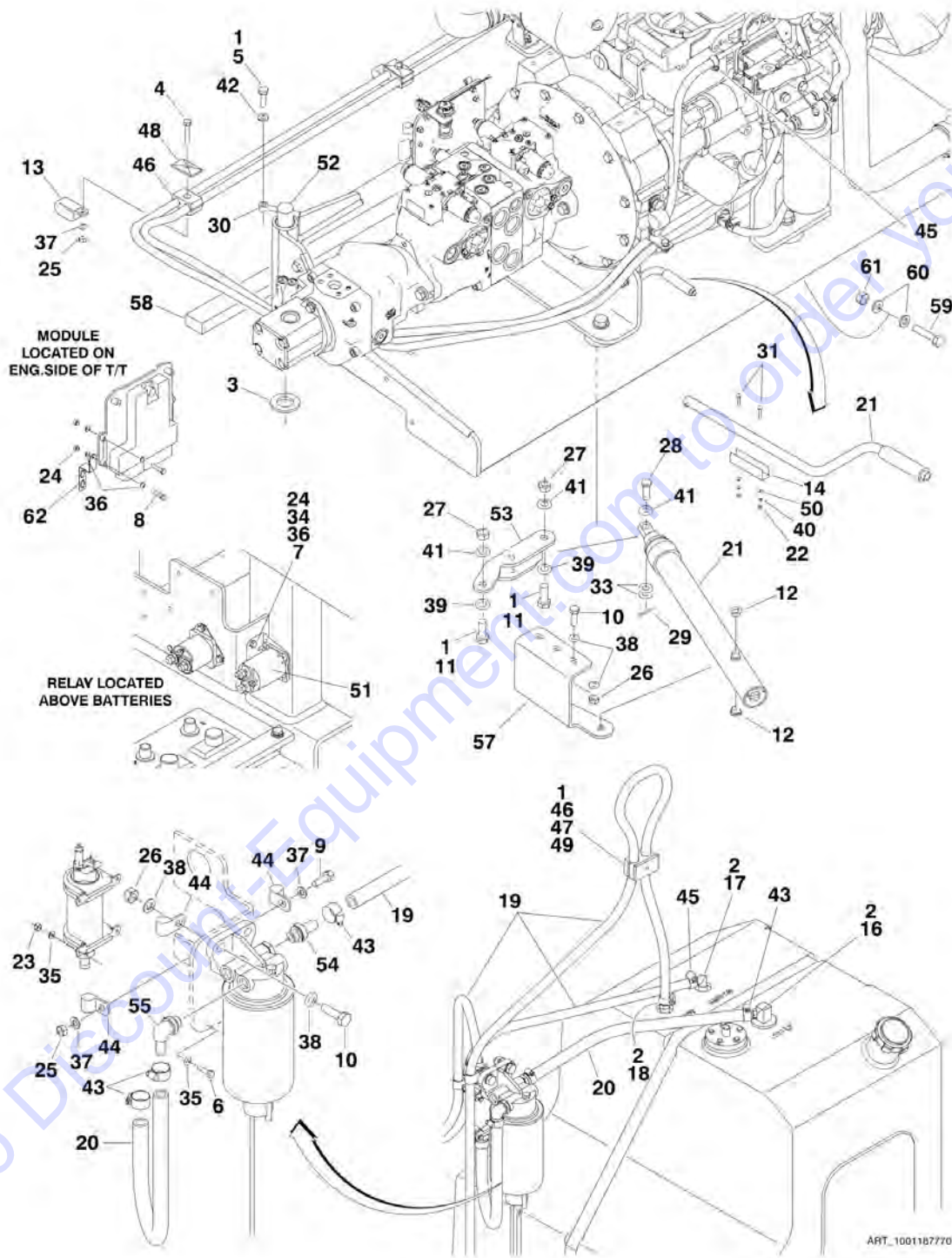
ITEM	PART NUMBER	QTY	DESCRIPTION	REV
			Purchase)	
21	70025729	1	Gear (Not Shown)	
22	70024485	4	Injector, Fuel	
22	70025140	4	Washer, Sealing	
22	70025146	4	Clamp	
22	70025145	4	O-Seal	
22	70025154	4	Shoe, Clamping	
23	70024961	1	Head and Filter Assembly (Includes Item 24 & 25)	
24	70025153	NLA	Filter (Use p/n 1001225430)	
25	70024513	1	Sensor with Cable	
25	70025239	1	Ring, Sealing	
26	70004511	1	Head and Filter Assembly	
27	70004512	NLA	Filter (Use p/n 1001225432)	
28	70024504	1	Sensor, Pressure	
28	70024920	1	O-Seal	
29	See Note	NSS	Connector (Note: Not Available for Purchase)	
29	70004513	1	Ring, Sealing	
30	1001226098	1	Pump, Fuel Supply	
31	70025144	2	Clamp	
32	70025151	1	Rail, Fuel	
32	70025235	1	Kit, Repair - Fuel Rail	
32	70025240	1	O-Ring	
32	70025534	1	Pipe, Pressure Pump to Fuel Rail	
32	70024498	1	Pipe, Fuel Rail to Cylinders 1 & 2	
32	70024499	1	Pipe, Fuel Rail to Cylinders 3 & 4	
33	70024501	1	Line, Fuel	
33	70025109	3	Clamp, Band	
33	70025686	3	Clamp, Pipe	
34	See Note	NSS	Pipe, Fuel Leakage (Note: Not Available for Purchase)	
34	70025686	2	Retainer for Fuel Leakage Pipe	
35	70024921	1	Sensor, Pressure	
35	70025120	1	O-Seal	
36	70025721	1	Manifold, Air Charge	
36	70025726	1	Gasket (Manifold to Head)	
36	70025675	1	Clamp, Band	
36	70025681	1	Clamp, Band	
36	70025748	1	Pipe, Air Charge	
37	70025772	1	Pipe, Air Charge	
37	70024475	1	Gasket (Intake Pipe)	
38	70025210	1	Module, Engine Control	
40	70005496	1	Pump, Water	
40	70005497	1	Seal (RH Side Pump to Item 43)	
40	70004516	2	Ring, Sealing (For Smaller Plug)	
41	70025741	1	Housing, Thermostat	
41	7016309	1	Ring, Sealing (For Bottom Plug)	
41	70024493	1	Gasket (Housing to Head)	
42	70024918	1	Sender, Temperature	
43	70025762	1	Manifold, Coolant	
43	70025747	1	Manifold	
43	70025111	4	Clamp, Band	
43	70025750	1	Line, Cooling Water	

## SECTION 3 - ENGINE

ITEM	PART NUMBER	QTY	DESCRIPTION	REV
43	70025699	1	Clamp, Pipe	
43	70025749	1	Hose	
44	70004517	1	V-Belt	
44	See Note	NSS	Tensioner, Pulley (Note: Not Available for Purchase)	
45	70025723	1	EGR Manifold Assembly	
46	70005189	1	Seal	
47	70025768	1	Valve, Shuttle	
48	70005511	1	Gasket, Exhaust Manifold to Head (Not Shown)	
49	70005500	1	Tube, Compensator	
49	70024500	2	Gasket	
50	70024496	1	Line, Water	
50	70024478	1	Gasket (Water Line to EGR Valve)	
50	70025701	1	Sleeve, Rubber	
50	70025687	2	Clamp (For Sleeve)	
50	70025699	1	Clamp, Insulated	
51	70024479	1	Hose	
51	70025687	1	Clamp (Lower)	
51	70025773	1	Clamp (Upper)	
51	70005499	1	Fitting (at Lower End of Hose)	
51	70024469	1	O-Seal (For Fitting)	
52	70004518	1	Turbocharger	
52	70024480	1	Gasket	
53	70004519	1	V-Belt	
54	70025533	1	Generator	
54	70025149	1	Controller	
54	70025131	1	Fan	
54	70025141	1	Nut, Pulley	
55	70004520	1	Starter	
56	70025780	1	Relay	
57	70005564	1	Harness, Engine	
58	70026210	1	Tacho-Generator	
58	70005191	1	O-Ring	
60	70024504	1	Switch, Pressure	
60	70024920	1	O-Seal	
61	70024474	4	Plug, Glow	
62	70025245	1	Bracket	
63	70025246	1	Outlet	

# SECTION 3 - ENGINE

## FIGURE 3-22. DEUTZ EU FLEX T4I ENGINE INSTALLATION - NO COLD WEATHER PKG



## SECTION 3 - ENGINE

**FIGURE 3-22. DEUTZ EU FLEX T4I ENGINE INSTALLATION - NO COLD WEATHER PKG**

ITEM	PART NUMBER	QTY	DESCRIPTION	REV
	1001187770	Ref	DEUTZ EU FLEX T4i ENGINE INSTALLATION - NO COLD WEATHER PKG	A
1	0100011	AR	Compound, Locking	
2	0100020	AR	Sealant	
3	0440162	1	Bearing, Thrust	
4	0700818	3	Bolt M8 x 50	
5	0711015	1	Bolt M10 x 35 Grade 10.9	
6	0760408	4	Bolt M4 x 16	
7	0760610	2	Bolt M6 x 20	
8	0760613	4	Bolt M6 x 28	
9	0760812	1	Bolt M8 x 25	
10	0761015	5	Bolt M10 x 35	
11	0771416	2	Bolt M14 x 40 Grade 10.9	
12	0962051	2	Bearing, Flange	
13	1321716	3	Clamp	
14	1380147	1	Clip	
16	2180832	1	Fitting, Straight NPT/Barbed	
17	2220313	1	Fitting, 90 NPT/Barbed	
18	2221114	1	Fitting, Straight NPT/Barbed	
19	1001165035	42 in/13m	Hose	
20	2720615	3 ft/1m	Hose	
21	2840016	1	Jack with Handle	
21	7016374	1	Handle (Burr Manufacturing Brand)	
21	7024598	1	Handle (Hammerblow Corp Brand)	
21	7016322	1	Wiper (Burr Manufacturing Brand Only)	
22	3290301	2	Nut M3	
23	3290405	4	Nut M4	
24	3290607	6	Nut M6	
25	3290807	4	Nut M8	
26	3291007	5	Nut M10	
27	3331411	2	Nut M14	
28	3430816	1	Pin	
29	3450404	1	Pin, Cotter 1/8 x 1	
30	3841143	1	Keeper	
31	4010308	2	Screw M3 x16	
32	4240099	AR	Tie-Strap (Not Shown)	
33	4711800	2	Washer 1/2	
34	4791400	2	Washer 1/4	
35	4811400	8	Washer M4	
36	4811700	10	Washer M6	
37	4811900	5	Washer M8	
38	4812000	10	Washer M10	
39	4812200	4	Washer M14	
40	4871200	2	Washer M3	
41	4891800	1	Washer 1/2	
42	5241000	1	Washer M10	
43	8405006	4	Clamp	
44	8406101	3	Clip	
45	8410013	5	Clamp	
46	8750014	4	Clamp	

## SECTION 3 - ENGINE

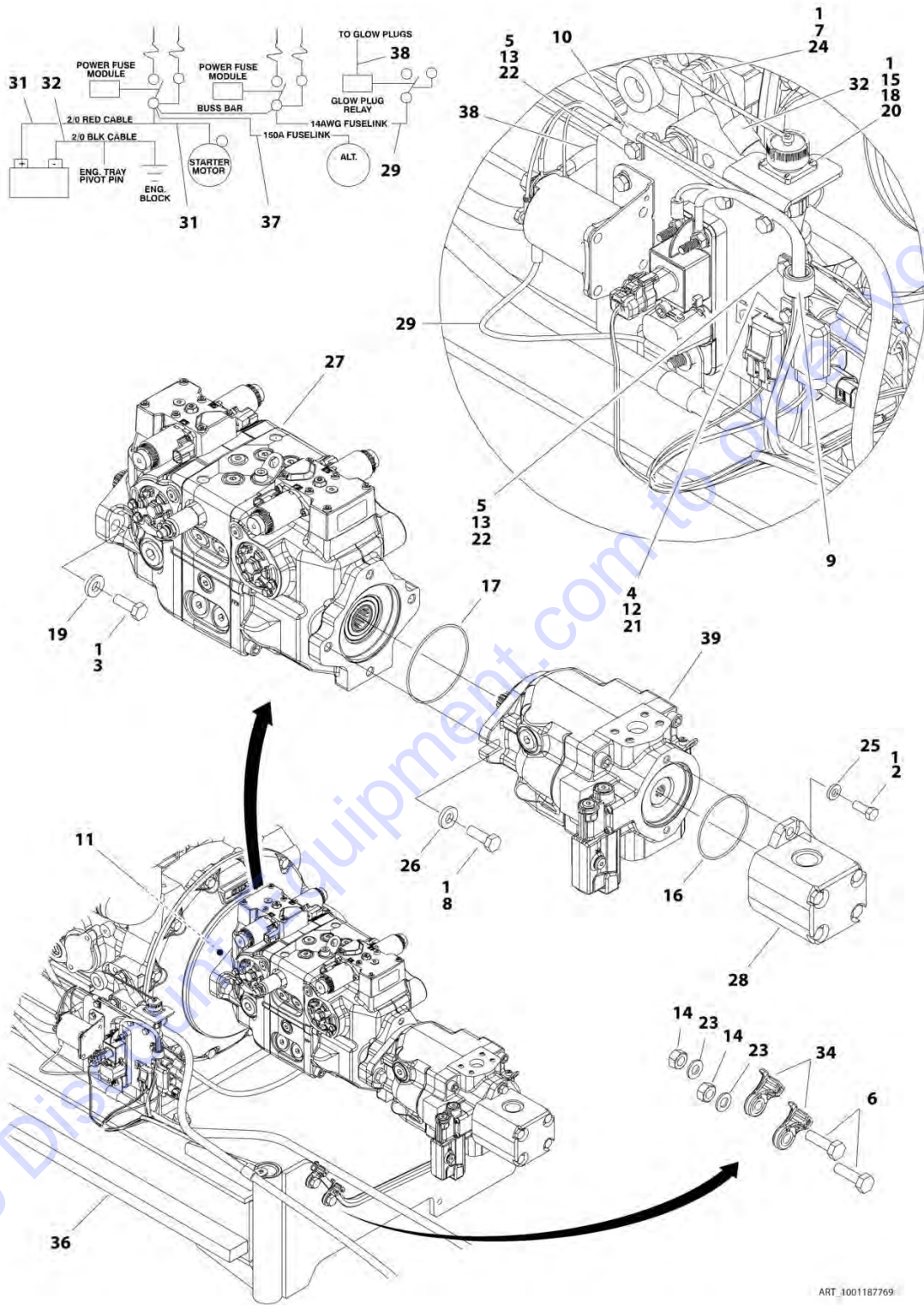
ITEM	PART NUMBER	QTY	DESCRIPTION	REV
47	8750031	1	Plate	
48	8769128	3	Cover	
49	1001101580	1	Screw M8 x 30	
50	1001110544	2	Washer M3	
51	1001117308	2	Relay	
52	1001135196	1	Pin	
53	1001135497	1	Support	
54	1001141718	1	Fitting, Straight NPT/Barbed	
55	1001142501	1	Fitting, 90 NPT/Barbed	
57	1001155939	1	Plate	
58	1001156719	1	Seal	
59	0642220	1	Bolt 3/4-10 x 2-1/2	
60	4712200	2	Washer 3/4	
61	8310067	1	Nut 3/4-10	
62	1001159162	1	Bracket, Support	

Go to Discount-Equipment.com to order your parts



# SECTION 3 - ENGINE

## FIGURE 3-23. DEUTZ EU FLEX T4I ENGINE/PUMP ASSEMBLY - NO COLD WEATHER PKG



ART\_1001187769

## SECTION 3 - ENGINE

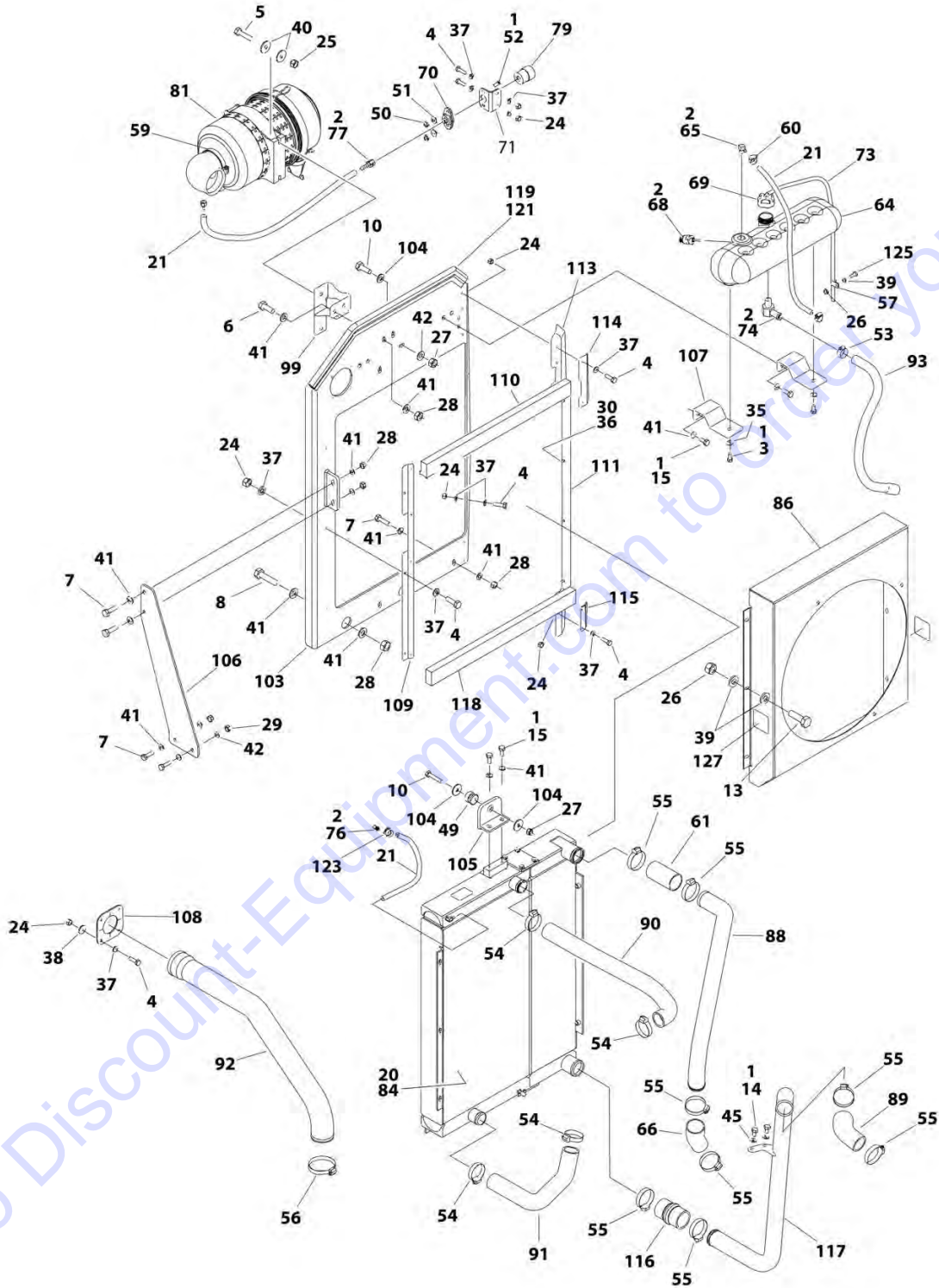
**FIGURE 3-23. DEUTZ EU FLEX T4I ENGINE/PUMP ASSEMBLY - NO COLD WEATHER PKG**

ITEM	PART NUMBER	QTY	DESCRIPTION	REV
	1001187769	Ref	DEUTZ EU FLEX T4i ENGINE/PUMP ASSEMBLY - NO COLD WEATHER PKG	A
1	0100011	AR	Compound, Locking	
2	0641608	2	Bolt 3/8-18 x 1	
3	0841812	2	Bolt 1/2-13 x 1-1/2	
4	0700510	1	Bolt M5 x 20	
5	0760610	2	Bolt M6 x 20	
6	0761015	2	Bolt M10 x 35	
7	0761210	1	Bolt M12 x 20	
8	0761215	2	Bolt M12 x 35	
9	1320041	1	Clamp	
10	1320136	1	Clamp	
11	3020037	AR	Lubricant	
12	3290507	1	Nut M5	
13	3290607	2	Nut M6	
14	3291007	2	Nut M10	
15	3310401	3	Nut #4-40NC	
16	3790152	1	O-Ring	
17	3790155	1	O-Ring	
18	3910408	3	Screw #4 x 1/2	
19	4740171	2	Washer,	
20	4750400	3	Washer #4	
21	4811600	2	Washer M5	
22	4811700	2	Washer M6	
23	4812000	2	Washer M10	
24	4812100	1	Washer M12	
25	4891600	2	Washer 3/8	
26	4891800	2	Washer 1/2	
27	1001108616	1	Tandem Pump Assembly (See TANDEM PUMP ASSEMBLY for Breakdown)	
28	1001112927	1	Gear Pump Assembly (See GEAR PUMP ASSEMBLY for Breakdown)	
29	1001141304	1	Wire, Glow Plug Fuse	
30	1001149971	1	Harness, Engine (Not Shown - See ELECTRICAL SECTION for Breakdown)	
31	1001154142	1	Cable, Battery (Positive)	
32	1001154143	1	Cable, Battery (Negative)	
33	1001156001	1	Harness Can (Not Shown - See ELECTRICAL SECTION for Breakdown)	
34	1001156107	2	Holder, Cable	
35	1001156718	1	Seal (Not Shown - Located on Side of Radiator Mounting Plate)	
36	1001156719	1	Seal	
37	1001157073	1	Cable, Alternator Power	
38	1001168734	1	Wire, Glow Plug	
39	1001169892	1	Piston Pump Assembly (See PISTON PUMP ASSEMBLY for Breakdown)	



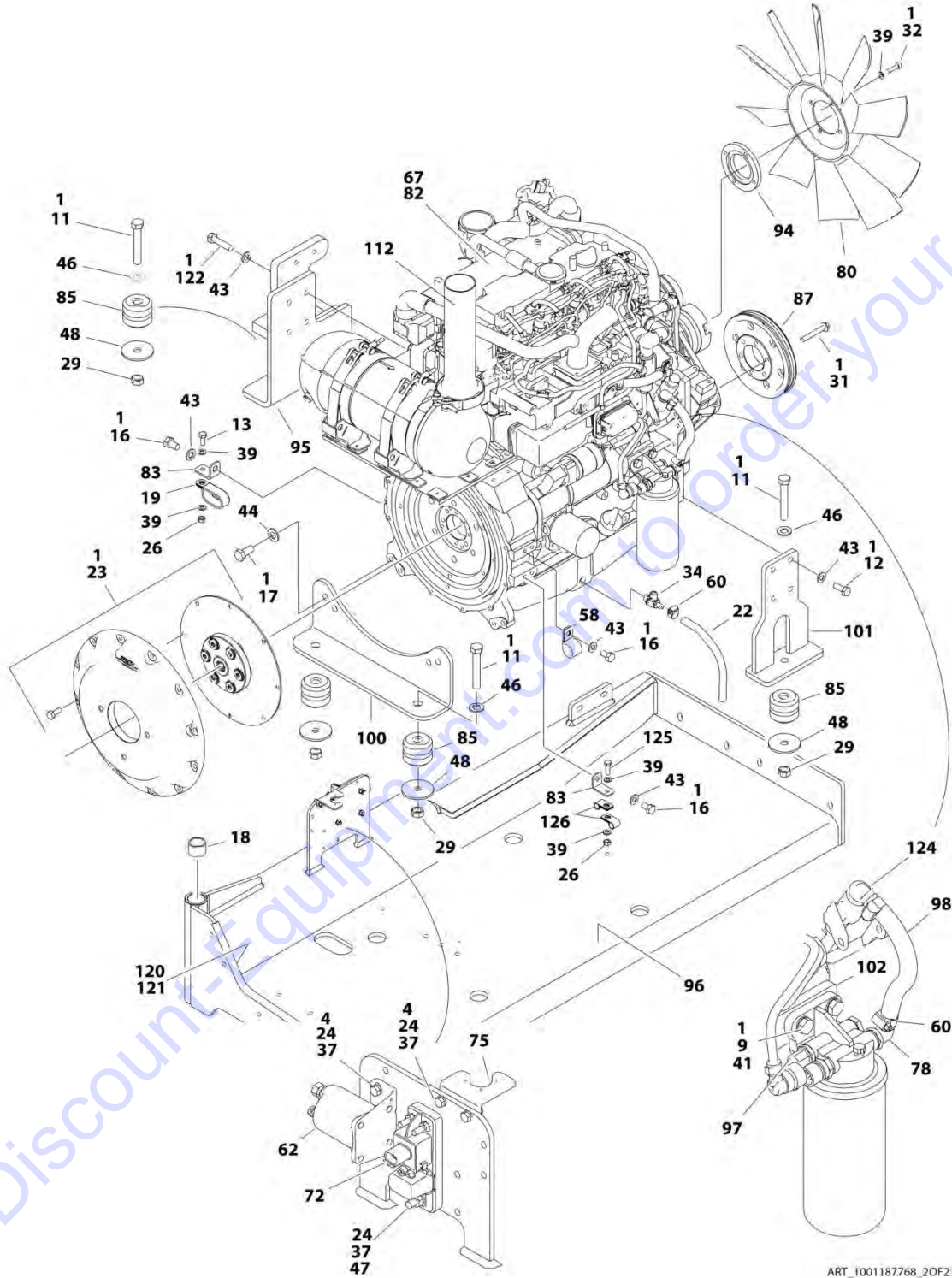
# SECTION 3 - ENGINE

## FIGURE 3-24. DEUTZ EU FLEX T4I ENGINE ASSEMBLY - NO COLD WEATHER PKG



ART\_1001187768\_10F2

# SECTION 3 - ENGINE



ART\_I001187768\_20F2

## SECTION 3 - ENGINE

FIGURE 3-24. DEUTZ EU FLEX T4I ENGINE ASSEMBLY - NO COLD WEATHER PKG

ITEM	PART NUMBER	QTY	DESCRIPTION	REV
	1001187768	Ref	DEUTZ EU FLEX T4i ENGINE ASSEMBLY - NO COLD WEATHER PKG	A
1	0100011	AR	Compound, Locking	
2	0100020	AR	Sealant	
3	0641606	2	Bolt 3/8-18 x 3/4	
4	0700612	22	Bolt M6 x 25	
5	0700815	2	Bolt M8 x 35	
6	0701013	2	Bolt M10 x 28	
7	0701015	6	Bolt M10 x 35	
8	0701016	2	Bolt M10 x 40	
9	0701017	2	Bolt M10 x 45	
10	0701019	1	Bolt M10 x 55	
11	0701627	4	Bolt M16 x 100	
12	0711214	4	Bolt M12 x 30 Grade 10.9	
13	0760810	5	Bolt M8 x 20	
14	0761008	2	Bolt M10 x 16	
15	0761012	6	Bolt M10 x 25	
16	0761210	3	Bolt M12 x 20	
17	0771414	4	Bolt M14 30 Grade 10.9	
18	0961951	2	Bushing	
19	1321716	1	Clamp	
20	2300004	13.2 qt /12.5L	Coolant, Anti-Freeze	
21	2720015	5 ft/1.5m	Hose	
22	2720340	1 ft/30.5m	Hose	
23	2902065	1	Pump Coupling Kit (See PUMP COUPLING KIT for Breakdown)	
24	3290607	23	Nut M6	
25	3290805	2	Nut M8	
26	3290807	5	Nut M8	
27	3291005	1	Nut M10	
28	3291007	10	Nut M10	
29	3291601	4	Nut M16	
30	3820032	9	Rivet	
31	5251022	6	Bolt M10 x 70	
32	4031912	4	Capscrew M8 x 40	
33	4240099	AR	Tie-Strap (Not Shown)	
34	4640751	1	Valve, Oil Drain	
35	4711600	2	Washer 3/8	
36	4811600	4	Washer M5	
37	4811700	41	Washer M6	
38	4811702	4	Washer M6	
39	4811900	17	Washer M8	
40	4811902	4	Washer M8	
41	4812000	30	Washer M10	
42	4812002	1	Washer M10	
43	4812100	11	Washer M12	
44	4812200	4	Washer M14	
45	5241000	2	Washer M10	
46	5241600	4	Washer M16	
47	5271614	1	Capscrew M16 x 50	

## SECTION 3 - ENGINE

ITEM	PART NUMBER	QTY	DESCRIPTION	REV
48	7300435	4	Washer	
49	8278020	1	Mount	
50	8305401	2	Nut 1/4	
51	8307109	2	Washer 1/4	
52	8310548	2	Screw 1/4 x 1/2	
53	8405007	2	Clamp	
54	8405104	4	Clamp	
55	8405201	8	Clamp	
56	8405204	1	Clamp	
57	8406109	2	Clamp	
58	8406303	1	Clip	
59	8410011	1	Clamp	
60	8410013	5	Clamp	
61	91563070	1	Coupling, Rubber	
62	1001117308	1	Relay, 200Amp	
64	1001166393	1	Tank	
65	1001134488	1	Fitting, 90 NPT/Barbed	
66	1001135943	1	Coupling	
67	1001136079	9.6 qt /9.1L	Oil, Motor	
68	1001138827	1	Sensor	
69	1001136834	1	Cap	
70	1001138173	1	Support	
71	1001138175	1	Bracket	
72	1001138228	1	Module, Relay	
73	1001138248	5 ft/1.5m	Tubing	
74	1001138559	1	Fitting, 90 NPT	
75	1001139240	1	Bracket	
76	1001140564	1	Fitting, 90 NPT/Barbed	
77	1001141995	1	Fitting, Straight NPT/Barbed	
78	1001142501	1	Fitting, 90 NPT/Barbed	
79	1001143390	1	Indicator, Air Restriction	
80	1001177137	1	Fan	
81	1001147847	1	Filter, Air	
81	70023809	1	Element	
81	70024328	1	Elbow, Rubber	
81	70024329	1	Clamp, Mounting	
82	1001187767	1	Deutz EU Flex T4i Engine (See DEUTZ EU FLEX T4i ENGINE COMPONENTS for Breakdown)	
83	1001148641	2	Bracket	
84	1001149407	1	Radiator	
85	1001149517	4	Mount, Motor	
86	1001149736	1	Shroud	
87	1001149746	1	Pulley	
88	1001150498	1	Tube	
89	1001150499	1	Hose	
90	1001150500	1	Hose	
91	1001150504	1	Hose	
92	1001150505	1	Pipe	
93	1001150553	1	Hose	
94	1001177134	1	Adapter	
95	1001151491	1	Support	

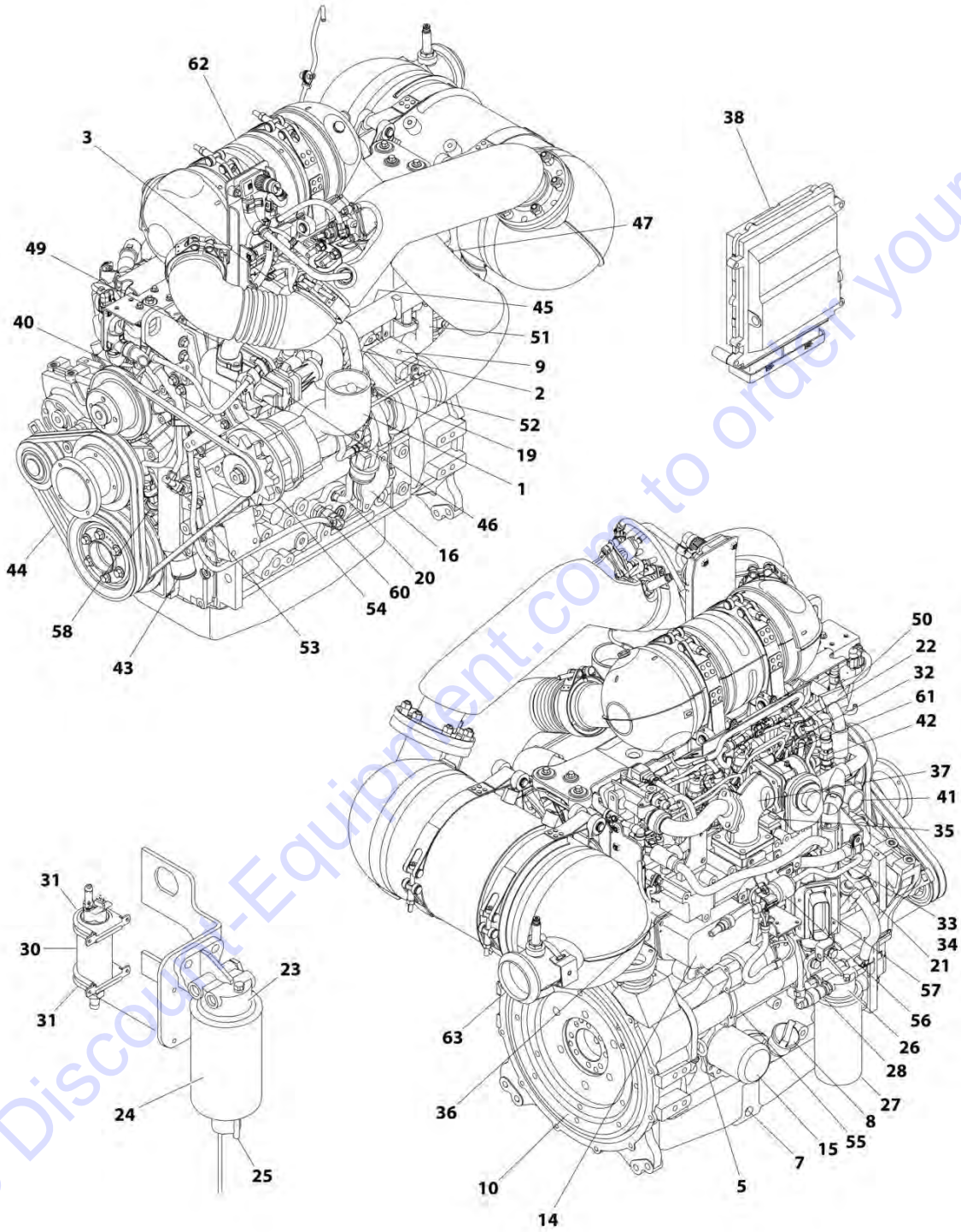
## SECTION 3 - ENGINE

ITEM	PART NUMBER	QTY	DESCRIPTION	REV
96	1001151749	1	Tray	
97	1001152489	1	Fitting, 90 Barbed	
98	1001154405	8.5 in /21cm	Hose	
99	1001155023	1	Plate	
100	1001155496	1	Support	
101	1001160518	1	Support	
102	1001155498	1	Plate	
103	1001155525	1	Support	
104	1001155540	2	Washer	
105	1001157862	1	Bracket	
106	1001155550	1	Plate	
107	1001155557	2	Plate	
108	1001155563	1	Seal	
109	1001155564	1	Bracket	
110	1001155565	1	Seal	
111	1001155566	1	Bracket	
112	1001155567	1	Pipe, Exhaust	
113	1001156034	1	Seal	
114	1001156035	1	Bracket	
115	1001156062	1	Bracket	
116	1001156091	1	Hose	
117	1001156112	1	Tube	
118	1001156644	2	Seal	
119	1001155728	1	Seal	
120	4060807	22 in /55cm	Flex-Trim	
121	0100081	AR	Adhesive	
122	0711218	4	Bolt M12 x 50 Grade 10.9	
123	1320022	4	Clamp	
124	1001170982	1	Fitting, 90 SAE/Barbed	
125	0760812	3	Bolt M8 x 25	
126	8406110	2	Clip	
127	1703162	2	Decal - Fan Blade	



# SECTION 3 - ENGINE

## FIGURE 3-25. DEUTZ EU FLEX T4I ENGINE COMPONENTS



ART\_1001187767

## SECTION 3 - ENGINE

### FIGURE 3-25. DEUTZ EU FLEX T4I ENGINE COMPONENTS

ITEM	PART NUMBER	QTY	DESCRIPTION	REV
	1001187767	Ref	DEUTZ EU FLEX T4I ENGINE COMPONENTS	B
1	70024497	1	Pipe, Intake	
1	70025680	1	Clamp	
2	70025111	1	Clamp	
2	70025128	1	Bolt	
2	70025116	1	Clamp	
2	See Note	NSS	Line, Breather (Includes Item 3) (Note: Not Available for Purchase)	
3	70025119	1	Sleeve, Rubber	
3	7002511	1	Clamp	
4	70002718	1	Seal, Rear Main (Not Shown)	
5	70025745	1	Dipstick	
5	7020442	1	O-Seal	
5	70025755	1	Tube, Dipstick	
6	70025123	24	Screw, Oil Pan (Not Shown)	
7	70025088	1	Plug	
8	7020465	1	Cap	
8	70005487	1	Tube, Fill	
8	70024471	1	Gasket (Tube to Engine Block)	
9	70025786	1	Plug	
10	70001870	1	Flywheel	
10	7024579	1	Gear, Rim	
11	70024483	1	Gasket, Head (Not Shown)	
11	70024481	1	Gasket, Valve Cover (Not Shown)	
12	7020465	1	Cap, Fill (Not Shown - Located on top of Valve Cover)	
13	70025763	1	Pump, Oil (Not Shown)	
13	70025718	4	O-Ring (Not Shown)	
14	70024494	1	Cooler, Oil	
14	70024495	1	Gasket	
15	7016331	1	Filter, Oil	
15	70025137	1	Bushing, Screw	
16	70025731	1	Cover	
16	70002813	1	Seal	
17	70025730	1	Pipe, Transfer (Not Shown - Located in Oil Pan)	
18	70025722	1	Line, Oil Suction (Not Shown - Located in Oil Pan)	
19	70024489	1	Line, Lube	
19	70025085	2	Screw	
19	70025105	4	Ring, Sealing	
20	See Note	NSS	Line, Lube Return (Note: Not Available for Purchase)	
20	70025132	1	O-Seal	
20	70025234	1	Flange, Upper	
20	70024509	1	Gasket, Upper Flange	
21	70024487	1	Pump, High Pressure	
21	70025152	1	O-Ring	
21	70004505	1	Valve, Overflow	
21	70004506	1	O-Ring	
21	70004507	1	O-Ring	
21	70004508	1	Valve, Volume Control	
21	70004509	1	O-Ring	
21	70004510	1	Gasket	
21	See Note	NSS	O-Seal (Between Pump and Block) (Note: Not Available for	



## SECTION 3 - ENGINE

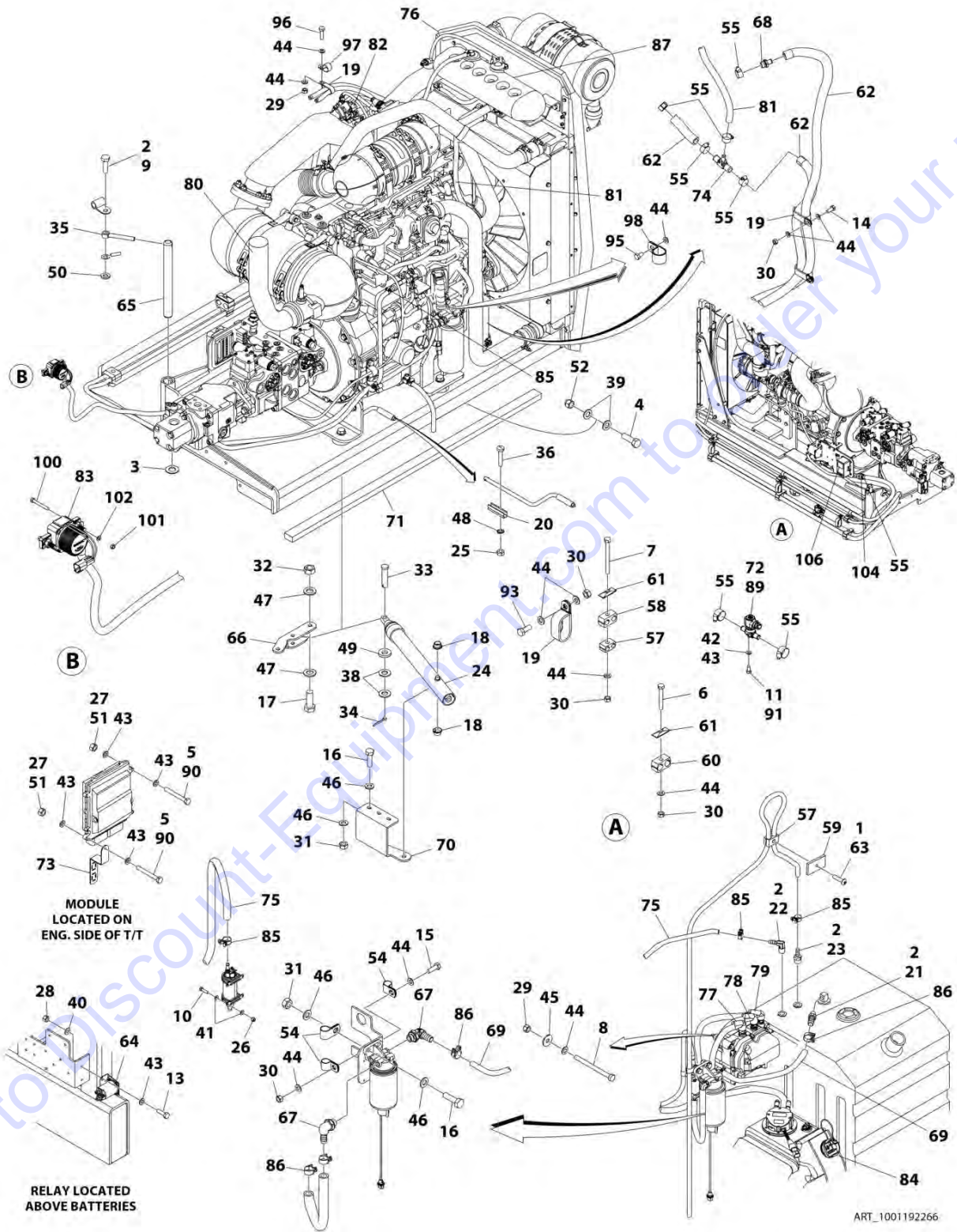
ITEM	PART NUMBER	QTY	DESCRIPTION	REV
			Purchase)	
21	70025729	1	Gear (Not Shown)	
22	70024485	4	Injector, Fuel	
22	70025140	4	Washer, Sealing	
22	70025146	4	Clamp	
22	70025145	4	O-Seal	
22	70025154	4	Shoe, Clamping	
23	70024961	1	Head and Filter Assembly (Includes Item 24 & 25)	
24	70025153	NLA	Filter (Use p/n 1001225430)	
25	70024513	1	Sensor with Cable	
25	70025239	1	Ring, Sealing	
26	70004511	1	Head and Filter Assembly	
27	70004512	NLA	Filter (Use p/n 1001225430)	
28	70024504	1	Sensor, Pressure	
28	70024920	1	O-Seal	
29	See Note	NSS	Connector (Note: Not Available for Purchase)	
29	70004513	1	Ring, Sealing	
30	1001226098	1	Pump, Fuel Supply	
31	70025144	2	Clamp	
32	70025151	1	Rail, Fuel	
32	70025235	1	Kit, Repair - Fuel Rail	
32	70025240	1	O-Ring	
32	70025534	1	Pipe, Pressure Pump to Fuel Rail	
32	70024498	1	Pipe, Fuel Rail to Cylinders 1 & 2	
32	70024499	1	Pipe, Fuel Rail to Cylinders 3 & 4	
33	70024501	1	Line, Fuel	
33	70025109	3	Clamp, Band	
33	70025686	3	Clamp, Pipe	
34	See Note	NSS	Pipe, Fuel Leakage (Note: Not Available for Purchase)	
34	70025686	2	Retainer for Fuel Leakage Pipe	
35	70024921	1	Sensor, Pressure	
35	70025120	1	O-Seal	
36	70025721	1	Manifold, Air Charge	
36	70025726	1	Gasket (Manifold to Head)	
36	70025675	1	Clamp, Band	
36	70025681	1	Clamp, Band	
36	70025748	1	Pipe, Air Charge	
37	70025772	1	Pipe, Air Charge	
37	70024475	1	Gasket (Intake Pipe)	
38	70025210	1	Module, Engine Control	
40	70005496	1	Pump, Water	
40	70005497	1	Seal (RH Side Pump to Item 43)	
40	70004516	2	Ring, Sealing (For Smaller Plug)	
41	70025741	1	Housing, Thermostat	
41	7016309	1	Ring, Sealing (For Bottom Plug)	
41	70024493	1	Gasket (Housing to Head)	
42	70024918	1	Sender, Temperature	
43	70025762	1	Manifold, Coolant	
43	70025747	1	Manifold	
43	70025111	4	Clamp, Band	
43	70025750	1	Line, Cooling Water	

## SECTION 3 - ENGINE

ITEM	PART NUMBER	QTY	DESCRIPTION	REV
43	70025699	1	Clamp, Pipe	
43	70025749	1	Hose	
44	70004517	1	V-Belt	
44	See Note	NSS	Tensioner, Pulley (Note: Not Available for Purchase)	
45	70025723	1	EGR Manifold Assembly	
46	70005189	1	Seal	
47	70025768	1	Valve, Shuttle	
48	70005511	1	Gasket, Exhaust Manifold to Head (Not Shown)	
49	70005500	1	Tube, Compensator	
49	70024500	2	Gasket	
50	70024496	1	Line, Water	
50	70024478	1	Gasket (Water Line to EGR Valve)	
50	70025701	1	Sleeve, Rubber	
50	70025687	2	Clamp (For Sleeve)	
50	70025699	1	Clamp, Insulated	
51	70024479	1	Hose	
51	70025687	1	Clamp (Lower)	
51	70025773	1	Clamp (Upper)	
51	70005499	1	Fitting (at Lower End of Hose)	
51	70024469	1	O-Seal (For Fitting)	
52	70004518	1	Turbocharger	
52	70024480	1	Gasket	
53	70004519	1	V-Belt	
54	70025533	1	Generator	
54	70025149	1	Controller	
54	70025131	1	Fan	
54	70025141	1	Nut, Pulley	
55	70004520	1	Starter	
56	70025780	1	Relay	
57	70005564	1	Harness, Engine	
58	70026210	1	Tacho-Generator	
58	70005191	1	O-Ring	
60	70024504	1	Switch, Pressure	
60	70024920	1	O-Seal	
61	70024474	4	Plug, Glow	
62	70025245	1	Bracket	
63	70025246	1	Outlet	

# SECTION 3 - ENGINE

FIGURE 3-26. DEUTZ T4F ENGINE INSTALLATION - NO COLD WEATHER PKG (Prior to SN 0300255121)



## SECTION 3 - ENGINE

**FIGURE 3-26. DEUTZ T4F ENGINE INSTALLATION - NO COLD WEATHER PKG (Prior to SN 0300255121)**

ITEM	PART NUMBER	QTY	DESCRIPTION	REV
	1001192266	Ref	DEUTZ T4F ENGINE INSTALLATION - NO COLD WEATHER PKG	G
1	0100011	AR	Compound, Locking	
2	0100020	AR	Sealant	
3	0440162	1	Bearing, Thrust	
4	0642220	1	Bolt 3/4-10 x 2-1/2	
5	0700618	4	Bolt M6 x 50 <b>(Prior to SN 0300214298)</b>	
6	0700820	3	Bolt M8 x 60	
7	0700826	3	Bolt M8 x 90	
8	0700827	3	Bolt M8 x 100	
9	0711015	1	Bolt M10 x 35 Grade 10.9	
10	0760408	4	Bolt M4 x 16	
11	0760505	2	Bolt M5 x 10 <b>(Prior to SN 0300214298)</b>	
12	0760608	AR	Bolt M6 x 16	
13	0760610	2	Bolt M6 x 20 <b>(Prior to SN 0300224866)</b>	
14	0760810	2	Bolt M8 x 20	
15	0760812	1	Bolt M8 x 25	
16	0761015	5	Bolt M10 x 35	
17	0771416	2	Bolt M14 x 40 Grade 10.9	
18	0962051	2	Bearing, Flange	
19	1321716	AR	Clamp	
20	1380147	1	Clip	
21	2180832	1	Fitting, Straight NPT/Barbed	
22	2220313	1	Fitting, 90 NPT/Barbed	
23	2221114	1	Fitting, Straight NPT/Barbed	
24	2840016	1	Jack with Handle	
24	7016374	1	Handle (Burr Manufacturing Brand)	
24	7024598	1	Handle (Hammerblow Corp Brand)	
24	7016322	1	Wiper (Burr Manufacturing Brand Only)	
25	3290301	2	Nut M3	
26	3290405	4	Nut M4	
27	3290605	AR	Nut M6 x 1	
28	3290607	2	Nut M6 <b>(Prior to SN 0300224866)</b>	
29	3290805	5	Nut M8 X 1.25	
30	3290807	AR	Nut M8	
31	3291007	5	Nut M10	
32	3331411	2	Nut M14	
33	3430816	1	Pin	
34	3450404	1	Pin, Cotter 1/8 x 1	
35	3841143	1	Keeper	
36	4010308	2	Screw M3 x16	
37	4240099	AR	Tie-Strap (Not Shown)	
38	4711800	2	Washer 1/2	
39	4712200	2	Washer 3/4	
40	4791400	2	Washer 1/4 <b>(Prior to SN 0300224866)</b>	
41	4811400	8	Washer M4	
42	4811600	2	Washer M5 <b>(Prior to SN 0300214298)</b>	
43	4811700	AR	Washer M6	
44	4811900	AR	Washer M8	
45	4811902	3	Washer M8	

## SECTION 3 - ENGINE

ITEM	PART NUMBER	QTY	DESCRIPTION	REV
46	4812000	10	Washer M10	
47	4812200	4	Washer M14	
48	4871200	2	Washer M3	
49	4891800	1	Washer 1/2	
50	5241000	1	Washer M10	
51	8305919	4	Nut M6 (Prior to SN 0300214298)	
52	8310067	1	Nut 3/4-10	
53	0700812	1	Bolt M8 x 25 (Not Shown) (SN 0300214298 through 0300255120)	
54	8406101	3	Clip	
55	8410009	AR	Clamp	
57	8750014	4	Clamp	
58	8750027	3	Clamp	
59	8750031	1	Plate	
60	8769127	3	Clamp	
61	77133137	6	Cover	
62	82033995	40 ft /12.2m	Hose	
63	1001101580	1	Screw M8 x 30	
64	1001117308	1	Relay (Prior to SN 0300224866)	
65	1001135196	1	Pin	
66	1001135497	1	Support	
67	1001142501	2	Fitting, 90 NPT/Barbed	
68	1001154262	2	Fitting, Adaptor	
69	1001154405	5 ft /1.5m	Hose	
70	1001155939	1	Plate	
71	1001156719	1	Seal	
72	1001157738	1	Valve, Coolant Control (Prior to SN 0300214298)	
73	1001159162	1	Bracket, Support	
74	1001162212	2	Fitting, Tee	
75	1001165035	40 ft /12.2m	Hose (Prior to SN 0300217700)	
75	1001165035	34.4 ft /10.5m	Hose (SN 0300217700 through 0300255120)	
76	1001186580	1	Deutz T4F Engine/Pump Assembly (See DEUTZ T4F ENGINE/PUMP ASSEMBLY – NO COLD WEATHER PKG for Breakdown)	
77	1001187516	1	Hose, Suction	
78	1001187517	1	Hose, Backflow	
79	1001187518	1	Hose, Pressure	
80	1001190475	1	Pipe, Exhaust	
81	1001193980	1	Hose, Coolant	
82	1001193981	1	Hose, Coolant (Prior to SN 0300214298)	
82	1001212825	1	Hose, Coolant (SN 0300214298 through 0300255120)	
83	1001216021	1	150 Amp Isolator	
84	1001162986	6 gal /22.7L	Diesel Exhaust Fluid	
85	1001136975	5	Clamp	
86	1001175568	4	Clip	
87	1001103452	AR	Coolant	
88	1001155823	1	Coupling (SN 0300214298 through 0300255120)	
89	1001199670	1	Valve, Tank Coolant (SN 0300214298 through 0300255120)	
90	0760613	4	Bolt M6 x 28	
91	0760606	4	Bolt M6 x 12	

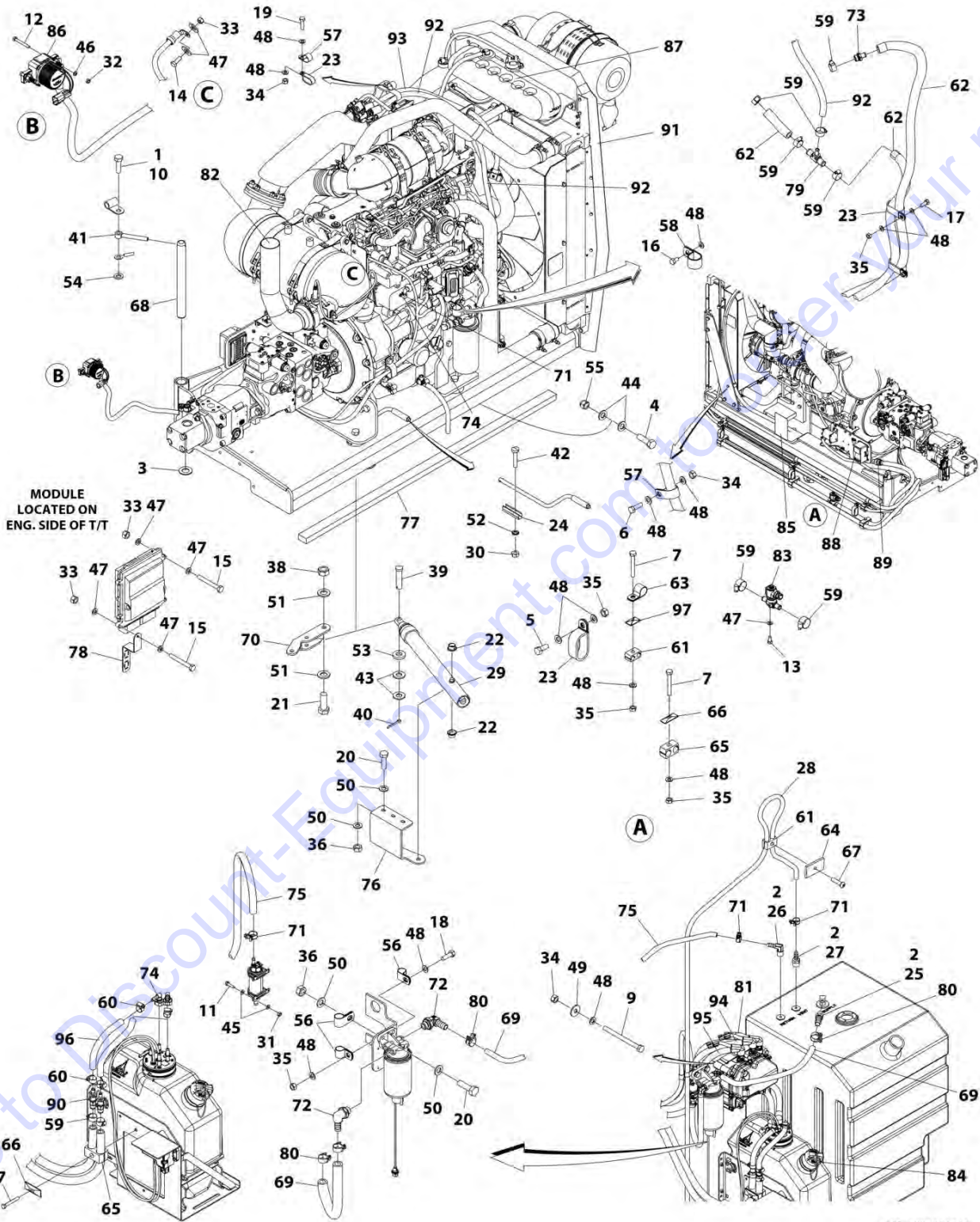
## SECTION 3 - ENGINE

ITEM	PART NUMBER	QTY	DESCRIPTION	REV
93	0700810	3	Bolt M8 x 20	
95	0760807	1	Bolt M8 x 14	
96	0760814	1	Bolt M8 x 30	
97	8406201	AR	Clip (SN 0300214298 through 0300255120)	
98	8406303	1	Clip (SN 0300217700 through 0300255120)	
99	2750532	6.9 ft /2.1m	Hose (Not Shown) (SN 0300217700 through 0300255120)	
100	0760516	2	Bolt M5 x 40	
101	3290501	2	Nut M5	
102	4811600	2	Washer M5	
104	1001228872	1	Filter	
105	1001212056	1	Decal - Engine Fuse Box (Not Shown – Located on Turntable)	
106	1001224046	1	Decal - Engine Fuse Box Cover	

Go to Discount-Equipment.com to order your parts

# SECTION 3 - ENGINE

## FIGURE 3-27. DEUTZ T4F ENGINE INSTALLATION - NO COLD WEATHER PKG (SN 0300255121 to Present)



ART\_1001242374

## SECTION 3 - ENGINE

**FIGURE 3-27. DEUTZ T4F ENGINE INSTALLATION - NO COLD WEATHER PKG (SN 0300255121 to Present)**

ITEM	PART NUMBER	QTY	DESCRIPTION	REV
	1001242374	Ref	DEUTZ T4F ENGINE INSTALLATION - NO COLD WEATHER PKG	B
1	0100011	AR	Compound, Locking	
2	0100020	AR	Sealant	
3	0440162	1	Bearing, Thrust	
4	0642220	1	Bolt 3/4-10 x 2-1/2	
5	0700810	3	Bolt M8 x 20	
6	0700812	1	Bolt M8 x 25	
7	0700820	7	Bolt M8 x 60	
9	0700827	3	Bolt M8 x 100	
10	0711015	1	Bolt M10 x 35 Grade 10.9	
11	0760408	4	Bolt M4 x 16	
12	0760516	2	Bolt M5 x 40	
13	0760606	4	Bolt M6 x 12	
14	0760608	1	Bolt M6 x 16	
15	0760613	4	Bolt M6 x 28	
16	0760807	1	Bolt M8 x 14	
17	0760810	2	Bolt M8 x 20	
18	0760812	1	Bolt M8 x 25	
19	0760814	1	Bolt M8 x 30	
20	0761015	5	Bolt M10 x 35	
21	0771416	2	Bolt M14 x 40 Grade 10.9	
22	0962051	2	Bearing, Flange	
23	1321716	6	Clamp	
24	1380147	1	Clip	
25	2180832	1	Fitting, Straight NPT/Barbed	
26	2220313	1	Fitting, 90 NPT/Barbed	
27	2221114	1	Fitting, Straight NPT/Barbed	
28	2750532	6.9 ft/ 2.1m	Hose	
29	2840016	1	Jack with Handle	
29	7016374	1	Handle (Burr Manufacturing Brand)	
29	7024598	1	Handle (Hammerblow Corp Brand)	
29	7016322	1	Wiper (Burr Manufacturing Brand Only)	
30	3290301	2	Nut M3	
31	3290405	4	Nut M4	
32	3290501	2	Nut M5	
33	3290605	5	Nut M6 x 1	
34	3290805	6	Nut M8 X 1.25	
35	3290807	12	Nut M8	
36	3291007	5	Nut M10	
37	4240099	AR	Tie-Strap (Not Shown)	
38	3331411	2	Nut M14	
39	3430816	1	Pin	
40	3450404	1	Pin, Cotter 1/8 x 1	
41	3841143	1	Keeper	
42	4010308	2	Screw M3 x16	
43	4711800	2	Washer 1/2	
44	4712200	2	Washer 3/4	
45	4811400	8	Washer M4	



## SECTION 3 - ENGINE

ITEM	PART NUMBER	QTY	DESCRIPTION	REV
46	4811600	2	Washer M5	
47	4811700	14	Washer M6	
48	4811900	30	Washer M8	
49	4811902	3	Washer M8	
50	4812000	10	Washer M10	
51	4812200	4	Washer M14	
52	4871200	2	Washer M3	
53	4891800	1	Washer 1/2	
54	5241000	1	Washer M10	
55	8310067	1	Nut 3/4-10	
56	8406101	3	Clip	
57	8406201	2	Clip	
58	8406303	1	Clip	
59	8410009	14	Clamp	
60	8410013	4	Clamp	
61	8750014	4	Clamp	
62	82033995	41 ft/ 12.5m	Hose	
63	8406102	3	Clip	
64	8750031	1	Plate	
65	8769127	4	Clamp	
66	77133137	4	Cover	
67	1001101580	1	Screw M8 x 30	
68	1001135196	1	Pin	
69	1001154405	5 ft/ 1.5m	Hose	
70	1001135497	1	Support	
71	1001136975	5	Clamp	
72	1001142501	2	Fitting, 90 NPT/Barbed	
73	1001154262	2	Fitting, Adaptor	
74	1001155823	3	Coupling	
75	1001165035	34.5 ft/ 10.5m	Hose	
76	1001155939	1	Plate	
77	1001156719	1	Seal	
78	1001159162	1	Bracket, Support	
79	1001162212	2	Fitting, Tee	
80	1001186342	4	Clip	
81	1001213643	1	Hose, Pressure	
82	1001190475	1	Pipe, Exhaust	
83	1001199670	1	Valve, Tank Coolant	
84	1001162986	6 gl/ 22.7L	Diesel Exhaust Fluid	
85	1001212056	1	Decal - Engine Fuse Box	
86	1001216021	1	Relay	
87	1001103452	AR	Coolant	
88	1001224046	1	Decal - Engine Fuse Box Cover	
89	1001228872	1	Filter, Coolant Screen	
90	1001238470	1	Adapter	
91	1001242379	1	Deutz T4F Engine Assembly (See DEUTZ T4F ENGINE ASSEMBLY - NO COLD WEATHER PKG for Breakdown)	
92	1001193980	1	Hose, Coolant	
93	1001212825	1	Hose, Coolant	
94	1001238401	1	Hose, Backflow	

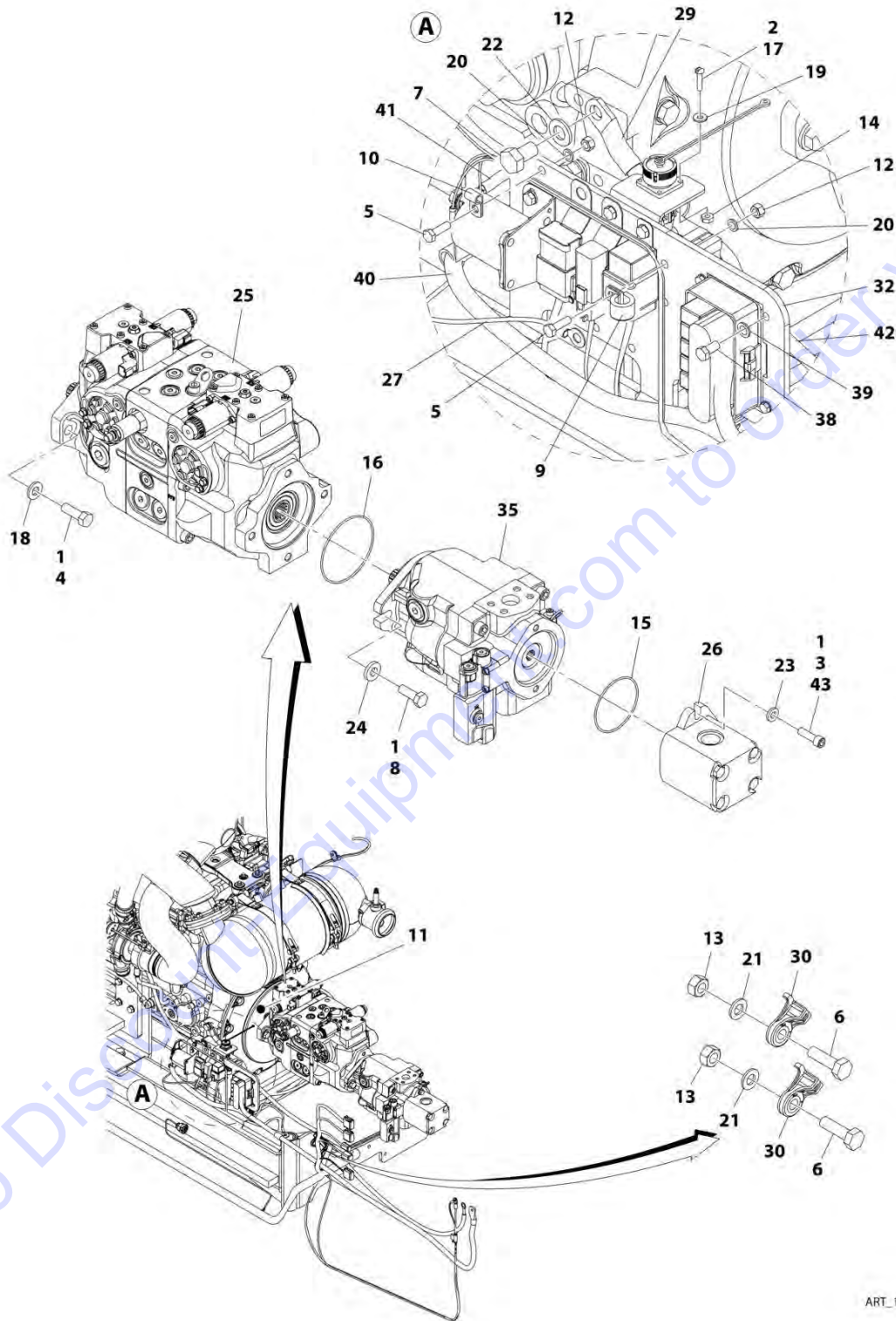
## SECTION 3 - ENGINE

ITEM	PART NUMBER	QTY	DESCRIPTION	REV
95	1001238402	1	Hose, Suction	
96	1001181625	2 ft/ 0.61m	Hose	
97	8769123	3	Cover	

Go to Discount-Equipment.com to order your parts

# SECTION 3 - ENGINE

FIGURE 3-28. DEUTZ T4F ENGINE/PUMP ASSEMBLY - NO COLD WEATHER PKG (Prior to SN 0300255121)



ART\_1001186580

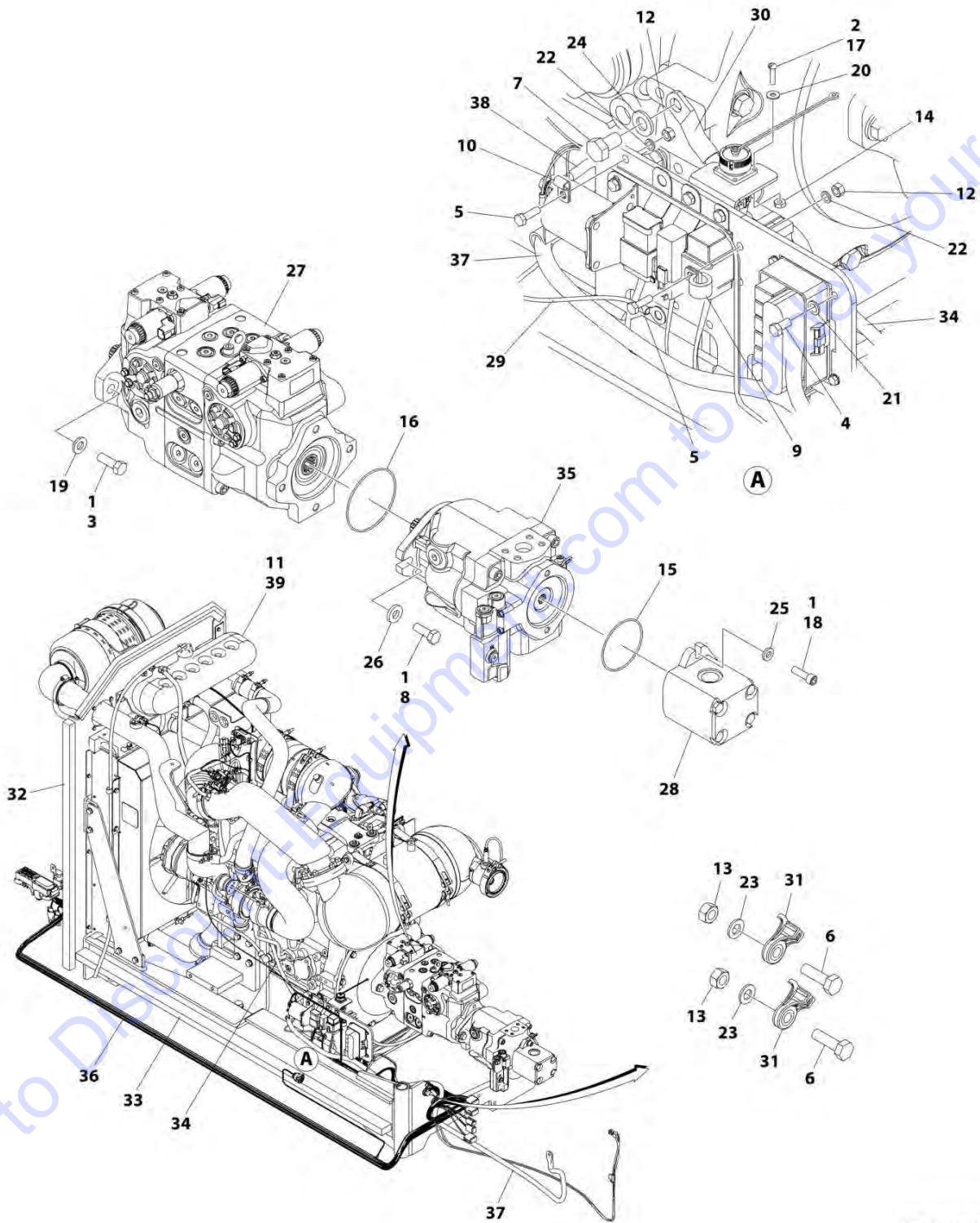
## SECTION 3 - ENGINE

**FIGURE 3-28. DEUTZ T4F ENGINE/PUMP ASSEMBLY - NO COLD WEATHER PKG (Prior to SN 0300255121)**

ITEM	PART NUMBER	QTY	DESCRIPTION	REV
	1001186580	Ref	DEUTZ T4F ENGINE/PUMP ASSEMBLY - NO COLD WEATHER PKG	F
1	0100011	AR	Compound, Locking	
2	0100035	AR	Compound, Locking	
3	0641608	2	Bolt 3/8-18 x 1 <b>(Prior to SN 0300214298)</b>	
4	0841812	2	Bolt 1/2-13 x 1-1/2	
5	0760610	2	Bolt M6 x 20	
6	0761015	2	Bolt M10 x 35	
7	0761210	1	Bolt M12 x 20	
8	0761215	2	Bolt M12 x 35	
9	1320041	1	Clamp	
10	1320136	1	Clamp	
11	3020037	AR	Lubricant	
12	3290607	2	Nut M6	
13	3291007	2	Nut M10	
14	3310401	3	Nut #4-40NC	
15	3790152	1	O-Ring	
16	3790155	1	O-Ring	
17	3910408	3	Screw #4 x 1/2	
18	4740171	2	Washer,	
19	4750400	3	Washer #4	
20	4811700	2	Washer M6	
21	4812000	2	Washer M10	
22	4812100	1	Washer M12	
23	4891600	2	Washer 3/8	
24	4891800	2	Washer 1/2	
25	1001108616	1	Tandem Pump Assembly (See TANDEM PUMP ASSEMBLY for Breakdown)	
26	1001112927	1	Gear Pump Assembly (See GEAR PUMP ASSEMBLY for Breakdown)	
27	1001141304	1	Wire, Glow Plug Fuse	
29	1001154143	1	Cable, Battery (Negative)	
30	1001156107	2	Holder, Cable	
31	1001156718	1	Seal (Not Shown - Located on Side of Radiator Mounting Plate)	
32	1001156719	1	Seal	
35	1001169892	1	Piston Pump Assembly (See PISTON PUMP ASSEMBLY for Breakdown)	
37	1001188922	1	Harness, Engine (Not Shown - See ELECTRICAL SECTION for Breakdown)	
38	0760508	4	Bolt M5 x 16	
39	4811600	4	Washer M5	
40	1001197443	1	Cable, Battery (Positive)	
41	1001197445	1	Wire, Glow Plug	
42	1001157073	1	Cable, Alternator Power	
43	3931620	2	Capscrew 3/8 x 1-1/4 <b>(SN 0300214298 through 0300255120)</b>	

# SECTION 3 - ENGINE

FIGURE 3-29. DEUTZ T4F ENGINE/PUMP ASSEMBLY - NO COLD WEATHER PKG (SN 0300255121 to Present)



ART\_1001242379

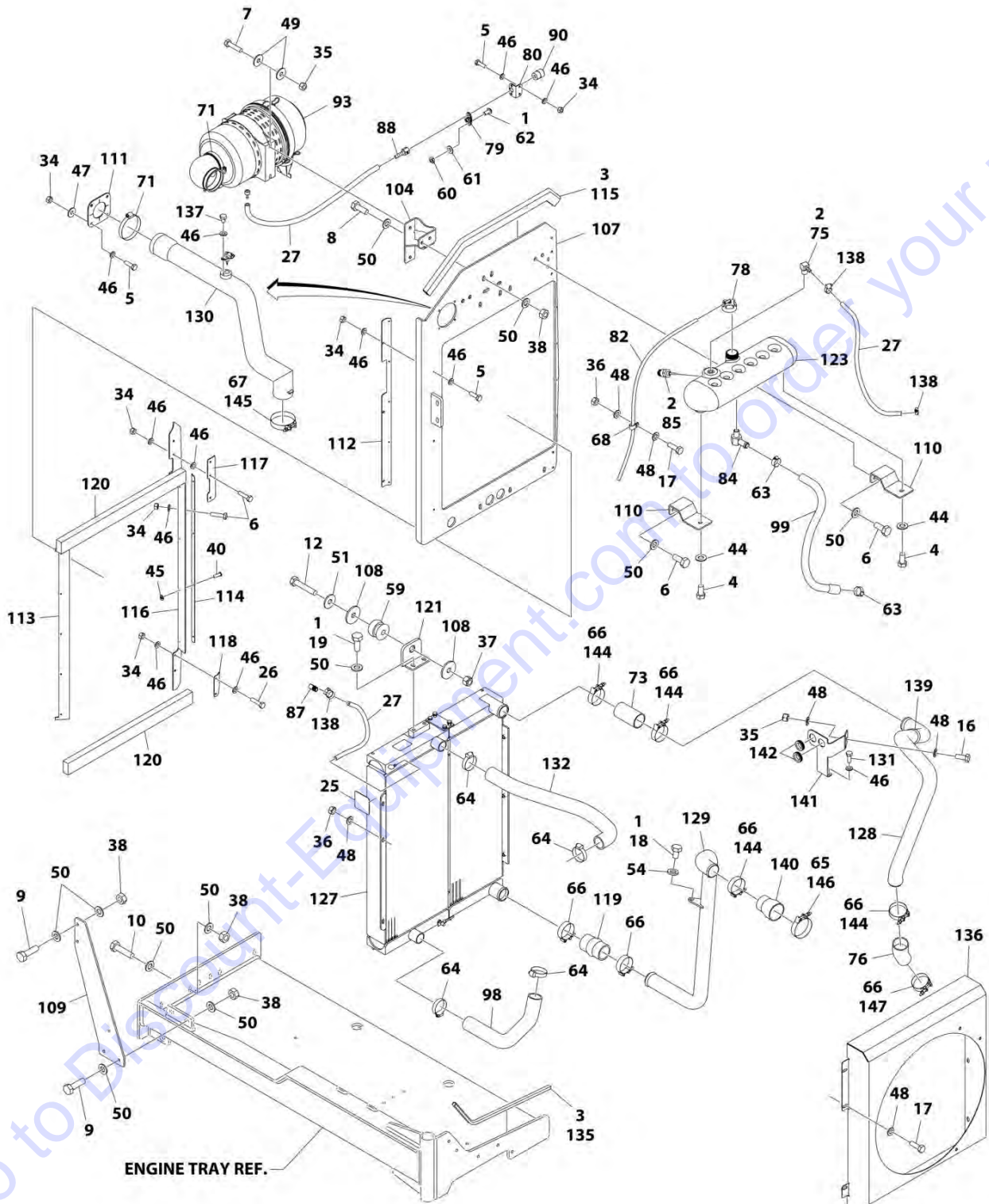
## SECTION 3 - ENGINE

**FIGURE 3-29. DEUTZ T4F ENGINE/PUMP ASSEMBLY - NO COLD WEATHER PKG (SN 0300255121 to Present)**

ITEM	PART NUMBER	QTY	DESCRIPTION	REV
	1001242379	Ref	DEUTZ T4F ENGINE/PUMP ASSEMBLY - NO COLD WEATHER PKG	A
1	0100011	AR	Compound, Locking	
2	0100035	AR	Compound, Locking	
3	0841812	2	Bolt 1/2-13 x 1-1/2	
4	0760508	4	Bolt M5 x 16	
5	0760610	2	Bolt M6 x 20	
6	0761015	2	Bolt M10 x 35	
7	0761210	1	Bolt M12 x 20	
8	0761215	2	Bolt M12 x 35	
9	1320041	1	Clamp	
10	1320136	1	Clamp	
11	3020037	AR	Lubricant	
12	3290607	2	Nut M6	
13	3291007	2	Nut M10	
14	3310401	3	Nut #4-40NC	
15	3790152	1	O-Ring	
16	3790155	1	O-Ring	
17	3910408	3	Screw #4 x 1/2	
18	3931620	2	Capscrew 3/8 x 1-1/4	
19	4740171	2	Washer	
20	4750400	3	Washer #4	
21	4811600	4	Washer M5	
22	4811700	2	Washer M6	
23	4812000	2	Washer M10	
24	4812100	1	Washer M12	
25	4891600	2	Washer 3/8	
26	4891800	2	Washer 1/2	
27	1001108616	1	Tandem Pump Assembly (See TANDEM PUMP ASSEMBLY for Breakdown)	
28	1001112927	1	Gear Pump Assembly (See GEAR PUMP ASSEMBLY for Breakdown)	
29	1001141304	1	Wire, Glow Plug Fuse	
30	1001154143	1	Cable, Battery (Negative)	
31	1001156107	2	Holder, Cable	
32	1001156718	1	Seal (Not Shown - Located on Side of Radiator Mounting Plate)	
33	1001156719	1	Seal	
34	1001157073	1	Cable, Alternator Power	
35	1001169892	1	Piston Pump Assembly (See PISTON PUMP ASSEMBLY for Breakdown)	
36	1001188922	1	Harness, Engine (Not Shown - See ELECTRICAL SECTION for Breakdown)	
37	1001197443	1	Cable, Battery (Positive)	
38	1001197445	1	Wire, Glow Plug	
39	1001242378	1	Deutz T4F Engine Assembly (See DEUTZ T4F ENGINE ASSEMBLY - NO COLD WEATHER PKG for Breakdown)	

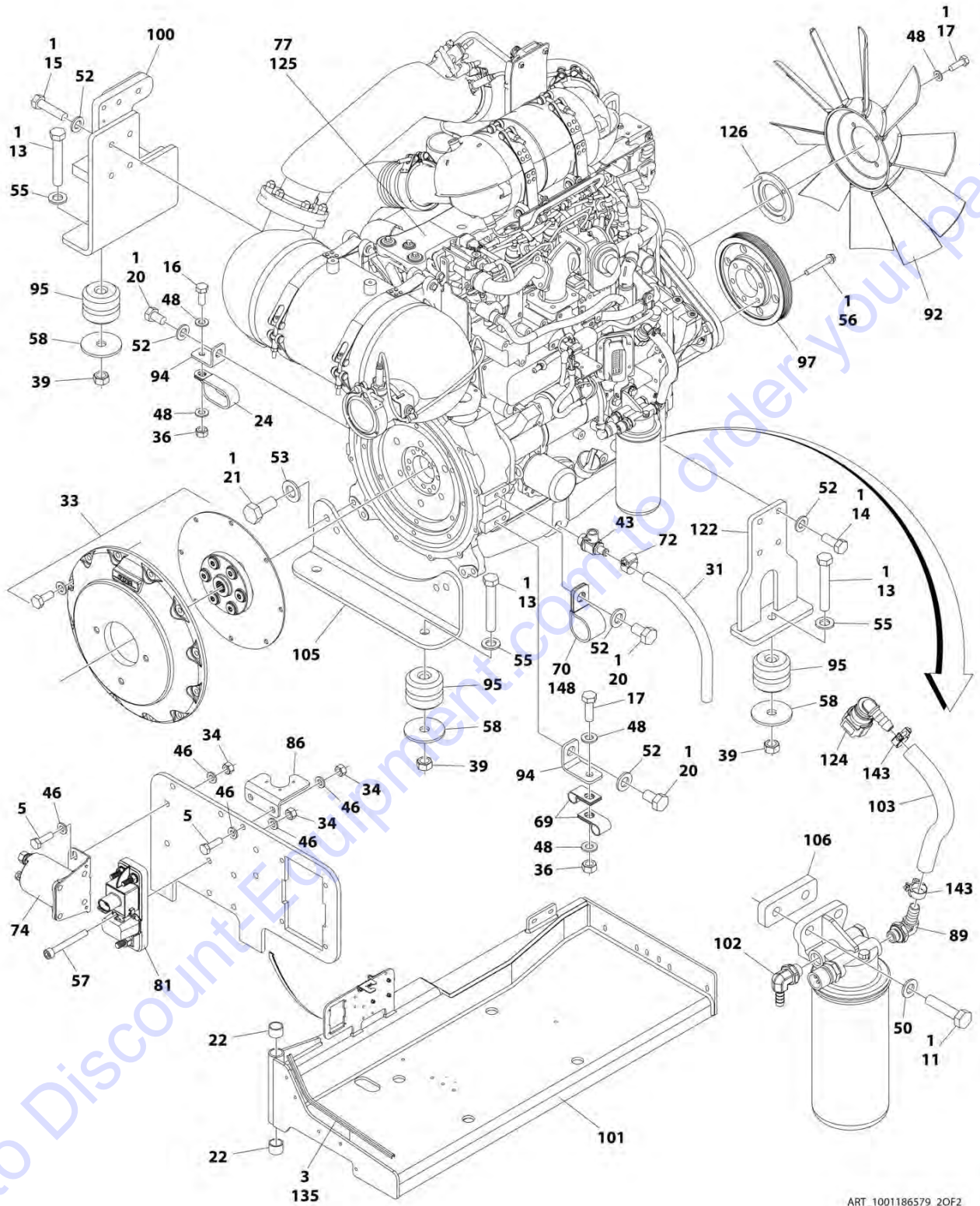
# SECTION 3 - ENGINE

FIGURE 3-30. DEUTZ T4F ENGINE ASSEMBLY - NO COLD WEATHER PKG (Prior to SN 0300255121)



ART\_1001186579\_10F2

# SECTION 3 - ENGINE



ART\_1001186579\_20F2



## SECTION 3 - ENGINE

FIGURE 3-30. DEUTZ T4F ENGINE ASSEMBLY - NO COLD WEATHER PKG (Prior to SN 0300255121)

ITEM	PART NUMBER	QTY	DESCRIPTION	REV
	1001186579	Ref	DEUTZ T4F ENGINE ASSEMBLY - NO COLD WEATHER PKG	K
1	0100011	AR	Compound, Locking	
2	0100020	AR	Sealant	
3	0100081	AR	Adhesive	
4	0641606	2	Bolt 3/8-18 x 3/4	
5	0700610	13	Bolt M6 x 20	
6	0700612	7	Bolt M6 x 25	
7	0700815	2	Bolt M8 x 35	
8	0701013	2	Bolt M10 x 28	
9	0701015	6	Bolt M10 x 35	
10	0701016	2	Bolt M10 x 40	
11	0701017	2	Bolt M10 x 45	
12	0701019	1	Bolt M10 x 55	
13	0701627	4	Bolt M16 x 100	
14	0711214	4	Bolt M12 x 30 Grade 10.9	
15	0711218	4	Bolt M12 x 50 Grade 10.9	
16	0760810	6	Bolt M8 x 20	
17	0760812	7	Bolt M8 x 25	
18	0761008	1	Bolt M10 x 16	
19	0761012	6	Bolt M10 x 25	
20	0761210	3	Bolt M12 x 20	
21	0771414	4	Bolt M14 x 30 Grade 10.9	
21	0771415	4	Bolt M14 x 35 Grade 10.9	
22	0961951	2	Bushing	
24	1321716	1	Clamp	
25	1703162	2	Decal - Fan Blade	
26	0700612	2	Bolt M6 x 25	
26	0760614	2	Bolt M6 x 30	
27	2720015	5 ft/1.5m	Hose	
31	2720340	1 ft/30.5m	Hose (Prior to SN 0300242692)	
31	1001165035	1 ft/30.5m	Hose (SN 0300242692 through 0300255120)	
33	2902065	1	Pump Coupling Kit (See PUMP COUPLING KIT for Breakdown)	
34	3290607	22	Nut M6	
35	3290805	3	Nut M8	
36	3290807	5	Nut M8	
37	3291005	1	Nut M10	
38	3291007	10	Nut M10	
39	3291601	4	Nut M16	
40	3820032	9	Rivet	
42	4240099	AR	Tie-Strap (Not Shown)	
43	4640751	1	Valve, Oil Drain	
44	4711600	2	Washer 3/8	
45	4811600	4	Washer M5	
46	4811700	43	Washer M6	
47	4811702	4	Washer M6	
48	4811900	19	Washer M8	
49	4811902	4	Washer M8	
50	4812000	30	Washer M10	
51	4812002	1	Washer M10	
52	4812100	11	Washer M12	

## SECTION 3 - ENGINE

ITEM	PART NUMBER	QTY	DESCRIPTION	REV
53	4812200	4	Washer M14	
54	5241000	1	Washer M10	
55	5241600	4	Washer M16	
56	5251022	6	Bolt M10 x 70	
57	5271614	1	Capscrew M16 x 50	
58	7300435	4	Washer	
59	8278020	1	Mount	
60	8305401	2	Nut 1/4	
61	8307109	2	Washer 1/4	
62	8310548	2	Screw 1/4 x 1/2	
63	8405007	2	Clamp	
64	8405104	4	Clamp	
65	8405213	1	Clamp <b>(Prior to SN 0300213776)</b>	
66	8410012	AR	Clamp	
67	8405306	1	Clamp <b>(Prior to SN 0300213776)</b>	
68	8406109	2	Clip	
69	8406110	2	Clip	
70	8406303	1	Clip <b>(Prior to SN 0300214298)</b>	
71	8410011	2	Clamp	
72	8410013	1	Clamp	
73	91563070	1	Coupling, Rubber	
74	1001117308	1	Relay, 200Amp	
75	1001134488	1	Fitting, 90 NPT/Barbed	
76	1001135943	1	Coupling	
77	1001136079	9.5 qt/ 8.9L	Oil, Motor	
78	1001136834	1	Cap	
79	1001138173	1	Support	
80	1001138175	1	Bracket	
81	1001138228	1	Module, Relay <b>(Prior to SN 0300213776)</b>	
82	1001138248	5 ft/1.5m	Tubing	
84	1001138559	1	Fitting, 90 NPT	
85	1001138827	1	Sensor	
86	1001139240	1	Bracket	
87	1001140564	1	Fitting, 90 NPT/Barbed	
88	1001141995	1	Fitting, Straight NPT/Barbed	
89	1001142501	1	Fitting, 90 NPT/Barbed	
90	1001143390	1	Indicator, Air Restriction	
92	1001147567	1	Fan	
93	1001147847	1	Filter, Air	
93	70023809	1	Element	
93	70024328	1	Elbow, Rubber	
93	70024329	1	Clamp, Mounting	
94	1001148641	2	Bracket	
95	1001149517	4	Mount, Motor	
97	1001149746	1	Pulley	
98	1001150504	1	Hose	
99	1001150553	1	Hose	
100	1001151491	1	Support	
101	1001151749	1	Tray	
102	1001152489	1	Fitting, 90 Barbed	
103	1001154405	8.5 in/	Hose	

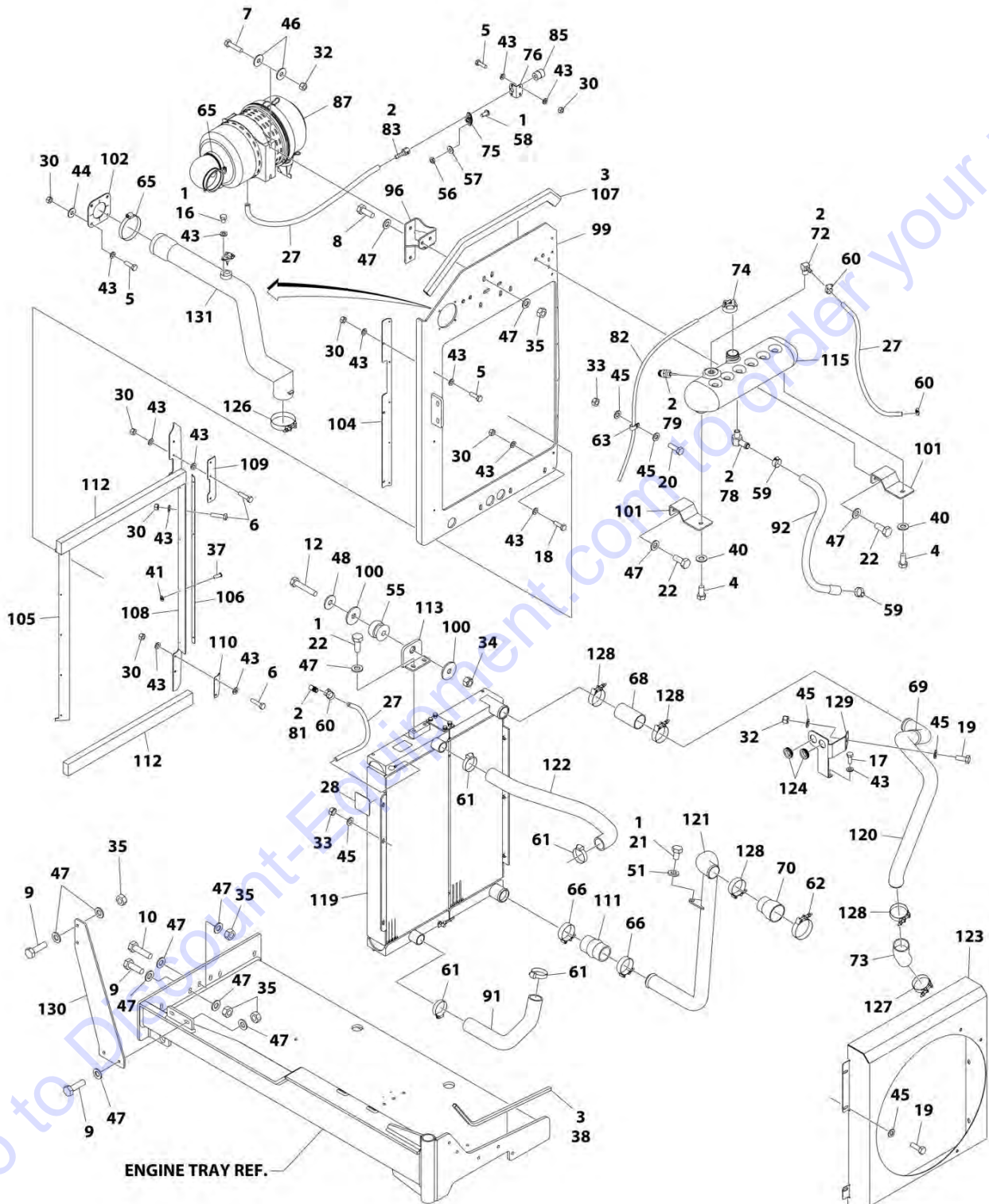
## SECTION 3 - ENGINE

ITEM	PART NUMBER	QTY	DESCRIPTION	REV
		21cm		
104	1001155023	1	Plate	
105	1001155496	1	Support	
106	1001155498	1	Plate	
107	1001155525	1	Support	
108	1001155540	2	Washer	
109	1001155550	1	Plate (Prior to SN 0300214298)	
109	1001212817	1	Plate (SN 0300214298 through 0300255120)	
110	1001155557	2	Plate	
111	1001155563	1	Seal	
112	1001155564	1	Bracket	
113	1001155565	1	Seal	
114	1001155566	1	Bracket	
115	1001155728	1	Seal	
116	1001156034	1	Seal	
117	1001156035	1	Bracket	
118	1001156062	1	Bracket	
119	1001156091	1	Hose	
120	1001156644	2	Seal	
121	1001157862	1	Bracket	
122	1001160518	1	Support	
123	1001166393	1	Tank	
124	1001170982	1	Fitting, 90 SAE/Barbed	
125	1001176371	1	Deutz T4F Engine (See DEUTZ T4F ENGINE COMPONENTS for Breakdown)	
126	1001197317	1	Spacer	
127	1001188162	1	Radiator	
128	1001189291	1	Pipe, Exhaust	
129	1001190418	1	Tube	
130	1001190467	1	Tube, Intake (Prior to SN 0300214298)	
130	1001212826	1	Tube, Intake (SN 0300214298 through 0300255120)	
131	0760608	2	Bolt M6 x 16	
132	1001191122	1	Hose, Upper	
135	4060807	22 in/ 55cm	Flex-Trim	
136	1001192138	1	Shroud	
137	0760604	1	Bolt M6 x 8	
138	8405009	4	Clamp	
139	1001097588	1	Clip	
140	1001117244	1	Reducer	
141	1001193556	1	Support (Prior to SN 0300214298)	
141	1001212810	1	Support (SN 0300214298 through 0300255120)	
142	1001193599	1	Grommet (Prior to SN 0300214298)	
142	1001193599	2	Grommet (SN 0300214298 through 0300255120)	
143	1001175568	2	Clip	
144	1001208299	4	Clamp (SN 0300213776 through 0300255120)	
145	1001208297	1	Clamp (SN 0300213776 through 0300255120)	
146	8405211	1	Clamp (SN 0300213776 through 0300255120)	
147	1001208298	1	Clamp (SN 0300213776 through 0300255120)	
148	1001181899	1	Clamp (SN 0300214298 through 0300255120)	



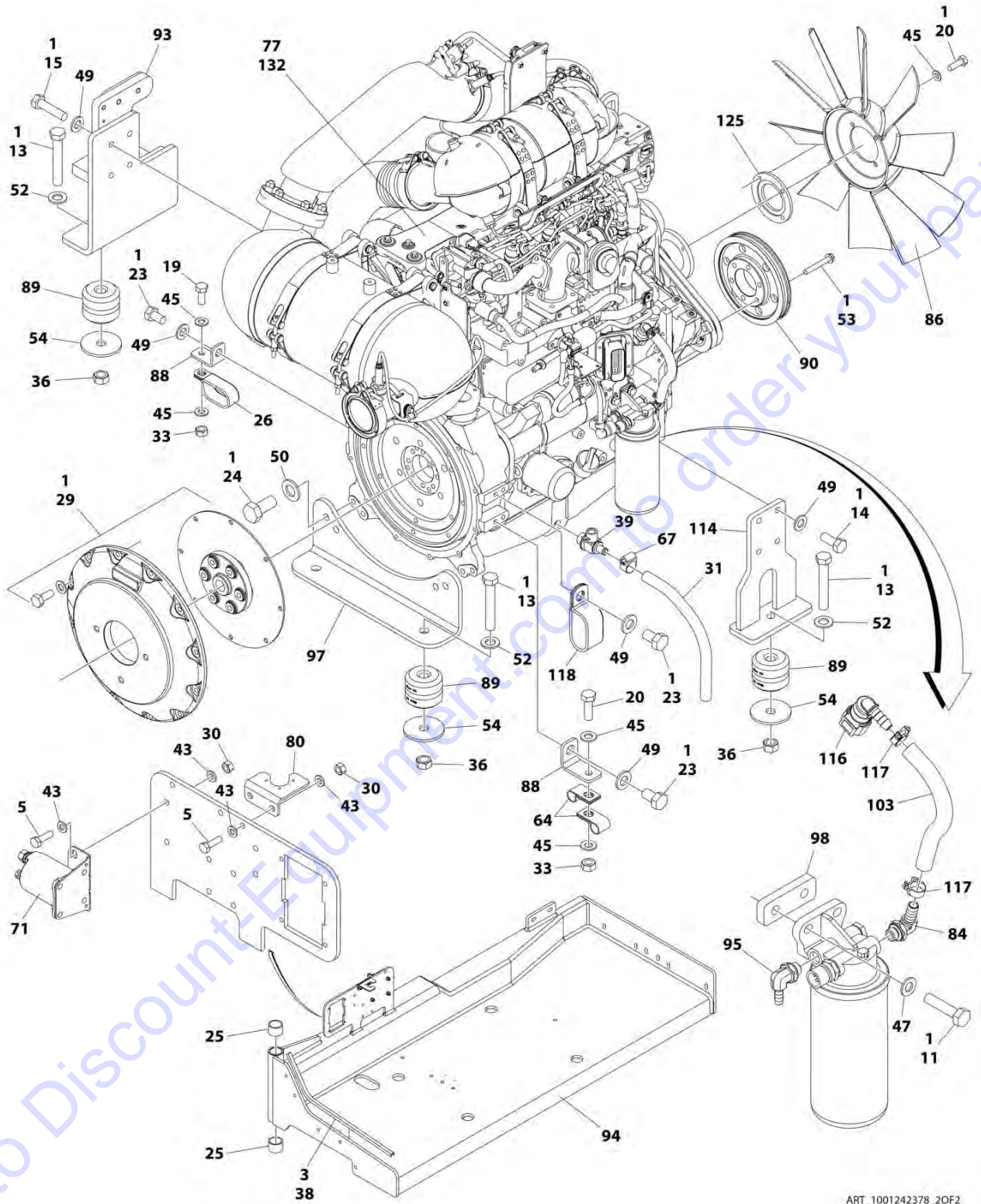
# SECTION 3 - ENGINE

FIGURE 3-31. DEUTZ T4F ENGINE ASSEMBLY - NO COLD WEATHER PKG (SN 0300255121 to Present)



ART\_1001242378\_10F2

# SECTION 3 - ENGINE



ART\_1001242378\_20F2

## SECTION 3 - ENGINE

**FIGURE 3-31. DEUTZ T4F ENGINE ASSEMBLY - NO COLD WEATHER PKG (SN 0300255121 to Present)**

ITEM	PART NUMBER	QTY	DESCRIPTION	REV
	1001242378	Ref	DEUTZ T4F ENGINE ASSEMBLY - NO COLD WEATHER PKG	A
1	0100011	AR	Compound, Locking	
2	0100020	AR	Sealant	
3	0100081	AR	Adhesive	
4	0641606	2	Bolt 3/8 x 3/4	
5	0700610	13	Bolt M6 x 20	
6	0700612	7	Bolt M6 x 25	
7	0700815	2	Bolt M8 x 35	
8	0701013	2	Bolt M10 x 28	
9	0701015	6	Bolt M10 x 35	
10	0701016	2	Bolt M10 x 40	
11	0701017	2	Bolt M10 x 45	
12	0701019	1	Bolt M10 x 55	
13	0701627	4	Bolt M16 x 100	
14	0711214	4	Bolt M12 x 30 Grade 10.9	
15	0711218	4	Bolt M12 x 50 Grade 10.9	
16	0760604	1	Bolt M6 x 8	
17	0760608	2	Bolt M6 x 16	
18	0760614	2	Bolt M6 x 30	
19	0760810	6	Bolt M8 x 20	
20	0760812	7	Bolt M8 x 25	
21	0761008	1	Bolt M10 x 16	
22	0761012	6	Bolt M10 x 25	
23	0761210	3	Bolt M12 x 20	
24	0771415	4	Bolt M14 x 35 Grade 10.9	
25	0961951	2	Bushing	
26	1321716	1	Clamp	
27	2720015	5 ft/ 1.5m	Hose	
28	1703162	2	Decal - Fan Blade	
29	2902065	1	Pump Coupling Kit (See PUMP COUPLING KIT for Breakdown)	
30	3290607	22	Nut M6	
31	1001165035	1 ft/ 0.3m	Hose	
32	3290805	3	Nut M8	
33	3290807	5	Nut M8	
34	3291005	1	Nut M10	
35	3291007	10	Nut M10	
36	3291601	4	Nut M16	
37	3820032	9	Rivet	
38	4060807	22 in/ 55cm	Flex-Trim	
39	4640751	1	Valve, Oil Drain	
40	4711600	2	Washer 3/8	
41	4811600	4	Washer M5	
42	4240099	AR	Tie-Strap (Not Shown)	
43	4811700	43	Washer M6	
44	4811702	4	Washer M6	
45	4811900	19	Washer M8	
46	4811902	4	Washer M8	
47	4812000	30	Washer M10	

## SECTION 3 - ENGINE

ITEM	PART NUMBER	QTY	DESCRIPTION	REV
48	4812002	1	Washer M10	
49	4812100	11	Washer M12	
50	4812200	4	Washer M14	
51	5241000	1	Washer M10	
52	5241600	4	Washer M16	
53	5251022	6	Bolt M10 x 70	
54	7300435	4	Washer	
55	8278020	1	Mount	
56	8305401	2	Nut 1/4	
57	8307109	2	Washer 1/4	
58	8310548	2	Screw 1/4 x 1/2	
59	8405007	2	Clamp	
60	8405009	4	Clamp	
61	8405104	4	Clamp	
62	8405211	1	Clamp	
63	8406109	2	Clip	
64	8406110	2	Clip	
65	8410011	2	Clamp	
66	8410012	2	Clamp	
67	8410013	1	Clamp	
68	91563070	1	Coupling, Rubber	
69	1001097588	1	Clip	
70	1001117244	1	Reducer	
71	1001117308	1	Relay, 200Amp	
72	1001134488	1	Fitting, 90 NPT/Barbed	
73	1001135943	1	Coupling	
74	1001136834	1	Cap	
75	1001138173	1	Support	
76	1001138175	1	Bracket	
77	1001136079	AR	Oil, Motor	
78	1001138559	1	Fitting, 90 NPT	
79	1001138827	1	Sensor	
80	1001139240	1	Bracket	
81	1001140564	1	Fitting, 90 NPT/Barbed	
82	1001138248	5 ft/ 1.5m	Tubing	
83	1001141995	1	Fitting, Straight NPT/Barbed	
84	1001142501	1	Fitting, 90 NPT/Barbed	
85	1001143390	1	Indicator, Air Restriction	
86	1001147567	1	Fan	
87	1001147847	1	Filter, Air	
87	70023809	1	Element, Primary	
87	70023872	1	Element, Secondary	
87	70024328	1	Elbow, Rubber	
87	70024329	1	Clamp, Mounting	
88	1001148641	2	Bracket	
89	1001149517	4	Mount, Motor	
90	1001149746	1	Pulley	
91	1001150504	1	Hose	
92	1001150553	1	Hose	
93	1001151491	1	Support	
94	1001151749	1	Tray	



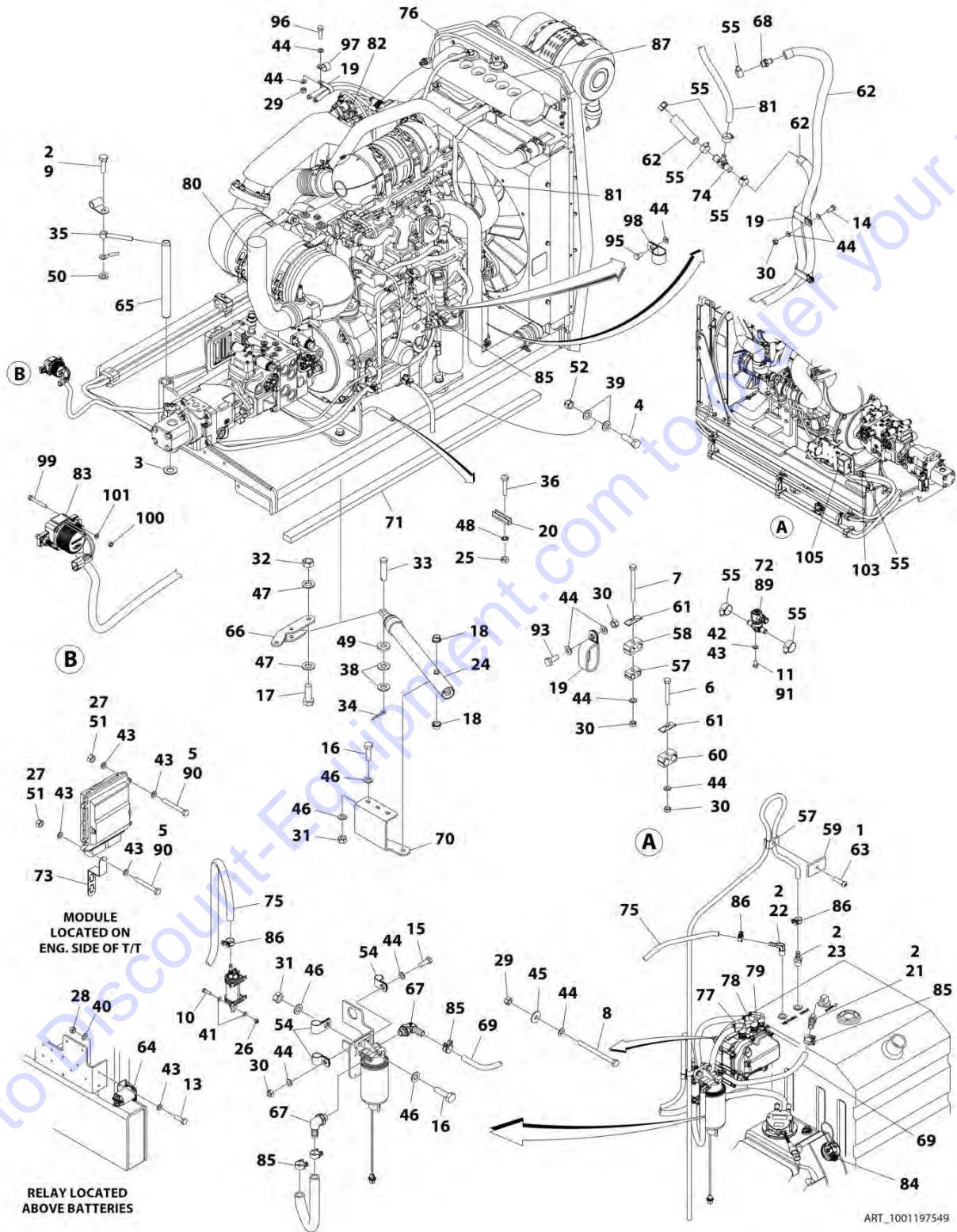
## SECTION 3 - ENGINE

ITEM	PART NUMBER	QTY	DESCRIPTION	REV
95	1001152489	1	Fitting, 90 Barbed	
96	1001155023	1	Plate	
97	1001155496	1	Support	
98	1001155498	1	Plate	
99	1001155525	1	Support	
100	1001155540	2	Washer	
101	1001155557	2	Plate	
102	1001155563	1	Seal	
103	1001154405	8.5 in/ 21cm	Hose	
104	1001155564	1	Bracket	
105	1001155565	1	Seal	
106	1001155566	1	Bracket	
107	1001155728	1	Seal	
108	1001156034	1	Seal	
109	1001156035	1	Bracket	
110	1001156062	1	Bracket	
111	1001156091	1	Hose	
112	1001156644	2	Seal	
113	1001157862	1	Bracket	
114	1001160518	1	Support	
115	1001166393	1	Tank	
116	1001170982	1	Fitting, 90 SAE/Barbed	
117	1001175568	2	Clip	
118	1001181899	1	Clamp	
119	1001188162	1	Radiator	
120	1001189291	1	Pipe, Exhaust	
121	1001190418	1	Tube	
122	1001191122	1	Hose, Upper	
123	1001192138	1	Shroud	
124	1001193599	2	Grommet	
125	1001197317	1	Spacer	
126	1001208297	1	Clamp	
127	1001208298	1	Clamp	
128	1001208299	4	Clamp	
129	1001212810	1	Support	
130	1001212817	1	Plate	
131	1001212826	1	Tube, Intake	
132	1001242377	1	Deutz T4F Engine (See DEUTZ T4F ENGINE COMPONENTS for Breakdown)	



# SECTION 3 - ENGINE

FIGURE 3-32. DEUTZ T4F ENGINE INSTALLATION - WITH COLD WEATHER PKG (Prior to SN 0300255121)



## SECTION 3 - ENGINE

**FIGURE 3-32. DEUTZ T4F ENGINE INSTALLATION - WITH COLD WEATHER PKG (Prior to SN 0300255121)**

ITEM	PART NUMBER	QTY	DESCRIPTION	REV
	1001197549	Ref	DEUTZ T4F ENGINE INSTALLATION - WITH COLD WEATHER PKG	H
1	0100011	AR	Compound, Locking	
2	0100020	AR	Sealant	
3	0440162	1	Bearing, Thrust	
4	0642220	1	Bolt 3/4-10 x 2-1/2	
5	0700618	4	Bolt M6 x 50 <b>(Prior to SN 0300214298)</b>	
6	0700820	3	Bolt M8 x 60	
7	0700826	3	Bolt M8 x 90	
8	0700827	3	Bolt M8 x 100	
9	0711015	1	Bolt M10 x 35 Grade 10.9	
10	0760408	4	Bolt M4 x 16	
11	0760505	2	Bolt M5 x 10 <b>(Prior to SN 0300214298)</b>	
12	0760608	AR	Bolt M6 x 16	
13	0760610	2	Bolt M6 x 20 <b>(Prior to SN 0300224866)</b>	
14	0760810	2	Bolt M8 x 20	
15	0760812	1	Bolt M8 x 25	
16	0761015	5	Bolt M10 x 35	
17	0771416	2	Bolt M14 x 40 Grade 10.9	
18	0962051	2	Bearing, Flange	
19	1321716	AR	Clamp	
20	1380147	1	Clip	
21	2180832	1	Fitting, Straight NPT/Barbed	
22	2220313	1	Fitting, 90 NPT/Barbed	
23	2221114	1	Fitting, Straight NPT/Barbed	
24	2840016	1	Jack with Handle	
24	7016374	1	Handle (Burr Manufacturing Brand)	
24	7024598	1	Handle (Hammerblow Corp Brand)	
24	7016322	1	Wiper (Burr Manufacturing Brand Only)	
25	3290301	2	Nut M3	
26	3290405	4	Nut M4	
27	3290605	AR	Nut M6 x 1	
28	3290607	2	Nut M6 <b>(Prior to SN 0300224866)</b>	
29	3290805	5	Nut M8 X 1.25	
30	3290807	AR	Nut M8	
31	3291007	5	Nut M10	
32	3331411	2	Nut M14	
33	3430816	1	Pin	
34	3450404	1	Pin, Cotter 1/8 x 1	
35	3841143	1	Keeper	
36	4010308	2	Screw M3 x16	
37	4240099	AR	Tie-Strap (Not Shown)	
38	4711800	2	Washer 1/2	
39	4712200	2	Washer 3/4	
40	4791400	2	Washer 1/4 <b>(Prior to SN 0300224866)</b>	
41	4811400	8	Washer M4	
42	4811600	2	Washer M5 <b>(Prior to SN 0300214298)</b>	
43	4811700	AR	Washer M6	
44	4811900	AR	Washer M8	

# PARTS FINDER

**Search Website  
by Part Number**



**Search Manual  
Library For Parts  
Manual & Lookup Part  
Numbers – Purchase  
or Request Quote**

**Can't Find Part or  
Manual? Request Help  
by Manufacturer,  
Model & Description**

Discount-Equipment.com is your online resource for quality parts & equipment.

Florida: **561-964-4949** Outside Florida TOLL FREE: **877-690-3101**

## Need parts?

Click on this link: <http://www.discount-equipment.com/category/5443-parts/> and choose one of the options to help get the right parts and equipment you are looking for. Please have the machine model and serial number available in order to help us get you the correct parts. If you don't find the part on the website or on one of the online manuals, please fill out the request form and one of our experienced staff members will get back to you with a quote for the right part that your machine needs.

We sell worldwide for the brands: Genie, Terex, JLG, MultiQuip, Mikasa, Essick, Whiteman, Mayco, Toro Stone, Diamond Products, Generac Magnum, Airman, Haulotte, Barreto, Power Blanket, Nifty Lift, Atlas Copco, Chicago Pneumatic, Allmand, Miller Curber, Skyjack, Lull, Skytrak, Tsurumi, Husquvarna Target, Stow, Wacker, Sakai, Mi-T-M, Sullair, Basic, Dynapac, MBW, Weber, Bartell, Bennar Newman, Haulotte, Ditch Runner, Menegotti, Morrison, Contec, Buddy, Crown, Edco, Wyco, Bomag, Laymor, EZ Trench, Bil-Jax, F.S. Curtis, Gehl Pavers, Heli, Honda, ICS/PowerGrit, IHI, Partner, Imer, Clipper, MMD, Koshin, Rice, CH&E, General Equipment, Amida, Coleman, NAC, Gradall, Square Shooter, Kent, Stanley, Tamco, Toku, Hatz, Kohler, Robin, Wisconsin, Northrock, Oztec, Toker TK, Rol-Air, APT, Wylie, Ingersoll Rand / Doosan, Innovatech, Con X, Ammann, Mecalac, Makinex, Smith Surface Prep, Small Line, Wanco, Yanmar

## SECTION 3 - ENGINE

ITEM	PART NUMBER	QTY	DESCRIPTION	REV
45	4811902	3	Washer M8	
46	4812000	10	Washer M10	
47	4812200	4	Washer M14	
48	4871200	2	Washer M3	
49	4891800	1	Washer 1/2	
50	5241000	1	Washer M10	
51	8305919	4	Nut M6 <b>(Prior to SN 0300214298)</b>	
52	8310067	1	Nut 3/4-10	
54	8406101	3	Clip	
55	8410009	13	Clamp	
57	8750014	4	Clamp	
58	8750027	3	Clamp	
59	8750031	1	Plate	
60	8769127	3	Clamp	
61	77133137	6	Cover	
62	82033995	40 ft /12.2m	Hose	
63	1001101580	1	Screw M8 x 30	
64	1001117308	1	Relay <b>(Prior to SN 0300224866)</b>	
65	1001135196	1	Pin	
66	1001135497	1	Support	
67	1001142501	2	Fitting, 90 NPT/Barbed	
68	1001154262	2	Fitting, Adaptor	
69	1001154405	5 ft /1.5m	Hose	
70	1001155939	1	Plate	
71	1001156719	1	Seal	
72	1001157738	1	Valve, Coolant Control <b>(Prior to SN 0300214298)</b>	
73	1001159162	1	Bracket, Support	
74	1001162212	2	Fitting, Tee	
75	1001165035	40 ft /12.2m	Hose <b>(Prior to SN 0300217700)</b>	
75	1001165035	34.4 ft /10.5m	Hose <b>(SN 0300217700 through 0300255120)</b>	
76	1001197548	1	Deutz T4F Engine/Pump Assembly (See DEUTZ T4F ENGINE/PUMP ASSEMBLY – WITH COLD WEATHER PKG for Breakdown)	
77	1001187516	1	Hose, Suction	
78	1001187517	1	Hose, Backflow	
79	1001187518	1	Hose, Pressure	
80	1001190475	1	Pipe, Exhaust	
81	1001193980	1	Hose, Coolant	
82	1001193981	1	Hose, Coolant <b>(Prior to SN 0300214298)</b>	
82	1001212825	1	Hose, Coolant <b>(SN 0300214298 through 0300255120)</b>	
83	1001216021	1	150 Amp Isolator	
84	1001162986	6 gal /22.7L	Diesel Exhaust Fluid	
85	1001175568	4	Clip	
86	1001136975	5	Clamp	
87	1001198361	AR	Coolant	
88	1001155823	1	Coupling <b>(SN 0300214298 through 0300255120)</b>	
89	1001199670	1	Valve, Tank Coolant <b>(SN 0300214298 through 0300255120)</b>	
90	0760613	4	Bolt M6 x 28	
91	0760606	4	Bolt M6 x 12	

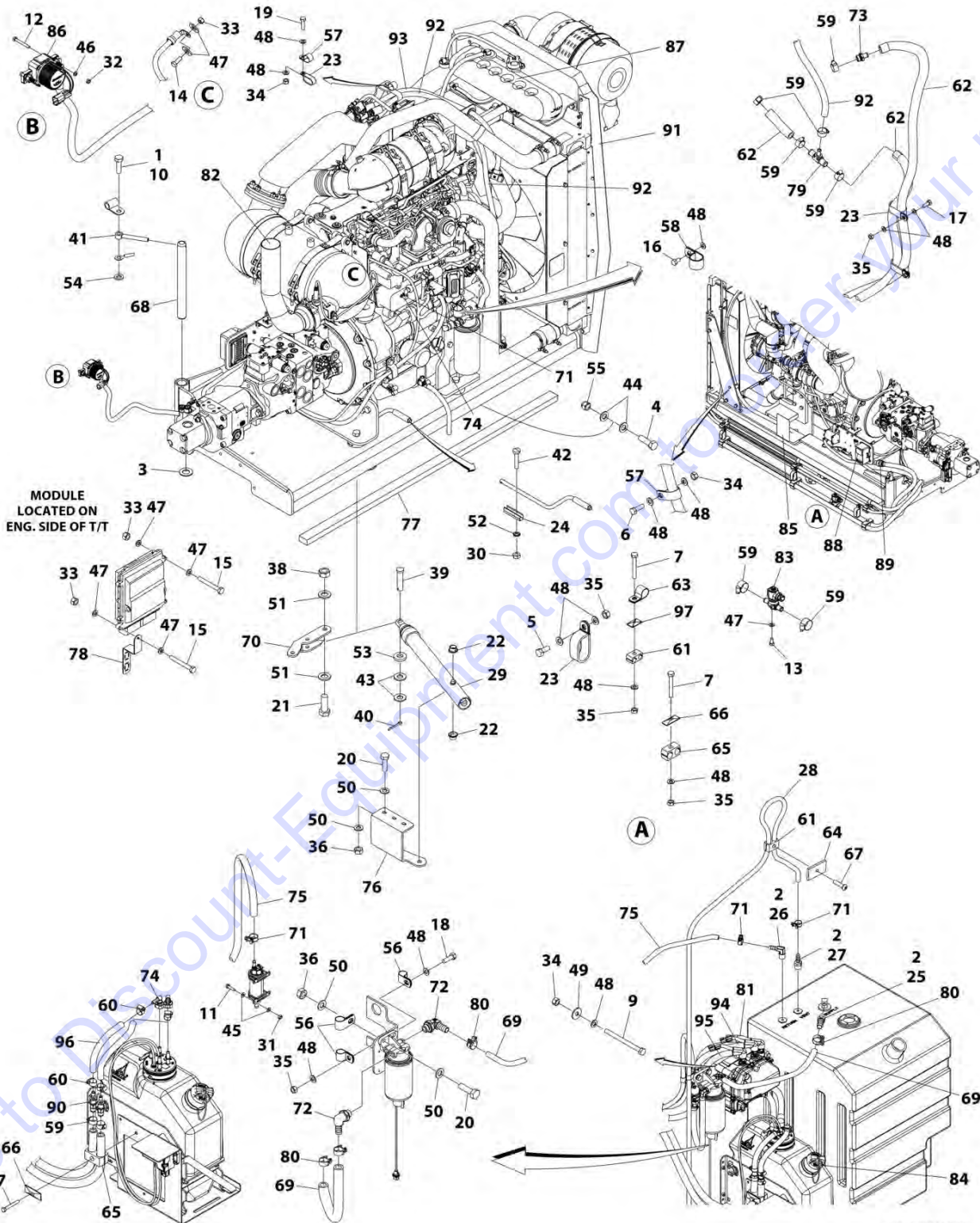
## SECTION 3 - ENGINE

ITEM	PART NUMBER	QTY	DESCRIPTION	REV
92	0760807	1	Bolt M8 x 14	
93	0700810	3	Bolt M8 x 20	
95	0760814	1	Bolt M8 x 30	
96	8406201	AR	Clip	
97	8406303	1	Clip (SN 0300217700 through 0300255120)	
98	2750532	6.9 ft /2.1m	Hose (Not Shown) (SN 0300217700 through 0300255120)	
99	0760516	2	Bolt M5 x 40	
100	3290501	2	Nut M5	
101	4811600	2	Washer M5	
103	1001228872	1	Filter	
104	1001212056	1	Decal - Engine Fuse Box (Not Shown – Located on Turntable)	
105	1001224046	1	Decal - Engine Fuse Box Cover	

Go to Discount-Equipment.com to order your parts

# SECTION 3 - ENGINE

FIGURE 3-33. DEUTZ T4F ENGINE INSTALLATION - WITH COLD WEATHER PKG (SN 0300255121 to Present)





## SECTION 3 - ENGINE

**FIGURE 3-33. DEUTZ T4F ENGINE INSTALLATION - WITH COLD WEATHER PKG (SN 0300255121 to Present)**

ITEM	PART NUMBER	QTY	DESCRIPTION	REV
	1001242385	Ref	DEUTZ T4F ENGINE INSTALLATION - WITH COLD WEATHER PKG	B
1	0100011	AR	Compound, Locking	
2	0100020	AR	Sealant	
3	0440162	1	Bearing, Thrust	
4	0642220	1	Bolt 3/4-10 x 2-1/2	
5	0700810	3	Bolt M8 x 20	
6	0700812	1	Bolt M8 x 25	
7	0700820	7	Bolt M8 x 60	
9	0700827	3	Bolt M8 x 100	
10	0711015	1	Bolt M10 x 35 Grade 10.9	
11	0760408	4	Bolt M4 x 16	
12	0760516	2	Bolt M5 x 40	
13	0760606	4	Bolt M6 x 12	
14	0760608	AR	Bolt M6 x 16	
15	0760613	4	Bolt M6 x 28	
16	0760807	1	Bolt M8 x 14	
17	0760810	2	Bolt M8 x 20	
18	0760812	1	Bolt M8 x 25	
19	0760814	1	Bolt M8 x 30	
20	0761015	5	Bolt M10 x 35	
21	0771416	2	Bolt M14 x 40 Grade 10.9	
22	0962051	2	Bearing, Flange	
23	1321716	AR	Clamp	
24	1380147	1	Clip	
25	2180832	1	Fitting, Straight NPT/Barbed	
26	2220313	1	Fitting, 90 NPT/Barbed	
27	2221114	1	Fitting, Straight NPT/Barbed	
28	2750532	6.9 ft /2.1m	Hose (Not Shown)	
29	2840016	1	Jack with Handle	
29	7016374	1	Handle (Burr Manufacturing Brand)	
29	7024598	1	Handle (Hammerblow Corp Brand)	
29	7016322	1	Wiper (Burr Manufacturing Brand Only)	
30	3290301	2	Nut M3	
31	3290405	4	Nut M4	
32	3290501	2	Nut M5	
33	3290605	5	Nut M6 x 1	
34	3290805	6	Nut M8 X 1.25	
35	3290807	AR	Nut M8	
36	3291007	5	Nut M10	
37	4240099	AR	Tie-Strap (Not Shown)	
38	3331411	2	Nut M14	
39	3430816	1	Pin	
40	3450404	1	Pin, Cotter 1/8 x 1	
41	3841143	1	Keeper	
42	4010308	2	Screw M3 x16	
43	4711800	2	Washer 1/2	
44	4712200	2	Washer 3/4	

## SECTION 3 - ENGINE

ITEM	PART NUMBER	QTY	DESCRIPTION	REV
45	4811400	8	Washer M4	
46	4811600	2	Washer M5	
47	4811700	14	Washer M6	
48	4811900	30	Washer M8	
49	4811902	3	Washer M8	
50	4812000	10	Washer M10	
51	4812200	4	Washer M14	
52	4871200	2	Washer M3	
53	4891800	1	Washer 1/2	
54	5241000	1	Washer M10	
55	8310067	1	Nut 3/4-10	
56	8406101	3	Clip	
57	8406201	AR	Clip	
58	8406303	1	Clip	
59	8410009	14	Clamp	
60	8410013	4	Clamp	
61	8750014	4	Clamp	
62	82033995	41 ft /12.5m	Hose	
63	8406102	3	Clip	
64	8750031	1	Plate	
65	8769127	4	Clamp	
66	77133137	4	Cover	
67	1001101580	1	Screw M8 x 30	
68	1001135196	1	Pin	
69	1001154405	5 ft /1.5m	Hose	
70	1001135497	1	Support	
71	1001136975	5	Clamp	
72	1001142501	2	Fitting, 90 NPT/Barbed	
73	1001154262	2	Fitting, Adaptor	
74	1001155823	3	Coupling	
75	1001165035	34.5 ft /10.5m	Hose	
76	1001155939	1	Plate	
77	1001156719	1	Seal	
78	1001159162	1	Bracket, Support	
79	1001162212	2	Fitting, Tee	
80	1001186342	4	Clip	
81	1001213643	1	Hose, Pressure	
82	1001190475	1	Pipe, Exhaust	
83	1001199670	1	Valve, Tank Coolant	
84	1001162986	6 gal /22.7L	Diesel Exhaust Fluid	
85	1001212056	1	Decal - Engine Fuse Box	
86	1001216021	1	Relay	
87	1001198361	AR	Coolant	
88	1001224046	1	Decal – Engine Fuse Box Cover	
89	1001228872	1	Filter, Coolant Screen	
90	1001238470	1	Adapter	
91	1001242381	1	Deutz T4F Engine Assembly (See DEUTZ T4F ENGINE ASSEMBLY – WITH COLD WEATHER PKG for Breakdown)	
92	1001193980	1	Hose, Coolant	

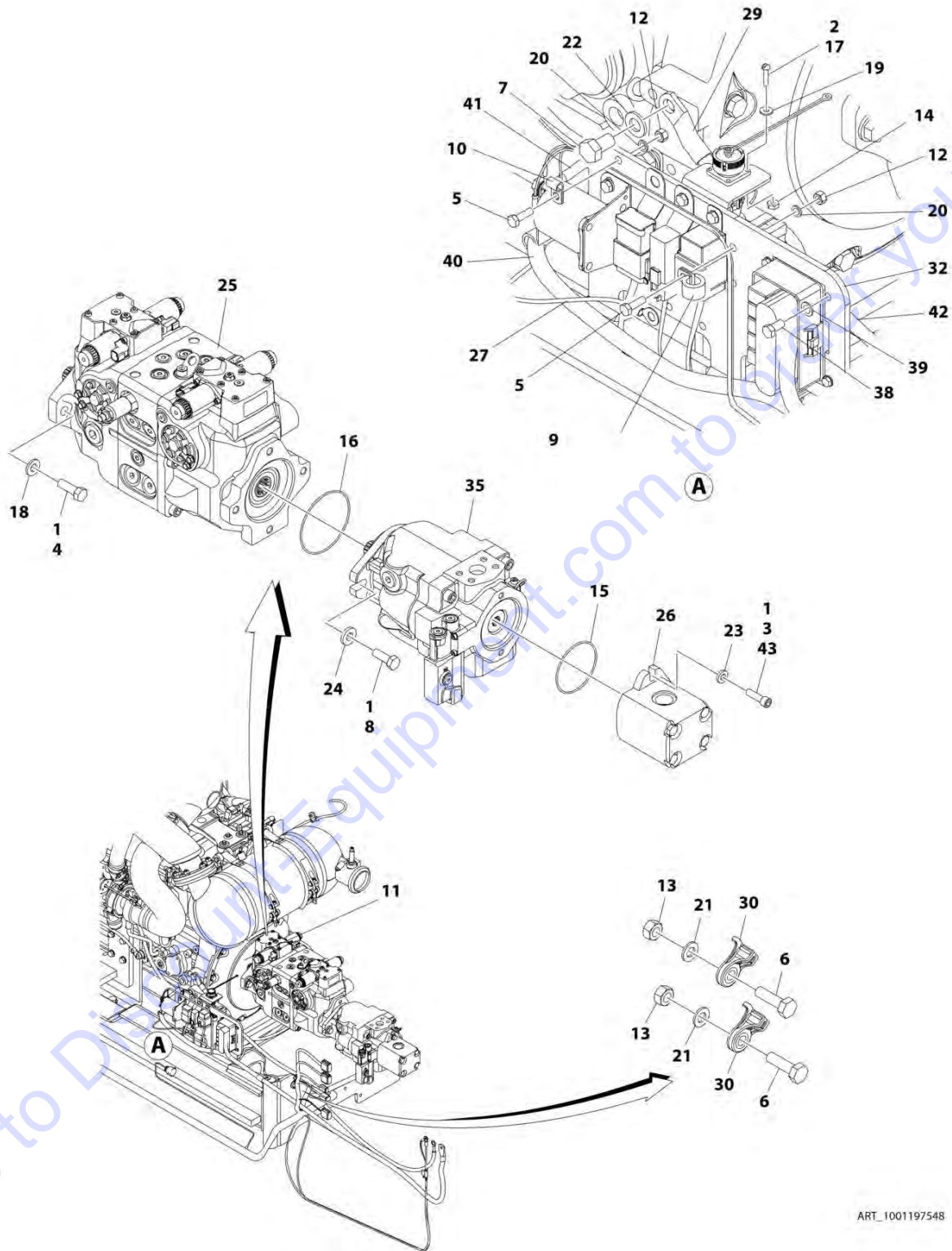
**SECTION 3 - ENGINE**

ITEM	PART NUMBER	QTY	DESCRIPTION	REV
93	1001212825	1	Hose, Coolant	
94	1001238401	1	Hose, Backflow	
95	1001238402	1	Hose, Suction	
96	1001181625	2 ft/ 0.61m	Hose	
97	8769123	3	Cover	

Go to Discount-Equipment.com to order your parts

# SECTION 3 - ENGINE

FIGURE 3-34. DEUTZ T4F ENGINE/PUMP ASSEMBLY - WITH COLD WEATHER PKG (Prior to SN 0300255121)



ART\_1001197548

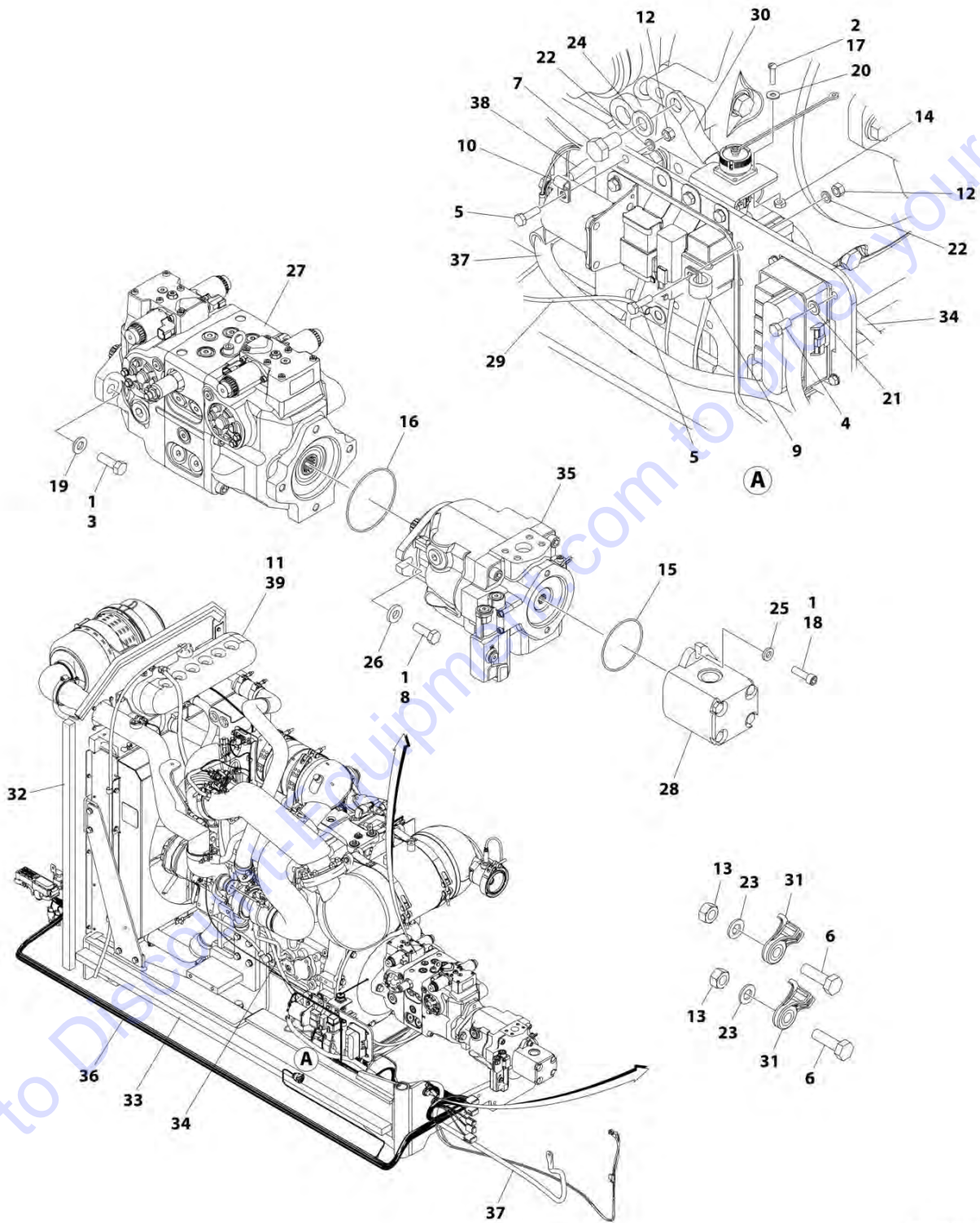
## SECTION 3 - ENGINE

**FIGURE 3-34. DEUTZ T4F ENGINE/PUMP ASSEMBLY - WITH COLD WEATHER PKG (Prior to SN 0300255121)**

ITEM	PART NUMBER	QTY	DESCRIPTION	REV
	1001197548	Ref	DEUTZ T4F ENGINE/PUMP ASSEMBLY - WITH COLD WEATHER PKG	E
1	0100011	AR	Compound, Locking	
2	0100035	AR	Compound, Locking	
3	0641608	2	Bolt 3/8-18 x 1 <b>(Prior to SN 0300214298)</b>	
4	0841812	2	Bolt 1/2-13 x 1-1/2	
5	0760610	2	Bolt M6 x 20	
6	0761015	2	Bolt M10 x 35	
7	0761210	1	Bolt M12 x 20	
8	0761215	2	Bolt M12 x 35	
9	1320041	1	Clamp	
10	1320136	1	Clamp	
11	3020037	AR	Lubricant	
12	3290607	2	Nut M6	
13	3291007	2	Nut M10	
14	3310401	3	Nut #4-40NC	
15	3790152	1	O-Ring	
16	3790155	1	O-Ring	
17	3910408	3	Screw #4 x 1/2	
18	4740171	2	Washer,	
19	4750400	3	Washer #4	
20	4811700	2	Washer M6	
21	4812000	2	Washer M10	
22	4812100	1	Washer M12	
23	4891600	2	Washer 3/8	
24	4891800	2	Washer 1/2	
25	1001108616	1	Tandem Pump Assembly (See TANDEM PUMP ASSEMBLY for Breakdown)	
26	1001112927	1	Gear Pump Assembly (See GEAR PUMP ASSEMBLY for Breakdown)	
27	1001141304	1	Wire, Glow Plug Fuse	
29	1001154143	1	Cable, Battery (Negative)	
30	1001156107	2	Holder, Cable	
31	1001156718	1	Seal (Not Shown - Located on Side of Radiator Mounting Plate)	
32	1001156719	1	Seal	
35	1001169892	1	Piston Pump Assembly (See PISTON PUMP ASSEMBLY for Breakdown)	
37	1001188922	1	Harness, Engine (Not Shown - See ELECTRICAL SECTION for Breakdown)	
38	0760508	4	Bolt M5 x 16	
39	4811600	4	Washer M5	
40	1001197443	1	Cable, Battery (Positive)	
41	1001197445	1	Wire, Glow Plug	
42	1001157073	1	Cable, Alternator Power	
43	3931620	2	Capscrew 3/8 x 1-1/4 <b>(SN 0300214298 through 0300255120)</b>	

# SECTION 3 - ENGINE

FIGURE 3-35. DEUTZ T4F ENGINE/PUMP ASSEMBLY - WITH COLD WEATHER PKG (SN 0300255121 to Present)



ART\_1001242381

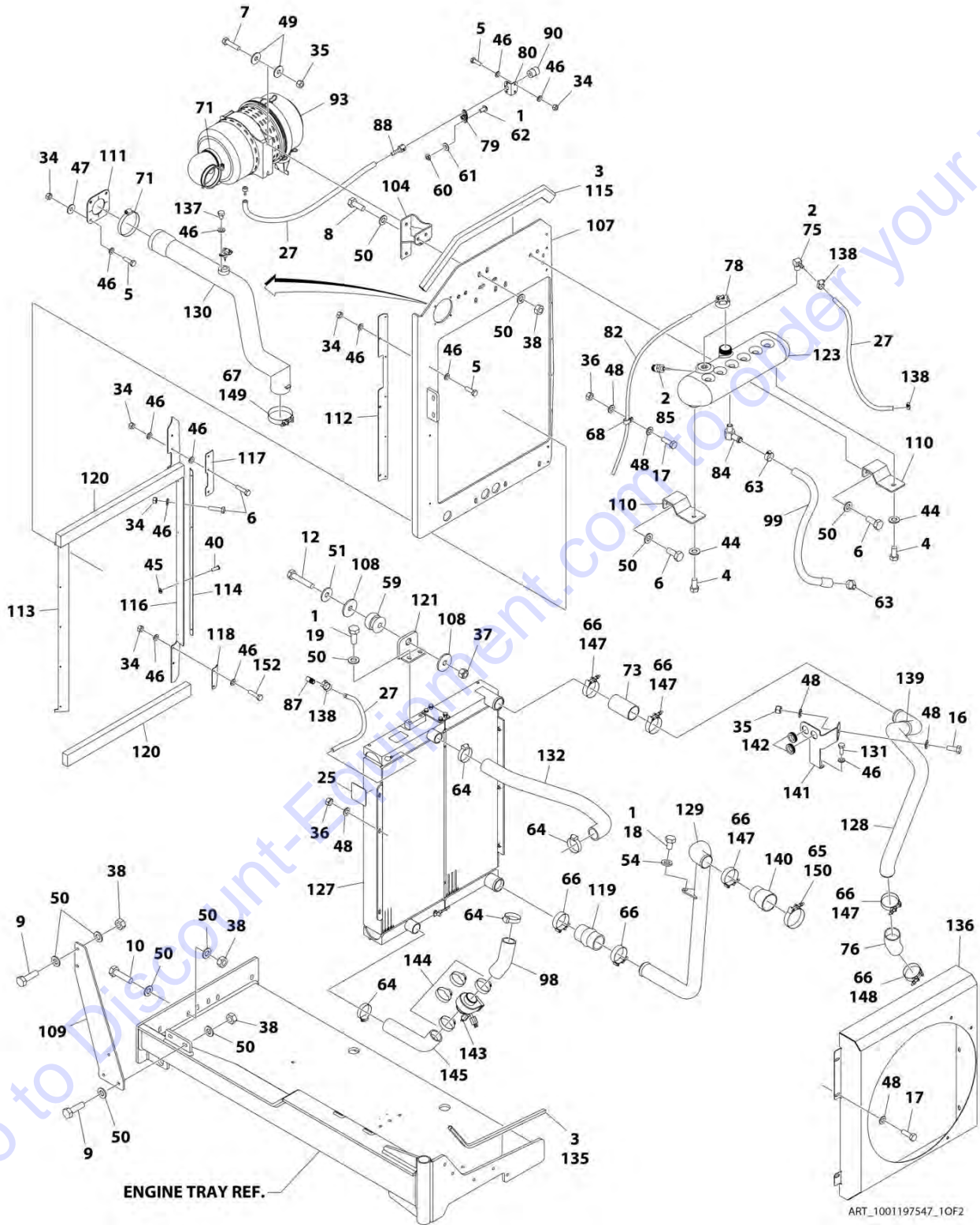
## SECTION 3 - ENGINE

**FIGURE 3-35. DEUTZ T4F ENGINE/PUMP ASSEMBLY - WITH COLD WEATHER PKG (SN 0300255121 to Present)**

ITEM	PART NUMBER	QTY	DESCRIPTION	REV
	1001242381	Ref	DEUTZ T4F ENGINE/PUMP ASSEMBLY - WITH COLD WEATHER PKG	A
1	0100011	AR	Compound, Locking	
2	0100035	AR	Compound, Locking	
3	0841812	2	Bolt 1/2-13 x 1-1/2	
4	0760508	4	Bolt M5 x 16	
5	0760610	2	Bolt M6 x 20	
6	0761015	2	Bolt M10 x 35	
7	0761210	1	Bolt M12 x 20	
8	0761215	2	Bolt M12 x 35	
9	1320041	1	Clamp	
10	1320136	1	Clamp	
11	3020037	AR	Lubricant	
12	3290607	2	Nut M6	
13	3291007	2	Nut M10	
14	3310401	3	Nut #4-40NC	
15	3790152	1	O-Ring	
16	3790155	1	O-Ring	
17	3910408	3	Screw #4 x 1/2	
18	3931620	2	Capscrew 3/8 x 1-1/4	
19	4740171	2	Washer,	
20	4750400	3	Washer #4	
21	4811600	4	Washer M5	
22	4811700	2	Washer M6	
23	4812000	2	Washer M10	
24	4812100	1	Washer M12	
25	4891600	2	Washer 3/8	
26	4891800	2	Washer 1/2	
27	1001108616	1	Tandem Pump Assembly (See TANDEM PUMP ASSEMBLY for Breakdown)	
28	1001112927	1	Gear Pump Assembly (See GEAR PUMP ASSEMBLY for Breakdown)	
29	1001141304	1	Wire, Glow Plug Fuse	
30	1001154143	1	Cable, Battery (Negative)	
31	1001156107	2	Holder, Cable	
32	1001156718	1	Seal (Not Shown - Located on Side of Radiator Mounting Plate)	
33	1001156719	1	Seal	
34	1001157073	1	Cable, Alternator Power	
35	1001169892	1	Piston Pump Assembly (See PISTON PUMP ASSEMBLY for Breakdown)	
36	1001188922	1	Harness, Engine (Not Shown - See ELECTRICAL SECTION for Breakdown)	
37	1001197443	1	Cable, Battery (Positive)	
38	1001197445	1	Wire, Glow Plug	
39	1001242380	1	Deutz T4F Engine Assembly (See DEUTZ T4F ENGINE ASSEMBLY - NO COLD WEATHER PKG for Breakdown)	

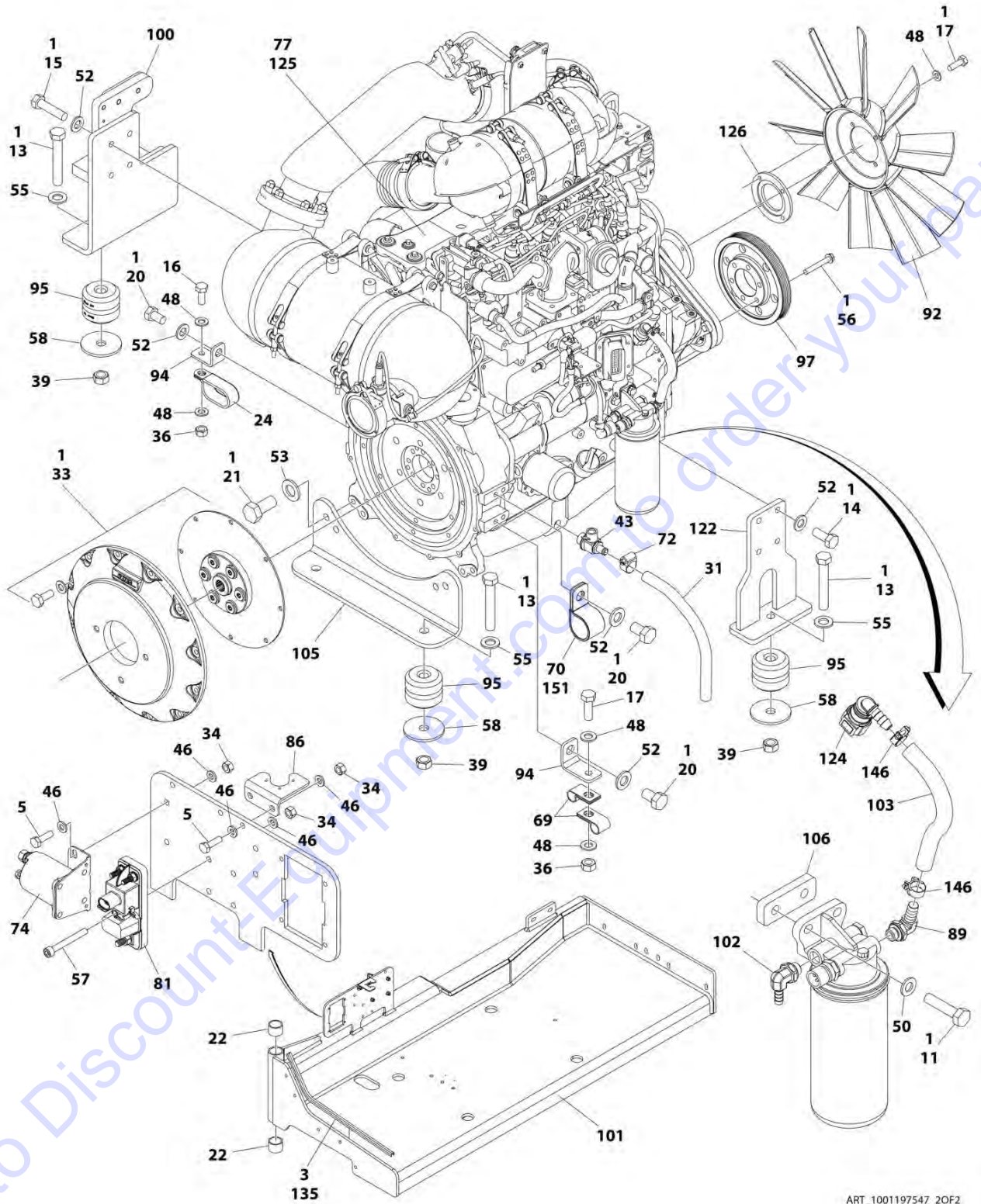
# SECTION 3 - ENGINE

FIGURE 3-36. DEUTZ T4F ENGINE ASSEMBLY - WITH COLD WEATHER PKG (Prior to SN 0300255121)





# SECTION 3 - ENGINE



ART\_1001197547\_20F2

## SECTION 3 - ENGINE

**FIGURE 3-36. DEUTZ T4F ENGINE ASSEMBLY - WITH COLD WEATHER PKG (Prior to SN 0300255121)**

ITEM	PART NUMBER	QTY	DESCRIPTION	REV
	1001197547	Ref	DEUTZ T4F ENGINE ASSEMBLY - WITH COLD WEATHER PKG	J
1	0100011	AR	Compound, Locking	
2	0100020	AR	Sealant	
3	0100081	AR	Adhesive	
4	0641606	2	Bolt 3/8-18 x 3/4	
5	0700610	13	Bolt M6 x 20	
6	0700612	7	Bolt M6 x 25	
7	0700815	2	Bolt M8 x 35	
8	0701013	2	Bolt M10 x 28	
9	0701015	6	Bolt M10 x 35	
10	0701016	2	Bolt M10 x 40	
11	0701017	2	Bolt M10 x 45	
12	0701019	1	Bolt M10 x 55	
13	0701627	4	Bolt M16 x 100	
14	0711214	4	Bolt M12 x 30 Grade 10.9	
15	0711218	4	Bolt M12 x 50 Grade 10.9	
16	0760810	6	Bolt M8 x 20	
17	0760812	7	Bolt M8 x 25	
18	0761008	1	Bolt M10 x 16	
19	0761012	6	Bolt M10 x 25	
20	0761210	3	Bolt M12 x 20	
21	0771414	4	Bolt M14 30 Grade 10.9	
22	0961951	2	Bushing	
24	1321716	1	Clamp	
25	1703162	2	Decal - Fan Blade	
27	2720015	5 ft/1.5m	Hose	
31	2720340	1 ft/30.5m	Hose <b>(Prior to SN 0300242692)</b>	
31	1001165035	1 ft/30.5m	Hose <b>(SN 0300242692 through 0300255120)</b>	
33	2902065	1	Pump Coupling Kit (See PUMP COUPLING KIT for Breakdown)	
34	3290607	22	Nut M6	
35	3290805	3	Nut M8	
36	3290807	5	Nut M8	
37	3291005	1	Nut M10	
38	3291007	10	Nut M10	
39	3291601	4	Nut M16	
40	3820032	9	Rivet	
42	4240099	AR	Tie-Strap (Not Shown)	
43	4640751	1	Valve, Oil Drain	
44	4711600	2	Washer 3/8	
45	4811600	4	Washer M5	
46	4811700	43	Washer M6	
47	4811702	4	Washer M6	
48	4811900	19	Washer M8	
49	4811902	4	Washer M8	
50	4812000	30	Washer M10	
51	4812002	1	Washer M10	
52	4812100	11	Washer M12	
53	4812200	4	Washer M14	
54	5241000	1	Washer M10	

## SECTION 3 - ENGINE

ITEM	PART NUMBER	QTY	DESCRIPTION	REV
55	5241600	4	Washer M16	
56	5251022	6	Bolt M10 x 70	
57	5271614	1	Capscrew M16 x 50	
58	7300435	4	Washer	
59	8278020	1	Mount	
60	8305401	2	Nut 1/4	
61	8307109	2	Washer 1/4	
62	8310548	2	Screw 1/4 x 1/2	
63	8405007	2	Clamp	
64	8405104	4	Clamp	
65	8405213	1	Clamp (Prior to SN 0300213776)	
66	8410012	AR	Clamp	
67	8405306	1	Clamp (Prior to SN 0300213776)	
68	8406109	2	Clip	
69	8406110	2	Clip	
70	8406303	1	Clip (Prior to SN 0300214298)	
71	8410011	2	Clamp	
72	8410013	1	Clamp	
73	91563070	1	Coupling, Rubber	
74	1001117308	1	Relay, 200Amp	
75	1001134488	1	Fitting, 90 NPT/Barbed	
76	1001135943	1	Coupling	
77	1001136172	9.5 gal/ 8.9L	Oil, Motor	
78	1001136834	1	Cap	
79	1001138173	1	Support	
80	1001138175	1	Bracket	
81	1001138228	1	Module, Relay (Prior to SN 0300213776)	
82	1001138248	5 ft/1.5m	Tubing	
84	1001138559	1	Fitting, 90 NPT	
85	1001138827	1	Sensor	
86	1001139240	1	Bracket	
87	1001140564	1	Fitting, 90 NPT/Barbed	
88	1001141995	1	Fitting, Straight NPT/Barbed	
89	1001142501	1	Fitting, 90 NPT/Barbed	
90	1001143390	1	Indicator, Air Restriction	
92	1001147567	1	Fan	
93	1001147847	1	Filter, Air	
93	70023809	1	Element	
93	70024328	1	Elbow, Rubber	
93	70024329	1	Clamp, Mounting	
94	1001148641	2	Bracket	
95	1001149517	4	Mount, Motor	
97	1001149746	1	Pulley	
98	1001157300	1	Hose	
99	1001150553	1	Hose	
100	1001151491	1	Support	
101	1001151749	1	Tray	
102	1001152489	1	Fitting, 90 Barbed	
103	1001154405	8.5 in/ 21cm	Hose	
104	1001155023	1	Plate	

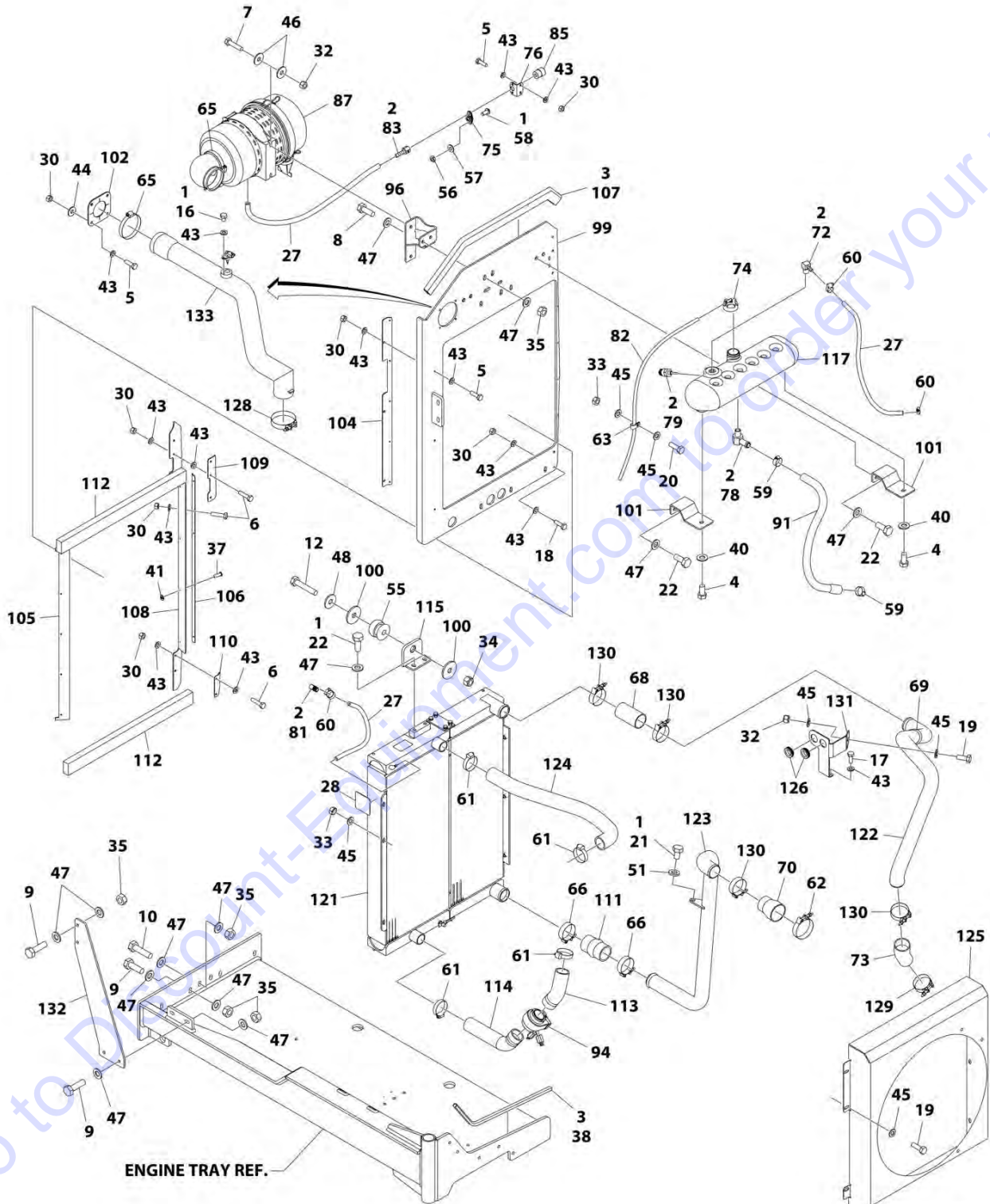
## SECTION 3 - ENGINE

ITEM	PART NUMBER	QTY	DESCRIPTION	REV
105	1001155496	1	Support	
106	1001155498	1	Plate	
107	1001155525	1	Support	
108	1001155540	2	Washer	
109	1001155550	1	Plate <b>(Prior to SN 0300214298)</b>	
109	1001212817	1	Plate <b>(SN 0300214298 through 0300255120)</b>	
110	1001155557	2	Plate	
111	1001155563	1	Seal	
112	1001155564	1	Bracket	
113	1001155565	1	Seal	
114	1001155566	1	Bracket	
115	1001155728	1	Seal	
116	1001156034	1	Seal	
117	1001156035	1	Bracket	
118	1001156062	1	Bracket	
119	1001156091	1	Hose	
120	1001156644	2	Seal	
121	1001157862	1	Bracket	
122	1001160518	1	Support	
123	1001166393	1	Tank	
124	1001170982	1	Fitting, 90 SAE/Barbed	
125	1001176371	1	Deutz T4F Engine (See DEUTZ T4F ENGINE COMPONENTS for Breakdown)	
126	1001197317	1	Spacer	
127	1001188162	1	Radiator	
128	1001189291	1	Pipe, Exhaust	
129	1001190418	1	Tube	
130	1001190467	1	Tube, Intake <b>(Prior to SN 0300214298)</b>	
130	1001212826	1	Tube, Intake <b>(SN 0300214298 through 0300255120)</b>	
131	0760608	2	Bolt M6 x 16	
132	1001191122	1	Hose, Upper	
135	4060807	22 in/ 55cm	Flex-Trim	
136	1001192138	1	Shroud	
137	0760604	1	Bolt M6 x 8	
138	8405009	4	Clamp	
139	1001097588	1	Clip	
140	1001117244	1	Reducer	
141	1001193556	1	Support <b>(Prior to SN 0300214298)</b>	
141	1001212810	1	Support <b>(SN 0300214298 through 0300255120)</b>	
142	1001193599	AR	Grommet	
143	1702942	1	Decal - Engine Block Heater <b>(Prior to SN 0300228229)</b>	
144	1001152112	1	Heater	
145	1001157301	1	Hose	
146	1001175568	2	Clip	
147	1001208299	4	Clamp <b>(SN 0300213776 through 0300255120)</b>	
148	1001208298	1	Clamp <b>(SN 0300213776 through 0300255120)</b>	
149	1001208297	1	Clamp <b>(SN 0300213776 through 0300255120)</b>	
150	8405211	1	Clamp <b>(SN 0300213776 through 0300255120)</b>	
151	1001181899	1	Clamp <b>(SN 0300214298 through 0300255120)</b>	
152	0700612	2	Bolt M6 x 25	
152	0760614	2	Bolt M6 x 30	



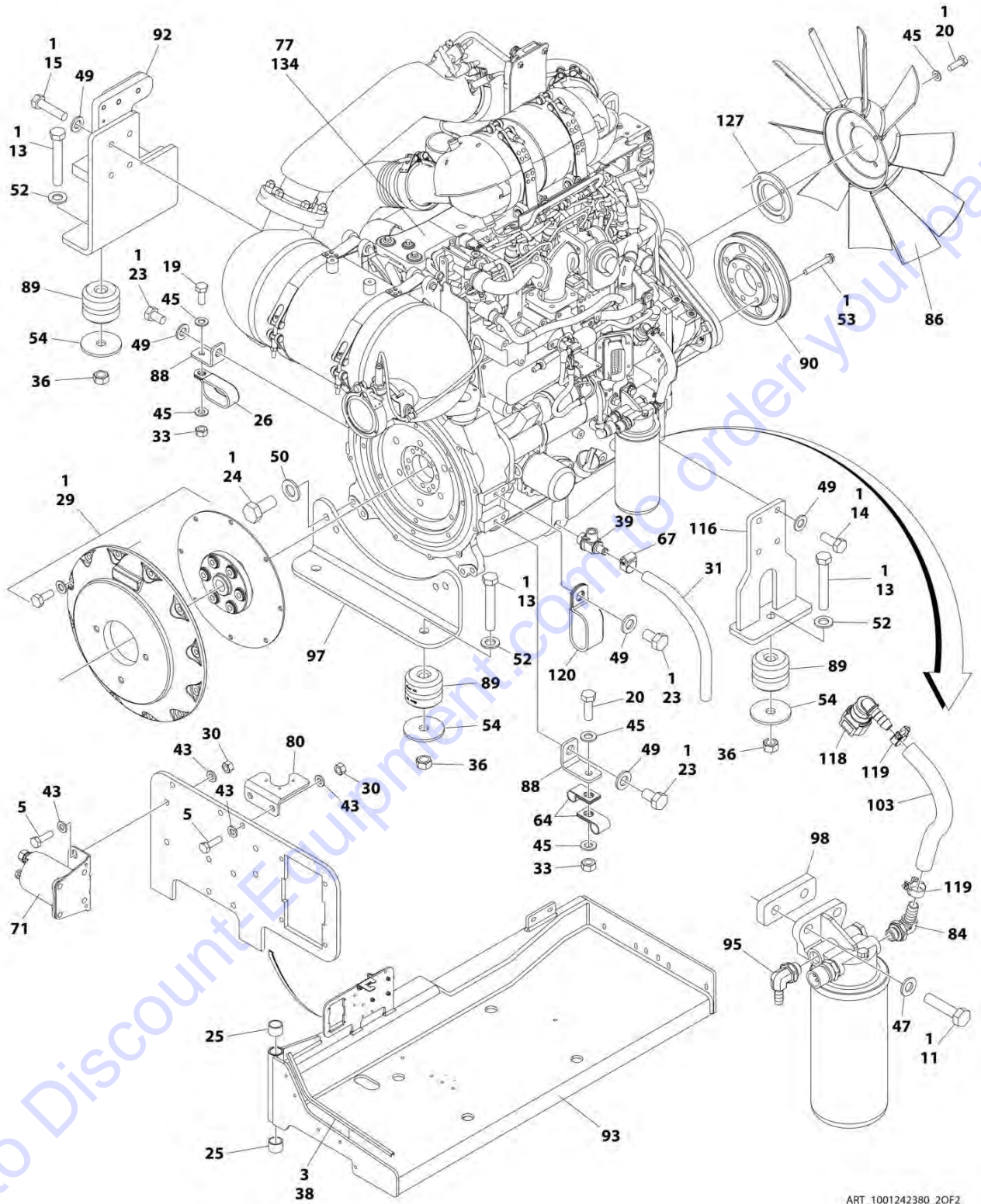
# SECTION 3 - ENGINE

## FIGURE 3-37. DEUTZ T4F ENGINE ASSEMBLY - WITH COLD WEATHER PKG (SN 0300255121 to Present)



ART\_1001242380\_10F2

# SECTION 3 - ENGINE



ART\_1001242380\_20F2

## SECTION 3 - ENGINE

**FIGURE 3-37. DEUTZ T4F ENGINE ASSEMBLY - WITH COLD WEATHER PKG (SN 0300255121 to Present)**

ITEM	PART NUMBER	QTY	DESCRIPTION	REV
	1001242380	Ref	DEUTZ T4F ENGINE ASSEMBLY - WITH COLD WEATHER PKG	A
1	0100011	AR	Compound, Locking	
2	0100020	AR	Sealant	
3	0100081	AR	Adhesive	
4	0641606	2	Bolt 3/8 x 3/4	
5	0700610	13	Bolt M6 x 20	
6	0700612	7	Bolt M6 x 25	
7	0700815	2	Bolt M8 x 35	
8	0701013	2	Bolt M10 x 28	
9	0701015	6	Bolt M10 x 35	
10	0701016	2	Bolt M10 x 40	
11	0701017	2	Bolt M10 x 45	
12	0701019	1	Bolt M10 x 55	
13	0701627	4	Bolt M16 x 100	
14	0711214	4	Bolt M12 x 30 Grade 10.9	
15	0711218	4	Bolt M12 x 50 Grade 10.9	
16	0760604	1	Bolt M6 x 8	
17	0760608	2	Bolt M6 x 16	
18	0760614	2	Bolt M6 x 30	
19	0760810	6	Bolt M8 x 20	
20	0760812	7	Bolt M8 x 25	
21	0761008	1	Bolt M10 x 16	
22	0761012	6	Bolt M10 x 25	
23	0761210	3	Bolt M12 x 20	
24	0771415	4	Bolt M14 x 35 Grade 10.9	
25	0961951	2	Bushing	
26	1321716	1	Clamp	
27	2720015	5 ft/ 1.5m	Hose	
28	1703162	2	Decal - Fan Blade	
29	2902065	1	Pump Coupling Kit (See PUMP COUPLING KIT for Breakdown)	
30	3290607	22	Nut M6	
31	1001165035	1 ft/ 0.3m	Hose	
32	3290805	3	Nut M8	
33	3290807	5	Nut M8	
34	3291005	1	Nut M10	
35	3291007	10	Nut M10	
36	3291601	4	Nut M16	
37	3820032	9	Rivet	
38	4060807	22 in/ 55cm	Flex-Trim	
39	4640751	1	Valve, Oil Drain	
40	4711600	2	Washer 3/8	
41	4811600	4	Washer M5	
42	4240099	AR	Tie-Strap (Not Shown)	
43	4811700	43	Washer M6	
44	4811702	4	Washer M6	
45	4811900	19	Washer M8	
46	4811902	4	Washer M8	
47	4812000	30	Washer M10	



## SECTION 3 - ENGINE

ITEM	PART NUMBER	QTY	DESCRIPTION	REV
48	4812002	1	Washer M10	
49	4812100	11	Washer M12	
50	4812200	4	Washer M14	
51	5241000	1	Washer M10	
52	5241600	4	Washer M16	
53	5251022	6	Bolt M10 x 70	
54	7300435	4	Washer	
55	8278020	1	Mount	
56	8305401	2	Nut 1/4	
57	8307109	2	Washer 1/4	
58	8310548	2	Screw 1/4 x 1/2	
59	8405007	2	Clamp	
60	8405009	4	Clamp	
61	8405104	4	Clamp	
62	8405211	1	Clamp	
63	8406109	2	Clip	
64	8406110	2	Clip	
65	8410011	2	Clamp	
66	8410012	2	Clamp	
67	8410013	1	Clamp	
68	91563070	1	Coupling, Rubber	
69	1001097588	1	Clip	
70	1001117244	1	Reducer	
71	1001117308	1	Relay, 200Amp	
72	1001134488	1	Fitting, 90 NPT/Barbed	
73	1001135943	1	Coupling	
74	1001136834	1	Cap	
75	1001138173	1	Support	
76	1001138175	1	Bracket	
77	1001136172	AR	Oil, Motor	
78	1001138559	1	Fitting, 90 NPT	
79	1001138827	1	Sensor	
80	1001139240	1	Bracket	
81	1001140564	1	Fitting, 90 NPT/Barbed	
82	1001138248	5 ft/ 1.5m	Tubing	
83	1001141995	1	Fitting, Straight NPT/Barbed	
84	1001142501	1	Fitting, 90 NPT/Barbed	
85	1001143390	1	Indicator, Air Restriction	
86	1001147567	1	Fan	
87	1001147847	1	Filter, Air	
87	70023809	1	Element, Primary	
87	70023872	1	Element, Secondary	
87	70024328	1	Elbow, Rubber	
87	70024329	1	Clamp, Mounting	
88	1001148641	2	Bracket	
89	1001149517	4	Mount, Motor	
90	1001149746	1	Pulley	
91	1001150553	1	Hose	
92	1001151491	1	Support	
93	1001151749	1	Tray	
94	1001152112	1	Heater	

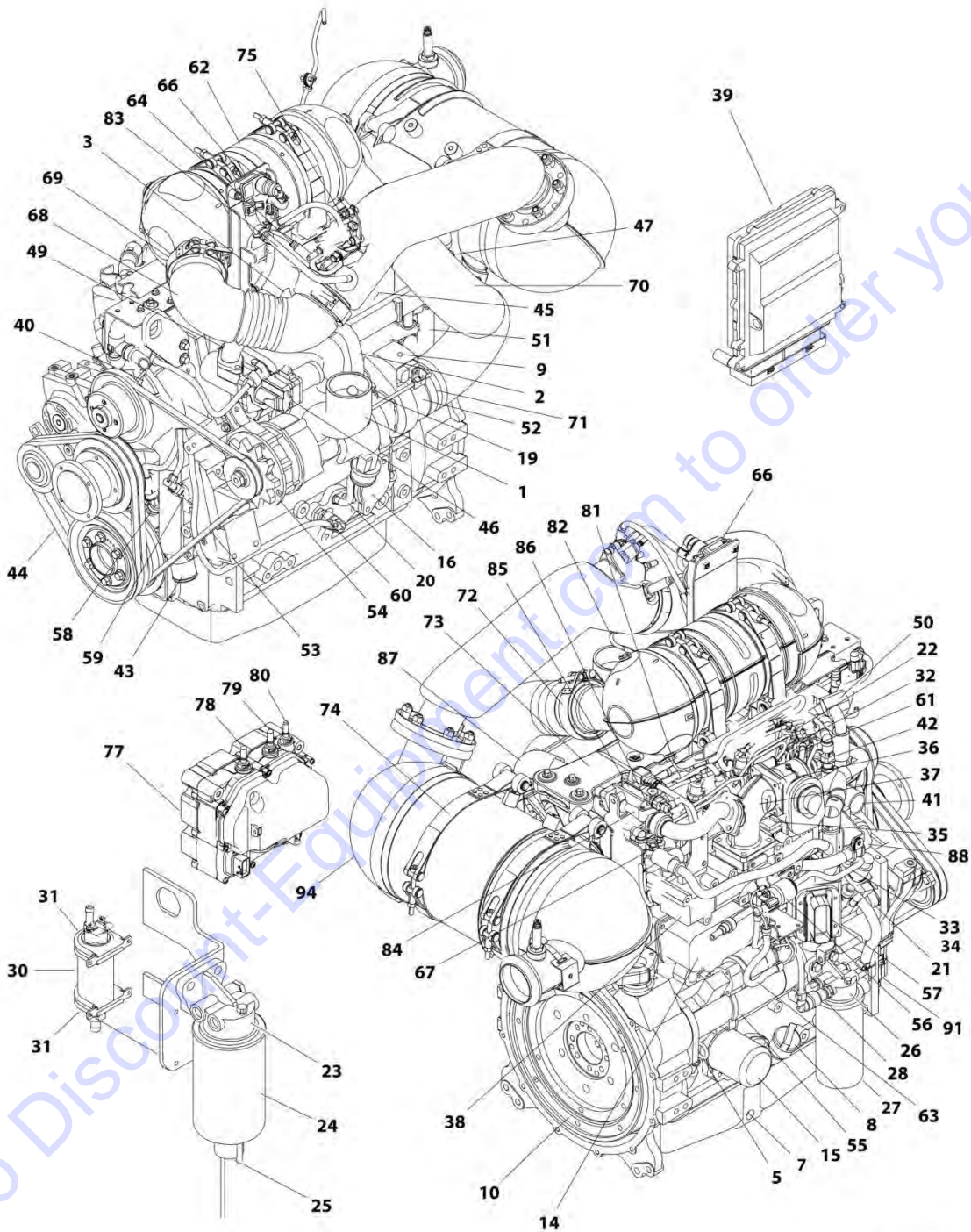
## SECTION 3 - ENGINE

ITEM	PART NUMBER	QTY	DESCRIPTION	REV
95	1001152489	1	Fitting, 90 Barbed	
96	1001155023	1	Plate	
97	1001155496	1	Support	
98	1001155498	1	Plate	
99	1001155525	1	Support	
100	1001155540	2	Washer	
101	1001155557	2	Plate	
102	1001155563	1	Seal	
103	1001154405	8.5 in/ 21cm	Hose	
104	1001155564	1	Bracket	
105	1001155565	1	Seal	
106	1001155566	1	Bracket	
107	1001155728	1	Seal	
108	1001156034	1	Seal	
109	1001156035	1	Bracket	
110	1001156062	1	Bracket	
111	1001156091	1	Hose	
112	1001156644	2	Seal	
113	1001157300	1	Hose	
114	1001157301	1	Hose	
115	1001157862	1	Bracket	
116	1001160518	1	Support	
117	1001166393	1	Tank	
118	1001170982	1	Fitting, 90 SAE/Barbed	
119	1001175568	2	Clip	
120	1001181899	1	Clamp	
121	1001188162	1	Radiator	
122	1001189291	1	Pipe, Exhaust	
123	1001190418	1	Tube	
124	1001191122	1	Hose, Upper	
125	1001192138	1	Shroud	
126	1001193599	2	Grommet	
127	1001197317	1	Spacer	
128	1001208297	1	Clamp	
129	1001208298	1	Clamp	
130	1001208299	4	Clamp	
131	1001212810	1	Support	
132	1001212817	1	Plate	
133	1001212826	1	Tube, Intake	
134	1001242377	1	Deutz T4F Engine (See DEUTZ T4F ENGINE COMPONENTS for Breakdown)	



# SECTION 3 - ENGINE

FIGURE 3-38. DEUTZ T4F ENGINE COMPONENTS (Prior to SN 0300255121)



ART\_1001176371

## SECTION 3 - ENGINE

**FIGURE 3-38. DEUTZ T4F ENGINE COMPONENTS (Prior to SN 0300255121)**

ITEM	PART NUMBER	QTY	DESCRIPTION	REV
	1001176371	Ref	DEUTZ T4F ENGINE COMPONENTS	H
1	70024497	1	Pipe, Intake	
1	70025680	1	Clamp	
2	70025111	1	Clamp	
2	70025128	1	Bolt	
2	70025116	1	Clamp	
2	See Note	NSS	Line, Breather (Includes Item 3) (Note: Not Available for Purchase)	
3	70025119	1	Sleeve, Rubber	
3	7002511	1	Clamp	
4	70002718	1	Seal, Rear Main (Not Shown)	
5	70025745	1	Dipstick	
5	7020442	1	O-Seal	
5	70025755	1	Tube, Dipstick	
6	70025123	24	Screw, Oil Pan (Not Shown)	
7	70025088	1	Plug	
8	7020465	1	Cap	
8	70005487	1	Tube, Fill	
8	70024471	1	Gasket (Tube to Engine Block)	
9	70025786	1	Plug	
10	70001870	1	Flywheel	
10	7024579	1	Gear, Rim	
11	70024483	1	Gasket, Head (Not Shown)	
11	70024481	1	Gasket, Valve Cover (Not Shown)	
12	7020465	1	Cap, Fill (Not Shown - Located on top of Valve Cover)	
13	70025763	1	Pump, Oil (Not Shown)	
13	70025718	4	O-Ring (Not Shown)	
14	70024494	1	Cooler, Oil	
14	70024495	1	Gasket	
15	7016331	1	Filter, Oil	
15	70025137	1	Bushing, Screw	
16	70025731	1	Cover	
16	70002813	1	Seal	
17	70025730	1	Pipe, Transfer (Not Shown - Located in Oil Pan)	
18	70025722	1	Line, Oil Suction (Not Shown - Located in Oil Pan)	
19	70024489	1	Line, Lube	
19	70025085	2	Screw	
19	70025105	4	Ring, Sealing	
20	See Note	NSS	Line, Lube Return (Note: Not Available for Purchase)	
20	70025132	1	O-Seal	
20	70005489	1	Flange, Upper	
20	70024509	1	Gasket, Upper Flange	
21	70024487	1	Pump, High Pressure	
21	70025152	1	O-Ring	
21	70004505	1	Valve, Overflow	
21	70004506	1	O-Ring	
21	70004507	1	O-Ring	
21	70004508	1	Valve, Volume Control	
21	70004509	1	O-Ring	
21	70004510	1	Gasket	
21	See Note	NSS	O-Seal (Between Pump and Block) (Note: Not Available for	

## SECTION 3 - ENGINE

ITEM	PART NUMBER	QTY	DESCRIPTION	REV
			Purchase)	
22	70024485	4	Injector, Fuel	
22	70025140	4	Washer, Sealing	
22	70025146	4	Clamp	
22	70025145	4	O-Seal	
22	70025154	4	Shoe, Clamping	
23	70024961	1	Head and Filter Assembly (Includes Item 24 & 25)	
24	70025153	NLA	Filter (Use p/n 1001225430)	
25	70024513	1	Sensor with Cable	
25	70025239	1	Ring, Sealing	
26	70004511	1	Head and Filter Assembly	
27	70004512	NLA	Filter (Use p/n 1001225432)	
28	70024504	1	Sensor, Pressure	
28	70024920	1	O-Seal	
29	See Note	NSS	Connector (Note: Not Available for Purchase) (Not Shown)	
29	70004513	1	Ring, Sealing (Not Shown)	
30	1001226098	1	Pump, Fuel Supply	
31	70025144	2	Clamp	
32	70025151	1	Rail, Fuel	
32	70025235	1	Kit, Repair - Fuel Rail	
32	70025240	1	O-Ring	
32	70025534	1	Pipe, Pressure Pump to Fuel Rail	
32	70024498	1	Pipe, Fuel Rail to Cylinders 1 & 2	
32	70024499	1	Pipe, Fuel Rail to Cylinders 3 & 4	
33	70024501	1	Line, Fuel	
33	70025109	3	Clamp, Band	
33	70025686	3	Clamp, Pipe	
34	See Note	NSS	Pipe, Fuel Leakage (Note: Not Available for Purchase)	
34	70025756	2	Retainer for Fuel Leakage Pipe	
35	70024507	1	Sensor, Pressure	
35	70025120	1	O-Seal	
36	70005492	1	Valve, Throttle	
36	70005493	1	Gasket	
37	70005491	1	Pipe, Air Charge	
37	70025726	1	Gasket	
38	70025772	1	Manifold, Air Charge	
38	70024475	1	Gasket (Manifold to Head)	
39	70005495	1	Module, Engine Control	
40	70005496	1	Pump, Water	
40	70005497	1	Seal (RH Side Pump to Item 43)	
40	70004516	2	Ring, Sealing (For Smaller Plug)	
41	70025741	1	Housing, Thermostat	
41	7016309	1	Ring, Sealing (For Bottom Plug)	
41	70024493	1	Gasket (Housing to Head)	
42	70024918	1	Sender, Temperature	
43	70025762	1	Manifold, Coolant	
44	70005498	1	V-Belt	
44	See Note	NSS	Tensioner, Pulley (Note: Not Available for Purchase)	
45	70005512	1	EGR Manifold Assembly	
46	70005513	1	Valve, Control	
46	70005514	1	O-Seal	

## SECTION 3 - ENGINE

ITEM	PART NUMBER	QTY	DESCRIPTION	REV
46	70005189	1	Seal	
47	70025768	1	Valve, Shuttle	
48	70005511	1	Gasket, Exhaust Manifold to Head (Not Shown)	
49	See Note	NSS	Tube, Compensator (Note: Not Available for Purchase)	
49	70024500	2	Gasket	
50	See Note	1	Line, Water (Note: Not Available for Purchase)	
50	7020492	1	Ring, Sealing (For Plug in Line)	
50	70024478	1	Gasket (Water Line to EGR Valve)	
50	70025701	1	Sleeve, Rubber	
50	70025687	2	Clamp (For Sleeve)	
50	70025699	1	Clamp, Insulated	
51	70024479	1	Hose	
51	70025687	1	Clamp (Lower)	
51	70025773	1	Clamp (Upper)	
51	70005499	1	Fitting (at Lower End of Hose)	
51	70024469	1	O-Seal (For Fitting)	
52	70005515	1	Turbocharger	
52	70024480	1	Gasket	
53	70005516	1	V-Belt	
54	70025533	1	Generator	
54	70025149	1	Controller	
54	70025131	1	Fan	
54	70025141	1	Nut, Pulley	
55	70004520	1	Starter	
56	70025780	1	Relay	
57	70005518	1	Harness, Engine	
58	70026210	1	Tacho-Generator	
58	70005191	1	O-Ring	
59	70026210	1	Tacho-Generator	
59	70005191	1	O-Ring	
60	70024504	1	Switch, Pressure	
60	70024920	1	O-Seal	
61	70024474	4	Plug, Glow	
62	70005519	1	Catalyst	
63	70005517	1	Electrical Line, Relay	
64	70005522	1	Sensor	
65	70005521	1	Interconnect Cable (Not Shown)	
66	70005523	1	Sensor, Pressure	
67	70005524	1	Sensor	
68	70005525	1	Pipe, Connecting	
68	70025242	1	Gasket	
69	70025877	2	Clamp	
70	70005526	1	Pipe, Connecting	
70	70025242	1	Gasket	
71	70005527	1	Clamp	
72	70025877	1	Clamp	
73	70005528	1	Bracket	
73	70005529	2	Strap	
73	70005530	4	Pin, Clevis	
73	70005531	8	Clip	
73	70005532	2	Pin	

## SECTION 3 - ENGINE

ITEM	PART NUMBER	QTY	DESCRIPTION	REV
73	70005535	1	Rubber, Mounting	
73	70005536	2	Washer	
74	70005537	1	Bracket	
74	70005538	2	Strap	
74	70005530	4	Pin, Clevis	
74	70005531	8	Clip	
74	70005535	2	Rubber, Mounting	
74	70005541	2	Stud	
74	70005542	2	Bracket	
74	70005536	4	Washer	
75	70005544	1	Unit, Metering	
75	70005545	1	Gasket	
76	70005546	1	Tube, Mixing (Not Shown)	
76	70005547	1	Pipe, Union (Not Shown)	
77	70005548	1	Pump, Def Supply (Includes Items 78-80)	
77	70005549	1	Filter, Def Supply Pump	
77	70005550	1	Cover, Def Supply Pump Filter	
78	70005551	1	Adapter, Def Supply Pump Filter Socket	
78	70005552	1	O-Seal	
79	70005553	1	Adapter, Def Supply Pump Filter Socket	
79	70005552	1	O-Seal	
80	70005554	1	Adapter, Def Supply Pump Filter Socket	
80	70005552	1	O-Seal	
81	70005555	1	Transmitter, Temperature	
82	70005556	1	Transmitter, Temperature	
83	70005557	1	Pipe	
83	70005558	1	Clip	
84	70005501	1	Tube, Venturi	
84	70024500	1	Gasket	
85	70005504	1	Sensor, Pressure	
85	70005505	2	Ring, Sealing	
85	70005502	1	Plate, Isolation	
85	70005503	1	Adapter	
86	70005506	1	Temperature, Transmitter	
86	70005507	1	O-Seal	
87	70005508	1	Elbow, Hose	
87	70005509	1	Clamp	
87	70025681	1	Clamp (Pipe Side)	
88	70025747	1	Manifold	
88	70025687	4	Clamp	
88	70025750	1	Line, Water	
88	70025699	1	Clamp	
88	70025749	1	Hose	
88	70025764	1	Plate, Support	
89	70025737	1	Wheel, Sensor (Not Shown - Located Under front Engine Cover)	
90	70025739	1	Gear, Idler (Not Shown - Located Under front Engine Cover)	
90	70025740	1	Shaft (Not Shown - Located Under front Engine Cover)	
91	70025752	1	Valve, Plunger	
91	70025753	1	Spring	
91	70005916	1	Seal	
91	70005917	1	Plug	



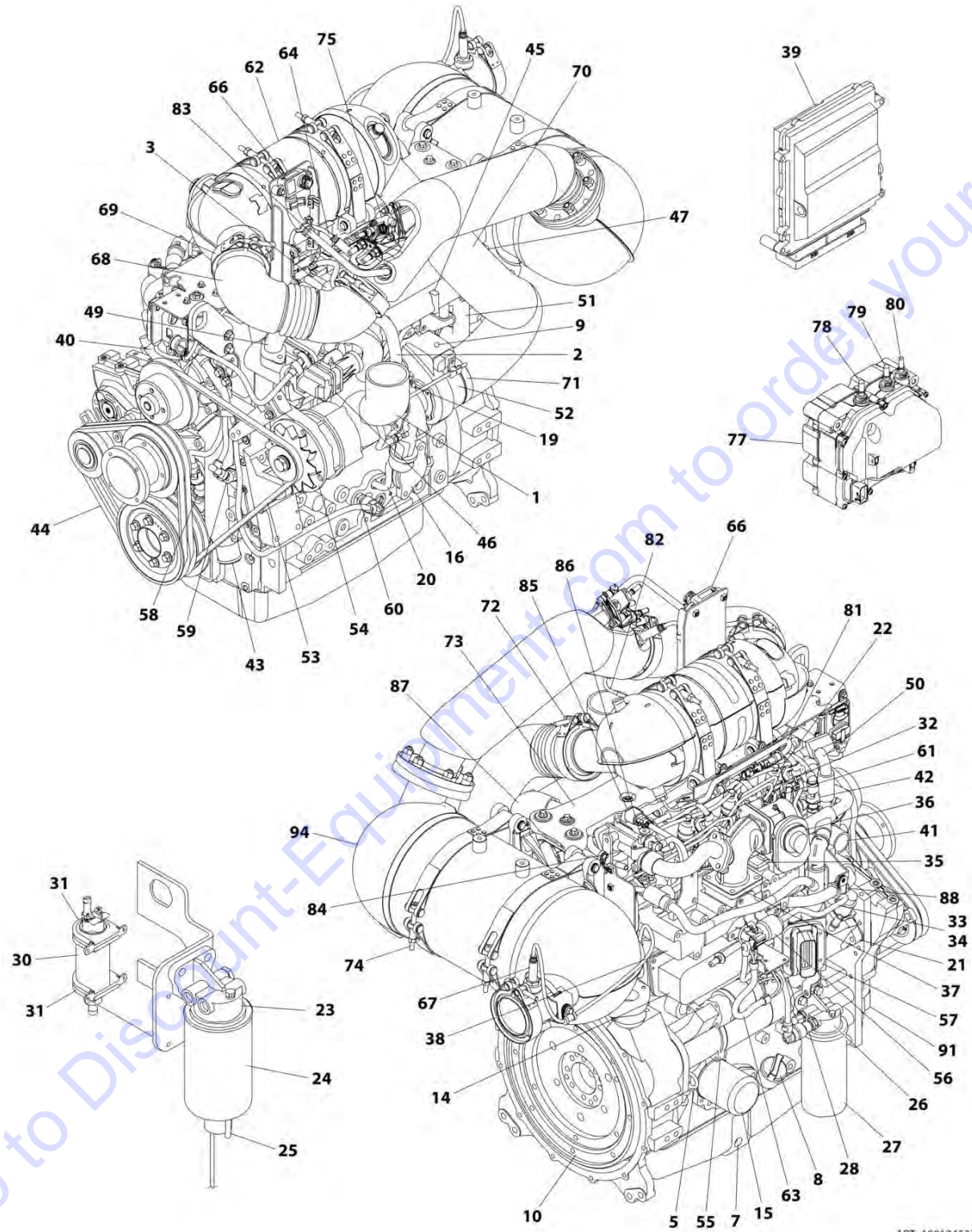
## SECTION 3 - ENGINE

ITEM	PART NUMBER	QTY	DESCRIPTION	REV
92	70025758	1	Connector (Not Shown - Located Under Front Engine Cover)	
92	70025704	1	Ring, Half-Moon	
93	70004280	1	Seal, Crankshaft (Not Shown - Located Under Front Engine Cover)	
94	70001181	1	Control Vale	
94	70124410	1	Spring	
94	70025082	1	Seal	
94	70124440	1	Plug	

Go to Discount-Equipment.com to order your parts

# SECTION 3 - ENGINE

FIGURE 3-39. DEUTZ T4F ENGINE COMPONENTS (SN 0300255121 to Present)



ART\_1001242377

## SECTION 3 - ENGINE

**FIGURE 3-39. DEUTZ T4F ENGINE COMPONENTS (SN 0300255121 to Present)**

ITEM	PART NUMBER	QTY	DESCRIPTION	REV
	1001242377	Ref	DEUTZ T4F ENGINE COMPONENTS	A
1	70024497	1	Pipe, Intake	
1	70025680	1	Clamp	
2	70025111	1	Clamp	
2	70025128	1	Bolt	
2	70025116	1	Clamp	
2	See Note	NSS	Line, Breather (Includes Item 3) (Note: Not Available for Purchase)	
3	70025119	1	Sleeve, Rubber	
3	70025111	1	Clamp	
4	70002718	1	Seal, Rear Main (Not Shown)	
5	70025745	1	Dipstick	
5	7020442	1	O-Seal	
5	70025755	1	Tube, Dipstick	
6	70025123	24	Screw, Oil Pan (Not Shown)	
7	70005941	1	Plug	
8	7020465	1	Cap	
8	70005487	1	Tube, Fill	
8	70024471	1	Gasket (Tube to Engine Block)	
9	70025786	1	Plug	
10	70001870	1	Flywheel	
10	7024579	1	Gear, Rim	
11	70025789	1	Gasket, Head (Not Shown)	
11	70024481	1	Gasket, Valve Cover (Not Shown)	
12	7020465	1	Cap, Fill (Not Shown - Located on top of Valve Cover)	
14	70024494	1	Cooler, Oil	
14	70024495	1	Gasket	
15	7016331	1	Filter, Oil	
15	70025137	1	Bushing, Screw	
16	70025731	1	Cover	
16	70002813	1	Seal	
17	70028814	1	Pipe, Transfer (Not Shown - Located in Oil Pan)	
18	70025722	1	Line, Oil Suction (Not Shown - Located in Oil Pan)	
19	70024489	1	Line, Lube	
19	70025085	2	Screw	
19	70025105	4	Ring, Sealing	
20	See Note	NSS	Line, Lube Return (Note: Not Available for Purchase)	
20	70025132	1	O-Seal	
20	70007084	1	Flange, Upper	
20	70024509	1	Gasket, Upper Flange	
21	70024487	1	Pump, High Pressure	
21	70025152	1	O-Ring	
21	70004505	1	Valve, Overflow	
21	70004506	1	O-Ring	
21	70004507	1	O-Ring	
21	70004508	1	Valve, Volume Control	
21	70004509	1	O-Ring	
21	70004510	1	Gasket	
21	70027416	1	Gear	
21	See Note	NSS	O-Seal (Between Pump and Block) (Note: Not Available for Purchase)	

## SECTION 3 - ENGINE

ITEM	PART NUMBER	QTY	DESCRIPTION	REV
22	70024485	4	Injector, Fuel	
22	70025140	4	Washer, Sealing	
22	70025146	4	Clamp	
22	70025145	4	O-Seal	
22	70025154	4	Shoe, Clamping	
23	70024961	1	Head and Filter Assembly (Includes Item 24 & 25)	
24	1001225430	1	Filter	
25	70024513	1	Sensor with Cable	
25	70025239	1	Ring, Sealing	
26	70004511	1	Head and Filter Assembly	
27	1001225432	1	Filter	
28	70024504	1	Sensor, Pressure	
28	70024920	1	O-Seal	
29	See Note	NSS	Connector (Note: Not Available for Purchase) (Not Shown)	
29	70004513	1	Ring, Sealing (Not Shown)	
30	70006144	1	Pump, Fuel Supply	
31	70025144	2	Clamp	
32	70025151	1	Rail, Fuel	
32	70025235	1	Kit, Repair - Fuel Rail	
32	70025240	1	O-Ring	
32	70025534	1	Pipe, Pressure Pump to Fuel Rail	
32	70024498	1	Pipe, Fuel Rail to Cylinders 1 & 2	
32	70024499	1	Pipe, Fuel Rail to Cylinders 3 & 4	
33	70024501	1	Line, Fuel	
33	70025109	3	Clamp, Band	
33	70025686	3	Clamp, Pipe	
34	See Note	NSS	Pipe, Fuel Leakage (Note: Not Available for Purchase)	
34	70025756	2	Retainer for Fuel Leakage Pipe	
35	70024507	1	Sensor, Pressure	
35	70025120	1	O-Seal	
36	70005492	1	Valve, Throttle	
36	70005493	1	Gasket	
37	70029394	1	Pipe, Air Charge	
37	70025726	1	Gasket	
38	70025772	1	Manifold, Air Charge	
38	70024475	1	Gasket (Manifold to Head)	
39	70005495	1	Module, Engine Control	
40	70004515	1	Pump, Water	
40	70005497	1	Seal (RH Side Pump to Item 43)	
40	70004516	2	Ring, Sealing (For Smaller Plug)	
41	70029395	1	Housing, Thermostat	
41	7016309	1	Ring, Sealing (For Bottom Plug)	
41	70024493	1	Gasket (Housing to Head)	
42	70028540	1	Sender, Temperature	
43	70025762	1	Manifold, Coolant	
44	70005498	1	V-Belt	
44	See Note	NSS	Tensioner, Pulley (Note: Not Available for Purchase)	
45	70007083	1	EGR Manifold Assembly	
46	70005513	1	Valve, Control	
46	70005514	1	O-Seal	
46	70005189	1	Seal	

## SECTION 3 - ENGINE

ITEM	PART NUMBER	QTY	DESCRIPTION	REV
47	70028989	1	Valve, Shuttle	
48	70029399	1	Gasket, Exhaust Manifold to Head (Not Shown)	
49	See Note	NSS	Tube, Compensator (Note: Not Available for Purchase)	
49	70024500	2	Gasket	
50	See Note	NSS	Line, Water (Note: Not Available for Purchase)	
50	7020492	1	Ring, Sealing (For Plug in Line)	
50	70024478	1	Gasket (Water Line to EGR Valve)	
50	70025701	1	Sleeve, Rubber	
50	70025687	2	Clamp (For Sleeve)	
50	70025699	1	Clamp, Insulated	
51	70024479	1	Hose	
51	70025111	1	Clamp (Lower)	
51	70028765	1	Clamp (Upper)	
52	70007083	1	Turbocharger	
52	70024480	1	Gasket	
53	70005516	1	V-Belt	
54	70029401	1	Generator	
54	70006653	1	Controller	
54	70029015	1	Fan	
54	70029402	1	Nut, Pulley	
55	70004520	1	Starter	
56	70025780	1	Relay	
57	70007085	1	Harness, Engine	
58	70026210	1	Tacho-Generator	
58	70005191	1	O-Ring	
59	70026210	1	Tacho-Generator	
59	70005191	1	O-Ring	
60	70024504	1	Switch, Pressure	
60	70024920	1	O-Seal	
61	70024474	4	Plug, Glow	
62	70007093	1	Catalyst	
63	70005517	1	Electrical Line, Relay	
64	70005522	1	Sensor	
66	70005523	1	Sensor, Pressure	
67	70005524	1	Sensor	
68	70005525	1	Pipe, Connecting	
68	70025242	1	Gasket	
69	70025877	2	Clamp	
70	70005526	1	Pipe, Connecting	
70	70025242	1	Gasket	
71	70005527	1	Clamp	
72	70025877	1	Clamp	
73	70005528	1	Bracket	
73	70005529	2	Strap	
73	70005530	4	Pin, Clevis	
73	70005531	8	Clip	
73	70005532	2	Pin	
73	70005535	1	Rubber, Mounting	
73	70005536	2	Washer	
74	70005537	1	Bracket	
74	70005538	2	Strap	

## SECTION 3 - ENGINE

ITEM	PART NUMBER	QTY	DESCRIPTION	REV
74	70005530	4	Pin, Clevis	
74	70005531	8	Clip	
74	70005535	2	Rubber, Mounting	
74	70005541	2	Stud	
74	70005542	2	Bracket	
74	70005536	4	Washer	
75	70005544	1	Unit, Metering	
75	70005545	1	Gasket	
76	70007091	1	Tube, Mixing (Not Shown)	
76	70007092	1	Pipe, Union (Not Shown)	
77	70005548	1	Pump, DEF Supply (Includes Items 78-80)	
77	70005549	1	Filter, DEF Supply Pump	
77	70005550	1	Cover, DEF Supply Pump Filter	
78	70005551	1	Adapter, Def Supply Pump Filter Socket	
78	70005552	1	O-Seal	
79	70005553	1	Adapter, Def Supply Pump Filter Socket	
79	70005552	1	O-Seal	
80	70005554	1	Adapter, Def Supply Pump Filter Socket	
80	70005552	1	O-Seal	
81	70005555	1	Transmitter, Temperature	
82	70005556	1	Transmitter, Temperature	
83	70005557	1	Pipe	
83	70005558	1	Clip	
84	70005501	1	Tube, Venturi	
84	70024500	1	Gasket	
85	70005504	1	Sensor, Pressure	
85	70005505	2	Ring, Sealing	
85	See Note	NSS	Plate, Isolation (Note: Not Available for Purchase)	
85	70005503	1	Adapter	
86	70027405	1	Temperature, Transmitter	
86	70005507	1	O-Seal	
87	See Note	NSS	Elbow, Hose (Note: Not Available for Purchase)	
87	70025675	1	Clamp	
87	70025681	1	Clamp (Pipe Side)	
88	70025747	1	Manifold	
88	70025687	4	Clamp	
88	70025750	1	Line, Water	
88	70025699	1	Clamp	
88	70025749	1	Hose	
88	70025764	1	Plate, Support	
89	70025737	1	Wheel, Sensor (Not Shown - Located Under front Engine Cover)	
90	70025739	1	Gear, Idler (Not Shown - Located Under front Engine Cover)	
90	70025740	1	Shaft (Not Shown - Located Under front Engine Cover)	
91	70025752	1	Valve, Pressure Relief	
91	70025753	1	Spring	
91	70005916	1	Seal	
91	70005917	1	Plug	
92	70025758	1	Connector (Not Shown - Located Under Front Engine Cover)	
92	70025704	1	Ring, Half-Moon	
93	70004280	1	Seal, Crankshaft (Not Shown - Located Under Front Engine Cover)	
94	70001181	1	Control Vale	

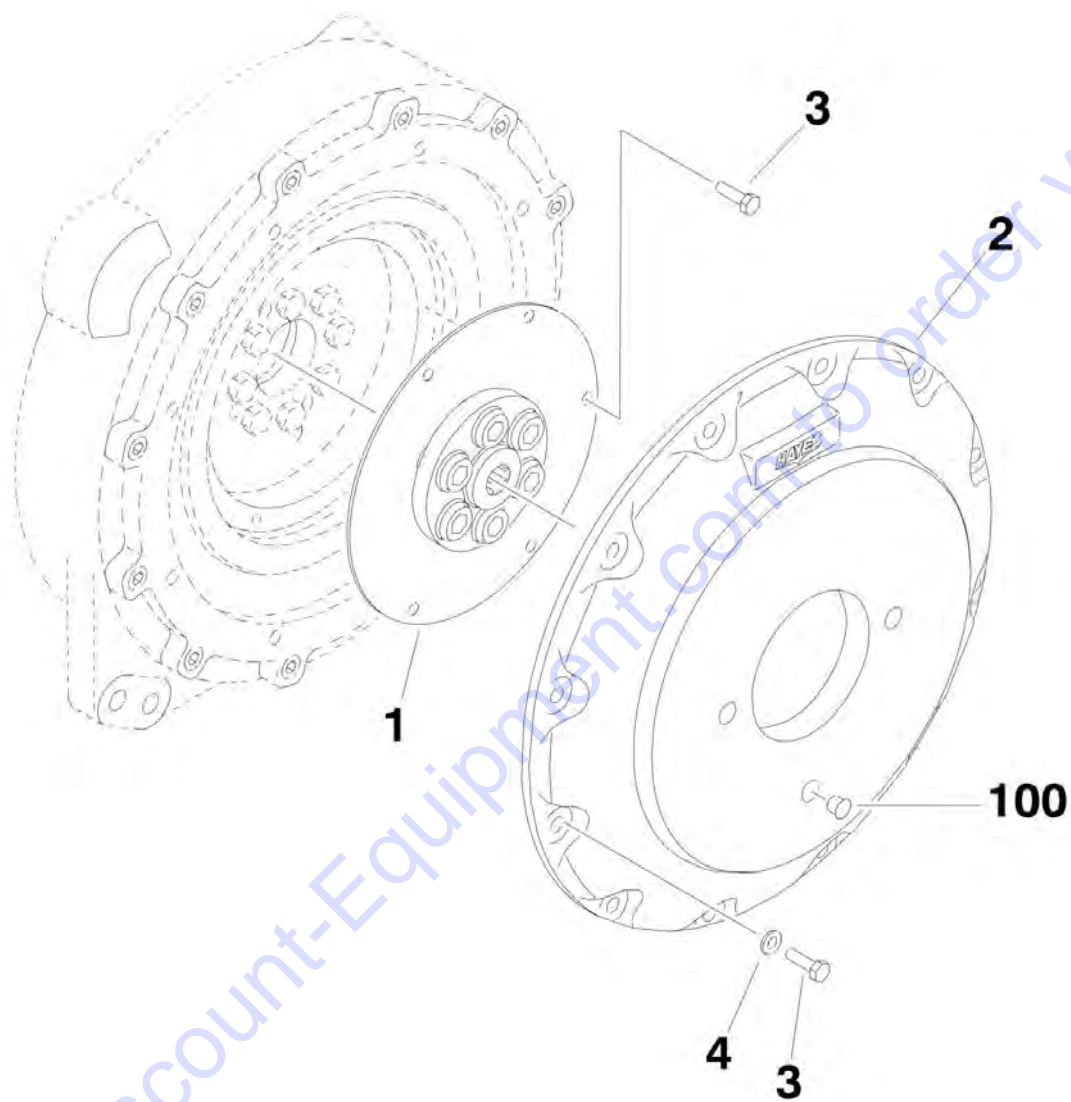
## SECTION 3 - ENGINE

ITEM	PART NUMBER	QTY	DESCRIPTION	REV
94	70124410	1	Spring	
94	70025082	1	Seal	
94	70124440	1	Plug	
95	70027460	1	Tank, Reservoir (Not Shown)	
95	70027465	1	Filter	
95	70027466	1	Cover	
95	70027467	1	Valve, Breather	
95	70027461	1	Bracket	
95	70027462	1	Transmitter, Level	
95	70027463	1	Clip	
95	70027464	1	Filter, Fuel	

Go to Discount-Equipment.com to order your parts

# SECTION 3 - ENGINE

## FIGURE 3-40. PUMP COUPLING KIT



2902065



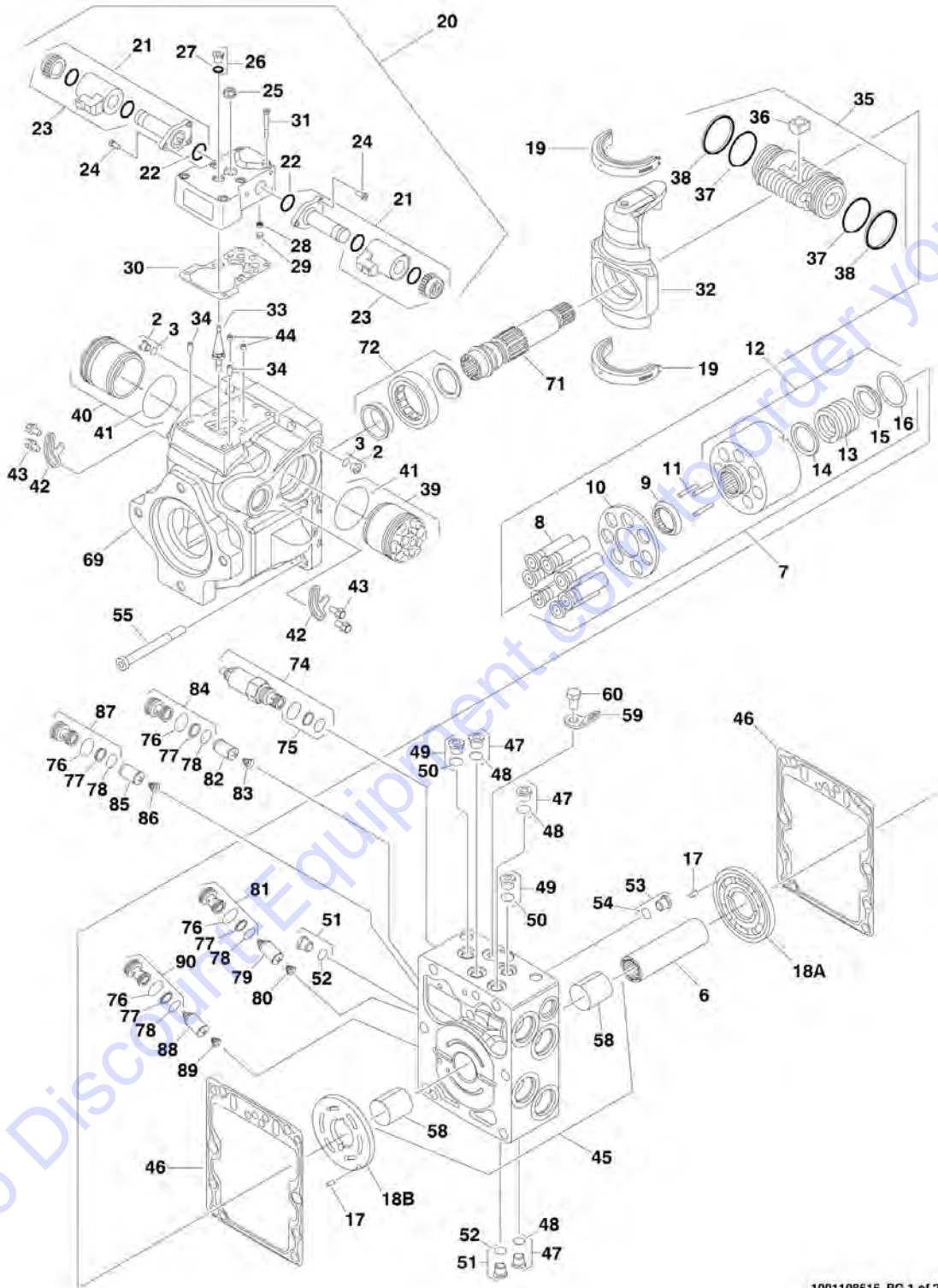
FIGURE 3-40. PUMP COUPLING KIT

ITEM	PART NUMBER	QTY	DESCRIPTION	REV
	2902065	Ref	PUMP COUPLING KIT	K
1	70000793	1	Coupling, Hayes	
2	See Note	NSS	Plate, Pump Adapter (Note: Purchase p/n 2902065)	
3	See Note	NSS	Capscrew M10 Grade 10.9 (Note: Purchase p/n 2902065)	
4	4812000	12	Washer M10	
100	3520054	1	Plug (Note: Not part of kit. Must be purchased separately)	

Go to Discount-Equipment.com to order your parts

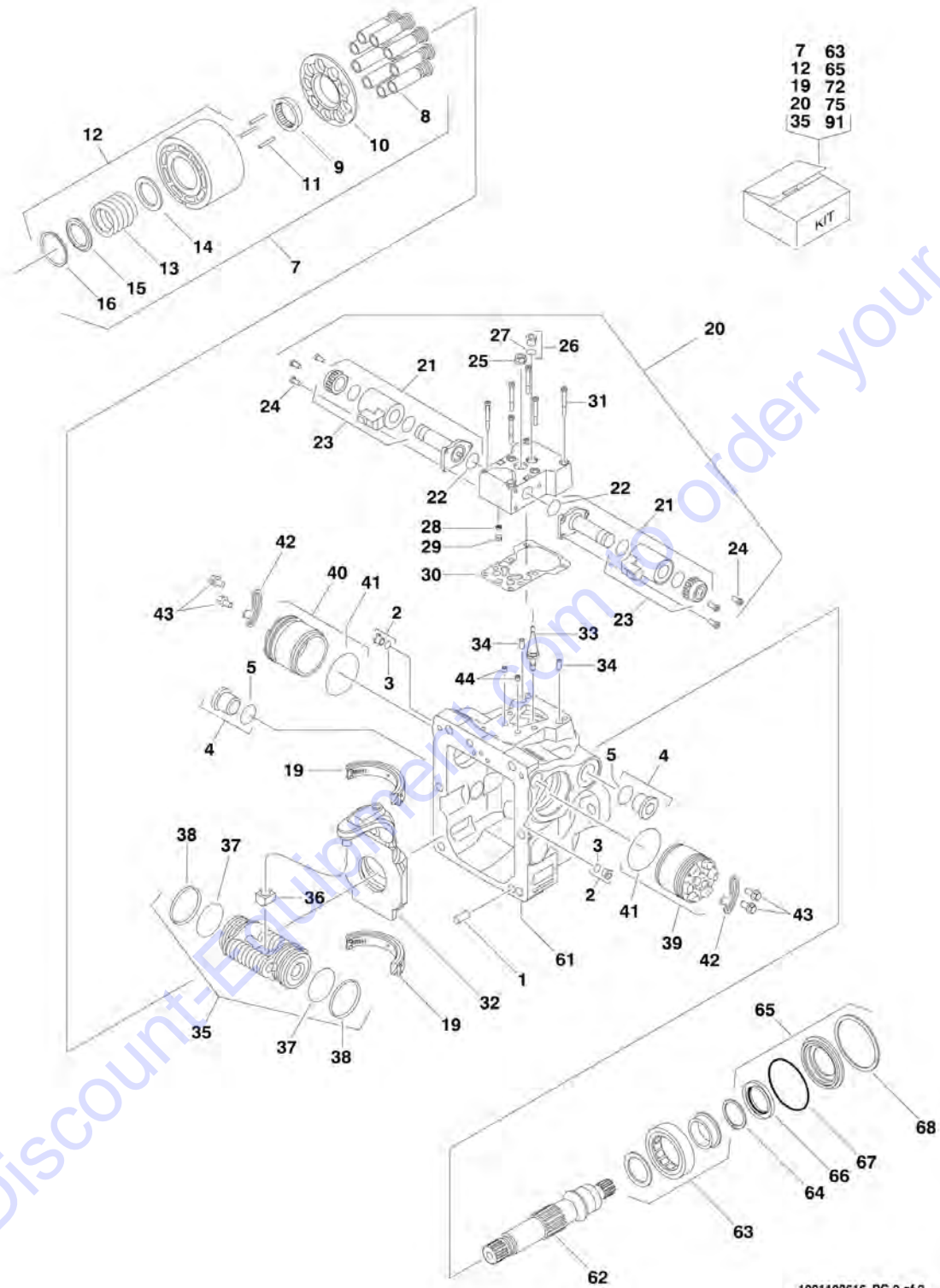
# SECTION 3 - ENGINE

## FIGURE 3-41. TANDEM PUMP ASSEMBLY



1001108616\_PG 1 of 2

# SECTION 3 - ENGINE



Go to Discount-Engine.com to order your parts

1001108616\_PG 2 of 2

## SECTION 3 - ENGINE

### FIGURE 3-41. TANDEM PUMP ASSEMBLY

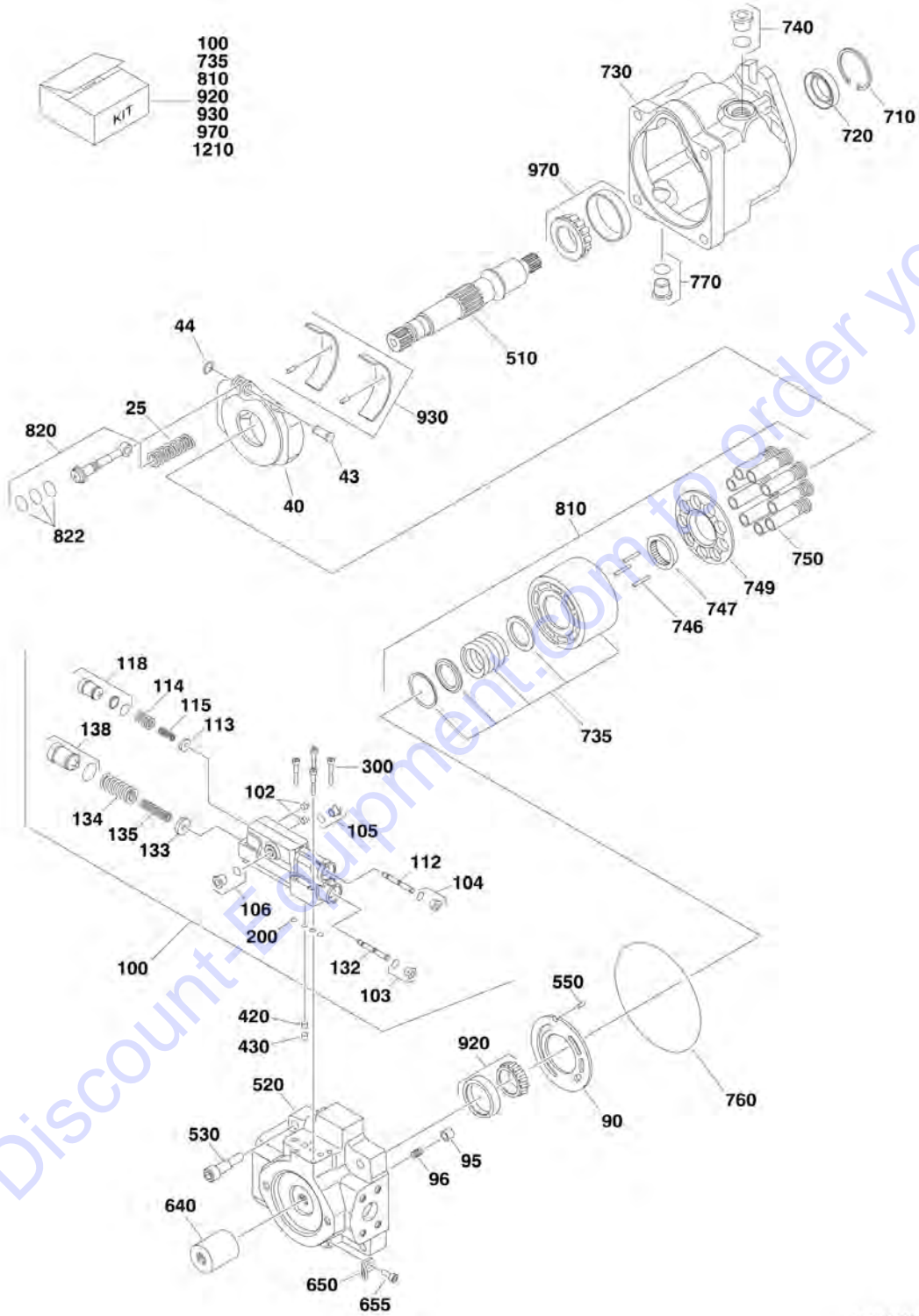
ITEM	PART NUMBER	QTY	DESCRIPTION	REV
	1001108616	Ref	TANDEM PUMP ASSEMBLY	D
1	70002132	4	Pin	
2	70002133	4	Plug Assembly (Includes Item 3)	
3	7007207	4	O-Ring (Part of Item 3)	
4	7007419	2	Plug Assembly (Includes Item 5)	
5	7007418	2	O-Ring (Part of Item 5)	
6	70002600	1	Coupling	
7	70002135	2	Kit, Cylinder Block (Each Kit Includes Qty 1 of Items 8-10 & 12-16 & Qty 3 of Item 11)	
8	70002136	2	Kit, Piston Assembly (Includes Qty 9 Piston Assemblies) (Part of Item 7)	
9	70002137	2	Guide, Slipper Retainer (Part of Item 7)	
10	70002138	2	Retainer, Slipper (Part of Item 7)	
11	7021275	6	Pin, Slipper Retainer Holddown (Part of Item 7)	
12	70002143	2	Cylinder Block Assembly (Includes Qty 1 of Item 13-16) (Part of Item 7)	
13	70002139	2	Spring (Part of Item 12)	
14	70002140	2	Washer (Part of Item 12)	
15	70002141	2	Washer (Part of Item 12)	
16	70002142	2	Ring, Retaining (Part of Item 12)	
17	7007446	2	Pin	
18A	70002601	1	Plate, CW Valve	
18B	70002602	1	Plate, CCW Valve	
19	70002145	2	Kit, Swashplate Bearing (Includes Qty 2 Bearings)	
20	70002618	2	Kit, EDC (Includes Items 21-31)	
21	70002619	4	Solenoid Valve Assembly (Includes Item 22 & 23) (Part of Item 20)	
22	70002148	4	O-Ring (2 Per EDC Assembly) (Part of Item 21)	
23	70002620	4	Kit, Coil Nut and Seals (2 Per EDC Assembly) (Part of Item 21)	
24	70002150	12	Screw (Part of Item 20)	
25	7022301	2	Nut, Seal (Part of Item 20)	
26	70002151	2	Plug Assembly (Part of Item 20) (Includes Item 27)	
27	7007207	2	O-Ring (Part of Item 26)	
28	70002134	2	Screen (Part of Item 20)	
29	70002153	2	Ring, Locking (Part of Item 20)	
30	70002154	2	Gasket, Control (Part of Item 20)	
31	70002156	12	Capscrew (Part of Item 20)	
32	70002152	2	Swashplate	
33	70002155	2	Link, Swashplate	
34	70002157	4	Pin, Dowel	
35	70002158	2	Servo Piston Assembly (Includes Items 36-38)	
36	70002159	2	Block, Slider (Part of Item 35)	
37	70002160	2	O-Ring (Part of Item 35)	
38	70002161	2	Ring, Piston (Part of Item 35)	
39	70002162	2	Cylinder, Servo	
40	70002162	2	Cylinder, Servo	
41	70002163	4	O-Ring	
42	70002164	4	Plate, Locking	
43	70002165	8	Screw	
44	70002604	4	Orifice	

## SECTION 3 - ENGINE

ITEM	PART NUMBER	QTY	DESCRIPTION	REV
45	70002605	1	Center Section Assembly (Includes Item 58)	
46	70002168	2	Gasket, End Cap	
47	70001958	2	Plug Assembly (Includes Item 48)	
48	7021256	2	O-Ring (Part of Item 47)	
49	70001958	2	Plug Assembly (Includes Item 50)	
50	7021256	2	O-Ring (Part of Item 49)	
51	70001958	2	Plug Assembly (Includes Item 52)	
52	7021256	2	O-Ring (Part of Item 51)	
53	70001958	2	Plug Assembly (Includes Item 54)	
54	7021256	2	O-Ring (Part of Item 53)	
55	70002606	4	Capscrew	
58	70002607	2	Bearing, Journal (Part of Item 45)	
59	7022608	1	Bracket, Lifting	
60	70002609	1	Screw	
61	See Note	NSS	Housing (Note: Not Available for Purchase)	
62	70002175	1	Shaft	
63	70002610	1	Kit, Ball Bearing	
64	70007439	1	Ring, Retaining	
65	70002174	1	Kit, Shaft Seal (Includes Items 66-68) (Note: This is a universal kit and will contain extra pieces that are not used on this pump assembly.)	
66	70002177	1	Seal, Lip	
67	70002178	1	O-Ring	
68	70002179	1	Ring, Retaining	
69	See Note	1	Housing (Note: Not Available for Purchase)	
71	70002612	1	Shaft	
72	70002610	1	Kit, Ball Bearing	
74	70002621	1	High Pressure Relief Valve Cartridge Assembly (Includes Item 75 & 76)	
75	70002622	1	Kit, Seal - 70002621 Valve (Part of Item 74)	
76	7007415	1	O-Ring (Part of Item 79)	
77	7021293	1	Ring, Back-up (Part of Item 79)	
78	7022300	1	O-Ring (Part of Item 79)	
79	70002616	1	SCR Valve Assembly	
80	7024800	1	Spring	
81	7021265	1	Plug Assembly (Includes Qty 1 of Items 76-78)	
82	70002616	1	SCR Valve Assembly	
83	7024800	1	Spring	
84	7021265	1	Plug Assembly (Includes Qty 1 of Items 76-78)	
85	70002616	1	SCR Valve Assembly	
86	7024800	1	Spring	
87	70002617	1	Plug Assembly (Includes Qty 1 of Items 76-78)	
88	70002616	1	SCR Valve Assembly	
89	7024800	1	Spring	
90	7021265	1	Plug Assembly (Includes Qty 1 of Items 76-78)	
91	70002623	1	Kit, Overhaul Seal (Includes Items 3, 5, 22, 27, 30, 37, 38, 41, 46, 48, 50, 52, 54, 66, 67, 75, 76, 77 & 78)	

# SECTION 3 - ENGINE

## FIGURE 3-42. PISTON PUMP ASSEMBLY



1001169892

FIGURE 3-42. PISTON PUMP ASSEMBLY

ITEM	PART NUMBER	QTY	DESCRIPTION	REV
	1001169892	Ref	PISTON PUMP ASSEMBLY	D
25	70002580	1	Spring, Bias	
40	70004416	1	Swashplate Assembly	
43	70002582	1	Shaft	
44	70002583	1	Ring, Retaining	
90	70004417	1	Plate, Valve	
95	70001956	1	Poppet, Check Valve	
96	70001955	1	Spring	
100	70022286	1	Kit, Control (Includes Items 102 - 300)	
102	70023351	1	Setscrew	
103	70002133	1	Plug Assembly (Includes O-Ring)	
103	7007207	1	O-Ring	
104	70002133	1	Plug Assembly (Includes O-Ring)	
104	7007207	1	O-Ring	
105	70002133	1	Plug Assembly (Includes O-Ring)	
105	7007207	1	O-Ring	
106	70002133	1	Plug Assembly (Includes O-Ring)	
106	7007207	1	O-Ring	
112	70004418	1	Spool	
113	70023353	1	Guide, Spring LS	
114	70023354	1	Spring, Outer LS	
115	70023355	1	Spring, Inner LS	
118	70024039	1	Plug, Adjusting LS	
132	70023352	1	Spool, Control	
133	70023357	1	Guide, Spring PC	
134	70023358	1	Spring, Outer PC	
135	70023359	1	Spring, Inner PC	
138	70024040	1	Plug, Adjusting PC (Includes O-Ring)	
138	70023361	1	O-Ring	
200	70023362	4	Ring, Seal	
300	70023363	4	Capscrew	
420	7023377	1	Plug, Orifice	
430	70004419	1	Plug, Orifice	
510	70023364	1	Shaft	
520	70004420	1	Cap, End	
530	70002588	4	Capscrew	
550	7007446	1	Pin, Slotted	
640	70002589	1	Coupling	
650	7022340	1	Bracket, Lifting	
655	70002590	1	Capscrew	
710	7023962	1	Ring, Retaining	
720	70022287	1	Seal, Lip	
730	See Note	NSS	Housing (Note: Not Available for Purchase)	
735	70002596	1	Block, Cylinder	
740	7023964	1	Plug Assembly (Includes O-Ring)	
740	7007415	1	O-Ring	
746	7021275	3	Pin, Hold-down	
747	70002592	1	Guide, Slipper Retainer	
749	70002593	1	Retainer, Slipper	
750	70004422	9	Piston Assembly	

## SECTION 3 - ENGINE

ITEM	PART NUMBER	QTY	DESCRIPTION	REV
760	70002595	1	Seal, End Cap	
770	7023964	1	Plug, O-Ring (Includes O-Ring)	
770	7007415	1	O-Ring	
810	70004423	1	Kit, Cylinder Block (Includes Items 735, 746, 747, 749 & 750)	
820	70004424	1	Piston, Servo (Includes Item 822)	
822	70004425	3	Ring, Piston (Part of Item 820)	
920	70002585	1	Kit, Bearing - Rear (Includes Cup and Cone)	
930	70004426	1	Kit, Swashplate Bearing (Includes Qty 2 Bearings and Retainer Pins)	
970	70002578	1	Bearing Kit - Front (Includes Cup and Cone)	
1210	70002599	1	Kit, Complete Seal (Includes Items 200, 720, 760, 822 and Plug O-Rings)	

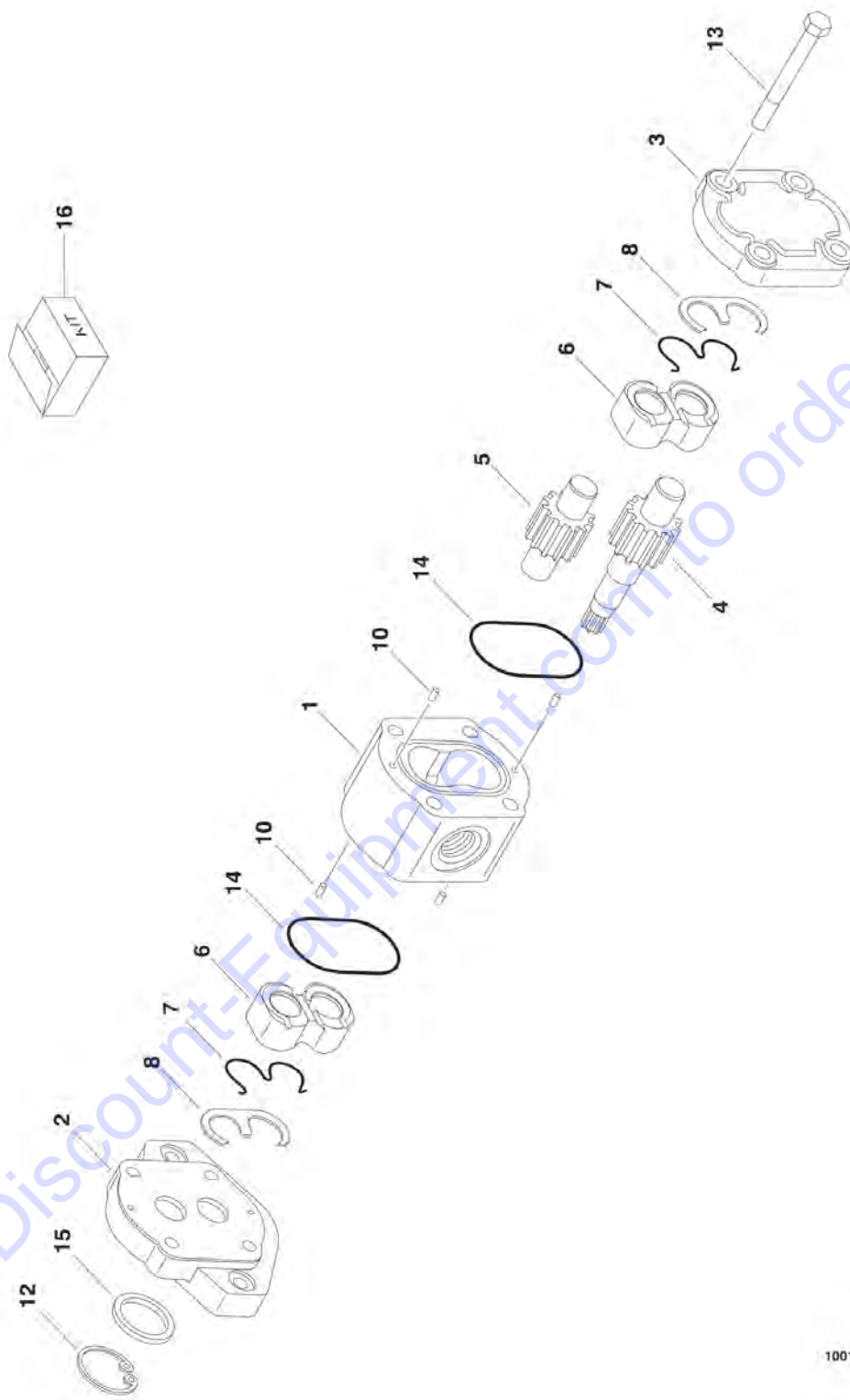
Go to Discount-Equipment.com to order your parts





# SECTION 3 - ENGINE

## FIGURE 3-43. GEAR PUMP ASSEMBLY



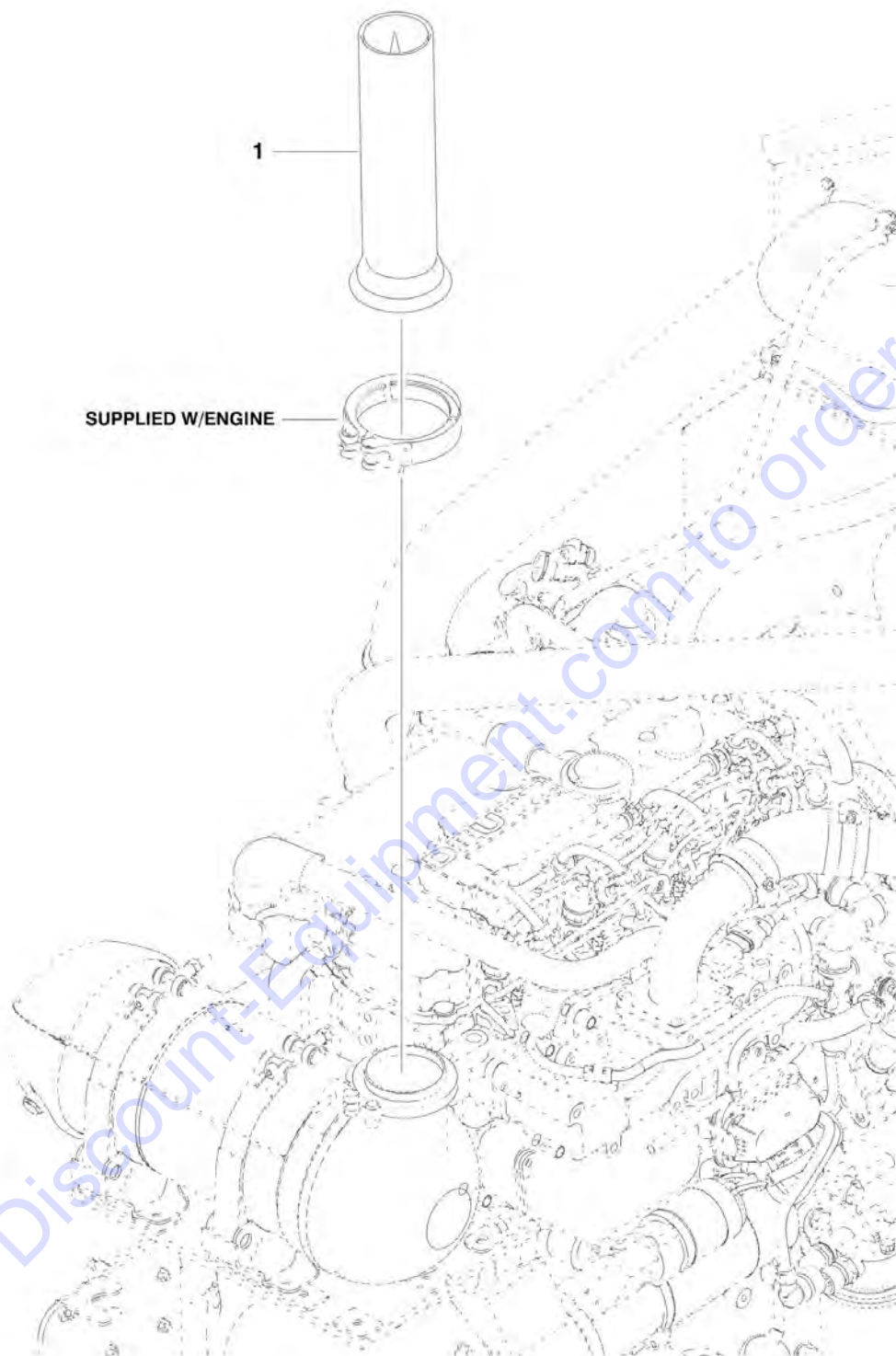
1001112927

FIGURE 3-43. GEAR PUMP ASSEMBLY

ITEM	PART NUMBER	QTY	DESCRIPTION	REV
	1001112927	Ref	GEAR PUMP ASSEMBLY	A
1	See Note	NSS	Body (Use p/n 1001112927)	
2	See Note	NSS	Cover, Front (Use p/n 1001112927)	
3	See Note	NSS	Cover, Rear (Use p/n 1001112927)	
4	See Note	NSS	Shaft, Gear (Use p/n 1001112927)	
5	See Note	NSS	Gear, Idler (Use p/n 1001112927)	
6	See Note	NSS	Block, Bearing (Use p/n 1001112927)	
7	See Note	NSS	Ring, Anti-Extrusion (Use Item 16)	
8	See Note	NSS	Ring, Seal (Use Item 16)	
10	See Note	NSS	Pin, Dowel (Note: Purchase Locally)	
12	70002576	1	Ring, Retaining	
13	See Note	NSS	Capscrew (Note: Purchase Locally)	
14	See Note	NSS	O-Ring (Use Item 16)	
15	70002577	NLA	Seal, Lip (Use Item 16)	
16	7007489	1	Kit, Seal - 1001112927 Pump (Includes Items 7, 8, 14 & 15)	

## SECTION 3 - ENGINE

FIGURE 3-44. SPARK ARRESTOR INSTALLATION - DEUTZ T4I (OPTIONAL) (Prior to SN 0300251465)



1001155070

## SECTION 3 - ENGINE

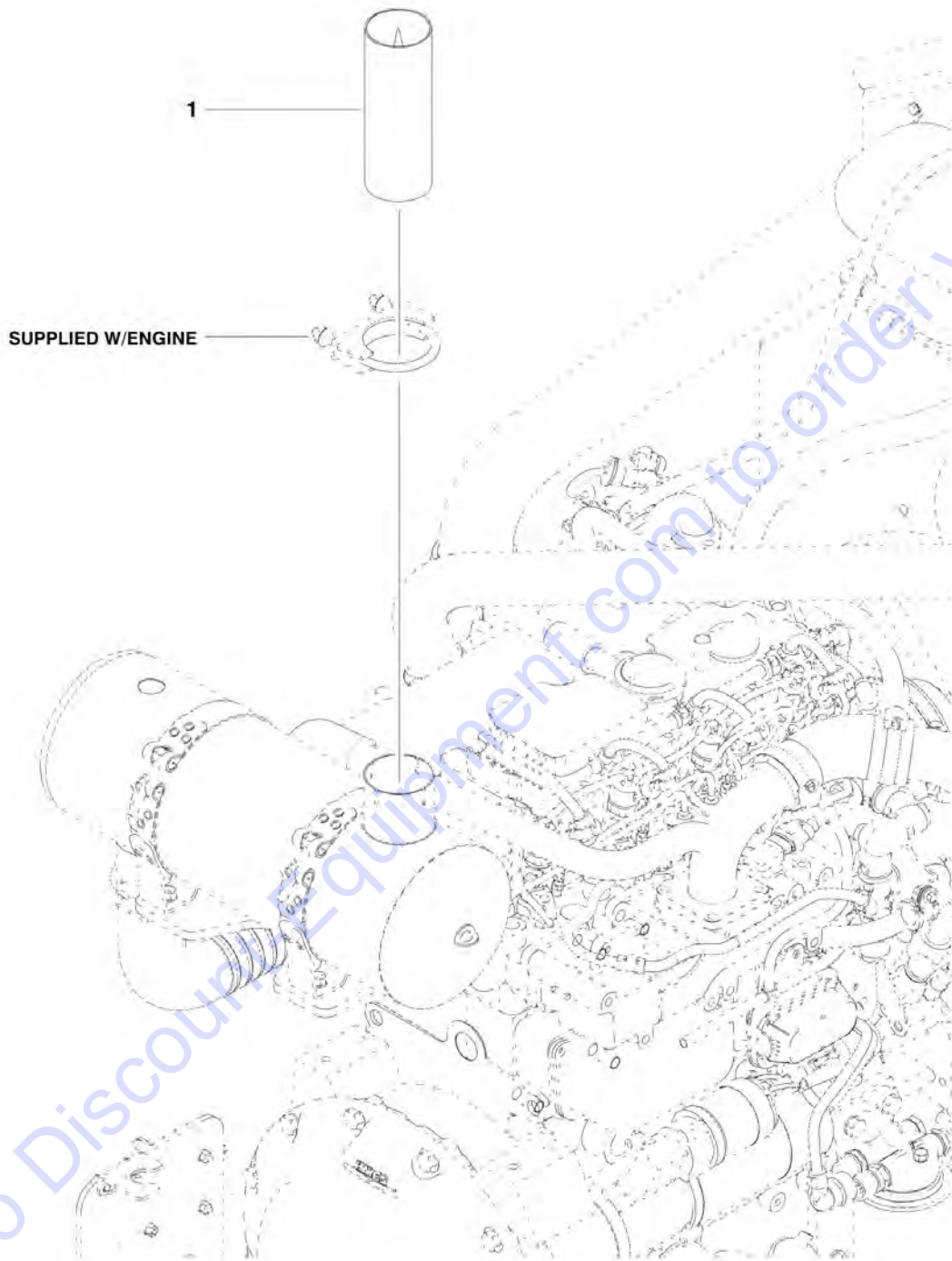
**FIGURE 3-44. SPARK ARRESTOR INSTALLATION - DEUTZ T4I (OPTIONAL) (Prior to SN 0300251465)**

ITEM	PART NUMBER	QTY	DESCRIPTION	REV
1	1001155070	Ref	SPARK ARRESTOR INSTALLATION - DEUTZ T4I (OPTIONAL)	A
	1001155962	1	Arrestor, Spark	

Go to Discount-Equipment.com to order your parts

## SECTION 3 - ENGINE

FIGURE 3-45. SPARK ARRESTOR INSTALLATION - DEUTZ LRC (OPTIONAL)



1001158607

## SECTION 3 - ENGINE

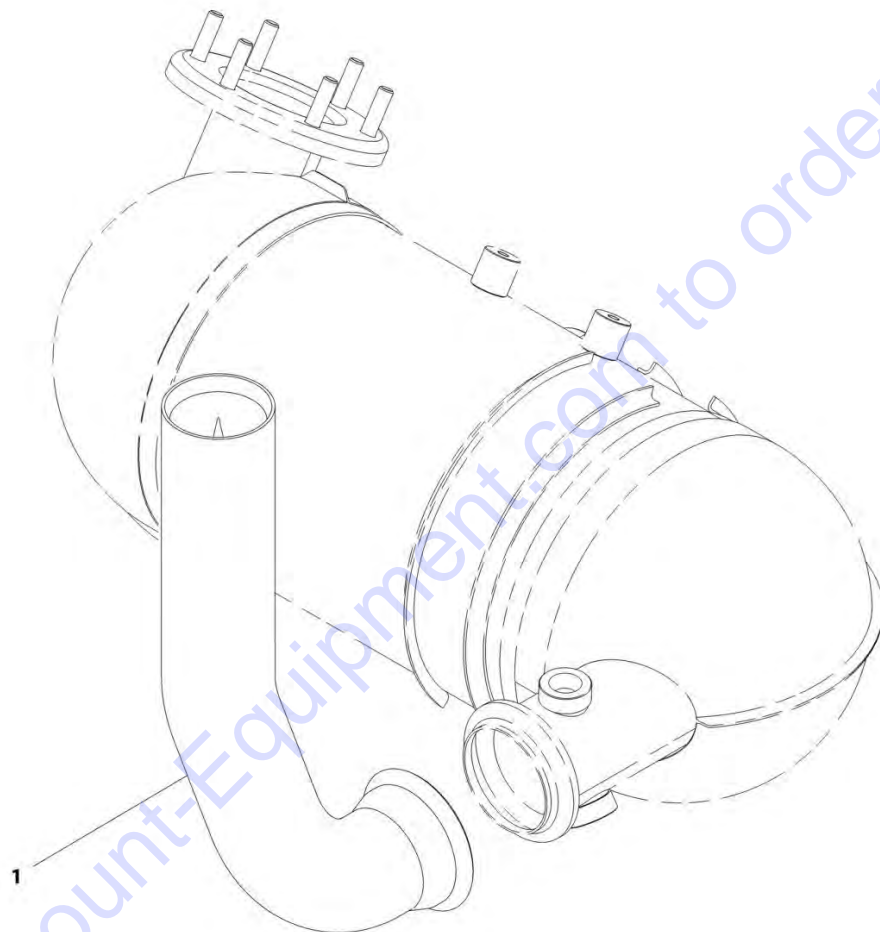
**FIGURE 3-45. SPARK ARRESTOR INSTALLATION - DEUTZ LRC (OPTIONAL)**

ITEM	PART NUMBER	QTY	DESCRIPTION	REV
1	1001158607	Ref	SPARK ARRESTOR INSTALLATION - DEUTZ LRC (OPTIONAL)	B
	1001158263	1	Arrestor, Spark	

Go to Discount-Equipment.com to order your parts

## SECTION 3 - ENGINE

FIGURE 3-46. SPARK ARRESTOR INSTALLATION - DEUTZ T4F (OPTIONAL)



ART\_1001191390



## SECTION 3 - ENGINE

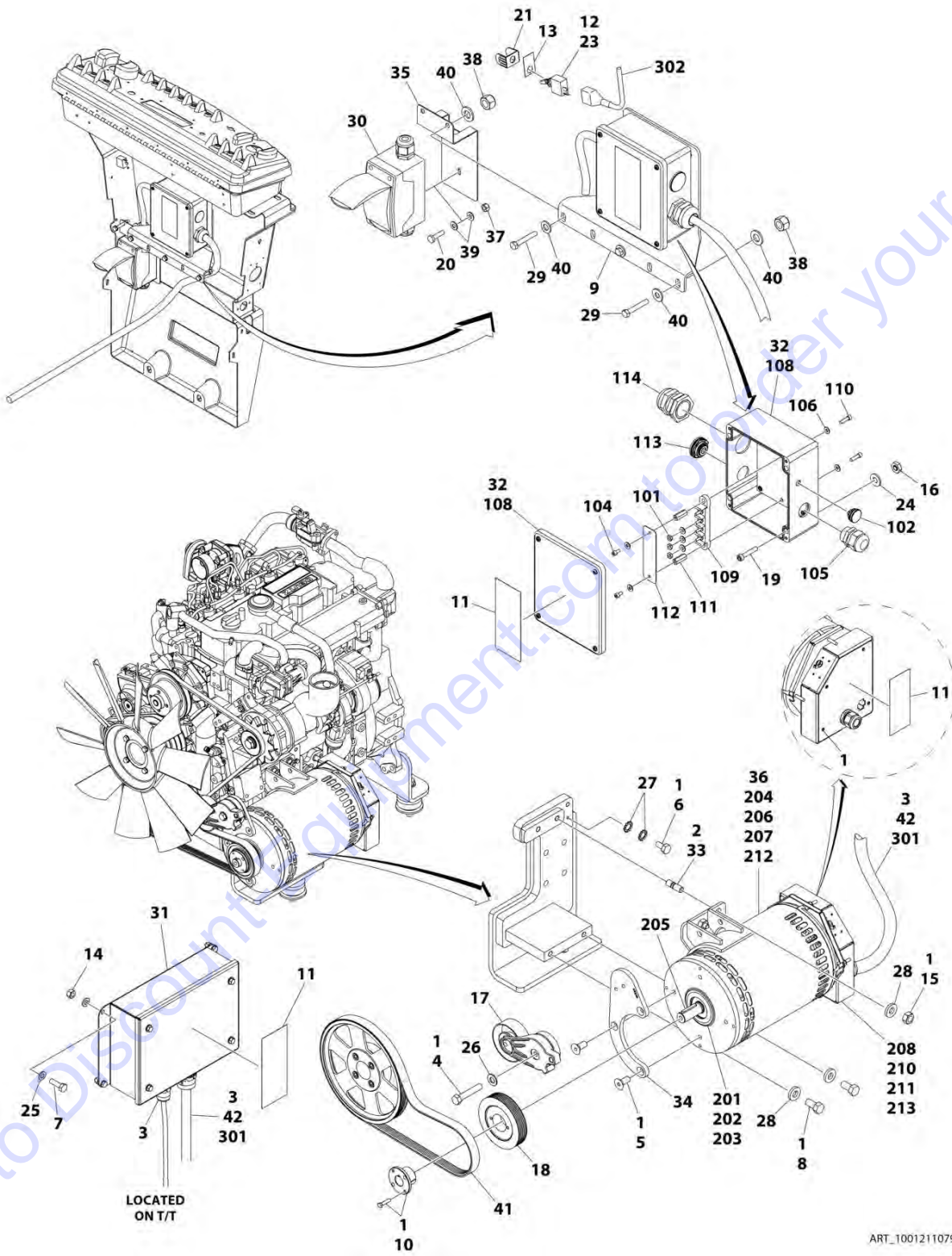
**FIGURE 3-46. SPARK ARRESTOR INSTALLATION - DEUTZ T4F (OPTIONAL)**

ITEM	PART NUMBER	QTY	DESCRIPTION	REV
1	1001191390	Ref	SPARK ARRESTOR INSTALLATION - DEUTZ T4F (OPTIONAL)	A
	1001191368	1	Arrestor, Spark	

Go to Discount-Equipment.com to order your parts

# SECTION 3 - ENGINE

## FIGURE 3-47. 4000W GENERATOR INSTALLATION - 50HZ SPEC (OPTIONAL)



## SECTION 3 - ENGINE

**FIGURE 3-47. 4000W GENERATOR INSTALLATION - 50HZ SPEC (OPTIONAL)**

ITEM	PART NUMBER	QTY	DESCRIPTION	REV
	1001211079	Ref	4000W GENERATOR INSTALLATION - 50HZ SPEC (OPTIONAL)	A
		Ref	Note: See ELECTRICAL SECTION for Boom Cable Installation.	
1	0100011	AR	Compound, Locking	
2	0100019	AR	Compound, Locking	
3	0100048	AR	Grease, Dielectric	
4	0701018	1	Bolt M10 x 50	
5	0741607	3	Screw 3/8 x 0.88	
6	0760606	1	Bolt M6 x 12	
7	0760610	4	Bolt M6 x 20	
8	0761212	2	Bolt M12 x 25	
9	0902888	1	Bracket, Generator Junction Box	
10	0962520	1	Bushing, Taper	
11	1705489	3	Decal - Hazardous Voltage	
12	2820031	AR	Insulator, Heat Shrink	
13	3251102	1	Nameplate, Generator	
14	3290607	4	Nut M6	
15	3291201	2	Nut M10	
16	3311005	4	Nut #10	
17	3580317	1	Pulley, Belt Tensioner	
18	3580318	1	Pulley, Generator	
19	3931016	4	Screw 1/4 x 1	
20	4010408	2	Screw M4 x 16	
21	4060802	1	Guard, Switch	
22	4240018	AR	Strap, Tie (Not Shown)	
23	4360336	1	Switch, Toggle	
24	4751000	4	Washer #10	
25	4811700	8	Washer M6	
26	4812000	1	Washer M10	
27	4871700	2	Washer M6	
28	5241200	4	Washer M12	
29	0700819001	4	Bolt M8 x 55	
30	1001096612	1	Kit, Box and Breaker (See ELECTRICAL SECTION for Breakdown)	
31	1001138566	1	Box, Generator Control	
31	70006552	1	Capacitor	
31	70006553	1	Relay	
32	1001152458	1	Box, Junction Assembly (See Items 101-113 for Breakdown)	
33	1001155041	2	Stud	
34	1001155338	1	Bracket	
35	1001204650	1	Plate, Mounting	
36	1001206119	1	Generator, 4000W Assembly (See Items 200-213 for Breakdown)	
37	3290405001	2	Nut M4	
38	3290805001	4	Nut M8	
39	4811400001	4	Washer M4	
40	4811900001	8	Washer M8	
41	1001148059	1	Belt	
42	1001152532	1	Harness, Generator Cable (See ELECTRICAL SECTION for Breakdown)	
	1001152458	Ref	JUNCTION BOX ASSEMBLY	C
101	3311001	3	Nut #10	

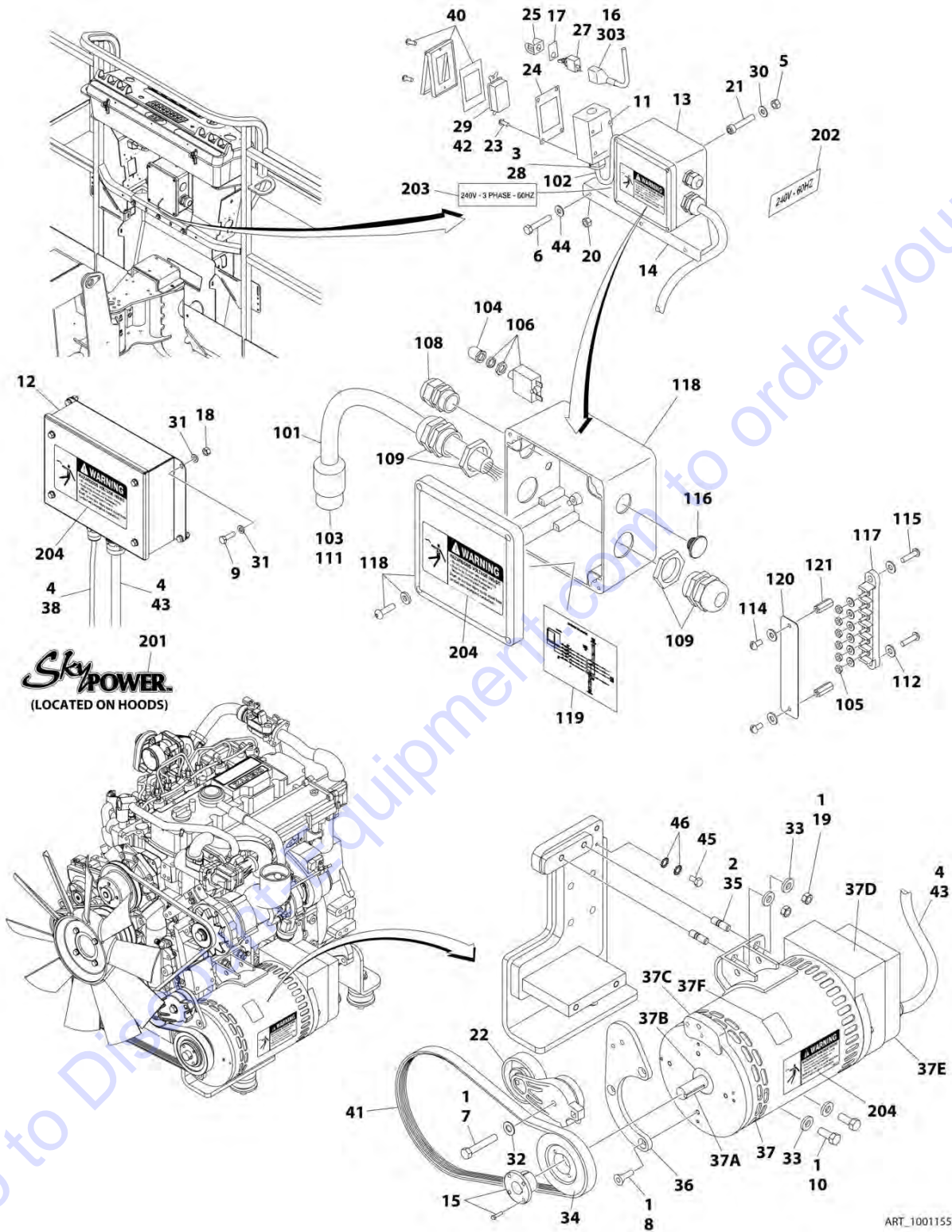
## SECTION 3 - ENGINE

ITEM	PART NUMBER	QTY	DESCRIPTION	REV
102	1001155813	1	Plug, Hole Pluggit	
104	3900300	2	Screw, Spec, Cap	
105	4460425	1	Terminal, Strain Relief	
106	4711000	7	Washer #10	
108	1001152456	1	Box, Junction	
109	1001152530	1	Terminal, Block, 4 Pole	
110	3900267	2	Screw, Spec, Cap	
111	1001158008	2	Stand-Off, Female, Threaded	
112	1001158363	1	Plate, Cover, PVC	
113	1001152525	1	Plug	
114	4460426	1	Connector, Strain Relief	
	1001206119	Ref	4000W GENERATOR ASSEMBLY	
201	70003709	1	Ring, Retaining	
202	70003708	1	Ring, Retaining	
203	70001966	1	Bearing, Ball	
204	70004092	1	Endbell	
205	70004171	1	Key	
206	70004676	1	Rotor Assembly	
207	70005624	1	Stator, Generator 4000W	
208	70004678	1	Endbell	
210	70004680	1	Enclosure	
211	70004681	1	Cover, Enclosure	
212	70005624	1	Protector, Supplementary, Manual Reset	
213	70004683	1	Bushing, Strain Relief	
		Ref	ELECTRICAL DIAGRAM COMPONENTS	
301	1001156030	1	Generator Harness (See ELECTRICAL SECTION for Breakdown)	
302	4922641	1	Generator Switch Harness	
303	1001164091	1	Generator Ground Harness (Not Shown) (ANSI Export, CE and Japanese Specs)	
303	1001154121	1	Generator Ground Harness (Not Shown) (Australian Specs)	



# SECTION 3 - ENGINE

## FIGURE 3-48. 7500W SKYPOWER GENERATOR INSTALLATION - 60HZ (OPTIONAL)



## SECTION 3 - ENGINE

**FIGURE 3-48. 7500W SKYPOWER GENERATOR INSTALLATION - 60HZ (OPTIONAL)**

ITEM	PART NUMBER	QTY	DESCRIPTION	REV
	1001155066	Ref	7500W SKYPOWER GENERATOR INSTALLATION - 60HZ (OPTIONAL)	F
1	0100011	AR	Compound, Locking	
2	0100019	AR	Compound, Locking	
3	0100020	AR	Sealant, Pipe	
4	0100048	AR	Grease, Dielectric	
5	3311005	4	Nut #10	
6	0700818	3	Bolt M8 x 50	
7	0701018	1	Bolt M10 x 50	
8	0741607	3	Screw 3/8 x 7/8	
9	0760610	4	Bolt M6 x 20	
10	0761212	2	Bolt M12 x 25	
11	0860038	1	Box, Switch	
12	0861538	1	Box, Generator Control	
12	7024488	1	Card, Circuit - Generator Power (Not Shown)	
12	See Note	1	Fuse (Note: Not Available Purchase Locally)	
12	7024489	1	Card, Circuit - Control (Not Shown)	
12		Ref	Note: When replacing card, rocker switch on card must be set for required application.	
12	70000619	1	Circuit Card Harness	
12	77363232	1	Connector - 6 Position	
12	See Note	1	Connector - 3 Position (Note: Not Available for Purchase)	
13	1001157592	1	Junction Box Assembly (See Items 101-121 for Breakdown)	
14	0902888	1	Bracket, Generator Junction Box	
15	0962520	1	Bushing, Taper	
16	2820031	AR	Insulator, Heat Shrink	
17	3251102	1	Nameplate, Generator	
18	3290607	4	Nut M6	
19	3291201	2	Nut M10	
20	3290805	3	Nut M8	
21	3931016	4	Capscrew #10 x 1	
22	3580317	1	Tensioner, Belt with Pulley	
23	3910606	4	Screw #6 x 3/8	
24	3960422	1	Gasket, AC Receptacle	
25	4060802	1	Guard, Switch	
26	4240018	AR	Tie-Strap (Not Shown)	
27	4360336	1	Switch, Toggle	
28	4460071	1	Connector, Strain Relief	
29	4460346	1	Terminal, Receptacle	
30	4751000	4	Washer #10	
31	4811700	8	Washer M6	
32	4812000	1	Washer M10	
33	5241200	4	Washer M12	
34	1001150174	1	Pulley, Generator	
35	1001155041	2	Stud	
36	1001155338	1	Bracket	
37	1001155348	1	Generator, 7500W	
37	70001100	1	Rotor (Includes p/n 70001384 & 70000863) (Not Shown)	
37	70001384	1	Bearing, Shaft (Rear) (Not Shown)	
37	70000863	1	Fan, Generator (Not Shown)	

## SECTION 3 - ENGINE

ITEM	PART NUMBER	QTY	DESCRIPTION	REV
37	70004093	1	Stator (Not Shown)	
37	70002297	2	Stud 1/4-20 x 12-7/8 (Not Shown)	
37	70003631	1	Brushholder Assembly (Not Shown)	
37A	70004099	1	Key	
37B	70001966	1	Bearing, Ball Radial (Located in Belt Tensioner Endbell)	
37B	70003709	1	Ring, Retaining (Small)	
37B	70003708	1	Ring, Retaining (Large)	
37C	70004092	1	Endbell, Belt Tensioner	
37D	70004094	1	Endbell, Brush Block	
37E	70004096	1	Shroud Assembly	
37E	7027799	1	Block, Connector - 6 Position (Not Shown)	
37E	70002460	6	Nut, Brass (Attaches p/n 7027799 to Cover) (Not Shown)	
37E	7024485	1	Breaker, Circuit 30Amp (Not Shown)	
37E	70001696	1	Boot, Breaker (Not Shown)	
37E	7026597	1	Connector with Leads (Not Shown)	
37E	7026626	1	Connector with Pins (Not Shown)	
37E	70004098	1	Clamp, Cable (Not Shown)	
37E	70004095	1	Plate, End Panel (Not Shown)	
37E	70004097	1	Insulator, End Panel (Not Shown)	
37E	70001974	1	Decal - Terminal Connections (Not Shown)	
37F	70001973	1	Decal - Warning Moving Parts	
38	1001156030	1	Generator Harness (See ELECTRICAL SECTION for Breakdown)	
40	1001110873	1	Shield, Receptacle Cover	
41	1001155303	1	Belt, Generator	
42	4460315	2	Terminal, Spade	
43	4922925	1	Generator Harness	
43	4460225	1	Plug, Male 6 Position (Plugs into Generator)	
43	See Note	NSS	Socket, Female (Use with 4460225)	
43	See Note	NSS	Seal, Plug (Use with 4460225)	
43	See Note	NSS	Seal, Interface (Use with 4460225)	
44	4811900	6	Washer M8	
45	0760606	1	Bolt M6 x 12	
46	4871700	2	Washer M6	
	1001157592	Ref	JUNCTION BOX ASSEMBLY	C
101	1060343	1.5 ft /0.5m	Cable, Electrical 10/4	
102	1001179154	2.5 ft /0.8m	Cable, Electrical 12/3	
103	1671092	1	Cover	
104	3300396	1	Cover, Fuse	
105	3311001	6	Nut #10	
106	4360070	1	Circuit Breaker - 15Amp	
108	4460425	1	Strain Relief, Terminal	
109	4460426	2	Connector, Strain Relief	
111	4460963	1	Connector	
112	4711000	10	Washer #10	
114	10702077	2	Screw #10 x 3/8	
115	10702082	2	Screw #10 x 3/4	
116	1001152525	1	Plug	
117	1001157520	1	Block, Terminal	
118	1001157521	1	Box, Junction	
119	1001157528	1	Decal - Wiring Schematic	



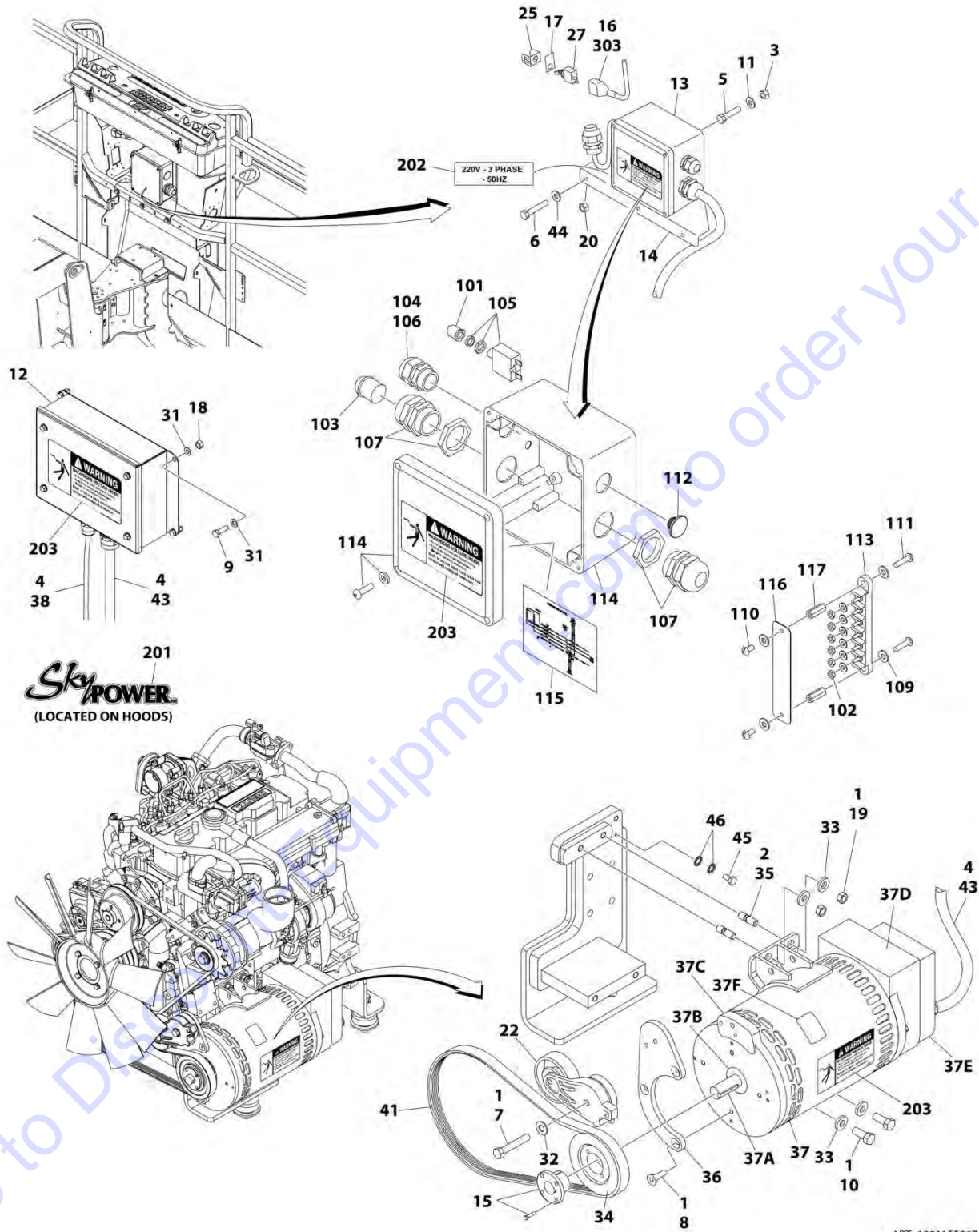
## SECTION 3 - ENGINE

ITEM	PART NUMBER	QTY	DESCRIPTION	REV
120	1001158007	1	Cover, PVC	
121	1001158008	2	Stand-Off	
	0272435	Ref	DECAL INSTALLATION	D
201	1705460	2	Decal - SkyPower	
202	1705374	1	Decal - 240V (Prior to SN 0300215293)	
202	3251243	1	Decal - 120-60Hz (SN 0300223156 to Present)	
203	1705375	1	Decal - 240V - 3 Phase	
204	1705387	3	Decal - Hazardous Voltage	
		Ref	ELECTRICAL DIAGRAM COMPONENTS	
303	4922641	1	Generator Switch Harness	

Go to Discount-Equipment.com to order your parts

# SECTION 3 - ENGINE

## FIGURE 3-49. 7500W SKYPOWER GENERATOR INSTALLATION - 50HZ (OPTIONAL)



## SECTION 3 - ENGINE

**FIGURE 3-49. 7500W SKYPOWER GENERATOR INSTALLATION - 50HZ (OPTIONAL)**

ITEM	PART NUMBER	QTY	DESCRIPTION	REV
	1001155067	Ref	7500W SKYPOWER GENERATOR INSTALLATION - 50HZ (OPTIONAL)	J
1	0100011	AR	Compound, Locking	
2	0100019	AR	Compound, Locking	
3	3311005	4	Nut #10	
4	0100048	AR	Grease, Dielectric	
5	3931016	4	Capscrew #10 x 1	
6	0700818	3	Bolt M8 x 50	
7	0701018	1	Bolt M10 x 50	
8	0741607	3	Screw 3/8 x 7/8	
9	0760610	4	Bolt M6 x 20	
10	0761212	2	Bolt M12 x 25	
11	4751000	4	Washer #10	
12	0861572	1	Box, Generator Control	
12	7024488	1	Card, Circuit - Generator Power (Not Shown)	
12	See Note	1	Fuse (Note: Not Available Purchase Locally)	
12	7024489	1	Card, Circuit - Control (Not Shown)	
12		Ref	Note: When replacing card, rocker switch on card must be set for required application.	
12	70000619	1	Circuit Card Harness	
12	77363232	1	Connector - 6 Position	
12	See Note	NSS	Connector - 3 Position (Note: Not Available for Purchase)	
13	1001157525	1	Junction Box Assembly (See Items 101-117 for Breakdown)	
14	0902888	1	Bracket	
15	0962520	1	Bushing	
16	2820031	AR	Heat Shrink	
17	3251102	1	Nameplate, Generator	
18	3290607	4	Nut M6	
19	3291201	2	Nut M12	
20	3290805	3	Nut M8	
22	3580317	1	Tensioner, Belt with Pulley	
25	4060802	1	Guard, Switch	
26	4240018	AR	Tie-Strap (Not Shown)	
27	4360336	1	Switch, Toggle	
31	4811700	8	Washer M6	
32	4812000	1	Washer M10	
33	5241200	4	Washer M12	
34	3580318	1	Pulley, Generator	
35	1001155041	2	Stud	
36	1001155338	1	Bracket	
37	1001155348	1	Generator, 7500W	
37	70001100	1	Rotor (Includes p/n 70001384 & 70000863) (Not Shown)	
37	70001384	1	Bearing, Shaft (Rear) (Not Shown)	
37	70000863	1	Fan, Generator (Not Shown)	
37	70005651	1	Stator (Not Shown)	
37	70002297	2	Stud 1/4 x 12-7/8 (Not Shown)	
37	70003631	1	Brushholder Assembly (Not Shown)	
37A	70004171	1	Key	
37B	70001966	1	Bearing, Ball Radial (Located in Belt Tensioner Endbell)	
37B	70003709	1	Ring, Retaining (Small)	

## SECTION 3 - ENGINE

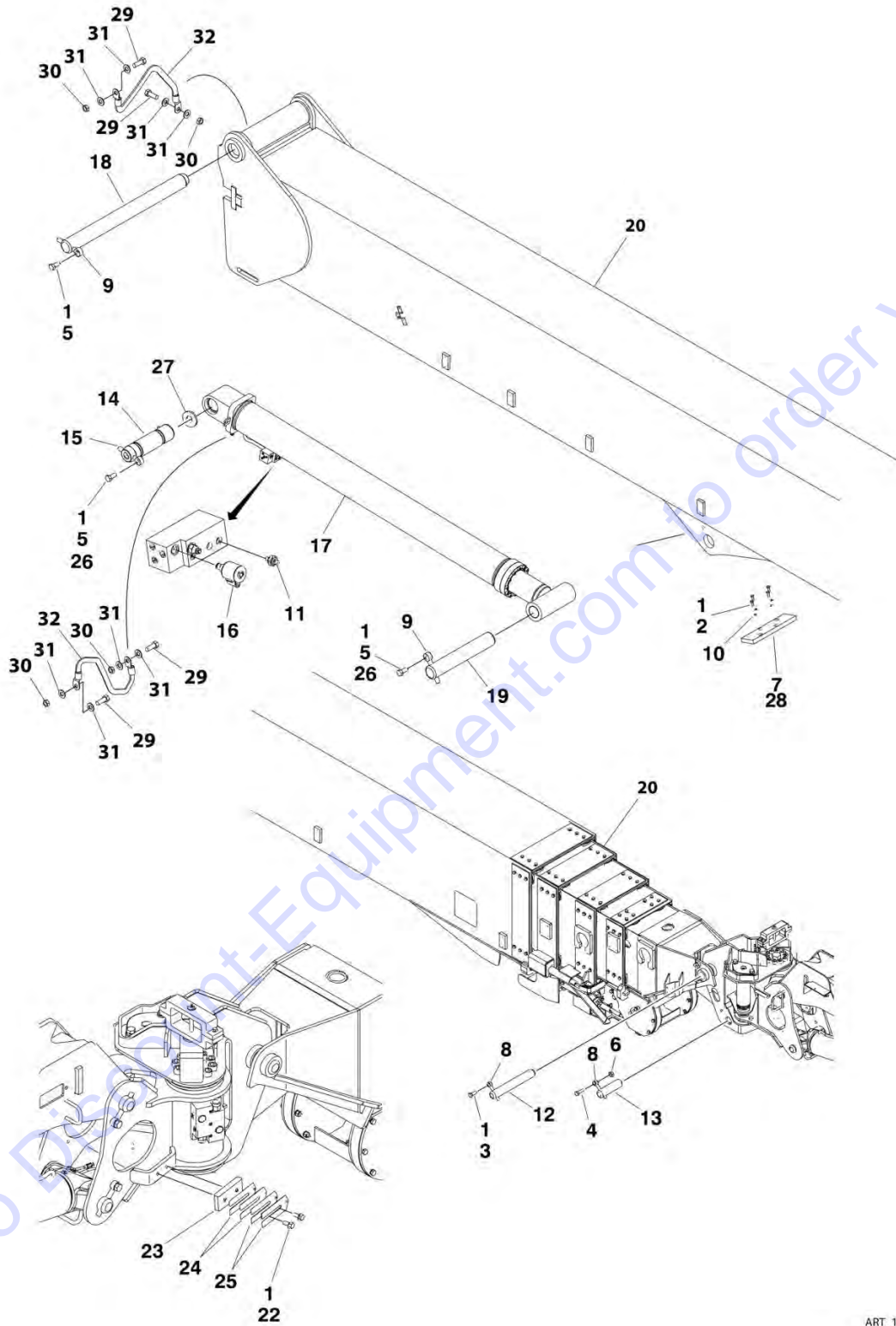
ITEM	PART NUMBER	QTY	DESCRIPTION	REV
37B	70003708	1	Ring, Retaining (Large)	
37C	70004092	1	Endbell, Belt Tensioner	
37D	70004094	1	Endbell, Brush Block	
37E	70004096	1	Shroud Assembly	
37E	7027799	1	Block, Connector - 6 Position (Not Shown)	
37E	70002460	6	Nut, Brass (Attaches p/n 7027799 to Cover) (Not Shown)	
37E	7024485	1	Breaker, Circuit 30Amp (Not Shown)	
37E	70001696	1	Boot, Breaker (Not Shown)	
37E	7026597	1	Connector with Leads (Not Shown)	
37E	7026626	1	Connector with Pins (Not Shown)	
37E	70004098	1	Clamp, Cable (Not Shown)	
37E	70005652	1	Plate, End Panel (Not Shown)	
37E	70004097	1	Insulator, End Panel (Not Shown)	
37E	70001974	1	Decal - Terminal Connections (Not Shown)	
37F	70001973	1	Decal - Warning Moving Parts	
38	1001156030	1	Generator Harness (See ELECTRICAL SECTION for Breakdown)	
41	1001148059	1	Belt, Generator	
43	4922925	1	Generator Harness	
43	4460225	1	Plug, Male 6 Position (Plugs into Generator)	
43	See Note	NSS	Socket, Female (Use with 4460225)	
43	See Note	NSS	Seal, Plug (Use with 4460225)	
43	See Note	NSS	Seal, Interface (Use with 4460225)	
44	4811900	6	Washer M8	
45	0760606	1	Bolt M6 x 12	
46	4871700	2	Washer M6	
	1001157525	Ref	JUNCTION BOX ASSEMBLY	B
101	3300396	1	Cover, Fuse	
102	3311001	6	Nut #10	
103	3520189	1	Plug (50Hz Spec Only)	
104	3520192	1	Plug	
105	4360070	1	Circuit Breaker - 15Amp	
106	4460425	1	Strain Relief, Terminal	
107	4460426	2	Connector, Strain Relief	
109	4711000	10	Washer #10	
110	10702077	2	Screw #10 x 3/8	
111	10702082	2	Screw #10 x 3/4	
112	1001152525	1	Plug	
113	1001157520	1	Block, Terminal	
114	1001157521	1	Box, Junction	
115	1001157528	1	Decal - Wiring Schematic	
116	1001158007	1	Cover, PVC	
117	1001158008	2	Stand-Off	
	0272589	Ref	DECAL INSTALLATION	A
201	1705460	2	Decal - SkyPower	
202	1705461	1	Decal - 240V - 3 Phase	
203	1705489	3	Decal - Hazardous Voltage	
		Ref	ELECTRICAL DIAGRAM COMPONENTS	
303	4922641	1	Generator Switch Harness	

**SECTION 4 - BOOM**

Go to [Discount-Equipment.com](http://Discount-Equipment.com) to order your parts

# SECTION 4 - BOOM

## FIGURE 4-1. BOOM INSTALLATION



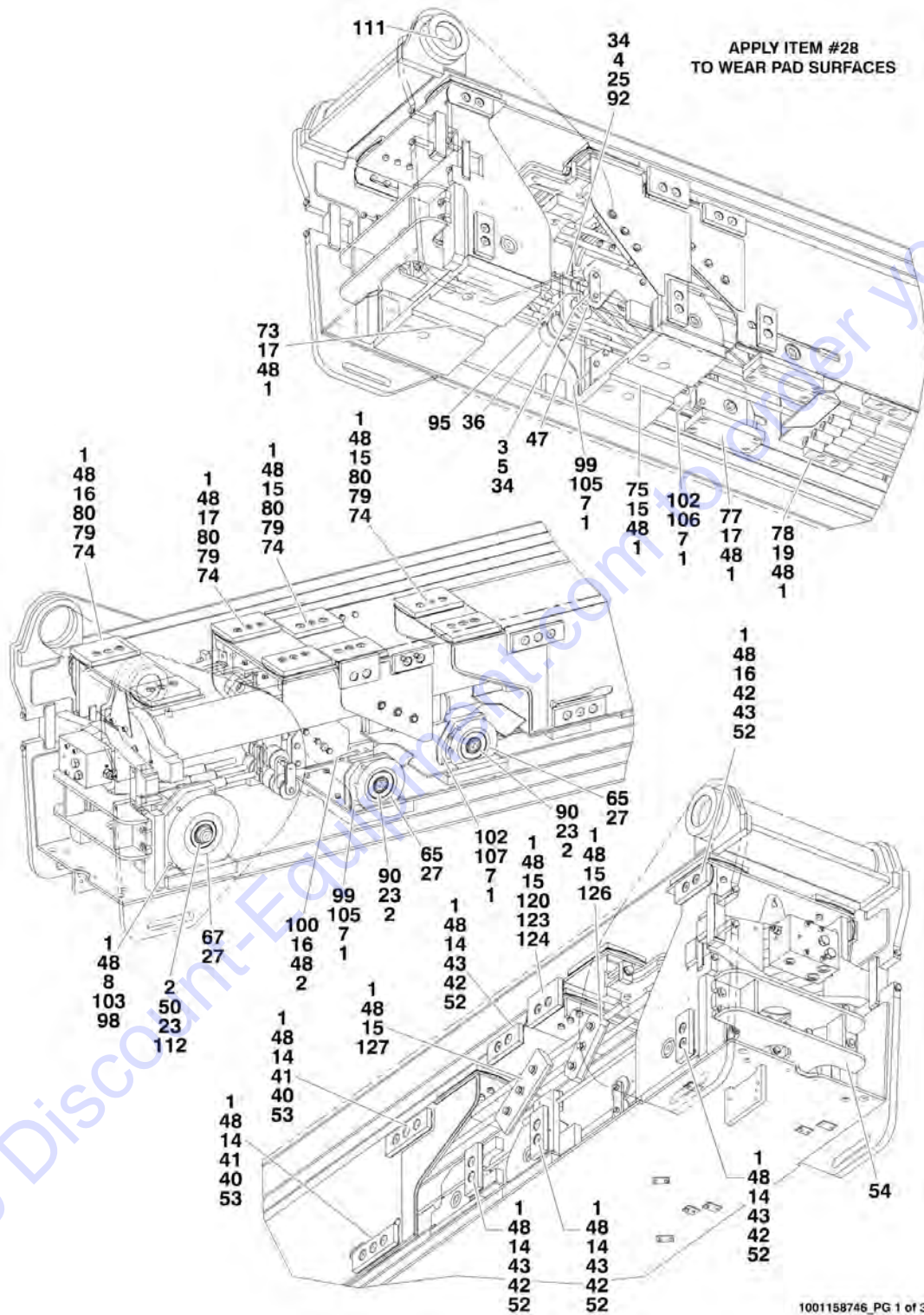
ART\_1001154085

FIGURE 4-1. BOOM INSTALLATION

ITEM	PART NUMBER	QTY	DESCRIPTION	REV
	1001154085	Ref	BOOM INSTALLATION	N
1	0100011	AR	Compound, Locking	
2	0701014	4	Bolt (Prior to SN 0300190128)	
2	0771015001	8	Bolt M10 x 35 (Grade 10.9) (SN 0300190128 to Present)	
3	0701616	1	Bolt M16	
4	0701618	1	Bolt M16 X 50	
5	0762418	3	Bolt M24 X 50	
6	3291605	1	Nut M16	
7	1001168475	NLA	Pad (Use p/n 1001203653) (Prior to SN 0300190128)	
7	1001203653	1	Pad (SN 0300190128 to Present)	
8	3841258	2	Keeper, Pin	
9	3841356	2	Keeper, Pin	
10	1001172358	4	Washer M10 (Prior to SN 0300190128)	
10	5241000001	8	Washer, M10 (SN 0300190128 to Present)	
11	1001119614	1	Switch, Pressure Transducer	
12	1001119899	1	Pin	
13	1001119999	1	Pin	
14	1001146896	1	Pin	
15	1001146940	1	Keeper, Pin	
16	1001148972	1	Valve, Solenoid Cartridge	
16	70002401	1	Cartridge Less Coil	
16	7017496	1	Kit, Seal - 70002401 & 1001148972 Valve	
16	70003788	1	Coil	
17	1001158853	NLA	Boom Lift Cylinder Assembly (Use p/n 1001228072) (See CYLINDER SECTION for Breakdown) (Prior to SN 0300239676)	
17	1001228072	1	Boom Lift Cylinder Assembly (See CYLINDER SECTION for Breakdown) (SN 0300239676 to Present)	
18	1001156540	1	Pin (Prior to SN 0300223410)	
18	1001197969	1	Pin (SN 0300223410 to Present)	
19	1001156650	1	Pin	
20	1001158746	1	Boom Assembly (See BOOM ASSEMBLY for Breakdown)	
22		Ref	Screw Options:	
22	0811608	2	Screw 3/8-16 X 1 (Prior to SN 0300190128)	
22	0811610001	2	Screw 3/8-16 X 1 1/4 (SN 0300190128 to Present)	
23	1001118369	1	Pad	
24	91471226	1	Shim 16Ga	
25	91471227	3	Shim 11Ga	
26	0100071	AR	Compound, Locking	
27	1001180153	1	Washer, Thrust	
28	3020039	AR	Lubricant (SN 0300190128 to Present)	
29	0641608	4	Bolt 3/8-16 X 1	
29	0761015	4	Bolt M10 x 35	
30	3311602	4	Nut 3/8	
30	3291007	4	Nut M10	
31	4711600	4	Washer 3/8	
31	4812000	8	Washer M10	
32	1001212243	2	Cable, Ground Strap (SN 0300216486 through 0300238869)	
32	1001217007	2	Cable, Ground Strap (SN 0300238870 to Present)	

# SECTION 4 - BOOM

## FIGURE 4-2. BOOM ASSEMBLY

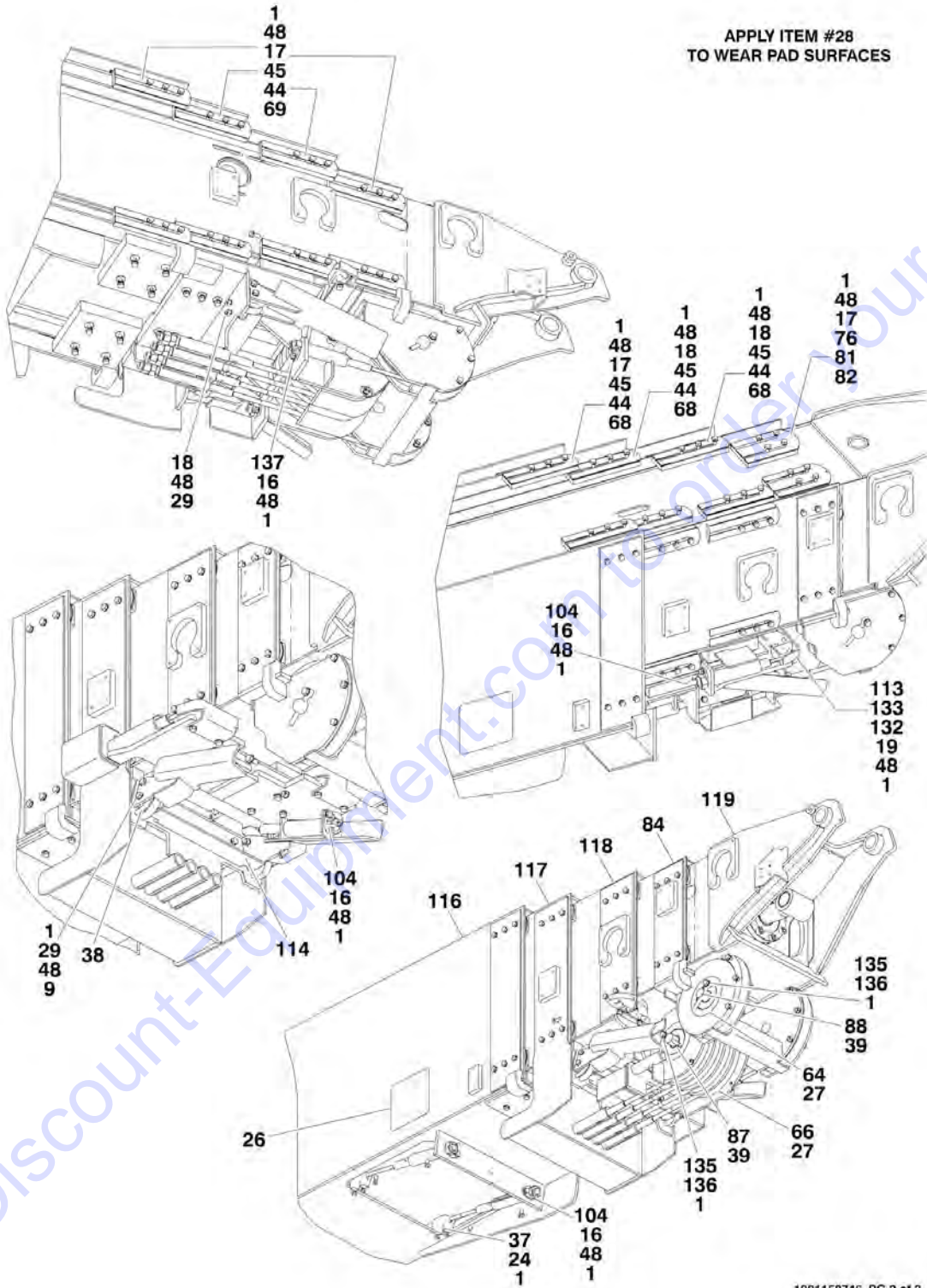


1001158746\_PG 1 of 3



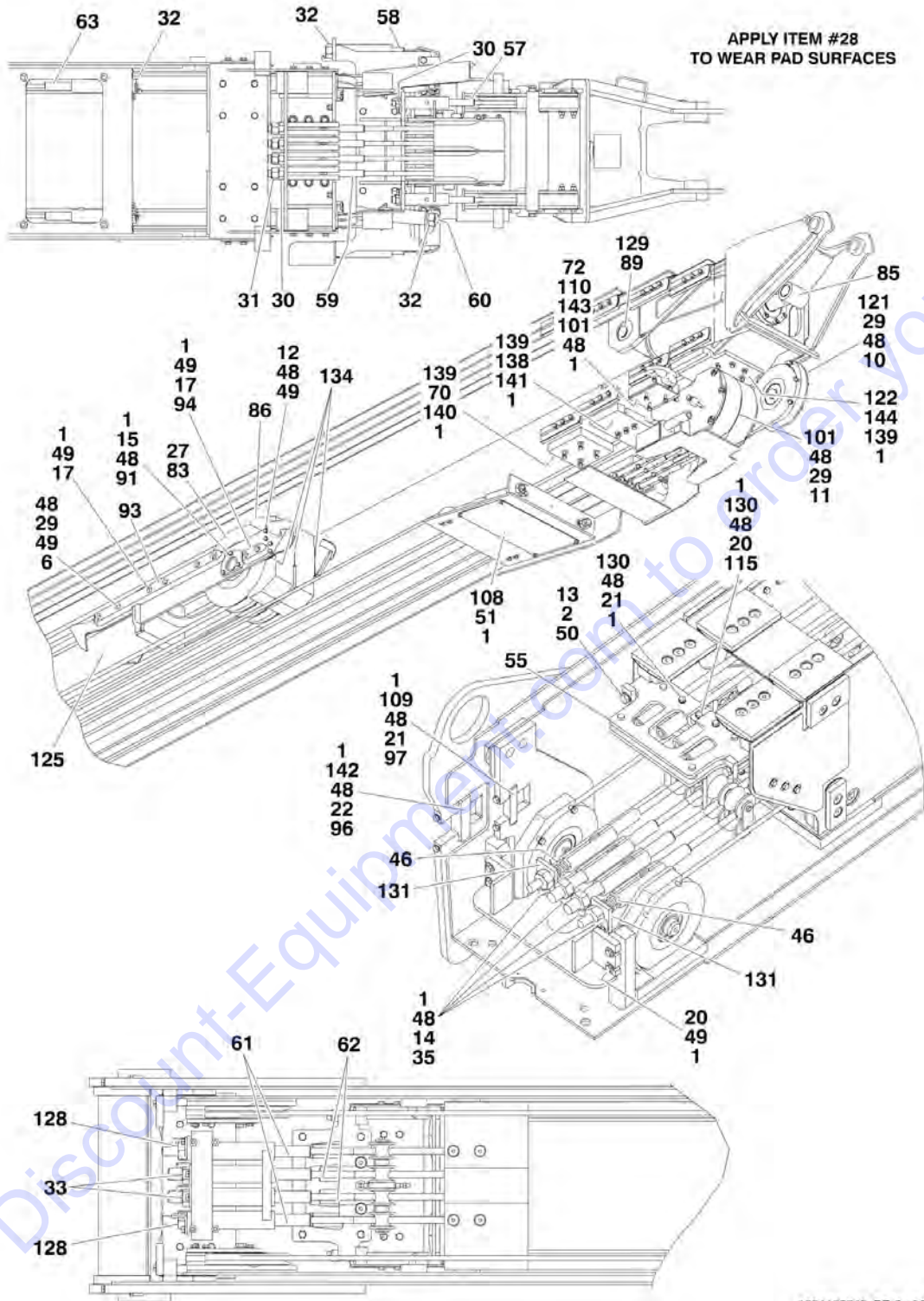
# SECTION 4 - BOOM

APPLY ITEM #28  
TO WEAR PAD SURFACES



1001158746\_PG 2 of 3

# SECTION 4 - BOOM



1001158746\_PG 3 of 3

FIGURE 4-2. BOOM ASSEMBLY

ITEM	PART NUMBER	QTY	DESCRIPTION	REV
	1001158746	Ref	BOOM ASSEMBLY	L
1	0100011	AR	Compound, Locking	
2	0100019	AR	Compound, Locking	
3	0363066	2	Bar, Stabilizer	
4	0641644	1	Bolt 3/8-16 X 5-1/2	
5	0641688	2	Bolt 3/8-16 X 11	
6	0701017	4	Bolt M10 x 45	
7	0701018	10	Bolt M10 x 50	
8	0701021	6	Bolt M10 X 65	
9	0701022001	4	Bolt M10 X 70	
10	0701024001	6	Bolt M10 X 80	
11	0701039	3	Bolt M10 X 220	
12	0701047	4	Bolt M10 X 300	
13	0701628	2	Bolt M16 X 110	
14	0761009	24	Bolt M10 X 18	
15	0761011001	27	Bolt M10 X 22	
16	0761012001	32	Bolt M10 x 25	
17	0761014001	74	Bolt M10 X 30	
18	0761015001	16	Bolt M10 x 35	
19	0761016001	8	Bolt M10 X 40	
20	0761018001	5	Bolt M10 X 50	
21	0761020	6	Bolt M10 X 60	
22	0761027	4	Bolt M10 X 100	
23	0761616	6	Bolt M16 X 40	
24	0811607001	4	Screw 3/8-16 X 7/8	
25	0962447	2	Bearing, Flanged	
26	1671033	1	Cover	
27	3020039	AR	Lubricant	
28	3020042	AR	Lubricant	
29	3291005001	25	Nut M10	
30	3292201	6	Nut M22	
31	3292205	4	Nut M22	
32	3292701	6	Nut, M27	
33	3293301	2	Nut, M33	
34	3311605	3	Nut 3/8	
35	3573444	4	Plate, Lock	
36	3580306	8	Pulley	
37	3580341	2	Deflector	
38	3580342	2	Deflector	
39	3841203	3	Keeper, Pin	
40	4070863	4	Shim 11Ga	
41	4070864	4	Shim 18Ga	
42	4070897	10	Shim .05	
43	4070898	10	Shim .12	
44	4071028	22	Shim 16Ga	
45	4071029	22	Shim 11Ga	
46	4160197	2	Spring, Proximity Switch	
47	4568423	8	Tube, Spacer	
48	1001172358	AR	Washer M10	
49	4812002	AR	Washer M10	

## SECTION 4 - BOOM

ITEM	PART NUMBER	QTY	DESCRIPTION	REV
50	4812300	AR	Washer M16	
51	5251210001	4	Bolt M12 x 20	
52	1001123044	10	Pad, Wear	
53	1001136583	4	Pad, Wear	
54	1001151117	1	Mount, Switch/Adjuster	
55	1001151124	1	Support, Extend Rope	
57	1001153433	2	Rope, Section 5 Extend	
58	1001153437	2	Rope, Section 5 Retract	
59	1001153443	4	Rope, Section 4 Extend	
60	1001153450	2	Rope, Section 4 Retract	
61	1001153452	2	Rope, Section 3 Extend	
62	1001153453	2	Rope, Section 3 Extend	
63	1001153465	2	Rope, Section 3 Retract	
64	1001153760	2	Sheave	B
64	1001153692	2	Bearing, Bronze (1 Per Assembly)	
64	1001153710	2	Bearing, Composite (1 Per Assembly)	
65	1001153797	4	Sheave	B
65	1001153786	4	Bearing, Bronze (1 Per Assembly)	
65	1001153785	4	Bearing, Composite (1 Per Assembly)	
66	1001153817	4	Sheave	B
66	1001153815	4	Bearing, Bronze (1 Per Assembly)	
66	1001153816	4	Bearing, Composite (1 Per Assembly)	
66	1001154247	4	Ring, Retaining (1 Per Assembly)	
67	1001153846	2	Sheave	B
67	1001153828	2	Bearing, Bronze (1 Per Assembly)	
67	1001153827	2	Bearing, Composite (1 Per Assembly)	
68	1001154086	6	Pad	
69	1001154087	16	Pad	
70	1001154088	2	Pad	
72	1001154091	2	Pad	
73	1001154092	1	Pad	
74	1001154093	8	Pad	
75	1001154094	1	Pad	
76	1001154095	2	Pad	
77	1001154097	2	Pad	
78	1001154099	2	Pad	
79	1001154232	8	Shim 18Ga	
80	1001154233	8	Shim 11Ga	
81	1001154234	2	Shim 18Ga	
82	1001154235	2	Shim 11Ga	
83	1001154260	4	Sheave	C
83	1001154306	4	Bearing, Bronze (1 Per Assembly)	
83	1001154304	4	Bearing, Composite (1 Per Assembly)	
83	1001154294	4	Ring, Retaining (1 Per Assembly)	
84	1001155523	1	Boom, Section 4	
85	1001155834	NLA	Jib Level (Slave) Cylinder Assembly (Use p/n 1001228064) (See CYLINDER SECTION for Breakdown) <b>(Prior to SN 0300239676)</b>	
85	1001228064	1	Jib Level (Slave) Cylinder Assembly (See CYLINDER SECTION for Breakdown) <b>(SN 0300239676 to Present)</b>	
86	1001155900	2	Block, Rope Retainer	
87	1001156549	1	Pin	
88	1001156562	2	Pin	

## SECTION 4 - BOOM

ITEM	PART NUMBER	QTY	DESCRIPTION	REV
89	1001156565	1	Pin	
90	1001156613	4	Bushing, Sheave	
91	1001157097	1	Pin	
92	1001157412	1	Plate	
93	1001157453	2	Pad, Wear	
94	1001157454	2	Pad, Wear	
95	1001157459	2	Plate, Spacer	
96		Ref	Block, Trunnion Keeper Options:	
96	1001157871	NLA	Block, Trunnion Keeper (Use p/n 1001177591) ( <b>Prior to SN 0300187375</b> )	
96	1001177591	2	Block, Trunnion Keeper ( <b>SN 0300187375 to Present</b> )	
97	1001157872	2	Block, Trunnion Keeper	
98	1001157873	2	Block, Cable Retainer	
99	1001157874	2	Block, Rope Retainer	
100	1001157875	2	Block, Cable Keeper	
101	1001157876	2	Block, Rope Retainer	
102	1001157878	2	Block, Rope Retainer	
103	1001157879	2	Plate, Sheave	
104	1001157880	6	Plate, Keeper	
105	1001157881	2	Plate, Sheave	
106	1001157882	1	Plate, Sheave	
107	1001157883	1	Plate, heave	
108	1001157884	1	Panel, Adjuster	
109	1001157885	4	Shim, Trunnion Block	
110	1001157886	2	Shim, Wear Pad	
111	1001157887	2	Bearing, Boom Pivot	
112	1001157888	2	Socket, Sheave	
113	1001157889	2	Shield, Sheave	
114	1001158355	1	Bracket, Rope Adjustment	
115	1001158517	1	Pad, Wear	
116	1001158757	1	Boom, Section 1	
117	1001158771	1	Boom, Section 2	
118	1001158772	1	Boom, Section 3	
119	1001158774	1	Boom, Section 5	
120	1001159061	2	Pad, Wear	
121	1001159167	2	Block, Rope Retainer	
122	1001159168	1	Pad, Wear	
123	1001159169	2	Shim 18Ga	
124	1001159170	2	Shim 11Ga	
125		Ref	Boom Telescope Cylinder Assembly Options: (See CYLINDER SECTION for Breakdown)	
125	1001159235	NLA	Boom Telescope Cylinder Assembly (Use p/n 1001228082) ( <b>Prior to SN 0300190128</b> )	
125	1001178592	NLA	Boom Telescope Cylinder Assembly (Use p/n 1001228082) ( <b>SN 0300190128 through 0300244677</b> )	
125	1001228082	1	Boom Telescope Cylinder Assembly ( <b>SN 0300244678 to Present</b> )	
126	1001159245	2	Pad, Wear	
127	1001159875	2	Pad, Wear	
128	1001160138	2	Nut M24	
129	1001160589	1	Capscrew M12 X 20	
130	1001160743	3	Disc, Rope Spacer	

## SECTION 4 - BOOM

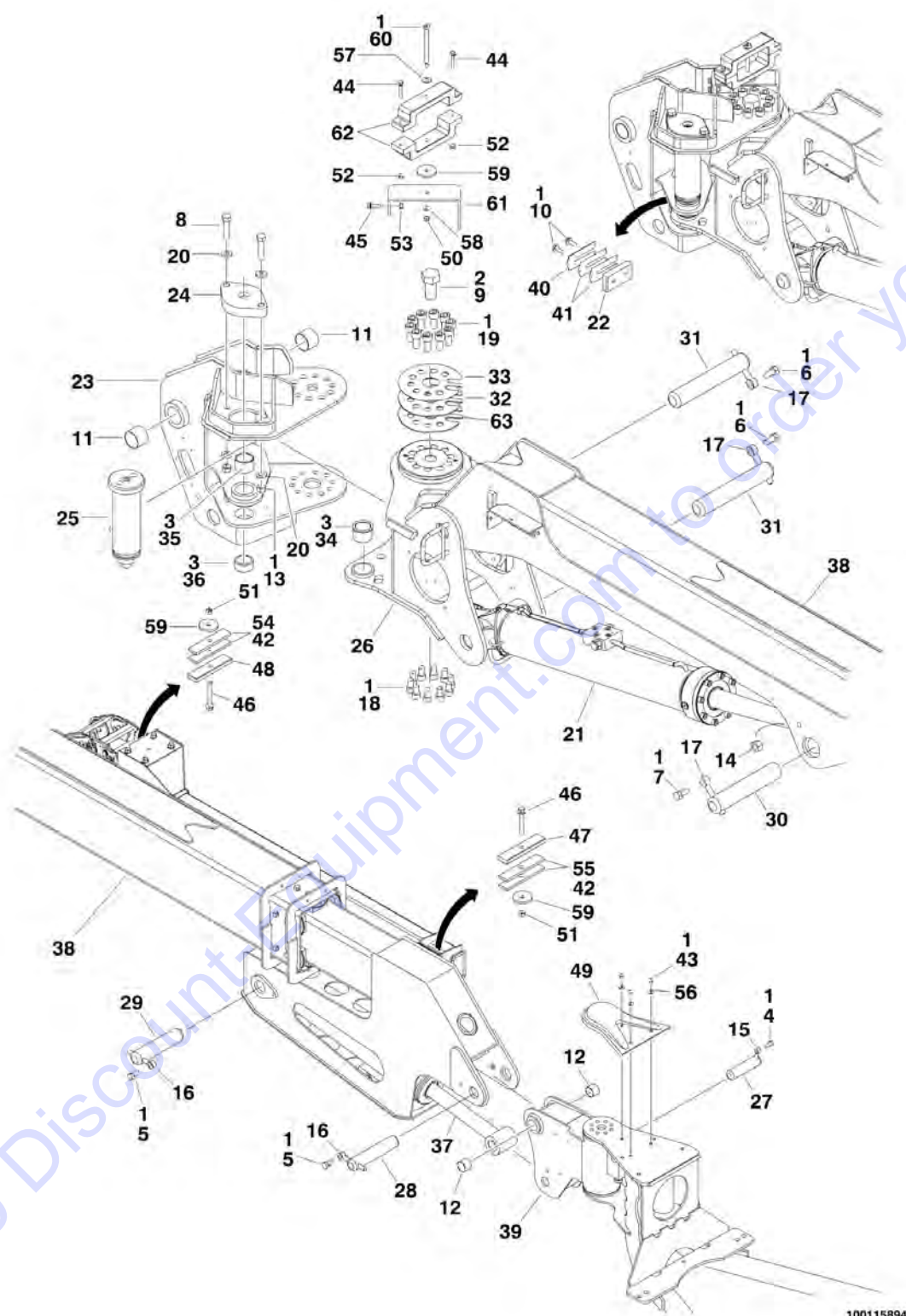
ITEM	PART NUMBER	QTY	DESCRIPTION	REV
131	1001160744	2	Block, Switch Adjuster	
132	1001160989	2	Sheave, Deflector	
133	1001160990	2	Sheave, Deflector	
134	1001163429	3	Plate, Spacer	
135	0761212001	3	Bolt M12 X 25	
136	4812100001	3	Washer M12	
137	1001167497	2	Plate, Keeper	
138	1001169679	1	Pad, Wear	
139	5241000001	AR	Washer M10	
140	0771016001	8	Bolt M10 x 40 Grade 10.9	
141	0771014001	6	Bolt M10 X 30 Grade 10.9	
142	1001173662	2	Shim	
143	0771018001	6	Bolt M10 X 50 Grade 10.9	
144	0771012001	22	Bolt M10 X 25 Grade 10.9	

Go to Discount-Equipment.com to order your parts



# SECTION 4 - BOOM

## FIGURE 4-3. JIB INSTALLATION



1001158944



FIGURE 4-3. JIB INSTALLATION

ITEM	PART NUMBER	QTY	DESCRIPTION	REV
	1001158944	Ref	JIB INSTALLATION	K
1	0100011	AR	Compound, Locking	
2	0100019	AR	Compound, Locking	
3	0100063	AR	Compound, Locking	
4	0641606001	1	Bolt 3/8-16 X 3/4	
5	0641808001	2	Bolt 1/2-13 X 1	
6	0642010001	2	Bolt 5/8-11-11 X 1-1/4	
7	0642014001	1	Bolt 5/8-11 X 1-3/4	
8	0682022001	2	Bolt, 5/8-11 X 2-3/4	
9	0683020001	1	Bolt 1-1/4 X 2-1/2	
10	0811608001	2	Screw 3/8-16 X 1	
11	0961950	2	Bearing, Composite	
12	0962181	2	Bushing, Composite	
13	3272001001	2	Nut 5/8-11	
14	3312001001	1	Nut 5/8-11	
15	3841143	1	Keeper	
16	3841203	2	Keeper	
17	3841258	3	Keeper	
18	3932016	10	Capscrew 5/8-11 X 1	
19	3932224	10	Capscrew 3/4 X 1-1/2	
20	1001172356	4	Washer 5/8	
21	1001140104	NLA	Jib Lift Cylinder Assembly (Use p/n 1001228058) (See CYLINDER SECTION for Breakdown) <b>(Prior to SN 0300239676)</b>	
21	1001228058	1	Jib Lift Cylinder Assembly (See CYLINDER SECTION for Breakdown) <b>(SN 0300239676 to Present)</b>	
22	1001118369	1	Pad, Wear	
23	1001118564	1	Pivot, Jib	
24	1001119042	1	Cap	
25	1001119313	NLA	Jib Lock Cylinder Assembly (Use p/n 1001228046) (See CYLINDER SECTION for Breakdown) <b>(Prior to SN 0300239170)</b>	
25	1001228046	1	Jib Lock Cylinder Assembly (See CYLINDER SECTION for Breakdown) <b>(SN 0300239170 to Present)</b>	
26	1001170638	1	Jib Rotator Assembly (See JIB ROTATOR ASSEMBLY for Breakdown) <b>(Prior to SN 0300199535)</b>	
26	1001181063	1	Jib Rotator Assembly (See JIB ROTATOR ASSEMBLY for Breakdown) <b>(SN 0300199535 to Present)</b>	
27	1001119985	1	Pin	
28	1001119990	1	Pin	
29	1001119991	1	Pin	
30	1001119998	1	Pin	
31	1001120000	2	Pin	
32	1001120014	1	Shim 11Ga	
33	1001120015	1	Shim 18Ga	
34	1001120037	1	Bearing	
35	1001120038	1	Bearing	
36	1001120039	1	Bearing	
37	1001139999	NLA	Platform Level (Slave) Cylinder Assembly (Use p/n 1001228057) (See CYLINDER SECTION for Breakdown) <b>(Prior to SN 0300239170)</b>	
37	1001228057	1	Platform Level (Slave) Cylinder Assembly (See CYLINDER SECTION for Breakdown) <b>(SN 0300239170 to Present)</b>	
38	1001158923	1	Jib Assembly (See JIB ASSEMBLY for Breakdown)	

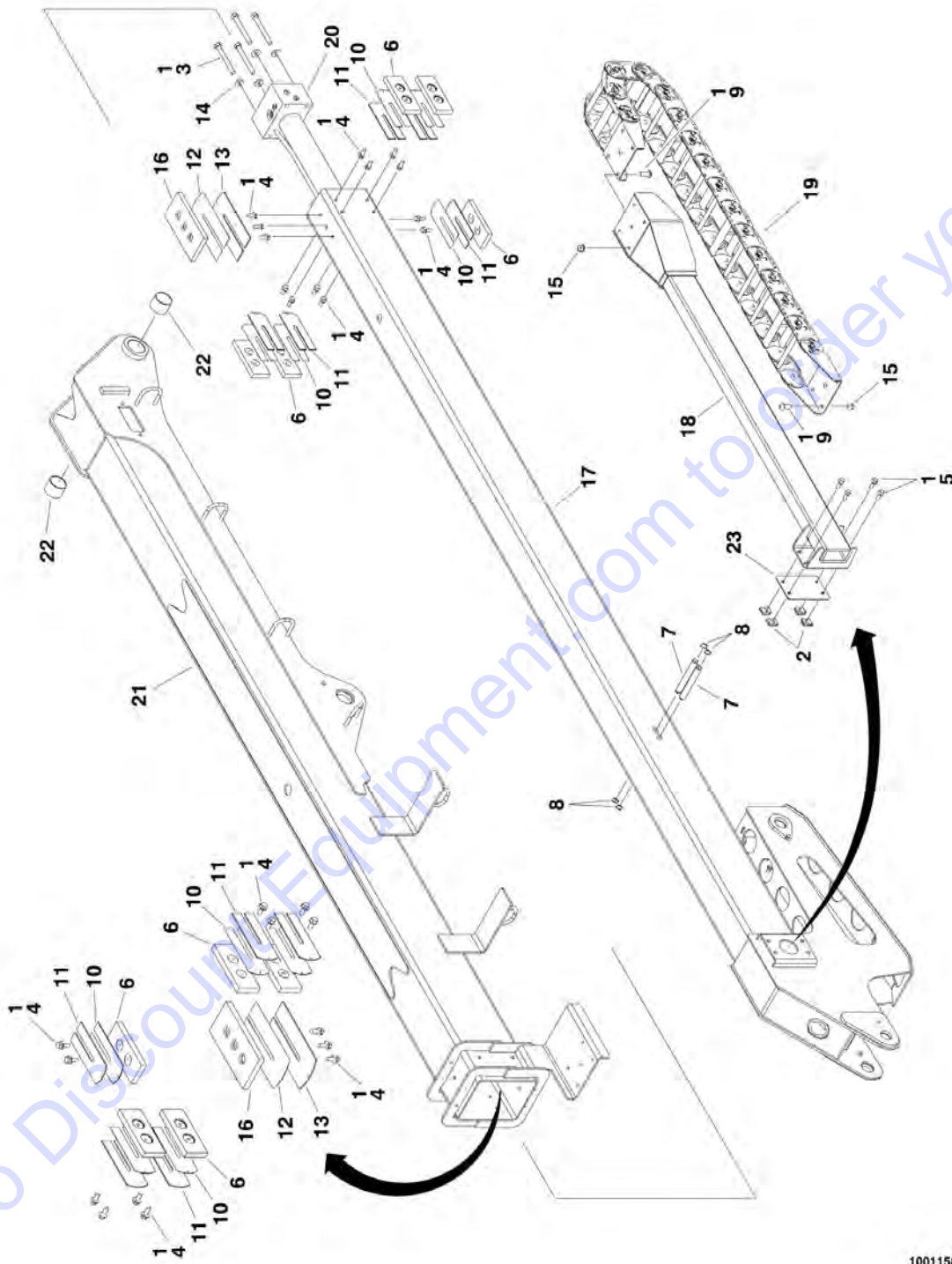
## SECTION 4 - BOOM

ITEM	PART NUMBER	QTY	DESCRIPTION	REV
39	1001156512	1	Platform Rotator Assembly (See PLATFORM ROTATOR ASSEMBLY for Breakdown) <b>(Prior to SN 0300199535)</b>	
39	1001181062	1	Platform Rotator Assembly (See PLATFORM ROTATOR ASSEMBLY for Breakdown) <b>(SN 0300199535 to Present)</b>	
40	91471226	1	Shim 16Ga	
41	91471227	2	Shim 20Ga	
42	0100081	AR	Adhesive	
43	1001173623	3	Screw 5/16-18 X 1/2 <b>(Prior to SN 0300224866)</b>	
44	0791516001	2	Screw 5/16-18 X 2	
45	0791609001	2	Screw 3/8-16 X 1-1/8	
46	0791622001	2	Screw 3/8 -16X 2-3/4	
47	1320294	1	Clamp, Bar	
48	1320298	1	Clamp, Hose	
49	1670964	1	Cover <b>(Prior to SN 0300224866)</b>	
50	3271601001	1	Nut 3/8	
51	1001173663	2	Nut 3/8	
52	3311508001	2	Nut 5/16-18	
53	3311608001	2	Nut 3/8-16	
54	3340939	2	Pad, Rubber	
55	3340942	2	Pad, Rubber	
56	4711500001	3	Washer 5/16 <b>(Prior to SN 0300224866)</b>	
57	4711800001	1	Washer 1/2	
58	1001173666	1	Washer	
59	4891600001	AR	Washer 3/8	
60	1001173680	1	Setscrew 1/2-13 X 3/8	
61	1001120209	1	Bracket, Guide Block	
62	1001120257	2	Pad	
63	1001225266	1	Shim <b>(SN 0300228229 to Present)</b>	



# SECTION 4 - BOOM

## FIGURE 4-4. JIB ASSEMBLY



1001158923

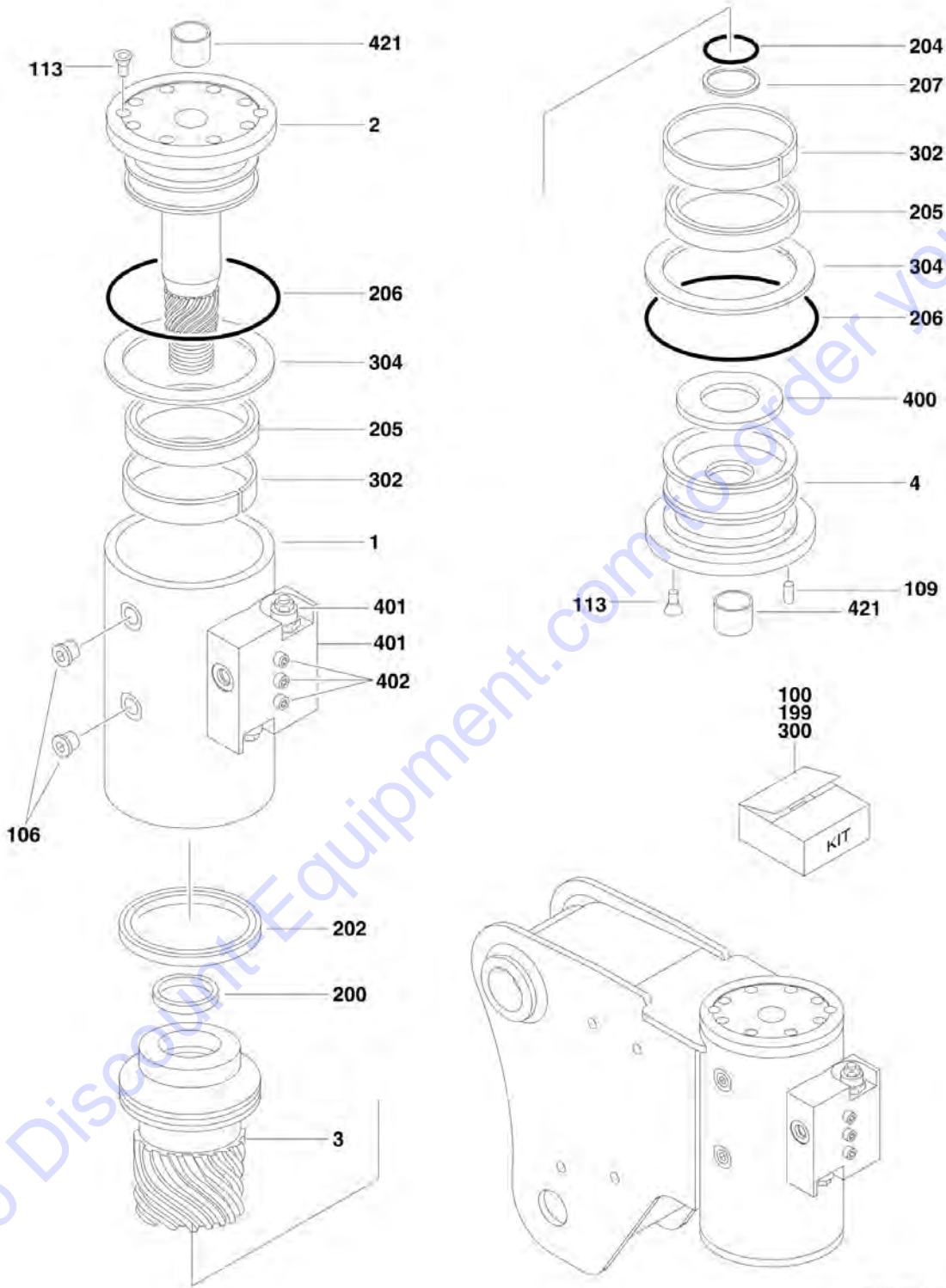
## SECTION 4 - BOOM

**FIGURE 4-4. JIB ASSEMBLY**

ITEM	PART NUMBER	QTY	DESCRIPTION	REV
	1001158923	Ref	JIB ASSEMBLY	P
1	0100011	AR	Compound, Locking	
2	88662523	4	Nut, Retainer	
3	0681836001	4	Bolt 1/2-13 X 4-1/2	
4	0811607001	26	Bolt 3/8-16 X 7/8	
5	0811608001	4	Bolt 3/8-16 X 1	
6	3340881	10	Pad, Wear	
7	3423161	2	Pin	
8	3760351	4	Ring, Retaining	
9	1001173763	8	Screw M10 X 25	
10	4070897	10	Shim 18Ga	
11	4070898	10	Shim 11Ga	
12	4071039	2	Shim 18Ga	
13	4071040	2	Shim 11Ga	
14	4891800001	4	Washer, 1/2	
15	5261012	8	Nut M10 Grade 10.9	
16	1001129961	2	Pad, Wear	
17	1001158933	1	Boom, Fly	
18	1001158993	1	Tube, Push	
19	1001158992	1	Power Track Assembly	D
19	70004409	AR	Repair Section	
19	70004410	2	Mounting Feet Kit	
20	1001158991	1	Jib Telescope Cylinder Assembly (See CYLINDER SECTION for Breakdown)	
21	1001158925	1	Boom, Base	
22	0961950	2	Bearing	
23	1001119710	1	Shim .125	

# SECTION 4 - BOOM

## FIGURE 4-5. PLATFORM ROTATOR ASSEMBLY (Prior to SN 0300199535)



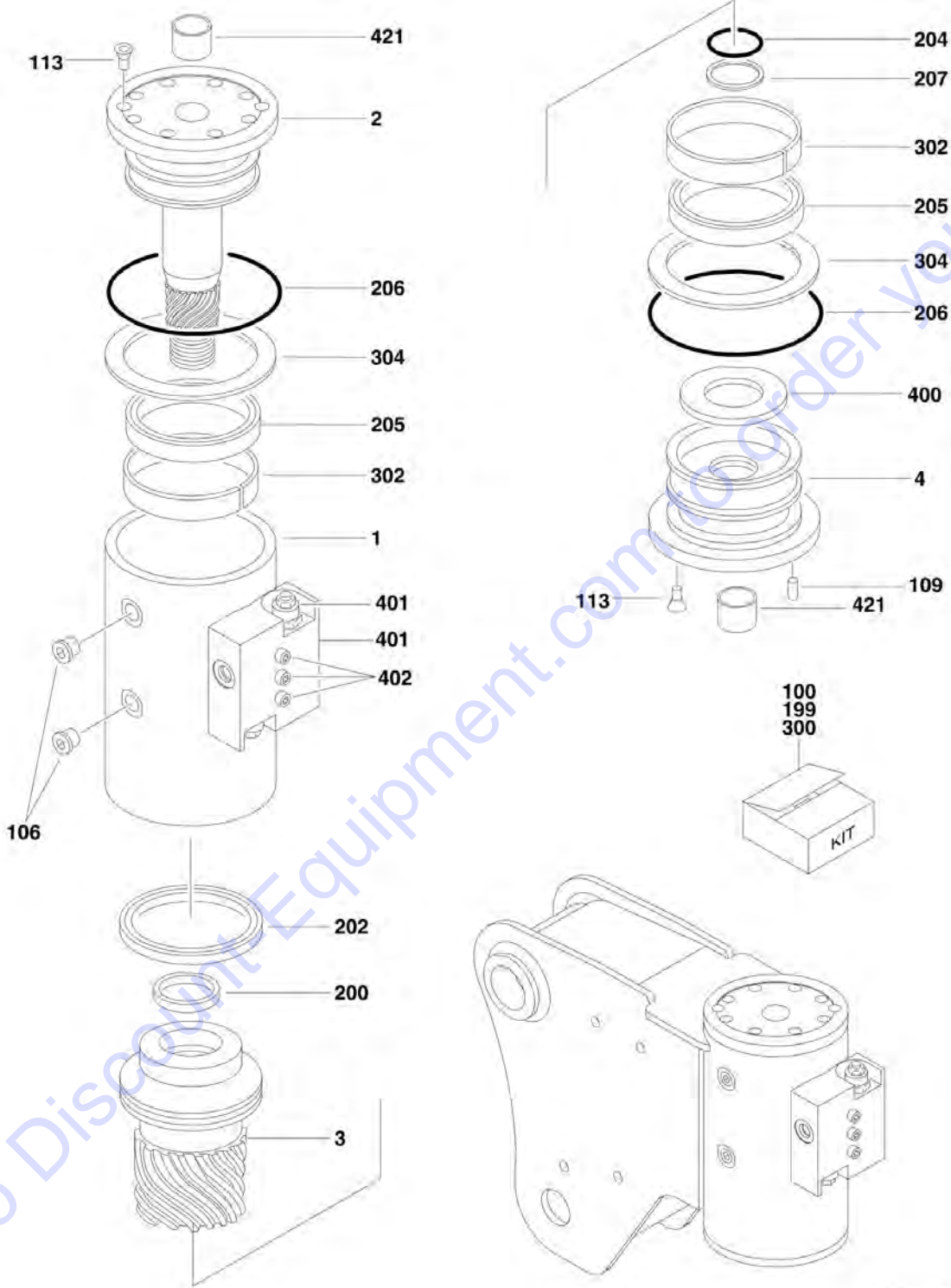
## SECTION 4 - BOOM

**FIGURE 4-5. PLATFORM ROTATOR ASSEMBLY (Prior to SN 0300199535)**

ITEM	PART NUMBER	QTY	DESCRIPTION	REV
	1001156512	Ref	PLATFORM ROTATOR ASSEMBLY (Prior to SN 0300199535)	E
1	See Note	NSS	Housing/Ring Gear (Note: Purchase Complete Assembly)	
2	7017162	1	Shaft	
3	7017163	1	Piston	
4	7017164	1	Cap	
100	7017142	1	Hardware Kit (Includes Items 106-109)	
106	See Note	NSS	Plug (Note: Use p/n 7017142)	
109	See Note	NSS	Pin, Dowel (Note: Use p/n 7017142)	
113	70001697	6	Screw 1/4-20 x 3/8	
199	7017158	1	Seal Kit - Standard (Includes Items 200-207)	
199	70000342	1	Seal Kit - Low Temperature (Includes Items 200-207)	
200	See Note	NSS	T-Seal (Note: Use p/n 7017158)	
202	See Note	NSS	T-Seal (Note: Use p/n 7017158)	
204	See Note	NSS	O-Ring (Note: Use p/n 7017158)	
205	See Note	NSS	Seal (Note: Use p/n 7017158)	
206	See Note	NSS	O-Ring (Note: Use p/n 7017158)	
207	See Note	NSS	Ring, Back-up (Note: Use p/n 7017158)	
300	7017159	1	Bearing Kit (Includes Item 302-304)	
302	See Note	NSS	Bearing (Note: Use p/n 7017159)	
304	See Note	NSS	Washer, Thrust (Note: Use p/n 7017159)	
400	70004402	1	Tube, Stop	
401	7017183	1	Valve, Control	
401	7017193	2	Cartridge, Valve	
401	See Note	NSS	Seal Kit - 7017193 Cartridge (Note: Use p/n 7017193)	
402	See Note	NSS	Capscrew 1/4-20 x 1-1/2 Grade 8 (Note: Purchase Locally)	
421	7017195	2	Bushing	

# SECTION 4 - BOOM

FIGURE 4-6. PLATFORM ROTATOR ASSEMBLY (SN 0300199535 to Present)



ART\_1001181062



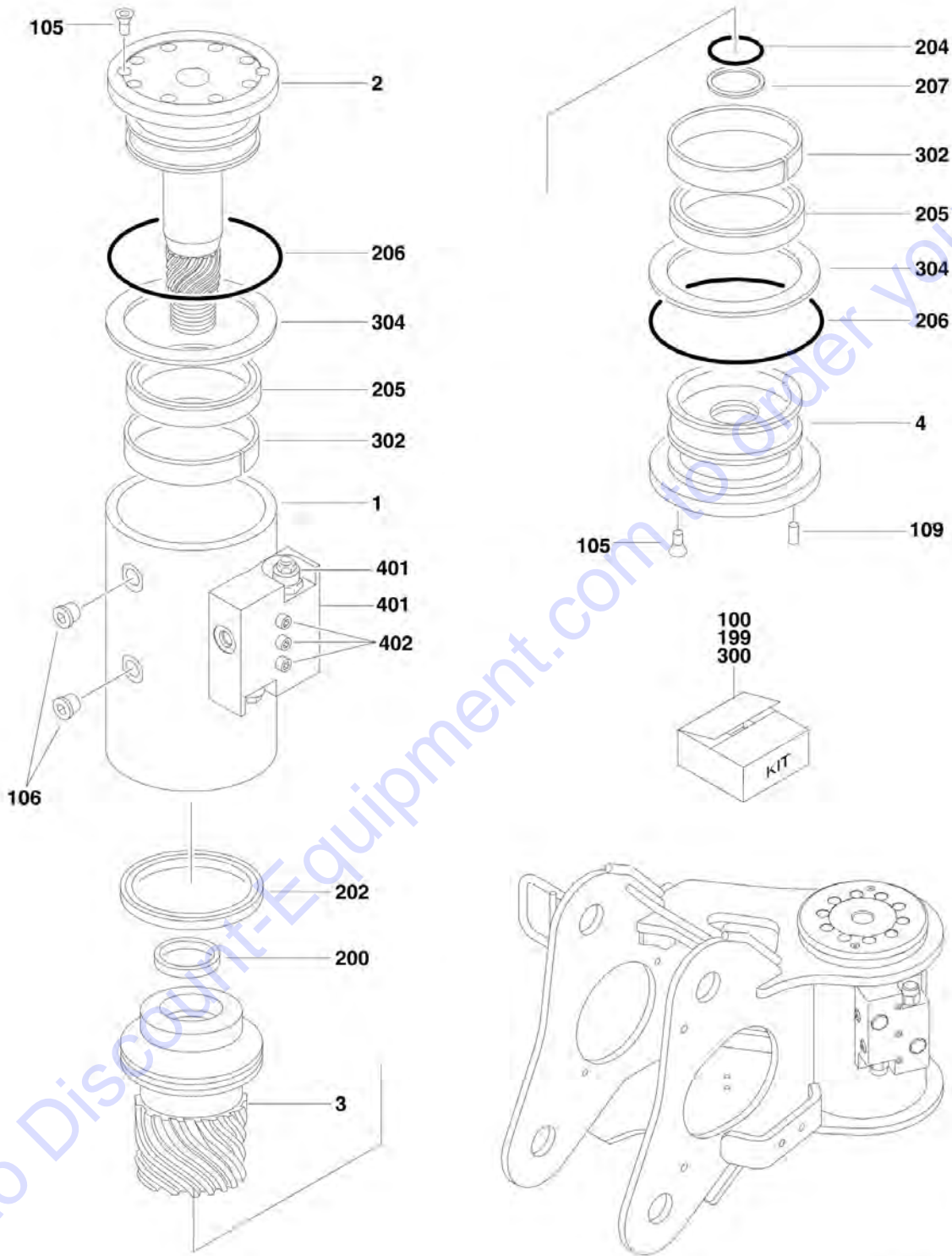
## SECTION 4 - BOOM

**FIGURE 4-6. PLATFORM ROTATOR ASSEMBLY (SN 0300199535 to Present)**

ITEM	PART NUMBER	QTY	DESCRIPTION	REV
	1001181062	Ref	PLATFORM ROTATOR ASSEMBLY (SN 0300199535 to Present)	A
1	See Note	NSS	Housing/Ring Gear (Note: Purchase Complete Assembly)	
2	7017162	1	Shaft	
3	7017163	1	Piston	
4	7017164	1	Cap	
100	7017142	1	Hardware Kit (Includes Items 106-109)	
106	See Note	NSS	Plug (Note: Use p/n 7017142)	
109	See Note	NSS	Pin, Dowel (Note: Use p/n 7017142)	
113	70001697	6	Screw 1/4-20 x 3/8	
199	70000342	1	Seal Kit - Low Temperature (Includes Items 200-207)	
200	See Note	NSS	T-Seal (Note: Use p/n 70000342)	
202	See Note	NSS	T-Seal (Note: Use p/n 70000342)	
204	See Note	NSS	O-Ring (Note: Use p/n 770000342)	
205	See Note	NSS	Seal (Note: Use p/n 70000342)	
206	See Note	NSS	O-Ring (Note: Use p/n 70000342)	
207	See Note	1	Ring, Back-up (Note: Use p/n 70000342)	
300	7017159	1	Bearing Kit (Includes Item 302-304)	
302	See Note	NSS	Bearing (Note: Use p/n 7017159)	
304	See Note	NSS	Washer, Thrust (Note: Use p/n 7017159)	
400	70004402	1	Tube, Stop	
401	7017183	1	Valve, Control	
401	7017193	2	Cartridge, Valve	
401	See Note	NSS	Seal Kit - 7017193 Cartridge (Note: Use p/n 7017193)	
402	See Note	NSS	Capscrew 1/4-20 x 1-1/2 Grade 8 (Note: Purchase Locally)	
421	7017195	2	Bushing	

# SECTION 4 - BOOM

## FIGURE 4-7. JIB ROTATOR ASSEMBLY (Prior to SN 0300199535)



1001170638

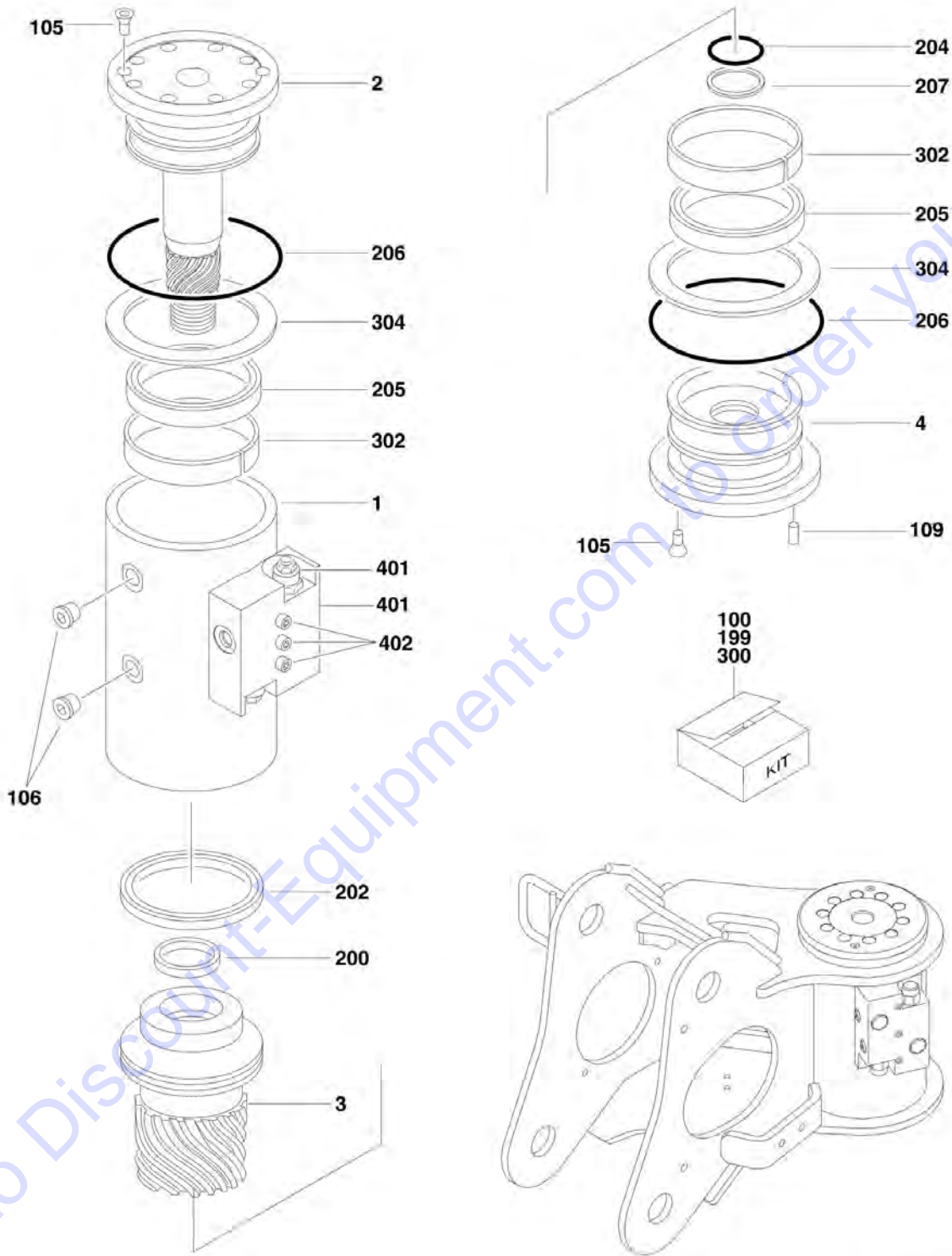
## SECTION 4 - BOOM

**FIGURE 4-7. JIB ROTATOR ASSEMBLY (Prior to SN 0300199535)**

ITEM	PART NUMBER	QTY	DESCRIPTION	REV
	1001170638	Ref	JIB ROTATOR ASSEMBLY (Prior to SN 0300199535)	E
1	See Note	NSS	Housing/Ring Gear (Note: Purchase Complete Assembly)	
2	70002853	1	Shaft	
3	70002854	1	Piston	
4	70002855	1	Cap	
5	70004403	1	Nut	
100	70002858	1	Hardware Kit (Includes Items 105-109)	
105	See Note	NSS	Screw (Note: Use p/n 70002858)	
106	See Note	NSS	Plug (Note: Use p/n 70002858)	
109	See Note	NSS	Setscrew (Note: Use p/n 70002858)	
199	70002856	1	Seal Kit (Includes Items 200-207)	
200	See Note	NSS	T-Seal (Note: Use p/n 70002856)	
202	See Note	NSS	T-Seal (Note: Use p/n 70002856)	
204	See Note	NSS	O-Ring (Note: Use p/n 70002856)	
205	See Note	NSS	Seal (Note: Use p/n 70002856)	
206	See Note	NSS	O-Ring (Note: Use p/n 70002856)	
207	See Note	1	Ring, Back-up (Note: Use p/n 70002856)	
300	70002857	1	Bearing Kit (Includes Items 302-304)	
302	See Note	NSS	Bearing (Note: Use p/n 70002857)	
304	See Note	NSS	Washer, Thrust (Note: Use p/n 70002857)	
401	70002859	1	Valve, Control	
401	See Note	NSS	Cartridge, Valve (Note: Use p/n 70002859)	
401	See Note	NSS	Seal Kit - Cartridge (Note: Use p/n 70002859)	
402	See Note	NSS	Capscrew 1/4-20 x 1-1/2 Grade 8 (Note: Purchase Locally)	

# SECTION 4 - BOOM

## FIGURE 4-8. JIB ROTATOR ASSEMBLY (SN 0300199535 to Present)



ART\_1001181068

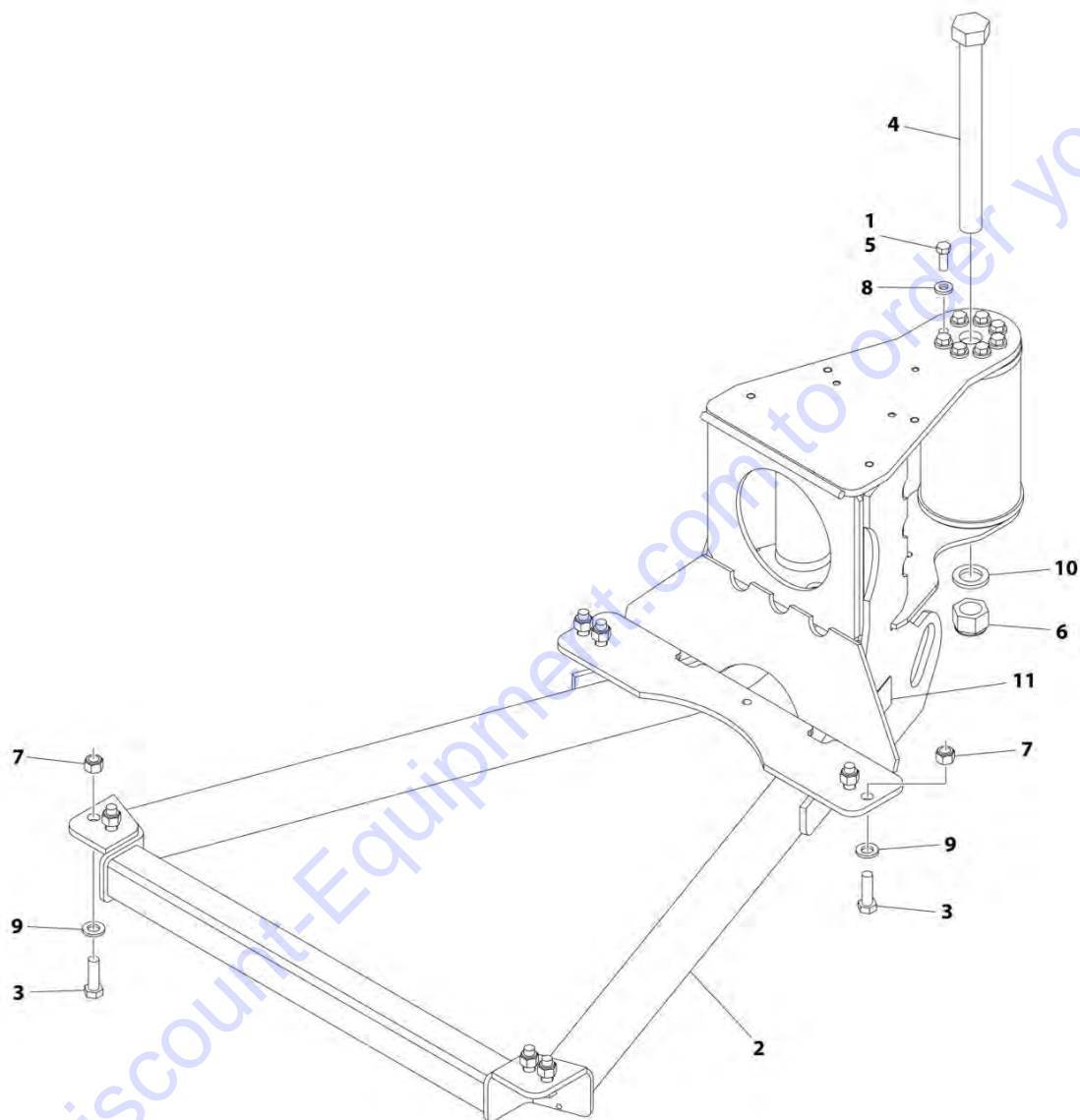
## SECTION 4 - BOOM

**FIGURE 4-8. JIB ROTATOR ASSEMBLY (SN 0300199535 to Present)**

ITEM	PART NUMBER	QTY	DESCRIPTION	REV
	1001181063	Ref	JIB ROTATOR ASSEMBLY (SN 0300199535 to Present)	A
1	See Note	NSS	Housing/Ring Gear (Note: Purchase Complete Assembly)	
2	70002853	1	Shaft	
3	70002854	1	Piston	
4	70002855	1	Cap	
5	70004403	1	Nut	
100	70002858	1	Hardware Kit (Includes Items 105-109)	
105	See Note	NSS	Screw (Note: Use p/n 70002858)	
106	See Note	NSS	Plug (Note: Use p/n 70002858)	
109	See Note	NSS	Setscrew (Note: Use p/n 70002858)	
199	70005170	1	Seal Kit - Low Temperature (Includes Items 200-207)	
200	See Note	NSS	T-Seal (Note: Use p/n 70005170)	
202	See Note	NSS	T-Seal (Note: Use p/n 70005170)	
204	See Note	NSS	O-Ring (Note: Use p/n 70005170)	
205	See Note	NSS	Seal (Note: Use p/n 70005170)	
206	See Note	NSS	O-Ring (Note: Use p/n 70005170)	
207	See Note	NSS	Ring, Back-up (Note: Use p/n 70005170)	
300	70002857	1	Bearing Kit (Includes Items 302-304)	
302	See Note	NSS	Bearing (Note: Use p/n 70002857)	
304	See Note	2	Washer, Thrust (Note: Use p/n 70002857)	
401	70002859	1	Valve, Control	
401	See Note	NSS	Cartridge, Valve (Note: Use p/n 70002859)	
401	See Note	NSS	Seal Kit - Cartridge (Note: Use p/n 70002859)	
402	See Note	NSS	Capscrew 1/4-20 x 1-1/2 Grade 8 (Note: Purchase Locally)	

# SECTION 4 - BOOM

## FIGURE 4-9. PLATFORM SUPPORT INSTALLATION - NO LSS



ART\_1001174038

## SECTION 4 - BOOM

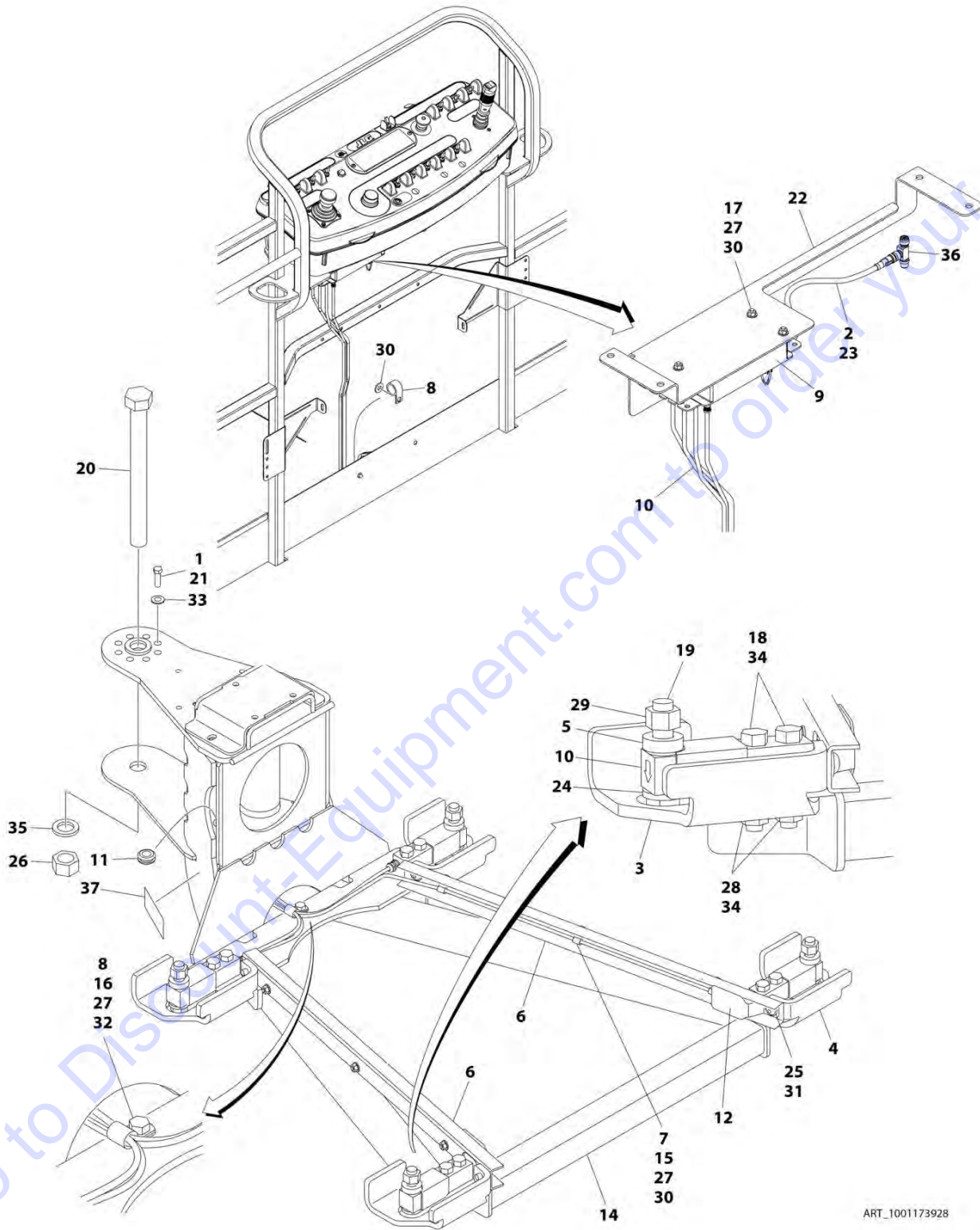
**FIGURE 4-9. PLATFORM SUPPORT INSTALLATION - NO LSS**

ITEM	PART NUMBER	QTY	DESCRIPTION	REV
		Ref	USAGE CHART: ANSI, ANSI EXPORT, CHINA, CSA AND JAPANESE SPECS	
	1001174038	Ref	PLATFORM SUPPORT INSTALLATION	C
1	0100011	AR	Compound, Locking	
2	4846573	1	Support	
3	0641812001	8	Bolt 1/2 x 1-1/2	
3	0761216001	8	Bolt M12 x 40	
4	0642684001	1	Bolt 1 x 10-1/2	
5	0681608001	8	Bolt 3/8-16 x 1 Grade 8	
6	1001174040		Nut 1-8	
7	3311805001	8	Nut 1/2-13	
7	3291205001	8	Nut M12	
8	4891600001	8	Washer 3/8	
9	4891800001	8	Washer 1/2	
9	5241200001	8	Washer M12	
10	4892600001	1	Washer 1	
11	1001216630	2	Decal - Tie Down/No Lift <b>(SN 0300223836 to Present)</b>	

Go to Discount-Equipment.com to order your parts

# SECTION 4 - BOOM

## FIGURE 4-10. PLATFORM SUPPORT INSTALLATION - WITH 4 CELL LSS



ART\_1001173928



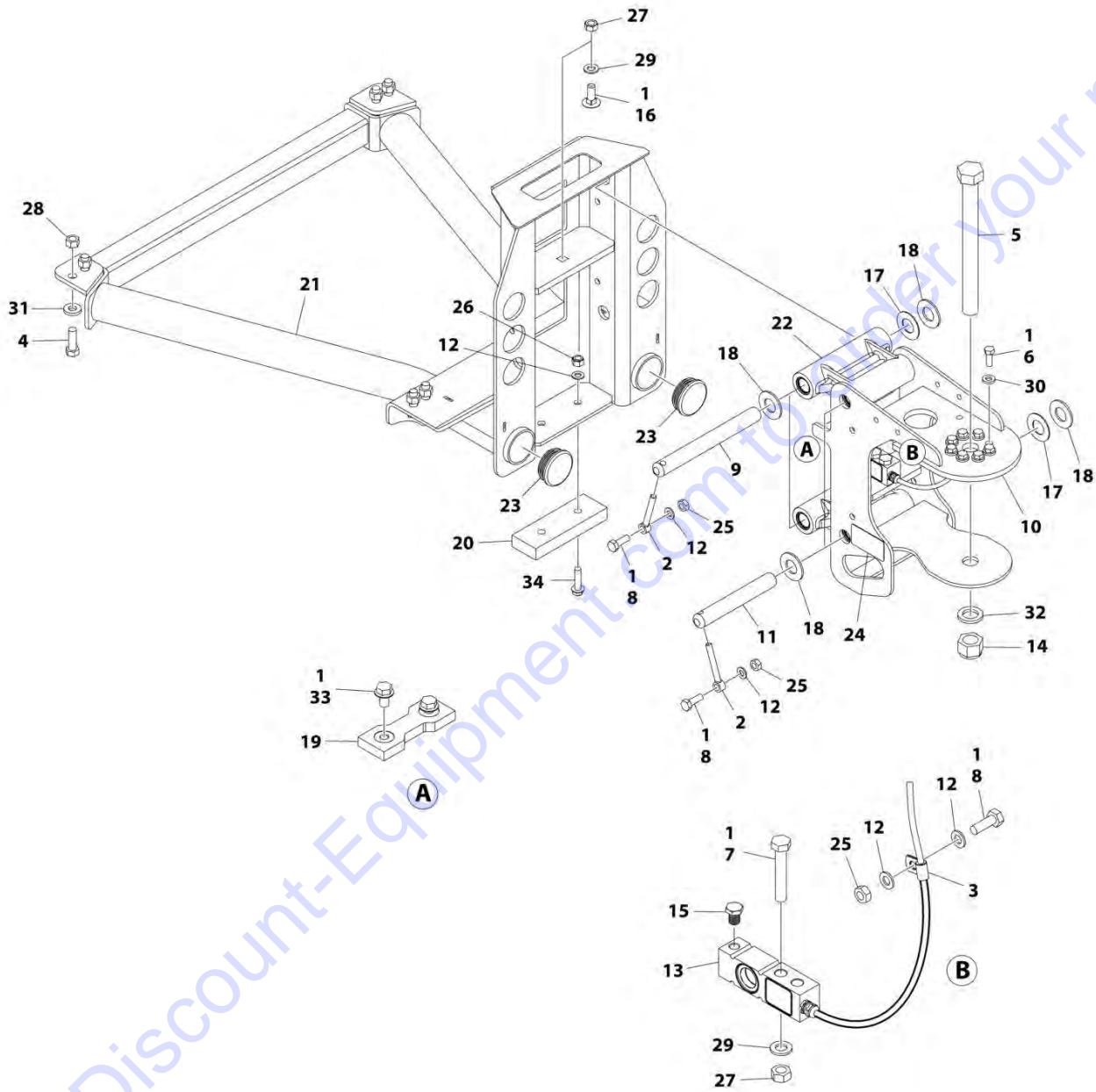
## SECTION 4 - BOOM

**FIGURE 4-10. PLATFORM SUPPORT INSTALLATION - WITH 4 CELL LSS**

ITEM	PART NUMBER	QTY	DESCRIPTION	REV
	1001173928	Ref	PLATFORM SUPPORT INSTALLATION - WITH 4 CELL LSS	C
1	0100011	AR	Compound, Locking	
2	0100048	AR	Grease, Dielectric	
3	0902919	2	Bracket, Cell Guard	
4	0902920	2	Bracket, Cell Guard	
5	0962450	4	Bushing, Spacer	
6	1271538	2	Channel	
7	1320136	6	Clamp	
8	1320224	2	Clamp	
9	1600387	1	Module, Control - LSS (Note: Re-calibration Required when Replaced)	
10	2420202	4	Cell, Load (Includes Cable)	
11	2540038	1	Grommet	
12	4061054	2	Shield	
13	4240033	AR	Tie-Strap (Not Shown)	
14	4846573	1	Support, Platform	
15	0641405001	6	Bolt 1/4 x 5/8	
16	0641407001	1	Bolt 1/4 x 7/8	
17	0641416001	3	Bolt 1/4 x 2	
18	0641822001	8	Bolt 1/2 x 2-3/4	
19	0642024001	4	Bolt 5/8 x 3	
20	0642684001	1	Bolt 1 x 10-1/2	
21	0681608001	8	Bolt 3/8 x 1 Grade 8	
22	1001113483	1	Bracket, Module Mount	
23	1001120608	1	LSS Harness	
23	1001120631	1	Connector, M12 Male Cordset	
23	4460836	1	Connector - 12 Position (Black) (J2)	
23	4460944	3	Socket, Female	
23	4460466	9	Plug, Terminal	
23	4460933	1	Connector - 12 Position (Grey) (J1)	
23	4460465	2	Socket, Female	
23	4460466	10	Plug, Terminal	
24	1001172356	4	Washer 5/8	
25	1001173846	4	Screw 3/8 x 3/4	
26	1001174040	1	Nut 1	
27	3311405001	10	Nut 1/4	
28	3311805001	8	Nut 1/2	
29	3312005001	4	Nut 5/8	
30	4711400001	13	Washer 1/4	
31	4711600001	4	Washer 3/8	
32	4751400001	1	Washer 1/4	
33	4891600001	8	Washer 3/8	
34	4891800001	8	Washer 1/2	
35	4892600001	1	Washer 1	
36	1001108122	1	Connector, M12 Tee Adapter	
37	1001216630	2	Decal - Tie Down/No Lift	

# SECTION 4 - BOOM

## FIGURE 4-11. PLATFORM SUPPORT INSTALLATION - WITH 1 CELL LSS



ART\_1001219996

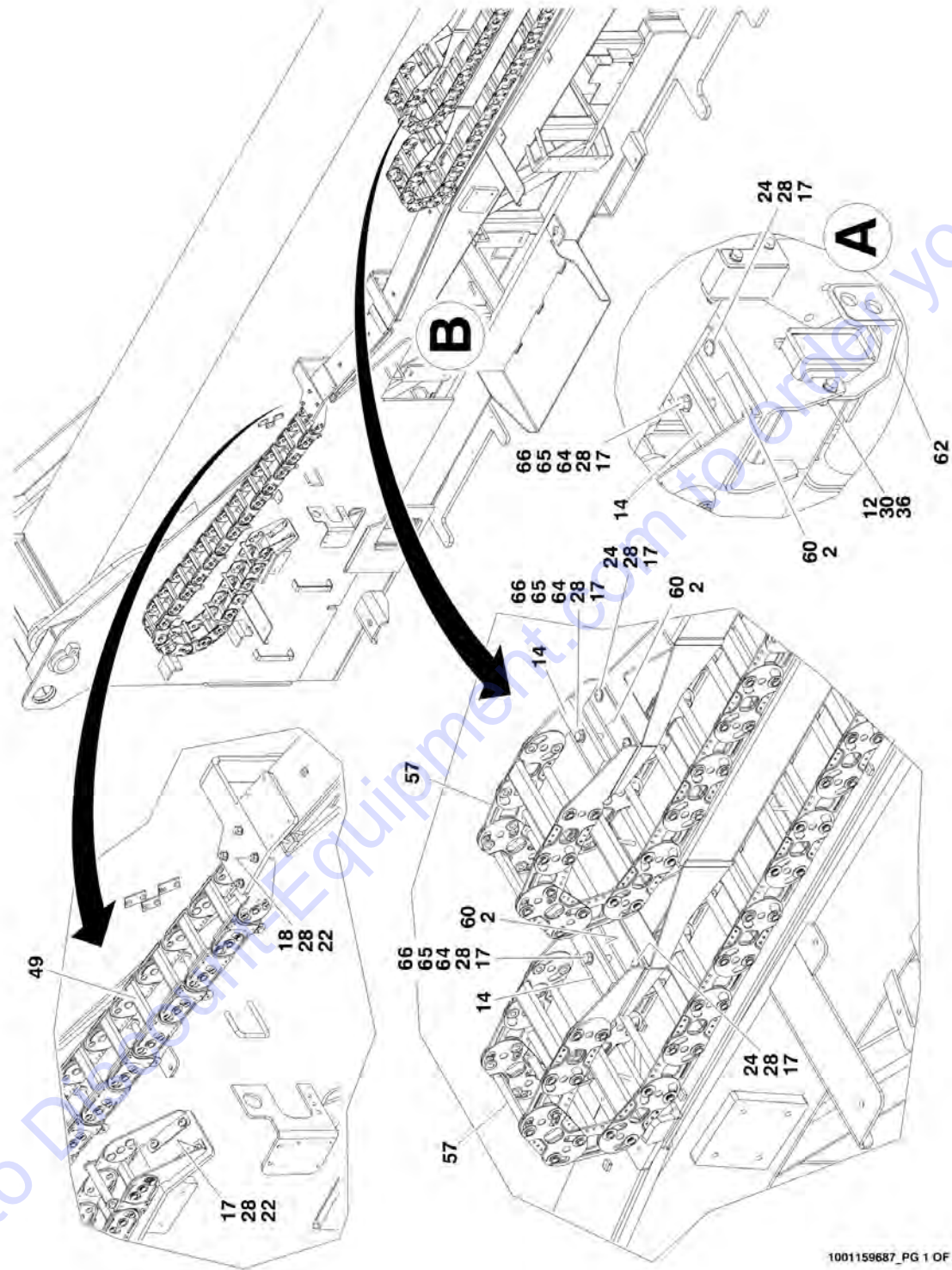
## SECTION 4 - BOOM

**FIGURE 4-11. PLATFORM SUPPORT INSTALLATION - WITH 1 CELL LSS**

ITEM	PART NUMBER	QTY	DESCRIPTION	REV
	1001219996	Ref	PLATFORM SUPPORT INSTALLATION - WITH 1 CELL LSS	C
1	0100011	AR	Compound, Locking	
2	3841143	4	Keeper	
3	91203039	1	Clamp	
4	0641812001	8	Bolt 1/2 x 1-1/2	
4	0761216001	8	Bolt M12 x 40	
5	0642684001	1	Bolt 1 x 10-1/2	
6	0681608001	8	Bolt 3/8 x 1 Grade 8	
7	0711222001	2	Bolt M12 x 70 Grade 10.9	
8	0761014001	5	Bolt M10 x 30	
9	1001167565	2	Pin	
10	1001167567	1	Support, Rotary Side	
11	1001168402	2	Pin	
12	1001172358	8	Washer M10	
13	1001172663	1	Gauge, Load Sensing	
14	1001174040	1	Nut 1	
15	1001188622	1	Screw	
16	1001188844	1	Bolt M12 x 35	
17	1001189001	4	Bearing	
18	1001189002	8	Bearing	
19	1001190985	1	Wear Pad	
20	1001200491	1	Plate	
21	1001200494	1	Support	
22	1001201351	2	Link, LSS Assembly	
22	1001187382	4	Bearing	
22	1001187383	4	Seal	
23	1001204725	2	Plug	
24	1001216630	2	Decal - Tie Down/No Lift	
25	3291001001	5	Nut M10	
26	3291005001	2	Nut M10	
27	3291201001	3	Nut M12	
28	3311805001	8	Nut 1/2	
28	3291205001	8	Nut M12	
29	4812100001	3	Washer M12	
30	4891600001	8	Washer 3/8	
31	4891800001	8	Washer 1/2	
31	5241200001	8	Washer M12	
32	4892600001	1	Washer 1	
33	5251008001	2	Bolt M10 x 16	
34	5251016001	2	Bolt M10 x 40	

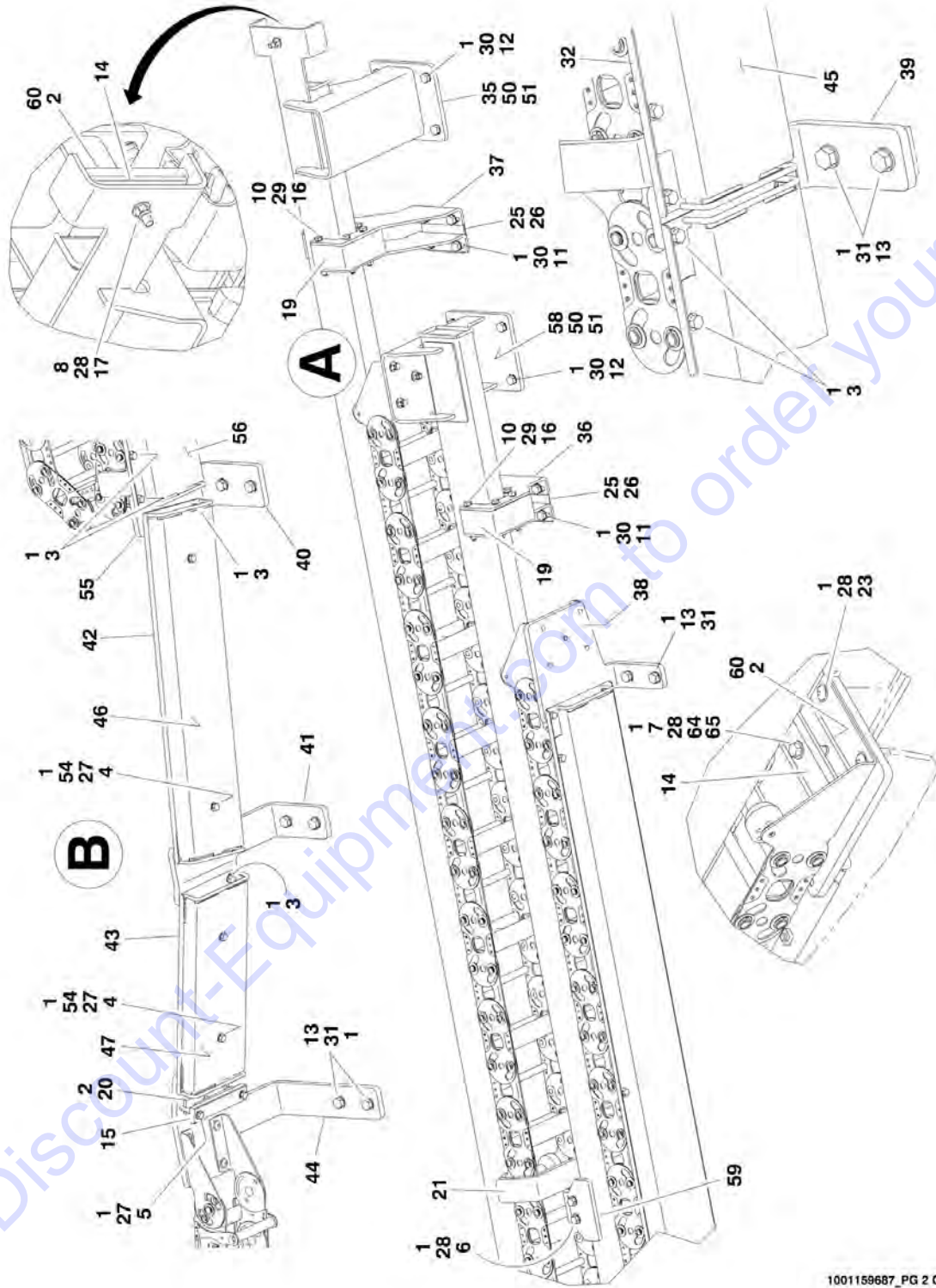
# SECTION 4 - BOOM

## FIGURE 4-12. POWER TRACK INSTALLATION - BOOM



1001159687\_PG 1 OF 2

SECTION 4 - BOOM



1001159687\_PG 2 OF 2

## SECTION 4 - BOOM

FIGURE 4-12. POWER TRACK INSTALLATION - BOOM

ITEM	PART NUMBER	QTY	DESCRIPTION	REV
	1001159687	Ref	POWER TRACK INSTALLATION - BOOM	L
1	0100011	AR	Compound, Locking	
2	0100019	AR	Compound, Locking	
3	0791504001	66	Screw 5/16-18 X 1/2	
4	0641516001	4	Bolt 5/16-18 X 2	
5	0641520001	2	Bolt 5/16-18 X 2-1/2	
6	0641607001	10	Bolt 3/8-16 X 7/8	
7	0641620001	2	Bolt 3/8-16 X 2-1/2 <b>(Prior to SN 0300201356)</b>	
7	0641626001	2	Bolt, 3/8-16 x 3-1/4 <b>(SN 0300201356 to Present)</b>	
8	0641622001	1	Bolt 3/8-16 X 2-3/4	
10	0700823001	12	Bolt M8 X 75	
11	0761012001	8	Bolt M10 x 25	
12	0761014001	10	Bolt M10 X 30	
13	0761214001	18	Bolt M12 X 30	
14	1001162869	1	Plate, Clamp	
15	1320295	1	Clamp, Bar	
16	3290805001	12	Nut M8	
17	1001173663	17	Nut 3/8-16	
18	3311605001	4	Nut 3/8-16	
19	3340925	2	Pad	
20	3340940	2	Pad	
21		Ref	Plate, Support Options:	
21	3573016	NLA	Plate, Support (Use p/n 1001175817) <b>(Prior to SN 0300190128)</b>	
21	1001175817	5	Plate, Support <b>(SN 0300190128 to Present)</b>	
22	3900232001	8	Screw 3/8-16 X 1-1/4 Lg	
23	1001173846	2	Screw 3/8-16 x 3/4	
24	3900316001	6	Screw 3/8-16 X 1	
25	4071021	AR	Shim 16Ga	
26	4071022	AR	Shim 11Ga	
27	4711500001	AR	Washer 5/16	
28	4711600001	AR	Washer 3/8	
29	4811900001	AR	Washer M8	
30	1001172358	AR	Washer M10	
31	4812100001	AR	Washer M12	
32	4846423	5	Cover	
35	1001154751	1	Tube, Push (Upper)	
36	1001154768	2	Plate, Mounting	
37	1001154769	2	Plate, Mounting	
38		Ref	Bracket, Support Options:	
	1001154815	NLA	Bracket, Support (Use p/n 1001154815) <b>(Prior to SN 0300199131)</b>	
	1001180825	1	Bracket, Support <b>(SN 0300199131 to Present)</b>	
39	1001154816	5	Bracket, Support	
40	1001154817	1	Bracket, Support	
41	1001154818	1	Bracket, Support	
42	1001154824	1	Support, Power Track	
43	1001154825	1	Support, Power Track	
44	1001154826	1	Bracket, Support	
45	1001154869	5	Cover	
46	1001154871	1	Cover	

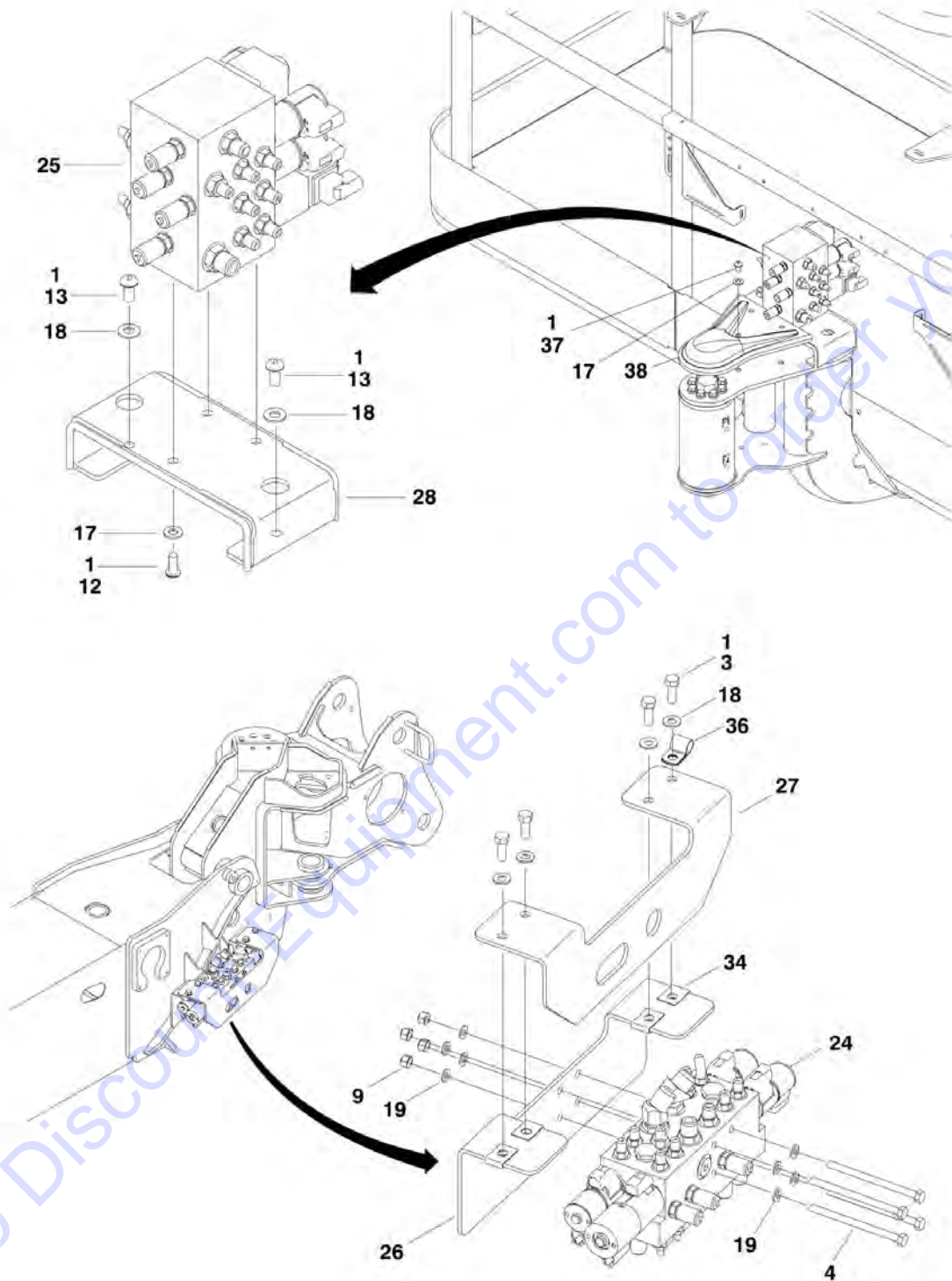
## SECTION 4 - BOOM

ITEM	PART NUMBER	QTY	DESCRIPTION	REV
47	1001154872	1	Cover	
49	1001155142	1	Power Track Assembly	
49	70004454	1	Section, 6 Link Repair	
49	70004455	1	Mounting Feet Kit	
50	1001156103	AR	Shim 16Ga	
51	1001156104	AR	Shim 11Ga	
54	1001157665	4	Tube, Spacer	
55	1001154823	1	Support, Power Track	
56	1001154870	1	Cover	
57	1001162745	Ref	Power Track Assembly	
57	70004649	2	Repair Section	
57	70004650	2	Mounting Feet Kit	
58	1001159255	1	Tube, Push (Lower)	
59	0100040	AR	Adhesive	
60	1001167907	10	Pad, Rubber	
61	9141453	AR	Shim	
62	1001182134	1	Bracket, Bulkhead	
63	3291005001	2	Locknut, M10 x 1.5	
64	1001180947	4	Plate, Clamp	
65	1001180816	4	Clamp, Powertrack hoses	
66	0641628001	6	Bolt 3/8-16 x 3 1/2	

Go to Discount-Equipment.com to order your parts

# SECTION 4 - BOOM

## FIGURE 4-13. VALVES INSTALLATION - BOOM (WITHOUT LSS)



1001157706\_PG 3 OF 3



# PARTS FINDER

**Search Website  
by Part Number**



**Search Manual  
Library For Parts  
Manual & Lookup Part  
Numbers – Purchase  
or Request Quote**

A screenshot of the "Search Manuals" form. The form has a title "Search Manuals" and a subtitle "Please enter the model number or serial number of the machine you are looking for." Below the subtitle are several input fields: "Find" (with a dropdown menu), "Serial Number" (with a dropdown menu), "Year" (with a dropdown menu), "Make" (with a dropdown menu), "Part Number" (with a dropdown menu), "Part Name" (with a dropdown menu), and "Category" (with a dropdown menu). There is a "Search" button at the bottom of the form.

**Can't Find Part or  
Manual? Request Help  
by Manufacturer,  
Model & Description**

A screenshot of the "Parts Order Form". The form has a title "Parts Order Form" and a subtitle "Please fill out the form below." Below the subtitle are several input fields: "Manufacturer" (with a dropdown menu), "Model" (with a dropdown menu), "Description" (with a dropdown menu), "Part Number" (with a dropdown menu), "Part Name" (with a dropdown menu), "Quantity" (with a dropdown menu), "Price" (with a dropdown menu), "Date" (with a dropdown menu), and "Comments" (with a text area). There is a "Submit" button at the bottom of the form.

Discount-Equipment.com is your online resource for quality parts & equipment.

Florida: **561-964-4949** Outside Florida TOLL FREE: **877-690-3101**

**Need parts?**

Click on this link: <http://www.discount-equipment.com/category/5443-parts/> and choose one of the options to help get the right parts and equipment you are looking for. Please have the machine model and serial number available in order to help us get you the correct parts. If you don't find the part on the website or on one of the online manuals, please fill out the request form and one of our experienced staff members will get back to you with a quote for the right part that your machine needs.

We sell worldwide for the brands: Genie, Terex, JLG, MultiQuip, Mikasa, Essick, Whiteman, Mayco, Toro Stone, Diamond Products, Generac Magnum, Airman, Haulotte, Barreto, Power Blanket, Nifty Lift, Atlas Copco, Chicago Pneumatic, Allmand, Miller Curber, Skyjack, Lull, Skytrak, Tsurumi, Husquvarna Target, Stow, Wacker, Sakai, Mi-T-M, Sullair, Basic, Dynapac, MBW, Weber, Bartell, Bennar Newman, Haulotte, Ditch Runner, Menegotti, Morrison, Contec, Buddy, Crown, Edco, Wyco, Bomag, Laymor, EZ Trench, Bil-Jax, F.S. Curtis, Gehl Pavers, Heli, Honda, ICS/PowerGrit, IHI, Partner, Imer, Clipper, MMD, Koshin, Rice, CH&E, General Equipment, Amida, Coleman, NAC, Gradall, Square Shooter, Kent, Stanley, Tamco, Toku, Hatz, Kohler, Robin, Wisconsin, Northrock, Oztec, Toker TK, Rol-Air, APT, Wylie, Ingersoll Rand / Doosan, Innovatech, Con X, Ammann, Mecalac, Makinex, Smith Surface Prep, Small Line, Wanco, Yanmar

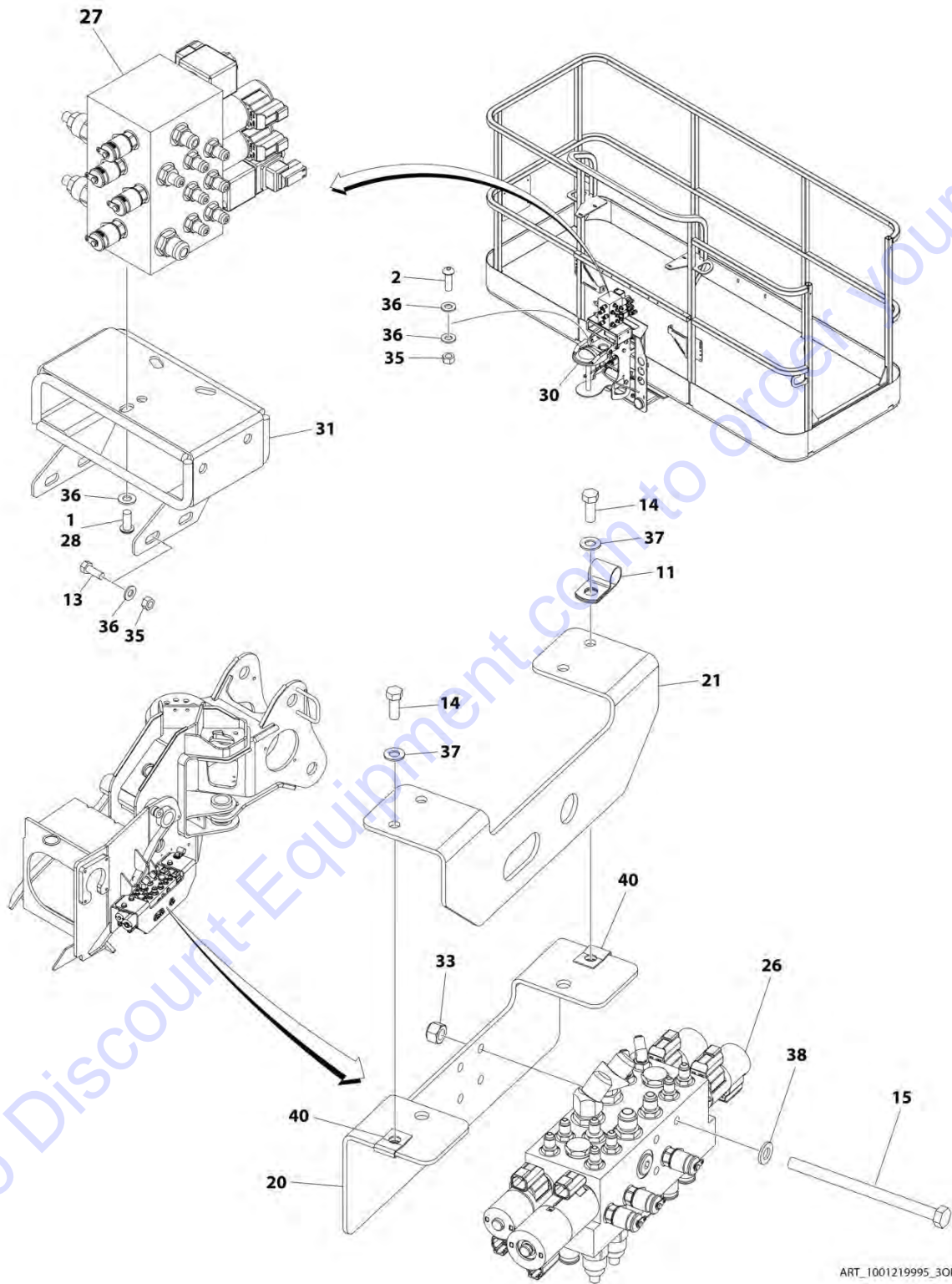
## SECTION 4 - BOOM

**FIGURE 4-13. VALVES INSTALLATION - BOOM (WITHOUT LSS)**

ITEM	PART NUMBER	QTY	DESCRIPTION	REV
	1001157706	Ref	VALVES INSTALLATION - BOOM (WITHOUT LSS)	M
1	0100011	AR	Compound, Locking	
3	0641608001	4	Bolt 1/2-13 x 1	
4	0700829001	4	Bolt M8 x 120	
9	3290805001	4	Nut M8	
12	1001173845	3	Screw 5/16-18 x 3/4	
13	1001173846	2	Screw 3/8-16 x 3/4	
13	1001238236	2	Screw 3/8-16 x 7/8	
17	4711500001	AR	Washer 5/16	
18	4711600001	6	Washer 3/8	
19	4811900001	8	Washer M8	
24	1001168283	1	Jib Valve Assembly (See JIB VALVE ASSEMBLY for Breakdown)	
25	1001168284	1	Platform Valve Assembly (See PLATFORM VALVE ASSEMBLY for Breakdown)	
26	1001119703	1	Plate	
27	1001119704	1	Plate	
28	1001119706	1	Mount	
34	88662523	4	Nut, Retainer	
36	8406105	1	Clip <b>(SN 0300223156 to Present)</b>	
37	1001173623	3	Bolt 5/16 x 1/2 <b>(SN 0300224866 to Present)</b>	
38	1670964	1	Cover <b>(SN 0300224866 to Present)</b>	

# SECTION 4 - BOOM

## FIGURE 4-14. VALVES INSTALLATION - BOOM (WITH LSS)



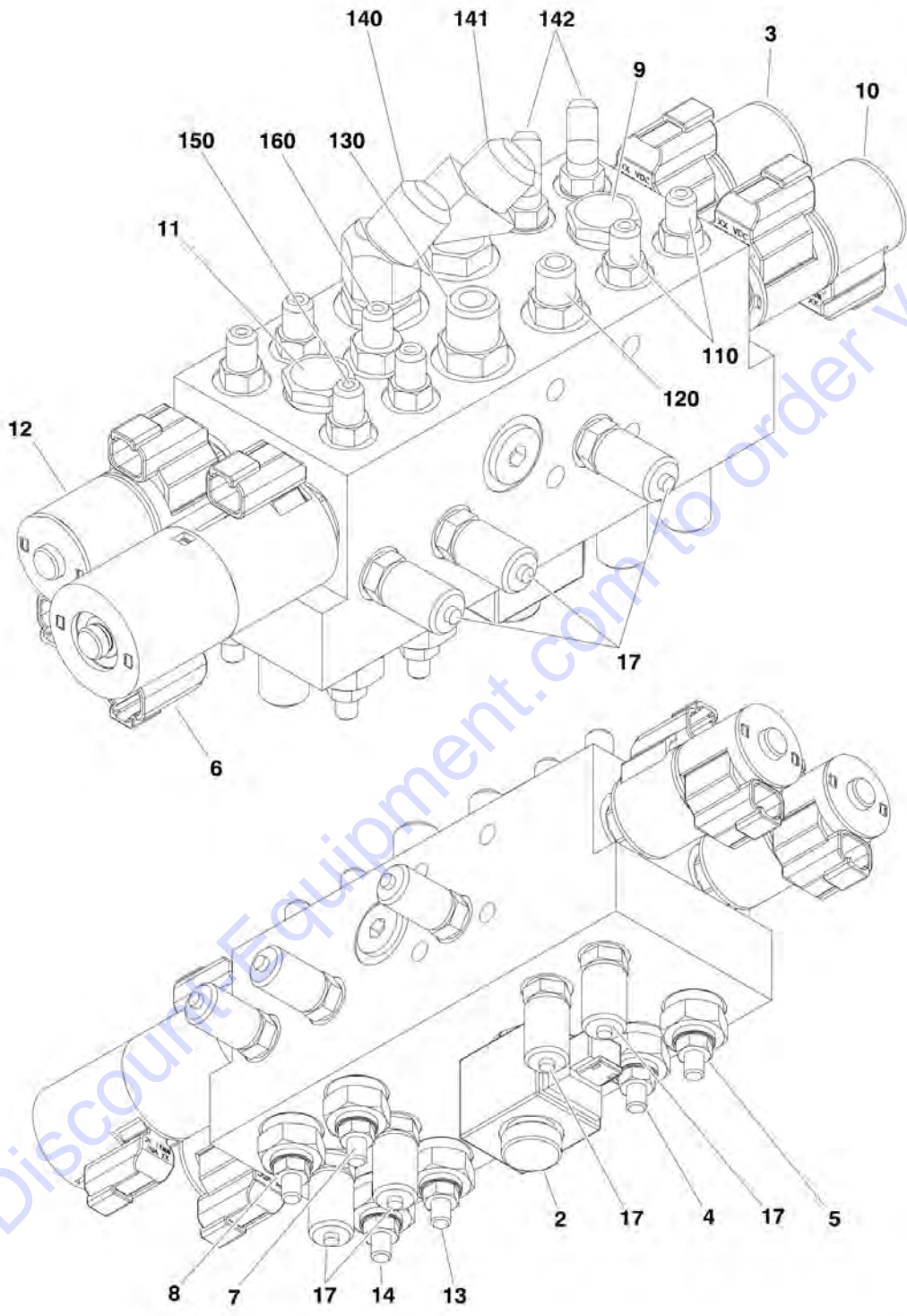
## SECTION 4 - BOOM

**FIGURE 4-14. VALVES INSTALLATION - BOOM (WITH LSS)**

ITEM	PART NUMBER	QTY	DESCRIPTION	REV
	1001219995	Ref	VALVES INSTALLATION - BOOM (WITH LSS)	B
1	0100011	AR	Compound, Locking	
2	0630468	2	Screw 5/16 x 1	
11	8406105	1	Clip	
13	0641507001	4	Bolt 5/16 x 7/8	
14	0641608001	4	Bolt 1/2-13 x 1	
15	0700829001	4	Bolt M8 x 120	
20	1001119703	1	Plate	
21	1001119704	1	Plate	
26	1001168283	1	Jib Valve Assembly (See JIB VALVE ASSEMBLY for Breakdown)	
27	1001168284	1	Platform Valve Assembly (See PLATFORM VALVE ASSEMBLY for Breakdown)	
28	1001173845	3	Screw 5/16-18 x 3/4	
30	1001207969	1	Cover	
31	1001208994	1	Mount	
33	3290805001	4	Nut M8	
35	3311505001	6	Nut 5/16	
36	4711500001	15	Washer 5/16	
37	4711600001	4	Washer 3/8	
38	4811900001	8	Washer M8	
40	88662523	4	Nut, Retainer	

# SECTION 4 - BOOM

## FIGURE 4-15. JIB VALVE ASSEMBLY



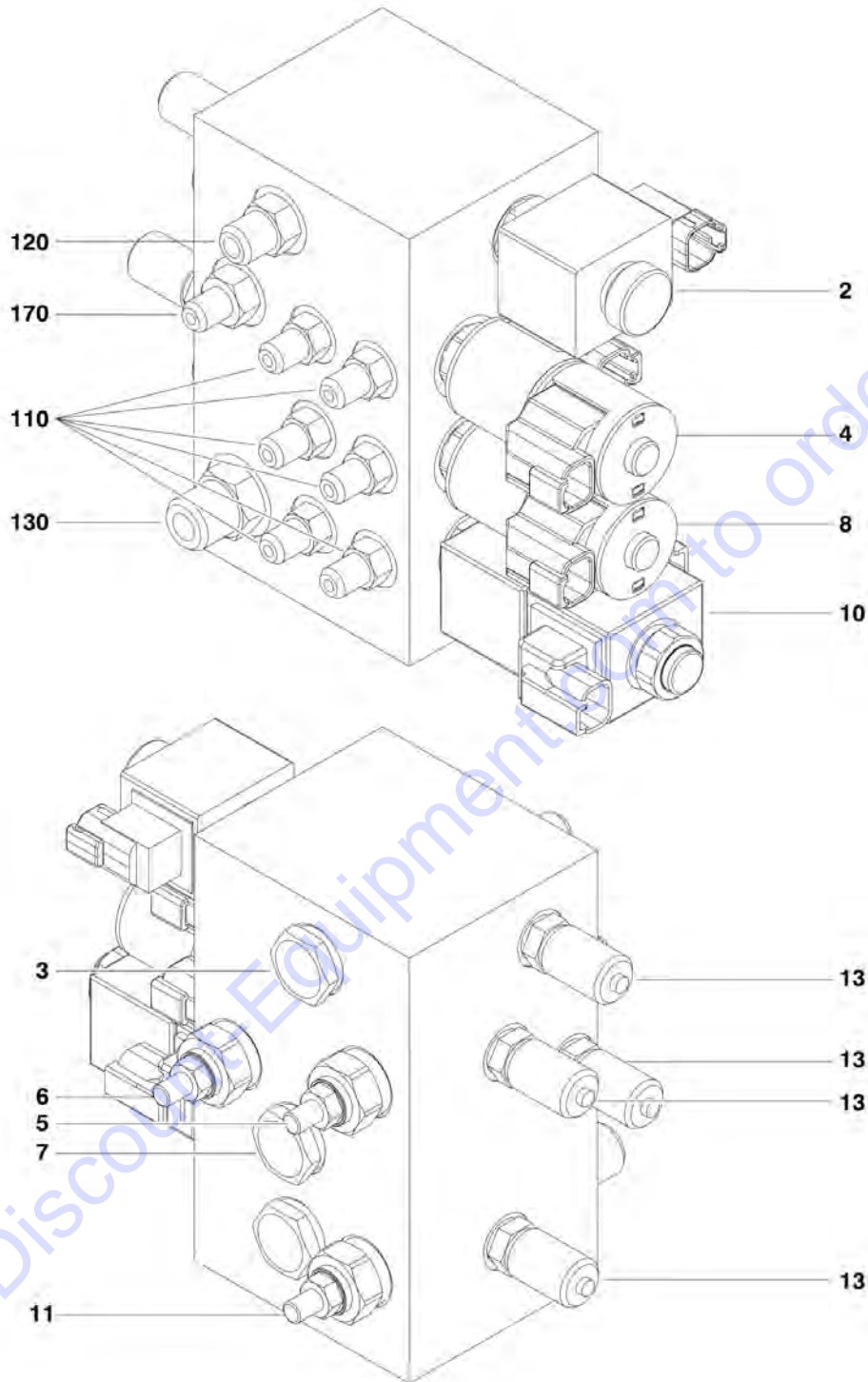
1001168283

FIGURE 4-15. JIB VALVE ASSEMBLY

ITEM	PART NUMBER	QTY	DESCRIPTION	REV
	1001168283	Ref	JIB VALVE ASSEMBLY	B
2	70003017	1	Valve, Solenoid (Inlet)	
2	70004055	1	Kit, Seal - Valve	
2	70022147	1	Coil	
2	70004051	1	Nut, Coil	
3	7023922	1	Valve, Solenoid (Level Up/Down)	
3	7017402	1	Kit, Seal - Valve	
3	7024885	2	Coil	
3	7022390	1	Nut, Coil	
3	70003023	1	Spacer, Coil	
4	70003019	1	Valve, Relief	
4	70004052	1	Kit, Seal - Valve	
5	70003019	1	Valve, Relief	
5	70004052	1	Kit, Seal - Valve	
6	70003022	1	Valve, Solenoid (Tele In/Out)	
6	7012903	1	Kit, Seal - Valve	
6	7024883	2	Coil	
6	70003024	1	Spacer, Coil	
6	70003019	1	Valve, Relief	
7	70003019	1	Valve, Relief	
7	70004052	1	Kit, Seal - Valve	
8	70003019	1	Valve, Relief	
8	70004052	1	Kit, Seal - Valve	
9	70003020	1	Valve, Flow Control	
9	70004052	1	Kit, Seal - Valve	
10	7024899	1	Valve, Solenoid (Swing Left/Right)	
10	7017402	1	Kit, Seal - Valve	
10	7024885	2	Coil	
10	7022390	1	Nut, Coil	
10	70003023	1	Spacer, Coil	
11	70003021	1	Valve, Flow Control	
11	70004052	1	Kit, Seal - Valve	
12	7023922	1	Valve, Solenoid (Lift Up/Down)	
12	7017402	1	Kit, Seal - Valve	
12	7024885	2	Coil	
12	7022390	1	Nut, Coil	
12	70003023	1	Spacer, Coil	
13	70003019	1	Valve, Relief	
13	70004052	1	Kit, Seal - Valve	
14	70003019	1	Valve, Relief	
14	70004052	1	Kit, Seal - Valve	
17	2221086	7	Valve, Check, Pressure	
110	2220415	2	Fitting, Straight JIC/ORB	
120	2220371	1	Fitting, Straight JIC/ORB	
130	2220373	1	Fitting, Straight JIC/ORB	
140	2221050	1	Fitting, 45 JIC/ORB	
141	2220950	1	Fitting, 45 JIC/ORB	
142	2220502	2	Fitting, 45 JIC/ORB	
150	2220415	4	Fitting, Straight JIC/ORB	
160	2220582	1	Fitting, Straight JIC/ORB	

# SECTION 4 - BOOM

## FIGURE 4-16. PLATFORM VALVE ASSEMBLY



1001168284

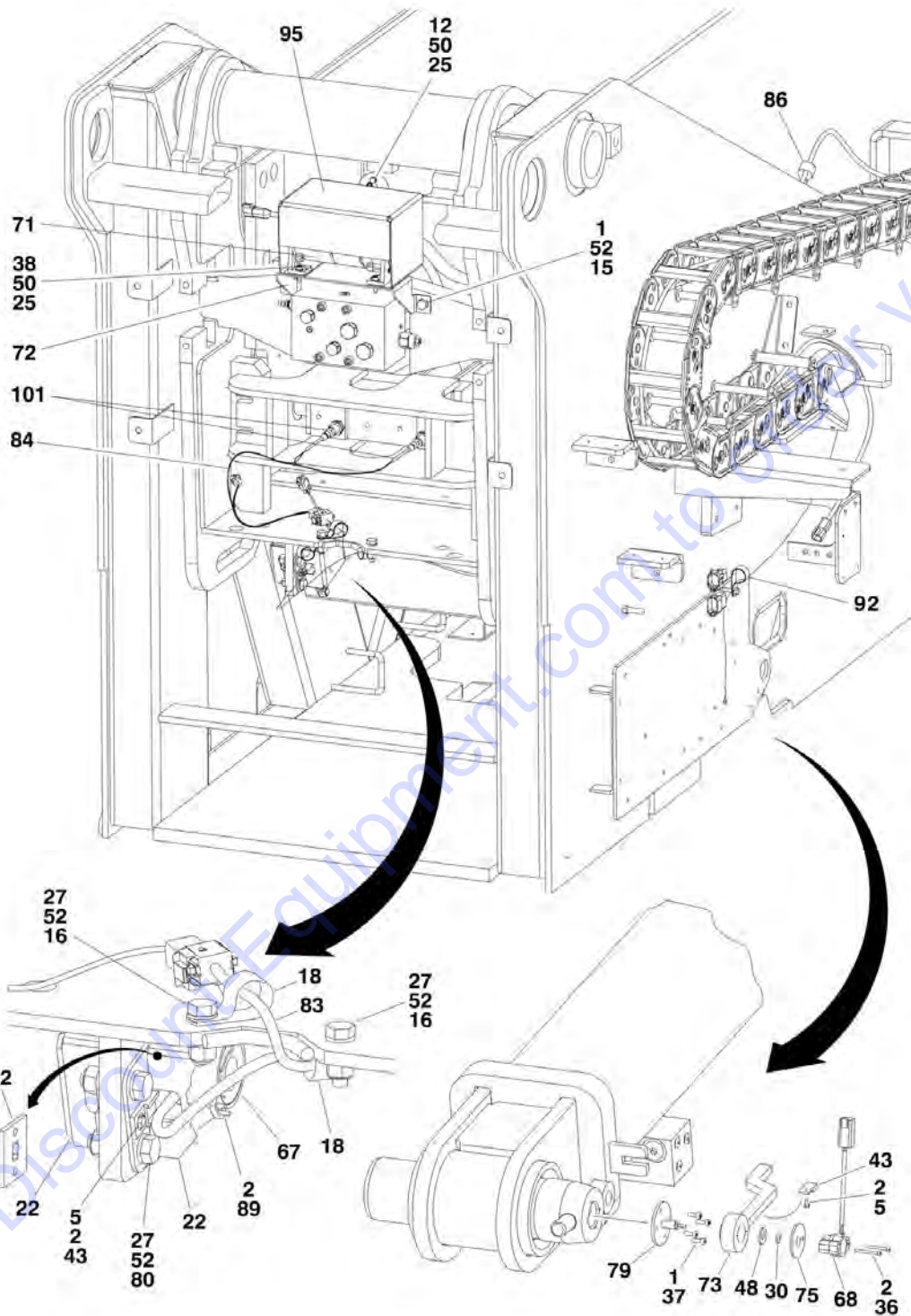
FIGURE 4-16. PLATFORM VALVE ASSEMBLY

ITEM	PART NUMBER	QTY	DESCRIPTION	REV
	1001168284	Ref	PLATFORM VALVE ASSEMBLY	B
2	70004457	1	Valve, Solenoid (Inlet)	
2	70004050	1	Seal Kit - Valve	
2	70003026	1	Coil	
2	70004051	1	Nut, Coil	
3	70003021	1	Valve, Flow Control	
3	70004052	1	Seal Kit - Valve	
4	7024899	1	Valve, Solenoid (Level Up/Down)	
4	7017402	1	Seal Kit - Valve	
4	7024885	2	Coil	
4	7022390	1	Nut, Coil	
4	70003023	1	Spacer, Coil	
5	70003019	1	Valve, Relief	
5	70004052	1	Seal Kit - Valve	
6	70003019	1	Valve, Relief	
6	70004052	1	Seal Kit - Valve	
7	70003027	1	Valve, Flow Control	
7	70004052	1	Seal Kit - Valve	
8	7024899	1	Valve, Solenoid (Rotate Left/Right)	
8	7017402	1	Seal Kit - Valve	
8	7024885	2	Coil	
8	7022390	1	Nut, Coil	
8	70003023	1	Spacer, Coil	
10	70003028	1	Valve, Solenoid (Jib Lock In/Out)	
10	70004053	1	Seal Kit - Valve	
10	70003026	2	Coil	
10	70004051	1	Nut, Coil	
11	70003019	1	Valve, Relief	
11	70004052	1	Seal Kit - Valve	
13	2221086	4	Valve, Check, Pressure	
110	2220415	6	Fitting, Straight JIC/ORB	
120	2220371	1	Fitting, Straight JIC/ORB	
130	2220373	1	Fitting, Straight JIC/ORB	
170	2220582	1	Fitting, Straight JIC/ORB	



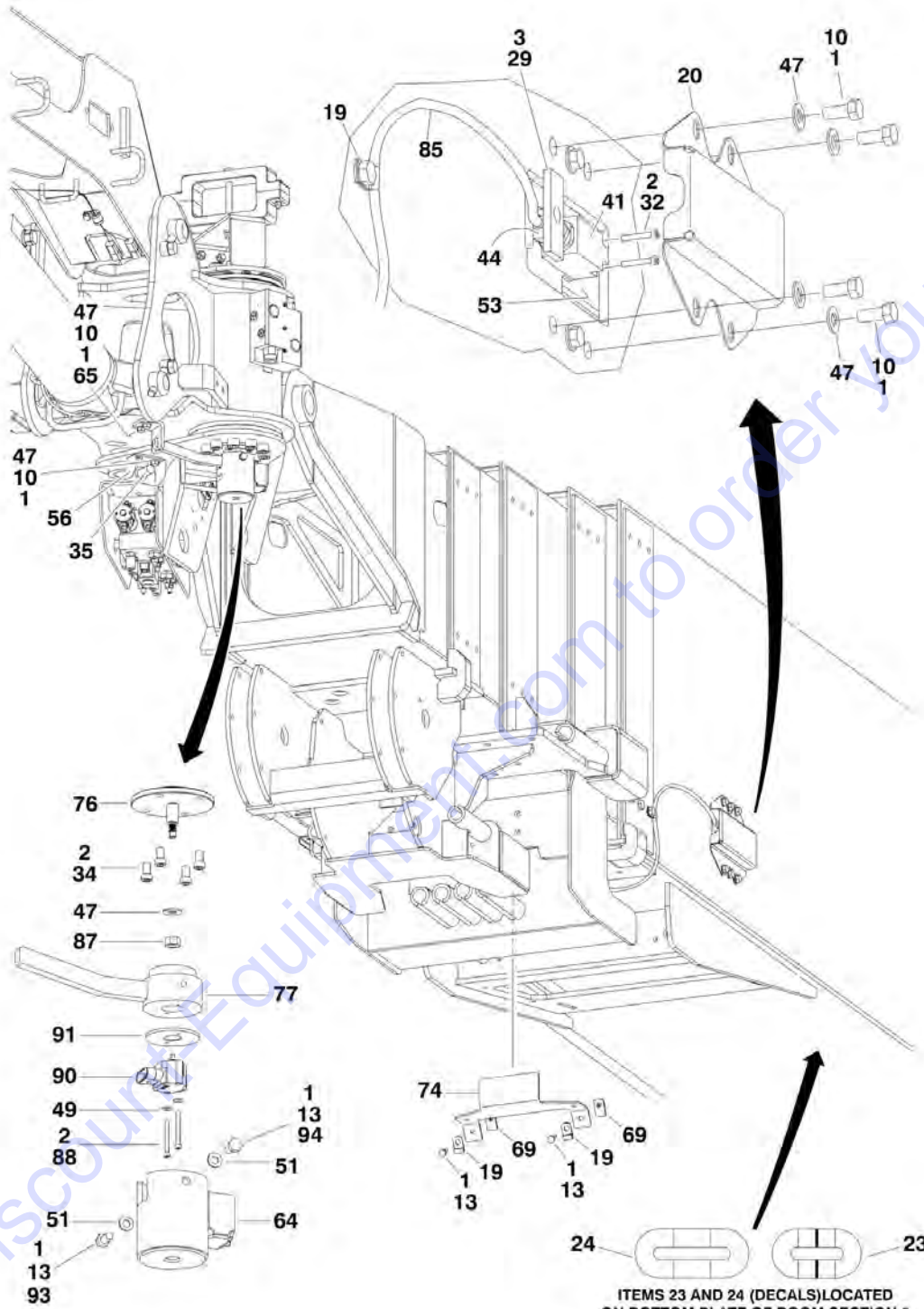
# SECTION 4 - BOOM

## FIGURE 4-17. BOOM SENSORS AND SWITCHES INSTALLATION



1001155440\_PG 1 OF 3

# SECTION 4 - BOOM

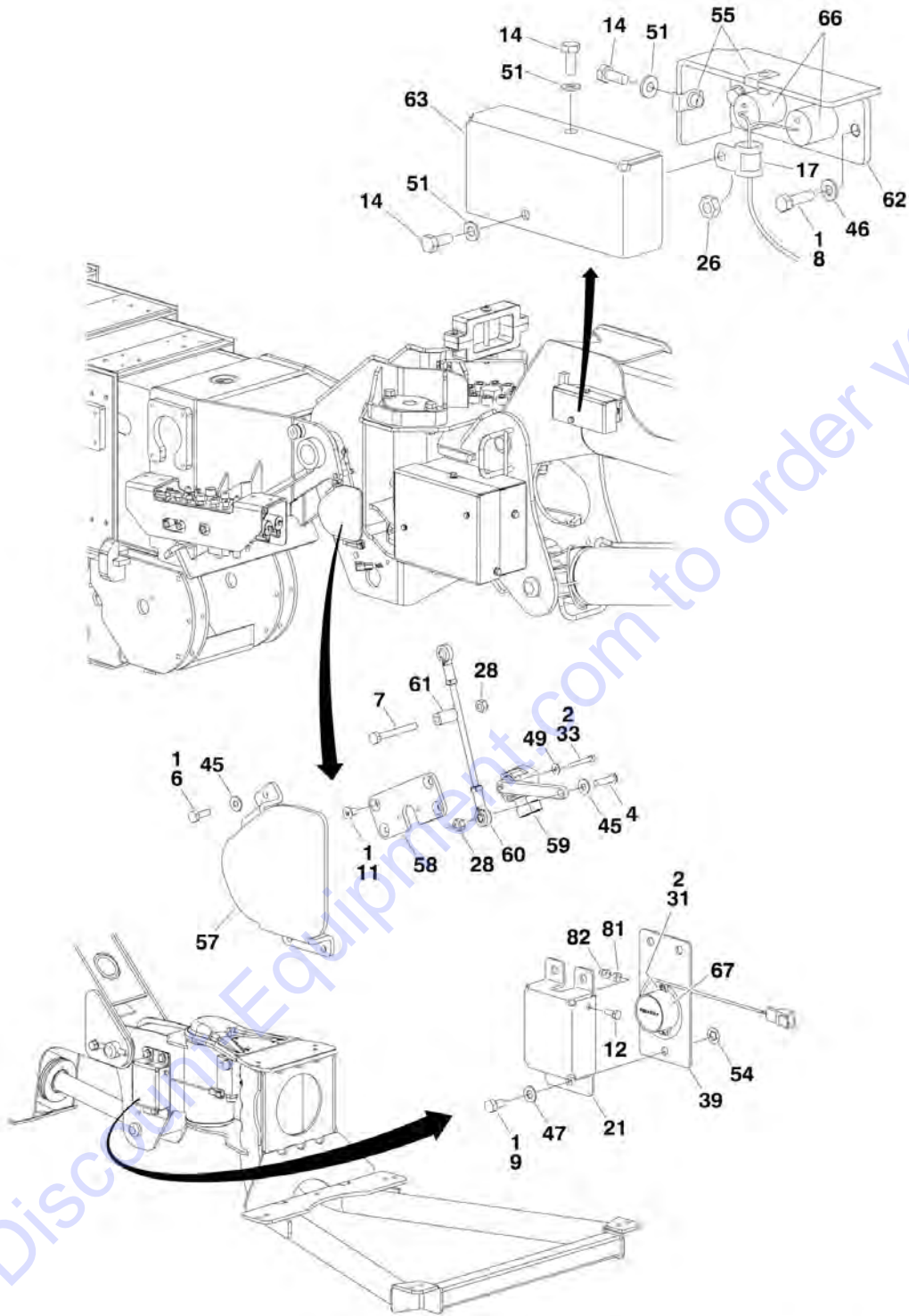


ITEMS 23 AND 24 (DECALS) LOCATED ON BOTTOM PLATE OF BOOM SECTION 2

1001155440\_PG 2 OF 3

Go to [DiscountEquipment.com](http://DiscountEquipment.com) to order your parts

# SECTION 4 - BOOM



1001155440\_PG 3 OF 3

FIGURE 4-17. BOOM SENSORS AND SWITCHES INSTALLATION

ITEM	PART NUMBER	QTY	DESCRIPTION	REV
	1001155440	Ref	BOOM SENSORS AND SWITCHES INSTALLATIONS	L
1	0100011	AR	Compound, Locking	
2	0100035	AR	Compound, Locking	
3	0100081	AR	Adhesive	
4	0630457	1	Screw 1/4-20 X 1	
5	0760405	3	Bolt M4 X 10	
6		Ref	Bolt Options:	
6	0641406	4	Bolt 1/4-20 x 3/4 (Prior to SN 0300193480)	
6	0641406001	4	Bolt 1/4-20 x 3/4 (SN 0300193480 to Present)	
7		Ref	Bolt Options:	
7	0641418	1	Bolt 1/4-20 x 2-1/4 (Prior to SN 0300193480)	
7	0641418001	1	Bolt 1/4-20 x 2-1/4 (SN 0300193480 to Present)	
8	0641509	2	Bolt 5/16-18 X 1-1/8	
9		Ref	Bolt Options:	
9	0641605	6	Bolt 3/8-16 x 5/8 (Prior to SN 0300193480)	
9	0641605001	6	Bolt 3/8-16 x 5/8 (SN 0300193480 to Present)	
10		Ref	Bolt Options:	
10	0641607	10	Bolt 3/8-16 x 7/8 (Prior to SN 0300193480)	
10	0641607001	10	Bolt 3/8-16 x 7/8 (SN 0300193480 to Present)	
11		Ref	Screw Options:	
11	0741404	4	Screw 1/4-20 X 1/2 (Prior to SN 0300193480)	
11	1001177609	4	Screw 1/4-20 X 1/2 (SN 0300193480 to Present)	
12		Ref	Bolt Options:	
12	0760608	3	Bolt M6 X 16 (Prior to SN 0300193480)	
12	0760608001	3	Bolt M6 X 16 (SN 0300193480 to Present)	
13		Ref	Bolt Options:	
13	0760808	4	Bolt M8 X 16 (Prior to SN 0300193480)	
13	0760808001	4	Bolt M8 X 16 (SN 0300193480 to Present)	
14		Ref	Bolt Options:	
14	0760810	4	Bolt M8 x 20 (Prior to SN 0300193480)	
14	0760810001	4	Bolt M8 x 20 (SN 0300193480 to Present)	
15	0761010	2	Bolt M10 X 20	
16	0761015	2	Bolt M10 x 35	
17	1320061	2	Clamp, Hose	
18	1320130	3	Clamp, Hose	
19	1320301	3	Clamp, Cable	
20	1671031	1	Cover	
21	1671044	2	Cover	
22	1001167262	2	Plate	
23	1705366	1	Decal - Boom Length (500lb Cap)	
24	1705367	1	Decal - Boom Length (1000lb Cap)	
25	3290605	6	Nut, M6 X 1	
26		Ref	Nut Options:	
26	3290805	2	Nut M8 X 1.25 (Prior to SN 0300193480)	
26	3290805001	2	Nut M8 X 1.25 (SN 0300193480 to Present)	
27	3291005	5	Nut M10 X 1.5	
28		Ref	Nut Options:	
28	3311405	3	Nut 1/4-20 (Prior to SN 0300193480)	
28	3311405001	3	Nut 1/4-20 (SN 0300193480 to Present)	
29	3340941	1	Pad	

## SECTION 4 - BOOM

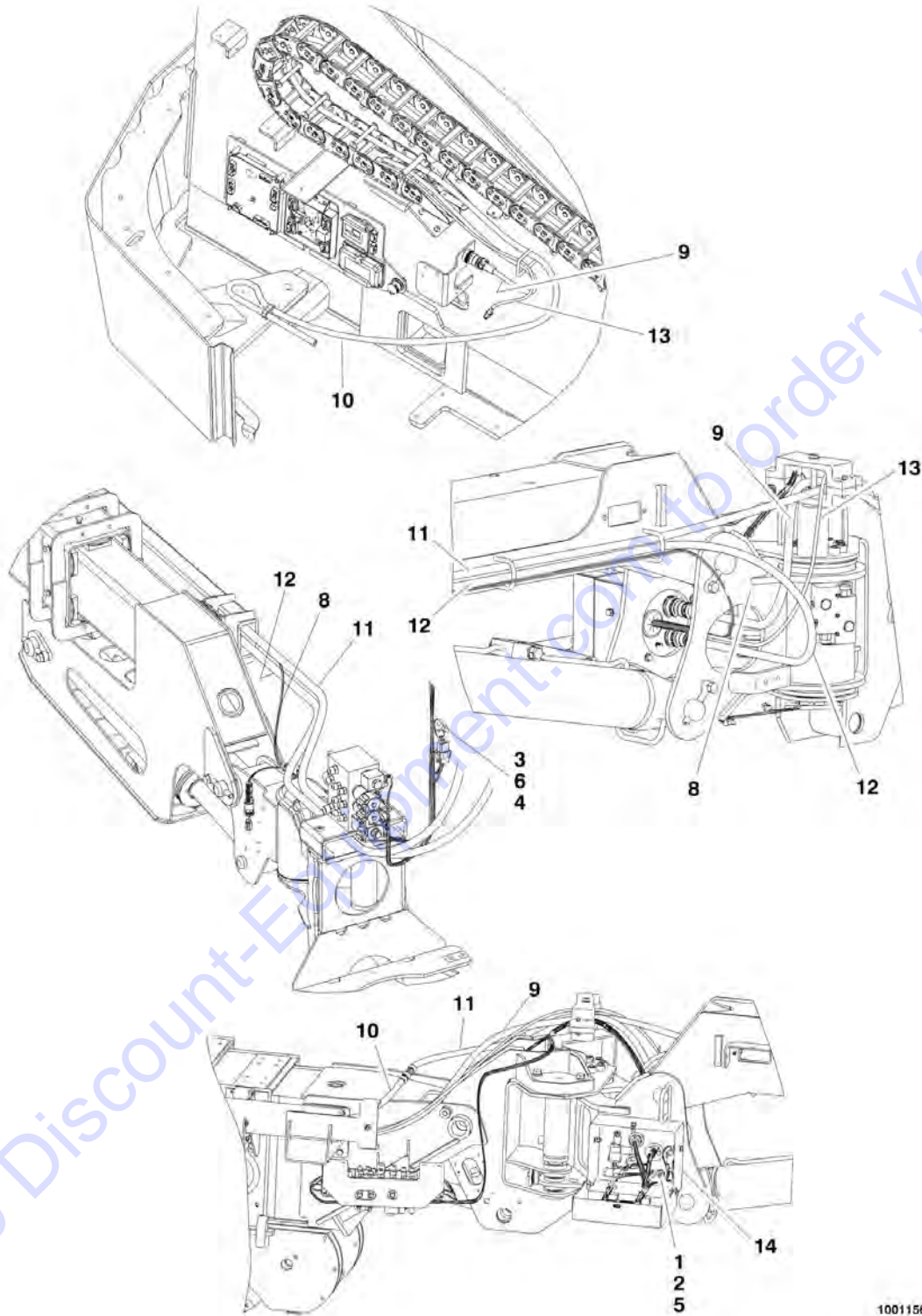
ITEM	PART NUMBER	QTY	DESCRIPTION	REV
30	3760383	1	Ring	
31	3930606	6	Capscrew #6 X 3/8	
32	3930816	2	Capscrew #8-32 x 1	
33	3930820	2	Capscrew #8-32 X 1-1/4	
34	3931508	4	Capscrew 5/16-18 x 1/2	
35	4000008	1	Proximity Sensor Assembly (Note: Control System must be recalibrated when Switch is replaced.)	
35	4461076	1	Connector - 4 Position	
35	4460917	4	Pin, Male	
36	4031512	2	Capscrew M4 x 40	
37	4031707	4	Capscrew M6 x 16	
38	4031709	4	Capscrew M6 X 25	
39	4341158	2	Mount, Sensor	
41	4360578	1	Limit Switch Assembly (Note: Control System must be recalibrated when Switch is replaced.)	
42	4460234	2	Mount, Cable Tie	
43	4460914	3	Terminal, Base	
44	4460968	1	Connector, Strain Relief	
45		Ref	Washer Options:	
45	4711400	AR	Washer 1/4 (Prior to SN 0300193480)	
45	4711400001	AR	Washer 1/4 (SN 0300193480 to Present)	
46	4711500	2	Washer, 5/16	
47		Ref	Washer Options:	
47	4711600	AR	Washer 3/8 (Prior to SN 0300193480)	
47	4711600001	AR	Washer 3/8 (SN 0300193480 to Present)	
48	4711800	1	Washer 1/2	
49	4750800	4	Washer, #8	
50	4811700	10	Washer M6	
51		Ref	Washer Options:	
51	4811900	AR	Washer M8 (Prior to SN 0300193480)	
51	4811900001	AR	Washer M8 (SN 0300193480 to Present)	
52	4812000	12	Washer M10	
53	4846484	1	Mount, Switch	
54	8310070	6	Pushnut, 3/8	
55	1001118274	2	Nut, Tinnerman M8	
56	1001118373	1	Bracket	
57	1001118930	1	Cover	
58	1001118931	1	Mount	
59	1001118971	1	Sensor, Angle (Note: Control System must be recalibrated when Switch is replaced.)	
60	1001119033	1	Link, Sensor	
61	1001119137	1	Sleeve, Spacer	
62	1001120028	1	Mount, Sensor	
63	1001120048	1	Cover	
64		Ref	Cover Options:	
64	1001120049	NLA	Cover (Use p/n 1001179510) (Prior to SN 0300193480)	
64	1001179510	1	Cover (SN 0300193480 to Present)	
65	1001120084	1	Bracket	
66	1001120104	2	Proximity Sensor Assembly (Note: Control System must be recalibrated when Switch is replaced.)	
66	4460932	1	Connector - 4 Position	
66	4460464	4	Socket, Female	

## SECTION 4 - BOOM

ITEM	PART NUMBER	QTY	DESCRIPTION	REV
67	1001147479	4	Angle Sensor Switch Assembly (Note: Control System must be recalibrated when Switch is replaced.)	
67	4460910	1	Connector - 3 Position	
67	4460917	3	Pin, Male	
67	4460913	1	Lock, Wedge	
68	1001146963	1	BEI Angle Sensor Assembly (Note: Control System must be recalibrated when Switch is replaced.)	
68	4460899	1	Connector - 6 Position	
68	4460464	6	Socket, Female	
69	1001149160	2	Nut, Tinnerman M8	
71	1001150999	1	Boom Length Sensor Assembly (Note: Control System must be recalibrated when Switch is replaced.)	
71	4460536	1	Receptacle, Female - 3 Position	
71	4460464	1	Pin, Male	
72	1001151000	1	Mount, Switch	
73	1001155262	1	Link, Angle Sensor (Note: Control System must be recalibrated when Switch is replaced.)	
74	1001155835	1	Plate	
75	1001155836	1	Adapter, Sensor	
76	1001135483	1	Pin	
77	1001120076	1	Mount, Sensor	
79	1001156778	1	Pin	
80	0761016	3	Bolt M10 X 40	
81	3290601	2	Nut M6	
82	3290606	2	Nut M6	
83	1001158015	1	Cable, Sensor (See ELECTRICAL SECTION for Breakdown) <b>(Prior to SN 0300224828)</b>	
84	1001158411	1	Harness, Base Boom (See ELECTRICAL SECTION for Breakdown) <b>(Prior to SN 0300224828)</b>	
84	1001215949	1	Harness, Base Boom (See ELECTRICAL SECTION for Breakdown) <b>(SN 0300224828 to Present)</b>	
85	1001159363	1	Cable, Transport Switch (See ELECTRICAL SECTION for Breakdown)	
86	1321385	3	Clamp	
87	3281601	1	Nut 3/8-16	
88	3930824	2	Capscrew #8 X 1-1/2	
89	4031205	6	Capscrew M3 X 10	
90	1001135479	1	Sensor, Angle (Note: Control System must be recalibrated when Switch is replaced.)	
91	1001135484	1	Adapter, Sensor	
92	0760612	1	Bolt, M6 x 25	
93	1321293	1	Clamp, Cable	
94	0791505001	2	Screw, 5/16-18NC x 5/8	
95	1001216790	1	Cover <b>(SN 0300224828 to Present)</b>	
101	1001196517	2	Cable, Sensor <b>(SN 0300224828 to Present)</b>	
101	1001097051	2	Connector - 4 Position	
101	1001116695	6	Socket, Female	
101	4460518	2	Plug, Socket	

# SECTION 4 - BOOM

FIGURE 4-18. BOOM CABLES - ANSI, ANSI EXPORT, CHINA, CSA AND JAPANESE SPECS



1001156216  
1001156217

## SECTION 4 - BOOM

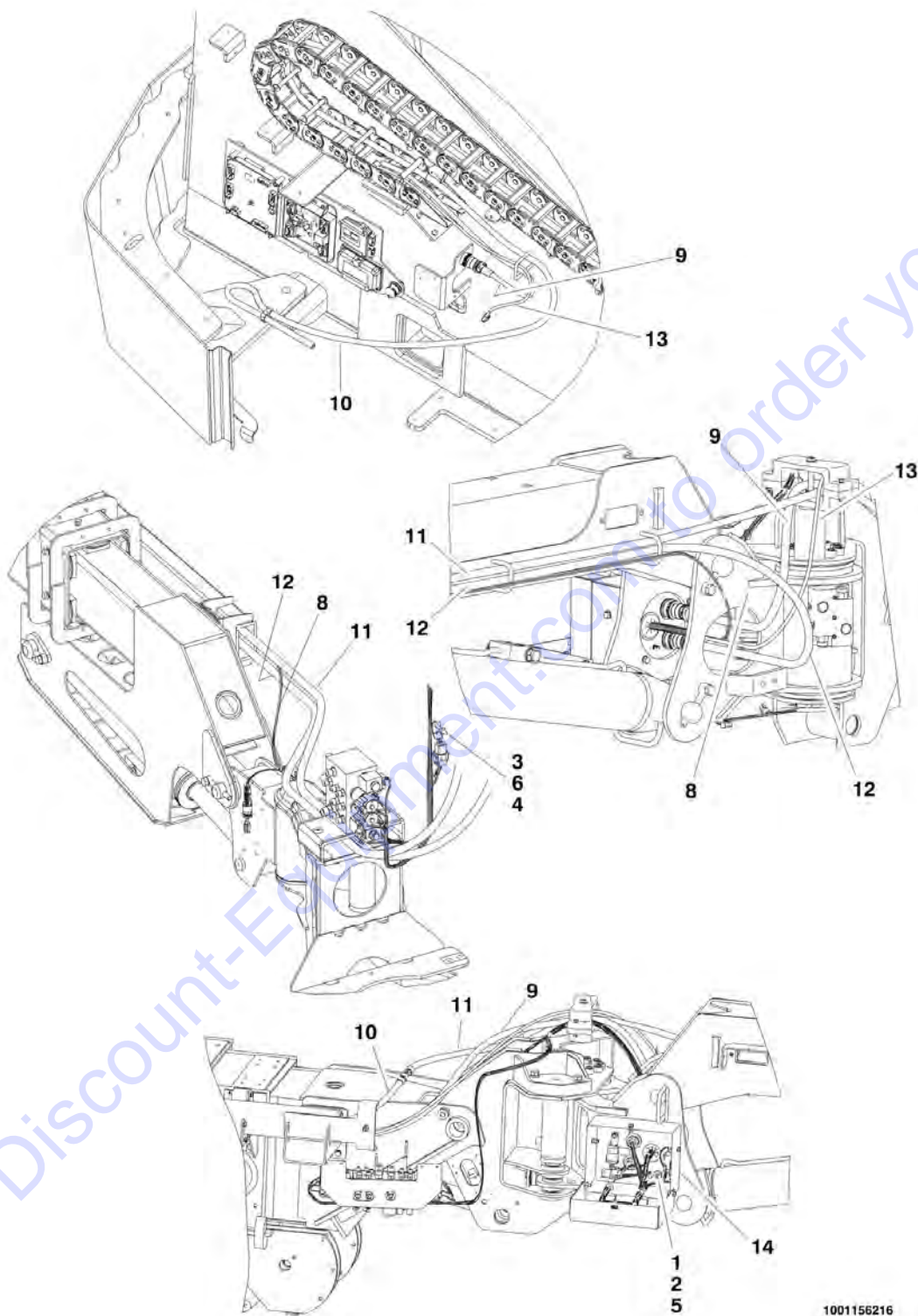
**FIGURE 4-18. BOOM CABLES - ANSI, ANSI EXPORT, CHINA, CSA AND JAPANESE SPECS**

ITEM	PART NUMBER	QTY	DESCRIPTION	REV
	1001156216	Ref	BOOM CABLES INSTALLATION (ANSI, ANSI EXPORT, CHINA, CSA AND JAPANESE SPECS)	D
1	0100011	AR	Compound, Locking	
2		Ref	Bolt Options:	
2	0641608	2	Bolt 3/8-16 x 1 ( <b>Prior to SN 0300194497</b> )	
2	0641608001	2	Bolt 3/8-16 x 1 ( <b>SN 0300194497 to Present</b> )	
3		Ref	Bolt Options:	
3	0700818	1	Bolt M8 x 50 ( <b>Prior to SN 0300194497</b> )	
3	0700818001	1	Bolt M8 x 50 ( <b>SN 0300194497 to Present</b> )	
4		Ref	Nut Options:	
4	3290805	1	Nut M8 ( <b>Prior to SN 0300194497</b> )	
4	3290805001	1	Nut M8 ( <b>SN 0300194497 to Present</b> )	
5		Ref	Washer Options:	
5	4711600	2	Washer 3/8 ( <b>Prior to SN 0300194497</b> )	
5	4711600001	2	Washer 3/8 ( <b>SN 0300194497 to Present</b> )	
6		Ref	Washer Options:	
6	4811900	2	Washer M8 ( <b>Prior to SN 0300194497</b> )	
6	4811900001	2	Washer M8 ( <b>SN 0300194497 to Present</b> )	
8	1001149977	1	Harness, Platform Valve (See ELECTRICAL SECTION for Breakdown)	
9	1001156893	1	Cable, Main Boom Control (See ELECTRICAL SECTION for Breakdown)	
10	1001156894	1	Cable, Main Boom AC (See ELECTRICAL SECTION for Breakdown)	
11	1001156896	1	Cable, Jib AC (See ELECTRICAL SECTION for Breakdown)	
12	1001156897	1	Cable, Jib Control (See ELECTRICAL SECTION for Breakdown)	
13	1001158207	1	Cable, Main Boom 16/4 (See ELECTRICAL SECTION for Breakdown)	
14	1001159621	1	Box, Jib Enclosure (See BOX - JIB ENCLOSURE for Breakdown)	



# SECTION 4 - BOOM

## FIGURE 4-19. BOOM CABLES (AUSTRALIAN AND CE SPECS)



1001156216  
1001156217

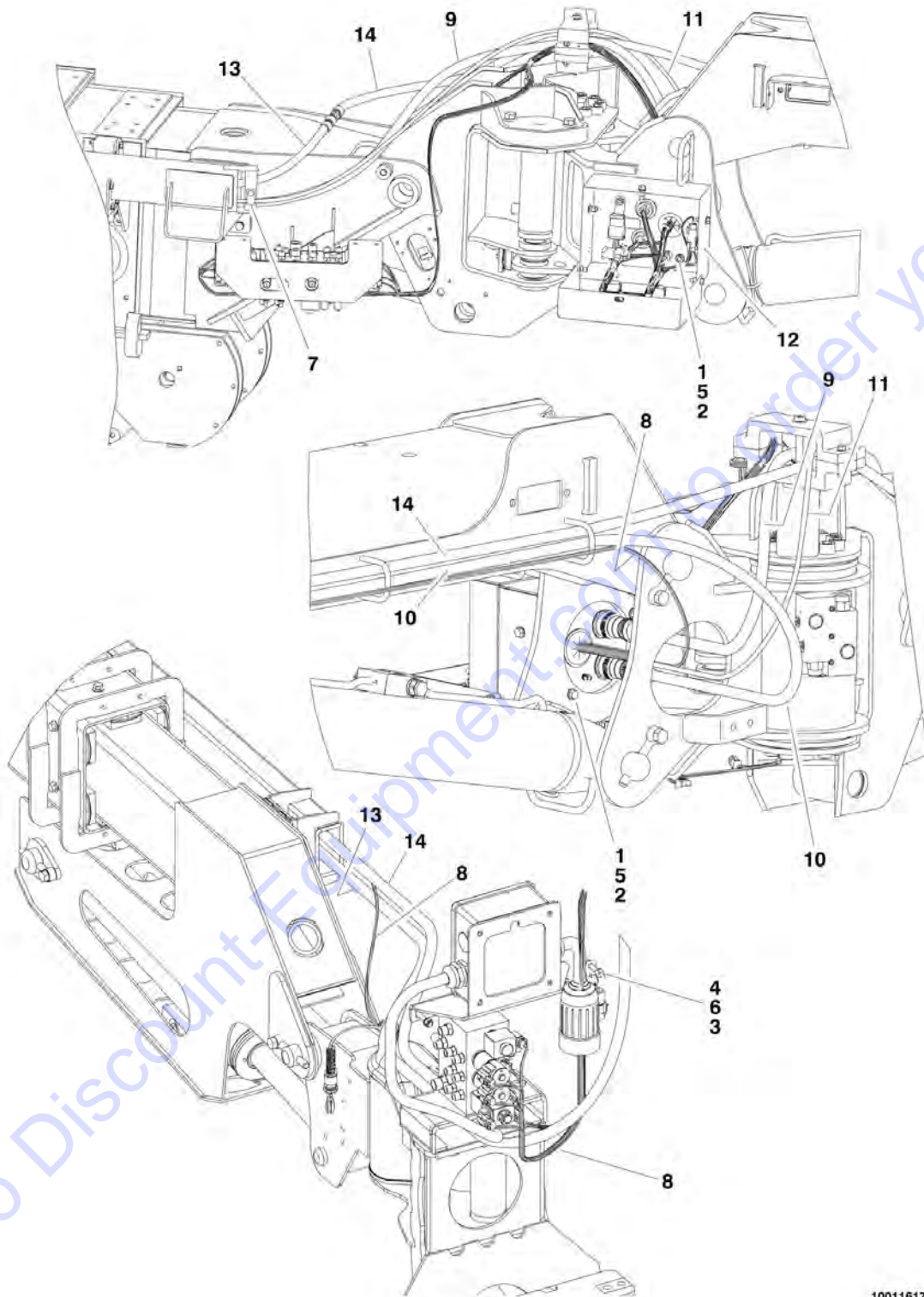
## SECTION 4 - BOOM

**FIGURE 4-19. BOOM CABLES (AUSTRALIAN AND CE SPECS)**

ITEM	PART NUMBER	QTY	DESCRIPTION	REV
	1001156217	Ref	BOOM CABLES INSTALLATION (AUSTRALIAN CE AND CHINA SPECS)	D
1	0100011	AR	Compound, Locking	
2		Ref	Bolt Options:	
2	0641608	2	Bolt 3/8-16 x 1 <b>(Prior to SN 0300194497)</b>	
2	0641608001	2	Bolt 3/8-16 x 1 <b>(SN 0300194497 to Present)</b>	
3		Ref	Bolt Options:	
3	0700818	1	Bolt M8 x 50 <b>(Prior to SN 0300194497)</b>	
3	0700818001	1	Bolt M8 x 50 <b>(SN 0300194497 to Present)</b>	
4		Ref	Nut Options:	
4	3290805	1	Nut M8 <b>(Prior to SN 0300194497)</b>	
4	3290805001	1	Nut M8 <b>(SN 0300194497 to Present)</b>	
5		Ref	Washer Options:	
5	4711600	2	Washer 3/8 <b>(Prior to SN 0300194497)</b>	
5	4711600001	2	Washer 3/8 <b>(SN 0300194497 to Present)</b>	
6		Ref	Washer Options:	
6	4811900	2	Washer M8 <b>(Prior to SN 0300194497)</b>	
6	4811900001	2	Washer M8 <b>(SN 0300194497 to Present)</b>	
8	1001149977	1	Harness, Platform Valve (See ELECTRICAL SECTION for Breakdown)	
9	1001156893	1	Cable, Main Boom Control (See ELECTRICAL SECTION for Breakdown)	
10	1001157636	1	Cable, Main Boom AC (See ELECTRICAL SECTION for Breakdown)	
11	1001157637	1	Cable, Jib AC (See ELECTRICAL SECTION for Breakdown)	
12	1001156897	1	Cable, Jib Control (See ELECTRICAL SECTION for Breakdown)	
13	1001158207	1	Cable, Main Boom 16/4 (See ELECTRICAL SECTION for Breakdown)	
14	1001159621	1	Box, Jib Enclosure (See BOX - JIB ENCLOSURE for Breakdown)	

# SECTION 4 - BOOM

## FIGURE 4-20. BOOM CABLES - SKYPOWER



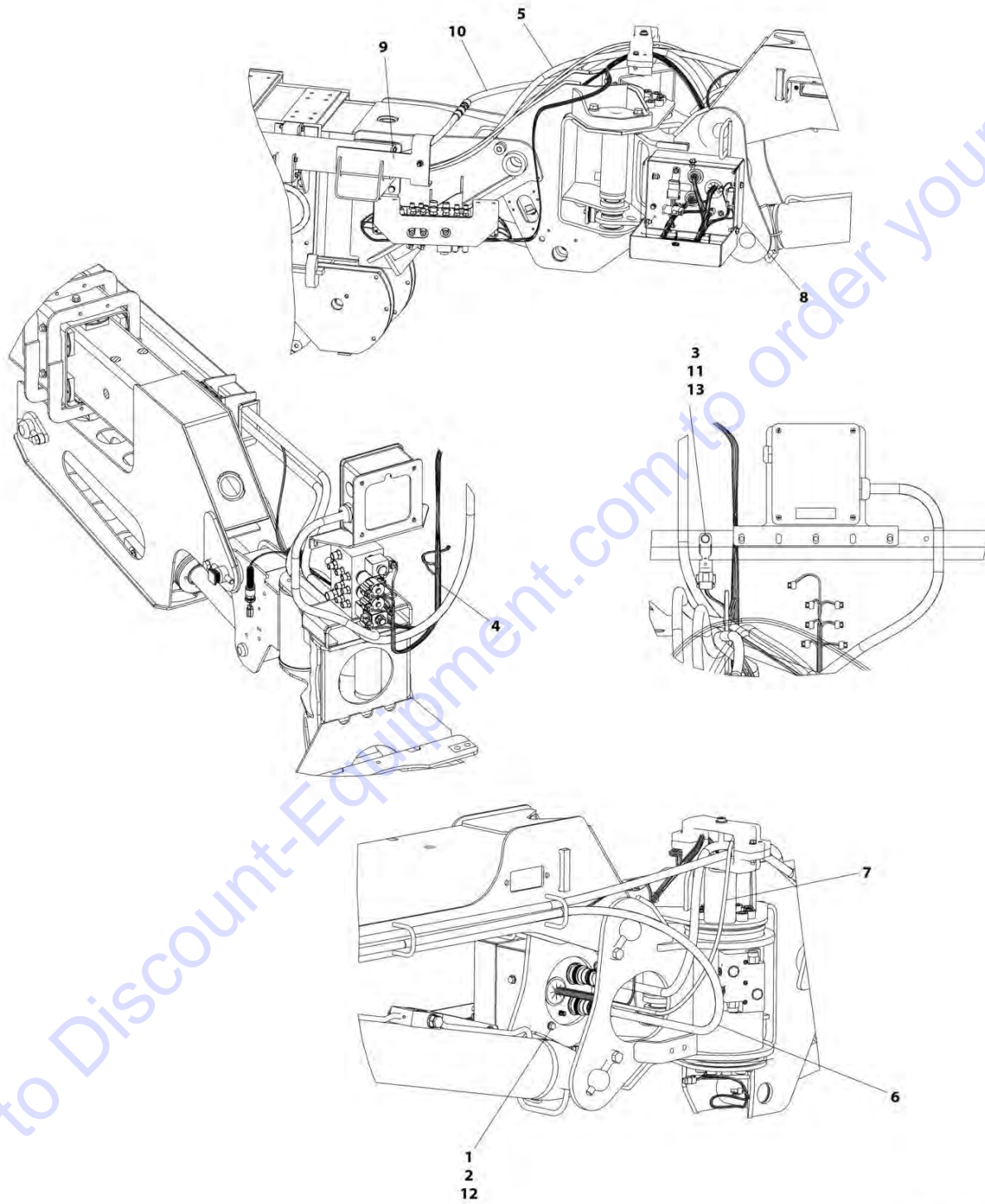
1001161729

FIGURE 4-20. BOOM CABLES - SKYPOWER

ITEM	PART NUMBER	QTY	DESCRIPTION	REV
	1001161729	Ref	BOOM CABLES INSTALLATION - SKYPOWER	D
1	0100011	AR	Compound, Locking	
2		Ref	Bolt Options:	
2	0641608	2	Bolt 3/8-16 x 1 ( <b>Prior to SN 0300194497</b> )	
2	0641608001	2	Bolt 3/8-16 x 1 ( <b>SN 0300194497 to Present</b> )	
3		Ref	Bolt Options:	
3	0700818	1	Bolt M8 x 50 ( <b>Prior to SN 0300194497</b> )	
3	0700818001	1	Bolt M8 x 50 ( <b>SN 0300194497 to Present</b> )	
4		Ref	Nut Options:	
4	3290805	1	Nut M8 ( <b>Prior to SN 0300194497</b> )	
4	3290805001	1	Nut M8 ( <b>SN 0300194497 to Present</b> )	
5		Ref	Washer Options:	
5	4711600	2	Washer 3/8 ( <b>Prior to SN 0300194497</b> )	
5	4711600001	2	Washer 3/8 ( <b>SN 0300194497 to Present</b> )	
6		Ref	Washer Options:	
6	4811900	2	Washer M8 ( <b>Prior to SN 0300194497</b> )	
6	4811900001	2	Washer M8 ( <b>SN 0300194497 to Present</b> )	
7	86621230	1	Clamp ( <b>Prior to SN 0300194497</b> )	
8	1001149977	1	Harness, Platform Valve (See ELECTRICAL SECTION for Breakdown)	
9	1001156893	1	Cable, Main Boom Control (See ELECTRICAL SECTION for Breakdown)	
10	1001156897	1	Cable, Jib Control (See ELECTRICAL SECTION for Breakdown)	
11	1001158207	1	Cable, Main Boom 16/4 (See ELECTRICAL SECTION for Breakdown)	
12	1001159621	1	Box, Jib Enclosure (See BOX - JIB ENCLOSURE for Breakdown)	
13	1001161730	1	Cable, Main Boom Generator Power (See ELECTRICAL SECTION for Breakdown) ( <b>Prior to SN 0300228529</b> )	
13	1001226287	1	Cable, Main Boom Generator Power (See ELECTRICAL SECTION for Breakdown) ( <b>SN 0300228529 to Present</b> )	
14	1001161731	1	Cable, Jib Generator Power (See ELECTRICAL SECTION for Breakdown) ( <b>Prior to SN 0300228529</b> )	
14	1001226288	1	Cable, Jib Generator Power (See ELECTRICAL SECTION for Breakdown) ( <b>SN 0300228529 to Present</b> )	

## SECTION 4 - BOOM

FIGURE 4-21. BOOM CABLES INSTALLATION - 4000W 50HZ GENERATOR (ANSI EXPORT, AUSTRALIAN, CE, CHINA AND JAPANESE SPECS)



ART\_1001211129

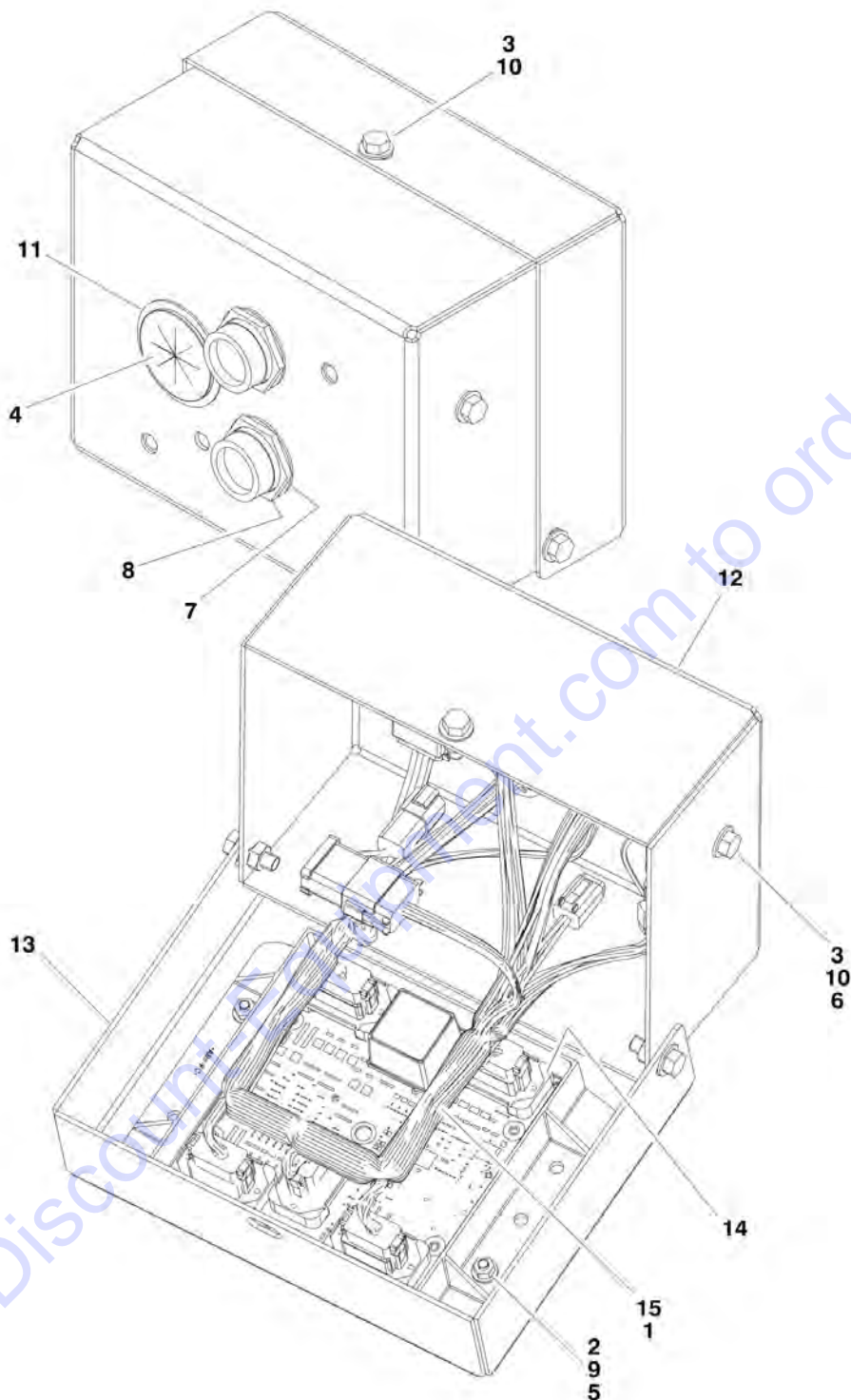
## SECTION 4 - BOOM

**FIGURE 4-21. BOOM CABLES INSTALLATION - 4000W 50HZ GENERATOR (ANSI EXPORT, AUSTRALIAN, CE, CHINA AND JAPANESE SPECS)**

ITEM	PART NUMBER	QTY	DESCRIPTION	REV
	1001211129	Ref	BOOM CABLES INSTALLATION - 4000W 50HZ GENERATOR (ANSI EXPORT, AUSTRALIAN, CE, CHINA AND JAPANESE SPECS)	A
1	0100011	AR	Compound, Locking	
2	0641608001	2	Bolt 3/8 x 1	
3	0700818001	1	Bolt M8 x 50	
4	1001149977	1	Harness, Platform Valve (See ELECTRICAL SECTION for Breakdown)	
5	1001156893	1	Cable, Main Boom Control (See ELECTRICAL SECTION for Breakdown)	
6	1001156897	1	Cable, Jib Control (See ELECTRICAL SECTION for Breakdown)	
7	1001158207	1	Cable, Main Boom 16/4 (See ELECTRICAL SECTION for Breakdown)	
8	1001159621	1	Box, Jib Enclosure (See BOX - JIB ENCLOSURE for Breakdown)	
9	1001211130	1	Cable, Main Boom AC (See ELECTRICAL SECTION for Breakdown)	
10	1001211131	1	Cable, Jib AC (See ELECTRICAL SECTION for Breakdown)	
11	3290805001	1	Nut M8	
12	4711600001	2	Washer 3/8	
13	4811900001	2	Washer M8	

# SECTION 4 - BOOM

## FIGURE 4-22. JIB ENCLOSURE BOX ASSEMBLY



1001159621

FIGURE 4-22. JIB ENCLOSURE BOX ASSEMBLY

ITEM	PART NUMBER	QTY	DESCRIPTION	REV
	1001159621	Ref	JIB ENCLOSURE BOX ASSEMBLY	C
1	0100048	AR	Compound, Silicone	
2		Ref	Bolt Options:	
2	0641406	2	Bolt 1/4-20 x 3/4 ( <b>Prior to SN 0300194497</b> )	
2	0641406001	2	Bolt 1/4-20 x 3/4 ( <b>SN 0300194497 to Present</b> )	
3		Ref	Bolt Options:	
3	0641608	5	Bolt 3/8-16 x 1 ( <b>Prior to SN 0300194497</b> )	
3	0641608001	5	Bolt 3/8-16 x 1 ( <b>SN 0300194497 to Present</b> )	
4	2540045	1	Grommet	
5		Ref	Nut Options:	
	3311405	2	Nut 1/4-20 ( <b>Prior to SN 0300194497</b> )	
	3311405001	2	Nut 1/4-20 ( <b>SN 0300194497 to Present</b> )	
6		Ref	Nut Options:	
	3311605	2	Nut 3/8-16 ( <b>Prior to SN 0300194497</b> )	
	3311605001	2	Nut 3/8-16 ( <b>SN 0300194497 to Present</b> )	
7	4460470	2	Nut, Terminal	
8	4460471	2	Washer, Terminal	
9		Ref	Washer Options 1/4:	
	4711400	4	Washer ( <b>Prior to SN 300194497</b> )	
	4711400001	4	Washer ( <b>SN 0300194497 to Present</b> )	
10		Ref	Washer Options 3/8:	
	4711600	7	Washer ( <b>Prior to SN 0300194497</b> )	
	4711600001	7	Washer ( <b>SN 0300194497 to Present</b> )	
11	1001119211	1	Washer	
12	1001119214	1	Box	
13	1001119215	1	Cover	
14	1001119262	1	Module, Jib Control (Note: Control System Must Be Recalibrated When Controller is Replaced.)	
15	1001149978	1	Harness - Jib Valve (See ELECTRICAL SECTION for Breakdown)	



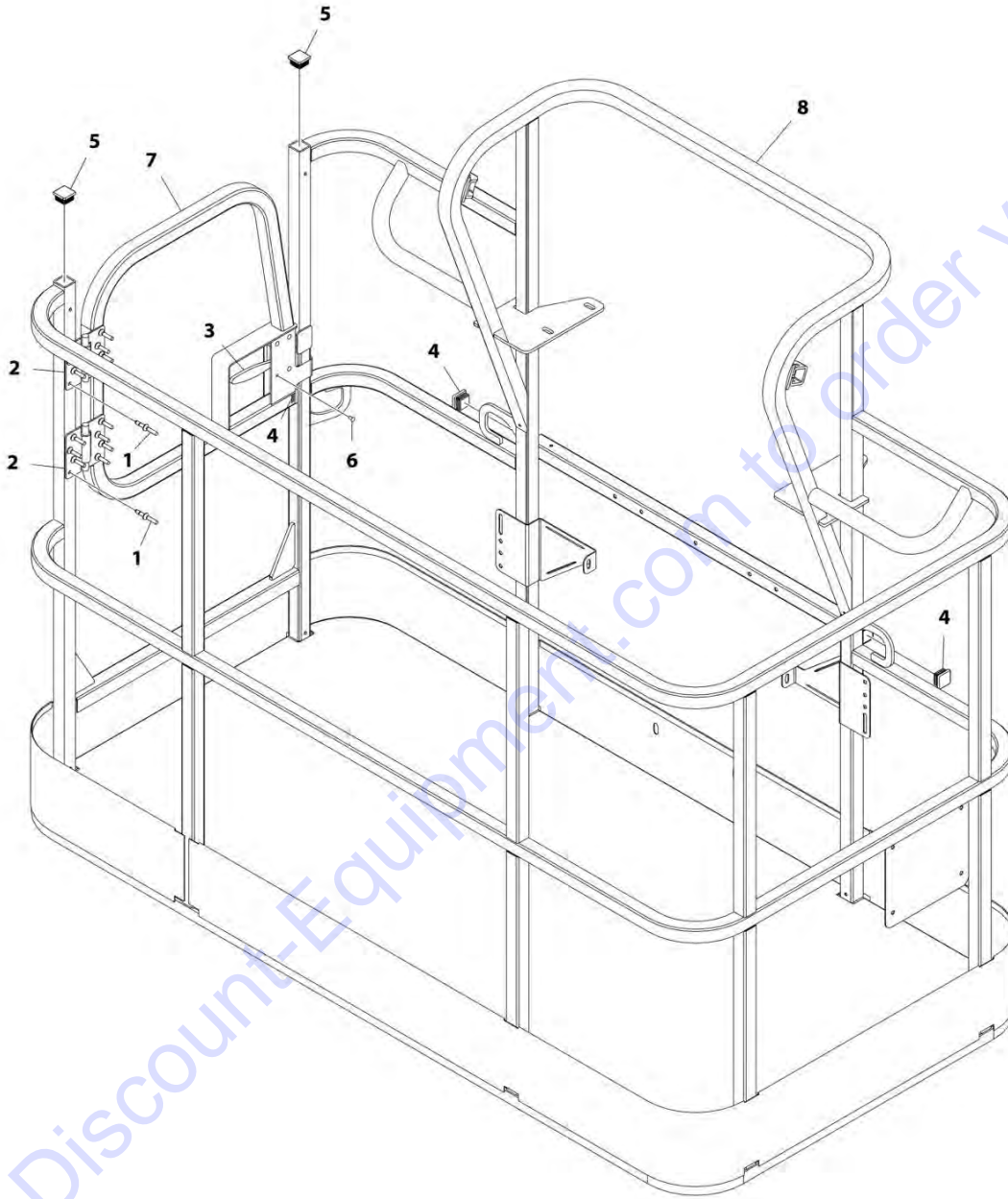


**SECTION 5 - PLATFORM**

Go to Discount-Equipment.com to order your parts

# SECTION 5 - PLATFORM

FIGURE 5-1. PLATFORM ASSEMBLY - 36IN X 6FT (91.5CM X 1.83M) WITH SWING GATE



ART\_1001186384

## SECTION 5 - PLATFORM

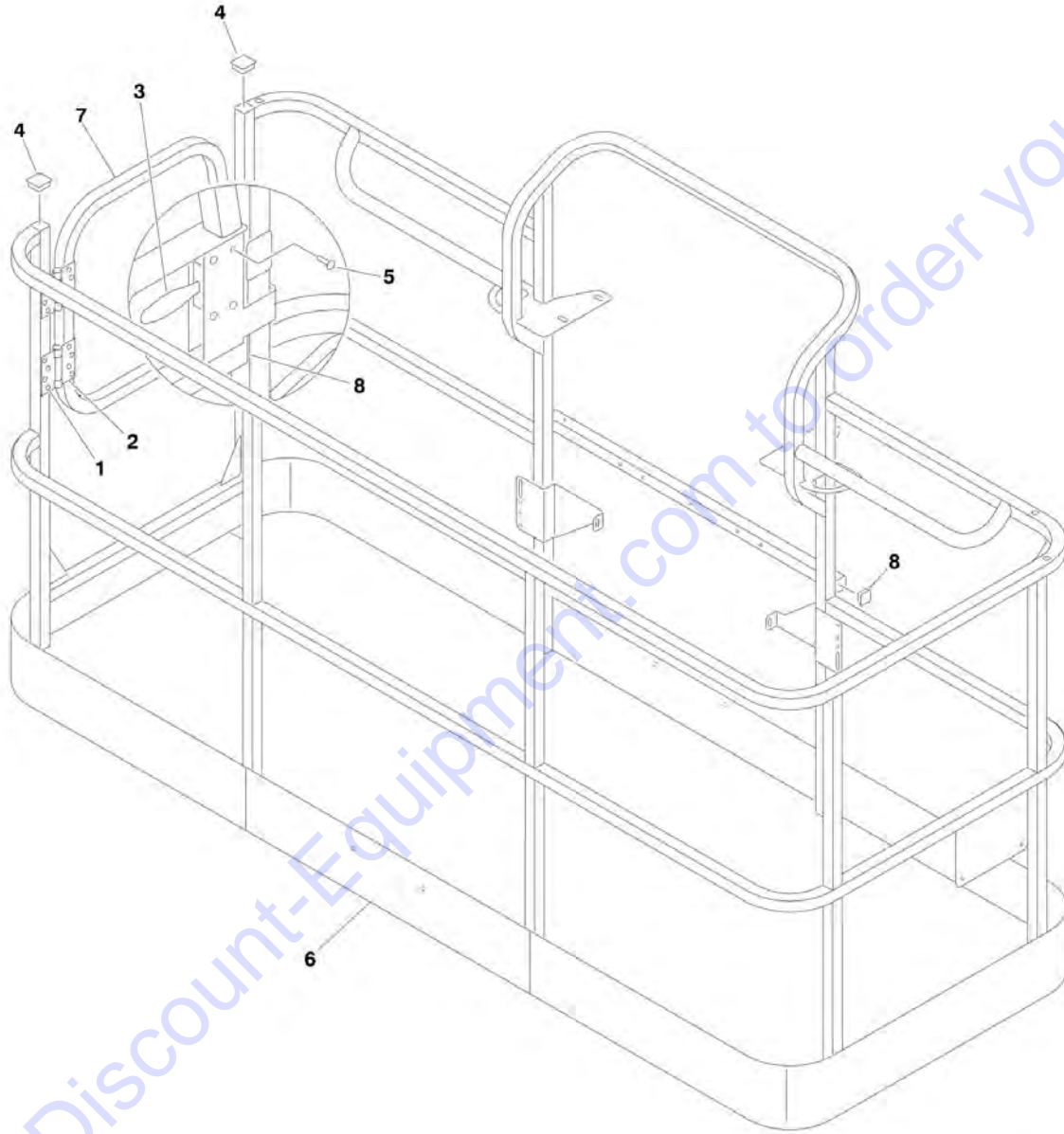
**FIGURE 5-1. PLATFORM ASSEMBLY - 36IN X 6FT (91.5CM X 1.83M) WITH SWING GATE**

ITEM	PART NUMBER	QTY	DESCRIPTION	REV
	1001186384	Ref	PLATFORM ASSEMBLY - 36IN X 6FT (91.5CM X 1.83M) WITH SWING GATE	C
	See Note	Ref	Note: Platform and Mesh must be ordered separately for Platforms with Mesh. See SPECIAL OPTIONS SECTION for Mesh Installations.	
	See Note	Ref	Note: Replacement Decals Must be Ordered Separately - See DECALS SECTION.	
1	2080040	16	Fastener, Huck	
2	2600281	2	Hinge	
3	2940074	1	Latch	
4	3520072	3	Plug	
5	3520198	2	Plug	
6	3820020	4	Rivet	
7	1001144629	1	Gate	
8	See Note	1	Platform (Note: Not Available - Purchase Platform Assembly)	

Go to Discount-Equipment.com to order your parts

# SECTION 5 - PLATFORM

FIGURE 5-2. PLATFORM ASSEMBLY - SIDE GATE ENTRY (Prior to SN 0300201023)



1001144023

## SECTION 5 - PLATFORM

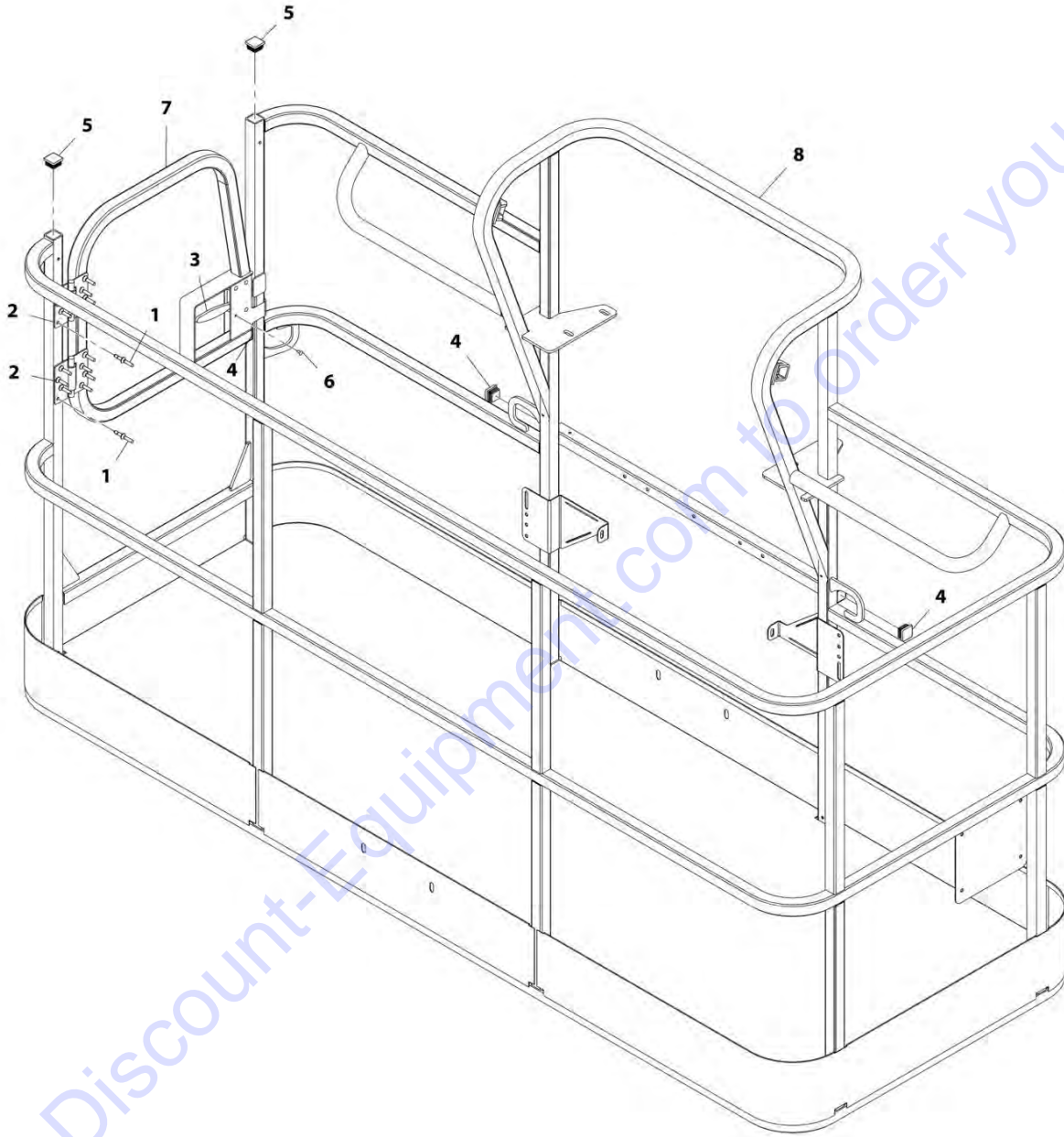
**FIGURE 5-2. PLATFORM ASSEMBLY - SIDE GATE ENTRY (Prior to SN 0300201023)**

ITEM	PART NUMBER	QTY	DESCRIPTION	REV
		Ref	Note: Replacement Decals Must be Ordered Separately - See DECAL SECTION.	
	1001144023	Ref	PLATFORM ASSEMBLY - SIDE GATE ENTRY (3FT X 8FT/.91M X 2.44M) <b>(Prior to SN 0300201023)</b>	C
1	2080040	16	Fastener	
2	2600281	2	Hinge	
3	2940074	1	Latch	
4	3520198	2	Plug	
5	3820020	4	Rivet	
6	See Note	NSS	Platform Weldment (Note: Not Available - Purchase Platform Assembly)	
7	1001144629	1	Gate	
8	3520072	3	Plug	

Go to Discount-Equipment.com to order your parts

# SECTION 5 - PLATFORM

FIGURE 5-3. PLATFORM ASSEMBLY - SIDE GATE ENTRY (SN 0300201023 to Present)



ART\_1001186383

## SECTION 5 - PLATFORM

**FIGURE 5-3. PLATFORM ASSEMBLY - SIDE GATE ENTRY (SN 0300201023 to Present)**

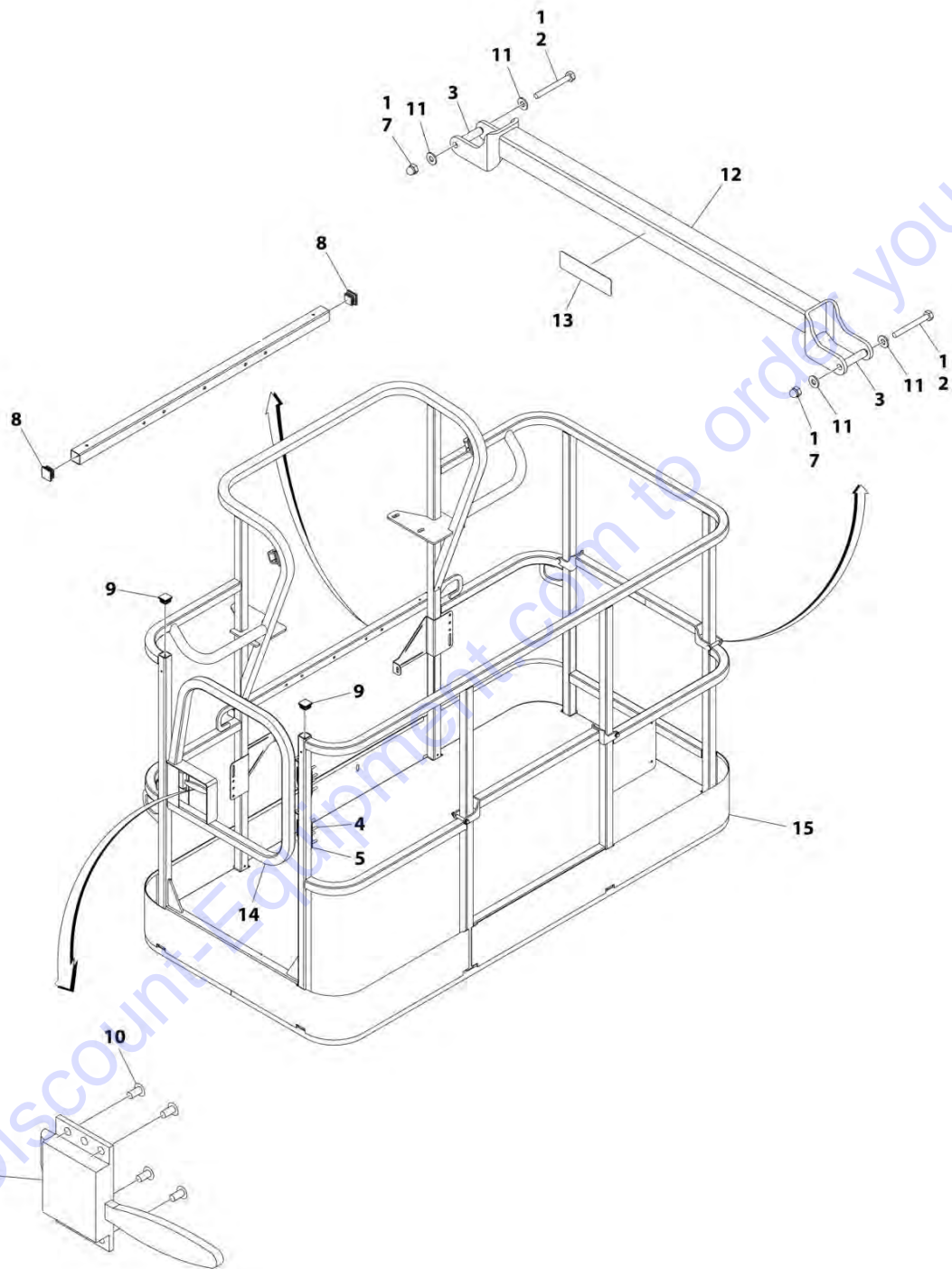
ITEM	PART NUMBER	QTY	DESCRIPTION	REV
		Ref	Note: Replacement Decals Must be Ordered Separately - See DECAL SECTION.	
	1001186383	Ref	PLATFORM ASSEMBLY - SIDE GATE ENTRY (3FT X 8FT/.91M X 2.44M) <b>(SN 0300201023 to Present)</b>	D
1	2080040	16	Fastener	
2	2600281	2	Hinge	
3	2940074	1	Latch	
4	3520072	3	Plug	
5	3520198	2	Plug	
6	3820020	4	Rivet	
7	1001144629	1	Gate	
8	See Note	NSS	Platform Weldment (Note: Not Available - Purchase Platform Assembly)	

Go to Discount-Equipment.com to order your parts



# SECTION 5 - PLATFORM

## FIGURE 5-4. PLATFORM ASSEMBLY - SIDE GATE/DROP BAR TRI-ENTRY



ART\_1001228376

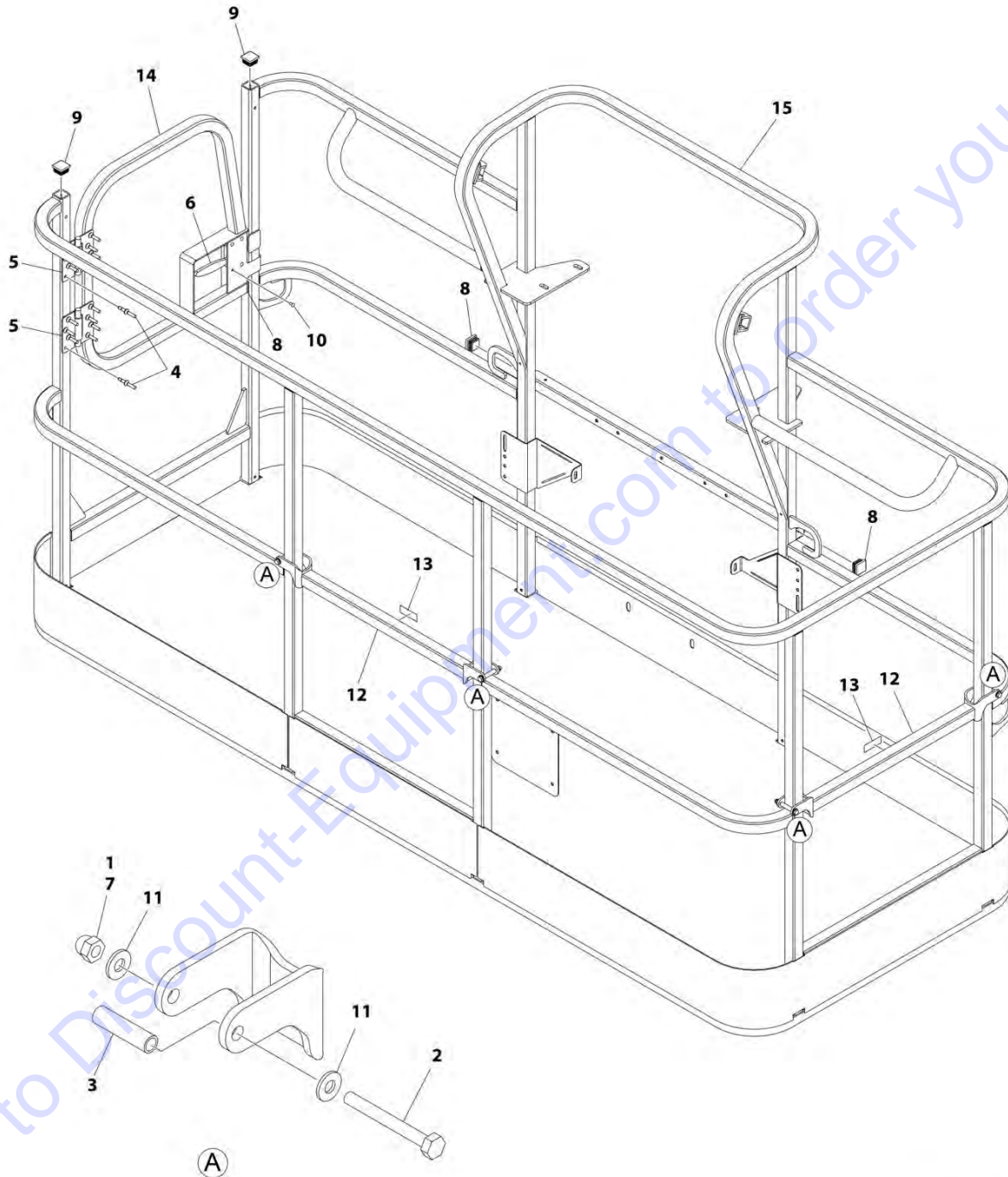
## SECTION 5 - PLATFORM

**FIGURE 5-4. PLATFORM ASSEMBLY - SIDE GATE/DROP BAR TRI-ENTRY**

ITEM	PART NUMBER	QTY	DESCRIPTION	REV
	1001228376	Ref	PLATFORM ASSEMBLY - SIDE GATE/DROP BAR TRI-ENTRY (3FT x 6FT/.91M x 1.83 M)	A
		Ref	Note: Replacement Decals Must be Ordered Separately - See DECAL SECTION.	
1	0100011	AR	Compound, Locking	
2	0641418	4	Bolt 1/4 x 2-1/4	
3	0961845	4	Bushing	
4	2080040	16	Fastener	
5	2600281	2	Hinge	
6	2940074	1	Latch	
7	3300151	4	Nut, Acorn	
8	3520072	3	Plug	
9	3520198	2	Plug	
10	3820020	4	Rivet	
11	4711400	8	Washer 1/4	
12	1001138494	2	Bar, Drop	
13	1001140429	2	Decal - Drop Bar	
14	1001144629	1	Gate	
15	See Note	NSS	Platform, Weldment (Note: Not Available - Purchase Platform Assembly)	

# SECTION 5 - PLATFORM

FIGURE 5-5. PLATFORM ASSEMBLY - 36IN X 8FT (91.5CM X 2.44M) WITH TRI-ENTRY (1 GATE/2 DROP BARS)



ART\_1001228243

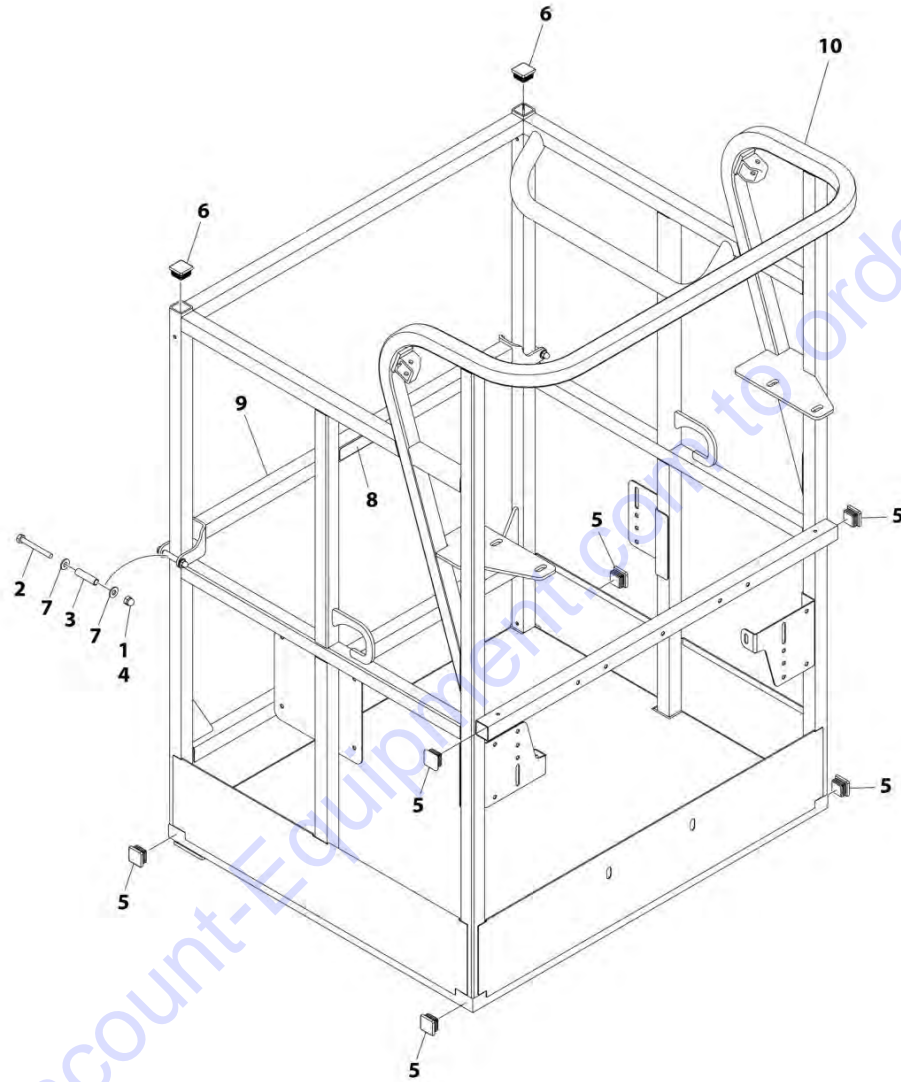
## SECTION 5 - PLATFORM

**FIGURE 5-5. PLATFORM ASSEMBLY - 36IN X 8FT (91.5CM X 2.44M) WITH TRI-ENTRY (1 GATE/2 DROP BARS)**

ITEM	PART NUMBER	QTY	DESCRIPTION	REV
	1001228243	Ref	PLATFORM ASSEMBLY - 36IN x 8FT (91.5CM x 2.44M) TRI-ENTRY WITH DROPBAR	A
		Ref	Note: Platform and Mesh must be ordered separately for Platforms with Mesh. See SPECIAL OPTIONS SECTION for Mesh Installations.	
1	0100011	AR	Compound, Locking	
2	0641418	4	Bolt 1/4 x 2-1/4	
3	0961845	4	Bushing	
4	2080040	16	Fastener, Huck	
5	2600281	2	Hinge, Self-Closing	
6	2940074	1	Latch	
7	3300151	4	Nut 1/4	
8	3520072	3	Cap, Plug	
9	3520198	2	Cap, Plug	
10	3820020	4	Rivet	
11	4711400	8	Washer 1/4	
12	1001138494	2	Bar, Drop	
13	1001140429	2	Decal - Drop Bar	
14	1001144629	1	Gate, Weldment	
15	See Note	1	Platform (Note: Not Available - Purchase Platform Assembly)	

# SECTION 5 - PLATFORM

## FIGURE 5-6. PLATFORM ASSEMBLY - DROP BAR ENTRY



ART\_1001228215

## SECTION 5 - PLATFORM

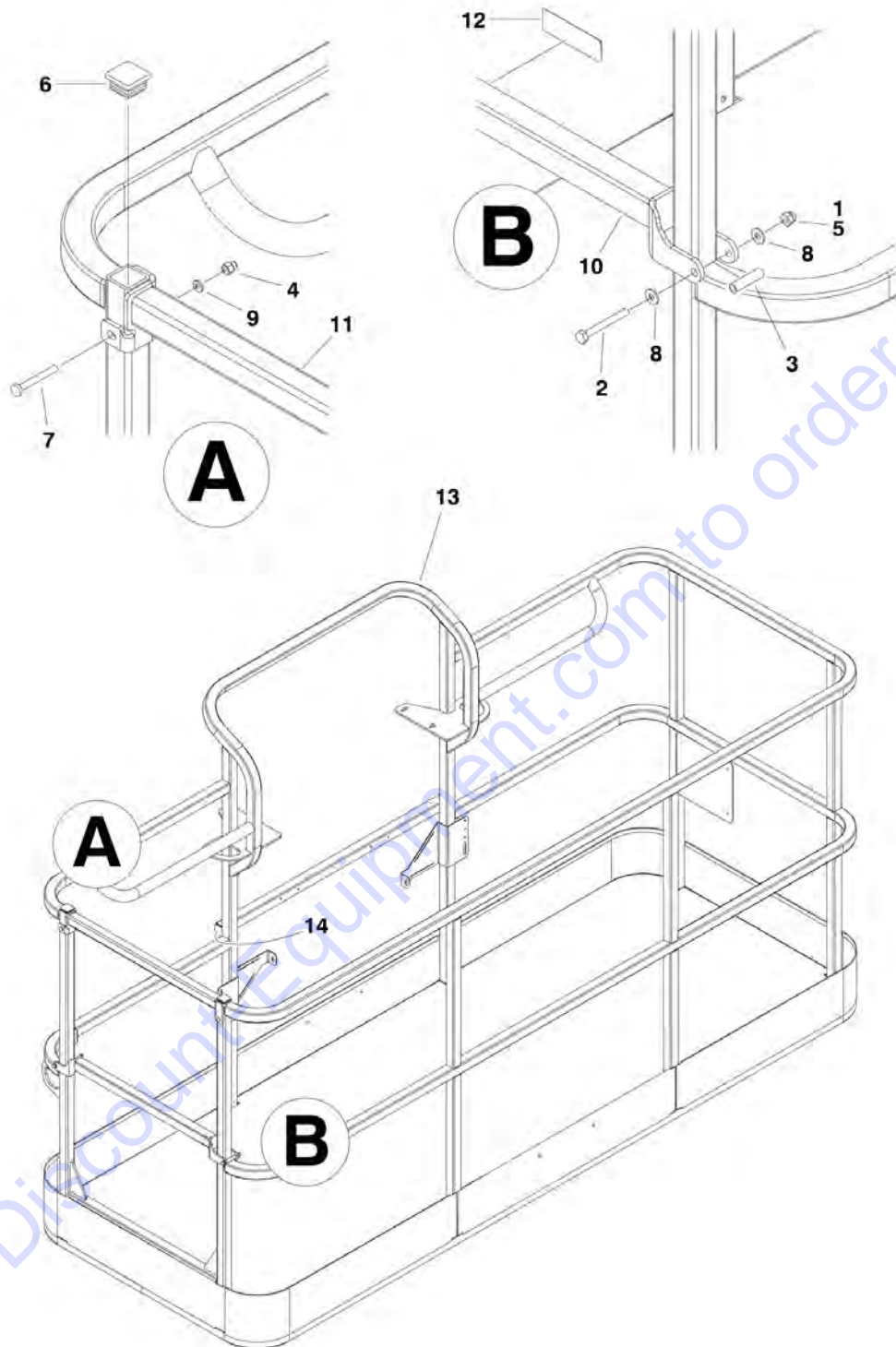
**FIGURE 5-6. PLATFORM ASSEMBLY - DROP BAR ENTRY**

ITEM	PART NUMBER	QTY	DESCRIPTION	REV
	1001228215	Ref	PLATFORM ASSEMBLY - DROP BAR ENTRY (30IN x 3FT/76.2CM x .91M)	A
		Ref	Note: Replacement Decals Must be Ordered Separately - See DECAL SECTION.	
1	0100011	AR	Compound, Locking	
2	0641418	2	Bolt 1/4 x 2-1/4	
3	0961845	2	Bushing	
4	3300151	2	Nut, Acorn	
5	3520072	6	Plug	
6	3520198	2	Plug	
7	4711400	4	Washer 1/4	
8	1001140429	1	Decal - Drop Bar	
9	1001226872	1	Bar, Drop	
10	See Note	NSS	Platform, Weldment (Note: Not Available - Purchase Platform Assembly)	

Go to Discount-Equipment.com to order your parts

# SECTION 5 - PLATFORM

FIGURE 5-7. PLATFORM ASSEMBLY - DROP BAR ENTRY (Prior to SN 0300201023)



1001144022

## SECTION 5 - PLATFORM

**FIGURE 5-7. PLATFORM ASSEMBLY - DROP BAR ENTRY (Prior to SN 0300201023)**

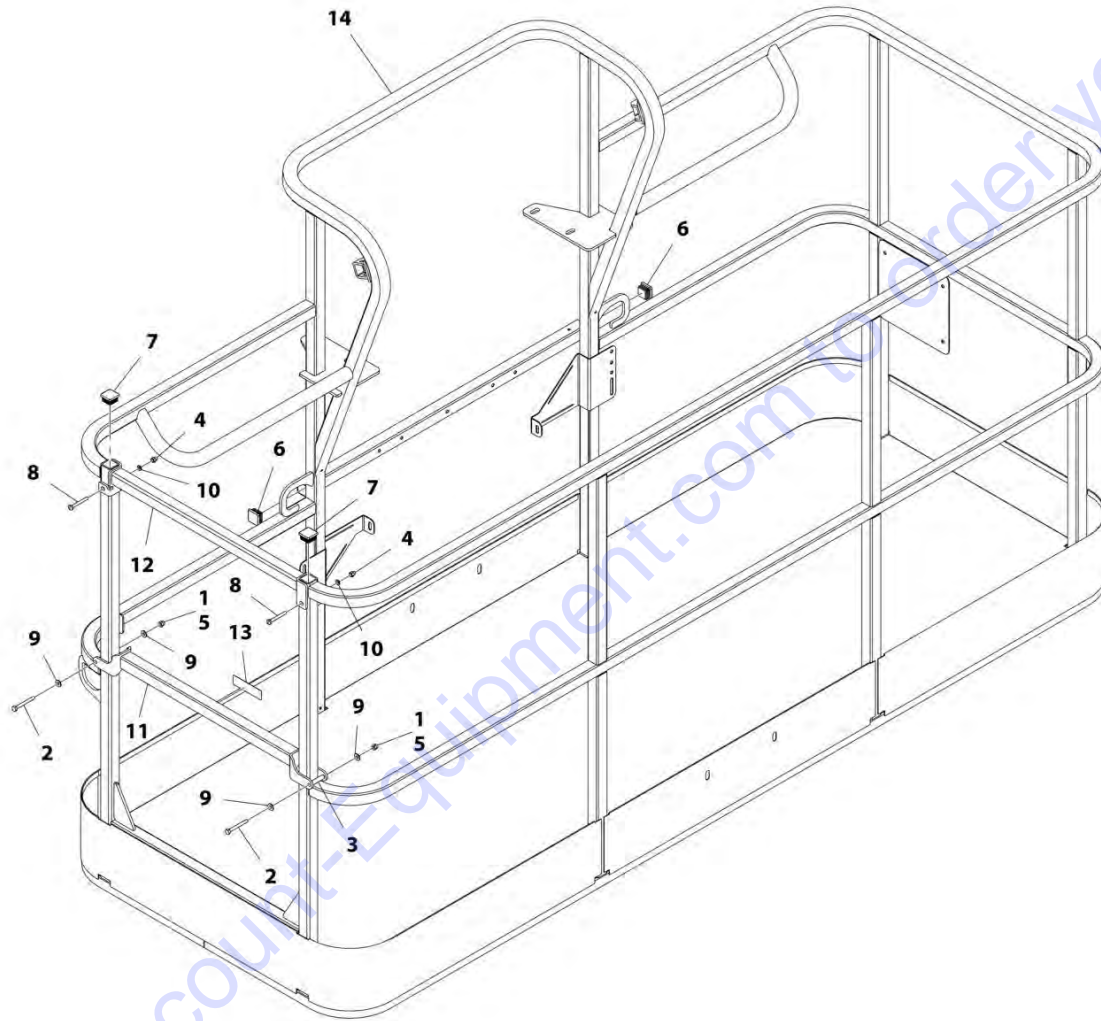
ITEM	PART NUMBER	QTY	DESCRIPTION	REV
		Ref	Note: Replacement Decals Must be Ordered Separately - See DECAL SECTION.	
	1001144022	Ref	PLATFORM ASSEMBLY - DROP BAR ENTRY (3FT X 8FT/.91M X 2.44M) <b>(Prior to SN 0300201023)</b>	C
1	0100011	AR	Compound, Locking	
2	0641418	2	Bolt 1/4-20 x 2-1/4	
3	0961845	2	Bushing	
4	3290606	2	Nut M6	
5	3300151	2	Nut, Acorn	
6	3520198	2	Plug	
7	4010618	2	Screw M6 x 50	
8	4711400	4	Washer 1/4	
9	4811700	2	Washer M6	
10	1001138494	1	Bar, Drop	
11	1001138514	1	Rail (Top)	
12	1001140429	1	Decal - Drop-Bar	
13	See Note	NSS	Platform Weldment (Note: Not Available - Purchase Platform Assembly)	
14	3520072	2	Plug	

Go to Discount-Equipment.com to order your parts



# SECTION 5 - PLATFORM

FIGURE 5-8. PLATFORM ASSEMBLY - DROP BAR ENTRY (SN 0300201023 to Present)



ART\_1001186382

## SECTION 5 - PLATFORM

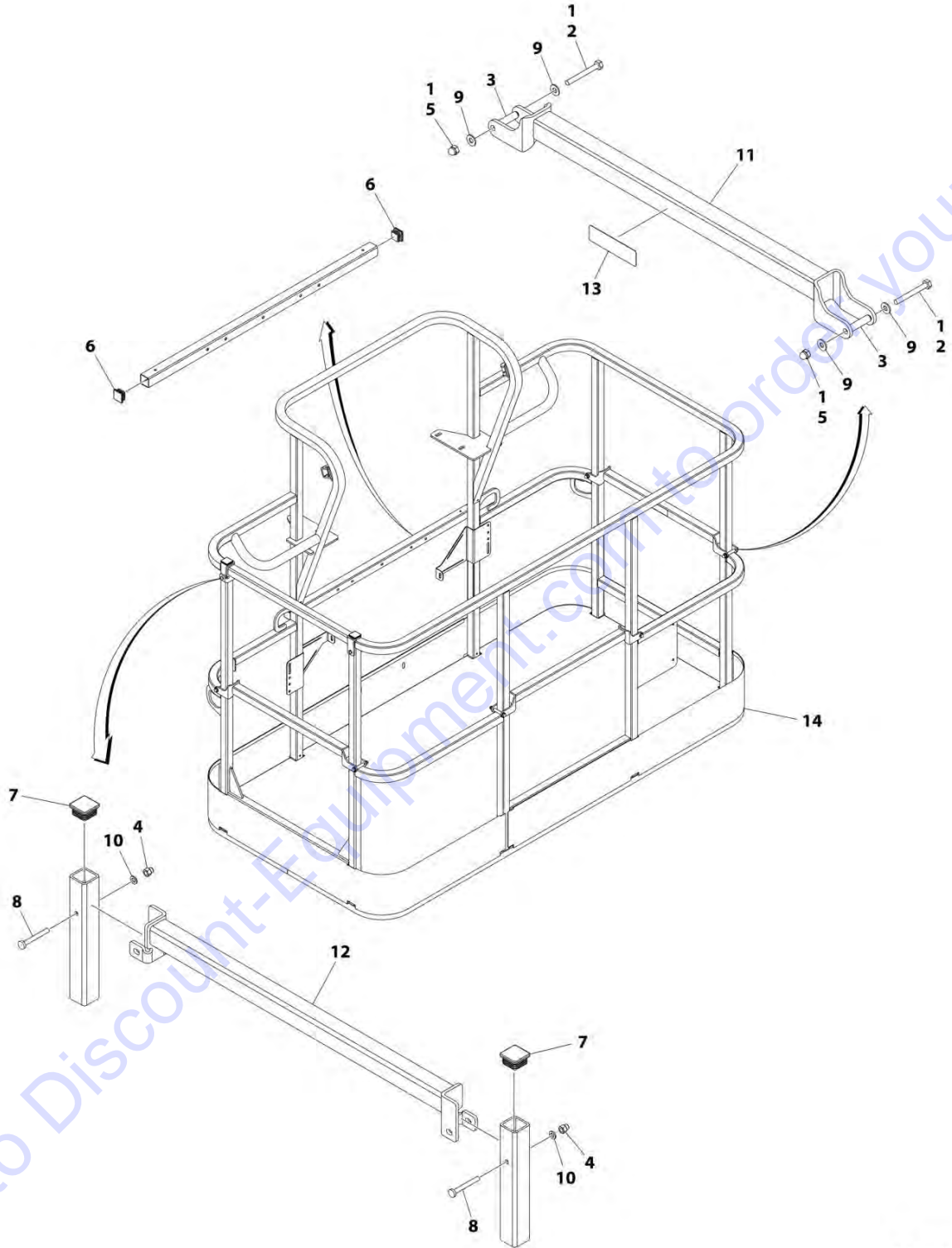
**FIGURE 5-8. PLATFORM ASSEMBLY - DROP BAR ENTRY (SN 0300201023 to Present)**

ITEM	PART NUMBER	QTY	DESCRIPTION	REV
		Ref	Note: Replacement Decals Must be Ordered Separately - See DECAL SECTION.	
	1001186382	Ref	PLATFORM ASSEMBLY - DROP BAR ENTRY (3FT X 8FT/.91M X 2.44M) <b>(SN 0300201023 to Present)</b>	C
1	0100011	AR	Compound, Locking	
2	0641418	2	Bolt 1/4-20 x 2-1/4	
3	0961845	2	Bushing	
4	3290606	2	Nut M6	
5	3300151	2	Nut, Acorn	
6	3520072	2	Plug	
7	3520198	2	Plug	
8	4010618	2	Screw M6 x 50	
9	4711400	4	Washer 1/4	
10	4811700	2	Washer M6	
11	1001138494	1	Bar, Drop	
12	1001138514	1	Rail (Top)	
13	1001140429	1	Decal - Drop-Bar	
14	See Note	NSS	Platform Weldment (Note: Not Available - Purchase Platform Assembly)	

Go to Discount-Equipment.com to order your parts

# SECTION 5 - PLATFORM

## FIGURE 5-9. PLATFORM ASSEMBLY - DROP BAR TRI-ENTRY



ART\_1001228377

## SECTION 5 - PLATFORM

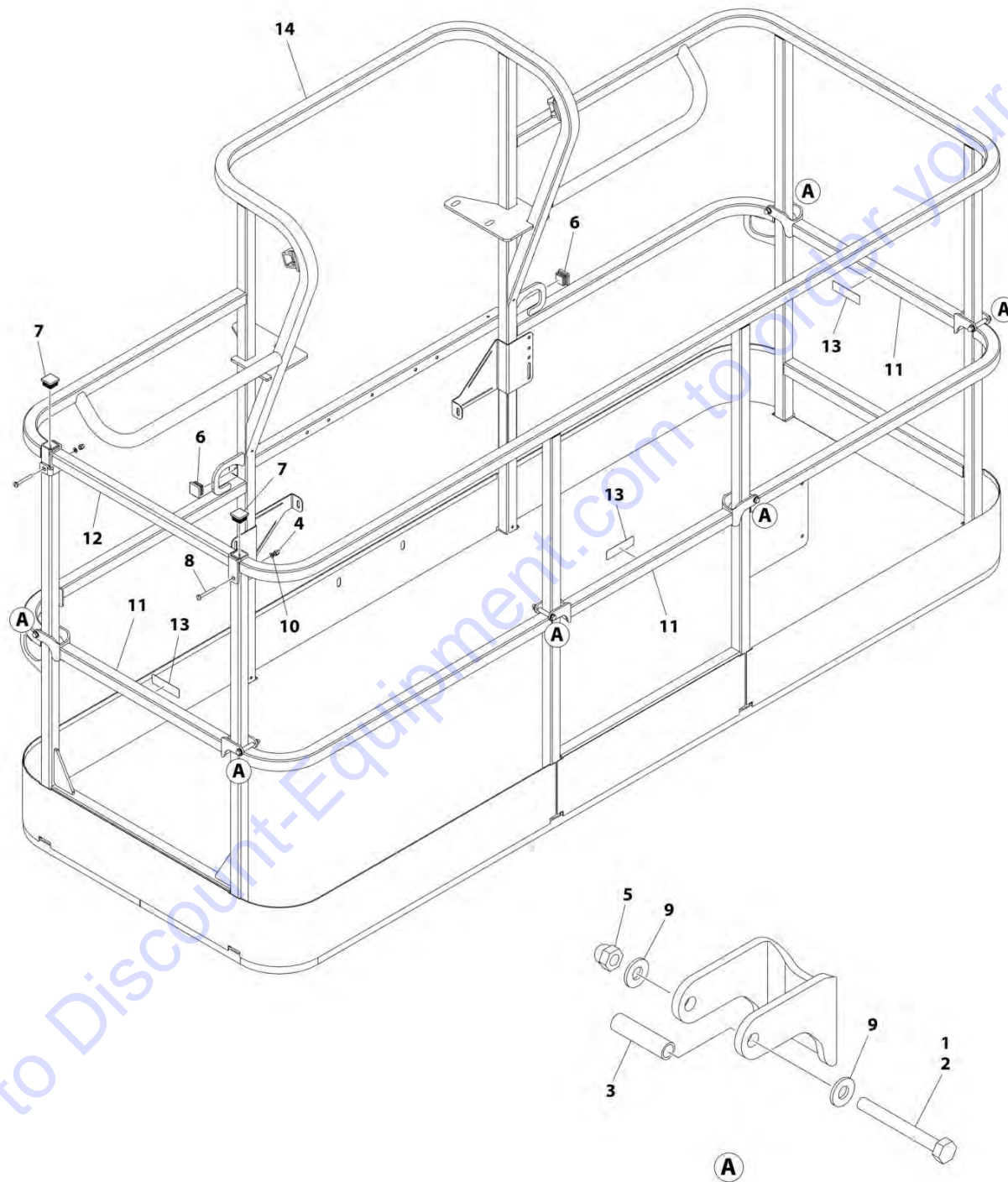
**FIGURE 5-9. PLATFORM ASSEMBLY - DROP BAR TRI-ENTRY**

ITEM	PART NUMBER	QTY	DESCRIPTION	REV
	1001228377	Ref	PLATFORM ASSEMBLY - DROP BAR TRI-ENTRY (3FT x 6FT/.91M x 1.83 M)	A
		Ref	Note: Replacement Decals Must be Ordered Separately - See DECAL SECTION.	
1	0100011	AR	Compound, Locking	
2	0641418	6	Bolt 1/4 x 2-1/4	
3	0961845	6	Bushing	
4	3290606	2	Nut M6	
5	3300151	6	Nut 1/4	
6	3520072	2	Plug	
7	3520198	2	Plug	
8	4010618	2	Screw M6 x 50	
9	4711400	12	Washer 1/4	
10	4811700	2	Washer M6	
11	1001138494	3	Bar, Drop	
12	1001138514	1	Rail (Top)	
13	1001140429	3	Decal - Drop Bar	
14	See Note	NSS	Platform, Weldment (Note: Not Available - Purchase Platform Assembly)	

Go to Discount-Equipment.com to order your parts

# SECTION 5 - PLATFORM

FIGURE 5-10. PLATFORM ASSEMBLY - 36IN X 8FT (91.5CM X 2.44M) WITH TRI-ENTRY (3 DROP BARS)



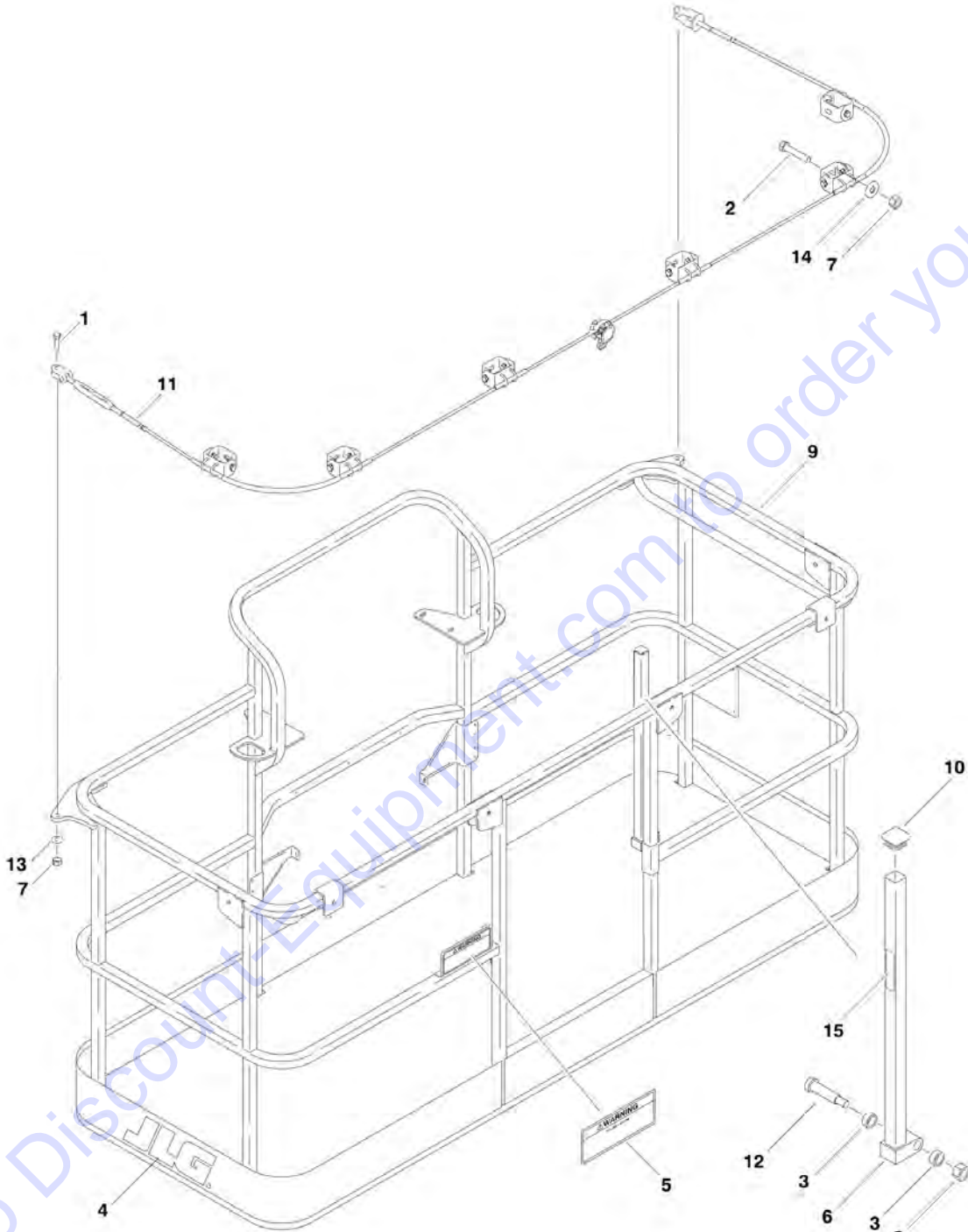
## SECTION 5 - PLATFORM

**FIGURE 5-10. PLATFORM ASSEMBLY - 36IN X 8FT (91.5CM X 2.44M) WITH TRI-ENTRY (3 DROP BARS)**

ITEM	PART NUMBER	QTY	DESCRIPTION	REV
	1001228375	Ref	PLATFORM ASSEMBLY - 36IN x 8FT (91.5CM x 2.44M) TRI-ENTRY WITH DROPGATE	A
		Ref	Note: Platform and Mesh must be ordered separately for Platforms with Mesh. See SPECIAL OPTIONS SECTION for Mesh Installations.	
		Ref	Note: Replacement Decals Must be Ordered Separately - See DECAL SECTION.	
1	0100011	AR	Compound, Locking	
2	0641418	6	Bolt 1/4 x 2-1/4	
3	0961845	6	Bushing	
4	3290606	2	Nut M6 x 1	
5	3300151	6	Nut 1/4	
6	3520072	2	Cap, Plug	
7	3520198	2	Cap, Plug	
8	4010618	2	Screw M6 x 50	
9	4711400	12	Washer 1/4	
10	4811700	2	Washer M6	
11	1001138494	3	Bar, Drop	
12	1001138514	1	Rail (Top)	
13	1001140429	3	Decal - Drop Bar	
14	See Note	1	Platform (Note: Not Available - Purchase Platform Assembly)	

# SECTION 5 - PLATFORM

FIGURE 5-11. PLATFORM ASSEMBLY - FALL ARREST - ANSI SPEC (Prior to SN 0300201023)



3510868  
3510877

## SECTION 5 - PLATFORM

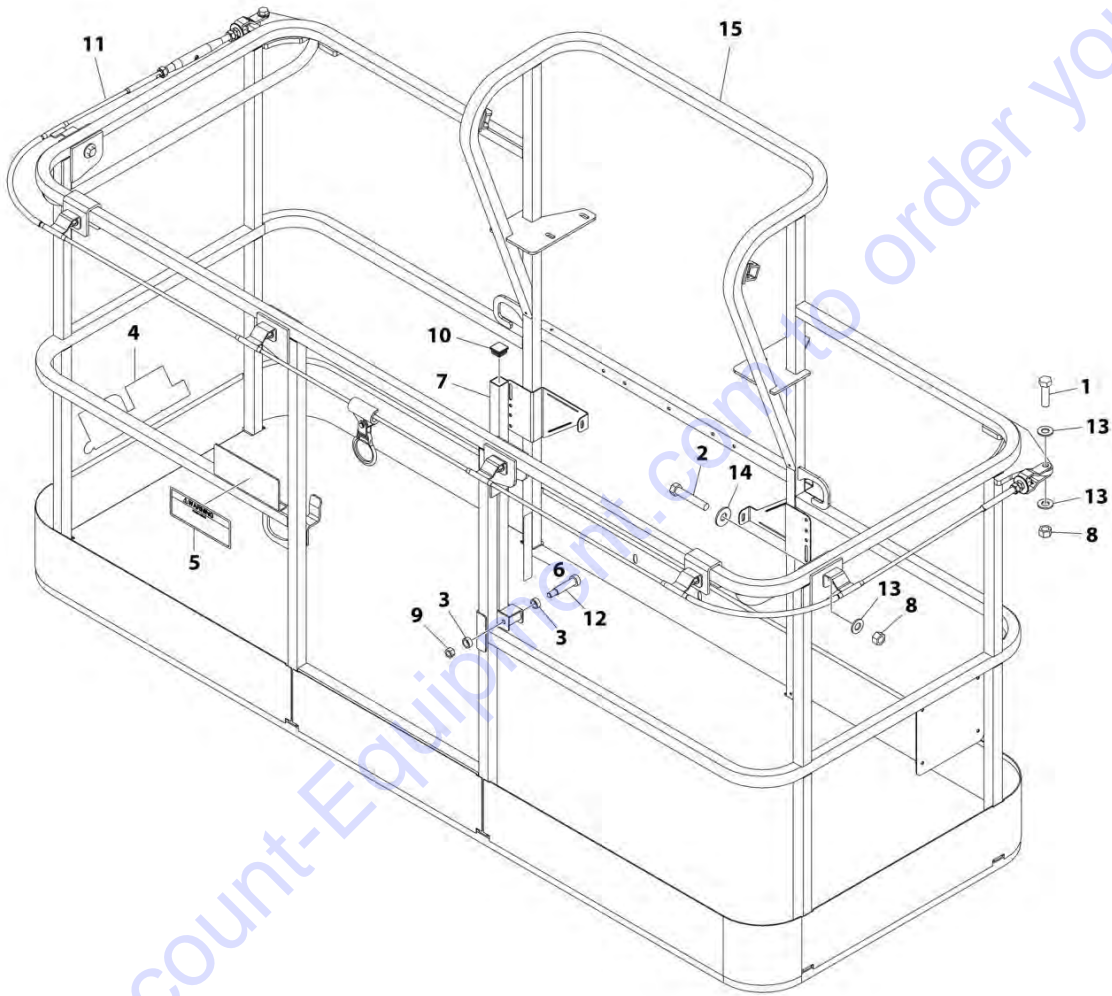
**FIGURE 5-11. PLATFORM ASSEMBLY - FALL ARREST - ANSI SPEC (Prior to SN 0300201023)**

ITEM	PART NUMBER	QTY	DESCRIPTION	REV
		Ref	Note: Standard decals must be ordered separately - See DECAL SECTION.	
	3510868	Ref	PLATFORM ASSEMBLY - FALL ARREST OPTIONS:	F
		Ref	Platform Assembly - Fall Arrest (3ft x 8ft/.91m x 2.44m) (ANSI Spec) <b>(Prior to SN 0300187375)</b>	
	1001144596	Ref	Platform Assembly - Fall Arrest (3ft x 8ft/.91m x 2.44m) (ANSI Spec) <b>(SN 0300187375 through 0300201022)</b>	D
1	0681814	2	Bolt 1/2-13 x 1-3/4 Grade 8	
2	0681822	6	Bolt 1/2-13 x 2-3/4 Grade 8	
3	0962270	2	Bearing	
4	1702773	1	Decal - JLG	
5	1705014	1	Decal - Safety	
6	2410014	1	Gate	
7	3271805	8	Nut 1/2-13 Grade 8	
8	3311605	1	Nut 3/8-16	
9	See Note	NSS	Platform Weldment (Note: Not Available - Purchase Platform Assembly)	
10	3520072	1	Plug	
11	3890040	1	Cable	
12	3900054	1	Bolt 1/2-13 x 1-3/4	
13	4711800	2	Washer 1/2	
14	4751800	6	Washer 1/2	
15	1706385	1	Decal - Drop Bar	



# SECTION 5 - PLATFORM

FIGURE 5-12. PLATFORM ASSEMBLY - FALL ARREST - ANSI SPEC (SN 0300201023 to Present)



ART\_1001186334

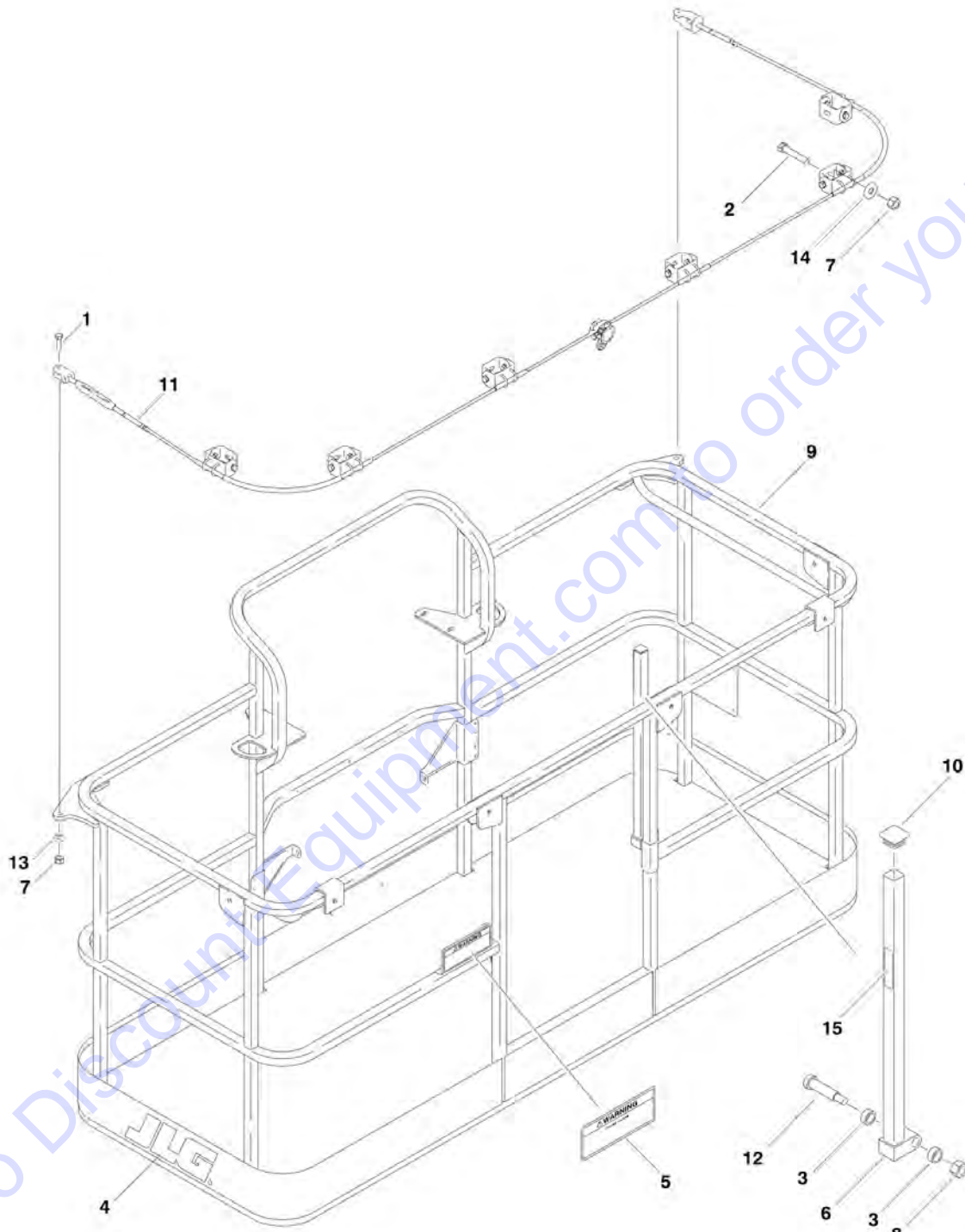
## SECTION 5 - PLATFORM

**FIGURE 5-12. PLATFORM ASSEMBLY - FALL ARREST - ANSI SPEC (SN 0300201023 to Present)**

ITEM	PART NUMBER	QTY	DESCRIPTION	REV
		Ref	Note: Standard decals must be ordered separately - See DECAL SECTION.	
	1001186334	Ref	PLATFORM ASSEMBLY - FALL ARREST (3ft x 8ft/.91m x 2.44m) (ANSI Spec) <b>(SN 0300201023 to Present)</b>	D
1	0681814	2	Bolt 1/2-13 x 1-3/4 Grade 8	
2	0681822	6	Bolt 1/2-13 x 2-3/4 Grade 8	
3	0962270	2	Bearing	
4	1702773	1	Decal - JLG	
5	1705014	1	Decal - Safety	
6	1706385	1	Decal - Drop Bar	
7	2410014	1	Gate	
8	3271805	8	Nut 1/2-13 Grade 8	
9	3311605	1	Nut 3/8-16	
10	3520072	1	Plug	
11	3890040	1	Cable <b>(Prior to SN 0300215913)</b>	
11	1001203656	1	Cable <b>(SN 0300215913 to Present)</b>	
12	3900054	1	Bolt 1/2-13 x 1-3/4	
13	4711800	2	Washer 1/2 <b>(Prior to SN 0300215913)</b>	
13	4711800	10	Washer 1/2 <b>(SN 0300215913 to Present)</b>	
14	4751800	6	Washer 1/2	
15	See Note	NSS	Platform Weldment	

# SECTION 5 - PLATFORM

FIGURE 5-13. PLATFORM ASSEMBLY - FALL ARREST - AUSTRALIAN AND CE SPECS (Prior to SN 0300201023)



3510868  
3510877

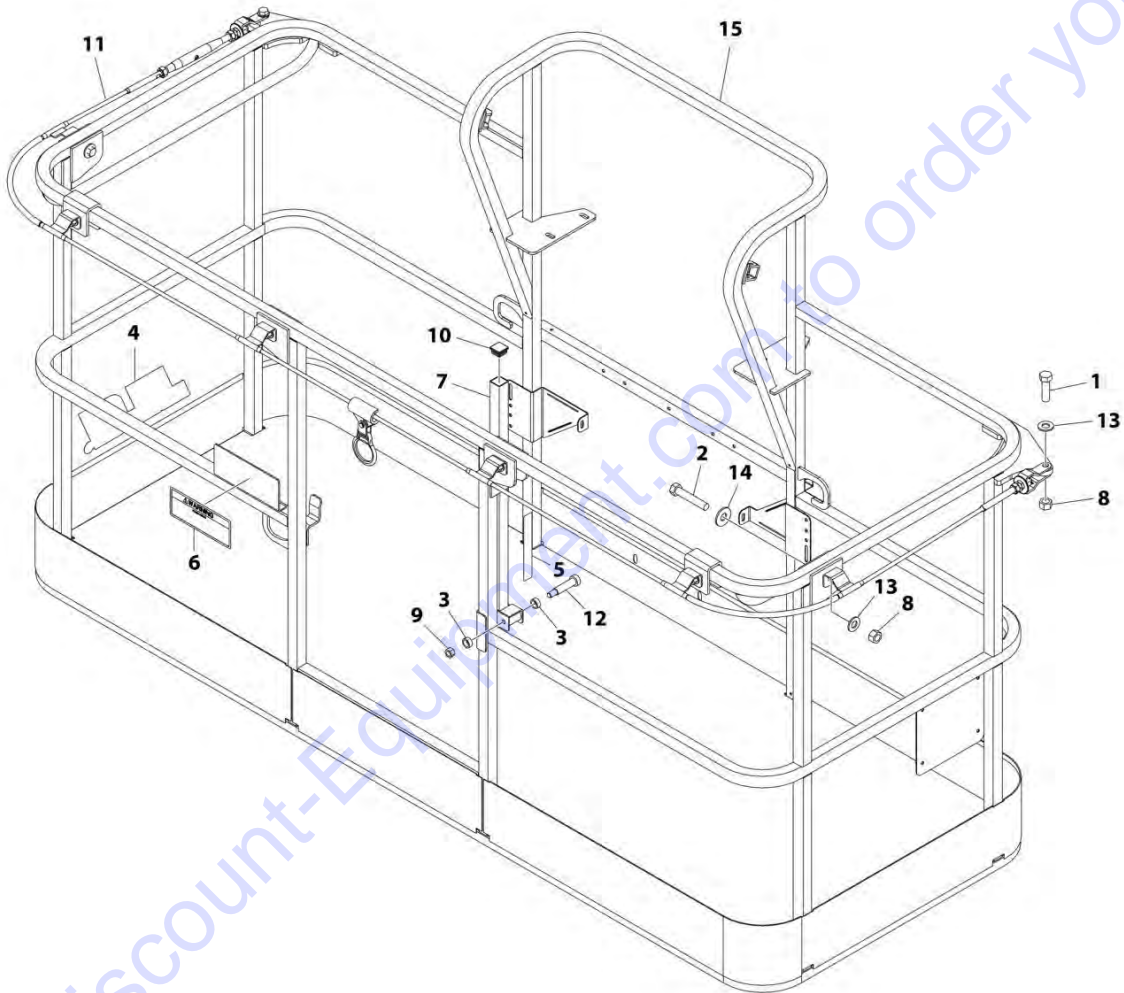
## SECTION 5 - PLATFORM

**FIGURE 5-13. PLATFORM ASSEMBLY - FALL ARREST - AUSTRALIAN AND CE SPECS (Prior to SN 0300201023)**

ITEM	PART NUMBER	QTY	DESCRIPTION	REV
		Ref	Note: Standard decals must be ordered separately - See DECAL SECTION.	
	3510877	Ref	PLATFORM ASSEMBLY - FALL ARREST (3FT X 8FT/.91M X 2.44M) (AUSTRALIAN AND CE SPECS)	
	1001175535	Ref	Platform Assembly - Fall Arrest (3ft x 8ft/.91m x 2.44m) (Australian and CE Specs) <b>(Prior to SN 0300187375)</b>	E
		Ref	Platform Assembly - Fall Arrest (3ft x 8ft/.91m x 2.44m) (Australian and CE Specs) <b>(SN 0300187375 through 0300201022)</b>	B
1	0681814	2	Bolt 1/2-13 x 1-3/4 Grade 8	
2	0681822	6	Bolt 1/2-13 x 2-3/4 Grade 8	
3	0962270	2	Bearing	
4	1702773	1	Decal - JLG	
5	1706501	1	Decal - Safety	
6	2410014	1	Gate	
7	3271805	8	Nut 1/2-13 Grade 8	
8	3311605	1	Nut 3/8-16	
9	See Note	NSS	Platform Weldment (Note: Not Available - Purchase Platform Assembly)	
10	3520072	1	Plug	
11	3890040	1	Cable	
12	3900054	1	Bolt 1/2-13 x 1-3/4	
13	4711800	2	Washer 1/2	
14	4751800	6	Washer 1/2	
15	1706493	1	Decal - Drop Bar	

# SECTION 5 - PLATFORM

FIGURE 5-14. PLATFORM ASSEMBLY - FALL ARREST - AUSTRALIAN AND CE SPECS (SN 0300201023 to Present)



ART\_1001186389

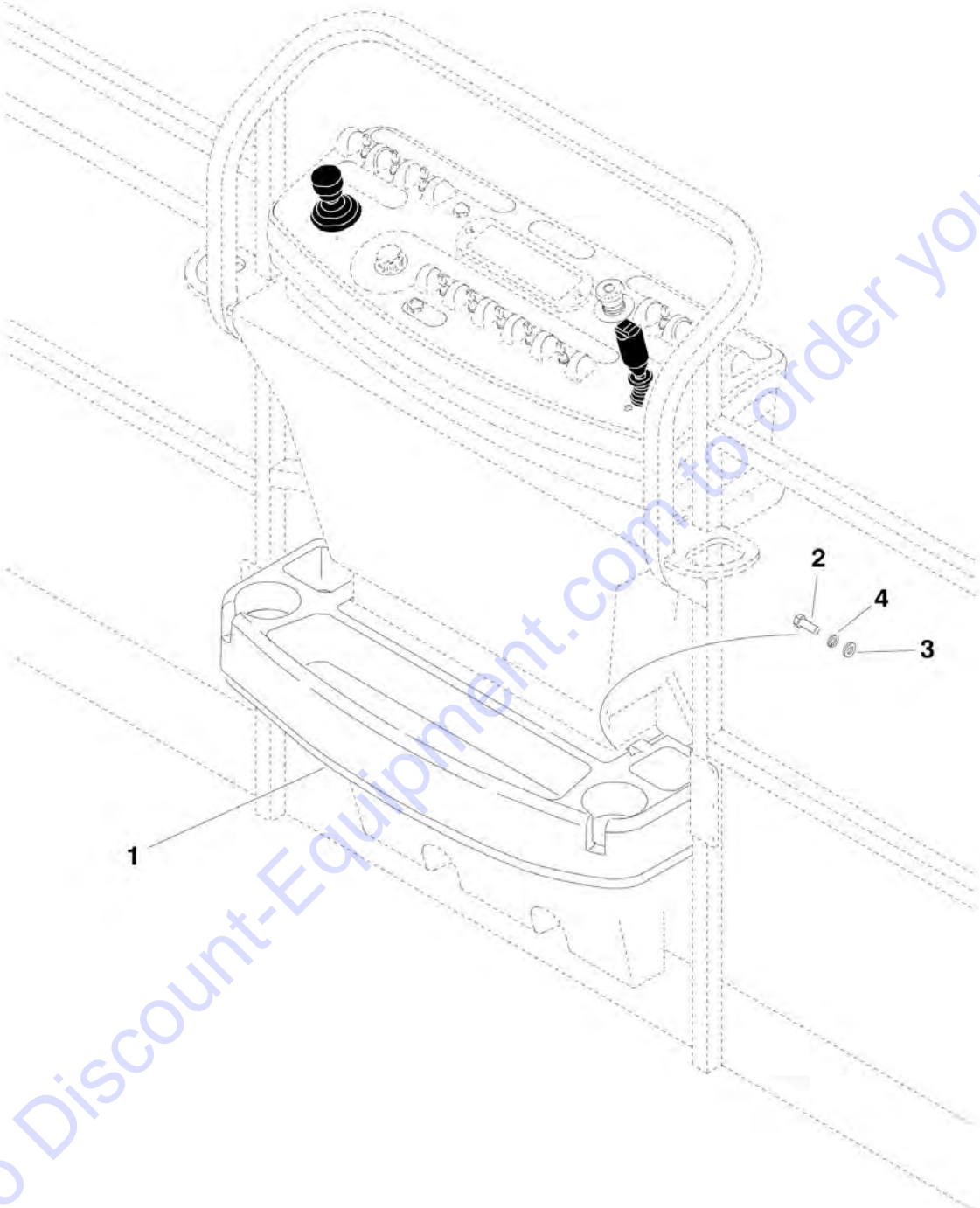
## SECTION 5 - PLATFORM

**FIGURE 5-14. PLATFORM ASSEMBLY - FALL ARREST - AUSTRALIAN AND CE SPECS (SN 0300201023 to Present)**

ITEM	PART NUMBER	QTY	DESCRIPTION	REV
		Ref	Note: Standard decals must be ordered separately - See DECAL SECTION.	
	1001186389	Ref	PLATFORM ASSEMBLY - FALL ARREST (3ft x 8ft/.91m x 2.44m) (AUSTRALIAN AND CE SPECS) <b>(SN 0300201023 to Present)</b>	D
1	0681814	2	Bolt 1/2-13 x 1-3/4 Grade 8	
2	0681822	6	Bolt 1/2-13 x 2-3/4 Grade 8	
3	0962270	2	Bearing	
4	1702773	1	Decal - JLG	
5	1706493	1	Decal - Drop Bar	
6	1706501	1	Decal - Safety	
7	2410014	1	Gate	
8	3271805	8	Nut 1/2-13 Grade 8	
9	3311605	1	Nut 3/8-16	
10	3520072	1	Plug	
11	3890040	1	Cable <b>(Prior to SN 0300214298)</b>	
11	1001203656	1	Cable <b>(SN 0300214298 to Present)</b>	
12	3900054	1	Bolt 1/2-13 x 1-3/4	
13	4711800	2	Washer 1/2 <b>(Prior to SN 0300214298)</b>	
13	4711800	8	Washer 1/2 <b>(SN 0300214298 to Present)</b>	
14	4751800	6	Washer 1/2	
15	See Note	NSS	Platform Weldment	

**SECTION 5 - PLATFORM**

**FIGURE 5-15. TRAY INSTALLATION**



1580012

## SECTION 5 - PLATFORM

### FIGURE 5-15. TRAY INSTALLATION

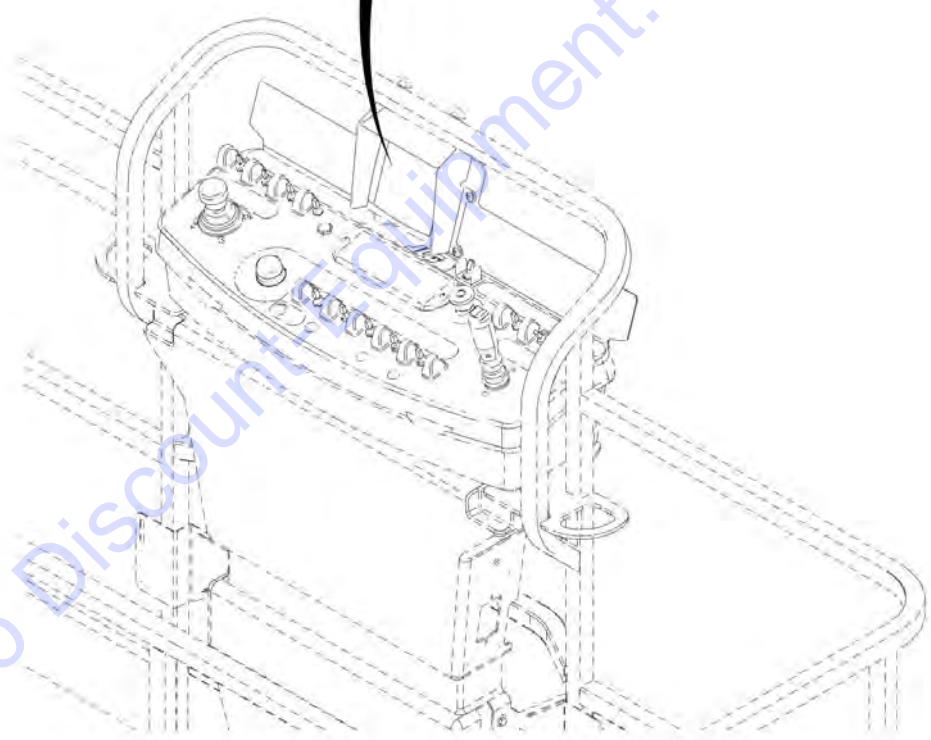
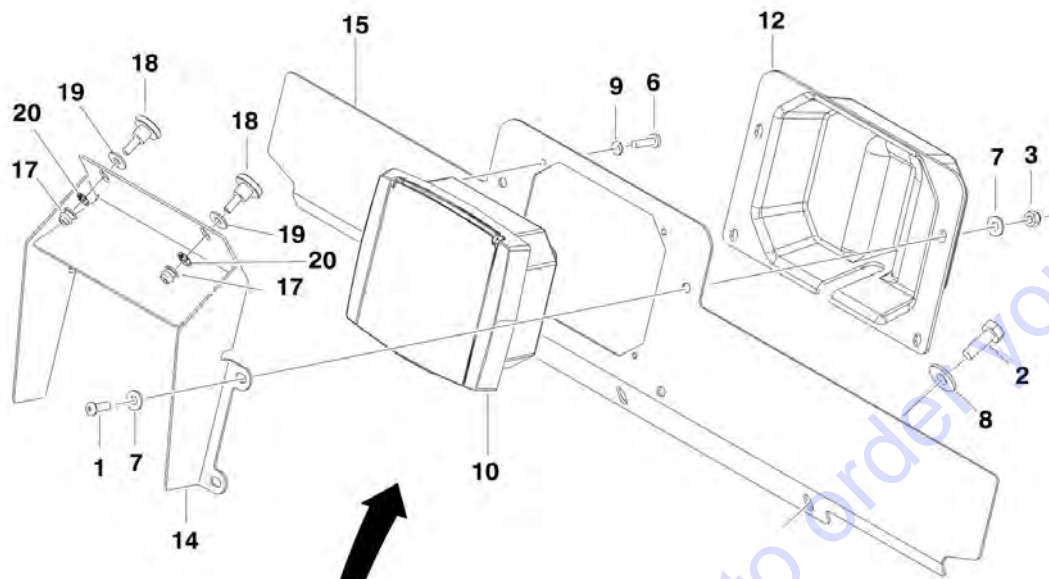
ITEM	PART NUMBER	QTY	DESCRIPTION	REV
		Ref	TRAY INSTALLATION	
1	1580012	1	Tray, Storage (Center)	
2	0641406	2	Bolt 1/4-20 x 3/4	
3	4751400	2	Washer 1/4	
4	4761400	2	Washer 1/4	

Go to Discount-Equipment.com to order your parts



# SECTION 5 - PLATFORM

FIGURE 5-16. LCD DISPLAY INSTALLATION (Prior to SN 0300201023)



1001158999

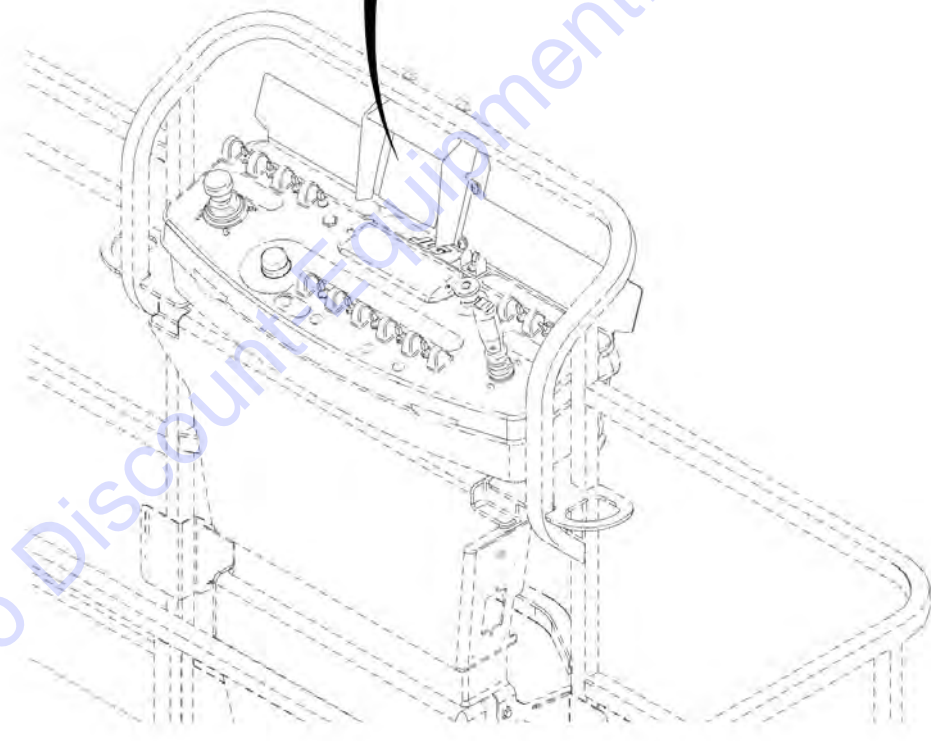
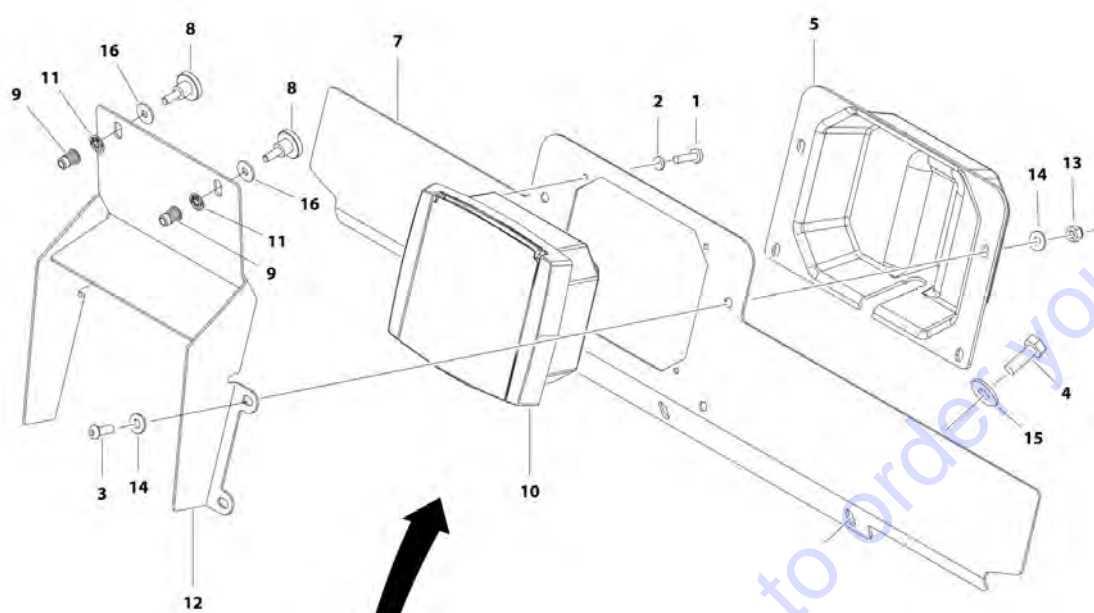
## SECTION 5 - PLATFORM

**FIGURE 5-16. LCD DISPLAY INSTALLATION (Prior to SN 0300201023)**

ITEM	PART NUMBER	QTY	DESCRIPTION	REV
	1001158999	Ref	LCD DISPLAY INSTALLATION (Prior to SN 0300201023)	H
1	0630448001	4	Screw 1/4-20 X 3/4	
2	0641406001	3	Bolt 1/4-20 X 3/4	
3	3300449001	4	Nut 1/4-20 Grade 8	
6	4010408	4	Screw M4 x 16	
7	4711400001	8	Washer 1/4	
8	4751400001	3	Washer 1/4	
9	4831400	4	Washer M4	
10		Ref	LCD Display Assembly Options:	
10	1001121837	1	LCD Display Assembly (Prior to SN 0300189775)	
10	1001176778	1	LCD Display Assembly (SN 0300189775 through 0300201022)	
10		Ref	Decal - Platform Display Options:	
10	1001126300	1	Decal - Platform Display (Prior to SN 0300189775)	
10	1001176783	1	Decal - Platform Display (SN 0300189775 through 0300201022)	
10	70003533	1	AR Film	
10	70003534	1	Cover	
10	70003535	1	Hinge	
10	70003536	AR	Screw, Hinge	
12	1001122242	1	Cover (Rear)	
13	1001125293	1	Harness, LCD Display (Not Shown - See ELECTRICAL SECTION for Breakdown)	
14	1001159000	1	Visor	
15	1001159001	1	Bracket, Mounting	
17	1001176636	2	Rivnut M6	
18	1001173609	2	Screw M6 X 16	
19	4811702001	2	Washer, 6mm	
20	1001177635	2	Pushnut, M6	

# SECTION 5 - PLATFORM

FIGURE 5-17. LCD DISPLAY INSTALLATION (SN 0300201023 through 0300249008)



Go to [DiscountEquipment.com](http://DiscountEquipment.com) to order your parts

ART\_1001190655

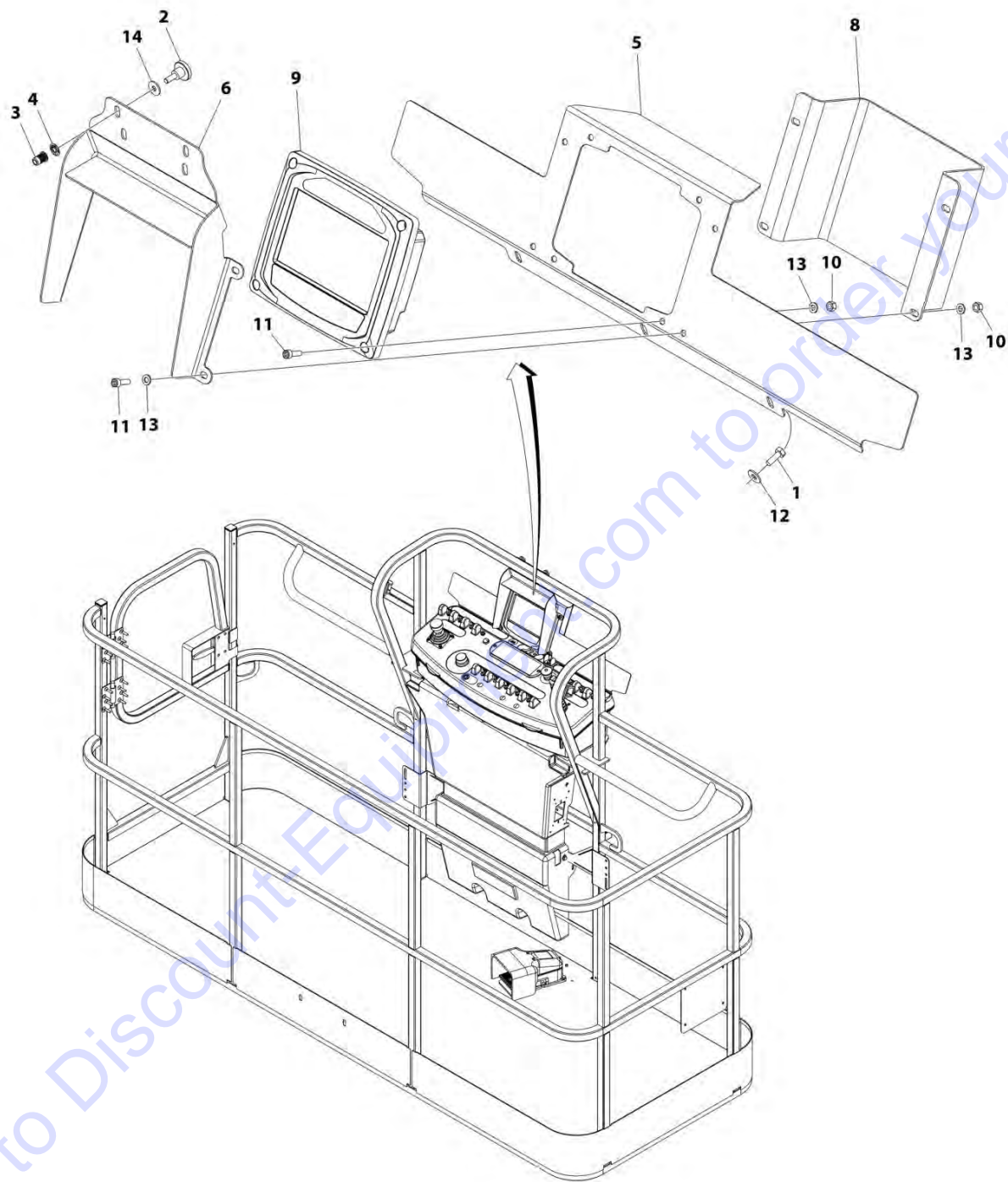
## SECTION 5 - PLATFORM

**FIGURE 5-17. LCD DISPLAY INSTALLATION (SN 0300201023 through 0300249008)**

ITEM	PART NUMBER	QTY	DESCRIPTION	REV
	1001190656	Ref	LCD DISPLAY INSTALLATION (SN 0300201023 through 0300249008)	B
1	4010408	4	Screw M4 x 16	
9	4831400	4	Washer M4	
3	0630448001	4	Screw 1/4 X 3/4	
4	0641406001	3	Bolt 1/4 X 3/4	
5	1001122242	1	Cover (Rear)	
6	1001125293	1	Harness, LCD Display (Not Shown - See ELECTRICAL SECTION for Breakdown)	
7	1001159001	1	Bracket, Mounting	
8	1001173609	2	Screw M6 X 16	
9	1001176636	2	Rivnut M6	
10	1001176778	1	LCD Display Assembly	
10	1001176783	1	Decal - Platform Display	
10	70003533	1	AR Film	
10	70003534	1	Cover	
10	70003535	1	Hinge	
10	70003536	AR	Screw, Hinge	
11	1001177635	2	Pushnut, M6	
12	1001190658	1	Visor	
13	3300449001	4	Nut 1/4 Grade 8	
14	4711400001	8	Washer 1/4	
15	4751400001	3	Washer 1/4	
16	4811702001	2	Washer, M6	

# SECTION 5 - PLATFORM

FIGURE 5-18. LCD DISPLAY INSTALLATION (SN 0300249009 to Present)



ART\_1001215375

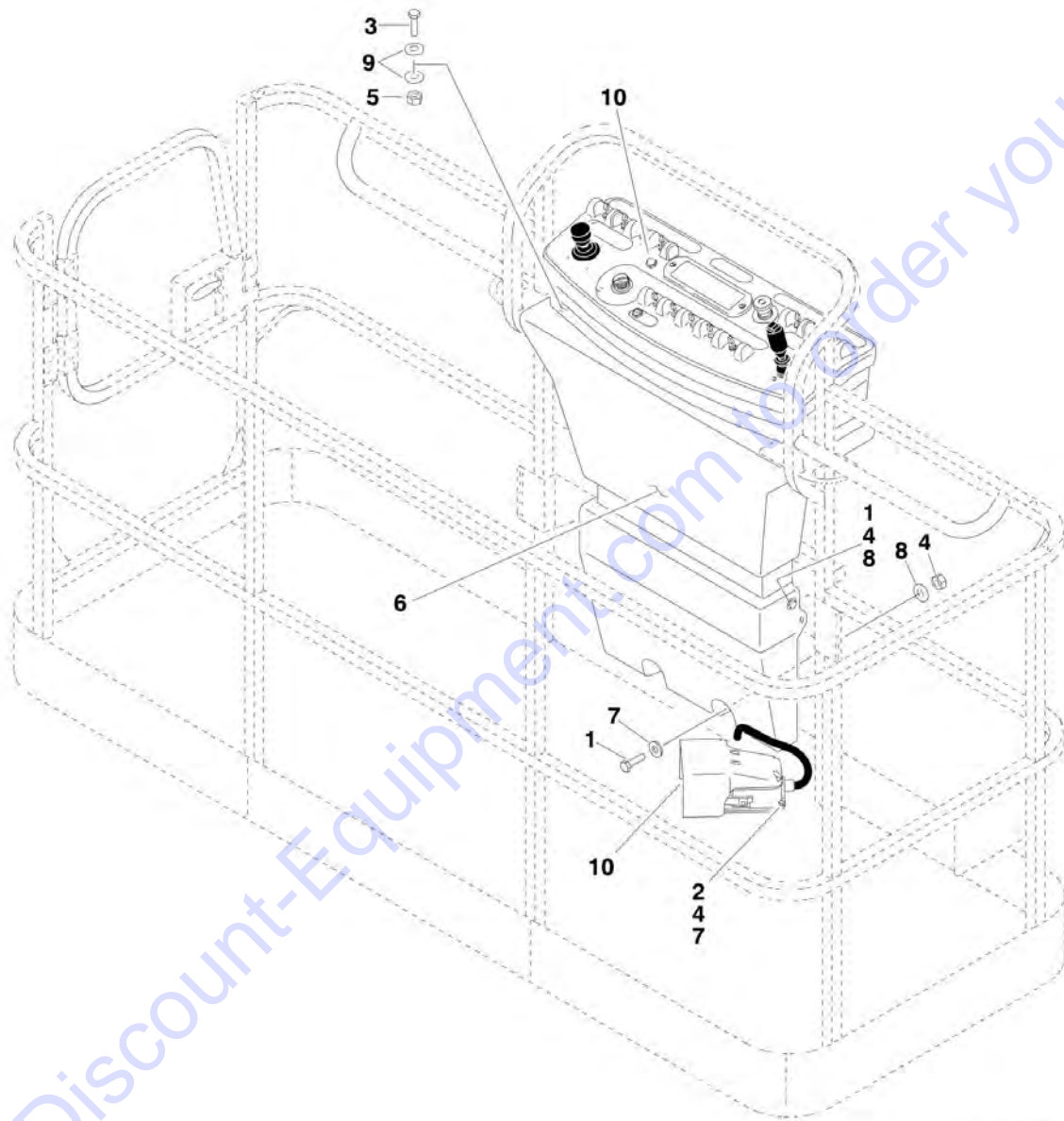
## SECTION 5 - PLATFORM

**FIGURE 5-18. LCD DISPLAY INSTALLATION (SN 0300249009 to Present)**

ITEM	PART NUMBER	QTY	DESCRIPTION	REV
	1001215375	Ref	LCD DISPLAY INSTALLATION	A
1	0641406001	3	Bolt 1/4 x 3/4	
2	1001173609	2	Screw, Thumb M6 x 16	
3	1001176636	2	Rivet, Nut M6	
4	1001177635	2	Nut M6	
5	1001215379	1	Bracket, Mounting	
6	1001215380	1	Bracket, Visor	
7	1001220482	1	Harness, LCD Display (Not Shown - See ELECTRICAL SECTION for Breakdown)	
8	1001228976	1	Cover	
9	1001229485	1	Electrical Assembly	
9	1001220955	1	Gauge, LCD Display	
9	1001176582	1	Decal - Platform Display	
9	1001180491	4	Screw #10	
9	1001229922	1	Screen Protector, LCD Display	
10	3290605001	8	Nut M6	
11	4031708001	8	Bolt M6 x 20	
12	4751400001	3	Washer 1/4	
13	4811700001	12	Washer M6	
14	4811702001	2	Washer M6	

# SECTION 5 - PLATFORM

## FIGURE 5-19. PLATFORM CONTROLS INSTALLATION - WITHOUT SKYGUARD



1001156813

## SECTION 5 - PLATFORM

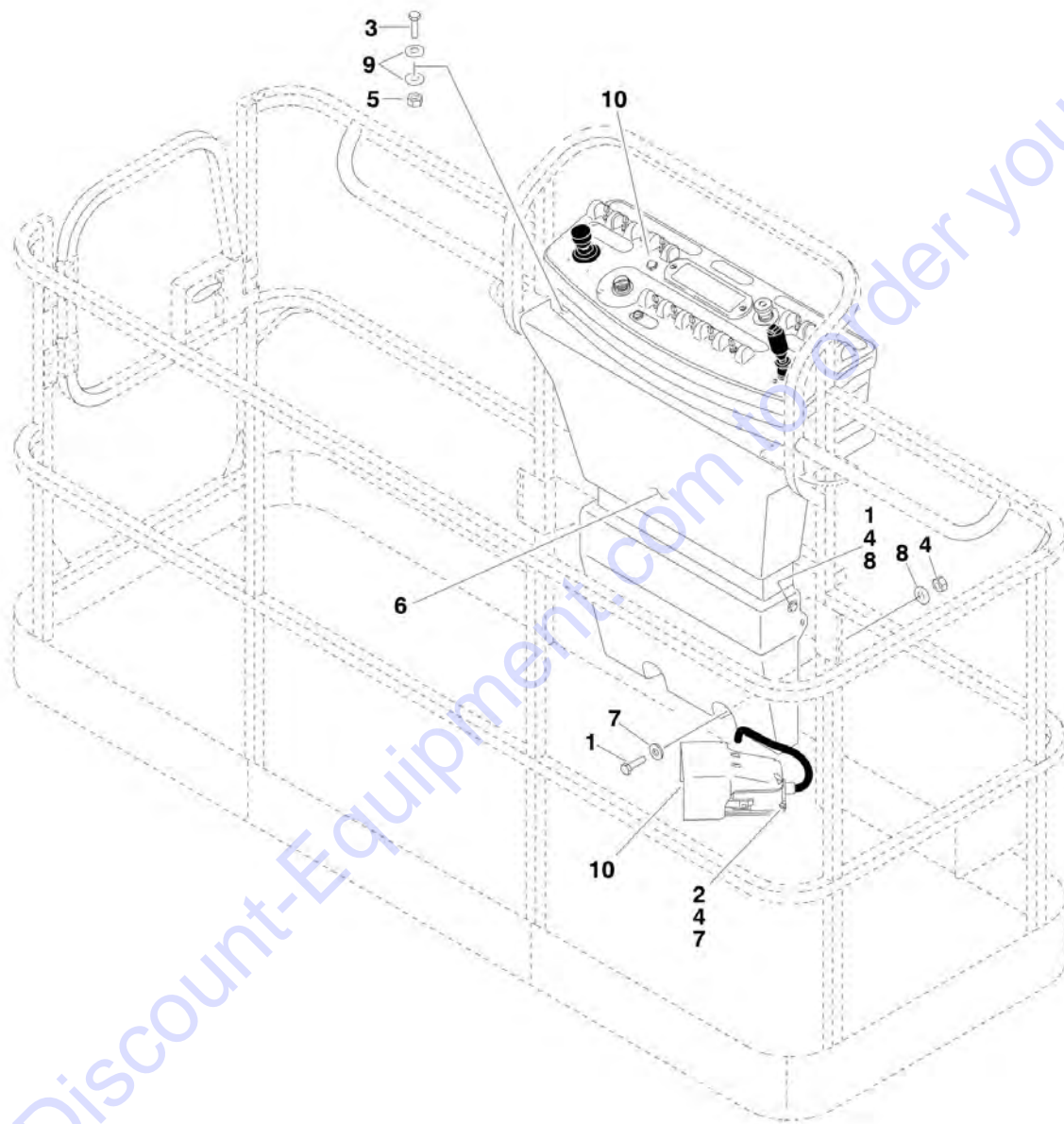
**FIGURE 5-19. PLATFORM CONTROLS INSTALLATION - WITHOUT SKYGUARD**

ITEM	PART NUMBER	QTY	DESCRIPTION	REV
	1001156813	Ref	PLATFORM CONTROLS INSTALLATION - WITHOUT SKYGUARD	C
1	0760610	4	Bolt M6 x 20	
2	0760612	4	Bolt M6 x 25	
3	0761015	4	Bolt M10 x 35	
4	3290605	8	Locknut M6	
5	3291005	4	Locknut M10	
6	3380434	1	Panel, Molded	
7	4740362	6	Washer, Fender	
8	4811702	6	Flatwasher M6	
9	4812000	8	Flatwasher M10	
10	1001156786	1	Platform Console Assembly Without SkyGuard (See PLATFORM CONSOLE ASSEMBLY - WITHOUT SKYGUARD for Breakdown) <b>(Prior to SN 0300212338)</b>	
10	1001200817	1	Platform Console Assembly Without SkyGuard (See PLATFORM CONSOLE ASSEMBLY - WITHOUT SKYGUARD for Breakdown) <b>(SN 0300212338 through 0300218317)</b>	
10	1001202551	1	Platform Console Assembly Without SkyGuard (See PLATFORM CONSOLE ASSEMBLY - WITHOUT SKYGUARD for Breakdown) <b>(SN 0300218318 to Present)</b>	



# SECTION 5 - PLATFORM

FIGURE 5-20. PLATFORM CONTROLS INSTALLATION - WITH SKYGUARD (Prior to SN 0300234077)



ART\_1001190109

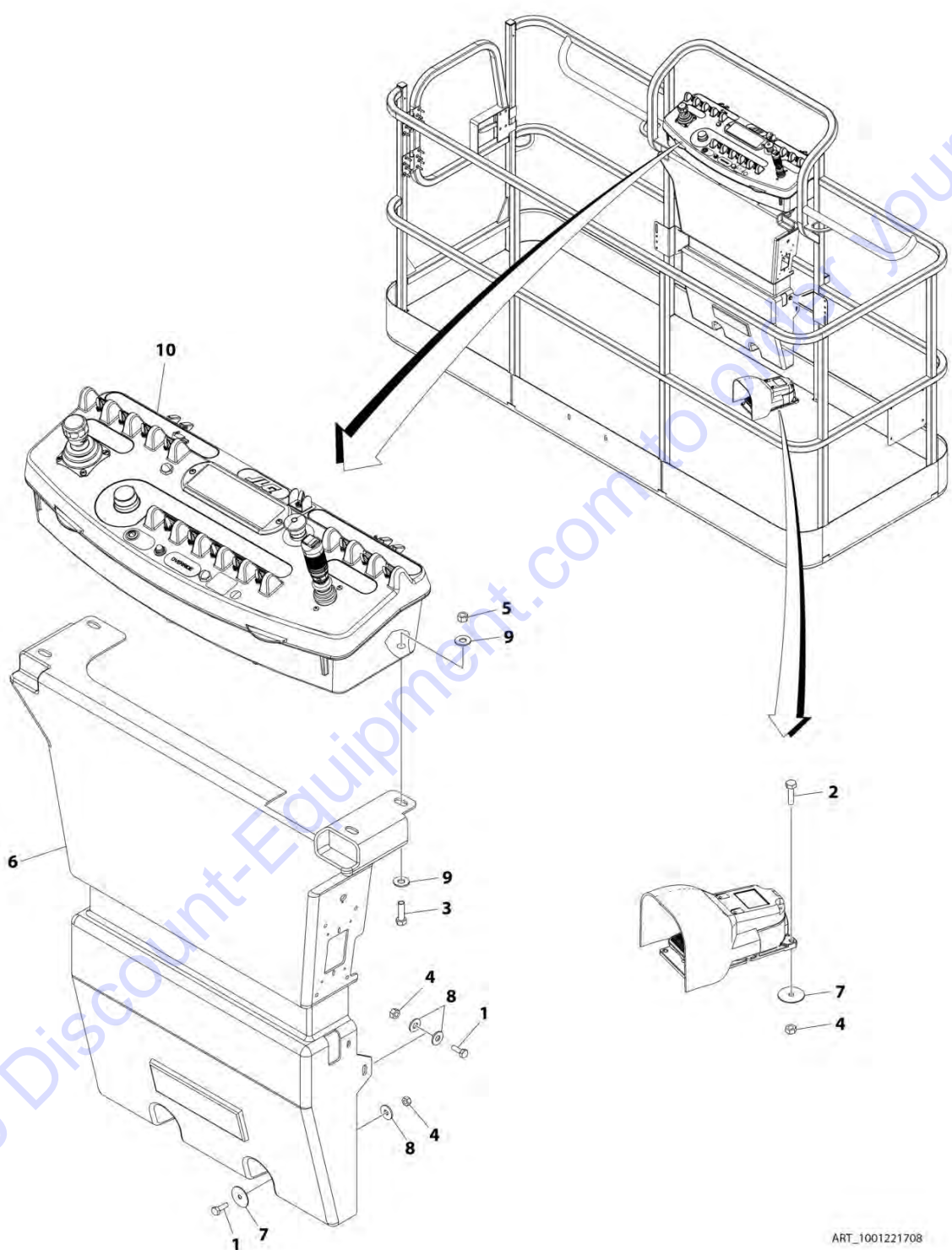
## SECTION 5 - PLATFORM

**FIGURE 5-20. PLATFORM CONTROLS INSTALLATION - WITH SKYGUARD (Prior to SN 0300234077)**

ITEM	PART NUMBER	QTY	DESCRIPTION	REV
	1001190109	Ref	PLATFORM CONTROLS INSTALLATION - WITH SKYGUARD <b>(Prior to SN 0300234077)</b>	D
1	0760610	4	Bolt M6 x 20	
2	0760612	4	Bolt M6 x 25	
3	0761015	4	Bolt M10 x 35	
4	3290605	8	Locknut M6	
5	3291005	4	Locknut M10	
6	3380434	1	Panel, Molded	
7	4740362	6	Washer, Fender	
8	4811702	6	Flatwasher M6	
9	4812000	8	Flatwasher M10	
10	1001190096	1	Platform Console Assembly - With SkyGuard (See PLATFORM CONSOLE ASSEMBLY - WITH SKYGUARD for Breakdown) <b>(Prior to SN 0300212338)</b>	
10	1001200818	1	Platform Console Assembly - With SkyGuard (See PLATFORM CONSOLE ASSEMBLY - WITH SKYGUARD for Breakdown) <b>(SN 0300212338 through 0300218317)</b>	
10	1001202486	1	Platform Console Assembly - With SkyGuard (See PLATFORM CONSOLE ASSEMBLY - WITH SKYGUARD for Breakdown) <b>(SN 0300218318 through 0300234076)</b>	

# SECTION 5 - PLATFORM

FIGURE 5-21. PLATFORM CONTROLS INSTALLATION - WITH SKYGUARD (SN 0300234077 through 0300258338)



ART\_1001221708

## SECTION 5 - PLATFORM

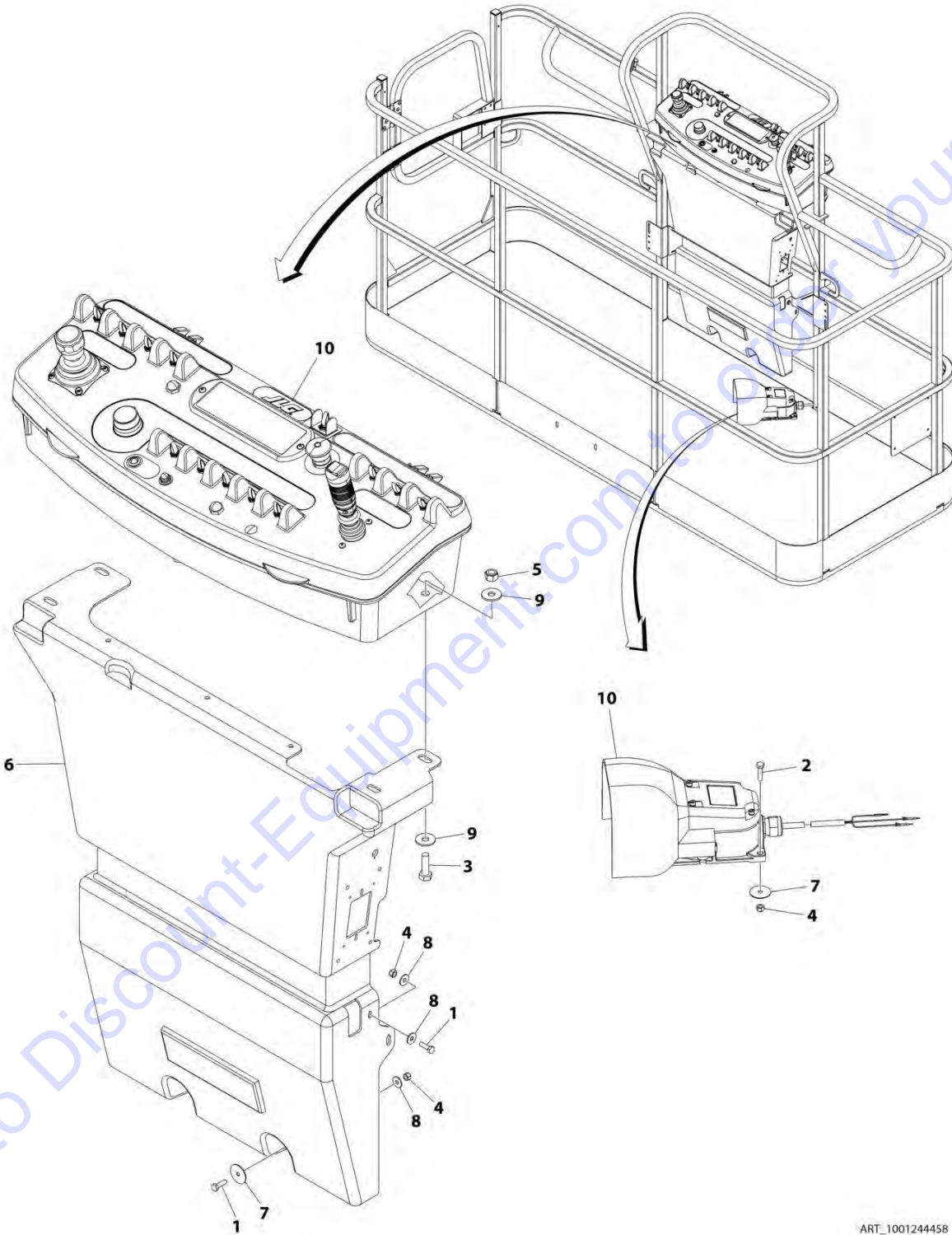
**FIGURE 5-21. PLATFORM CONTROLS INSTALLATION - WITH SKYGUARD (SN 0300234077 through 0300258338)**

ITEM	PART NUMBER	QTY	DESCRIPTION	REV
	1001221708	Ref	PLATFORM CONTROLS INSTALLATION - WITH SKYGUARD (SN <b>0300234077 through 0300259338</b> )	C
1	0760610	4	Bolt M6 x 20	
2	0760612	4	Bolt M6 x 25	
3	0761015	4	Bolt M10 x 35	
4	3290605	8	Locknut M6	
5	3291005	4	Locknut M10	
6	3380434	1	Panel, Molded	
7	4740362	6	Washer, Fender	
8	4811702	6	Flatwasher M6	
9	4812000	8	Flatwasher M10	
9	4812002	8	Flatwasher M10	
10	1001219993	NLA	Platform Console Assembly - With SkyGuard (Use p/n 1001244456) (See PLATFORM CONSOLE ASSEMBLY - WITH SKYGUARD for Breakdown)	

Go to Discount-Equipment.com to order your parts

# SECTION 5 - PLATFORM

FIGURE 5-22. PLATFORM CONTROLS INSTALLATION - WITH SKYGUARD (SN 0300259339 to Present)



## SECTION 5 - PLATFORM

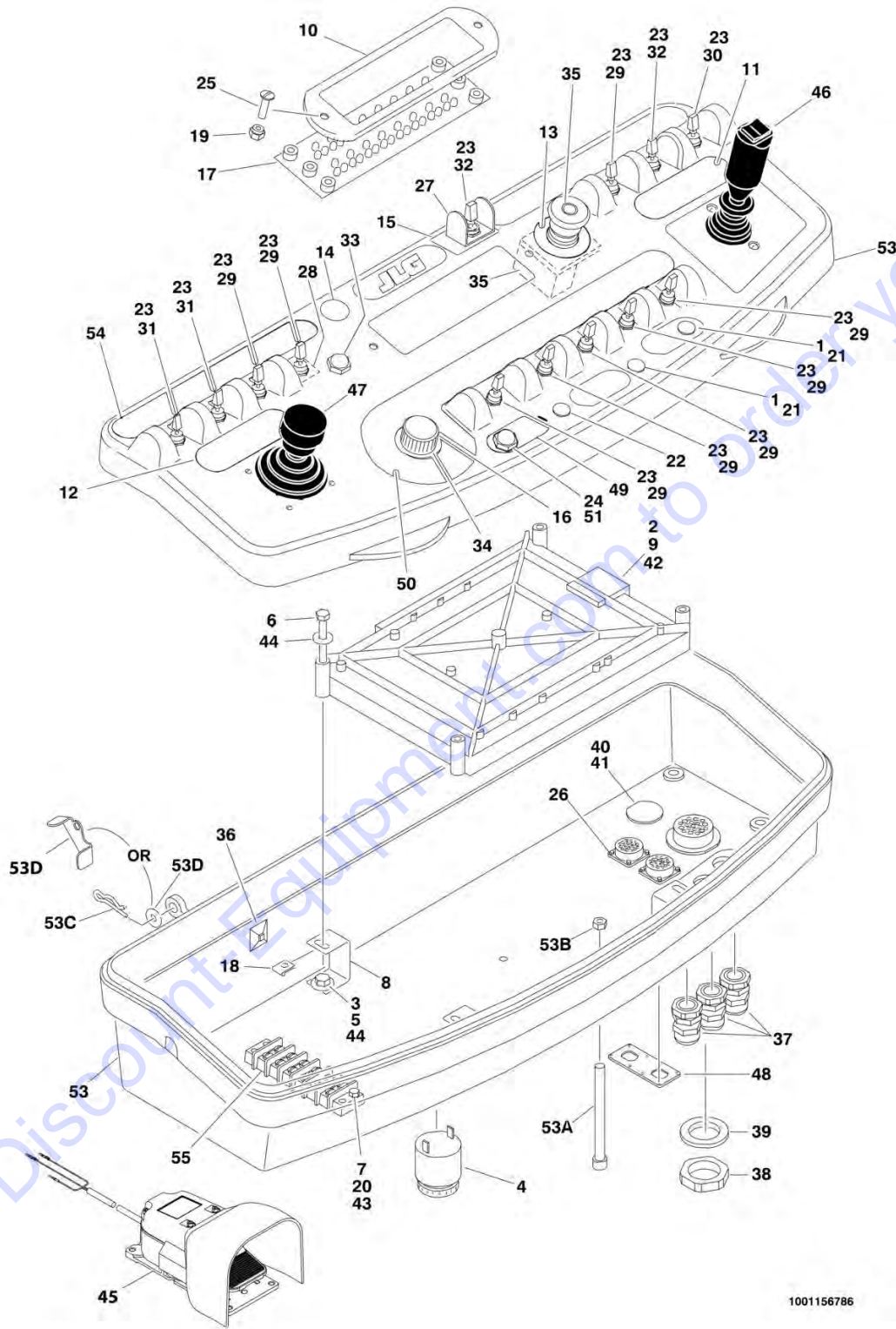
**FIGURE 5-22. PLATFORM CONTROLS INSTALLATION - WITH SKYGUARD (SN 0300259339 to Present)**

ITEM	PART NUMBER	QTY	DESCRIPTION	REV
	1001244458	Ref	PLATFORM CONTROLS INSTALLATION - WITH SKYGUARD	A
1	0760610	4	Bolt M6 x 20	
2	0760612	4	Bolt M6 x 25	
3	0761015	4	Bolt M10 x 35	
4	3290605	8	Locknut M6	
5	3291005	4	Locknut M10	
6	3380434	1	Panel, Molded	
7	4740362	6	Washer, Fender	
8	4811702	6	Flatwasher M6	
9	4812002	8	Flatwasher M10	
10	1001244456	1	Platform Console Assembly - With SkyGuard (See PLATFORM CONSOLE ASSEMBLY - WITH SKYGUARD for Breakdown)	

Go to Discount-Equipment.com to order your parts

# SECTION 5 - PLATFORM

FIGURE 5-23. PLATFORM CONSOLE ASSEMBLY - WITHOUT SKYGUARD (Prior to SN 0300212338)



1001156786

## SECTION 5 - PLATFORM

**FIGURE 5-23. PLATFORM CONSOLE ASSEMBLY - WITHOUT SKYGUARD (Prior to SN 0300212338)**

ITEM	PART NUMBER	QTY	DESCRIPTION	REV
	1001156786	Ref	PLATFORM CONSOLE ASSEMBLY - WITHOUT SKYGUARD (Prior to SN 0300212338)	G
1	0100009	AR	Sealant	
2	0100048	AR	Grease, Dielectric	
3	0100081	AR	Adhesive	
4	0140011	1	Alarm	
5	0641404	4	Bolt 1/4-20 x 1/2	
6	0641414	4	Bolt 1/4-20 x 1-3/4	
7	3931012	2	Bolt #10-24 x 3/4	
8	1001172760	4	Bracket	
9	1600343	1	Module, Control (Note: Control System needs recalibrated when replaced)	
10	1671176	1	Cover	
11	1702565	1	Decal - Drive and Steer	
12	1702566	1	Decal - Lift and Swing	
13	1704260	1	Decal - EMS	
14	1705132	1	Decal - Control ADE	
15	1706741	1	Decal - Boom Control Select	
16	2560136	1	Handle, Knob	
17	2920154	1	Panel, LED	
18	3300353	4	Nut, Tinnerman	
19	3300408	2	Locknut	
20	3311005	2	Nut #10-24	
21	3520026	2	Plug	
22	3520027	1	Plug	
23	3790012	13	O-Ring	
24	3790015	1	O-Ring	
25	3900183	2	Screw #10-24 X 1-1/4	
26	3900349	8	Capscrew M2.5	
27	4060906	1	Guard, Switch	
28	4071074	1	Shim	
29	4360328	8	Switch, Toggle	
30	4360330	1	Switch, Toggle	
31	4360331	2	Switch, Toggle	
32	4360336	2	Switch, Toggle	
33	4360387	1	Switch, Push Button	
34	4360407	1	Switch, Flow Control	
35	4360475	1	Switch, Emergency Stop	
35	7020175	1	Cap, Red	
35	7020176	1	Contact Block	
36	4460234	3	Mount, Tie-Strap	
37	4460428	3	Connector, Strain Relief	
38	4460470	1	Nut, Terminal	
39	4460471	1	Washer, Terminal	
40	4460496	1	Washer, Terminal	
41	4460497	1	Nut, Terminal	
42	4460905	5	Plug, Terminal	
43	4751000	2	Washer #10	
44	4751400	8	Washer 1/4	
45	1001117174	1	Footswitch Assembly (See FOOTSWITCH ASSEMBLY for	



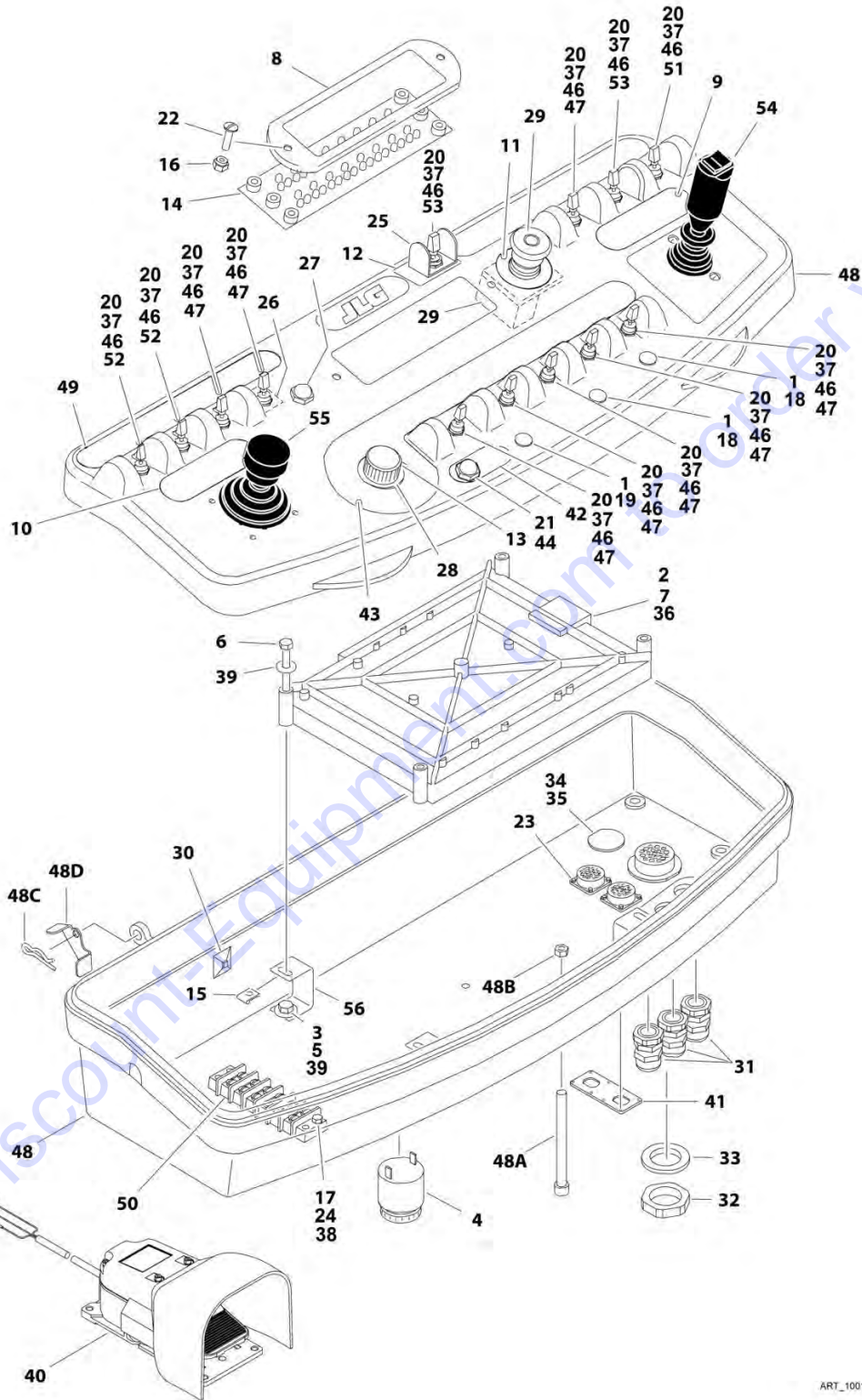
## SECTION 5 - PLATFORM

ITEM	PART NUMBER	QTY	DESCRIPTION	REV
46	1001118416	NLA	Breakdown) Drive and Steer Controller Assembly (See DRIVE AND STEER CONTROLLER ASSEMBLY for Breakdown) (Use p/n 1001166538) <b>(Prior to SN 0300188926)</b>	
46	1001166538	NLA	Drive and Steer Controller Assembly (Note: Use p/n 1001212415) (See DRIVE AND STEER CONTROLLER ASSEMBLY for Breakdown) <b>(SN 0300188926 through 0300212337)</b>	
47	1001118417	NLA	Lift and Swing Controller Assembly (See LIFT AND SWING CONTROLLER ASSEMBLY for Breakdown) (Note: Use p/n 1001129555 as Replacement) <b>(Prior to SN 0300188926)</b>	
47	1001166539	NLA	Lift and Swing Controller Assembly (See LIFT AND SWING CONTROLLER ASSEMBLY for Breakdown) (Note: Use p/n 1001129555 as Replacement) <b>(SN 0300188926 through 0300212337)</b>	
48	1001120338	1	Mount, Connector	
49	1001125194	1	Decal - Jib Stow	
50	1001125195	1	Decal - Function Speed	
51	1001137364	1	Lamp, Indicator	
52	1001149976	1	Harness, Console Box (Not Shown - See ELECTRICAL SECTION for Breakdown)	
53	1001156781	1	Box Assembly	B
53A	0630568	1	Capscrew 3/8-16 x 4-1/2	
53B	3311601	1	Nut 3/8-16	
53C	3470003	2	Pin	
53D	4711500	2	Washer 5/16 <b>(Prior to SN 0300210455)</b>	
53D	1001200575	2	Bracket, Stop <b>(SN 0300210455 through 0300212337)</b>	
54	1001156926	1	Decal - Horn	
55	1001157292	1	Bussbar	



# SECTION 5 - PLATFORM

FIGURE 5-24. PLATFORM CONSOLE ASSEMBLY - WITHOUT SKYGUARD (SN 0300212338 through 0300218317)



ART\_100120817

## SECTION 5 - PLATFORM

**FIGURE 5-24. PLATFORM CONSOLE ASSEMBLY - WITHOUT SKYGUARD (SN 0300212338 through 0300218317)**

ITEM	PART NUMBER	QTY	DESCRIPTION	REV
	1001200817	Ref	PLATFORM CONSOLE ASSEMBLY - WITHOUT SKYGUARD (SN 0300212338 through 0300218317)	B
1	0100009	AR	Sealant	
2	0100048	AR	Grease, Dielectric	
3	0100081	AR	Adhesive	
4	0140011	1	Alarm	
5	0641404	4	Bolt 1/4-20 x 1/2	
6	0641414	4	Bolt 1/4-20 x 1-3/4	
7	1600343	1	Module, Control (Note: Control System needs recalibrated when replaced)	
8	1671176	1	Cover	
9	1702565	1	Decal - Drive and Steer	
10	1702566	1	Decal - Lift and Swing	
11	1704260	1	Decal - EMS	
12	1706741	1	Decal - Boom Control Select	
13	2560136	1	Handle, Knob	
14	2920154	1	Panel, LED	
15	3300353	4	Nut, Tinnerman	
16	3300408	2	Locknut	
17	3311005	2	Nut #10-24	
18	3520026	2	Plug	
19	3520027	1	Plug	
20	3790012	13	O-Ring	
21	3790015	1	O-Ring	
22	3900183	2	Screw #10-24 X 1-1/4	
23	3900349	8	Capscrew M2.5	
24	3931012	2	Bolt #10-24 x 3/4	
25	4060906	1	Guard, Switch	
26	4071074	1	Shim	
27	4360387	1	Switch, Push Button	
28	4360407	1	Switch, Flow Control	
29	4360475	1	Switch, Emergency Stop	
29	7020175	1	Cap, Red	
29	7020176	1	Contact Block	
30	4460234	3	Mount, Tie-Strap	
31	4460428	3	Connector, Strain Relief	
32	4460470	1	Nut, Terminal	
33	4460471	1	Washer, Terminal	
34	4460496	1	Washer, Terminal	
35	4460497	1	Nut, Terminal	
36	4460905	5	Plug, Terminal	
37	4740397	13	Spacer	
38	4751000	2	Washer #10	
39	4751400	8	Washer 1/4	
40	1001117174	1	Footswitch Assembly (See FOOTSWITCH ASSEMBLY for Breakdown)	
41	1001120338	1	Mount, Connector	
42	1001125194	1	Decal - Jib Stow	
43	1001125195	1	Decal - Function Speed	

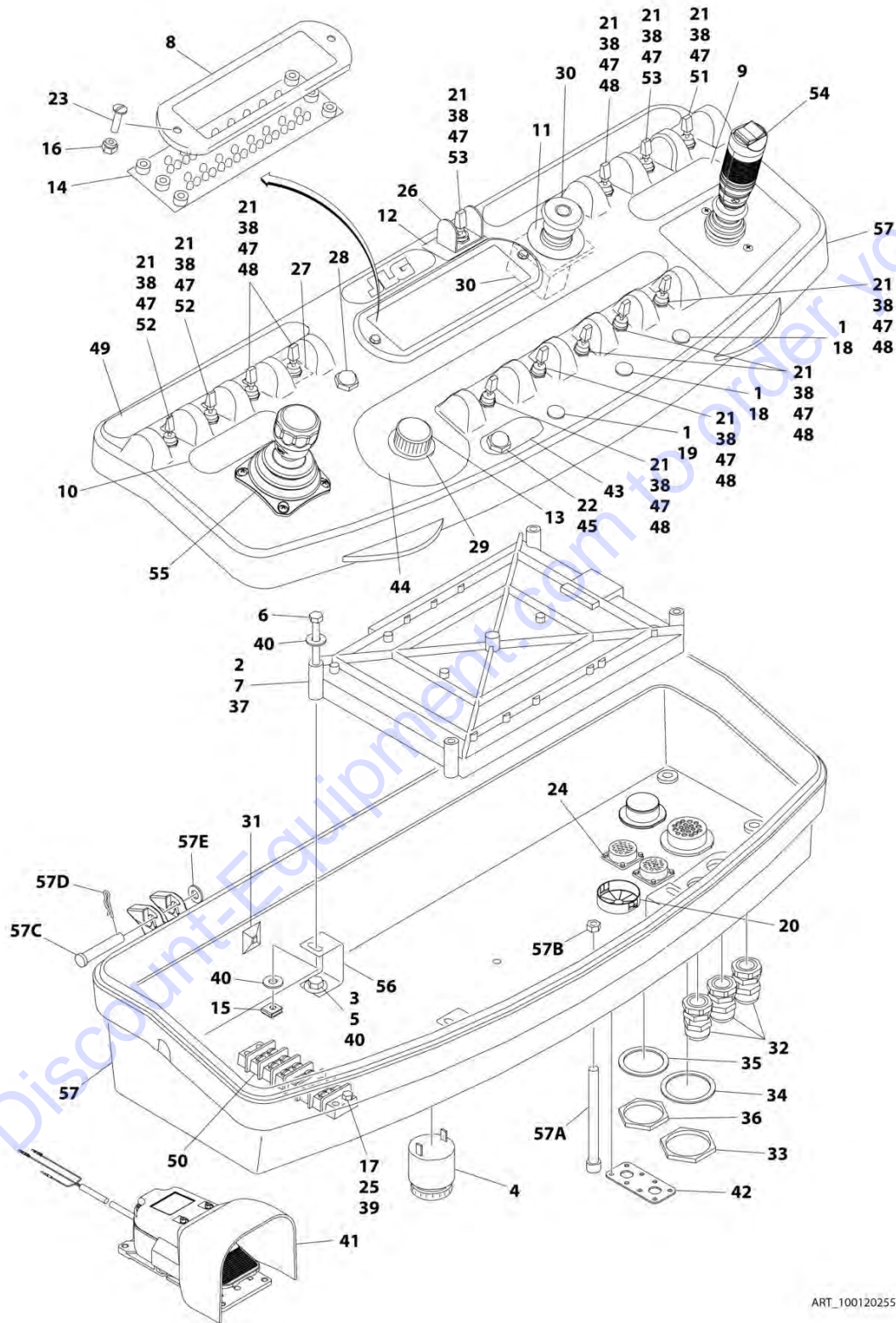
## SECTION 5 - PLATFORM

ITEM	PART NUMBER	QTY	DESCRIPTION	REV
44	1001137364	1	Lamp, Indicator	B
45	1001149976	1	Harness, Console Box (Not Shown - See ELECTRICAL SECTION for Breakdown)	
46	1001155044	13	Nut 15/32-32	
47	1001155045	8	Switch, Toggle	
48	1001156781	1	Box Assembly	
48A	0630568	1	Capscrew 3/8-16 x 4-1/2	
48B	3311601	1	Nut 3/8-16	
48C	3470003	2	Pin	
48D	1001200575	2	Bracket, Stop	
49	1001156926	1	Decal - Horn	
50	1001157292	1	Bussbar	
51	1001159256	1	Switch, Toggle	
52	1001161709	2	Switch, Toggle	
53	1001161710	2	Switch, Toggle	
54	1001166538	NLA	Drive and Steer Controller Assembly (See DRIVE AND STEER CONTROLLER ASSEMBLY for Breakdown) (Note: Use p/n 1001212415)	
55	1001166539	NLA	Lift and Swing Controller Assembly (See LIFT AND SWING CONTROLLER ASSEMBLY for Breakdown) (Note: Use p/n 1001129555 as Replacement)	
56	1001172760	4	Bracket	



# SECTION 5 - PLATFORM

## FIGURE 5-25. PLATFORM CONSOLE ASSEMBLY - WITHOUT SKYGUARD (SN 0300218318 to Present)



ART\_1001202551

## SECTION 5 - PLATFORM

**FIGURE 5-25. PLATFORM CONSOLE ASSEMBLY - WITHOUT SKYGUARD (SN 0300218318 to Present)**

ITEM	PART NUMBER	QTY	DESCRIPTION	REV
	1001202551	Ref	PLATFORM CONSOLE ASSEMBLY - WITHOUT SKYGUARD (SN 0300218318 to Present)	B
1	0100009	AR	Sealant	
2	0100048	AR	Grease, Dielectric	
3	0100081	AR	Adhesive	
4	0140011	1	Alarm	
5	0641404	4	Bolt 1/4 x 1/2	
6	0641414	4	Bolt 1/4 x 1-3/4	
7	1600343	1	Module, Control (Note: Control System needs recalibrated when replaced)	
8	1671176	1	Cover	
9	1702565	1	Decal - Drive and Steer	
10	1702566	1	Decal - Lift and Swing	
11	1704260	1	Decal - EMS	
12	1706741	1	Decal - Boom Control Select	
13	2560136	1	Handle, Knob	
14	2920154	1	Panel, LED	
15	3300353	4	Nut, Tinnerman	
16	3300408	2	Nut	
17	3311005	2	Nut #10	
18	3520026	2	Plug	
19	3520027	1	Plug	
20	3520035	1	Plug, Cap	
21	3790012	13	O-Ring	
22	3790015	1	O-Ring	
23	3900183	2	Screw #10 x 1-1/4	
24	3900349	8	Capscrew M2.5	
25	3931012	2	Bolt #10 x 3/4	
26	4060906	1	Guard, Switch	
27	4071074	1	Shim	
28	4360387	1	Switch, Push Button	
29	4360407	1	Switch, Flow Control	
30	4360475	1	Switch, Emergency Stop	
30	7020175	1	Cap, Red	
30	7020176	1	Contact Block	
31	4460234	3	Mount, Tie-Strap	
32	4460428	3	Connector, Strain Relief	
33	4460470	1	Nut, Terminal	
34	4460471	1	Washer, Terminal	
35	4460496	1	Washer, Terminal	
36	4460497	1	Nut, Terminal	
37	4460905	5	Plug, Terminal	
38	4740397	13	Spacer	
39	4751000	2	Washer #10	
40	4751400	8	Washer 1/4	
41	1001117174	1	Footswitch Assembly (See FOOTSWITCH ASSEMBLY for Breakdown)	
42	1001120338	1	Mount, Connector	
43	1001125194	1	Decal - Jib Stow	



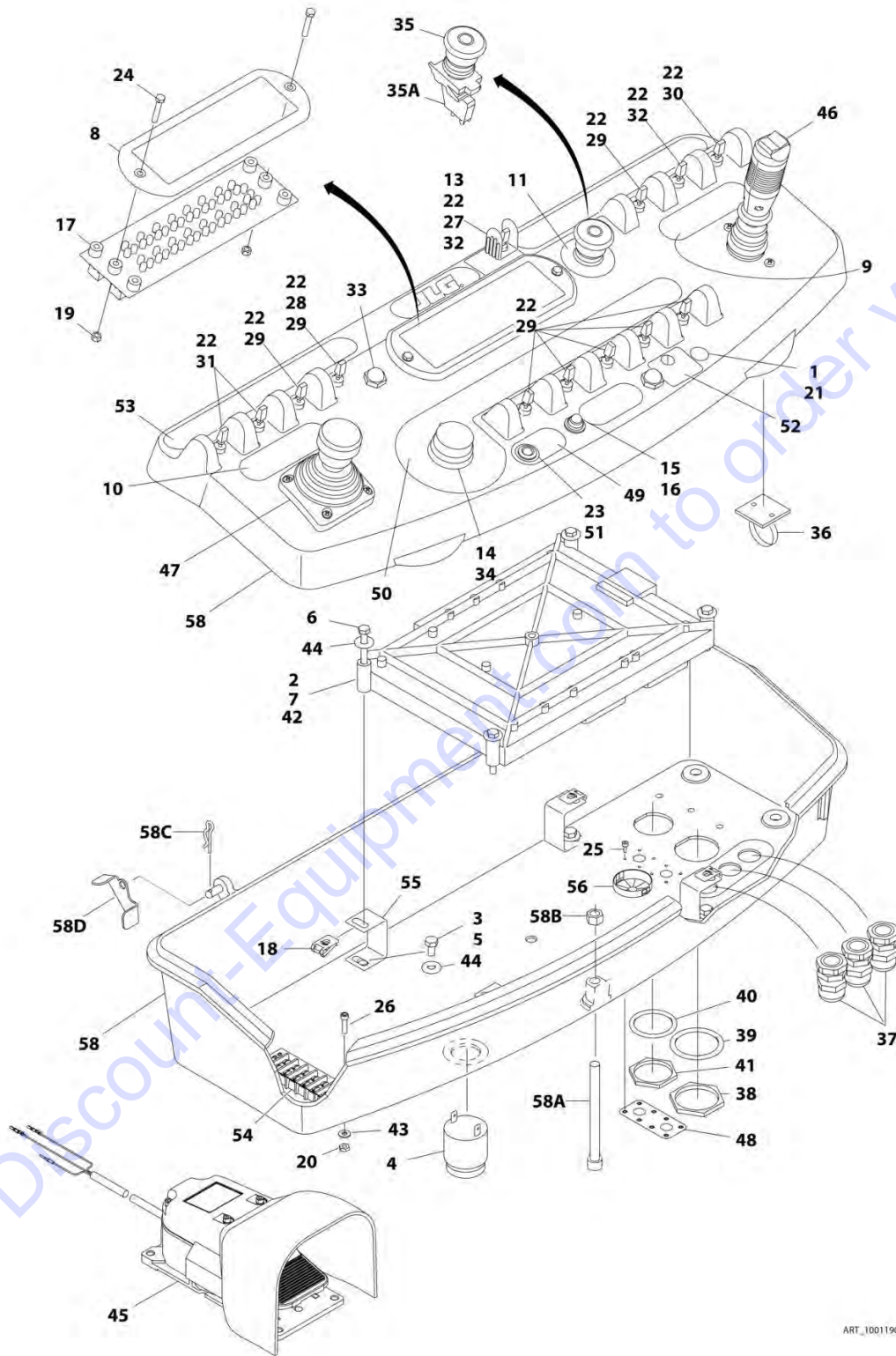
## SECTION 5 - PLATFORM

ITEM	PART NUMBER	QTY	DESCRIPTION	REV
44	1001125195	1	Decal - Function Speed	
45	1001137364	1	Lamp, Indicator	
46	1001149976	1	Harness, Console Box (Not Shown - See ELECTRICAL SECTION for Breakdown)	
47	1001155044	13	Nut 15/32	
48	1001155045	8	Switch, Toggle	
49	1001156926	1	Decal - Horn	
50	1001157292	1	Bussbar	
51	1001159256	1	Switch, Toggle	
52	1001161709	2	Switch, Toggle	
53	1001161710	2	Switch, Toggle	
54	1001166538	NLA	Drive and Steer Controller Assembly (See DRIVE AND STEER CONTROLLER ASSEMBLY for Breakdown) (Note: Use p/n 1001212415)	
55	1001166539	NLA	Lift and Swing Controller Assembly (See LIFT AND SWING CONTROLLER ASSEMBLY for Breakdown) (Note: Use p/n 1001129555 as Replacement)	
56	1001172760	4	Bracket	
57	1001201889	1	Box, Console Assembly	
57A	0630568	1	Capscrew 3/8 x 4-1/2	
57B	3311601	1	Nut 3/8	
57C	3430616	2	Pin	
57D	3470003	2	Pin	
57E	4711600	2	Washer 3/8	



# SECTION 5 - PLATFORM

FIGURE 5-26. PLATFORM CONSOLE ASSEMBLY - WITH SKYGUARD (Prior to SN 0300212338)



ART\_1001190096

## SECTION 5 - PLATFORM

**FIGURE 5-26. PLATFORM CONSOLE ASSEMBLY - WITH SKYGUARD (Prior to SN 0300212338)**

ITEM	PART NUMBER	QTY	DESCRIPTION	REV
	1001190096	Ref	PLATFORM CONSOLE ASSEMBLY - WITH SKYGUARD (Prior to SN 0300212338)	D
1	0100009	AR	Sealant	
2	0100048	AR	Grease, Dielectric	
3	0100081	AR	Adhesive	
4	0140011	1	Alarm	
5	0641404	4	Bolt 1/4-20 x 1/2	
6	0641414	4	Bolt 1/4-20 x 1-3/4	
7	1600343	1	Module, Control (Note: Control System needs recalibrated when replaced)	
8	1671176	1	Cover	
9	1702565	1	Decal - Drive and Steer	
10	1702566	1	Decal - Lift and Swing	
11	1704260	1	Decal - EMS	
12	1705132	1	Decal - Control ADE	
13	1706741	1	Decal - Boom Control Select	
14	2560136	1	Handle, Knob	
15	2920028	1	Lamp, Indicator	
16	2920029	1	Bulb	
17	2920154	1	Panel, LED	
18	3300353	4	Nut, Tinnerman	
19	3300408	2	Locknut	
20	3311005	2	Nut #10-24	
21	3520026	1	Plug	
22	3790012	13	O-Ring	
23	3790015	1	O-Ring	
24	3900183	2	Screw #10-24 X 1-1/4	
25	3900349	8	Capscrew M2.5	
26	3931012	2	Bolt #10-24 x 3/4	
27	4060906	1	Guard, Switch	
28	4071074	1	Shim	
29	4360328	8	Switch, Toggle	
30	4360330	1	Switch, Toggle	
31	4360331	2	Switch, Toggle	
32	4360336	2	Switch, Toggle	
33	4360387	2	Switch, Push Button	
34	4360407	1	Switch, Flow Control	
35	4360475	1	Switch, Emergency Stop	
35	7020175	1	Cap, Red	
35A	7020176	1	Contact Block	
36	4460234	3	Mount, Tie-Strap	
37	4460428	3	Connector, Strain Relief	
38	4460470	1	Nut, Terminal	
39	4460471	1	Washer, Terminal	
40	4460496	1	Washer, Terminal	
41	4460497	1	Nut, Terminal	
42	4460905	5	Plug, Terminal	
43	4751000	2	Washer #10	
44	4751400	8	Washer 1/4	
45	1001117174	1	Footswitch Assembly (See FOOTSWITCH ASSEMBLY for	

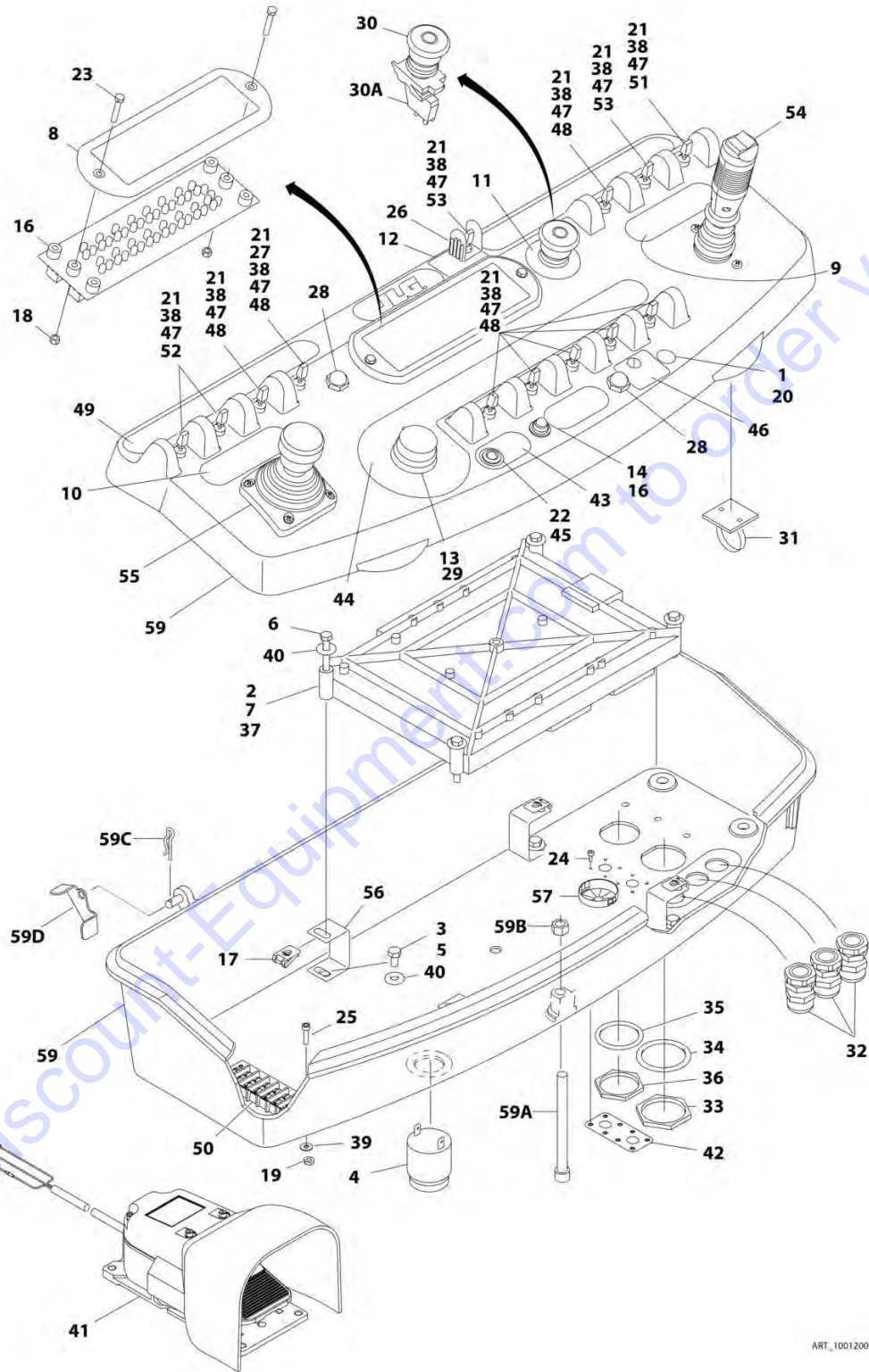
## SECTION 5 - PLATFORM

ITEM	PART NUMBER	QTY	DESCRIPTION	REV
46	1001118416	NLA	Breakdown) Drive and Steer Controller Assembly (See DRIVE AND STEER CONTROLLER ASSEMBLY for Breakdown) (Note: Use p/n 1001212415)	
47	1001118417	NLA	Lift and Swing Controller Assembly (See LIFT AND SWING CONTROLLER ASSEMBLY for Breakdown) (Note: Use p/n 1001129555 as Replacement)	
48	1001120338	1	Mount, Connector	
49	1001125194	1	Decal - Jib Stow	
50	1001125195	1	Decal - Function Speed	
51	1001137364	1	Lamp, Indicator	
52	1001144433	1	Decal - No Weight SkyGuard	
53	1001156926	1	Decal - Horn	
54	1001157292	1	Bussbar	
55	1001172760	4	Bracket	
56	1001185281	1	Plug	
57	1001186229	1	Harness, Console Box (Not Shown - See ELECTRICAL SECTION for Breakdown)	
58	1001190104	1	Box Assembly	
58A	0630568	1	Capscrew 3/8-16 x 4-1/2	
58B	3311601	1	Nut 3/8-16	
58C	3470003	2	Pin	
58D	1001200575	2	Bracket, Stop	



# SECTION 5 - PLATFORM

FIGURE 5-27. PLATFORM CONSOLE ASSEMBLY - WITH SKYGUARD (SN 0300212338 through 0300218317)



ART\_1001200818

## SECTION 5 - PLATFORM

**FIGURE 5-27. PLATFORM CONSOLE ASSEMBLY - WITH SKYGUARD (SN 0300212338 through 0300218317)**

ITEM	PART NUMBER	QTY	DESCRIPTION	REV
	1001200818	Ref	PLATFORM CONSOLE ASSEMBLY - WITH SKYGUARD (SN 0300212338 through 0300218317)	B
1	0100009	AR	Sealant	
2	0100048	AR	Grease, Dielectric	
3	0100081	AR	Adhesive	
4	0140011	1	Alarm	
5	0641404	4	Bolt 1/4-20 x 1/2	
6	0641414	4	Bolt 1/4-20 x 1-3/4	
7	1600343	1	Module, Control (Note: Control System needs recalibrated when replaced)	
8	1671176	1	Cover	
9	1702565	1	Decal - Drive and Steer	
10	1702566	1	Decal - Lift and Swing	
11	1704260	1	Decal - EMS	
12	1706741	1	Decal - Boom Control Select	
13	2560136	1	Handle, Knob	
14	2920028	1	Lamp, Indicator	
15	2920029	1	Bulb	
16	2920154	1	Panel, LED	
17	3300353	4	Nut, Tinnerman	
18	3300408	2	Locknut	
19	3311005	2	Nut #10-24	
20	3520026	1	Plug	
21	3790012	13	O-Ring	
22	3790015	1	O-Ring	
23	3900183	2	Screw #10-24 X 1-1/4	
24	3900349	8	Capscrew M2.5	
25	3931012	2	Bolt #10-24 x 3/4	
26	4060906	1	Guard, Switch	
27	4071074	1	Shim	
28	4360387	2	Switch, Push Button	
29	4360407	1	Switch, Flow Control	
30	4360475	1	Switch, Emergency Stop	
30	7020175	1	Cap, Red	
30A	7020176	1	Contact Block	
31	4460234	3	Mount, Tie-Strap	
32	4460428	3	Connector, Strain Relief	
33	4460470	1	Nut, Terminal	
34	4460471	1	Washer, Terminal	
35	4460496	1	Washer, Terminal	
36	4460497	1	Nut, Terminal	
37	4460905	5	Plug, Terminal	
38	4740397	13	Spacer	
39	4751000	2	Washer #10	
40	4751400	8	Washer 1/4	
41	1001117174	1	Footswitch Assembly (See FOOTSWITCH ASSEMBLY for Breakdown)	
42	1001120338	1	Mount, Connector	
43	1001125194	1	Decal - Jib Stow	



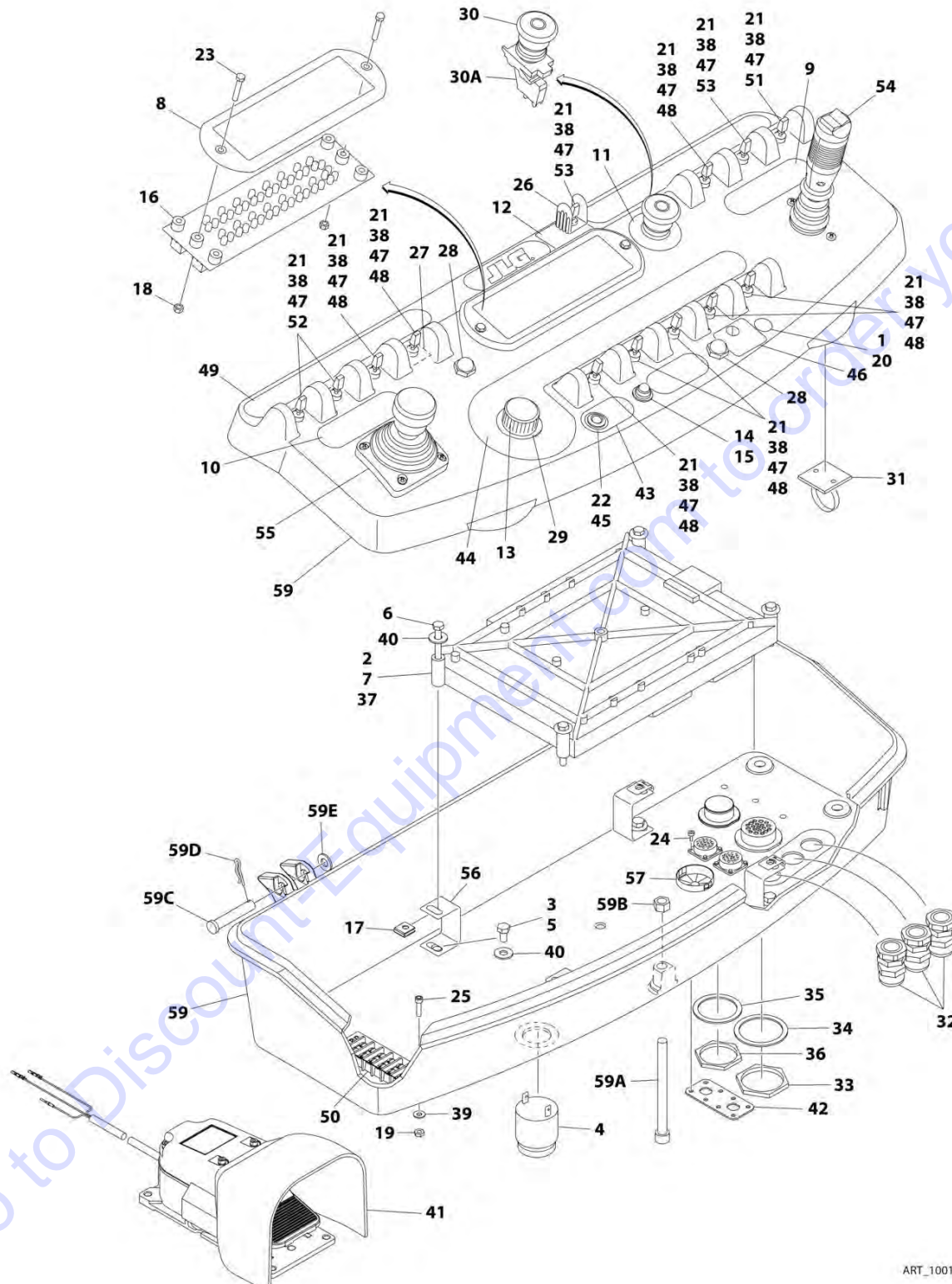
## SECTION 5 - PLATFORM

ITEM	PART NUMBER	QTY	DESCRIPTION	REV
44	1001125195	1	Decal - Function Speed	
45	1001137364	1	Lamp, Indicator	
46	1001144433	1	Decal - No Weight SkyGuard	
47	1001155044	13	Nut 15/32-32	
48	1001155045	8	Switch, Toggle	
49	1001156926	1	Decal - Horn	
50	1001157292	1	Bussbar	
51	1001159256	1	Switch, Toggle	
52	1001161709	2	Switch, Toggle	
53	1001161710	2	Switch, Toggle	
54	1001166538	NLA	Drive and Steer Controller Assembly (See DRIVE AND STEER CONTROLLER ASSEMBLY for Breakdown) (Note: Use p/n 1001212415)	
55	1001166539	NLA	Lift and Swing Controller Assembly (See LIFT AND SWING CONTROLLER ASSEMBLY for Breakdown) (Note: Use p/n 1001129555 as Replacement)	
56	1001172760	4	Bracket	
57	1001185281	1	Plug	
58	1001186229	1	Harness, Console Box (Not Shown - See ELECTRICAL SECTION for Breakdown)	
59	1001190104	1	Box Assembly	
59A	0630568	1	Capscrew 3/8-16 x 4-1/2	
59B	3311601	1	Nut 3/8-16	
59C	3470003	2	Pin	
59D	1001200575	2	Bracket, Stop	



# SECTION 5 - PLATFORM

FIGURE 5-28. PLATFORM CONSOLE ASSEMBLY - WITH SKYGUARD (SN 0300218318 through 0300234076)



ART\_1001202486

## SECTION 5 - PLATFORM

**FIGURE 5-28. PLATFORM CONSOLE ASSEMBLY - WITH SKYGUARD (SN 0300218318 through 0300234076)**

ITEM	PART NUMBER	QTY	DESCRIPTION	REV
	1001202486	Ref	PLATFORM CONSOLE ASSEMBLY - WITH SKYGUARD (SN 0300218318 through 0300234076)	C
1	0100009	AR	Sealant	
2	0100048	AR	Grease, Dielectric	
3	0100081	AR	Adhesive	
3	0100035	AR	Compound, Locking	
4	0140011	1	Alarm	
5	0641404	4	Bolt 1/4 x 1/2	
6	0641414	4	Bolt 1/4 x 1-3/4	
7	1600343	1	Module, Control (Note: Control System needs recalibrated when replaced)	
8	1671176	1	Cover	
9	1702565	1	Decal - Drive and Steer	
10	1702566	1	Decal - Lift and Swing	
11	1704260	1	Decal - EMS	
12	1706741	1	Decal - Boom Control Select	
13	2560136	1	Handle, Knob	
14	2920028	1	Light, Indicator	
15	2920029	1	Lamp, Bulb	
16	2920154	1	Panel, LED	
17	3300353	4	Nut, Tinnerman	
18	3300408	2	Nut	
19	3311005	2	Nut #10	
20	3520026	2	Plug	
21	3790012	13	O-Ring	
22	3790015	1	O-Ring	
23	3900183	2	Screw #10 x 1-1/4	
24	3900349	8	Capscrew M2.5	
25	3931012	2	Bolt #10 x 3/4	
26	4060906	1	Guard, Switch	
27	4071074	1	Shim	
28	4360387	1	Switch, Push Button	
29	4360407	1	Switch, Flow Control	
30	4360475	1	Switch, Emergency Stop	
30	7020175	1	Cap, Red	
30A	7020176	1	Contact Block	
31	4460234	3	Mount, Tie-Strap	
32	4460428	3	Connector, Strain Relief	
33	4460470	1	Nut, Terminal	
34	4460471	1	Washer, Terminal	
35	4460496	1	Washer, Terminal	
36	4460497	1	Nut, Terminal	
37	4460905	5	Plug, Terminal	
38	4740397	13	Spacer	
39	4751000	2	Washer #10	
40	4751400	8	Washer 1/4	
41	1001117174	1	Footswitch Assembly (See FOOTSWITCH ASSEMBLY for Breakdown)	
42	1001120338	1	Mount, Connector	

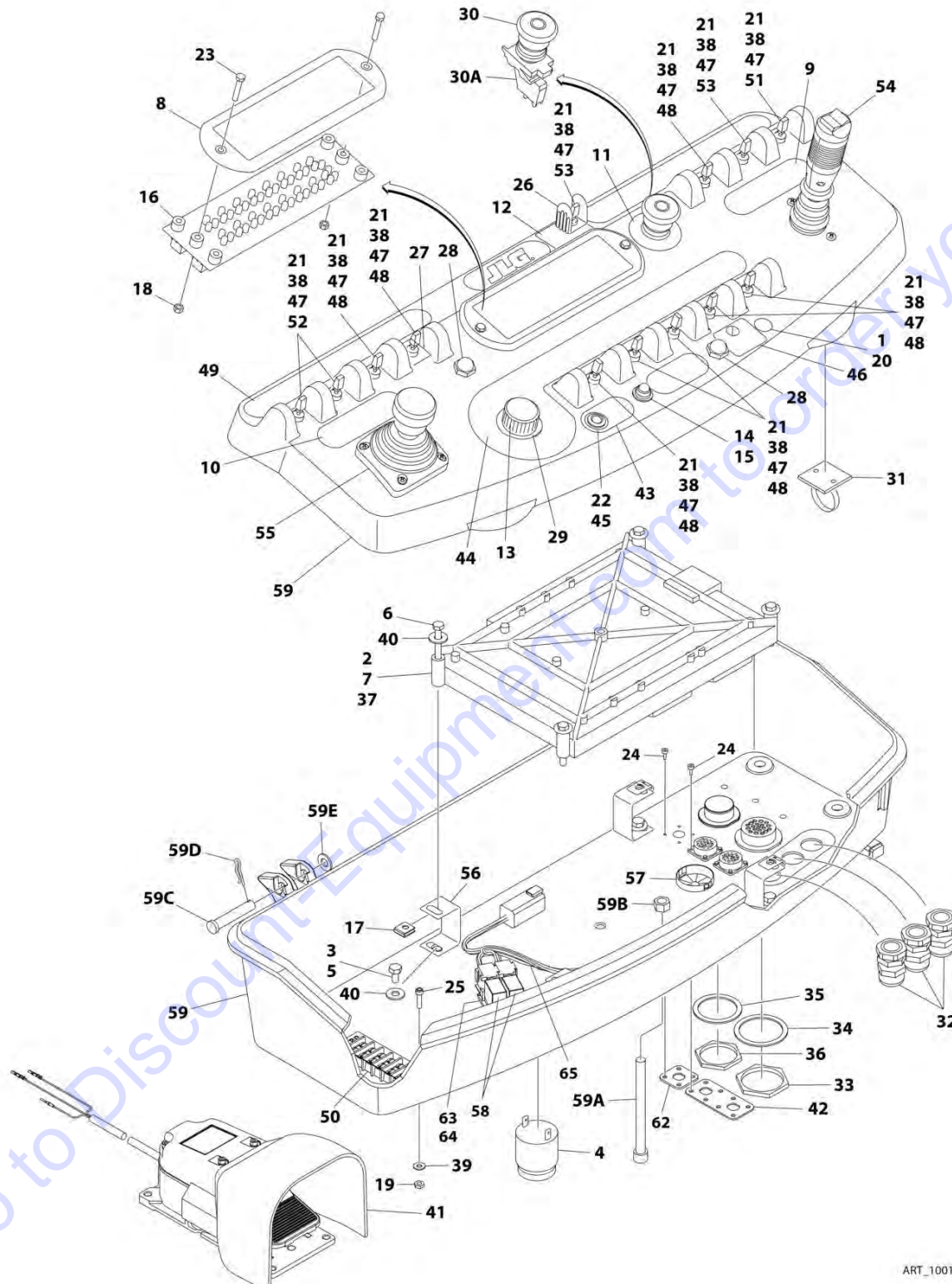
## SECTION 5 - PLATFORM

ITEM	PART NUMBER	QTY	DESCRIPTION	REV
43	1001125194	1	Decal - Jib Stow	
44	1001125195	1	Decal - Function Speed	
45	1001137364	1	Lamp, Indicator	
46	1001144433	1	Decal - No Weight SkyGuard	
47	1001155044	13	Nut 15/32	
48	1001155045	8	Switch, Toggle	
49	1001156926	1	Decal - Horn	
50	1001157292	1	Bussbar	
51	1001159256	1	Switch, Toggle	
52	1001161709	2	Switch, Toggle	
53	1001161710	2	Switch, Toggle	
54	1001166538	NLA	Drive and Steer Controller Assembly (See DRIVE AND STEER CONTROLLER ASSEMBLY for Breakdown) (Note: Use p/n 1001212415)	
55	1001166539	NLA	Lift and Swing Controller Assembly (See LIFT AND SWING CONTROLLER ASSEMBLY for Breakdown) (Note: Use p/n 1001129555 as Replacement)	
56	1001172760	4	Bracket	
57	1001185281	1	Plug, Bushing	
58	1001186229	1	Harness, Console Box (Not Shown - See ELECTRICAL SECTION for Breakdown)	
59	1001201889	1	Box, Console Assembly	
59A	0630568	1	Capscrew 3/8 x 4-1/2	
59B	3311601	1	Nut 3/8	
59C	3430616	2	Pin	
59D	3470003	2	Pin	
59E	4711600	2	Washer 3/8	



# SECTION 5 - PLATFORM

FIGURE 5-29. PLATFORM CONSOLE ASSEMBLY - WITH SKYGUARD (SN 0300234077 through 0300259338)



ART\_1001219993

## SECTION 5 - PLATFORM

**FIGURE 5-29. PLATFORM CONSOLE ASSEMBLY - WITH SKYGUARD (SN 0300234077 through 0300259338)**

ITEM	PART NUMBER	QTY	DESCRIPTION	REV
	1001219993	Ref	PLATFORM CONSOLE ASSEMBLY - WITH SKYGUARD (SN 0300234077 through 0300259338)	C
1	0100009	AR	Sealant	
2	0100048	AR	Grease, Dielectric	
3	0100035	AR	Compound, Locking	
4	0140011	1	Alarm	
5	0641404	4	Bolt 1/4 x 1/2	
6	0641414	4	Bolt 1/4 x 1-3/4	
7	1600343	1	Module, Control (Note: Control System needs recalibrated when replaced)	
8	1671176	1	Cover	
9	1702565	1	Decal - Drive and Steer	
10	1702566	1	Decal - Lift and Swing	
11	1704260	1	Decal - EMS	
12	1706741	1	Decal - Boom Control Select	
13	2560136	1	Handle, Knob	
14	2920028	1	Light, Indicator	
15	2920029	1	Lamp, Bulb	
16	2920154	1	Panel, LED	
17	3300353	4	Nut, Tinnerman	
18	3300408	2	Nut	
19	3311005	2	Nut #10	
20	3520026	1	Plug	
21	3790012	13	O-Ring	
22	3790015	1	O-Ring	
23	3900183	2	Screw #10 x 1-1/4	
24	3900349	12	Capscrew M2.5	
25	3931012	2	Bolt #10 x 3/4	
26	4060906	1	Guard, Switch	
27	4071074	1	Shim	
28	4360387	2	Switch, Push Button	
29	4360407	1	Switch, Flow Control	
30	4360475	1	Switch, Emergency Stop	
30	7020175	1	Cap, Red	
30A	7020176	1	Contact Block	
31	4460234	3	Mount, Tie-Strap	
32	4460428	3	Connector, Strain Relief	
33	4460470	1	Nut, Terminal	
34	4460471	1	Washer, Terminal	
35	4460496	1	Washer, Terminal	
36	4460497	1	Nut, Terminal	
37	4460905	5	Plug, Terminal	
38	4740397	13	Spacer	
39	4751000	2	Washer #10	
40	4751400	8	Washer 1/4	
41	1001117174	1	Footswitch Assembly (See FOOTSWITCH ASSEMBLY for Breakdown)	
42	1001120338	1	Mount, Connector	
43	1001125194	1	Decal - Jib Stow	



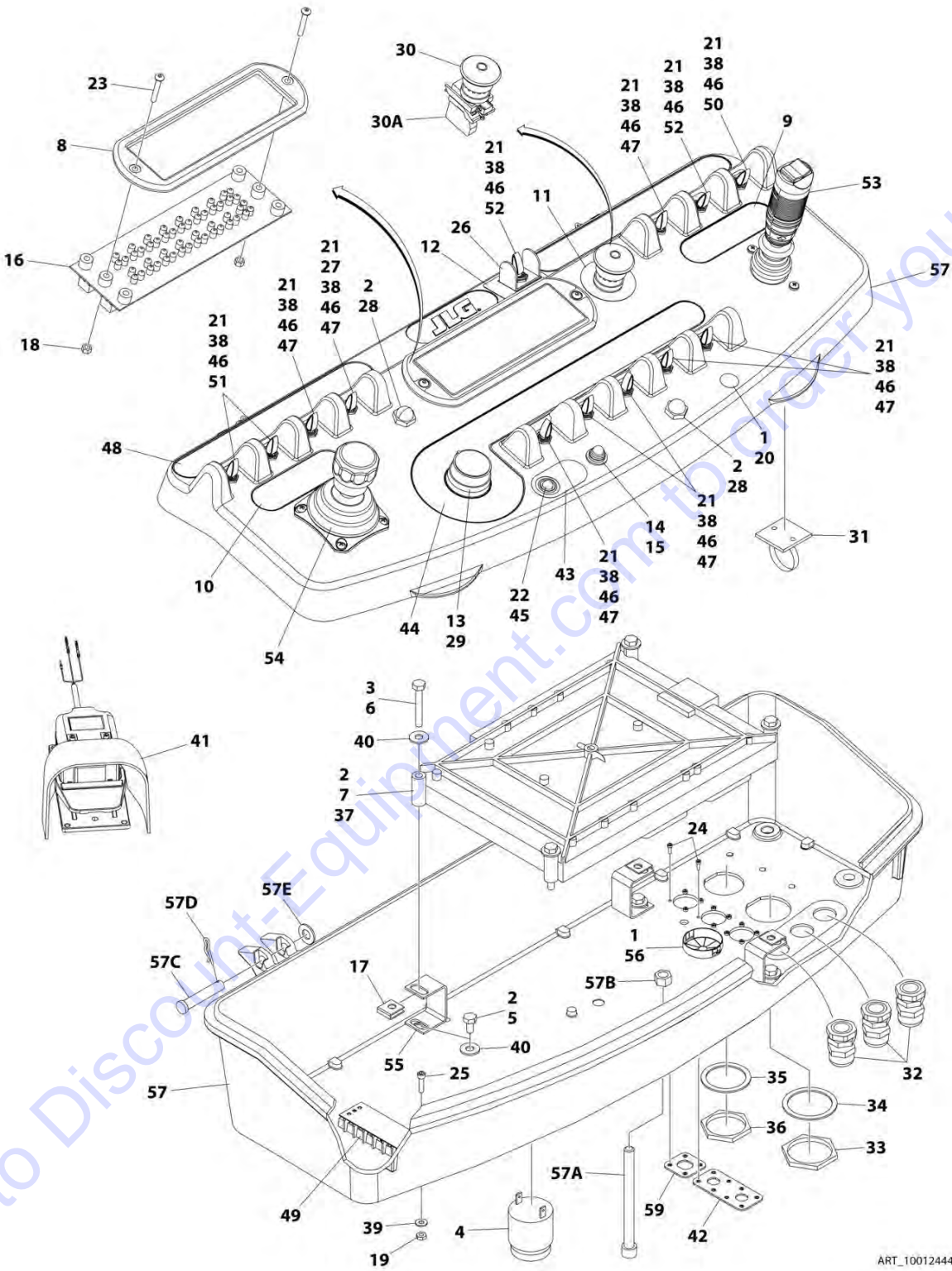
## SECTION 5 - PLATFORM

ITEM	PART NUMBER	QTY	DESCRIPTION	REV
44	1001125195	1	Decal - Function Speed	
45	1001137364	1	Lamp, Indicator	
46	1001144433	1	Decal - No Weight SkyGuard	
47	1001155044	13	Nut 15/32	
48	1001155045	8	Switch, Toggle	
49	1001156926	1	Decal - Horn	
50	1001157292	1	Bussbar	
51	1001159256	1	Switch, Toggle	
52	1001161709	2	Switch, Toggle	
53	1001161710	2	Switch, Toggle	
54	1001166538	NLA	Drive and Steer Controller Assembly (See DRIVE AND STEER CONTROLLER ASSEMBLY for Breakdown) (Note: Use p/n 1001212415)	
55	1001166539	NLA	Lift and Swing Controller Assembly (See LIFT AND SWING CONTROLLER ASSEMBLY for Breakdown) (Note: Use p/n 1001129555 as Replacement)	
56	1001172760	4	Bracket	
57	1001185281	1	Plug, Bushing	
58	1001186431	2	Relay	
59	1001201889	1	Box, Console Assembly	
59A	0630568	1	Capscrew 3/8 x 4-1/2	
59B	3311601	1	Nut 3/8	
59C	3430616	2	Pin	
59D	3470003	2	Pin	
59E	4711600	2	Washer 3/8	
61	1001220868	1	Harness, Console Box (Not Shown - See ELECTRICAL SECTION for Breakdown)	
62	1001220929	1	Connector	
63	4240032	1	Tie-Strap	
64	4460488	1	Base, Mounting	
65	1001225580	1	Harness, Platform Interface (Not Shown - See ELECTRICAL SECTION for Breakdown)	



# SECTION 5 - PLATFORM

## FIGURE 5-30. PLATFORM CONSOLE ASSEMBLY - WITH SKYGUARD (SN 0300229339 to Present)



ART\_100124456

## SECTION 5 - PLATFORM

**FIGURE 5-30. PLATFORM CONSOLE ASSEMBLY - WITH SKYGUARD (SN 0300229339 to Present)**

ITEM	PART NUMBER	QTY	DESCRIPTION	REV
	1001244456	Ref	PLATFORM CONSOLE ASSEMBLY - WITH SKYGUARD	A
1	0100009	AR	Sealant	
2	0100035	AR	Compound, Locking	
3	0100048	AR	Grease, Dielectric	
4	0140011	1	Alarm	
5	0641404	4	Bolt 1/4 x 1/2	
6	0641414	4	Bolt 1/4 x 1-3/4	
7	1600343	1	Module, Control (Note: Control System needs recalibrated when replaced)	
8	1671176	1	Cover	
9	1702565	1	Decal - Drive and Steer	
10	1702566	1	Decal - Lift and Swing	
11	1704260	1	Decal - EMS	
12	1706741	1	Decal - Boom Control Select	
13	2560136	1	Handle, Knob	
14	2920028	1	Light, Indicator	
15	2920029	1	Lamp, Bulb	
16	2920154	1	Panel, LED	
17	3300353	4	Nut, Tinnerman	
18	3300408	2	Nut	
19	3311005	2	Nut #10	
20	3520026	1	Plug	
21	3790012	13	O-Ring	
22	3790015	1	O-Ring	
23	3900183	2	Screw #10 x 1-1/4	
24	3900349	12	Capscrew M2.5	
25	3931012	2	Bolt #10 x 3/4	
26	4060906	1	Guard, Switch	
27	4071074	1	Shim	
28	4360387	2	Switch, Push Button	
29	4360407	1	Switch, Flow Control	
30	4360475	1	Switch, Emergency Stop	
30	7020175	1	Cap, Red	
30A	7020176	1	Contact Block	
31	4460234	3	Mount, Tie-Strap	
32	4460428	3	Connector, Strain Relief	
33	4460470	1	Nut, Terminal	
34	4460471	1	Washer, Terminal	
35	4460496	1	Washer, Terminal	
36	4460497	1	Nut, Terminal	
37	4460905	5	Plug, Terminal	
38	4740397	13	Spacer	
39	4751000	2	Washer #10	
40	4751400	8	Washer 1/4	
41	1001117174	1	Footswitch Assembly (See FOOTSWITCH ASSEMBLY for Breakdown)	
42	1001120338	1	Mount, Connector	
43	1001125194	1	Decal - Jib Stow	
44	1001125195	1	Decal - Function Speed	
45	1001137364	1	Lamp, Indicator	

# PARTS FINDER

**Search Website  
by Part Number**



**Search Manual  
Library For Parts  
Manual & Lookup Part  
Numbers – Purchase  
or Request Quote**

**Can't Find Part or  
Manual? Request Help  
by Manufacturer,  
Model & Description**

Discount-Equipment.com is your online resource for quality parts & equipment.

Florida: **561-964-4949** Outside Florida TOLL FREE: **877-690-3101**

## Need parts?

Click on this link: <http://www.discount-equipment.com/category/5443-parts/> and choose one of the options to help get the right parts and equipment you are looking for. Please have the machine model and serial number available in order to help us get you the correct parts. If you don't find the part on the website or on one of the online manuals, please fill out the request form and one of our experienced staff members will get back to you with a quote for the right part that your machine needs.

We sell worldwide for the brands: Genie, Terex, JLG, MultiQuip, Mikasa, Essick, Whiteman, Mayco, Toro Stone, Diamond Products, Generac Magnum, Airman, Haulotte, Barreto, Power Blanket, Nifty Lift, Atlas Copco, Chicago Pneumatic, Allmand, Miller Curber, Skyjack, Lull, Skytrak, Tsurumi, Husquvarna Target, Stow, Wacker, Sakai, Mi-T-M, Sullair, Basic, Dynapac, MBW, Weber, Bartell, Bennar Newman, Haulotte, Ditch Runner, Menegotti, Morrison, Contec, Buddy, Crown, Edco, Wyco, Bomag, Laymor, EZ Trench, Bil-Jax, F.S. Curtis, Gehl Pavers, Heli, Honda, ICS/PowerGrit, IHI, Partner, Imer, Clipper, MMD, Koshin, Rice, CH&E, General Equipment, Amida, Coleman, NAC, Gradall, Square Shooter, Kent, Stanley, Tamco, Toku, Hatz, Kohler, Robin, Wisconsin, Northrock, Oztec, Toker TK, Rol-Air, APT, Wylie, Ingersoll Rand / Doosan, Innovatech, Con X, Ammann, Mecalac, Makinex, Smith Surface Prep, Small Line, Wanco, Yanmar

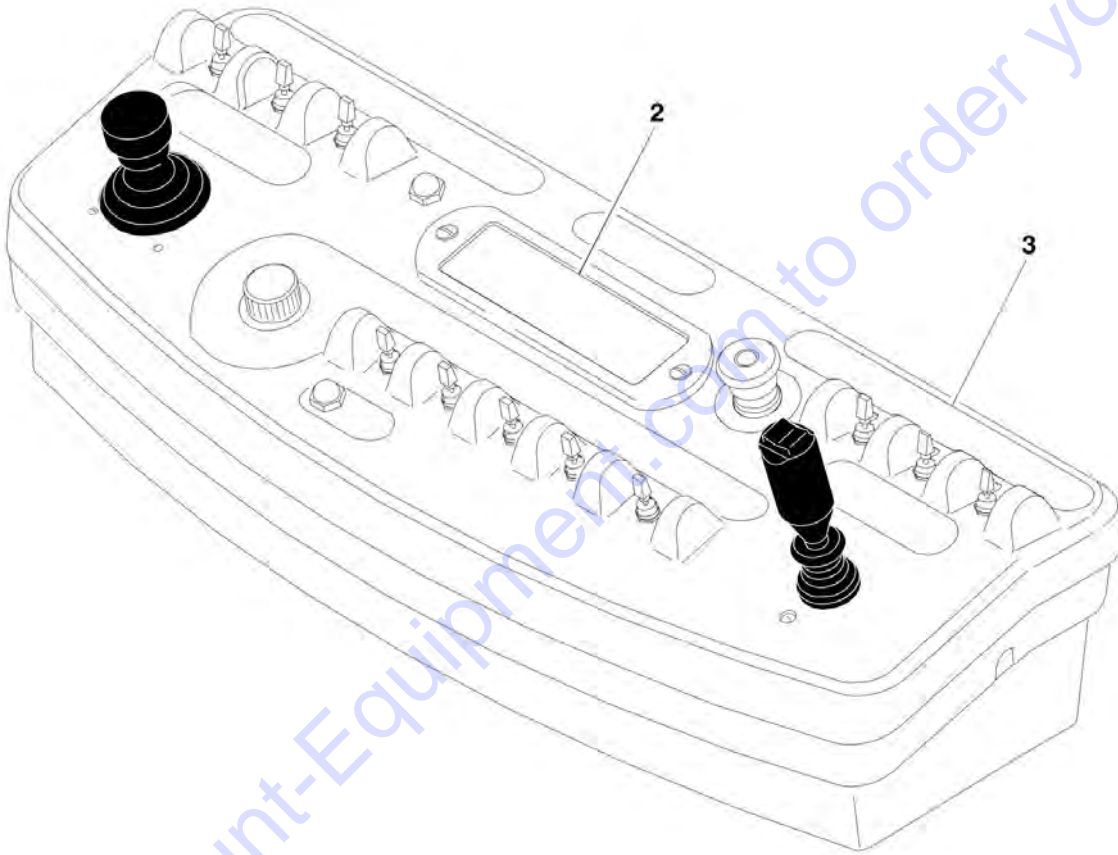
## SECTION 5 - PLATFORM

ITEM	PART NUMBER	QTY	DESCRIPTION	REV
46	1001155044	13	Nut 15/32	
47	1001155045	8	Switch, Toggle	
48	1001156926	1	Decal - Horn	
49	1001157292	1	Bussbar	
50	1001159256	1	Switch, Toggle	
51	1001161709	2	Switch, Toggle	
52	1001161710	2	Switch, Toggle	
53	1001166538	NLA	Drive and Steer Controller Assembly (See DRIVE AND STEER CONTROLLER ASSEMBLY for Breakdown) (Note: Use p/n 1001212415)	
54	1001166539	NLA	Lift and Swing Controller Assembly (See LIFT AND SWING CONTROLLER ASSEMBLY for Breakdown) (Note: Use p/n 1001129555 as Replacement)	
55	1001172760	4	Bracket	
56	1001185281	1	Plug, Bushing	
57	1001201889	1	Box, Console Assembly	
57A	0630568	1	Capscrew 3/8 x 4-1/2	
57B	3311601	1	Nut 3/8	
57C	3430616	2	Pin	
57D	3470003	2	Pin	
57E	4711600	2	Washer 3/8	
58	1001220868	1	Harness, Console Box (Not Shown - See ELECTRICAL SECTION for Breakdown)	
59	1001220929	1	Connector	



## SECTION 5 - PLATFORM

FIGURE 5-31. DECAL AND LIGHT PANEL



1001121826\_PG 2 OF 2



## SECTION 5 - PLATFORM

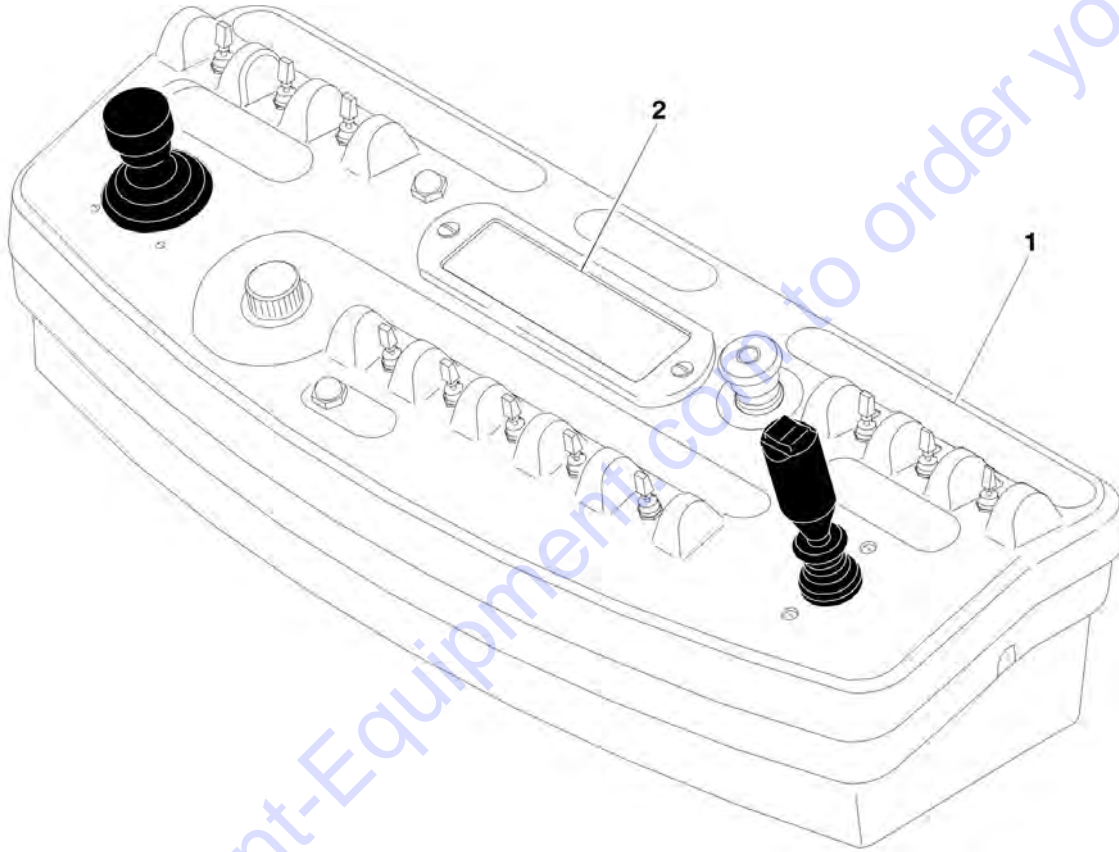
**FIGURE 5-31. DECAL AND LIGHT PANEL**

ITEM	PART NUMBER	QTY	DESCRIPTION	REV
	1001121826	Ref	CONSOLE DECAL AND LIGHT PANEL INSTALLATION - ANSI EXPORT (LRC) AND CHINA SPECS	A
	1001121826	Ref	CONSOLE DECAL AND LIGHT PANEL INSTALLATION - ANSI, CSA AND JAPANESE SPECS <b>(Prior to SN 0300210987)</b>	A
2	1001122384	1	Decal - Display	
3	1001122611	1	Decal - Stop	

Go to Discount-Equipment.com to order your parts

# SECTION 5 - PLATFORM

## FIGURE 5-32. DECAL AND LIGHT PANEL



1001121827\_PG 2 OF 2

## SECTION 5 - PLATFORM

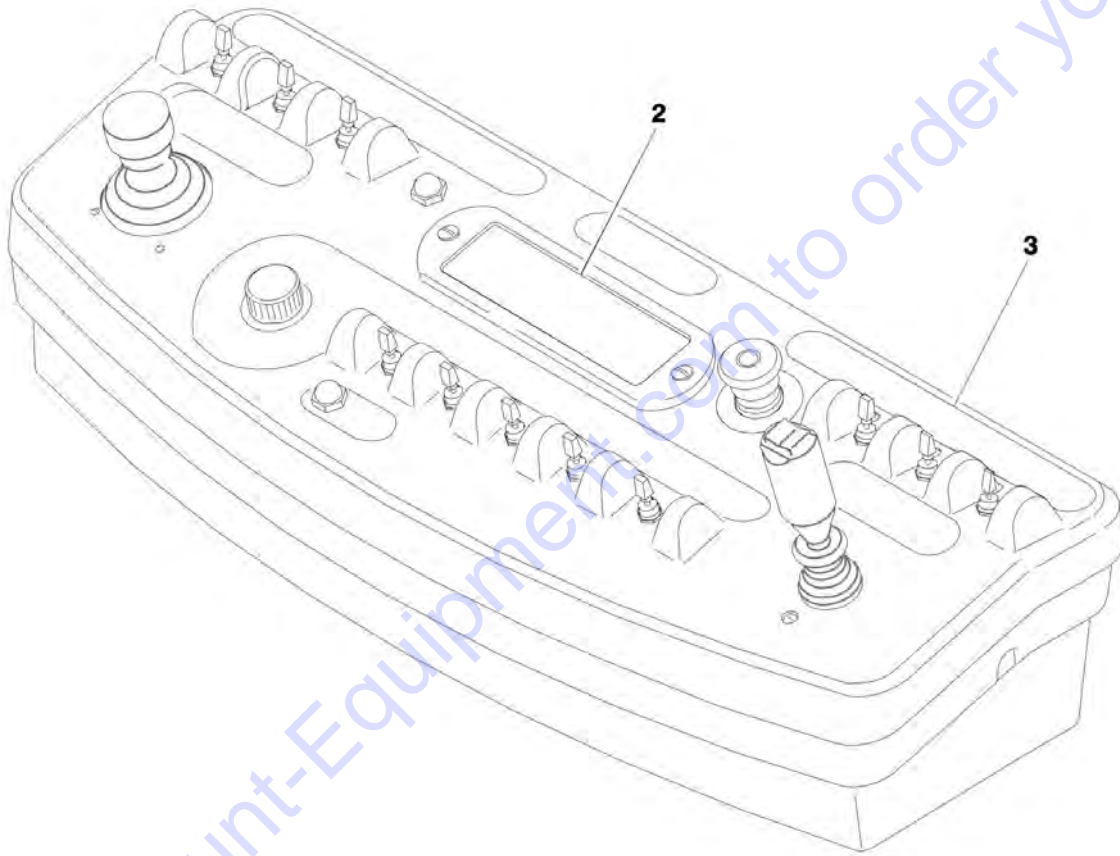
**FIGURE 5-32. DECAL AND LIGHT PANEL**

ITEM	PART NUMBER	QTY	DESCRIPTION	REV
	1001121827	Ref	CONSOLE DECAL AND LIGHT PANEL INSTALLATION - CE (LRC) AND AUSTRALIAN SPECS	A
	1001121827	Ref	CONSOLE DECAL AND LIGHT PANEL INSTALLATION - CE SPECS <b>(Prior to SN 0300210987)</b>	A
1	1705974	1	Decal - Stop	
2	1705973	1	Decal - Display	

Go to Discount-Equipment.com to order your parts

## SECTION 5 - PLATFORM

FIGURE 5-33. DECAL AND LIGHT PANEL



ART\_1001198867\_2OF2

## SECTION 5 - PLATFORM

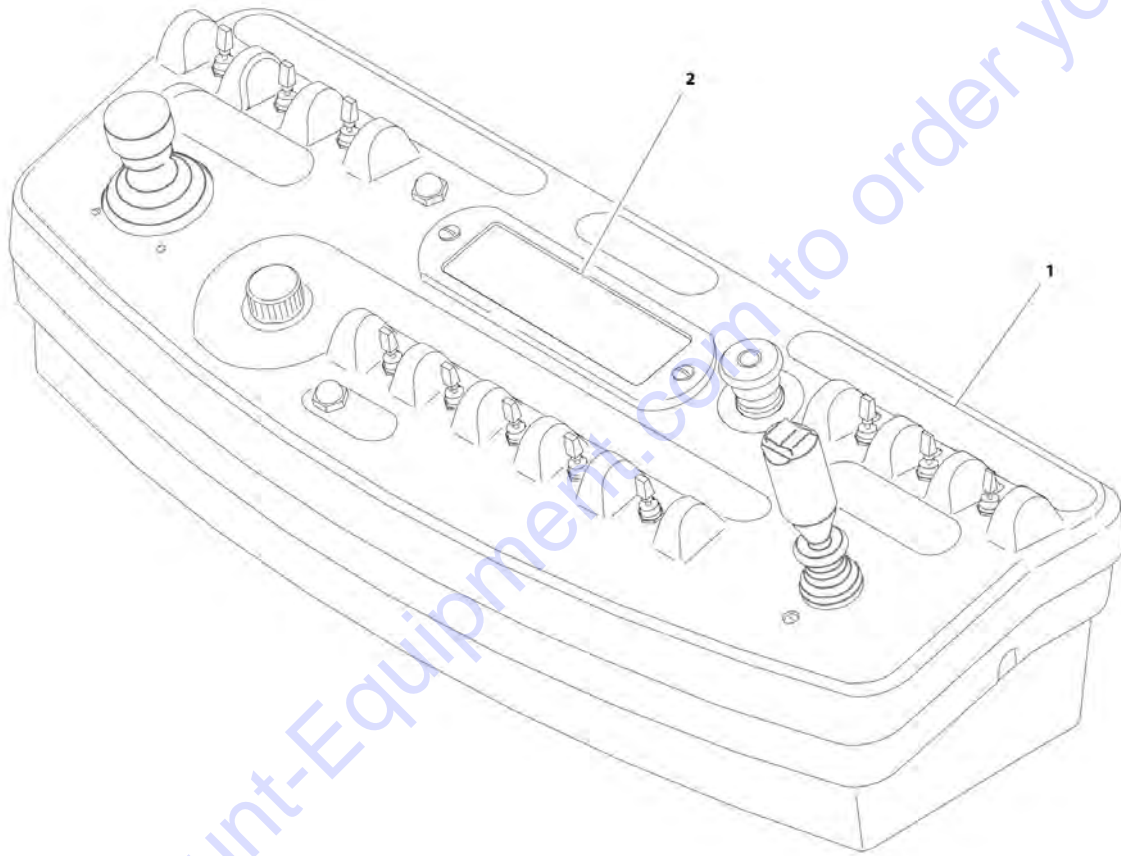
**FIGURE 5-33. DECAL AND LIGHT PANEL**

ITEM	PART NUMBER	QTY	DESCRIPTION	REV
	1001198867	Ref	CONSOLE DECAL AND LIGHT PANEL INSTALLATION - ANSI, ANSI EXPORT (HRC), CSA AND JAPANESE SPECS ( <b>SN 0300210987 to Present</b> )	A
2	1001122384	1	Decal - Display	
3	1001122611	1	Decal - Stop	

Go to Discount-Equipment.com to order your parts

## SECTION 5 - PLATFORM

FIGURE 5-34. DECAL AND LIGHT PANEL



ART\_1001198868\_2OF2

## SECTION 5 - PLATFORM

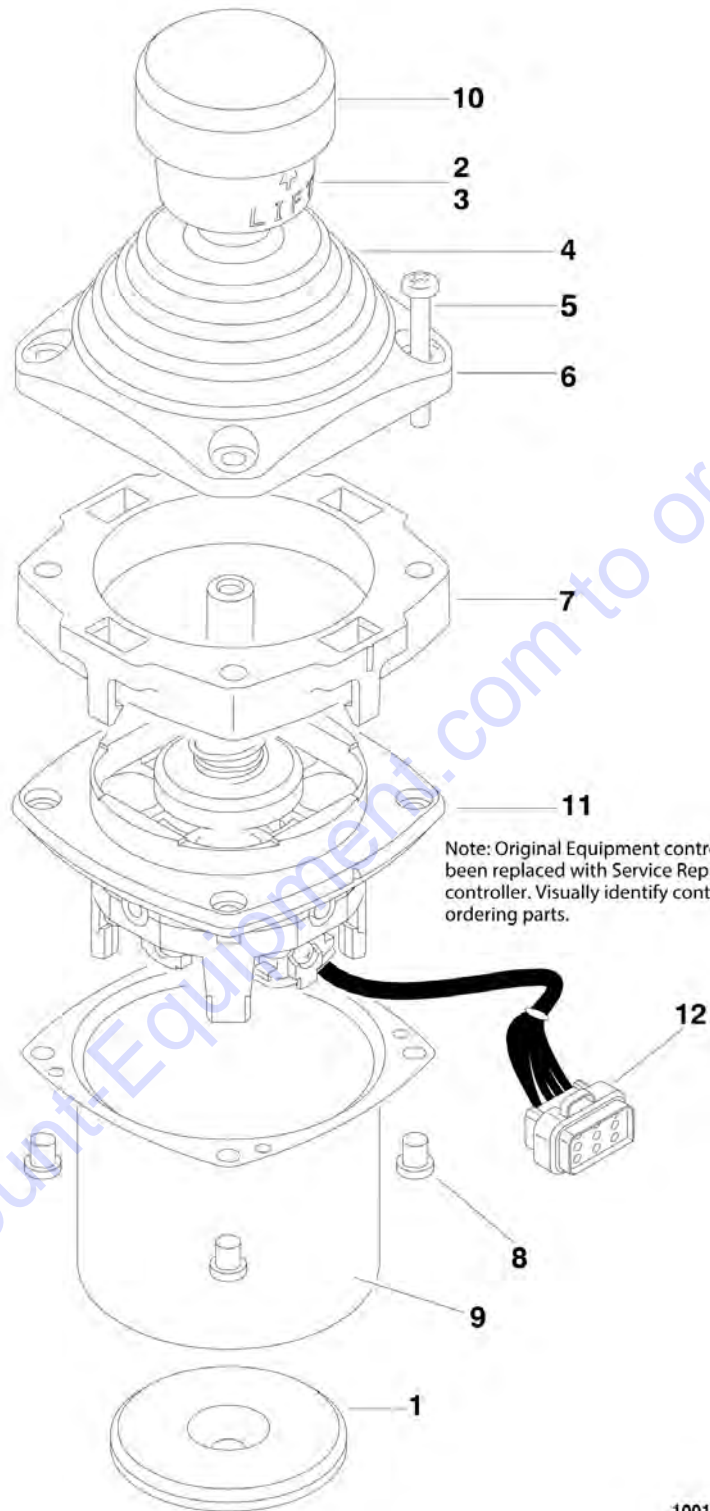
### FIGURE 5-34. DECAL AND LIGHT PANEL

ITEM	PART NUMBER	QTY	DESCRIPTION	REV
	1001198868	Ref	CONSOLE DECAL AND LIGHT PANEL INSTALLATION - CE SPECS (SN 0300210987 to Present)	A
1	1705174	1	Decal - Stop	
2	1705973	1	Decal - Display	

Go to Discount-Equipment.com to order your parts

## SECTION 5 - PLATFORM

FIGURE 5-35. LIFT AND SWING CONTROLLER ASSEMBLY (Prior to SN 0300188926)



100118416



## SECTION 5 - PLATFORM

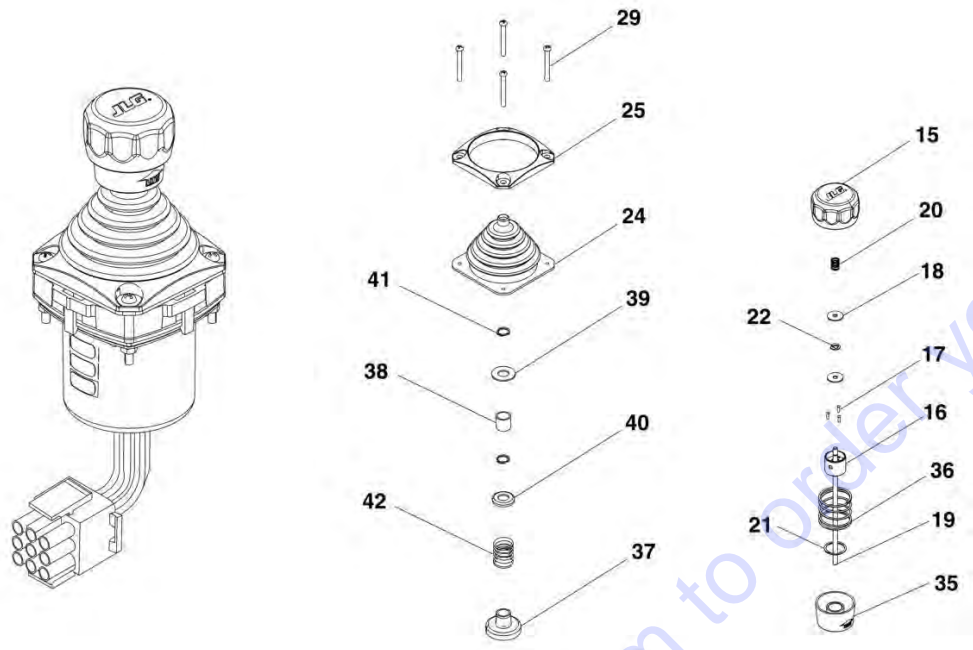
**FIGURE 5-35. LIFT AND SWING CONTROLLER ASSEMBLY (Prior to SN 0300188926)**

ITEM	PART NUMBER	QTY	DESCRIPTION	REV
		Ref	Note: Original Equipment controller may have been replaced with Service Replacement controller. Visually identify controller before ordering parts.	
	1001118417	Ref	<b>CONTROLLER ASSEMBLY (Prior to SN 0300188926)</b>	E
		Ref	Note: Use p/n 1001129555 as replacement.	
1	70002730	1	Gasket	
2	7003928	1	Spring	
3	7022808	1	Cap, Lift	
4	70002731	1	Boot	
5	70002732	4	Screw	
6	7022815	1	Bezel	
7	70002733	1	Adapter	
8	70002734	4	Screw	
9	70002735	1	Can, Enclosure	
10	70002906	1	Cap	
11	See Note	NSS	Mechanical Assembly (Note: Purchase Kit p/n 1001129555)	
12	7022819	1	Connector - 8 Position	
12	4460871	6	Socket, Female	

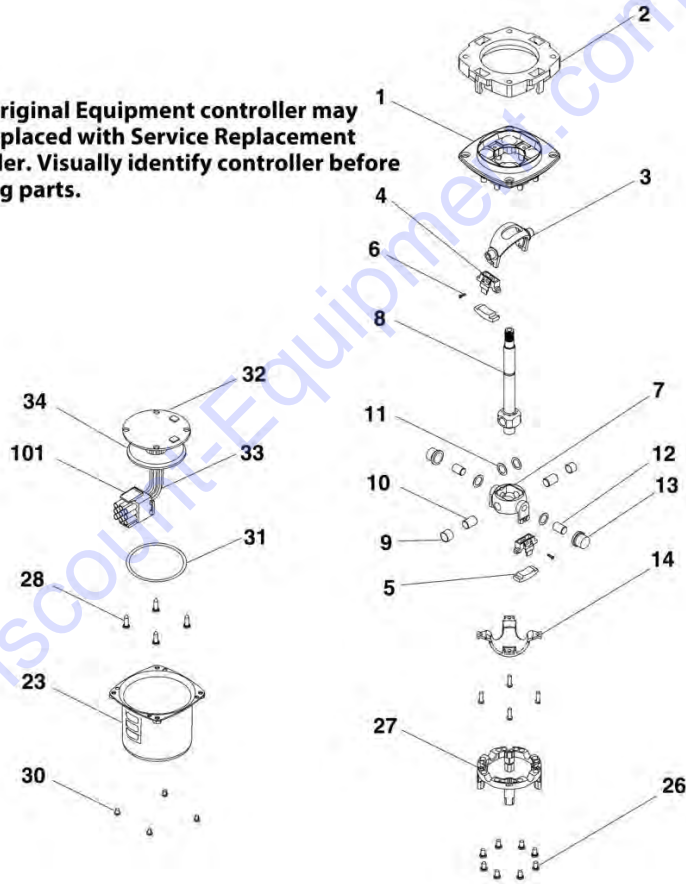
Go to Discount-Equipment.com to order your parts

# SECTION 5 - PLATFORM

FIGURE 5-36. CONTROLLER ASSEMBLY (LIFT AND SWING) (SN 0300188926 to Present)



**Note: Original Equipment controller may be replaced with Service Replacement controller. Visually identify controller before ordering parts.**



ART\_1001166539

## SECTION 5 - PLATFORM

**FIGURE 5-36. CONTROLLER ASSEMBLY (LIFT AND SWING) (SN 0300188926 to Present)**

ITEM	PART NUMBER	QTY	DESCRIPTION	REV
		Ref	Note: Original Equipment controller may have been replaced with Service Replacement controller. Visually identify controller before ordering parts.	
	1001166539	Ref	<b>CONTROLLER ASSEMBLY - LIFT AND SWING (SN 0300188926 to Present)</b>	D
		Ref	Note: Use p/n 1001129555 as replacement.	
1	See Note	NSS	Main Cast Body (Note: Not Available - Purchase Complete Assembly)	
2	70004752	1	Adapter	
3	See Note	NSS	Pivot Arm, Plastic (Note: Not Available - Purchase Complete Assembly)	
4	See Note	NSS	Holder, Magnet (Note: Not Available - Purchase Complete Assembly)	
5	See Note	NSS	Arc, Magnet (Note: Not Available - Purchase Complete Assembly)	
6	See Note	NSS	Screw (Note: Not Available for Purchase)	
7	See Note	NSS	Pivot Arm, Cast (Note: Not Available - Purchase Complete Assembly)	
8	See Note	NSS	Shaft, Main (Note: Not Available - Purchase Complete Assembly)	
9	See Note	NSS	Bearing (Note: Not Available - Purchase Complete Assembly)	
10	See Note	NSS	Pin (Note: Not Available - Purchase Complete Assembly)	
11	See Note	NSS	Shim (Note: Not Available - Purchase Complete Assembly)	
12	See Note	NSS	Pin (Note: Not Available - Purchase Complete Assembly)	
13	See Note	NSS	Bearing (Note: Not Available - Purchase Complete Assembly)	
14	See Note	NSS	Dome, Centering (Note: Not Available - Purchase Complete Assembly)	
15	70004753	1	Cap	
16	70004754	1	Insert, Cap	
17	70004755	3	Pin	
18	70004756	2	Washer	
19	70004757	1	Pin, Centering	
20	70004758	1	Spring	
21	70004759	1	Ring, Retaining	
22	70004760	1	E-Ring	
23	70004761	1	Can, Enclosure	
24	70004762	1	Boot	
25	70004763	1	Bezel	
26	See Note	NSS	Screw (Note: Not Available for Purchase)	
27	See Note	NSS	Base Mounting (Note: Not Available - Purchase Complete Assembly)	
28	See Note	NSS	Screw (Note: Not Available for Purchase)	
29	70004764	4	Screw	
30	70004765	4	Screw	
31	70004766	1	O-Ring	
32	See Note	NSS	Plate (Note: Not Available - Purchase Complete Assembly)	
33	See Note	NSS	Harness (Note: Not Available - Purchase Complete Assembly)	
34	70004767	1	Grommet, Rubber	
35	70004768	1	Housing	
36	70004769	1	Spring	
37	70004770	1	Stopper	
38	70004771	1	Spacer	
39	70004772	1	Washer	
40	70004773	1	Disc	

## SECTION 5 - PLATFORM

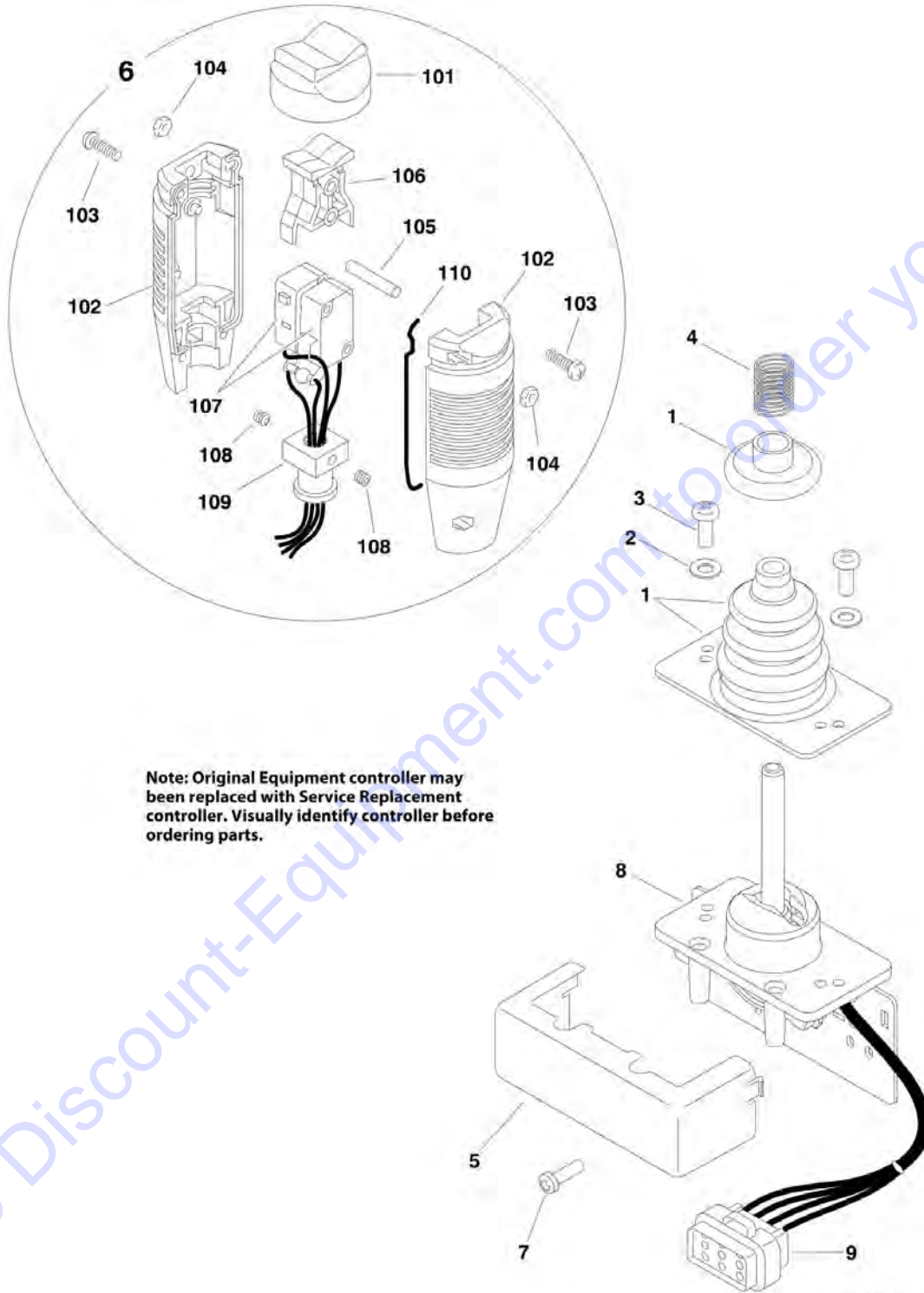
ITEM	PART NUMBER	QTY	DESCRIPTION	REV
41	70004774	2	Ring, Retaining	
42	70004775	1	Spring	
101	4460265	1	Connector - 9 Position	
101	4460226	6	Socket, Female	

Go to Discount-Equipment.com to order your parts



# SECTION 5 - PLATFORM

## FIGURE 5-37. DRIVE AND STEER CONTROLLER ASSEMBLY (Prior to SN 0300188926)



100118416

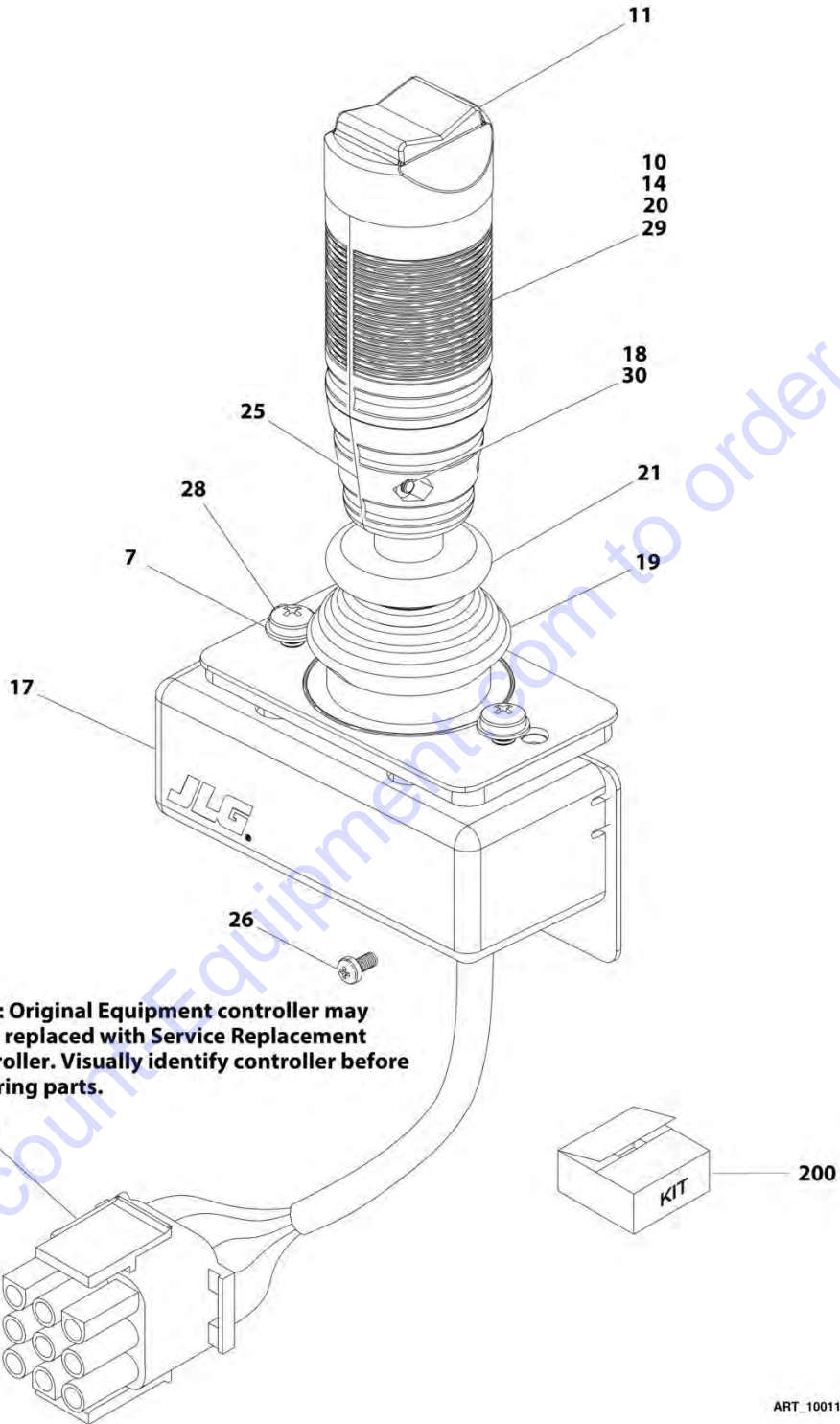
## SECTION 5 - PLATFORM

**FIGURE 5-37. DRIVE AND STEER CONTROLLER ASSEMBLY (Prior to SN 0300188926)**

ITEM	PART NUMBER	QTY	DESCRIPTION	REV
		Ref	Note: Original Equipment controller may have been replaced with Service Replacement controller. Visually identify controller before ordering parts.	
	1001118416	Ref	<b>DRIVE AND STEER CONTROLLER ASSEMBLY (Prior to SN 0300188926)</b>	D
		Ref	Note: Use p/n 1001212415 as replacement.	
1	70002724	1	Boot and Control Lock Assembly	
2	7003941	2	Washer	
3	70002725	2	Screw	
4	7019162	1	Spring	
5	70002726	1	Enclosure	
6	70002727	1	Handle Assembly (See Items 101-110 for Breakdown)	
7	70002728	1	Screw	
8	See Note	NSS	Mechanical Assembly (Note: Use p/n 1001212415)	
9	7022825	1	Connector - 8 Position	
9	4460871	7	Socket, Female	
	70002727	Ref	<b>HANDLE ASSEMBLY</b>	
101	7003972	1	Boot, Switch	
102	7003973	2	Half, Handle	
103	7003980	4	Screw	
104	7019167	4	Nut	
105	7019164	1	Axle	
106	7019165	1	Rocker	
107	70002729	1	Wiring Assembly	
107	7003982	2	Switch, Micro	
108	7003983	2	Setscrew	
109	7019194	1	Coupling	
110	7003989	2	Gasket	

# SECTION 5 - PLATFORM

FIGURE 5-38. CONTROLLER ASSEMBLY (DRIVE AND STEER) (SN 0300188926 to Present)



ART\_1001166538



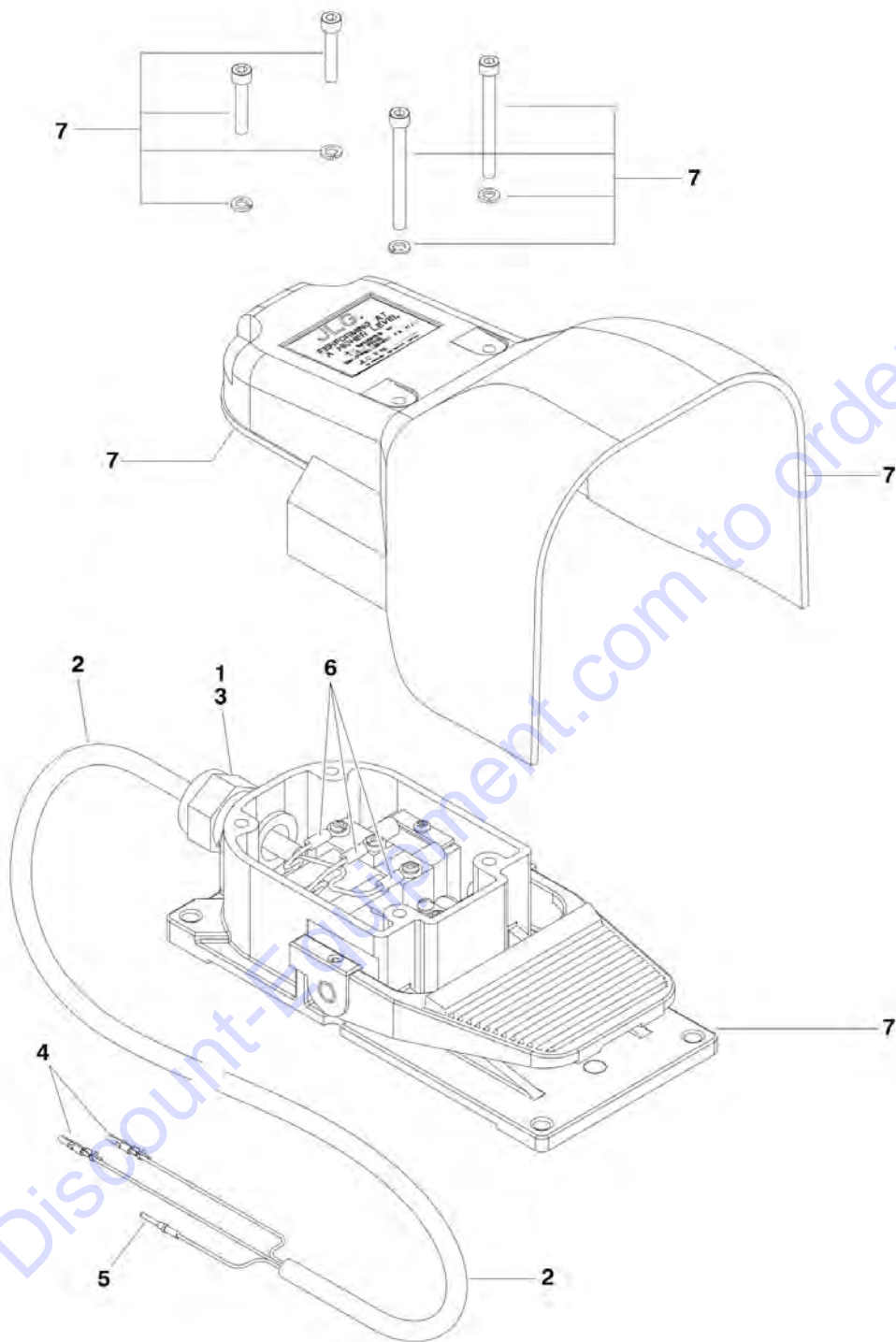
## SECTION 5 - PLATFORM

**FIGURE 5-38. CONTROLLER ASSEMBLY (DRIVE AND STEER) (SN 0300188926 to Present)**

ITEM	PART NUMBER	QTY	DESCRIPTION	REV
		Ref	Note: Original Equipment controller may have been replaced with Service Replacement controller. Visually identify controller before ordering parts.	
	1001166538	Ref	<b>CONTROLLER ASSEMBLY - DRIVE AND STEER (SN 0300188926 to Present)</b>	G
		Ref	Note: Use p/n 1001212415 Kit as Replacement.	
7	70004738	2	Washer	
10	70004739	1	Roller	
11	70004740	1	Boot, Switch	
14	70004741	2	Half, Handle	
17	70004742	1	Enclosure	
18	70004743	4	Nut	
19	70004744	NLA	Boot, Controller (Use Item 200)	
20	70004745	NLA	Tube, Locking (Use Item 200)	
21	70004746	NLA	Disc, Locking (Use Item 200)	
25	70004747	2	Seal, Rope	
26	70004748	1	Screw, M3 x 6mm	
28	70004749	2	Screw, M5 x 20mm	
29	70004750	1	Pin, Dowel	
30	70004751	4	Screw, M3 x 16mm	
101	4460265	1	Connector - 9 Position	
101	4460226	7	Socket, Female	
200	70005230	1	Boot Kit (Includes Items 19-21)	

# SECTION 5 - PLATFORM

## FIGURE 5-39. FOOTSWITCH ASSEMBLY



1001117174

## SECTION 5 - PLATFORM

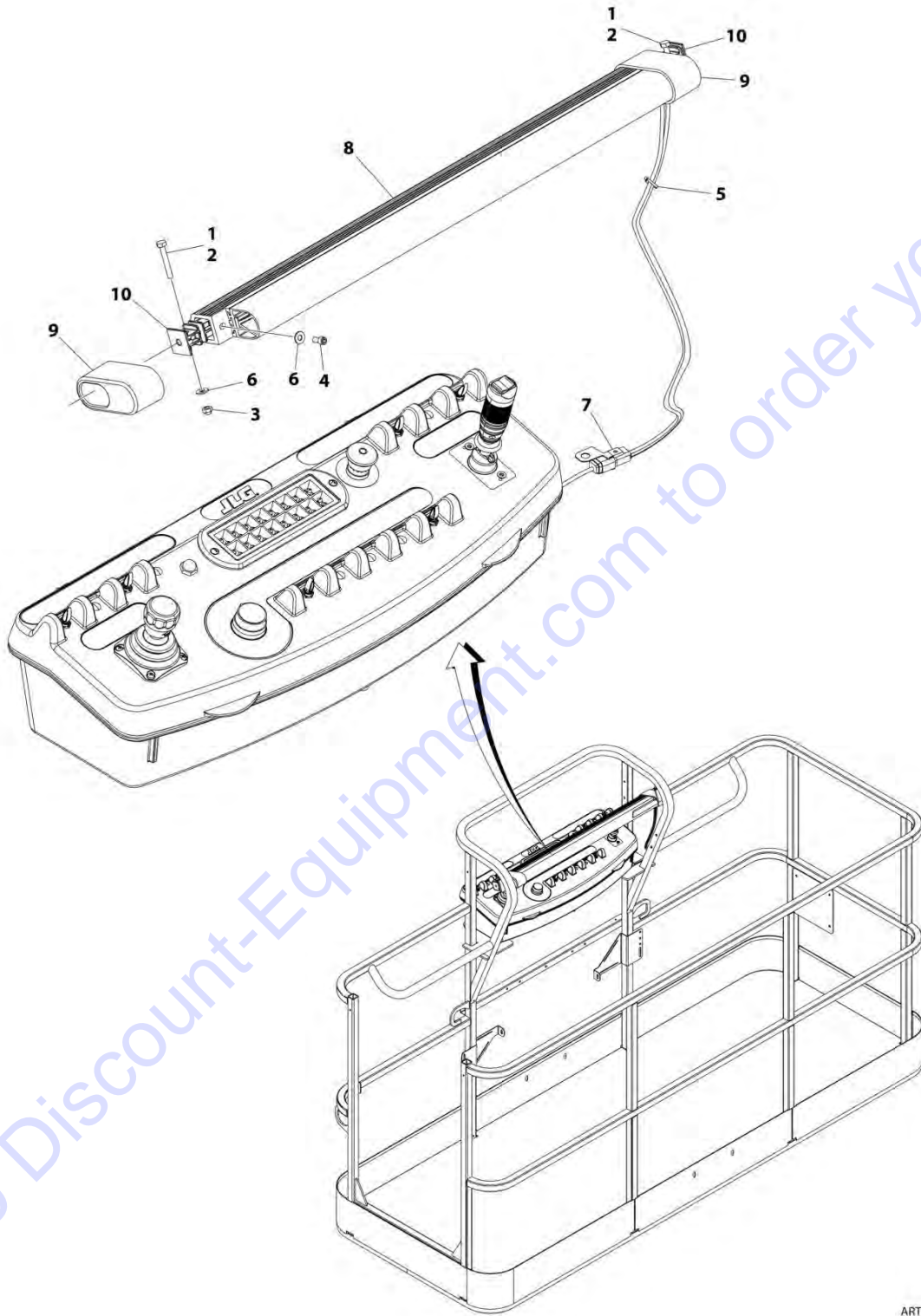
**FIGURE 5-39. FOOTSWITCH ASSEMBLY**

ITEM	PART NUMBER	QTY	DESCRIPTION	REV
	1001117174	Ref	FOOTSWITCH ASSEMBLY	B
1	0100020	AR	Sealant	
2	1060918	7.5 ft /2.3m	Cable, Electrical - 18/3	
3	4460071	1	Connector, Strain Relief	
4	4460226	2	Socket, Female	
5	4460464	1	Pin, Male	
6	1001098122	3	Terminal	
7	1001117172	1	Footswitch	
7	70002902	1	Switch, 20A	
7	70002903	1	Gasket	
7	70002904	1	Kit, Replacement Bolt	
7	70002905	1	Cover	

Go to Discount-Equipment.com to order your parts

# SECTION 5 - PLATFORM

FIGURE 5-40. SKYGUARD SYSTEM INSTALLATION (SN 0300201023 through 0300259338)



ART\_1001187508

## SECTION 5 - PLATFORM

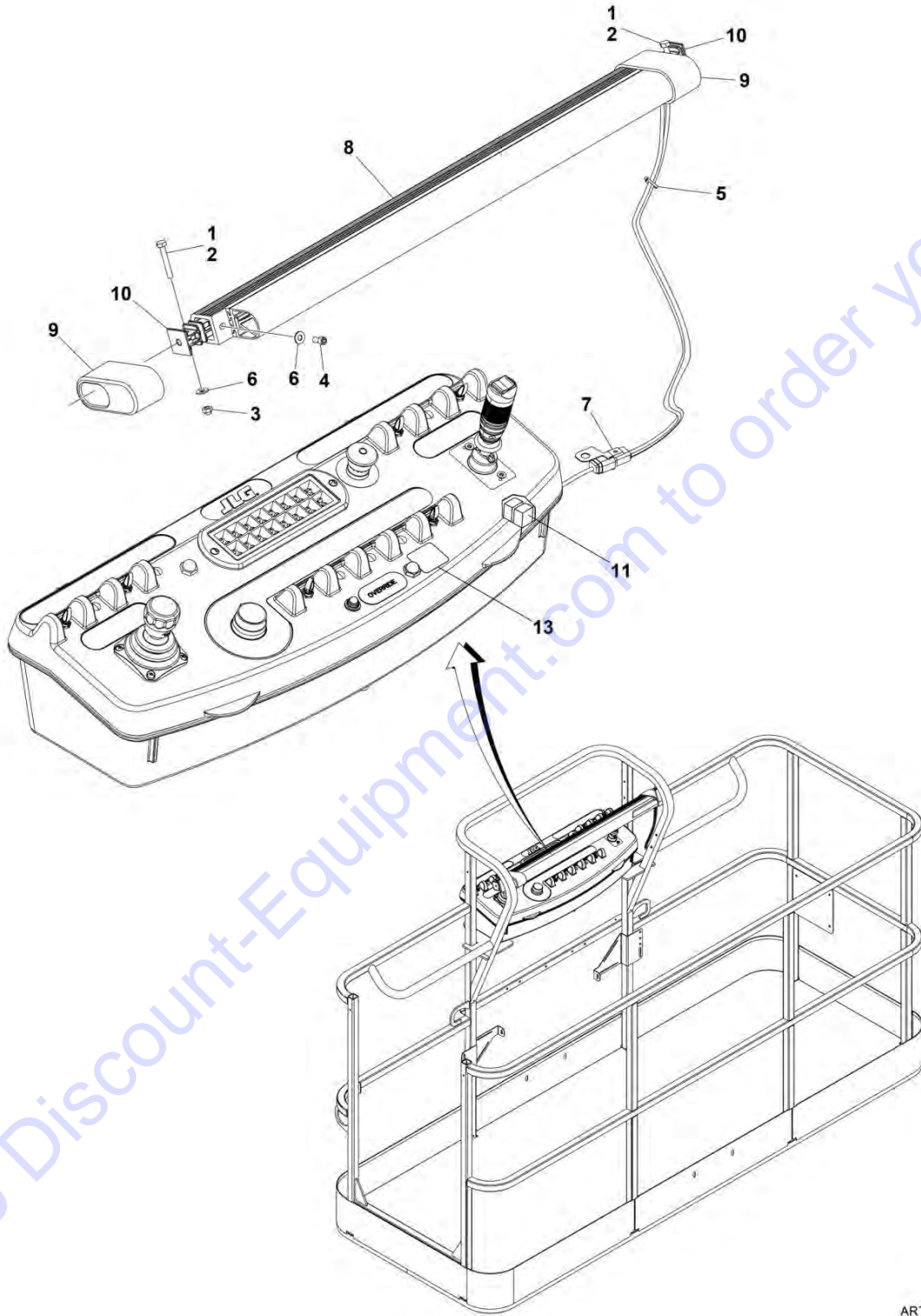
**FIGURE 5-40. SKYGUARD SYSTEM INSTALLATION (SN 0300201023 through 0300259338)**

ITEM	PART NUMBER	QTY	DESCRIPTION	REV
	1001187508	Ref	SKYGUARD SYSTEM INSTALLATION (SN 0300201023 through 0300259338)	C
1	0100011	AR	Compound, Locking	
2	0641414	2	Bolt, 1/4-20 x 1-3/4	
3	3300430	2	Nut, Acorn 1/4-20	
4	3931424	2	Capscrew, 1/4 x 1-1/2	
4	3931408	2	Capscrew, 1/4 x 1/2	
5	4240033	AR	Tie-Strap	
6	4711400	AR	Washer, 1/4	
7	1001120328	1	Mount	
8	1001137673	1	Switch, SkyGuard Assembly	
9	1001186517	2	Cover, Platform Sensor	
10	1001188889	2	Support, Block (Prior to SN 0300243487)	
10	1001209664	2	Support, Block (SN 0300243487 through 0300259338)	

Go to Discount-Equipment.com to order your parts

# SECTION 5 - PLATFORM

FIGURE 5-41. SKYGUARD BAR INSTALLATION (SN 0300259339 to Present)



ART\_1001238495

## SECTION 5 - PLATFORM

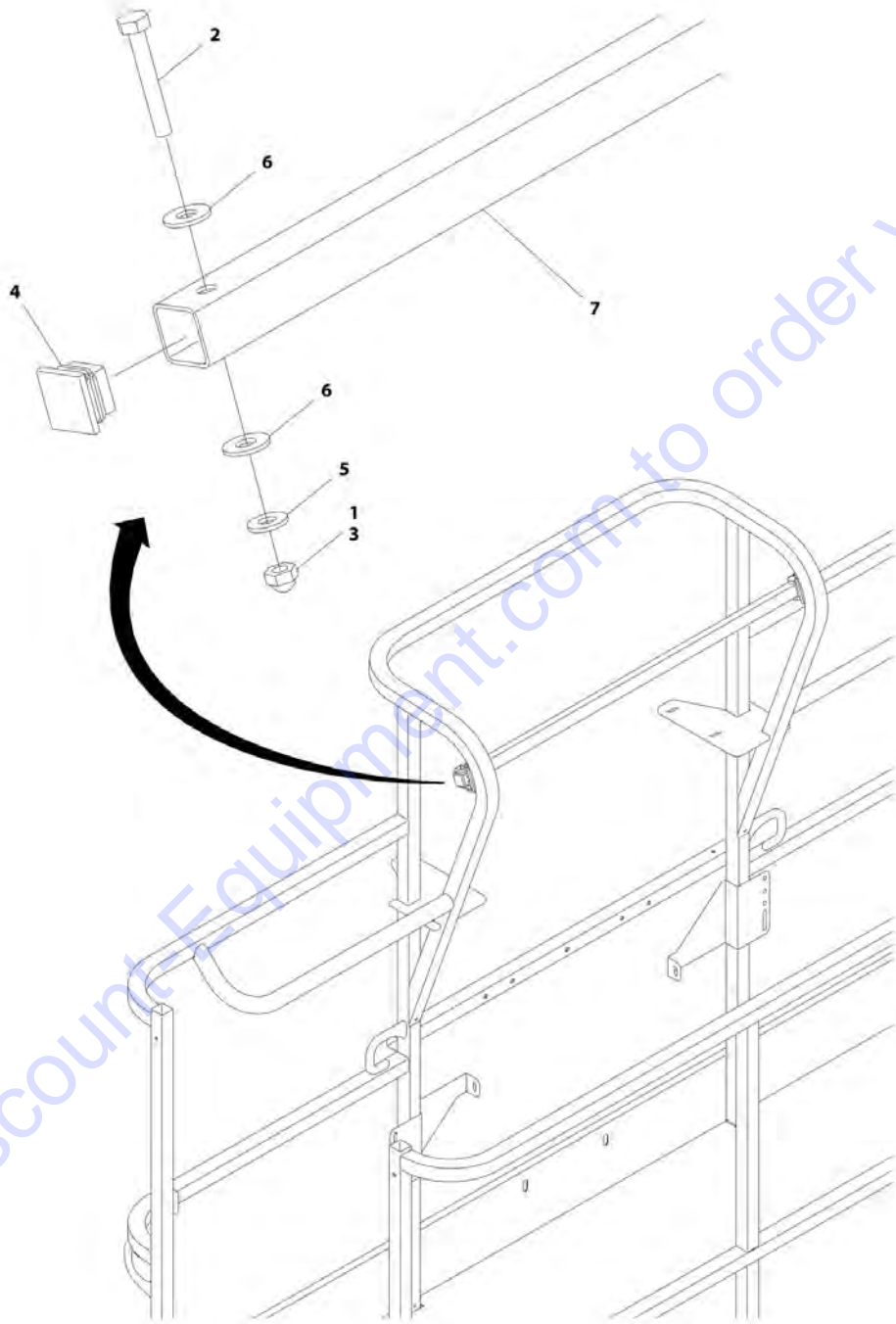
**FIGURE 5-41. SKYGUARD BAR INSTALLATION (SN 0300259339 to Present)**

ITEM	PART NUMBER	QTY	DESCRIPTION	REV
	1001238495	Ref	SKYGUARD BAR INSTALLATION	A
1	0100011	AR	Compound, Locking	
2	0641414	2	Bolt 1/4 x 1-3/4	
3	3300430	2	Nut 1/4	
4	3931408	2	Capscrew 1/4 x 1/2	
5	4240033	8	Tie-Strap	
6	4711400	6	Washer 1/4	
7	1001120328	1	Mount	
8	1001137673	1	SkyGuard Switch Assembly	
9	1001186517	2	Cover, Platform Sensor	
10	1001209664	2	Support, Block	
11	1001186431	2	Relay	
12	1001225580	1	Interface Harness Assembly (Not Shown - Located Inside Console Box) (See ELECTRICAL SECTION for Breakdown)	
13	1001144433	1	Decal - No Weight SkyGuard	

Go to Discount-Equipment.com to order your parts

# SECTION 5 - PLATFORM

## FIGURE 5-42. CROSS RAIL INSTALLATION



Go to DiscountEquipment.com to order your parts

ART\_1001182138



## SECTION 5 - PLATFORM

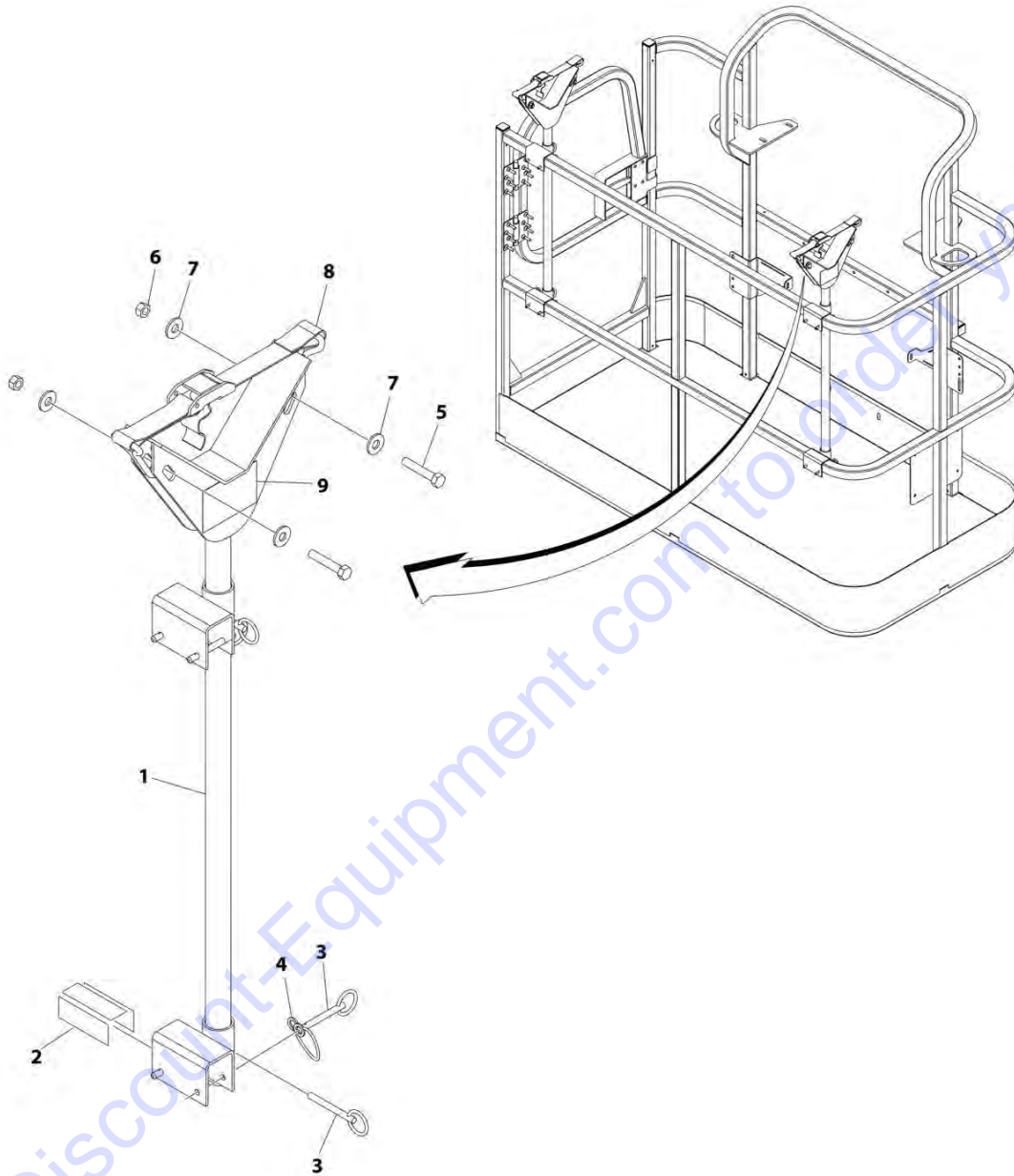
### FIGURE 5-42. CROSS RAIL INSTALLATION

ITEM	PART NUMBER	QTY	DESCRIPTION	REV
	1001182138	Ref	CROSS RAIL INSTALLATION	A
1	0100071	AR	Compound, Locking	
2	0641414	2	Bolt 1/4 X 1-3/4	
3	3300430	2	Nut 1/4	
4	3520182	2	Plug	
5	4711400	2	Washer 1/4	
6	4751400	4	Washer 1/4	
7	1001191708	1	Bar	

Go to Discount-Equipment.com to order your parts

# SECTION 5 - PLATFORM

FIGURE 5-43. PIPE RACK INSTALLATION (ANSI AND CSA SPECS)



ART\_0257728

## SECTION 5 - PLATFORM

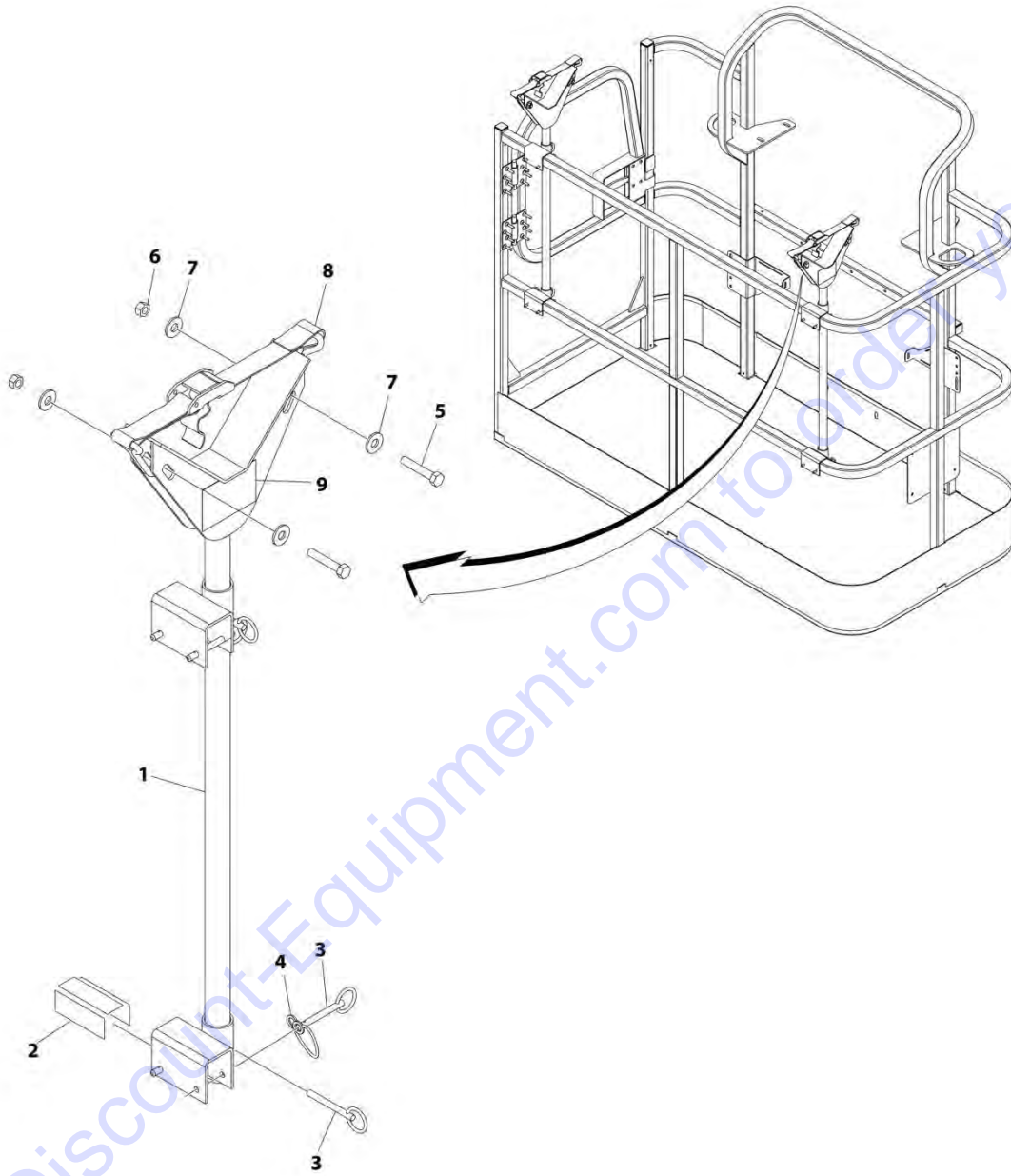
**FIGURE 5-43. PIPE RACK INSTALLATION (ANSI AND CSA SPECS)**

ITEM	PART NUMBER	QTY	DESCRIPTION	REV
	0257728	Ref	PIPE RACK INSTALLATION (ANSI AND CSA SPECS)	2/C
1	4845582	2	Rack, Pipe	
2	4420062	AR	Tape	
3	3422661	10	Pin	
4	1060379	4	Lanyard	
5	0641514	4	Bolt 5/16 x 1-3/4	
6	3311505	4	Nut 5/16	
7	4751500	8	Washer 5/16	
8	0480100	2	Tie-Down	
9	1703683	2	Decal - Capacity	

Go to Discount-Equipment.com to order your parts

# SECTION 5 - PLATFORM

## FIGURE 5-44. PIPE RACK INSTALLATION (AUSTRALIAN SPEC)



ART\_0274661

## SECTION 5 - PLATFORM

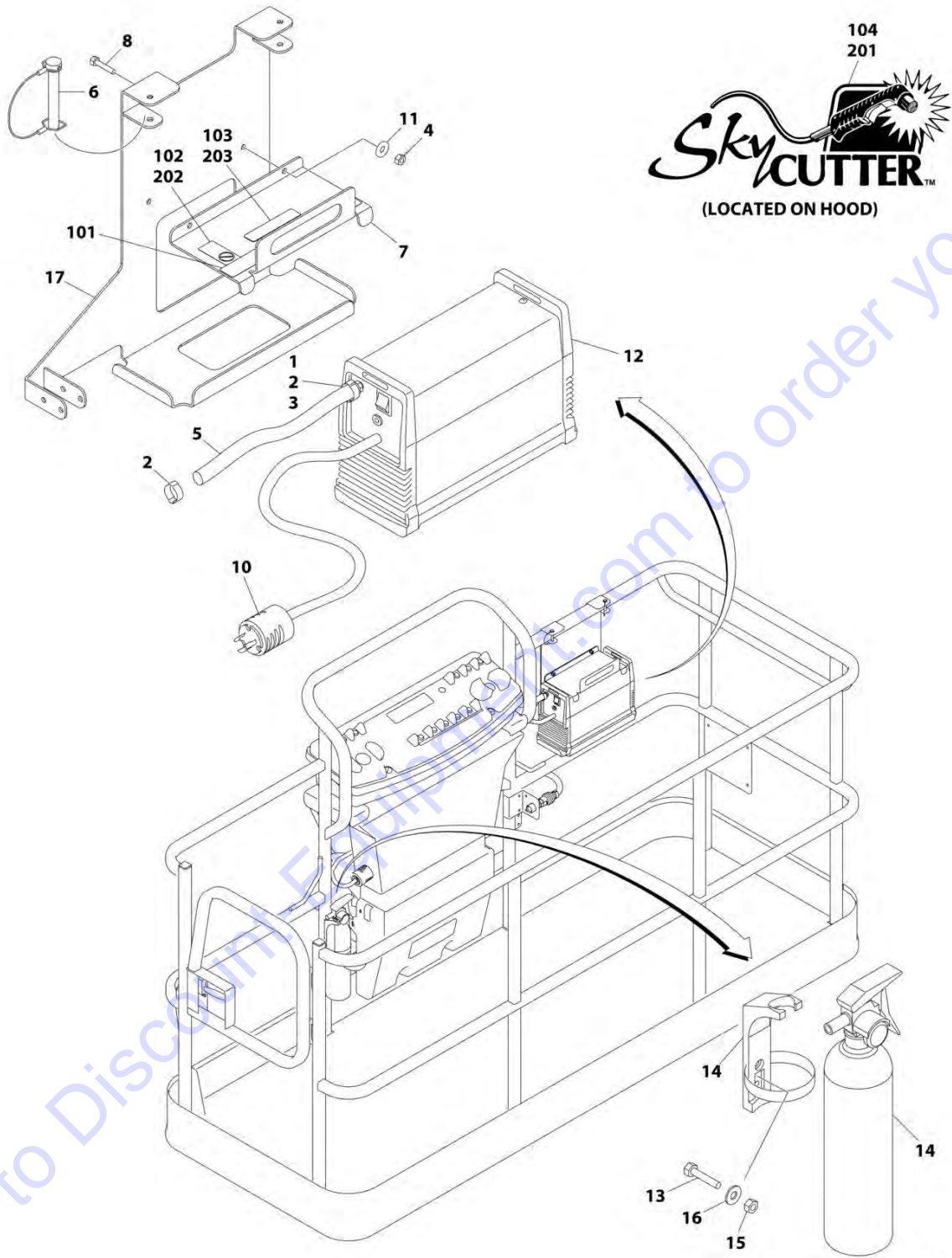
**FIGURE 5-44. PIPE RACK INSTALLATION (AUSTRALIAN SPEC)**

ITEM	PART NUMBER	QTY	DESCRIPTION	REV
	0274661	Ref	PIPE RACK INSTALLATION (AUSTRALIAN SPEC)	1/A
1	4845582	2	Rack, Pipe	
2	4420062	AR	Tape	
3	3422661	10	Pin	
4	1060379	4	Lanyard	
5	0641514	4	Bolt 5/16 x 1-3/4	
6	3311505	4	Nut 5/16	
7	4751500	8	Washer 5/16	
8	0480100	2	Tie-Down	
9	1706510	2	Decal - Capacity	

Go to Discount-Equipment.com to order your parts

# SECTION 5 - PLATFORM

## FIGURE 5-45. SKYCUTTER INSTALLATION



ART\_1001098149

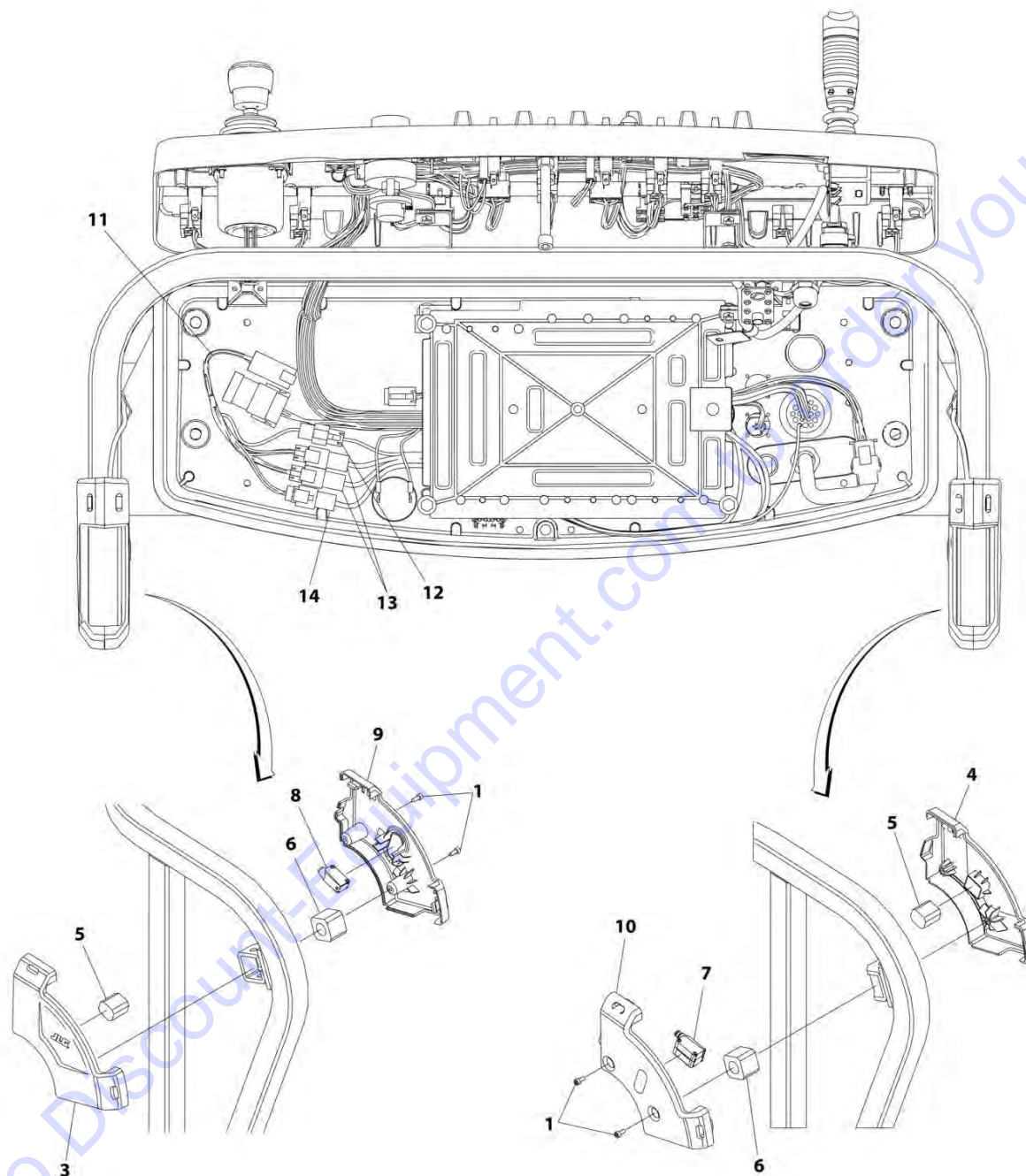
## SECTION 5 - PLATFORM

**FIGURE 5-45. SKYCUTTER INSTALLATION**

ITEM	PART NUMBER	QTY	DESCRIPTION	REV
	1001098149	Ref	SKYCUTTER INSTALLATION	D
		Ref	Note: ANSI, ANSI Export, CSA and Japanese Specs Only.	
		Ref	Note: When replacing platform on machines with SkyCutter option, new bracket p/n 1001145405 must be purchased to accommodate SkyCutter components.	
1	0100020	AR	Sealant	
2	1320177	2	Clamp, Hose	
3	2180832	1	Fitting, NPT/Barbed	
4	3290605	2	Nut M6	
5	2720160	3 ft /.9m	Hose	
6	3421453	3	Pin	
7	3576799	1	Plate, Hold-Down	
8	4010608	2	Screw M6 x 16	
10	4460971	1	Plug, Twistlock	
11	4811700	2	Washer M6	
12	1001098012	1	Plasma Cutter Assembly (See PLASMA CUTTER ASSEMBLY for Breakdown)	
13	0630518	2	Screw #10 x 3/4	
14	2030010	1	Extinguisher, Fire	
15	3311005	2	Nut #10	
16	4751000	2	Washer #10	
17	1001145405	1	Support	
	0272599	Ref	SKYCUTTER DECAL INSTALLATION (ANSI, ANSI EXPORT AND CSA SPECS)	B
101	1702868	1	Decal - No Hands	
102	1705305	1	Decal - Weld Lead	
103	1705466	NLA	Decal - Weight (Use p/n 1001228988) <b>(Prior to SN 0300233352)</b>	
103	1001228988	1	Decal - Weight <b>(SN 0300233352 to Present)</b>	
104	1705490	2	Decal - SkyCutter	
	0272607	Ref	SKYCUTTER DECAL INSTALLATION (JAPANESE SPECS)	B
201	1705490	2	Decal - SkyCutter	
202	1705305	1	Decal - Weld Lead	
203	1705466	NLA	Decal - Weight (Use p/n 1001228988) <b>(Prior to SN 0300233352)</b>	
203	1001228988	1	Decal - Weight <b>(SN 0300233352 to Present)</b>	

# SECTION 5 - PLATFORM

## FIGURE 5-46. SKYEYE INSTALLATION



ART\_1001229341



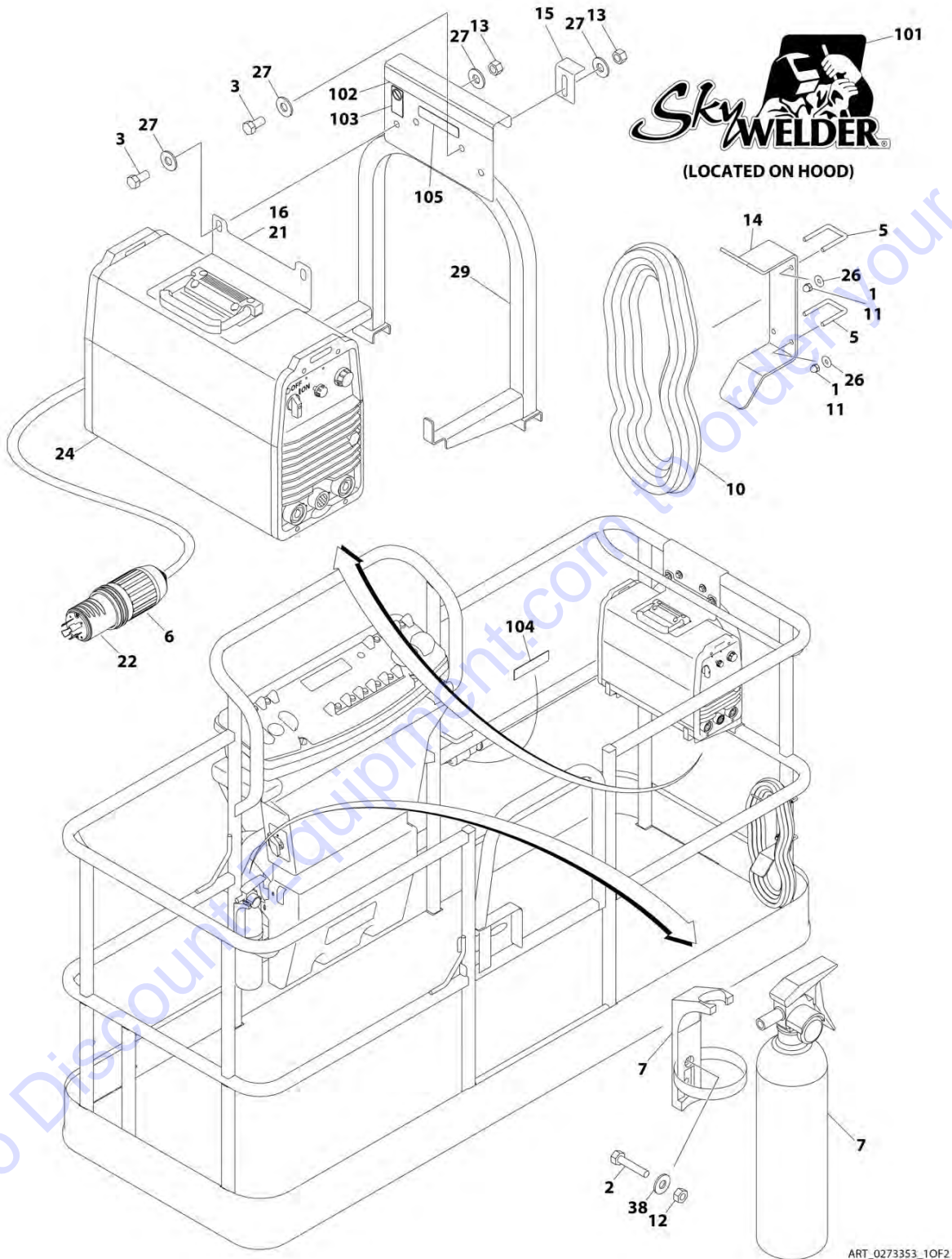
## SECTION 5 - PLATFORM

**FIGURE 5-46. SKYEYE INSTALLATION**

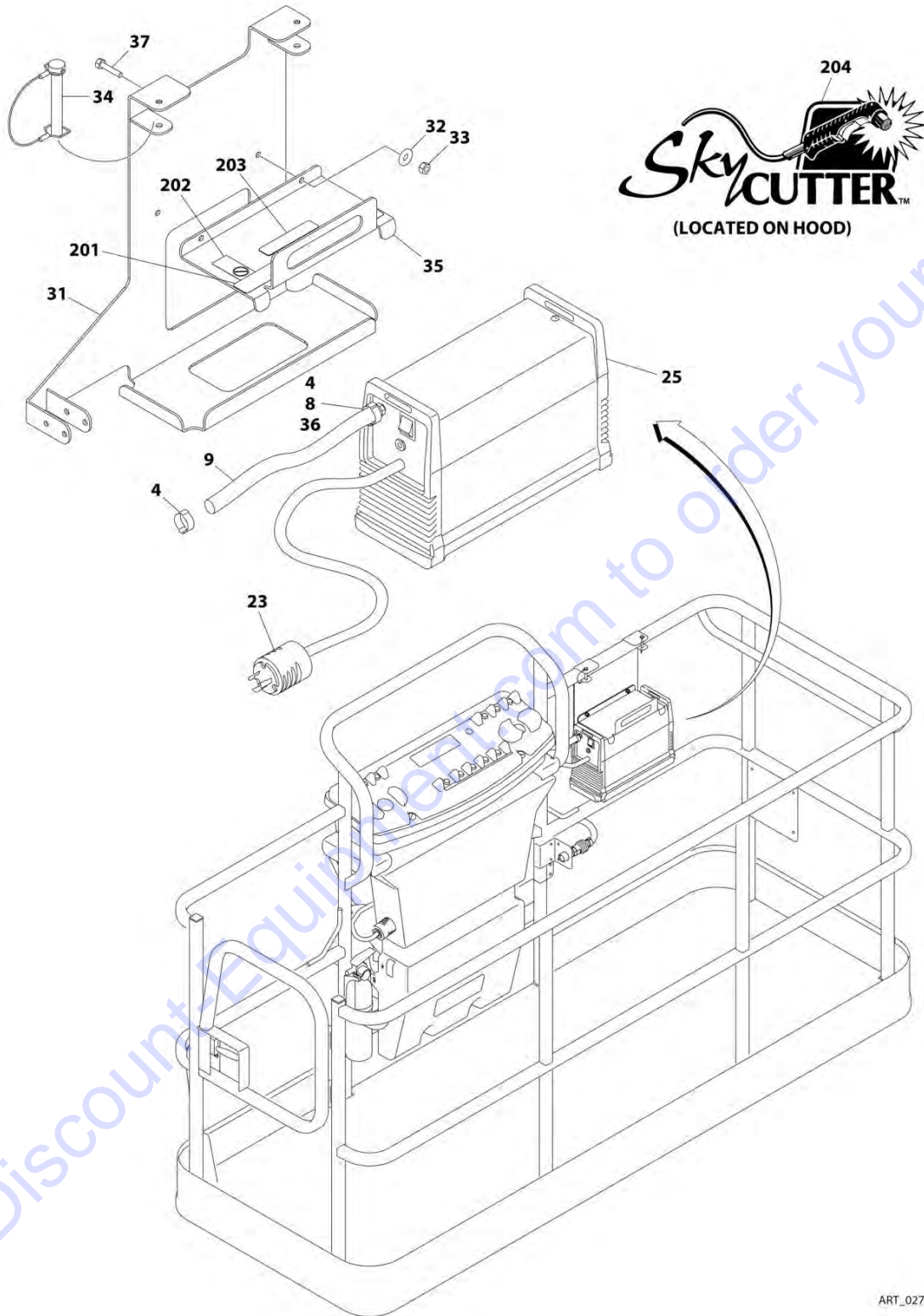
ITEM	PART NUMBER	QTY	DESCRIPTION	REV
	1001229341	Ref	SKYEYE INSTALLATION	A
1	4031505	4	Bolt M4 x 10	
2	4240033	AR	Tie-Strap (Not Shown)	
3	1001227633	1	Housing, LH Outer	
4	1001227634	1	Housing, RH Outer	
5	1001227985	2	Shim	
6	1001227987	2	Shim	
7	1001228224	2	Sensor, Receiver	
8	1001228225	1	Sensor, Emitter	
9	1001232164	1	Housing, LH Inner	
10	1001232165	1	Housing, RH Inner	
11	1001237865	1	Harness, Skyeye Intermediate (See Separate Breakdown in ELECTRICAL SECTION)	
12	1001238319	1	Harness, Skyeye Drain Jumper	
12	1001187674	1	Plug, Male - 2 Position	
12	4460942	1	Terminal	
12	4460466	1	Plug, Terminal	
12	4460508	1	Pin, Male	
13	1001237863	2	Harness, Skyeye Receiver (See Separate Breakdown in ELECTRICAL SECTION)	
14	1001237864	1	Harness, Skyeye Emitter (See Separate Breakdown in ELECTRICAL SECTION)	

# SECTION 5 - PLATFORM

## FIGURE 5-47. SKYWELDER/SKYCUTTER COMBO INSTALLATION (60HZ)



# SECTION 5 - PLATFORM



ART\_0273353\_20F2

## SECTION 5 - PLATFORM

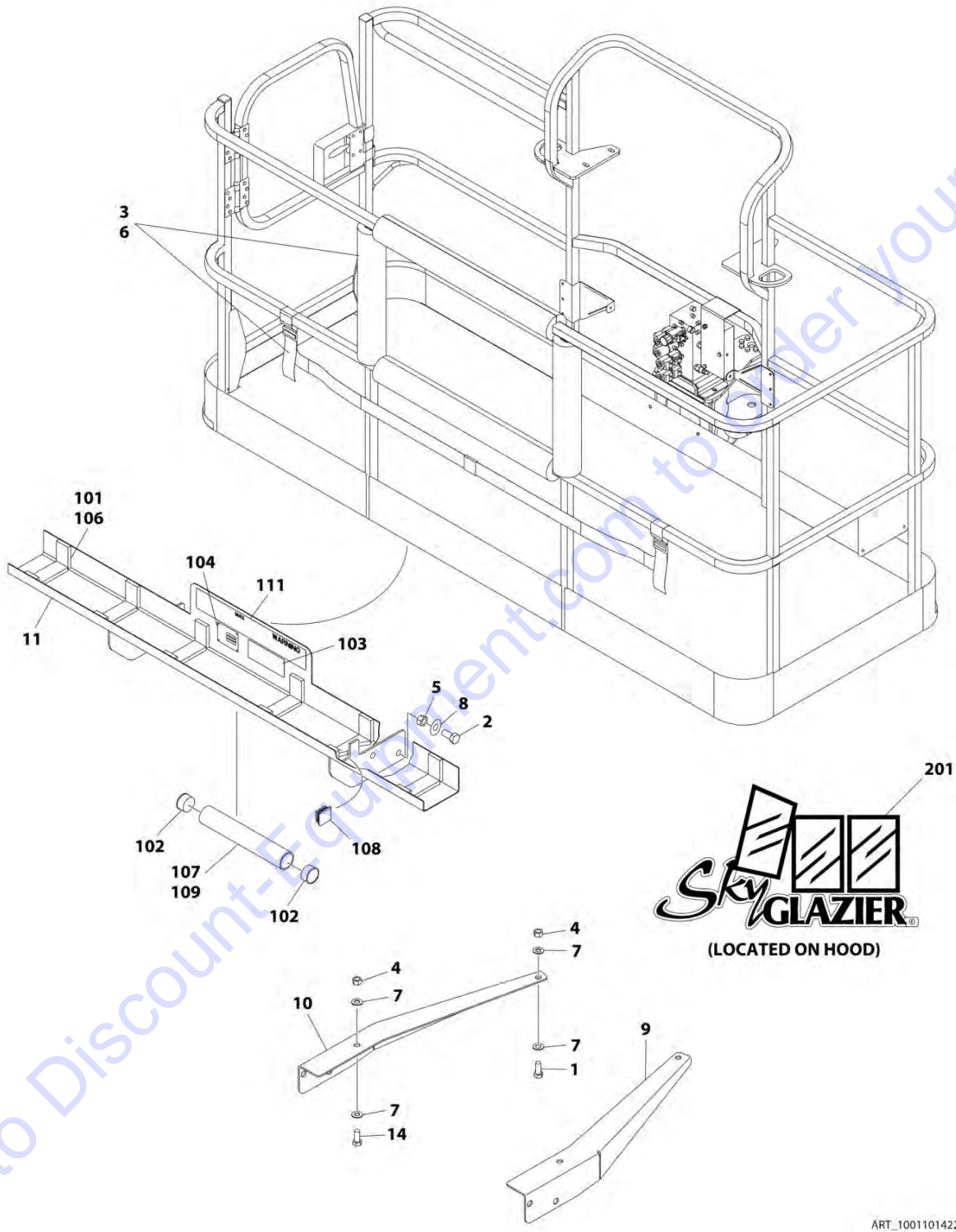
FIGURE 5-47. SKYWELDER/SKYCUTTER COMBO INSTALLATION (60HZ)

ITEM	PART NUMBER	QTY	DESCRIPTION	REV
	0273353	Ref	SKYWELDER/SKYCUTTER COMBO INSTALLATION (60HZ)	G
		Ref	Note: ANSI, ANSI Export, CSA and Japanese Spec Only.	
1	0100011	AR	Compound, Locking	
2	0630518	2	Screw #10 x 3/4	
3	0641606	4	Bolt 3/8 x 3/4	
4	1320177	2	Clamp	
5	1320302	2	Clamp	
6	1671093	1	Cover, Plug	
7	2030010	1	Extinguisher, Fire	
8	2180832	1	Fitting, Barbed/NPT	
9	2720160	4.5 ft /1.4m	Hose	
10	2902217	1	Weld Leads Kit	
11	3300151	4	Nut 1/4	
12	3311005	2	Nut #10	
13	3311605	4	Nut 3/8	
14	3573400	1	Bracket	
15	3577121	2	Angle	
16	3573642	1	Plate	
20	4240099	AR	Tie-Strap (Not Shown)	
21	4420037	2.4 ft / .7m	Tape	
22	4460962	1	Plug, Twist Lock	
23	4460971	1	Plug, Twist Lock	
24	4530028	1	Welder Assembly (See WELDER ASSEMBLY for Breakdown)	
25	1001098012	1	Plasma Cutter Assembly (See PLASMA CUTTER ASSEMBLY for Breakdown)	
26	4751400	4	Washer 1/4	
27	4751600	8	Washer 3/8	
29	4846627	1	Support	
31	1001145405	1	Bracket	
32	4811700	2	Washer M6	
33	3290605	2	Nut M6	
34	3421453	3	Pin	
35	3576799	1	Plate, Hold-Down	
36	0100020	1	Sealant	
37	4010608	2	Screw M6 x 16	
38	4751000	2	Washer #10	
	0272448	Ref	SKYWELDER DECAL INSTALLATION	B
101	1705355	2	Decal - SkyWelder	
102	1702868	1	Decal - No Hands	
103	1705305	1	Decal - Weld Leads	
104	1705375	1	Decal - 240V - 3 Phase - 60Hz	
105	1705466	NLA	Decal - Weight (Use p/n 1001228988) (Prior to SN 0300233352)	
105	1001228988	1	Decal - Weight (SN 0300233352 to Present)	
	0272599	Ref	SKYCUTTER DECAL INSTALLATION	B
201	1702868	1	Decal - No Hands	
202	1705305	1	Decal - Weld Leads	
203	1705466	NLA	Decal - Weight (Use p/n 1001228988) (Prior to SN 0300233352)	
203	1001228988	1	Decal - Weight (SN 0300233352 to Present)	
204	1705490	2	Decal - SkyCutter	



# SECTION 5 - PLATFORM

## FIGURE 5-48. SKYGLAZIER INSTALLATION (ANSI, AUSTRALIAN AND CSA SPECS)



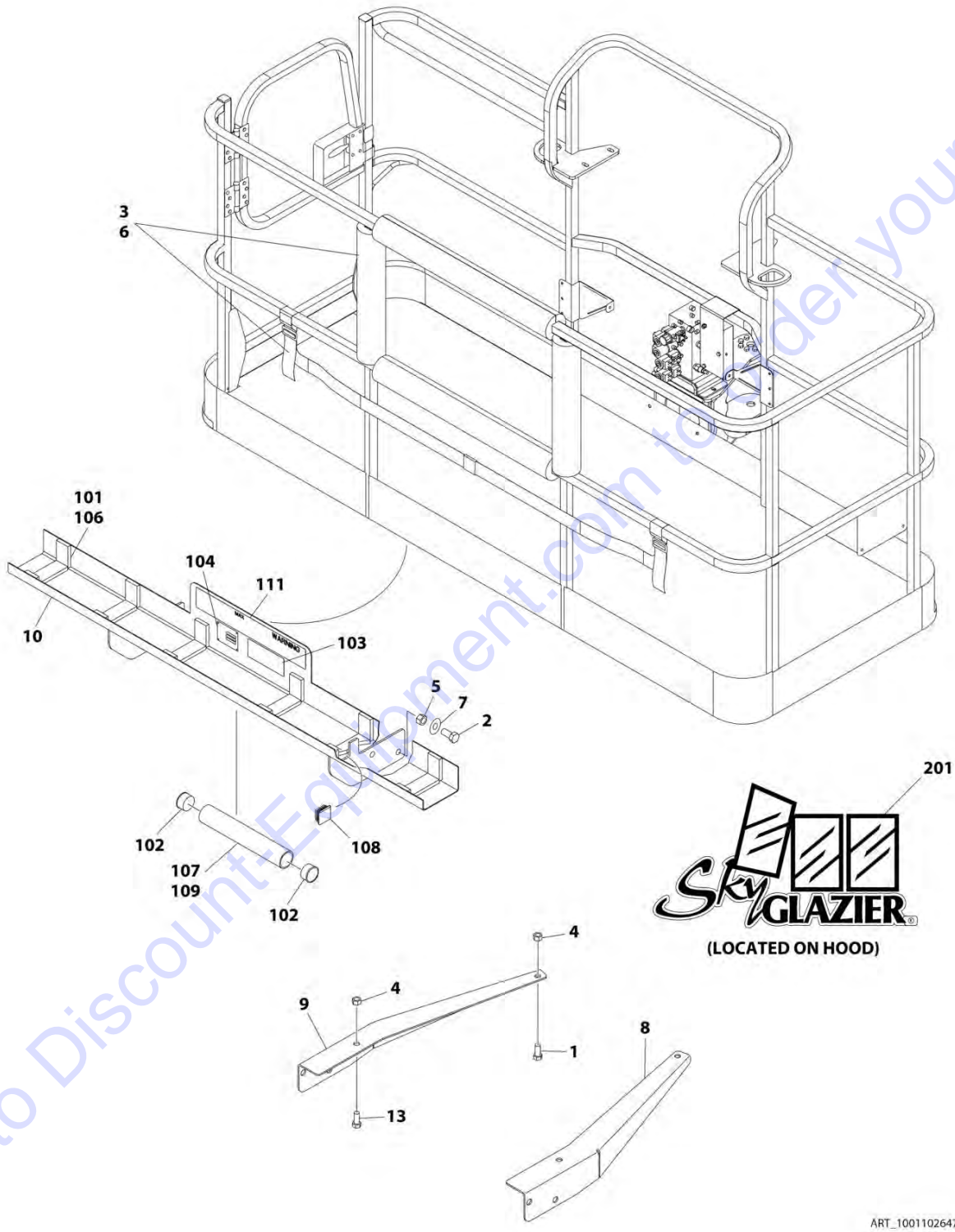
## SECTION 5 - PLATFORM

**FIGURE 5-48. SKYGLAZIER INSTALLATION (ANSI, AUSTRALIAN AND CSA SPECS)**

ITEM	PART NUMBER	QTY	DESCRIPTION	REV
	1001101422	Ref	SKYGLAZIER INSTALLATION (ANSI AND CSA SPECS)	C
	1001101422	Ref	SKYGLAZIER INSTALLATION (AUSTRALIAN SPECS) (Prior to SN 0300221070)	C
1	0642012	2	Bolt 5/8 x 1-1/2	
2	0642212	4	Bolt 3/4 x 1-1/2	
3	2902212	1	Bumpers and Strap Kit	
3	0940102	1	Bumper Only	
3	4240149	1	Strap Only	
4	3312005	4	Nut 5/8	
5	3312205	4	Nut 3/4	
6	4420014	AR	Tape	
7	4712000	6	Washer 5/8	
8	4712200	8	Washer 3/4	
9	1001099366	1	Support	
10	1001099367	1	Support	
11	1001101421	1	Tray Assembly (See Items 101-111 for Breakdown)	
14	8310129	2	Bolt 3/4 x 2-1/2	
	1001101421	Ref	TRAY ASSEMBLY	E
101	0100081	AR	Adhesive	
102	1120555	2	Cap, Tube	
103	1701509	1	Decal - Manual	
104	See Note	NSS	Nameplate - Serial Number (Note: Not Available for Purchase)	
106	3340956	1	Pad Kit	
107	3460334	1	Tube	
108	3520071	2	Plug	
109	4420066	AR	Tape, Double Sided	
111	1001163131	2	Decal - Glazier Capacity	
	0272418	Ref	SKYGLAZIER DECAL INSTALLATION	4
201	1705358	2	Decal - SkyGlazier	

# SECTION 5 - PLATFORM

FIGURE 5-49. SKYGLAZIER INSTALLATION - WITH 4 CELL LSS (AUSTRALIAN SPECS) (SN 0300221070 to Present)





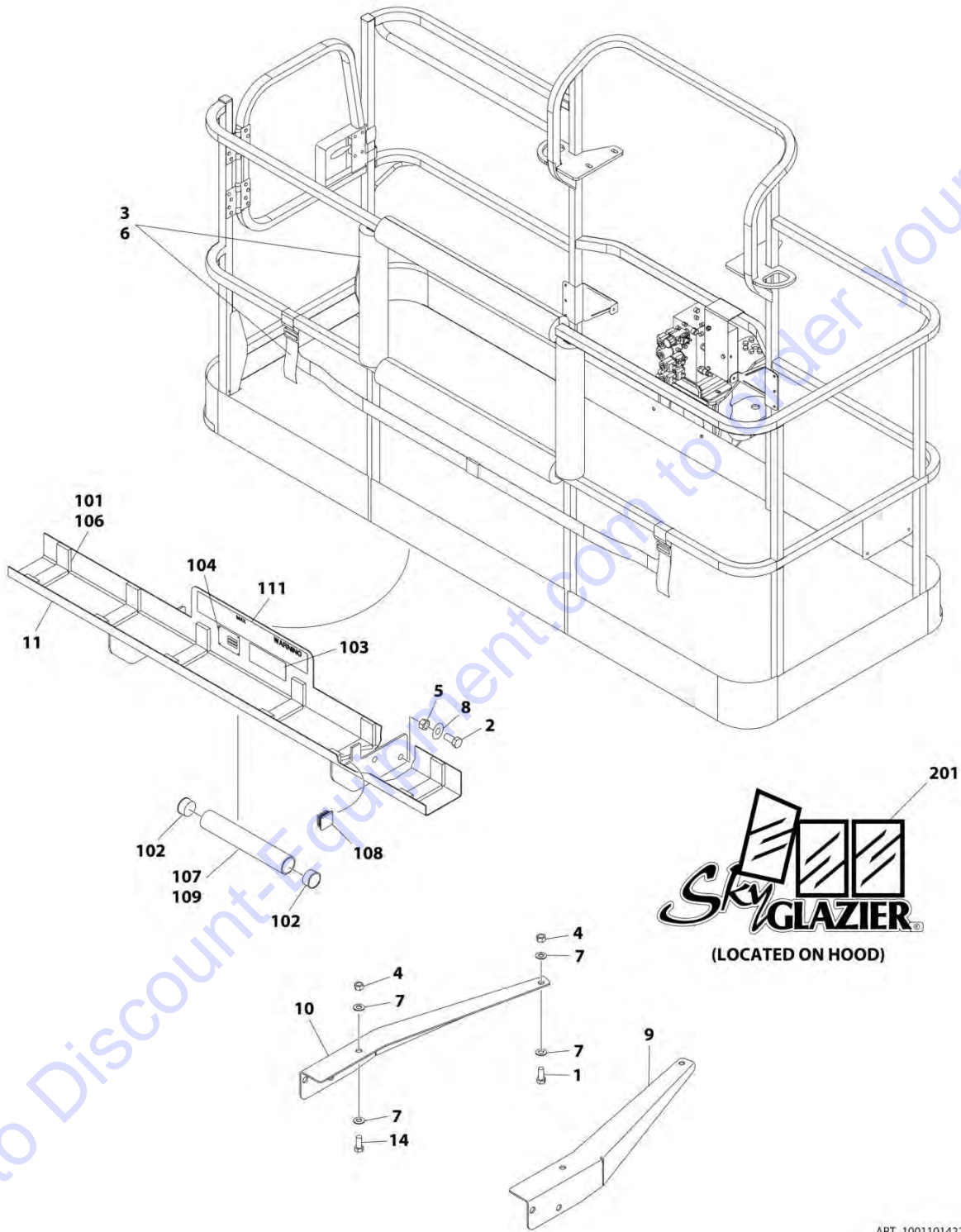
## SECTION 5 - PLATFORM

**FIGURE 5-49. SKYGLAZIER INSTALLATION - WITH 4 CELL LSS (AUSTRALIAN SPECS) (SN 0300221070 to Present)**

ITEM	PART NUMBER	QTY	DESCRIPTION	REV
	1001102647	Ref	SKYGLAZIER INSTALLATION - WITH 4 CELL LSS (AUSTRALIAN SPECS) (SN 0300221070 to Present)	C
1	0642026	2	Bolt 5/8 x 3-1/4	
2	0642212	4	Bolt 3/4 x 1-1/2	
3	2902212	1	Bumpers and Strap Kit	
3	0940102	1	Bumper Only	
3	4240149	1	Strap Only	
4	3312005	4	Nut 5/8	
5	3312205	4	Nut 3/4	
6	4420014	AR	Tape	
7	4712200	8	Washer 3/4	
8	1001099366	1	Support	
9	1001099367	1	Support	
10	1001101421	1	Tray Assembly (See Items 101-111 for Breakdown)	
13	8310230	2	Bolt 5/8 x 4	
	1001101421	Ref	TRAY ASSEMBLY	E
101	0100081	AR	Adhesive	
102	1120555	2	Cap, Tube	
103	1701509	1	Decal - Manual	
104	See Note	NSS	Nameplate - Serial Number (Note: Not Available for Purchase)	
106	3340956	1	Pad Kit	
107	3460334	1	Tube	
108	3520071	2	Plug	
109	4420066	AR	Tape, Double Sided	
111	1001163131	2	Decal - Glazier Capacity	
	0272418	Ref	SKYGLAZIER DECAL INSTALLATION	4
201	1705358	2	Decal - SkyGlazier	

# SECTION 5 - PLATFORM

## FIGURE 5-50. SKYGLAZIER INSTALLATION - WITH 1 CELL LSS (AUSTRALIAN SPECS)



ART\_1001101422

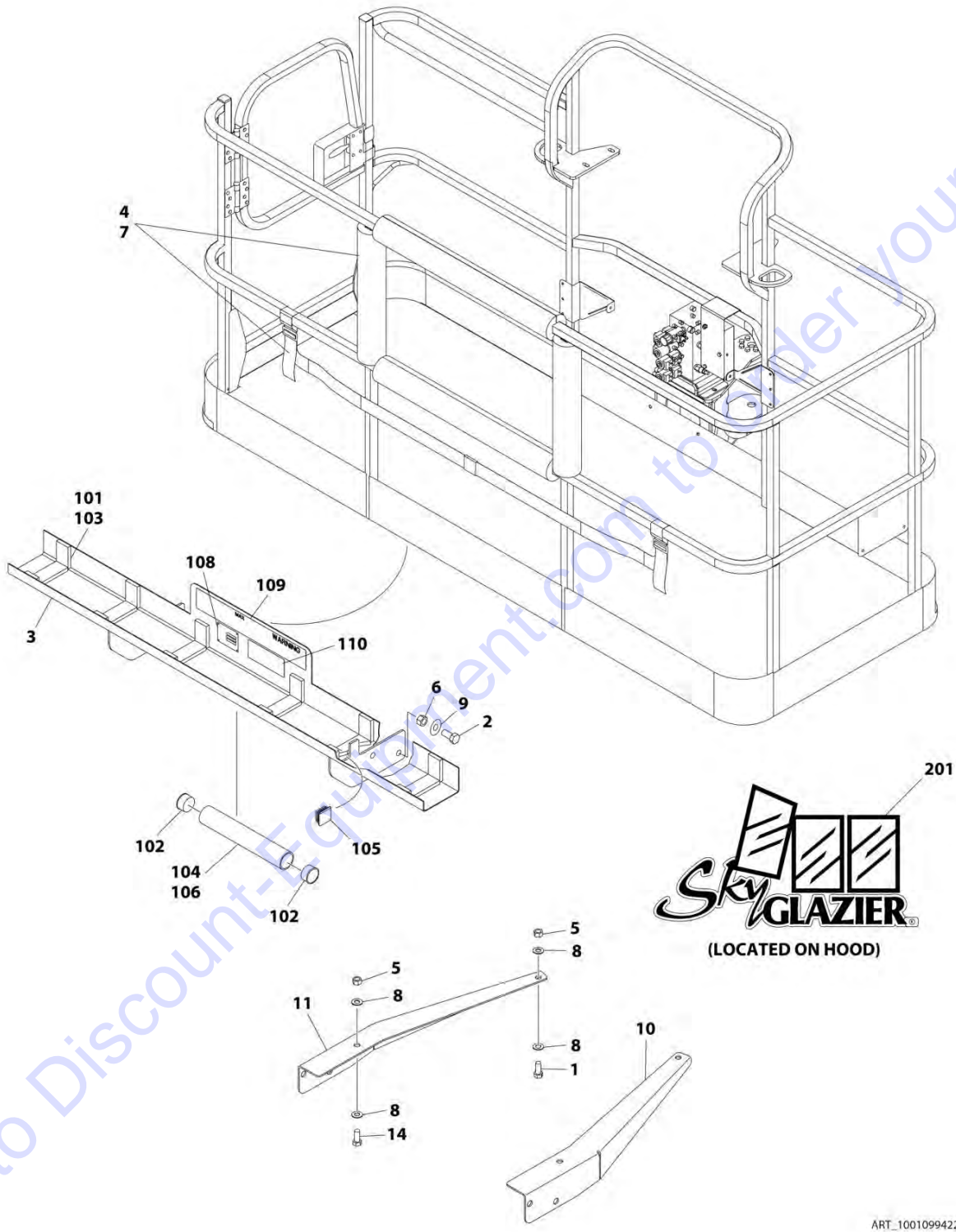
## SECTION 5 - PLATFORM

**FIGURE 5-50. SKYGLAZIER INSTALLATION - WITH 1 CELL LSS (AUSTRALIAN SPECS)**

ITEM	PART NUMBER	QTY	DESCRIPTION	REV
	1001101422	Ref	SKYGLAZIER INSTALLATION - WITH 1 CELL LSS (AUSTRALIAN SPECS)	C
1	0642012	2	Bolt 5/8 x 1-1/2	
2	0642212	4	Bolt 3/4 x 1-1/2	
3	2902212	1	Bumpers and Strap Kit	
3	0940102	1	Bumper Only	
3	4240149	1	Strap Only	
4	3312005	4	Nut 5/8	
5	3312205	4	Nut 3/4	
6	4420014	AR	Tape	
7	4712000	6	Washer 5/8	
8	4712200	8	Washer 3/4	
9	1001099366	1	Support	
10	1001099367	1	Support	
11	1001101421	1	Tray Assembly (See Items 101-111 for Breakdown)	
14	8310129	2	Bolt 3/4 x 2-1/2	
	1001101421	Ref	TRAY ASSEMBLY	E
101	0100081	AR	Adhesive	
102	1120555	2	Cap, Tube	
103	1701509	1	Decal - Manual	
104	See Note	NSS	Nameplate - Serial Number (Note: Not Available for Purchase)	
106	3340956	1	Pad Kit	
107	3460334	1	Tube	
108	3520071	2	Plug	
109	4420066	AR	Tape, Double Sided	
111	1001163131	2	Decal - Glazier Capacity	
	0272418	Ref	SKYGLAZIER DECAL INSTALLATION	4
201	1705358	2	Decal - SkyGlazier	

# SECTION 5 - PLATFORM

## FIGURE 5-51. SKYGLAZIER INSTALLATION (BRAZIL SPECS)



ART\_1001099422

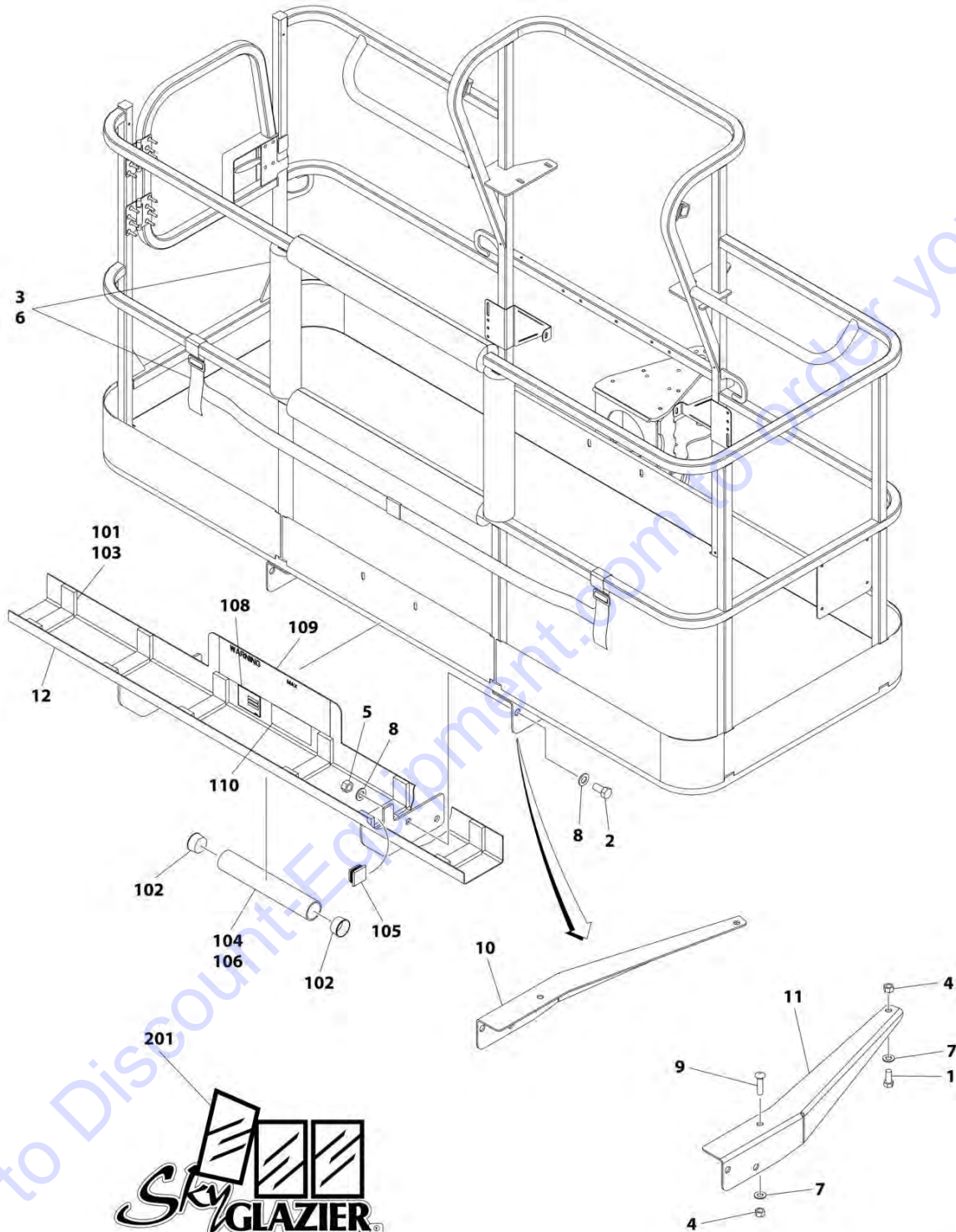
## SECTION 5 - PLATFORM

**FIGURE 5-51. SKYGLAZIER INSTALLATION (BRAZIL SPECS)**

ITEM	PART NUMBER	QTY	DESCRIPTION	REV
	1001099422	Ref	SKYGLAZIER INSTALLATION (BRAZIL SPECS)	C
1	0642012	2	Bolt 5/8 x 1-1/2	
2	0642212	4	Bolt 3/4 x 1-1/2	
3	0272951	1	Tray Assembly (See Items 101-110 for Breakdown)	
4	2902212	1	Bumpers and Strap Kit	
4	0940102	1	Bumper Only	
4	4240149	1	Strap Only	
5	3312005	4	Nut 5/8	
6	3312205	4	Nut 3/4	
7	4420014	AR	Tape	
8	4712000	6	Washer 5/8	
9	4712200	8	Washer 3/4	
10	1001099366	1	Support	
11	1001099367	1	Support	
14	8310129	2	Bolt 5/8 x 2-1/2	
	0272951	Ref	TRAY ASSEMBLY	E
101	0100081	AR	Adhesive	
102	1120555	2	Cap, Tube	
103	3340956	1	Pad Kit	
104	3460334	1	Tube	
105	3520071	2	Plug	
106	4420066	AR	Tape, Double Sided	
108	See Note	NSS	Nameplate - Serial Number (Note: Not Available for Purchase)	
109	1001163297	2	Decal - Glazier Capacity	
110	1701509	1	Decal - Manual	
	0272418	Ref	SKYGLAZIER DECAL INSTALLATION	4
201	1705358	2	Decal - SkyGlazier	

# SECTION 5 - PLATFORM

## FIGURE 5-52. SKYGLAZIER INSTALLATION (DANISH SPECS)



ART\_1001238462

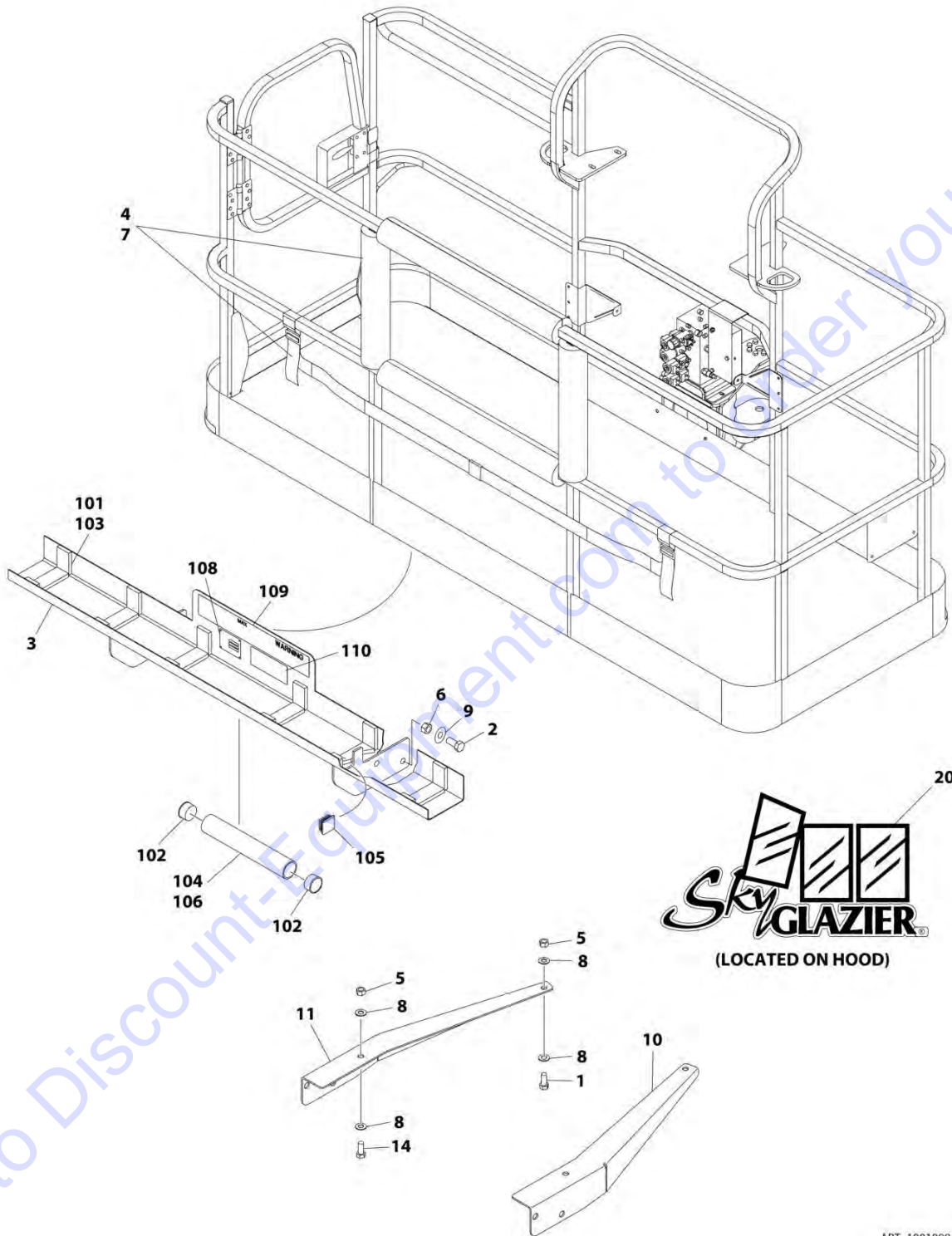
## SECTION 5 - PLATFORM

**FIGURE 5-52. SKYGLAZIER INSTALLATION (DANISH SPECS)**

ITEM	PART NUMBER	QTY	DESCRIPTION	REV
	1001238462	Ref	SKYGLAZIER INSTALLATION (DANISH SPECS)	A
1	0642012	2	Bolt 5/8 x 1-1/2	
2	0642212	4	Bolt 3/4 x 1-1/2	
3	2902212	1	Bumpers and Strap Kit	
3	0940102	1	Bumper Only	
3	4240149	1	Strap Only	
4	3312005	4	Nut 5/8	
5	3312205	4	Nut 3/4	
6	4420014	AR	Tape	
7	4712000	6	Washer 5/8	
8	4712200	8	Washer 3/4	
9	8310129	2	Bolt 5/8 x 2-1/2	
10	1001099366	1	Support	
11	1001099367	1	Support	
12	1001238423	1	Tray Assembly (See Items 101-110 for Breakdown)	
	1001238423	Ref	TRAY ASSEMBLY	A
101	0100081	AR	Adhesive	
102	1120555	2	Cap, Tube	
103	3340956	1	Pad Kit	
104	3460334	1	Tube	
105	3520071	2	Plug	
106	4420066	AR	Tape, Double Sided	
108	See Note	NSS	Nameplate - Serial Number (Note: Not Available for Purchase)	
109	1001237705	2	Decal - Glazier Capacity	
110	1701509	1	Decal - Manual	
	0272418	Ref	SKYGLAZIER DECAL INSTALLATION	4
201	1705358	2	Decal - SkyGlazier	

# SECTION 5 - PLATFORM

## FIGURE 5-53. SKYGLAZIER INSTALLATION (LATIN AMERICAN SPECS)





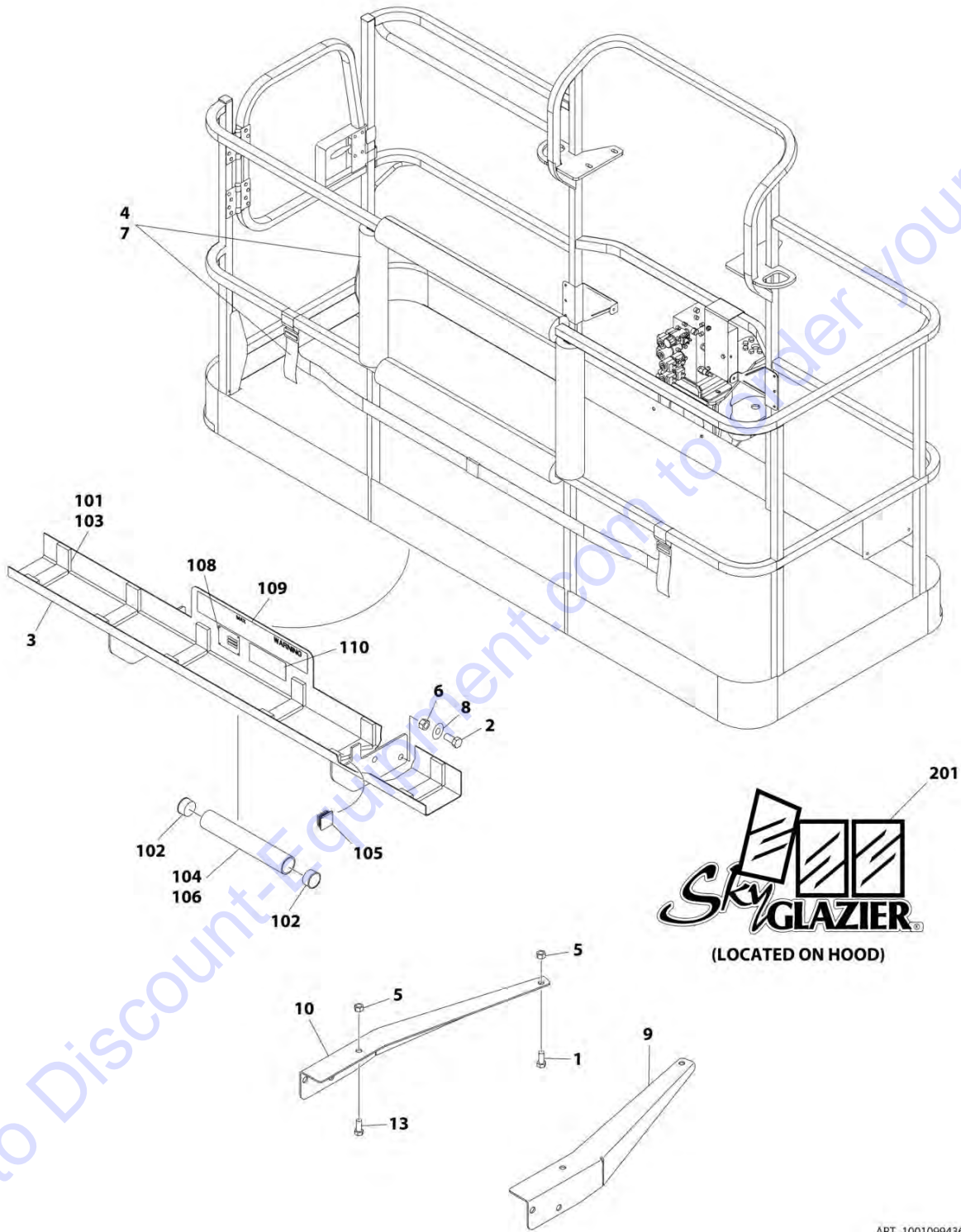
## SECTION 5 - PLATFORM

**FIGURE 5-53. SKYGLAZIER INSTALLATION (LATIN AMERICAN SPECS)**

ITEM	PART NUMBER	QTY	DESCRIPTION	REV
	1001099421	Ref	SKYGLAZIER INSTALLATION (LATIN AMERICAN SPECS)	C
1	0642012	2	Bolt 5/8 x 1-1/2	
2	0642212	4	Bolt 3/4 x 1-1/2	
3	0272948	1	Tray Assembly (See Items 101-110 for Breakdown)	
4	2902212	1	Bumpers and Strap Kit	
4	0940102	1	Bumper Only	
4	4240149	1	Strap Only	
5	3312005	4	Nut 5/8	
6	3312205	4	Nut 3/4	
7	4420014	AR	Tape	
8	4712000	6	Washer 5/8	
9	4712200	8	Washer 3/4	
10	1001099366	1	Support	
11	1001099367	1	Support	
14	8310129	2	Bolt 5/8 x 2.5	
	0272948	Ref	TRAY ASSEMBLY	E
101	0100081	AR	Adhesive	
102	1120555	2	Cap, Tube	
103	3340956	1	Pad Kit	
104	3460334	1	Tube	
105	3520071	2	Plug	
106	4420066	AR	Tape, Double Sided	
108	See Note	NSS	Nameplate - Serial Number (Note: Not Available for Purchase)	
109	1001163296	2	Decal - Glazier Capacity	
110	1701509	1	Decal - Manual	
	0272418	Ref	SKYGLAZIER DECAL INSTALLATION	4
201	1705358	2	Decal - SkyGlazier	

# SECTION 5 - PLATFORM

FIGURE 5-54. SKYGLAZIER INSTALLATION - WITH 4 CELL LSS (ENGLISH/FRENCH SPECS)



ART\_1001099436

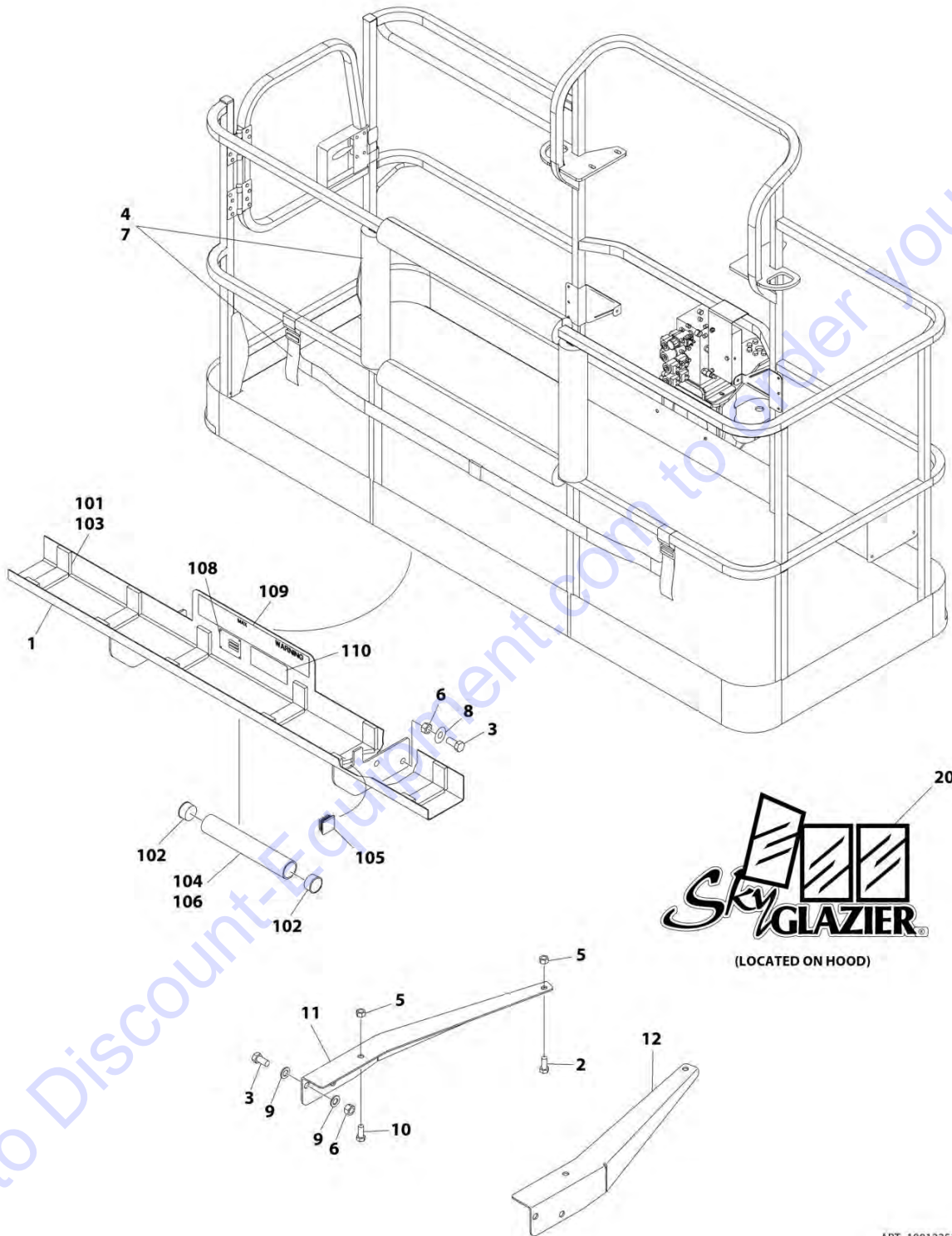
## SECTION 5 - PLATFORM

**FIGURE 5-54. SKYGLAZIER INSTALLATION - WITH 4 CELL LSS (ENGLISH/FRENCH SPECS)**

ITEM	PART NUMBER	QTY	DESCRIPTION	REV
	1001099436	Ref	SKYGLAZIER INSTALLATION - WITH 4 CELL LSS (ENGLISH/FRENCH SPECS)	D
1	0642026	2	Bolt 5/8 x 3-1/4	
2	0642212	4	Bolt 3/4 x 1-1/2	
3	0272949	1	Tray Assembly (See Items 101-110 for Breakdown)	
4	2902212	1	Bumpers and Strap Kit	
4	0940102	1	Bumper Only	
4	4240149	1	Strap Only	
5	3312005	4	Nut 5/8	
6	3312205	4	Nut 3/4	
7	4420014	AR	Tape	
8	4712200	8	Washer 3/4	
9	1001099366	1	Support	
10	1001099367	1	Support	
13	8310230	2	Bolt 5/8 x 4	
	0272949	Ref	TRAY ASSEMBLY	D
101	0100081	AR	Adhesive	
102	1120555	2	Cap, Tube	
103	3340956	1	Pad Kit	
104	3460334	1	Tube	
105	3520071	2	Plug	
106	4420066	AR	Tape, Double Sided	
108	See Note	NSS	Nameplate - Serial Number (Note: Not Available for Purchase)	
109	1001163293	2	Decal - Glazier Capacity	
110	1701509	1	Decal - Manual	
	0272418	Ref	SKYGLAZIER DECAL INSTALLATION	4
201	1705358	2	Decal - SkyGlazier	

# SECTION 5 - PLATFORM

FIGURE 5-55. SKYGLAZIER INSTALLATION - WITH 1 CELL LSS (ENGLISH/FRENCH SPECS)



ART\_1001225250

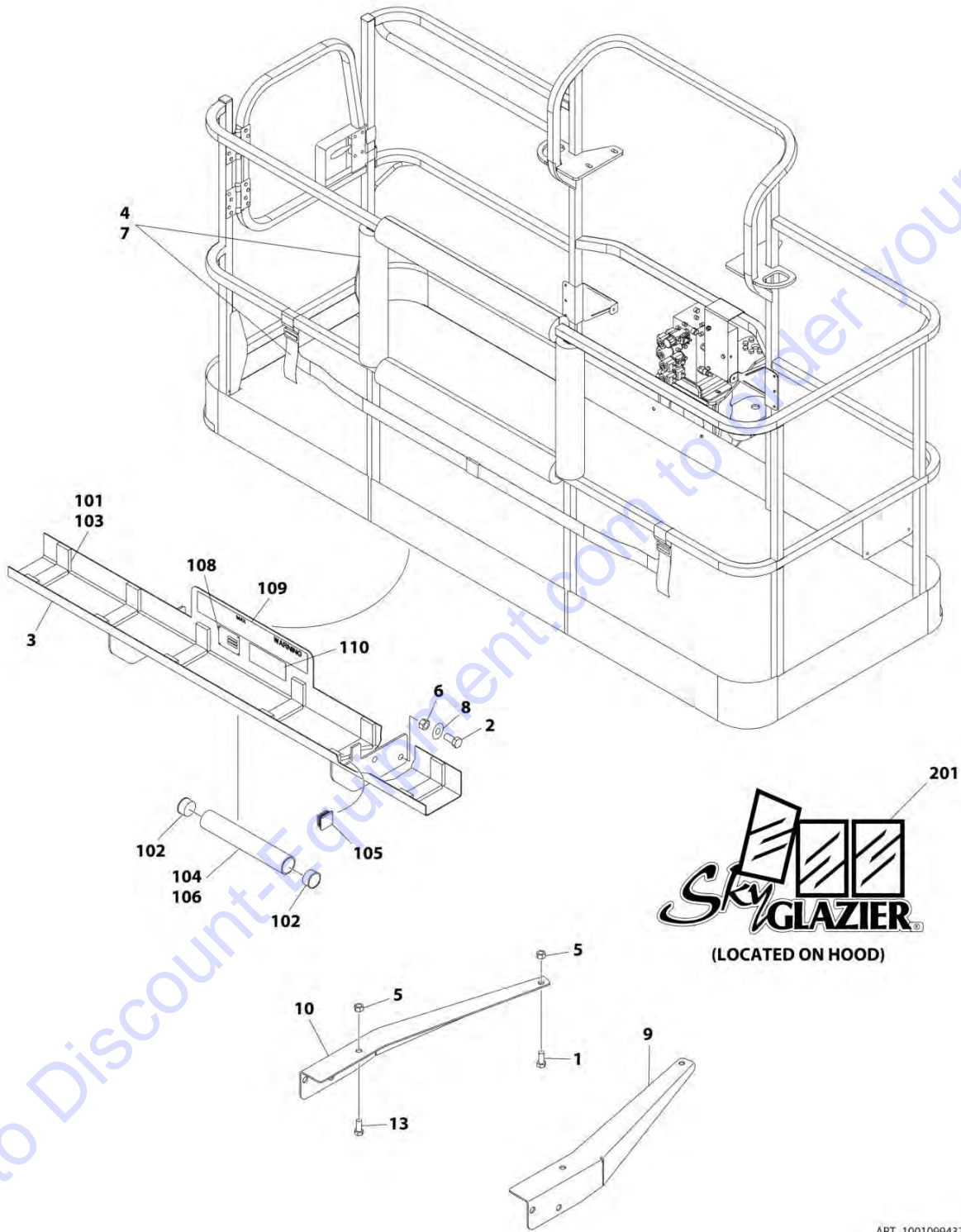
## SECTION 5 - PLATFORM

**FIGURE 5-55. SKYGLAZIER INSTALLATION - WITH 1 CELL LSS (ENGLISH/FRENCH SPECS)**

ITEM	PART NUMBER	QTY	DESCRIPTION	REV
	1001225250	Ref	SKYGLAZIER INSTALLATION - WITH 1 CELL LSS (ENGLISH/FRENCH SPECS)	A
1	0272949	1	Tray Assembly (See Items 101-110 for Breakdown)	
2	0642012	2	Bolt 5/8 x 1-1/2	
3	0642212	4	Bolt 3/4 x 1-1/2	
4	2902212	1	Bumpers and Strap Kit	
4	0940102	1	Bumper Only	
4	4240149	1	Strap Only	
5	3312005	4	Nut 5/8	
6	3312205	4	Nut 3/4	
7	4420014	AR	Tape	
8	4712000	6	Washer 5/8	
9	4712200	8	Washer 3/4	
10	8310129	2	Bolt 5/8 x 2-1/2	
11	1001099366	1	Support	
12	1001099367	1	Support	
	0272949	Ref	TRAY ASSEMBLY	D
101	0100081	AR	Adhesive	
102	1120555	2	Cap, Tube	
103	3340956	1	Pad Kit	
104	3460334	1	Tube	
105	3520071	2	Plug	
106	4420066	AR	Tape, Double Sided	
108	See Note	NSS	Nameplate - Serial Number (Note: Not Available for Purchase)	
109	1001163293	2	Decal - Glazier Capacity	
110	1701509	1	Decal - Manual	
	0272418	Ref	SKYGLAZIER DECAL INSTALLATION	4
201	1705358	2	Decal - SkyGlazier	

# SECTION 5 - PLATFORM

FIGURE 5-56. SKYGLAZIER INSTALLATION - WITH 4 CELL LSS (GERMAN SPECS)



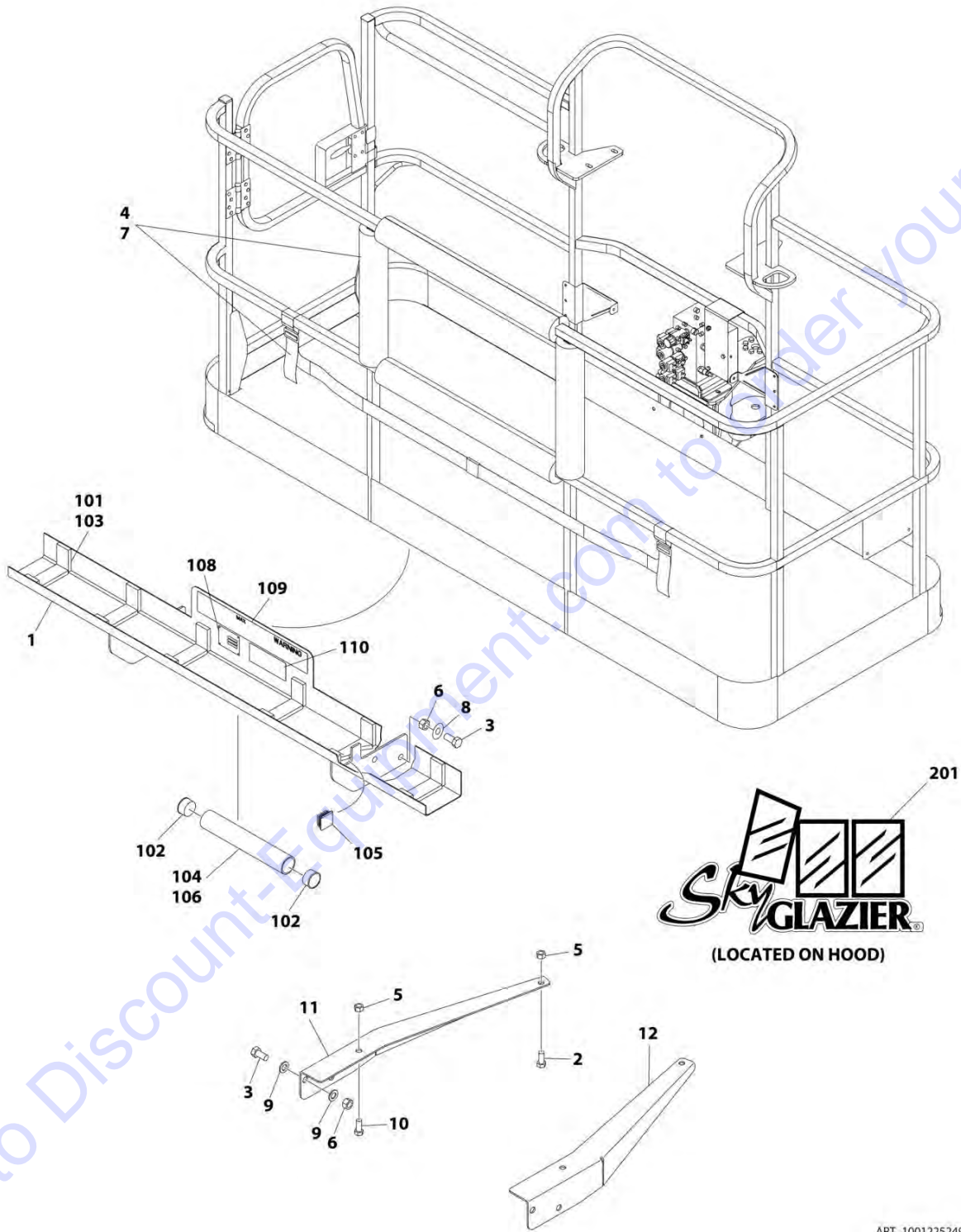
## SECTION 5 - PLATFORM

**FIGURE 5-56. SKYGLAZIER INSTALLATION - WITH 4 CELL LSS (GERMAN SPECS)**

ITEM	PART NUMBER	QTY	DESCRIPTION	REV
	1001099437	Ref	SKYGLAZIER INSTALLATION - WITH 4 CELL LSS (GERMAN SPECS)	D
1	0642026	2	Bolt 5/8 x 3-1/4	
2	0642212	4	Bolt 3/4 x 1-1/2	
3	0272950	1	Tray Assembly (See Items 101-110 for Breakdown)	
4	2902212	1	Bumpers and Strap Kit	
4	0940102	1	Bumper Only	
4	4240149	1	Strap Only	
5	3312005	4	Nut 5/8	
6	3312205	4	Nut 3/4	
7	4420014	AR	Tape	
8	4712200	8	Washer 3/4	
9	1001099366	1	Support	
10	1001099367	1	Support	
13	8310230	2	Bolt 5/8 x 4	
	0272950	Ref	TRAY ASSEMBLY	D
101	0100081	AR	Adhesive	
102	1120555	2	Cap, Tube	
103	3340956	1	Pad Kit	
104	3460334	1	Tube	
105	3520071	2	Plug	
106	4420066	AR	Tape, Double Sided	
108	See Note	NSS	Nameplate - Serial Number (Note: Not Available for Purchase)	
109	1001163298	2	Decal - Glazier Capacity	
110	1701509	1	Decal - Manual	
	0272418	Ref	SKYGLAZIER DECAL INSTALLATION	4
201	1705358	2	Decal - SkyGlazier	

# SECTION 5 - PLATFORM

## FIGURE 5-57. SKYGLAZIER INSTALLATION - WITH 1 CELL LSS (GERMAN SPECS)





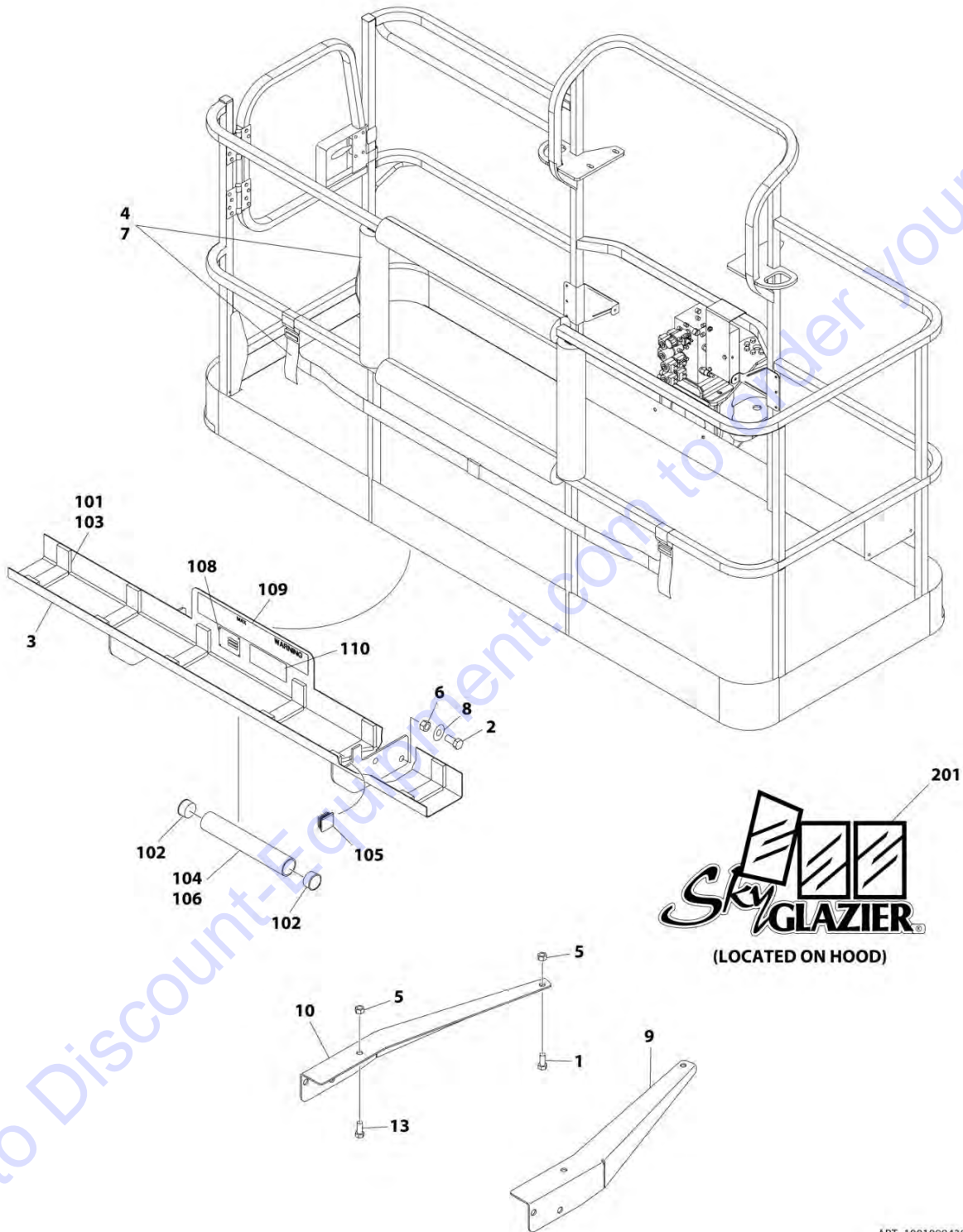
## SECTION 5 - PLATFORM

**FIGURE 5-57. SKYGLAZIER INSTALLATION - WITH 1 CELL LSS (GERMAN SPECS)**

ITEM	PART NUMBER	QTY	DESCRIPTION	REV
	1001225249	Ref	SKYGLAZIER INSTALLATION - WITH 1 CELL LSS (GERMAN SPECS)	A
1	0272950	1	Tray Assembly (See Items 101-110 for Breakdown)	
2	0642012	2	Bolt 5/8 x 1-1/2	
3	0642212	4	Bolt 3/4 x 1-1/2	
4	2902212	1	Bumpers and Strap Kit	
4	0940102	1	Bumper Only	
4	4240149	1	Strap Only	
5	3312005	4	Nut 5/8	
6	3312205	4	Nut 3/4	
7	4420014	AR	Tape	
8	4712000	6	Washer 5/8	
9	4712200	4	Washer 3/4	
10	8310129	2	Bolt 5/8 x 2-1/2	
11	1001099366	1	Support	
12	1001099367	1	Support	
	0272950	Ref	TRAY ASSEMBLY	D
101	0100081	AR	Adhesive	
102	1120555	2	Cap, Tube	
103	3340956	1	Pad Kit	
104	3460334	1	Tube	
105	3520071	2	Plug	
106	4420066	AR	Tape, Double Sided	
108	See Note	NSS	Nameplate - Serial Number (Note: Not Available for Purchase)	
109	1001163298	2	Decal - Glazier Capacity	
110	1701509	1	Decal - Manual	
	0272418	Ref	SKYGLAZIER DECAL INSTALLATION	4
201	1705358	2	Decal - SkyGlazier	

# SECTION 5 - PLATFORM

FIGURE 5-58. SKYGLAZIER INSTALLATION - WITH 4 CELL LSS (ITALIAN SPECS)



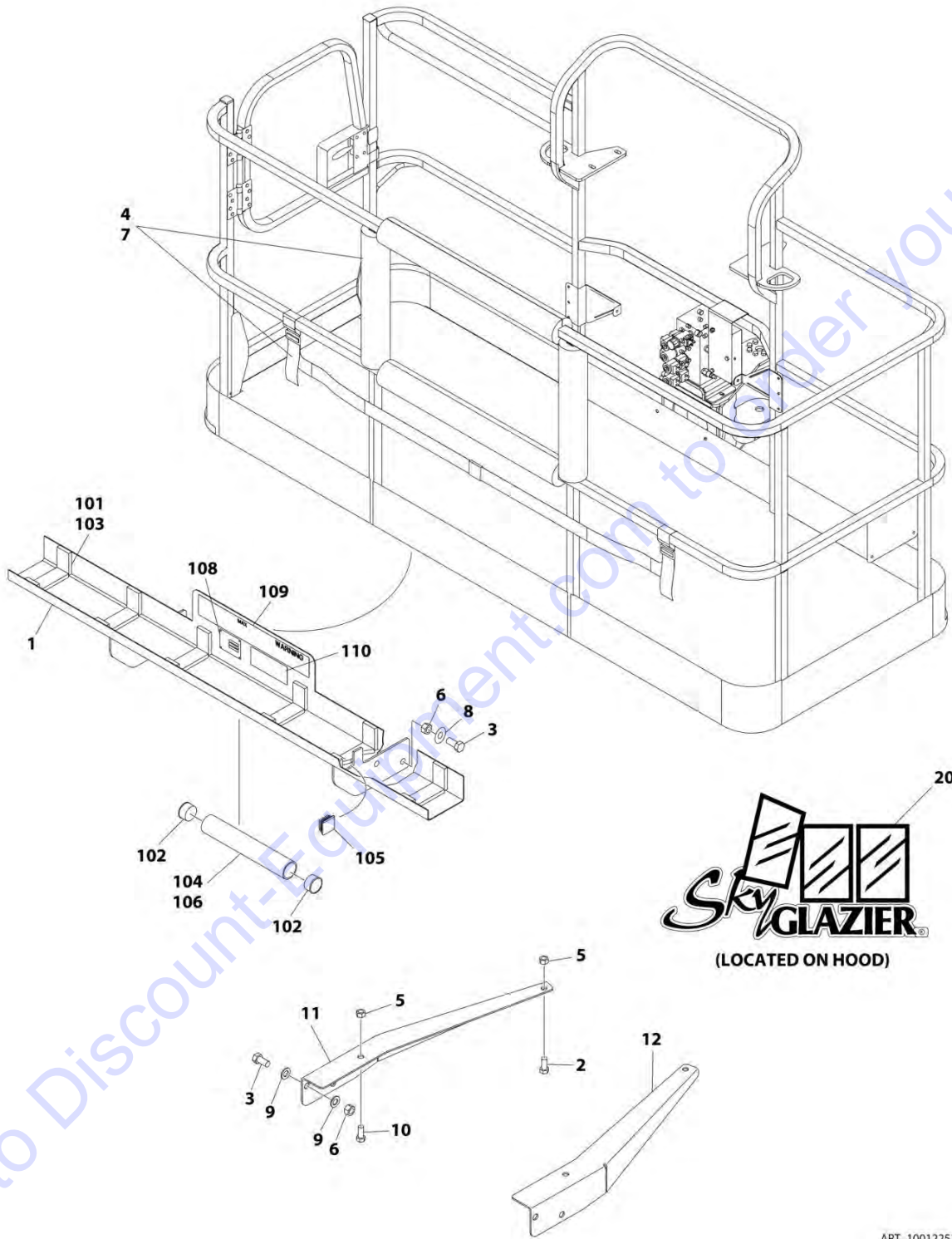
## SECTION 5 - PLATFORM

**FIGURE 5-58. SKYGLAZIER INSTALLATION - WITH 4 CELL LSS (ITALIAN SPECS)**

ITEM	PART NUMBER	QTY	DESCRIPTION	REV
	1001099439	Ref	SKYGLAZIER INSTALLATION - WITH 4 CELL LSS (ITALIAN SPECS)	D
1	0642026	2	Bolt 5/8 x 3-1/4	
2	0642212	4	Bolt 3/4 x 1-1/2	
3	0272952	1	Tray Assembly (See Items 101-110 for Breakdown)	
4	2902212	1	Bumpers and Strap Kit	
4	0940102	1	Bumper Only	
4	4240149	1	Strap Only	
5	3312005	4	Nut 5/8	
6	3312205	4	Nut 3/4	
7	4420014	AR	Tape	
8	4712200	8	Washer 3/4	
9	1001099366	1	Support	
10	1001099367	1	Support	
13	8310230	2	Bolt 5/8 x 4	
	0272952	Ref	TRAY ASSEMBLY	D
101	0100081	AR	Adhesive	
102	1120555	2	Cap, Tube	
103	3340956	1	Pad Kit	
104	3460334	1	Tube	
105	3520071	2	Plug	
106	4420066	AR	Tape, Double Sided	
108	See Note	NSS	Nameplate - Serial Number (Note: Not Available for Purchase)	
109	1001163287	2	Decal - Glazier Capacity	
110	1701509	1	Decal - Manual	
	0272418	Ref	SKYGLAZIER DECAL INSTALLATION	4
201	1705358	2	Decal - SkyGlazier	

# SECTION 5 - PLATFORM

FIGURE 5-59. SKYGLAZIER INSTALLATION - WITH 1 CELL LSS (ITALIAN SPECS)



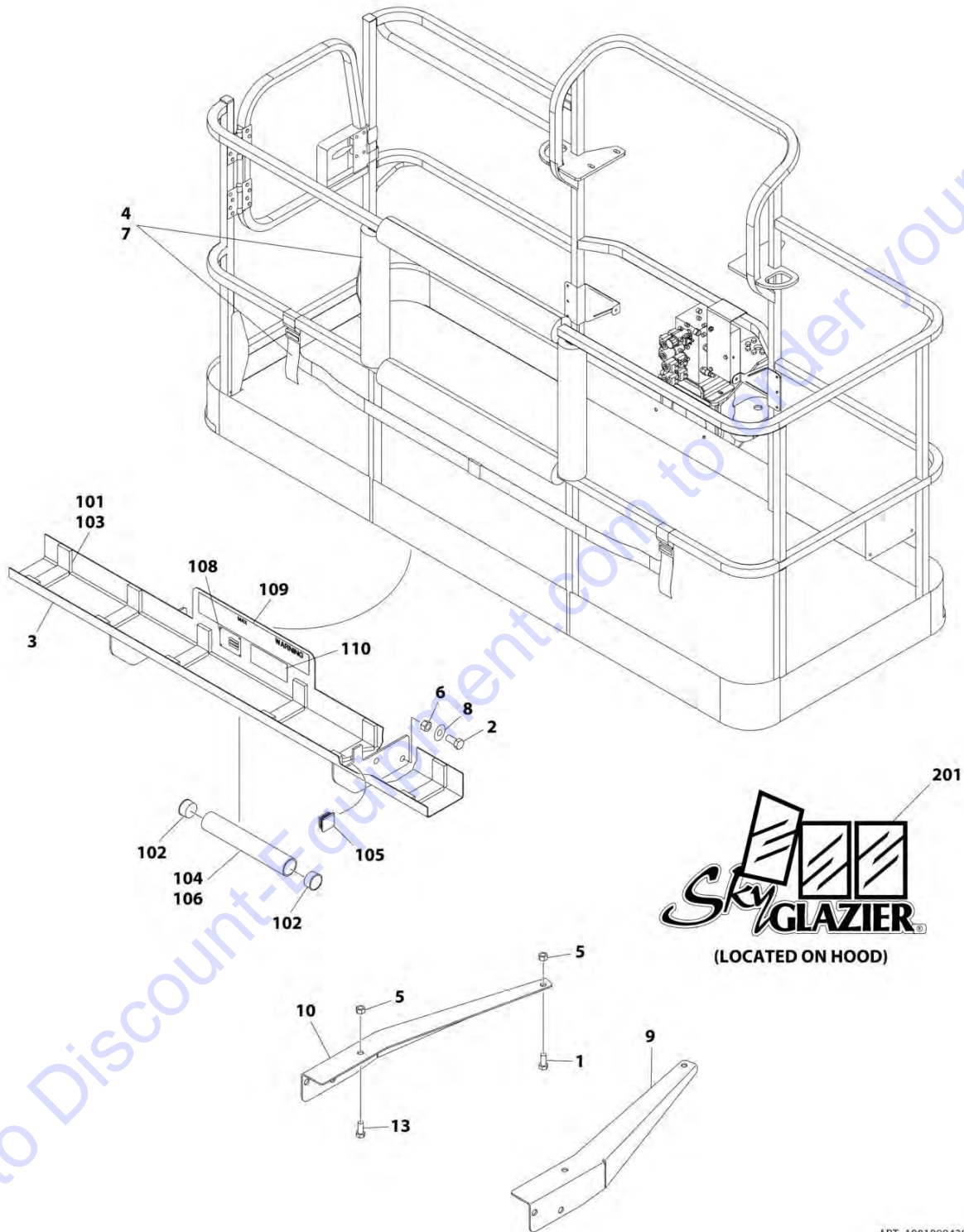
## SECTION 5 - PLATFORM

**FIGURE 5-59. SKYGLAZIER INSTALLATION - WITH 1 CELL LSS (ITALIAN SPECS)**

ITEM	PART NUMBER	QTY	DESCRIPTION	REV
	1001225247	Ref	SKYGLAZIER INSTALLATION - WITH 1 CELL LSS (ITALIAN SPECS)	A
1	0272952	1	Tray Assembly (See Items 101-110 for Breakdown)	
2	0642012	2	Bolt 5/8 x 1-1/2	
3	0642212	4	Bolt 3/4 x 1-1/2	
4	2902212	1	Bumpers and Strap Kit	
4	0940102	1	Bumper Only	
4	4240149	1	Strap Only	
5	3312005	4	Nut 5/8	
6	3312205	4	Nut 3/4	
7	4420014	AR	Tape	
8	4712000	6	Washer 5/8	
9	4712200	8	Washer 3/4	
10	8310129	2	Bolt 5/8 x 2-1/2	
11	1001099366	1	Support	
12	1001099367	1	Support	
	0272952	Ref	TRAY ASSEMBLY	D
101	0100081	AR	Adhesive	
102	1120555	2	Cap, Tube	
103	3340956	1	Pad Kit	
104	3460334	1	Tube	
105	3520071	2	Plug	
106	4420066	AR	Tape, Double Sided	
108	See Note	NSS	Nameplate - Serial Number (Note: Not Available for Purchase)	
109	1001163287	2	Decal - Glazier Capacity	
110	1701509	1	Decal - Manual	
	0272418	Ref	SKYGLAZIER DECAL INSTALLATION	4
201	1705358	2	Decal - SkyGlazier	

# SECTION 5 - PLATFORM

## FIGURE 5-60. SKYGLAZIER INSTALLATION - WITH 4 CELL LSS (PORTUGUESE SPECS)



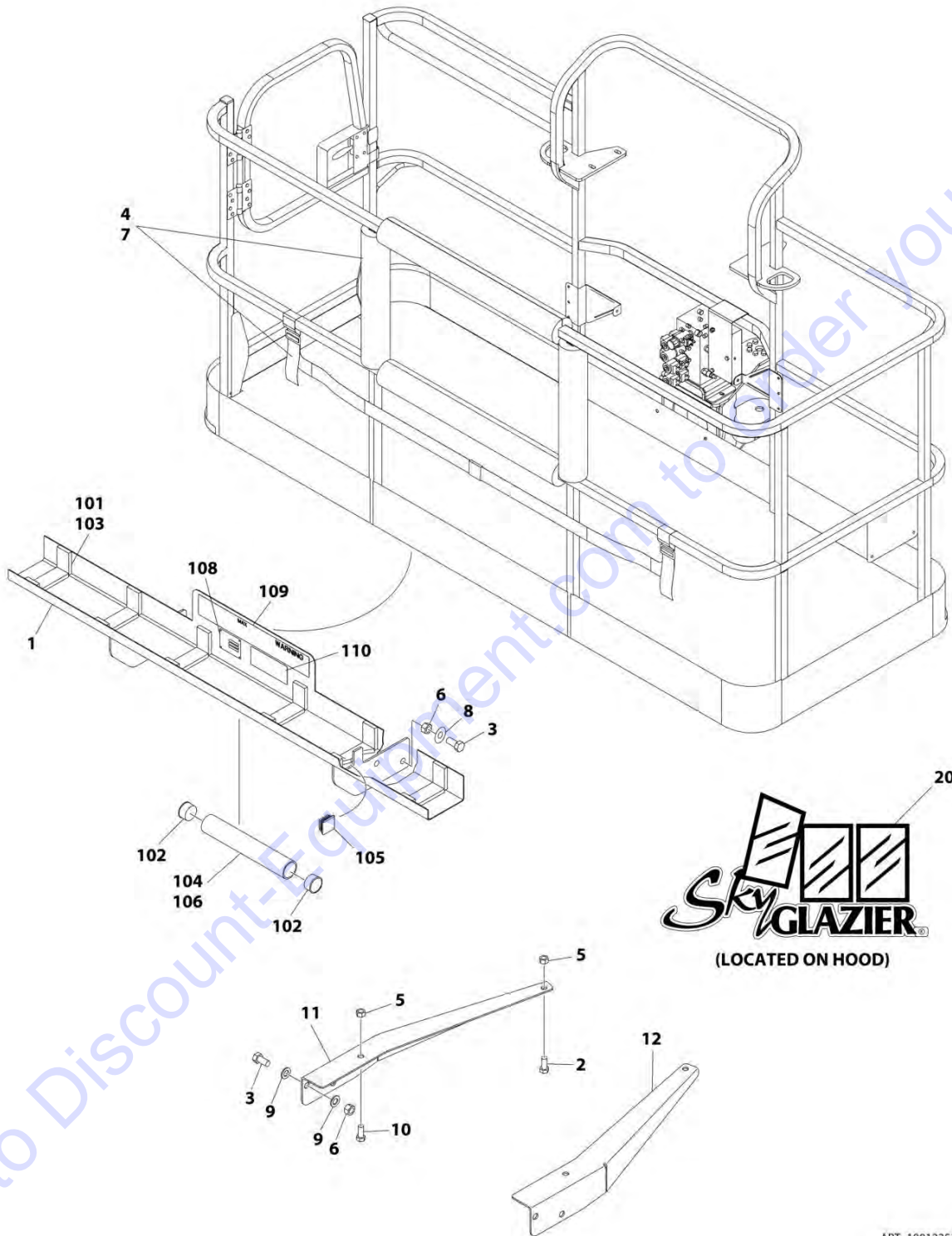
## SECTION 5 - PLATFORM

**FIGURE 5-60. SKYGLAZIER INSTALLATION - WITH 4 CELL LSS (PORTUGUESE SPECS)**

ITEM	PART NUMBER	QTY	DESCRIPTION	REV
	1001099438	Ref	SKYGLAZIER INSTALLATION - WITH 4 CELL LSS (PORTUGUESE SPECS)	D
1	0642026	1	Bolt 5/8 x 3-1/4	
2	0642212	1	Bolt 3/4 x 1-1/2	
3	0273406	1	Tray Assembly (See Items 101-110 for Breakdown)	
4	2902212	1	Bumpers and Strap Kit	
4	0940102	1	Bumper Only	
4	4240149	1	Strap Only	
5	3312005	1	Nut 5/8	
6	3312205	1	Nut 3/4	
7	4420014	1	Tape	
8	4712200	1	Washer 3/4	
9	1001099366	1	Support	
10	1001099367	1	Support	
13	8310230	1	Bolt 5/8 x 4	
	0273406	Ref	TRAY ASSEMBLY	D
101	0100081	1	Adhesive	
102	1120555	1	Cap, Tube	
103	3340956	1	Pad Kit	
104	3460334	1	Tube	
105	3520071	1	Plug	
106	4420066	1	Tape, Double Sided	
108	See Note	NSS	Nameplate - Serial Number (Note: Not Available for Purchase)	
109	1001163289	1	Decal - Glazier Capacity	
110	1701509	1	Decal - Manual	
	0272418	Ref	SKYGLAZIER DECAL INSTALLATION	4
201	1705358	1	Decal - SkyGlazier	

# SECTION 5 - PLATFORM

## FIGURE 5-61. SKYGLAZIER INSTALLATION - WITH 1 CELL LSS (PORTUGUESE SPECS)



ART\_1001225248



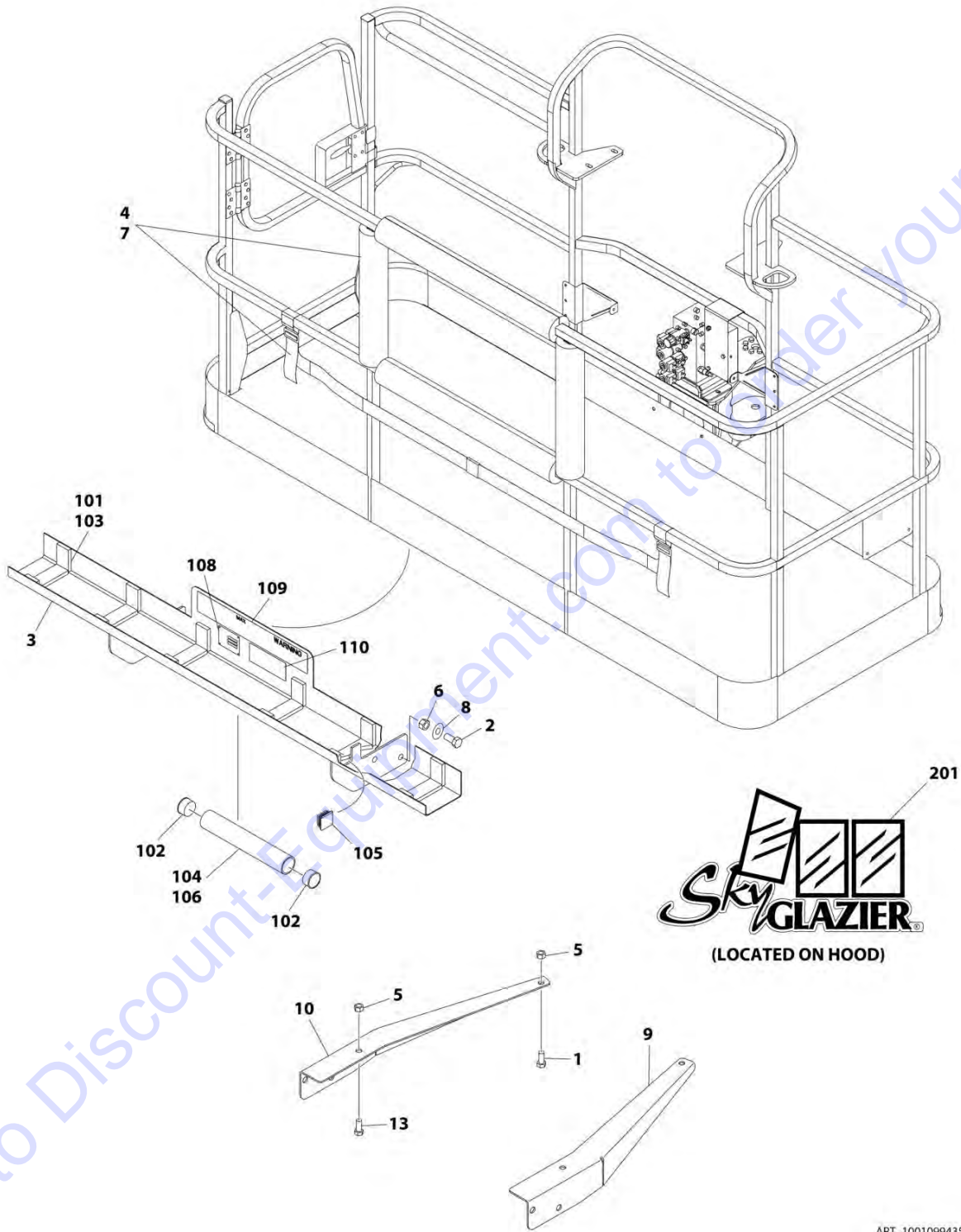
## SECTION 5 - PLATFORM

**FIGURE 5-61. SKYGLAZIER INSTALLATION - WITH 1 CELL LSS (PORTUGUESE SPECS)**

ITEM	PART NUMBER	QTY	DESCRIPTION	REV
	1001225248	Ref	SKYGLAZIER INSTALLATION - WITH 1 CELL LSS (PORTUGUESE SPECS)	A
1	0273406	1	Tray Assembly (See Items 101-110 for Breakdown)	
2	0642012	2	Bolt 5/8 x 1-1/2	
3	0642212	4	Bolt 3/4 x 1-1/2	
4	2902212	1	Bumpers and Strap Kit	
4	0940102	1	Bumper Only	
4	4240149	1	Strap Only	
5	3312005	4	Nut 5/8	
6	3312205	4	Nut 3/4	
7	4420014	AR	Tape	
8	4712000	6	Washer 5/8	
9	4712200	8	Washer 3/4	
10	8310129	2	Bolt 5/8 x 2-1/2	
11	1001099366	1	Support	
12	1001099367	1	Support	
	0273406	Ref	TRAY ASSEMBLY	D
101	0100081	1	Adhesive	
102	1120555	1	Cap, Tube	
103	3340956	1	Pad Kit	
104	3460334	1	Tube	
105	3520071	1	Plug	
106	4420066	1	Tape, Double Sided	
108	See Note	NSS	Nameplate - Serial Number (Note: Not Available for Purchase)	
109	1001163289	1	Decal - Glazier Capacity	
110	1701509	1	Decal - Manual	
	0272418	Ref	SKYGLAZIER DECAL INSTALLATION	4
201	1705358	1	Decal - SkyGlazier	

# SECTION 5 - PLATFORM

## FIGURE 5-62. SKYGLAZIER INSTALLATION - WITH 4 CELL LSS (SPANISH SPECS)



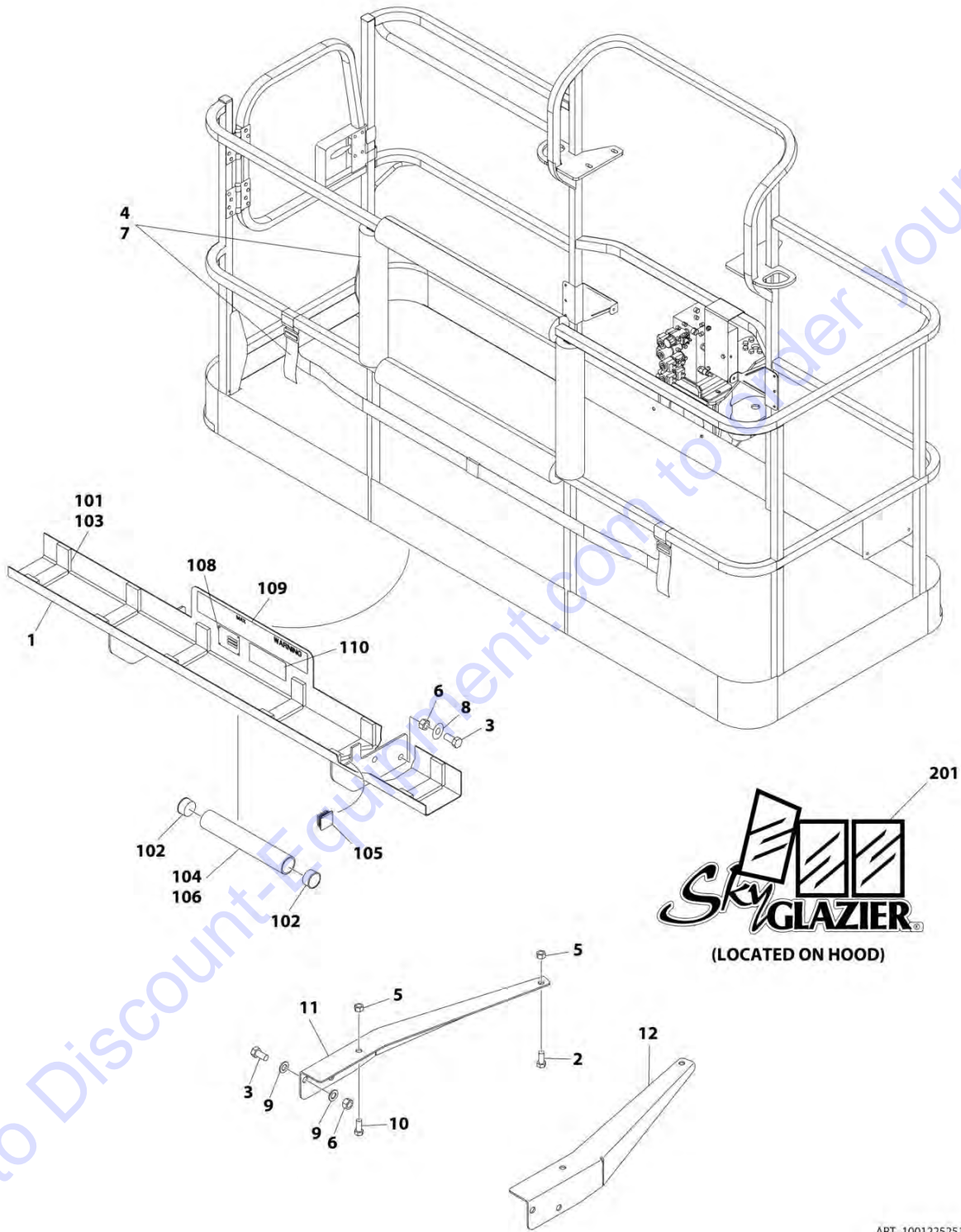
## SECTION 5 - PLATFORM

**FIGURE 5-62. SKYGLAZIER INSTALLATION - WITH 4 CELL LSS (SPANISH SPECS)**

ITEM	PART NUMBER	QTY	DESCRIPTION	REV
	1001099435	Ref	SKYGLAZIER INSTALLATION - WITH 4 CELL LSS (SPANISH SPECS)	D
1	0642026	2	Bolt 5/8 x 3-1/4	
2	0642212	4	Bolt 3/4 x 1-1/2	
3	0273405	1	Tray Assembly (See Items 101-110 for Breakdown)	
4	2902212	1	Bumpers and Strap Kit	
4	0940102	1	Bumper Only	
4	4240149	1	Strap Only	
5	3312005	4	Nut 5/8	
6	3312205	4	Nut 3/4	
7	4420014	AR	Tape	
8	4712200	8	Washer 3/4	
9	1001099366	1	Support	
10	1001099367	1	Support	
13	8310230	2	Bolt 5/8 x 4	
	0273405	Ref	TRAY ASSEMBLY	D
101	0100081	AR	Adhesive	
102	1120555	2	Cap, Tube	
103	3340956	1	Pad Kit	
104	3460334	1	Tube	
105	3520071	2	Plug	
106	4420066	AR	Tape, Double Sided	
108	See Note	NSS	Nameplate - Serial Number (Note: Not Available for Purchase)	
109	1001163288	2	Decal - Glazier Capacity	
110	1701509	1	Decal - Manual	
	0272418	Ref	SKYGLAZIER DECAL INSTALLATION	4
201	1705358	2	Decal - SkyGlazier	

# SECTION 5 - PLATFORM

## FIGURE 5-63. SKYGLAZIER INSTALLATION - WITH 1 CELL LSS (SPANISH SPECS)



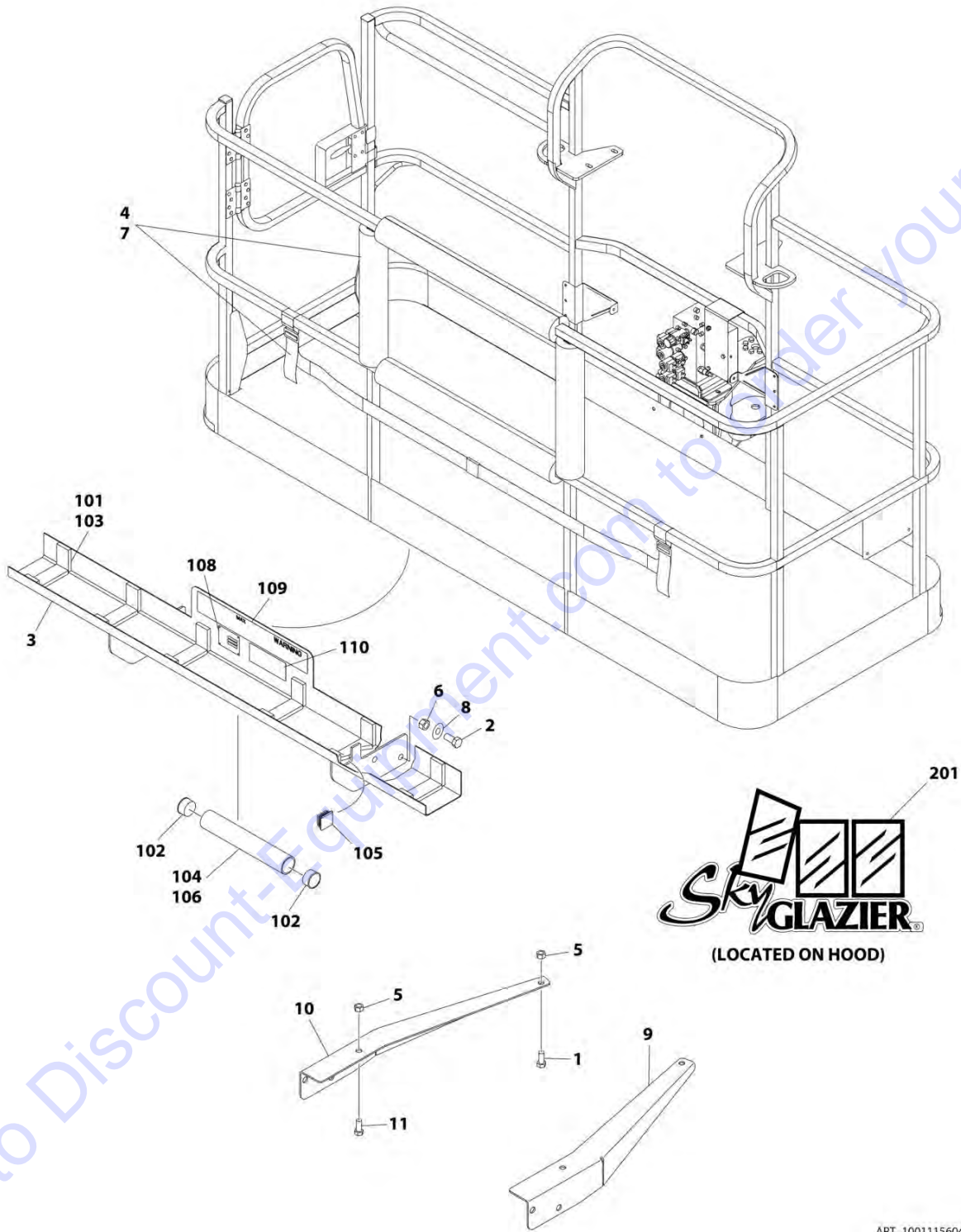
## SECTION 5 - PLATFORM

**FIGURE 5-63. SKYGLAZIER INSTALLATION - WITH 1 CELL LSS (SPANISH SPECS)**

ITEM	PART NUMBER	QTY	DESCRIPTION	REV
	1001225251	Ref	SKYGLAZIER INSTALLATION - WITH 1 CELL LSS (SPANISH SPECS)	A
1	0273405	1	Tray Assembly (See Items 101-110 for Breakdown)	
2	0642012	2	Bolt 5/8 x 1-1/2	
3	0642212	4	Bolt 3/4 x 1-1/2	
4	2902212	1	Bumpers and Strap Kit	
4	0940102	1	Bumper Only	
4	4240149	1	Strap Only	
5	3312005	4	Nut 5/8	
6	3312205	4	Nut 3/4	
7	4420014	AR	Tape	
8	4712000	6	Washer 5/8	
9	4712200	8	Washer 3/4	
10	8310129	2	Bolt 5/8 x 2-1/2	
11	1001099366	1	Support	
12	1001099367	1	Support	
	0273405	Ref	TRAY ASSEMBLY	D
101	0100081	AR	Adhesive	
102	1120555	2	Cap, Tube	
103	3340956	1	Pad Kit	
104	3460334	1	Tube	
105	3520071	2	Plug	
106	4420066	AR	Tape, Double Sided	
108	See Note	NSS	Nameplate - Serial Number (Note: Not Available for Purchase)	
109	1001163288	2	Decal - Glazier Capacity	
110	1701509	1	Decal - Manual	
	0272418	Ref	SKYGLAZIER DECAL INSTALLATION	4
201	1705358	2	Decal - SkyGlazier	

# SECTION 5 - PLATFORM

FIGURE 5-64. SKYGLAZIER INSTALLATION - WITH 4 CELL LSS (SWEDISH SPECS)



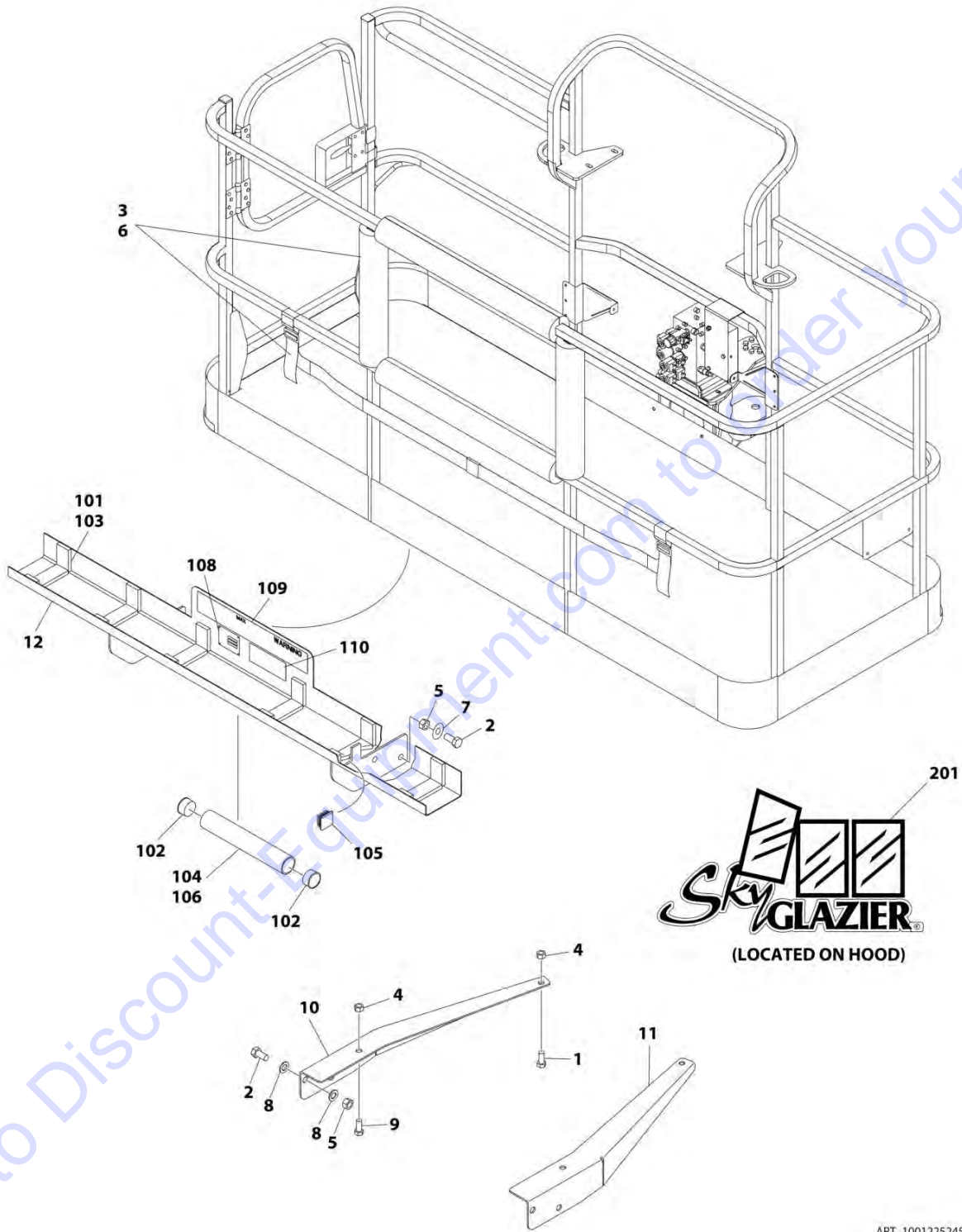
## SECTION 5 - PLATFORM

**FIGURE 5-64. SKYGLAZIER INSTALLATION - WITH 4 CELL LSS (SWEDISH SPECS)**

ITEM	PART NUMBER	QTY	DESCRIPTION	REV
	1001115604	Ref	SKYGLAZIER INSTALLATION - WITH 4 CELL LSS (SWEDISH SPECS)	C
1	0642026	2	Bolt 5/8 x 3-1/4	
2	0642212	4	Bolt 3/4 x 1-1/2	
3	1001115603	1	Tray Assembly (See Items 101-110 for Breakdown)	
4	2902212	1	Bumpers and Strap Kit	
4	0940102	1	Bumper Only	
4	4240149	1	Strap Only	
5	3312005	4	Nut 5/8	
6	3312205	4	Nut 3/4	
7	4420014	AR	Tape	
8	4712200	8	Washer 3/4	
9	1001099366	1	Support	
10	1001099367	1	Support	
11	8310230	2	Bolt 5/8 x 4	
	1001115603	Ref	TRAY ASSEMBLY	C
101	0100081	AR	Adhesive	
102	1120555	2	Cap, Tube	
103	3340956	1	Pad Kit	
104	3460334	1	Tube	
105	3520071	2	Plug	
106	4420066	AR	Tape, Double Sided	
108	See Note	NSS	Nameplate - Serial Number (Note: Not Available for Purchase)	
109	1001163292	2	Decal - Glazier Capacity	
110	1701509	1	Decal - Manual	
	0272418	Ref	SKYGLAZIER DECAL INSTALLATION	4
201	1705358	2	Decal - SkyGlazier	

# SECTION 5 - PLATFORM

## FIGURE 5-65. SKYGLAZIER INSTALLATION - WITH 1 CELL LSS (SWEDISH SPECS)





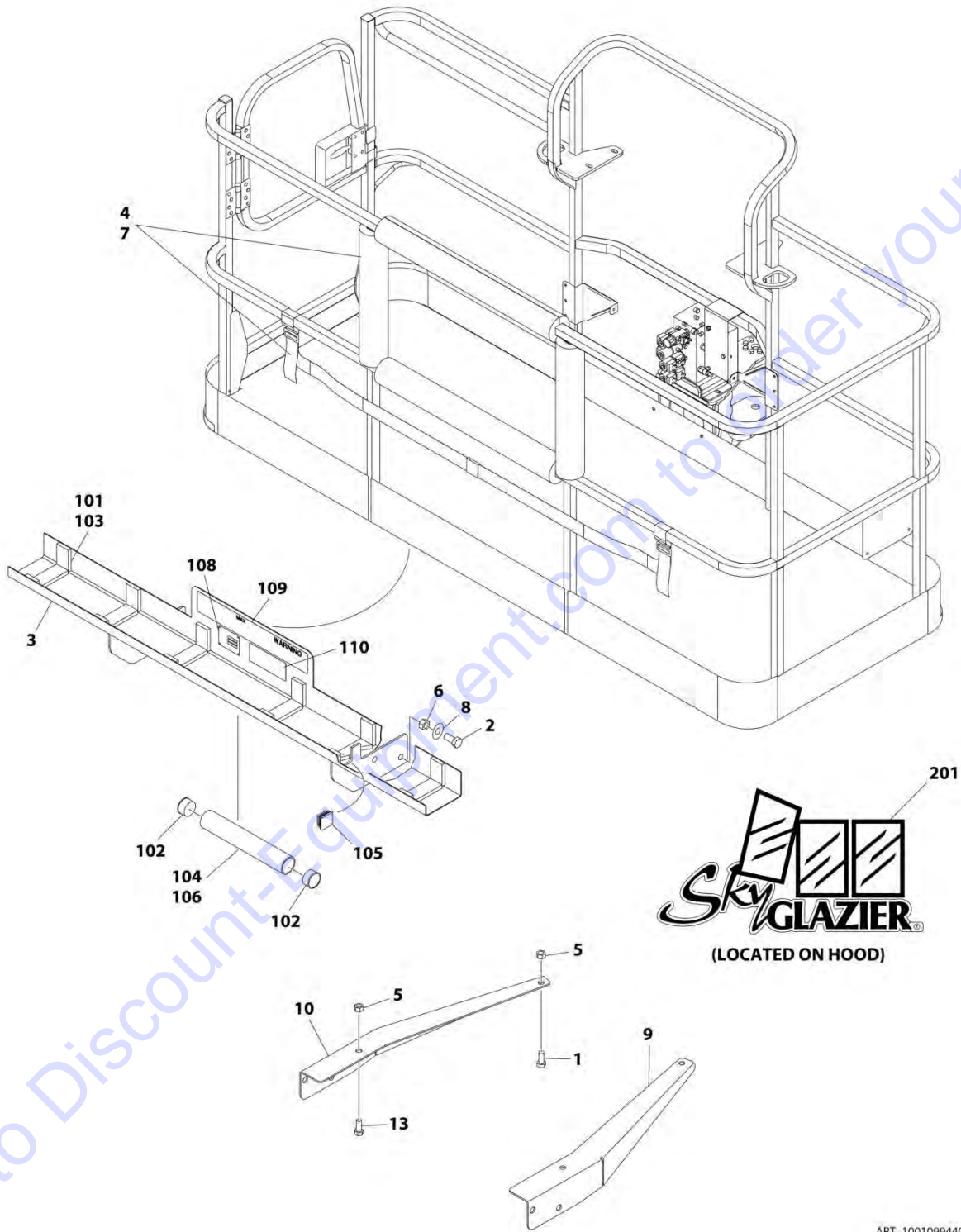
## SECTION 5 - PLATFORM

**FIGURE 5-65. SKYGLAZIER INSTALLATION - WITH 1 CELL LSS (SWEDISH SPECS)**

ITEM	PART NUMBER	QTY	DESCRIPTION	REV
	1001225245	Ref	SKYGLAZIER INSTALLATION - WITH 1 CELL LSS (SWEDISH SPECS)	A
1	0642012	2	Bolt 5/8 x 1-1/2	
2	0642212	4	Bolt 3/4 x 1-1/2	
3	2902212	1	Bumpers and Strap Kit	
3	0940102	1	Bumper Only	
3	4240149	1	Strap Only	
4	3312005	4	Nut 5/8	
5	3312205	4	Nut 3/4	
6	4420014	AR	Tape	
7	4712000	6	Washer 5/8	
8	4712200	8	Washer 3/4	
9	8310129	2	Bolt 5/8 x 2-1/2	
10	1001099366	1	Support	
11	1001099367	1	Support	
12	1001115603	1	Tray Assembly (See Items 101-110 for Breakdown)	
	1001115603	Ref	TRAY ASSEMBLY	C
101	0100081	AR	Adhesive	
102	1120555	2	Cap, Tube	
103	3340956	1	Pad Kit	
104	3460334	1	Tube	
105	3520071	2	Plug	
106	4420066	AR	Tape, Double Sided	
108	See Note	NSS	Nameplate - Serial Number (Note: Not Available for Purchase)	
109	1001163292	2	Decal - Glazier Capacity	
110	1701509	1	Decal - Manual	
	0272418	Ref	SKYGLAZIER DECAL INSTALLATION	4
201	1705358	2	Decal - SkyGlazier	

# SECTION 5 - PLATFORM

FIGURE 5-66. SKYGLAZIER INSTALLATION - WITH 4 CELL LSS (UK SPECS)



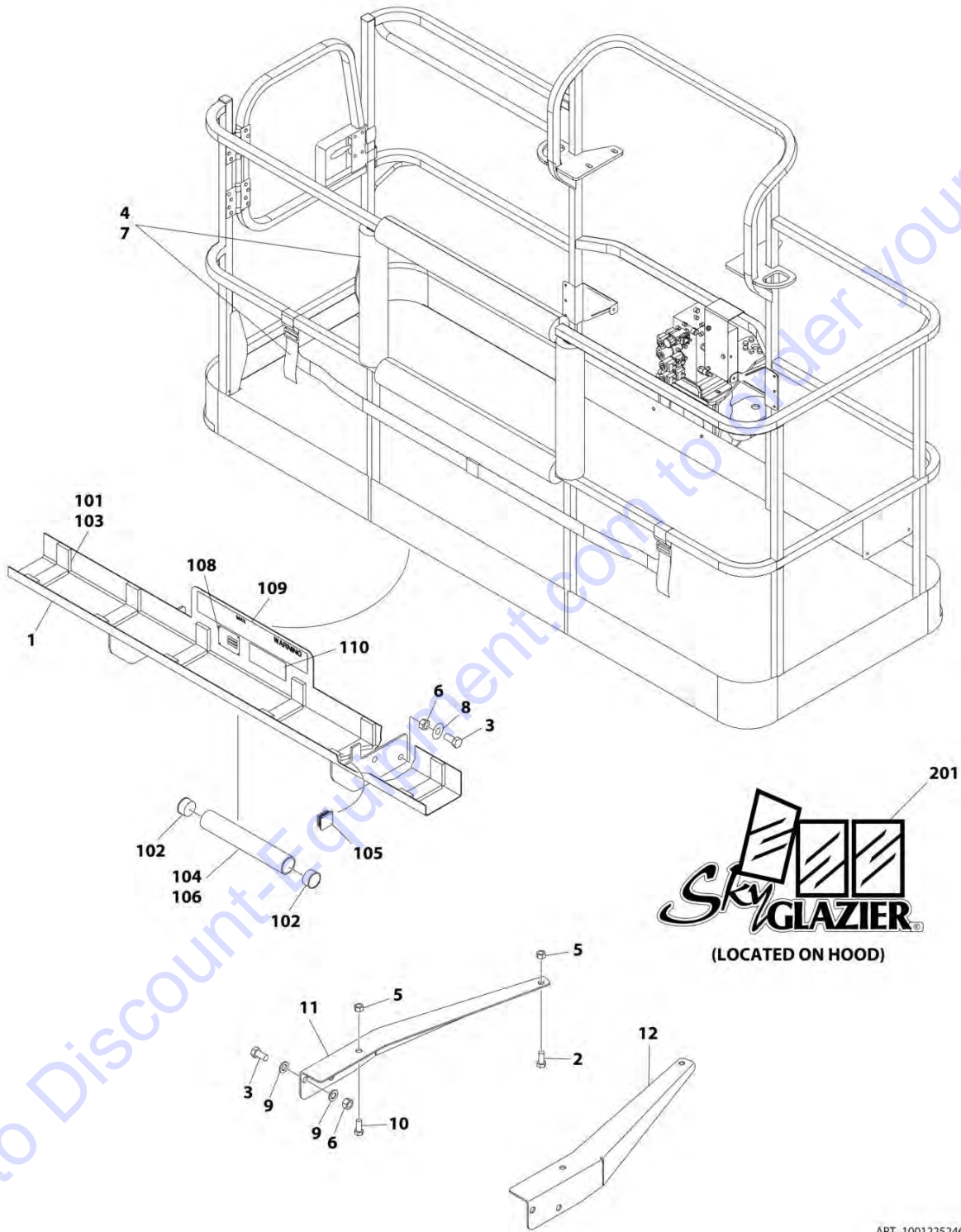
## SECTION 5 - PLATFORM

**FIGURE 5-66. SKYGLAZIER INSTALLATION - WITH 4 CELL LSS (UK SPECS)**

ITEM	PART NUMBER	QTY	DESCRIPTION	REV
	1001099440	Ref	SKYGLAZIER INSTALLATION - WITH 4 CELL LSS (UK SPECS)	D
1	0642026	2	Bolt 5/8 x 3-1/4	
2	0642212	4	Bolt 3/4 x 1-1/2	
3	0273404	1	Tray Assembly (See Items 101-110 for Breakdown)	
4	2902212	1	Bumpers and Strap Kit	
4	0940102	1	Bumper Only	
4	4240149	1	Strap Only	
5	3312005	4	Nut 5/8	
6	3312205	4	Nut 3/4	
7	4420014	AR	Tape	
8	4712200	8	Washer 3/4	
9	1001099366	1	Support	
10	1001099367	1	Support	
13	8310230	2	Bolt 5/8 x 4	
	0273404	Ref	TRAY ASSEMBLY	D
101	0100081	AR	Adhesive	
102	1120555	2	Cap, Tube	
103	3340956	1	Pad Kit	
104	3460334	1	Tube	
105	3520071	2	Plug	
106	4420066	AR	Tape, Double Sided	
108	See Note	NSS	Nameplate - Serial Number (Note: Not Available for Purchase)	
109	1001163295	2	Decal - Glazier Capacity	
110	1701509	1	Decal - Manual	
	0272418	Ref	SKYGLAZIER DECAL INSTALLATION	4
201	1705358	2	Decal - SkyGlazier	

# SECTION 5 - PLATFORM

## FIGURE 5-67. SKYGLAZIER INSTALLATION - WITH 1 CELL LSS (UK SPECS)



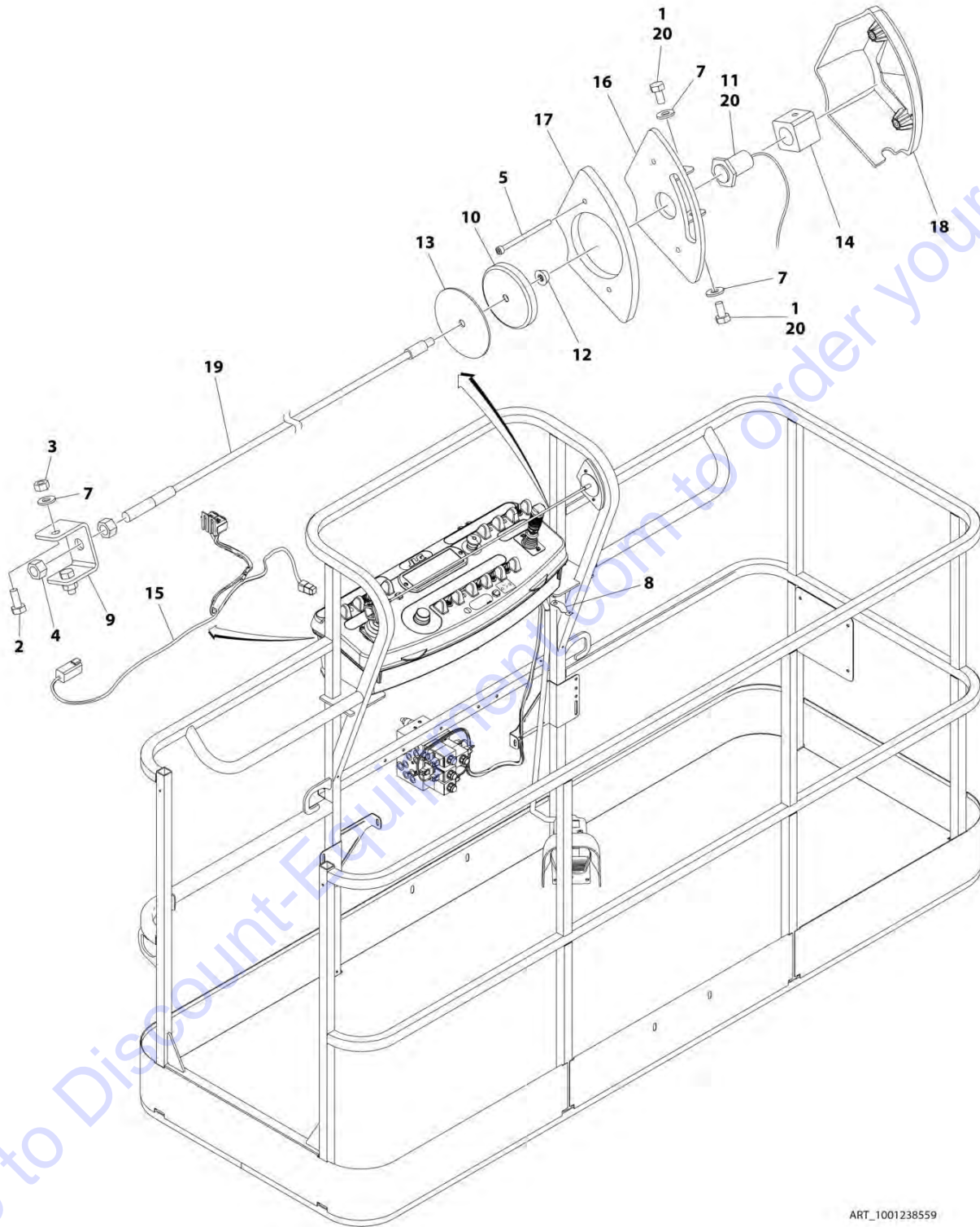
## SECTION 5 - PLATFORM

**FIGURE 5-67. SKYGLAZIER INSTALLATION - WITH 1 CELL LSS (UK SPECS)**

ITEM	PART NUMBER	QTY	DESCRIPTION	REV
	1001225246	Ref	SKYGLAZIER INSTALLATION - WITH 1 CELL LSS (UK SPECS)	A
1	0273404	1	Tray Assembly (See Items 101-110 for Breakdown)	
2	0642012	2	Bolt 5/8 x 1-1/2	
3	0642212	4	Bolt 3/4 x 1-1/2	
4	2902212	1	Bumpers and Strap Kit	
4	0940102	1	Bumper Only	
4	4240149	1	Strap Only	
5	3312005	4	Nut 5/8	
6	3312205	4	Nut 3/4	
7	4420014	AR	Tape	
8	4712000	6	Washer 5/8	
9	4712200	8	Washer 3/4	
10	8310129	2	Bolt 5/8 x 2-1/2	
11	1001099366	1	Support	
12	1001099367	1	Support	
	0273404	Ref	TRAY ASSEMBLY	D
101	0100081	AR	Adhesive	
102	1120555	2	Cap, Tube	
103	3340956	1	Pad Kit	
104	3460334	1	Tube	
105	3520071	2	Plug	
106	4420066	AR	Tape, Double Sided	
108	See Note	NSS	Nameplate - Serial Number (Note: Not Available for Purchase)	
109	1001163295	2	Decal - Glazier Capacity	
110	1701509	1	Decal - Manual	
	0272418	Ref	SKYGLAZIER DECAL INSTALLATION	4
201	1705358	2	Decal - SkyGlazier	

# SECTION 5 - PLATFORM

## FIGURE 5-68. SKYLINE INSTALLATION



ART\_1001238559

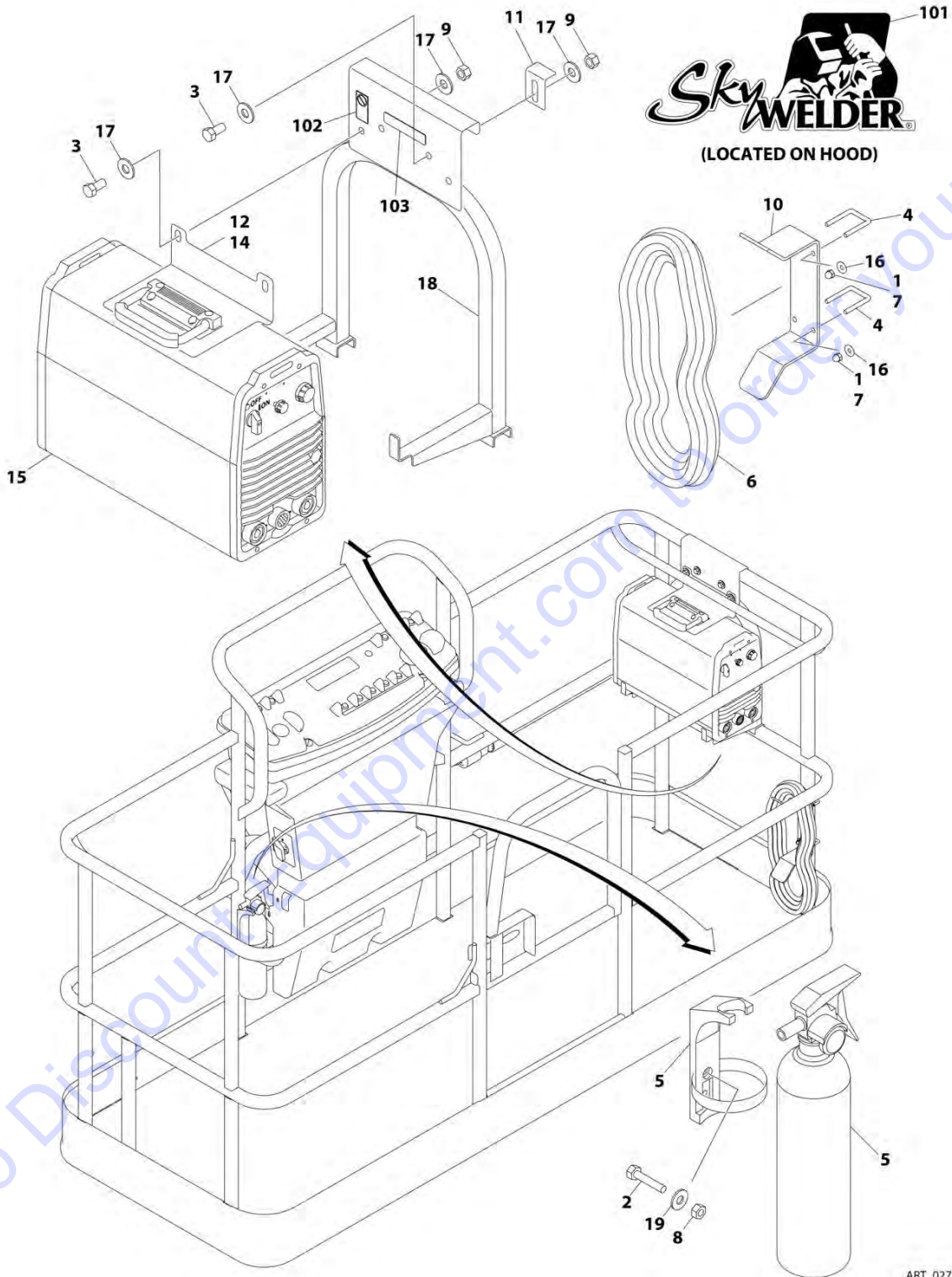
## SECTION 5 - PLATFORM

**FIGURE 5-68. SKYLINE INSTALLATION**

ITEM	PART NUMBER	QTY	DESCRIPTION	REV
	1001238559	Ref	SKYLINE INSTALLATION	B
1	0641404	2	Bolt 1/4 x 1/2	
2	0641405	2	Bolt 1/4 x 5/8	
3	3311405	2	Nut 1/4	
4	3311601	2	Nut 3/8	
5	4031516	2	Capscrew M4 x 60	
6	4240033	AR	Tie-Strap (Not Shown)	
7	4711400	4	Washer 1/4	
8	1001120328	1	Mount	
9	1001232642	1	Bracket	
10	1001232650	1	Magnet	
11	1001232667	1	Sensor, Proximity	
12	1001235011	1	Nut	
13	1001235013	1	Washer	
14	1001236552	1	Block	
15	1001238418	1	Harness, Skyline (See Separate Breakdown in ELECTRICAL SECTION)	
16	1001238472	1	Mount	
17	1001238477	1	Housing, LH	
18	1001241965	1	Housing, RH	
19	1001238824	1	Rope	
20	0100011	AR	Compound, Locking	

# SECTION 5 - PLATFORM

## FIGURE 5-69. SKYWELDER INSTALLATION (50HZ)





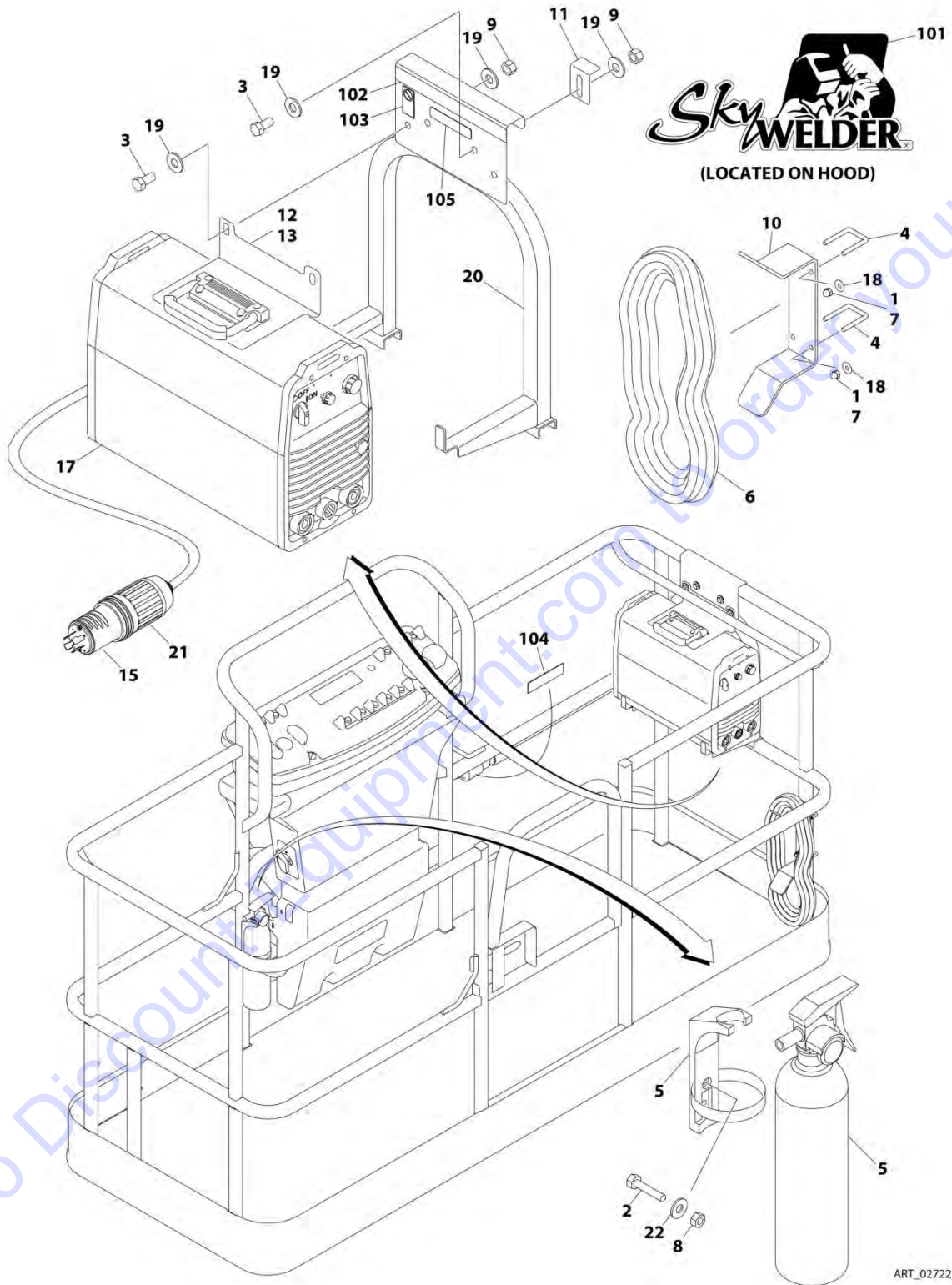
## SECTION 5 - PLATFORM

**FIGURE 5-69. SKYWELDER INSTALLATION (50HZ)**

ITEM	PART NUMBER	QTY	DESCRIPTION	REV
	0272521	Ref	SKYWELDER INSTALLATION (50HZ)	F
		Ref	Note: Australian, CE, Chinese and Japanese Specs Only.	
1	0100011	AR	Compound, Locking	
2	0630518	2	Screw #10 x 3/4	
3	0641606	4	Bolt 3/8 x 3/4	
4	1320302	2	U-Clamp	
5	2030010	1	Extinguisher, Fire	
6	2902217	1	Weld Leads Kit	
7	3300151	4	Nut 1/4	
8	3311005	2	Nut #10	
9	3311605	4	Nut 3/8	
10	3573400	1	Bracket	
11	3577121	2	Angle	
12	3573642	1	Plate	
13	4240099	AR	Tie-Strap (Not Shown)	
14	4420037	AR	Tape	
15	4530028	1	Welder Assembly (See WELDER ASSEMBLY for Breakdown)	
16	4751400	4	Washer 1/4	
17	4751600	8	Washer 3/8	
18	4846627	1	Support	
19	4751000	2	Washer #10	
	0272588	Ref	SKYWELDER DECAL INSTALLATION	B
101	1705355	2	Decal - SkyWelder	
102	1705305	1	Decal - Weld Lead	
103	1705466	NLA	Decal - Weight (Use p/n 1001228988) <b>(Prior to SN 0300233352)</b>	
103	1001228988	1	Decal - Weight <b>(SN 0300233352 to Present)</b>	

# SECTION 5 - PLATFORM

## FIGURE 5-70. SKYWELDER INSTALLATION (60HZ)



ART\_0272254

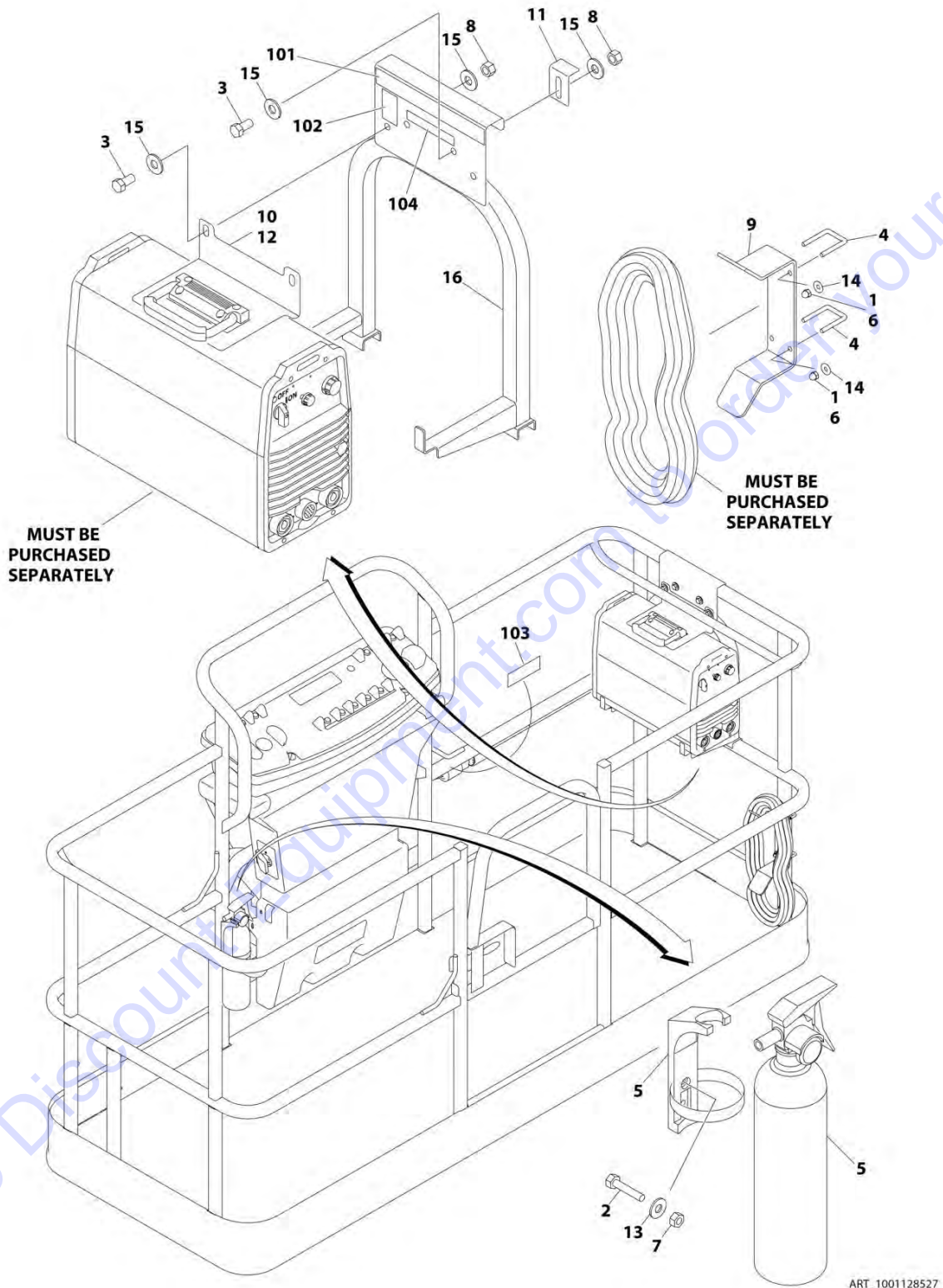
## SECTION 5 - PLATFORM

**FIGURE 5-70. SKYWELDER INSTALLATION (60HZ)**

ITEM	PART NUMBER	QTY	DESCRIPTION	REV
	0272254	Ref	SKYWELDER INSTALLATION (60HZ)	I
		Ref	Note: ANSI, ANSI Export and CSA Specs Only.	
1	0100011	AR	Compound, Locking	
2	0630518	2	Screw #10 x 3/4	
3	0641606	4	Bolt 3/8 x 3/4	
4	1320302	2	U-Clamp	
5	2030010	1	Extinguisher, Fire	
6	2902217	1	Weld Leads Kit	
7	3300151	4	Nut 1/4	
8	3311005	2	Nut #10	
9	3311605	4	Nut 3/8	
10	3573400	1	Bracket	
11	3577121	2	Angle	
12	3573642	1	Plate	
13	4420037	AR	Tape	
14	4240099	AR	Tie-Strap (Not Shown)	
15	4460962	1	Plug, Male Twistlock	
17	4530028	1	Welder Assembly (See WELDER ASSEMBLY for Breakdown)	
18	4751400	4	Washer 1/4	
19	4751600	8	Washer 3/8	
20	4846627	1	Support	
21	1671093	1	Cover, Plug	
22	4751000	2	Washer #10	
	0272448	Ref	SKYWELDER DECAL INSTALLATION	B
101	1705355	2	Decal - SkyWelder	
102	1702868	1	Decal - No Hands	
103	1705305	1	Decal - Weld Lead	
104	1705375	1	Decal - 240V - 3 Phase - 60Hz	
105	1705466	NLA	Decal - Weight (Use p/n 1001228988) <b>(Prior to SN 0300233352)</b>	
105	1001228988	1	Decal - Weight <b>(SN 0300233352 to Present)</b>	

# SECTION 5 - PLATFORM

## FIGURE 5-71. SKYWELDER PREP PACKAGE (60HZ)



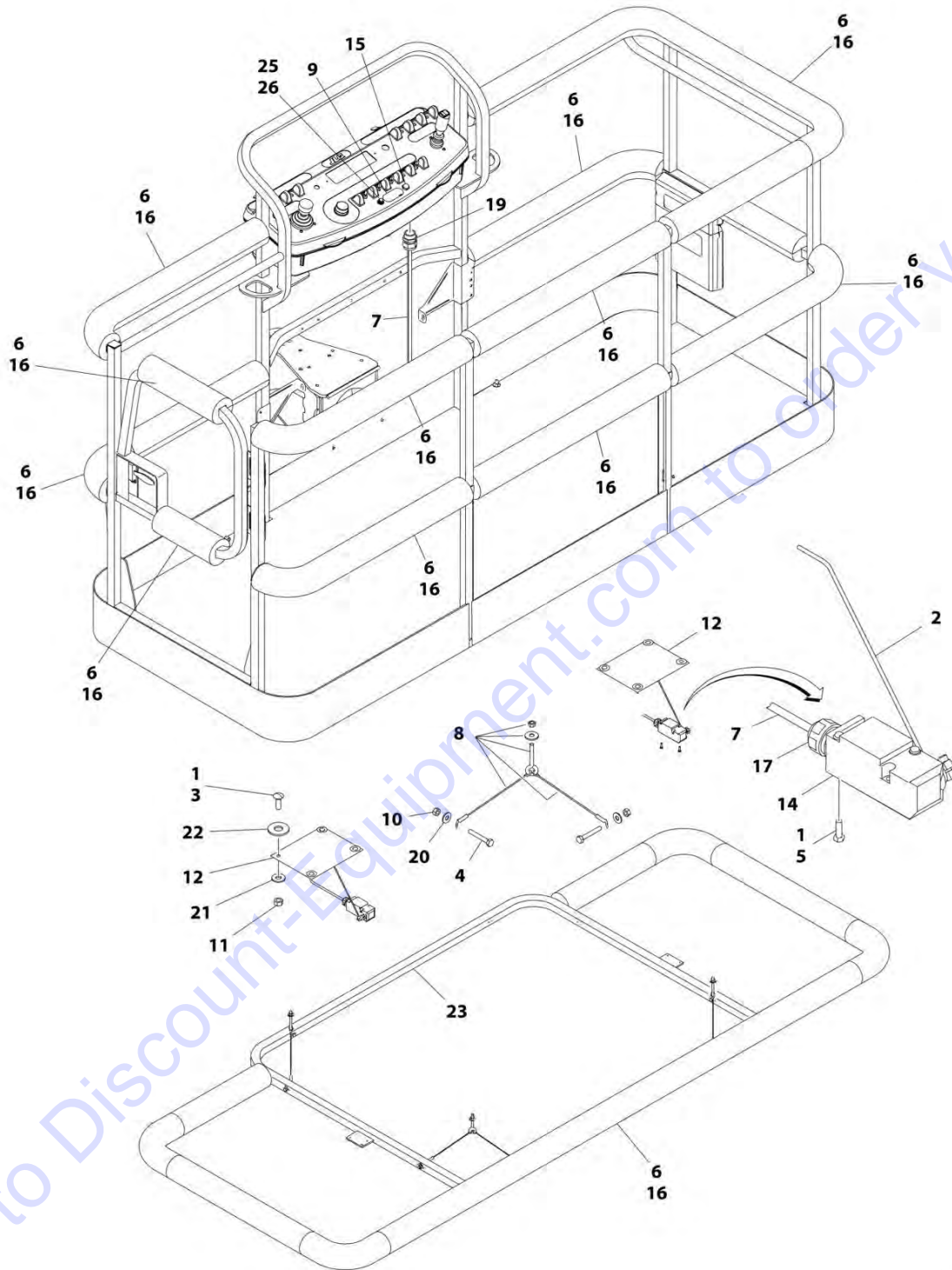
## SECTION 5 - PLATFORM

**FIGURE 5-71. SKYWELDER PREP PACKAGE (60HZ)**

ITEM	PART NUMBER	QTY	DESCRIPTION	REV
	1001128527	Ref	SKYWELDER PREP PACKAGE (60HZ)	B
		Ref	Note: ANSI, ANSI Export and CSA Specs Only.	
1	0100011	AR	Compound, Locking	
2	0630518	2	Screw #10 x 3/4	
3	0641606	4	Bolt 3/8 x 3/4	
4	1320302	2	U-Clamp	
5	2030010	1	Extinguisher, Fire	
6	3300151	4	Nut 1/4	
7	3311005	2	Nut #10	
8	3311605	4	Nut 3/8	
9	3573400	1	Bracket	
10	3573642	1	Plate	
11	3577121	2	Angle	
12	4420037	AR	Tape	
13	4751000	2	Washer #10	
14	4751400	4	Washer 1/4	
15	4751600	8	Washer 3/8	
16	4846627	1	Support	
	1001128556	Ref	SKYWELDER DECAL INSTALLATION	B
101	1702868	1	Decal - No Hands	
102	1705305	1	Decal - Weld Lead	
103	1705375	1	Decal - 240V - 3 Phase - 60Hz	
104	1705466	NLA	Decal - Weight (Use p/n 1001228988) <b>(Prior to SN 0300233352)</b>	
104	1001228988	1	Decal - Weight <b>(SN 0300233352 to Present)</b>	

# SECTION 5 - PLATFORM

## FIGURE 5-72. SOFT TOUCH INSTALLATION - 8FT (2.4M) PLATFORM (OPTIONAL)



ART\_0272427

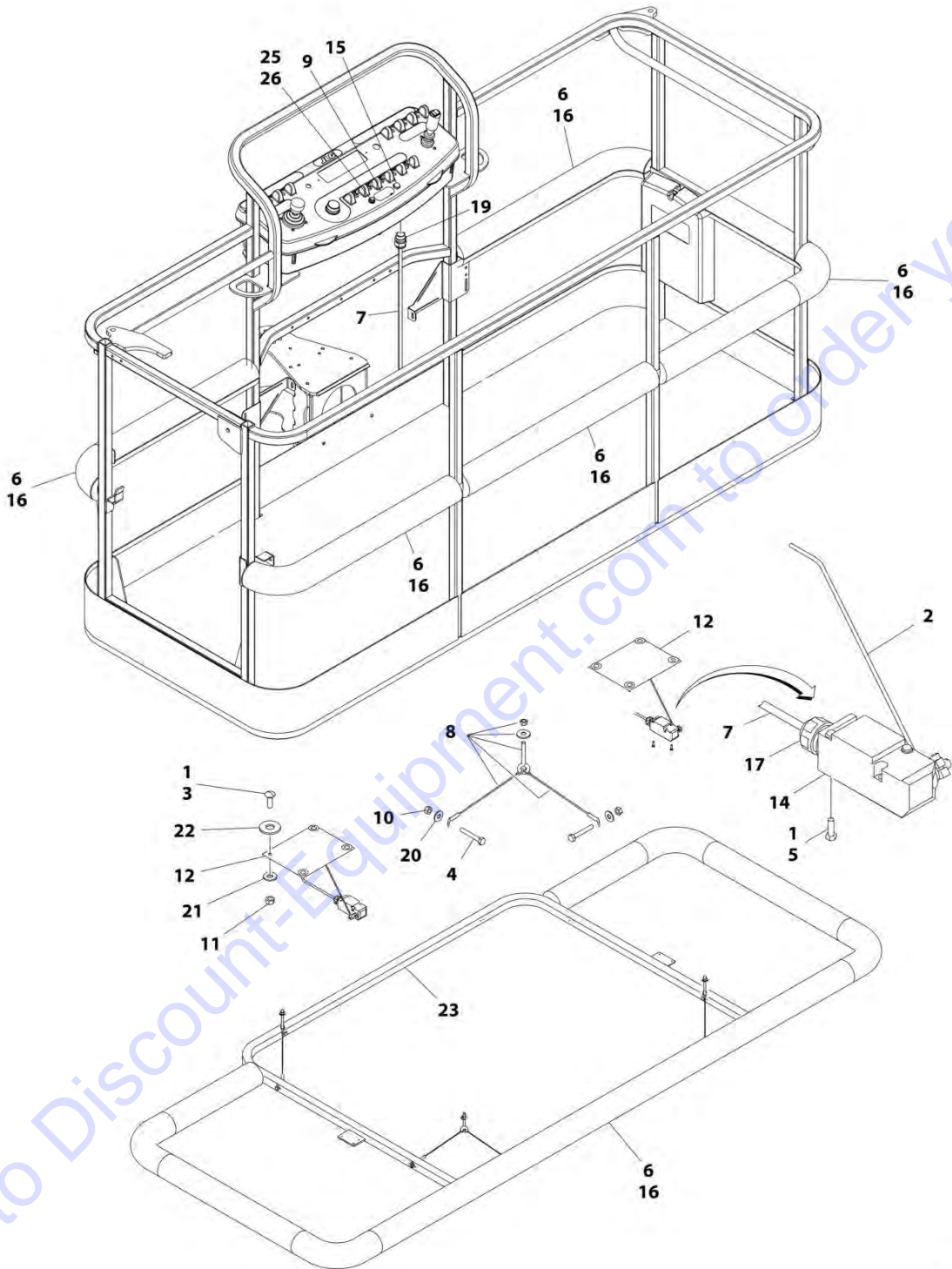
## SECTION 5 - PLATFORM

**FIGURE 5-72. SOFT TOUCH INSTALLATION - 8FT (2.4M) PLATFORM (OPTIONAL)**

ITEM	PART NUMBER	QTY	DESCRIPTION	REV
	0272427	Ref	SOFT TOUCH INSTALLATION - 8FT (2.4M) PLATFORM (OPTIONAL)	G
1	0100011	AR	Compound, Locking	
2	0200048	2	Arm, Switch	
3	0630462	8	Bolt	
4	0641414	8	Bolt 1/4 x 1-3/4	
5	0721005	4	Bolt #10 x 5/8	
6	0940103	1	Bumper Kit (Includes Corners and Enough Straight Material for One Platform)	
6	0940092	12	Bumper (Corner)	
6	0940094	AR	Bumper (12ft Length)	
7	1060341	23 ft /7m	Cable, Electrical - 16/2	
8	1060903	4	Wire Rope and Eyebolt Assembly	
9	1702938	1	Decal - Soft Touch Override	
10	3311401	8	Nut 1/4	
11	3311501	8	Nut 5/16	
12	3574091	2	Plate, Switch Strike	
13	4240099	7	Tie-Strap (Not Shown)	
14	4360057	2	Switch, Limit	
15	4360387	1	Switch, Push Button	
16	4420068	AR	Tape, Adhesive	
16	1001197017	AR	Tie-Strap	
17	4460049	2	Connector, Strain Relief	
18	4460234	7	Tie-Strap (Not Shown)	
19	4460425	1	Connector, Strain Relief	
20	4751400	8	Washer 1/4	
21	4751500	12	Washer 5/16	
22	4751800	8	Washer 1/2	
23	4846673	1	Rail, Soft Touch	
25	2920028	1	Light, Indicator	
26	2920029	1	Bulb, Light	

# SECTION 5 - PLATFORM

FIGURE 5-73. SOFT TOUCH INSTALLATION - 8FT (2.4M) FALL ARREST PLATFORM (OPTIONAL)



ART\_0273706



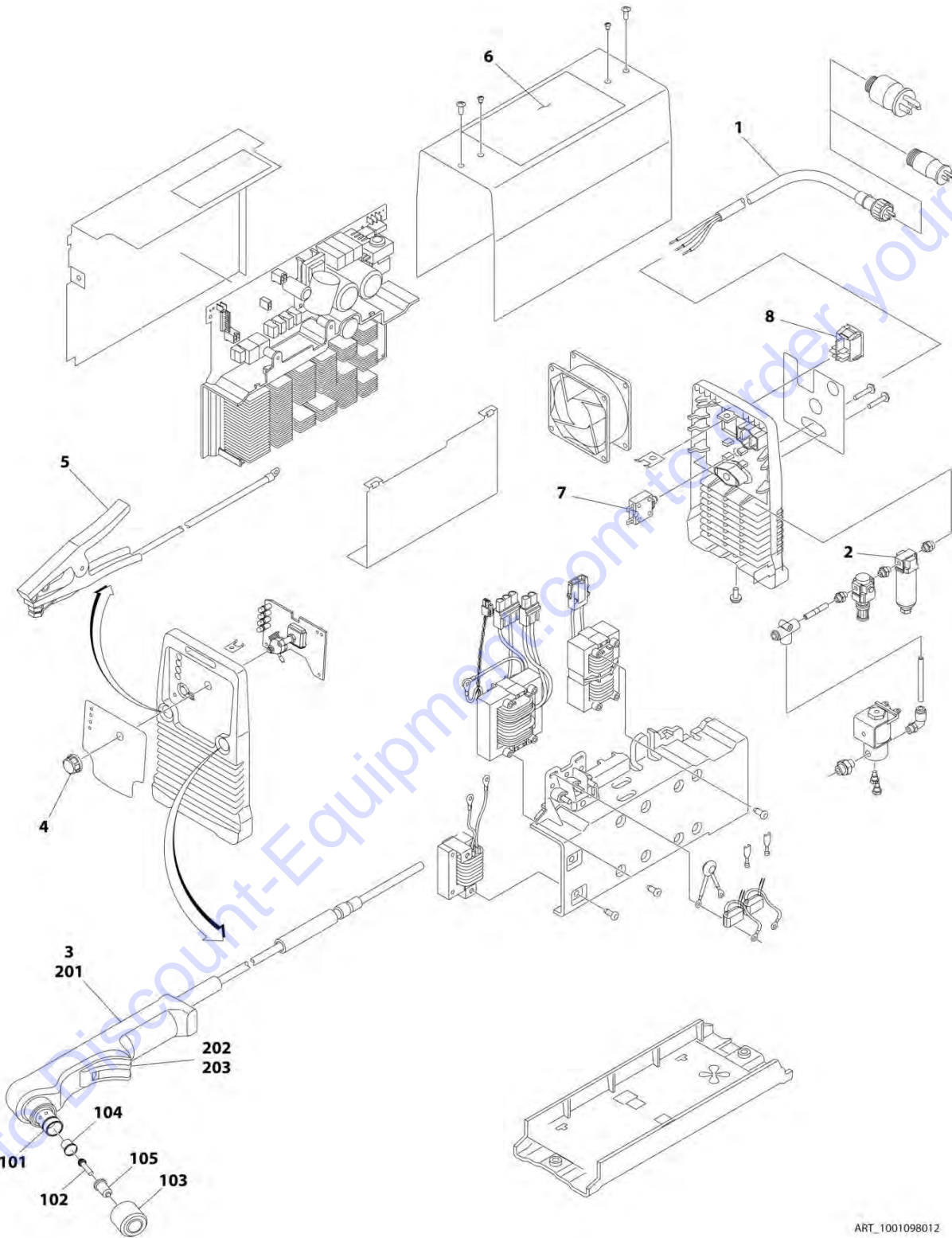
## SECTION 5 - PLATFORM

**FIGURE 5-73. SOFT TOUCH INSTALLATION - 8FT (2.4M) FALL ARREST PLATFORM (OPTIONAL)**

ITEM	PART NUMBER	QTY	DESCRIPTION	REV
	0273706	Ref	SOFT TOUCH INSTALLATION - 8FT (2.4M) FALL ARREST PLATFORM (OPTIONAL)	D
1	0100011	AR	Compound, Locking	
2	0200048	2	Arm, Switch	
3	0630462	8	Bolt	
4	0641414	8	Bolt 1/4 x 1-3/4	
5	0721005	4	Bolt #10 x 5/8	
6	0940133	1	Bumper Kit (Includes Corners and Enough Straight Material for One Platform)	
6	0940092	8	Bumper (Corner)	
6	0940094	AR	Bumper (12ft Length)	
7	1060341	23 ft/7m	Cable, Electrical - 16/2	
8	1060903	4	Wire Rope and Eyebolt Assembly	
9	1702938	1	Decal - Soft Touch Override	
10	3311401	8	Nut 1/4	
11	3311501	8	Nut 5/16	
12	3574091	2	Plate, Switch Strike	
13	4240099	7	Tie-Strap (Not Shown)	
14	4360057	2	Switch, Limit	
15	4360387	1	Switch, Push Button	
16	4420068	AR	Tape, Adhesive	
16	1001197017	AR	Tie-Strap	
17	4460049	2	Connector, Strain Relief	
18	4460234	7	Tie-Strap (Not Shown)	
19	4460425	1	Connector, Strain Relief	
20	4751400	8	Washer 1/4	
21	4751500	12	Washer 5/16	
22	4751800	8	Washer 1/2	
23	4846673	1	Rail, Soft Touch	
25	2920028	1	Light, Indicator	
26	2920029	1	Bulb, Light	

# SECTION 5 - PLATFORM

## FIGURE 5-74. PLASMA CUTTER ASSEMBLY



ART\_1001098012

## SECTION 5 - PLATFORM

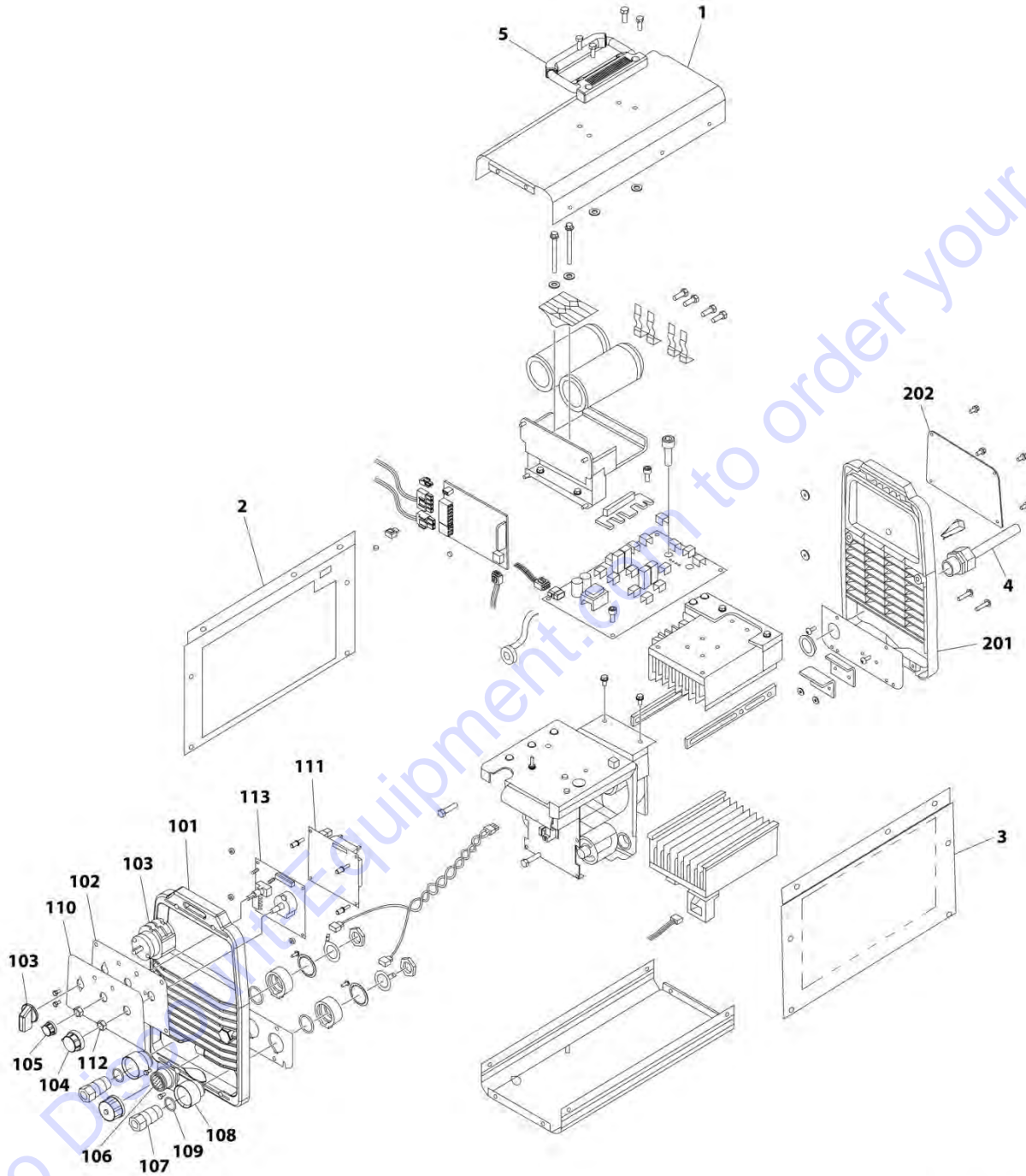
**FIGURE 5-74. PLASMA CUTTER ASSEMBLY**

ITEM	PART NUMBER	QTY	DESCRIPTION	REV
	1001098012	Ref	PLASMA CUTTER ASSEMBLY	A
		Ref	Note: For Other Components, contact your Miller Welder Dealer.	
1	70001424	1	Cable, Power	
1	70001425	1	Decal - Voltage Warning	
2	70001427	1	Filter, Regulator	
3	70001428	1	Torch Assembly (See Items 101-203 for Breakdown)	
4	7024471	1	Knob	
5	70001429	1	Clamp with Cable	
6	70001430	1	Decal - Caution	
7	70001431	1	Breaker, Circuit	
8	70001432	1	Switch, Rocker	
	70001428	Ref	TORCH ASSEMBLY	
101	7024530	1	O-Ring	
102	7024531	1	Electrode	
103	7024532	1	Cup, Retaining	
104	7024533	1	Swirl Ring	
105	7024534	1	Tip	
201	7024535	1	Handle, Torch	
202	7024536	1	Handle, Torch	
203	7024537	1	Trigger	

Go to Discount-Equipment.com to order your parts

# SECTION 5 - PLATFORM

## FIGURE 5-75. WELDER ASSEMBLY



ART\_4530028

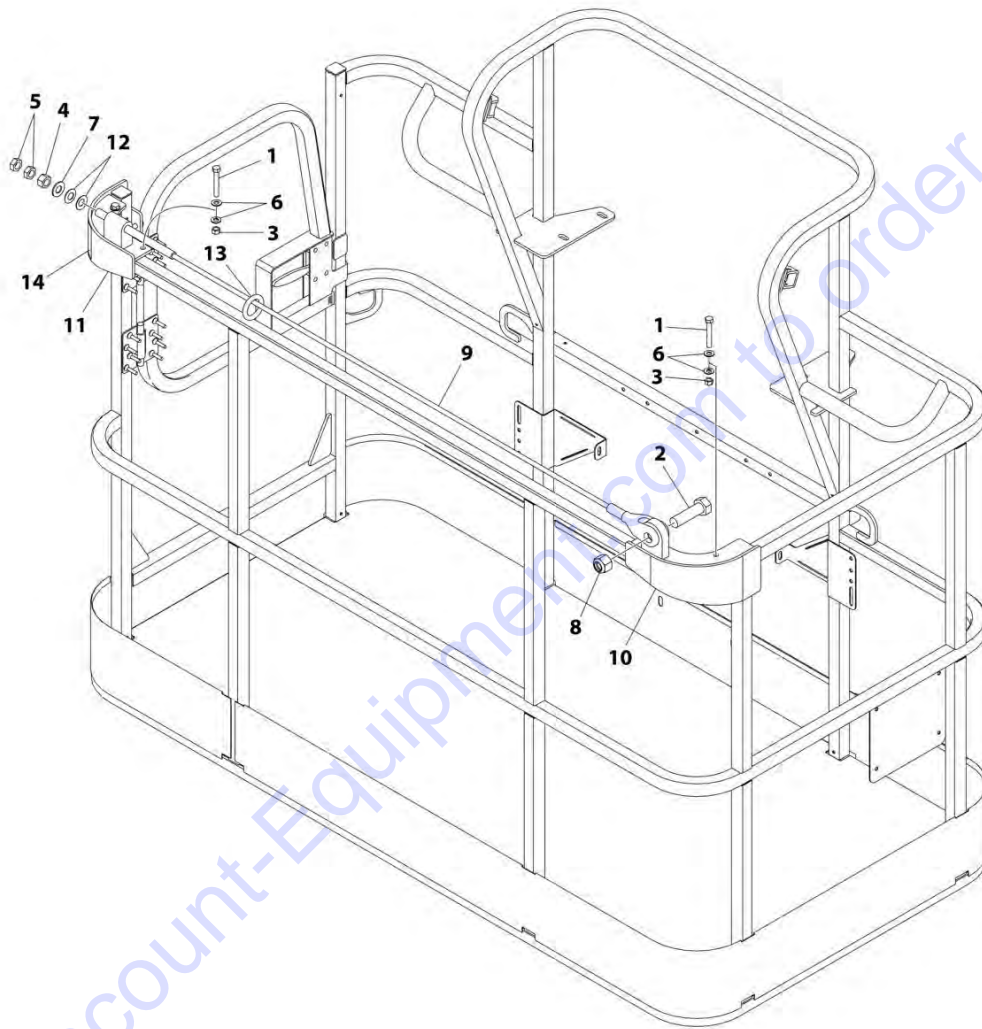
## SECTION 5 - PLATFORM

### FIGURE 5-75. WELDER ASSEMBLY

ITEM	PART NUMBER	QTY	DESCRIPTION	REV
	4530028	Ref	WELDER ASSEMBLY	B
		Ref	Note: For Other Components, contact your Miller Welder Dealer.	
1	7027773	1	Cover, Top	
1	7027774	1	Decal - Static Precautionary Warning	
2	See Note	NSS	Panel, LH Side (Note: Part of Item 1. Purchase Item 1)	
3	See Note	NSS	Panel, RH Side (Note: Part of Item 1. Purchase Item 1)	
4	7024467	1	Cable, Power	
4	7027775	1	Decal - Electrical Shock Warning (Not Shown)	
5	7027776	1	Handle, Carrying	
101	7024462	1	Panel, Front	
102	7024463	1	Panel, Console	
103	7024469	1	Switch with Lead	
104	7024470	1	Knob	
105	7024471	1	Knob	
106	7024472	1	Receptacle with Leads and Plugs	
107	7024473	2	Receptacle, Twistlock Female	
108	7024474	2	Insulator	
109	7024475	2	O-Ring	
110	7027777	1	Nameplate	
111	7027779	1	Circuit Card Assembly (Process Control)	
112	7024478	2	Nut	
113	7027778	1	Circuit Card Assembly (Operator Interface)	
201	7024462	1	Panel, Rear	
202	7027780	1	Panel, Cover	

# SECTION 5 - PLATFORM

FIGURE 5-76. FALL ARREST INSTALLATION (BOLT - ON) (6FT/1.82M PLATFORM)



ART\_1001236747

## SECTION 5 - PLATFORM

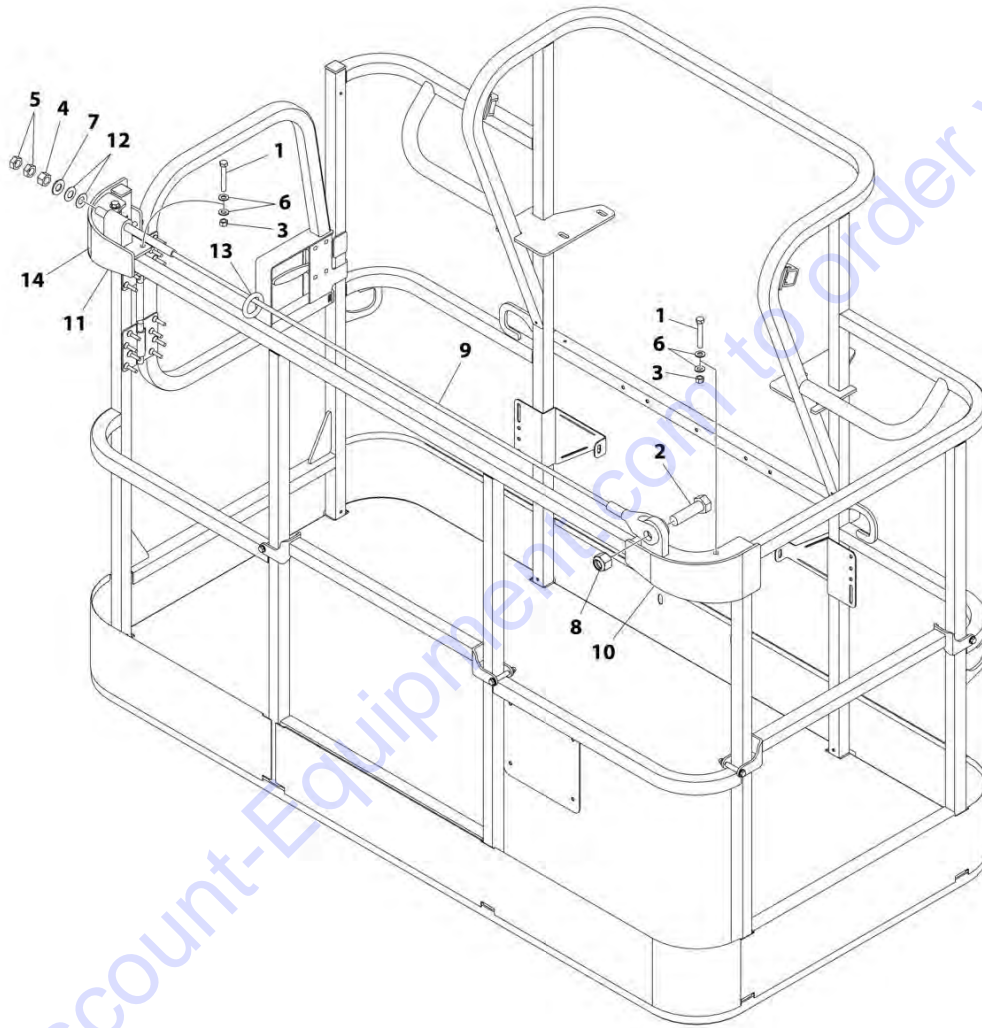
**FIGURE 5-76. FALL ARREST INSTALLATION (BOLT - ON) (6FT/1.82M PLATFORM)**

ITEM	PART NUMBER	QTY	DESCRIPTION	REV
	1001236747	Ref	FALL ARREST INSTALLATION (BOLT - ON) 6FT/1.82M PLATFORM	A
1	0681620	6	Bolt 3/8 x 2-1/2	
2	0682424	1	Bolt 7/8 x 3	
3	3271605	6	Nut 3/8	
4	3272001	1	Nut 5/8	
5	3312002	2	Nut 5/8	
6	4711600	12	Washer 3/8	
7	4712000	1	Washer 5/8	
8	88521214	1	Nut 7/8	
9	1001231950	1	Rope	
10	1001232010	1	Bracket (RH)	
11	1001232011	1	Bracket (LH)	
12	1001236891	2	Washer	
13	1001236895	1	Ring	
14	1001238263	1	Decal - Warning Falling Hazard	

Go to Discount-Equipment.com to order your parts

# SECTION 5 - PLATFORM

FIGURE 5-77. FALL ARREST INSTALLATION (BOLT-ON) (6FT/1.82M TRI-ENTRY PLATFORM)



ART\_1001238463



# PARTS FINDER

**Search Website  
by Part Number**



**Search Manual  
Library For Parts  
Manual & Lookup Part  
Numbers – Purchase  
or Request Quote**

**Search Manuals**

Part Number:

Serial Number:

Make:

**Can't Find Part or  
Manual? Request Help  
by Manufacturer,  
Model & Description**

**Parts Order Form**

Manufacturer:

Model:

Description:

Discount-Equipment.com is your online resource for quality parts & equipment.

Florida: **561-964-4949** Outside Florida TOLL FREE: **877-690-3101**

## Need parts?

Click on this link: <http://www.discount-equipment.com/category/5443-parts/> and choose one of the options to help get the right parts and equipment you are looking for. Please have the machine model and serial number available in order to help us get you the correct parts. If you don't find the part on the website or on one of the online manuals, please fill out the request form and one of our experienced staff members will get back to you with a quote for the right part that your machine needs.

We sell worldwide for the brands: Genie, Terex, JLG, MultiQuip, Mikasa, Essick, Whiteman, Mayco, Toro Stone, Diamond Products, Generac Magnum, Airman, Haulotte, Barreto, Power Blanket, Nifty Lift, Atlas Copco, Chicago Pneumatic, Allmand, Miller Curber, Skyjack, Lull, Skytrak, Tsurumi, Husquvarna Target, Stow, Wacker, Sakai, Mi-T-M, Sullair, Basic, Dynapac, MBW, Weber, Bartell, Bennar Newman, Haulotte, Ditch Runner, Menegotti, Morrison, Contec, Buddy, Crown, Edco, Wyco, Bomag, Laymor, EZ Trench, Bil-Jax, F.S. Curtis, Gehl Pavers, Heli, Honda, ICS/PowerGrit, IHI, Partner, Imer, Clipper, MMD, Koshin, Rice, CH&E, General Equipment, Amida, Coleman, NAC, Gradall, Square Shooter, Kent, Stanley, Tamco, Toku, Hatz, Kohler, Robin, Wisconsin, Northrock, Oztec, Toker TK, Rol-Air, APT, Wylie, Ingersoll Rand / Doosan, Innovatech, Con X, Ammann, Mecalac, Makinex, Smith Surface Prep, Small Line, Wanco, Yanmar

## SECTION 5 - PLATFORM

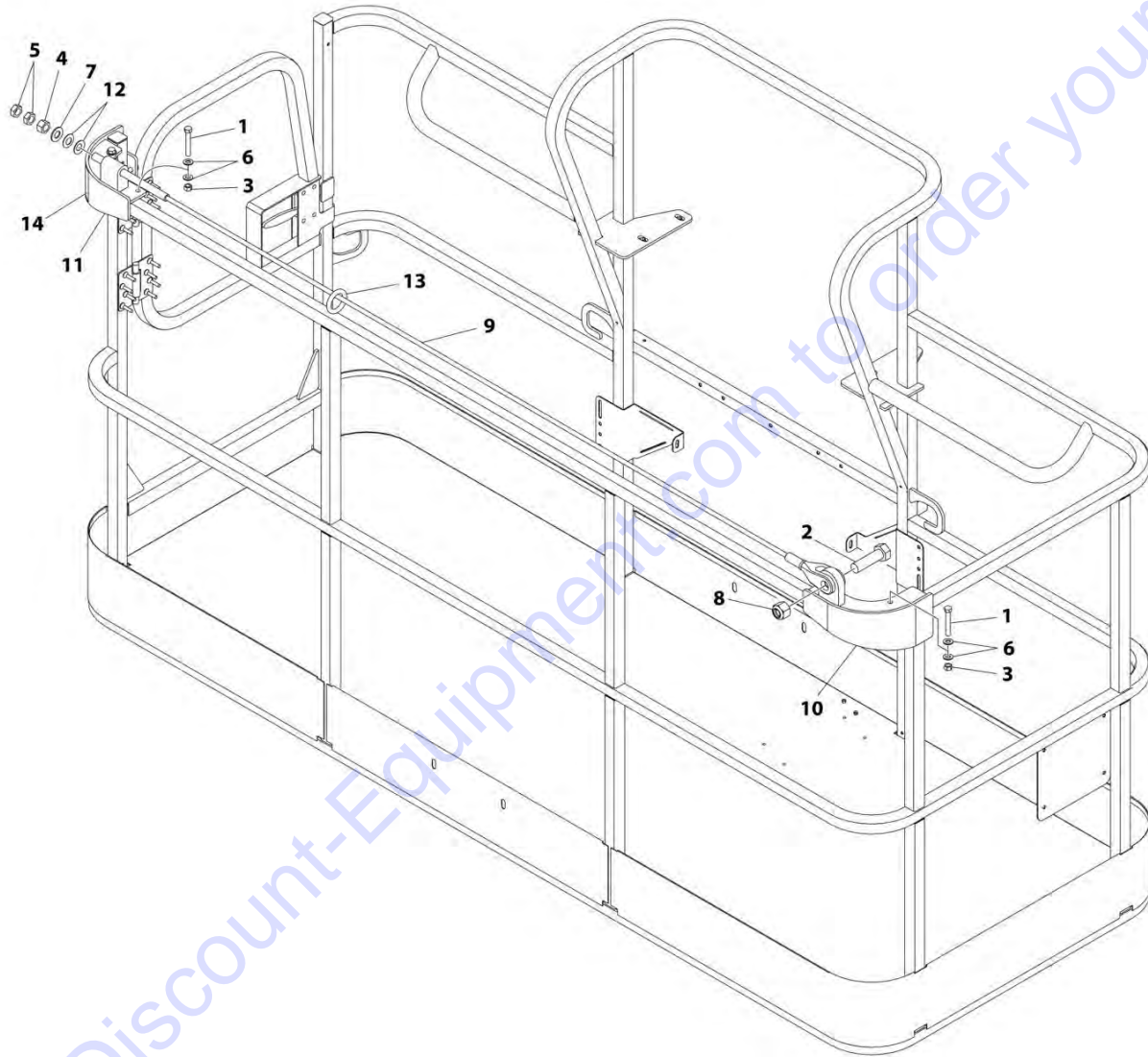
**FIGURE 5-77. FALL ARREST INSTALLATION (BOLT-ON) (6FT/1.82M TRI-ENTRY PLATFORM)**

ITEM	PART NUMBER	QTY	DESCRIPTION	REV
	1001238463	Ref	FALL ARREST INSTALLATION (BOLT - ON) 6FT/1.82M PLATFORM	B
1	0681620	6	Bolt 3/8 x 2-1/2	
2	0682424	1	Bolt 7/8 x 3	
3	3271605	6	Nut 3/8	
4	3272001	1	Nut 5/8	
5	3312002	2	Nut 5/8	
6	4711600	12	Washer 3/8	
7	4712000	1	Washer 5/8	
8	88521214	1	Nut 7/8	
9	1001231950	1	Rope	
10	1001232010	1	Bracket (RH)	
11	1001232011	1	Bracket (LH)	
12	1001236891	2	Washer	
13	1001236895	1	Ring	
14	1001238263	1	Decal - Warning Falling Hazard	

Go to Discount-Equipment.com to order your parts

# SECTION 5 - PLATFORM

FIGURE 5-78. FALL ARREST INSTALLATION (BOLT - ON) (8FT/2.4M PLATFORM)



ART\_1001236746

## SECTION 5 - PLATFORM

**FIGURE 5-78. FALL ARREST INSTALLATION (BOLT - ON) (8FT/2.4M PLATFORM)**

ITEM	PART NUMBER	QTY	DESCRIPTION	REV
	1001236746	Ref	FALL ARREST INSTALLATION (BOLT - ON) 8FT/2.4M PLATFORM	A
1	0681620	6	Bolt 3/8 x 2-1/2	
2	0682424	1	Bolt 7/8 x 3	
3	3271605	6	Nut 3/8	
4	3272001	1	Nut 5/8	
5	3312002	2	Nut 5/8	
6	4711600	12	Washer 3/8	
7	4712000	1	Washer 5/8	
8	88521214	1	Nut 7/8	
9	1001231949	1	Rope	
10	1001232010	1	Bracket (RH)	
11	1001232011	1	Bracket (LH)	
12	1001236891	2	Washer	
13	1001236895	1	Ring	
14	1001238263	1	Decal - Warning Falling Hazard	

Go to Discount-Equipment.com to order your parts

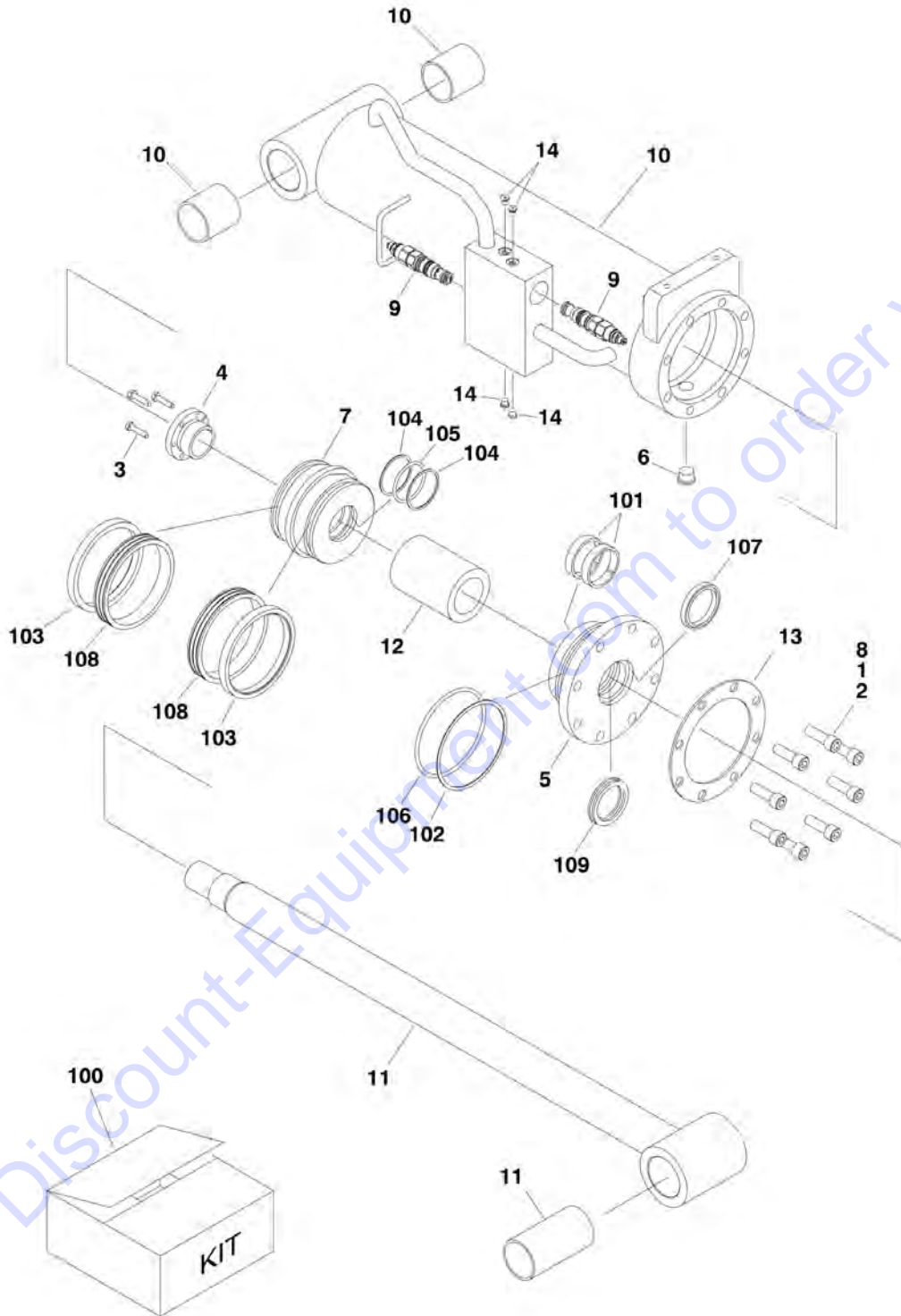


**SECTION 6 - CYLINDER**

Go to Discount-Equipment.com to order your parts

# SECTION 6 - CYLINDER

FIGURE 6-1. AXLE EXTEND CYLINDER ASSEMBLY (Prior to SN 0300239676)



1001156648

## SECTION 6 - CYLINDER

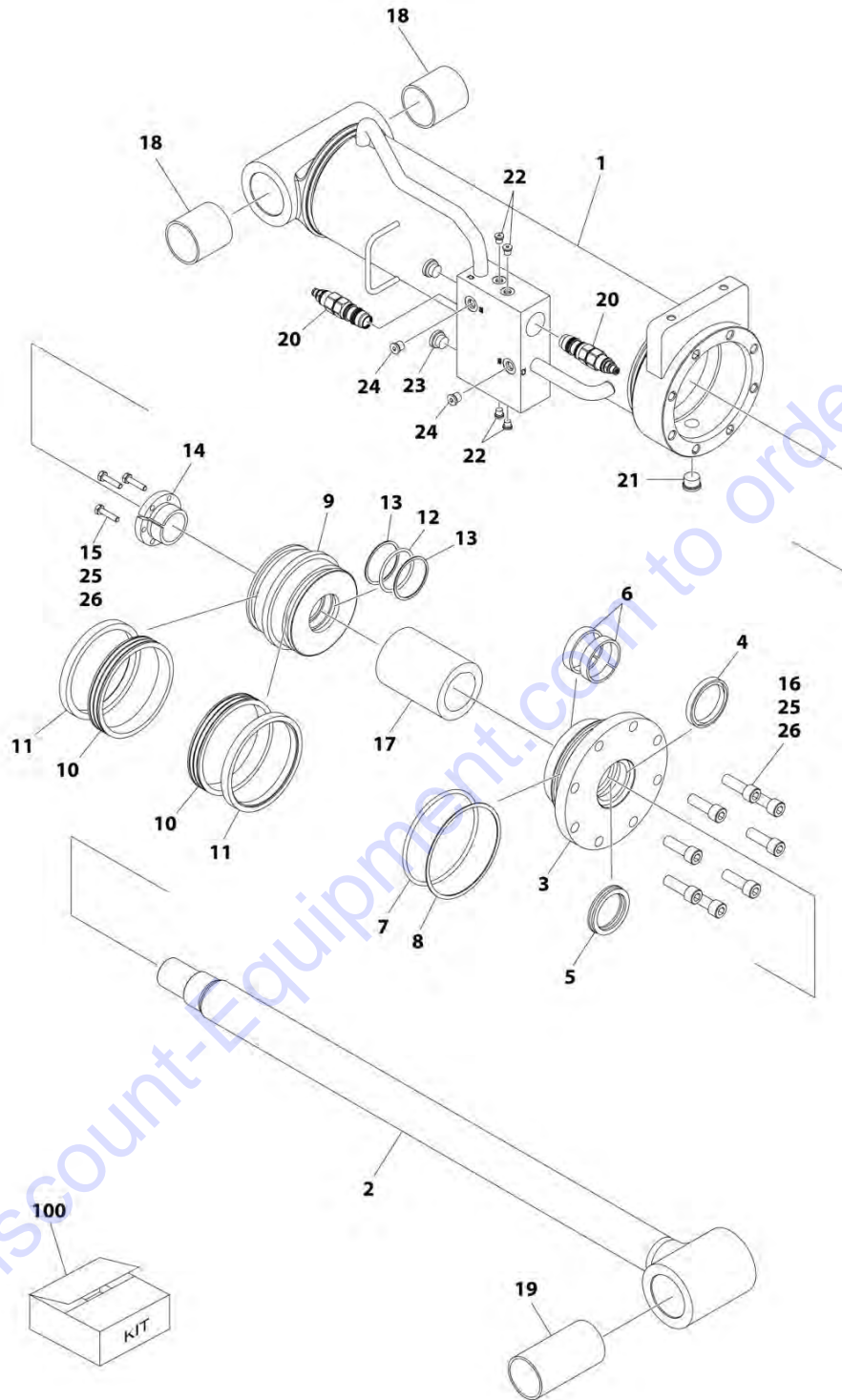
**FIGURE 6-1. AXLE EXTEND CYLINDER ASSEMBLY (Prior to SN 0300239676)**

ITEM	PART NUMBER	QTY	DESCRIPTION	REV
	1001156648	Ref	AXLE EXTEND CYLINDER ASSEMBLY (Prior to SN 0300239676)	E
		Ref	Note: Original Cylinder May Have Been Replaced with Service Replacement. Identify PN Stamped on Cylinder Before Ordering Parts.	
1	0100011	AR	Compound, Locking	
2	0100038	AR	Primer, Locking	
3	0630535	3	Bolt 1/4 x 1-1/8	
4	0961896	1	Bushing, Tapered	
5	1683062	1	Head	
6	2220886	3	Plug	
7	3480269	1	Piston	
8	3931824	8	Capscrew 1/2 X 1-1/2	
9	1001156016	2	Valve, Counterbalance	
9	7011376	2	Seal Kit - 1001156016 Valve	
10	1001156923	1	Barrel	
10	0962561	2	Bushing	
11	1001157037	1	Rod	
11	1001157080	2	Bushing	
12	1001157041	1	Tube, Spacer	
13	3760371	1	Ring, Washer	
14	2220881	4	Plug	
100	2902087	1	Seal Kit - Cylinder (Includes Item 101-109)	
101	See Note	NSS	Ring, Wear (Note: Use Item 100)	
102	See Note	NSS	Ring, Back-up (Note: Use Item 100)	
103	See Note	NSS	Ring, Lock (Note: Use Item 100)	
104	See Note	NSS	Ring, Back-up (Note: Use Item 100)	
105	See Note	NSS	O-Ring (Note: Use Item 100)	
106	See Note	NSS	O-Ring (Note: Use Item 100)	
107	See Note	NSS	Seal, Wiper (Note: Use Item 100)	
108	See Note	NSS	Seal (Note: Use Item 100)	
109	See Note	NSS	Seal (Note: Use Item 100)	



# SECTION 6 - CYLINDER

FIGURE 6-2. AXLE EXTEND CYLINDER ASSEMBLY (SN 0300239676 to Present)



ART\_1001228066

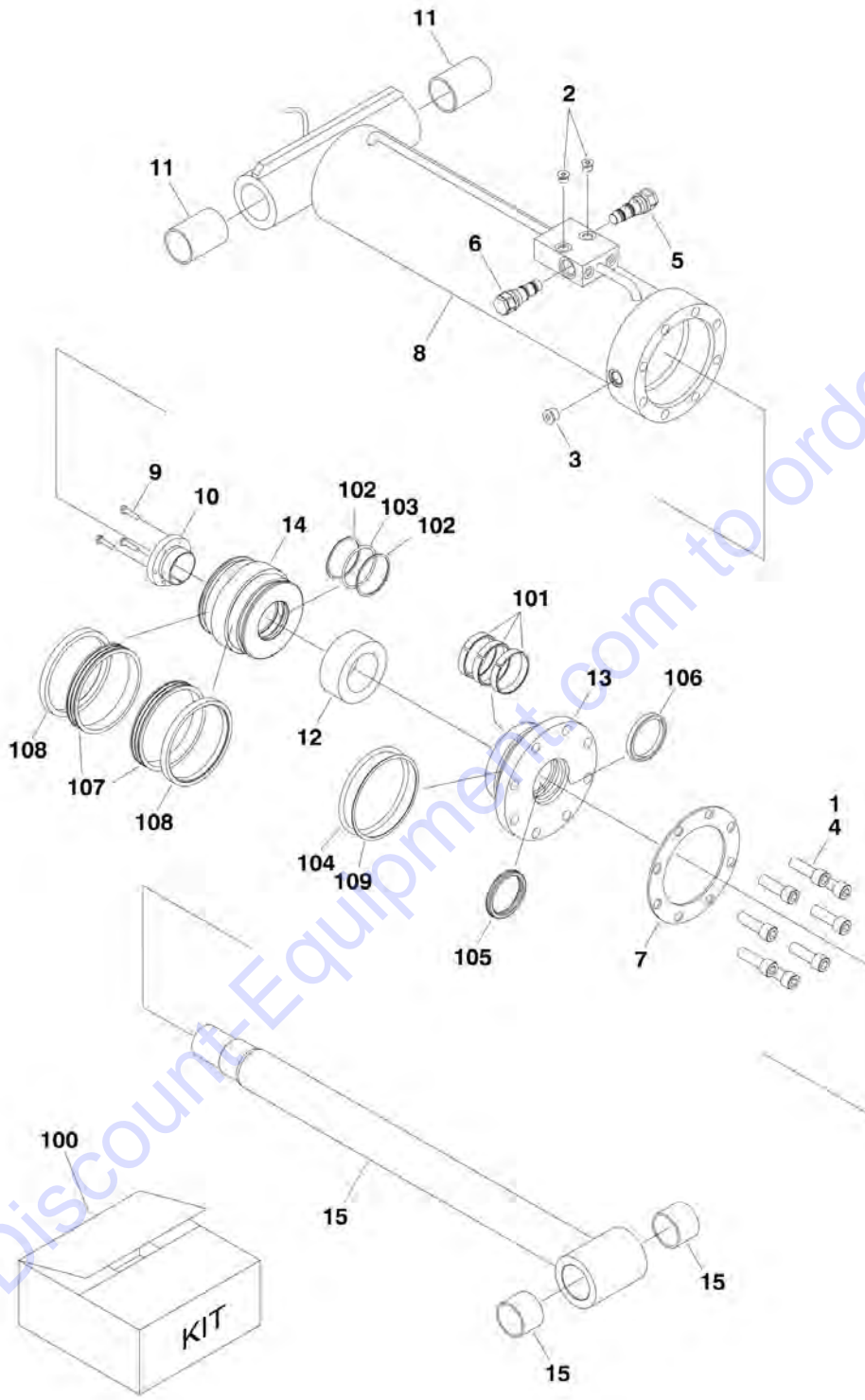
## SECTION 6 - CYLINDER

**FIGURE 6-2. AXLE EXTEND CYLINDER ASSEMBLY (SN 0300239676 to Present)**

ITEM	PART NUMBER	QTY	DESCRIPTION	REV
	1001228066	Ref	<b>AXLE EXTEND CYLINDER ASSEMBLY (SN 0300239676 to Present)</b>	C
		Ref	Note: Original Cylinder May Have Been Replaced with Service Replacement. Identify PN Stamped on Cylinder Before Ordering Parts.	
1	See Note	NSS	Barrel Weldment (Note: Not Available for Purchase)	
2	70006475	1	Rod Weldment	
3	70006474	1	Head	
4	See Note	NSS	Wiper, Rod (Note: Use Item 100)	
5	See Note	NSS	Seal (Note: Use Item 100)	
6	See Note	NSS	Ring, Wear (Note: Use Item 100)	
7	See Note	NSS	O-Ring (Note: Use Item 100)	
8	See Note	NSS	Ring, Back-up (Note: Use Item 100)	
9	70006473	1	Piston	
10	See Note	NSS	Seal (Note: Use Item 100)	
11	See Note	NSS	Ring, Lock (Note: Use Item 100)	
12	See Note	NSS	O-Ring (Note: Use Item 100)	
13	See Note	NSS	Ring, Back-up (Note: Use Item 100)	
14	0961896	1	Bushing, Tapered	
15	0630535	3	Bolt 1/4 x 1-1/8	
16	3931824	8	Capscrew 1/2 x 1-1/2	
17	70006472	1	Tube, Spacer	
18	0962561	2	Bushing	
19	1001157080	1	Bushing	
20	1001156016	2	Valve (Counterbalance)	
20	7011376	2	Kit, Seal - 1001156016 Valve	
21	2220886	1	Plug	
22	2220881	4	Plug	
23	2220886	2	Plug	
24	2220883	AR	Plug, O-Ring	
25	0100011	AR	Compound, Locking	
26	0100038	AR	Primer, Locking	
100	2902087	1	Kit, Seal (Includes Items 4-8 & 10-13)	

# SECTION 6 - CYLINDER

FIGURE 6-3. LEVEL CYLINDER ASSEMBLY - JIB SLAVE (Prior to SN 0300239676)



1001155834

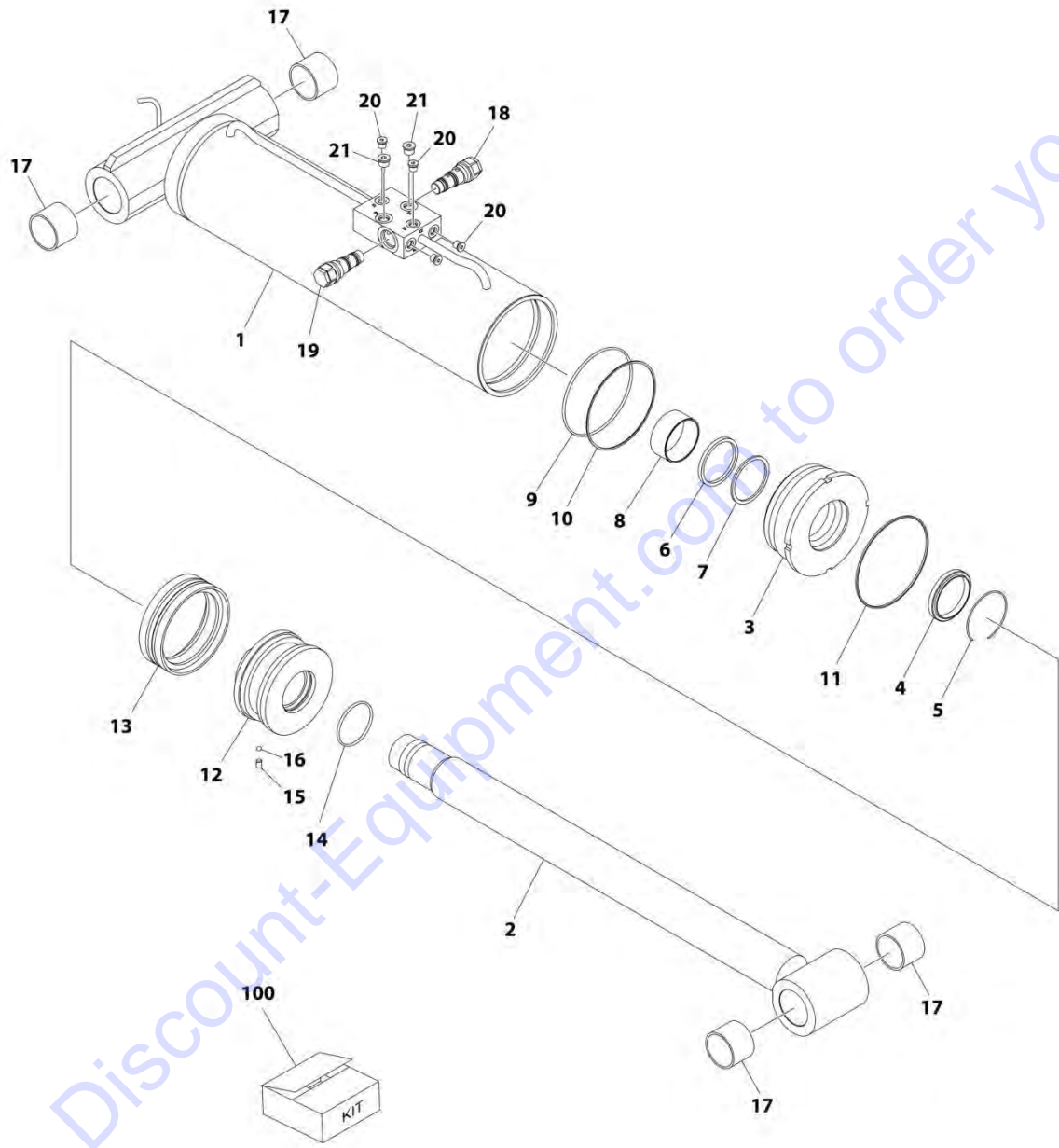
## SECTION 6 - CYLINDER

**FIGURE 6-3. LEVEL CYLINDER ASSEMBLY - JIB SLAVE (Prior to SN 0300239676)**

ITEM	PART NUMBER	QTY	DESCRIPTION	REV
	1001155834	Ref	LEVEL CYLINDER ASSEMBLY - JIB SLAVE (Prior to SN <b>0300239676</b> )	C
		Ref	Note: Original Cylinder May Have Been Replaced with Service Replacement. Identify PN Stamped on Cylinder Before Ordering Parts.	
1	0100011	AR	Compound, Locking	
2	2220885	2	Plug	
3	2220886	1	Plug	
4	3932032	8	Capscrew 5/8 X 2	
5	4640999	1	Valve, Counterbalance Non-Vented	
5	2900792	1	Seal Kit - 4640999 Valve	
6	4641248	1	Valve, Counterbalance Non-Vented	
6	70004186	1	Seal Kit - 4641248 Valve	
7	1001118177	1	Ring, Washer	
8	1001155692	1	Barrel	
9	0630535	3	Bolt 1/4 x 1-1/8	
10	0961897	1	Bushing, Tapered	
11	1001156551	2	Bearing	
12	4566667	1	Tube, Spacer	
13	1001118148	1	Head	
14	1001118149	1	Piston	
15	1001155818	1	Rod	
15	0961950	2	Bushing	
100	1001139994	1	Seal Kit - Cylinder (Includes Items 101-109)	
101	See Note	NSS	Ring, Wear (Note: Use Item 100)	
102	See Note	NSS	Ring, Back-up (Note: Use Item 100)	
103	See Note	NSS	O-Ring (Note: Use Item 100)	
104	See Note	NSS	O-Ring (Note: Use Item 100)	
105	See Note	NSS	Seal, Rod (Note: Use Item 100)	
106	See Note	NSS	Seal, Wiper (Note: Use Item 100)	
107	See Note	NSS	Seal (Note: Use Item 100)	
108	See Note	NSS	Ring, Lock (Note: Use Item 100)	
109	See Note	NSS	Ring, Back-up (Note: Use Item 100)	

# SECTION 6 - CYLINDER

FIGURE 6-4. LEVEL CYLINDER ASSEMBLY - JIB SLAVE (SN 0300239676 to Present)



ART\_1001228064

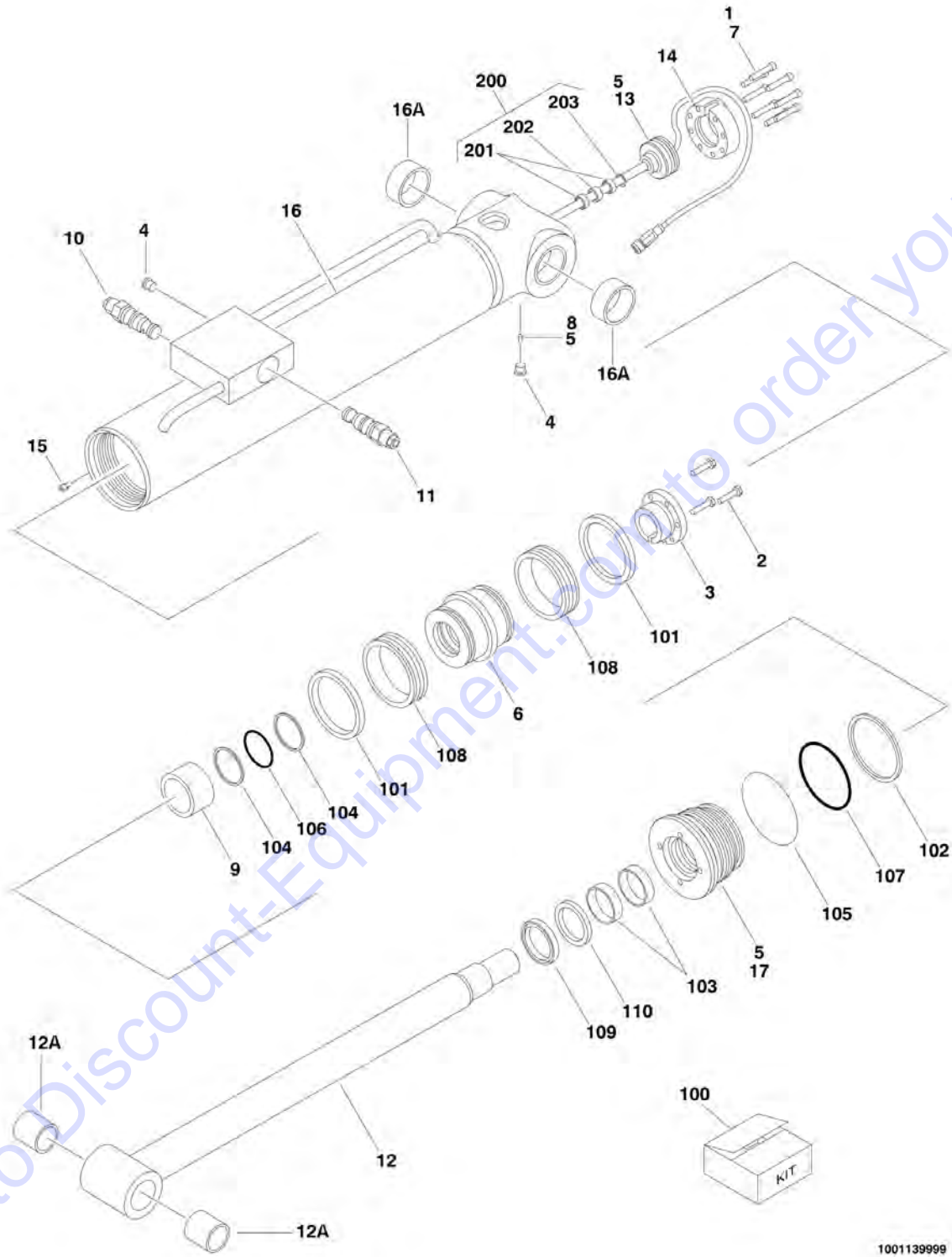
## SECTION 6 - CYLINDER

**FIGURE 6-4. LEVEL CYLINDER ASSEMBLY - JIB SLAVE (SN 0300239676 to Present)**

ITEM	PART NUMBER	QTY	DESCRIPTION	REV
	1001228064	Ref	LEVEL CYLINDER ASSEMBLY - JIB SLAVE	C
		Ref	Note: Original Cylinder May Have Been Replaced with Service Replacement. Identify PN Stamped on Cylinder Before Ordering Parts.	
1	See Note	NSS	Barrel Weldment (Note: Not Available for Purchase)	
2	70006634	1	Rod Weldment	
3	70006635	1	Head	
4	See Note	NSS	Wiper, Rod (Note: Use Item 100)	
5	70050795	1	Retainer	
6	See Note	NSS	Seal, Rod (Note: Use Item 100)	
7	See Note	NSS	Ring, Back-up (Note: Use Item 100)	
8	See Note	NSS	Ring, Wear (Note: Use Item 100)	
9	See Note	NSS	O-Ring (Note: Use Item 100)	
10	See Note	NSS	Ring, Back-up (Note: Use Item 100)	
11	See Note	NSS	O-Ring (Note: Use Item 100)	
12	70006637	1	Piston	
13	See Note	NSS	Seal, Piston (Note: Use Item 100)	
14	See Note	NSS	O-Ring (Note: Use Item 100)	
15	70006596	1	Setscrew M8 x 12	
16	70022564	1	Ball, Steel	
17	0961950	4	Bushing	
18	4640999	1	Valve, Counterbalance Non-Vented	
18	2900792	1	Seal Kit - 4640999 Valve	
19	4641248	1	Valve, Counterbalance Non-Vented	
19	70004186	1	Seal Kit - 4641248 Valve	
20	2220883	4	Plug	
21	2220885	2	Plug	
100	2900792	1	Seal Kit (Includes Items 4-11, 13 & 14)	

# SECTION 6 - CYLINDER

FIGURE 6-5. LEVEL CYLINDER ASSEMBLY - PLATFORM SLAVE (Prior to SN 0300239170)



1001139999

## SECTION 6 - CYLINDER

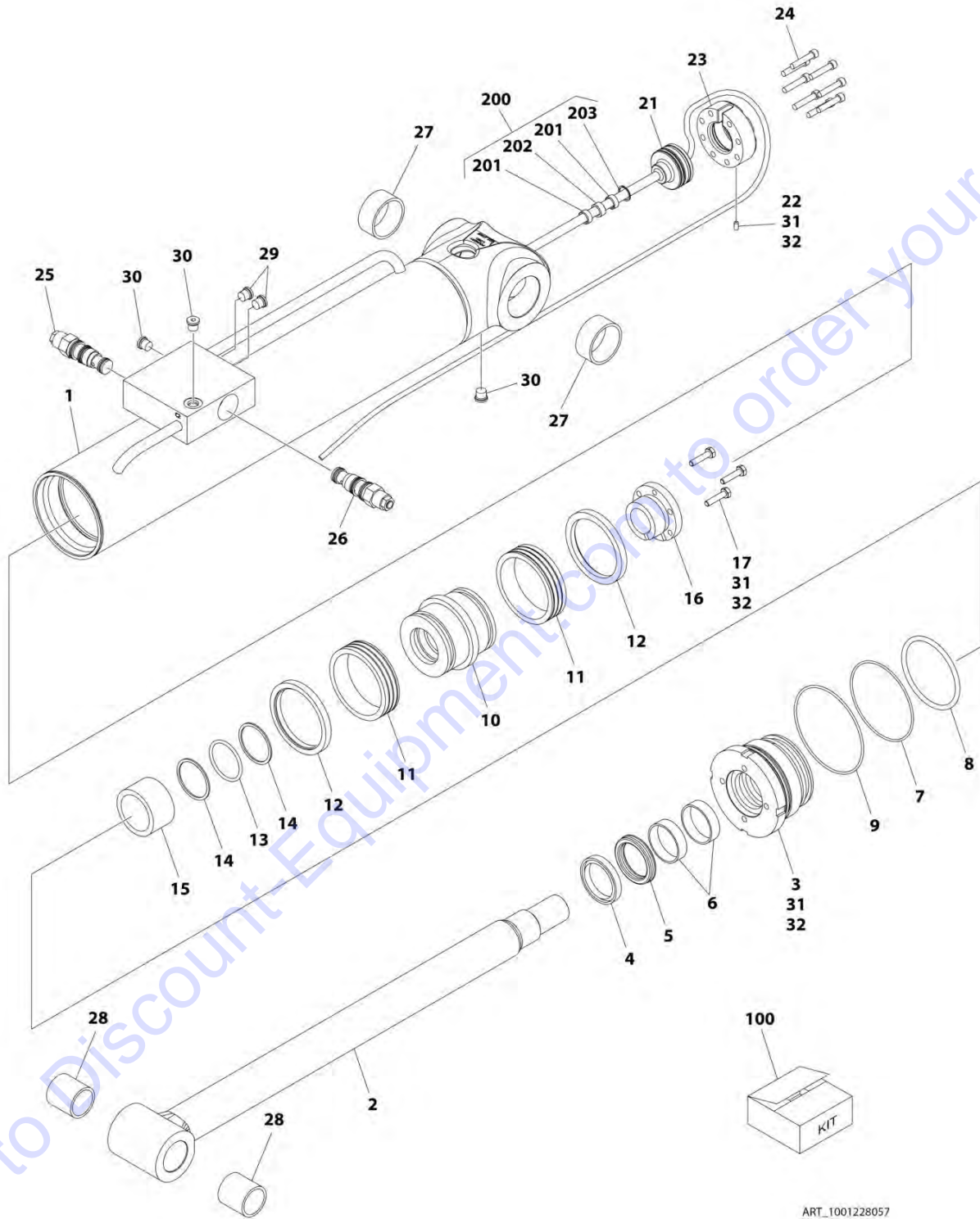
**FIGURE 6-5. LEVEL CYLINDER ASSEMBLY - PLATFORM SLAVE (Prior to SN 0300239170)**

ITEM	PART NUMBER	QTY	DESCRIPTION	REV
	1001139999	Ref	LEVEL CYLINDER ASSEMBLY - PLATFORM SLAVE	D
		Ref	Note: Original Cylinder May Have Been Replaced with Service Replacement. Identify PN Stamped on Cylinder Before Ordering Parts.	
1	0100011	AR	Compound, Locking	
2	0630535	3	Capscrew 1/4 x 1-1/8	
3	0961902	1	Bushing, Tapered	
4	2220883	2	Plug	
5	3020039	AR	Lubricant	
6	3480233	1	Piston	
7	3931420	8	Capscrew 1/4 x 1-1/4	
8	3951003	1	Setscrew #10 x 3/8	
9	4567434	1	Spacer	
10	4640489	1	Cartridge, Counterbalance Valve	
10	2900770	1	Seal Kit - 4640489 Cartridge Valve	
11	4641260	1	Cartridge, Counterbalance Valve	
11	2900770	1	Seal Kit - 4641260 Cartridge Valve	
12	1001117984	1	Rod	
12A	0962006	2	Bushing	
13	1001117990	1	Sensor, Cylinder Length	
14	1001118070	1	Cap, Retainer	
15	1001125137	1	Screw #8	
16	1001129920	1	Barrel	
16A	1001117969	2	Bushing	
17	1001129921	1	Head	
100	1001139995	1	Seal Kit - Cylinder (Includes Items 101-110):	
101	See Note	NSS	Ring, Lock (Note: Use Item 100)	
102	See Note	NSS	Ring, Back-Up (Note: Use Item 100)	
103	See Note	NSS	Ring, Wear (Note: Use Item 100)	
104	See Note	NSS	Ring, Back-Up (Note: Use Item 100)	
105	See Note	NSS	O-Ring (Note: Use Item 100)	
106	See Note	NSS	O-Ring (Note: Use Item 100)	
107	See Note	NSS	O-Ring (Note: Use Item 100)	
108	See Note	NSS	Seal (Note: Use Item 100)	
109	See Note	NSS	Wiper, Rod (Note: Use Item 100)	
110	See Note	NSS	Seal (Note: Use Item 100)	
200	1001119105	1	Sensor Magnet Kit (Includes Items 201-203)	
201	1001117994	2	Sleeve, Spacer	
202	1001118066	1	Magnet, Sensor	
203	1001118069	1	Ring, Internal Retaining	



# SECTION 6 - CYLINDER

FIGURE 6-6. LEVEL CYLINDER ASSEMBLY - PLATFORM SLAVE (SN 0300239170 to Present)



ART\_1001228057

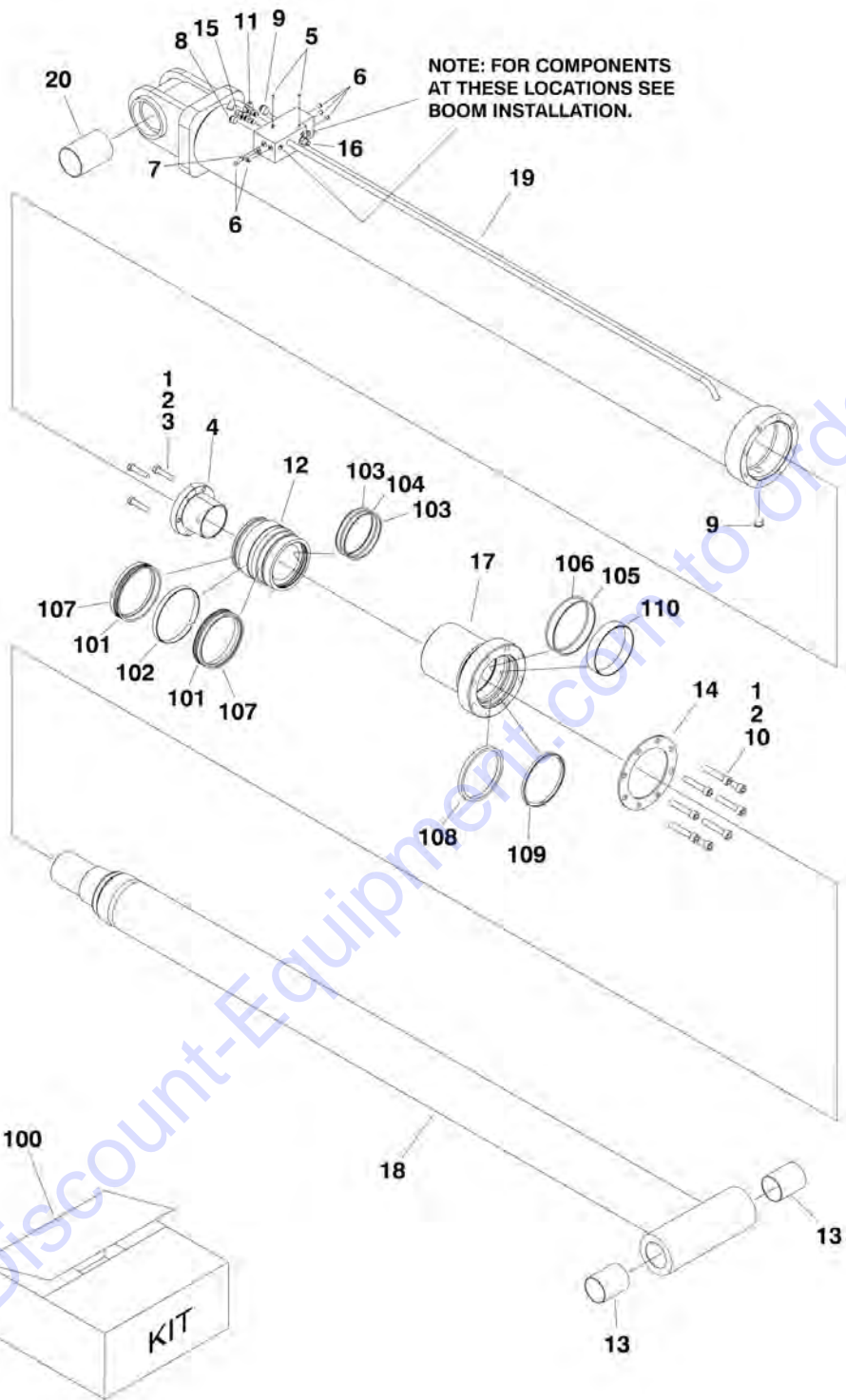
## SECTION 6 - CYLINDER

**FIGURE 6-6. LEVEL CYLINDER ASSEMBLY - PLATFORM SLAVE (SN 0300239170 to Present)**

ITEM	PART NUMBER	QTY	DESCRIPTION	REV
	1001228057	Ref	LEVEL CYLINDER ASSEMBLY - PLATFORM SLAVE (SN 0300239170 to Present)	D
		Ref	Note: Original Cylinder May Have Been Replaced with Service Replacement. Identify PN Stamped on Cylinder Before Ordering Parts.	
1	See Note	NSS	Barrel Weldment (Note: Not Available for Purchase)	
2	70006519	1	Rod Weldment	
3	70006518	1	Head	
4	See Note	NSS	Wiper, Rod (Note: Use Item 100)	
5	See Note	NSS	Seal, Rod (Note: Use Item 100)	
6	See Note	NSS	Ring, Wear (Note: Use Item 100)	
7	See Note	NSS	O-Ring (Note: Use Item 100)	
8	See Note	NSS	Ring, Back-up (Note: Use Item 100)	
9	See Note	NSS	O-Ring (Note: Use Item 100)	
10	70006517	1	Piston	
11	See Note	NSS	Ring, Lock (Note: Use Item 100)	
12	See Note	NSS	Ring, Guide (Note: Use Item 100)	
13	See Note	NSS	O-Ring (Note: Use Item 100)	
14	See Note	NSS	Ring, Back-up (Note: Use Item 100)	
15	70006516	1	Spacer	
16	0961902	1	Bushing, Tapered	
17	0630535	3	Capscrew 1/4 x 1-1/8	
21	1001117990	1	Sensor, Cylinder Length	
22	70006464	1	Setscrew M5	
23	70006463	1	Cap, Retainer	
24	3931420	8	Capscrew 1/4 x 1-1/4	
25	4640489	1	Cartridge, Counterbalance Valve	
25	See Note	NSS	Seal Kit - 4640489 Cartridge Valve (1 Per Valve) (Note: Not Available for Purchase)	
26	4641260	1	Cartridge, Counterbalance Valve	
26	2900770	1	Seal Kit - 4641260 Cartridge Valve (1 Per Valve)	
27	1001117969	2	Bushing	
28	0962006	2	Bushing	
29	2220883	2	Plug, O-Ring	
30	2220883	3	Plug, O-Ring	
31	0100011	AR	Compound, Locking	
32	0100038	AR	Primer, Locking	
100	1001139995	1	Seal Kit (Includes Items 4-9 & 11-14)	
200	1001119105	1	Sensor Magnet Kit (Includes Items 201-203)	
201	1001117994	2	Sleeve, Spacer	
202	1001118066	1	Magnet, Sensor	
203	1001118069	1	Ring, Internal Retaining	

# SECTION 6 - CYLINDER

FIGURE 6-7. LIFT CYLINDER ASSEMBLY - BOOM (Prior to SN 0300239676)



1001158853

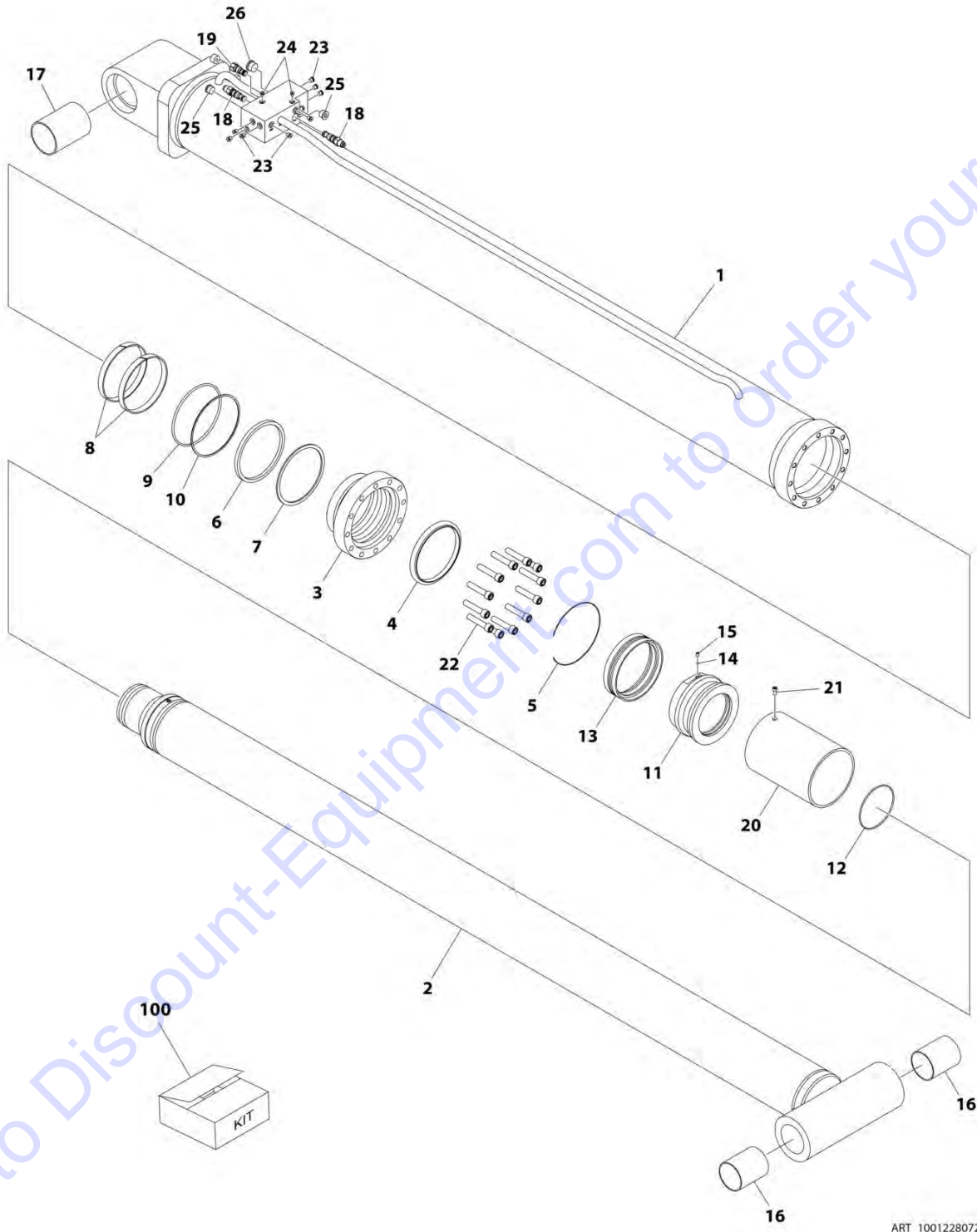
## SECTION 6 - CYLINDER

**FIGURE 6-7. LIFT CYLINDER ASSEMBLY - BOOM (Prior to SN 0300239676)**

ITEM	PART NUMBER	QTY	DESCRIPTION	REV
	1001158853	Ref	LIFT CYLINDER ASSEMBLY - BOOM (Prior to SN 0300239676)	H
		Ref	Note: Original Cylinder May Have Been Replaced with Service Replacement. Identify PN Stamped on Cylinder Before Ordering Parts.	
1	0100011	AR	Compound, Locking	
2	0100038	AR	Primer	
3	0682023	3	Bolt 5/8 X 2-7/8 Grade 8	
4	0962562	1	Bushing	
5	2220881	3	Plug	
6	2220883	6	Plug	
7	2220885	1	Plug	
8	2220887	2	Plug	
9	2220888	2	Plug	
10	3932264	8	Capscrew 3/4 X 4	
11	4641285	1	Valve, Shuttle	
11	7011311	1	Seal Kit - 4641285 Cartridge	
12	1001150917	1	Piston	
13	1001150942	2	Bushing	
14	1001151503	1	Ring, Washer	
15	1001156016	2	Valve, Counterbalance	
15	7011376	1	Seal Kit - 1001156016 Cartridge	
16	1001156033	1	Valve, Counterbalance (Prior to SN 0300190128)	
16	7024574	1	Seal Kit - 1001156033 Cartridge	
17	1001158741	1	Head	
18	1001158895	1	Rod	
19	1001159199	1	Barrel	
20	1001150887	1	Bearing	
100	1001160169	1	Seal Kit - Cylinder (Includes Items 101-110)	
101	See Note	NSS	Seal (Note: Use Item 100)	
102	See Note	NSS	Ring, Wear (Note: Use Item 100)	
103	See Note	NSS	Ring, Back-up (Note: Use Item 100)	
104	See Note	NSS	O-Ring (Note: Use Item 100)	
105	See Note	NSS	Ring, Back-up (Note: Use Item 100)	
106	See Note	NSS	O-Ring (Note: Use Item 100)	
107	See Note	NSS	Ring, Lock (Note: Use Item 100)	
108	See Note	NSS	Seal, Rod (Note: Use Item 100)	
109	See Note	NSS	Seal, Wiper (Note: Use Item 100)	
110	See Note	NSS	Ring, Wear (Note: Use Item 100)	

# SECTION 6 - CYLINDER

FIGURE 6-8. LIFT CYLINDER ASSEMBLY - BOOM (SN 0300239676 to Present)



ART\_1001228072

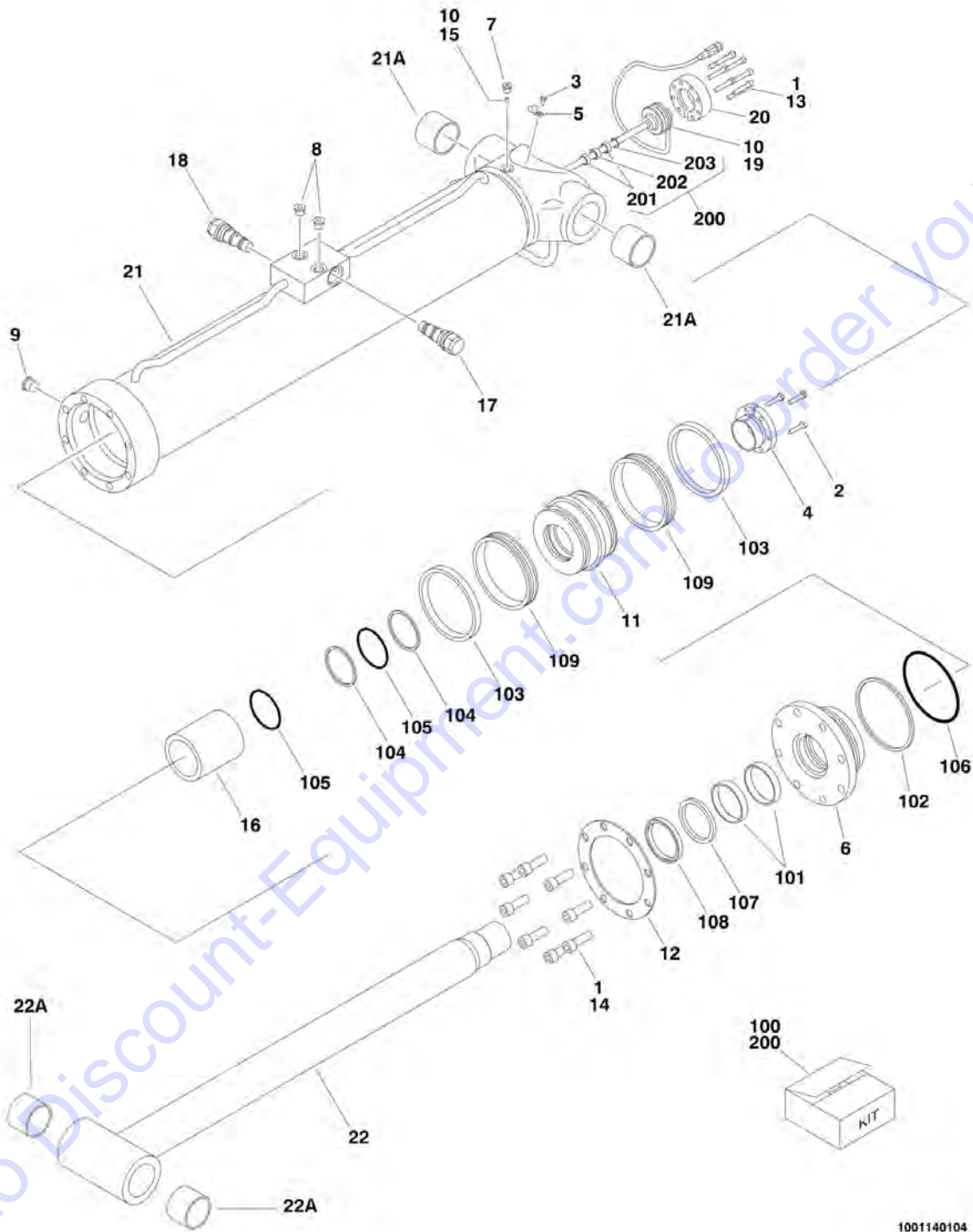
## SECTION 6 - CYLINDER

**FIGURE 6-8. LIFT CYLINDER ASSEMBLY - BOOM (SN 0300239676 to Present)**

ITEM	PART NUMBER	QTY	DESCRIPTION	REV
	1001228072	Ref	LIFT CYLINDER ASSEMBLY - BOOM (SN 0300239676 to Present)	B
		Ref	Note: Original Cylinder May Have Been Replaced with Service Replacement. Identify PN Stamped on Cylinder Before Ordering Parts.	
1	See Note	NSS	Barrel Weldment (Note: Not Available for Purchase)	
2	70006624	1	Rod Weldment	
3	70006625	1	Head	
4	See Note	NSS	Wiper (Note: Use Item 100)	
5	70006626	1	Retainer	
6	See Note	NSS	Seal, Rod (Note: Use Item 100)	
7	See Note	NSS	Ring, Back-up (Note: Use Item 100)	
8	See Note	NSS	Ring, Wear (Note: Use Item 100)	
9	See Note	NSS	O-Ring (Note: Use Item 100)	
10	See Note	NSS	Ring, Back-up (Note: Use Item 100)	
11	70006627	1	Piston	
12	See Note	NSS	O-Ring (Note: Use Item 100)	
13	See Note	NSS	Seal, Piston (Note: Use Item 100)	
14	70006628	1	Ball, Steel	
15	70006629	1	Setscrew	
16	1001150942	2	Bushing	
17	1001150887	1	Bushing	
18	1001156016	2	Valve, Counterbalance	
18	7011376	1	Seal Kit - 1001156016 Cartridge	
19	4641285	1	Valve, Shuttle	
19	7011311	1	Seal Kit - 4641285 Cartridge	
20	70006630	1	Spacer	
21	70006631	1	Capscrew M8 x 16	
22	70006632	12	Capscrew M16 x 80	
23	2220883	9	Plug	
24	2220881	2	Plug	
25	2220887	2	Plug	
26	2220888	1	Plug	
100	70006633	1	Seal Kit (Includes Items 4, 6-10, 12 & 13)	

# SECTION 6 - CYLINDER

## FIGURE 6-9. LIFT CYLINDER ASSEMBLY - JIB (Prior to SN 0300239676)



1001140104

## SECTION 6 - CYLINDER

**FIGURE 6-9. LIFT CYLINDER ASSEMBLY - JIB (Prior to SN 0300239676)**

ITEM	PART NUMBER	QTY	DESCRIPTION	REV
	1001140104	Ref	LIFT CYLINDER ASSEMBLY - JIB (Prior to SN 0300239676)	D
		Ref	Note: Original Cylinder May Have Been Replaced with Service Replacement. Identify PN Stamped on Cylinder Before Ordering Parts.	
1	0100011	AR	Compound, Locking	
2	0630535	3	Capscrew 1/4 x 1-1/8	
3	0791003	1	Screw #10 x 3/8	
4	0961897	1	Bushing, Tapered	
5	1320136	1	Clamp, Cable	
6	1683063	1	Head	
7	2220883	1	Plug, O-Ring	
8	2220885	2	Plug, O-Ring	
9	2220886	1	Plug, O-Ring	
10	3020039	AR	Lubricant	
11	3480282	1	Piston	
12	3760371	1	Ring, Washer	
13	3931420	8	Capscrew 1/4 x 1-1/4	
14	3931824	8	Capscrew 1/2 X 1-1/2	
15	3951003	1	Setscrew #10 x 3/8	
16	4100099	1	Spacer	
17	4640999	1	Cartridge, Holding Valve (Non Vented)	
17	2900792	1	Seal Kit - 4640999 Cartridge Valve	
18	4641248	1	Cartridge, Counterbalance Valve (Non Vented)	
18	70004186	1	Seal Kit - 4641248 Cartridge Valve	
19	1001117991	1	Sensor, Cylinder Length	
20	1001118070	1	Cap, Retainer	
21	1001118084	1	Barrel	
21A	0961950	2	Bushing	
22	1001118086	1	Rod	
22A	0961950	2	Bushing	
100	1001139996	1	Seal Kit - Cylinder (Includes Items 101-109)	
101	See Note	NSS	Ring, Wear (Note: Use Item 100)	
102	See Note	NSS	Ring, Back-Up (Note: Use Item 100)	
103	See Note	NSS	Ring, Lock (Note: Use Item 100)	
104	See Note	NSS	Ring, Back-Up (Note: Use Item 100)	
105	See Note	NSS	O-Ring (Note: Use Item 100)	
106	See Note	NSS	O-Ring (Note: Use Item 100)	
107	See Note	NSS	Seal (Note: Use Item 100)	
108	See Note	NSS	Wiper, Rod (Note: Use Item 100)	
109	See Note	NSS	Seal (Note: Use Item 100)	
200	1001119105	1	Sensor Magnet Kit (Includes Items 201-203)	
201	1001117994	2	Sleeve, Spacer	
202	1001118066	1	Magnet, Sensor	
203	1001118069	1	Ring, Internal Retaining	





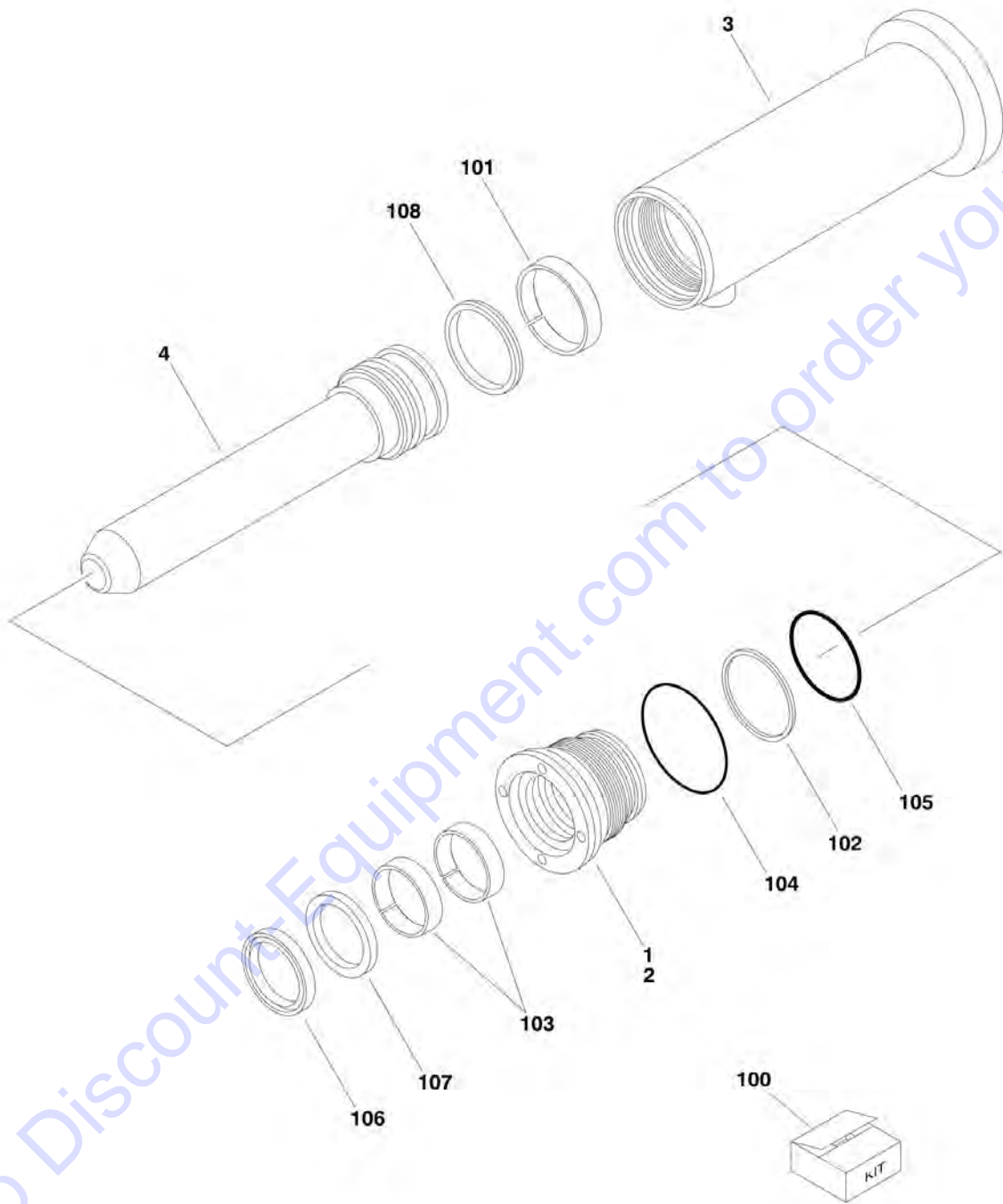
## SECTION 6 - CYLINDER

**FIGURE 6-10. LIFT CYLINDER ASSEMBLY - JIB (SN 0300239676 to Present)**

ITEM	PART NUMBER	QTY	DESCRIPTION	REV
	1001228058	Ref	LIFT CYLINDER ASSEMBLY - JIB (SN 0300239676 to Present)	E
		Ref	Note: Original Cylinder May Have Been Replaced with Service Replacement. Identify PN Stamped on Cylinder Before Ordering Parts.	
1	See Note	NSS	Barrel Weldment (Note: Not Available for Purchase)	
2	70006468	NLA	Rod Weldment (Use p/n 70007058)	
3	70006467	1	Head	
4	See Note	NSS	Wiper (Note: Use Item 100)	
5	See Note	NSS	Seal, Rod (Note: Use Item 100)	
6	See Note	NSS	Ring, Wear (Note: Use Item 100)	
7	See Note	NSS	O-Ring (Note: Use Item 100)	
8	See Note	NSS	Ring, Back-up (Note: Use Item 100)	
9	70006466	1	Piston	
10	See Note	NSS	Ring, Lock (Note: Use Item 100)	
11	See Note	NSS	Ring, Guide (Note: Use Item 100)	
12	See Note	NSS	O-Ring (Note: Use Item 100)	
13	See Note	NSS	Ring, Back-up (Note: Use Item 100)	
14	0961897	1	Bushing, Tapered	
15	0630535	3	Capscrew 1/4 x 1-1/8	
16	70006465	1	Spacer	
20	1001117991	1	Sensor, Cylinder Length	
21	70006464	1	Setscrew M5	
22	70006463	1	Cap, Retainer	
23	3931420	1	Capscrew 1/4 x 1-1/4	
24	3760371	1	Ring, Washer	
24	70007049	2	Ring, Washer	
25	3931824	8	Capscrew 1/2 x 1-1/2	
26	4641248	1	Cartridge, Counterbalance Valve (Non Vented)	
26	See Note	NSS	Seal Kit - 4641248 Cartridge Valve (Note: Not Available for Purchase)	
27	4640999	1	Cartridge, Holding Valve (Non Vented)	
27	2900792	1	Seal Kit - 4640999 Cartridge Valve	
28	0961950	2	Bushing	
29	1320136	1	Clamp, Cable	
30	70006462	1	Bolt M5	
31	2220883	2	Plug, O-Ring	
32	2220885	2	Plug, O-Ring	
33	2220883	3	Plug, O-Ring	
34	2220886	AR	Plug, O-Ring	
35	0100011	AR	Compound, Locking	
36	0100038	AR	Primer, Locking	
100	1001139996	1	Seal Kit (Includes Items 4-8 & 10-13)	
200	1001119105	1	Sensor Magnet Kit (Includes Items 201-203)	
201	1001117994	2	Sleeve, Spacer	
202	1001118066	1	Magnet, Sensor	
203	1001118069	1	Ring, Internal Retaining	

# SECTION 6 - CYLINDER

FIGURE 6-11. LOCK CYLINDER ASSEMBLY - JIB (Prior to SN 0300239170)



Go to [DiscountEquipment.com](http://DiscountEquipment.com) to order your parts

100119313

## SECTION 6 - CYLINDER

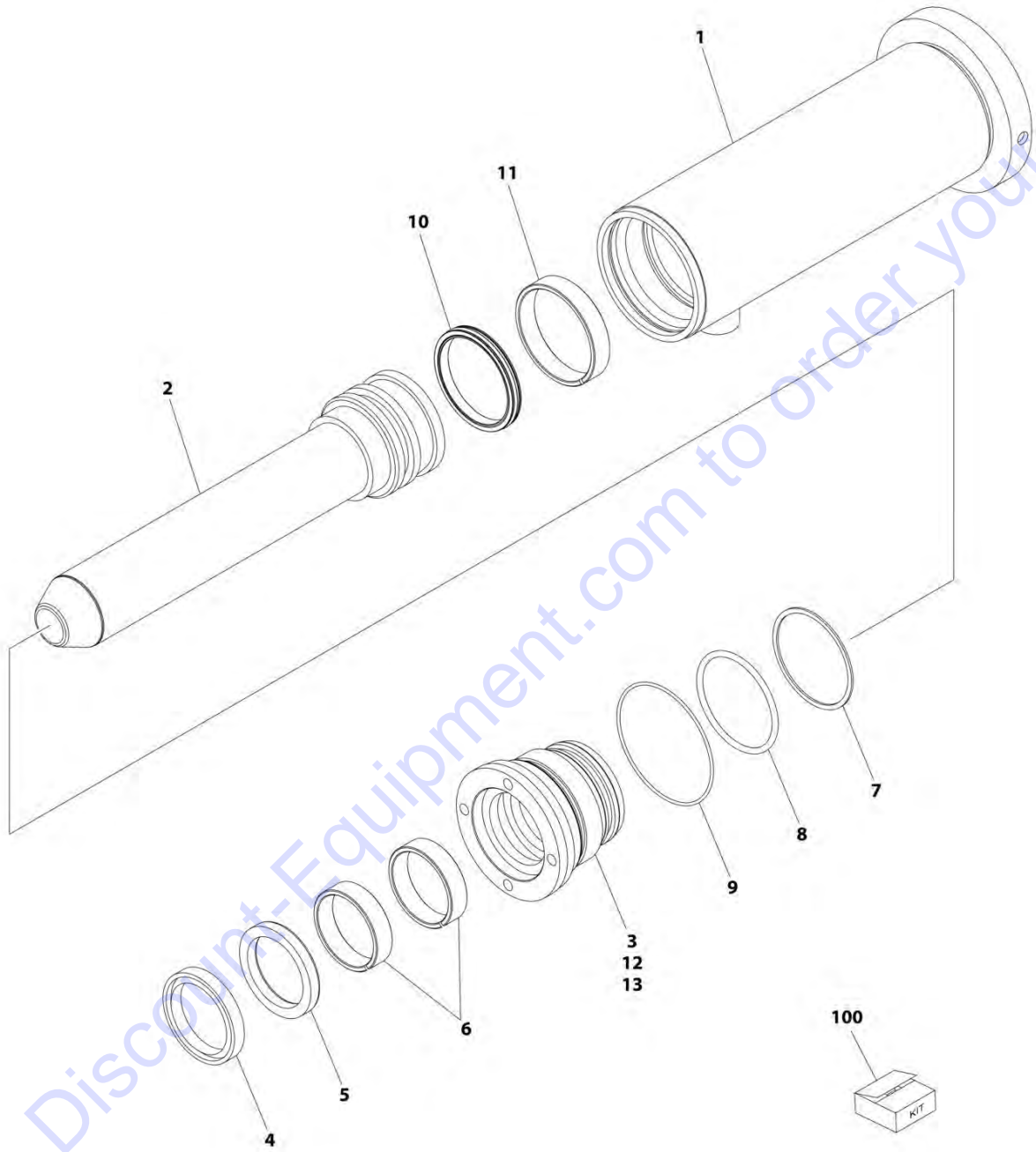
**FIGURE 6-11. LOCK CYLINDER ASSEMBLY - JIB (Prior to SN 0300239170)**

ITEM	PART NUMBER	QTY	DESCRIPTION	REV
	1001119313	Ref	LOCK CYLINDER ASSEMBLY - JIB	C
1	2570008	1	Head	
2	3020043	AR	Lubricant	
3	1001119314	1	Barrel	
4	1001119318	1	Rod	
100	1001119452	1	Seal Kit - Cylinder (Includes Items 101-108)	
101	See Note	NSS	Ring, Wear (Note: Use Item 100)	
102	See Note	NSS	Ring, Back-up (Note: Use Item 100)	
103	See Note	NSS	Ring, Wear (Note: Use Item 100)	
104	See Note	NSS	O-Ring (Note: Use Item 100)	
105	See Note	NSS	O-Ring (Note: Use Item 100)	
106	See Note	NSS	Wiper, Rod (Note: Use Item 100)	
107	See Note	NSS	Seal (Note: Use Item 100)	
108	See Note	NSS	Seal (Note: Use Item 100)	

Go to Discount-Equipment.com to order your parts

# SECTION 6 - CYLINDER

FIGURE 6-12. LOCK CYLINDER ASSEMBLY - JIB (SN 0300239170 to Present)



ART\_1001228046

## SECTION 6 - CYLINDER

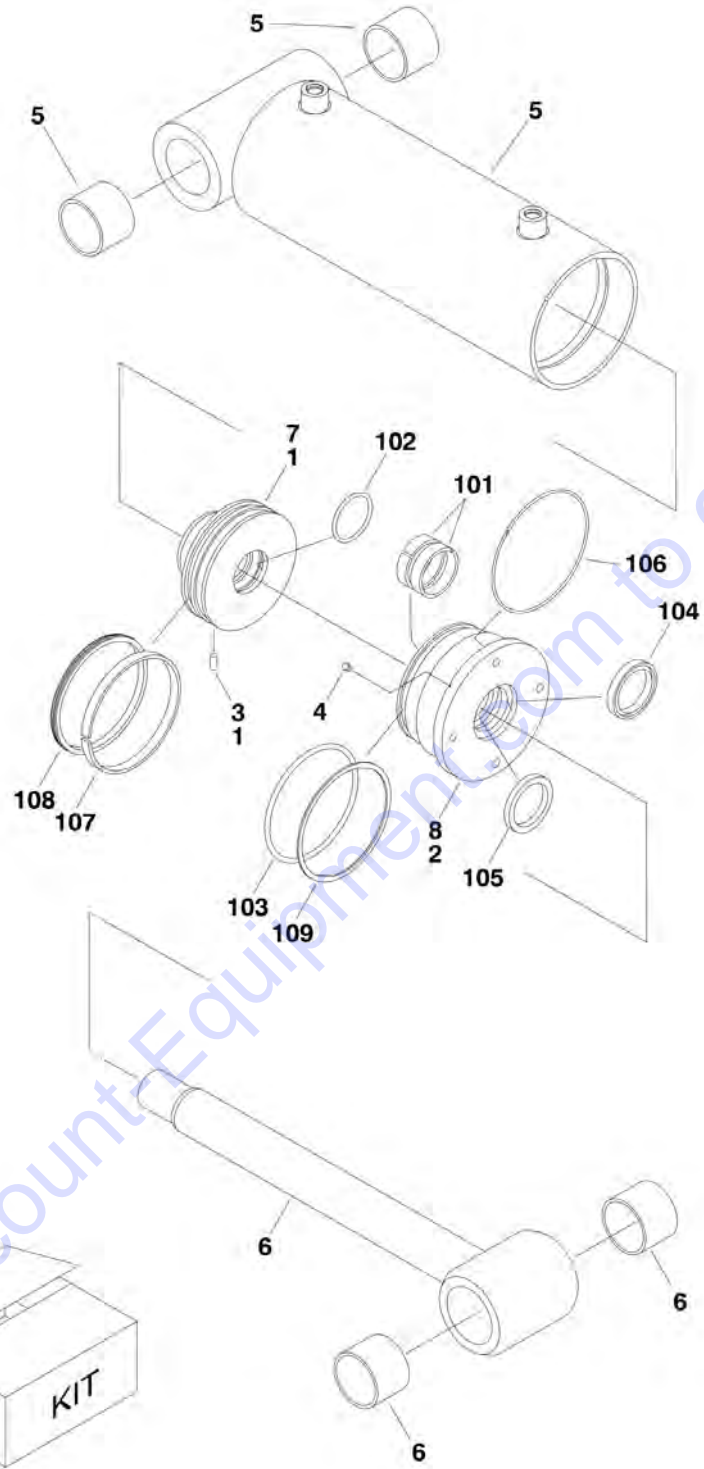
**FIGURE 6-12. LOCK CYLINDER ASSEMBLY - JIB (SN 0300239170 to Present)**

ITEM	PART NUMBER	QTY	DESCRIPTION	REV
	1001228046	Ref	LOCK CYLINDER ASSEMBLY - JIB	B
1	See Note	NSS	Barrel (Note: Not Available for Purchase)	
2	70006449	1	Rod	
3	70006448	1	Head	
4	See Note	NSS	Wiper, Rod (Note: Use Item 100)	
5	See Note	NSS	Seal (Note: Use Item 100)	
6	See Note	NSS	Ring, Wear (Note: Use Item 100)	
7	See Note	NSS	O-Ring (Note: Use Item 100)	
8	See Note	NSS	Ring, Back-up (Note: Use Item 100)	
9	See Note	NSS	O-Ring (Note: Use Item 100)	
10	See Note	NSS	Seal (Note: Use Item 100)	
11	See Note	NSS	Ring, Wear (Note: Use Item 100)	
12	0100011	AR	Compound, Locking	
13	0100038	AR	Primer	
100	1001119452	1	Seal Kit - Cylinder (Includes Items 4-11)	

Go to Discount-Equipment.com to order your parts

# SECTION 6 - CYLINDER

FIGURE 6-13. STEER CYLINDER ASSEMBLY (Prior to SN 0300239676)



1001155986

## SECTION 6 - CYLINDER

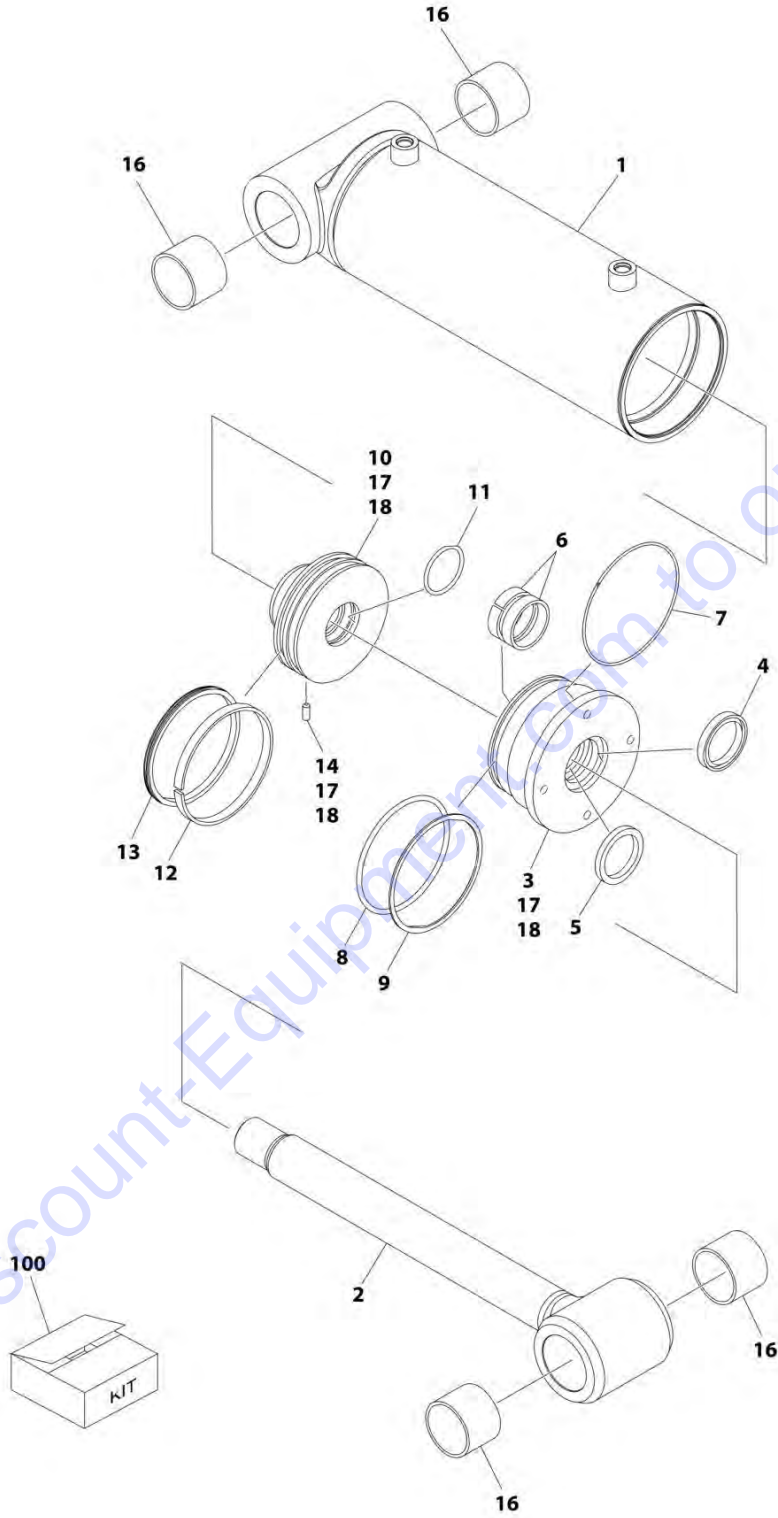
**FIGURE 6-13. STEER CYLINDER ASSEMBLY (Prior to SN 0300239676)**

ITEM	PART NUMBER	QTY	DESCRIPTION	REV
	1001155986	Ref	STEER CYLINDER ASSEMBLY (Prior to SN 0300239676) Note: Original Cylinder May Have Been Replaced with Service Replacement. Identify PN Stamped on Cylinder Before Ordering Parts.	E
		Ref		
1	0100071	AR	Compound, Locking	
2	3020043	AR	Lubricant	
3	3951405	1	Setscrew 1/4 x 5/8	
4	1001125137	1	Screw #8	
5	1001155987	1	Barrel	
5	0961950	2	Bushing	
6	1001155992	1	Rod	
6	0961950	2	Bushing	
7	1001155998	1	Piston	
8	1001155999	1	Head	
100	1001157958	1	Seal Kit - Cylinder (Includes Items 101-109)	
101	See Note	NSS	Ring, Wear (Note: Use Item 100)	
102	See Note	NSS	O-Ring (Note: Use Item 100)	
103	See Note	NSS	O-Ring (Note: Use Item 100)	
104	See Note	NSS	Seal, Wiper (Note: Use Item 100)	
105	See Note	NSS	Seal (Note: Use Item 100)	
106	See Note	NSS	O-Ring (Note: Use Item 100)	
107	See Note	NSS	Ring, Wear (Note: Use Item 100)	
108	See Note	NSS	Seal (Note: Use Item 100)	
109	See Note	NSS	Ring, Backup (Note: Use Item 100)	



# SECTION 6 - CYLINDER

FIGURE 6-14. STEER CYLINDER ASSEMBLY (SN 0300239676 to Present)



ART\_1001228065

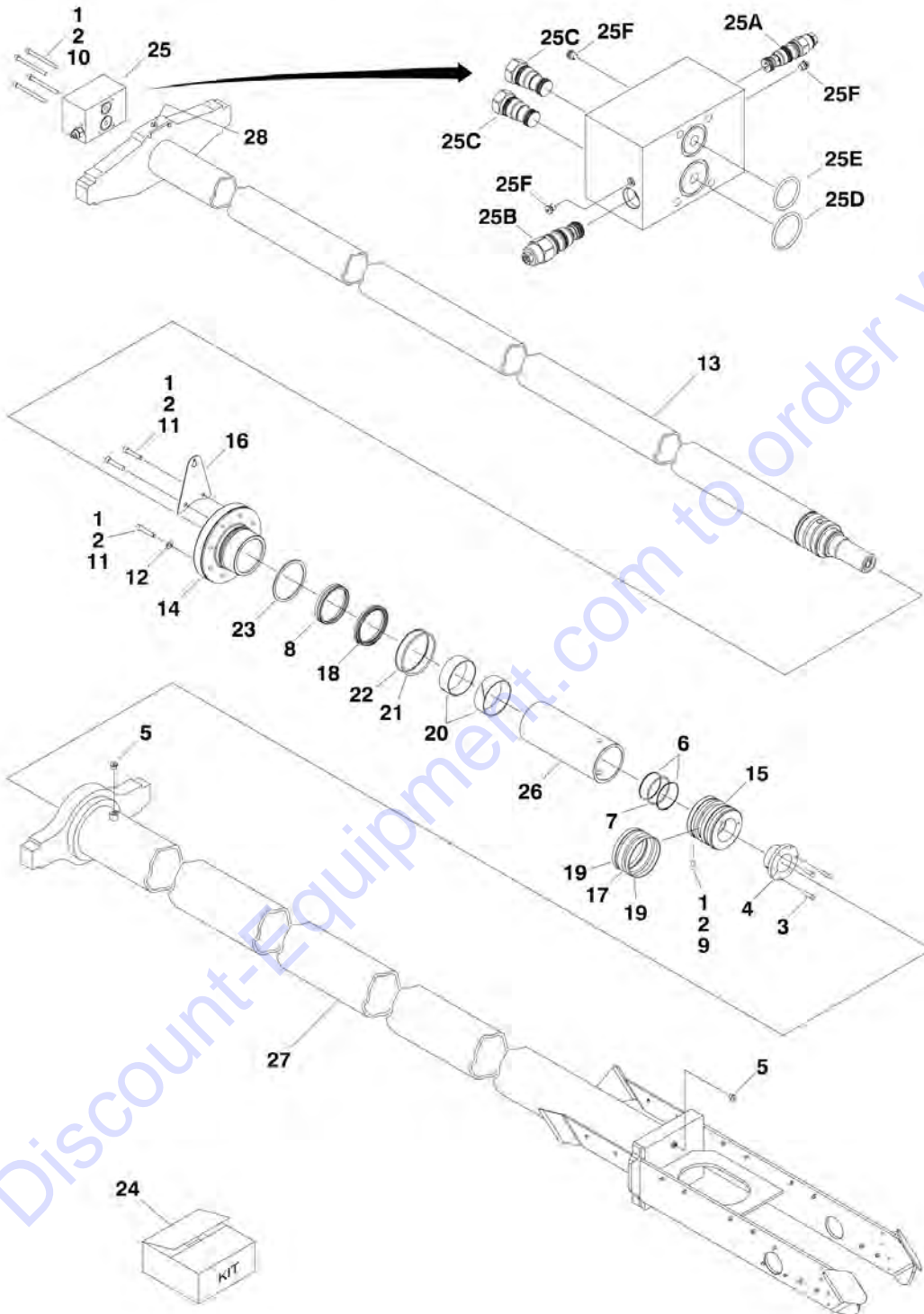
## SECTION 6 - CYLINDER

**FIGURE 6-14. STEER CYLINDER ASSEMBLY (SN 0300239676 to Present)**

ITEM	PART NUMBER	QTY	DESCRIPTION	REV
	1001228065	Ref	STEER CYLINDER ASSEMBLY (SN 0300239676 to Present) Note: Original Cylinder May Have Been Replaced with Service Replacement. Identify PN Stamped on Cylinder Before Ordering Parts.	C
		Ref		
1	See Note	NSS	Barrel Weldment (Note: Not Available for Purchase)	
2	70006471	1	Rod	
3	70006470	1	Head	
4	See Note	NSS	Seal, Wiper (Note: Use Item 100)	
5	See Note	NSS	Seal (Note: Use Item 100)	
6	See Note	NSS	Ring, Wear (Note: Use Item 100)	
7	See Note	NSS	O-Ring (Note: Use Item 100)	
8	See Note	NSS	O-Ring (Note: Use Item 100)	
9	See Note	NSS	Ring, Wear (Note: Use Item 100)	
10	70005878	1	Piston	
11	See Note	NSS	O-Ring (Note: Use Item 100)	
12	See Note	NSS	Ring, Wear (Note: Use Item 100)	
13	See Note	NSS	Seal (Note: Use Item 100)	
14	3951405	1	Setscrew 1/4 x 5/8	
16	0961950	4	Bushing	
17	0100011	AR	Compound, Locking	
18	0100038	1	Lubricant	
100	1001157958	1	Kit, Seal (Includes Items 4-9 & 11-13)	

# SECTION 6 - CYLINDER

## FIGURE 6-15. TELESCOPE CYLINDER ASSEMBLY - BOOM



1001159235

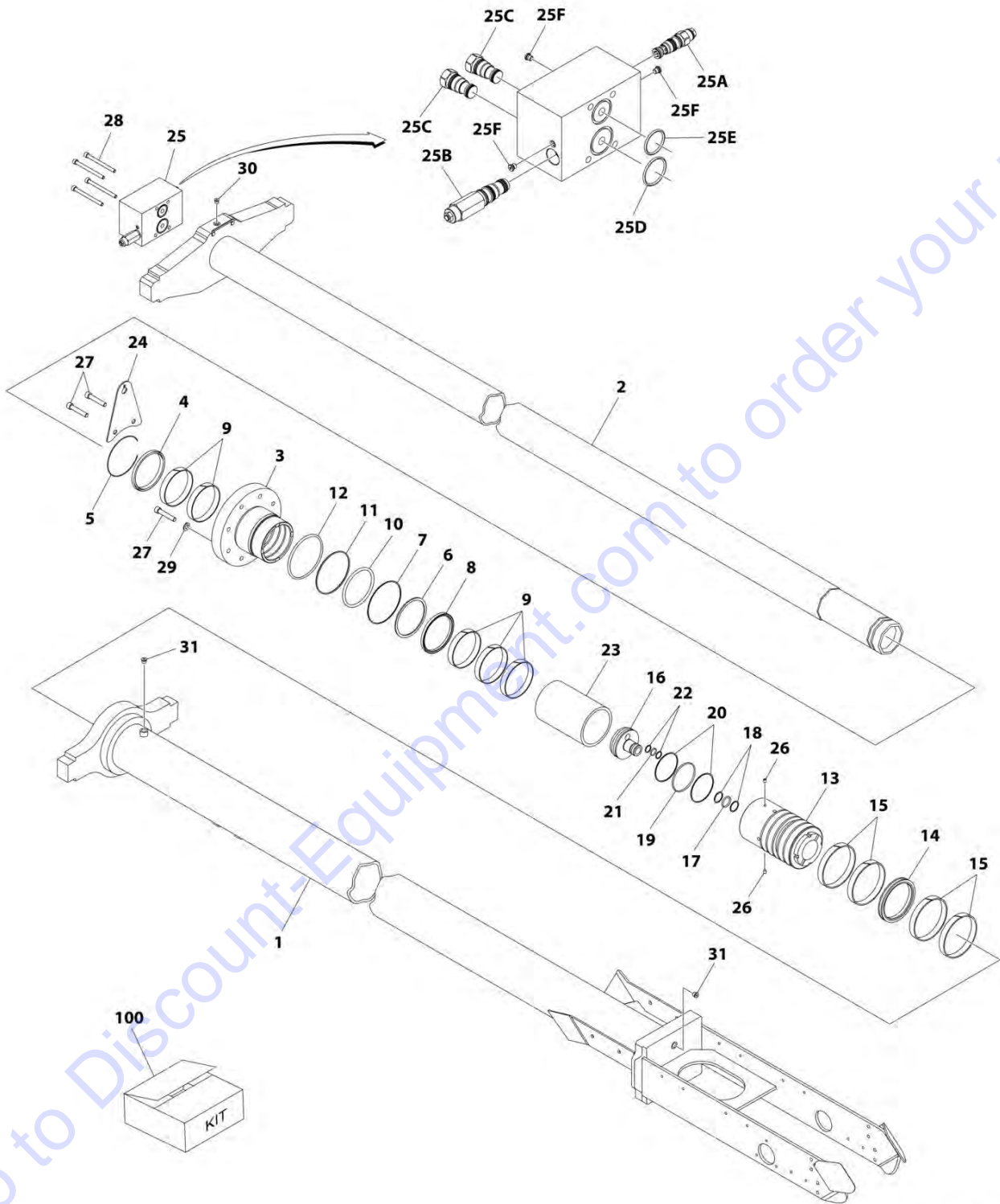
## SECTION 6 - CYLINDER

### FIGURE 6-15. TELESCOPE CYLINDER ASSEMBLY - BOOM

ITEM	PART NUMBER	QTY	DESCRIPTION	REV
		Ref	TELESCOPE CYLINDER ASSEMBLY - BOOM	
	1001159235	Ref	Boom Telescope Cylinder Assembly ( <b>Prior to SN 0300190128</b> )	H
	1001178592	Ref	Boom Telescope Cylinder Assembly ( <b>SN 0300190128 through 0300244677</b> )	E
		Ref	Note: Original Cylinder May Have Been Replaced with Service Replacement. Identify PN Stamped on Cylinder Before Ordering Parts.	
1	0100011	AR	Compound, Locking	
2	0100038	AR	Primer	
3	0630536	3	Capscrew	
4	0961898	1	Bushing, Tapered	
5	2220885	2	Plug	
6	See Note	NSS	Ring, Backup (Note: Use p/n 1001155213)	
7	See Note	NSS	Ring, Washer (Note: Use p/n 1001155213)	
8	See Note	NSS	Seal, Wiper (Note: Use p/n 1001155213)	
9	4032007	1	Capscrew M10 X 16	
10	5272025	4	Capscrew M10 X 120	
11	5272116	8	Capscrew M12 X 60	
12	5241200	6	Washer M12	
13		Ref	Rod Options:	
13	1001150967	1	Rod ( <b>Prior to SN 0300190128</b> )	
13	1001178591	1	Rod ( <b>SN 0300190128 to Present</b> )	
14	1001151001	1	Head	
15	1001151003	1	Piston	
16	1001155157	1	Bracket	
17	See Note	NSS	Seal (Note: Use Item 24)	
18	See Note	NSS	Seal, Rod (Note: Use Item 24)	
19	See Note	NSS	Ring, Wear (Note: Use Item 24)	
20	See Note	NSS	Ring, Wear (Note: Use Item 24)	
21	See Note	NSS	O-Ring (Note: Use Item 24)	
22	See Note	NSS	Ring, Back-up (Note: Use Item 24)	
23	See Note	NSS	Ring, Retaining (Note: Use Item 24)	
24	1001155213	1	Seal Kit - Cylinder (Includes Items 6-8 & 17-23)	
25	1001155378	1	Valve	D
25A	70004404	1	Cartridge, Counterbalance	
25A	2900770	1	Seal Kit - 70004404 Cartridge	
25B	1001182256	1	Cartridge, Counterbalance	
25B	7011367	1	Seal Kit - 1001182256 Cartridge	
25C	70004406	2	Cartridge, Check	
25C	2900770	2	Seal Kit - 70004406 Cartridge	
25D	70004407	1	O-Ring	
25E	70004408	1	O-Ring	
25F	70003031	3	Plug	
26	1001159231	1	Tube, Spacer	
27	1001159234	1	Barrel	
28	2220883	1	Plug ( <b>SN 0300193480 to Present</b> )	

# SECTION 6 - CYLINDER

FIGURE 6-16. TELESCOPE CYLINDER ASSEMBLY - BOOM (SN 0300244678 to Present)



ART\_1001228082

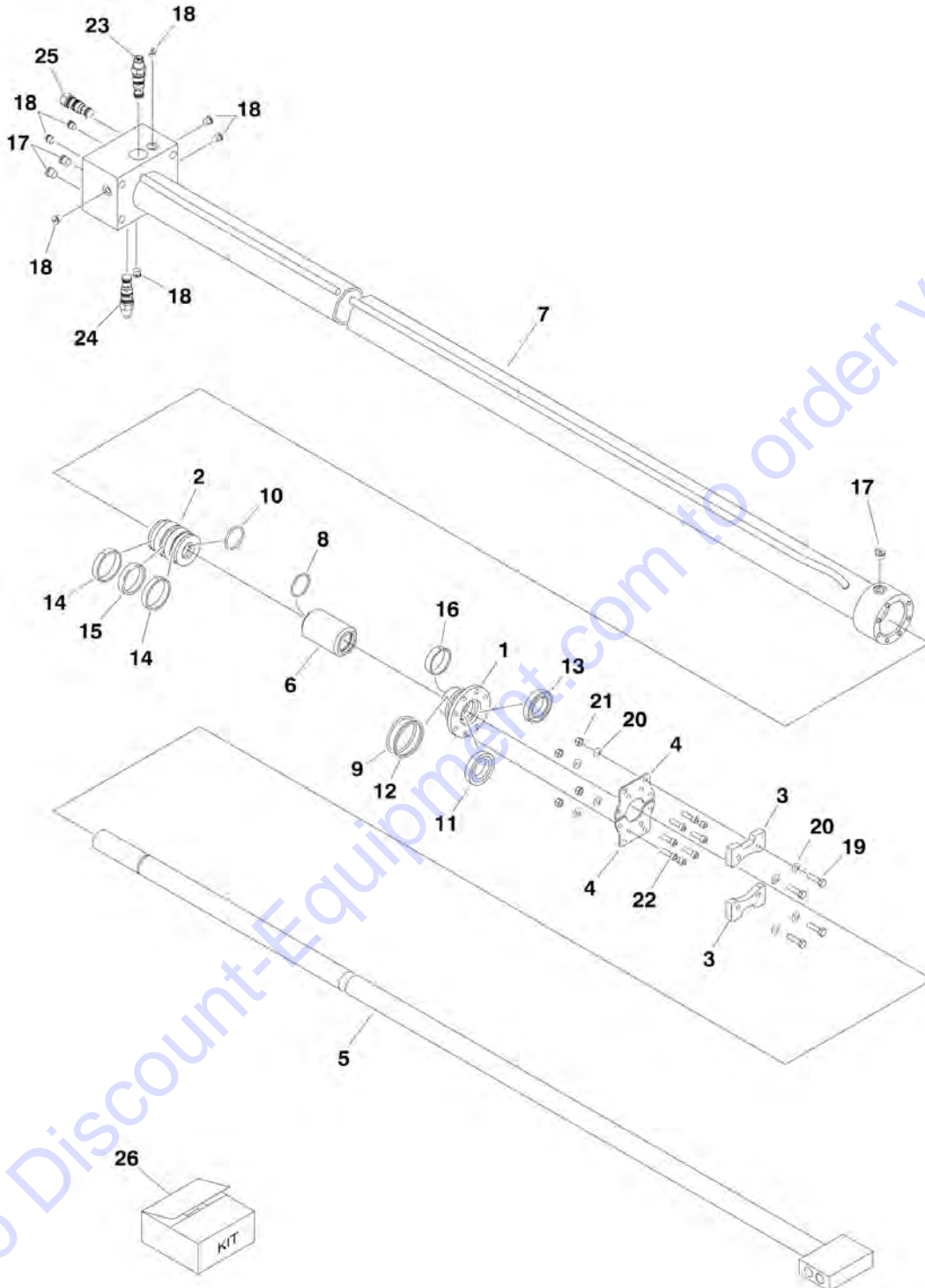
## SECTION 6 - CYLINDER

**FIGURE 6-16. TELESCOPE CYLINDER ASSEMBLY - BOOM (SN 0300244678 to Present)**

ITEM	PART NUMBER	QTY	DESCRIPTION	REV
	1001228082	Ref	TELESCOPE CYLINDER ASSEMBLY - BOOM	D
		Ref	Note: Original Cylinder May Have Been Replaced with Service Replacement. Identify PN Stamped on Cylinder Before Ordering Parts.	
1	See Note	NSS	Barrel Weldment (Note: Not Available for Purchase)	
2	70006834	1	Rod Weldment	
3	70006835	1	Head	
4	See Note	NSS	Wiper (Note: Use Item 100)	
5	70006836	1	Ring, Retaining	
6	See Note	NSS	Seal, Rod (Note: Use Item 100)	
7	See Note	NSS	Ring, Back-up (Note: Use Item 100)	
8	See Note	NSS	Ring, Buffer (Note: Use Item 100)	
9	See Note	NSS	Ring, Wear (Note: Use Item 100)	
10	See Note	NSS	O-Ring (Note: Use Item 100)	
11	See Note	NSS	Ring, Back-up (Note: Use Item 100)	
12	See Note	NSS	O-Ring (Note: Use Item 100)	
13	70006837	1	Piston	
14	See Note	NSS	Seal, Piston (Note: Use Item 100)	
15	See Note	NSS	Ring, Wear (Note: Use Item 100)	
16	70006838	1	End, Rod	
17	See Note	NSS	O-Ring (Note: Use Item 100)	
18	See Note	NSS	Ring, Back-up (Note: Use Item 100)	
19	See Note	NSS	O-Ring (Note: Use Item 100)	
20	See Note	NSS	Ring, Back-up (Note: Use Item 100)	
21	See Note	NSS	O-Ring (Note: Use Item 100)	
22	See Note	NSS	Ring, Back-up (Note: Use Item 100)	
23	70006839	1	Spacer	
24	70006840	1	Bracket	
25	1001155378	1	Valve	D
25A	70004404	1	Cartridge, Counterbalance	
25A	2900770	1	Seal Kit - 70004404 Cartridge	
25B	1001182256	1	Cartridge, Counterbalance	
25B	7011367	1	Seal Kit - 1001182256 Cartridge	
25C	70004406	2	Cartridge, Check	
25C	2900770	2	Seal Kit - 70004406 Cartridge	
25D	70004407	1	O-Ring	
25E	70004408	1	O-Ring	
25F	70003031	3	Plug	
26	3951405	2	Setscrew	
27	70005882	8	Plug	
28	70006841	4	Bolt	
29	70005883	6	Washer	
30	2220883	1	Plug	
31	2220885	2	Plug	
100	70006842	1	Seal Kit - Cylinder (Includes Items 4, 6-12, 14, 15 & 17-22)	

# SECTION 6 - CYLINDER

## FIGURE 6-17. TELESCOPE CYLINDER ASSEMBLY - JIB



1001158991

## SECTION 6 - CYLINDER

**FIGURE 6-17. TELESCOPE CYLINDER ASSEMBLY - JIB**

ITEM	PART NUMBER	QTY	DESCRIPTION	REV
	1001158991	Ref	TELESCOPE CYLINDER ASSEMBLY - JIB	D
1	70003050	1	Head	
2	70003046	1	Piston	
2	0100011	AR	Compound, Locking	
3	70003047	2	Pad, Wear	
4	70004498	2	Support, Pad	
5	70004497	1	Rod	
6	70004496	1	Spacer	
7	70004495	1	Barrel	
8	See Note	NSS	O-Ring (Note: Use Item 26)	
9	See Note	NSS	O-Ring (Note: Use Item 26)	
10	See Note	NSS	O-Ring (Note: Use Item 26)	
11	See Note	NSS	Seal (Note: Use Item 26)	
12	See Note	NSS	Ring, Back-up (Note: Use Item 26)	
13	See Note	NSS	Wiper (Note: Use Item 26)	
14	See Note	NSS	Ring, Wear (Note: Use Item 26)	
15	See Note	NSS	Seal (Note: Use Item 26)	
16	See Note	1	Ring, Wear (Note: Use Item 26)	
17	See Note	NSS	Plug #6 (Note: Not Available for Purchase)	
18	See Note	NSS	Plug #4 (Note: Not Available for Purchase)	
19	0641510	4	Bolt 5/16 x 1-1/4	
20	4711500	8	Washer 5/16	
21	3311505	4	Nut 5/16	
22	3931516	8	Capscrew 5/16 x 1	
22	0100011	AR	Compound, Locking	
23	4640771	1	Valve, Cartridge	
23	2900770	1	Seal Kit - 4640771 Valve	
24	70003045	1	Valve, Cartridge	
24	2900770	1	Seal Kit- 70003045 Valve	
25	10837580	1	Valve, Cartridge	
25	7010543	1	Seal Kit - 10837580 Valve	
26	70004499	1	Seal Kit - Cylinder (Includes Items 8-16)	



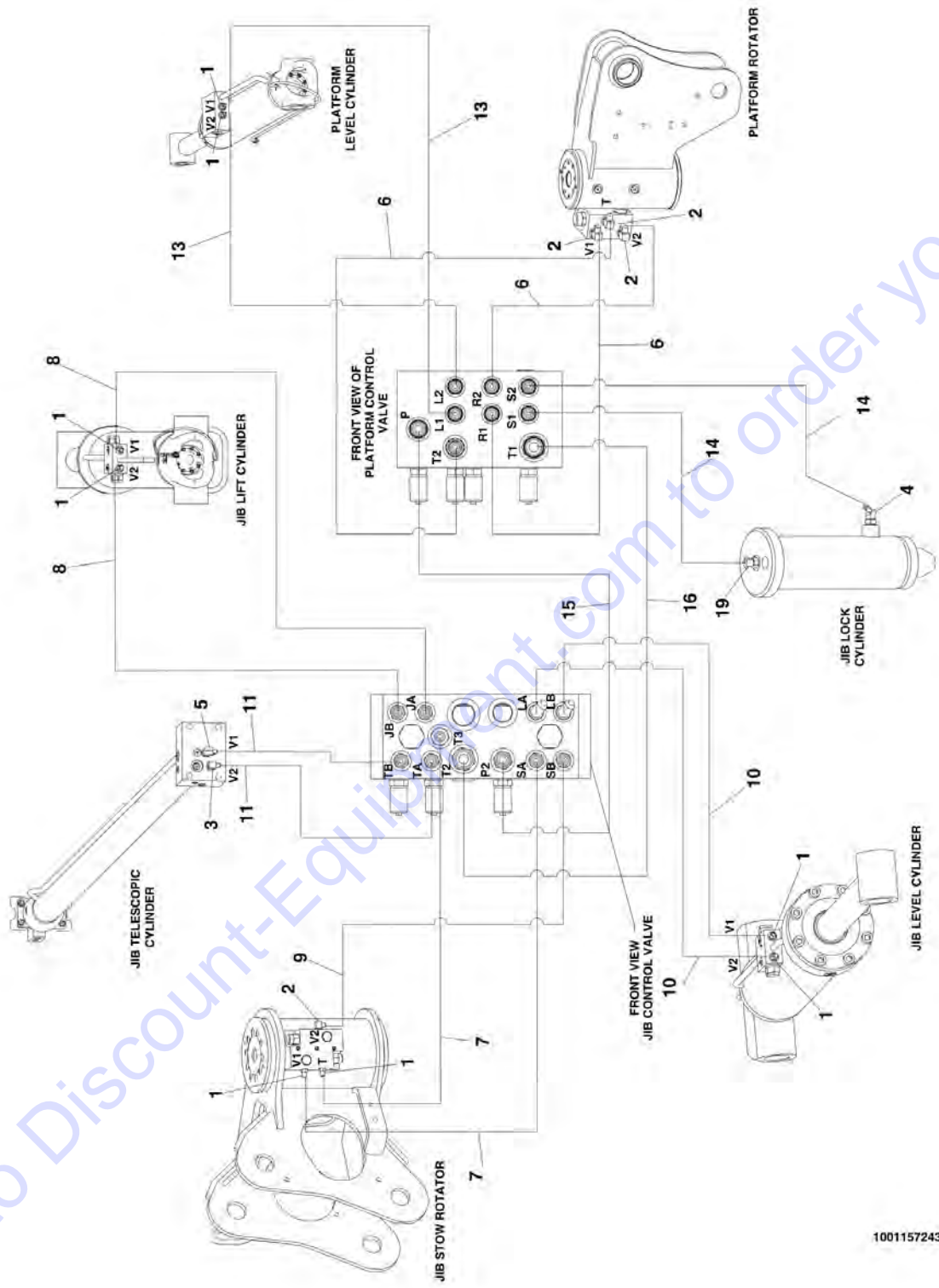


**SECTION 7 - HYDRAULIC**

Go to [Discount-Equipment.com](http://Discount-Equipment.com) to order your parts

# SECTION 7 - HYDRAULIC

## FIGURE 7-1. BOOM AND JIB HYDRAULIC DIAGRAM



1001157243

## SECTION 7 - HYDRAULIC

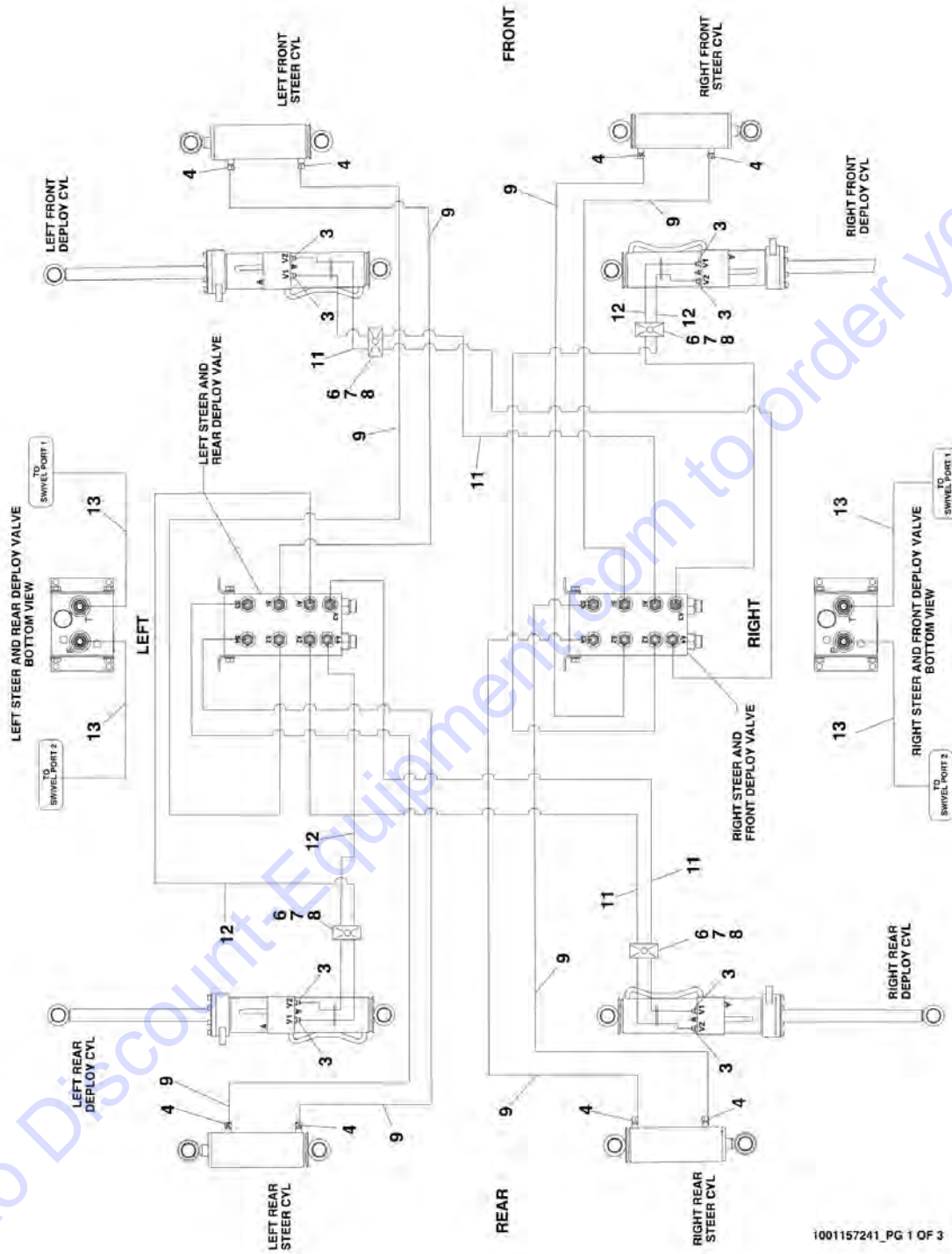
**FIGURE 7-1. BOOM AND JIB HYDRAULIC DIAGRAM**

ITEM	PART NUMBER	QTY	DESCRIPTION	REV
	1001157243	Ref	HYDRAULIC DIAGRAM - BOOM AND JIB	C
1	2220415	8	Fitting, Straight JIC/ORB	
2	2220466	4	Fitting, 90 JIC/ORB	
3	2220472	1	Fitting, 90 JIC/ORB	
4	2221040	1	Fitting, 45 JIC/ORB	
5	1001160955	1	Fitting, 90 JIC/ORB	
6	1001161626	3	Hose	
7	1001161627	2	Hose	
8	1001161628	2	Hose	
9	1001161629	1	Hose	
10	1001161630	2	Hose	
11	1001161631	2	Hose	
13	1001161633	2	Hose	
14	1001161634	2	Hose	
15	1001161635	1	Hose	
16	1001161636	1	Hose	
17	4240018	2	Tie-Strap (Not Shown)	
18	4240155	15	Strap, Cinch (Not Shown)	
19	2220582	1	Fitting, Straight JIC/ORB	

Go to Discount-Equipment.com to order your parts

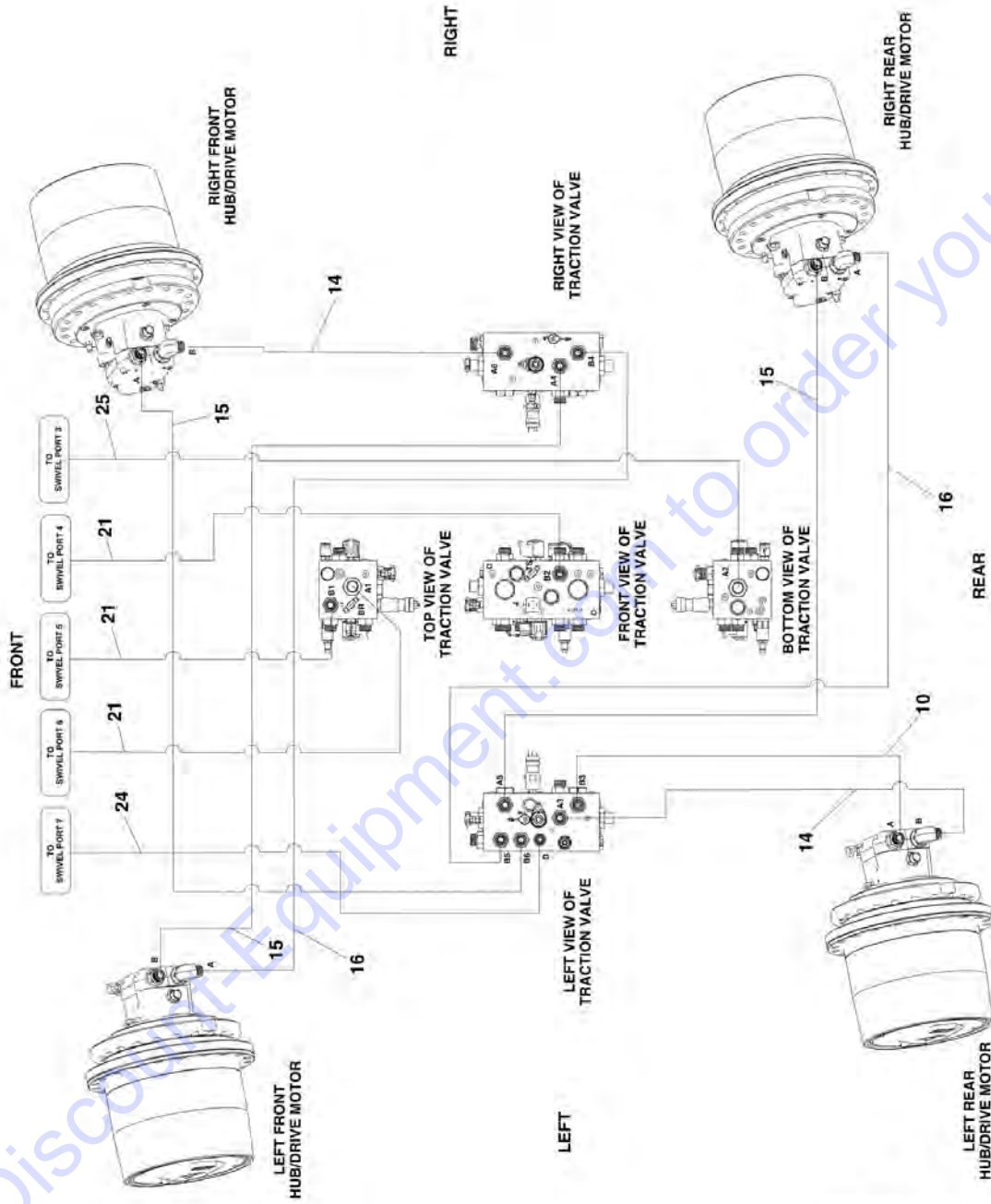
# SECTION 7 - HYDRAULIC

## FIGURE 7-2. CHASSIS HYDRAULIC DIAGRAM



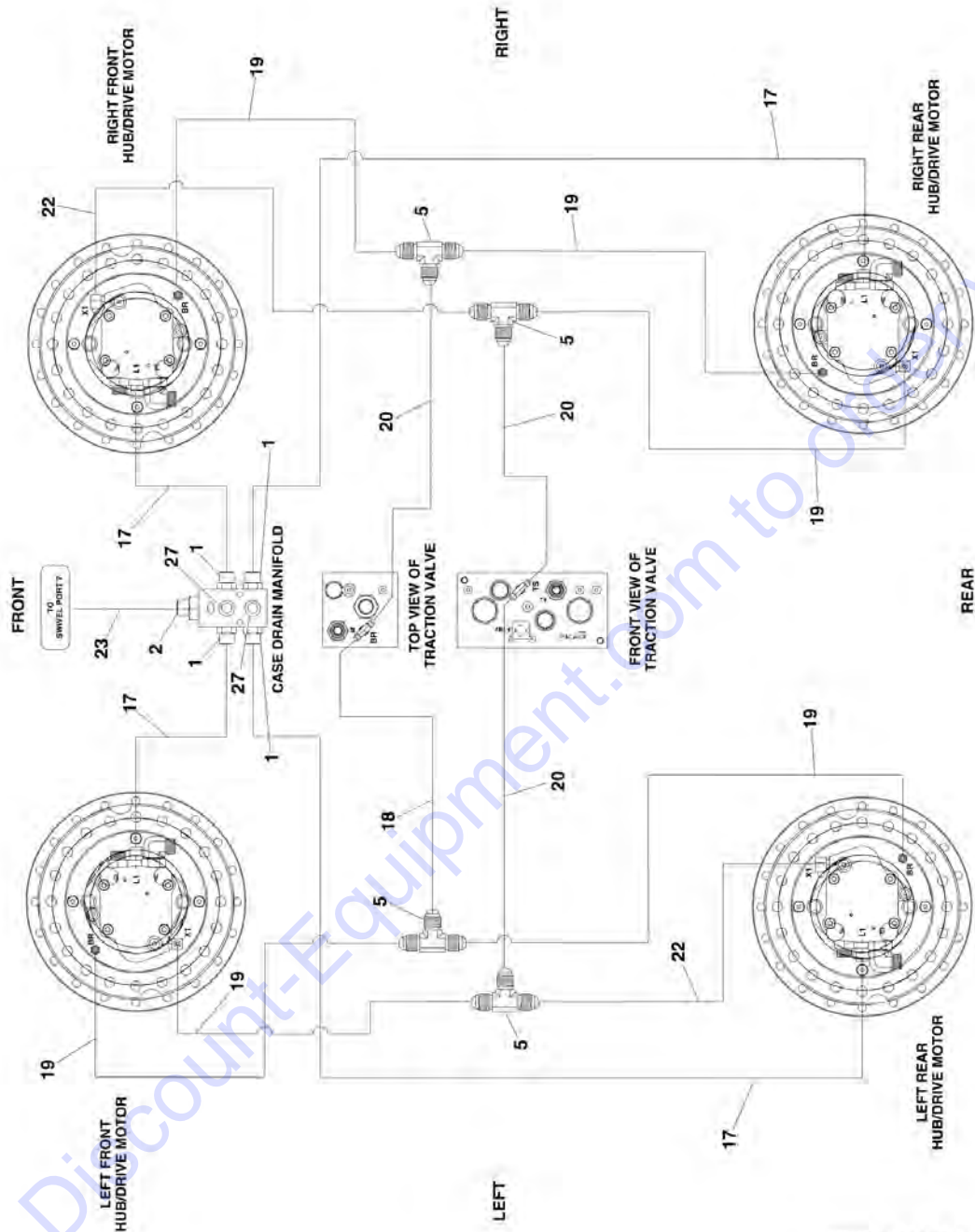
1001157241\_PG 1 OF 3

# SECTION 7 - HYDRAULIC



1001157241\_PG 2 OF 3

# SECTION 7 - HYDRAULIC



1001157241\_PG 3 OF 3

## SECTION 7 - HYDRAULIC

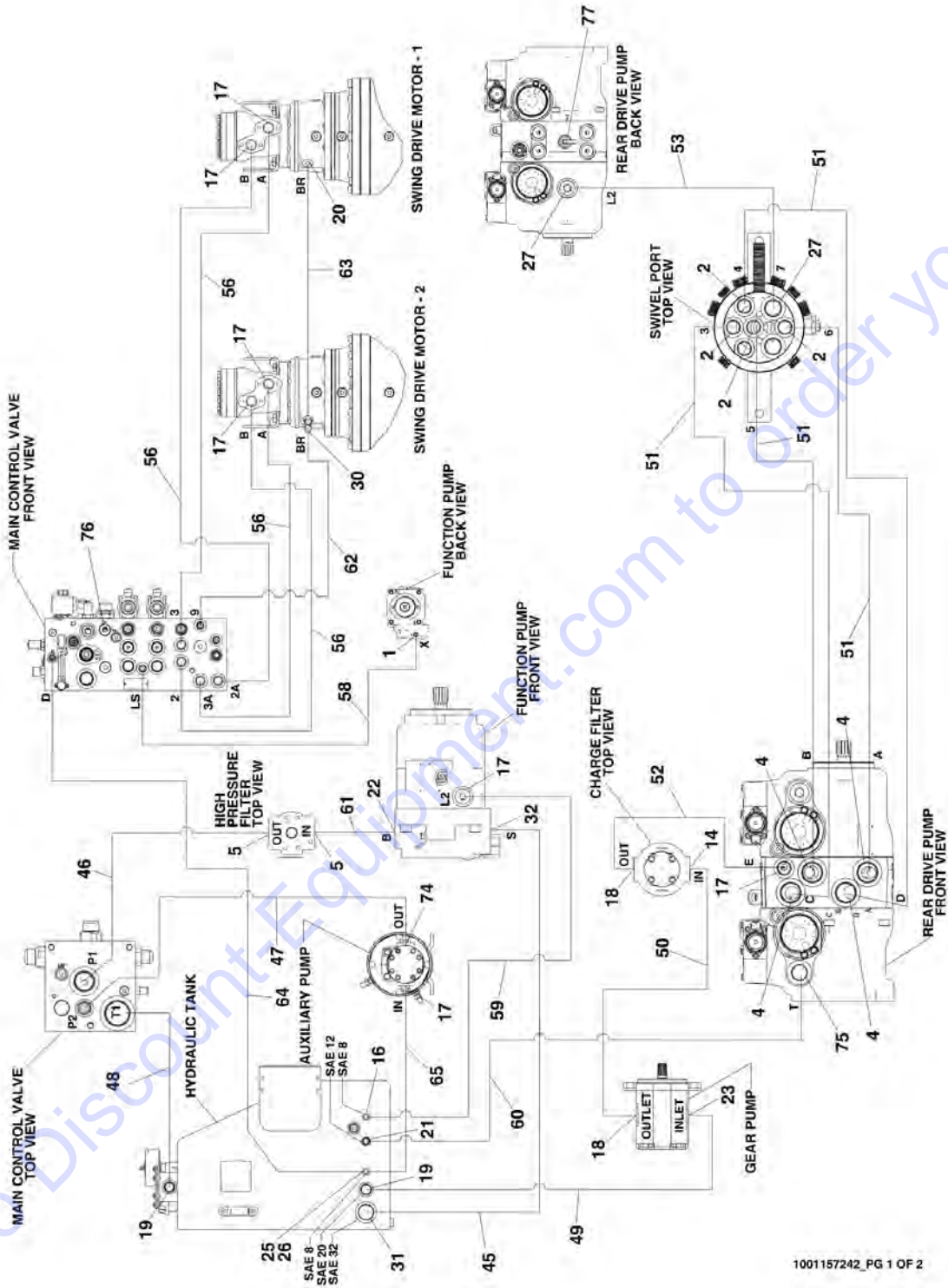
### FIGURE 7-2. CHASSIS HYDRAULIC DIAGRAM

ITEM	PART NUMBER	QTY	DESCRIPTION	REV
	1001157241	Ref	CHASSIS HYDRAULIC DIAGRAM	D
1	2110808	4	Fitting, Straight ORFS/ORB	
2	2110812	1	Fitting, Straight ORFS/ORB	
3	2220372	8	Fitting, Straight JIC/ORB	
4	2220473	8	Fitting, 90 JIC/ORB	
5	2220504	4	Fitting, Tee JIC/JIC/JIC	
6	8769122	4	Clamp Set	
7	8769128	4	Cover	
8		Ref	Bolt Options:	
8	0641510	NLA	Bolt 5/16-18 x 1-1/4 (Use p/n 0641511001) <b>(Prior to SN 0300193480)</b>	
8	0641511001	4	Bolt 5/16-18 x 1-3/8 <b>(SN 0300193480 to Present)</b>	
9	1001161269	8	Hose	
10	1001161270	1	Hose	
11	1001161271	4	Hose	
12	1001161272	4	Hose	
13	1001161273	4	Hose	
14	1001161274	2	Hose	
15	1001161275	3	Hose	
16	1001161276	2	Hose	
17	1001161277	4	Hose	
18	1001161278	1	Hose	
19	1001161279	6	Hose	
20	1001161280	3	Hose	
21	1001161281	3	Hose	
22	1001161282	2	Hose	
23	1001161283	1	Hose	
24	1001161289	1	Hose	
25	1001161290	1	Hose	
26	4240018	18	Tie-Strap (Not Shown)	
27	2220235	2	Fitting, O-Ring	

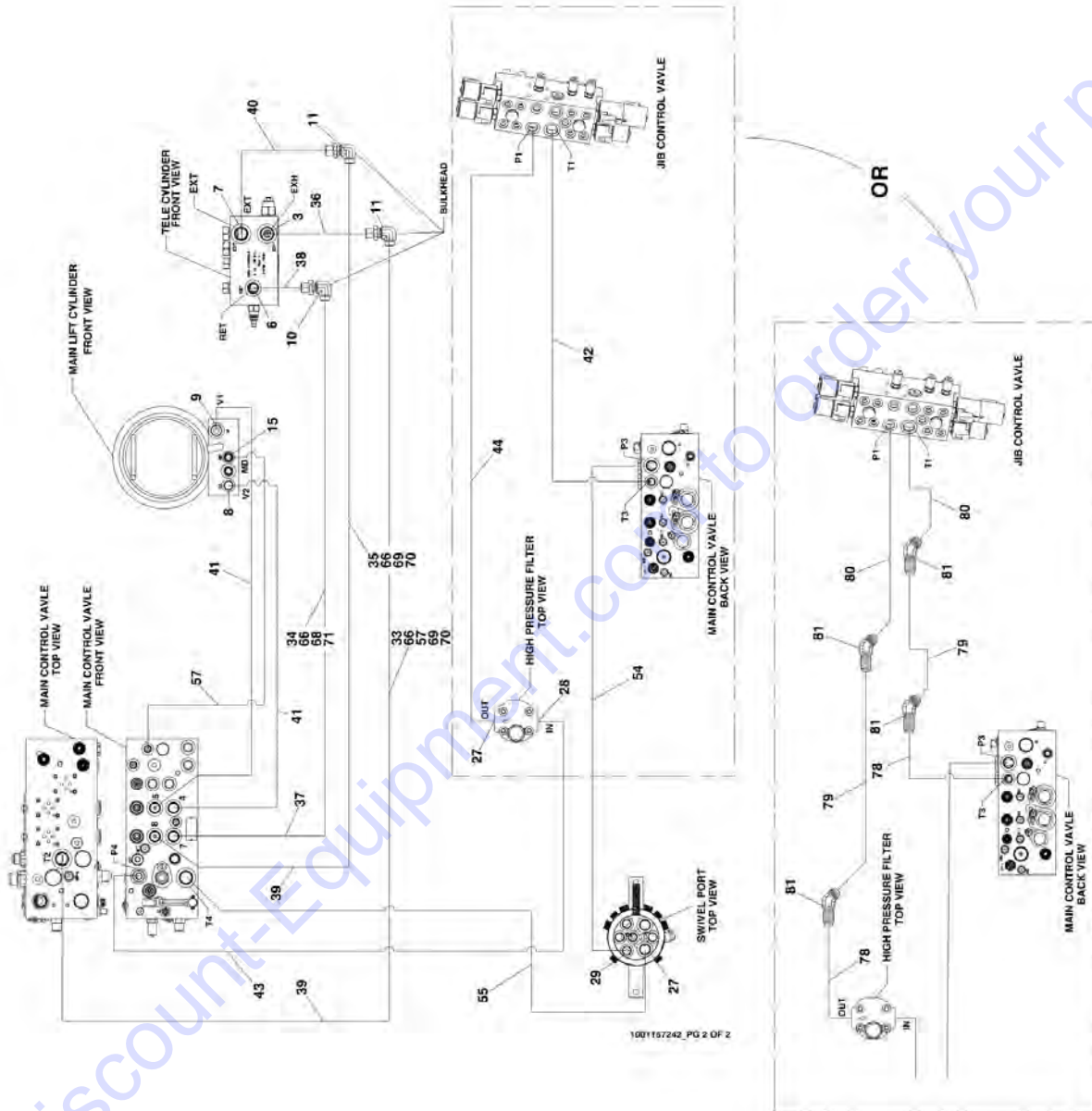


# SECTION 7 - HYDRAULIC

## FIGURE 7-3. TURNTABLE HYDRAULIC DIAGRAM



# SECTION 7 - HYDRAULIC



# SECTION 7 - HYDRAULIC

## FIGURE 7-3. TURNTABLE HYDRAULIC DIAGRAM

ITEM	PART NUMBER	QTY	DESCRIPTION	REV
	1001157242	Ref	HYDRAULIC DIAGRAM - TURNTABLE	H
1	2110404	1	Fitting, Straight ORFS/ORB	
2	2111010	4	Fitting, Straight ORFS/ORB	
3	2111012	1	Fitting, Straight ORFS/ORB	
4	2111016	4	Fitting, Straight ORFS/ORB	
5	2111620	2	Fitting, Straight ORFS/ORB	
6	2130810	1	Fitting, 90 ORFS/ORB	
7	2131012	1	Fitting, 90 ORFS/ORB	
8	2151010	1	Fitting, 45 ORFS/ORB	
9	2151012	1	Fitting, 45 ORFS/ORB	
10	2171208	1	Fitting, 90 ORFS/ORFS	
11	2171210	2	Fitting, 90 ORFS/ORFS	
14	2220366	1	Fitting, 90 JIC/ORB	
15	2220603	1	Fitting, Straight JIC/ORB	
16	2220373	1	Fitting, Straight JIC/ORB	
17	2220374	7	Fitting, Straight JIC/ORB	
18	2220375	2	Fitting, Straight JIC/ORB	
19	2220380	2	Fitting, Straight JIC/ORB	
20	2220415	1	Fitting, Straight JIC/ORB	
21	2220451	1	Fitting, Straight JIC/ORB	
22	2220478	1	Kit, Split Flange	
23	2220479	1	Fitting, Straight JIC/ORB	
25	2220602	1	Fitting, Tee JIC/ORB/JIC	
26	2220618	1	Fitting, Straight JIC/FSJIC	
27	2220865	4	Fitting, Straight JIC/ORB	
28	2220906	1	Fitting, 90 JIC/ORB	
29	2220947	1	Fitting, Straight JIC/ORB	
30	2221034	1	Fitting, Tee JIC/ORB/JIC	
31	88662013	1	Fitting, Straight JIC/ORB	
32	1001110604	1	Kit, Split Flange	
33	1001158817	1	Pipe, Low Pressure	
34	1001158818	1	Pipe, High Pressure	
35	1001158819	1	Pipe, High Pressure	
36	1001161609	1	Hose	
37	1001161610	1	Hose	
38	1001161611	1	Hose	
39	1001161612	2	Hose	
40	1001161613	1	Hose	
41	1001161614	2	Hose	
42	1001161615	1	Hose (Prior to SN 0300199131)	
43	1001161616	1	Hose	
44	1001161617	1	Hose (Prior to SN 0300199131)	
45	1001161618	1	Hose	
46	1001161619	1	Hose	
47	1001161620	1	Hose	
48	1001161621	1	Hose	
49	1001161622	1	Hose	
50	1001161623	1	Hose	
51	1001161624	4	Hose	
52	1001161625	1	Hose	

## SECTION 7 - HYDRAULIC

ITEM	PART NUMBER	QTY	DESCRIPTION	REV
53	1001161637	1	Hose	
54	1001161638	1	Hose	
55	1001161639	1	Hose	
56	1001161640	4	Hose	
57	1001161641	1	Hose	
58	1001161642	1	Hose	
59	1001161643	1	Hose	
60	1001161644	1	Hose	
61	1001161645	1	Hose	
62	1001161646	1	Hose	
63	1001161647	1	Hose	
64	1001161837	1	Hose	
65	1001161869	1	Hose	
66		Ref	Bolt Options:	
66	0641412	17	Bolt 1/4-20 x 1-1/2 <b>(Prior to SN 0300193480)</b>	
66	0641412001	17	Bolt 1/4-20 x 1-1/2 <b>(SN 0300193480 to Present)</b>	
67		Ref	Bolt Options:	
67	0641413	3	Bolt 1/4-20 X 1-5/8 <b>(Prior to SN 0300193480)</b>	
67	0641413001	3	Bolt 1/4-20 X 1-5/8 <b>(SN 0300193480 to Present)</b>	
68	8769146	3	Cover	
69	8769153	7	Cover	
70	8769154	7	Clamp Set	
71	8769199	3	Clamp Set	
72	4240018	AR	Tie-Strap (Not Shown)	
73	4240155	1	Strap, Cinch (Not Shown)	
74	2220500	1	Fitting, 45 S JIC/ORB	
75	2220578	1	Fitting, 90 S JIC/ORB	
76	1001119455	1	Valve, Oil Sampling	
77	77133089	1	Mini-Check	
78	1001184111	2	Hose	
79	1001184112	2	Hose	
80	1001184113	2	Hose	
81	2230035	4	Fitting, BH 45, JIC/JIC	

## SECTION 7 - HYDRAULIC

FIGURE 7-4. HYDRAULIC DIAGRAM LIST

ITEM	PART NUMBER	QTY	DESCRIPTION	REV
		Ref	Note: Diagrams are available from Discount-equipment.com.	
	1001157243	Ref	Hydraulic Diagram - Boom and Jib	
	1001157241	Ref	Hydraulic Diagram - Chassis	
	1001157243	Ref	Hydraulic Diagram - Turntable	
	1001149709	Ref	Hydraulic Schematic	

Go to Discount-Equipment.com to order your parts

**SECTION 8 - ELECTRICAL**

Go to [Discount-Equipment.com](http://Discount-Equipment.com) to order your parts

## SECTION 8 - ELECTRICAL

FIGURE 8-1. ELECTRICAL DIAGRAM LIST

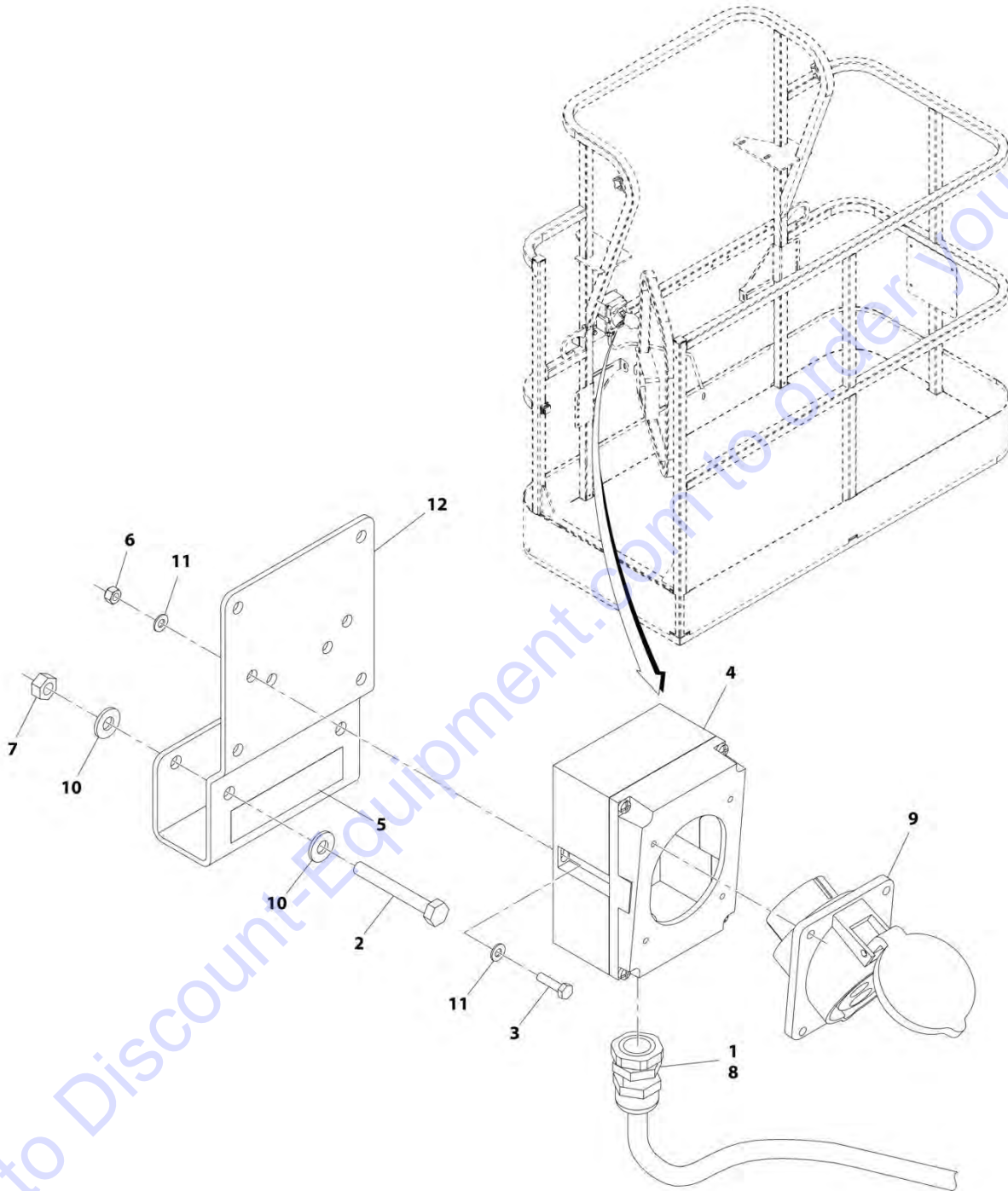
ITEM	PART NUMBER	QTY	DESCRIPTION	REV
		Ref	Note: Diagrams are available from Discount-equipment.com.	
	1001102417	Ref	CLEARSKY TELEMATICS ELECTRICAL SCHEMATIC	
	1001205405	Ref	GENERATOR ELECTRICAL DIAGRAM - 4000W (ANSI Export, CE, China and Japanese Specs)	
	1001205406	Ref	GENERATOR ELECTRICAL DIAGRAM - 4000W (Australian Specs)	
	1001205407	Ref	GENERATOR ELECTRICAL DIAGRAM - 4000W (CE/UK Specs)	
	1001156083	Ref	GENERATOR ELECTRICAL DIAGRAM - 7500W	
	4933218	Ref	SOFT-TOUCH PLATFORM ELECTRICAL DIAGRAM	
	1001145974	Ref	STANDARD ELECTRICAL SCHEMATIC	





## SECTION 8 - ELECTRICAL

FIGURE 8-2. AC BOX AT PLATFORM INSTALLATION - 110V IEC 60309 YELLOW WITHOUT 4000W GENERATOR (CE SPECS)



ART\_1001194203

## SECTION 8 - ELECTRICAL

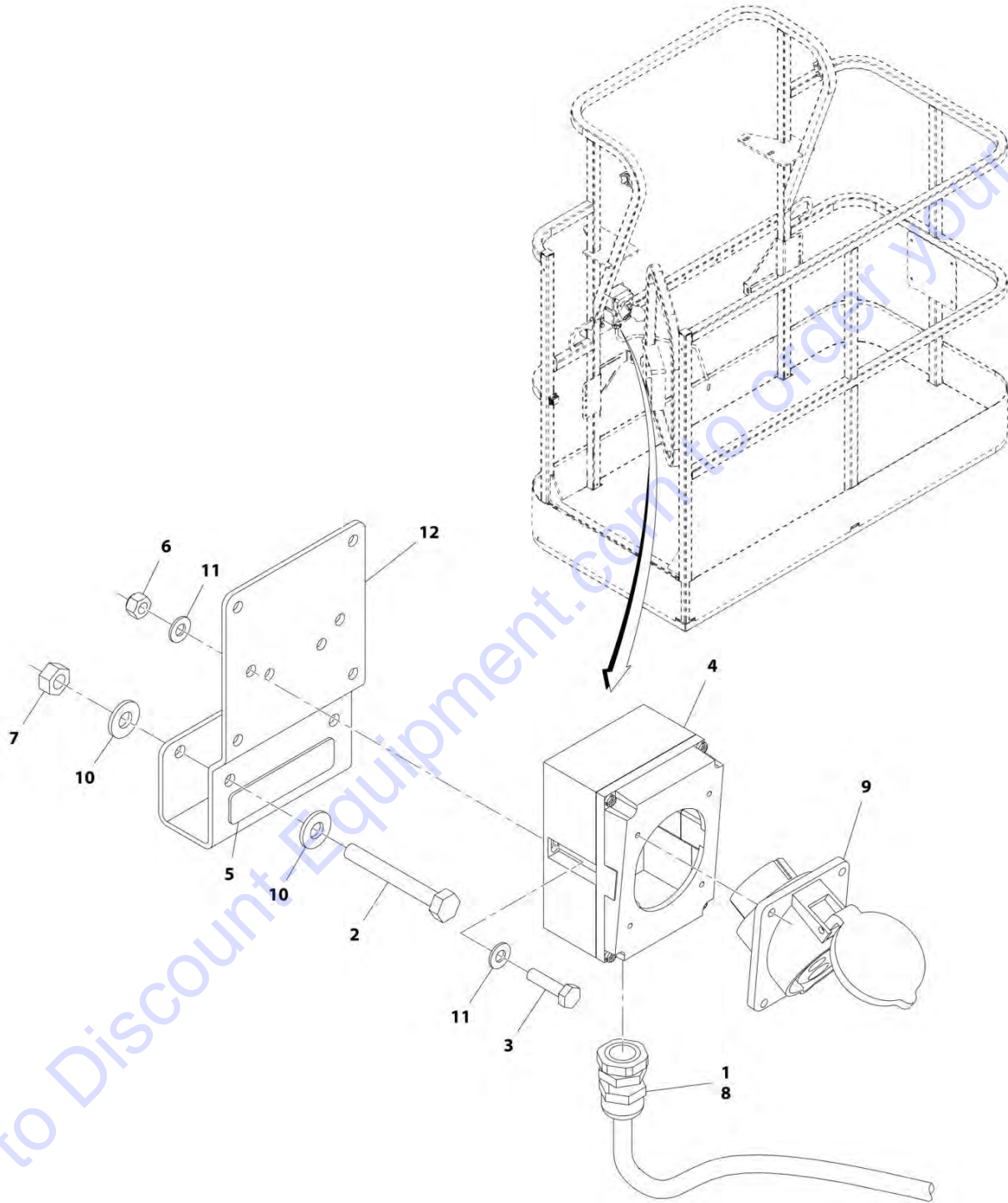
**FIGURE 8-2. AC BOX AT PLATFORM INSTALLATION - 110V IEC 60309 YELLOW WITHOUT 4000W GENERATOR (CE SPECS)**

ITEM	PART NUMBER	QTY	DESCRIPTION	REV
	1001194203	Ref	AC BOX AT PLATFORM INSTALLATION - 110V IEC 60309 YELLOW WITHOUT 4000W GENERATOR (CE SPECS)	B
1	0100020	AR	Sealant, Pipe	
2	0641416	2	Bolt 1/4 x 2	
3	0700408	2	Bolt M4 x 16	
4	0861781	1	Box, Switch	
5	1705325	1	Decal - 110V	
6	3290405	2	Nut M4	
7	3311405	2	Nut 1/4	
8	4460968	1	Connector, Strain Relief	
9	4461198	1	Receptacle	
10	4711400	4	Washer 1/4	
11	4811400	4	Washer M4	
12	1001193018	1	Bracket, AC Receptacle	

Go to Discount-Equipment.com to order your parts

# SECTION 8 - ELECTRICAL

FIGURE 8-3. AC BOX AT PLATFORM INSTALLATION - 220V IEC 60309 BLUE WITHOUT 4000W GENERATOR (CE SPECS)



ART\_1001194204

## SECTION 8 - ELECTRICAL

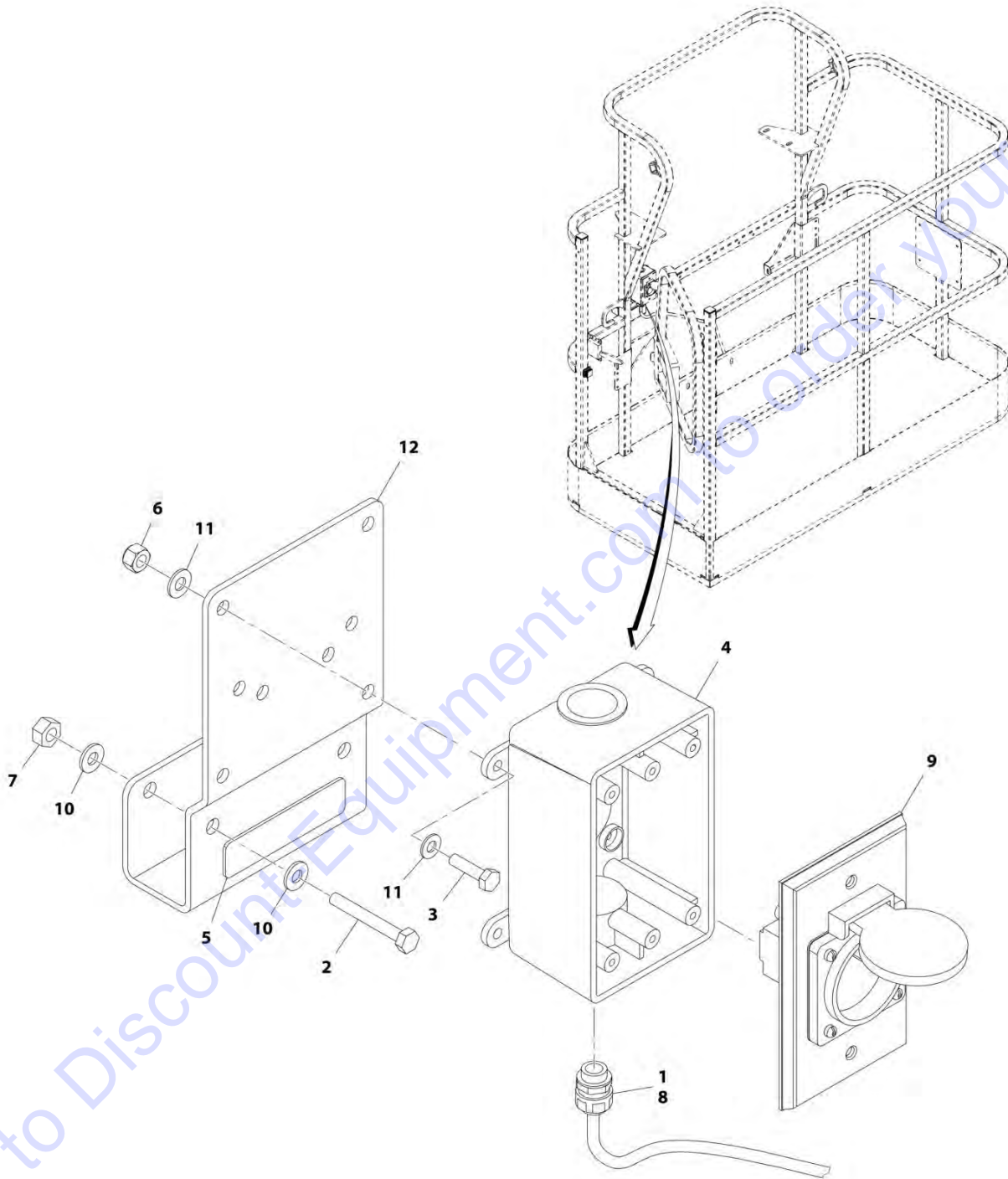
**FIGURE 8-3. AC BOX AT PLATFORM INSTALLATION - 220V IEC 60309 BLUE WITHOUT 4000W GENERATOR (CE SPECS)**

ITEM	PART NUMBER	QTY	DESCRIPTION	REV
	1001194204	Ref	AC BOX AT PLATFORM INSTALLATION - 220V IEC 60309 BLUE WITHOUT 4000W GENERATOR (CE SPECS)	B
1	0100020	AR	Sealant, Pipe	
2	0641416	2	Bolt 1/4 x 2	
3	0700408	2	Bolt M4 x 16	
4	0861781	1	Box, Switch	
5	3251242	1	Decal - 240V-50Hz	
6	3290405	2	Nut M4	
7	3311405	2	Nut 1/4	
8	4460968	1	Connector, Strain Relief	
9	4461201	1	Receptacle	
10	4711400	4	Washer 1/4	
11	4811400	4	Washer M4	
12	1001193018	1	Bracket, AC Receptacle	

Go to Discount-Equipment.com to order your parts

## SECTION 8 - ELECTRICAL

FIGURE 8-4. AC BOX AT PLATFORM INSTALLATION - 220V CEE7 POST GROUND (2X4 BOX)  
WITHOUT 4000W GENERATOR (CE SPECS)



ART\_1001194197

## SECTION 8 - ELECTRICAL

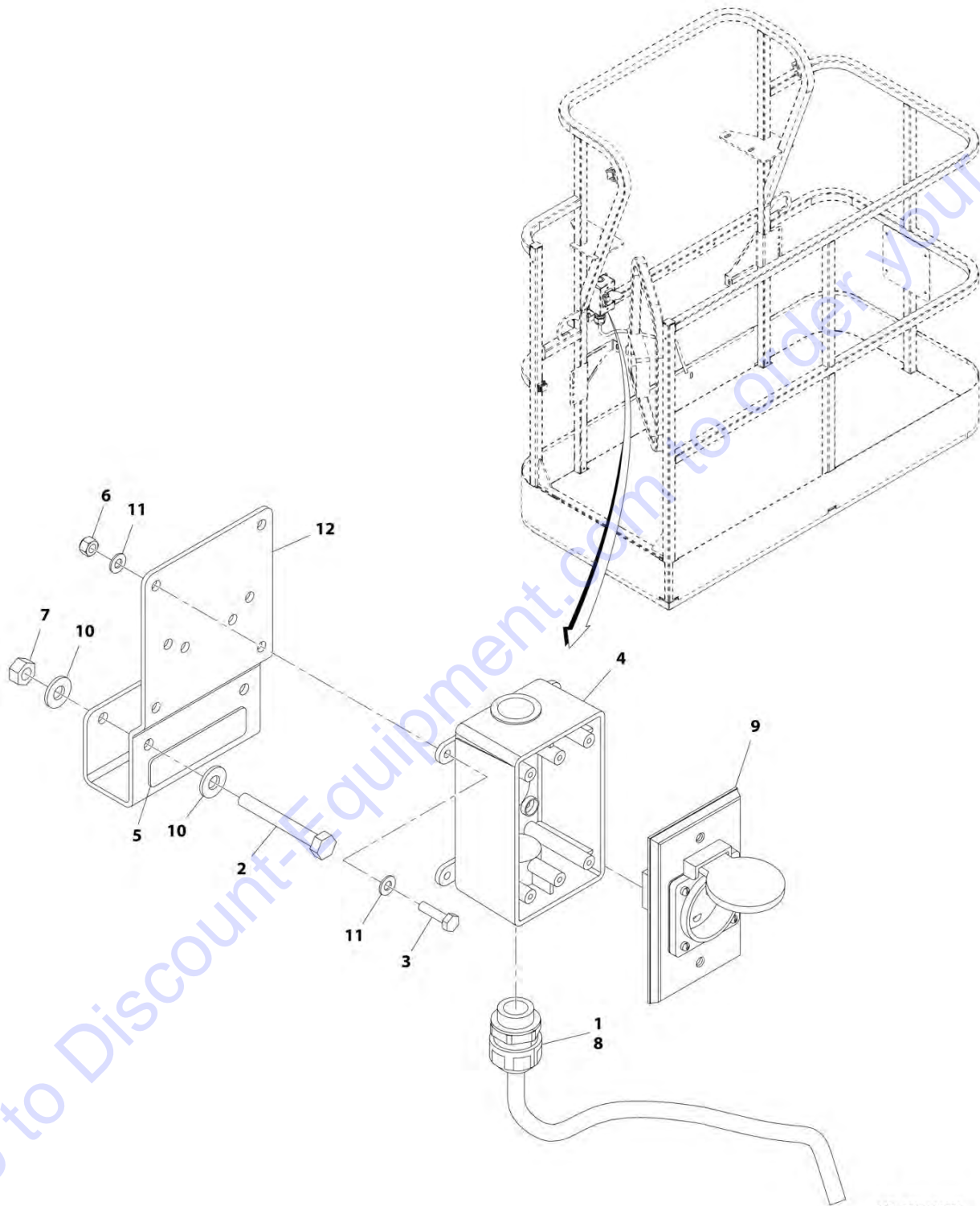
**FIGURE 8-4. AC BOX AT PLATFORM INSTALLATION - 220V CEE7 POST GROUND (2X4 BOX)  
WITHOUT 4000W GENERATOR (CE SPECS)**

ITEM	PART NUMBER	QTY	DESCRIPTION	REV
	1001194197	Ref	AC BOX AT PLATFORM INSTALLATION - 220V CEE7 POST GROUND (2X4 BOX) WITHOUT 4000W GENERATOR (CE SPECS)	B
1	0100020	AR	Sealant, Pipe	
2	0641416	2	Bolt 1/4 x 2	
3	0700408	4	Bolt M4 x 16	
4	0861731	1	Box, Switch	
5	3251242	1	Decal - 240V-50Hz	
6	3290405	4	Nut M4	
7	3311405	2	Nut 1/4	
8	4460662	1	Connector, Strain Relief	
9	4461244	1	Receptacle	
10	4711400	4	Washer 1/4	
11	4811400	8	Washer M4	
12	1001193018	1	Bracket, AC Receptacle	
13	4460806	2	Terminal, Fork	
14	1001205958	1	Terminal	

Go to Discount-Equipment.com to order your parts

## SECTION 8 - ELECTRICAL

FIGURE 8-5. AC BOX AT PLATFORM INSTALLATION - 220V AFSINT 107 KEYED GROUND (2X4 BOX)  
WITHOUT 4000W GENERATOR (CE SPECS)



ART\_1001194200

## SECTION 8 - ELECTRICAL

**FIGURE 8-5. AC BOX AT PLATFORM INSTALLATION - 220V AFSINT 107 KEYED GROUND (2X4 BOX)  
WITHOUT 4000W GENERATOR (CE SPECS)**

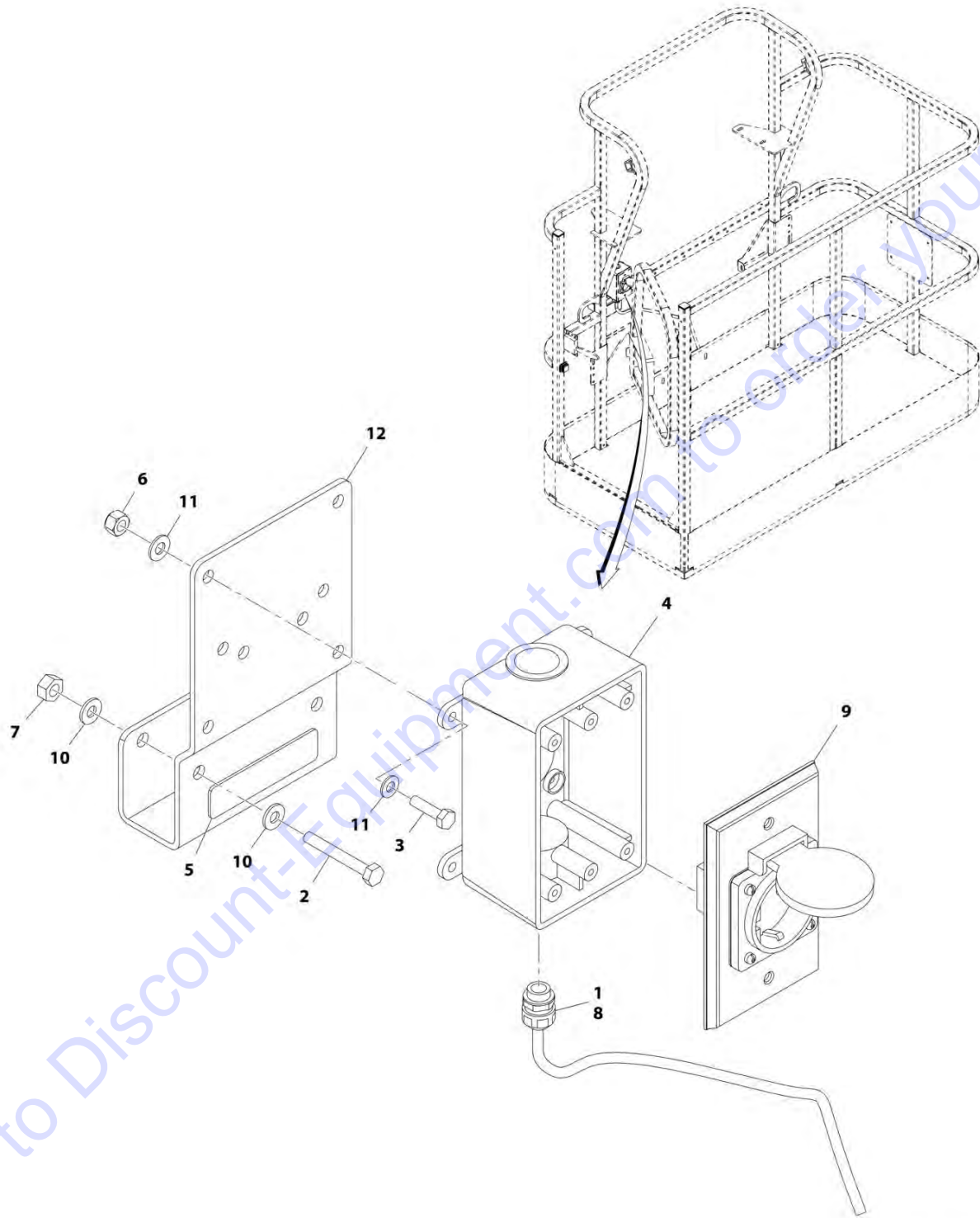
ITEM	PART NUMBER	QTY	DESCRIPTION	REV
	1001194200	Ref	AC BOX AT PLATFORM INSTALLATION - 220V AFSINT 107 KEYED GROUND (2X4 BOX) WITHOUT 4000W GENERATOR (CE SPECS)	B
1	0100020	AR	Sealant, Pipe	
2	0641416	2	Bolt 1/4 x 2	
3	0700408	4	Bolt M4 x 16	
4	0861731	1	Box, Switch	
5	3251242	1	Decal - 240V-50Hz	
6	3290405	4	Nut M4	
7	3311405	2	Nut 1/4	
8	4460662	1	Connector, Strain Relief	
9	4461246	1	Receptacle	
10	4711400	4	Washer 1/4	
11	4811400	8	Washer M4	
12	1001193018	1	Bracket, AC Receptacle	
13	1001205958	3	Terminal	

Go to Discount-Equipment.com to order your parts



## SECTION 8 - ELECTRICAL

FIGURE 8-6. AC BOX AT PLATFORM INSTALLATION - 220V CEE7 SIDE GROUND (2X4 BOX)  
WITHOUT 4000W GENERATOR (CE SPECS)



ART\_1001194198

## SECTION 8 - ELECTRICAL

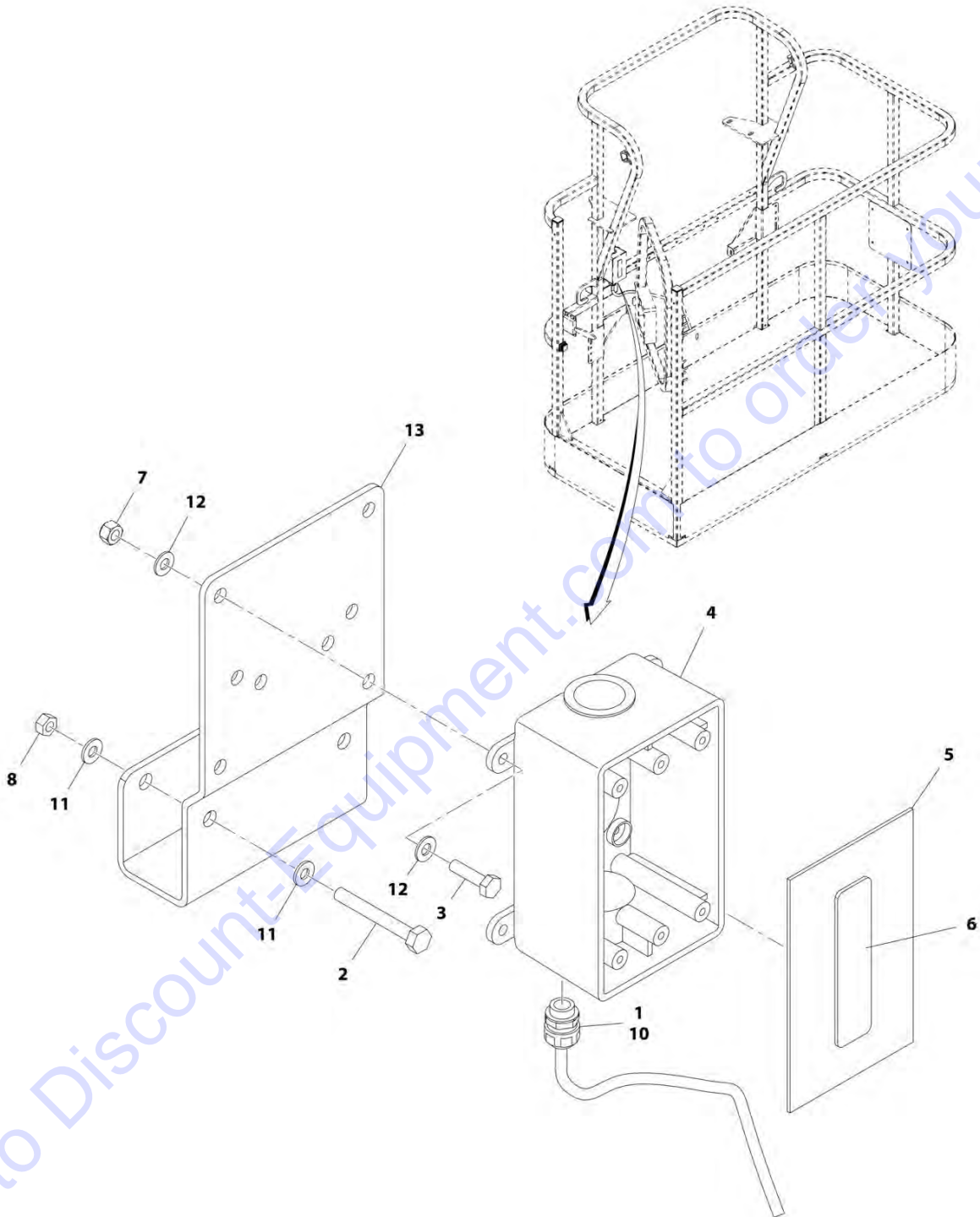
**FIGURE 8-6. AC BOX AT PLATFORM INSTALLATION - 220V CEE7 SIDE GROUND (2X4 BOX)  
WITHOUT 4000W GENERATOR (CE SPECS)**

ITEM	PART NUMBER	QTY	DESCRIPTION	REV
	1001194198	Ref	AC BOX AT PLATFORM INSTALLATION - 220V CEE7 SIDE GROUND (2X4 BOX) WITHOUT 4000W GENERATOR (CE SPECS)	B
1	0100020	AR	Sealant, Pipe	
2	0641416	2	Bolt 1/4 x 2	
3	0700408	4	Bolt M4 x 16	
4	0861731	1	Box, Switch	
5	3251242	1	Decal - 240V-50Hz	
6	3290405	4	Nut M4	
7	3311405	2	Nut 1/4	
8	4460662	1	Connector, Strain Relief	
9	4461245	1	Receptacle	
10	4711400	4	Washer 1/4	
11	4811400	8	Washer M4	
12	1001193018	1	Bracket, AC Receptacle	
13	4460806	2	Terminal, Fork	
14	1001205958	1	Terminal	

Go to Discount-Equipment.com to order your parts

## SECTION 8 - ELECTRICAL

FIGURE 8-7. AC BOX AT PLATFORM INSTALLATION - BOX WITH COVER (2X4 BOX) WITH 4000W GENERATOR (ANSI EXPORT, AUSTRALIAN AND CE SPECS)



ART\_1001194365

## SECTION 8 - ELECTRICAL

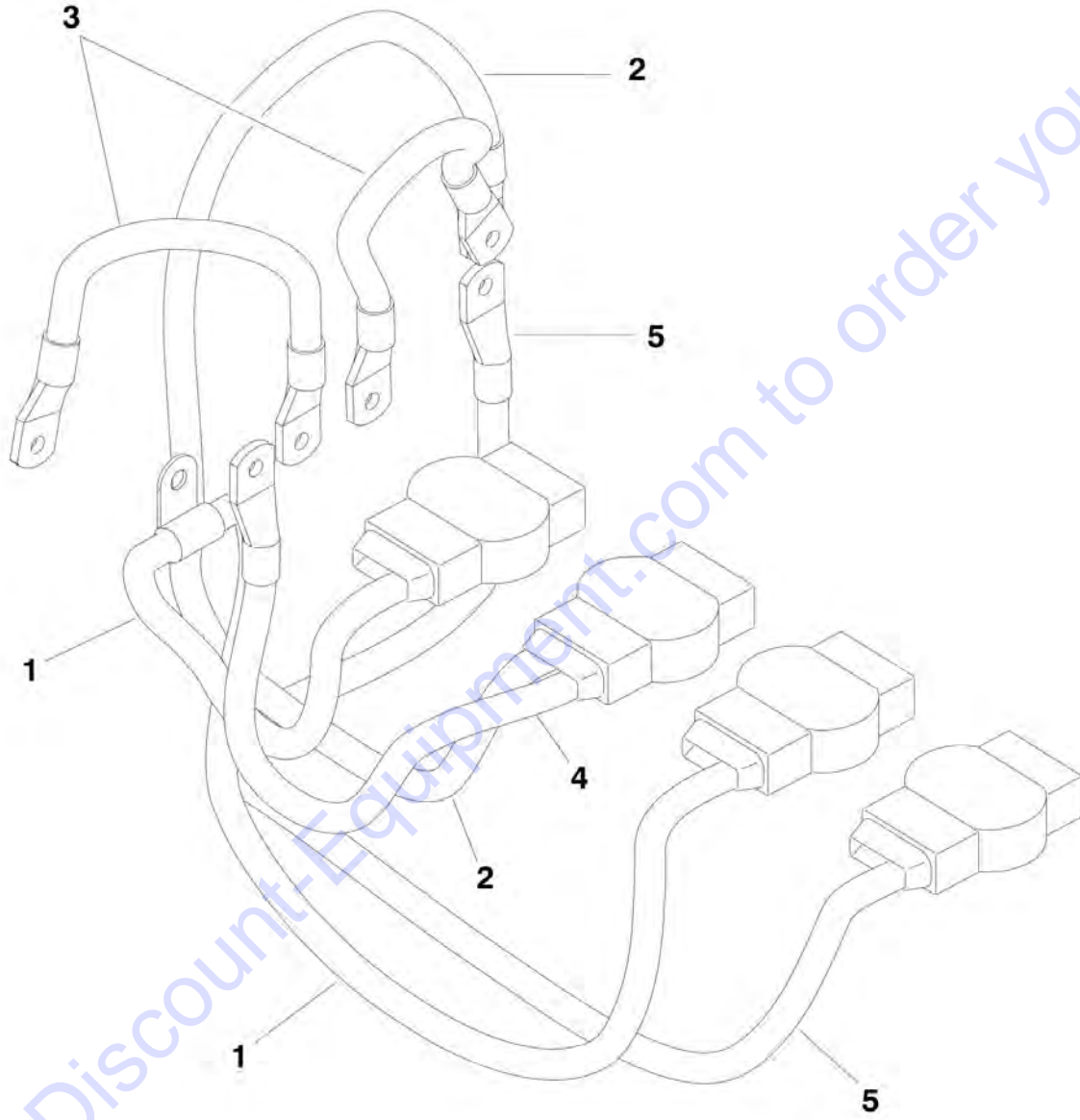
**FIGURE 8-7. AC BOX AT PLATFORM INSTALLATION - BOX WITH COVER (2X4 BOX) WITH 4000W GENERATOR (ANSI EXPORT, AUSTRALIAN AND CE SPECS)**

ITEM	PART NUMBER	QTY	DESCRIPTION	REV
	1001194365	Ref	AC BOX AT PLATFORM INSTALLATION - BOX WITH COVER (2X4 BOX) WITH 4000W GENERATOR (ANSI EXPORT, AUSTRALIAN AND CE SPECS)	A
1	0100020	AR	Sealant, Pipe	
2	0641416	2	Bolt 1/4 x 2	
3	0700408	4	Bolt M4 x 16	
4	0861731	1	Box, Switch	
5	1670603	1	Cover	
6	3251242	1	Decal - 240V-50Hz	
7	3290405	4	Nut M4	
8	3311405	2	Nut 1/4	
9	4460384	3	Terminal (Not Shown)	
10	4460662	1	Connector, Strain Relief	
11	4711400	4	Washer 1/4	
12	4811400	8	Washer M4	
13	1001193018	1	Bracket, AC Receptacle	

Go to Discount-Equipment.com to order your parts

# SECTION 8 - ELECTRICAL

## FIGURE 8-8. BATTERY CABLE KIT - DEUTZ T4I ENGINES



1001158922

## SECTION 8 - ELECTRICAL

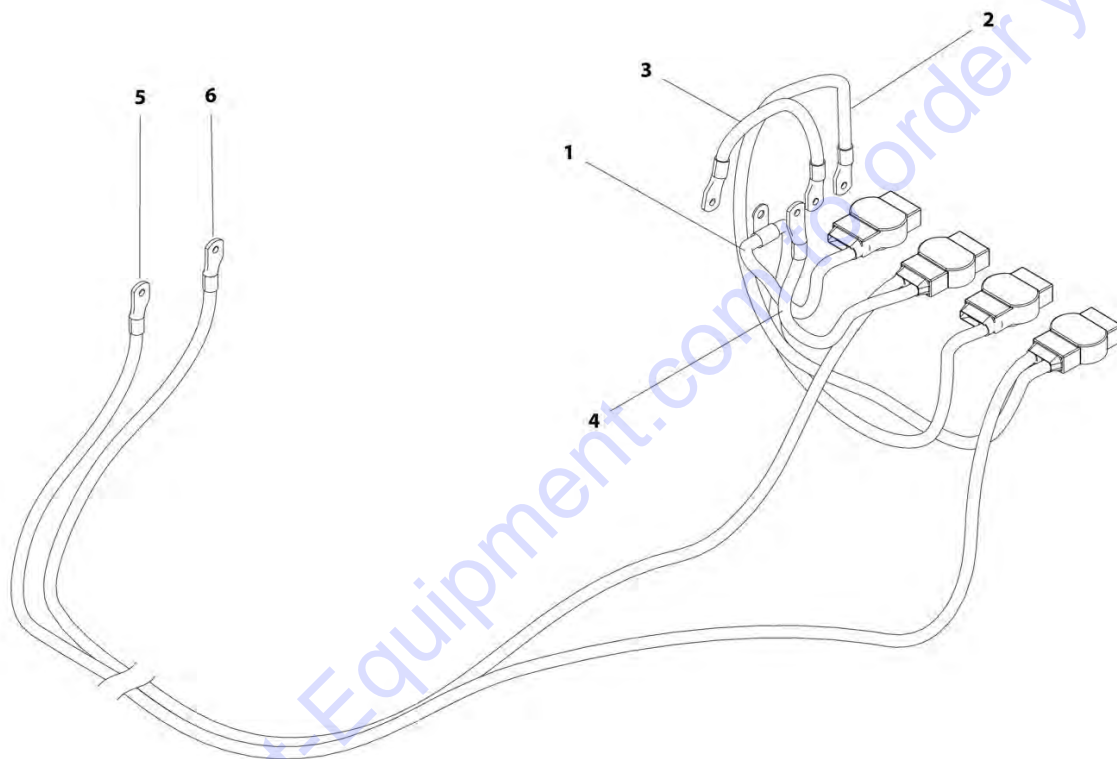
### FIGURE 8-8. BATTERY CABLE KIT - DEUTZ T4I ENGINES

ITEM	PART NUMBER	QTY	DESCRIPTION	REV
	1001158922	Ref	BATTERY CABLE KIT - DEUTZ T4I ENGINES	B
1	7027096	1	Cable, Negative Battery	
2	7027097	1	Cable, Positive Battery	
3	7027098	2	Cable, Battery	
4	7027099	1	Cable, Battery	
5	70009000	1	Cable, Battery	

Go to Discount-Equipment.com to order your parts

## SECTION 8 - ELECTRICAL

FIGURE 8-9. BATTERY CABLE KIT - DEUTZ T4F ENGINES



ART\_1001197442

## SECTION 8 - ELECTRICAL

### FIGURE 8-9. BATTERY CABLE KIT - DEUTZ T4F ENGINES

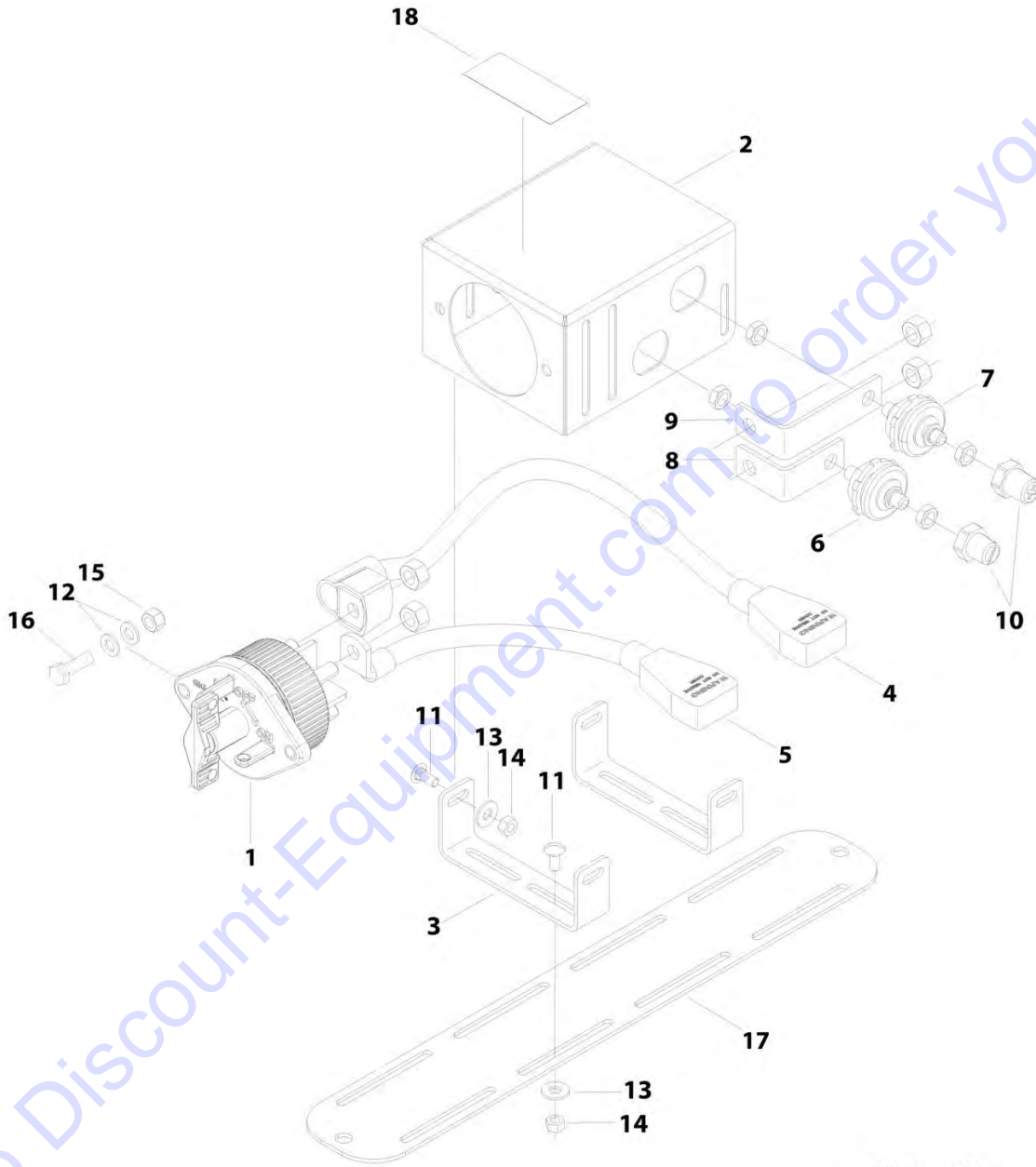
ITEM	PART NUMBER	QTY	DESCRIPTION	REV
	1001197442	Ref	BATTERY CABLE KIT - DEUTZ T4F ENGINES	B
1	70009012	1	Cable, Negative Battery	
2	70009013	1	Cable, Positive Battery	
3	70009014	1	Cable, Battery	
4	70009015	1	Cable, Battery	
5	70009016	1	Cable, Battery	
6	70009017	1	Cable, Battery	

Go to Discount-Equipment.com to order your parts



# SECTION 8 - ELECTRICAL

## FIGURE 8-10. BATTERY DISCONNECT INSTALLATION



ART\_1001239874

## SECTION 8 - ELECTRICAL

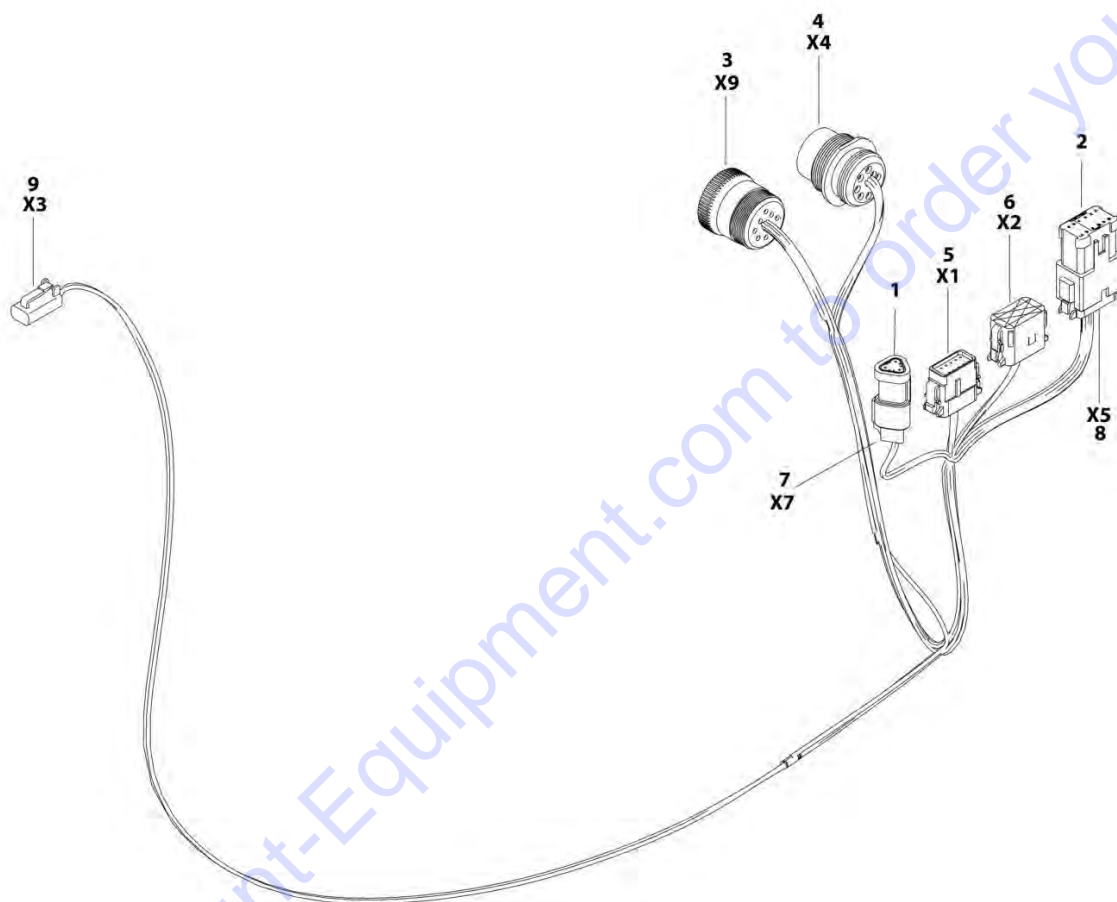
**FIGURE 8-10. BATTERY DISCONNECT INSTALLATION**

ITEM	PART NUMBER	QTY	DESCRIPTION	REV
	1001239874	1	BATTERY DISCONNECT INSTALLATION	A
1	1001225346	1	Switch, Disconnect	
2	1001226531	1	Mount	
3	1001239805	2	Mount	
4	1001236504	1	Cable (Positive)	
5	1001236505	1	Cable (Negative)	
6	1001214571	1	Connector (Black)	
7	1001214570	1	Connector (Red)	
8	1001209474	1	Buss bar	
9	1001209432	1	Buss bar	
10	1001206476	1	Connector	
11	88411013	8	Bolt 1/4 x 3/4	
12	4811900	4	Washer M8	
13	4751400	8	Washer 1/4	
14	3311405	8	Nut 1/4	
15	3290805	2	Nut M8	
16	0760812	2	Bolt M8 x 25	
17	1001241586	1	Plate	
18	1001239957	1	Decal – Battery Disconnect	

Go to Discount-Equipment.com to order your parts

# SECTION 8 - ELECTRICAL

## FIGURE 8-11. BEACON CONTROL HARNESS



ART\_1001142736

## SECTION 8 - ELECTRICAL

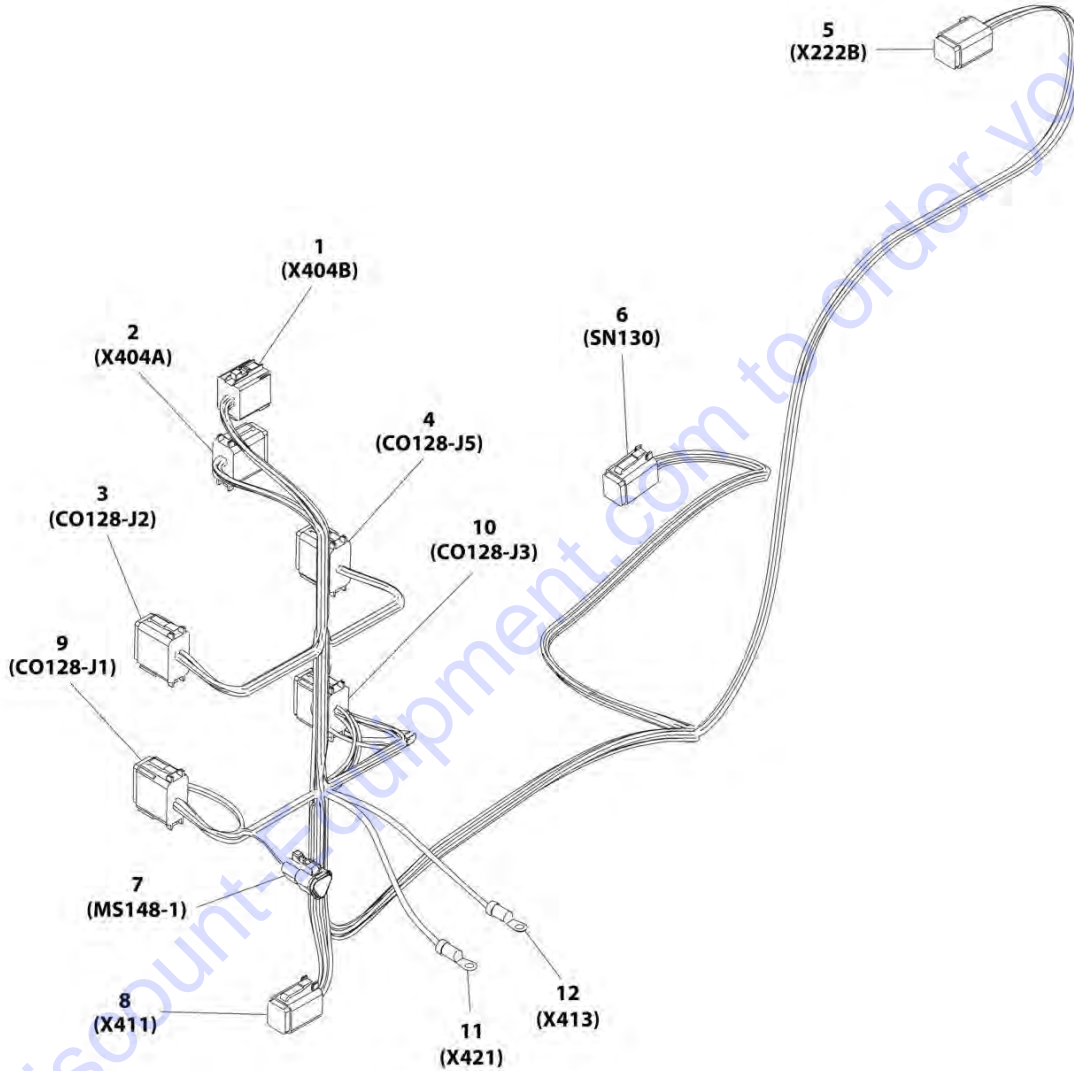
**FIGURE 8-11. BEACON CONTROL HARNESS**

ITEM	PART NUMBER	QTY	DESCRIPTION	REV
	1001142736	Ref	BEACON CONTROL HARNESS	F
1	4461070	1	Connector - 3 Position	
2	1001119020	1	Connector, Bussbar	
3	1001112796	1	Connector - 9 Position	
3	4460465	6	Socket, Female	
3	4460466	3	Plug, Socket	
4	1001112612	1	Connector - 9 Position	
4	4460464	6	Pin, Male	
4	4460466	3	Plug, Socket	
5	1001116808	1	Connector - 12 Position	
5	4460928	3	Socket, Female	
5	4460518	9	Plug, Socket	
6	1001116774	1	Connector - 12 Position	
6	4460928	3	Socket, Female	
6	4460518	9	Plug, Socket	
7	4461095	1	Connector - 3 Position	
7	4460465	3	Socket, Female	
8	4460933	1	Connector - 12 Position	
8	4460465	12	Socket, Female	
9	4460891	1	Connector - 2 Position	
9	4460465	2	Socket, Female	

Go to Discount-Equipment.com to order your parts

# SECTION 8 - ELECTRICAL

## FIGURE 8-12. BLAM HARNESS



ART\_1001149979

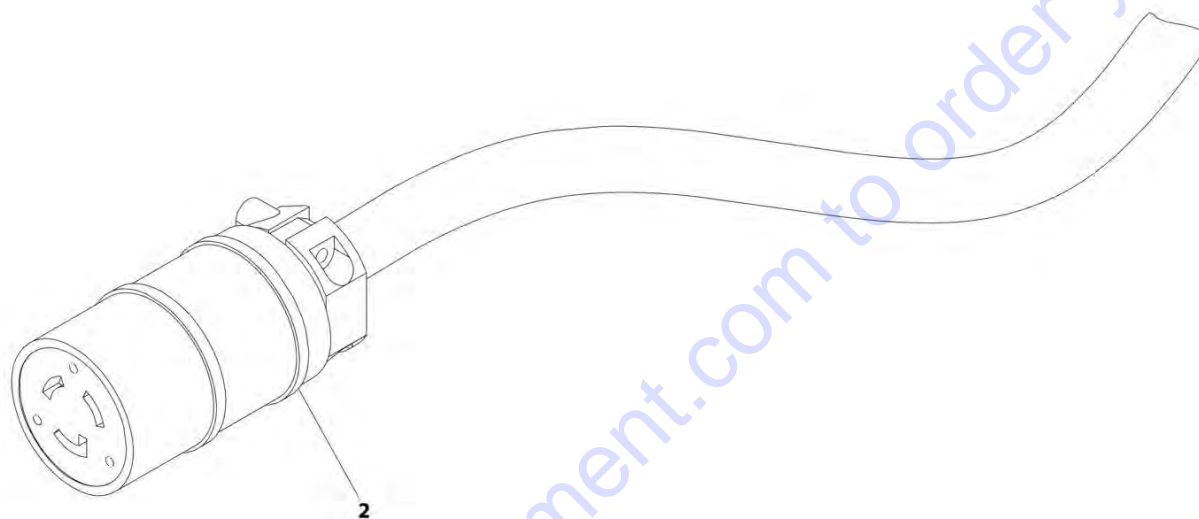
## SECTION 8 - ELECTRICAL

### FIGURE 8-12. BLAM HARNESS

ITEM	PART NUMBER	QTY	DESCRIPTION	REV
	1001149979	Ref	BLAM HARNESS	C
1	4460851	1	Connector - 8 Position	
1	4460465	AR	Socket, Female	
1	4460466	1	Plug, Socket	
1	4460944	3	Socket, Female	
2	4460930	1	Connector - 8 Position	
2	4460465	6	Socket, Female	
2	4460466	2	Plug, Socket	
3	4460836	1	Connector - 12 Position	
3	4460465	6	Socket, Female	
3	4460466	6	Plug, Socket	
4	4460935	1	Connector - 12 Position	
4	4460465	4	Socket, Female	
4	4460466	8	Plug, Socket	
5	4460894	1	Connector - 6 Position	
5	4460465	5	Socket, Female	
5	4460466	1	Plug, Socket	
6	4460894	1	Connector - 6 Position	
6	4460465	6	Socket, Female	
7	1001116812	1	Connector - 3 Position	
7	4460944	2	Socket, Female	
7	4460466	1	Plug, Socket	
8	4460894	1	Connector - 6 Position	
8	4460465	4	Socket, Female	
8	4460942	2	Socket, Female	
9	4460933	1	Connector - 12 Position	
9	4460465	6	Socket, Female	
9	4460942	2	Socket, Female	
9	4460466	4	Plug, Socket	
10	4460934	1	Connector - 12 Position	
10	4460465	AR	Socket, Female	
10	4460466	1	Plug, Socket	
10	4460944	3	Socket, Female	
11	4460703	1	Terminal, Ring	
12	4460670	1	Terminal, Ring	

## SECTION 8 - ELECTRICAL

FIGURE 8-13. BOOM AC CABLE - ANSI, ANSI EXPORT, CSA AND JAPANESE SPECS



ART\_1001156894

## SECTION 8 - ELECTRICAL

FIGURE 8-13. BOOM AC CABLE - ANSI, ANSI EXPORT, CSA AND JAPANESE SPECS

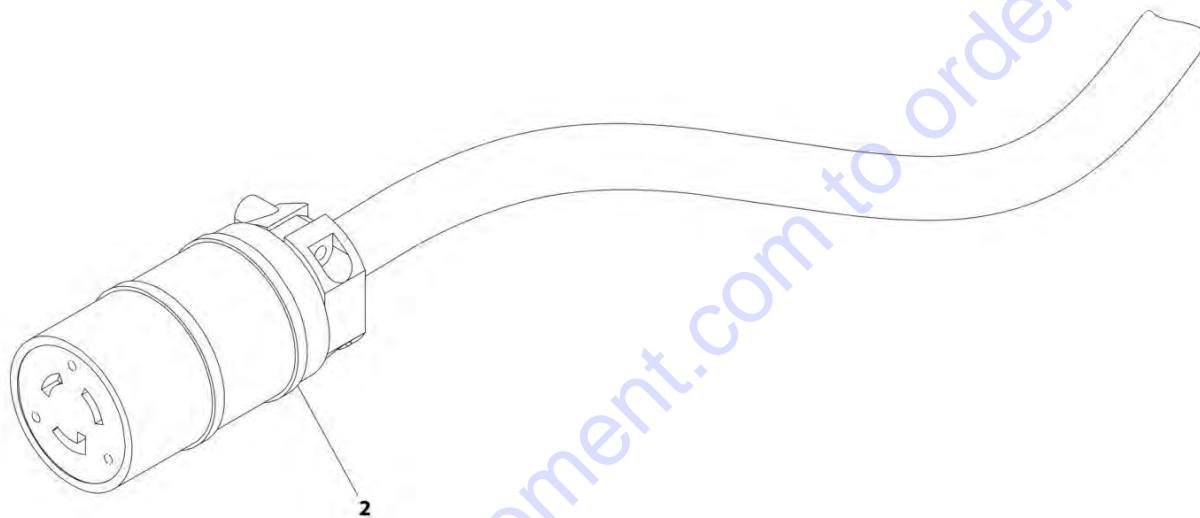
ITEM	PART NUMBER	QTY	DESCRIPTION	REV
	1001156894	Ref	BOOM AC CABLE - ANSI, ANSI EXPORT, CSA AND JAPANESE SPECS	A
2	4460134	1	Receptacle	

Go to Discount-Equipment.com to order your parts



## SECTION 8 - ELECTRICAL

FIGURE 8-14. BOOM AC CABLE - AUSTRALIAN AND CE SPECS



ART\_1001157636

## SECTION 8 - ELECTRICAL

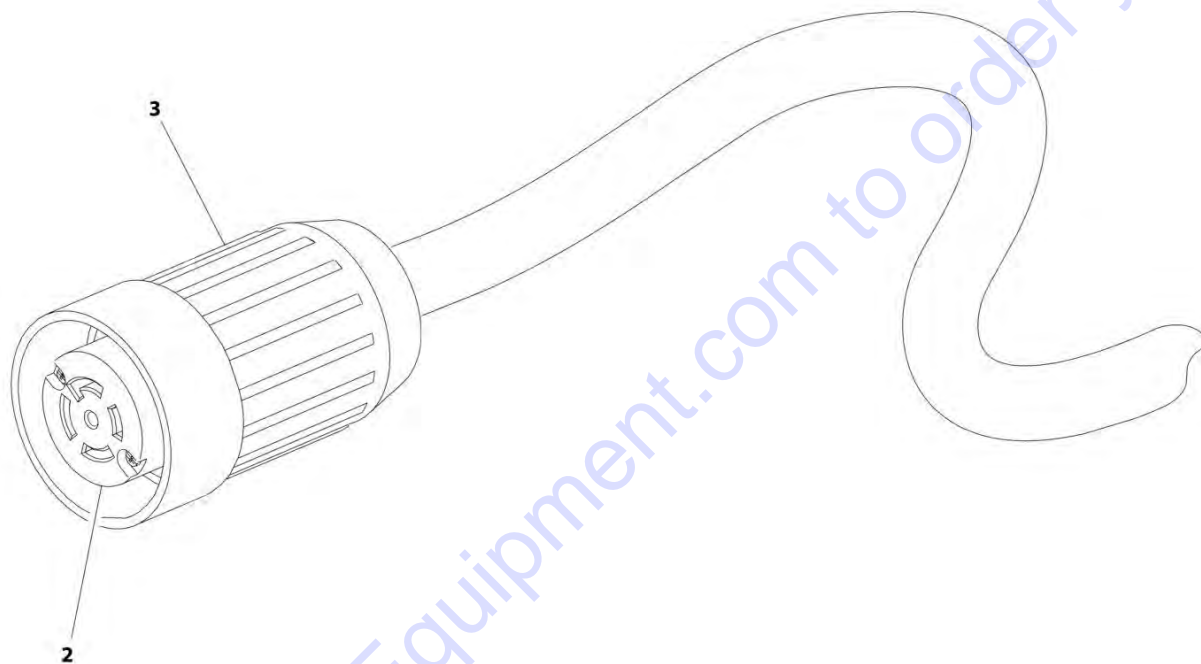
FIGURE 8-14. BOOM AC CABLE - AUSTRALIAN AND CE SPECS

ITEM	PART NUMBER	QTY	DESCRIPTION	REV
2	1001157636 4460134	Ref 1	BOOM AC CABLE - AUSTRALIAN AND CE SPECS Receptacle	A

Go to Discount-Equipment.com to order your parts

## SECTION 8 - ELECTRICAL

FIGURE 8-15. BOOM AC CABLE - SKYPOWER (Prior to SN 0300228529)



ART\_1001161730

## SECTION 8 - ELECTRICAL

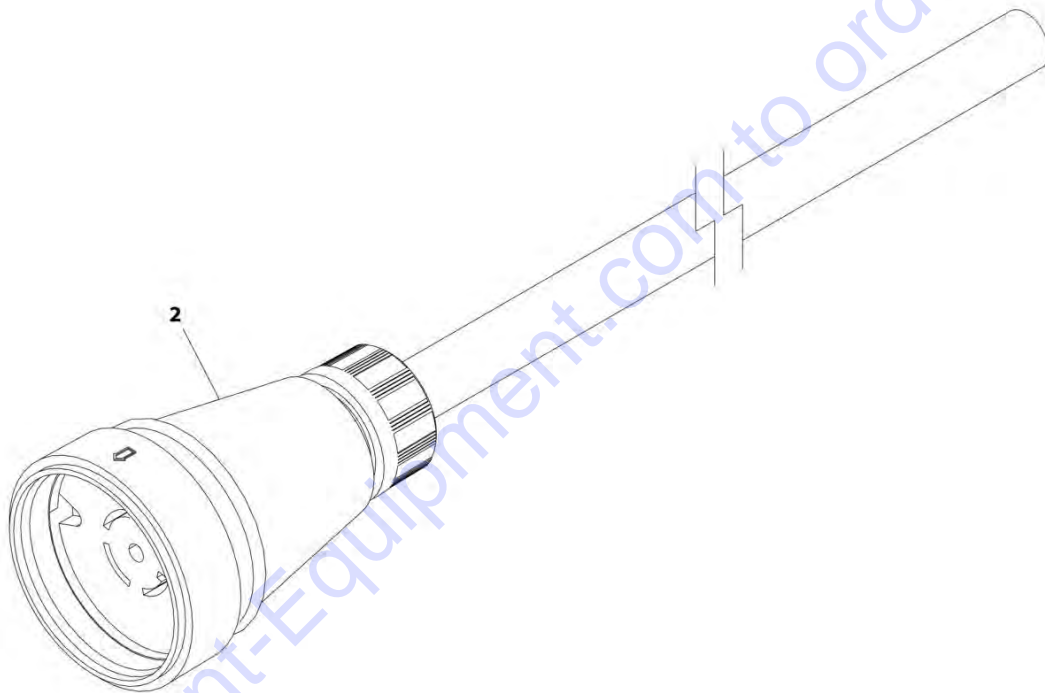
**FIGURE 8-15. BOOM AC CABLE - SKYPOWER (Prior to SN 0300228529)**

ITEM	PART NUMBER	QTY	DESCRIPTION	REV
	1001161730	Ref	BOOM AC CABLE - SKYPOWER (Prior to SN 0300228529)	B
2	4460960	1	Receptacle	
3	1671092	1	Cover	

Go to Discount-Equipment.com to order your parts

## SECTION 8 - ELECTRICAL

FIGURE 8-16. BOOM AC CABLE - SKYPOWER (SN 0300228529 to Present)



ART\_1001226287

## SECTION 8 - ELECTRICAL

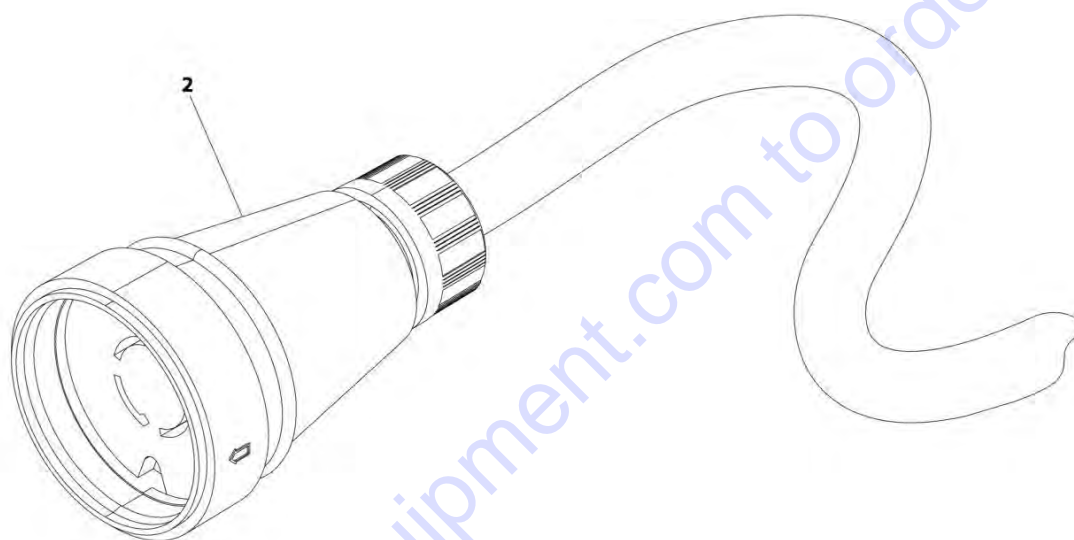
**FIGURE 8-16. BOOM AC CABLE - SKYPOWER (SN 0300228529 to Present)**

ITEM	PART NUMBER	QTY	DESCRIPTION	REV
2	1001226287	Ref	BOOM AC CABLE - SKYPOWER (SN 0300228529 to Present) Receptacle	A
	1001218623	1		

Go to Discount-Equipment.com to order your parts

## SECTION 8 - ELECTRICAL

FIGURE 8-17. BOOM AC CABLE - MAIN BOOM WITH 4000W 50HZ GENERATOR (ANSI EXPORT, AUSTRALIAN, CE AND JAPANESE SPECS)



ART\_1001211130

## SECTION 8 - ELECTRICAL

**FIGURE 8-17. BOOM AC CABLE - MAIN BOOM WITH 4000W 50HZ GENERATOR (ANSI EXPORT, AUSTRALIAN, CE AND JAPANESE SPECS)**

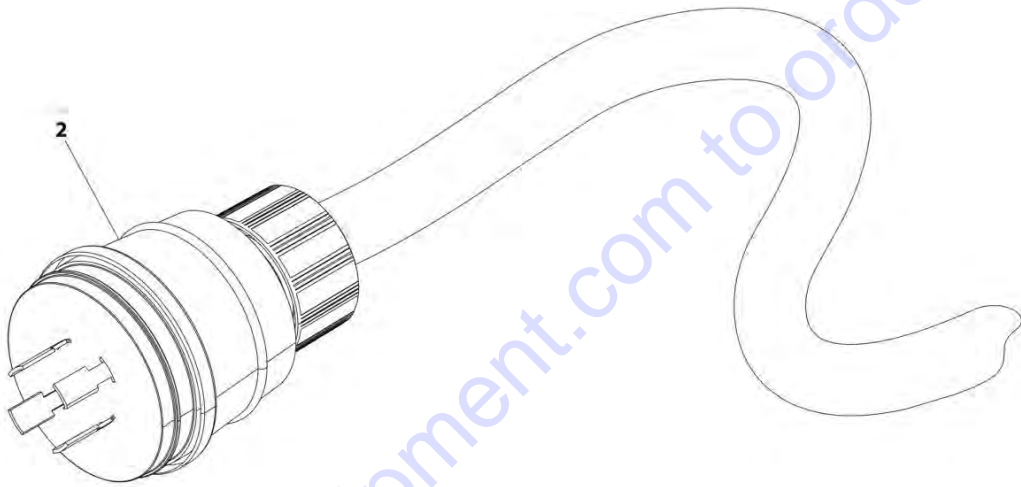
ITEM	PART NUMBER	QTY	DESCRIPTION	REV
	1001211130	Ref	BOOM AC CABLE - MAIN BOOM WITH 4000W 50HZ GENERATOR (ANSI EXPORT, AUSTRALIAN, CE AND JAPANESE SPECS)	A
2	1001211315	1	Receptacle	

Go to Discount-Equipment.com to order your parts



## SECTION 8 - ELECTRICAL

FIGURE 8-18. BOOM AC CABLE - JIB BOOM WITH 4000W 50HZ GENERATOR (ANSI EXPORT, AUSTRALIAN, CE AND JAPANESE SPECS)



ART\_1001211131

## SECTION 8 - ELECTRICAL

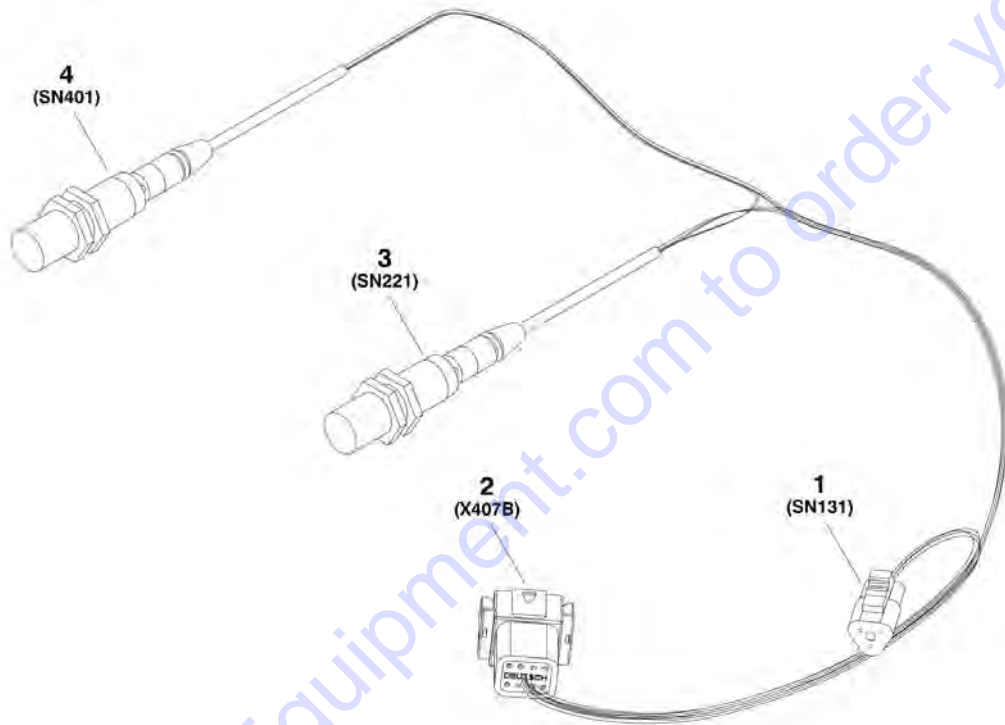
**FIGURE 8-18. BOOM AC CABLE - JIB BOOM WITH 4000W 50HZ GENERATOR (ANSI EXPORT, AUSTRALIAN, CE AND JAPANESE SPECS)**

ITEM	PART NUMBER	QTY	DESCRIPTION	REV
	1001211131	Ref	BOOM AC CABLE - JIB BOOM WITH 4000W 50HZ GENERATOR (ANSI EXPORT, AUSTRALIAN, CE AND JAPANESE SPECS)	A
2	1001211314	1	Receptacle	

Go to Discount-Equipment.com to order your parts

## SECTION 8 - ELECTRICAL

FIGURE 8-19. BOOM HARNESS (Prior to SN 0300224828)



1001158411

## SECTION 8 - ELECTRICAL

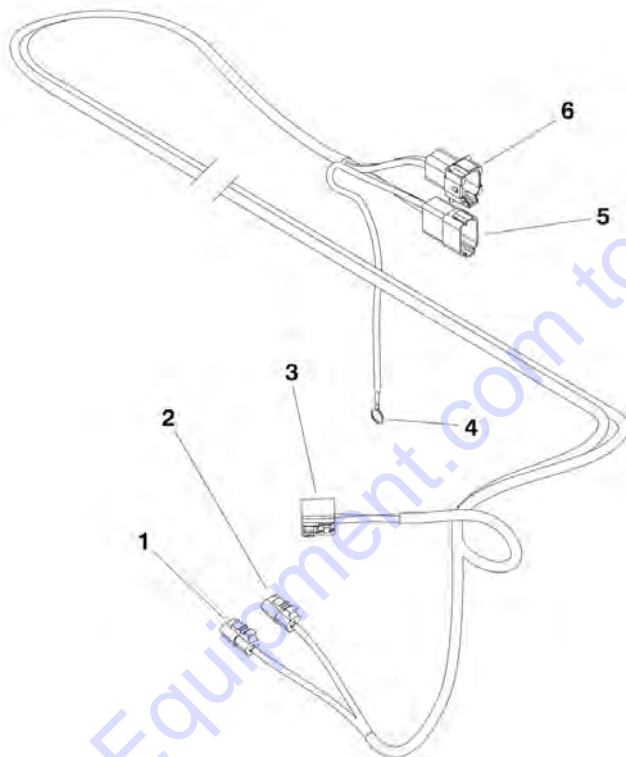
**FIGURE 8-19. BOOM HARNESS (Prior to SN 0300224828)**

ITEM	PART NUMBER	QTY	DESCRIPTION	REV
	1001158411	Ref	BOOM HARNESS (Prior to SN 0300224828)	E
1	4460539	1	Connector - 3 Position	
1	4460465	3	Socket, Female	
2	1001116813	1	Connector - 8 Position	
2	4460464	8	Pin, Male	
3	4360527	1	Switch, Proximity with Harness	
4	4360527	1	Switch, Proximity with Harness	

Go to Discount-Equipment.com to order your parts

## SECTION 8 - ELECTRICAL

FIGURE 8-20. BOOM SENSOR HARNESS (Prior to SN 0300224828)



1001158015

## SECTION 8 - ELECTRICAL

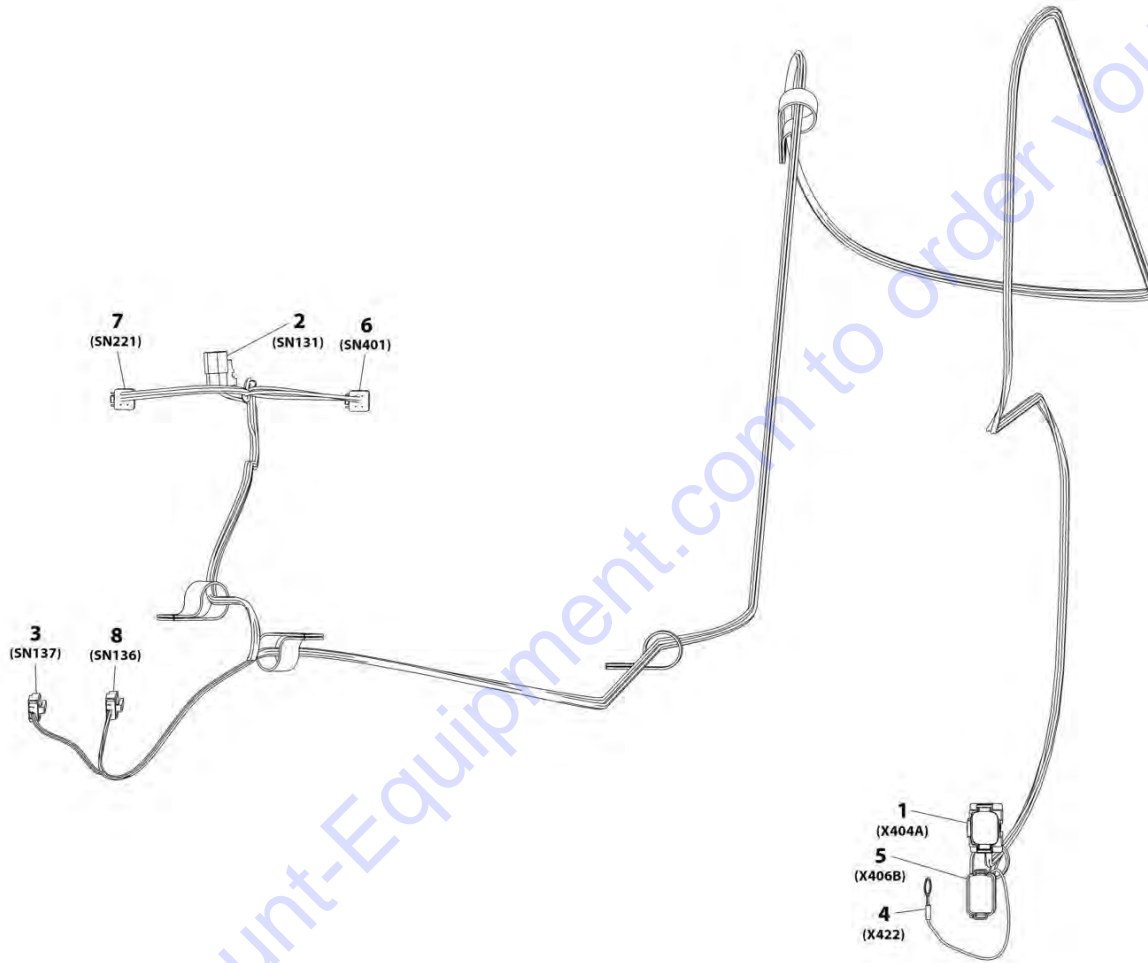
**FIGURE 8-20. BOOM SENSOR HARNESS (Prior to SN 0300224828)**

ITEM	PART NUMBER	QTY	DESCRIPTION	REV
	1001158015	Ref	BOOM SENSOR HARNESS (Prior to SN 0300224868)	F
1	4460911	1	Connector - 3 Position	
1	4460918	3	Socket, Female	
2	4460911	1	Connector - 3 Position	
2	4460918	3	Socket, Female	
3	4460851	1	Connector - 8 Position	
3	4460465	8	Socket, Female	
4	4460703	1	Ring, Terminal	
5	4460931	1	Connector - 8 Position	
5	4460464	8	Pin, Male	
6	1001116813	1	Connector - 8 Position	
6	4460464	8	Pin, Male	

Go to Discount-Equipment.com to order your parts

# SECTION 8 - ELECTRICAL

FIGURE 8-21. BOOM SENSOR HARNESS (SN 0300224828 to Present)



ART\_1001215949

## SECTION 8 - ELECTRICAL

**FIGURE 8-21. BOOM SENSOR HARNESS (SN 0300224828 to Present)**

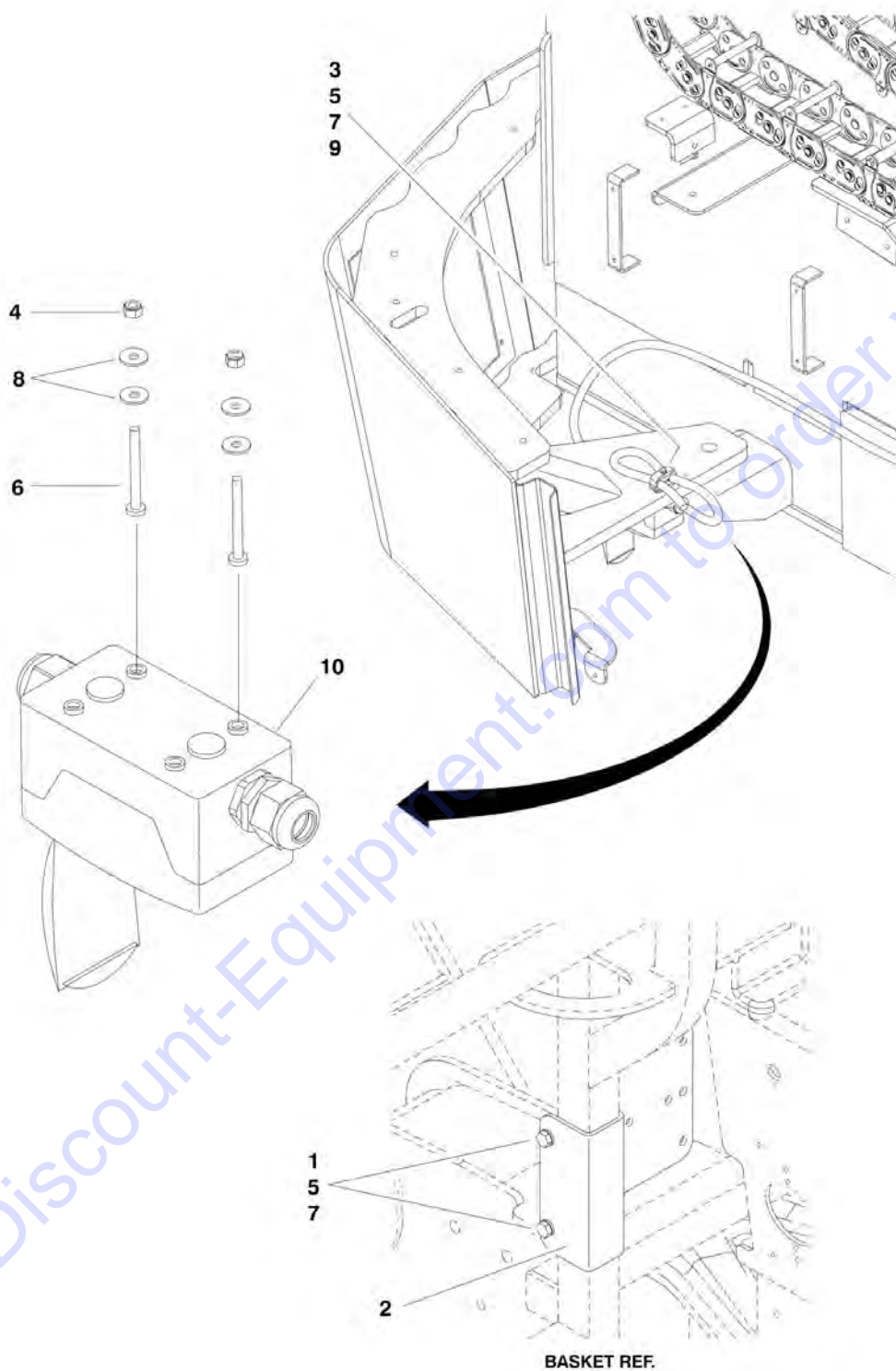
ITEM	PART NUMBER	QTY	DESCRIPTION	REV
	1001215949	Ref	BOOM SENSOR HARNESS (SN 0300224828 to Present)	A
1	1001116813	1	Connector - 8 Position	
1	4460464	8	Pin, Male	
2	4460539	1	Connector - 3 Position	
2	4460944	3	Socket, Female	
3	4460911	1	Connector - 3 Position	
3	1001126008	3	Socket, Female	
3	4460912	1	Wedge, Locking	
4	4460703	1	Ring, Terminal	
5	4460931	1	Connector - 8 Position	
5	4460464	6	Pin, Male	
5	4460466	2	Seal, Plug	
6	4461077	1	Connector - 4 Position	
6	1001126008	3	Socket, Female	
7	4461077	1	Connector - 4 Position	
7	1001126008	3	Socket, Female	
8	4460911	1	Connector - 3 Position	
8	1001126008	3	Socket, Female	
8	4460912	1	Wedge, Locking	

Go to Discount-Equipment.com to order your parts



# SECTION 8 - ELECTRICAL

## FIGURE 8-22. BREAKER BOX ASSEMBLY - AC CABLE (CE SPEC)



## SECTION 8 - ELECTRICAL

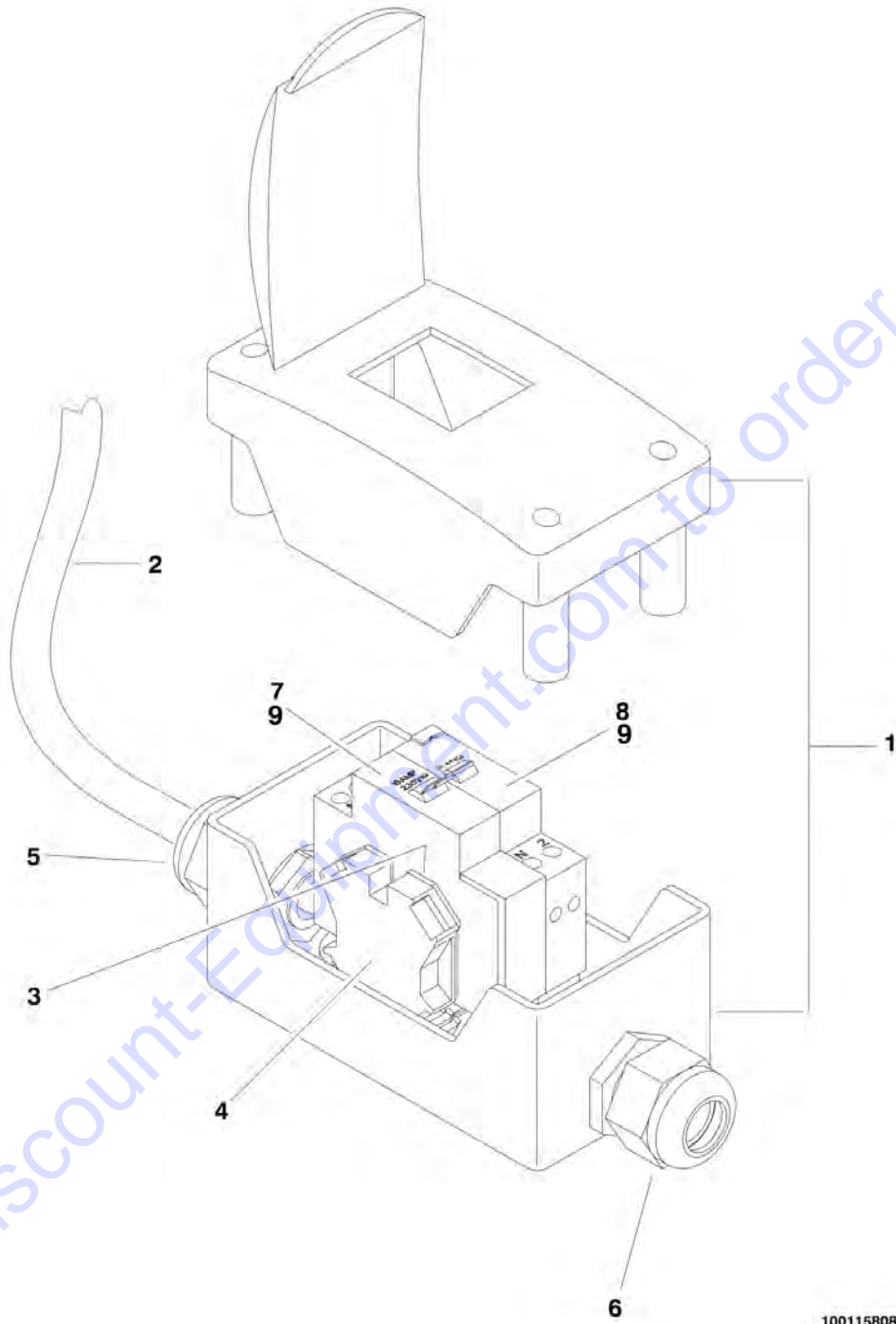
**FIGURE 8-22. BREAKER BOX ASSEMBLY - AC CABLE (CE SPEC)**

ITEM	PART NUMBER	QTY	DESCRIPTION	REV
	1001156221	Ref	BREAKER BOX ASSEMBLY - AC CABLE (CE SPEC)	B
1	0700618	2	Bolt M6 x 50 <b>(Prior to SN 0300235248)</b>	
2	0903484	1	Bracket <b>(Prior to SN 0300235248)</b>	
3	1320146	1	Clamp	
4	3290405	2	Locknut M4	
5	3290605	AR	Locknut M6	
6	4010416	2	Screw, M4 x 40	
7	4811700	AR	Washer, M6	
8	1001091102	4	Washer, M4	
9	1001096653	1	Bolt M6 x 70	
10	1001158080	1	Kit, Breaker Box (See KIT - BREAKER BOX for Breakdown)	

Go to Discount-Equipment.com to order your parts

# SECTION 8 - ELECTRICAL

## FIGURE 8-23. BREAKER BOX KIT - AC CABLE



1001158080

## SECTION 8 - ELECTRICAL

**FIGURE 8-23. BREAKER BOX KIT - AC CABLE**

ITEM	PART NUMBER	QTY	DESCRIPTION	REV
	1001158080	Ref	BREAKER BOX KIT - AC CABLE	B
1	0861880	1	Box	
2	1060908	39 in/1m	Cable, 12/3	
3	4460956	1	Barrier, Terminal	
4	4460957	1	Block, Terminal	
5	1001097150	1	Connector, Strain Relief	
6	1001101191	1	Connector, Strain Relief	
7	1001109475	NLA	Breaker 16Amp (Use p/n 1001181045) <b>(Prior to SN 0300204784)</b>	
8	1001109482	NLA	Breaker 30mA (Use p/n 1001181045) <b>(Prior to SN 0300204784)</b>	
9	1001181045	1	Breaker, Double 30mA/16Amp <b>(SN 0300204784 to Present)</b>	

Go to Discount-Equipment.com to order your parts

# PARTS FINDER

**Search Website  
by Part Number**



**Search Manual  
Library For Parts  
Manual & Lookup Part  
Numbers – Purchase  
or Request Quote**

**Can't Find Part or  
Manual? Request Help  
by Manufacturer,  
Model & Description**

Discount-Equipment.com is your online resource for quality parts & equipment.

Florida: **561-964-4949** Outside Florida TOLL FREE: **877-690-3101**

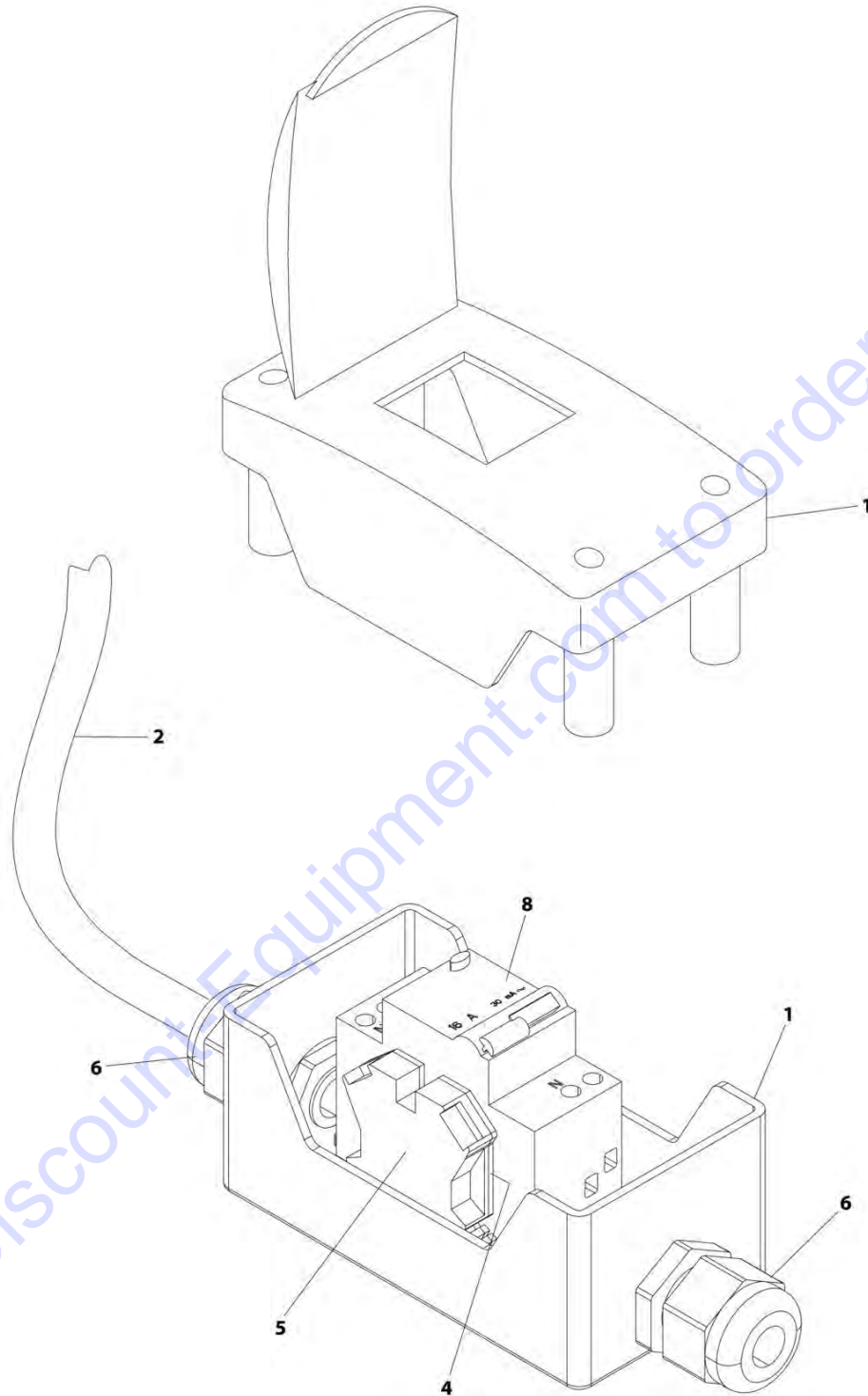
## Need parts?

Click on this link: <http://www.discount-equipment.com/category/5443-parts/> and choose one of the options to help get the right parts and equipment you are looking for. Please have the machine model and serial number available in order to help us get you the correct parts. If you don't find the part on the website or on one of the online manuals, please fill out the request form and one of our experienced staff members will get back to you with a quote for the right part that your machine needs.

We sell worldwide for the brands: Genie, Terex, JLG, MultiQuip, Mikasa, Essick, Whiteman, Mayco, Toro Stone, Diamond Products, Generac Magnum, Airman, Haulotte, Barreto, Power Blanket, Nifty Lift, Atlas Copco, Chicago Pneumatic, Allmand, Miller Curber, Skyjack, Lull, Skytrak, Tsurumi, Husquvarna Target, Stow, Wacker, Sakai, Mi-T-M, Sullair, Basic, Dynapac, MBW, Weber, Bartell, Bennar Newman, Haulotte, Ditch Runner, Menegotti, Morrison, Contec, Buddy, Crown, Edco, Wyco, Bomag, Laymor, EZ Trench, Bil-Jax, F.S. Curtis, Gehl Pavers, Heli, Honda, ICS/PowerGrit, IHI, Partner, Imer, Clipper, MMD, Koshin, Rice, CH&E, General Equipment, Amida, Coleman, NAC, Gradall, Square Shooter, Kent, Stanley, Tamco, Toku, Hatz, Kohler, Robin, Wisconsin, Northrock, Oztec, Toker TK, Rol-Air, APT, Wylie, Ingersoll Rand / Doosan, Innovatech, Con X, Ammann, Mecalac, Makinex, Smith Surface Prep, Small Line, Wanco, Yanmar

# SECTION 8 - ELECTRICAL

FIGURE 8-24. BREAKER BOX KIT - 4000W 50HZ GENERATOR



ART\_1001096612

## SECTION 8 - ELECTRICAL

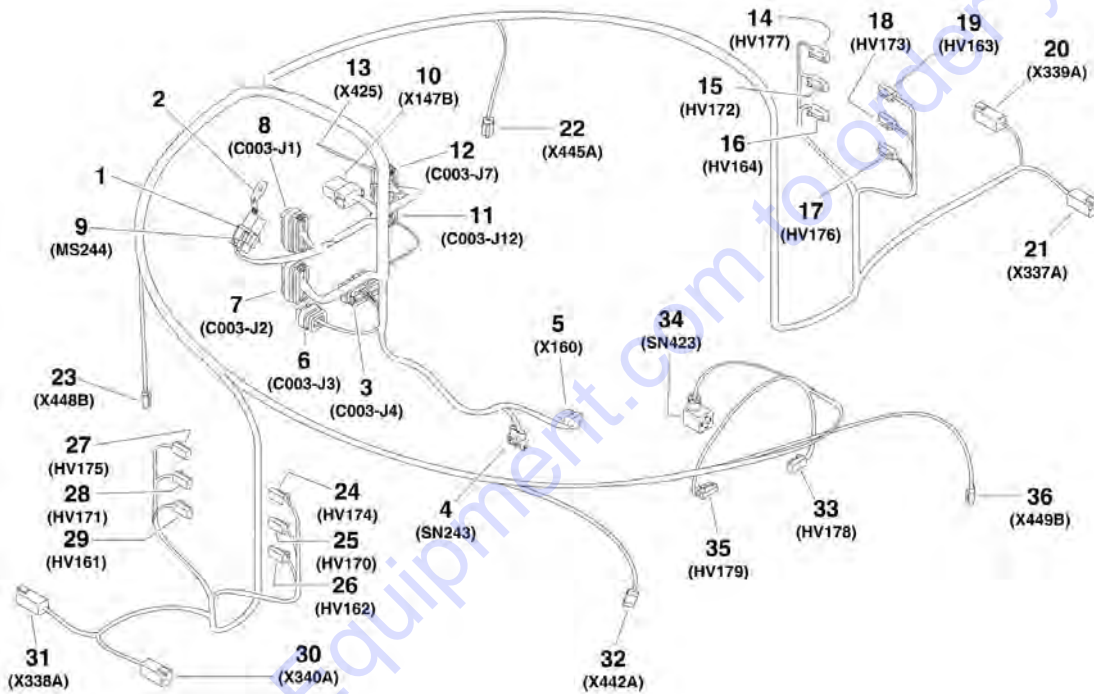
**FIGURE 8-24. BREAKER BOX KIT - 4000W 50HZ GENERATOR**

ITEM	PART NUMBER	QTY	DESCRIPTION	REV
	1001096612	Ref	BREAKER BOX KIT - 4000W 50HZ GENERATOR	C
1	0861880	1	Box	
2	1060908	4.5 ft /1.4m	Cable, 12/3	
4	4460956	1	Barrier, Terminal	
5	4460957	1	Block, Terminal	
6	1001097150	2	Connector, Strain Relief	
8	1001181045	1	Breaker, Double 30mAmp/16Amp	

Go to Discount-Equipment.com to order your parts

# SECTION 8 - ELECTRICAL

## FIGURE 8-25. CHASSIS HARNESS



1001149975



## SECTION 8 - ELECTRICAL

### FIGURE 8-25. CHASSIS HARNESS

ITEM	PART NUMBER	QTY	DESCRIPTION	REV
	1001149975	Ref	CHASSIS HARNESS	H
1	4460852	1	Connector - 8 Position	
2	1001155743	1	Holder	
3	4460876	1	Connector - 35 Position	
3	4460871	4	Socket, Female	
3	4460905	31	Seal, Plug	
4	1001117064	NLA	Connector - 6 Position (Use p/n 1001230931) <b>(Prior to SN 0300237554)</b>	
4	1001230931	1	Connector - 6 Position <b>(SN 0300237554 to Present)</b>	
4	91554014	NLA	Terminal (Use p/n 1001116748) <b>(Prior to SN 0300237554)</b>	
4	1001116748	6	Terminal <b>(SN 0300237554 to Present)</b>	
5	4460761	1	Connector - 4 Position	
5	4460227	4	Pin, Male	
6	4460872	1	Connector - 14 Position	
6	4460871	5	Socket, Female	
6	4460905	9	Seal, Plug	
7	4460875	1	Connector - 35 Position	
7	4460871	21	Socket, Female	
7	4460905	14	Seal, Plug	
8	4460874	1	Connector - 35 Position	
8	4460871	10	Socket, Female	
8	4460905	25	Seal, Plug	
9	4460851	1	Connector - 8 Position	
9	4460465	7	Socket, Female	
9	4460466	1	Seal, Plug	
10	4460950	1	Connector - 12 Position	
10	4460943	3	Pin, Male (Gold)	
10	4460464	3	Pin, Male	
10	4460466	6	Seal, Plug	
11	1001113961	1	Connector - 8 Position	
11	4460871	1	Socket, Female	
11	4460905	7	Seal, Plug	
12	4460873	1	Connector - 35 Position	
12	4460871	22	Socket, Female	
12	4460905	13	Seal, Plug	
13	4461271	1	Connector - 1 Position	
14	4460891	1	Connector - 2 Position	
14	4460465	2	Socket, Female	
15	4460891	1	Connector - 2 Position	
15	4460465	2	Socket, Female	
16	4460891	1	Connector - 2 Position	
16	4460465	2	Socket, Female	
17	4460891	1	Connector - 2 Position	
17	4460465	2	Socket, Female	
18	4460891	1	Connector - 2 Position	
18	4460465	2	Socket, Female	
19	4460891	1	Connector - 2 Position	
19	4460465	2	Socket, Female	
20	4460899	1	Connector - 6 Position	
20	4460464	4	Pin, Male	

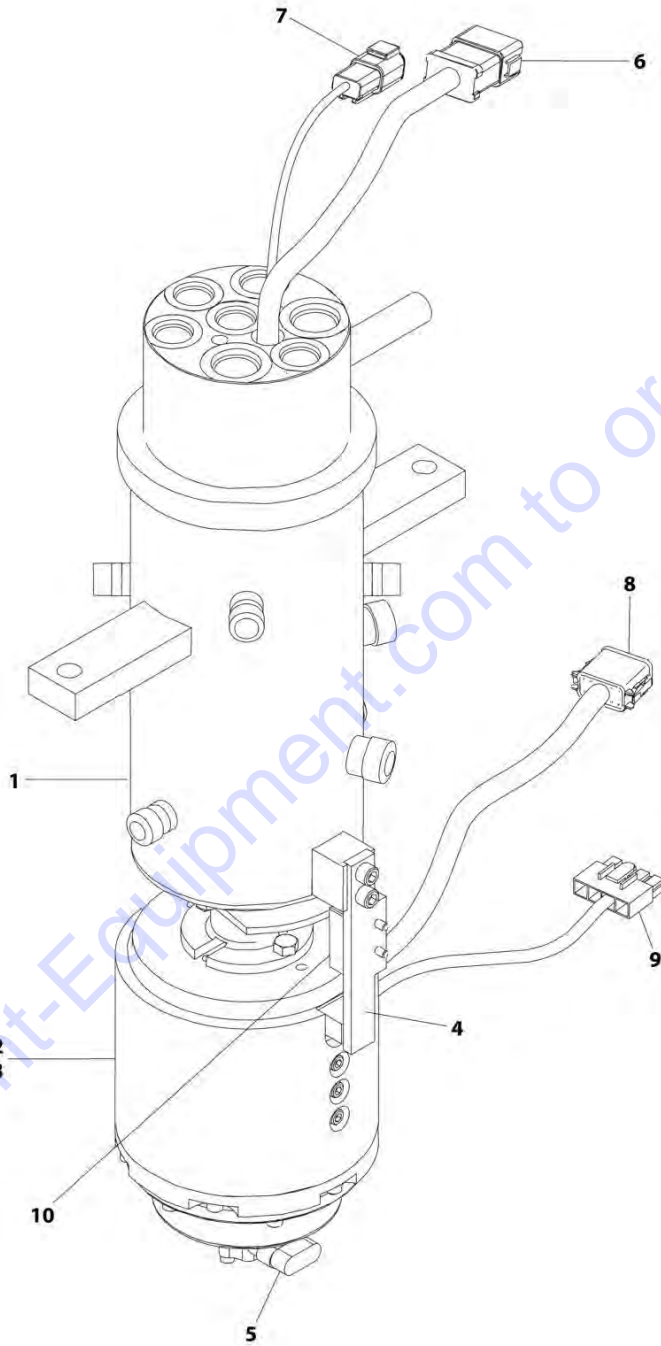
## SECTION 8 - ELECTRICAL

ITEM	PART NUMBER	QTY	DESCRIPTION	REV
20	4460466	2	Plug, Seal	
21	4460899	1	Connector - 6 Position	
21	4460464	4	Pin, Male	
21	4460466	2	Plug, Seal	
22	4460911	1	Connector - 3 Position	
23	4460911	1	Connector - 3 Position	
24	4460891	1	Connector - 2 Position	
24	4460465	2	Socket, Female	
25	4460891	1	Connector - 2 Position	
25	4460465	2	Socket, Female	
26	4460891	1	Connector - 2 Position	
26	4460465	2	Socket, Female	
27	4460891	1	Connector - 2 Position	
27	4460465	2	Socket, Female	
28	4460891	1	Connector - 2 Position	
28	4460465	2	Socket, Female	
29	4460891	1	Connector - 2 Position	
29	4460465	2	Socket, Female	
30	4460899	1	Connector - 6 Position	
30	4460464	4	Pin, Male	
30	4460466	2	Plug, Seal	
31	4460899	1	Connector - 6 Position	
31	4460464	4	Pin, Male	
31	4460466	2	Plug, Seal	
32	4460911	1	Connector - 3 Position	
33	4460891	1	Connector - 2 Position	
33	4460465	2	Socket, Female	
34	4460880	1	Connector - 3 Position	
35	4460891	1	Connector - 2 Position	
35	4460465	2	Socket, Female	
36	4460911	1	Connector - 3 Position	



# SECTION 8 - ELECTRICAL

## FIGURE 8-26. COUPLING/COLLECTOR RING HARNESS AND COMPONENTS



ART\_1001146978

## SECTION 8 - ELECTRICAL

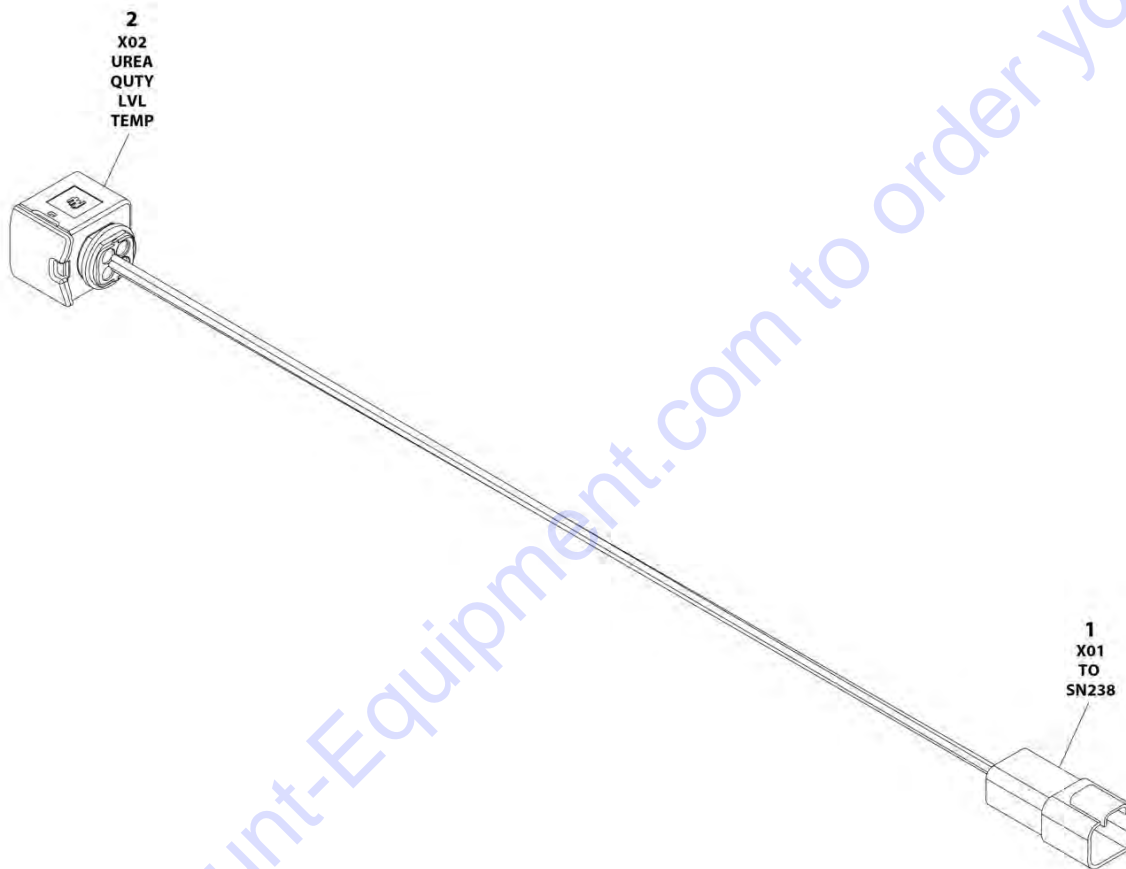
**FIGURE 8-26. COUPLING/COLLECTOR RING HARNESS AND COMPONENTS**

ITEM	PART NUMBER	QTY	DESCRIPTION	REV
	1001146978	Ref	COUPLING/COLLECTOR RING HARNESS AND COMPONENTS	G
1	70004324	1	Coupling	
1	70004325	1	Kit, Seal - Coupling	
2	70003485	1	Contactora, Circuit (Does not include connectors or pins)	
3	0100048	AR	Grease, Silicone (Apply to Contactora Connector)	
4	70003484	1	Arm	
5	1001133759	1	Sensor	
6	4460837	1	Connector - 12 Position	
6	4460943	3	Pin, Male (Gold)	
6	4640464	3	Pin, Male	
6	4460466	6	Seal, Plug	
7	4461017	1	Connector - 2 Position	
7	4460508	2	Pin, Male	
8	4460836	1	Connector - 12 Position	
8	4460944	5	Socket, Female (Gold)	
8	4640465	3	Socket, Female	
8	4460466	4	Seal, Plug	
9	4460878	1	Connector - 4 Position	
9	4460887	2	Terminal	
10	7026031	1	Switch, Proximity	

Go to Discount-Equipment.com to order your parts

# SECTION 8 - ELECTRICAL

## FIGURE 8-27. DEF TANK EXTENSION HARNESS



ART\_1001238483

## SECTION 8 - ELECTRICAL

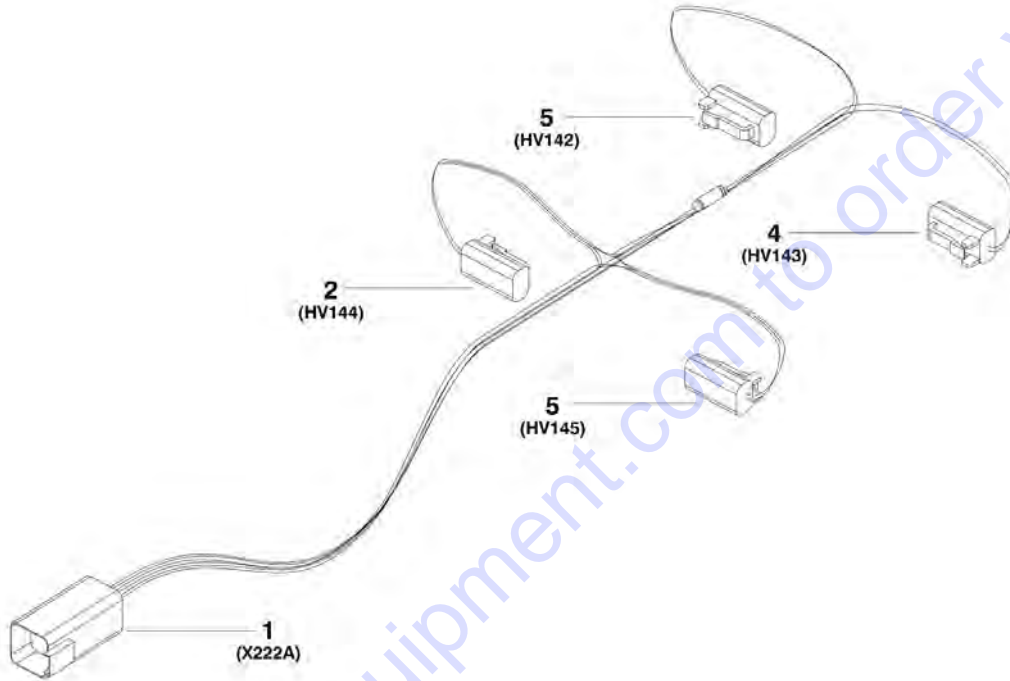
### FIGURE 8-27. DEF TANK EXTENSION HARNESS

ITEM	PART NUMBER	QTY	DESCRIPTION	REV
	1001238483	Ref	DEF TANK EXTENSION HARNESS	A
1	4460932	1	Receptacle, Female - 4 Position	
1	4460464	2	Pin, Male	
1	4460943	2	Pin, Male	
2	1001167528	1	Connector - 4 Position	
2	1001167632	2	Terminal	
2	1001166704	2	Terminal	
2	1001137578	4	Seal	

Go to Discount-Equipment.com to order your parts

# SECTION 8 - ELECTRICAL

## FIGURE 8-28. DRIVE PUMP HARNESS



1001149970



## SECTION 8 - ELECTRICAL

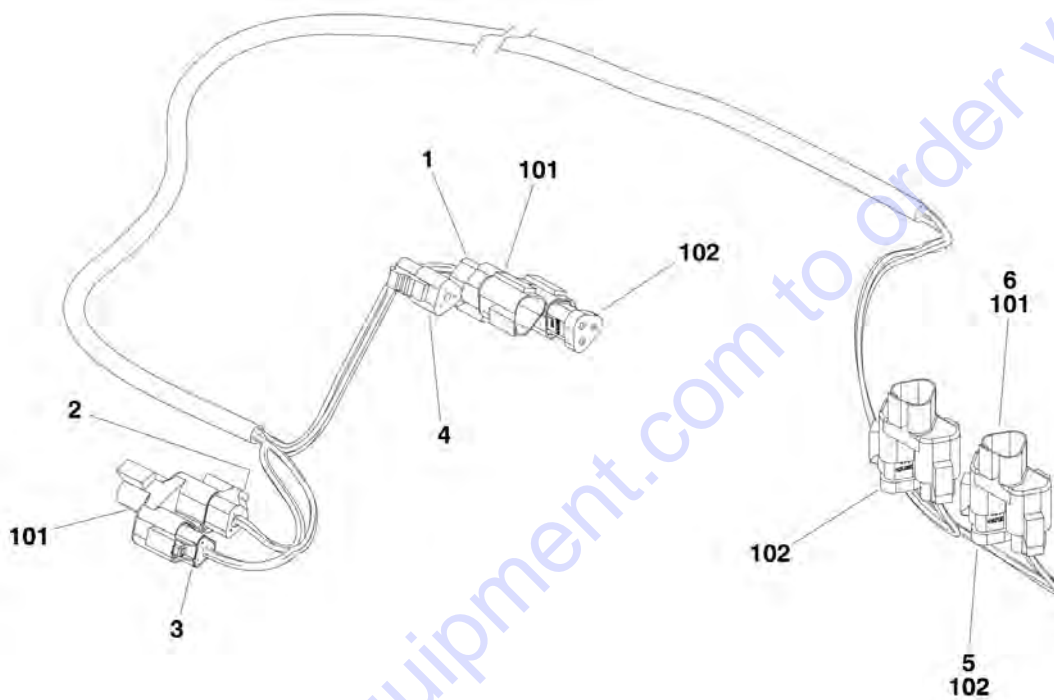
**FIGURE 8-28. DRIVE PUMP HARNESS**

ITEM	PART NUMBER	QTY	DESCRIPTION	REV
	1001149970	Ref	DRIVE PUMP HARNESS	B
1	4460899	1	Connector - 6 Position	
1	4460464	5	Pin, Male	
1	4460466	1	Plug, Seal	
2	4460891	1	Connector - 2 Position	
2	4460465	2	Socket, Female	
3	4460891	1	Connector - 2 Position	
3	4460465	2	Socket, Female	
4	4460891	1	Connector - 2 Position	
4	4460465	2	Socket, Female	
5	4460891	1	Connector - 2 Position	
5	4460465	2	Socket, Female	

Go to Discount-Equipment.com to order your parts

# SECTION 8 - ELECTRICAL

## FIGURE 8-29. ENGINE CAN HARNESS



1001156001

## SECTION 8 - ELECTRICAL

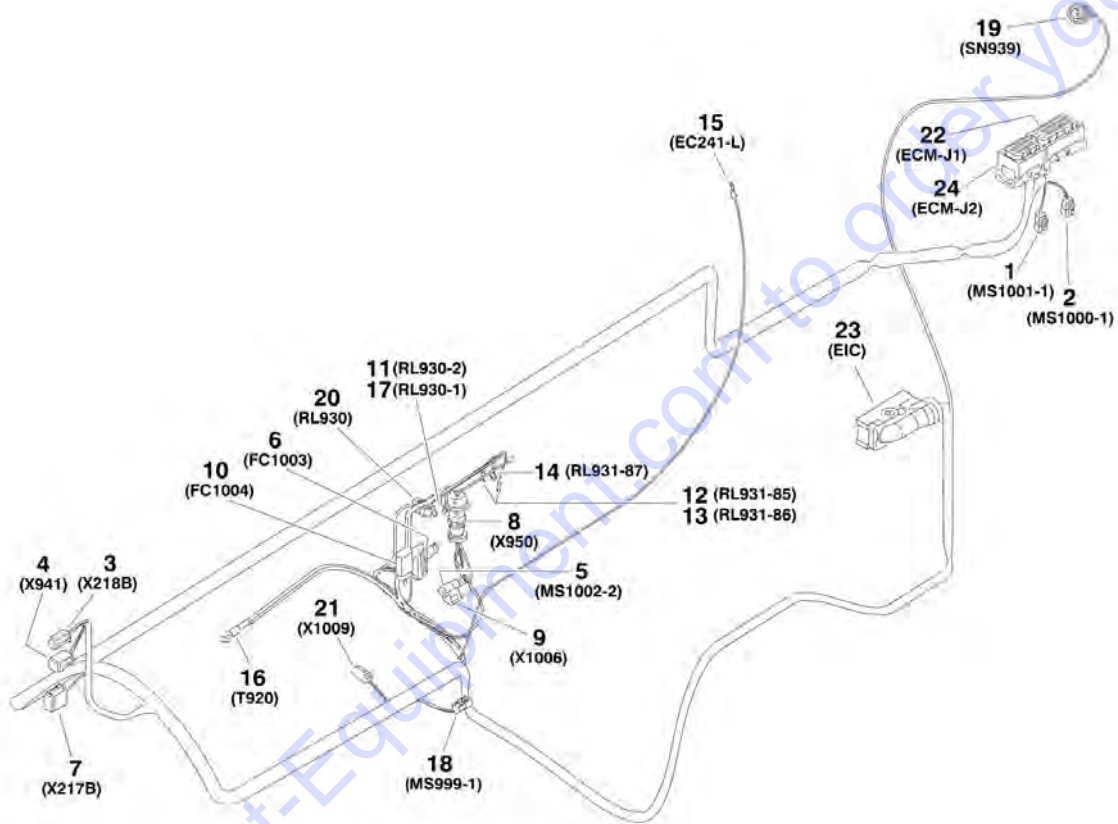
### FIGURE 8-29. ENGINE CAN HARNESS

ITEM	PART NUMBER	QTY	DESCRIPTION	REV
	1001156001	Ref	ENGINE CAN HARNESS	B
1	1001116812	1	Connector - 3 Position	
1	4460944	3	Socket, Female	
2	4460539	1	Connector - 3 Position	
2	4460944	3	Socket, Female	
3	1001116812	1	Connector - 3 Position	
3	4460944	3	Socket, Female	
4	4460539	1	Connector - 3 Position	
4	4460944	3	Socket, Female	
5	4460539	1	Connector - 3 Position	
5	4460944	3	Socket, Female	
6	4460539	1	Connector - 3 Position	
6	4460944	3	Socket, Female	
101	4460945	4	Connector, Tee	
102	1001116815	3	Connector - 3 Position	

Go to Discount-Equipment.com to order your parts

# SECTION 8 - ELECTRICAL

## FIGURE 8-30. ENGINE HARNESS - DEUTZ T4I ENGINES



1001149971

## SECTION 8 - ELECTRICAL

### FIGURE 8-30. ENGINE HARNESS - DEUTZ T4I ENGINES

ITEM	PART NUMBER	QTY	DESCRIPTION	REV
	1001149971	Ref	ENGINE HARNESS - DEUTZ T4I ENGINES	F
1	1001116812	1	Connector - 3 Position	
1	4460944	2	Socket, Female	
1	4460466	1	Plug, Socket	
2	1001116812	1	Connector - 3 Position	
2	4460944	2	Socket, Female	
2	4460466	1	Plug, Socket	
3	4460894	1	Connector - 6 Position	
3	4460944	3	Socket, Female	
3	4460466	3	Plug, Socket	
4	4460884	1	Connector - 4 Position <b>(Prior to SN 0300224868)</b>	
4	1001220379	1	Connector - 4 Position <b>(SN 0300224828 to Present)</b>	
4	4460942	2	Socket, Female	
4	4460465	2	Socket, Female	
4	4460932	1	Connector - 4 Position <b>(SN 0300204250 to Present)</b>	
4	4460466	4	Plug, Socket <b>(SN 0300204250 to Present)</b>	
5	4460539	1	Connector - 3 Position	
5	4460944	2	Socket, Female	
5	4460466	1	Plug, Socket	
6	1001119412	1	Fuseholder	
6	See Note	NSS	Fuse 5A (Note: Purchase Locally)	
6	1001116732	1	Terminal	
6	1001128128	1	Plug, Socket	
7	4460930	1	Connector, Female - 8 Position	
7	4460944	1	Socket, Female	
7	4460466	7	Plug, Seal	
8	2902443	1	Kit, Receptacle	
8	4461071	8	Socket, Female	
8	4461072	1	Connector	
8	4461043	1	Cap, Dust	
8	4461074	1	Shell, Back	
9	4460536	1	Connector - 3 Position	
9	4460943	2	Pin, Male	
9	4460466	1	Plug, Socket	
10	1001117023	1	Fuseholder	
10	See Note	NSS	Fuse 10A (Note: Purchase Locally)	
10	1001116732	1	Terminal	
10	1001128128	1	Plug, Socket	
11	1001117106	1	Ring, Terminal	
12	4460247	1	Ring, Terminal	
13	4460247	1	Ring, Terminal	
14	4460703	1	Ring, Terminal	
15	4460042	1	Ring, Terminal	
16	8220115	1	Ring, Terminal	
17	4460043	1	Ring, Terminal	
18	1001116812	1	Connector - 3 Position	
18	4460944	3	Socket, Female	
19	1001133714	1	Connector - 4 Position	
19	1001133715	3	Socket, Female	
20	1001116952	1	Connector - 2 Position	

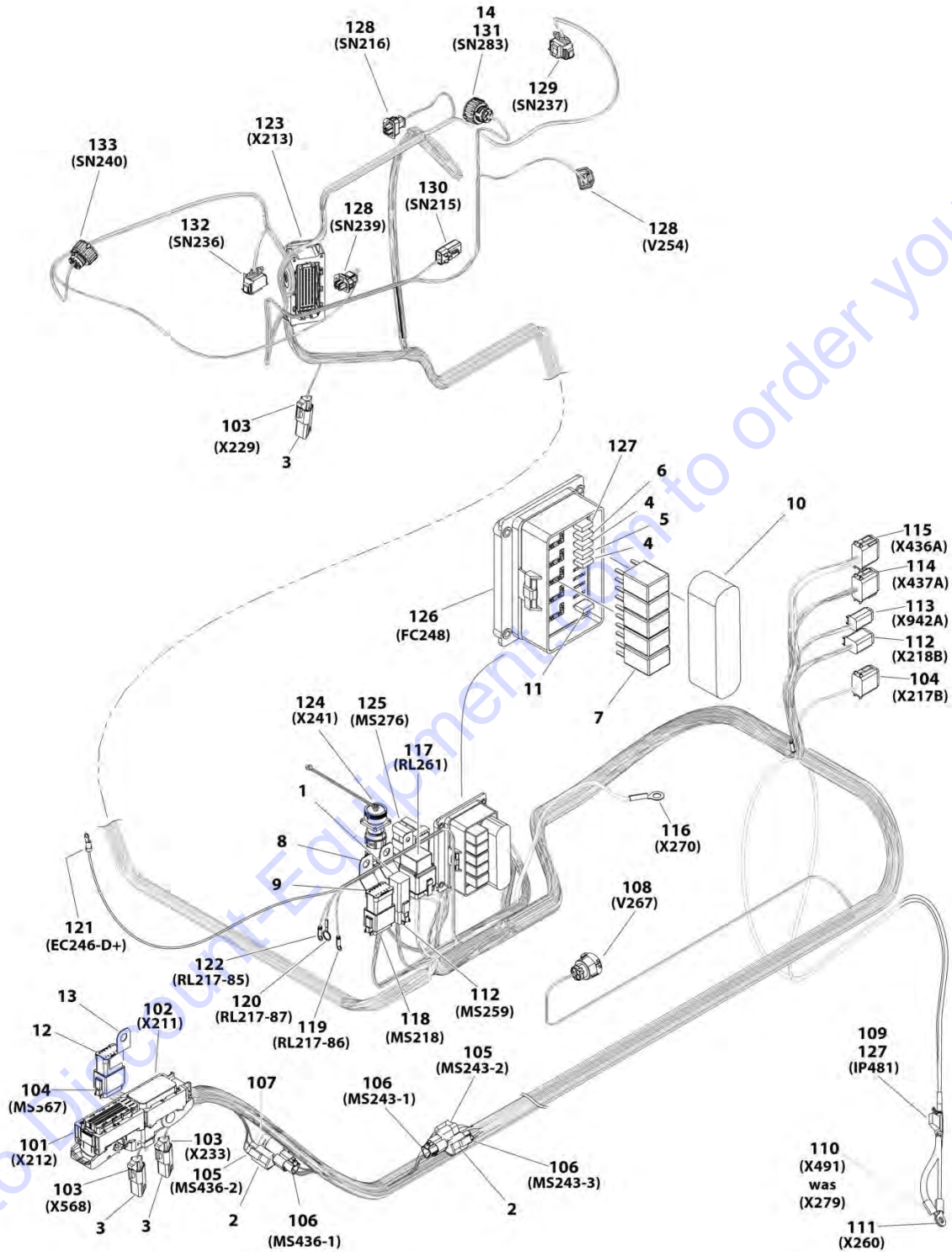
## SECTION 8 - ELECTRICAL

ITEM	PART NUMBER	QTY	DESCRIPTION	REV
20	4460465	1	Socket, Female	
20	4460466	1	Seal, Plug	
21	4460891	1	Connector, Male - 2 Position	
21	4460465	2	Socket, Female	
21	4460897	1	Connector, Female - 2 Position	
21	4460464	2	Pin, Male	
21	See Note	NSS	Resistor 1.5ohm (Note: Not Available for Purchase)	
21	1001156692	AR	Heat Shrink	
22	1001133956	1	Connector - 94 Position	
22	1001126352	6	Terminal 13-17Ga	
22	1001126384	21	Terminal 18-20Ga	
22	1001126351	2	Terminal 15-18Ga	
22	1001126357	2	Plug, Socket	
22	1001126356	63	Plug, Socket	
23	1001126362	1	Connector - 62 Position	
23	1001126365	2	Terminal 17-20Ga	
23	1001126363	35	Terminal 17-20Ga (Gold)	
23	1001126391	21	Plug, Socket	
23	4461008	4	Plug, Socket	
24	1001133957	1	Connector - 60 Position	
24	1001126351	13	Terminal 15-18Ga	
24	1001126384	17	Terminal 18-20Ga	
24	1001126357	11	Plug, Socket	
24	1001126356	19	Plug, Socket	



# SECTION 8 - ELECTRICAL

## FIGURE 8-31. ENGINE HARNESS - DEUTZ T4F ENGINES



ART\_1001188922



## SECTION 8 - ELECTRICAL

### FIGURE 8-31. ENGINE HARNESS - DEUTZ T4F ENGINES

ITEM	PART NUMBER	QTY	DESCRIPTION	REV
	1001188922	Ref	ENGINE HARNESS - DEUTZ T4F ENGINES	J
1	4460892	1	Buss Bar - 6 Position	
2	4460945	2	Connector, Tee <b>(Prior to SN 0300215913)</b>	
3	4461070	3	Connector, Terminating - 3 Position	
4	8229242	2	Fuse, 5 Amp	
5	8229244	1	Fuse, 15 Amp	
6	8229247	1	Fuse, 25 Amp	
7	1001095704	5	Relay	
8	1001120328	2	Mount	
9	1001125677	1	Connector, Bussbar	
10	1001190921	1	Seal	
11	1001197719	1	Resistor 620ohm	
12	4460984	1	Receptacle, Female - 8 Position <b>(SN 0300215913 to Present)</b>	
13	1001155743	1	Mount <b>(SN 0300215913 to Present)</b>	
14	1001187882	1	Cover, Connector <b>(SN 0300215913 through 0300221069)</b>	
14	1001216318	1	Cover, Connector <b>(SN 0300221070 to Present)</b>	
101	1001167615	1	Connector - 91 Position	
101	1001166551	6	Terminal	
101	1001167621	20	Terminal	
101	1001167622	65	Plug, Terminal	
101	1001126353	6	Seal	
102	1001167625	1	Connector - 105 Position	
102	1001166555	13	Terminal	
102	1001167621	50	Terminal	
102	1001167622	36	Plug, Terminal	
102	1001167623	6	Seal	
103	4461095	3	Connector - 3 Position	
103	4460944	4	Socket, Female	
103	4460465	2	Socket, Female	
103	4460466	3	Plug, Terminal	
104	4460930	2	Connector - 8 Position	
104	4460465	10	Socket, Female	
104	4460466	6	Plug, Terminal	
105	4460539	2	Plug, Male - 3 Position <b>(Prior to SN 0300215913)</b>	
105	4460944	4	Socket, Female <b>(Prior to SN 0300215913)</b>	
105	4460466	2	Plug, Terminal <b>(Prior to SN 0300215913)</b>	
106	1001116812	3	Plug, Male - 3 Position <b>(Prior to SN 0300215913)</b>	
106	4460944	6	Socket, Female <b>(Prior to SN 0300215913)</b>	
106	4460466	3	Plug, Terminal <b>(Prior to SN 0300215913)</b>	
107	1001116815	1	Plug, Male - 3 Position <b>(Prior to SN 0300215913)</b>	
108	1001167620	1	Connector - 4 Position	
108	1001176004	2	Socket, Female	
108	1001167624	2	Plug, Terminal	
108	1001176002	2	Seal	
109	2400066	1	Fuseholder with Leads	
110	1001117107	1	Terminal, Ring	
111	8220045	1	Terminal, Ring	
112	4460894	2	Plug, Male - 6 Position	
112	4460465	7	Socket, Female	
112	4460944	2	Socket, Female	

## SECTION 8 - ELECTRICAL

ITEM	PART NUMBER	QTY	DESCRIPTION	REV
112	4460942	1	Socket, Female	
112	4460466	2	Plug, Socket	
113	4460884	1	Plug, Male - 4 Position	
113	4460465	2	Socket, Female	
113	4460942	2	Socket, Female	
114	4460934	1	Plug, Male - 12 Position	
114	4460942	2	Socket, Female	
114	4460465	8	Socket, Female	
114	4460466	2	Plug, Socket	
115	4460935	1	Plug, Male - 12 Position	
115	1001157890	6	Socket, Female	
115	4460465	2	Socket, Female	
115	4460944	2	Socket, Female	
115	4460466	2	Plug, Socket	
116	1001117108	1	Ring, Terminal	
117	1001118282	1	Connector - 5 Position	
117	1001116734	2	Terminal	
117	1001116733	2	Terminal	
117	1001128128	1	Plug, Socket	
118	4460933	1	Plug, Male - 12 Position	
118	4460944	12	Socket, Female	
119	4460247	1	Terminal, Ring	
120	4460703	1	Terminal, Ring	
121	4460042	1	Terminal, Ring	
122	4460247	1	Terminal, Ring	
123	1001126362	1	Connector - 62 Position	
123	1001166556	30	Socket, Female	
123	1001166774	10	Socket, Female	
123	1001166541	2	Socket, Female	
123	1001166543	2	Socket, Female	
123	1001126391	16	Plug, Terminal	
123	4461008	2	Plug, Terminal	
123	1001166701	30	Seal, Terminal	
123	1001126393	10	Seal, Terminal	
123	4461006	2	Seal, Terminal (Blue)	
123	4461054	2	Seal, Terminal (White)	
124	2902443	1	Kit, Receptacle	
124	4461071	8	Socket, Female	
124	4461072	1	Connector	
124	4461043	1	Cap, Dust	
124	4461074	1	Shell, Back	
125	1001184846	1	Plug, Male - 10 Position	
125	4460509	10	Socket, Female	
126	1001167616	1	Main Fuse Box Assembly	
126	1001116725	6	Socket, Female	
126	8220097	19	Terminal	
126	8220098	7	Terminal	
126	4460748	13	Plug, Terminal	
126	80963067	6	Seal (Blue)	
126	1001175265	12	Seal, Terminal	
126	4460458	14	Seal, Terminal	

## SECTION 8 - ELECTRICAL

ITEM	PART NUMBER	QTY	DESCRIPTION	REV
127	8229245	2	Fuse, 30 Amp	
128	1001126487	3	Connector - 2 Position	
128	1001167634	4	Socket, Female	
128	1001167635	2	Socket, Female	
128	1001126485	3	Seal, Terminal	
129	1001167629	1	Connector - 4 Position	
129	1001167630	4	Socket, Female	
129	1001126485	4	Seal, Terminal	
130	1001126245	1	Plug, Male - 2 Position	
130	1001126008	2	Socket, Female	
131	1001167633	1	Connector - 3 Position	
131	1001133715	3	Socket, Female	
131	1001135650	3	Seal, Terminal	
132	1001167631	1	Connector - 4 Position	
132	1001167630	4	Socket, Female	
132	1001126485	4	Seal, Terminal	
133	1001133714	1	Connector - 4 Position	
133	1001133715	3	Socket, Female	
133	1001135650	3	Seal, Terminal	

## SECTION 8 - ELECTRICAL

FIGURE 8-32. FUEL PUMP AND WIF HARNESS (Prior to SN 0300237158)



1001156135

## SECTION 8 - ELECTRICAL

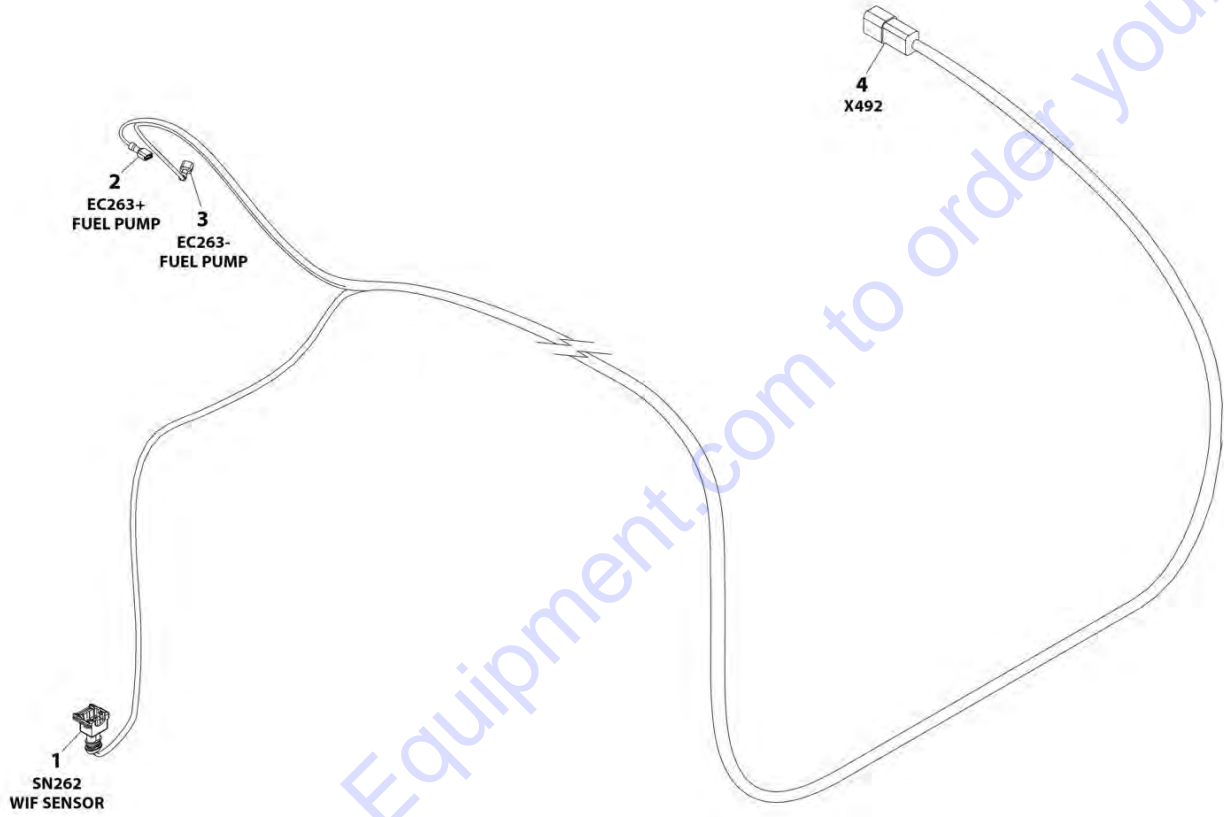
**FIGURE 8-32. FUEL PUMP AND WIF HARNESS (Prior to SN 0300237158)**

ITEM	PART NUMBER	QTY	DESCRIPTION	REV
	1001156135	Ref	FUEL PUMP AND WIF HARNESS (Prior to SN 0300237158)	D
1	1001116983	1	Connector - 2 Position	
1	4461060	2	Pin, Male	
2	4460042	1	Terminal, Ring	
3	4460042	1	Terminal, Ring	
4	4460932	1	Connector - 4 Position	
4	4460464	2	Pin, Male 16-18 GA	
4	4460941	2	Pin, Male 14-16GA	

Go to Discount-Equipment.com to order your parts

# SECTION 8 - ELECTRICAL

FIGURE 8-33. FUEL PUMP AND WIF HARNESS (SN 0300237158 to Present)



ART\_1001211885

## SECTION 8 - ELECTRICAL

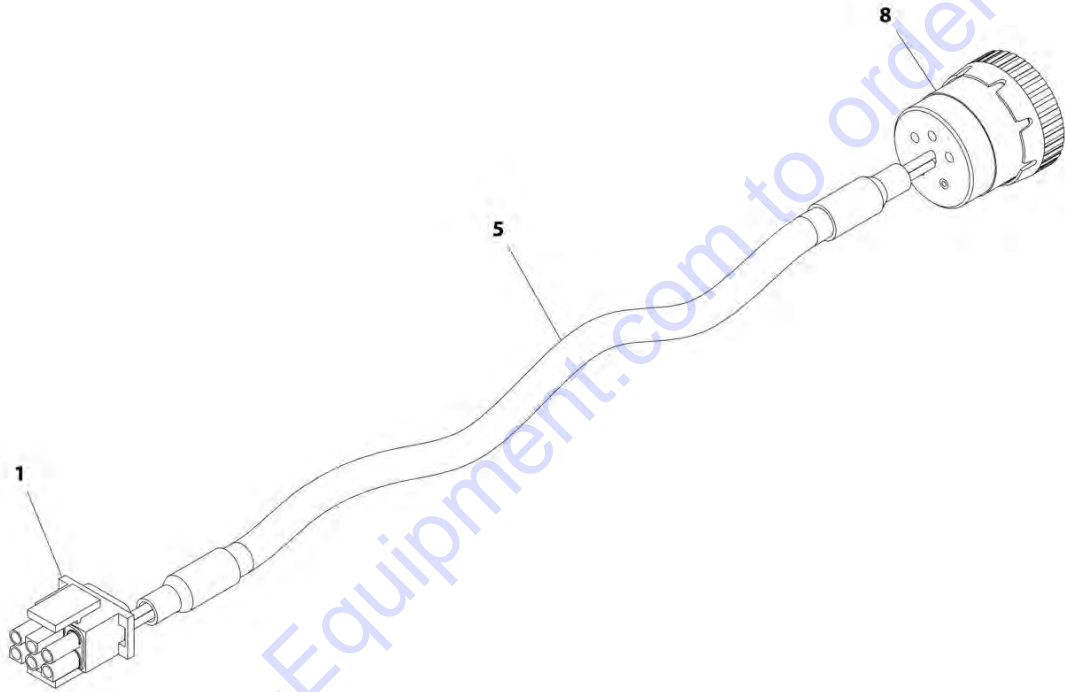
**FIGURE 8-33. FUEL PUMP AND WIF HARNESS (SN 0300237158 to Present)**

ITEM	PART NUMBER	QTY	DESCRIPTION	REV
	1001211885	Ref	FUEL PUMP AND WIF HARNESS (SN 0300237158 to Present)	A
1	1001116983	1	Connector - 2 Position	
1	4461060	2	Pin, Male	
2	8220051	1	Terminal, Ring	
3	8220051	1	Terminal, Ring	
4	4460932	1	Connector - 4 Position	
4	4460464	2	Pin, Male	
4	4460941	2	Pin, Male	

Go to Discount-Equipment.com to order your parts

# SECTION 8 - ELECTRICAL

FIGURE 8-34. GENERATOR HARNESS - 4000W GENERATOR



ART\_1001152532



## SECTION 8 - ELECTRICAL

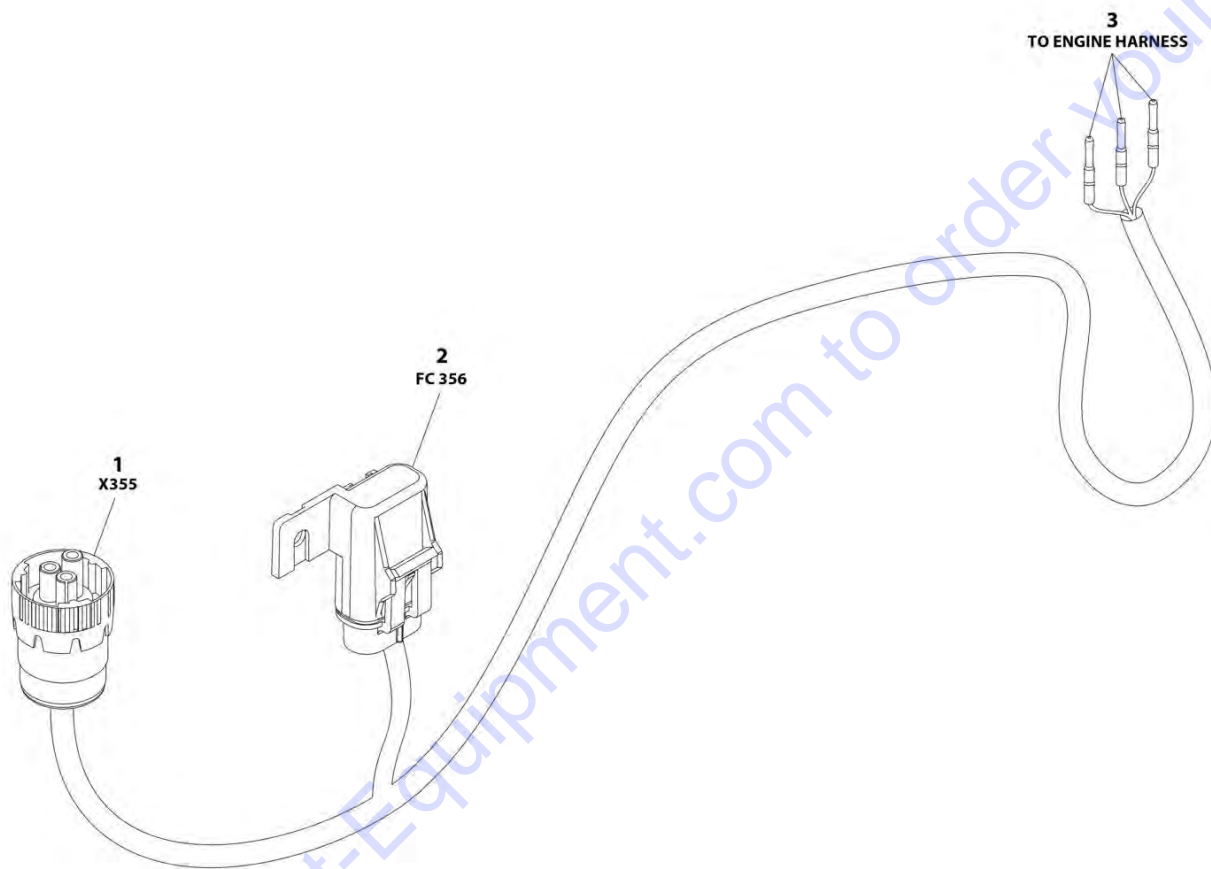
### FIGURE 8-34. GENERATOR HARNESS - 4000W GENERATOR

ITEM	PART NUMBER	QTY	DESCRIPTION	REV
	1001152532	Ref	GENERATOR HARNESS - 4000W GENERATOR	A
1	4460225	1	Connector - 6 Position	
1	4460268	2	Socket, Female	
1	4460807	1	Seal, Plug	
1	4460808	1	Seal, Plug	
5	1060341	13 ft/4m	Cable, 16/2	
8	77363233	1	Connector - 6 Position	
8	4460465	2	Socket, Female	

Go to Discount-Equipment.com to order your parts

## SECTION 8 - ELECTRICAL

FIGURE 8-35. GENERATOR ENABLE HARNESS - 7500W GENERATOR



ART\_1001156030

## SECTION 8 - ELECTRICAL

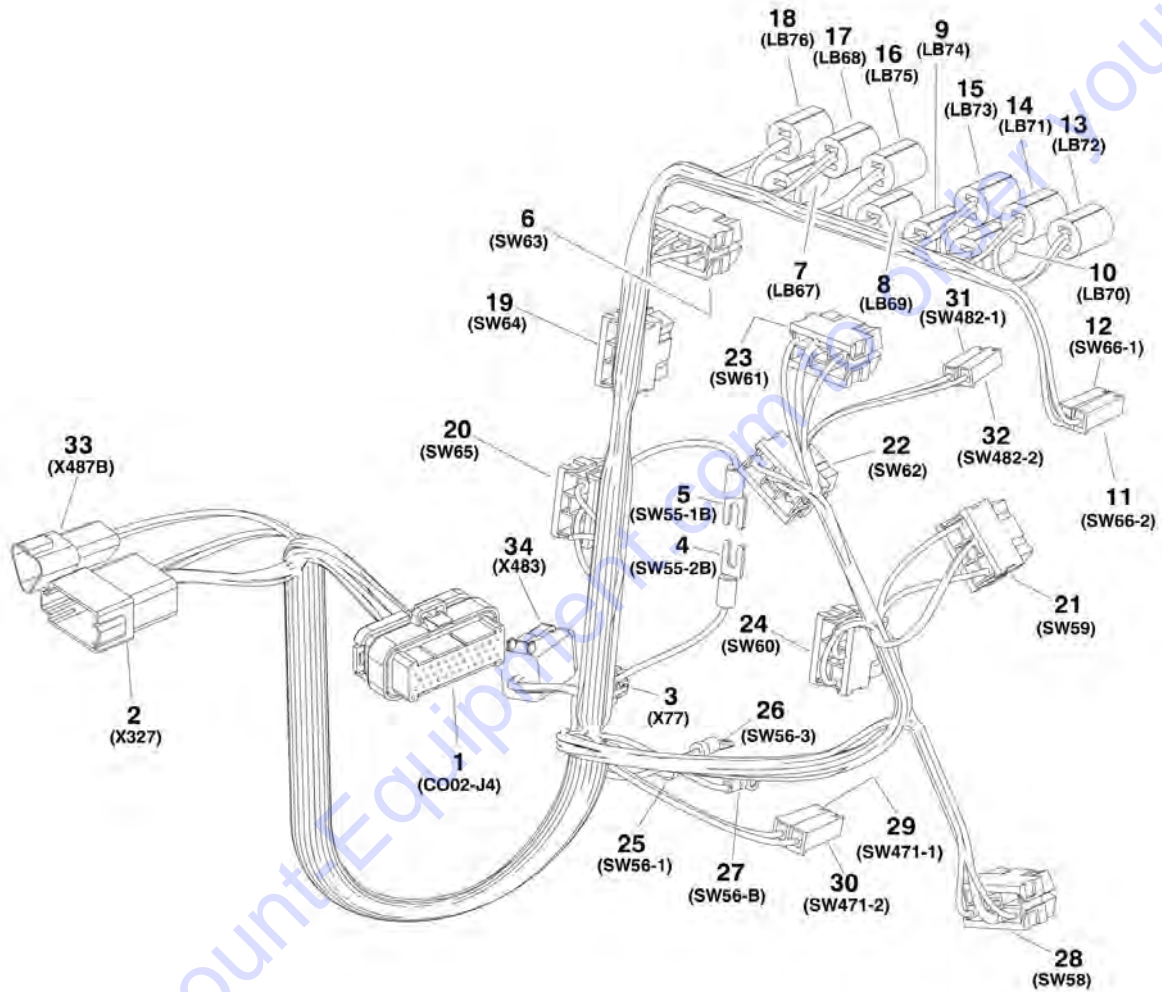
### FIGURE 8-35. GENERATOR ENABLE HARNESS - 7500W GENERATOR

ITEM	PART NUMBER	QTY	DESCRIPTION	REV
	1001156030	Ref	GENERATOR ENABLE HARNESS - 7500W GENERATOR	B
1	4460967	1	Connector - 3 Position	
1	4460465	3	Socket, Female	
2	1001119412	1	Connector, Metri-Pack with 5Amp Fuse	
2	1001116733	2	Terminal	
3	4460465	3	Socket, Female	

Go to Discount-Equipment.com to order your parts

# SECTION 8 - ELECTRICAL

## FIGURE 8-36. GROUND CONTROL PANEL HARNESS



1001149973

## SECTION 8 - ELECTRICAL

### FIGURE 8-36. GROUND CONTROL PANEL HARNESS

ITEM	PART NUMBER	QTY	DESCRIPTION	REV
	1001149973	Ref	GROUND CONTROL PANEL HARNESS	F
1	4460876	1	Connector - 35 Position	
1	4460871	29	Socket, Female	
1	4460905	6	Plug	
2	4460970	1	Connector - 12 Position	
2	4460464	10	Pin, Male	
2	4460466	2	Plug, Socket	
3	4460868	1	Connector - 6 Position	
3	4460877	4	Socket, Female	
4	4460144	1	Terminal	
5	4460144	1	Terminal	
6	4460418	1	Connector - 3 Position	
6	1001159186	2	Terminal	
6	8220099	2	Terminal	
7	4120035	1	Socket, Light	
7	4460634	2	Terminal	
8	4120035	1	Socket, Light	
8	4460634	2	Terminal	
9	4120035	1	Socket, Light	
9	4460634	2	Terminal	
10	4120035	1	Socket, Light	
10	4460634	2	Terminal	
11	4460260	1	Connector - 1 Position	
11	4460259	2	Terminal	
12	4460260	1	Connector - 1 Position	
12	4460259	2	Terminal	
13	4120035	1	Socket, Light	
13	4460634	2	Terminal	
14	4120035	1	Socket, Light	
14	4460634	2	Terminal	
15	4120035	1	Socket, Light	
15	4460634	2	Terminal	
16	4120035	1	Socket, Light	
16	4460634	2	Terminal	
17	4120035	1	Socket, Light	
17	4460634	2	Terminal	
18	4120035	1	Socket, Light	
18	4460634	2	Terminal	
19	4460418	1	Connector - 3 Position	
19	1001159186	2	Terminal	
19	8220099	2	Terminal	
20	4460418	1	Connector - 3 Position	
20	1001159186	2	Terminal	
20	8220099	2	Terminal	
21	4460418	1	Connector - 3 Position	
21	1001159186	2	Terminal	
21	8220099	2	Terminal	
22	4460418	1	Connector - 3 Position	
22	1001159186	2	Terminal	
22	8220099	2	Terminal	

## SECTION 8 - ELECTRICAL

ITEM	PART NUMBER	QTY	DESCRIPTION	REV
23	4460418	1	Connector - 3 Position	
23	1001159186	2	Terminal	
23	8220099	2	Terminal	
24	4460418	1	Connector - 3 Position	
24	1001159186	2	Terminal	
24	8220099	2	Terminal	
25	4460313	1	Ring, Terminal	
26	4460042	1	Ring, Terminal	
27	4460042	1	Ring, Terminal	
28	4460418	1	Connector - 3 Position	
28	1001159186	2	Terminal	
28	8220099	2	Terminal	
29	4460260	1	Connector - 1 Position (SN 0300201023 to Present)	
30	4460260	1	Connector - 1 Position (SN 0300201023 to Present)	
31	4460260	1	Connector - 1 Position (SN 0300201023 to Present)	
32	4460260	1	Connector - 1 Position (SN 0300201023 to Present)	
33	4460536	1	Connector - 3 Position (SN 0300210987 to Present)	
33	4460464	2	Pin, Male (SN 0300210987 to Present)	
33	4460466	1	Seal, Plug (SN 0300210987 to Present)	
34	4460894	1	Connector - 6 Position (SN 0300210987 to Present)	
34	4460465	4	Socket, Female (SN 0300210987 to Present)	



**SECTION 8 - ELECTRICAL**

**FIGURE 8-37. JIB AC CABLE - ANSI, ANSI EXPORT, CSA AND JAPANESE SPECS**



ART\_1001156896



## SECTION 8 - ELECTRICAL

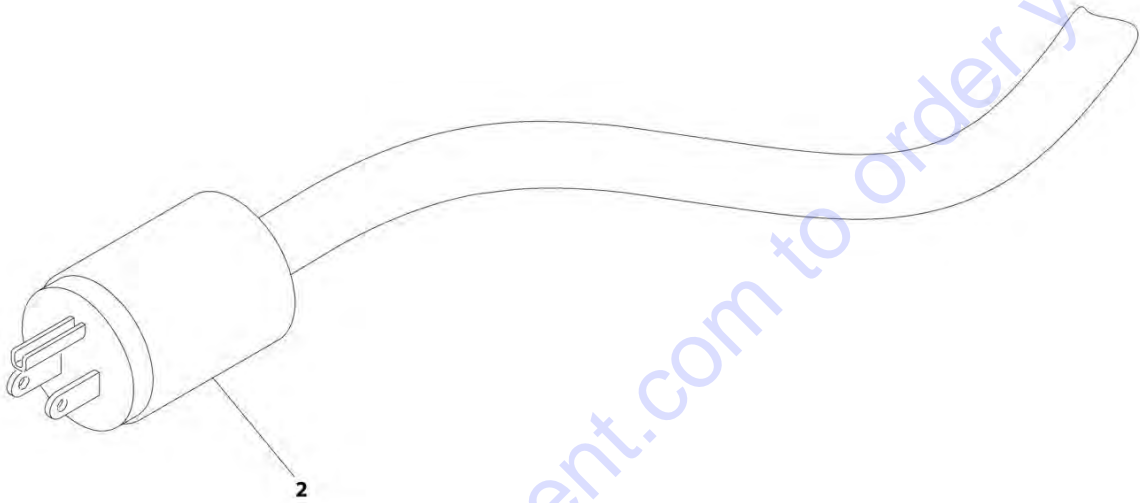
**FIGURE 8-37. JIB AC CABLE - ANSI, ANSI EXPORT, CSA AND JAPANESE SPECS**

ITEM	PART NUMBER	QTY	DESCRIPTION	REV
	1001156896	Ref	JIB AC CABLE - ANSI, ANSI EXPORT, CSA AND JAPANESE SPECS	A
2	4460205	1	Plug	

Go to Discount-Equipment.com to order your parts

## SECTION 8 - ELECTRICAL

FIGURE 8-38. JIB AC CABLE - AUSTRALIAN AND CE SPECS



ART\_1001157637

Go to Discount-Equipment.com to order your parts

## SECTION 8 - ELECTRICAL

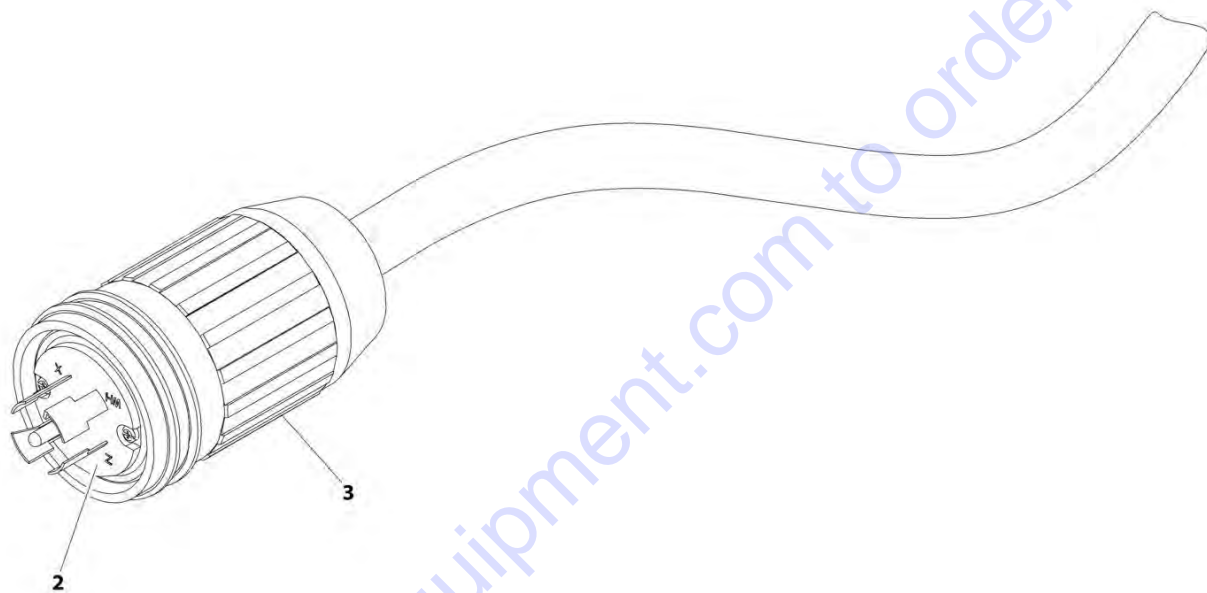
FIGURE 8-38. JIB AC CABLE - AUSTRALIAN AND CE SPECS

ITEM	PART NUMBER	QTY	DESCRIPTION	REV
2	1001157637 4460205	Ref 1	JIB AC CABLE - AUSTRALIAN AND CE SPECS Plug	A

Go to Discount-Equipment.com to order your parts

## SECTION 8 - ELECTRICAL

FIGURE 8-39. JIB AC CABLE - SKYPOWER (Prior to SN 0300228529)



ART\_1001161731

## SECTION 8 - ELECTRICAL

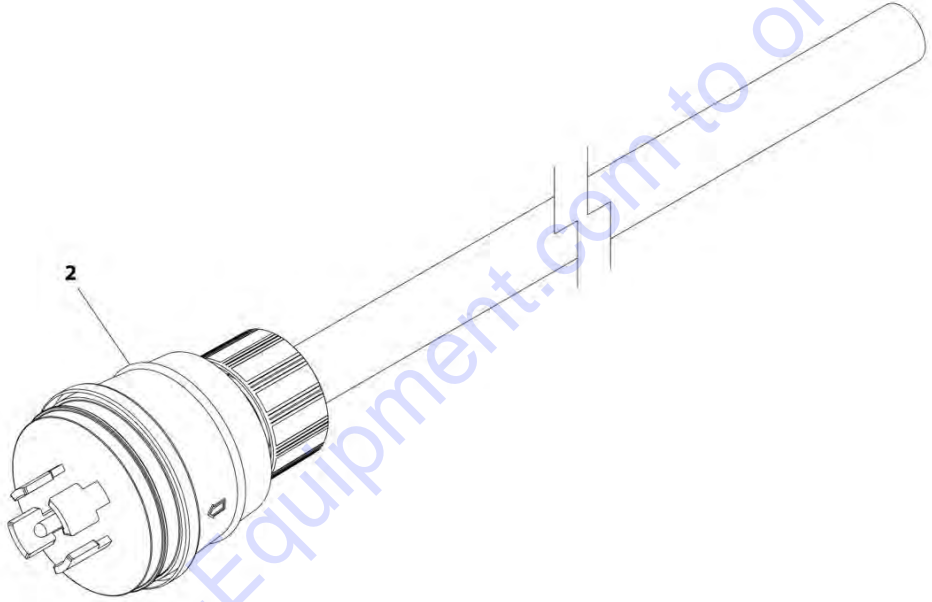
**FIGURE 8-39. JIB AC CABLE - SKYPOWER (Prior to SN 0300228529)**

ITEM	PART NUMBER	QTY	DESCRIPTION	REV
	1001161731	Ref	JIB AC CABLE - SKYPOWER (Prior to SN 0300228529)	B
2	4460959	1	Plug	
3	1671093	1	Cover	

Go to Discount-Equipment.com to order your parts

**SECTION 8 - ELECTRICAL**

**FIGURE 8-40. JIB AC CABLE - SKYPOWER (SN 0300228529 to Present)**



ART\_1001226288

## SECTION 8 - ELECTRICAL

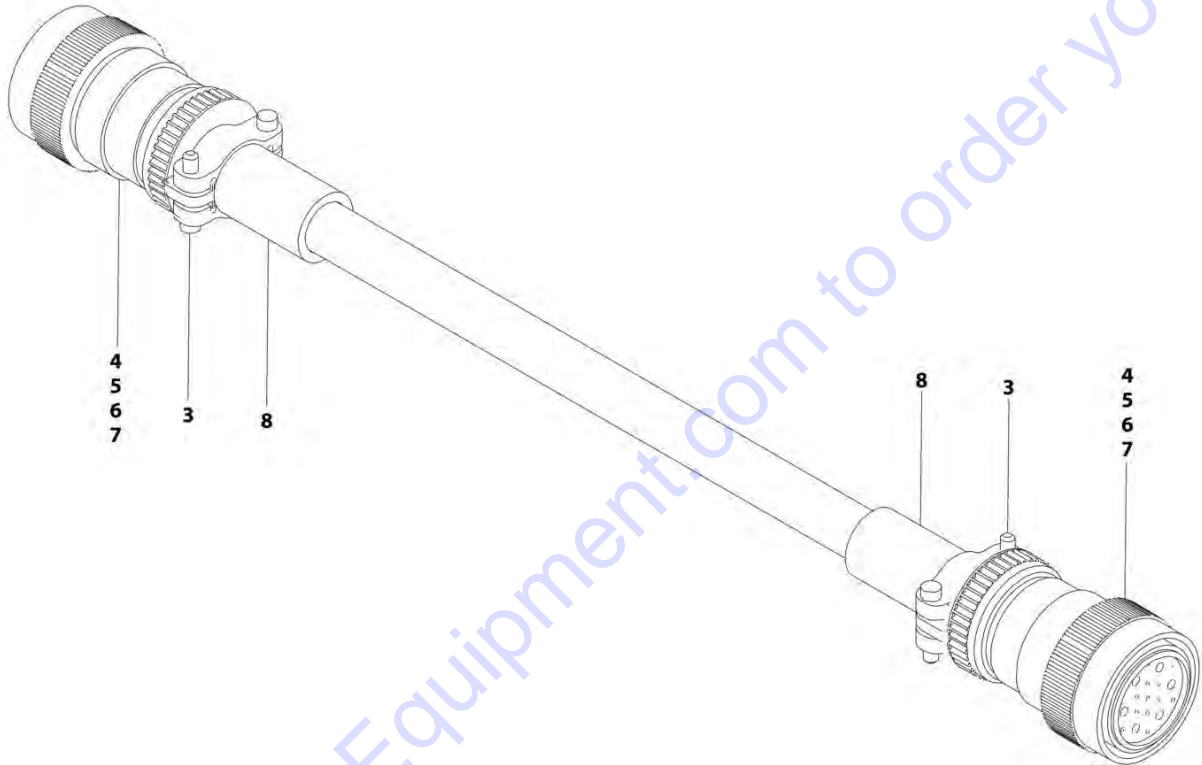
**FIGURE 8-40. JIB AC CABLE - SKYPOWER (SN 0300228529 to Present)**

ITEM	PART NUMBER	QTY	DESCRIPTION	REV
2	1001226288	Ref	JIB AC CABLE - SKYPOWER (SN 0300228529 to Present)	A
	1001218622	1	Plug	

Go to Discount-Equipment.com to order your parts

**SECTION 8 - ELECTRICAL**

**FIGURE 8-41. JIB CONTROL CABLE**



ART\_1001156897



## SECTION 8 - ELECTRICAL

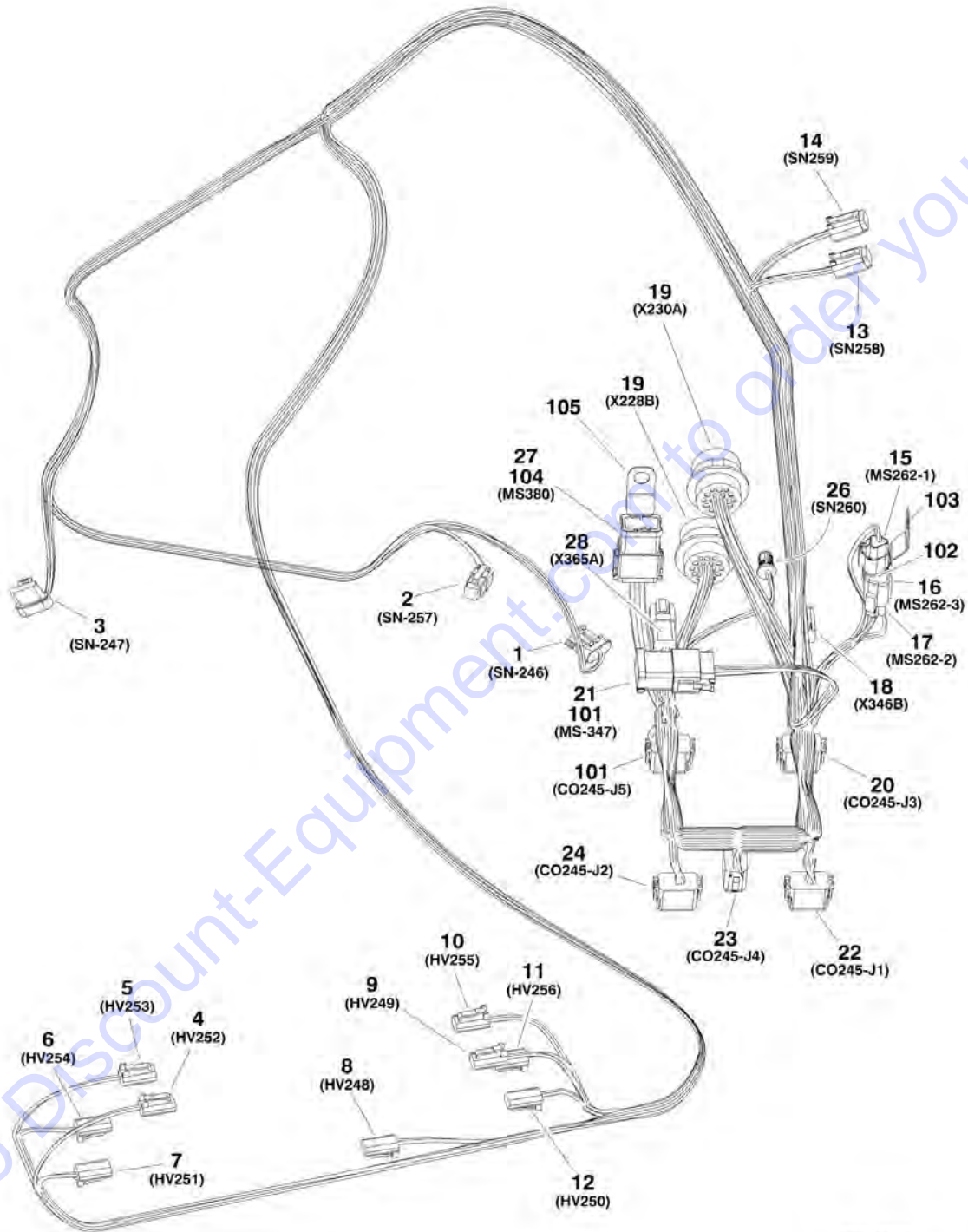
### FIGURE 8-41. JIB CONTROL CABLE

ITEM	PART NUMBER	QTY	DESCRIPTION	REV
	1001156897	Ref	JIB CONTROL CABLE	C
3	4460473	2	Clamp	
4	4460509	8	Socket, Female	
5	4460865	2	Connector - 19 Position	
6	4460465	20	Socket, Female	
7	4460466	10	Plug, Socket	
8	1001226400	2	Insulator, Heat Shrink	

Go to Discount-Equipment.com to order your parts

# SECTION 8 - ELECTRICAL

## FIGURE 8-42. JIB VALVE HARNESS



1001149978

## SECTION 8 - ELECTRICAL

### FIGURE 8-42. JIB VALVE HARNESS

ITEM	PART NUMBER	QTY	DESCRIPTION	REV
	1001149978	Ref	JIB VALVE HARNESS	G
1	1001117064	1	Connector - 6 Position	
1	91554014	6	Terminal	
2	4461077	1	Connector - 4 Position	
2	1001116694	4	Socket, Female	
3	1001117064	NLA	Connector - 6 Position (Use p/n 1001230931) <b>(Prior to SN 0300237554)</b>	
3	1001230931	1	Connector - 6 Position <b>(SN 0300237554 to Present)</b>	
3	91554014	NLA	Terminal (Use p/n 1001116748) <b>(Prior to SN 0300237554)</b>	
3	1001116748	6	Terminal <b>(SN 0300237554 to Present)</b>	
4	4460891	1	Connector - 2 Position	
4	4460465	2	Socket, Female	
5	4460891	1	Connector - 2 Position	
5	4460465	2	Socket, Female	
6	4460891	1	Connector - 2 Position	
6	4460465	2	Socket, Female	
7	4460891	1	Connector - 2 Position	
7	4460465	2	Socket, Female	
8	4460891	1	Connector - 2 Position	
8	4460465	2	Socket, Female	
9	4460891	1	Connector - 2 Position	
9	4460465	2	Socket, Female	
10	4460891	1	Connector - 2 Position	
10	4460465	2	Socket, Female	
11	4460891	1	Connector - 2 Position	
11	4460465	2	Socket, Female	
12	4460891	1	Connector - 2 Position	
12	4460465	2	Socket, Female	
13	4460884	1	Connector - 4 Position	
13	4460465	4	Socket, Female	
14	4460884	1	Connector - 4 Position	
14	4460465	4	Socket, Female	
15	1001116812	1	Connector - 4 Position	
15	4460944	4	Socket, Female	
16	1001116812	1	Connector - 4 Position	
16	4460944	4	Socket, Female	
17	4460539		Connector - 4 Position	
17	4460944	4	Socket, Female	
18	4460884	1	Connector - 4 Position	
18	4460465	4	Socket, Female	
19	4460866	19	Connector - 19 Position	
19	4460508	4	Pin, Male	
19	4460464	11	Pin, Male	
19	4460466	4	Plug, Socket	
20	4460935	1	Connector - 12 Position	
20	4460465	12	Socket, Female	
21	4460836	1	Connector - 12 Position	
21	4460465	10	Socket, Female	
21	4460466	2	Plug, Socket	
22	4460933	1	Connector - 12 Position	

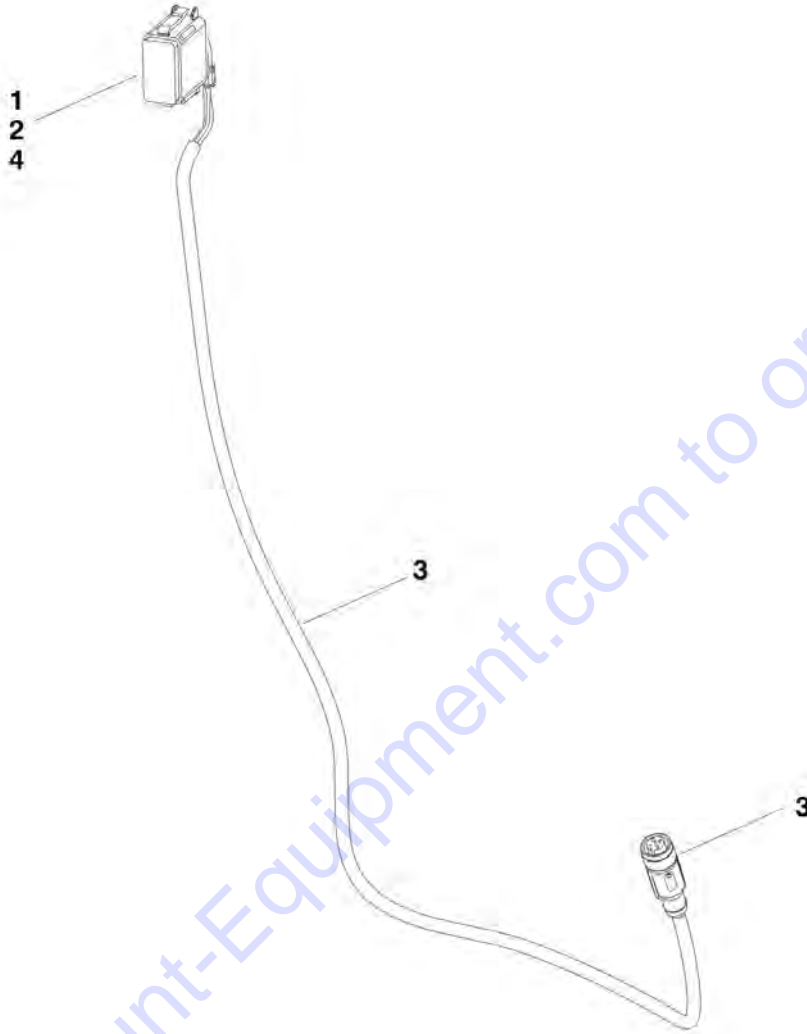
## SECTION 8 - ELECTRICAL

ITEM	PART NUMBER	QTY	DESCRIPTION	REV
22	4460465	4	Socket, Female	
22	4460944	3	Socket, Female	
22	4460942	2	Socket, Female	
22	4460466	3	Plug, Socket	
23	4460930	1	Connector - 8 Position	
23	4460465	4	Socket, Female	
23	4460944	3	Socket, Female	
23	4460466	1	Plug, Socket	
24	4460836	1	Connector - 12 Position	
24	4460465	11	Socket, Female	
24	4460466	3	Plug, Socket	
25	4460935	1	Connector - 12 Position	
25	4460465	7	Socket, Female	
25	4460466	5	Plug, Socket	
26	1001120055	1	Connector - 5 Position	
26	4460944	3	Socket, Female	
27	4460933	1	Connector - 12 Position	
27	4460465	2	Socket, Female	
27	1001157890	8	Socket, Female	
27	4460942	2	Socket, Female	
28	4460932	1	Connector - 4 Position	
28	4460464	3	Pin, Male	
28	4460466	1	Plug, Socket	
29	4460866	19	Connector - 19 Position	
29	4460508	4	Pin, Male	
29	4460464	11	Pin, Male	
29	4460466	4	Plug, Socket	
101	4460837	1	Connector, Housing	
102	4460945	1	Connector, 3 Way	
103	1001120328	1	Mount, Connector	
104	1001125677	1	Connector, Bussbar	
105	1001157028	1	Holder, Connector	



# SECTION 8 - ELECTRICAL

FIGURE 8-43. LCD DISPLAY HARNESS (Prior to SN 0300249009)



1001125293

## SECTION 8 - ELECTRICAL

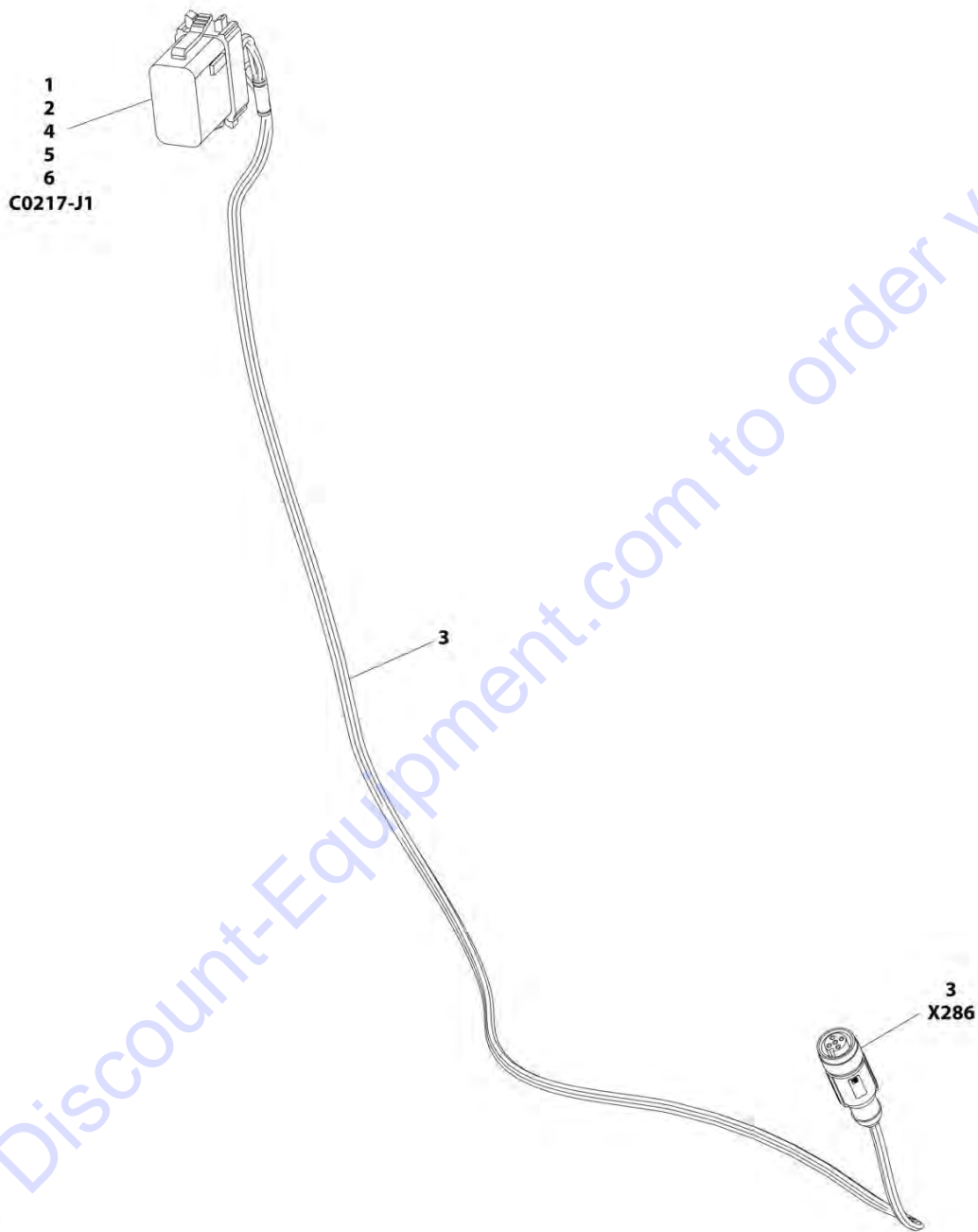
**FIGURE 8-43. LCD DISPLAY HARNESS (Prior to SN 0300249009)**

ITEM	PART NUMBER	QTY	DESCRIPTION	REV
	1001125293	Ref	LCD DISPLAY HARNESS	C
1	4460465	3	Socket, Female	
2	4460944	2	Socket, Female (Gold)	
3	1001125295	1	Connector with Cable	
4	4460933	1	Connector - 12 Position	

Go to Discount-Equipment.com to order your parts

# SECTION 8 - ELECTRICAL

## FIGURE 8-44. LCD DISPLAY HARNESS (SN 0300249009 to Present)



ART\_1001220482



## SECTION 8 - ELECTRICAL

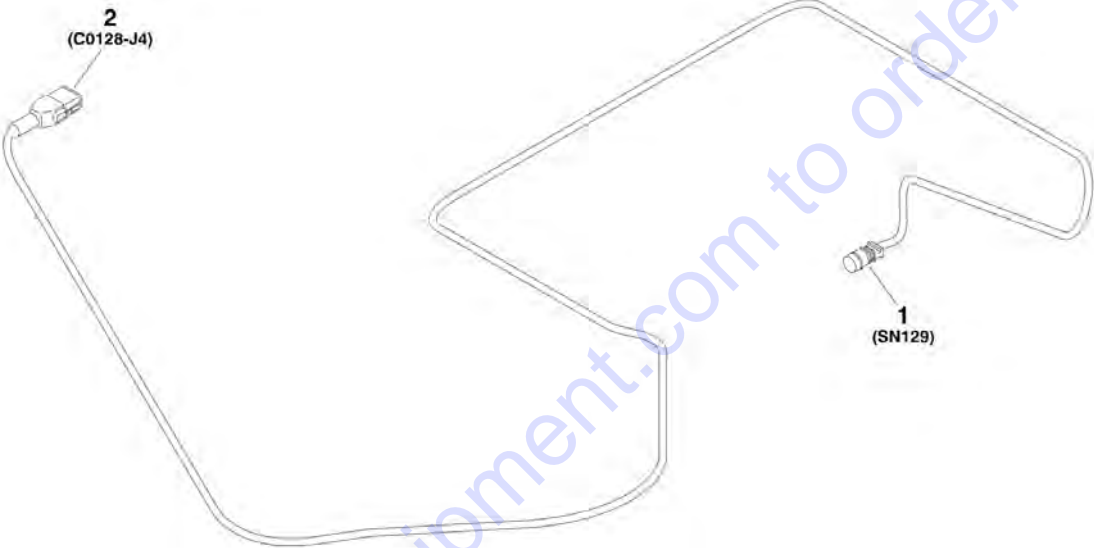
**FIGURE 8-44. LCD DISPLAY HARNESS (SN 0300249009 to Present)**

ITEM	PART NUMBER	QTY	DESCRIPTION	REV
	1001220482	Ref	LCD DISPLAY HARNESS	A
1	4460465	3	Socket, Female	
2	4460944	2	Socket, Female (Gold)	
3	1001125295	1	Connector with Cable	
4	1001176333	1	Connector - 12 Position	
5	4460466	13	Plug, Seal	
6	2820171	3	Tube, Heat Shrink	

Go to Discount-Equipment.com to order your parts

**SECTION 8 - ELECTRICAL**

**FIGURE 8-45. LOAD SENSOR CABLE**



1001157646

Go to Discount-Equipment.com to order your parts

## SECTION 8 - ELECTRICAL

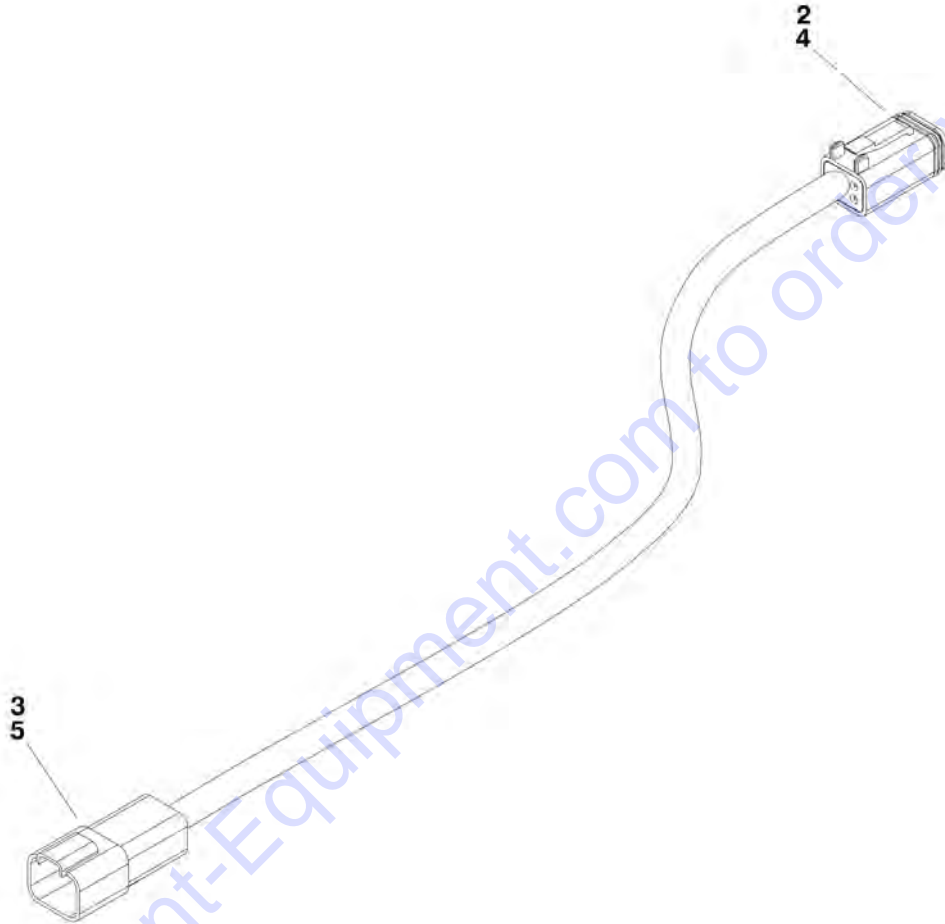
### FIGURE 8-45. LOAD SENSOR CABLE

ITEM	PART NUMBER	QTY	DESCRIPTION	REV
	1001157646	Ref	LOAD SENSOR CABLE	A
1	1001157649	1	Connector - 6 Position	
1	1001157723	2	Terminal	
2	4460930	1	Connector - 8 Position	
2	4460465	2	Socket, Female	
2	4460944	3	Socket, Female	
2	4460466	3	Plug, Socket	
2	0840062	1	Boot	

Go to Discount-Equipment.com to order your parts

# SECTION 8 - ELECTRICAL

FIGURE 8-46. MAIN BOOM 16/4 CABLE



1001158207

## SECTION 8 - ELECTRICAL

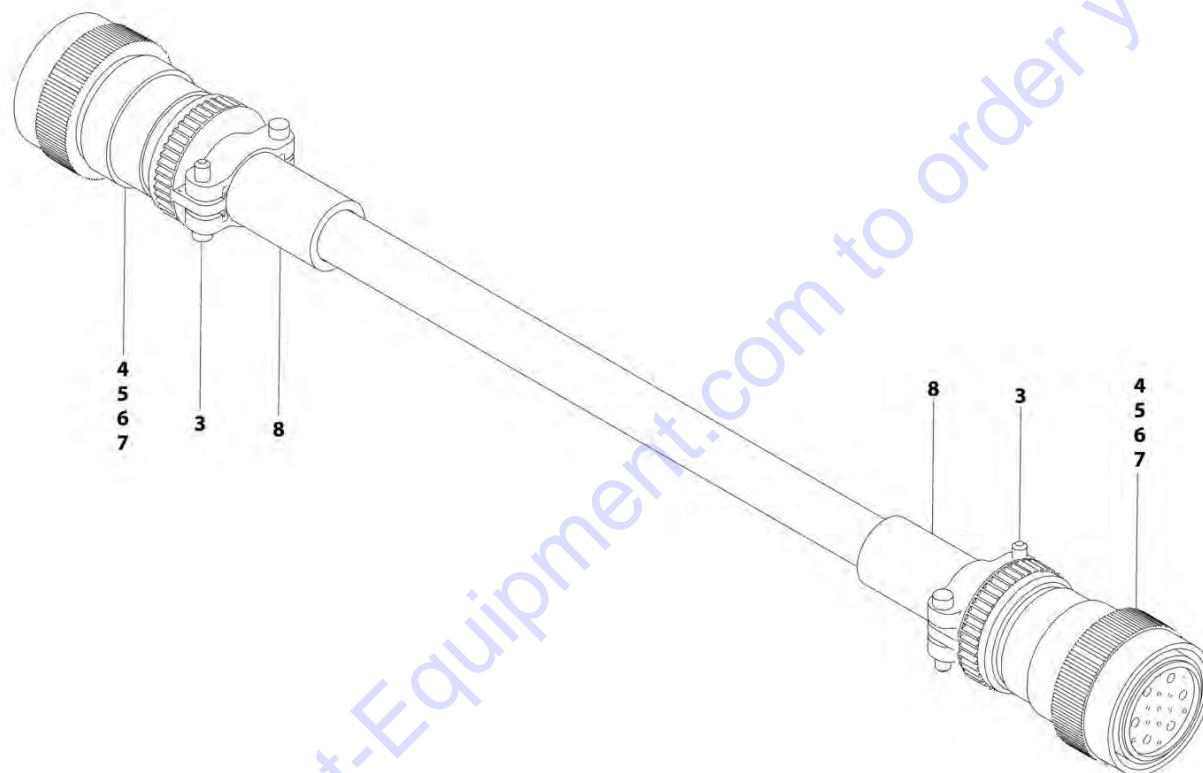
### FIGURE 8-46. MAIN BOOM 16/4 CABLE

ITEM	PART NUMBER	QTY	DESCRIPTION	REV
	1001158207	Ref	MAIN BOOM 16/4 CABLE	B
2	4460884	1	Connector - 4 Position	
3	4460932	1	Connector - 4 Position	
4	4460465	4	Socket, Female	
5	4460464	4	Pin, Male	

Go to Discount-Equipment.com to order your parts

# SECTION 8 - ELECTRICAL

## FIGURE 8-47. MAIN BOOM CONTROL CABLE



ART\_1001156893

## SECTION 8 - ELECTRICAL

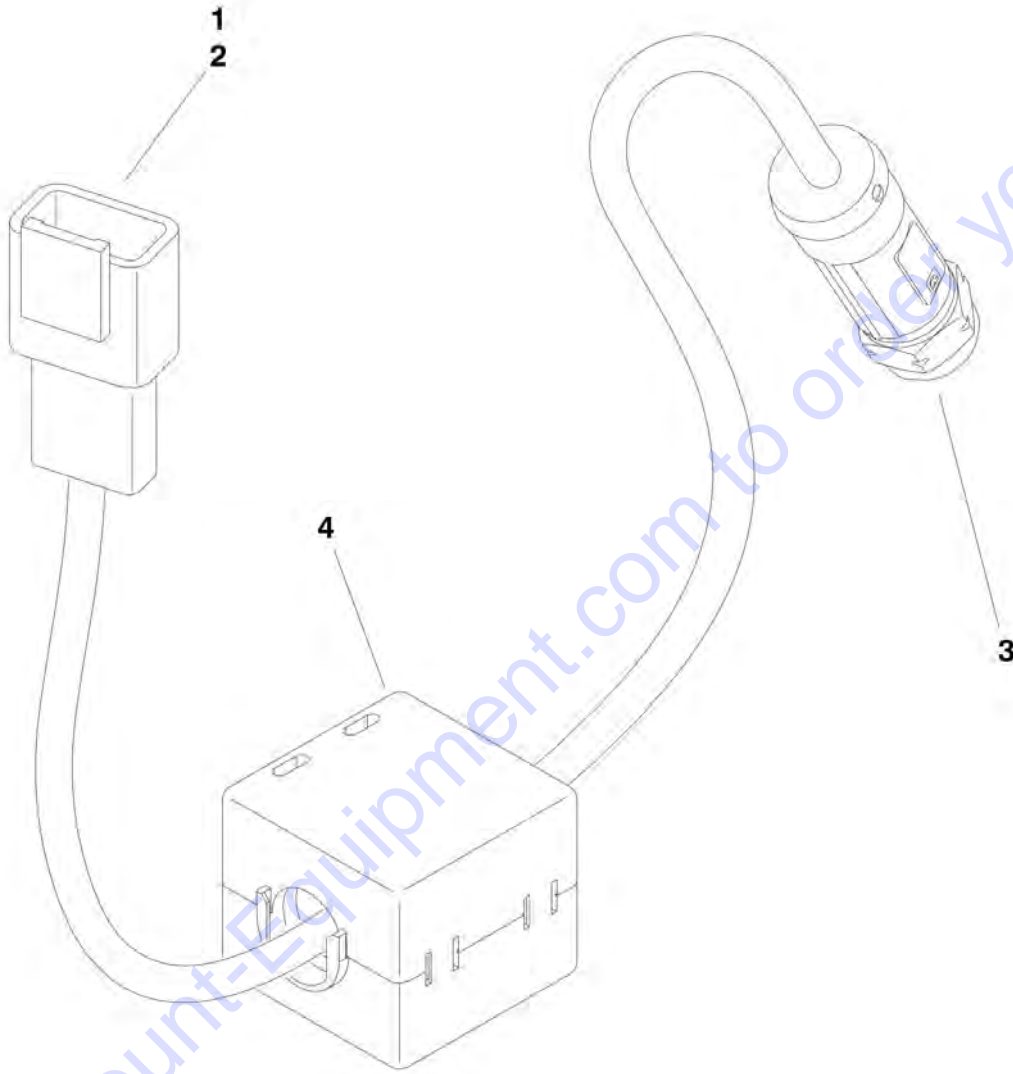
### FIGURE 8-47. MAIN BOOM CONTROL CABLE

ITEM	PART NUMBER	QTY	DESCRIPTION	REV
	1001156893	Ref	MAIN BOOM CONTROL CABLE	C
3	4460473	2	Clamp	
4	4460509	8	Socket, Female	
5	4460865	2	Connector - 19 Position	
6	4460465	20	Socket, Female	
7	4460466	10	Plug, Socket	
8	1001226400	2	Insulator, Heat Shrink	

Go to Discount-Equipment.com to order your parts

## SECTION 8 - ELECTRICAL

FIGURE 8-48. MTS CONNECTION CABLE



1001163631



## SECTION 8 - ELECTRICAL

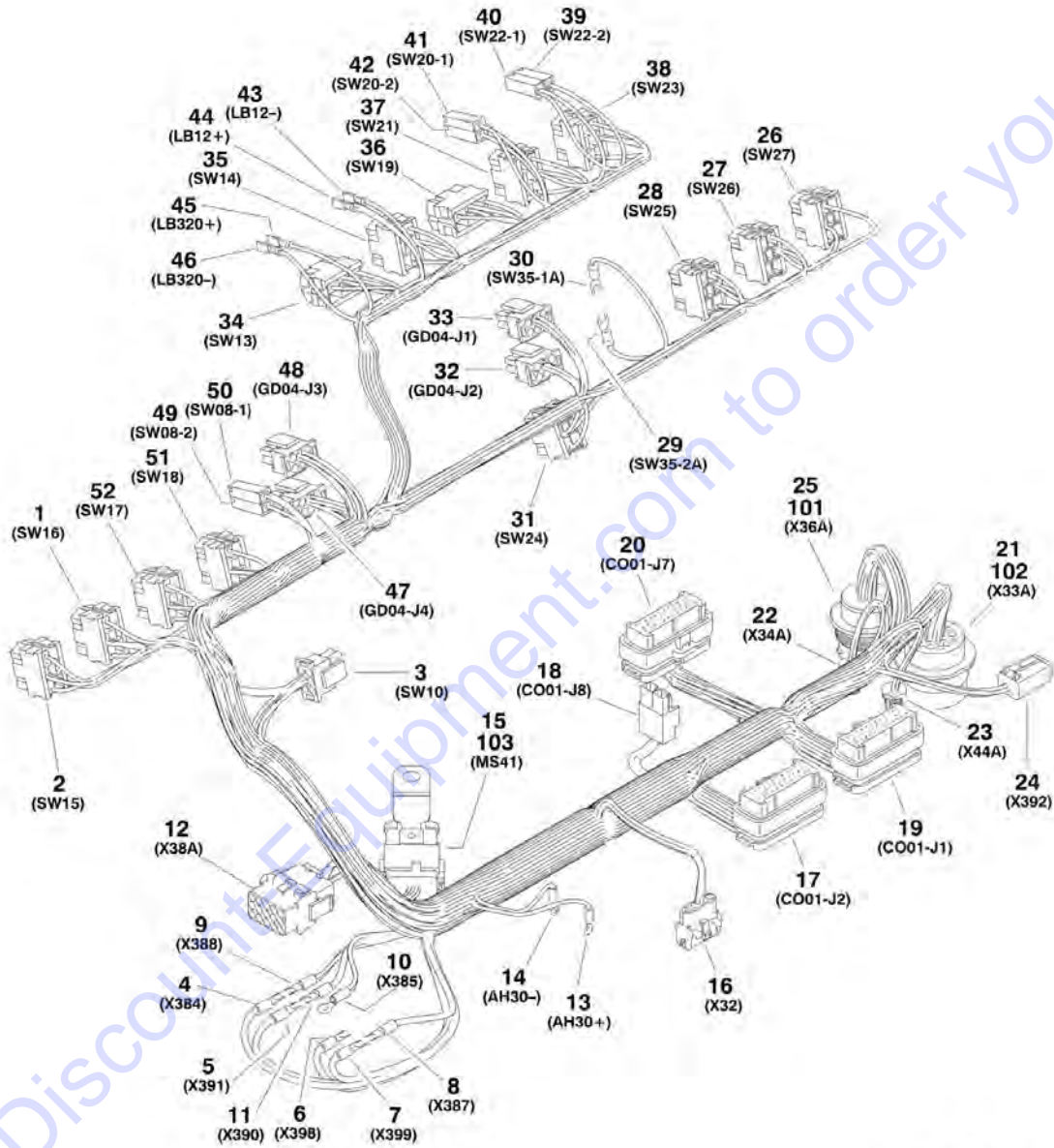
### FIGURE 8-48. MTS CONNECTION CABLE

ITEM	PART NUMBER	QTY	DESCRIPTION	REV
	1001163631	Ref	MTS CONNECTION CABLE	B
1	4460910	1	Connector - 3 Position	
2	4460929	3	Pin, Male	
3	See Note	NSS	Sensor with Cable (Note: Purchase p/n 1001163631)	
4	1001102594	1	Ferrite, LMI	

Go to Discount-Equipment.com to order your parts

# SECTION 8 - ELECTRICAL

## FIGURE 8-49. PLATFORM CONSOLE HARNESS - WITHOUT SKYGUARD



1001149976

## SECTION 8 - ELECTRICAL

**FIGURE 8-49. PLATFORM CONSOLE HARNESS - WITHOUT SKYGUARD**

ITEM	PART NUMBER	QTY	DESCRIPTION	REV
	1001149976	Ref	PLATFORM CONSOLE HARNESS - WITHOUT SKYGUARD	C
1	4460418	1	Connector - 6 Position	
1	1001159186	2	Terminal	
1	8220099	2	Terminal	
2	4460418	1	Connector - 6 Position	
2	1001159186	2	Terminal	
2	8220099	2	Terminal	
3	4460225	1	Connector - 6 Position	
3	4460227	4	Pin, Male	
3	4460267	2	Pin, Male	
4	4460315	1	Terminal, Spade	
5	4460315	1	Terminal, Spade	
6	4460315	1	Terminal, Spade	
7	4460315	1	Terminal, Spade	
8	4460315	1	Terminal, Spade	
9	4460315	1	Terminal, Spade	
10	8220007	1	Terminal, Ring	
11	4460315	1	Terminal, Spade	
12	4460434	1	Connector - 8 Position	
12	4460227	7	Pin, Male	
12	4460267	1	Pin, Male	
13	1001098122	1	Terminal, Ring	
14	1001098122	1	Terminal, Ring	
15	4460933	1	Connector - 12 Position	
15	4460465	12	Socket, Female	
16	4460761	1	Connector - 4 Position	
16	4460227	4	Pin, Male	
17	4460876	1	Connector - 35 Position	
17	4460871	33	Socket, Female	
17	4460905	2	Plug, Socket	
18	4460879	1	Connector - 2 Position	
18	4460887	2	Terminal	
19	4460874	1	Connector - 35 Position	
19	4460871	33	Socket, Female	
19	4460905	2	Plug, Socket	
20	4460873	1	Connector - 35 Position	
20	4460871	23	Socket, Female	
20	4460905	12	Plug, Socket	
21	4460866	1	Connector - 19 Position	
21	4460943	3	Pin, Male	
21	4460508	4	Pin, Male	
21	4460464	8	Pin, Male	
21	4460466	4	Plug, Socket	
22	1001120055	1	Connector - 5 Position with Cable	
23	1001120055	1	Connector - 5 Position with Cable	
24	4460884	1	Connector - 4 Position	
24	4460465	4	Socket, Female	
25	4460925	1	Connector - 21 Position	
25	1001126011	19	Pin, Male	
25	4460518	2	Plug, Socket	

## SECTION 8 - ELECTRICAL

ITEM	PART NUMBER	QTY	DESCRIPTION	REV
26	4460418	1	Connector - 6 Position	
26	1001159186	2	Terminal	
27	4460418	1	Connector - 6 Position	
27	1001159186	1	Terminal	
27	8220099	2	Terminal	
28	4460418	1	Connector - 6 Position	
28	1001159186	2	Terminal	
28	8220099	2	Terminal	
29	4460183	1	Terminal, Spade	
30	4460183	1	Terminal, Spade	
31	4460418	1	Connector - 6 Position	
31	1001159186	1	Terminal	
31	8220099	2	Terminal	
32	4460225	1	Connector - 6 Position	
32	4460226	4	Socket, Female	
33	4460225	1	Connector - 6 Position	
33	4460226	4	Socket, Female	
33	4460268	1	Socket, Female	
34	4460418	1	Connector - 6 Position	
34	1001159186	2	Terminal	
34	8220099	2	Terminal	
35	4460418	1	Connector - 6 Position	
35	1001159186	2	Terminal	
35	8220099	2	Terminal	
36	4460418	1	Connector - 6 Position	
36	1001159186	2	Terminal	
36	8220099	2	Terminal	
37	4460418	1	Connector - 6 Position	
37	1001159186	2	Terminal	
37	8220099	2	Terminal	
38	4460418	1	Connector - 6 Position	
38	1001159186	2	Terminal	
38	8220099	2	Terminal	
39	4460260	1	Connector - 1 Position	
39	4460259	1	Terminal	
40	4460260	1	Connector - 1 Position	
40	4460259	1	Terminal	
41	4460260	1	Connector - 1 Position	
41	4460259	1	Terminal	
42	4460260	1	Connector - 1 Position	
42	4460259	1	Terminal	
43	4460016	2	Terminal	
44	4460016	1	Terminal	
45	4460016	1	Terminal	
46	4460016	1	Terminal	
47	4460225	1	Connector - 6 Position	
47	4460226	6	Socket, Female	
48	4460225	1	Connector - 6 Position	
48	4460226	6	Socket, Female	
49	4460260	1	Connector - 1 Position	
49	4460259	1	Terminal	

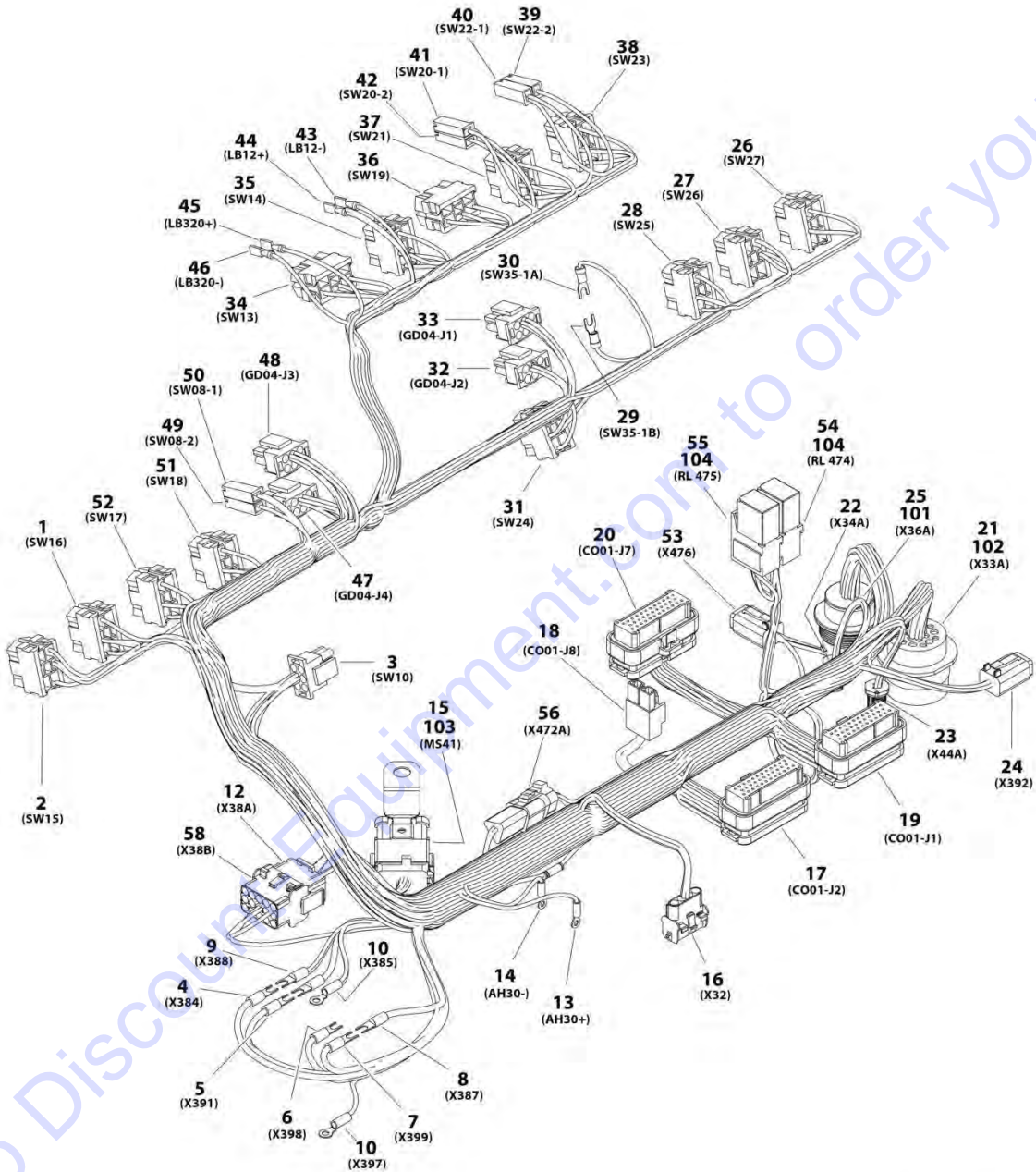
## SECTION 8 - ELECTRICAL

ITEM	PART NUMBER	QTY	DESCRIPTION	REV
50	4460260	1	Connector - 1 Position	
50	4460259	1	Terminal	
51	4460418	1	Connector - 6 Position	
51	1001159186	2	Terminal	
51	8220099	2	Terminal	
52	4460418	1	Connector - 6 Position	
52	1001159186	2	Terminal	
52	8220099	2	Terminal	
		Ref	ADDITIONAL COMPONENTS (NOT INCLUDED WITH PLATFORM HARNESS)	
101	4460496	1	Washer, Washer	
101	4460497	1	Nut, Terminal	
102	4460471	1	Washer, Washer	
102	4460470	1	Nut, Terminal	
103	1001119020	1	Bussbar	
103	1001120328	1	Clip, Mounting	

Go to Discount-Equipment.com to order your parts

# SECTION 8 - ELECTRICAL

## FIGURE 8-50. PLATFORM CONSOLE HARNESS - WITH SKYGUARD (Prior to SN 0300234077)



ART\_1001186229

## SECTION 8 - ELECTRICAL

**FIGURE 8-50. PLATFORM CONSOLE HARNESS - WITH SKYGUARD (Prior to SN 0300234077)**

ITEM	PART NUMBER	QTY	DESCRIPTION	REV
	1001186229	Ref	PLATFORM CONSOLE HARNESS - WITH SKYGUARD (Prior to SN 0300234077)	C
1	4460418	1	Connector - 6 Position	
1	1001159186	2	Terminal	
1	8220099	2	Terminal	
2	4460418	1	Connector - 6 Position	
2	1001159186	2	Terminal	
2	8220099	2	Terminal	
3	4460225	1	Connector - 6 Position	
3	4460227	4	Pin, Male	
3	4460267	2	Pin, Male	
4	4460315	1	Terminal, Spade	
5	4460315	1	Terminal, Spade	
6	4460315	1	Terminal, Spade	
7	4460315	1	Terminal, Spade	
8	4460315	1	Terminal, Spade	
9	4460315	1	Terminal, Spade	
10	8220007	2	Terminal, Ring	
11	4460315	1	Terminal, Spade	
12	4460434	1	Connector - 8 Position	
12	4460227	7	Pin, Male	
12	4460267	1	Pin, Male	
13	1001098122	1	Terminal, Ring	
14	1001098122	1	Terminal, Ring	
15	4460933	1	Connector - 12 Position	
15	4460465	12	Socket, Female	
16	4460761	1	Connector - 4 Position	
16	4460227	4	Pin, Male	
17	4460876	1	Connector - 35 Position	
17	4460871	33	Socket, Female	
17	4460905	2	Plug, Socket	
18	4460879	1	Connector - 2 Position	
18	4460887	2	Terminal	
19	4460874	1	Connector - 35 Position	
19	4460871	33	Socket, Female	
19	4460905	2	Plug, Socket	
20	4460873	1	Connector - 35 Position	
20	4460871	22	Socket, Female	
20	4460905	13	Plug, Socket	
21	4460866	1	Connector - 19 Position	
21	4460943	3	Pin, Male	
21	4460508	4	Pin, Male	
21	4460464	8	Pin, Male	
21	4460466	4	Plug, Socket	
22	1001120055	1	Connector - 5 Position with Cable	
23	1001120055	1	Connector - 5 Position with Cable	
24	4460884	1	Connector - 4 Position	
24	4460465	4	Socket, Female	
25	4460925	1	Connector - 21 Position	
25	1001126011	19	Pin, Male	

## SECTION 8 - ELECTRICAL

ITEM	PART NUMBER	QTY	DESCRIPTION	REV
25	4460518	2	Plug, Socket	
26	4460418	1	Connector - 6 Position	
26	1001159186	2	Terminal	
27	4460418	1	Connector - 6 Position	
27	1001159186	1	Terminal	
27	8220099	2	Terminal	
28	4460418	1	Connector - 6 Position	
28	1001159186	2	Terminal	
28	8220099	2	Terminal	
29	4460183	1	Terminal, Spade	
30	4460183	1	Terminal, Spade	
31	4460418	1	Connector - 6 Position	
31	1001159186	1	Terminal	
31	8220099	2	Terminal	
32	4460225	1	Connector - 6 Position	
32	4460226	4	Socket, Female	
33	4460225	1	Connector - 6 Position	
33	4460226	4	Socket, Female	
33	4460268	1	Socket, Female	
34	4460418	1	Connector - 6 Position	
34	1001159186	2	Terminal	
34	8220099	2	Terminal	
35	4460418	1	Connector - 6 Position	
35	1001159186	2	Terminal	
35	8220099	2	Terminal	
36	4460418	1	Connector - 6 Position	
36	1001159186	2	Terminal	
36	8220099	2	Terminal	
37	4460418	1	Connector - 6 Position	
37	1001159186	2	Terminal	
37	8220099	2	Terminal	
38	4460418	1	Connector - 6 Position	
38	1001159186	2	Terminal	
38	8220099	2	Terminal	
39	4460260	1	Connector - 1 Position	
39	4460259	1	Terminal	
40	4460260	1	Connector - 1 Position	
40	4460259	1	Terminal	
41	4460260	1	Connector - 1 Position	
41	4460259	1	Terminal	
42	4460260	1	Connector - 1 Position	
42	4460259	1	Terminal	
43	4460016	2	Terminal	
44	4460016	1	Terminal	
45	4460016	1	Terminal	
46	4460016	1	Terminal	
47	4460225	1	Connector - 6 Position	
47	4460226	6	Socket, Female	
48	4460225	1	Connector - 6 Position	
48	4460226	6	Socket, Female	
49	4460260	1	Connector - 1 Position	

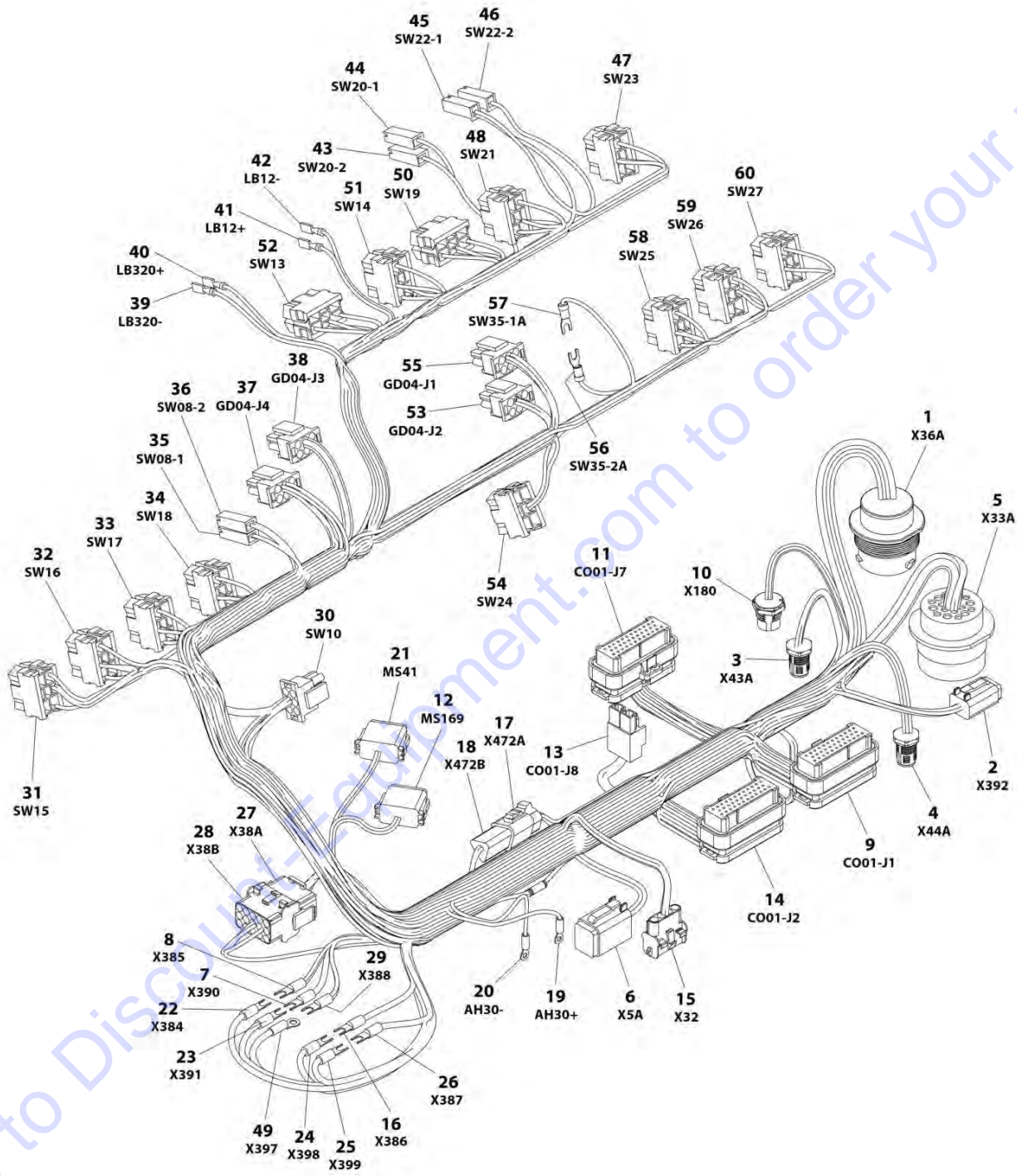


## SECTION 8 - ELECTRICAL

ITEM	PART NUMBER	QTY	DESCRIPTION	REV
49	4460259	1	Terminal	
50	4460260	1	Connector - 1 Position	
50	4460259	1	Terminal	
51	4460418	1	Connector - 6 Position	
51	1001159186	2	Terminal	
51	8220099	2	Terminal	
52	4460418	1	Connector - 6 Position	
52	1001159186	2	Terminal	
52	8220099	2	Terminal	
53	4460884	1	Connector - 4 Position	
53	4460465	4	Socket, Female	
54	1001186432	1	Holder, Micro Relay	
54	1001116720	3	Terminal	
54	1001118388	2	Terminal	
55	1001186432	1	Holder, Micro Relay	
55	1001116720	2	Terminal	
55	1001118388	4	Terminal	
56	4460539	1	Plug, Male - 3 Position	
56	4460944	3	Socket, Female	
57	4460536	1	Receptacle, Female - 3 Position	
57	4460943	3	Pin, Male	
58	4460708	1	Connector - 15 Position	
58	4460226	3	Socket, Female	
		Ref	ADDITIONAL COMPONENTS (NOT INCLUDED WITH PLATFORM HARNESS)	
101	4460496	1	Washer, Washer	
101	4460497	1	Nut, Terminal	
102	4460471	1	Washer, Washer	
102	4460470	1	Nut, Terminal	
103	1001119020	1	Bussbar	
103	1001120328	1	Clip, Mounting	
104	1001186431	2	Relay, 35Amp	

# SECTION 8 - ELECTRICAL

## FIGURE 8-51. PLATFORM CONSOLE HARNESS - WITH SKYGUARD (SN 0300234077 to Present)



ART\_1001220868

## SECTION 8 - ELECTRICAL

**FIGURE 8-51. PLATFORM CONSOLE HARNESS - WITH SKYGUARD (SN 0300234077 to Present)**

ITEM	PART NUMBER	QTY	DESCRIPTION	REV
	1001220868	Ref	PLATFORM CONSOLE HARNESS - WITH SKYGUARD (SN <b>0300234077 to Present</b> )	D
1	4460925	1	Connector - 21 Position	
1	1001126011	20	Pin, Male	
1	4460518	1	Plug, Socket	
2	4460884	1	Connector - 4 Position	
2	4460465	4	Socket, Female	
3	1001120055	1	Connector - 5 Position with Cable	
4	1001120055	1	Connector - 5 Position with Cable	
5	4460866	1	Connector - 19 Position	
5	4460943	3	Pin, Male	
5	4460508	4	Pin, Male	
5	4460464	8	Pin, Male	
5	4460466	4	Plug, Socket	
6	4460894	1	Connector - 6 Position	
6	4460465	5	Socket, Female	
6	4460466	1	Seal, Plug	
7	4460315	1	Terminal, Spade	
8	4460315	1	Terminal, Spade	
9	4460874	1	Connector - 35 Position	
9	4460871	34	Socket, Female	
9	4460905	1	Plug, Socket	
10	10011213447	1	Connector - 5 Position with Cable	
11	4460873	1	Connector - 35 Position	
11	4460871	25	Socket, Female	
11	4460905	10	Plug, Socket	
12	4460933	1	Connector - 12 Position	
12	4460465	8	Socket, Female	
12	4460466	4	Seal, Plug	
13	4460879	1	Connector - 2 Position	
13	4460887	2	Terminal	
14	4460876	1	Connector - 35 Position	
14	4460871	33	Socket, Female	
14	4460905	2	Plug, Socket	
15	4460761	1	Connector - 4 Position	
15	4460227	4	Pin, Male	
16	4460314	1	Terminal, Spade	
17	4460539	1	Plug, Male - 3 Position	
17	4460944	3	Socket, Female	
18	4460536	1	Receptacle, Female - 3 Position	
18	4460943	3	Pin, Male	
19	1001098122	1	Terminal, Ring	
20	1001098122	1	Terminal, Ring	
21	4460933	1	Connector - 12 Position	
21	4460465	12	Socket, Female	
22	4460315	1	Terminal, Spade	
23	4460315	1	Terminal, Spade	
24	4460315	1	Terminal, Spade	
25	4460315	1	Terminal, Spade	
26	4460315	1	Terminal, Spade	

## SECTION 8 - ELECTRICAL

ITEM	PART NUMBER	QTY	DESCRIPTION	REV
27	4460434	1	Connector - 15 Position	
27	4460227	12	Pin, Male	
28	4460708	1	Connector - 15 Position	
28	4460226	2	Socket, Female	
29	4460315	1	Terminal, Spade	
30	4460225	1	Connector - 6 Position	
30	4460227	5	Pin, Male	
30	4460267	1	Pin, Male	
31	4460418	1	Connector - 6 Position	
31	1001159186	2	Terminal	
31	4460419	2	Terminal	
32	4460418	1	Connector - 6 Position	
32	1001159186	2	Terminal	
32	4460419	2	Terminal	
33	4460418	1	Connector - 6 Position	
33	1001159186	2	Terminal	
33	4460419	2	Terminal	
34	4460418	1	Connector - 6 Position	
34	1001159186	2	Terminal	
34	4460419	2	Terminal	
35	4460260	1	Connector - 1 Position	
35	4460259	1	Terminal	
36	4460260	1	Connector - 1 Position	
36	4460259	1	Terminal	
37	4460225	1	Connector - 6 Position	
37	4460226	6	Socket, Female	
38	4460225	1	Connector - 6 Position	
38	4460226	6	Socket, Female	
39	4460016	1	Terminal	
40	4460016	1	Terminal	
41	4460016	1	Terminal	
42	4460016	1	Terminal	
43	4460260	1	Connector - 1 Position	
43	4460259	1	Terminal	
44	4460260	1	Connector - 1 Position	
44	4460259	1	Terminal	
45	4460260	1	Connector - 1 Position	
45	4460259	1	Terminal	
46	4460260	1	Connector - 1 Position	
46	4460259	1	Terminal	
47	4460418	1	Connector - 6 Position	
47	1001159186	2	Terminal	
47	4460419	2	Terminal	
48	4460418	1	Connector - 6 Position	
48	1001159186	2	Terminal	
48	4460419	2	Terminal	
49	8220007	1	Terminal, Ring	
50	4460418	1	Connector - 6 Position	
50	1001159186	2	Terminal	
50	4460419	2	Terminal	
51	4460418	1	Connector - 6 Position	

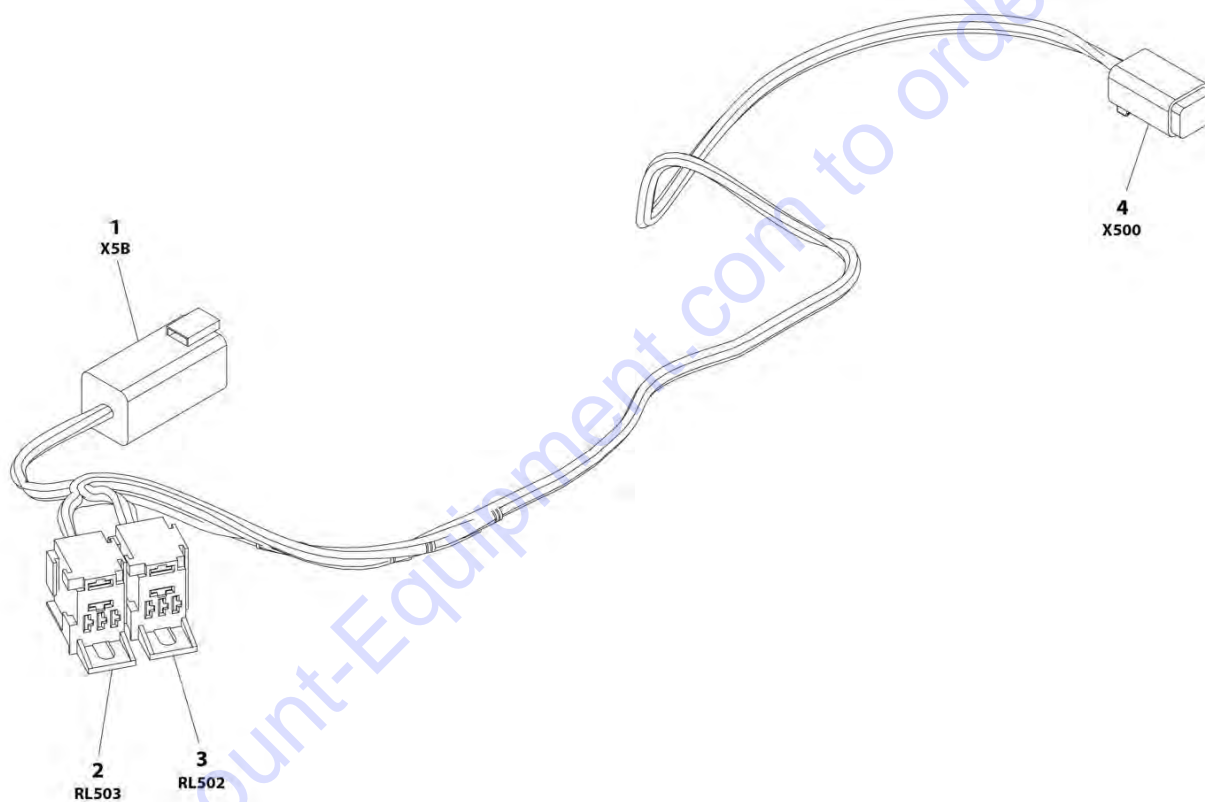
## SECTION 8 - ELECTRICAL

ITEM	PART NUMBER	QTY	DESCRIPTION	REV
51	1001159186	2	Terminal	
51	4460419	2	Terminal	
52	4460418	1	Connector - 6 Position	
52	1001159186	2	Terminal	
52	4460419	2	Terminal	
53	4460225	1	Connector - 6 Position	
53	4460226	4	Socket, Female	
54	4460418	1	Connector - 6 Position	
54	1001159186	1	Terminal	
54	4460419	2	Terminal	
55	4460225	1	Connector - 6 Position	
55	4460226	4	Socket, Female	
55	4460268	1	Socket, Female	
56	4460183	1	Terminal, Spade	
57	4460183	1	Terminal, Spade	
58	4460418	1	Connector - 6 Position	
58	1001159186	2	Terminal	
58	4460419	2	Terminal	
59	4460418	1	Connector - 6 Position	
59	1001159186	1	Terminal	
59	4460419	2	Terminal	
60	4460418	1	Connector - 6 Position	
60	1001159186	2	Terminal	

Go to Discount-Equipment.com to order your parts

# SECTION 8 - ELECTRICAL

## FIGURE 8-52. PLATFORM INTERFACE HARNESS



ART\_1001225580

## SECTION 8 - ELECTRICAL

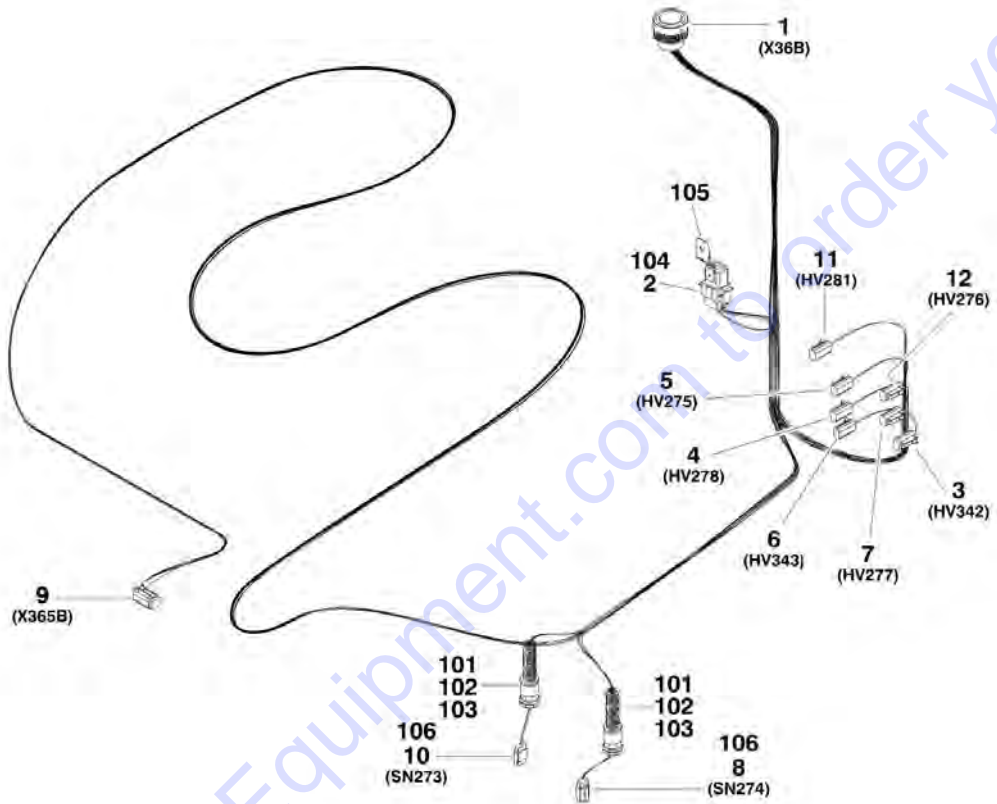
**FIGURE 8-52. PLATFORM INTERFACE HARNESS**

ITEM	PART NUMBER	QTY	DESCRIPTION	REV
	1001225580	Ref	PLATFORM INTERFACE HARNESS	C
1	4460899	1	Connector, Female - 6 Position	
1	4460464	4	Pin, Male	
1	4460466	2	Seal, Plug	
2	1001186432	1	Holder, Micro Relay	
2	1001116720	2	Terminal	
2	1001118388	2	Terminal	
3	1001186432	1	Holder, Micro Relay	
3	1001116720	2	Terminal	
3	1001118388	2	Terminal	
4	4460884	1	Connector - 3 Position	
4	4460465	4	Socket, Female	

Go to Discount-Equipment.com to order your parts

# SECTION 8 - ELECTRICAL

## FIGURE 8-53. PLATFORM VALVE HARNESS



1001149977



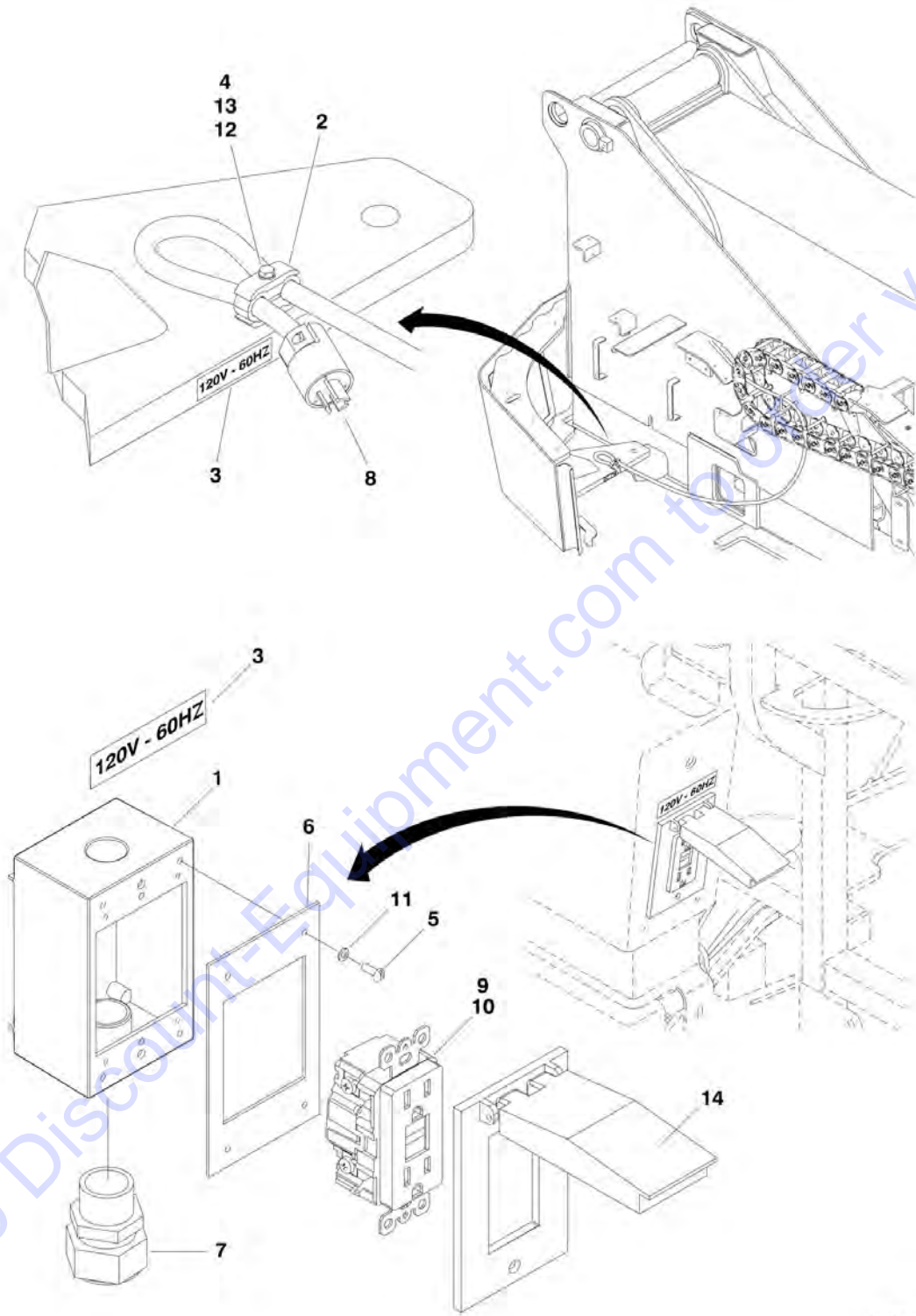
## SECTION 8 - ELECTRICAL

### FIGURE 8-53. PLATFORM VALVE HARNESS

ITEM	PART NUMBER	QTY	DESCRIPTION	REV
	1001149977	Ref	PLATFORM VALVE HARNESS	E
1	4460926	1	Connector - 21 Position	
1	1001126008	20	Socket, Female	
1	4460518	1	Plug, Socket	
2	4460458	1	Connector - 8 Position	
2	4460465	3	Socket, Female	
2	4460466	1	Plug, Socket	
3	4460891	1	Connector - 2 Position	
3	4460465	2	Socket, Female	
4	4460891	1	Connector - 2 Position	
4	4460465	2	Socket, Female	
5	4460891	1	Connector - 2 Position	
5	4460465	2	Socket, Female	
6	4460891	1	Connector - 2 Position	
6	4460465	2	Socket, Female	
7	4460891	1	Connector - 2 Position	
7	4460465	2	Socket, Female	
8	4460911	1	Connector - 3 Position	
8	1001126008	3	Socket, Female	
9	4460884	1	Connector - 3 Position	
9	4460465	3	Socket, Female	
10	4460911	1	Connector - 3 Position	
10	1001126008	3	Socket, Female	
11	4460891	1	Connector - 2 Position	
11	4460465	2	Socket, Female	
12	4460891	1	Connector - 2 Position	
12	4460465	2	Socket, Female	
101	1560010	2	Conduit	
102	1560011	2	Connector, Conduit	
103	1560012	2	Nut, Conduit	
104	4460852	1	Connector - 8 Position	
105	1001155743	1	Clip, Mounting	
106	4460912	2	Wedge, Locking	

## SECTION 8 - ELECTRICAL

FIGURE 8-54. RECEPTACLE AND CLAMP INSTALLATION - 110V - ANSI SPEC



1001156219

## SECTION 8 - ELECTRICAL

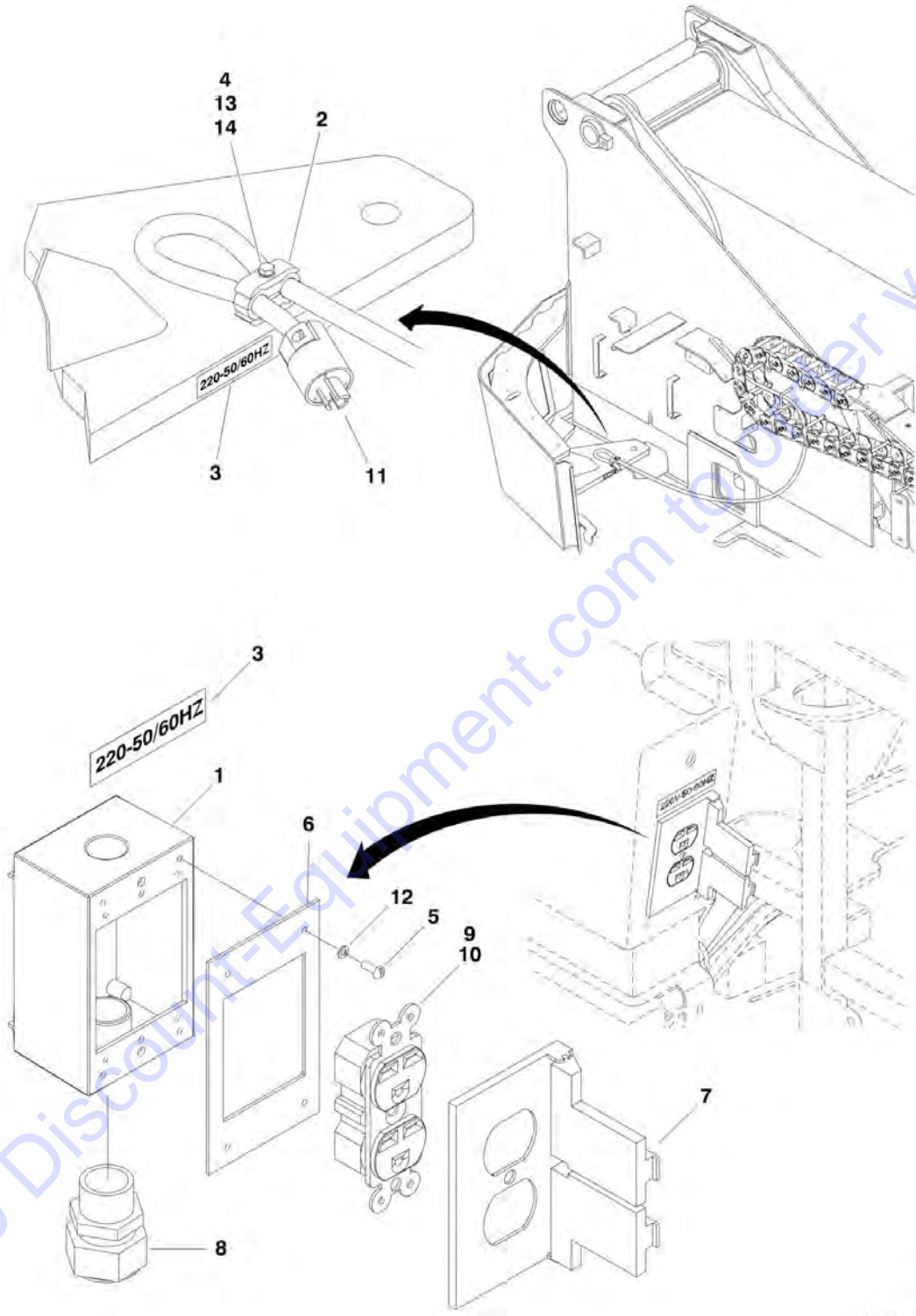
**FIGURE 8-54. RECEPTACLE AND CLAMP INSTALLATION - 110V - ANSI SPEC**

ITEM	PART NUMBER	QTY	DESCRIPTION	REV
	1001156219	Ref	RECEPTACLE AND CLAMP INSTALLATION - 110V - ANSI SPEC	A
1	0860038	1	Box, Switch	
2	1320146	1	Clamp	
3	3251243	2	Decal - 120V-60HZ	
4	3290605	1	Locknut M6	
5	3910606	4	Screw #6-32 x 3/8	
6	3960422	1	Gasket, Receptacle Cover	
7	4460051	1	Connector, Strain Relief	
8	4460205	1	Plug	
9	4460315	3	Terminal, Spade	
10	4460346	1	Receptacle, GFI	
11	4760600	4	Lockwasher, #6	
12	4811700	2	Flatwasher M6	
13	1001096653	1	Bolt M6 x 70	
14	1001110873	1	Cover, Receptacle Box	

Go to Discount-Equipment.com to order your parts

# SECTION 8 - ELECTRICAL

## FIGURE 8-55. RECEPTACLE AND CLAMP INSTALLATION - 220V - ANSI SPEC



1001156224

## SECTION 8 - ELECTRICAL

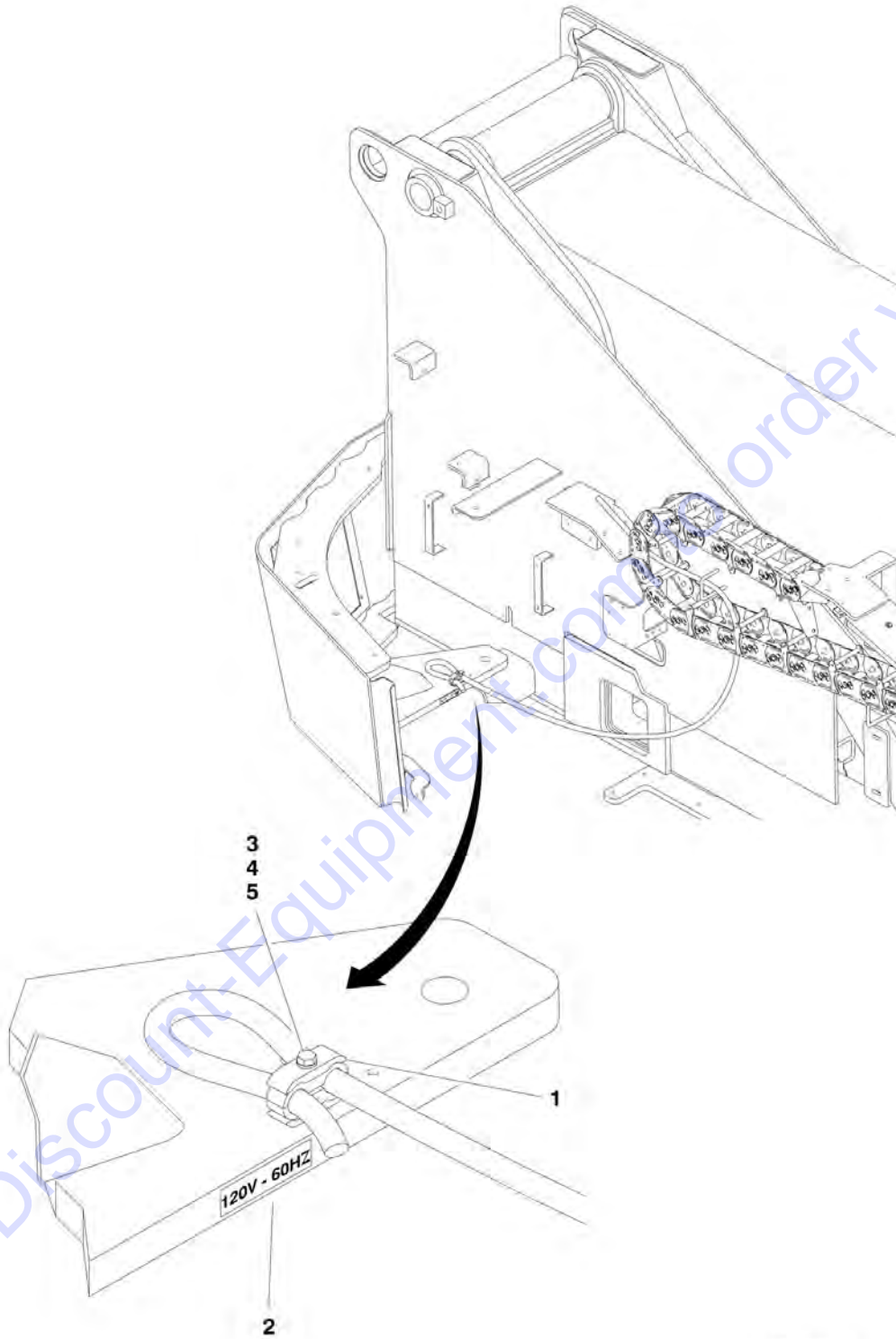
**FIGURE 8-55. RECEPTACLE AND CLAMP INSTALLATION - 220V - ANSI SPEC**

ITEM	PART NUMBER	QTY	DESCRIPTION	REV
	1001156224	Ref	RECEPTACLE AND CLAMP INSTALLATION - 220V - ANSI SPEC	A
1	0860038	1	Box, Switch	
2	1320146	1	Clamp	
3	3252507	2	Decal - 220V-50/60Hz	
4	3290605	1	Locknut M6	
5	3910606	4	Screw #6-32 x 3/8	
6	3960422	1	Gasket, Receptacle Cover	
7	4060092	1	Cover, Receptacle Box	
8	4460051	1	Connector, Strain Relief	
9	4460125	1	Receptacle	
10	4460315	3	Terminal, Spade	
11	4460709	1	Plug	
12	4760600	4	Lockwasher, #6	
13	4811700	2	Flatwasher M6	
14	1001096653	1	Bolt M6 x 70	

Go to Discount-Equipment.com to order your parts

## SECTION 8 - ELECTRICAL

FIGURE 8-56. RECEPTACLE AND CLAMP INSTALLATION - SUPPLIED LOCALLY



1001156218

## SECTION 8 - ELECTRICAL

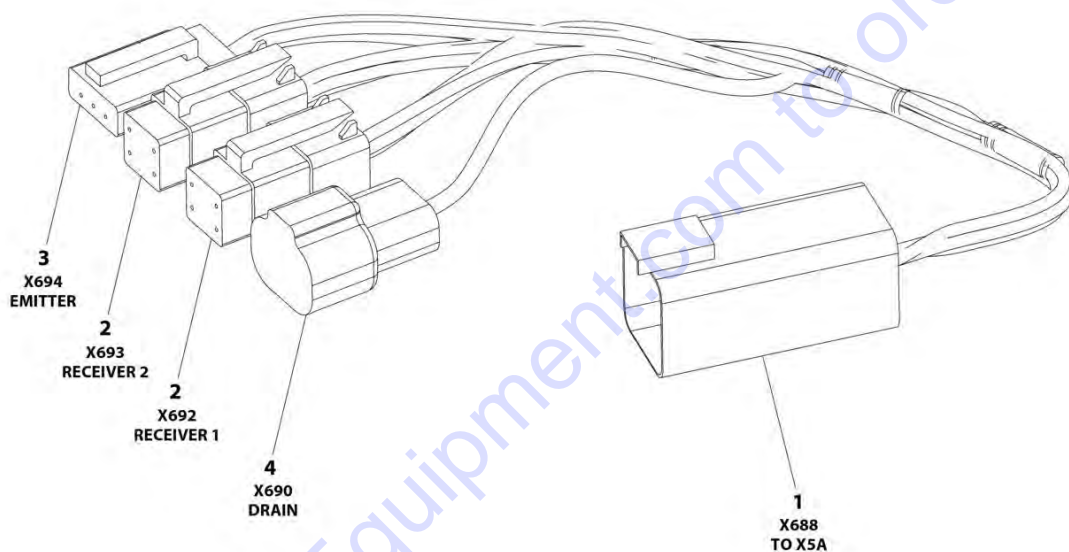
**FIGURE 8-56. RECEPTACLE AND CLAMP INSTALLATION - SUPPLIED LOCALLY**

ITEM	PART NUMBER	QTY	DESCRIPTION	REV
	1001156218	Ref	RECEPTACLE AND CLAMP INSTALLATION - SUPPLIED LOCALLY	A
1	1320146	1	Clamp	
2	3251243	1	Decal - 120V-60HZ	
3	3290605	1	Locknut M6	
4	4811700	2	Flatwasher M6	
5	1001096653	1	Bolt M6 x 70	

Go to Discount-Equipment.com to order your parts

# SECTION 8 - ELECTRICAL

## FIGURE 8-57. SKYEYE INTERMEDIATE HARNESS



ART\_1001237865



## SECTION 8 - ELECTRICAL

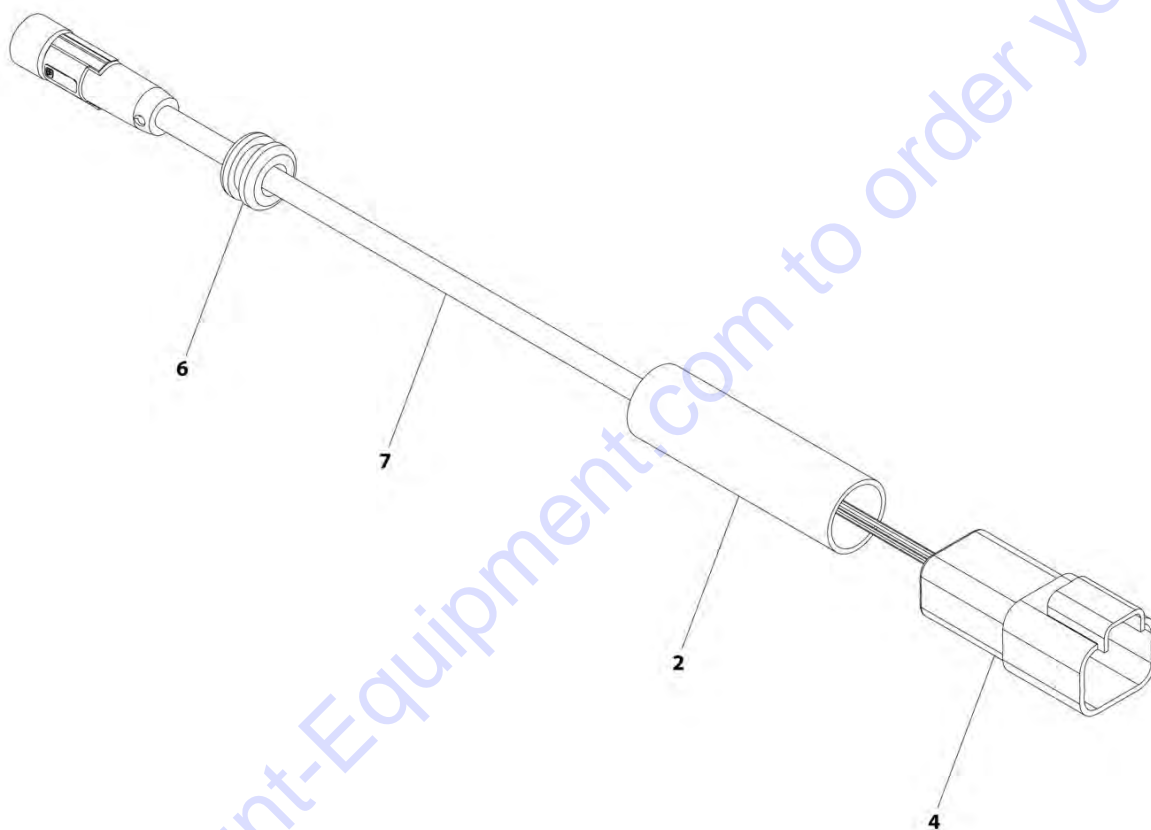
**FIGURE 8-57. SKYEYE INTERMEDIATE HARNESS**

ITEM	PART NUMBER	QTY	DESCRIPTION	REV
	1001237865	Ref	SKYEYE INTERMEDIATE HARNESS	A
1	4460899	1	Connector - 6 Position	
1	4460943	4	Pin, Male	
1	4460466	2	Plug, Terminal	
2	4461077	2	Connector - 4 Position	
2	1001119619	8	Socket, Female	
3	4460911	1	Connector - 3 Position	
3	1001119619	3	Socket, Female	
4	1001187681	1	Connector - 2 Position	
4	4460941	1	Pin, Male	
4	4460466	1	Plug, Terminal	

Go to Discount-Equipment.com to order your parts

# SECTION 8 - ELECTRICAL

## FIGURE 8-58. SKYEYE RECEIVER HARNESS



ART\_1001237863

## SECTION 8 - ELECTRICAL

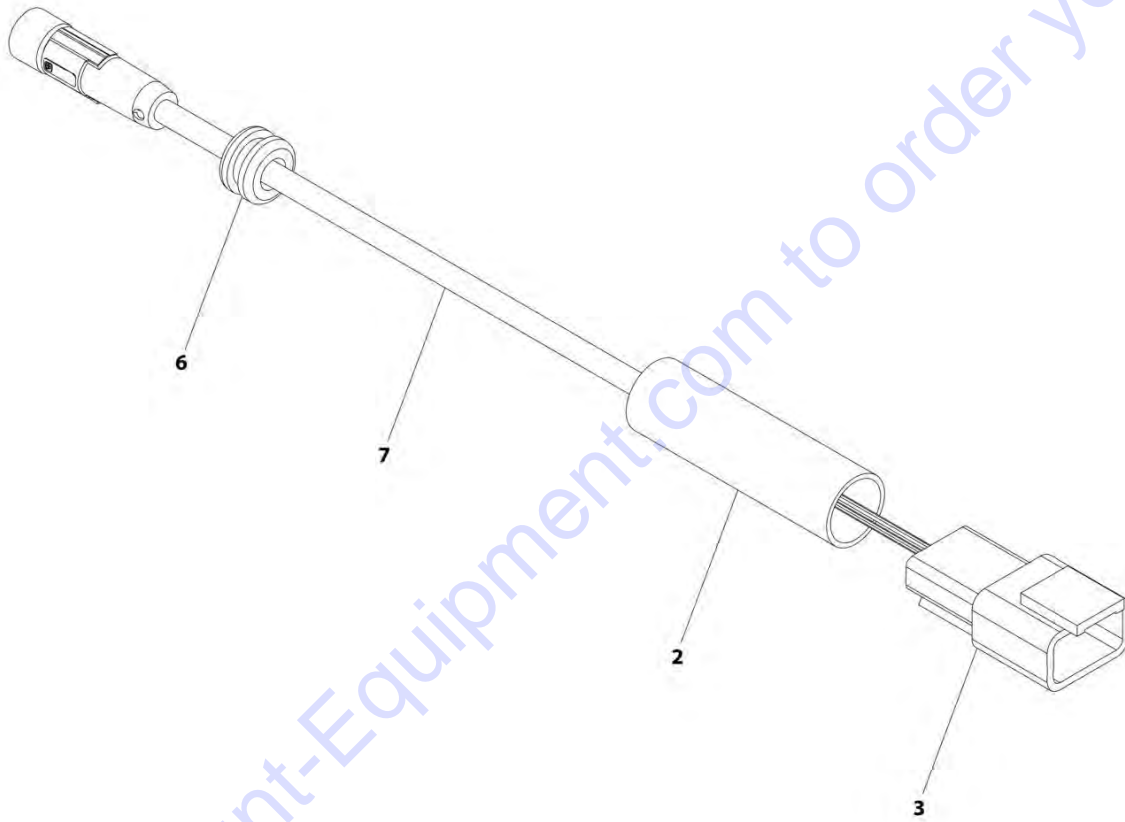
### FIGURE 8-58. SKYEYE RECEIVER HARNESS

ITEM	PART NUMBER	QTY	DESCRIPTION	REV
	1001237863	Ref	SKYEYE RECEIVER HARNESS	A
2	2820247	AR	Tubing, Heat Shrink	
4	1001097051	1	Connector - 4 Position	
4	1001119620	4	Pin, Male	
6	1001227996	1	Grommet	
7	1001237862	1	Cable, M8 Female Cordset	

Go to Discount-Equipment.com to order your parts

# SECTION 8 - ELECTRICAL

## FIGURE 8-59. SKYEYE EMITTER HARNESS



ART\_1001237864

## SECTION 8 - ELECTRICAL

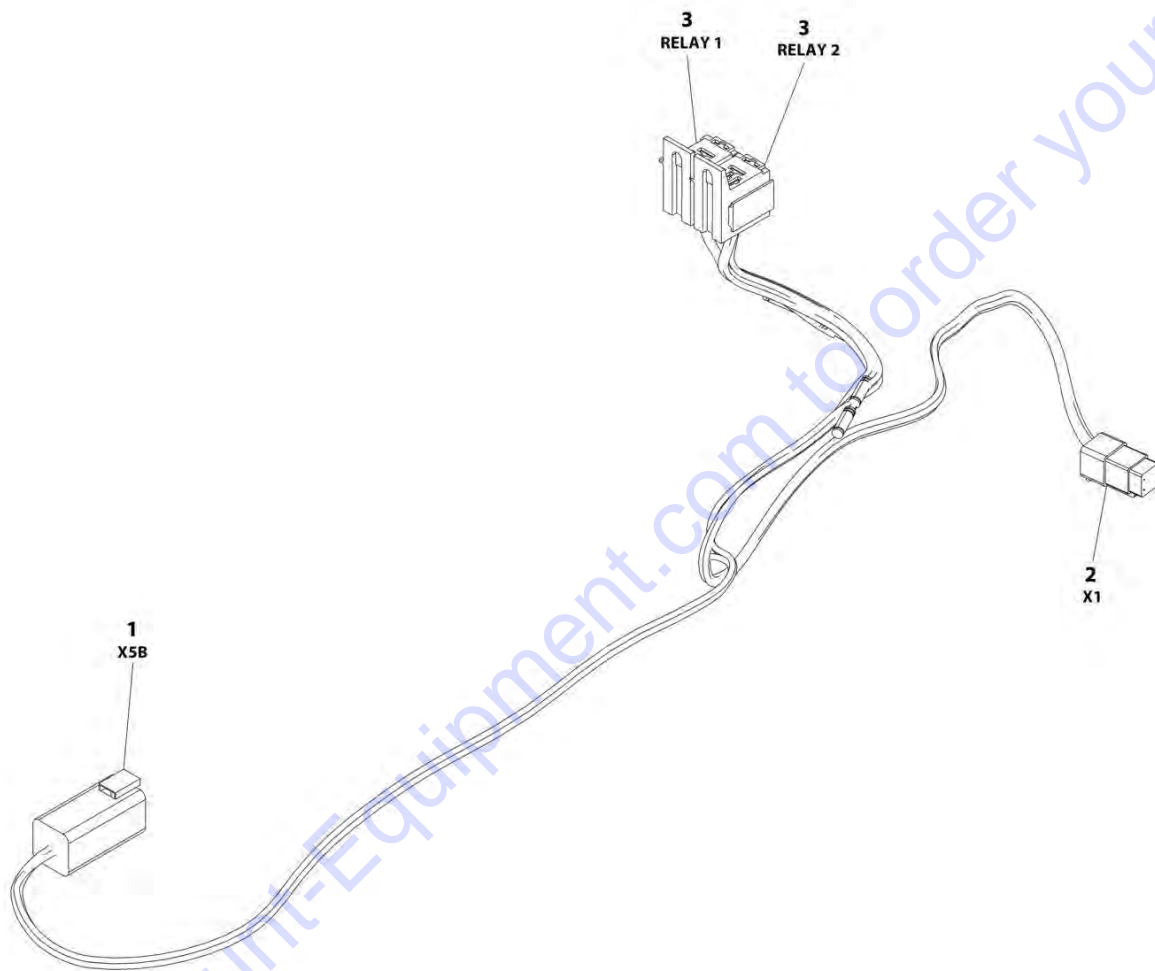
### FIGURE 8-59. SKYEYE EMITTER HARNESS

ITEM	PART NUMBER	QTY	DESCRIPTION	REV
	1001237864	Ref	SKYEYE EMITTER HARNESS	A
2	2820247	AR	Tubing, Heat Shrink	
3	4460910	1	Connector - 3 Position	
3	1001119620	3	Pin, Male	
6	1001227996	1	Grommet	
7	1001237862	1	Cable, M8 Female Cordset	

Go to Discount-Equipment.com to order your parts

# SECTION 8 - ELECTRICAL

## FIGURE 8-60. SKYLINE HARNESS



ART\_1001238418

## SECTION 8 - ELECTRICAL

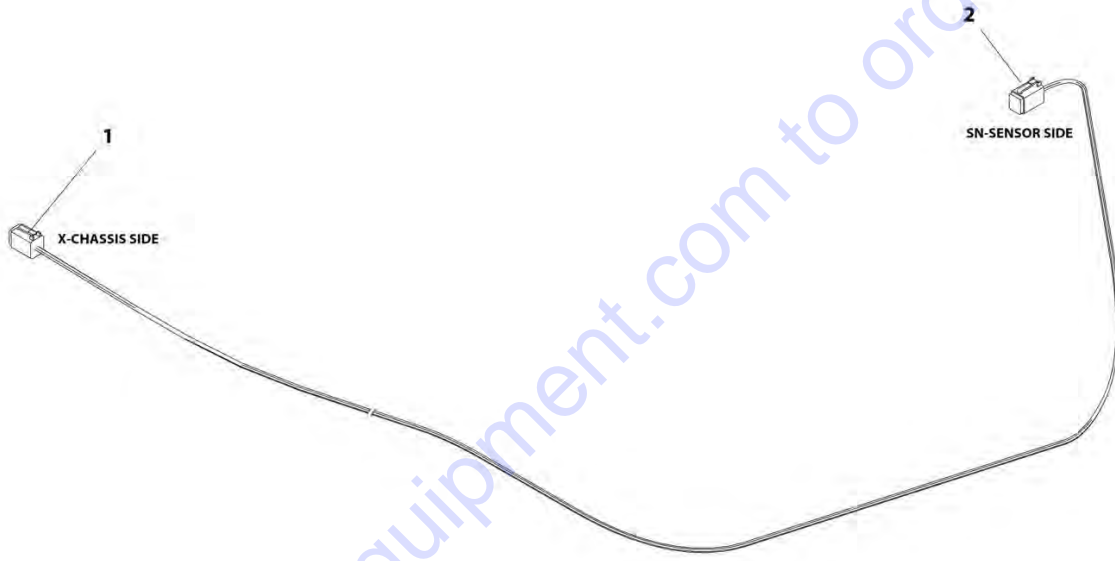
### FIGURE 8-60. SKYLINE HARNESS

ITEM	PART NUMBER	QTY	DESCRIPTION	REV
	1001238418	Ref	SKYLINE HARNESS	A
1	4460899	1	Connector - 6 Position	
1	4460464	4	Pin, Male	
1	4460466	2	Plug, Terminal	
2	4461077	1	Connector - 4 Position	
2	1001126009	4	Socket, Female	
3	1001186432	2	Plug, Relay	
3	1001118388	5	Terminal	
3	1001118384	3	Terminal	
3	3740086	2	Relay	
3	3990013	2	Diode	

Go to Discount-Equipment.com to order your parts

# SECTION 8 - ELECTRICAL

## FIGURE 8-61. STEER HARNESS



ART\_1001155817



## SECTION 8 - ELECTRICAL

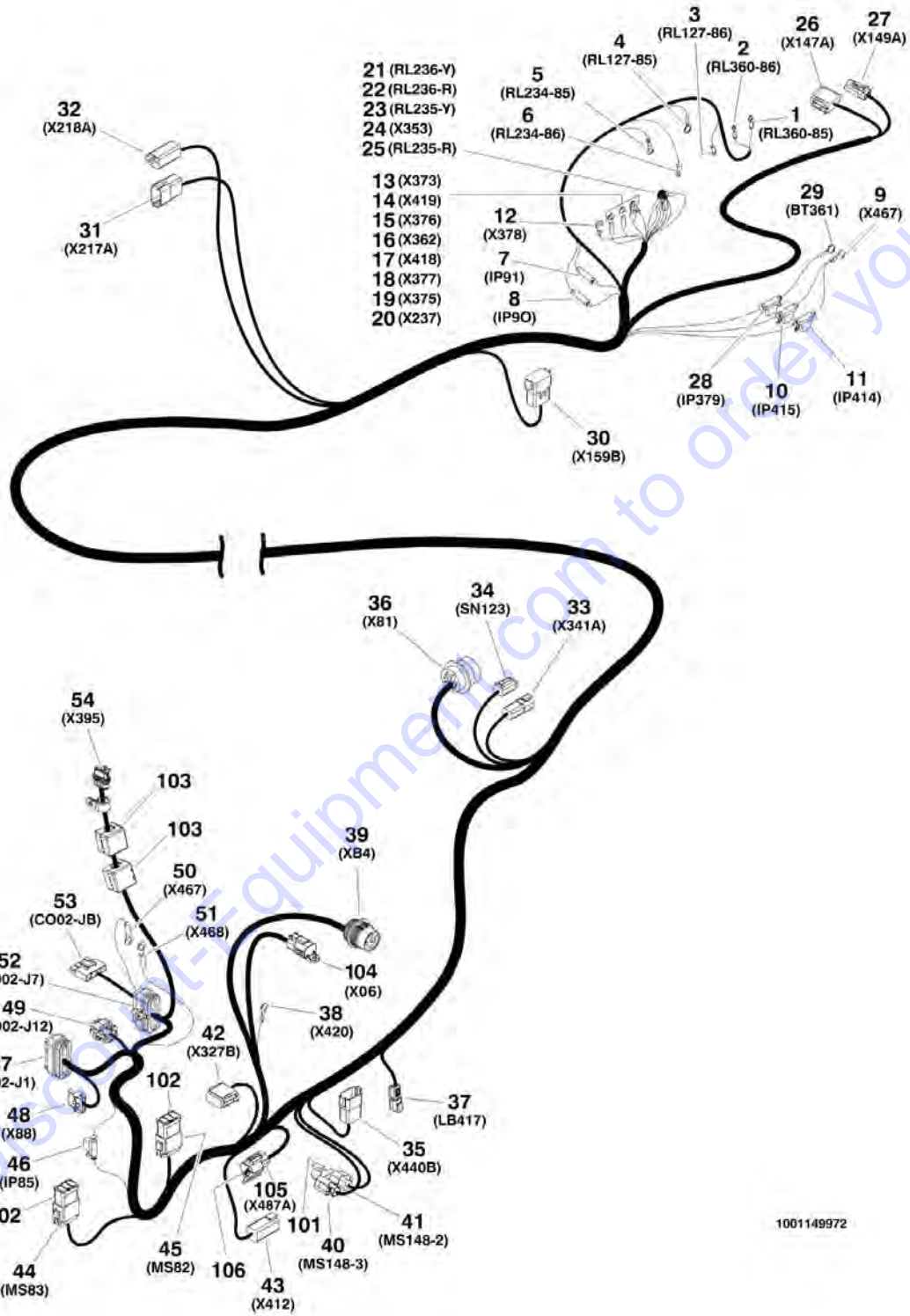
### FIGURE 8-61. STEER HARNESS

ITEM	PART NUMBER	QTY	DESCRIPTION	REV
	1001155817	Ref	STEER HARNESS	B
1	4460894	1	Connector - 6 Position	
1	4460465	4	Socket, Female	
1	4460466	2	Seal, Plug	
2	4460894	1	Connector - 6 Position	
2	4460465	3	Socket, Female	
2	4460466	3	Seal, Plug	

Go to Discount-Equipment.com to order your parts

# SECTION 8 - ELECTRICAL

## FIGURE 8-62. TURNTABLE HARNESS



1001149972

## SECTION 8 - ELECTRICAL

### FIGURE 8-62. TURNTABLE HARNESS

ITEM	PART NUMBER	QTY	DESCRIPTION	REV
	1001149972	Ref	TURNTABLE HARNESS	K
1	4460247	1	Ring, Terminal	
2	4460247	1	Ring, Terminal	
3	4460247	1	Ring, Terminal	
4	4460703	1	Ring, Terminal	
5	4460670	1	Ring, Terminal	
6	4460042	1	Ring, Terminal	
7	IN4004	1	Diode 6A	
8	IN4004	1	Diode 6A	
9	4460019	1	Ring, Terminal	
10	2400066	1	Fuseholder with Leads	
11	2400066	1	Fuseholder with Leads	
12	4460019	1	Ring, Terminal	
13	4460256	1	Ring, Terminal	
14	4460256	1	Ring, Terminal	
15	4460019	1	Ring, Terminal	
16	4460256	1	Ring, Terminal	
17	4460019	1	Ring, Terminal	
18	4460019	1	Ring, Terminal	
19	4460256	1	Ring, Terminal	
20	4460256	1	Ring, Terminal	
21	1001117106	1	Ring, Terminal	
22	4460312	1	Ring, Terminal	
23	1001117106	1	Ring, Terminal	
24	4460043	1	Ring, Terminal	
25	4460312	1	Ring, Terminal	
26	4460836	1	Connector - 12 Position	
26	4460466	8	Plug, Socket	
26	4460465	1	Socket, Female	
26	4460944	3	Socket, Female	
27	4461018	1	Connector - 2 Position	
27	4460509	2	Socket, Female	
28	2400066	1	Fuseholder with Leads	
29	4460019	1	Ring, Terminal	
30	4460950	1	Connector, Female - 12 Position	
30	4460464	9	Pin, Male	
30	4460466	3	Plug, Socket	
31	4460950	1	Connector, Female - 12 Position	
31	4460464	11	Pin, Male	
31	4460466	1	Plug, Socket	
32	4460899	1	Connector, Female - 6 Position	
32	4460464	3	Pin, Male	
32	4460943	3	Pin, Male (Gold)	
33	4460932	1	Connector - 4 Position	
33	4460464	4	Pin, Male	
34	4460884	4	Connector - 4 Position	
34	4460465	3	Socket, Female	
34	4460466	1	Plug, Socket	
35	4460931	1	Connector - 8 Position	
35	4460464	8	Pin, Male	

## SECTION 8 - ELECTRICAL

ITEM	PART NUMBER	QTY	DESCRIPTION	REV
36	4460866	1	Connector - 19 Pin	
36	4460464	8	Pin, Male Deutsch 16 Ga	
36	4460508	4	Pin, Male Deutsch 12 Ga	
36	4460943	3	Pin, Male 16 Ga (Gold)	
36	4460466	4	Plug, Socket	
37	4460897	4	Connector - 2 Position	
37	4460464	8	Pin, Male	
38	4460670	1	Ring, Terminal	
39	1001112617	1	Connector - 9 Position	
39	4460464	3	Pin, Male	
39	4460943	3	Pin, Male (Gold)	
39	4460466	3	Plug, Socket	
40	1001116812	1	Connector - 3 Position	
40	4460465	3	Socket, Female	
41	4460539	2	Connector - 3 Position	
41	4460465	3	Socket, Female	
42	4460933	1	Connector - 12 Position	
42	4460465	AR	Socket, Female	
42	4460466	1	Plug, Socket	
43	4460899	3	Connector, Female - 6 Position	
43	4460464	1	Pin, Male	
44	4460933	6	Connector - 12 Position	
44	4460465	1	Socket, Female	
44	4460466	9	Plug, Socket	
45	4460933	3	Connector - 12 Position	
45	4460644	11	Socket, Female	
45	4460466	1	Plug, Socket	
46	2400066	1	Fuseholder with Leads	
47	4460874	1	Connector - 35 Position	
47	4460871	18	Socket, Female	
47	4460905	17	Plug	
48	4460761	1	Connector - 4 Position	
48	4460267	4	Pin, Male	
49	1001113961	1	Connector - 8 Position	
49	4460871	AR	Socket, Female	
49	4460905	4	Plug	
50	1001128127	1	Ring, Terminal	
51	1001128127	1	Ring, Terminal	
52	4460873	1	Connector - 35 Position	
52	4460871	29	Socket, Female	
52	4460466	6	Plug, Socket	
53	4460878	1	Connector - 4 Position	
53	4460887	3	Terminal	
54	1001103012	1	Connector - 4 Position	
54	101107854	4	Terminal	
101	4460945	1	Connector - 3 Way Tee	
102	1001119020	2	Connector, Bussbar	
103	1001102594	2	Connector - LMI Harness	
104	4460884	1	Connector - 4 Position (SN 0300207793 to Present)	
104	4460465	4	Socket, Female (SN 0300207793 to Present)	
104	1001192401	1	Cap, Dust (SN 0300207793 to Present)	

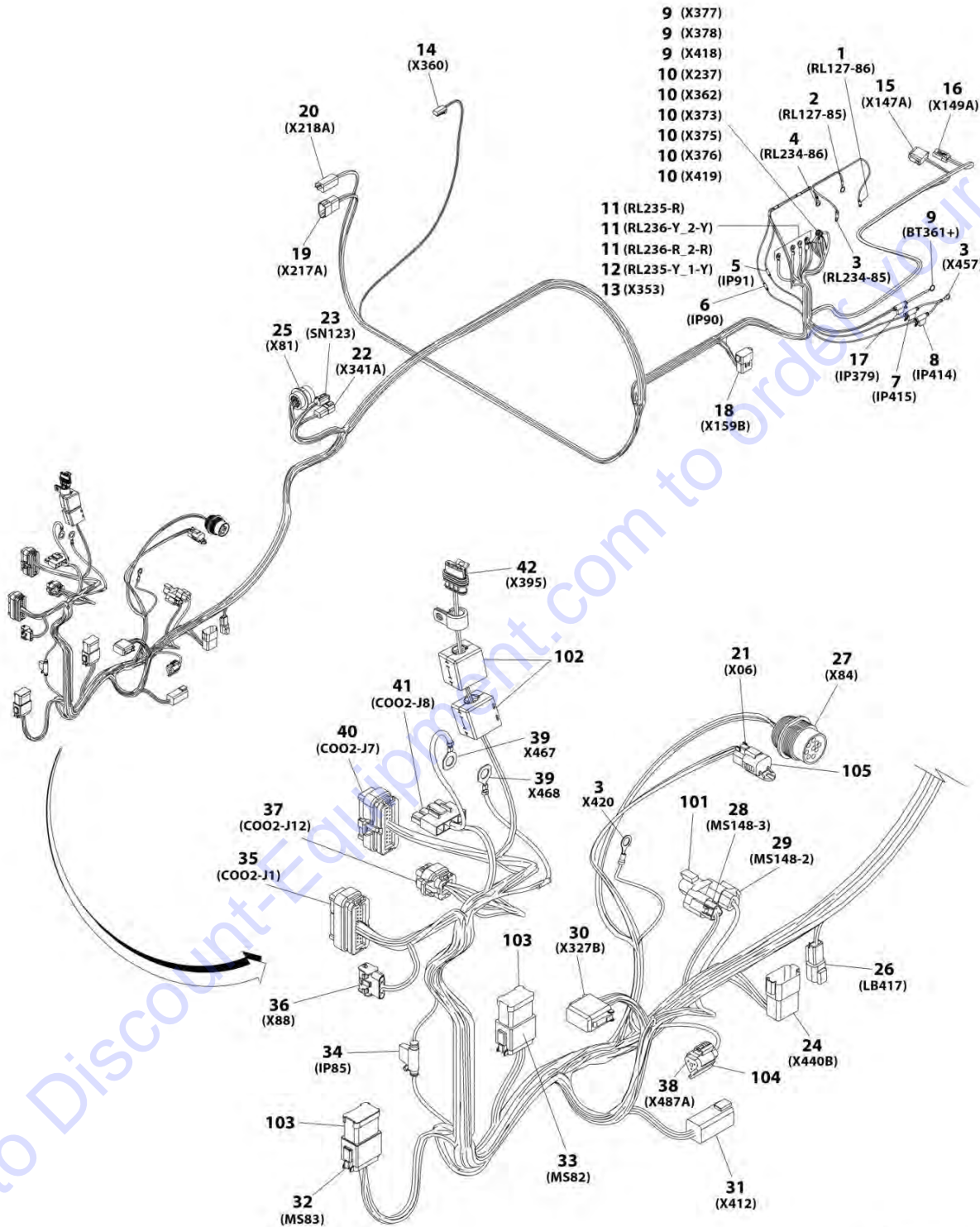
## SECTION 8 - ELECTRICAL

ITEM	PART NUMBER	QTY	DESCRIPTION	REV
105	4460539	1	Connector - 3 Position (SN 0300210987 to Present)	
105	4460465	2	Socket, Female (SN 0300210987 to Present)	
105	4460466	1	Plug, Socket (SN 0300210987 to Present)	
106	1001144296	1	Cap (SN 0300210987 to Present)	

Go to Discount-Equipment.com to order your parts

# SECTION 8 - ELECTRICAL

## FIGURE 8-63. TURNTABLE HARNESS



ART\_1001232711

## SECTION 8 - ELECTRICAL

### FIGURE 8-63. TURNTABLE HARNESS

ITEM	PART NUMBER	QTY	DESCRIPTION	REV
	1001232711	Ref	TURNTABLE HARNESS	B
1	4460247	1	Ring, Terminal	
2	4460703	1	Ring, Terminal	
3	4460670	3	Ring, Terminal	
4	4460042	1	Ring, Terminal	
5	IN4004	1	Diode 6A	
6	IN4004	1	Diode 6A	
7	2400060	1	Fuseholder with Cover	
7	2400064	1	Fuse 3Amp	
8	2400060	1	Fuseholder with Cover	
8	2400064	1	Fuse 3Amp	
9	4460019	5	Ring, Terminal	
10	4460256	5	Ring, Terminal	
11	4460312	3	Ring, Terminal	
12	1001117106	1	Ring, Terminal	
13	4460043	1	Ring, Terminal	
14	4460891	1	Connector - 2 Position	
14	4460465	2	Socket, Female	
15	4460836	1	Connector - 12 Position	
15	4460466	8	Plug, Socket	
15	4460465	1	Socket, Female	
15	4460944	3	Socket, Female	
16	4461018	1	Connector - 2 Position	
16	4460509	2	Socket, Female	
17	2400066	1	Fuseholder with Leads	
17	2400064	1	Fuse 5Amp	
18	4460950	1	Connector, Female - 12 Position	
18	4460464	9	Pin, Male	
18	4460466	3	Plug, Socket	
19	4460931	1	Connector - 8 Position	
19	4460941	1	Pin, Male 14-16GA	
19	4460464	6	Pin, Male Deutsch 16 Ga	
19	4460466	1	Plug, Socket	
20	4460899	1	Connector, Female - 6 Position	
20	4460464	2	Pin, Male	
20	4460943	3	Pin, Male 16 Ga (Gold)	
20	4460941	1	Pin, Male 14-16GA	
21	4460884	1	Connector - 4 Position	
21	4460465	4	Socket, Female	
22	4460932	1	Connector - 4 Position	
22	4460464	4	Pin, Male	
23	4460884	1	Connector - 4 Position	
23	4460465	3	Socket, Female	
23	4460466	1	Plug, Socket	
24	4460931	1	Connector - 8 Position	
24	4460464	8	Pin, Male	
25	4460866	1	Connector - 19 Pin	
25	4460464	8	Pin, Male	
25	4460508	4	Pin, Male Deutsch 12 Ga	
25	4460943	3	Pin, Male (Gold)	

## SECTION 8 - ELECTRICAL

ITEM	PART NUMBER	QTY	DESCRIPTION	REV
25	4460466	4	Plug, Socket	
26	4460897	1	Connector - 2 Position	
26	4460464	2	Pin, Male	
27	1001112612	1	Connector - 9 Position	
27	4460464	3	Pin, Male	
27	4460943	3	Pin, Male (Gold)	
27	4460466	4	Plug, Socket	
28	1001116812	1	Connector - 3 Position	
28	4460465	3	Socket, Female	
29	4460539	1	Connector - 3 Position	
29	4460465	3	Socket, Female	
30	4460933	1	Connector - 12 Position	
30	4460944	11	Socket, Female	
30	4460466	1	Plug, Socket	
31	4460899	1	Connector, Female - 6 Position	
31	4460464	4	Pin, Male	
31	4460941	2	Pin, Male 14-16GA	
32	4460933	1	Connector - 12 Position	
32	4460944	11	Socket, Female	
32	4460466	1	Plug, Socket	
33	4460933	1	Connector - 12 Position	
33	4460944	11	Socket, Female	
33	4460466	1	Plug, Socket	
34	2400060	1	Fuseholder with Cover	
34	2400064	1	Fuse 5Amp	
35	4460874	1	Connector - 35 Position	
35	4460871	18	Socket, Female	
35	4460905	17	Plug	
36	4460761	1	Connector - 4 Position	
36	4460267	4	Pin, Male	
37	1001113961	1	Connector - 8 Position	
37	4460871	6	Socket, Female	
37	4460905	2	Plug	
38	4460539	1	Connector - 3 Position	
38	4460465	2	Socket, Female	
38	4460466	1	Plug, Socket	
39	1001187079	2	Ring, Terminal	
40	4460873	1	Connector - 35 Position	
40	4460871	27	Socket, Female	
40	4460905	8	Plug	
41	4460878	1	Connector - 4 Position	
41	4460887	3	Terminal	
42	1001103012	1	Connector - 4 Position	
42	1001107854	14	Terminal	
42	1001104498	4	Seal	
101	4460945	1	Connector - 3 Way Tee	
102	1001102594	2	Connector - LMI Harness	
103	1001119020	2	Connector, Bussbar	
104	1001144296	1	Cap	
105	1001192401	1	Cap, Dust	



# PARTS FINDER

**Search Website  
by Part Number**



**Search Manual  
Library For Parts  
Manual & Lookup Part  
Numbers – Purchase  
or Request Quote**

**Can't Find Part or  
Manual? Request Help  
by Manufacturer,  
Model & Description**

Discount-Equipment.com is your online resource for quality parts & equipment.

Florida: **561-964-4949** Outside Florida TOLL FREE: **877-690-3101**

**Need parts?**

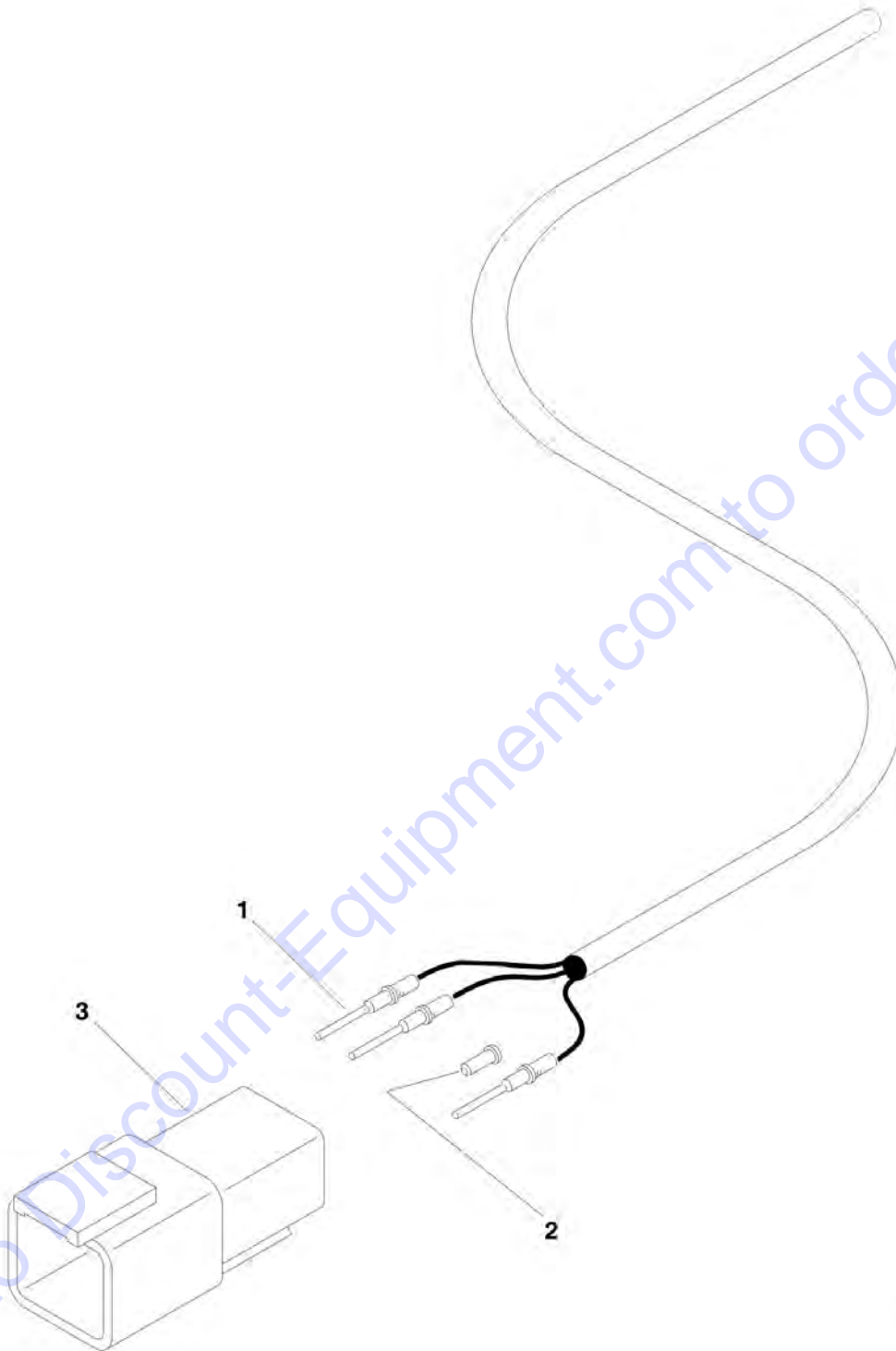
Click on this link: <http://www.discount-equipment.com/category/5443-parts/> and choose one of the options to help get the right parts and equipment you are looking for. Please have the machine model and serial number available in order to help us get you the correct parts. If you don't find the part on the website or on one of the online manuals, please fill out the request form and one of our experienced staff members will get back to you with a quote for the right part that your machine needs.

We sell worldwide for the brands: Genie, Terex, JLG, MultiQuip, Mikasa, Essick, Whiteman, Mayco, Toro Stone, Diamond Products, Generac Magnum, Airman, Haulotte, Barreto, Power Blanket, Nifty Lift, Atlas Copco, Chicago Pneumatic, Allmand, Miller Curber, Skyjack, Lull, Skytrak, Tsurumi, Husquvarna Target, Stow, Wacker, Sakai, Mi-T-M, Sullair, Basic, Dynapac, MBW, Weber, Bartell, Bennar Newman, Haulotte, Ditch Runner, Menegotti, Morrison, Contec, Buddy, Crown, Edco, Wyco, Bomag, Laymor, EZ Trench, Bil-Jax, F.S. Curtis, Gehl Pavers, Heli, Honda, ICS/PowerGrit, IHI, Partner, Imer, Clipper, MMD, Koshin, Rice, CH&E, General Equipment, Amida, Coleman, NAC, Gradall, Square Shooter, Kent, Stanley, Tamco, Toku, Hatz, Kohler, Robin, Wisconsin, Northrock, Oztec, Toker TK, Rol-Air, APT, Wylie, Ingersoll Rand / Doosan, Innovatech, Con X, Ammann, Mecalac, Makinex, Smith Surface Prep, Small Line, Wanco, Yanmar



**SECTION 8 - ELECTRICAL**

**FIGURE 8-64. TRANSPORT SWITCH HARNESS**



1001159363

## SECTION 8 - ELECTRICAL

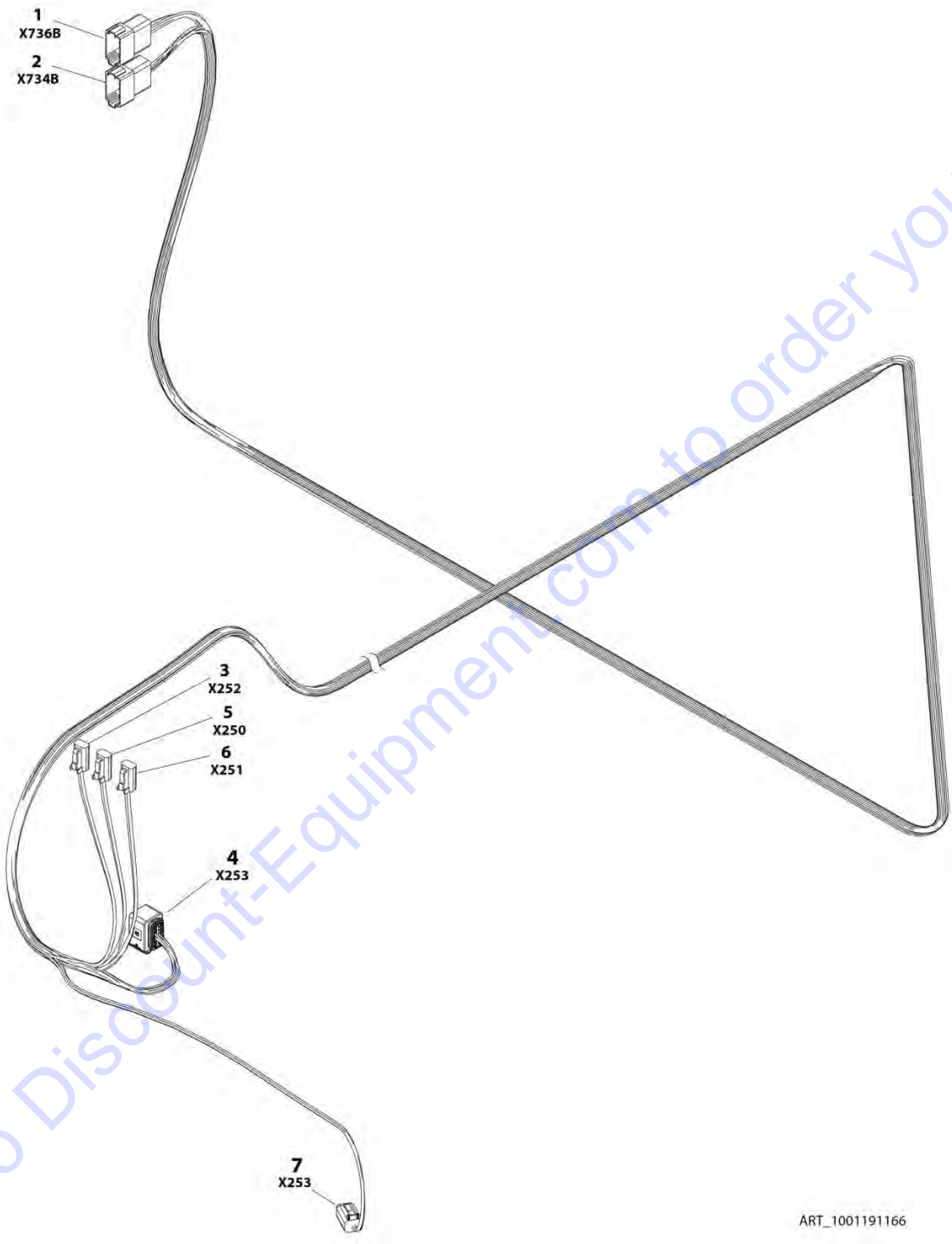
### FIGURE 8-64. TRANSPORT SWITCH HARNESS

ITEM	PART NUMBER	QTY	DESCRIPTION	REV
	1001159363	Ref	TRANSPORT CABLE HARNESS	B
1	4460464	3	Pin, Male	
2	4460466	1	Plug, Socket	
3	4460932	1	Connector - 4 Position	

Go to Discount-Equipment.com to order your parts

# SECTION 8 - ELECTRICAL

## FIGURE 8-65. UREA TANK HARNESS



ART\_1001191166

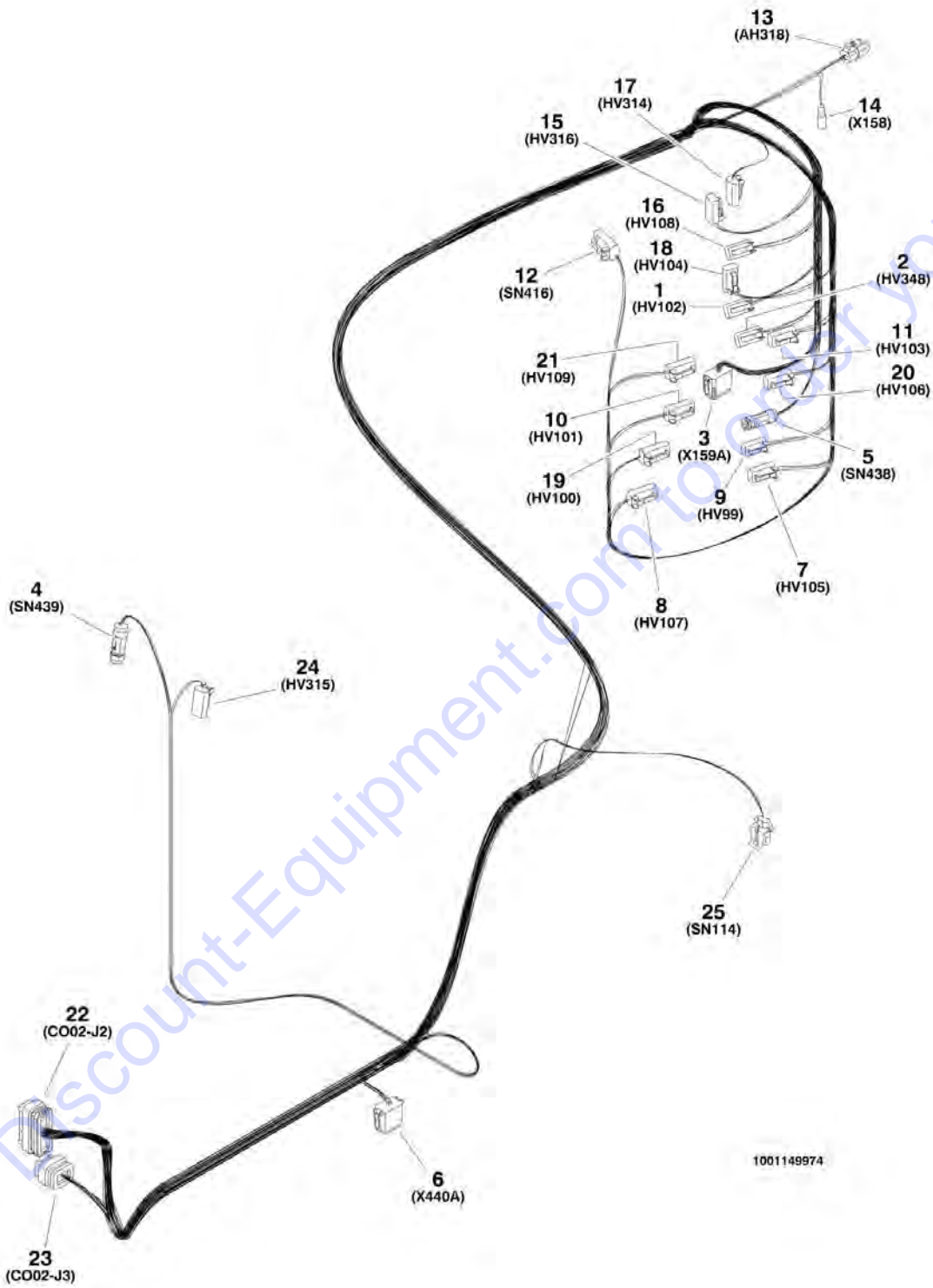
## SECTION 8 - ELECTRICAL

### FIGURE 8-65. UREA TANK HARNESS

ITEM	PART NUMBER	QTY	DESCRIPTION	REV
	1001191166	Ref	UREA TANK HARNESS	C
1	4460982	1	Connector - 12 Position	
1	1001157891	6	Pin, Male	
1	4460464	2	Pin, Male	
1	4460943	2	Pin, Male (Gold)	
1	4460466	2	Seal, Plug	
2	1001152742	1	Connector - 12 Position	
2	4460941	2	Pin, Male 14-16GA	
2	4460464	8	Pin, Male	
2	4460466	2	Plug, Socket	
3	4460891	1	Connector - 2 Position	
3	4460942	2	Socket, Female	
4	1001165194	1	Connector - 12 Position	
4	1001166556	8	Socket, Female	
4	1001166774	2	Socket, Female	
4	1001126391	2	Seal, Plug	
5	4460891	1	Connector - 2 Position	
5	4460942	2	Socket, Female	
6	4460891	1	Connector - 2 Position	
6	4460942	2	Socket, Female	
7	4460884	1	Connector - 4 Position	
7	4460944	2	Socket, Female	
7	4460465	2	Socket, Female	

# SECTION 8 - ELECTRICAL

## FIGURE 8-66. VALVE BANK HARNESS (Prior to SN 0300201023)



## SECTION 8 - ELECTRICAL

**FIGURE 8-66. VALVE BANK HARNESS (Prior to SN 0300201023)**

ITEM	PART NUMBER	QTY	DESCRIPTION	REV
	1001149974	Ref	VALVE BANK HARNESS (Prior to SN 0300201023)	D
1	4460891	1	Connector - 2 Position	
1	4460465	2	Socket, Female	
2	4460891	1	Connector - 2 Position	
2	4460465	2	Socket, Female	
3	4460836	1	Connector - 12 Position	
3	4460465	9	Socket, Female	
3	4460466	3	Plug, Socket	
4	1001163747	1	Connector - 4 Position (Includes Cable)	
5	1001163747	1	Connector - 4 Position (Includes Cable)	
6	4460930	1	Connector - 8 Position	
6	4460465	8	Socket, Female	
7	4460891	1	Connector - 2 Position	
7	4460465	2	Socket, Female	
8	4460891	1	Connector - 2 Position	
8	4460465	2	Socket, Female	
9	4460891	1	Connector - 2 Position	
9	4460465	2	Socket, Female	
10	4460891	1	Connector - 2 Position	
10	4460465	2	Socket, Female	
11	4460891	1	Connector - 2 Position	
11	4460465	2	Socket, Female	
12	4460891	1	Connector - 2 Position	
12	4460465	2	Socket, Female	
13	4460539	1	Connector - 3 Position	
13	4460465	3	Socket, Female	
14	8220068	1	Connector - 1 Position	
15	4460891	1	Connector - 2 Position	
15	4460465	2	Socket, Female	
16	4460891	1	Connector - 2 Position	
16	4460465	2	Socket, Female	
17	4460891	1	Connector - 2 Position	
17	4460465	2	Socket, Female	
18	4460891	1	Connector - 2 Position	
18	4460465	2	Socket, Female	
19	4460891	1	Connector - 2 Position	
19	4460465	2	Socket, Female	
20	4460891	1	Connector - 2 Position	
20	4460465	2	Socket, Female	
21	4460891	1	Connector - 2 Position	
21	4460465	2	Socket, Female	
22	4460875	1	Connector - 35 Position	
22	4460871	28	Socket, Female	
22	4460905	7	Plug	
23	4460872	1	Connector - 14 Position	
23	4460871	8	Socket, Female	
23	4460905	6	Plug	
24	4460891	1	Connector - 2 Position	
24	4460465	2	Socket, Female	
25	4460843	1	Connector - 2 Position	



**SECTION 8 - ELECTRICAL**

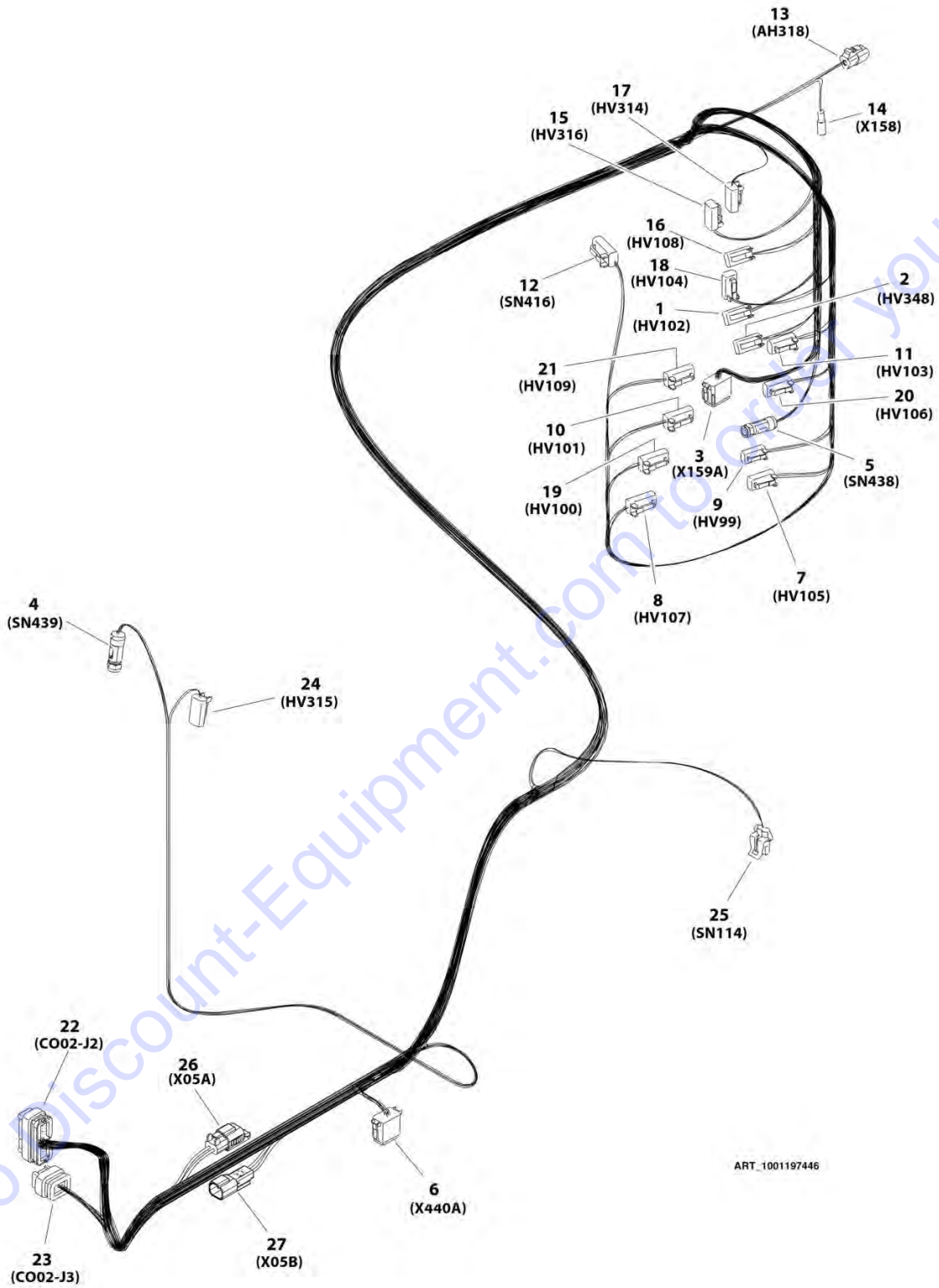
ITEM	PART NUMBER	QTY	DESCRIPTION	REV
25	91554014	2	Socket, Female	

Go to Discount-Equipment.com to order your parts



# SECTION 8 - ELECTRICAL

## FIGURE 8-67. VALVE BANK HARNESS (SN 0300201023 to Present)



ART\_1001197446

## SECTION 8 - ELECTRICAL

**FIGURE 8-67. VALVE BANK HARNESS (SN 0300201023 to Present)**

ITEM	PART NUMBER	QTY	DESCRIPTION	REV
	1001197446	Ref	VALVE BANK HARNESS (SN 0300201023 to Present)	B
1	4460891	1	Connector - 2 Position	
1	4460465	2	Socket, Female	
2	4460891	1	Connector - 2 Position	
2	4460465	2	Socket, Female	
3	4460836	1	Connector - 12 Position	
3	4460465	9	Socket, Female	
3	4460466	3	Plug, Socket	
4	1001163747	1	Connector - 4 Position (Includes Cable)	
5	1001163747	1	Connector - 4 Position (Includes Cable)	
6	4460930	1	Connector - 8 Position	
6	4460465	8	Socket, Female	
7	4460891	1	Connector - 2 Position	
7	4460465	2	Socket, Female	
8	4460891	1	Connector - 2 Position	
8	4460465	2	Socket, Female	
9	4460891	1	Connector - 2 Position	
9	4460465	2	Socket, Female	
10	4460891	1	Connector - 2 Position	
10	4460465	2	Socket, Female	
11	4460891	1	Connector - 2 Position	
11	4460465	2	Socket, Female	
12	4460891	1	Connector - 2 Position	
12	4460465	2	Socket, Female	
13	4460539	1	Connector - 3 Position	
13	4460465	3	Socket, Female	
14	8220068	1	Connector - 1 Position	
15	4460891	1	Connector - 2 Position	
15	4460465	2	Socket, Female	
16	4460891	1	Connector - 2 Position	
16	4460465	2	Socket, Female	
17	4460891	1	Connector - 2 Position	
17	4460465	2	Socket, Female	
18	4460891	1	Connector - 2 Position	
18	4460465	2	Socket, Female	
19	4460891	1	Connector - 2 Position	
19	4460465	2	Socket, Female	
20	4460891	1	Connector - 2 Position	
20	4460465	2	Socket, Female	
21	4460891	1	Connector - 2 Position	
21	4460465	2	Socket, Female	
22	4460875	1	Connector - 35 Position	
22	4460871	28	Socket, Female	
22	4460905	7	Plug	
23	4460872	1	Connector - 14 Position	
23	4460871	8	Socket, Female	
23	4460905	6	Plug	
24	4460891	1	Connector - 2 Position	
24	4460465	2	Socket, Female	
25	4460843	1	Connector - 2 Position	

## SECTION 8 - ELECTRICAL

ITEM	PART NUMBER	QTY	DESCRIPTION	REV
25	91554014	2	Socket, Female	
26	4460891	1	Connector - 2 Position	
26	4460465	2	Socket, Female	
27	4460891	1	Connector - 2 Position	
27	4460464	2	Pin, Male	

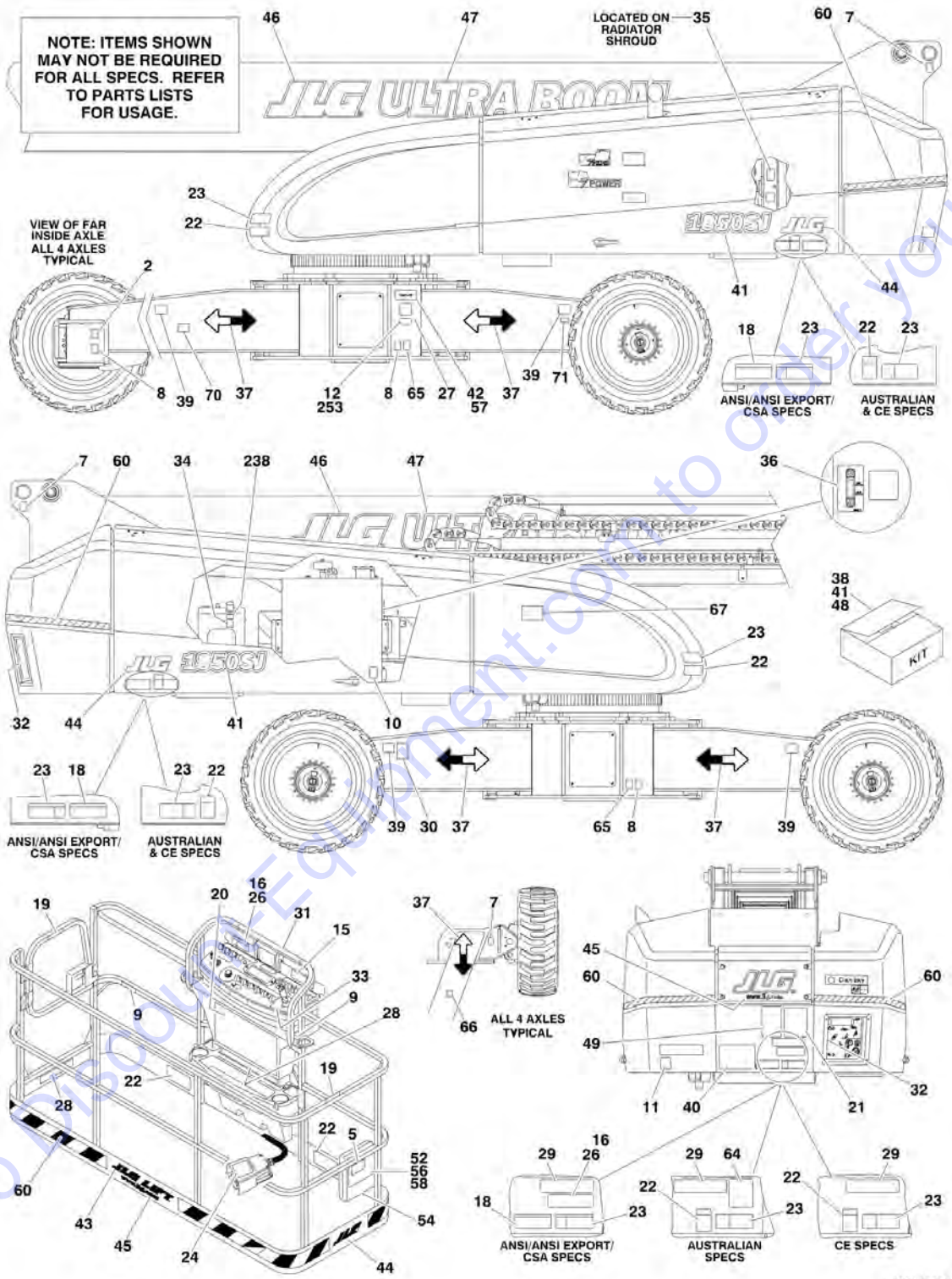
Go to Discount-Equipment.com to order your parts

**SECTION 9 - DECALS**

Go to [Discount-Equipment.com](http://Discount-Equipment.com) to order your parts

# SECTION 9 - DECALS

## FIGURE 9-1. DECAL INSTALLATION - ANSI SPEC



1001159242

## SECTION 9 - DECALS

**FIGURE 9-1. DECAL INSTALLATION - ANSI SPEC**

ITEM	PART NUMBER	QTY	DESCRIPTION	REV
	1001159242	Ref	DECAL INSTALLATION - REFERENCE CHART	J
	1001160456	Ref	Decal Installation - ANSI Spec	I
2	1701499	4	Decal, No Lift	
5	1701509	1	Decal, Manual	
7	1703811	4	Decal, Lift	
8	1703814	6	Decal, Tie Down	
9	1704277	3	Decal, Lanyard Attach	
10	1704412	1	Decal, Hydraulic Oil Chart	
12	1705514	1	Decal, CSA	
15	1705337	1	Decal, Tip-Over <b>(Prior to SN 0300240699)</b>	
18	1703953	3	Decal, Warning Crushing (Rotate)	
19	1702868	2	Decal, No Hands	
20	1703797	1	Decal, Warning/Danger <b>(Prior to SN 0300240699)</b>	
20	1001231315	1	Decal, Warning/Danger <b>(SN 0300240699 to Present)</b>	
21	1705336	1	Decal, Warning Inspection	
22	1703804	4	Decal, Warning Crushing	
23	1703805	5	Decal, Danger Electrocution	
24	3252347	1	Decal, Footswitch	
26	1705492	AR	Decal, Tip-Over Hazard	
27	See Note	NSS	Decal, Bar Code	
28	1001125175	2	Decal, 500 Lbs Capacity	
29	1001125176	1	Decal, 500 Lbs Capacity	
30	1001131269	1	Decal, Patent	
31	1001163536	1	Decal, Legend	
32	1705868	1	Decal, Legend	
33	1705351	1	Decal, Drive/Steer Instruction	
34	1701505	2	Decal, Fuel	
35	1704972	1	Decal, Warning Explosion/fire	
36	1705511	1	Decal, Oil Level	
37	1001160445	8	Decal, Arrow	
38		Ref	Kit, Decal Max Tire Load (See DECAL INSTALLATION - OPTIONS)	
39	1001159855	4	Decal, Max Tire Load	
40		Ref	Decal, Lift Diagram (See DECAL INSTALLATION - OPTIONS)	
41		Ref	Kit, Decal Model Designation (See DECAL INSTALLATION - OPTIONS)	
42	See Note	NSS	Nameplate, Serial Number	
43		Ref	Decal, JLG Lift (See DECAL INSTALLATION - OPTIONS)	
44		Ref	Decal, JLG (See DECAL INSTALLATION - OPTIONS)	
45		Ref	Decal, JLG (See DECAL INSTALLATION - OPTIONS)	
46		Ref	Decal, JLG (See DECAL INSTALLATION - OPTIONS)	
47		Ref	Decal, Ultra Boom (See DECAL INSTALLATION - OPTIONS)	
49		Ref	Decal, Daily Check List (See DECAL INSTALLATION - OPTIONS)	
52	0641406	4	Bolt 1/4-20 x 3/4	
54	91403230	1	Box, Manual Storage	
56	3311405	4	Nut 1/4-20	
57	3820001	2	Rivet	
58	4751400	4	Washer 1/4	



## SECTION 9 - DECALS

ITEM	PART NUMBER	QTY	DESCRIPTION	REV
60		Ref	Tape, Warning Stripes (See DECAL INSTALLATION - OPTIONS)	
65	1701499	2	Decal, No Lift	
66	1701691	4	Decal, No Step	
67	1001178165	1	Decal, Jump Start, Dual Battery	
70	1001223055	1	Decal - Yearly Inspection ( <b>SN 0300235248 to Present</b> )	
71	1001223453	1	Decal - ICES ( <b>SN 0300243487 to Present</b> )	

Go to Discount-Equipment.com to order your parts





## SECTION 9 - DECALS

**FIGURE 9-2. DECAL INSTALLATION - ANSI EXPORT SPEC**

ITEM	PART NUMBER	QTY	DESCRIPTION	REV
	1001159242	Ref	DECAL INSTALLATION - REFERENCE CHART	J
	1001160460	Ref	Decal Installation - ANSI Export Specs (Dual Language - English and Spanish)	H
2	1701499	4	Decal, No Lift	
5	1701509	1	Decal, Manual	
7	1703811	4	Decal, Lift	
8	1703814	6	Decal, Tie Down	
9	1704277	3	Decal, Lanyard Attach	
10	1704412	1	Decal, Hydraulic Oil Chart	
15	1705909	1	Decal, Tip-Over <b>(Prior to SN 0300240699)</b>	
16	1705915	AR	Decal, Warning Tip Over	
18	1703941	3	Decal, Warning/Crushing	
19	1704001	2	Decal, No Hands	
20	1703923	1	Decal, Warning/Danger <b>(Prior to SN 0300240699)</b>	
20	1001231318	1	Decal, Warning/Danger <b>(SN 0300240699 to Present)</b>	
21	1705917	1	Decal, Warning Inspection	
22	1703947	4	Decal, Crushing	
23	1703935	5	Decal, Electrocution	
24	1703983	1	Decal, Footswitch	
27	See Note	NSS	Decal, Bar Code	
28	1001125189	1	Decal, 500 Lbs Capacity	
29	1001125190	1	Decal, 500 Lbs Capacity	
31	1001163536	1	Decal, Legend	
32	1705868	1	Decal, Legend	
33	1705910	1	Decal, Drive/Steer Instructions	
34	1701505	2	Decal, Fuel	
35	1706063	1	Decal, Warning Explosion/Fire	
36	1705511	1	Decal, Oil Level	
37	1001160445	8	Decal, Arrow	
38		Ref	Kit, Decal Max Tire Load (See DECAL INSTALLATION - OPTIONS)	
39	1001159855	4	Decal, Max Tire Load	
40		Ref	Decal, Lift Diagram (See DECAL INSTALLATION - OPTIONS)	
41		Ref	Kit, Decal Model Designation (See DECAL INSTALLATION - OPTIONS)	
42	See Note	NSS	Nameplate, Serial Number	
43		Ref	Decal, JLG Lift (See DECAL INSTALLATION - OPTIONS)	
44		Ref	Decal, JLG (See DECAL INSTALLATION - OPTIONS)	
45		Ref	Decal, JLG (See DECAL INSTALLATION - OPTIONS)	
46		Ref	Decal, JLG (See DECAL INSTALLATION - OPTIONS)	
47		Ref	Decal, Ultra Boom (See DECAL INSTALLATION - OPTIONS)	
49		Ref	Decal, Daily Check List (See DECAL INSTALLATION - OPTIONS)	
52	0641406	4	Bolt 1/4-20 x 3/4	
54	91403230	1	Box, Manual Storage	
56	3311405	4	Nut 1/4-20	
57	3820001	2	Rivet	
58	4751400	4	Washer 1/4	
60		Ref	Tape, Warning Stripes (See DECALS - OPTIONS)	
65	1701499	2	Decal, No Lift	

## SECTION 9 - DECALS

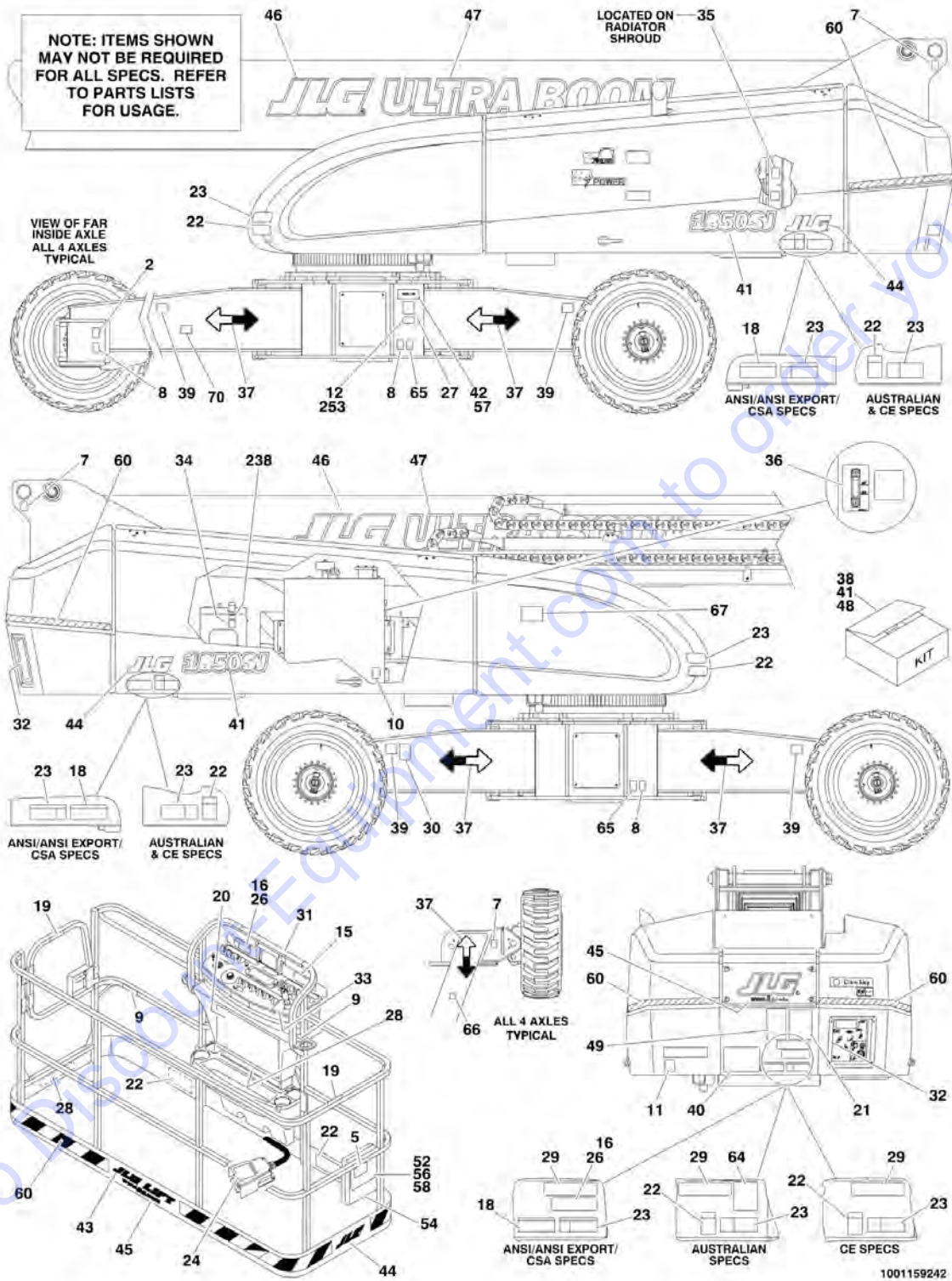
ITEM	PART NUMBER	QTY	DESCRIPTION	REV
66	1701691	4	Decal, No Step	
67	1001178165	1	Decal, Jump Start, Dual Battery	
70	1001224049	1	Decal - Yearly Inspection (SN 0300235248 to Present)	

Go to Discount-Equipment.com to order your parts



# SECTION 9 - DECALS

## FIGURE 9-3. DECAL INSTALLATION - AUSTRALIAN SPEC



## SECTION 9 - DECALS

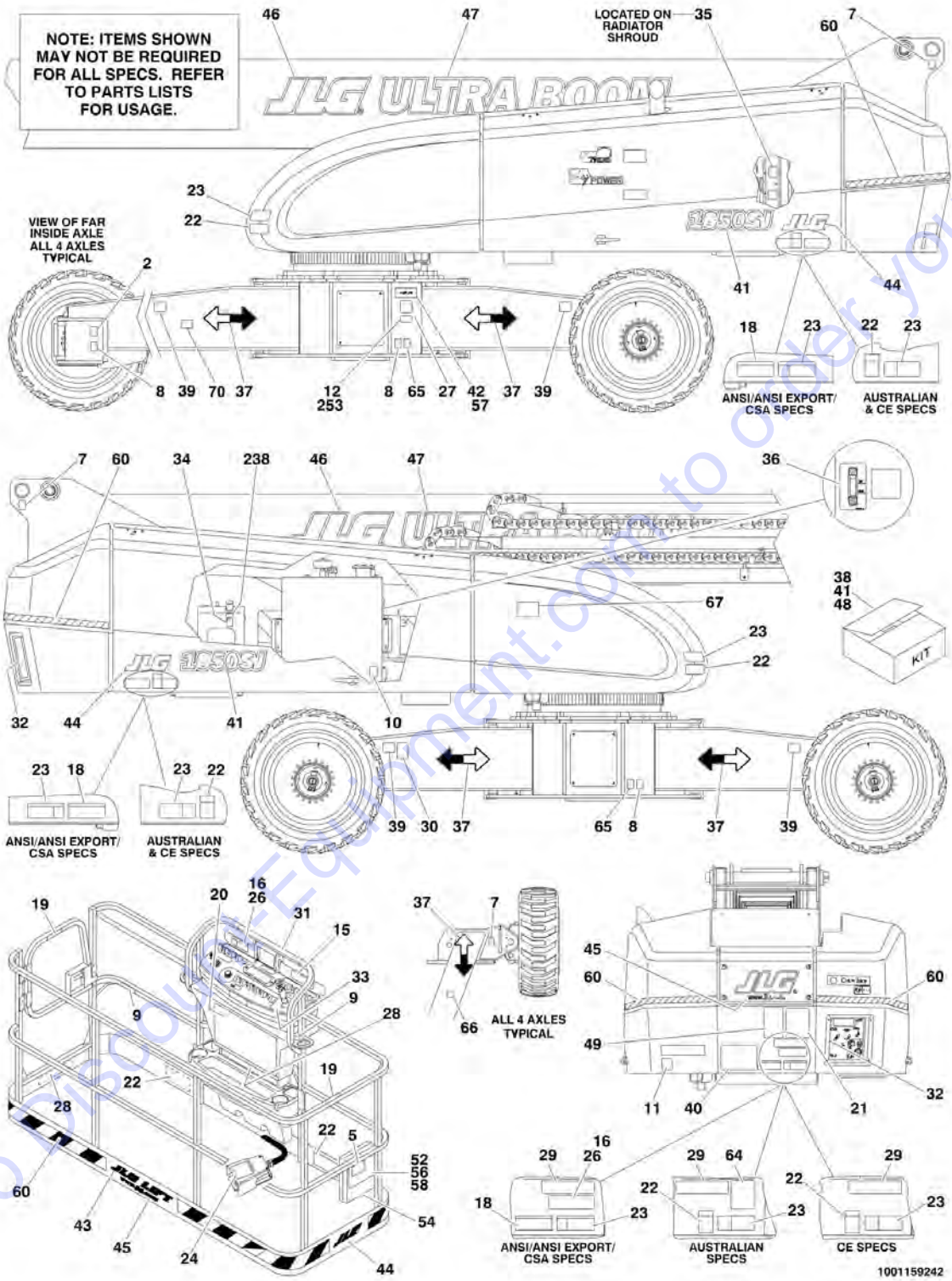
### FIGURE 9-3. DECAL INSTALLATION - AUSTRALIAN SPEC

ITEM	PART NUMBER	QTY	DESCRIPTION	REV
	1001159242	Ref	DECAL INSTALLATION - REFERENCE CHART	J
	1001160464	Ref	Decal Installation - Australian Spec	G
2	1701499	4	Decal, No Lift	
5	1701509	1	Decal, Manual	
7	1703811	4	Decal, Lift	
8	1703814	6	Decal, Tie Down	
9	1704277	3	Decal, Lanyard Attach	
10	1704412	1	Decal, Hydraulic Oil Chart	
11		Ref	Decal, Sound Power Level Options:	
11	1705980	1	Decal, Sound Power Level <b>(Prior to SN 0300198309)</b>	
11	1001187411	1	Decal, Sound Power Level <b>(SN 0300198309 to Present)</b>	
20	1705921	1	Decal, Tipping/Electrocution	
21	1705822	1	Decal, Safety Manual	
22	1701518	7	Decal, Crushing	
23	1705961	5	Decal, Electrocution	
24	1705828	1	Decal, Footswitch	
27	See Note	NSS	Decal, Bar Code	
28	1001125177	1	Decal, 500 Lbs Capacity	
29	1001125178	1	Decal, 500 Lbs Capacity	
34	1701505	2	Decal, Fuel	
35	1706098	1	Decal, Warning Explosion/Fire	
36	1705511	1	Decal, Oil Level	
37	1001160445	8	Decal, Arrow	
38		Ref	Kit, Decal Max Tire Load (See DECAL INSTALLATION - OPTIONS)	
39	1001159855	4	Decal, Max Tire Load	
40		Ref	Decal, Lift Diagram (See DECAL INSTALLATION - OPTIONS)	
41		Ref	Kit, Decal Model Designation (See DECAL INSTALLATION - OPTIONS)	
42	See Note	NSS	Nameplate, Serial Number	
43		Ref	Decal, JLG Lift (See DECAL INSTALLATION - OPTIONS)	
44		Ref	Decal, JLG (See DECAL INSTALLATION - OPTIONS)	
45		Ref	Decal, JLG. See DECAL INSTALLATION - OPTIONS)	
46		Ref	Decal, JLG (See DECAL INSTALLATION - OPTIONS)	
47		Ref	Decal, Ultra Boom (See DECAL INSTALLATION - OPTIONS)	
49		Ref	Decal, Daily Check List (See DECAL INSTALLATION - OPTIONS)	
52	0641406	4	Bolt 1/4-20 x 3/4	
54	91403230	1	Box, Manual Storage	
56	3311405	4	Nut 1/4-20	
57	3820001	2	Rivet	
58	4751400	4	Washer 1/4	
60		Ref	Tape, Warning Stripes (See DECAL INSTALLATION - OPTIONS)	
64	1001112551	1	Decal, Emergency Controls (Aus)	
65	1701499	2	Decal, No Lift	
66	1701691	4	Decal, No Step	
67	1001178165	1	Decal, Jump Start, Dual Battery	



# SECTION 9 - DECALS

## FIGURE 9-4. DECAL INSTALLATION - BRAZIL SPEC



## SECTION 9 - DECALS

**FIGURE 9-4. DECAL INSTALLATION - BRAZIL SPEC**

ITEM	PART NUMBER	QTY	DESCRIPTION	REV
	1001159242	Ref	DECAL INSTALLATION - REFERENCE CHART	J
	1001160459	Ref	Decal Installation - Brazil Specs (Dual Language - English and Portuguese)	H
2	1701499	4	Decal, No Lift	
5	1701509	1	Decal, Manual	
7	1703811	4	Decal, Lift	
8	1703814	6	Decal, Tie Down	
9	1704277	3	Decal, Lanyard Attach	
10	1704412	1	Decal, Hydraulic Oil Chart	
15	1705904	1	Decal, Tip-Over <b>(Prior to SN 0300240699)</b>	
16	1705906	AR	Decal, Tip-Over Hazard	
18	1705903	3	Decal, Warning - Crushing	
19	1705967	2	Decal, No Hands	
20	1705895	1	Decal, Danger/Warning <b>(Prior to SN 0300240699)</b>	
20	1001231319	1	Decal, Danger/Warning <b>(SN 0300240699 to Present)</b>	
21	1705898	1	Decal, Danger/Warning	
22	1705898	4	Decal, Warning/Crushing	
23	1705897	5	Decal, Danger/Electrocution	
24	1705902	1	Decal, Footswitch	
27	See Note	NSS	Decal, Bar Code	
28	1001125187	1	Decal, 500 Lbs Capacity	
29	10011251788	1	Decal, 500 Lbs Capacity	
31	1001163536	1	Decal, Legend	
32	1705868	1	Decal, Legend	
33	1705905	1	Decal, Drive/Steer Instructions	
34	1701505	2	Decal, Fuel	
35	1706059	1	Decal, Warning Explosion/Fire	
36	1705511	1	Decal, Oil Level	
37	1001160445	8	Decal, Arrow	
38		Ref	Kit, Decal Max Tire Load (See DECAL INSTALLATION - OPTIONS)	
39	1001159855	4	Decal, Max Tire Load	
40		Ref	Decal, Lift Diagram (See DECAL INSTALLATION - OPTIONS)	
41		Ref	Kit, Decal Model Designation (See DECAL INSTALLATION - OPTIONS)	
42	See Note	NSS	Nameplate, Serial Number	
43		Ref	Decal, JLG Lift (See DECAL INSTALLATION - OPTIONS)	
44		Ref	Decal, JLG (See DECAL INSTALLATION - OPTIONS)	
45		Ref	Decal, JLG See DECAL INSTALLATION - OPTIONS)	
46		Ref	Decal, JLG (See DECAL INSTALLATION - OPTIONS)	
47		Ref	Decal, Ultra Boom (See DECAL INSTALLATION - OPTIONS)	
49		Ref	Decal, Daily Check List (See DECAL INSTALLATION - OPTIONS)	
52	0641406	4	Bolt 1/4-20 x 3/4	
54	91403230	1	Box, Manual Storage	
56	3311405	4	Nut 1/4-20	
57	3820001	2	Rivet	
58	4751400	4	Washer 1/4	
60		Ref	Tape, Warning Stripes (See DECALS - OPTIONS)	
65	1701499	2	Decal, No Lift	

## SECTION 9 - DECALS

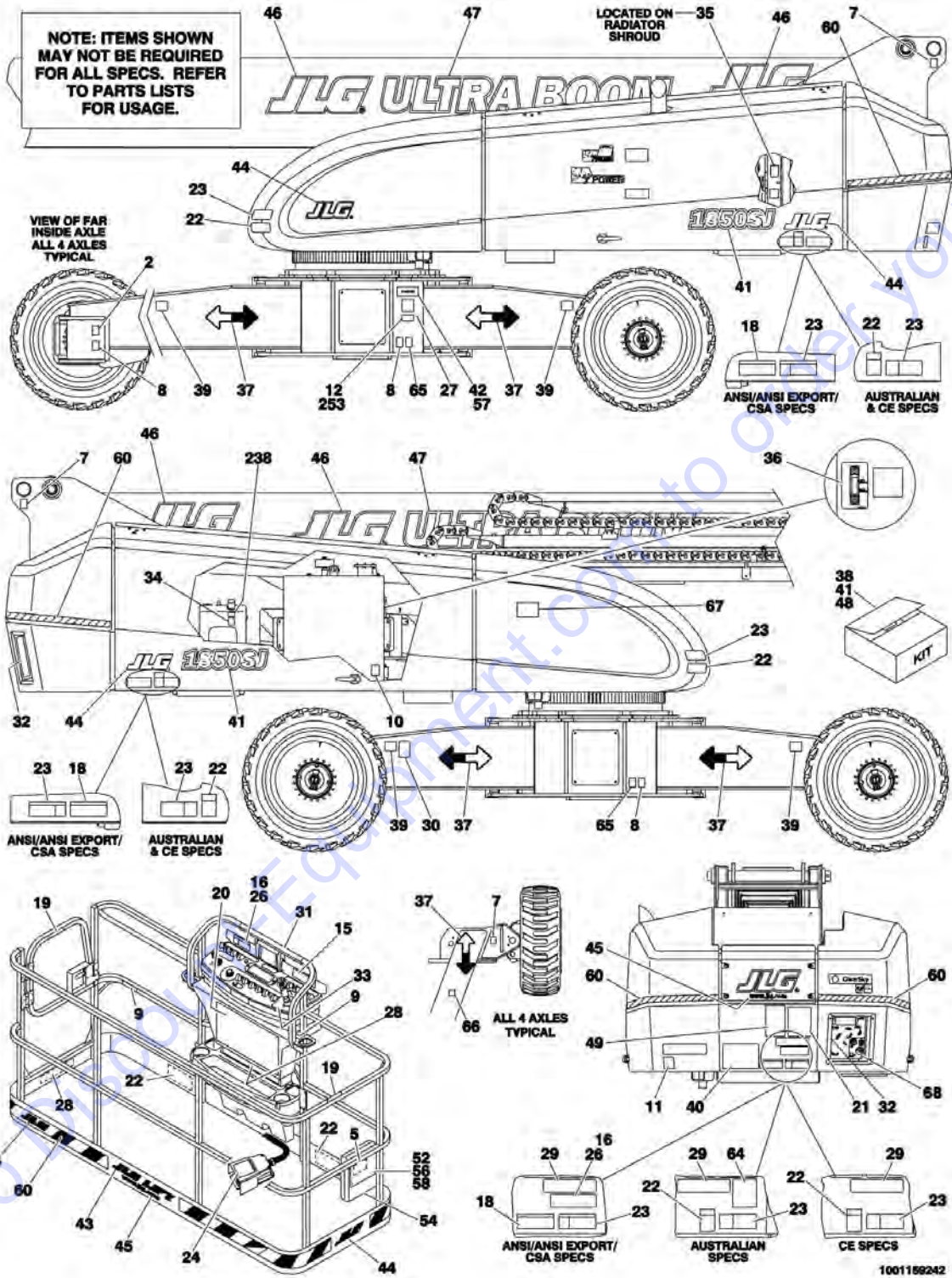
ITEM	PART NUMBER	QTY	DESCRIPTION	REV
66	1701691	4	Decal, No Step	
67	1001178165	1	Decal, Jump Start, Dual Battery	
70	1001224052	1	Decal - Yearly Inspection (SN 0300235248 to Present)	

Go to Discount-Equipment.com to order your parts



# SECTION 9 - DECALS

## FIGURE 9-5. DECAL INSTALLATION - CE SPEC



## SECTION 9 - DECALS

**FIGURE 9-5. DECAL INSTALLATION - CE SPEC**

ITEM	PART NUMBER	QTY	DESCRIPTION	REV
	1001159242	Ref	DECAL INSTALLATION - REFERENCE CHART <b>(Prior to SN 0300201070)</b>	H
	1001218001	Ref	DECAL INSTALLATION - REFERENCE CHART <b>(SN 0300201070 to Present)</b>	B
	1001160462	Ref	Decal Installation - CE Specs	G
2	1701499	4	Decal, No Lift	
5	1701509	1	Decal, Manual	
7	1703811	4	Decal, Lift	
8	1703814	6	Decal, Tie Down	
9	1704277	3	Decal, Lanyard Attach	
10	1704412	1	Decal, Hydraulic Oil Chart	
11		Ref	Decal, Sound Power Level Options:	
11	1705980	1	Decal, Sound Power Level <b>(Prior to SN 0300198309)</b>	
11	1001187411	1	Decal, Sound Power Level <b>(SN 0300198309 to Present)</b>	
20	1705921	1	Decal, Tipping/Electrocution	
21	1705822	1	Decal, Safety Manual	
22	1701518	7	Decal, Crushing	
23	1705961	5	Decal, Electrocution	
24	1705828	1	Decal, Footswitch	
27	See Note	NSS	Decal, Bar Code	
28	1001125177	1	Decal, 500 Lbs Capacity	
29	1001125178	1	Decal, 500 Lbs Capacity	
34	1701505	2	Decal, Fuel	
35	1706098	1	Decal, Warning Explosion/Fire	
36	1705511	1	Decal, Oil Level	
37	1001160445	8	Decal, Arrow	
38		Ref	Kit, Decal Max Tire Load (See DECAL INSTALLATION - OPTIONS)	
39	1001159855	4	Decal, Max Tire Load	
40		Ref	Decal, Lift Diagram (See DECAL INSTALLATION - OPTIONS)	
41		Ref	Kit, Decal Model Designation (See DECAL INSTALLATION - OPTIONS)	
42	See Note	NSS	Nameplate, Serial Number	
43		Ref	Decal, JLG Lift (See DECAL INSTALLATION - OPTIONS) <b>(Prior to SN 0300201070)</b>	
44	1702773	3	Decal, JLG	
45		Ref	Decal, JLG. See DECAL INSTALLATION - OPTIONS) <b>(Prior to SN 0300201070)</b>	
46	1705864	2	Decal, JLG	
47		Ref	Decal, Ultra Boom (See DECAL INSTALLATION - OPTIONS) <b>(Prior to SN 0300201070)</b>	
49		Ref	Decal, Daily Check List (See DECAL INSTALLATION - OPTIONS)	
52	0641406	4	Bolt 1/4-20 x 3/4	
54	91403230	1	Box, Manual Storage	
56	3311405	4	Nut 1/4-20	
57	3820001	2	Rivet	
58	4751400	4	Washer 1/4	
60		Ref	Tape, Warning Stripes (See DECAL INSTALLATION - OPTIONS)	
65	1701499	2	Decal, No Lift	
66	1701691	4	Decal, No Step	

## SECTION 9 - DECALS

ITEM	PART NUMBER	QTY	DESCRIPTION	REV
67	1001178165	1	Decal, Jump Start, Dual Battery	
68	1001189882	NLA	Decal - MSSO (Use p/n 1001197408) <b>(SN 0300201023 through 0300212075)</b>	
68	1001197408	1	Decal - MSSO <b>(SN 0300212076 to Present)</b>	

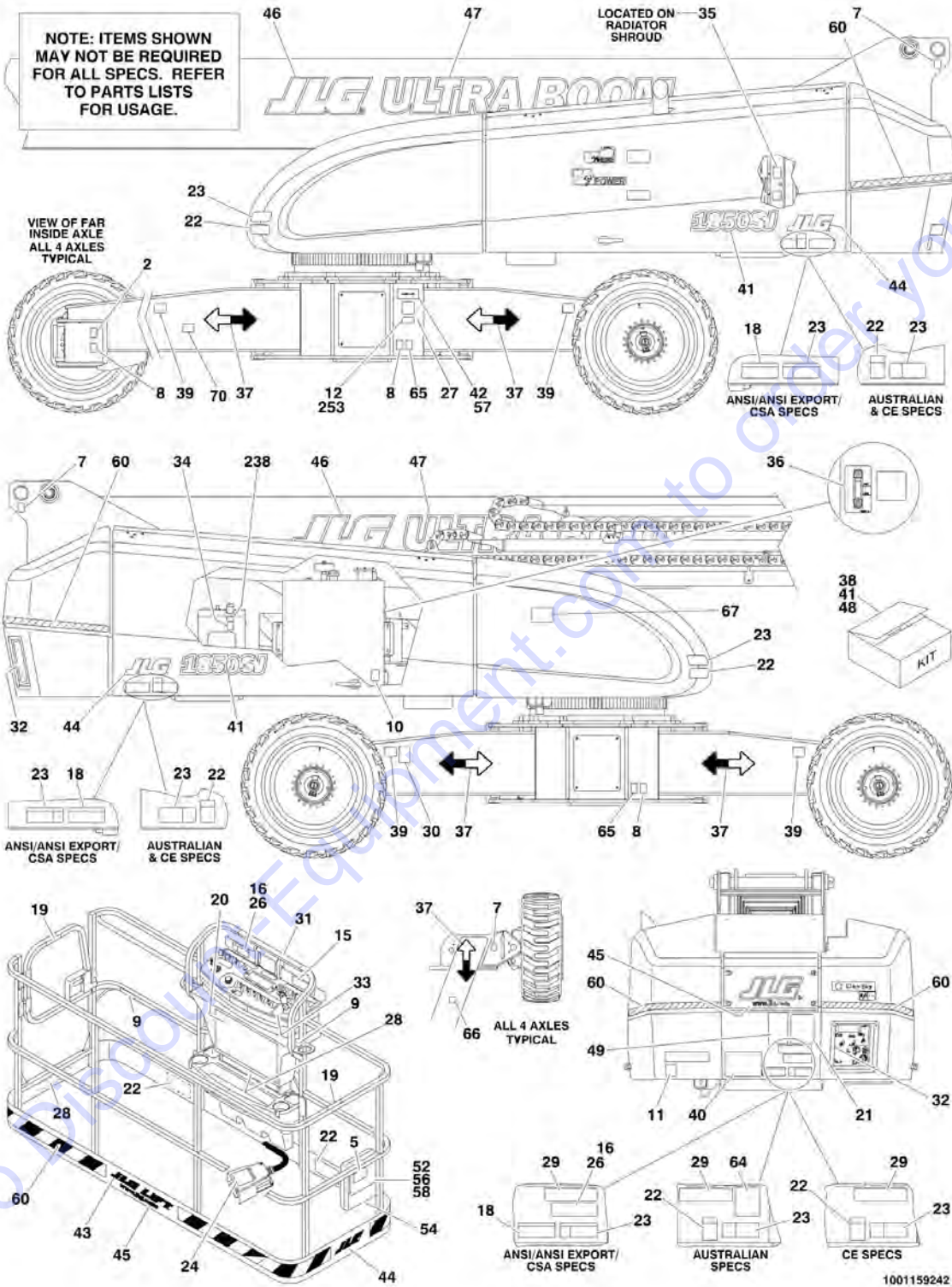
Go to Discount-Equipment.com to order your parts





# SECTION 9 - DECALS

## FIGURE 9-6. DECAL INSTALLATION - CHINESE SPEC



## SECTION 9 - DECALS

**FIGURE 9-6. DECAL INSTALLATION - CHINESE SPEC**

ITEM	PART NUMBER	QTY	DESCRIPTION	REV
	1001159242	Ref	DECAL INSTALLATION - REFERENCE CHART	J
	1001160458	Ref	Decal Installation - Chinese Specs (Dual Language - English and Chinese)	H
2	1701499	4	Decal, No Lift	
5	1701509	1	Decal, Manual	
7	1703811	4	Decal, Lift	
8	1703814	6	Decal, Tie Down	
9	1704277	3	Decal, Lanyard Attach	
10	1704412	1	Decal, Hydraulic Oil Chart	
15	1001117034	1	Decal, Tip-over <b>(Prior to SN 0300240699)</b>	
16	1001117035	AR	Decal, Warning Tip Over	
18	1703943	3	Decal, Warning/Crushing	
19	1001116846	2	Decal, No Hands	
20	1703925	1	Decal, Warning/Danger <b>(Prior to SN 0300240699)</b>	
20	1001231321	1	Decal, Warning/Danger <b>(SN 0300240699 to Present)</b>	
21	1001116849	1	Decal, Warning Inspection	
22	1703949	4	Decal, Crushing	
23	1001116851	5	Decal, Electrocuting	
24	1703982	1	Decal, Footswitch	
27	See Note	NSS	Decal, Bar Code	
28	1001125179	1	Decal, 500 Lbs Capacity	
29	1001125180	1	Decal, 500 Lbs Capacity	
31	1001163536	1	Decal, Legend	
32	1705868	1	Decal, Legend	
33	1705430	1	Decal, Drive/Steer Instructions	
34	1701505	2	Decal, Fuel	
35	1706060	1	Decal, Warning Explosion/Fire	
36	1705511	1	Decal, Oil Level	
37	1001160445	8	Decal, Arrow	
38		Ref	Kit, Decal Max Tire Load (See DECAL INSTALLATION - OPTIONS)	
39	1001159855	4	Decal, Max Tire Load	
40		Ref	Decal, Lift Diagram (See DECAL INSTALLATION - OPTIONS)	
41		Ref	Kit, Decal Model Designation (See DECAL INSTALLATION - OPTIONS)	
42	See Note	NSS	Nameplate, Serial Number	
43		Ref	Decal, JLG Lift (See DECAL INSTALLATION - OPTIONS)	
44		Ref	Decal, JLG (See DECAL INSTALLATION - OPTIONS)	
45		Ref	Decal, JLG. (See DECAL INSTALLATION - OPTIONS)	
46		Ref	Decal, JLG (See DECAL INSTALLATION - OPTIONS)	
47		Ref	Decal, Ultra Boom (See DECAL INSTALLATION - OPTIONS)	
49		Ref	Decal, Daily Check List (See DECAL INSTALLATION - OPTIONS)	
52	0641406	4	Bolt 1/4-20 x 3/4	
54	91403230	1	Box, Manual Storage	
56	3311405	4	Nut 1/4-20	
57	3820001	2	Rivet	
58	4751400	4	Washer 1/4	
60		Ref	Tape, Warning Stripes (See DECAL INSTALLATION - OPTIONS)	

## SECTION 9 - DECALS

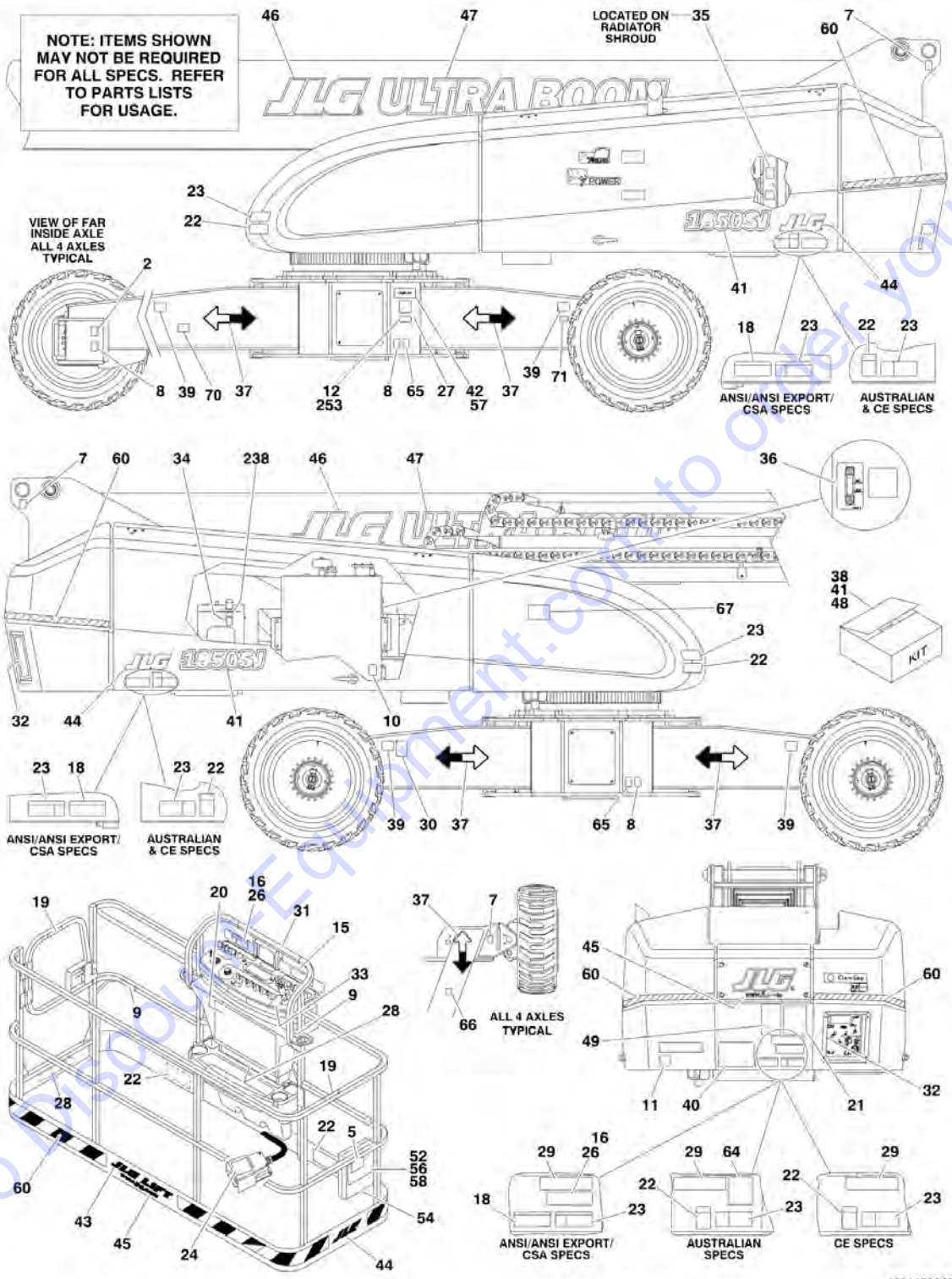
ITEM	PART NUMBER	QTY	DESCRIPTION	REV
65	1701499	2	Decal, No Lift	
66	1701691	4	Decal, No Step	
67	1001178165	1	Decal, Jump Start, Dual Battery	
70	1001224050	1	Decal - Yearly Inspection <b>(SN 0300235248 to Present)</b>	

Go to Discount-Equipment.com to order your parts



# SECTION 9 - DECALS

## FIGURE 9-7. DECAL INSTALLATION - CSA SPEC



## SECTION 9 - DECALS

**FIGURE 9-7. DECAL INSTALLATION - CSA SPEC**

ITEM	PART NUMBER	QTY	DESCRIPTION	REV
	1001159242	Ref	DECAL INSTALLATION - REFERENCE CHART	J
	1001160461	Ref	Decal Installation - CSA Spec (Dual Language - English and French)	I
2	1701499	4	Decal, No Lift	
5	1701509	1	Decal, Manual	
7	1703811	4	Decal, Lift	
8	1703814	6	Decal, Tie Down	
9	1704277	3	Decal, Lanyard Attach	
10	1704412	1	Decal, Hydraulic Oil Chart	
12	1705514	1	Decal, CSA	
15	1705341	1	Decal, Tip-Over <b>(Prior to SN 0300240699)</b>	
16	1705505	AR	Decal, Tip-Over Hazard	
18	1703942	3	Decal, Warning/Crushing	
19	1704000	2	Decal, No Hands	
20	1703924	1	Decal, Warning/Danger <b>(Prior to SN 0300240699)</b>	
20	1001231316	1	Decal, Warning/Danger <b>(SN 0300240699 to Present)</b>	
21	1705347	1	Decal, Warning Inspection	
22	1703948	4	Decal, Warning Crushing	
23	1703936	5	Decal, Danger Electrocution	
24	1703984	1	Decal, Footswitch	
27	See Note	NSS	Decal, Bar Code	
28	1001125181	2	Decal, 500 Lbs Capacity	
29	1001125182	1	Decal, 500 Lbs Capacity	
30	1001131269	1	Decal, Patent	
31	1001163536	1	Decal, Legend	
32	1705868	1	Decal, Legend	
33	1705429	1	Decal, Drive/Steer Instruction	
34	1701505	2	Decal, Fuel	
35	1706064	1	Decal, Warning Explosion/fire	
36	1705511	1	Decal, Oil Level	
37	1001160445	8	Decal, Arrow	
38		Ref	Kit, Decal Max Tire Load (See DECAL INSTALLATION - OPTIONS)	
39	1001159855	4	Decal, Max Tire Load	
40		Ref	Decal, Lift Diagram (See DECAL INSTALLATION - OPTIONS)	
41		Ref	Kit, Decal Model Designation (See DECAL INSTALLATION - OPTIONS)	
42	See Note	NSS	Nameplate, Serial Number	
43		Ref	Decal, JLG Lift (See DECAL INSTALLATION - OPTIONS)	
44		Ref	Decal, JLG (See DECAL INSTALLATION - OPTIONS) Decal,	
45		Ref	JLG (See DECAL INSTALLATION - OPTIONS)	
46		Ref	Decal, JLG (See DECAL INSTALLATION - OPTIONS) Decal,	
47		Ref	Ultra Boom (See DECAL INSTALLATION - OPTIONS)	
49		Ref	Decal, Daily Check List (See DECAL INSTALLATION - OPTIONS)	
52	0641406	4	Bolt 1/4-20 x 3/4	
54	91403230	1	Box, Manual Storage	
56	3311405	4	Nut 1/4-20	
57	3820001	2	Rivet	
58	4751400	4	Washer 1/4	

## SECTION 9 - DECALS

ITEM	PART NUMBER	QTY	DESCRIPTION	REV
60		Ref	Tape, Warning Stripes (See DECAL INSTALLATION - OPTIONS)	
65	1701499	2	Decal, No Lift	
66	1701691	4	Decal, No Step	
67	1001178165	1	Decal, Jump Start, Dual Battery	
70	1001223971	1	Decal - Yearly Inspection <b>(SN 0300235248 to Present)</b>	
71	1001223453	1	Decal - ICES <b>(SN 0300243487 to Present)</b>	

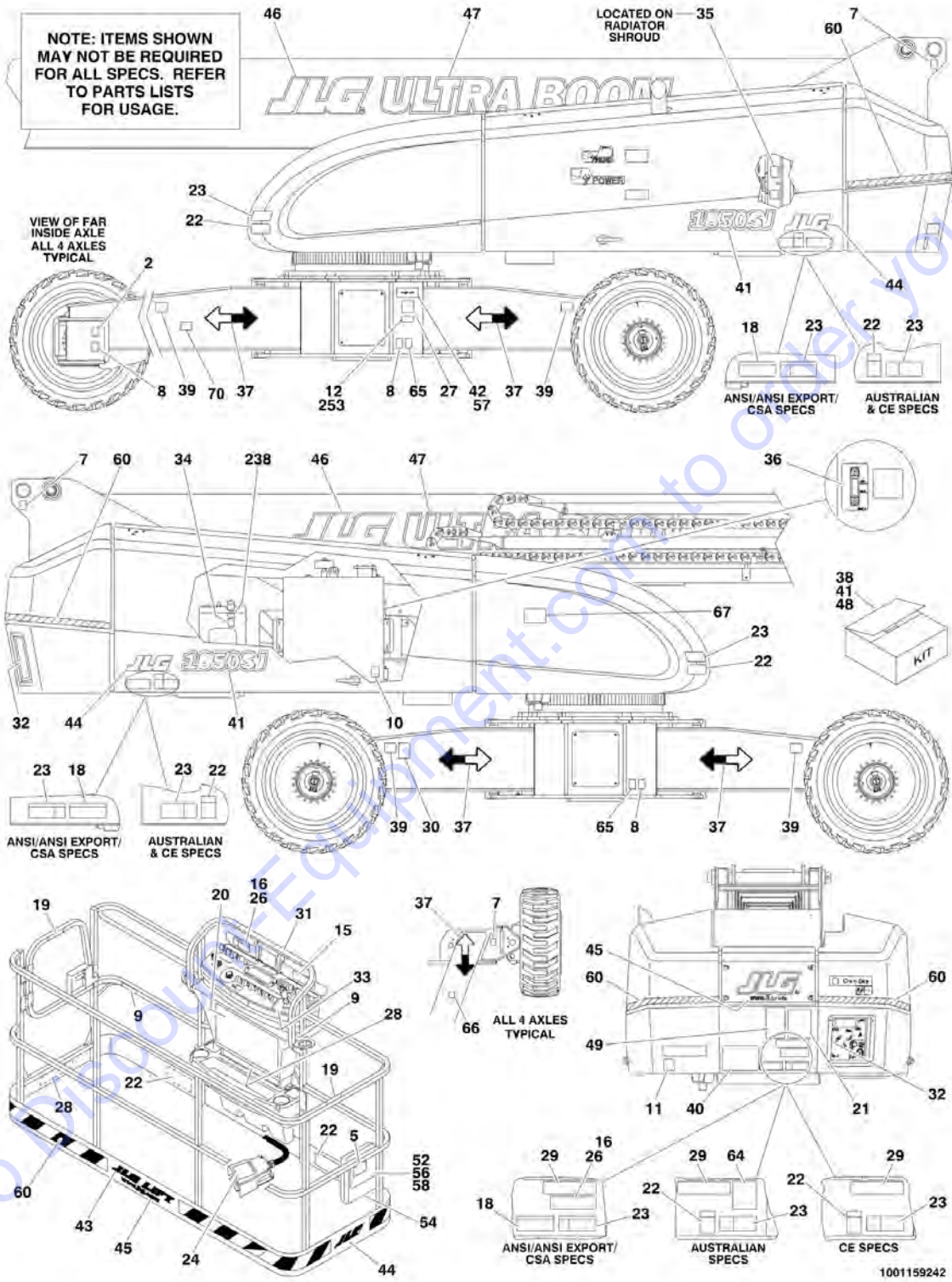
Go to Discount-Equipment.com to order your parts





# SECTION 9 - DECALS

## FIGURE 9-8. DECAL INSTALLATION - JAPANESE SPEC



## SECTION 9 - DECALS

**FIGURE 9-8. DECAL INSTALLATION - JAPANESE SPEC**

ITEM	PART NUMBER	QTY	DESCRIPTION	REV
	1001159242	Ref	DECAL INSTALLATION - REFERENCE CHART	J
	1001160463	Ref	Decal Installation - Japanese Specs (Dual Language - English and Japanese)	H
2	1701499	4	Decal, No Lift	
5	1701509	1	Decal, Manual	
7	1703811	4	Decal, Lift	
8	1703814	6	Decal, Tie Down	
9	1704277	3	Decal, Lanyard Attach	
10	1704412	1	Decal, Hydraulic Oil Chart	
15	1705338	1	Decal, Tip-Over <b>(Prior to SN 0300240699)</b>	
16	1705493	AR	Decal, Warning Tip Over	
18	1703944	3	Decal, Warning/Crushing	
20	1703926	1	Decal, Warning/Danger <b>(Prior to SN 0300240699)</b>	
20	1001231320	1	Decal, Warning/Danger <b>(SN 0300240699 to Present)</b>	
21	1705344	1	Decal, Warning Inspection	
22	1703950	4	Decal, Crushing	
23	1703938	5	Decal, Electrocution	
24	1703980	1	Decal, Footswitch	
27	See Note	NSS	Decal, Bar Code	
28	1001125183	1	Decal, 500 Lbs Capacity	
29	1001125184	1	Decal, 500 Lbs Capacity	
31	1001163536	1	Decal, Legend	
32	1705868	1	Decal, Legend	
33	1705426	1	Decal, Drive/Steer Instructions	
34	1701505	2	Decal, Fuel	
35	1704972	1	Decal, Warning Explosion/fire	
36	1705511	1	Decal, Oil Level	
37	1001160445	8	Decal, Arrow	
38		Ref	Kit, Decal Max Tire Load (See DECAL INSTALLATION - OPTIONS)	
39	1001159855	4	Decal, Max Tire Load	
40		Ref	Decal, Lift Diagram (See DECAL INSTALLATION - OPTIONS)	
41		Ref	Kit, Decal Model Designation (See DECAL INSTALLATION - OPTIONS)	
42	See Note	NSS	Nameplate, Serial Number	
43		Ref	Decal , JLG Lift (See DECAL INSTALLATION - OPTIONS)	
44		Ref	Decal, JLG (See DECAL INSTALLATION - OPTIONS) Decal,	
45		Ref	JLG (See DECAL INSTALLATION - OPTIONS)	
46		Ref	Decal, JLG (See DECAL INSTALLATION - OPTIONS) Decal,	
47		Ref	Ultra Boom (See DECAL INSTALLATION - OPTIONS)	
49		Ref	Decal, Daily Check List (See DECAL INSTALLATION - OPTIONS)	
52	0641406	4	Bolt 1/4-20 x 3/4	
54	91403230	1	Box, Manual Storage	
56	3311405	4	Nut 1/4-20	
57	3820001	2	Rivet	
58	4751400	4	Washer 1/4	
60		Ref	Tape, Warning Stripes (See DECAL INSTALLATION - OPTIONS)	
65	1701499	2	Decal, No Lift	

## SECTION 9 - DECALS

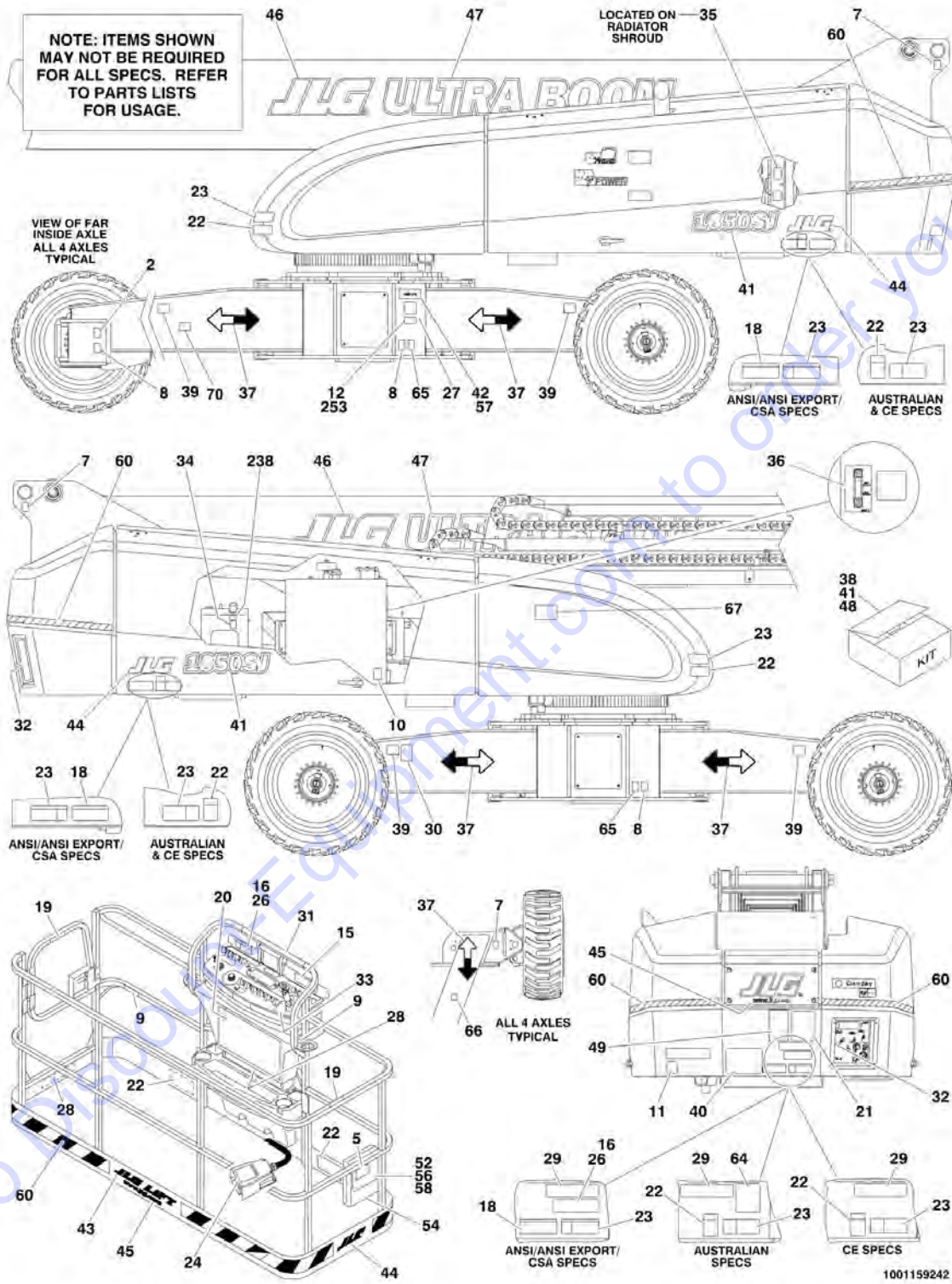
ITEM	PART NUMBER	QTY	DESCRIPTION	REV
66	1701691	4	Decal, No Step	
67	1001178165	1	Decal, Jump Start, Dual Battery	
70	1001224053	1	Decal - Yearly Inspection (SN 0300235248 to Present)	

Go to Discount-Equipment.com to order your parts



# SECTION 9 - DECALS

## FIGURE 9-9. DECAL INSTALLATION - KOREAN SPEC



## SECTION 9 - DECALS

### FIGURE 9-9. DECAL INSTALLATION - KOREAN SPEC

ITEM	PART NUMBER	QTY	DESCRIPTION	REV
	1001159242	Ref	DECAL INSTALLATION - REFERENCE CHART	J
	1001160457	Ref	Decal Installation - Korean Specs (Dual Language - English and Korean)	H
2	1701499	4	Decal, No Lift	
5	1701509	1	Decal, Manual	
7	1703811	4	Decal, Lift	
8	1703814	6	Decal, Tie Down	
9	1704277	3	Decal, Lanyard Attach	
10	1704412	1	Decal, Hydraulic Oil Chart	
15	1705339	1	Decal, Tip-Over <b>(Prior to SN 0300240699)</b>	
16	1705503	AR	Decal, Warning Tip Over	
18	1703945	3	Decal, Warning/Crushing	
19	1705969	2	Decal, No Hands	
20	1703927	1	Decal, Warning/Danger <b>(Prior to SN 0300240699)</b>	
20	1001231317	1	Decal, Warning/Danger <b>(SN 0300240699 to Present)</b>	
21	1705345	1	Decal, Warning Inspection	
22	1703951	4	Decal, Crushing	
23	1703939	5	Decal, Electrocution	
24	1703981	1	Decal, Footswitch	
27	See Note	NSS	Decal, Bar Code	
28	1001125185	1	Decal, 500 Lbs Capacity	
29	1001125186	1	Decal, 500 Lbs Capacity	
31	1001163536	1	Decal, Legend	
32	1705868	1	Decal, Legend	
33	1705427	1	Decal, Drive/Steer Instructions	
34	1701505	2	Decal, Fuel	
35	1706061	1	Decal, Warning Explosion/Fire	
36	1705511	1	Decal, Oil Level	
37	1001160445	8	Decal, Arrow	
38		Ref	Kit, Decal Max Tire Load (See DECAL INSTALLATION - OPTIONS)	
39	1001159855	4	Decal, Max Tire Load	
40		Ref	Decal, Lift Diagram (See DECAL INSTALLATION - OPTIONS)	
41		Ref	Kit, Decal Model Designation (See DECAL INSTALLATION - OPTIONS)	
42	See Note	NSS	Nameplate, Serial Number	
43		Ref	Decal, JLG Lift (See DECAL INSTALLATION - OPTIONS)	
44		Ref	Decal, JLG (See DECAL INSTALLATION - OPTIONS) Decal,	
45		Ref	JLG (See DECAL INSTALLATION - OPTIONS)	
46		Ref	Decal, JLG (See DECAL INSTALLATION - OPTIONS) Decal,	
47		Ref	Ultra Boom (See DECAL INSTALLATION - OPTIONS)	
49		Ref	Decal, Daily Check List (See DECAL INSTALLATION - OPTIONS)	
52	0641406	4	Bolt 1/4-20 x 3/4	
54	91403230	1	Box, Manual Storage	
56	3311405	4	Nut 1/4-20	
57	3820001	2	Rivet	
58	4751400	4	Washer 1/4	
60		Ref	Tape, Warning Stripes (See DECAL INSTALLATION - OPTIONS)	

## SECTION 9 - DECALS

ITEM	PART NUMBER	QTY	DESCRIPTION	REV
65	1701499	2	Decal, No Lift	
66	1701691	4	Decal, No Step	
67	1001178165	1	Decal, Jump Start, Dual Battery	
70	1001224048	1	Decal - Yearly Inspection <b>(SN 0300235248 to Present)</b>	

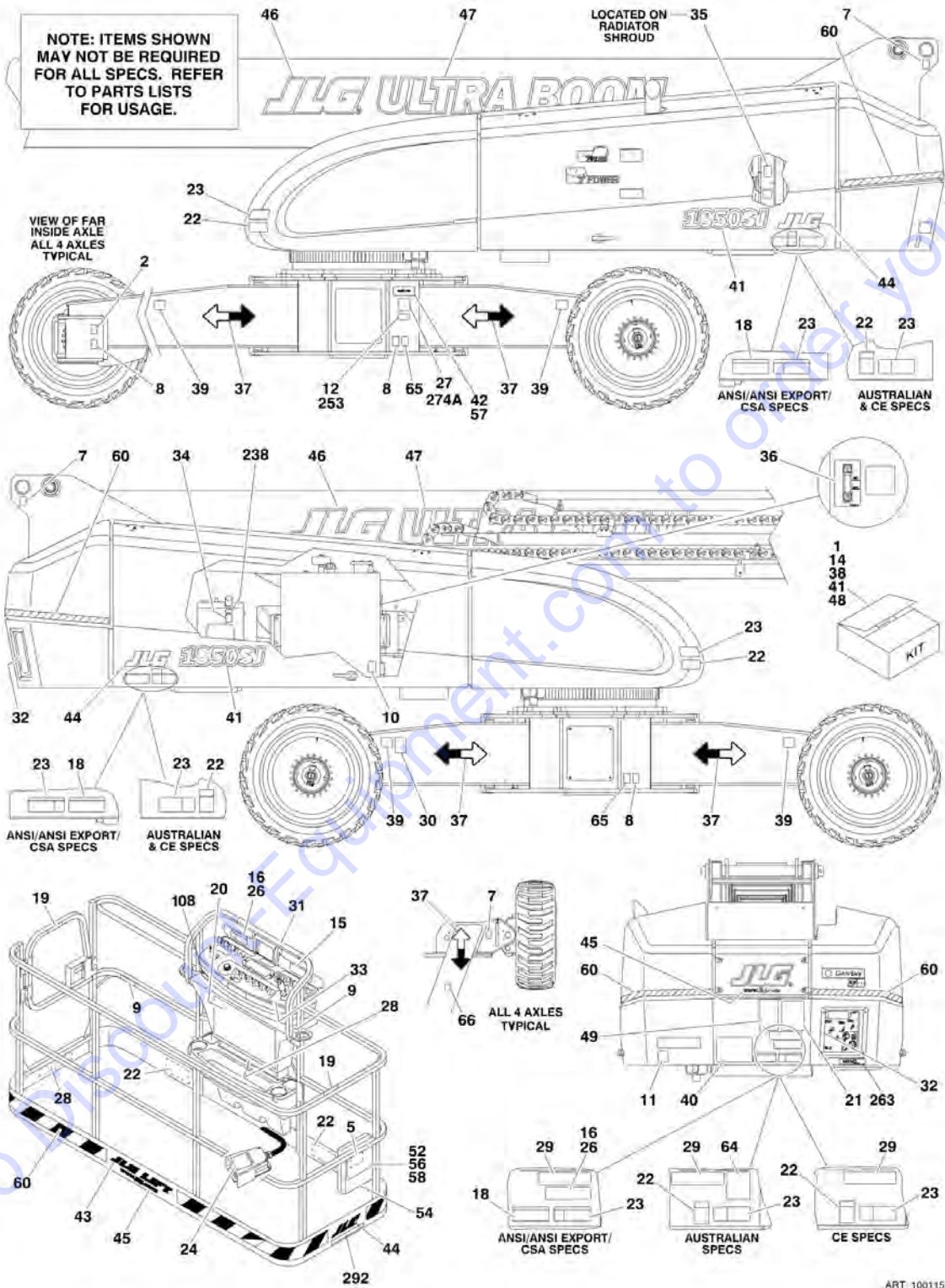
Go to Discount-Equipment.com to order your parts





# SECTION 9 - DECALS

## FIGURE 9-10. DECAL INSTALLATION - OPTIONS



## SECTION 9 - DECALS

**FIGURE 9-10. DECAL INSTALLATION - OPTIONS**

ITEM	PART NUMBER	QTY	DESCRIPTION	REV
	1001159242	Ref	DECAL INSTALLATION - REFERENCE CHART	J
	1001154100	Ref	Decal Installation - Options	
38	1001160443	1	Kit, Decal Max Tire Load (BOM #146)	
39	1001159855	4	Decal, Max Tire Load	
40	1001159983	1	Decal, Lift Diagram (BOM #151)	
41	1001159981	1	Kit, Decal Model Designation (BOM #145)	
41	1001159980	2	Decal, 1850SJ	
43	1702774	1	Decal, JLG Lift	
44	1702773	3	Decal, JLG	
45	1704885	1	Decal, JLG	
46	1705864	2	Decal, JLG	
47	1705865	2	Decal, Ultra Boom	
48	1001116025	1	Kit, JLG Decal (Includes items 43-47) (BOM #215)	
49	1001125209	1	Decal, Daily Check List (Danish Language) (BOM #173)	
49	1001125203	1	Decal, Daily Check List (Dutch Language) (BOM #173)	
49	1001125196	1	Decal, Daily Check List (English Language) (BOM #173)	
49	1001125198	1	Decal, Daily Check List (English and Chinese Languages) (BOM #173)	
49	1001125201	1	Decal, Daily Check List (English and French Languages) (BOM #173)	
49	1001125202	1	Decal, Daily Check List (English and Japanese Languages) (BOM #173)	
49	1001125197	1	Decal, Daily Check List (English and Korean Languages) (BOM #173)	
49	1001125199	1	Decal, Daily Check List (English and Spanish Languages) (BOM #173)	
49	1001125207	1	Decal, Daily Check List (Finnish Languages) (BOM #173)	
49	1001125204	1	Decal, Daily Check List (French Languages) (BOM #173)	
49	1001125211	1	Decal, Daily Check List (German Languages) (BOM #173)	
49	1001125205	1	Decal, Daily Check List (Italian Languages) (BOM #173)	
49	1001125210	1	Decal, Daily Check List (Norwegian Languages) (BOM #173)	
49	1001125212	1	Decal, Daily Check List (Polish Language) (BOM #173)	
49	1001125200	1	Decal, Daily Check List (Portuguese Language) (BOM #173)	
49	1001125206	1	Decal, Daily Check List (Spanish Languages) (BOM #173)	
49	1001125208	1	Decal, Daily Check List (Swedish Languages) (BOM #173)	
60	4420051	20 ft/6m	Tape, Warning Stripes (BOM #120)	
108	1001231801	1	Decal - Warning Prop 65 Diesel (ANSI Specs) <b>(SN 0300243487 to Present)</b>	
238	1001125387	1	Decal, Ultra Low Sulfur Fuel (ANSI and CSA Specs)	
238	1001139654	1	Decal, Ultra Low Sulfur Fuel (ANSI Export, Australian, CE and Japanese Specs)	
253	1001143852	1	Decal, LRC EPA (ANSI Export, China and Australian Specs Only)	
263	1001197408	1	Decal - MSSO <b>(SN 0300212076 to Present)</b>	
274	1001214029	1	Decal - EAC Installation (CIS and Russia Specs)	
274A	1001173703	1	Decal - EAC	
292	1001125175	1	Decal - Capacity Tri-Entry Platform (ANSI Specs)	
292	1001125185	1	Decal - Capacity Tri-Entry Platform (English/Korean Specs)	
292	1001125179	1	Decal - Capacity Tri-Entry Platform (English/China Specs)	
292	1001125187	1	Decal - Capacity Tri-Entry Platform (English/Portuguese Specs)	
292	1001125189	1	Decal - Capacity Tri-Entry Platform (English/Spanish Specs)	

## SECTION 9 - DECALS

ITEM	PART NUMBER	QTY	DESCRIPTION	REV
292	1001125181	1	Decal - Capacity Tri-Entry Platform (English/French Specs)	
292	1001125183	1	Decal - Capacity Tri-Entry Platform (English/Japanese Specs)	

Go to [Discount-Equipment.com](http://Discount-Equipment.com) to order your parts

**SECTION 10 - RECOMMENDED SERVICE PARTS STOCK**

**SECTION 10 - RECOMMENDED SERVICE PARTS STOCK**

Go to [Discount-Equipment.com](http://Discount-Equipment.com) to order your parts

## SECTION 10 - RECOMMENDED SERVICE PARTS STOCK

FIGURE 10-1. MODEL 1850SJ STANDARD PARTS

ITEM	PART NUMBER	QTY	DESCRIPTION	REV
		Ref	Note: The following list will service one machine (built to current production per date on the front cover) with emergency repair parts which can be installed in the field. Parts from the list should be replaced when inventory is depleted to keep service parts stock supplied. For further information, go to Discount-equipment.com.	
		Ref	STANDARD PARTS	
	70002386	1	Coil	
	70004460	1	Coil	
	70004463	1	Coil	
	70004588	1	Coil	
	70004595	1	Coil	
	70004599	1	Coil	
	70002097	12	Element, Filter	
	1001108617	12	Element, Filter	
	1001158412	12	Element, Filter	
	70004150	12	Tank Filter/ Breather Kit	
	3740067	1	Relay	
	1001174871	1	Fuse, Power Module	
	4360328	1	Switch, Toggle	
	4360475	1	Switch, Mushroom	
	4360476	1	Contact, Switch Block	
	4360274	1	Switch, Push Button	
	2860030	1	Key, Replacement	
	1001117308	1	Relay	
	1001095704	1	Relay	
	1001186431	1	Relay	
	1001138228	1	Module, Relay	
	70023809	12	Element, Air Cleaner	
	70003788	1	Coil	
	7016331	12	Filter, Oil	
	1001225430	12	Filter, Fuel	
	1001225432	12	Filter, Fuel	
	70004409	1	Jib Power Track Repair Section	
	70004454	1	Boom Power Track Repair Section	
	70022147	1	Coil	
	7024885	1	Coil	
	7024883	1	Coil	
	70003026	1	Coil	
	4360330	1	Switch, Toggle	
	4360331	1	Switch, Toggle	
	4360336	1	Switch, Toggle	
	4360387	1	Switch, Push Button	
	4360407	1	Switch, Flow Control	
	1001129555	1	Controller, Lift and Swing	
	1001212415	1	Controller, Drive and Steer	
	IN4004	2	Diode 6A	



## SECTION 10 - RECOMMENDED SERVICE PARTS STOCK

FIGURE 10-2. MODEL 1850SJ VARIABLE PARTS

ITEM	PART NUMBER	QTY	DESCRIPTION	REV
		Ref	Note: The following list will service one machine (built to current production per date on the front cover) with emergency repair parts which can be installed in the field. Parts from the list should be replaced when inventory is depleted to keep service parts stock supplied. For further information, go to Discount-equipment.com.	
		Ref	VARIABLE PARTS	
	1001157084	1	Sensor	
	1001146963	1	Sensor	
	1001151895	1	Sensor, Tilt	
	4360469	1	Switch, Key (ANSI, ANSI Export, Australian and CSA Specs)	
	4360470	1	Switch, Key (CE Specs)	
	1001227960	1	Module, Ground Control	
	1001119509	1	Module, Ground Control	
	70025210	1	Module, Engine Control	
	1001119614	1	Switch, Pressure Transducer	
	4000008	1	Switch, Proximity	
	4360578	1	Switch, Limit	
	1001118971	1	Sensor	
	1001120104	1	Switch, Proximity	
	1001147479	1	Sensor	
	1001135479	1	Sensor	
	1001119262	1	Module, Ground Control	
	2940074	1	Latch, Platform (Platform with Gate)	
	1600343	1	Module, Platform Control	
	1001117174	1	Footswitch	
	1001117991	1	Sensor	
	1001117990	1	Sensor	
	1001181045	1	Breaker, Circuit (CE Spec machines with AC to Platform)	
	1001137673	1	Switch, SkyGuard (CE Specs Machines)	

**SECTION 11 - SPECIAL OPTIONS**

Go to Discount-Equipment.com to order your parts



## SECTION 11 - SPECIAL OPTIONS

FIGURE 11-1. SPECIAL OPTIONS

ITEM	PART NUMBER	QTY	DESCRIPTION	REV
		Ref	Note: This list is to accommodate machines ordered with special equipment. Options may not be applicable to all models. For more specific parts information go to Discount-equipment.com.	
		Ref	MISCELLANEOUS SPECIAL OPTIONS	
	1001156330	Ref	Airline Installation	
	1001202401	Ref	Air Intake Shut-off Valve (Deutz HRC Engines) (ANSI and CSA Specs)	
	1001232865	Ref	Battery Isolator Replacement Kit	
	1001210030	Ref	Beacon Installation Kit - Red	
	1001158180	Ref	Bellows Installations - Boom Cylinders	
	1001158014	Ref	Bellows Installations - Chassis Cylinders	
	1001206793	Ref	Belt and Fan Shield Kit - Deutz T4I Engine	
	1001206795	Ref	Belt and Fan Shield Kit - Deutz T4F Engine	
	1001187504	Ref	Boom Hose Kit - Lower	
	1001187503	Ref	Boom Hose Kit - Upper <b>(Prior to SN 0300199131)</b>	
	1001187505	Ref	Boom Hose Kit - Upper <b>(SN 0300199131 to Present)</b>	
	1001208900	Ref	Boom Rest Replacement Kit	
	1001187507	Ref	Boom Wear Pad Kit (ANSI Specs)	
	1001160266	Ref	Boom Wipers Installation - Boom Only	
	1001156271	Ref	Boom Wipers Installation - Jib Only	
	1001187506	Ref	Boom Wire Rope Kit (ANSI Specs)	
	0256789	Ref	Camera Mounting Installation	
	1001232149	Ref	Capping Service Kit (Used to cap Turntable Harness unused connector RL 360-85 and RL 360-86)	
	1001242192	Ref	ClearSky (Telematics) Access Control Installation Kit (Dealer Installed) (ANSI, ANSI Export and CSA Specs)	
	1001243183	Ref	ClearSky (Telematics) Added-on Kit (Dealer Installed) (ANSI, ANSI Export and CSA Specs)	
	1001243184	Ref	ClearSky (Telematics) Added-on Kit (Dealer Installed) (CE Specs)	
		Ref	ClearSky (Telematics) Installations (Dealer Installed)	
	1001234099	Ref	ClearSky Telematics Kit (Dealer Installed) (CE Specs)	
		Ref	ClearSky (Telematics) (Factory Installed)	
	1001158009	Ref	ClearSky (Telematics) Installation (Factory Installed) (ANSI Spec) Note: Refer to Manual Supplement p/n 3128499 for available replacement parts. <b>(Prior to SN 0300235248)</b>	
	1001158012	Ref	ClearSky (Telematics) Installation (Factory Installed) (Australian Specs Only) Note: Refer to Manual Supplement p/n 3128499 for available replacement parts. <b>(Prior to SN 0300235248)</b>	
	1001158010	Ref	ClearSky (Telematics) Installation (Factory Installed) (CSA Specs) Note: Refer to Manual Supplement p/n 3128499 for available replacement parts. <b>(Prior to SN 0300235248)</b>	
	1001158011	Ref	ClearSky (Telematics) Installation (Factory Installed) (Brazil and New Zealand Specs Only) Note: Refer to Manual Supplement p/n 3128499 for available replacement parts. <b>(Prior to SN 0300235248)</b>	
	1001227456	Ref	Canbus Connection (ANSI and CSA Specs) <b>(SN 0300235248 to Present)</b>	
	1001246437	Ref	Canbus Connection (Australian Specs) <b>(SN 0300256380 to Present)</b>	
	1001228958	Ref	Canbus Connection (ANSI Export and CE Specs) <b>(SN 0300240304 to Present)</b>	
	1001246438	Ref	Canbus Connection (China Specs) <b>(SN 0300256380 to Present)</b>	

## SECTION 11 - SPECIAL OPTIONS

ITEM	PART NUMBER	QTY	DESCRIPTION	REV
	1001229107	Ref	3-Wire Connection (ANSI and CSA Specs) <b>(SN 0300235248 to Present)</b>	
	1001233237	Ref	3-Wire Connection (ANSI Export and CE Specs) <b>(SN 0300240304 to Present)</b>	
	1001157607	Ref	Cold Weather/Cold Weather Plus Package <b>(Prior to SN 0300244409)</b>	
	1001180171	Ref	Cold Weather/Cold Weather Plus Package <b>(SN 0300244409 to Present)</b>	
	1001233047	Ref	Crankcase Breather Heater Kit - Deutz T4F Engine	
	1001216361	Ref	Cribbing Enable Installation	
	1001104651	Ref	Decal Kit- Master (All Specs) <b>(Prior to SN 0300189818)</b>	
	1001190165	Ref	Decal Kit- Master (All Specs) <b>(SN 03000189818 to Present)</b>	
	2902307	Ref	Decal Kit - Country Spec (ANSI Spec) <b>(Prior to SN 0300240699)</b>	
	1001232172	Ref	Decal Kit - Country Spec (ANSI Spec) <b>(SN 0300240699 to Present)</b>	
	2902311	Ref	Decal Kit - Country Spec (ANSI Export Spec) <b>(Prior to SN 0300240699)</b>	
	1001232175	Ref	Decal Kit - Country Spec (ANSI Export Spec) <b>(SN 0300240699 to Present)</b>	
	2902329	Ref	Decal Kit- Country Spec (Australian Spec)	
	2902312	Ref	Decal Kit- Country Spec (Brazil Spec) <b>(Prior to SN 0300240699)</b>	
	1001232176	Ref	Decal Kit- Country Spec (Brazil Spec) <b>(SN 0300240699 to Present)</b>	
	2902329	Ref	Decal Kit - Country Spec (CE Spec)	
	2902309	Ref	Decal Kit - Country Spec (Chinese Spec) <b>(Prior to SN 0300240699)</b>	
	1001232178	Ref	Decal Kit - Country Spec (Chinese Spec) <b>(SN 0300240699 to Present)</b>	
	2902322	Ref	Decal Kit - Country Spec (CSA Spec) <b>(Prior to SN 0300240699)</b>	
	1001232173	Ref	Decal Kit - Country Spec (CSA Spec) <b>(SN 0300240699 to Present)</b>	
	2902308	Ref	Decal Kit - Country Spec (Japanese Spec) <b>(Prior to SN 0300240699)</b>	
	1001232177	Ref	Decal Kit - Country Spec (Japanese Spec) <b>(SN 0300240699 to Present)</b>	
	2902310	Ref	Decal Kit - Country Spec (Korean Spec) <b>(Prior to SN 0300240699)</b>	
	1001232174	Ref	Decal Kit - Country Spec (Korean Spec) <b>(SN 0300240699 to Present)</b>	
	1001193647	Ref	Decal Kit - Machine	
	1001187772	Ref	Decal Kit - Platform (ANSI Specs)	
	1001187771	Ref	Decal Kit - Platform Box (ANSI Specs)	
	1702962	Ref	Decal - Proposition 65 (ANSI Specs)	
	1001200067	Ref	Decal - Quick Reference (Danish) (Lomax Rentals)	
	1001200065	Ref	Decal - Quick Reference (Dutch) (Lomax Rentals)	
	1001203634	Ref	Decal - Quick Reference (English) (Lomax Rentals)	
	1001200064	Ref	Decal - Quick Reference (French) (Lomax Rentals)	
	1001200066	Ref	Decal - Quick Reference (German) (Lomax Rentals)	
	1001200071	Ref	Decal - Quick Reference (Norwegian) (Lomax Rentals)	
	1001200070	Ref	Decal - Quick Reference (Spanish) (Lomax Rentals)	
	1001200069	Ref	Decal - Quick Reference (Swedish) (Lomax Rentals)	
	0272599	Ref	Decal - SkyCutter (ANSI, ANSI Export and CSA Specs)	
	0272607	Ref	Decal - SkyCutter (Japanese Specs)	
	0272418	Ref	Decal - SkyGlazier	
	1001141300	Ref	Decal - SkyGuard Override	

## SECTION 11 - SPECIAL OPTIONS

ITEM	PART NUMBER	QTY	DESCRIPTION	REV
	1001141302	Ref	Decal - SkyGuard Soft Touch Override	
	0272435	Ref	Decal - SkyPower (60Hz)	
	0272589	Ref	Decal - SkyPower (50Hz)	
	0272448	Ref	Decal - SkyWelder (60Hz)	
	0272588	Ref	Decal - SkyWelder (50Hz)	
	4420051	Ref	Decal - Warning Stripes	
	1001244863	Ref	DEF Tank Replacement Kit	
	1001233763	Ref	Deutz Breather Heater Installation (ANSI, ANSI Export (HRC), CE, CSA and Japanese Specs)	
	1001226098	Ref	Deutz Fuel Pump Kit Installation	
	1001246867	Ref	EDS Level 1 Booms Kit	
	1001246860	Ref	EDS Level 2 Booms Kit	
	1001148902	Ref	Electrical Connector Kit - Amp/Tyco Electrical Connectors	
	1001148903	Ref	Electrical Connector Kit - Deutsch DT Electrical Connectors	
	1001148904	Ref	Electrical Connector Kit - Deutsch HD Electrical Connectors	
	1001148905	Ref	Electrical Connector Kit - Packard Electrical Connectors	
	1001148906	Ref	Electrical Connector Kit - Various Electrical Connectors	
	1001235962	Ref	Engine Coolant Strainer Kit	
	1001237883	Ref	Fall Arrest Bolt on Kit (6FT x 1.83M) (ANSI, ANSI Export, China, CSA, and Japanese Specs) (Fits Platform p/ns1001228376)	
	1001237882	Ref	Fall Arrest Bolt on Kit (8FT x 2.44M) (ANSI, ANSI Export, China, CSA, and Japanese Specs) (Fits Platform p/ns 1001186383 & 1001144023)	
	1001201670	Ref	Fan and Belt Guard Installation - Deutz T4I Engine ( <b>Prior to SN 0300251465</b> )	
	1001155069	Ref	Fan Guard Installation - Deutz LRC Engine	
	1001197775	Ref	Fan Guard Installation - Deutz HRC Engine	
	1001182236	NLA	Filter Combined Kit – Deutz T4I Engine (Use p/n 1001225639) (Hydraulic/Air and Fuel/Engine Oil)	
	1001225639	Ref	Filter Combined Kit – Deutz T4I Engine (Hydraulic/Air and Fuel/Engine Oil)	
	1001139099	Ref	Fire Extinguisher Installation	
	1001136079	Ref	Fluid - Engine Oil without Cold Weather Package	
	1001136172	Ref	Fluid - Engine Oil with Cold Weather Package	
	2300004	Ref	Fluid - Engine Coolant without Cold Weather Package	
	2300041	Ref	Fluid - Engine Coolant with Cold Weather Package	
	3020039	Ref	Fluid - Lubricant for Axle and Boom	
	3020008	Ref	Fluid - Lubricant for Drive Hub	
	0100048	Ref	Fluid - Lubricant for Electrical Connectors	
	3020037	Ref	Fluid - Lubricant for Pump Coupling	
	2300014	Ref	Fluid - Hydraulic Fluid - Mobil 424	
	2300016	Ref	Fluid - Hydraulic Fluid - Mobil DTE 13	
	2300029	Ref	Fluid - Hydraulic Fluid - Mobil EAL EnviroSyn H46	
	2300039	Ref	Fluid - Hydraulic Fluid - Exxon Univis (Cold Climate)	
	2300019	Ref	Fluid - Hydraulic Fluid - Quinintolubric 888-46	
	1001117294	Ref	Footswitch Shield (ANSI, ANSI Export and CSA Specs)	
	1001191395	Ref	Fuel Cap Cover - Lockable (Green) (Note: p/n 1001102157 must be Purchase Separately)	
	1001202749	Ref	Fuel Cap Cover - Lockable (Black) (Note: p/n 1001102157 must be Purchase Separately)	
	1001230650	Ref	Fuel Filter/Water Separator Kit	
	1001227913	Ref	Fuel Filter/Water Separator Installation	
	1001219745	Ref	Ground Strap Kit	

## SECTION 11 - SPECIAL OPTIONS

ITEM	PART NUMBER	QTY	DESCRIPTION	REV
	1001239640	Ref	Hose Kit - Jib Valve	
	1001239638	Ref	Hose Kit - Platform Valve	
	1001241422	Ref	Hostile Environment Kit	
	1001189223	Ref	Jib Angle Sensor Cover Kit	
	1001148971	Ref	Lanyard (Bolt-On) Installation Kit	
	1001230625	Ref	LCD Display Kit (Low Rail)	
	1001230626	Ref	LCD Display Kit (High Rail)	
	1001158083	Ref	Lights Installation - Chassis Illumination Lights	
	1001202453	Ref	Lights Installation - Headlights and Taillights	
	1001120466	Ref	Lights Installation - Platform Work Lights <b>(Prior to SN 0300223746)</b>	
	1001220136	Ref	Lights Installation - Platform Work Lights <b>(SN 0300223746 to Present)</b>	
	1001120467	Ref	Lights Installation - Platform Floodlights <b>(Prior to SN 0300223746)</b>	
	1001220137	Ref	Lights Installation - Platform Floodlights <b>(SN 0300223746 to Present)</b>	
	1001183407	Ref	Low Temperature Cutout Installation (Russian Specs) <b>(Prior to SN 0300244707)</b>	
	1001236951	Ref	Low Temperature Cutout Installation (Russian Specs) <b>(SN 0300244707 to Present)</b>	
	1001155064	Ref	Oil Cooler Installation - Deutz LRC Engines	
	1001194835	Ref	Oil Cooler Installation - Deutz HRC Engines	
	1001134626	Ref	Platform Console Cover Installation (Factory Installed) <b>(Prior to SN 0300201023)</b>	
	1001197436	Ref	Platform Console Cover Installation <b>(SN 0300190457 to Present)</b>	
	1001205178	Ref	Platform Console Cover Add-on Kit	
	1580013	Ref	Platform Corner Storage Tray	
	1001142504	Ref	Platform Entry Kit - Drop Bar (Replaces Swing Gate with Drop Bar)	
	1001142505	Ref	Platform Entry Kit - Swing Gate (Replaces Drop Bar with Swing Gate)	
	1001138773	Ref	Platform Mesh to Mid Rail Installation - 36in X 6ft (91.5cm x 1.83m) (ANSI, ANSI Export and Australian Specs)	
	0273145	Ref	Platform Mesh to Top Rail Installation - 36in X 6ft (91.5cm x 1.83m) (ANSI, ANSI Export and CSA Specs)	
	1001149730	Ref	Platform Mid Rail Repair Kit	
	0272725	Ref	Platform Rail Extensions Installation (8ft Platform)	
	1001159121	Ref	Plug and Receptacle at Platform Installation (110V GFCI) (ANSI, ANSI Export, China, CSA and Japanese Specs)	
	1001161667	Ref	Plug and Receptacle at Platform Installation (110V IEC 60309 Yellow) (CE Spec)	
	1001161668	Ref	Plug and Receptacle at Platform Installation (220V IEC 60309 Blue) (CE Spec)	
	1001161245	Ref	Plug and Receptacle at Platform Installation (220V CEE7 Post Ground - 70x70 Box) (CE Spec) <b>(Prior to SN 0300202470)</b>	
	1001161246	Ref	Plug and Receptacle at Platform Installation (220V CEE7 Side Ground - 70x70 Box) (CE Spec) <b>(Prior to SN 0300202470)</b>	
	1001161242	Ref	Plug and Receptacle at Platform Installation (220V CEE7 Post Ground - 2x4 Box) (CE Spec)	
	1001161243	Ref	Plug and Receptacle at Platform Installation (220V CEE7 Side Ground - 2x4 Box) (CE Spec)	
	1001161244	Ref	Plug and Receptacle at Platform Installation (220V AFSINT107 - 2x4 Box) (CE Spec)	
	1001209059	Ref	Platform Work Surface	
	1001099138	Ref	Sky Accessory - SkyGlazier Installation (CE Spec - Portuguese Language Decals with LSS) Note: See JLG 3124242 Accessories	

## SECTION 11 - SPECIAL OPTIONS

ITEM	PART NUMBER	QTY	DESCRIPTION	REV
			Manual	
	1001247073	Ref	SkyEye Retrofit Kit	
	1001158073	Ref	SkyGuard Installation Optional (Blue) Beacon Light Kit <b>(Prior to SN 0300217096)</b>	
	1001206884	Ref	SkyGuard Blue Beacon Installation Kit <b>(SN 0300217096 to Present)</b>	
	1001158159	NLA	SkyGuard Installation Kit (Note: Use p/n 1001206825) <b>(Prior to SN 0300217096)</b>	
	1001206825	Ref	SkyGuard Installation Kit - Complete <b>(SN 0300217096 to Present)</b>	
	1001197016	Ref	SkyGuard Installation Platform Sensor Kit	
	1001137672	Ref	SkyGuard Installation Platform Sensor Kit	
	1001137440	1	Platform Sensor Harness	
	1001186431	2	Relay	
	1001226202	Ref	SkyGuard Installation Kit (Old Style Platform)	
	1001226203	Ref	SkyGuard Installation Kit (New Style Platform)	
	1001176372	Ref	SkyGuard Plug Removal Kit	
	1001210031	Ref	SkyGuard Complete Kit - Red	
	1001232643	Ref	SkyLine Kit	
	1001231235	Ref	SkyWelder Locking Bracket Installation	
	1001228964	Ref	Telematics Retrofit Harness Kit (Machines with UGM)	
	1001193630	Ref	Turntable Bearing Kit	
	2901443	1	Tools - Analyzer Kit	
	1001162227	Ref	Tools - Boom Cable Adjustment Tools Installation	
	1001162216	1	Tools - Socket 32mm	
	1001162217	1	Tools - Socket 41mm	
	1001162218	1	Tools - Socket 55mm	
	1001137005	1	Tools - Cable Kit, Software (Not Shown)	
	7002821	Ref	Tools - Crimper, Wire	
	7002823	Ref	Tools - Pin Extractor - Universal (For Electrical Connectors with Pins and Sockets)	
	4460467	1	Tools - Pin Extractor - 16-18 Gauge (For Removal of Pin/Sockets from Deutsch Connectors)	
	4460510	1	Tools - Pin Extractor - 12-14 Gauge (For Removal of Pin/Sockets from Deutsch Connectors)	
	7016654	Ref	Tools - Screwdriver, Magnetic	
	7002822	Ref	Tools - Screwdriver, Pontimeter	
	7004275	Ref	Tools - Seal Tool 1in (For Cylinders)	
	7004276	Ref	Tools - Seal Tool 1-1/2in (For Cylinders)	
	7002828	Ref	Tools - Stripper, Wire	
	4921850	1	Tools - Throttle Service Harness	
	70004185	1	Tools - Torque Multiplier	
	7016655	1	Tools - Wire Rope Sheave Gauge	
	1001232037	Ref	White Noise Alarm	
	1001232038	Ref	White Noise Ambient Alarm	

**PART NUMBER INDEX**

Go to [Discount-Equipment.com](http://Discount-Equipment.com) to order your parts

# PART NUMBER INDEX

0100009....467, 471, 475, 479, 483, 487, 491, 495	0200048 ..... 585, 587	0641408 ... 152, 158, 164, 165	0642684001..... 387, 389, 391
0100011.... 15, 17, 19, 21, 33, 35, 51, 55, 57, 77, 79, 83, 85, 151, 152, 153, 157, 158, 159, 163, 164, 165, 173, 177, 180, 185, 189, 192, 201, 205, 208, 213, 217, 220, 229, 233, 236, 241, 245, 248, 257, 261, 264, 273, 277, 281, 283, 286, 292, 297, 301, 305, 307, 310, 316, 351, 355, 359, 363, 367, 373, 377, 387, 389, 391, 394, 397, 399, 407, 411, 413, 415, 417, 429, 431, 433, 435, 437, 439, 441, 519, 521, 534, 577, 579, 581, 583, 585, 587, 601, 603, 605, 609, 611, 613, 617, 619, 623, 627, 629, 633	0236768 ..... 89	0641412 ..... 645	0681608001..... 387, 389, 391
0100019.... 19, 21, 67, 71, 351, 355, 359, 367, 373, 394	0256789 ..... 848	0641412001 ..... 645	0681620..... 593, 595, 597
0100020.....79, 173, 180, 185, 192, 201, 208, 213, 220, 229, 236, 241, 248, 257, 264, 273, 277, 286, 292, 297, 301, 310, 316, 355, 517, 529, 534, 651, 653, 655, 657, 659, 661	0257728 ..... 525	0641413 ..... 645	0681814..... 443, 445, 447, 449
0100035..19, 95, 99, 103, 107, 177, 189, 205, 217, 281, 283, 305, 307, 407, 487, 491, 495	0259666 ..... 119	0641413001 ..... 645	0681822..... 443, 445, 447, 449
0100038....601, 603, 611, 613, 619, 623, 627, 629	0259667 ..... 121	0641414 ... 467, 471, 475, 479, 483, 487, 491, 495, 519, 521, 523, 585, 587	0681836001..... 377
0100040.....395	0272254 ..... 581	0641416 ... 651, 653, 655, 657, 659, 661	0682022001..... 373
0100048.... 351, 355, 359, 389, 419, 467, 471, 475, 479, 483, 487, 491, 495, 701, 850	0272418 ... 537, 539, 541, 543, 545, 547, 549, 551, 553, 555, 557, 559, 561, 563, 565, 567, 569, 571, 573, 575, 849	0641416001 ..... 389	0682023..... 613
0100063.....373	0272427 ..... 585	0641418 ... 407, 429, 431, 433, 435, 437, 439, 441	0682220..... 71
0100071 15, 17, 363, 523, 625	0272435 ..... 357, 850	0641418001 ..... 407	0682424..... 593, 595, 597
0100081.... 182, 194, 210, 222, 238, 250, 266, 286, 292, 310, 316, 374, 407, 467, 471, 475, 479, 483, 487, 537, 539, 541, 543, 545, 547, 549, 551, 553, 555, 557, 559, 561, 563, 565, 567, 569, 571, 573, 575	0272448 .... 534, 581, 850	0641422 ..... 33	0683020001..... 373
0140011.... 467, 471, 475, 479, 483, 487, 491, 495	0272521 ..... 579	0641504 ..... 41	0700408..... 651, 653, 655, 657, 659, 661
0140043..... 133	0272588 ..... 579, 850	0641507001 ..... 399	0700510.... 177, 189, 205, 217, 233, 245, 261
	0272589 ..... 360, 850	0641509 ..... 407	0700610.... 85, 89, 96, 99, 103, 107, 180, 192, 208, 220, 286, 292, 310, 316
	0272599 .... 529, 534, 849	0641510 ..... 633, 641	0700612.... 133, 180, 183, 192, 195, 208, 220, 236, 248, 264, 286, 292, 310, 312, 316
	0272607 ..... 529, 849	064151001 ..... 641	0700615.... 137, 139, 141, 143, 145, 147
	0272725 ..... 851	0641514 ..... 525, 527	0700616.... 152, 158, 164, 165
	0272948 ..... 547	0641516001 ..... 394	0700618 95, 99, 103, 107, 273, 297, 691
	0272949 ..... 549, 551	0641520001 ..... 394	0700620..... 131
	0272950 ..... 553, 555	0641605 ..... 407	0700810.... 275, 277, 299, 301
	0272951 ..... 543	0641605001 ..... 407	0700812.... 274, 277, 301
	0272952 ..... 557, 559	0641606 ... 180, 192, 208, 220, 236, 248, 264, 286, 292, 310, 316, 534, 579, 581, 583	0700815.... 180, 192, 208, 220, 236, 248, 264, 286, 292, 310, 316
	0273145 ..... 851	0641606001 ..... 373	0700818.... 173, 185, 201, 213, 229, 241, 257, 355, 359, 411, 413, 415
	0273353 ..... 534	0641607 ..... 407	0700818001..... 411, 413, 415, 417
	0273404 ..... 573, 575	0641607001 ..... 394, 407	0700819001..... 351
	0273405 ..... 565, 567	0641608 ... 177, 189, 205, 217, 233, 245, 261, 281, 305, 363, 411, 413, 415, 419	0700820.... 273, 277, 297, 301
	0273406 ..... 561, 563	0641608001 ..... 397, 399, 411, 413, 415, 417, 419	0700823001..... 394
	0273706 ..... 587	0641620001 ..... 394	0700826..... 273, 297
	0274661 ..... 527	0641622001 ..... 394	0700827 .... 273, 277, 297, 301
	0363066 ..... 367	0641626001 ..... 394	0700829001..... 397, 399
	0400020 ..... 89	0641628001 ..... 395	0701013.... 180, 192, 208, 220, 236, 248, 264, 286, 292, 310, 316
	0440162 ... 173, 185, 201, 213, 229, 241, 257, 273, 277, 297, 301	0641644 ..... 367	0701014..... 363
	0440273 ..... 15, 17	0641688 ..... 367	0701014001..... 151, 157, 163, 167, 169
	0480100 ..... 525, 527	0641808001 ..... 373	0701015.... 79, 81, 83, 85, 151, 157, 163, 180, 192, 208, 220, 236, 248, 264, 286, 292, 310, 316
	0630448001 ..... 453, 455	0641812001 ..... 387, 391	
	0630457 ..... 407	0641822001 ..... 389	
	0630462 ..... 585, 587	0642010001 ..... 373	
	0630468 ..... 399	0642012 ... 537, 541, 543, 545, 547, 551, 555, 559, 563, 567, 571, 575	
	0630518 ... 529, 534, 579, 581, 583	0642014001 ..... 373	
	0630535 ... 601, 603, 605, 609, 611, 617, 619	0642024001 ..... 389	
	0630536 ..... 629	0642026 ... 539, 549, 553, 557, 561, 565, 569, 573	
	0630568 ... 468, 472, 476, 480, 484, 488, 492, 496	0642212 ... 537, 539, 541, 543, 545, 547, 549, 551, 553, 555, 557, 559, 561, 563, 565, 567, 569, 571, 573, 575	
	0630615001 ..... 151, 157, 163	0642220 ... 174, 186, 202, 214, 230, 242, 258, 273, 277, 297, 301	
	0641404 ... 467, 471, 475, 479, 483, 487, 491, 495, 577		
	0641405 ..... 577		
	0641405001 ..... 389		
	0641406 ... 407, 419, 451, 807, 811, 815, 817, 821, 825, 829, 833, 837		
	0641406001 ..... 407, 419, 453, 455, 457		
	0641407001 ..... 389		

## PART NUMBER INDEX

0701016 ... 180, 192, 208, 220, 236, 248, 264, 286, 292, 310, 316	307, 351, 355, 359, 459, 461, 463, 465	0761210.....177, 180, 189, 192, 205, 208, 217, 220, 233, 236, 245, 248, 261, 264, 281, 283, 286, 292, 305, 307, 310, 316	551, 553, 555, 557, 559, 561, 563, 565, 567, 569, 571, 573, 575
0701017 ... 79, 81, 83, 85, 180, 192, 208, 220, 236, 248, 264, 286, 292, 310, 316, 367	076061295, 99, 103, 107, 131, 152, 158, 164, 409, 459, 461, 463, 465	0761212.....351, 355, 359	0940103 ..... 585
070101871, 89, 351, 355, 359, 367	0760613 ... 173, 185, 201, 213, 229, 241, 257, 274, 277, 298, 301	0761212001.....370	0940133 ..... 587
0701019 ... 180, 192, 208, 220, 236, 248, 264, 286, 292, 310, 316	0760614 .85, 95, 99, 103, 107, 183, 195, 286, 292, 312, 316	0761214.....21, 151, 157, 163	0961845 ... 429, 431, 433, 435, 437, 439, 441
0701020 ..... 157, 163	0760807 ... 275, 277, 299, 301	0761214001.....394	0961896 ..... 601, 603
0701021 ..... 367	0760808 ..... 407	0761215.....151, 177, 189, 205, 217, 233, 245, 261, 281, 283, 305, 307	0961897 .... 605, 617, 619
0701022001 ..... 367	0760808001 19, 151, 157, 163, 407	0761216.....77, 151, 157, 163	0961898 ..... 629
0701024001 ..... 367	0760810 ... 180, 192, 208, 220, 236, 248, 264, 273, 277, 286, 292, 297, 301, 310, 316, 407	0761216001.....387, 391	0961902 ..... 609, 611
0701039 ..... 367	076081000196, 100, 104, 108, 151, 157, 163, 407	0761218001....33, 35, 43, 45, 47, 49	0961950 ... 373, 377, 605, 607, 617, 619, 625, 627
0701047 ..... 367	0760812 ... 33, 35, 95, 99, 103, 107, 173, 180, 185, 192, 201, 210, 213, 222, 229, 238, 241, 250, 257, 266, 273, 277, 286, 292, 297, 301, 310, 316, 667	0761222.....157, 163	0961951 ... 180, 192, 208, 220, 236, 248, 264, 286, 292, 310, 316
0701220 ..... 81, 83, 85	0760812001.....152, 157, 163	0761616.....367	0962006 ..... 609, 611
0701224 ..... 77	0760814 .... 85, 275, 277, 299, 301	0762018001.....21	0962051 ... 173, 185, 201, 213, 229, 241, 257, 273, 277, 297, 301
0701420001 ..... 15, 17	0760815 95, 99, 103, 107	0762418.....363	0962181 ..... 373
0701422001 ..... 19	0760815001.....19	0762418001.....15, 17	0962270 ... 443, 445, 447, 449
0701616 ..... 363	0761008 ... 180, 192, 208, 220, 236, 248, 264, 286, 292, 310, 316	0771012001.....370	0962423 ..... 19
0701618 ..... 363	0761009 ..... 367	0771014001.....370	0962447 ..... 367
0701619001 ..... 29, 31	0761010 ..... 407	0771015001.....363	0962450 ..... 389
0701627 ... 180, 192, 208, 220, 236, 248, 264, 286, 292, 310, 316	0761011001.....367	0771016001.....370	0962520 .... 351, 355, 359
0701628 ..... 367	0761012 ... 33, 35, 55, 57, 151, 152, 157, 158, 163, 164, 180, 192, 208, 220, 236, 248, 264, 286, 292, 310, 316	0771018001.....370	0962561 ..... 601, 603
0711015 ... 173, 185, 201, 213, 229, 241, 257, 273, 277, 297, 301	0761014 95, 99, 103, 107	0771414 .... 180, 192, 208, 220, 236, 248, 264, 286, 310	0962562 ..... 613
0711214 ... 180, 192, 208, 220, 236, 248, 264, 286, 292, 310, 316	0761014001.....367, 391, 394	0771415....180, 192, 286, 292, 316	1001091102 ..... 135, 691
0711218 ... 182, 194, 210, 222, 238, 250, 266, 286, 292, 310, 316	0761015 ... 173, 177, 185, 189, 201, 205, 213, 217, 229, 233, 241, 245, 257, 261, 273, 277, 281, 283, 297, 301, 305, 307, 363, 407, 459, 461, 463, 465	0771416....173, 185, 201, 213, 229, 241, 257, 273, 277, 297, 301	1001095136 ..... 151, 157, 163
0711222001 ..... 391	0761016 ..... 409	0791003.....617	1001095704 ..... 713, 844
0712426 .... 151, 157, 163	0761018 ..... 151	0791504001.....394	1001096612 ..... 351, 695
0712435 ..... 67	0761018001.....158, 163, 164, 367	0791505001.....409	1001096653, 33, 35, 691, 771, 773, 775
0721005 ..... 585, 587	0761018001.....158, 163, 164, 367	0791516001.....374	1001097051 ..... 409, 779
0731007 ... 79, 81, 83, 85	0761020 ..... 367	0791609001.....374	1001097150 ..... 693, 695
0741404 ..... 407	0761027 ..... 367	0791622001.....374	1001097587 ..... 67
0741607 .... 351, 355, 359	0761018 ..... 151	0811607001.....367, 377	1001097588 ..... 288, 293, 312, 317
0760405 ..... 407	0761018 ..... 151	0811608001.....373, 377	1001098012 ..... 529, 534, 589
0760408 ... 135, 173, 185, 201, 213, 229, 241, 257, 273, 277, 297, 301	0761018 ..... 151	0811610001.....363	1001098122 ..... 517, 755, 759, 763
0760505 ..... 273, 297	0761018 ..... 151	0840062.....747	1001098149 ..... 529
0760508 ... 281, 283, 305, 307	0761018 ..... 151	0841812....177, 189, 205, 217, 233, 245, 261, 281, 283, 305, 307	1001099125 ..... 111, 113, 115, 117
0760516 ... 275, 277, 299, 301	0761018 ..... 151	0860038.....355, 771, 773	1001099138 ..... 851
0760604 ... 288, 292, 312, 316	0761018 ..... 151	0861538.....355	1001099366 ..... 537, 539, 541, 543, 545, 547, 549, 551, 553, 555, 557, 559, 561, 563, 565, 567, 569, 571, 573, 575
0760606 ... 274, 277, 298, 301, 351, 356, 360	0761018 ..... 151	0861572.....359	1001099367 ..... 537, 539, 541, 543, 545, 547, 549, 551, 553, 555, 557, 559, 561, 563, 565, 567, 569, 571, 573, 575
0760608 ... 273, 277, 288, 292, 297, 301, 312, 316, 407	0761018 ..... 151	0861731....655, 657, 659, 661	1001099421 ..... 547
0760608001 ..... 407	0761018 ..... 151	0861781.....651, 653	1001099422 ..... 543
0760610 ... 173, 177, 185, 189, 201, 205, 213, 217, 229, 233, 241, 245, 257, 261, 273, 281, 283, 297, 305,	0761018 ..... 151	0861880.....693, 695	1001099435 ..... 565
	0761018 ..... 151	0902888.....351, 355, 359	1001099436 ..... 549
	0761018 ..... 151	0902919 ..... 389	1001099437 ..... 553
	0761018 ..... 151	0902920 ..... 389	1001099438 ..... 561
	0761018 ..... 151	0903484 ..... 691	
	0761018 ..... 151	0940049....151, 157, 163	
	0761018 ..... 151	0940092.....585, 587	
	0761018 ..... 151	0940094.....585, 587	
	0761018 ..... 151	0940102....537, 539, 541, 543, 545, 547, 549,	



# PART NUMBER INDEX

1001099439.....557	1001116812..... 671, 707, 709, 713, 739, 788, 792	1001119020..... 669, 757, 761, 788, 792	1001125137.....609, 625
1001099440.....573	1001116813..... 685, 687, 689	1001119033..... 408	1001125175.....807, 841
1001101191.....693	1001116815..... 707, 713	1001119042..... 373	1001125176.....807
1001101421.....537, 539, 541	1001116846..... 825	1001119105..... 609, 611, 617, 619	1001125177.....815, 821
1001101422.....537, 541	1001116849..... 825	1001119137..... 408	1001125178.....815, 821
1001101580.....174, 186, 202, 214, 230, 242, 258, 274, 278, 298, 302	1001116851..... 825	1001119211..... 419	10011251788..... 817
1001102417.....648	1001116952..... 709	1001119214..... 419	1001125179.....825, 841
1001102594.....753, 788, 792	1001116983..... 717, 719	1001119215..... 419	1001125180.....825
1001102647..... 539	1001117023..... 709	1001119262..... 419, 846	1001125181.....829, 842
1001103012.....788, 792	1001117034..... 825	1001119313..... 373, 621	1001125182.....829
1001103452.....180, 192, 274, 278	1001117035..... 825	1001119314..... 621	1001125183.....833, 842
1001104498.....792	1001117064..... 697, 739	1001119318..... 621	1001125184.....833
1001104651.....849	1001117106..... 709, 787, 791	1001119412..... 709, 723	1001125185.....837, 841
1001106736..... 131	1001117107..... 713	1001119452..... 621, 623	1001125186.....837
1001107854.....792	1001117108..... 714	1001119455..... 645	1001125187.....817, 841
1001108122.....389	1001117172..... 517	1001119509..... 131, 846	1001125189.....811, 841
1001108579.....79	1001117174..... 467, 471, 475, 479, 483, 487, 491, 495, 517, 846	1001119614..... 363, 846	1001125190.....811
1001108616.....177, 189, 205, 217, 233, 245, 261, 281, 283, 305, 307, 336	1001117244..... 288, 293, 312, 317	1001119619..... 777	1001125194.....468, 471, 475, 480, 483, 488, 491, 495
1001108617...55, 57, 844	1001117294..... 850	1001119620..... 779, 781	1001125195.....468, 471, 476, 480, 484, 488, 492, 495
1001109048.....79, 81, 83, 85	1001117308..... 174, 181, 186, 193, 202, 214, 230, 237, 242, 249, 258, 265, 274, 287, 293, 298, 311, 317, 844	1001119703..... 397, 399	1001125196.....841
1001109475.....693	1001117969..... 609, 611	1001119704..... 397, 399	1001125197.....841
1001109482.....693	1001117984..... 609	1001119706..... 397	1001125198.....841
1001109503.....111, 115	1001117990..... 609, 611, 846	1001119710..... 377	1001125199.....841
1001110059.....79	1001117991..... 617, 619, 846	1001119727..... 181, 193	1001125200.....841
1001110544.....174, 186, 202, 214, 230, 242, 258	1001117994..... 609, 611, 617, 619	1001119899..... 363	1001125201.....841
1001110604.....644	1001118066..... 609, 611, 617, 619	1001119985..... 373	1001125202.....841
1001110853.....151, 157, 163	1001118069..... 609, 611, 617, 619	1001119991..... 373	1001125203.....841
1001110873.....356, 771	1001118070..... 609, 617	1001119998..... 373	1001125204.....841
1001111116.....181, 193, 209, 221	1001118084..... 617	1001119999..... 363	1001125205.....841
1001112551..... 815	1001118086..... 617	1001120000.. 15, 17, 373	1001125206.....841
1001112612.....669, 792	1001118148..... 605	1001120014..... 373	1001125207.....841
1001112617.....788	1001118149..... 605	1001120015..... 373	1001125208.....841
1001112757.....131	1001118177..... 605	1001120028..... 408	1001125209.....841
1001112796.....669	1001118274... 33, 35, 96, 99, 103, 107, 151, 157, 163, 408	1001120037..... 373	1001125210.....841
1001112927.....177, 189, 205, 217, 233, 245, 261, 281, 283, 305, 307, 343	1001118282..... 714	1001120038..... 373	1001125211.....841
1001113483.....389	1001118369..... 363, 373	1001120039..... 373	1001125212.....841
1001113961.....697, 788, 792	1001118373..... 408	1001120048..... 408	1001125293.....453, 455, 743
1001115603.....569, 571	1001118384..... 783	1001120049..... 408	1001125295.....743, 745
1001115604.....569	1001118388..... 761, 767, 783	1001120055..... 740, 755, 759, 763	1001125387.....841
1001116025.....841	1001118416..... 468, 480, 513	1001120076..... 409	1001125387.....841
1001116694.....739	1001118417..... 468, 480, 507	1001120084..... 408	1001125677.....713, 740
1001116695.....409	1001118564..... 373	1001120104..... 408, 846	1001126008.....689, 715, 769
1001116720.....761, 767	1001118878... 43, 45, 47, 49	1001120209..... 374	1001126009.....783
1001116725.....714	1001118930..... 408	1001120257..... 374	1001126011.....755, 759, 763
1001116732.....709	1001118931..... 408	1001120328..... 131, 519, 521, 577, 713, 740, 757, 761	1001126245.....715
1001116733.....714, 723	1001118971..... 408, 846	1001120338..... 468, 471, 475, 480, 483, 487, 491, 495	1001126300.....453
1001116734.....714		1001120466..... 851	1001126351.....710
1001116748.....697, 739		1001120467..... 851	1001126352.....710
1001116774.....669		1001120608..... 389	1001126353.....713
1001116808.....669		1001120631..... 389	1001126356.....710
		10011213447..... 763	1001126357.....710
		1001121826..... 123, 499	1001126362.....710, 714
		1001121827..... 125, 501	1001126363.....710
		1001121837..... 453	1001126365.....710
		1001122242..... 453, 455	1001126384.....710
		1001122383..... 123	1001126391.....710, 714, 797
		1001122384..... 499, 503	1001126393.....714
		1001122611..... 499, 503	1001126485.....715
		1001123044..... 368	1001126487.....715
			1001128127.....788

## PART NUMBER INDEX

1001128128 ..... 709, 714	1001138514..... 435, 437, 439, 441	1001147567..... 181, 193, 209, 221, 287, 293, 311, 317	1001150498 ..... 182, 194, 209, 221, 237, 249, 265
1001128527 ..... 583	1001138559..... 181, 193, 209, 221, 237, 249, 265, 287, 293, 311, 317	1001147616.....29	1001150499 ..... 182, 194, 209, 221, 237, 249, 265
1001128556 ..... 583	1001138566.....351	1001147617.....29	1001150500 ..... 182, 194, 209, 221, 237, 249, 265
1001129555 ..... 844	1001138773.....851	1001147618.....29	1001150504 ..... 182, 210, 237, 265, 287, 293
1001129920 ..... 609	1001138827..... 181, 193, 209, 221, 237, 249, 265, 287, 293, 311, 317	1001147847..... 181, 193, 209, 221, 237, 249, 265, 287, 293, 311, 317	1001150505 ..... 182, 194, 210, 222, 237, 249, 265
1001129921 ..... 609	1001139099..... 850	1001147879.....79, 81, 83, 85, 87	1001150553 ..... 182, 194, 210, 222, 237, 249, 265, 287, 293, 311, 317
1001129961 ..... 377	1001139240..... 181, 193, 209, 221, 237, 249, 265, 287, 293, 311, 317	1001148059.....351, 360	1001150725 ..... 71
1001131269 ..... 807, 829	1001139654.....841	1001148075.....209, 221, 225	1001150887 ..... 613, 615
1001133714 ..... 709, 715	1001139994.....605	1001148076..... 182, 193, 197	1001150900 ..... 182, 194, 210, 222
1001133715 ..... 709, 715	1001139995.....609, 611	1001148641..... 182, 194, 209, 221, 237, 249, 265, 287, 293, 311, 317	1001150917 ..... 613
1001133759 ..... 701	1001139996.....617, 619	1001148902.....850	1001150942 ..... 613, 615
1001133956 ..... 710	1001139999.....373, 609	1001148903.....850	1001150967 ..... 629
1001133957 ..... 710	1001140104.....373, 617	1001148904.....850	1001150999 ..... 409
1001134488 ..... 181, 193, 209, 221, 237, 249, 265, 287, 293, 311, 317	1001140429.....429, 431, 433, 435, 437, 439, 441	1001148905.....850	1001151000 ..... 409
1001134626 ..... 851	1001140564..... 181, 193, 209, 221, 237, 249, 265, 287, 293, 311, 317	1001148906.....850	1001151001 ..... 629
1001135027 . 95, 99, 103, 107, 177, 189, 217	1001141300.....849	1001148971.....851	1001151003 ..... 629
1001135196 ..... 174, 186, 202, 214, 230, 242, 258, 274, 278, 298, 302	1001141302.....850	1001148972.....363	1001151117 ..... 368
1001135479 ..... 409, 846	1001141304..... 177, 189, 205, 233, 245, 261, 281, 283, 305, 307	1001149160..... 151, 157, 163, 409	1001151124 ..... 368
1001135483 ..... 409	1001141718..... 174, 186, 202, 214, 230, 242, 258	1001149407..... 182, 194, 209, 221, 237, 249, 265	1001151393 ..... 119, 121
1001135484 ..... 409	1001141995..... 181, 193, 209, 221, 237, 249, 265, 287, 293, 311, 317	1001149471..... 182, 194, 209, 221, 237, 249, 265, 287, 293, 311, 317	1001151432 ..... 182, 194
1001135497 ..... 174, 186, 202, 214, 230, 242, 258, 274, 278, 298, 302	1001142501..... 174, 181, 186, 193, 202, 209, 214, 221, 230, 237, 242, 249, 258, 265, 274, 278, 287, 293, 298, 302, 311, 317	1001149709.....646	1001151491 ..... 182, 194, 210, 222, 237, 249, 265, 287, 293, 311, 317
1001135650 ..... 715	1001142504.....851	1001149711.....29	1001151503 ..... 613
1001135943 ..... 181, 193, 209, 221, 237, 249, 265, 287, 293, 311, 317	1001142505.....851	1001149730.....851	1001151749 ..... 182, 194, 210, 222, 238, 250, 266, 287, 293, 311, 317
1001136079 ..... 181, 209, 221, 237, 265, 287, 293, 850	1001142683..... 137, 139, 141, 143, 145, 147	1001149736..... 182, 194, 209, 221, 237, 249, 265	1001151761 ..... 182, 194
1001136172 ..... 193, 249, 311, 317, 850	1001142736..... 137, 139, 141, 143, 145, 147, 669	1001149746..... 182, 194, 209, 221, 237, 249, 265, 287, 293, 311, 317	1001151895 .95, 99, 103, 107, 846
1001136583 ..... 368	1001143390..... 181, 193, 209, 221, 237, 249, 265, 287, 293, 311, 317	1001149823.....67	1001152112 ..... 194, 222, 250, 312, 317
1001136834 ..... 181, 193, 209, 221, 237, 249, 265, 287, 293, 311, 317	1001144022.....435	1001149826.....208	1001152456 ..... 352
1001136975 ..... 274, 278, 298, 302	1001144023.....425	1001149867.....180	1001152458 ..... 351
1001137005 ..... 852	1001144296..... 789, 792	1001149921.....21, 25	1001152489 ..... 182, 194, 210, 222, 238, 250, 266, 287, 294, 311, 318
1001137364 ..... 468, 472, 476, 480, 484, 488, 492, 495	1001144433..... 480, 484, 488, 492, 521	1001149970.....95, 99, 103, 107, 705	1001152525 ..... 352, 356, 360
1001137440 ..... 852	1001144596.....443	1001149971..... 177, 189, 205, 217, 233, 245, 261, 709	1001152530 ..... 352
1001137578 ..... 703	1001144629.....423, 425, 427, 429, 431	1001149972..95, 99, 103, 107, 787	1001152532 ..... 351, 721
1001137672 ..... 852	1001145405.....529, 534	1001149973..95, 99, 103, 107, 725	1001152742 ..... 797
1001137673 ..... 519, 521, 846	1001145974.....648	1001149974.....95, 799	1001153433 ..... 368
1001138173 ..... 181, 193, 209, 221, 237, 249, 265, 287, 293, 311, 317	1001146896.....363	1001149975.....43, 45, 47, 49, 697	1001153437 ..... 368
1001138175 ..... 181, 193, 209, 221, 237, 249, 265, 287, 293, 311, 317	1001146940.....363	1001149976.....468, 472, 476, 755	1001153443 ..... 368
1001138228 ..... 181, 193, 209, 221, 237, 249, 265, 287, 311, 844	1001146963.19, 409, 846	1001149977.....411, 413, 415, 417, 769	1001153450 ..... 368
1001138248 ..... 181, 193, 209, 221, 237, 249, 265, 287, 293, 311, 317	1001146978..... 77, 701	1001149978.....419, 739	1001153452 ..... 368
1001138494 ..... 429, 431, 435, 437, 439, 441	1001147479..... 409, 846	1001149979..95, 99, 103, 107, 671	1001153453 ..... 368
		1001150162.....43, 45, 47, 49	1001153465 ..... 368
		1001150174.....355	1001153692 ..... 368
			1001153710 ..... 368
			1001153760 ..... 368
			1001153785 ..... 368
			1001153786 ..... 368
			1001153797 ..... 368
			1001153815 ..... 368
			1001153816 ..... 368
			1001153817 ..... 368
			1001153827 ..... 368

## PART NUMBER INDEX

1001153828.....368	1001154824.....394	1001155564.....182, 194,	1001156034.....182, 194,
1001153846.....368	1001154825.....394	210, 222, 238, 250,	210, 222, 238, 250,
1001153979.....67	1001154826.....394	266, 288, 294, 312, 318	266, 288, 294, 312, 318
1001153981.....71	1001154869.....394	1001155565.....182, 194,	1001156035.....182, 194,
1001153983.....71	1001154870.....395	210, 222, 238, 250,	210, 222, 238, 250,
1001153984.....71, 73	1001154871.....394	266, 288, 294, 312, 318	266, 288, 294, 312, 318
1001154005.....79	1001154872.....395	1001155566.....182, 194,	1001156062.....182, 194,
1001154006.....79	1001155023.....182, 194,	210, 222, 238, 250,	210, 222, 238, 250,
1001154030.....133	210, 222, 238, 250,	266, 288, 294, 312, 318	266, 288, 294, 312, 318
1001154034.....89	266, 288, 294, 311, 318	1001155567.....210, 222,	1001156083.....648
1001154035.....89	1001155041.....351, 355,	238, 250, 266	1001156091.....182, 194,
1001154085.....363	359	1001155584.....152, 153,	210, 222, 238, 250,
1001154086.....368	1001155044.....472, 476,	158, 159, 164, 165	266, 288, 294, 312, 318
1001154087.....368	484, 488, 492, 496	1001155591.....151, 157,	1001156103.....395
1001154088.....368	1001155045.....472, 476,	163	1001156104.....395
1001154091.....368	484, 488, 492, 496	1001155619.....15	1001156107..95, 99, 103,
1001154092.....368	1001155064.....851	1001155690.....15	107, 177, 189, 205,
1001154093.....368	1001155066.....355	1001155692.....605	217, 233, 245, 261,
1001154094.....368	1001155067.....359	1001155728.....182, 194,	281, 283, 305, 307
1001154095.....368	1001155069.....850	210, 222, 238, 250,	1001156112.....182, 194,
1001154097.....368	1001155070.....345	266, 288, 294, 312, 318	210, 222, 238, 250, 266
1001154099.....368	1001155133.....15, 17	1001155734.....151, 157,	1001156135..95, 99, 103,
1001154100.....841	1001155142.....395	163	107, 717
1001154119.....69	1001155157.....629	1001155743.....697, 713,	1001156216.....411
1001154121.....352	1001155213.....629	769	1001156217.....413
1001154142.....177, 189,	1001155262.....409	1001155813.....352	1001156218.....775
205, 217, 233, 245, 261	1001155303.....356	1001155817.....19, 785	1001156219.....771
1001154143.....177, 189,	1001155338.....351, 355,	1001155818.....605	1001156221.....691
205, 217, 233, 245,	359	1001155823.....274, 278,	1001156224.....773
261, 281, 283, 305, 307	1001155348.....355, 359	298, 302	1001156232.....111
1001154144.....89	1001155363.....15, 17	1001155832.....151, 157,	1001156242.....151, 157,
1001154145.....89	1001155378.....629, 631	163	163
1001154192.....77	1001155437.....152, 158,	1001155834.....368, 605	1001156271.....848
1001154196.....77	164	1001155835.....409	1001156330.....848
1001154232.....368	1001155438.....151, 152,	1001155836.....19, 409	1001156347.....152, 153,
1001154233.....368	157, 158, 163, 164	1001155880.....151, 157,	158, 159, 164, 165
1001154234.....368	1001155440.....407	163	1001156456.....151, 157,
1001154235.....368	1001155454.....153, 159,	1001155900.....368	163
1001154247.....368	165	1001155902.....151, 157,	1001156457.....151, 157,
1001154260.....368	1001155456.....151, 152,	163	163
1001154262.....274, 278,	157, 158, 163, 165	1001155908.....151, 157,	1001156464.....15
298, 302	1001155496.....182, 194,	163	1001156512.....374, 379
1001154294.....368	210, 222, 238, 250,	1001155909.....151, 157,	1001156520.....151, 157,
1001154304.....368	266, 288, 294, 312, 318	163	163
1001154306.....368	1001155498.....182, 194,	1001155918.....151, 158,	1001156522.....43, 95
1001154377.....71	210, 222, 238, 250,	163	1001156540.....363
1001154405.....173, 182,	266, 288, 294, 312, 318	1001155919.....151	1001156549.....368
185, 194, 210, 222,	1001155523.....368	1001155939.....174, 186,	1001156551.....605
238, 250, 266, 274,	1001155525.....182, 194,	202, 214, 230, 242,	1001156562.....368
278, 287, 294, 298,	210, 222, 238, 250,	258, 274, 278, 298, 302	1001156565.....369
302, 311, 318	266, 288, 294, 312, 318	1001155962.....345	1001156606.....19
1001154512.....95, 111	1001155527.....167	1001155967..96, 99, 103,	1001156613.....369
1001154513.....111	1001155540.....182, 194,	107	1001156644.....182, 194,
1001154697.....205	210, 222, 238, 250,	1001155986.....19, 625	210, 222, 238, 250,
1001154699.....201	266, 288, 294, 312, 318	1001155987.....625	266, 288, 294, 312, 318
1001154706.....177	1001155550.....182, 194,	1001155992.....625	1001156648..15, 17, 601
1001154707.....173	210, 222, 238, 250,	1001155998.....625	1001156650.....363
1001154751.....394	266, 288, 312	1001155999.....625	1001156678.....19
1001154759.....21	1001155557.....182, 194,	1001156001.....177, 189,	1001156679.....19
1001154768.....394	210, 222, 238, 250,	205, 217, 233, 245,	1001156692.....710
1001154769.....394	266, 288, 294, 312, 318	261, 707	1001156718.....177, 189,
1001154772.....21	1001155561.....51	1001156016.....601, 603,	205, 217, 233, 245,
1001154815.....394	1001155563.....182, 194,	613, 615	261, 281, 283, 305, 307
1001154816.....394	210, 222, 238, 250,	1001156030.....352, 356,	1001156719.....174, 177,
1001154817.....394	266, 288, 294, 312, 318	360, 723	186, 189, 202, 205,
1001154818.....394		1001156033.....613	214, 217, 230, 233,
1001154823.....395			242, 245, 258, 261,

## PART NUMBER INDEX

274, 278, 281, 283, 298, 302, 305, 307	1001157467.....29	1001158207.....411, 413, 415, 417, 749	1001159653..... 152, 158, 164
1001156778..... 19, 409	1001157520.....356, 360	1001158262.....182, 195	1001159687..... 394
1001156781..... 468, 472	1001157521.....356, 360	1001158263.....347	1001159855..... 807, 811, 815, 817, 821, 825, 829, 833, 837, 841
1001156785..... 19	1001157525.....359, 360	1001158289.....182, 194	1001159875..... 369
1001156786..... 459, 467	1001157528.....356, 360	1001158355.....369	1001159980..... 841
1001156813..... 459	1001157592.....355, 356	1001158363.....352	1001159981..... 841
1001156815..... 19	1001157607.....849	1001158406.....55, 57, 59	1001159983..... 841
1001156859..... 95, 99, 103, 107, 131	1001157636..... 413, 675	1001158411.....409, 685	1001160138..... 369
1001156860..... 131	1001157637..... 413, 731	1001158412.....55, 57, 844	1001160169..... 613
1001156862..... 15	1001157646.....96, 99, 104, 108, 747	1001158517.....369	1001160266..... 848
1001156863..... 15	1001157649..... 747	1001158529.....192	1001160443..... 841
1001156867..... 51	1001157665.....395	1001158530.....189	1001160445..... 807, 811, 815, 817, 821, 825, 829, 833, 837
1001156893..... 411, 413, 415, 417, 751	1001157670..... 51	1001158531.....185	1001160456..... 807
1001156894..... 411, 673	1001157706...33, 55, 397	1001158607.....347	1001160457..... 837
1001156896..... 411, 729	1001157723..... 747	1001158741.....613	1001160458..... 825
1001156897..... 411, 413, 415, 417, 737	1001157730.....152, 157, 164	1001158746.....363, 367	1001160459..... 817
1001156923..... 601	1001157731.....152, 158, 164	1001158757.....369	1001160460..... 811
1001156926..... 468, 472, 476, 480, 484, 488, 492, 496	1001157732.....152, 158	1001158771.....369	1001160461..... 829
1001156991..... 19	1001157738.....274, 298	1001158772.....369	1001160462..... 821
1001156996..... 19	1001157849.....21	1001158774.....369	1001160463..... 833
1001157000..... 151	1001157850.....21	1001158817.....644	1001160464..... 815
1001157007..... 15, 17	1001157862.....182, 194, 210, 222, 238, 250, 266, 288, 294, 312, 318	1001158818.....644	1001160505.....152, 153, 158, 159, 164, 165
1001157028..... 740	1001157871.....369	1001158819.....644	1001160518.....182, 194, 210, 222, 238, 250, 266, 288, 294, 312, 318
1001157031..... 135	1001157872.....369	1001158853.....363, 613	1001160589..... 369
1001157037..... 601	1001157873.....369	1001158895.....613	1001160743..... 369
1001157041..... 601	1001157874.....369	1001158922.....95, 104, 663	1001160744..... 370
1001157073..... 177, 189, 205, 217, 233, 245, 261, 281, 283, 305, 307	1001157875.....369	1001158923.....373, 377	1001160955..... 637
1001157080..... 601, 603	1001157876.....369	1001158925.....377	1001160989..... 370
1001157084..... 15, 17, 846	1001157877.....369	1001158933.....377	1001160990..... 370
1001157097..... 369	1001157878.....369	1001158944.....373	1001161232..... 55, 57
1001157198..... 33, 37	1001157879.....369	1001158991.....377, 633	1001161242..... 851
1001157207..... 33, 35, 41	1001157876.....369	1001158992.....377	1001161243..... 851
1001157216..... 29	1001157878.....369	1001158993.....377	1001161244..... 851
1001157217..... 151, 157, 163	1001157879.....369	1001158999.....453	1001161245..... 851
1001157218..... 152, 157, 164	1001157880.....369	1001159000.....453	1001161246..... 851
1001157219..... 152	1001157881.....369	1001159001.....453, 455	1001161269..... 641
1001157223..... 152	1001157882.....369	1001159061.....369	1001161270..... 641
1001157224..... 152, 157, 164	1001157883.....369	1001159121.....851	1001161271..... 641
1001157241..... 641, 646	1001157884.....369	1001159162.....131, 174, 186, 202, 214, 230, 242, 258, 274, 278, 298, 302	1001161272..... 641
1001157242..... 644	1001157885.....369	1001159167.....369	1001161273..... 641
1001157243..... 637, 646	1001157886.....369	1001159168.....369	1001161274..... 641
1001157292..... 468, 472, 476, 480, 484, 488, 492, 496	1001157887.....369	1001159169.....369	1001161275..... 641
1001157293..... 220	1001157888.....369	1001159170.....369	1001161276..... 641
1001157294..... 217	1001157889.....369	1001159186.....725, 726, 755, 756, 757, 759, 760, 761, 764, 765	1001161277..... 641
1001157295..... 213	1001157890.....714, 740	1001159199.....613	1001161278..... 641
1001157300..... 194, 222, 250, 311, 318	1001157891.....797	1001159231.....629	1001161279..... 641
1001157301..... 194, 222, 250, 312, 318	1001157906.....152, 158, 164	1001159234.....629	1001161280..... 641
1001157412..... 369	1001157907.....152, 158, 164	1001159235.....369, 629	1001161281..... 641
1001157453..... 369	1001157958.....625, 627	1001159242.....807, 811, 815, 817, 821, 825, 829, 833, 837, 841	1001161282..... 641
1001157454..... 369	1001158007.....357, 360	1001159245.....369	1001161283..... 641
1001157459..... 369	1001158008.....352, 357, 360	1001159255.....395	1001161289..... 641
1001157466..... 15	1001158009.....848	1001159256.....472, 476, 484, 488, 492, 496	1001161290..... 641
	1001158010.....848	1001159363.....409, 795	1001161470..... 169
	1001158011.....848	1001159621.....411, 413, 415, 417, 419	1001161488..... 167
	1001158012.....848	1001159652.....152, 158, 164	1001161609..... 644
	1001158014.....848		1001161610..... 644
	1001158015.....409, 687		1001161611..... 644
	1001158017..... 15, 17		1001161612..... 644
	1001158073.....852		1001161613..... 644
	1001158080.....691, 693		
	1001158083.....851		
	1001158159.....852		
	1001158180.....848		

## PART NUMBER INDEX

1001161614.....644	1001163536.....807, 811, 817, 825, 829, 833, 837	1001168734.....177, 189, 205, 233, 245, 261	1001176636.....453, 455, 457
1001161615.....644	100116363196, 100, 104, 108, 753	1001169081.....151, 158, 164	1001176778.....453, 455
1001161616.....644	1001163747.....799, 803	1001169085.....135	1001176783.....453, 455
1001161617.....644	1001164056.....89	1001169679.....370	1001177134.....182, 194, 210, 222, 237, 249, 265
1001161618.....644	1001164091.....352	1001169892.....177, 189, 205, 217, 233, 245, 261, 281, 283, 305, 307, 339	1001177137.....181, 193, 209, 221, 237, 249, 265
1001161619.....644	1001164354...33, 35, 43, 45, 47, 49	1001170638.....373, 383	1001177591.....369
1001161620.....644	100116472695, 100, 104, 108	1001170982.....182, 195, 210, 222, 238, 250, 266, 288, 294, 312, 318	1001177609.....407
1001161621.....644	1001164965.....83	1001171482.....113, 117	1001177635.....453, 455, 457
1001161622.....644	1001164968.....83	1001172356.....29, 31, 373, 389	1001178165.....808, 812, 815, 818, 822, 826, 830, 834, 838
1001161623.....644	1001165035.....173, 174, 180, 185, 186, 192, 201, 213, 229, 241, 257, 274, 278, 286, 292, 298, 302, 310, 316	1001172358.....15, 17, 151, 153, 158, 159, 164, 165, 167, 169, 363, 367, 391, 394	1001178591.....629
1001161624.....644	1001165194.....797	1001172663.....391	1001178592.....369, 629
1001161625.....644	1001165306.....152, 158, 164	1001172760.....467, 472, 476, 480, 484, 488, 492, 496	1001179154.....356
1001161626.....637	1001166393.....181, 193, 209, 221, 237, 249, 265, 288, 294, 312, 318	1001172781.....158, 164	1001179196.....137
1001161627.....637	1001166538.....468, 472, 476, 484, 488, 492, 496, 515	1001173609.....453, 455, 457	1001179510.....408
1001161628.....637	1001166539.....468, 472, 476, 484, 488, 492, 496, 509	1001173623.....374, 397	1001180096.....115
1001161629.....637	1001166541.....714	1001173662.....370	1001180153.....363
1001161630.....637	1001166543.....714	1001173663.....374, 394	1001180171.....849
1001161631.....637	1001166551.....713	1001173666.....374	1001180491.....457
1001161633.....637	1001166555.....713	1001173680.....374	1001180816.....395
1001161634.....637	1001166556.....714, 797	1001173703.....841	1001180825.....394
1001161635.....637	1001166566.....714, 797	1001173763.....377	1001180947.....395
1001161636.....637	1001166701.....714	1001173845.....397, 399	1001181045.....693, 695, 846
1001161637.....645	1001166704.....703	1001173846.....55, 57, 389, 394, 397	1001181062.....374, 381
1001161638.....645	1001166774.....714, 797	1001173928.....389	1001181063.....373, 385
1001161639.....645	1001167262.....407	1001174038.....387	1001181625.....279, 303
1001161640.....645	1001167497.....370	1001174040.....387, 389, 391	1001181899.....288, 294, 312, 318
1001161641.....645	1001167528.....703	1001174345.....19	1001182134.....395
1001161642.....645	1001167565.....391	1001174514.....158, 164	1001182138.....523
1001161643.....645	1001167567.....391	1001174516.....158, 164	1001182236.....850
1001161644.....645	1001167615.....713	1001174520.....158, 164	1001182256.....629, 631
1001161645.....645	1001167616.....714	1001174569.....157	1001183003.....158, 164
1001161646.....645	1001167620.....713	1001174596.....157, 164	1001183022.....157, 164
1001161647.....645	1001167621.....713	1001174597.....157, 164	1001183047.....158, 164
1001161667.....851	1001167622.....713	1001174795.....83	1001183407.....851
1001161668.....851	1001167623.....713	100117487195, 100, 104, 108, 844	100118408396, 100, 104, 108
1001161709.....472, 476, 484, 488, 492, 496	1001167624.....713	1001175201.....83, 85	1001184111.....645
1001161710.....472, 476, 484, 488, 492, 496	1001167625.....713	1001175265.....714	1001184112.....645
1001161729.....415	1001167629.....715	1001175535.....447	1001184113.....645
1001161730.....415, 677	1001167630.....715	1001175568.....274, 288, 294, 298, 312, 318	1001184697.....115
1001161731.....415, 733	1001167631.....715	1001175817.....394	1001184701.....104, 115
1001161837.....645	1001167632.....703	1001176002.....713	1001184702.....47, 103
1001161869.....645	1001167633.....715	1001176004.....713	1001184846.....714
1001162212.....274, 278, 298, 302	1001167634.....715	1001176333.....745	1001185281.....480, 484, 488, 492, 496
1001162216.....852	1001167635.....715	1001176371.....288, 312, 321	1001186229.....480, 484, 488, 759
1001162217.....852	1001167639.....715	1001176372.....852	1001186334.....445
1001162218.....852	1001167907.....395	1001176469.....115, 117	1001186342.....174, 186, 278, 302
1001162227.....852	1001168272.....83	1001176582.....457	1001186382.....437
1001162745.....395	1001168283.....397, 399, 401		1001186383.....427
1001162869.....394	1001168284.....397, 399, 403		1001186384.....423
1001162986.....274, 278, 298, 302	1001168402.....391		1001186389.....449
1001163131.....537, 539, 541	1001168475.....363		1001186431.....492, 521, 761, 844, 852
1001163287.....557, 559			1001186432.....761, 767, 783
1001163288.....565, 567			1001186517.....519, 521
1001163289.....561, 563			
1001163292.....569, 571			
1001163293.....549, 551			
1001163295.....573, 575			
1001163296.....547			
1001163297.....543			
1001163298.....553, 555			
1001163429.....370			

## PART NUMBER INDEX

1001186579 ..... 286	1001190921 ..... 713	1001198624 ..... 49, 107	1001209474 ..... 667
1001186580 ..... 274, 281	1001190927 ..... 167, 169	1001198625 ..... 100, 113	1001209664 ..... 519, 521
1001187079 ..... 792	1001190985 ..... 391	1001198626 ..... 108, 117	1001209874 ..... 145
1001187382 ..... 391	1001191122 ..... 288, 294, 312, 318	1001198627 ..... 113	1001210030 ..... 848
1001187383 ..... 391	1001191166 ..... 100, 108, 797	1001198628 ..... 117	1001210031 ..... 852
1001187411 ..... 815, 821	1001191215 ..... 81	1001198682 ..... 113	1001211079 ..... 351
1001187503 ..... 848	1001191216 ..... 83	1001198683 ..... 117	1001211129 ..... 417
1001187504 ..... 848	1001191368 ..... 349	1001198867 ..... 127, 503	1001211130 ..... 417, 681
1001187505 ..... 848	1001191390 ..... 349	1001198868 ..... 129, 505	1001211131 ..... 417, 683
1001187506 ..... 848	1001191395 ..... 850	1001198869 ..... 127	1001211314 ..... 683
1001187507 ..... 848	1001191464 ..... 163	1001198870 ..... 129	1001211315 ..... 681
1001187508 ..... 519	1001191708 ..... 523	1001199670 ..... 274, 278, 298, 302	1001211885 ..... 95, 99, 103, 107, 719
1001187516 ..... 274, 298	1001192138 ..... 288, 294, 312, 318	1001200064 ..... 849	1001212056 ..... 275, 278, 299, 302
1001187517 ..... 274, 298	1001192266 ..... 273	1001200065 ..... 849	1001212243 ..... 363
1001187518 ..... 274, 298	1001192401 ..... 788, 792	1001200066 ..... 849	1001212415 ..... 844
1001187674 ..... 531	1001193018 ..... 651, 653, 655, 657, 659, 661	1001200067 ..... 849	1001212810 ..... 288, 294, 312, 318
1001187681 ..... 777	1001193556 ..... 288, 312	1001200069 ..... 849	1001212817 ..... 182, 194, 288, 294, 312, 318
1001187744 96, 100, 104, 108	1001193599 ..... 288, 294, 312, 318	1001200070 ..... 849	1001212825 ..... 274, 278, 298, 303
1001187760 ..... 237, 249, 253	1001193630 ..... 852	1001200071 ..... 849	1001212826 ..... 288, 294, 312, 318
1001187761 ..... 236	1001193647 ..... 849	1001200491 ..... 391	1001213643 ..... 278, 302
1001187762 ..... 233	1001193980 ..... 274, 278, 298, 302	1001200494 ..... 391	1001214029 ..... 841
1001187763 ..... 229	1001193981 ..... 274, 298	1001200575 ..... 468, 472, 480, 484	1001214570 ..... 667
1001187764 ..... 248	1001194197 ..... 655	1001200817 ..... 459, 471	1001214571 ..... 667
1001187765 ..... 245	1001194198 ..... 659	1001200818 ..... 461, 483	1001215319 ..... 83
1001187766 ..... 241	1001194200 ..... 657	1001200910 ..... 139, 141	1001215375 ..... 457
1001187767 ..... 265, 269	1001194203 ..... 651	1001201351 ..... 391	1001215379 ..... 457
1001187768 ..... 264	1001194204 ..... 653	1001201670 ..... 850	1001215380 ..... 457
1001187769 ..... 261	1001194365 ..... 661	1001201889 ..... 476, 488, 492, 496	1001215949 ..... 409, 689
1001187770 ..... 257	1001194835 ..... 851	1001202017 ..... 848	1001216021 ..... 274, 278, 298, 302
1001187771 ..... 849	1001195541 ..... 17	1001202401 ..... 848	1001216318 ..... 713
1001187772 ..... 849	1001196517 ..... 409	1001202453 ..... 851	1001216361 ..... 849
1001187882 ..... 713	1001196553 ..... 163	1001202486 ..... 461, 487	1001216630 ..... 387, 389, 391
1001188162 ..... 288, 294, 312, 318	1001196806 ..... 83, 85	1001202551 ..... 459, 475	1001216790 ..... 409
1001188459 ..... 31	1001197016 ..... 852	1001202749 ..... 850	1001217007 ..... 363
1001188461 ..... 31	1001197017 ..... 585, 587	1001203634 ..... 849	1001218001 ..... 821
1001188462 ..... 31	1001197067 ..... 143	1001203653 ..... 363	1001218622 ..... 735
1001188491 ..... 81, 83, 85	1001197317 ..... 288, 294, 312, 318	1001203656 ..... 445, 449	1001218623 ..... 679
1001188622 ..... 391	1001197408 ..... 822, 841	1001204650 ..... 351	1001219110 ..... 33, 35, 39
1001188844 ..... 391	1001197436 ..... 851	1001204725 ..... 391	1001219745 ..... 850
1001188889 ..... 519	1001197442 ..... 100, 108, 665	1001205178 ..... 851	1001219993 ..... 463, 491
1001188922 ..... 281, 283, 305, 307, 713	1001197443 ..... 281, 283, 305, 307	1001205405 ..... 648	1001219995 ..... 35, 57, 399
1001189001 ..... 391	1001197445 ..... 281, 283, 305, 307	1001205406 ..... 648	1001219996 ..... 391
1001189002 ..... 391	1001197446 95, 100, 103, 107, 803	1001205407 ..... 648	1001220136 ..... 851
1001189008 ..... 81, 83, 85	1001197547 ..... 310	1001205958 ..... 655, 657, 659	1001220137 ..... 851
1001189009 ..... 164	1001197548 ..... 298, 305	1001205962 ..... 139	1001220379 ..... 709
1001189159 ..... 83	1001197549 ..... 297	1001206119 ..... 351, 352	1001220482 ..... 457, 745
1001189178 ..... 137	1001197553 ..... 17	1001206476 ..... 667	1001220868 ..... 492, 496, 763
1001189223 ..... 851	1001197554 ..... 17	1001206793 ..... 848	1001220929 ..... 492, 496
1001189291 ..... 288, 294, 312, 318	1001197555 ..... 17	1001206795 ..... 848	1001220955 ..... 457
1001189882 ..... 822	1001197556 ..... 17	1001206825 ..... 852	1001221708 ..... 463
1001190032 ..... 169	1001197719 ..... 713	1001206884 ..... 852	1001223055 ..... 808
1001190096 ..... 461, 479	1001197775 ..... 850	1001207004 ..... 145, 147	1001223167 96, 100, 104, 108
1001190104 ..... 480, 484	1001197969 ..... 363	1001207310 ..... 143	1001223168 96, 100, 104, 108
1001190109 ..... 461	1001198361 ..... 192, 298, 302	1001207969 ..... 399	1001223169 96, 100, 104, 108
1001190165 ..... 849	1001198619 ..... 45, 99	1001208297 ..... 183, 195, 288, 294, 312, 318	
1001190418 ..... 288, 294, 312, 318		1001208298 ..... 183, 195, 288, 294, 312, 318	
1001190467 ..... 288, 312		1001208299 ..... 183, 195, 288, 294, 312, 318	
1001190475 ..... 274, 278, 298, 302		1001208900 ..... 848	
1001190656 ..... 455		1001208994 ..... 399	
1001190658 ..... 455		1001209059 ..... 851	
		1001209432 ..... 667	

# PART NUMBER INDEX

100122317096, 100, 104, 108	1001228964 ..... 852	1001237864 ..... 531, 781	10837580 ..... 633
1001223453 ..... 808, 830	1001228976 ..... 457	1001237865 ..... 531, 777	1120487 ..... 79
1001223971 ..... 830	1001228988 ..... 529, 534, 579, 581, 583	1001237882 ..... 850	1120549 ..... 19
1001224046 ..... 275, 278, 299, 302	1001229107 ..... 849	1001237883 ..... 850	1120555 ..... 537, 539, 541, 543, 545, 547, 549, 551, 553, 555, 557, 559, 561, 563, 565, 567, 569, 571, 573, 575
1001224048 ..... 838	1001229341 ..... 531	1001237930 ..... 60	1260017 ..... 69
1001224049 ..... 812	1001229485 ..... 457	1001238158 ..... 85	1271538 ..... 389
1001224050 ..... 826	1001229922 ..... 457	1001238236 .. 55, 57, 397	132002283, 85, 182, 194, 210, 222, 238, 250, 266
1001224052 ..... 818	1001230625 ..... 851	1001238260 ..... 60	1320041, 85, 95, 99, 103, 107, 177, 189, 205, 217, 233, 245, 261, 281, 283, 305, 307
1001224053 ..... 834	1001230626 ..... 851	1001238262 ..... 85	1320061 ..... 407
1001224066 ..... 89, 93	1001230650 ..... 850	1001238263 ..... 593, 595, 597	1320130 ..... 407
1001225245 ..... 571	1001230931 ..... 697, 739	1001238319 ..... 531	1320136 ..... 177, 189, 205, 217, 233, 245, 261, 281, 283, 305, 307
1001225246 ..... 575	1001231235 ..... 852	1001238401 ..... 278, 303	1320146 ..... 691, 771, 773, 775
1001225247 ..... 559	1001231315 ..... 807	1001238402 ..... 279, 303	1320177 ..... 529, 534
1001225248 ..... 563	1001231316 ..... 829	1001238418 ..... 577, 783	1320224 ..... 389
1001225249 ..... 555	1001231317 ..... 837	1001238423 ..... 545	1320263 ..... 135
1001225250 ..... 551	1001231318 ..... 811	1001238462 ..... 545	1320294 ..... 374
1001225251 ..... 567	1001231319 ..... 817	1001238463 ..... 595	1320295 ..... 394
1001225266 ..... 374	1001231320 ..... 833	1001238470 ..... 278, 302	1320298 ..... 374
100122527996, 100, 104, 108	1001231321 ..... 825	1001238472 ..... 577	1320301 ..... 407
1001225346 ..... 667	1001231801 ..... 841	1001238477 ..... 577	1320302 ..... 534, 579, 581, 583
1001225430 ..... 328, 844	1001231949 ..... 597	1001238483 ..... 100, 108, 703	1321293 ..... 409
1001225432 ..... 328, 844	1001231950 ..... 593, 595	1001238495 ..... 521	1321385 ..... 409
1001225580 ..... 492, 521, 767	1001232010 ..... 593, 595, 597	1001238559 ..... 577	1321716 ..... 173, 180, 183, 185, 192, 195, 201, 208, 210, 213, 220, 222, 229, 236, 241, 248, 257, 264, 273, 277, 286, 292, 297, 301, 310, 316
1001225639 ..... 850	1001232011 ..... 593, 595, 597	1001238824 ..... 577	1380147 ..... 173, 185, 201, 213, 229, 241, 257, 273, 277, 297, 301
1001225676 ..... 83	1001232037 ..... 852	1001239638 ..... 851	1560010 ..... 769
1001225677 ..... 83	1001232038 ..... 852	1001239640 ..... 851	1560011 ..... 769
1001226098 ..... 254, 270, 322, 850	1001232149 ..... 848	1001239805 ..... 667	1560012 ..... 769
1001226202 ..... 852	1001232164 ..... 531	1001239874 ..... 667	1580012 ..... 451
1001226203 ..... 852	1001232165 ..... 531	1001239957 ..... 667	1580013 ..... 851
1001226287 ..... 415, 679	1001232172 ..... 849	1001241422 ..... 851	1600343 ..... 467, 471, 475, 479, 483, 487, 491, 495, 846
1001226288 ..... 415, 735	1001232173 ..... 849	1001241586 ..... 667	1600387 ..... 389
1001226400 ..... 737, 751	1001232174 ..... 849	1001241631 ..... 85	1670603 ..... 661
1001226531 ..... 667	1001232175 ..... 849	1001241965 ..... 577	1670829 ..... 111, 113, 115, 117
1001226872 ..... 433	1001232176 ..... 849	1001242192 ..... 848	1670964 ..... 374, 397
1001227456 ..... 848	1001232177 ..... 849	1001242374 ..... 277	1671031 ..... 407
1001227633 ..... 531	1001232178 ..... 849	1001242377 ..... 294, 318, 327	1671033 ..... 367
1001227634 ..... 531	1001232642 ..... 577	1001242378 ..... 283, 292	1671040 ..... 19
1001227704 ..... 131	1001232643 ..... 852	1001242379 ..... 278, 283	1671044 ..... 407
1001227710 ..... 163	1001232650 ..... 577	1001242380 ..... 307, 316	1671092 ..... 356, 677
1001227913 ..... 850	1001232667 ..... 577	1001242381 ..... 302, 307	1671093 ..... 534, 581, 733
1001227960 ..... 131, 846	1001232711 99, 107, 791	1001242385 ..... 301	1671176 ..... 467, 471, 475, 479, 483, 487, 491, 495
1001227985 ..... 531	1001232865 ..... 848	1001242389 ..... 85	1683062 ..... 601
1001227987 ..... 531	1001233047 ..... 849	1001243183 ..... 848	
1001227996 ..... 779, 781	1001233237 ..... 849	1001243184 ..... 848	
1001228046 ..... 373, 623	1001233763 ..... 850	1001244453 ..... 141	
1001228057 ..... 373, 611	1001234099 ..... 848	1001244454 ..... 147	
1001228058 ..... 373, 619	1001234548 ..... 55, 57, 63	1001244456 ..... 465, 495	
1001228064 ..... 368, 607	1001235011 ..... 577	1001244458 ..... 465	
1001228065 ..... 19, 627	1001235013 ..... 577	1001244863 ..... 850	
1001228066 ..... 17, 603	1001235159 ..... 60	1001246437 ..... 848	
1001228072 ..... 363, 615	1001235962 ..... 850	1001246438 ..... 848	
1001228082 ..... 369, 631	1001236504 ..... 667	1001246860 ..... 850	
1001228215 ..... 433	1001236505 ..... 667	1001246867 ..... 850	
1001228224 ..... 531	1001236552 ..... 577	1001247073 ..... 852	
1001228225 ..... 531	1001236746 ..... 597	101107854 ..... 788	
1001228243 ..... 431	1001236747 ..... 593	1060341 ..... 585, 587, 721	
1001228375 ..... 441	1001236891 ..... 593, 595, 597	1060343 ..... 356	
1001228376 ..... 429	1001236895 ..... 593, 595, 597	1060379 ..... 525, 527	
1001228377 ..... 439	1001236951 ..... 851	1060903 ..... 585, 587	
1001228872 ..... 275, 278, 299, 302	1001237705 ..... 545	1060908 ..... 693, 695	
1001228958 ..... 848	1001237862 ..... 779, 781	1060918 ..... 517	
	1001237863 ..... 531, 779	10702077 ..... 356, 360	
		10702082 ..... 356, 360	
		10837489 ..... 64	

## PART NUMBER INDEX

1683063 ..... 617	1703980 ..... 833	1705868.... 807, 811, 817, 825, 829, 833, 837	2220313... 173, 185, 201, 213, 229, 241, 257, 273, 277, 297, 301
1701499 ... 807, 808, 811, 815, 817, 821, 825, 826, 829, 830, 833, 837, 838	1703981 ..... 837	1705895..... 817	2220366 ..... 644
1701505 ... 173, 185, 201, 213, 807, 811, 815, 817, 821, 825, 829, 833, 837	1703982 ..... 825	1705897..... 817	2220371 . 41, 60, 64, 401, 403
1701509 ... 537, 539, 541, 543, 545, 547, 549, 551, 553, 555, 557, 559, 561, 563, 565, 567, 569, 571, 573, 575, 807, 811, 815, 817, 821, 825, 829, 833, 837	1703983 ..... 811	1705898..... 817	2220372 ..... 641
1701518 ..... 815, 821	1703984 ..... 829	1705902..... 817	222037360, 64, 401, 403, 644
1701691 ... 808, 812, 815, 818, 821, 826, 830, 834, 838	1704000 ..... 829	1705903..... 817	2220374 ..... 644
1702565 ... 467, 471, 475, 479, 483, 487, 491, 495	1704001 ..... 811	1705904..... 817	2220375 ..... 644
1702566 ... 467, 471, 475, 479, 483, 487, 491, 495	1704260 ... 467, 471, 475, 479, 483, 487, 491, 495	1705905..... 817	2220380 ..... 644
1702773 ... 443, 445, 447, 449, 821, 841	1704277 ... 807, 811, 815, 817, 821, 825, 829, 833, 837	1705906..... 817	2220415 ... 21, 37, 39, 60, 64, 401, 403, 637, 644
1702774 ..... 841	1704412 ... 807, 811, 815, 817, 821, 825, 829, 833, 837	1705909..... 811	2220451 ..... 644
1702868 ... 529, 534, 581, 583, 807	1704885 ..... 841	1705910..... 811	2220466 ..... 637
1702938 ..... 585, 587	1704972 ..... 807, 833	1705915..... 811	2220472 ..... 21, 637
1702942 ... 194, 222, 248, 312	1705014 ..... 443, 445	1705917..... 811	2220473 ..... 641
1702962 ..... 849	1705132 ..... 467, 479	1705921..... 815, 821	2220478 ..... 644
1703162 ... 183, 195, 210, 222, 238, 250, 266, 286, 292, 310, 316	1705174 ..... 505	1705961..... 815, 821	2220479 ..... 644
1703683 ..... 525	1705305 ... 529, 534, 579, 581, 583	1705967..... 817	2220500 ..... 645
1703797 ..... 807	1705325 ..... 651	1705969..... 837	2220502 ..... 401
1703804 ..... 807	1705336 ..... 807	1705973..... 501, 505	2220504 ..... 641
1703805 ..... 807	1705337 ..... 807	1705974..... 125, 501	2220578 ..... 645
1703811 ... 807, 811, 815, 817, 821, 825, 829, 833, 837	1705338 ..... 833	1705980..... 815, 821	222058260, 64, 401, 403, 637
1703814 ... 807, 811, 815, 817, 821, 825, 829, 833, 837	1705339 ..... 837	1706059..... 817	2220602 ..... 644
1703923 ..... 811	1705341 ..... 829	1706060..... 825	2220603 ..... 644
1703924 ..... 829	1705344 ..... 833	1706061..... 837	2220618 ..... 644
1703925 ..... 825	1705345 ..... 837	1706063..... 811	2220861 ..... 37, 39
1703926 ..... 833	1705347 ..... 829	1706064..... 829	2220865 ..... 60, 64, 644
1703927 ..... 837	1705351 ..... 807	1706098..... 815, 821	2220881 ..... 39, 601, 603, 613, 615
1703935 ..... 811	1705355 ... 534, 579, 581	1706385..... 443, 445	2220883 ..... 39, 603, 607, 609, 611, 613, 615, 617, 619, 629, 631
1703936 ..... 829	1705358 ... 537, 539, 541, 543, 545, 547, 549, 551, 553, 555, 557, 559, 561, 563, 565, 567, 569, 571, 573, 575	1706493..... 447, 449	2220885 ..... 39, 605, 607, 613, 617, 619, 629, 631
1703938 ..... 833	1705366 ..... 407	1706501..... 447, 449	2220886 ... 601, 603, 605, 617, 619
1703939 ..... 837	1705367 ..... 407	1706510..... 527	2220887 ..... 613, 615
1703941 ..... 811	1705374 ..... 357	1706741 ... 467, 471, 475, 479, 483, 487, 491, 495	2220888 ..... 613, 615
1703942 ..... 829	1705375 ... 357, 534, 581, 583	2030010 ... 529, 534, 579, 581, 583	2220906 ..... 644
1703943 ..... 825	1705387 ..... 357	2080040 ... 423, 425, 427, 429, 431	2220947 ..... 60, 64, 644
1703944 ..... 833	1705426 ..... 833	2080091 ..... 19	2220950 ..... 401
1703945 ..... 837	1705427 ..... 837	2110404 ..... 644	2221034 ..... 644
1703947 ..... 811	1705429 ..... 829	2110406 ..... 60, 64	2221040 ..... 637
1703948 ..... 829	1705430 ..... 825	2110808 ..... 21, 641	2221050 ..... 401
1703949 ..... 825	1705460 ..... 357, 360	2110810 ... 37, 39, 41, 60, 64	2221086 ... 37, 39, 41, 60, 64, 401, 403
1703950 ..... 833	1705461 ..... 360	2110812 ..... 641	2221114 ... 173, 185, 201, 213, 229, 241, 257, 273, 277, 297, 301
1703951 ..... 837	1705466 ... 529, 534, 579, 581, 583	2111010 ..... 60, 64, 644	2230035 ..... 645
1703953 ..... 807	1705489 ..... 351, 360	2111012 ... 21, 37, 39, 60, 64, 644	2300004 ... 180, 208, 236, 264, 850
	1705490 ..... 529, 534	2111016 ..... 37, 39, 644	2300014 ..... 850
	1705492 ..... 807	2111620 ..... 644	2300016 ..... 850
	1705493 ..... 833	2120217 ..... 55, 57	2300019 ..... 850
	1705499 ..... 807	2130810 ..... 644	2300029 ..... 850
	1705503 ..... 837	2131012 ..... 21, 644	2300039 ..... 850
	1705505 ..... 829	2131616 ..... 60, 64	2300041 ... 192, 220, 248, 850
	1705511 ... 807, 811, 815, 817, 821, 825, 829, 833, 837	2151010 ..... 644	2400060 ..... 791, 792
	1705514 ..... 807, 829	2151012 ..... 644	2400064 ..... 791, 792
	1705822 ..... 815, 821	2160002 ..... 67	2400066 ... 713, 787, 788, 791
	1705828 ..... 815, 821	2171208 ..... 644	
	1705864 ..... 821, 841	2171210 ..... 644	
	1705865 ..... 841	2180344 ..... 67	
		2180832 ... 173, 185, 201, 213, 229, 241, 257, 273, 277, 297, 301, 529, 534	
		2200222 ..... 79	
		2220235 ..... 641	



# PART NUMBER INDEX

2410014....443, 445, 447, 449	2940074 ... 423, 425, 427, 429, 431, 846	180, 192, 208, 220, 236, 248, 264, 273, 277, 286, 292, 297, 301, 310, 316, 355, 359, 407, 411, 413, 415, 667	3311001.....351, 356, 360
2420202.....389	2940173 ... 152, 158, 159, 164, 165	3290805001 19, 351, 394, 397, 399, 407, 411, 413, 415, 417	3311005....137, 139, 141, 143, 145, 147, 351, 355, 359, 467, 471, 475, 479, 483, 487, 491, 495, 529, 534, 579, 581, 583
2540020....139, 141, 145, 147	3020008 ..... 21, 850	329080795, 99, 103, 107, 173, 180, 185, 192, 201, 208, 213, 220, 229, 236, 241, 248, 257, 264, 273, 277, 286, 292, 297, 301, 310, 316	3311401.....585, 587
2540038.....389	3020037 ... 177, 189, 205, 217, 233, 245, 261, 281, 283, 305, 307, 850	3291001 ..... 83	3311405.....33, 407, 419, 577, 651, 653, 655, 657, 659, 661, 667, 807, 811, 815, 817, 821, 825, 829, 833, 837
2540045.....419	3020039 15, 17, 363, 367, 609, 617, 850	3291001001 ..... 391	3311405001.....389, 407, 419
2560136....467, 471, 475, 479, 483, 487, 491, 495	3020042 ..... 367	3291005 ... 71, 81, 83, 85, 151, 180, 192, 208, 220, 236, 248, 264, 286, 292, 310, 316, 407, 459, 461, 463, 465	3311501.....585, 587
2560187....152, 158, 159, 164, 165	3020043 ..... 621, 625	3291005001 ..... 157, 164, 167, 169, 367, 391, 395	3311505....525, 527, 633
2570008.....621	3160339 ..... 21, 23	3291007 ... 79, 81, 83, 85, 89, 95, 99, 103, 107, 152, 157, 163, 173, 177, 180, 185, 189, 192, 201, 205, 208, 213, 217, 220, 229, 233, 236, 241, 245, 248, 257, 261, 264, 273, 277, 281, 283, 286, 292, 297, 301, 305, 307, 310, 316, 363	3311505001.....399
2600281....423, 425, 427, 429, 431	3251102 .... 351, 355, 359	3291201 .... 351, 355, 359	3311508001.....374
2720015....180, 192, 208, 220, 236, 248, 264, 286, 292, 310, 316	3251242 ... 653, 655, 657, 659, 661	3291201001 ..... 391	3311601..79, 96, 99, 103, 107, 468, 472, 476, 480, 484, 488, 492, 496, 577
2720160.....529, 534	3251243 .... 357, 771, 775	3291205 ... 77, 81, 83, 85, 157, 163	3311602.....363
2720340....180, 192, 208, 220, 236, 248, 264, 286, 310	3252347 ..... 807	3291205001 ... 33, 35, 43, 45, 47, 49, 387, 391	3311605....367, 419, 443, 445, 447, 449, 534, 579, 581, 583
2720615....173, 185, 201, 213, 229, 241, 257	3252507 ..... 773	3291214001 ..... 19	3311605001.....394, 419
2750532....174, 186, 275, 277, 299, 301	3271501 .... 151, 157, 163	3291407001 ..... 15, 17	3311608001.....374
2751032.....67	3271601001 ..... 374	3291601 ... 180, 192, 208, 220, 236, 248, 264, 286, 292, 310, 316	3311805001.....387, 389, 391
2760105....111, 113, 115, 117	3271605 ... 593, 595, 597	3291605 ..... 363	3312001001.....373
2820031.....351, 355, 359	3271805 ... 443, 445, 447, 449	3292201 ..... 367	3312002.....71, 593, 595, 597
2820171 .....745	3272001 .... 593, 595, 597	3292205 ..... 367	3312005....537, 539, 541, 543, 545, 547, 549, 551, 553, 555, 557, 559, 561, 563, 565, 567, 569, 571, 573, 575
2820247 .....779, 781	3272001001 ..... 373	3292405 .... 151, 157, 163	3312205....537, 539, 541, 543, 545, 547, 549, 551, 553, 555, 557, 559, 561, 563, 565, 567, 569, 571, 573, 575
2840016....173, 185, 201, 213, 229, 241, 257, 273, 277, 297, 301	3281601 ..... 409	3292701 ..... 367	3322201.....77
2860030....119, 121, 844	3290301 ... 173, 185, 201, 213, 229, 241, 257, 273, 277, 297, 301	3293301 ..... 367	3331411....173, 185, 201, 213, 229, 241, 257, 273, 277, 297, 301
2900770....609, 611, 629, 631, 633	3290405 ... 135, 173, 185, 201, 213, 229, 241, 257, 273, 277, 297, 301, 651, 653, 655, 657, 659, 661, 691	3300151 ... 429, 431, 433, 435, 437, 439, 441, 534, 579, 581, 583	3340881.....377
2900792....605, 607, 617, 619	3290405001 ..... 351	3300353 ... 467, 471, 475, 479, 483, 487, 491, 495	3340925.....394
2901443.....852	3290501 ... 275, 277, 299, 301	3300396 ..... 356, 360	3340939.....374
2902065....180, 192, 208, 220, 236, 248, 264, 286, 292, 310, 316, 333	3290505 ... 111, 113, 115, 117	3300408 ... 467, 471, 475, 479, 483, 487, 491, 495	3340940.....394
2902087.....601, 603	3290507 ... 177, 189, 205, 217, 233, 245, 261	3300430 .... 519, 521, 523	3340941.....407
2902212....537, 539, 541, 543, 545, 547, 549, 551, 553, 555, 557, 559, 561, 563, 565, 567, 569, 571, 573, 575	3290601 ... 152, 158, 159, 164, 165, 409	3300449001 ..... 453, 455	3340942.....374
2902217....534, 579, 581	3290605 ... 43, 45, 47, 49, 85, 95, 99, 103, 107, 131, 133, 152, 158, 164, 273, 277, 297, 301, 407, 459, 461, 463, 465, 529, 534, 691, 771, 773, 775	3300464001 ..... 19	3340956....537, 539, 541, 543, 545, 547, 549, 551, 553, 555, 557, 559, 561, 563, 565, 567, 569, 571, 573, 575
2902307.....849	3290606 ... 409, 435, 437, 439, 441	3310401 ... 177, 189, 205, 217, 233, 245, 261, 281, 283, 305, 307	3340981.....377
2902308.....849	3290607 .33, 35, 89, 137, 139, 141, 143, 145, 147, 173, 177, 180, 185, 189, 192, 201, 205, 208, 213, 217, 220, 229, 233, 236, 241, 245, 248, 257, 261, 264, 273, 281, 283, 286, 292, 297, 305, 307, 310, 316, 351, 355, 359		3340995.....394
2902309.....849	3290805 .... 96, 100, 104, 108, 152, 157, 163,		3340996.....394
2902310.....849			3340997.....394
2902311.....849			3340998.....394
2902312.....849			3340999.....394
2902322.....849			3341000.....394
2902329.....849			3341001.....394
2902443.....709, 714			3341002.....394
2920028....479, 483, 487, 491, 495, 585, 587			3341003.....394
2920029....479, 483, 487, 491, 495, 585, 587			3341004.....394
2920129.95, 99, 103, 107			3341005.....394
2920154....467, 471, 475, 479, 483, 487, 491, 495			3341006.....394
2920161.....135			3341007.....394

## PART NUMBER INDEX

3423161 ..... 377	3760371 .... 601, 617, 619	3931620..... 177, 189, 281,	4240033 ... 389, 519, 521,
3430616 ... 476, 488, 492,	3760383 ..... 19, 408	283, 305, 307	531, 577
496	3790012 ... 467, 471, 475,	3931824.... 601, 603, 617,	4240099 ... 173, 180, 185,
3430816 ... 173, 185, 201,	479, 483, 487, 491, 495	619	192, 201, 208, 213,
213, 229, 241, 257,	3790015 ... 467, 471, 475,	3932016..... 373	220, 229, 236, 241,
273, 277, 297, 301	479, 483, 487, 491, 495	3932032..... 605	248, 257, 264, 273,
3450404 ... 173, 185, 201,	3790152 ... 177, 189, 205,	3932224..... 373	277, 286, 292, 297,
213, 229, 241, 257,	217, 233, 245, 261,	3932264..... 613	301, 310, 316, 534,
273, 277, 297, 301	281, 283, 305, 307	3951003..... 609, 617	579, 581, 585, 587
3451214 ..... 19	3790155 ... 177, 189, 205,	3951405..... 625, 627, 631	4240149 ... 537, 539, 541,
3460334 ... 537, 539, 541,	217, 233, 245, 261,	3952020..... 71	543, 545, 547, 549,
543, 545, 547, 549,	281, 283, 305, 307	3960422..... 355, 771, 773	551, 553, 555, 557,
551, 553, 555, 557,	3790158 ..... 21	3960525..... 79, 81, 83, 85	559, 561, 563, 565,
559, 561, 563, 565,	3820001 ... 807, 811, 815,	3960551..... 19	567, 569, 571, 573, 575
567, 569, 571, 573, 575	817, 821, 825, 829,	3980006..... 89	4240155 ..... 637, 645
3470003 ... 468, 472, 476,	833, 837	3990013..... 783	4341158 ..... 408
480, 484, 488, 492, 496	3820020 ... 423, 425, 427,	4000008..... 408, 846	4360057 ..... 585, 587
3480233 ..... 609	429, 431	4010308.... 173, 185, 201,	4360070 ..... 356, 360
3480269 ..... 601	3820032 ... 180, 192, 208,	213, 229, 241, 257,	4360274 ... 111, 113, 115,
3480282 ..... 617	220, 236, 248, 264,	273, 277, 297, 301	117, 844
3510868 ..... 443	286, 292, 310, 316	4010408.... 351, 453, 455	4360328 ... 111, 113, 115,
3510877 ..... 447	3841143 ... 173, 185, 201,	4010416..... 691	117, 467, 479, 844
3520026 ... 467, 471, 475,	213, 229, 241, 257,	4010608..... 529, 534	4360330 ... 467, 479, 844
479, 483, 487, 491, 495	273, 277, 297, 301,	4010618.... 435, 437, 439,	4360331 .... 467, 479, 844
3520027 .... 467, 471, 475	373, 391	441	4360336 ... 351, 355, 359,
3520032 ... 152, 158, 159,	3841203 ..... 367, 373	4031205..... 409	467, 479, 844
164, 165	3841258 . 15, 17, 19, 363,	4031505..... 531	4360387 ... 113, 115, 117,
3520035 ..... 475	373	4031512..... 19, 408	467, 471, 475, 479,
3520054 ..... 333	3841356 ..... 15, 17, 363	4031516..... 577	483, 487, 491, 495,
3520071 ... 537, 539, 541,	3890040 ... 443, 445, 447,	4031707..... 19, 408	585, 587, 844
543, 545, 547, 549,	449	4031708001..... 457	4360407 ... 467, 471, 475,
551, 553, 555, 557,	3900054 ... 443, 445, 447,	4031709..... 408	479, 483, 487, 491,
559, 561, 563, 565,	449	4031710..... 85	495, 844
567, 569, 571, 573, 575	3900183 ... 467, 471, 475,	4031910.... 180, 192, 208,	4360469 ..... 119, 846
3520072 ... 423, 425, 427,	479, 483, 487, 491, 495	220	4360470 ..... 121, 846
429, 431, 433, 435,	3900232001..... 394	4031912.... 180, 192, 208,	4360475 ... 111, 113, 115,
437, 439, 441, 443,	3900267 ..... 352	220, 236, 248, 264	117, 467, 471, 475,
445, 447, 449	3900300 ..... 352	4032007 ..... 629	479, 483, 487, 491,
3520173 ... 152, 153, 158,	3900316 ..... 55, 57	4032311001..... 19	495, 844
159, 164, 165	3900316001..... 394	4060092..... 773	4360476 ... 111, 113, 115,
3520182 ..... 523	3900349 ... 467, 471, 475,	4060802.... 351, 355, 359	117, 844
3520189 ..... 360	479, 483, 487, 491, 495	4060807.... 182, 194, 210,	4360527 ..... 685
3520192 ..... 360	3900363 ... 152, 158, 159,	222, 238, 250, 266,	4360578 ..... 408, 846
3520198 ... 423, 425, 427,	164, 165	288, 292, 312, 316	4420014 ... 537, 539, 541,
429, 431, 433, 435,	3900393001..... 151, 158,	4060865 ..... 135	543, 545, 547, 549,
437, 439, 441	164	4060906.... 111, 113, 115,	551, 553, 555, 557,
3573016 ..... 394	3910408 ... 177, 189, 205,	117, 467, 471, 475,	559, 561, 563, 565,
3573400 ... 534, 579, 581,	217, 233, 245, 261,	479, 483, 487, 491, 495	567, 569, 571, 573, 575
583	281, 283, 305, 307	4061054..... 389	4420037 ... 534, 579, 581,
3573444 ..... 367	3910606 .... 355, 771, 773	4070863..... 367	583
3573642 ... 534, 579, 581,	3910804 ..... 119, 121	4070864..... 367	4420038 ..... 89
583	3911010 .... 139, 141, 147	4070897..... 367, 377	4420051 ..... 841, 850
3574091 ..... 585, 587	3911012 .... 137, 143, 145	4070898.... 367, 377	4420062 ..... 525, 527
3576799 ..... 529, 534	3930606 ..... 408	4071021 ..... 394	4420066 ... 537, 539, 541,
3577121 ... 534, 579, 581,	3930816 ..... 408	4071022 ..... 394	543, 545, 547, 549,
583	3930820 ..... 408	4071028 ..... 367	551, 553, 555, 557,
3580306 ..... 367	3930824 ..... 409	4071029 ..... 367	559, 561, 563, 565,
3580317 ... 351, 355, 359	3931012 ... 467, 471, 475,	4071039..... 377	567, 569, 571, 573, 575
3580318 ..... 351, 359	479, 483, 487, 491, 495	4071040..... 377	4420068 ..... 585, 587
3580341 ..... 367	3931016 .... 351, 355, 359	4071074.... 467, 471, 475,	4460016 .... 756, 760, 764
3580342 ..... 367	3931408 ..... 519, 521	479, 483, 487, 491, 495	4460019 ..... 787, 791
3600465 ..... 89, 91	3931420 ... 609, 611, 617,	4100099..... 617	4460042 ... 709, 714, 717,
3740067 . 89, 96, 99, 103,	619	4120035..... 725	726, 787, 791
107, 844	3931424 ..... 519	4160197..... 367	4460043 .... 709, 787, 791
3740086 ..... 783	3931508 ..... 408	4240018.... 351, 355, 359,	4460049 ..... 585, 587
3760170 ..... 69	3931516 ..... 633	637, 641, 645	4460051 ..... 771, 773
3760351 ..... 377		4240032..... 492	4460071 ..... 355, 517

# PART NUMBER INDEX

4460125.....773	713, 714, 725, 726,	4460871 ... 507, 513, 697,	4460942.... 531, 671, 709,
4460134.....673, 675	737, 739, 740, 745,	725, 755, 759, 763,	714, 740, 797
4460144.....725	747, 751, 755, 759,	788, 792, 799, 803	4460943.... 133, 137, 139,
4460183.....756, 760, 765	763, 767, 769, 777,	4460872 .... 697, 799, 803	141, 145, 147, 697,
4460205.....729, 731, 771	783, 785, 787, 788,	4460873 ... 697, 755, 759,	701, 703, 709, 755,
4460225....356, 360, 721,	789, 791, 792, 795,	763, 788, 792	759, 761, 763, 777,
755, 756, 759, 760,	797, 799, 803	4460874 ... 697, 755, 759,	787, 788, 791, 792, 797
764, 765	4460467 ..... 852	763, 788, 792	4460944.... 389, 671, 689,
4460226.... 510, 515, 517,	4460470 .... 96, 100, 104,	4460875 .... 697, 799, 803	701, 707, 709, 713,
756, 760, 761, 764, 765	108, 419, 467, 471,	4460876 ... 697, 725, 755,	714, 739, 740, 743,
4460227 .... 697, 755, 759,	475, 479, 483, 487,	759, 763	745, 747, 761, 763,
763, 764	491, 495, 757, 761	4460877 ..... 725	787, 791, 792, 797
4460234.... 408, 467, 471,	4460471 ..... 96, 100, 104,	4460878 .... 701, 788, 792	4460945.... 707, 713, 740,
475, 479, 483, 487,	108, 419, 467, 471,	4460879 .... 755, 759, 763	788, 792
491, 495, 585, 587	475, 479, 483, 487,	4460880 ..... 698	4460950.... 697, 787, 791
4460247 .... 709, 714, 787,	491, 495, 757, 761	4460884 ... 709, 714, 739,	4460956..... 693, 695
791	4460473 ..... 737, 751	749, 755, 759, 761,	4460957..... 693, 695
4460256..... 787, 791	4460488 ..... 492	763, 767, 769, 787,	4460959..... 733
4460259.... 725, 756, 757,	446049695, 99, 103, 107,	788, 791, 797	4460960..... 677
760, 761, 764	467, 471, 475, 479,	4460887 ... 701, 755, 759,	4460962..... 534, 581
4460260.... 725, 726, 756,	483, 487, 491, 495,	763, 788, 792	4460963..... 356
757, 760, 761, 764	757, 761	4460891 ... 135, 669, 697,	4460967..... 723
4460265..... 510, 515	446049795, 99, 103, 107,	698, 705, 710, 739,	4460968.... 408, 651, 653
4460267 .... 755, 759, 764,	467, 471, 475, 479,	769, 791, 797, 799,	4460970..... 725
788, 792	483, 487, 491, 495,	803, 804	4460971..... 529, 534
4460268.... 721, 756, 760,	757, 761	4460892 ..... 713	4460982..... 797
765	4460508 ... 531, 701, 739,	4460894 ... 671, 709, 713,	4460984..... 713
4460312..... 787, 791	740, 755, 759, 763,	726, 763, 785	4461006..... 714
4460313..... 726	788, 791	4460897 ... 143, 710, 788,	4461008..... 710, 714
4460314..... 763	4460509 ... 714, 737, 751,	792	4461017..... 701
4460315.... 356, 755, 759,	787, 791	4460899 .... 19, 409, 697,	4461018..... 787, 791
763, 764, 771, 773	4460510 ..... 852	698, 705, 767, 777,	4461043..... 709, 714
4460346..... 355, 771	4460518 ... 409, 669, 755,	783, 787, 788, 791, 792	4461054..... 714
4460384..... 661	760, 763, 769	4460905 ... 467, 471, 475,	4461060..... 717, 719
4460418.... 725, 726, 755,	4460536 ... 133, 409, 709,	479, 483, 487, 491,	4461070..... 669, 713
756, 757, 759, 760,	726, 761, 763	495, 697, 725, 755,	4461071..... 709, 714
761, 764, 765	4460539 ... 685, 689, 707,	759, 763, 788, 792,	4461072..... 709, 714
4460419..... 764, 765	709, 713, 739, 761,	799, 803	4461074..... 709, 714
4460425.... 352, 356, 360,	763, 788, 789, 792,	4460910 15, 17, 409, 753,	4461076..... 408
585, 587	799, 803	781	4461077.... 689, 739, 777,
4460426.... 352, 356, 360	4460634 ..... 725	4460911 ... 687, 689, 698,	783
4460428.... 467, 471, 475,	4460644 ..... 788	769, 777	4461095..... 669, 713
479, 483, 487, 491, 495	4460662 ... 655, 657, 659,	4460912 ..... 689, 769	4461198..... 651
4460434.... 755, 759, 764	661	4460913 ..... 409	4461201..... 653
4460458..... 714, 769	4460670 ... 671, 787, 788,	4460914 ..... 19, 408	4461244..... 655
4460464.... 19, 143, 408,	791	4460917 15, 17, 408, 409	4461245..... 659
409, 517, 669, 685,	4460703 ... 671, 687, 689,	4460918 ..... 687	4461246..... 657
687, 689, 697, 698,	709, 714, 787, 791	4460925 .... 755, 759, 763	4461271..... 697
703, 705, 710, 717,	4460708 ..... 761, 764	4460926 ..... 769	4530028.... 534, 579, 581,
719, 725, 726, 739,	4460709 ..... 773	4460928 ..... 669	591
740, 749, 755, 759,	4460748 ..... 714	4460929 ..... 753	4566667..... 605
763, 767, 783, 787,	4460761 ... 697, 755, 759,	4460930 ... 671, 709, 713,	4567434..... 609
788, 791, 792, 795,	763, 788, 792	740, 747, 799, 803	4568423..... 367
797, 804	4460806 ..... 655, 659	4460931 ... 687, 689, 787,	4640464..... 701
4460465.... 135, 389, 669,	4460807 ..... 721	791	4640465..... 701
671, 685, 687, 697,	4460808 ..... 721	4460932 ... 408, 703, 709,	4640489..... 609, 611
698, 705, 709, 710,	4460836 ... 389, 671, 701,	717, 719, 740, 749,	4640751.... 180, 192, 208,
713, 714, 721, 723,	739, 740, 787, 791,	787, 791, 795	220, 236, 248, 264,
726, 737, 739, 740,	799, 803	4460933 ... 389, 669, 671,	286, 292, 310, 316
743, 745, 747, 749,	4460837 ..... 701, 740	714, 739, 740, 743,	4640771..... 633
751, 755, 759, 761,	4460843 ..... 799, 803	755, 759, 763, 788, 792	4640999.... 605, 607, 617,
763, 767, 769, 785,	4460851 .... 671, 687, 697	4460934 ..... 671, 714	619
787, 788, 789, 791,	4460852 ..... 697, 769	4460935 ... 671, 714, 739,	4641155..... 33, 35
792, 797, 799, 803, 804	4460865 ..... 737, 751	740	4641248.... 605, 607, 617,
4460466.... 389, 531, 669,	4460866 ... 739, 740, 755,	4460941 ... 717, 719, 777,	619
671, 689, 697, 698,	759, 763, 788, 791	791, 792, 797	4641260..... 609, 611
701, 705, 709, 710,	4460868 ..... 725		4641285..... 613, 615

## PART NUMBER INDEX

4711000 ... 137, 139, 141, 143, 145, 147, 352, 356, 360	534, 579, 581, 583, 585, 587, 667, 807, 811, 815, 817, 821, 825, 829, 833, 837	356, 360, 408, 411, 413, 415, 667	4891600001 ..... 374, 387, 389, 391
4711400 ..... 33, 152, 158, 159, 164, 165, 408, 419, 429, 431, 433, 435, 437, 439, 441, 519, 521, 523, 577, 651, 653, 655, 657, 659, 661	4751400001..... 389, 453, 455, 457	4811900001.... 19, 33, 35, 351, 394, 397, 399, 408, 411, 413, 415, 417	4891800 ... 173, 177, 185, 189, 201, 205, 213, 217, 229, 233, 241, 245, 257, 261, 274, 278, 281, 283, 298, 302, 305, 307
4711400001 ..... 389, 408, 419, 453, 455	4751500 ... 525, 527, 585, 587	4811902..... 85, 181, 193, 208, 220, 236, 248, 264, 273, 278, 286, 292, 298, 302, 310, 316	4891800001 ..... 377, 387, 389, 391
4711500 ... 151, 157, 163, 408, 468, 633	4751600 ... 534, 579, 581, 583	481190200196, 100, 104, 108, 151, 158, 164	4892600001 ..... 387, 389, 391
4711500001 ..... 374, 394, 397, 399	4751800 ... 443, 445, 447, 449, 585, 587	4812000..... 33, 35, 55, 57, 71, 79, 81, 83, 85, 89, 95, 99, 103, 107, 152, 158, 164, 173, 177, 181, 185, 189, 193, 201, 205, 208, 213, 217, 220, 229, 233, 236, 241, 245, 248, 257, 261, 264, 274, 278, 281, 283, 286, 292, 298, 302, 305, 307, 310, 316, 333, 351, 355, 359, 363, 408, 459, 461, 463	4921850 ..... 852
471160079, 89, 180, 192, 208, 220, 236, 248, 264, 286, 292, 310, 316, 363, 408, 411, 413, 415, 419, 476, 488, 492, 496, 593, 595, 597	4755000001..... 19	4812002.... 79, 81, 83, 85, 181, 193, 208, 220, 236, 248, 264, 286, 293, 310, 317, 367, 463, 465	4922160 ..... 96, 100, 104, 108
4711600001 . 55, 57, 389, 394, 397, 399, 408, 411, 413, 415, 417, 419	4760600 ..... 771, 773	4812002001..... 151, 158, 164	4922641 .... 352, 357, 360
4711800 ..... 19, 173, 185, 201, 213, 229, 241, 257, 273, 277, 297, 301, 408, 443, 445, 447, 449	4761400 ..... 451	4812100.. 81, 83, 85, 151, 177, 181, 189, 193, 205, 208, 217, 220, 233, 236, 245, 248, 261, 264, 281, 283, 286, 293, 305, 307, 310, 317	4922925 ..... 356, 360
4711800001 ..... 374	4791400 . 89, 96, 99, 103, 107, 173, 185, 201, 213, 229, 241, 257, 273, 297	4812100001.... 33, 35, 43, 45, 47, 49, 158, 164, 370, 391, 394	4933218 ..... 648
4712000 ... 537, 541, 543, 545, 547, 551, 555, 559, 563, 567, 571, 575, 593, 595, 597	4811400 ... 173, 185, 201, 213, 229, 241, 257, 273, 277, 297, 302, 651, 653, 655, 657, 659, 661	4812102..... 77	5241000 ... 173, 181, 185, 193, 201, 209, 213, 221, 229, 236, 241, 248, 257, 264, 274, 278, 287, 293, 298, 302, 310, 317
4712200 ... 174, 186, 202, 214, 230, 242, 258, 273, 277, 297, 301, 537, 539, 541, 543, 545, 547, 549, 551, 553, 555, 557, 559, 561, 563, 565, 567, 569, 571, 573, 575	4811400001..... 351	4812200..... 173, 181, 185, 193, 201, 208, 213, 220, 229, 236, 241, 248, 257, 264, 274, 278, 287, 293, 298, 302, 310, 317	5241000001 ..... 363, 370
4740057 ..... 71	4811600 ... 177, 180, 189, 192, 205, 208, 217, 220, 233, 236, 245, 248, 261, 264, 273, 275, 278, 281, 283, 286, 292, 297, 299, 302, 305, 307, 310, 316	4812200001..... 15, 17, 19	5241200 ..... 21, 351, 355, 359, 629
4740171 ... 177, 189, 205, 217, 233, 245, 261, 281, 283, 305, 307	4811700 ... 33, 35, 43, 45, 47, 49, 85, 89, 95, 99, 103, 107, 131, 133, 137, 139, 141, 143, 145, 147, 152, 158, 164, 173, 177, 180, 185, 189, 192, 201, 205, 208, 213, 217, 220, 229, 233, 236, 241, 245, 248, 257, 261, 264, 273, 278, 281, 283, 286, 292, 297, 302, 305, 307, 310, 316, 351, 355, 359, 408, 435, 437, 439, 441, 529, 534, 691, 771, 773, 775	4812300..... 368	5241200001 ..... 387, 391
4740229 ..... 15, 17, 19	4811700001..... 457	4831400..... 453, 455	5241600 ... 181, 193, 209, 221, 236, 248, 264, 287, 293, 311, 317
4740362 ... 459, 461, 463, 465	4811702 . 85, 96, 99, 103, 107, 180, 193, 208, 220, 236, 248, 264, 286, 292, 310, 316, 459, 461, 463, 465	4845582..... 525, 527	5242000001 ..... 21
4740397 ... 471, 475, 483, 487, 491, 495	4811702001..... 453, 455, 457	4846423..... 394	5242400 ..... 67, 151, 157, 163
4740505 ..... 19	481190095, 99, 103, 107, 152, 158, 159, 163, 164, 165, 173, 180, 185, 193, 201, 208, 213, 220, 229, 236, 241, 248, 257, 264, 273, 278, 286, 292, 297, 302, 310, 316,	4846484..... 408	5251008001 ..... 391
4740572 .... 151, 157, 163	481190001..... 19	4846573..... 387, 389	5251016001 ..... 391
4750400 ... 177, 189, 205, 217, 233, 245, 261, 281, 283, 305, 307	4811900001 ..... 389, 408, 419, 453, 455	4846627.... 534, 579, 581, 583	5251022 ... 180, 192, 208, 220, 236, 248, 264, 287, 293, 311, 317
4750800 ..... 408	4755000001..... 19	4846673..... 585, 587	5251210001 ..... 51, 368
4751000 ... 79, 81, 83, 85, 351, 355, 359, 467, 471, 475, 479, 483, 487, 491, 495, 529, 534, 579, 581, 583	4760600 ..... 771, 773	4871200.... 173, 185, 201, 213, 229, 241, 257, 274, 278, 298, 302	5261012 ..... 377
4751400 ..... 64, 451, 467, 471, 475, 479, 483, 487, 491, 495, 523,	4761400 ..... 451	4871700..... 351, 356, 360	5261200 ..... 158, 163

# PART NUMBER INDEX

70000863.....	355, 359	70002177.....	337	70002859.....	383, 385	70004404.....	629, 631
70000998.....	91	70002178.....	337	70002902.....	517	70004406.....	629, 631
70000999.....	91	70002179.....	337	70002903.....	517	70004407.....	629, 631
70001000.....	91, 93	70002201.....	25	70002904.....	517	70004408.....	629, 631
70001001.....	91, 93	70002231.....	55, 57	70002905.....	517	70004409.....	377, 844
70001100.....	355, 359	70002297.....	356, 359	70002906.....	507	70004410.....	377
70001181.....	325, 330	70002386.....	37, 39, 844	70002962.....	64	70004411.....	87
70001384.....	355, 359	70002401.....	363	70002978.....	37	70004412.....	87
70001424.....	589	70002460.....	356, 360	70003017.....	401	70004413.....	79
70001425.....	589	70002576.....	343	70003019.....	401, 403	70004416.....	339
70001427.....	589	70002577.....	343	70003020.....	401	70004417.....	339
70001428.....	589	70002578.....	340	70003021.....	401, 403	70004418.....	339
70001429.....	589	70002580.....	339	70003022.....	401	70004419.....	339
70001430.....	589	70002582.....	339	70003023.....	401, 403	70004420.....	339
70001431.....	589	70002583.....	339	70003024.....	401	70004422.....	339
70001432.....	589	70002585.....	340	70003026.....	403, 844	70004423.....	340
70001499.....	55, 57	70002588.....	339	70003027.....	403	70004424.....	340
70001696.....	356, 360	70002589.....	339	70003028.....	403	70004425.....	340
70001697.....	379, 381	70002590.....	339	70003031.....	629, 631	70004426.....	340
70001870.....	197, 225, 253, 269, 321, 327	70002592.....	339	70003045.....	633	70004429.....	25
70001955.....	339	70002593.....	339	70003046.....	633	70004430.....	25
70001956.....	339	70002595.....	340	70003047.....	633	70004431.....	25
70001958.....	337	70002596.....	339	70003050.....	633	70004432.....	25
70001966.....	352, 356, 359	70002599.....	340	70003408.....	37, 39	70004433.....	25
70001973.....	356, 360	70002600.....	336	70003484.....	701	70004434.....	25
70001974.....	356, 360	70002601.....	336	70003485.....	701	70004435.....	25
70002028.....	25	70002602.....	336	70003533.....	453, 455	70004436.....	25
70002031.....	25	70002604.....	336	70003534.....	453, 455	70004437.....	25
70002032.....	25	70002605.....	337	70003535.....	453, 455	70004438.....	25
70002036.....	25	70002606.....	337	70003536.....	453, 455	70004439.....	25
70002052.....	25	70002607.....	337	70003628.....	23	70004440.....	25
70002057.....	25, 73	70002609.....	337	70003631.....	356, 359	70004441.....	25
70002097.....	55, 57, 844	70002610.....	337	70003708.....	352, 356, 360	70004442.....	25
70002132.....	336	70002612.....	337	70003709.....	352, 356, 359	70004443.....	25
70002133.....	336, 339	70002616.....	337	70003788.....	363, 844	70004444.....	25
70002134.....	336	70002617.....	337	70004017.....	37, 39	70004445.....	25
70002135.....	336	70002618.....	336	70004050.....	403	70004446.....	25
70002136.....	336	70002619.....	336	70004051.....	401, 403	70004447.....	25
70002137.....	336	70002620.....	336	70004052.....	59, 63, 401, 403	70004448.....	25
70002138.....	336	70002621.....	337	70004053.....	59, 63, 403	70004449.....	26
70002139.....	336	70002622.....	337	70004055.....	41, 59, 63, 401	70004450.....	26
70002140.....	336	70002623.....	337	70004092.....	352, 356, 360	70004451.....	26
70002141.....	336	70002718.....	197, 225, 253, 269, 321, 327	70004093.....	356	70004452.....	26
70002142.....	336	70002724.....	513	70004094.....	356, 360	70004453.....	26
70002143.....	336	70002725.....	513	70004095.....	356	70004454.....	395, 844
70002145.....	336	70002726.....	513	70004096.....	356, 360	70004455.....	395
70002148.....	336	70002727.....	513	70004097.....	356, 360	70004457.....	403
70002150.....	336	70002728.....	513	70004098.....	356, 360	70004459.....	41, 59, 63
70002151.....	336	70002729.....	513	70004098.....	356, 360	70004460.....	41, 59, 63, 844
70002152.....	336	70002729.....	513	70004099.....	356	70004461.....	41
70002153.....	336	70002730.....	507	70004150.....	87, 844	70004462.....	41
70002154.....	336	70002731.....	507	70004164.....	41	70004463.....	41, 63, 844
70002155.....	336	70002732.....	507	70004171.....	352, 359	70004464.....	41
70002156.....	336	70002733.....	507	70004185.....	852	70004465.....	41
70002157.....	336	70002734.....	507	70004186.....	605, 607, 617	70004466.....	73
70002158.....	336	70002735.....	507	70004275.....	197, 225	70004467.....	73
70002159.....	336	70002758.....	60, 64	70004280.....	325, 330	70004468.....	73
70002160.....	336	70002759.....	60, 64	70004324.....	701	70004469.....	73
70002161.....	336	70002813.....	197, 225, 253, 269, 321, 327	70004325.....	701	70004469.....	73
70002162.....	336	70002838.....	87	70004328.....	55	70004470.....	73
70002163.....	336	70002853.....	383, 385	70004363.....	25	70004471.....	73
70002164.....	336	70002854.....	383, 385	70004383.....	37, 39	70004472.....	73
70002165.....	336	70002855.....	383, 385	70004384.....	37, 39	70004473.....	73
70002168.....	337	70002856.....	383	70004385.....	37	70004474.....	73
70002174.....	337	70002857.....	383, 385	70004386.....	37, 39	70004475.....	73
70002175.....	337	70002858.....	383, 385	70004402.....	379, 381	70004476.....	73
				70004403.....	383, 385	70004477.....	73
						70004478.....	73

## PART NUMBER INDEX

70004479..... 73	70004601..... 59, 63	70005189..255, 271, 323, 328	70005555..... 324, 330
70004480..... 73	70004602..... 59, 63	70005191..255, 271, 323, 329	70005556..... 324, 330
70004481..... 73	70004603..... 59	70005230..... 515	70005557..... 324, 330
70004482..... 73	70004604..... 59, 63	70005487..253, 269, 321, 327	70005558..... 324, 330
70004483..... 73	70004605..... 59, 63	70005489..... 321	70005564..... 255, 271
70004484..... 73	70004606..... 59, 63	70005491..... 322	70005565..... 81, 83, 85
70004485..... 73	70004607..... 59, 63	70005492..... 322, 328	70005624..... 352
70004486..... 73	70004608..... 59, 63	70005493..... 322, 328	70005651..... 359
70004487..... 73	70004609..... 59, 63	70005495..... 322, 328	70005652..... 360
70004488..... 74	70004610..... 59, 63	70005496..254, 270, 322	70005878..... 627
70004489..... 74	70004611..... 59, 63	70005497..254, 270, 322, 328	70005882..... 631
70004490..... 74	70004612..... 59, 63	70005498..... 322, 328	70005883..... 631
70004491..... 73	70004613..... 60, 64	70005499..255, 271, 323	70005916..... 324, 330
70004492..... 74	70004614..... 60, 64	70005500..... 255, 271	70005917..... 324, 330
70004493..... 74	70004615..... 60, 64	70005501..... 324, 330	70005941..... 327
70004494..... 74	70004616..... 60, 64	70005502..... 324	70005954..... 60
70004495..... 633	70004617..... 60, 64	70005503..... 324, 330	70005955..... 60
70004496..... 633	70004618..... 64	70005504..... 324, 330	70005956..... 60
70004497..... 633	70004619..... 64	70005505..... 324, 330	70005957..... 60
70004498..... 633	70004649..... 395	70005506..... 324	70005958..... 64
70004499..... 633	70004650..... 395	70005507..... 324, 330	70005961..... 64
70004505.. 197, 225, 253, 269, 321, 327	70004668..... 60, 64	70005508..... 324	70005961..... 64
70004506.. 197, 225, 253, 269, 321, 327	70004676..... 352	70005511..255, 271, 323	70006144..... 328
70004507.. 197, 225, 253, 269, 321, 327	70004678..... 352	70005512..... 322	70006448..... 623
70004508.. 197, 225, 253, 269, 321, 327	70004680..... 352	70005513..... 322, 328	70006449..... 623
70004509.. 197, 225, 253, 269, 321, 327	70004681..... 352	70005514..... 322, 328	70006462..... 619
70004510.. 198, 226, 253, 269, 321, 327	70004683..... 352	70005515..... 323	70006463..... 611, 619
70004511.. 198, 226, 254, 270, 322, 328	70004738..... 515	70005516..... 323, 329	70006464..... 611, 619
70004512.. 198, 226, 254, 270, 322	70004739..... 515	70005517..... 323, 329	70006465..... 619
70004513.. 198, 226, 254, 270, 322, 328	70004740..... 515	70005518..... 323	70006466..... 619
70004514..... 198, 226	70004741..... 515	70005519..... 323	70006467..... 619
70004515.. 198, 226, 328	70004742..... 515	70005521..... 323, 329	70006468..... 619
70004516.. 198, 226, 254, 270, 322, 328	70004743..... 515	70005522..... 323, 329	70006470..... 627
70004517.. 199, 227, 255, 271	70004744..... 515	70005523..... 323, 329	70006471..... 627
70004518.. 199, 227, 255, 271	70004745..... 515	70005524..... 323, 329	70006472..... 603
70004519.. 199, 227, 255, 271	70004746..... 515	70005525..... 323, 329	70006473..... 603
70004520.. 199, 227, 255, 271, 323, 329	70004747..... 515	70005526..... 323, 329	70006474..... 603
70004583..... 59, 63	70004748..... 515	70005527..... 323, 329	70006475..... 603
70004584..... 59, 63	70004749..... 515	70005528..... 323, 329	70006516..... 611
70004585..... 59, 63	70004750..... 515	70005529..... 323, 329	70006517..... 611
70004586..... 59, 63	70004751..... 515	70005530..323, 324, 329, 330	70006518..... 611
70004587..... 59, 63	70004752..... 509	70005531..323, 324, 329, 330	70006519..... 611
70004588..... 59, 63, 844	70004753..... 509	70005532..... 323, 329	70006552..... 351
70004589..... 59, 63	70004754..... 509	70005533...324, 329, 330	70006553..... 351
70004590..... 59, 63	70004755..... 509	70005537..... 324, 329	70006596..... 607
70004591..... 59, 63	70004756..... 509	70005538..... 324, 329	70006624..... 615
70004592..... 59, 63	70004757..... 509	70005541..... 324, 330	70006625..... 615
70004593..... 59, 63	70004758..... 509	70005542..... 324, 330	70006626..... 615
70004594..... 59, 63	70004759..... 509	70005544..... 324, 330	70006627..... 615
70004595..... 59, 63, 844	70004760..... 509	70005545..... 324, 330	70006628..... 615
70004598..... 59, 63	70004761..... 509	70005547..... 324	70006629..... 615
70004599..... 59, 63, 844	70004762..... 509	70005548..... 324, 330	70006630..... 615
70004600..... 59, 63	70004763..... 509	70005549..... 324, 330	70006631..... 615
	70004764..... 509	70005550..... 324, 330	70006632..... 615
	70004765..... 509	70005551..... 324, 330	70006633..... 615
	70004766..... 509	70005552..... 324, 330	70006634..... 607
	70004767..... 509	70005553..... 324, 330	70006635..... 607
	70004768..... 509	70005554..... 324, 330	70006637..... 607
	70004769..... 509	70005555..... 324, 330	70006653..... 329
	70004770..... 509	70005556..... 324, 330	70006834..... 631
	70004771..... 509	70005557..... 324, 330	70006835..... 631
	70004772..... 509	70005558..... 324, 330	70006836..... 631
	70004773..... 509	70005559..... 324, 330	70006837..... 631
	70004774..... 510	70005560..... 324, 330	70006838..... 631
	70004775..... 510	70005561..... 324, 330	70006839..... 631
	70005170..... 385	70005562..... 324, 330	70006840..... 631
		70005563..... 324, 330	70006841..... 631
		70005564..... 324, 330	70006842..... 631

## PART NUMBER INDEX

70007049..... 619	70024482..... 199, 227	70025120 . 198, 226, 254,	70025709..... 199, 227
70007083..... 328, 329	70024483 . 253, 269, 321	270, 322, 328	70025710..... 199, 227
70007084..... 327	70024485 . 198, 226, 254,	70025123 . 197, 225, 253,	70025713..... 198, 226
70007085..... 329	270, 322, 328	269, 321, 327	70025714..... 197, 225
70007091..... 330	70024486..... 198, 226	70025128 . 197, 225, 253,	70025717..... 197, 225
70007092..... 330	70024487 . 197, 225, 253,	269, 321, 327	70025718.. 197, 225, 253,
70007093..... 329	269, 321, 327	70025131 . 199, 227, 255,	269, 321
70007439..... 337	70024489 . 197, 225, 253,	271, 323	70025721.. 198, 226, 254,
70009000..... 663	269, 321, 327	70025132 . 197, 225, 253,	270
70009012..... 665	70024493 . 198, 226, 254,	269, 321, 327	70025722.. 197, 225, 253,
70009013..... 665	270, 322, 328	70025137 . 197, 225, 253,	269, 321, 327
70009014..... 665	70024494 . 253, 269, 321,	269, 321, 327	70025723.. 199, 227, 255,
70009015..... 665	327	70025140 . 198, 226, 254,	271
70009016..... 665	70024495 . 197, 225, 253,	270, 322, 328	70025726.. 198, 226, 254,
70009017..... 665	269, 321, 327	70025141 . 199, 227, 255,	270, 322, 328
70022147..... 401, 844	70024496 . 199, 227, 255,	271, 323	70025729.. 198, 226, 254,
70022286..... 339	271	70025144 . 198, 226, 254,	270
70022287..... 339	70024497 . 197, 225, 253,	270, 322, 328	70025730.. 197, 225, 253,
70022564..... 607	269, 321, 327	70025145 . 198, 226, 254,	269, 321
70023351..... 339	70024498 . 198, 226, 254,	270, 322, 328	70025731.. 197, 225, 253,
70023352..... 339	270, 322, 328	70025146 . 198, 226, 254,	269, 321, 327
70023353..... 339	70024499 . 198, 226, 254,	270, 322, 328	70025737..... 324, 330
70023354..... 339	270, 322, 328	70025149 . 199, 227, 255,	70025739..... 324, 330
70023355..... 339	70024500 . 199, 227, 255,	271, 323	70025740..... 324, 330
70023357..... 339	271, 323, 324, 329, 330	70025150 ..... 199, 227	70025741.. 198, 226, 254,
70023358..... 339	70024501 . 198, 226, 254,	70025151 . 198, 226, 254,	270, 322
70023359..... 339	270, 322, 328	270, 322, 328	70025744..... 199, 227
70023361..... 339	70024503 ..... 199, 227	70025152 . 197, 225, 253,	70025745.. 197, 225, 253,
70023362..... 339	70024504 . 198, 199, 226,	269, 321, 327	269, 321, 327
70023363..... 339	227, 254, 255, 270,	70025153 . 198, 226, 254,	70025747.. 254, 270, 324,
70023364..... 339	271, 322, 323, 328, 329	270, 322	330
70023592..... 181	70024507 ..... 322, 328	70025154 . 198, 226, 254,	70025748.. 198, 226, 254,
70023593..... 181	70024509 . 197, 225, 253,	270, 322, 328	270
70023809.. 181, 193, 209,	269, 321, 327	70025210 . 198, 226, 254,	70025749.. 255, 271, 324,
221, 237, 249, 265,	70024512 ..... 227	270, 846	330
287, 293, 311, 317, 844	70024513 . 198, 226, 254,	70025234 . 197, 225, 253,	70025750.. 254, 270, 324,
70023859..... 59, 63	270, 322, 328	269	330
70023860..... 59, 63	70024916 ..... 199, 227	70025235 . 198, 226, 254,	70025752..... 324, 330
70023862..... 59, 63	70024917 ..... 199, 227	270, 322, 328	70025753..... 324, 330
70023866..... 63	70024918 . 198, 226, 254,	70025239 . 198, 226, 254,	70025755.. 197, 225, 253,
70023867..... 63	270, 322	270, 322, 328	269, 321, 327
70023872... 181, 293, 317	70024920 . 198, 199, 226,	70025240 . 198, 226, 254,	70025756.. 198, 226, 322,
70024039..... 339	227, 254, 255, 270,	270, 322, 328	328
70024040..... 339	271, 322, 323, 328, 329	70025242 .. 227, 323, 329	70025758..... 325, 330
70024328.. 181, 193, 209,	70024921 . 198, 226, 254,	70025245 .. 227, 255, 271	70025762.. 198, 226, 254,
221, 237, 249, 265,	270	70025246 .. 227, 255, 271	270, 322, 328
287, 293, 311, 317	70024961 . 198, 226, 254,	70025533 . 199, 227, 255,	70025763.. 197, 225, 253,
70024329.. 181, 193, 209,	270, 322, 328	271, 323	269, 321
221, 237, 249, 265,	70025082 ..... 325, 331	70025534 . 198, 226, 254,	70025764..... 324, 330
287, 293, 311, 317	70025085 . 253, 269, 321,	270, 322, 328	70025766..... 198, 226
70024469.. 199, 227, 255,	327	70025675 . 198, 226, 254,	70025768.. 199, 227, 255,
271, 323	70025087 ..... 197, 225	270, 330	271, 323
70024471.. 197, 225, 253,	70025088 . 197, 225, 253,	70025680 . 197, 225, 253,	70025772.. 198, 226, 254,
269, 321, 327	269, 321	269, 321, 327	270, 322, 328
70024473..... 198, 226	70025105 . 197, 225, 253,	70025681 . 198, 226, 254,	70025773.. 199, 227, 255,
70024474.. 199, 227, 255,	269, 321, 327	270, 324, 330	271, 323
271, 323, 329	70025109 . 198, 226, 254,	70025686 . 198, 226, 254,	70025780.. 199, 227, 255,
70024475.. 198, 226, 254,	270, 322, 328	270, 322, 328	271, 323, 329
270, 322, 328	70025111 ... 197, 225, 253,	70025687 . 199, 227, 255,	70025783..... 199, 227
70024478.. 199, 227, 255,	269, 321	271, 323, 324, 329, 330	70025786.. 197, 225, 253,
271, 323, 329	70025111 . 197, 225, 253,	70025699 . 199, 227, 255,	269, 321, 327
70024479.. 199, 227, 255,	254, 269, 270, 321,	271, 323, 324, 329, 330	70025788..... 227
271, 323, 329	327, 329	70025701 . 199, 227, 255,	70025789... 197, 225, 327
70024480.. 199, 227, 255,	70025116 . 197, 225, 253,	271, 323, 329	70025877... 227, 323, 329
271, 323, 329	269, 321, 327	70025704 ..... 325, 330	70026210.. 255, 271, 323,
70024481.. 197, 225, 253,	70025119 . 197, 225, 253,	70025707 ..... 199, 227	329
269, 321, 327	269, 321, 327	70025708 ..... 199, 227	70027405..... 330

## PART NUMBER INDEX

70027416 .....	327	7016322 ...	173, 185, 201, 213, 229, 241, 257, 273, 277, 297, 301	7024441 .....	87	8220007 ....	755, 759, 764
70027460 .....	331	7016331 ...	197, 225, 253, 269, 321, 327, 844	7024462 .....	591	8220045 .....	713
70027461 .....	331	7016374 ...	173, 185, 201, 213, 229, 241, 257, 273, 277, 297, 301	7024463 .....	591	8220051 .....	719
70027462 .....	331	7016654 .....	852	7024467 .....	591	8220068 .....	799, 803
70027463 .....	331	7016655 .....	852	7024469 .....	591	8220097 .....	714
70027464 .....	331	7017142 .....	379, 381	7024470 .....	591	8220098 .....	714
70027465 .....	331	7017158 .....	379, 381	7024471 .....	589, 591	8220099 ...	725, 726, 755, 756, 757, 759, 760, 761
70027466 .....	331	7017159 .....	379, 381	7024472 .....	591	8220115 .....	709
70027467 .....	331	7017162 .....	379, 381	7024473 .....	591	8229242 .....	713
7002821 .....	852	7017163 .....	379, 381	7024474 .....	591	8229244 .....	713
7002822 .....	852	7017164 .....	379, 381	7024475 .....	591	8229245 .....	715
7002823 .....	852	7017183 .....	379, 381	7024478 .....	591	8229247 .....	713
7002828 .....	852	7017193 .....	379, 381	7024485 .....	356, 360	8278020 ...	181, 193, 209, 221, 237, 249, 265, 287, 293, 311, 317
70028540 .....	328	7017195 .....	379, 381	7024488 .....	355, 359	8305401 ...	181, 193, 209, 221, 237, 249, 265, 287, 293, 311, 317
70028765 .....	329	7017402 .....	401, 403	7024489 .....	355, 359	8305919 .....	274, 298
70028814 .....	327	7017493 .....	37, 39	7024530 .....	589	8307109 ...	181, 193, 209, 221, 237, 249, 265, 287, 293, 311, 317
70028989 .....	329	7017496 .....	363	7024531 .....	589	8310067 ...	174, 186, 202, 214, 230, 242, 258, 274, 278, 298, 302
70029015 .....	329	7018942 .....	60, 64	7024532 .....	589	8310070 .....	408
70029394 .....	328	7019162 .....	513	7024533 .....	589	8310129 ...	537, 541, 543, 545, 547, 551, 555, 559, 563, 567, 571, 575
70029395 .....	328	7019164 .....	513	7024534 .....	589	8310230 ...	539, 549, 553, 557, 561, 565, 569, 573
70029399 .....	329	7019165 .....	513	7024535 .....	589	8310548 ...	181, 193, 209, 221, 237, 249, 265, 287, 293, 311, 317
70029401 .....	329	7019167 .....	513	7024536 .....	589	8310643 .....	151
70029402 .....	329	7019194 .....	513	7024537 .....	589	8310643001 .....	158, 164
7003928 .....	507	7020175 ...	111, 113, 115, 117, 467, 471, 475, 479, 483, 487, 491, 495	7024574 .....	613	8310686.95, 99, 103, 107	
7003941 .....	513	7020176 ...	111, 113, 115, 117, 467, 471, 475, 479, 483, 487, 491, 495	7024579 ...	197, 225, 253, 269, 321, 327	8405006 ....	83, 173, 186, 201, 213, 229, 241, 257
7003972 .....	513	7020442 ...	197, 225, 253, 269, 321, 327	7024598 ...	173, 185, 201, 213, 229, 241, 257, 273, 277, 297, 301	8405007 ...	181, 193, 209, 221, 237, 249, 265, 287, 293, 311, 317
7003973 .....	513	7020465 ...	197, 225, 253, 269, 321, 327	7024800 .....	337	8405009 ...	288, 293, 312, 317
7003980 .....	513	7020492 ...	199, 227, 323, 329	7024865 .....	23	8405104 ...	181, 193, 209, 221, 237, 249, 265, 287, 293, 311, 317
7003982 .....	513	7021249 .....	23	7024867 .....	23	8405201 ...	181, 193, 209, 221, 237, 249, 265
7003983 .....	513	7021256 .....	337	7024868 .....	23	8405204 ...	181, 193, 209, 221, 237, 249, 265
7003989 .....	513	7021265 .....	337	7024883 .....	401, 844	8405211 ...	288, 293, 312, 317
7004275 .....	852	7021275 .....	23, 336, 339	7024885 ...	401, 403, 844	8405213 .....	287, 311
7004276 .....	852	7021293 .....	337	7024899 .....	401, 403	8405306 .....	287, 311
70050795 .....	607	7021375 .....	41, 59, 63	7026031 .....	701	8406101 ....	85, 174, 186, 201, 213, 229, 241, 257, 274, 278, 298, 302
7007207 .....	336, 339	7021625 .....	37, 39	7026597 .....	356, 360	8406102 .....	278, 302
7007415 ....	337, 339, 340	7022300 .....	337	7026626 .....	356, 360	8406105 .....	397, 399
7007418 .....	336	7022301 .....	336	7027096 .....	663	8406109 ...	181, 193, 209, 221, 237, 249, 265, 287, 293, 311, 317
7007419 .....	336	7022311 .....	23	7027097 .....	663	8406110 ...	183, 195, 210, 222, 238, 250, 266, 287, 293, 311, 317
7007420 .....	23	7022314 .....	23	7027098 .....	663		
7007437 .....	23	7022321 .....	23	7027099 .....	663		
7007438 .....	23	7022321 .....	23	7027740 .....	23		
7007439 .....	23	7022340 .....	339	7027773 .....	591		
7007446 ....	23, 336, 339	7022368 .....	23	7027774 .....	591		
7007489 .....	343	7022371 .....	23	7027775 .....	591		
7010543 .....	37, 39, 633	7022390 .....	401, 403	7027776 .....	591		
7010639 .....	91, 93	7022399 .....	37, 39	7027777 .....	591		
7010640 .....	91, 93	7022608 .....	337	7027778 .....	591		
7010924 .....	91, 93	7022808 .....	507	7027779 .....	591		
7011043 .....	91	7022815 .....	507	7027780 .....	591		
7011044 .....	91, 93	7022819 .....	507	7027799 .....	356, 360		
7011048 .....	91	7022825 .....	513	7028909 ...	137, 139, 141, 145, 147		
7011311 .....	613, 615	7023377 .....	339	7300435 ...	181, 193, 209, 221, 237, 249, 265, 287, 293, 311, 317		
7011367 .....	629, 631	7023821 .....	59, 64	77133089 .....	645		
7011376 ...	601, 603, 613, 615	7023922 .....	401	77133137 ..	274, 278, 298, 302		
70124410 .....	325, 331	7023962 .....	339	77363232 .....	355, 359		
70124440 .....	325, 331	7023964 .....	339, 340	77363233 .....	721		
7012773 .....	41, 59, 63			80604017 .....	137		
7012903 .....	401			80963067 .....	714		
7012941 .....	37, 39			82033995 ..	274, 278, 298, 302		
7012973 .....	37, 39						
7012998 .....	37, 39						
7016272 .....	135						
7016309 ...	198, 226, 254, 270, 322, 328						
7016314 .....	79						
7016319 .....	135						



## PART NUMBER INDEX

840620195, 99, 103, 107, 275, 278, 299, 302	8410013 ... 174, 181, 186, 193, 201, 209, 213, 221, 229, 237, 241, 249, 257, 265, 278, 287, 293, 302, 311, 317	8769123 ..... 279, 303 8769127 ... 274, 278, 298, 302 8769128 ... 174, 186, 202, 214, 230, 242, 258, 641 8769146 ..... 645 8769153 ..... 645 8769154 ..... 645 8769199 ..... 645 88261128 ..... 55, 57 88411013 ..... 667 88521214 .. 593, 595, 597 88662013 ..... 644 88662070 ..... 60, 64	88662523... 377, 397, 399 91203039..... 391 91403230.. 807, 811, 815, 817, 821, 825, 829, 833, 837 9141453..... 395 91471226..... 363, 374 91471227..... 363, 374 91554014.. 697, 739, 800, 804 91563070.. 181, 193, 209, 221, 237, 249, 265, 287, 293, 311, 317 IN4004 ..... 787, 791, 844
--	--	---	--

Go to [Discount-Equipment.com](http://Discount-Equipment.com) to order your parts

# PARTS FINDER

**Search Website  
by Part Number**



**Search Manual  
Library For Parts  
Manual & Lookup Part  
Numbers – Purchase  
or Request Quote**

**Can't Find Part or  
Manual? Request Help  
by Manufacturer,  
Model & Description**

Discount-Equipment.com is your online resource for quality parts & equipment.

Florida: **561-964-4949** Outside Florida TOLL FREE: **877-690-3101**

## Need parts?

Click on this link: <http://www.discount-equipment.com/category/5443-parts/> and choose one of the options to help get the right parts and equipment you are looking for. Please have the machine model and serial number available in order to help us get you the correct parts. If you don't find the part on the website or on one of the online manuals, please fill out the request form and one of our experienced staff members will get back to you with a quote for the right part that your machine needs.

We sell worldwide for the brands: Genie, Terex, JLG, MultiQuip, Mikasa, Essick, Whiteman, Mayco, Toro Stone, Diamond Products, Generac Magnum, Airman, Haulotte, Barreto, Power Blanket, Nifty Lift, Atlas Copco, Chicago Pneumatic, Allmand, Miller Curber, Skyjack, Lull, Skytrak, Tsurumi, Husquvarna Target, Stow, Wacker, Sakai, Mi-T-M, Sullair, Basic, Dynapac, MBW, Weber, Bartell, Bennar Newman, Haulotte, Ditch Runner, Menegotti, Morrison, Contec, Buddy, Crown, Edco, Wyco, Bomag, Laymor, EZ Trench, Bil-Jax, F.S. Curtis, Gehl Pavers, Heli, Honda, ICS/PowerGrit, IHI, Partner, Imer, Clipper, MMD, Koshin, Rice, CH&E, General Equipment, Amida, Coleman, NAC, Gradall, Square Shooter, Kent, Stanley, Tamco, Toku, Hatz, Kohler, Robin, Wisconsin, Northrock, Oztec, Toker TK, Rol-Air, APT, Wylie, Ingersoll Rand / Doosan, Innovatech, Con X, Ammann, Mecalac, Makinex, Smith Surface Prep, Small Line, Wanco, Yanmar