



Illustrated Parts Manual

**Model
1500AJP**

P/N
3121736

January 10, 2019 - Rev L

ANSI

CE



AS/NZS



An Dshkosh Corporation Company

PARTS FINDER

**Search Website
by Part Number**



**Search Manual
Library For Parts
Manual & Lookup Part
Numbers – Purchase
or Request Quote**

**Can't Find Part or
Manual? Request Help
by Manufacturer,
Model & Description**

Discount-Equipment.com is your online resource for quality parts & equipment.

Florida: **561-964-4949** Outside Florida TOLL FREE: **877-690-3101**

Need parts?

Click on this link: <http://www.discount-equipment.com/category/5443-parts/> and choose one of the options to help get the right parts and equipment you are looking for. Please have the machine model and serial number available in order to help us get you the correct parts. If you don't find the part on the website or on one of the online manuals, please fill out the request form and one of our experienced staff members will get back to you with a quote for the right part that your machine needs.

We sell worldwide for the brands: Genie, Terex, JLG, MultiQuip, Mikasa, Essick, Whiteman, Mayco, Toro Stone, Diamond Products, Generac Magnum, Airman, Haulotte, Barreto, Power Blanket, Nifty Lift, Atlas Copco, Chicago Pneumatic, Allmand, Miller Curber, Skyjack, Lull, Skytrak, Tsurumi, Husquvarna Target, Stow, Wacker, Sakai, Mi-T-M, Sullair, Basic, Dynapac, MBW, Weber, Bartell, Bennar Newman, Haulotte, Ditch Runner, Menegotti, Morrison, Contec, Buddy, Crown, Edco, Wyco, Bomag, Laymor, EZ Trench, Bil-Jax, F.S. Curtis, Gehl Pavers, Heli, Honda, ICS/PowerGrit, IHI, Partner, Imer, Clipper, MMD, Koshin, Rice, CH&E, General Equipment, Amida, Coleman, NAC, Gradall, Square Shooter, Kent, Stanley, Tamco, Toku, Hatz, Kohler, Robin, Wisconsin, Northrock, Oztec, Toker TK, Rol-Air, APT, Wylie, Ingersoll Rand / Doosan, Innovatech, Con X, Ammann, Mecalac, Makinex, Smith Surface Prep, Small Line, Wanco, Yanmar

REVISION LOG

May 1, 2016 - A - Original Issue Of Manual (Edited to B/M 1001194422 Revision H) (Revision 1)
August 22, 2016 - B - Revised Manual (Edited to B/M 1001194422 Revision M) (Revision 1)
October 31, 2016 - C - Revised Manual (Edited to B/M 1001194422 Revision N) (Revision 1)
January 16, 2017 - D - Revised Manual (Edited to B/M 1001194422 Revision R)
April 21, 2017 - E - Revised Manual (Edited to B/M 1001194422 Revision R)
July 31, 2017 - F - Revised Manual (Edited to B/M 1001194422 Revision R)
October 27, 2017 - G - Revised Manual (Edited to B/M 1001194422 Revision R)
January 12, 2018 - H - Revised Manual (Edited to B/M 1001194422 Revision T)
April 16, 2018 - I - Revised Manual (Edited to B/M 1001194422 Revision T)
July 20, 2018 - J - Revised Manual (Edited to B/M 1001194422 Revision AE) (Revision 1)
October 12, 2018 - K - Revised Manual (Edited to B/M 1001194422 Revision AE) (Revision 1)
January 10, 2019 - L - Revised Manual (Edited to B/M 1001194422 Revision AM) (Revision 1)

GENERAL INFORMATION

SECTION 6 CYLINDER

FIGURE 6-3. LIFT CYLINDER ASSEMBLY

PG# Model Designation Manual #

ITEM #	PART NUMBER	QTY.	DESCRIPTION	REV.
	1001140104	Ref.	LIFT CYLINDER ASSEMBLY	B
1	0100011	AR	Compound, Locking	
2	0630535	3	Capscrew 1/4-20 x 1-1/8	
3	0791003	1	Screw #10-24 x 3/8	
4	0961897	1	Bushing, Tapered	
5	1320136	1	Clamp, Cable	
6	1663063	1	Head	
7	2220883	1	Plug, O-Ring	
8	2220885	2	Plug, O-Ring	
9	2220886	1	Plug, O-Ring	
10	3020039	AR	Lubricant	
11	3480282	1	Piston	
12	3760371	1	Ring, Washer	
13	3931420	8	Capscrew 1/4-20 x 1-1/4	
14	3931824	8	Capscrew 1/2-13 x 1-1/2	
15	3951003	1	Screw #10-24 x 3/8	
16	4100099	1	Spacer	
17	4640999	1	Cartridge, Holding Valve (Non Vented)	
17	2900792		Kit, Seal - 4640999 Cartridge Valve	
18	4641248	1	Cartridge, Countbalance Valve (Non Vented)	
18	7000186		Kit, Seal - 4641248 Cartridge Valve	
19	1001117991	1	Sensor, Cylinder Length	
20	100118070	1	Cap, Retainer	
21	100118054	1	Barrel	
21A	0961950	2	Bushing	
22	100118086	1	Rod	
22A	0961950	2	Bushing	
100	1001139996	1	Kit, Seal (Includes Items 101-109)	
101	See Note	2	Ring, Wear (Note: Use p/n 1001139996)	
102	See Note	1	Ring, Back-Up (Note: Use p/n 1001139996)	
103	See Note	2	Ring, Lock (Note: Use p/n 1001139996)	
104	See Note	2	Ring, Back-Up (Note: Use p/n 1001139996)	
105	See Note	3	O-Ring (Note: Use p/n 1001139996)	
106	See Note	1	O-Ring (Note: Use p/n 1001139996)	
107	See Note	1	Seal (Note: Use p/n 1001139996)	
108	See Note	1	Wiper, Rod (Note: Use p/n 1001139996)	
109	See Note	2	Seal (Note: Use p/n 1001139996)	
200	1001180105	1	Kit, Sensor Magnet (Includes Items 201-203)	
201	See Note	NSS	Sleeve, Spacer (Note: Use p/n 1001180105)	
202	100118066	1	Magnet, Sensor	
203	100118069	1	Ring, Internal Retaining	

Manual # Model Designation PG#

1) MACHINE IDENTIFICATION

Machines are identified by model and in some cases a combination of models, serial number (SN) or regional standard (i.e. ANSI, CE, CSA). Components may also be identified by SN or manufacturer. Common components that may be identified by these characteristics are engines and hydraulic components.

2) PARTS MANUAL ORGANIZATION

Product information in this manual is organized under section titles. Frame, Cylinder, Hydraulic and Electrical are a few examples. Each section is organized by figure and page number. The information within the Figure is then organized by item number, part number, description and corresponding illustration(s).

3) TABLE OF CONTENTS

A table of contents is found toward the beginning of the manual. Figure number, description and page number are provided for quick reference to the page containing the related information.

4) RECOMMENDED SPARE PARTS

The Recommended Spare Parts, located near the end of the manual, reference most frequently used maintenance parts.

5) PART NUMBER INDEX

A numerical index listing all part numbers and the corresponding page number(s) appears at the back of the manual.

GENERAL INFORMATION

6) NON-SERVICED PARTS

In some instances, it is necessary to display non-serviced parts, assemblies or installations. In the case of assemblies and installations there will be a Ref in the Qty column. In case of parts that are not available for service within assemblies or components, there will be a NSS (Not Sold Separately) or NLA (No Longer Available) listed in the Qty. column of the manual.

7) PARTS LIST ITEM NUMBERS

Numbers shown in the item# column correspond to numbers used in the associated illustration (s). Item numbers which are missing from the sequence in the parts list are not used on that page

8) INDENTED PARTS DESCRIPTION

An indented part description is included in the item under which it is indented.

9) ABB REVIATION AND SYMBOLS

AC.....	Alternating Current	LCD.....	Liquid Crystal Display
ADE.....	Advanced Design Electronics	LED.....	Light Emitting Diodes
ANSI.....	American National Standards Institute	LH.....	Left Hand
AR.....	As Required	LSS.....	Load Sensing System
ASSY.....	Assembly	M(m).....	Metric/Meter
AUX.....	Auxiliary	MM (mm).....	Milimeter
AWG.....	American WireGauge	mA.....	Miliamps
B/M.....	Bill of Material	NLA.....	No Longer Available
CE.....	European Conformity	NPT.....	National Pipe Threads
CCW.....	Counter Clockwise	NSS.....	Not So Id Separately
cm.....	Centimeter	OD.....	Outside Diameter
CW.....	Clockwise	ORB.....	O-Ring Boss
CSA.....	Canadian Standards Association	ORFS.....	O-Ring Face Seal
CYL.....	Cylinder	OZ (oz).....	Ounces
DIA.....	Diameter	PG.....	Page
DC.....	Direct Current	P/N.....	Part Number
EMS.....	Emergency Stop	qt.....	Quarts
ENG.....	Engine	QTY.....	Quantity
FT (ft).....	Feet	REF.....	Reference
GA (Ga).....	Gauge	REV.....	Revision Level
HYD.....	Hydraulic	RH.....	Right Hand
Hz.....	Hertz	SAE.....	Society of Automotive Engineers
ID.....	Inside Diameter	SN.....	Serial Number
in.....	inches	SPEC(S).....	Specifications
ISO.....	International Organization for Standards	T/T.....	Turntable
JIC.....	Joint Industry Council	UGM.....	Universal Ground Module
KG.....	Kilogram	V.....	Volts
L.....	Liter	W.....	Watts
LB.....	Pounds	#.....	Number

10) ILLUSTRATION REFERENCE LETTERS

When necessary, illustrations may contain reference letters that are intended to track information (i. e. hoses, harnesses) from one point to another or to track visual enlargement of components to show details that may be located in another area on the illustration.

Note: Due to continuous product improvements, JLG Industries, Inc. reserves the right to make specification changes without prior notification.

TABLE OF CONTENTS

SECTION 1 - FRAME.....	13
FIGURE 1-1. AXLE INSTALLATION	14
FIGURE 1-2. STEER INSTALLATION.....	16
FIGURE 1-3. WHEEL DRIVE INSTALLATION.....	18
FIGURE 1-4. DRIVE MOTOR ASSEMBLY	20
FIGURE 1-5. DRIVE HUB ASSEMBLY	22
FIGURE 1-6. TIRE/WHEEL INSTALLATION.....	26
FIGURE 1-7. VALVES INSTALLATION - FRAME (Prior to SN 0300223782)	28
FIGURE 1-8. VALVES INSTALLATION - FRAME (SN 0300223782 to Present)	30
FIGURE 1-9. TRACTION VALVE ASSEMBLY (Prior to SN 0300224829)	32
FIGURE 1-10. TRACTION VALVE ASSEMBLY (SN 0300224829 to Present)	34
FIGURE 1-11. STEER/AXLE EXTEND VALVE ASSEMBLY.....	36
FIGURE 1-12. ELECTRICAL COMPONENTS INSTALLATION - FRAME (HRC) (ANSI, ANSI EXPORT, CSA AND JAPANESE SPECS) (Prior to SN 0300223782).....	38
FIGURE 1-13. ELECTRICAL COMPONENTS INSTALLATION - FRAME (HRC) (ANSI, ANSI EXPORT, CSA AND JAPANESE SPECS) (SN 0300223782 to Present).....	40
FIGURE 1-14. ELECTRICAL COMPONENTS INSTALLATION - FRAME (HRC) (CE SPECS) (Prior to SN 0300223782).....	42
FIGURE 1-15. ELECTRICAL COMPONENTS INSTALLATION - FRAME (HRC) (CE SPECS) (SN 0300223782 to Present).....	44
FIGURE 1-16. ELECTRICAL COMPONENTS INSTALLATION - FRAME (LRC) (ANSI EXPORT, AUSTRALIAN, CE AND CHINA SPECS) (Prior to SN 0300223782).....	46
FIGURE 1-17. ELECTRICAL COMPONENTS INSTALLATION - FRAME (LRC) (ANSI EXPORT, AUSTRALIAN, CE AND CHINA SPECS) (SN 0300223782 to Present).....	48
FIGURE 1-18. ELECTRICAL COMPONENTS INSTALLATION - FRAME (LRC) (CE SPECS) (SN 0300224829 to Present).....	50
FIGURE 1-19. COVERS INSTALLATION - FRAME.....	52
SECTION 2 - TURNTABLE.....	55
FIGURE 2-1. VALVES AND FILTERS INSTALLATION - TURNTABLE (Prior to SN 0300223782)	56
FIGURE 2-2. VALVES AND FILTERS INSTALLATION - TURNTABLE (SN 0300223782 to Present).....	58
FIGURE 2-3. MAIN VALVE ASSEMBLY (Prior to SN 0300223782).....	60
FIGURE 2-4. MAIN VALVE ASSEMBLY (SN 0300223782 through 0300235444).....	64
FIGURE 2-5. MAIN VALVE ASSEMBLY (SN 0300235445 through 0300239973).....	68
FIGURE 2-6. MAIN VALVE ASSEMBLY (SN 0300239974 to Present).....	72
FIGURE 2-7. JUNCTION VALVE ASSEMBLY	76
FIGURE 2-8. TURNTABLE BEARING INSTALLATION	78
FIGURE 2-9. TURNTABLE LOCK INSTALLATION.....	80
FIGURE 2-10. SWING DRIVE INSTALLATION	82
FIGURE 2-11. SWING HUB/BRAKE/MOTOR ASSEMBLY.....	84
FIGURE 2-12. COUPLING/COLLECTOR RING INSTALLATION	88
FIGURE 2-13. TANKS INSTALLATION (WITHOUT DIESEL EXHAUST FLUID TANK)	90
FIGURE 2-14. TANKS INSTALLATION (WITH DIESEL EXHAUST FLUID TANK) (Prior to SN 0300254483).....	92
FIGURE 2-15. TANKS INSTALLATION (WITH DIESEL EXHAUST FLUID TANK) (SN 0300254483 to Present).....	94
FIGURE 2-16. HYDRAULIC TANK ASSEMBLY.....	96
FIGURE 2-17. AUXILIARY POWER AND BATTERIES INSTALLATIONS.....	98
FIGURE 2-18. AUXILIARY PUMP/MOTOR ASSEMBLY	100
FIGURE 2-19. ELECTRICAL COMPONENTS INSTALLATION - TURNTABLE (HRC) (ANSI, ANSI EXPORT, CSA AND JAPANESE SPECS) (Prior to SN 0300223782).....	102
FIGURE 2-20. ELECTRICAL COMPONENTS INSTALLATION - TURNTABLE (HRC) (ANSI, ANSI EXPORT, CSA AND JAPANESE SPECS) (SN 0300223782 to Present).....	106
FIGURE 2-21. ELECTRICAL COMPONENTS INSTALLATION - TURNTABLE (HRC) (CE SPECS) (Prior to SN 0300223782).....	110
FIGURE 2-22. ELECTRICAL COMPONENTS INSTALLATION - TURNTABLE (HRC) (CE SPECS) (SN 0300223782 to Present).....	114
FIGURE 2-23. ELECTRICAL COMPONENTS INSTALLATION - TURNTABLE (LRC) (ANSI EXPORT, AUSTRALIAN, CE AND CHINESE SPECS) (Prior to SN 0300223782).....	118
FIGURE 2-24. ELECTRICAL COMPONENTS INSTALLATION - TURNTABLE (LRC) (ANSI EXPORT, AUSTRALIAN, CE AND CHINESE SPECS) (SN 0300223782 to Present).....	122
FIGURE 2-25. ELECTRICAL COMPONENTS INSTALLATION - TURNTABLE (LRC) (CE SPECS) (SN 0300224829 to Present).....	126
FIGURE 2-26. GROUND CONTROL CONSOLE ASSEMBLY (HRC) (ANSI, ANSI EXPORT, CSA AND JAPANESE SPECS)	130
FIGURE 2-27. GROUND CONTROL CONSOLE ASSEMBLY (HRC) (CE SPECS)	132
FIGURE 2-28. GROUND CONTROL CONSOLE ASSEMBLY (LRC) (ANSI EXPORT, AUSTRALIAN, CE AND CHINA SPECS).....	134
FIGURE 2-29. GROUND CONTROL CONSOLE ASSEMBLY (LRC) (CE SPECS) (SN 0300224829 to Present)	136
FIGURE 2-30. LIGHT PANEL INSTALLATION (ALL SPECS EXCEPT AUSTRALIAN AND CE SPECS).....	138
FIGURE 2-31. LIGHT PANEL INSTALLATION (AUSTRALIAN AND CE SPECS).....	140

TABLE OF CONTENTS

FIGURE 2-32. ALARM INSTALLATION	142
FIGURE 2-33. STROBE LIGHT INSTALLATION - AMBER	144
FIGURE 2-34. STROBE LIGHT INSTALLATION - BLUE (Prior to SN 0300259280)	146
FIGURE 2-35. STROBE LIGHT INSTALLATION - BLUE (SN 0300259280 to Present)	148
FIGURE 2-36. HOOD INSTALLATION	150
FIGURE 2-37. VENTURI INSTALLATION (HRC)	156
FIGURE 2-38. VENTURI INSTALLATION (LRC)	158
SECTION 3 - ENGINE	161
FIGURE 3-1. ENGINE INSTALLATION (HRC) (WITHOUT COLD WEATHER PACKAGE) (Prior to SN 0300254483)	162
FIGURE 3-2. ENGINE INSTALLATION (HRC) (WITHOUT COLD WEATHER PACKAGE) (SN 0300254483 to Present)	168
FIGURE 3-3. ENGINE ASSEMBLY WITH PUMPS (HRC) (WITHOUT COLD WEATHER PACKAGE) (Prior to SN 0300254483)	174
FIGURE 3-4. ENGINE ASSEMBLY WITH PUMPS (HRC) (WITHOUT COLD WEATHER PACKAGE) (SN 0300254483 to Present)	176
FIGURE 3-5. ENGINE ASSEMBLY (HRC) (WITHOUT COLD WEATHER PACKAGE) (Prior to SN 0300254483)	178
FIGURE 3-6. ENGINE ASSEMBLY (HRC) (WITHOUT COLD WEATHER PACKAGE) (SN 0300254483 to Present)	184
FIGURE 3-7. ENGINE INSTALLATION (HRC) (WITH COLD WEATHER PACKAGE) (Prior to SN 0300254483)	190
FIGURE 3-8. ENGINE INSTALLATION (HRC) (WITH COLD WEATHER PACKAGE) (SN 0300254483 to Present)	196
FIGURE 3-9. ENGINE ASSEMBLY WITH PUMPS (HRC) (WITH COLD WEATHER PACKAGE) (Prior to SN 0300254483)	202
FIGURE 3-10. ENGINE ASSEMBLY WITH PUMPS (HRC) (WITH COLD WEATHER PACKAGE) (SN 0300254483 to Present)	204
FIGURE 3-11. ENGINE ASSEMBLY (HRC) (WITH COLD WEATHER PACKAGE) (Prior to SN 0300254483)	206
FIGURE 3-12. ENGINE ASSEMBLY (HRC) (WITH COLD WEATHER PACKAGE) (SN 0300254483 to Present)	212
FIGURE 3-13. ENGINE COMPONENTS (HRC) (Prior to SN 0300254483)	218
FIGURE 3-14. ENGINE COMPONENTS (HRC) (SN 0300254483 to Present)	224
FIGURE 3-15. ENGINE INSTALLATION (LRC) (WITHOUT COLD WEATHER PACKAGE)	230
FIGURE 3-16. ENGINE ASSEMBLY WITH PUMPS (LRC) (WITHOUT COLD WEATHER PACKAGE)	234
FIGURE 3-17. ENGINE ASSEMBLY (LRC) (WITHOUT COLD WEATHER PACKAGE)	238
FIGURE 3-18. ENGINE INSTALLATION (LRC) (WITH COLD WEATHER PACKAGE)	244
FIGURE 3-19. ENGINE ASSEMBLY WITH PUMPS (LRC) (WITH COLD WEATHER PACKAGE)	248
FIGURE 3-20. ENGINE ASSEMBLY (LRC) (WITH COLD WEATHER PACKAGE)	252
FIGURE 3-21. ENGINE COMPONENTS (LRC)	258
FIGURE 3-22. PUMP COUPLING KIT	262
FIGURE 3-23. TANDEM PUMP ASSEMBLY	264
FIGURE 3-24. PISTON PUMP ASSEMBLY	268
FIGURE 3-25. GEAR PUMP ASSEMBLY	272
FIGURE 3-26. FUEL FILTER/WATER SEPARATOR INSTALLATION (LRC) (CHINA SPECS ONLY)	274
FIGURE 3-27. SPARK ARRESTOR INSTALLATION (HRC) (OPTIONAL)	276
FIGURE 3-28. SPARK ARRESTOR INSTALLATION (LRC) (OPTIONAL)	278
FIGURE 3-29. 4000W GENERATOR INSTALLATION - 50HZ	280
FIGURE 3-30. 4000W GENERATOR INSTALLATION - 60HZ	284
FIGURE 3-31. 7500W SKYPOWER GENERATOR INSTALLATION - 50HZ	288
FIGURE 3-32. 7500W SKYPOWER GENERATOR INSTALLATION - 60HZ	292
FIGURE 3-33. BREATHER HEATER INSTALLATION - MACHINES WITH COLD WEATHER PACKAGE	296
SECTION 4 - BOOM	299
FIGURE 4-1. BOOM AND CYLINDERS INSTALLATION	300
FIGURE 4-2. TOWER BOOM ASSEMBLY	304
FIGURE 4-3. MAIN BOOM AND JIB ASSEMBLY	308
FIGURE 4-4. PLATFORM ROTATOR ASSEMBLY	314
FIGURE 4-5. JIB ROTATOR ASSEMBLY	316
FIGURE 4-6. POWER TRACK INSTALLATION - TOWER BOOM	318
FIGURE 4-7. POWER TRACK INSTALLATION - MAIN BOOM	320
FIGURE 4-8. VALVES AND FILTERS INSTALLATION - BOOM (Prior to SN 0300223782)	322
FIGURE 4-9. VALVES AND FILTERS INSTALLATION - BOOM (SN 0300223782 to Present)	324
FIGURE 4-10. BOOM VALVE ASSEMBLY	326
FIGURE 4-11. PLATFORM VALVE ASSEMBLY	328
FIGURE 4-12. BOOM SENSORS AND COVERS INSTALLATION	330
FIGURE 4-13. PLATFORM SUPPORT INSTALLATION - WITHOUT LSS	336
FIGURE 4-14. PLATFORM SUPPORT INSTALLATION - WITH LSS	338
SECTION 5 - PLATFORM	341
FIGURE 5-1. PLATFORM ASSEMBLY - 30IN X 3FT (76CM X .91M) - DROP BAR ENTRY	342

TABLE OF CONTENTS

FIGURE 5-2. PLATFORM ASSEMBLY - 30IN X 4FT (76.2CM X 1.22M) WITH SWING GATE.....	344
FIGURE 5-3. PLATFORM ASSEMBLY - 30IN X 4FT (76.2CM X 1.22M) WITH DROP BAR.....	346
FIGURE 5-4. PLATFORM ASSEMBLY - 36IN X 6FT (91.5CM X 1.83M) WITH SWING GATE.....	348
FIGURE 5-5. PLATFORM ASSEMBLY - 36IN X 6FT (91.5CM X 1.83M) TRI-ENTRY WITH SWING GATE.....	350
FIGURE 5-6. PLATFORM ASSEMBLY - 36IN X 6FT (91.5CM X 1.83M) WITH DROP BAR.....	352
FIGURE 5-7. PLATFORM ASSEMBLY - 36IN X 6FT (91.5CM X 1.83M) TRI-ENTRY WITH DROPBAR.....	354
FIGURE 5-8. PLATFORM ASSEMBLY - 36IN X 6FT (91.5CM X 1.83M) WITH FALL ARREST (ANSI, ANSI EXPORT AND CSA SPECS).....	356
FIGURE 5-9. PLATFORM ASSEMBLY - 36IN X 8FT (91.5CM X 2.44M) WITH SWING GATE.....	358
FIGURE 5-10. PLATFORM ASSEMBLY - 36IN X 8FT (91.5CM X 2.44M) WITH TRI-ENTRY (1 GATE/2 DROP BARS).....	360
FIGURE 5-11. PLATFORM ASSEMBLY - 36IN X 8FT (91.5CM X 2.44M) WITH DROP BAR.....	362
FIGURE 5-12. PLATFORM ASSEMBLY - 36IN X 8FT (91.5CM X 2.44M) WITH TRI-ENTRY (3 DROP BARS).....	364
FIGURE 5-13. PLATFORM ASSEMBLY - 36IN X 8FT (91.5CM X 2.44M) WITH FALL ARREST (ANSI, ANSI EXPORT AND CSA SPECS).....	366
FIGURE 5-14. PLATFORM ASSEMBLY - 36IN X 8FT (91.5CM X 2.44M) WITH FALL ARREST (ALL SPECS EXCEPT CSA SPECS).....	368
FIGURE 5-15. TRAY ASSEMBLY.....	370
FIGURE 5-16. LCD DISPLAY INSTALLATION (Prior to SN 0300248935).....	372
FIGURE 5-17. LCD DISPLAY INSTALLATION (SN 0300248935 to Present).....	374
FIGURE 5-18. CONSOLE BOX AND FOOTSWITCH INSTALLATION - WITHOUT SKYGUARD (Prior to SN 0300223782).....	376
FIGURE 5-19. CONSOLE BOX AND FOOTSWITCH INSTALLATION - WITH SKYGUARD (Prior to SN 0300259280).....	378
FIGURE 5-20. CONSOLE BOX AND FOOTSWITCH INSTALLATION - WITH SKYGUARD (SN 0300259280 to Present).....	380
FIGURE 5-21. PLATFORM CONSOLE ASSEMBLY - WITHOUT SKYGUARD (Prior to SN 0300226999).....	382
FIGURE 5-22. PLATFORM CONSOLE ASSEMBLY - WITH SKYGUARD (Prior to SN 0300259280).....	386
FIGURE 5-23. PLATFORM CONSOLE ASSEMBLY - WITH SKYGUARD (SN 0300259280 to Present).....	390
FIGURE 5-24. DECAL AND LIGHT PANEL INSTALLATION (ALL SPECS EXCEPT AUSTRALIAN AND CE SPECS).....	394
FIGURE 5-25. DECAL AND LIGHT PANEL INSTALLATION (AUSTRALIAN AND CE SPECS).....	396
FIGURE 5-26. CONTROLLER ASSEMBLY (LIFT AND SWING).....	398
FIGURE 5-27. CONTROLLER ASSEMBLY (DRIVE AND STEER).....	402
FIGURE 5-28. FOOTSWITCH ASSEMBLY.....	404
FIGURE 5-29. SKYEYE INSTALLATION.....	406
FIGURE 5-30. SKYGUARD SYSTEM INSTALLATION (Prior to SN 0300259280).....	408
FIGURE 5-31. SKYGUARD BAR INSTALLATION (SN 0300259280 to Present).....	410
FIGURE 5-32. SKYLINE INSTALLATION.....	412
FIGURE 5-33. CROSS RAIL INSTALLATION.....	414
FIGURE 5-34. SOFT TOUCH INSTALLATION - 8FT (2.4M) PLATFORM (OPTIONAL).....	416
FIGURE 5-35. SOFT TOUCH INSTALLATION - 8FT (2.4M) FALL ARREST PLATFORM (OPTIONAL).....	418
FIGURE 5-36. SKYGLAZIER INSTALLATION (ANSI, ANSI EXPORT, AUSTRALIAN, CE AND CSA SPECS).....	420
FIGURE 5-37. SKYWELDER/SKYCUTTER COMBO INSTALLATION (60HZ).....	422
FIGURE 5-38. SKYWELDER INSTALLATION (50HZ).....	426
FIGURE 5-39. SKYWELDER INSTALLATION (60HZ).....	428
FIGURE 5-40. SKYWELDER PREP PACKAGE (60HZ).....	430
FIGURE 5-41. WELDER ASSEMBLY.....	432
FIGURE 5-42. SKYCUTTER INSTALLATION.....	434
FIGURE 5-43. PLASMA CUTTER ASSEMBLY.....	436
FIGURE 5-44. PIPE RACK INSTALLATION (ANSI AND AUSTRALIAN SPECS).....	438
FIGURE 5-45. FALL ARREST INSTALLATION (BOLT-ON EXTERNAL) (6FT/1.82M PLATFORM).....	440
FIGURE 5-46. FALL ARREST INSTALLATION (BOLT-ON EXTERNAL) (6FT/1.82M TRI-ENTRY PLATFORM).....	442
FIGURE 5-47. FALL ARREST INSTALLATION (BOLT-ON EXTERNAL) (8FT/2.4M PLATFORM).....	444
SECTION 6 - CYLINDER.....	447
FIGURE 6-1. AXLE EXTEND CYLINDER ASSEMBLY (Prior to SN 0300239663).....	448
FIGURE 6-2. AXLE EXTEND CYLINDER ASSEMBLY (SN 0300239663 to Present).....	450
FIGURE 6-3. LEVEL CYLINDER ASSEMBLY - PLATFORM SLAVE (Prior to SN 0300237743).....	452
FIGURE 6-4. LEVEL CYLINDER ASSEMBLY - PLATFORM SLAVE (SN 0300237743 to Present).....	454
FIGURE 6-5. LIFT CYLINDER ASSEMBLY - JIB (Prior to SN 0300238854).....	456
FIGURE 6-6. LIFT CYLINDER ASSEMBLY - JIB (SN 0300238854 to Present).....	458
FIGURE 6-7. LIFT CYLINDER ASSEMBLY - MAIN BOOM (Prior to SN 0300239463).....	460
FIGURE 6-8. LIFT CYLINDER ASSEMBLY - MAIN BOOM (SN 0300239463 to Present).....	462
FIGURE 6-9. LIFT CYLINDER ASSEMBLY - TOWER BOOM (Prior to SN 0300239155).....	464
FIGURE 6-10. LIFT CYLINDER ASSEMBLY - TOWER BOOM (SN 0300239155 to Present).....	466
FIGURE 6-11. STEER CYLINDER ASSEMBLY (Prior to SN 0300239663).....	468
FIGURE 6-12. STEER CYLINDER ASSEMBLY (SN 0300239663 to Present).....	470
FIGURE 6-13. TELESCOPE CYLINDER ASSEMBLY - MAIN BOOM (Prior to SN 0300244380).....	472
FIGURE 6-14. TELESCOPE CYLINDER ASSEMBLY - MAIN BOOM (SN 0300244380 to Present).....	474
FIGURE 6-15. TELESCOPE CYLINDER ASSEMBLY - TOWER BOOM (Prior to SN 0300244380).....	476

TABLE OF CONTENTS

FIGURE 6-16. TELESCOPE CYLINDER ASSEMBLY - TOWER BOOM (SN 0300244380 to Present)	480
SECTION 7 - HYDRAULIC	483
FIGURE 7-1. BOOM AND JIB HYDRAULIC DIAGRAM	484
FIGURE 7-2. CHASSIS HYDRAULIC DIAGRAM	486
FIGURE 7-3. TURNTABLE HYDRAULIC DIAGRAM (Prior to SN 0300223782)	490
FIGURE 7-4. TURNTABLE HYDRAULIC DIAGRAM (SN 0300223782 to Present)	498
FIGURE 7-5. HYDRAULIC DIAGRAM LIST	506
SECTION 8 - ELECTRICAL	507
FIGURE 8-1. ELECTRICAL DIAGRAM LIST	508
FIGURE 8-2. AC BOX AT PLATFORM INSTALLATION - 110V GFI (ANSI, CHINA, CSA AND JAPANESE SPECS)	510
FIGURE 8-3. AC BOX AT PLATFORM INSTALLATION - 110V IEC YELLOW WITHOUT GENERATOR (CE SPECS)	512
FIGURE 8-4. AC BOX AT PLATFORM INSTALLATION - 110V IEC YELLOW WITH 4000W GENERATOR (CE SPECS)	514
FIGURE 8-5. AC BOX AT PLATFORM INSTALLATION - 220V IEC BLUE WITHOUT GENERATOR (CE SPECS)	516
FIGURE 8-6. AC BOX AT PLATFORM INSTALLATION - 220V IEC BLUE WITH 4000W GENERATOR (CE SPECS)	518
FIGURE 8-7. AC BOX AT PLATFORM INSTALLATION - 220V CEE7 POST GROUND WITHOUT GENERATOR (CE SPECS)	520
FIGURE 8-8. AC BOX AT PLATFORM INSTALLATION - 220V CEE7 POST GROUND WITH 4000W GENERATOR (CE SPECS)	522
FIGURE 8-9. AC BOX AT PLATFORM INSTALLATION - 220V CEE7 SIDE GROUND WITHOUT GENERATOR (CE SPECS)	524
FIGURE 8-10. AC BOX AT PLATFORM INSTALLATION - 220V CEE7 SIDE GROUND WITH 4000W GENERATOR (CE SPECS)	526
FIGURE 8-11. AC BOX AT PLATFORM INSTALLATION - 220V AFSINT 107 KEYED GROUND WITHOUT GENERATOR (CE SPECS)	528
FIGURE 8-12. AC BOX AT PLATFORM INSTALLATION - 220V AFSINT 107 KEYED GROUND WITH 4000W GENERATOR (CE SPECS)	530
FIGURE 8-13. AC BOX AT PLATFORM INSTALLATION - BOX WITH COVER WITH 4000W GENERATOR (ANSI EXPORT, AUSTRALIAN, CE, CHINA AND JAPANESE SPECS)	532
FIGURE 8-14. AC LEAD INSTALLATION (ANSI EXPORT, AUSTRALIAN, CE AND CHINA SPECS)	534
FIGURE 8-15. BATTERY DISCONNECT INSTALLATION	536
FIGURE 8-16. BLAM HARNESS	538
FIGURE 8-17. BOOM CABLES INSTALLATION - WITHOUT GENERATOR (ALL SPEC EXCEPT AUSTRALIAN AND CE SPECS)	540
FIGURE 8-18. BOOM CABLES INSTALLATION - WITHOUT GENERATOR (AUSTRALIAN, CE AND CHINA SPECS)	542
FIGURE 8-19. BOOM CABLES INSTALLATION - WITH 4000W GENERATOR (ALL SPECS)	544
FIGURE 8-20. BOOM CABLES INSTALLATION - WITH SKYPOWER 7500W GENERATOR (ALL SPECS)	546
FIGURE 8-21. BOOM CABLE (MAIN BOOM)	550
FIGURE 8-22. BOOM CABLE (TOWER BOOM)	552
FIGURE 8-23. BOOM CONTROL BOX ASSEMBLY	554
FIGURE 8-24. BREAKER BOX INSTALLATION - WITH 2 BREAKERS (CE SPECS)	556
FIGURE 8-25. BREAKER BOX INSTALLATION - WITH 3 BREAKERS (CE SPECS)	558
FIGURE 8-26. BREAKER BOX KIT - WITH 2 BREAKERS (CE SPECS) (Prior to SN 0300214286)	560
FIGURE 8-27. BREAKER BOX KIT - WITH 2 BREAKERS (CE SPECS) (SN 0300214286 to Present)	562
FIGURE 8-28. BREAKER BOX KIT - WITH 3 BREAKERS (CE SPECS)	564
FIGURE 8-29. CHASSIS HARNESS	566
FIGURE 8-30. COUPLING/COLLECTOR RING ASSEMBLY	570
FIGURE 8-31. DEF TANK EXTENSION HARNESS (SN 0300254483 to Present)	572
FIGURE 8-32. DIESEL EXHAUST FLUID TANK HARNESS	574
FIGURE 8-33. DRIVE PUMP HARNESS	576
FIGURE 8-34. ENGINE HARNESS (HRC)	578
FIGURE 8-35. ENGINE HARNESS (LRC)	582
FIGURE 8-36. ENGINE CAN HARNESS	586
FIGURE 8-37. FUEL PUMP AND WIF HARNESS	588
FIGURE 8-38. PLATFORM OUTLET HARNESS	590
FIGURE 8-39. STROBE LIGHT (AMBER) HARNESS	592
FIGURE 8-40. GENERATOR TO CONTROL BOX HARNESS (4000W GENERATOR)	594
FIGURE 8-41. GENERATOR TO CONTROL BOX HARNESS (7500W GENERATOR)	596
FIGURE 8-42. GENERATOR TO PLATFORM HARNESS (4000W-60HZ GENERATOR)	598
FIGURE 8-43. GENERATOR TO PLATFORM HARNESS (4000W-50HZ & 7500W GENERATOR)	600
FIGURE 8-44. GROUND CONTROL HARNESS	602
FIGURE 8-45. INTERFACE HARNESS - WITH 1 CELL LSS	604
FIGURE 8-46. LCD DISPLAY HARNESS (Prior to SN 0300248935)	606
FIGURE 8-47. LCD DISPLAY HARNESS (SN 0300248935 to Present)	608
FIGURE 8-48. MAIN BOOM CONTROL BOX HARNESS	610

TABLE OF CONTENTS

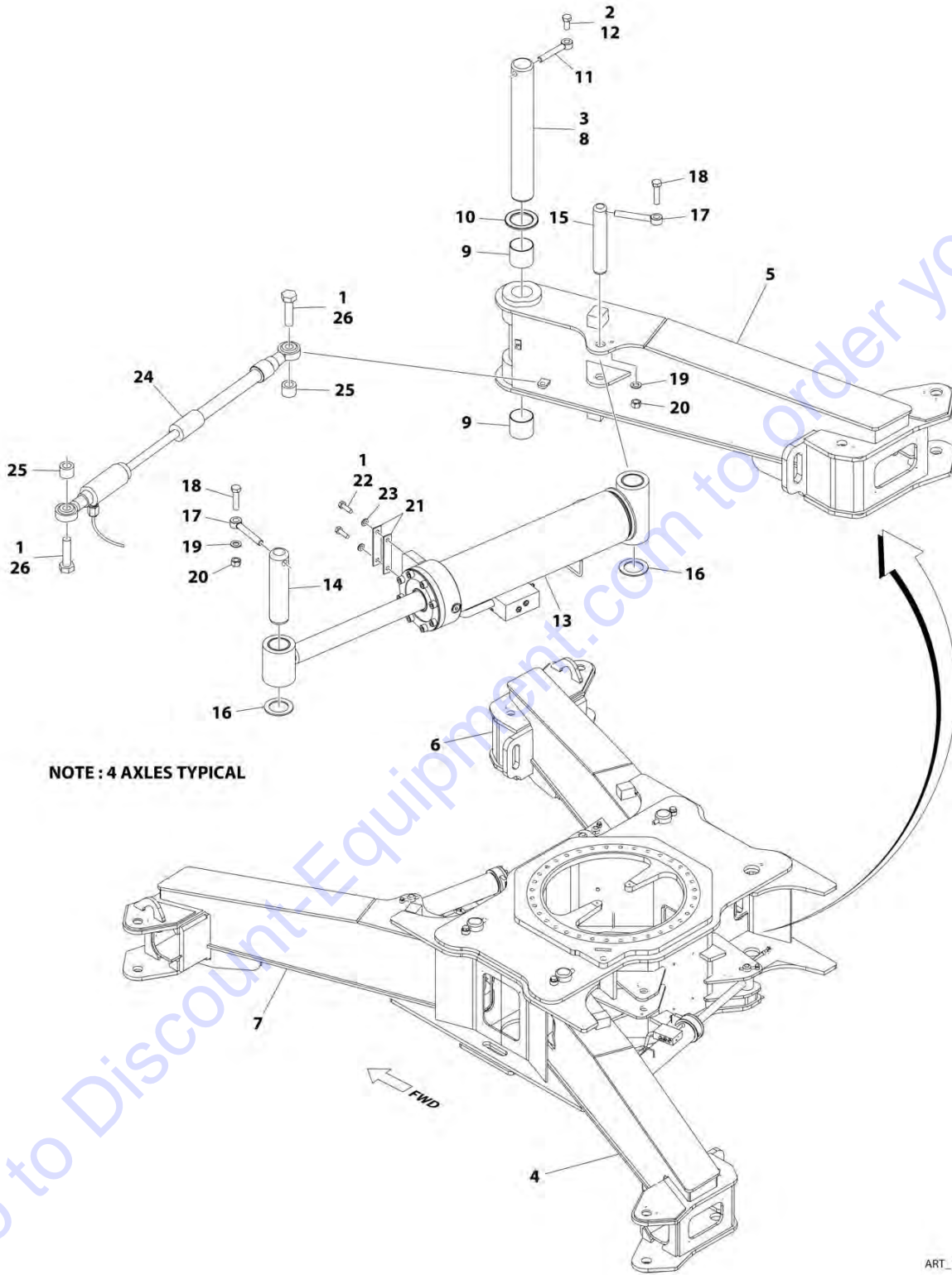
FIGURE 8-49. PLATFORM CONSOLE HARNESS - WITHOUT SKYGUARD (Prior to SN 0300223782)	614
FIGURE 8-50. PLATFORM CONSOLE HARNESS - WITH SKYGUARD (Prior to SN 0300259280)	618
FIGURE 8-51. PLATFORM CONSOLE HARNESS - WITH SKYGUARD (SN 0300259280 to Present)	622
FIGURE 8-52. RECEPTACLE BOX KIT - 110V IEC YELLOW (CE SPEC)	626
FIGURE 8-53. RECEPTACLE BOX KIT - 220V IEC BLUE (CE SPEC)	628
FIGURE 8-54. RECEPTACLE BOX KIT - 220V CEE7 POST GROUND (CE SPEC)	630
FIGURE 8-55. RECEPTACLE BOX KIT - 220V CEE7 SIDE GROUND (CE SPEC)	632
FIGURE 8-56. RECEPTACLE BOX KIT - 220V AFSINT 107 (CE SPEC)	634
FIGURE 8-57. SECONDARY CONTROL HARNESS	636
FIGURE 8-58. SENSOR HARNESS - AXLE	638
FIGURE 8-59. SENSOR HARNESS - BOOM	640
FIGURE 8-60. SENSOR HARNESS - PLATFORM LEVEL	642
FIGURE 8-61. SKYEYE INTERMEDIATE HARNESS	644
FIGURE 8-62. SKYEYE EMITTER HARNESS	646
FIGURE 8-63. SKYEYE RECEIVER HARNESS	648
FIGURE 8-64. SKYLINE HARNESS	650
FIGURE 8-65. STEER HARNESS	652
FIGURE 8-66. STROBE LIGHT (BLUE) HARNESS	654
FIGURE 8-67. TURNTABLE HARNESS	656
FIGURE 8-68. VALVE HARNESS - BOOM	660
FIGURE 8-69. VALVE HARNESS - PLATFORM	662
FIGURE 8-70. VALVE HARNESS - TURNTABLE (Prior to SN 0300223782)	664
FIGURE 8-71. VALVE HARNESS - TURNTABLE (SN 0300223782 to Present)	666
SECTION 9 - DECALS	669
FIGURE 9-1. DECAL INSTALLATION - ANSI SPEC	670
FIGURE 9-2. DECAL INSTALLATION - AUSTRALIAN SPEC	674
FIGURE 9-3. DECAL INSTALLATION - BRAZIL SPEC (ENGLISH/PORTUGUESE)	678
FIGURE 9-4. DECAL INSTALLATION - CE SPEC	682
FIGURE 9-5. DECAL INSTALLATION - CHINA SPEC (ENGLISH/CHINESE)	686
FIGURE 9-6. DECAL INSTALLATION - CSA SPEC (ENGLISH/FRENCH)	690
FIGURE 9-7. DECAL INSTALLATION - JAPAN SPEC (ENGLISH/JAPANESE)	694
FIGURE 9-8. DECAL INSTALLATION - KOREA SPEC (ENGLISH/KOREAN)	698
FIGURE 9-9. DECAL INSTALLATION - LATIN AMERICA SPEC (ENGLISH/SPANISH)	702
FIGURE 9-10. DECAL INSTALLATION - OPTIONS	706
SECTION 10 - RECOMMENDED SERVICE PARTS STOCK	709
FIGURE 10-1. RECOMMENDED SERVICE PARTS STOCK	710
SECTION 11 - SPECIAL OPTIONS	713
FIGURE 11-1. SPECIAL OPTIONS	714
PART NUMBER INDEX	719

SECTION 1 - FRAME

Go to Discount-Equipment.com to order your parts

SECTION 1 - FRAME

FIGURE 1-1. AXLE INSTALLATION



NOTE: 4 AXLES TYPICAL

ART_1001190949

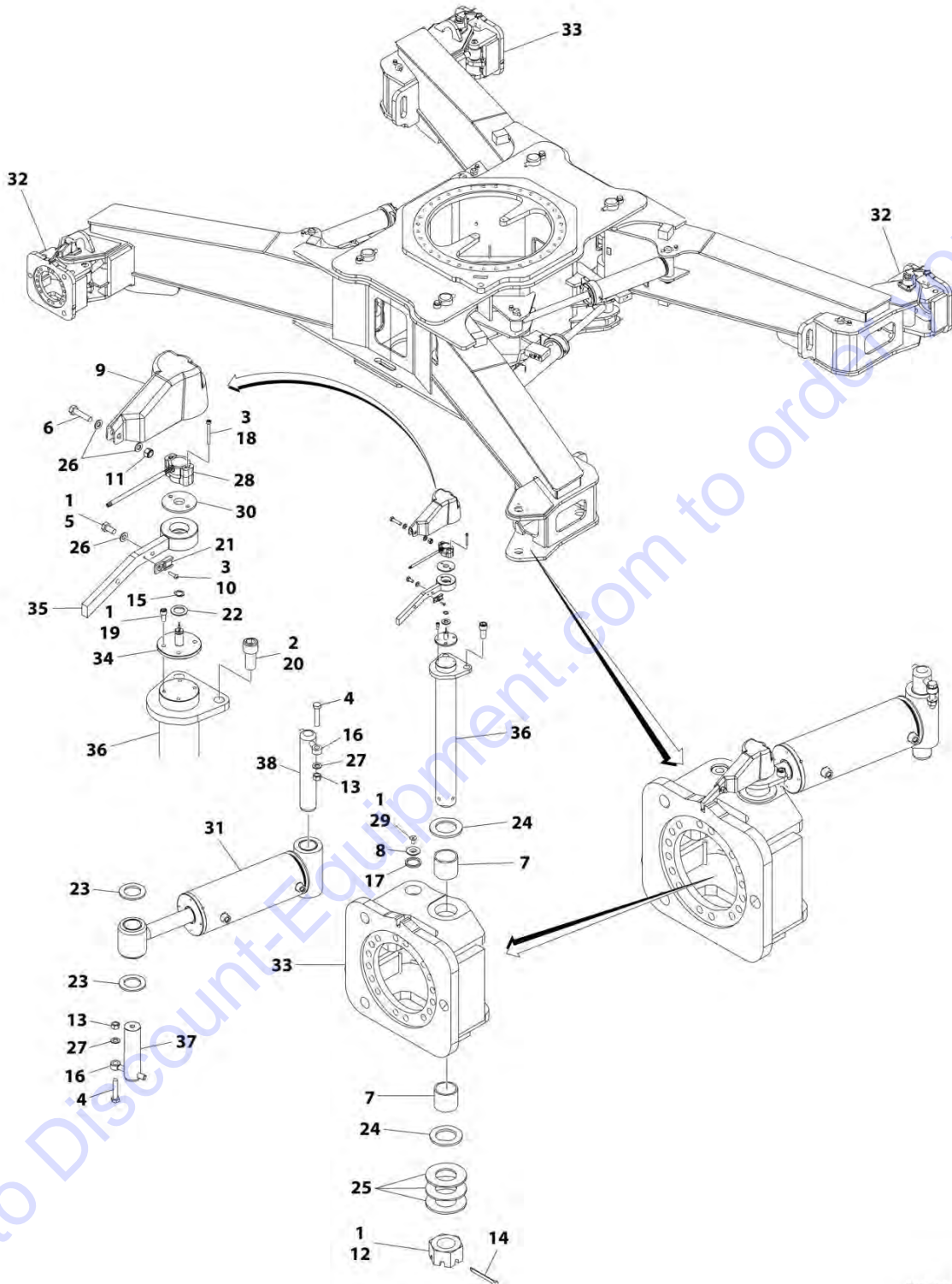
SECTION 1 - FRAME

FIGURE 1-1. AXLE INSTALLATION

ITEM	PART NUMBER	QTY	DESCRIPTION	REV
	1001190949	Ref	AXLE INSTALLATION	F
1	0100011	AR	Compound, Locking	
2	0100071	AR	Compound, Locking	
3	3020039	AR	Lubricant	
4	1001190950	1	Axle - Rear LH	
5	1001190951	1	Axle - Rear RH	
6	1001190952	1	Axle - Front RH	
7	1001190953	1	Axle - Front LH	
8	1001155363	4	Pin	
9	0440273	8	Bushing	
10	1001155133	4	Washer, Thrust	
11	3841356	4	Keeper, Pin	
12	0762418001	4	Bolt M24 x 50	
13	1001156648	NLA	Axle Extend Cylinder Assembly (Use p/n 1001228066) (See CYLINDER SECTION for Breakdown) (Prior to SN 0300239663)	
13	1001228066	4	Axle Extend Cylinder Assembly (See CYLINDER SECTION for Breakdown) (SN 0300239663 to Present)	
14	3422912	4	Pin	
15	1001120000	4	Pin	
16	4740229	8	Washer, Thrust	
17	3841258	8	Keeper, Pin	
18	0701420001	8	Bolt M14 x 60	
19	4812200001	8	Washer M14	
20	3291407001	8	Nut M14	
21	1001158017	AR	Shim	
22	0761015001	8	Bolt M10 x 35	
23	1001172358	8	Washer M10	
24	1001157084	4	Axle Sensor and Harness Assembly	
24	4460910	1	Receptacle, Female - 3 Position	
24	4460917	6	Pin, Male	
25	1001157007	8	Sleeve	
26	0761016001	8	Bolt M10 x 40	

SECTION 1 - FRAME

FIGURE 1-2. STEER INSTALLATION



ART_1001156605

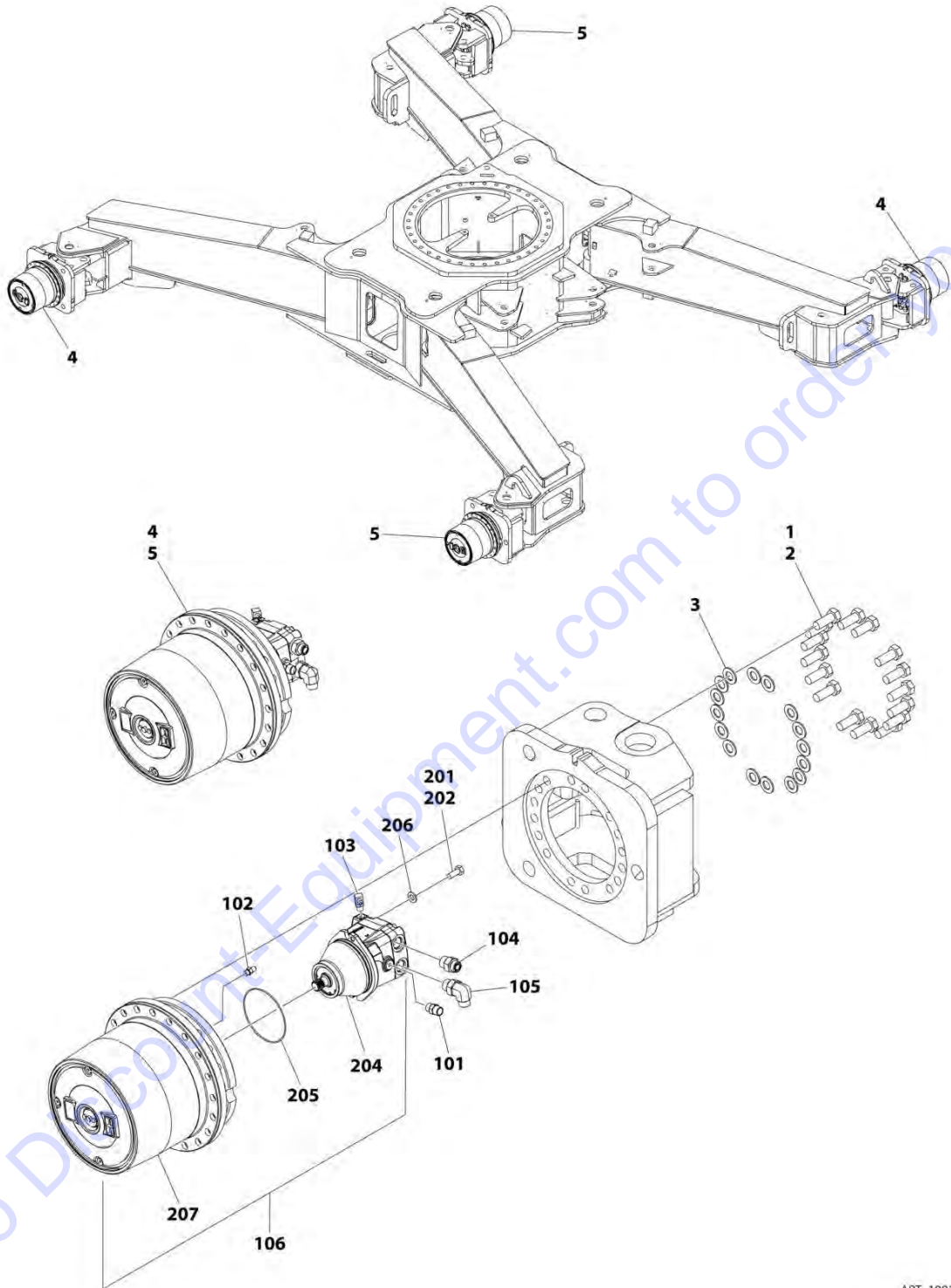
SECTION 1 - FRAME

FIGURE 1-2. STEER INSTALLATION

ITEM	PART NUMBER	QTY	DESCRIPTION	REV
	1001156606	Ref	STEER INSTALLATION	F
1	0100011	AR	Compound, Locking	
2	0100019	AR	Compound, Locking	
3	0100035	AR	Compound, Locking	
4	0701422001	8	Bolt M14 x 70	
5	0760808001	4	Bolt M8 x 16	
6	0760815001	4	Bolt M8 x 35	
7	0962423	8	Bushing	
8	1120549	4	Cap	
9	1671040	4	Cover	
10	2080091	4	Screw M4 x 16	
11	3290805001	4	Nut M8	
12	3300464001	4	Nut	
13	3291407001	8	Nut M14	
14	3451214	4	Pin, Cotter	
15	3760383	4	Ring	
16	3841258	8	Keeper, Pin	
17	3960551	4	Seal	
18	4031512	8	Capscrew M4 x 40	
19	4031707	16	Capscrew M6 x 16	
20	4032311001	8	Capscrew M16 x 35	
21	4460914	4	Base, Terminal	
22	4711800	4	Washer 1/2	
23	4740229	8	Washer, Thrust	
24	4740505	8	Washer, Thrust	
25	4755000001	18	Washer 2-1/2	
26	4811900001	12	Washer M8	
27	4812200001	8	Washer M14	
28	1001146963	4	Sensor Assembly	
28	4460899	1	Connector - 6 Position	
28	4460464	6	Socket, Female	
29	1001174345	4	Screw M20 x 20	
30	1001155836	4	Adapter	
31	1001155986	NLA	Steer Cylinder Assembly (Use p/n 1001228065) (See CYLINDER SECTION for Breakdown) (Prior to SN 0300239663)	
31	1001228065	4	Steer Cylinder Assembly (See CYLINDER SECTION for Breakdown) (SN 0300239663 to Present)	
32	1001156678	2	Spindle - Front LH and Rear RH	
33	1001156679	2	Spindle - Front RH and Rear LH	
34	1001156778	4	Pin	
35	1001156785	4	Link	
36	1001156815	4	Kingpin	
37	1001156991	4	Pin	
38	1001156996	4	Pin	
39	1001155817	4	Steer Harness (Not Shown - See ELECTRICAL SECTION for Breakdown)	

SECTION 1 - FRAME

FIGURE 1-3. WHEEL DRIVE INSTALLATION



ART_1001157850

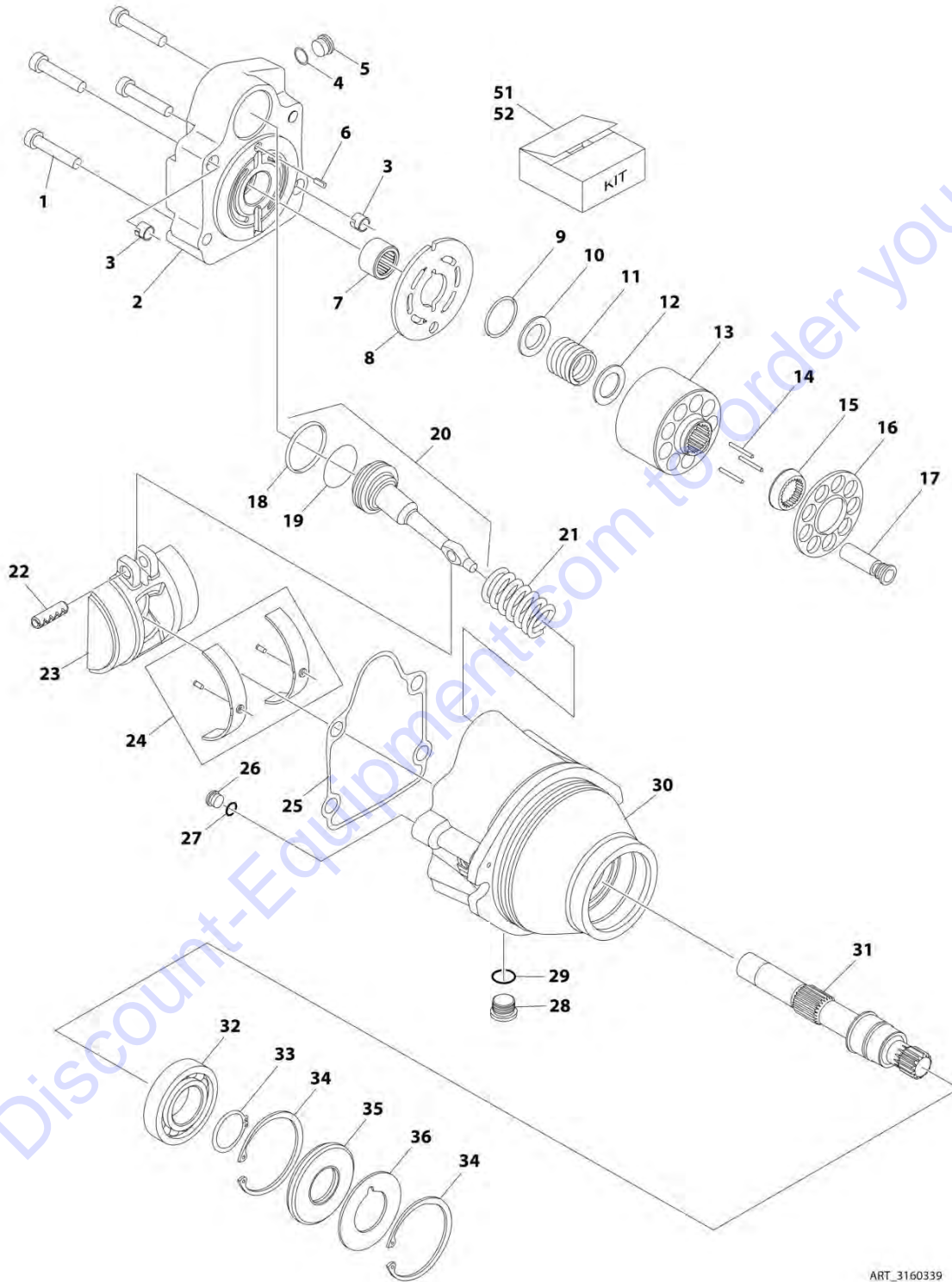
SECTION 1 - FRAME

FIGURE 1-3. WHEEL DRIVE INSTALLATION

ITEM	PART NUMBER	QTY	DESCRIPTION	REV
	1001157850	Ref	WHEEL DRIVE INSTALLATION	F
1	0100019	AR	Compound, Locking	
2	0762018001	64	Bolt M20 x 50	
3	5242000001	64	Washer M20	
4	1001154759	2	Drive Hub/Motor with Fittings - Front LH and Rear RH (See Items 101-106 for Breakdown)	
5	1001157849	2	Drive Hub/Motor with Fittings - Front RH and Rear LH (See Items 101-106 for Breakdown)	
	1001154759	Ref	HUB/MOTOR ASSEMBLY WITH FITTINGS - FRONT LH AND REAR RH	E
	1001157849	Ref	HUB/MOTOR ASSEMBLY WITH FITTINGS - FRONT RH AND REAR LH	E
101	2110808	1	Fitting, Straight ORFS/ORB	
102	2220415	1	Fitting, Straight JIC/ORB	
103	2220472	1	Fitting, 90 JIC/ORB	
104	2111012	1	Fitting, Straight ORFS/ORB	
105	2131012	1	Fitting, 90 ORFS/ORB	
106	1001154772	1	Drive Hub/Motor (See Items 201-207 for Breakdown)	
	1001154772	Ref	DRIVE HUB/MOTOR ASSEMBLY	C
201	0100011	AR	Compound, Locking	
202	0761214	2	Bolt M12 x 30	
203	3020008	AR	Lube, Gear (Not Shown)	
204	3160339	1	Drive Motor Assembly (See DRIVE MOTOR ASSEMBLY for Breakdown)	
205	3790158	1	O-Ring	
206	5241200	2	Washer M12	
207	1001149921	1	Drive Hub Assembly (See DRIVE HUB ASSEMBLY for Breakdown)	

SECTION 1 - FRAME

FIGURE 1-4. DRIVE MOTOR ASSEMBLY



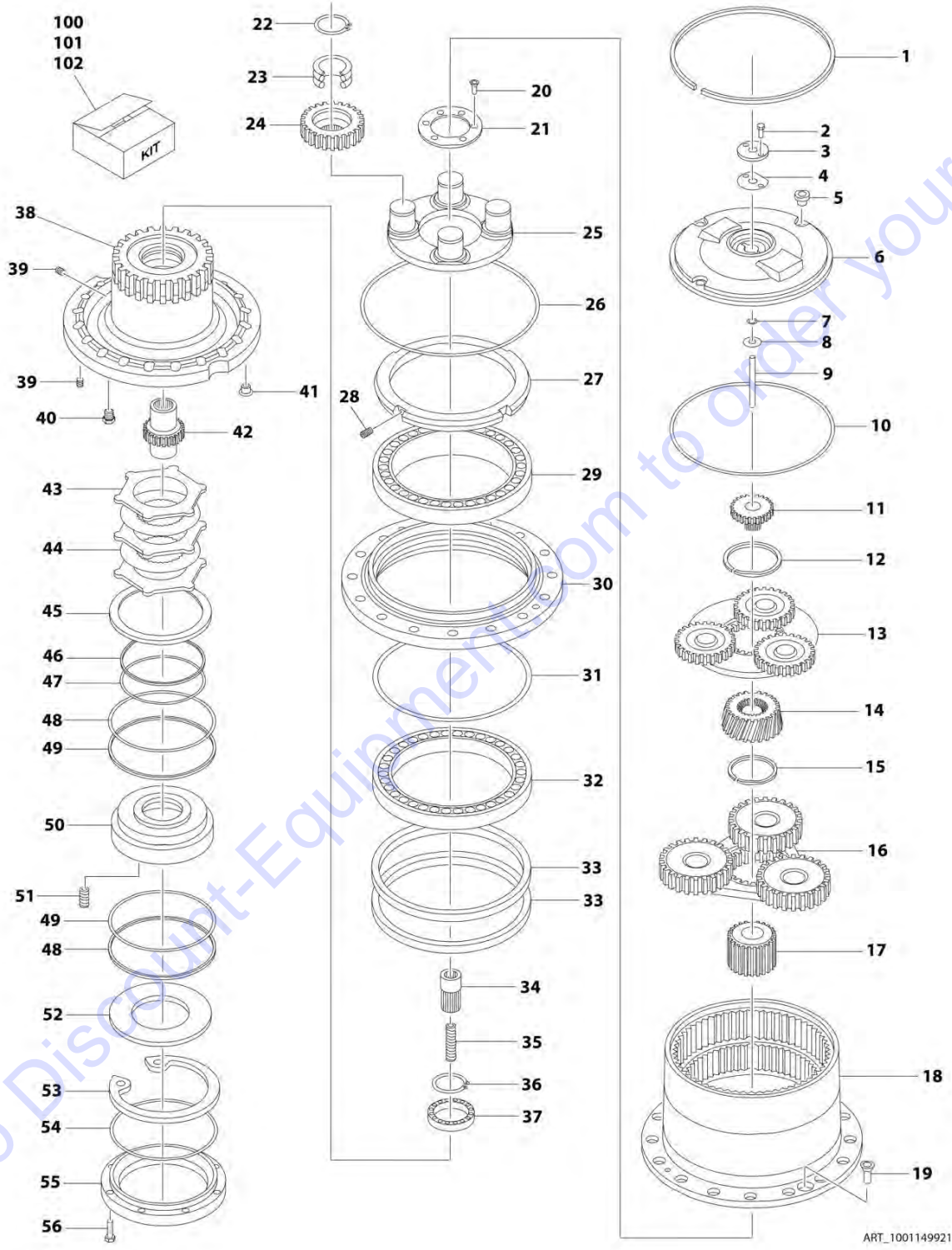
SECTION 1 - FRAME

FIGURE 1-4. DRIVE MOTOR ASSEMBLY

ITEM	PART NUMBER	QTY	DESCRIPTION	REV
	3160339	Ref	DRIVE MOTOR ASSEMBLY	D
1	7022368	4	Bolt	
2	70000859	1	End Cap, Motor	
3	70003628	2	Locating Pin	
4	See Note	NSS	O-Ring (Note: Use Item 51)	
5	7007420	1	Plug (Includes Item 4)	
6	7007446	1	Pin, Dowel	
7	7021249	1	Bearing, Needle	
8	70000854	1	Plate, Valve	
9	7022311	1	Snap Ring	
10	7022314	1	Retainer, Spring	
11	7024867	1	Spring	
12	7024868	1	Washer	
13	70000855	1	Block, Cylinder	
14	7021275	3	Pin, Slipper	
15	70000856	1	Guide	
16	70000857	1	Retainer, Slipper	
17	7024865	9	Piston, Cylinder	
18	See Note	NSS	Ring, Piston (Note: Use Item 51)	
19	See Note	NSS	O-Ring (Note: Use Item 51)	
20	70000860	1	Piston, Servo (Includes Items 18 & 19)	
21	70000861	1	Spring	
22	See Note	NSS	Pin (Note: Not Available for Purchase)	
23	70000853	1	Swashplate	
24	70000852	1	Kit, Bearing	
25	See Note	NSS	Gasket (Note: Use Item 51)	
26	See Note	NSS	Plug (Note: Not Available for Purchase)	
27	See Note	NSS	O-Ring (Note: Use Item 51)	
28	7022321	1	Plug (Includes Item 29)	
29	See Note	NSS	O-Ring (Note: Use Item 51)	
30	See Note	NSS	Housing (Note: Not Available - Purchase Complete Motor)	
31	70000858	1	Shaft	
32	7007437	1	Bearing	
33	7007439	1	Snap Ring	
34	7007438	2	Snap Ring	
35	See Note	NSS	Seal (Note: Use Item 51)	
36	7022371	1	Washer, Seal Support	
51	70000862	1	Seal Kit - Motor (Includes Items 4, 18, 19, 25, 27, 29 & 35)	
52	7027740	1	Cylinder Block Kit (Includes Items 9-17)	

SECTION 1 - FRAME

FIGURE 1-5. DRIVE HUB ASSEMBLY



ART_1001149921

FIGURE 1-5. DRIVE HUB ASSEMBLY

ITEM	PART NUMBER	QTY	DESCRIPTION	REV
	1001149921	Ref	DRIVE HUB ASSEMBLY	G
1	70004429	1	Ring	
2	See Note	NSS	Screw M6 x 20 (Note: Use Item 101)	
3	See Note	NSS	Cover (Note: Use Item 101)	
4	70004429	1	Gasket	
5	70002057	3	Plug	
6	See Note	NSS	Cover (Note: Use Item 101)	
7	See Note	NSS	O-Ring (Note: Use Item 100 or 101)	
8	See Note	NSS	Shim (Note: Use Item 101)	
9	See Note	NSS	Pin (Note: Use Item 101)	
10	See Note	NSS	O-Ring (Note: Use Item 100 or 101)	
11	70004430	1	Pinion	
12	70004431	1	Ring, Retaining	
13	70004432	1	Assembly, Gear Reduction	
14	70004433	1	Pinion	
15	70004434	1	Ring	
16	70004435	1	Assembly, Gear Reduction	
17	70004436	1	Pinion	
18	See Note	NSS	Housing, Hub (Note: Use p/n 1001149921)	
19	70002052	2	Screw M10 x 25	
20	70004437	6	Screw M6 x 14	
21	70004438	1	Plug	
22	70002032	4	Ring, Retaining	
23	70002031	4	Bearing	
24	70004439	4	Wheel, Planet	
25	70004440	1	Flange	
26	See Note	NSS	O-Ring (Note: Use Item 100)	
27	70004441	1	Nut	
28	70004363	2	Screw M6 x 10	
29	70004442	1	Bearing	
30	See Note	NSS	Support, Hub (Note: Use p/n 1001149921)	
31	See Note	NSS	O-Ring (Note: Use Item 100)	
32	70004443	1	Bearing	
33	See Note	1	Seal (Note: Use Item 100)	
34	70004444	1	Coupling	
35	70002036	1	Spring	
36	70004445	1	Ring, Retaining	
37	70004446	1	Bearing	
38	See Note	NSS	Axle (Note: Use p/n 1001149921)	
39	70004447	3	Plug	
40	70002057	3	Plug (Includes O-Ring)	
41	70002028	1	Plug, Plastic	
42	70004448	1	Shaft, Input	
43	See Note	NSS	Disc, Iron (Note: Use Item 102)	
44	See Note	NSS	Disc, Brake (Note: Use Item 102)	
45	See Note	NSS	Spacer (Note: Use Item 102)	
46	See Note	NSS	Seal (Note: Use Item 100 or 102)	
47	See Note	NSS	O-Ring (Note: Use Item 100 or 102)	
48	See Note	NSS	Seal (Note: Use Item 100 or 102)	
49	See Note	NSS	O-Ring (Note: Use Item 100 or 102)	

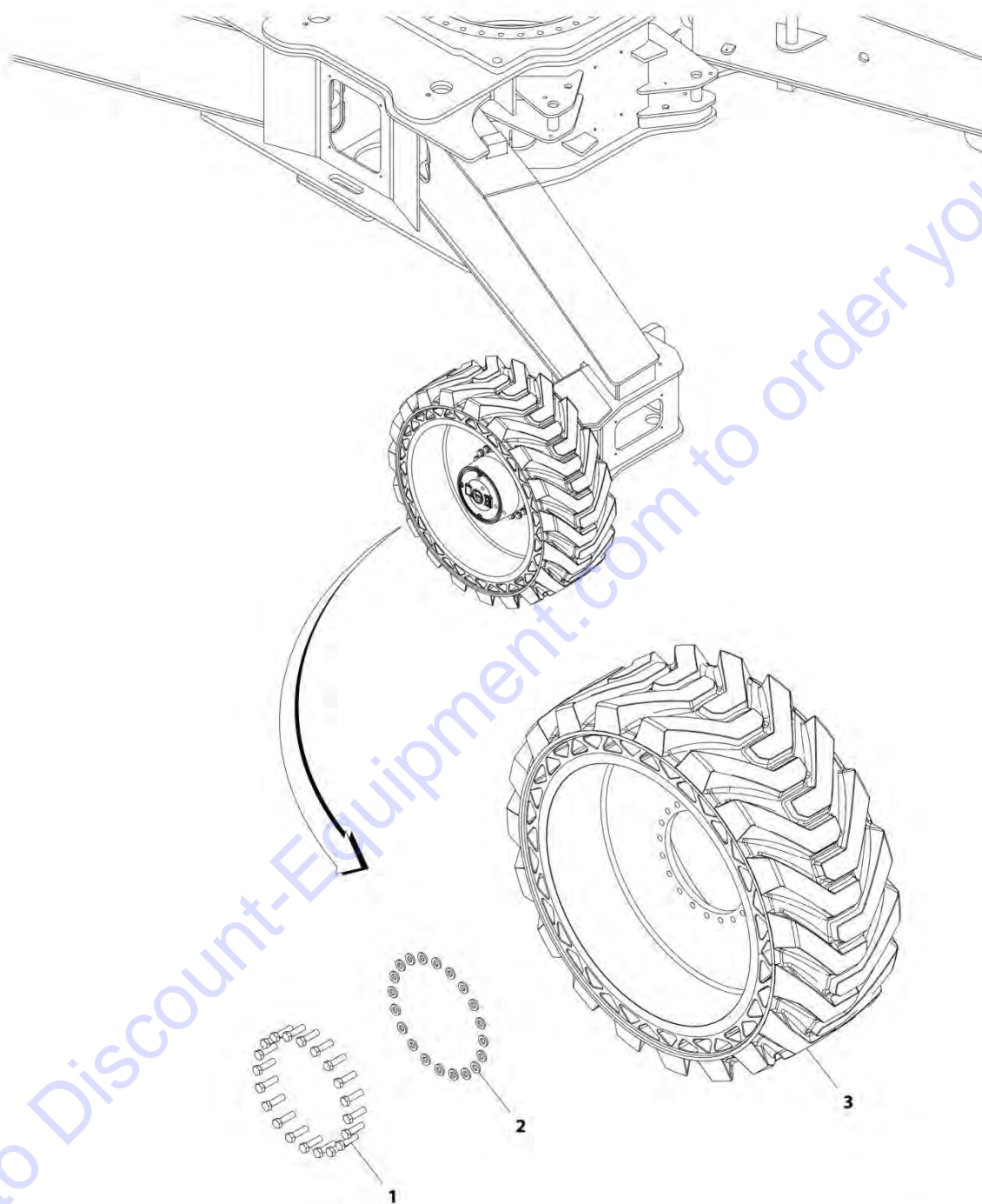
SECTION 1 - FRAME

ITEM	PART NUMBER	QTY	DESCRIPTION	REV
50	See Note	NSS	Piston, Brake (Note: Use Item 102)	
51	See Note	NSS	Spring, Brake (Note: Use Item 102)	
52	See Note	NSS	Spacer (Note: Use Item 102)	
53	See Note	NSS	Ring, Retaining (Note: Use Item 102)	
54	See Note	NSS	O-Ring (Note: Use Item 100)	
55	70004449	1	Support, Motor	
56	70004450	6	Screw M8 x 25	
100	70004451	1	Kit, Seal (Includes Items 4, 7, 10, 26, 31, 33, 46-49 & 54)	
101	70004452	1	Kit, Cover (Includes Items 2-10)	
102	70004453	1	Kit, Brake (Includes Items 43-53)	

Go to Discount-Equipment.com to order your parts

SECTION 1 - FRAME

FIGURE 1-6. TIRE/WHEEL INSTALLATION



ART_1001157216

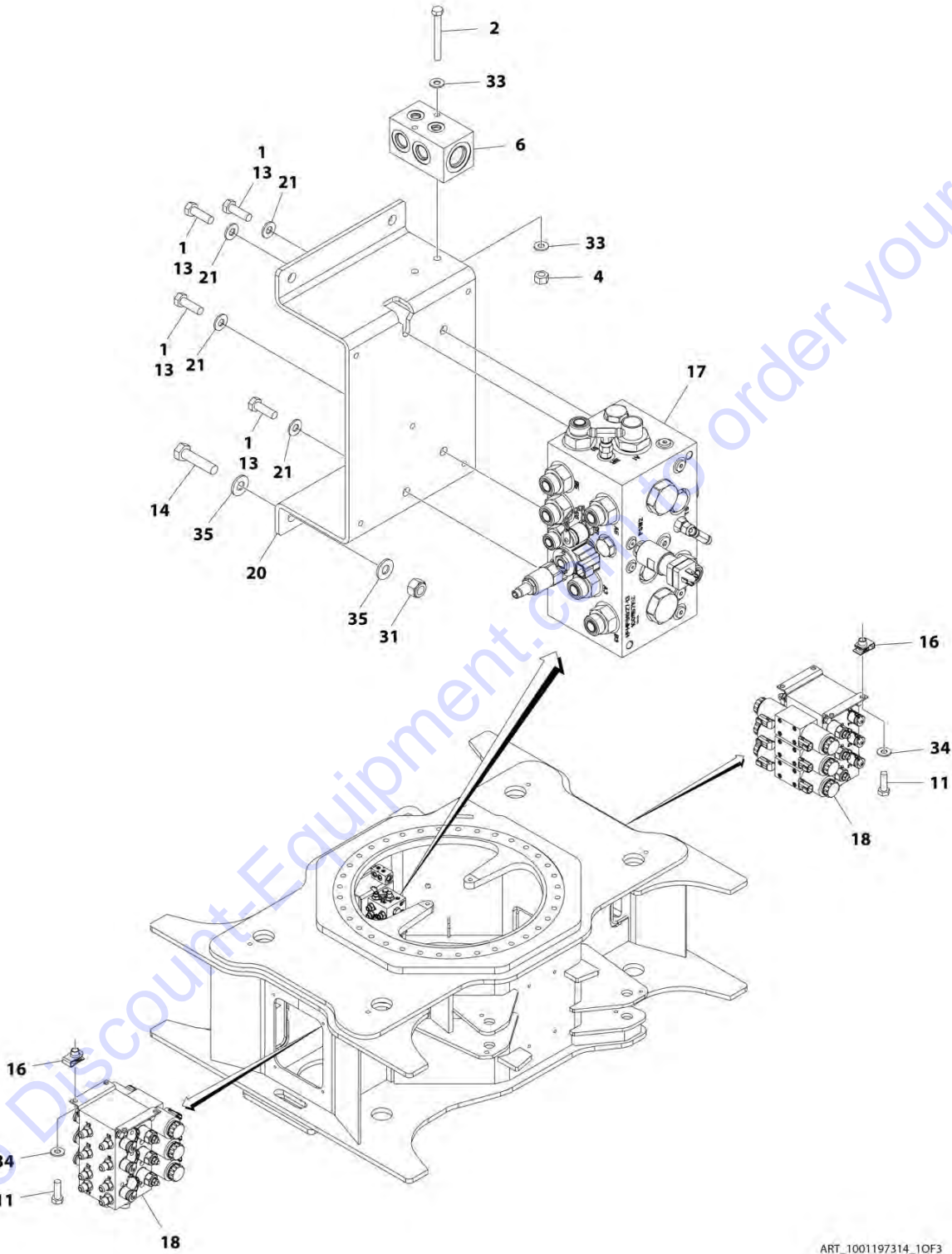
FIGURE 1-6. TIRE/WHEEL INSTALLATION

ITEM	PART NUMBER	QTY	DESCRIPTION	REV
	1001157216	Ref	TIRE/WHEEL INSTALLATION	F
1	0701619001	80	Bolt M16 x 55 (20 Per Wheel)	
2	1001172356	80	Washer 5/8 (20 Per Wheel)	
3	1001147616	2	Tire/Wheel (RH Side)	
3	1001149711	2	Tire/Wheel (LH Side)	

Go to Discount-Equipment.com to order your parts

SECTION 1 - FRAME

FIGURE 1-7. VALVES INSTALLATION - FRAME (Prior to SN 0300223782)



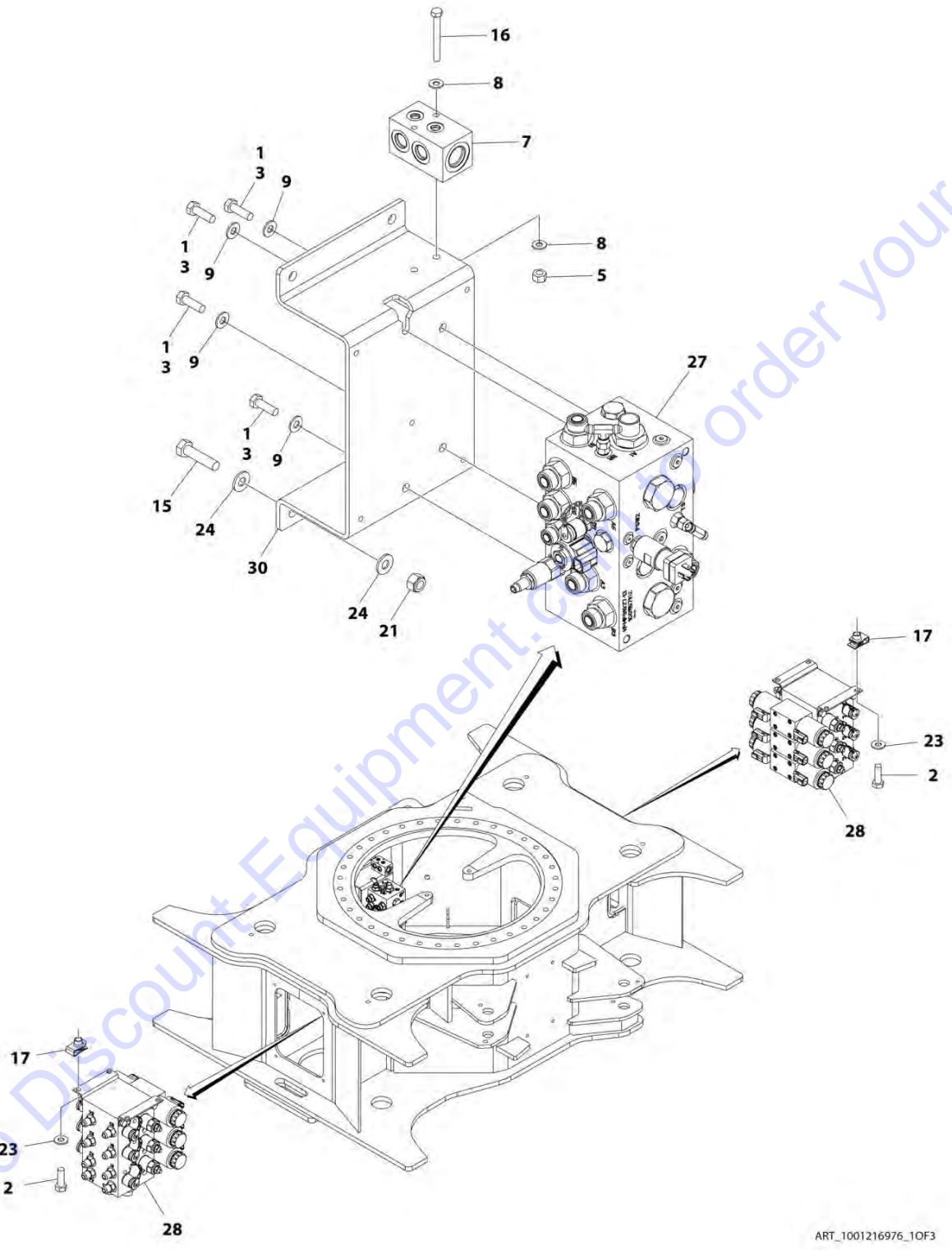
SECTION 1 - FRAME

FIGURE 1-7. VALVES INSTALLATION - FRAME (Prior to SN 0300223782)

ITEM	PART NUMBER	QTY	DESCRIPTION	REV
	1001197314	Ref	VALVES INSTALLATION - FRAME (Prior to SN 0300223782)	E
1	0100011	AR	Compound, Locking	
2	0641422	2	Bolt 1/4 x 2-3/4	
2	1001096653	2	Bolt M6 x 70	
4	3311405	2	Nut 1/4	
4	3290607	2	Nut M6	
6	4641155	1	Manifold, Junction	
11	0760812	8	Bolt M8 x 25	
13	0761012	4	Bolt M10 x 25	
14	0761218001	4	Bolt M12 x 50	
16	1001118274	8	Nut M8	
17	1001157198	NLA	Traction Valve Assembly (Use p/n 1001219110) (See TRACTION VALVE ASSEMBLY for Breakdown)	
18	1001157207	2	Steer/Axle Extend Valve Assembly (See STEER/AXLE EXTEND VALVE ASSEMBLY for Breakdown)	
20	1001164354	1	Bracket	
21	4812000	4	Washer M10	
31	3291205001	4	Nut M12	
33	4811700	4	Washer M6	
34	4811900001	8	Washer M8	
35	4812100001	8	Washer M12	

SECTION 1 - FRAME

FIGURE 1-8. VALVES INSTALLATION - FRAME (SN 0300223782 to Present)



ART_1001216976_10F3

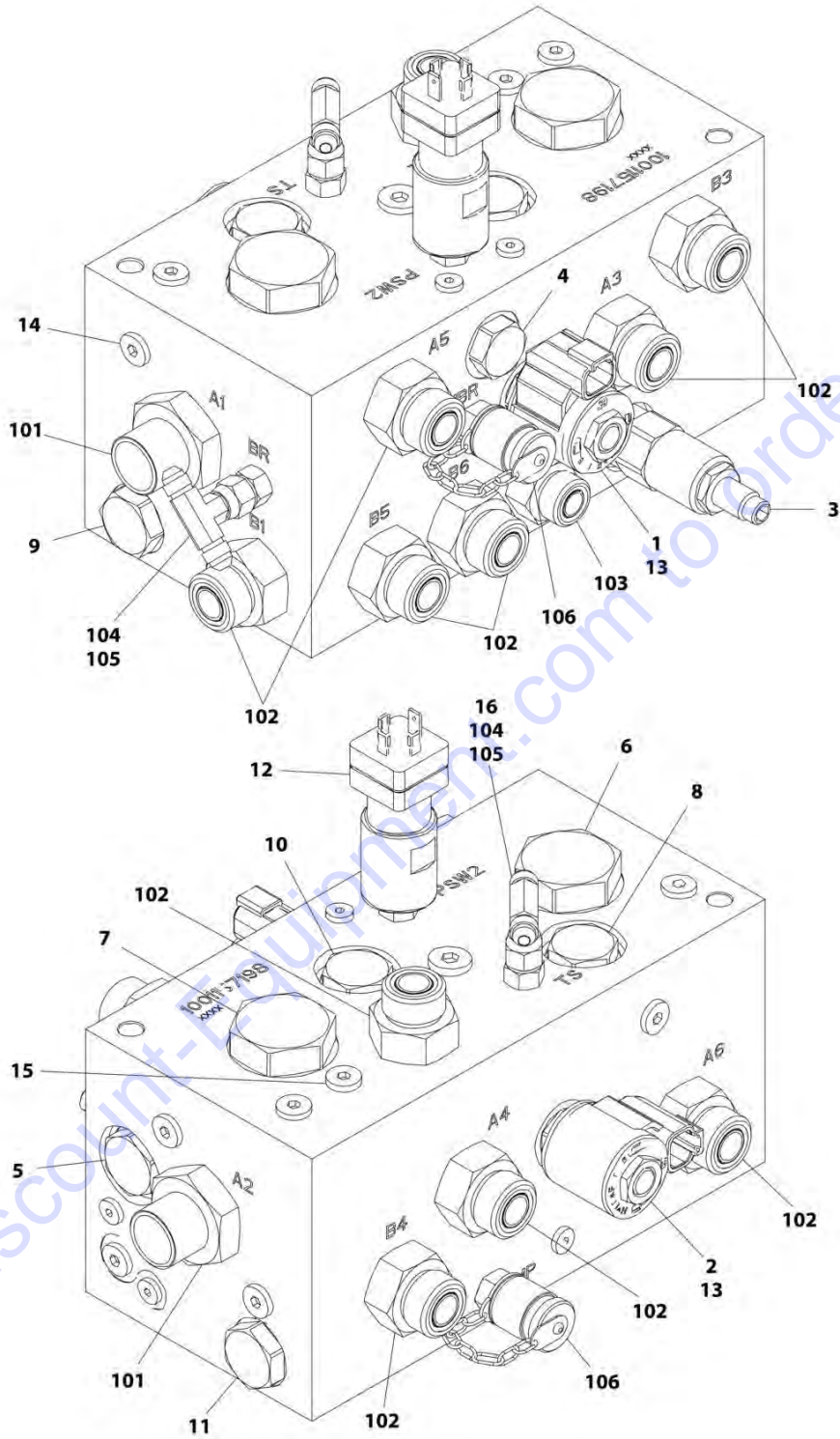
SECTION 1 - FRAME

FIGURE 1-8. VALVES INSTALLATION - FRAME (SN 0300223782 to Present)

ITEM	PART NUMBER	QTY	DESCRIPTION	REV
	1001216976	Ref	VALVES INSTALLATION - FRAME (SN 0300223782 to Present)	E
1	0100011	AR	Compound, Locking	
2	0760812	8	Bolt M8 x 25	
3	0761012	4	Bolt M10 x 25	
5	3290607	2	Nut M6	
7	4641155	1	Manifold, Junction	
8	4811700	4	Washer M6	
9	4812000	4	Washer M10	
15	0761218001	4	Bolt M12 x 50	
16	1001096653	2	Bolt M6 x 70	
17	1001118274	8	Nut M8	
21	3291205001	4	Nut M12	
23	4811900001	8	Washer M8	
24	4812100001	8	Washer M12	
27	1001157198	NLA	Traction Valve Assembly (Use p/n 1001219110) (See TRACTION VALVE ASSEMBLY for Breakdown) (Prior to SN 03020224829)	
27	1001219110	1	Traction Valve Assembly (See TRACTION VALVE ASSEMBLY for Breakdown) (SN 03020224829 to Present)	
28	1001157207	2	Steer/Axle Extend Valve Assembly (See STEER/AXLE EXTEND VALVE ASSEMBLY for Breakdown)	
30	1001164354	1	Bracket	

SECTION 1 - FRAME

FIGURE 1-9. TRACTION VALVE ASSEMBLY (Prior to SN 0300224829)



ART_1001157198

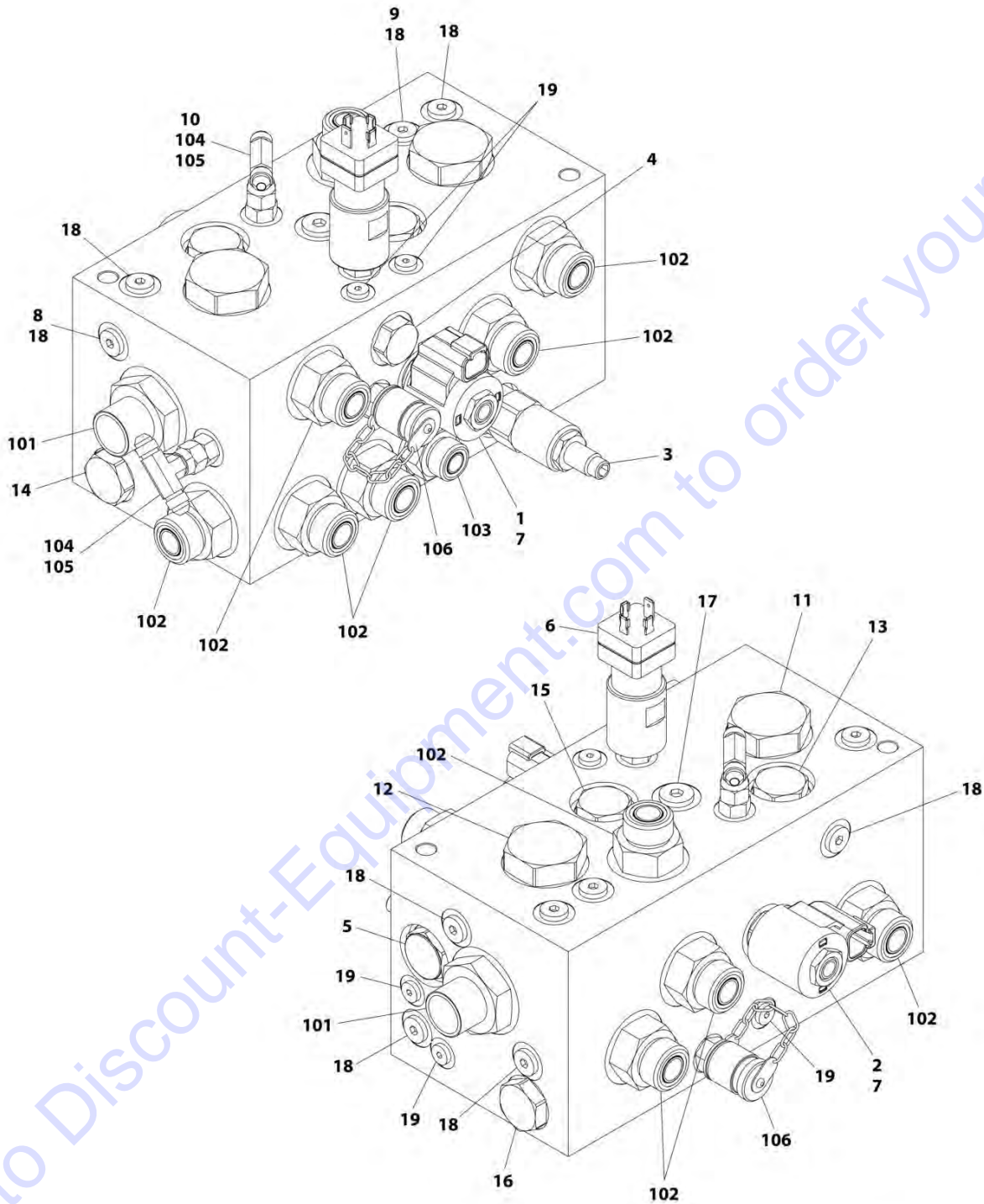
SECTION 1 - FRAME

FIGURE 1-9. TRACTION VALVE ASSEMBLY (Prior to SN 0300224829)

ITEM	PART NUMBER	QTY	DESCRIPTION	REV
	1001157198	Ref	TRACTION VALVE ASSEMBLY (Prior to SN 0300224829)	H
1	7012941	1	Cartridge, Solenoid Less Coil	
1	7010543	1	Kit, Seal	
2	7012941	1	Cartridge, Solenoid Less Coil	
2	7010543	1	Kit, Seal	
3	70004383	1	Cartridge, Relief	
3	7012998	1	Kit, Seal	
4	70004384	1	Cartridge, Load Shuttle	
4	7012973	1	Kit, Seal	
5	70004385	1	Cartridge	
5	70002978	1	Kit, Seal	
6	70004017	1	Cartridge, Flow Divider	
6	7021625	1	Kit, Seal	
7	70004017	1	Cartridge, Flow Divider	
7	7021625	1	Kit, Seal	
8	70003408	1	Cartridge, Check	
8	7022399	1	Kit, Seal	
9	70003408	1	Cartridge, Check	
9	7022399	1	Kit, Seal	
10	70003408	1	Cartridge, Check	
10	7022399	1	Kit, Seal	
11	70003408	1	Cartridge, Check	
11	7022399	1	Kit, Seal	
12	70000803	1	Cartridge, Pressure Switch	
13	70002386	2	Coil	
14	7017493	1	Orifice	
15	7017493	1	Orifice	
16	70004386	1	Orifice	
101	2111016	2	Fitting, Straight ORB/ORFS	
102	2111012	10	Fitting, Straight ORB/ORFS	
103	2110810	1	Fitting, Straight ORB/ORFS	
104	2220415	2	Fitting, Straight JIC/ORB	
105	2220861	2	Fitting, Tee JIC/ORB	
106	2221086	2	Fitting, Test	

SECTION 1 - FRAME

FIGURE 1-10. TRACTION VALVE ASSEMBLY (SN 0300224829 to Present)



ART_1001219110

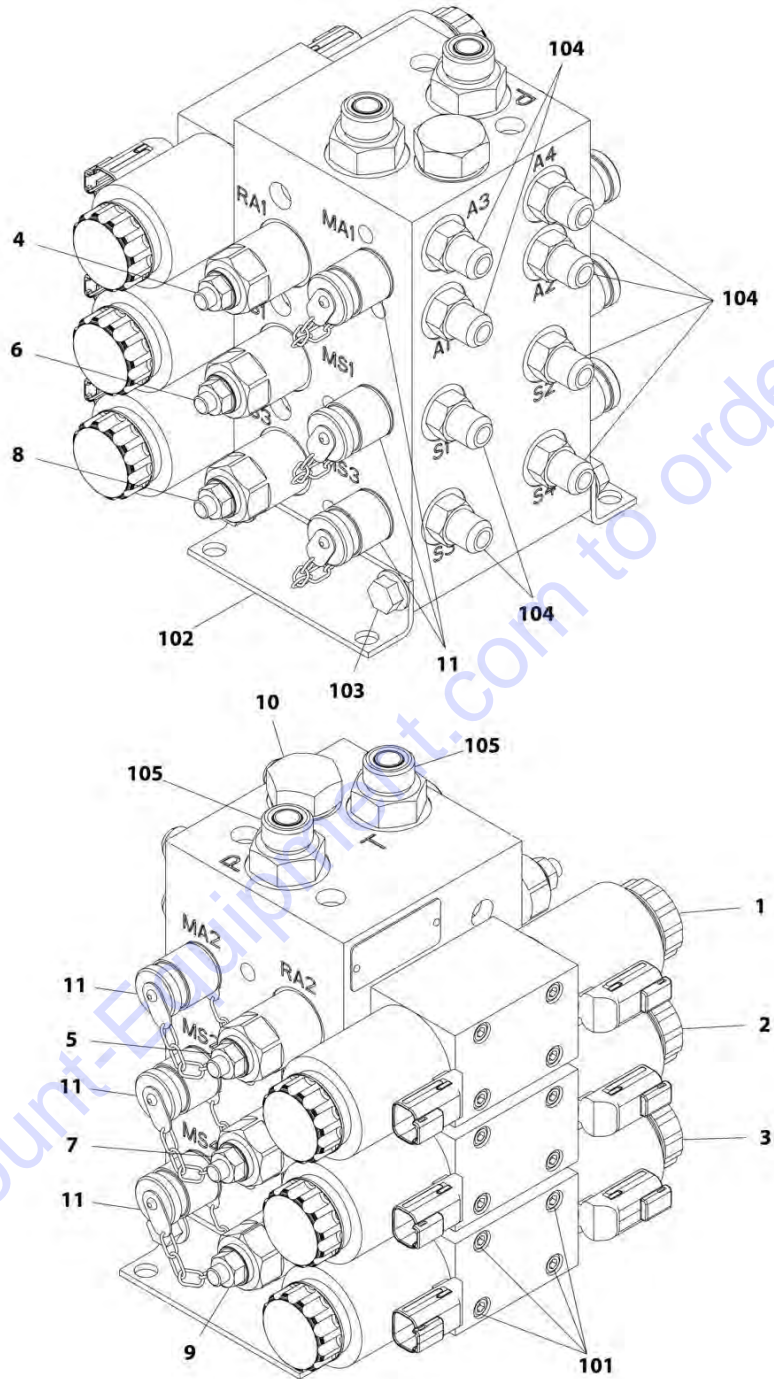
SECTION 1 - FRAME

FIGURE 1-10. TRACTION VALVE ASSEMBLY (SN 0300224829 to Present)

ITEM	PART NUMBER	QTY	DESCRIPTION	REV
	1001219110	Ref	TRACTION VALVE ASSEMBLY (SN 0300224829 to Present)	B
1	7012941	1	Cartridge, Solenoid Less Coil	
1	7010543	1	Kit, Seal	
2	7012941	1	Cartridge, Solenoid Less Coil	
2	7010543	1	Kit, Seal	
3	70004383	1	Cartridge, Relief	
3	7012998	1	Kit, Seal	
4	70004384	1	Cartridge, Load Shuttle	
4	7012973	1	Kit, Seal	
5	70000804	1	Cartridge	
5	70000805	1	Kit, Seal	
6	70000803	1	Cartridge, Pressure Switch	
7	70002386	2	Coil	
8	7017493	1	Orifice	
9	7017493	1	Orifice	
10	70004386	1	Orifice	
11	70004017	1	Cartridge, Flow Divider	
11	7021625	1	Kit, Seal	
12	70004017	1	Cartridge, Flow Divider	
12	7021625	1	Kit, Seal	
13	70003408	1	Cartridge, Check	
13	7022399	1	Kit, Seal	
14	70003408	1	Cartridge, Check	
14	7022399	1	Kit, Seal	
15	70003408	1	Cartridge, Check	
15	7022399	1	Kit, Seal	
16	70003408	1	Cartridge, Check	
16	7022399	1	Kit, Seal	
17	2220885	1	Plug	
18	2220883	9	Plug	
19	2220881	8	Plug	
101	2111016	2	Fitting, Straight ORB/ORFS	
102	2111012	10	Fitting, Straight ORB/ORFS	
103	2110810	1	Fitting, Straight ORB/ORFS	
104	2220415	2	Fitting, Straight JIC/ORB	
105	2220861	2	Fitting, Tee JIC/ORB	
106	2221086	2	Fitting, Test	

SECTION 1 - FRAME

FIGURE 1-11. STEER/AXLE EXTEND VALVE ASSEMBLY



ART_1001157207

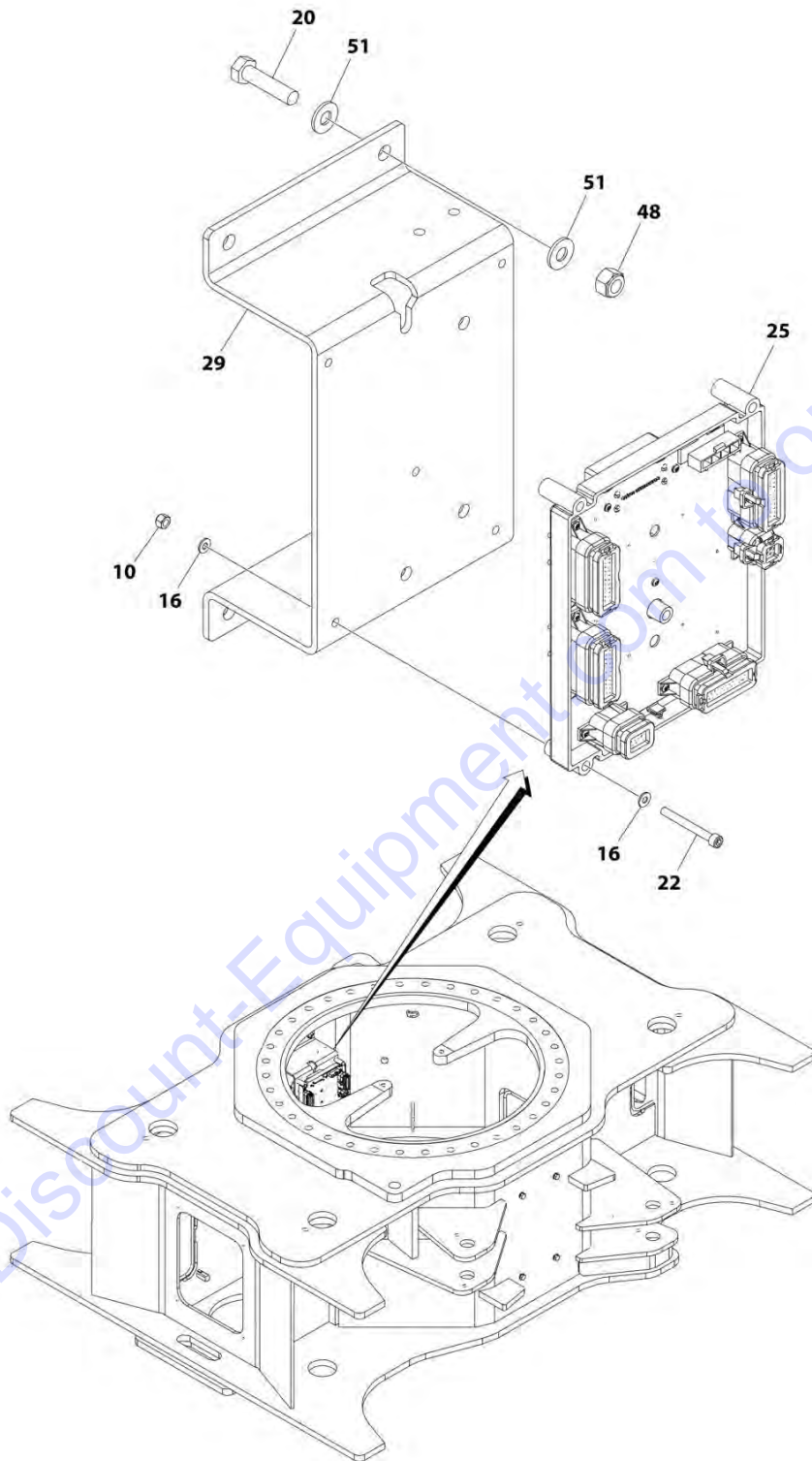
SECTION 1 - FRAME

FIGURE 1-11. STEER/AXLE EXTEND VALVE ASSEMBLY

ITEM	PART NUMBER	QTY	DESCRIPTION	REV
	1001157207	Ref	STEER/AXLE EXTEND VALVE ASSEMBLY	E
1	70004459	1	Valve, Direction Control	
1	7012773	1	Kit, Seal	
1	70004460	2	Coil	
1	7021375	2	Nut, Coil	
1	70004461	2	O-Ring, Solenoid Pole	
2	70004462	1	Valve, Direction Control	
2	7012773	1	Kit, Seal	
2	70004463	2	Coil	
2	7021375	2	Nut, Coil	
2	70004461	2	O-Ring, Solenoid Pole	
3	70004462	1	Valve, Direction Control	
3	7012773	1	Kit, Seal	
3	70004463	2	Coil	
3	7021375	2	Nut, Coil	
3	70004461	2	O-Ring, Solenoid Pole	
4	70004464	1	Cartridge, Relief	
4	70004055	1	Kit, Seal	
5	70004464	1	Cartridge, Relief	
5	70004055	1	Kit, Seal	
6	70004464	1	Cartridge, Relief	
6	70004055	1	Kit, Seal	
7	70004464	1	Cartridge, Relief	
7	70004055	1	Kit, Seal	
8	70004464	1	Cartridge, Relief	
8	70004055	1	Kit, Seal	
9	70004464	1	Cartridge, Relief	
9	70004055	1	Kit, Seal	
10	70004465	1	Cartridge, Flow Divider	
10	70004164	1	Kit, Seal	
11	2221086	6	Fitting, Test	
101	See Note	NSS	Capscrew #10 x 2 (Note: Purchase Locally)	
102	See Note	NSS	Bracket (Note: Not Available for Purchase)	
103	0641504	4	Bolt 5/16 x 1/2	
104	2220371	8	Fitting, Straight JIC/ORB	
105	2110810	2	Fitting, Straight ORB/ORFS	

SECTION 1 - FRAME

FIGURE 1-12. ELECTRICAL COMPONENTS INSTALLATION - FRAME (HRC) (ANSI, ANSI EXPORT, CSA AND JAPANESE SPECS) (Prior to SN 0300223782)



ART_1001197310_10F2

SECTION 1 - FRAME

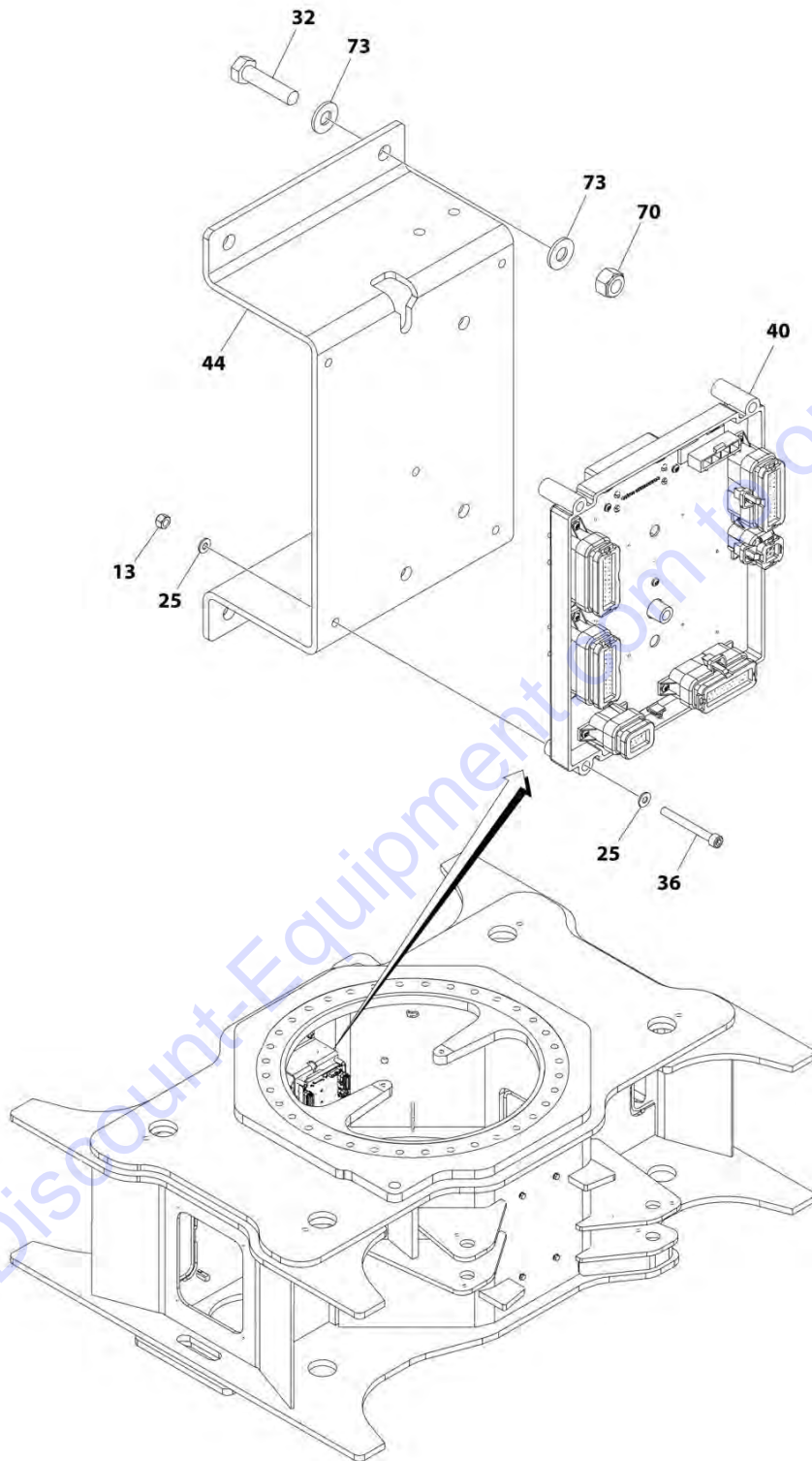
FIGURE 1-12. ELECTRICAL COMPONENTS INSTALLATION - FRAME (HRC) (ANSI, ANSI EXPORT, CSA AND JAPANESE SPECS) (Prior to SN 0300223782)

ITEM	PART NUMBER	QTY	DESCRIPTION	REV
	1001197310	Ref	ELECTRICAL COMPONENTS INSTALLATION - FRAME (HRC) (ANSI, ANSI EXPORT, CSA AND JAPANESE SPECS) (Prior to SN 0300223782)	G
10	3290605	5	Nut M6	
16	4811700	10	Washer M6	
20	0761218001	4	Bolt M12 x 50	
22	1001118878	5	Capscrew M6 x 55	
24	1001149975	1	Chassis Harness (Not Shown - See ELECTRICAL SECTION for Breakdown)	
25	1001150162	1	Module, Control (Note: Re-calibration Required when Replaced)	
28	1001163631	4	Axle Sensor Harness (Not Shown - See ELECTRICAL SECTION for Breakdown)	
29	1001164354	1	Bracket	
48	3291205001	4	Nut M12	
51	4812100001	8	Washer M12	

Go to Discount-Equipment.com to order your parts

SECTION 1 - FRAME

FIGURE 1-13. ELECTRICAL COMPONENTS INSTALLATION - FRAME (HRC) (ANSI, ANSI EXPORT, CSA AND JAPANESE SPECS) (SN 0300223782 to Present)



ART_1001218762_1OF2

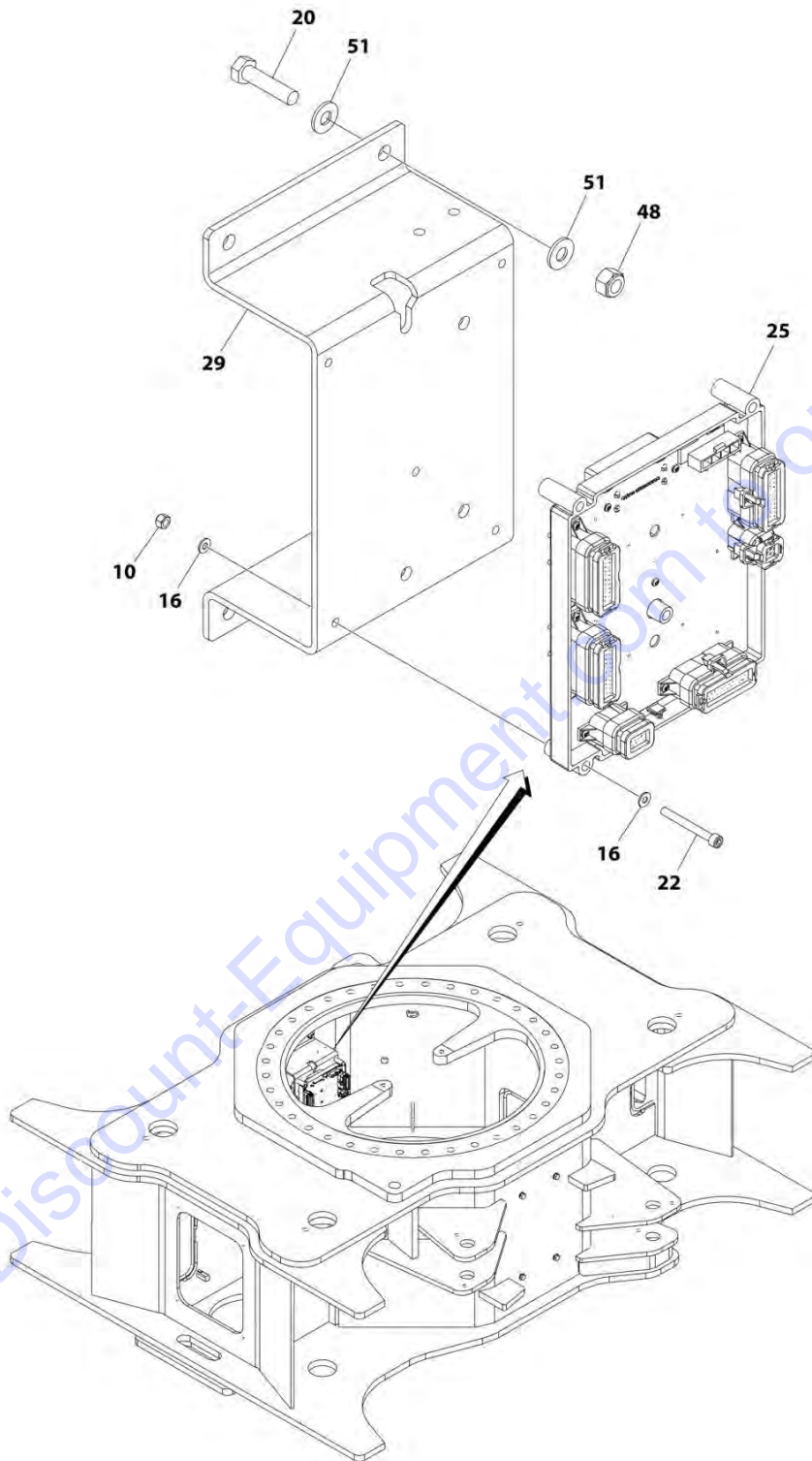
SECTION 1 - FRAME

FIGURE 1-13. ELECTRICAL COMPONENTS INSTALLATION - FRAME (HRC) (ANSI, ANSI EXPORT, CSA AND JAPANESE SPECS) (SN 0300223782 to Present)

ITEM	PART NUMBER	QTY	DESCRIPTION	REV
	1001218762	Ref	ELECTRICAL COMPONENTS INSTALLATION - FRAME (HRC) (ANSI, ANSI EXPORT, CSA AND JAPANESE SPECS) (SN 0300223782 to Present)	H
13	3290605	5	Nut M6	
25	4811700	10	Washer M6	
32	0761218001	4	Bolt M12 x 50	
36	1001118878	5	Capscrew M6 x 55	
39	1001149975	1	Chassis Harness (Not Shown - See ELECTRICAL SECTION for Breakdown)	
40	1001150162	1	Module, Control (Note: Re-calibration Required when Replaced)	
43	1001163631	4	Axle Sensor Harness (Not Shown - See ELECTRICAL SECTION for Breakdown)	
44	1001164354	1	Bracket	
70	3291205001	4	Nut M12	
73	4812100001	8	Washer M12	

SECTION 1 - FRAME

FIGURE 1-14. ELECTRICAL COMPONENTS INSTALLATION - FRAME (HRC) (CE SPECS) (Prior to SN 0300223782)



ART_1001200995_10F2

SECTION 1 - FRAME

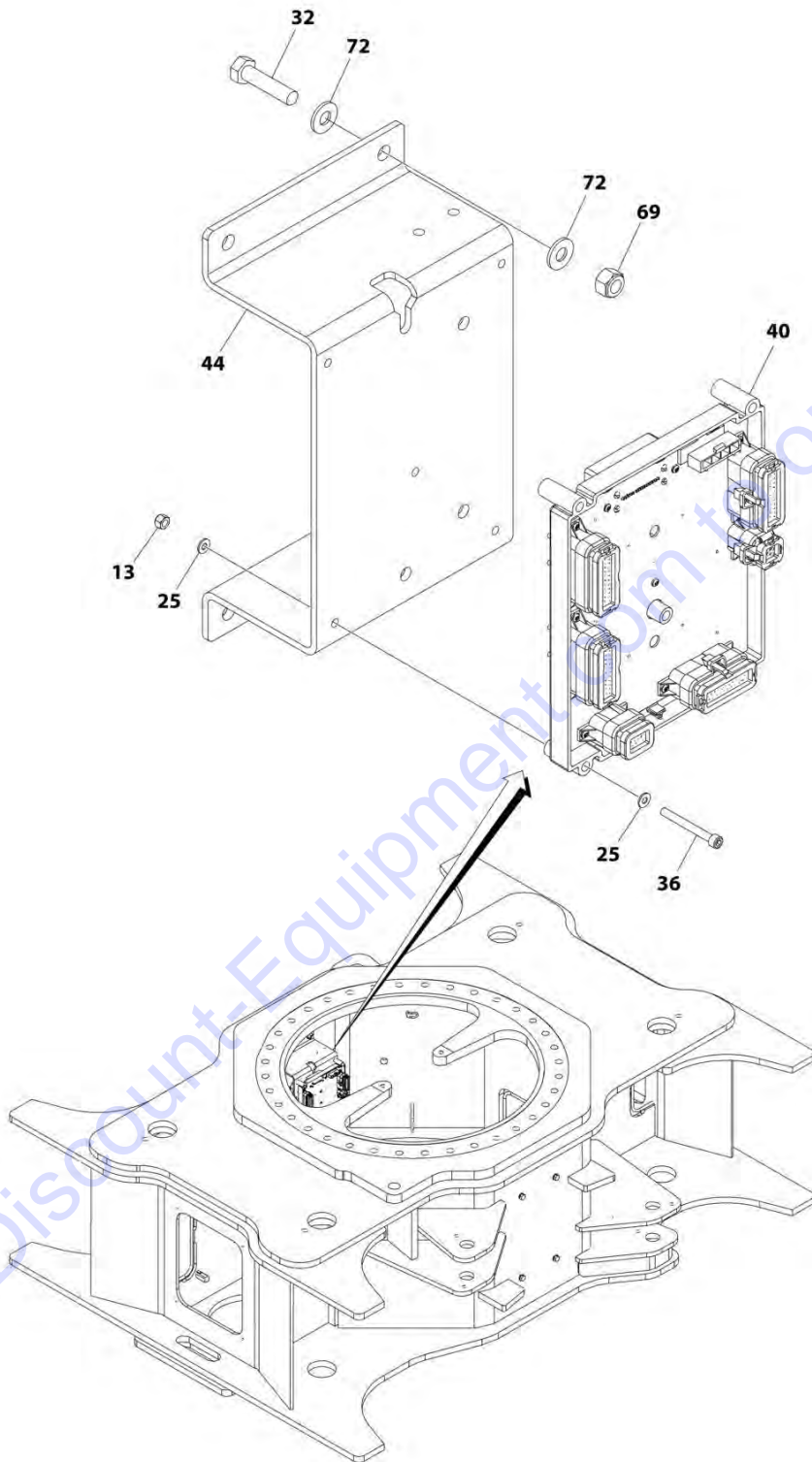
FIGURE 1-14. ELECTRICAL COMPONENTS INSTALLATION - FRAME (HRC) (CE SPECS) (Prior to SN 0300223782)

ITEM	PART NUMBER	QTY	DESCRIPTION	REV
	1001200995	Ref	ELECTRICAL COMPONENTS INSTALLATION - FRAME (HRC) (CE SPECS) (Prior to SN 0300223782)	G
10	3290605	5	Nut M6	
16	4811700	10	Washer M6	
20	0761218001	4	Bolt M12 x 50	
22	1001118878	5	Capscrew M6 x 55	
24	1001149975	1	Chassis Harness (Not Shown - See ELECTRICAL SECTION for Breakdown)	
25	1001150162	1	Module, Control (Note: Re-calibration Required when Replaced)	
28	1001163631	4	Axle Sensor Harness (Not Shown - See ELECTRICAL SECTION for Breakdown)	
29	1001164354	1	Bracket	
48	3291205001	4	Nut M12	
51	4812100001	8	Washer M12	

Go to Discount-Equipment.com to order your parts

SECTION 1 - FRAME

FIGURE 1-15. ELECTRICAL COMPONENTS INSTALLATION - FRAME (HRC) (CE SPECS) (SN 0300223782 to Present)



ART_1001218763_10F2

SECTION 1 - FRAME

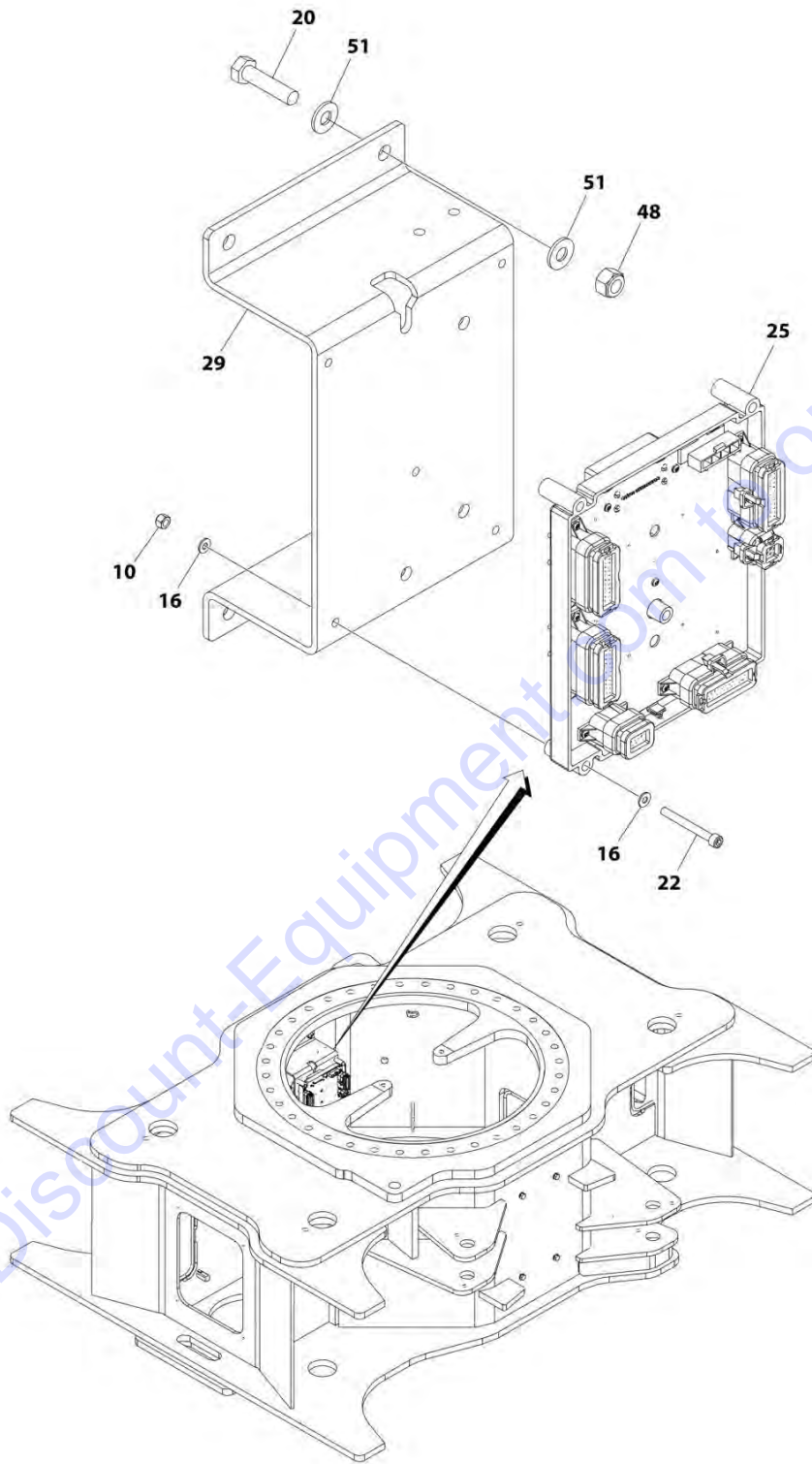
FIGURE 1-15. ELECTRICAL COMPONENTS INSTALLATION - FRAME (HRC) (CE SPECS) (SN 0300223782 to Present)

ITEM	PART NUMBER	QTY	DESCRIPTION	REV
	1001218763	Ref	ELECTRICAL COMPONENTS INSTALLATION - FRAME (HRC) (CE SPECS) (SN 0300223782 to Present)	H
13	3290605	5	Nut M6	
25	4811700	6	Washer M6	
32	0761218001	4	Bolt M12 x 50	
36	1001118878	5	Capscrew M6 x 55	
39	1001149975	1	Chassis Harness (Not Shown - See ELECTRICAL SECTION for Breakdown)	
40	1001150162	1	Module, Control (Note: Re-calibration Required when Replaced)	
43	1001163631	4	Axle Sensor Harness (Not Shown - See ELECTRICAL SECTION for Breakdown)	
44	1001164354	1	Bracket	
69	3291205001	4	Nut M12	
72	4812100001	8	Washer M12	

Go to Discount-Equipment.com to order your parts

SECTION 1 - FRAME

FIGURE 1-16. ELECTRICAL COMPONENTS INSTALLATION - FRAME (LRC) (ANSI EXPORT, AUSTRALIAN, CE AND CHINA SPECS) (Prior to SN 0300223782)



ART_1001200996_10F2

SECTION 1 - FRAME

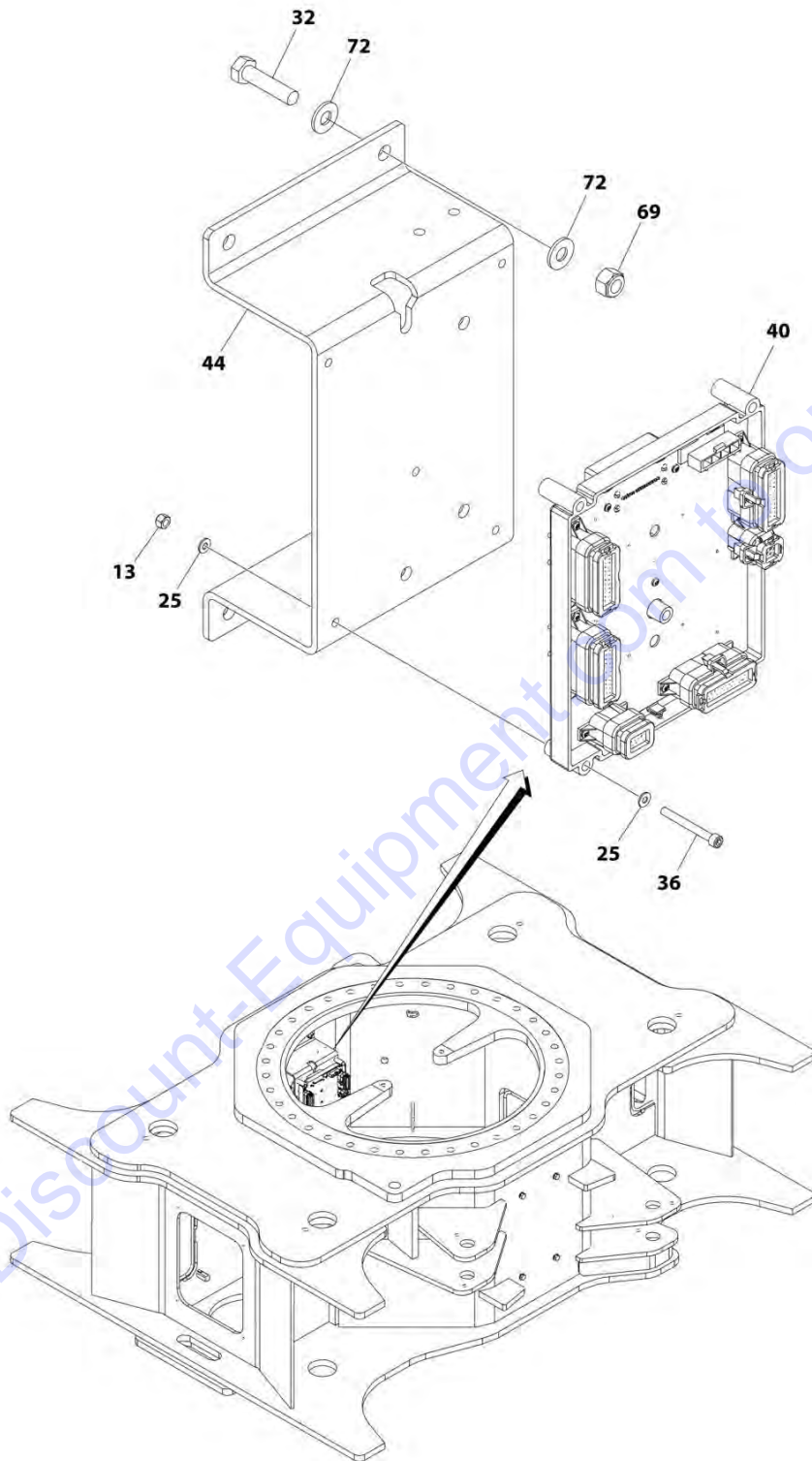
FIGURE 1-16. ELECTRICAL COMPONENTS INSTALLATION - FRAME (LRC) (ANSI EXPORT, AUSTRALIAN, CE AND CHINA SPECS) (Prior to SN 0300223782)

ITEM	PART NUMBER	QTY	DESCRIPTION	REV
	1001200996	Ref	ELECTRICAL COMPONENTS INSTALLATION - FRAME (LRC) (ANSI EXPORT, AUSTRALIAN, CE AND CHINA SPECS) (Prior to SN 0300223782)	G
10	3290605	5	Nut M6	
16	4811700	10	Washer M6	
20	0761218001	4	Bolt M12 x 50	
22	1001118878	5	Capscrew M6 x 55	
24	1001149975	1	Chassis Harness (Not Shown - See ELECTRICAL SECTION for Breakdown)	
25	1001150162	1	Module, Control (Note: Re-calibration Required when Replaced)	
28	1001163631	4	Axle Sensor Harness (Not Shown - See ELECTRICAL SECTION for Breakdown)	
29	1001164354	1	Bracket	
48	3291205001	4	Nut M12	
51	4812100001	8	Washer M12	

Go to Discount-Equipment.com to order your parts

SECTION 1 - FRAME

FIGURE 1-17. ELECTRICAL COMPONENTS INSTALLATION - FRAME (LRC) (ANSI EXPORT, AUSTRALIAN, CE AND CHINA SPECS) (SN 0300223782 to Present)



ART_1001218764_10F2

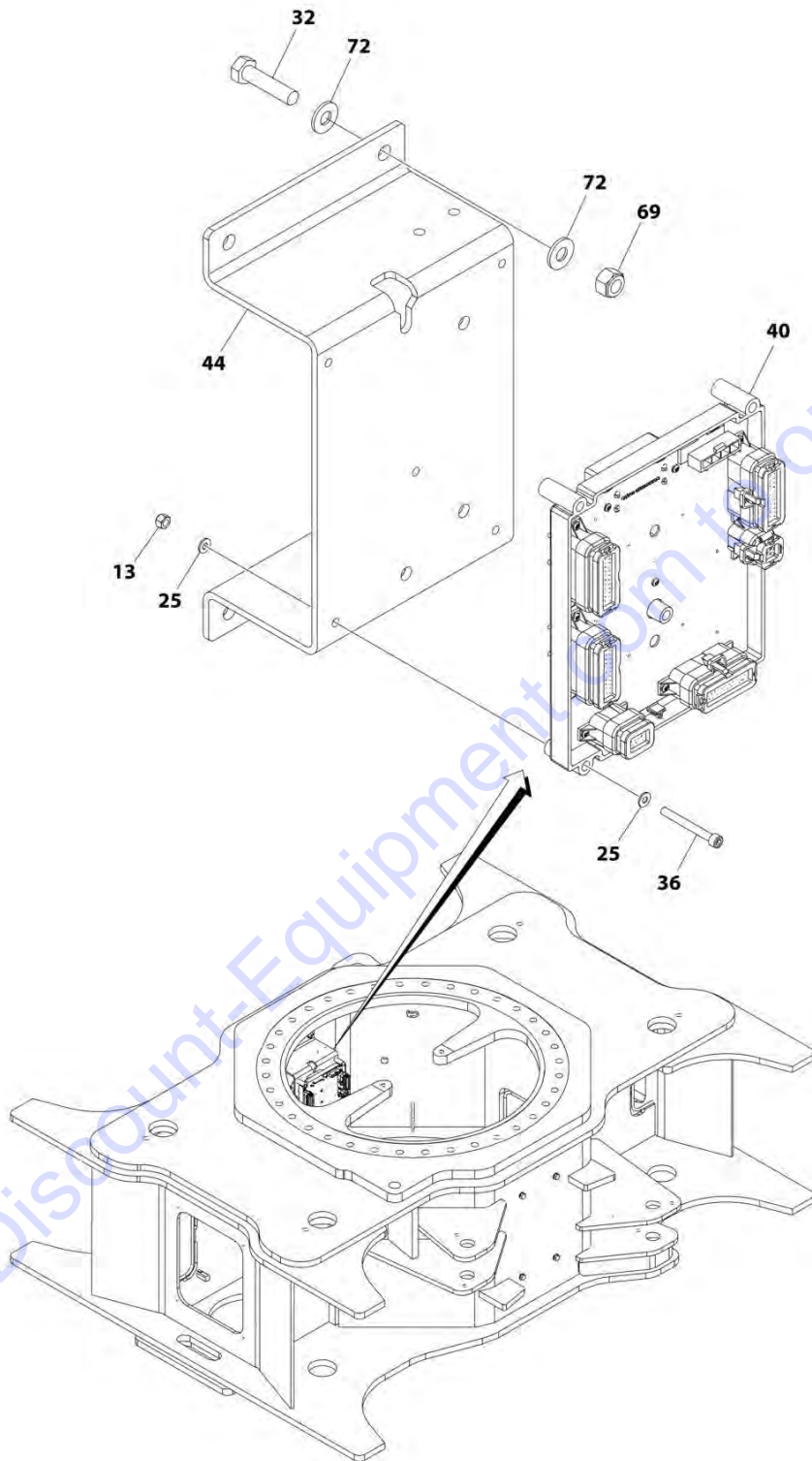
SECTION 1 - FRAME

FIGURE 1-17. ELECTRICAL COMPONENTS INSTALLATION - FRAME (LRC) (ANSI EXPORT, AUSTRALIAN, CE AND CHINA SPECS) (SN 0300223782 to Present)

ITEM	PART NUMBER	QTY	DESCRIPTION	REV
	1001218764	Ref	ELECTRICAL COMPONENTS INSTALLATION - FRAME (LRC) (ANSI EXPORT, AUSTRALIAN AND CHINA SPECS) (SN 0300223782 to Present)	G
	1001218764	Ref	ELECTRICAL COMPONENTS INSTALLATION - FRAME (LRC) (CE SPECS) (Prior to SN 0300224829)	E
13	3290605	5	Nut M6	
25	4811700	6	Washer M6	
32	0761218001	4	Bolt M12 x 50	
36	1001118878	5	Capscrew M6 x 55	
39	1001149975	1	Chassis Harness (Not Shown - See ELECTRICAL SECTION for Breakdown)	
40	1001150162	1	Module, Control (Note: Re-calibration Required when Replaced)	
43	1001163631	4	Axle Sensor Harness (Not Shown - See ELECTRICAL SECTION for Breakdown)	
44	1001164354	1	Bracket	
69	3291205001	4	Nut M12	
72	4812100001	8	Washer M12	

SECTION 1 - FRAME

FIGURE 1-18. ELECTRICAL COMPONENTS INSTALLATION - FRAME (LRC) (CE SPECS) (SN 0300224829 to Present)



ART_1001223242_10F2

SECTION 1 - FRAME

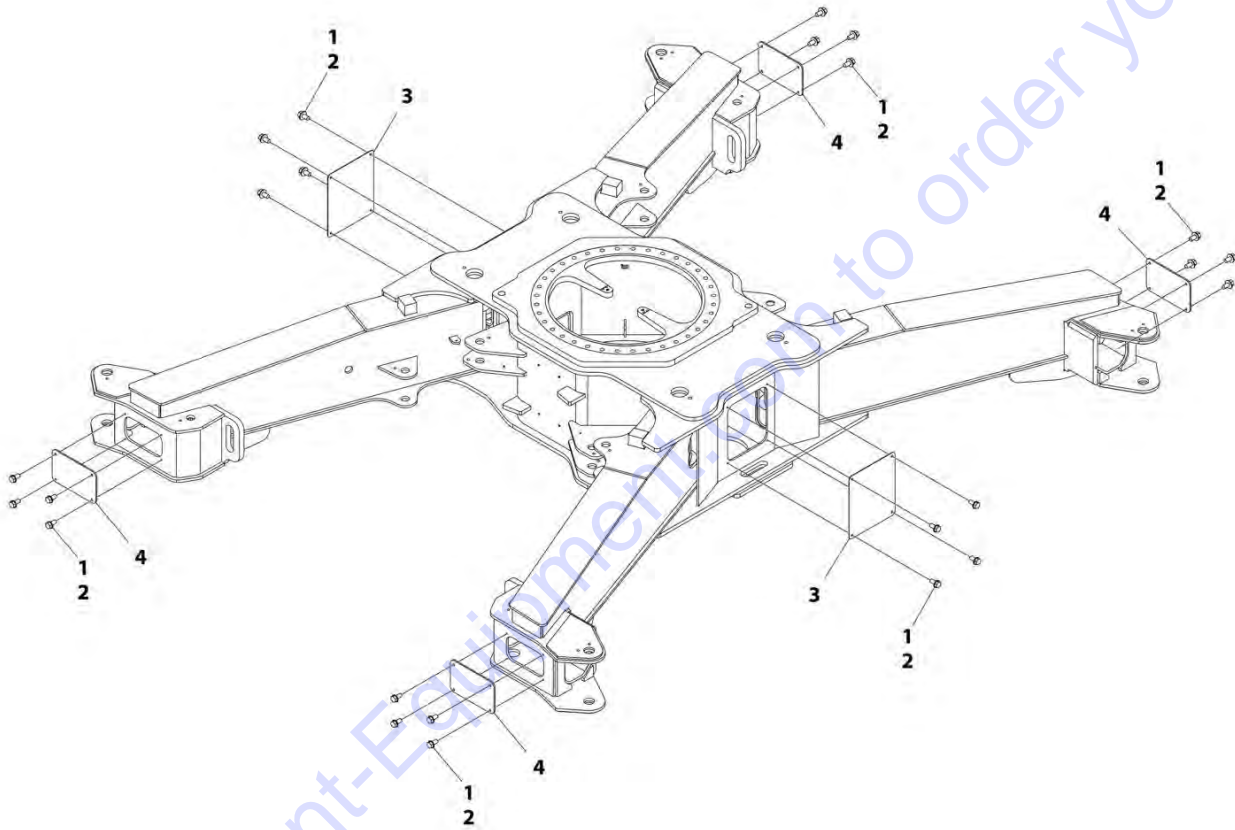
FIGURE 1-18. ELECTRICAL COMPONENTS INSTALLATION - FRAME (LRC) (CE SPECS) (SN 0300224829 to Present)

ITEM	PART NUMBER	QTY	DESCRIPTION	REV
	1001223242	Ref	ELECTRICAL COMPONENTS INSTALLATION - FRAME (LRC) (CE SPECS) (SN 0300224829 to Present)	E
13	3290605	5	Nut M6	
25	4811700	6	Washer M6	
32	0761218001	4	Bolt M12 x 50	
36	1001118878	5	Capscrew M6 x 55	
39	1001149975	1	Chassis Harness (Not Shown - See ELECTRICAL SECTION for Breakdown)	
40	1001150162	1	Module, Control (Note: Re-calibration Required when Replaced)	
43	1001163631	4	Axle Sensor Harness (Not Shown - See ELECTRICAL SECTION for Breakdown)	
44	1001164354	1	Bracket	
69	3291205001	4	Nut M12	
72	4812100001	8	Washer M12	

Go to Discount-Equipment.com to order your parts

SECTION 1 - FRAME

FIGURE 1-19. COVERS INSTALLATION - FRAME



ART_1001157670

FIGURE 1-19. COVERS INSTALLATION - FRAME

ITEM	PART NUMBER	QTY	DESCRIPTION	REV
	1001157670	Ref	COVERS INSTALLATION - FRAME	B
1	0100011	AR	Compound, Locking	
2	5251210001	24	Bolt M12 x 20	
3	1001155561	2	Cover	
4	1001156867	4	Cover	

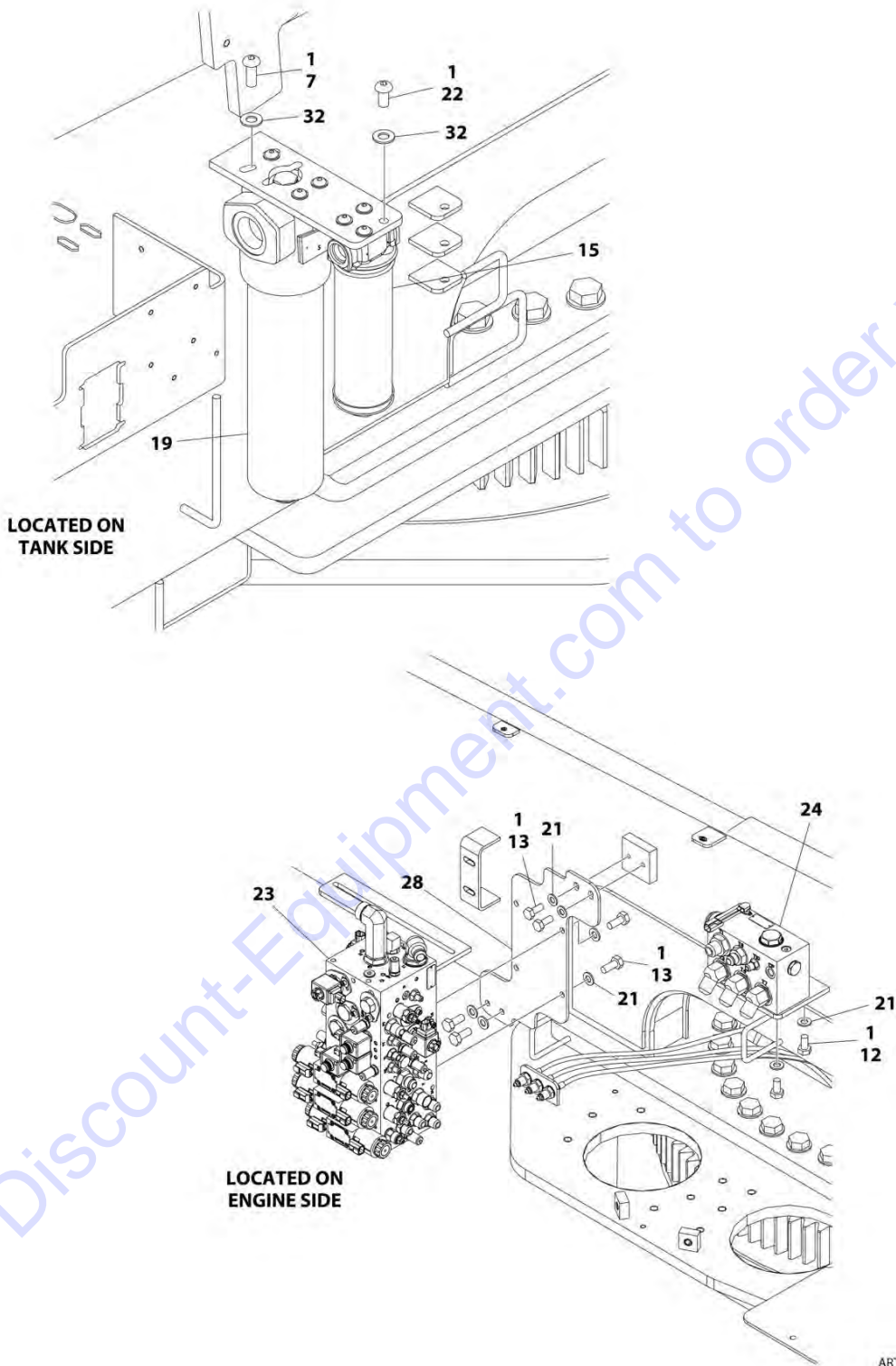
Go to Discount-Equipment.com to order your parts

SECTION 2 - TURNTABLE

Go to Discount-Equipment.com to order your parts

SECTION 2 - TURNTABLE

FIGURE 2-1. VALVES AND FILTERS INSTALLATION - TURNTABLE (Prior to SN 0300223782)



ART_1001197314_20F3

SECTION 2 - TURNTABLE

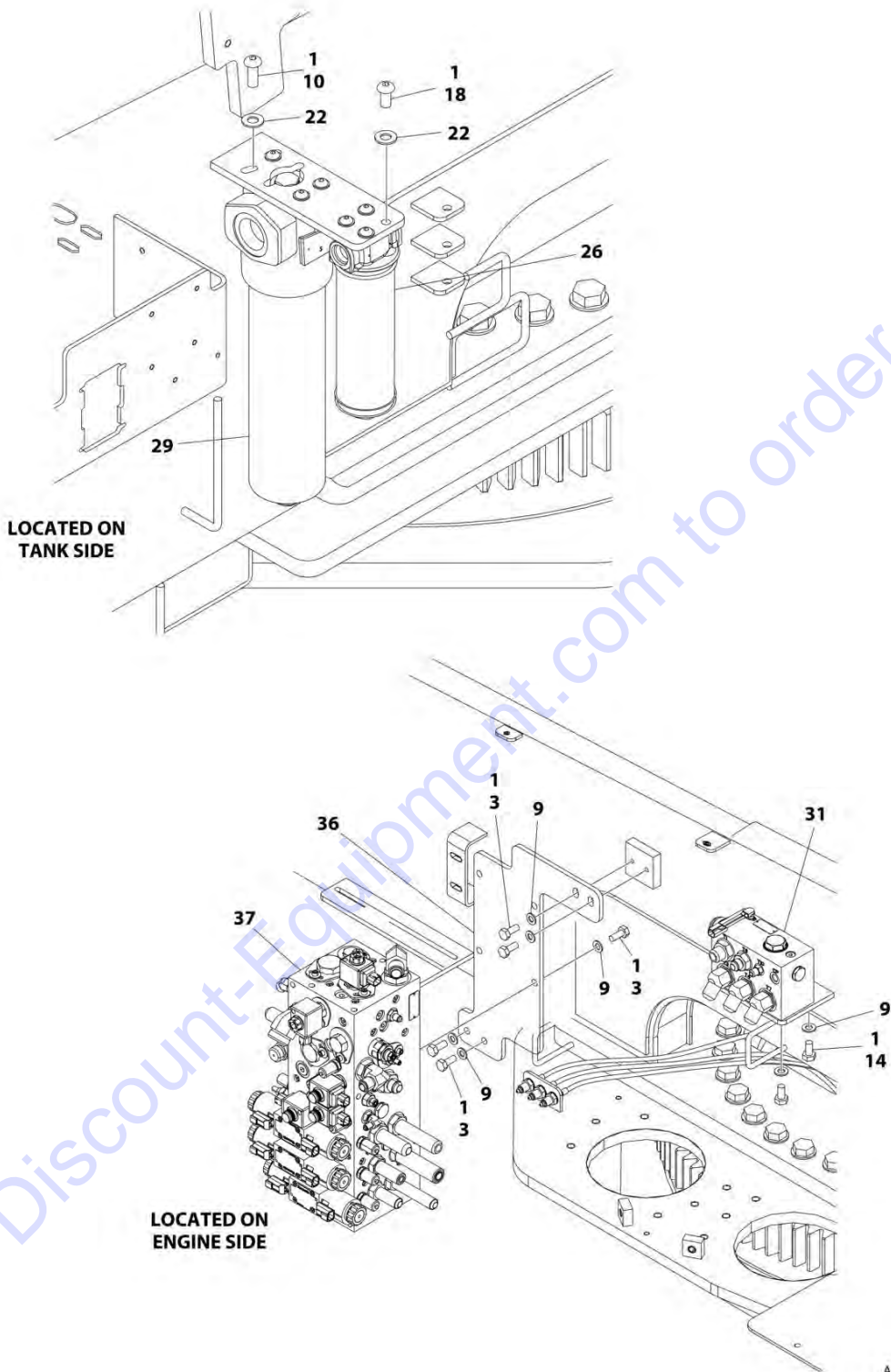
FIGURE 2-1. VALVES AND FILTERS INSTALLATION - TURNTABLE (Prior to SN 0300223782)

ITEM	PART NUMBER	QTY	DESCRIPTION	REV
	1001197314	Ref	VALVES AND FILTERS INSTALLATION - TURNTABLE (Prior to SN 0300223782)	E
1	0100011	AR	Compound, Locking	
7	88261128	4	Screw 3/8 x 1	
12	0761010001	8	Bolt M10 x 20	
13	0761012001	14	Bolt M10 x 25	
15	1001108617	1	Filter	
15	70002231	1	Element	
19	1001158412	1	Filter	
19	1001161232	1	Element	
21	4812000	26	Washer M10	
22	1001173846	4	Screw 3/8 x 3/4	
23	1001200987	1	Main Valve Assembly (See MAIN VALVE ASSEMBLY for Breakdown)	
24	1001200988	1	Return Valve Assembly (See RETURN VALVE ASSEMBLY for Breakdown)	
28	1001202770	1	Bracket	
32	4711600001	12	Washer 3/8	

Go to Discount-Equipment.com to order your parts

SECTION 2 - TURNTABLE

FIGURE 2-2. VALVES AND FILTERS INSTALLATION - TURNTABLE (SN 0300223782 to Present)



ART_1001216976_20F3

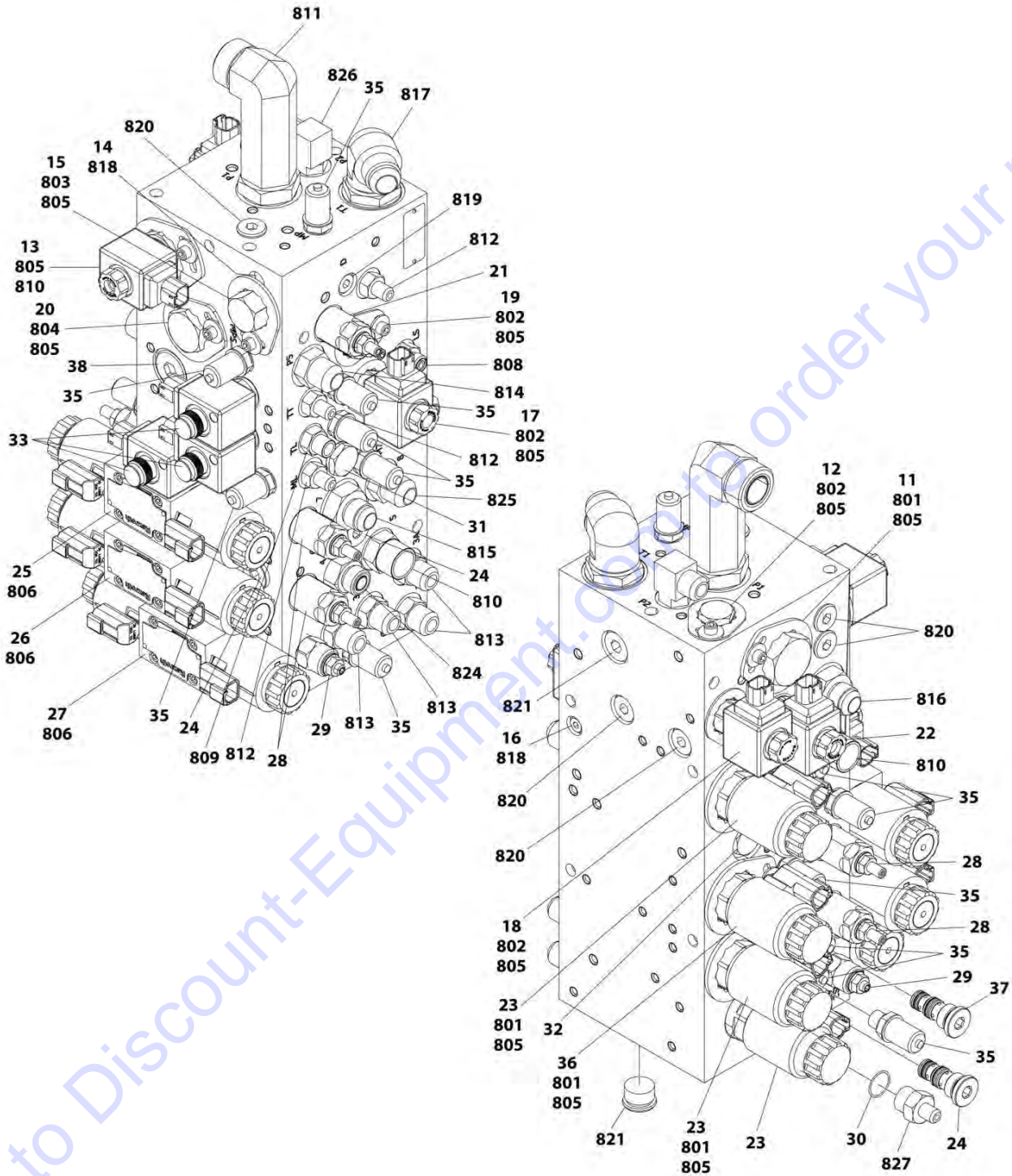
SECTION 2 - TURNTABLE

FIGURE 2-2. VALVES AND FILTERS INSTALLATION - TURNTABLE (SN 0300223782 to Present)

ITEM	PART NUMBER	QTY	DESCRIPTION	REV
	1001216976	Ref	VALVES AND FILTERS INSTALLATION - TURNTABLE (SN 0300223782 to Present)	E
1	0100011	AR	Compound, Locking	
3	0761012	8	Bolt M10 x 25	
9	4812000	12	Washer M10	
10	88261128	4	Screw 3/8 x 1	
14	0761010001	4	Bolt M10 x 20	
18	1001173846	4	Screw 3/8 x 3/4	
18	1001238236	4	Screw 3/8 x 7/8	
22	4711600001	8	Washer 3/8	
26	1001108617	1	Filter	
26	70002231	1	Element	
29	1001158412	1	Filter	
29	1001161232	1	Element	
31	1001200988	1	Return Valve Assembly (See RETURN VALVE ASSEMBLY for Breakdown)	
36	1001213392	1	Bracket	
37	1001214275	NLA	Main Valve Assembly (Use p/n 1001236268) (See MAIN VALVE ASSEMBLY for Breakdown) (SN 0300223782 through 0300235444)	
37	1001231072	NLA	Main Valve Assembly (Use p/n 1001234247) (See MAIN VALVE ASSEMBLY for Breakdown) (SN 0300235445 through 0300239973)	
37	1001234247	1	Main Valve Assembly (See MAIN VALVE ASSEMBLY for Breakdown) (SN 0300239974 to Present)	

SECTION 2 - TURNTABLE

FIGURE 2-3. MAIN VALVE ASSEMBLY (Prior to SN 0300223782)



ART_1001200987

SECTION 2 - TURNTABLE

FIGURE 2-3. MAIN VALVE ASSEMBLY (Prior to SN 0300223782)

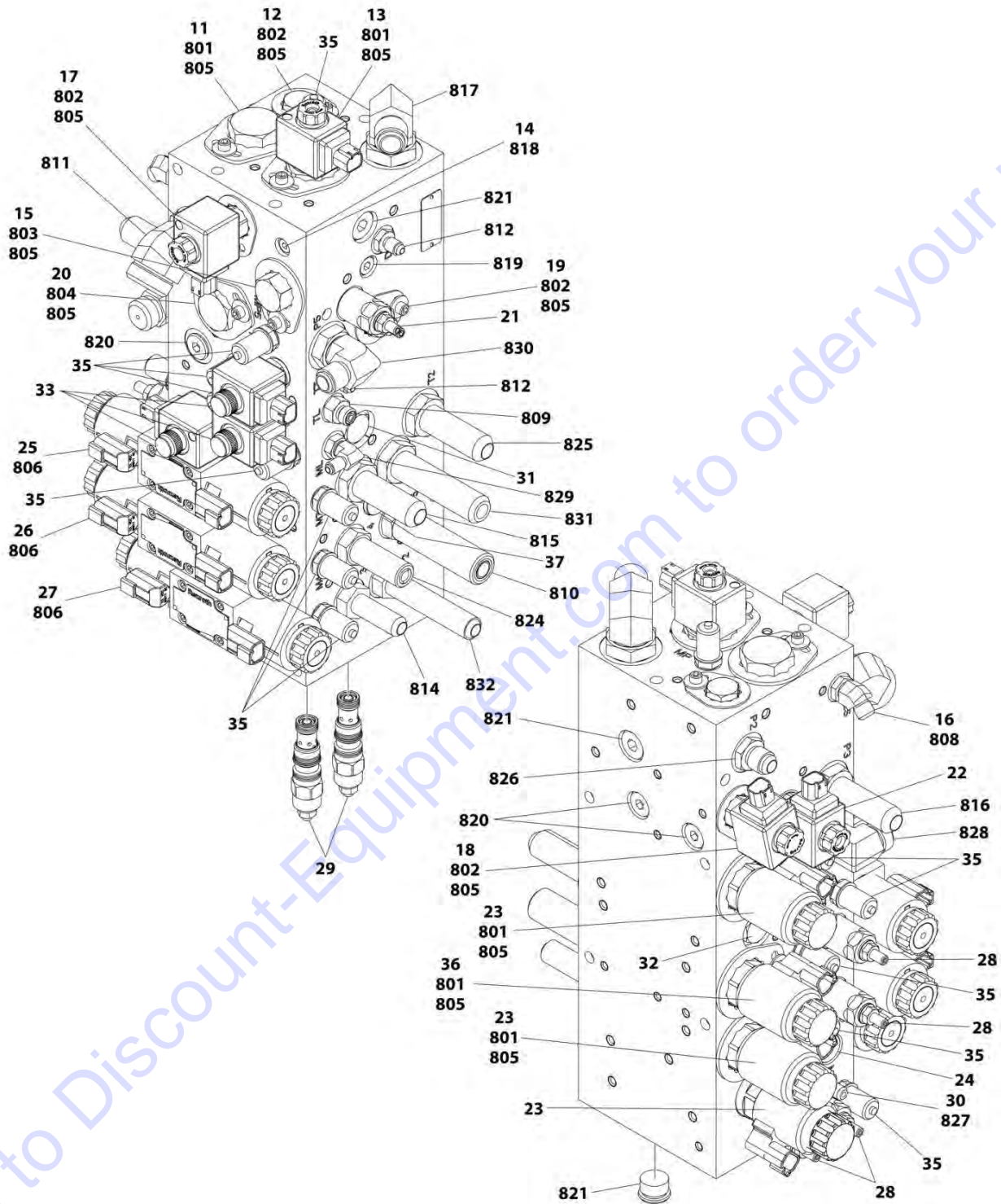
ITEM	PART NUMBER	QTY	DESCRIPTION	REV
	1001200987	Ref	MAIN VALVE ASSEMBLY (Prior to SN 0300223782)	I
11	70005943	1	Valve, Cartridge (Check)	
11	70005944	1	Seal Kit - 70005943 Valve	
12	70004585	1	Valve, Cartridge (Check)	
12	70004052	1	Seal Kit - 70004585 Valve	
13	70005945	1	Valve, Solenoid Less Coil (Directional Control)	
13	70005946	1	Seal Kit - 70005945 Valve	
13	70004588	1	Coil	
13	70005947	1	Coil Nut and Pole Tube O-Ring Kit	
14	70004589	1	Orifice 2.2mm	
15	70004590	1	Valve, Solenoid Less Coil (Directional Control)	
15	70023862	1	Seal Kit - 70004590 Valve	
16	7023821	1	Orifice .8mm	
17	70005948	1	Valve, Solenoid Less Coil (Directional Control)	
17	70004055	1	Seal Kit - 70005948 Valve	
17	70004588	1	Coil	
17	70005947	1	Coil Nut and Pole Tube O-Ring Kit	
18	70023992	1	Valve, Solenoid Less Coil (Directional Control)	
18	70004055	1	Seal Kit - 70023992 Valve	
18	70004588	1	Coil	
18	70005947	1	Coil Nut and Pole Tube O-Ring Kit	
19	70004591	1	Valve, Cartridge (Pressure Reducing)	
19	70004592	1	Seal Kit - 70004591 Valve	
20	70004583	1	Valve, Cartridge (Check)	
20	70004584	1	Seal Kit - 70004583 Valve	
21	70004607	1	Valve, Cartridge (Relief)	
21	70004602	1	Seal Kit - 70004607 Valve	
22	70004586	1	Valve, Solenoid Less Coil (Directional Control)	
22	70004587	1	Seal Kit - 70004586 Valve	
22	70004588	1	Coil	
22	70005947	1	Coil Nut and Pole Tube O-Ring Kit	
23	70004593	3	Valve, Solenoid Less Coil (Flow Control)	
23	70004594	3	Seal Kit - 70004593 Valve	
23	70004595	3	Coil	
23	70004597	3	Nut, Coil	
23	70004596	3	O-Ring, Pole Tube	
24	70023859	3	Valve, Cartridge (Shuttle)	
24	70023860	3	Seal Kit - 70023859 Valve	
25	70004459	1	Valve, Solenoid Less Coil (Tele)	
25	7012773	1	Seal Kit - 70004459 Valve	
25	70004460	1	Coil	
25	7021375	1	Nut, Coil	
26	70004600	1	Valve, Solenoid Less Coil (Lift)	
26	7012773	1	Seal Kit - 70004600 Valve	
26	70004460	1	Coil	
26	7021375	1	Nut, Coil	
27	70004609	1	Valve, Solenoid Less Coil (Lift)	
27	7012773	1	Seal Kit - 70004609 Valve	
27	70004460	1	Coil	
27	7021375	1	Nut, Coil	

SECTION 2 - TURNTABLE

ITEM	PART NUMBER	QTY	DESCRIPTION	REV
28	70004601	4	Valve, Cartridge (Relief)	
28	70004602	4	Seal Kit - 70004601 Valve	
29	70004610	1	Valve, Cartridge (Counterbalance)	
30	70005950	1	Orifice	
31	70005951	1	Valve, Cartridge (Check)	
31	70004052	1	Seal Kit - 70005951 Valve	
32	70005952	1	Valve, Cartridge (Check)	
32	70004052	1	Seal Kit - 70005952 Valve	
33	70004457	3	Valve, Solenoid Less Coil (Directional Control)	
33	70004050	3	Seal Kit - 70004457 Valve	
33	70004588	3	Coil	
33	70005947	3	Coil Nut and Pole Tube O-Ring Kit	
35	2221086	13	Fitting, Test	
36	70005953	1	Valve, Solenoid Less Coil (Flow Control)	
36	70004594	1	Seal Kit - 70005953 Valve	
36	70004595	1	Coil	
36	70004597	1	Nut, Coil	
36	70004596	1	O-Ring, Pole Tube	
37	70004613	1	Valve, Cartridge (Check)	
37	70023860	1	Seal Kit - 70004613 Valve	
38	70002760	1	Plug	
801	70005954	5	Plate, Locking	
802	70005955	4	Plate, Locking	
803	70005956	1	Plate, Locking	
804	70005957	1	Plate, Locking	
805	70005958	11	Capscrew	
806	7018942	12	Capscrew	
808	2110406	1	Fitting, Straight JIC/ORB	
809	2110406	1	Fitting, Straight JIC/ORB	
810	2111010	2	Fitting, Straight ORFS/ORB	
810	2220947	1	Fitting, Straight JIC/ORB	
811	2170216	1	Fitting, 90 JIC/ORB	
812	2220582	3	Fitting, Straight JIC/ORB	
813	2220373	4	Fitting, Straight JIC/ORB	
814	2220947	1	Fitting, Straight JIC/ORB	
815	2220865	1	Fitting, Straight JIC/ORB	
816	2220865	1	Fitting, Straight JIC/ORB	
817	2220465	1	Fitting, 90 JIC/ORB	
818	70002758	2	Plug	
819	70004617	1	Plug	
820	70002759	5	Plug	
821	70004603	2	Plug	
824	2110810	1	Fitting, Straight ORFS/ORB	
825	2220947	1	Fitting, Straight JIC/ORB	
826	2220596	1	Fitting, 90 JIC/ORB	
827	2220468	1	Fitting, Straight JIC/ORB	

SECTION 2 - TURNTABLE

FIGURE 2-4. MAIN VALVE ASSEMBLY (SN 0300223782 through 0300235444)



ART_1001214275

SECTION 2 - TURNTABLE

FIGURE 2-4. MAIN VALVE ASSEMBLY (SN 0300223782 through 0300235444)

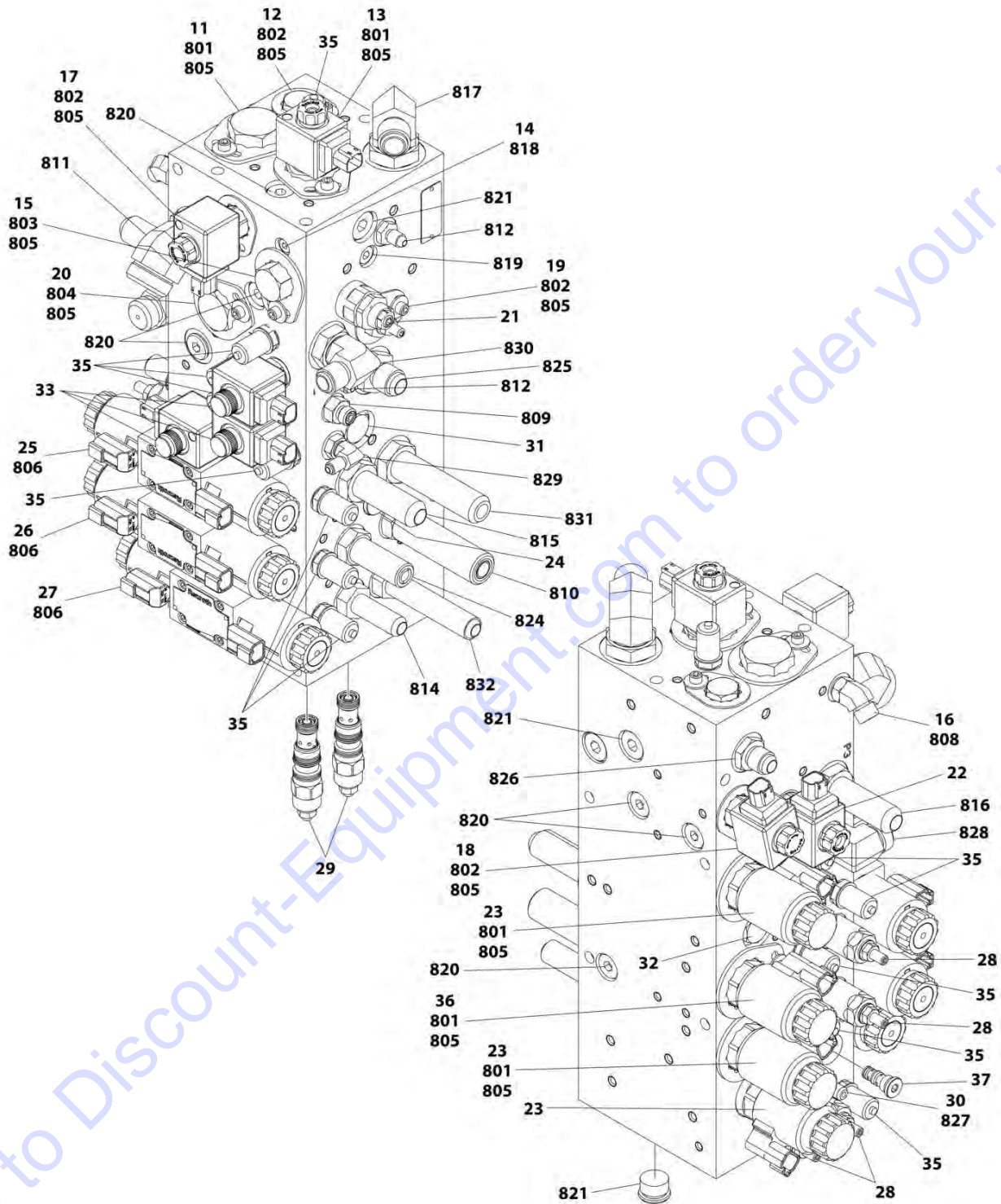
ITEM	PART NUMBER	QTY	DESCRIPTION	REV
	1001214275	Ref	MAIN VALVE ASSEMBLY (SN 0300223782 through 0300235444)	H
11	70005943	1	Valve, Cartridge (Check)	
11	70005944	1	Seal Kit - 70005943 Valve	
12	70004585	1	Valve, Cartridge (Check)	
12	70004052	1	Seal Kit - 70004585 Valve	
13	70005945	1	Valve, Solenoid Less Coil (Directional Control)	
13	70005946	1	Seal Kit - 70005945 Valve	
13	70004588	1	Coil	
13	70005947	1	Coil Nut and Pole Tube O-Ring Kit	
14	70004589	1	Orifice 2.2mm	
15	70004590	1	Valve, Solenoid Less Coil (Directional Control)	
15	70023862	1	Seal Kit - 70004590 Valve	
16	7023821	1	Orifice .8mm	
17	70005948	1	Valve, Solenoid Less Coil (Directional Control)	
17	70004055	1	Seal Kit - 70005948 Valve	
17	70004588	1	Coil	
17	70005947	1	Coil Nut and Pole Tube O-Ring Kit	
18	70005948	1	Valve, Solenoid Less Coil (Directional Control)	
18	70004055	1	Seal Kit - 70005948 Valve	
18	70004588	1	Coil	
18	70005947	1	Coil Nut and Pole Tube O-Ring Kit	
19	70004591	1	Valve, Cartridge (Pressure Reducing)	
19	70004592	1	Seal Kit - 70004591 Valve	
20	70004583	1	Valve, Cartridge (Check)	
20	70004584	1	Seal Kit - 70004583 Valve	
21	70004607	1	Valve, Cartridge (Relief)	
21	70004602	1	Seal Kit - 70004607 Valve	
22	70004586	1	Valve, Solenoid Less Coil (Directional Control)	
22	70004587	1	Seal Kit - 70004586 Valve	
22	70004588	1	Coil	
22	70005947	1	Coil Nut and Pole Tube O-Ring Kit	
23	70004593	3	Valve, Solenoid Less Coil (Flow Control)	
23	70004594	3	Seal Kit - 70004593 Valve	
23	70004595	3	Coil	
23	70004597	3	Nut, Coil	
23	70004596	3	O-Ring, Pole Tube	
24	70023859	1	Valve, Cartridge (Shuttle)	
24	70023860	1	Seal Kit - 70023859 Valve	
25	70004459	1	Valve, Solenoid Less Coil (Tele)	
25	7012773	1	Seal Kit - 70004459 Valve	
25	70004460	1	Coil	
25	7021375	1	Nut, Coil	
26	70004600	1	Valve, Solenoid Less Coil (Lift)	
26	7012773	1	Seal Kit - 70004600 Valve	
26	70004460	1	Coil	
26	7021375	1	Nut, Coil	
27	70004609	1	Valve, Solenoid Less Coil (Lift)	
27	7012773	1	Seal Kit - 70004609 Valve	
27	70004460	1	Coil	
27	7021375	1	Nut, Coil	

SECTION 2 - TURNTABLE

ITEM	PART NUMBER	QTY	DESCRIPTION	REV
28	70004601	4	Valve, Cartridge (Relief)	
28	70004602	4	Seal Kit - 70004601 Valve	
29	70004610	2	Valve, Cartridge (Counterbalance)	
30	70005950	1	Orifice	
31	70005951	1	Valve, Cartridge (Check)	
31	70004052	1	Seal Kit - 70005951 Valve	
32	70005952	1	Valve, Cartridge (Check)	
32	70004052	1	Seal Kit - 70005952 Valve	
33	70004457	3	Valve, Solenoid Less Coil (Directional Control)	
33	70004050	3	Seal Kit - 70004457 Valve	
33	70004588	3	Coil	
33	70005947	3	Coil Nut and Pole Tube O-Ring Kit	
35	2221086	13	Fitting, Test	
36	70005953	1	Valve, Solenoid Less Coil (Flow Control)	
36	70004594	1	Seal Kit - 70005953 Valve	
36	70004595	1	Coil	
36	70004597	1	Nut, Coil	
36	70004596	1	O-Ring, Pole Tube	
37	70004613	3	Valve, Cartridge (Check)	
37	70023860	3	Seal Kit - 70004613 Valve	
801	70000781	5	Plate, Locking	
802	70004619	4	Plate, Locking	
803	70004618	1	Plate, Locking	
804	70002962	1	Plate, Locking	
805	70005958	11	Capscrew	
806	7018942	12	Capscrew	
808	2150406	1	Fitting, 45 ORFS/ORB	
809	2110406	1	Fitting, Straight ORFS/ORB	
810	1001213297	1	Fitting, Straight ORFS/ORB	
811	2151616	1	Fitting, 45 JIC/ORB	
812	2220582	2	Fitting, Straight JIC/ORB	
814	1001213292	1	Fitting, Straight JIC/ORB	
815	1001213294	1	Fitting, Straight JIC/ORB	
816	1001213294	1	Fitting, Straight JIC/ORB	
817	2220465	1	Fitting, 90 JIC/ORB	
818	70002758	1	Plug	
819	70004617	1	Plug	
820	70002759	3	Plug	
821	70004603	3	Plug	
824	1001213296	1	Fitting, Straight ORFS/ORB	
825	1001213294	1	Fitting, Straight JIC/ORB	
826	2220374	1	Fitting, Straight JIC/ORB	
827	1001213295	1	Fitting, Straight JIC/ORB	
828	2131010	1	Fitting, 90 ORFS/ORB	
829	2220472	1	Fitting, 90 JIC/ORB	
830	2220906	1	Fitting, 90 JIC/ORB	
831	1001213298	1	Fitting, Straight JIC/ORB	
832	1001213293	1	Fitting, Straight JIC/ORB	

SECTION 2 - TURNTABLE

FIGURE 2-5. MAIN VALVE ASSEMBLY (SN 0300235445 through 0300239973)



ART_1001231072

SECTION 2 - TURNTABLE

FIGURE 2-5. MAIN VALVE ASSEMBLY (SN 0300235445 through 0300239973)

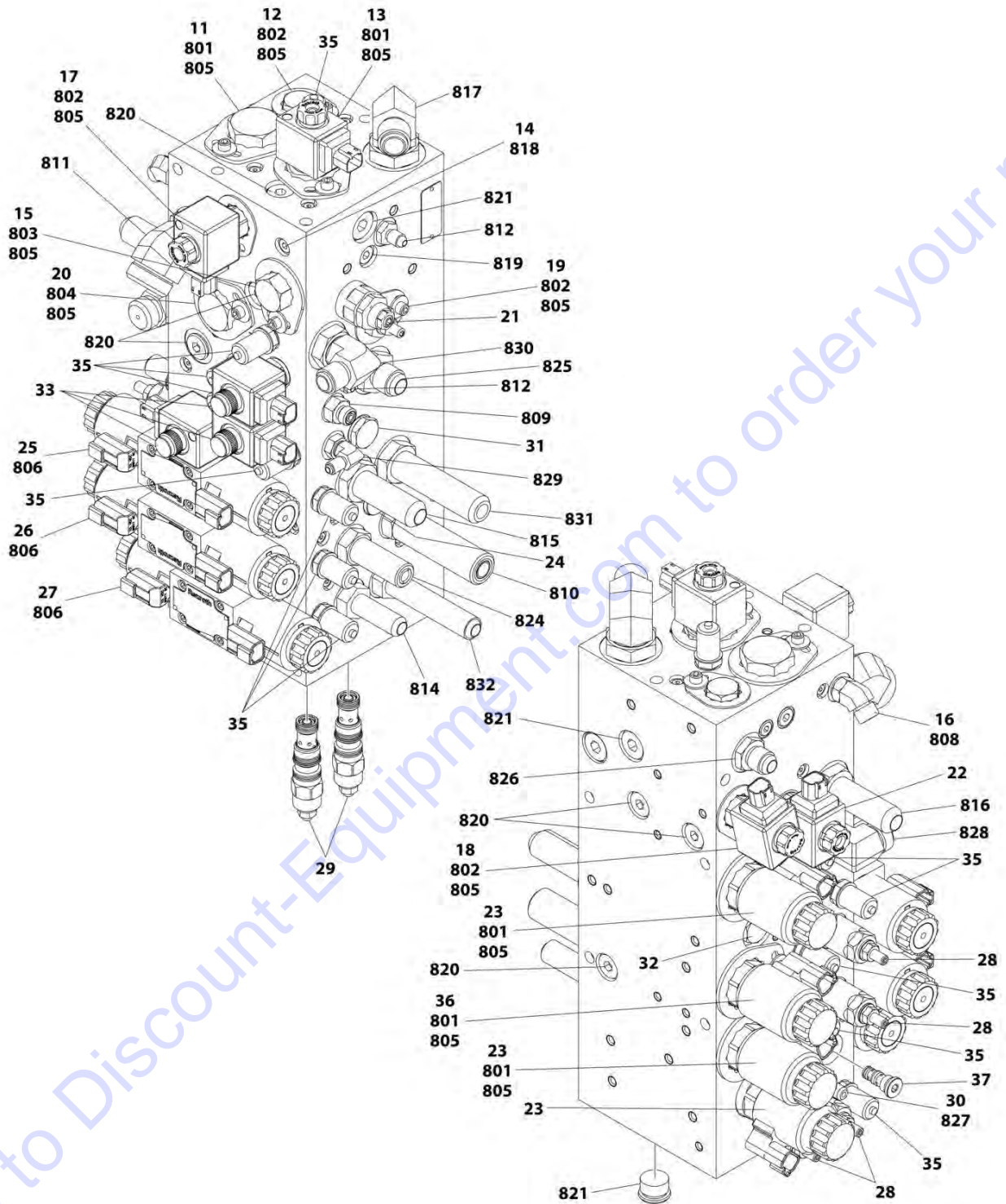
ITEM	PART NUMBER	QTY	DESCRIPTION	REV
	1001231072	Ref	MAIN VALVE ASSEMBLY	B
11	70005943	1	Valve, Cartridge (Check)	
11	70005944	1	Seal Kit - 70005943 Valve	
12	70004585	1	Valve, Cartridge (Check)	
12	70004052	1	Seal Kit - 70004585 Valve	
13	70005945	1	Valve, Solenoid Less Coil (Directional Control)	
13	70005946	1	Seal Kit - 70005945 Valve	
13	70004588	1	Coil	
13	70005947	1	Coil Nut and Pole Tube O-Ring Kit	
14	70004589	1	Orifice 2.2mm	
15	70004590	1	Valve, Solenoid Less Coil (Directional Control)	
15	70023862	1	Seal Kit - 70004590 Valve	
16	70006707	1	Orifice .7mm	
17	70005948	1	Valve, Solenoid Less Coil (Directional Control)	
17	70004055	1	Seal Kit - 70005948 Valve	
17	70004588	1	Coil	
17	70005947	1	Coil Nut and Pole Tube O-Ring Kit	
18	70005948	1	Valve, Solenoid Less Coil (Directional Control)	
18	See Note	NSS	Seal Kit - 70004598 Valve (Note: Not Available)	
18	70004588	1	Coil	
18	70005947	1	Coil Nut and Pole Tube O-Ring Kit	
19	70004591	1	Valve, Cartridge (Pressure Reducing)	
19	70004592	1	Seal Kit - 70004591 Valve	
20	70004583	1	Valve, Cartridge (Check)	
20	70004584	1	Seal Kit - 70004583 Valve	
21	70006708	1	Valve, Cartridge (Relief)	
21	See Note	NSS	Seal Kit - 70006708 Valve (Note: Not Available)	
22	70004586	1	Valve, Solenoid Less Coil (Directional Control)	
22	70004587	1	Seal Kit - 70004586 Valve	
22	70004588	1	Coil	
22	70005947	1	Coil Nut and Pole Tube O-Ring Kit	
23	70004593	3	Valve, Solenoid Less Coil (Flow Control)	
23	70004594	3	Seal Kit - 70004593 Valve	
23	70004595	3	Coil	
23	70004597	3	Nut, Coil	
23	70004596	3	O-Ring, Pole Tube	
24	70023859	3	Valve, Cartridge (Shuttle)	
24	70023860	3	Seal Kit - 70023859 Valve	
25	70004459	1	Valve, Solenoid Less Coil (Tele)	
25	7012773	1	Seal Kit - 70004459 Valve	
25	70004460	1	Coil	
25	7021375	1	Nut, Coil	
26	70004600	1	Valve, Solenoid Less Coil (Lift)	
26	7012773	1	Seal Kit - 70004600 Valve	
26	70004460	1	Coil	
26	7021375	1	Nut, Coil	
27	70004609	1	Valve, Solenoid Less Coil (Lift)	
27	7012773	1	Seal Kit - 70004609 Valve	
27	70004460	1	Coil	
27	7021375	1	Nut, Coil	

SECTION 2 - TURNTABLE

ITEM	PART NUMBER	QTY	DESCRIPTION	REV
28	70004601	4	Valve, Cartridge (Relief)	
28	70004602	4	Seal Kit - 70004601 Valve	
29	70004610	2	Valve, Cartridge (Counterbalance)	
30	70005950	1	Orifice	
31	70005951	1	Valve, Cartridge (Check)	
31	70004052	1	Seal Kit - 70005951 Valve	
32	70005952	1	Valve, Cartridge (Check)	
32	70004052	1	Seal Kit - 70005952 Valve	
33	70004457	3	Valve, Solenoid Less Coil (Directional Control)	
33	70004050	3	Seal Kit - 70004457 Valve	
33	70004588	3	Coil	
33	70005947	3	Coil Nut and Pole Tube O-Ring Kit	
35	2221086	13	Fitting, Test	
36	70005953	1	Valve, Solenoid Less Coil (Flow Control)	
36	70004594	1	Seal Kit - 70005953 Valve	
36	70004595	1	Coil	
36	70004597	1	Nut, Coil	
36	70004596	1	O-Ring, Pole Tube	
37	70004613	1	Valve, Cartridge (Check)	
37	70023860	1	Seal Kit - 70004613 Valve	
801	70000781	5	Plate, Locking	
802	70004619	4	Plate, Locking	
803	70004618	1	Plate, Locking	
804	70002962	1	Plate, Locking	
805	70005958	11	Capscrew	
806	7018942	12	Capscrew	
808	2150606	1	Fitting, 45 ORFS/ORB	
809	2110406	1	Fitting, Straight ORFS/ORB	
810	1001213297	1	Fitting, Straight ORFS/ORB	
811	2151616	1	Fitting, 45 JIC/ORB	
812	2220582	2	Fitting, Straight JIC/ORB	
814	1001213292	1	Fitting, Straight JIC/ORB	
815	1001213294	1	Fitting, Straight JIC/ORB	
816	1001213294	1	Fitting, Straight JIC/ORB	
817	2220465	1	Fitting, 90 JIC/ORB	
818	70002758	1	Plug	
819	70004617	1	Plug	
820	70002759	6	Plug	
821	70004603	4	Plug	
824	1001213296	1	Fitting, Straight ORFS/ORB	
825	1001213294	1	Fitting, Straight JIC/ORB	
826	2220374	1	Fitting, Straight JIC/ORB	
827	1001213295	1	Fitting, Straight JIC/ORB	
828	2131010	1	Fitting, 90 ORFS/ORB	
829	2220472	1	Fitting, 90 JIC/ORB	
830	2220906	1	Fitting, 90 JIC/ORB	
831	1001213298	1	Fitting, Straight JIC/ORB	
832	1001213293	1	Fitting, Straight JIC/ORB	

SECTION 2 - TURNTABLE

FIGURE 2-6. MAIN VALVE ASSEMBLY (SN 0300239974 to Present)



ART_1001234247

SECTION 2 - TURNTABLE

FIGURE 2-6. MAIN VALVE ASSEMBLY (SN 0300239974 to Present)

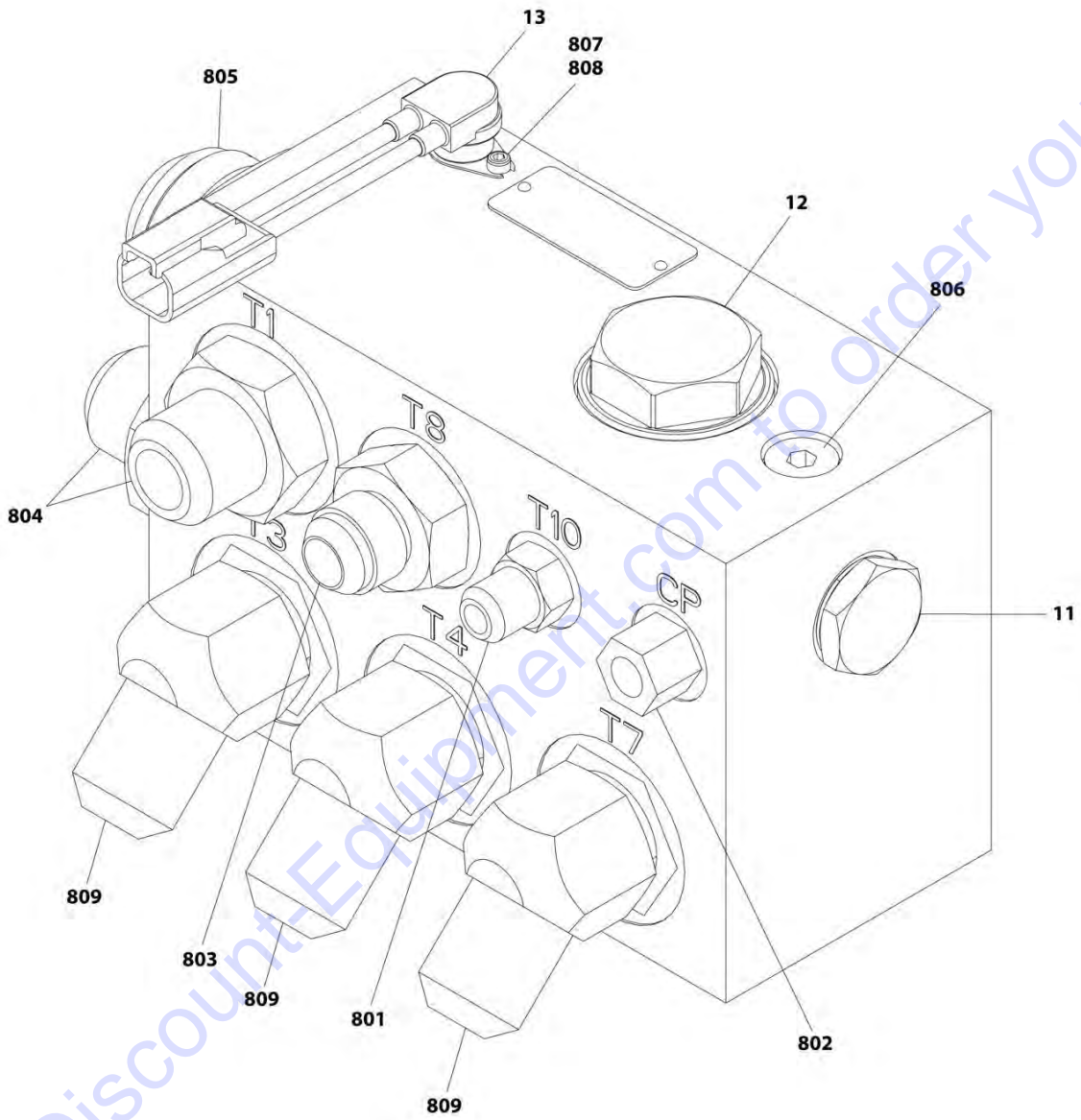
ITEM	PART NUMBER	QTY	DESCRIPTION	REV
	1001234247	Ref	MAIN VALVE ASSEMBLY	B
11	70005943	1	Valve, Cartridge (Check)	
11	70005944	1	Seal Kit - 70005943 Valve	
12	70004585	1	Valve, Cartridge (Check)	
12	70004052	1	Seal Kit - 70004585 Valve	
13	70005945	1	Valve, Solenoid Less Coil (Directional Control)	
13	70005946	1	Seal Kit - 70005945 Valve	
13	70004588	1	Coil	
13	70005947	1	Coil Nut and Pole Tube O-Ring Kit	
14	70004589	1	Orifice 2.2mm	
15	70004590	1	Valve, Solenoid Less Coil (Directional Control)	
15	70023862	1	Seal Kit - 70004590 Valve	
16	70006707	1	Orifice .7mm	
17	70005948	1	Valve, Solenoid Less Coil (Directional Control)	
17	70004055	1	Seal Kit - 70005948 Valve	
17	70004588	1	Coil	
17	70005947	1	Coil Nut and Pole Tube O-Ring Kit	
18	70005948	1	Valve, Solenoid Less Coil (Directional Control)	
18	See Note	NSS	Seal Kit - 70004598 Valve (Note: Not Available)	
18	70004588	1	Coil	
18	70005947	1	Coil Nut and Pole Tube O-Ring Kit	
19	70004591	1	Valve, Cartridge (Pressure Reducing)	
19	70004592	1	Seal Kit - 70004591 Valve	
20	70004583	1	Valve, Cartridge (Check)	
20	70004584	1	Seal Kit - 70004583 Valve	
21	70006708	1	Valve, Cartridge (Relief)	
21	See Note	NSS	Seal Kit - 70006708 Valve (Note: Not Available)	
22	70004586	1	Valve, Solenoid Less Coil (Directional Control)	
22	70004587	1	Seal Kit - 70004586 Valve	
22	70004588	1	Coil	
22	70005947	1	Coil Nut and Pole Tube O-Ring Kit	
23	70004593	3	Valve, Solenoid Less Coil (Flow Control)	
23	70004594	3	Seal Kit - 70004593 Valve	
23	70004595	3	Coil	
23	70004597	3	Nut, Coil	
23	70004596	3	O-Ring, Pole Tube	
24	70023859	3	Valve, Cartridge (Shuttle)	
24	70023860	3	Seal Kit - 70023859 Valve	
25	70004459	1	Valve, Solenoid Less Coil (Tele)	
25	7012773	1	Seal Kit - 70004459 Valve	
25	70004460	1	Coil	
25	7021375	1	Nut, Coil	
26	70004600	1	Valve, Solenoid Less Coil (Lift)	
26	7012773	1	Seal Kit - 70004600 Valve	
26	70004460	1	Coil	
26	7021375	1	Nut, Coil	
27	70004609	1	Valve, Solenoid Less Coil (Lift)	
27	7012773	1	Seal Kit - 70004609 Valve	
27	70004460	1	Coil	
27	7021375	1	Nut, Coil	

SECTION 2 - TURNTABLE

ITEM	PART NUMBER	QTY	DESCRIPTION	REV
28	70004601	4	Valve, Cartridge (Relief)	
28	70004602	4	Seal Kit - 70004601 Valve	
29	70004610	2	Valve, Cartridge (Counterbalance)	
30	70005950	1	Orifice	
31	70005951	1	Valve, Cartridge (Check)	
31	70004052	1	Seal Kit - 70005951 Valve	
32	70005952	1	Valve, Cartridge (Check)	
32	70004052	1	Seal Kit - 70005952 Valve	
33	70004457	3	Valve, Solenoid Less Coil (Directional Control)	
33	70004050	3	Seal Kit - 70004457 Valve	
33	70004588	3	Coil	
33	70005947	3	Coil Nut and Pole Tube O-Ring Kit	
35	2221086	13	Fitting, Test	
36	70005953	1	Valve, Solenoid Less Coil (Flow Control)	
36	70004594	1	Seal Kit - 70005953 Valve	
36	70004595	1	Coil	
36	70004597	1	Nut, Coil	
36	70004596	1	O-Ring, Pole Tube	
37	70004613	1	Valve, Cartridge (Check)	
37	70023860	1	Seal Kit - 70004613 Valve	
801	70000781	5	Plate, Locking	
802	70004619	4	Plate, Locking	
803	70004618	1	Plate, Locking	
804	70002962	1	Plate, Locking	
805	70005958	11	Capscrew	
806	7018942	12	Capscrew	
808	2150606	1	Fitting, 45 ORFS/ORB	
809	2110406	1	Fitting, Straight ORFS/ORB	
810	1001213297	1	Fitting, Straight ORFS/ORB	
811	2151616	1	Fitting, 45 JIC/ORB	
812	2220582	2	Fitting, Straight JIC/ORB	
814	1001213292	1	Fitting, Straight JIC/ORB	
815	1001213294	1	Fitting, Straight JIC/ORB	
816	1001213294	1	Fitting, Straight JIC/ORB	
817	2220465	1	Fitting, 90 JIC/ORB	
818	70002758	1	Plug	
819	70004617	1	Plug	
820	70002759	6	Plug	
821	70004603	4	Plug	
824	1001213296	1	Fitting, Straight ORFS/ORB	
825	2220865	1	Fitting, Straight JIC/ORB	
826	2220374	1	Fitting, Straight JIC/ORB	
827	1001213295	1	Fitting, Straight JIC/ORB	
828	2131010	1	Fitting, 90 ORFS/ORB	
829	2220472	1	Fitting, 90 JIC/ORB	
830	2220906	1	Fitting, 90 JIC/ORB	
831	1001213298	1	Fitting, Straight JIC/ORB	
832	1001213293	1	Fitting, Straight JIC/ORB	

SECTION 2 - TURNTABLE

FIGURE 2-7. JUNCTION VALVE ASSEMBLY



ART_1001200988

SECTION 2 - TURNTABLE

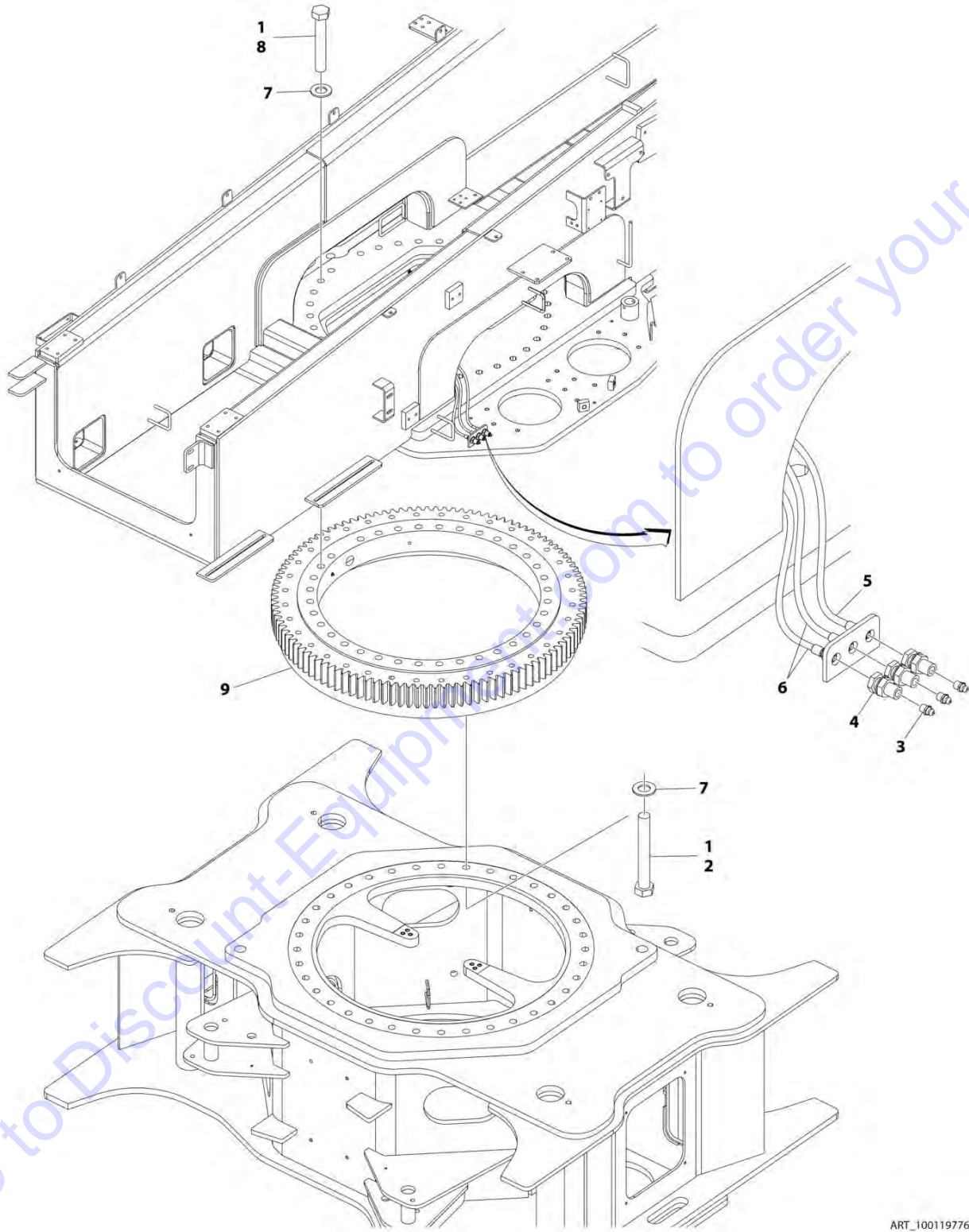
FIGURE 2-7. JUNCTION VALVE ASSEMBLY

ITEM	PART NUMBER	QTY	DESCRIPTION	REV
	1001200988	Ref	JUNCTION VALVE ASSEMBLY	L
11	70023866	1	Valve, Cartridge (Check)	
11	70023867	1	Seal Kit - 70023866 Valve	
12	70005959	1	Valve, Cartridge (Check)	
12	70004614	1	Seal Kit - 70005959 Valve	
13	70004614	1	Switch, Temperature	
801	2220371	1	Fitting, Straight ORFS/ORB	
802	2221155	1	Fitting, Straight FORB/MORB	
803	2220865	1	Fitting, Straight JIC/ORB	
804	2220435	2	Fitting, Straight JIC/ORB	
805	2220380	1	Fitting, Straight JIC/ORB	
806	70005199	1	Plug	
807	70004615	2	Capscrew	
808	70005961	2	Insert, Threaded	
809	70005958	3	Fitting, 45 JIC/ORB	

Go to Discount-Equipment.com to order your parts

SECTION 2 - TURNTABLE

FIGURE 2-8. TURNTABLE BEARING INSTALLATION



ART_1001197761

SECTION 2 - TURNTABLE

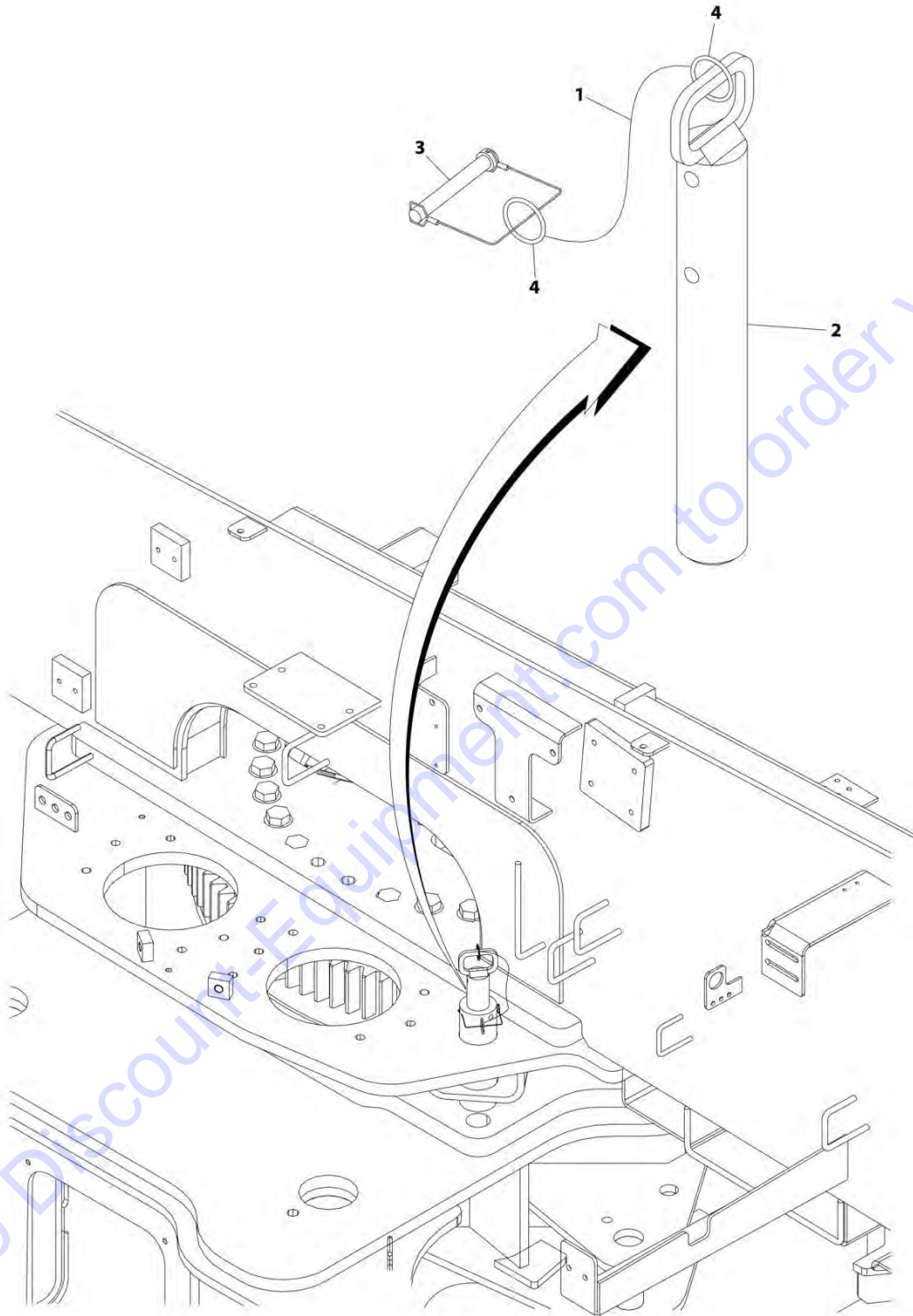
FIGURE 2-8. TURNTABLE BEARING INSTALLATION

ITEM	PART NUMBER	QTY	DESCRIPTION	REV
	1001197761	Ref	TURNTABLE BEARING INSTALLATION	A
1	0100019	AR	Compound, Locking	
2	0712435	36	Bolt M24 x 180 Grade 10.9	
3	2160002	3	Fitting, Grease	
4	2180344	3	Fitting, Bulkhead NPT	
5	2750528	1	Hose	
6	2751032	2	Hose	
7	5242400	69	Washer M24	
8	1001097587	33	Bolt M24 x 150 Grade 10.9	
9	1001149823	1	Bearing, Swing	
10	1001193630	1	Bearing Kit (Not Shown - Includes Items 2, 7, 8 & 9)	

Go to Discount-Equipment.com to order your parts

SECTION 2 - TURNTABLE

FIGURE 2-9. TURNTABLE LOCK INSTALLATION



ART_1001197142

SECTION 2 - TURNTABLE

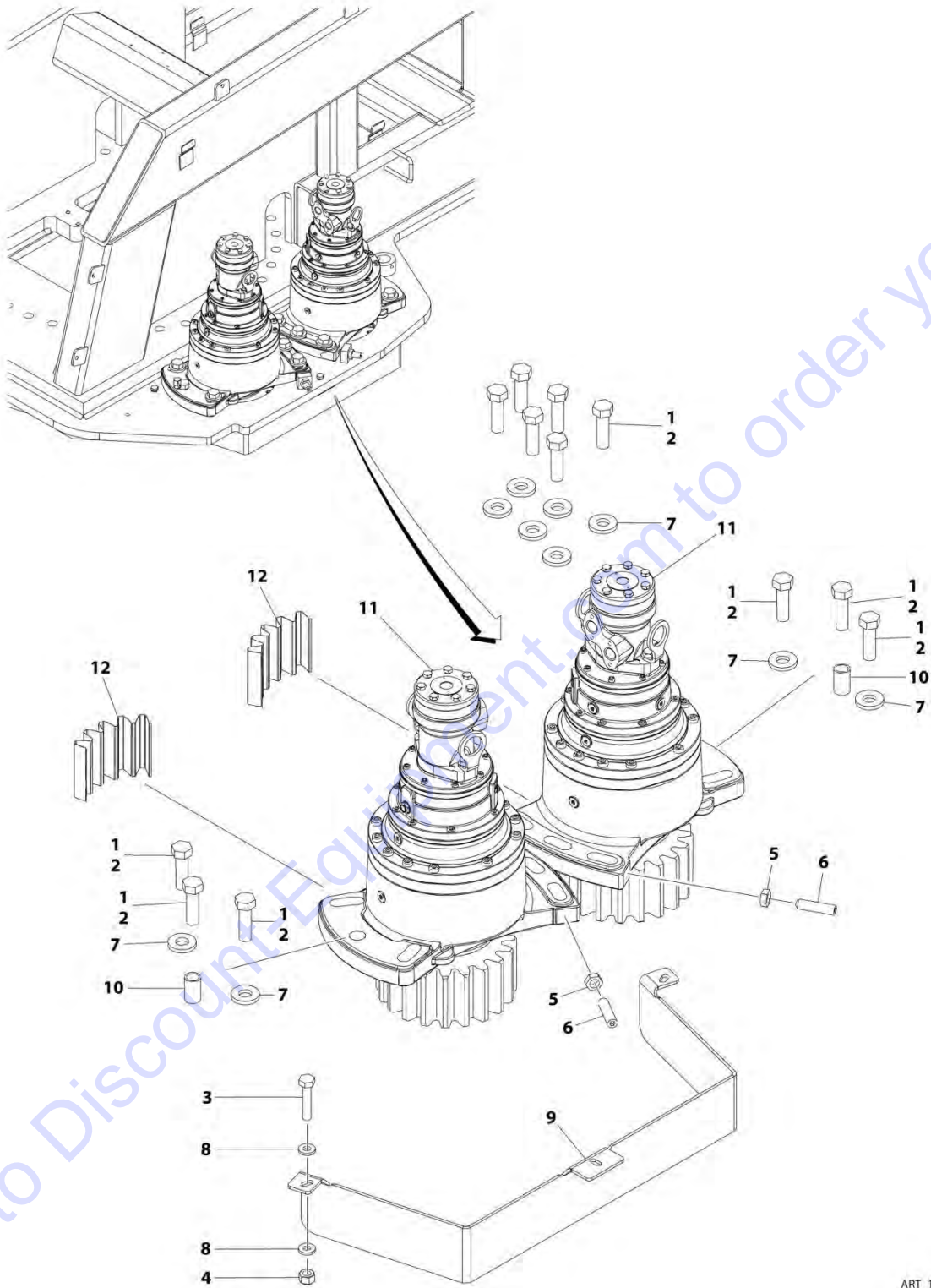
FIGURE 2-9. TURNTABLE LOCK INSTALLATION

ITEM	PART NUMBER	QTY	DESCRIPTION	REV
	1001197142	Ref	TURNTABLE LOCK INSTALLATION	A
1	1260017	8 in /20cm	Chain	
2	3421563	1	Pin	
3	3421565	1	Pin	
4	3760170	2	Ring	

Go to Discount-Equipment.com to order your parts

SECTION 2 - TURNTABLE

FIGURE 2-10. SWING DRIVE INSTALLATION



ART_1001153981

SECTION 2 - TURNTABLE

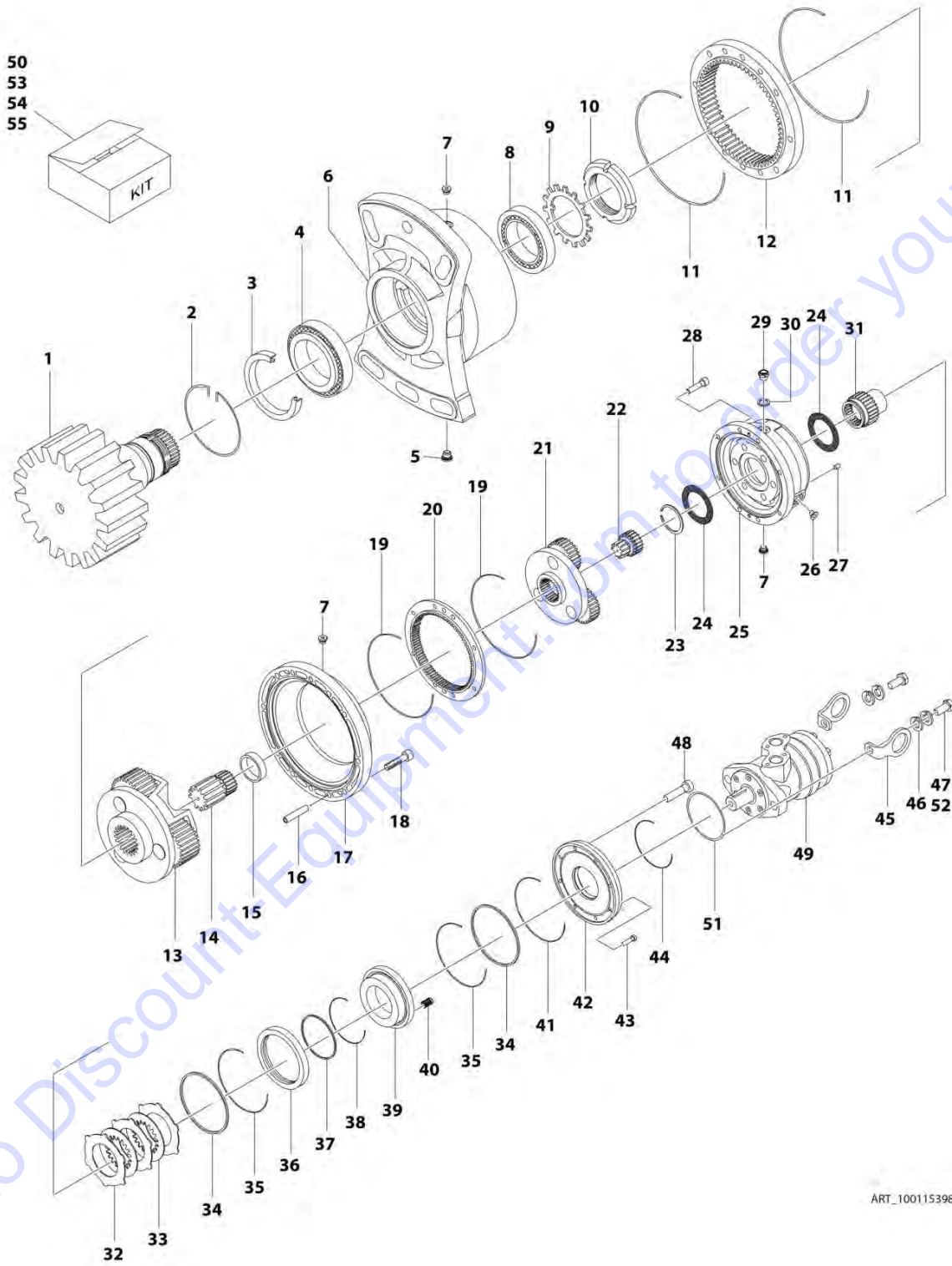
FIGURE 2-10. SWING DRIVE INSTALLATION

ITEM	PART NUMBER	QTY	DESCRIPTION	REV
	1001153981	Ref	SWING DRIVE INSTALLATION	C
1	0100019	AR	Compound, Locking	
2	0682220	12	Bolt 3/4 x 2-1/2 Grade 8	
3	0701018	3	Bolt M10 x 50	
4	3291005	3	Nut M10	
5	3312002	2	Nut 5/8	
6	3952020	2	Setscrew 5/8 x 2-1/2	
7	4740057	10	Washer	
8	4812000	6	Washer M10	
9	1001150725	1	Shield	
10	1001153983	2	Bar	
11	1001153984	2	Swing Hub/Brake/Motor Assembly (See SWING HUB/BRAKE/MOTOR ASSEMBLY for Breakdown)	
12	1001154377	2	Shim	

Go to Discount-Equipment.com to order your parts

SECTION 2 - TURNTABLE

FIGURE 2-11. SWING HUB/BRAKE/MOTOR ASSEMBLY



ART_1001153984

SECTION 2 - TURNTABLE

FIGURE 2-11. SWING HUB/BRAKE/MOTOR ASSEMBLY

ITEM	PART NUMBER	QTY	DESCRIPTION	REV
	1001153984	Ref	SWING HUB/BRAKE/MOTOR ASSEMBLY	E
1	70004466	1	Shaft	
2	70004467	1	Ring	
3	See Note	NSS	Seal, Oil (Note: Use Item 54)	
4	70004468	1	Bearing	
5	70004469	1	Plug with O-Ring	
6	70004470	1	Support, Output	
7	70002057	5	Plug with O-Ring	
8	70004471	1	Bearing	
9	70004472	1	Washer	
10	70004473	1	Nut, Ring	
11	See Note	NSS	O-Ring (Note: Use Item 54)	
12	70004474	1	Ring, Planetary	
13	70004475	1	Reduction, Gear - Complete	
14	70004476	1	Pinion	
15	70004477	1	Spacer	
16	70004478	4	Pin, Spring	
17	70004479	1	Spacer	
18	70004480	8	Capscrew M10 x 55	
19	See Note	NSS	O-Ring (Note: Use Item 54)	
20	70004481	1	Ring, Planetary	
21	70004482	1	Reduction, Gear - Complete	
22	70004483	1	Pinion	
23	See Note	NSS	Ring (Note: Use Item 53)	
24	See Note	NSS	Washer (Note: Use Item 53)	
25	See Note	NSS	Housing, Brake (Note: Use Item 53)	
26	See Note	NSS	Plug (Note: Use Item 53)	
27	See Note	NSS	Plug (Note: Use Item 53)	
28	See Note	NSS	Capscrew M8 x 35 (Note: Use Item 53)	
29	See Note	NSS	Plug (Note: Use Item 53)	
30	See Note	NSS	Washer (Note: Use Item 53)	
31	See Note	NSS	Shaft, Input (Note: Use Item 53)	
32	See Note	NSS	Disc, Steel (Note: Use Item 53)	
33	See Note	NSS	Disc (Note: Use Item 53)	
34	See Note	NSS	Seal (Note: Use Item 53 or 55)	
35	See Note	NSS	O-Ring (Note: Use Item 53 or 55)	
36	See Note	NSS	Spacer (Note: Use Item 53)	
37	See Note	NSS	Seal (Note: Use Item 53 or 55)	
38	See Note	NSS	O-Ring (Note: Use Item 53 or 55)	
39	See Note	NSS	Piston, Brake (Note: Use Item 53)	
40	See Note	NSS	Spring, Brake (Note: Use Item 53)	
41	See Note	NSS	O-Ring (Note: Use Item 53 or 55)	
42	See Note	NSS	Cover (Note: Use Item 53 or 55)	
43	See Note	NSS	Screw M6 x 25 (Note: Use Item 53)	
44	See Note	NSS	O-Ring (Note: Use Item 53 or 55)	
45	70004484	2	Lug, Lifting	
46	70004485	4	Washer	
47	70004486	2	Capscrew M12 x 25	
48	70004487	2	Capscrew M12 x 35	
49	70004491	1	Motor	

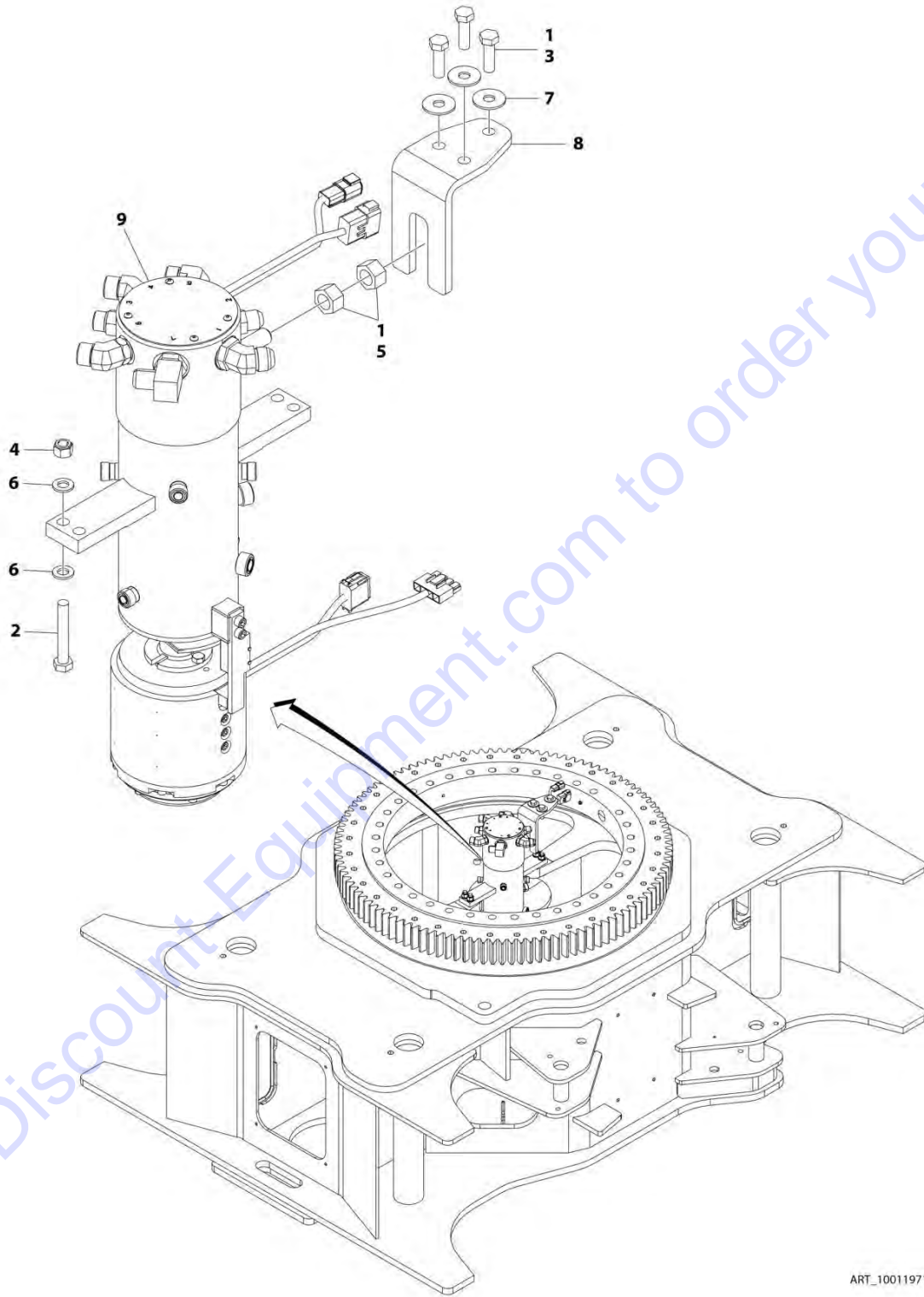
SECTION 2 - TURNTABLE

ITEM	PART NUMBER	QTY	DESCRIPTION	REV
		Ref	Note: Seal Kit is the on replacement component available. Otherwise, replacement complete motor.	
50	70004492	1	Kit, Seal - Motor	
51	70004493	1	O-Ring	
52	70004494	2	Bolt	
53	70004488	1	Brake Kit (Includes Items 23-44)	
54	70004489	1	Seal Kit- Gearbox (Includes Items 3, 11 & 19)	
55	70004490	1	Brake Seal Kit (Includes Items 34, 35, 37, 38, 41, 42 & 44)	

Go to Discount-Equipment.com to order your parts

SECTION 2 - TURNTABLE

FIGURE 2-12. COUPLING/COLLECTOR RING INSTALLATION



ART_1001197118

SECTION 2 - TURNTABLE

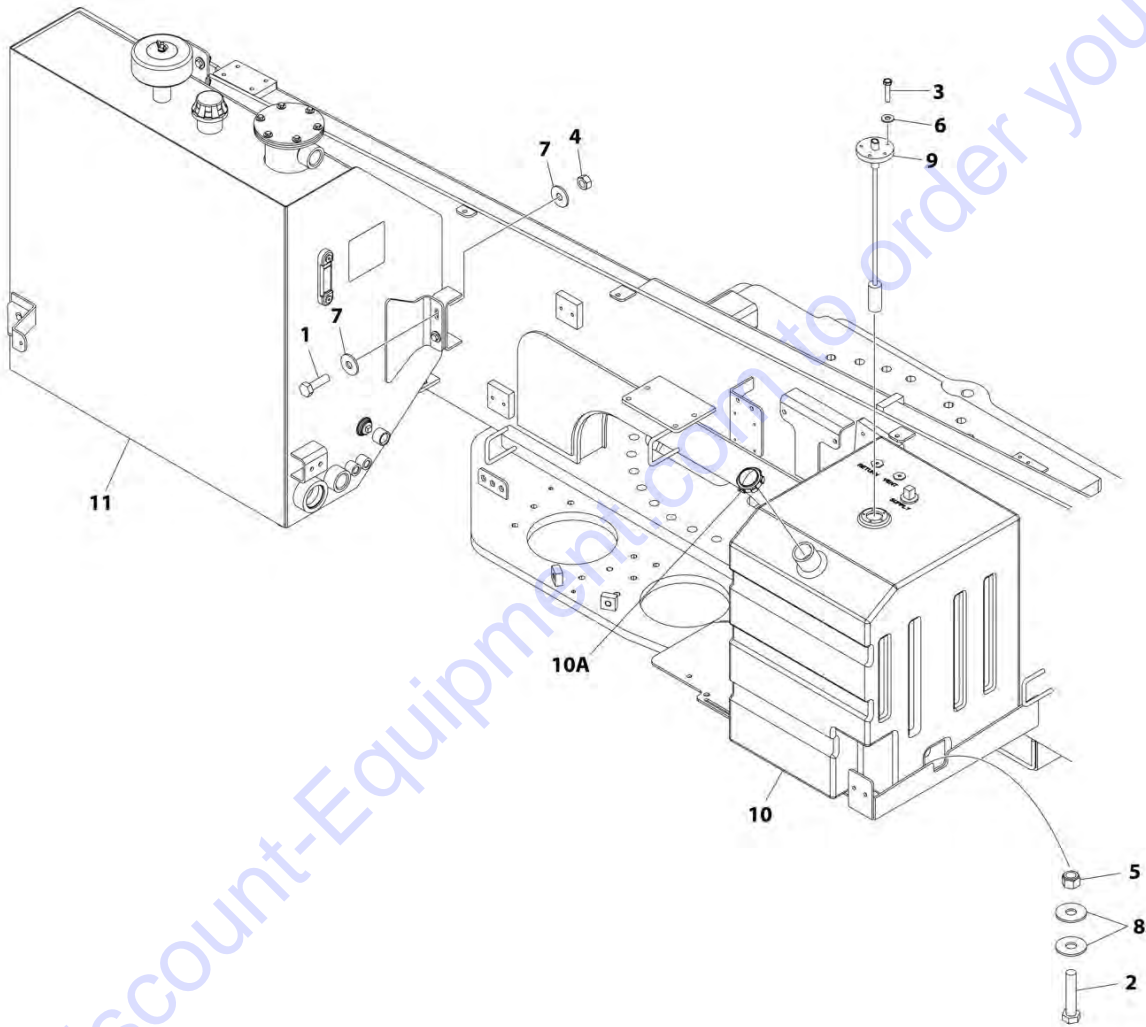
FIGURE 2-12. COUPLING/COLLECTOR RING INSTALLATION

ITEM	PART NUMBER	QTY	DESCRIPTION	REV
	1001197118	Ref	COUPLING/COLLECTOR RING INSTALLATION	C
1	0100011	AR	Compound, Locking	
2	0701224	4	Bolt M12 x 80	
3	0761216	3	Bolt M12 x 40	
4	3291205	4	Nut M12	
5	3322201	2	Nut 3/4	
6	4812100	8	Washer M12	
7	4812102	3	Washer M12	
8	1001154196	1	Bracket	
9	1001195588	1	Coupling/Collector Ring Assembly (See ELECTRICAL SECTION for Breakdown)	

Go to Discount-Equipment.com to order your parts

SECTION 2 - TURNTABLE

FIGURE 2-13. TANKS INSTALLATION (WITHOUT DIESEL EXHAUST FLUID TANK)



ART_1001197627

SECTION 2 - TURNTABLE

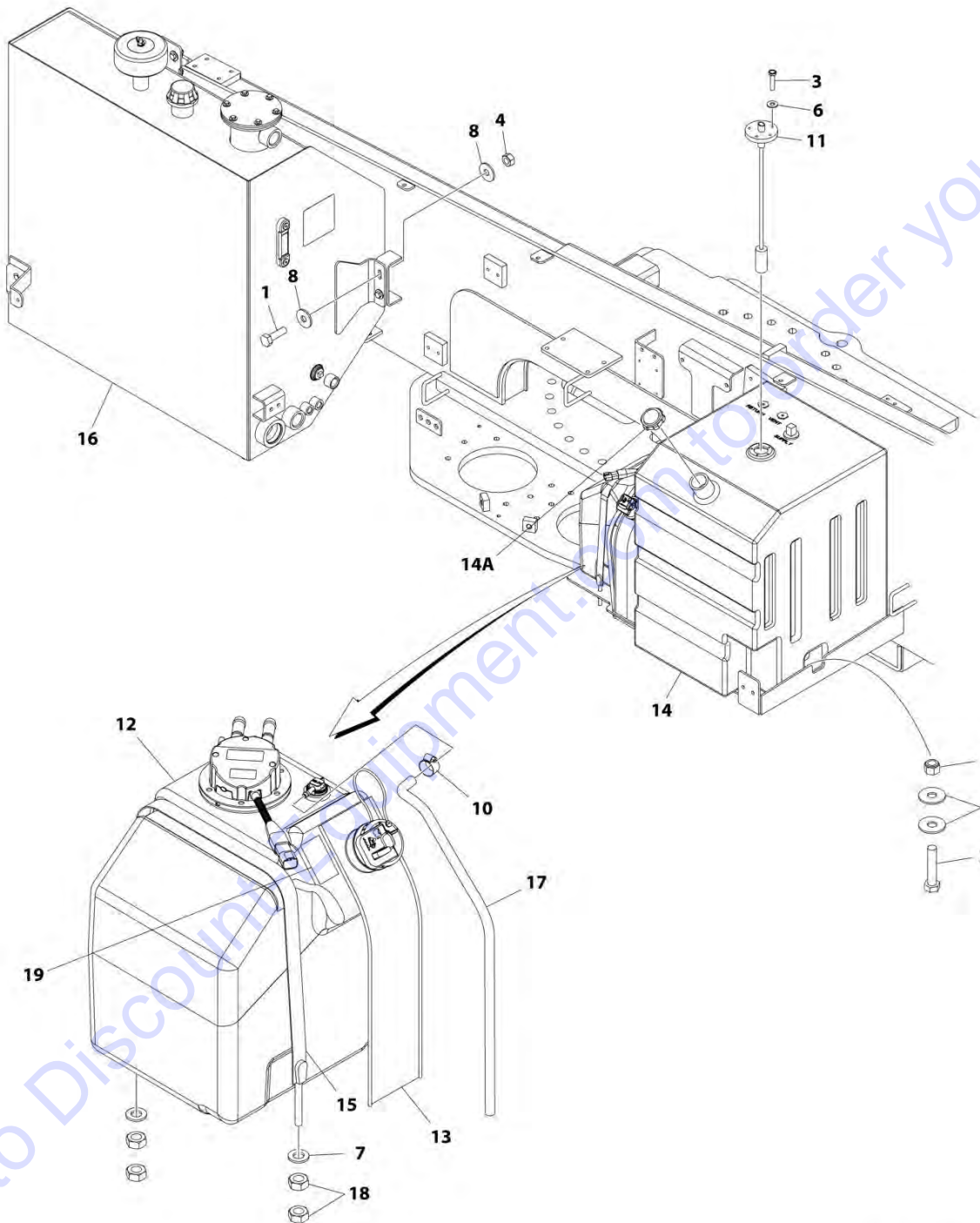
FIGURE 2-13. TANKS INSTALLATION (WITHOUT DIESEL EXHAUST FLUID TANK)

ITEM	PART NUMBER	QTY	DESCRIPTION	REV
	1001197627	Ref	TANKS INSTALLATION (WITHOUT DIESEL EXHAUST FLUID TANK)	B
1	0701015	4	Bolt M10 x 35	
2	0701220	2	Bolt M12 x 60	
3	0731007	5	Screw #10 x 7/8	
4	3291007	4	Nut M10	
5	3291205	2	Nut M12	
6	4751000	5	Washer #10	
7	4812002	8	Washer M10	
8	4812102	4	Washer M12	
9	1001109048	1	Gauge, Fuel	
9	3960525	1	Gasket (Gauge to Tank)	
10	1001188491	1	Tank, Fuel	
10A	70005565	1	Cap, Fuel	
11	1001197292	1	Hydraulic Tank Assembly (See HYDRAULIC TANK ASSEMBLY for Breakdown)	

Go to Discount-Equipment.com to Order your parts

SECTION 2 - TURNTABLE

FIGURE 2-14. TANKS INSTALLATION (WITH DIESEL EXHAUST FLUID TANK) (Prior to SN 0300254483)



ART_1001197291

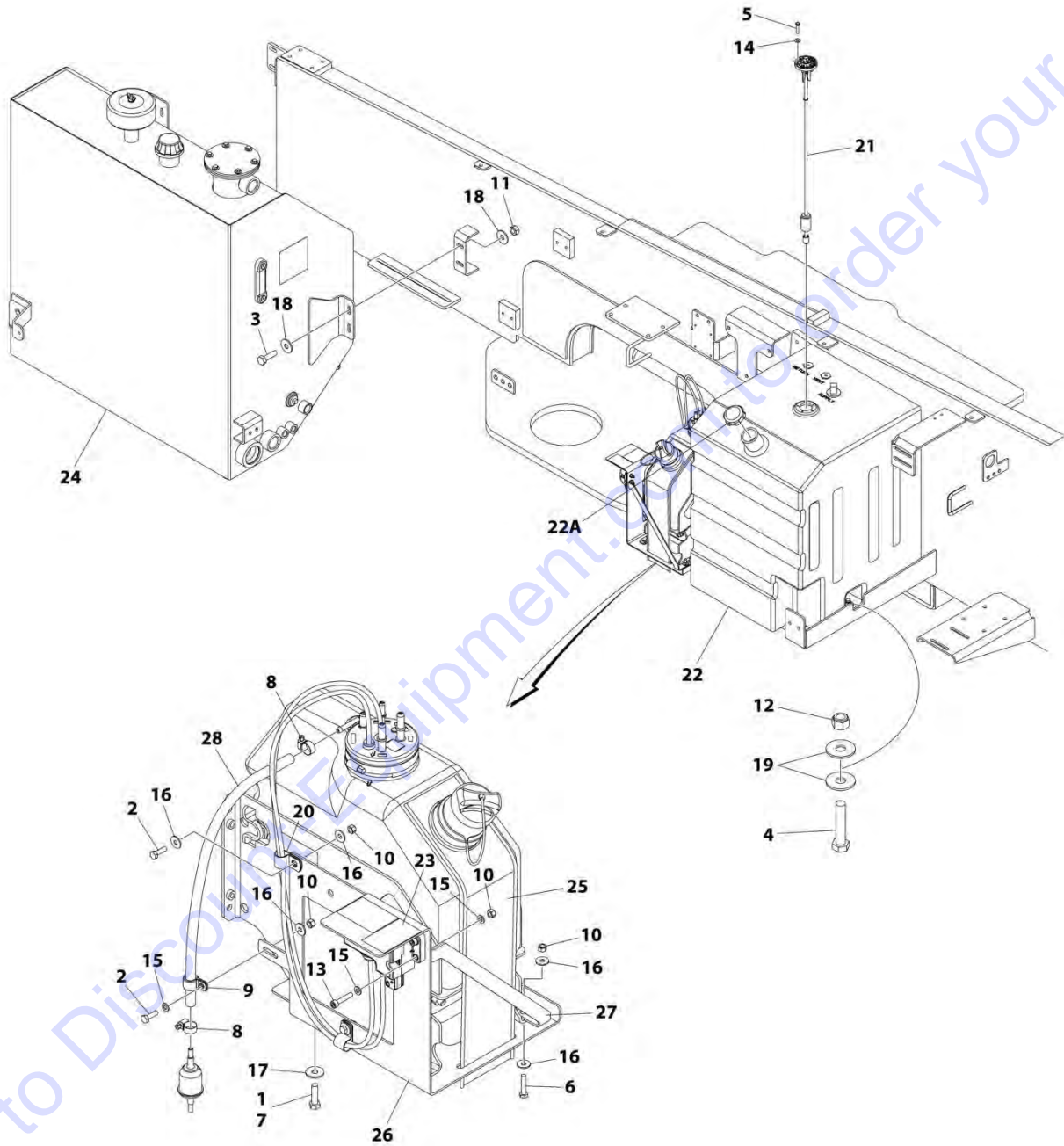
SECTION 2 - TURNTABLE

FIGURE 2-14. TANKS INSTALLATION (WITH DIESEL EXHAUST FLUID TANK) (Prior to SN 0300254483)

ITEM	PART NUMBER	QTY	DESCRIPTION	REV
	1001197291	Ref	TANKS INSTALLATION (WITH DIESEL EXHAUST FLUID TANK)	I
1	0701015	4	Bolt M10 x 35	
2	0701220	2	Bolt M12 x 60	
3	0731007	5	Screw #10 x 7/8	
4	3291007	4	Nut M10	
5	3291205	2	Nut M12	
6	4751000	5	Washer #10	
7	4812000	2	Washer M10	
8	4812002	8	Washer M10	
9	4812102	4	Washer M12	
10	8405009	1	Clamp (Prior to SN 0300226660)	
10	1320022	1	Clamp (SN 0300226660 through 0300254482)	
11	1001109048	1	Gauge, Fuel	
11	3960525	1	Gasket (Gauge to Tank)	
12	1001164968	NLA	Tank - Diesel Exhaust Fluid (Use p/n 1001244863) (Prior to SN 0300226660)	
12	1001174795	1	Cap	
12	1001164965	NLA	Electrical Assembly (Use p/n 1001244863)	
12	1001225676	NLA	Tank - Diesel Exhaust Fluid (Use p/n 1001244863) (SN 0300226660 through 0300254482)	
12	1001174795	1	Cap	
12	1001225677	NLA	Electrical Assembly (Use p/n 1001244863)	
13	1001168272	1	Sleeve, Spill Guard	
14	1001188491	1	Tank, Fuel	
14A	70005565	1	Cap, Fuel	
15	1001189159	1	Strap	
16	1001197292	1	Hydraulic Tank Assembly (See HYDRAULIC TANK ASSEMBLY for Breakdown)	
17	1001175201	28 in/ 0.7m	Hose	
18	3291001	4	Nut M10	
19	1001196806	1	Decal - Diesel Exhaust Fluid	

SECTION 2 - TURNTABLE

FIGURE 2-15. TANKS INSTALLATION (WITH DIESEL EXHAUST FLUID TANK) (SN 0300254483 to Present)



ART_1001242390

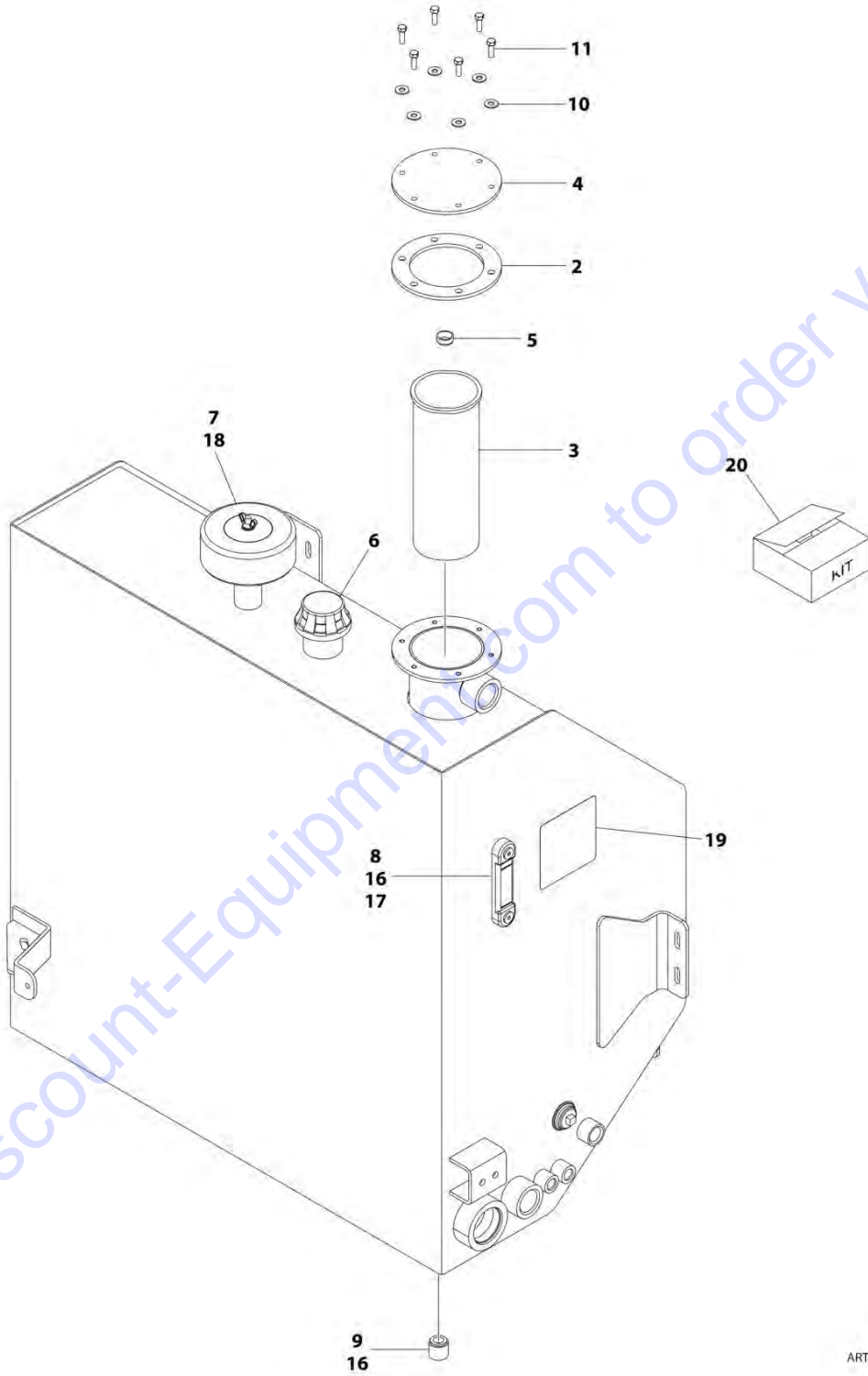
SECTION 2 - TURNTABLE

FIGURE 2-15. TANKS INSTALLATION (WITH DIESEL EXHAUST FLUID TANK) (SN 0300254483 to Present)

ITEM	PART NUMBER	QTY	DESCRIPTION	REV
	1001242390	Ref	TANKS INSTALLATION (WITH DIESEL EXHAUST FLUID TANK)	A
1	0100011	AR	Compound, Locking	
2	0700610	3	Bolt M6 x 20	
3	0701015	4	Bolt M10 x 35	
4	0701220	2	Bolt M12 x 60	
5	0731007	5	Screw #10 x 7/8	
6	0760614	1	Bolt M6 x 30	
7	0760814	4	Bolt M8 x 30	
8	1320022	2	Clamp	
9	1320041	1	Clamp	
10	3290605	8	Nut M6	
11	3291007	4	Nut M10	
12	3291205	2	Nut M12	
13	4031710	4	Bolt M6 x 30	
14	4751000	5	Washer #10	
15	4811700	9	Washer M6	
16	4811702	7	Washer M6	
17	4811902	4	Washer M8	
18	4812002	8	Washer M10	
19	4812102	4	Washer M12	
20	8406101	2	Clip	
21	1001109048	1	Gauge, Fuel	
21	3960525	1	Gasket (Gauge to Tank)	
22	1001188491	1	Tank, Fuel	
22A	70005565	1	Cap, Fuel	
23	1001196806	1	Decal - Diesel Exhaust Fluid	
24	1001197292	1	Hydraulic Tank Assembly (See HYDRAULIC TANK ASSEMBLY for Breakdown)	
25	1001238158	1	Sleeve, Spill Guard	
26	1001238262	1	Support	
27	1001241631	1	Bracket	
28	1001175201	18 in/ 0.46m	Hose	

SECTION 2 - TURNTABLE

FIGURE 2-16. HYDRAULIC TANK ASSEMBLY



ART_1001197292

SECTION 2 - TURNTABLE

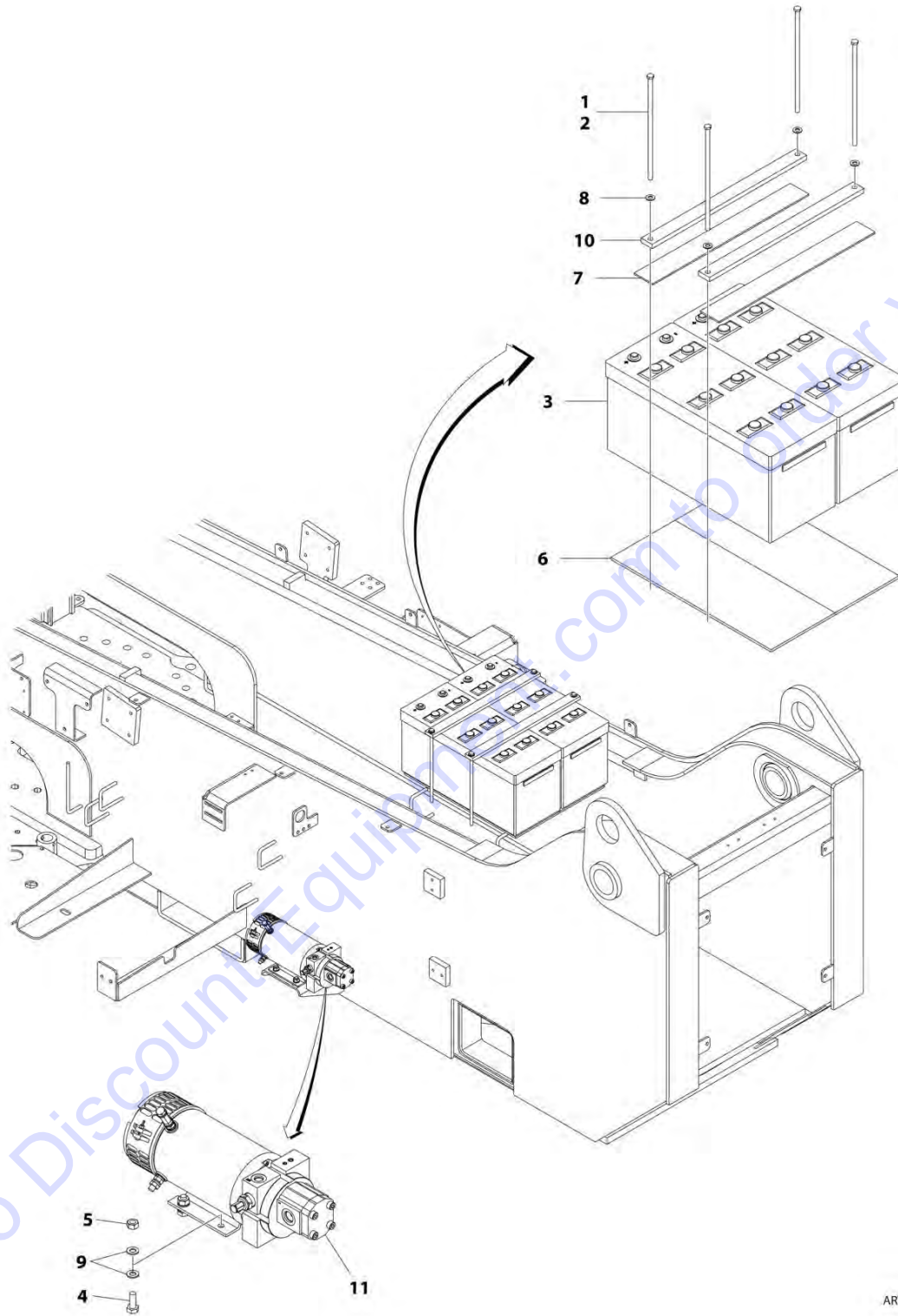
FIGURE 2-16. HYDRAULIC TANK ASSEMBLY

ITEM	PART NUMBER	QTY	DESCRIPTION	REV
	1001197292	Ref	HYDRAULIC TANK ASSEMBLY	D
2	See Note	NSS	Gasket (Note: Use Item 20)	
3	See Note	NSS	Element, Filter (Note: Use Item 20)	
4	See Note	NSS	Cover (Note: Not Available for Purchase)	
5	70004412	1	Spring	
6	70002838	1	Cap, Fill	
7	See Note	NSS	Breather (Note: Use Item 20)	
8	7024441	1	Gauge	
9	See Note	NSS	Plug (Note: Purchase Locally)	
10	See Note	NSS	Washer 5/16 Stainless Steel (Note: Purchase Locally)	
11	See Note	NSS	Bolt 5/16 x 1 Stainless Steel (Note: Purchase Locally)	
16	See Note	AR	Loctite #243 (Note: Purchase Locally)	
17	See Note	AR	Lubricant (Note: Purchase Locally)	
18	See Note	AR	Loctite #565 (Note: Purchase Locally)	
19	70004411	1	Decal - Service	
20	70004150	1	Tank Filter/ Breather Kit (Includes Item 2, 3 & 7)	

Go to Discount-Equipment.com to order your parts

SECTION 2 - TURNTABLE

FIGURE 2-17. AUXILIARY POWER AND BATTERIES INSTALLATIONS



SECTION 2 - TURNTABLE

FIGURE 2-17. AUXILIARY POWER AND BATTERIES INSTALLATIONS

ITEM	PART NUMBER	QTY	DESCRIPTION	REV
	1001197345	Ref	AUXILIARY POWER AND BATTERIES INSTALLATIONS	A
1	0100011	AR	Compound, Locking	
2	0236768	4	Bolt, Tie-Down	
3	0400020	2	Battery	
4	0701013	4	Bolt M10 x 28	
5	3291007	4	Nut M10	
6	3980006	2	Seat, Battery	
7	4420038	34 in /85cm	Tape	
8	4711600	4	Washer 3/8	
9	4812000	8	Washer M10	
10	1001154035	2	Plate	
11	1001162880	1	Auxiliary Pump/Motor Assembly (See AUXILIARY PUMP/MOTOR ASSEMBLY for Breakdown)	

Go to Discount-Equipment.com to order your parts

PARTS FINDER

**Search Website
by Part Number**



**Search Manual
Library For Parts
Manual & Lookup Part
Numbers – Purchase
or Request Quote**

**Can't Find Part or
Manual? Request Help
by Manufacturer,
Model & Description**

Discount-Equipment.com is your online resource for quality parts & equipment.

Florida: **561-964-4949** Outside Florida TOLL FREE: **877-690-3101**

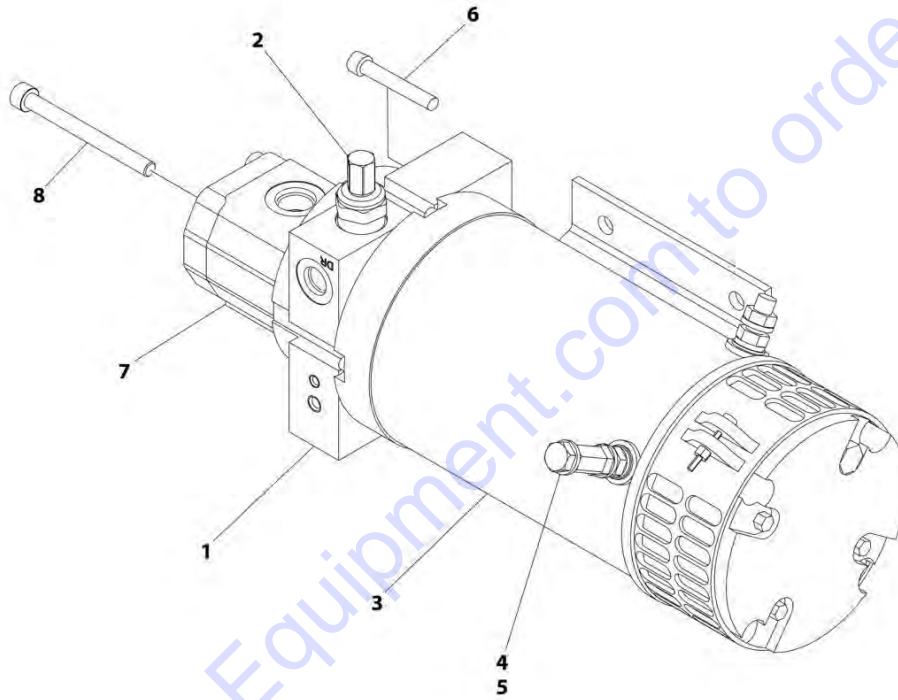
Need parts?

Click on this link: <http://www.discount-equipment.com/category/5443-parts/> and choose one of the options to help get the right parts and equipment you are looking for. Please have the machine model and serial number available in order to help us get you the correct parts. If you don't find the part on the website or on one of the online manuals, please fill out the request form and one of our experienced staff members will get back to you with a quote for the right part that your machine needs.

We sell worldwide for the brands: Genie, Terex, JLG, MultiQuip, Mikasa, Essick, Whiteman, Mayco, Toro Stone, Diamond Products, Generac Magnum, Airman, Haulotte, Barreto, Power Blanket, Nifty Lift, Atlas Copco, Chicago Pneumatic, Allmand, Miller Curber, Skyjack, Lull, Skytrak, Tsurumi, Husquvarna Target, Stow, Wacker, Sakai, Mi-T-M, Sullair, Basic, Dynapac, MBW, Weber, Bartell, Bennar Newman, Haulotte, Ditch Runner, Menegotti, Morrison, Contec, Buddy, Crown, Edco, Wyco, Bomag, Laymor, EZ Trench, Bil-Jax, F.S. Curtis, Gehl Pavers, Heli, Honda, ICS/PowerGrit, IHI, Partner, Imer, Clipper, MMD, Koshin, Rice, CH&E, General Equipment, Amida, Coleman, NAC, Gradall, Square Shooter, Kent, Stanley, Tamco, Toku, Hatz, Kohler, Robin, Wisconsin, Northrock, Oztec, Toker TK, Rol-Air, APT, Wylie, Ingersoll Rand / Doosan, Innovatech, Con X, Ammann, Mecalac, Makinex, Smith Surface Prep, Small Line, Wanco, Yanmar

SECTION 2 - TURNTABLE

FIGURE 2-18. AUXILIARY PUMP/MOTOR ASSEMBLY



ART_1001162880

SECTION 2 - TURNTABLE

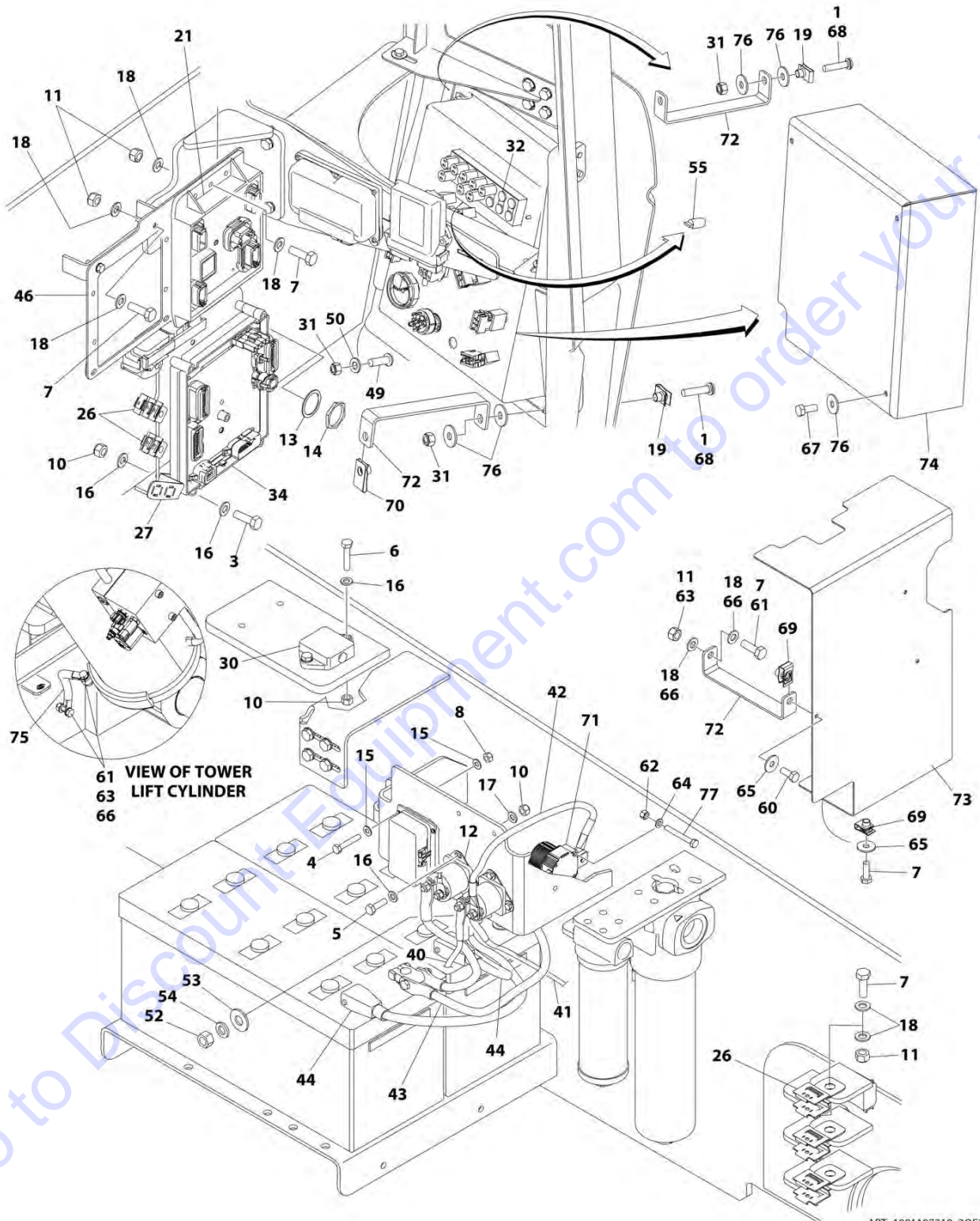
FIGURE 2-18. AUXILIARY PUMP/MOTOR ASSEMBLY

ITEM	PART NUMBER	QTY	DESCRIPTION	REV
	1001162880	Ref	AUXILIARY PUMP/MOTOR ASSEMBLY	A
1	1001164700	1	Base Assembly	
1	70005618	1	Plug	
1	70005617	1	Spring	
1	70005616	1	Poppet, Check	
2	1001164700	1	Valve, Relief	
3	See Note	1	Motor (Note: Not Available for Purchase)	
4	70007006	1	Nut 3/8	
5	70007007	1	Screw 3/8 x 3/4	
6	70007005	4	Screw 1/4 x 3	
6	See Note	1	Sleeve (Note: Not Available for Purchase)	
7	See Note	1	Pump Assembly (Note: Not Available for Purchase)	
7	70005615	1	Seal, Shaft	
7	70005619	1	Bearing	
8	See Note	4	Screw M8 x 85 (Note: Not Available for Purchase)	

Go to Discount-Equipment.com to order your parts

SECTION 2 - TURNTABLE

FIGURE 2-19. ELECTRICAL COMPONENTS INSTALLATION - TURNTABLE (HRC) (ANSI, ANSI EXPORT, CSA AND JAPANESE SPECS) (Prior to SN 0300223782)



SECTION 2 - TURNTABLE

FIGURE 2-19. ELECTRICAL COMPONENTS INSTALLATION - TURNTABLE (HRC) (ANSI, ANSI EXPORT, CSA AND JAPANESE SPECS) (Prior to SN 0300223782)

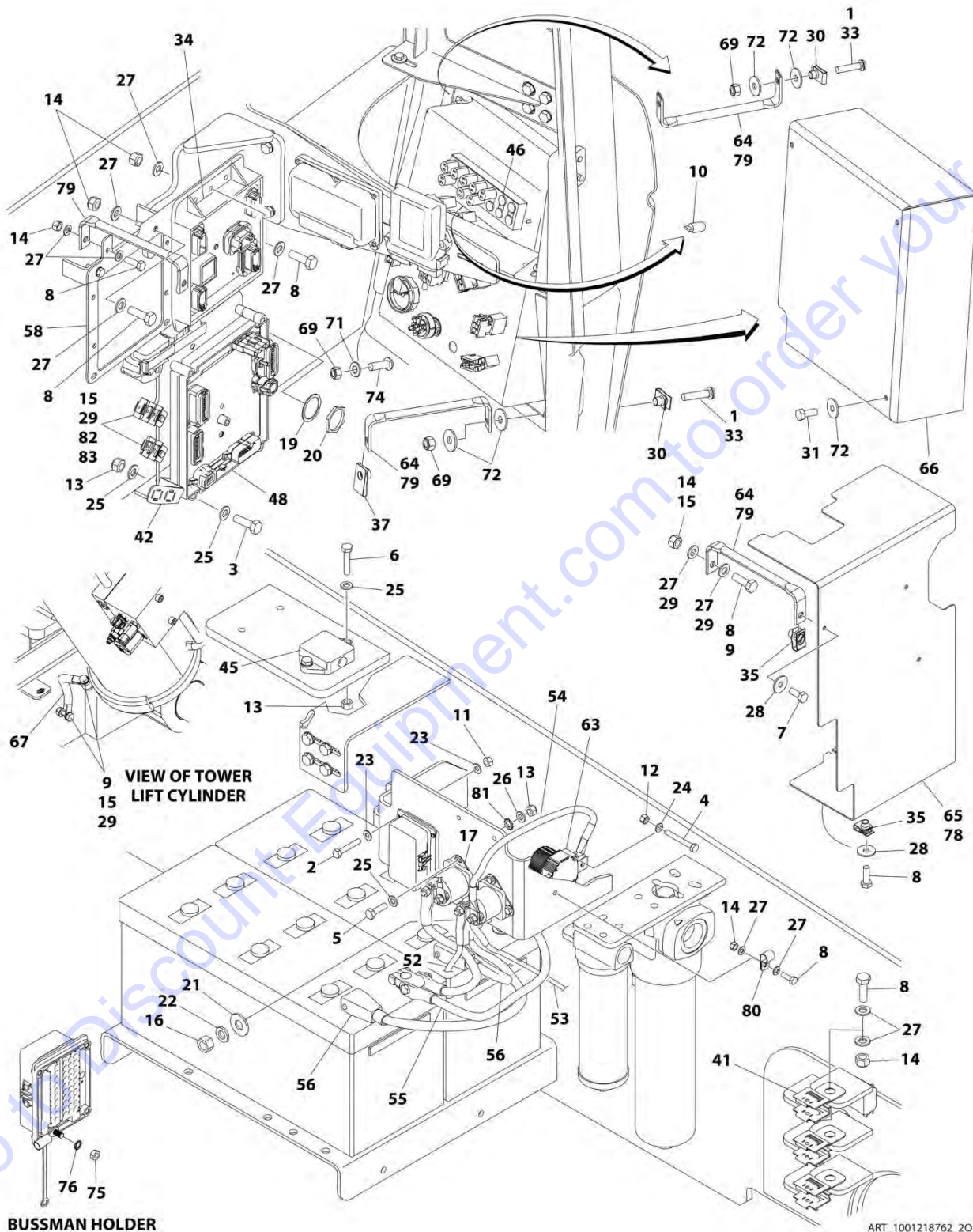
ITEM	PART NUMBER	QTY	DESCRIPTION	REV
	1001197310	Ref	ELECTRICAL COMPONENTS INSTALLATION - TURNTABLE (HRC) (ANSI, ANSI EXPORT, CSA AND JAPANESE SPECS) (Prior to SN 0300223782)	G
1	0100011	AR	Compound, Locking	
3	0700620	4	Bolt M6 x 60	
4	0700412	4	Bolt M4 x 25	
5	0760610	4	Bolt M6 x 20	
6	0760613	2	Bolt M6 x 28	
7	0760812	12	Bolt M8 x 25	
8	3290405	4	Nut M4	
10	3290605	15	Nut M6	
11	3290805	10	Nut M8	
12	3740067	2	Relay	
13	4460496	1	Washer, Terminal	
14	4460497	1	Nut, Terminal	
15	4811400	8	Washer M4	
16	4811700	26	Washer M6	
17	4811702	4	Washer M6	
18	4811900	20	Washer M8	
19	8310686	3	Nut, Retainer M8	
21	1001112757	NLA	Module, Control (Use p/n 1001227960) (Note: Re-calibration Required when Replaced)	
23	1001149970	1	Drive Pump Harness (Not Shown - See ELECTRICAL SECTION for Breakdown)	
26	1001155967	10	Holder	
27	1001159162	1	Bracket	
30	1001181325	NLA	Sensor, Dual Axis (Use p/n 1001219601)	
31	3290805001	4	Nut M8	
32	1001184083	6	Plug	
33	1001187744	AR	Sealant (Not Shown)	
34	1001187805	1	Module, Control (Note: Re-calibration Required when Replaced)	
35	1001196686	1	Turntable Harness (Not Shown - See ELECTRICAL SECTION for Breakdown)	
36	1001196688	1	BLAM Harness (Not Shown - See ELECTRICAL SECTION for Breakdown)	
37	1001196689	1	Ground Control Harness (Not Shown - See ELECTRICAL SECTION for Breakdown)	
38	1001196690	1	Valve Harness (Not Shown - See ELECTRICAL SECTION for Breakdown)	
40	1001200604	1	Cable, Auxiliary Pump (+)	
41	1001200605	1	Cable, Auxiliary Pump (-)	
42	1001200606	1	Cable, Battery to Auxiliary Relay	
43	1001200726	1	Cable Kit, Battery Positive (Note: Includes Battery Terminal and Qty 4 Cables)	
44	1001200727	1	Cable Kit, Battery Negative (Note: Includes Qty 2 Cables)	
45	1001200853	1	Ground Control Box Assembly (Not Shown - See GROUND CONTROL BOX ASSEMBLY for Breakdown)	
46	1001201103	1	Plate	
47	1001206817	1	Diesel Exhaust Fluid Tank Harness (Not Shown - See ELECTRICAL SECTION for Breakdown)	
49	8310643001	1	Screw M8 x 25	

SECTION 2 - TURNTABLE

ITEM	PART NUMBER	QTY	DESCRIPTION	REV
50	4811900001	1	Washer M8	
52	3311601	2	Nut 3/8	
53	4751600	4	Washer 3/8	
54	4761600	2	Washer 3/8	
55	2920129	8	Bulb, Light	
56	1001213622	1	Connector, Resistor - 20K Ohm (Not Shown - Located Near Item 12)	
57	4240099	1	Tie-Strap (Not Shown)	
58	1001211885	1	Fuel Pump and WIF Harness (Not Shown - See ELECTRICAL SECTION for Breakdown)	
59	1001215021	1	Magnet, Suppression (Not Shown - Located Near Item 30)	
60	0760810	3	Bolt M8 x 20	
61	0761015	3	Bolt M10 x 35	
62	3290507	2	Nut M5	
63	3291007	3	Nut M10	
64	4811600	2	Washer M5	
65	4811902	5	Washer M8	
66	4812000	6	Washer M10	
67	0760810001	3	Bolt M8 x 20	
68	1001047062	3	Screw	
69	1001118274	5	Nut, Tinnerman M8	
70	1001149160	3	Nut, Tinnerman M8	
71	1001216021	1	Relay	
72	1001216193	6	Bracket	
73	1001216194	1	Cover	
74	1001216238	1	Cover	
75	1001217007	1	Cable, Ground	
76	4811902001	9	Washer M8	
77	0760516	2	Bolt M5 x 40	

SECTION 2 - TURNTABLE

FIGURE 2-20. ELECTRICAL COMPONENTS INSTALLATION - TURNTABLE (HRC) (ANSI, ANSI EXPORT, CSA AND JAPANESE SPECS) (SN 0300223782 to Present)



SECTION 2 - TURNTABLE

FIGURE 2-20. ELECTRICAL COMPONENTS INSTALLATION - TURNTABLE (HRC) (ANSI, ANSI EXPORT, CSA AND JAPANESE SPECS) (SN 0300223782 to Present)

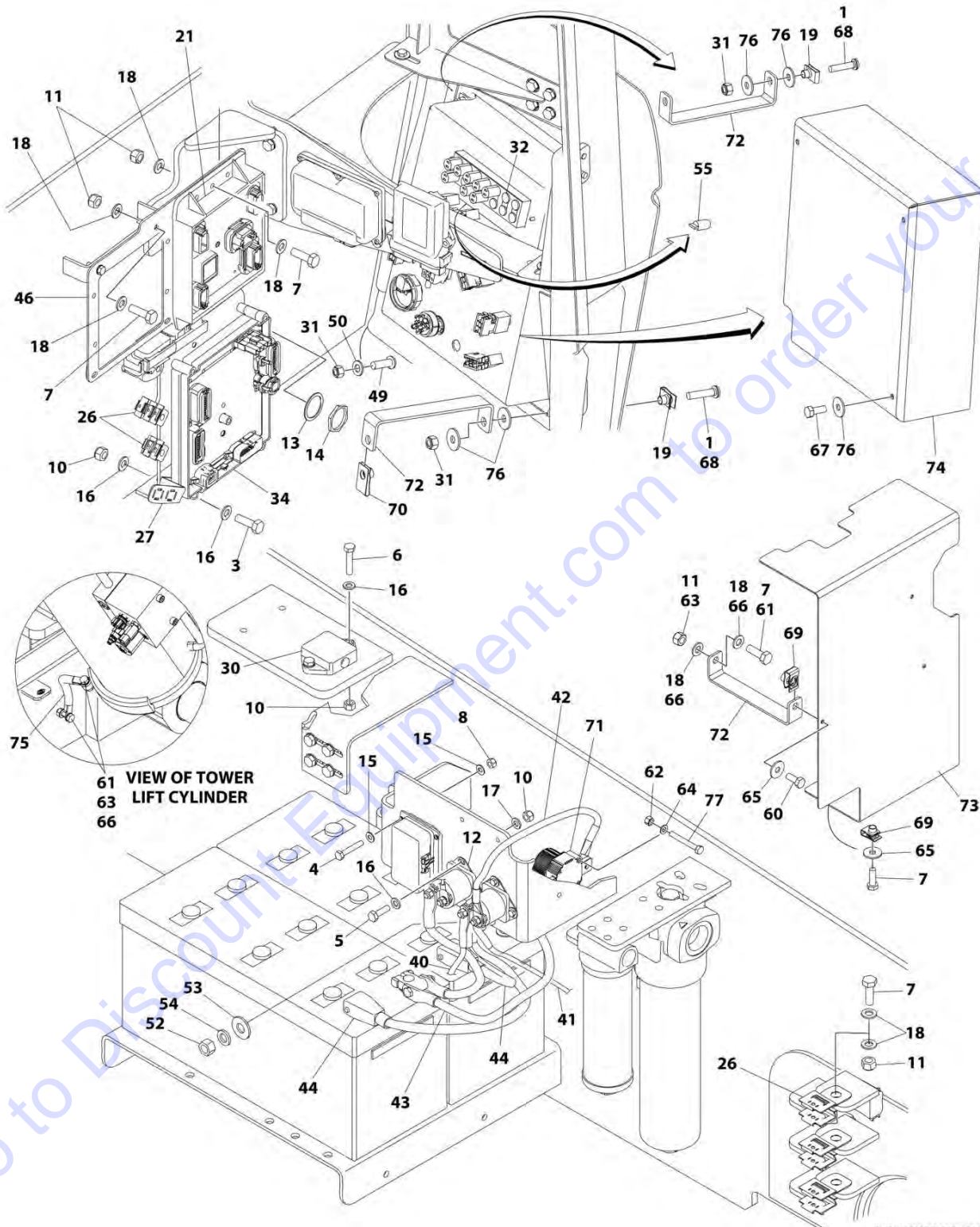
ITEM	PART NUMBER	QTY	DESCRIPTION	REV
	1001218762	Ref	ELECTRICAL COMPONENTS INSTALLATION - TURNTABLE (HRC) (ANSI, ANSI EXPORT, CSA AND JAPANESE SPECS) (SN 0300223782 to Present)	H
1	0100011	AR	Compound, Locking	
2	0700412	4	Bolt M4 x 25	
3	0700620	4	Bolt M6 x 60	
4	0760516	2	Bolt M5 x 40	
5	0760610	4	Bolt M6 x 20	
6	0760613	2	Bolt M6 x 28	
7	0760810	3	Bolt M8 x 20	
8	0760812	AR	Bolt M8 x 25	
9	0761015	3	Bolt M10 x 35	
10	2920129	8	Bulb, Light	
11	3290405	4	Nut M4	
12	3290507	2	Nut M5	
13	3290605	10	Nut M6	
14	3290805	AR	Nut M8	
15	3291007	AR	Nut M10	
16	3311601	2	Nut 3/8	
17	3740067	2	Relay	
18	4240099	1	Tie-Strap (Not Shown)	
19	4460496	1	Washer, Terminal (SN 0300223782 through 0300224829)	
20	4460497	1	Nut, Terminal (SN 0300223782 through 0300224829)	
21	4751600	4	Washer 3/8	
22	4761600	2	Washer 3/8	
23	4811400	8	Washer M4	
24	4811600	2	Washer M5	
25	4811700	26	Washer M6	
26	4811702	4	Washer M6	
27	4811900	AR	Washer M8	
28	4811902	5	Washer M8	
29	4812000	AR	Washer M10	
30	8310686	3	Nut, Retainer M8	
31	0760810001	3	Bolt M8 x 20	
33	1001047062	3	Screw	
33	1001221585	3	Screw M8 x 35	
34	1001112757	NLA	Module, Control (Use p/n 1001227960) (Note: Re-calibration Required when Replaced) (Prior to SN 0300228461)	
34	1001227960	1	Module, Control (Note: Re-calibration Required when Replaced) (SN 0300228461 to Present)	
35	1001118274	5	Nut, Tinnerman M8	
37	1001149160	3	Nut, Tinnerman M8	
38	1001149970	1	Drive Pump Harness (Not Shown - See ELECTRICAL SECTION for Breakdown)	
41	1001155967	AR	Holder	
42	1001159162	1	Bracket (Prior to SN 0300228461)	
45	1001219601	1	Sensor, Dual Axis	
46	1001184083	6	Plug	
47	1001187744	AR	Sealant (Not Shown)	
48	1001187805	1	Module, Control (Note: Re-calibration Required when Replaced)	

SECTION 2 - TURNTABLE

ITEM	PART NUMBER	QTY	DESCRIPTION	REV
49	1001196686	1	Turntable Harness (Not Shown - See ELECTRICAL SECTION for Breakdown)	
50	1001196688	1	BLAM Harness (Not Shown - See ELECTRICAL SECTION for Breakdown)	
51	1001196689	1	Ground Control Harness (Not Shown - See ELECTRICAL SECTION for Breakdown)	
52	1001200604	1	Cable, Auxiliary Pump (+)	
53	1001200605	1	Cable, Auxiliary Pump (-)	
54	1001200606	1	Cable, Battery to Auxiliary Relay	
55	1001200726	1	Cable Kit, Battery Positive (Note: Includes Battery Terminal and Qty 4 Cables)	
56	1001200727	1	Cable Kit, Battery Negative (Note: Includes Qty 2 Cables)	
57	1001200853	1	Ground Control Box Assembly (Not Shown - See GROUND CONTROL BOX ASSEMBLY for Breakdown)	
58	1001201103	1	Plate	
59	1001206817	1	Diesel Exhaust Fluid Tank Harness (Not Shown - See ELECTRICAL SECTION for Breakdown)	
60	1001211885	1	Fuel Pump and WIF Harness (Not Shown - See ELECTRICAL SECTION for Breakdown)	
61	1001213622	1	Connector, Resistor - 20K Ohm (Not Shown - Located Near Item 12) (Prior to SN 0300227413)	
61	1001226102	1	Connector, Resistor - 20K Ohm (Not Shown - Located Near Item 12) (SN 0300227413 to Present)	
62	1001215021	1	Magnet, Suppression (Not Shown - Located Near Item 30)	
63	1001216021	1	Relay	
64	1001216193	6	Bracket (Prior to SN 0300227413)	
65	1001216194	1	Cover (Prior to SN 0300227413)	
66	1001216238	1	Cover	
67	1001217007	1	Cable, Ground	
68	1001218806	1	Valve Harness (Not Shown - See ELECTRICAL SECTION for Breakdown)	
69	3290805001	4	Nut M8	
71	4811900001	1	Washer M8	
72	4811902001	9	Washer M8	
74	8310643001	1	Screw M8 x 25	
75	3290601	1	Nut M6	
76	4871700	1	Washer M6	
78	1001225167	1	Cover (SN 0300227413 to Present)	
79	1001225279	6	Bracket (SN 0300227413 to Present)	
80	8406101	1	Clip (SN 0300227413 to Present)	
81	4791400	4	Washer 1/4 (Prior to SN 0300228461)	
82	1001155967	2	Holder (Prior to SN 0300228461)	
82	1001156107	2	Holder (SN 0300228461 to Present)	
83	0761013001	2	Bolt M10 x 28 (SN 0300228461 to Present)	
84	1001228364	1	Wire, Relay Grounding (Not Shown) (SN 0300228461 to Present)	
85	1001238483	1	Def Tank Extension Harness (Not Shown - See ELECTRICAL SECTION for Breakdown) (SN 0300254483 to Present)	

SECTION 2 - TURNTABLE

FIGURE 2-21. ELECTRICAL COMPONENTS INSTALLATION - TURNTABLE (HRC) (CE SPECS) (Prior to SN 0300223782)



SECTION 2 - TURNTABLE

FIGURE 2-21. ELECTRICAL COMPONENTS INSTALLATION - TURNTABLE (HRC) (CE SPECS) (Prior to SN 0300223782)

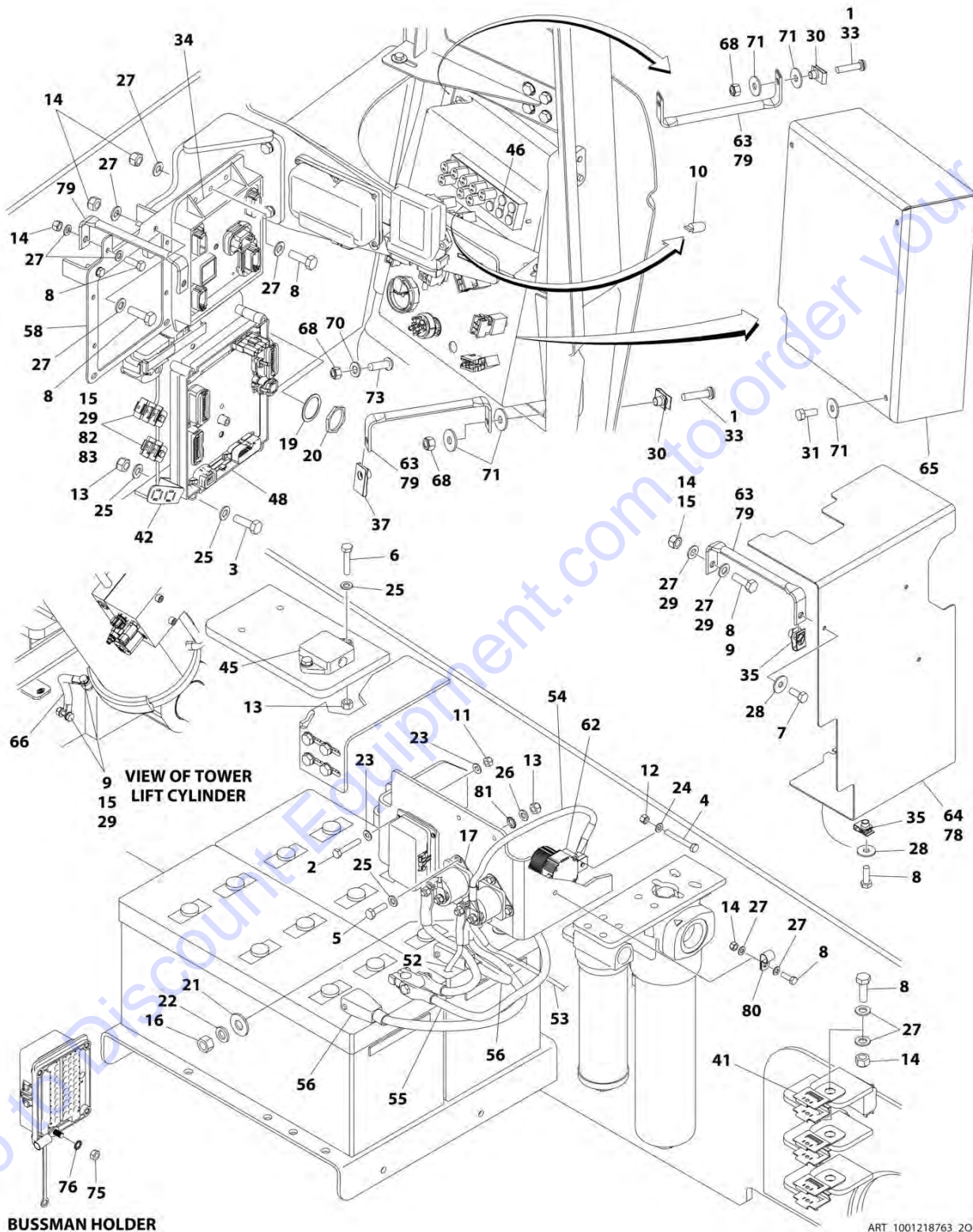
ITEM	PART NUMBER	QTY	DESCRIPTION	REV
	1001200995	Ref	ELECTRICAL COMPONENTS INSTALLATION - TURNTABLE (HRC) (CE SPECS) (Prior to SN 0300223782)	G
1	0100011	AR	Compound, Locking	
3	0700620	4	Bolt M6 x 60	
4	0700412	4	Bolt M4 x 25	
5	0760610	4	Bolt M6 x 20	
6	0760613	2	Bolt M6 x 28	
7	0760812	12	Bolt M8 x 25	
8	3290405	4	Nut M4	
10	3290605	15	Nut M6	
11	3290805	10	Nut M8	
12	3740067	2	Relay	
13	4460496	1	Washer, Terminal	
14	4460497	1	Nut, Terminal	
15	4811400	8	Washer M4	
16	4811700	26	Washer M6	
17	4811702	4	Washer M6	
18	4811900	20	Washer M8	
19	8310686	3	Nut, Retainer M8	
21	1001112757	NLA	Module, Control (Use p/n 1001227960) (Note: Re-calibration Required when Replaced)	
23	1001149970	1	Drive Pump Harness (Not Shown - See ELECTRICAL SECTION for Breakdown)	
26	1001155967	10	Holder	
27	1001159162	1	Bracket	
30	1001181325	NLA	Sensor, Dual Axis (Use p/n 1001219601)	
31	3290805001	4	Nut M8	
32	1001184083	6	Plug	
33	1001187744	AR	Sealant (Not Shown)	
34	1001187805	1	Module, Control (Note: Re-calibration Required when Replaced)	
35	1001196686	1	Turntable Harness (Not Shown - See ELECTRICAL SECTION for Breakdown)	
36	1001196688	1	BLAM Harness (Not Shown - See ELECTRICAL SECTION for Breakdown)	
37	1001196689	1	Ground Control Harness (Not Shown - See ELECTRICAL SECTION for Breakdown)	
38	1001196690	1	Valve Harness (Not Shown - See ELECTRICAL SECTION for Breakdown)	
40	1001200604	1	Cable, Auxiliary Pump (+)	
41	1001200605	1	Cable, Auxiliary Pump (-)	
42	1001200606	1	Cable, Battery to Auxiliary Relay	
43	1001200726	1	Cable Kit, Battery Positive (Note: Includes Battery Terminal and Qty 4 Cables)	
44	1001200727	1	Cable Kit, Battery Negative (Note: Includes Qty 2 Cables)	
45	1001200855	1	Ground Control Box Assembly (Not Shown - See GROUND CONTROL BOX ASSEMBLY for Breakdown)	
46	1001201103	1	Plate	
47	1001206817	1	Diesel Exhaust Fluid Tank Harness (Not Shown - See ELECTRICAL SECTION for Breakdown)	
49	8310643001	1	Screw M8 x 25	
50	4811900001	1	Washer M8	

SECTION 2 - TURNTABLE

ITEM	PART NUMBER	QTY	DESCRIPTION	REV
52	3311601	2	Nut 3/8	
53	4751600	4	Washer 3/8	
54	4761600	2	Washer 3/8	
55	2920129	8	Bulb, Light	
56	1001213622	1	Connector, Resistor - 20K Ohm (Not Shown - Located Near Item 12)	
57	4240099	1	Tie-Strap (Not Shown)	
58	1001211885	1	Fuel Pump and WIF Harness (Not Shown - See ELECTRICAL SECTION for Breakdown)	
59	1001215021	1	Magnet, Suppression (Not Shown - Located Near Item 30)	
60	0760810	3	Bolt M8 x 20	
61	0761015	3	Bolt M10 x 35	
62	3290507	2	Nut M5	
63	3291007	3	Nut M10	
64	4811600	2	Washer M5	
65	4811902	5	Washer M8	
66	4812000	6	Washer M10	
67	0760810001	3	Bolt M8 x 20	
68	1001047062	3	Screw	
69	1001118274	5	Nut, Tinnerman M8	
70	1001149160	3	Nut, Tinnerman M8	
71	1001216021	1	Relay	
72	1001216193	6	Bracket	
73	1001216194	1	Cover	
74	1001216238	1	Cover	
75	1001217007	1	Cable, Ground	
76	4811902001	9	Washer M8	
77	0760516	2	Bolt M5 x 40	

SECTION 2 - TURNTABLE

FIGURE 2-22. ELECTRICAL COMPONENTS INSTALLATION - TURNTABLE (HRC) (CE SPECS) (SN 0300223782 to Present)



ART_1001218763_20F2

SECTION 2 - TURNTABLE

FIGURE 2-22. ELECTRICAL COMPONENTS INSTALLATION - TURNTABLE (HRC) (CE SPECS) (SN 0300223782 to Present)

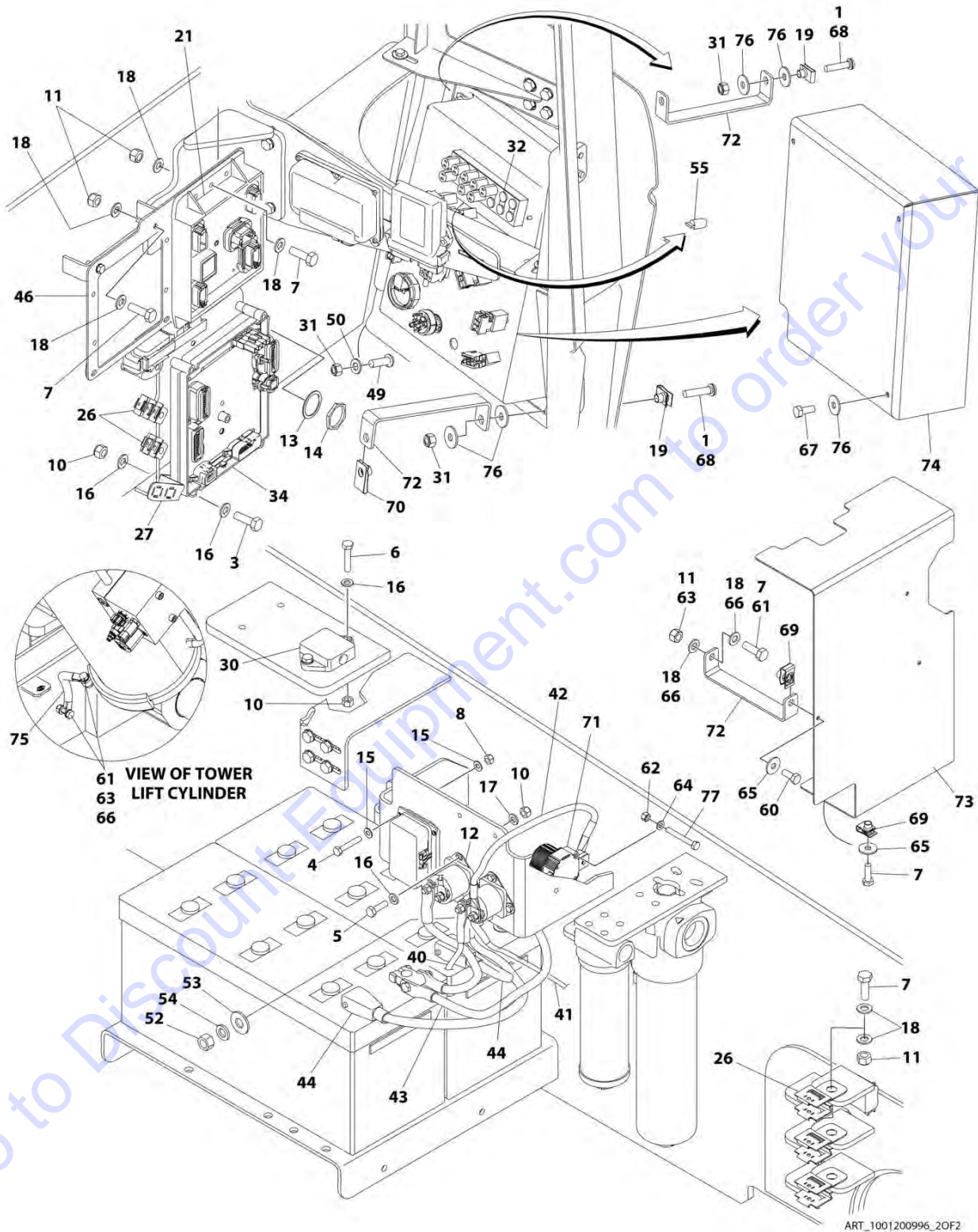
ITEM	PART NUMBER	QTY	DESCRIPTION	REV
	1001218763	Ref	ELECTRICAL COMPONENTS INSTALLATION - TURNTABLE (HRC) (CE SPECS) (SN 0300223782 to Present)	H
1	0100011	AR	Compound, Locking	
2	0700412	4	Bolt M4 x 25	
3	0700620	4	Bolt M6 x 60	
4	0760516	2	Bolt M5 x 40	
5	0760610	4	Bolt M6 x 20	
6	0760613	2	Bolt M6 x 28	
7	0760810	3	Bolt M8 x 20	
8	0760812	AR	Bolt M8 x 25	
9	0761015	3	Bolt M10 x 35	
10	2920129	8	Bulb, Light	
11	3290405	4	Nut M4	
12	3290507	2	Nut M5	
13	3290605	10	Nut M6	
14	3290805	AR	Nut M8	
15	3291007	AR	Nut M10	
16	3311601	2	Nut 3/8	
17	3740067	2	Relay	
18	4240099	1	Tie-Strap (Not Shown)	
19	4460496	1	Washer, Terminal (SN 0300223782 through 0300224829)	
20	4460497	1	Nut, Terminal (SN 0300223782 through 0300224829)	
21	4751600	4	Washer 3/8	
22	4761600	2	Washer 3/8	
23	4811400	8	Washer M4	
24	4811600	2	Washer M5	
25	4811700	26	Washer M6	
26	4811702	4	Washer M6	
27	4811900	AR	Washer M8	
28	4811902	5	Washer M8	
29	4812000	AR	Washer M10	
30	8310686	3	Nut, Retainer M8	
31	0760810001	3	Bolt M8 x 20	
33	1001047062	3	Screw	
33	1001221585	3	Screw M8 x 35	
34	1001112757	NLA	Module, Control (Use p/n 1001227960) (Note: Re-calibration Required when Replaced) (Prior to SN 0300228461)	
34	1001227960	1	Module, Control (Note: Re-calibration Required when Replaced) (SN 0300228461 to Present)	
35	1001118274	5	Nut, Tinnerman M8	
37	1001149160	3	Nut, Tinnerman M8	
38	1001149970	1	Drive Pump Harness (Not Shown - See ELECTRICAL SECTION for Breakdown)	
41	1001155967	AR	Holder	
42	1001159162	1	Bracket	
45	1001219601	1	Sensor, Dual Axis	
46	1001184083	6	Plug	
47	1001187744	AR	Sealant (Not Shown)	
48	1001187805	1	Module, Control (Note: Re-calibration Required when Replaced)	
49	1001196686	1	Turntable Harness (Not Shown - See ELECTRICAL SECTION for	

SECTION 2 - TURNTABLE

ITEM	PART NUMBER	QTY	DESCRIPTION	REV
50	1001196688	1	Breakdown) BLAM Harness (Not Shown - See ELECTRICAL SECTION for Breakdown)	
51	1001196689	1	Ground Control Harness (Not Shown - See ELECTRICAL SECTION for Breakdown)	
52	1001200604	1	Cable, Auxiliary Pump (+)	
53	1001200605	1	Cable, Auxiliary Pump (-)	
54	1001200606	1	Cable, Battery to Auxiliary Relay	
55	1001200726	1	Cable Kit, Battery Positive (Note: Includes Battery Terminal and Qty 4 Cables)	
56	1001200727	1	Cable Kit, Battery Negative (Note: Includes Qty 2 Cables)	
57	1001200855	1	Ground Control Box Assembly (Not Shown - See GROUND CONTROL BOX ASSEMBLY for Breakdown)	
58	1001201103	1	Plate	
59	1001206817	1	Diesel Exhaust Fluid Tank Harness (Not Shown - See ELECTRICAL SECTION for Breakdown)	
60	1001211885	1	Fuel Pump and WIF Harness (Not Shown - See ELECTRICAL SECTION for Breakdown)	
61	1001215021	1	Magnet, Suppression (Not Shown - Located Near Item 30) (Prior to SN 0300227413)	
62	1001216021	1	Relay	
63	1001216193	6	Bracket (Prior to SN 0300227413)	
64	1001216194	1	Cover (Prior to SN 0300227413)	
65	1001216238	1	Cover	
66	1001217007	1	Cable, Ground	
67	1001218806	1	Valve Harness (Not Shown - See ELECTRICAL SECTION for Breakdown)	
68	3290805001	4	Nut M8	
70	4811900001	1	Washer M8	
71	4811902001	9	Washer M8	
73	8310643001	1	Screw M8 x 25	
75	3290601	1	Nut M6	
76	4871700	1	Washer M6	
77	1001213622	1	Resistor Assembly 20k Ohm (Not Shown) (Prior to SN 0300227413)	
77	1001226102	1	Resistor Assembly 20k Ohm (Not Shown) (SN 0300227413 to Present)	
78	1001225167	1	Cover (SN 0300227413 to Present)	
79	1001225279	6	Bracket (SN 0300227413 to Present)	
80	8406101	1	Clip (SN 0300227413 to Present)	
81	4791400	4	Washer 1/4 (Prior to SN 0300228461)	
82	1001155967	2	Holder (Prior to SN 0300228461)	
82	1001156107	2	Holder (SN 0300228461 to Present)	
83	0761013001	2	Bolt M10 x 28 (SN 0300228461 to Present)	
84	1001228364	1	Wire, Relay Grounding (Not Shown) (SN 0300228461 to Present)	
85	1001238483	1	Def Tank Extension Harness (Not Shown - See ELECTRICAL SECTION for Breakdown) (SN 0300254483 to Present)	

SECTION 2 - TURNTABLE

FIGURE 2-23. ELECTRICAL COMPONENTS INSTALLATION - TURNTABLE (LRC) (ANSI EXPORT, AUSTRALIAN, CE AND CHINESE SPECS) (Prior to SN 0300223782)



SECTION 2 - TURNTABLE

FIGURE 2-23. ELECTRICAL COMPONENTS INSTALLATION - TURNTABLE (LRC) (ANSI EXPORT, AUSTRALIAN, CE AND CHINESE SPECS) (Prior to SN 0300223782)

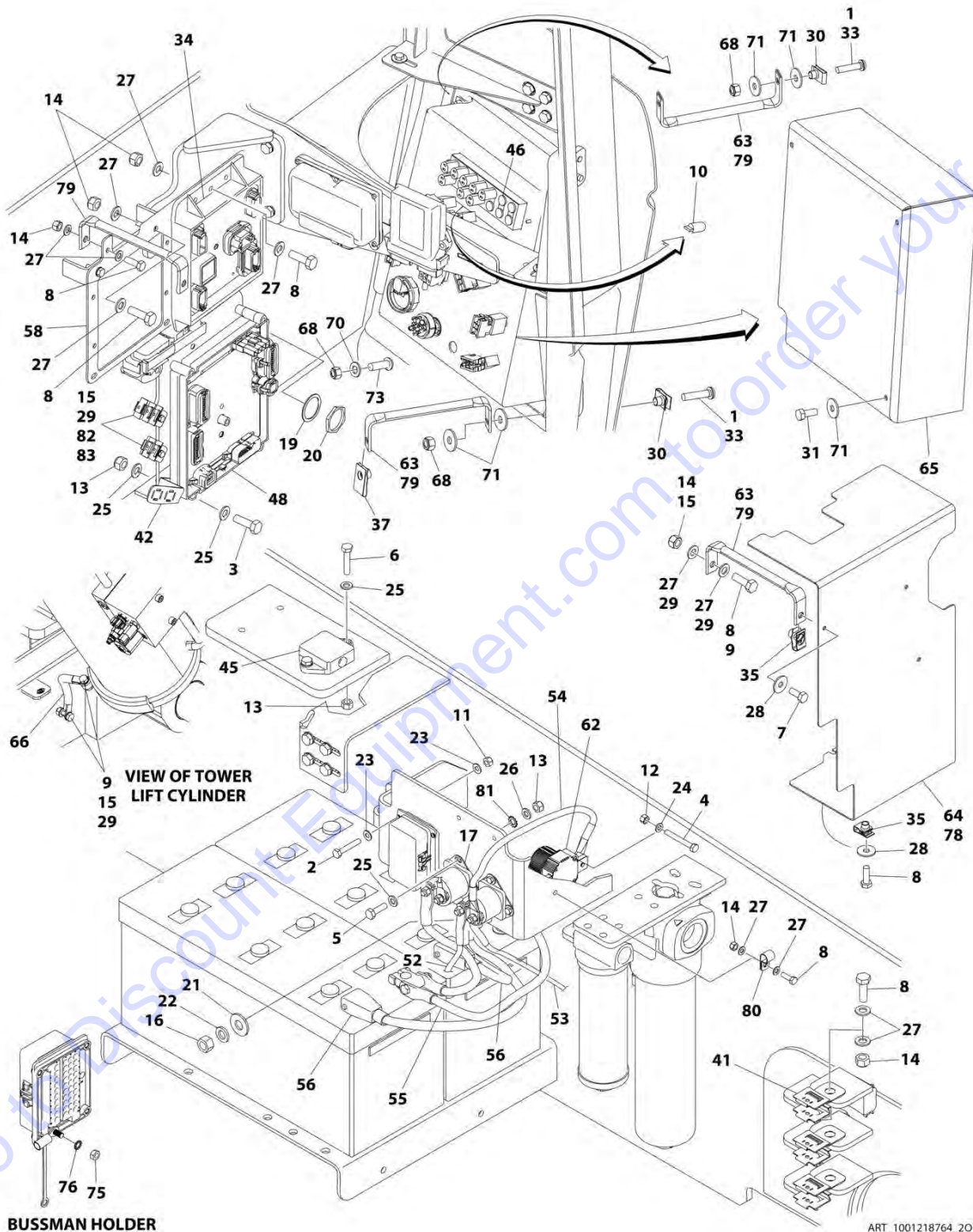
ITEM	PART NUMBER	QTY	DESCRIPTION	REV
	1001200996	Ref	ELECTRICAL COMPONENTS INSTALLATION - TURNTABLE (LRC) (ANSI EXPORT, AUSTRALIAN, CE AND CHINESE SPECS) (Prior to SN 0300223782)	G
1	0100011	AR	Compound, Locking	
3	0700620	4	Bolt M6 x 60	
4	0700412	4	Bolt M4 x 25	
5	0760610	4	Bolt M6 x 20	
6	0760613	2	Bolt M6 x 28	
7	0760812	12	Bolt M8 x 25	
8	3290405	4	Nut M4	
10	3290605	15	Nut M6	
11	3290805	10	Nut M8	
12	3740067	2	Relay	
13	4460496	1	Washer, Terminal	
14	4460497	1	Nut, Terminal	
15	4811400	8	Washer M4	
16	4811700	26	Washer M6	
17	4811702	4	Washer M6	
18	4811900	20	Washer M8	
19	8310686	3	Nut, Retainer M8	
21	1001112757	NLA	Module, Control (Use p/n 1001227960) (Note: Re-calibration Required when Replaced)	
23	1001149970	1	Drive Pump Harness (Not Shown - See ELECTRICAL SECTION for Breakdown)	
26	1001155967	10	Holder	
27	1001159162	1	Bracket	
30	1001181325	NLA	Sensor, Dual Axis (Use p/n 1001219601)	
31	3290805001	4	Nut M8	
32	1001184083	6	Plug	
33	1001187744	AR	Sealant (Not Shown)	
34	1001187805	1	Module, Control (Note: Re-calibration Required when Replaced)	
35	1001196686	1	Turntable Harness (Not Shown - See ELECTRICAL SECTION for Breakdown)	
36	1001196688	1	BLAM Harness (Not Shown - See ELECTRICAL SECTION for Breakdown)	
37	1001196689	1	Ground Control Harness (Not Shown - See ELECTRICAL SECTION for Breakdown)	
38	1001196690	1	Valve Harness (Not Shown - See ELECTRICAL SECTION for Breakdown)	
40	1001200604	1	Cable, Auxiliary Pump (+)	
41	1001200605	1	Cable, Auxiliary Pump (-)	
42	1001200606	1	Cable, Battery to Auxiliary Relay	
43	1001200726	1	Cable Kit, Battery Positive (Note: Includes Battery Terminal and Qty 4 Cables)	
44	1001200727	1	Cable Kit, Battery Negative (Note: Includes Qty 2 Cables)	
45	1001200856	1	Ground Control Box Assembly (Not Shown - See GROUND CONTROL BOX ASSEMBLY for Breakdown)	
46	1001201103	1	Plate	
47	1001206817	1	Diesel Exhaust Fluid Tank Harness (Not Shown - See ELECTRICAL SECTION for Breakdown)	
49	8310643001	1	Screw M8 x 25	

SECTION 2 - TURNTABLE

ITEM	PART NUMBER	QTY	DESCRIPTION	REV
50	4811900001	1	Washer M8	
52	3311601	2	Nut 3/8	
53	4751600	4	Washer 3/8	
54	4761600	2	Washer 3/8	
55	2920129	8	Bulb, Light	
56	1001213622	2	Connector, Resistor - 20K Ohm (Not Shown - Located Near Item 12)	
57	1001215021	1	Magnet, Suppression (Not Shown - Located Near Item 30)	
58	1001211885	1	Fuel Pump and WIF Harness (Not Shown - See ELECTRICAL SECTION for Breakdown)	
59	4240099	1	Tie-Strap (Not Shown)	
60	0760810	3	Bolt M8 x 20	
61	0761015	3	Bolt M10 x 35	
62	3290507	2	Nut M5	
63	3291007	3	Nut M10	
64	4811600	2	Washer M5	
65	4811902	5	Washer M8	
66	4812000	6	Washer M10	
67	0760810001	3	Bolt M8 x 20	
68	1001047062	3	Screw	
69	1001118274	5	Nut, Tinnerman M8	
70	1001149160	3	Nut, Tinnerman M8	
71	1001216021	1	Relay	
72	1001216193	6	Bracket	
73	1001216194	1	Cover	
74	1001216238	1	Cover	
75	1001217007	1	Cable, Ground	
76	4811902001	9	Washer M8	
77	0760516	2	Bolt M5 x 40	

SECTION 2 - TURNTABLE

FIGURE 2-24. ELECTRICAL COMPONENTS INSTALLATION - TURNTABLE (LRC) (ANSI EXPORT, AUSTRALIAN, CE AND CHINESE SPECS) (SN 0300223782 to Present)



ART_1001218764_20F2

SECTION 2 - TURNTABLE

FIGURE 2-24. ELECTRICAL COMPONENTS INSTALLATION - TURNTABLE (LRC) (ANSI EXPORT, AUSTRALIAN, CE AND CHINESE SPECS) (SN 0300223782 to Present)

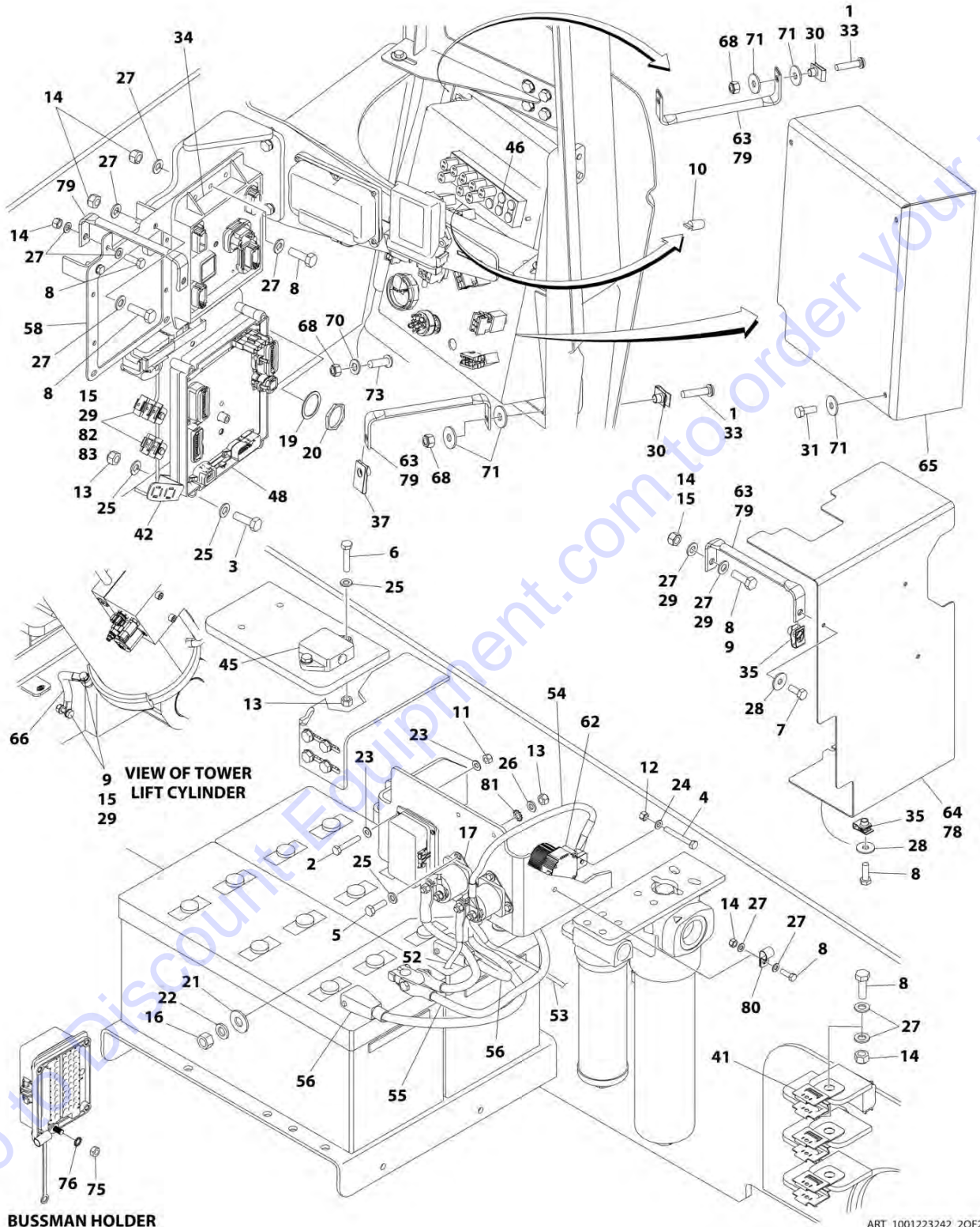
ITEM	PART NUMBER	QTY	DESCRIPTION	REV
	1001218764	Ref	ELECTRICAL COMPONENTS INSTALLATION - TURNTABLE (LRC) (ANSI EXPORT, AUSTRALIAN AND CHINESE SPECS) (SN 0300223782 to Present)	G
	1001218764	Ref	ELECTRICAL COMPONENTS INSTALLATION - TURNTABLE (LRC) (CE SPECS) (SN 0300223782 through 0300224828)	E
1	0100011	AR	Compound, Locking	
2	0700412	4	Bolt M4 x 25	
3	0700620	4	Bolt M6 x 60	
4	0760516	2	Bolt M5 x 40	
5	0760610	4	Bolt M6 x 20	
6	0760613	2	Bolt M6 x 28	
7	0760810	3	Bolt M8 x 20	
8	0760812	AR	Bolt M8 x 25	
9	0761015	3	Bolt M10 x 35	
10	2920129	8	Bulb, Light	
11	3290405	4	Nut M4	
12	3290507	2	Nut M5	
13	3290605	15	Nut M6	
14	3290805	AR	Nut M8	
15	3291007	AR	Nut M10	
16	3311601	2	Nut 3/8	
17	3740067	2	Relay	
18	4240099	1	Tie-Strap (Not Shown)	
19	4460496	1	Washer, Terminal (SN 0300223782 through 0300224829)	
20	4460497	1	Nut, Terminal (SN 0300223782 through 0300224829)	
21	4751600	4	Washer 3/8	
22	4761600	2	Washer 3/8	
23	4811400	8	Washer M4	
24	4811600	2	Washer M5	
25	4811700	26	Washer M6	
26	4811702	4	Washer M6	
27	4811900	AR	Washer M8	
28	4811902	5	Washer M8	
29	4812000	AR	Washer M10	
30	8310686	3	Nut, Retainer M8	
31	0760810001	3	Bolt M8 x 20	
33	1001047062	3	Screw	
33	1001221585	3	Screw M8 x 35	
34	1001112757	NLA	Module, Control (Use p/n 1001227960) (Note: Re-calibration Required when Replaced) (Prior to SN 0300228461)	
34	1001227960	1	Module, Control (Note: Re-calibration Required when Replaced) (SN 0300228461 to Present)	
35	1001118274	5	Nut, Tinnerman M8	
37	1001149160	3	Nut, Tinnerman M8	
38	1001149970	1	Drive Pump Harness (Not Shown - See ELECTRICAL SECTION for Breakdown)	
41	1001155967	AR	Holder	
42	1001159162	1	Bracket	
45	1001219601	1	Sensor, Dual Axis	
46	1001184083	6	Plug	

SECTION 2 - TURNTABLE

ITEM	PART NUMBER	QTY	DESCRIPTION	REV
47	1001187744	AR	Sealant (Not Shown)	
48	1001187805	1	Module, Control (Note: Re-calibration Required when Replaced)	
49	1001196686	1	Turntable Harness (Not Shown - See ELECTRICAL SECTION for Breakdown)	
50	1001196688	1	BLAM Harness (Not Shown - See ELECTRICAL SECTION for Breakdown)	
51	1001196689	1	Ground Control Harness (Not Shown - See ELECTRICAL SECTION for Breakdown)	
52	1001200604	1	Cable, Auxiliary Pump (+)	
53	1001200605	1	Cable, Auxiliary Pump (-)	
54	1001200606	1	Cable, Battery to Auxiliary Relay	
55	1001200726	1	Cable Kit, Battery Positive (Note: Includes Battery Terminal and Qty 4 Cables)	
56	1001200727	1	Cable Kit, Battery Negative (Note: Includes Qty 2 Cables)	
57	1001200856	1	Ground Control Box Assembly (Not Shown - See GROUND CONTROL BOX ASSEMBLY for Breakdown)	
58	1001201103	1	Plate	
59	1001206817	1	Diesel Exhaust Fluid Tank Harness (Not Shown - See ELECTRICAL SECTION for Breakdown) (SN 0300223782 through 0300224829)	
60	1001211885	1	Fuel Pump and WIF Harness (Not Shown - See ELECTRICAL SECTION for Breakdown)	
61	1001215021	1	Magnet, Suppression (Not Shown - Located Near Item 30)	
62	1001216021	1	Relay	
63	1001216193	6	Bracket (Prior to SN 0300227413)	
64	1001216194	1	Cover (Prior to SN 0300227413)	
65	1001216238	1	Cover	
66	1001217007	1	Cable, Ground	
67	1001218806	1	Valve Harness (Not Shown - See ELECTRICAL SECTION for Breakdown)	
68	3290805001	4	Nut M8	
70	4811900001	1	Washer M8	
71	4811902001	9	Washer M8	
73	8310643001	1	Screw M8 x 25	
75	3290601	1	Nut M6	
76	4871700	1	Washer M6	
77	1001213622	1	Resistor Assembly 20k Ohm (Not Shown) (Prior to SN 0300227413)	
77	1001226102	1	Resistor Assembly 20k Ohm (Not Shown) (SN 0300227413 to Present)	
78	1001225167	1	Cover (SN 0300227413 to Present)	
79	1001225279	6	Bracket (SN 0300227413 to Present)	
80	8406101	1	Clip (SN 0300227413 to Present)	
81	4791400	4	Washer 1/4 (Prior to SN 0300228461)	
82	1001155967	2	Holder (Prior to SN 0300228461)	
82	1001156107	2	Holder (SN 0300228461 to Present)	
83	0761013001	2	Bolt M10 x 28 (SN 0300228461 to Present)	
84	1001228364	1	Wire, Relay Grounding (Not Shown) (SN 0300228461 to Present)	

SECTION 2 - TURNTABLE

FIGURE 2-25. ELECTRICAL COMPONENTS INSTALLATION - TURNTABLE (LRC) (CE SPECS) (SN 0300224829 to Present)



SECTION 2 - TURNTABLE

FIGURE 2-25. ELECTRICAL COMPONENTS INSTALLATION - TURNTABLE (LRC) (CE SPECS) (SN 0300224829 to Present)

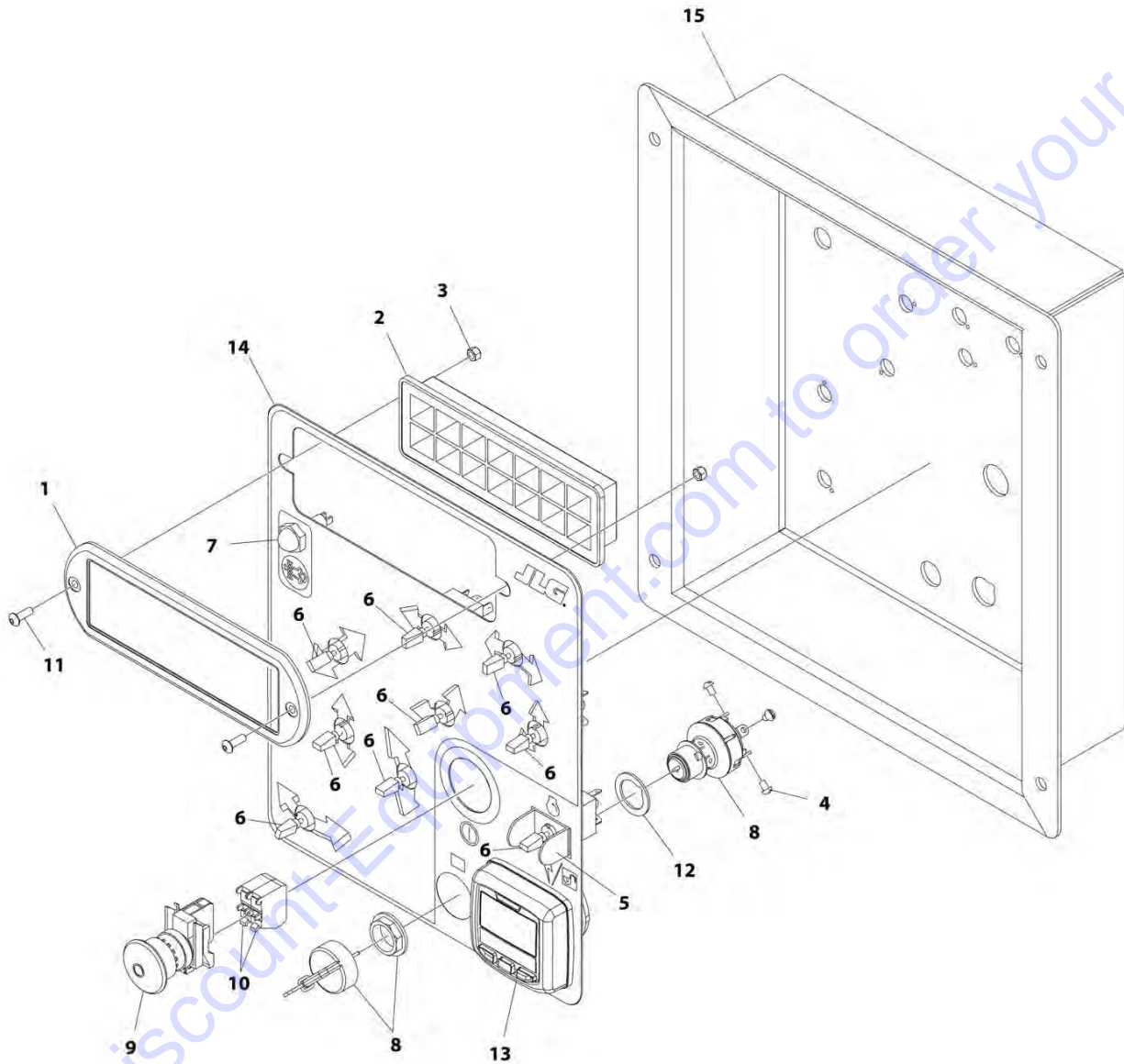
ITEM	PART NUMBER	QTY	DESCRIPTION	REV
	1001223242	Ref	ELECTRICAL COMPONENTS INSTALLATION - TURNTABLE (LRC) (CE SPECS) (SN 0300224829 to Present)	E
1	0100011	AR	Compound, Locking	
2	0700412	4	Bolt M4 x 25	
3	0700620	4	Bolt M6 x 60	
4	0760516	2	Bolt M5 x 40	
5	0760610	4	Bolt M6 x 20	
6	0760613	2	Bolt M6 x 28	
7	0760810	3	Bolt M8 x 20	
8	0760812	AR	Bolt M8 x 25	
9	0761015	3	Bolt M10 x 35	
10	2920129	8	Bulb, Light	
11	3290405	4	Nut M4	
12	3290507	2	Nut M5	
13	3290605	10	Nut M6	
14	3290805	AR	Nut M8	
15	3291007	AR	Nut M10	
16	3311601	2	Nut 3/8	
17	3740067	2	Relay	
18	4240099	1	Tie-Strap (Not Shown)	
21	4751600	4	Washer 3/8	
22	4761600	2	Washer 3/8	
23	4811400	8	Washer M4	
24	4811600	2	Washer M5	
25	4811700	20	Washer M6	
26	4811702	4	Washer M6	
27	4811900	AR	Washer M8	
28	4811902	5	Washer M8	
29	4812000	AR	Washer M10	
30	8310686	3	Nut, Retainer M8	
31	0760810001	3	Bolt M8 x 20	
33	1001221585	3	Screw	
34	1001112757	NLA	Module, Control (Use p/n 1001227960) (Note: Re-calibration Required when Replaced) (Prior to SN 0300228461)	
34	1001227960	1	Module, Control (Note: Re-calibration Required when Replaced) (SN 0300228461 to Present)	
35	1001118274	5	Nut, Tinnerman M8	
37	1001149160	3	Nut, Tinnerman M8	
38	1001149970	1	Drive Pump Harness (Not Shown - See ELECTRICAL SECTION for Breakdown)	
41	1001155967	AR	Holder	
42	1001159162	1	Bracket	
45	1001219601	1	Sensor, Dual Axis	
46	1001184083	6	Plug	
47	1001187744	AR	Sealant (Not Shown)	
48	1001187805	1	Module, Control (Note: Re-calibration Required when Replaced)	
49	1001196686	1	Turntable Harness (Not Shown - See ELECTRICAL SECTION for Breakdown)	
50	1001196688	1	BLAM Harness (Not Shown - See ELECTRICAL SECTION for Breakdown)	

SECTION 2 - TURNTABLE

ITEM	PART NUMBER	QTY	DESCRIPTION	REV
51	1001196689	1	Ground Control Harness (Not Shown - See ELECTRICAL SECTION for Breakdown)	
52	1001200604	1	Cable, Auxiliary Pump (+)	
53	1001200605	1	Cable, Auxiliary Pump (-)	
54	1001200606	1	Cable, Battery to Auxiliary Relay	
55	1001200726	1	Cable Kit, Battery Positive (Note: Includes Battery Terminal and Qty 4 Cables)	
56	1001200727	1	Cable Kit, Battery Negative (Note: Includes Qty 2 Cables)	
57	1001223241	1	Ground Control Box Assembly (Not Shown - See GROUND CONTROL BOX ASSEMBLY for Breakdown)	
58	1001201103	1	Plate	
60	1001211885	1	Fuel Pump and WIF Harness (Not Shown - See ELECTRICAL SECTION for Breakdown)	
62	1001216021	1	Relay	
63	1001216193	6	Bracket (Prior to SN 0300227413)	
64	1001216194	1	Cover (Prior to SN 0300227413)	
65	1001216238	1	Cover	
66	1001217007	1	Cable, Ground	
67	1001218806	1	Valve Harness (Not Shown - See ELECTRICAL SECTION for Breakdown)	
68	3290805001	4	Nut M8	
70	4811900001	1	Washer M8	
71	4811902001	9	Washer M8	
73	8310643001	1	Screw M8 x 25	
75	3290601	1	Nut M6	
76	4871700	1	Washer M6	
77	1001213622	1	Resistor Assembly 20k Ohm (Not Shown) (Prior to SN 0300227413)	
77	1001226102	1	Resistor Assembly 20k Ohm (Not Shown) (Including 0300227413)	
78	1001225167	1	Cover (SN 0300227413 to Present)	
79	1001225279	6	Bracket (SN 0300227413 to Present)	
80	8406101	1	Clip (SN 0300227413 to Present)	
81	4791400	4	Washer 1/4 (Prior to SN 0300228461)	
82	1001155967	2	Holder (Prior to SN 0300228461)	
82	1001156107	2	Holder (SN 0300228461 to Present)	
83	0761013001	2	Bolt M10 x 28 (SN 0300228461 to Present)	
84	1001228364	1	Wire, Relay Grounding (Not Shown) (SN 0300228461 to Present)	

SECTION 2 - TURNTABLE

FIGURE 2-26. GROUND CONTROL CONSOLE ASSEMBLY (HRC) (ANSI, ANSI EXPORT, CSA AND JAPANESE SPECS)



ART_1001200853

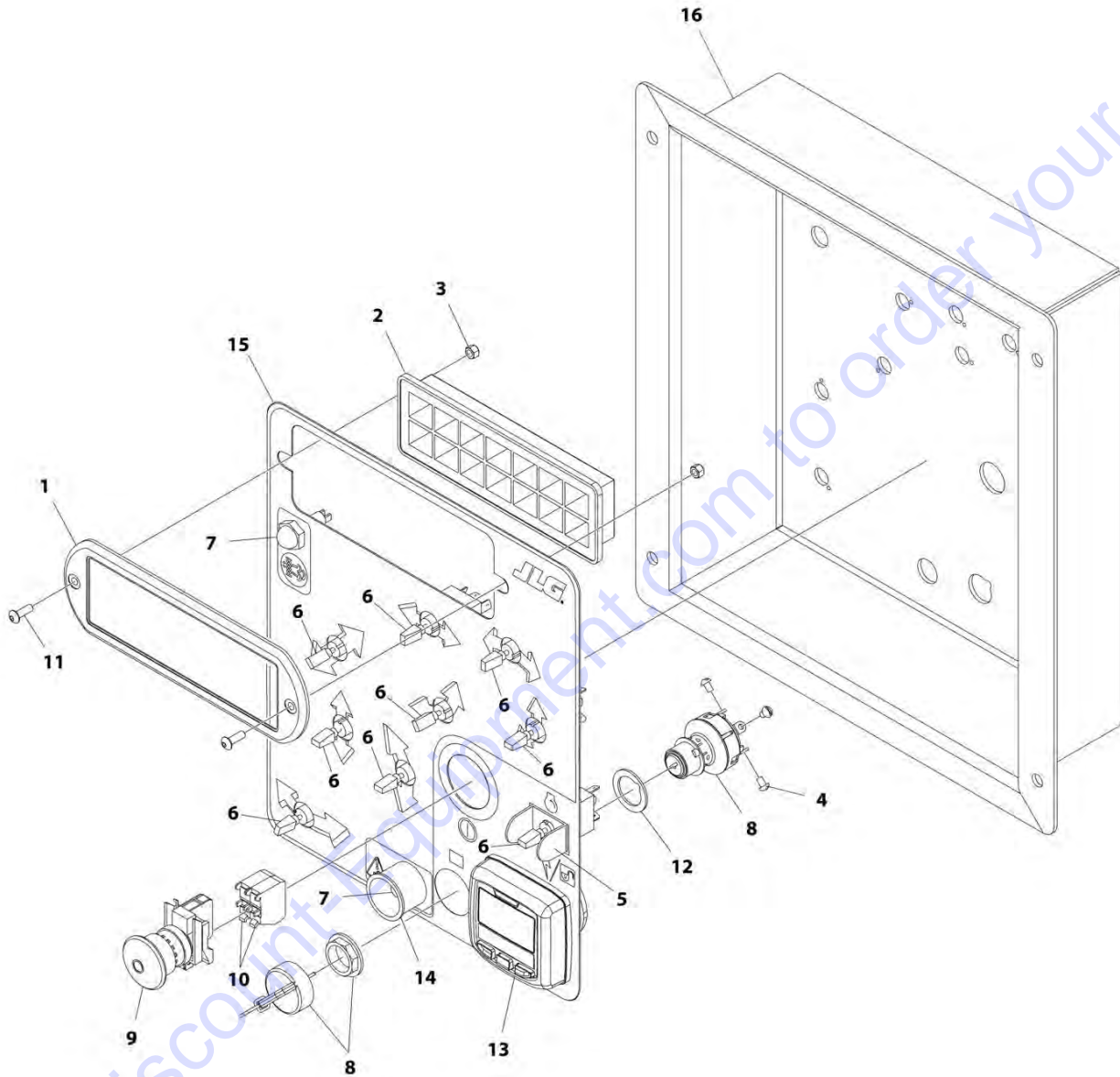
SECTION 2 - TURNTABLE

FIGURE 2-26. GROUND CONTROL CONSOLE ASSEMBLY (HRC) (ANSI, ANSI EXPORT, CSA AND JAPANESE SPECS)

ITEM	PART NUMBER	QTY	DESCRIPTION	REV
	1001200853	Ref	GROUND CONTROL CONSOLE ASSEMBLY (HRC) (ANSI, ANSI EXPORT, CSA AND JAPANESE SPECS)	C
1	1670829	1	Bezel	
2	2760105	1	Housing, Light	
3	3290505	2	Nut M5	
4	3910804	6	Screw #8 x 1/4	
5	4060906	1	Guard, Switch	
6	4360328	9	Switch, Toggle	
7	4360387	1	Switch, Push Button	
8	4360469	1	Switch, Key	
8	2360030	1 Set	Key, Replacement	
9	4360475	1	Switch, Push-Pull Emergency	
9	7020175	1	Cap	
9	7020176	1	Block, Contact	
10	4360476	2	Block, Contact	
11	1001099125	2	Screw M5 x 16 Grade 10.9	
12	1001151393	1	Shim	
13	1001171482	1	Gauge	
14	1001200692	1	Decal - Ground Control	
15	1001200854	1	Panel	

SECTION 2 - TURNTABLE

FIGURE 2-27. GROUND CONTROL CONSOLE ASSEMBLY (HRC) (CE SPECS)



ART_1001200855

SECTION 2 - TURNTABLE

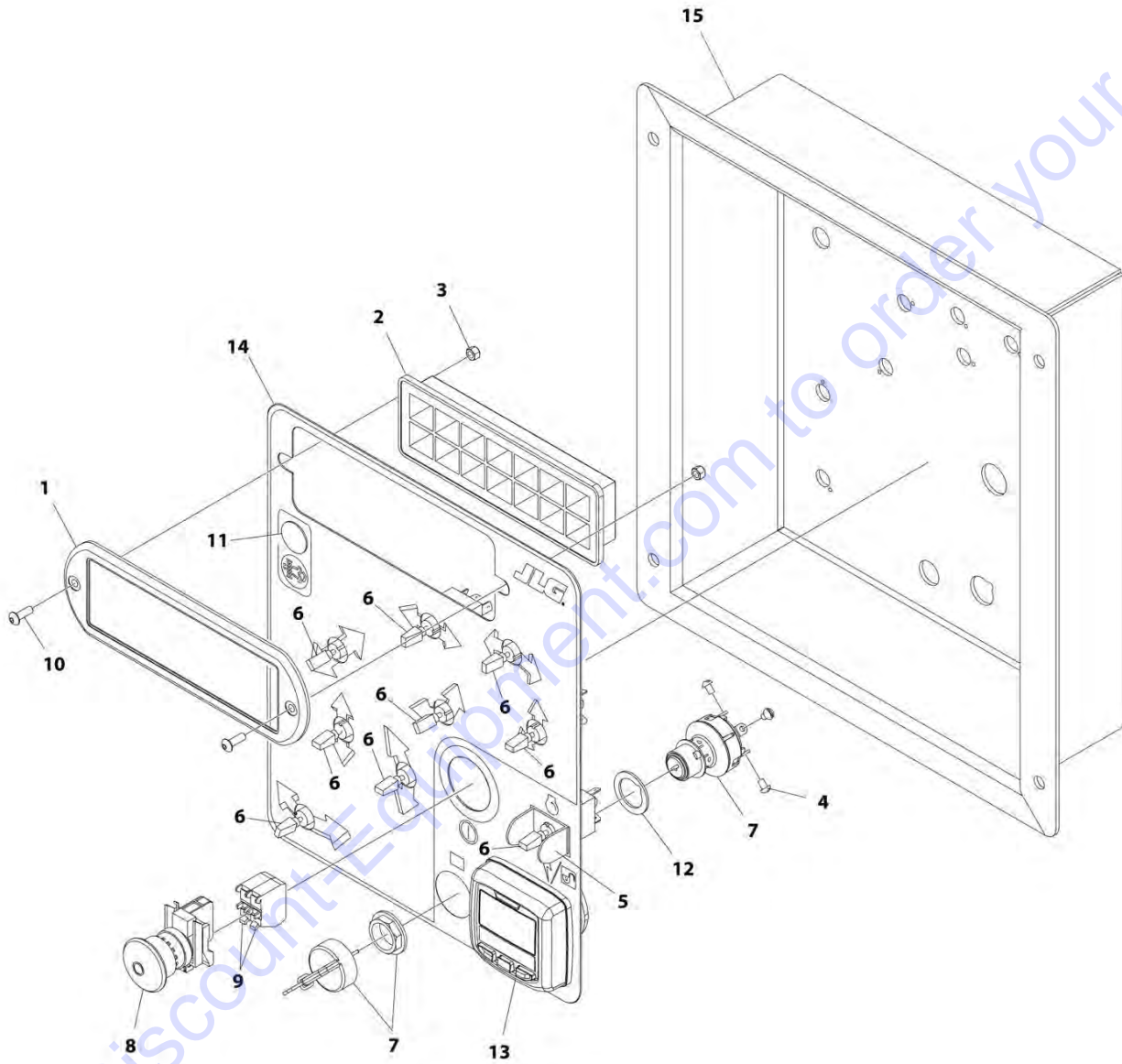
FIGURE 2-27. GROUND CONTROL CONSOLE ASSEMBLY (HRC) (CE SPECS)

ITEM	PART NUMBER	QTY	DESCRIPTION	REV
	1001200855	Ref	GROUND CONTROL CONSOLE ASSEMBLY (HRC) (CE SPECS)	B
1	1670829	1	Bezel	
2	2760105	1	Housing, Light	
3	3290505	2	Nut M5	
4	3910804	6	Screw #8 x 1/4	
5	4060906	1	Guard, Switch	
6	4360328	9	Switch, Toggle	
7	4360387	2	Switch, Push Button	
8	4360469	1	Switch, Key	
8	2360030	1 Set	Key, Replacement	
9	4360475	1	Switch, Push-Pull Emergency	
9	7020175	1	Cap	
9	7020176	1	Block, Contact	
10	4360476	2	Block, Contact	
11	1001099125	2	Screw M5 x 16 Grade 10.9	
12	1001151393	1	Shim	
13	1001171482	1	Gauge	
14	1001176469	1	Shroud	
15	1001200693	1	Decal - Ground Control	
16	1001200854	1	Panel	

Go to Discount-Equipment.com to order your parts

SECTION 2 - TURNTABLE

FIGURE 2-28. GROUND CONTROL CONSOLE ASSEMBLY (LRC) (ANSI EXPORT, AUSTRALIAN, CE AND CHINA SPECS)



ART_1001200856

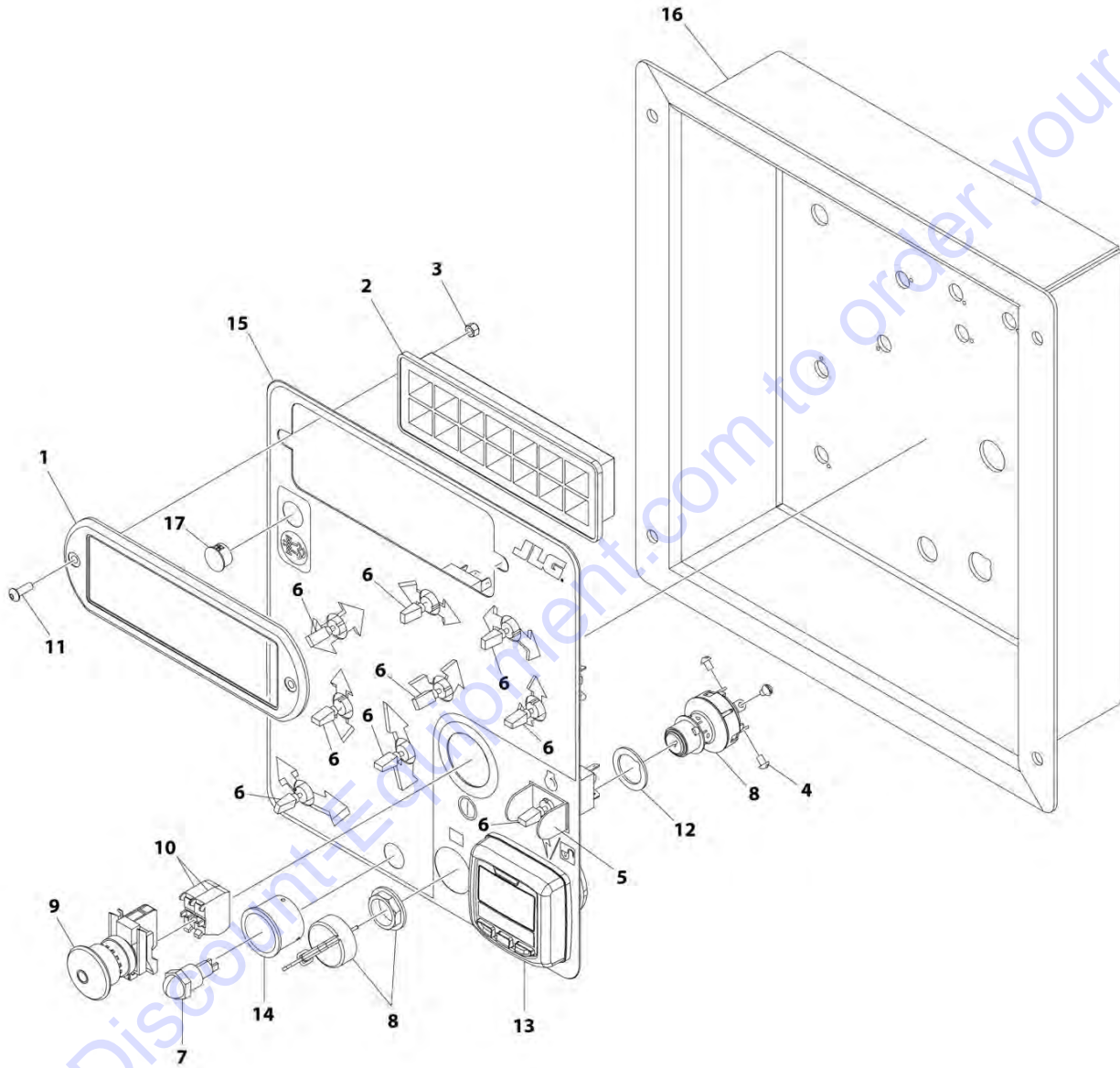
SECTION 2 - TURNTABLE

FIGURE 2-28. GROUND CONTROL CONSOLE ASSEMBLY (LRC) (ANSI EXPORT, AUSTRALIAN, CE AND CHINA SPECS)

ITEM	PART NUMBER	QTY	DESCRIPTION	REV
	1001200856	Ref	GROUND CONTROL CONSOLE ASSEMBLY (LRC) (ANSI EXPORT, AUSTRALIAN AND CHINA SPECS)	C
	1001200856	Ref	GROUND CONTROL CONSOLE ASSEMBLY (LRC) (CE SPECS) (Prior to SN 0300224828)	C
1	1670829	1	Bezel	
2	2760105	1	Housing, Light	
3	3290505	2	Nut M5	
4	3910804	6	Screw #8 x 1/4	
5	4060906	1	Guard, Switch	
6	4360328	9	Switch, Toggle	
7	4360469	1	Switch, Key	
7	2360030	1 Set	Key, Replacement	
8	4360475	1	Switch, Push-Pull Emergency	
8	7020175	1	Cap	
8	7020176	1	Block, Contact	
9	4360476	2	Block, Contact	
10	1001099125	2	Screw M5 x 16 Grade 10.9	
11	1001207963	1	Plug	
12	1001151393	1	Shim	
13	1001171482	1	Gauge	
14	1001200692	1	Decal - Ground Control	
15	1001200854	1	Panel	

SECTION 2 - TURNTABLE

FIGURE 2-29. GROUND CONTROL CONSOLE ASSEMBLY (LRC) (CE SPECS) (SN 0300224829 to Present)



ART_1001223241

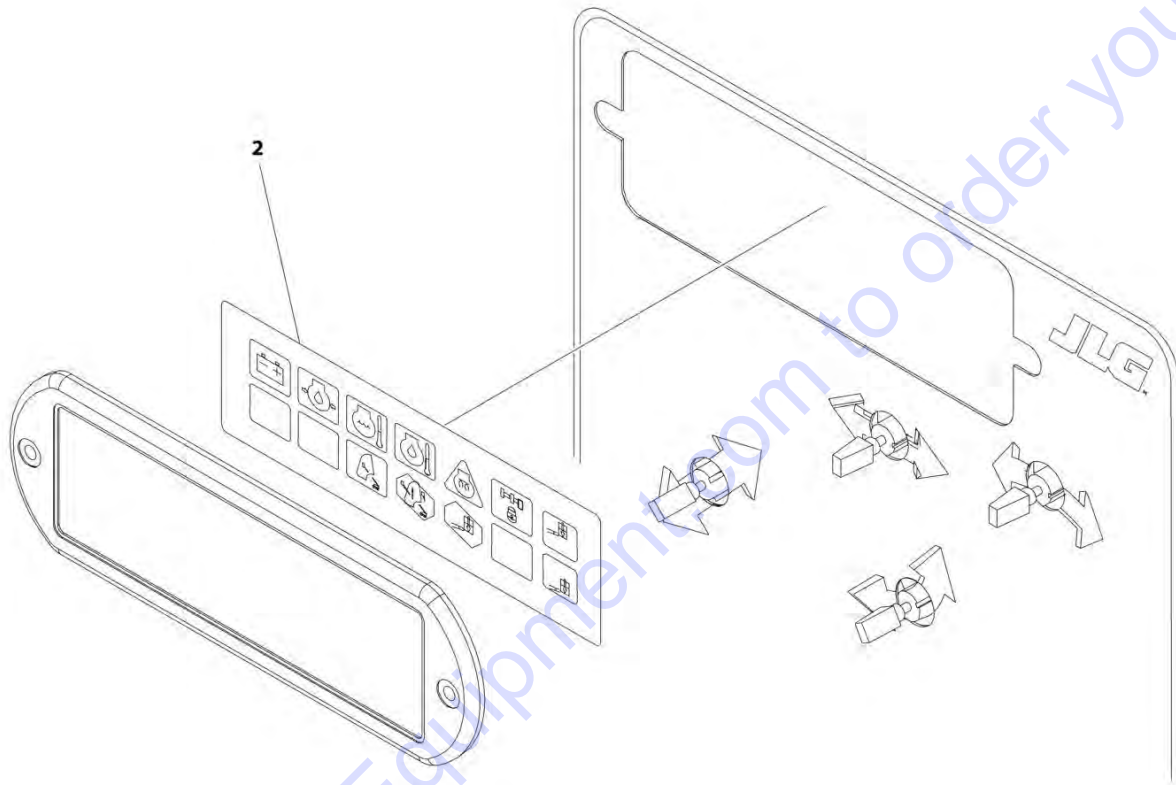
SECTION 2 - TURNTABLE

FIGURE 2-29. GROUND CONTROL CONSOLE ASSEMBLY (LRC) (CE SPECS) (SN 0300224829 to Present)

ITEM	PART NUMBER	QTY	DESCRIPTION	REV
	1001223241	Ref	GROUND CONTROL CONSOLE ASSEMBLY (LRC) (CE SPECS) (SN 0300224829 to Present)	A
1	1670829	1	Bezel	
2	2760105	1	Housing, Light	
3	3290505	2	Nut M5	
4	3910804	6	Screw #8 x 1/4	
5	4060906	1	Guard, Switch	
6	4360328	9	Switch, Toggle	
7	4360387	1	Switch, Push Button	
8	4360469	1	Switch, Key	
8	2360030	1 Set	Key, Replacement	
9	4360475	1	Switch, Push-Pull Emergency	
9	7020175	1	Cap	
9	7020176	1	Block, Contact	
10	4360476	2	Block, Contact	
11	1001099125	2	Screw M5 x 16 Grade 10.9	
12	1001151393	1	Shim	
13	1001171482	1	Gauge	
14	1001176469	1	Shroud	
15	1001200693	1	Decal - Ground Control	
16	1001200854	1	Panel	
17	1001207963	1	Plug	

SECTION 2 - TURNTABLE

FIGURE 2-30. LIGHT PANEL INSTALLATION (ALL SPECS EXCEPT AUSTRALIAN AND CE SPECS)



ART_1001197464_1OF2

SECTION 2 - TURNTABLE

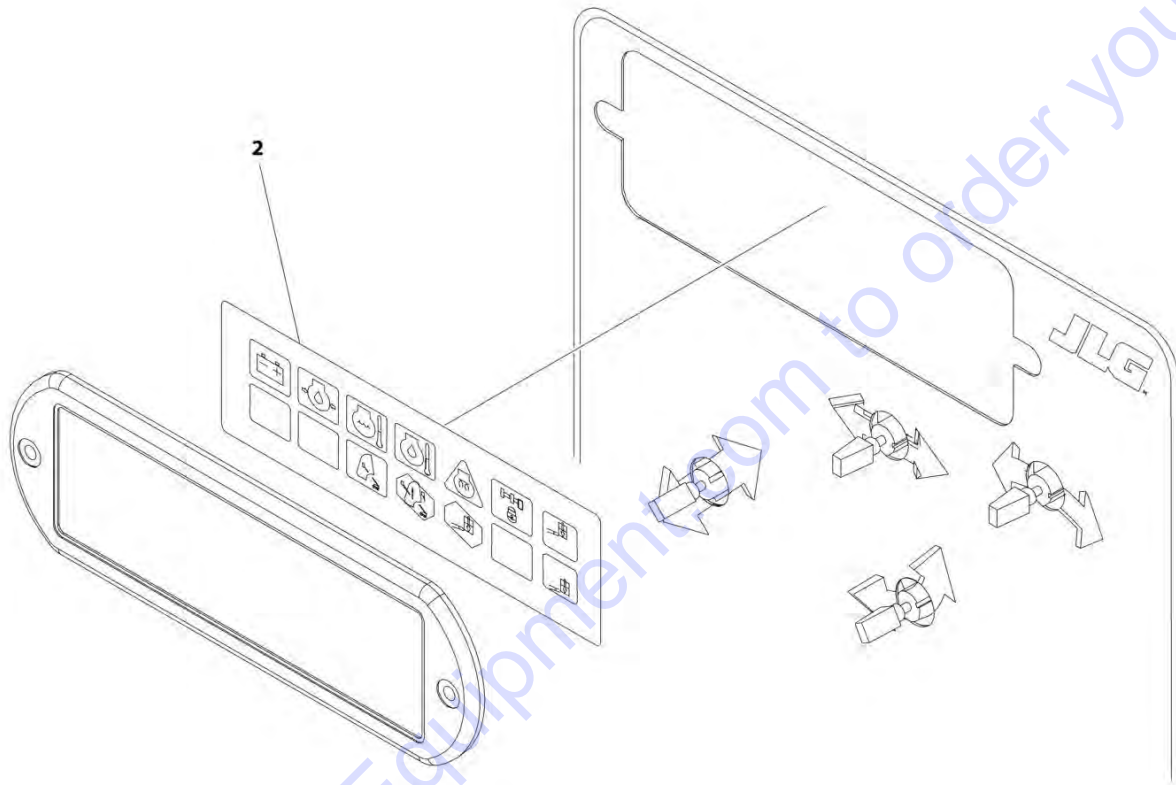
FIGURE 2-30. LIGHT PANEL INSTALLATION (ALL SPECS EXCEPT AUSTRALIAN AND CE SPECS)

ITEM	PART NUMBER	QTY	DESCRIPTION	REV
	1001197464	Ref	LIGHT PANEL INSTALLATION (ALL SPECS EXCEPT AUSTRALIAN AND CE SPECS)	A
2	1001199920	1	Decal - Display	

Go to Discount-Equipment.com to order your parts

SECTION 2 - TURNTABLE

FIGURE 2-31. LIGHT PANEL INSTALLATION (AUSTRALIAN AND CE SPECS)



ART_1001197465_10F2

SECTION 2 - TURNTABLE

FIGURE 2-31. LIGHT PANEL INSTALLATION (AUSTRALIAN AND CE SPECS)

ITEM	PART NUMBER	QTY	DESCRIPTION	REV
2	1001197465	Ref	LIGHT PANEL INSTALLATION (AUSTRALIAN AND CE SPECS)	A
	1001199918	1	Decal - Display	

Go to Discount-Equipment.com to order your parts

SECTION 2 - TURNTABLE

FIGURE 2-32. ALARM INSTALLATION

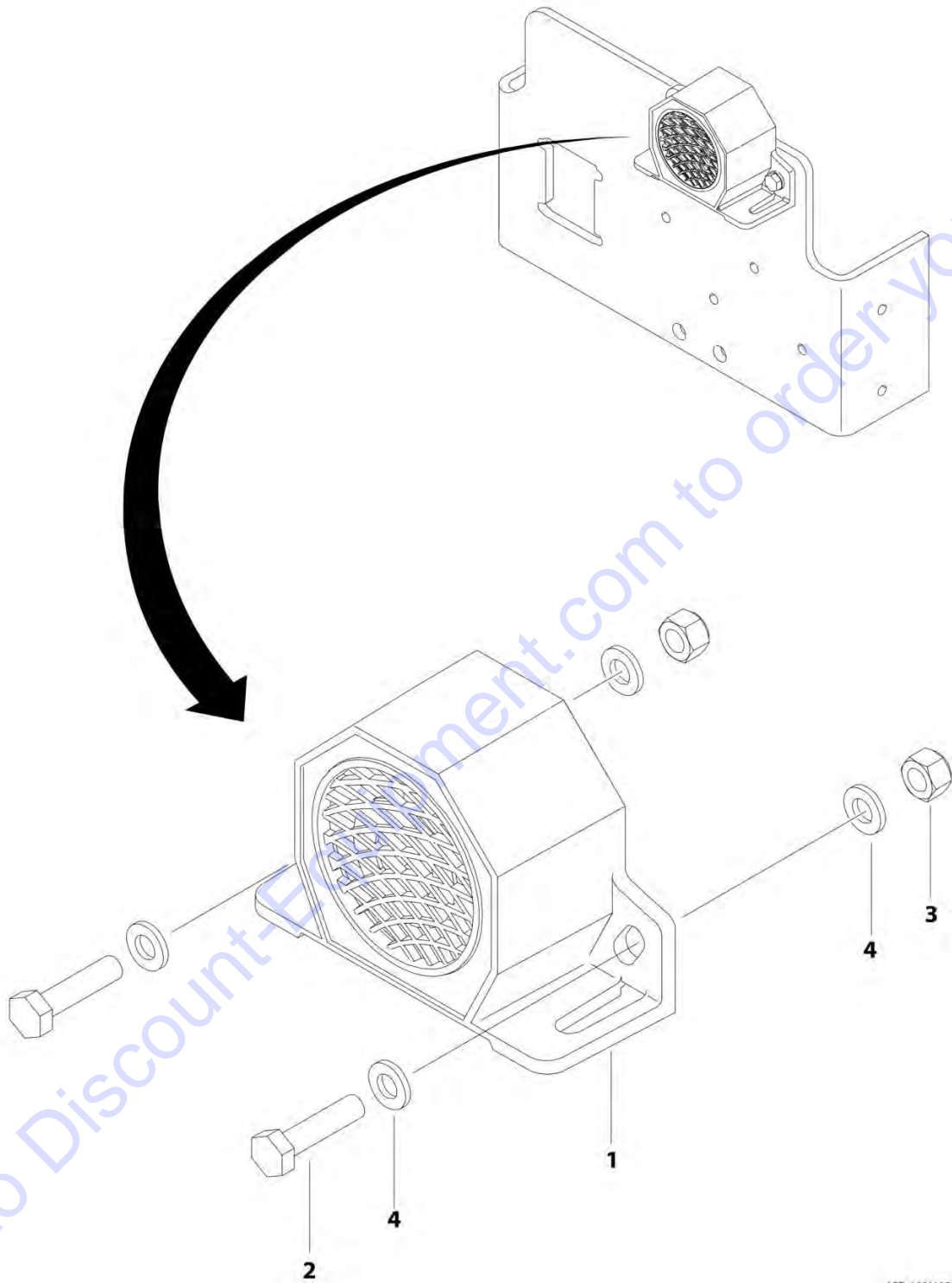


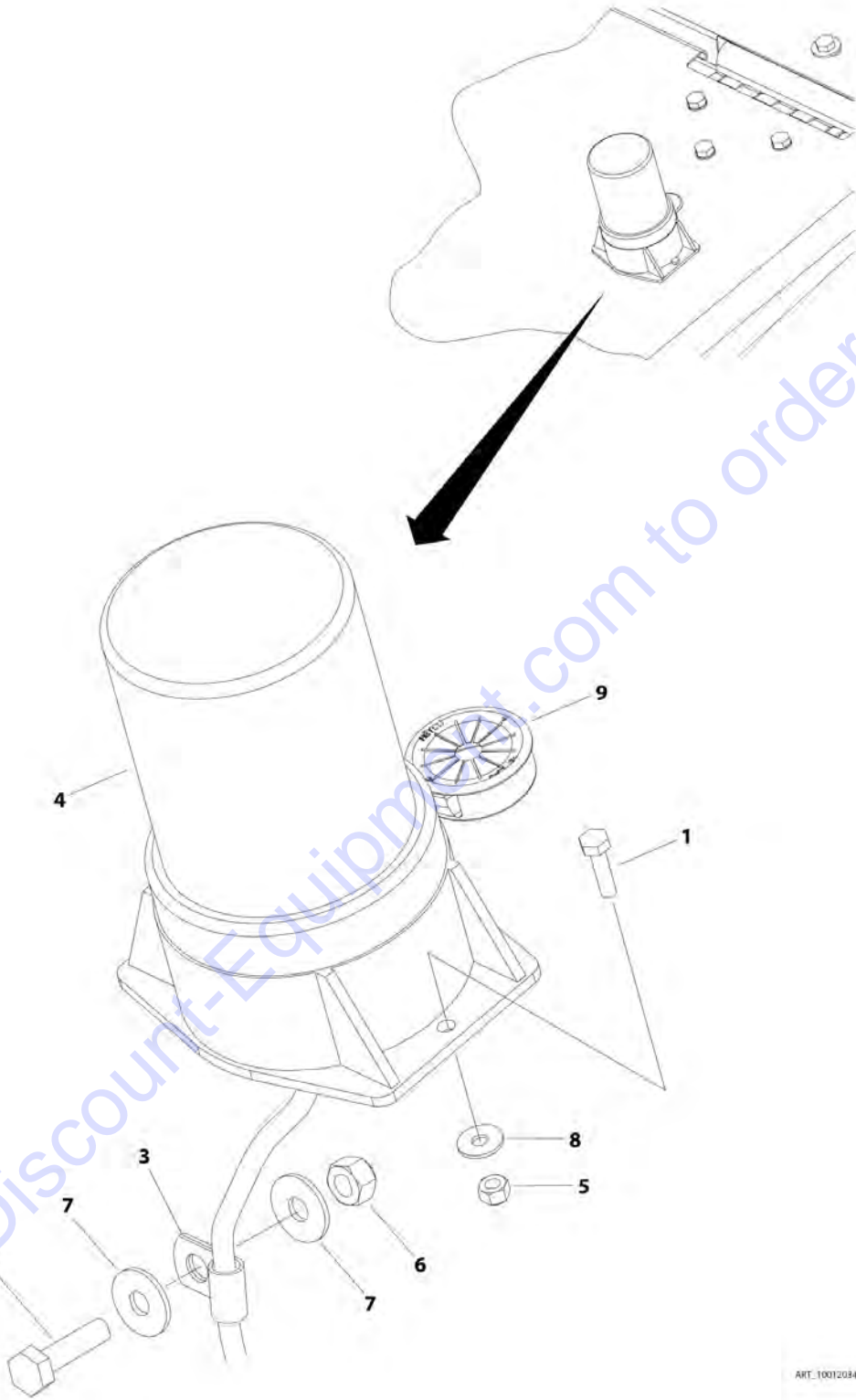
FIGURE 2-32. ALARM INSTALLATION

ITEM	PART NUMBER	QTY	DESCRIPTION	REV
	1001197331	Ref	ALARM INSTALLATION	A
1	0140043	1	Alarm	
1	4460536	1	Receptacle, Female - 3 Position	
1	4460943	3	Pin, Male	
2	0700612	2	Bolt M6 x 25	
3	3290605	2	Nut M6	
4	4811700	4	Washer M6	

Go to Discount-Equipment.com to order your parts

SECTION 2 - TURNTABLE

FIGURE 2-33. STROBE LIGHT INSTALLATION - AMBER



SECTION 2 - TURNTABLE

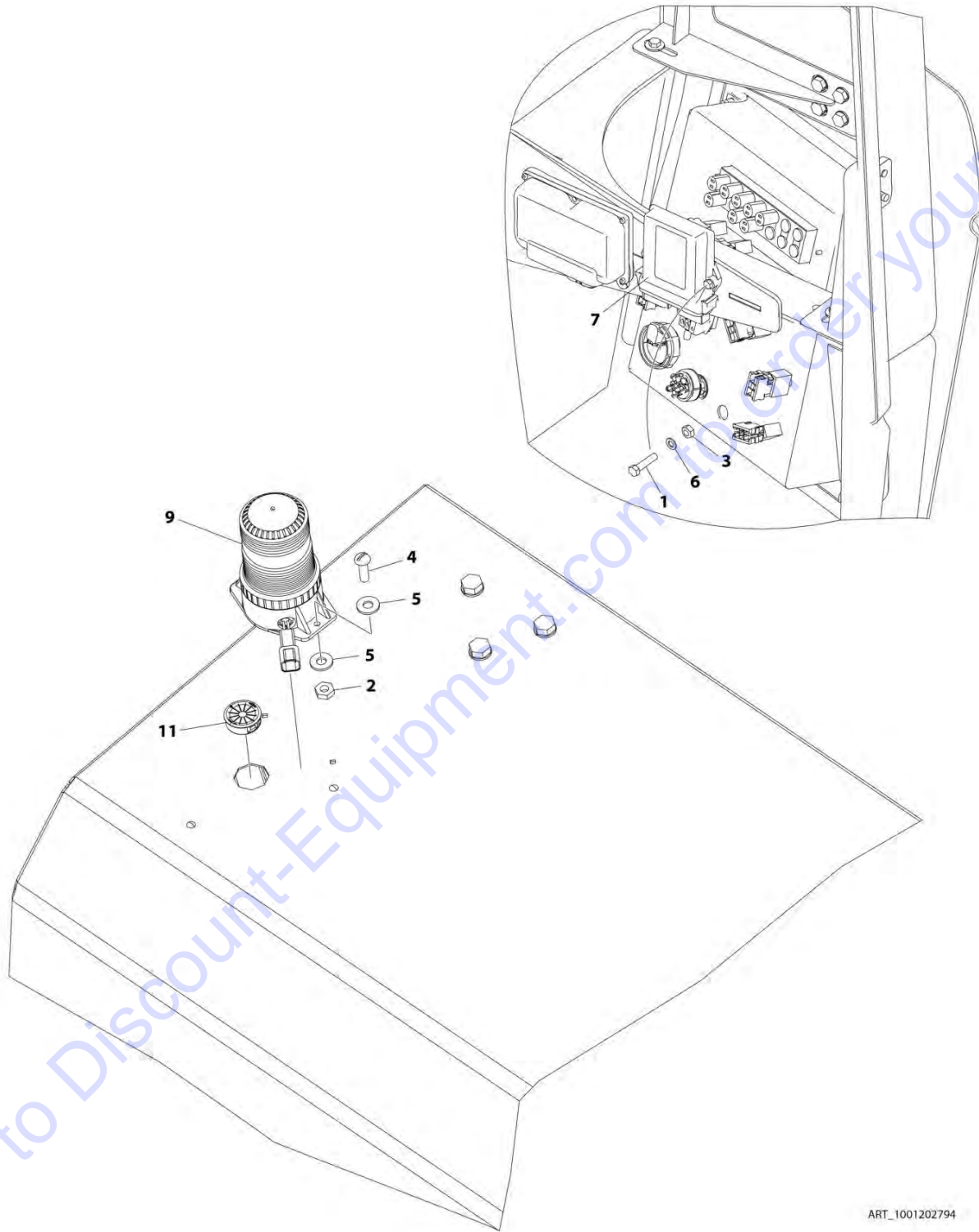
FIGURE 2-33. STROBE LIGHT INSTALLATION - AMBER

ITEM	PART NUMBER	QTY	DESCRIPTION	REV
	1001203413	Ref	STROBE LIGHT INSTALLATION - AMBER	A
1	0760408	2	Bolt M4 x 16	
2	0760610	1	Bolt M6 x 20	
3	1320263	2	Clamp	
4	2920161	1	Strobe Light/Guard/Harness Assembly (Amber) (See ELECTRICAL SECTION for Breakdown)	B
4	7016319	1	Bulb, Replacement	
4	7016272	1	Lens, Replacement	
4	4460891	1	Plug, Male - 2 Position	
4	4460465	1	Socket, Female	
5	3290405	2	Nut M4	
6	3290607	1	Nut M6	
7	4811702	2	Washer M6	
8	1001091102	2	Washer M4	
9	1001169085	1	Grommet	
10	1001202787	1	Strobe Light (Amber) Harness (Not Shown - See ELECTRICAL SECTION for Breakdown)	
100	4060865	1	Guard (Not Shown - Must be Purchased Separately)	

Go to Discount-Equipment.com to order your parts

SECTION 2 - TURNTABLE

FIGURE 2-34. STROBE LIGHT INSTALLATION - BLUE (Prior to SN 0300259280)



ART_1001202794

SECTION 2 - TURNTABLE

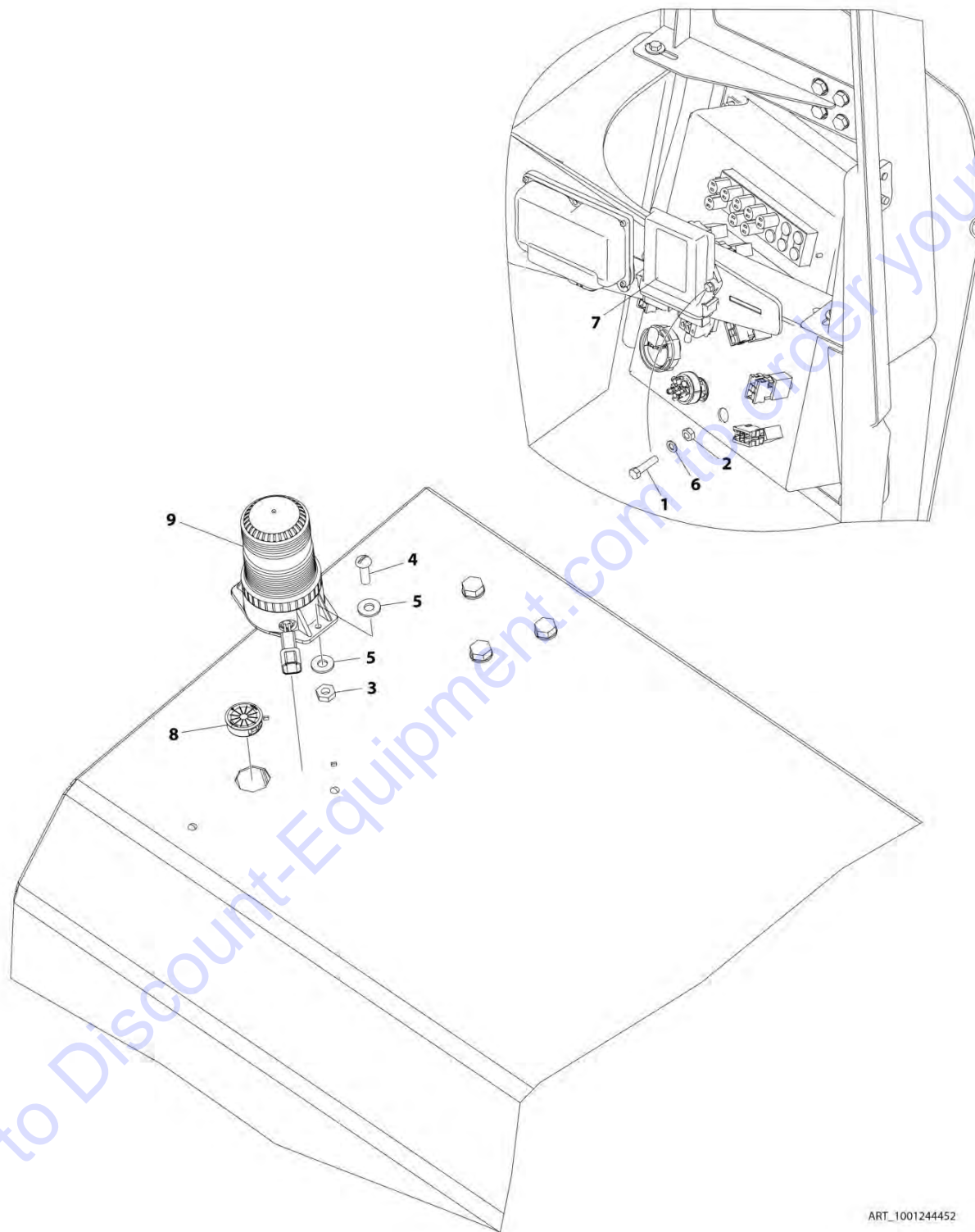
FIGURE 2-34. STROBE LIGHT INSTALLATION - BLUE (Prior to SN 0300259280)

ITEM	PART NUMBER	QTY	DESCRIPTION	REV
	1001202794	Ref	STROBE LIGHT INSTALLATION - BLUE	D
1	0700615	2	Bolt M6 x 35	
2	3311005	2	Nut #10	
3	3290605	2	Nut M6	
4	3911010	2	Screw #10 x 5/8	
5	4711000	2	Washer #10	
6	4811700	4	Washer M6	
7	1001142683	1	Decal - Control	
8	1001210781	1	Strobe Light (Blue) Harness (Not Shown - See ELECTRICAL SECTION for Breakdown)	
9	1001200910	1	Strobe Light/Harness Assembly	
9	4460897	1	Connector - 2 Position	
9	4460464	2	Pin, Male	
11	1001169085	1	Grommet	

Go to Discount-Equipment.com to order your parts

SECTION 2 - TURNTABLE

FIGURE 2-35. STROBE LIGHT INSTALLATION - BLUE (SN 0300259280 to Present)



ART_1001244452

SECTION 2 - TURNTABLE

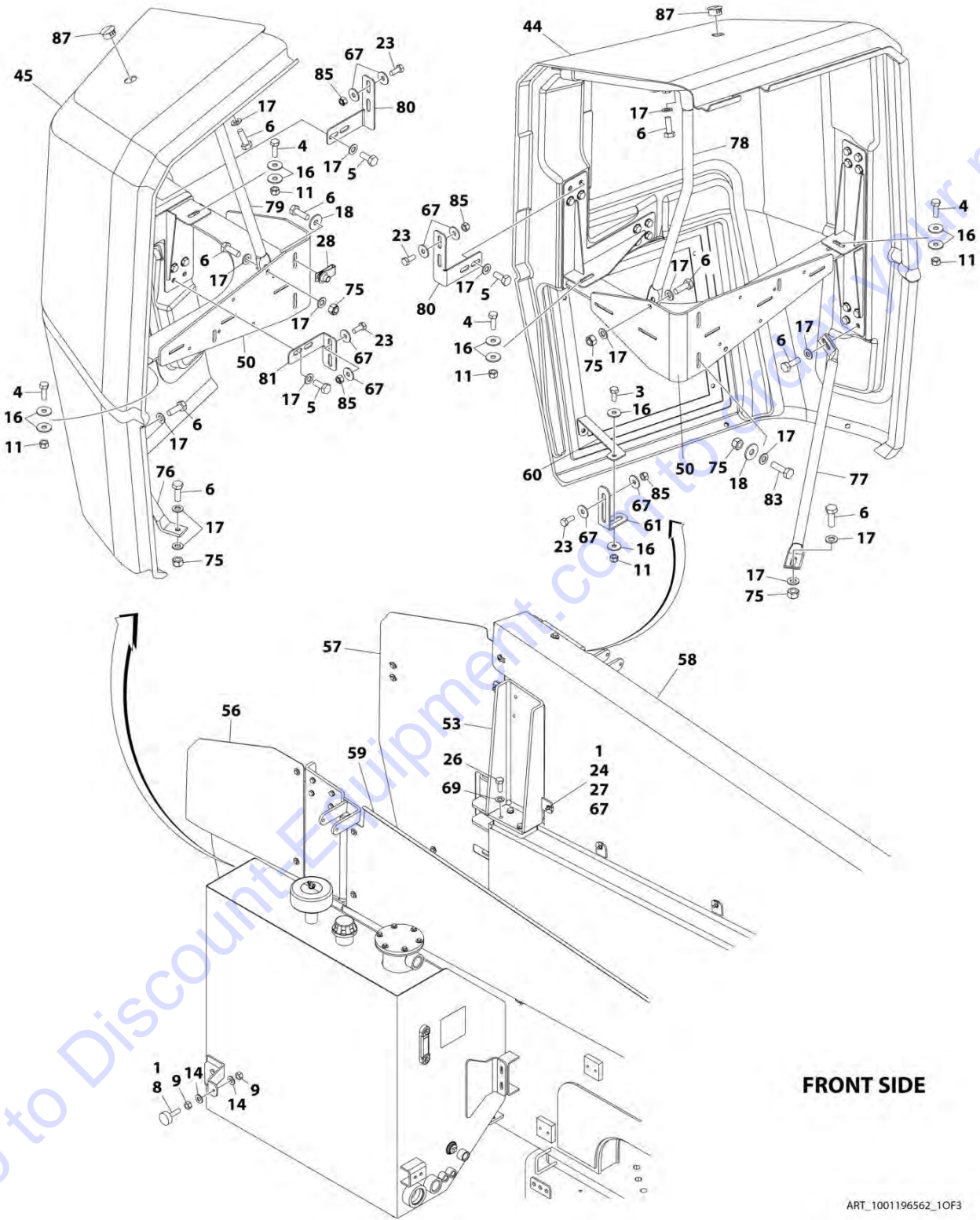
FIGURE 2-35. STROBE LIGHT INSTALLATION - BLUE (SN 0300259280 to Present)

ITEM	PART NUMBER	QTY	DESCRIPTION	REV
	1001244452	Ref	STROBE LIGHT INSTALLATION - BLUE	A
1	0700615	2	Bolt M6 x 35	
2	3290605	2	Nut M6	
3	3311005	2	Nut #10	
4	3911010	2	Screw #10 x 5/8	
5	4711000	4	Washer #10	
6	4811700	2	Washer M6	
7	1001142683	1	Decal - Control	
8	1001169085	1	Grommet	
9	1001200910	1	Strobe Light/Harness Assembly	
9	4460897	1	Connector - 2 Position	
9	4460464	2	Pin, Male	
10	1001210781	1	Strobe Light (Blue) Harness (Not Shown - See ELECTRICAL SECTION for Breakdown)	

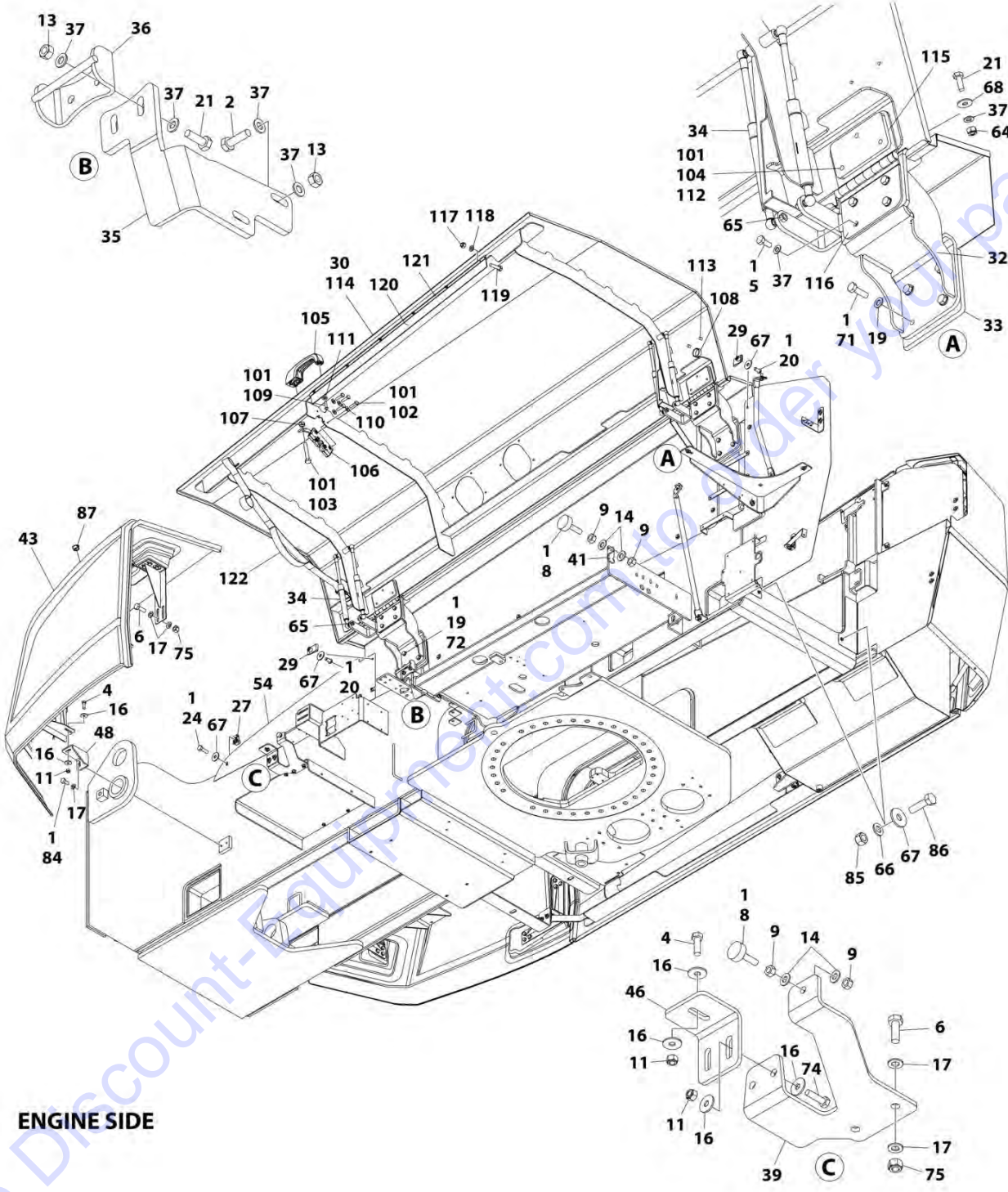
Go to Discount-Equipment.com to order your parts

SECTION 2 - TURNTABLE

FIGURE 2-36. HOOD INSTALLATION



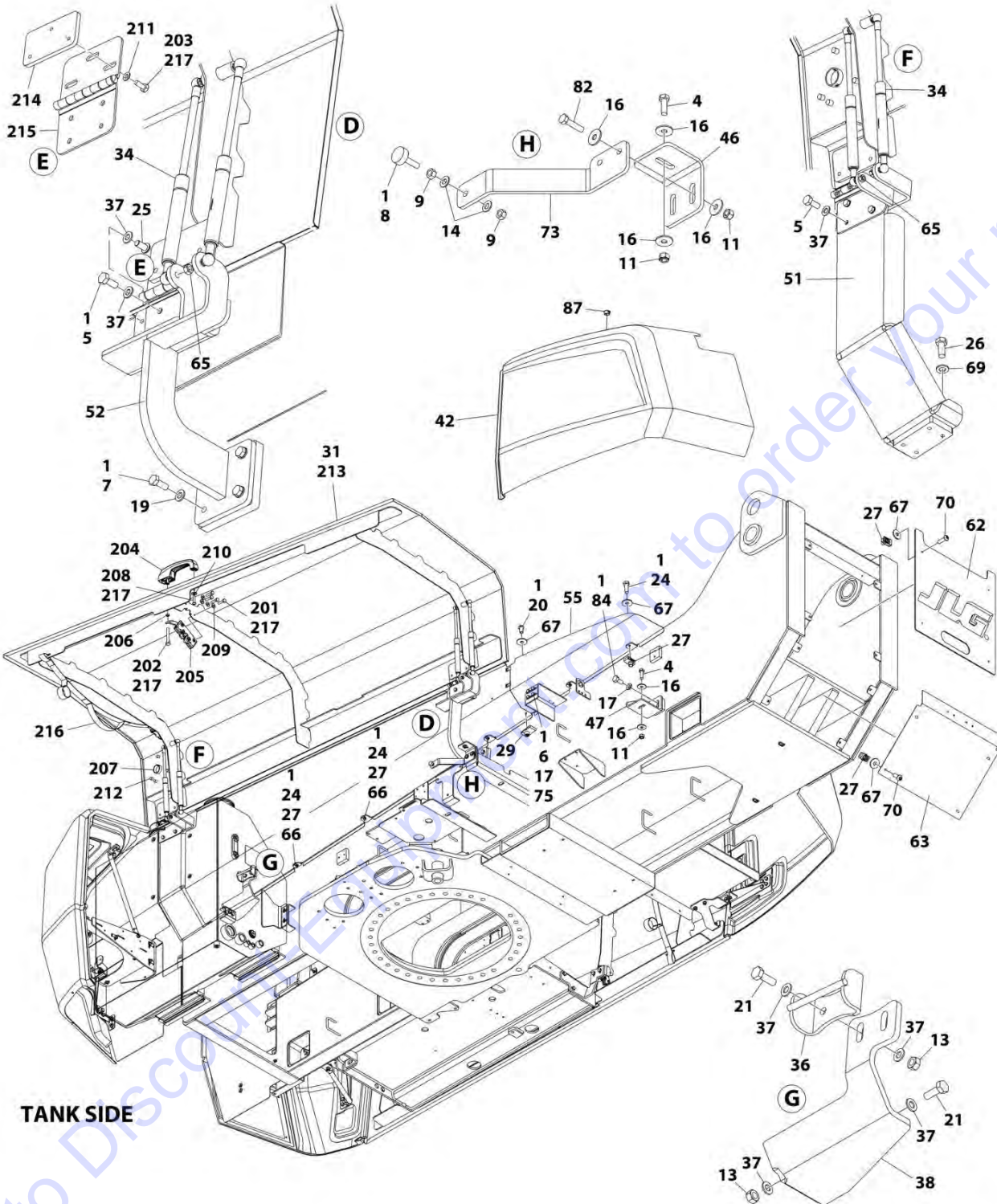
SECTION 2 - TURNTABLE



ENGINE SIDE

ART_1001196562_20F3

SECTION 2 - TURNTABLE



TANK SIDE

ART_1001196562_30F3

SECTION 2 - TURNTABLE

FIGURE 2-36. HOOD INSTALLATION

ITEM	PART NUMBER	QTY	DESCRIPTION	REV
	1001196562	Ref	HOOD INSTALLATION	K
1	0100011	AR	Compound, Locking	
2	0701015	2	Bolt M10 x 35	
3	0760810	1	Bolt M8 x 20	
4	0760812	8	Bolt M8 x 25	
5	0761012	22	Bolt M10 x 25	
6	0761014	21	Bolt M10 x 35	
7	0761214	4	Bolt M12 x 30	
8	0940049	4	Bumper	
9	3271501	8	Nut 5/16	
11	3290805	AR	Nut M8	
13	3291007	AR	Nut M10	
14	4711500	8	Washer 5/16	
16	4811902	26	Washer M8	
17	4812000	44	Washer M10	
18	4812002	5	Washer M10	
19	4812100	12	Washer M12	
20	0630615001	6	Screw M8 x 16	
21	0701014001	8	Bolt M10 x 30	
23	0760810001	8	Bolt M8 x 20	
24	0760812001	19	Bolt M8 x 25	
25	0761007001	2	Bolt M10 x 14	
26	0761214001	8	Bolt M12 x 30	
27	1001118274	27	Nut M8	
28	1001118972	3	Nut M10	
29	1001149160	6	Nut M8	
30	1001155438	1	Hood - Engine Side (See Items 101-122 for Breakdown)	
31	1001155456	1	Hood - Tank Side (See Items 201-217 for Breakdown)	
32	1001155591	2	Bracket	
33	1001155832	2	Plate, Spacer	
34	1001156242	8	Spring, Gas (Prior to SN 0300239463)	
34	1001227710	8	Spring, Gas (SN 0300239463 to Present)	
35	1001157730	1	Bracket, Striker	
36	1001157731	2	Bracket, Striker	
37	1001172358	AR	Washer M10	
38	1001197936	1	Bracket, Striker	
39	1001197937	1	Mount, Cover	
41	1001198685	1	Brace	
42	1001199310	1	Cover, Rear Left	
43	1001199319	1	Cover, Rear Right	
44	1001199465	1	Cover, Front Right	
45	1001199468	1	Cover, Front Left	
46	1001199753	2	Support	
47	1001199754	1	Bracket	
48	1001199755	1	Bracket	
50	1001199764	2	Bracket	
51	1001199778	1	Bracket	
52	1001199780	1	Support	
53	1001199782	1	Mount	
54	1001200501	1	Plate	

SECTION 2 - TURNTABLE

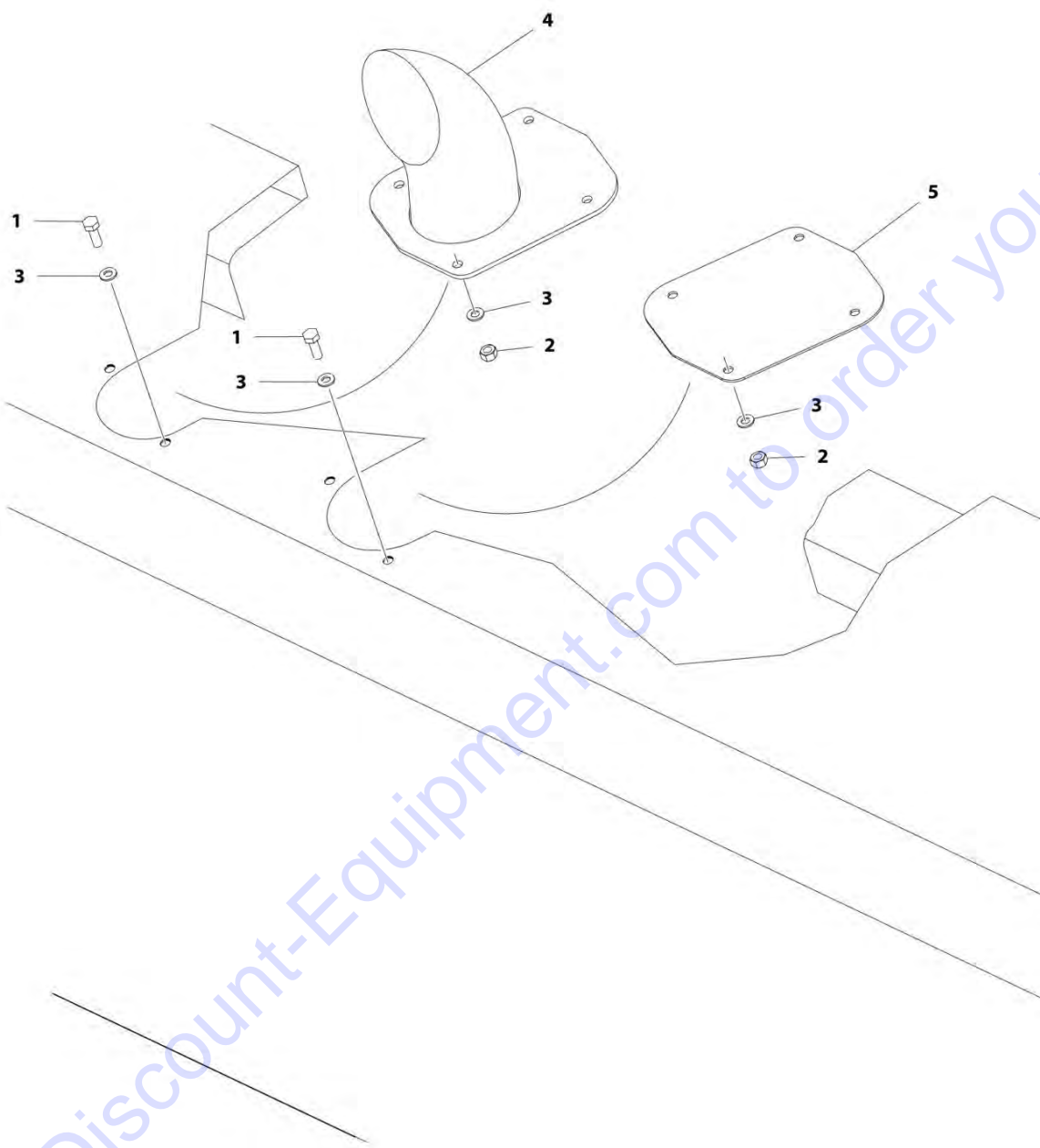
ITEM	PART NUMBER	QTY	DESCRIPTION	REV
55	1001200502	1	Plate	
56	1001200519	1	Panel, Turntable Side	
57	1001200522	1	Cover	
58	1001200532	1	Panel, Filter	
59	1001202169	1	Panel, Hood	
60	1001202181	1	Strut	
61	1001202225	1	Bracket	
62	1001202733	1	Cover, Turntable	
63	1001202734	1	Cover, Turntable	
64	3291005001	2	Nut M10	
65	3291007001	8	Nut M10	
66	4811900001	4	Washer M8	
67	4811902001	49	Washer M8	
68	4812002001	2	Washer M10	
69	4812100001	8	Washer M12	
70	8310643001	8	Screw M8 x 25	
71	0761216	4	Bolt M12 x 40	
72	0761217	4	Bolt M12 x 45	
73	1001209961	1	Bracket, Bumper	
74	0760814	2	Bolt M8 x 30	
75	3291005	16	Nut M10	
76	1001209626	1	Brace	
77	1001209935	1	Brace	
78	1001210116	1	Brace	
79	1001210259	1	Brace	
80	1001210283	2	Bracket	
81	1001210294	1	Bracket	
82	0760815	2	Bolt M8 x 35	
83	0761015	2	Bolt M10 x 35	
84	0761011	4	Bolt M10 x 22	
85	3290805001	AR	Nut M8	
86	0760814001	2	Bolt M8 x 30	
87	1001131130	4	Plug	
	1001155438	Ref	HOOD ASSEMBLY - ENGINE SIDE	E
88	1001180620	AR	Compound, Locking	
		Ref	Note: Replacement Decals Must be Ordered Separately - See DECAL SECTION.	
101	0100011	AR	Compound, Locking	
102	0641408	4	Bolt 1/4 x 1	
103	0700616	1	Bolt 5/16 x 3/4	
104	0761012001	1	Bolt M10 x 25	
105	2560187	1	Handle, Push Button	
106	2940173	1	Latch	
107	3290601	1	Nut M6	
108	3520032	1	Plug	
109	3900363	2	Screw M6 x 25	
110	4711400	AR	Washer 1/4	
111	4811900	AR	Washer M8	
112	1001172358	AR	Washer M10	
113	3520173	2	Plug	
114	1001155437	1	Hood	
115	1001155584	2	Plate	

SECTION 2 - TURNTABLE

ITEM	PART NUMBER	QTY	DESCRIPTION	REV
116	1001156347	2	Hinge	
117	3290605	6	Nut M6	
118	4811700	AR	Washer M6	
119	0760612	6	Bolt M6 x 25	
120	1001157906	1	Seal	
121	1001157907	1	Plate	
122	1001160505	1	Strap	
	1001155456	Ref	HOOD ASSEMBLY - TANK SIDE	D
		Ref	Note: Replacement Decals Must be Ordered Separately - See DECAL SECTION.	
201	0641408	4	Bolt 1/4 x 1	
202	0700616	1	Bolt 5/16 x 3/4	
203	0761012001	6	Bolt M10 x 25	
204	2560187	1	Handle, Push Button	
205	2940173	1	Latch	
206	3290601	1	Nut M6	
207	3520032	1	Plug	
208	3900363	2	Screw M6 x 25	
209	4711400	AR	Washer 1/4	
210	4811900	AR	Washer M8	
211	1001172358	AR	Washer M10	
212	3520173	2	Plug	
213	1001155454	1	Hood	
214	1001155584	2	Plate	
215	1001156347	2	Hinge	
216	1001160505	1	Strap	
217	0100011	AR	Compound, Locking	

SECTION 2 - TURNTABLE

FIGURE 2-37. VENTURI INSTALLATION (HRC)



ART_1001161488

SECTION 2 - TURNTABLE

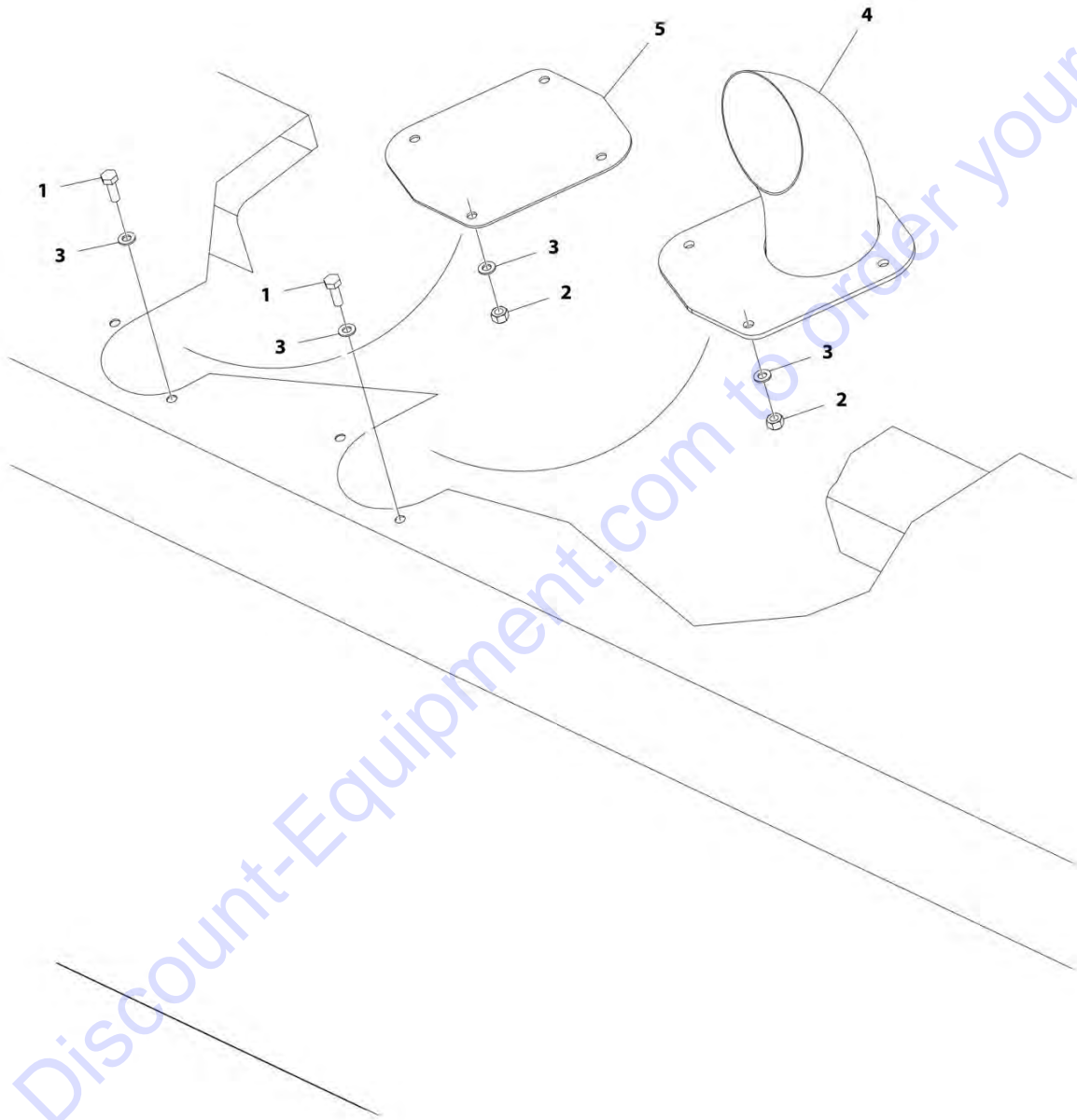
FIGURE 2-37. VENTURI INSTALLATION (HRC)

ITEM	PART NUMBER	QTY	DESCRIPTION	REV
	1001161488	Ref	VENTURI INSTALLATION (HRC)	E
		Ref	Note: ANSI, ANSI Export, CSA, CE and Japanese Specs.	
1	0701014001	AR	Bolt M10 x 30	
2	3291005001	AR	Nut M10	
3	1001172358	AR	Washer M10	
4	1001155527	1	Venturi, Exhaust	
5	1001190927	1	Panel	

Go to Discount-Equipment.com to order your parts

SECTION 2 - TURNTABLE

FIGURE 2-38. VENTURI INSTALLATION (LRC)



ART_1001190032

SECTION 2 - TURNTABLE

FIGURE 2-38. VENTURI INSTALLATION (LRC)

ITEM	PART NUMBER	QTY	DESCRIPTION	REV
	1001190032	Ref	VENTURI INSTALLATION (LRC)	B
		Ref	Note: ANSI Export, AUSTRALIAN, CE and Chinese Specs.	
1	0701014001	AR	Bolt M10 x 30	
2	3291005001	AR	Nut M10	
3	1001172358	AR	Washer M10	
4	1001161470	1	Venturi, Exhaust	
5	1001190927	1	Panel	

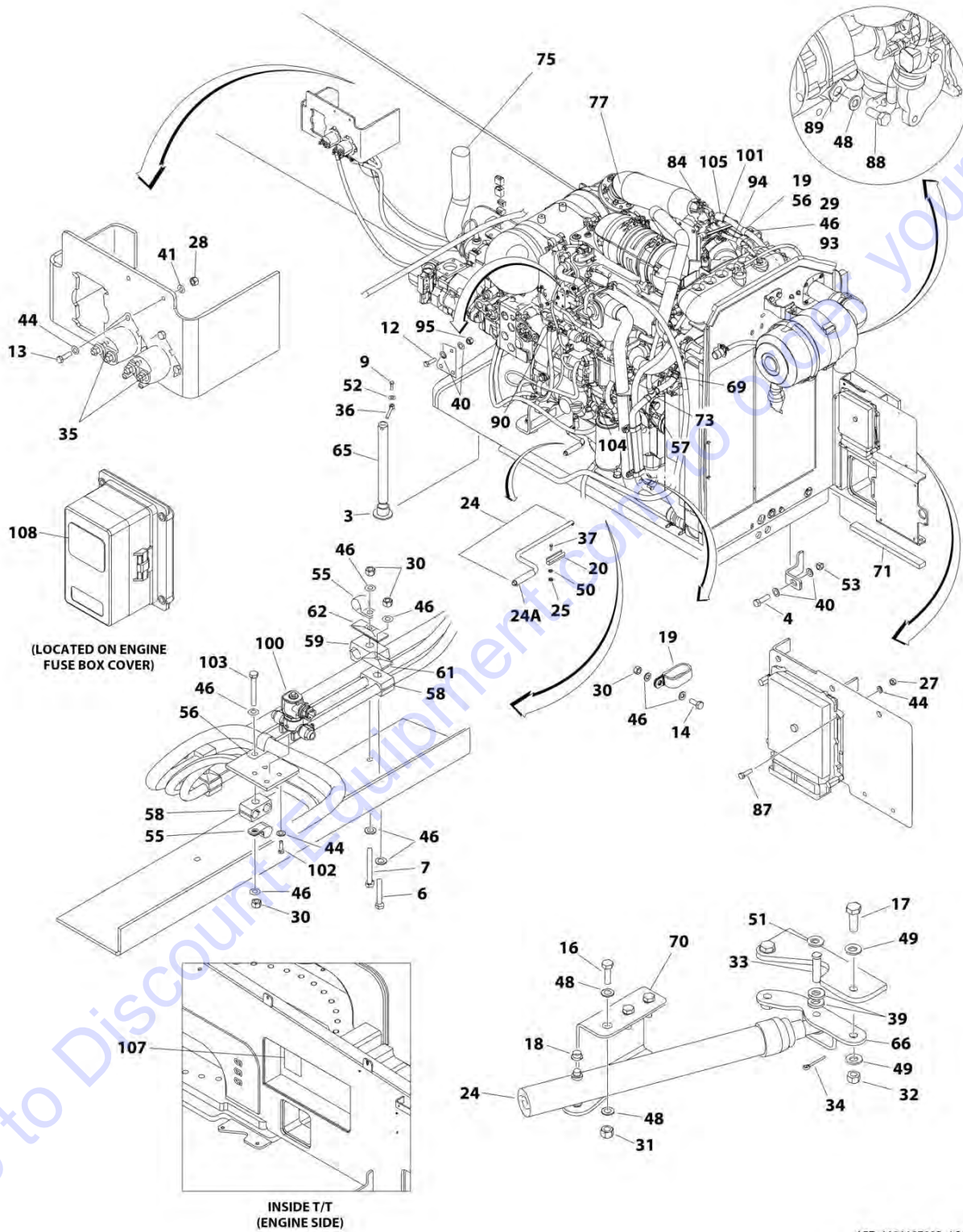
Go to Discount-Equipment.com to order your parts

SECTION 3 - ENGINE

Go to Discount-Equipment.com to order your parts

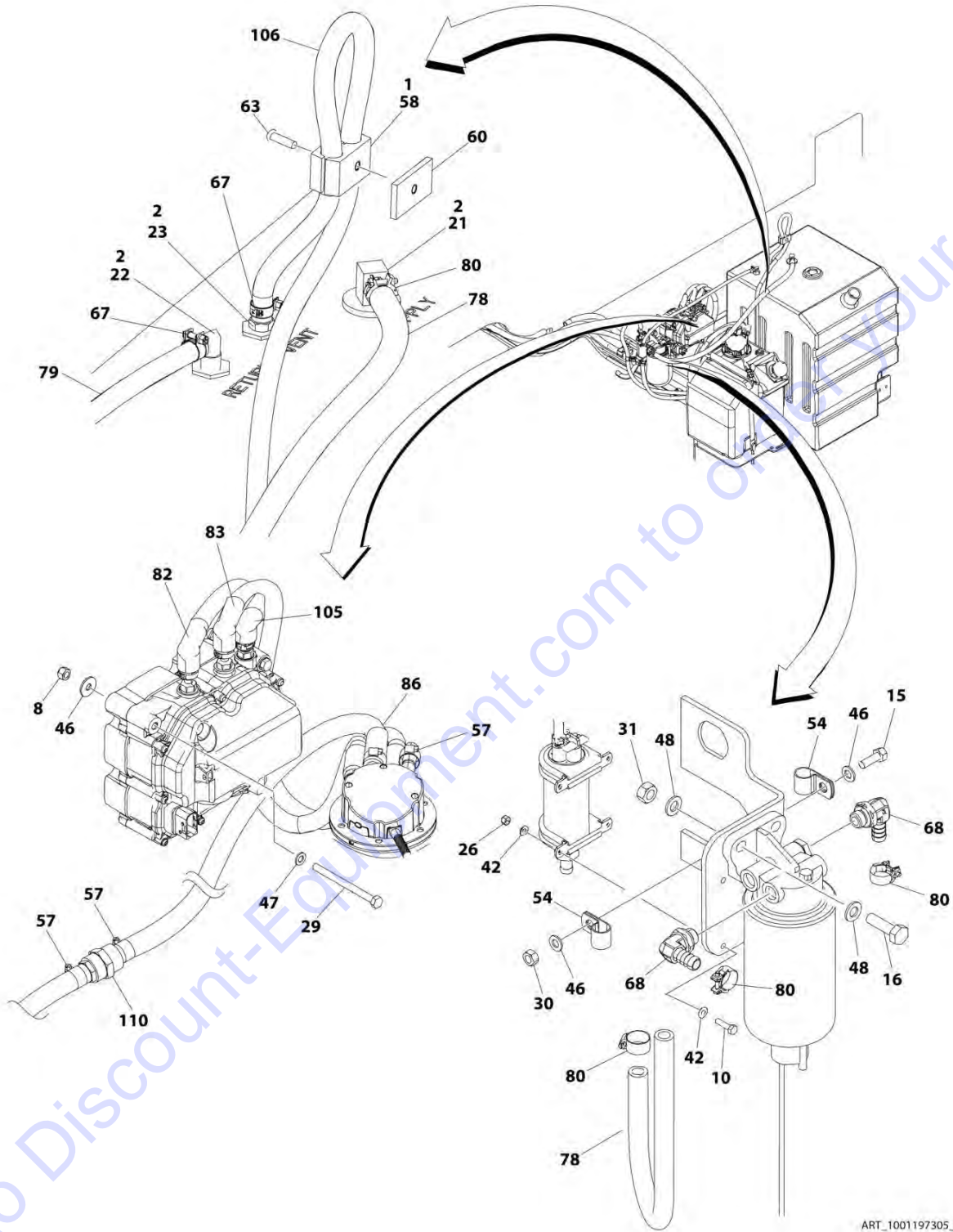
SECTION 3 - ENGINE

FIGURE 3-1. ENGINE INSTALLATION (HRC) (WITHOUT COLD WEATHER PACKAGE) (Prior to SN 0300254483)



ART_1001197305_10F2

SECTION 3 - ENGINE



ART_1001197305_20F2

SECTION 3 - ENGINE

FIGURE 3-1. ENGINE INSTALLATION (HRC) (WITHOUT COLD WEATHER PACKAGE) (Prior to SN 0300254483)

ITEM	PART NUMBER	QTY	DESCRIPTION	REV
	1001197305	Ref	ENGINE INSTALLATION (HRC) (WITHOUT COLD WEATHER PACKAGE)	K
1	0100011	AR	Compound, Locking	
2	0100020	AR	Sealant	
3	0440162	1	Bearing	
4	0642220	1	Bolt 3/4 x 2-1/2	
6	0700818	2	Bolt M8 x 50	
7	0700822	2	Bolt M8 x 70	
8	0700827	3	Bolt M8 x 100	
9	0711015	1	Bolt M10 x 35	
10	0760408	4	Bolt M4 x 16	
12	0760608	AR	Bolt M6 x 16	
13	0760610	4	Bolt M6 x 20 (Prior to SN 0300226018)	
14	0760810	AR	Bolt M8 x 20	
15	0760812	2	Bolt M8 x 25	
16	0761015	5	Bolt M10 x 35	
17	0771416	2	Bolt M14 x 40	
18	0962051	2	Bearing	
19	1321716	AR	Clamp	
20	1380147	1	Clip	
21	2180832	1	Fitting, Straight Barbed/NPTF	
22	2220313	1	Fitting, 90 Barbed/NPTF	
23	2221114	1	Fitting, Straight Barbed/NPT	
24	2840016	1	Tray Jack Assembly	
24	7016322	1	Wiper (Burr Brand)	
24A	7016374	1	Handle (Burr Brand)	
24A	7024598	1	Handle (Hammerblow Brand)	
25	3290301	2	Nut M3	
26	3290405	4	Nut M4	
27	3290605	5	Nut M6	
28	3290607	4	Nut M6 (Prior to SN 0300226018)	
29	3290805	5	Nut M8	
30	3290807	AR	Nut M8	
31	3291007	5	Nut M10	
32	3331411	2	Nut M14	
33	3430816	1	Pin	
34	3450404	1	Pin, Cotter 1/8 x 1	
35	3740067	2	Relay (Prior to SN 0300226018)	
36	3841143	1	Keeper, Pin	
37	4010308	2	Screw M3 x 16	
38	4240099	AR	Tie-Strap (Not Shown)	
39	4711800	2	Washer 1/2	
40	4712200	2	Washer 3/4	
41	4791400	4	Washer 1/4 (Prior to SN 0300226018)	
42	4811400	8	Washer M4	
44	4811700	14	Washer M6	
46	4811900	25	Washer M8	
47	4811902	3	Washer M8	
48	4812000	11	Washer M10	

SECTION 3 - ENGINE

ITEM	PART NUMBER	QTY	DESCRIPTION	REV
49	4812200	4	Washer M14	
50	4871200	2	Washer M3	
51	4891800	1	Washer 1/2	
52	5241000	1	Washer M10	
53	8310067	1	Nut 3/4	
54	8406101	2	Clip	
55	8406102	3	Clip	
56	8406201	4	Clip	
57	8410009	AR	Clamp	
58	8750014	4	Clamp	
59	8750027	2	Clamp Set	
60	8750031	1	Plate, Clamp	
61	8769123	2	Cover, Clamp	
62	77133137	2	Cover, Clamp	
63	1001101580	1	Screw M8 x 30	
64	1001103452	AR	Coolant (Not Shown)	
65	1001135196	1	Pin	
66	1001135497	1	Support	
67	1001136975	5	Clamp	
68	1001142501	2	Fitting, 90 Barbed	
69	1001154262	2	Fitting, Straight Barbed	
70	1001155939	1	Mount	
71	1001206747	1	Seal	
73	1001162212	2	Fitting, Tee Barbed	
74	1001162986	AR	Fluid, Diesel Exhaust (Not Shown)	
75	1001190475	1	Pipe, Exhaust	
77	1001199582	1	Engine Assembly with Pumps (HRC) (Without Cold Weather Package) (See ENGINE ASSEMBLY WITH PUMPS (HRC) (WITHOUT COLD WEATHER PACKAGE) for Breakdown)	
78	1001154405	53 in/ 1.4m	Hose	
79	1001165035	31 ft/ 9.4m	Hose	
80	1001175568	4	Clip	
82	1001187516	1	Hose, Suction	
83	1001187517	1	Hose, Backflow	
84	1001193980	1	Hose, Return	
86	82033995	374 in/ 9.5m	Hose	
87	0700614	4	Bolt M6 x 30	
88	0761009	1	Bolt M10 x 18	
89	8406105	1	Clip	
90	1001155823	1	Fitting, 90 Barbed	
93	0760814	1	Bolt M8 x 30	
94	1321716	1	Clamp (Prior to SN 0300226018)	
95	3290605	1	Nut M6 (Prior to SN 0300226018)	
100	1001199670	1	Valve, Flow	
101	1001212825	1	Hose	
102	0760606	4	Bolt M6 x 12	
103	0700820	1	Bolt M8 x 60	
104	0760807	1	Bolt M8 x 14 (Prior to SN 0300226018)	
105	1001213643	1	Hose (Prior to SN 0300226018)	

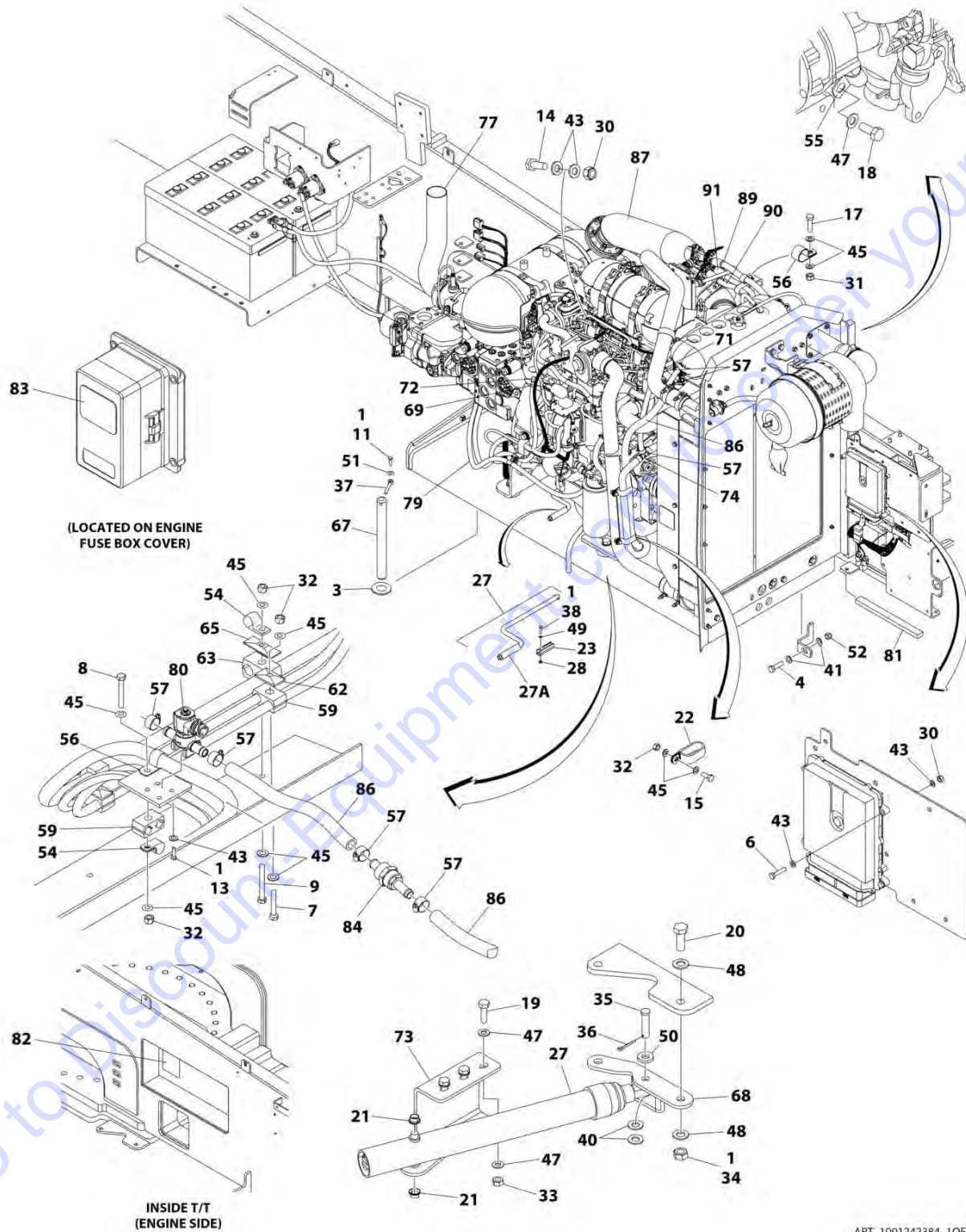
SECTION 3 - ENGINE

ITEM	PART NUMBER	QTY	DESCRIPTION	REV
105	1001187518	1	Hose (SN 0300226018 through 0300254482)	
106	2750532	4 ft/ 1.2m	Hose	
107	1001212056	1	Decal - Engine Fuse Box (SN 0300226018 through 0300254482)	
108	1001224046	1	Decal - Engine Fuse Box Cover (SN 0300226018 through 0300254482)	
110	1001228872	1	Filter, Coolant Screen (SN 0300244681 through 0300254482)	

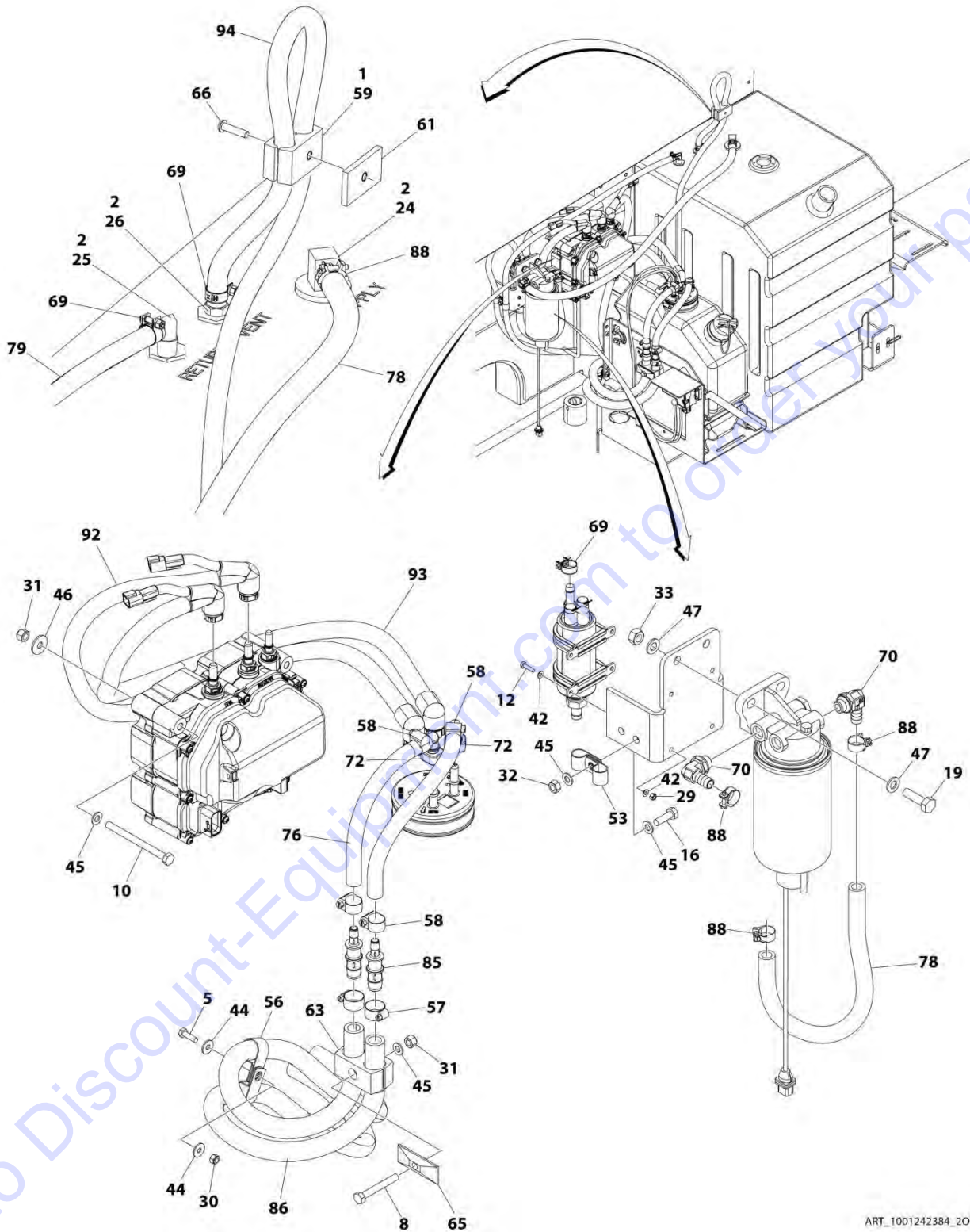
Go to Discount-Equipment.com to order your parts

SECTION 3 - ENGINE

FIGURE 3-2. ENGINE INSTALLATION (HRC) (WITHOUT COLD WEATHER PACKAGE) (SN 0300254483 to Present)



SECTION 3 - ENGINE



ART_1001242384_20F2

SECTION 3 - ENGINE

FIGURE 3-2. ENGINE INSTALLATION (HRC) (WITHOUT COLD WEATHER PACKAGE) (SN 0300254483 to Present)

ITEM	PART NUMBER	QTY	DESCRIPTION	REV
	1001242384	Ref	ENGINE INSTALLATION (HRC) (WITHOUT COLD WEATHER PACKAGE)	B
1	0100011	AR	Compound, Locking	
2	0100020	AR	Sealant	
3	0440162	1	Bearing	
4	0642220	1	Bolt 3/4 x 2-1/2	
5	0700610	1	Bolt M6 x 20	
6	0700614	4	Bolt M6 x 30	
7	0700818	2	Bolt M8 x 50	
8	0700820	2	Bolt M8 x 60	
9	0700822	2	Bolt M8 x 70	
10	0700827	3	Bolt M8 x 100	
11	0711015	1	Bolt M10 x 35	
12	0760408	4	Bolt M4 x 16	
13	0760606	4	Bolt M6 x 12	
14	0760608	1	Bolt M6 x 16	
15	0760810	3	Bolt M8 x 20	
16	0760812	2	Bolt M8 x 25	
17	0760814	1	Bolt M8 x 30	
18	0761009	1	Bolt M10 x 18	
19	0761015	5	Bolt M10 x 35	
20	0771416	2	Bolt M14 x 40	
21	0962051	2	Bearing	
22	1321716	3	Clamp	
23	1380147	1	Clip	
24	2180832	1	Fitting, Straight Barbed/NPTF	
25	2220313	1	Fitting, 90 Barbed/NPTF	
26	2221114	1	Fitting, Straight Barbed/NPT	
27	2840016	1	Tray Jack Assembly	
27	7016322	1	Wiper (Burr Brand)	
27A	7016374	1	Handle (Burr Brand)	
27A	7024598	1	Handle (Hammerblow Brand)	
28	3290301	2	Nut M3	
29	3290405	4	Nut M4	
30	3290605	6	Nut M6	
31	3290805	6	Nut M8	
32	3290807	9	Nut M8	
33	3291007	5	Nut M10	
34	3331411	2	Nut M14	
35	3430816	1	Pin	
36	3450404	1	Pin, Cotter 1/8 x 1	
37	3841143	1	Keeper, Pin	
38	4010308	2	Screw M3 x 16	
39	4240099	AR	Tie-Strap (Not Shown)	
40	4711800	2	Washer 1/2	
41	4712200	2	Washer 3/4	
42	4811400	8	Washer M4	
43	4811700	14	Washer M6	
44	4811702	2	Washer M6	

SECTION 3 - ENGINE

ITEM	PART NUMBER	QTY	DESCRIPTION	REV
45	4811900	26	Washer M8	
46	4811902	3	Washer M8	
47	4812000	11	Washer M10	
48	4812200	4	Washer M14	
49	4871200	2	Washer M3	
50	4891800	1	Washer 1/2	
51	5241000	1	Washer M10	
52	8310067	1	Nut 3/4	
53	8406101	2	Clip	
54	8406102	3	Clip	
55	8406105	1	Clip	
56	8406201	6	Clip	
57	8410009	14	Clamp	
58	8410013	4	Clamp	
59	8750014	4	Clamp	
60	8750027	2	Clamp Set (SN 0300254483 through 0300255069)	
61	8750031	1	Plate, Clamp	
62	8769123	2	Cover, Clamp	
63	8769127	AR	Clamp	
64	1001103452	AR	Coolant (Not Shown)	
65	77133137	3	Cover, Clamp	
66	1001101580	1	Screw M8 x 30	
67	1001135196	1	Pin	
68	1001135497	1	Support	
69	1001136975	5	Clamp	
70	1001142501	2	Fitting, 90 Barbed	
71	1001154262	2	Fitting, Straight Barbed	
72	1001155823	3	Fitting, 90 Barbed	
73	1001155939	1	Mount	
74	1001162212	2	Fitting, Tee Barbed	
75	1001162986	AR	Fluid, Diesel Exhaust (Not Shown)	
76	1001181625	2 ft/ 0.61m	Hose	
77	1001190475	1	Pipe, Exhaust	
78	1001154405	53 in/ 1.4m	Hose	
79	1001165035	31 ft/ 9.4m	Hose	
80	1001199670	1	Valve, Flow	
81	1001206747	1	Seal	
82	1001212056	1	Decal - Engine Fuse Box	
83	1001224046	1	Decal - Engine Fuse Box Cover	
84	1001228872	1	Filter, Coolant Screen	
85	1001238470	2	Fitting, Reducer Barbed	
86	82033995	378 in/ 9.6m	Hose	
87	1001242382	1	Engine Assembly with Pumps (HRC) (Without Cold Weather Package) (See ENGINE ASSEMBLY WITH PUMPS (HRC) (WITHOUT COLD WEATHER PACKAGE) for Breakdown)	
88	1001175568	4	Clip (SN 0300254483 through 0300255069)	
88	1001186342	4	Clip (SN 0300255070 to Present)	
89	1001187518	1	Hose	
90	1001193980	1	Hose, Return	

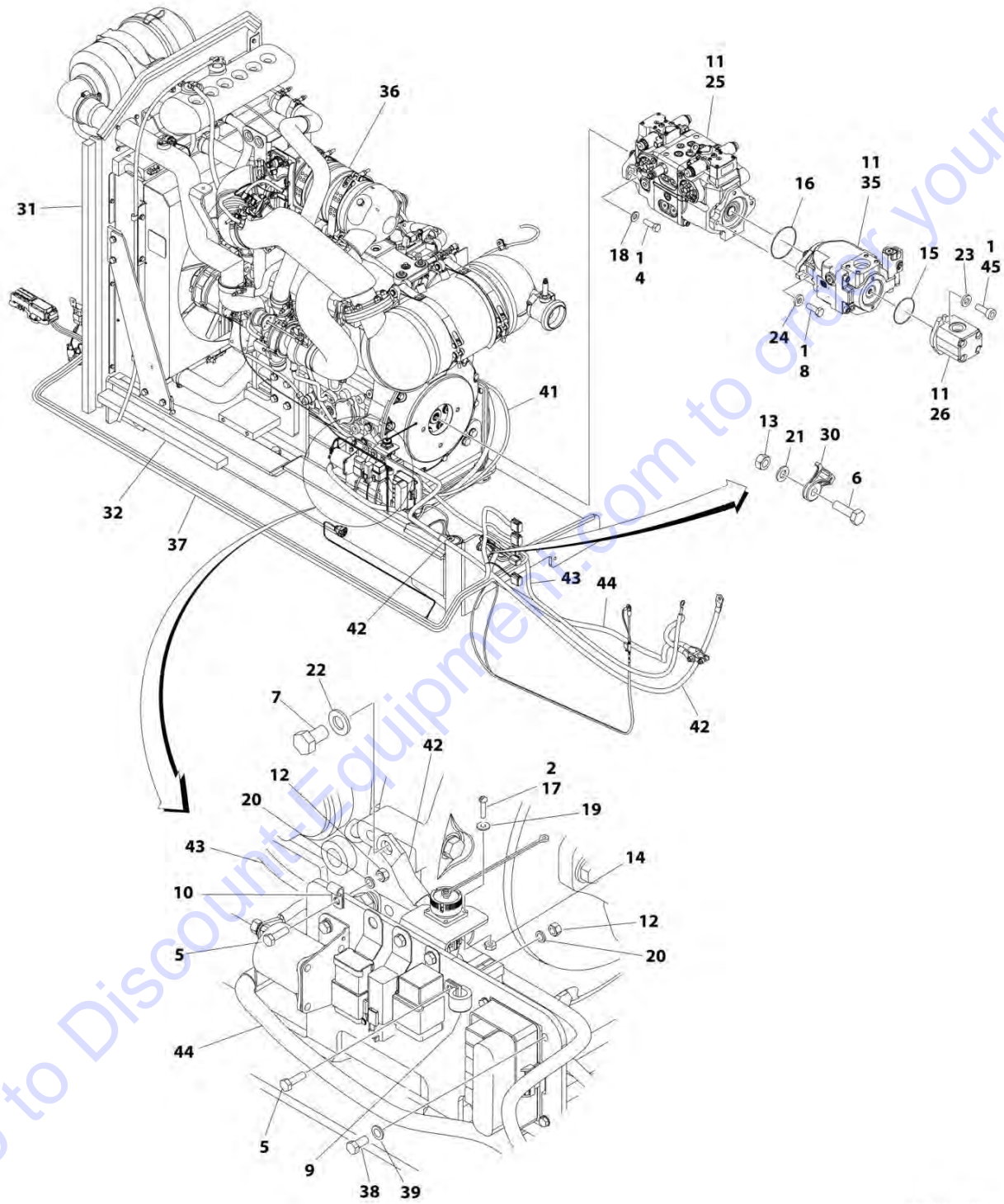
SECTION 3 - ENGINE

ITEM	PART NUMBER	QTY	DESCRIPTION	REV
91	1001212825	1	Hose	
92	1001238401	1	Hose, Backflow	
93	1001238402	1	Hose, Suction	
94	2750532	4 ft/ 1.2m	Hose	

Go to Discount-Equipment.com to order your parts

SECTION 3 - ENGINE

FIGURE 3-3. ENGINE ASSEMBLY WITH PUMPS (HRC) (WITHOUT COLD WEATHER PACKAGE) (Prior to SN 0300254483)



ART_1001199582

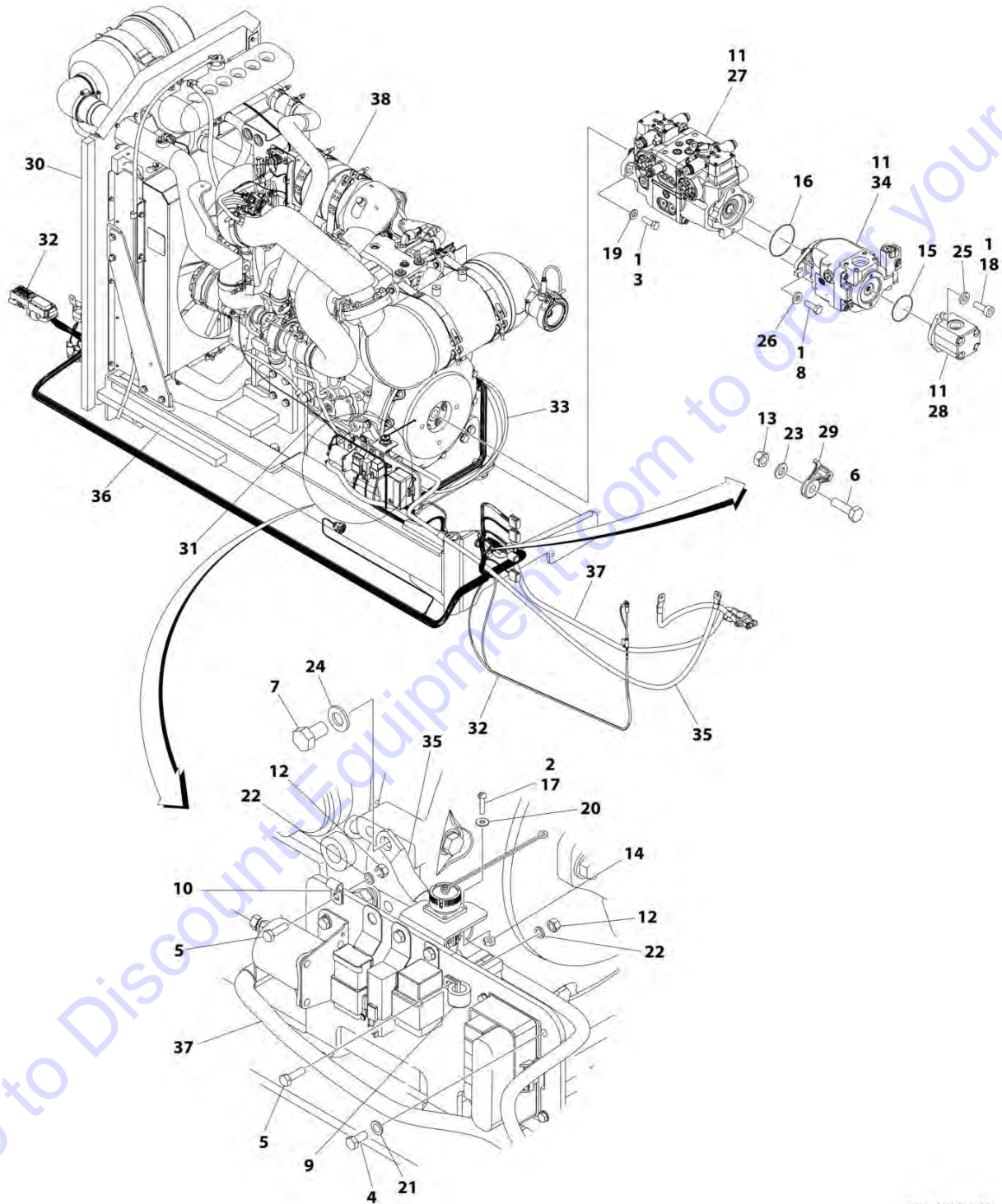
SECTION 3 - ENGINE

FIGURE 3-3. ENGINE ASSEMBLY WITH PUMPS (HRC) (WITHOUT COLD WEATHER PACKAGE) (Prior to SN 0300254483)

ITEM	PART NUMBER	QTY	DESCRIPTION	REV
	1001199582	Ref	ENGINE ASSEMBLY WITH PUMPS (HRC) (WITHOUT COLD WEATHER PACKAGE)	I
1	0100011	AR	Compound, Locking	
2	0100035	AR	Compound, Locking	
4	0641812	2	Bolt 1/2 x 1-1/2	
5	0760610	2	Bolt M6 x 20	
6	0761015	2	Bolt M10 x 35	
7	0761210	1	Bolt M12 x 20	
8	0761216	2	Bolt M12 x 40	
9	1320041	1	Clamp	
10	1320136	1	Clamp	
11	3020037	AR	Grease, Coupling	
12	3290607	2	Nut M6	
13	3291007	2	Nut M10	
14	3310401	3	Nut #4	
15	3790152	1	O-Ring	
16	3790155	1	O-Ring	
17	3910408	3	Screw #4 x 1/2	
18	4740171	2	Washer	
19	4750400	3	Washer #4	
20	4811700	2	Washer M6	
21	4812000	2	Washer M10	
22	4812100	1	Washer M12	
23	4891600	2	Washer 3/8	
24	4891800	2	Washer 1/2	
25	1001108616	1	Tandem Pump Assembly (See TANDEM PUMP ASSEMBLY for Breakdown)	
26	1001112927	1	Gear Pump Assembly (See GEAR PUMP ASSEMBLY for Breakdown)	
30	1001156107	2	Holder, Cable	
31	1001156718	1	Seal	
32	1001206747	1	Seal	
35	1001199470	1	Piston Pump Assembly (See PISTON PUMP ASSEMBLY for Breakdown)	
36	1001186579	1	Engine Assembly (HRC) (Without Cold Weather Package) (See ENGINE ASSEMBLY (HRC) (WITHOUT COLD WEATHER PACKAGE) for Breakdown)	
37	1001188922	1	Engine Harness (See ELECTRICAL SECTION for Breakdown)	
38	0760508	4	Bolt M5 x 16	
39	4811600	4	Washer M5	
41	1001197445	1	Cable, Glow Plug	
42	1001202355	1	Cable, Battery Negative	
43	1001157073	1	Cable, Alternator	
44	1001202356	NLA	Cable, Battery Positive (Use p/n 1001234791) (Prior to SN 0300243485)	
44	1001234791	1	Cable, Battery Positive (SN 0300243485 through 0300254482)	
45	3931620	2	Capscrew 3/8 x 1-1/4	

SECTION 3 - ENGINE

FIGURE 3-4. ENGINE ASSEMBLY WITH PUMPS (HRC) (WITHOUT COLD WEATHER PACKAGE) (SN 0300254483 to Present)



ART_1001242382

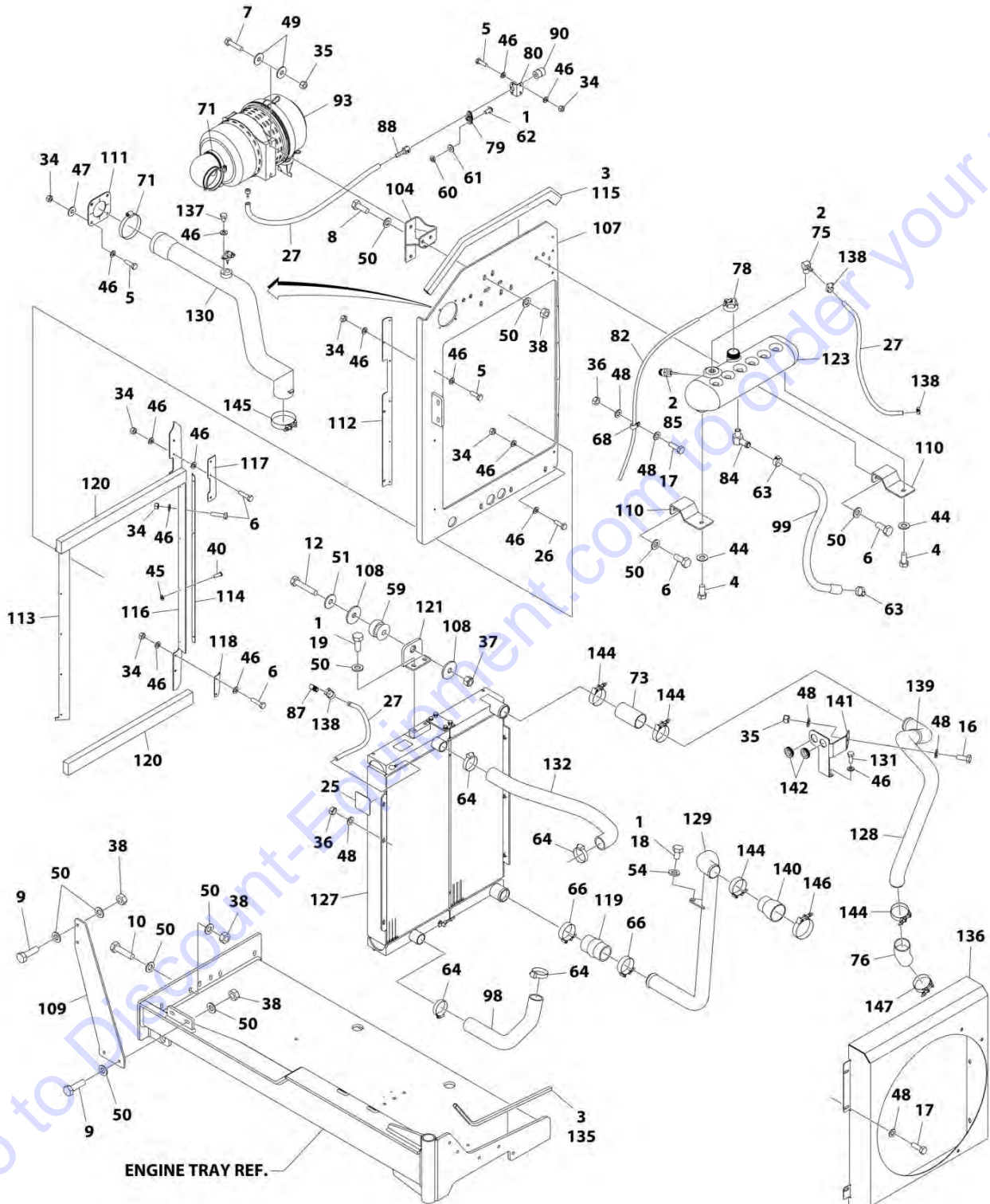
SECTION 3 - ENGINE

FIGURE 3-4. ENGINE ASSEMBLY WITH PUMPS (HRC) (WITHOUT COLD WEATHER PACKAGE) (SN 0300254483 to Present)

ITEM	PART NUMBER	QTY	DESCRIPTION	REV
	1001242382	Ref	ENGINE ASSEMBLY WITH PUMPS (HRC) (WITHOUT COLD WEATHER PACKAGE)	A
1	0100011	AR	Compound, Locking	
2	0100035	AR	Compound, Locking	
3	0641812	2	Bolt 1/2 x 1-1/2	
4	0760508	4	Bolt M5 x 16	
5	0760610	2	Bolt M6 x 20	
6	0761015	2	Bolt M10 x 35	
7	0761210	1	Bolt M12 x 20	
8	0761216	2	Bolt M12 x 40	
9	1320041	1	Clamp	
10	1320136	1	Clamp	
11	3020037	AR	Grease, Coupling	
12	3290607	2	Nut M6	
13	3291007	2	Nut M10	
14	3310401	3	Nut #4	
15	3790152	1	O-Ring	
16	3790155	1	O-Ring	
17	3910408	3	Screw #4 x 1/2	
18	3931620	2	Capscrew 3/8 x 1-1/4	
19	4740171	2	Washer	
20	4750400	3	Washer #4	
21	4811600	4	Washer M5	
22	4811700	2	Washer M6	
23	4812000	2	Washer M10	
24	4812100	1	Washer M12	
25	4891600	2	Washer 3/8	
26	4891800	2	Washer 1/2	
27	1001108616	1	Tandem Pump Assembly (See TANDEM PUMP ASSEMBLY for Breakdown)	
28	1001112927	1	Gear Pump Assembly (See GEAR PUMP ASSEMBLY for Breakdown)	
29	1001156107	2	Holder, Cable	
30	1001156718	1	Seal	
31	1001157073	1	Cable, Alternator	
32	1001188922	1	Engine Harness (See ELECTRICAL SECTION for Breakdown)	
33	1001197445	1	Cable, Glow Plug	
34	1001199470	1	Piston Pump Assembly (See PISTON PUMP ASSEMBLY for Breakdown)	
35	1001202355	1	Cable, Battery Negative	
36	1001206747	1	Seal	
37	1001234791	1	Cable, Battery Positive	
38	1001242378	1	Engine Assembly (HRC) (Without Cold Weather Package) (See ENGINE ASSEMBLY (HRC) (WITHOUT COLD WEATHER PACKAGE) for Breakdown)	

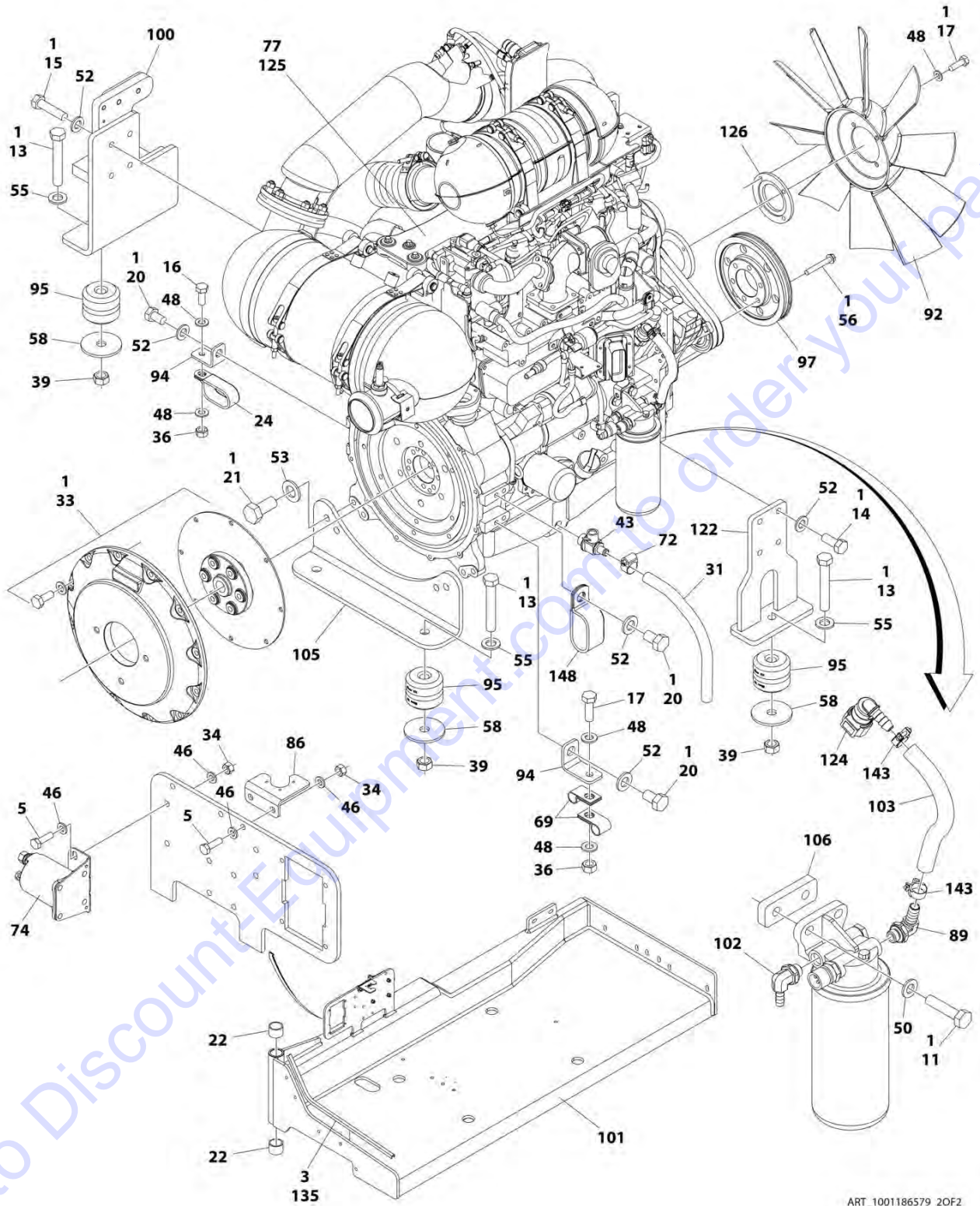
SECTION 3 - ENGINE

FIGURE 3-5. ENGINE ASSEMBLY (HRC) (WITHOUT COLD WEATHER PACKAGE) (Prior to SN 0300254483)



ART_1001186579_10F2

SECTION 3 - ENGINE



ART_1001186579_20F2

SECTION 3 - ENGINE

FIGURE 3-5. ENGINE ASSEMBLY (HRC) (WITHOUT COLD WEATHER PACKAGE) (Prior to SN 0300254483)

ITEM	PART NUMBER	QTY	DESCRIPTION	REV
	1001186579	Ref	ENGINE ASSEMBLY (HRC) (WITHOUT COLD WEATHER PACKAGE)	K
1	0100011	AR	Compound, Locking	
2	0100020	AR	Sealant	
3	0100081	AR	Adhesive	
4	0641606	2	Bolt 3/8 x 3/4	
5	0700610	13	Bolt M6 x 20	
6	0700612	7	Bolt M6 x 25	
7	0700815	2	Bolt M8 x 35	
8	0701013	2	Bolt M10 x 28	
9	0701015	6	Bolt M10 x 35	
10	0701016	2	Bolt M10 x 40	
11	0701017	2	Bolt M10 x 45	
12	0701019	1	Bolt M10 x 55	
13	0701627	4	Bolt M16 x 100	
14	0711214	4	Bolt M12 x 30 Grade 10.9	
15	0711218	4	Bolt M12 x 50 Grade 10.9	
16	0760810	6	Bolt M8 x 20	
17	0760812	7	Bolt M8 x 25	
18	0761008	1	Bolt M10 x 16	
19	0761012	6	Bolt M10 x 25	
20	0761210	3	Bolt M12 x 20	
21	0771414	4	Bolt M14 x 30 Grade 10.9	
21	0771415	4	Bolt M14 x 35 Grade 10.9	
22	0961951	2	Bushing	
24	1321716	1	Clamp	
25	1703162	2	Decal - Fan Blade	
26	0760614	2	Bolt M6 x 30	
27	2720015	5 ft/ 1.5m	Hose	
31	2720340	1 ft/ .3m	Hose (Prior to SN 0300239975)	
31	1001165035	1 ft/ 0.3m	Hose (SN 0300239975 through 0300254482)	
33	2902065	1	Pump Coupling Kit (See PUMP COUPLING KIT for Breakdown)	
34	3290607	22	Nut M6	
35	3290805	3	Nut M8	
36	3290807	5	Nut M8	
37	3291005	1	Nut M10	
38	3291007	10	Nut M10	
39	3291601	4	Nut M16	
40	3820032	9	Rivet	
42	4240099	AR	Tie-Strap (Not Shown)	
43	4640751	1	Valve, Oil Drain	
44	4711600	2	Washer 3/8	
45	4811600	4	Washer M5	
46	4811700	43	Washer M6	
47	4811702	4	Washer M6	
48	4811900	19	Washer M8	
49	4811902	4	Washer M8	
50	4812000	30	Washer M10	
51	4812002	1	Washer M10	

SECTION 3 - ENGINE

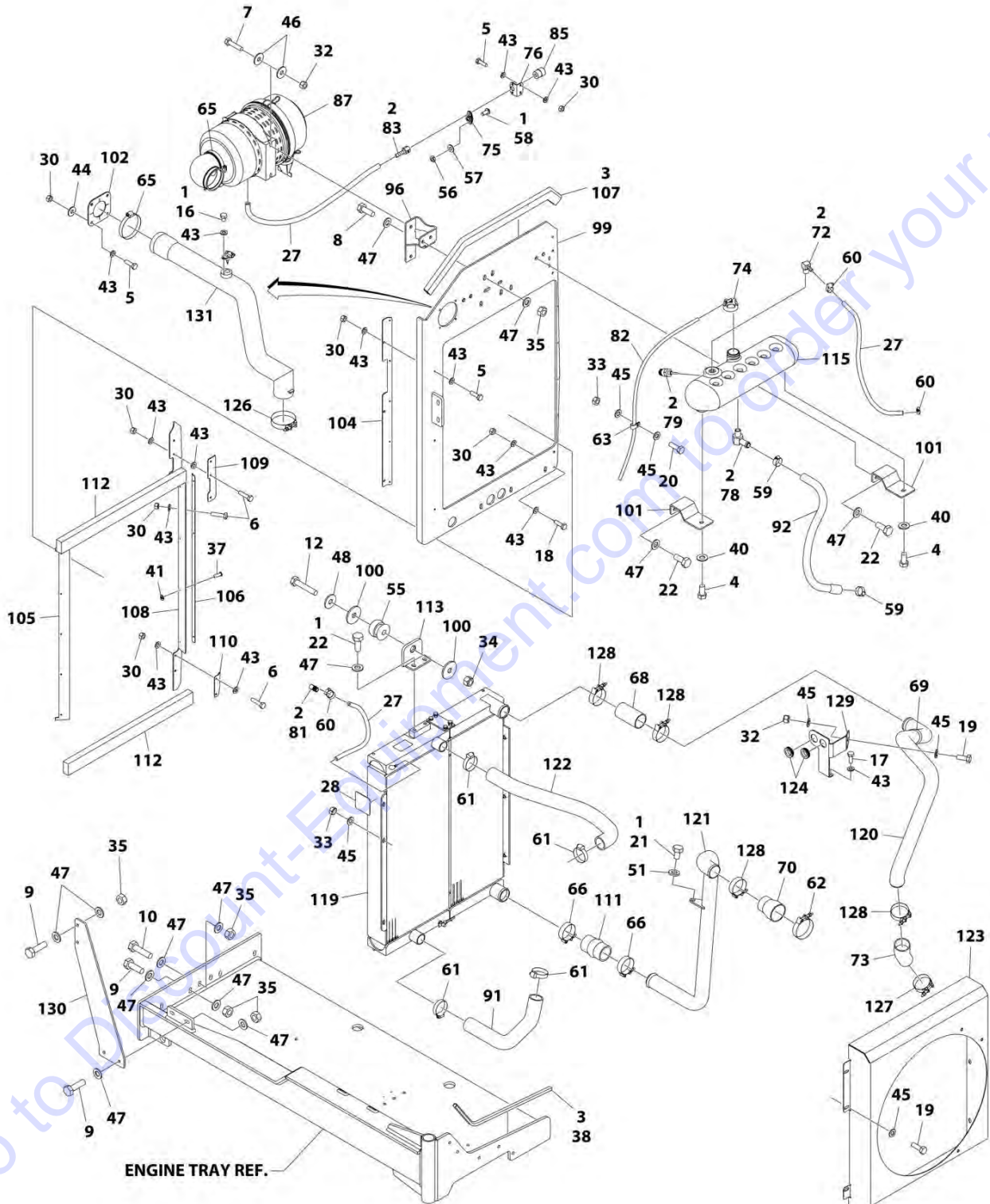
ITEM	PART NUMBER	QTY	DESCRIPTION	REV
52	4812100	11	Washer M12	
53	4812200	4	Washer M14	
54	5241000	1	Washer M10	
55	5241600	4	Washer M16	
56	5251022	6	Bolt M10 x 70	
58	7300435	4	Washer	
59	8278020	1	Mount	
60	8305401	2	Nut 1/4	
61	8307109	2	Washer 1/4	
62	8310548	2	Screw 1/4 x 1/2	
63	8405007	2	Clamp	
64	8405104	4	Clamp	
66	8410012	2	Clamp	
68	8406109	2	Clip	
69	8406110	2	Clip	
71	8410011	2	Clamp	
72	8410013	1	Clamp	
73	91563070	1	Coupling, Rubber	
74	1001117308	1	Relay, 200Amp	
75	1001134488	1	Fitting, 90 NPT/Barbed	
76	1001135943	1	Coupling	
77	1001136079	AR	Oil, Motor	
78	1001136834	1	Cap	
79	1001138173	1	Support	
80	1001138175	1	Bracket	
82	1001138248	5 ft/ 1.5m	Tubing	
84	1001138559	1	Fitting, 90 NPT	
85	1001138827	1	Sensor	
86	1001139240	1	Bracket	
87	1001140564	1	Fitting, 90 NPT/Barbed	
88	1001141995	1	Fitting, Straight NPT/Barbed	
89	1001142501	1	Fitting, 90 NPT/Barbed	
90	1001143390	1	Indicator, Air Restriction	
92	1001147567	1	Fan	
93	1001147847	1	Filter, Air	
93	70023809	1	Element, Primary	
93	70023872	1	Element, Secondary	
93	70024328	1	Elbow, Rubber	
93	70024329	1	Clamp, Mounting	
94	1001148641	2	Bracket	
95	1001149517	4	Mount, Motor	
97	1001149746	1	Pulley	
98	1001150504	1	Hose	
99	1001150553	1	Hose	
100	1001151491	1	Support	
101	1001151749	1	Tray	
102	1001152489	1	Fitting, 90 Barbed	
103	1001154405	8.5 in/ 21cm	Hose	
104	1001155023	1	Plate	
105	1001155496	1	Support	
106	1001155498	1	Plate	

SECTION 3 - ENGINE

ITEM	PART NUMBER	QTY	DESCRIPTION	REV
107	1001155525	1	Support	
108	1001155540	2	Washer	
109	1001212817	1	Plate	
110	1001155557	2	Plate	
111	1001155563	1	Seal	
112	1001155564	1	Bracket	
113	1001155565	1	Seal	
114	1001155566	1	Bracket	
115	1001155728	1	Seal	
116	1001156034	1	Seal	
117	1001156035	1	Bracket	
118	1001156062	1	Bracket	
119	1001156091	1	Hose	
120	1001156644	2	Seal	
121	1001157862	1	Bracket	
122	1001160518	1	Support	
123	1001166393	1	Tank	
124	1001170982	1	Fitting, 90 SAE/Barbed	
125	1001176371	1	Engine Components (HRC) (See ENGINE COMPONENTS (HRC) for Breakdown)	
126	1001197317	1	Spacer	
127	1001188162	1	Radiator	
128	1001189291	1	Pipe, Exhaust	
129	1001190418	1	Tube	
130	1001212826	1	Tube, Intake	
131	0760608	2	Bolt M6 x 16	
132	1001191122	1	Hose, Upper	
135	4060807	22 in/ 55cm	Flex-Trim	
136	1001192138	1	Shroud	
137	0760604	1	Bolt M6 x 8	
138	8405009	4	Clamp	
139	1001097588	1	Clip	
140	1001117244	1	Reducer	
141	1001212810	1	Support	
142	1001193599	2	Grommet	
143	1001175568	2	Clip	
144	1001208299	4	Clamp	
145	1001208297	1	Clamp	
146	8405211	1	Clamp	
147	1001208298	1	Clamp	
148	1001181899	1	Clamp	

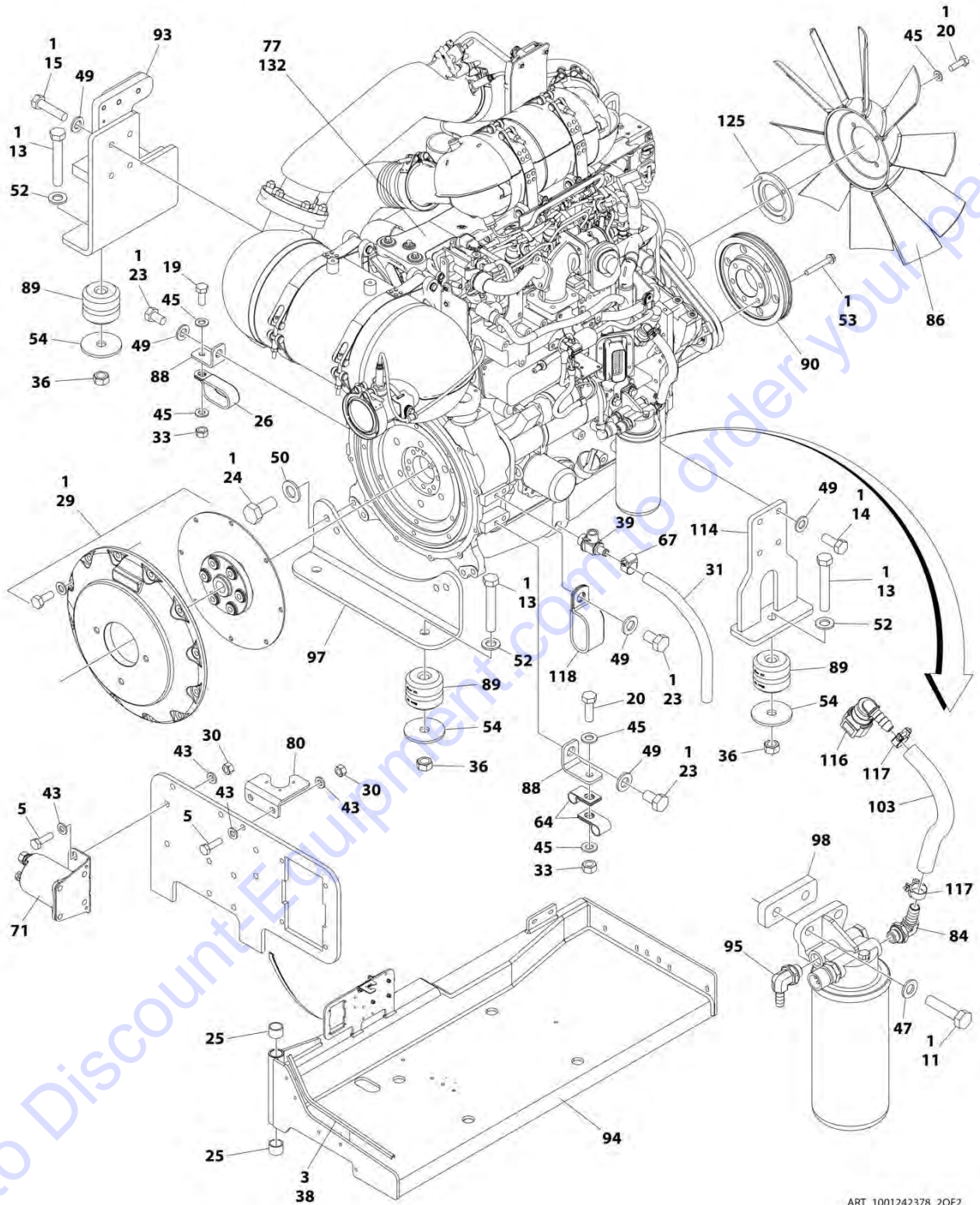
SECTION 3 - ENGINE

FIGURE 3-6. ENGINE ASSEMBLY (HRC) (WITHOUT COLD WEATHER PACKAGE) (SN 0300254483 to Present)



ART_1001242378_10F2

SECTION 3 - ENGINE



ART_1001242378_20F2

SECTION 3 - ENGINE

FIGURE 3-6. ENGINE ASSEMBLY (HRC) (WITHOUT COLD WEATHER PACKAGE) (SN 0300254483 to Present)

ITEM	PART NUMBER	QTY	DESCRIPTION	REV
	1001242378	Ref	DEUTZ T4F ENGINE ASSEMBLY - NO COLD WEATHER PKG	A
1	0100011	AR	Compound, Locking	
2	0100020	AR	Sealant	
3	0100081	AR	Adhesive	
4	0641606	2	Bolt 3/8 x 3/4	
5	0700610	13	Bolt M6 x 20	
6	0700612	7	Bolt M6 x 25	
7	0700815	2	Bolt M8 x 35	
8	0701013	2	Bolt M10 x 28	
9	0701015	6	Bolt M10 x 35	
10	0701016	2	Bolt M10 x 40	
11	0701017	2	Bolt M10 x 45	
12	0701019	1	Bolt M10 x 55	
13	0701627	4	Bolt M16 x 100	
14	0711214	4	Bolt M12 x 30 Grade 10.9	
15	0711218	4	Bolt M12 x 50 Grade 10.9	
16	0760604	1	Bolt M6 x 8	
17	0760608	2	Bolt M6 x 16	
18	0760614	2	Bolt M6 x 30	
19	0760810	6	Bolt M8 x 20	
20	0760812	7	Bolt M8 x 25	
21	0761008	1	Bolt M10 x 16	
22	0761012	6	Bolt M10 x 25	
23	0761210	3	Bolt M12 x 20	
24	0771415	4	Bolt M14 x 35 Grade 10.9	
25	0961951	2	Bushing	
26	1321716	1	Clamp	
27	2720015	5 ft/ 1.5m	Hose	
28	1703162	2	Decal - Fan Blade	
29	2902065	1	Pump Coupling Kit (See PUMP COUPLING KIT for Breakdown)	
30	3290607	22	Nut M6	
31	1001165035	1 ft/ 0.3m	Hose	
32	3290805	3	Nut M8	
33	3290807	5	Nut M8	
34	3291005	1	Nut M10	
35	3291007	10	Nut M10	
36	3291601	4	Nut M16	
37	3820032	9	Rivet	
38	4060807	22 in/ 55cm	Flex-Trim	
39	4640751	1	Valve, Oil Drain	
40	4711600	2	Washer 3/8	
41	4811600	4	Washer M5	
42	4240099	AR	Tie-Strap (Not Shown)	
43	4811700	43	Washer M6	
44	4811702	4	Washer M6	
45	4811900	19	Washer M8	
46	4811902	4	Washer M8	
47	4812000	30	Washer M10	

SECTION 3 - ENGINE

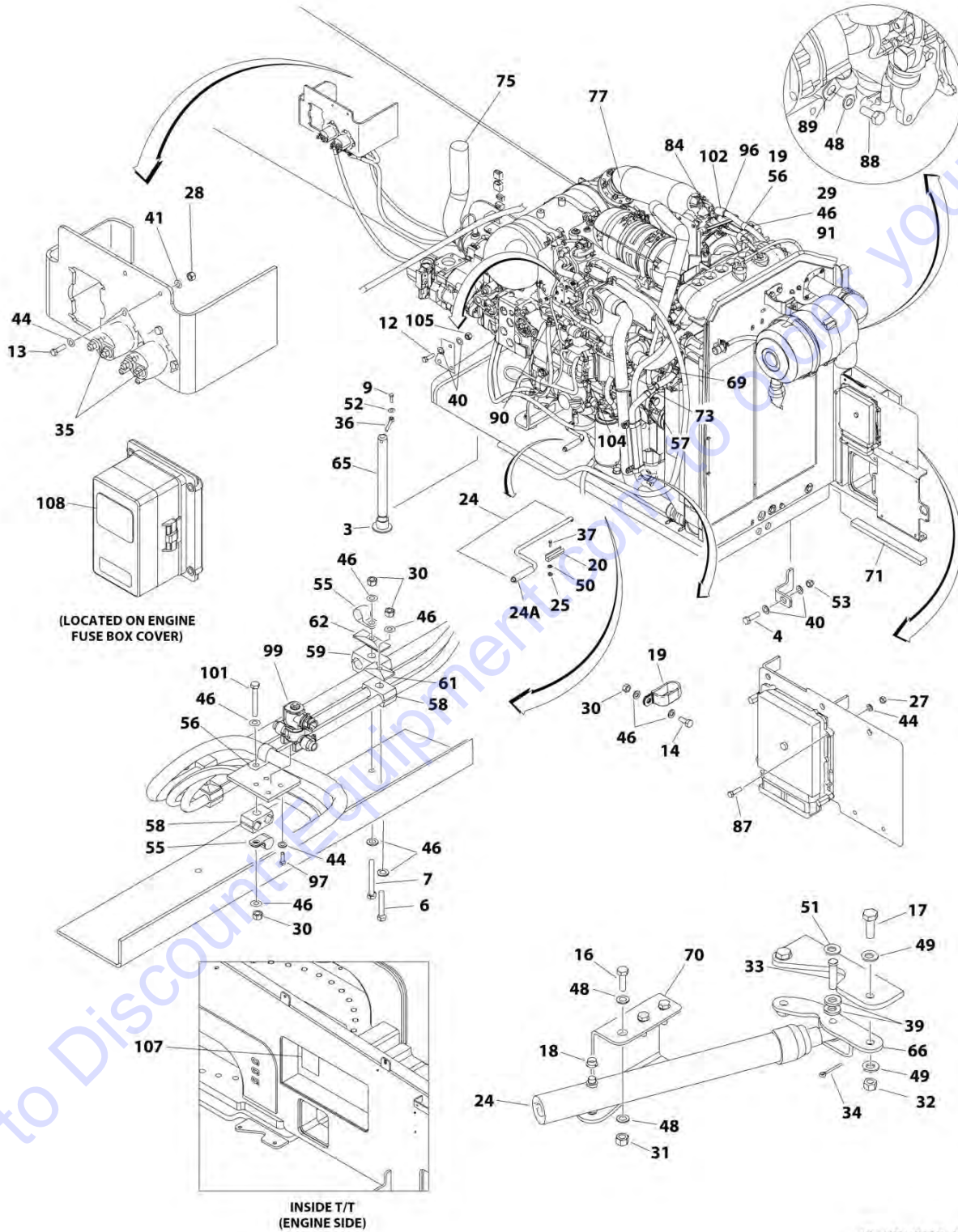
ITEM	PART NUMBER	QTY	DESCRIPTION	REV
48	4812002	1	Washer M10	
49	4812100	11	Washer M12	
50	4812200	4	Washer M14	
51	5241000	1	Washer M10	
52	5241600	4	Washer M16	
53	5251022	6	Bolt M10 x 70	
54	7300435	4	Washer	
55	8278020	1	Mount	
56	8305401	2	Nut 1/4	
57	8307109	2	Washer 1/4	
58	8310548	2	Screw 1/4 x 1/2	
59	8405007	2	Clamp	
60	8405009	4	Clamp	
61	8405104	4	Clamp	
62	8405211	1	Clamp	
63	8406109	2	Clip	
64	8406110	2	Clip	
65	8410011	2	Clamp	
66	8410012	2	Clamp	
67	8410013	1	Clamp	
68	91563070	1	Coupling, Rubber	
69	1001097588	1	Clip	
70	1001117244	1	Reducer	
71	1001117308	1	Relay, 200Amp	
72	1001134488	1	Fitting, 90 NPT/Barbed	
73	1001135943	1	Coupling	
74	1001136834	1	Cap	
75	1001138173	1	Support	
76	1001138175	1	Bracket	
77	1001136079	AR	Oil, Motor	
78	1001138559	1	Fitting, 90 NPT	
79	1001138827	1	Sensor	
80	1001139240	1	Bracket	
81	1001140564	1	Fitting, 90 NPT/Barbed	
82	1001138248	5 ft/ 1.5m	Tubing	
83	1001141995	1	Fitting, Straight NPT/Barbed	
84	1001142501	1	Fitting, 90 NPT/Barbed	
85	1001143390	1	Indicator, Air Restriction	
86	1001147567	1	Fan	
87	1001147847	1	Filter, Air	
87	70023809	1	Element, Primary	
87	70023872	1	Element, Secondary	
87	70024328	1	Elbow, Rubber	
87	70024329	1	Clamp, Mounting	
88	1001148641	2	Bracket	
89	1001149517	4	Mount, Motor	
90	1001149746	1	Pulley	
91	1001150504	1	Hose	
92	1001150553	1	Hose	
93	1001151491	1	Support	
94	1001151749	1	Tray	

SECTION 3 - ENGINE

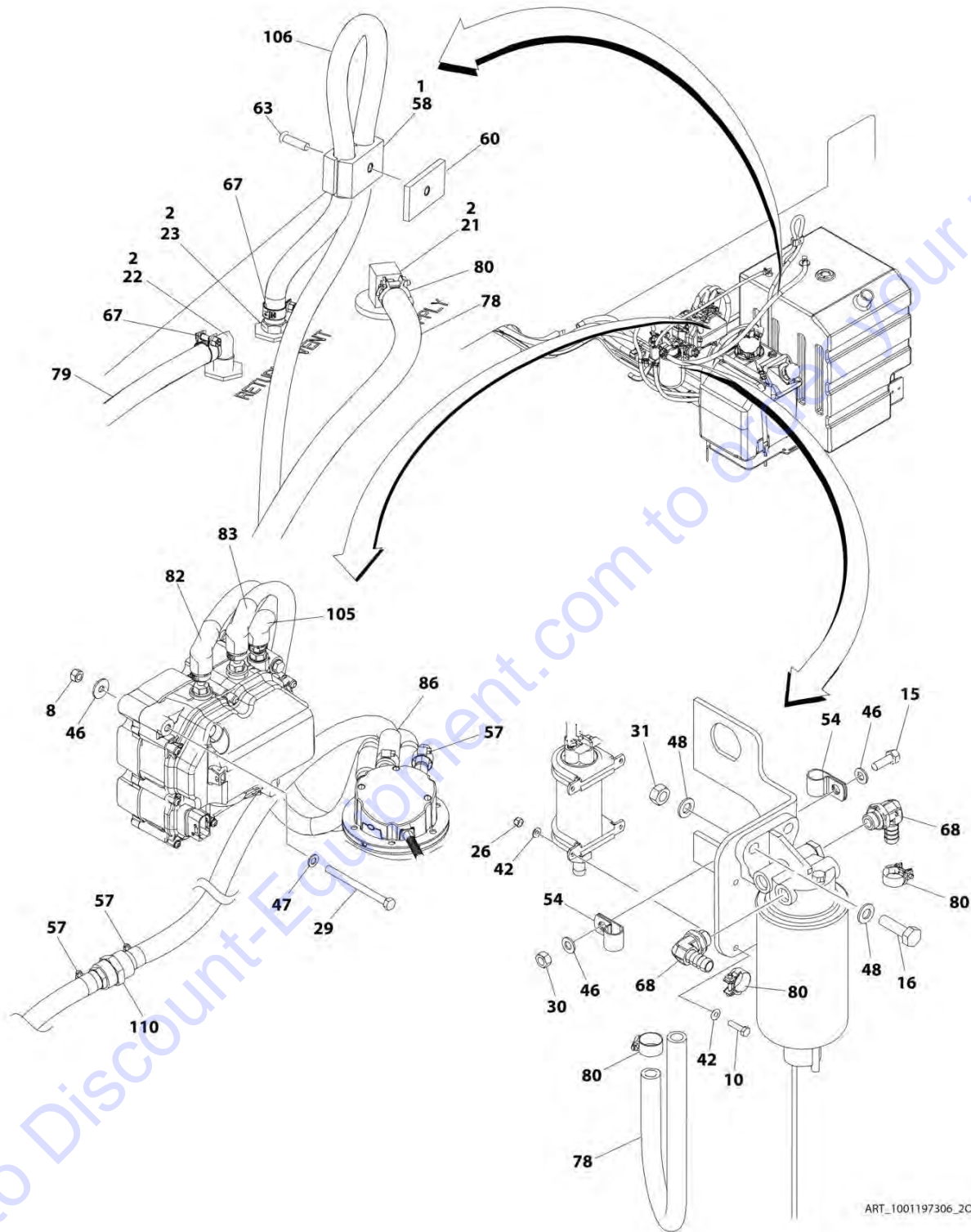
ITEM	PART NUMBER	QTY	DESCRIPTION	REV
95	1001152489	1	Fitting, 90 Barbed	
96	1001155023	1	Plate	
97	1001155496	1	Support	
98	1001155498	1	Plate	
99	1001155525	1	Support	
100	1001155540	2	Washer	
101	1001155557	2	Plate	
102	1001155563	1	Seal	
103	1001154405	8.5 in/ 21cm	Hose	
104	1001155564	1	Bracket	
105	1001155565	1	Seal	
106	1001155566	1	Bracket	
107	1001155728	1	Seal	
108	1001156034	1	Seal	
109	1001156035	1	Bracket	
110	1001156062	1	Bracket	
111	1001156091	1	Hose	
112	1001156644	2	Seal	
113	1001157862	1	Bracket	
114	1001160518	1	Support	
115	1001166393	1	Tank	
116	1001170982	1	Fitting, 90 SAE/Barbed	
117	1001175568	2	Clip	
118	1001181899	1	Clamp	
119	1001188162	1	Radiator	
120	1001189291	1	Pipe, Exhaust	
121	1001190418	1	Tube	
122	1001191122	1	Hose, Upper	
123	1001192138	1	Shroud	
124	1001193599	2	Grommet	
125	1001197317	1	Spacer	
126	1001208297	1	Clamp	
127	1001208298	1	Clamp	
128	1001208299	4	Clamp	
129	1001212810	1	Support	
130	1001212817	1	Plate	
131	1001212826	1	Tube, Intake	
132	1001242377	1	Deutz T4F Engine (See DEUTZ T4F ENGINE COMPONENTS for Breakdown)	

SECTION 3 - ENGINE

FIGURE 3-7. ENGINE INSTALLATION (HRC) (WITH COLD WEATHER PACKAGE) (Prior to SN 0300254483)



SECTION 3 - ENGINE



ART_1001197306_20F2

SECTION 3 - ENGINE

FIGURE 3-7. ENGINE INSTALLATION (HRC) (WITH COLD WEATHER PACKAGE) (Prior to SN 0300254483)

ITEM	PART NUMBER	QTY	DESCRIPTION	REV
	1001197306	Ref	ENGINE INSTALLATION (HRC) (WITH COLD WEATHER PACKAGE)	K
1	0100011	AR	Compound, Locking	
2	0100020	AR	Sealant	
3	0440162	1	Bearing	
4	0642220	1	Bolt 3/4 x 2-1/2	
6	0700818	2	Bolt M8 x 50	
7	0700822	2	Bolt M8 x 70	
8	0700827	3	Bolt M8 x 100	
9	0711015	1	Bolt M10 x 35	
10	0760408	4	Bolt M4 x 16	
12	0760608	AR	Bolt M6 x 16	
13	0760610	4	Bolt M6 x 20 (Prior to SN 0300226018)	
14	0760810	AR	Bolt M8 x 20	
15	0760812	2	Bolt M8 x 25	
16	0761015	5	Bolt M10 x 35	
17	0771416	2	Bolt M14 x 40	
18	0962051	2	Bearing	
19	1321716	3	Clamp	
20	1380147	1	Clip	
21	2180832	1	Fitting, Straight Barbed/NPTF	
22	2220313	1	Fitting, 90 Barbed/NPTF	
23	2221114	1	Fitting, Straight Barbed/NPT	
24	2840016	1	Tray Jack Assembly	
24	7016322	1	Wiper (Burr Brand)	
24A	7016374	1	Handle (Burr Brand)	
24A	7024598	1	Handle (Hammerblow Brand)	
25	3290301	2	Nut M3	
26	3290405	4	Nut M4	
27	3290605	5	Nut M6	
28	3290607	4	Nut M6 (Prior to SN 0300226018)	
29	3290805	5	Nut M8	
30	3290807	AR	Nut M8	
31	3291007	5	Nut M10	
32	3331411	2	Nut M14	
33	3430816	1	Pin	
34	3450404	1	Pin, Cotter 1/8 x 1	
35	3740067	2	Relay (Prior to SN 0300226018)	
36	3841143	1	Keeper, Pin	
37	4010308	2	Screw M3 x 16	
38	4240099	AR	Tie-Strap (Not Shown)	
39	4711800	2	Washer 1/2	
40	4712200	2	Washer 3/4	
41	4791400	4	Washer 1/4 (Prior to SN 0300226018)	
42	4811400	8	Washer M4	
44	4811700	14	Washer M6	
46	4811900	25	Washer M8	
47	4811902	3	Washer M8	
48	4812000	11	Washer M10	

SECTION 3 - ENGINE

ITEM	PART NUMBER	QTY	DESCRIPTION	REV
49	4812200	4	Washer M14	
50	4871200	2	Washer M3	
51	4891800	1	Washer 1/2	
52	5241000	1	Washer M10	
53	8310067	1	Nut 3/4	
54	8406101	2	Clip	
55	8406102	3	Clip	
56	8406201	4	Clip	
57	8410009	AR	Clamp	
58	8750014	4	Clamp	
59	8750027	2	Clamp Set	
60	8750031	1	Plate, Clamp	
61	8769123	2	Cover, Clamp	
62	77133137	2	Cover, Clamp	
63	1001101580	1	Screw M8 x 30	
64	1001103452	AR	Coolant (Not Shown)	
65	1001135196	1	Pin	
66	1001135497	1	Support	
67	1001136975	5	Clamp	
68	1001142501	2	Fitting, 90 Barbed	
69	1001154262	2	Fitting, Straight Barbed	
70	1001155939	1	Mount	
71	1001206747	1	Seal	
73	1001162212	2	Fitting, Tee Barbed	
74	1001162986	AR	Fluid, Diesel Exhaust (Not Shown)	
75	1001190475	1	Pipe, Exhaust	
77	1001199584	1	Engine Assembly with Pumps (HRC) (With Cold Weather Package) (See ENGINE ASSEMBLY WITH PUMPS (HRC) (WITH COLD WEATHER PACKAGE) for Breakdown)	
78	1001154405	53 in/ 1.4m	Hose	
79	1001165035	31 ft/ 9.4m	Hose	
80	1001175568	4	Clip	
82	1001187516	1	Hose, Suction	
83	1001187517	1	Hose, Backflow	
84	1001193980	1	Hose, Return	
86	82033995	374 in/ 9.5m	Hose	
87	0700614	4	Bolt M6 x 30	
88	0761009	1	Bolt M10 x 18	
89	8406105	1	Clip	
90	1001155823	1	Fitting, 90 Barbed	
91	0760814	1	Bolt M8 x 30	
96	1001212825	1	Hose	
97	0760606	4	Bolt M6 x 12	
99	1001199670	1	Valve, Flow	
101	0700820	1	Bolt M8 x 60	
102	1001213643	1	Hose (Prior to SN 0300226018)	
102	1001187518	1	Hose (SN 0300226018 through 0300254482)	
104	0760807	1	Bolt M8 x 14 (Prior to SN 0300226018)	
105	3290605	1	Nut M6 (Prior to SN 0300226018)	

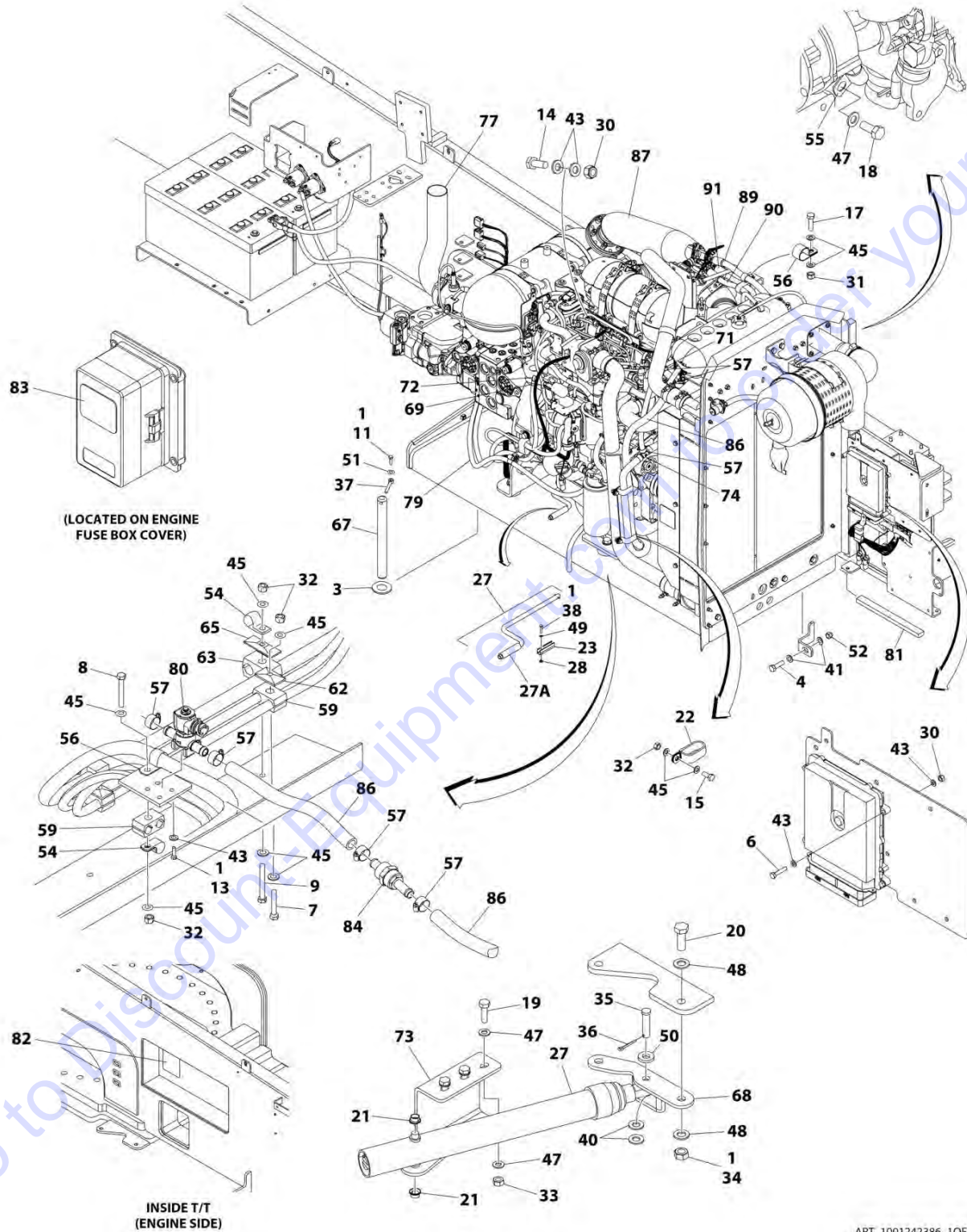
SECTION 3 - ENGINE

ITEM	PART NUMBER	QTY	DESCRIPTION	REV
106	2750532	4 ft/ 1.2m	Hose	
107	1001212056	1	Decal - Engine Fuse Box (SN 0300226018 through 0300254482)	
108	1001224046	1	Decal - Engine Fuse Box Cover (SN 0300226018 through 0300254482)	
110	1001228872	1	Filter, Coolant Screen (SN 0300244681 through 0300254482)	

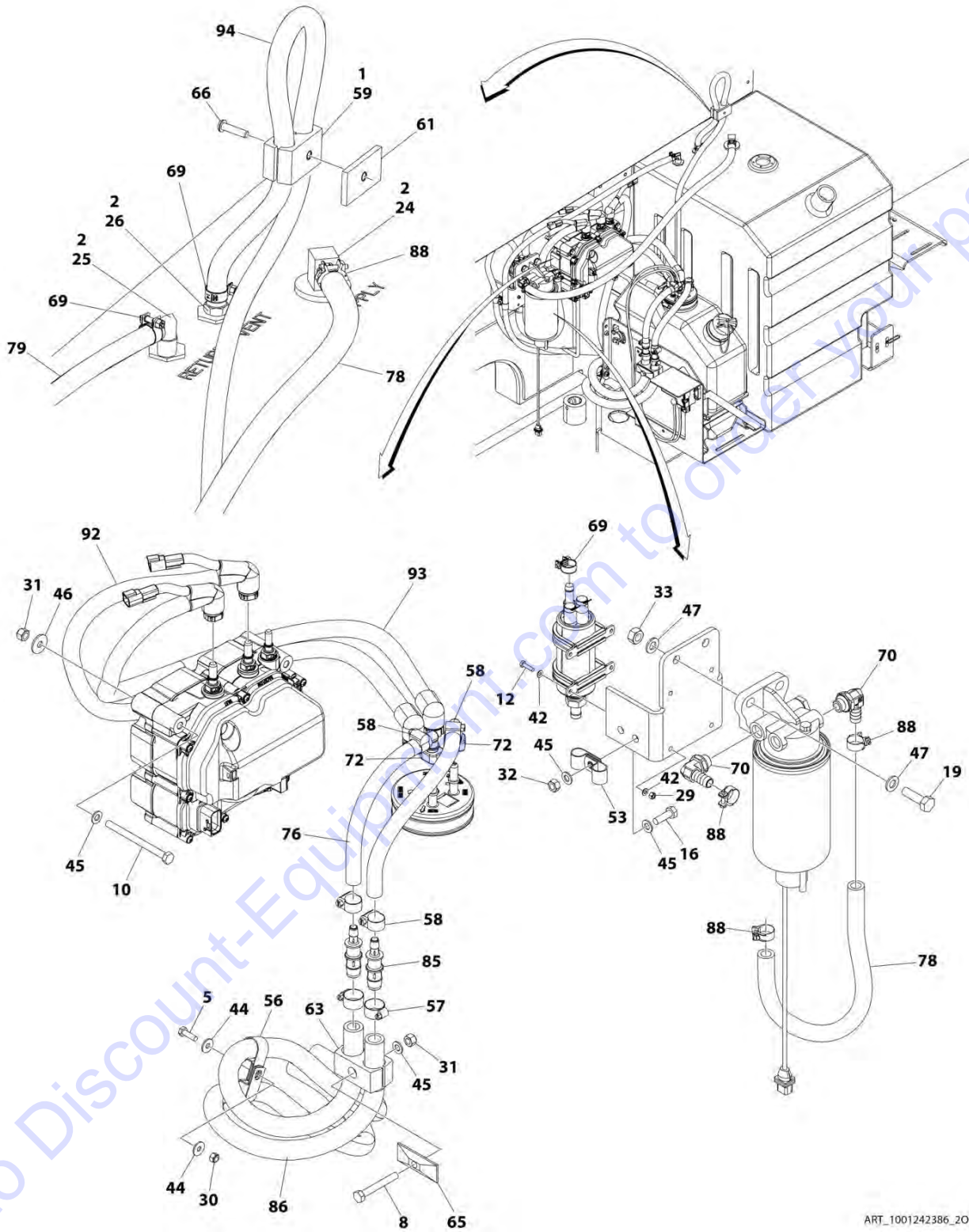
Go to Discount-Equipment.com to order your parts

SECTION 3 - ENGINE

FIGURE 3-8. ENGINE INSTALLATION (HRC) (WITH COLD WEATHER PACKAGE) (SN 0300254483 to Present)



SECTION 3 - ENGINE



ART_1001242386_20F2

SECTION 3 - ENGINE

FIGURE 3-8. ENGINE INSTALLATION (HRC) (WITH COLD WEATHER PACKAGE) (SN 0300254483 to Present)

ITEM	PART NUMBER	QTY	DESCRIPTION	REV
	1001242386	Ref	ENGINE INSTALLATION (HRC) (WITH COLD WEATHER PACKAGE)	B
1	0100011	AR	Compound, Locking	
2	0100020	AR	Sealant	
3	0440162	1	Bearing	
4	0642220	1	Bolt 3/4 x 2-1/2	
5	0700610	1	Bolt M6 x 20	
6	0700614	4	Bolt M6 x 30	
7	0700818	2	Bolt M8 x 50	
8	0700820	1	Bolt M8 x 60	
9	0700822	2	Bolt M8 x 70	
10	0700827	3	Bolt M8 x 100	
11	0711015	1	Bolt M10 x 35	
12	0760408	4	Bolt M4 x 16	
13	0760606	4	Bolt M6 x 12	
14	0760608	1	Bolt M6 x 16	
15	0760810	3	Bolt M8 x 20	
16	0760812	2	Bolt M8 x 25	
17	0760814	1	Bolt M8 x 30	
18	0761009	1	Bolt M10 x 18	
19	0761015	5	Bolt M10 x 35	
20	0771416	2	Bolt M14 x 40	
21	0962051	2	Bearing	
22	1321716	3	Clamp	
23	1380147	1	Clip	
24	2180832	1	Fitting, Straight Barbed/NPTF	
25	2220313	1	Fitting, 90 Barbed/NPTF	
26	2221114	1	Fitting, Straight Barbed/NPT	
27	2840016	1	Tray Jack Assembly	
27	7016322	1	Wiper (Burr Brand)	
27A	7016374	1	Handle (Burr Brand)	
27A	7024598	1	Handle (Hammerblow Brand)	
28	3290301	2	Nut M3	
29	3290405	4	Nut M4	
30	3290605	6	Nut M6	
31	3290805	6	Nut M8	
32	3290807	9	Nut M8	
33	3291007	5	Nut M10	
34	3331411	2	Nut M14	
35	3430816	1	Pin	
36	3450404	1	Pin, Cotter 1/8 x 1	
37	3841143	1	Keeper, Pin	
38	4010308	2	Screw M3 x 16	
39	4240099	AR	Tie-Strap (Not Shown)	
40	4711800	2	Washer 1/2	
41	4712200	2	Washer 3/4	
42	4811400	8	Washer M4	
43	4811700	14	Washer M6	
44	4811702	2	Washer M6	

PARTS FINDER

**Search Website
by Part Number**



**Search Manual
Library For Parts
Manual & Lookup Part
Numbers – Purchase
or Request Quote**

**Can't Find Part or
Manual? Request Help
by Manufacturer,
Model & Description**

Discount-Equipment.com is your online resource for quality parts & equipment.

Florida: **561-964-4949** Outside Florida TOLL FREE: **877-690-3101**

Need parts?

Click on this link: <http://www.discount-equipment.com/category/5443-parts/> and choose one of the options to help get the right parts and equipment you are looking for. Please have the machine model and serial number available in order to help us get you the correct parts. If you don't find the part on the website or on one of the online manuals, please fill out the request form and one of our experienced staff members will get back to you with a quote for the right part that your machine needs.

We sell worldwide for the brands: Genie, Terex, JLG, MultiQuip, Mikasa, Essick, Whiteman, Mayco, Toro Stone, Diamond Products, Generac Magnum, Airman, Haulotte, Barreto, Power Blanket, Nifty Lift, Atlas Copco, Chicago Pneumatic, Allmand, Miller Curber, Skyjack, Lull, Skytrak, Tsurumi, Husquvarna Target, Stow, Wacker, Sakai, Mi-T-M, Sullair, Basic, Dynapac, MBW, Weber, Bartell, Bennar Newman, Haulotte, Ditch Runner, Menegotti, Morrison, Contec, Buddy, Crown, Edco, Wyco, Bomag, Laymor, EZ Trench, Bil-Jax, F.S. Curtis, Gehl Pavers, Heli, Honda, ICS/PowerGrit, IHI, Partner, Imer, Clipper, MMD, Koshin, Rice, CH&E, General Equipment, Amida, Coleman, NAC, Gradall, Square Shooter, Kent, Stanley, Tamco, Toku, Hatz, Kohler, Robin, Wisconsin, Northrock, Oztec, Toker TK, Rol-Air, APT, Wylie, Ingersoll Rand / Doosan, Innovatech, Con X, Ammann, Mecalac, Makinex, Smith Surface Prep, Small Line, Wanco, Yanmar

SECTION 3 - ENGINE

ITEM	PART NUMBER	QTY	DESCRIPTION	REV
45	4811900	26	Washer M8	
46	4811902	3	Washer M8	
47	4812000	11	Washer M10	
48	4812200	4	Washer M14	
49	4871200	2	Washer M3	
50	4891800	1	Washer 1/2	
51	5241000	1	Washer M10	
52	8310067	1	Nut 3/4	
53	8406101	2	Clip	
54	8406102	3	Clip	
55	8406105	1	Clip	
56	8406201	6	Clip	
57	8410009	14	Clamp	
58	8410013	4	Clamp	
59	8750014	4	Clamp	
60	8750027	2	Clamp Set (SN 0300254483 through 0300255069)	
61	8750031	1	Plate, Clamp	
62	8769123	2	Cover, Clamp	
63	8769127	AR	Cover, Clamp	
64	1001103452	AR	Coolant (Not Shown)	
65	77133137	3	Cover, Clamp	
66	1001101580	1	Screw M8 x 30	
67	1001135196	1	Pin	
68	1001135497	1	Support	
69	1001136975	5	Clamp	
70	1001142501	2	Fitting, 90 Barbed	
71	1001154262	2	Fitting, Straight Barbed	
72	1001155823	3	Fitting, 90 Barbed	
73	1001155939	1	Mount	
74	1001162212	2	Fitting, Tee Barbed	
75	1001162986	AR	Fluid, Diesel Exhaust (Not Shown)	
76	1001181625	2 ft/ 0.61m	Hose	
77	1001190475	1	Pipe, Exhaust	
78	1001154405	53 in/ 1.4m	Hose	
79	1001165035	31 ft/ 9.4m	Hose	
80	1001199670	1	Valve, Flow	
81	1001206747	1	Seal	
82	1001212056	1	Decal - Engine Fuse Box	
83	1001224046	1	Decal - Engine Fuse Box Cover	
84	1001228872	1	Filter, Coolant Screen	
85	1001238470	2	Fitting, Reducer Barbed	
86	82033995	374 in/ 9.5m	Hose	
87	1001242383	1	Engine Assembly with Pumps (HRC) (With Cold Weather Package) (See ENGINE ASSEMBLY WITH PUMPS (HRC) (WITH COLD WEATHER PACKAGE) for Breakdown)	
88	1001175568	4	Clip (SN 0300254483 through 0300255069)	
88	1001186342	4	Clip (SN 0300255070 to Present)	
89	1001187518	1	Hose	
90	1001193980	1	Hose, Return	

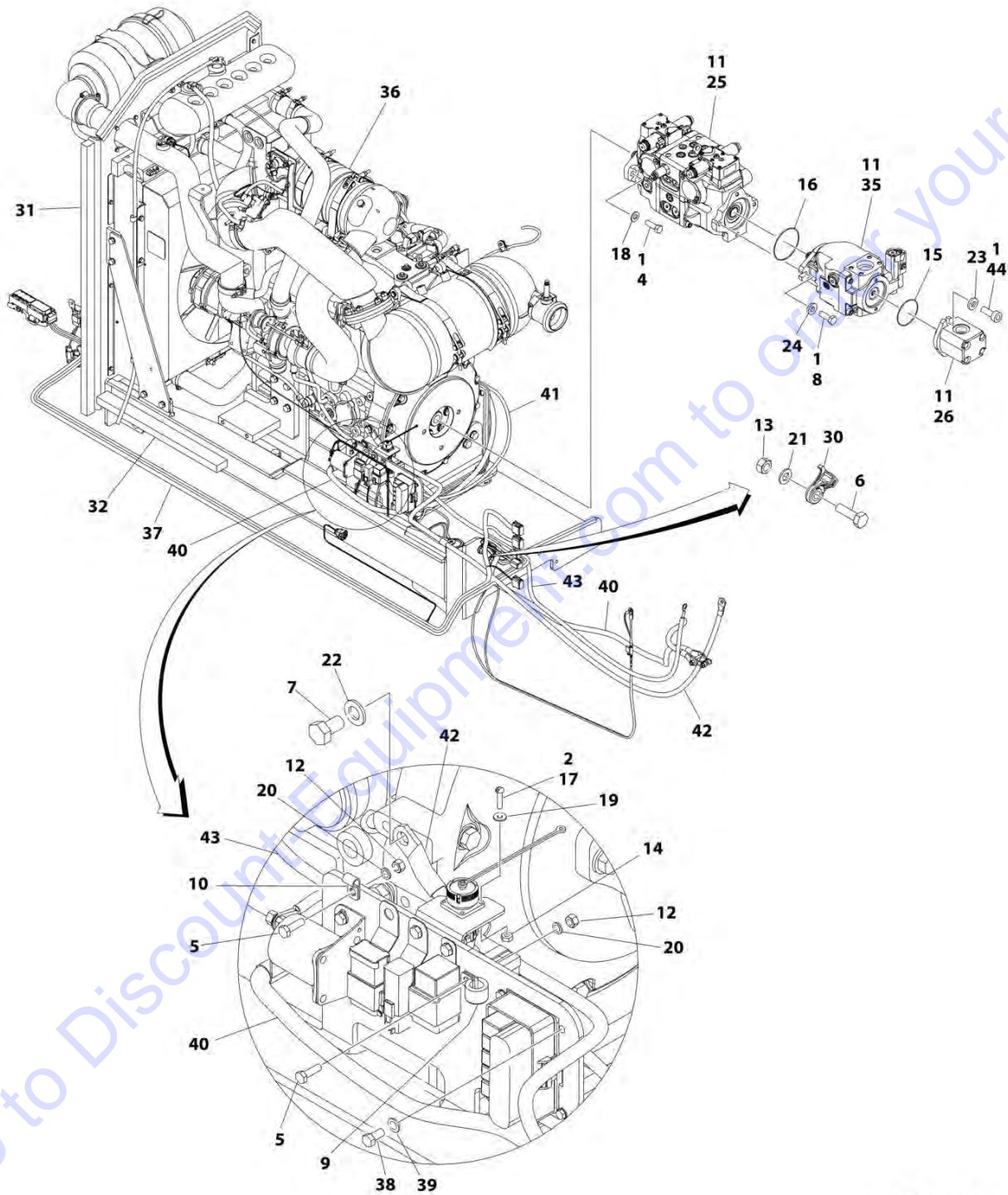
SECTION 3 - ENGINE

ITEM	PART NUMBER	QTY	DESCRIPTION	REV
91	1001212825	1	Hose	
92	1001238401	1	Hose, Backflow	
93	1001238402	1	Hose, Suction	
94	2750532	4 ft/ 1.2m	Hose	

Go to Discount-Equipment.com to order your parts

SECTION 3 - ENGINE

FIGURE 3-9. ENGINE ASSEMBLY WITH PUMPS (HRC) (WITH COLD WEATHER PACKAGE) (Prior to SN 0300254483)



ART_1001199584

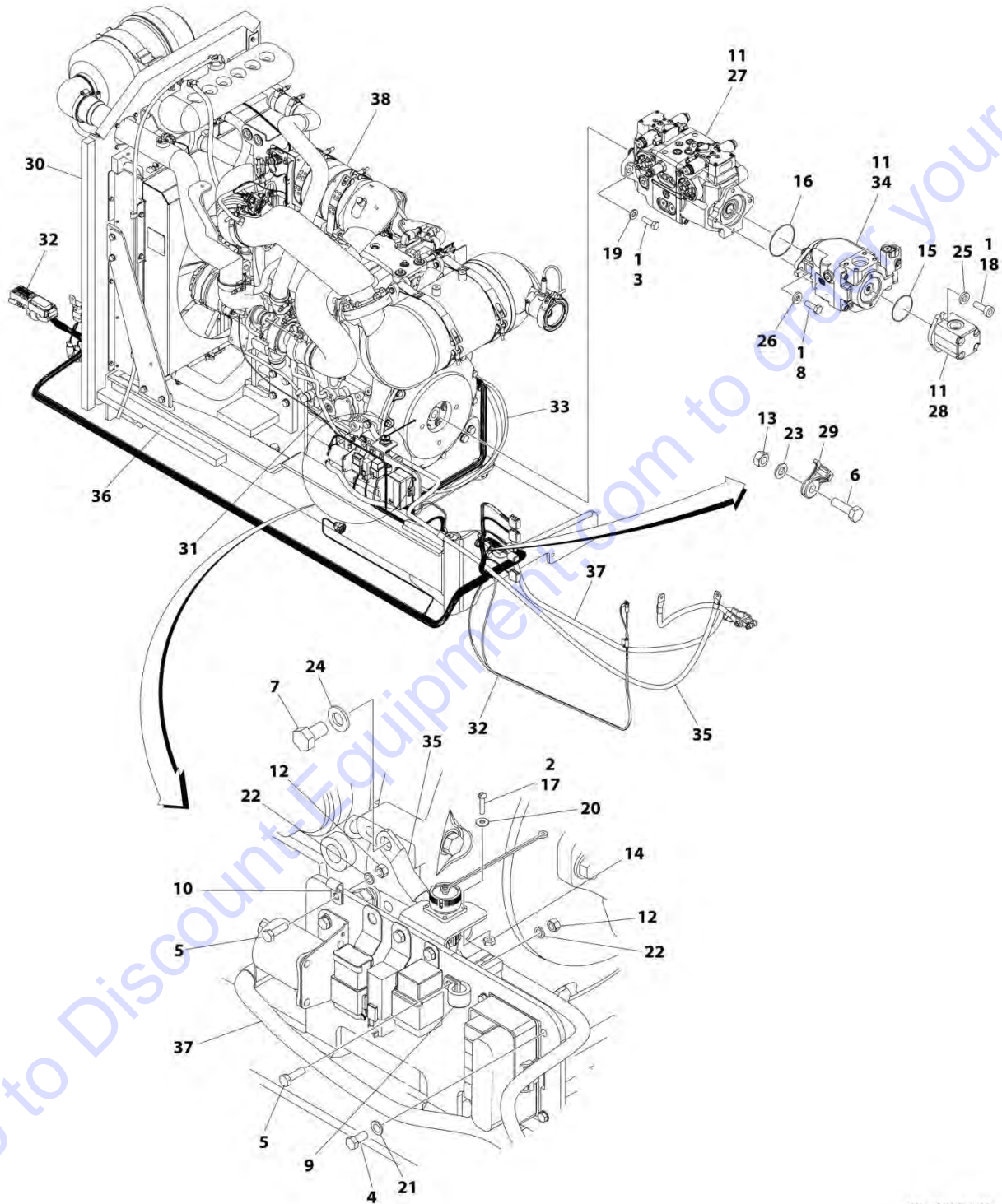
SECTION 3 - ENGINE

FIGURE 3-9. ENGINE ASSEMBLY WITH PUMPS (HRC) (WITH COLD WEATHER PACKAGE) (Prior to SN 0300254483)

ITEM	PART NUMBER	QTY	DESCRIPTION	REV
	1001199584	Ref	ENGINE ASSEMBLY WITH PUMPS (HRC) (WITH COLD WEATHER PACKAGE)	I
1	0100011	AR	Compound, Locking	
2	0100035	AR	Compound, Locking	
4	0641812	2	Bolt 1/2 x 1-1/2	
5	0760610	2	Bolt M6 x 20	
6	0761015	2	Bolt M10 x 35	
7	0761210	1	Bolt M12 x 20	
8	0761216	2	Bolt M12 x 40	
9	1320041	1	Clamp	
10	1320136	1	Clamp	
11	3020037	AR	Grease, Coupling	
12	3290607	2	Nut M6	
13	3291007	2	Nut M10	
14	3310401	3	Nut #4	
15	3790152	1	O-Ring	
16	3790155	1	O-Ring	
17	3910408	3	Screw #4 x 1/2	
18	4740171	2	Washer	
19	4750400	3	Washer #4	
20	4811700	2	Washer M6	
21	4812000	2	Washer M10	
22	4812100	1	Washer M12	
23	4891600	2	Washer 3/8	
24	4891800	2	Washer 1/2	
25	1001108616	1	Tandem Pump Assembly (See TANDEM PUMP ASSEMBLY for Breakdown)	
26	1001112927	1	Gear Pump Assembly (See GEAR PUMP ASSEMBLY for Breakdown)	
30	1001156107	2	Holder, Cable	
31	1001156718	1	Seal	
32	1001206747	1	Seal	
35	1001199470	1	Piston Pump Assembly (See PISTON PUMP ASSEMBLY for Breakdown)	
36	1001197547	1	Engine Assembly (HRC) (With Cold Weather Package) (See ENGINE ASSEMBLY (HRC) (WITH COLD WEATHER PACKAGE) for Breakdown)	
37	1001188922	1	Engine Harness (See ELECTRICAL SECTION for Breakdown)	
38	0760508	4	Bolt M5 x 16	
39	4811600	4	Washer M5	
40	1001202356	NLA	Cable, Battery Positive (Use p/n 1001234791) (Prior to SN 0300243485)	
40	1001234791	1	Cable, Battery Positive (SN 0300243485 through 0300254482)	
41	1001197445	1	Cable, Glow Plug	
42	1001202355	1	Cable, Battery Negative	
43	1001157073	1	Cable, Alternator	
44	3931620	2	Capscrew 3/8 x 1-1/4	

SECTION 3 - ENGINE

FIGURE 3-10. ENGINE ASSEMBLY WITH PUMPS (HRC) (WITH COLD WEATHER PACKAGE) (SN 0300254483 to Present)



ART_1001242383

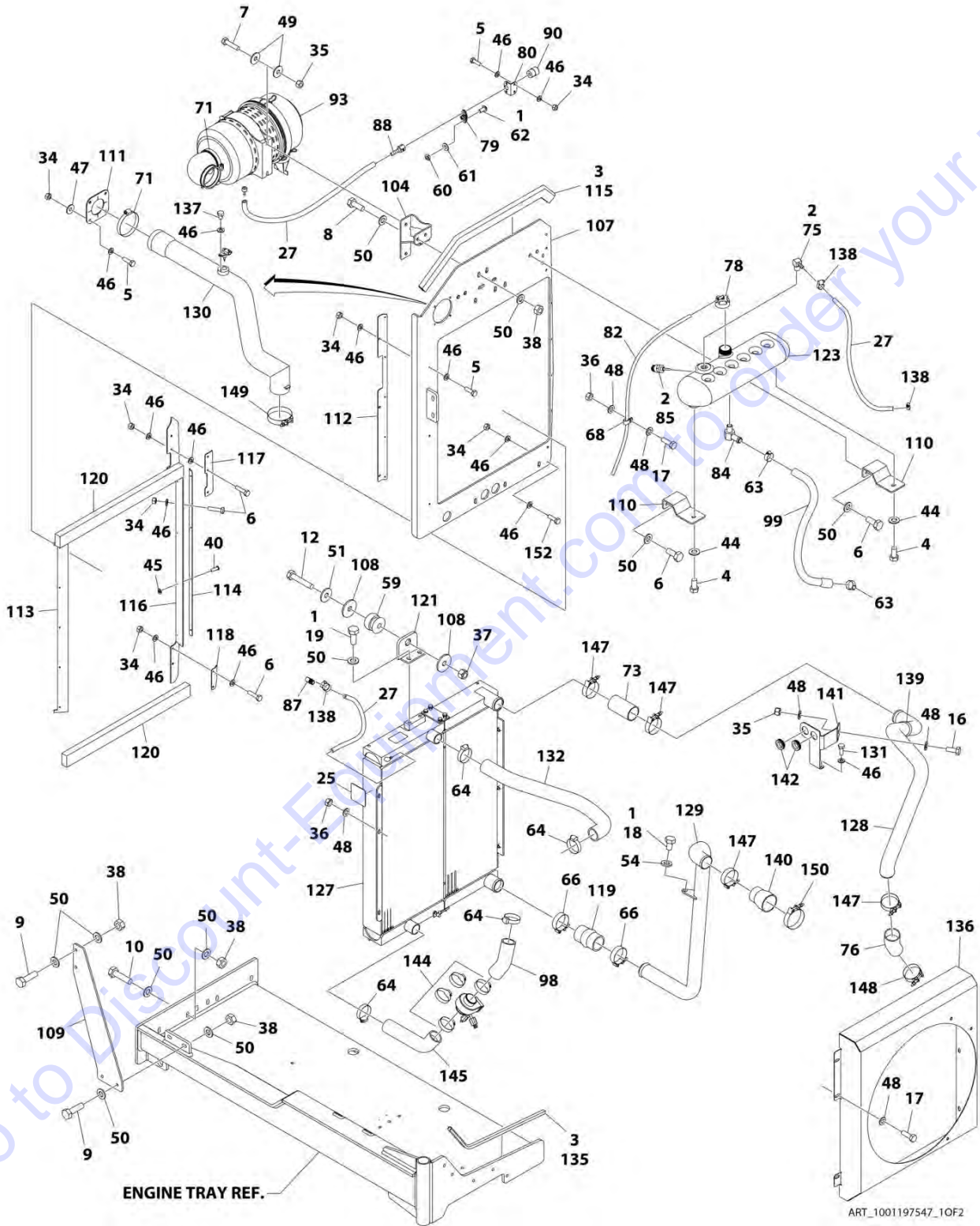
SECTION 3 - ENGINE

FIGURE 3-10. ENGINE ASSEMBLY WITH PUMPS (HRC) (WITH COLD WEATHER PACKAGE) (SN 0300254483 to Present)

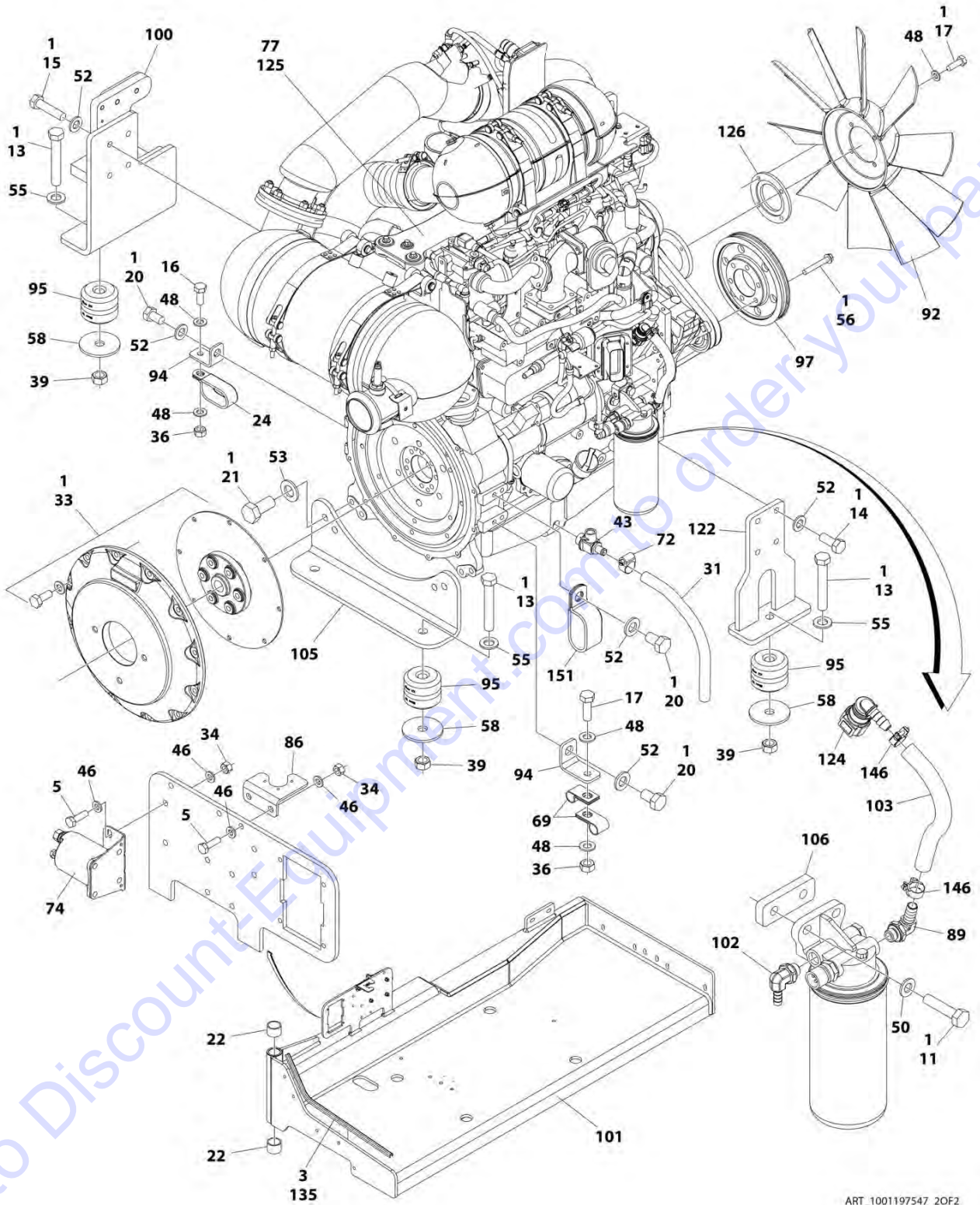
ITEM	PART NUMBER	QTY	DESCRIPTION	REV
	1001242383	Ref	ENGINE ASSEMBLY WITH PUMPS (HRC) (WITH COLD WEATHER PACKAGE)	A
1	0100011	AR	Compound, Locking	
2	0100035	AR	Compound, Locking	
3	0641812	2	Bolt 1/2 x 1-1/2	
4	0760508	4	Bolt M5 x 16	
5	0760610	2	Bolt M6 x 20	
6	0761015	2	Bolt M10 x 35	
7	0761210	1	Bolt M12 x 20	
8	0761216	2	Bolt M12 x 40	
9	1320041	1	Clamp	
10	1320136	1	Clamp	
11	3020037	AR	Grease, Coupling	
12	3290607	2	Nut M6	
13	3291007	2	Nut M10	
14	3310401	3	Nut #4	
15	3790152	1	O-Ring	
16	3790155	1	O-Ring	
17	3910408	3	Screw #4 x 1/2	
18	3931620	2	Capscrew 3/8 x 1-1/4	
19	4740171	2	Washer	
20	4750400	3	Washer #4	
21	4811600	4	Washer M5	
22	4811700	2	Washer M6	
23	4812000	2	Washer M10	
24	4812100	1	Washer M12	
25	4891600	2	Washer 3/8	
26	4891800	2	Washer 1/2	
27	1001108616	1	Tandem Pump Assembly (See TANDEM PUMP ASSEMBLY for Breakdown)	
28	1001112927	1	Gear Pump Assembly (See GEAR PUMP ASSEMBLY for Breakdown)	
29	1001156107	2	Holder, Cable	
30	1001156718	1	Seal	
31	1001157073	1	Cable, Alternator	
32	1001188922	1	Engine Harness (See ELECTRICAL SECTION for Breakdown)	
33	1001197445	1	Cable, Glow Plug	
34	1001199470	1	Piston Pump Assembly (See PISTON PUMP ASSEMBLY for Breakdown)	
35	1001202355	1	Cable, Battery Negative	
36	1001206747	1	Seal	
37	1001234791	1	Cable, Battery Positive	
38	1001242380	1	Engine Assembly (HRC) (With Cold Weather Package) (See ENGINE ASSEMBLY (HRC) (WITH COLD WEATHER PACKAGE) for Breakdown)	

SECTION 3 - ENGINE

FIGURE 3-11. ENGINE ASSEMBLY (HRC) (WITH COLD WEATHER PACKAGE) (Prior to SN 0300254483)



SECTION 3 - ENGINE



ART_1001197547_20F2

SECTION 3 - ENGINE

FIGURE 3-11. ENGINE ASSEMBLY (HRC) (WITH COLD WEATHER PACKAGE) (Prior to SN 0300254483)

ITEM	PART NUMBER	QTY	DESCRIPTION	REV
	1001197547	Ref	ENGINE ASSEMBLY (HRC) (WITH COLD WEATHER PACKAGE)	J
1	0100011	AR	Compound, Locking	
2	0100020	AR	Sealant	
3	0100081	AR	Adhesive	
4	0641606	2	Bolt 3/8 x 3/4	
5	0700610	13	Bolt M6 x 20	
6	0700612	7	Bolt M6 x 25	
7	0700815	2	Bolt M8 x 35	
8	0701013	2	Bolt M10 x 28	
9	0701015	6	Bolt M10 x 35	
10	0701016	2	Bolt M10 x 40	
11	0701017	2	Bolt M10 x 45	
12	0701019	1	Bolt M10 x 55	
13	0701627	4	Bolt M16 x 100	
14	0711214	4	Bolt M12 x 30 Grade 10.9	
15	0711218	4	Bolt M12 x 50 Grade 10.9	
16	0760810	6	Bolt M8 x 20	
17	0760812	7	Bolt M8 x 25	
18	0761008	1	Bolt M10 x 16	
19	0761012	6	Bolt M10 x 25	
20	0761210	3	Bolt M12 x 20	
21	0771414	4	Bolt M14 x 30 Grade 10.9	
21	0771415	4	Bolt M14 x 35 Grade 10.9	
22	0961951	2	Bushing	
24	1321716	1	Clamp	
25	1703162	2	Decal - Fan Blade	
27	2720015	5 ft/ 1.5m	Hose	
31	2720340	1 ft/ .3m	Hose (Prior to SN 0300239975)	
31	1001165035	1 ft/ 0.3m	Hose (SN 0300239975 through 0300254482)	
33	2902065	1	Pump Coupling Kit (See PUMP COUPLING KIT for Breakdown)	
34	3290607	22	Nut M6	
35	3290805	3	Nut M8	
36	3290807	5	Nut M8	
37	3291005	1	Nut M10	
38	3291007	10	Nut M10	
39	3291601	4	Nut M16	
40	3820032	9	Rivet	
42	4240099	AR	Tie-Strap (Not Shown)	
43	4640751	1	Valve, Oil Drain	
44	4711600	2	Washer 3/8	
45	4811600	4	Washer M5	
46	4811700	43	Washer M6	
47	4811702	4	Washer M6	
48	4811900	19	Washer M8	
49	4811902	4	Washer M8	
50	4812000	30	Washer M10	
51	4812002	1	Washer M10	
52	4812100	11	Washer M12	
53	4812200	4	Washer M14	

SECTION 3 - ENGINE

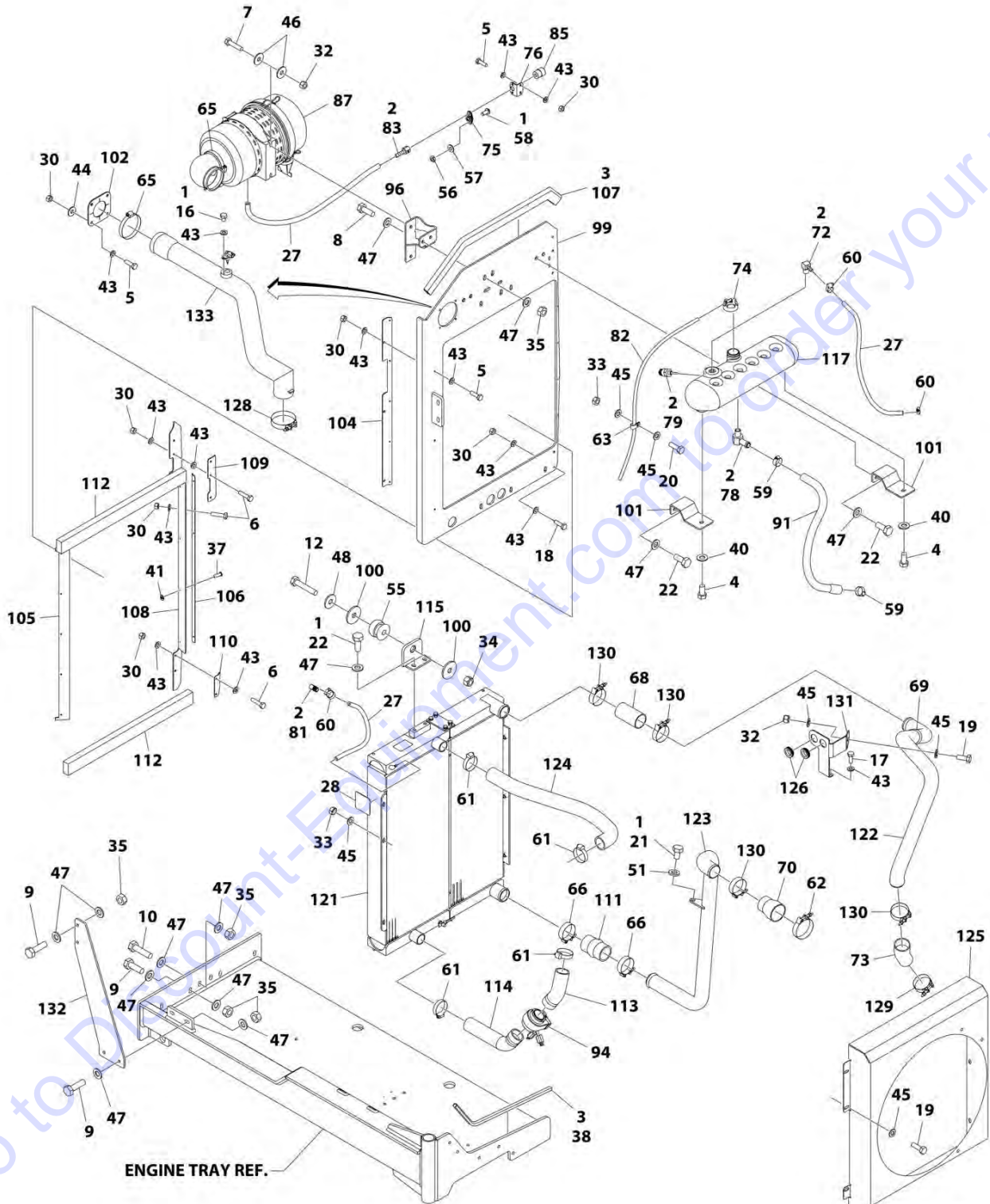
ITEM	PART NUMBER	QTY	DESCRIPTION	REV
54	5241000	1	Washer M10	
55	5241600	4	Washer M16	
56	5251022	6	Bolt M10 x 70	
58	7300435	4	Washer	
59	8278020	1	Mount	
60	8305401	2	Nut 1/4	
61	8307109	2	Washer 1/4	
62	8310548	2	Screw 1/4 x 1/2	
63	8405007	2	Clamp	
64	8405104	4	Clamp	
66	8410012	2	Clamp	
68	8406109	2	Clip	
69	8406110	2	Clip	
71	8410011	2	Clamp	
72	8410013	1	Clamp	
73	91563070	1	Coupling, Rubber	
74	1001117308	1	Relay, 200Amp	
75	1001134488	1	Fitting, 90 NPT/Barbed	
76	1001135943	1	Coupling	
77	1001136172	AR	Oil, Motor	
78	1001136834	1	Cap	
79	1001138173	1	Support	
80	1001138175	1	Bracket	
82	1001138248	5 ft/ 1.5m	Tubing	
84	1001138559	1	Fitting, 90 NPT	
85	1001138827	1	Sensor	
86	1001139240	1	Bracket	
87	1001140564	1	Fitting, 90 NPT/Barbed	
88	1001141995	1	Fitting, Straight NPT/Barbed	
89	1001142501	1	Fitting, 90 NPT/Barbed	
90	1001143390	1	Indicator, Air Restriction	
92	1001147567	1	Fan	
93	1001147847	1	Filter, Air	
93	70023809	1	Element, Primary	
93	70023872	1	Element, Secondary	
93	70024328	1	Elbow, Rubber	
93	70024329	1	Clamp, Mounting	
94	1001148641	2	Bracket	
95	1001149517	4	Mount, Motor	
97	1001149746	1	Pulley	
98	1001157300	1	Hose	
99	1001150553	1	Hose	
100	1001151491	1	Support	
101	1001151749	1	Tray	
102	1001152489	1	Fitting, 90 Barbed	
103	1001154405	8.5 in/ 21cm	Hose	
104	1001155023	1	Plate	
105	1001155496	1	Support	
106	1001155498	1	Plate	
107	1001155525	1	Support	
108	1001155540	2	Washer	

SECTION 3 - ENGINE

ITEM	PART NUMBER	QTY	DESCRIPTION	REV
109	1001212817	1	Plate	
110	1001155557	2	Plate	
111	1001155563	1	Seal	
112	1001155564	1	Bracket	
113	1001155565	1	Seal	
114	1001155566	1	Bracket	
115	1001155728	1	Seal	
116	1001156034	1	Seal	
117	1001156035	1	Bracket	
118	1001156062	1	Bracket	
119	1001156091	1	Hose	
120	1001156644	2	Seal	
121	1001157862	1	Bracket	
122	1001160518	1	Support	
123	1001166393	1	Tank	
124	1001170982	1	Fitting, 90 SAE/Barbed	
125	1001176371	1	Engine Components (HRC) (See ENGINE COMPONENTS (HRC) for Breakdown)	
126	1001197317	1	Spacer	
127	1001188162	1	Radiator	
128	1001189291	1	Pipe, Exhaust	
129	1001190418	1	Tube	
130	1001212826	1	Tube, Intake	
131	0760608	2	Bolt M6 x 16	
132	1001191122	1	Hose, Upper	
135	4060807	22 in/ 55cm	Flex-Trim	
136	1001192138	1	Shroud	
137	0760604	1	Bolt M6 x 8	
138	8405009	4	Clamp	
139	1001097588	1	Clip	
140	1001117244	1	Reducer	
141	1001212810	1	Support	
142	1001193599	2	Grommet	
144	1001152112	1	Heater	
145	1001157301	1	Hose	
146	1001175568	2	Clip	
147	1001208299	4	Clamp	
148	1001208298	1	Clamp	
149	1001208297	1	Clamp	
150	8405211	1	Clamp	
151	1001181899	1	Clamp	
152	0760614	2	Bolt M6 x 30	

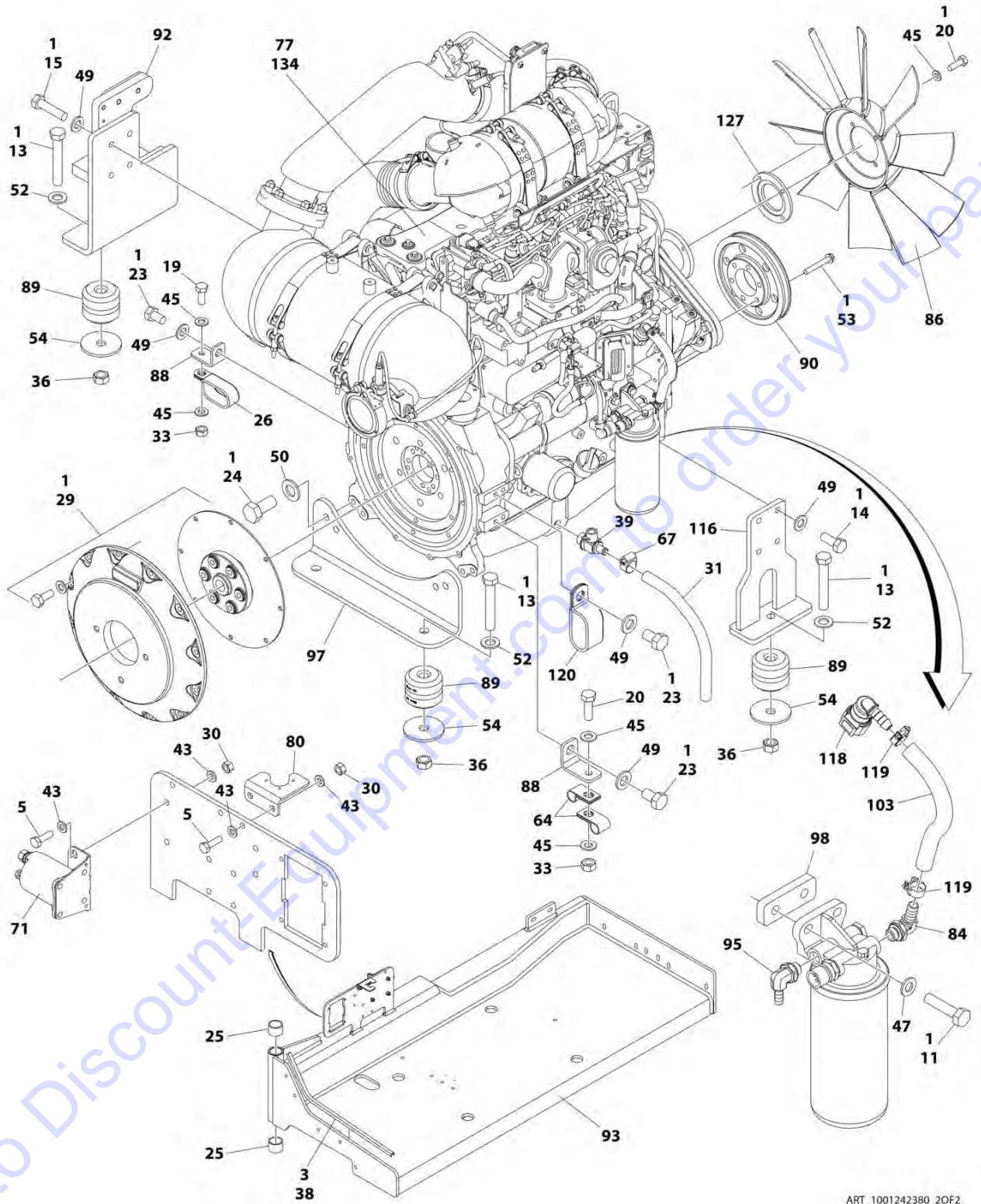
SECTION 3 - ENGINE

FIGURE 3-12. ENGINE ASSEMBLY (HRC) (WITH COLD WEATHER PACKAGE) (SN 0300254483 to Present)



ART_1001242380_10F2

SECTION 3 - ENGINE



ART_1001242380_20F2

SECTION 3 - ENGINE

FIGURE 3-12. ENGINE ASSEMBLY (HRC) (WITH COLD WEATHER PACKAGE) (SN 0300254483 to Present)

ITEM	PART NUMBER	QTY	DESCRIPTION	REV
	1001242380	Ref	DEUTZ T4F ENGINE ASSEMBLY - WITH COLD WEATHER PKG	A
1	0100011	AR	Compound, Locking	
2	0100020	AR	Sealant	
3	0100081	AR	Adhesive	
4	0641606	2	Bolt 3/8 x 3/4	
5	0700610	13	Bolt M6 x 20	
6	0700612	7	Bolt M6 x 25	
7	0700815	2	Bolt M8 x 35	
8	0701013	2	Bolt M10 x 28	
9	0701015	6	Bolt M10 x 35	
10	0701016	2	Bolt M10 x 40	
11	0701017	2	Bolt M10 x 45	
12	0701019	1	Bolt M10 x 55	
13	0701627	4	Bolt M16 x 100	
14	0711214	4	Bolt M12 x 30 Grade 10.9	
15	0711218	4	Bolt M12 x 50 Grade 10.9	
16	0760604	1	Bolt M6 x 8	
17	0760608	2	Bolt M6 x 16	
18	0760614	2	Bolt M6 x 30	
19	0760810	6	Bolt M8 x 20	
20	0760812	7	Bolt M8 x 25	
21	0761008	1	Bolt M10 x 16	
22	0761012	6	Bolt M10 x 25	
23	0761210	3	Bolt M12 x 20	
24	0771415	4	Bolt M14 x 35 Grade 10.9	
25	0961951	2	Bushing	
26	1321716	1	Clamp	
27	2720015	5 ft/ 1.5m	Hose	
28	1703162	2	Decal - Fan Blade	
29	2902065	1	Pump Coupling Kit (See PUMP COUPLING KIT for Breakdown)	
30	3290607	22	Nut M6	
31	1001165035	1 ft/ 0.3m	Hose	
32	3290805	3	Nut M8	
33	3290807	5	Nut M8	
34	3291005	1	Nut M10	
35	3291007	10	Nut M10	
36	3291601	4	Nut M16	
37	3820032	9	Rivet	
38	4060807	22 in/ 55cm	Flex-Trim	
39	4640751	1	Valve, Oil Drain	
40	4711600	2	Washer 3/8	
41	4811600	4	Washer M5	
42	4240099	AR	Tie-Strap (Not Shown)	
43	4811700	43	Washer M6	
44	4811702	4	Washer M6	
45	4811900	19	Washer M8	
46	4811902	4	Washer M8	
47	4812000	30	Washer M10	

SECTION 3 - ENGINE

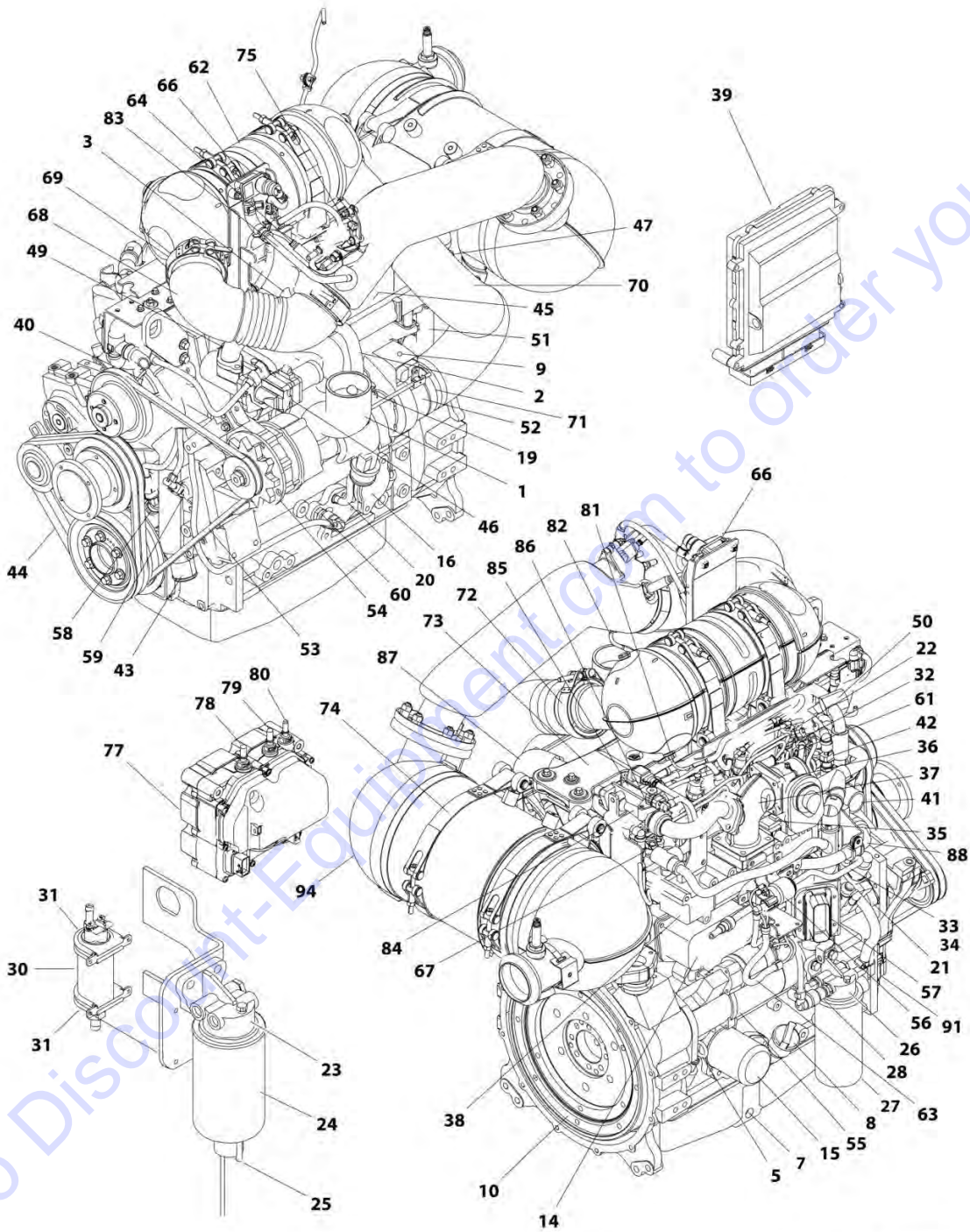
ITEM	PART NUMBER	QTY	DESCRIPTION	REV
48	4812002	1	Washer M10	
49	4812100	11	Washer M12	
50	4812200	4	Washer M14	
51	5241000	1	Washer M10	
52	5241600	4	Washer M16	
53	5251022	6	Bolt M10 x 70	
54	7300435	4	Washer	
55	8278020	1	Mount	
56	8305401	2	Nut 1/4	
57	8307109	2	Washer 1/4	
58	8310548	2	Screw 1/4 x 1/2	
59	8405007	2	Clamp	
60	8405009	4	Clamp	
61	8405104	4	Clamp	
62	8405211	1	Clamp	
63	8406109	2	Clip	
64	8406110	2	Clip	
65	8410011	2	Clamp	
66	8410012	2	Clamp	
67	8410013	1	Clamp	
68	91563070	1	Coupling, Rubber	
69	1001097588	1	Clip	
70	1001117244	1	Reducer	
71	1001117308	1	Relay, 200Amp	
72	1001134488	1	Fitting, 90 NPT/Barbed	
73	1001135943	1	Coupling	
74	1001136834	1	Cap	
75	1001138173	1	Support	
76	1001138175	1	Bracket	
77	1001136172	AR	Oil, Motor	
78	1001138559	1	Fitting, 90 NPT	
79	1001138827	1	Sensor	
80	1001139240	1	Bracket	
81	1001140564	1	Fitting, 90 NPT/Barbed	
82	1001138248	5 ft/ 1.5m	Tubing	
83	1001141995	1	Fitting, Straight NPT/Barbed	
84	1001142501	1	Fitting, 90 NPT/Barbed	
85	1001143390	1	Indicator, Air Restriction	
86	1001147567	1	Fan	
87	1001147847	1	Filter, Air	
87	70023809	1	Element, Primary	
87	70023872	1	Element, Secondary	
87	70024328	1	Elbow, Rubber	
87	70024329	1	Clamp, Mounting	
88	1001148641	2	Bracket	
89	1001149517	4	Mount, Motor	
90	1001149746	1	Pulley	
91	1001150553	1	Hose	
92	1001151491	1	Support	
93	1001151749	1	Tray	
94	1001152112	1	Heater	

SECTION 3 - ENGINE

ITEM	PART NUMBER	QTY	DESCRIPTION	REV
95	1001152489	1	Fitting, 90 Barbed	
96	1001155023	1	Plate	
97	1001155496	1	Support	
98	1001155498	1	Plate	
99	1001155525	1	Support	
100	1001155540	2	Washer	
101	1001155557	2	Plate	
102	1001155563	1	Seal	
103	1001154405	8.5 in/ 21cm	Hose	
104	1001155564	1	Bracket	
105	1001155565	1	Seal	
106	1001155566	1	Bracket	
107	1001155728	1	Seal	
108	1001156034	1	Seal	
109	1001156035	1	Bracket	
110	1001156062	1	Bracket	
111	1001156091	1	Hose	
112	1001156644	2	Seal	
113	1001157300	1	Hose	
114	1001157301	1	Hose	
115	1001157862	1	Bracket	
116	1001160518	1	Support	
117	1001166393	1	Tank	
118	1001170982	1	Fitting, 90 SAE/Barbed	
119	1001175568	2	Clip	
120	1001181899	1	Clamp	
121	1001188162	1	Radiator	
122	1001189291	1	Pipe, Exhaust	
123	1001190418	1	Tube	
124	1001191122	1	Hose, Upper	
125	1001192138	1	Shroud	
126	1001193599	2	Grommet	
127	1001197317	1	Spacer	
128	1001208297	1	Clamp	
129	1001208298	1	Clamp	
130	1001208299	4	Clamp	
131	1001212810	1	Support	
132	1001212817	1	Plate	
133	1001212826	1	Tube, Intake	
134	1001242377	1	Deutz T4F Engine (See DEUTZ T4F ENGINE COMPONENTS for Breakdown)	

SECTION 3 - ENGINE

FIGURE 3-13. ENGINE COMPONENTS (HRC) (Prior to SN 0300254483)



ART_1001176371

SECTION 3 - ENGINE

FIGURE 3-13. ENGINE COMPONENTS (HRC) (Prior to SN 0300254483)

ITEM	PART NUMBER	QTY	DESCRIPTION	REV
	1001176371	Ref	ENGINE COMPONENTS (HRC)	H
1	70024497	1	Pipe, Intake	
1	70025680	1	Clamp	
2	70025111	1	Clamp	
2	70025128	1	Bolt	
2	70025116	1	Clamp	
2	See Note	NSS	Line, Breather (Includes Item 3) (Note: Not Available for Purchase)	
3	70025119	1	Sleeve, Rubber	
3	7002511	1	Clamp	
4	70002718	1	Seal, Rear Main (Not Shown)	
5	70025745	1	Dipstick	
5	7020442	1	O-Seal	
5	70025755	1	Tube, Dipstick	
6	70025123	24	Screw, Oil Pan (Not Shown)	
7	70025088	1	Plug	
8	7020465	1	Cap	
8	70005487	1	Tube, Fill	
8	70024471	1	Gasket (Tube to Engine Block)	
9	70025786	1	Plug	
10	70001870	1	Flywheel	
10	7024579	1	Gear, Rim	
11	70024483	1	Gasket, Head (Not Shown)	
11	70024481	1	Gasket, Valve Cover (Not Shown)	
12	7020465	1	Cap, Fill (Not Shown - Located on top of Valve Cover)	
13	70025763	1	Pump, Oil (Not Shown)	
13	70025718	4	O-Ring (Not Shown)	
14	70024494	1	Cooler, Oil	
14	70024495	1	Gasket	
15	7016331	1	Filter, Oil	
15	70025137	1	Bushing, Screw	
16	70025731	1	Cover	
16	70002813	1	Seal	
17	70025730	1	Pipe, Transfer (Not Shown - Located in Oil Pan)	
18	70025722	1	Line, Oil Suction (Not Shown - Located in Oil Pan)	
19	70024489	1	Line, Lube	
19	70025085	2	Screw	
19	70025105	4	Ring, Sealing	
20	See Note	NSS	Line, Lube Return (Note: Not Available for Purchase)	
20	70025132	1	O-Seal	
20	70005489	1	Flange, Upper	
20	70024509	1	Gasket, Upper Flange	
21	70024487	1	Pump, High Pressure	
21	70025152	1	O-Ring	
21	70004505	1	Valve, Overflow	
21	70004506	1	O-Ring	
21	70004507	1	O-Ring	
21	70004508	1	Valve, Volume Control	
21	70004509	1	O-Ring	
21	70004510	1	Gasket	
21	See Note	NSS	O-Seal (Between Pump and Block) (Note: Not Available for	

SECTION 3 - ENGINE

ITEM	PART NUMBER	QTY	DESCRIPTION	REV
			Purchase)	
22	70024485	4	Injector, Fuel	
22	70025140	4	Washer, Sealing	
22	70025146	4	Clamp	
22	70025145	4	O-Seal	
22	70025154	4	Shoe, Clamping	
23	70024961	1	Head and Filter Assembly (Includes Item 24 & 25)	
24	70025153	1	Filter	
25	70024513	1	Sensor with Cable	
25	70025239	1	Ring, Sealing	
26	70004511	1	Head and Filter Assembly	
27	70004512	1	Filter	
28	70024504	1	Sensor, Pressure	
28	70024920	1	O-Seal	
29	See Note	NSS	Connector (Note: Not Available for Purchase) (Not Shown)	
29	70004513	1	Ring, Sealing (Not Shown)	
30	1001226098	1	Fuel Supply Pump Kit	
31	70025144	2	Clamp	
32	70025151	1	Rail, Fuel	
32	70025235	1	Kit, Repair - Fuel Rail	
32	70025240	1	O-Ring	
32	70025534	1	Pipe, Pressure Pump to Fuel Rail	
32	70024498	1	Pipe, Fuel Rail to Cylinders 1 & 2	
32	70024499	1	Pipe, Fuel Rail to Cylinders 3 & 4	
33	70024501	1	Line, Fuel	
33	70025109	3	Clamp, Band	
33	70025686	3	Clamp, Pipe	
34	See Note	NSS	Pipe, Fuel Leakage (Note: Not Available for Purchase)	
34	70025756	2	Retainer for Fuel Leakage Pipe	
35	70024507	1	Sensor, Pressure	
35	70025120	1	O-Seal	
36	70005492	1	Valve, Throttle	
36	70005493	1	Gasket	
37	70005491	1	Pipe, Air Charge	
37	70025726	1	Gasket	
38	70025772	1	Manifold, Air Charge	
38	70024475	1	Gasket (Manifold to Head)	
39	70005495	1	Module, Engine Control	
40	70005496	1	Pump, Water	
40	70005497	1	Seal (RH Side Pump to Item 43)	
40	70004516	2	Ring, Sealing (For Smaller Plug)	
41	70025741	1	Housing, Thermostat	
41	7016309	1	Ring, Sealing (For Bottom Plug)	
41	70024493	1	Gasket (Housing to Head)	
42	70024918	1	Sender, Temperature	
43	70025762	1	Manifold, Coolant	
44	70005498	1	V-Belt	
44	See Note	NSS	Tensioner, Pulley (Note: Not Available for Purchase)	
45	70005512	1	EGR Manifold Assembly	
46	70005513	1	Valve, Control	
46	70005514	1	O-Seal	

SECTION 3 - ENGINE

ITEM	PART NUMBER	QTY	DESCRIPTION	REV
46	70005189	1	Seal	
47	70025768	1	Valve, Shuttle	
48	70005511	1	Gasket, Exhaust Manifold to Head (Not Shown)	
49	See Note	NSS	Tube, Compensator (Note: Not Available for Purchase)	
49	70024500	2	Gasket	
50	See Note	1	Line, Water (Note: Not Available for Purchase)	
50	7020492	1	Ring, Sealing (For Plug in Line)	
50	70024478	1	Gasket (Water Line to EGR Valve)	
50	70025701	1	Sleeve, Rubber	
50	70025687	2	Clamp (For Sleeve)	
50	70025699	1	Clamp, Insulated	
51	70024479	1	Hose	
51	70025687	1	Clamp (Lower)	
51	70025773	1	Clamp (Upper)	
51	70005499	1	Fitting (At Lower End of Hose)	
51	70024469	1	O-Seal (For Fitting)	
52	70005515	1	Turbocharger	
52	70024480	1	Gasket	
53	70005516	1	V-Belt	
54	70025533	1	Generator	
54	70025149	1	Controller	
54	70025131	1	Fan	
54	70025141	1	Nut, Pulley	
55	70004520	1	Starter	
56	70025780	1	Relay	
57	70005518	1	Engine Harness	
58	70026210	1	Tacho-Generator	
58	70005191	1	O-Ring	
59	70026210	1	Tacho-Generator	
59	70005191	1	O-Ring	
60	70024504	1	Switch, Pressure	
60	70024920	1	O-Seal	
61	70024474	4	Plug, Glow	
62	70005519	1	Catalyst (DOC)	
63	70005517	1	Electrical Line, Relay	
64	70005522	1	Sensor	
65	70005521	1	Interconnect Cable (Not Shown)	
66	70005523	1	Sensor, Pressure	
67	70005524	1	Sensor	
68	70005525	1	Pipe, Connecting	
68	70025242	1	Gasket	
69	70025877	2	Clamp	
70	70005526	1	Pipe, Connecting	
70	70025242	1	Gasket	
71	70005527	1	Clamp	
72	70025877	1	Clamp	
73	70005528	1	Bracket	
73	70005529	2	Strap	
73	70005530	4	Pin, Clevis	
73	70005531	8	Clip	
73	70005532	2	Pin	

SECTION 3 - ENGINE

ITEM	PART NUMBER	QTY	DESCRIPTION	REV
73	70005535	1	Rubber, Mounting	
73	70005536	2	Washer	
74	70005537	1	Bracket	
74	70005538	2	Strap	
74	70005530	4	Pin, Clevis	
74	70005531	8	Clip	
74	70005535	2	Rubber, Mounting	
74	70005541	2	Stud	
74	70005542	2	Bracket	
74	70005536	4	Washer	
75	70005544	1	Unit, Metering	
75	70005545	1	Gasket	
76	70005546	1	Tube, Mixing (Not Shown)	
76	70005547	1	Pipe, Union (Not Shown)	
77	70005548	1	Pump, DEF Supply (Includes Items 78-80)	
77	70005549	1	Filter, DEF Supply Pump	
77	70005550	1	Cover, DEF Supply Pump Filter	
78	70005551	1	Socket/Adapter (DEF Supply Pump)	
78	70005552	1	O-Seal	
79	70005553	1	Socket/Adapter (DEF Supply Pump)	
79	70005552	1	O-Seal	
80	70005554	1	Socket/Adapter (DEF Supply Pump)	
80	70005552	1	O-Seal	
81	70005555	1	Transmitter, Temperature	
82	70005556	1	Transmitter, Temperature	
83	70005557	1	Pipe	
83	70005558	1	Clip	
84	70005501	1	Tube, Venturi	
84	70024500	1	Gasket	
85	70005504	1	Sensor, Pressure	
85	70005505	2	Ring, Sealing	
85	70005502	1	Plate, Isolation	
85	70005503	1	Adapter	
86	70005506	1	Temperature, Transmitter	
86	70005507	1	O-Seal	
87	70005508	1	Elbow, Hose	
87	70005509	1	Clamp	
87	70025681	1	Clamp (Pipe Side)	
88	70025747	1	Manifold	
88	70025687	4	Clamp	
88	70025750	1	Line, Water	
88	70025699	1	Clamp	
88	70025749	1	Hose	
88	70025764	1	Plate, Support	
89	70025737	1	Wheel, Sensor (Not Shown - Located Under front Engine Cover)	
90	70025739	1	Gear, Idler (Not Shown - Located Under front Engine Cover)	
90	70025740	1	Shaft (Not Shown - Located Under front Engine Cover)	
91	70025752	1	Valve, Pressure Relief	
91	70025753	1	Spring	
91	70005916	1	Seal, Ring	
91	70005917	1	Screw	

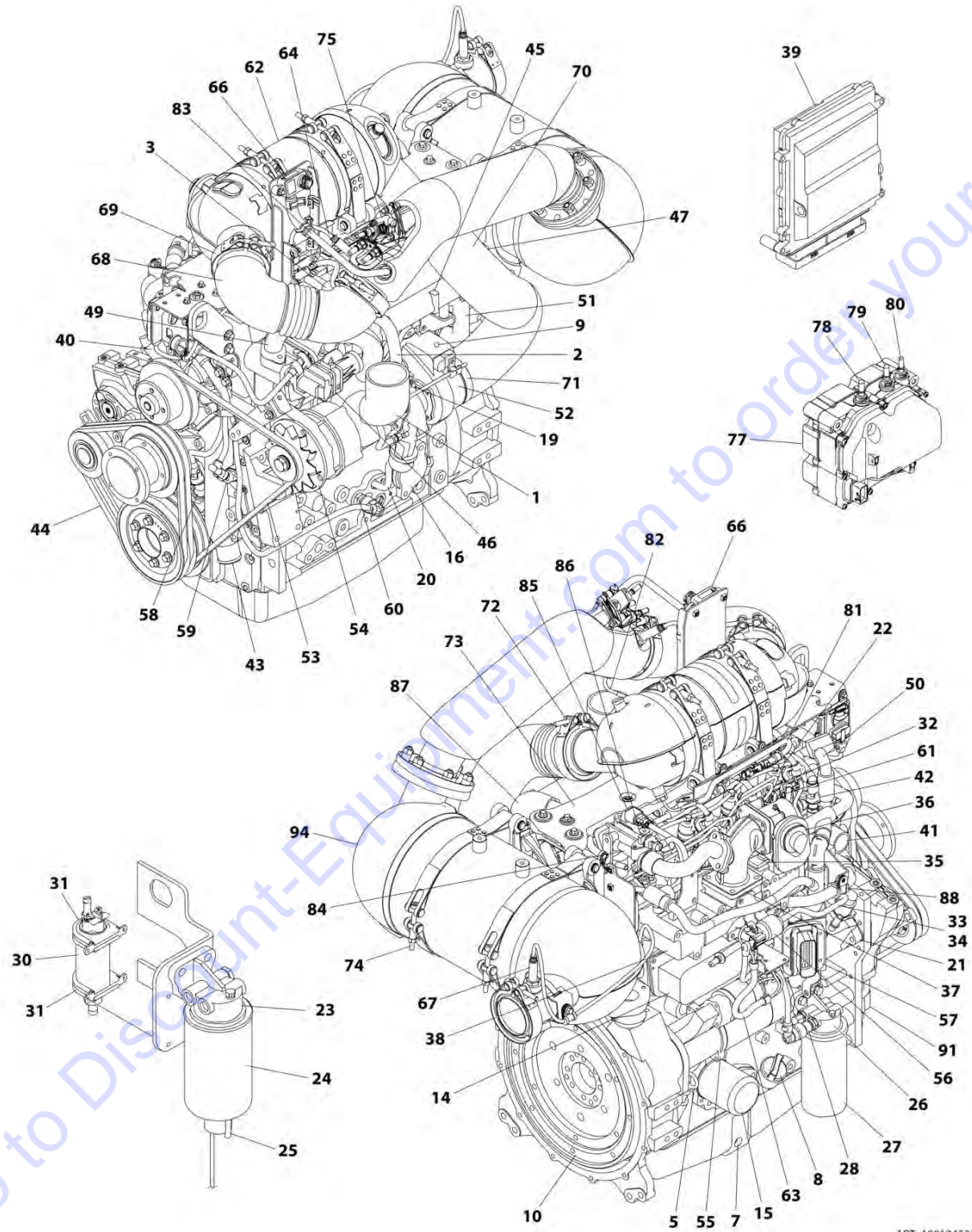
SECTION 3 - ENGINE

ITEM	PART NUMBER	QTY	DESCRIPTION	REV
92	70025758	1	Connector (Not Shown - Located Under Front Engine Cover)	
92	70025704	1	Ring, Half-Moon	
93	70004280	1	Seal, Crankshaft (Not Shown - Located Under Front Engine Cover)	
94	70005721	1	Catalyst (SCR)	
95	70001181	1	Valve, Pressure Control (Not Shown - Located Under Oil Filter)	
95	70124410	1	Spring	
95	70025082	1	Seal, Ring	
95	70124440	1	Screw	

Go to Discount-Equipment.com to order your parts

SECTION 3 - ENGINE

FIGURE 3-14. ENGINE COMPONENTS (HRC) (SN 0300254483 to Present)



ART_1001242377

SECTION 3 - ENGINE

FIGURE 3-14. ENGINE COMPONENTS (HRC) (SN 0300254483 to Present)

ITEM	PART NUMBER	QTY	DESCRIPTION	REV
	1001242377	Ref	DEUTZ T4F ENGINE COMPONENTS	A
1	70024497	1	Pipe, Intake	
1	70025680	1	Clamp	
2	70025111	1	Clamp	
2	70025128	1	Bolt	
2	70025116	1	Clamp	
2	See Note	NSS	Line, Breather (Includes Item 3) (Note: Not Available for Purchase)	
3	70025119	1	Sleeve, Rubber	
3	70025111	1	Clamp	
4	70002718	1	Seal, Rear Main (Not Shown)	
5	70025745	1	Dipstick	
5	7020442	1	O-Seal	
5	70025755	1	Tube, Dipstick	
6	70025123	24	Screw, Oil Pan (Not Shown)	
7	70005941	1	Plug	
8	7020465	1	Cap	
8	70005487	1	Tube, Fill	
8	70024471	1	Gasket (Tube to Engine Block)	
9	70025786	1	Plug	
10	70001870	1	Flywheel	
10	7024579	1	Gear, Rim	
11	70025789	1	Gasket, Head (Not Shown)	
11	70024481	1	Gasket, Valve Cover (Not Shown)	
12	7020465	1	Cap, Fill (Not Shown - Located on top of Valve Cover)	
14	70024494	1	Cooler, Oil	
14	70024495	1	Gasket	
15	7016331	1	Filter, Oil	
15	70025137	1	Bushing, Screw	
16	70025731	1	Cover	
16	70002813	1	Seal	
17	70028814	1	Pipe, Transfer (Not Shown - Located in Oil Pan)	
18	70025722	1	Line, Oil Suction (Not Shown - Located in Oil Pan)	
19	70024489	1	Line, Lube	
19	70025085	2	Screw	
19	70025105	4	Ring, Sealing	
20	See Note	NSS	Line, Lube Return (Note: Not Available for Purchase)	
20	70025132	1	O-Seal	
20	70007084	1	Flange, Upper	
20	70024509	1	Gasket, Upper Flange	
21	70024487	1	Pump, High Pressure	
21	70025152	1	O-Ring	
21	70004505	1	Valve, Overflow	
21	70004506	1	O-Ring	
21	70004507	1	O-Ring	
21	70004508	1	Valve, Volume Control	
21	70004509	1	O-Ring	
21	70004510	1	Gasket	
21	70027416	1	Gear	
21	See Note	NSS	O-Seal (Between Pump and Block) (Note: Not Available for Purchase)	

SECTION 3 - ENGINE

ITEM	PART NUMBER	QTY	DESCRIPTION	REV
22	70024485	4	Injector, Fuel	
22	70025140	4	Washer, Sealing	
22	70025146	4	Clamp	
22	70025145	4	O-Seal	
22	70025154	4	Shoe, Clamping	
23	70024961	1	Head and Filter Assembly (Includes Item 24 & 25)	
24	1001225430	1	Filter	
25	70024513	1	Sensor with Cable	
25	70025239	1	Ring, Sealing	
26	70004511	1	Head and Filter Assembly	
27	1001225432	1	Filter	
28	70024504	1	Sensor, Pressure	
28	70024920	1	O-Seal	
29	See Note	NSS	Connector (Note: Not Available for Purchase) (Not Shown)	
29	70004513	1	Ring, Sealing (Not Shown)	
30	70006144	1	Pump, Fuel Supply	
31	70025144	2	Clamp	
32	70025151	1	Rail, Fuel	
32	70025235	1	Kit, Repair - Fuel Rail	
32	70025240	1	O-Ring	
32	70025534	1	Pipe, Pressure Pump to Fuel Rail	
32	70024498	1	Pipe, Fuel Rail to Cylinders 1 & 2	
32	70024499	1	Pipe, Fuel Rail to Cylinders 3 & 4	
33	70024501	1	Line, Fuel	
33	70025109	3	Clamp, Band	
33	70025686	3	Clamp, Pipe	
34	See Note	NSS	Pipe, Fuel Leakage (Note: Not Available for Purchase)	
34	70025756	2	Retainer for Fuel Leakage Pipe	
35	70024507	1	Sensor, Pressure	
35	70025120	1	O-Seal	
36	70005492	1	Valve, Throttle	
36	70005493	1	Gasket	
37	70029394	1	Pipe, Air Charge	
37	70025726	1	Gasket	
38	70025772	1	Manifold, Air Charge	
38	70024475	1	Gasket (Manifold to Head)	
39	70005495	1	Module, Engine Control	
40	70004515	1	Pump, Water	
40	70005497	1	Seal (RH Side Pump to Item 43)	
40	70004516	2	Ring, Sealing (For Smaller Plug)	
41	70029395	1	Housing, Thermostat	
41	7016309	1	Ring, Sealing (For Bottom Plug)	
41	70024493	1	Gasket (Housing to Head)	
42	70028540	1	Sender, Temperature	
43	70025762	1	Manifold, Coolant	
44	70005498	1	V-Belt	
44	See Note	NSS	Tensioner, Pulley (Note: Not Available for Purchase)	
45	70007083	1	EGR Manifold Assembly	
46	70005513	1	Valve, Control	
46	70005514	1	O-Seal	
46	70005189	1	Seal	

SECTION 3 - ENGINE

ITEM	PART NUMBER	QTY	DESCRIPTION	REV
47	70028989	1	Valve, Shuttle	
48	70029399	1	Gasket, Exhaust Manifold to Head (Not Shown)	
49	See Note	NSS	Tube, Compensator (Note: Not Available for Purchase)	
49	70024500	2	Gasket	
50	See Note	NSS	Line, Water (Note: Not Available for Purchase)	
50	7020492	1	Ring, Sealing (For Plug in Line)	
50	70024478	1	Gasket (Water Line to EGR Valve)	
50	70025701	1	Sleeve, Rubber	
50	70025687	2	Clamp (For Sleeve)	
50	70025699	1	Clamp, Insulated	
51	70024479	1	Hose	
51	70025111	1	Clamp (Lower)	
51	70028765	1	Clamp (Upper)	
52	70007083	1	Turbocharger	
52	70024480	1	Gasket	
53	70005516	1	V-Belt	
54	70029401	1	Generator	
54	70006653	1	Controller	
54	70029015	1	Fan	
54	70029402	1	Nut, Pulley	
55	70004520	1	Starter	
56	70025780	1	Relay	
57	70007085	1	Harness, Engine	
58	70026210	1	Tacho-Generator	
58	70005191	1	O-Ring	
59	70026210	1	Tacho-Generator	
59	70005191	1	O-Ring	
60	70024504	1	Switch, Pressure	
60	70024920	1	O-Seal	
61	70024474	4	Plug, Glow	
62	70007093	1	Catalyst	
63	70005517	1	Electrical Line, Relay	
64	70005522	1	Sensor	
66	70005523	1	Sensor, Pressure	
67	70005524	1	Sensor	
68	70005525	1	Pipe, Connecting	
68	70025242	1	Gasket	
69	70025877	2	Clamp	
70	70005526	1	Pipe, Connecting	
70	70025242	1	Gasket	
71	70005527	1	Clamp	
72	70025877	1	Clamp	
73	70005528	1	Bracket	
73	70005529	2	Strap	
73	70005530	4	Pin, Clevis	
73	70005531	8	Clip	
73	70005532	2	Pin	
73	70005535	1	Rubber, Mounting	
73	70005536	2	Washer	
74	70005537	1	Bracket	
74	70005538	2	Strap	

SECTION 3 - ENGINE

ITEM	PART NUMBER	QTY	DESCRIPTION	REV
74	70005530	4	Pin, Clevis	
74	70005531	8	Clip	
74	70005535	2	Rubber, Mounting	
74	70005541	2	Stud	
74	70005542	2	Bracket	
74	70005536	4	Washer	
75	70005544	1	Unit, Metering	
75	70005545	1	Gasket	
76	70007091	1	Tube, Mixing (Not Shown)	
76	70007092	1	Pipe, Union (Not Shown)	
77	70005548	1	Pump, DEF Supply (Includes Items 78-80)	
77	70005549	1	Filter, DEF Supply Pump	
77	70005550	1	Cover, DEF Supply Pump Filter	
78	70005551	1	Adapter, Def Supply Pump Filter Socket	
78	70005552	1	O-Seal	
79	70005553	1	Adapter, Def Supply Pump Filter Socket	
79	70005552	1	O-Seal	
80	70005554	1	Adapter, Def Supply Pump Filter Socket	
80	70005552	1	O-Seal	
81	70005555	1	Transmitter, Temperature	
82	70005556	1	Transmitter, Temperature	
83	70005557	1	Pipe	
83	70005558	1	Clip	
84	70005501	1	Tube, Venturi	
84	70024500	1	Gasket	
85	70005504	1	Sensor, Pressure	
85	70005505	2	Ring, Sealing	
85	See Note	NSS	Plate, Isolation (Note: Not Available for Purchase)	
85	70005503	1	Adapter	
86	70027405	1	Temperature, Transmitter	
86	70005507	1	O-Seal	
87	See Note	NSS	Elbow, Hose (Note: Not Available for Purchase)	
87	70025675	1	Clamp	
87	70025681	1	Clamp (Pipe Side)	
88	70025747	1	Manifold	
88	70025687	4	Clamp	
88	70025750	1	Line, Water	
88	70025699	1	Clamp	
88	70025749	1	Hose	
88	70025764	1	Plate, Support	
89	70025737	1	Wheel, Sensor (Not Shown - Located Under front Engine Cover)	
90	70025739	1	Gear, Idler (Not Shown - Located Under front Engine Cover)	
90	70025740	1	Shaft (Not Shown - Located Under front Engine Cover)	
91	70025752	1	Valve, Pressure Relief	
91	70025753	1	Spring	
91	70005916	1	Seal	
91	70005917	1	Plug	
92	70025758	1	Connector (Not Shown - Located Under Front Engine Cover)	
92	70025704	1	Ring, Half-Moon	
93	70004280	1	Seal, Crankshaft (Not Shown - Located Under Front Engine Cover)	
94	70001181	1	Control Vale	

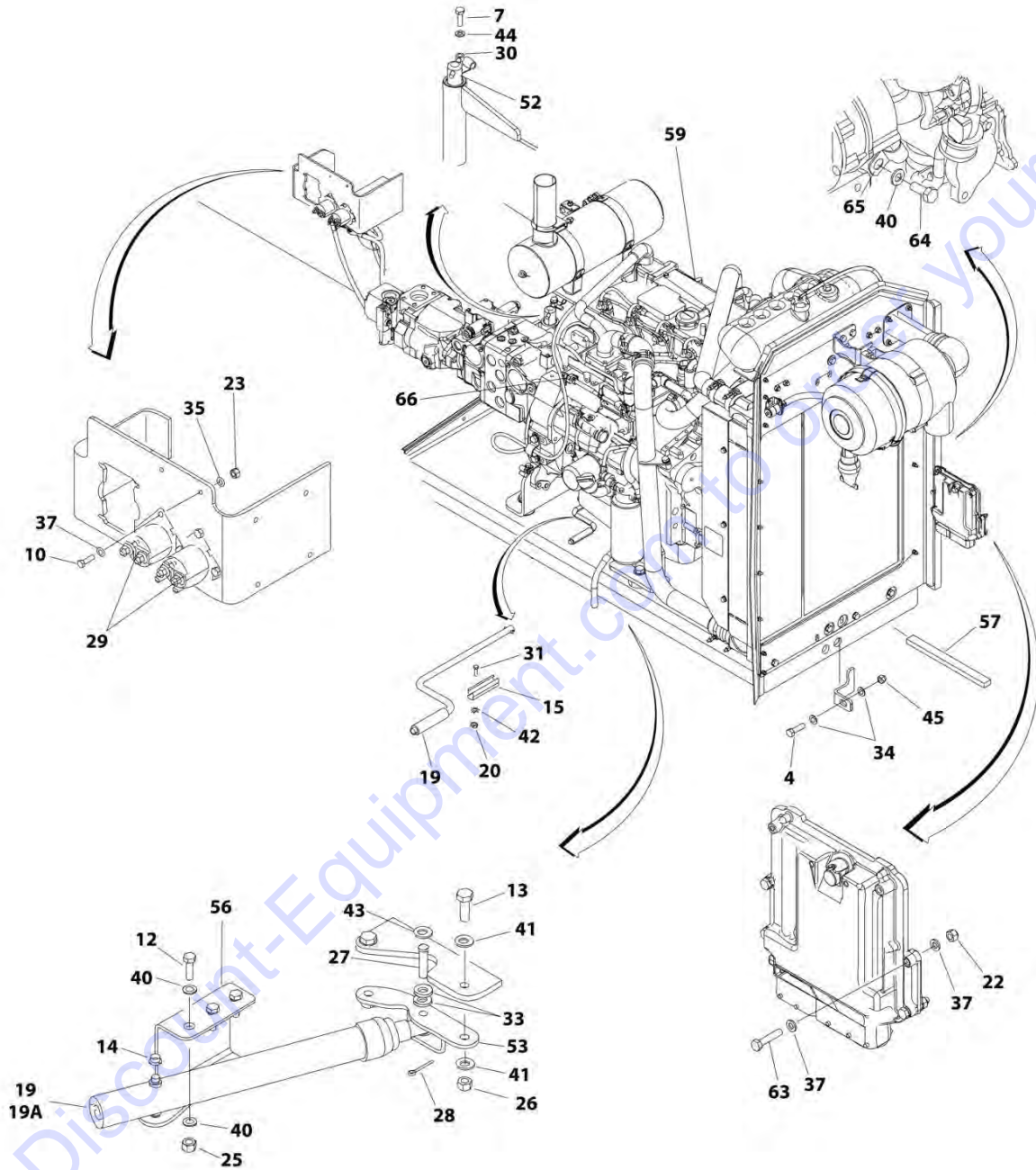
SECTION 3 - ENGINE

ITEM	PART NUMBER	QTY	DESCRIPTION	REV
94	70124410	1	Spring	
94	70025082	1	Seal	
94	70124440	1	Plug	
95	70027460	1	Tank, Reservoir (Not Shown)	
95	70027465	1	Filter	
95	70027466	1	Cover	
95	70027467	1	Valve, Breather	
95	70027461	1	Bracket	
95	70027462	1	Transmitter, Level	
95	70027463	1	Clip	
95	70027464	1	Filter, Fuel	

Go to Discount-Equipment.com to order your parts

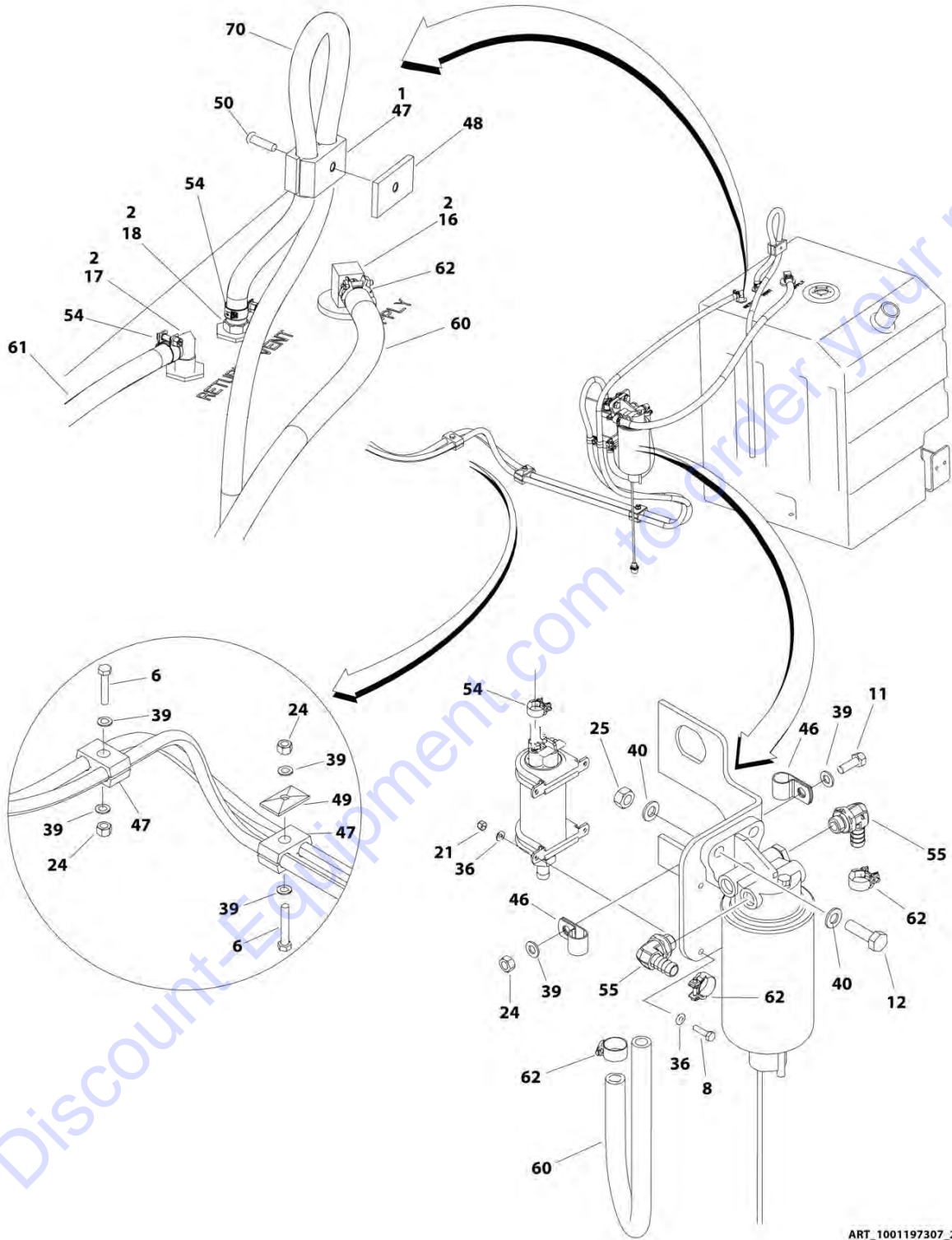
SECTION 3 - ENGINE

FIGURE 3-15. ENGINE INSTALLATION (LRC) (WITHOUT COLD WEATHER PACKAGE)



ART_1001197307_10F2

SECTION 3 - ENGINE



ART_1001197307_20F2

SECTION 3 - ENGINE

FIGURE 3-15. ENGINE INSTALLATION (LRC) (WITHOUT COLD WEATHER PACKAGE)

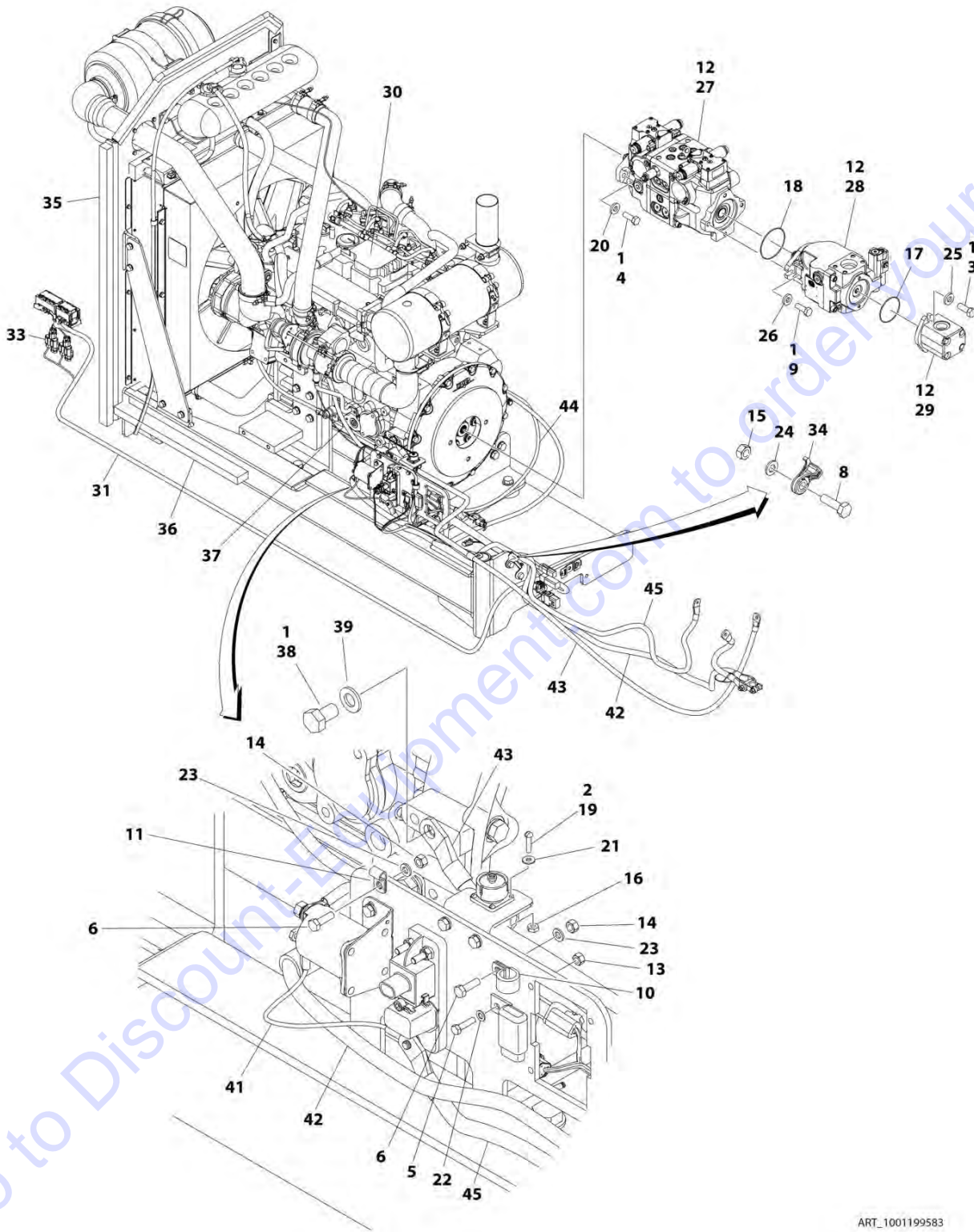
ITEM	PART NUMBER	QTY	DESCRIPTION	REV
	1001197307	Ref	ENGINE INSTALLATION (LRC) (WITHOUT COLD WEATHER PACKAGE)	I
1	0100011	AR	Compound, Locking	
2	0100020	AR	Sealant	
3	0440162	1	Bearing (Not Shown)	
4	0642220	1	Bolt 3/4 x 2-1/2	
6	0700818	3	Bolt M8 x 50	
7	0711015	1	Bolt M10 x 35	
8	0760408	4	Bolt M4 x 16	
10	0760610	4	Bolt M6 x 20 (Prior to SN 0300226018)	
11	0760812	1	Bolt M8 x 25	
12	0761015	5	Bolt M10 x 35	
13	0771416	2	Bolt M14 x 40	
14	0962051	2	Bearing	
15	1380147	1	Clip	
16	2180832	1	Fitting, Straight Barbed/NPTF	
17	2220313	1	Fitting, 90 Barbed/NPTF	
18	2221114	1	Fitting, Straight Barbed/NPT	
19	2840016	1	Tray Jack Assembly	
19	7016322	1	Wiper (Burr Brand)	
19A	7016374	1	Handle (Burr Brand)	
19A	7024598	1	Handle (Hammerblow Brand)	
20	3290301	2	Nut M3	
21	3290405	4	Nut M4	
22	3290605	5	Nut M6	
23	3290607	4	Nut M6 (Prior to SN 0300226018)	
24	3290807	4	Nut M8	
25	3291007	5	Nut M10	
26	3331411	2	Nut M14	
27	3430816	1	Pin	
28	3450404	1	Pin, Cotter 1/8 x 1	
29	3740067	2	Relay (Prior to SN 0300226018)	
30	3841143	1	Keeper, Pin	
31	4010308	2	Screw M3 x 16	
32	4240099	AR	Tie-Strap (Not Shown)	
33	4711800	2	Washer 1/2	
34	4712200	2	Washer 3/4	
35	4791400	4	Washer 1/4 (Prior to SN 0300226018)	
36	4811400	8	Washer M4	
37	4811700	10	Washer M6	
39	4811900	8	Washer M8	
40	4812000	11	Washer M10	
41	4812200	4	Washer M14	
42	4871200	2	Washer M3	
43	4891800	1	Washer 1/2	
44	5241000	1	Washer M10	
45	8310067	1	Nut 3/4	
46	8406101	2	Clip	
47	8750014	4	Clamp	
48	8750031	1	Plate, Clamp	

SECTION 3 - ENGINE

ITEM	PART NUMBER	QTY	DESCRIPTION	REV
49	8769123	2	Cover, Clamp	
50	1001101580	1	Screw M8 x 30	
52	1001135196	1	Pin	
53	1001135497	1	Support	
54	1001136975	5	Clamp	
55	1001142501	2	Fitting, 90 Barbed	
56	1001155939	1	Mount	
57	1001206747	1	Seal	
59	1001199583	1	Engine Assembly with Pumps (LRC) (Without Cold Weather Package) (See ENGINE ASSEMBLY WITH PUMPS (LRC) (WITHOUT COLD WEATHER PACKAGE) for Breakdown)	
60	1001154405	53 in /1.4m	Hose	
61	1001165035	31 ft /9.4m	Hose	
62	1001175568	4	Clip (Prior to SN 0300250324)	
62	1001186342	4	Clip (SN 0300250324 to Present)	
63	0700614	4	Bolt M6 x 30	
64	0761009	1	Bolt M10 x 18	
65	8406105	1	Clip	
66	1001155823	1	Fitting, 90 Barbed	
67	0760608	1	Bolt M6 x 16 (Not Shown)	
70	2750532	4 ft /1.2m	Hose	

SECTION 3 - ENGINE

FIGURE 3-16. ENGINE ASSEMBLY WITH PUMPS (LRC) (WITHOUT COLD WEATHER PACKAGE)



ART_1001199583

SECTION 3 - ENGINE

FIGURE 3-16. ENGINE ASSEMBLY WITH PUMPS (LRC) (WITHOUT COLD WEATHER PACKAGE)

ITEM	PART NUMBER	QTY	DESCRIPTION	REV
	1001199583	Ref	ENGINE ASSEMBLY WITH PUMPS (LRC) (WITHOUT COLD WEATHER PACKAGE)	H
1	0100011	AR	Compound, Locking	
2	0100035	AR	Compound, Locking	
3	0641608	2	Bolt 3/8 x 1	
4	0641812	2	Bolt 1/2 x 1-1/2	
5	0700510	1	Bolt M5 x 20	
6	0760610	2	Bolt M6 x 20	
8	0761015	2	Bolt M10 x 35	
9	0761216	2	Bolt M12 x 40	
10	1320041	1	Clamp	
11	1320136	1	Clamp	
12	3020037	AR	Grease, Coupling	
13	3290507	1	Nut M5	
14	3290607	2	Nut M6	
15	3291007	2	Nut M10	
16	3310401	3	Nut #4	
17	3790152	1	O-Ring	
18	3790155	1	O-Ring	
19	3910408	3	Screw #4 x 1/2	
20	4740171	2	Washer	
21	4750400	3	Washer #4	
22	4811600	2	Washer M5	
23	4811700	2	Washer M6	
24	4812000	2	Washer M10	
25	4891600	2	Washer 3/8	
26	4891800	2	Washer 1/2	
27	1001108616	1	Tandem Pump Assembly (See TANDEM PUMP ASSEMBLY for Breakdown)	
28	1001199470	1	Piston Pump Assembly (See PISTON PUMP ASSEMBLY for Breakdown)	
29	1001112927	1	Gear Pump Assembly (See GEAR PUMP ASSEMBLY for Breakdown)	
30	1001149867	1	Engine Assembly (LRC) (Without Cold Weather Package) (See ENGINE ASSEMBLY (LRC) (WITHOUT COLD WEATHER PACKAGE) for Breakdown)	
31	1001149971	1	Engine Harness (See ELECTRICAL SECTION for Breakdown)	
33	1001156001	1	Engine Harness Can (See ELECTRICAL SECTION for Breakdown)	
34	1001156107	2	Holder, Cable	
35	1001156718	1	Seal	
36	1001206747	1	Seal	
37	1001157073	1	Cable, Alternator	
38	0761210	1	Bolt M12 x 20	
39	4812100	1	Washer M12	
41	1001141304	1	Link, Glow Plug Fusible (Prior to SN 0300226018)	
42	1001154142	1	Cable, Battery Positive (Prior to SN 0300226018)	
42	1001202356	NLA	Cable, Battery Positive (Use p/n 1001234791) (SN 0300226018 through 0300243457)	
42	1001234791	1	Cable, Battery Positive (SN 0300243458 to Present)	
43	1001154143	1	Cable, Battery Negative (Prior to SN 0300226018)	

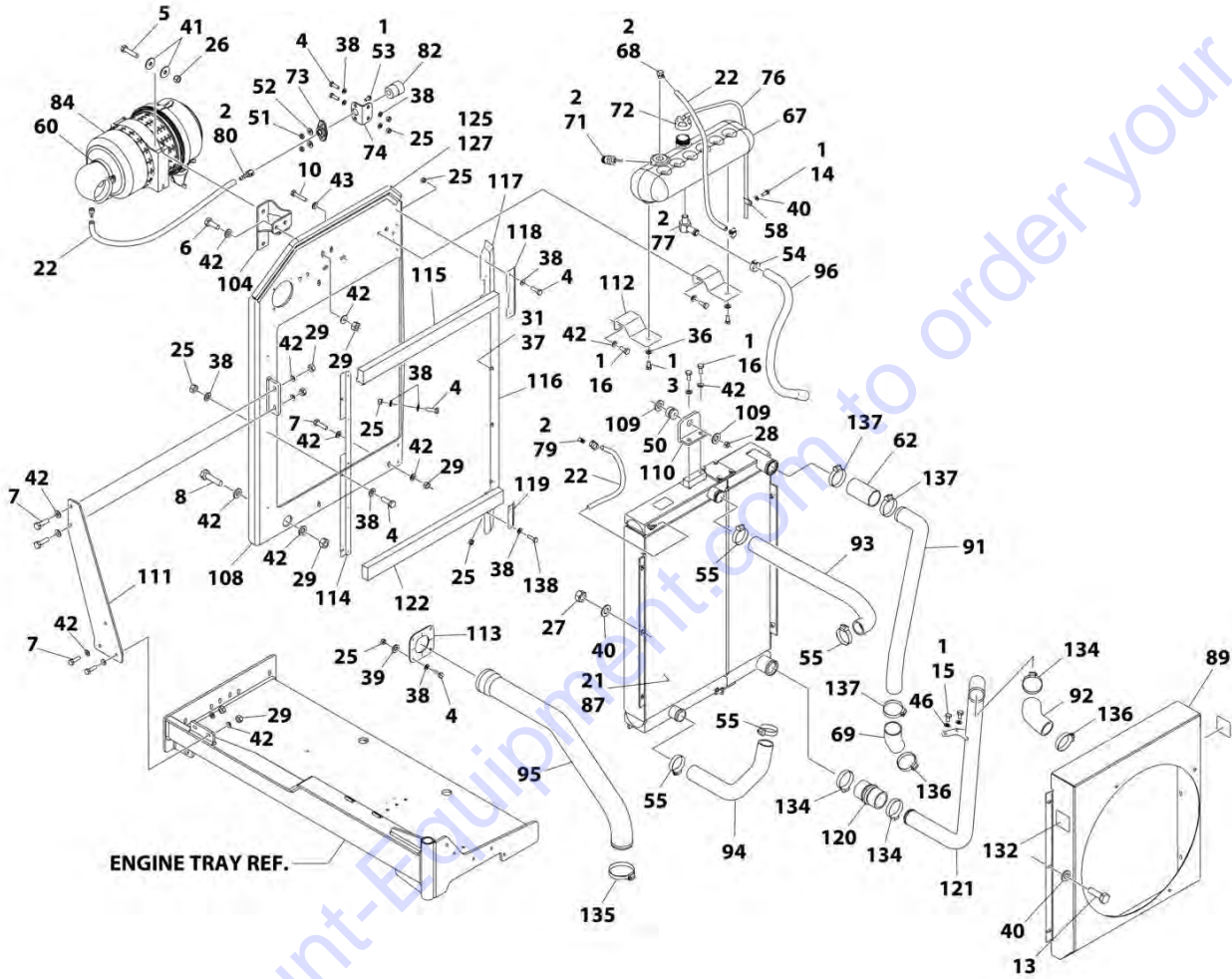
SECTION 3 - ENGINE

ITEM	PART NUMBER	QTY	DESCRIPTION	REV
43	1001202355	1	Cable, Battery Negative (SN 0300226018 to Present)	
44	1001168734	1	Cable, Glow Plug	
45	1001222918	1	Cable, System B+ (SN 0300226018 to Present)	

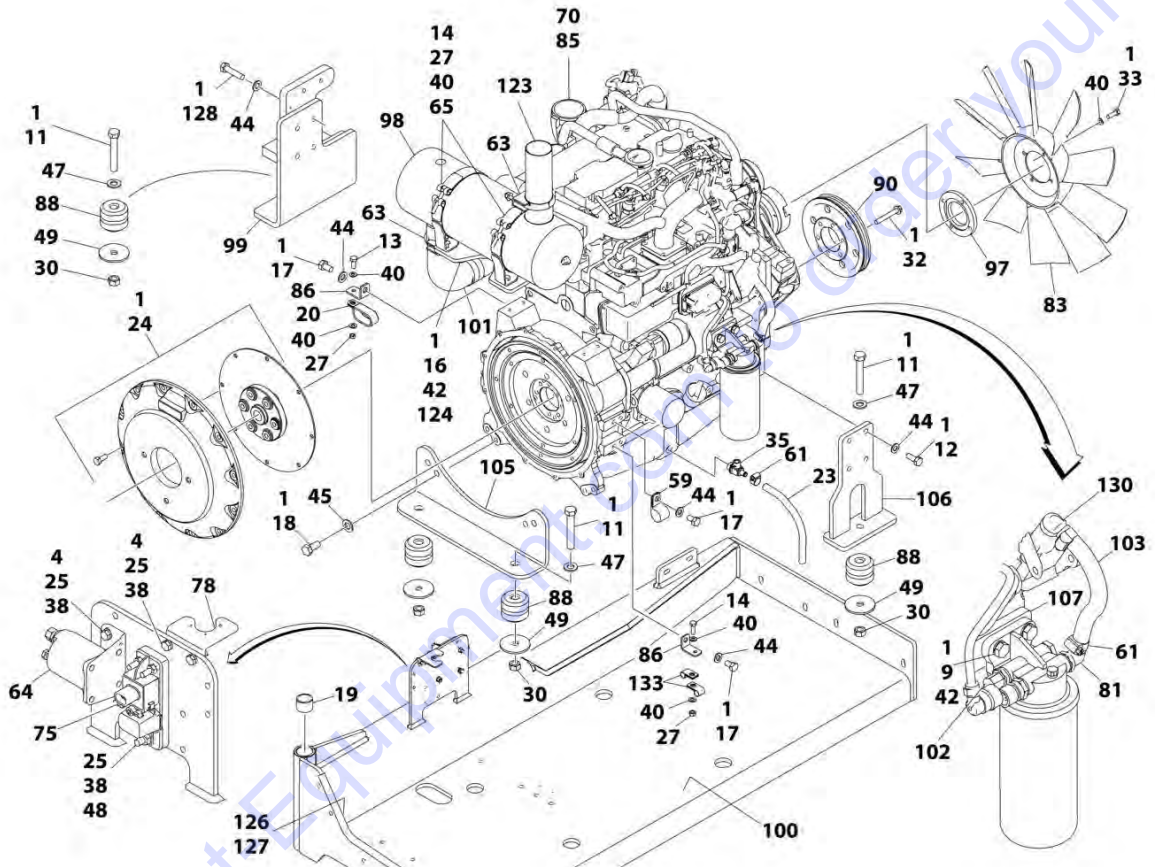
Go to Discount-Equipment.com to order your parts

SECTION 3 - ENGINE

FIGURE 3-17. ENGINE ASSEMBLY (LRC) (WITHOUT COLD WEATHER PACKAGE)



SECTION 3 - ENGINE



ART_1001149867_2OF2

SECTION 3 - ENGINE

FIGURE 3-17. ENGINE ASSEMBLY (LRC) (WITHOUT COLD WEATHER PACKAGE)

ITEM	PART NUMBER	QTY	DESCRIPTION	REV
	1001149867	Ref	ENGINE ASSEMBLY (LRC) (WITHOUT COLD WEATHER PACKAGE)	O
1	0100011	AR	Compound, Locking	
2	0100020	AR	Sealant	
3	0641606	2	Bolt 3/8 x 3/4	
4	0700612	20	Bolt M6 x 25	
5	0700815	2	Bolt M8 x 35	
6	0701013	2	Bolt M10 x 28	
7	0701015	6	Bolt M10 x 35	
8	0701016	2	Bolt M10 x 40	
9	0701017	2	Bolt M10 x 45	
10	0701019	1	Bolt M10 x 55	
11	0701627	4	Bolt M16 x 100	
12	0711214	4	Bolt M12 x 30 Grade 10.9	
13	0760810	5	Bolt M8 x 20	
14	0760812	7	Bolt M8 x 25	
15	0761008	2	Bolt M10 x 16	
16	0761012	10	Bolt M10 x 25	
17	0761210	3	Bolt M12 x 20	
18	0771414	4	Bolt M14 x 30 Grade 10.9	
18	0771415	4	Bolt M14 x 35 Grade 10.9	
19	0961951	2	Bushing	
20	1321716	1	Clamp	
21	1001103452	AR	Coolant	
22	2720015	5 ft/ 1.5m	Hose	
23	2720340	1 ft/ .3m	Hose (Prior to SN 0300239975)	
23	1001165035	1 ft/ 0.3m	Hose (SN 0300239975 to Present)	
24	2902065	1	Pump Coupling Kit (See PUMP COUPLING KIT for Breakdown)	
25	3290607	23	Nut M6	
26	3290805	2	Nut M8	
27	3290807	9	Nut M8	
28	3291005	1	Nut M10	
29	3291007	10	Nut M10	
30	3291601	4	Nut M16	
31	3820032	9	Rivet	
32	5251022	6	Bolt M10 x 70	
33	4031912	4	Capscrew M8 x 40	
34	4240099	AR	Tie-Strap (Not Shown)	
35	4640751	1	Valve, Oil Drain	
36	4711600	2	Washer 3/8	
37	4811600	4	Washer M5	
38	4811700	41	Washer M6	
39	4811702	4	Washer M6	
40	4811900	25	Washer M8	
41	4811902	4	Washer M8	
42	4812000	34	Washer M10	
43	4812002	1	Washer M10	
44	4812100	11	Washer M12	
45	4812200	4	Washer M14	
46	5241000	2	Washer M10	

SECTION 3 - ENGINE

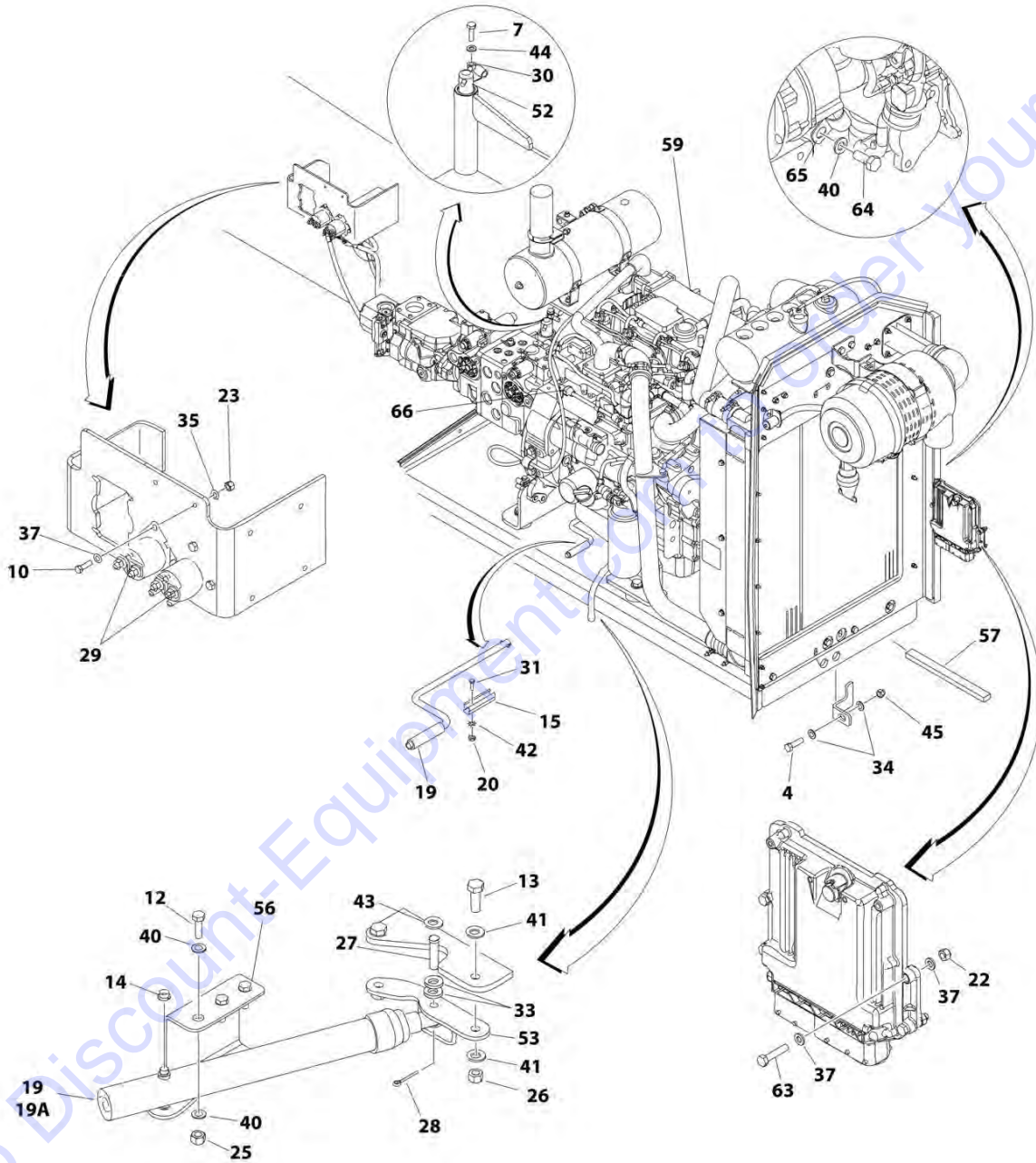
ITEM	PART NUMBER	QTY	DESCRIPTION	REV
47	5241600	4	Washer M16	
48	5271614	1	Capscrew M16 x 50	
49	7300435	4	Washer	
50	8278020	1	Mount	
51	8305401	2	Nut 1/4	
52	8307109	2	Washer 1/4	
53	8310548	2	Screw 1/4 x 1/2	
54	8405007	2	Clamp	
55	8405104	4	Clamp	
58	8406109	2	Clamp	
59	8406303	1	Clip	
60	8410011	1	Clamp	
61	8410013	3	Clamp	
62	91563070	1	Coupling, Rubber	
63	1001111116	2	Clamp	
64	1001117308	1	Relay	
65	1001119727	2	Clamp	
67	1001166393	1	Tank	
68	1001134488	1	Fitting, 90 NPT/Barbed	
69	1001135943	1	Coupling	
70	1001136079	AR	Oil, Motor	
71	1001138827	1	Sensor	
72	1001136834	1	Cap	
73	1001138173	1	Support	
74	1001138175	1	Bracket	
75	1001138228	1	Module, Relay	
75	70023592	1	Fuse 20Amp	
75	70023593	1	Fuse 30Amp	
76	1001138248	5 ft/ 1.5m	Tubing	
77	1001138559	1	Fitting, 90 NPT	
78	1001139240	1	Bracket	
79	1001140564	1	Fitting, 90 NPT/Barbed	
80	1001141995	1	Fitting, Straight NPT/Barbed	
81	1001142501	1	Fitting, 90 NPT/Barbed	
82	1001143390	1	Indicator, Air Restriction	
83	1001177137	1	Fan	
84	1001147847	1	Filter, Air	
84	70023809	1	Element, Primary	
84	70023872	1	Element, Secondary	
84	70024328	1	Elbow, Rubber	
84	70024329	1	Clamp, Mounting	
85	1001148076	1	Engine Components (LRC) (See ENGINE COMPONENTS (LRC) for Breakdown)	
86	1001148641	2	Bracket	
87	1001149407	1	Radiator	
88	1001149517	4	Mount, Motor	
89	1001149736	1	Shroud	
90	1001149746	1	Pulley	
91	1001150498	1	Tube	
92	1001150499	1	Hose	
93	1001150500	1	Hose	
94	1001150504	1	Hose	

SECTION 3 - ENGINE

ITEM	PART NUMBER	QTY	DESCRIPTION	REV
95	1001150505	1	Pipe	
96	1001150553	1	Hose	
97	1001177134	1	Adapter	
98	1001151432	1	Muffler	
99	1001151491	1	Support	
100	1001151749	1	Tray	
101	1001151761	1	Pipe, Exhaust	
102	1001152489	1	Fitting, 90 Barbed	
103	1001154405	8.5 in/ 21cm	Hose	
104	1001155023	1	Plate	
105	1001155496	1	Support	
106	1001160518	1	Support	
107	1001155498	1	Plate	
108	1001155525	1	Support	
109	1001155540	2	Washer	
110	1001157862	1	Bracket	
111	1001155550	NLA	Plate (Use p/n 1001212817)	
111	1001212817	1	Plate	
112	1001155557	2	Plate	
113	1001155563	1	Seal	
114	1001155564	1	Bracket	
115	1001155565	1	Seal	
116	1001155566	1	Bracket	
117	1001156034	1	Seal	
118	1001156035	1	Bracket	
119	1001156062	1	Bracket	
120	1001156091	1	Hose	
121	1001156112	1	Tube	
122	1001156644	2	Seal	
123	1001158262	1	Pipe, Exhaust	
124	1001158289	1	Bracket	
125	1001155728	1	Seal	
126	4060807	22 in/ 55cm	Flex-Trim	
127	0100081	AR	Adhesive	
128	0711218	4	Bolt M12 x 50 Grade 10.9	
130	1001170982	1	Fitting, 90 SAE/Barbed	
132	1703162	2	Decal - Fan Blade	
133	8406110	2	Clip	
134	8410012	3	Clamp	
135	1001208297	1	Clamp	
136	1001208298	2	Clamp	
137	1001208299	3	Clamp	
138	0760614	1	Bolt M6 x 30	

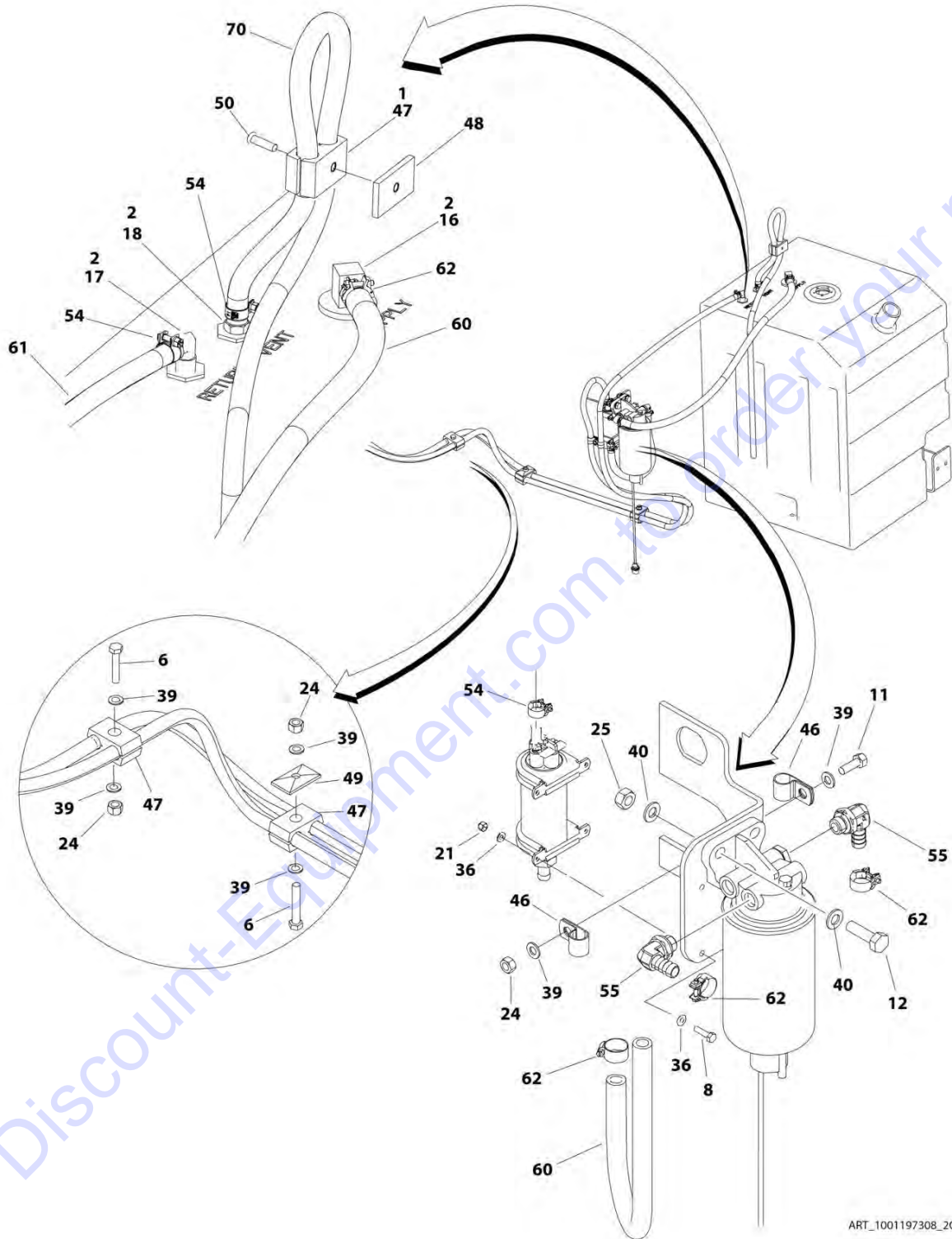
SECTION 3 - ENGINE

FIGURE 3-18. ENGINE INSTALLATION (LRC) (WITH COLD WEATHER PACKAGE)



ART_1001197308_10F2

SECTION 3 - ENGINE



ART_1001197308_20F2

SECTION 3 - ENGINE

FIGURE 3-18. ENGINE INSTALLATION (LRC) (WITH COLD WEATHER PACKAGE)

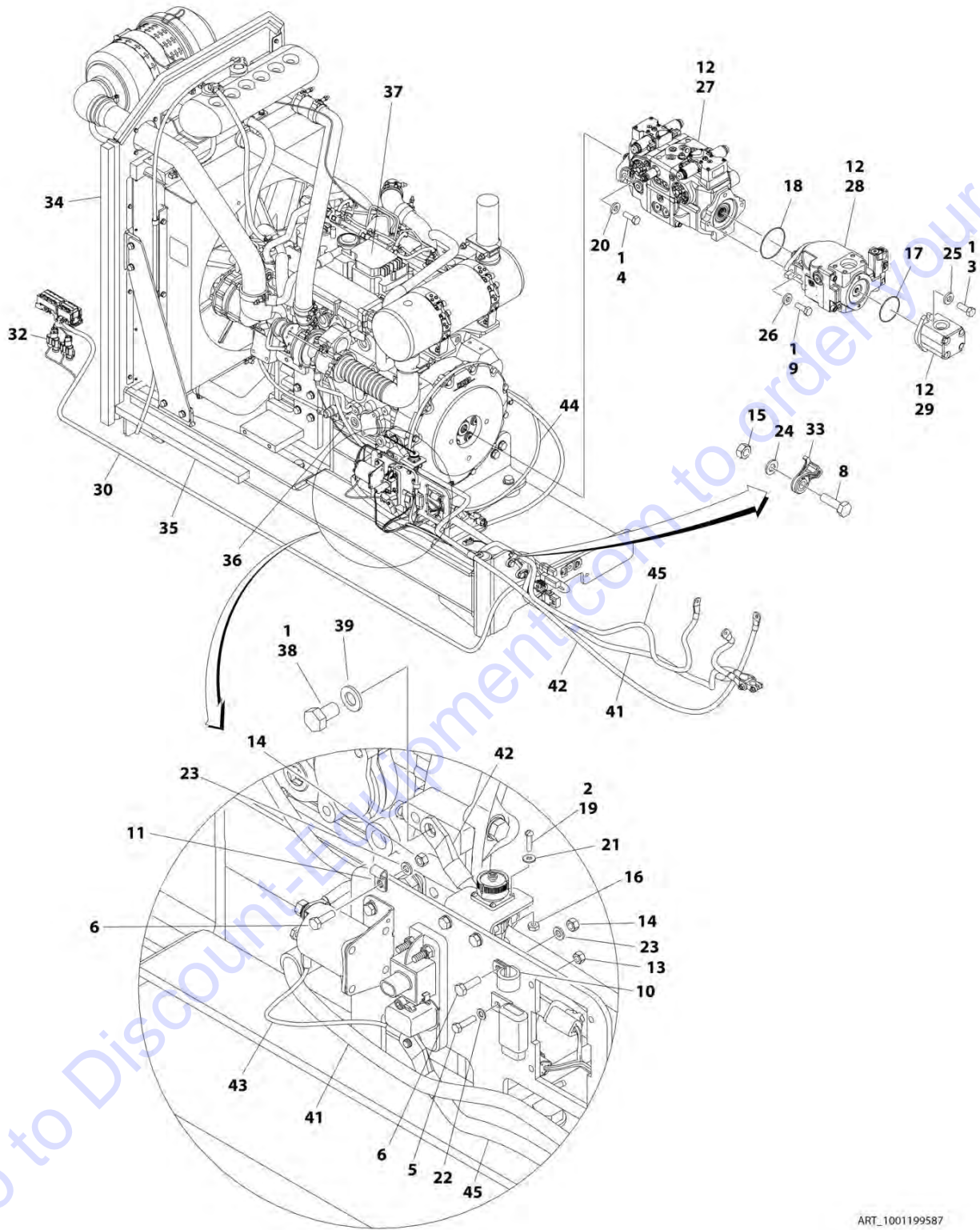
ITEM	PART NUMBER	QTY	DESCRIPTION	REV
	1001197308	Ref	ENGINE INSTALLATION (LRC) (WITH COLD WEATHER PACKAGE)	I
1	0100011	AR	Compound, Locking	
2	0100020	AR	Sealant	
3	0440162	1	Bearing (Not Shown)	
4	0642220	1	Bolt 3/4 x 2-1/2	
6	0700818	3	Bolt M8 x 50	
7	0711015	1	Bolt M10 x 35	
8	0760408	4	Bolt M4 x 16	
10	0760610	4	Bolt M6 x 20 (Prior to SN 0300226018)	
11	0760812	1	Bolt M8 x 25	
12	0761015	5	Bolt M10 x 35	
13	0771416	2	Bolt M14 x 40	
14	0962051	2	Bearing	
15	1380147	1	Clip	
16	2180832	1	Fitting, Straight Barbed/NPTF	
17	2220313	1	Fitting, 90 Barbed/NPTF	
18	2221114	1	Fitting, Straight Barbed/NPT	
19	2840016	1	Tray Jack Assembly	
19	7016322	1	Wiper (Burr Brand)	
19A	7016374	1	Handle (Burr Brand)	
19A	7024598	1	Handle (Hammerblow Brand)	
20	3290301	2	Nut M3	
21	3290405	4	Nut M4	
22	3290605	5	Nut M6	
23	3290607	4	Nut M6 (Prior to SN 0300226018)	
24	3290807	4	Nut M8	
25	3291007	5	Nut M10	
26	3331411	2	Nut M14	
27	3430816	1	Pin	
28	3450404	1	Pin, Cotter 1/8 x 1	
29	3740067	2	Relay (Prior to SN 0300226018)	
30	3841143	1	Keeper, Pin	
31	4010308	2	Screw M3 x 16	
32	4240099	AR	Tie-Strap (Not Shown)	
33	4711800	2	Washer 1/2	
34	4712200	2	Washer 3/4	
35	4791400	4	Washer 1/4 (Prior to SN 0300226018)	
36	4811400	8	Washer M4	
37	4811700	10	Washer M6	
39	4811900	8	Washer M8	
40	4812000	11	Washer M10	
41	4812200	4	Washer M14	
42	4871200	2	Washer M3	
43	4891800	1	Washer 1/2	
44	5241000	1	Washer M10	
45	8310067	1	Nut 3/4	
46	8406101	2	Clip	
47	8750014	4	Clamp	
48	8750031	1	Plate, Clamp	

SECTION 3 - ENGINE

ITEM	PART NUMBER	QTY	DESCRIPTION	REV
49	8769123	2	Cover, Clamp	
50	1001101580	1	Screw M8 x 30	
52	1001135196	1	Pin	
53	1001135497	1	Support	
54	1001136975	5	Clamp	
55	1001142501	2	Fitting, 90 Barbed	
56	1001155939	1	Mount	
57	1001206747	1	Seal	
59	1001199587	1	Engine Assembly with Pumps (LRC) (With Cold Weather Package) (See ENGINE ASSEMBLY WITH PUMPS (LRC) (WITH COLD WEATHER PACKAGE) for Breakdown)	
60	1001154405	53 in /1.4m	Hose	
61	1001165035	31 ft /9.4m	Hose	
62	1001175568	4	Clip (Prior to SN 0300250324)	
62	1001186342	4	Clip (SN 0300250324 to Present)	
63	0700614	4	Bolt M6 x 30	
64	0761009	1	Bolt M10 x 18	
65	8406105	1	Clip	
66	1001155823	1	Fitting, 90 Barbed	
67	0760608	1	Bolt M6 x 16 (Not Shown)	
70	2750532	4 ft /1.2m	Hose	

SECTION 3 - ENGINE

FIGURE 3-19. ENGINE ASSEMBLY WITH PUMPS (LRC) (WITH COLD WEATHER PACKAGE)



ART_1001199587

SECTION 3 - ENGINE

FIGURE 3-19. ENGINE ASSEMBLY WITH PUMPS (LRC) (WITH COLD WEATHER PACKAGE)

ITEM	PART NUMBER	QTY	DESCRIPTION	REV
	1001199587	Ref	ENGINE ASSEMBLY WITH PUMPS (LRC) (WITH COLD WEATHER PACKAGE)	H
1	0100011	AR	Compound, Locking	
2	0100035	AR	Compound, Locking	
3	0641608	2	Bolt 3/8 x 1	
4	0641812	2	Bolt 1/2 x 1-1/2	
5	0700510	1	Bolt M5 x 20	
6	0760610	2	Bolt M6 x 20	
8	0761015	2	Bolt M10 x 35	
9	0761216	2	Bolt 12 x 40	
10	1320041	1	Clamp	
11	1320136	1	Clamp	
12	3020037	AR	Grease, Coupling	
13	3290507	1	Nut M5	
14	3290607	2	Nut M6	
15	3291007	2	Nut M10	
16	3310401	3	Nut #4	
17	3790152	1	O-Ring	
18	3790155	1	O-Ring	
19	3910408	3	Screw #4 x 1/2	
20	4740171	2	Washer	
21	4750400	3	Washer #4	
22	4811600	2	Washer M5	
23	4811700	2	Washer M6	
24	4812000	2	Washer M10	
25	4891600	2	Washer 3/8	
26	4891800	2	Washer 1/2	
27	1001108616	1	Tandem Pump Assembly (See TANDEM PUMP ASSEMBLY for Breakdown)	
28	1001199470	1	Piston Pump Assembly (See PISTON PUMP ASSEMBLY for Breakdown)	
29	1001112927	1	Gear Pump Assembly (See GEAR PUMP ASSEMBLY for Breakdown)	
30	1001149971	1	Engine Harness (See ELECTRICAL SECTION for Breakdown)	
32	1001156001	1	Engine Harness Can (See ELECTRICAL SECTION for Breakdown)	
33	1001156107	2	Holder, Cable	
34	1001156718	1	Seal	
35	1001206747	1	Seal	
36	1001157073	1	Cable, Alternator	
37	1001158529	1	Engine Assembly (LRC) (With Cold Weather Package) (See ENGINE ASSEMBLY (LRC) (WITH COLD WEATHER PACKAGE) for Breakdown)	
38	0761210	1	Bolt M12 x 20	
39	4812100	1	Washer M12	
41	1001154142	1	Cable, Battery Positive (Prior to SN 0300226018)	
41	1001202356	NLA	Cable, Battery Positive (Use p/n 1001234791) (SN 0300226018 through 0300243457)	
41	1001234791	1	Cable, Battery Positive (SN 0300243458 to Present)	
42	1001154143	1	Cable, Battery Negative (Prior to SN 0300226018)	
42	1001202355	1	Cable, Battery Negative (SN 0300226018 to Present)	

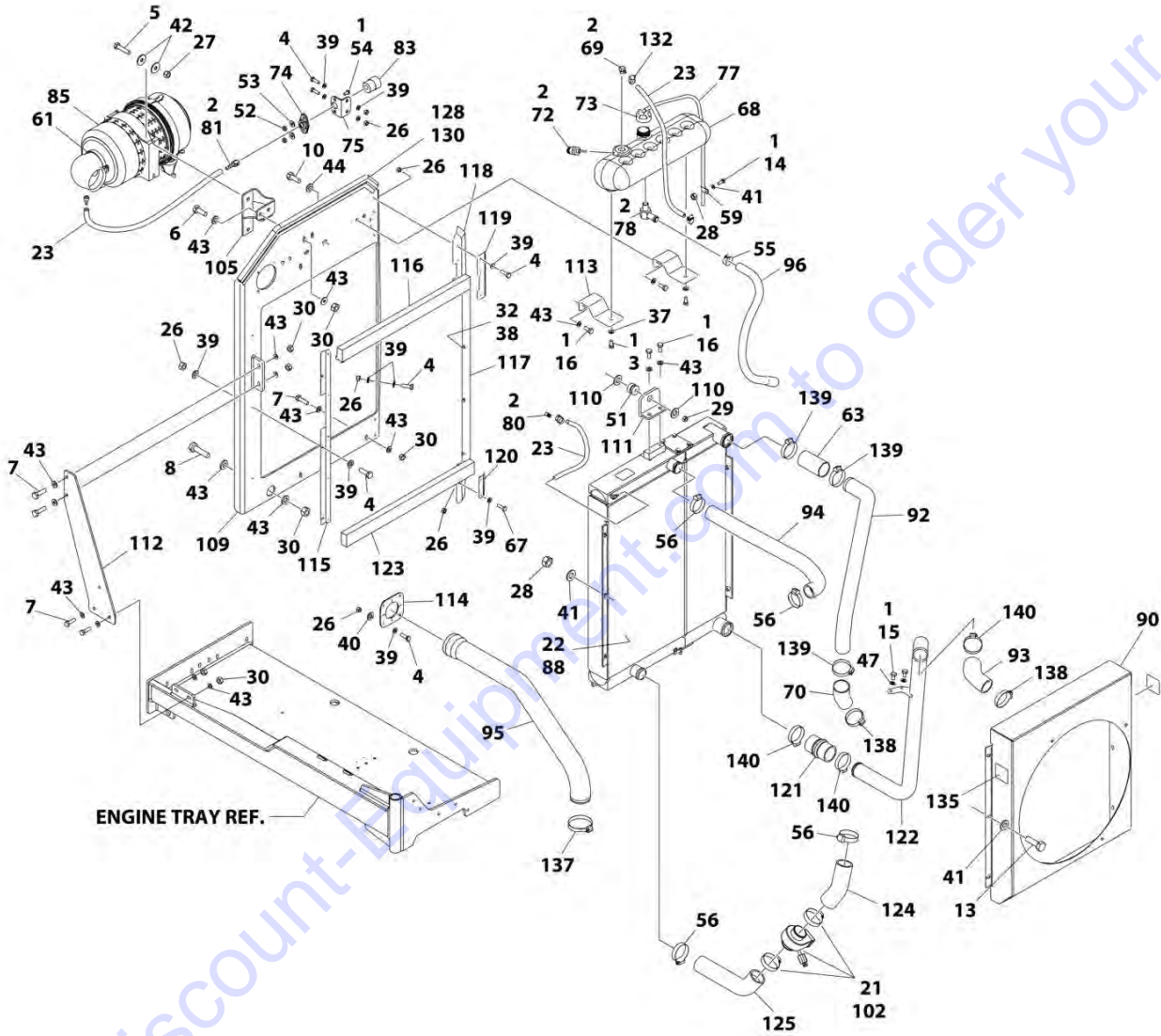
SECTION 3 - ENGINE

ITEM	PART NUMBER	QTY	DESCRIPTION	REV
43	1001141304	1	Link, Glow Plug Fusible (Prior to SN 0300226018)	
44	1001168734	1	Cable, Glow Plug	
45	1001222918	1	Cable, System B+ (SN 0300226018 to Present)	

Go to Discount-Equipment.com to order your parts

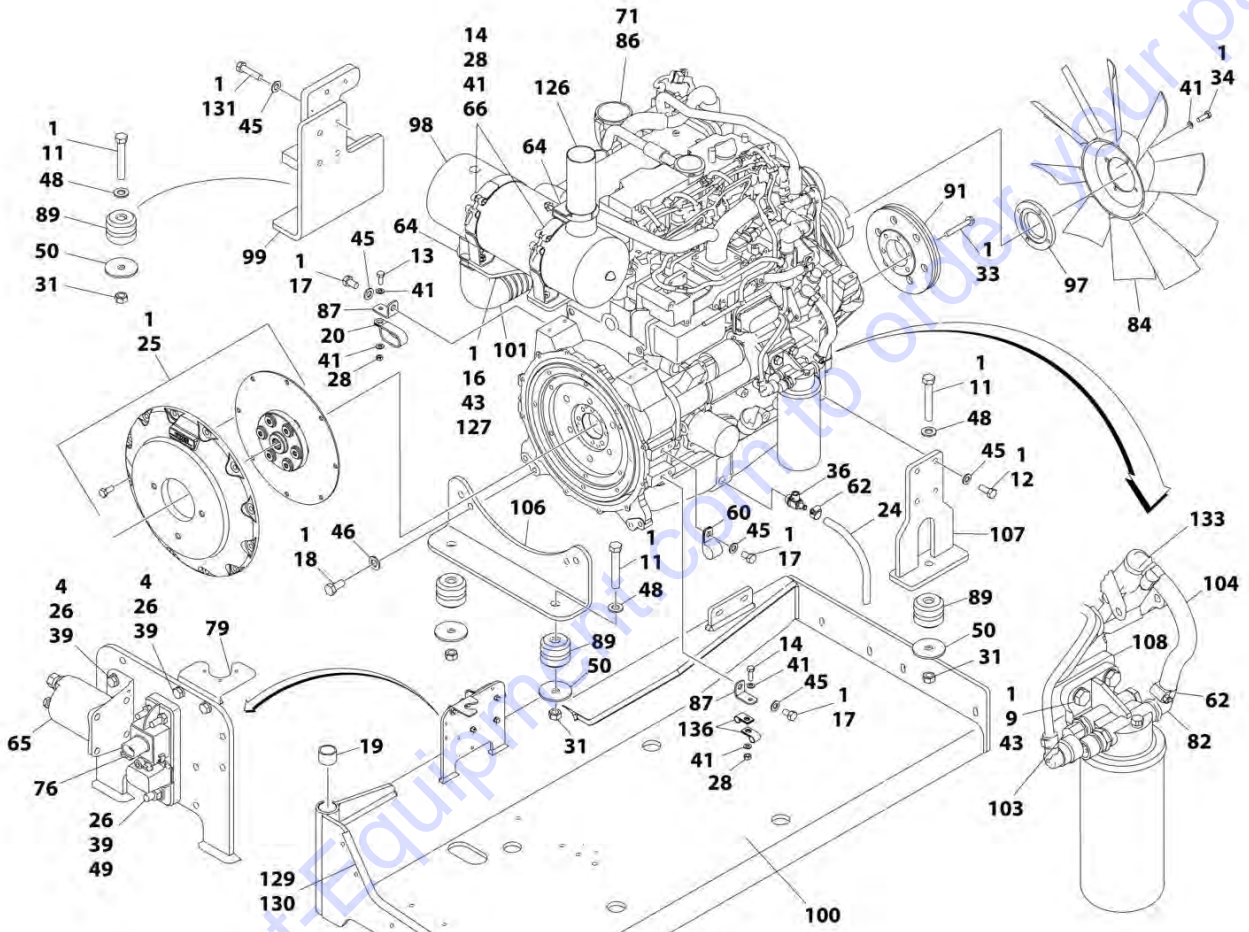
SECTION 3 - ENGINE

FIGURE 3-20. ENGINE ASSEMBLY (LRC) (WITH COLD WEATHER PACKAGE)



ART_1001158529_10F2

SECTION 3 - ENGINE



ART_1001158529_20F2

SECTION 3 - ENGINE

FIGURE 3-20. ENGINE ASSEMBLY (LRC) (WITH COLD WEATHER PACKAGE)

ITEM	PART NUMBER	QTY	DESCRIPTION	REV
	1001158529	Ref	ENGINE ASSEMBLY (LRC) (WITH COLD WEATHER PACKAGE)	O
1	0100011	AR	Compound, Locking	
2	0100020	AR	Sealant	
3	0641606	2	Bolt 3/8 x 3/4	
4	0700612	20	Bolt M6 x 25	
5	0700815	2	Bolt M8 x 35	
6	0701013	2	Bolt M10 x 28	
7	0701015	6	Bolt M10 x 35	
8	0701016	2	Bolt M10 x 40	
9	0701017	2	Bolt M10 x 45	
10	0701019	1	Bolt M10 x 55	
11	0701627	4	Bolt M16 x 100	
12	0711214	4	Bolt M12 x 30 Grade 10.9	
13	0760810	5	Bolt M8 x 20	
14	0760812	7	Bolt M8 x 25	
15	0761008	2	Bolt M10 x 16	
16	0761012	10	Bolt M10 x 25	
17	0761210	3	Bolt M12 x 20	
18	0771414	4	Bolt M14 x 30 Grade 10.9	
18	0771415	4	Bolt M14 x 35 Grade 10.9	
19	0961951	2	Bushing	
20	1321716	1	Clamp	
21	1702942	1	Decal - Engine Block Heater	
22	1001103452	AR	Coolant	
23	2720015	5 ft/ 1.5m	Hose	
24	2720340	1 ft/ .3m	Hose (Prior to SN 0300239975)	
24	1001165035	1 ft/ 0.3m	Hose (SN 0300239975 to Present)	
25	2902065	1	Pump Coupling Kit (See PUMP COUPLING KIT for Breakdown)	
26	3290607	23	Nut M6	
27	3290805	2	Nut M8	
28	3290807	9	Nut M8	
29	3291005	1	Nut M10	
30	3291007	10	Nut M10	
31	3291601	4	Nut M16	
32	3820032	9	Rivet	
33	5251022	6	Bolt M10 x 70	
34	4031912	4	Capscrew M8 x 40	
35	4240099	AR	Tie-Strap (Not Shown)	
36	4640751	1	Valve, Oil Drain	
37	4711600	2	Washer 3/8	
38	4811600	4	Washer M5	
39	4811700	41	Washer M6	
40	4811702	4	Washer M6	
41	4811900	25	Washer M8	
42	4811902	4	Washer M8	
43	4812000	34	Washer M10	
44	4812002	1	Washer M10	
45	4812100	11	Washer M12	
46	4812200	4	Washer M14	
47	5241000	2	Washer M10	

SECTION 3 - ENGINE

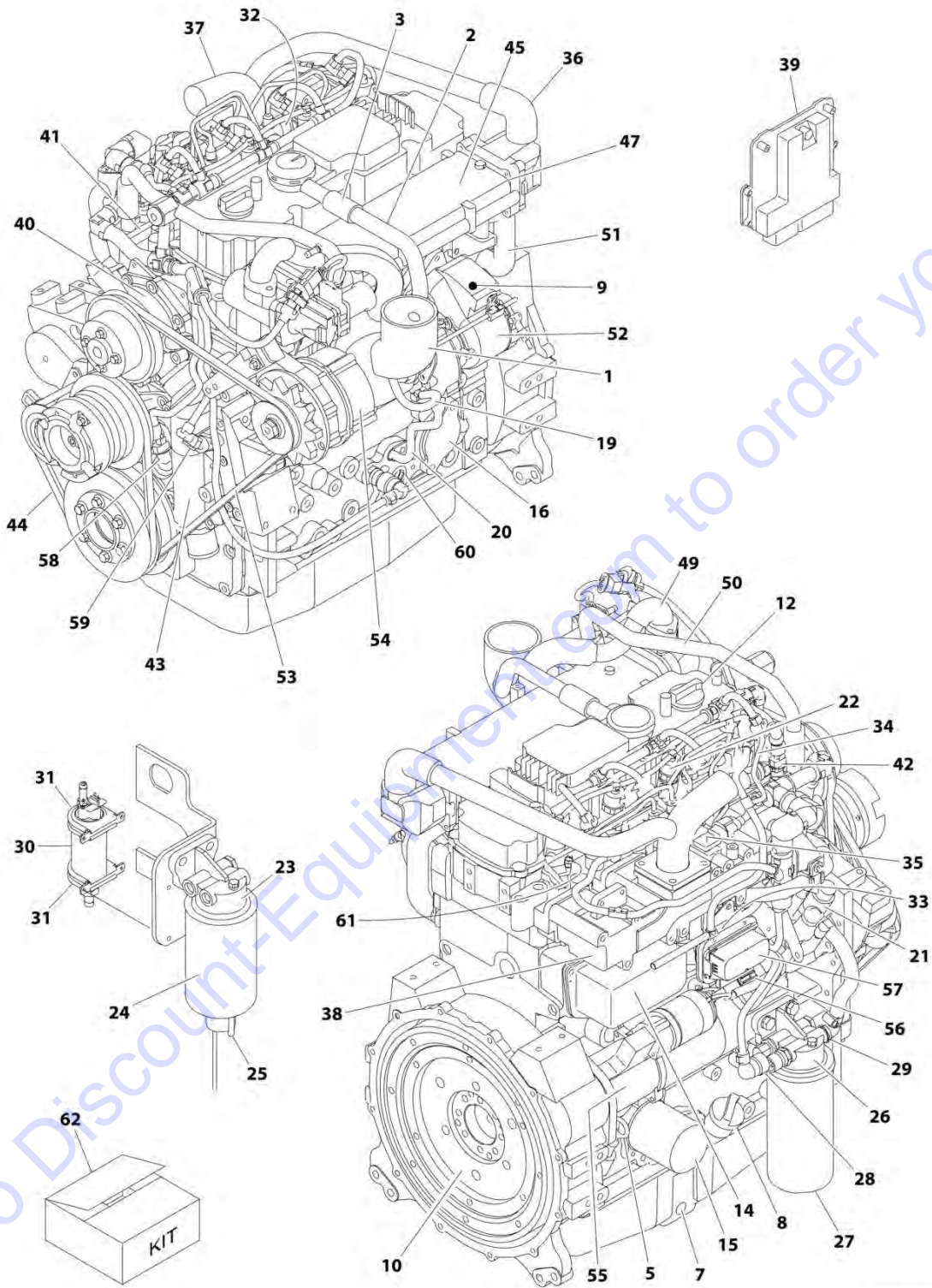
ITEM	PART NUMBER	QTY	DESCRIPTION	REV
48	5241600	4	Washer M16	
49	5271614	1	Capscrew M16 x 50	
50	7300435	4	Washer	
51	8278020	1	Mount	
52	8305401	2	Nut 1/4	
53	8307109	2	Washer 1/4	
54	8310548	2	Screw 1/4 x 1/2	
55	8405007	2	Clamp	
56	8405104	4	Clamp	
59	8406109	2	Clamp	
60	8406303	1	Clip	
61	8410011	1	Clamp	
62	8410013	3	Clamp	
63	91563070	1	Coupling, Rubber	
64	1001111116	2	Clamp	
65	1001117308	1	Relay	
66	1001119727	2	Clamp	
67	0760614	2	Bolt M6 x 30	
68	1001166393	1	Tank	
69	1001134488	1	Fitting, 90 NPT/Barbed	
70	1001135943	1	Coupling	
71	1001136172	AR	Oil, Motor	
72	1001138827	1	Sensor	
73	1001136834	1	Cap	
74	1001138173	1	Support	
75	1001138175	1	Bracket	
76	1001138228	1	Module, Relay	
77	1001138248	5 ft/ 1.5m	Tubing	
78	1001138559	1	Fitting, 90 NPT	
79	1001139240	1	Bracket	
80	1001140564	1	Fitting, 90 NPT/Barbed	
81	1001141995	1	Fitting, Straight NPT/Barbed	
82	1001142501	1	Fitting, 90 NPT/Barbed	
83	1001143390	1	Indicator, Air Restriction	
84	1001177137	1	Fan	
85	1001147847	1	Filter, Air	
85	70023809	1	Element, Primary	
85	70023872	1	Element, Secondary	
85	70024328	1	Elbow, Rubber	
85	70024329	1	Clamp, Mounting	
86	1001148076	1	Engine Components (LRC) (See ENGINE COMPONENTS (LRC) for Breakdown)	
87	1001148641	2	Bracket	
88	1001149407	1	Radiator	
89	1001149517	4	Mount, Motor	
90	1001149736	1	Shroud	
91	1001149746	1	Pulley	
92	1001150498	1	Tube	
93	1001150499	1	Hose	
94	1001150500	1	Hose	
95	1001150505	1	Pipe	
96	1001150553	1	Hose	

SECTION 3 - ENGINE

ITEM	PART NUMBER	QTY	DESCRIPTION	REV
97	1001177134	1	Adapter	
98	1001151432	1	Muffler	
99	1001151491	1	Support	
100	1001151749	1	Tray	
101	1001151761	1	Pipe, Exhaust	
102	1001152112	1	Heater, Engine Block	
103	1001152489	1	Fitting, 90 Barbed	
104	1001154405	8.5 in/ 21cm	Hose	
105	1001155023	1	Plate	
106	1001155496	1	Support	
107	1001160518	1	Support	
108	1001155498	1	Plate	
109	1001155525	1	Support	
110	1001155540	2	Washer	
111	1001157862	1	Bracket	
112	1001155550	NLA	Plate (Use p/n 1001212817)	
112	1001212817	1	Plate	
113	1001155557	2	Plate	
114	1001155563	1	Seal	
115	1001155564	1	Bracket	
116	1001155565	1	Seal	
117	1001155566	1	Bracket	
118	1001156034	1	Seal	
119	1001156035	1	Bracket	
120	1001156062	1	Bracket	
121	1001156091	1	Hose	
122	1001156112	1	Tube	
123	1001156644	2	Seal	
124	1001157300	1	Hose, Lower Radiator (Top Section)	
125	1001157301	1	Hose, Lower Radiator (Bottom Section)	
126	1001158262	1	Pipe, Exhaust	
127	1001158289	1	Bracket	
128	1001155728	1	Seal	
129	4060807	22 in/ 55cm	Flex-Trim	
130	0100081	AR	Adhesive	
131	0711218	4	Bolt M12 x 50 Grade 10.9	
132	1320022	4	Clamp	
133	1001170982	1	Fitting, 90 SAE/Barbed	
135	1703162	2	Decal - Fan Blade	
136	8406110	2	Clip	
137	1001208297	1	Clamp	
138	1001208298	2	Clamp	
139	1001208299	3	Clamp	
140	8410012	3	Clamp	

SECTION 3 - ENGINE

FIGURE 3-21. ENGINE COMPONENTS (LRC)



ART_1001148076

SECTION 3 - ENGINE

FIGURE 3-21. ENGINE COMPONENTS (LRC)

ITEM	PART NUMBER	QTY	DESCRIPTION	REV
	1001148076	Ref	ENGINE COMPONENTS (LRC)	G
1	70024497	1	Pipe, Intake	
1	70025680	1	Clamp	
2	70025111	1	Clamp	
2	70025128	1	Bolt	
2	70025116	1	Clamp	
2	See Note	NSS	Line, Breather (Includes Item 3) (Note: Not Available for Purchase)	
3	70025119	1	Sleeve, Rubber	
3	7002511	1	Clamp	
4	70002718	1	Seal, Rear Main (Not Shown)	
5	70025745	1	Dipstick	
5	70025755	1	Tube, Dipstick	
5	7020442	1	O-Seal	
6	70025123	24	Screw, Oil Pan (Not Shown)	
7	70025088	1	Plug	
8	7020465	1	Cap	
8	See Note	NSS	Tube, Fill (Note: Not Available for Purchase)	
8	70024471	1	Gasket (Tube to Engine Block)	
9	70025786	1	Plug	
10	70001870	1	Flywheel	
10	7024579	1	Gear, Rim	
11	70025789	1	Gasket, Head (Not Shown)	
11	70024481	1	Gasket, Valve Cover (Not Shown)	
12	7020465	1	Cap, Fill	
13	70025763	1	Pump, Oil (Not Shown)	
13	70025717	2	Tube, Adapter (Not Shown)	
13	70025718	4	O-Ring (Not Shown)	
13	70025714	2	Bushing, Dowel (Not Shown)	
14	70004275	1	Cooler, Oil	
14	70024495	1	Gasket	
15	7016331	1	Filter, Oil	
15	70025137	1	Bushing, Screw	
16	70025731	1	Cover	
16	70002813	1	Seal	
17	70025730	1	Pipe, Transfer (Not Shown - Located in Oil Pan)	
18	70025722	1	Line, Oil Suction (Not Shown - Located in Oil Pan)	
19	70024489	1	Line, Lube	
19	70025087	2	Screw	
19	70025105	4	Ring, Sealing	
20	See Note	NSS	Line, Lube Return (Note: Not Available for Purchase)	
20	70025132	1	O-Seal	
20	70025234	1	Flange, Upper	
20	70024509	1	Gasket, Upper Flange	
21	70024487	1	Pump, High Pressure	
21	70025152	1	O-Ring	
21	70004505	1	Valve, Overflow	
21	70004506	1	O-Ring	
21	70004507	1	O-Ring	
21	70004508	1	Valve, Volume Control	
21	70004509	1	O-Ring	

SECTION 3 - ENGINE

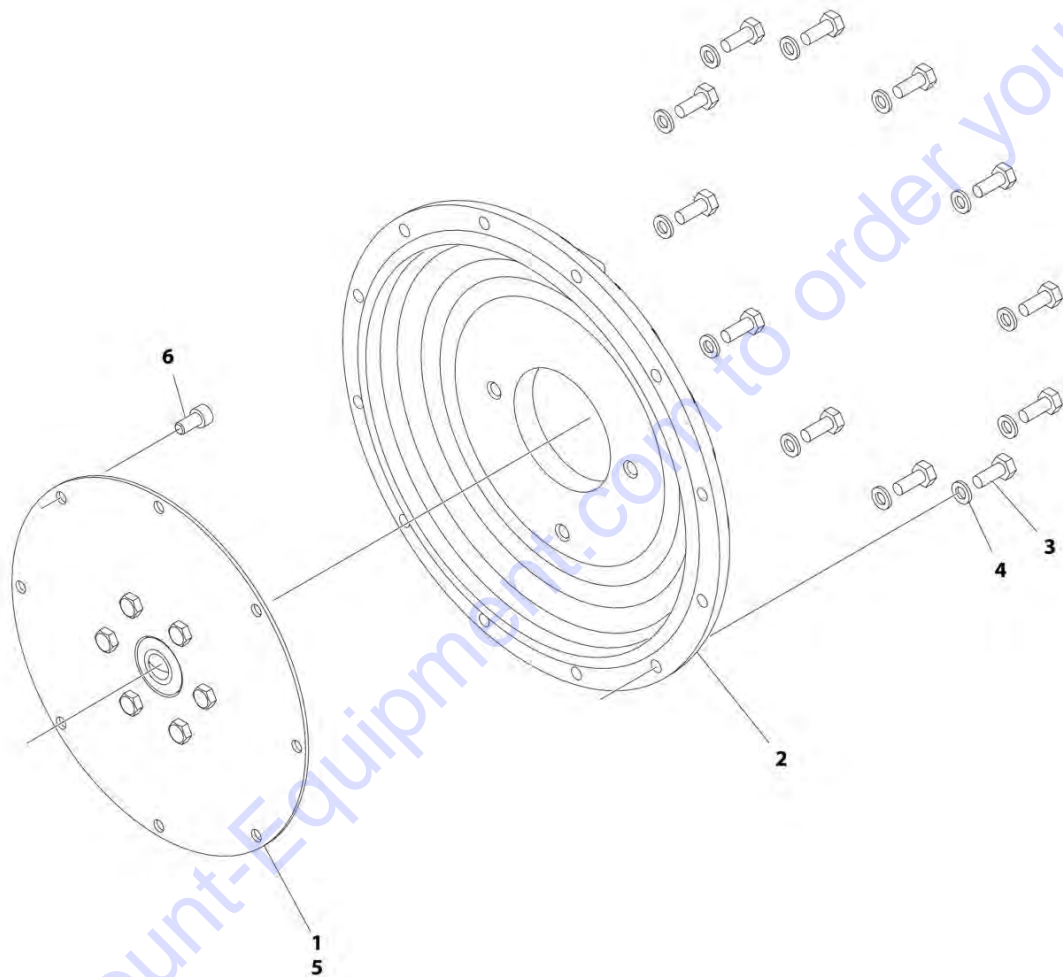
ITEM	PART NUMBER	QTY	DESCRIPTION	REV
21	70004510	1	Gasket	
21	See Note	NSS	O-Seal (Between Pump and Block) (Note: Not Available for Purchase)	
21	70025729	1	Gear	
22	70024485	4	Injector, Fuel	
22	70025140	4	Washer, Sealing	
22	70025146	4	Clamp	
22	70025145	4	O-Seal	
22	70025154	4	Shoe, Clamping	
23	70024961	1	Head and Filter Assembly	
24	70025153	1	Filter	
25	70024513	1	Sensor with Cable	
25	70025239	1	Ring, Sealing	
26	70004511	1	Head and Filter Assembly	
27	70004512	1	Filter	
28	70024504	1	Sensor, Pressure	
28	70024920	1	O-Seal	
29	70004514	1	Fitting	
29	70004513	1	Ring, Sealing	
30	70024486	1	Pump, Fuel Supply	
31	70025144	2	Clamp	
32	70025151	1	Rail, Fuel	
32	70025235	1	Kit, Repair - Fuel Rail	
32	70025240	1	O-Ring	
32	70025534	1	Pipe, Pressure Pump to Fuel Rail	
32	70024498	1	Pipe, Fuel Rail to Cylinders 1 & 2	
32	70024499	1	Pipe, Fuel Rail to Cylinders 3 & 4	
33	70024501	1	Line, Fuel	
33	70025109	3	Clamp, Band	
33	70025686	3	Clamp, Pipe	
34	70025766	1	Pipe, Fuel Leakage	
34	70025756	2	Retainer for Fuel Leakage Pipe	
35	70024921	1	Sensor, Pressure	
35	70025120	1	O-Seal	
36	70025721	1	Hose, Elbow	
36	70025675	1	Clamp (Manifold Side)	
36	70025681	1	Clamp (Pipe Side)	
37	70025748	1	Pipe, Air Charge	
37	70025726	1	Gasket	
38	70025772	1	Manifold, Air Charge	
38	70024475	1	Gasket (Manifold to Head)	
39	70025210	1	Module, Engine Control	
40	70004515	1	Pump, Water	
40	70025713	1	Seal (RH Side Pump to Item 43)	
40	70004516	2	Ring, Sealing (For Smaller Plug)	
40	7016309	1	Ring, Sealing (For Larger Plug)	
41	70025741	1	Housing, Thermostat	
41	70024473	1	Thermostat	
41	7016309	1	Ring, Sealing (For Bottom Plug)	
41	70024493	1	Gasket (Housing to Head)	
42	70024918	1	Sender, Temperature	
43	70025762	1	Manifold, Coolant	

SECTION 3 - ENGINE

ITEM	PART NUMBER	QTY	DESCRIPTION	REV
44	70004517	1	V-Belt	
44	See Note	NSS	Tensioner, Pulley (Note: Not Available for Purchase)	
45	70025723	1	EGR Manifold Assembly	
45	70025708	1	Module, EGR	
45	70025710	1	O-Seal	
45	70025709	1	O-Seal	
47	70025768	1	Valve, Shuttle	
48	70024482	1	Gasket, Exhaust Manifold to Head (Not Shown)	
49	See Note	NSS	Tube, Compensator (Note: Not Available for Purchase)	
49	70024500	2	Gasket	
50	70024496	1	Line, Water	
50	7020492	1	Ring, Sealing (For Plug in Line)	
50	70024478	1	Gasket (Water Line to EGR Valve)	
50	70025701	1	Sleeve, Rubber	
50	70025687	2	Clamp (For Sleeve)	
50	70025699	1	Clamp, Insulated	
51	70024479	1	Hose	
51	70025687	1	Clamp (Lower)	
51	70025773	1	Clamp (Upper)	
51	70025744	1	Fitting (At Lower End of Hose)	
51	70024469	1	O-Seal (For Fitting)	
52	70004518	1	Turbocharger	
52	70024480	1	Gasket	
53	70004519	1	V-Belt	
54	70025533	1	Generator	
54	70025149	1	Controller	
54	70025131	1	Fan	
54	70025150	1	Pulley	
54	70025141	1	Nut, Pulley	
55	70004520	1	Starter	
56	70025780	1	Relay	
57	70025783	1	Engine Harness	
58	70024916	1	Tacho-Generator	
58	70024917	1	O-Seal	
59	70024503	1	Tacho-Generator	
59	70024917	1	O-Seal	
60	70024504	1	Switch, Pressure	
60	70024920	1	O-Seal	
61	70024474	4	Plug, Glow	
62	70025707	1	Gasket Kit	

SECTION 3 - ENGINE

FIGURE 3-22. PUMP COUPLING KIT



ART_2902065

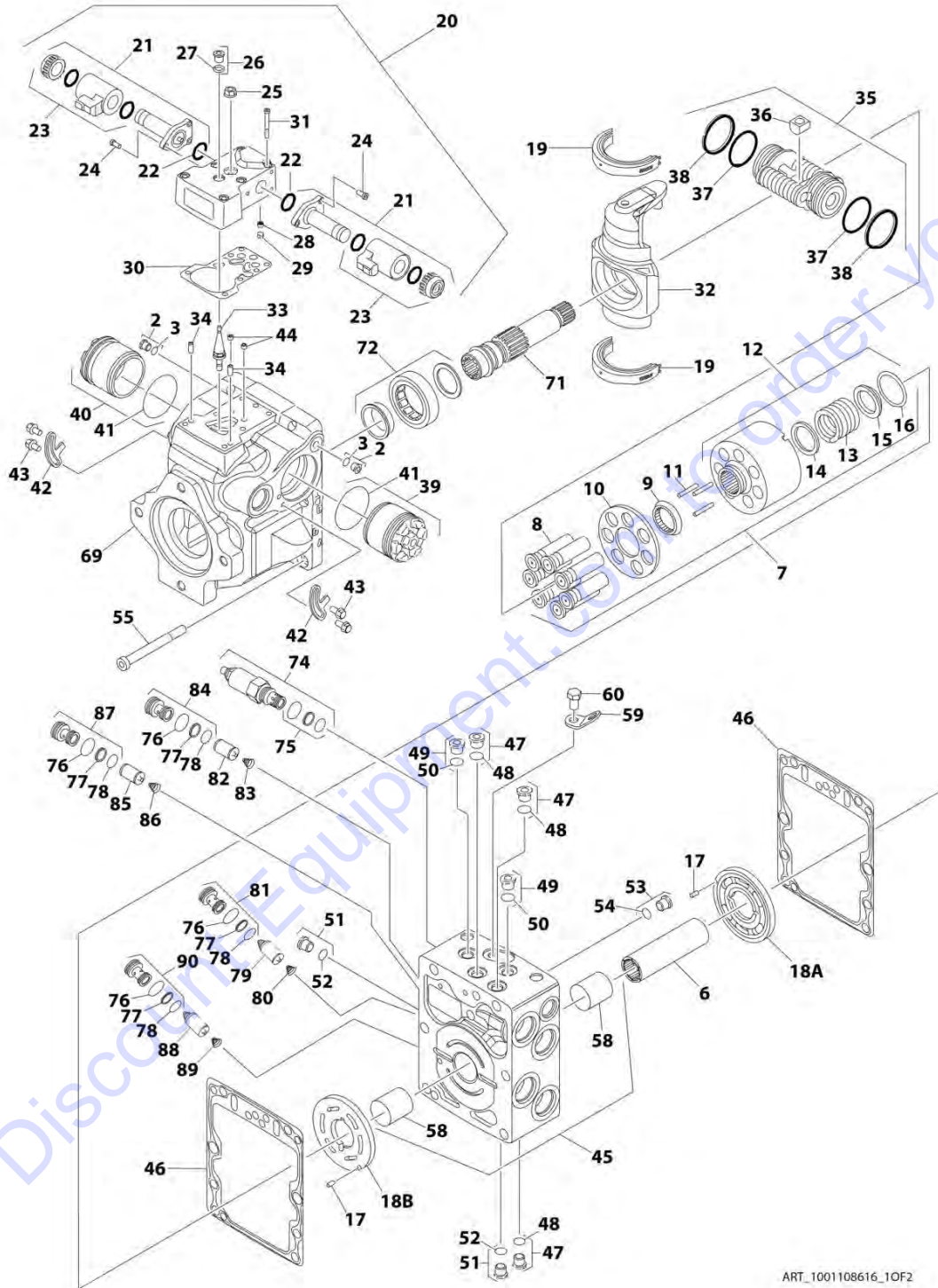
FIGURE 3-22. PUMP COUPLING KIT

ITEM	PART NUMBER	QTY	DESCRIPTION	REV
	2902065	Ref	PUMP COUPLING KIT	K
1	70000793	1	Coupling, Pump	
2	See Note	NSS	Plate, Pump Adapter (Note: Use p/n 2902065)	
3	See Note	NSS	Bolt M10 x 30 Grade 10.9 (Note: Use p/n 2902065)	
4	See Note	NSS	Washer M10 (Note: Use p/n 2902065)	
5	3020021	AR	Grease, Coupling	
6	See Note	NSS	Capscrew M10 x 20 Grade 10.9 (Note: Use p/n 2902065)	

Go to Discount-Equipment.com to order your parts

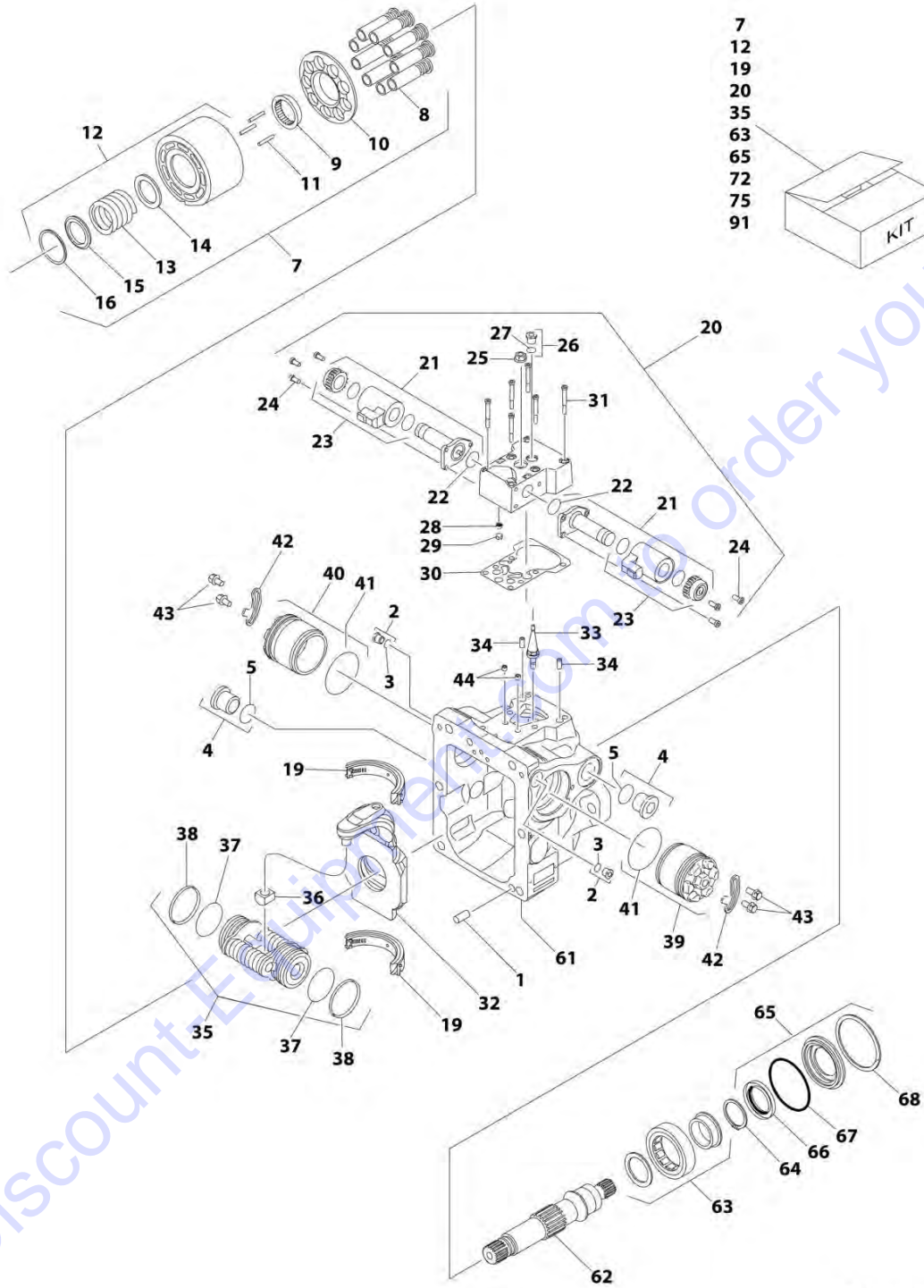
SECTION 3 - ENGINE

FIGURE 3-23. TANDEM PUMP ASSEMBLY



ART_1001108616_10F2

SECTION 3 - ENGINE



ART_1001108616_20F2

SECTION 3 - ENGINE

FIGURE 3-23. TANDEM PUMP ASSEMBLY

ITEM	PART NUMBER	QTY	DESCRIPTION	REV
	1001108616	Ref	TANDEM PUMP ASSEMBLY	D
1	70002132	4	Pin	
2	70002133	4	Plug Assembly (Includes Item 3)	
3	7007207	4	O-Ring (Part of Item 2)	
4	7007419	2	Plug Assembly (Includes Item 5)	
5	7007418	2	O-Ring (Part of Item 4)	
6	70002600	1	Coupling	
7	70002135	2	Kit, Cylinder Block (Each Kit Includes Qty 1 of Items 8-10 & 12-16 & Qty 3 of Item 11)	
8	70002136	2	Kit, Piston Assembly (Includes Qty 9 Piston Assemblies) (Part of Item 7)	
9	70002137	2	Guide, Slipper Retainer (Part of Item 7)	
10	70002138	2	Retainer, Slipper (Part of Item 7)	
11	7021275	6	Pin, Slipper Retainer Holddown (Part of Item 7)	
12	70002143	2	Cylinder Block Assembly (Includes Qty 1 of Items 13-16) (Part of Item 7)	
13	70002139	2	Spring (Part of Item 12)	
14	70002140	2	Washer (Part of Item 12)	
15	70002141	2	Washer (Part of Item 12)	
16	70002142	2	Ring, Retaining (Part of Item 12)	
17	7007446	2	Pin	
18A	70002601	1	Plate, CW Valve	
18B	70002602	1	Plate, CCW Valve	
19	70002145	2	Kit, Swashplate Bearing (Includes Qty 2 Bearings)	
20	70002618	2	Kit, EDC (Includes Items 21-31)	
21	70002619	4	Solenoid Valve Assembly (Includes Item 22 & 23) (Part of Item 20)	
22	70002148	4	O-Ring (2 Per EDC Assembly) (Part of Item 21)	
23	70002620	4	Kit, Coil Nut and Seals (2 Per EDC Assembly) (Part of Item 21)	
24	70002150	12	Screw (Part of Item 20)	
25	7022301	2	Nut, Seal (Part of Item 20)	
26	70002151	2	Plug Assembly (Part of Item 20) (Includes Item 27)	
27	7007207	2	O-Ring (Part of Item 26)	
28	70002134	2	Screen (Part of Item 20)	
29	70002153	2	Ring, Locking (Part of Item 20)	
30	70002154	2	Gasket, Control (Part of Item 20)	
31	70002156	12	Capscrew (Part of Item 20)	
32	70002152	2	Swashplate	
33	70002155	2	Link, Swashplate	
34	70002157	4	Pin, Dowel	
35	70002158	2	Servo Piston Assembly (Includes Items 36-38)	
36	70002159	2	Block, Slider (Part of Item 35)	
37	70002160	2	O-Ring (Part of Item 35)	
38	70002161	2	Ring, Piston (Part of Item 35)	
39	70002162	2	Cylinder, Servo	
40	70002162	2	Cylinder, Servo	
41	70002163	4	O-Ring	
42	70002164	4	Plate, Locking	
43	70002165	8	Screw	
44	70002604	4	Orifice	

SECTION 3 - ENGINE

ITEM	PART NUMBER	QTY	DESCRIPTION	REV
45	70002605	1	Center Section Assembly (Includes Item 58)	
46	70002168	2	Gasket, End Cap	
47	70001958	2	Plug Assembly (Includes Item 48)	
48	7021256	2	O-Ring (Part of Item 47)	
49	70001958	2	Plug Assembly (Includes Item 50)	
50	7021256	2	O-Ring (Part of Item 49)	
51	70001958	2	Plug Assembly (Includes Item 52)	
52	7021256	2	O-Ring (Part of Item 51)	
53	70001958	2	Plug Assembly (Includes Item 54)	
54	7021256	2	O-Ring (Part of Item 53)	
55	70002606	4	Capscrew	
58	70002607	2	Bearing, Journal (Part of Item 45)	
59	7022608	1	Bracket, Lifting	
60	70002609	1	Screw	
61	See Note	NSS	Housing (Note: Not Available for Purchase)	
62	70002175	1	Shaft	
63	70002610	1	Kit, Ball Bearing	
64	70007439	1	Ring, Retaining	
65	70002174	1	Kit, Shaft Seal (Includes Items 66-68) (Note: This is a universal kit and will contain extra pieces that are not used on this pump assembly)	
66	70002177	1	Seal, Lip	
67	70002178	1	O-Ring	
68	70002179	1	Ring, Retaining	
69	See Note	1	Housing (Note: Not Available for Purchase)	
71	70002612	1	Shaft	
72	70002610	1	Kit, Ball Bearing	
74	70002621	1	High Pressure Relief Valve Cartridge Assembly (Includes Item 75)	
75	70002622	1	Seal Kit - 70002621 Valve (Part of Item 74)	
76	7007415	1	O-Ring	
77	7021293	1	Ring, Back-up	
78	7022300	1	O-Ring	
79	70002616	1	SCR Valve Assembly	
80	7024800	1	Spring	
81	7021265	1	Plug Assembly (Includes Qty 1 of Items 76-78)	
82	70002616	1	SCR Valve Assembly	
83	7024800	1	Spring	
84	7021265	1	Plug Assembly (Includes Qty 1 of Items 76-78)	
85	70002616	1	SCR Valve Assembly	
86	7024800	1	Spring	
87	70002617	1	Plug Assembly (Includes Qty 1 of Items 76-78)	
88	70002616	1	SCR Valve Assembly	
89	7024800	1	Spring	
90	7021265	1	Plug Assembly (Includes Qty 1 of Items 76-78)	
91	70002623	1	Kit, Overhaul Seal (Includes Items 3, 5, 22, 27, 30, 37, 38, 41, 46, 48, 50, 52, 54, 66, 67, 75, 76, 77 & 78)	

SECTION 3 - ENGINE

FIGURE 3-24. PISTON PUMP ASSEMBLY

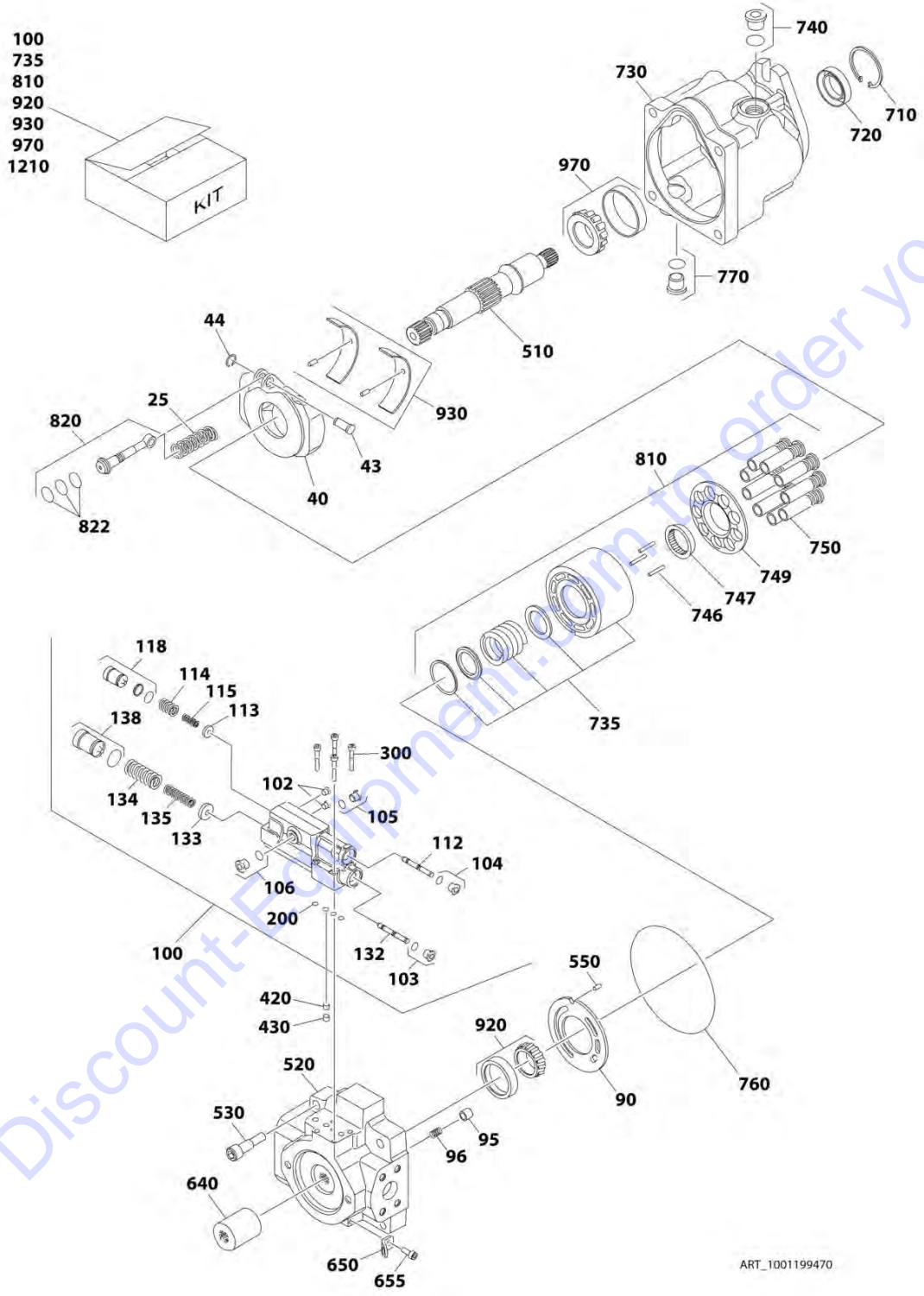


FIGURE 3-24. PISTON PUMP ASSEMBLY

ITEM	PART NUMBER	QTY	DESCRIPTION	REV
	1001199470	Ref	PISTON PUMP ASSEMBLY	E
25	70002580	1	Spring, Bias	
40	70004416	1	Swashplate Assembly	
43	70002582	1	Shaft	
44	70002583	1	Ring, Retaining	
90	70004417	1	Plate, Valve	
95	70001956	1	Poppet, Check Valve	
96	70001955	1	Spring	
100	70022286	1	Kit, Control (Includes Items 102-300)	
102	70023351	1	Setscrew	
103	70002133	1	Plug Assembly (Includes O-Ring)	
103	7007207	1	O-Ring	
104	70002133	1	Plug Assembly (Includes O-Ring)	
104	7007207	1	O-Ring	
105	70002133	1	Plug Assembly (Includes O-Ring)	
105	7007207	1	O-Ring	
106	70002133	1	Plug Assembly (Includes O-Ring)	
106	7007207	1	O-Ring	
112	70004418	1	Spool	
113	70023353	1	Guide, Spring LS	
114	70023354	1	Spring, Outer LS	
115	70023355	1	Spring, Inner LS	
118	70024039	1	Plug, Adjusting LS	
132	70023352	1	Spool, Control	
133	70023357	1	Guide, Spring PC	
134	70023358	1	Spring, Outer PC	
135	70023359	1	Spring, Inner PC	
138	70024040	1	Plug, Adjusting PC (Includes O-Ring)	
138	70023361	1	O-Ring	
200	70023362	4	Ring, Seal	
300	70023363	4	Capscrew	
420	7023377	1	Plug, Orifice	
430	70004419	1	Plug, Orifice	
510	70002586	1	Shaft	
520	70004420	1	Cap, End	
530	70002588	4	Capscrew	
550	7007446	1	Pin, Slotted	
640	70002589	1	Coupling	
650	7022340	1	Bracket, Lifting	
655	70002590	1	Capscrew	
710	7023962	1	Ring, Retaining	
720	70022287	1	Seal, Lip	
730	See Note	NSS	Housing (Note: Not Available for Purchase)	
735	70004421	1	Block, Cylinder	
740	7023964	1	Plug Assembly (Includes O-Ring)	
740	7007415	1	O-Ring	
746	7021275	3	Pin, Hold-down	
747	70002592	1	Guide, Slipper Retainer	
749	70002593	1	Retainer, Slipper	
750	70004422	9	Piston Assembly	

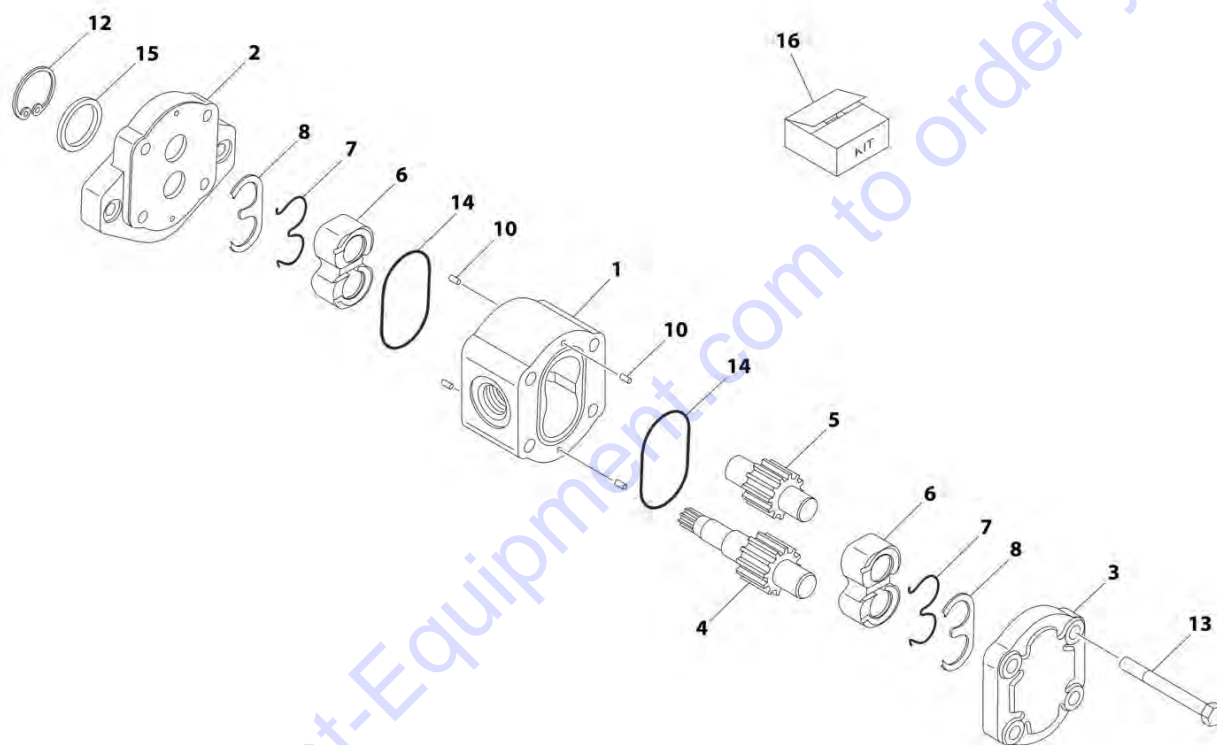
SECTION 3 - ENGINE

ITEM	PART NUMBER	QTY	DESCRIPTION	REV
760	70002595	1	Seal, End Cap	
770	7023964	1	Plug, O-Ring (Includes O-Ring)	
770	7007415	1	O-Ring	
810	70004423	1	Kit, Cylinder Block (Includes Items 735, 746, 747, 749 & 750)	
820	70025979	1	Piston, Servo (Includes Item 822)	
822	70004425	3	Ring, Piston (Part of Item 820)	
920	70002585	1	Kit, Bearing - Rear (Includes Cup and Cone)	
930	70004426	1	Kit, Swashplate Bearing (Includes Qty 2 Bearings and Retainer Pins)	
970	70002578	1	Bearing Kit - Front (Includes Cup and Cone)	
1210	70002599	1	Kit, Complete Seal (Includes Items 200, 720, 760, 822 and Plug O-Rings)	

Go to Discount-Equipment.com to order your parts

SECTION 3 - ENGINE

FIGURE 3-25. GEAR PUMP ASSEMBLY



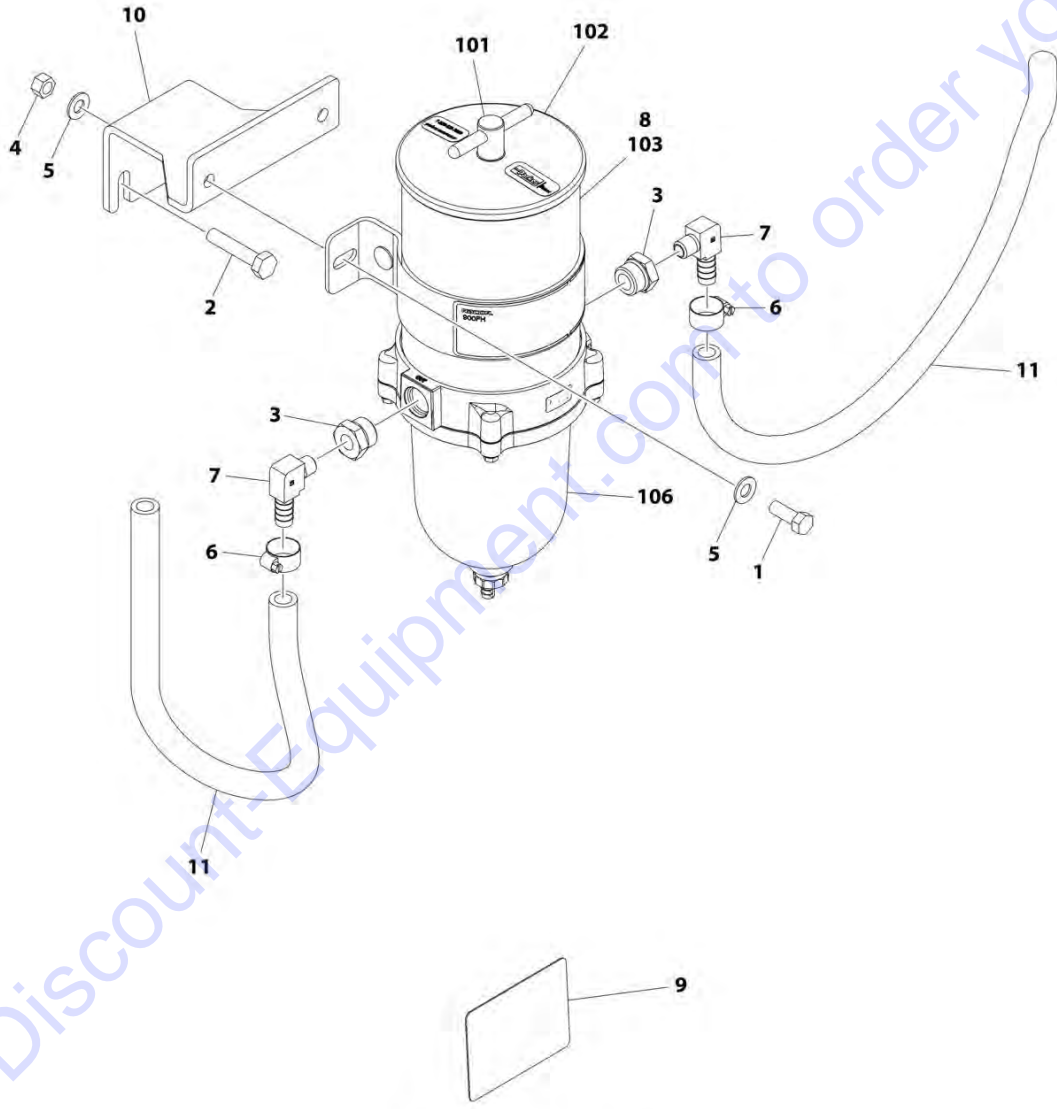
ART_1001112927

FIGURE 3-25. GEAR PUMP ASSEMBLY

ITEM	PART NUMBER	QTY	DESCRIPTION	REV
	1001112927	Ref	GEAR PUMP ASSEMBLY	A
1	See Note	NSS	Body (Note: Use p/n 1001112927)	
2	See Note	NSS	Cover, Front (Note: Use p/n 1001112927)	
3	See Note	NSS	Cover, Rear (Note: Use p/n 1001112927)	
4	See Note	NSS	Shaft, Gear (Note: Use p/n 1001112927)	
5	See Note	NSS	Gear, Idler (Note: Use p/n 1001112927)	
6	See Note	NSS	Block, Bearing (Note: Use p/n 1001112927)	
7	See Note	NSS	Ring, Anti-Extrusion (Note: Use Item 16)	
8	See Note	NSS	Ring, Seal (Note: Use Item 16)	
10	See Note	NSS	Pin, Dowel (Note: Purchase Locally)	
12	70002576	1	Ring, Retaining	
13	See Note	NSS	Capscrew (Note: Purchase Locally)	
14	See Note	NSS	O-Ring (Note: Use Item 16)	
15	70002577	NLA	Seal, Lip (Note: Use Item 16)	
16	7007489	1	Kit, Seal - 1001112927 Pump (Includes Items 7, 8, 14 & 15)	

SECTION 3 - ENGINE

FIGURE 3-26. FUEL FILTER/WATER SEPARATOR INSTALLATION (LRC) (CHINA SPECS ONLY)



LOCATED ON TANK SIDE HOOD

ART_1001227912

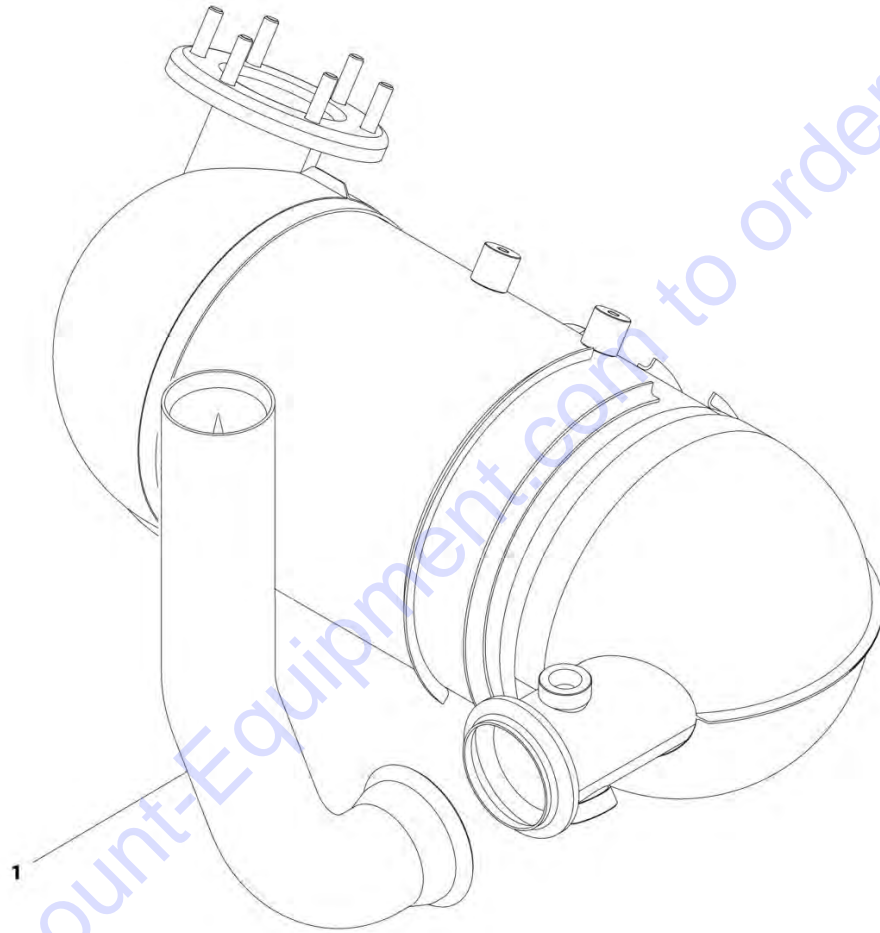
SECTION 3 - ENGINE

FIGURE 3-26. FUEL FILTER/WATER SEPARATOR INSTALLATION (LRC) (CHINA SPECS ONLY)

ITEM	PART NUMBER	QTY	DESCRIPTION	REV
	1001227912	Ref	FUEL FILTER/WATER SEPARATOR INSTALLATION (LRC) (CHINA SPECS ONLY)	A
1	0641608	2	Bolt 3/8 x 1	
2	0761018	2	Bolt M10 x 50	
3	2220816	2	Fitting, Adapter FNPTF/ORB	
4	3311605	2	Nut 3/8	
5	4711600	4	Washer 3/8	
6	8405006	2	Clamp	
7	1001178797	2	Fitting, 90 Elbow	
8	1001222817	1	Fuel Filter Assembly (See Items 101-107 for Breakdown)	
9	1001226923	1	Decal - Fuel Water Separator	
10	1001227948	1	Mount, Fuel Filter	
11	1001154405	4 ft/ 1.22m	Hose	
	1001222817	Ref	FUEL FILTER ASSEMBLY	
101	70006403	1	T-Handle Kit (Includes O-Ring)	
102	70006404	1	Lid Kit (Includes Gasket)	
103	70006405	1	Element	
104	70006406	1	Checkball & Gasket Kit (Not Shown)	
105	70006407	1	Centrifuge and Baffle Kit (Not Shown)	
106	70006409	1	Bowl Kit (Includes Gasket, O-Ring and Drain)	
106	70006408	1	Gasket, Bowl	
107	70006410	1	Bowl Ring Kit (Includes Gasket & Hardware) (Not Shown)	

SECTION 3 - ENGINE

FIGURE 3-27. SPARK ARRESTOR INSTALLATION (HRC) (OPTIONAL)



ART_1001191390

SECTION 3 - ENGINE

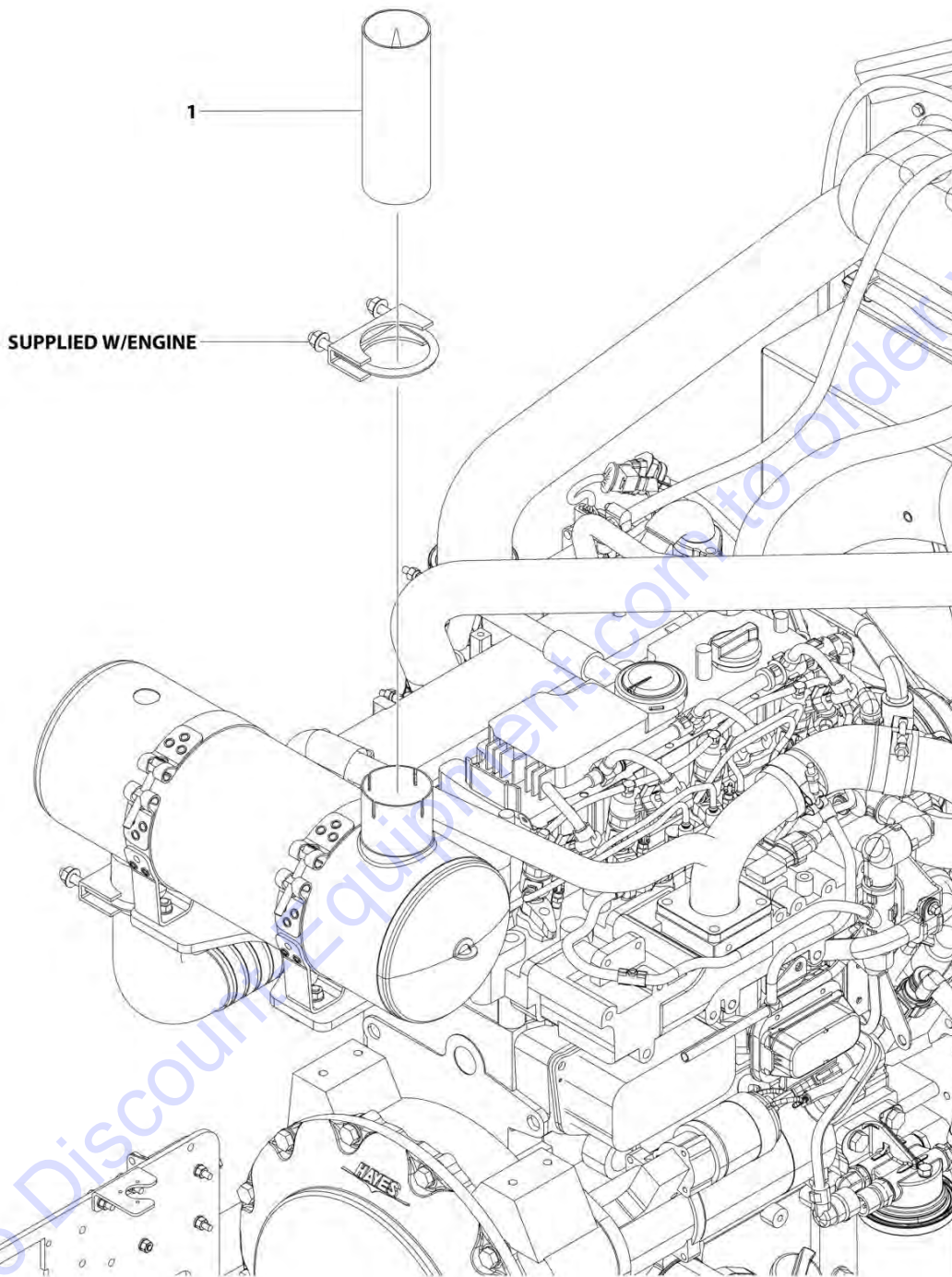
FIGURE 3-27. SPARK ARRESTOR INSTALLATION (HRC) (OPTIONAL)

ITEM	PART NUMBER	QTY	DESCRIPTION	REV
1	1001191390	Ref	SPARK ARRESTOR INSTALLATION (HRC) (OPTIONAL)	A
	1001191368	1	Arrestor, Spark	

Go to Discount-Equipment.com to order your parts

SECTION 3 - ENGINE

FIGURE 3-28. SPARK ARRESTOR INSTALLATION (LRC) (OPTIONAL)



ART_1001158607

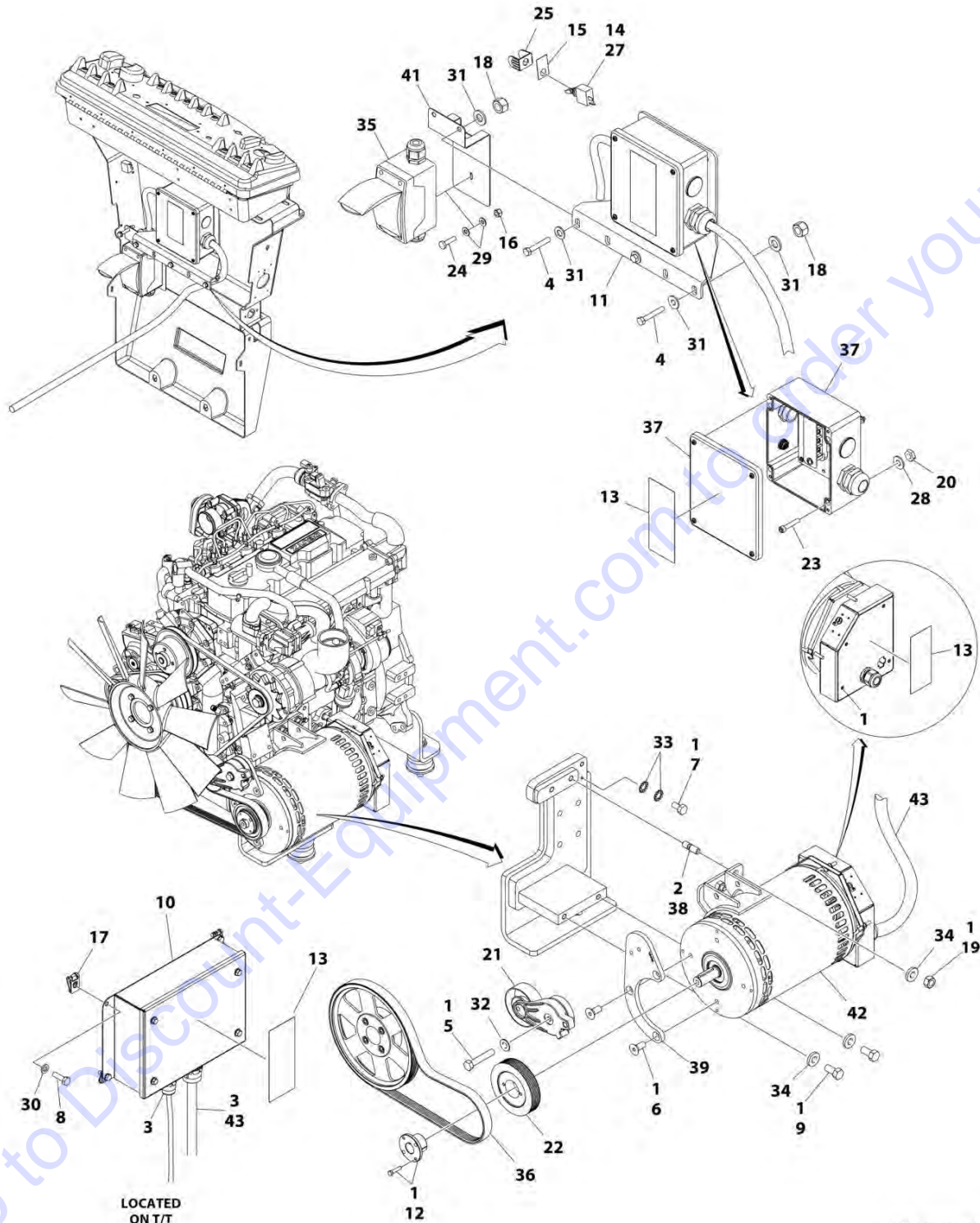
FIGURE 3-28. SPARK ARRESTOR INSTALLATION (LRC) (OPTIONAL)

ITEM	PART NUMBER	QTY	DESCRIPTION	REV
1	1001158607	Ref	SPARK ARRESTOR INSTALLATION (LRC) (OPTIONAL)	B
	1001158263	1	Arrestor, Spark	

Go to Discount-Equipment.com to order your parts

SECTION 3 - ENGINE

FIGURE 3-29. 4000W GENERATOR INSTALLATION - 50HZ



SECTION 3 - ENGINE

FIGURE 3-29. 4000W GENERATOR INSTALLATION - 50HZ

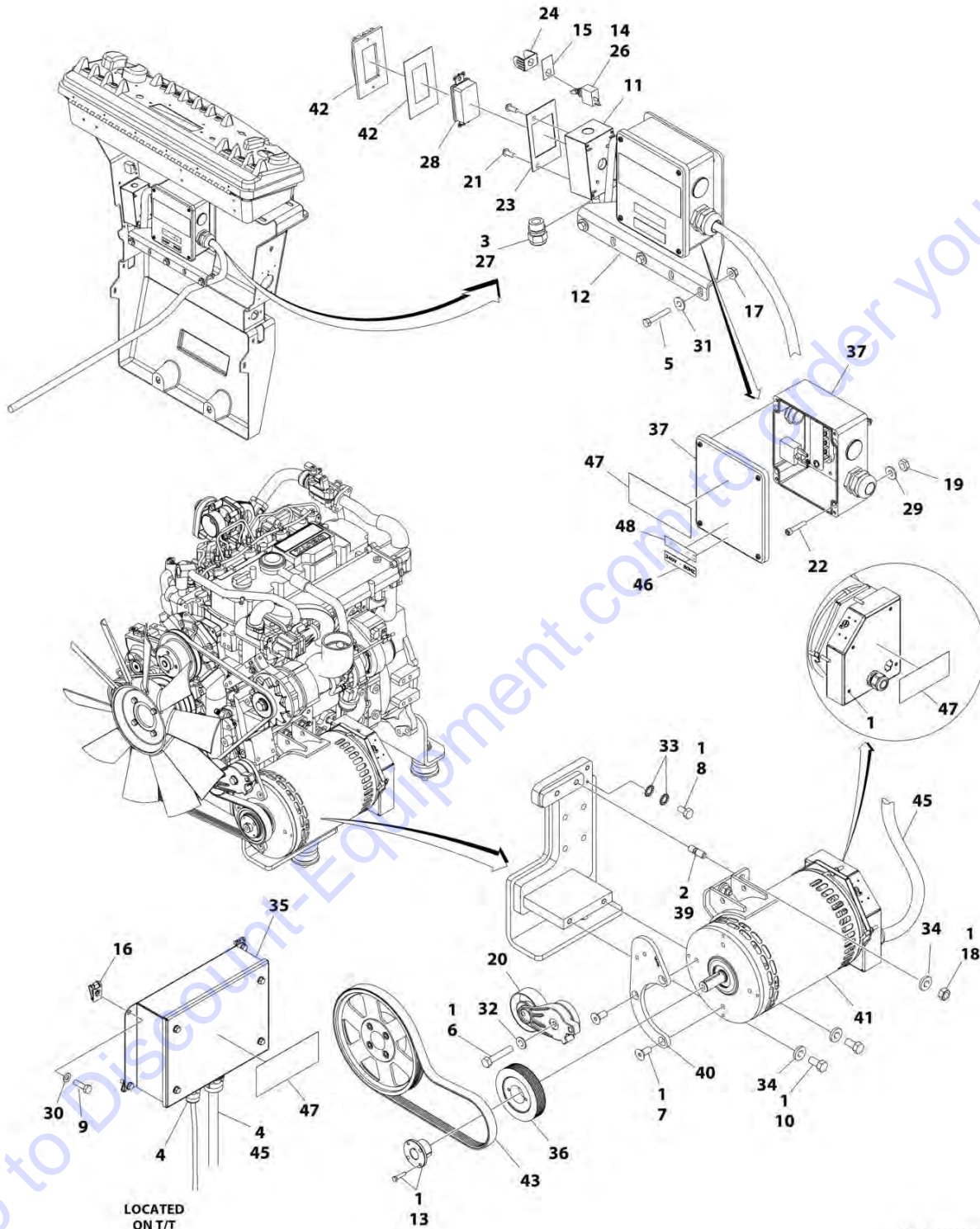
ITEM	PART NUMBER	QTY	DESCRIPTION	REV
	1001200698	Ref	4000W GENERATOR INSTALLATION - 50HZ	D
1	0100011	AR	Compound, Locking	
2	0100019	AR	Compound, Locking	
3	0100048	AR	Grease, Dielectric	
4	0700819001	4	Bolt M8 x 55	
5	0701018	1	Bolt M10 x 50	
6	0741607	3	Screw 3/8 x 7/8	
7	0760606	1	Bolt M6 x 12	
8	0760610	4	Bolt M6 x 20	
9	0761212	2	Bolt M12 x 25	
10	1001138566	1	Control Box Assembly	
10	77363232	1	Connector - 6 Position	
10	See Note	NSS	Connector - 3 Position (Note: Not Available for Purchase)	
10	70006552	1	Capacitor	
10	70006553	1	Relay	
11	0902888	1	Bracket, Junction Box	
12	0962520	1	Bushing, Split	
13	1705489	3	Decal - Hazardous Voltage	
14	2820031	0.3 ft /0.1m	Heat Shrink	
15	3251102	1	Nameplate, Generator	
16	3290405001	2	Nut M4	
17	8305919	4	Nut, Retainer	
18	3290805001	4	Nut M8	
19	3291201	2	Nut M12	
20	3311005001	4	Nut #10	
21	3580317	1	Tensioner, Belt with Pulley	
22	3580318	1	Pulley, Generator	
23	3931016	4	Capscrew #10 x 1	
24	4010408	2	Screw M4 x 16	
25	4060802	1	Guard, Switch	
26	4240018	AR	Tie-Strap (Not Shown)	
27	4360336	1	Switch, Toggle	
28	4751000001	4	Washer #10	
29	4811400001	4	Washer M4	
30	4811700	4	Washer M6	
31	4811900001	8	Washer M8	
32	4812000	1	Washer M10	
33	4871700	2	Washer M6	
34	5241200	4	Washer M12	
35	1001096612	1	Breaker Box Kit (See ELECTRICAL SECTION for Breakdown)	
36	1001148059	1	Belt, Generator	
37	1001152458	1	Junction Box Assembly	
37	4460425	1	Connector, Strain Relief (LH Side)	
37	4460426	1	Connector, Strain Relief (RH Side)	
37	1001152530	1	Block, Terminal	
37	1001158363	1	Cover, Terminal Block	
38	1001155041	2	Stud	
39	1001155338	1	Support, Tensioner	
41	1001204650	1	Bracket	

SECTION 3 - ENGINE

ITEM	PART NUMBER	QTY	DESCRIPTION	REV
42	1001206119	1	Generator Assembly	
42	70003709	1	Ring, Retaining (External)	
42	70003708	1	Ring, Retaining (Internal)	
42	70001966	1	Bearing	
42	70004092	1	Endbell (Shaft End)	
42	70004171	1	Key	
42	70004676	1	Rotor	
42	70005624	1	Stator	
42	70004678	1	Endbell (Rear)	
42	70004679	1	Cover, Endbell (Rear)	
42	70004680	1	Enclosure, Wiring	
42	70004681	1	Cover, Enclosure	
42	70005624	1	Switch, Reset (Located on Enclosure Cover)	
42	70004098	1	Connector, Strain Relief (Located on Enclosure Cover)	
42	70004683	1	Bushing, Connector (Use p/n 70004098)	
42	70001973	1	Decal - Warning Pinch Point	
43	1001152532	1	Generator Harness (See ELECTRICAL SECTION for Breakdown)	
		Ref	ELECTRICAL DIAGRAM COMPONENTS	
101	1001153259	1	Generator to Platform Harness (Not Shown) (See ELECTRICAL SECTION for Breakdown)	
103	4922641	1	Generator Switch Harness (Not Shown)	

SECTION 3 - ENGINE

FIGURE 3-30. 4000W GENERATOR INSTALLATION - 60HZ



SECTION 3 - ENGINE

FIGURE 3-30. 4000W GENERATOR INSTALLATION - 60HZ

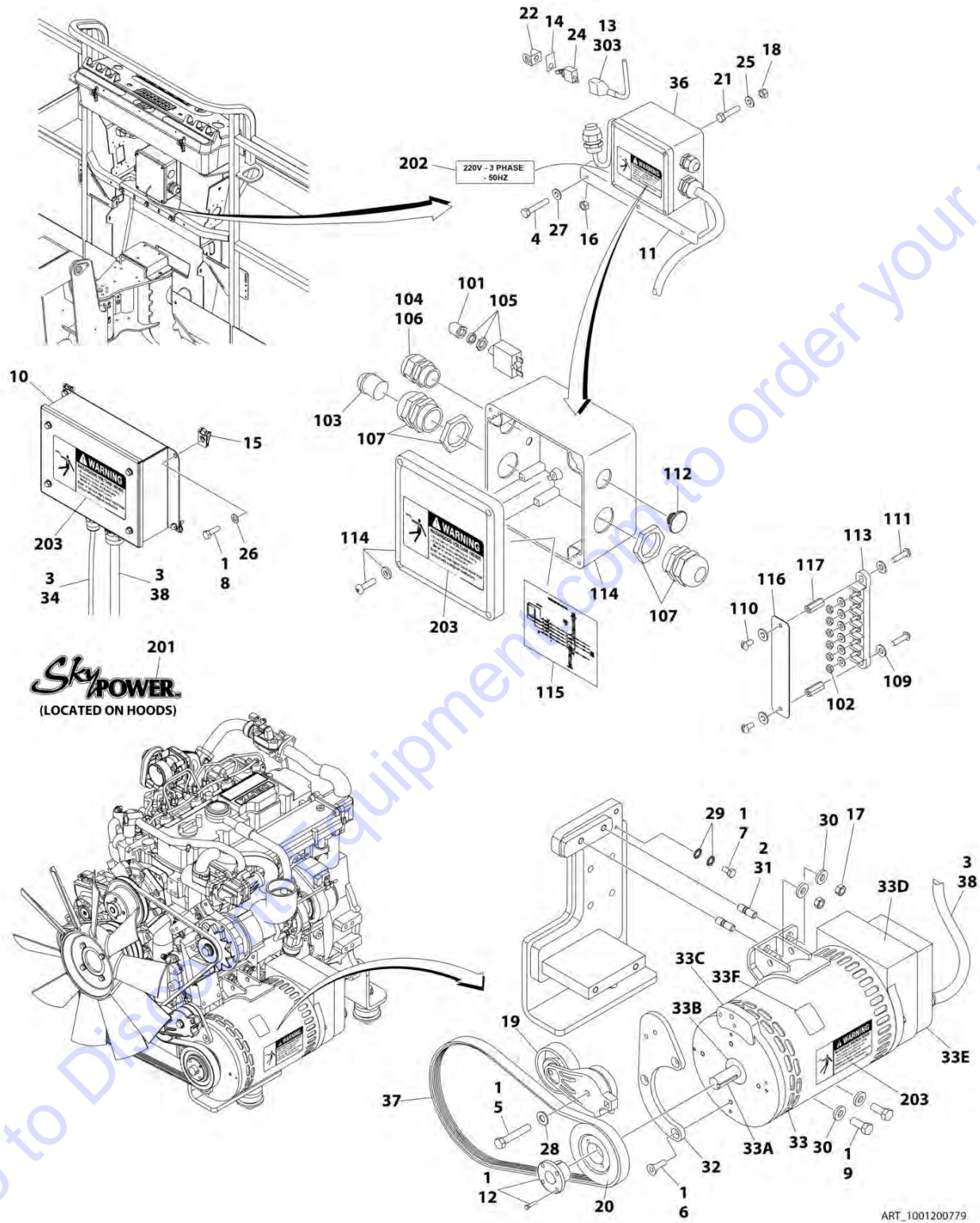
ITEM	PART NUMBER	QTY	DESCRIPTION	REV
	1001200699	Ref	4000W GENERATOR INSTALLATION - 60HZ	B
1	0100011	AR	Compound, Locking	
2	0100019	AR	Compound, Locking	
3	0100020	AR	Sealant	
4	0100048	AR	Grease, Dielectric	
5	0700818001	3	Bolt M8 x 50	
6	0701018	1	Bolt M10 x 50	
7	0741607	3	Screw 3/8 x 7/8	
8	0760606	1	Bolt M6 x 12	
9	0760610	4	Bolt M6 x 20	
10	0761212	2	Bolt M12 x 25	
11	0860038	1	Box, Switch	
12	0902888	1	Bracket, Junction Box	
13	0962520	1	Bushing, Split	
14	2820031	0.3 ft /0.1m	Heat Shrink	
15	3251102	1	Nameplate, Generator	
16	8305919	4	Nut, Retainer	
17	3290805001	3	Nut M8	
18	3291201	2	Nut M12	
19	3311005	4	Nut #10	
20	3580317	1	Tensioner, Belt with Pulley	
21	3910606	4	Screw M6 x 3/8	
22	3931016	4	Capscrew #10 x 1	
23	3960422	1	Gasket, AC Receptacle	
24	4060802	1	Guard, Switch	
25	4240018	AR	Tie-Strap (Not Shown)	
26	4360336	1	Switch, Toggle	
27	4460071	1	Connector, Strain Relief	
28	4460346	1	Receptacle	
29	4751000	4	Washer #10	
30	4811700	4	Washer M6	
31	4811900001	6	Washer M8	
32	4812000	1	Washer M10	
33	4871700	2	Washer M6	
34	5241200	4	Washer M12	
35	1001138566	1	Control Box Assembly	
35	77363232	1	Connector - 6 Position	
35	See Note	NSS	Connector - 3 Position (Note: Not Available for Purchase)	
35	70006552	1	Capacitor	
35	70006553	1	Relay	
36	1001150174	1	Pulley, Generator	
37	1001152457	1	Junction Box Assembly	
37	3300396	1	Cover, Breaker	
37	4360070	1	Breaker, Circuit - 15Amp	
37	1001152530	1	Block, Terminal	
37	1001158363	1	Cover, Terminal Block	
37	4460425	1	Connector, Strain Relief (LH Side)	
37	4460426	1	Connector, Strain Relief (RH Side)	
39	1001155041	2	Stud	

SECTION 3 - ENGINE

ITEM	PART NUMBER	QTY	DESCRIPTION	REV
40	1001155338	1	Support, Tensioner	
41	1001200565	1	Generator Assembly	
41	70003709	1	Ring, Retaining (External)	
41	70003708	1	Ring, Retaining (Internal)	
41	70001966	1	Bearing	
41	70004092	1	Endbell (Shaft End)	
41	70004171	1	Key	
41	70004676	1	Rotor	
41	70005625	1	Stator	
41	70004678	1	Endbell (Rear)	
41	70004679	1	Cover, Endbell (Rear)	
41	70004680	1	Enclosure, Wiring	
41	70004685	1	Cover, Enclosure	
41	70005624	1	Switch, Reset (Located on Enclosure Cover)	
41	70004098	1	Connector, Strain Relief (Located on Enclosure Cover)	
41	70004683	1	Bushing, Connector (Use with p/n 70004098)	
41	70001973	1	Decal - Warning Pinch Point	
42	1001110873	1	Cover, Receptacle (60Hz)	
43	1001155303	1	Belt, Generator	
45	1001152532	1	Generator Harness (See ELECTRICAL SECTION for Breakdown)	
46	1705374	1	Decal - 240V	
47	1705387	3	Decal - Hazardous Voltage	
48	3251243	1	Decal - 120V	
		Ref	ELECTRICAL DIAGRAM COMPONENTS	
101	1001153259	1	Generator to Platform Harness (Not Shown) (See ELECTRICAL SECTION for Breakdown)	
103	4922641	1	Generator Switch Harness (Not Shown)	

SECTION 3 - ENGINE

FIGURE 3-31. 7500W SKYPOWER GENERATOR INSTALLATION - 50HZ



SECTION 3 - ENGINE

FIGURE 3-31. 7500W SKYPOWER GENERATOR INSTALLATION - 50HZ

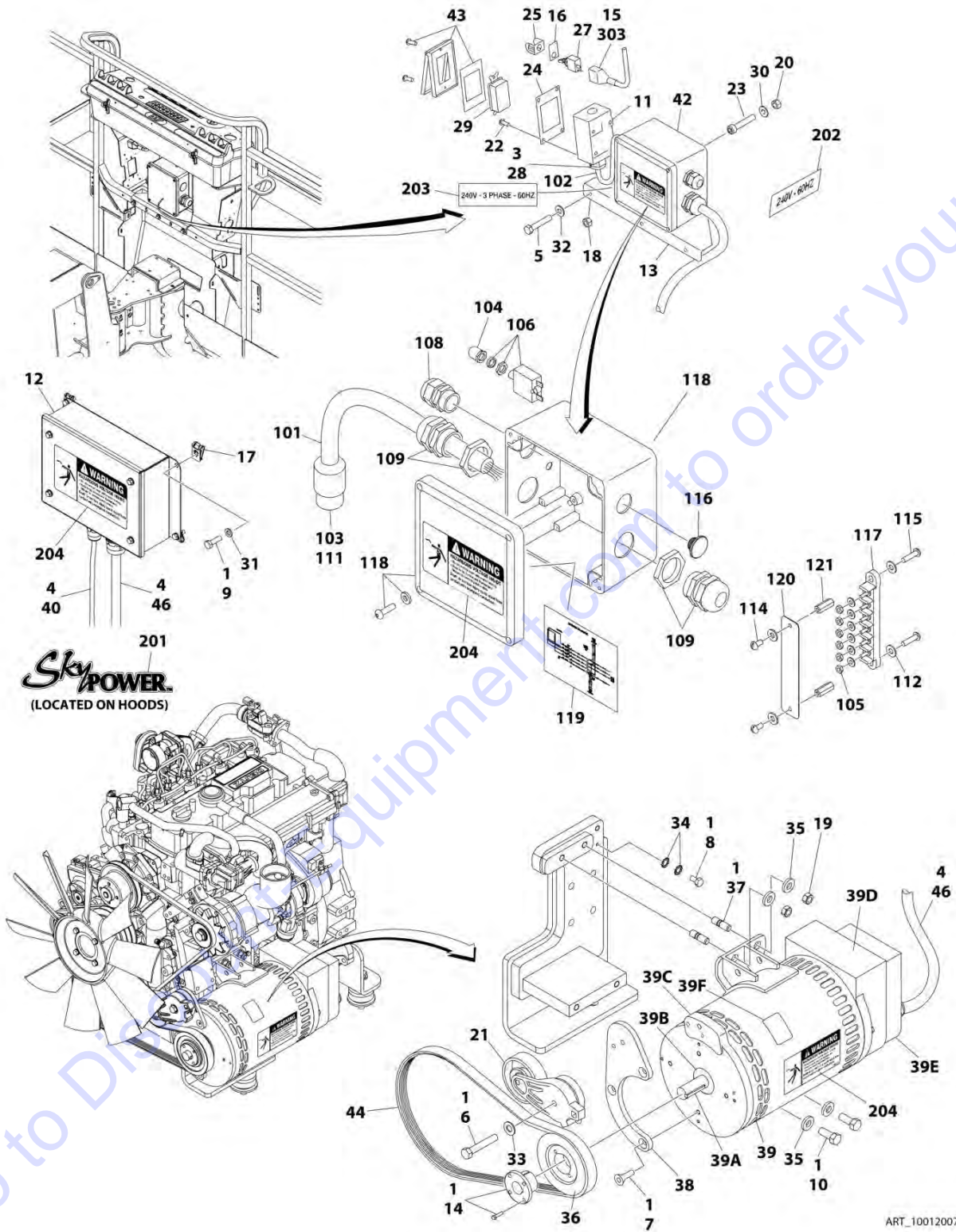
ITEM	PART NUMBER	QTY	DESCRIPTION	REV
	1001200779	Ref	7500W SKYPOWER GENERATOR INSTALLATION - 50HZ	C
		Ref	Note: See ELECTRICAL SECTION for Boom Cable Installation.	
1	0100011	AR	Compound, Locking	
2	0100019	AR	Compound, Locking	
3	0100048	AR	Grease, Dielectric	
4	0700818001	3	Bolt M8 x 50	
5	0701018	1	Bolt M10 x 50	
6	0741607	3	Screw 3/8 x 7/8	
7	0760606	1	Bolt M6 x 12	
8	0760610	4	Bolt M6 x 20	
9	0761212	2	Bolt M12 x 25	
10	0861572	1	Box, Generator Control	
10	7024488	1	Card, Circuit - Generator Power (Not Shown)	
10	See Note	1	Fuse (Note: Not Available Purchase Locally)	
10	7024489	1	Card, Circuit - Control (Not Shown)	
		Ref	Note: When replacing card, rocker switch on card must be set for required application.	
10	70000619	1	Circuit Card Harness	
10	77363232	1	Connector - 6 Position	
10	See Note	NSS	Connector - 3 Position (Note: Not Available for Purchase)	
11	0902888	1	Bracket	
12	0962520	1	Bushing	
13	2820031	AR	Heat Shrink	
14	3251102	1	Nameplate, Generator	
15	8305919	4	Nut, Retainer M6	
16	3290805001	3	Nut M8	
17	3291201	2	Nut M12	
18	3311005	4	Nut #10	
19	3580317	1	Tensioner, Belt with Pulley	
20	3580318	1	Pulley, Generator	
21	3931016	4	Capscrew #10 x 1	
22	4060802	1	Guard, Switch	
23	4240018	AR	Tie-Strap (Not Shown)	
24	4360336	1	Switch, Toggle	
25	4751000	4	Washer #10	
26	4711700	4	Washer M6	
27	4811900001	6	Washer M8	
28	4812000	1	Washer M10	
29	4871700	2	Washer M6	
30	5241200	4	Washer M12	
31	1001155041	2	Stud	
32	1001155338	1	Bracket	
33	1001155348	1	Generator, 7500W	
33	70001100	1	Rotor (Includes p/n 70001384 & 70000863) (Not Shown)	
33	70001384	1	Bearing, Shaft (Rear) (Not Shown)	
33	70000863	1	Fan, Generator (Not Shown)	
33	70005651	1	Stator (Not Shown)	
33	70002297	2	Stud 1/4 x 12-7/8 (Not Shown)	
33	70003631	1	Brushholder Assembly (Not Shown)	
33A	70004171	1	Key	

SECTION 3 - ENGINE

ITEM	PART NUMBER	QTY	DESCRIPTION	REV
33B	70001966	1	Bearing, Ball Radial (Located in Belt Tensioner Endbell)	
33B	70003709	1	Ring, Retaining (Small)	
33B	70003708	1	Ring, Retaining (Large)	
33C	70004092	1	Endbell, Belt Tensioner	
33D	70004094	1	Endbell, Brush Block	
33E	70004096	1	Shroud Assembly	
33E	7027799	1	Block, Connector - 6 Position (Not Shown)	
33E	70002460	6	Nut, Brass (Attaches p/n 7027799 to Cover) (Not Shown)	
33E	7024485	1	Breaker, Circuit 30Amp (Not Shown)	
33E	70001696	1	Boot, Breaker (Not Shown)	
33E	7026597	1	Connector with Leads (Not Shown)	
33E	7026626	1	Connector with Pins (Not Shown)	
33E	70004098	1	Clamp, Cable (Not Shown)	
33E	70005652	1	Plate, End Panel (Not Shown)	
33E	70004097	1	Insulator, End Panel (Not Shown)	
33E	70001974	1	Decal - Terminal Connections (Not Shown)	
33F	70001973	1	Decal - Warning Moving Parts	
34	1001156030	1	Generator Harness (See ELECTRICAL SECTION for Breakdown)	
36	1001157525	1	Junction Box Assembly (See Items 101-117 for Breakdown)	
37	1001148059	1	Belt, Generator	
38	4922925	1	Generator Harness (See ELECTRICAL SECTION for Breakdown)	
	1001157525	Ref	JUNCTION BOX ASSEMBLY	B
101	3300396	1	Cover, Fuse	
102	3311001	6	Nut #10	
103	3520189	1	Plug (50Hz Spec Only)	
104	3520192	1	Plug	
105	4360070	1	Circuit Breaker - 15Amp	
106	4460425	1	Strain Relief, Terminal	
107	4460426	2	Connector, Strain Relief	
109	4711000	10	Washer #10	
110	10702077	2	Screw #10 x 3/8	
111	10702082	2	Screw #10 x 3/4	
112	1001152525	1	Plug	
113	1001157520	1	Block, Terminal	
114	1001157521	1	Box, Junction	
115	1001157528	1	Decal - Wiring Schematic	
116	1001158007	1	Cover, PVC	
117	1001158008	2	Stand-off	
	0272589	Ref	DECAL INSTALLATION	A
201	1705460	2	Decal - SkyPower	
202	1705461	1	Decal - 240V - 3 Phase	
203	1705489	3	Decal - Hazardous Voltage	
		Ref	ELECTRICAL DIAGRAM COMPONENTS	
303	4922641	1	Generator Switch Harness	

SECTION 3 - ENGINE

FIGURE 3-32. 7500W SKYPOWER GENERATOR INSTALLATION - 60HZ



SECTION 3 - ENGINE

FIGURE 3-32. 7500W SKYPOWER GENERATOR INSTALLATION - 60HZ

ITEM	PART NUMBER	QTY	DESCRIPTION	REV
	1001200780	Ref	7500W SKYPOWER GENERATOR INSTALLATION - 60HZ	B
1	0100011	AR	Compound, Locking	
2	0100019	AR	Compound, Locking (Not Shown)	
3	0100020	AR	Sealant, Pipe	
4	0100048	AR	Grease, Dielectric	
5	0700818001	3	Bolt M8 x 50	
6	0701018	1	Bolt M10 x 50	
7	0741607	3	Screw 3/8 x 7/8	
8	0760606	1	Bolt M6 x 12	
9	0760610	4	Bolt M6 x 20	
10	0761212	2	Bolt M12 x 25	
11	0860038	1	Box, Switch	
12	0861538	1	Box, Generator Control	
12	7024488	1	Card, Circuit - Generator Power (Not Shown)	
12	See Note	1	Fuse (Note: Not Available Purchase Locally)	
12	7024489	1	Card, Circuit - Control (Not Shown)	
		Ref	Note: When replacing card, rocker switch on card must be set for required application.	
12	70000619	1	Circuit Card Harness	
12	77363232	1	Connector - 6 Position	
12	See Note	1	Connector - 3 Position (Note: Not Available for Purchase)	
13	0902888	1	Bracket, Generator Junction Box	
14	0962520	1	Bushing, Taper	
15	2820031	AR	Insulator, Heat Shrink	
16	3251102	1	Nameplate, Generator	
17	8305919	4	Nut, Retainer M6	
18	3290805001	3	Nut M8	
19	3291201	2	Nut M12	
20	3311005	4	Nut #10	
21	3580317	1	Pulley, Belt Tensioner	
22	3910606	4	Screw #6 x 3/8	
23	3931016	4	Capscrew #10 x 1	
24	3960422	1	Gasket, AC Receptacle	
25	4060802	1	Guard, Switch	
26	4240018	AR	Tie-Strap (Not Shown)	
27	4360336	1	Switch, Toggle	
28	4460071	1	Connector, Strain Relief	
29	4460346	1	Terminal, Receptacle	
30	4751000	4	Washer #10	
31	4711700	4	Washer M6	
32	4811900001	6	Washer M8	
33	4812000	1	Washer M10	
34	4871700	2	Washer M6	
35	5241200	4	Washer M12	
36	1001150174	1	Pulley, Generator	
37	1001155041	2	Stud	
38	1001155338	1	Bracket	
39	1001155348	1	Generator, 7500W	
39	70001100	1	Rotor (Includes p/n 70001384 & 70000863) (Not Shown)	
39	70001384	1	Bearing, Shaft (Rear) (Not Shown)	

SECTION 3 - ENGINE

ITEM	PART NUMBER	QTY	DESCRIPTION	REV
39	7000863	1	Fan, Generator (Not Shown)	
39	70004093	1	Stator (Not Shown)	
39	70002297	2	Stud 1/4-20 x 12-7/8 (Not Shown)	
39	70003631	1	Brushholder Assembly (Not Shown)	
39A	70004099	1	Key	
39B	70001966	1	Bearing, Ball Radial (Located in Belt Tensioner Endbell)	
39B	70003709	1	Ring, Retaining (Small)	
39B	70003708	1	Ring, Retaining (Large)	
39C	70004092	1	Endbell, Belt Tensioner	
39D	70004094	1	Endbell, Brush Block	
39E	70004096	1	Shroud Assembly	
39E	7027799	1	Block, Connector - 6 Position (Not Shown)	
39E	70002460	6	Nut, Brass (Attaches p/n 7027799 to Cover) (Not Shown)	
39E	7024485	1	Breaker, Circuit 30Amp (Not Shown)	
39E	70001696	1	Boot, Breaker (Not Shown)	
39E	7026597	1	Connector with Leads (Not Shown)	
39E	7026626	1	Connector with Pins (Not Shown)	
39E	70004098	1	Clamp, Cable (Not Shown)	
39E	70004095	1	Plate, End Panel (Not Shown)	
39E	70004097	1	Insulator, End Panel (Not Shown)	
39E	70001974	1	Decal - Terminal Connections (Not Shown)	
39F	70001973	1	Decal - Warning Moving Parts	
40	1001156030	1	Generator Harness (See ELECTRICAL SECTION for Breakdown)	
42	1001157592	1	Junction Box Assembly (See Items 101-121 for Breakdown)	
43	1001110873	1	Shield, Receptacle Cover	
44	1001155303	1	Belt, Generator	
46	4922925	1	Generator Harness (See ELECTRICAL SECTION for Breakdown)	
	1001157592	Ref	JUNCTION BOX ASSEMBLY	C
101	1060343	1.5 ft /0.5m	Cable, Electrical 10/4	
102	1001179154	2.5 ft /0.8m	Cable, Electrical 12/3	
103	1671092	1	Cover	
104	3300396	1	Cover, Fuse	
105	3311001	6	Nut #10	
106	4360070	1	Circuit Breaker - 15Amp	
108	4460425	1	Strain Relief, Terminal	
109	4460426	2	Connector, Strain Relief	
111	4460963	1	Connector	
112	4711000	10	Washer #10	
114	10702077	2	Screw #10 x 3/8	
115	10702082	2	Screw #10 x 3/4	
116	1001152525	1	Plug	
117	1001157520	1	Block, Terminal	
118	1001157521	1	Box, Junction	
119	1001157528	1	Decal - Wiring Schematic	
120	1001158007	1	Cover, PVC	
121	1001158008	2	Stand-Off	
	0272435	Ref	DECAL INSTALLATION	D
201	1705460	2	Decal - SkyPower	
202	3251243	1	Decal - 120V - 60Hz	
203	1705375	1	Decal - 240V - 3 Phase	

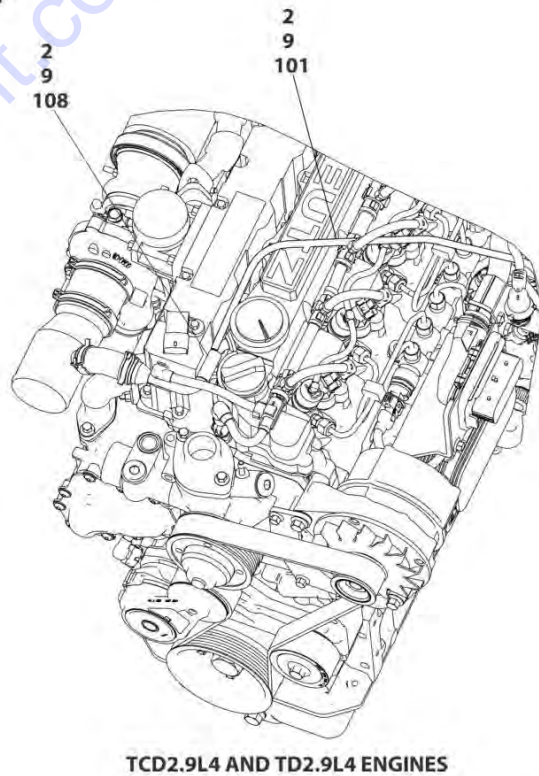
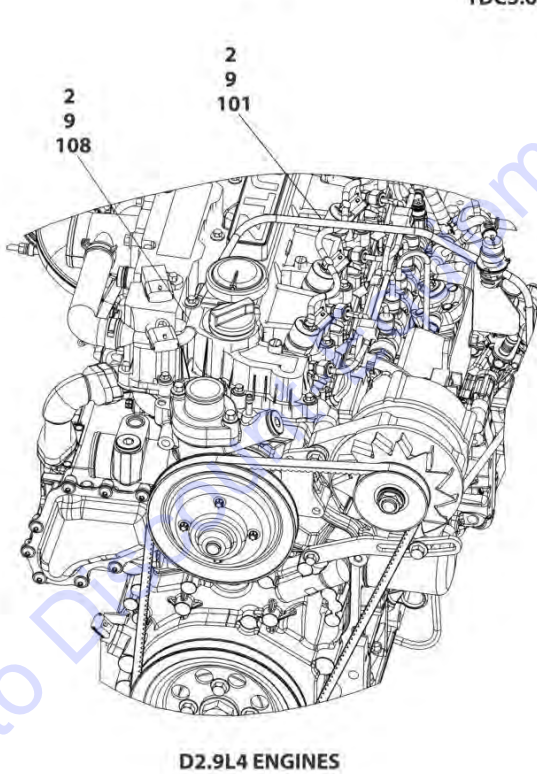
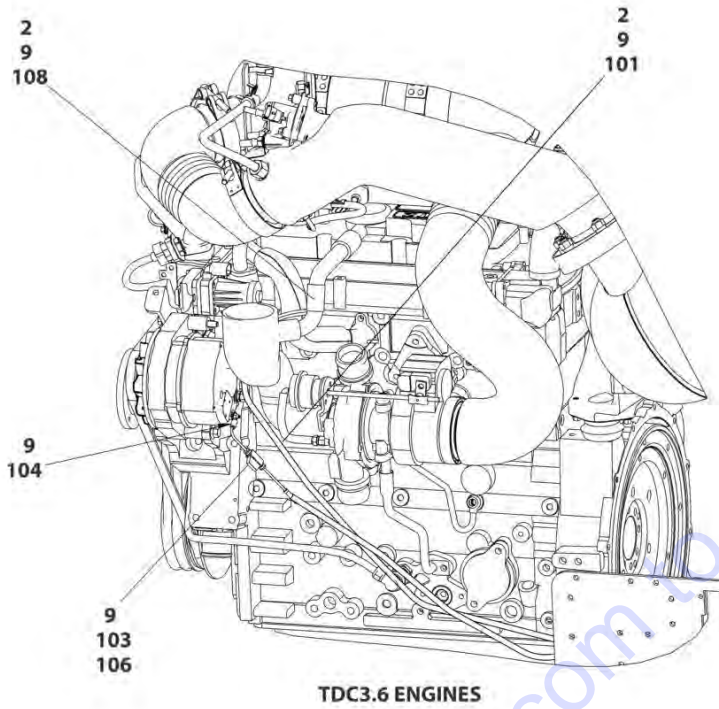
SECTION 3 - ENGINE

ITEM	PART NUMBER	QTY	DESCRIPTION	REV
204	1705387	3	Decal - Hazardous Voltage	
		Ref	ELECTRICAL DIAGRAM COMPONENTS	
303	4922641	1	Generator Switch Harness	

Go to Discount-Equipment.com to order your parts

SECTION 3 - ENGINE

FIGURE 3-33. BREATHER HEATER INSTALLATION - MACHINES WITH COLD WEATHER PACKAGE



ART_1001233763

SECTION 3 - ENGINE

FIGURE 3-33. BREATHER HEATER INSTALLATION - MACHINES WITH COLD WEATHER PACKAGE

ITEM	PART NUMBER	QTY	DESCRIPTION	REV
	1001233763	Ref	BREATHER HEATER INSTALLATION - DEUTZ ENGINES	C
2	4240099	AR	Tie-Strap	
9	1001243895	1	Breather Heater Harness	
101	2820035	10 ft/ 3m	Insulation	
103	2400060	1	Fuseholder with Cover	
104	4460043	1	Terminal, Ring	
105	4460722	1	Terminal, Ring (Not Shown)	
106	1001196634	1	Fuse - 2 Amp	
108	1001232842	1	Breather Heater Kit	

Go to Discount-Equipment.com to order your parts

PARTS FINDER

**Search Website
by Part Number**



**Search Manual
Library For Parts
Manual & Lookup Part
Numbers – Purchase
or Request Quote**

**Can't Find Part or
Manual? Request Help
by Manufacturer,
Model & Description**

Discount-Equipment.com is your online resource for quality parts & equipment.

Florida: **561-964-4949** Outside Florida TOLL FREE: **877-690-3101**

Need parts?

Click on this link: <http://www.discount-equipment.com/category/5443-parts/> and choose one of the options to help get the right parts and equipment you are looking for. Please have the machine model and serial number available in order to help us get you the correct parts. If you don't find the part on the website or on one of the online manuals, please fill out the request form and one of our experienced staff members will get back to you with a quote for the right part that your machine needs.

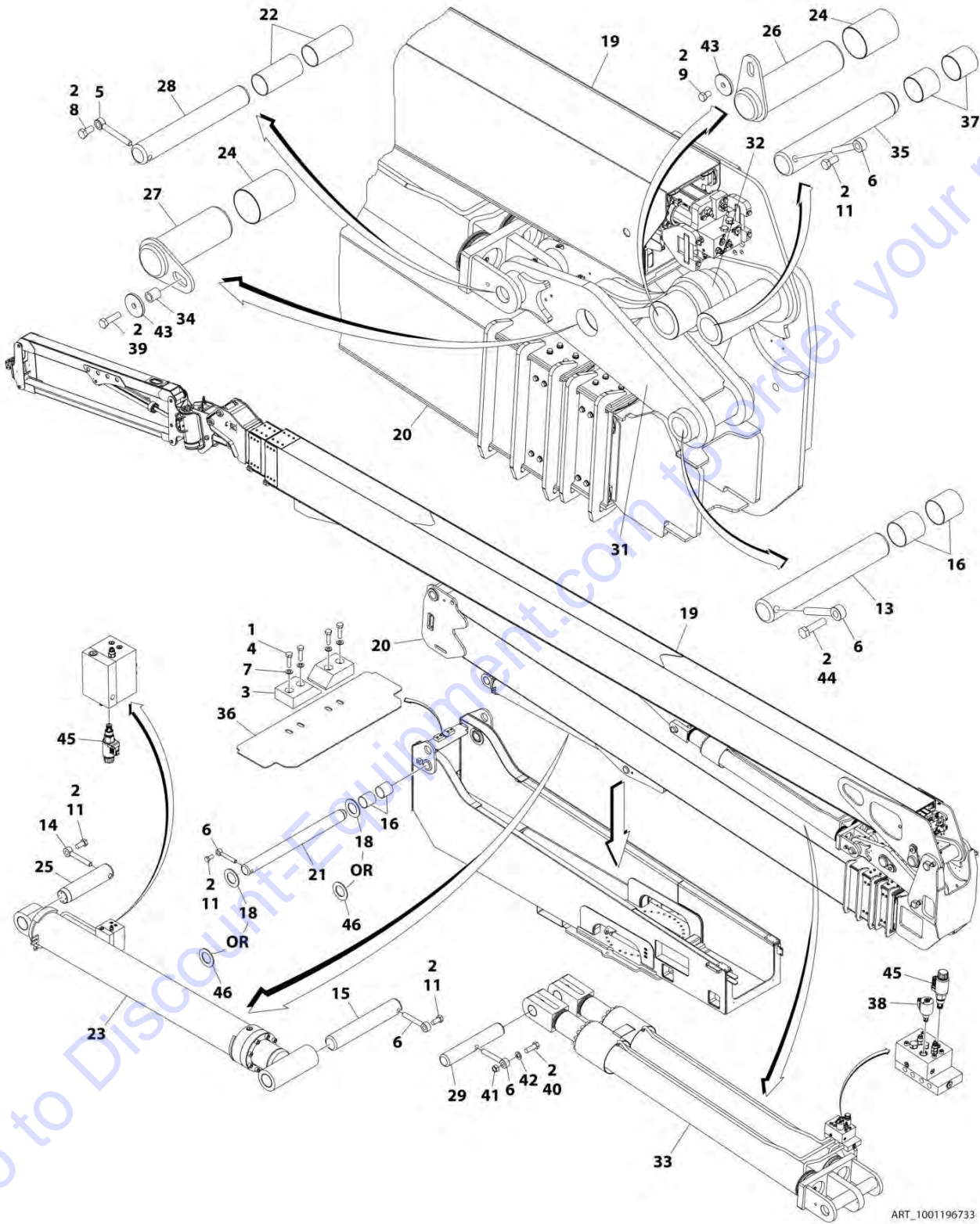
We sell worldwide for the brands: Genie, Terex, JLG, MultiQuip, Mikasa, Essick, Whiteman, Mayco, Toro Stone, Diamond Products, Generac Magnum, Airman, Haulotte, Barreto, Power Blanket, Nifty Lift, Atlas Copco, Chicago Pneumatic, Allmand, Miller Curber, Skyjack, Lull, Skytrak, Tsurumi, Husquvarna Target, Stow, Wacker, Sakai, Mi-T-M, Sullair, Basic, Dynapac, MBW, Weber, Bartell, Bennar Newman, Haulotte, Ditch Runner, Menegotti, Morrison, Contec, Buddy, Crown, Edco, Wyco, Bomag, Laymor, EZ Trench, Bil-Jax, F.S. Curtis, Gehl Pavers, Heli, Honda, ICS/PowerGrit, IHI, Partner, Imer, Clipper, MMD, Koshin, Rice, CH&E, General Equipment, Amida, Coleman, NAC, Gradall, Square Shooter, Kent, Stanley, Tamco, Toku, Hatz, Kohler, Robin, Wisconsin, Northrock, Oztec, Toker TK, Rol-Air, APT, Wylie, Ingersoll Rand / Doosan, Innovatech, Con X, Ammann, Mecalac, Makinex, Smith Surface Prep, Small Line, Wanco, Yanmar

SECTION 4 - BOOM

Go to Discount-Equipment.com to order your parts

SECTION 4 - BOOM

FIGURE 4-1. BOOM AND CYLINDERS INSTALLATION



ART_1001196733

FIGURE 4-1. BOOM AND CYLINDERS INSTALLATION

ITEM	PART NUMBER	QTY	DESCRIPTION	REV
	1001196733	Ref	BOOM AND CYLINDERS INSTALLATION	I
1	0100011	AR	Compound, Locking	
2	0100019	AR	Compound, Locking	
3	0561380	2	Block, Boom Rest	
4	0761016001	4	Bolt M10 x 40	
5	3841287	1	Keeper, Pin	
6	3841356	5	Keeper, Pin	
7	1001172358	4	Washer M10	
8	0762016001	1	Bolt M20 x 40	
9	0762014001	1	Bolt M20 x 30	
11	0762418001	4	Bolt M24 x 50	
13	1001134314	1	Pin	
14	1001146940	1	Keeper, Pin	
15	1001156650	1	Pin	
16	1001157887	4	Bearing	
18	1001180153	AR	Washer	
19	1001196917	1	Main Boom and Jib Assembly (See MAIN BOOM AND JIB ASSEMBLY for Breakdown)	
20	1001197902	1	Tower Boom Assembly (See TOWER BOOM ASSEMBLY for Breakdown)	
21	1001197969	1	Pivot	
22	1001197973	2	Bearing	
23	1001198131	NLA	Lift Cylinder Assembly - Tower Boom (Use p/n 1001228090) (See CYLINDER SECTION for Breakdown) (Prior to SN 0300239155)	
23	1001228090	1	Lift Cylinder Assembly - Tower Boom (See CYLINDER SECTION for Breakdown) (SN 0300239155 to Present)	
24	1001198749	2	Bearing	
25	1001198757	1	Pin	
26	1001198758	1	Pin	
27	1001198759	1	Pin	
28	1001198760	1	Pin	
29	1001198761	1	Pin	
31	1001199804	1	Link	
32	1001199812	1	Link	
33	1001200063	NLA	Lift Cylinder Assembly - Main Boom (Use p/n 1001228094) (See CYLINDER SECTION for Breakdown) (Prior to SN 0300239463)	
33	1001228094	1	Lift Cylinder Assembly - Main Boom (See CYLINDER SECTION for Breakdown) (SN 0300239463 to Present)	
34	1001200154	1	Spacer	
35	1001200574	1	Pin	
36	1001200576	1	Deflector	
37	0440273	2	Bearing	
38	1001201938	1	Cartridge Valve Assembly	
38	70005657	1	Cartridge, Solenoid Valve Less Coil	
38	70026446	1	Seal Kit - 70005657 Valve	
38	70003788	1	Coil	
39	0702022001	1	Bolt M20 x 70	
40	0762422001	1	Bolt M24 x 70	
41	3292401001	1	Nut M24	
42	4812700001	1	Washer M24	
43	1001207937	2	Washer	

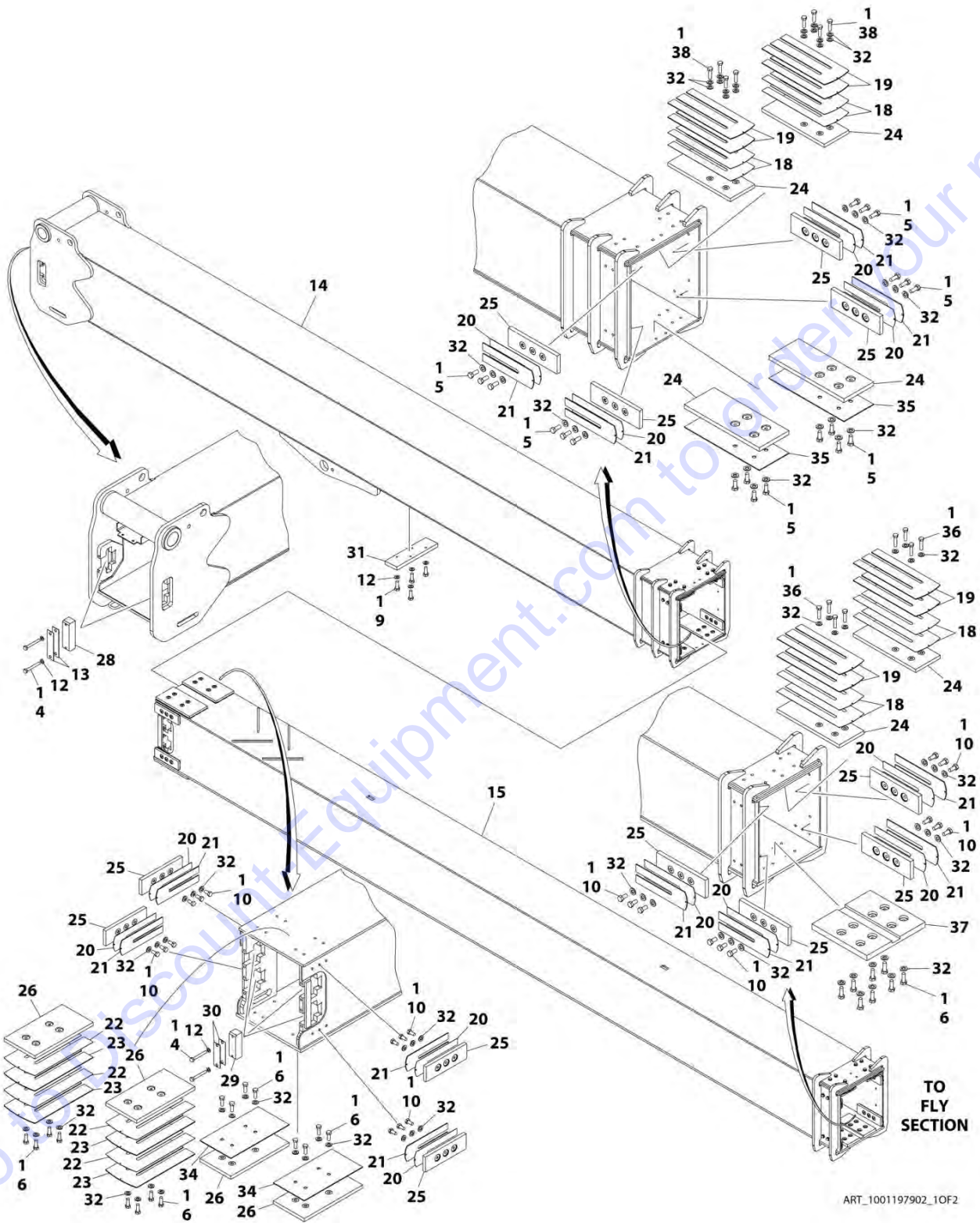
SECTION 4 - BOOM

ITEM	PART NUMBER	QTY	DESCRIPTION	REV
44	0702426001	1	Bolt M24 x 90	
45	1001218037	2	Cartridge, Valve Assembly	
45	70006003	2	Cartridge, Solenoid Valve Less Coil	
45	70006005	2	Seal Kit - 70006003 Valve	
45	70006004	2	Coil	
45	70006006	2	Nut, Coil	
46	1001221425	AR	Washer (SN 0300223782 to Present)	

Go to Discount-Equipment.com to order your parts

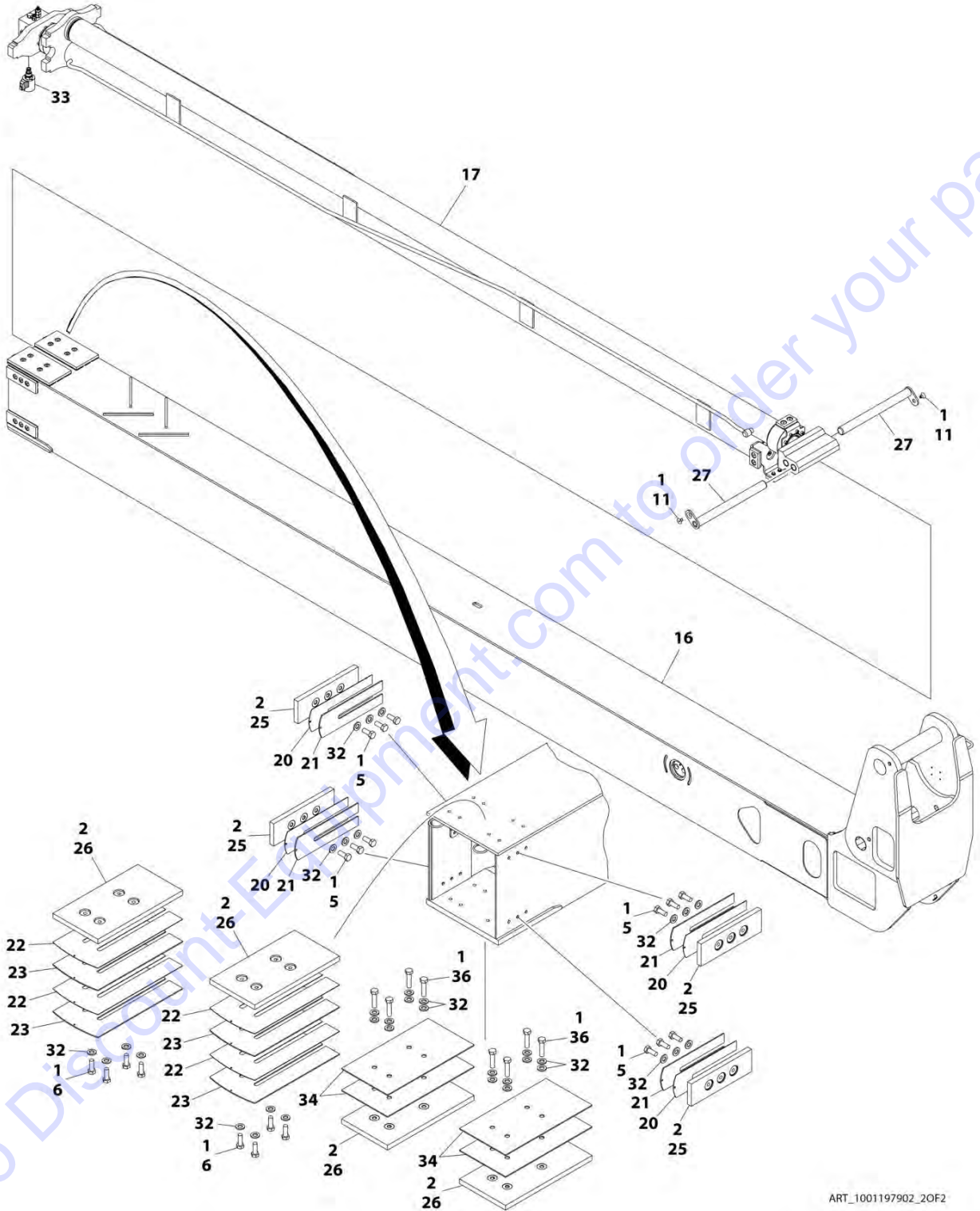
SECTION 4 - BOOM

FIGURE 4-2. TOWER BOOM ASSEMBLY



ART_1001197902_10F2

SECTION 4 - BOOM



ART_1001197902_20F2

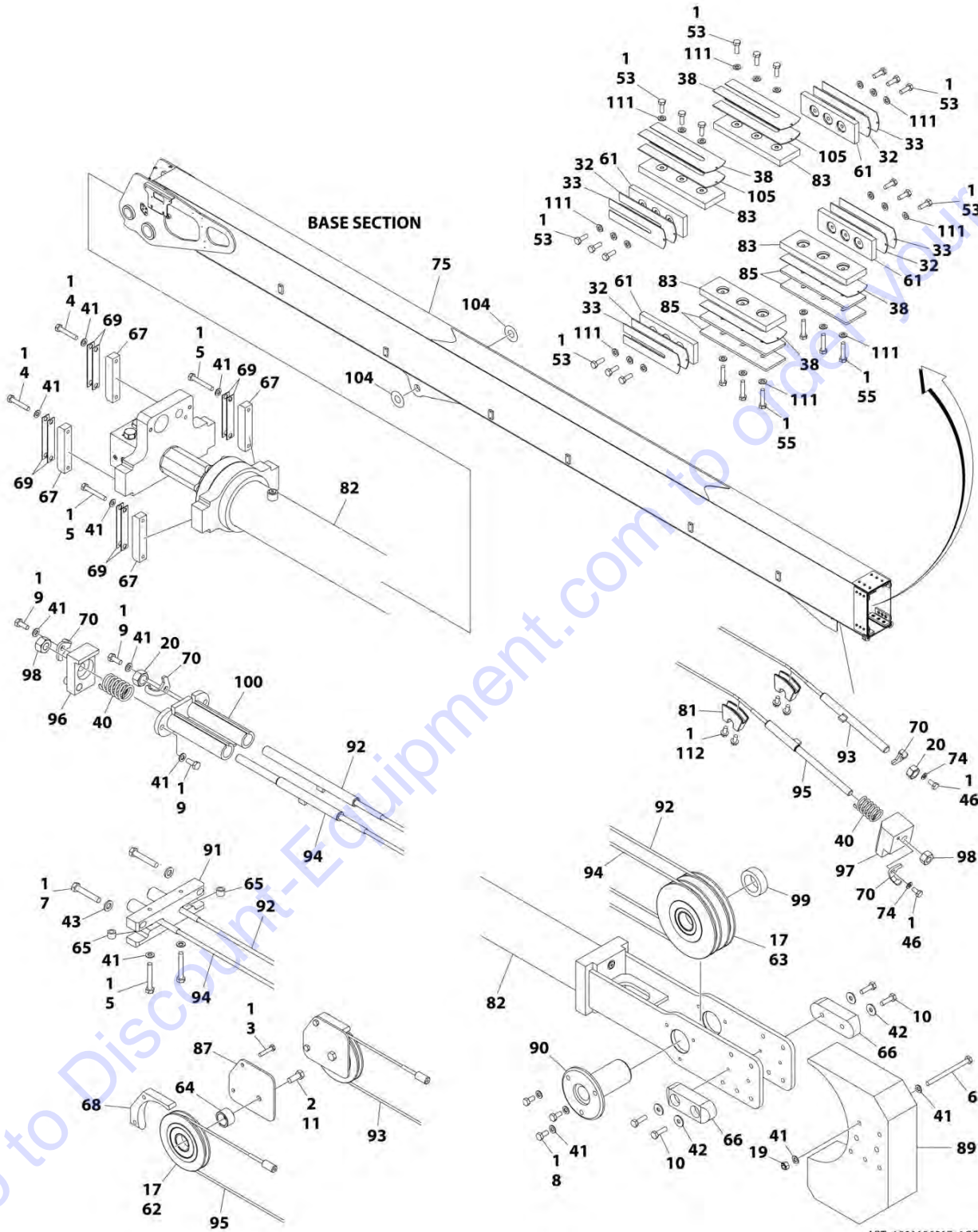
SECTION 4 - BOOM

FIGURE 4-2. TOWER BOOM ASSEMBLY

ITEM	PART NUMBER	QTY	DESCRIPTION	REV
	1001197902	Ref	TOWER BOOM ASSEMBLY	H
1	0100011	AR	Compound, Locking	
2	3020042	AR	Lubricant	
4	0701024001	12	Bolt M10 x 80	
5	0711214001	32	Bolt M12 x 30	
6	0711215001	32	Bolt M12 x 35	
9	0761014001	4	Bolt M10 x 30	
10	0771212001	24	Bolt M12 x 25	
11	1001137032	2	Screw M10 x 16	
12	1001172358	16	Washer M10	
13	1001173662	4	Shim 16 Gauge	
14	1001197899	1	Base, Boom (Section 1)	
15	1001209368	1	Mid, Boom (Section 2)	
16	1001197901	1	Fly, Boom (Section 3)	
17	1001198546	NLA	Telescope Cylinder Assembly - Tower (Use p/n 10101228091) (See CYLINDER SECTION for Breakdown) (Prior to SN 0300244380)	
17	1001228091	1	Telescope Cylinder Assembly - Tower (See CYLINDER SECTION for Breakdown) (SN 0300244380 to Present)	
18	1001198640	8	Shim 18 Gauge	
19	1001198641	8	Shim 11 Gauge	
20	1001198642	16	Shim 18 Gauge	
21	1001198643	16	Shim 11 Gauge	
22	1001198644	8	Shim 18 Gauge	
23	1001198645	8	Shim 11 Gauge	
24	1001209375	6	Pad, Wear	
25	1001198732	16	Pad, Wear	
26	1001209374	8	Pad, Wear	
27	1001201007	2	Pin	
28	1001201333	2	Block, Trunnion	
29	1001201334	4	Block, Trunnion	
30	1001201335	8	Shim 16 Gauge	
31	1001204914	1	Pad	
32	5241200001	128	Washer M12	
33	1001201938	1	Cartridge Valve Assembly	
34	1001209372	6	Plate, Spacer	
35	1001209373	2	Plate, Spacer	
36	0771218001	16	Bolt M12 x 50	
37	1001212669	1	Pad, Wear	
38	0711217001	8	Bolt M12 x 45	

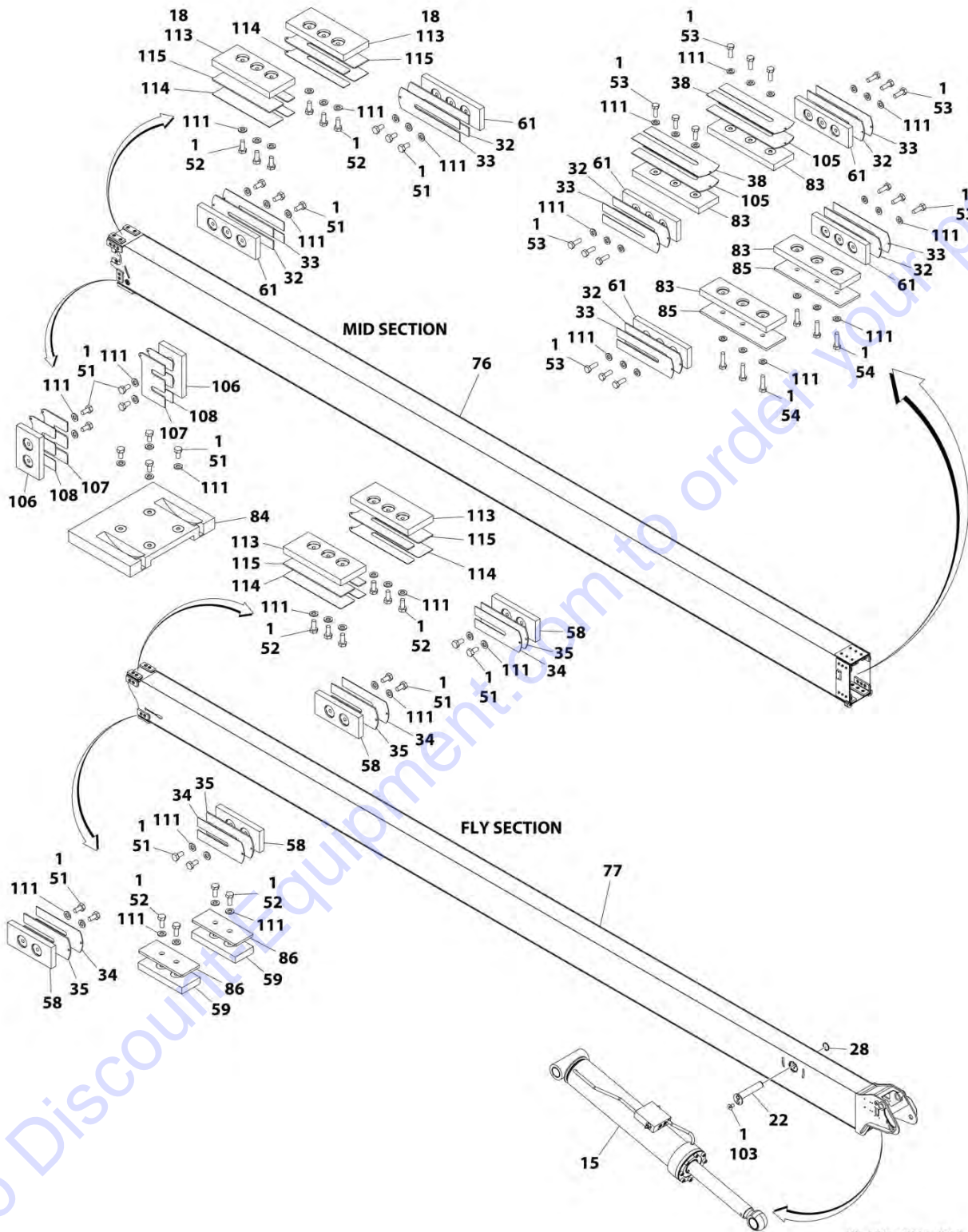
SECTION 4 - BOOM

FIGURE 4-3. MAIN BOOM AND JIB ASSEMBLY



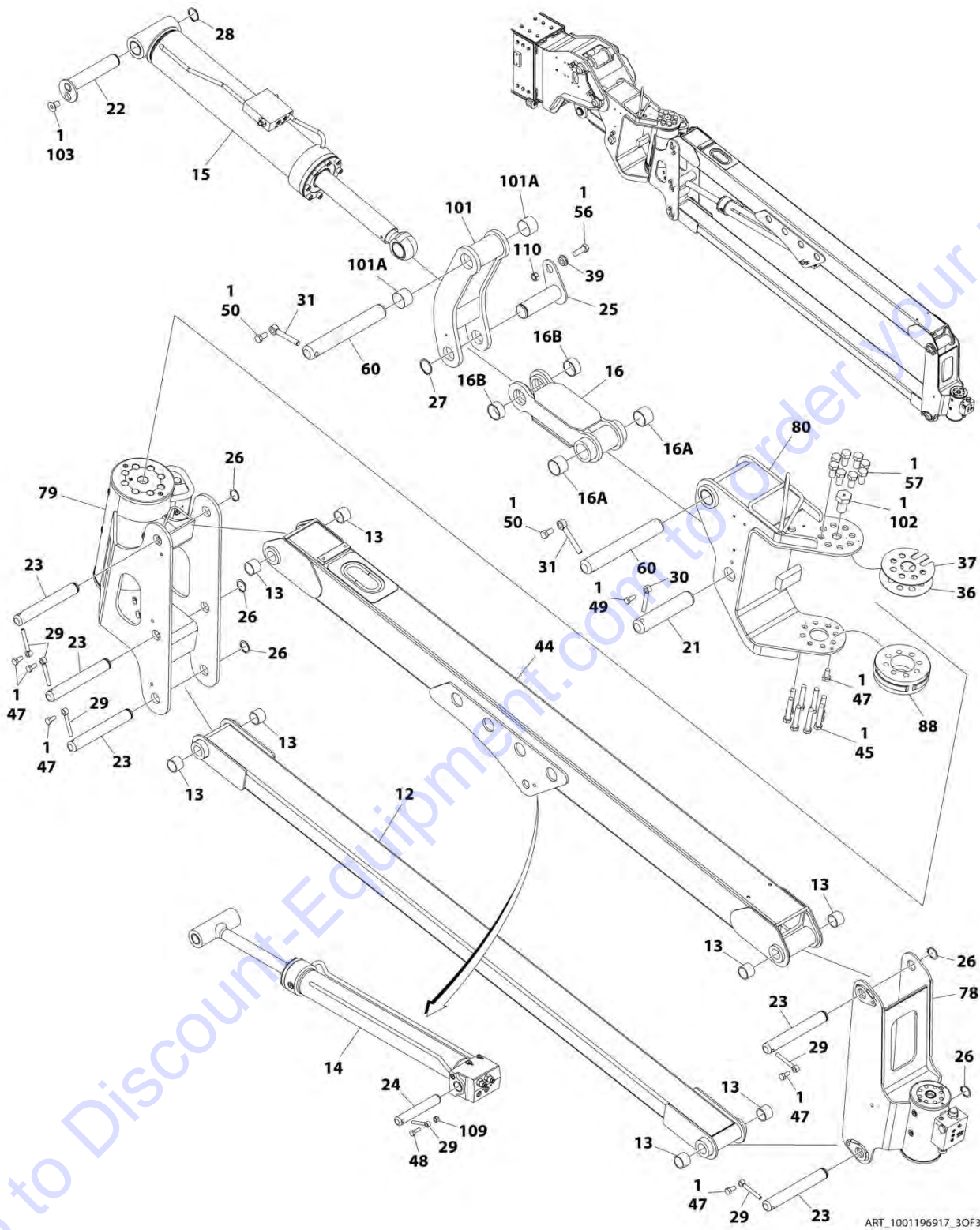
ART_1001196917_10F3

SECTION 4 - BOOM



ART_1001196917_2OF3

SECTION 4 - BOOM



ART_1001196917_30F3

FIGURE 4-3. MAIN BOOM AND JIB ASSEMBLY

ITEM	PART NUMBER	QTY	DESCRIPTION	REV
	1001196917	Ref	MAIN BOOM AND JIB ASSEMBLY	J
1	0100011	AR	Compound, Locking	
2	0100019	AR	Compound, Locking	
3	0701018	4	Bolt M10 x 50	
4	0701020	4	Bolt M10 x 60	
5	0701022	6	Bolt M10 x 70	
6	0701031	5	Bolt M10 x 140	
7	0701222	2	Bolt M12 x 70	
8	0761011	3	Bolt M10 x 22	
9	0761012	4	Bolt M10 x 25	
10	0761015	4	Bolt M10 x 35	
11	0761616	2	Bolt M16 x 40	
12	0801550	1	Link, Jib (Lower)	
13	0961951	8	Bushing	
14	1684173	NLA	Lift Cylinder Assembly - Jib (Use p/n 1001228025) (See CYLINDER SECTION for Breakdown) (Prior to SN 0300238854)	
14	1001228025	1	Lift Cylinder Assembly - Jib (See CYLINDER SECTION for Breakdown) (SN 0300238854 to Present)	
15	1684430	NLA	Level Cylinder Assembly (Use p/n 1001228034) (See CYLINDER SECTION for Breakdown) (Prior to SN 0300237743)	
15	1001228034	1	Level Cylinder Assembly (See CYLINDER SECTION for Breakdown) (SN 0300237743 to Present)	
16	3010136	1	Link, Level (Outer)	
16A	0962224	2	Bushing	
16B	0962556	2	Bushing	
17	3020039	AR	Lubricant	
18	3020042	AR	Lubricant	
19	3291005	5	Nut M10	
20	3292201	2	Nut M22	
21	3422178	1	Pin	
22	3422937	1	Pin	
23	3422957	5	Pin	
24	3422958	1	Pin	
25	3423190	1	Pin	
26	3760133	5	Ring, Retaining	
27	3760217	1	Ring, Retaining	
28	3760233	1	Ring, Retaining	
29	3841143	6	Keeper, Pin	
30	3841203	1	Keeper, Pin	
31	3841258	2	Keeper, Pin	
32	4070863	10	Shim 11 Gauge	
33	4070864	10	Shim 18 Gauge	
34	4070897	4	Shim 18 Gauge	
35	4070898	4	Shim 11 Gauge	
36	4071044	1	Shim 18 Gauge	
37	4071045	1	Shim 11 Gauge	
38	4071073	4	Shim 18 Gauge	
39	4100101	1	Spacer	
40	4160197	2	Spring	
41	4812000	27	Washer M10	

SECTION 4 - BOOM

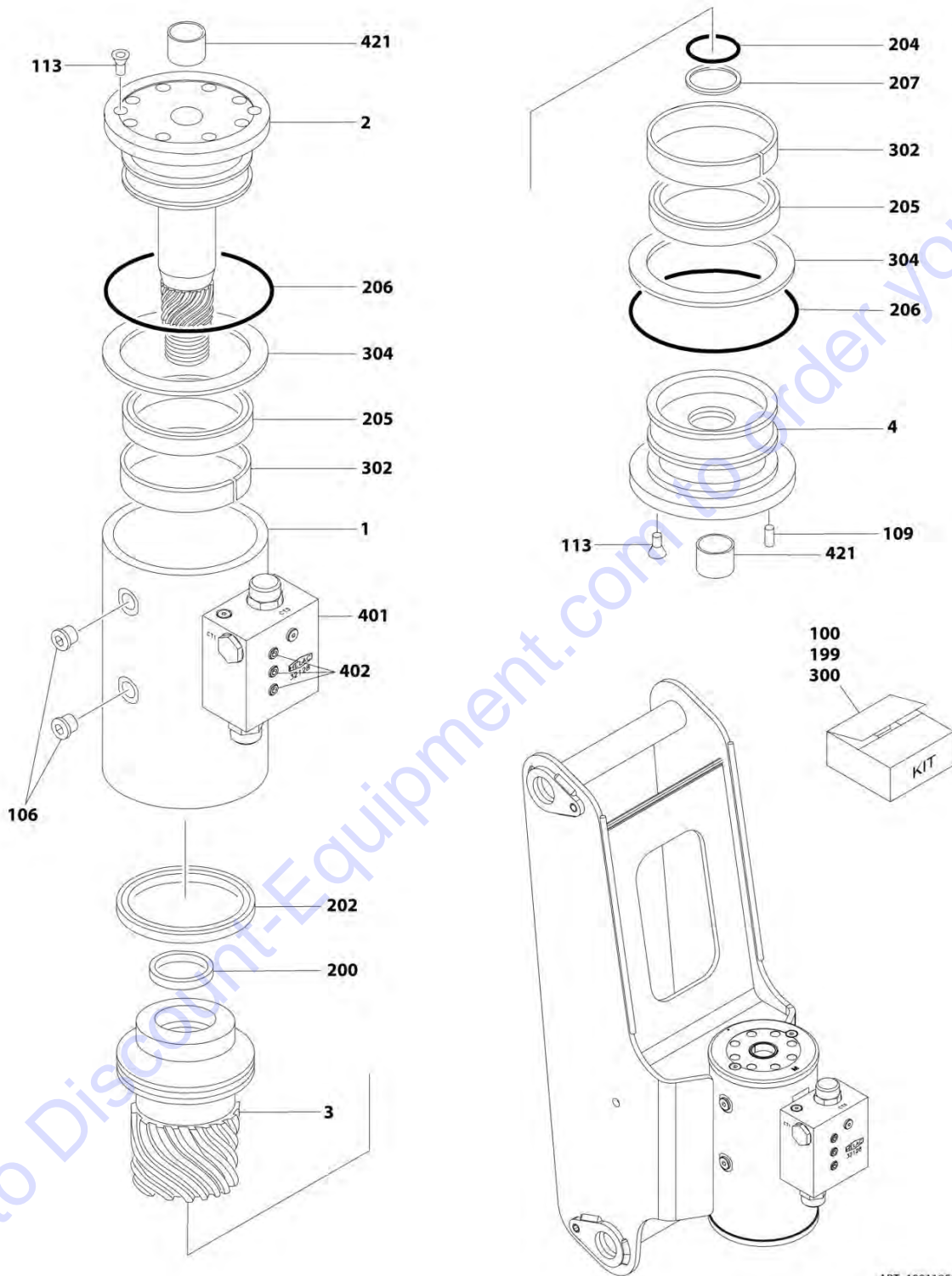
ITEM	PART NUMBER	QTY	DESCRIPTION	REV
42	4812002	4	Washer M10	
43	5241200	2	Washer M12	
44	4846482	1	Link, Jib (Upper)	
45	0711626001	8	Bolt M16 x 90 Grade 10.9	
46	0761010001	2	Bolt M10 x 20	
47	0761011001	7	Bolt M10 x 22	
48	0761014001	1	Bolt M10 x 30	
49	0761214001	1	Bolt M12 x 30	
50	0761614001	2	Bolt M16 x 30	
51	0771010001	22	Bolt M10 x 20 Grade 10.9	
52	0771012001	16	Bolt M10 x 25 Grade 10.9	
53	0771014001	36	Bolt M10 x 30 Grade 10.9	
54	0771016001	6	Bolt M10 x 40 Grade 10.9	
55	0771018001	6	Bolt M10 x 50 Grade 10.9	
56	0771617001	1	Bolt M16 x 45 Grade 10.9	
57	0772016001	8	Bolt M20 x 40 Grade 10.9	
58	1001118287	4	Pad, Wear	
59	1001118288	4	Pad, Wear	
60	1001119899	2	Pin	
61	1001136583	10	Pad, Wear	
62	1001153797	2	Sheave (Prior to SN 0300225574)	
62	1001153785	1	Bushing (Prior to SN 0300225574)	
62	1001153786	1	Bushing (Prior to SN 0300225574)	
62	1001222385	2	Sheave (SN 0300225574 to Present)	
62	1001153785	1	Bushing (SN 0300225574 to Present)	
62	1001154247	1	Ring, Snap (SN 0300225574 to Present)	
62	1001222387	1	Bushing (SN 0300225574 to Present)	
63	1001153846	2	Sheave (Prior to SN 0300225574)	
63	1001153827	1	Bushing (Prior to SN 0300225574)	
63	1001153828	1	Bushing (Prior to SN 0300225574)	
63	1001222402	2	Sheave (SN 0300225574 to Present)	
63	1001153827	1	Bushing (SN 0300225574 to Present)	
63	1001154247	1	Ring, Snap (SN 0300225574 to Present)	
63	1001222404	1	Bushing (SN 0300225574 to Present)	
64	1001156613	2	Bushing	
65	1001157007	2	Sleeve, Spacer, Sensor	
66	1001157454	2	Pad, Wear	
67	1001157872	4	Block, Trunnion	
68	1001157878	2	Retainer, Rope	
69	1001157885	8	Shim 16 Gauge	
70	1001167497	4	Plate, Keeper	
74	1001172358	2	Washer M10	
75	1001195924	1	Boom, Base	
76	1001219583	1	Boom, Mid	
77	1001219590	1	Boom, Fly	
78	1001195939	1	Platform Rotator Assembly (See PLATFORM ROTATOR ASSEMBLY for Breakdown)	
79	1001195940	1	Jib Rotator Assembly (See JIB ROTATOR ASSEMBLY for Breakdown)	
80	1001195941	1	Pivot, Jib	
81	1001198864	2	Sheave, Deflector	
82	1001198938	NLA	Telescope Cylinder Assembly - Main Boom (Use p/n 1001228093)	

SECTION 4 - BOOM

ITEM	PART NUMBER	QTY	DESCRIPTION	REV
			(See CYLINDER SECTION for Breakdown) (Prior to SN 0300244380)	
82	1001228093	1	Telescope Cylinder Assembly - Main Boom (See CYLINDER SECTION for Breakdown) (SN 0300244380 to Present)	
83	1001199083	8	Pad	
84	1001199084	1	Pad	
85	1001199085	6	Shim 6mm	
86	1001199086	2	Shim 6mm	
87	1001199117	2	Plate, Sheave	
88	1001199320	1	Cam	
89	1001199610	1	Retainer, Rope	
90	1001199641	1	Pin	
91	1001199990	1	Block, Cable Mount	
92	1001200091	1	Rope, Extend	
93	1001200092	1	Rope, Retract	
94	1001200093	1	Rope, Extend	
95	1001200094	1	Rope, Retract	
96	1001200732	1	Block, Mounting	
97	1001200733	1	Block, Mounting	
98	1001200736	2	Nut M18	
99	1001200739	1	Spacer	
100	1001200741	1	Retainer, Rope	
101	1001200839	1	Link, Level (Inner)	
101A	0962224	2	Bushing	
102	1001201485	1	Bolt M30 x 50	
103	1001201846	1	Screw M12 x 20 Grade 10.9	
104	1001202455	2	Tape (Prior to SN 0300218237)	
105	1001202793	4	Shim 11 Gauge	
106	1001203753	2	Pad, Wear	
107	1001203754	2	Shim 11 Gauge	
108	1001203755	2	Shim 18 Gauge	
109	3291005001	1	Nut M10	
110	3331611001	1	Nut M16	
111	5241000001	86	Washer M10	
112	5251010001	4	Bolt M10 x 20	
113	1001148012	4	Pad, Wear	
114	1001219599	8	Shim 18 Gauge	
115	1001219600	4	Shim 11 Gauge	

SECTION 4 - BOOM

FIGURE 4-4. PLATFORM ROTATOR ASSEMBLY



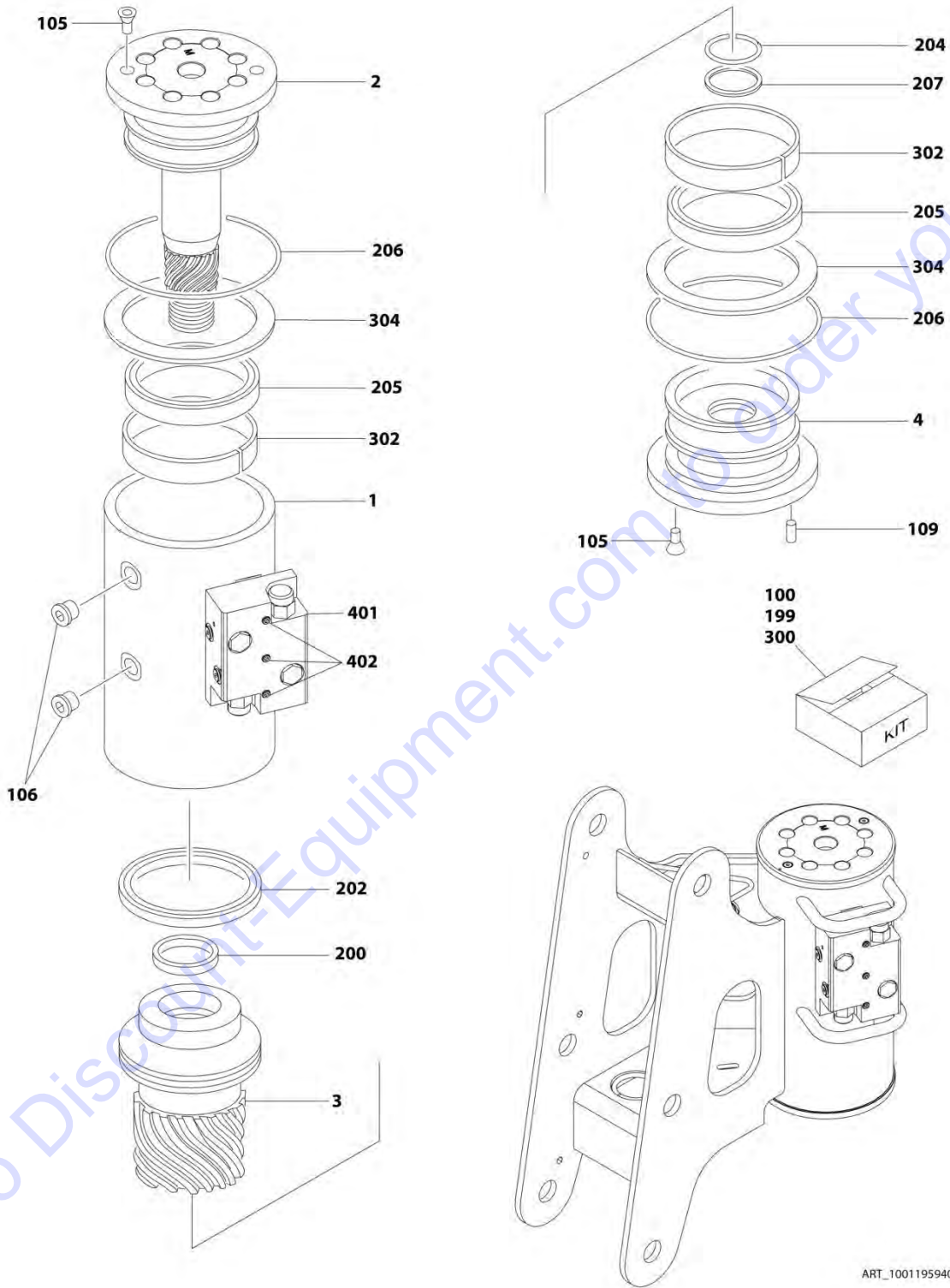
ART_1001195939

FIGURE 4-4. PLATFORM ROTATOR ASSEMBLY

ITEM	PART NUMBER	QTY	DESCRIPTION	REV
	1001195939	Ref	PLATFORM ROTATOR ASSEMBLY	C
1	See Note	NSS	Housing/Ring Gear (Note: Purchase Complete Assembly)	
2	70003948	1	Shaft	
3	7017163	1	Piston	
4	7017164	1	Cap	
100	7017142	1	Hardware Kit (Includes Items 106-109)	
106	See Note	NSS	Plug (Note: Use Item 100)	
109	See Note	NSS	Pin, Dowel (Note: Use Item 100)	
113	70001697	6	Screw 1/4 x 3/8	
199	70000342	1	Seal Kit - Low Temperature (Includes Items 200-207)	
200	See Note	NSS	T-Seal (Note: Use Item 199)	
202	See Note	NSS	T-Seal (Note: Use Item 199)	
204	See Note	NSS	O-Ring (Note: Use Item 199)	
205	See Note	NSS	Seal (Note: Use Item 199)	
206	See Note	NSS	O-Ring (Note: Use Item 199)	
207	See Note	1	Ring, Back-up (Note: Use Item 199)	
300	7017159	1	Bearing Kit (Includes Items 302-304)	
302	See Note	NSS	Bearing (Note: Use Item 300)	
304	See Note	NSS	Washer, Thrust (Note: Use Item 300)	
401	70001639	1	Valve, Control (Note: Sold as Assembly Only)	
402	See Note	NSS	Bolt 1/4 x 1-1/2 Grade 8 (Note: Purchase Locally)	
421	7017195	2	Bushing	

SECTION 4 - BOOM

FIGURE 4-5. JIB ROTATOR ASSEMBLY



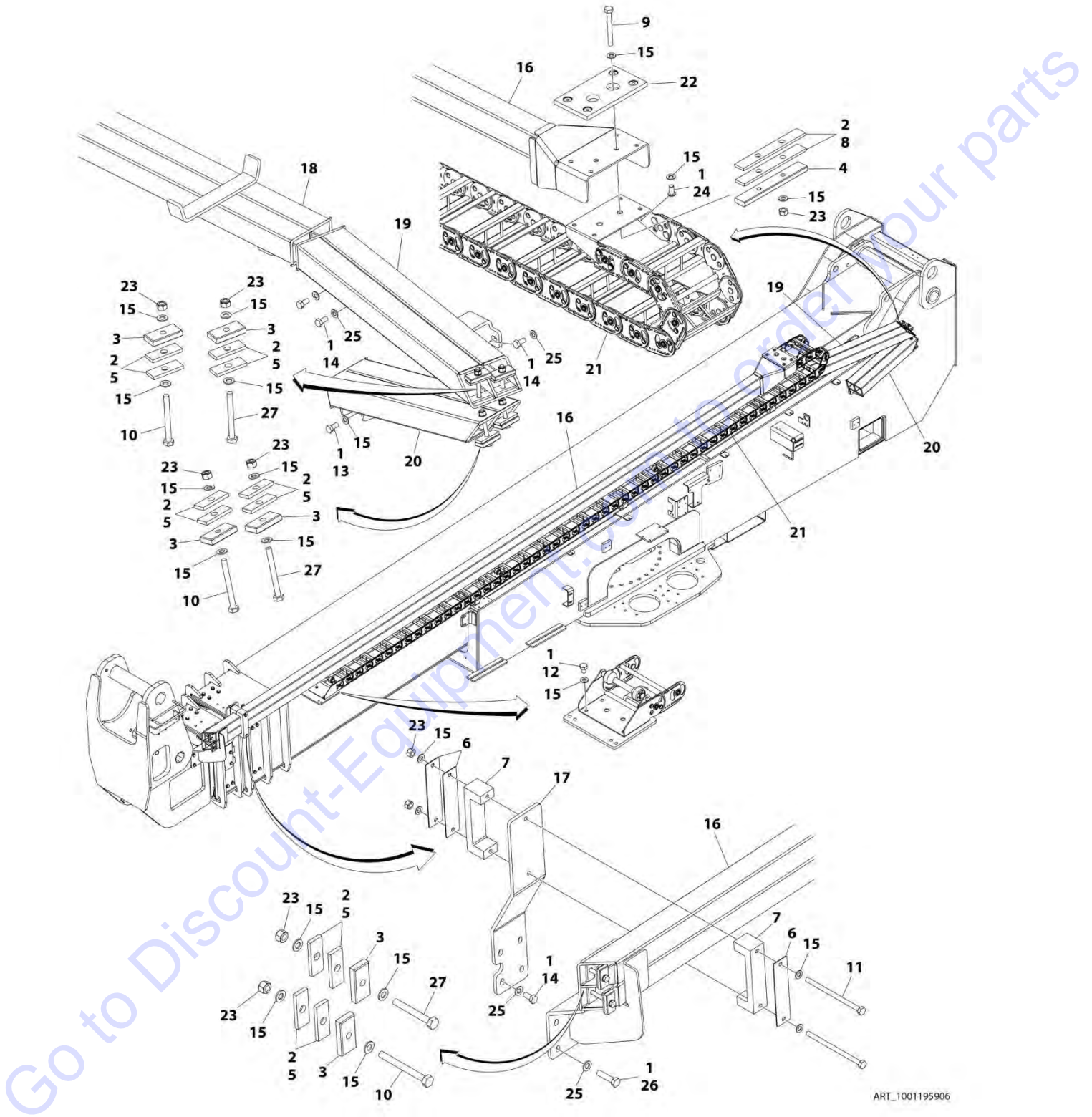
ART_1001195940

FIGURE 4-5. JIB ROTATOR ASSEMBLY

ITEM	PART NUMBER	QTY	DESCRIPTION	REV
	1001195940	Ref	JIB ROTATOR ASSEMBLY	D
1	See Note	NSS	Housing/Ring Gear (Note: Purchase Complete Assembly)	
2	70005620	1	Shaft	
3	7017187	1	Piston	
4	70005621	1	Cap	
5	7017189	1	Ring, Lock (Not Shown)	
100	70001640	1	Hardware Kit (Includes Items 105-109)	
105	See Note	NSS	Screw (Note: Use Item 100)	
106	See Note	NSS	Plug (Note: Use Item 100)	
109	See Note	NSS	Setscrew (Note: Use Item 100)	
199	70000796	1	Seal Kit (Includes Items 200-207)	
200	See Note	NSS	T-Seal (Note: Use Item 199)	
202	See Note	NSS	T-Seal (Note: Use Item 199)	
204	See Note	NSS	O-Ring (Note: Use Item 199)	
205	See Note	NSS	Seal (Note: Use Item 199)	
206	See Note	NSS	O-Ring (Note: Use Item 199)	
207	See Note	NSS	Ring, Back-up (Note: Use Item 199)	
300	70005622	1	Bearing Kit (Includes Items 302-304)	
302	See Note	NSS	Bearing (Note: Use Item 300)	
304	See Note	2	Washer, Thrust (Note: Use Item 300)	
401	70002859	1	Valve, Control (Note: Sold as Assembly Only)	
402	See Note	NSS	Bolt 1/4 x 1-1/2 Grade 8 (Note: Purchase Locally)	

SECTION 4 - BOOM

FIGURE 4-6. POWER TRACK INSTALLATION - TOWER BOOM



ART_1001195906

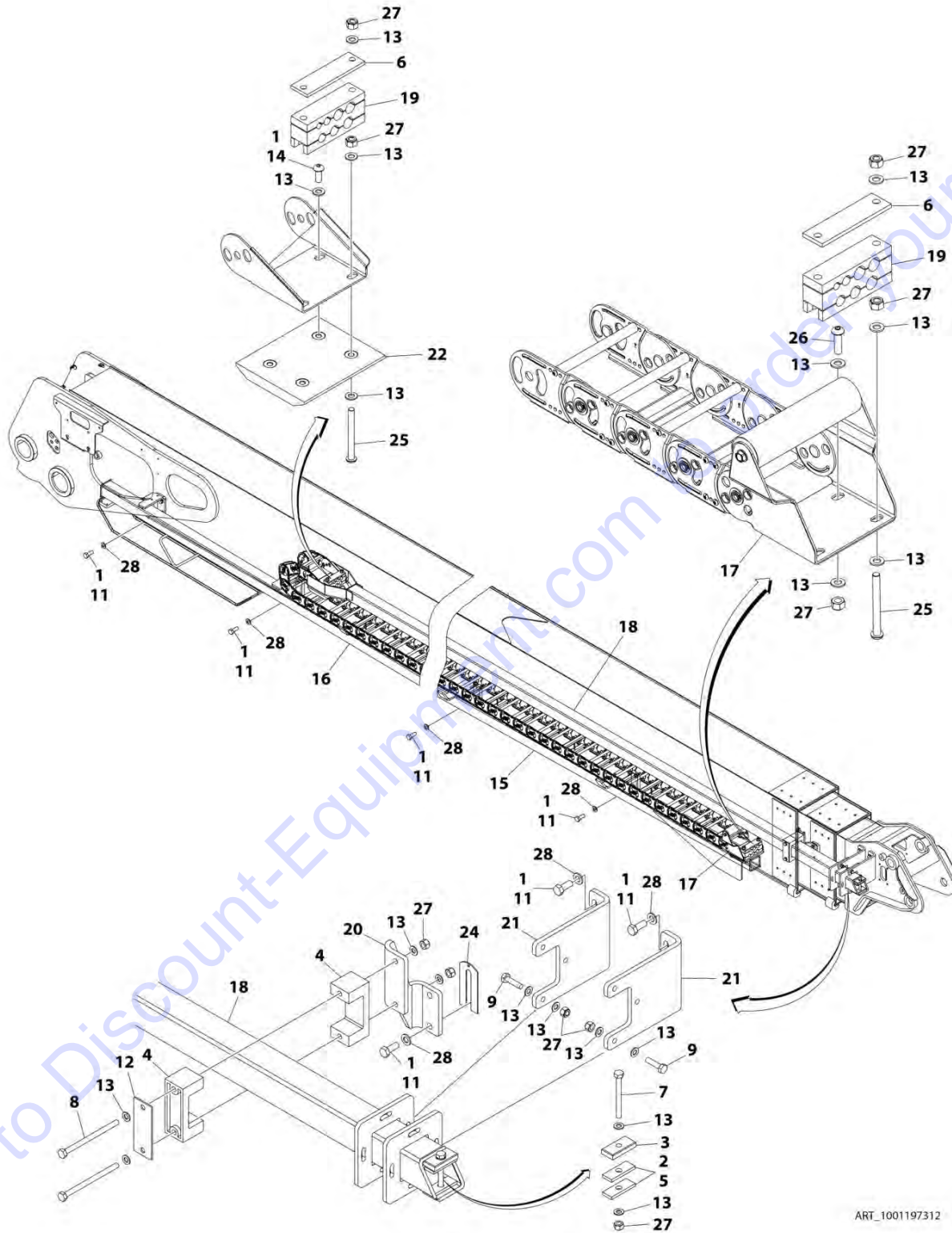
SECTION 4 - BOOM

FIGURE 4-6. POWER TRACK INSTALLATION - TOWER BOOM

ITEM	PART NUMBER	QTY	DESCRIPTION	REV
	1001195906	Ref	POWER TRACK INSTALLATION - TOWER BOOM	D
1	0100011	AR	Compound, Locking	
2	0100081	AR	Adhesive	
3	1320288	6	Clamp	
4	1320328	1	Clamp	
5	3340941	12	Pad	
6	4071076	AR	Shim	
7	4220189	2	Block	
8	4220190	2	Pad	
9	0701026001	2	Bolt M10 x 90	
10	0701027001	3	Bolt M10 x 100	
11	0701034001	2	Bolt M10 x 170	
12	0761007001	4	Bolt M10 x 14	
13	0761012001	2	Bolt M10 x 25	
14	0761212001	16	Bolt M12 x 25	
15	1001172358	30	Washer M10	
16	1001197760	1	Tube, Push	
17	1001197766	1	Plate, Support	
18	1001201997	1	Tube	
19	1001202000	1	Tube	
20	1001202002	1	Tube	
21	1001202005	1	Power Track Assembly	
21	70003919	AR	Repair Kit	
21	70003920	2	Mounting Feet & Roller Kit	
22	1001202245	1	Pad	
23	3291005001	10	Nut M10	
24	3900393001	4	Screw M10 x 20	
25	4812100001	19	Washer M12	
26	0761218001	3	Bolt M12 x 50	
27	0701024001	3	Bolt M10 x 80	

SECTION 4 - BOOM

FIGURE 4-7. POWER TRACK INSTALLATION - MAIN BOOM



ART_1001197312

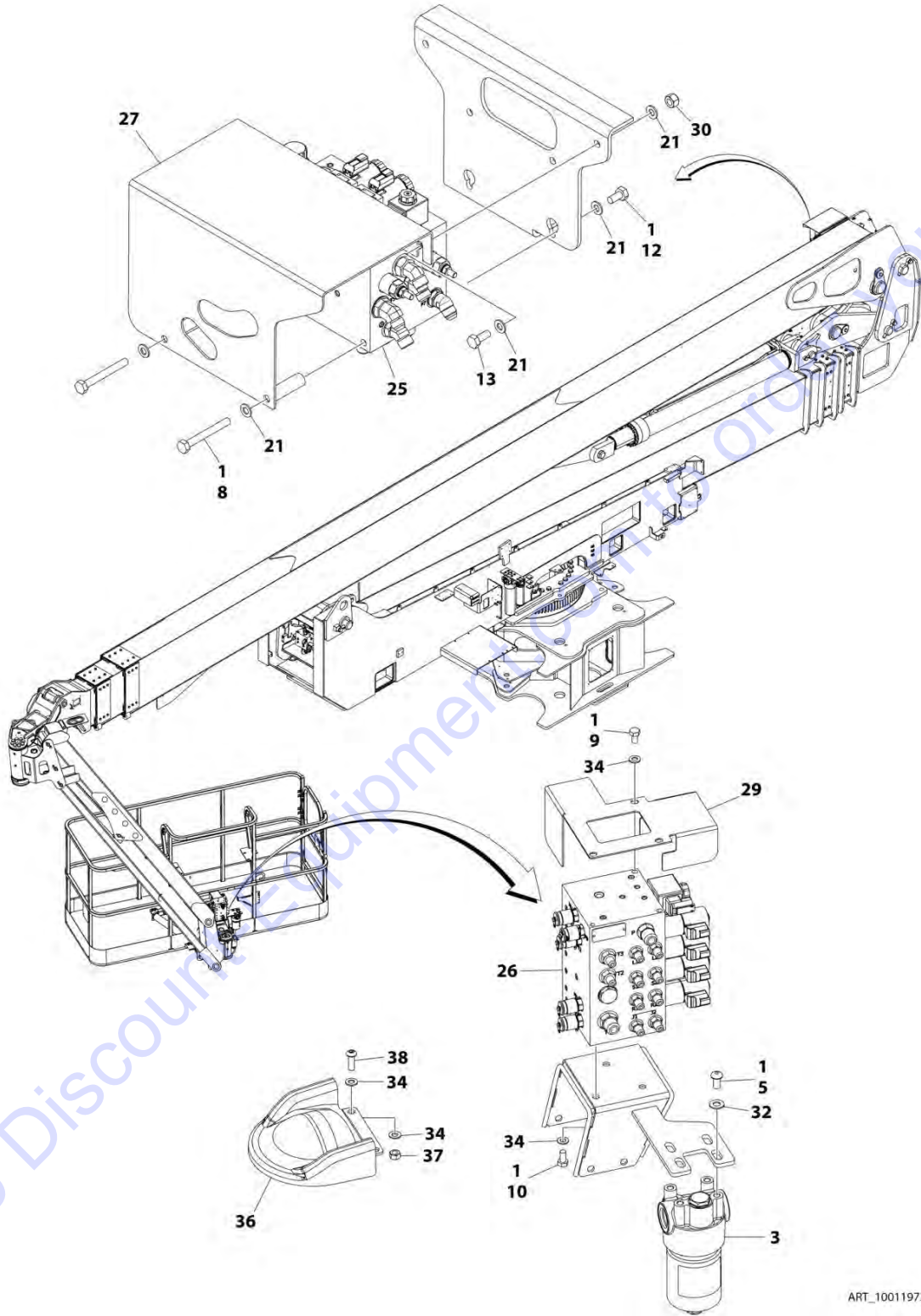
SECTION 4 - BOOM

FIGURE 4-7. POWER TRACK INSTALLATION - MAIN BOOM

ITEM	PART NUMBER	QTY	DESCRIPTION	REV
	1001197312	Ref	POWER TRACK INSTALLATION - MAIN BOOM	G
1	0100011	AR	Compound, Locking	
2	0100081	AR	Adhesive	
3	1320288	1	Clamp	
4	3340764	2	Pad	
5	3340941	2	Pad	
6	1001208596	2	Plate, Clamp	
7	0701027001	1	Bolt M10 x 100	
8	0701032001	2	Bolt M10 x 150	
9	0761016001	6	Bolt M10 x 40	
11	0761214001	20	Bolt M12 x 30	
12	1001136400	1	Plate, Mounting	
13	1001172358	34	Washer M10	
14	1001173763	2	Screw M10 x 25	
15	1001198376	1	Tube	
16	1001198377	1	Tube	
17	1001198382	1	Power Track Assembly	
17	70004071	AR	Repair Kit	
17	70005666	2	Mounting Feet Kit	
18	1001198383	1	Tube, Push	
19	1001198386	2	Clamp	
20	1001198388	1	Bracket	
21	1001198389	2	Bracket	
22	1001209633	1	Pad	
24	1001199315	AR	Shim	
25	1001199671	4	Screw M10 x 100	
26	1001200686	2	Screw M10 x 35	
27	3291005001	19	Nut M10	
28	4812100001	20	Washer M12	

SECTION 4 - BOOM

FIGURE 4-8. VALVES AND FILTERS INSTALLATION - BOOM (Prior to SN 0300223782)



ART_1001197314_30F3

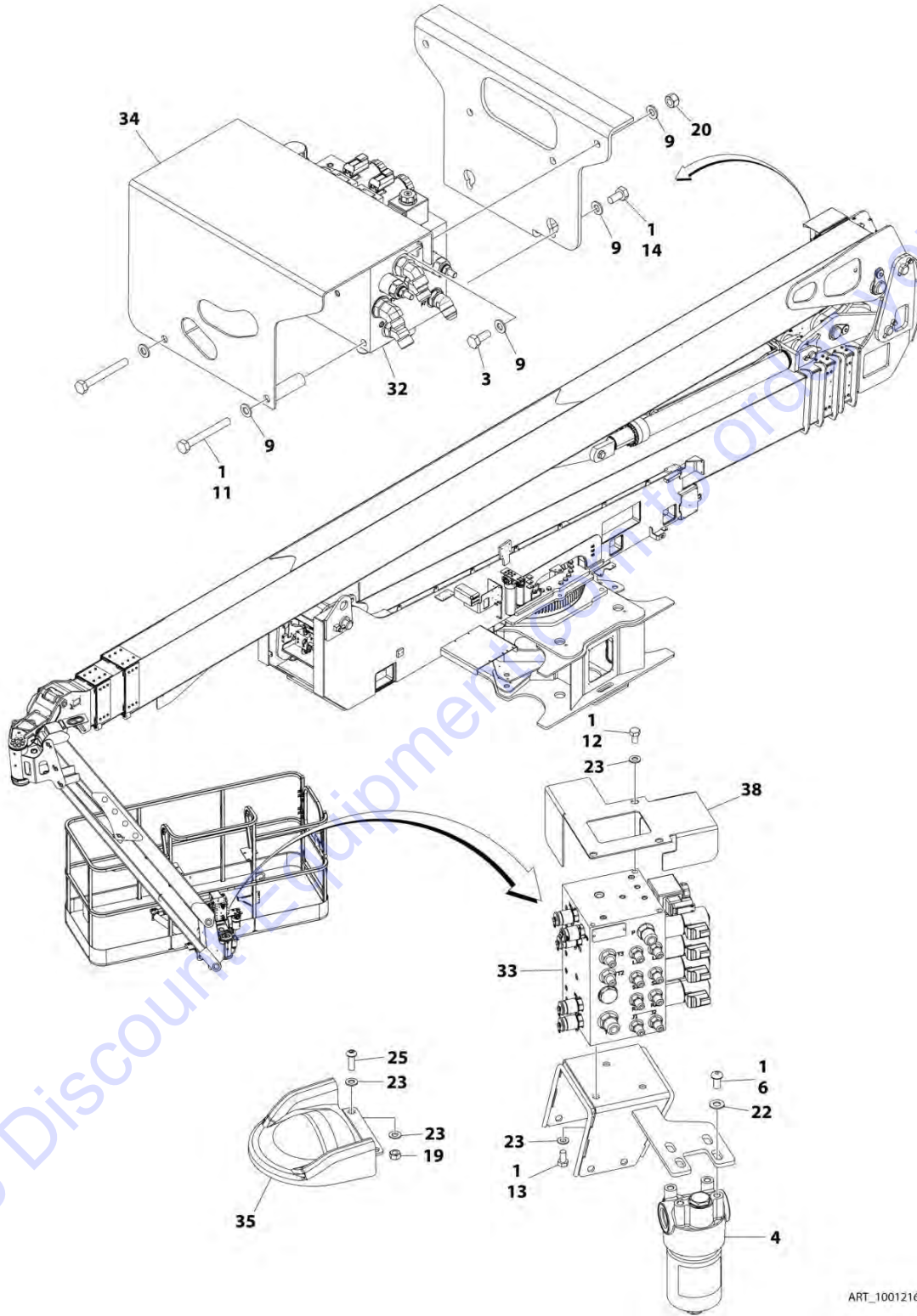
SECTION 4 - BOOM

FIGURE 4-8. VALVES AND FILTERS INSTALLATION - BOOM (Prior to SN 0300223782)

ITEM	PART NUMBER	QTY	DESCRIPTION	REV
	1001197314	Ref	VALVES AND FILTERS INSTALLATION - BOOM (Prior to SN 0300223782)	E
1	0100011	AR	Compound, Locking	
3	2120217	1	Filter	
3	70002097	1	Element	
5	3900283	4	Screw 3/8 x 3/4	
8	0701025001	2	Bolt M10 x 85	
9	0760807001	3	Bolt M8 x 14	
10	0760808001	3	Bolt M8 x 16	
12	0761010001	AR	Bolt M10 x 20	
13	0761012001	AR	Bolt M10 x 25	
21	1001172358	AR	Washer M10	
25	1001201503	1	Boom Valve Assembly (See BOOM VALVE ASSEMBLY for Breakdown)	
26	1001201986	1	Platform Valve Assembly (See PLATFORM VALVE ASSEMBLY for Breakdown)	
27	1001202692	1	Cover	
29	1001204402	1	Cover (Prior to SN 0300218236)	
29	1001214756	1	Cover (SN 0300218237 to Present)	
30	3291005001	2	Nut M10	
32	4711600001	AR	Washer 3/8	
34	4811900001	AR	Washer M8	
36	1001207969	1	Cover	
37	3290807001	2	Nut M8	
38	8310643001	2	Bolt M8 x 25	

SECTION 4 - BOOM

FIGURE 4-9. VALVES AND FILTERS INSTALLATION - BOOM (SN 0300223782 to Present)



ART_1001216976_30F3

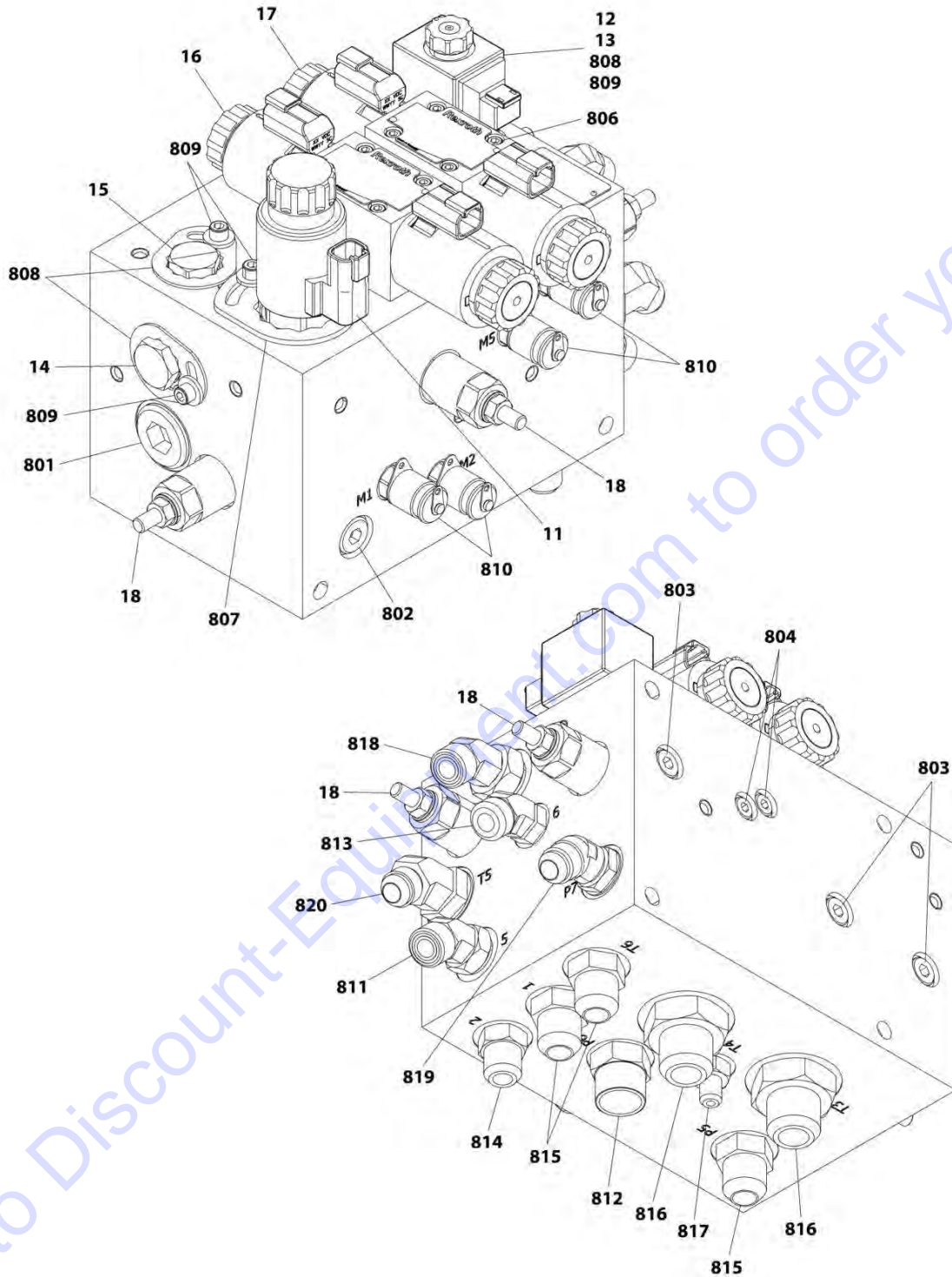
SECTION 4 - BOOM

FIGURE 4-9. VALVES AND FILTERS INSTALLATION - BOOM (SN 0300223782 to Present)

ITEM	PART NUMBER	QTY	DESCRIPTION	REV
	1001216976	Ref	VALVES AND FILTERS INSTALLATION - BOOM (SN 0300223782 to Present)	E
1	0100011	AR	Compound, Locking	
3	0761012	2	Bolt M10 x 25	
4	2120217	1	Filter	
4	70002097	1	Element	
6	3900283	4	Screw 3/8 x 3/4	
9	4812000	10	Washer M10	
11	0701025001	2	Bolt M10 x 85	
12	0760807001	3	Bolt M8 x 14	
13	0760808001	3	Bolt M8 x 16	
14	0761010001	4	Bolt M10 x 20	
19	3290807001	2	Nut M8	
20	3291005001	2	Nut M10	
22	4711600001	4	Washer 3/8	
23	4811900001	10	Washer M8	
25	8310643001	2	Bolt M8 x 25	
32	1001201503	1	Boom Valve Assembly (See BOOM VALVE ASSEMBLY for Breakdown)	
33	1001201986	1	Platform Valve Assembly (See PLATFORM VALVE ASSEMBLY for Breakdown)	
34	1001202692	1	Cover	
35	1001207969	1	Cover	
38	1001214756	1	Cover	

SECTION 4 - BOOM

FIGURE 4-10. BOOM VALVE ASSEMBLY



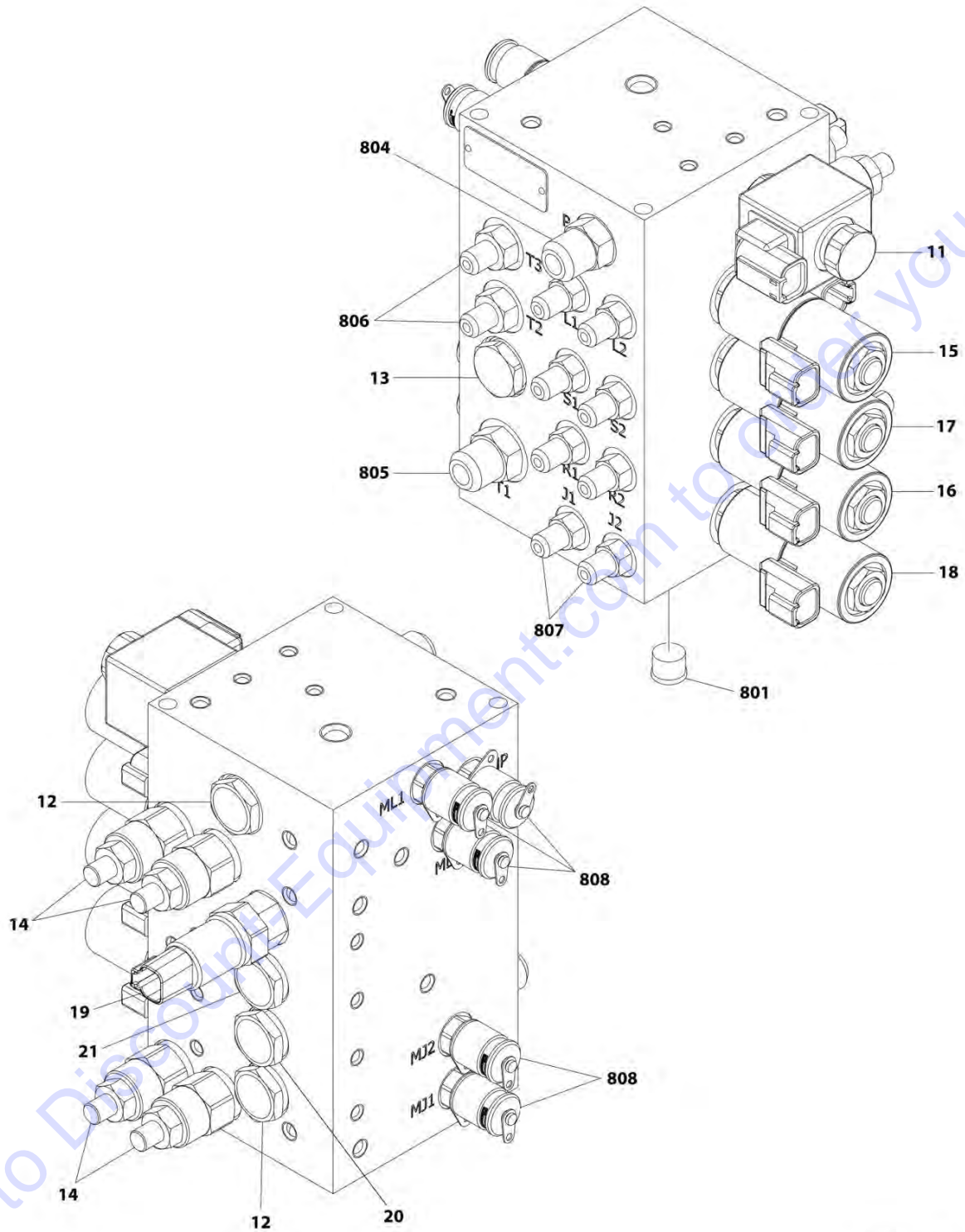
ART_1001201503

FIGURE 4-10. BOOM VALVE ASSEMBLY

ITEM	PART NUMBER	QTY	DESCRIPTION	REV
	1001201503	Ref	BOOM VALVE ASSEMBLY	J
11	70004593	1	Valve, Solenoid Less Coil (Flow Control)	
11	70004594	1	Seal Kit - 70004593 Valve	
11	70004595	1	Coil	
11	70004597	1	Nut, Coil	
11	70004596	1	O-Ring, Pole Tube	
12	7022523	1	Orifice 1mm	
13	70005962	1	Valve, Solenoid Less Coil (Directional Control)	
13	70004052	1	Seal Kit - 70005962 Valve	
13	70004588	1	Coil	
13	70004456	1	Nut Coil	
13	70004051	1	O-Ring, Pole Tube	
14	70005963	1	Valve, Cartridge (Check)	
14	70005964	1	Seal Kit - 70005963 Valve	
15	70004585	1	Valve, Cartridge (Check)	
15	70004052	1	Seal Kit - 70004585 Valve	
16	70004459	1	Valve, Solenoid Less Coil (Main Tele)	
16	7012773	1	Seal Kit - 70004459 Valve	
16	70004460	1	Coil	
16	7021375	1	Nut, Coil	
16	70004596	1	O-Ring, Pole Tube	
17	70004459	1	Valve, Solenoid Less Coil (Main Lift)	
17	7012773	1	Seal Kit - 70004459 Valve	
17	70004460	1	Coil	
17	7021375	1	Nut, Coil	
17	70004596	1	O-Ring, Pole Tube	
18	70004601	4	Valve, Cartridge (Relief)	
18	70004602	4	Seal Kit - 70004602 Valve	
801	70005965	1	Plug	
802	70002759	1	Plug	
803	70004617	5	Plug	
804	70002758	2	Plug	
806	7018942	8	Capscrew #10 x 2	
807	70005954	1	Plate, Locking	
808	70005955	1	Plate, Locking	
809	70005958	4	Capscrew	
810	2221086	4	Fitting, Test	
811	2150808	1	Fitting, 45 ORFS/ORB	
812	2111010	1	Fitting, Straight ORFS/ORB	
813	2150806	1	Fitting, 45 ORFS/ORB	
814	2220373	1	Fitting, Straight JIC/ORB	
815	2220947	3	Fitting, Straight JIC/ORB	
816	2220435	2	Fitting, Straight JIC/ORB	
817	2220582	1	Fitting, Straight JIC/ORB	
818	2150810	1	Fitting, 45 JIC/ORB	
819	2220500	1	Fitting, 45 JIC/ORB	
820	2220499	1	Fitting, 45 JIC/ORB	

SECTION 4 - BOOM

FIGURE 4-11. PLATFORM VALVE ASSEMBLY



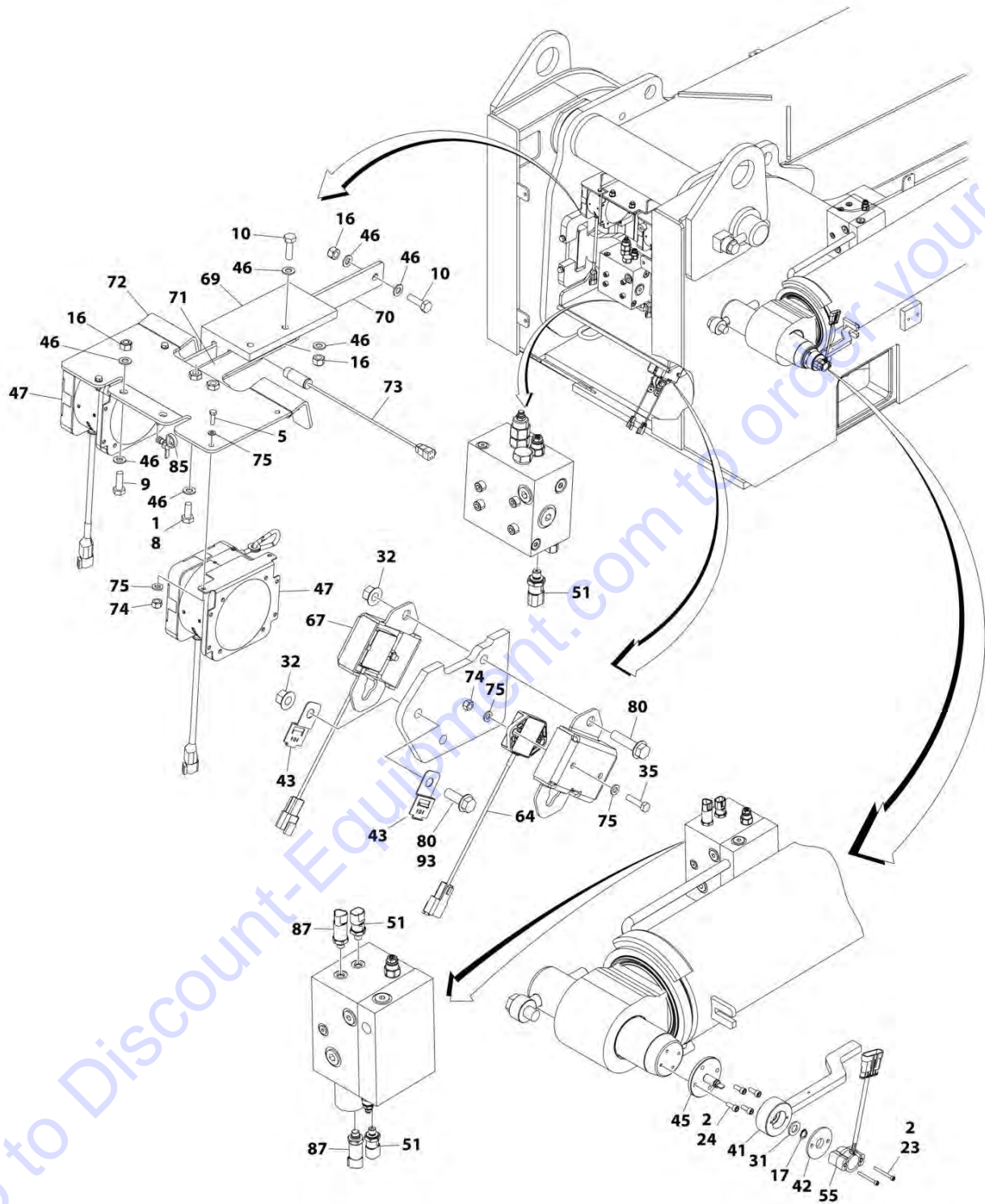
ART_1001201986

FIGURE 4-11. PLATFORM VALVE ASSEMBLY

ITEM	PART NUMBER	QTY	DESCRIPTION	REV
	1001201986	Ref	PLATFORM VALVE ASSEMBLY	J
11	70004457	1	Valve, Solenoid Less Coil (Dump)	
11	70004050	1	Seal Kit - 70004457 Valve	
11	70004653	1	Coil	
11	70004051	1	Seal Kit - 70004653 Coil	
12	70003021	2	Valve, Cartridge (Flow Control)	
12	70004052	2	Seal Kit - 70003021 Valve	
13	70004585	1	Valve, Cartridge (Check)	
13	70004052	1	Seal Kit - 70004585 Valve	
14	70003019	4	Valve, Cartridge (Pressure Relief)	
14	70004052	4	Seal Kit - 70003019 Valve	
15	7023922	1	Valve, Solenoid Less Coil (Platform Level)	
15	7017402	1	Seal Kit - 7023922 Valve	
15	7024885	2	Coil	
15	7022390	1	Nut, Coil	
15	70003023	1	Spacer, Coil	
16	7024899	1	Valve, Solenoid Less Coil (Platform Rotate)	
16	7017402	1	Seal Kit - 7024899 Valve	
16	7024885	2	Coil	
16	7022390	1	Nut, Coil	
16	70003023	1	Spacer, Coil	
17	7024899	1	Valve, Solenoid Less Coil (Platform Sideswing Rotate)	
17	7017402	1	Seal Kit - 7024899 Valve	
17	7024885	2	Coil	
17	7022390	1	Nut, Coil	
17	70003023	1	Spacer, Coil	
18	7023922	1	Valve, Solenoid Less Coil (Jib)	
18	7017402	1	Seal Kit - 7023922 Valve	
18	7024885	2	Coil	
18	7022390	1	Nut, Coil	
18	70003023	1	Spacer, Coil	
19	70005966	1	Switch, Pressure	
19	70005967	1	Connector	
20	70003027	2	Valve, Cartridge (Flow Control)	
20	70004052	2	Seal Kit - 70003027 Valve	
21	70003020	2	Valve, Cartridge (Flow Control)	
21	70004052	2	Seal Kit - 70003020 Valve	
801	70004617	1	Plug	
804	2220600	1	Fitting, Straight JIC/ORB	
805	2220373	1	Fitting, Straight JIC/ORB	
806	2220582	2	Fitting, Straight JIC/ORB	
807	2220415	8	Fitting, Straight JIC/ORB	
808	2221086	5	Fitting, Test	

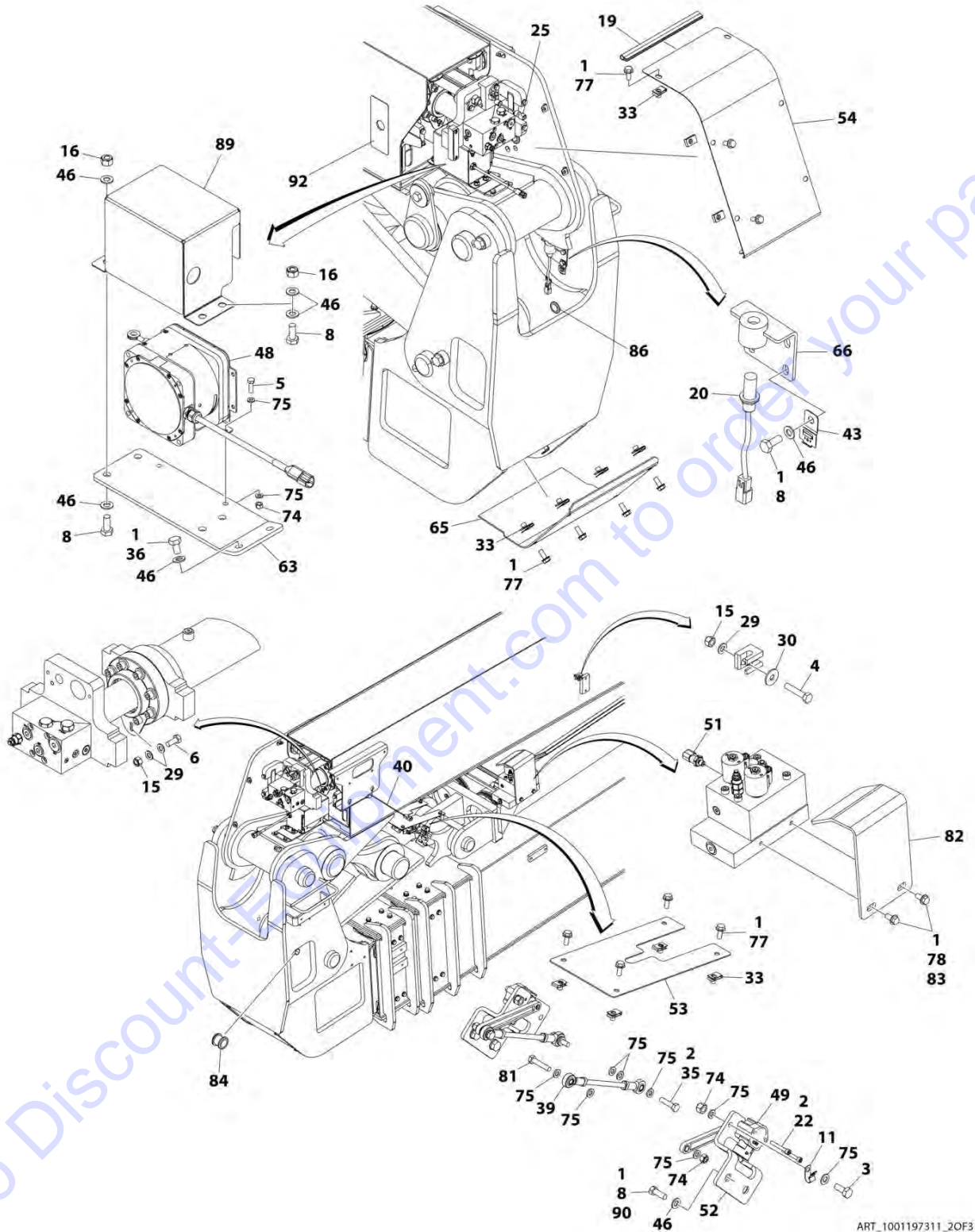
SECTION 4 - BOOM

FIGURE 4-12. BOOM SENSORS AND COVERS INSTALLATION



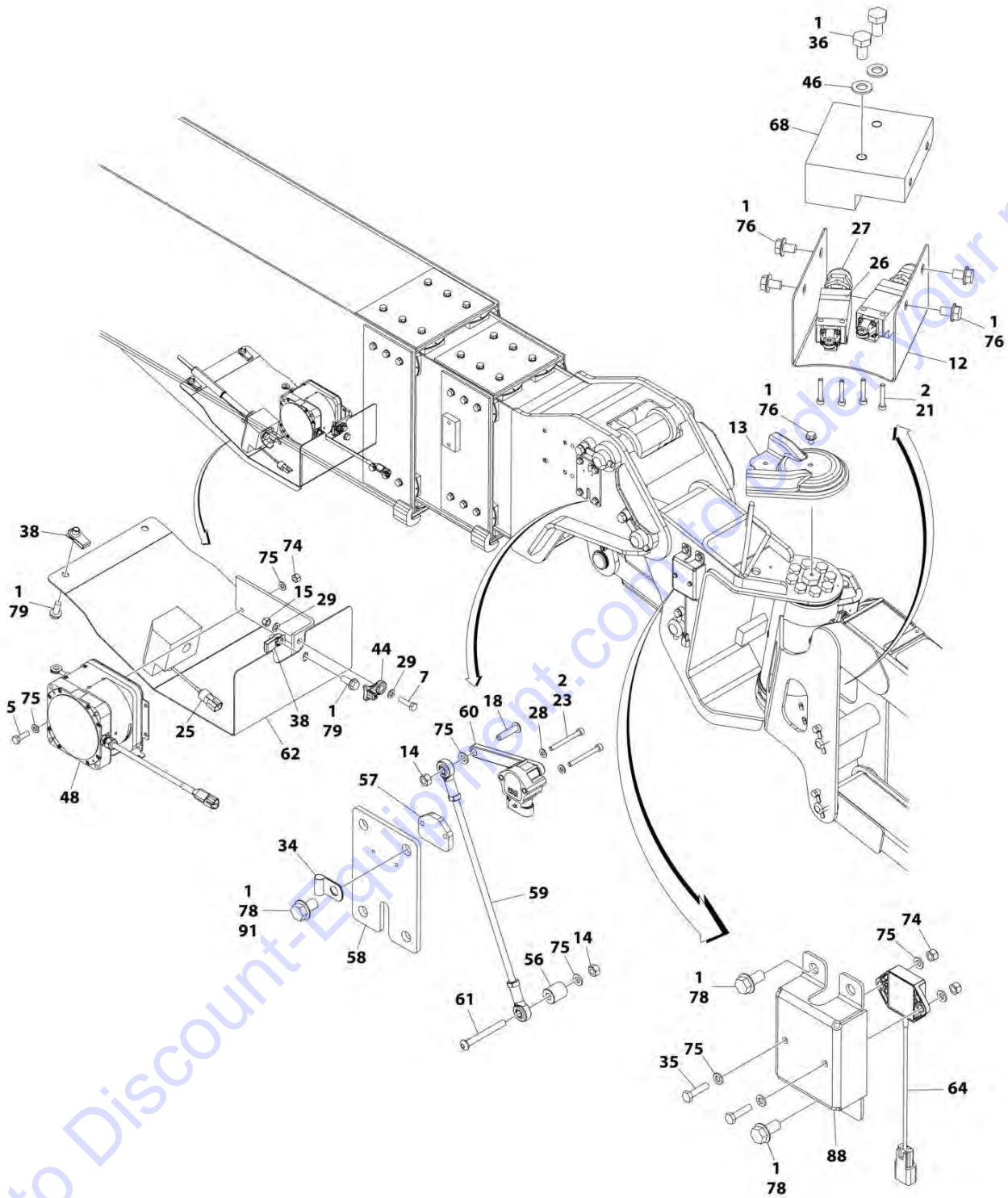
ART_1001197311_10F3

SECTION 4 - BOOM



ART_1001197311_20F3

SECTION 4 - BOOM



ART_1001197311_3OF3

FIGURE 4-12. BOOM SENSORS AND COVERS INSTALLATION

ITEM	PART NUMBER	QTY	DESCRIPTION	REV
	1001197311	Ref	BOOM SENSORS AND COVERS INSTALLATION	0
1	0100011	AR	Compound, Locking	
2	0100035	AR	Compound, Locking	
3	0700608	2	Bolt M6 x 16 (Prior to SN 0300218237)	
4	0700816	1	Bolt M8 x 40	
5	0760610	8	Bolt M6 x 20	
6	0760810	1	Bolt M8 x 20	
7	0760814	1	Bolt M8 x 30	
8	0761012001	AR	Bolt M10 x 25	
9	0761014	2	Bolt M10 x 30	
10	0761015	4	Bolt M10 x 35	
11	1321293	2	Clamp (Prior to SN 0300218237)	
12	1671039	1	Cover	
13	1671122	1	Cover	
14	3290607	2	Nut M6	
15	3290805	3	Nut M8	
16	3291005	AR	Nut M10	
17	3760383	1	Ring	
18	3900363	1	Screw M6 x 25	
19	3960389	1.1 ft/ 0.3m	Seal	
20	4000008	1	Proximity Sensor Assembly (Note: Re-calibration Required when Replaced)	
20	4461076	1	Receptacle, Female - 4 Position	
20	4460917	4	Pin, Male	
21	4031509	4	Capscrew M4 x 25	
22	4031510	4	Capscrew M4 x 30	
23	4031512	4	Capscrew M4 x 40	
24	4031707	4	Capscrew M6 x 16	
25	1001196517	2	Switch, Proximity (Note: Re-calibration Required when Replaced)	
26	4360548	2	Switch, Limit	
27	4460968	2	Connector, Strain Relief	
28	4811400	2	Washer M4	
29	4811900	5	Washer M8	
30	4811902	1	Washer M8	
31	4812100	1	Washer M12	
32	5261018	AR	Nut M10 Grade 10.9	
33	8310686	14	Nut, Retainer M8	
34	8406003	1	Clip	
35	0760612001	8	Bolt M6 x 25	
36	0761009001	4	Bolt M10 x 18	
38	1001118972	3	Nut M10	
39	1001119033	2	Link, Sensor (Prior to SN 0300223782)	
39	1001216579	2	Link, Sensor (SN 0300223782 to Present)	
40	1001120104	1	Proximity Sensor Assembly (Note: Re-calibration Required when Replaced)	
40	4460932	1	Receptacle, Female - 2 Position	
40	4460464	2	Pin, Male	
41	1001155262	1	Link, Sensor	
42	1001155836	1	Adapter	

SECTION 4 - BOOM

ITEM	PART NUMBER	QTY	DESCRIPTION	REV
43	1001155967	3	Holder	
44	1001156107	1	Holder	
45	1001156778	1	Pin	
46	1001172358	AR	Washer M10	
47	1001197960	2	Sensor, Boom Length	
47	4460954	1	Receptacle, Female - 3 Position (Prior to SN 0300256127)	
47	4460464	3	Pin, Male (Prior to SN 0300256127)	
47	4460536	1	Receptacle, Female - 3 Position (SN 0300256127 to Present)	
47	4460943	3	Pin, Male (SN 0300256127 to Present)	
47	4460539	1	Receptacle, Female - 3 Position (SN 0300256127 to Present)	
47	4460466	3	Plug, Terminal (SN 0300256127 to Present)	
48	1001197961	2	Sensor, Boom Length	
48	4460954	1	Receptacle, Female - 3 Position (Prior to SN 0300256127)	
48	4460464	3	Pin, Male (Prior to SN 0300256127)	
48	4460536	1	Receptacle, Female - 3 Position (SN 0300256127 to Present)	
48	4460943	3	Pin, Male (SN 0300256127 to Present)	
48	4460539	1	Receptacle, Female - 3 Position (SN 0300256127 to Present)	
48	4460466	3	Plug, Terminal (SN 0300256127 to Present)	
49	1001200345	2	Sensor, Angle	
51	1001200550	4	Transducer, Pressure	
52	1001200560	2	Bracket (Prior to SN 0300218237)	
52	1001216258	2	Bracket (SN 0300218237 to Present)	
53	1001200587	1	Cover	
54	1001200734	1	Panel, Boom Base	
55	1001200764	1	Sensor, BEI Angle	
55	4461228	1	Plug, Male - 6 Position	
55	1001104497	6	Socket, Female	
56	1001200834	1	Spacer	
57	1001200836	1	Plate	
58	1001200837	1	Plate, Mounting	
59	1001200838	1	Link, Sensor	
60	1001200848	1	Sensor, Angle	
61	1001200849	1	Screw M6 x 55	
62	1001201068	1	Cover	
63	1001201069	1	Bracket	
64	1001201095	3	Sensor, Angle Gravity	
64	4460910	1	Receptacle, Female - 3 Position	
64	4460917	3	Pin, Male	
64	4460913	AR	Lock, Wedge	
65	1001202055	1	Cover, Boom Fly	
66	1001202179	1	Bracket	
67	1001202182	2	Shield	
68	1001202950	1	Mount, Switch	
69	1001203898	1	Stop	
70	1001203899	1	Bar	
71	1001203900	1	Plate	
72	1001203904	1	Bracket	
73	1001204043	1	Sensor, Proximity	
73	4461077	1	Plug, Male - 4 Position	
73	4460918	4	Socket, Female	
74	3290605001	16	Nut M6	

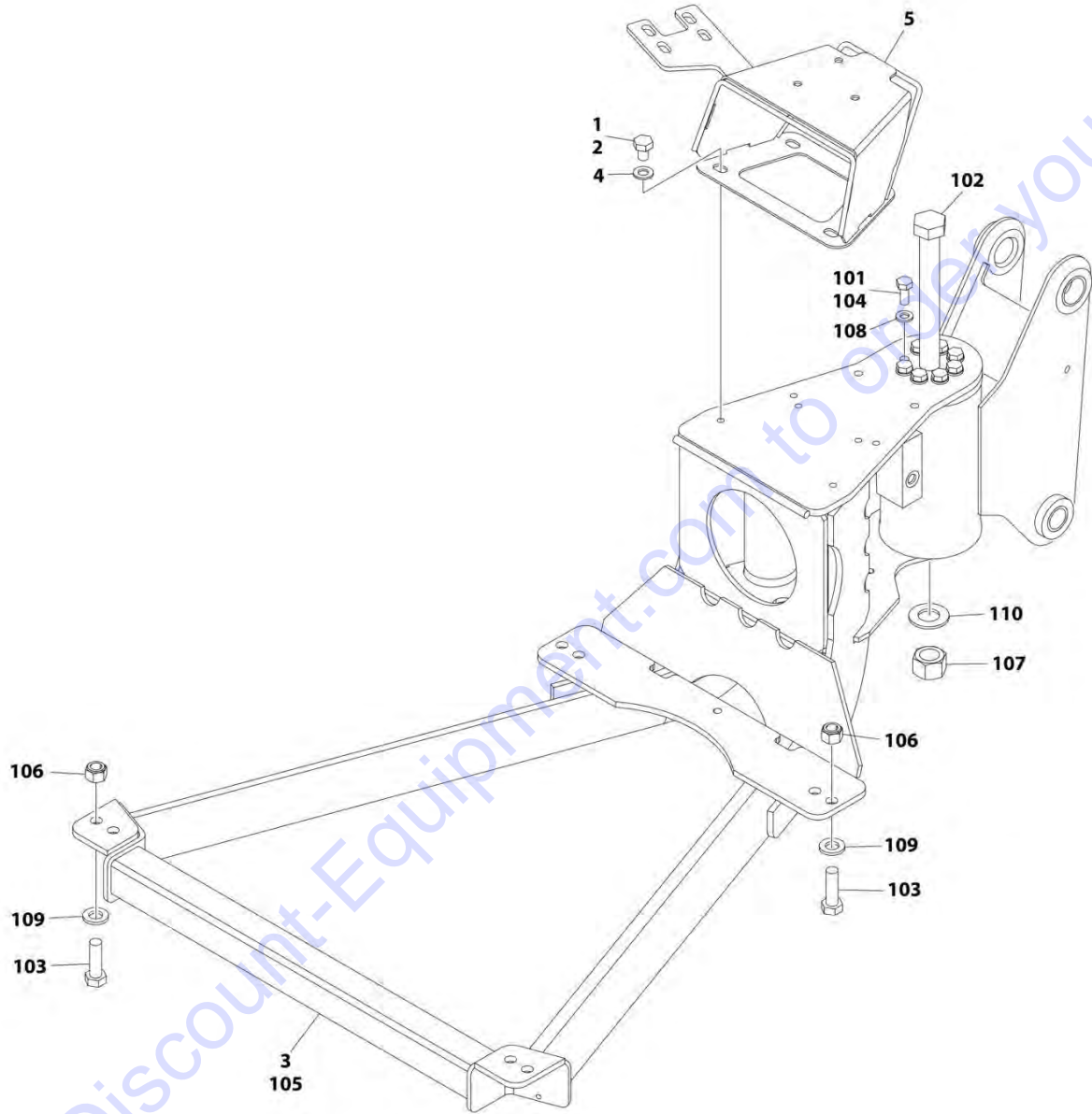
SECTION 4 - BOOM

ITEM	PART NUMBER	QTY	DESCRIPTION	REV
75	4811700001	42	Washer M6	
76	5250806001	7	Bolt M8 x 12	
77	5250810001	14	Bolt M8 x 20	
78	5251010001	AR	Bolt M10 x 20	
79	5251012001	3	Bolt M10 x 25	
80	5251016001	AR	Bolt M10 x 40	
81	0760614001	2	Bolt M6 x 30	
82	1001220470	1	Plate	
83	0100038	AR	Primer, Locking	
84	1001212663	1	Grommet	
85	7894000042	1	Tie-Strap	
86	1001213053	1	Grommet	
87	1001199043	2	Transducer, Pressure	
88	1001213836	1	Cover	
89	1001214098	1	Cover	
90	8310614	4	Screw M10 x 30	
91	5251008001	4	Bolt M10 x 16	
92	1001171324	1	Cover (SN 0300223782 to Present)	
93	5251013	AR	Bolt M10 x 28	

Go to Discount-Equipment.com to order your parts

SECTION 4 - BOOM

FIGURE 4-13. PLATFORM SUPPORT INSTALLATION - WITHOUT LSS



ART_1001204912

SECTION 4 - BOOM

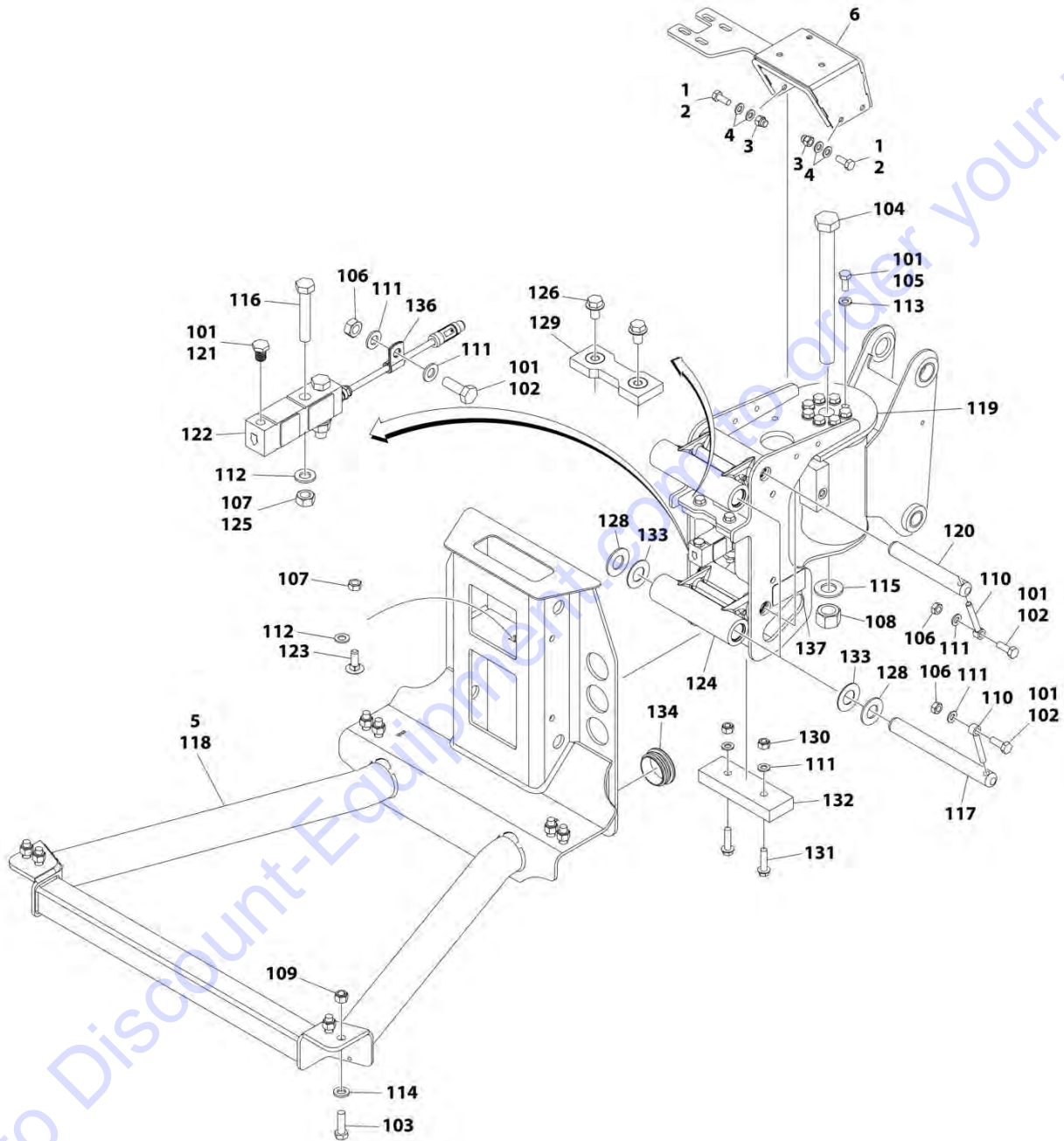
FIGURE 4-13. PLATFORM SUPPORT INSTALLATION - WITHOUT LSS

ITEM	PART NUMBER	QTY	DESCRIPTION	REV
	1001204912	Ref	PLATFORM SUPPORT INSTALLATION - WITHOUT LSS	F
1	0100011	AR	Compound, Locking	
2	0761007001	4	Bolt M10 x 14	
3	1001211337	1	Platform Support Assembly (See Items 101-110 for Breakdown)	
4	1001172358	4	Washer M10	
5	1001209313	1	Bracket, Mounting	
	1001211337	Ref	PLATFORM SUPPORT ASSEMBLY - WITHOUT LSS	B
101	0100011	AR	Compound, Locking	
102	0712444001	1	Bolt M24 x 270	
103	0761216001	8	Bolt M12 x 40	
104	0771012001	8	Bolt M10 x 25	
105	1001149734	1	Support	
106	3291205001	8	Nut M12	
107	3332415001	1	Nut M24	
108	5241000001	8	Washer M10	
109	5241200001	8	Washer M12	
110	5242400001	1	Washer M24	

Go to Discount-Equipment.com to order your parts

SECTION 4 - BOOM

FIGURE 4-14. PLATFORM SUPPORT INSTALLATION - WITH LSS



ART_1001204911

FIGURE 4-14. PLATFORM SUPPORT INSTALLATION - WITH LSS

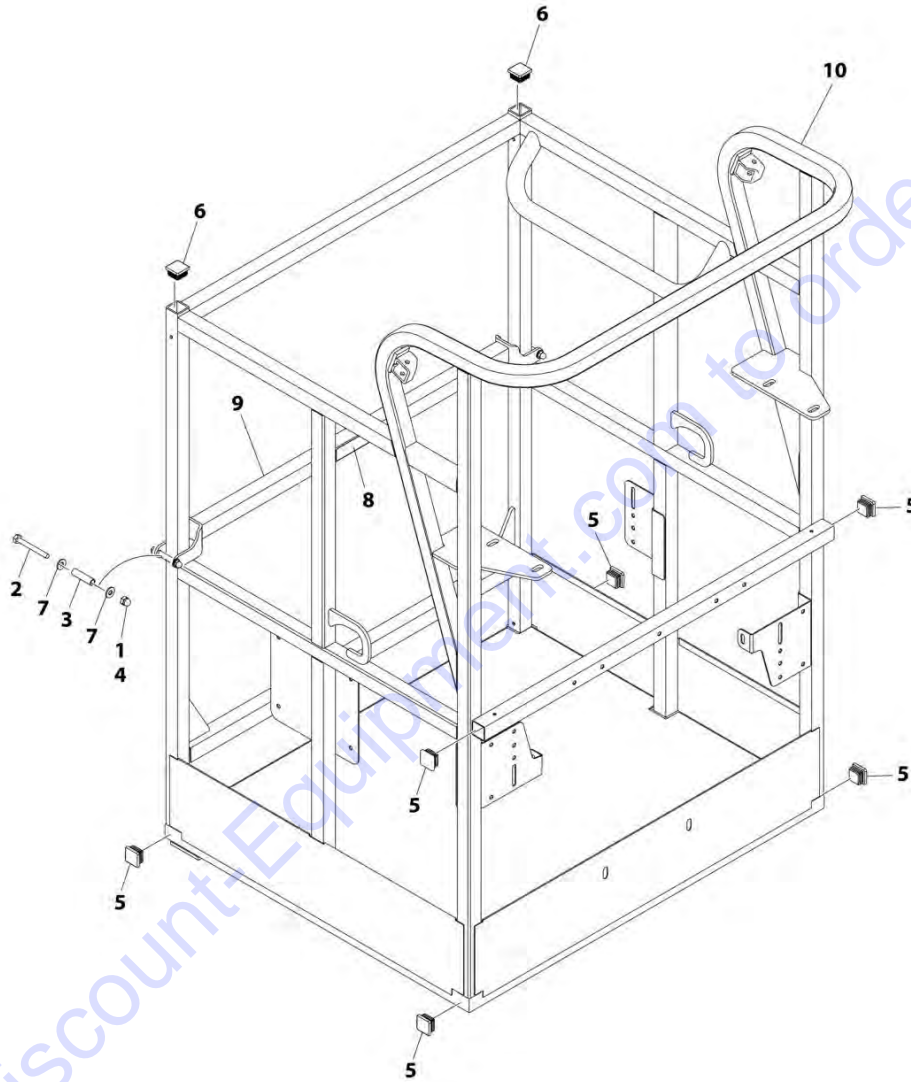
ITEM	PART NUMBER	QTY	DESCRIPTION	REV
	1001204911	Ref	PLATFORM SUPPORT INSTALLATION - WITH LSS	F
1	0100011	AR	Compound, Locking	
2	0760812001	4	Bolt M8 x 25	
3	3290805001	4	Nut M8	
4	4811900001	8	Washer M8	
5	1001207388	1	Platform Support Assembly - With LSS	
6	1001204073	1	Bracket, Mounting	
	1001207388	Ref	PLATFORM SUPPORT ASSEMBLY - WITH LSS	F
101	0100011	AR	Compound, Locking	
102	0761014001	5	Bolt M10 x 30	
103	0761216001	8	Bolt M12 x 40	
104	0712444001	1	Bolt M24 x 270	
105	0771012001	8	Bolt M10 x 25 Grade 10.9	
106	3291001001	5	Nut M10	
107	3291201001	3	Nut M12	
108	3332415001	1	Nut M24 Grade 10.9	
109	3291205001	8	Nut M12	
110	3841143	4	Keeper, Pin	
111	1001172358	8	Washer M10	
112	4812100001	3	Washer M12	
113	5241000001	8	Washer M10	
114	5241200001	8	Washer M12	
115	5242400001	1	Washer M24	
116	0711222001	2	Screw M12 x 70 Grade 10.9	
117	1001167565	2	Pin	
118	1001200494	1	Support, Platform	
119	1001167567	1	Bracket, Actuator	
120	1001168402	2	Pin	
121	1001188622	1	Screw	
122	1001172663	1	Gauge, Load Sensing	
123	1001188844	1	Bolt M12 x 35	
124	1001201351	2	Link	
125	3291207001	2	Nut M12 (Prior to SN 0300218237)	
126	5251008001	2	Bolt M10 x 16	
127	1001175244	1	LSS Harness (Not Shown - Located on Platform Console) (Prior to SN 0300218237)	
128	1001189002	8	Bearing	
129	1001190985	1	Pad, Wear	
130	3291005001	2	Nut M10	
131	5251016001	2	Bolt M10 x 40	
132	1001200491	1	Plate, Wear	
133	1001189001	4	Bearing	
134	1001204725	2	Plug	
135	4460428	1	Connector, Strain Relief (Not Shown - Located on Platform Console) (Prior to SN 0300218237)	
136	91203039	1	Clamp	
137	1001216630	2	Decal - Tie Down/No Lift	

SECTION 5 - PLATFORM

Go to Discount-Equipment.com to order your parts

SECTION 5 - PLATFORM

FIGURE 5-1. PLATFORM ASSEMBLY - 30IN X 3FT (76CM X .91M) - DROP BAR ENTRY



ART_1001228215

SECTION 5 - PLATFORM

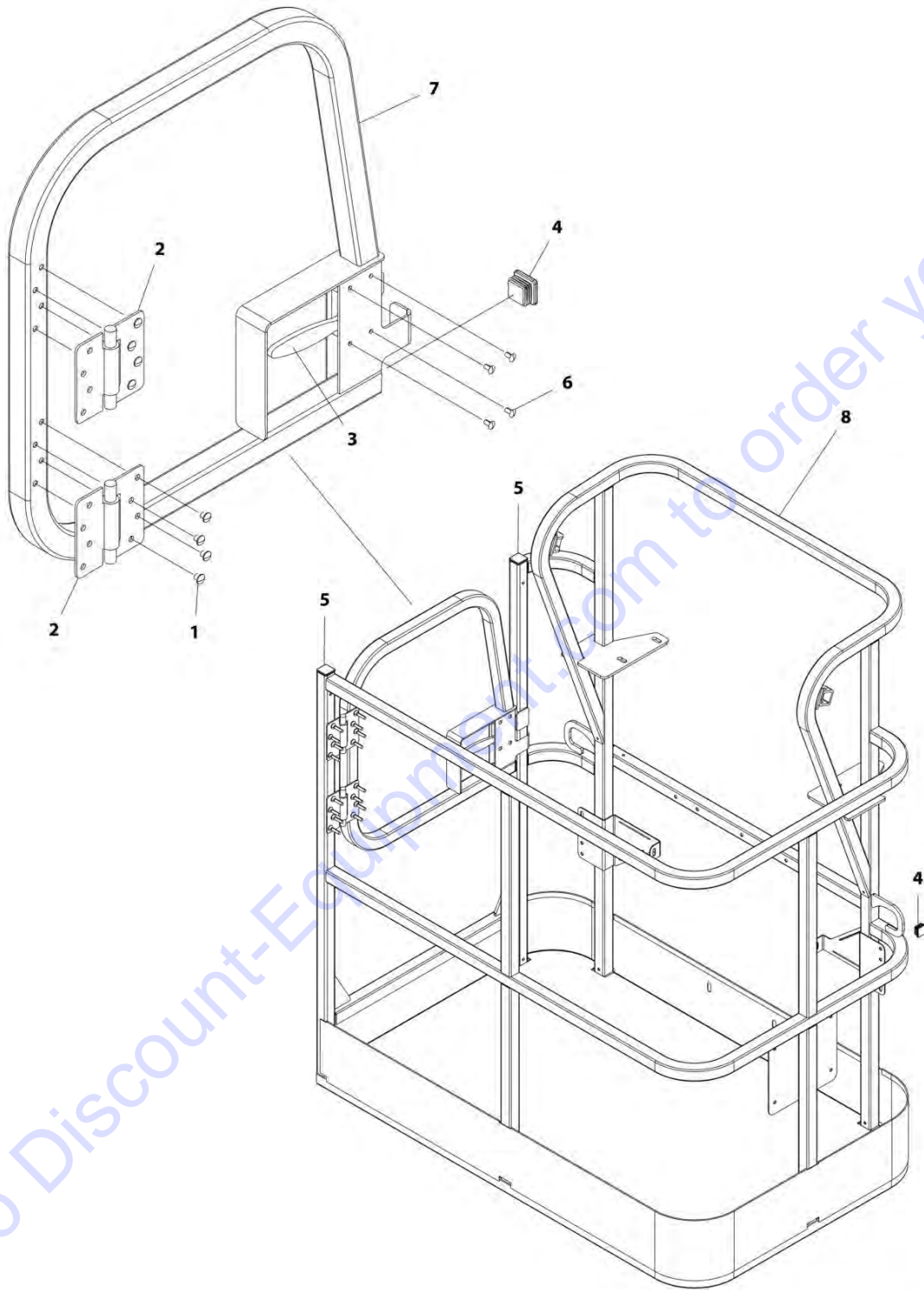
FIGURE 5-1. PLATFORM ASSEMBLY - 30IN X 3FT (76CM X .91M) - DROP BAR ENTRY

ITEM	PART NUMBER	QTY	DESCRIPTION	REV
	1001228215	Ref	PLATFORM ASSEMBLY - 30IN X 3FT (76CM X .91M) - DROP BAR ENTRY	A
	See Note	Ref	Note: Platform and Mesh must be ordered separately for Platforms with Mesh. See SPECIAL OPTIONS SECTION for Mesh Installations.	
	See Note	Ref	Note: Replacement Decals Must be Ordered Separately - See DECAL SECTION.	
1	0100011	AR	Compound, Locking	
2	0641418	2	Bolt 1/4 x 2-1/4	
3	0961845	2	Bushing	
4	3300151	2	Nut 1/4	
5	3520072	6	Cap, Plug	
6	3520198	2	Cap, Plug	
7	4711400	4	Washer 1/4	
8	1001140429	1	Decal - Drop Bar	
9	1001226872	1	Bar, Drop	
10	See Note	NSS	Platform, Weldment (Note: Not Available - Purchase Platform Assembly)	

Go to Discount-Equipment.com to order your parts

SECTION 5 - PLATFORM

FIGURE 5-2. PLATFORM ASSEMBLY - 30IN X 4FT (76.2CM X 1.22M) WITH SWING GATE



ART_1001186387

SECTION 5 - PLATFORM

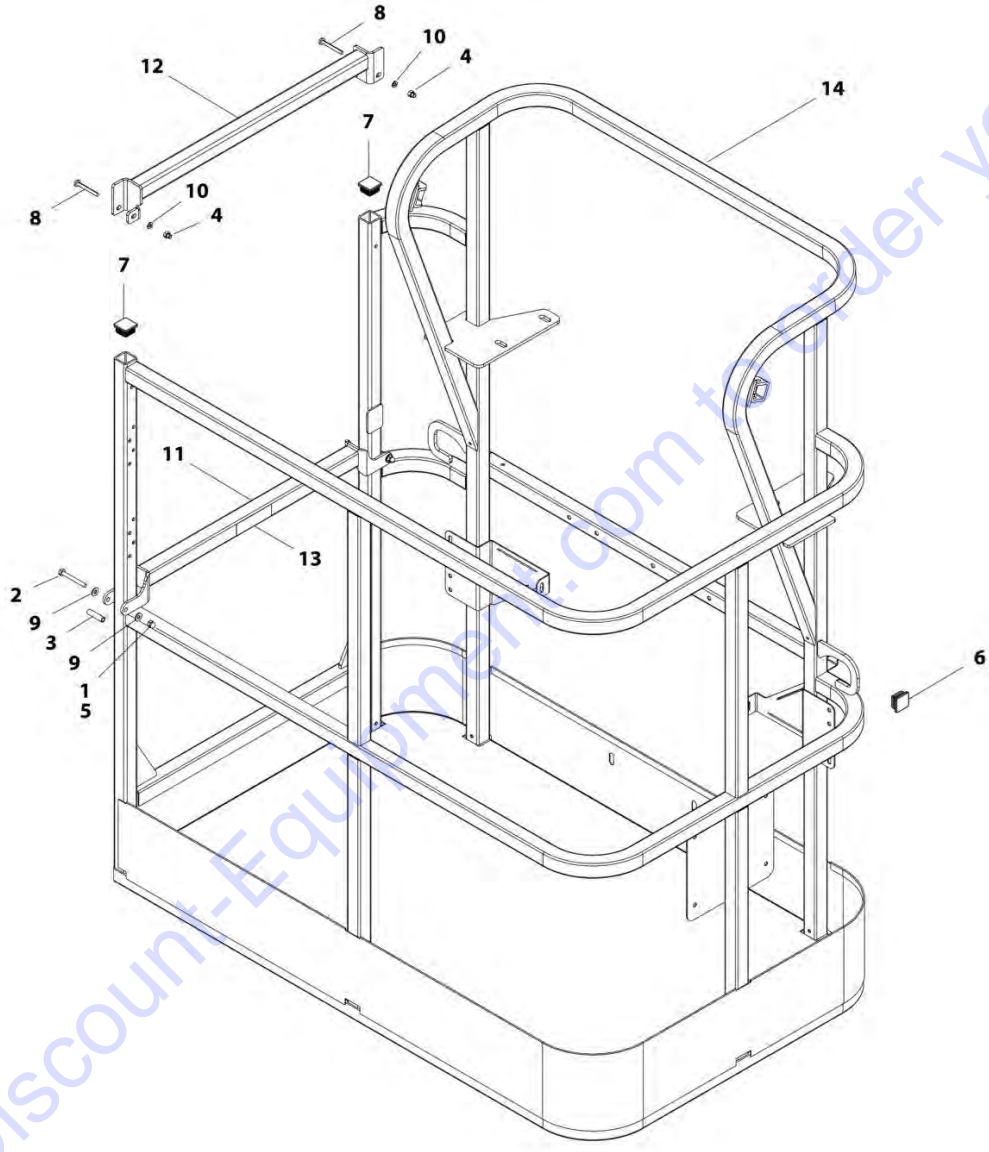
FIGURE 5-2. PLATFORM ASSEMBLY - 30IN X 4FT (76.2CM X 1.22M) WITH SWING GATE

ITEM	PART NUMBER	QTY	DESCRIPTION	REV
	1001186387	Ref	PLATFORM ASSEMBLY - 30IN X 4FT (76.2CM X 1.22M) WITH SWING GATE	B
		Ref	Note: Platform and Mesh must be ordered separately for Platforms with Mesh. See SPECIAL OPTIONS SECTION for Mesh Installations.	
		Ref	Note: Replacement Decals Must be Ordered Separately - See DECALS SECTION.	
1	2080040	16	Fastener, Huck	
2	2600281	2	Hinge	
3	2940074	1	Latch	
4	3520072	3	Plug	
5	3520198	2	Plug	
6	3820020	4	Rivet	
7	1001144629	1	Gate	
8	See Note	1	Platform (Note: Not Available - Purchase Platform Assembly)	

Go to Discount-Equipment.com to order your parts

SECTION 5 - PLATFORM

FIGURE 5-3. PLATFORM ASSEMBLY - 30IN X 4FT (76.2CM X 1.22M) WITH DROP BAR



ART_1001186375

SECTION 5 - PLATFORM

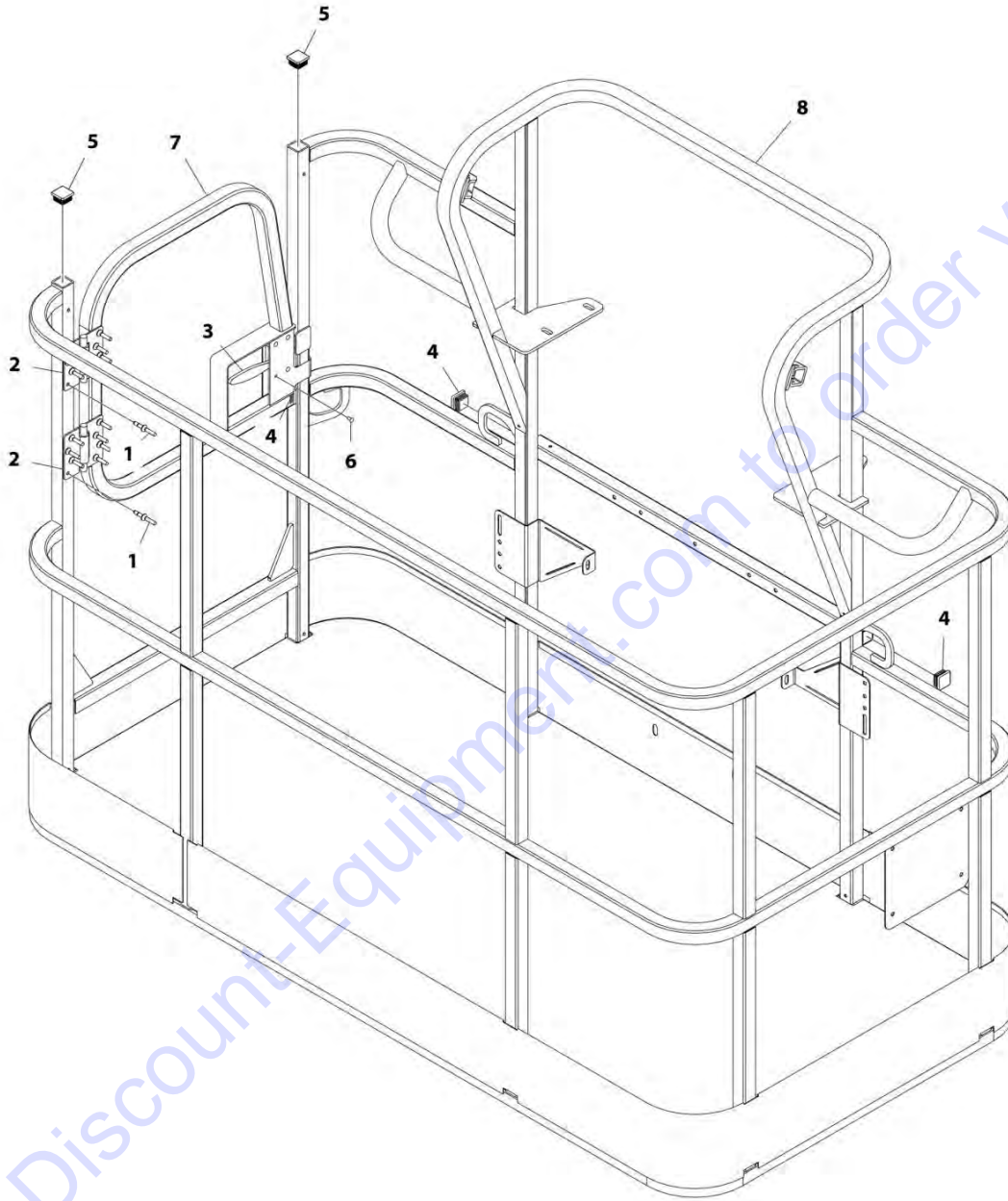
FIGURE 5-3. PLATFORM ASSEMBLY - 30IN X 4FT (76.2CM X 1.22M) WITH DROP BAR

ITEM	PART NUMBER	QTY	DESCRIPTION	REV
	1001186375	Ref	PLATFORM ASSEMBLY - 30IN X 4FT (76.2CM x 1.22M) WITH DROP BAR	B
		Ref	Note: Replacement Decals Must be Ordered Separately - See DECALS SECTION.	
1	0100011	AR	Compound, Locking	
2	0641418	2	Bolt 1/4 x 2-1/4	
3	0961845	2	Bushing	
4	3290606	2	Nut M6	
5	3300151	2	Nut 1/4	
6	3520072	2	Cap	
7	3520198	2	Cap	
8	4010618	2	Screw M6 x 50	
9	4711400	4	Washer 1/4	
10	4811700	2	Washer M6	
11	1001138494	1	Bar, Drop	
12	1001138514	1	Rail - Top	
13	1001140429	1	Decal - Drop Bar	
14	See Note	1	Platform (Note: Not Available - Purchase Platform Assembly)	

Go to Discount-Equipment.com to order your parts

SECTION 5 - PLATFORM

FIGURE 5-4. PLATFORM ASSEMBLY - 36IN X 6FT (91.5CM X 1.83M) WITH SWING GATE



ART_1001186384

SECTION 5 - PLATFORM

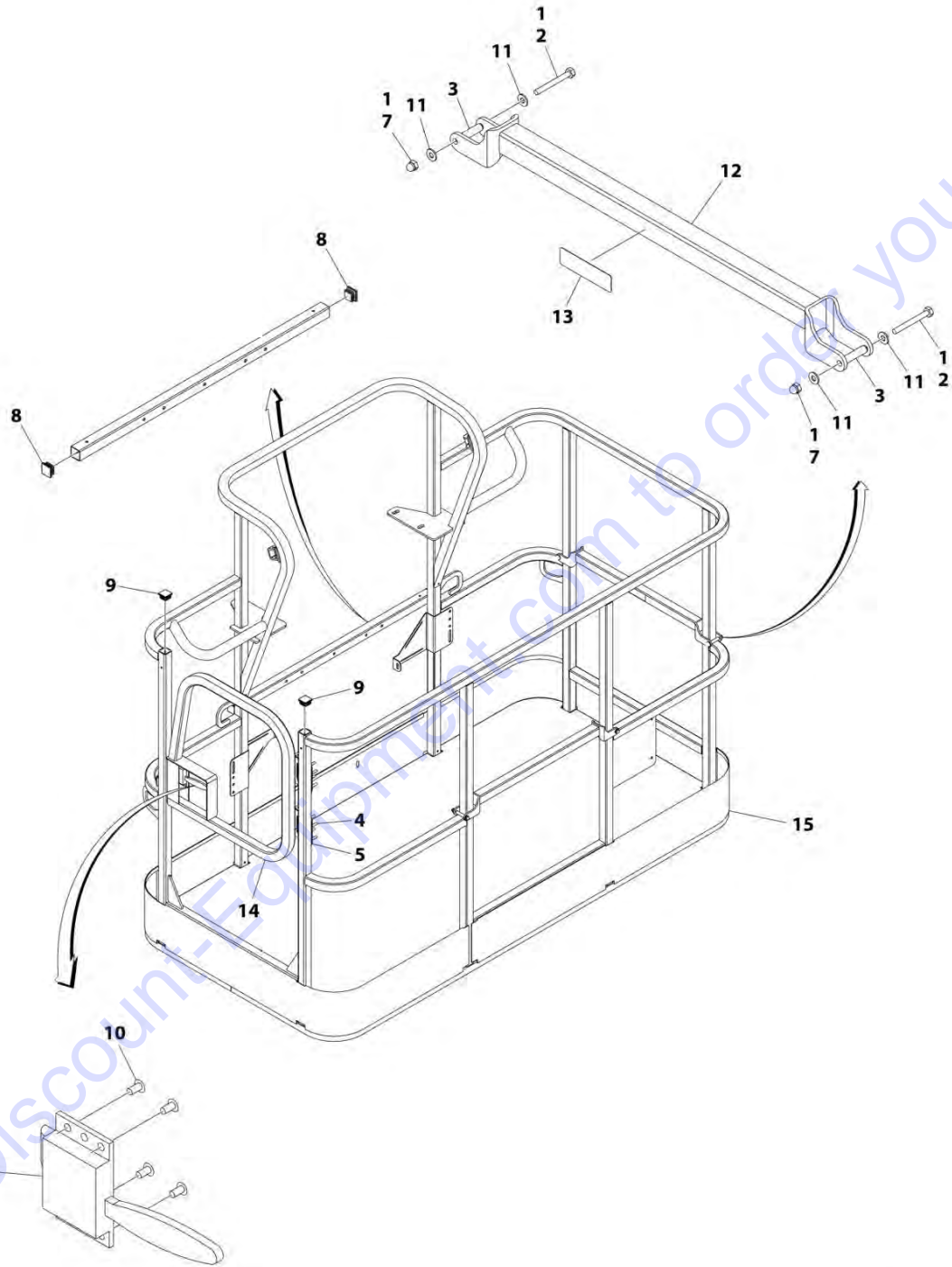
FIGURE 5-4. PLATFORM ASSEMBLY - 36IN X 6FT (91.5CM X 1.83M) WITH SWING GATE

ITEM	PART NUMBER	QTY	DESCRIPTION	REV
	1001186384	Ref	PLATFORM ASSEMBLY - 36IN X 6FT (91.5CM X 1.83M) WITH SWING GATE	B
	See Note	Ref	Note: Platform and Mesh must be ordered separately for Platforms with Mesh. See SPECIAL OPTIONS SECTION for Mesh Installations.	
	See Note	Ref	Note: Replacement Decals Must be Ordered Separately - See DECALS SECTION.	
1	2080040	16	Fastener, Huck	
2	2600281	2	Hinge	
3	2940074	1	Latch	
4	3520072	3	Plug	
5	3520198	2	Plug	
6	3820020	4	Rivet	
7	1001144629	1	Gate	
8	See Note	1	Platform (Note: Not Available - Purchase Platform Assembly)	

Go to Discount-Equipment.com to order your parts

SECTION 5 - PLATFORM

FIGURE 5-5. PLATFORM ASSEMBLY - 36IN X 6FT (91.5CM X 1.83M) TRI-ENTRY WITH SWING GATE



ART_1001228376

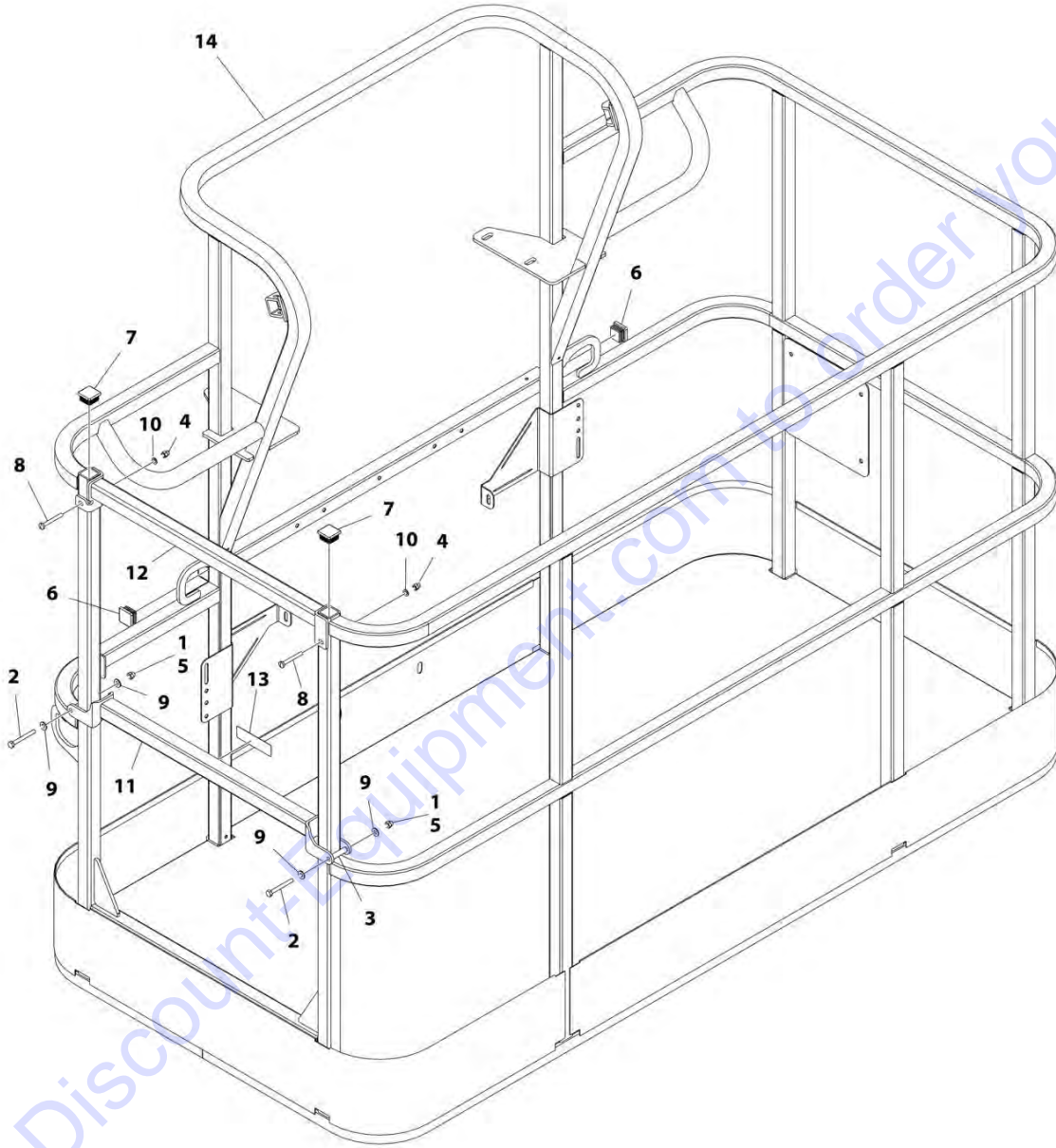
SECTION 5 - PLATFORM

FIGURE 5-5. PLATFORM ASSEMBLY - 36IN X 6FT (91.5CM X 1.83M) TRI-ENTRY WITH SWING GATE

ITEM	PART NUMBER	QTY	DESCRIPTION	REV
	1001228376	Ref	PLATFORM ASSEMBLY - 36IN x 6FT (91.5CM x 1.83M)	A
		Ref	Note: Platform and Mesh must be ordered separately for Platforms with Mesh. See SPECIAL OPTIONS SECTION for Mesh Installations.	
		Ref	Note: Replacement Decals Must be Ordered Separately - See DECAL SECTION.	
1	0100011	AR	Compound, Locking	
2	0641418	4	Bolt 1/4 x 2-1/4	
3	0961845	4	Bushing	
4	2080040	16	Fastener	
5	2600281	2	Hinge	
6	2940074	1	Latch	
7	3300151	4	Nut 1/4	
8	3520072	3	Plug	
9	3520198	2	Plug	
10	3820020	4	Rivet	
11	4711400	8	Washer 1/4	
12	1001138494	2	Bar, Drop	
13	1001140429	2	Decal - Drop Bar	
14	1001144629	1	Gate	
15	See Note	NSS	Platform (Note: Not Available - Purchase Platform Assembly)	

SECTION 5 - PLATFORM

FIGURE 5-6. PLATFORM ASSEMBLY - 36IN X 6FT (91.5CM X 1.83M) WITH DROP BAR



ART_1001186379

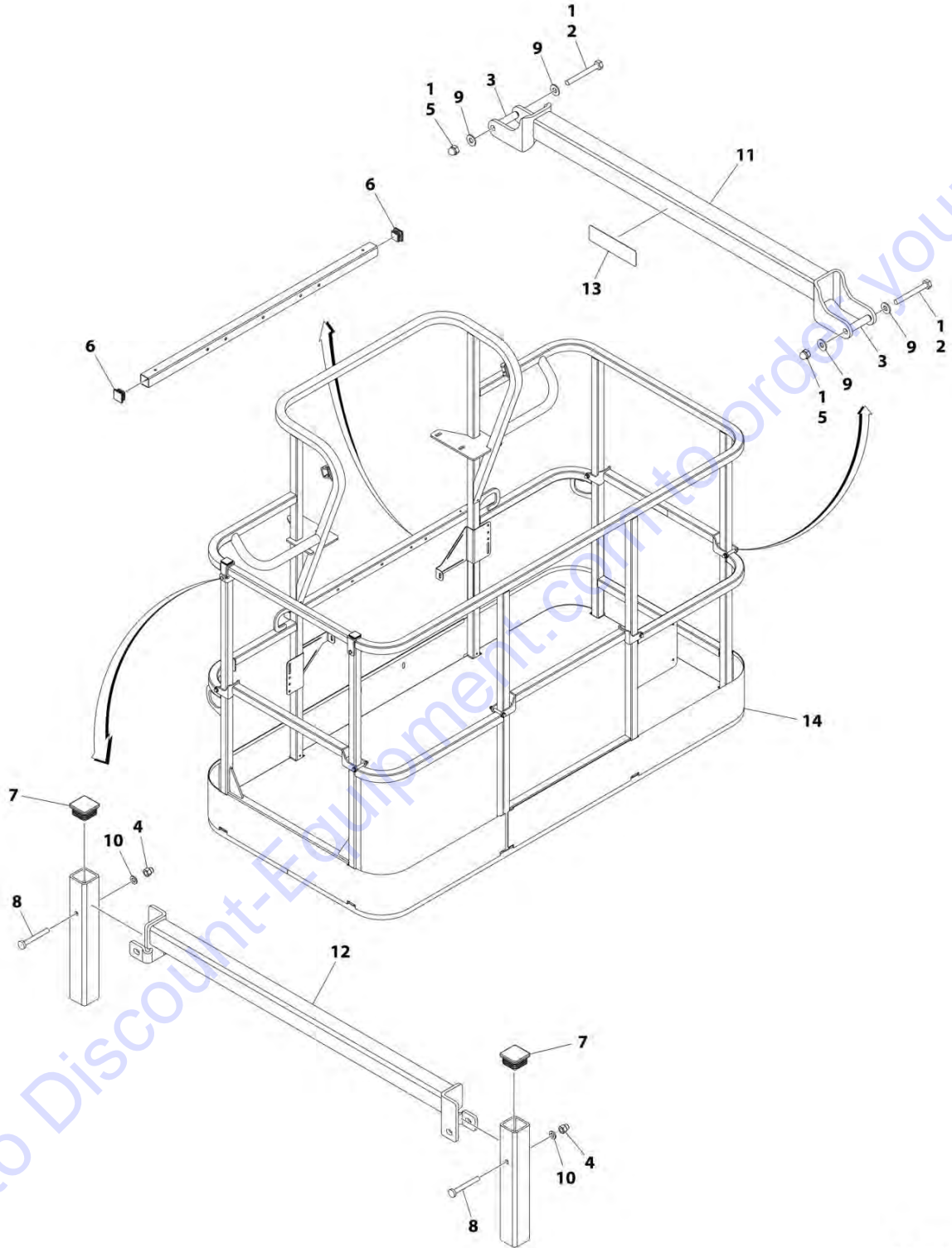
SECTION 5 - PLATFORM

FIGURE 5-6. PLATFORM ASSEMBLY - 36IN X 6FT (91.5CM X 1.83M) WITH DROP BAR

ITEM	PART NUMBER	QTY	DESCRIPTION	REV
	1001186379	Ref	PLATFORM ASSEMBLY - 36IN X 6FT (91.5CM X 1.83M) WITH DROP BAR	B
	See Note	Ref	Note: Platform and Mesh must be ordered separately for Platforms with Mesh. See SPECIAL OPTIONS SECTION for Mesh Installations.	
	See Note	Ref	Note: Replacement Decals Must be Ordered Separately - See DECALS SECTION.	
1	0100011	AR	Compound, Locking	
2	0641418	2	Bolt 1/4 x 2-1/4	
3	0961845	2	Bushing	
4	3290606	2	Nut M6 x 1	
5	3300151	2	Nut 1/4	
6	3520072	2	Plug	
7	3520198	2	Plug	
8	4010618	2	Screw M6 x 50	
9	4711400	4	Washer 1/4	
10	4811700	2	Washer M6	
11	1001138494	1	Bar, Drop	
12	1001138514	1	Rail (Top)	
13	1001140429	1	Decal - Drop Bar	
14	See Note	1	Platform (Note: Not Available - Purchase Platform Assembly)	

SECTION 5 - PLATFORM

FIGURE 5-7. PLATFORM ASSEMBLY - 36IN X 6FT (91.5CM X 1.83M) TRI-ENTRY WITH DROPBAR



ART_1001228377

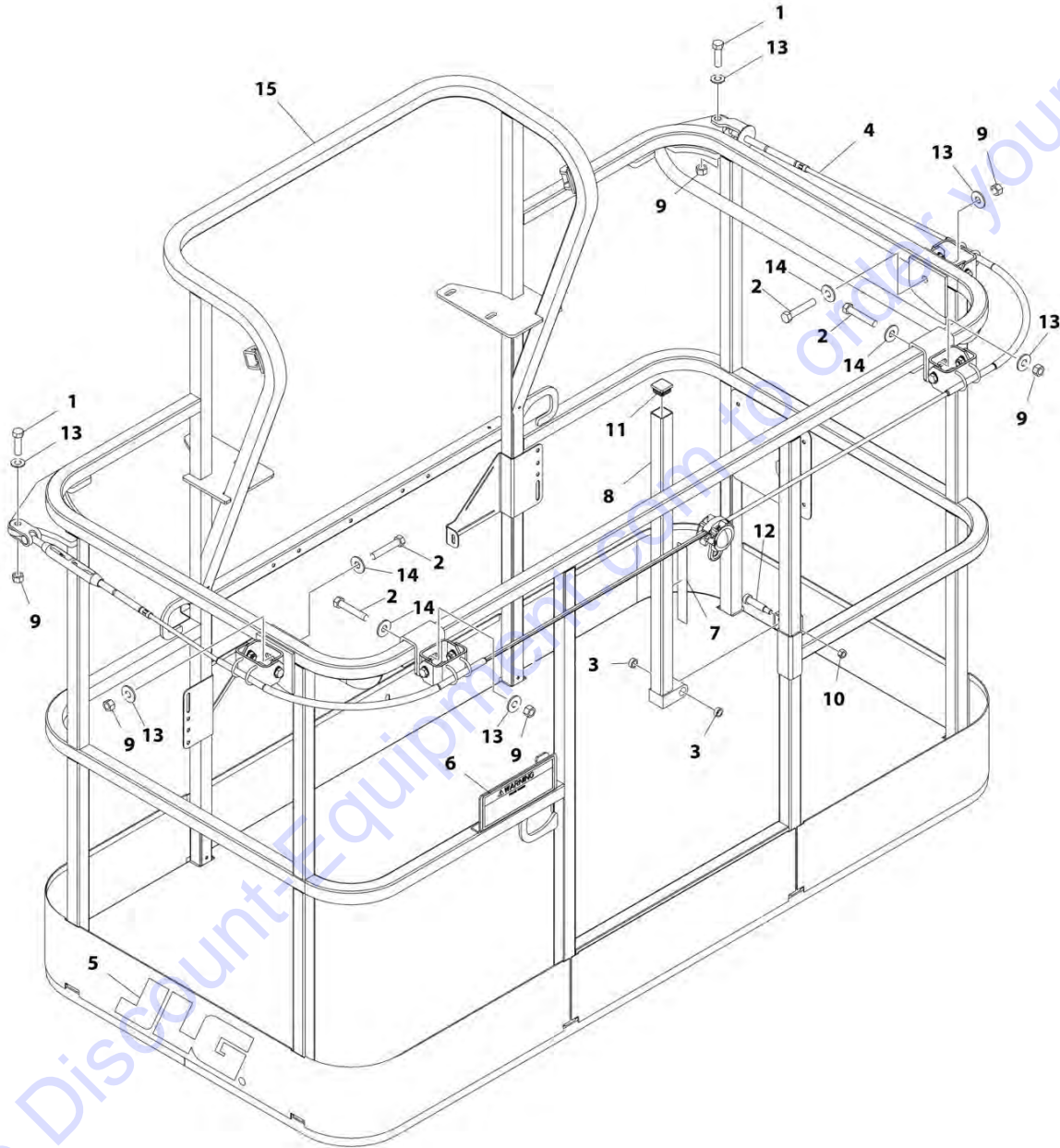
SECTION 5 - PLATFORM

FIGURE 5-7. PLATFORM ASSEMBLY - 36IN X 6FT (91.5CM X 1.83M) TRI-ENTRY WITH DROPBAR

ITEM	PART NUMBER	QTY	DESCRIPTION	REV
	1001228377	Ref	PLATFORM ASSEMBLY - 36IN x 6FT (91.5CM x 1.83M)	A
		Ref	Note: Platform and Mesh must be ordered separately for Platforms with Mesh. See SPECIAL OPTIONS SECTION for Mesh Installations.	
		Ref	Note: Replacement Decals Must be Ordered Separately - See DECAL SECTION.	
1	0100011	1	Compound, Locking	
2	0641418	6	Bolt 1/4 x 2-1/4	
3	0961845	6	Bushing	
4	3290606	2	Nut M6	
5	3300151	6	Nut 1/4	
6	3520072	2	Plug	
7	3520198	2	Plug	
8	4010618	2	Screw M6 x 50	
9	4711400	12	Washer 1/4	
10	4811700	2	Washer M6	
11	1001138494	3	Bar, Drop	
12	1001138514	1	Rail (Top)	
13	1001140429	3	Decal - Drop Bar	
14	See Note	NSS	Platform, Weldment (Note: Not Available - Purchase Platform Assembly)	

SECTION 5 - PLATFORM

FIGURE 5-8. PLATFORM ASSEMBLY - 36IN X 6FT (91.5CM X 1.83M) WITH FALL ARREST (ANSI, ANSI EXPORT AND CSA SPECS)



ART_1001186333

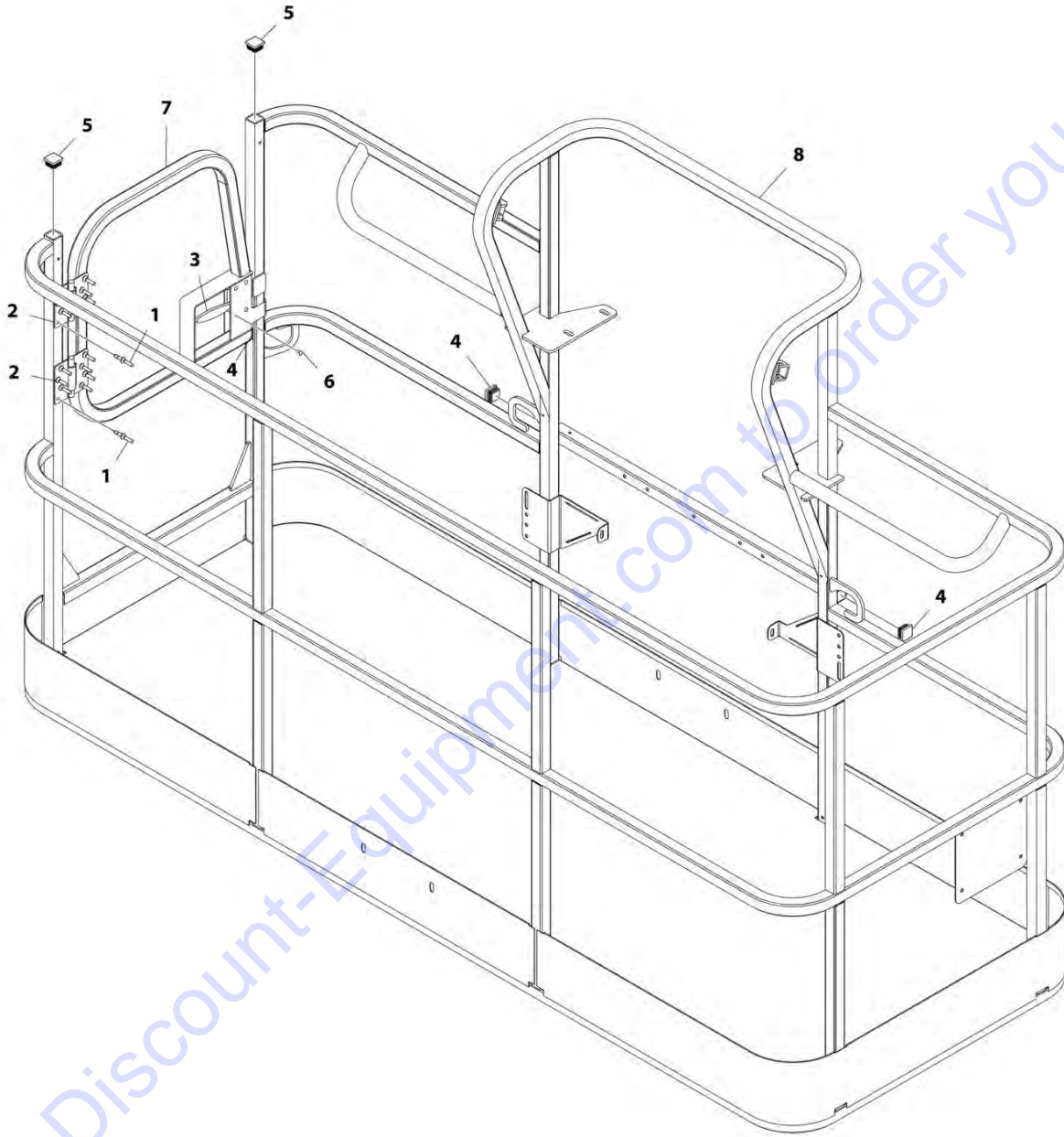
SECTION 5 - PLATFORM

FIGURE 5-8. PLATFORM ASSEMBLY - 36IN X 6FT (91.5CM X 1.83M) WITH FALL ARREST (ANSI, ANSI EXPORT AND CSA SPECS)

ITEM	PART NUMBER	QTY	DESCRIPTION	REV
	1001186333	Ref	PLATFORM ASSEMBLY - 36IN X 6FT (91.5CM X 1.83M) WITH FALL ARREST (ANSI, ANSI EXPORT AND CSA SPECS)	C
	See Note	Ref	Note: Fall Arrest Not Available on Australian & CE Specs	
	See Note	Ref	Note: Replacement Decals Must be Ordered Separately - See DECALS SECTION.	
1	0681814	2	Bolt 1/2 x 1-3/4 Grade 8	
2	0681822	4	Bolt 1/2 x 2-3/4 Grade 8	
3	0962270	2	Bearing	
4	1001203655	1	Cable	
5	1702773	1	Decal - JLG	
6	1705014	1	Decal - Safety	
7	1706385	1	Decal - Drop Bar	
8	2410014	1	Bar, Drop	
9	3271805	6	Nut 1/2 Grade 8	
10	3311605	1	Nut 3/8	
11	3520072	1	Plug	
12	3900054	1	Bolt 1/2 x 1-3/4	
13	4711800	8	Washer 1/2	
14	4751800	4	Washer 1/2	
15	See Note	1	Platform (Note: Not Available - Purchase Platform Assembly)	

SECTION 5 - PLATFORM

FIGURE 5-9. PLATFORM ASSEMBLY - 36IN X 8FT (91.5CM X 2.44M) WITH SWING GATE



ART_1001186383

SECTION 5 - PLATFORM

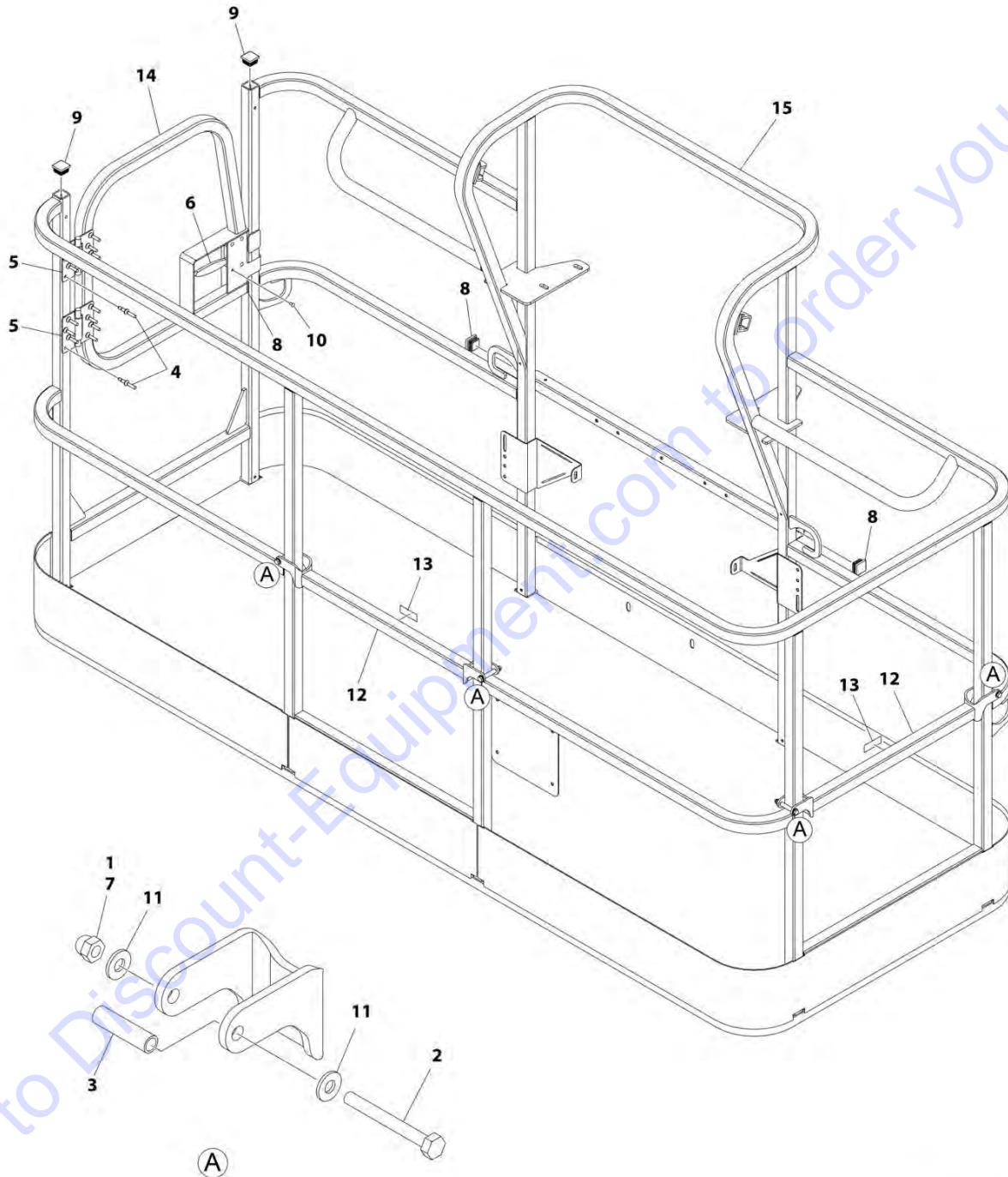
FIGURE 5-9. PLATFORM ASSEMBLY - 36IN X 8FT (91.5CM X 2.44M) WITH SWING GATE

ITEM	PART NUMBER	QTY	DESCRIPTION	REV
	1001186383	Ref	PLATFORM ASSEMBLY - 36IN X 8FT (91.5CM X 2.44M) WITH SWING GATE	C
	See Note	Ref	Note: Platform and Mesh must be ordered separately for Platforms with Mesh. See SPECIAL OPTIONS SECTION for Mesh Installations.	
	See Note	Ref	Note: Replacement Decals Must be Ordered Separately - See DECALS SECTION.	
1	2080040	16	Fastener, Huck	
2	2600281	2	Hinge	
3	2940074	1	Latch	
4	3520072	3	Plug	
5	3520198	2	Plug	
6	3820020	4	Rivet	
7	1001144629	1	Gate	
8	See Note	1	Platform (Note: Not Available - Purchase Platform Assembly)	

Go to Discount-Equipment.com to order your parts

SECTION 5 - PLATFORM

FIGURE 5-10. PLATFORM ASSEMBLY - 36IN X 8FT (91.5CM X 2.44M) WITH TRI-ENTRY (1 GATE/2 DROP BARS)



ART_1001228243

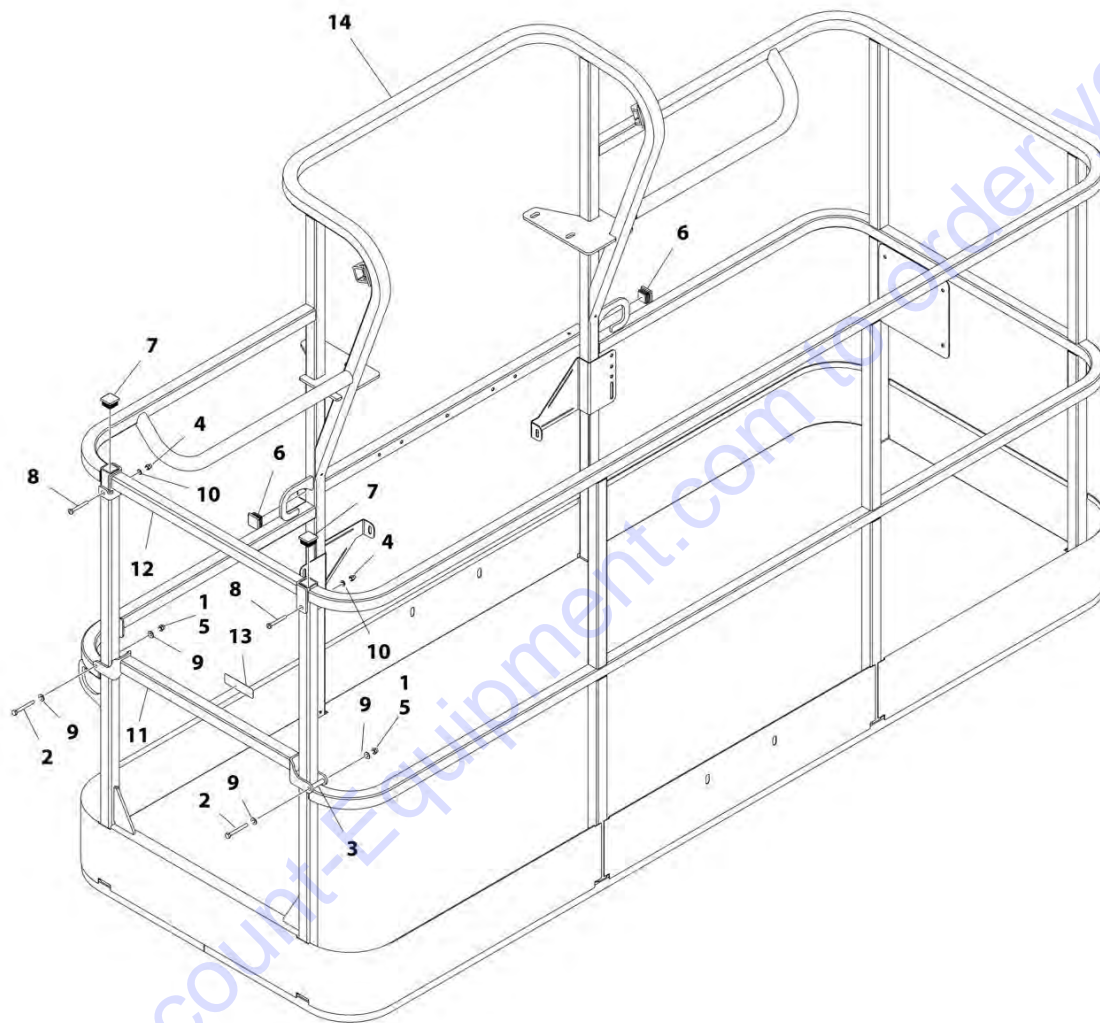
SECTION 5 - PLATFORM

FIGURE 5-10. PLATFORM ASSEMBLY - 36IN X 8FT (91.5CM X 2.44M) WITH TRI-ENTRY (1 GATE/2 DROP BARS)

ITEM	PART NUMBER	QTY	DESCRIPTION	REV
	1001228243	Ref	PLATFORM ASSEMBLY - 36IN x 8FT (91.5CM x 2.44M) TRI-ENTRY WITH DROPBAR	A
		Ref	Note: Platform and Mesh must be ordered separately for Platforms with Mesh. See SPECIAL OPTIONS SECTION for Mesh Installations.	
1	0100011	AR	Compound, Locking	
2	0641418	4	Bolt 1/4 x 2-1/4	
3	0961845	4	Bushing	
4	2080040	16	Fastener, Huck	
5	2600281	2	Hinge, Self-Closing	
6	2940074	1	Latch	
7	3300151	4	Nut 1/4	
8	3520072	3	Cap, Plug	
9	3520198	2	Cap, Plug	
10	3820020	4	Rivet	
11	4711400	8	Washer 1/4	
12	1001138494	2	Bar, Drop	
13	1001140429	2	Decal - Drop Bar	
14	1001144629	1	Gate, Weldment	
15	See Note	1	Platform (Note: Not Available - Purchase Platform Assembly)	

SECTION 5 - PLATFORM

FIGURE 5-11. PLATFORM ASSEMBLY - 36IN X 8FT (91.5CM X 2.44M) WITH DROP BAR



ART_1001186382

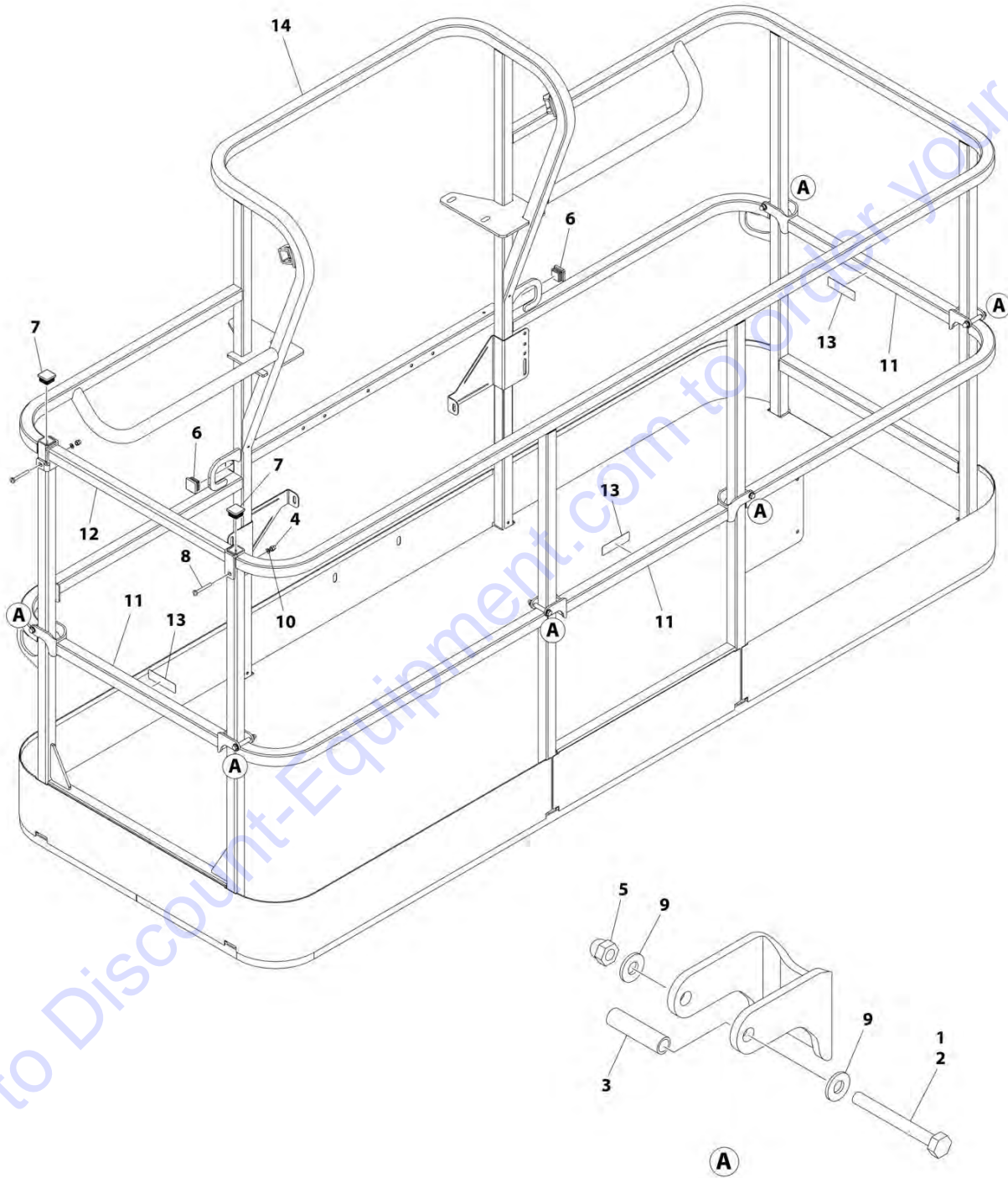
SECTION 5 - PLATFORM

FIGURE 5-11. PLATFORM ASSEMBLY - 36IN X 8FT (91.5CM X 2.44M) WITH DROP BAR

ITEM	PART NUMBER	QTY	DESCRIPTION	REV
	1001186382	Ref	PLATFORM ASSEMBLY - 36IN X 8FT (91.5CM X 2.44M) WITH DROP BAR	C
	See Note	Ref	Note: Platform and Mesh must be ordered separately for Platforms with Mesh. See SPECIAL OPTIONS SECTION for Mesh Installations.	
	See Note	Ref	Note: Replacement Decals Must be Ordered Separately - See DECALS SECTION.	
1	0100011	AR	Compound, Locking	
2	0641418	2	Bolt 1/4 x 2-1/4	
3	0961845	2	Bushing	
4	3290606	2	Nut M6 x 1	
5	3300151	2	Nut 1/4	
6	3520072	2	Plug	
7	3520198	2	Plug	
8	4010618	2	Screw M6 x 50	
9	4711400	4	Washer 1/4	
10	4811700	2	Washer M6	
11	1001138494	1	Bar, Drop	
12	1001138514	1	Rail (Top)	
13	1001140429	1	Decal - Drop Bar	
14	See Note	NSS	Platform (Note: Not Available - Purchase Platform Assembly)	

SECTION 5 - PLATFORM

FIGURE 5-12. PLATFORM ASSEMBLY - 36IN X 8FT (91.5CM X 2.44M) WITH TRI-ENTRY (3 DROP BARS)



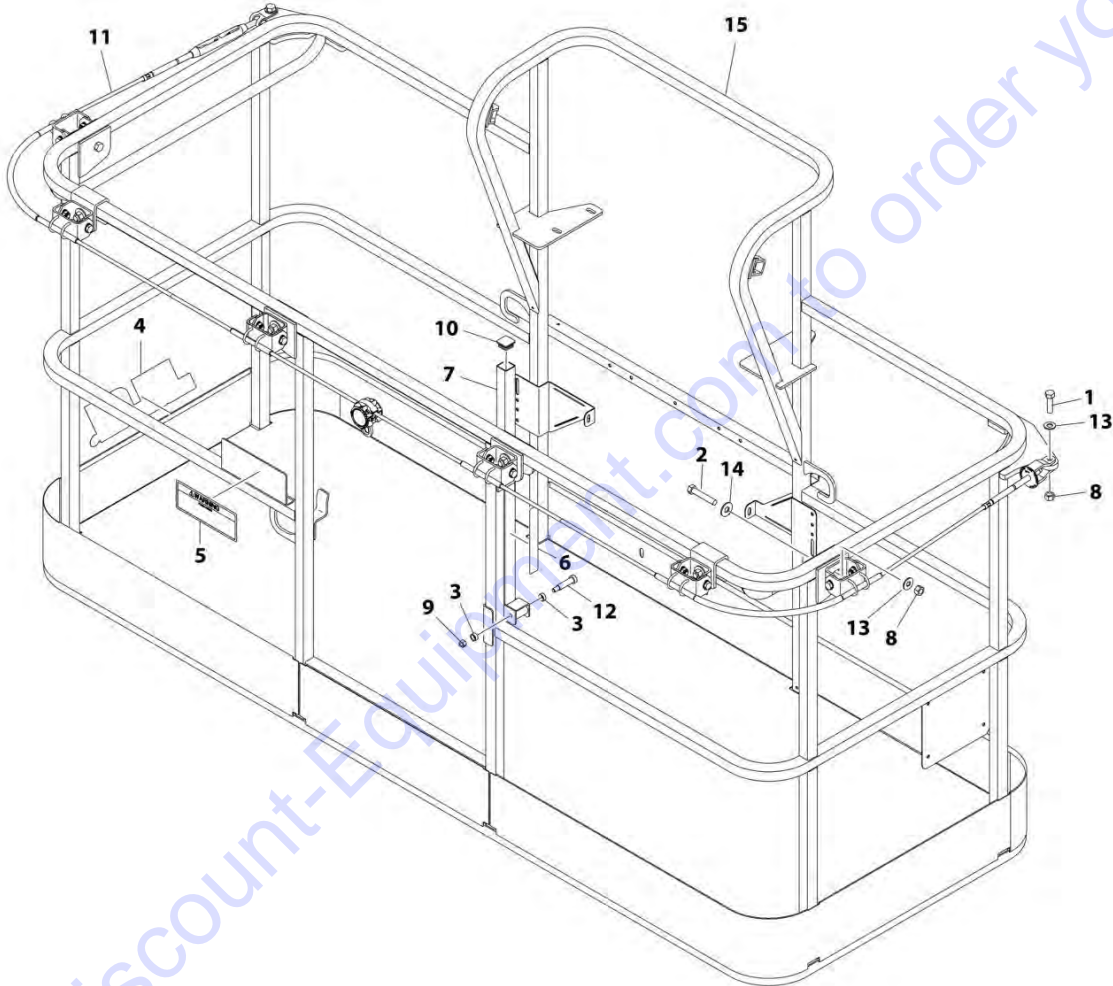
SECTION 5 - PLATFORM

FIGURE 5-12. PLATFORM ASSEMBLY - 36IN X 8FT (91.5CM X 2.44M) WITH TRI-ENTRY (3 DROP BARS)

ITEM	PART NUMBER	QTY	DESCRIPTION	REV
	1001228375	Ref	PLATFORM ASSEMBLY - 36IN x 8FT (91.5CM x 2.44M) TRI-ENTRY WITH DROPGATE	A
		Ref	Note: Platform and Mesh must be ordered separately for Platforms with Mesh. See SPECIAL OPTIONS SECTION for Mesh Installations.	
		Ref	Note: Replacement Decals Must be Ordered Separately - See DECAL SECTION.	
1	0100011	AR	Compound, Locking	
2	0641418	6	Bolt 1/4 x 2-1/4	
3	0961845	6	Bushing	
4	3290606	2	Nut M6 x 1	
5	3300151	6	Nut 1/4	
6	3520072	2	Cap, Plug	
7	3520198	2	Cap, Plug	
8	4010618	2	Screw M6 x 50	
9	4711400	12	Washer 1/4	
10	4811700	2	Washer M6	
11	1001138494	3	Bar, Drop	
12	1001138514	1	Rail (Top)	
13	1001140429	3	Decal - Drop Bar	
14	See Note	1	Platform (Note: Not Available - Purchase Platform Assembly)	

SECTION 5 - PLATFORM

FIGURE 5-13. PLATFORM ASSEMBLY - 36IN X 8FT (91.5CM X 2.44M) WITH FALL ARREST (ANSI, ANSI EXPORT AND CSA SPECS)



ART_1001186334

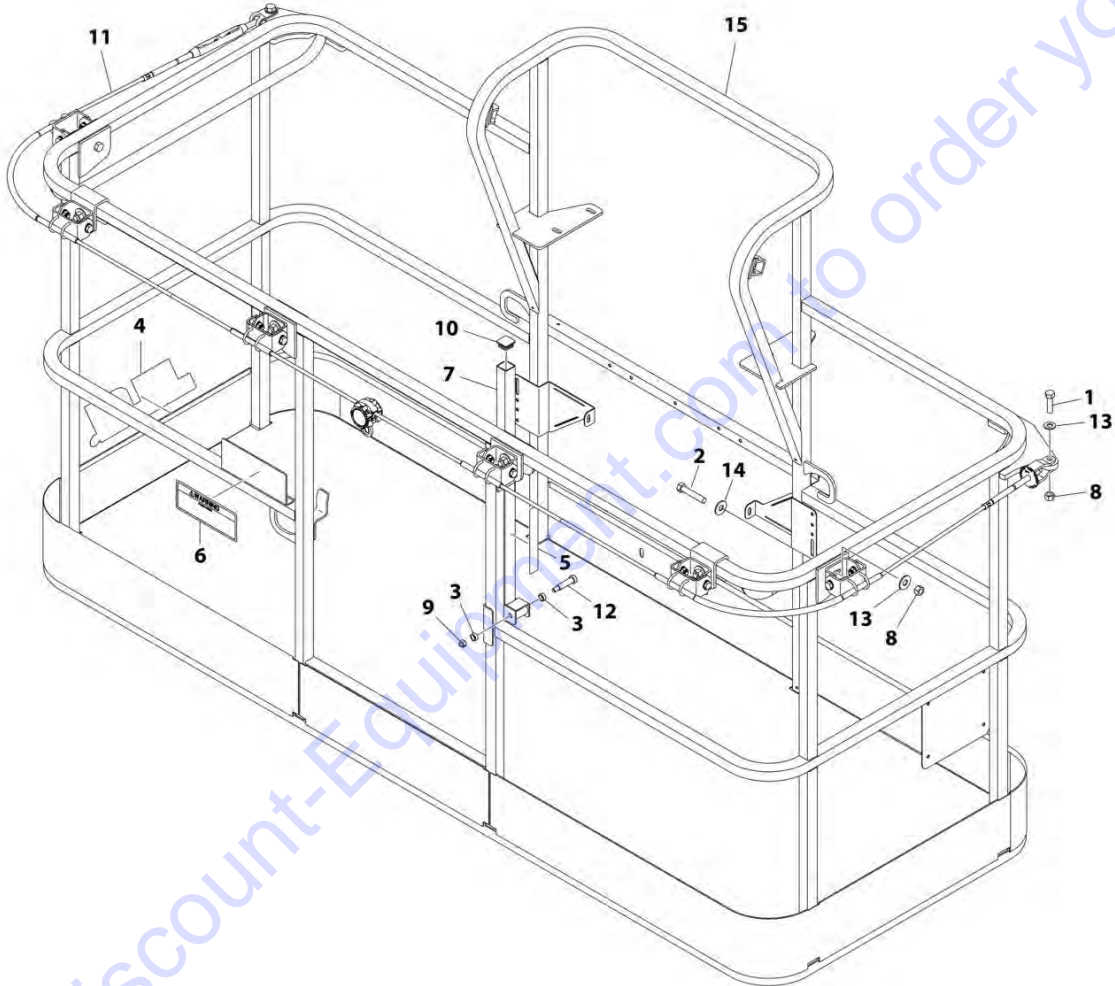
SECTION 5 - PLATFORM

FIGURE 5-13. PLATFORM ASSEMBLY - 36IN X 8FT (91.5CM X 2.44M) WITH FALL ARREST (ANSI, ANSI EXPORT AND CSA SPECS)

ITEM	PART NUMBER	QTY	DESCRIPTION	REV
		Ref	Note: Replacement Decals Must be Ordered Separately - See DECALS SECTION.	
	1001186334	Ref	PLATFORM ASSEMBLY - 36IN X 8FT (91.5CM X 2.44M) WITH FALL ARREST (ANSI, ANSI EXPORT AND CSA SPECS)	D
1	0681814	2	Bolt 1/2 x 1-3/4 Grade 8	
2	0681822	6	Bolt 1/2 x 2-3/4 Grade 8	
3	0962270	2	Bearing	
4	1702773	1	Decal - JLG	
5	1705014	1	Decal - Safety	
6	1706385	1	Decal - Drop Bar	
7	2410014	1	Bar, Drop	
8	3271805	8	Nut 1/2 Grade 8	
9	3311605	1	Nut 3/8	
10	3520072	1	Plug	
11	1001203656	1	Cable	
12	3900054	1	Bolt 1/2 x 1-3/4	
13	4711800	2	Washer 1/2	
14	4751800	6	Washer 1/2	
15	See Note	NSS	Platform (Note: Purchase Platform Assembly)	

SECTION 5 - PLATFORM

FIGURE 5-14. PLATFORM ASSEMBLY - 36IN X 8FT (91.5CM X 2.44M) WITH FALL ARREST (ALL SPECS EXCEPT CSA SPECS)



ART_1001186389

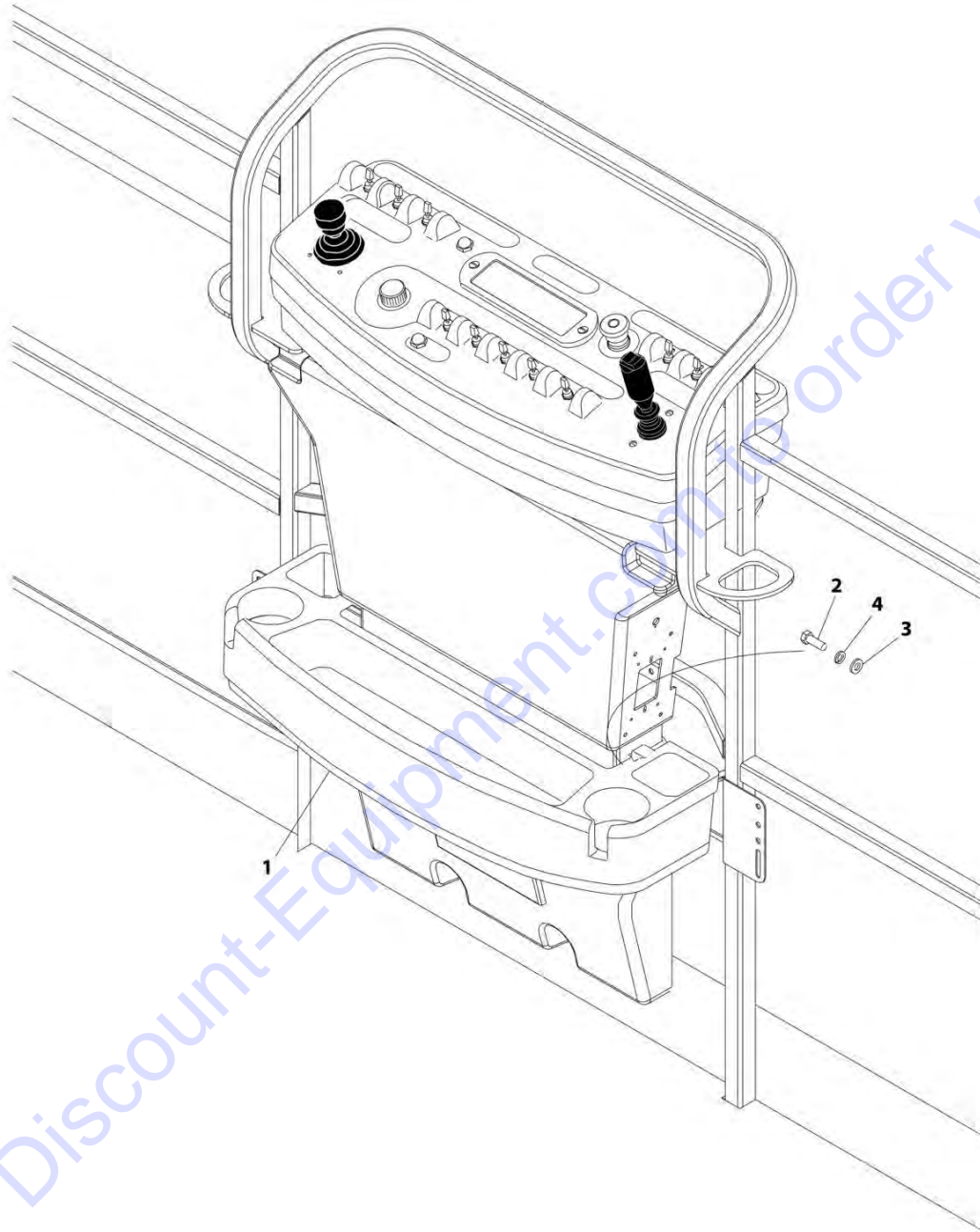
SECTION 5 - PLATFORM

FIGURE 5-14. PLATFORM ASSEMBLY - 36IN X 8FT (91.5CM X 2.44M) WITH FALL ARREST (ALL SPECS EXCEPT CSA SPECS)

ITEM	PART NUMBER	QTY	DESCRIPTION	REV
		Ref	Note: Standard decals must be ordered separately - See DECAL SECTION.	
	1001186389	Ref	PLATFORM ASSEMBLY - 36IN X 8FT (91.5CM X 2.44M) WITH FALL ARREST (ALL SPECS EXCEPT CSA SPECS)	D
1	0681814	2	Bolt 1/2 x 1-3/4 Grade 8	
2	0681822	6	Bolt 1/2 x 2-3/4 Grade 8	
3	0962270	2	Bearing	
4	1702773	1	Decal - JLG	
5	1706493	1	Decal - Drop Bar	
6	1706501	1	Decal - Safety	
7	2410014	1	Gate	
8	3271805	8	Nut 1/2 Grade 8	
9	3311605	1	Nut 3/8	
10	3520072	1	Plug	
11	1001203656	1	Cable	
12	3900054	1	Bolt 1/2 x 1-3/4	
13	4711800	8	Washer 1/2	
14	4751800	6	Washer 1/2	
15	1001186318	NSS	Platform (Note: Not Available - Purchase Platform Assembly)	

SECTION 5 - PLATFORM

FIGURE 5-15. TRAY ASSEMBLY



ART_1580012

SECTION 5 - PLATFORM

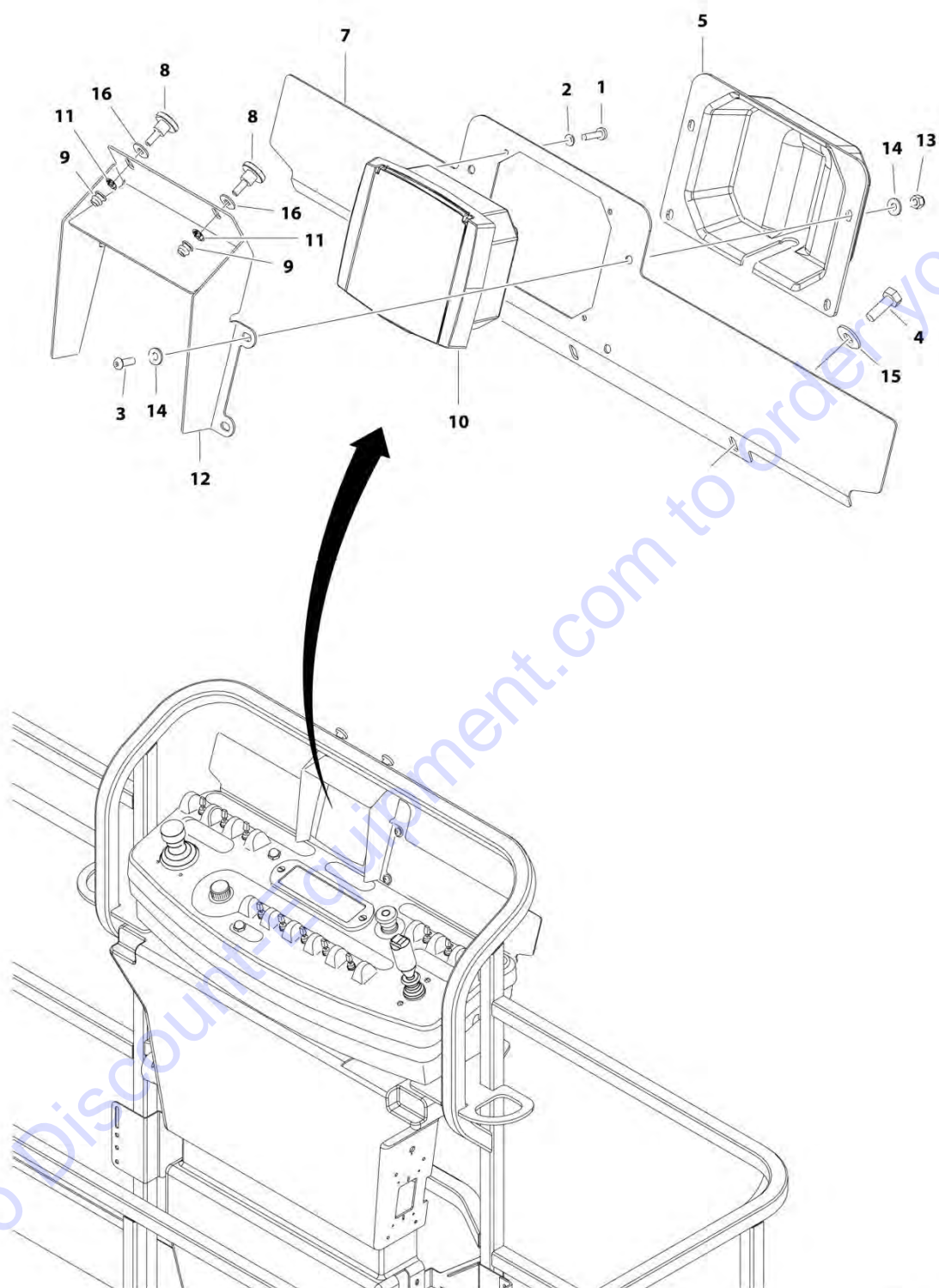
FIGURE 5-15. TRAY ASSEMBLY

ITEM	PART NUMBER	QTY	DESCRIPTION	REV
	1580012	Ref	TRAY ASSEMBLY	C
1	See Note	1	Tray, Storage (Center) (Note: Purchase p/n 1580012)	
2	0641406	2	Bolt 1/4 x 3/4	
3	4751400	2	Washer 1/4	
4	4761400	2	Washer 1/4	

Go to Discount-Equipment.com to order your parts

SECTION 5 - PLATFORM

FIGURE 5-16. LCD DISPLAY INSTALLATION (Prior to SN 0300248935)



ART_1001190656

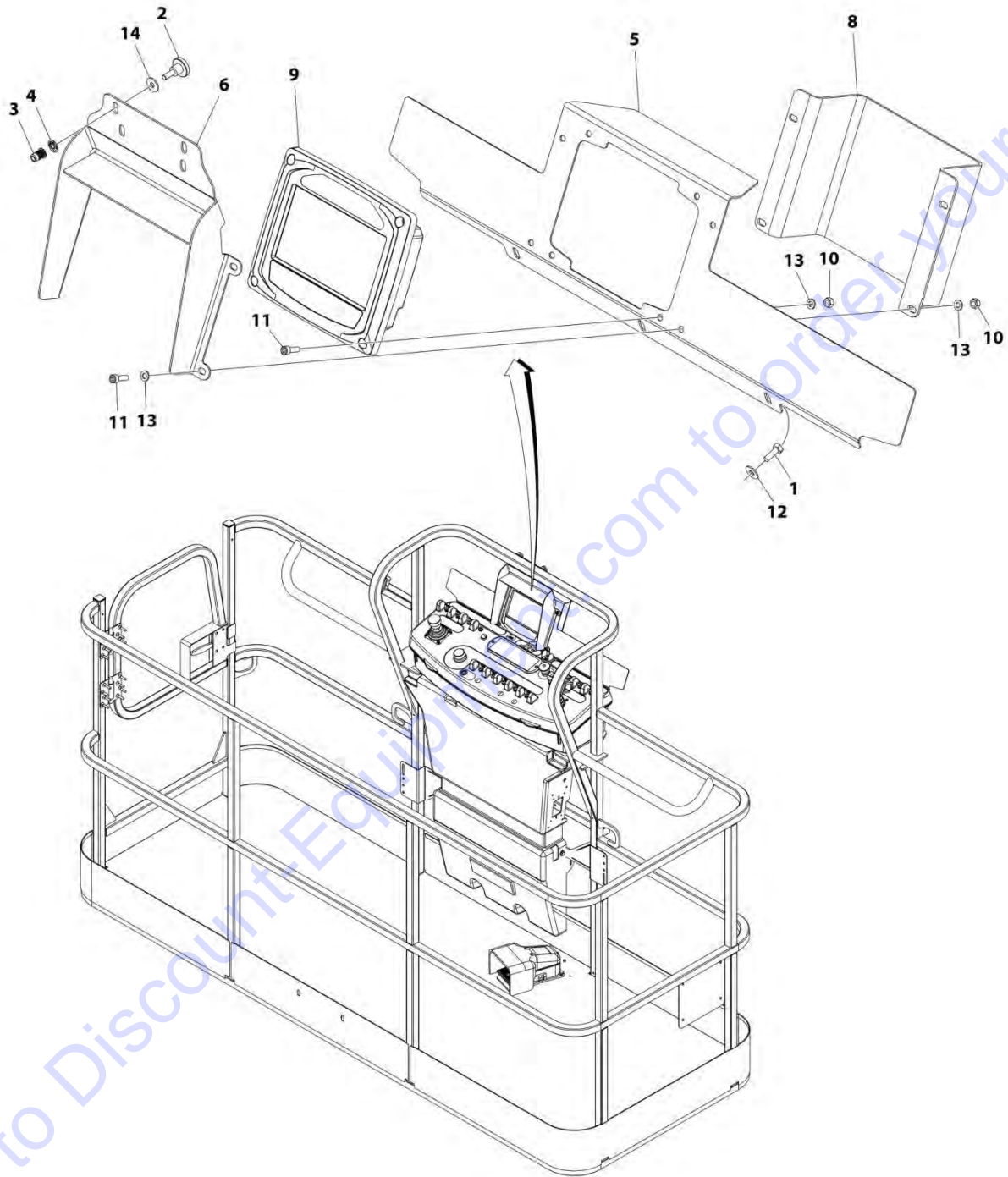
SECTION 5 - PLATFORM

FIGURE 5-16. LCD DISPLAY INSTALLATION (Prior to SN 0300248935)

ITEM	PART NUMBER	QTY	DESCRIPTION	REV
	1001190656	Ref	LCD DISPLAY INSTALLATION	B
1	4010408	4	Screw M4 x 16	
2	4831400	4	Washer M4	
3	0630448001	4	Screw 1/4 x 3/4	
4	0641406001	3	Bolt 1/4 x 3/4	
5	1001122242	1	Cover (Rear)	
6	1001125293	1	LCD Display Harness (Not Shown - See ELECTRICAL SECTION for Breakdown)	
7	1001159001	1	Bracket, Mounting	
8	1001173609	2	Screw M6 x 16	
9	1001176636	2	Rivnut M6	
10	1001176778	1	LCD Display Assembly	
10	1001176783	1	Decal - Platform Display	
10	70003533	1	Film, Protective	
10	70003534	1	Cover	
10	70003535	1	Hinge	
10	70003536	AR	Screw, Hinge	
11	1001177635	2	Nut M6	
12	1001190658	1	Visor	
13	3300449001	4	Nut 1/4 Grade 8	
14	4711400001	8	Washer 1/4	
15	4751400001	3	Washer 1/4	
16	4811702001	2	Washer M6	

SECTION 5 - PLATFORM

FIGURE 5-17. LCD DISPLAY INSTALLATION (SN 0300248935 to Present)



ART_1001215375

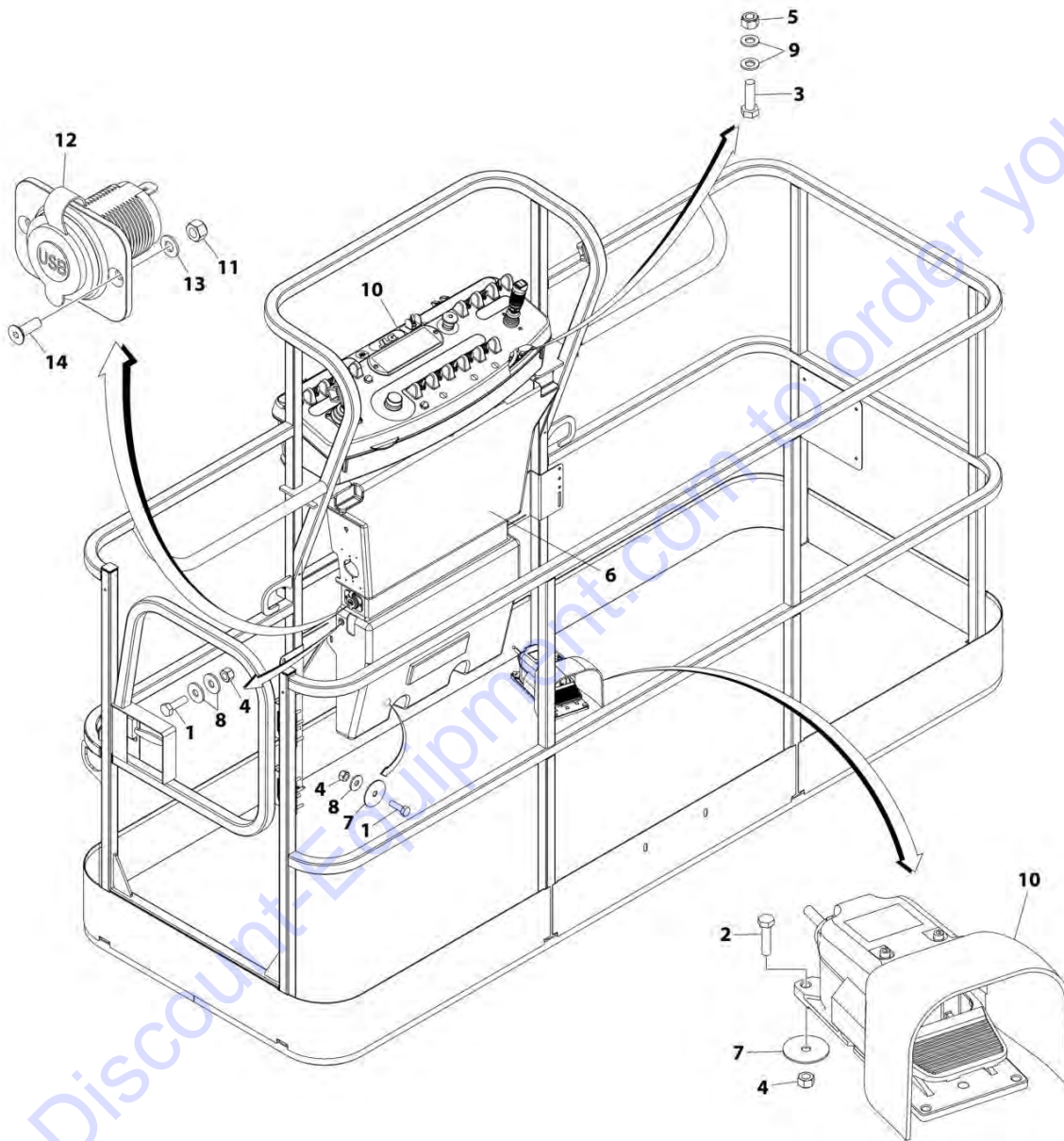
SECTION 5 - PLATFORM

FIGURE 5-17. LCD DISPLAY INSTALLATION (SN 0300248935 to Present)

ITEM	PART NUMBER	QTY	DESCRIPTION	REV
	1001215375	Ref	LCD DISPLAY INSTALLATION	A
1	0641406001	3	Bolt 1/4 x 3/4	
2	1001173609	2	Screw, Thumb M6 x 16	
3	1001176636	2	Rivet, Nut M6	
4	1001177635	2	Nut M6	
5	1001215379	1	Bracket, Mounting	
6	1001215380	1	Bracket, Visor	
7	1001220482	1	Harness, LCD Display (Not Shown - See ELECTRICAL SECTION for Breakdown)	
8	1001228976	1	Cover	
9	1001229485	1	Electrical Assembly	
9	1001220955	1	Gauge, LCD Display	
9	1001176582	1	Decal - Platform Display	
9	1001180491	4	Screw #10	
9	1001229922	1	Screen Protector, LCD Display	
10	3290605001	8	Nut M6	
11	4031708001	8	Bolt M6 x 20	
12	4751400001	3	Washer 1/4	
13	4811700001	12	Washer M6	
14	4811702001	2	Washer M6	

SECTION 5 - PLATFORM

FIGURE 5-18. CONSOLE BOX AND FOOTSWITCH INSTALLATION - WITHOUT SKYGUARD (Prior to SN 0300223782)



ART_1001199994

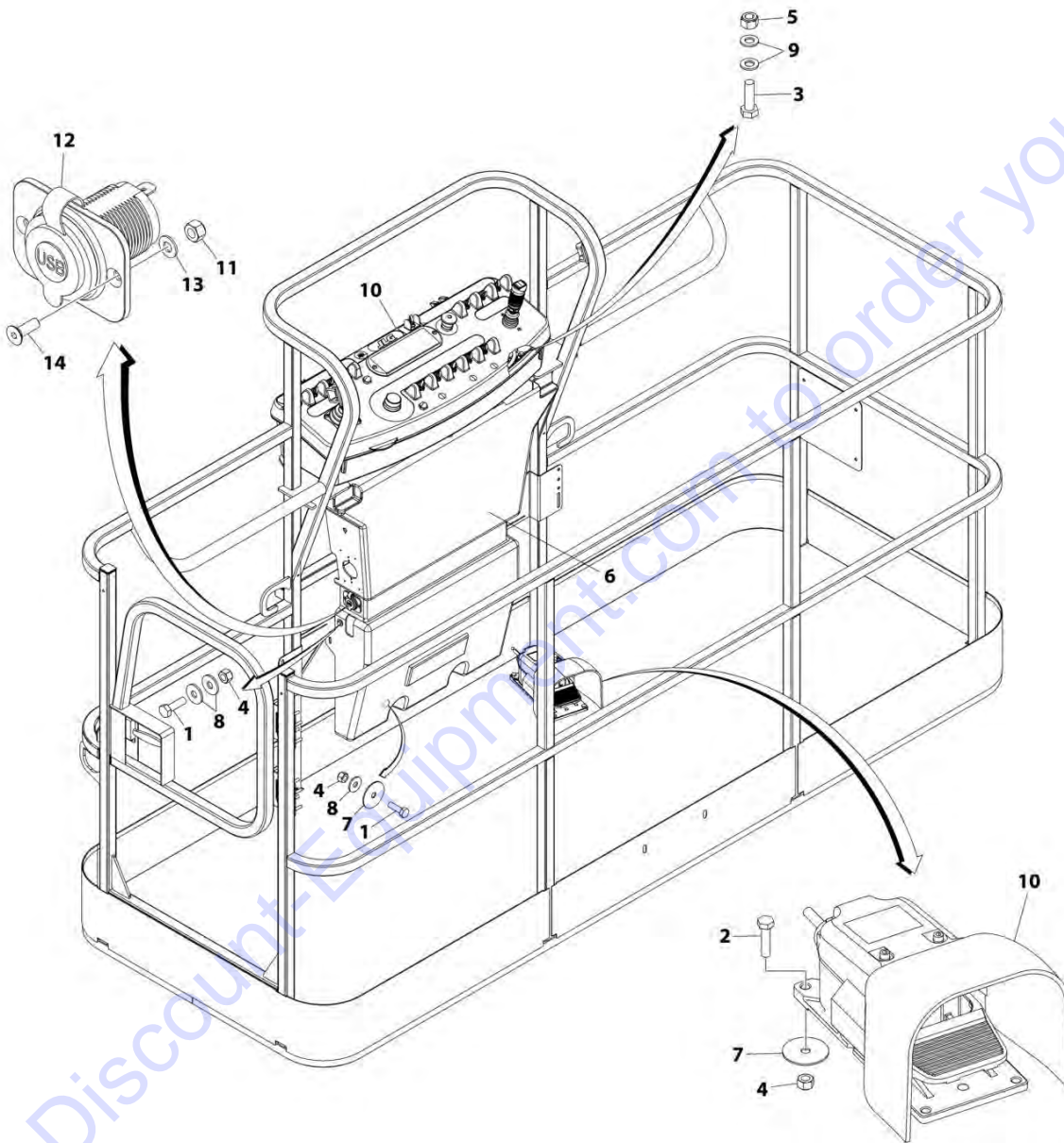
SECTION 5 - PLATFORM

FIGURE 5-18. CONSOLE BOX AND FOOTSWITCH INSTALLATION - WITHOUT SKYGUARD (Prior to SN 0300223782)

ITEM	PART NUMBER	QTY	DESCRIPTION	REV
	1001199994	Ref	CONSOLE BOX AND FOOTSWITCH INSTALLATION - WITHOUT SKYGUARD (Prior to SN 0300223782)	C
1	0760610	4	Bolt M6 x 20	
2	0760612	4	Bolt M6 x 25	
3	0761015	4	Bolt M10 x 35	
4	3290605	8	Nut M6	
5	3291005	4	Nut M10	
6	3380434	1	Panel	
7	4740362	6	Washer	
8	4811702	6	Washer M6	
9	4812000	8	Washer M10	
10	1001199638	1	Platform Console Assembly - Without SkyGuard (See PLATFORM CONSOLE ASSEMBLY - WITHOUT SKYGUARD for Breakdown)	
11	3290405	2	Nut M4	
12	1001210636	1	Receptacle	
13	4811400	2	Washer M4	
14	1001097244	2	Screw M4 x 12	

SECTION 5 - PLATFORM

FIGURE 5-19. CONSOLE BOX AND FOOTSWITCH INSTALLATION - WITH SKYGUARD (Prior to SN 0300259280)



ART_1001197309

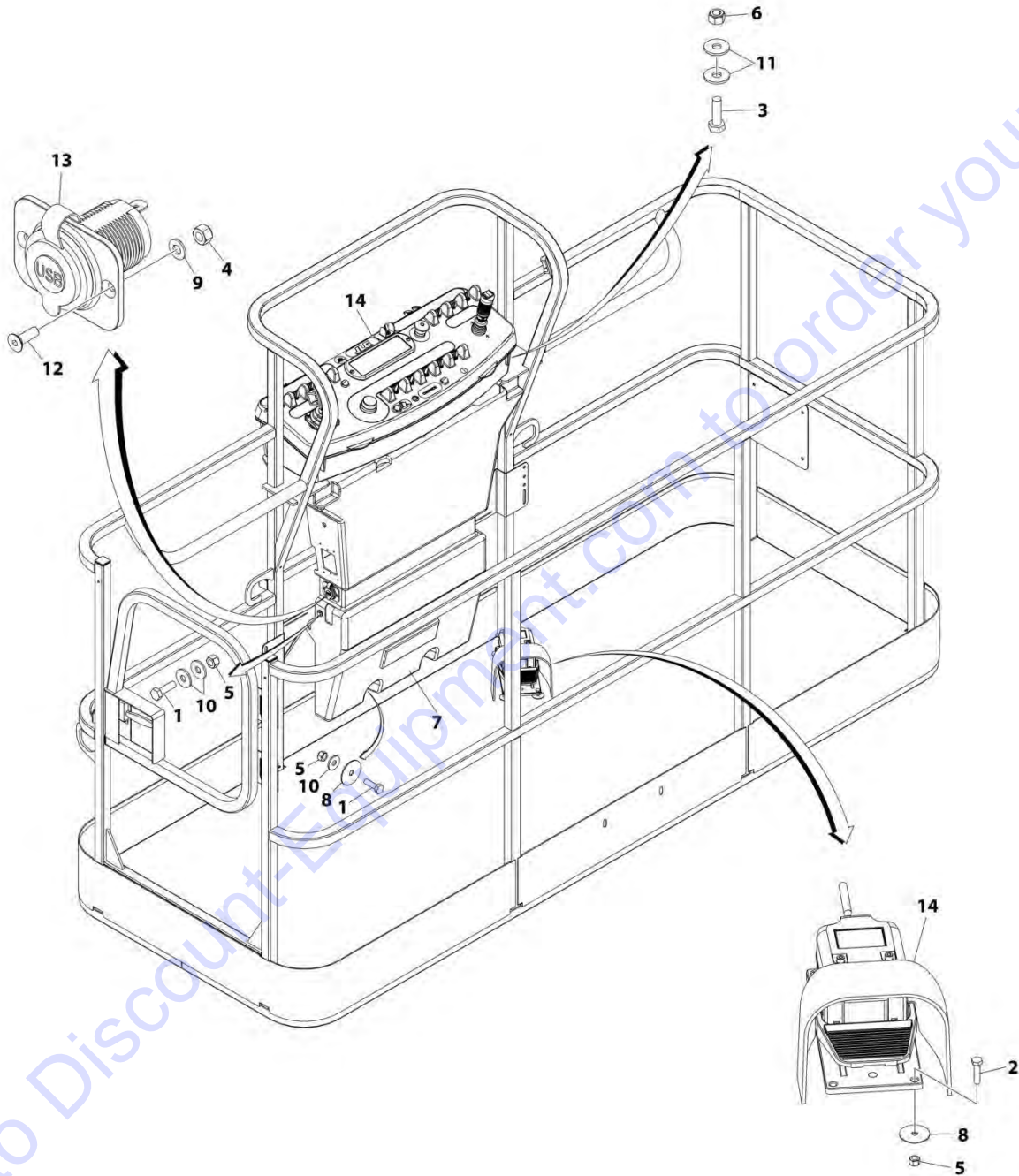
SECTION 5 - PLATFORM

FIGURE 5-19. CONSOLE BOX AND FOOTSWITCH INSTALLATION - WITH SKYGUARD (Prior to SN 0300259280)

ITEM	PART NUMBER	QTY	DESCRIPTION	REV
	1001197309	Ref	CONSOLE BOX AND FOOTSWITCH INSTALLATION - WITH SKYGUARD	F
1	0760610	4	Bolt M6 x 20	
2	0760612	4	Bolt M6 x 25	
3	0761015	4	Bolt M10 x 35	
4	3290605	8	Nut M6	
5	3291005	4	Nut M10	
6	3380434	1	Panel	
7	4740362	6	Washer	
8	4811702	6	Washer M6	
9	4812000	8	Washer M10	
9	4812002	8	Washer M10	
10	1001199480	NLA	Platform Console Assembly - With SkyGuard (Use p/n 1001244455) (See PLATFORM CONSOLE ASSEMBLY - WITH SKYGUARD for Breakdown)	
11	3290405	2	Nut M4	
12	1001210636	1	Receptacle	
13	4811400	2	Washer M4	
14	1001097244	2	Screw M4 x 12	

SECTION 5 - PLATFORM

FIGURE 5-20. CONSOLE BOX AND FOOTSWITCH INSTALLATION - WITH SKYGUARD (SN 0300259280 to Present)



ART_1001244457

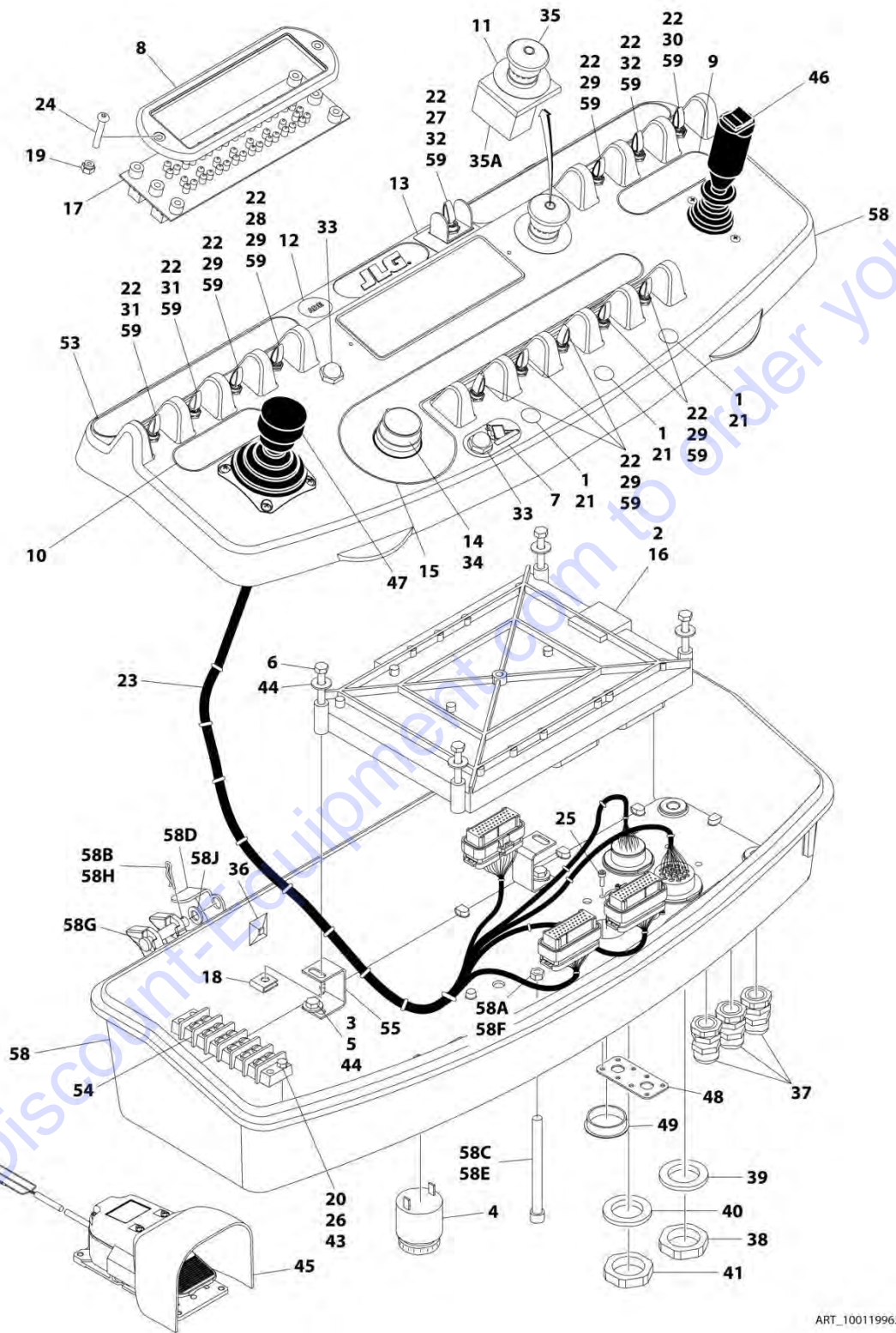
SECTION 5 - PLATFORM

FIGURE 5-20. CONSOLE BOX AND FOOTSWITCH INSTALLATION - WITH SKYGUARD (SN 0300259280 to Present)

ITEM	PART NUMBER	QTY	DESCRIPTION	REV
	1001244457	Ref	CONSOLE BOX AND FOOTSWITCH INSTALLATION - WITH SKYGUARD	A
1	0760610	4	Bolt M6 x 20	
2	0760612	4	Bolt M6 x 25	
3	0761015	4	Bolt M10 x 35	
4	3290405	2	Nut M4	
5	3290605	8	Nut M6	
6	3291005	4	Nut M10	
7	3380434	1	Panel	
8	4740362	6	Washer	
9	4811400	2	Washer M4	
10	4811702	6	Washer M6	
11	4812002	8	Washer M10	
12	1001097244	2	Screw M4 x 12	
13	1001210636	1	Receptacle	
14	1001244455	1	Platform Console Assembly - With SkyGuard (See PLATFORM CONSOLE ASSEMBLY - WITH SKYGUARD for Breakdown)	

SECTION 5 - PLATFORM

FIGURE 5-21. PLATFORM CONSOLE ASSEMBLY - WITHOUT SKYGUARD (Prior to SN 0300226999)



ART_1001199638

SECTION 5 - PLATFORM

FIGURE 5-21. PLATFORM CONSOLE ASSEMBLY - WITHOUT SKYGUARD (Prior to SN 0300226999)

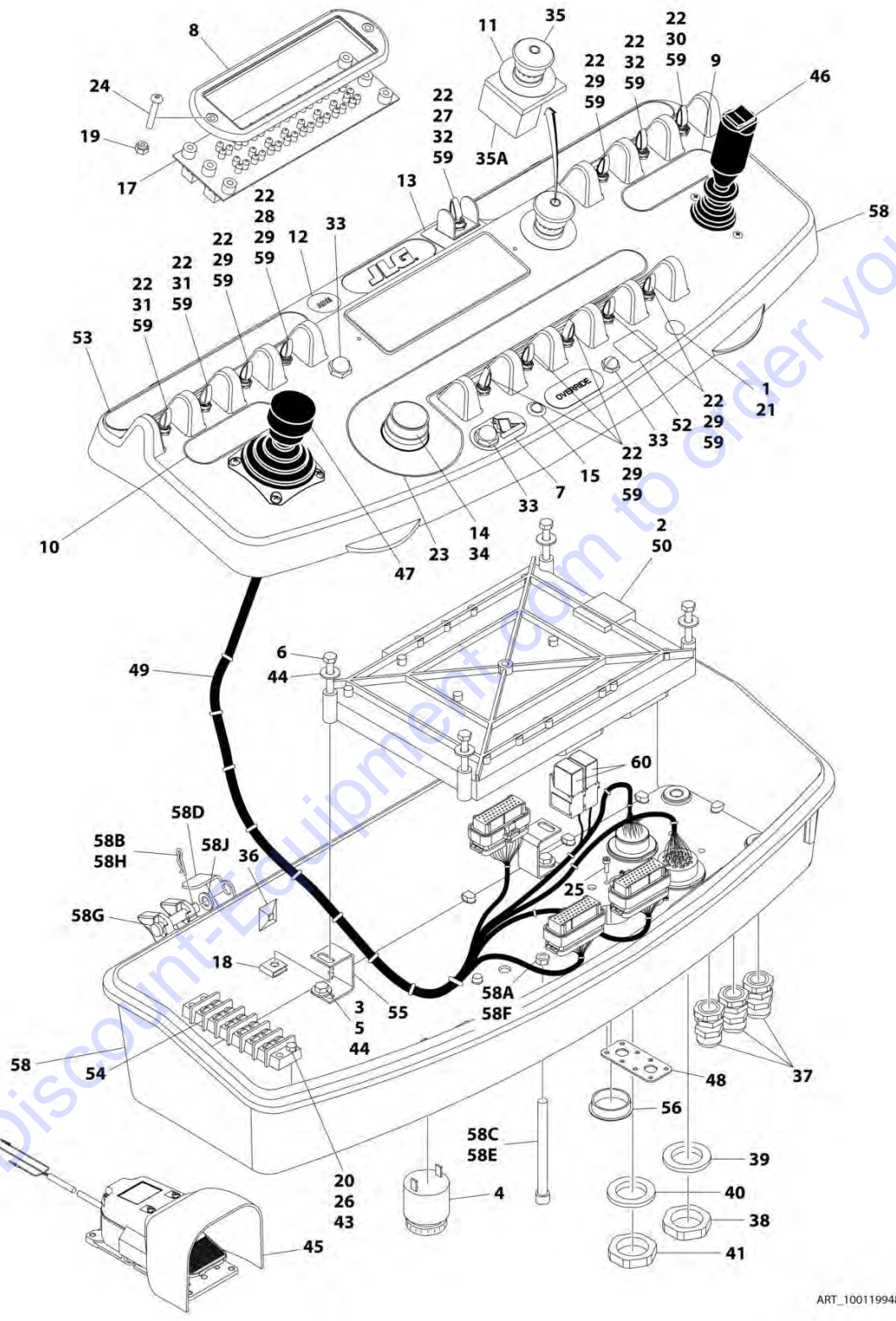
ITEM	PART NUMBER	QTY	DESCRIPTION	REV
	1001199638	Ref	PLATFORM CONSOLE ASSEMBLY - WITHOUT SKYGUARD	J
1	0100009	AR	Sealant	
2	0100048	AR	Grease, Dielectric	
3	0100081	AR	Adhesive	
4	0140011	1	Alarm	
5	0641404	4	Bolt 1/4 x 1/2	
6	0641414	4	Bolt 1/4 x 1-3/4	
7	1705171	1	Decal - Jib Stow	
8	1671176	1	Bezel	
9	1702565	1	Decal - Drive and Steer	
10	1702566	1	Decal - Lift and Swing	
11	1704260	1	Decal - EMS	
12	1705132	1	Decal - Control ADE	
13	1706741	1	Decal - Boom Control Select	
14	2560136	1	Handle, Knob	
15	1705745	1	Decal - Function Speed	
16	1001199483	1	Module, Platform (Note: Re-calibration Required when Replaced)	
17	2920154	1	Gauge, LED	
18	3300353	4	Nut, Tinnerman	
19	3300408	2	Nut	
20	3311005	2	Nut #10	
21	3520026	3	Plug, Hole	
22	3790012	13	O-Ring	
23	1001199637	NLA	Platform Console Harness (See ELECTRICAL SECTION for Breakdown) (Note: Use p/n 1001196681) (Prior to SN 0300223782)	
23	1001196681	1	Platform Console Harness (See ELECTRICAL SECTION for Breakdown) (SN 0300223782 to Present)	
24	3900183	2	Screw #10 x 1-1/4	
25	3900349	8	Capscrew M2.5	
26	3931012	2	Capscrew #10 x 3/4	
27	4060906	1	Guard, Switch	
28	4071074	1	Shim	
29	1001155045	8	Switch, Toggle	
30	1001159256	1	Switch, Toggle	
31	1001161709	2	Switch, Toggle	
32	1001161710	2	Switch, Toggle	
33	4360387	2	Switch, Push Button	
34	4360407	1	Controller, Speed	
34	4460224	1	Receptacle, Female - 6 Position	
34	4460226	1	Socket, Female	
34	See Note	1	Gasket "Top Hat" (Included with Switch) (Note: Not Available - Purchase Complete Controller)	
34	70003784	1	Seal	
35	4360475	1	Switch, Emergency Stop	
35	7020175	1	Cap, Red	
35A	7020176	1	Contact Block	
36	4460234	3	Base, Mounting	
37	4460428	3	Connector, Strain Relief	
38	4460470	1	Nut, Terminal	

SECTION 5 - PLATFORM

ITEM	PART NUMBER	QTY	DESCRIPTION	REV
39	4460471	1	Washer, Terminal	
40	4460496	1	Washer, Terminal	
41	4460497	1	Nut, Terminal	
42	4460905	5	Plug, Terminal (Not Shown)	
43	4751000	2	Washer #10	
44	4751400	8	Washer 1/4	
45	1001117174	1	Footswitch Assembly (See FOOTSWITCH ASSEMBLY for Breakdown)	
46	1001166538	NLA	Controller Assembly (Drive and Steer) (Use p/n 1001212415) (See CONTROLLER ASSEMBLY (DRIVE AND STEER) for Breakdown)	
47	1001166539	NLA	Controller Assembly (Lift and Swing) (Use p/n 1001129555) (See CONTROLLER ASSEMBLY (LIFT AND SWING) for Breakdown)	
48	1001120338	1	Mount, Connector (Prior to SN 0300218237)	
48	1001213882	1	Mount, Connector (SN 0300218237 to Present)	
49	3520035	1	Plug	
53	1001156926	1	Decal - Horn	
54	1001157292	1	Bar, Buss	
55	1001172760	4	Bracket	
58	1001190104	1	Box, Console (Prior to SN 0300223782)	
58A	3311601	1	Nut 3/8	
58B	3470003	2	Pin	
58C	0630568	1	Screw 3/8 x 4-1/2	
58D	1001200575	2	Bracket, Stop	
58	1001201889	1	Box, Console (SN 0300223782 to Present)	
58E	0630568	1	Screw 3/8 x 4-1/2	
58F	3311601	1	Nut 3/8	
58G	3430616	2	Pin	
58H	3470003	2	Pin	
58J	4711600	2	Washer 3/8	
59	1001155044	13	Nut 15/32	

SECTION 5 - PLATFORM

FIGURE 5-22. PLATFORM CONSOLE ASSEMBLY - WITH SKYGUARD (Prior to SN 0300259280)



ART_1001199480

SECTION 5 - PLATFORM

FIGURE 5-22. PLATFORM CONSOLE ASSEMBLY - WITH SKYGUARD (Prior to SN 0300259280)

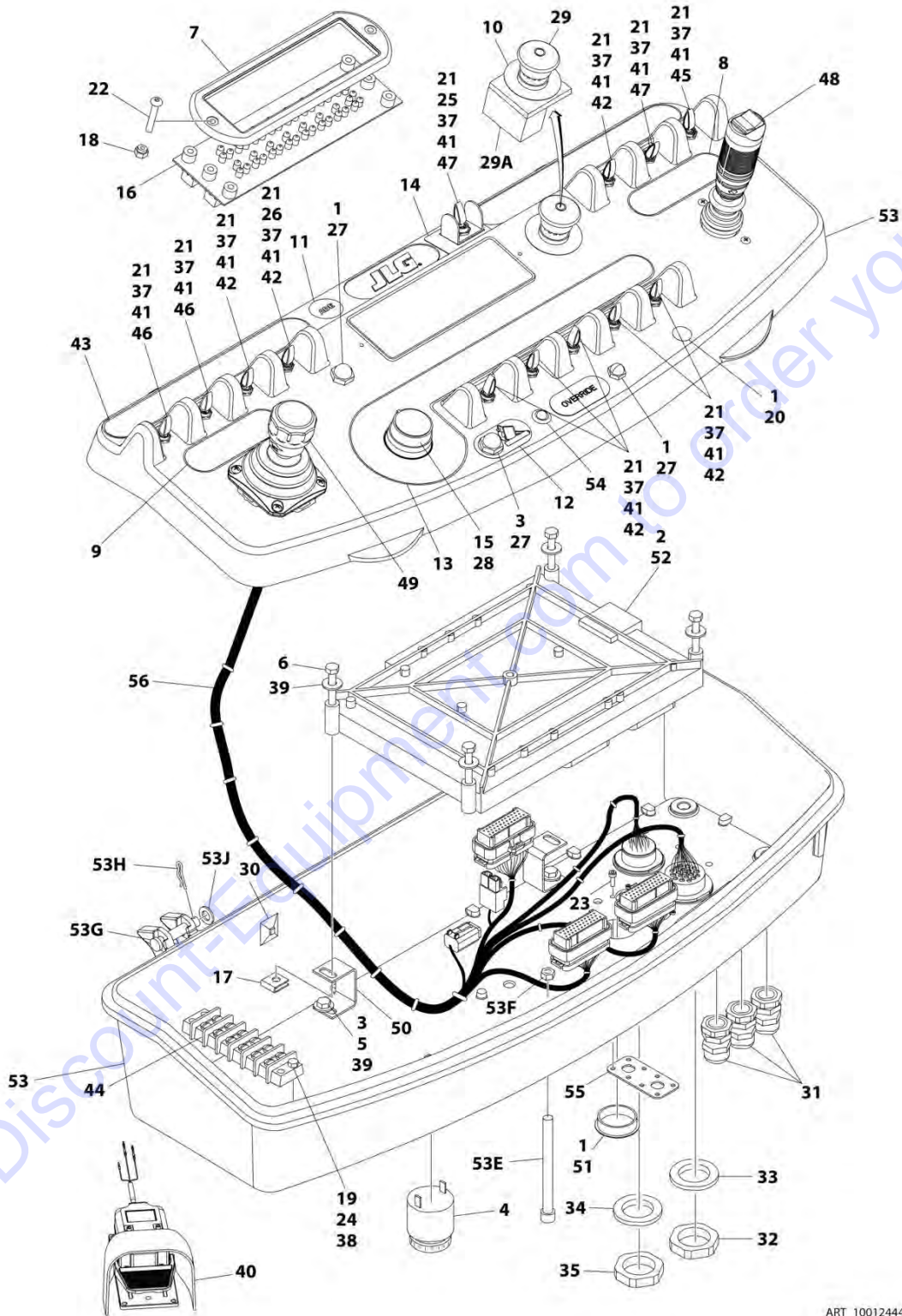
ITEM	PART NUMBER	QTY	DESCRIPTION	REV
	1001199480	Ref	PLATFORM CONSOLE ASSEMBLY - WITH SKYGUARD	L
1	0100009	AR	Sealant	
2	0100048	AR	Grease, Dielectric	
3	0100081	AR	Adhesive	
4	0140011	1	Alarm	
5	0641404	4	Bolt 1/4 x 1/2	
6	0641414	4	Bolt 1/4 x 1-3/4	
7	1705171	1	Decal - Jib Stow	
8	1671176	1	Bezel	
9	1702565	1	Decal - Drive and Steer	
10	1702566	1	Decal - Lift and Swing	
11	1704260	1	Decal - EMS	
12	1705132	1	Decal - Control ADE	
13	1706741	1	Decal - Boom Control Select	
14	2560136	1	Handle, Knob	
15	1001206532	1	Lamp, Indicator	
17	2920154	1	Gauge, LED	
18	3300353	4	Nut, Tinnerman	
19	3300408	2	Nut	
20	3311005	2	Nut #10	
21	3520026	1	Plug	
22	3790012	13	O-Ring	
23	1705745	1	Decal - Function Speed	
24	3900183	2	Screw #10 x 1-1/4	
25	3900349	8	Capscrew M2.5	
26	3931012	2	Capscrew #10 x 3/4	
27	4060906	1	Guard, Switch	
28	4071074	1	Shim	
29	1001155045	8	Switch, Toggle	
30	1001159256	1	Switch, Toggle	
31	1001161709	2	Switch, Toggle	
32	1001161710	2	Switch, Toggle	
33	4360387	3	Switch, Push Button	
34	4360407	1	Controller, Speed	
34	4460224	1	Receptacle, Female - 6 Position	
34	4460226	1	Socket, Female	
34	See Note	1	Gasket "Top Hat" (Included with Switch) (Note: Not Available - Purchase Complete Controller.)	
34	70003784	1	Seal	
35	4360475	1	Switch, Emergency Stop	
35	7020175	1	Cap, Red	
35A	7020176	1	Contact Block	
36	4460234	3	Base, Mounting	
37	4460428	3	Connector, Strain Relief	
38	4460470	1	Nut, Terminal	
39	4460471	1	Washer, Terminal	
40	4460496	1	Washer, Terminal	
41	4460497	1	Nut, Terminal	
42	4460905	5	Plug, Terminal (Not Shown)	
43	4751000	2	Washer #10	

SECTION 5 - PLATFORM

ITEM	PART NUMBER	QTY	DESCRIPTION	REV
44	4751400	8	Washer 1/4	
45	1001117174	1	Footswitch Assembly (See FOOTSWITCH ASSEMBLY for Breakdown)	
46	1001166538	NLA	Controller Assembly (Drive and Steer) (Use p/n 1001212415) (See CONTROLLER ASSEMBLY (DRIVE AND STEER) for Breakdown)	
47	1001166539	NLA	Controller Assembly (Lift and Swing) (Use p/n 1001129555) (See CONTROLLER ASSEMBLY (LIFT AND SWING) for Breakdown)	
48	1001120338	1	Mount, Connector (Prior to SN 0300218237)	
48	1001213882	1	Mount, Connector (SN 0300218237 to Present)	
49	1001196681	1	Platform Console Harness (See ELECTRICAL SECTION for Breakdown)	
50	1001199483	1	Module, Platform (Note: Re-calibration Required when Replaced)	
52	1001144433	1	Decal - No Weight SkyGuard	
53	1001156926	1	Decal - Horn	
54	1001157292	1	Bar, Buss	
55	1001172760	4	Bracket	
56	1001185281	1	Plug	
58	1001190104	1	Box, Console (Prior to SN 0300223782)	
58A	3311601	1	Nut 3/8	
58B	3470003	2	Pin	
58C	0630568	1	Screw 3/8 x 4-1/2	
58D	1001200575	2	Bracket, Stop	
58	1001201889	1	Box, Console (SN 0300223782 to Present)	
58E	0630568	1	Screw 3/8 x 4-1/2	
58F	3311601	1	Nut 3/8	
58G	3430616	2	Pin	
58H	3470003	2	Pin	
58J	4711600	2	Washer 3/8	
59	1001155044	13	Nut 15/32	
60	1001186431	2	Relay, 35 Amp (SN 0300223782 to Present)	

SECTION 5 - PLATFORM

FIGURE 5-23. PLATFORM CONSOLE ASSEMBLY - WITH SKYGUARD (SN 0300259280 to Present)



ART_1001244455

SECTION 5 - PLATFORM

FIGURE 5-23. PLATFORM CONSOLE ASSEMBLY - WITH SKYGUARD (SN 0300259280 to Present)

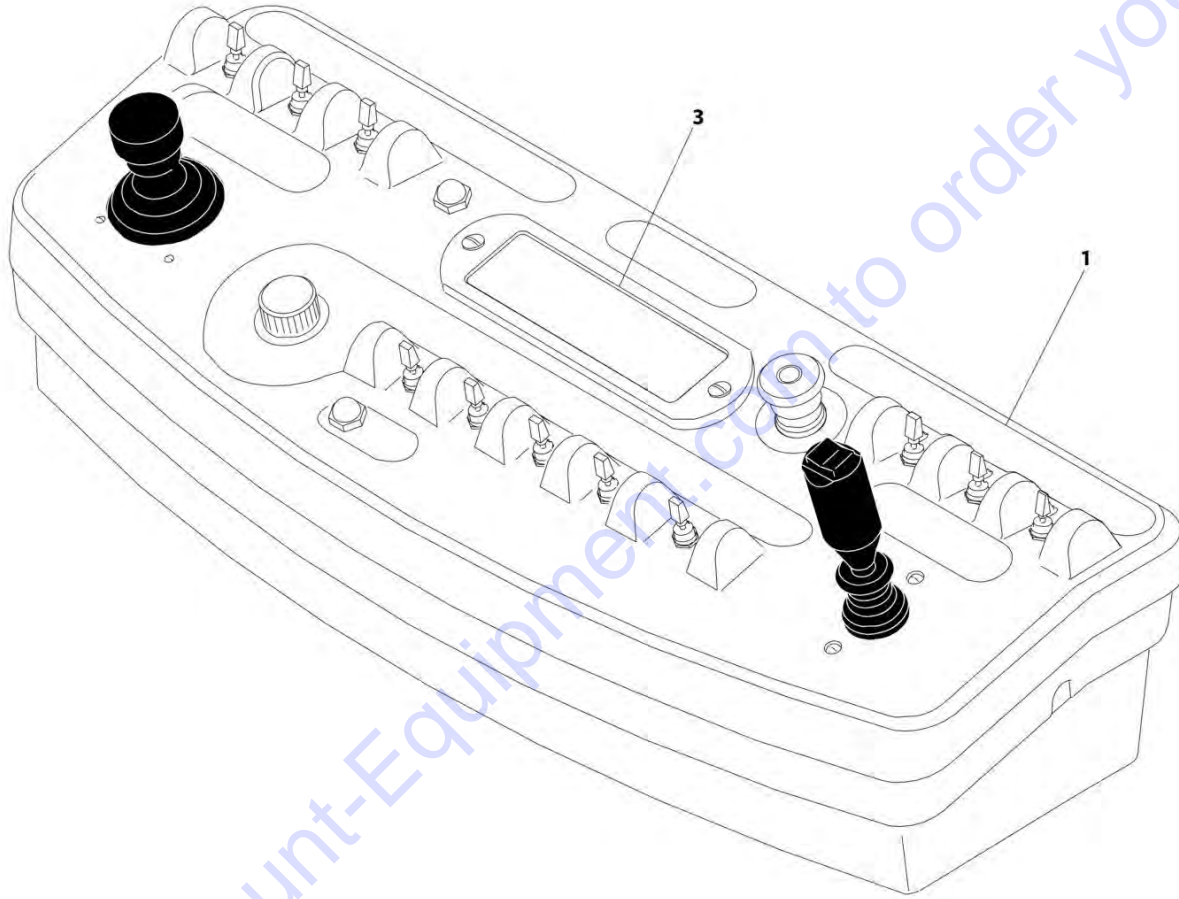
ITEM	PART NUMBER	QTY	DESCRIPTION	REV
	1001244455	Ref	PLATFORM CONSOLE ASSEMBLY - WITH SKYGUARD	A
1	0100009	AR	Sealant	
2	0100048	AR	Grease, Dielectric	
3	0100035	AR	Compound, Locking	
4	0140011	1	Alarm	
5	0641404	4	Bolt 1/4 x 1/2	
6	0641414	4	Bolt 1/4 x 1-3/4	
7	1671176	1	Bezel	
8	1702565	1	Decal - Drive and Steer	
9	1702566	1	Decal - Lift and Swing	
10	1704260	1	Decal - EMS	
11	1705132	1	Decal - Control ADE	
12	1705171	1	Decal - Jib Stow	
13	1705745	1	Decal - Function Speed	
14	1706741	1	Decal - Boom Control Select	
15	2560136	1	Handle, Knob	
16	2920154	1	Gauge, LED	
17	3300353	4	Nut, Tinnerman	
18	3300408	2	Nut	
19	3311005	2	Nut #10	
20	3520026	1	Plug	
21	3790012	13	O-Ring	
22	3900183	2	Screw #10 x 1-1/4	
23	3900349	8	Capscrew M2.5	
24	3931012	2	Capscrew #10 x 3/4	
25	4060906	1	Guard, Switch	
26	4071074	1	Shim	
27	4360387	3	Switch, Push Button	
28	4360407	1	Controller, Speed	
28	4460224	1	Receptacle, Female - 6 Position	
28	4460226	1	Socket, Female	
28	See Note	1	Gasket "Top Hat" (Included with Switch) (Note: Not Available - Purchase Complete Controller.)	
28	70003784	1	Seal	
29	4360475	1	Switch, Emergency Stop	
29	7020175	1	Cap, Red	
29A	7020176	1	Contact Block	
30	4460234	3	Base, Mounting	
31	4460428	3	Connector, Strain Relief	
32	4460470	1	Nut, Terminal	
33	4460471	1	Washer, Terminal	
34	4460496	1	Washer, Terminal	
35	4460497	1	Nut, Terminal	
36	4460905	5	Plug, Terminal (Not Shown)	
37	4740397	13	Spacer	
38	4751000	2	Washer #10	
39	4751400	8	Washer 1/4	
40	1001117174	1	Footswitch Assembly (See FOOTSWITCH ASSEMBLY for Breakdown)	
41	1001155044	13	Nut 15/32	

SECTION 5 - PLATFORM

ITEM	PART NUMBER	QTY	DESCRIPTION	REV
42	1001155045	8	Switch, Toggle	
43	1001156926	1	Decal - Horn	
44	1001157292	1	Bar, Buss	
45	1001159256	1	Switch, Toggle	
46	1001161709	2	Switch, Toggle	
47	1001161710	2	Switch, Toggle	
48	1001166538	NLA	Controller Assembly (Drive and Steer) (Use p/n 1001212415) (See CONTROLLER ASSEMBLY (DRIVE AND STEER) for Breakdown)	
49	1001166539	NLA	Controller Assembly (Lift and Swing) (Use p/n 1001129555) (See CONTROLLER ASSEMBLY (LIFT AND SWING) for Breakdown)	
50	1001172760	4	Bracket	
51	1001185281	1	Plug	
52	1001199483	1	Module, Platform (Note: Re-calibration Required when Replaced)	
53	1001201889	1	Box, Console	
53E	0630568	1	Screw 3/8 x 4-1/2	
53F	3311601	1	Nut 3/8	
53G	3430616	2	Pin	
53H	3470003	2	Pin	
53J	4711600	2	Washer 3/8	
54	1001206532	1	Lamp, Indicator	
55	1001213882	1	Mount, Connector	
56	1001243670	1	Platform Console Harness (See ELECTRICAL SECTION for Breakdown)	

SECTION 5 - PLATFORM

FIGURE 5-24. DECAL AND LIGHT PANEL INSTALLATION (ALL SPECS EXCEPT AUSTRALIAN AND CE SPECS)



ART_1001197464_20F2

SECTION 5 - PLATFORM

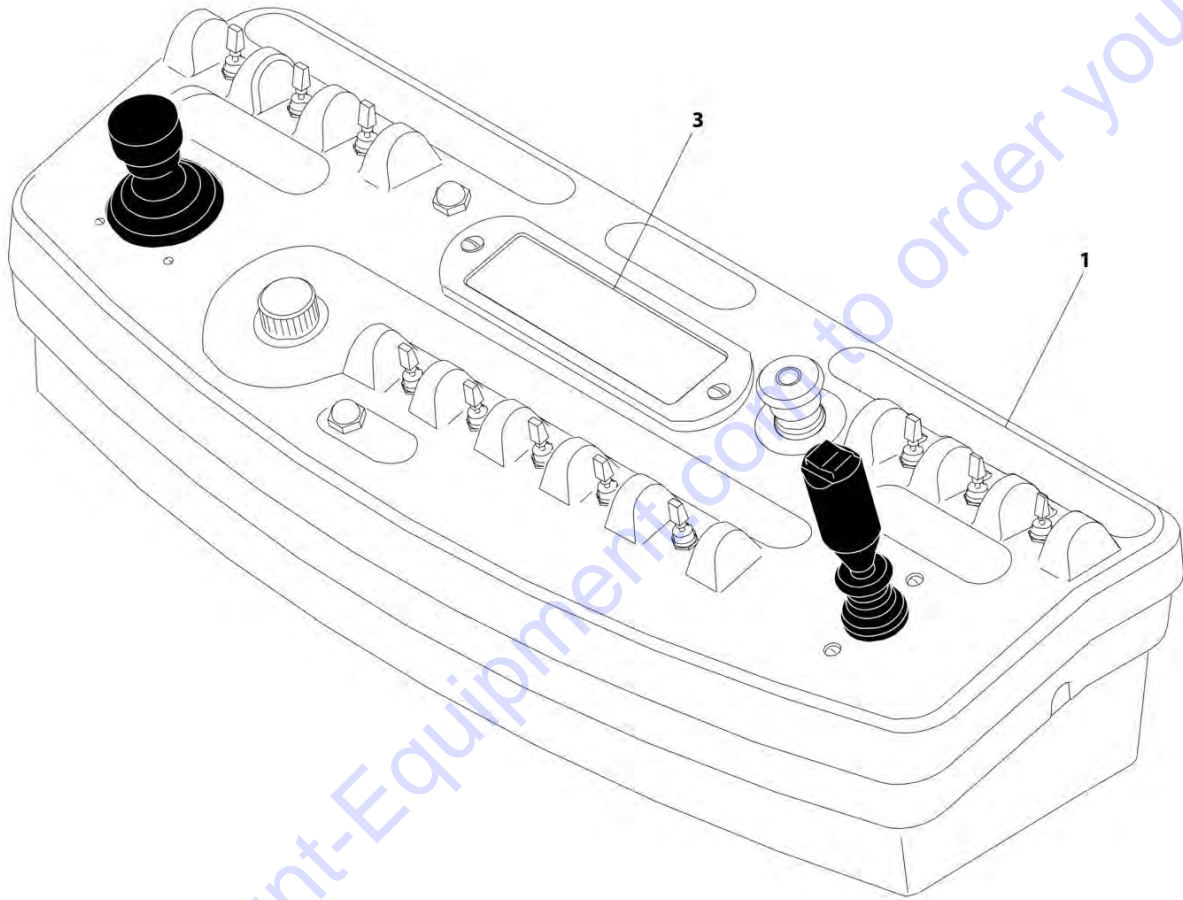
FIGURE 5-24. DECAL AND LIGHT PANEL INSTALLATION (ALL SPECS EXCEPT AUSTRALIAN AND CE SPECS)

ITEM	PART NUMBER	QTY	DESCRIPTION	REV
	1001197464	Ref	DECAL AND LIGHT PANEL INSTALLATION (ALL SPECS EXCEPT AUSTRALIAN AND CE SPECS)	A
1	1001195947	1	Decal - Stop	
3	1001199922	1	Decal - Display	

Go to Discount-Equipment.com to order your parts

SECTION 5 - PLATFORM

FIGURE 5-25. DECAL AND LIGHT PANEL INSTALLATION (AUSTRALIAN AND CE SPECS)



ART_1001197465_2OF2

PARTS FINDER

**Search Website
by Part Number**



**Search Manual
Library For Parts
Manual & Lookup Part
Numbers – Purchase
or Request Quote**

**Can't Find Part or
Manual? Request Help
by Manufacturer,
Model & Description**

Discount-Equipment.com is your online resource for quality parts & equipment.

Florida: **561-964-4949** Outside Florida TOLL FREE: **877-690-3101**

Need parts?

Click on this link: <http://www.discount-equipment.com/category/5443-parts/> and choose one of the options to help get the right parts and equipment you are looking for. Please have the machine model and serial number available in order to help us get you the correct parts. If you don't find the part on the website or on one of the online manuals, please fill out the request form and one of our experienced staff members will get back to you with a quote for the right part that your machine needs.

We sell worldwide for the brands: Genie, Terex, JLG, MultiQuip, Mikasa, Essick, Whiteman, Mayco, Toro Stone, Diamond Products, Generac Magnum, Airman, Haulotte, Barreto, Power Blanket, Nifty Lift, Atlas Copco, Chicago Pneumatic, Allmand, Miller Curber, Skyjack, Lull, Skytrak, Tsurumi, Husquvarna Target, Stow, Wacker, Sakai, Mi-T-M, Sullair, Basic, Dynapac, MBW, Weber, Bartell, Bennar Newman, Haulotte, Ditch Runner, Menegotti, Morrison, Contec, Buddy, Crown, Edco, Wyco, Bomag, Laymor, EZ Trench, Bil-Jax, F.S. Curtis, Gehl Pavers, Heli, Honda, ICS/PowerGrit, IHI, Partner, Imer, Clipper, MMD, Koshin, Rice, CH&E, General Equipment, Amida, Coleman, NAC, Gradall, Square Shooter, Kent, Stanley, Tamco, Toku, Hatz, Kohler, Robin, Wisconsin, Northrock, Oztec, Toker TK, Rol-Air, APT, Wylie, Ingersoll Rand / Doosan, Innovatech, Con X, Ammann, Mecalac, Makinex, Smith Surface Prep, Small Line, Wanco, Yanmar

SECTION 5 - PLATFORM

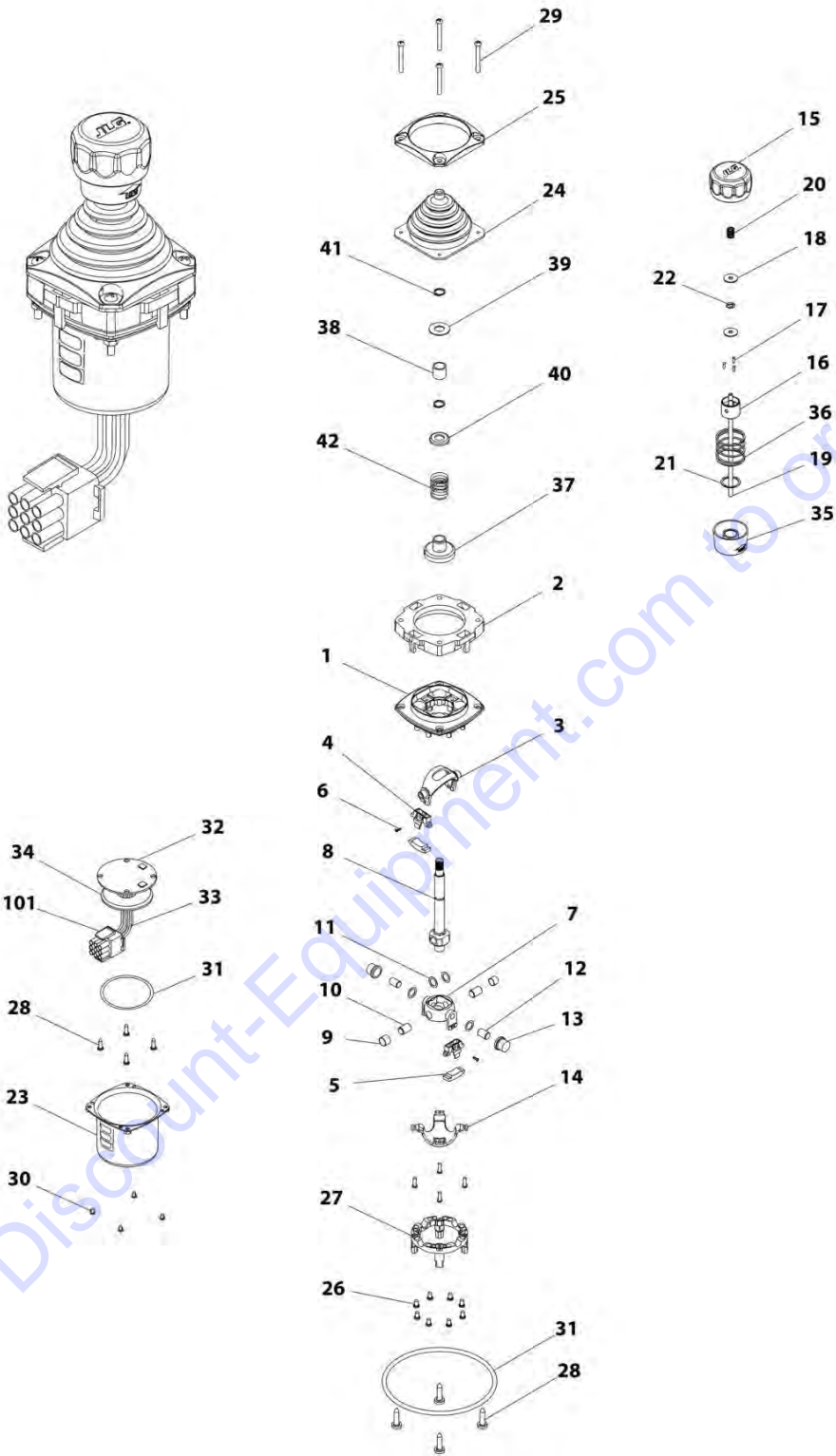
FIGURE 5-25. DECAL AND LIGHT PANEL INSTALLATION (AUSTRALIAN AND CE SPECS)

ITEM	PART NUMBER	QTY	DESCRIPTION	REV
	1001197465	Ref	DECAL AND LIGHT PANEL INSTALLATION (AUSTRALIAN AND CE SPECS)	A
1	1001184619	1	Decal - Stop	
3	1001199919	1	Decal - Display	

Go to Discount-Equipment.com to order your parts

SECTION 5 - PLATFORM

FIGURE 5-26. CONTROLLER ASSEMBLY (LIFT AND SWING)



ART_1001166539

SECTION 5 - PLATFORM

FIGURE 5-26. CONTROLLER ASSEMBLY (LIFT AND SWING)

ITEM	PART NUMBER	QTY	DESCRIPTION	REV
	1001166539	Ref	CONTROLLER ASSEMBLY (LIFT AND SWING)	D
		Ref	Note: Use p/n 1001129555 as Replacement.	
1	See Note	NSS	Main Cast Body (Note: Not Available - Purchase Complete Assembly)	
2	70004752	1	Adapter	
3	See Note	NSS	Pivot Arm, Plastic (Note: Not Available - Purchase Complete Assembly)	
4	See Note	NSS	Holder, Magnet (Note: Not Available - Purchase Complete Assembly)	
5	See Note	NSS	Arc, Magnet (Note: Not Available - Purchase Complete Assembly)	
6	See Note	NSS	Screw (Note: Not Available for Purchase)	
7	See Note	NSS	Pivot Arm, Cast (Note: Not Available - Purchase Complete Assembly)	
8	See Note	NSS	Shaft, Main (Note: Not Available - Purchase Complete Assembly)	
9	See Note	NSS	Bearing (Note: Not Available - Purchase Complete Assembly)	
10	See Note	NSS	Pin (Note: Not Available - Purchase Complete Assembly)	
11	See Note	NSS	Shim (Note: Not Available - Purchase Complete Assembly)	
12	See Note	NSS	Pin (Note: Not Available - Purchase Complete Assembly)	
13	See Note	NSS	Bearing (Note: Not Available - Purchase Complete Assembly)	
14	See Note	NSS	Dome, Centering (Note: Not Available - Purchase Complete Assembly)	
15	70004753	1	Cap	
16	70004754	1	Insert, Cap	
17	70004755	3	Pin	
18	70004756	2	Washer	
19	70004757	1	Pin, Centering	
20	70004758	1	Spring	
21	70004759	1	Ring, Retaining	
22	70004760	1	E-Ring	
23	70004761	1	Can, Enclosure	
24	70004762	1	Boot	
25	70004763	1	Bezel	
26	See Note	NSS	Screw (Note: Not Available for Purchase)	
27	See Note	NSS	Base Mounting (Note: Not Available - Purchase Complete Assembly)	
28	See Note	NSS	Screw (Note: Not Available for Purchase)	
29	70004764	4	Screw	
30	70004765	4	Screw	
31	70004766	1	O-Ring	
32	See Note	NSS	Plate (Note: Not Available - Purchase Complete Assembly)	
33	See Note	NSS	Harness (Note: Not Available - Purchase Complete Assembly)	
34	70004767	1	Grommet, Rubber	
35	70004768	1	Housing	
36	70004769	1	Spring	
37	70004770	1	Stopper	
38	70004771	1	Spacer	
39	70004772	1	Washer	
40	70004773	1	Disc	
41	70004774	2	Ring, Retaining	
42	70004775	1	Spring	

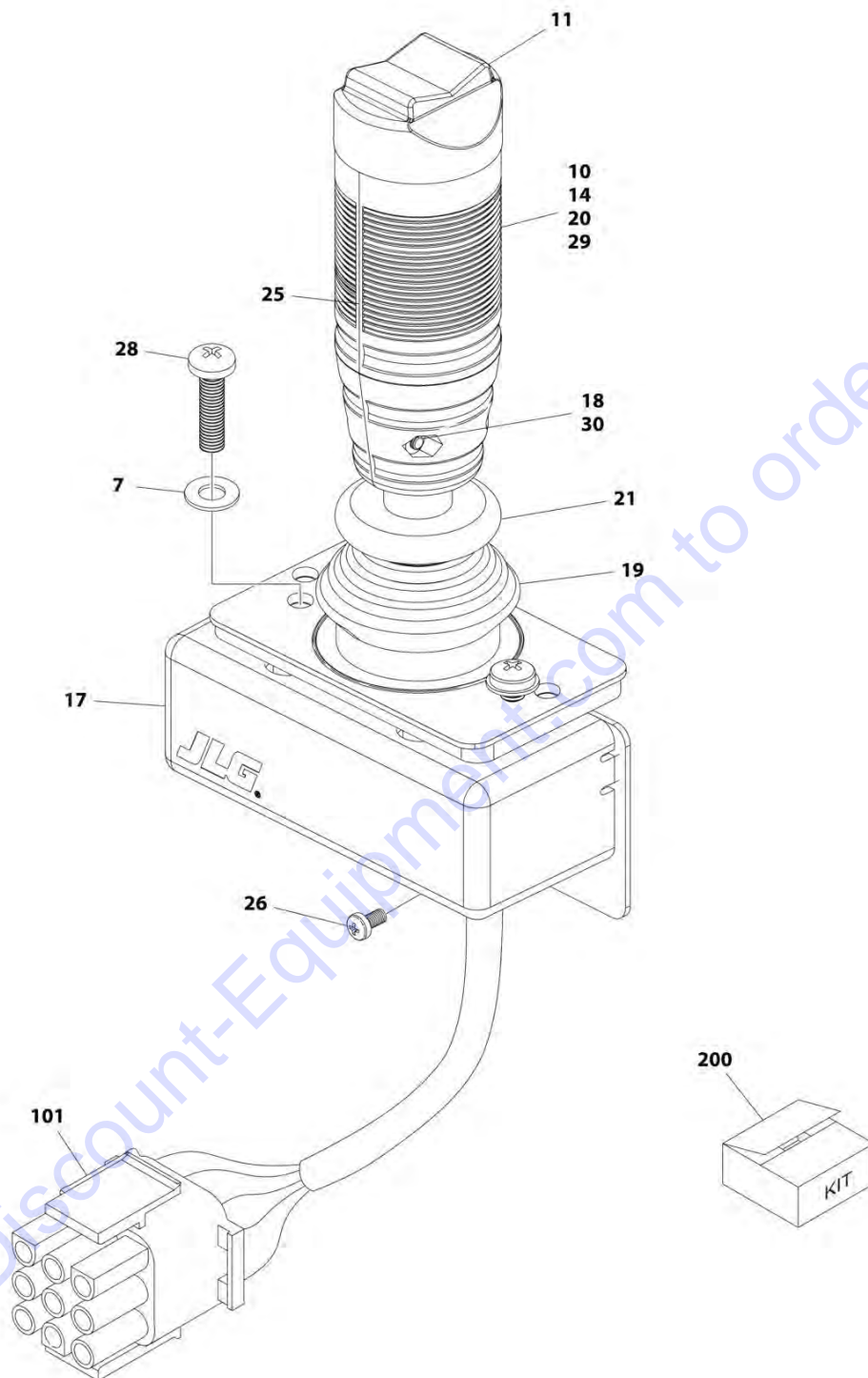
SECTION 5 - PLATFORM

ITEM	PART NUMBER	QTY	DESCRIPTION	REV
101	4460265	1	Connector - 9 Position	
101	4460226	6	Socket, Female	

Go to Discount-Equipment.com to order your parts

SECTION 5 - PLATFORM

FIGURE 5-27. CONTROLLER ASSEMBLY (DRIVE AND STEER)



ART_1001166538

SECTION 5 - PLATFORM

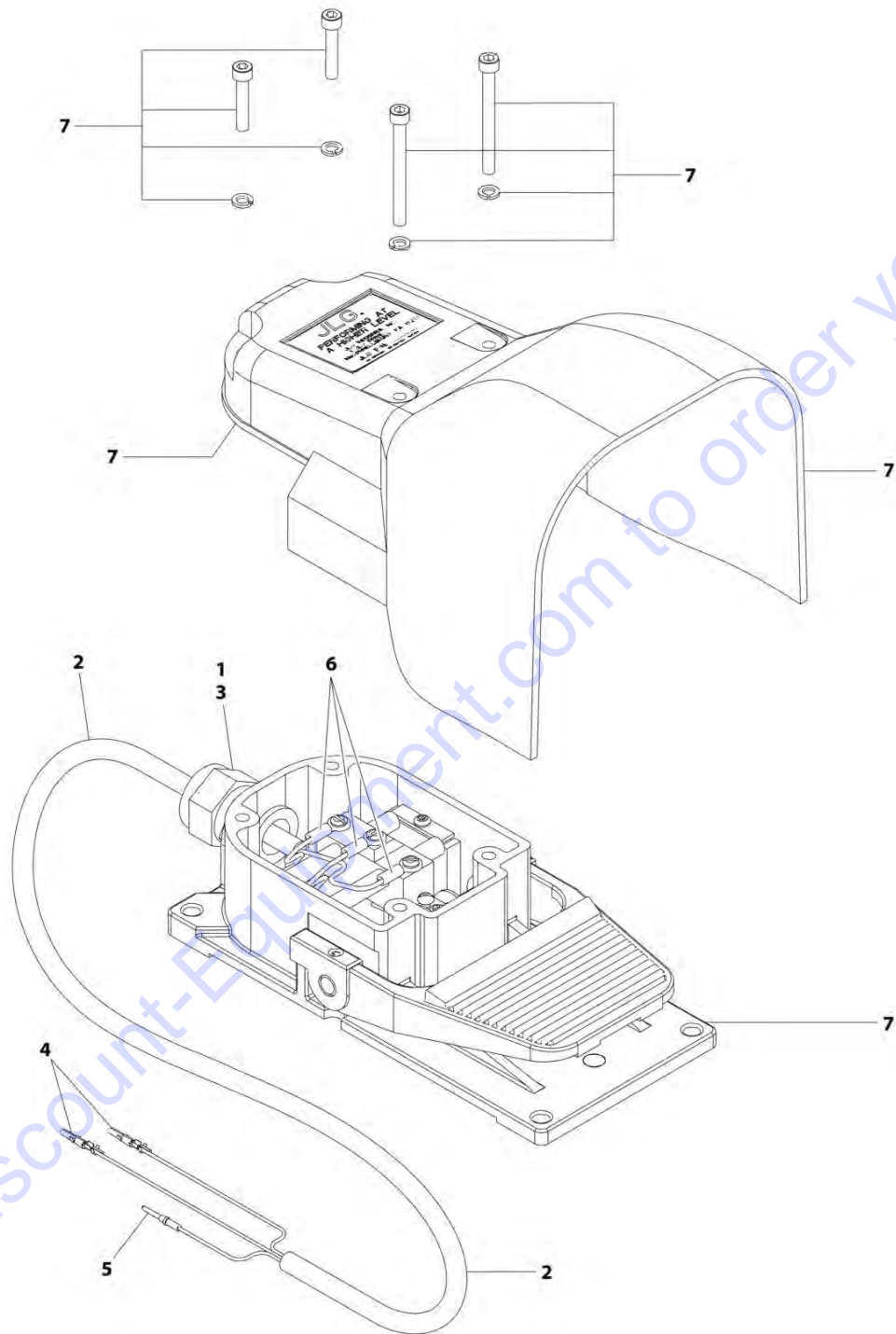
FIGURE 5-27. CONTROLLER ASSEMBLY (DRIVE AND STEER)

ITEM	PART NUMBER	QTY	DESCRIPTION	REV
	1001166538	Ref	CONTROLLER ASSEMBLY (DRIVE AND STEER)	G
		Ref	Note : Use p/n 1001212415 Kit as Replacement.	
7	70004738	2	Washer	
10	70004739	1	Roller	
11	70004740	1	Boot, Switch	
14	70004741	2	Half, Handle	
17	70004742	1	Enclosure	
18	70004743	4	Nut	
19	70004744	NLA	Boot, Controller (Note: Use Item 200)	
20	70004745	NLA	Tube, Locking (Note: Use Item 200)	
21	70004746	NLA	Disc, Locking (Note: Use Item 200)	
25	70004747	2	Seal, Rope	
26	70004748	1	Screw M3 x 6	
28	70004749	2	Screw M5 x 20	
29	70004750	1	Pin, Dowel	
30	70004751	4	Screw M3 x 16	
101	4460265	1	Connector - 9 Position	
101	4460226	7	Socket, Female	
200	70005230	1	Boot Kit (Includes Items 19-21)	

Go to Discount-Equipment.com to order your parts

SECTION 5 - PLATFORM

FIGURE 5-28. FOOTSWITCH ASSEMBLY



ART_1001117174

SECTION 5 - PLATFORM

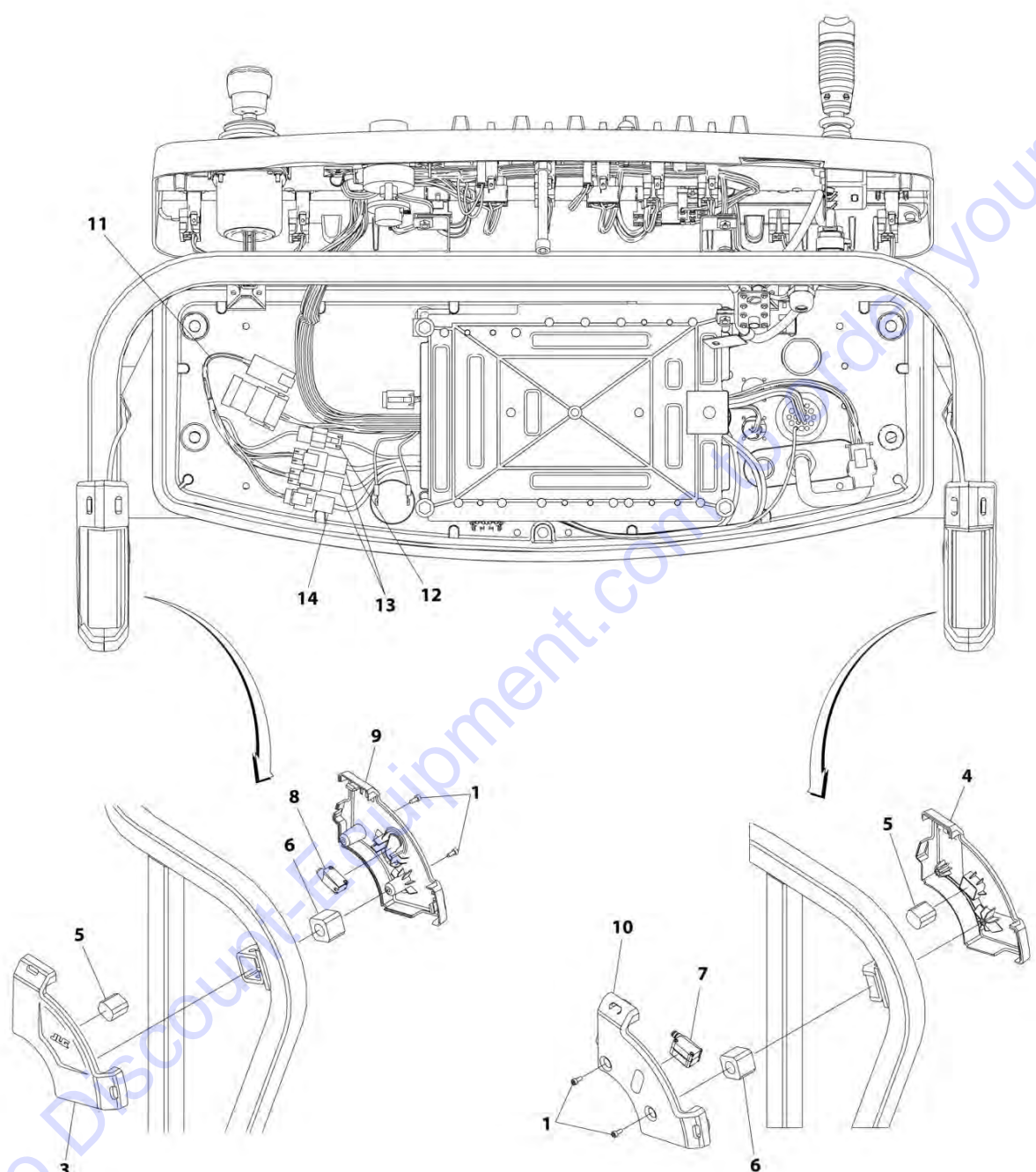
FIGURE 5-28. FOOTSWITCH ASSEMBLY

ITEM	PART NUMBER	QTY	DESCRIPTION	REV
	1001117174	Ref	FOOTSWITCH ASSEMBLY	B
1	0100020	AR	Sealant	
2	1060918	7.5 ft /2.3m	Cable, Electrical - 18/3	
3	4460071	1	Connector, Strain Relief	
4	4460226	2	Socket, Female	
5	4460464	1	Pin, Male	
6	1001098122	3	Terminal	
7	1001117172	1	Footswitch	
7	70002902	1	Switch, 20A	
7	70002903	1	Gasket	
7	70002904	1	Replacement Bolt Kit	
7	70002905	1	Cover	

Go to Discount-Equipment.com to order your parts

SECTION 5 - PLATFORM

FIGURE 5-29. SKYEYE INSTALLATION



ART_1001229341

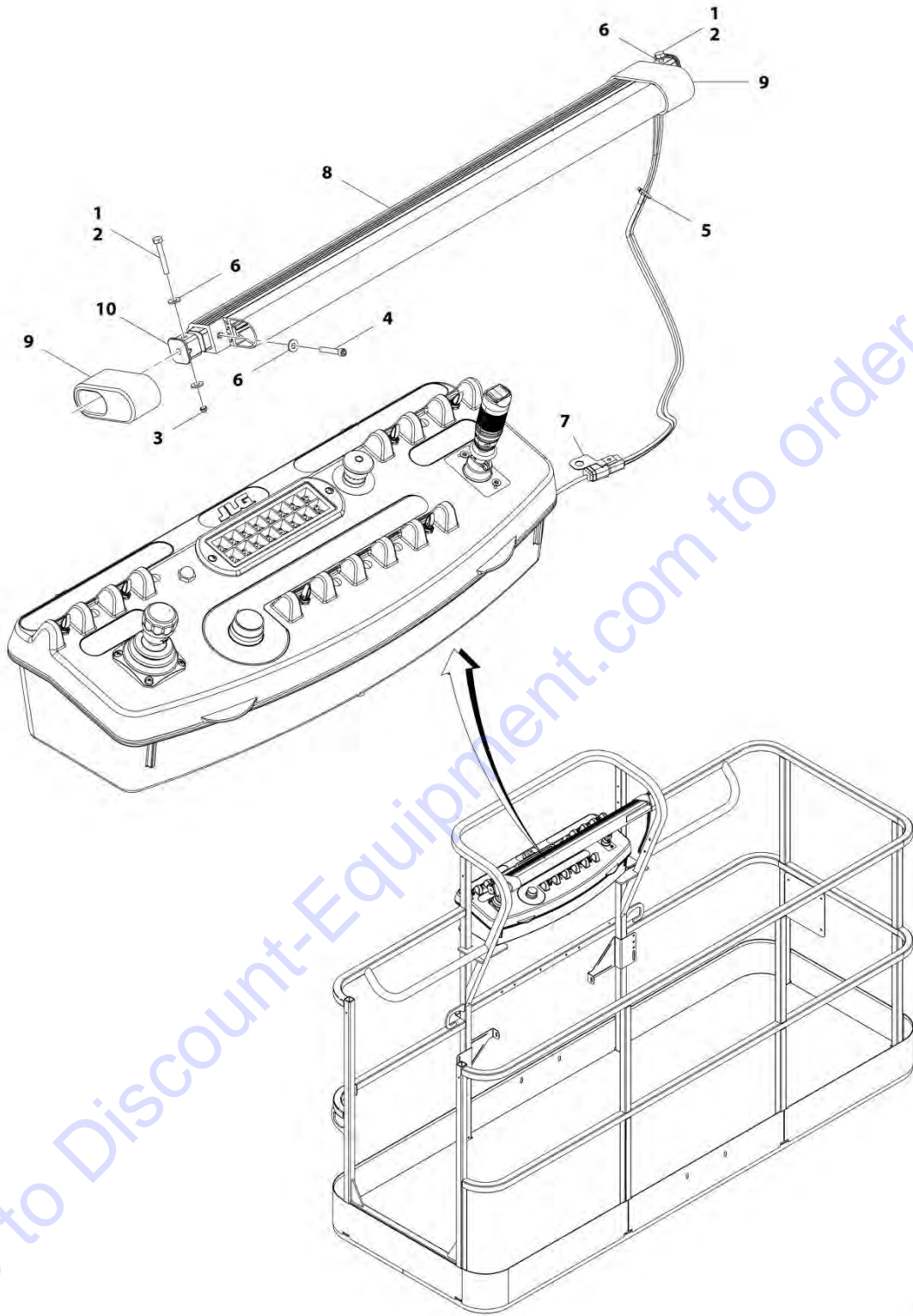
SECTION 5 - PLATFORM

FIGURE 5-29. SKYEYE INSTALLATION

ITEM	PART NUMBER	QTY	DESCRIPTION	REV
	1001229341	Ref	SKYEYE INSTALLATION	A
1	4031505	4	Bolt M4 x 10	
2	4240033	AR	Tie-Strap (Not Shown)	
3	1001227633	1	Housing, LH Outer	
4	1001227634	1	Housing, RH Outer	
5	1001227985	2	Shim	
6	1001227987	2	Shim	
7	1001228224	2	Sensor, Receiver	
8	1001228225	1	Sensor, Emitter	
9	1001232164	1	Housing, LH Inner	
10	1001232165	1	Housing, RH Inner	
11	1001237865	1	Harness, Skyeeye Intermediate (See Separate Breakdown in ELECTRICAL SECTION)	
12	1001238319	1	Harness, Skyeeye Drain Jumper	
12	1001187674	1	Plug, Male - 2 Position	
12	4460942	1	Terminal	
12	4460466	1	Plug, Terminal	
12	4460508	1	Pin, Male	
13	1001237863	2	Harness, Skyeeye Receiver (See Separate Breakdown in ELECTRICAL SECTION)	
14	1001237864	1	Harness, Skyeeye Emitter (See Separate Breakdown in ELECTRICAL SECTION)	

SECTION 5 - PLATFORM

FIGURE 5-30. SKYGUARD SYSTEM INSTALLATION (Prior to SN 0300259280)



ART_1001187508

SECTION 5 - PLATFORM

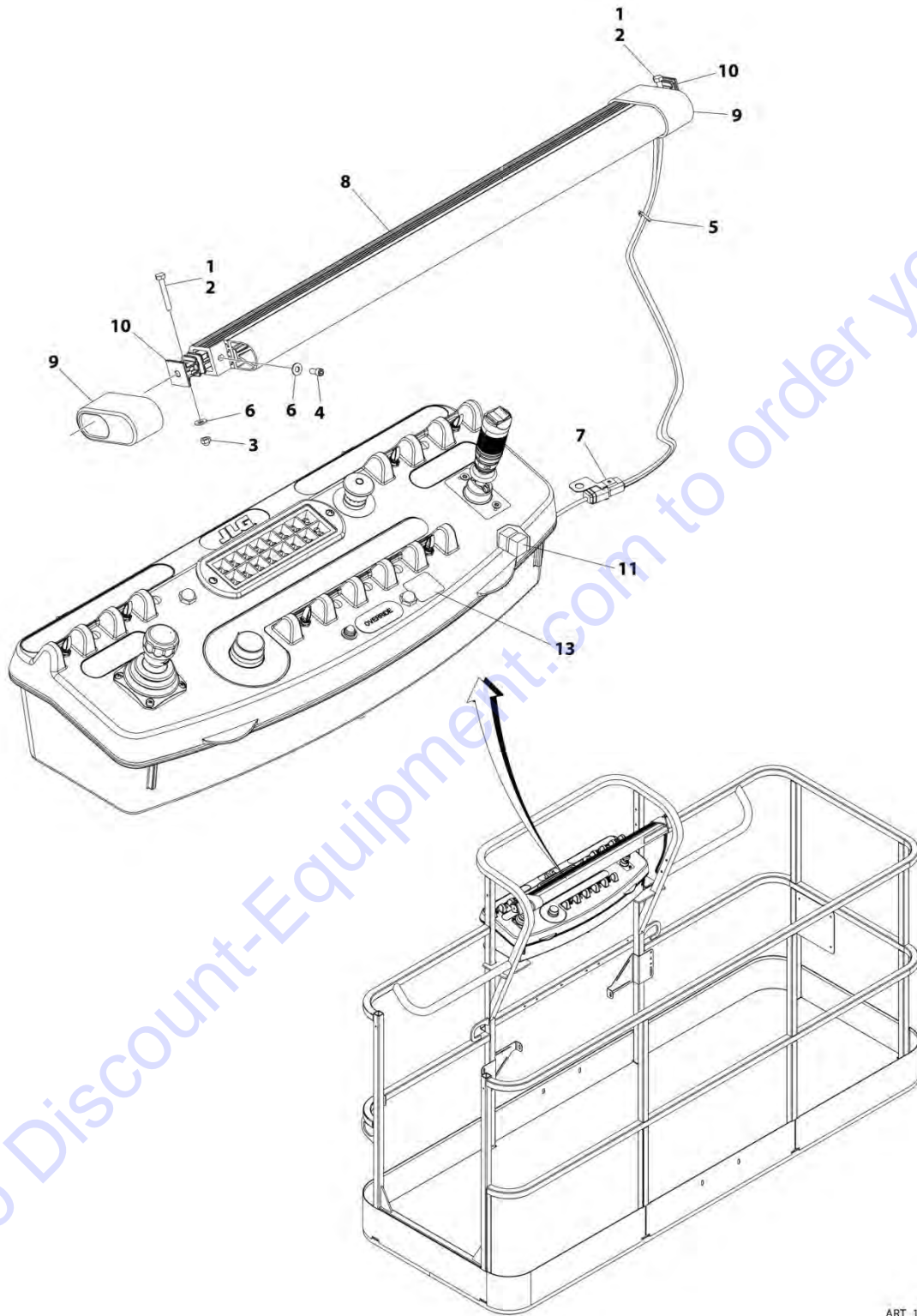
FIGURE 5-30. SKYGUARD SYSTEM INSTALLATION (Prior to SN 0300259280)

ITEM	PART NUMBER	QTY	DESCRIPTION	REV
	1001187508	Ref	SKYGUARD SYSTEM INSTALLATION	C
1	0100011	AR	Compound, Locking	
2	0641414	2	Bolt 1/4 x 1-3/4	
3	3300430	2	Nut 1/4	
4	3931424	2	Capscrew 1/4 x 1-1/2	
4	3931408	1	Capscrew 1/4 x 1/2	
5	4240033	AR	Tie-Strap	
6	4711400	AR	Washer 1/4	
7	1001120328	1	Mount	
8	1001137673	1	SkyGuard Switch Assembly	
9	1001186517	2	Cover, Platform Sensor	
10	1001188889	2	Support, Block (Prior to SN 0300244380)	
10	1001209664	2	Support, Block (SN 0300244380 through 0300259279)	

Go to Discount-Equipment.com to order your parts

SECTION 5 - PLATFORM

FIGURE 5-31. SKYGUARD BAR INSTALLATION (SN 0300259280 to Present)



Go to Discount-Equipment.com to order your parts

ART_1001238495

SECTION 5 - PLATFORM

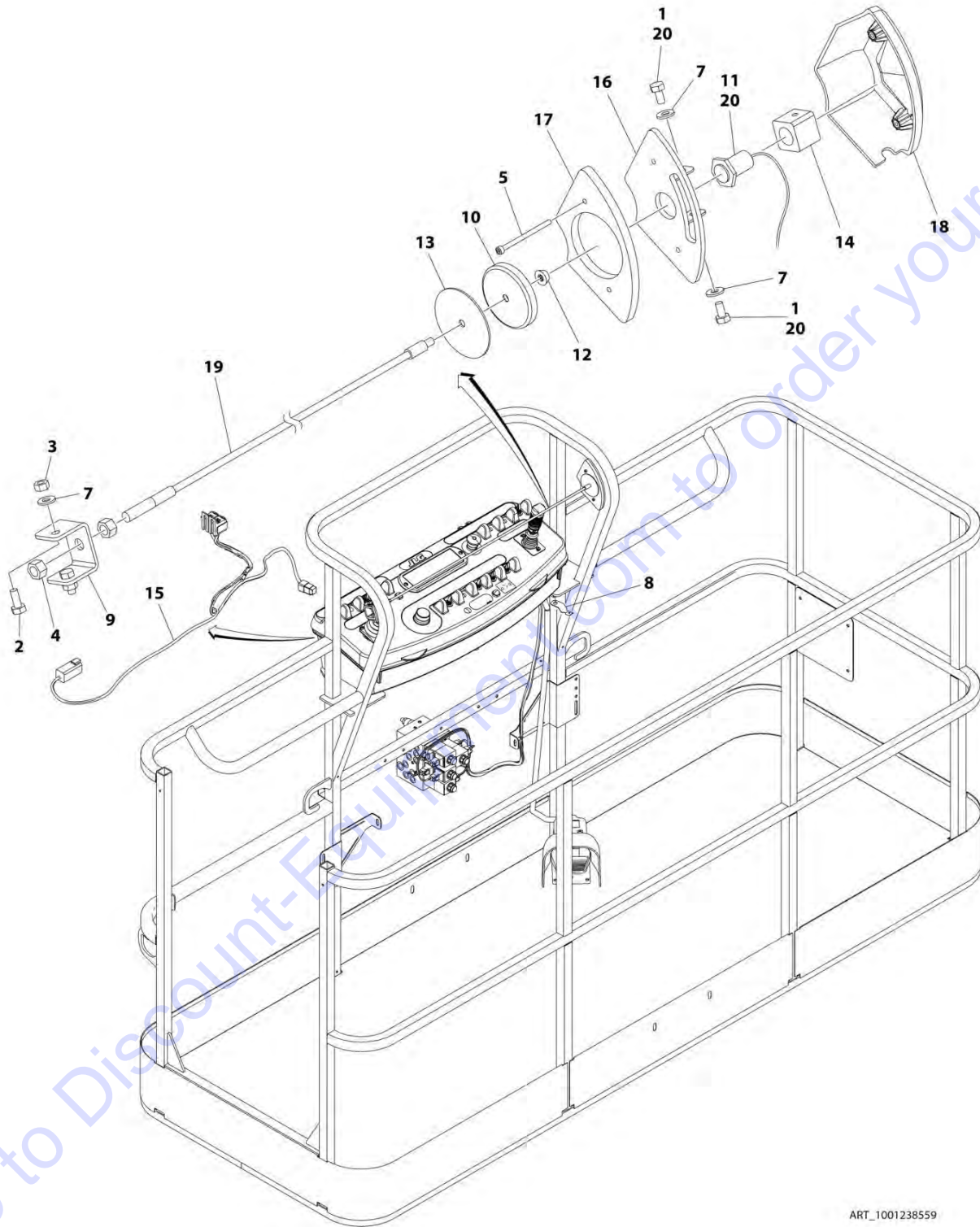
FIGURE 5-31. SKYGUARD BAR INSTALLATION (SN 0300259280 to Present)

ITEM	PART NUMBER	QTY	DESCRIPTION	REV
	1001238495	Ref	SKYGUARD BAR INSTALLATION	A
1	0100011	AR	Compound, Locking	
2	0641414	2	Bolt 1/4 x 1-3/4	
3	3300430	2	Nut 1/4	
4	3931408	2	Capscrew 1/4 x 1/2	
5	4240033	8	Tie-Strap	
6	4711400	6	Washer 1/4	
7	1001120328	1	Mount	
8	1001137673	1	SkyGuard Switch Assembly	
9	1001186517	2	Cover, Platform Sensor	
10	1001209664	2	Support, Block	
11	1001186431	2	Relay	
12	1001225580	1	Interface Harness Assembly (Not Shown - Located Inside Console Box) (See ELECTRICAL SECTION for Breakdown)	
13	1001144433	1	Decal - No Weight SkyGuard	

Go to Discount-Equipment.com to order your parts

SECTION 5 - PLATFORM

FIGURE 5-32. SKYLINE INSTALLATION



ART_1001238559

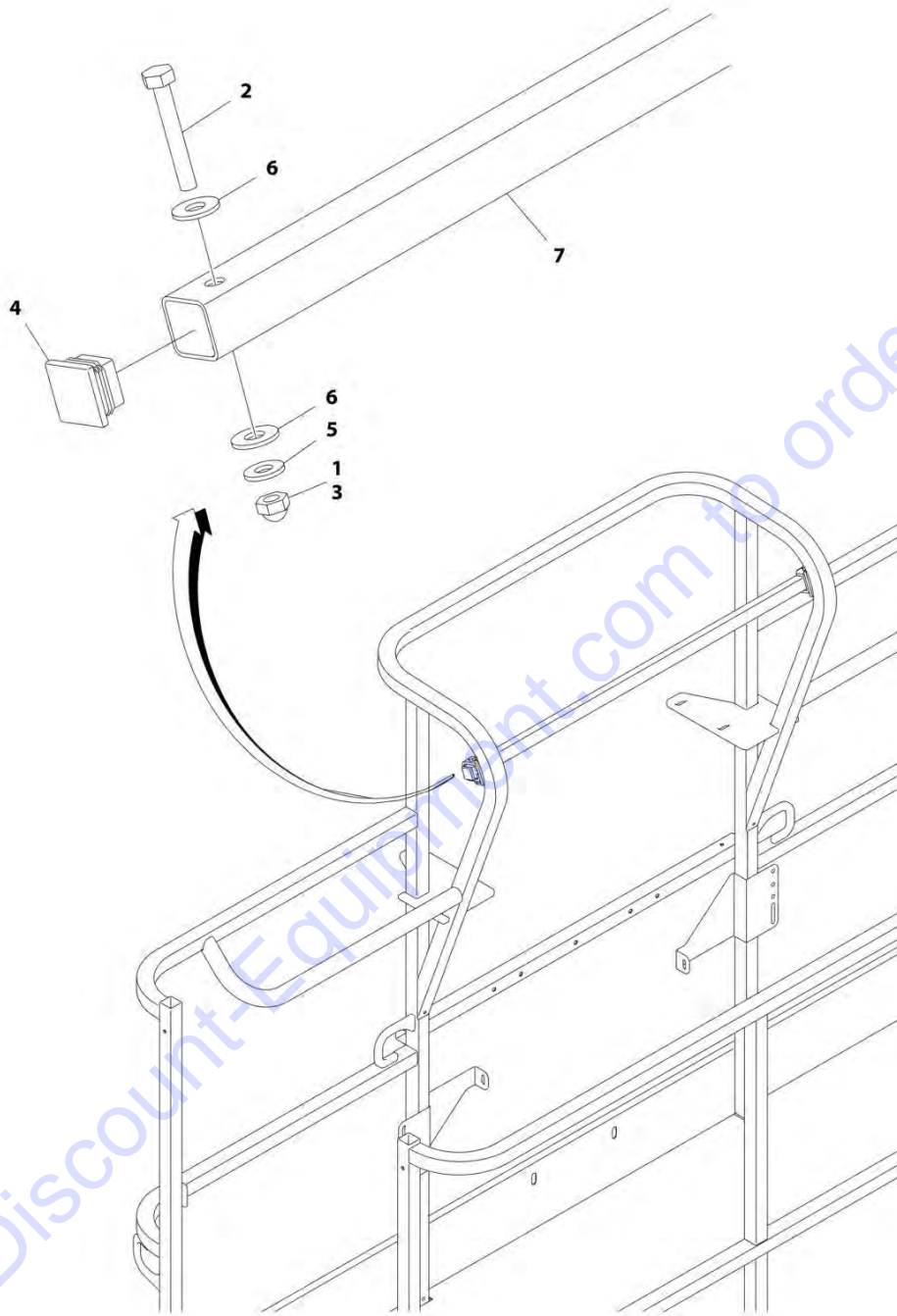
SECTION 5 - PLATFORM

FIGURE 5-32. SKYLINE INSTALLATION

ITEM	PART NUMBER	QTY	DESCRIPTION	REV
	1001238559	Ref	SKYLINE INSTALLATION	B
1	0641404	2	Bolt 1/4 x 1/2	
2	0641405	2	Bolt 1/4 x 5/8	
3	3311405	2	Nut 1/4	
4	3311601	2	Nut 3/8	
5	4031516	2	Capscrew M4 x 60	
6	4240033	AR	Tie-Strap (Not Shown)	
7	4711400	4	Washer 1/4	
8	1001120328	1	Mount	
9	1001232642	1	Bracket	
10	1001232650	1	Magnet	
11	1001232667	1	Sensor, Proximity	
12	1001235011	1	Nut	
13	1001235013	1	Washer	
14	1001236552	1	Block	
15	1001238418	1	Harness, Skyline (See Separate Breakdown in ELECTRICAL SECTION)	
16	1001238472	1	Mount	
17	1001238477	1	Housing, LH	
18	1001241965	1	Housing, RH	
19	1001238824	1	Rope	
20	0100011	AR	Compound, Locking	

SECTION 5 - PLATFORM

FIGURE 5-33. CROSS RAIL INSTALLATION



ART_1001182138

SECTION 5 - PLATFORM

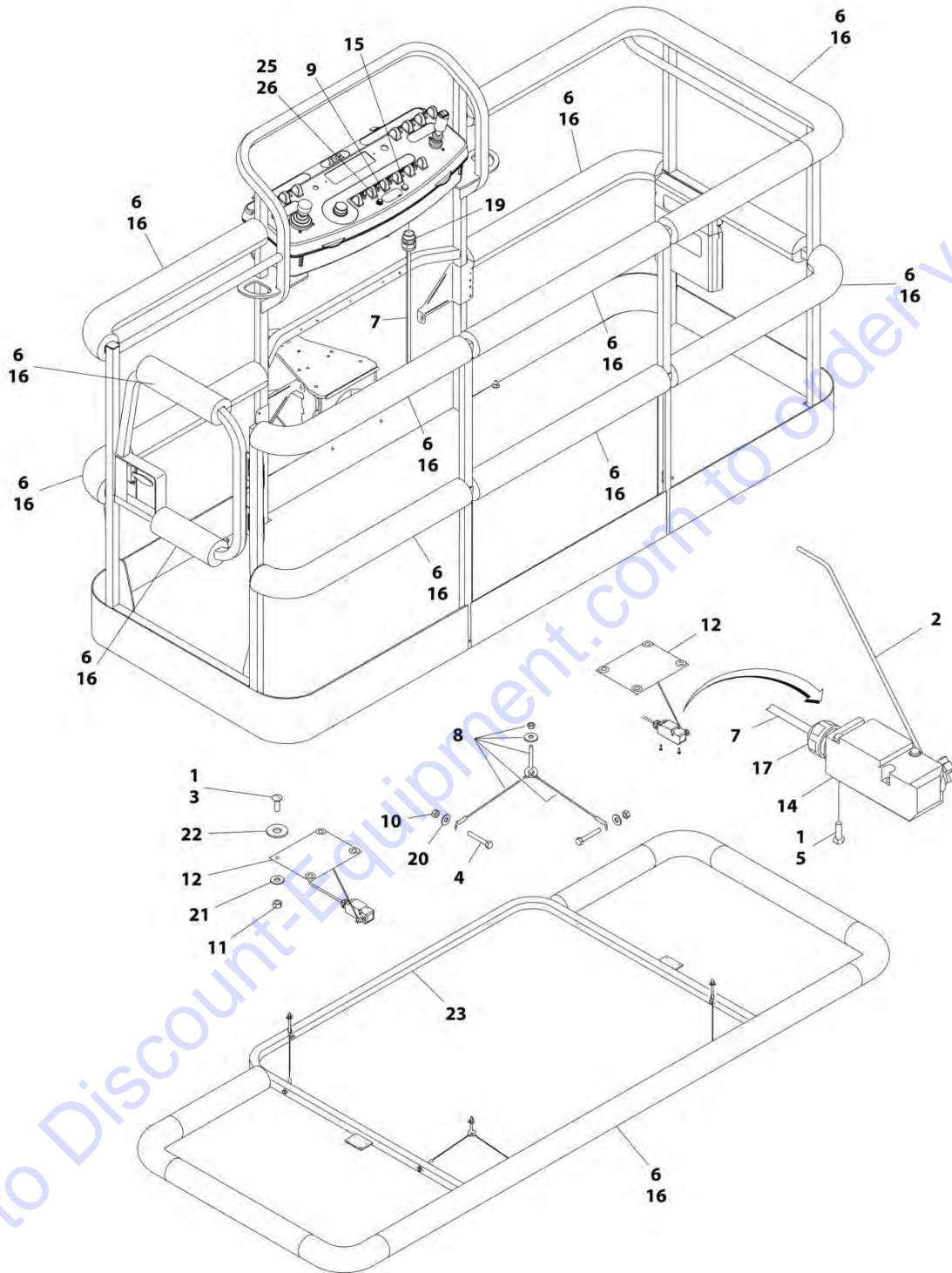
FIGURE 5-33. CROSS RAIL INSTALLATION

ITEM	PART NUMBER	QTY	DESCRIPTION	REV
	1001182138	Ref	CROSS RAIL INSTALLATION	A
1	0100071	AR	Compound, Locking	
2	0641414	2	Bolt 1/4 x 1-3/4	
3	3300430	2	Nut 1/4	
4	3520182	2	Plug	
5	4711400	2	Washer 1/4	
6	4751400	4	Washer 1/4	
7	1001191708	1	Bar	

Go to Discount-Equipment.com to order your parts

SECTION 5 - PLATFORM

FIGURE 5-34. SOFT TOUCH INSTALLATION - 8FT (2.4M) PLATFORM (OPTIONAL)



ART_0272427

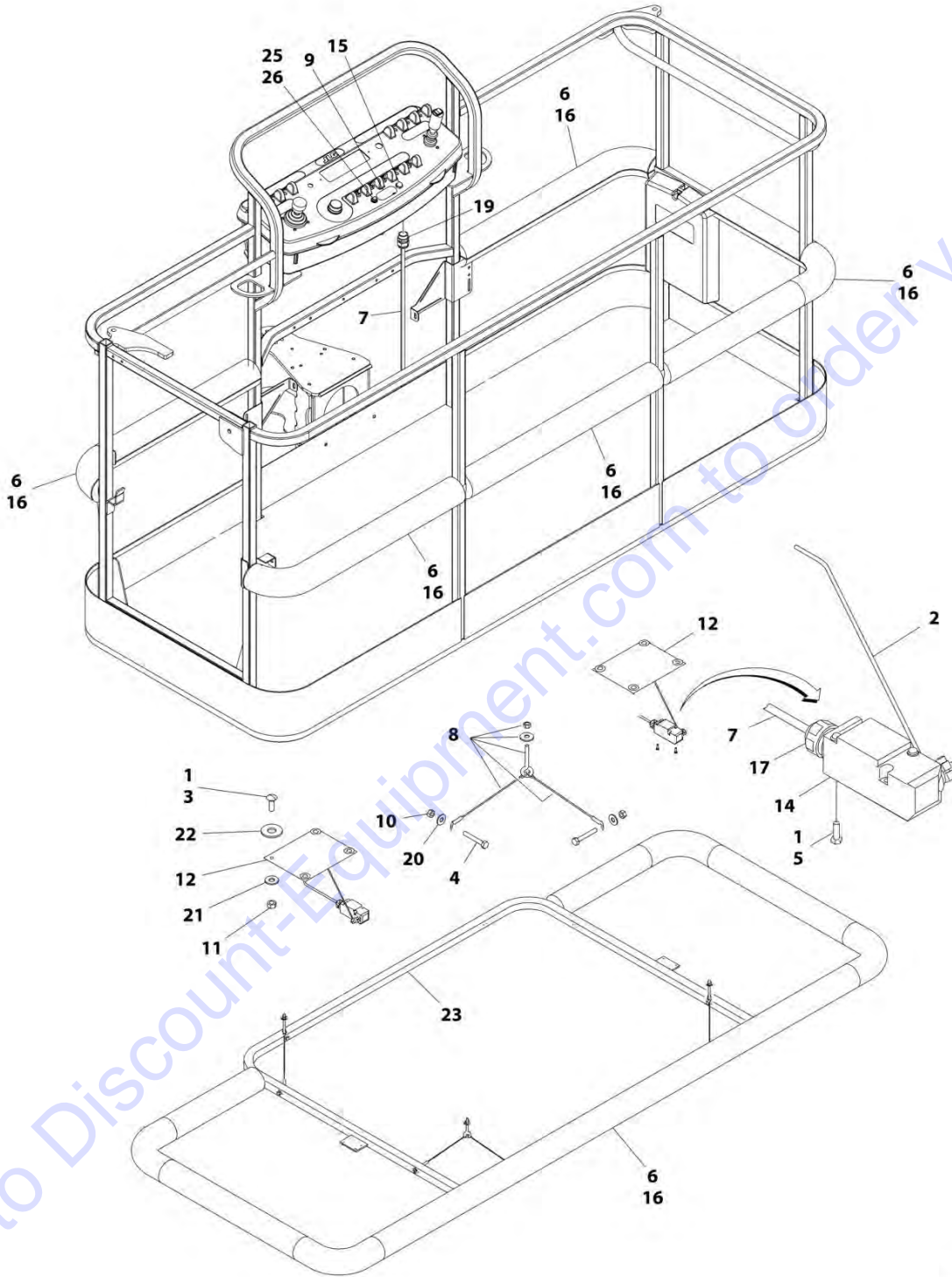
SECTION 5 - PLATFORM

FIGURE 5-34. SOFT TOUCH INSTALLATION - 8FT (2.4M) PLATFORM (OPTIONAL)

ITEM	PART NUMBER	QTY	DESCRIPTION	REV
	0272427	Ref	SOFT TOUCH INSTALLATION - 8FT (2.4M) PLATFORM (OPTIONAL)	G
1	0100011	AR	Compound, Locking	
2	0200048	2	Arm, Switch	
3	0630462	8	Bolt	
4	0641414	8	Bolt 1/4 x 1-3/4	
5	0721005	4	Bolt #10 x 5/8	
6	0940103	1	Bumper Kit (Includes Corners and Enough Straight Material for One Platform)	
6	0940092	12	Bumper (Corner)	
6	0940094	AR	Bumper (12ft Length)	
7	1060341	23 ft/7m	Cable, Electrical - 16/2	
8	1060903	4	Wire Rope and Eyebolt Assembly	
9	1702938	1	Decal - Soft Touch Override	
10	3311401	8	Nut 1/4	
11	3311501	8	Nut 5/16	
12	3574091	2	Plate, Switch Strike	
13	4240099	7	Tie-Strap (Not Shown)	
14	4360057	2	Switch, Limit	
15	4360387	1	Switch, Push Button	
16	4420068	AR	Tape, Adhesive	
16	1001197017	AR	Tie-Strap	
17	4460049	2	Connector, Strain Relief	
18	4460234	7	Tie-Strap (Not Shown)	
19	4460425	1	Connector, Strain Relief	
20	4751400	8	Washer 1/4	
21	4751500	12	Washer 5/16	
22	4751800	8	Washer 1/2	
23	4846673	1	Rail, Soft Touch	
25	2920028	1	Light, Indicator	
26	2920029	1	Bulb, Light	

SECTION 5 - PLATFORM

FIGURE 5-35. SOFT TOUCH INSTALLATION - 8FT (2.4M) FALL ARREST PLATFORM (OPTIONAL)



ART_0273706

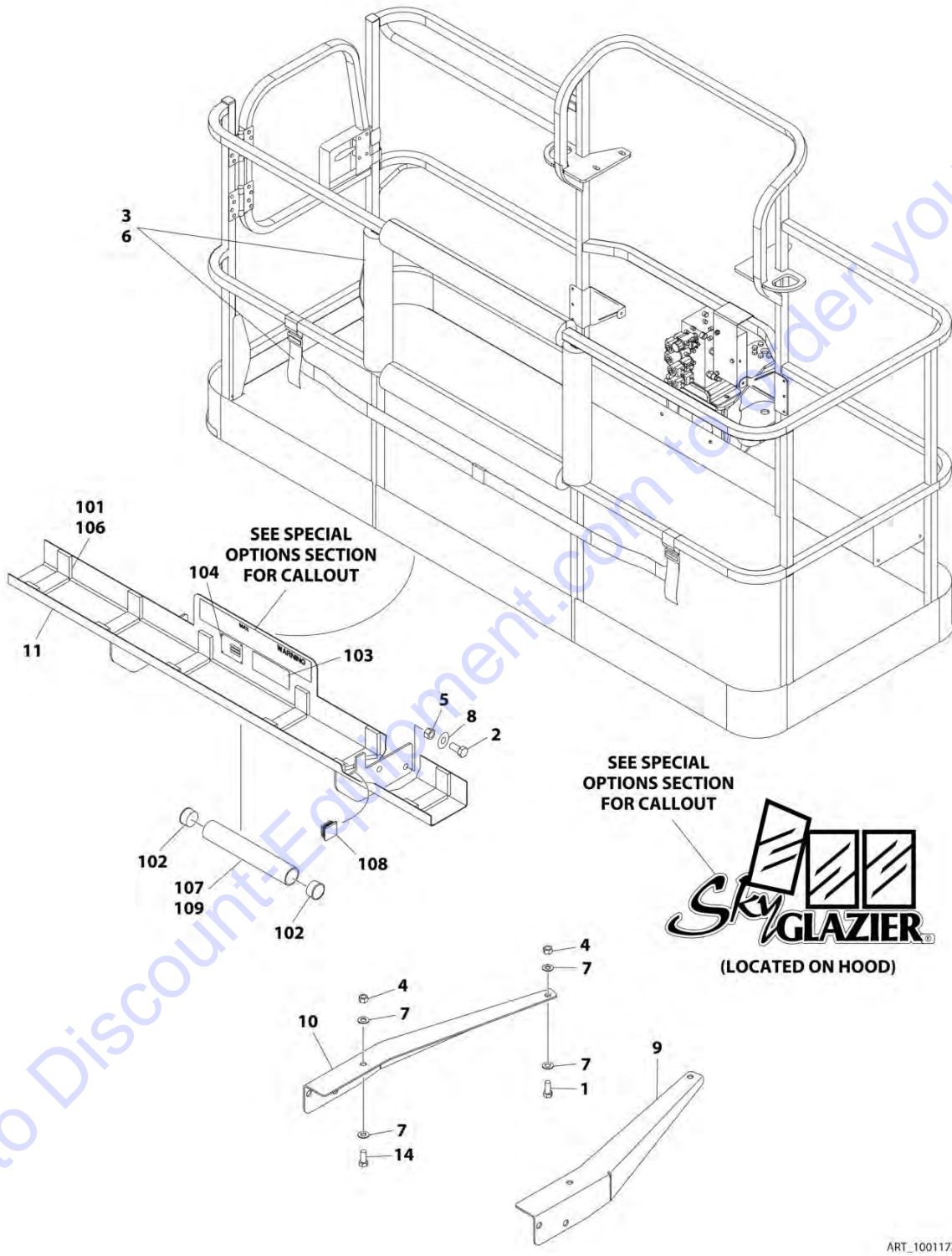
SECTION 5 - PLATFORM

FIGURE 5-35. SOFT TOUCH INSTALLATION - 8FT (2.4M) FALL ARREST PLATFORM (OPTIONAL)

ITEM	PART NUMBER	QTY	DESCRIPTION	REV
	0273706	Ref	SOFT TOUCH INSTALLATION - 8FT (2.4M) FALL ARREST PLATFORM (OPTIONAL)	D
1	0100011	AR	Compound, Locking	
2	0200048	2	Arm, Switch	
3	0630462	8	Bolt	
4	0641414	8	Bolt 1/4 x 1-3/4	
5	0721005	4	Bolt #10 x 5/8	
6	0940133	1	Bumper Kit (Includes Corners and Enough Straight Material for One Platform)	
6	0940092	8	Bumper (Corner)	
6	0940094	AR	Bumper (12ft Length)	
7	1060341	23 ft/7m	Cable, Electrical - 16/2	
8	1060903	4	Wire Rope and Eyebolt Assembly	
9	1702938	1	Decal - Soft Touch Override	
10	3311401	8	Nut 1/4	
11	3311501	8	Nut 5/16	
12	3574091	2	Plate, Switch Strike	
13	4240099	7	Tie-Strap (Not Shown)	
14	4360057	2	Switch, Limit	
15	4360387	1	Switch, Push Button	
16	4420068	AR	Tape, Adhesive	
16	1001197017	AR	Tie-Strap	
17	4460049	2	Connector, Strain Relief	
18	4460234	7	Tie-Strap (Not Shown)	
19	4460425	1	Connector, Strain Relief	
20	4751400	8	Washer 1/4	
21	4751500	12	Washer 5/16	
22	4751800	8	Washer 1/2	
23	4846673	1	Rail, Soft Touch	
25	2920028	1	Light, Indicator	
26	2920029	1	Bulb, Light	

SECTION 5 - PLATFORM

FIGURE 5-36. SKYGLAZIER INSTALLATION (ANSI, ANSI EXPORT, AUSTRALIAN, CE AND CSA SPECS)



ART_1001172578

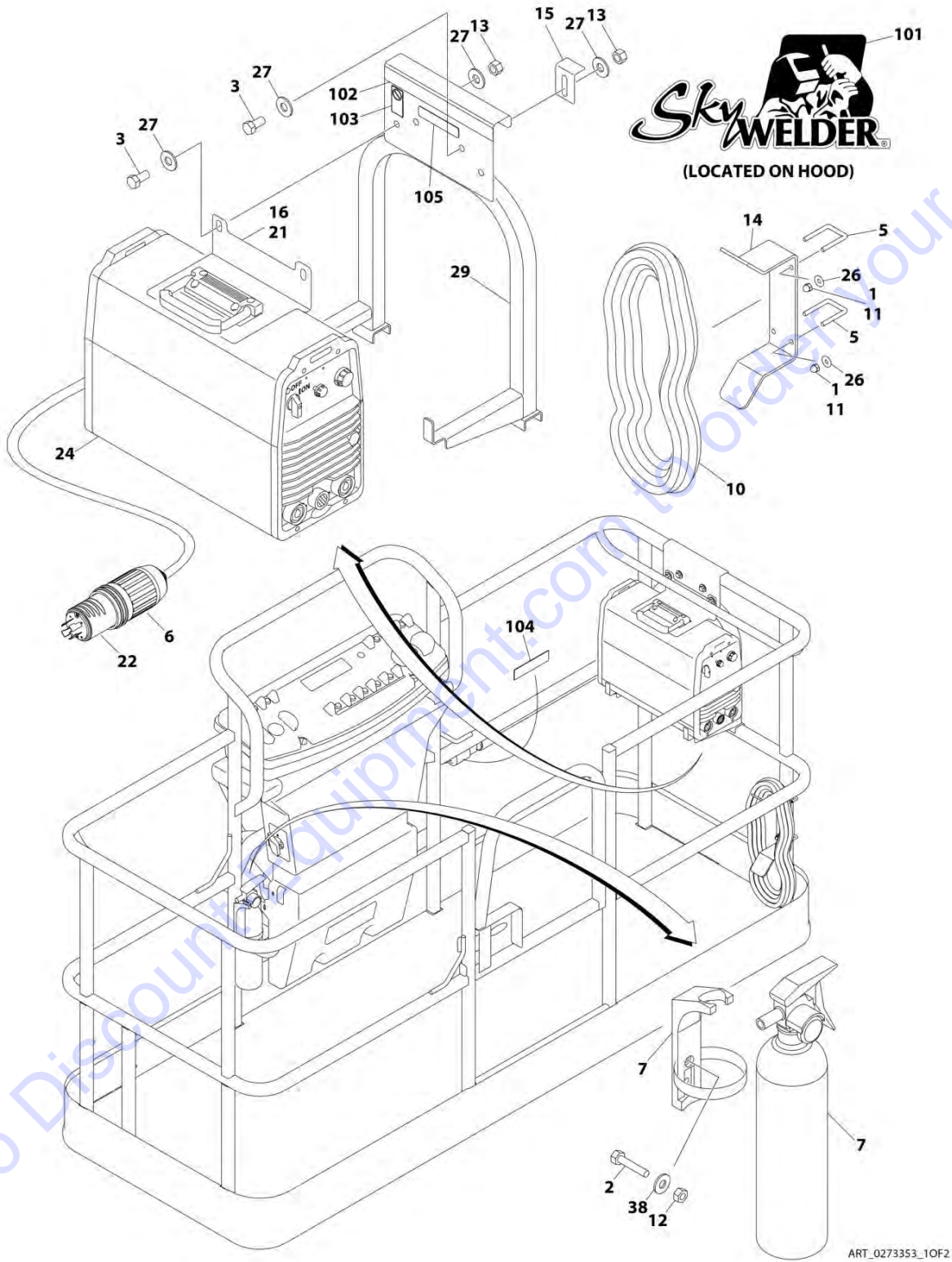
SECTION 5 - PLATFORM

FIGURE 5-36. SKYGLAZIER INSTALLATION (ANSI, ANSI EXPORT, AUSTRALIAN, CE AND CSA SPECS)

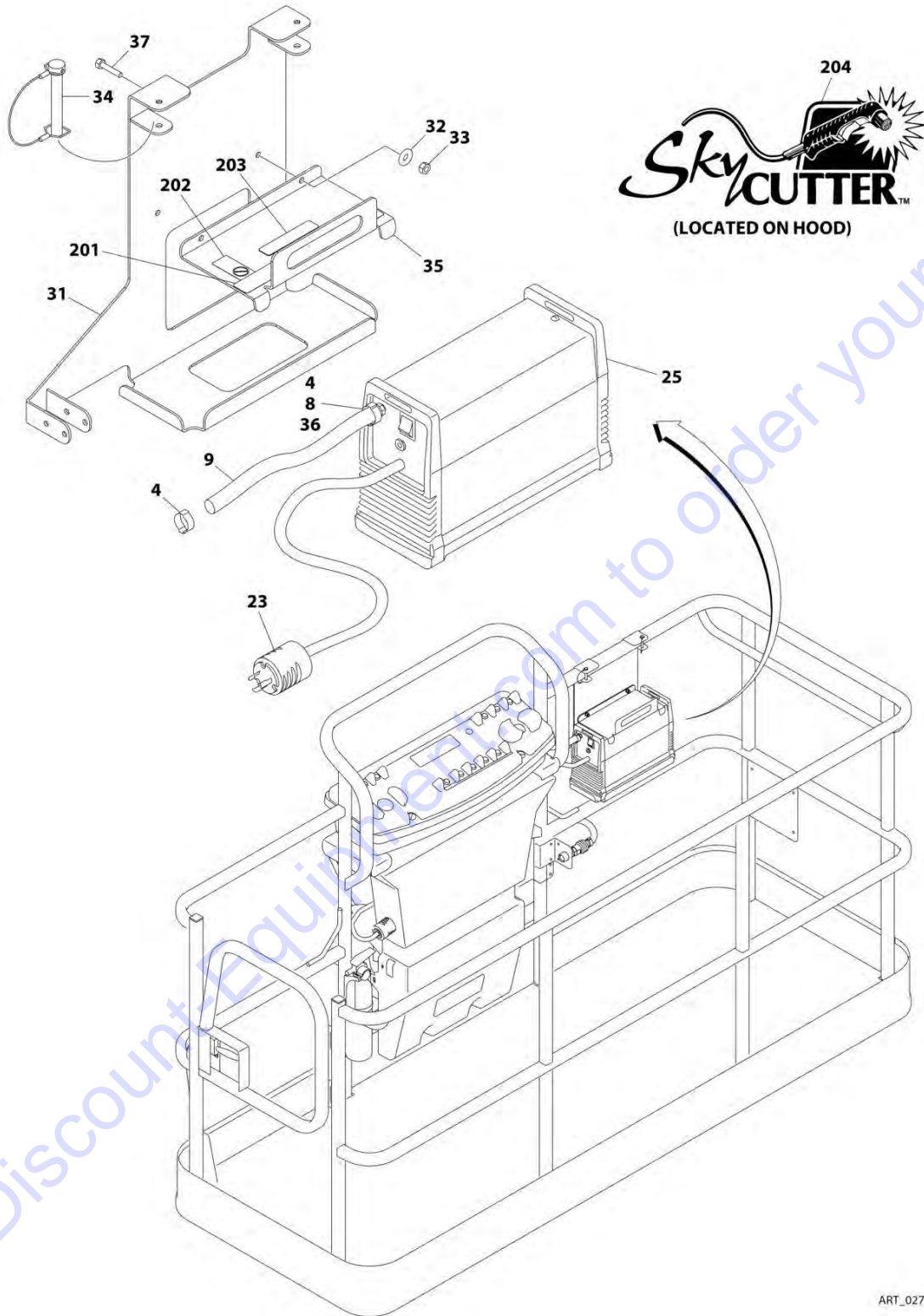
ITEM	PART NUMBER	QTY	DESCRIPTION	REV
	1001172578	Ref	SKYGLAZIER INSTALLATION (ANSI, ANSI EXPORT, AUSTRALIAN, CE AND CSA SPECS)	C
1	0642012	2	Bolt 5/8 x 1-1/2	
2	0642212	4	Bolt 3/4 x 1-1/2	
3	2902212	1	Bumpers and Strap Kit	
3	0940102	1	Bumper Only	
3	4240149	1	Strap Only	
4	3312005	4	Nut 5/8	
5	3312205	4	Nut 3/4	
6	4420014	AR	Tape	
7	4712000	6	Washer 5/8	
8	4712200	8	Washer 3/4	
9	1001099366	1	Support	
10	1001099367	1	Support	
11	1001101421	1	Tray Assembly (See Items 101-111 for Breakdown)	
14	8310129	2	Bolt 3/4 x 2-1/2	
	1001172577	Ref	TRAY ASSEMBLY	B
101	0100081	AR	Adhesive	
102	1120555	2	Cap, Tube	
103	1701509	1	Decal - Manual	
104	See Note	NSS	Nameplate - Serial Number (Note: Not Available for Purchase)	
106	3340956	1	Pad Kit	
107	3460334	1	Tube	
108	3520071	2	Plug	
109	4420066	AR	Tape, Double Sided	

SECTION 5 - PLATFORM

FIGURE 5-37. SKYWELDER/SKYCUTTER COMBO INSTALLATION (60HZ)



SECTION 5 - PLATFORM



ART_0273353_20F2

SECTION 5 - PLATFORM

FIGURE 5-37. SKYWELDER/SKYCUTTER COMBO INSTALLATION (60HZ)

ITEM	PART NUMBER	QTY	DESCRIPTION	REV
	0273353	Ref	SKYWELDER/SKYCUTTER COMBO INSTALLATION (60HZ)	G
		Ref	Note: ANSI, ANSI Export, CSA and Japanese Spec Only.	
1	0100011	AR	Compound, Locking	
2	0630518	2	Screw #10 x 3/4	
3	0641606	4	Bolt 3/8 x 3/4	
4	1320177	2	Clamp	
5	1320302	2	Clamp	
6	1671093	1	Cover, Plug	
7	2030010	1	Extinguisher, Fire	
8	2180832	1	Fitting, Barbed/NPT	
9	2720160	4.5 ft /1.4m	Hose	
10	2902217	1	Weld Leads Kit	
11	3300151	4	Nut 1/4	
12	3311005	2	Nut #10	
13	3311605	4	Nut 3/8	
14	3573400	1	Bracket	
15	3577121	2	Angle	
16	3573642	1	Plate	
20	4240099	AR	Tie-Strap (Not Shown)	
21	4420037	2.4 ft /.71m	Tape	
22	4460962	1	Plug, Twist Lock	
23	4460971	1	Plug, Twist Lock	
24	4530028	1	Welder Assembly (See WELDER ASSEMBLY for Breakdown)	
25	1001098012	1	Plasma Cutter Assembly (See PLASMA CUTTER ASSEMBLY for Breakdown)	
26	4751400	4	Washer 1/4	
27	4751600	8	Washer 3/8	
29	4846627	1	Support	
31	1001145405	1	Bracket	
32	4811700	2	Washer M6	
33	3290605	2	Nut M6	
34	3421453	3	Pin	
35	3576799	1	Plate, Hold-Down	
36	0100020	1	Sealant	
37	4010608	2	Screw M6 x 16	
38	4751000	2	Washer #10	
	0272448	Ref	SKYWELDER DECAL INSTALLATION	B
101	1705355	2	Decal - SkyWelder	
102	1702868	1	Decal - No Hands	
103	1705305	1	Decal - Weld Leads	
104	1705375	1	Decal - 240V - 3 Phase - 60Hz	
105	1705466	NLA	Decal - Weight (Use p/n 1001228988)	
105	1001228988	1	Decal - Weight	
	0272599	Ref	SKYCUTTER DECAL INSTALLATION	B
201	1702868	1	Decal - No Hands	
202	1705305	1	Decal - Weld Leads	
203	1705466	NLA	Decal - Weight (Use p/n 1001228988)	
203	1001228988	1	Decal - Weight	

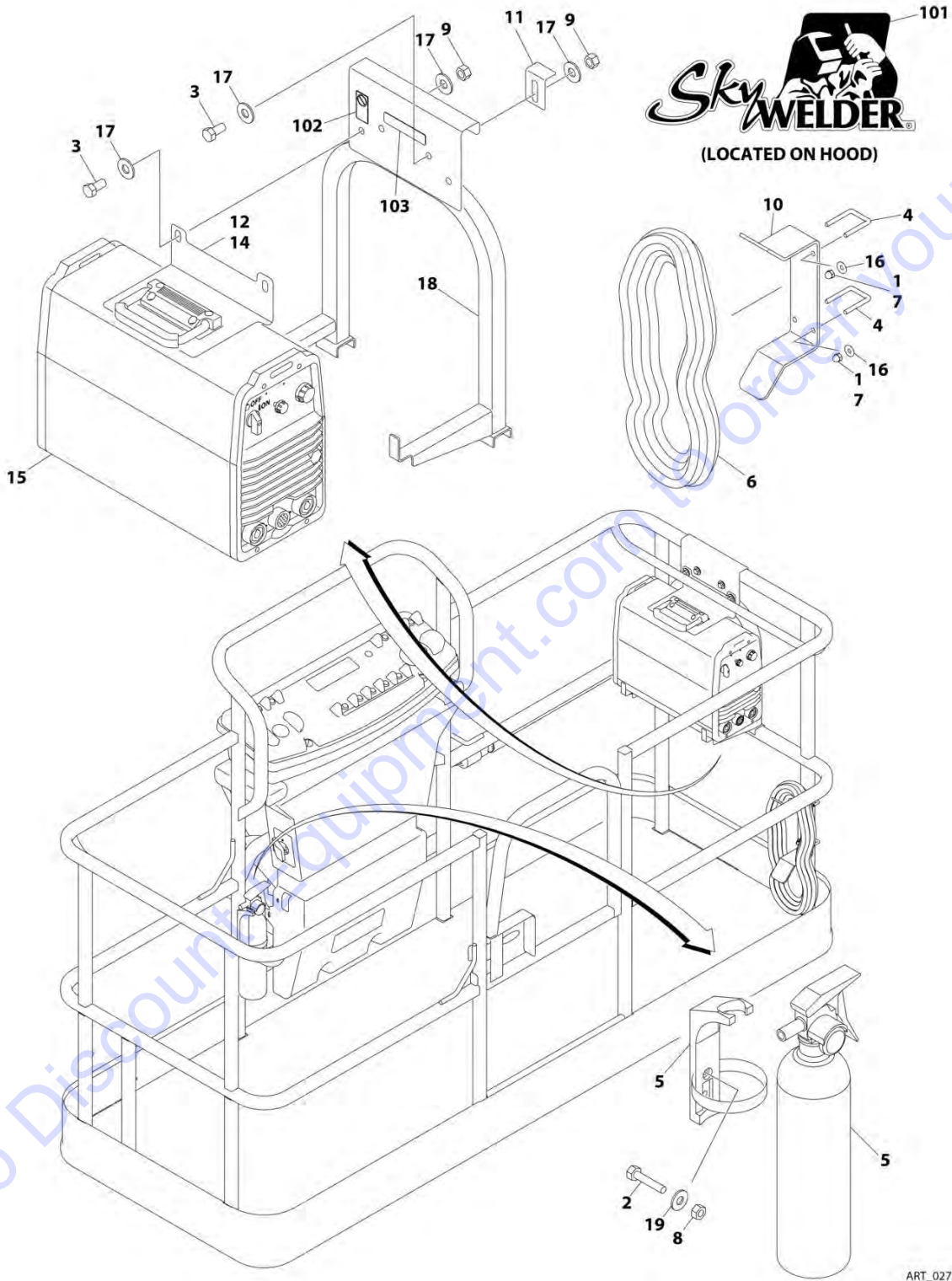
SECTION 5 - PLATFORM

ITEM	PART NUMBER	QTY	DESCRIPTION	REV
204	1705490	2	Decal - SkyCutter	

Go to Discount-Equipment.com to order your parts

SECTION 5 - PLATFORM

FIGURE 5-38. SKYWELDER INSTALLATION (50HZ)



ART_0272521

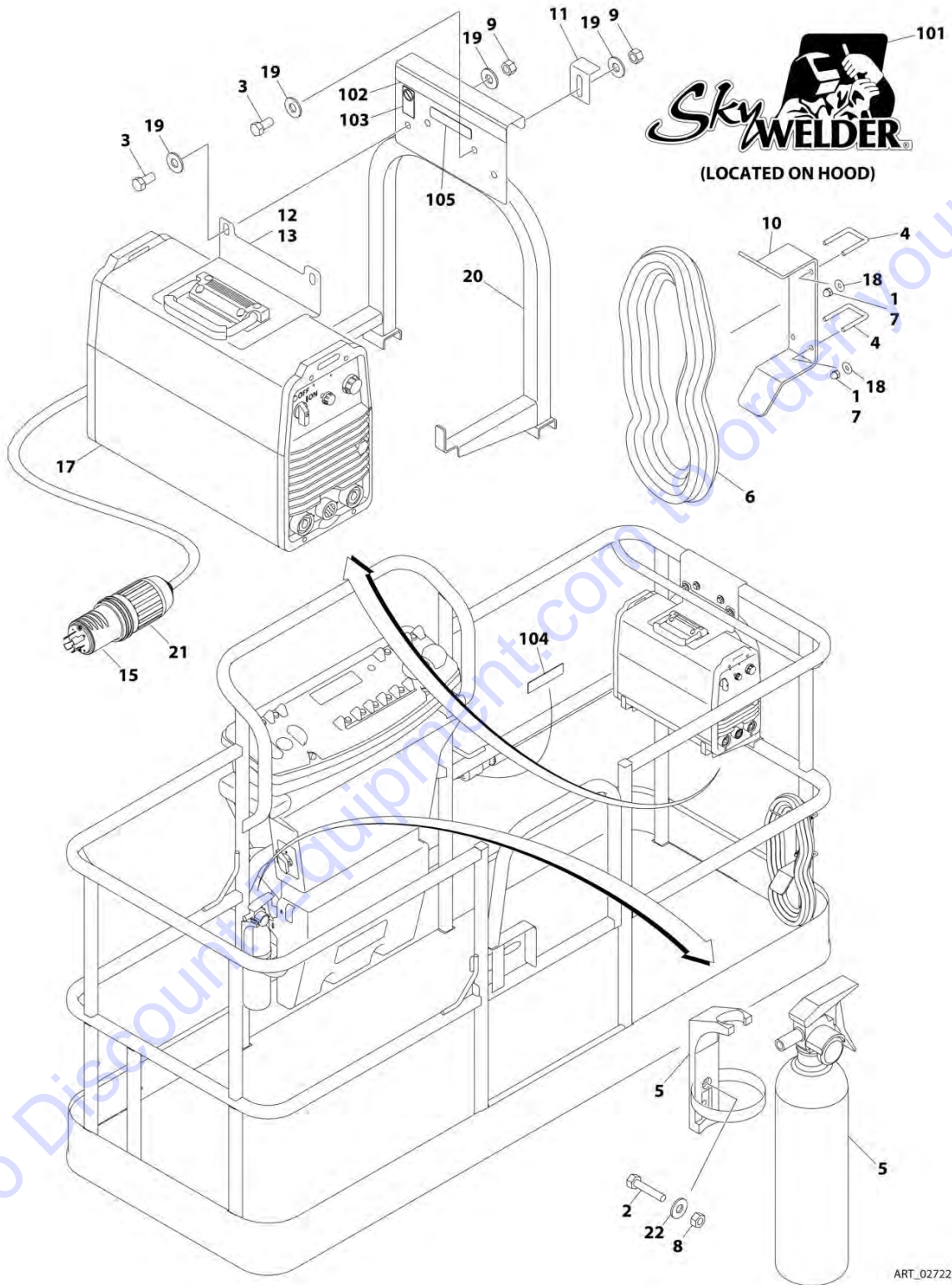
SECTION 5 - PLATFORM

FIGURE 5-38. SKYWELDER INSTALLATION (50HZ)

ITEM	PART NUMBER	QTY	DESCRIPTION	REV
	0272521	Ref	SKYWELDER INSTALLATION (50HZ)	F
		Ref	Note: Australian, CE, Chinese and Japanese Specs Only.	
1	0100011	AR	Compound, Locking	
2	0630518	2	Screw #10 x 3/4	
3	0641606	4	Bolt 3/8 x 3/4	
4	1320302	2	U-Clamp	
5	2030010	1	Extinguisher, Fire	
6	2902217	1	Weld Leads Kit	
7	3300151	4	Nut 1/4	
8	3311005	2	Nut #10	
9	3311605	4	Nut 3/8	
10	3573400	1	Bracket	
11	3577121	2	Angle	
12	3573642	1	Plate	
13	4240099	AR	Tie-Strap (Not Shown)	
14	4420037	AR	Tape	
15	4530028	1	Welder Assembly (See WELDER ASSEMBLY for Breakdown)	
16	4751400	4	Washer 1/4	
17	4751600	8	Washer 3/8	
18	4846627	1	Support	
19	4751000	2	Washer #10	
	0272588	Ref	SKYWELDER DECAL INSTALLATION	B
101	1705355	2	Decal - SkyWelder	
102	1705305	1	Decal - Weld Lead	
103	1705466	NLA	Decal - Weight (Use p/n 1001228988)	
103	1001228988	1	Decal - Weight	

SECTION 5 - PLATFORM

FIGURE 5-39. SKYWELDER INSTALLATION (60HZ)



ART_0272254

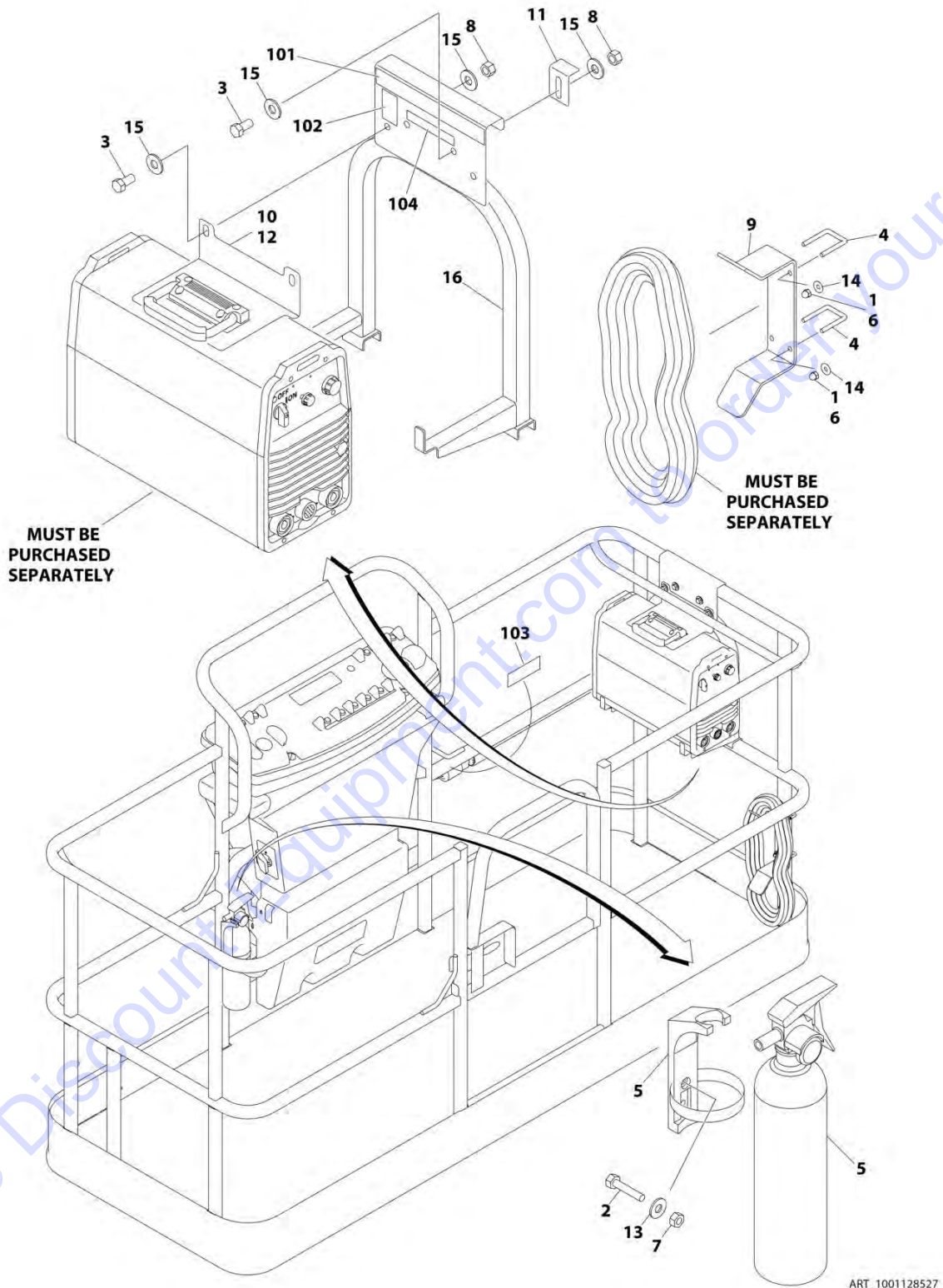
SECTION 5 - PLATFORM

FIGURE 5-39. SKYWELDER INSTALLATION (60HZ)

ITEM	PART NUMBER	QTY	DESCRIPTION	REV
	0272254	Ref	SKYWELDER INSTALLATION (60HZ)	I
		Ref	Note: ANSI, ANSI Export and CSA Specs Only.	
1	0100011	AR	Compound, Locking	
2	0630518	2	Screw #10 x 3/4	
3	0641606	4	Bolt 3/8 x 3/4	
4	1320302	2	U-Clamp	
5	2030010	1	Extinguisher, Fire	
6	2902217	1	Weld Leads Kit	
7	3300151	4	Nut 1/4	
8	3311005	2	Nut #10	
9	3311605	4	Nut 3/8	
10	3573400	1	Bracket	
11	3577121	2	Angle	
12	3573642	1	Plate	
13	4420037	AR	Tape	
14	4240099	AR	Tie-Strap (Not Shown)	
15	4460962	1	Plug, Male Twistlock	
17	4530028	1	Welder Assembly (See WELDER ASSEMBLY for Breakdown)	
18	4751400	4	Washer 1/4	
19	4751600	8	Washer 3/8	
20	4846627	1	Support	
21	1671093	1	Cover, Plug	
22	4751000	2	Washer #10	
	0272448	Ref	SKYWELDER DECAL INSTALLATION	B
101	1705355	2	Decal - SkyWelder	
102	1702868	1	Decal - No Hands	
103	1705305	1	Decal - Weld Lead	
104	1705375	1	Decal - 240V - 3 Phase - 60Hz	
105	1705466	NLA	Decal - Weight (Use p/n 1001228988)	
105	1001228988	1	Decal - Weight	

SECTION 5 - PLATFORM

FIGURE 5-40. SKYWELDER PREP PACKAGE (60HZ)



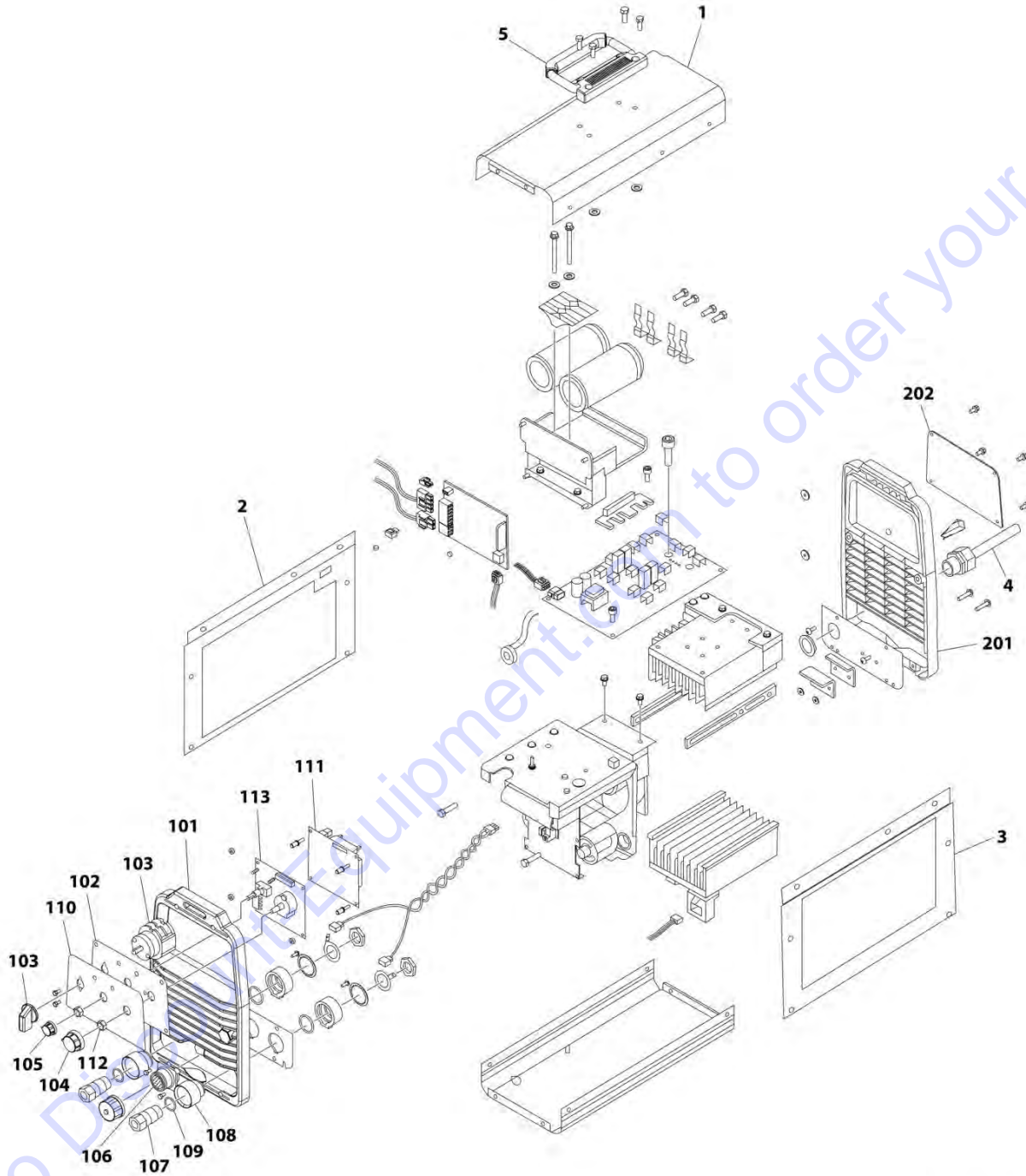
SECTION 5 - PLATFORM

FIGURE 5-40. SKYWELDER PREP PACKAGE (60HZ)

ITEM	PART NUMBER	QTY	DESCRIPTION	REV
	1001128527	Ref	SKYWELDER PREP PACKAGE (60HZ)	B
		Ref	Note: ANSI, ANSI Export and CSA Specs Only.	
1	0100011	AR	Compound, Locking	
2	0630518	2	Screw #10 x 3/4	
3	0641606	4	Bolt 3/8 x 3/4	
4	1320302	2	U-Clamp	
5	2030010	1	Extinguisher, Fire	
6	3300151	4	Nut 1/4	
7	3311005	2	Nut #10	
8	3311605	4	Nut 3/8	
9	3573400	1	Bracket	
10	3573642	1	Plate	
11	3577121	2	Angle	
12	4420037	AR	Tape	
13	4751000	2	Washer #10	
14	4751400	4	Washer 1/4	
15	4751600	8	Washer 3/8	
16	4846627	1	Support	
	1001128556	Ref	SKYWELDER DECAL INSTALLATION	B
101	1702868	1	Decal - No Hands	
102	1705305	1	Decal - Weld Lead	
103	1705375	1	Decal - 240V - 3 Phase - 60Hz	
104	1705466	NLA	Decal - Weight (Use p/n 1001228988)	
104	1001228988	1	Decal - Weight	

SECTION 5 - PLATFORM

FIGURE 5-41. WELDER ASSEMBLY



ART_4530028

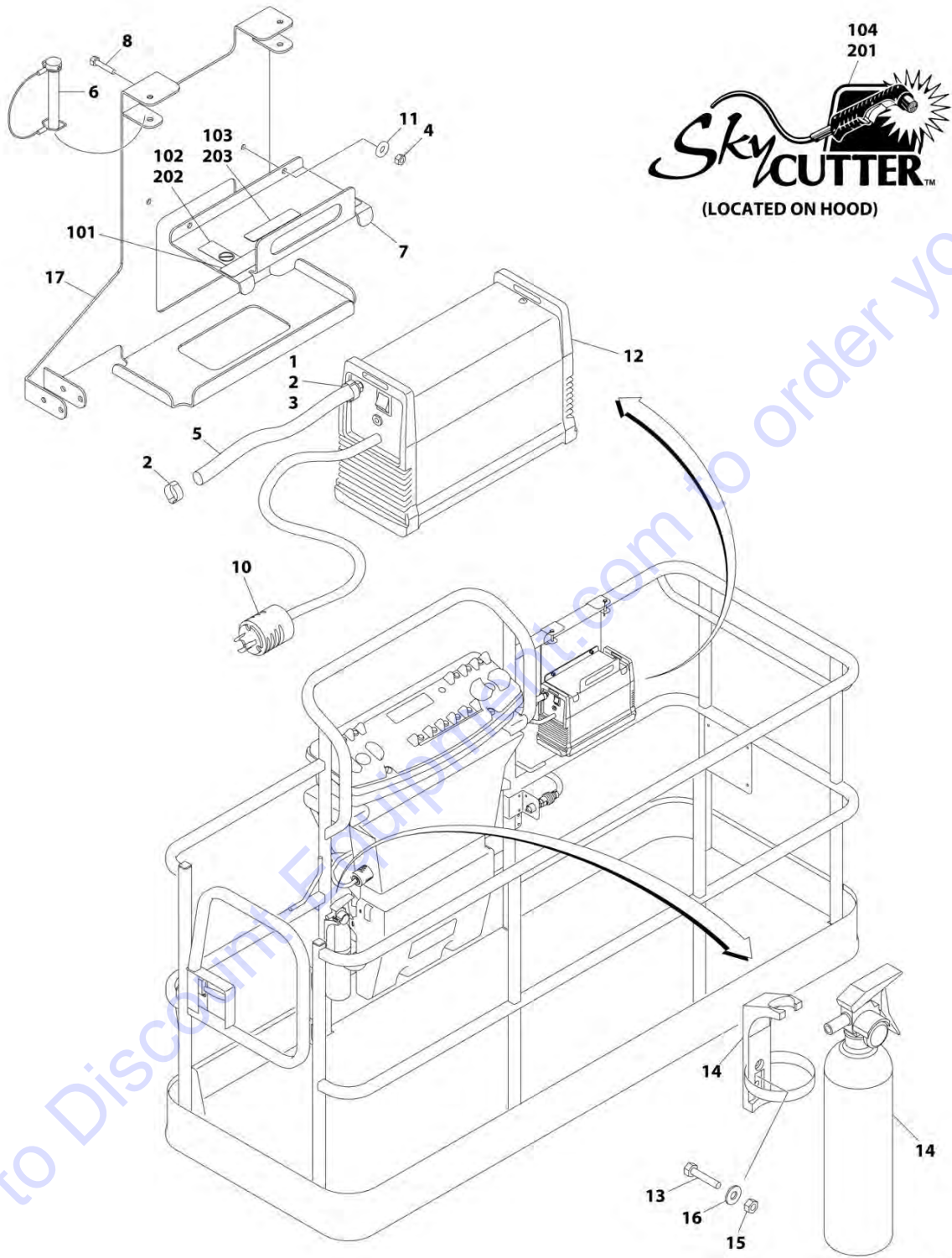
SECTION 5 - PLATFORM

FIGURE 5-41. WELDER ASSEMBLY

ITEM	PART NUMBER	QTY	DESCRIPTION	REV
	4530028	Ref	WELDER ASSEMBLY	B
		Ref	Note: For Other Components, contact your Miller Welder Dealer.	
1	7027773	1	Cover, Top	
1	7027774	1	Decal - Static Precautionary Warning	
2	See Note	NSS	Panel, LH Side (Note: Part of Item 1. Purchase Item 1)	
3	See Note	NSS	Panel, RH Side (Note: Part of Item 1. Purchase Item 1)	
4	7024467	1	Cable, Power	
4	7027775	1	Decal - Electrical Shock Warning (Not Shown)	
5	7027776	1	Handle, Carrying	
101	7024462	1	Panel, Front	
102	7024463	1	Panel, Console	
103	7024469	1	Switch with Lead	
104	7024470	1	Knob	
105	7024471	1	Knob	
106	7024472	1	Receptacle with Leads and Plugs	
107	7024473	2	Receptacle, Twistlock Female	
108	7024474	2	Insulator	
109	7024475	2	O-Ring	
110	7027777	1	Nameplate	
111	7027779	1	Circuit Card Assembly (Process Control)	
112	7024478	2	Nut	
113	7027778	1	Circuit Card Assembly (Operator Interface)	
201	7024462	1	Panel, Rear	
202	7027780	1	Panel, Cover	

SECTION 5 - PLATFORM

FIGURE 5-42. SKYCUTTER INSTALLATION



ART_1001098149

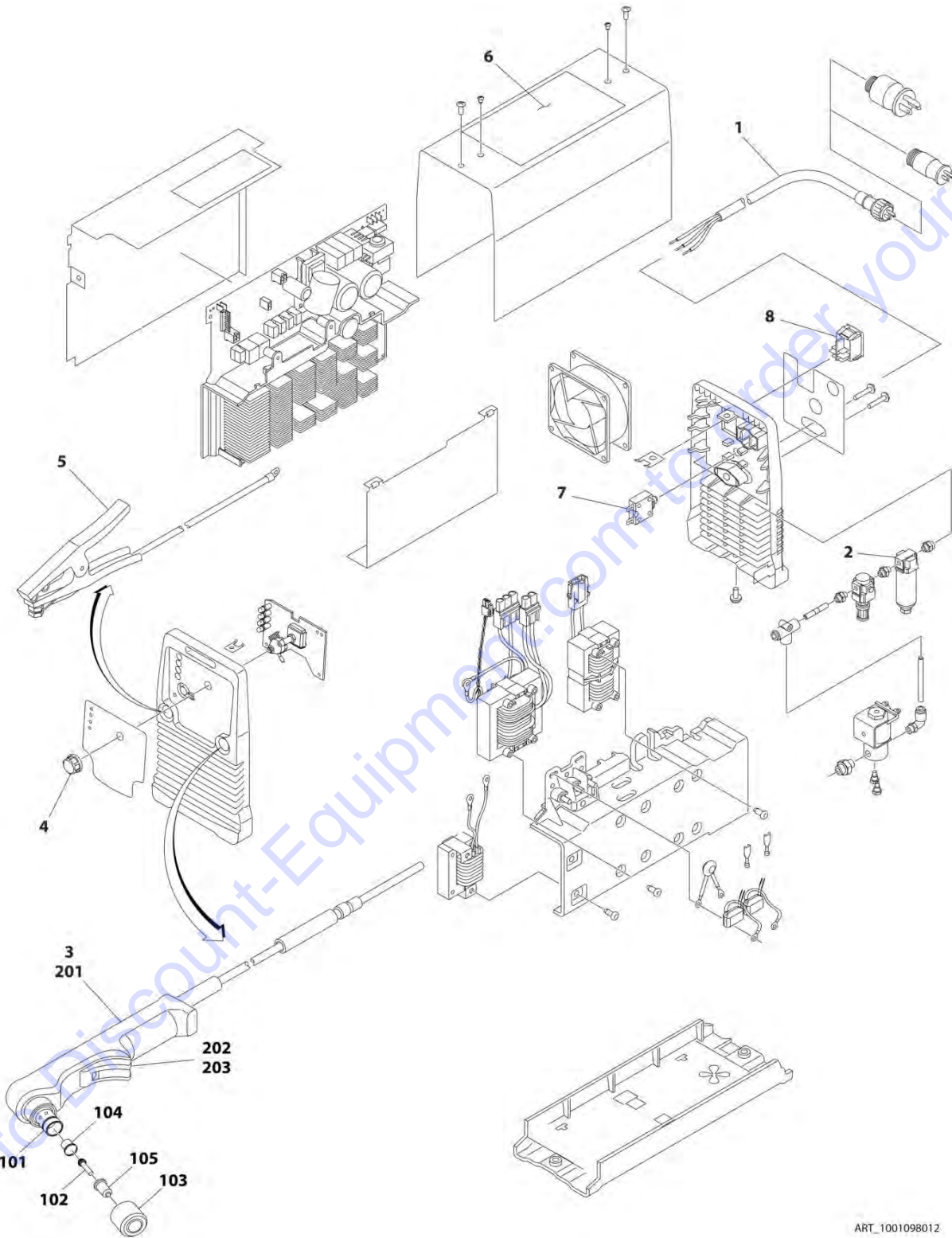
SECTION 5 - PLATFORM

FIGURE 5-42. SKYCUTTER INSTALLATION

ITEM	PART NUMBER	QTY	DESCRIPTION	REV
	1001098149	Ref	SKYCUTTER INSTALLATION	D
		Ref	Note: ANSI, ANSI Export, CSA and Japanese Specs Only.	
		Ref	Note: When replacing platform on machines with SkyCutter option, new bracket p/n 1001145405 must be purchased to accommodate SkyCutter components.	
1	0100020	AR	Sealant	
2	1320177	2	Clamp, Hose	
3	2180832	1	Fitting, NPT/Barbed	
4	3290605	2	Nut M6	
5	2720160	3 ft/.9m	Hose	
6	3421453	3	Pin	
7	3576799	1	Plate, Hold-Down	
8	4010608	2	Screw M6 x 16	
10	4460971	1	Plug, Twistlock	
11	4811700	2	Washer M6	
12	1001098012	1	Plasma Cutter Assembly (See PLASMA CUTTER ASSEMBLY for Breakdown)	
13	0630518	2	Screw #10 x 3/4	
14	2030010	1	Extinguisher, Fire	
15	3311005	2	Nut #10	
16	4751000	2	Washer #10	
17	1001145405	1	Support	
	0272599	Ref	SKYCUTTER DECAL INSTALLATION (ANSI, ANSI EXPORT AND CSA SPECS)	B
101	1702868	1	Decal - No Hands	
102	1705305	1	Decal - Weld Lead	
103	1705466	NLA	Decal - Weight (Use p/n 1001228988)	
103	1001228988	1	Decal - Weight	
104	1705490	2	Decal - SkyCutter	
	0272607	Ref	SKYCUTTER DECAL INSTALLATION (JAPANESE SPECS)	B
201	1705490	2	Decal - SkyCutter	
202	1705305	1	Decal - Weld Lead	
203	1705466	NLA	Decal - Weight (Use p/n 1001228988)	
203	1001228988	1	Decal - Weight	

SECTION 5 - PLATFORM

FIGURE 5-43. PLASMA CUTTER ASSEMBLY



ART_1001098012

SECTION 5 - PLATFORM

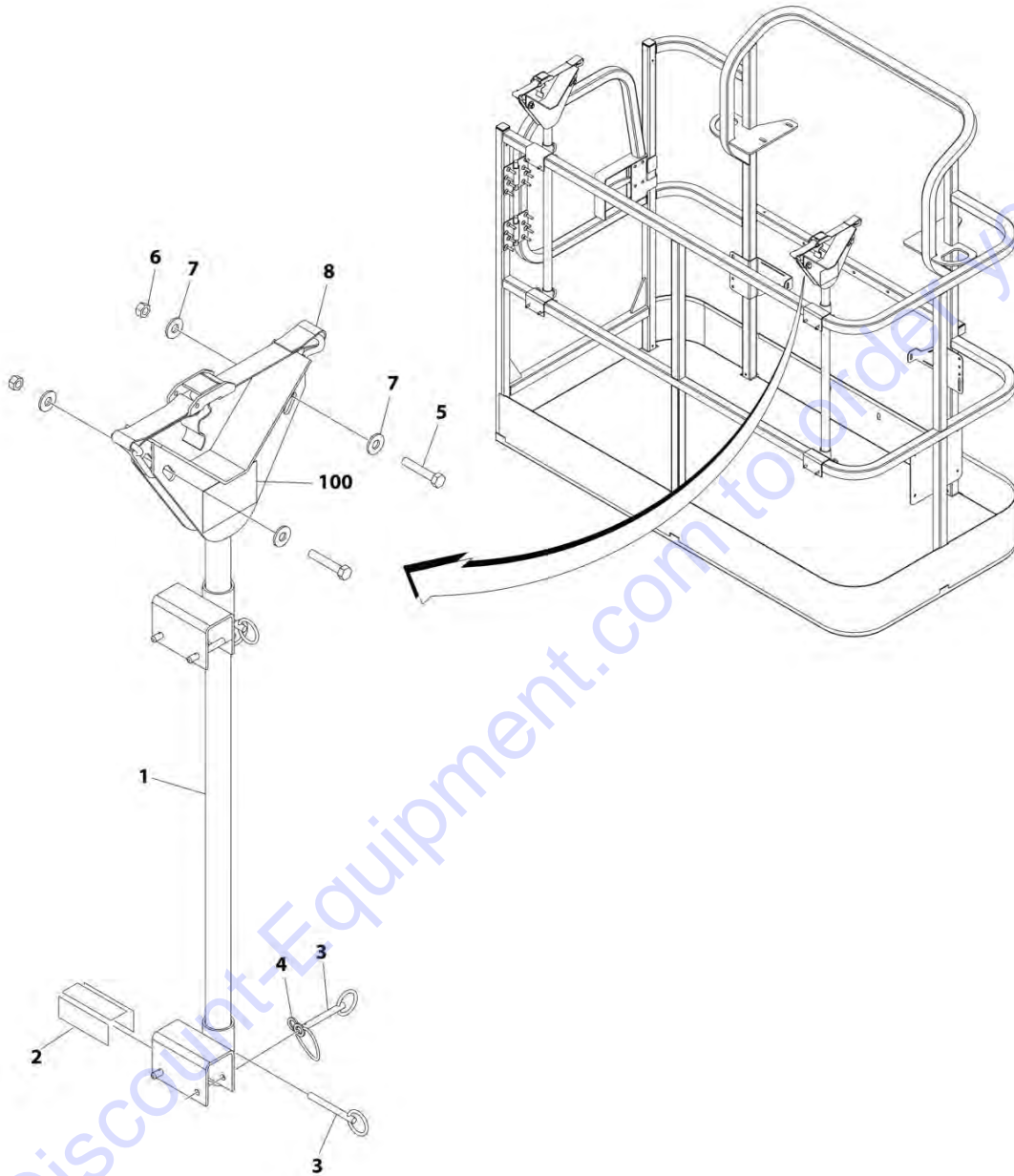
FIGURE 5-43. PLASMA CUTTER ASSEMBLY

ITEM	PART NUMBER	QTY	DESCRIPTION	REV
	1001098012	Ref	PLASMA CUTTER ASSEMBLY	A
		Ref	Note: For Other Components, contact your Miller Welder Dealer.	
1	70001424	1	Cable, Power	
1	70001425	1	Decal - Voltage Warning	
2	70001427	1	Filter, Regulator	
3	70001428	1	Torch Assembly (See Items 101-203 for Breakdown)	
4	7024471	1	Knob	
5	70001429	1	Clamp with Cable	
6	70001430	1	Decal - Caution	
7	70001431	1	Breaker, Circuit	
8	70001432	1	Switch, Rocker	
	70001428	Ref	TORCH ASSEMBLY	
101	7024530	1	O-Ring	
102	7024531	1	Electrode	
103	7024532	1	Cup, Retaining	
104	7024533	1	Swirl Ring	
105	7024534	1	Tip	
201	7024535	1	Handle, Torch	
202	7024536	1	Switch	
203	7024537	1	Trigger	

Go to Discount-Equipment.com to order your parts

SECTION 5 - PLATFORM

FIGURE 5-44. PIPE RACK INSTALLATION (ANSI AND AUSTRALIAN SPECS)



ART_1001213852

SECTION 5 - PLATFORM

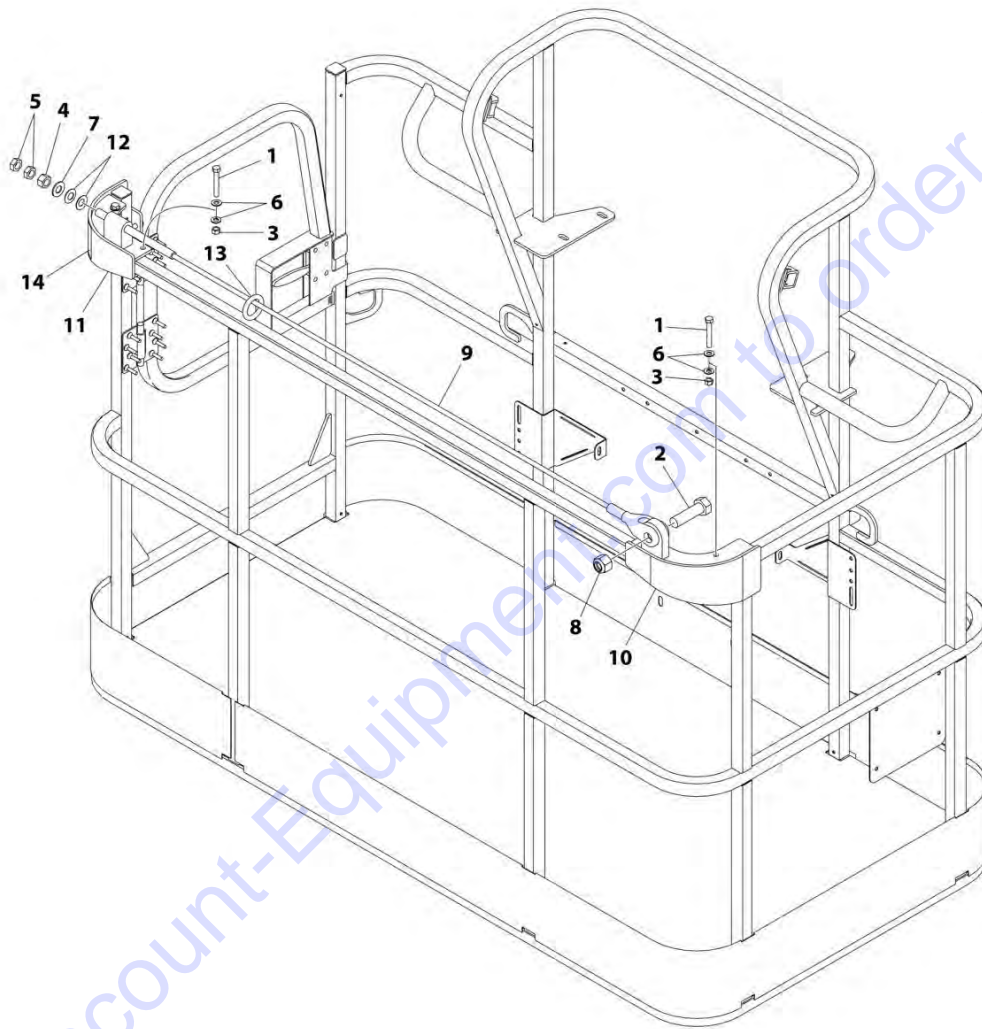
FIGURE 5-44. PIPE RACK INSTALLATION (ANSI AND AUSTRALIAN SPECS)

ITEM	PART NUMBER	QTY	DESCRIPTION	REV
	1001213852	Ref	PIPE RACK INSTALLATION (ANSI AND AUSTRALIAN SPECS)	A
1	4845582	2	Rack, Pipe	
2	4420062	AR	Tape	
3	3422661	10	Pin	
4	1060379	4	Lanyard	
5	0641514	4	Bolt 5/16 x 1-3/4	
6	3311505	4	Nut 5/16	
7	4751500	8	Washer 5/16	
8	0480100	2	Tie-Down	
		Ref	PIPE RACK DECAL INSTALLATIONS	
100	1703683	2	Decal - Capacity (ANSI Specs)	
100	1001219415	2	Decal - Capacity (Australian Specs)	

Go to Discount-Equipment.com to order your parts

SECTION 5 - PLATFORM

FIGURE 5-45. FALL ARREST INSTALLATION (BOLT-ON EXTERNAL) (6FT/1.82M PLATFORM)



ART_1001236747

SECTION 5 - PLATFORM

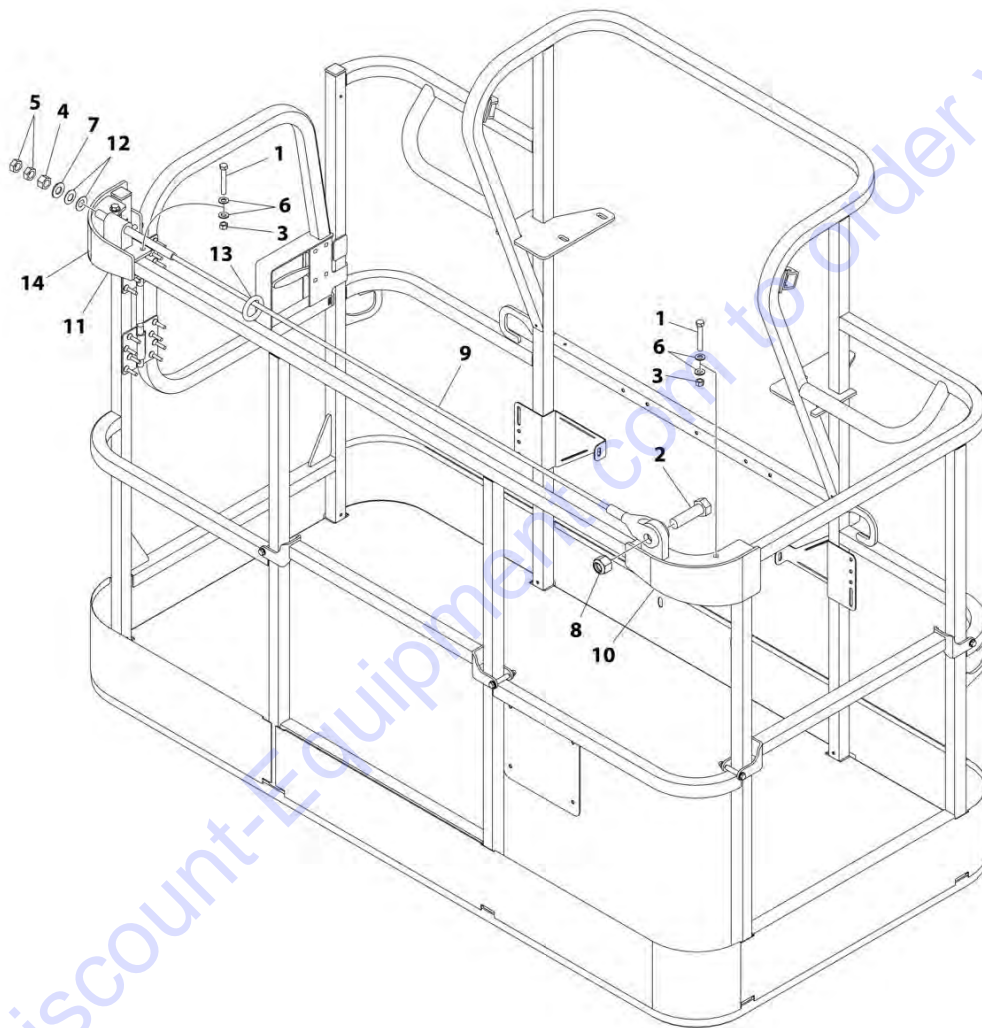
FIGURE 5-45. FALL ARREST INSTALLATION (BOLT-ON EXTERNAL) (6FT/1.82M PLATFORM)

ITEM	PART NUMBER	QTY	DESCRIPTION	REV
	1001236747	Ref	FALL ARREST INSTALLATION (BOLT - ON) 6FT/1.82M PLATFORM	A
1	0681620	6	Bolt 3/8 x 2-1/2	
2	0682424	1	Bolt 7/8 x 3	
3	3271605	6	Nut 3/8	
4	3272001	1	Nut 5/8	
5	3312002	2	Nut 5/8	
6	4711600	12	Washer 3/8	
7	4712000	1	Washer 5/8	
8	88521214	1	Nut 7/8	
9	1001231950	1	Rope	
10	1001232010	1	Bracket (RH)	
11	1001232011	1	Bracket (LH)	
12	1001236891	2	Washer	
13	1001236895	1	Ring	
14	1001238263	1	Decal - Warning Falling Hazard	

Go to Discount-Equipment.com to order your parts

SECTION 5 - PLATFORM

FIGURE 5-46. FALL ARREST INSTALLATION (BOLT-ON EXTERNAL) (6FT/1.82M TRI-ENTRY PLATFORM)



ART_1001238463

SECTION 5 - PLATFORM

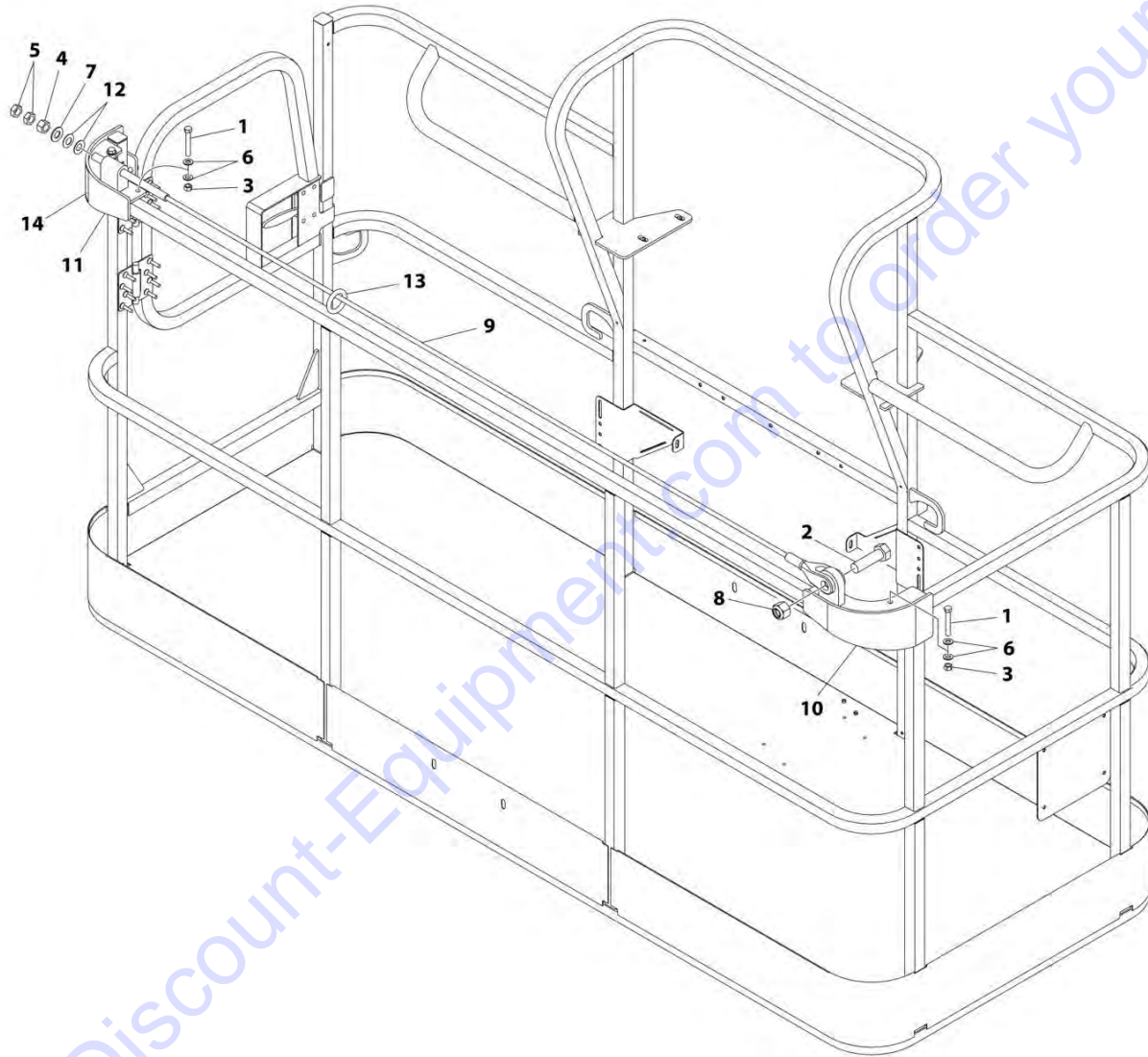
FIGURE 5-46. FALL ARREST INSTALLATION (BOLT-ON EXTERNAL) (6FT/1.82M TRI-ENTRY PLATFORM)

ITEM	PART NUMBER	QTY	DESCRIPTION	REV
	1001238463	Ref	FALL ARREST INSTALLATION (BOLT - ON) 6FT/1.82M PLATFORM	B
1	0681620	6	Bolt 3/8 x 2-1/2	
2	0682424	1	Bolt 7/8 x 3	
3	3271605	6	Nut 3/8	
4	3272001	1	Nut 5/8	
5	3312002	2	Nut 5/8	
6	4711600	12	Washer 3/8	
7	4712000	1	Washer 5/8	
8	88521214	1	Nut 7/8	
9	1001231950	1	Rope	
10	1001232010	1	Bracket (RH)	
11	1001232011	1	Bracket (LH)	
12	1001236891	2	Washer	
13	1001236895	1	Ring	
14	1001238263	1	Decal - Warning Falling Hazard	

Go to Discount-Equipment.com to order your parts

SECTION 5 - PLATFORM

FIGURE 5-47. FALL ARREST INSTALLATION (BOLT-ON EXTERNAL) (8FT/2.4M PLATFORM)



ART_1001236746

SECTION 5 - PLATFORM

FIGURE 5-47. FALL ARREST INSTALLATION (BOLT-ON EXTERNAL) (8FT/2.4M PLATFORM)

ITEM	PART NUMBER	QTY	DESCRIPTION	REV
	1001236746	Ref	FALL ARREST INSTALLATION (BOLT - ON) 8FT/2.4M PLATFORM	A
1	0681620	6	Bolt 3/8 x 2-1/2	
2	0682424	1	Bolt 7/8 x 3	
3	3271605	6	Nut 3/8	
4	3272001	1	Nut 5/8	
5	3312002	2	Nut 5/8	
6	4711600	12	Washer 3/8	
7	4712000	1	Washer 5/8	
8	88521214	1	Nut 7/8	
9	1001231949	1	Rope	
10	1001232010	1	Bracket (RH)	
11	1001232011	1	Bracket (LH)	
12	1001236891	2	Washer	
13	1001236895	1	Ring	
14	1001238263	1	Decal - Warning Falling Hazard	

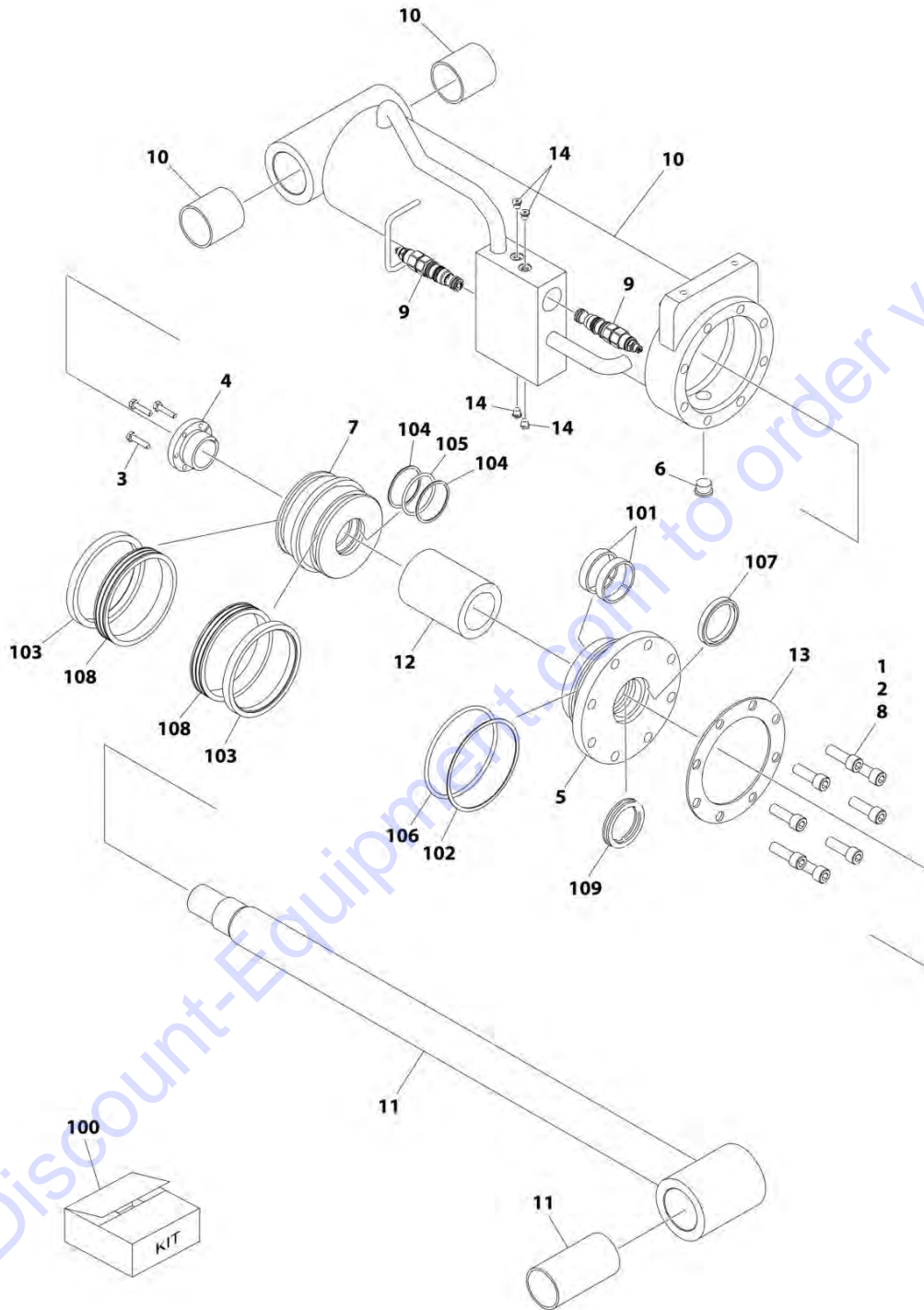
Go to Discount-Equipment.com to order your parts

SECTION 6 - CYLINDER

Go to Discount-Equipment.com to order your parts

SECTION 6 - CYLINDER

FIGURE 6-1. AXLE EXTEND CYLINDER ASSEMBLY (Prior to SN 0300239663)



ART_1001156648

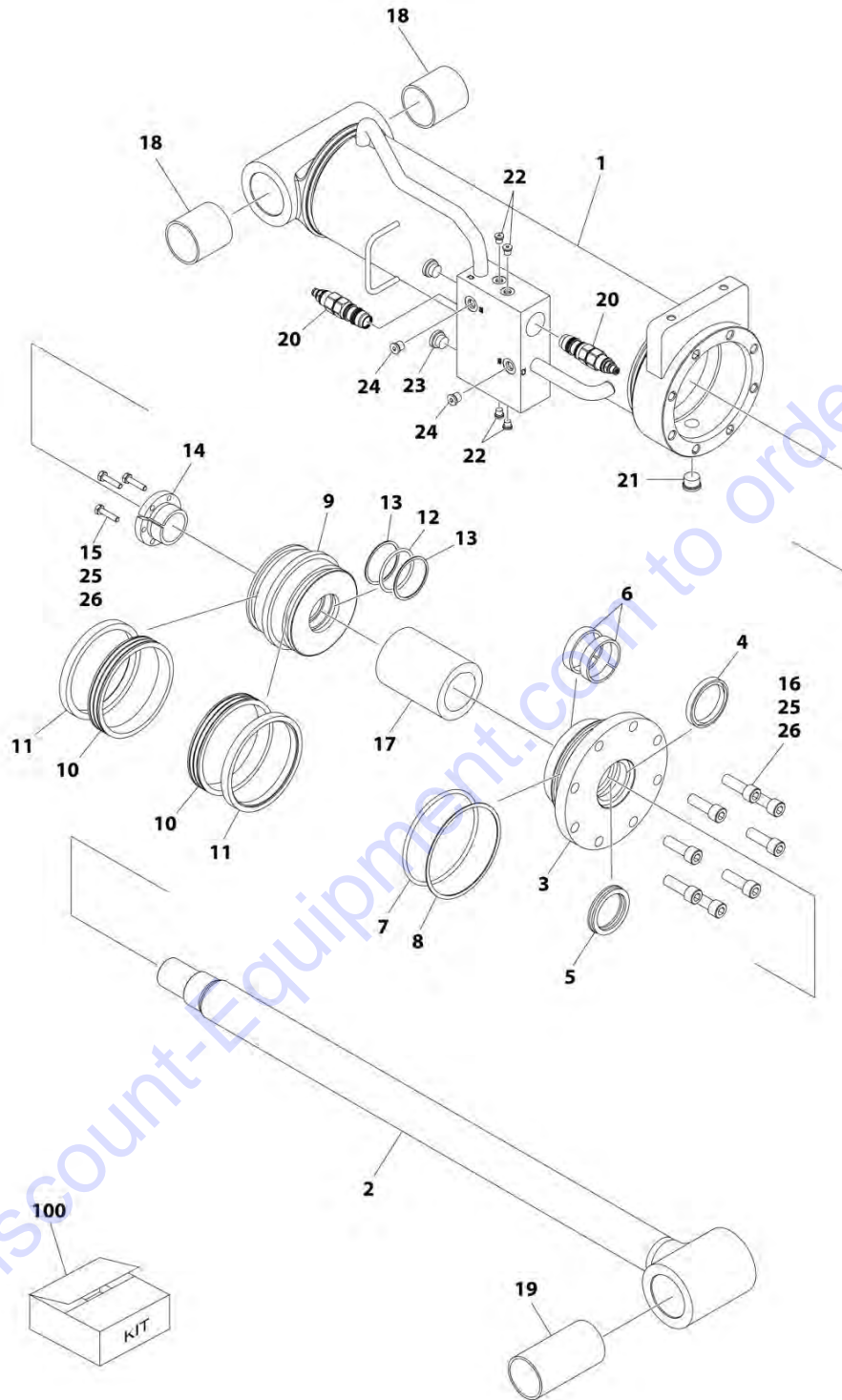
SECTION 6 - CYLINDER

FIGURE 6-1. AXLE EXTEND CYLINDER ASSEMBLY (Prior to SN 0300239663)

ITEM	PART NUMBER	QTY	DESCRIPTION	REV
	1001156648	Ref	AXLE EXTEND CYLINDER ASSEMBLY (Prior to SN 0300239663) Note: Original Cylinder May Have Been Replaced with Service Replacement. Identify PN Stamped on Cylinder Before Ordering Parts.	E
		Ref		
1	0100011	AR	Compound, Locking	
2	0100038	AR	Primer, Locking	
3	0630535	3	Bolt 1/4 x 1-1/8	
4	0961896	1	Bushing, Tapered	
5	1683062	1	Head	
6	2220886	3	Plug	
7	3480269	1	Piston	
8	3931824	8	Capscrew 1/2 x 1-1/2	
9	1001156016	2	Valve (Counterbalance)	
9	7011376	2	Kit, Seal - 1001156016 Valve	
10	1001156923	1	Barrel	
10	0962561	2	Bushing	
11	1001157037	1	Rod	
11	1001157080	2	Bushing	
12	1001157041	1	Tube, Spacer	
13	3760371	1	Ring, Washer	
14	2220881	4	Plug	
100	2902087	1	Kit, Seal (Includes Items 101-109)	
101	See Note	NSS	Ring, Wear (Note: Use Item 100)	
102	See Note	NSS	Ring, Back-up (Note: Use Item 100)	
103	See Note	NSS	Ring, Lock (Note: Use Item 100)	
104	See Note	NSS	Ring, Back-up (Note: Use Item 100)	
105	See Note	NSS	O-Ring (Note: Use Item 100)	
106	See Note	NSS	O-Ring (Note: Use Item 100)	
107	See Note	NSS	Seal, Wiper (Note: Use Item 100)	
108	See Note	NSS	Seal (Note: Use Item 100)	
109	See Note	NSS	Seal (Note: Use Item 100)	

SECTION 6 - CYLINDER

FIGURE 6-2. AXLE EXTEND CYLINDER ASSEMBLY (SN 0300239663 to Present)



ART_1001228066

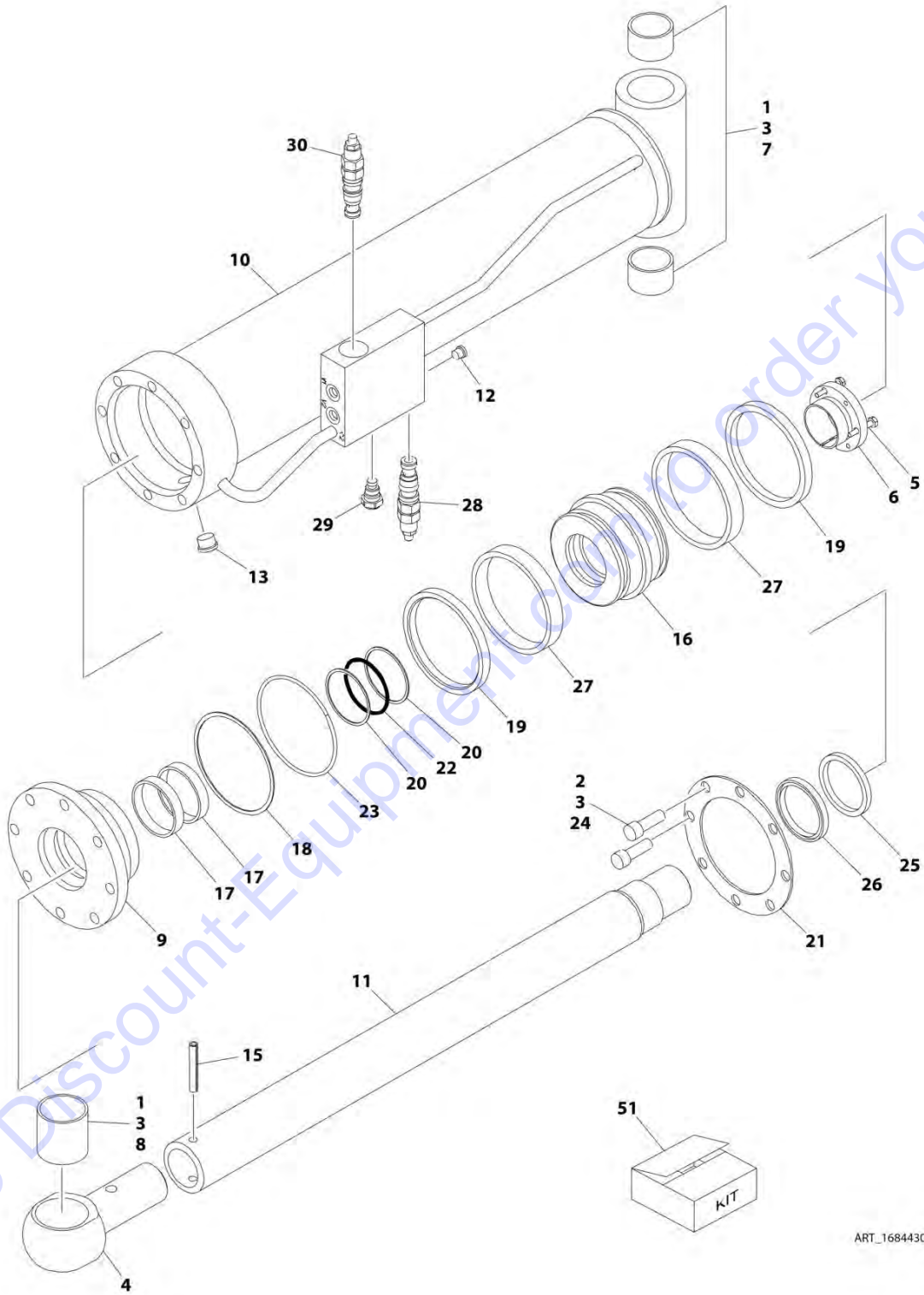
SECTION 6 - CYLINDER

FIGURE 6-2. AXLE EXTEND CYLINDER ASSEMBLY (SN 0300239663 to Present)

ITEM	PART NUMBER	QTY	DESCRIPTION	REV
	1001228066	Ref	AXLE EXTEND CYLINDER ASSEMBLY (SN 0300239663 to Present)	C
1	See Note	NSS	Barrel Weldment (Note: Not Available for Purchase)	
2	70006475	1	Rod Weldment	
3	70006474	1	Head	
4	See Note	NSS	Wiper, Rod (Note: Use Item 100)	
5	See Note	NSS	Seal (Note: Use Item 100)	
6	See Note	NSS	Ring, Wear (Note: Use Item 100)	
7	See Note	NSS	O-Ring (Note: Use Item 100)	
8	See Note	NSS	Ring, Back-up (Note: Use Item 100)	
9	70006473	1	Piston	
10	See Note	NSS	Seal (Note: Use Item 100)	
11	See Note	NSS	Ring, Lock (Note: Use Item 100)	
12	See Note	NSS	O-Ring (Note: Use Item 100)	
13	See Note	NSS	Ring, Back-up (Note: Use Item 100)	
14	0961896	1	Bushing, Tapered	
15	0630535	3	Bolt 1/4 x 1-1/8	
16	3931824	8	Capscrew 1/2 x 1-1/2	
17	70006472	1	Tube, Spacer	
18	0962561	2	Bushing	
19	1001157080	1	Bushing	
20	1001156016	2	Valve (Counterbalance)	
20	7011376	2	Kit, Seal - 1001156016 Valve	
21	2220886	AR	Plug	
22	2220881	4	Plug	
23	2220886	2	Plug	
24	2220883	2	Plug, O-Ring	
25	0100011	AR	Compound, Locking	
26	0100038	AR	Primer, Locking	
100	2902087	1	Kit, Seal (Includes Items 4-8 & 10-13)	

SECTION 6 - CYLINDER

FIGURE 6-3. LEVEL CYLINDER ASSEMBLY - PLATFORM SLAVE (Prior to SN 0300237743)



ART_1684430

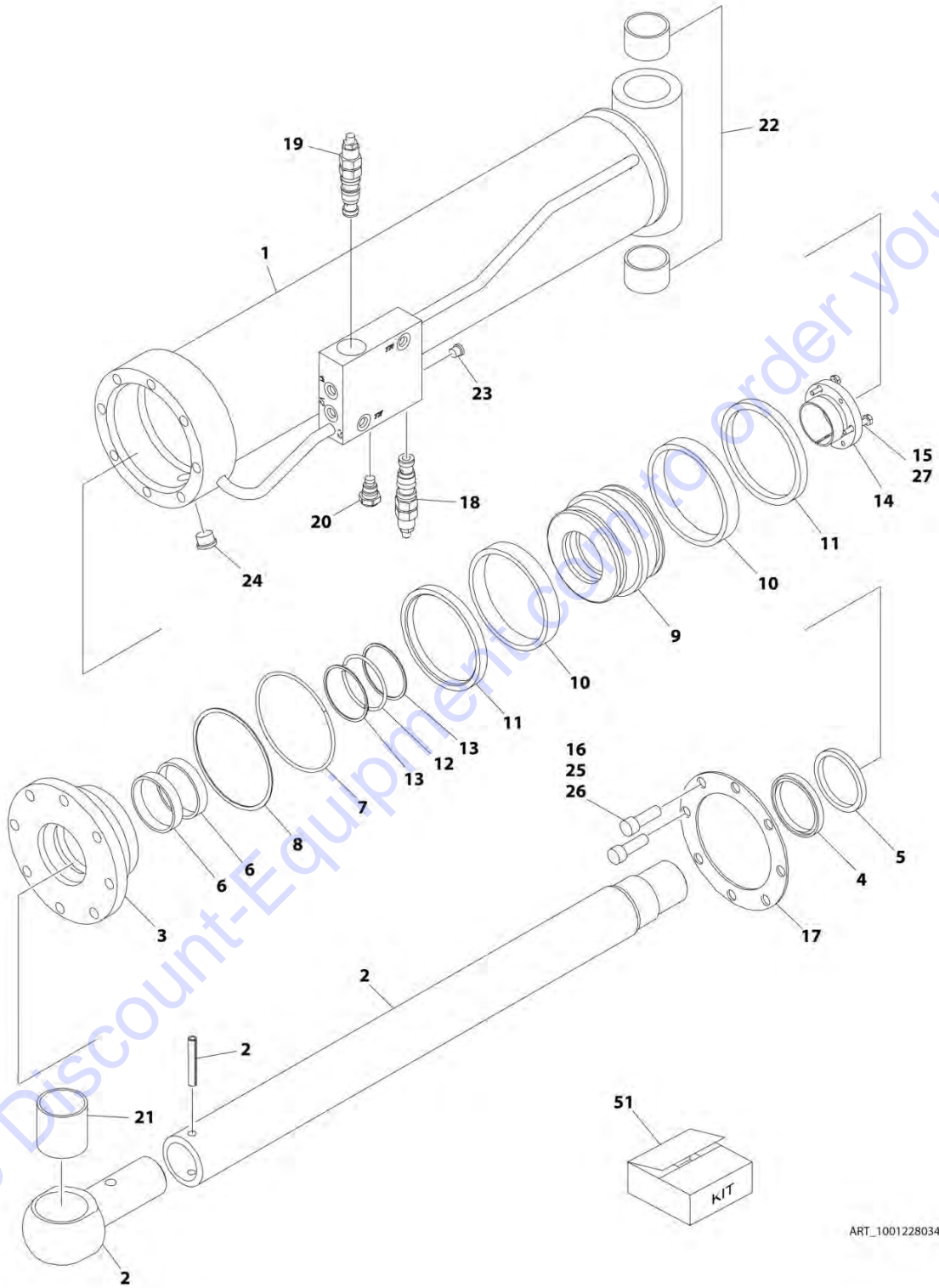
SECTION 6 - CYLINDER

FIGURE 6-3. LEVEL CYLINDER ASSEMBLY - PLATFORM SLAVE (Prior to SN 0300237743)

ITEM	PART NUMBER	QTY	DESCRIPTION	REV
	1684430	Ref	LEVEL CYLINDER ASSEMBLY - PLATFORM SLAVE (Prior to SN 0300237743)	E
		Ref	Note: Original Cylinder May Have Been Replaced with Service Replacement. Identify PN Stamped on Cylinder Before Ordering Parts.	
1	0100011	AR	Compound, Locking	
2	0100019	AR	Compound, Locking	
3	0100038	AR	Primer, Locking	
4	0561546	1	Link, Rod	
5	0630535	3	Capscrew 1/4 x 1-1/8	
6	0961897	1	Bushing, Tapered	
7	0961949	2	Bushing	
8	0962561	1	Bushing	
9	1683063	1	Head	
10	0370025	1	Barrel Weldment	
11	1684346	1	Rod Weldment	
12	2220883	1	Plug, O-Ring	
13	2220886	1	Plug, O-Ring	
15	3441240	1	Rollpin	
16	3480282	1	Piston	
17	See Note	NSS	Ring, Wear (Note: Use Item 51)	
18	See Note	NSS	Ring, Back-up (Note: Use Item 51)	
19	See Note	NSS	Ring, Lock (Note: Use Item 51)	
20	See Note	NSS	Ring, Back-up (Note: Use Item 51)	
21	3760371	1	Ring, Washer	
22	See Note	NSS	O-Ring (Note: Use Item 51)	
23	See Note	NSS	O-Ring (Note: Use Item 51)	
24	3931824	8	Capscrew 1/2 x 1-1/2	
25	See Note	NSS	Seal, Rod (Note: Use Item 51)	
26	See Note	NSS	Wiper, Rod (Note: Use Item 51)	
27	See Note	NSS	Ring, Guide (Note: Use Item 51)	
28	4641386	1	Cartridge, Holding Valve (Vented)	
28	7011376	1	Seal Kit - 4641386 Cartridge (1 Per Cartridge)	
29	4641388	1	Cartridge, Holding Valve	
29	7011353	1	Seal Kit - 4641388 Cartridge (1 Per Cartridge)	
30	4641393	1	Cartridge, Holding Valve (Vented)	
30	7011376	1	Seal Kit - 4641393 Cartridge (1 Per Cartridge)	
51	2902285	1	Seal Kit (Includes Items 17-20, 22, 23 & 25-27)	

SECTION 6 - CYLINDER

FIGURE 6-4. LEVEL CYLINDER ASSEMBLY - PLATFORM SLAVE (SN 0300237743 to Present)



ART_1001228034

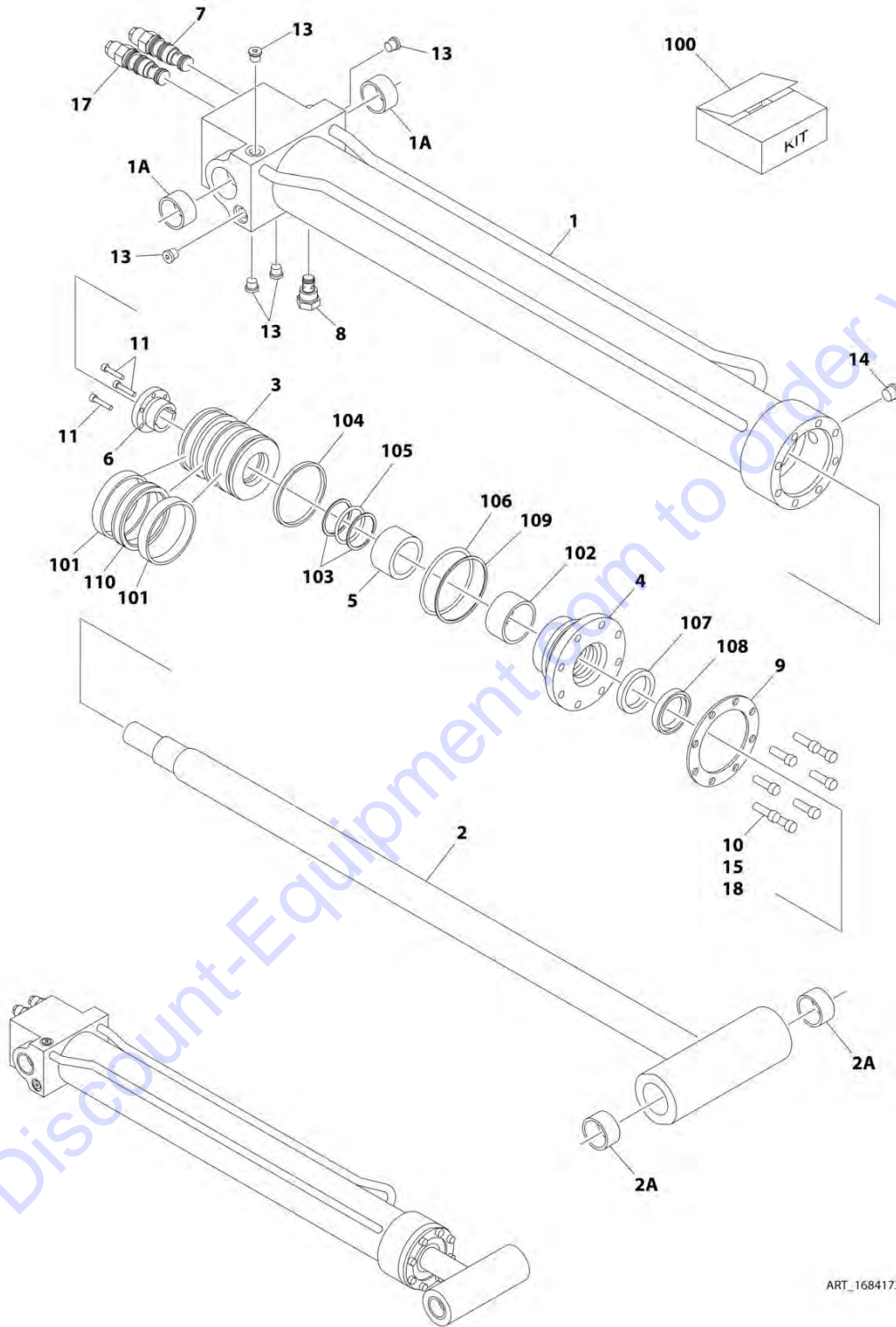
SECTION 6 - CYLINDER

FIGURE 6-4. LEVEL CYLINDER ASSEMBLY - PLATFORM SLAVE (SN 0300237743 to Present)

ITEM	PART NUMBER	QTY	DESCRIPTION	REV
	1001228034	Ref	LEVEL CYLINDER ASSEMBLY - PLATFORM SLAVE (SN 0300237743 to Present)	B
1	See Note	NSS	Barrel Weldment (Note: Not Available for Purchase)	
2	70006496	1	Rod Weldment	
3	70006495	1	Head	
4	See Note	NSS	Wiper, Rod (Note: Use Item 51)	
5	See Note	NSS	Seal, Rod (Note: Use Item 51)	
6	See Note	NSS	Ring, Wear (Note: Use Item 51)	
7	See Note	NSS	O-Ring (Note: Use Item 51)	
8	See Note	NSS	Ring, Back-up (Note: Use Item 51)	
9	70006494	1	Piston	
10	See Note	NSS	Ring, Guide (Note: Use Item 51)	
11	See Note	NSS	Ring, Lock (Note: Use Item 51)	
12	See Note	NSS	O-Ring (Note: Use Item 51)	
13	See Note	NSS	Ring, Back-up (Note: Use Item 51)	
14	0961897	1	Bushing, Tapered	
15	0630535	3	Capscrew 1/4 x 1-1/8	
16	3931824	8	Capscrew 1/2 x 1-1/2	
17	3760371	1	Ring, Washer	
18	4641386	1	Cartridge, Holding Valve (Vented)	
18	7011376	1	Seal Kit - 4641386 Cartridge (1 Per Cartridge)	
19	4641393	1	Cartridge, Holding Valve (Vented)	
19	7011376	1	Seal Kit - 4641393 Cartridge (1 Per Cartridge)	
20	4641388	1	Cartridge, Holding Valve	
20	7011353	1	Seal Kit - 4641388 Cartridge (1 Per Cartridge)	
21	0962561	1	Bushing	
22	0961949	2	Bushing	
23	2220883	5	Plug, O-Ring	
24	2220886	1	Plug, O-Ring	
25	0100011	AR	Compound, Locking	
26	0100038	AR	Primer, Locking	
27	0100019	AR	Compound, Locking	
51	2902285	1	Seal Kit (Includes Items 4-8 & 10-13)	

SECTION 6 - CYLINDER

FIGURE 6-5. LIFT CYLINDER ASSEMBLY - JIB (Prior to SN 0300238854)



ART_1684173

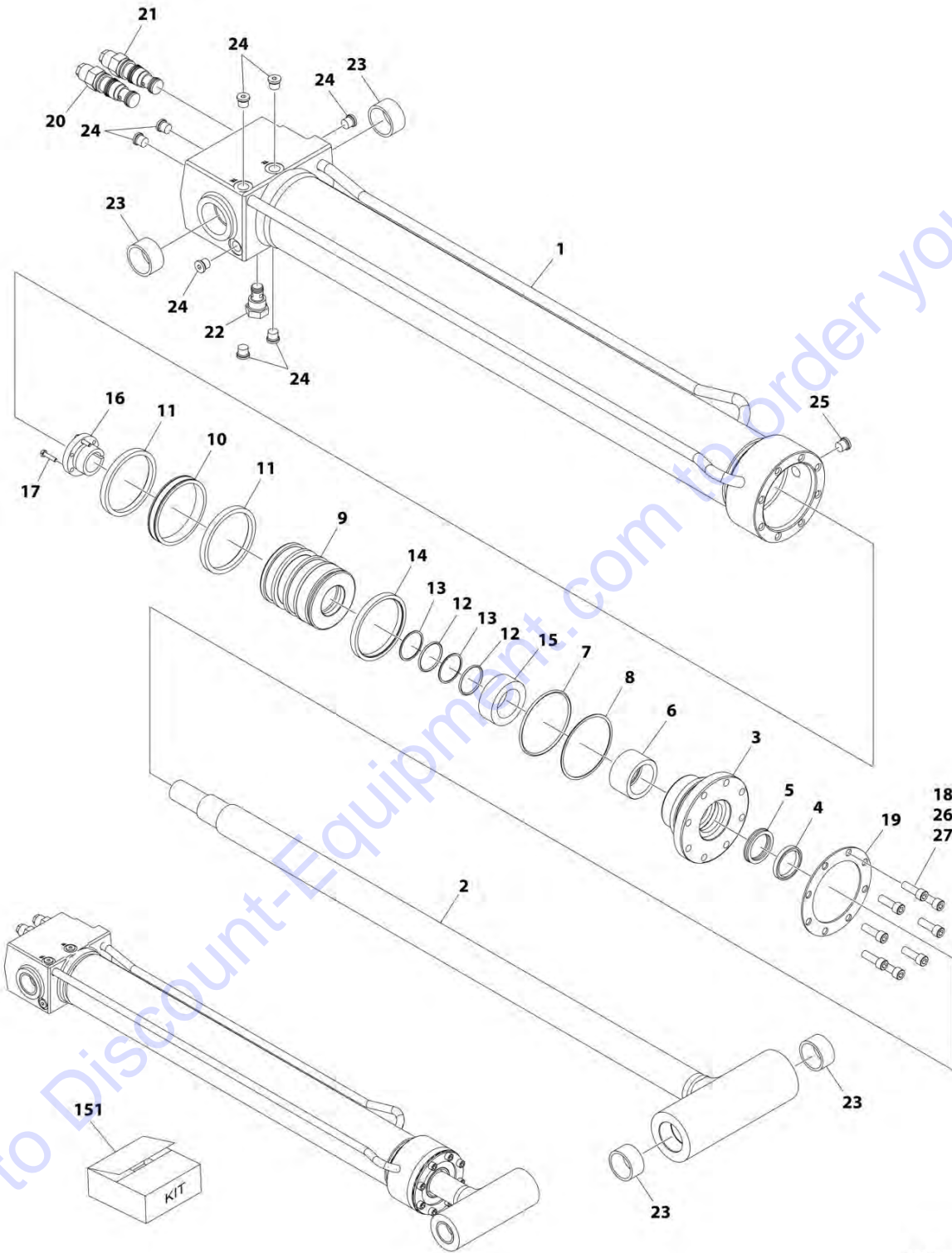
SECTION 6 - CYLINDER

FIGURE 6-5. LIFT CYLINDER ASSEMBLY - JIB (Prior to SN 0300238854)

ITEM	PART NUMBER	QTY	DESCRIPTION	REV
	1684173	Ref	LIFT CYLINDER ASSEMBLY - JIB (Prior to SN 0300238854) Note: Original Cylinder May Have Been Replaced with Service Replacement. Identify PN Stamped on Cylinder Before Ordering Parts.	H
		Ref		
1	1684174	1	Barrel Weldment	
1A	0962257	2	Bushing	
2	1684176	1	Rod Weldment	
2A	0962257	2	Bushing	
3	3480271	1	Piston	
4	1683053	1	Head	
5	4100100	1	Spacer	
6	0961893	1	Bushing, Tapered	
7	4640452	1	Cartridge, Counterbalance (Port above V2)	
7	2900770	1	Seal Kit - 4640452 Cartridge Valve (1 Per Valve)	
8	4641114	1	Cartridge, Restricted/Check	
8	7012967	1	Seal Kit - 4641114 Cartridge Valve (1 Per Valve)	
9	3760368	1	Ring, Washer	
10	3931516	8	Capscrew 5/16 x 1	
11	0630534	3	Capscrew #10 x 1	
13	2220883	5	Plug, O-Ring	
14	2220885	1	Plug, O-Ring	
15	0100011	AR	Compound, Locking	
17	4641260	1	Cartridge, Counterbalance (Port above V1)	
17	2900770	1	Seal Kit - 4641260 Cartridge Valve (1 Per Valve)	
18	0100038	AR	Primer, Locking	
100	2902092	1	Seal Kit (Includes Items 101-110)	
101	See Note	NSS	Ring, Wear (Note: Use Item 100)	
102	See Note	NSS	Ring, Wear (Note: Use Item 100)	
103	See Note	NSS	Ring, Back-up (Note: Use Item 100)	
104	See Note	NSS	Seal (Note: Use Item 100)	
105	See Note	NSS	O-Ring (Note: Use Item 100)	
106	See Note	NSS	O-Ring (Note: Use Item 100)	
107	See Note	NSS	Seal (Note: Use Item 100)	
108	See Note	NSS	Wiper, Rod (Note: Use Item 100)	
109	See Note	NSS	Ring, Back-up (Note: Use Item 100)	
110	See Note	NSS	Seal (Note: Use Item 100)	

SECTION 6 - CYLINDER

FIGURE 6-6. LIFT CYLINDER ASSEMBLY - JIB (SN 0300238854 to Present)



ART_1001228025

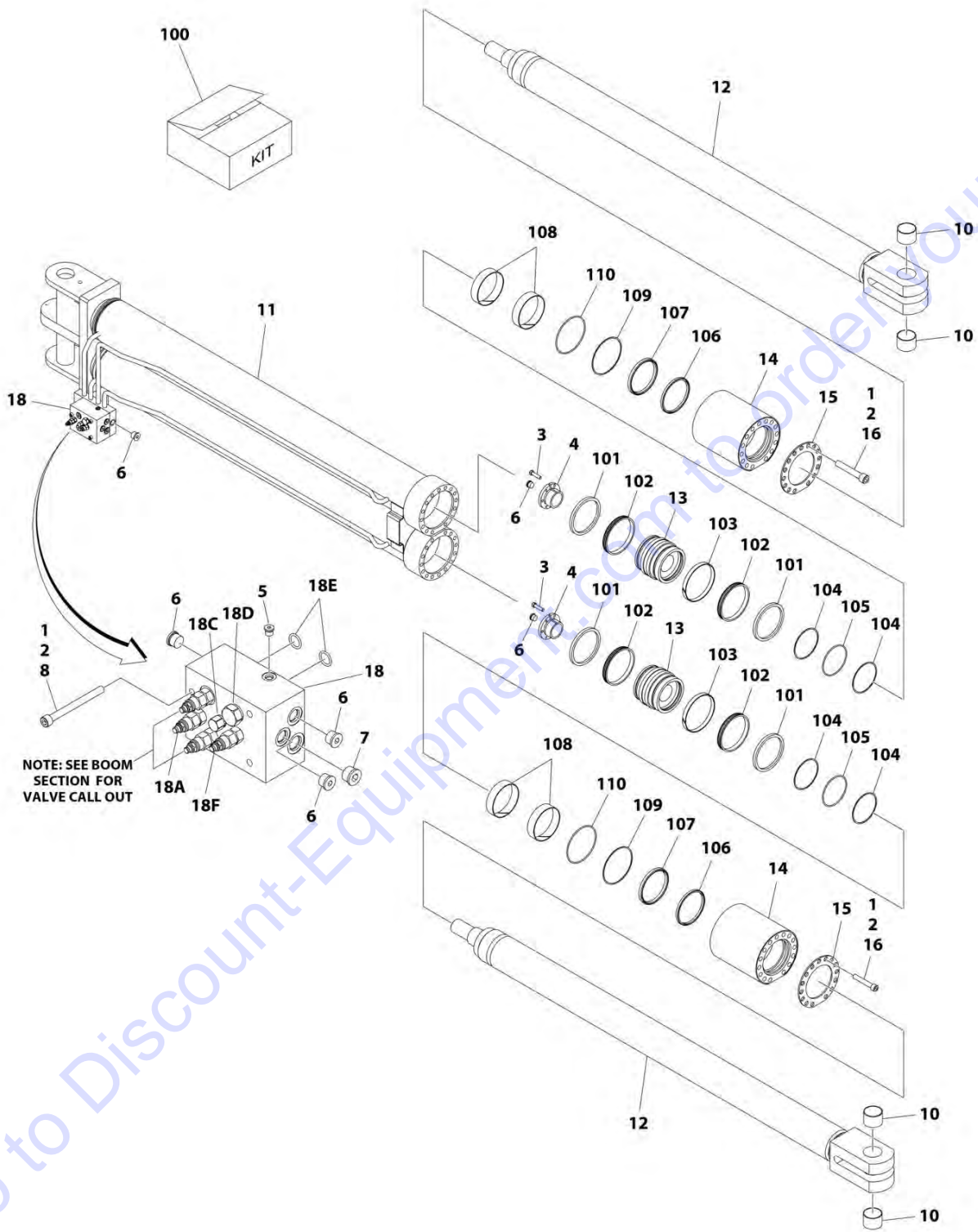
SECTION 6 - CYLINDER

FIGURE 6-6. LIFT CYLINDER ASSEMBLY - JIB (SN 0300238854 to Present)

ITEM	PART NUMBER	QTY	DESCRIPTION	REV
	1001228025	Ref	LIFT CYLINDER ASSEMBLY - JIB (SN 0300238854 to Present)	E
1	See Note	NSS	Barrel Weldment (Note: Not Available for Purchase)	
2	70006526	1	Rod Weldment	
3	70006525	1	Head	
4	See Note	NSS	Wiper, Rod (Note: Use Item 151)	
5	See Note	NSS	Seal (Note: Use Item 151)	
6	See Note	NSS	Ring, Wear (Note: Use Item 151)	
7	See Note	NSS	O-Ring (Note: Use Item 151)	
8	See Note	NSS	Ring, Back-up (Note: Use Item 151)	
9	70006524	1	Piston	
10	See Note	NSS	Seal (Note: Use Item 151)	
11	See Note	NSS	Ring, Wear (Note: Use Item 151)	
12	See Note	NSS	O-Ring (Note: Use Item 151)	
13	See Note	NSS	Ring, Back-up (Note: Use Item 151)	
14	See Note	NSS	Seal (Note: Use Item 151)	
15	70006523	1	Spacer	
16	0961893	1	Bushing, Tapered	
17	0630534	3	Capscrew #10 x 1	
18	3931516	8	Capscrew 5/16 x 1	
19	3760368	1	Ring, Washer	
20	4641260	1	Cartridge, Counterbalance (Port above V1)	
20	2900770	1	Seal Kit - 4641260 Cartridge Valve (1 Per Valve)	
21	4640452	1	Cartridge, Counterbalance (Port above V2)	
21	2900770	1	Seal Kit - 4640452 Cartridge Valve (1 Per Valve)	
22	4641114	1	Cartridge, Restricted/Check	
22	7012967	1	Seal Kit - 4641114 Cartridge Valve (1 Per Valve)	
23	0962257	4	Bushing	
24	2220883	8	Plug, O-Ring	
25	2220885	AR	Plug, O-Ring	
26	0100011	AR	Compound, Locking	
27	0100038	AR	Primer, Locking	
151	1001138805	1	Seal Kit Options (Includes Items 4-8 & 10-14)	

SECTION 6 - CYLINDER

FIGURE 6-7. LIFT CYLINDER ASSEMBLY - MAIN BOOM (Prior to SN 0300239463)



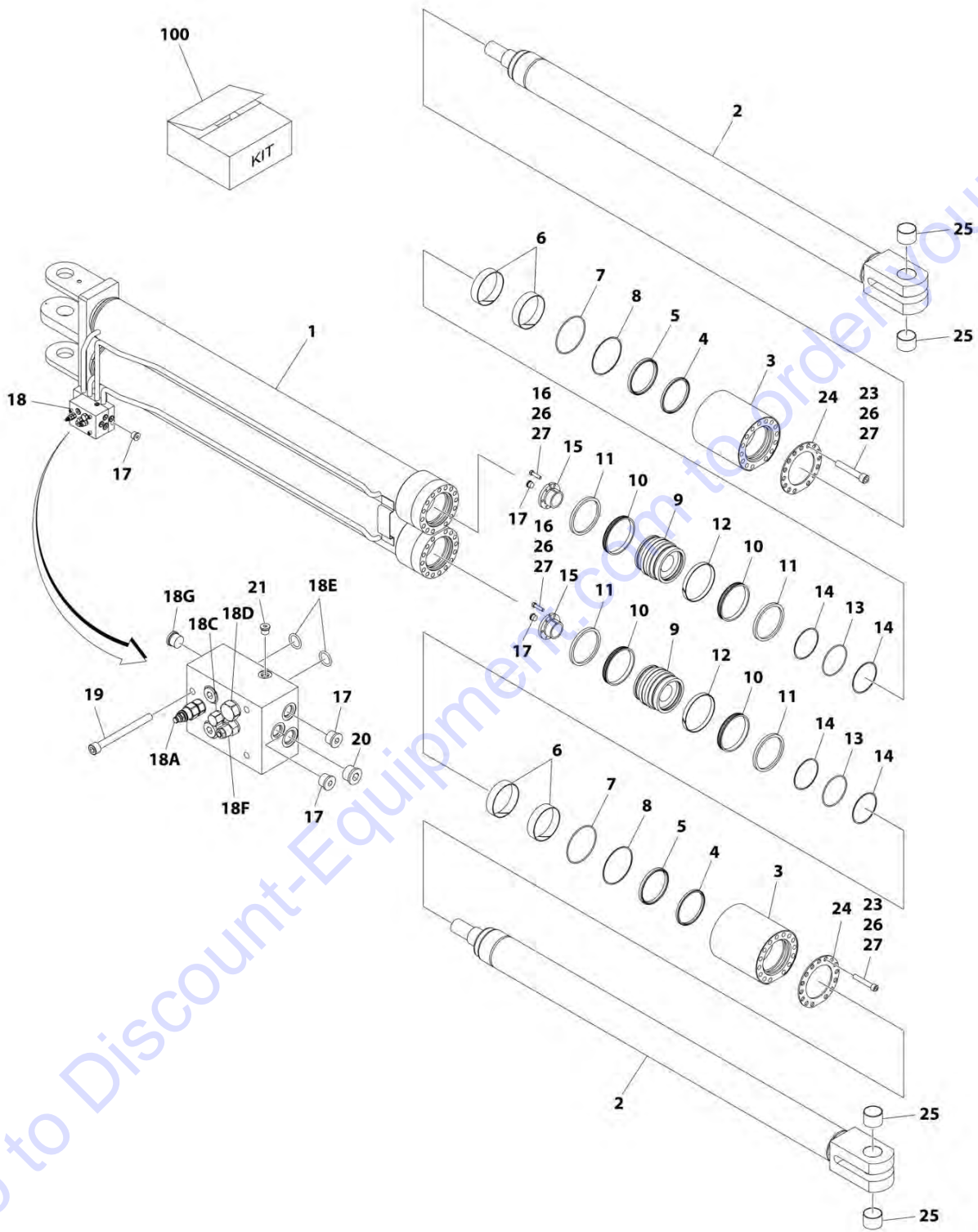
SECTION 6 - CYLINDER

FIGURE 6-7. LIFT CYLINDER ASSEMBLY - MAIN BOOM (Prior to SN 0300239463)

ITEM	PART NUMBER	QTY	DESCRIPTION	REV
	1001200063	Ref	LIFT CYLINDER ASSEMBLY - MAIN BOOM (Prior to SN 0300239463)	G
		Ref	Note: Original Cylinder May Have Been Replaced with Service Replacement. Identify PN Stamped on Cylinder Before Ordering Parts.	
1	0100011	AR	Compound, Locking	
2	0100038	AR	Primer, Locking	
3	0630536	6	Capscrew 3/8 x 1-1/2	
4	0961898	2	Bushing	
5	2220883	1	Plug #4	
6	2220886	6	Plug #8	
7	2220887	3	Plug #10	
8	5272024	4	Capscrew M10 x 110	
10	1001198762	4	Bearing	
11	1001202142	1	Barrel	
12	1001202194	2	Rod	
13	1001202201	2	Piston	
14	1001202234	2	Head	
15	1001202236	2	Ring, Washer	
16	3932272	30	Capscrew 3/4 x 4-1/2	
18	1001204041	1	Valve Assembly	C
18A	70005659	1	Cartridge, Valve (Counterbalance)	
18A	7011376	1	Seal Kit - 70005659 Valve	
18C	70005658	1	Cartridge, Valve (Shuttle)	
18C	7026004	1	Seal Kit - 70005658 Valve	
18D	70004406	1	Cartridge, Valve (Check)	
18D	7011351	1	Seal Kit - 70004406 Valve	
18E	70000778	2	O-Ring	
18F	1001156033	1	Cartridge, Valve (Counterbalance)	
18F	7024574	1	Seal Kit - 1001156033 Valve	
100	1001202539	2	Kit Seal - Cylinder (Includes Items 101-110)	
101	See Note	NSS	Ring, Lock (Note: Use Item 100)	
102	See Note	NSS	Seal (Note: Use Item 100)	
103	See Note	NSS	Ring, Wear (Note: Use Item 100)	
104	See Note	NSS	Ring, Back-up (Note: Use Item 100)	
105	See Note	NSS	O-Ring (Note: Use Item 100)	
106	See Note	NSS	Wiper (Note: Use Item 100)	
107	See Note	NSS	Seal (Note: Use Item 100)	
108	See Note	NSS	Ring, Wear (Note: Use Item 100)	
109	See Note	NSS	Ring, Back-up (Note: Use Item 100)	
110	See Note	NSS	O-Ring (Note: Use Item 100)	

SECTION 6 - CYLINDER

FIGURE 6-8. LIFT CYLINDER ASSEMBLY - MAIN BOOM (SN 0300239463 to Present)



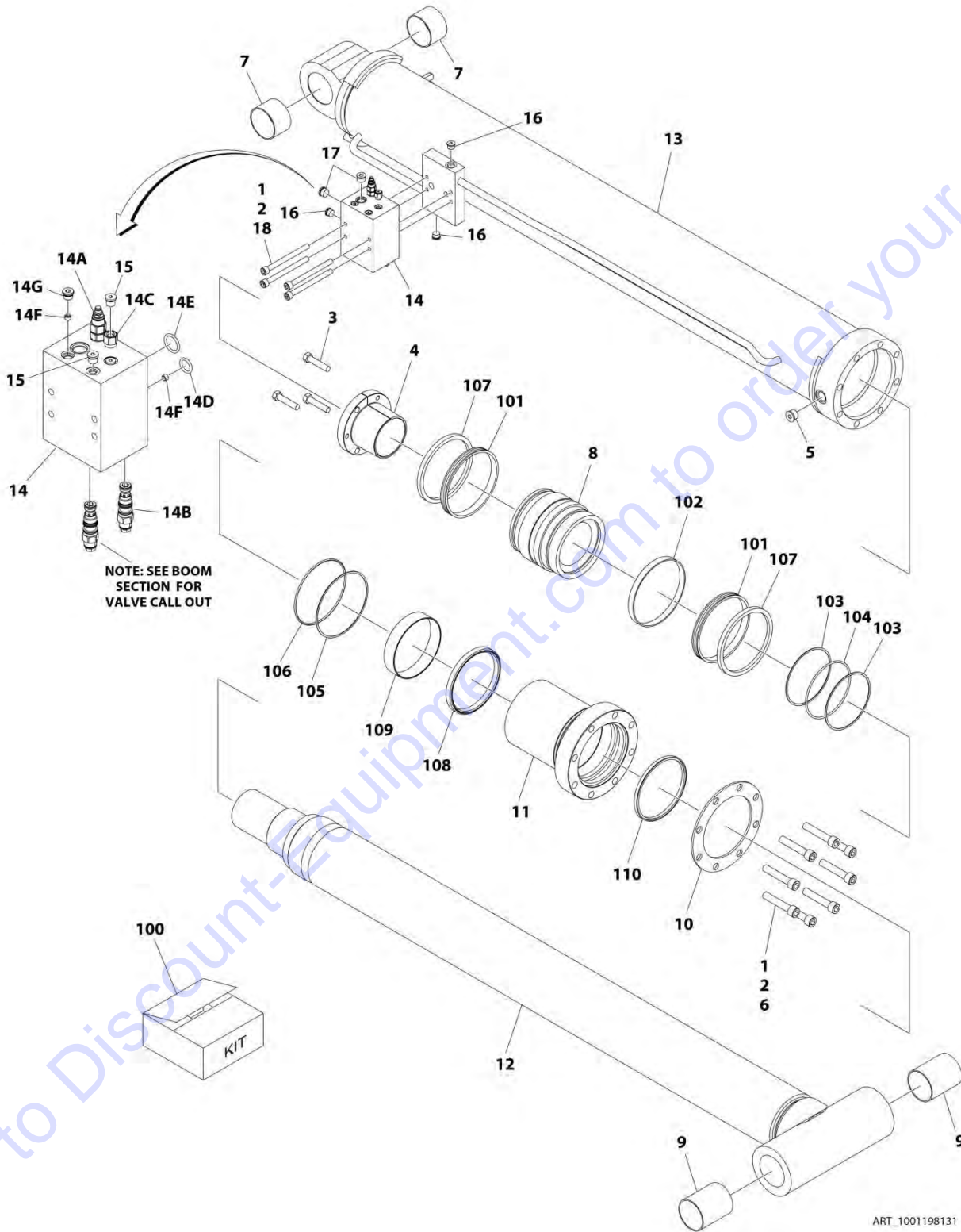
SECTION 6 - CYLINDER

FIGURE 6-8. LIFT CYLINDER ASSEMBLY - MAIN BOOM (SN 0300239463 to Present)

ITEM	PART NUMBER	QTY	DESCRIPTION	REV
	1001228094	Ref	LIFT CYLINDER ASSEMBLY - MAIN BOOM (SN 0300239463 to Present)	B
1	See Note	NSS	Barrel Weldment (Note: Not Available for Purchase)	
2	70006546	2	Rod	
3	70006545	2	Head	
4	See Note	NSS	Wiper (Note: Use Item 100)	
5	See Note	NSS	Seal (Note: Use Item 100)	
6	See Note	NSS	Ring, Wear (Note: Use Item 100)	
7	See Note	NSS	O-Ring (Note: Use Item 100)	
8	See Note	NSS	Ring, Back-up (Note: Use Item 100)	
9	1001202201	2	Piston	
10	See Note	NSS	Seal (Note: Use Item 100)	
11	See Note	NSS	Ring, Lock (Note: Use Item 100)	
12	See Note	NSS	Ring, Wear (Note: Use Item 100)	
13	See Note	NSS	O-Ring (Note: Use Item 100)	
14	See Note	NSS	Ring, Back-up (Note: Use Item 100)	
15	0961898	2	Bushing	
16	0630536	6	Capscrew 3/8 x 1-1/2	
17	2220886	6	Plug #8	
18	1001204041	1	Valve Assembly	C
18A	70005659	1	Cartridge, Valve (Counterbalance)	
18A	7011376	1	Seal Kit - 70005659 Valve	
18C	70005658	1	Cartridge, Valve (Shuttle)	
18C	7026004	1	Seal Kit - 70005658 Valve	
18D	70004406	1	Cartridge, Valve (Check)	
18D	7011351	1	Seal Kit - 70004406 Valve	
18E	70000778	2	O-Ring	
18F	1001156033	1	Cartridge, Valve (Counterbalance)	
18F	7024574	1	Seal Kit - 1001156033 Valve	
18G	70005598	1	Plug #6	
19	5272024	4	Capscrew M10 x 110	
20	2220887	3	Plug #10	
21	2220883	1	Plug #4	
23	3932272	30	Capscrew 3/4 x 4-1/2	
24	1001202236	2	Ring, Washer	
25	1001198762	4	Bearing	
26	0100011	AR	Compound, Locking	
27	0100038	AR	Primer, Locking	
100	1001202539	2	Kit Seal - Cylinder (Includes Items 4-8 & 10-14)	

SECTION 6 - CYLINDER

FIGURE 6-9. LIFT CYLINDER ASSEMBLY - TOWER BOOM (Prior to SN 0300239155)



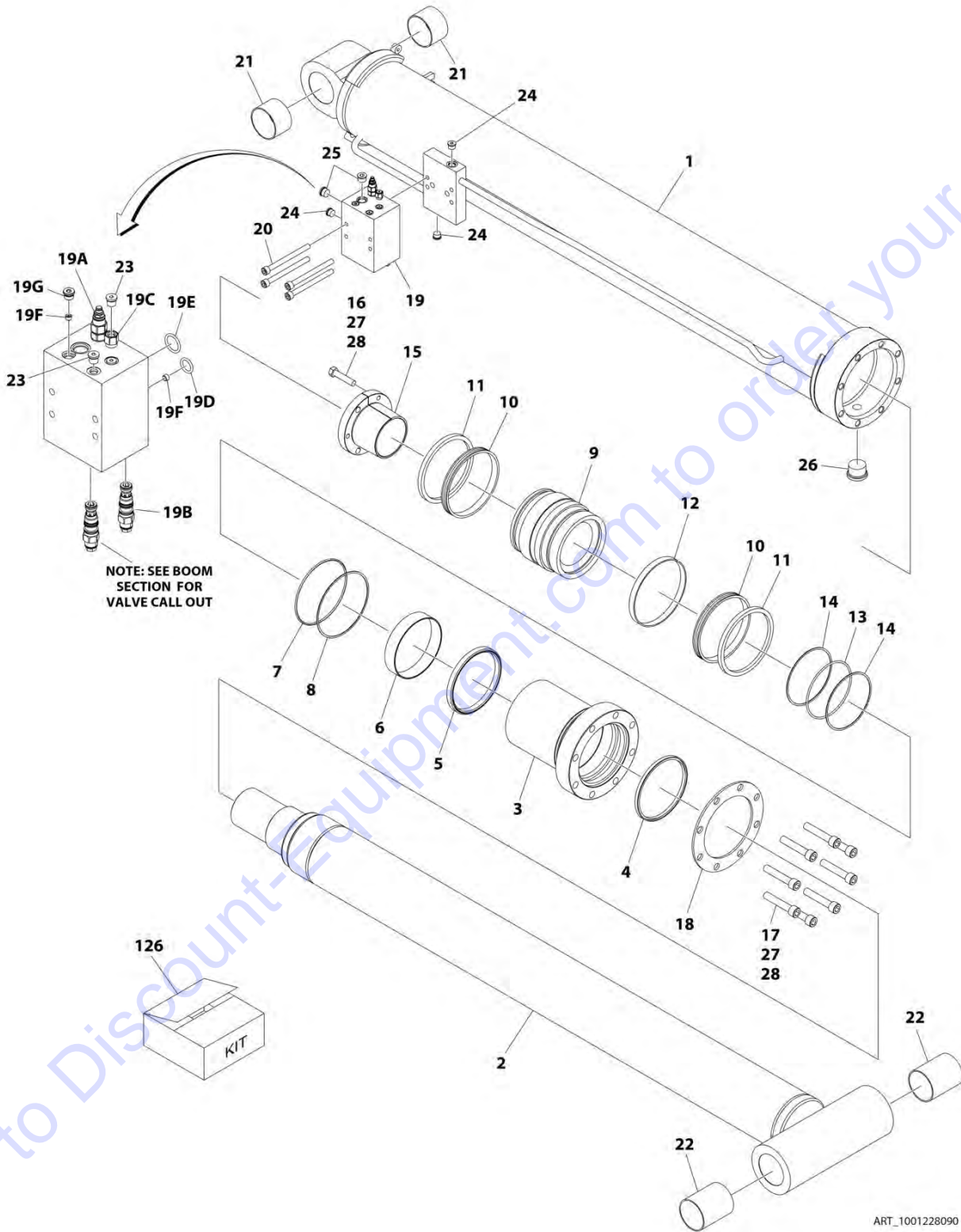
SECTION 6 - CYLINDER

FIGURE 6-9. LIFT CYLINDER ASSEMBLY - TOWER BOOM (Prior to SN 0300239155)

ITEM	PART NUMBER	QTY	DESCRIPTION	REV
	1001198131	Ref	LIFT CYLINDER ASSEMBLY - TOWER BOOM (Prior to SN 0300239155)	F
		Ref	Note: Original Cylinder May Have Been Replaced with Service Replacement. Identify PN Stamped on Cylinder Before Ordering Parts.	
1	0100011	AR	Compound, Locking	
2	0100038	AR	Primer, Locking	
3	1001206184	3	Capscrew 5/8 x 2-7/8	
4	0962562	1	Bushing	
5	2220888	1	Plug #12	
6	3932264	8	Capscrew 3/4 x 4	
7	1001133927	2	Bearing	
8	1001150917	1	Piston	
9	1001150942	2	Bushing	
10	1001151503	1	Ring, Washer	
11	1001198132	1	Head	
12	1001198157	1	Rod	
13	1001198193	1	Barrel	
14	1001212199	1	Valve Assembly	
14A	70005656	1	Cartridge, Valve (Counterbalance)	
14A	7011376	1	Seal Kit - 70005656 Valve	
14B	70005655	1	Cartridge, Valve (Counterbalance)	
14B	2900770	1	Seal Kit - 70005655 Valve	
14C	7011361	1	Cartridge, Valve (Shuttle)	
14C	7011346	1	Seal Kit - 7011361 Valve	
14D	70005654	1	O-Ring	
14E	70024072	1	O-Ring	
14F	70005633	2	Orifice .031	
14G	70005598	1	Plug #6	
15	2220883	6	Plug #4	
16	2220886	3	Plug #8	
17	2220887	2	Plug #10	
18	5272025	4	Capscrew M10 x 120	
100	1001160169	1	Seal Kit - Cylinder (Includes Items 101-110)	
101	See Note	NSS	Seal (Note: Use Item 100)	
102	See Note	NSS	Ring, Wear (Note: Use Item 100)	
103	See Note	NSS	Ring, Back-up (Note: Use Item 100)	
104	See Note	NSS	O-Ring (Note: Use Item 100)	
105	See Note	NSS	Ring, Back-up (Note: Use Item 100)	
106	See Note	NSS	O-Ring (Note: Use Item 100)	
107	See Note	NSS	Seal, Lock (Note: Use Item 100)	
108	See Note	NSS	Seal (Note: Use Item 100)	
109	See Note	NSS	Ring, Wear (Note: Use Item 100)	
110	See Note	NSS	Wiper (Note: Use Item 100)	

SECTION 6 - CYLINDER

FIGURE 6-10. LIFT CYLINDER ASSEMBLY - TOWER BOOM (SN 0300239155 to Present)



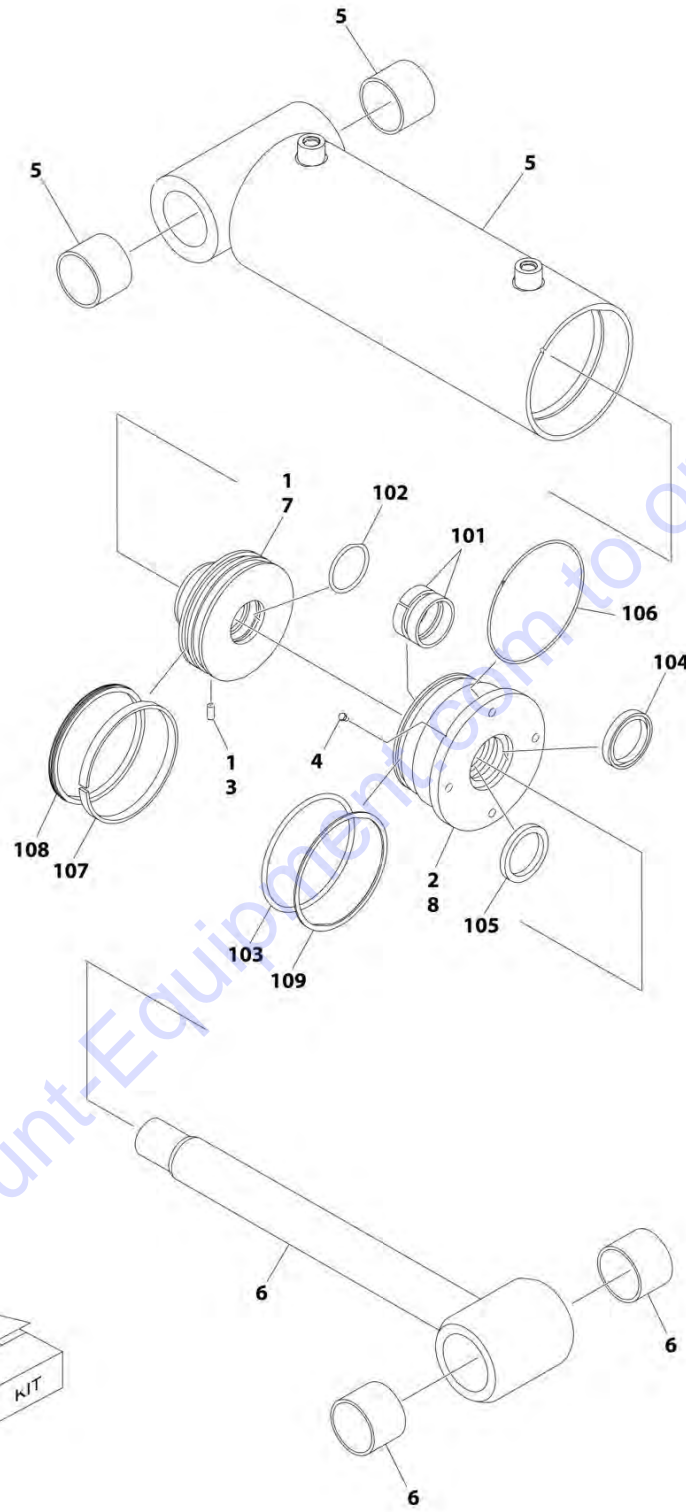
SECTION 6 - CYLINDER

FIGURE 6-10. LIFT CYLINDER ASSEMBLY - TOWER BOOM (SN 0300239155 to Present)

ITEM	PART NUMBER	QTY	DESCRIPTION	REV
	1001228090	Ref	LIFT CYLINDER ASSEMBLY - TOWER BOOM (SN 0300239155 to Present)	C
1	See Note	NSS	Barrel Weldment (Note: Not Available for Purchase)	
2	70006512	1	Rod	
3	70006511	1	Head	
4	See Note	NSS	Ring, Wiper (Note: Use Item 126)	
5	See Note	NSS	Seal, Rod (Note: Use Item 126)	
6	See Note	NSS	Ring, Wear (Note: Use Item 126)	
7	See Note	NSS	O-Ring (Note: Use Item 126)	
8	See Note	NSS	Ring, Back-up (Note: Use Item 126)	
9	70006510	1	Piston	
10	See Note	NSS	Ring, Hydrolock (Note: Use Item 126)	
11	See Note	NSS	Ring, Lock (Note: Use Item 126)	
12	See Note	NSS	Ring, Wear (Note: Use Item 126)	
13	See Note	NSS	O-Ring (Note: Use Item 126)	
14	See Note	NSS	Ring, Back-up (Note: Use Item 126)	
15	0962562	1	Bushing, Tapered	
16	1001206184	3	Bolt 5/8 x 2-7/8 Grade 8	
17	3932264	8	Capscrew 3/4 x 4	
18	1001151503	1	Ring, Washer	
19	1001212199	1	Valve Assembly	
19A	70005656	1	Cartridge, Valve (Counterbalance)	
19A	7011376	1	Seal Kit - 70005656 Valve	
19B	70005655	1	Cartridge, Valve (Counterbalance)	
19B	2900770	1	Seal Kit - 70005655 Valve	
19C	7011361	1	Cartridge, Valve (Shuttle)	
19C	7011346	1	Seal Kit - 7011361 Valve	
19D	70005654	1	O-Ring	
19E	70024072	1	O-Ring	
19F	70005633	2	Orifice .031	
19G	70005598	1	Plug #6	
20	5272025	4	Capscrew M10 x 120	
21	1001133927	2	Bearing	
22	1001150942	2	Bushing	
23	2220883	5	Plug #4	
24	2220886	3	Plug #8	
25	2220887	2	Plug #10	
26	2220888	1	Plug #12	
27	0100011	AR	Compound, Locking	
28	0100038	AR	Primer, Locking	
126	1001160169	1	Seal Kit (Includes Items 4-8 & 10-14)	

SECTION 6 - CYLINDER

FIGURE 6-11. STEER CYLINDER ASSEMBLY (Prior to SN 0300239663)



ART_1001155986

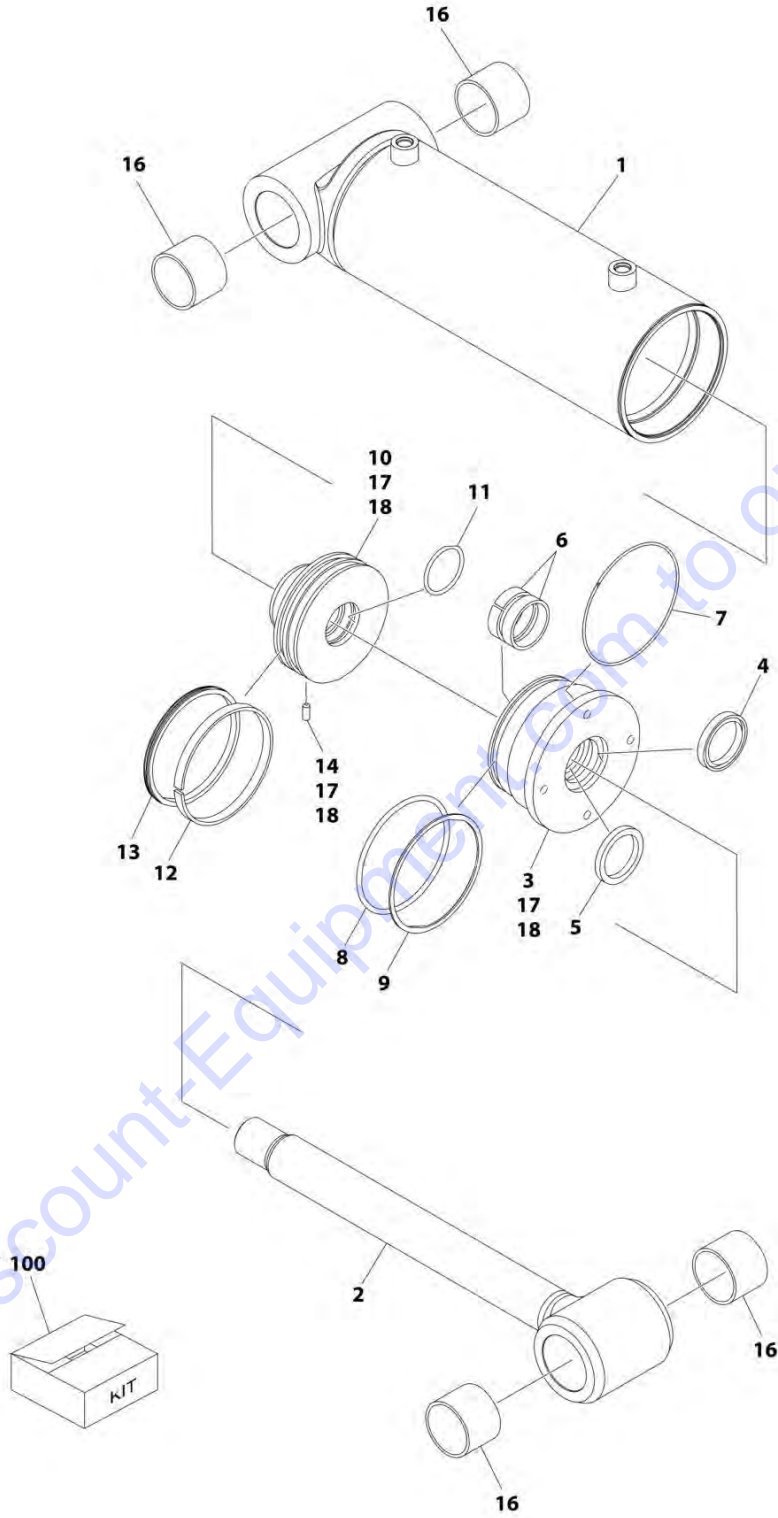
SECTION 6 - CYLINDER

FIGURE 6-11. STEER CYLINDER ASSEMBLY (Prior to SN 0300239663)

ITEM	PART NUMBER	QTY	DESCRIPTION	REV
	1001155986	Ref	STEER CYLINDER ASSEMBLY (Prior to SN 0300239663) Note: Original Cylinder May Have Been Replaced with Service Replacement. Identify PN Stamped on Cylinder Before Ordering Parts.	E
		Ref		
1	0100071	AR	Compound, Locking	
2	3020043	AR	Lubricant	
3	3951405	1	Setscrew 1/4 x 5/8	
4	1001125137	1	Screw #8	
5	1001155987	1	Barrel	
5	0961950	2	Bushing	
6	1001155992	1	Rod	
6	0961950	2	Bushing	
7	1001155998	1	Piston	
8	1001155999	1	Head	
100	1001157958	1	Kit, Seal (Includes Items 101-109)	
101	See Note	NSS	Ring, Wear (Note: Use Item 100)	
102	See Note	NSS	O-Ring (Note: Use Item 100)	
103	See Note	NSS	O-Ring (Note: Use Item 100)	
104	See Note	NSS	Seal, Wiper (Note: Use Item 100)	
105	See Note	NSS	Seal (Note: Use Item 100)	
106	See Note	NSS	O-Ring (Note: Use Item 100)	
107	See Note	NSS	Ring, Wear (Note: Use Item 100)	
108	See Note	NSS	Seal (Note: Use Item 100)	
109	See Note	NSS	Ring, Back-up (Note: Use Item 100)	

SECTION 6 - CYLINDER

FIGURE 6-12. STEER CYLINDER ASSEMBLY (SN 0300239663 to Present)



ART_1001228065

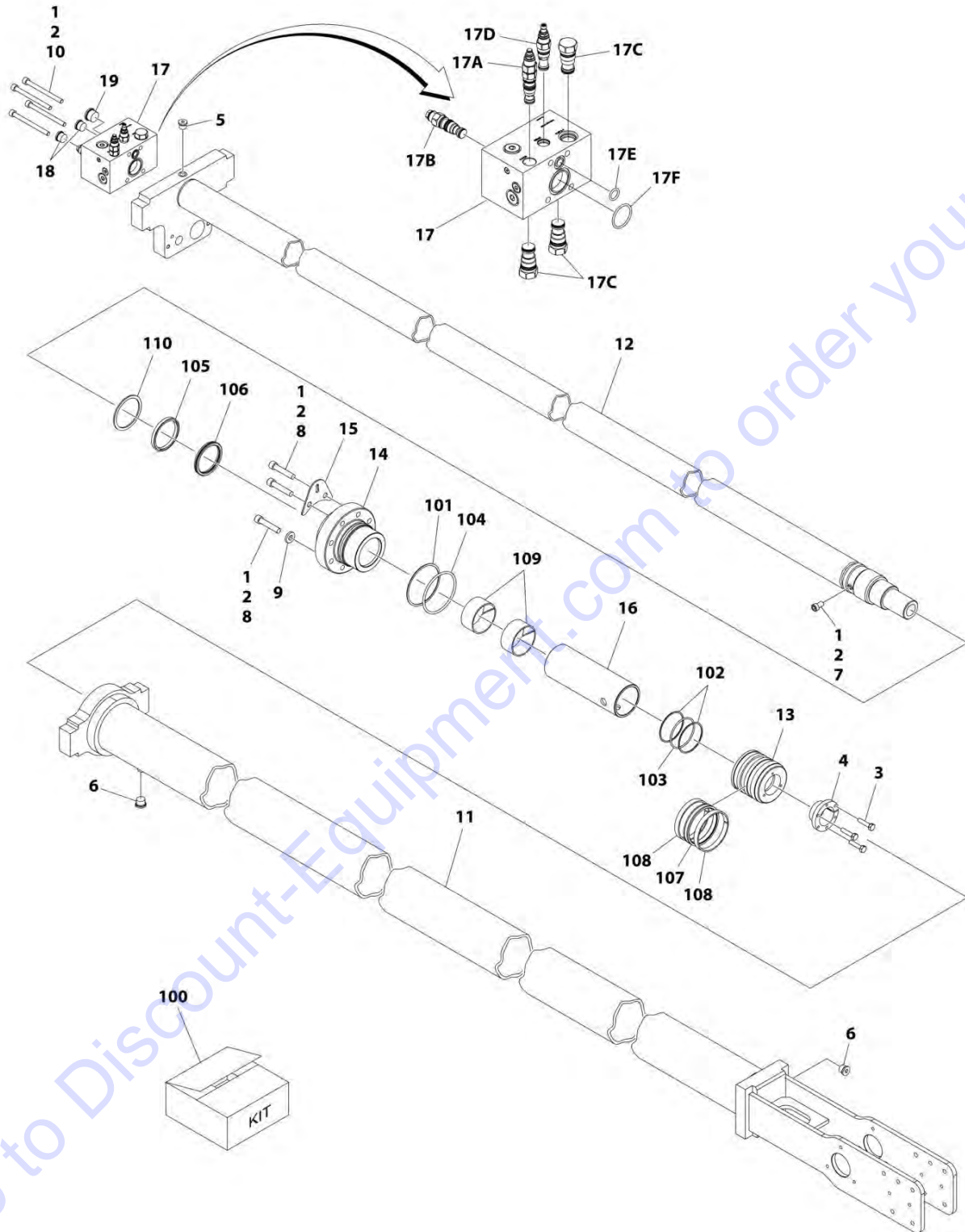
SECTION 6 - CYLINDER

FIGURE 6-12. STEER CYLINDER ASSEMBLY (SN 0300239663 to Present)

ITEM	PART NUMBER	QTY	DESCRIPTION	REV
	1001228065	Ref	STEER CYLINDER ASSEMBLY (SN 0300239663 to Present)	C
1	See Note	NSS	Barrel Weldment (Note: Not Available for Purchase)	
2	70006471	1	Rod	
3	70006470	1	Head	
4	See Note	NSS	Seal, Wiper (Note: Use Item 100)	
5	See Note	NSS	Seal (Note: Use Item 100)	
6	See Note	NSS	Ring, Wear (Note: Use Item 100)	
7	See Note	NSS	O-Ring (Note: Use Item 100)	
8	See Note	NSS	O-Ring (Note: Use Item 100)	
9	See Note	NSS	Ring, Back-up (Note: Use Item 100)	
10	70006469	1	Piston	
11	See Note	NSS	O-Ring (Note: Use Item 100)	
12	See Note	NSS	Ring, Wear (Note: Use Item 100)	
13	See Note	NSS	Seal (Note: Use Item 100)	
14	3951405	1	Setscrew 1/4 x 5/8	
16	0961950	4	Bushing	
17	0100071	AR	Compound, Locking	
18	3020043	AR	Lubricant	
100	1001157958	1	Kit, Seal (Includes Items 4-9 & 11-13)	

SECTION 6 - CYLINDER

FIGURE 6-13. TELESCOPE CYLINDER ASSEMBLY - MAIN BOOM (Prior to SN 0300244380)



ART_1001198938

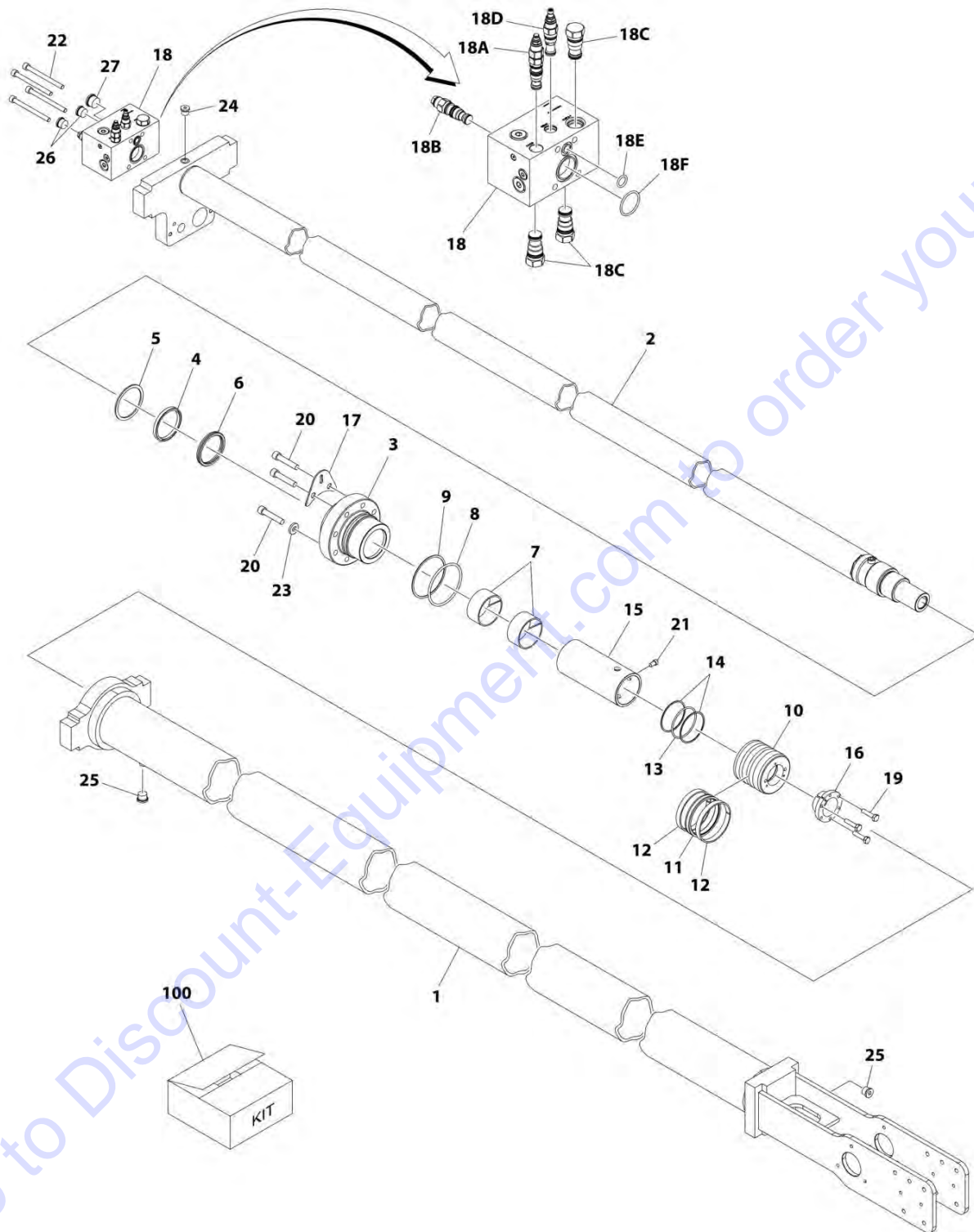
SECTION 6 - CYLINDER

FIGURE 6-13. TELESCOPE CYLINDER ASSEMBLY - MAIN BOOM (Prior to SN 0300244380)

ITEM	PART NUMBER	QTY	DESCRIPTION	REV
	1001198938	Ref	TELESCOPE CYLINDER ASSEMBLY - MAIN BOOM (Prior to SN 0300244380)	G
		Ref	Note: Original Cylinder May Have Been Replaced with Service Replacement. Identify PN Stamped on Cylinder Before Ordering Parts.	
1	0100011	AR	Compound, Locking	
2	0100038	AR	Primer, Locking	
3	0630535	3	Capscrew 1/4 x 1-1/8	
4	0961897	1	Bushing	
5	2220883	1	Plug #4	
6	2220885	2	Plug #6	
7	3931508	1	Capscrew 5/16 x 1/2	
8	3931840	8	Capscrew 1/2 x 2-1/2	
9	4891800	6	Washer 1/2	
10	5272023	4	Capscrew M10 x 100	
11	1001198939	1	Barrel	
12	1001198946	1	Rod	
13	1001198951	1	Piston	
14	1001198952	1	Head	
15	1001200150	1	Bracket	
16	1001200397	1	Tube, Spacer	
17	1001201772	1	Valve Assembly	D
17A	7011381	1	Cartridge, Valve (Counterbalance)	
17A	2900770	1	Seal Kit - 7011381 Valve	
17B	4640746	1	Cartridge, Valve (Counterbalance)	
17B	2900770	1	Seal Kit - 4640746 Valve	
17C	70004406	3	Cartridge, Valve (Check)	
17C	7011351	3	Seal Kit - 70004406 Valve	
17D	70005999	1	Cartridge, Valve (Relief)	
17D	See Note	NSS	Seal Kit - 70005999 Valve (Note: Not Available for Purchase)	
17E	70005654	1	O-Ring	
17F	70004407	1	O-Ring	
18	2220887	2	Plug #10	
19	2220888	1	Plug #12	
100	1001199297	1	Seal, Kit - Cylinder (Includes Items 101-110)	
101	See Note	NSS	Ring, Back-up (Note: Use Item 100)	
102	See Note	NSS	Ring, Back-up (Note: Use Item 100)	
103	See Note	NSS	O-Ring (Note: Use Item 100)	
104	See Note	NSS	O-Ring (Note: Use Item 100)	
105	See Note	NSS	Wiper (Note: Use Item 100)	
106	See Note	NSS	Seal, Rod (Note: Use Item 100)	
107	See Note	NSS	Seal, Piston (Note: Use Item 100)	
108	See Note	NSS	Ring, Wear (Note: Use Item 100)	
109	See Note	NSS	Ring, Wear (Note: Use Item 100)	
110	See Note	NSS	Ring, Retaining (Note: Use Item 100)	

SECTION 6 - CYLINDER

FIGURE 6-14. TELESCOPE CYLINDER ASSEMBLY - MAIN BOOM (SN 0300244380 to Present)



ART_1001228093

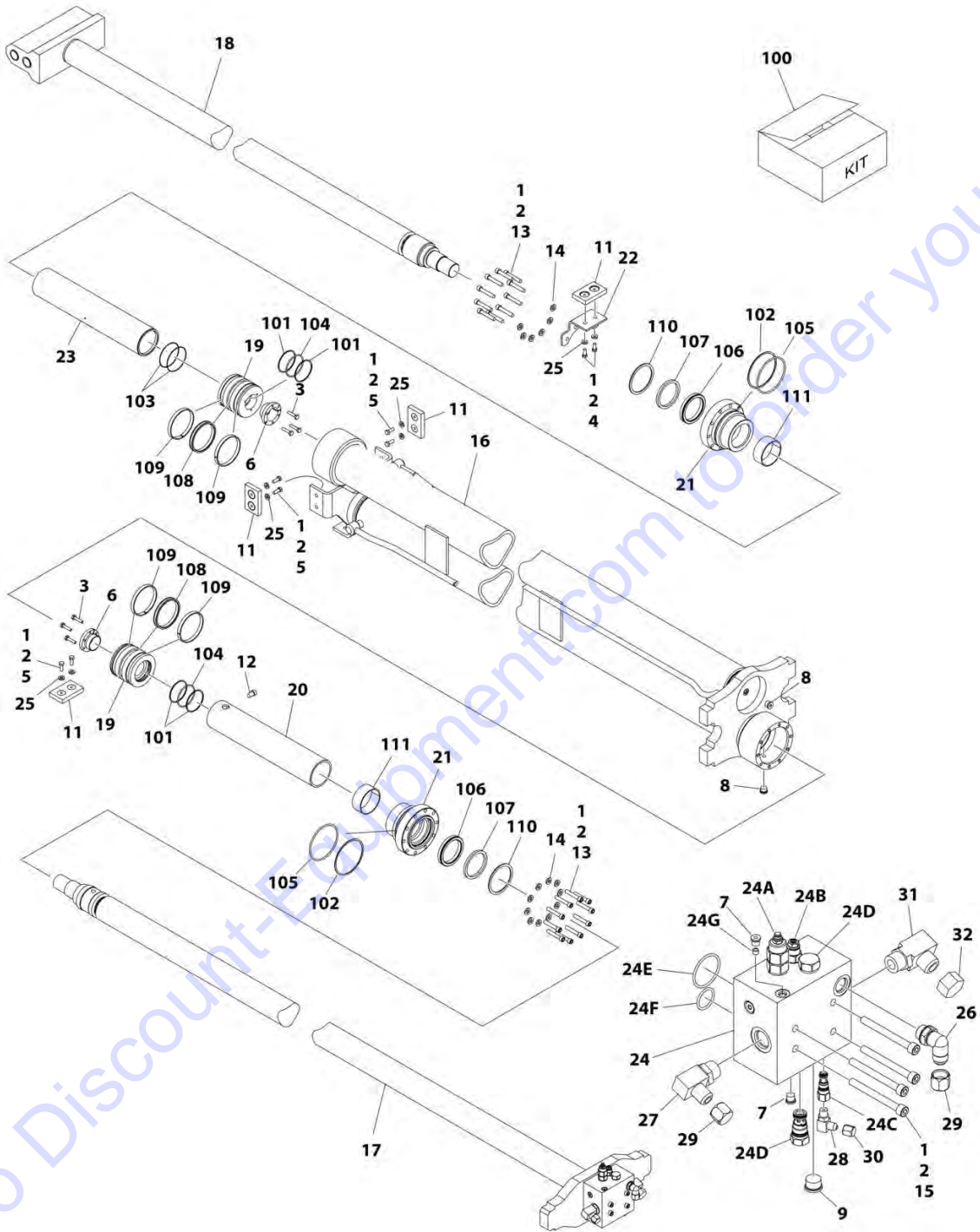
SECTION 6 - CYLINDER

FIGURE 6-14. TELESCOPE CYLINDER ASSEMBLY - MAIN BOOM (SN 0300244380 to Present)

ITEM	PART NUMBER	QTY	DESCRIPTION	REV
	1001228093	Ref	TELESCOPE CYLINDER ASSEMBLY - MAIN BOOM (SN 0300244380 to Present)	A
		Ref	Note: Original Cylinder May Have Been Replaced with Service Replacement. Identify PN Stamped on Cylinder Before Ordering Parts.	
1	See Note	NSS	Barrel Weldment (Note: Not Available for Purchase)	
2	70006866	1	Rod	
3	70006867	1	Head	
4	See Note	NSS	Seal, Wiper (Note: Use Item 100)	
5	See Note	NSS	Ring, Retaining (Note: Use Item 100)	
6	See Note	NSS	Seal, Rod (Note: Use Item 100)	
7	See Note	NSS	Ring, Wear (Note: Use Item 100)	
8	See Note	NSS	O-Ring (Note: Use Item 100)	
9	See Note	NSS	Ring, Back-up (Note: Use Item 100)	
10	70006868	1	Piston	
11	See Note	NSS	Seal (Note: Use Item 100)	
12	See Note	NSS	Ring, Wear (Note: Use Item 100)	
13	See Note	NSS	O-Ring (Note: Use Item 100)	
14	See Note	NSS	Ring, Back-up (Note: Use Item 100)	
15	70006869	1	Spacer	
16	0961903	1	Bushing, Tapered	
17	70006870	1	Bracket	
18	1001201772	1	Valve Assembly	D
18A	7011381	1	Cartridge, Valve (Counterbalance)	
18A	2900770	1	Seal Kit - 7011381 Valve	
18B	4640746	1	Cartridge, Valve (Counterbalance)	
18B	2900770	1	Seal Kit - 4640746 Valve	
18C	70004406	3	Cartridge, Valve (Check)	
18C	7011351	3	Seal Kit - 70004406 Valve	
18D	70005999	1	Cartridge, Valve (Relief)	
18D	See Note	NSS	Seal Kit - 70005999 Valve (Note: Not Available for Purchase)	
18E	70005654	1	O-Ring	
18F	70004407	1	O-Ring	
19	0630535	3	Capscrew 1/4 x 1-1/8	
20	70006871	8	Bolt	
21	70006731	1	Bolt	
22	70023368	4	Bolt	
23	70006872	6	Washer	
24	2220883	1	Plug #4	
25	2220885	2	Plug #6	
26	70005433	2	Plug	
27	70027702	1	Plug	
100	1001199297	1	Seal, Kit - Cylinder (Includes Items 101-110)	

SECTION 6 - CYLINDER

FIGURE 6-15. TELESCOPE CYLINDER ASSEMBLY - TOWER BOOM (Prior to SN 0300244380)



ART_1001198546

SECTION 6 - CYLINDER

FIGURE 6-15. TELESCOPE CYLINDER ASSEMBLY - TOWER BOOM (Prior to SN 0300244380)

ITEM	PART NUMBER	QTY	DESCRIPTION	REV
	1001198546	Ref	TELESCOPE CYLINDER ASSEMBLY - TOWER BOOM (Prior to SN 0300244380)	G
		Ref	Note: Original Cylinder May Have Been Replaced with Service Replacement. Identify PN Stamped on Cylinder Before Ordering Parts.	
1	0100011	AR	Compound, Locking	
2	0100038	AR	Primer, Locking	
3	0630535	6	Bolt 1/4 x 1-1/8	
4	0681607	2	Bolt 3/8 x 7/8 Grade 8	
5	0681608	6	Bolt 3/8 x 1 Grade 8	
6	0961897	2	Bushing	
7	2220883	2	Plug #4	
8	2220885	4	Plug #6	
9	2220887	1	Plug #10	
11	3340763	4	Pad, Wear	
12	3931508	1	Capscrew 5/16 x 1/2	
13	3931740	20	Capscrew 7/16 x 2-1/2	
14	4891700	16	Washer 7/16	
15	5272023	4	Bolt M10 x 100	
16	1001198547	1	Barrel	
17	1001198561	1	Rod	
18	1001198562	1	Rod	
19	1001198579	2	Piston	
20	1001198581	1	Spacer	
21	1001198583	2	Head	
22	1001198587	1	Plate, Mounting	
23	1001198590	1	Spacer	
24	1001205683	1	Valve Assembly	
24A	70005603	1	Cartridge, Valve (Counterbalance)	
24A	7011371	1	Seal Kit - 70005603 Valve	
24B	70005602	1	Cartridge, Valve (Counterbalance)	
24B	2900770	1	Seal Kit - 70005602 Valve	
24C	7011361	1	Cartridge, Valve (Shuttle)	
24C	7011346	1	Seal Kit - 7011361 Valve	
24D	7011368	2	Cartridge, Valve (Check)	
24D	7011351	2	Seal Kit - 7011368 Valve	
24E	70005601	1	O-Ring	
24F	70005600	1	O-Ring	
24G	70005599	2	Orifice .031	
25	4891600	8	Washer 3/8	
26	2221036	1	Fitting, 90 JIC/ORB	
27	2220906	1	Fitting, 90 JIC/ORB	
28	2220466	1	Fitting, 90 JIC/ORB	
29	2221012	2	Fitting, Cap FJIC	
30	2220515	1	Fitting, Cap FJIC	
31	2220578	1	Fitting, 90 JIC/ORB	
32	2220518	1	Fitting, Cap FJIC	
100	1001198594	1	Seal kit (Includes Items 101-111)	
101	See Note	NSS	Ring, Back-up (Note: Use Item 100)	
102	See Note	NSS	Ring, Back-up (Note: Use Item 100)	

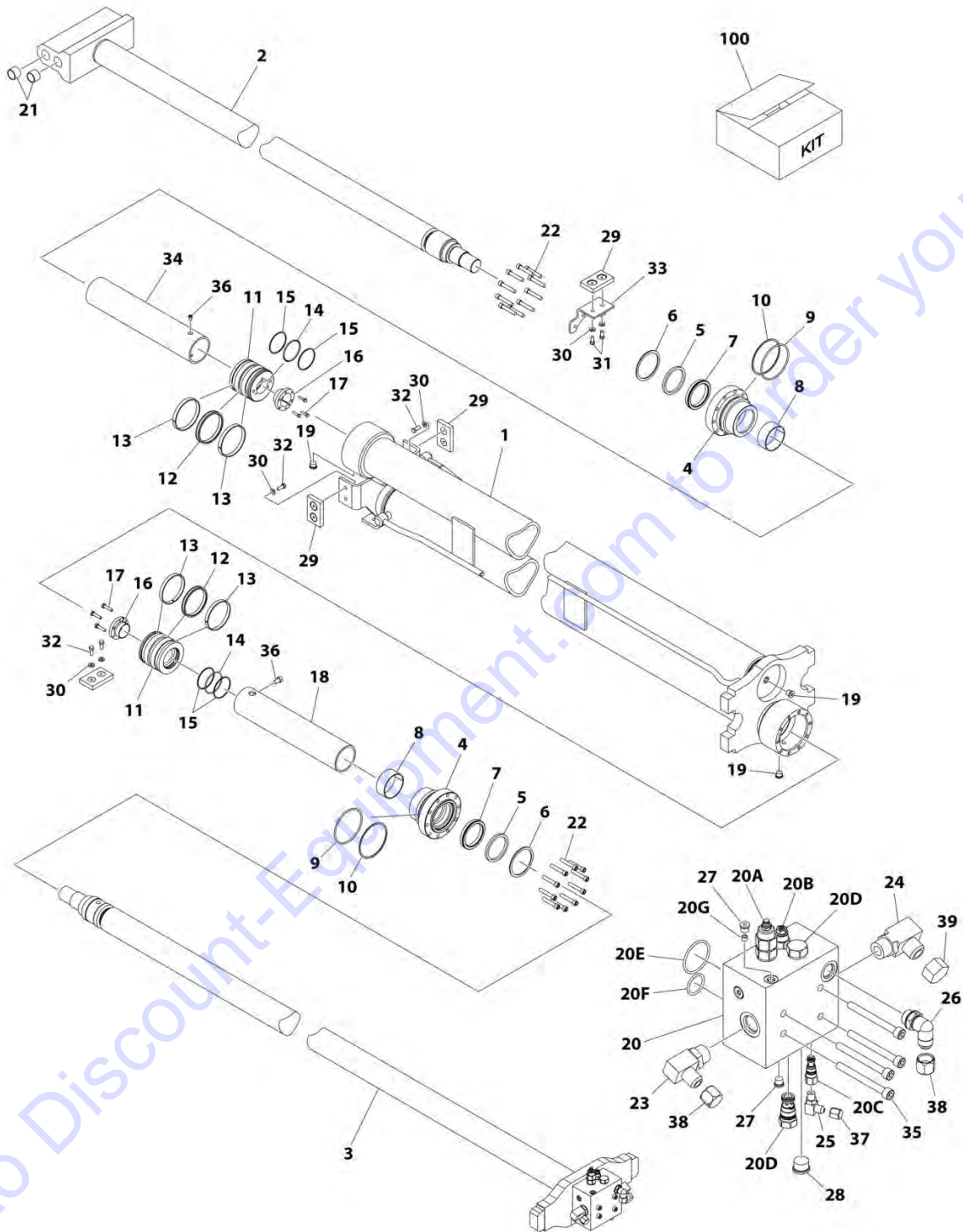
SECTION 6 - CYLINDER

ITEM	PART NUMBER	QTY	DESCRIPTION	REV
103	See Note	NSS	O-Ring (Note: Use Item 100)	
104	See Note	NSS	O-Ring (Note: Use Item 100)	
105	See Note	NSS	O-Ring (Note: Use Item 100)	
106	See Note	NSS	Seal, Rod (Note: Use Item 100)	
107	See Note	NSS	Wiper (Note: Use Item 100)	
108	See Note	NSS	Seal, Piston (Note: Use Item 100)	
109	See Note	NSS	Ring, Wear (Note: Use Item 100)	
110	See Note	NSS	Ring, Retaining (Note: Use Item 100)	
111	See Note	NSS	Ring, Wear (Note: Use Item 100)	

Go to Discount-Equipment.com to order your parts

SECTION 6 - CYLINDER

FIGURE 6-16. TELESCOPE CYLINDER ASSEMBLY - TOWER BOOM (SN 0300244380 to Present)



ART_1001228091

SECTION 6 - CYLINDER

FIGURE 6-16. TELESCOPE CYLINDER ASSEMBLY - TOWER BOOM (SN 0300244380 to Present)

ITEM	PART NUMBER	QTY	DESCRIPTION	REV
	1001228091	Ref	TELESCOPE CYLINDER ASSEMBLY - TOWER BOOM (SN 0300244380 to Present)	A
		Ref	Note: Original Cylinder May Have Been Replaced with Service Replacement. Identify PN Stamped on Cylinder Before Ordering Parts.	
1	See Note	NSS	Barrel Weldment (Note: Not Available for Purchase)	
2	70006853	1	Rod	
3	70006854	1	Rod	
4	70006867	1	Head	
5	See Note	NSS	Seal, Wiper (Note: Use Item 100)	
6	See Note	NSS	Ring, Retaining (Note: Use Item 100)	
7	See Note	NSS	Seal, Rod (Note: Use Item 100)	
8	See Note	NSS	Ring, Wear (Note: Use Item 100)	
9	See Note	NSS	O-Ring (Note: Use Item 100)	
10	See Note	NSS	Ring, Back-up (Note: Use Item 100)	
11	70006856	1	Piston	
12	See Note	NSS	Seal (Note: Use Item 100)	
13	See Note	NSS	Ring, Wear (Note: Use Item 100)	
14	See Note	NSS	O-Ring (Note: Use Item 100)	
15	See Note	NSS	Ring, Back-up (Note: Use Item 100)	
16	0961897	1	Bushing, Tapered	
17	0630535	3	Capscrew 1/4 x 1-1/8	
18	70006857	1	Spacer	
19	2220885	4	Plug #6	
20	1001205683	1	Valve Assembly	
20A	70005603	1	Cartridge, Valve (Counterbalance)	
20A	7011371	1	Seal Kit - 70005603 Valve	
20B	70005602	1	Cartridge, Valve (Counterbalance)	
20B	2900770	1	Seal Kit - 70005602 Valve	
20C	7011361	1	Cartridge, Valve (Shuttle)	
20C	7011346	1	Seal Kit - 7011361 Valve	
20D	7011368	2	Cartridge, Valve (Check)	
20D	7011351	2	Seal Kit - 7011368 Valve	
20E	70005601	1	O-Ring	
20F	70005600	1	O-Ring	
20G	70005599	2	Orifice .031	
21	0961951	4	Bushing	
22	70006732	20	Bolt	
23	70006858	1	Connector	
24	70006859	1	Connector	
25	70005804	1	Connector	
26	70006860	1	Connector	
27	2220883	2	Plug #4	
28	70005433	1	Plug	
29	3340763	4	Pad, Wear	
30	70006344	8	Washer	
31	0681607	2	Bolt 3/8 x 7/8 Grade 8	
32	0681608	6	Bolt 3/8 x 1 Grade 8	
33	1001198587	1	Plate, Mounting	
34	70006861	1	Spacer	

SECTION 6 - CYLINDER

ITEM	PART NUMBER	QTY	DESCRIPTION	REV
35	70006862	4	Bolt	
36	70006731	2	Bolt	
37	70006863	1	Cap, Dust	
38	70006864	2	Cap, Dust	
39	70006865	1	Cap, Dust	
100	1001198594	1	Seal kit (Includes Items 5-10 & 12-15)	

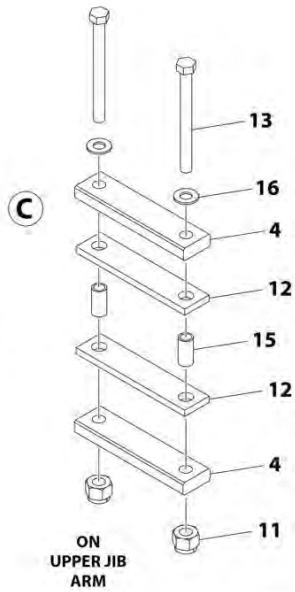
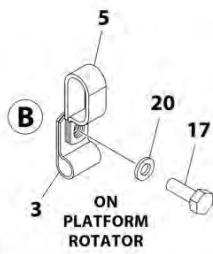
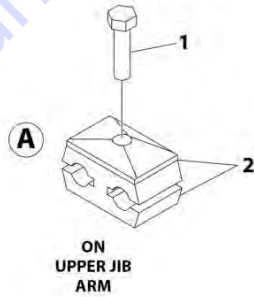
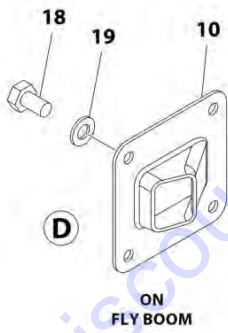
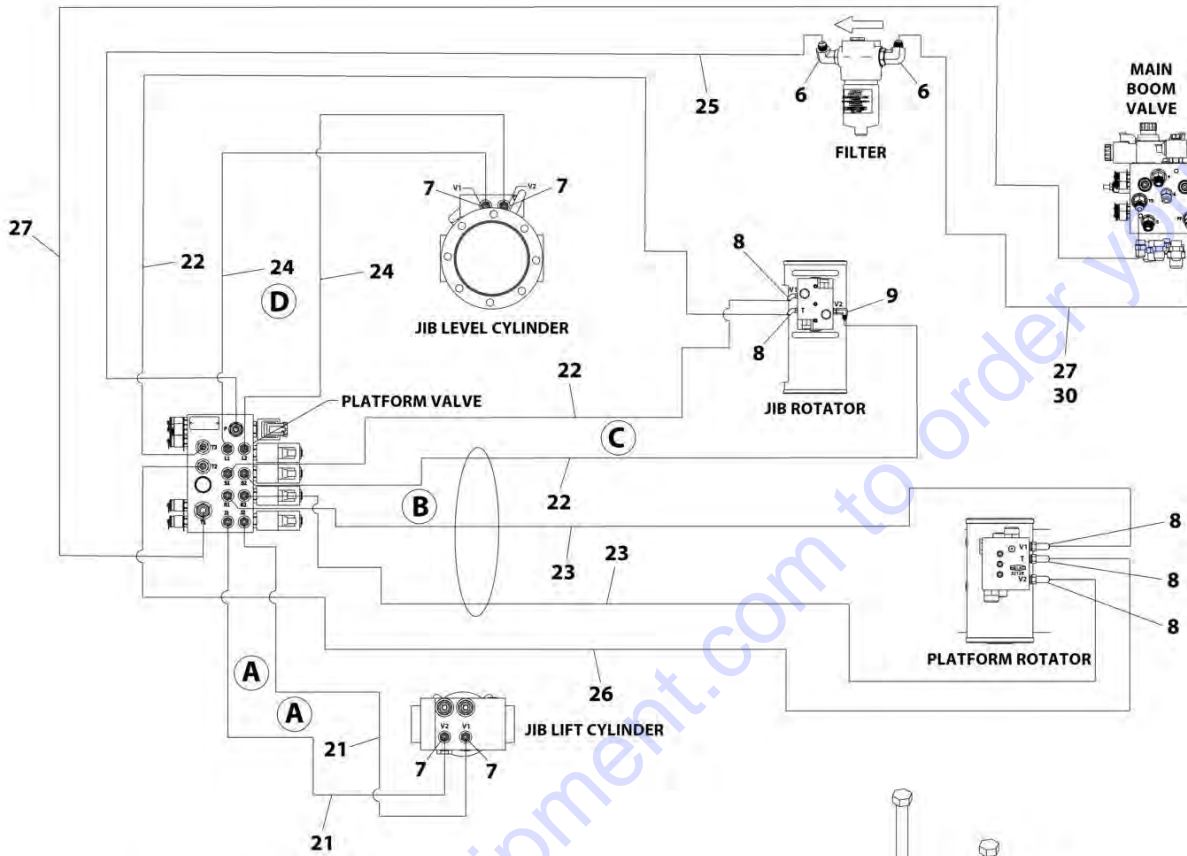
Go to Discount-Equipment.com to order your parts

SECTION 7 - HYDRAULIC

Go to Discount-Equipment.com to order your parts

SECTION 7 - HYDRAULIC

FIGURE 7-1. BOOM AND JIB HYDRAULIC DIAGRAM



ART_1001197361

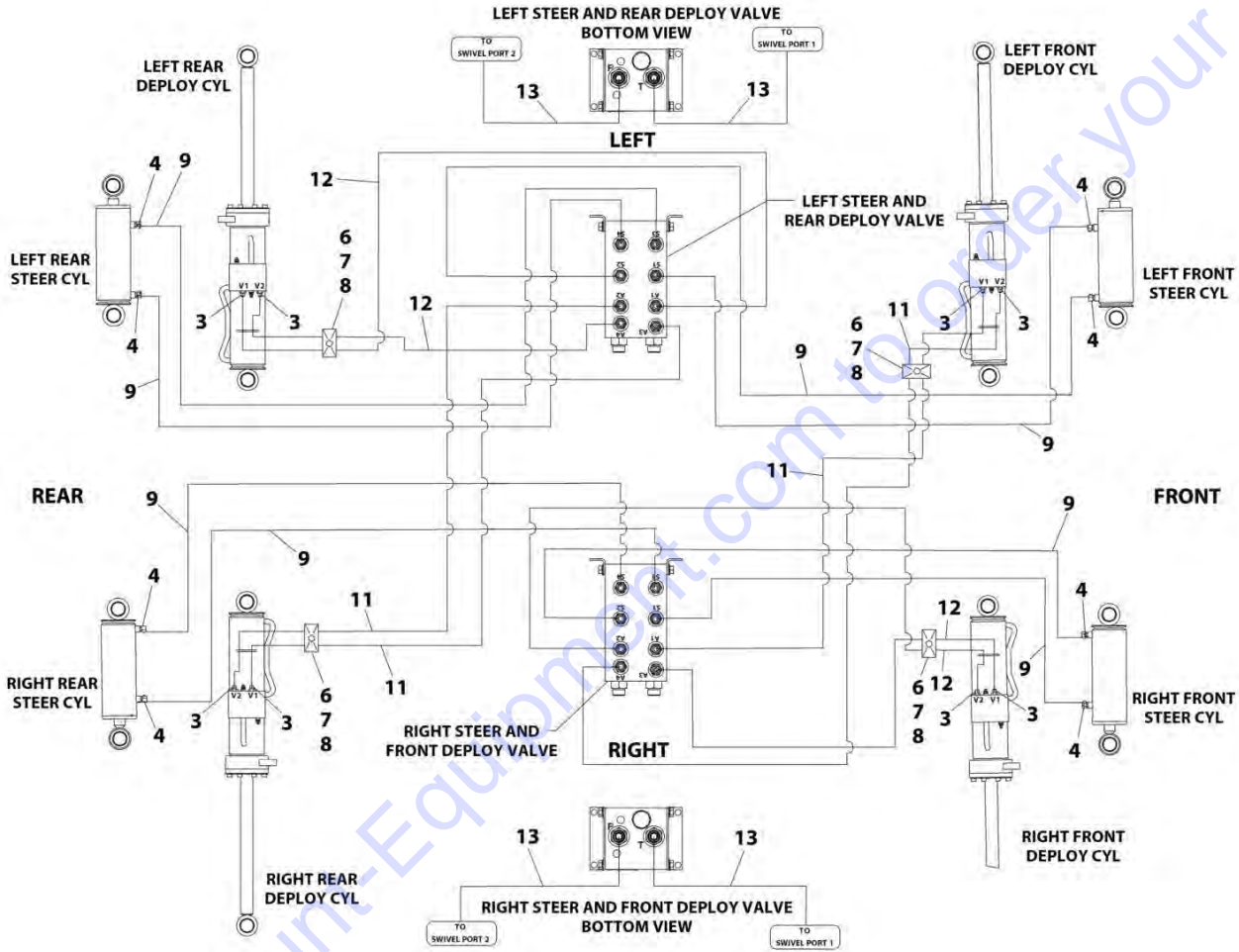
SECTION 7 - HYDRAULIC

FIGURE 7-1. BOOM AND JIB HYDRAULIC DIAGRAM

ITEM	PART NUMBER	QTY	DESCRIPTION	REV
	1001197361	Ref	BOOM AND JIB HYDRAULIC DIAGRAM	D
1	0641510	2	Bolt 5/16 x 1-1/4	
2	1320159	2	Clamp	
3	1320263	1	Clamp	
4	1320296	3	Clamp	
5	1321385	1	Clamp	
6	2220366	2	Fitting, 90 JIC/ORB	
7	2220415	4	Fitting, Straight JIC/ORB	
8	2220502	5	Fitting, 45 JIC/ORB	
9	2220940	1	Fitting, 90 JIC/ORB	
10	2540044	1	Guide, Hose	
11	3300492	2	Nut 3/8	
12	3340934	4	Pad, Rubber	
13	3900260	4	Bolt 3/8 x 4	
14	4240018	11	Tie-Strap (Not Shown)	
15	4562516	4 in/0.1m	Tubing	
16	4711600	4	Washer 3/8	
17	0760610001	1	Bolt M6 x 20	
18	0761009001	4	Bolt M10 x 18	
19	1001172358	4	Washer M10	
20	4811700001	1	Washer M6	
21	1001201130	2	Hose	
22	1001201131	3	Hose	
23	1001201132	2	Hose	
24	1001201133	2	Hose	
25	1001201134	1	Hose	
26	1001201135	1	Hose	
27	1001201136	2	Hose (Prior to SN 0300228751)	
27	1001201136	1	Hose (SN 0300228751 to Present)	
28	4100063	1	Protector, Hose Wrap (Not Shown)	
29	4240033	4	Tie-Strap (Not Shown)	
30	1001226902	1	Hose (SN 0300228751 to Present)	

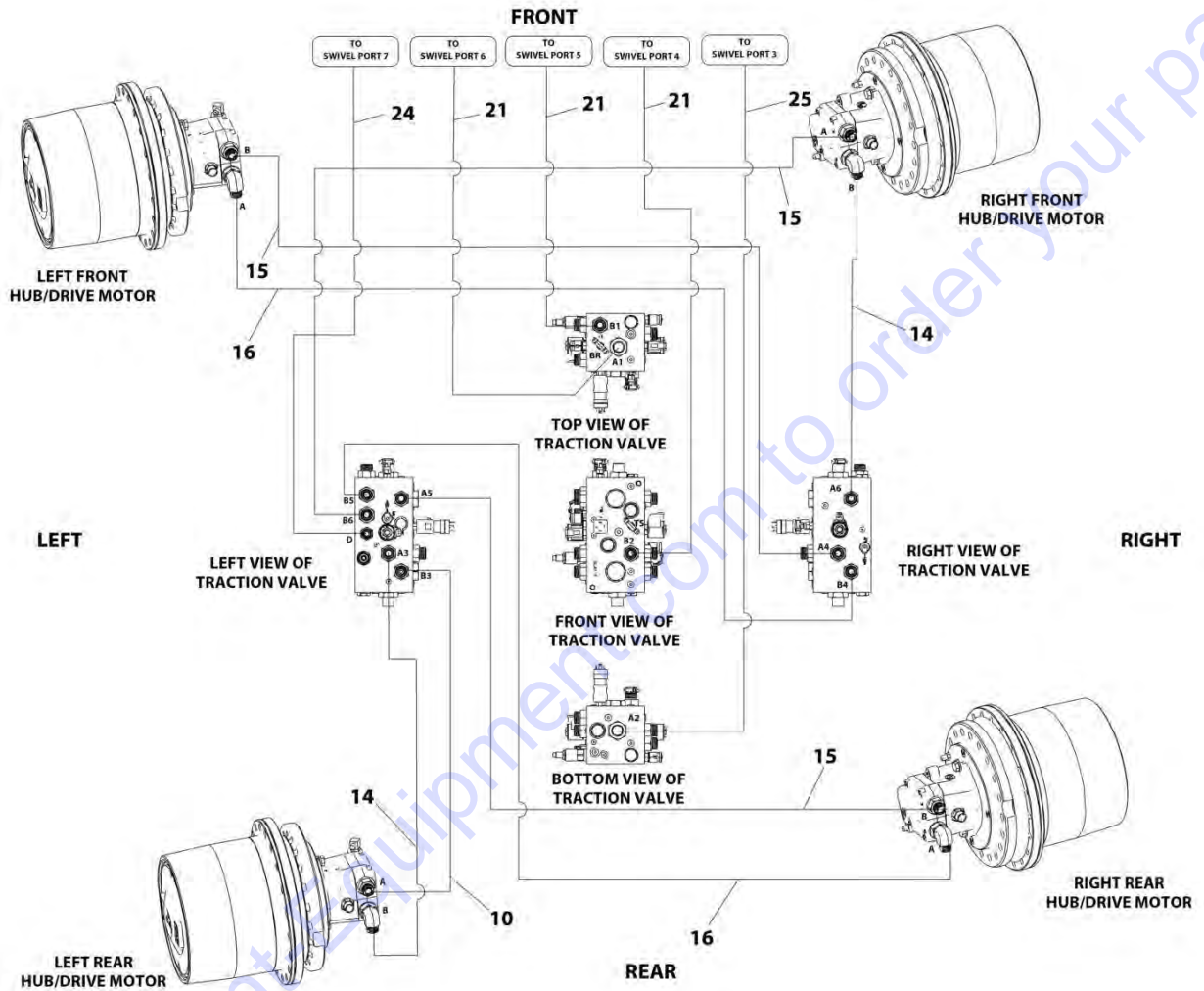
SECTION 7 - HYDRAULIC

FIGURE 7-2. CHASSIS HYDRAULIC DIAGRAM



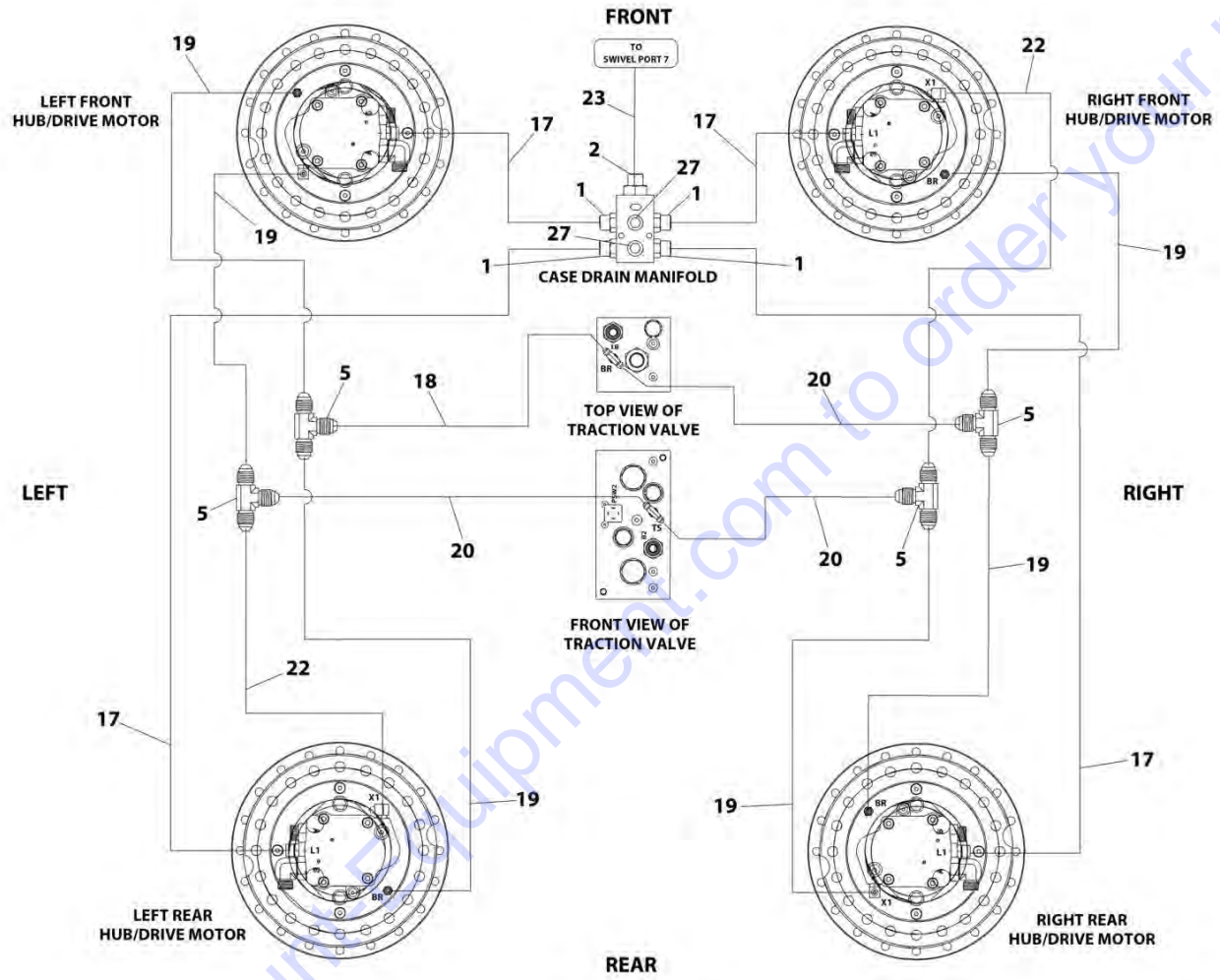
ART_1001157241_1OF3

SECTION 7 - HYDRAULIC



ART_1001157241_20F3

SECTION 7 - HYDRAULIC



ART_1001157241_30F3

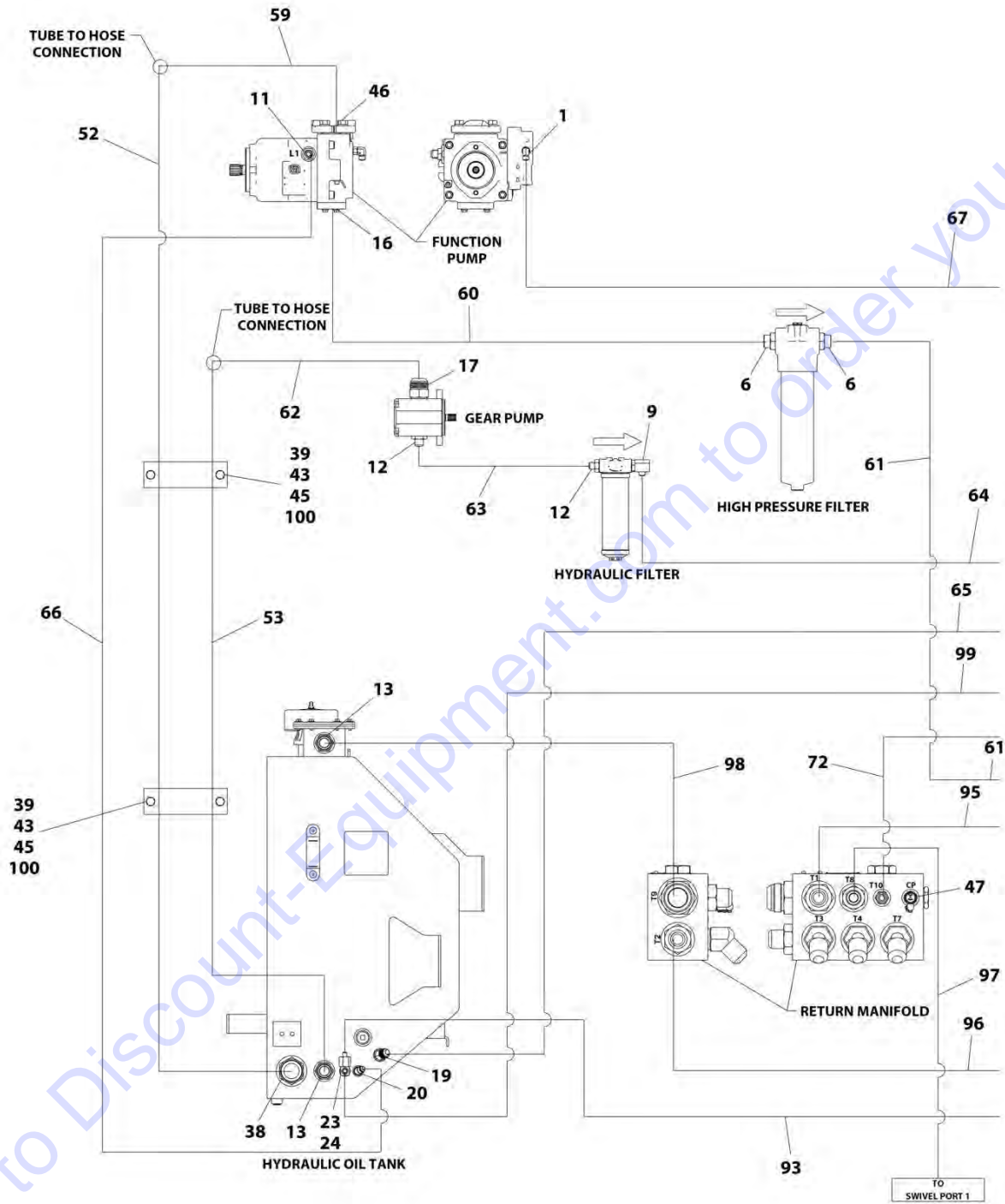
SECTION 7 - HYDRAULIC

FIGURE 7-2. CHASSIS HYDRAULIC DIAGRAM

ITEM	PART NUMBER	QTY	DESCRIPTION	REV
	1001157241	Ref	CHASSIS HYDRAULIC DIAGRAM	D
1	2110808	4	Fitting, Straight ORFS/ORB	
2	2110812	1	Fitting, Straight ORFS/ORB	
3	2220372	8	Fitting, Straight JIC/ORB	
4	2220473	8	Fitting, 90 JIC/ORB	
5	2220504	4	Fitting, Tee JIC/JIC/JIC	
6	8769122	4	Clamp Set	
7	8769128	4	Cover	
8	0641511001	4	Bolt 5/16 x 1-3/8	
9	1001161269	8	Hose	
10	1001161270	1	Hose	
11	1001161271	4	Hose	
12	1001161272	4	Hose	
13	1001161273	4	Hose	
14	1001161274	2	Hose	
15	1001161275	3	Hose	
16	1001161276	2	Hose	
17	1001161277	4	Hose	
18	1001161278	1	Hose	
19	1001161279	6	Hose	
20	1001161280	3	Hose	
21	1001161281	3	Hose	
22	1001161282	2	Hose	
23	1001161283	1	Hose	
24	1001161289	1	Hose	
25	1001161290	1	Hose	
26	4240018	18	Tie-Strap (Not Shown)	
27	2220235	2	Plug	

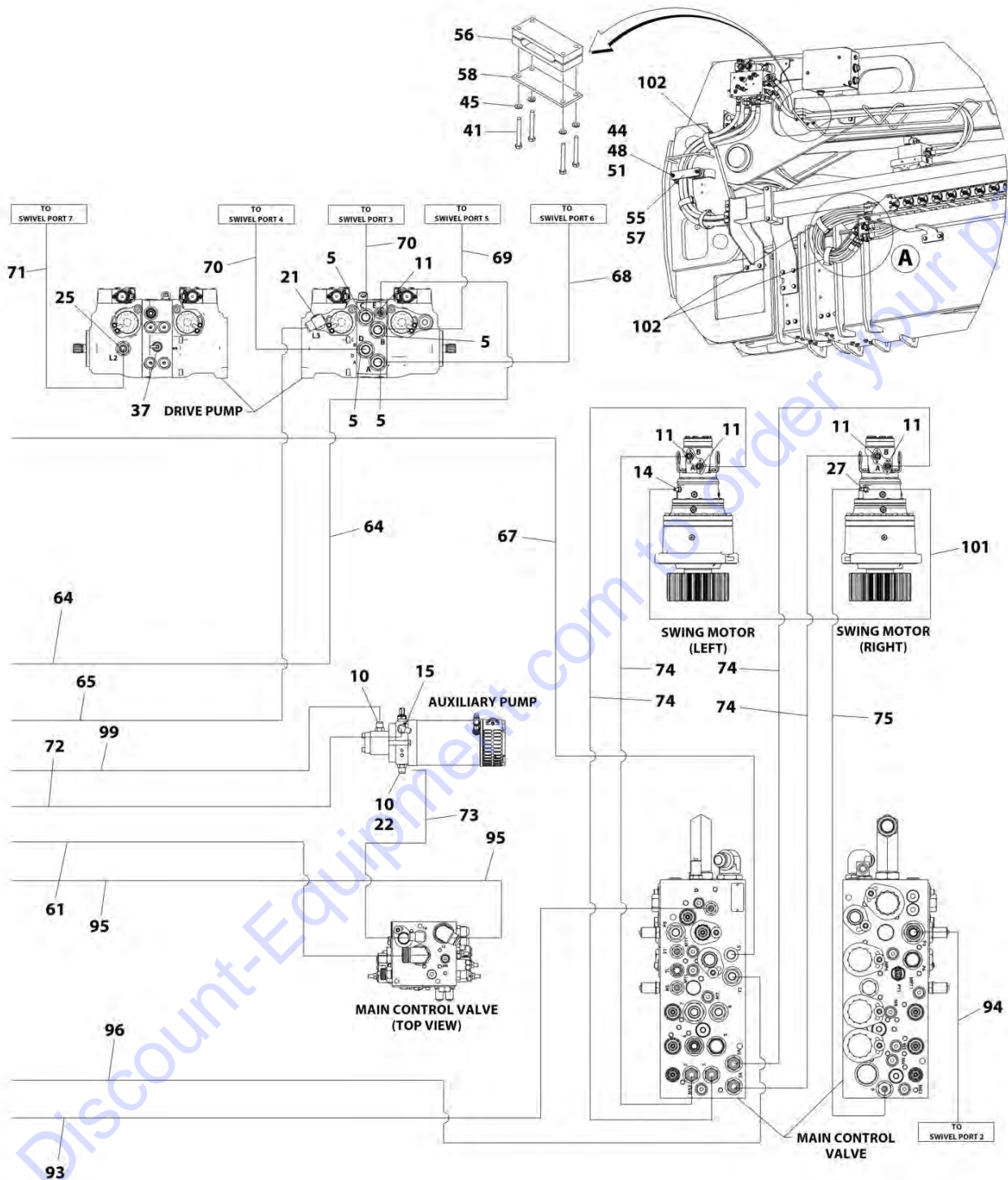
SECTION 7 - HYDRAULIC

FIGURE 7-3. TURNTABLE HYDRAULIC DIAGRAM (Prior to SN 0300223782)



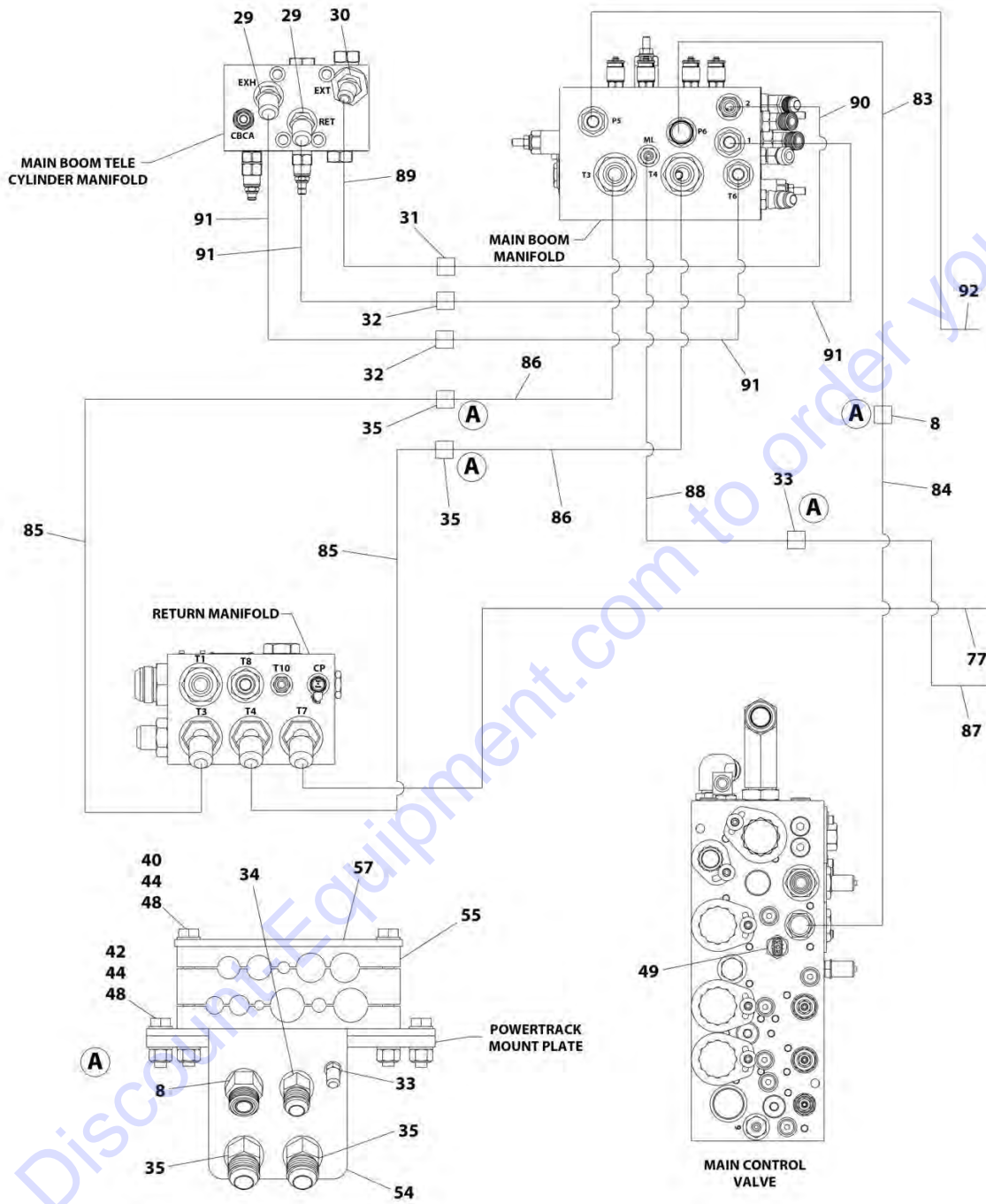
ART_1001197362_10F4

SECTION 7 - HYDRAULIC

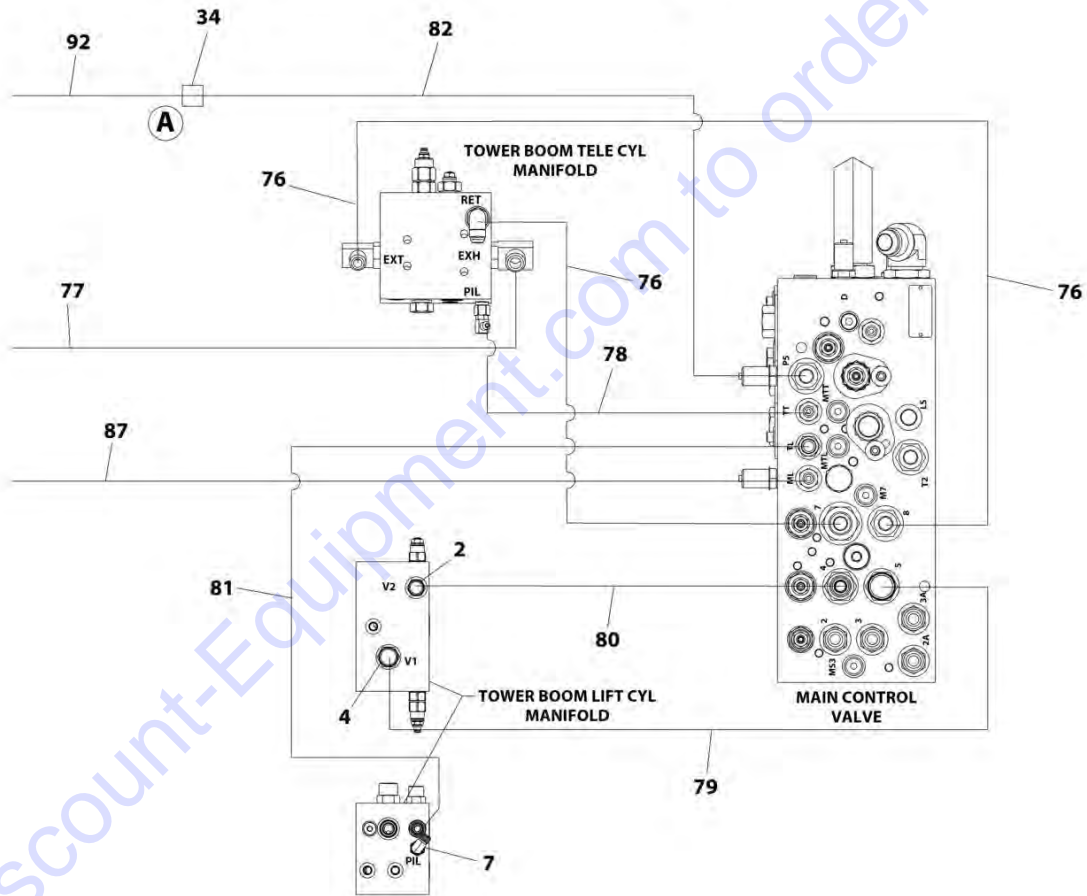
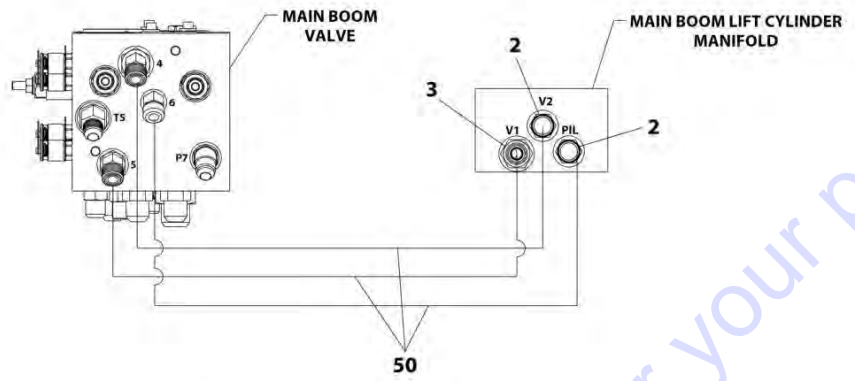


ART_1001197362_20F4

SECTION 7 - HYDRAULIC



SECTION 7 - HYDRAULIC



ART_1001197362_40F4

SECTION 7 - HYDRAULIC

FIGURE 7-3. TURNTABLE HYDRAULIC DIAGRAM (Prior to SN 0300223782)

ITEM	PART NUMBER	QTY	DESCRIPTION	REV
	1001197362	Ref	TURNTABLE HYDRAULIC DIAGRAM (Prior to SN 0300223782)	F
1	2130404	1	Fitting, 90 ORFS/ORB	
2	2110808	3	Fitting, Straight ORFS/ORB	
3	2110810	1	Fitting, Straight ORFS/ORB	
4	2111010	1	Fitting, Straight ORFS/ORB	
5	2111016	4	Fitting, Straight ORFS/ORB	
6	2111620	2	Fitting, Straight ORFS/ORB	
7	2170204	1	Fitting, 90 ORFS/ORB	
8	2171310	1	Fitting, 45 ORFS	
9	2220366	1	Fitting, 90 JIC/ORB	
10	2220373	2	Fitting, Straight JIC/ORB	
11	2220374	6	Fitting, Straight JIC/ORB	
12	2220375	2	Fitting, Straight JIC/ORB	
13	2220380	2	Fitting, Straight JIC/ORB	
14	2220415	1	Fitting, Straight JIC/ORB	
15	2220473	1	Fitting, 90 JIC/ORB	
16	2220478	1	Fitting Kit - Split Flange	
17	2220479	1	Fitting, Straight JIC/ORB	
19	2220498	1	Fitting, 45 JIC/ORB	
20	2220500	1	Fitting, 45 JIC/ORB	
21	2220578	1	Fitting, 90 JIC/ORB	
22	2220596	1	Fitting, 90 JIC/ORB (Prior to SN 0300218237)	
23	2220602	1	Fitting, Tee JIC/ORB/JIC	
24	2220618	1	Fitting, Straight JIC/FSJIC	
25	2220865	1	Fitting, Straight JIC/ORB	
27	2221034	1	Fitting, Tee	
29	2221050	2	Fitting, 45 JIC/ORB	
30	2221077	1	Fitting, 45	
31	2230025	1	Fitting, Straight JIC/JIC	
32	2230026	2	Fitting, Straight JIC/JIC	
33	2230031	1	Fitting, 45 JIC/JIC	
34	2230035	1	Fitting, 45 JIC/JIC	
35	2230036	2	Fitting, 45 JIC/JIC	
36	4240018	4	Tie-Strap (Not Shown)	
37	77133089	1	Valve, Check	
38	88662013	1	Fitting, Straight JIC/ORB	
39	0700823001	4	Bolt M8 x 75	
40	0701028001	2	Bolt M10 x 110	
41	0760822001	4	Bolt M8 x 70	
42	0761015001	2	Bolt M10 x 35	
43	3290801001	4	Nut M8	
44	3291005001	6	Nut M10	
45	4811900001	12	Washer M8	
46	1001110604	1	Fitting Kit - Split Flange	
47	1001119455	1	Fitting, Test	
48	1001172358	10	Washer M10	
49	1001200550	1	Sensor, Pressure Transducer	
50	1001200977	1	Hose	
51	1001202136	2	Stud M10 x 115	
52	1001212328	1	Tube	

SECTION 7 - HYDRAULIC

ITEM	PART NUMBER	QTY	DESCRIPTION	REV
53	1001202320	1	Tube	
54	1001202705	1	Bracket	
55	1001202706	2	Clamp	
56	1001202707	1	Clamp	
57	1001202708	2	Cover, Clamp	
58	1001202709	1	Cover, Clamp	
59	1001205083	1	Hose	
60	1001205084	1	Hose	
61	1001205085	1	Hose	
62	1001205086	1	Hose	
63	1001205087	1	Hose	
64	1001205088	1	Hose	
65	1001205089	1	Hose	
66	1001205090	1	Hose	
67	1001205091	1	Hose	
68	1001205092	1	Hose	
69	1001205093	1	Hose	
70	1001205094	2	Hose	
71	1001205095	1	Hose	
72	1001205096	1	Hose	
73	1001205097	1	Hose	
74	1001205098	4	Hose	
75	1001205099	1	Hose	
76	1001205100	2	Hose	
77	1001205102	1	Hose	
78	1001205103	1	Hose	
79	1001205104	1	Hose	
80	1001205105	1	Hose	
81	1001205106	1	Hose	
82	1001205107	1	Hose	
83	1001205108	1	Hose	
84	1001205109	1	Hose	
85	1001205110	2	Hose	
86	1001205111	2	Hose	
87	1001205112	1	Hose	
88	1001205113	1	Hose	
89	1001205114	1	Hose	
90	1001205115	1	Hose	
91	1001205116	4	Hose	
92	1001205117	1	Hose	
93	1001205120	1	Hose	
94	1001205121	1	Hose	
95	1001205122	1	Hose	
96	1001205123	1	Hose	
97	1001205124	1	Hose	
98	1001205125	1	Hose	
99	1001205949	1	Hose	
100	1001207102	2	Clamp	
101	1001161647	1	Hose	
102	4240156	14	Strap, Cinch (Prior to SN 0300218237)	
102	1001137263	16	Strap, Cinch (SN 0300218237 to Present)	

PARTS FINDER

**Search Website
by Part Number**



**Search Manual
Library For Parts
Manual & Lookup Part
Numbers – Purchase
or Request Quote**

A screenshot of the "Search Manuals" form. The form has a title "Search Manuals" and a subtitle "Please enter the model number or part number to search for a manual." Below the subtitle, there are several input fields: "Find" (with a dropdown menu), "Serial Number" (with a dropdown menu), "Year" (with a dropdown menu), "Serial" (text input), "Part Number" (text input), "Part Name" (text input), and "Category" (text input). At the bottom of the form, there is a "Search" button.

**Can't Find Part or
Manual? Request Help
by Manufacturer,
Model & Description**

A screenshot of the "Parts Order Form". The form has a title "Parts Order Form" and a subtitle "Please fill out the form below." Below the subtitle, there are several input fields: "Manufacturer" (text input), "Model" (text input), "Description" (text input), "Part Number" (text input), "Part Name" (text input), "Quantity" (text input), "Unit Price" (text input), "Total Price" (text input), "Customer Name" (text input), "Address" (text input), "City" (text input), "State" (text input), "Zip" (text input), and "Phone" (text input). At the bottom of the form, there is a "Submit" button.

Discount-Equipment.com is your online resource for quality parts & equipment.

Florida: **561-964-4949** Outside Florida TOLL FREE: **877-690-3101**

Need parts?

Click on this link: <http://www.discount-equipment.com/category/5443-parts/> and choose one of the options to help get the right parts and equipment you are looking for. Please have the machine model and serial number available in order to help us get you the correct parts. If you don't find the part on the website or on one of the online manuals, please fill out the request form and one of our experienced staff members will get back to you with a quote for the right part that your machine needs.

We sell worldwide for the brands: Genie, Terex, JLG, MultiQuip, Mikasa, Essick, Whiteman, Mayco, Toro Stone, Diamond Products, Generac Magnum, Airman, Haulotte, Barreto, Power Blanket, Nifty Lift, Atlas Copco, Chicago Pneumatic, Allmand, Miller Curber, Skyjack, Lull, Skytrak, Tsurumi, Husquvarna Target, Stow, Wacker, Sakai, Mi-T-M, Sullair, Basic, Dynapac, MBW, Weber, Bartell, Bennar Newman, Haulotte, Ditch Runner, Menegotti, Morrison, Contec, Buddy, Crown, Edco, Wyco, Bomag, Laymor, EZ Trench, Bil-Jax, F.S. Curtis, Gehl Pavers, Heli, Honda, ICS/PowerGrit, IHI, Partner, Imer, Clipper, MMD, Koshin, Rice, CH&E, General Equipment, Amida, Coleman, NAC, Gradall, Square Shooter, Kent, Stanley, Tamco, Toku, Hatz, Kohler, Robin, Wisconsin, Northrock, Oztec, Toker TK, Rol-Air, APT, Wylie, Ingersoll Rand / Doosan, Innovatech, Con X, Ammann, Mecalac, Makinex, Smith Surface Prep, Small Line, Wanco, Yanmar

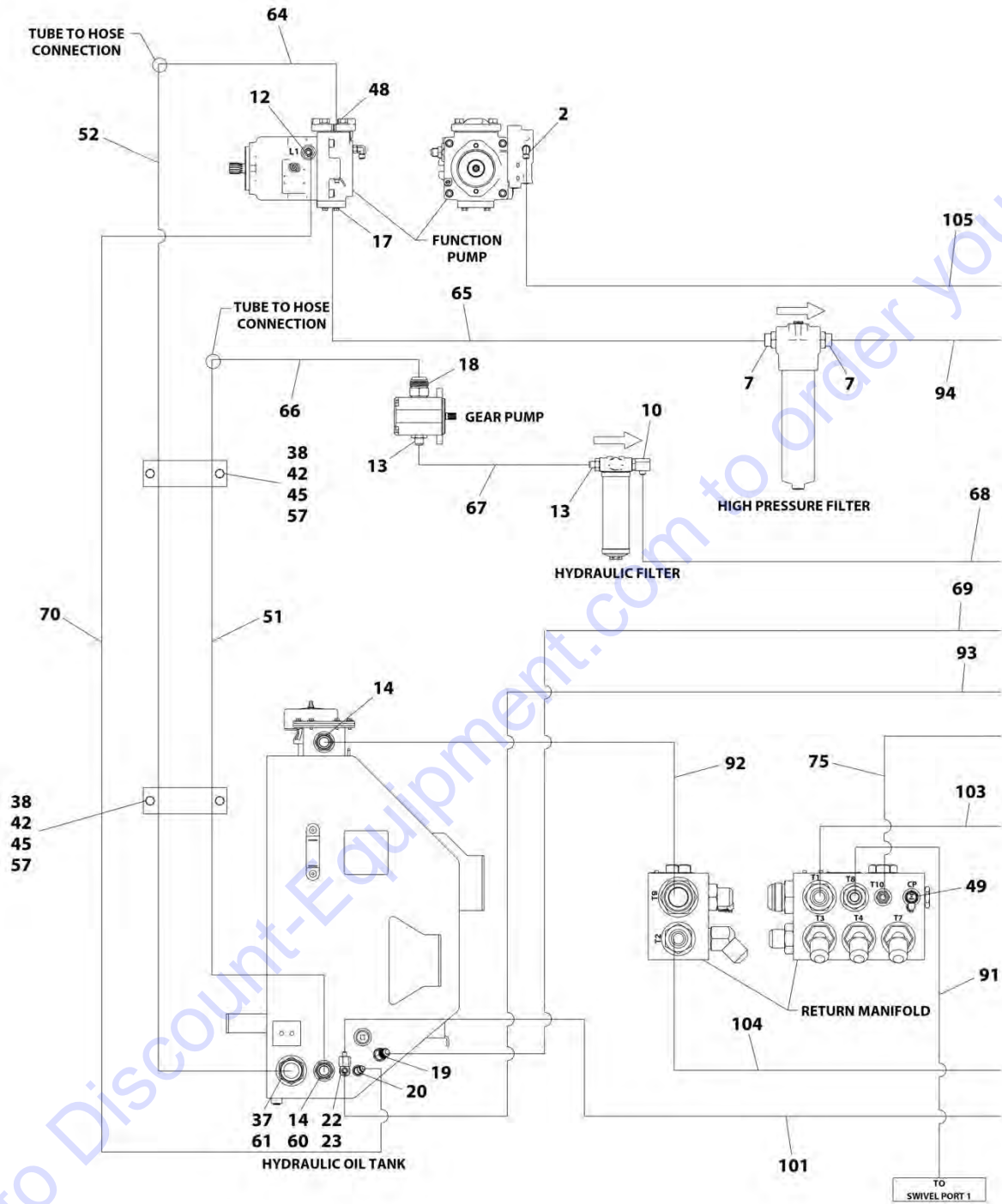
SECTION 7 - HYDRAULIC

ITEM	PART NUMBER	QTY	DESCRIPTION	REV
103	1001207279	1	Shield (Not Shown)	
104	3291001001	1	Nut M10 (Not Shown)	
105	0100019	1	Compound, Locking (Not Shown)	

Go to Discount-Equipment.com to order your parts

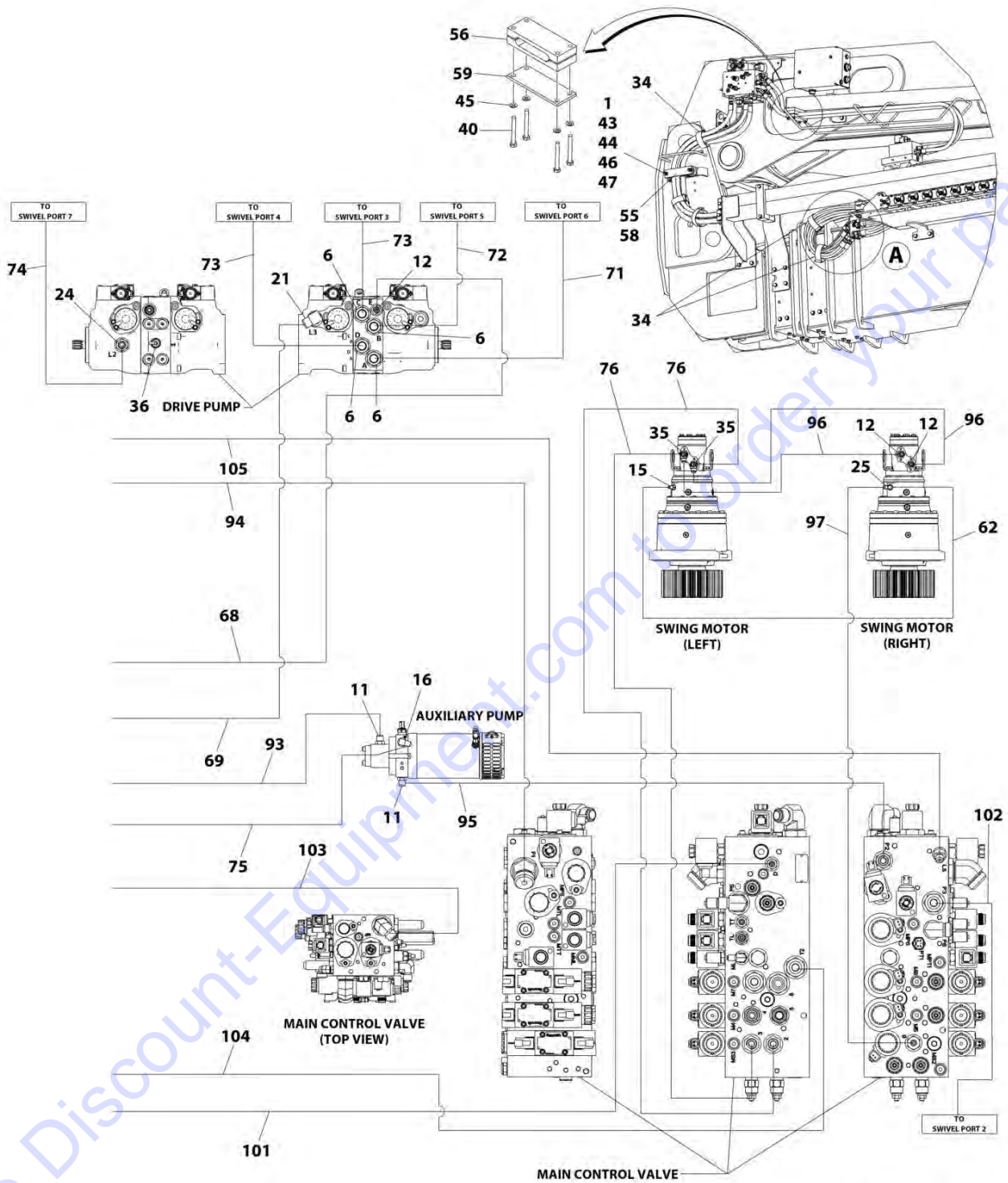
SECTION 7 - HYDRAULIC

FIGURE 7-4. TURNTABLE HYDRAULIC DIAGRAM (SN 0300223782 to Present)



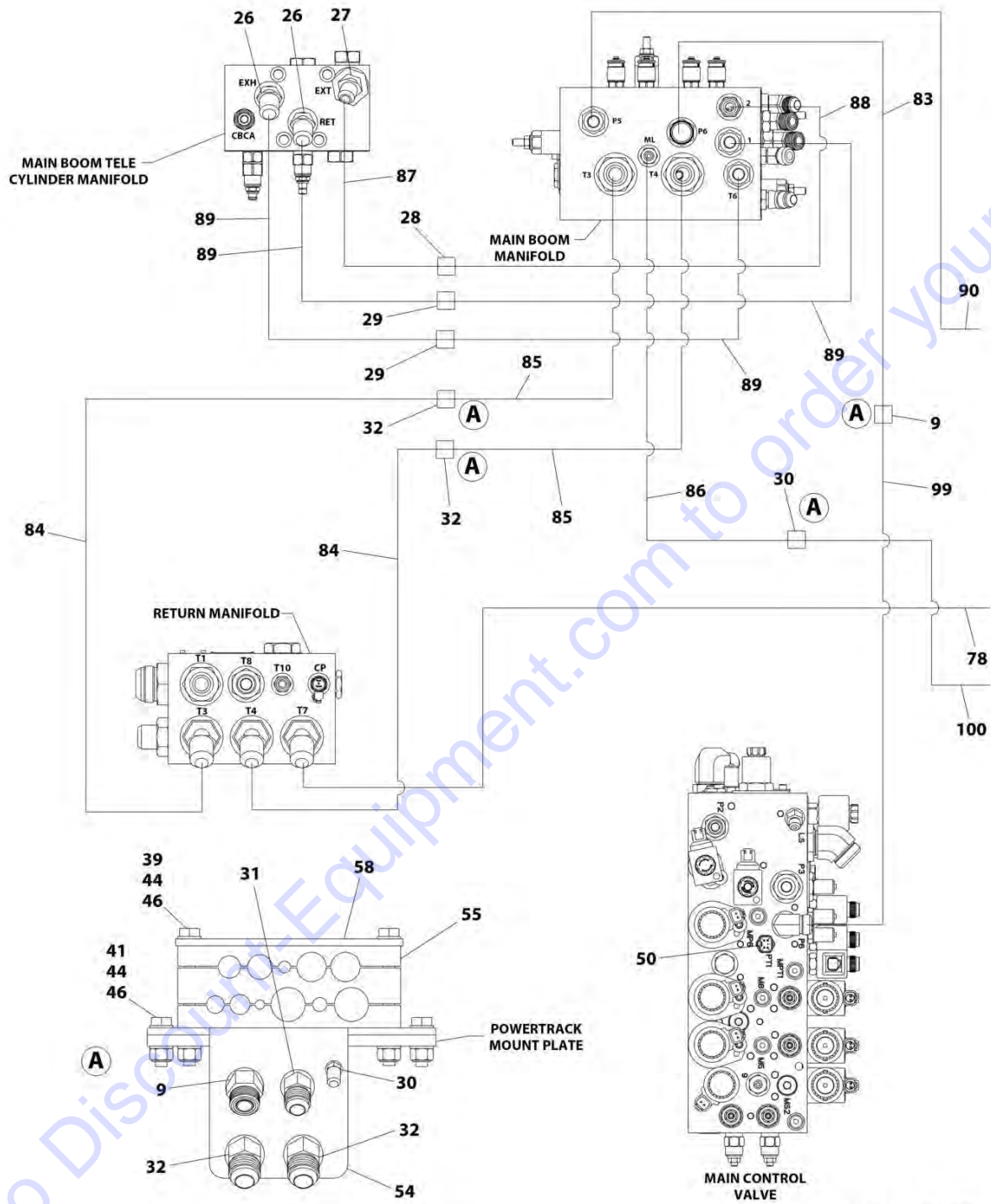
ART_1001212512_10F4

SECTION 7 - HYDRAULIC



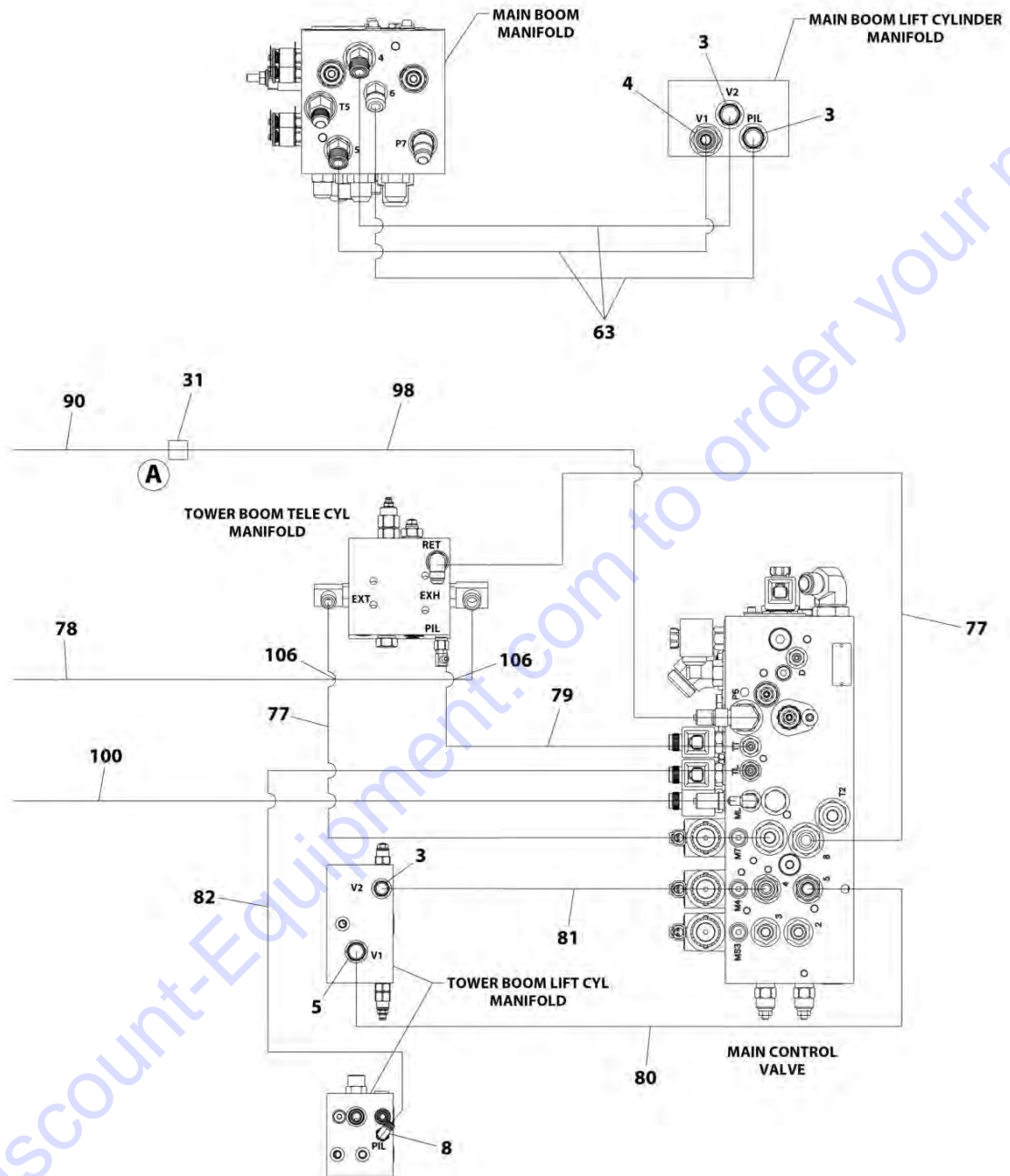
ART_1001212512_20F4

SECTION 7 - HYDRAULIC



ART_1001212512_30F4

SECTION 7 - HYDRAULIC



ART_1001212512_40F4

SECTION 7 - HYDRAULIC

FIGURE 7-4. TURNTABLE HYDRAULIC DIAGRAM (SN 0300223782 to Present)

ITEM	PART NUMBER	QTY	DESCRIPTION	REV
	1001212512	Ref	TURNTABLE HYDRAULIC DIAGRAM (SN 0300223782 to Present)	G
1	0100019	AR	Compound, Locking	
2	2110404	1	Fitting, 90 ORFS/ORB (Prior to SN 0300235445)	
2	2110604	1	Fitting, 90 ORFS/ORB (SN 0300235445 to Present)	
3	2110808	3	Fitting, Straight ORFS/ORB	
4	2110810	1	Fitting, Straight ORFS/ORB	
5	2111010	1	Fitting, Straight ORFS/ORB	
6	2111016	4	Fitting, Straight ORFS/ORB	
7	2111620	2	Fitting, Straight ORFS/ORB	
8	2170204	1	Fitting, 90 ORFS/ORB	
9	2171310	1	Fitting, 45 ORFS	
10	2220366	1	Fitting, 90 JIC/ORB	
11	2220373	2	Fitting, Straight JIC/ORB	
12	2220374	4	Fitting, Straight JIC/ORB	
13	2220375	2	Fitting, Straight JIC/ORB	
14	2220380	2	Fitting, Straight JIC/ORB	
15	2220415	1	Fitting, Straight JIC/ORB	
16	2220473	1	Fitting, 90 JIC/ORB	
17	2220478	1	Fitting Kit - Split Flange	
18	2220479	1	Fitting, Straight JIC/ORB	
19	2220498	1	Fitting, 45 JIC/ORB	
20	2220500	1	Fitting, 45 JIC/ORB	
21	2220578	1	Fitting, 90 JIC/ORB	
22	2220602	1	Fitting, Tee JIC/ORB/JIC	
23	2220618	1	Fitting, Straight JIC/FSJIC	
24	2220865	1	Fitting, Straight JIC/ORB	
25	2221034	1	Fitting, Tee	
26	2221050	2	Fitting, 45 JIC/ORB	
27	2221077	1	Fitting, 45	
28	2230025	1	Fitting, Straight JIC/JIC	
29	2230026	2	Fitting, Straight JIC/JIC	
30	2230031	1	Fitting, 45 JIC/JIC	
31	2230035	1	Fitting, 45 JIC/JIC	
32	2230036	2	Fitting, 45 JIC/JIC	
33	4240018	4	Tie-Strap (Not Shown)	
34	1001137263	AR	Strap, Cinch	
35	8760554	2	Fitting, Tee JIC/ORB/JIC	
36	77133089	1	Valve, Check	
37	88662013	1	Fitting, Straight JIC/ORB	
38	0700823001	4	Bolt M8 x 75	
39	0701028001	2	Bolt M10 x 110	
40	0760822001	4	Bolt M8 x 70	
41	0761015001	2	Bolt M10 x 35	
42	3290801001	4	Nut M8	
43	3291001001	2	Nut M10	
44	3291005001	6	Nut M10	
45	4811900001	12	Washer M8	
46	1001172358	10	Washer M10	
47	1001202136	2	Stud M10 x 115	
48	1001110604	1	Fitting Kit - Split Flange	

SECTION 7 - HYDRAULIC

ITEM	PART NUMBER	QTY	DESCRIPTION	REV
49	1001119455	1	Fitting, Test	
50	1001200550	1	Sensor, Pressure Transducer	
51	1001202320	1	Tube	
52	1001212328	1	Tube	
53	1001207279	1	Shield (Not Shown)	
54	1001202705	1	Bracket	
55	1001202706	2	Clamp	
56	1001202707	1	Clamp	
57	1001207102	2	Clamp	
58	1001202708	2	Cover, Clamp	
59	1001202709	1	Cover, Clamp	
60	1001217086	1	Seal, Conical	
61	1001217087	1	Seal, Conical	
62	1001161647	1	Hose	
63	1001200977	1	Hose	
64	1001205083	1	Hose	
65	1001205084	1	Hose	
66	1001205086	1	Hose	
67	1001205087	1	Hose	
68	1001205088	1	Hose	
69	1001205089	1	Hose	
70	1001205090	1	Hose	
71	1001205092	1	Hose	
72	1001205093	1	Hose	
73	1001205094	2	Hose	
74	1001205095	1	Hose	
75	1001205096	1	Hose	
76	1001205098	2	Hose	
77	1001205100	2	Hose	
78	1001205102	1	Hose	
79	1001205103	1	Hose	
80	1001205104	1	Hose	
81	1001205105	1	Hose	
82	1001205106	1	Hose	
83	1001205108	1	Hose	
84	1001205110	2	Hose	
85	1001205111	2	Hose	
86	1001205113	1	Hose	
87	1001205114	1	Hose	
88	1001205115	1	Hose	
89	1001205116	4	Hose	
90	1001205117	1	Hose	
91	1001205124	1	Hose	
92	1001205125	1	Hose	
93	1001205949	1	Hose	
94	1001212491	1	Hose	
95	1001212492	1	Hose	
96	1001212494	2	Hose	
97	1001212495	1	Hose	
98	1001212502	1	Hose	
99	1001212503	1	Hose	

SECTION 7 - HYDRAULIC

ITEM	PART NUMBER	QTY	DESCRIPTION	REV
100	1001212504	1	Hose	
101	1001212505	1	Hose	
102	1001212507	1	Hose	
103	1001212509	1	Hose	
104	1001212510	1	Hose (Prior to SN 0300235445)	
104	1001231291	1	Hose (SN 0300235445 to Present)	
105	1001212514	1	Hose (Prior to SN 0300235445)	
105	1001232201	1	Hose (SN 0300235445 to Present)	
106	1001137263	AR	Strap, Cinch (Prior to SN 0300224829)	
106	1001137262	2	Strap, Cinch (SN 0300224829 through 0300235444)	
106	4240155	6	Strap, Cinch (SN 0300235445 to Present)	

Go to Discount-Equipment.com to order your parts

SECTION 7 - HYDRAULIC

FIGURE 7-5. HYDRAULIC DIAGRAM LIST

ITEM	PART NUMBER	QTY	DESCRIPTION	REV
		Ref	Note: Information on diagrams not shown are available from Discount-equipment.com. See Service and Maintenance Manual for Schematics.	
		Ref	HYDRAULIC DIAGRAM LIST	
	1001197361	Ref	Boom and Jib Hydraulic Diagram	
	1001157241	Ref	Chassis Hydraulic Diagram	
	1001197362	Ref	Turntable Hydraulic Diagram (Prior to SN 0300223782)	
	1001212512	Ref	Turntable Hydraulic Diagram (SN 0300223782 to Present)	
	1001202817	Ref	Hydraulic Schematic	

Go to Discount-Equipment.com to order your parts

SECTION 8 - ELECTRICAL

Go to Discount-Equipment.com to order your parts

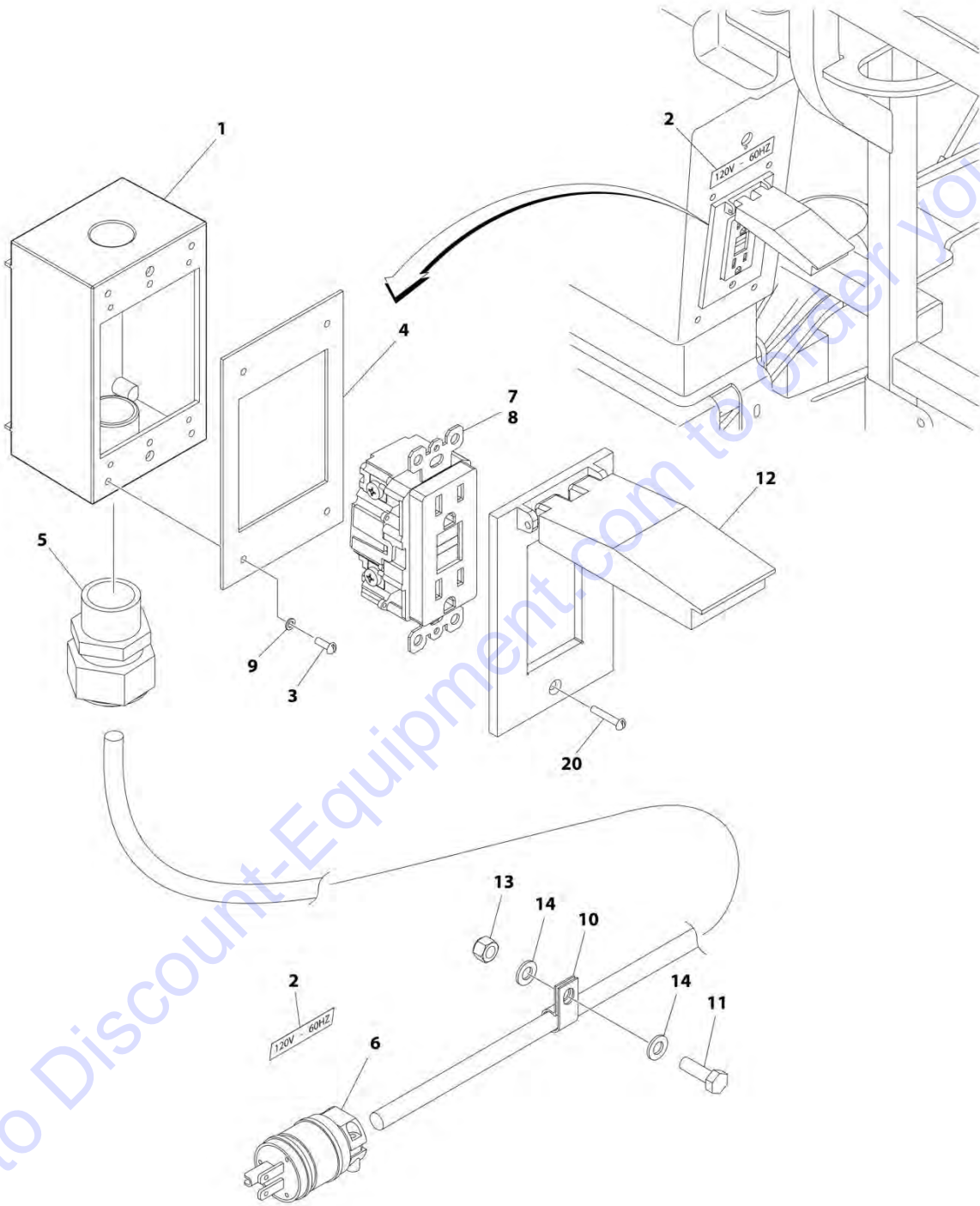
SECTION 8 - ELECTRICAL

FIGURE 8-1. ELECTRICAL DIAGRAM LIST

ITEM	PART NUMBER	QTY	DESCRIPTION	REV
		Ref	Note: Information on diagrams not shown are available from Discount-equipment.com. See Service and Maintenance Manual for Schematics.	
		Ref	ELECTRICAL DIAGRAM LIST	
	1001205405	Ref	Generator Electrical Diagram - 4000W/50Hz (ANSI Export, CE, China and Japanese Specs)	
	1001205406	Ref	Generator Electrical Diagram - 4000W/50Hz (Australian Specs)	
	1001205407	Ref	Generator Electrical Diagram - 4000W/50Hz (UK Specs)	
	1001153257	Ref	Generator Electrical Diagram - 4000W/60Hz	
	1001156083	Ref	Generator Electrical Diagram - 7500W SkyPower	
	4933218	Ref	Soft-Touch Electrical Diagram	
	1001119861	Ref	Electrical Schematic	
	1001194252	Ref	Electrical Schematic - Harness List	

SECTION 8 - ELECTRICAL

FIGURE 8-2. AC BOX AT PLATFORM INSTALLATION - 110V GFI (ANSI, CHINA, CSA AND JAPANESE SPECS)



ART_1001197333

SECTION 8 - ELECTRICAL

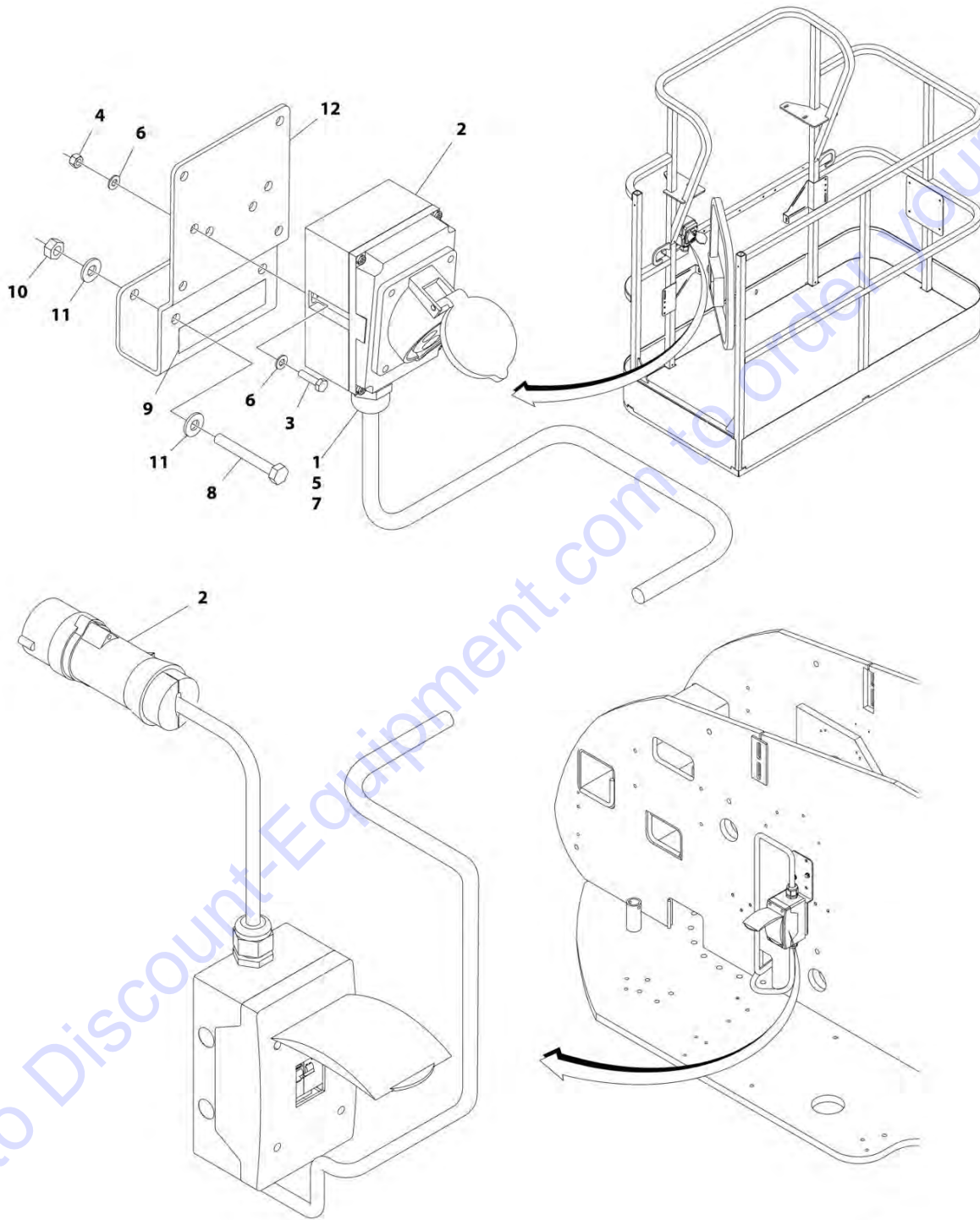
FIGURE 8-2. AC BOX AT PLATFORM INSTALLATION - 110V GFI (ANSI, CHINA, CSA AND JAPANESE SPECS)

ITEM	PART NUMBER	QTY	DESCRIPTION	REV
	1001197333	Ref	AC BOX AT PLATFORM INSTALLATION - 110V GFI (ANSI, CHINA, CSA AND JAPANESE SPECS)	B
1	0860038	1	Box, Switch	
2	3251243	2	Decal - 120V/60Hz	
3	3910606	4	Screw #6 x 3/8	
4	3960422	1	Gasket, AC Receptacle	
5	4460051	1	Connector, Strain Relief	
6	4460205	1	Plug, Male	
7	4460315	3	Terminal, Spade	
8	4460346	1	Terminal, Receptacle	
9	4760600	4	Washer #6	
10	8406109	1	Clamp	
11	0760812001	1	Bolt M8 x 25	
12	1001110873	1	Shield, Receptacle Cover	
13	3290805001	1	Nut M8	
14	4811900001	2	Washer M8	
20	3910612	2	Screw #6 x 3/4	

Go to Discount-Equipment.com to order your parts

SECTION 8 - ELECTRICAL

FIGURE 8-3. AC BOX AT PLATFORM INSTALLATION - 110V IEC YELLOW WITHOUT GENERATOR
(CE SPECS)



ART_1001091969

SECTION 8 - ELECTRICAL

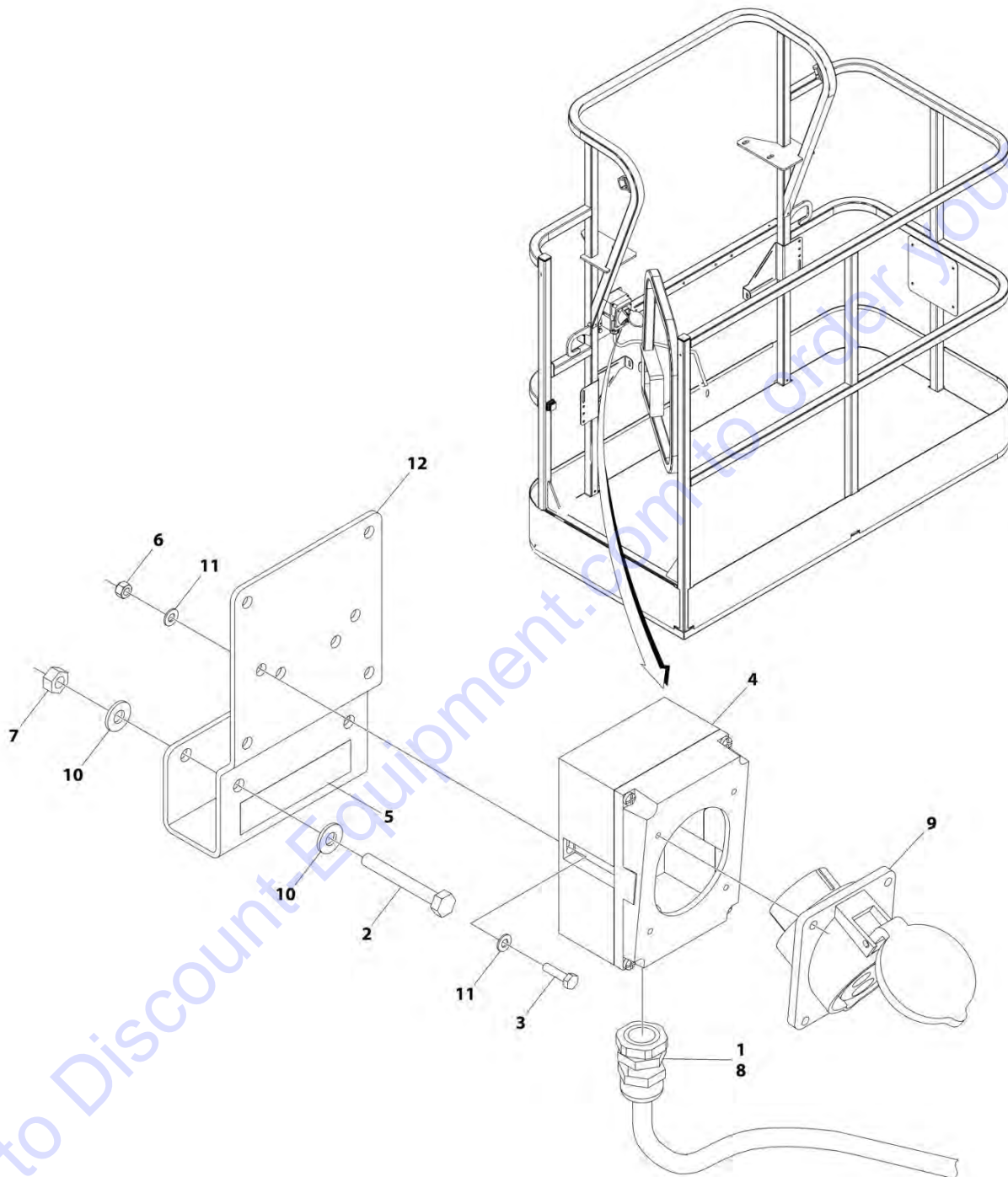
**FIGURE 8-3. AC BOX AT PLATFORM INSTALLATION - 110V IEC YELLOW WITHOUT GENERATOR
(CE SPECS)**

ITEM	PART NUMBER	QTY	DESCRIPTION	REV
	1001091969	Ref	AC BOX AT PLATFORM INSTALLATION - 110V IEC YELLOW WITHOUT GENERATOR (CE SPECS)	C
1	0100020	AR	Sealant, Pipe	
2	0275216	1	Receptacle Box Kit (See RECEPTACLE BOX KIT - 110V IEC YELLOW (CE SPEC) for Breakdown)	
3	0700408	2	Bolt M4 x 16	
4	3290405	2	Nut M4	
5	1001101196	1	Adapter	
6	4811400	4	Washer M4	
7	1001101191	1	Connector, Strain Relief	
8	0641416	2	Bolt 1/4 x 2	
9	1705325	1	Decal - 110V	
10	3311405	2	Nut 1/4	
11	4711400	4	Washer 1/4	
12	1001193018	1	Bracket	

Go to Discount-Equipment.com to order your parts

SECTION 8 - ELECTRICAL

FIGURE 8-4. AC BOX AT PLATFORM INSTALLATION - 110V IEC YELLOW WITH 4000W GENERATOR
(CE SPECS)



ART_1001194203

SECTION 8 - ELECTRICAL

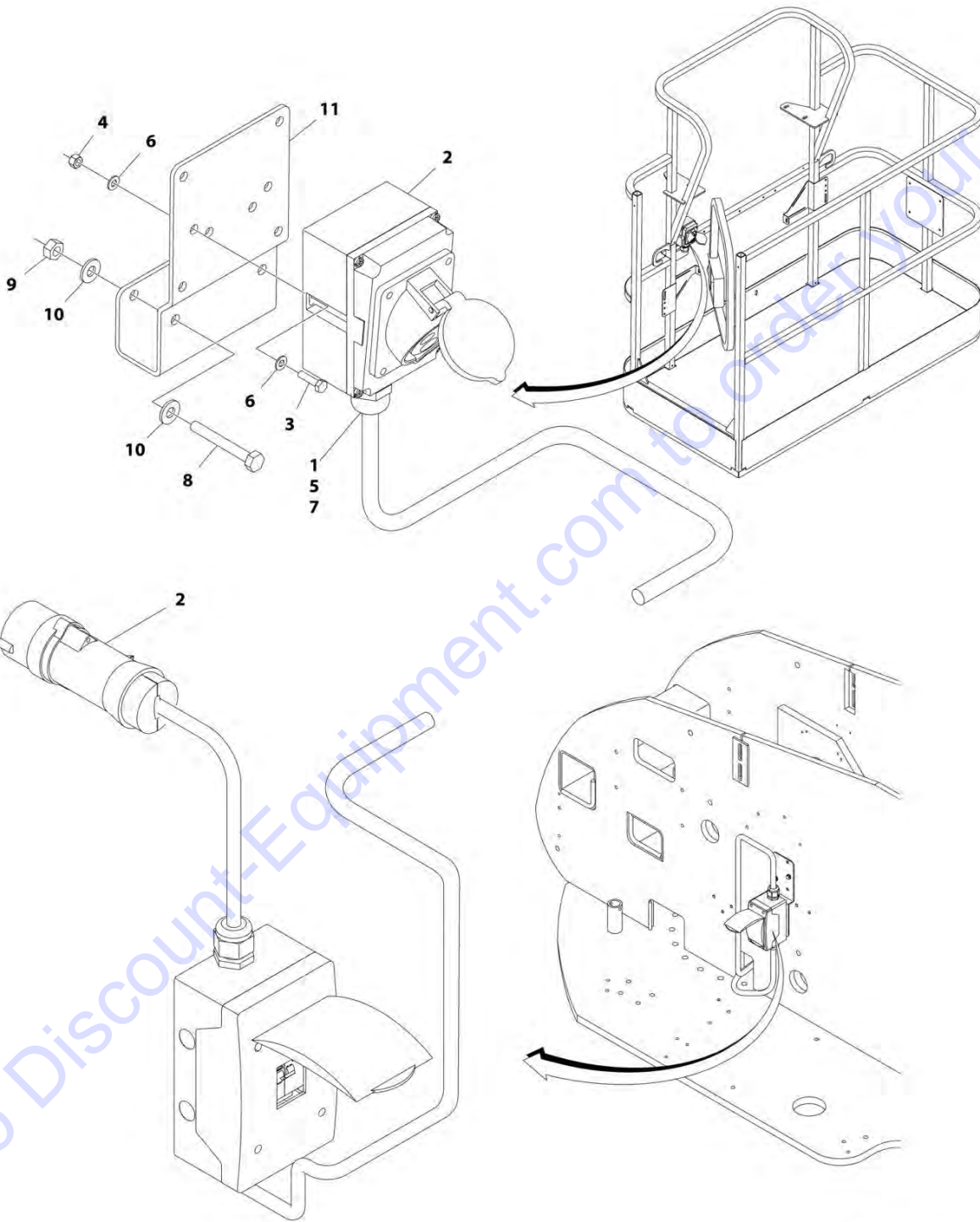
**FIGURE 8-4. AC BOX AT PLATFORM INSTALLATION - 110V IEC YELLOW WITH 4000W GENERATOR
(CE SPECS)**

ITEM	PART NUMBER	QTY	DESCRIPTION	REV
	1001194203	Ref	AC BOX AT PLATFORM INSTALLATION - 110V IEC YELLOW WITH 4000W GENERATOR (CE SPECS)	B
1	0100020	AR	Sealant, Pipe	
2	0641416	2	Bolt 1/4 x 2	
3	0700408	2	Bolt M4 x 16	
4	0861781	1	Box, Switch	
5	1705325	1	Decal - 110V	
6	3290405	2	Nut M4	
7	3311405	2	Nut 1/4	
8	4460968	1	Connector, Strain Relief	
9	4461198	1	Receptacle	
10	4711400	4	Washer 1/4	
11	4811400	4	Washer M4	
12	1001193018	1	Bracket, AC Receptacle	

Go to Discount-Equipment.com to order your parts

SECTION 8 - ELECTRICAL

FIGURE 8-5. AC BOX AT PLATFORM INSTALLATION - 220V IEC BLUE WITHOUT GENERATOR (CE SPECS)



ART_1001091970

SECTION 8 - ELECTRICAL

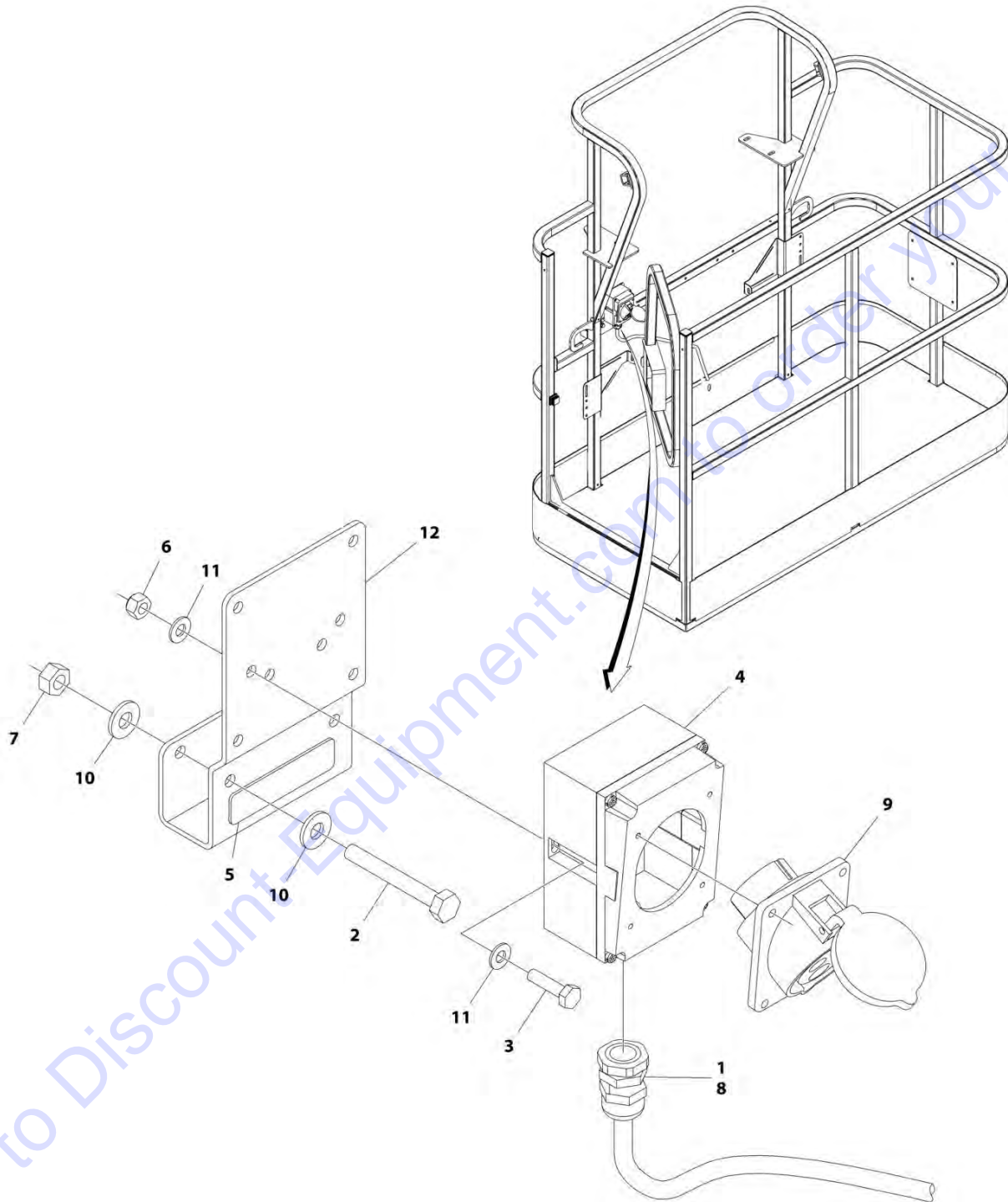
FIGURE 8-5. AC BOX AT PLATFORM INSTALLATION - 220V IEC BLUE WITHOUT GENERATOR (CE SPECS)

ITEM	PART NUMBER	QTY	DESCRIPTION	REV
	1001091970	Ref	AC BOX AT PLATFORM INSTALLATION - 220V IEC BLUE WITHOUT GENERATOR (CE SPECS)	C
1	0100020	AR	Sealant, Pipe	
2	0275217	1	Receptacle Box Kit (See RECEPTACLE BOX KIT - 220V IEC BLUE (CE SPEC) for Breakdown)	
3	0700408	2	Bolt M4 x 16	
4	3290405	2	Nut M4	
5	1001101196	1	Adapter	
6	4811400	4	Washer M4	
7	1001101191	1	Connector, Strain Relief	
8	0641416	2	Bolt 1/4 x 2	
9	3311405	2	Nut 1/4	
10	4711400	4	Washer 1/4	
11	1001193018	1	Bracket	

Go to Discount-Equipment.com to order your parts

SECTION 8 - ELECTRICAL

FIGURE 8-6. AC BOX AT PLATFORM INSTALLATION - 220V IEC BLUE WITH 4000W GENERATOR
(CE SPECS)



ART_1001194204

SECTION 8 - ELECTRICAL

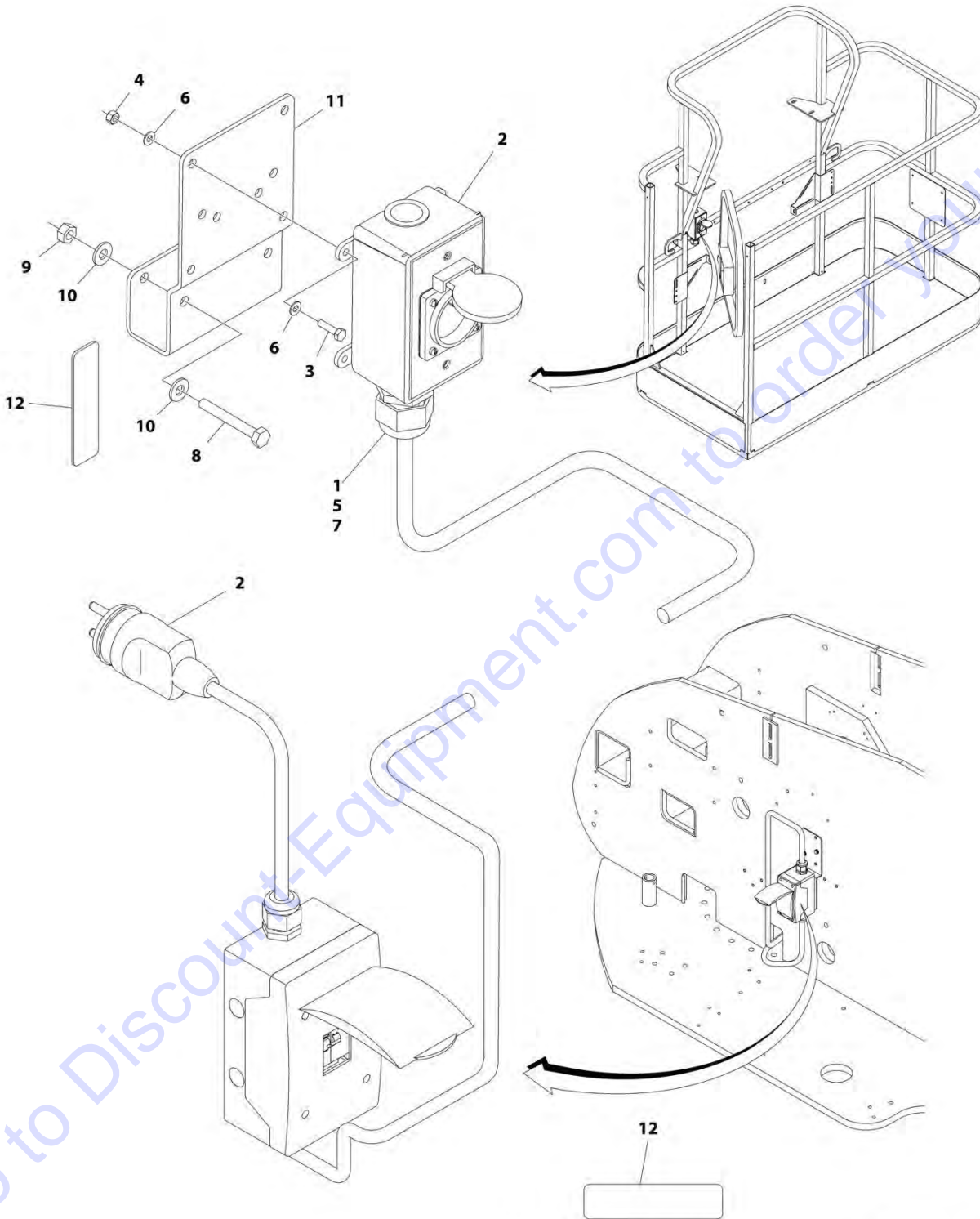
**FIGURE 8-6. AC BOX AT PLATFORM INSTALLATION - 220V IEC BLUE WITH 4000W GENERATOR
(CE SPECS)**

ITEM	PART NUMBER	QTY	DESCRIPTION	REV
	1001194204	Ref	AC BOX AT PLATFORM INSTALLATION - 220V IEC BLUE WITH 4000W GENERATOR (CE SPECS)	B
1	0100020	AR	Sealant, Pipe	
2	0641416	2	Bolt 1/4 x 2	
3	0700408	2	Bolt M4 x 16	
4	0861781	1	Box, Switch	
5	3251242	1	Decal - 240V-50Hz	
6	3290405	2	Nut M4	
7	3311405	2	Nut 1/4	
8	4460968	1	Connector, Strain Relief	
9	4461201	1	Receptacle	
10	4711400	4	Washer 1/4	
11	4811400	4	Washer M4	
12	1001193018	1	Bracket, AC Receptacle	

Go to Discount-Equipment.com to order your parts

SECTION 8 - ELECTRICAL

FIGURE 8-7. AC BOX AT PLATFORM INSTALLATION - 220V CEE7 POST GROUND WITHOUT GENERATOR (CE SPECS)



(REF. LOCATED ON ENGINE SIDE HOOD)

ART_1001091973

SECTION 8 - ELECTRICAL

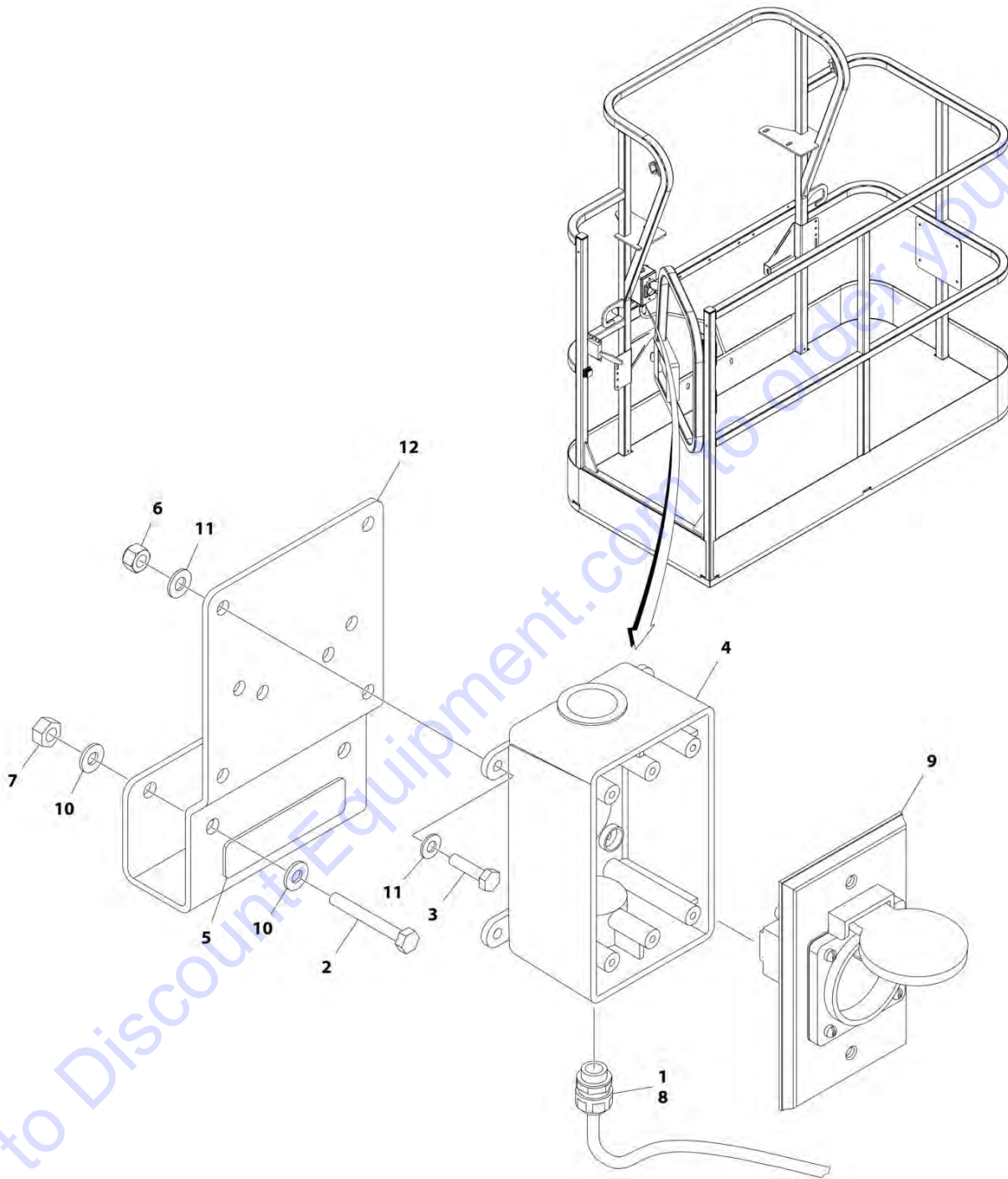
FIGURE 8-7. AC BOX AT PLATFORM INSTALLATION - 220V CEE7 POST GROUND WITHOUT GENERATOR (CE SPECS)

ITEM	PART NUMBER	QTY	DESCRIPTION	REV
	1001091973	Ref	AC BOX AT PLATFORM INSTALLATION - 220V CEE7 POST GROUND WITHOUT GENERATOR (CE SPECS)	E
1	0100020	AR	Sealant, Pipe	
2	0275452	1	Receptacle Box Kit (See RECEPTACLE BOX KIT - 220V CEE7 POST GROUND (CE SPEC) for Breakdown)	
3	0700408	4	Bolt M4 x 16	
4	3290405	4	Nut M4	
5	1001101197	1	Adapter	
6	4811400	8	Washer M4	
7	1001101191	1	Connector, Strain Relief	
8	0641416	2	Bolt 1/4 x 2	
9	3311405	2	Nut 1/4	
10	4711400	4	Washer 1/4	
11	1001193018	1	Bracket	
12	3251242	2	Decal - 240V-50Hz (SN 0300234719 to Present)	
13	4460806	2	Terminal, Fork (Not Shown)	
14	1001205958	1	Terminal (Not Shown)	

Go to Discount-Equipment.com to order your parts

SECTION 8 - ELECTRICAL

FIGURE 8-8. AC BOX AT PLATFORM INSTALLATION - 220V CEE7 POST GROUND WITH 4000W GENERATOR (CE SPECS)



ART_1001194197

SECTION 8 - ELECTRICAL

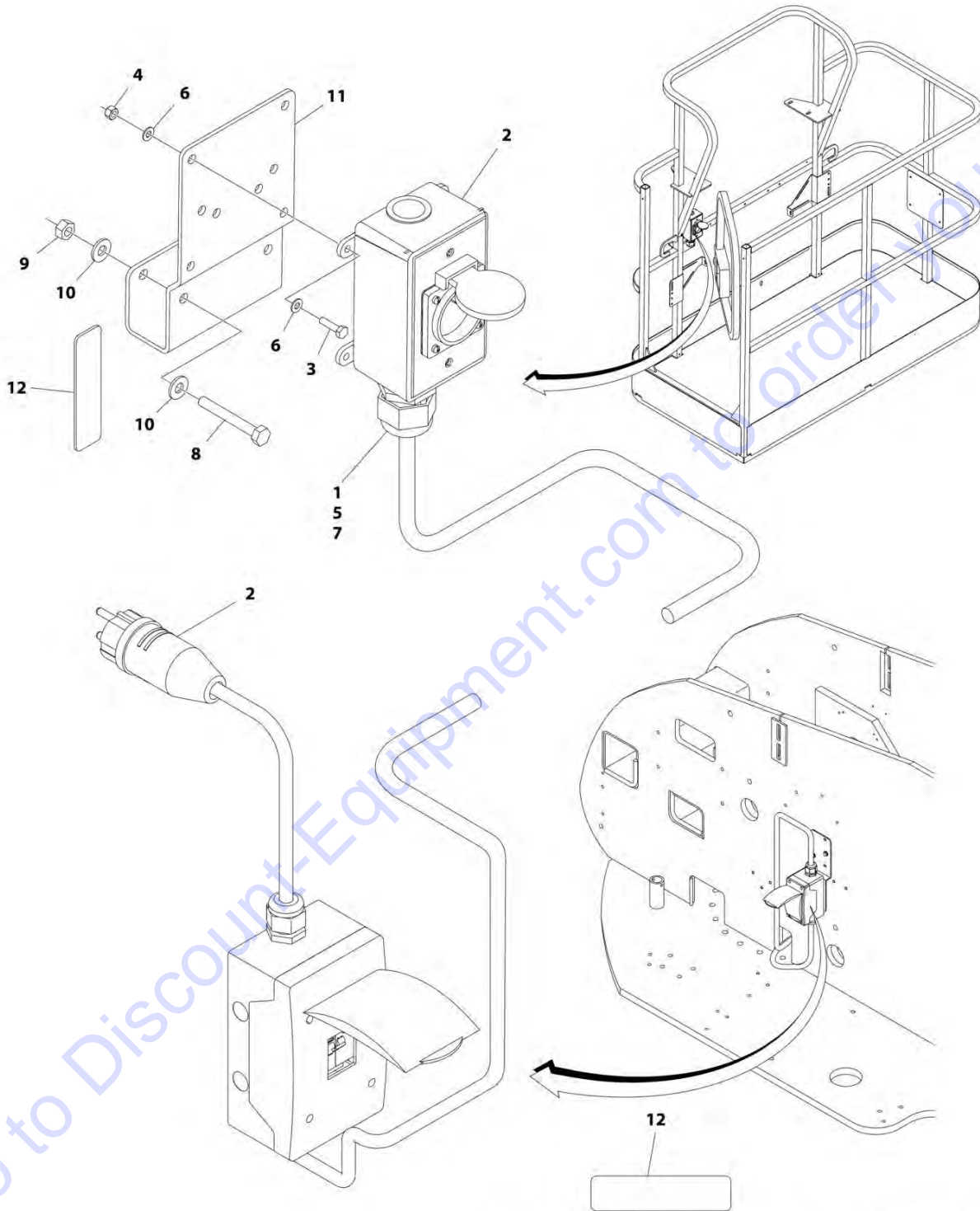
FIGURE 8-8. AC BOX AT PLATFORM INSTALLATION - 220V CEE7 POST GROUND WITH 4000W GENERATOR (CE SPECS)

ITEM	PART NUMBER	QTY	DESCRIPTION	REV
	1001194197	Ref	AC BOX AT PLATFORM INSTALLATION - 220V CEE7 POST GROUND WITH 4000W GENERATOR (CE SPECS)	B
1	0100020	AR	Sealant, Pipe	
2	0641416	2	Bolt 1/4 x 2	
3	0700408	4	Bolt M4 x 16	
4	0861731	1	Box, Switch	
5	3251242	1	Decal - 240V-50Hz	
6	3290405	4	Nut M4	
7	3311405	2	Nut 1/4	
8	4460662	1	Connector, Strain Relief	
9	4461244	1	Receptacle	
10	4711400	4	Washer 1/4	
11	4811400	8	Washer M4	
12	1001193018	1	Bracket, AC Receptacle	
13	4460806	2	Terminal, Fork (Not Shown)	
14	1001205958	1	Terminal (Not Shown)	

Go to Discount-Equipment.com to order your parts

SECTION 8 - ELECTRICAL

FIGURE 8-9. AC BOX AT PLATFORM INSTALLATION - 220V CEE7 SIDE GROUND WITHOUT GENERATOR (CE SPECS)



(REF. LOCATED ON ENGINE SIDE HOOD)

ART_1001091974

SECTION 8 - ELECTRICAL

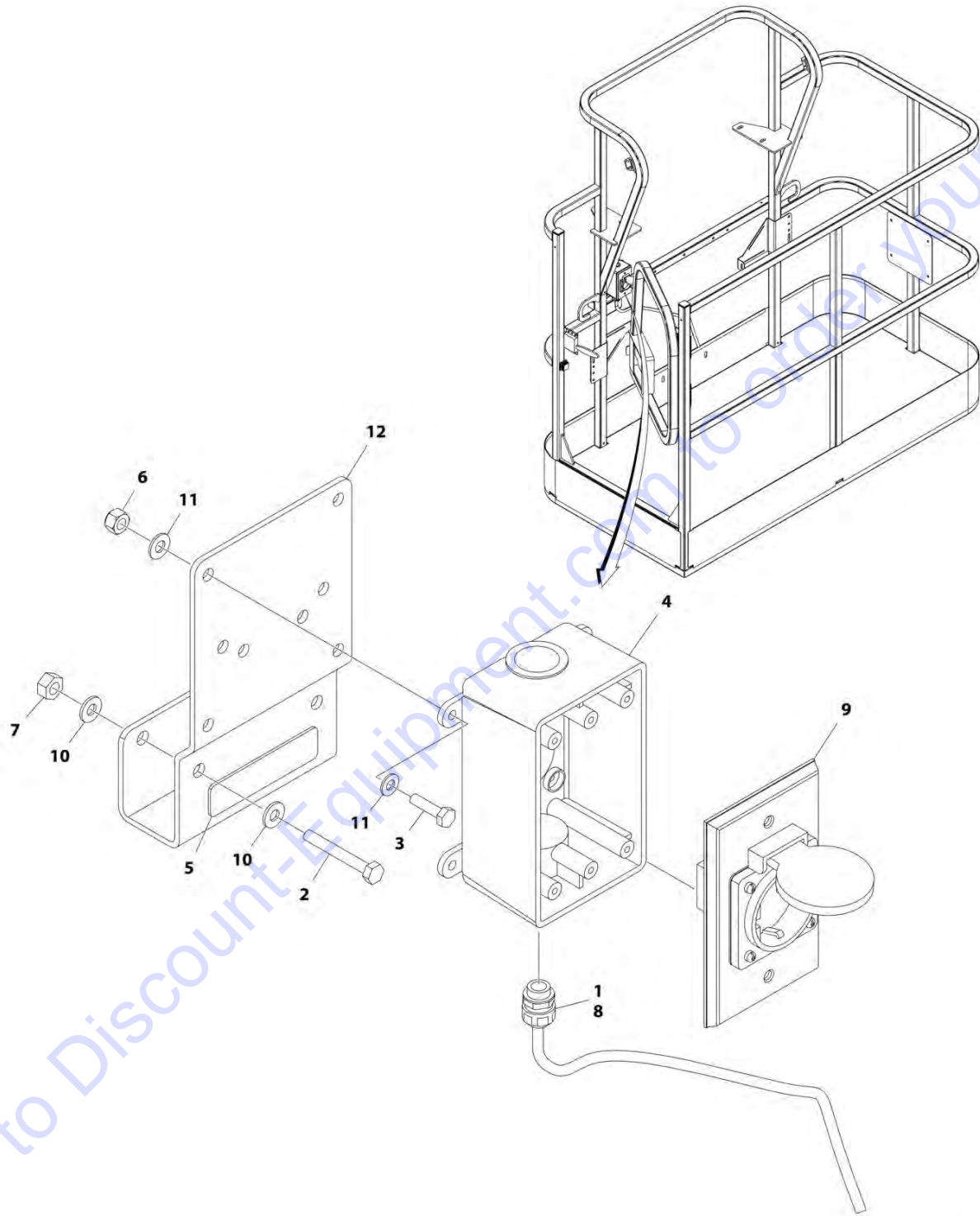
FIGURE 8-9. AC BOX AT PLATFORM INSTALLATION - 220V CEE7 SIDE GROUND WITHOUT GENERATOR (CE SPECS)

ITEM	PART NUMBER	QTY	DESCRIPTION	REV
	1001091974	Ref	AC BOX AT PLATFORM INSTALLATION - 220V CEE7 SIDE GROUND WITHOUT GENERATOR (CE SPECS)	F
1	0100020	AR	Sealant, Pipe	
2	0275453	1	Receptacle Box Kit (See RECEPTACLE BOX KIT - 220V CEE7 SIDE GROUND (CE SPEC) for Breakdown)	
3	0700408	4	Bolt M4 x 16	
4	3290405	4	Nut M4	
5	1001101197	1	Adapter	
6	4811400	8	Washer M4	
7	1001101191	1	Connector, Strain Relief	
8	0641416	2	Bolt 1/4 x 2	
9	3311405	2	Nut 1/4	
10	4711400	4	Washer 1/4	
11	1001193018	1	Bracket	
12	3251242	2	Decal - 240V-50Hz (SN 0300234719 to Present)	
13	4460806	2	Terminal, Fork (Not Shown)	
14	1001205958	1	Terminal (Not Shown)	

Go to Discount-Equipment.com to order your parts

SECTION 8 - ELECTRICAL

FIGURE 8-10. AC BOX AT PLATFORM INSTALLATION - 220V CEE7 SIDE GROUND WITH 4000W GENERATOR (CE SPECS)



ART_1001194198

SECTION 8 - ELECTRICAL

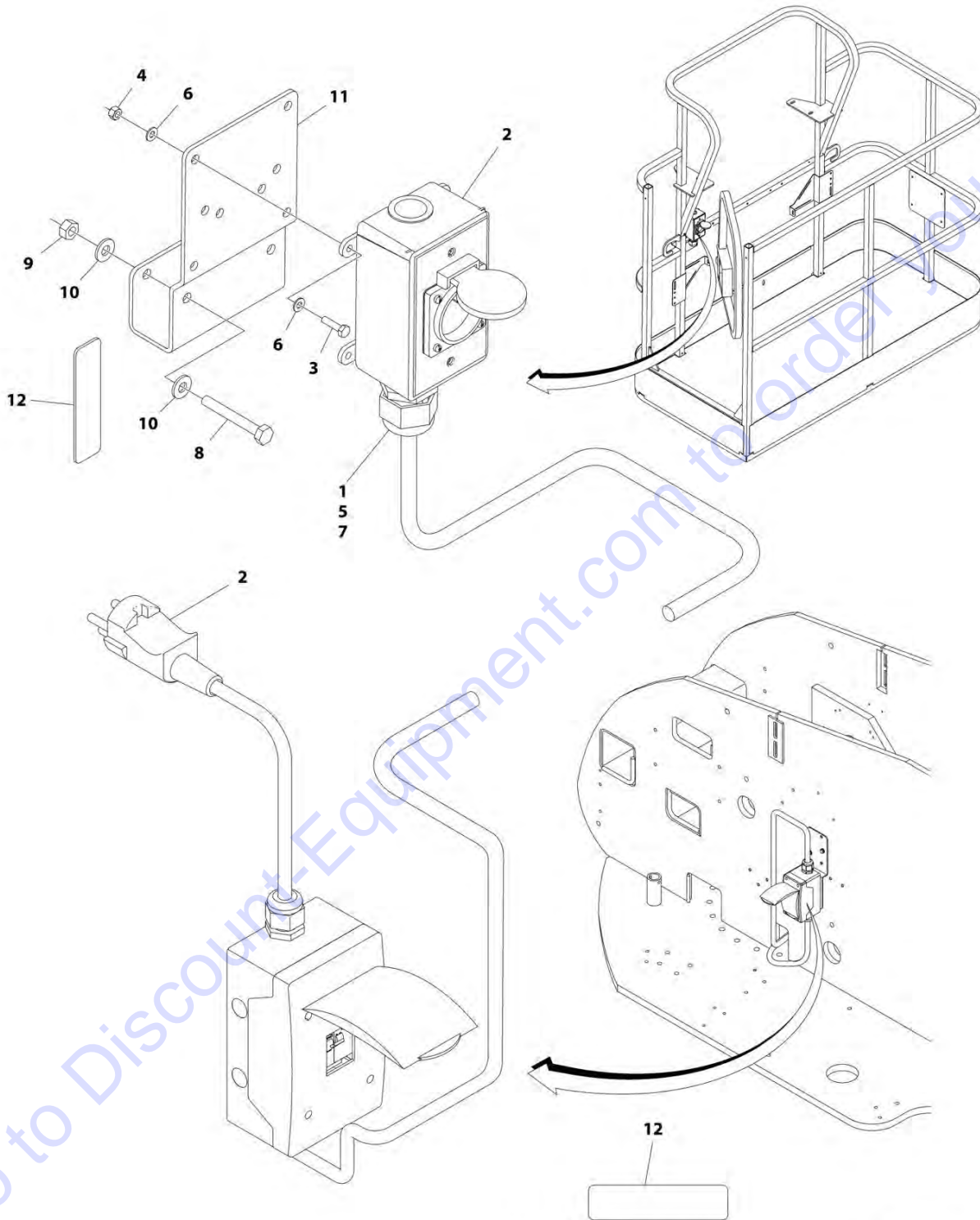
FIGURE 8-10. AC BOX AT PLATFORM INSTALLATION - 220V CEE7 SIDE GROUND WITH 4000W GENERATOR (CE SPECS)

ITEM	PART NUMBER	QTY	DESCRIPTION	REV
	1001194198	Ref	AC BOX AT PLATFORM INSTALLATION - 220V CEE7 SIDE GROUND WITH 4000W GENERATOR (CE SPECS)	B
1	0100020	AR	Sealant, Pipe	
2	0641416	2	Bolt 1/4 x 2	
3	0700408	4	Bolt M4 x 16	
4	0861731	1	Box, Switch	
5	3251242	1	Decal - 240V-50Hz	
6	3290405	4	Nut M4	
7	3311405	2	Nut 1/4	
8	4460662	1	Connector, Strain Relief	
9	4461245	1	Receptacle	
10	4711400	4	Washer 1/4	
11	4811400	8	Washer M4	
12	1001193018	1	Bracket, AC Receptacle	
13	4460806	2	Terminal, Fork (Not Shown)	
14	1001205958	1	Terminal (Not Shown)	

Go to Discount-Equipment.com to order your parts

SECTION 8 - ELECTRICAL

FIGURE 8-11. AC BOX AT PLATFORM INSTALLATION - 220V AFSINT 107 KEYED GROUND WITHOUT GENERATOR (CE SPECS)



(REF. LOCATED ON ENGINE SIDE HOOD)

ART_1001091975

SECTION 8 - ELECTRICAL

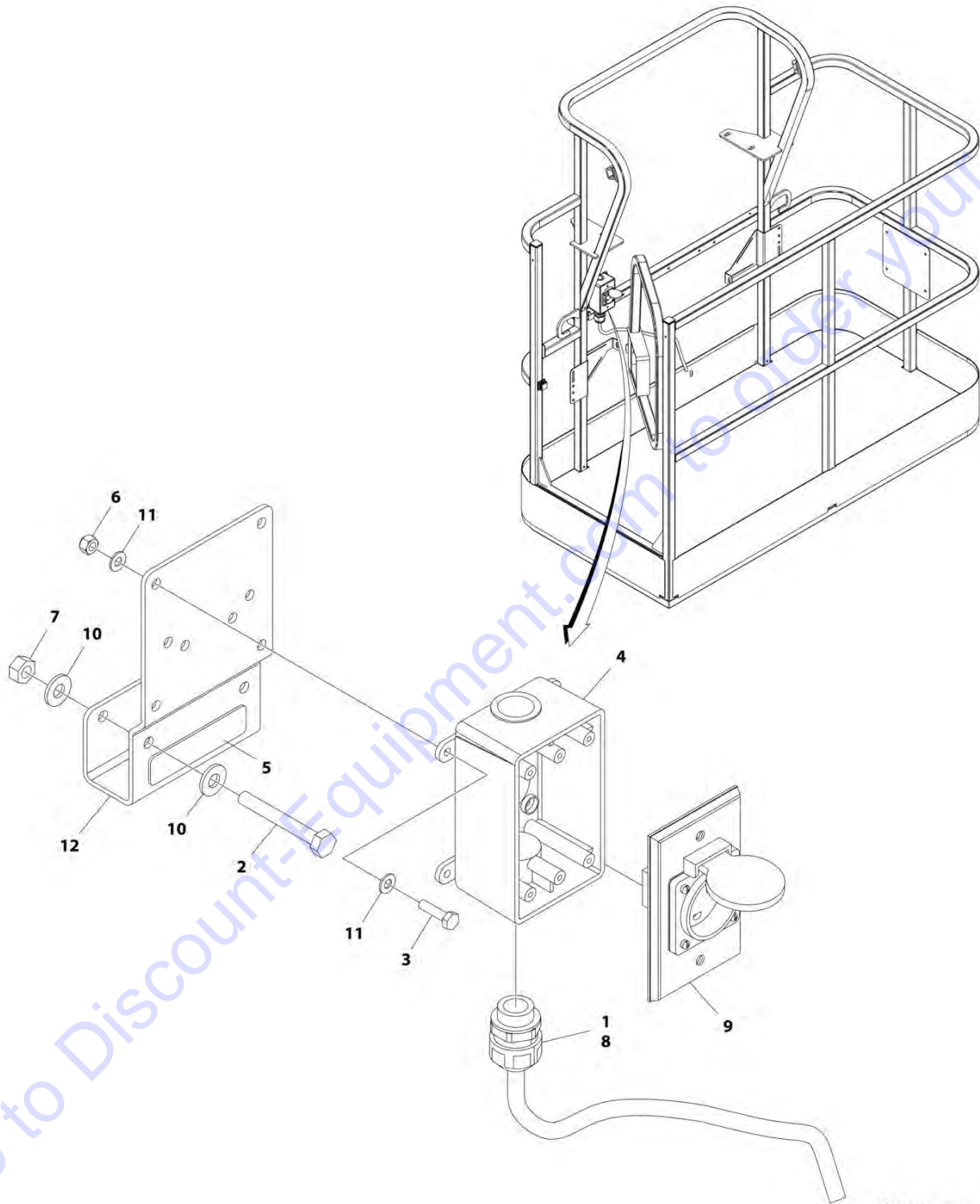
FIGURE 8-11. AC BOX AT PLATFORM INSTALLATION - 220V AFSINT 107 KEYED GROUND WITHOUT GENERATOR (CE SPECS)

ITEM	PART NUMBER	QTY	DESCRIPTION	REV
	1001091975	Ref	AC BOX AT PLATFORM INSTALLATION - 220V AFSINT 107 KEYED GROUND WITHOUT GENERATOR (CE SPECS)	F
1	0100020	AR	Sealant, Pipe	
2	0275454	1	Receptacle Box Kit (See RECEPTACLE BOX KIT - 220V AFSINT 107 (CE SPEC) for Breakdown)	
3	0700408	4	Bolt M4 x 16	
4	3290405	4	Nut M4	
5	1001101197	1	Adapter	
6	4811400	8	Washer M4	
7	1001101191	1	Connector, Strain Relief	
8	0641416	2	Bolt 1/4 x 2	
9	3311405	2	Nut 1/4	
10	4711400	4	Washer 1/4	
11	1001193018	1	Bracket	
12	3251242	2	Decal - 240V-50Hz (SN 0300234719 to Present)	
13	1001205958	1	Terminal (Not Shown)	

Go to Discount-Equipment.com to order your parts

SECTION 8 - ELECTRICAL

FIGURE 8-12. AC BOX AT PLATFORM INSTALLATION - 220V AFSINT 107 KEYED GROUND WITH 4000W GENERATOR (CE SPECS)



ART_1001194200

SECTION 8 - ELECTRICAL

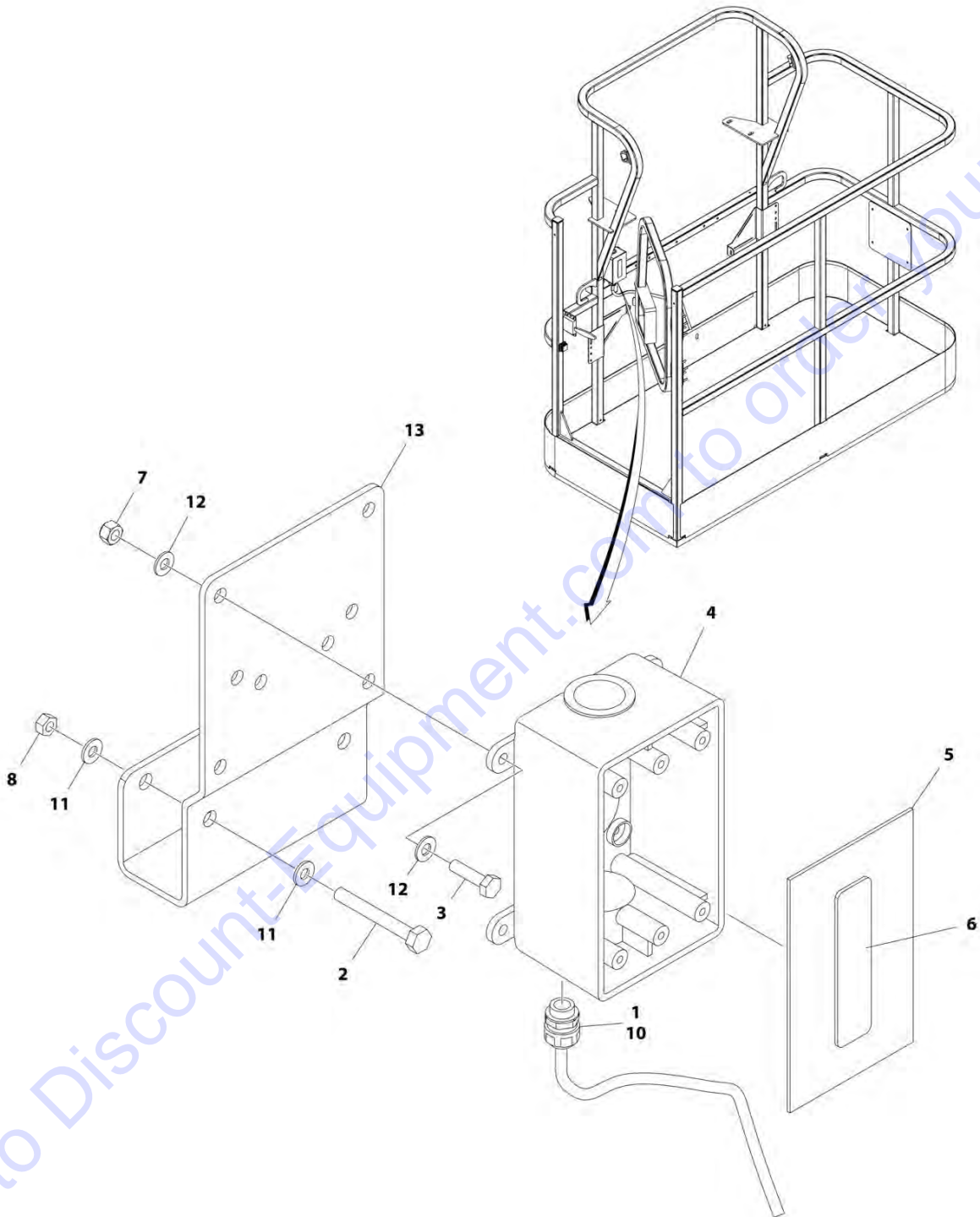
FIGURE 8-12. AC BOX AT PLATFORM INSTALLATION - 220V AFSINT 107 KEYED GROUND WITH 4000W GENERATOR (CE SPECS)

ITEM	PART NUMBER	QTY	DESCRIPTION	REV
	1001194200	Ref	AC BOX AT PLATFORM INSTALLATION - 220V AFSINT 107 KEYED GROUND WITH 4000W GENERATOR (CE SPECS)	B
1	0100020	AR	Sealant, Pipe	
2	0641416	2	Bolt 1/4 x 2	
3	0700408	4	Bolt M4 x 16	
4	0861731	1	Box, Switch	
5	3251242	1	Decal - 240V-50Hz	
6	3290405	4	Nut M4	
7	3311405	2	Nut 1/4	
8	4460662	1	Connector, Strain Relief	
9	4461246	1	Receptacle	
10	4711400	4	Washer 1/4	
11	4811400	8	Washer M4	
12	1001193018	1	Bracket, AC Receptacle	
13	1001205958	3	Terminal (Not Shown)	

Go to Discount-Equipment.com to order your parts

SECTION 8 - ELECTRICAL

FIGURE 8-13. AC BOX AT PLATFORM INSTALLATION - BOX WITH COVER WITH 4000W GENERATOR (ANSI EXPORT, AUSTRALIAN, CE, CHINA AND JAPANESE SPECS)



ART_1001194365

SECTION 8 - ELECTRICAL

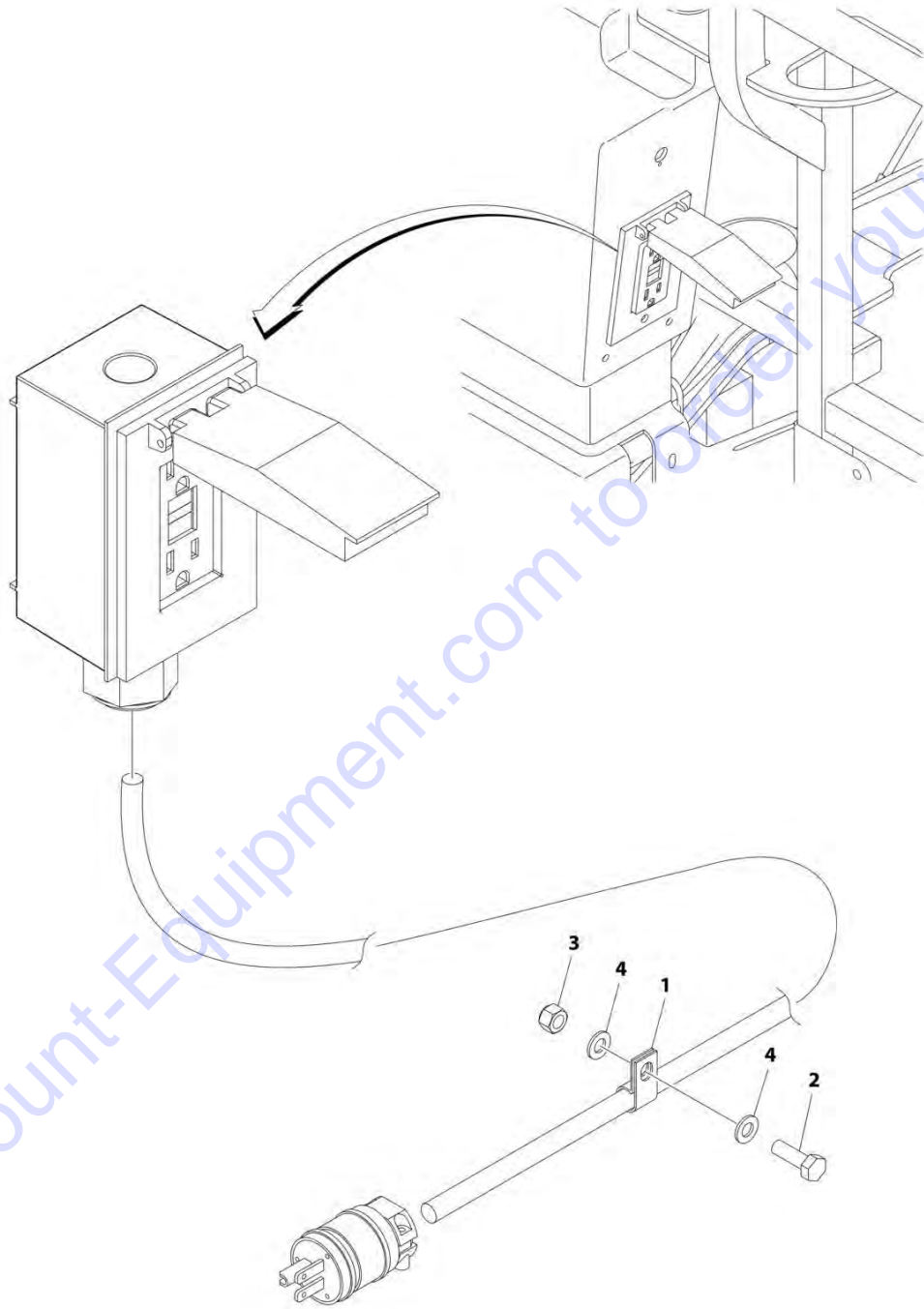
FIGURE 8-13. AC BOX AT PLATFORM INSTALLATION - BOX WITH COVER WITH 4000W GENERATOR (ANSI EXPORT, AUSTRALIAN, CE, CHINA AND JAPANESE SPECS)

ITEM	PART NUMBER	QTY	DESCRIPTION	REV
	1001194365	Ref	AC BOX AT PLATFORM INSTALLATION - BOX WITH COVER WITH 4000W GENERATOR (ANSI EXPORT, AUSTRALIAN, CE, CHINA AND JAPANESE SPECS)	A
1	0100020	AR	Sealant, Pipe	
2	0641416	2	Bolt 1/4 x 2	
3	0700408	4	Bolt M4 x 16	
4	0861731	1	Box, Switch	
5	1670603	1	Cover	
6	3251242	1	Decal - 240V-50Hz	
7	3290405	4	Nut M4	
8	3311405	2	Nut 1/4	
9	4460384	3	Terminal (Not Shown)	
10	4460662	1	Connector, Strain Relief	
11	4711400	4	Washer 1/4	
12	4811400	8	Washer M4	
13	1001193018	1	Bracket, AC Receptacle	

Go to Discount-Equipment.com to order your parts

SECTION 8 - ELECTRICAL

FIGURE 8-14. AC LEAD INSTALLATION (ANSI EXPORT, AUSTRALIAN, CE AND CHINA SPECS)



ART_1001197332

SECTION 8 - ELECTRICAL

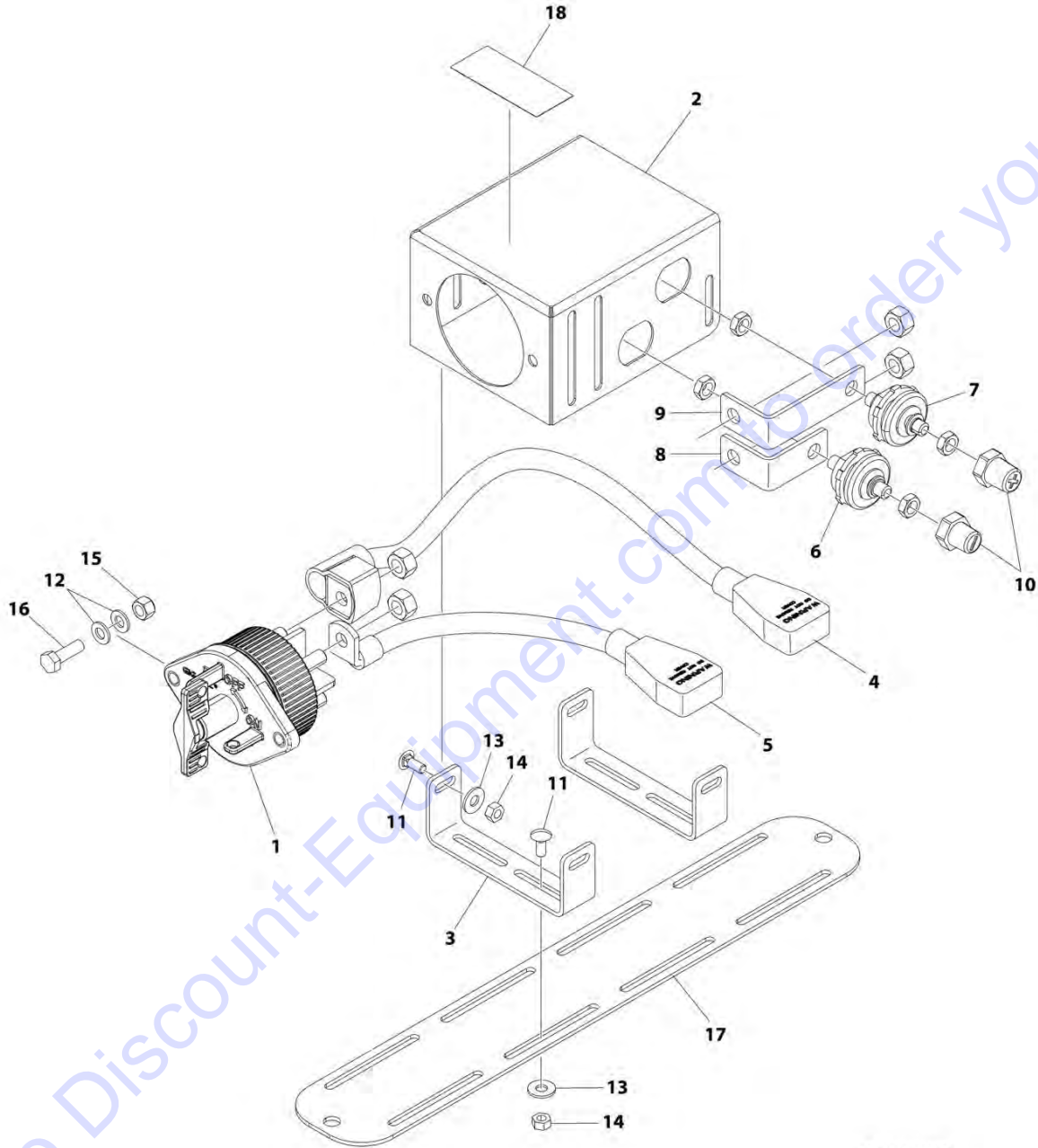
FIGURE 8-14. AC LEAD INSTALLATION (ANSI EXPORT, AUSTRALIAN, CE AND CHINA SPECS)

ITEM	PART NUMBER	QTY	DESCRIPTION	REV
	1001197332	Ref	AC LEAD INSTALLATION (ANSI EXPORT, AUSTRALIAN, CE AND CHINA SPECS)	A
1	8406109	1	Clamp	
2	0760812001	1	Bolt M8 x 25	
3	3290805001	1	Nut M8	
4	4811900001	2	Washer M8	

Go to Discount-Equipment.com to order your parts

SECTION 8 - ELECTRICAL

FIGURE 8-15. BATTERY DISCONNECT INSTALLATION



ART_1001239874

SECTION 8 - ELECTRICAL

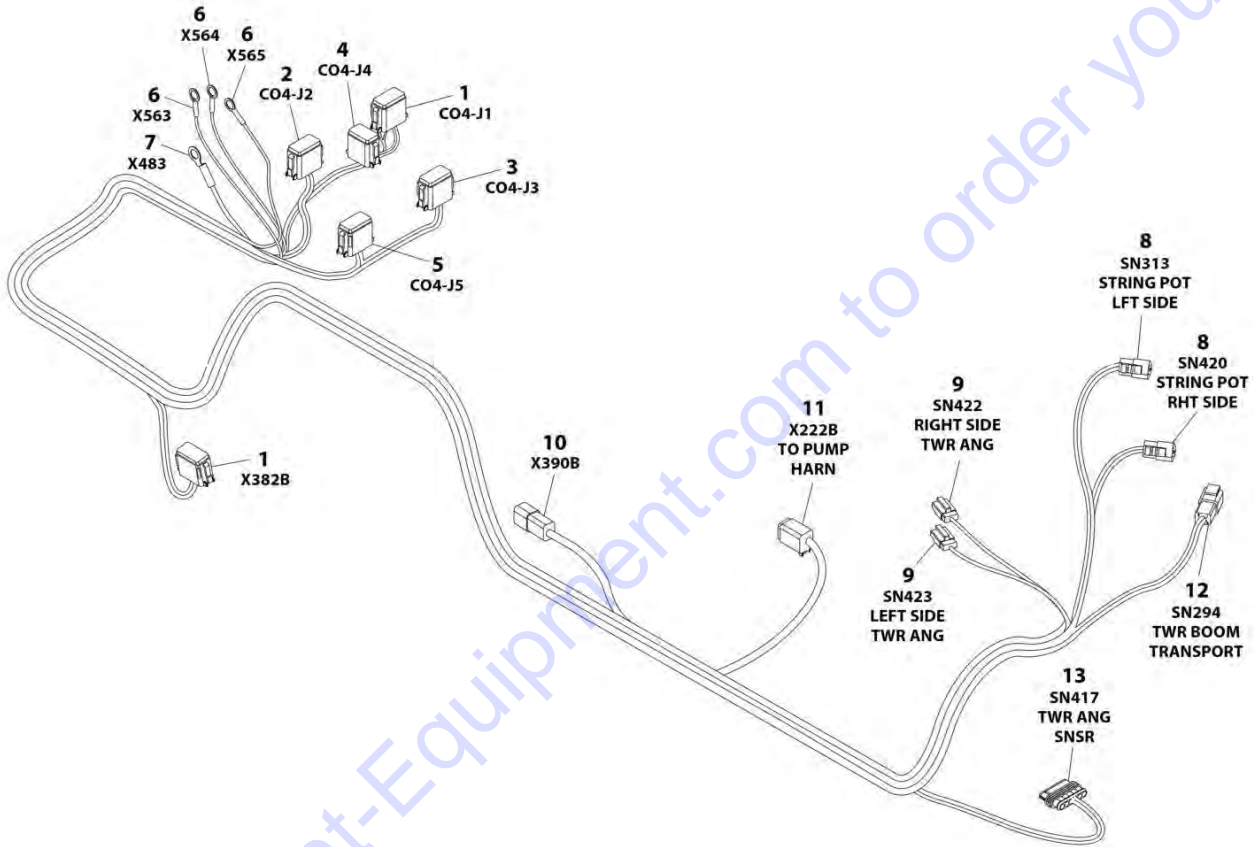
FIGURE 8-15. BATTERY DISCONNECT INSTALLATION

ITEM	PART NUMBER	QTY	DESCRIPTION	REV
	1001239874	Ref	BATTERY DISCONNECT INSTALLATION	A
1	1001225346	1	Switch, Disconnect	
2	1001226531	1	Mount	
3	1001239805	2	Mount	
4	1001236504	1	Cable (Positive)	
5	1001236505	1	Cable (Negative)	
6	1001214571	1	Connector (Black)	
7	1001214570	1	Connector (Red)	
8	1001209474	1	Buss bar	
9	1001209432	1	Buss bar	
10	1001206476	1	Connector	
11	88411013	8	Bolt 1/4 x 3/4	
12	4811900	4	Washer M8	
13	4751400	8	Washer 1/4	
14	3311405	8	Nut 1/4	
15	3290805	2	Nut M8	
16	0760812	2	Bolt M8 x 25	
17	1001241586	1	Plate	
18	1001239957	1	Decal – Battery Disconnect	

Go to Discount-Equipment.com to order your parts

SECTION 8 - ELECTRICAL

FIGURE 8-16. BLAM HARNESS



ART_1001196688

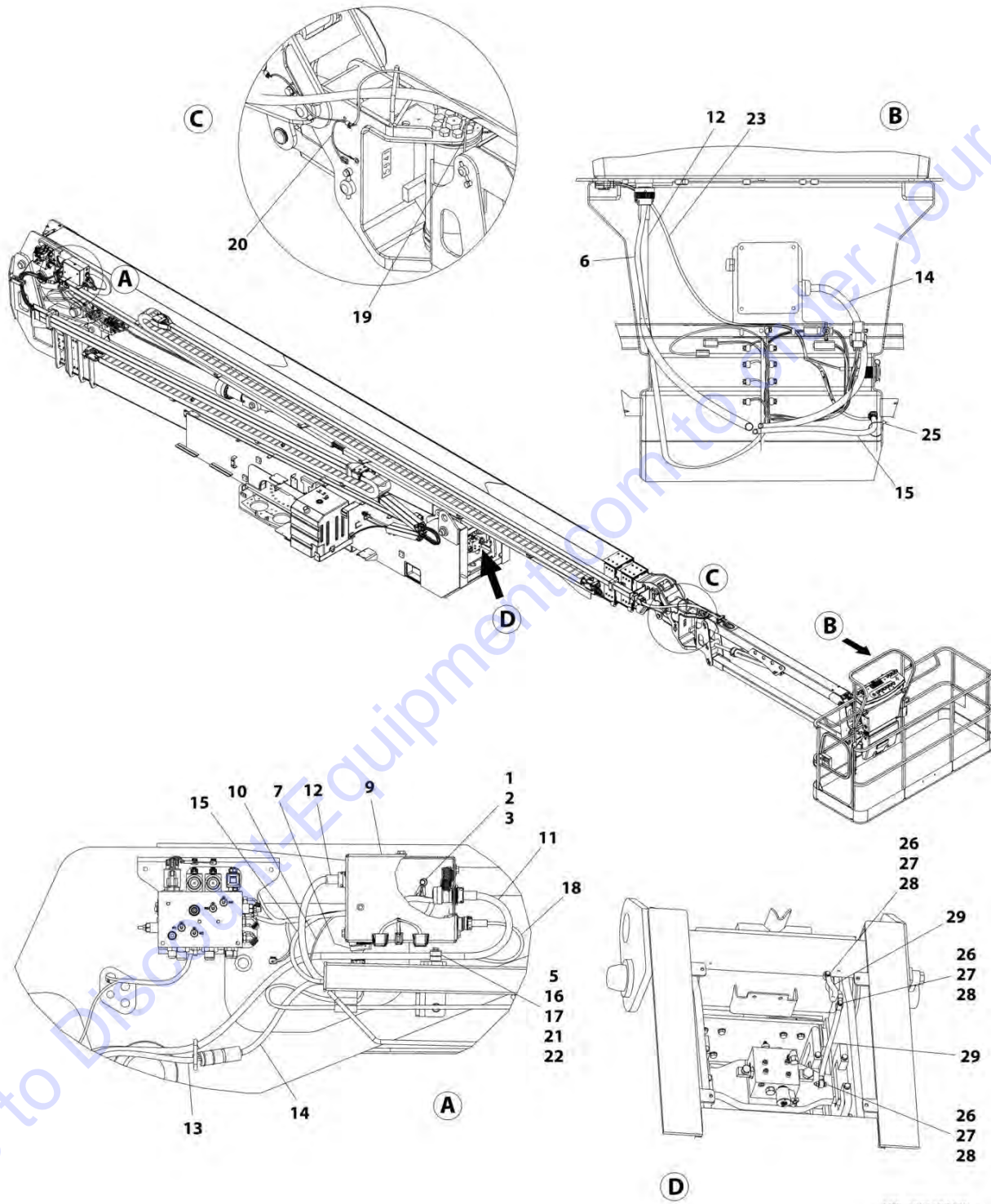
SECTION 8 - ELECTRICAL

FIGURE 8-16. BLAM HARNESS

ITEM	PART NUMBER	QTY	DESCRIPTION	REV
	1001196688	Ref	BLAM HARNESS	G
1	4460933	2	Plug, Male - 12 Position	
1	1001116692	16	Socket, Female	
1	4460944	4	Socket, Female	
1	4460466	4	Plug, Terminal	
2	4460836	1	Plug, Male - 12 Position	
2	1001116692	9	Socket, Female	
2	4460466	3	Plug, Terminal	
3	4460934	1	Plug, Male - 12 Position	
3	1001116692	8	Socket, Female	
3	4460466	4	Plug, Terminal	
4	4460930	1	Plug, Male - 8 Position	
4	1001116692	2	Socket, Female	
4	4460466	6	Plug, Terminal	
5	4460935	1	Plug, Male - 12 Position	
5	1001116692	4	Socket, Female	
5	4460466	8	Plug, Terminal	
6	4460256	3	Terminal, Ring	
7	1001117110	1	Terminal, Ring	
8	4460539	2	Plug, Male - 3 Position	
8	4460465	6	Socket, Female	
9	4460911	2	Plug, Male - 3 Position	
9	4460912	2	Wedge Lock	
9	1001116694	6	Socket, Female	
10	4460932	1	Receptacle, Female - 4 Position	
10	4460464	4	Pin, Male	
11	4460894	1	Plug, Male - 6 Position	
11	1001116692	5	Socket, Female	
11	4460466	1	Plug, Terminal	
12	1001097051	1	Receptacle, Female - 4 Position	
12	1001116695	4	Terminal	
13	4461117	1	Plug, Male - 6 Position	
13	1001107854	6	Terminal	
13	1001104498	6	Seal	

SECTION 8 - ELECTRICAL

FIGURE 8-17. BOOM CABLES INSTALLATION - WITHOUT GENERATOR (ALL SPEC EXCEPT AUSTRALIAN AND CE SPECS)



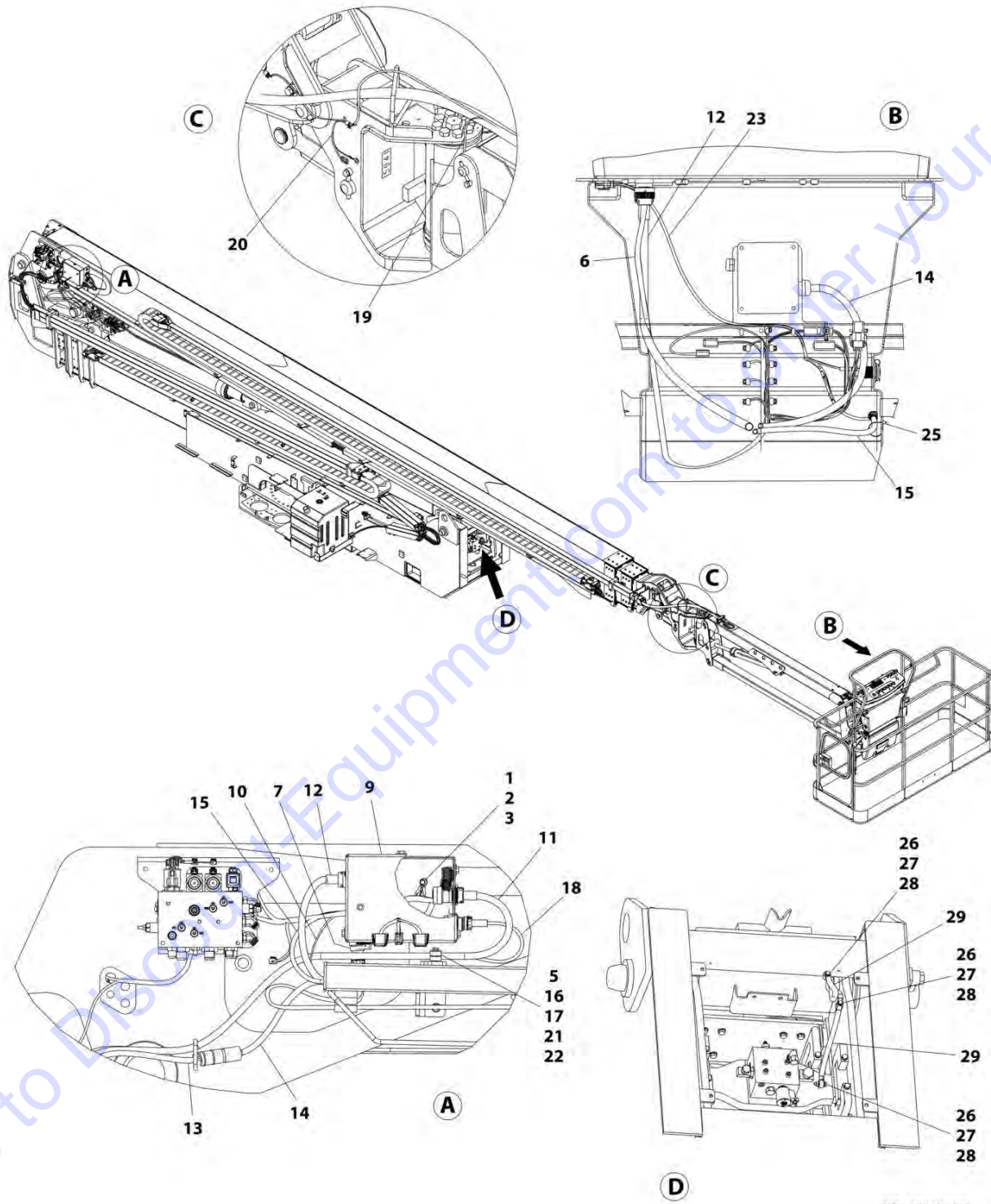
SECTION 8 - ELECTRICAL

FIGURE 8-17. BOOM CABLES INSTALLATION - WITHOUT GENERATOR (ALL SPEC EXCEPT AUSTRALIAN AND CE SPECS)

ITEM	PART NUMBER	QTY	DESCRIPTION	REV
	1001197326	Ref	BOOM CABLES INSTALLATION - WITHOUT GENERATOR (ALL SPEC EXCEPT AUSTRALIAN AND CE SPECS)	E
1	0100011	AR	Compound, Locking	
2	0761010	3	Bolt M10 x 20	
3	4812000	3	Washer M10	
5	0760818001	2	Bolt M8 x 50	
6	1001196682	1	Valve Harness - Platform (See VALVE HARNESS - PLATFORM for Breakdown)	
7	1001216806	1	Valve Harness - Boom (See VALVE HARNESS - BOOM for Breakdown)	
9	1001200199	1	Boom Control Box Assembly (See BOOM CONTROL BOX ASSEMBLY for Breakdown)	
10	1001201062	1	Sensor Harness - Boom (See SENSOR HARNESS - BOOM for Breakdown)	
11	1001202259	1	Boom Cable (Tower Boom) (See BOOM CABLE (TOWER BOOM) for Breakdown)	
12	1001202260	1	Boom Cable (Main Boom) (See BOOM CABLE (MAIN BOOM) for Breakdown)	
13	1001202261	1	AC Power to Platform Cable (Tower Boom)	
13	4460134	1	Receptacle, Female	
14	1001202262	1	AC Power to Platform Cable (Main Boom)	
14	4460205	1	Plug, Male	
15	1001202269	1	Main Boom 12/4 Harness	
15	4460932	1	Receptacle, Female - 4 Position	
15	1001157891	7	Pin, Male	
16	1001202742	1	Clamp	
17	1001202743	1	Cover, Clamp	
18	1001202785	1	Secondary Control Harness (See SECONDARY CONTROL HARNESS for Breakdown)	
19	1001204027	1	Jib Limit Switch Harness	
19	4460894	1	Plug, Male - 6 Position	
19	4460465	5	Socket, Female	
19	4460466	1	Plug, Terminal	
20	1001204028	1	Sensor Harness - Platform Level (See SENSOR HARNESS - PLATFORM LEVEL for Breakdown)	
21	3290805001	2	Nut M8	
22	4811900001	2	Washer M8	
23	1001206506	1	Platform Outlet Harness (See PLATFORM OUTLET HARNESS for Breakdown)	
24	1001146588	2	Tie-Strap (Not Shown)	
25	1001008559	3	Tie-Strap	
26	0700815	3	Bolt M8 x 35	
27	3290805	3	Nut M8	
28	4811900	6	Washer M8	
29	1001217007	2	Cable, Stainless Braided Ground	

SECTION 8 - ELECTRICAL

FIGURE 8-18. BOOM CABLES INSTALLATION - WITHOUT GENERATOR (AUSTRALIAN, CE AND CHINA SPECS)



ART_1001197327

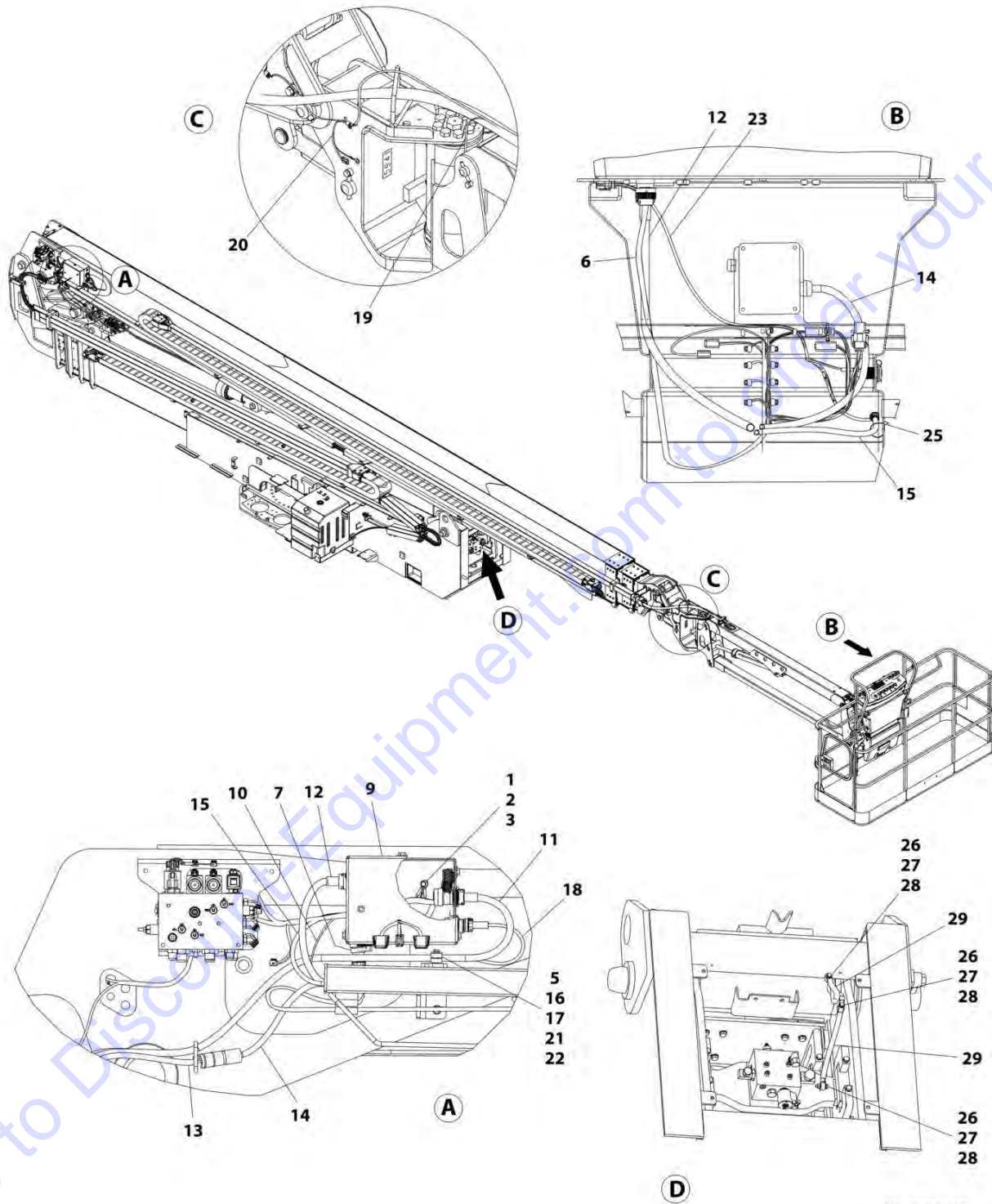
SECTION 8 - ELECTRICAL

FIGURE 8-18. BOOM CABLES INSTALLATION - WITHOUT GENERATOR (AUSTRALIAN, CE AND CHINA SPECS)

ITEM	PART NUMBER	QTY	DESCRIPTION	REV
	1001197327	Ref	BOOM CABLES INSTALLATION - WITHOUT GENERATOR (AUSTRALIAN, CE AND CHINA SPECS)	E
1	0100011	AR	Compound, Locking	
2	0761010	3	Bolt M10 x 20	
3	4812000	3	Washer M10	
5	0760818001	2	Bolt M8 x 50	
6	1001196682	1	Valve Harness - Platform (See VALVE HARNESS - PLATFORM for Breakdown)	
7	1001216806	1	Valve Harness - Boom (See VALVE HARNESS - BOOM for Breakdown)	
9	1001200199	1	Boom Control Box Assembly (See BOOM CONTROL BOX ASSEMBLY for Breakdown)	
10	1001201062	1	Sensor Harness - Boom (See SENSOR HARNESS - BOOM for Breakdown)	
11	1001202259	1	Boom Cable (Tower Boom) (See BOOM CABLE (TOWER BOOM) for Breakdown)	
12	1001202260	1	Boom Cable (Main Boom) (See BOOM CABLE (MAIN BOOM) for Breakdown)	
13	1001202263	1	AC Power to Platform Cable (Tower Boom)	
13	4460134	1	Receptacle, Female	
14	1001202264	1	AC Power to Platform Cable (Main Boom)	
14	4460205	1	Plug, Male	
15	1001202269	1	Main Boom 12/4 Harness	
15	4460932	1	Receptacle, Female - 4 Position	
15	1001157891	7	Pin, Male	
16	1001202742	1	Clamp	
17	1001202743	1	Cover, Clamp	
18	1001202785	1	Secondary Control Harness (See SECONDARY CONTROL HARNESS for Breakdown)	
19	1001204027	1	Jib Limit Switch Harness	
19	4460894	1	Plug, Male - 6 Position	
19	4460465	5	Socket, Female	
19	4460466	1	Plug, Terminal	
20	1001204028	1	Sensor Harness - Platform Level (See SENSOR HARNESS - PLATFORM LEVEL for Breakdown)	
21	3290805001	2	Nut M8	
22	4811900001	2	Washer M8	
23	1001206506	1	Platform - Outlet Harness (See PLATFORM OUTLET HARNESS for Breakdown)	
24	1001146588	2	Tie-Strap (Not Shown)	
25	1001008559	3	Tie-Strap	
26	0700815	3	Bolt M8 x 35	
27	3290805	3	Nut M8	
28	4811900	6	Washer M8	
29	1001217007	2	Cable, Stainless Braided Ground	

SECTION 8 - ELECTRICAL

FIGURE 8-19. BOOM CABLES INSTALLATION - WITH 4000W GENERATOR (ALL SPECS)



ART_1001201710

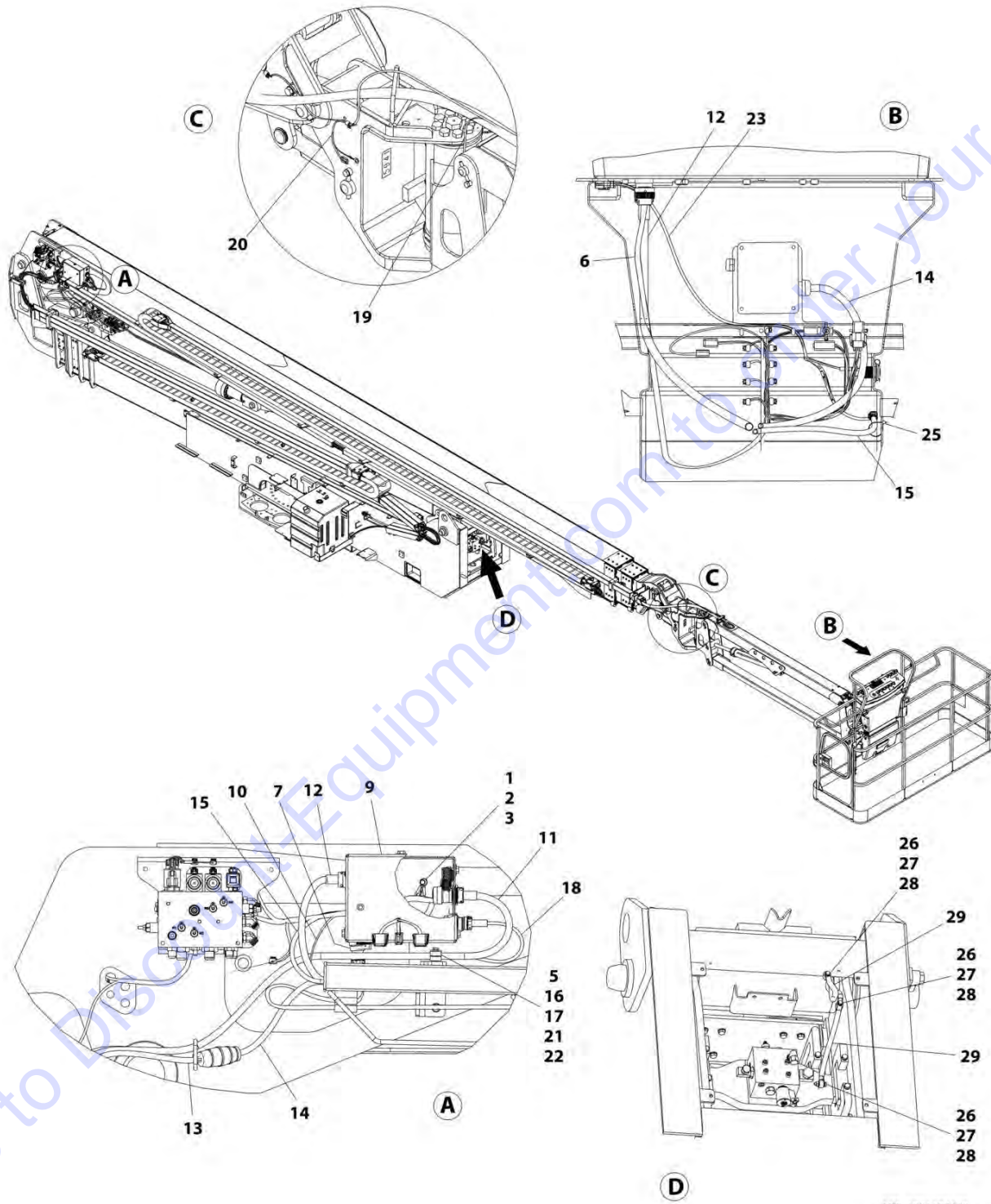
SECTION 8 - ELECTRICAL

FIGURE 8-19. BOOM CABLES INSTALLATION - WITH 4000W GENERATOR (ALL SPECS)

ITEM	PART NUMBER	QTY	DESCRIPTION	REV
	1001201710	Ref	BOOM CABLES INSTALLATION - WITH 4000W GENERATOR (ALL SPECS)	E
1	0100011	AR	Compound, Locking	
2	0761010	3	Bolt M10 x 20	
3	4812000	3	Washer M10	
5	0760818001	2	Bolt M8 x 50	
6	1001196682	1	Valve Harness - Platform (See VALVE HARNESS - PLATFORM for Breakdown)	
7	1001216806	1	Valve Harness - Boom (See VALVE HARNESS - BOOM for Breakdown)	
9	1001200199	1	Boom Control Box Assembly (See BOOM CONTROL BOX ASSEMBLY for Breakdown)	
10	1001201062	1	Sensor Harness - Boom (See SENSOR HARNESS - BOOM for Breakdown)	
11	1001202259	1	Boom Cable (Tower Boom) (See BOOM CABLE (TOWER BOOM) for Breakdown)	
12	1001202260	1	Boom Cable (Main Boom) (See BOOM CABLE (MAIN BOOM) for Breakdown)	
13	1001202267	1	AC Power to Platform Cable (Tower Boom)	
13	4460963	1	Receptacle, Female	
13	1671092	1	Cover (Prior to SN 0300218237)	
13	1671093	1	Cover (SN 0300218237 to Present)	
14	1001202268	1	AC Power to Platform Cable (Main Boom)	
14	4460962	1	Plug, Male	
14	1671093	1	Cover (Prior to SN 0300218237)	
14	1671092	1	Cover (SN 0300218237 to Present)	
15	1001202269	1	Main Boom 12/4 Harness	
15	4460932	1	Receptacle, Female - 4 Position	
15	1001157891	7	Pin, Male	
16	1001202742	1	Clamp	
17	1001202743	1	Cover, Clamp	
18	1001202785	1	Secondary Control Harness (See SECONDARY CONTROL HARNESS for Breakdown)	
19	1001204027	1	Jib Limit Switch Harness	
19	4460894	1	Plug, Male - 6 Position	
19	4460465	5	Socket, Female	
19	4460466	1	Plug, Terminal	
20	1001204028	1	Sensor Harness - Platform Level (See SENSOR HARNESS - PLATFORM LEVEL for Breakdown)	
21	3290805001	2	Nut M8	
22	4811900001	2	Washer M8	
23	1001206506	1	Platform Outlet Harness (See PLATFORM OUTLET HARNESS for Breakdown)	
24	1001146588	2	Tie-Strap (Not Shown)	
25	1001008559	3	Tie-Strap	
26	0700815	3	Bolt M8 x 35	
27	3290805	3	Nut M8	
28	4811900	6	Washer M8	
29	1001217007	2	Cable, Stainless Braided Ground	

SECTION 8 - ELECTRICAL

FIGURE 8-20. BOOM CABLES INSTALLATION - WITH SKYPOWER 7500W GENERATOR (ALL SPECS)



SECTION 8 - ELECTRICAL

FIGURE 8-20. BOOM CABLES INSTALLATION - WITH SKYPOWER 7500W GENERATOR (ALL SPECS)

ITEM	PART NUMBER	QTY	DESCRIPTION	REV
	1001197328	Ref	BOOM CABLES INSTALLATION - WITH SKYPOWER 7500W GENERATOR (ALL SPECS)	F
1	0100011	AR	Compound, Locking	
2	0761010	3	Bolt M10 x 20	
3	4812000	3	Washer M10	
5	0760818001	2	Bolt M8 x 50	
6	1001196682	1	Valve Harness - Platform (See VALVE HARNESS - PLATFORM for Breakdown)	
7	1001216806	1	Valve Harness - Boom (See VALVE HARNESS - BOOM for Breakdown)	
9	1001200199	1	Boom Control Box Assembly (See BOOM CONTROL BOX ASSEMBLY for Breakdown)	
10	1001201062	1	Sensor Harness - Boom (See SENSOR HARNESS - BOOM for Breakdown)	
11	1001202259	1	Boom Cable (Tower Boom) (See BOOM CABLE (TOWER BOOM) for Breakdown)	
12	1001202260	1	Boom Cable (Main Boom) (See BOOM CABLE (MAIN BOOM) for Breakdown)	
13	1001202265	1	AC Power to Platform Cable (Tower Boom) (Prior to SN 0300228162)	
13	4460960	1	Receptacle, Female	
13	1671092	1	Cover (Prior to SN 0300218237)	
13	1671093	1	Cover (SN 0300218237 through 0300236823)	
13	1001226291	1	AC Power to Platform Cable (Tower Boom) (SN 0300236824 to Present)	
13	1060945	1	Cable	
13	1001218623	1	Socket, 30Amp	
14	1001202266	1	AC Power to Platform Cable (Main Boom) (Prior to SN 0300228162)	
14	4460959	1	Plug, Male	
14	1671093	1	Cover (Prior to SN 0300218237)	
14	1671092	1	Cover (SN 0300218237 through 0300236823)	
14	1001226292	1	AC Power to Platform Cable (Main Boom) (SN 0300236824 to Present)	
14	1060945	1	Cable	
14	1001218622	1	Plug, 30Amp	
15	1001202269	1	Main Boom 12/4 Harness	
15	4460932	1	Receptacle, Female - 4 Position	
15	1001157891	7	Pin, Male	
16	1001202742	1	Clamp	
17	1001202743	1	Cover, Clamp	
18	1001202785	1	Secondary Control Harness (See SECONDARY CONTROL HARNESS for Breakdown)	
19	1001204027	1	Jib Limit Switch Harness	
19	4460894	1	Plug, Male - 6 Position	
19	4460465	5	Socket, Female	
19	4460466	1	Plug, Terminal	
20	1001204028	1	Sensor Harness - Platform Level (See SENSOR HARNESS - PLATFORM LEVEL for Breakdown)	
21	3290805001	2	Nut M8	
22	4811900001	2	Washer M8	

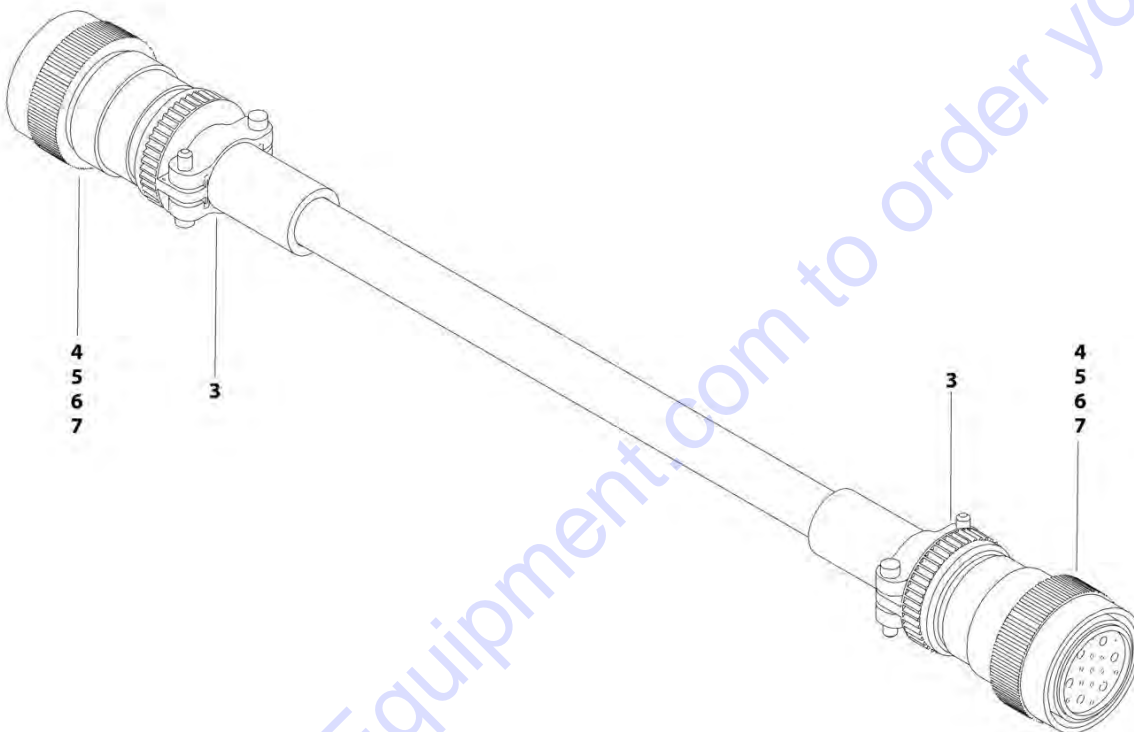
SECTION 8 - ELECTRICAL

ITEM	PART NUMBER	QTY	DESCRIPTION	REV
23	1001206506	1	Platform Outlet Harness (See PLATFORM OUTLET HARNESS for Breakdown)	
24	1001146588	2	Tie-Strap (Not Shown)	
25	1001008559	3	Tie-Strap	
26	0700815	3	Bolt M8 x 35	
27	3290805	3	Nut M8	
28	4811900	6	Washer M8	
29	1001217007	2	Cable, Stainless Braided Ground	

Go to Discount-Equipment.com to order your parts

SECTION 8 - ELECTRICAL

FIGURE 8-21. BOOM CABLE (MAIN BOOM)



ART_1001202260

SECTION 8 - ELECTRICAL

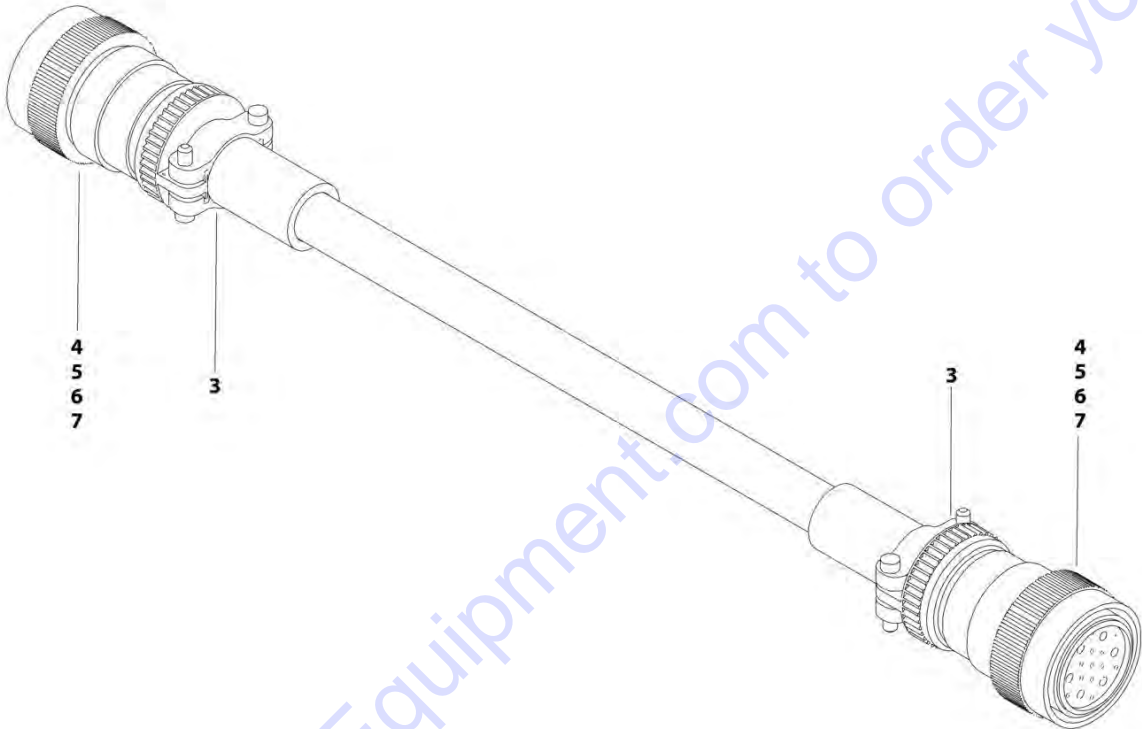
FIGURE 8-21. BOOM CABLE (MAIN BOOM)

ITEM	PART NUMBER	QTY	DESCRIPTION	REV
	1001202260	Ref	BOOM CABLE (MAIN BOOM)	A
3	4460473	2	Clamp	
4	4460509	8	Socket, Female	
5	4460865	2	Connector - 19 Position	
6	4460465	20	Socket, Female	
7	4460466	10	Plug, Socket	

Go to Discount-Equipment.com to order your parts

SECTION 8 - ELECTRICAL

FIGURE 8-22. BOOM CABLE (TOWER BOOM)



ART_1001202259

SECTION 8 - ELECTRICAL

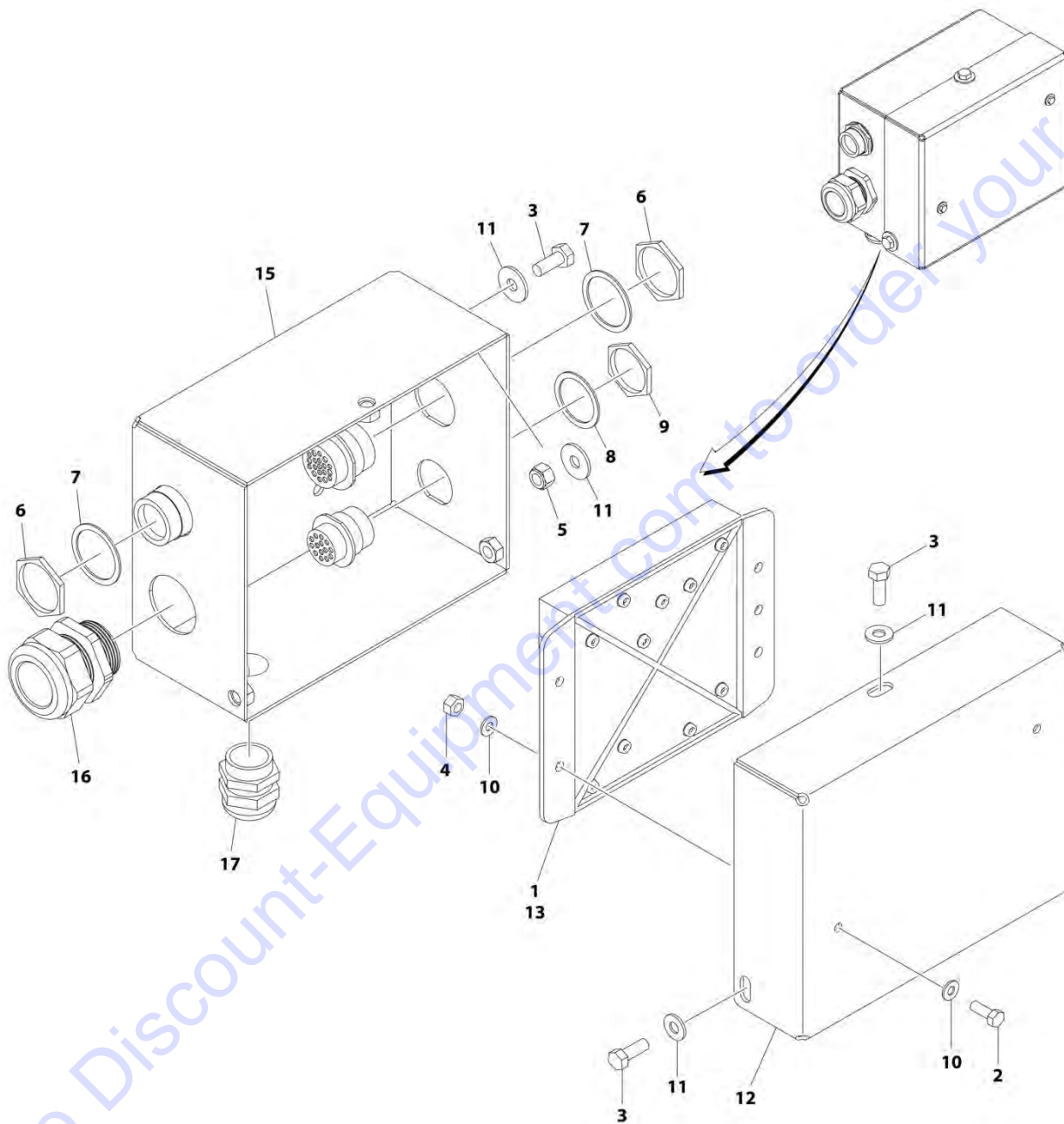
FIGURE 8-22. BOOM CABLE (TOWER BOOM)

ITEM	PART NUMBER	QTY	DESCRIPTION	REV
	1001202259	Ref	BOOM CABLE (TOWER BOOM)	A
3	4460473	2	Clamp	
4	4460509	8	Socket, Female	
5	4460865	2	Connector - 19 Position	
6	4460465	20	Socket, Female	
7	4460466	10	Plug, Socket	

Go to Discount-Equipment.com to order your parts

SECTION 8 - ELECTRICAL

FIGURE 8-23. BOOM CONTROL BOX ASSEMBLY



ART_1001200199

SECTION 8 - ELECTRICAL

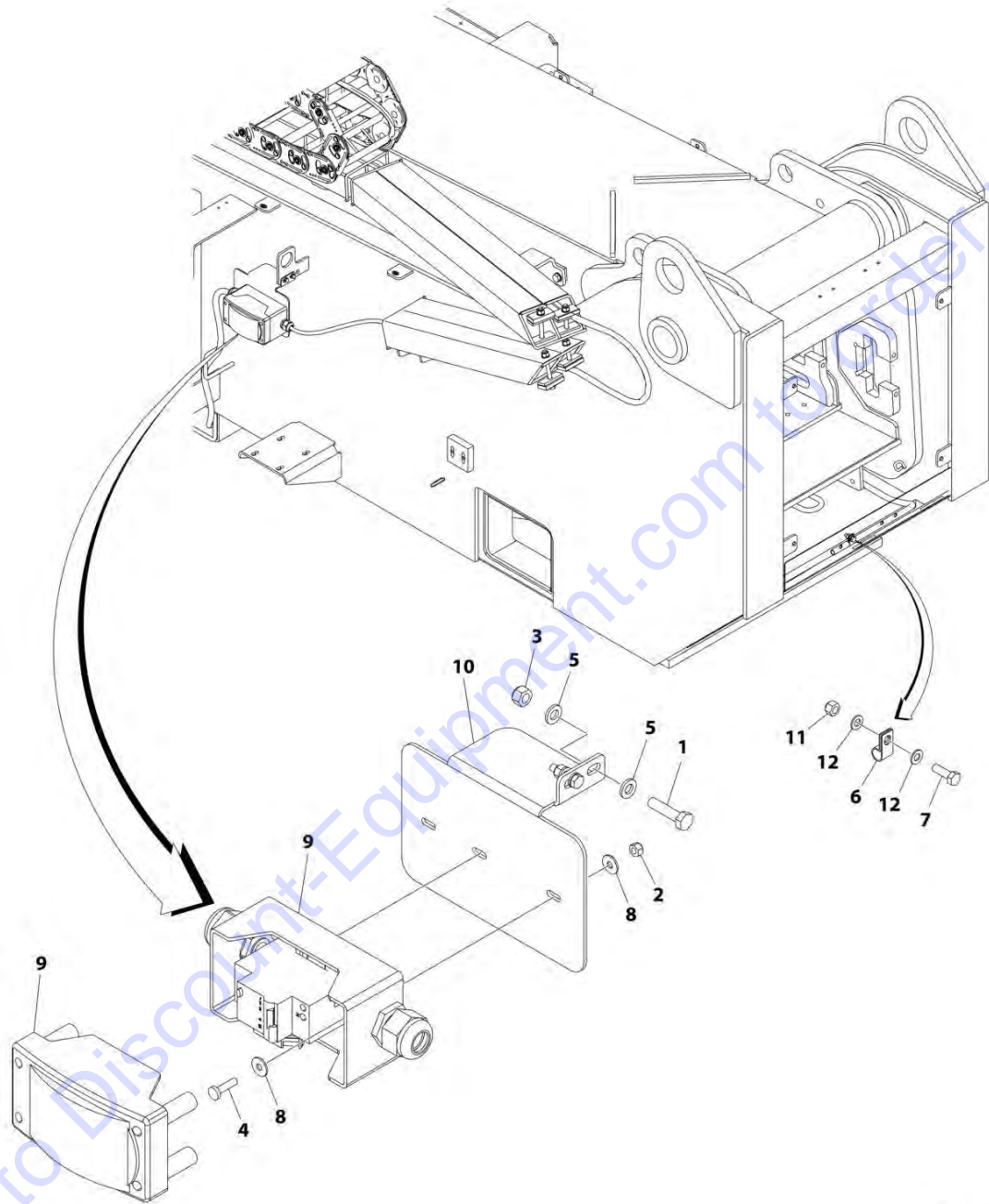
FIGURE 8-23. BOOM CONTROL BOX ASSEMBLY

ITEM	PART NUMBER	QTY	DESCRIPTION	REV
	1001200199	Ref	BOOM CONTROL BOX ASSEMBLY	E
1	0100048	AR	Grease, Dielectric	
2	0760610	2	Bolt M6 x 20	
3	0761012	4	Bolt M10 x 25	
4	3290605	2	Nut M6	
5	3291005	1	Nut M10	
6	4460470	2	Nut, Terminal	
7	4460471	2	Washer, Terminal	
8	4460496	2	Washer, Terminal	
9	4460497	2	Nut, Terminal	
10	4811702	4	Washer M6	
11	4812002	5	Washer M10	
12	1001119215	1	Cover	
13	1001200183	1	Module, Control - Boom (Note: Re-calibration Required when Replaced)	
14	1001216638	1	Main Boom Control Box Harness (Not Shown - See MAIN BOOM CONTROL BOX HARNESS for Breakdown)	
15	1001200203	1	Box	
16	1001215836	1	Connector, Strain Relief	
17	4460426	1	Connector, Strain Relief	

Go to Discount-Equipment.com to order your parts

SECTION 8 - ELECTRICAL

FIGURE 8-24. BREAKER BOX INSTALLATION - WITH 2 BREAKERS (CE SPECS)



ART_1001197335

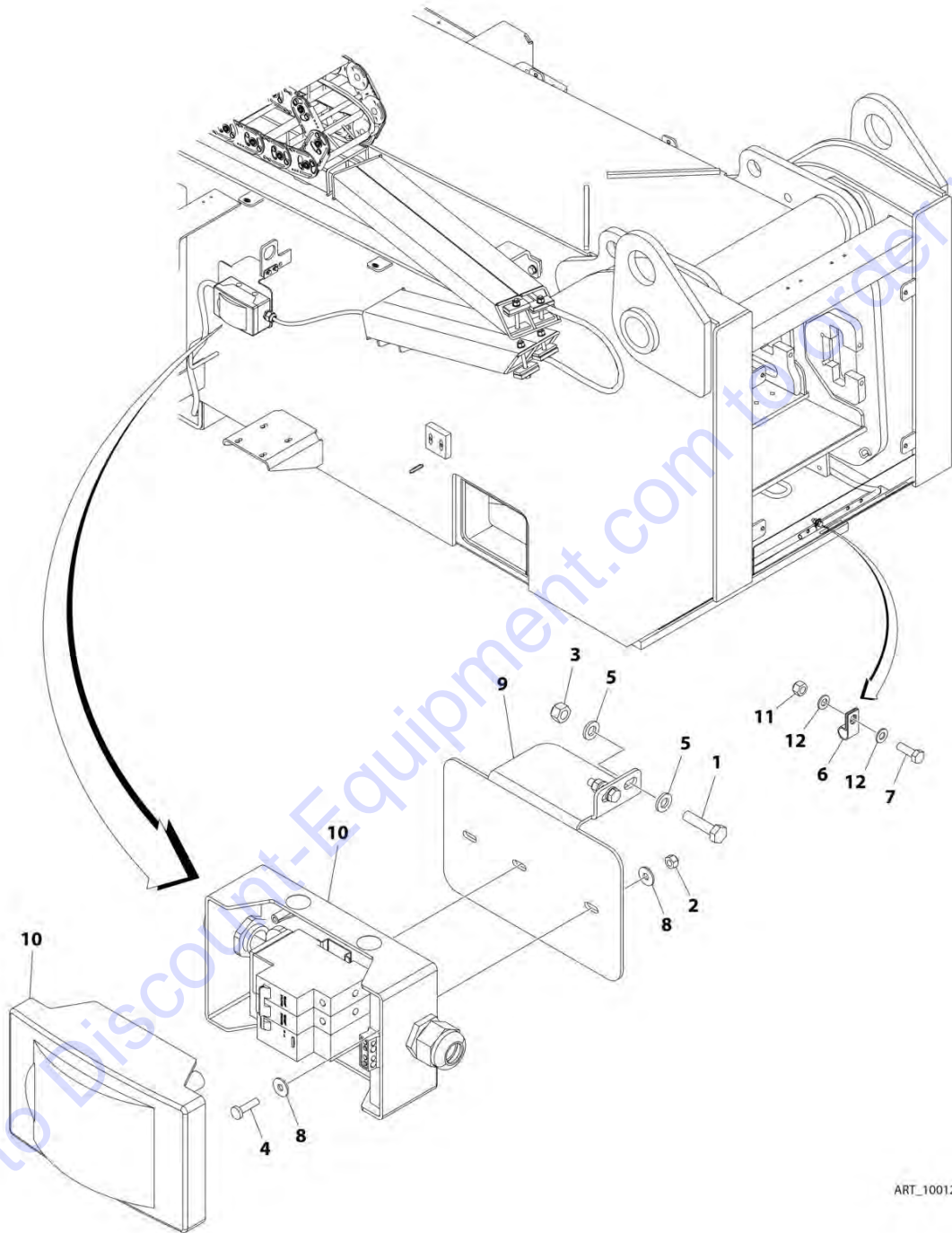
SECTION 8 - ELECTRICAL

FIGURE 8-24. BREAKER BOX INSTALLATION - WITH 2 BREAKERS (CE SPECS)

ITEM	PART NUMBER	QTY	DESCRIPTION	REV
	1001197335	Ref	BREAKER BOX INSTALLATION - WITH 2 BREAKERS (CE SPECS)	C
1	0700612	2	Bolt M6 x 25	
2	3290405	2	Nut M4	
3	3290605	2	Nut M6	
4	4010408	2	Screw M4 x 16	
5	4811700	4	Washer M6	
6	8406109	1	Clamp	
7	0760812001	1	Bolt M8 x 25	
8	1001091102	4	Washer M4	
9	1001158080	1	Breaker Box Kit - With 2 Breakers (See BREAKER BOX KIT - WITH 2 BREAKERS (CE SPECS) for Breakdown) (Prior to SN 0300214286)	
9	1001109654	1	Breaker Box Kit - With 2 Breakers (See BREAKER BOX KIT - WITH 2 BREAKERS (CE SPECS) for Breakdown) (SN 0300214286 to Present)	
10	1001205660	1	Bracket	
11	3290805001	1	Nut M8	
12	4811900001	2	Washer M8	

SECTION 8 - ELECTRICAL

FIGURE 8-25. BREAKER BOX INSTALLATION - WITH 3 BREAKERS (CE SPECS)



SECTION 8 - ELECTRICAL

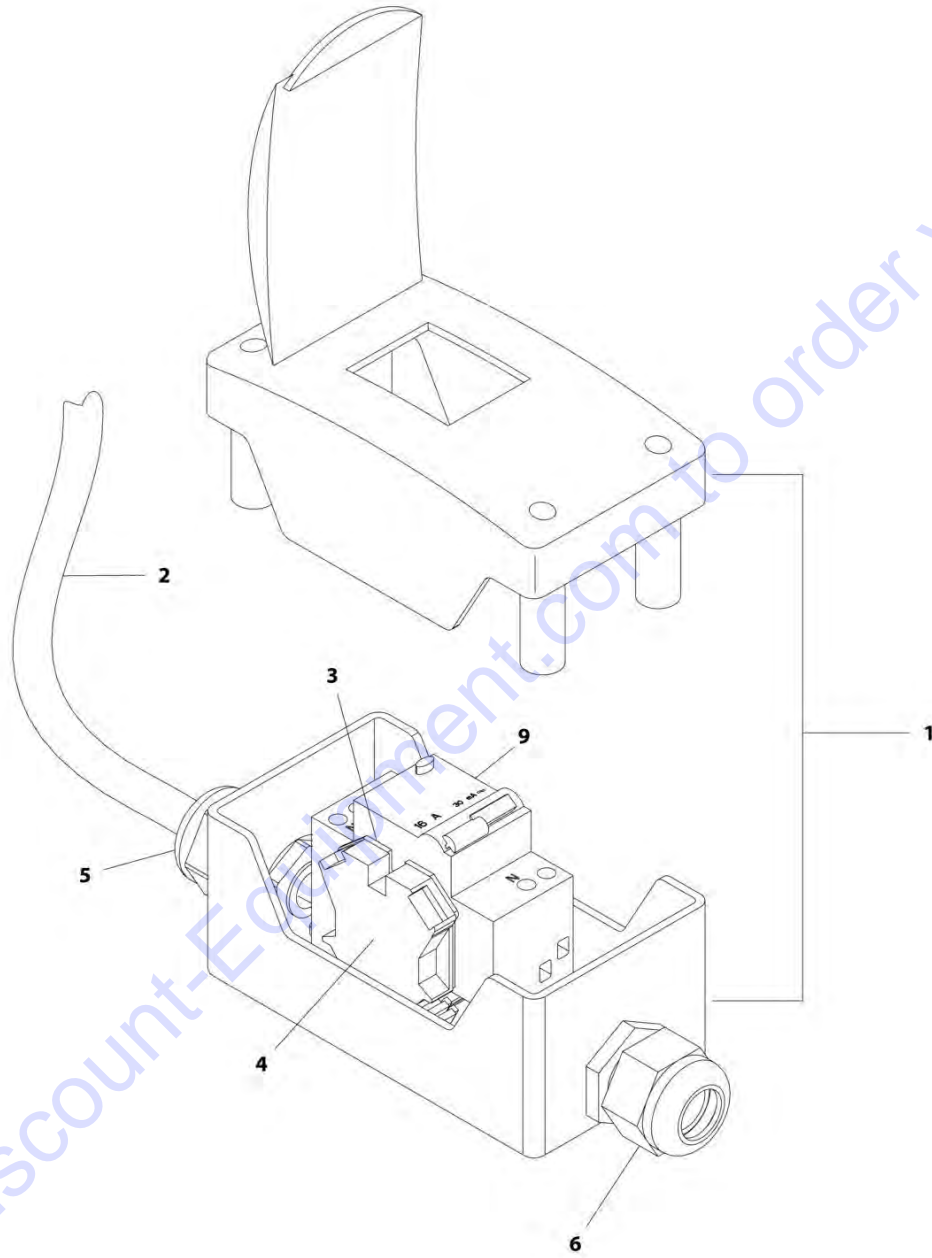
FIGURE 8-25. BREAKER BOX INSTALLATION - WITH 3 BREAKERS (CE SPECS)

ITEM	PART NUMBER	QTY	DESCRIPTION	REV
	1001205682	Ref	BREAKER BOX INSTALLATION - WITH 3 BREAKERS (CE SPECS)	B
1	0700612	2	Bolt M6 x 25	
2	3290405	2	Nut M4	
3	3290605	2	Nut M6	
4	4010408	2	Screw M4 x 16	
5	4811700	4	Washer M6	
6	8406109	1	Clamp	
7	0760812001	1	Bolt M8 x 25	
8	1001091102	4	Washer M4	
9	1001205660	1	Bracket	
10	1001205690	1	Breaker Box Kit - With 3 Breakers (See BREAKER BOX KIT - WITH 3 BREAKERS (CE SPECS) for Breakdown)	
11	3290805001	1	Nut M8	
12	4811900001	2	Washer M8	

Go to Discount-Equipment.com to order your parts

SECTION 8 - ELECTRICAL

FIGURE 8-26. BREAKER BOX KIT - WITH 2 BREAKERS (CE SPECS) (Prior to SN 0300214286)



ART_1001158080

SECTION 8 - ELECTRICAL

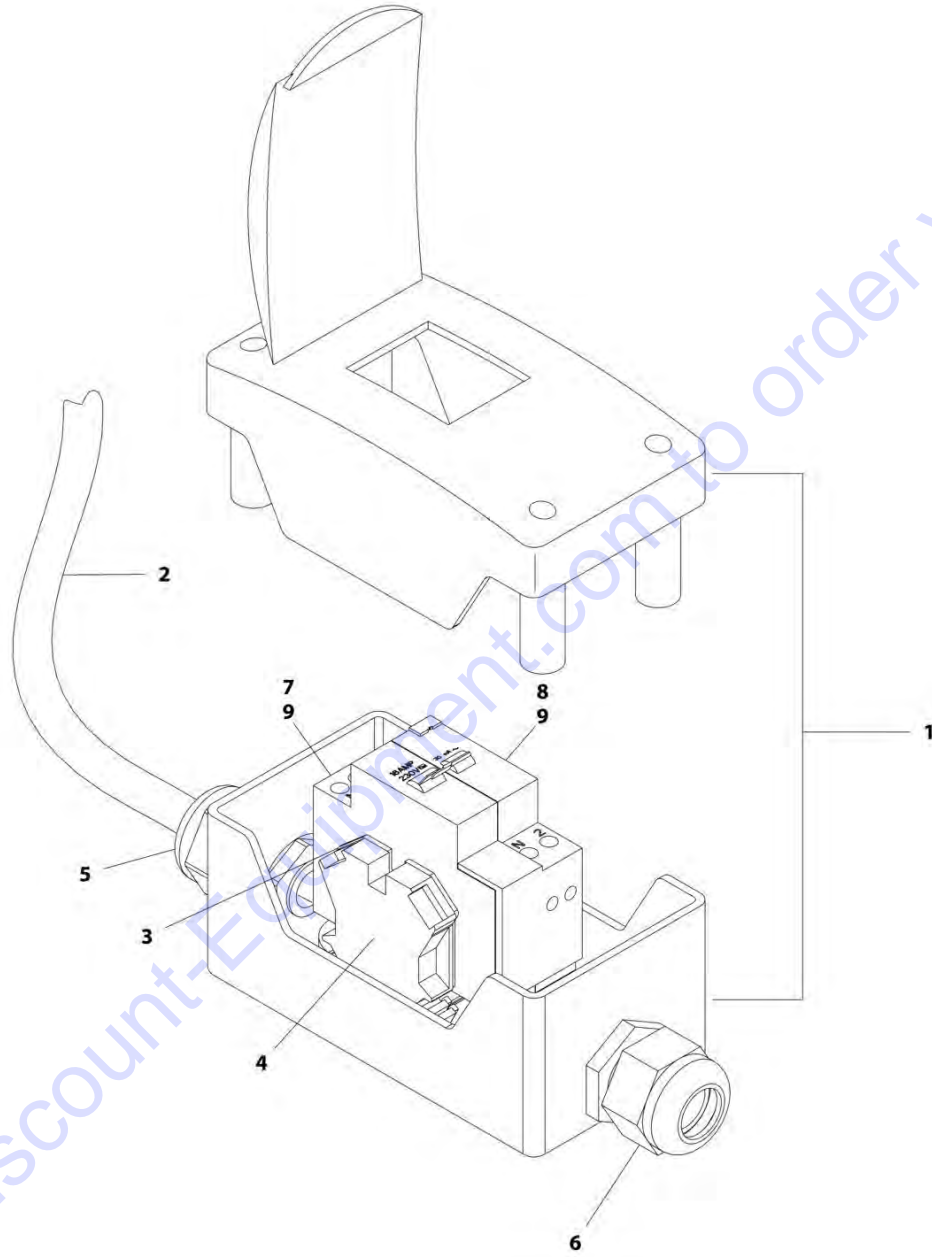
FIGURE 8-26. BREAKER BOX KIT - WITH 2 BREAKERS (CE SPECS) (Prior to SN 0300214286)

ITEM	PART NUMBER	QTY	DESCRIPTION	REV
	1001158080	Ref	BREAKER BOX KIT - WITH 2 BREAKERS (CE SPECS) (Prior to SN 0300214286)	B
1	0861880	1	Box, Breaker	
2	1060908	40 in/1m	Cable, Electrical 12/3	
3	4460956	1	Barrier, Terminal Block End	
4	4460957	1	Block, Terminal	
5	1001097150	1	Connector, Strain Relief	
6	1001101191	1	Connector, Strain Relief	
9	1001181045	1	Breaker 30mA/16Amp Combo	

Go to Discount-Equipment.com to order your parts

SECTION 8 - ELECTRICAL

FIGURE 8-27. BREAKER BOX KIT - WITH 2 BREAKERS (CE SPECS) (SN 0300214286 to Present)



ART_1001109654

SECTION 8 - ELECTRICAL

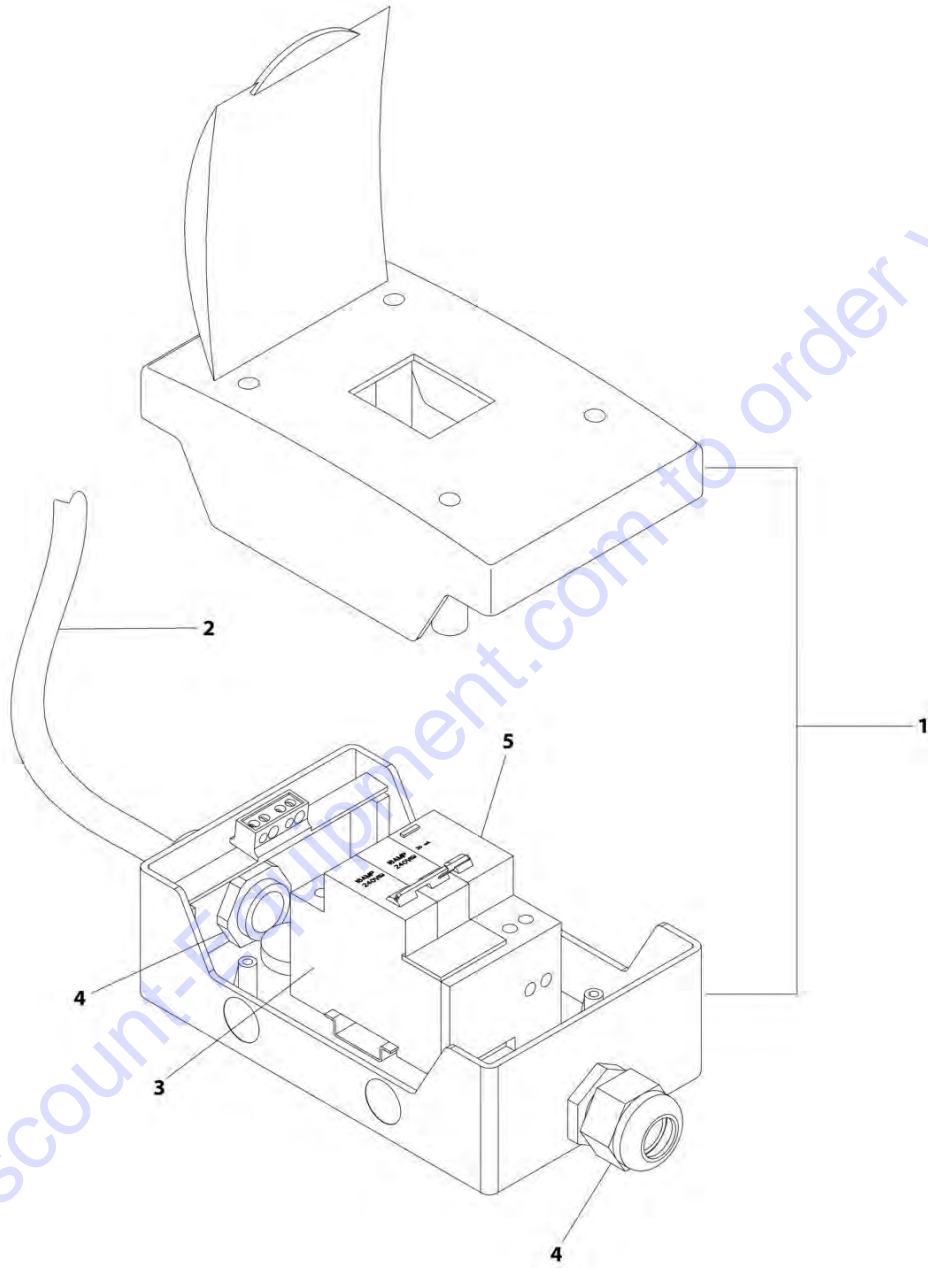
FIGURE 8-27. BREAKER BOX KIT - WITH 2 BREAKERS (CE SPECS) (SN 0300214286 to Present)

ITEM	PART NUMBER	QTY	DESCRIPTION	REV
	1001109654	Ref	BREAKER BOX KIT - WITH 2 BREAKERS (CE SPECS) (SN 0300214286 to Present)	B
1	0861880	1	Box, Breaker	
2	1060908	12 ft/ 3.6m	Cable, Electrical 12/3	
3	4460956	1	Barrier, Terminal Block End	
4	4460957	1	Block, Terminal	
5	1001097150	1	Connector, Strain Relief	
6	1001101191	1	Connector, Strain Relief	
9	1001181045	1	Breaker, Double 30mAmp/16Amp	

Go to Discount-Equipment.com to order your parts

SECTION 8 - ELECTRICAL

FIGURE 8-28. BREAKER BOX KIT - WITH 3 BREAKERS (CE SPECS)



ART_1001205690

SECTION 8 - ELECTRICAL

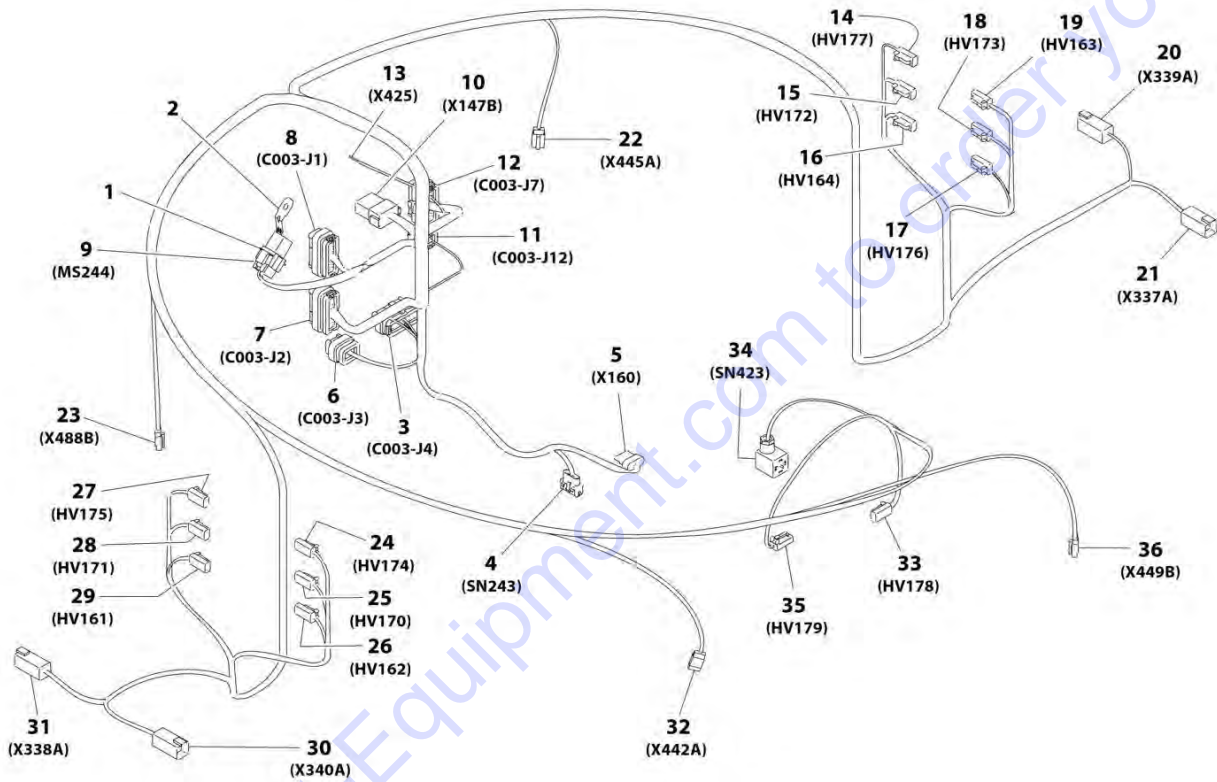
FIGURE 8-28. BREAKER BOX KIT - WITH 3 BREAKERS (CE SPECS)

ITEM	PART NUMBER	QTY	DESCRIPTION	REV
	1001205690	Ref	BREAKER BOX KIT - WITH 3 BREAKERS (CE SPECS)	A
1	1001152483	1	Box, Breaker	
2	1060545	11.5 ft /3.5m	Cable, Electrical 10/3	
3	1001189172	1	Breaker 16Amp Double	
4	1001101191	2	Connector, Strain Relief	
5	1001189171	1	Breaker 30mA	

Go to Discount-Equipment.com to order your parts

SECTION 8 - ELECTRICAL

FIGURE 8-29. CHASSIS HARNESS



ART_1001149975

SECTION 8 - ELECTRICAL

FIGURE 8-29. CHASSIS HARNESS

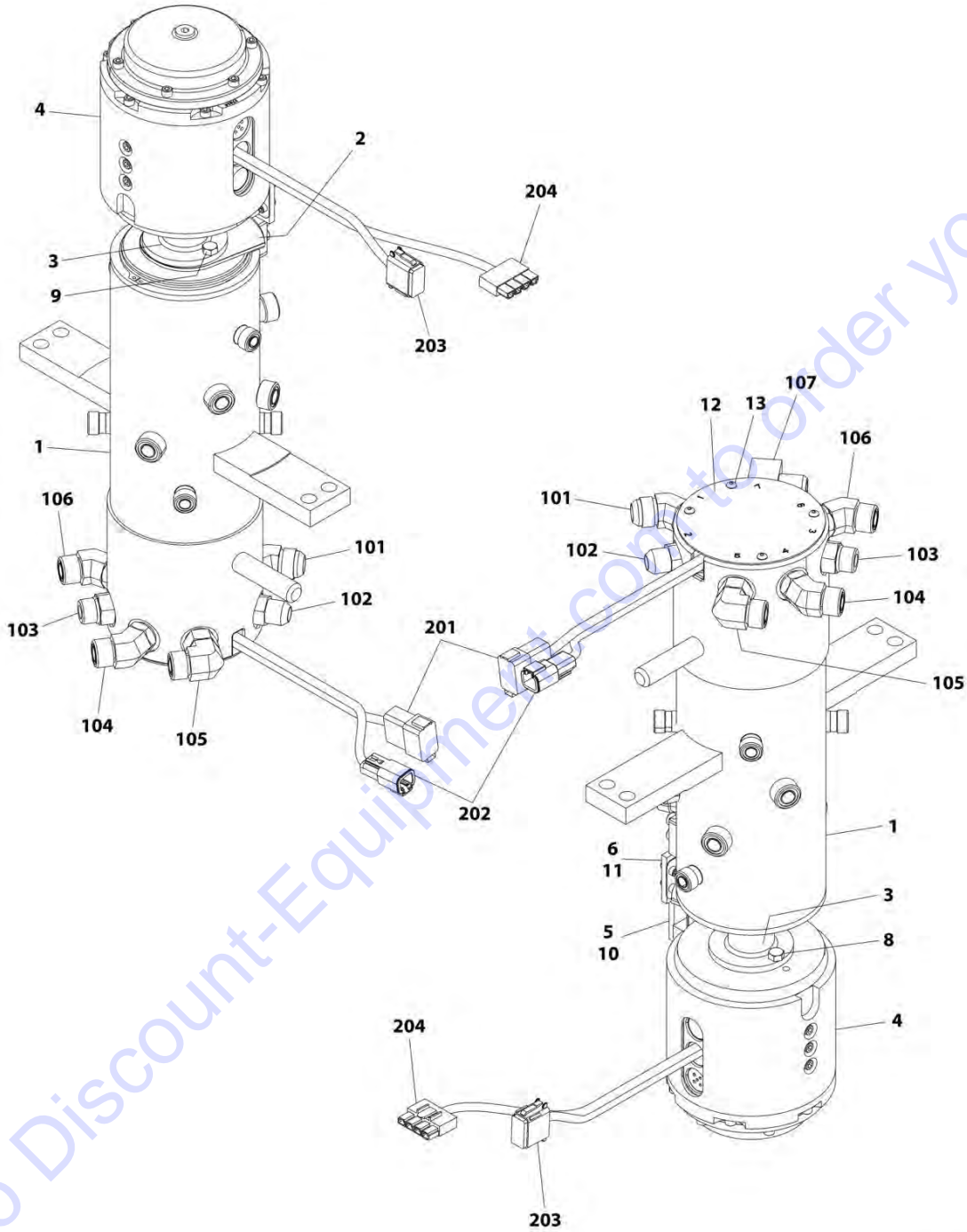
ITEM	PART NUMBER	QTY	DESCRIPTION	REV
	1001149975	Ref	CHASSIS HARNESS	H
1	4460852	1	Connector - 8 Position	
2	1001155743	1	Holder	
3	4460876	1	Connector - 35 Position	
3	4460871	4	Socket, Female	
3	4460905	31	Seal, Plug	
4	1001117064	NLA	Connector - 6 Position (Use p/n 1001230931) (Prior to SN 0300237540)	
4	91554014	NLA	Terminal (Use p/n 1001116748) (Prior to SN 0300237540)	
4	1001230931	1	Connector - 6 Position (SN 0300237540 to Present)	
4	1001116748	6	Terminal (SN 0300237540 to Present)	
5	4460761	1	Connector - 4 Position	
5	4460227	4	Pin, Male	
6	4460872	1	Connector - 14 Position	
6	4460871	5	Socket, Female	
6	4460905	9	Seal, Plug	
7	4460875	1	Connector - 35 Position	
7	4460871	21	Socket, Female	
7	4460905	14	Seal, Plug	
8	4460874	1	Connector - 35 Position	
8	4460871	10	Socket, Female	
8	4460905	25	Seal, Plug	
9	4460851	1	Connector - 8 Position	
9	4460465	7	Socket, Female	
9	4460466	1	Seal, Plug	
10	4460950	1	Connector - 12 Position	
10	4460943	3	Pin, Male (Gold)	
10	4460464	3	Pin, Male	
10	4460466	6	Seal, Plug	
11	1001113961	1	Connector - 8 Position	
11	4460871	1	Socket, Female	
11	4460905	7	Seal, Plug	
12	4460873	1	Connector - 35 Position	
12	4460871	22	Socket, Female	
12	4460905	13	Seal, Plug	
13	4461271	1	Connector - 1 Position	
14	4460891	1	Connector - 2 Position	
14	4460465	2	Socket, Female	
15	4460891	1	Connector - 2 Position	
15	4460465	2	Socket, Female	
16	4460891	1	Connector - 2 Position	
16	4460465	2	Socket, Female	
17	4460891	1	Connector - 2 Position	
17	4460465	2	Socket, Female	
18	4460891	1	Connector - 2 Position	
18	4460465	2	Socket, Female	
19	4460891	1	Connector - 2 Position	
19	4460465	2	Socket, Female	
20	4460899	1	Connector - 6 Position	
20	4460464	4	Pin, Male	

SECTION 8 - ELECTRICAL

ITEM	PART NUMBER	QTY	DESCRIPTION	REV
20	4460466	2	Plug, Seal	
21	4460899	1	Connector - 6 Position	
21	4460464	4	Pin, Male	
21	4460466	2	Plug, Seal	
22	4460911	1	Connector - 3 Position	
22	1001126009	3	Terminal	
23	4460911	1	Connector - 3 Position	
23	1001126009	3	Terminal	
24	4460891	1	Connector - 2 Position	
24	4460465	2	Socket, Female	
25	4460891	1	Connector - 2 Position	
25	4460465	2	Socket, Female	
26	4460891	1	Connector - 2 Position	
26	4460465	2	Socket, Female	
27	4460891	1	Connector - 2 Position	
27	4460465	2	Socket, Female	
28	4460891	1	Connector - 2 Position	
28	4460465	2	Socket, Female	
29	4460891	1	Connector - 2 Position	
29	4460465	2	Socket, Female	
30	4460899	1	Connector - 6 Position	
30	4460464	4	Pin, Male	
30	4460466	2	Plug, Seal	
31	4460899	1	Connector - 6 Position	
31	4460464	4	Pin, Male	
31	4460466	2	Plug, Seal	
32	4460911	1	Connector - 3 Position	
32	1001126009	3	Terminal	
33	4460891	1	Connector - 2 Position	
33	4460465	2	Socket, Female	
34	4460880	1	Connector - 3 Position	
35	4460891	1	Connector - 2 Position	
35	4460465	2	Socket, Female	
36	4460911	1	Connector - 3 Position	

SECTION 8 - ELECTRICAL

FIGURE 8-30. COUPLING/COLLECTOR RING ASSEMBLY



ART_1001195588

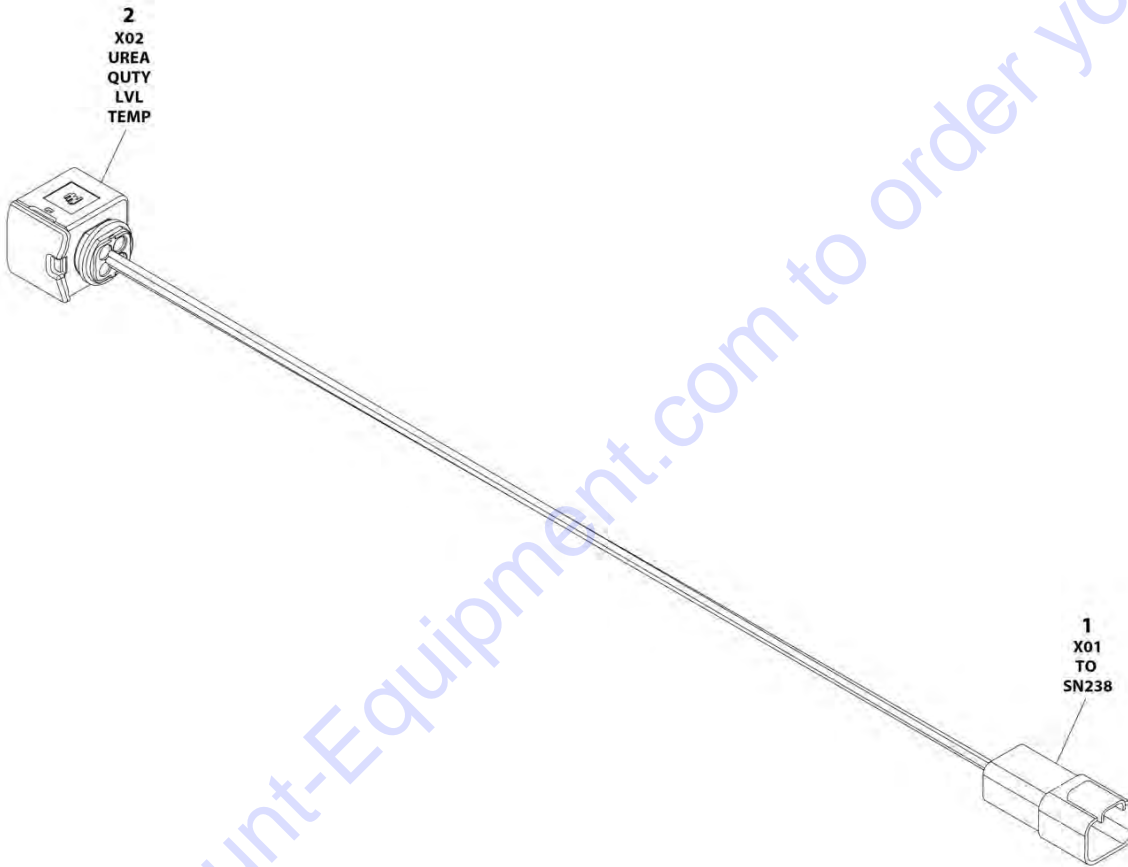
SECTION 8 - ELECTRICAL

FIGURE 8-30. COUPLING/COLLECTOR RING ASSEMBLY

ITEM	PART NUMBER	QTY	DESCRIPTION	REV
	1001195588	Ref	COUPLING/COLLECTOR RING ASSEMBLY	E
1	70005679	1	Coupling, Rotary	
2	7026030	1	Cam	
3	See Note	1	Adapter	
4	70005678	1	Ring, Collector	
5	70003484	1	Arm	
6	7026031	1	Sensor, Proximity	
7	7026032	1	Pin, Dowel (Not Shown)	
8	0641506	2	Bolt 5/16 x 3/4	
9	0641508	2	Bolt 5/16 x 1	
10	3931512	2	Capscrew 5/16 x 3/4	
11	See Note	NSS	Capscrew #10 x 1/2 (Note: Purchase Locally)	
12	See Note	NSS	Cover (Note: Purchase Complete Assembly)	
13	See Note	NSS	Screw #10 x 3/8 (Note: Purchase Locally)	
101	2220498	1	Fitting, 45 JIC/ORB	
102	2220947	1	Fitting, Straight JIC/ORB	
103	2111010	1	Fitting, Straight ORBS/ORB	
104	2151010	1	Fitting, 45 ORBS/ORB	
105	2131010	1	Fitting, 90 ORBS/ORB	
106	2151010	1	Fitting, 45 ORBS/ORB	
107	2220906	1	Fitting, 90 JIC/ORB	
201	4460837	1	Receptacle, Female - 12 Position	
201	4460943	3	Pin, Male	
201	4460516	3	Pin, Male	
201	4460466	6	Plug, Terminal	
202	4461017	1	Receptacle, Female - 2 Position	
202	4460464	2	Pin, Male	
203	4460836	1	Plug, Male - 12 Position	
203	4460944	3	Socket, Female	
203	4460465	5	Socket, Female	
203	4460466	4	Plug, Terminal	
204	4460878	1	Plug, Male - 4 Position	
204	4460887	2	Terminal	

SECTION 8 - ELECTRICAL

FIGURE 8-31. DEF TANK EXTENSION HARNESS (SN 0300254483 to Present)



ART_1001238483

SECTION 8 - ELECTRICAL

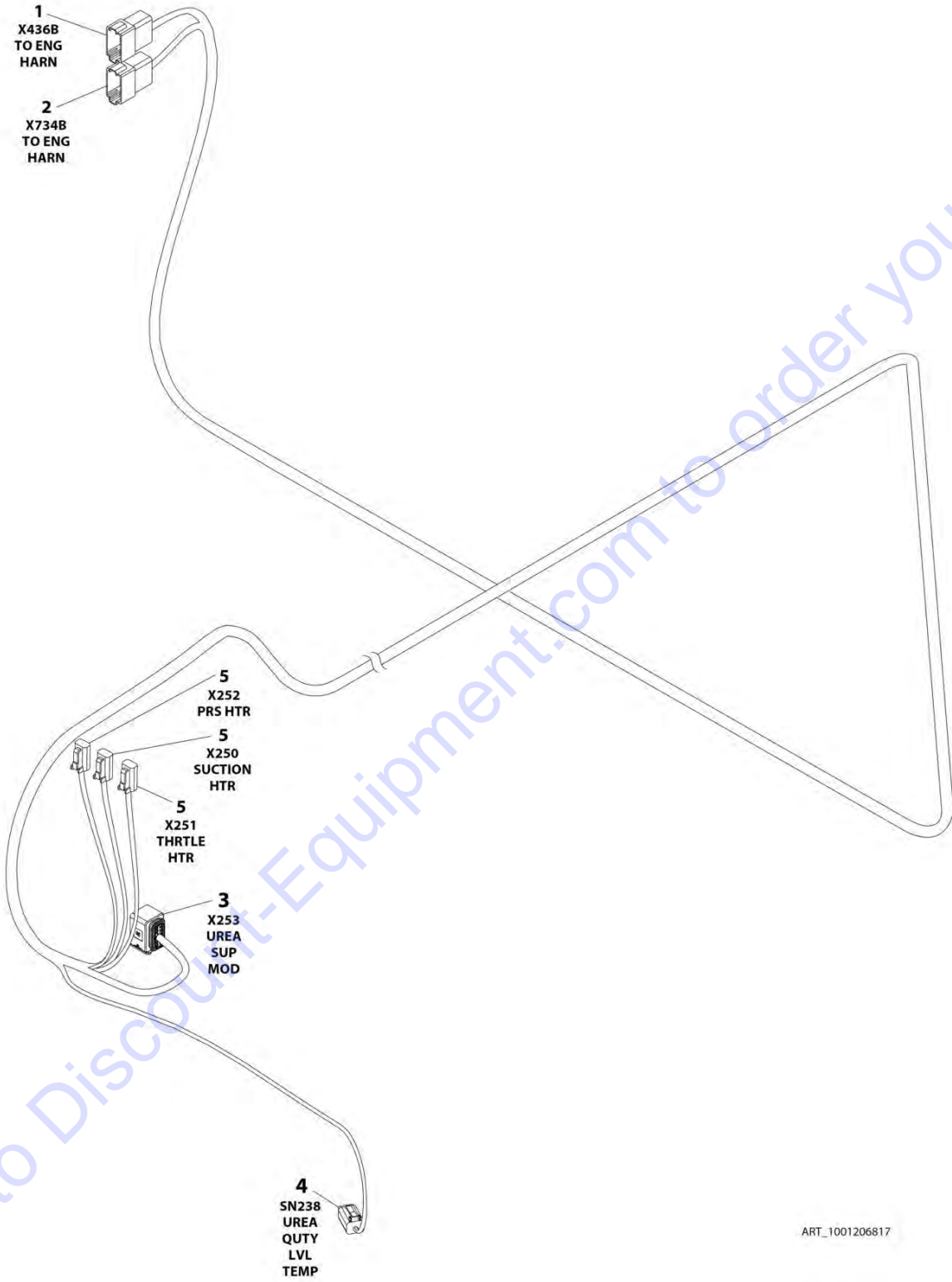
FIGURE 8-31. DEF TANK EXTENSION HARNESS (SN 0300254483 to Present)

ITEM	PART NUMBER	QTY	DESCRIPTION	REV
	1001238483	Ref	DEF TANK EXTENSION HARNESS	A
1	4460932	1	Receptacle, Female - 4 Position	
1	4460464	2	Pin, Male	
1	4460943	2	Pin, Male	
2	1001167528	1	Connector - 4 Position	
2	1001167632	2	Terminal	
2	1001166704	2	Terminal	
2	1001137578	4	Seal	

Go to Discount-Equipment.com to order your parts

SECTION 8 - ELECTRICAL

FIGURE 8-32. DIESEL EXHAUST FLUID TANK HARNESS



ART_1001206817

SECTION 8 - ELECTRICAL

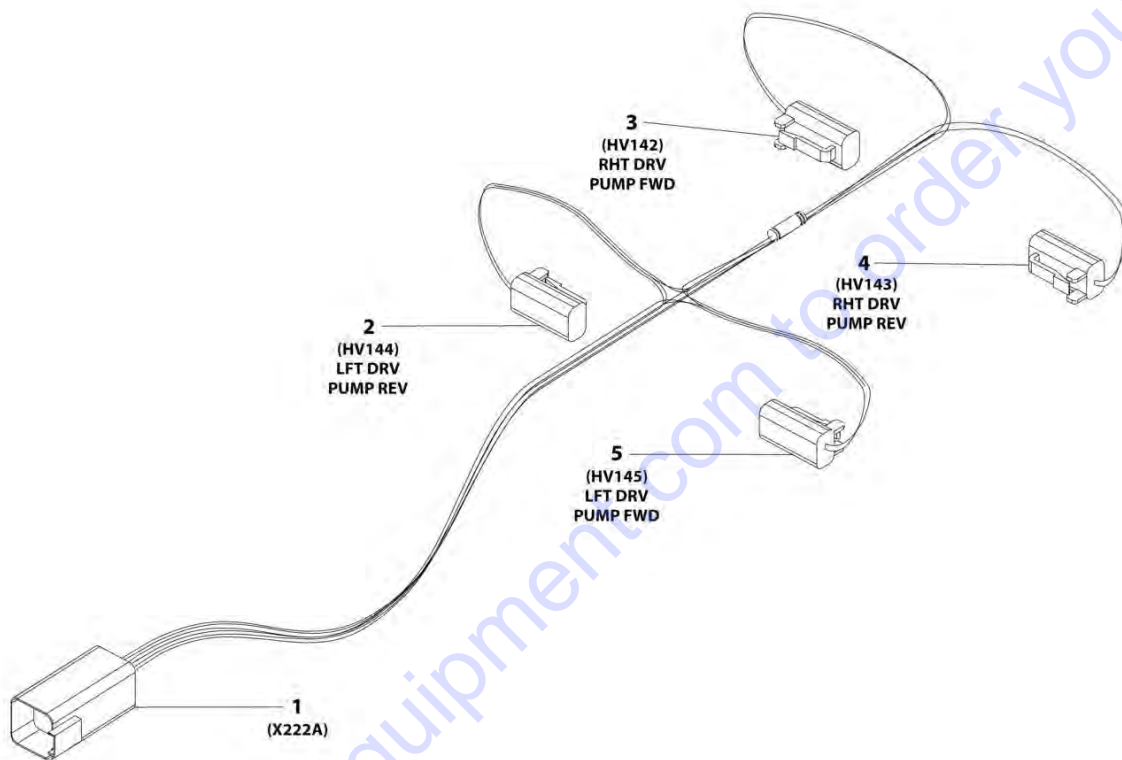
FIGURE 8-32. DIESEL EXHAUST FLUID TANK HARNESS

ITEM	PART NUMBER	QTY	DESCRIPTION	REV
	1001206817	Ref	DIESEL EXHAUST FLUID TANK HARNESS	A
1	4460982	1	Receptacle, Female - 12 Position	
1	1001157891	6	Pin, Male	
1	4460464	2	Pin, Male	
1	4460943	2	Pin, Male	
1	4460466	2	Plug, Terminal	
2	1001152742	1	Receptacle, Female - 12 Position	
2	4460941	2	Pin, Male	
2	4460464	8	Pin, Male	
2	4460466	2	Plug, Terminal	
3	1001165194	1	Plug, Male - 12 Position	
3	1001166556	8	Socket, Female	
3	1001166774	2	Socket, Female	
3	1001126391	2	Plug, Terminal	
4	4460884	1	Plug, Male - 4 Position	
4	4460944	2	Socket, Female	
4	4460465	2	Socket, Female	
5	4460891	3	Plug, Male - 2 Position	
5	4460942	6	Socket, Female	

Go to Discount-Equipment.com to order your parts

SECTION 8 - ELECTRICAL

FIGURE 8-33. DRIVE PUMP HARNESS



ART_1001149970

SECTION 8 - ELECTRICAL

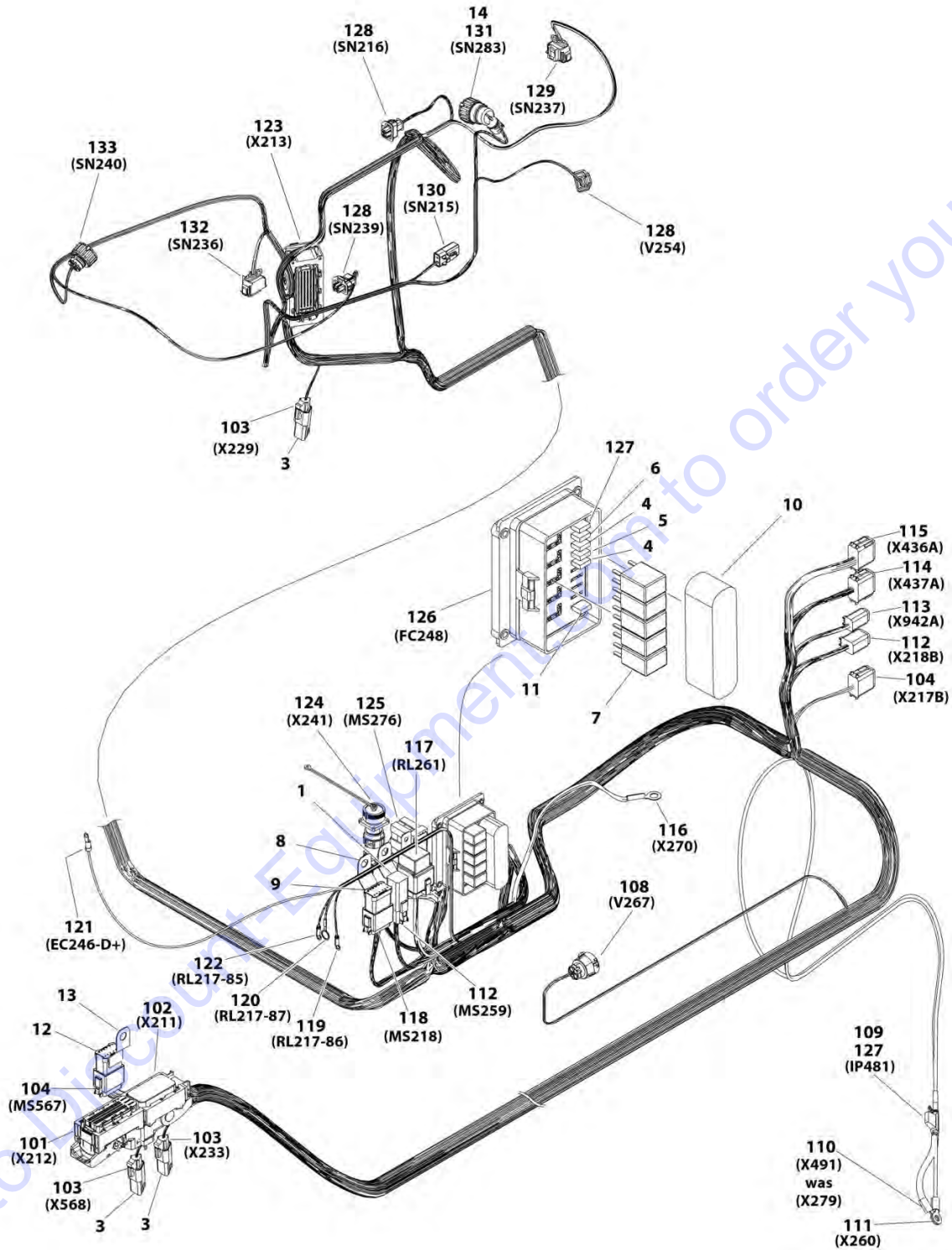
FIGURE 8-33. DRIVE PUMP HARNESS

ITEM	PART NUMBER	QTY	DESCRIPTION	REV
	1001149970	Ref	DRIVE PUMP HARNESS	B
1	4460899	1	Connector - 6 Position	
1	4460464	5	Pin, Male	
1	4460466	1	Plug, Seal	
2	4460891	1	Connector - 2 Position	
2	4460465	2	Socket, Female	
3	4460891	1	Connector - 2 Position	
3	4460465	2	Socket, Female	
4	4460891	1	Connector - 2 Position	
4	4460465	2	Socket, Female	
5	4460891	1	Connector - 2 Position	
5	4460465	2	Socket, Female	

Go to Discount-Equipment.com to order your parts

SECTION 8 - ELECTRICAL

FIGURE 8-34. ENGINE HARNESS (HRC)



ART_1001188922

SECTION 8 - ELECTRICAL

FIGURE 8-34. ENGINE HARNESS (HRC)

ITEM	PART NUMBER	QTY	DESCRIPTION	REV
	1001188922	Ref	ENGINE HARNESS (HRC)	J
1	4460892	1	Buss Bar - 6 Position	
3	4461070	3	Connector - 3 Position (With Terminating Resistor)	
4	8229242	2	Fuse, 5Amp	
5	8229244	1	Fuse, 15Amp	
6	8229247	1	Fuse, 25Amp	
7	1001095704	5	Relay	
8	1001120328	2	Mount	
9	1001125677	1	Connector, Bussbar	
10	1001190921	1	Seal	
11	1001197719	1	Resistor 620ohm	
12	4460984	1	Receptacle, Female - 8 Position	
13	1001155743	1	Mount	
14	1001187882	1	Cover, Connector (Prior to SN 0300218784)	
14	1001216318	1	Cover, Connector (SN 0300218784 to Present)	
101	1001167615	1	Connector - 91 Position	
101	1001166551	6	Terminal	
101	1001167621	20	Terminal	
101	1001167622	65	Plug, Terminal	
101	1001126353	6	Seal	
102	1001167625	1	Connector - 105 Position	
102	1001166555	13	Terminal	
102	1001167621	50	Terminal	
102	1001167622	36	Plug, Terminal	
102	1001167623	6	Seal	
103	4461095	3	Connector - 3 Position	
103	4460944	4	Socket, Female	
103	4460465	2	Socket, Female	
103	4460466	3	Plug, Terminal	
104	4460930	2	Connector - 8 Position	
104	4460465	2	Socket, Female	
104	4460466	6	Plug, Terminal	
108	1001167620	1	Connector - 4 Position	
108	1001176004	2	Socket, Female	
108	1001167624	2	Plug, Terminal	
108	1001176002	2	Seal	
109	2400066	1	Fuseholder with Leads	
110	1001117107	1	Terminal, Ring	
111	8220045	1	Terminal, Ring	
112	4460894	2	Plug, Male - 6 Position	
112	4460465	7	Socket, Female	
112	4460944	2	Socket, Female	
112	4460942	1	Socket, Female	
112	4460466	2	Plug, Socket	
113	4460884	1	Plug, Male - 4 Position	
113	4460465	2	Socket, Female	
113	4460942	2	Socket, Female	
114	4460934	1	Plug, Male - 12 Position	
114	4460942	2	Socket, Female	
114	4460465	8	Socket, Female	

SECTION 8 - ELECTRICAL

ITEM	PART NUMBER	QTY	DESCRIPTION	REV
114	4460466	2	Plug, Socket	
115	4460935	1	Plug, Male - 12 Position	
115	1001157890	6	Socket, Female	
115	4460465	2	Socket, Female	
115	4460944	2	Socket, Female	
115	4460466	2	Plug, Socket	
116	1001117108	1	Ring, Terminal	
117	1001118282	1	Connector - 5 Position	
117	1001116734	2	Terminal	
117	1001116733	2	Terminal	
117	1001128128	1	Plug, Socket	
118	4460933	1	Plug, Male - 12 Position	
118	4460944	12	Socket, Female	
119	4460247	1	Terminal, Ring	
120	4460703	1	Terminal, Ring	
121	4460042	1	Terminal, Ring	
122	4460247	1	Terminal, Ring	
123	1001126362	1	Connector - 62 Position	
123	1001166556	30	Socket, Female (Prior to SN 0300229725)	
123	1001166556	26	Socket, Female (SN 0300229725 to Present)	
123	1001166774	10	Socket, Female	
123	1001166541	2	Socket, Female	
123	1001166543	2	Socket, Female	
123	1001126391	16	Plug, Terminal (Prior to SN 0300229725)	
123	1001126391	20	Plug, Terminal (SN 0300229725 to Present)	
123	4461008	2	Plug, Terminal	
123	1001166701	30	Seal, Terminal (Prior to SN 0300229725)	
123	1001166701	26	Seal, Terminal (SN 0300229725 to Present)	
123	1001126393	10	Seal, Terminal	
123	4461006	2	Seal, Terminal (Blue)	
123	4461054	2	Seal, Terminal (White)	
124	2902443	1	Kit, Receptacle	
124	4461071	8	Socket, Female	
124	4461072	1	Connector	
124	4461043	1	Cap, Dust	
124	4461074	1	Shell, Back	
125	1001184846	1	Plug, Male - 10 Position	
125	4460509	10	Socket, Female	
126	1001167616	1	Main Fuse Box Assembly	
126	1001116725	6	Socket, Female	
126	8220097	19	Terminal	
126	8220098	7	Terminal	
126	4460748	13	Plug, Terminal	
126	80963067	6	Seal (Blue)	
126	1001175265	12	Seal, Terminal	
126	4460458	14	Seal, Terminal	
127	8229245	2	Fuse, 30Amp	
128	1001126487	3	Connector - 2 Position	
128	1001167634	4	Socket, Female	
128	1001167635	2	Socket, Female	
128	1001126485	6	Seal, Terminal	

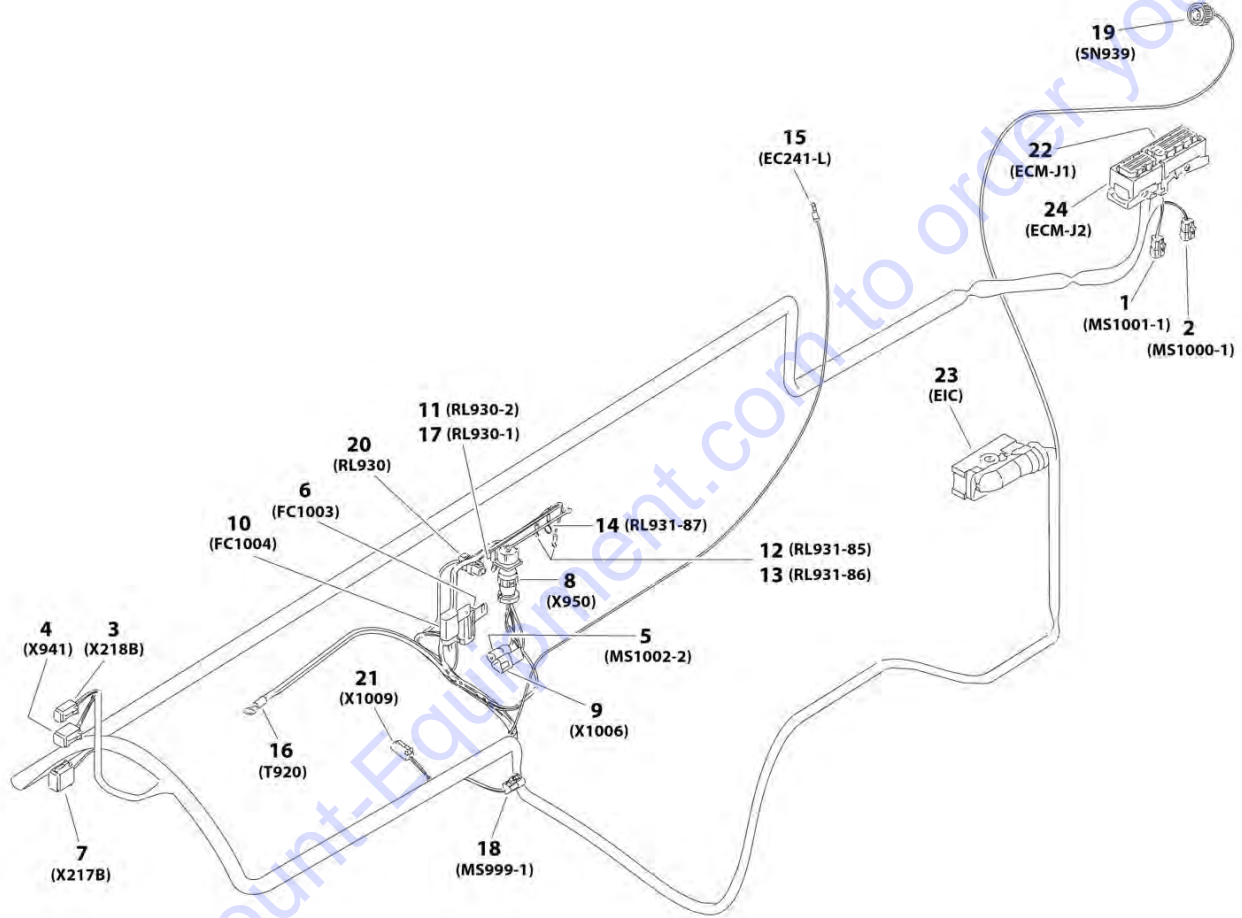
SECTION 8 - ELECTRICAL

ITEM	PART NUMBER	QTY	DESCRIPTION	REV
129	1001167629	1	Connector - 4 Position	
129	1001167630	4	Socket, Female	
129	1001126485	4	Seal, Terminal	
130	1001126245	1	Plug, Male - 2 Position	
130	1001126008	2	Socket, Female	
131	1001138116	1	Connector - 3 Position	
131	1001133715	3	Socket, Female	
131	1001135650	4	Seal, Terminal	
132	1001167631	1	Connector - 4 Position	
132	1001167630	4	Socket, Female	
132	1001126485	4	Seal, Terminal	
133	1001133714	1	Connector - 4 Position	
133	1001133715	3	Socket, Female	
133	1001135650	3	Seal, Terminal	

Go to Discount-Equipment.com to order your parts

SECTION 8 - ELECTRICAL

FIGURE 8-35. ENGINE HARNESS (LRC)



ART_1001149971

SECTION 8 - ELECTRICAL

FIGURE 8-35. ENGINE HARNESS (LRC)

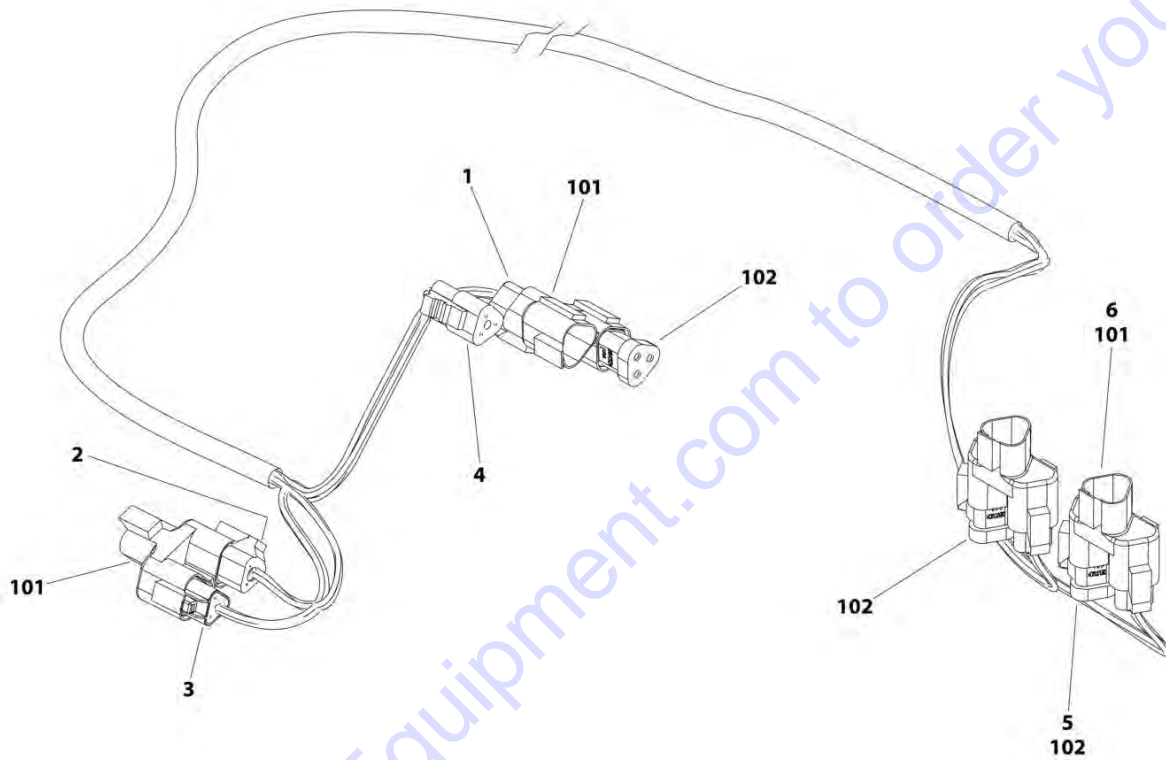
ITEM	PART NUMBER	QTY	DESCRIPTION	REV
	1001149971	Ref	ENGINE HARNESS (LRC)	F
1	1001116812	1	Connector - 3 Position	
1	4460944	2	Socket, Female	
1	4460466	1	Plug, Socket	
2	1001116812	1	Connector - 3 Position	
2	4460944	2	Socket, Female	
2	4460466	1	Plug, Socket	
3	4460894	1	Connector - 6 Position	
3	4460944	3	Socket, Female	
3	4460466	3	Plug, Socket	
4	4460884	1	Connector - 4 Position (Prior to SN 0300224696)	
4	1001220379	1	Connector - 4 Position (SN 0300224696 to Present)	
4	4460942	2	Socket, Female	
4	4460465	2	Socket, Female	
4	4460466	4	Plug, Socket	
5	4460539	1	Connector - 3 Position	
5	4460944	2	Socket, Female	
5	4460466	1	Plug, Socket	
6	1001119412	1	Fuseholder	
6	See Note	NSS	Fuse 5A (Note: Purchase Locally)	
6	1001116732	1	Terminal	
6	1001128128	1	Plug, Socket	
7	4460930	1	Connector, Female - 8 Position	
7	4460944	1	Socket, Female	
7	4460466	7	Plug, Seal	
8	2902443	1	Kit, Receptacle	
8	4461071	8	Socket, Female	
8	4461072	1	Connector	
8	4461043	1	Cap, Dust	
8	4461074	1	Shell, Back	
9	4460536	1	Connector - 3 Position	
9	4460943	2	Pin, Male	
9	4460466	1	Plug, Socket	
10	1001117023	1	Fuseholder	
10	See Note	NSS	Fuse 10A (Note: Purchase Locally)	
10	1001116732	1	Terminal	
10	1001128128	2	Plug, Socket	
11	1001117106	1	Ring, Terminal	
12	4460247	1	Ring, Terminal	
13	4460247	1	Ring, Terminal	
14	4460703	1	Ring, Terminal	
15	4460042	1	Ring, Terminal	
16	8220115	1	Ring, Terminal	
17	4460043	1	Ring, Terminal	
18	1001116812	1	Connector - 3 Position	
18	4460944	3	Socket, Female	
19	1001133714	1	Connector - 4 Position	
19	1001133715	3	Socket, Female	
20	1001116952	1	Connector - 2 Position	
20	4460465	1	Socket, Female	

SECTION 8 - ELECTRICAL

ITEM	PART NUMBER	QTY	DESCRIPTION	REV
20	4460466	1	Seal, Plug	
21	4460891	1	Connector, Male - 2 Position	
21	4460465	2	Socket, Female	
21	4460897	1	Connector, Female - 2 Position	
21	4460464	2	Pin, Male	
21	See Note	NSS	Resistor 1.5ohm (Note: Not Available for Purchase)	
21	1001156692	AR	Heat Shrink	
22	1001133956	1	Connector - 94 Position	
22	1001126352	6	Terminal 13-17Ga	
22	1001126384	21	Terminal 18-20Ga	
22	1001126351	2	Terminal 15-18Ga	
22	1001126357	2	Plug, Socket	
22	1001126356	63	Plug, Socket	
23	1001126362	1	Connector - 62 Position	
23	1001126365	2	Terminal 17-20Ga	
23	1001126363	35	Terminal 17-20Ga (Gold)	
23	1001126391	21	Plug, Socket	
23	4461008	4	Plug, Socket	
24	1001133957	1	Connector - 60 Position	
24	1001126351	13	Terminal 15-18Ga	
24	1001126384	17	Terminal 18-20Ga	
24	1001126357	11	Plug, Socket	
24	1001126356	19	Plug, Socket	

SECTION 8 - ELECTRICAL

FIGURE 8-36. ENGINE CAN HARNESS



ART_1001156001

SECTION 8 - ELECTRICAL

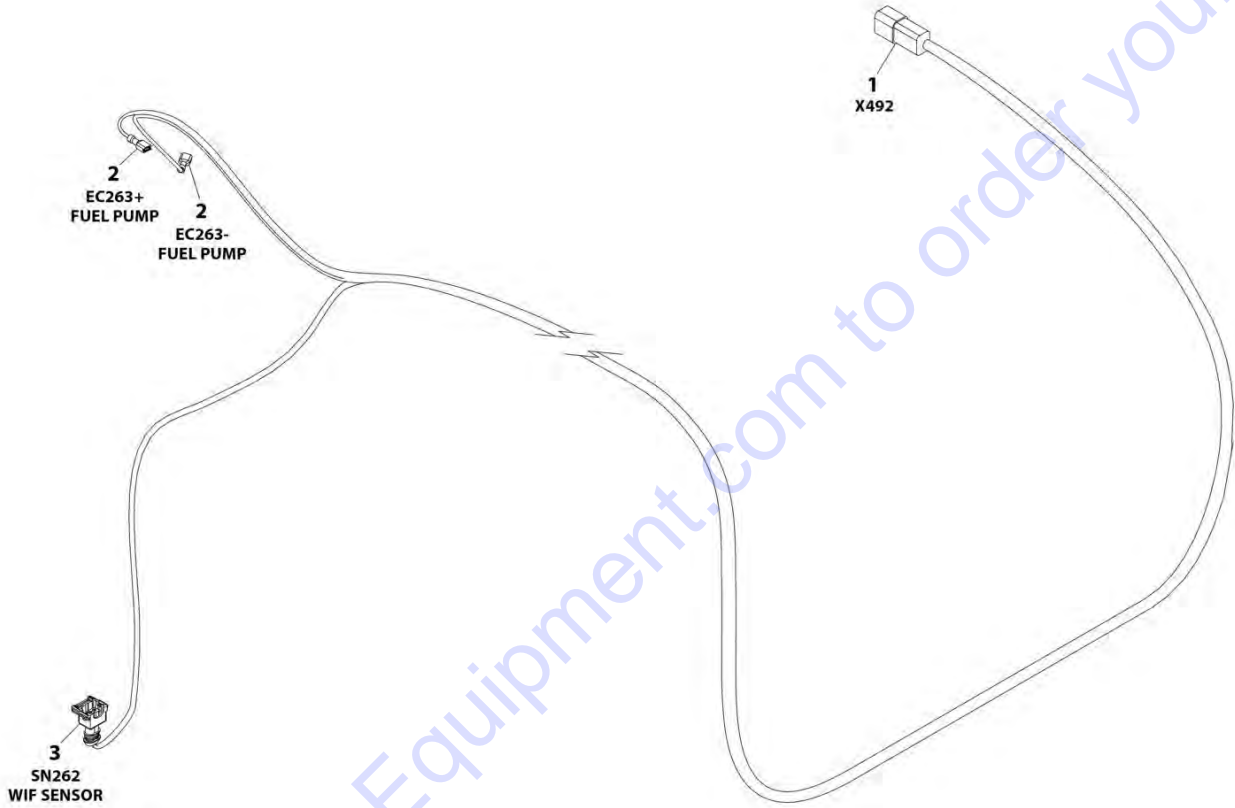
FIGURE 8-36. ENGINE CAN HARNESS

ITEM	PART NUMBER	QTY	DESCRIPTION	REV
	1001156001	Ref	ENGINE CAN HARNESS	B
1	1001116812	1	Connector - 3 Position	
1	4460944	3	Socket, Female	
2	4460539	1	Connector - 3 Position	
2	4460944	3	Socket, Female	
3	1001116812	1	Connector - 3 Position	
3	4460944	3	Socket, Female	
4	4460539	1	Connector - 3 Position	
4	4460944	3	Socket, Female	
5	4460539	1	Connector - 3 Position	
5	4460944	3	Socket, Female	
6	4460539	1	Connector - 3 Position	
6	4460944	3	Socket, Female	
101	4460945	4	Connector, Tee	
102	1001116815	3	Connector - 3 Position	

Go to Discount-Equipment.com to order your parts

SECTION 8 - ELECTRICAL

FIGURE 8-37. FUEL PUMP AND WIF HARNESS



ART_1001211885

SECTION 8 - ELECTRICAL

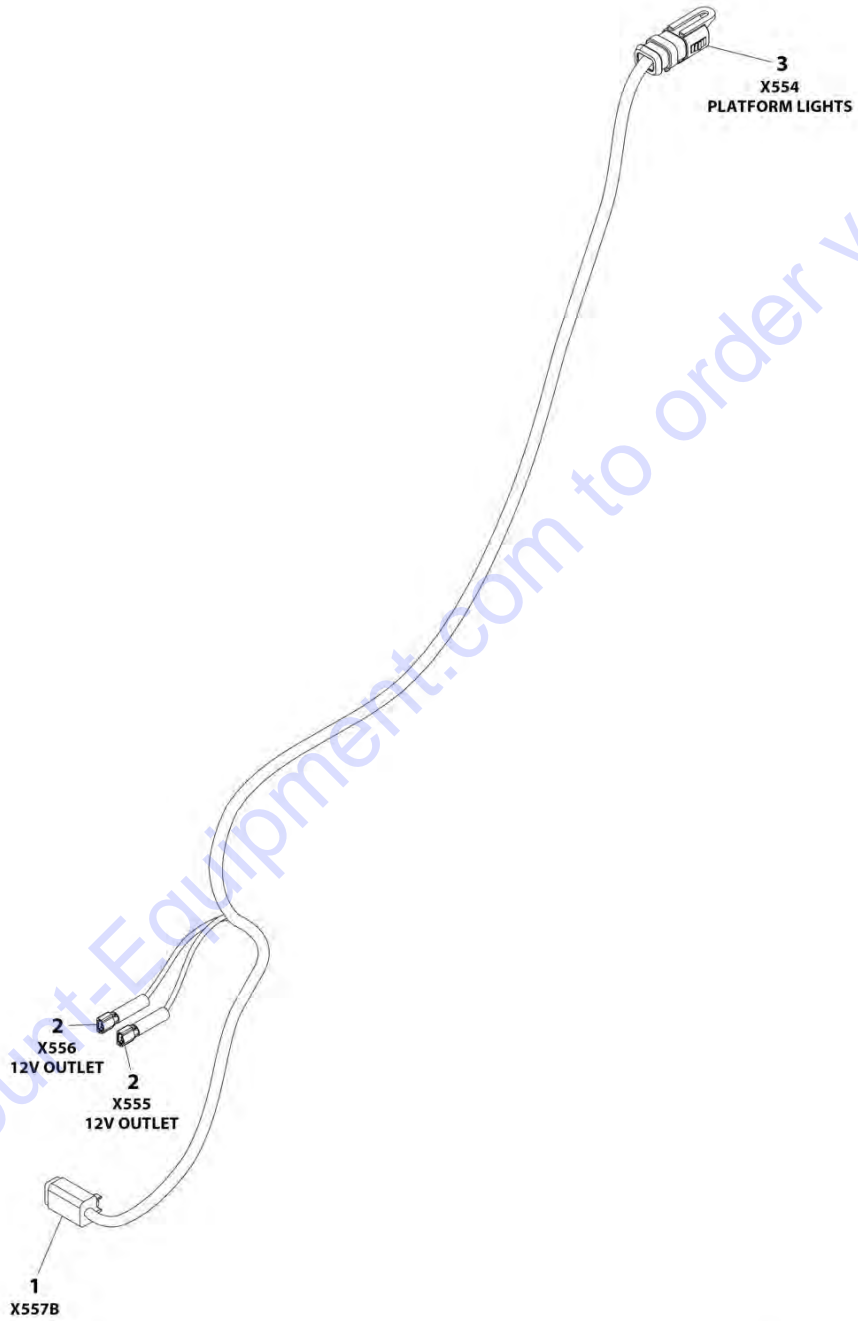
FIGURE 8-37. FUEL PUMP AND WIF HARNESS

ITEM	PART NUMBER	QTY	DESCRIPTION	REV
	1001211885	Ref	FUEL PUMP AND WIF HARNESS	A
1	4460932	1	Receptacle, Female - 4 Position	
1	4460464	4	Pin, Male	
2	8220051	2	Terminal	
3	1001116983	1	Connector - 2 Position	
3	4461060	2	Terminal	

Go to Discount-Equipment.com to order your parts

SECTION 8 - ELECTRICAL

FIGURE 8-38. PLATFORM OUTLET HARNESS



ART_1001206506

SECTION 8 - ELECTRICAL

FIGURE 8-38. PLATFORM OUTLET HARNESS

ITEM	PART NUMBER	QTY	DESCRIPTION	REV
	1001206506	Ref	PLATFORM OUTLET HARNESS	C
1	4460884	1	Plug, Male - 4 Position	
1	4460465	4	Socket, Female	
2	1001206509	2	Terminal	
3	1001210079	1	Plug, Male - 4 Position	
3	4460465	4	Socket, Female	
3	1001192401	1	Cap, Dust	

Go to Discount-Equipment.com to order your parts

SECTION 8 - ELECTRICAL

FIGURE 8-39. STROBE LIGHT (AMBER) HARNESS



ART_1001202787

SECTION 8 - ELECTRICAL

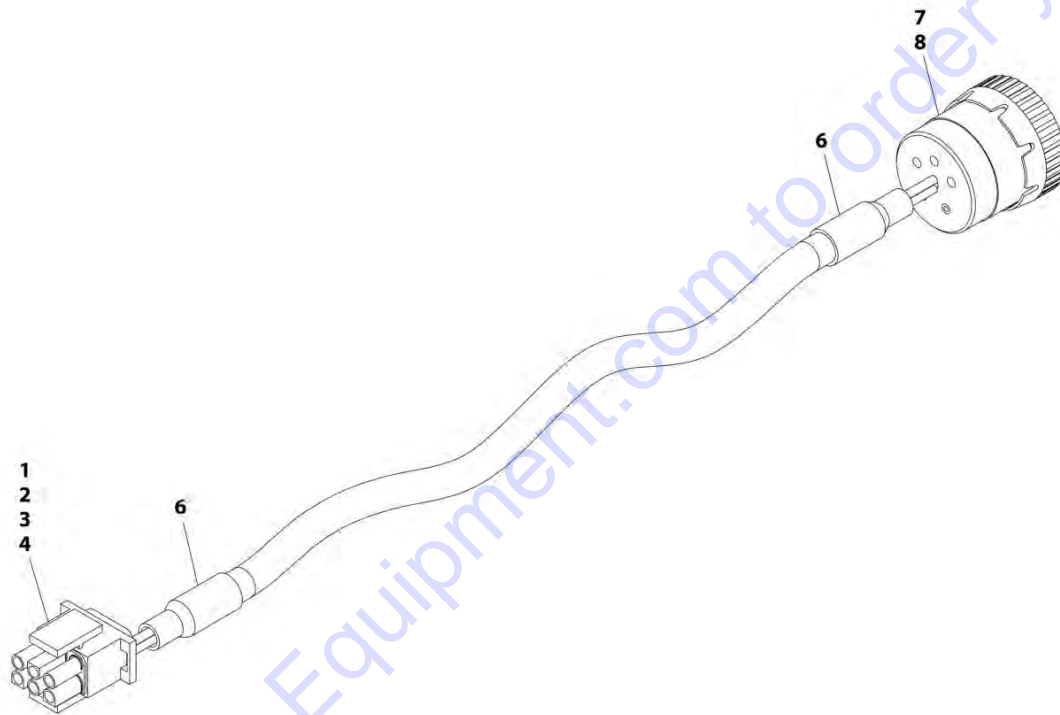
FIGURE 8-39. STROBE LIGHT (AMBER) HARNESS

ITEM	PART NUMBER	QTY	DESCRIPTION	REV
	1001202787	Ref	STROBE LIGHT (AMBER) HARNESS	A
1	4460891	1	Plug, Male - 2 Position	
1	4460465	2	Socket, Female	
2	4460897	1	Receptacle, Female - 2 Position	
2	4460464	2	Pin, Male	

Go to Discount-Equipment.com to order your parts

SECTION 8 - ELECTRICAL

FIGURE 8-40. GENERATOR TO CONTROL BOX HARNESS (4000W GENERATOR)



ART_1001152532

PARTS FINDER

**Search Website
by Part Number**



**Search Manual
Library For Parts
Manual & Lookup Part
Numbers – Purchase
or Request Quote**

**Can't Find Part or
Manual? Request Help
by Manufacturer,
Model & Description**

Discount-Equipment.com is your online resource for quality parts & equipment.

Florida: **561-964-4949** Outside Florida TOLL FREE: **877-690-3101**

Need parts?

Click on this link: <http://www.discount-equipment.com/category/5443-parts/> and choose one of the options to help get the right parts and equipment you are looking for. Please have the machine model and serial number available in order to help us get you the correct parts. If you don't find the part on the website or on one of the online manuals, please fill out the request form and one of our experienced staff members will get back to you with a quote for the right part that your machine needs.

We sell worldwide for the brands: Genie, Terex, JLG, MultiQuip, Mikasa, Essick, Whiteman, Mayco, Toro Stone, Diamond Products, Generac Magnum, Airman, Haulotte, Barreto, Power Blanket, Nifty Lift, Atlas Copco, Chicago Pneumatic, Allmand, Miller Curber, Skyjack, Lull, Skytrak, Tsurumi, Husquvarna Target, Stow, Wacker, Sakai, Mi-T-M, Sullair, Basic, Dynapac, MBW, Weber, Bartell, Bennar Newman, Haulotte, Ditch Runner, Menegotti, Morrison, Contec, Buddy, Crown, Edco, Wyco, Bomag, Laymor, EZ Trench, Bil-Jax, F.S. Curtis, Gehl Pavers, Heli, Honda, ICS/PowerGrit, IHI, Partner, Imer, Clipper, MMD, Koshin, Rice, CH&E, General Equipment, Amida, Coleman, NAC, Gradall, Square Shooter, Kent, Stanley, Tamco, Toku, Hatz, Kohler, Robin, Wisconsin, Northrock, Oztec, Toker TK, Rol-Air, APT, Wylie, Ingersoll Rand / Doosan, Innovatech, Con X, Ammann, Mecalac, Makinex, Smith Surface Prep, Small Line, Wanco, Yanmar

SECTION 8 - ELECTRICAL

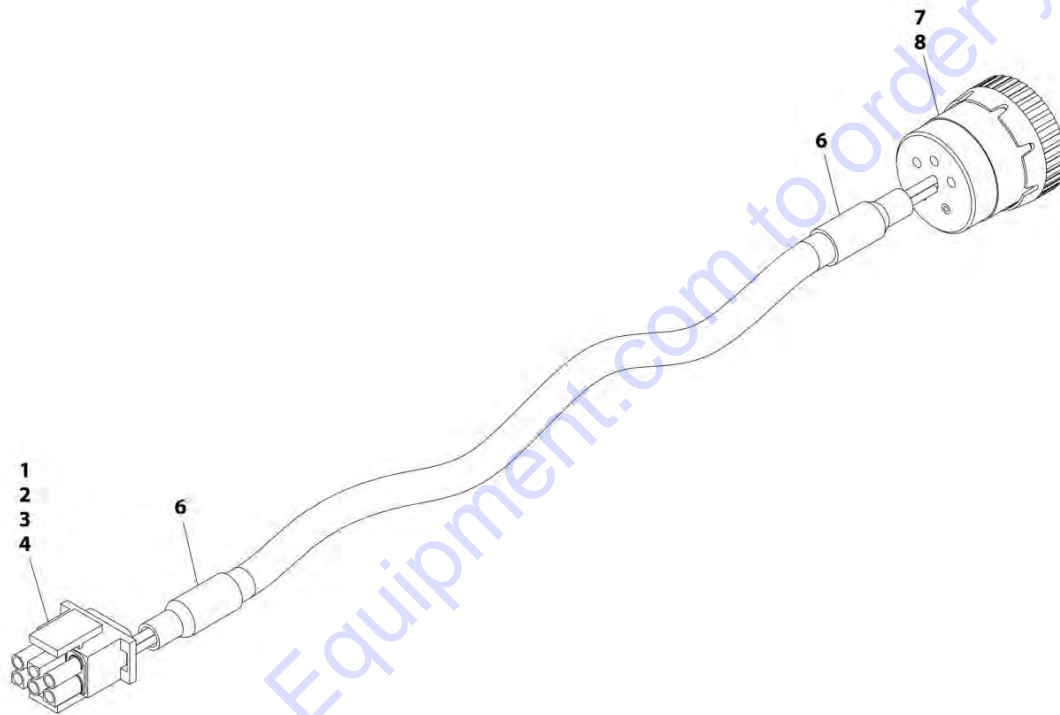
FIGURE 8-40. GENERATOR TO CONTROL BOX HARNESS (4000W GENERATOR)

ITEM	PART NUMBER	QTY	DESCRIPTION	REV
	1001152532	Ref	GENERATOR TO CONTROL BOX HARNESS (4000W GENERATOR)	A
1	4460225	1	Plug, Male - 6 Position	
2	4460268	2	Socket, Female	
3	4460807	1	Seal	
4	4460808	1	Seal	
6	2820019	AR	Heat Shrink	
7	4460465	2	Socket, Female	
8	77363233	1	Connector - 6 Position	

Go to Discount-Equipment.com to order your parts

SECTION 8 - ELECTRICAL

FIGURE 8-41. GENERATOR TO CONTROL BOX HARNESS (7500W GENERATOR)



ART_4922925

SECTION 8 - ELECTRICAL

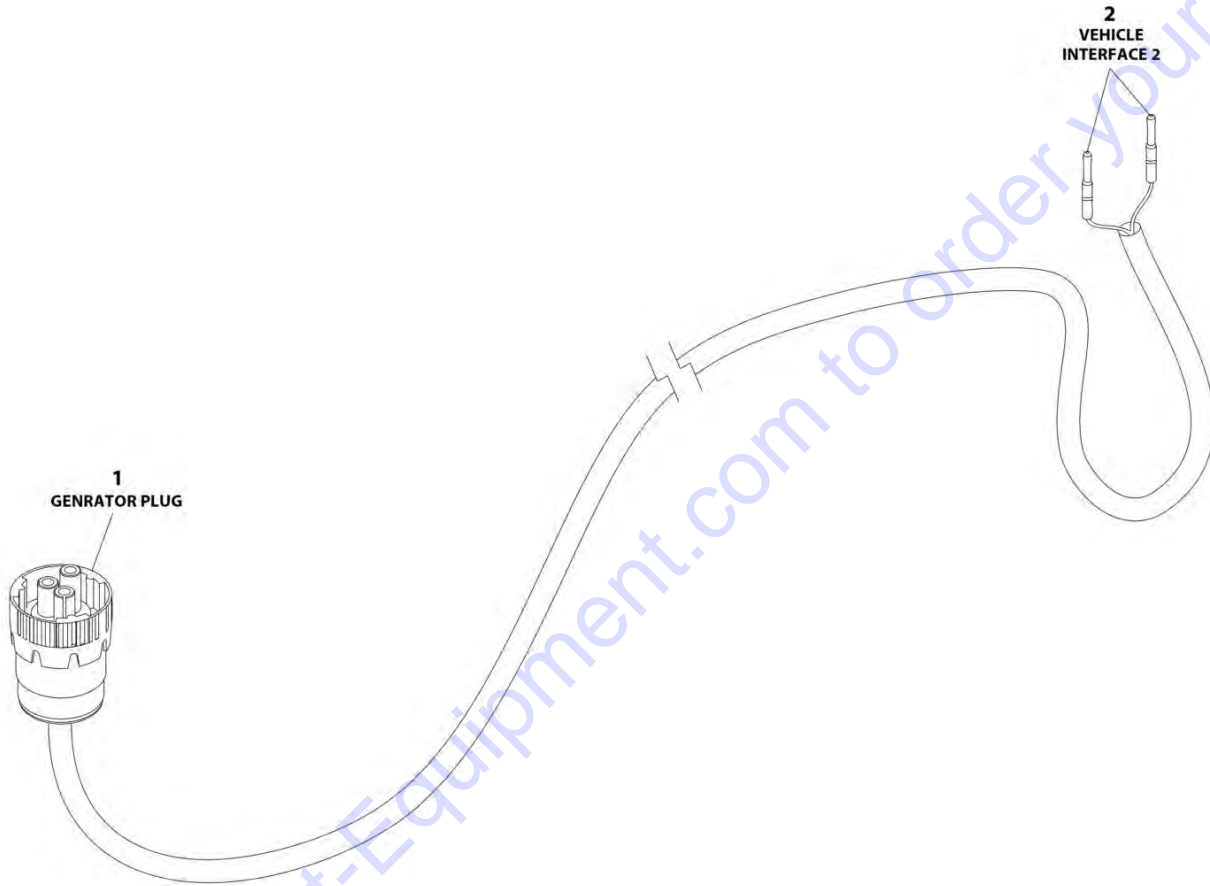
FIGURE 8-41. GENERATOR TO CONTROL BOX HARNESS (7500W GENERATOR)

ITEM	PART NUMBER	QTY	DESCRIPTION	REV
	4922925	Ref	GENERATOR TO CONTROL BOX HARNESS (7500W GENERATOR)	C
1	4460225	1	Plug, Male - 6 Position	
2	4460268	6	Socket, Female	
3	4460807	1	Seal	
4	4460808	1	Seal	
6	2820019	AR	Heat Shrink	
7	4460465	6	Socket, Female	
8	77363233	1	Connector - 6 Position	

Go to Discount-Equipment.com to order your parts

SECTION 8 - ELECTRICAL

FIGURE 8-42. GENERATOR TO PLATFORM HARNESS (4000W-60HZ GENERATOR)



ART_1001153259

SECTION 8 - ELECTRICAL

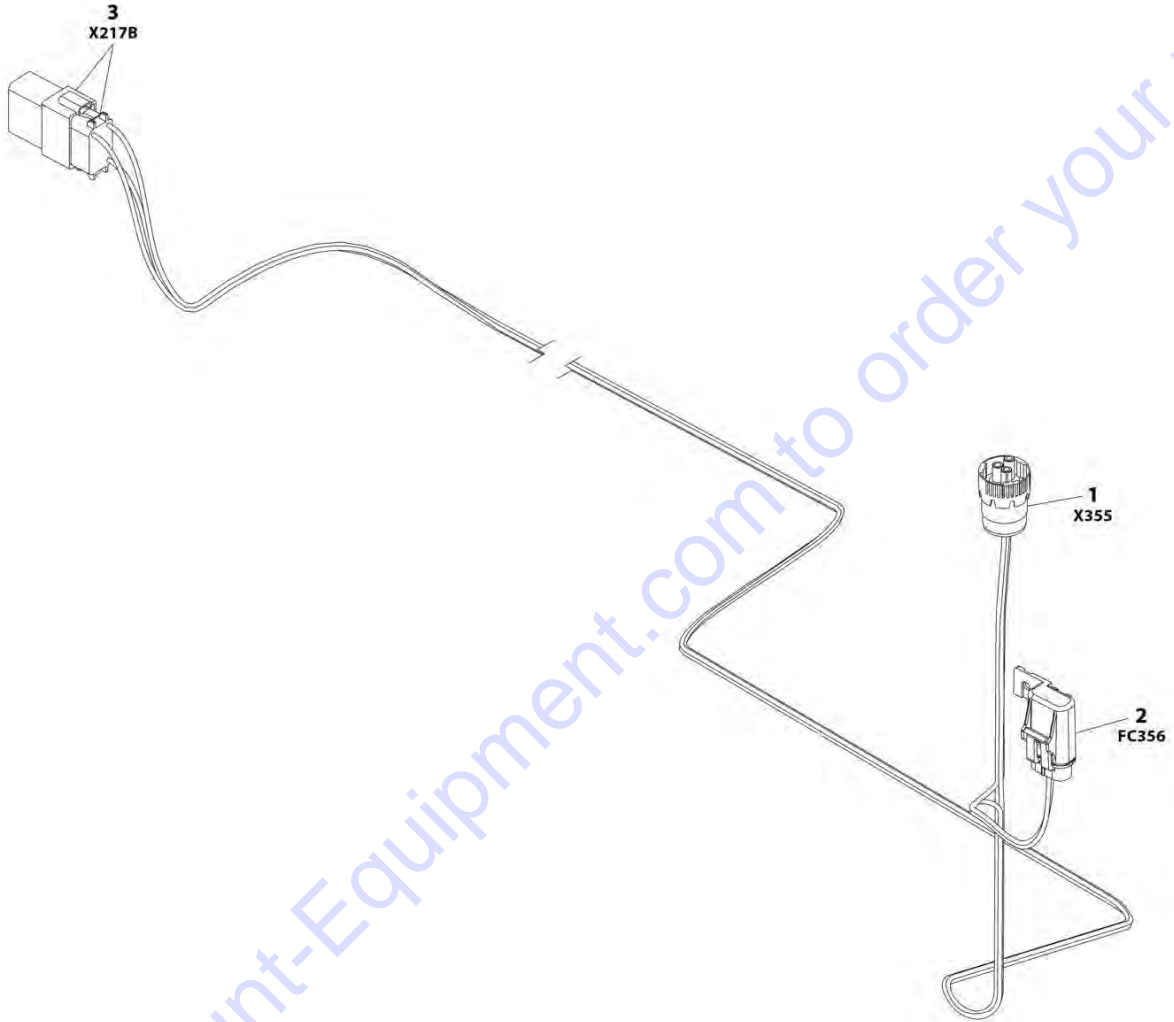
FIGURE 8-42. GENERATOR TO PLATFORM HARNESS (4000W-60HZ GENERATOR)

ITEM	PART NUMBER	QTY	DESCRIPTION	REV
	1001153259	Ref	GENERATOR TO PLATFORM HARNESS (4000W-60HZ GENERATOR)	B
1	4460967	1	Connector - 3 Position	
1	4460465	2	Socket, Female	
2	4460465	2	Socket, Female	

Go to Discount-Equipment.com to order your parts

SECTION 8 - ELECTRICAL

FIGURE 8-43. GENERATOR TO PLATFORM HARNESS (4000W-50HZ & 7500W GENERATOR)



ART_1001156030

SECTION 8 - ELECTRICAL

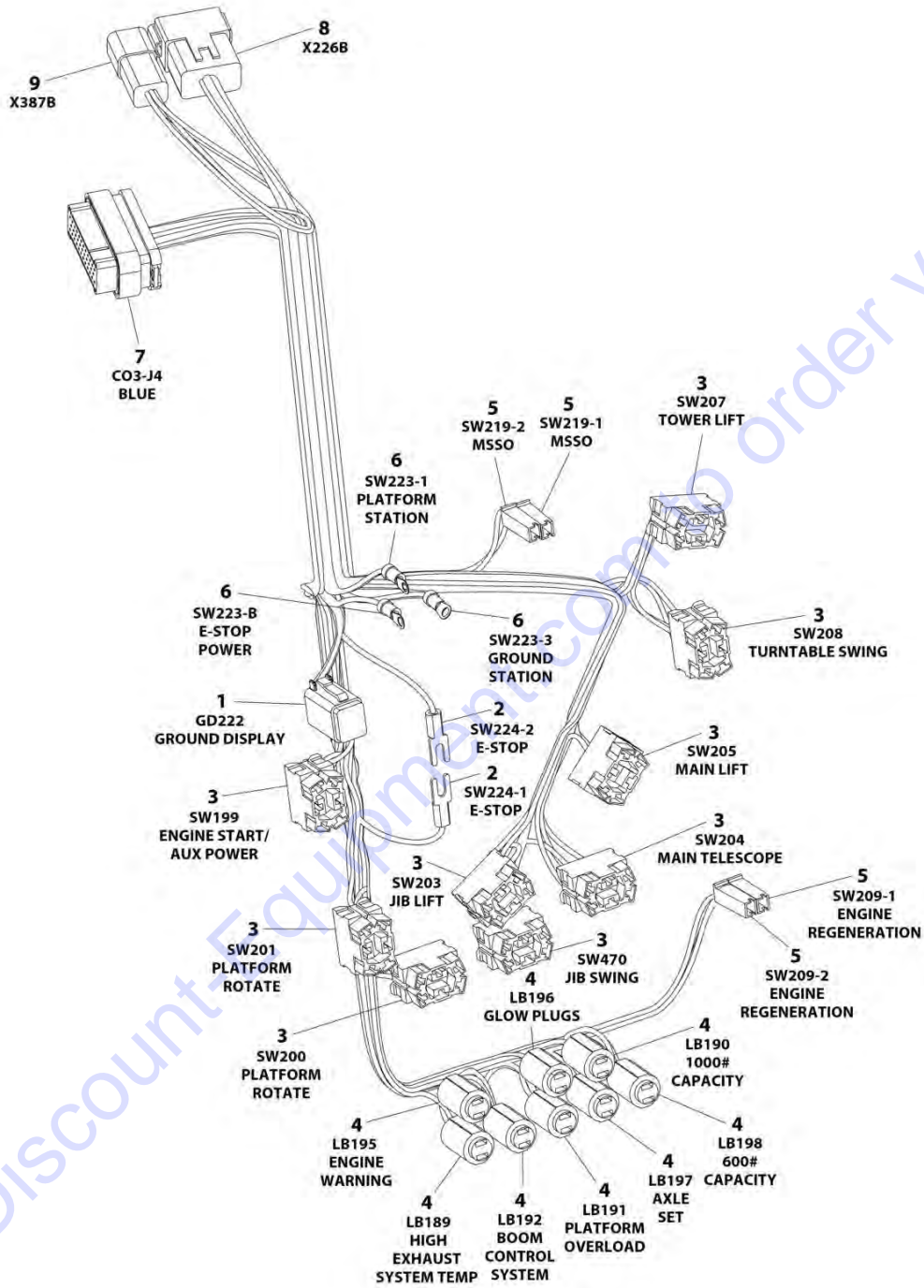
FIGURE 8-43. GENERATOR TO PLATFORM HARNESS (4000W-50HZ & 7500W GENERATOR)

ITEM	PART NUMBER	QTY	DESCRIPTION	REV
	1001156030	Ref	GENERATOR TO PLATFORM HARNESS (4000W-50HZ & 7500W GENERATOR)	B
1	4460967	1	Connector - 3 Position	
1	4460465	3	Socket, Female	
2	1001119412	1	Fuse Assembly	
2	See Note	NSS	Fuse - 5Amp ATO (Note: Purchase Locally)	
2	1001116733	2	Terminal	
3	4460930	Ref	Receptacle, Female - 8 Position (Shown for Termination Reference Only - Part of Harness p/n 1001149971)	
3	4460465	3	Socket, Female	

Go to Discount-Equipment.com to order your parts

SECTION 8 - ELECTRICAL

FIGURE 8-44. GROUND CONTROL HARNESS



ART_1001196689

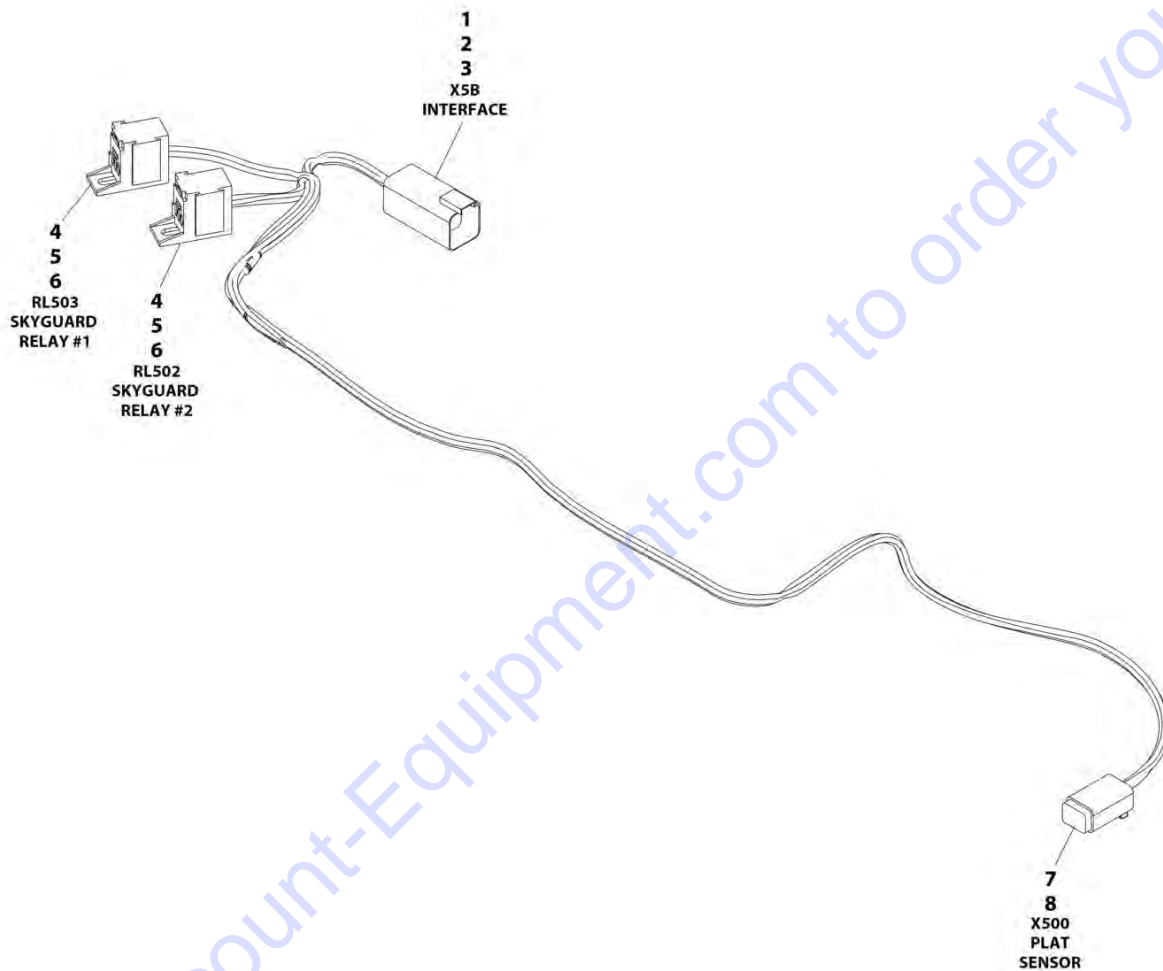
SECTION 8 - ELECTRICAL

FIGURE 8-44. GROUND CONTROL HARNESS

ITEM	PART NUMBER	QTY	DESCRIPTION	REV
	1001196689	Ref	GROUND CONTROL HARNESS	B
1	4460894	1	Plug, Male - 6 Position	
1	4460465	2	Socket, Female	
1	4460944	2	Socket, Female	
1	4460466	2	Plug, Terminal	
2	4460144	2	Terminal, Fork	
3	4460418	9	Connector - 6 Position	
3	4460419	16	Terminal	
3	1001159186	19	Terminal	
4	4120035	8	Socket, Light	
5	4460260	4	Cover, Terminal	
5	4460259	4	Terminal	
6	4460042	3	Terminal, Ring	
7	4460876	1	Connector - 35 Position	
7	4460871	29	Socket, Female	
7	4460905	6	Plug, Terminal	
8	4460970	1	Receptacle, Female - 12 Position	
8	4460464	9	Pin, Male	
8	4460943	2	Pin, Male	
8	4460466	1	Plug, Terminal	
9	4460932	1	Receptacle, Female - 4 Position	
9	4460464	4	Pin, Male	

SECTION 8 - ELECTRICAL

FIGURE 8-45. INTERFACE HARNESS - WITH 1 CELL LSS



ART_1001225580

SECTION 8 - ELECTRICAL

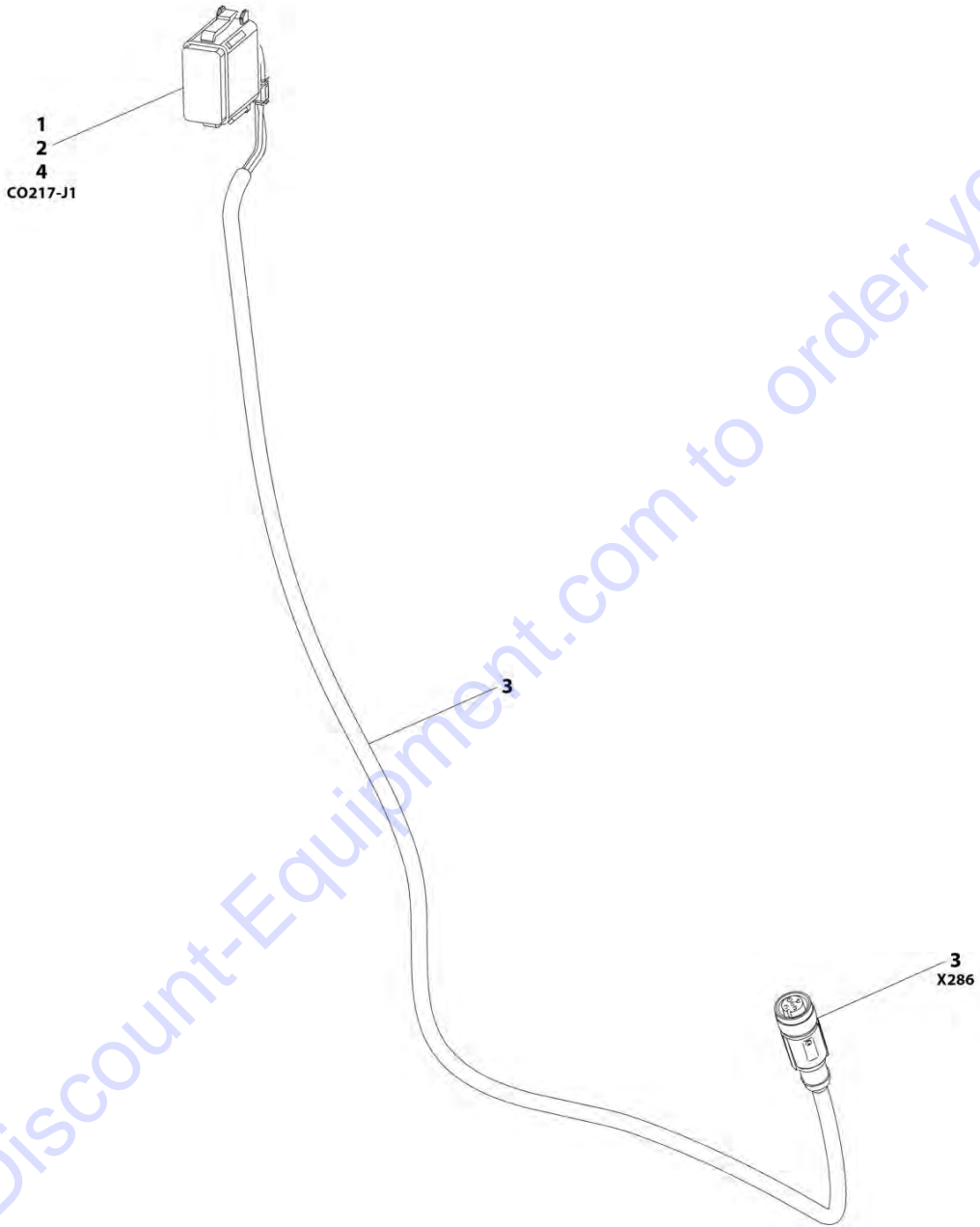
FIGURE 8-45. INTERFACE HARNESS - WITH 1 CELL LSS

ITEM	PART NUMBER	QTY	DESCRIPTION	REV
	1001225580	Ref	INTERFACE HARNESS - WITH 1 CELL LSS	D
1	4460899	1	Connector	
2	4460464	4	Terminal	
3	4460466	2	Plug	
4	1001186432	2	Connector	
5	1001116720	4	Terminal	
6	1001118388	4	Terminal	
7	4460844	1	Connector	
8	4460465	4	Terminal	

Go to Discount-Equipment.com to order your parts

SECTION 8 - ELECTRICAL

FIGURE 8-46. LCD DISPLAY HARNESS (Prior to SN 0300248935)



ART_1001125293

SECTION 8 - ELECTRICAL

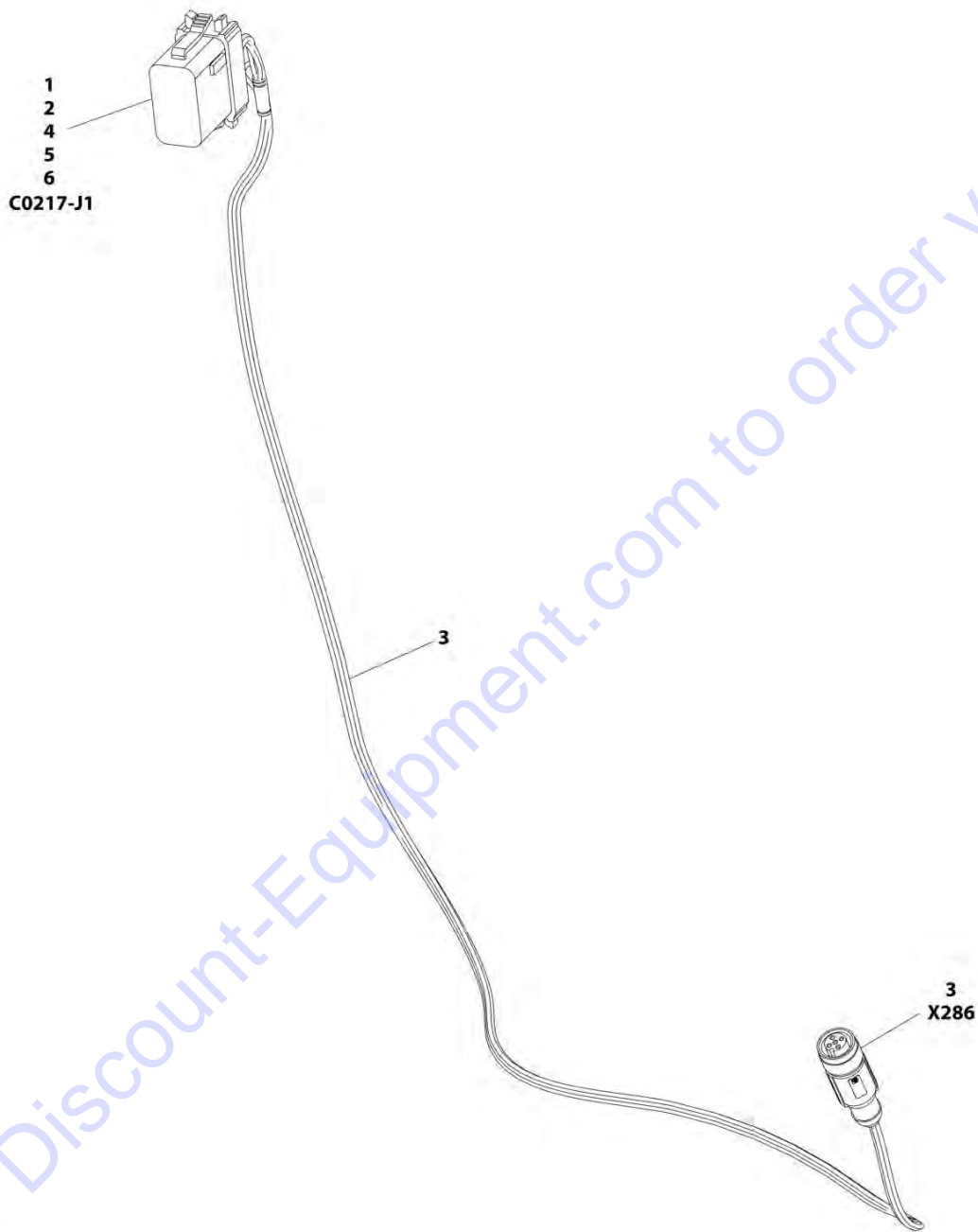
FIGURE 8-46. LCD DISPLAY HARNESS (Prior to SN 0300248935)

ITEM	PART NUMBER	QTY	DESCRIPTION	REV
	1001125293	Ref	LCD DISPLAY HARNESS	C
1	4460465	3	Socket, Female	
2	4460944	2	Socket, Female (Gold)	
3	1001125295	1	Connector with Cable	
4	4460933	1	Connector - 12 Position	

Go to Discount-Equipment.com to order your parts

SECTION 8 - ELECTRICAL

FIGURE 8-47. LCD DISPLAY HARNESS (SN 0300248935 to Present)



ART_1001220482

SECTION 8 - ELECTRICAL

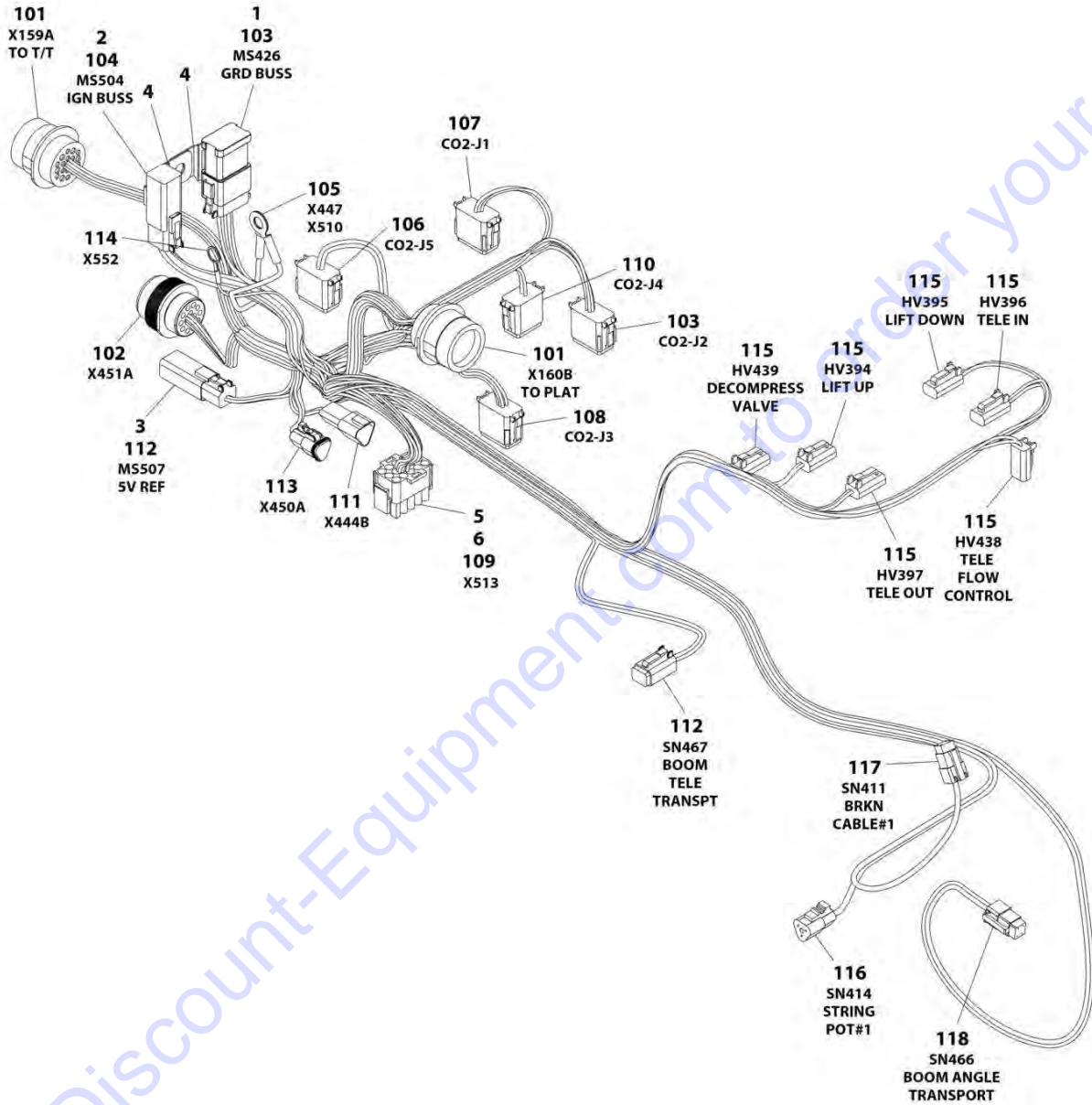
FIGURE 8-47. LCD DISPLAY HARNESS (SN 0300248935 to Present)

ITEM	PART NUMBER	QTY	DESCRIPTION	REV
	1001220482	Ref	LCD DISPLAY HARNESS	A
1	4460465	3	Socket, Female	
2	4460944	2	Socket, Female (Gold)	
3	1001125295	1	Connector with Cable	
4	1001176333	1	Connector - 12 Position	
5	4460466	13	Plug, Seal	
6	2820171	3	Tube, Heat Shrink	

Go to Discount-Equipment.com to order your parts

SECTION 8 - ELECTRICAL

FIGURE 8-48. MAIN BOOM CONTROL BOX HARNESS



ART_1001216638

SECTION 8 - ELECTRICAL

FIGURE 8-48. MAIN BOOM CONTROL BOX HARNESS

ITEM	PART NUMBER	QTY	DESCRIPTION	REV
	1001216638	Ref	MAIN BOOM CONTROL BOX HARNESS	B
1	4460837	1	Receptacle, Female Termination - 12 Position	
2	4460892	1	Receptacle, Female Buss Bar - 6 Position	
3	4460893	1	Receptacle, Female Buss Bar - 4 Position	
4	1001155967	2	Mount	
5	1001216625	1	Seal	
6	1001216626	1	Seal	
101	4460866	2	Connector - 19 Position	
101	4460943	4	Pin, Male	
101	4460464	16	Pin, Male	
101	4460508	8	Pin, Male	
101	4460466	10	Plug, Terminal	
102	4461016	1	Connector - 12 Position	
102	4460464	9	Pin, Male	
102	4460466	5	Plug, Terminal	
103	4460836	2	Plug, Male - 12 Position	
103	1001157890	4	Socket, Female	
103	4460465	12	Socket, Female	
103	4460466	8	Plug, Terminal	
104	4460894	1	Plug, Male - 6 Position	
104	1001157890	4	Socket, Female	
104	4460465	2	Socket, Female	
105	1001117110	2	Terminal, Ring	
106	4460935	1	Plug, Male - 12 Position	
106	4460465	8	Socket, Female	
106	4460466	4	Plug, Terminal	
107	4460933	1	Plug, Male - 12 Position	
107	4460465	3	Socket, Female	
107	4460944	2	Socket, Female	
107	4460466	7	Plug, Terminal	
108	4460934	1	Plug, Male - 12 Position	
108	4460465	11	Socket, Female	
108	4460466	1	Plug, Terminal	
109	4460434	1	Plug, Male - 15 Position	
109	4460268	13	Socket, Female	
109	4460906	2	Socket, Female	
110	4460930	1	Plug, Male - 8 Position	
110	4460465	2	Socket, Female	
110	4460944	2	Socket, Female	
110	4460466	4	Plug, Terminal	
111	4460536	1	Receptacle, Female - 3 Position	
111	4460464	3	Pin, Male	
112	4460884	2	Plug, Male - 4 Position	
112	4460465	8	Socket, Female	
113	1001116812	1	Plug, Male - 3 Position	
113	4460465	3	Socket, Female	
114	4460722	1	Terminal, Ring	
115	4460891	6	Plug, Male - 2 Position	
115	4460465	12	Socket, Female	
116	4460539	1	Plug, Male - 3 Position	

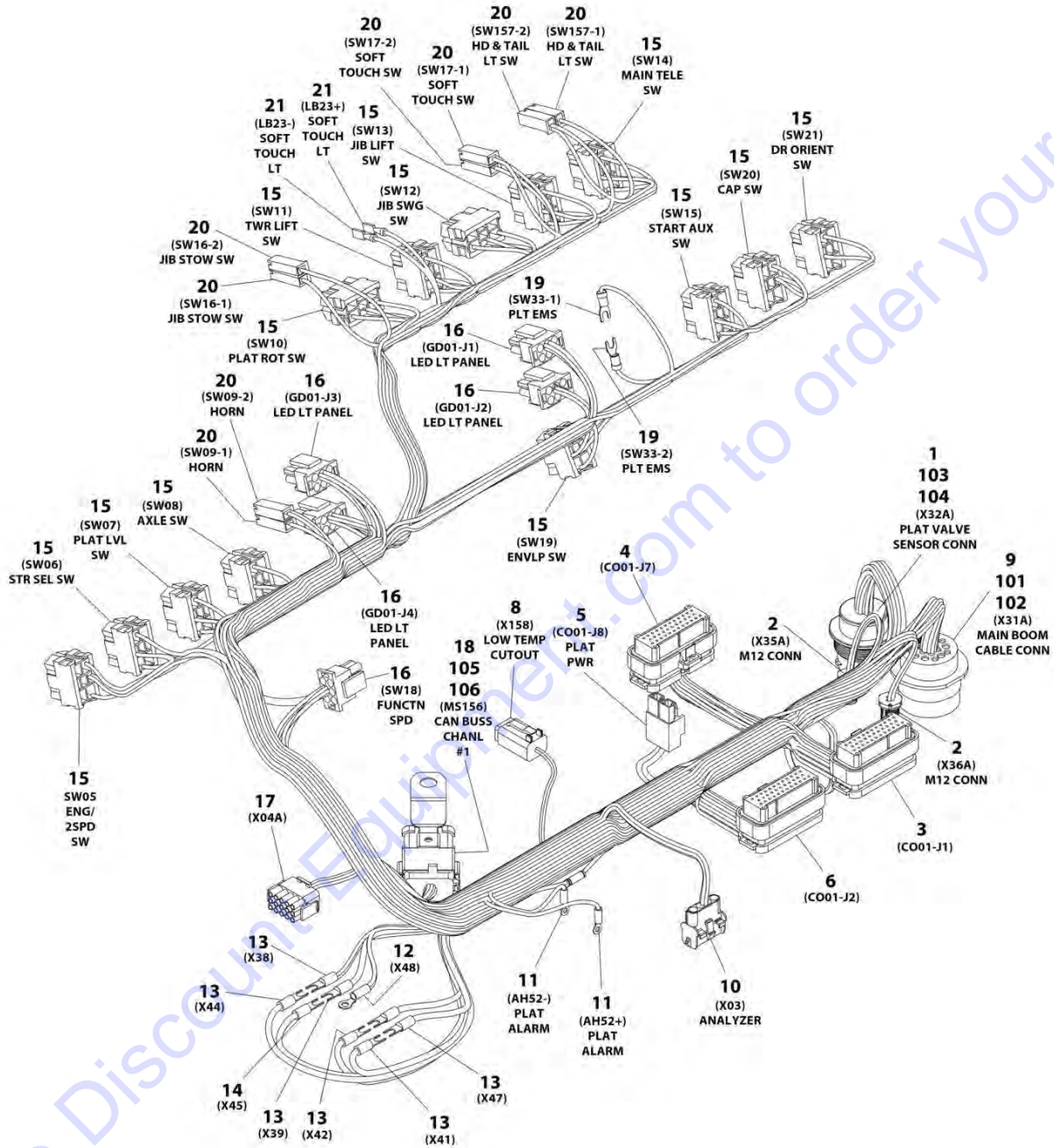
SECTION 8 - ELECTRICAL

ITEM	PART NUMBER	QTY	DESCRIPTION	REV
116	4460465	2	Socket, Female	
117	4461077	1	Plug, Male - 4 Position	
117	4460928	3	Socket, Female	
117	4460518	1	Plug, Terminal	
118	4461077	1	Plug, Male - 4 Position	
118	1001126008	4	Socket, Female	

Go to Discount-Equipment.com to order your parts

SECTION 8 - ELECTRICAL

FIGURE 8-49. PLATFORM CONSOLE HARNESS - WITHOUT SKYGUARD (Prior to SN 0300223782)



ART_1001199637

SECTION 8 - ELECTRICAL

FIGURE 8-49. PLATFORM CONSOLE HARNESS - WITHOUT SKYGUARD (Prior to SN 0300223782)

ITEM	PART NUMBER	QTY	DESCRIPTION	REV
	1001199637	Ref	PLATFORM CONSOLE HARNESS - WITHOUT SKYGUARD (Prior to SN 0300223782)	C
1	4460925	1	Connector - 21 Position	
1	1001126011	20	Pin, Male	
1	4460518	1	Plug, Socket	
2	1001120055	2	Connector - 5 Position with Cable (Prior to SN 0300218537)	
2	1001120055	1	Connector - 5 Position with Cable (X35A) (SN 0300218537 to Present)	
2	1001213447	1	Connector - 5 Position with Cable (X36A) (SN 0300218537 to Present)	
3	4460874	1	Connector - 35 Position	
3	4460871	35	Socket, Female	
4	4460873	1	Connector - 35 Position	
4	4460871	28	Socket, Female	
4	4460905	7	Plug, Terminal	
5	4460879	1	Connector - 2 Position	
5	4460887	2	Terminal	
6	4460876	1	Connector - 35 Position	
6	4460871	33	Socket, Female	
6	4460905	2	Plug, Terminal	
8	4460884	1	Plug, Male - 4 Position	
8	4460465	2	Socket, Female	
8	4460944	2	Socket, Female	
9	4460866	1	Connector - 19 Position	
9	4460943	2	Pin, Male	
9	4460508	4	Pin, Male	
9	4460464	7	Pin, Male	
9	4460466	6	Plug, Terminal	
10	4460761	1	Receptacle, Female - 4 Position	
10	4460227	4	Pin, Male	
11	1001098122	2	Terminal, Ring	
12	8220007	1	Terminal, Ring	
13	4460315	6	Terminal, Fork	
14	4460314	1	Terminal, Fork	
15	4460418	13	Connector - 6 Position	
15	1001159186	25	Terminal	
15	4460419	24	Terminal	
16	4460225	5	Plug, Male - 6 Position	
16	4460227	4	Pin, Male	
16	4460267	2	Pin, Male	
16	4460226	19	Socket, Female	
16	4460268	2	Socket, Female	
17	4460434	1	Plug, Male - 15 Position	
17	4460227	11	Pin, Male	
17	4460267	2	Pin, Male	
18	4460933	1	Connector - 12 Position	
18	4460944	12	Socket, Female	
19	4460183	2	Terminal, Fork	
20	4460260	8	Cover, Connector - 1 Position	
20	4460259	8	Terminal	

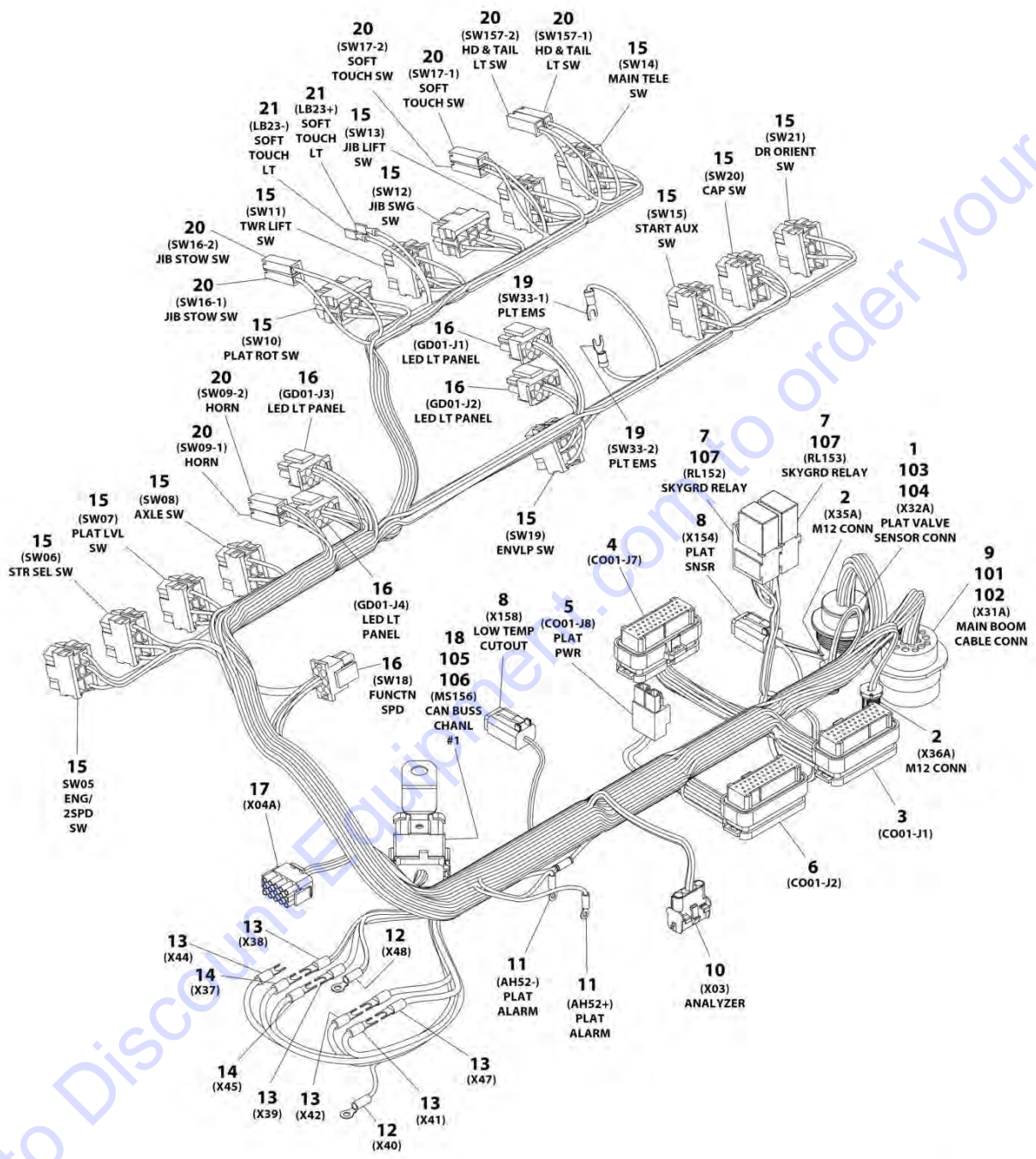
SECTION 8 - ELECTRICAL

ITEM	PART NUMBER	QTY	DESCRIPTION	REV
21	4460016	2	Terminal	
101	4460470	1	Nut, Terminal	
102	4460471	1	Washer, Terminal	
103	4460496	1	Washer, Terminal	
104	4460497	1	Nut, Terminal	
105	1001120328	1	Mount	
106	1001125677	1	Bussbar, Female - 12 Position	

Go to Discount-Equipment.com to order your parts

SECTION 8 - ELECTRICAL

FIGURE 8-50. PLATFORM CONSOLE HARNESS - WITH SKYGUARD (Prior to SN 0300259280)



ART_1001196681

SECTION 8 - ELECTRICAL

FIGURE 8-50. PLATFORM CONSOLE HARNESS - WITH SKYGUARD (Prior to SN 0300259280)

ITEM	PART NUMBER	QTY	DESCRIPTION	REV
	1001196681	Ref	PLATFORM CONSOLE HARNESS - WITH SKYGUARD	F
1	4460925	1	Connector - 21 Position	
1	1001126011	20	Pin, Male	
1	4460518	1	Plug, Socket	
2	1001120055	2	Connector - 5 Position with Cable (Prior to SN 0300218537)	
2	1001120055	1	Connector - 5 Position with Cable (X35A) (SN 0300218537 to Present)	
2	1001213447	1	Connector - 5 Position with Cable (X36A) (SN 0300218537 to Present)	
3	4460874	1	Connector - 35 Position	
3	4460871	35	Socket, Female	
4	4460873	1	Connector - 35 Position	
4	4460871	28	Socket, Female	
4	4460905	7	Plug, Terminal	
5	4460879	1	Connector - 2 Position	
5	4460887	2	Terminal	
6	4460876	1	Connector - 35 Position	
6	4460871	33	Socket, Female	
6	4460905	2	Plug, Terminal	
7	1001186432	2	Plug, Relay	
7	1001116720	4	Terminal	
7	1001118388	8	Terminal	
8	4460884	2	Plug, Male - 4 Position	
8	4460465	8	Socket, Female	
9	4460866	1	Connector - 19 Position	
9	4460943	2	Pin, Male	
9	4460508	4	Pin, Male	
9	4460464	7	Pin, Male	
9	4460466	6	Plug, Terminal	
10	4460761	1	Receptacle, Female - 4 Position	
10	4460227	4	Pin, Male	
11	1001098122	2	Terminal, Ring	
12	8220007	2	Terminal, Ring	
13	4460315	6	Terminal, Fork	
14	4460314	2	Terminal, Fork	
15	4460418	13	Connector - 6 Position	
15	1001159186	25	Terminal	
15	4460419	24	Terminal	
16	4460225	5	Plug, Male - 6 Position	
16	4460227	4	Pin, Male	
16	4460267	2	Pin, Male	
16	4460226	19	Socket, Female	
16	4460268	2	Socket, Female	
17	4460434	1	Plug, Male - 15 Position	
17	4460227	11	Pin, Male	
17	4460267	2	Pin, Male	
18	4460933	1	Connector - 12 Position	
18	4460944	12	Socket, Female	
19	4460183	2	Terminal, Fork	
20	4460260	8	Cover, Connector - 1 Position	

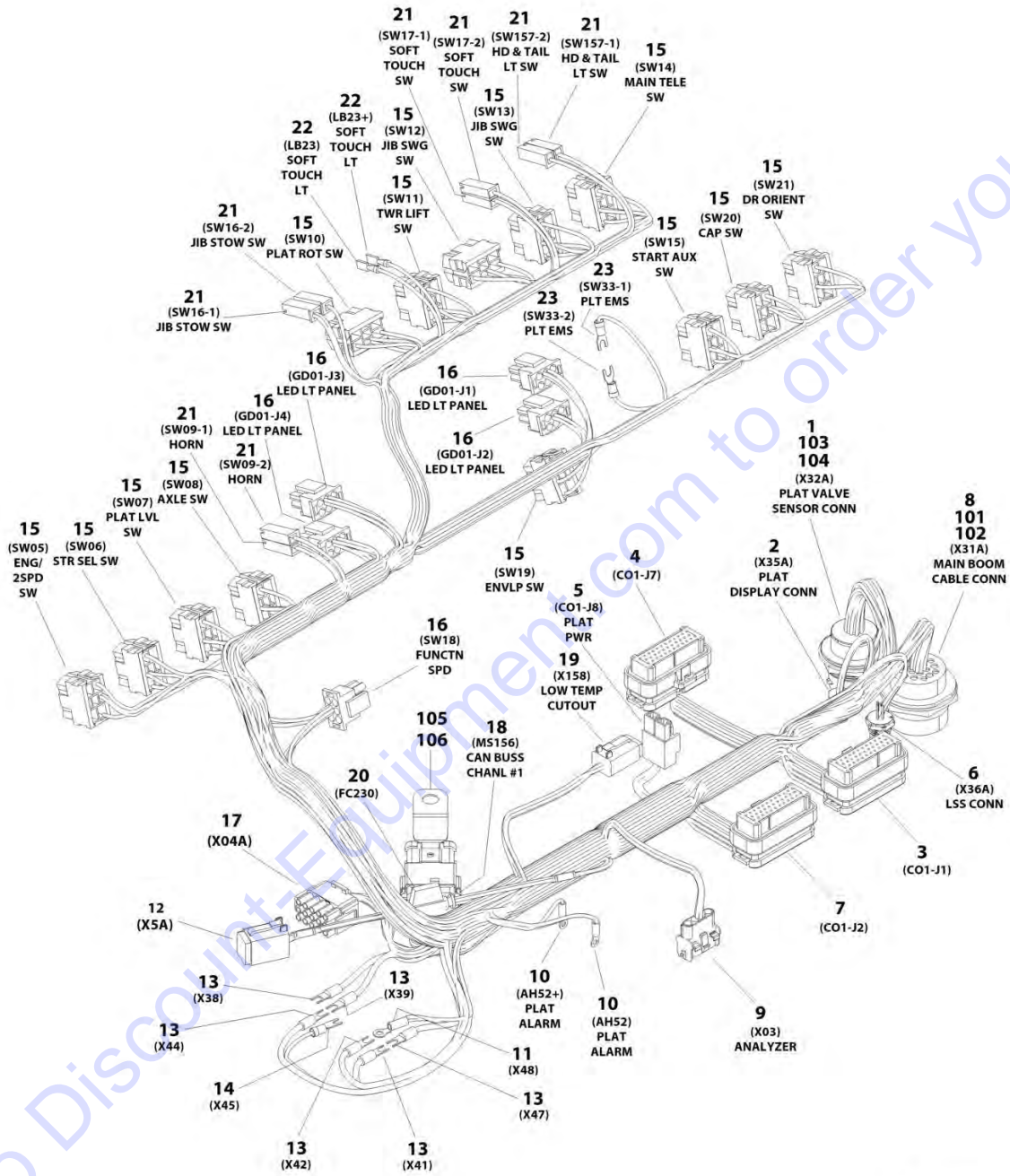
SECTION 8 - ELECTRICAL

ITEM	PART NUMBER	QTY	DESCRIPTION	REV
20	4460259	8	Terminal	
21	4460016	2	Terminal	
101	4460470	1	Nut, Terminal	
102	4460471	1	Washer, Terminal	
103	4460496	1	Washer, Terminal	
104	4460497	1	Nut, Terminal	
105	1001120328	1	Mount	
106	1001125677	1	Bussbar, Female - 12 Position	
107	1001186431	2	Relay (Prior to SN 0300223782)	

Go to Discount-Equipment.com to order your parts

SECTION 8 - ELECTRICAL

FIGURE 8-51. PLATFORM CONSOLE HARNESS - WITH SKYGUARD (SN 0300259280 to Present)



ART_1001243670

SECTION 8 - ELECTRICAL

FIGURE 8-51. PLATFORM CONSOLE HARNESS - WITH SKYGUARD (SN 0300259280 to Present)

ITEM	PART NUMBER	QTY	DESCRIPTION	REV
	1001243670	Ref	PLATFORM CONSOLE HARNESS - WITH SKYGUARD	B
1	4460925	1	Connector - 21 Position	
1	1001126011	20	Pin, Male	
1	4460518	1	Plug, Socket	
2	1001120055	1	Connector - 5 Position with Cable	
3	4460874	1	Connector - 35 Position	
3	4460871	35	Socket, Female	
4	4460873	1	Connector - 35 Position	
4	4460871	28	Socket, Female	
4	4460905	7	Plug, Terminal	
5	4460879	1	Connector - 2 Position	
5	4460887	2	Terminal	
6	1001213447	1	Connector - 5 Position with Cable	
7	4460876	1	Connector - 35 Position	
7	4460871	34	Socket, Female	
7	4460905	1	Plug, Terminal	
8	4460866	1	Connector - 19 Position	
8	4460943	2	Pin, Male	
8	4460508	4	Pin, Male	
8	4460464	7	Pin, Male	
8	4460466	6	Plug, Terminal	
9	4460761	1	Receptacle, Female - 4 Position	
9	4460227	4	Pin, Male	
10	1001098122	2	Terminal, Ring	
11	8220007	1	Terminal, Ring	
12	4460894	1	Connector - 6 Position	
12	4460944	4	Socket, Female	
12	4460466	2	Plug, Socket	
13	4460315	6	Terminal, Fork	
14	4460314	1	Terminal, Fork	
15	4460418	13	Connector - 6 Position	
15	1001159186	24	Terminal	
15	4460419	24	Terminal	
16	4460225	5	Plug, Male - 6 Position	
16	4460227	4	Pin, Male	
16	4460267	2	Pin, Male	
16	4460226	20	Socket, Female	
16	4460268	2	Socket, Female	
17	4460434	1	Plug, Male - 15 Position	
17	4460227	11	Pin, Male	
17	4460267	2	Pin, Male	
18	4460933	1	Connector - 12 Position	
18	4460944	12	Socket, Female	
19	4460884	1	Plug, Male - 4 Position	
19	4460465	2	Socket, Female	
19	4460944	2	Socket, Female	
20	2400060	1	Fuseholder with Cover	
20	8229242	1	Fuse 5 Amp	
21	4460260	8	Cover, Connector - 1 Position	
21	4460259	12	Terminal	

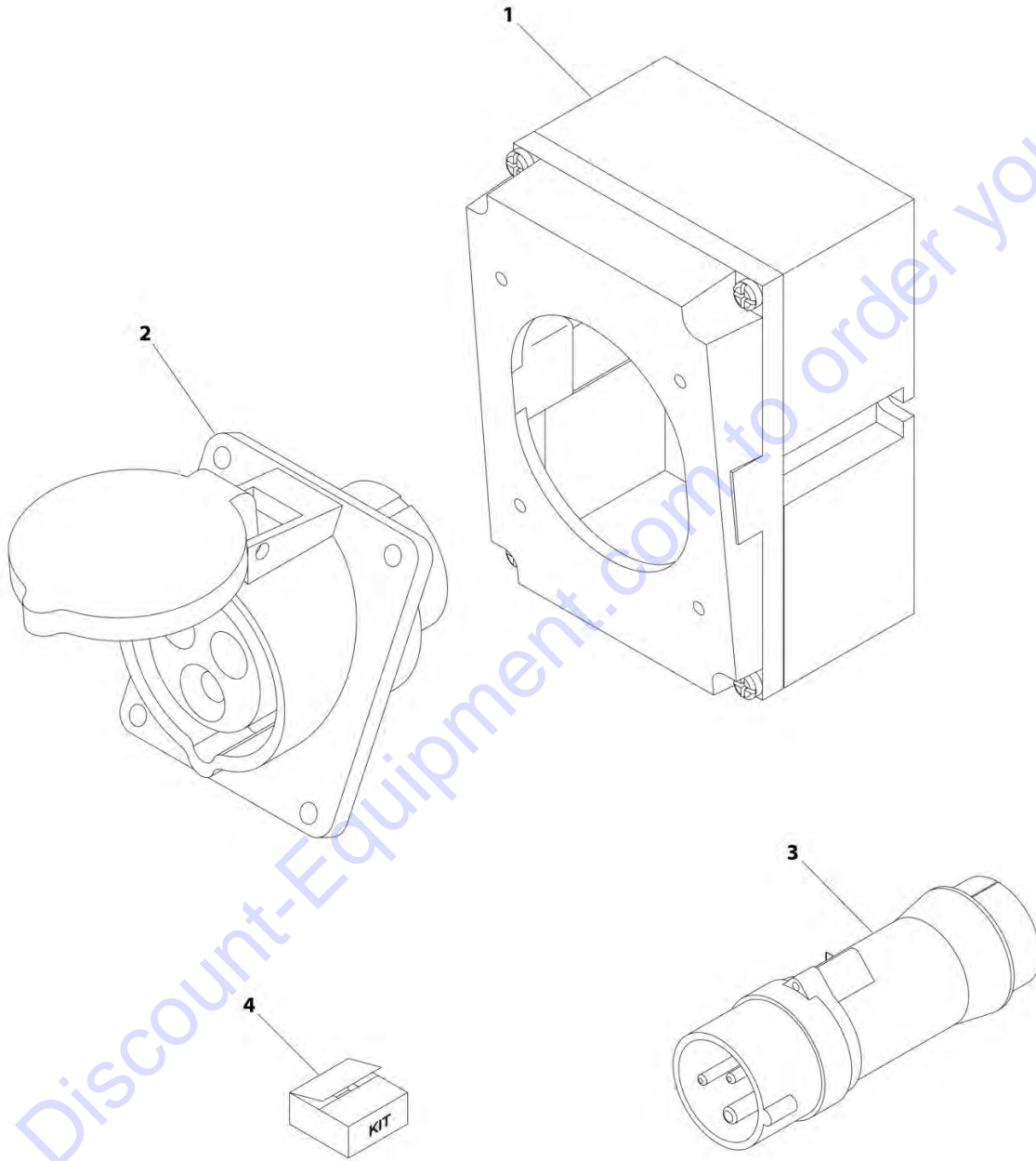
SECTION 8 - ELECTRICAL

ITEM	PART NUMBER	QTY	DESCRIPTION	REV
22	4460016	2	Terminal	
23	4460183	2	Terminal, Fork	
101	4460470	1	Nut, Terminal	
102	4460471	1	Washer, Terminal	
103	4460496	1	Washer, Terminal	
104	4460497	1	Nut, Terminal	
105	1001120328	1	Mount	
106	1001125677	1	Bussbar, Female - 12 Position	

Go to Discount-Equipment.com to order your parts

SECTION 8 - ELECTRICAL

FIGURE 8-52. RECEPTACLE BOX KIT - 110V IEC YELLOW (CE SPEC)



ART_0275216

SECTION 8 - ELECTRICAL

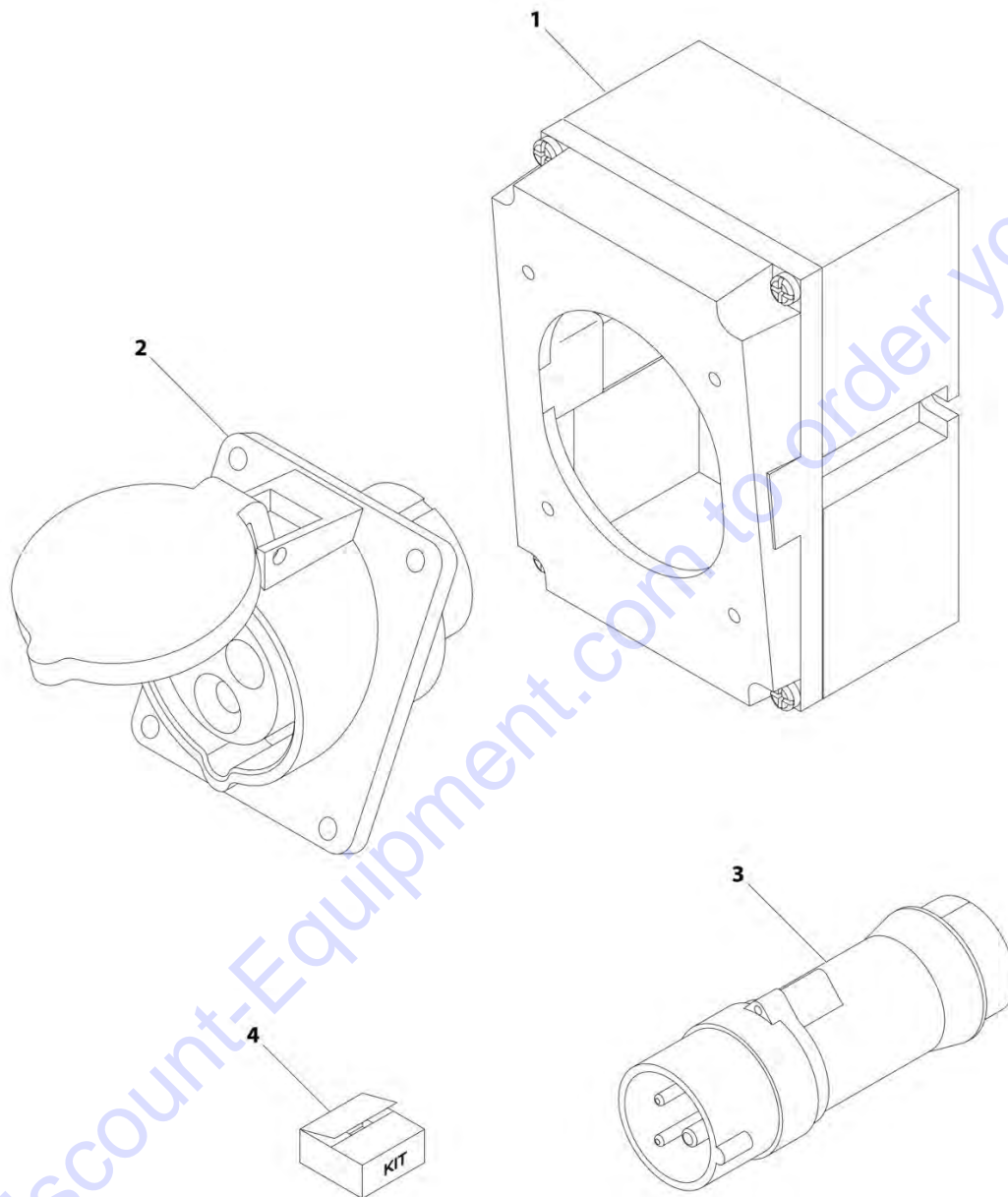
FIGURE 8-52. RECEPTACLE BOX KIT - 110V IEC YELLOW (CE SPEC)

ITEM	PART NUMBER	QTY	DESCRIPTION	REV
	0275216	Ref	RECEPTACLE BOX KIT - 110V IEC YELLOW (CE SPEC)	1
1	0861781	1	Box, Switch	
2	4461198	1	Receptacle	
3	4461196	1	Plug, Male	
4	1001100341	1	Plug and Socket Kit (Includes Items 1-3 and Female Plug p/n 4461197)	

Go to Discount-Equipment.com to order your parts

SECTION 8 - ELECTRICAL

FIGURE 8-53. RECEPTACLE BOX KIT - 220V IEC BLUE (CE SPEC)



ART_0275217

SECTION 8 - ELECTRICAL

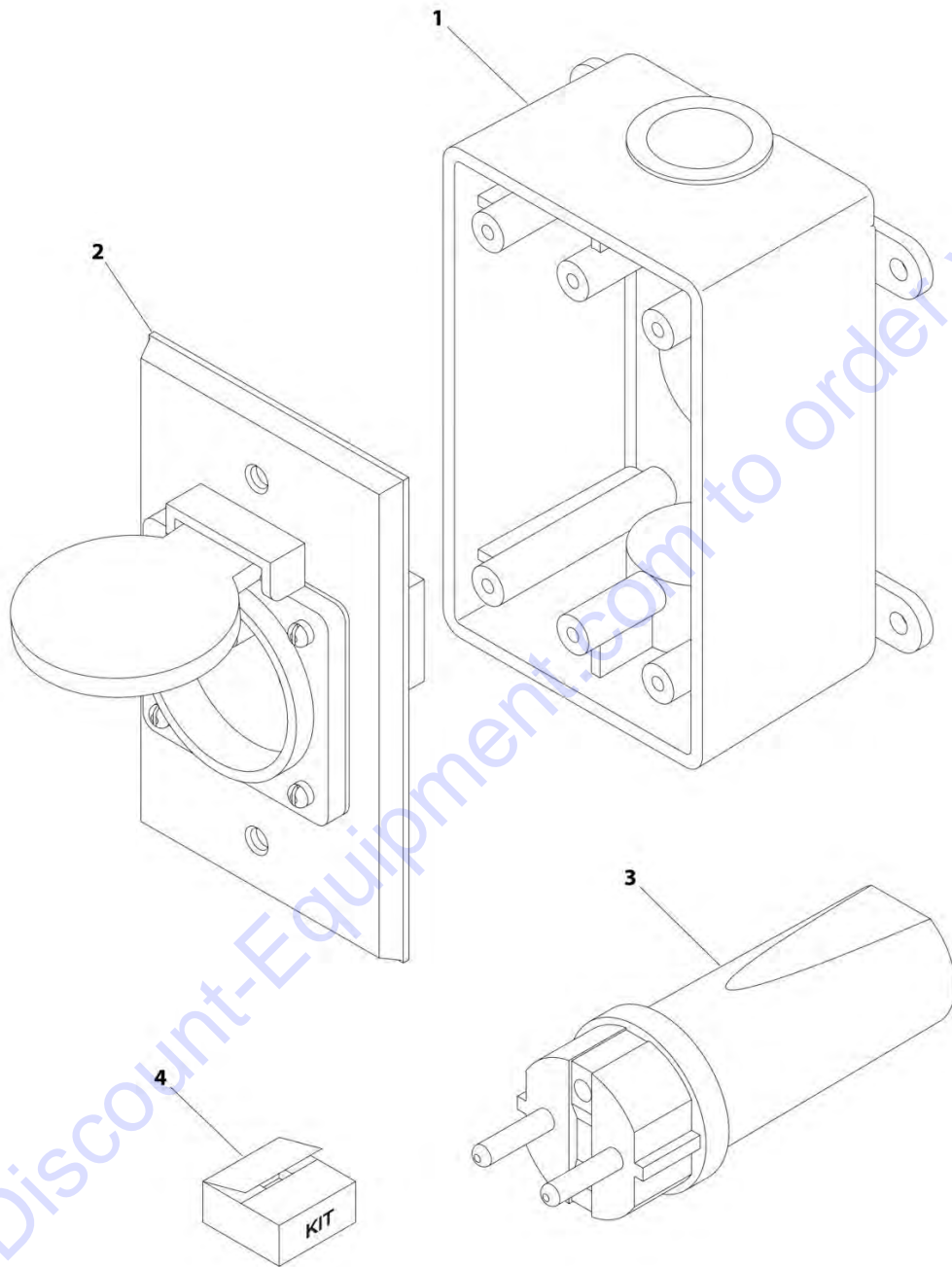
FIGURE 8-53. RECEPTACLE BOX KIT - 220V IEC BLUE (CE SPEC)

ITEM	PART NUMBER	QTY	DESCRIPTION	REV
	0275217	Ref	RECEPTACLE BOX KIT - 220V IEC BLUE (CE SPEC)	1
1	0861781	1	Box, Switch	
2	4461201	1	Receptacle	
3	4461199	1	Plug, Male	
4	1001100342	1	Plug and Socket Kit (Includes Items 1-3 and Female Plug p/n 4461200)	

Go to Discount-Equipment.com to order your parts

SECTION 8 - ELECTRICAL

FIGURE 8-54. RECEPTACLE BOX KIT - 220V CEE7 POST GROUND (CE SPEC)



ART_0275452

SECTION 8 - ELECTRICAL

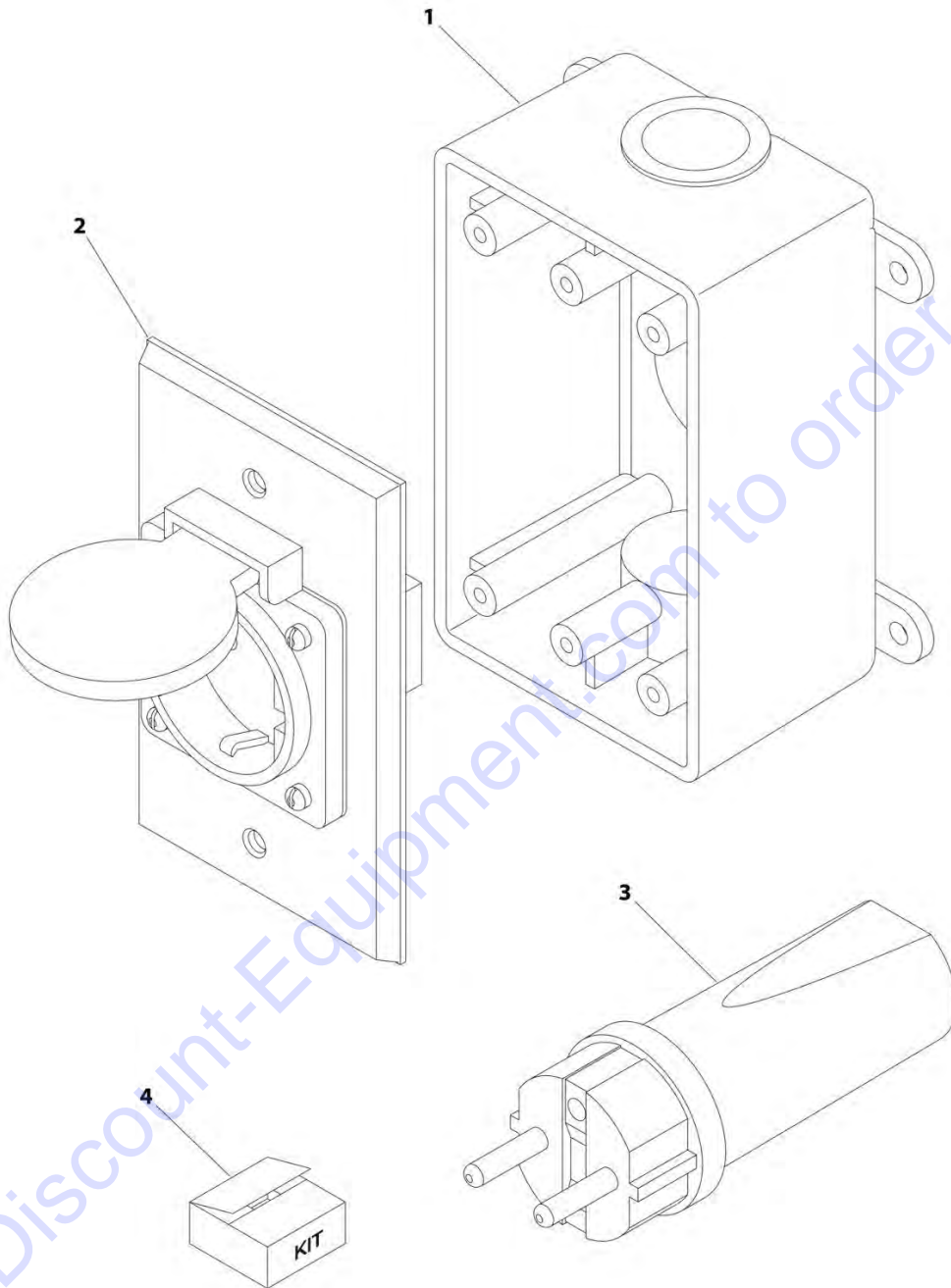
FIGURE 8-54. RECEPTACLE BOX KIT - 220V CEE7 POST GROUND (CE SPEC)

ITEM	PART NUMBER	QTY	DESCRIPTION	REV
	0275452	Ref	RECEPTACLE BOX KIT - 220V CEE7 POST GROUND (CE SPEC)	C
1	0861731	1	Box, Switch	
2	4461244	1	Receptacle	
3	4461202	NLA	Plug, Male (Use p/n 4461205)	
4	1001100345	1	Plug and Socket Kit (Includes Items 1-3 and Female Plug p/n 4461206)	

Go to Discount-Equipment.com to order your parts

SECTION 8 - ELECTRICAL

FIGURE 8-55. RECEPTACLE BOX KIT - 220V CEE7 SIDE GROUND (CE SPEC)



ART_0275453

SECTION 8 - ELECTRICAL

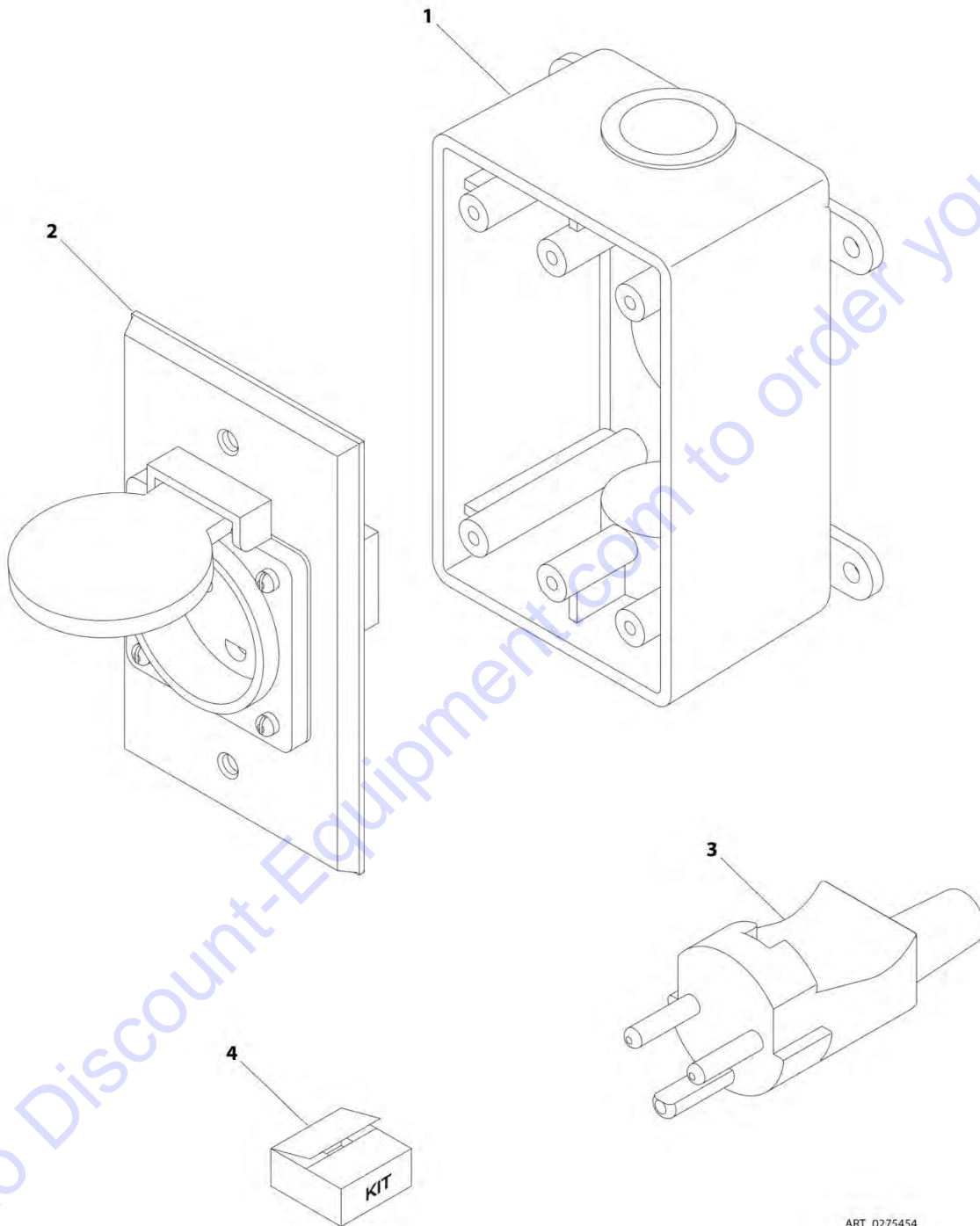
FIGURE 8-55. RECEPTACLE BOX KIT - 220V CEE7 SIDE GROUND (CE SPEC)

ITEM	PART NUMBER	QTY	DESCRIPTION	REV
	0275453	Ref	RECEPTACLE BOX KIT - 220V CEE7 SIDE GROUND (CE SPEC)	C
1	0861731	1	Box, Switch	
2	4461245	1	Receptacle	
3	4461205	1	Plug, Male	
4	1001100347	1	Plug and Socket Kit (Includes Items 1-3 and Female Plug p/n 4461206)	

Go to Discount-Equipment.com to order your parts

SECTION 8 - ELECTRICAL

FIGURE 8-56. RECEPTACLE BOX KIT - 220V AFSINT 107 (CE SPEC)



SECTION 8 - ELECTRICAL

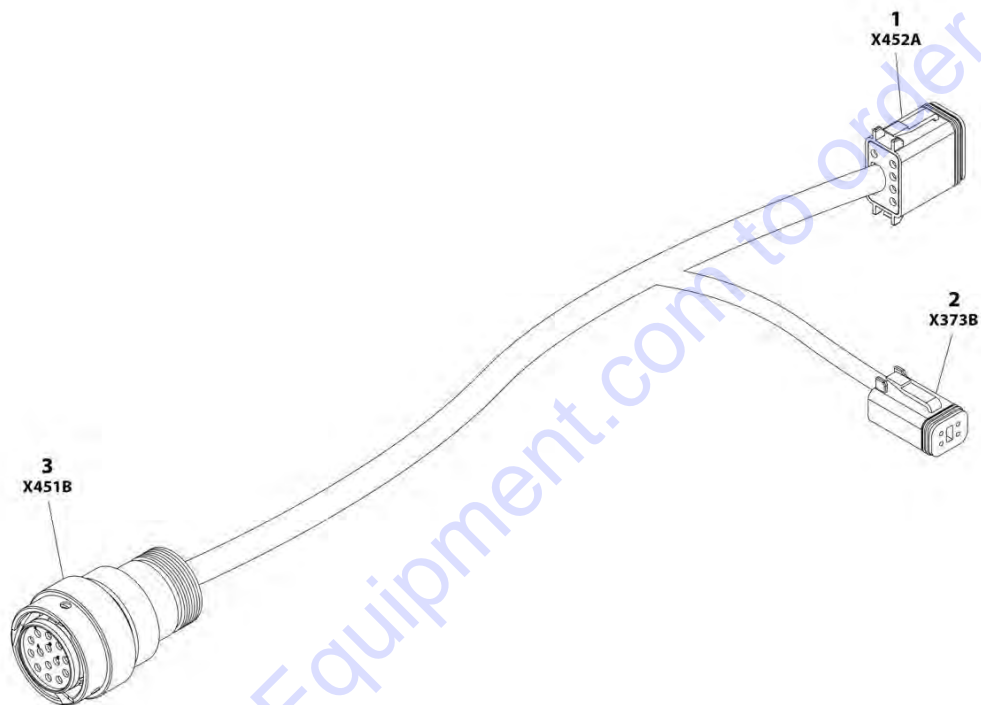
FIGURE 8-56. RECEPTACLE BOX KIT - 220V AFSINT 107 (CE SPEC)

ITEM	PART NUMBER	QTY	DESCRIPTION	REV
	0275454	Ref	RECEPTACLE BOX KIT - 220V AFSINT 107 (CE SPEC)	1
1	0861731	1	Box, Switch	
2	4461246	1	Receptacle	
3	4461249	1	Plug, Male	
4	1001100346	1	Plug and Socket Kit (Includes Items 1-3 and Female Plug p/n 4461250)	

Go to Discount-Equipment.com to order your parts

SECTION 8 - ELECTRICAL

FIGURE 8-57. SECONDARY CONTROL HARNESS



ART_1001202785

SECTION 8 - ELECTRICAL

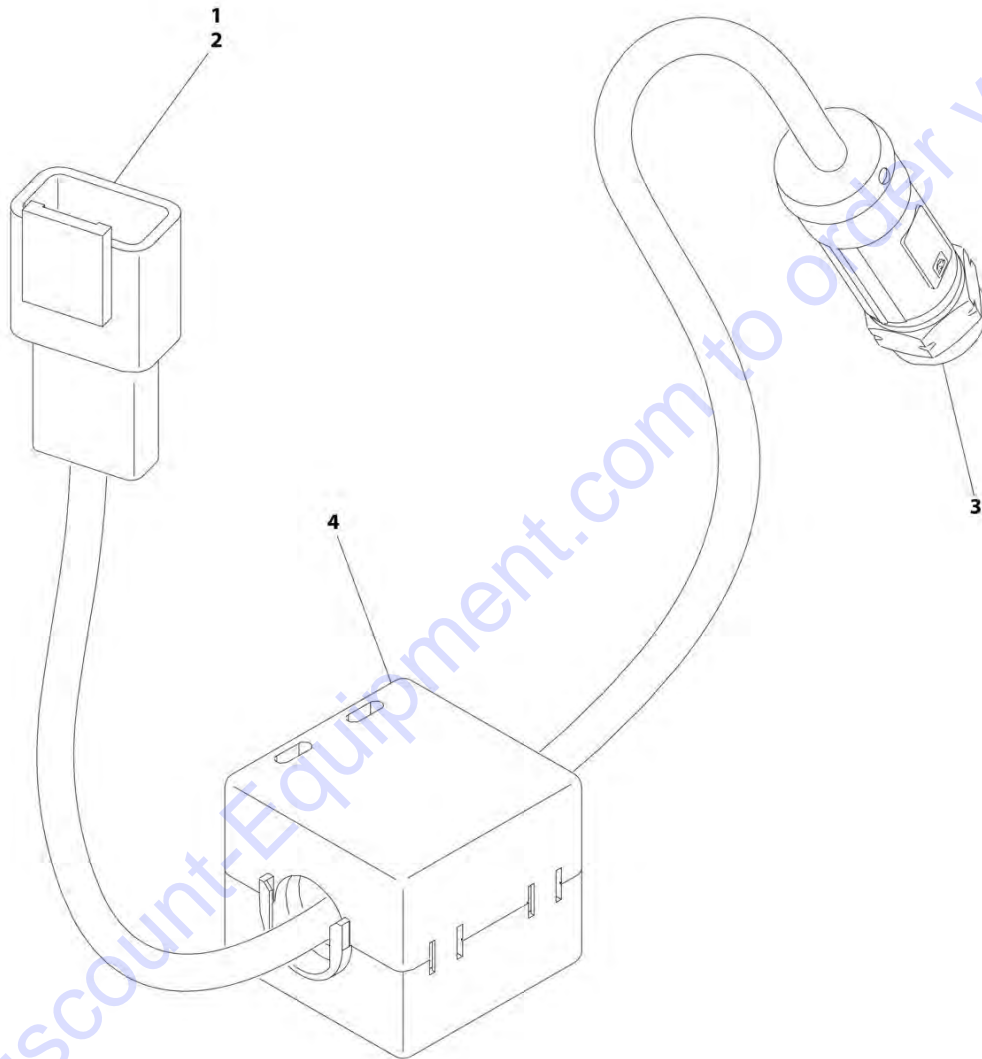
FIGURE 8-57. SECONDARY CONTROL HARNESS

ITEM	PART NUMBER	QTY	DESCRIPTION	REV
	1001202785	Ref	SECONDARY CONTROL HARNESS	C
1	4460930	1	Plug, Male - 8 Position	
1	4460465	8	Socket, Female	
2	4460884	1	Plug, Male - 4 Position	
2	1001157890	4	Socket, Female	
3	1001212188	1	Connector - 14 Position	
3	4460465	8	Socket, Female	
3	1001157890	4	Socket, Female	
3	4460466	2	Plug, Terminal	

Go to Discount-Equipment.com to order your parts

SECTION 8 - ELECTRICAL

FIGURE 8-58. SENSOR HARNESS - AXLE



ART_1001163631

SECTION 8 - ELECTRICAL

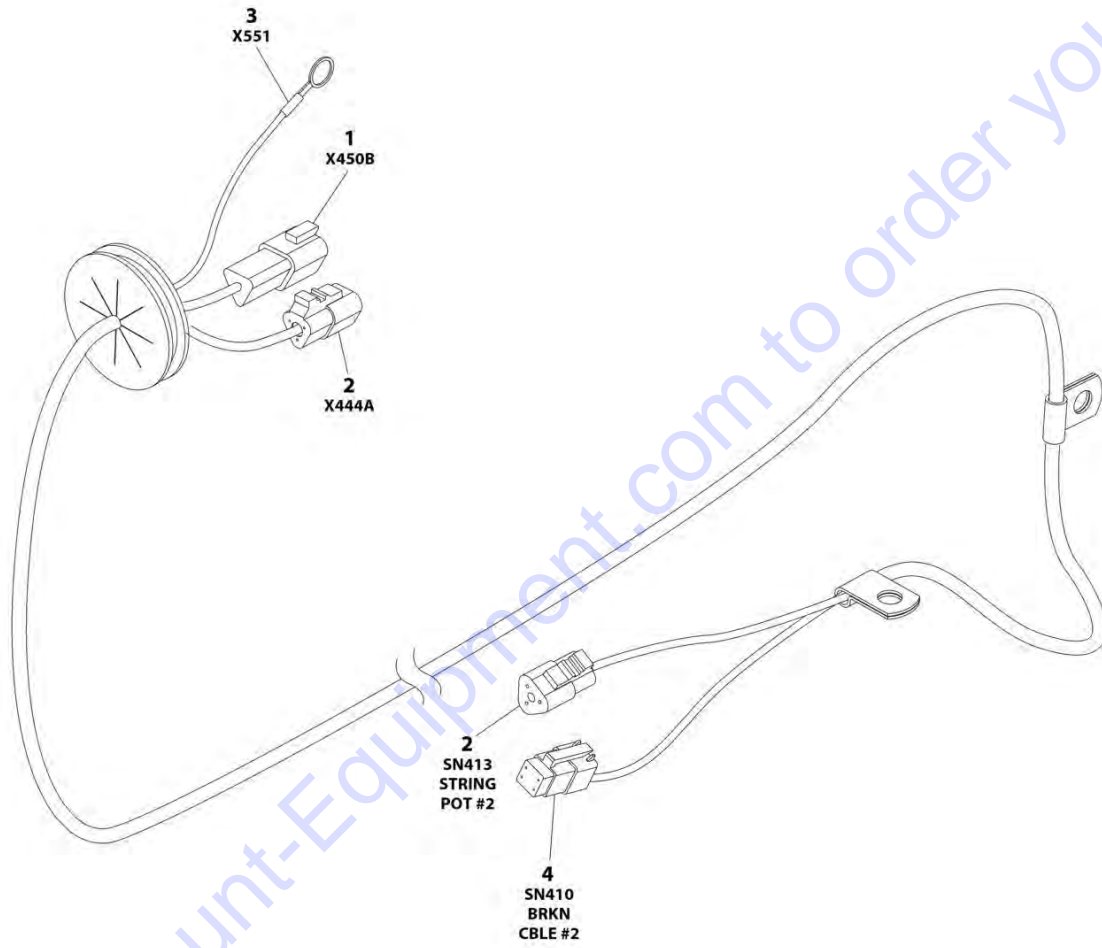
FIGURE 8-58. SENSOR HARNESS - AXLE

ITEM	PART NUMBER	QTY	DESCRIPTION	REV
	1001163631	Ref	SENSOR HARNESS - AXLE	B
1	4460910	1	Connector - 3 Position	
2	4460929	3	Pin, Male	
3	See Note	NSS	Sensor with Cable (Note: Use p/n 1001163631)	
4	1001102594	1	Ferrite, LMI	

Go to Discount-Equipment.com to order your parts

SECTION 8 - ELECTRICAL

FIGURE 8-59. SENSOR HARNESS - BOOM



ART_1001201062

SECTION 8 - ELECTRICAL

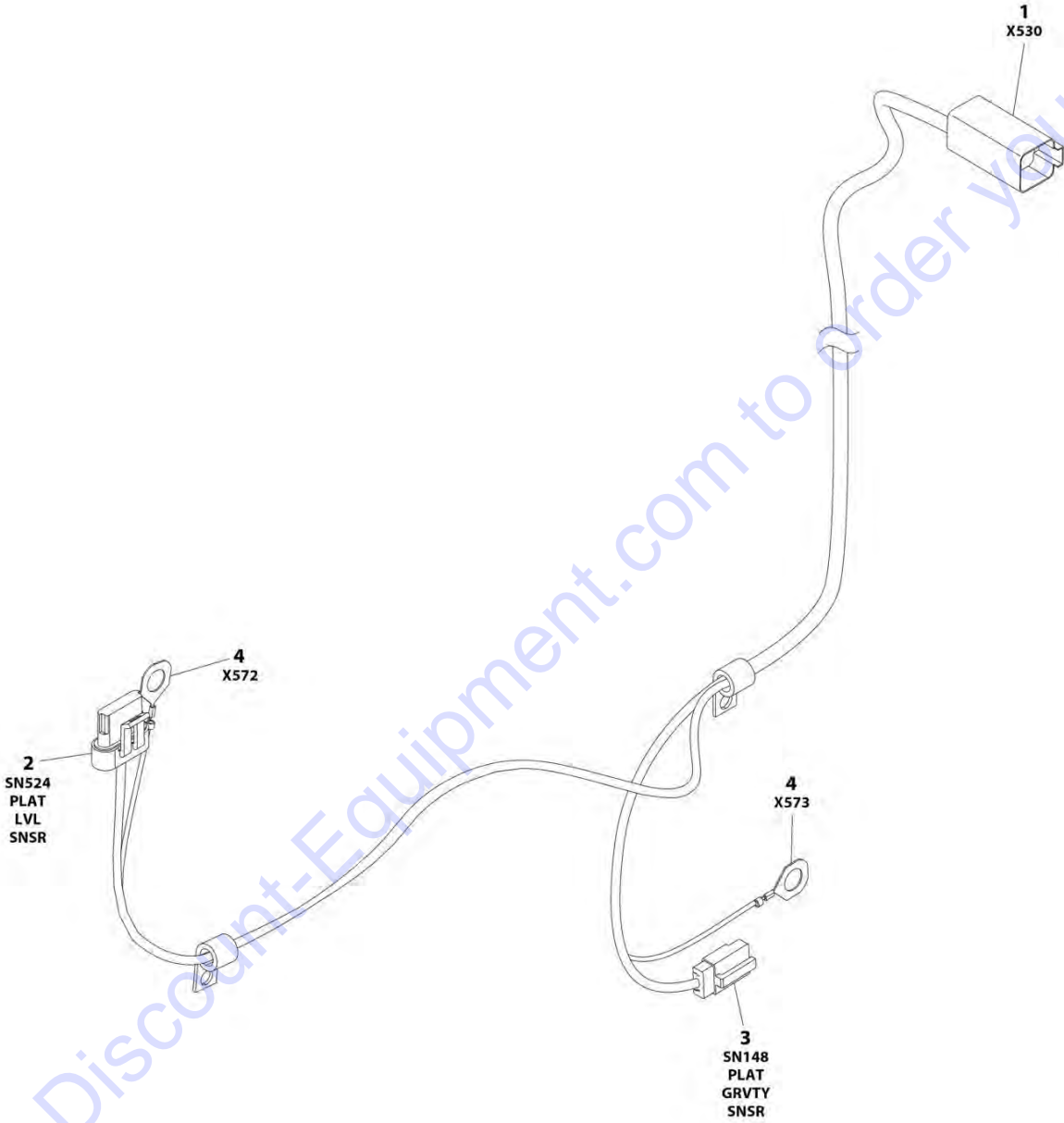
FIGURE 8-59. SENSOR HARNESS - BOOM

ITEM	PART NUMBER	QTY	DESCRIPTION	REV
	1001201062	Ref	SENSOR HARNESS - BOOM	C
1	1001144147	1	Receptacle, Female - 3 Position	
1	4460464	3	Pin, Male	
2	4460539	2	Plug, Male - 3 Position	
2	4460465	6	Socket, Female	
3	4460722	1	Terminal, Ring	
4	4461077	1	Plug, Male - 4 Position	
4	4460928	3	Socket, Female	
4	4460518	1	Plug, Terminal	

Go to Discount-Equipment.com to order your parts

SECTION 8 - ELECTRICAL

FIGURE 8-60. SENSOR HARNESS - PLATFORM LEVEL



ART_1001204028

SECTION 8 - ELECTRICAL

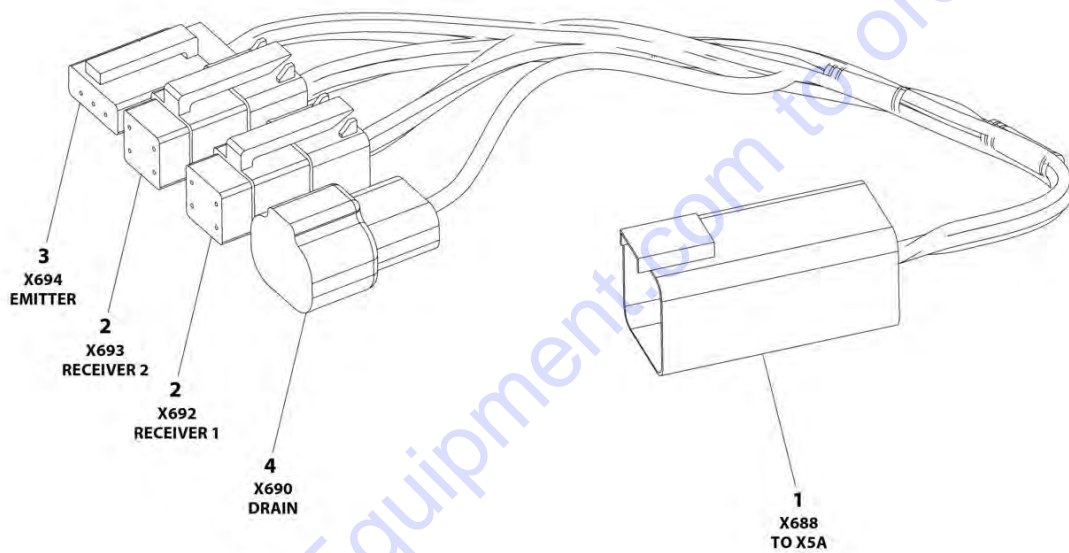
FIGURE 8-60. SENSOR HARNESS - PLATFORM LEVEL

ITEM	PART NUMBER	QTY	DESCRIPTION	REV
	1001204028	Ref	SENSOR HARNESS - PLATFORM LEVEL	C
1	4460899	1	Receptacle, Female - 6 Position	
1	4460464	6	Pin, Male	
2	1001117064	NLA	Plug, Male - 6 Position (Use p/n 1001230931) (Prior to SN 0300237540)	
2	91554014	NLA	Terminal (Use p/n 1001116748) (Prior to SN 0300237540)	
2	1001230931	1	Plug, Male - 6 Position (SN 0300237540 to Present)	
2	1001116748	3	Terminal (SN 0300237540 to Present)	
2	1001116751	3	Plug, Terminal	
3	4460911	1	Plug, Male - 3 Position	
3	4460918	3	Socket, Female	
4	1001187077	2	Terminal, Ring	

Go to Discount-Equipment.com to order your parts

SECTION 8 - ELECTRICAL

FIGURE 8-61. SKYEYE INTERMEDIATE HARNESS



ART_1001237865

SECTION 8 - ELECTRICAL

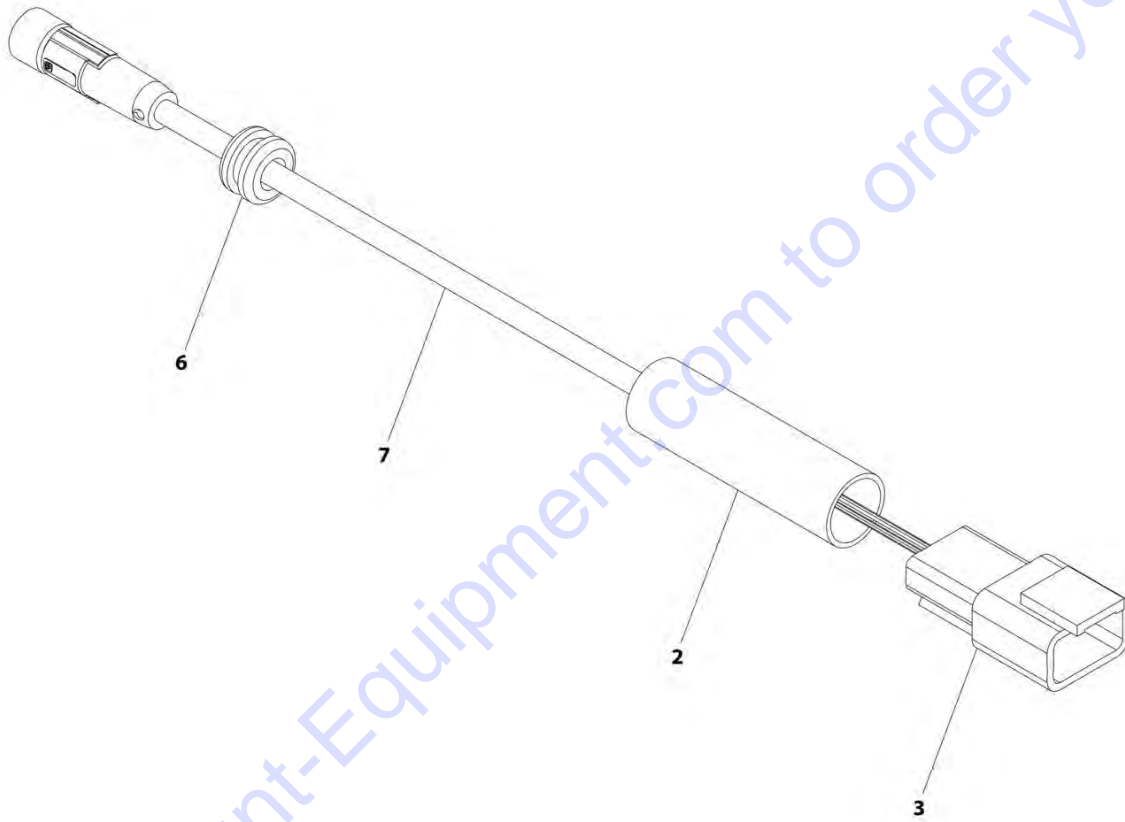
FIGURE 8-61. SKYEYE INTERMEDIATE HARNESS

ITEM	PART NUMBER	QTY	DESCRIPTION	REV
	1001237865	Ref	SKYEYE INTERMEDIATE HARNESS	A
1	4460899	1	Connector - 6 Position	
1	4460943	4	Pin, Male	
1	4460466	2	Plug, Terminal	
2	4461077	2	Connector - 4 Position	
2	1001119619	8	Socket, Female	
3	4460911	1	Connector - 3 Position	
3	1001119619	3	Socket, Female	
4	1001187681	1	Connector - 2 Position	
4	4460941	1	Pin, Male	
4	4460466	1	Plug, Terminal	

Go to Discount-Equipment.com to order your parts

SECTION 8 - ELECTRICAL

FIGURE 8-62. SKYEYE EMITTER HARNESS



ART_1001237864

SECTION 8 - ELECTRICAL

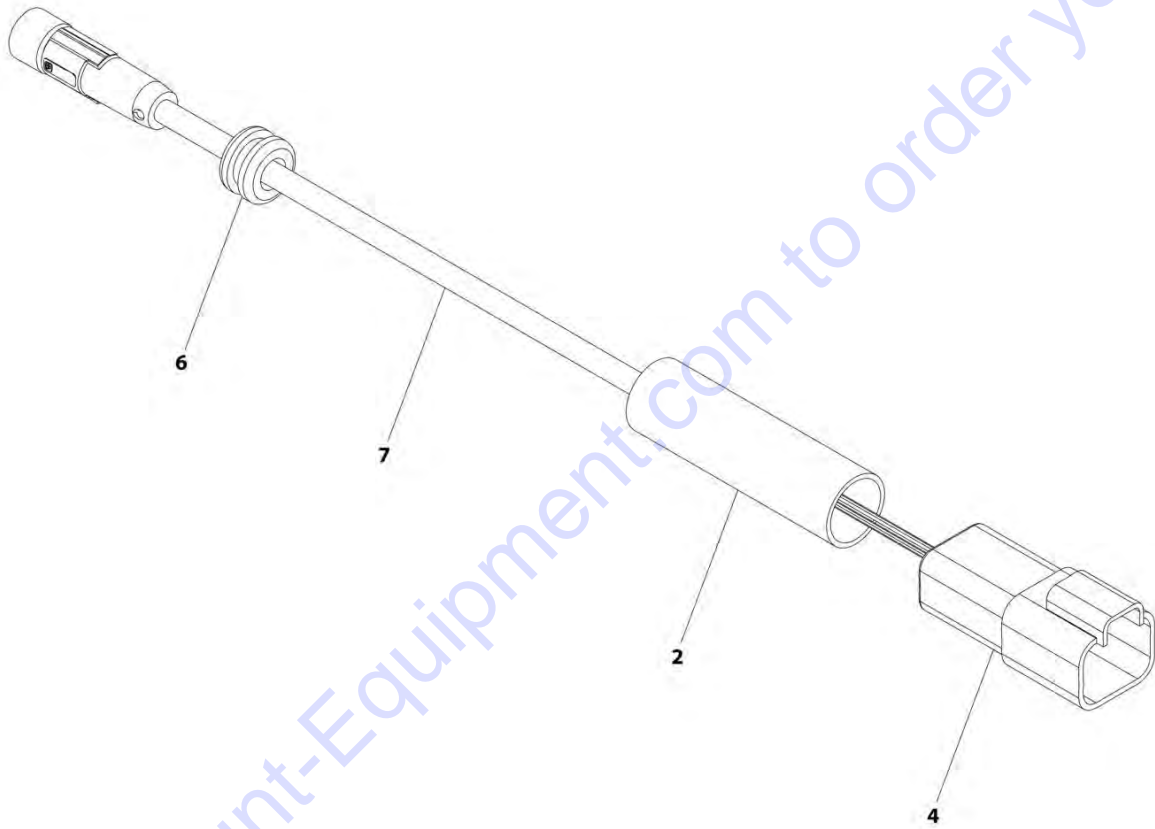
FIGURE 8-62. SKYEYE EMITTER HARNESS

ITEM	PART NUMBER	QTY	DESCRIPTION	REV
	1001237864	Ref	SKYEYE EMITTER HARNESS	A
2	2820247	AR	Tubing, Heat Shrink	
3	4460910	1	Connector - 3 Position	
3	1001119620	3	Pin, Male	
6	1001227996	1	Grommet	
7	1001237862	1	Cable, M8 Female Cordset	

Go to Discount-Equipment.com to order your parts

SECTION 8 - ELECTRICAL

FIGURE 8-63. SKYEYE RECEIVER HARNESS



ART_1001237863

SECTION 8 - ELECTRICAL

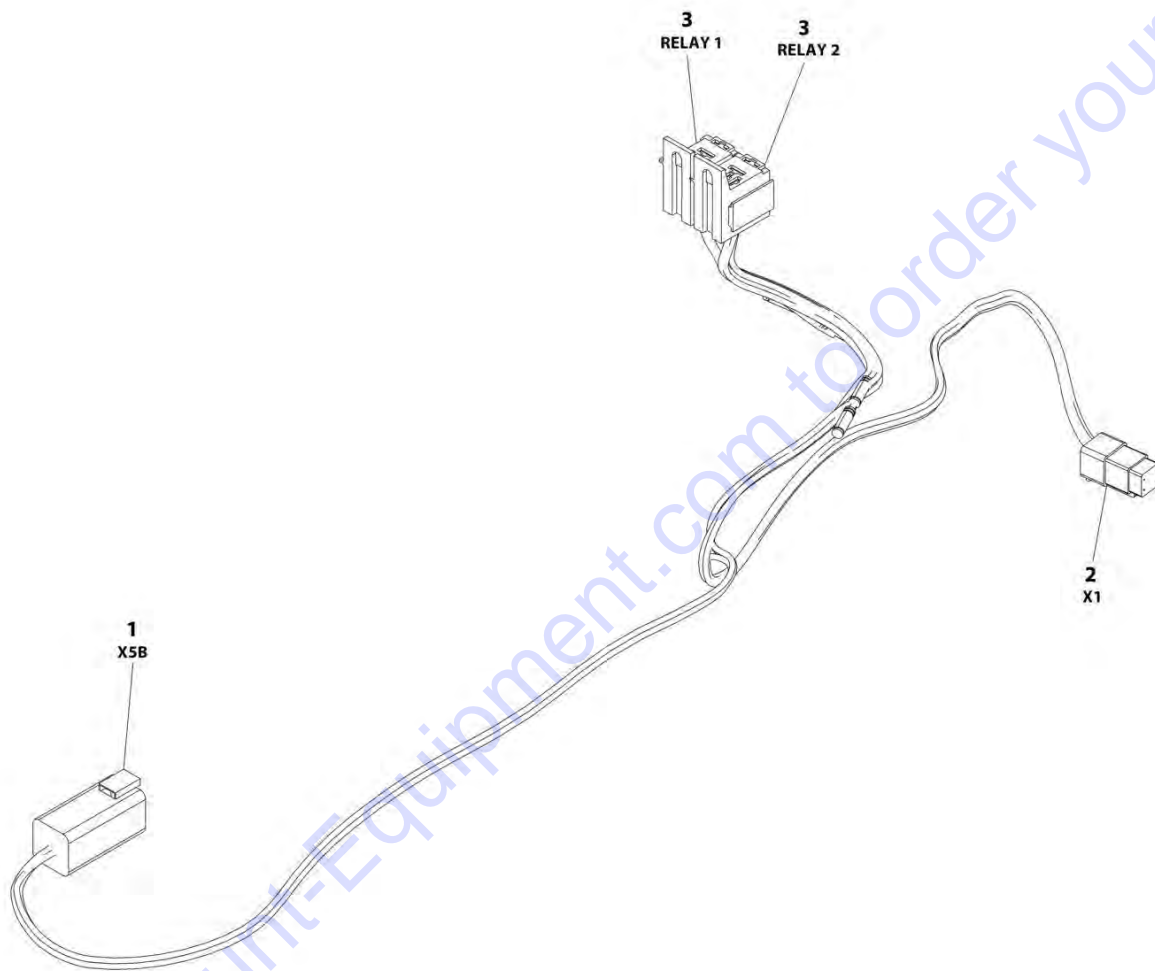
FIGURE 8-63. SKYEYE RECEIVER HARNESS

ITEM	PART NUMBER	QTY	DESCRIPTION	REV
	1001237863	Ref	SKYEYE RECEIVER HARNESS	A
2	2820247	AR	Tubing, Heat Shrink	
4	1001097051	1	Connector - 4 Position	
4	1001119620	4	Pin, Male	
6	1001227996	1	Grommet	
7	1001237862	1	Cable, M8 Female Cordset	

Go to Discount-Equipment.com to order your parts

SECTION 8 - ELECTRICAL

FIGURE 8-64. SKYLINE HARNESS



ART_1001238418

SECTION 8 - ELECTRICAL

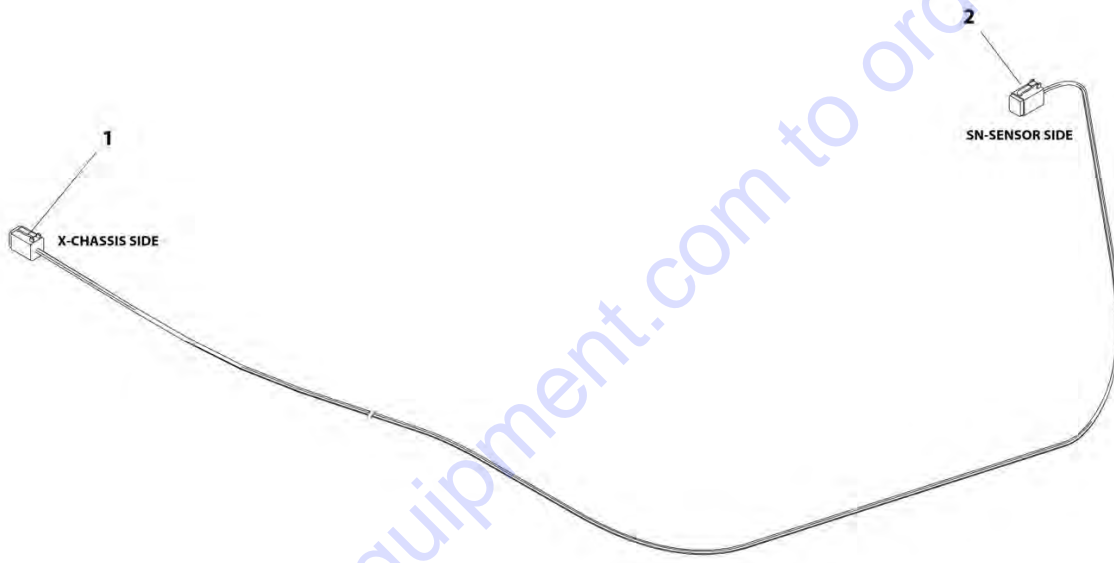
FIGURE 8-64. SKYLINE HARNESS

ITEM	PART NUMBER	QTY	DESCRIPTION	REV
	1001238418	Ref	SKYLINE HARNESS	A
1	4460899	1	Connector - 6 Position	
1	4460464	4	Pin, Male	
1	4460466	2	Plug, Terminal	
2	4461077	1	Connector - 4 Position	
2	1001126009	4	Socket, Female	
3	1001186432	2	Plug, Relay	
3	1001118388	5	Terminal	
3	1001118384	3	Terminal	
3	3740086	2	Relay	
3	3990013	2	Diode	

Go to Discount-Equipment.com to order your parts

SECTION 8 - ELECTRICAL

FIGURE 8-65. STEER HARNESS



ART_1001155817

SECTION 8 - ELECTRICAL

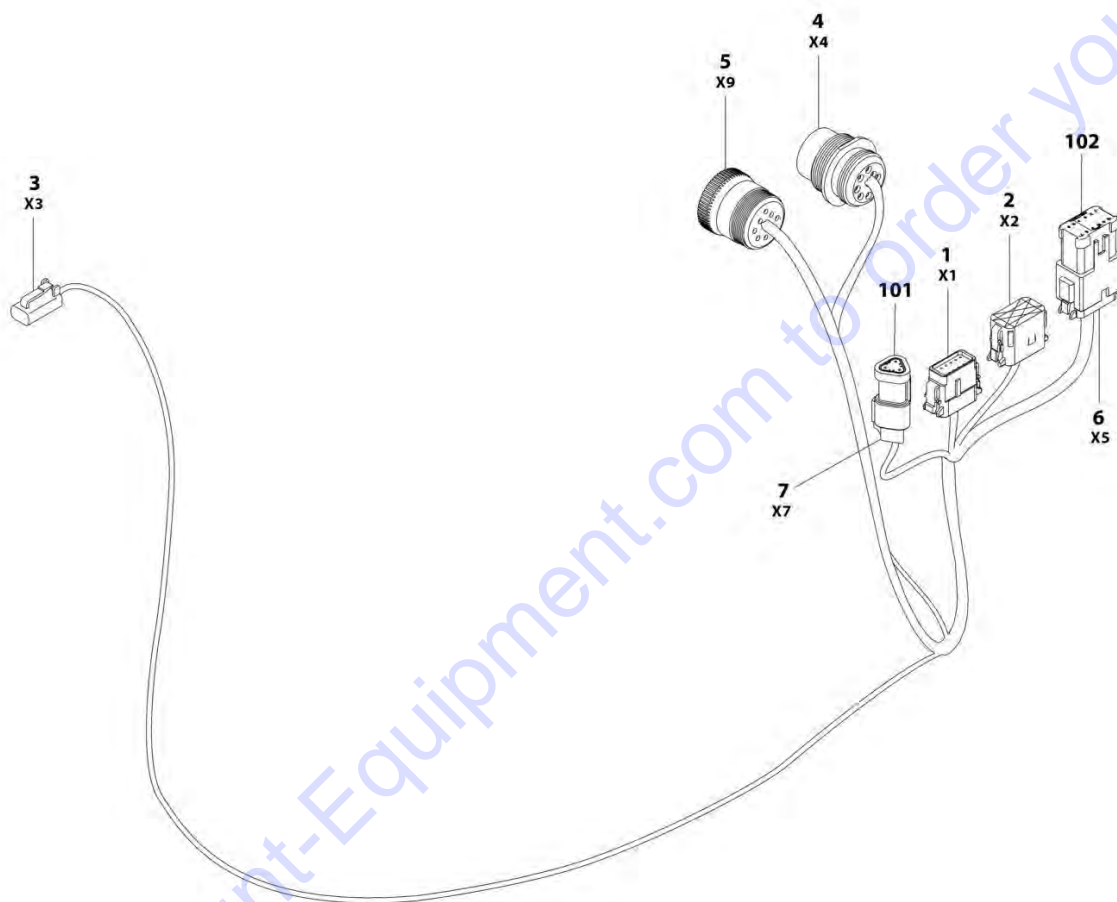
FIGURE 8-65. STEER HARNESS

ITEM	PART NUMBER	QTY	DESCRIPTION	REV
	1001155817	Ref	STEER HARNESS	B
1	4460894	1	Connector - 6 Position	
1	4460465	4	Socket, Female	
1	4460466	2	Seal, Plug	
2	4460894	1	Connector - 6 Position	
2	4460465	3	Socket, Female	
2	4460466	3	Seal, Plug	

Go to Discount-Equipment.com to order your parts

SECTION 8 - ELECTRICAL

FIGURE 8-66. STROBE LIGHT (BLUE) HARNESS



ART_1001210781

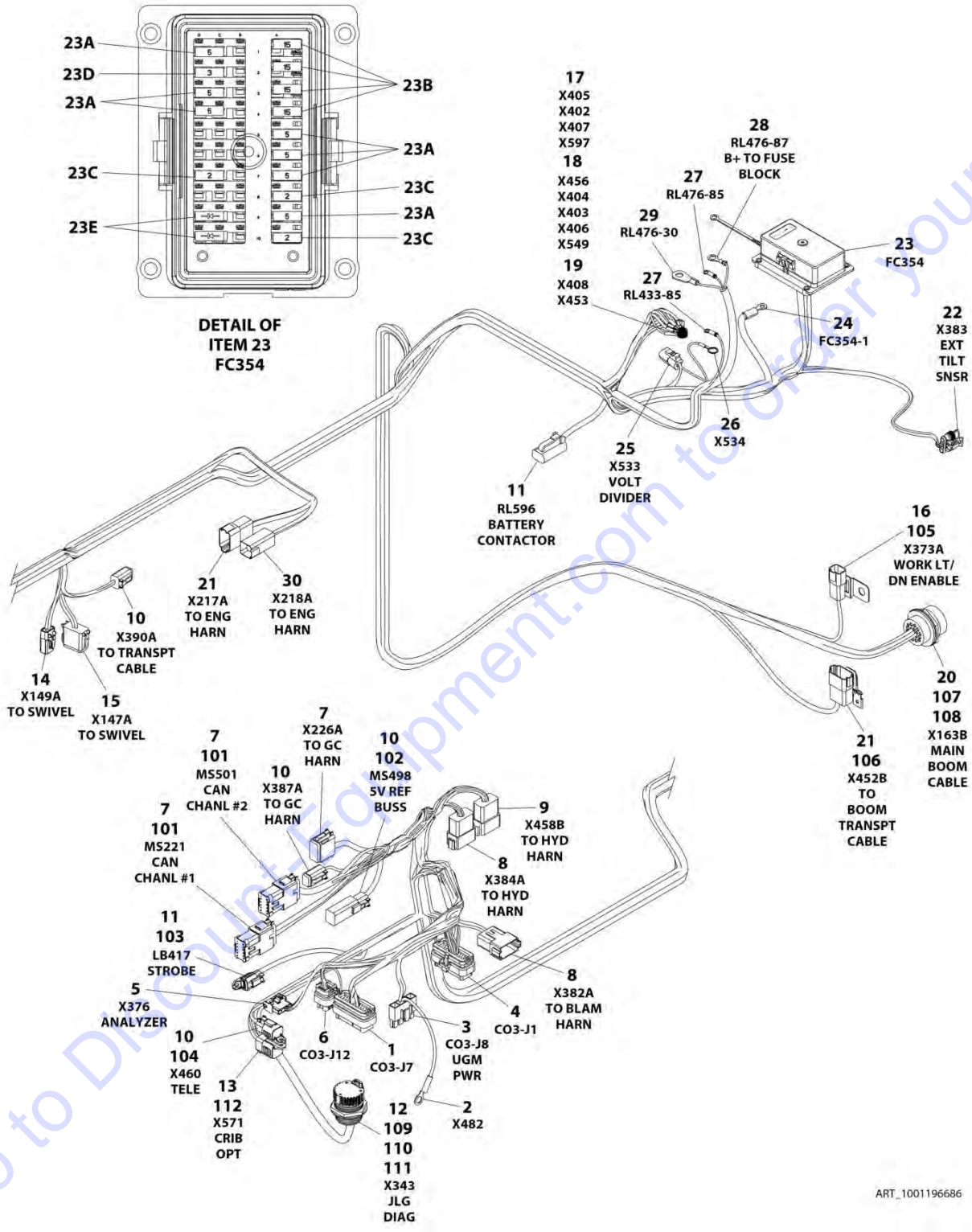
SECTION 8 - ELECTRICAL

FIGURE 8-66. STROBE LIGHT (BLUE) HARNESS

ITEM	PART NUMBER	QTY	DESCRIPTION	REV
	1001210781	Ref	STROBE LIGHT (BLUE) HARNESS	A
1	1001116808	1	Connector - 12 Position	
1	4460928	3	Socket, Female	
1	4460518	9	Plug, Socket	
2	1001116774	1	Connector - 12 Position	
2	4460928	3	Socket, Female	
2	4460518	9	Plug, Socket	
3	4460891	1	Connector - 2 Position	
3	4460465	2	Socket, Female	
4	1001112612	1	Connector - 9 Position	
4	4460464	6	Pin, Male	
4	4460466	3	Plug, Socket	
5	1001112796	1	Connector - 9 Position	
5	4460465	6	Socket, Female	
5	4460466	3	Plug, Socket	
6	4460933	1	Connector - 12 Position	
6	4460465	12	Socket, Female	
7	4461095	1	Connector - 3 Position	
7	4460465	3	Socket, Female	
101	4461070	1	Connector - 3 Position	
102	1001119020	1	Connector, Female Bussbar - 12 Position	

SECTION 8 - ELECTRICAL

FIGURE 8-67. TURNTABLE HARNESS



ART_1001196686

SECTION 8 - ELECTRICAL

FIGURE 8-67. TURNTABLE HARNESS

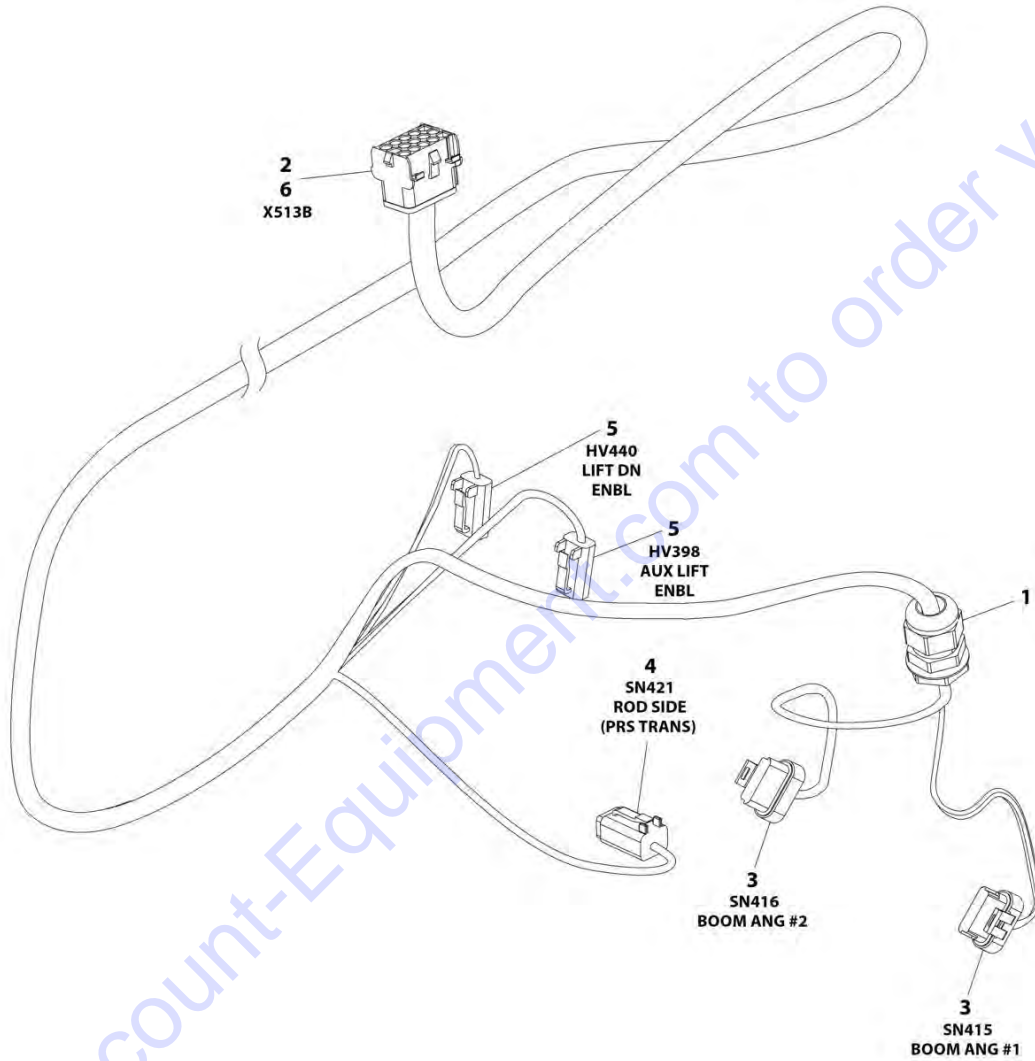
ITEM	PART NUMBER	QTY	DESCRIPTION	REV
	1001196686	Ref	TURNTABLE HARNESS	F
1	4460873	1	Connector - 35 Position	
1	4460871	30	Socket, Female	
1	4460466	5	Plug, Terminal	
2	1001117110	1	Terminal, Ring	
3	4460878	1	Connector - 4 Position	
3	4460887	3	Terminal	
4	4460874	1	Connector - 35 Position	
4	4460871	26	Socket, Female	
4	4460905	9	Plug, Terminal	
5	4460761	1	Connector - 4 Position	
5	4460267	4	Pin, Male	
6	1001113961	1	Connector - 8 Position	
6	4460871	7	Socket, Female	
6	4460905	1	Plug, Terminal	
7	4460933	3	Plug, Male - 12 Position	
7	4460944	22	Socket, Female	
7	4460465	9	Socket, Female	
7	4460466	5	Plug, Terminal	
8	4460970	2	Receptacle, Female - 12 Position	
8	4460464	12	Pin, Male	
8	4460943	2	Pin, Male	
8	1001116693	10	Pin, Male	
9	4460950	1	Receptacle, Female - 12 Position	
9	4460464	12	Pin, Male	
10	4460884	4	Plug, Male - 4 Position	
10	4460465	16	Socket, Female	
11	4460891	2	Plug, Male - 2 Position	
11	4460465	4	Socket, Female	
12	1001112612	1	Connector - 9 Position	
12	4460464	12	Pin, Male	
12	4460943	2	Pin, Male	
12	4460466	4	Plug, Terminal	
13	4460894	1	Plug, Male - 6 Position	
13	4460465	4	Socket, Female	
13	4460944	2	Socket, Female	
14	4461018	1	Plug, Male - 2 Position	
14	1001150611	2	Socket, Female	
15	4460836	1	Plug, Male - 12 Position	
15	4460944	2	Socket, Female	
15	4460465	1	Socket, Female	
15	4460466	9	Plug, Terminal	
16	4460932	1	Receptacle, Female - 4 Position	
16	1001157891	2	Pin, Male	
16	1001116693	2	Pin, Male	
17	4460722	4	Terminal, Ring	
18	4460019	5	Terminal, Ring	
19	4460256	2	Terminal, Ring	
20	4460866	1	Connector - 19 Position	
20	4460464	8	Pin, Male	

SECTION 8 - ELECTRICAL

ITEM	PART NUMBER	QTY	DESCRIPTION	REV
20	4460508	4	Pin, Male	
20	4460943	2	Pin, Male	
20	4460466	5	Plug, Terminal	
21	4460931	2	Receptacle, Female - 8 Position	
21	4460464	8	Pin, Male	
21	1001116693	6	Pin, Male	
21	4460466	2	Plug, Terminal	
22	1001103012	1	Plug, Male - 4 Position	
22	1001107854	4	Socket, Female	
22	1001104498	4	Seal, Terminal	
23	1001196605	1	Fuse Box Assembly	
23A	8229242	7	Fuse 5Amp	
23B	8229244	4	Fuse 15Amp	
23C	1001196634	3	Fuse 2Amp	
23D	1001196635	1	Fuse 3Amp	
23E	1001196636	2	Diode 1Amp	
23F	1001196603	1	Cover (Not Shown)	
24	8220116	1	Terminal, Ring	
25	4460539	1	Plug, Male - 3 Position	
25	4460465	3	Socket, Female	
26	4460703	1	Terminal, Ring	
27	4460247	2	Terminal, Ring	
28	4460670	1	Terminal, Ring	
29	4460443	1	Terminal, Ring	
30	4460899	1	Receptacle, Female - 6 Position	
30	4460943	2	Pin, Male	
30	1001116693	3	Pin, Male	
30	4460466	1	Plug, Terminal	
101	1001125677	2	Receptacle, Female Termination - 12 Position	
102	4460893	1	Receptacle, Female Bussbar - 4 Position	
103	1001144295	1	Cap	
104	1001192401	1	Cap, Dust	
105	1001155967	1	Mount	
106	1001202914	1	Mount	
107	4460470	1	Nut, Terminal	
108	4460471	1	Washer, Terminal	
109	4460496	1	Washer, Terminal	
110	4460497	1	Nut, Terminal	
111	1001106736	1	Cap, Dust	
112	1001213448	1	Cap, Dust	

SECTION 8 - ELECTRICAL

FIGURE 8-68. VALVE HARNESS - BOOM



ART_1001216806

SECTION 8 - ELECTRICAL

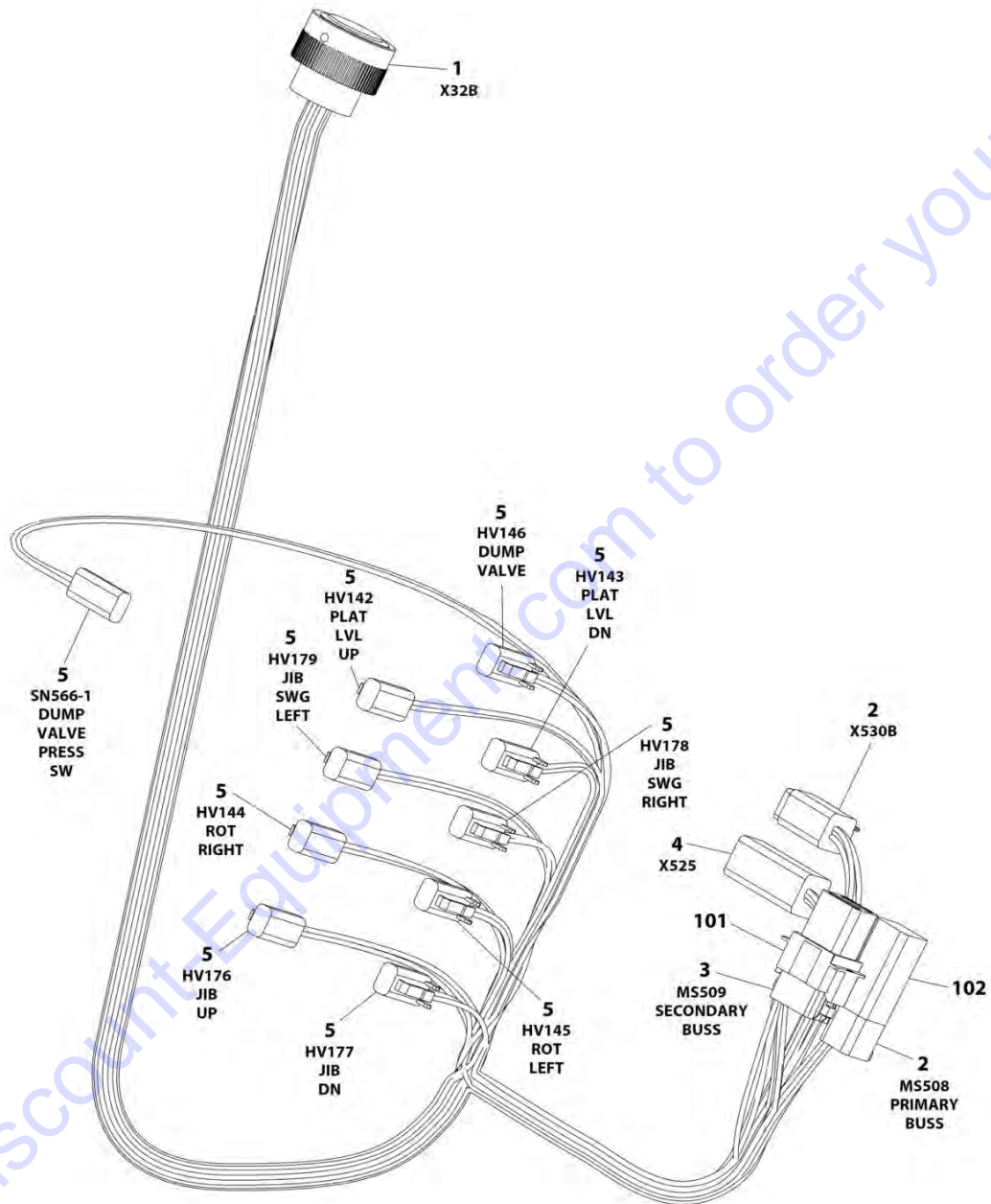
FIGURE 8-68. VALVE HARNESS - BOOM

ITEM	PART NUMBER	QTY	DESCRIPTION	REV
	1001216806	Ref	VALVE HARNESS - BOOM	C
1	4460633	1	Connector, Strain Relief	
2	1001216626	1	Seal	
3	1001117064	NLA	Plug, Male - 6 Position (Use p/n 1001230931) (Prior to SN 0300237540)	
3	91554014	NLA	Socket, Female (Use p/n 1001116748) (Prior to SN 0300237540)	
3	1001230931	3	Plug, Male - 6 Position (SN 0300237540 to Present)	
3	1001116748	3	Terminal (SN 0300237540 to Present)	
3	1001116751	3	Plug, Terminal	
4	4460884	1	Plug, Male - 4 Position	
4	4460465	4	Socket, Female	
5	4460891	2	Plug, Male - 2 Position	
5	4460465	4	Socket, Female	
6	4460708	1	Receptacle, Female - 15 Position	
6	4460267	15	Pin, Male	

Go to Discount-Equipment.com to order your parts

SECTION 8 - ELECTRICAL

FIGURE 8-69. VALVE HARNESS - PLATFORM



ART_1001196682

SECTION 8 - ELECTRICAL

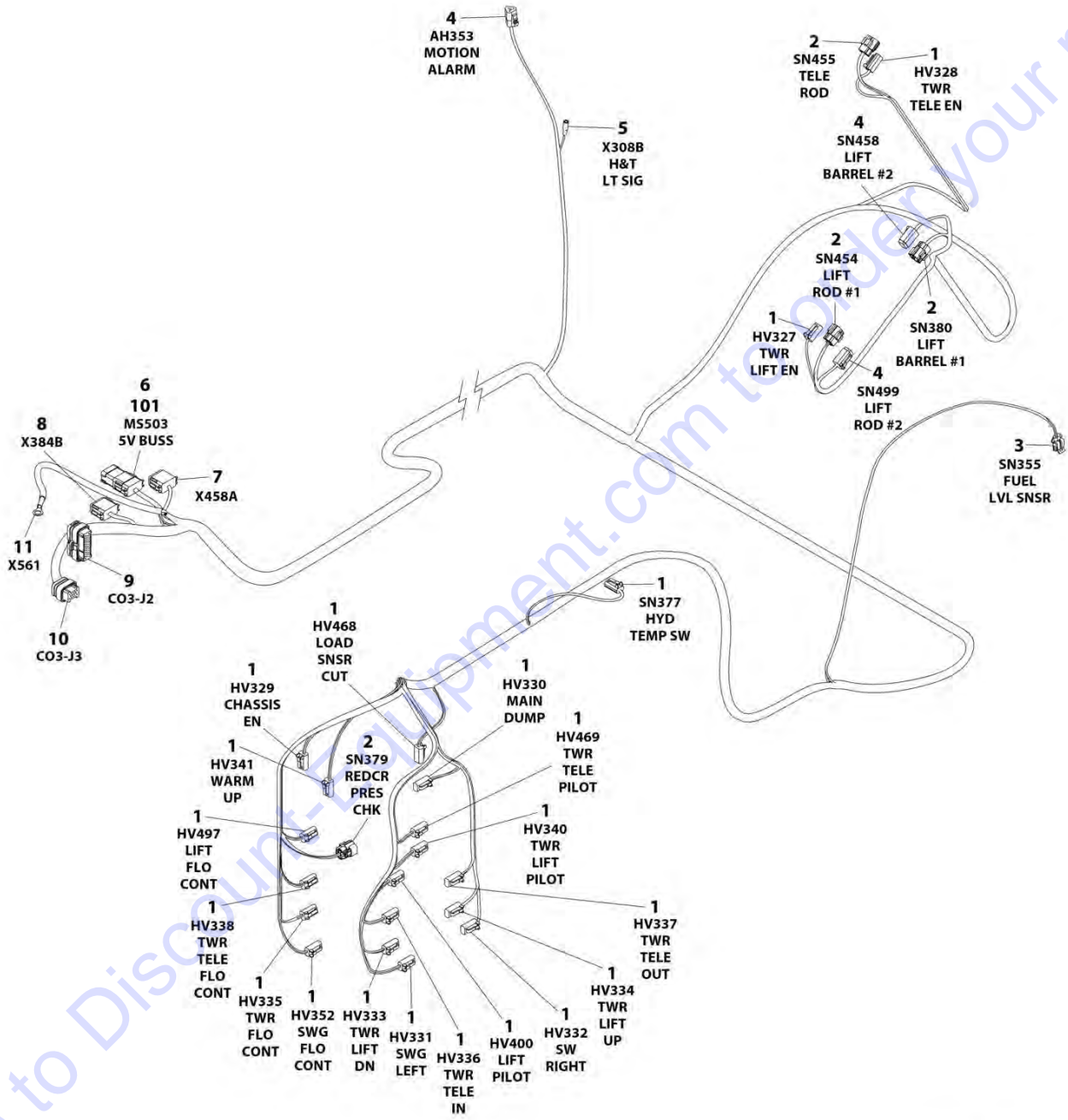
FIGURE 8-69. VALVE HARNESS - PLATFORM

ITEM	PART NUMBER	QTY	DESCRIPTION	REV
	1001196682	Ref	VALVE HARNESS - PLATFORM	D
1	4460926	1	Connector - 21 Position	
1	1001126008	20	Socket, Female	
1	4460518	1	Plug, Terminal	
2	4460894	2	Plug, Male - 6 Position	
2	4460465	11	Socket, Female	
2	4460466	1	Plug, Terminal	
3	4460851	1	Plug, Male - 8 Position	
3	4460465	7	Socket, Female	
3	4460466	1	Plug, Terminal	
4	4460899	1	Receptacle, Female - 6 Position	
4	4460464	5	Pin, Male	
4	4460466	1	Plug, Terminal	
5	4460891	10	Plug, Male - 2 Position	
5	4460465	20	Socket, Female	
101	4460852	1	Receptacle, Female Termination - 8 Position	
102	4460892	1	Receptacle, Female Bussbar - 6 Position	

Go to Discount-Equipment.com to order your parts

SECTION 8 - ELECTRICAL

FIGURE 8-70. VALVE HARNESS - TURNTABLE (Prior to SN 0300223782)



ART_1001196690

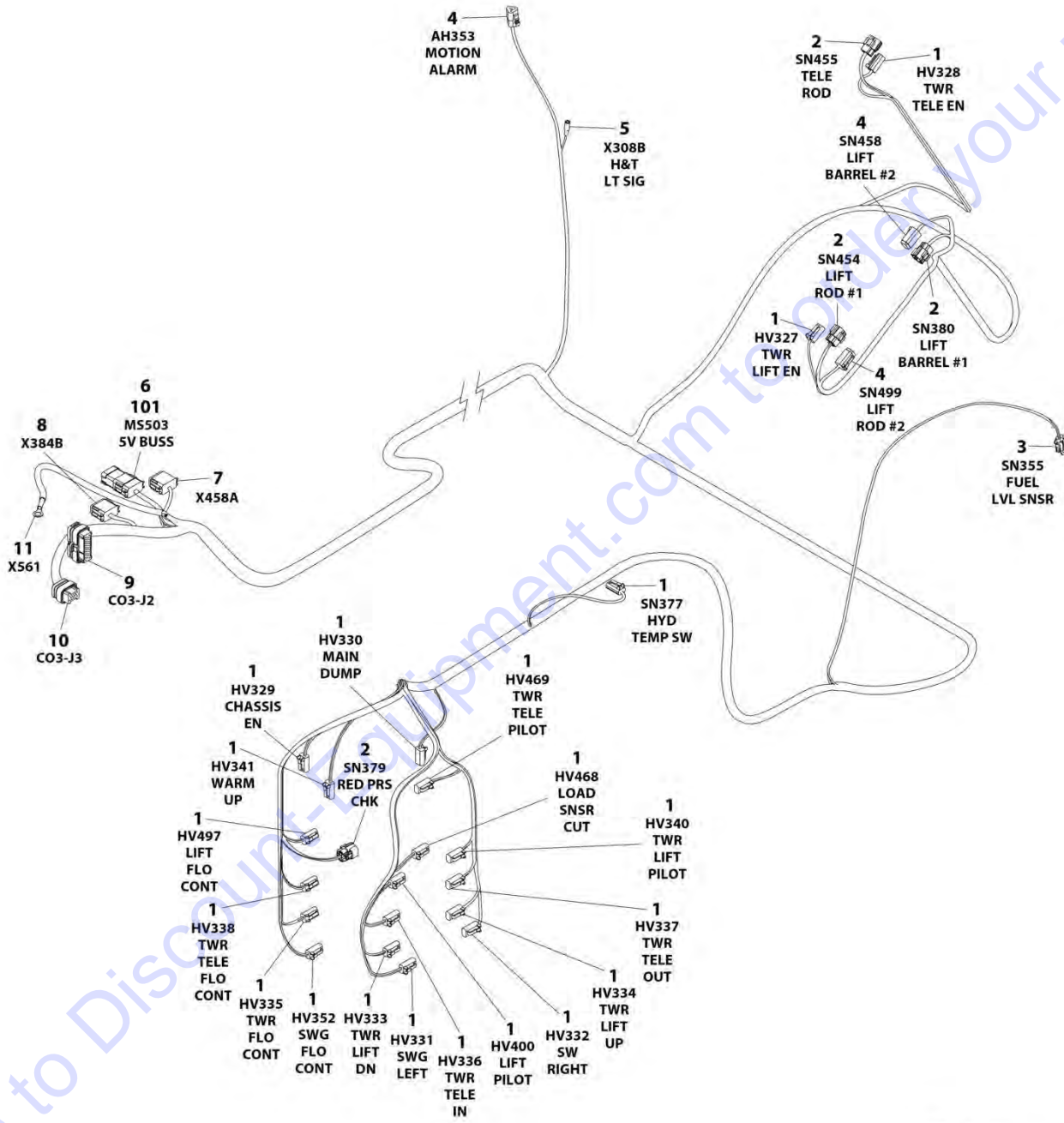
SECTION 8 - ELECTRICAL

FIGURE 8-70. VALVE HARNESS - TURNTABLE (Prior to SN 0300223782)

ITEM	PART NUMBER	QTY	DESCRIPTION	REV
	1001196690	Ref	VALVE HARNESS - TURNTABLE (Prior to SN 0300223782)	D
1	4460891	20	Plug, Male - 2 Position	
1	4460465	40	Socket, Female	
2	4460884	4	Plug, Male - 4 Position	
2	4460465	16	Socket, Female	
3	4460843	1	Plug, Male - 2 Position	
3	91554014	NLA	Socket, Female (Use p/n 1001116748)	
4	4460539	3	Plug, Male - 3 Position	
4	4460465	9	Socket, Female	
5	8220068	1	Terminal, Ring	
6	4460930	1	Plug, Male - 8 Position	
6	4460465	5	Socket, Female	
6	4460466	3	Plug, Terminal	
7	4460836	1	Plug, Male - 12 Position	
7	4460465	12	Socket, Female	
8	4460933	1	Plug, Male - 12 Position	
8	4460465	12	Socket, Female	
9	4460875	1	Connector - 35 Position	
9	4460871	32	Socket, Female	
9	4460905	3	Plug, Terminal	
10	4460872	1	Connector - 14 Position	
10	4460871	11	Socket, Female	
10	4460905	3	Plug, Terminal	
11	1001128127	1	Terminal, Ring	
101	4460984	1	Receptacle, Female Bussbar - 8 Position	

SECTION 8 - ELECTRICAL

FIGURE 8-71. VALVE HARNESS - TURNTABLE (SN 0300223782 to Present)



ART_1001218806

Go to Discount Equipment.com to order your parts

SECTION 8 - ELECTRICAL

FIGURE 8-71. VALVE HARNESS - TURNTABLE (SN 0300223782 to Present)

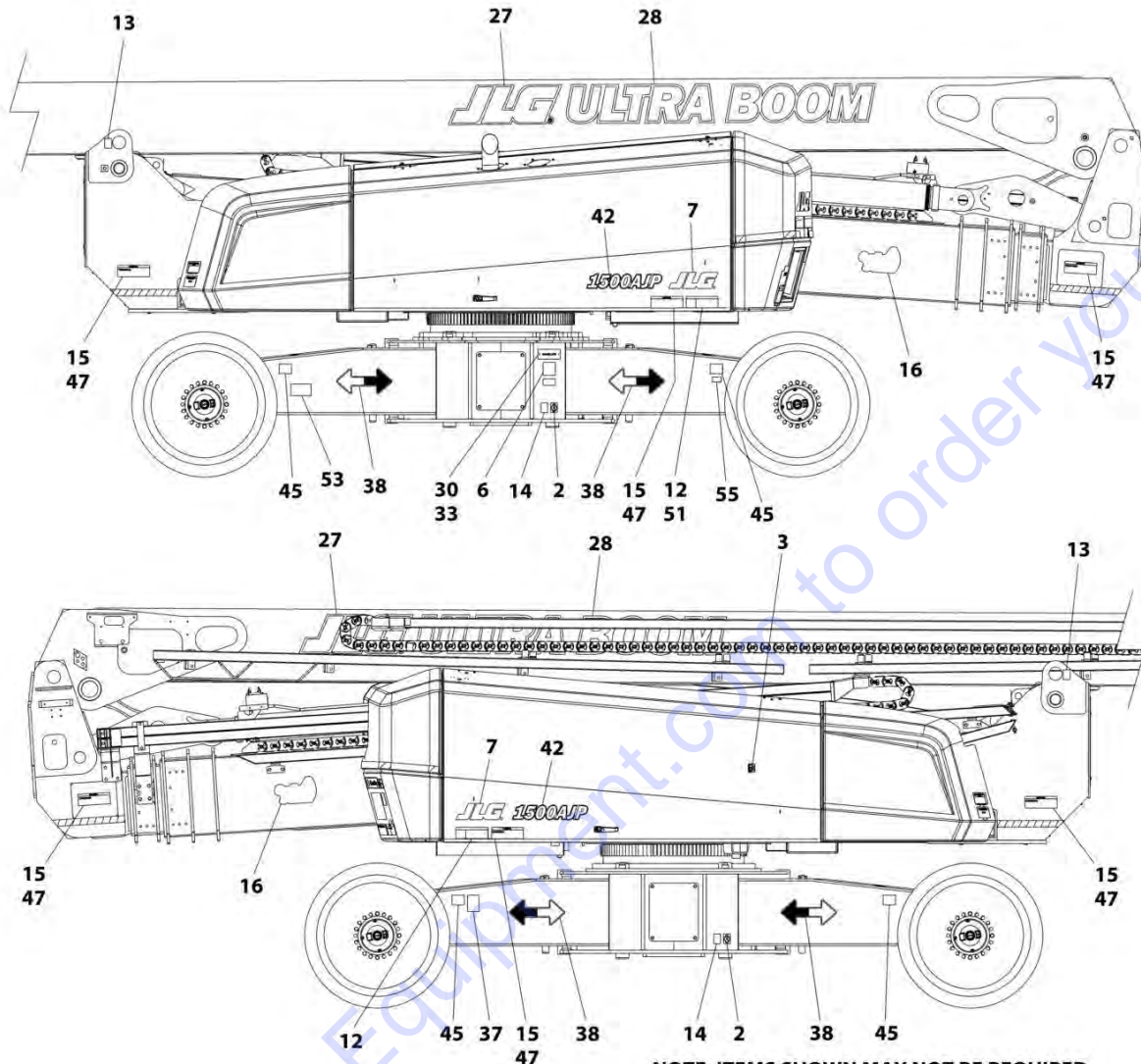
ITEM	PART NUMBER	QTY	DESCRIPTION	REV
	1001218806	Ref	VALVE HARNESS - TURNTABLE (SN 0300223782 to Present)	A
1	4460891	20	Plug, Male - 2 Position	
1	4460465	40	Socket, Female	
2	4460884	4	Plug, Male - 4 Position	
2	4460465	12	Socket, Female	
2	4460466	4	Plug, Terminal	
3	4460843	1	Plug, Male - 2 Position	
3	91554014	NLA	Socket, Female (Use p/n 1001116748)	
4	4460539	3	Plug, Male - 3 Position	
4	4460465	9	Socket, Female	
5	8220068	1	Terminal, Ring	
6	4460930	1	Plug, Male - 8 Position	
6	4460465	6	Socket, Female	
6	4460466	2	Plug, Terminal	
7	4460836	1	Plug, Male - 12 Position	
7	4460465	12	Socket, Female	
8	4460933	1	Plug, Male - 12 Position	
8	4460465	12	Socket, Female	
9	4460875	1	Connector - 35 Position	
9	4460871	32	Socket, Female	
9	4460905	3	Plug, Terminal	
10	4460872	1	Connector - 14 Position	
10	4460871	11	Socket, Female	
10	4460905	3	Plug, Terminal	
11	1001128127	1	Terminal, Ring	
101	4460984	1	Receptacle, Female Bussbar - 8 Position	

SECTION 9 - DECALS

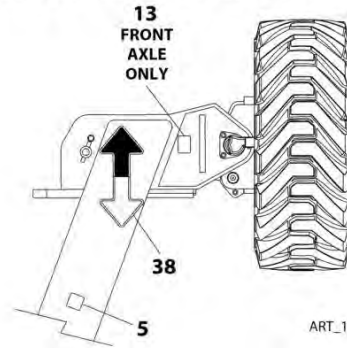
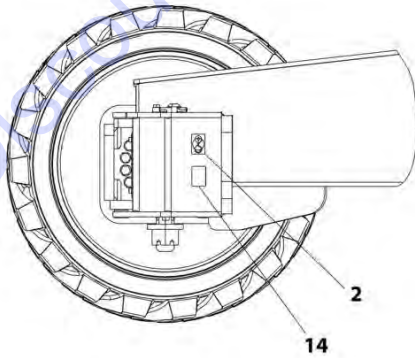
Go to Discount-Equipment.com to order your parts

SECTION 9 - DECALS

FIGURE 9-1. DECAL INSTALLATION - ANSI SPEC

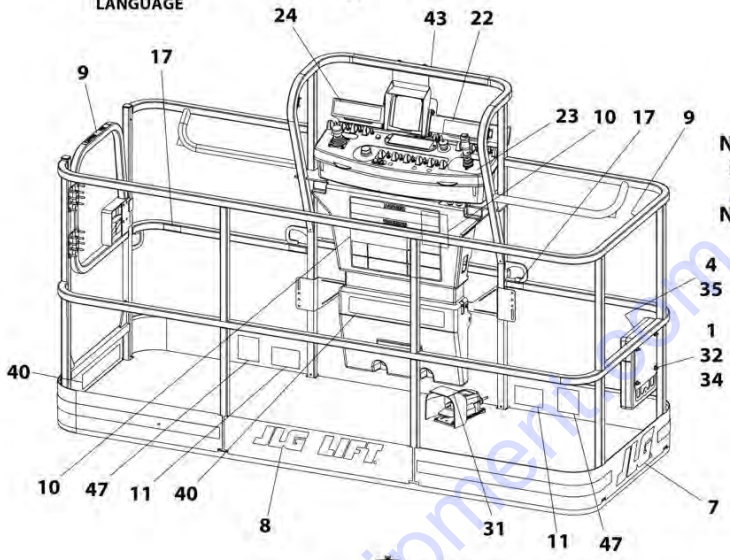
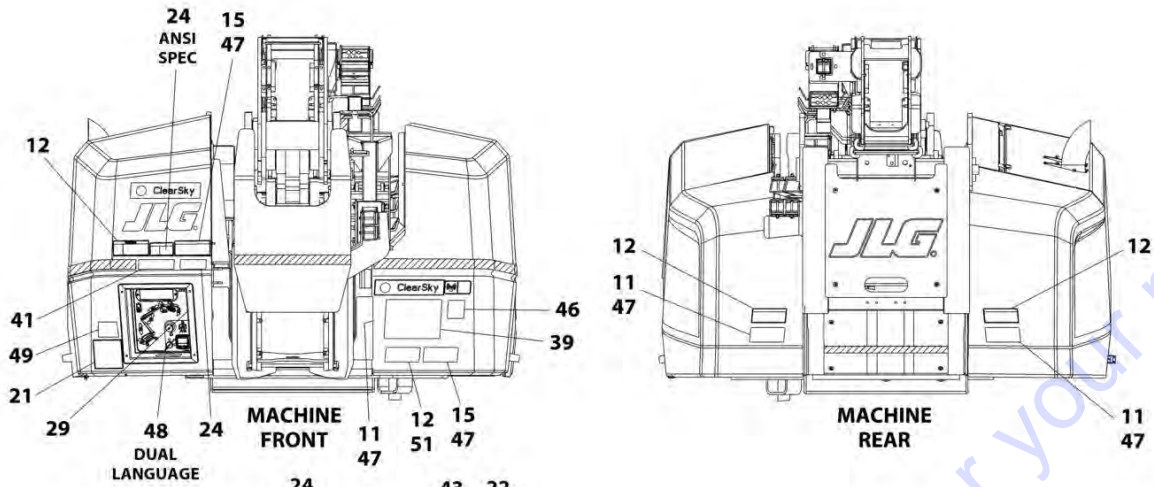


NOTE: ITEMS SHOWN MAY NOT BE REQUIRED FOR ALL SPECS. REFER TO PARTS LISTS FOR USAGE.
 NOTE: ADDITIONAL DECALS CALLED OUT ON DECAL INSTALLATION - OPTIONS.

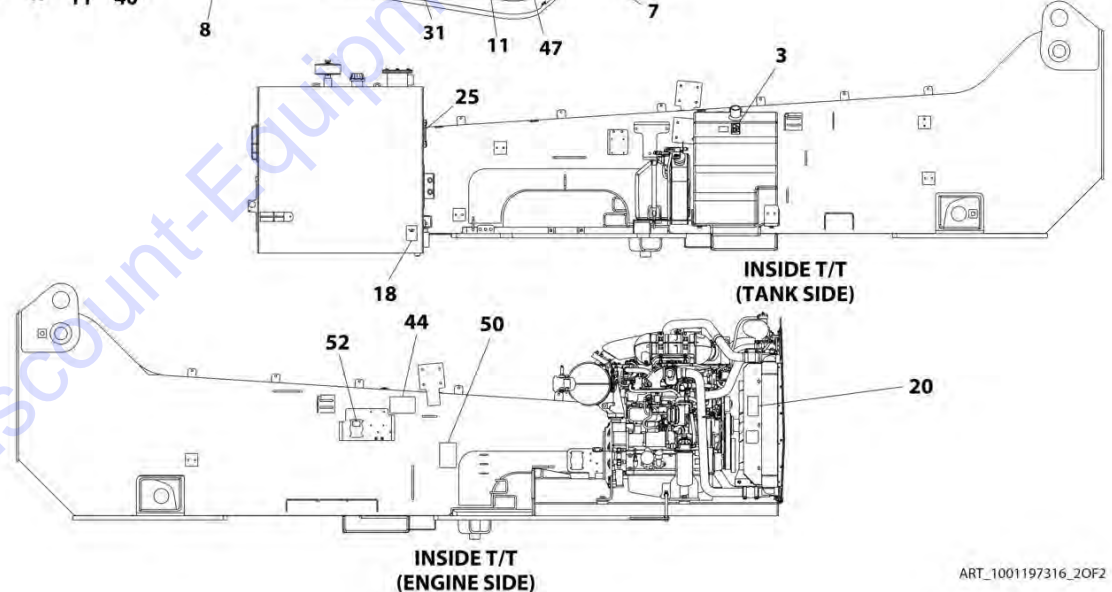


ART_1001197316_10F2

SECTION 9 - DECALS



NOTE: ITEMS SHOWN MAY NOT BE REQUIRED FOR ALL SPECS. REFER TO PARTS LISTS FOR USAGE.
NOTE: ADDITIONAL DECALS CALLED OUT ON DECAL INSTALLATION - OPTIONS.



ART_1001197316_20F2

SECTION 9 - DECALS

FIGURE 9-1. DECAL INSTALLATION - ANSI SPEC

ITEM	PART NUMBER	QTY	DESCRIPTION	REV
	1001197316	Ref	DECAL INSTALLATION - ANSI SPEC	J
	1001197315	Ref	DECAL INSTALLATION - REFERENCE	L
1	0641406	4	Bolt 1/4 x 3/4	
2	1701499	6	Decal - No Tie Down/Lift	
3	1701505	2	Decal - Diesel Fuel	
4	1701509	1	Decal - Manual	
5	1701691	4	Decal - No Step	
6	See Note	NSS	Decal - Bar Code (Note: Not Available for Purchase)	
7	1702773	3	Decal - JLG	
8	1702774	1	Decal - JLG Lift	
9	1702868	2	Decal - No Hands	
10	1703797	1	Decal - Danger/Warning (Prior to SN 0300240678)	
10	1001231315	1	Decal - Danger/Warning (SN 0300240678 to Present)	
11	1703804	6	Decal - Warning Crushing	
12	1703805	6	Decal - Electrocution	
13	1703811	4	Decal - Lifting Lug	
14	1703814	6	Decal - Tie Down	
15	1703953	8	Decal - Warning Crushing	
16	1703959	2	Decal - Quik Stik	
17	1704277	3	Decal - Lanyard Attach	
18	1704412	1	Decal - Hydraulic Oil	
20	1704972	1	Decal - Glow Plugs Warning	
21	1705336	1	Decal - Danger/Warning	
22	1705337	1	Decal - Tip-Over (Prior to SN 0300240678)	
23	1705351	1	Decal - Drive/Steer Instructions	
24	1705492	AR	Decal - Tip-Over	
25	1705511	1	Decal - Oil Level	
27	1705864	2	Decal - JLG	
28	1705865	2	Decal - Ultraboom	
29	1705868	1	Decal - Legend (Prior to SN 0300226018)	
29	1001225220	1	Decal - Legend (SN 0300226018 to Present)	
30	See Note	NSS	Nameplate - Serial Number (Note: Not Available for Purchase)	
31	3252347	1	Nameplate - Footswitch	
32	3311405	4	Nut 1/4	
33	3820001	2	Rivet	
34	4751400	8	Washer 1/4	
35	91403230	1	Box, Manual Storage	
37	1001131269	1	Decal - Patent	
38	1001160445	8	Decal - Arrow	
39	1001197350	1	Decal - Lift Diagram	
40	1001200113	2	Decal - Warning Dual Capacity	
41	1001200114	1	Decal - Warning Dual Capacity	
42	1001200707	2	Decal - 1500AJP	
43	1001204096	1	Decal - Legend	
44	1001209561	1	Decal - Jump Start Dual Battery (Prior to SN 0300243458)	
44	1001234789	1	Decal - Jump Start/Dual Battery (SN 0300243458 to Present)	
45	1001209896	4	Decal - Maximum Tire Load	
50	1001211904	1	Decal - Fuse Box	
52	1001224045	1	Decal - Fuse Box Cover (SN 0300226018 to Present)	
53	1001223055	1	Decal - Decal Yearly Inspection (SN 0300235176 to Present)	

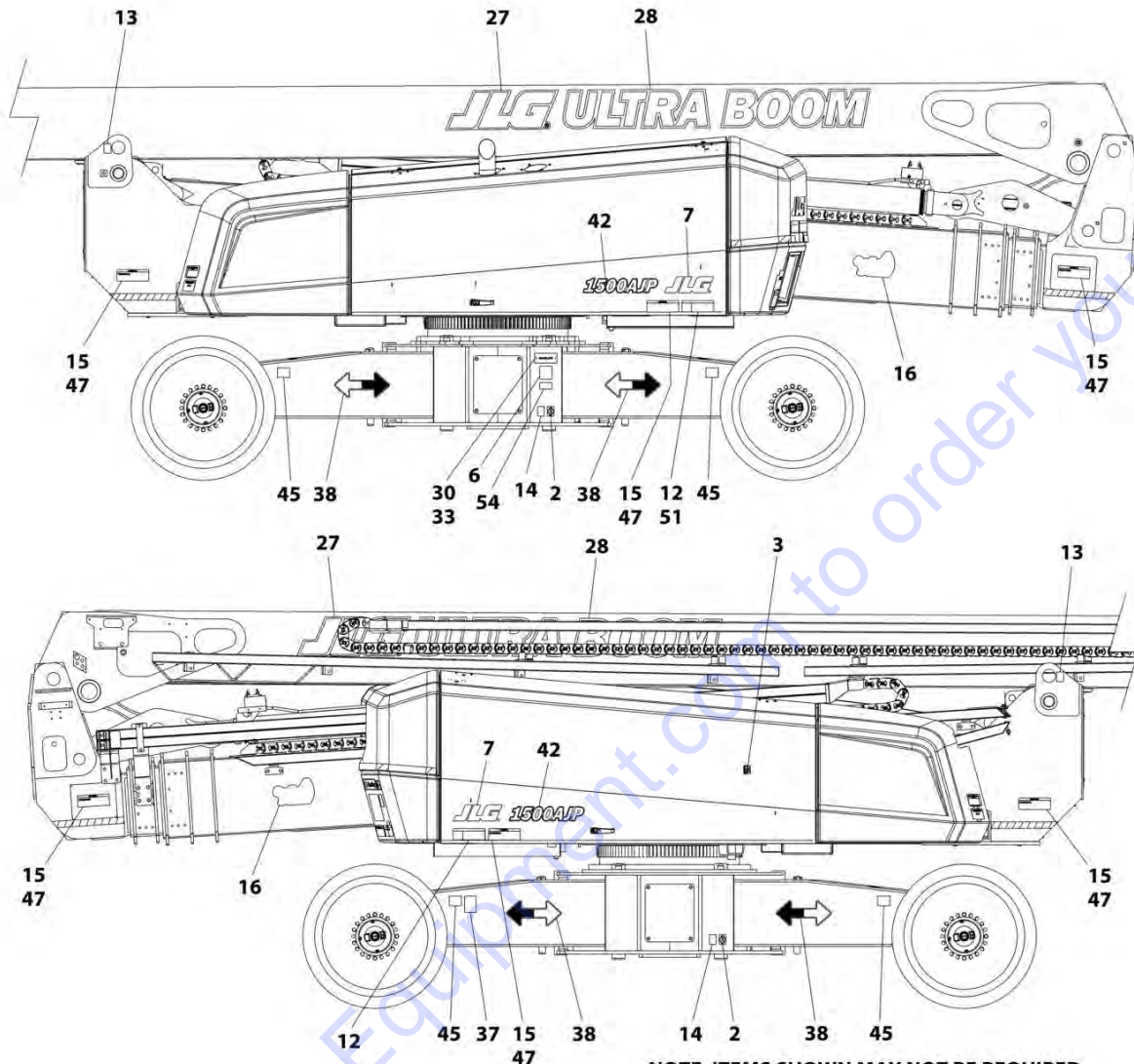
SECTION 9 - DECALS

ITEM	PART NUMBER	QTY	DESCRIPTION	REV
55	1001223453	1	Decal - ICES (SN 0300243458 to Present)	

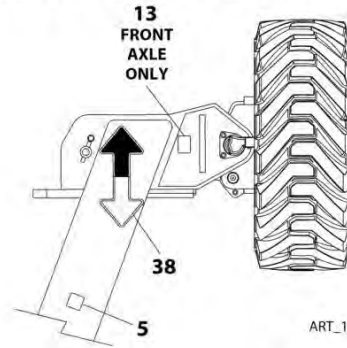
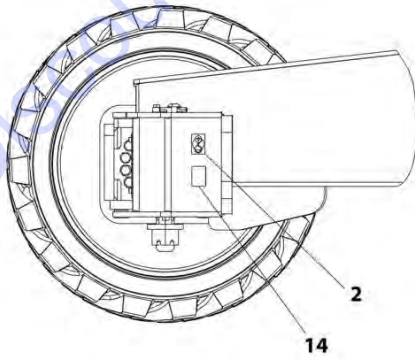
Go to Discount-Equipment.com to order your parts

SECTION 9 - DECALS

FIGURE 9-2. DECAL INSTALLATION - AUSTRALIAN SPEC

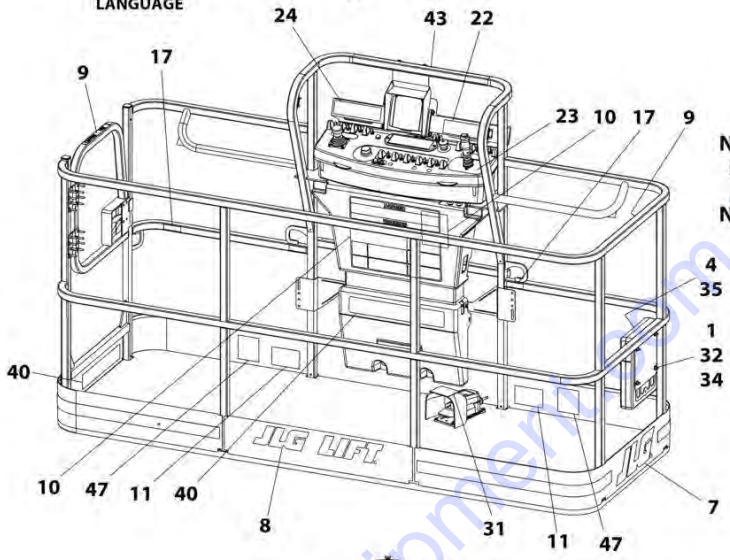
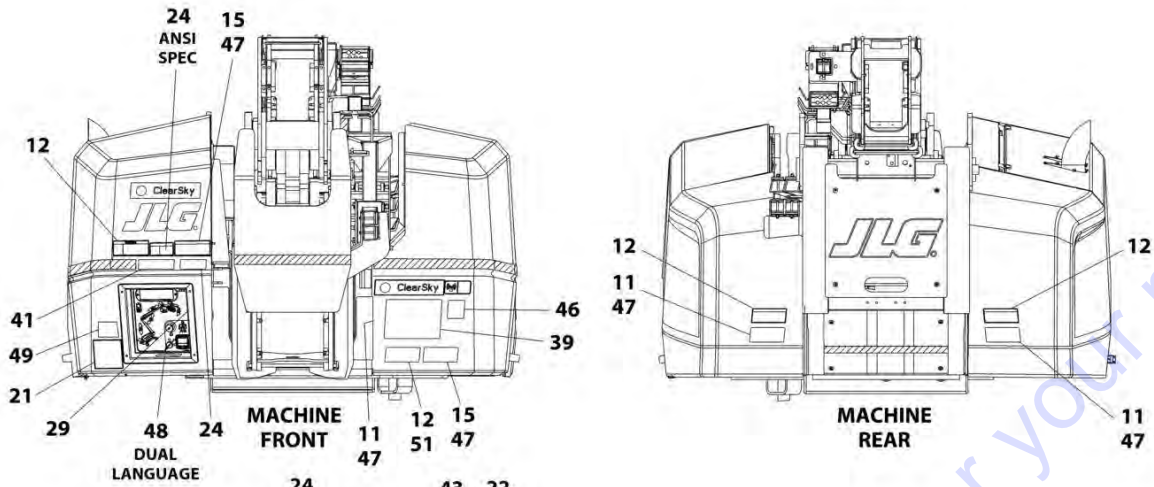


NOTE: ITEMS SHOWN MAY NOT BE REQUIRED FOR ALL SPECS. REFER TO PARTS LISTS FOR USAGE.
 NOTE: ADDITIONAL DECALS CALLED OUT ON DECAL INSTALLATION - OPTIONS.



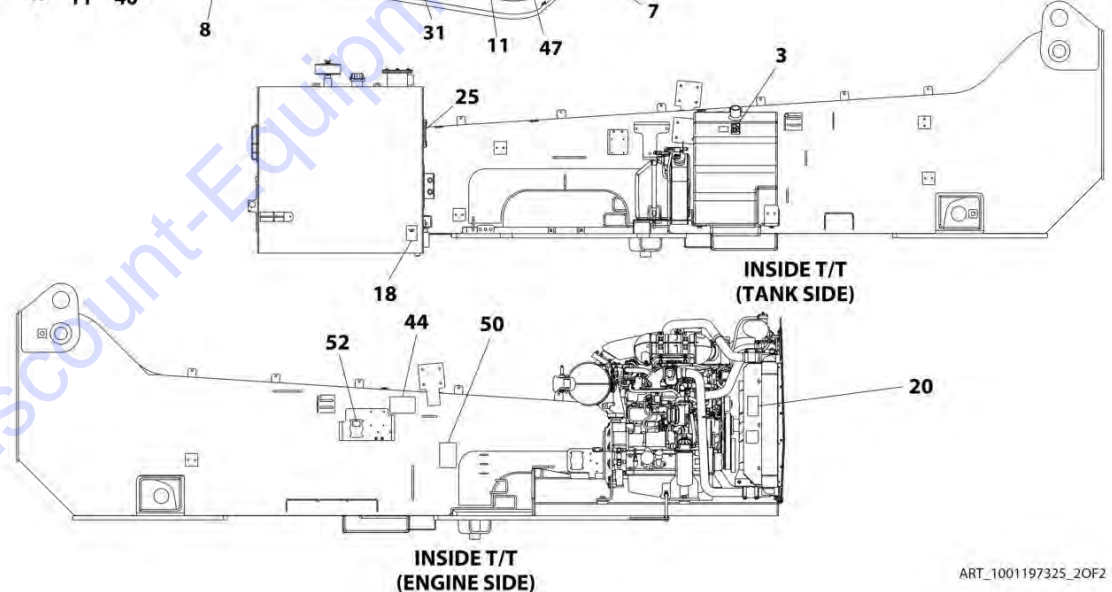
ART_1001197325_10F2

SECTION 9 - DECALS



NOTE: ITEMS SHOWN MAY NOT BE REQUIRED FOR ALL SPECS. REFER TO PARTS LISTS FOR USAGE.

NOTE: ADDITIONAL DECALS CALLED OUT ON DECAL INSTALLATION - OPTIONS.



ART_1001197325_20F2

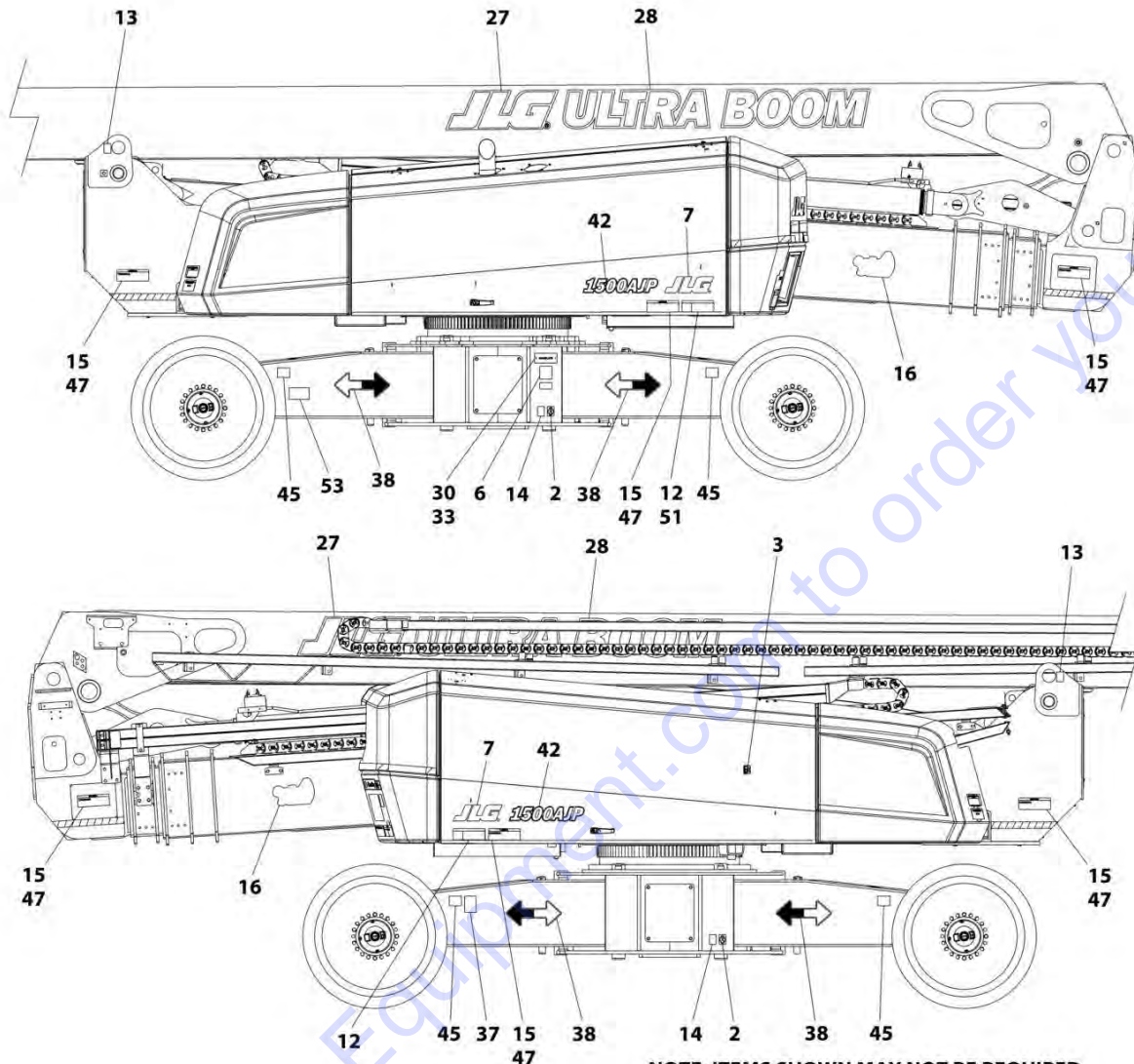
SECTION 9 - DECALS

FIGURE 9-2. DECAL INSTALLATION - AUSTRALIAN SPEC

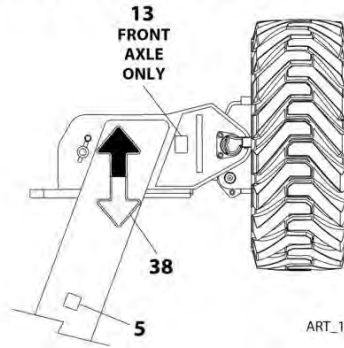
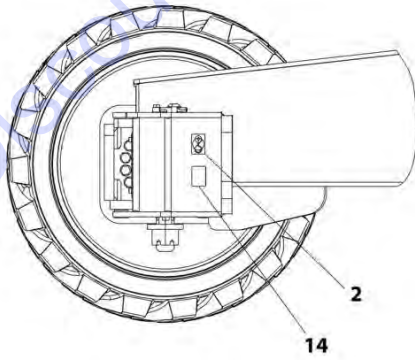
ITEM	PART NUMBER	QTY	DESCRIPTION	REV
	1001197325	Ref	DECAL INSTALLATION - AUSTRALIAN SPEC	I
	1001197315	Ref	DECAL INSTALLATION - REFERENCE	L
1	0641406	4	Bolt 1/4 x 3/4	
2	1701499	6	Decal - No Tie Down/Lift	
3	1701505	2	Decal - Diesel Fuel	
4	1701509	1	Decal - Manual	
5	1701691	4	Decal - No Step	
6	See Note	NSS	Decal - Bar Code (Note: Not Available for Purchase)	
7	1702773	3	Decal - JLG	
8	1702774	1	Decal - JLG Lift	
10	1705921	1	Decal - Tipping/Electrocution	
13	1703811	4	Decal - Lifting Lug	
14	1703814	6	Decal - Tie Down	
16	1703959	2	Decal - Quik Stik	
17	1704277	3	Decal - Lanyard Attach	
18	1704412	1	Decal - Hydraulic Oil	
20	1706098	1	Decal - Warning Ether Start	
21	1705822	1	Decal - Electrical/Safety Manual	
25	1705511	1	Decal - Oil Level	
27	1705864	2	Decal - JLG	
28	1705865	2	Decal - Ultraboom	
30	See Note	NSS	Nameplate - Serial Number (Note: Not Available for Purchase)	
31	1705828	1	Nameplate - Footswitch	
32	3311405	4	Nut 1/4	
33	3820001	2	Rivet	
34	4751400	8	Washer 1/4	
35	91403230	1	Box, Manual Storage	
38	1001160445	8	Decal - Arrow	
39	1001197350	1	Decal - Lift Diagram	
40	1001200118	2	Decal - Warning Dual Capacity	
41	1001200117	1	Decal - Warning Dual Capacity	
42	1001200707	2	Decal - 1500AJP	
44	1001209561	1	Decal - Jump Start/Dual Battery (Prior to SN 0300243458)	
44	1001234789	1	Decal - Jump Start/Dual Battery (SN 0300243458 to Present)	
45	1001209896	4	Decal - Maximum Tire Load	
46	1001187411	1	Decal - Sound Level (Prior to SN 0300228751)	
46	1705515	1	Decal - Sound Level (SN 0300228751 to Present)	
47	1701518	14	Decal - Crushing	
48	1001189882	1	Decal - MSSO Operation (Prior to SN 0300243458)	
49	1001112551	1	Decal - Emergency Controls	
50	1001211904	1	Decal - Fuse Box	
51	1705961	5	Decal - Electrocution	
52	1001224045	1	Decal - Fuse Box Cover (SN 0300226018 to Present)	
54	1001229782	1	Decal - Wheel Assembly Mass	

SECTION 9 - DECALS

FIGURE 9-3. DECAL INSTALLATION - BRAZIL SPEC (ENGLISH/PORTUGUESE)

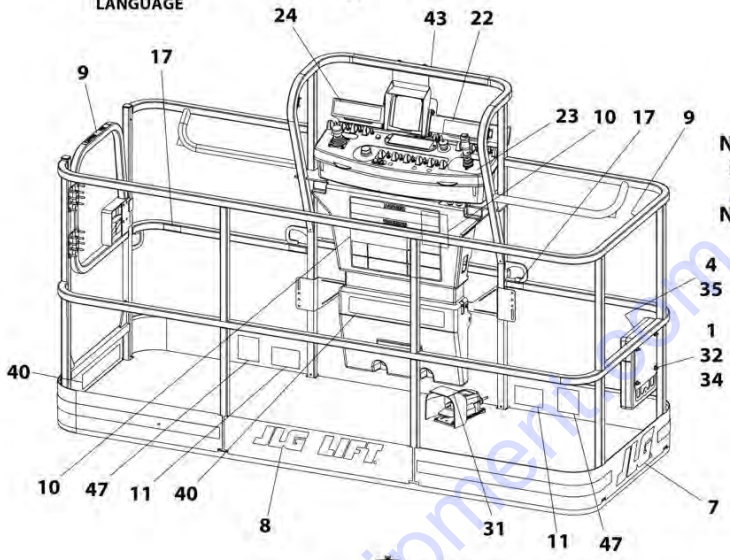
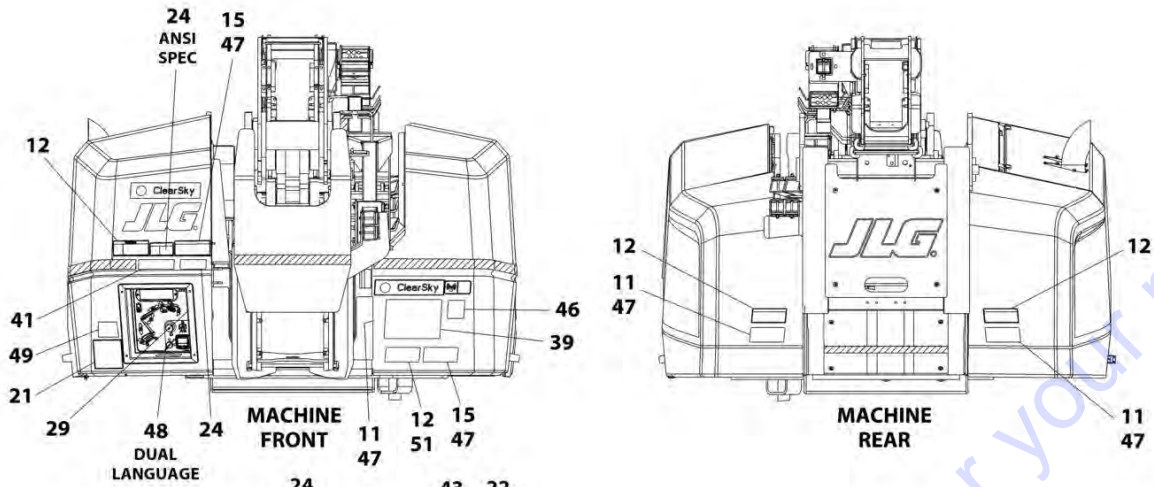


NOTE: ITEMS SHOWN MAY NOT BE REQUIRED FOR ALL SPECS. REFER TO PARTS LISTS FOR USAGE.
 NOTE: ADDITIONAL DECALS CALLED OUT ON DECAL INSTALLATION - OPTIONS.

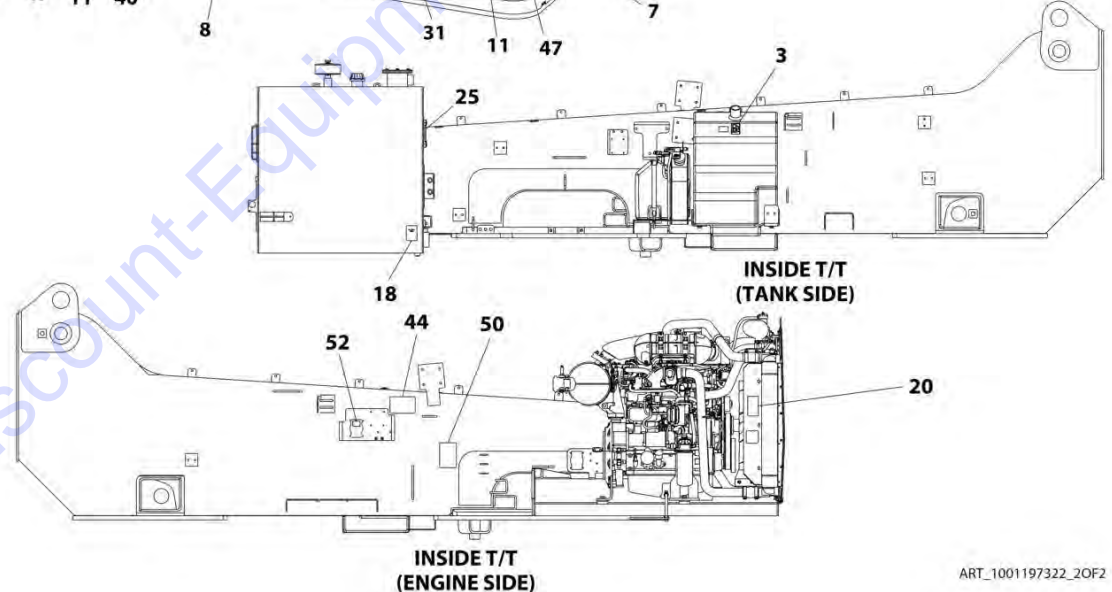


ART_1001197322_10F2

SECTION 9 - DECALS



NOTE: ITEMS SHOWN MAY NOT BE REQUIRED FOR ALL SPECS. REFER TO PARTS LISTS FOR USAGE.
NOTE: ADDITIONAL DECALS CALLED OUT ON DECAL INSTALLATION - OPTIONS.



ART_1001197322_20F2

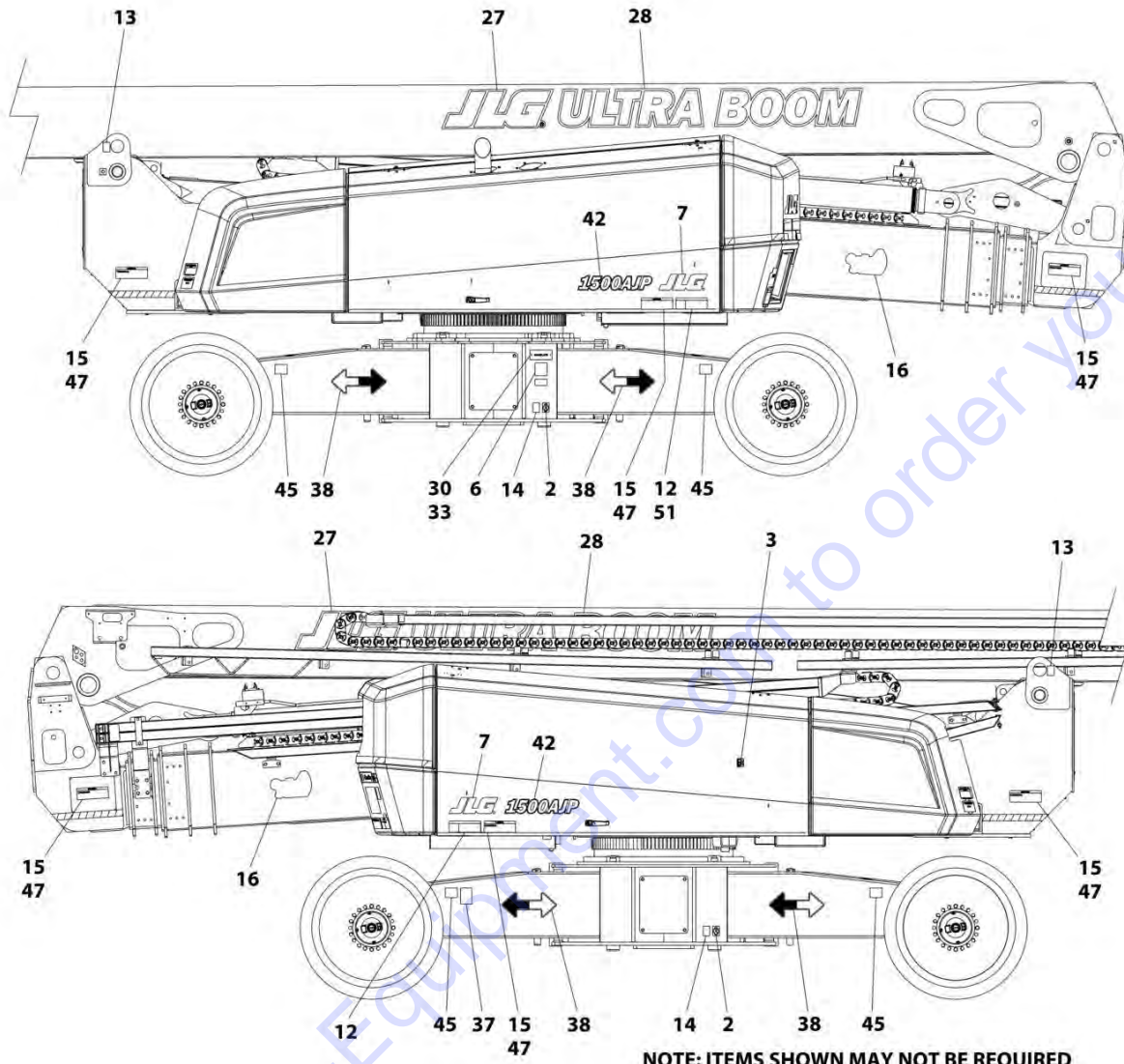
SECTION 9 - DECALS

FIGURE 9-3. DECAL INSTALLATION - BRAZIL SPEC (ENGLISH/PORTUGUESE)

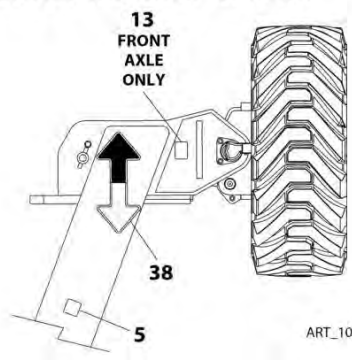
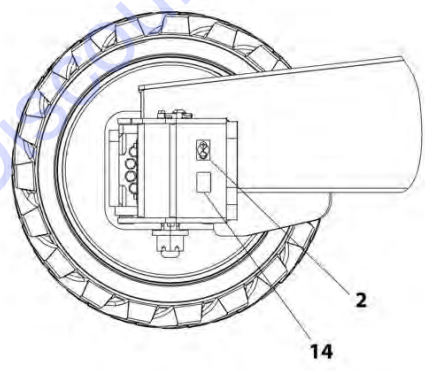
ITEM	PART NUMBER	QTY	DESCRIPTION	REV
	1001197322	Ref	DECAL INSTALLATION - BRAZIL SPEC (ENGLISH/PORTUGUESE)	I
	1001197315	Ref	DECAL INSTALLATION - REFERENCE	L
1	0641406	4	Bolt 1/4 x 3/4	
2	1701499	6	Decal - No Tie Down/Lift	
3	1701505	2	Decal - Diesel Fuel	
4	1701509	1	Decal - Manual	
5	1701691	4	Decal - No Step	
6	See Note	NSS	Decal - Bar Code (Note: Not Available for Purchase)	
7	1702773	3	Decal - JLG	
8	1702774	1	Decal - JLG Lift	
9	1705967	2	Decal - No Hands	
10	1705895	1	Decal - Danger/Warning (Prior to SN 0300240678)	
10	1001231319	1	Decal - Danger/Warning (SN 0300240678 to Present)	
11	1705898	6	Decal - Crushing	
12	1705897	6	Decal - Danger Electrocution	
13	1703811	4	Decal - Lifting Lug	
14	1703814	6	Decal - Tie Down	
15	1705903	8	Decal - Warning Crushing	
16	1703959	2	Decal - Quik Stik	
17	1704277	3	Decal - Lanyard Attach	
18	1704412	1	Decal - Hydraulic Oil	
20	1706059	1	Decal - Warning Explosion	
21	1705896	1	Decal - Warning Inspection	
22	1705904	1	Decal - Tip-Over (Prior to SN 0300240678)	
23	1705905	1	Decal - Drive/Steer Instruction	
24	1705906	AR	Decal - Tip-Over Hazard	
25	1705511	1	Decal - Oil Level	
27	1705864	2	Decal - JLG	
28	1705865	2	Decal - Ultraboom	
29	1705868	1	Decal - Legend (Prior to SN 0300226018)	
29	1001225220	1	Decal - Legend (SN 0300226018 to Present)	
30	See Note	NSS	Nameplate - Serial Number (Note: Not Available for Purchase)	
31	1705902	1	Decal - Footswitch	
32	3311405	4	Nut 1/4	
33	3820001	2	Rivet	
34	4751400	8	Washer 1/4	
35	91403230	1	Box, Manual Storage	
38	1001160445	8	Decal - Arrow	
39	1001197350	1	Decal - Lift Diagram	
40	1001199566	2	Decal - Warning Dual Capacity	
41	1001199571	1	Decal - Warning Dual Capacity	
42	1001200707	2	Decal - 1500AJP	
43	1001204096	1	Decal - Legend	
44	1001209561	1	Decal - Jump Start/Dual Battery (Prior to SN 0300243458)	
44	1001234789	1	Decal - Jump Start/Dual Battery (SN 0300243458 to Present)	
45	1001209896	4	Decal - Maximum Tire Load	
50	1001211904	1	Decal - Fuse Box	
52	1001224045	1	Decal - Fuse Box Cover (SN 0300226018 to Present)	
53	1001224052	1	Decal - Yearly Inspection (SN 0300235176 to Present)	

SECTION 9 - DECALS

FIGURE 9-4. DECAL INSTALLATION - CE SPEC

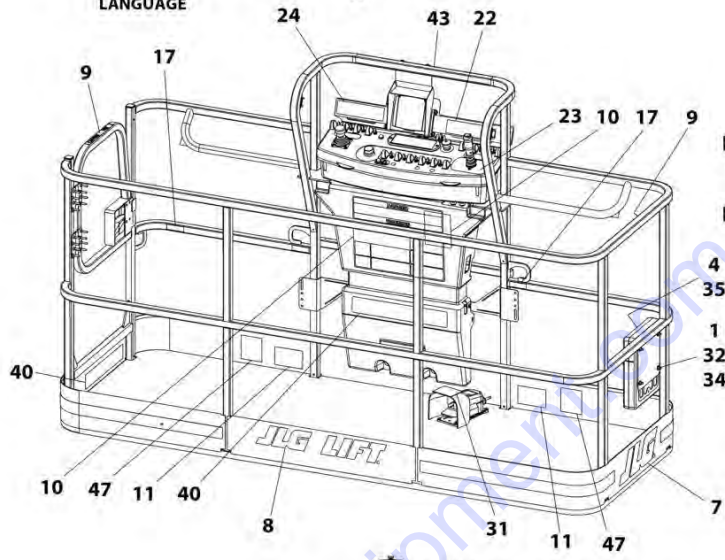
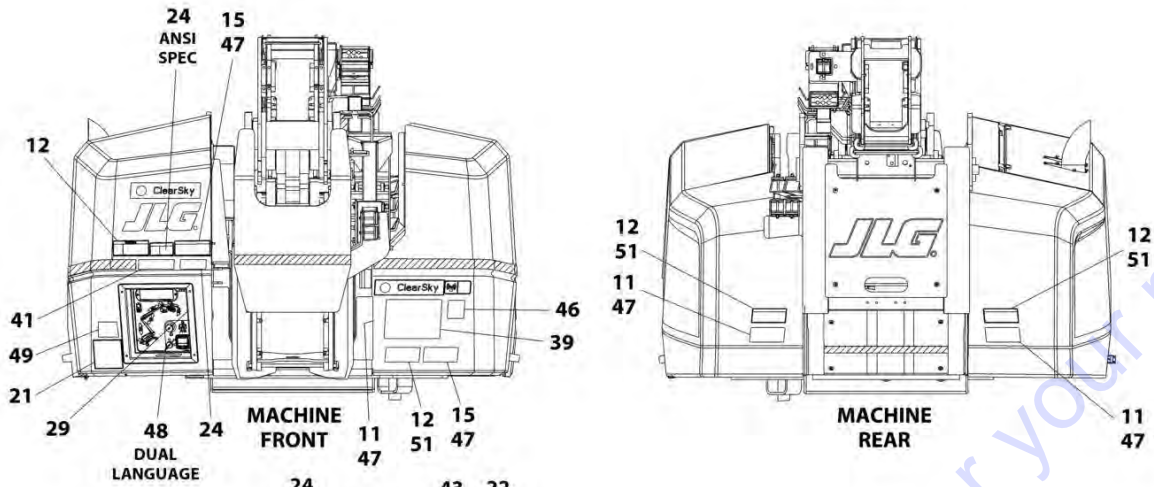


NOTE: ITEMS SHOWN MAY NOT BE REQUIRED FOR ALL SPECS. REFER TO PARTS LISTS FOR USAGE.
 NOTE: ADDITIONAL DECALS CALLED OUT ON DECAL INSTALLATION - OPTIONS.

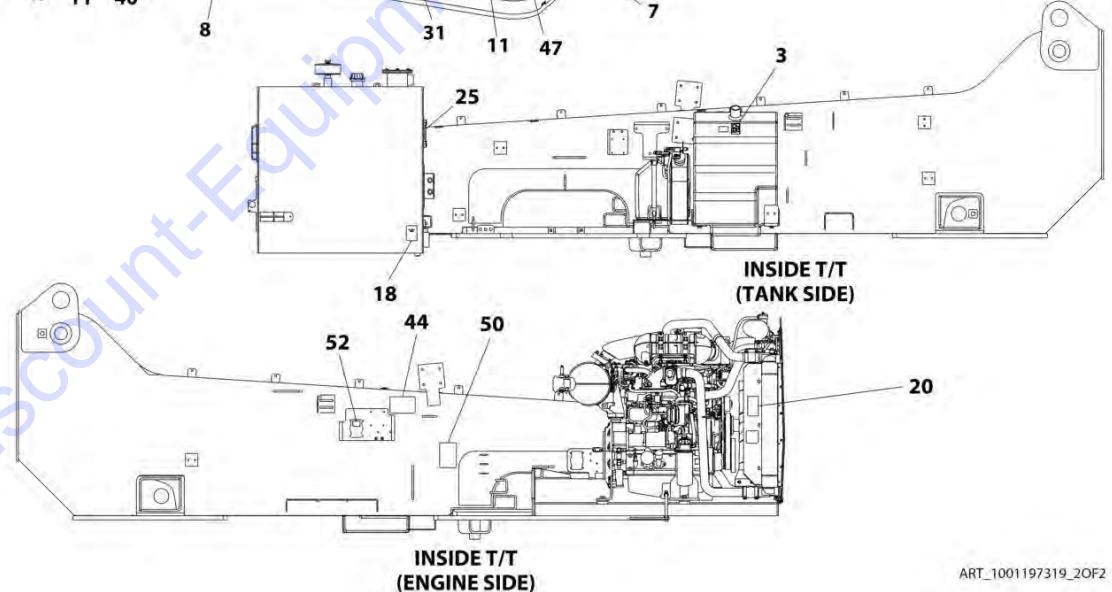


ART_1001197319_10F2

SECTION 9 - DECALS



NOTE: ITEMS SHOWN MAY NOT BE REQUIRED FOR ALL SPECS. REFER TO PARTS LISTS FOR USAGE.
 NOTE: ADDITIONAL DECALS CALLED OUT ON DECAL INSTALLATION - OPTIONS.



ART_1001197319_20F2

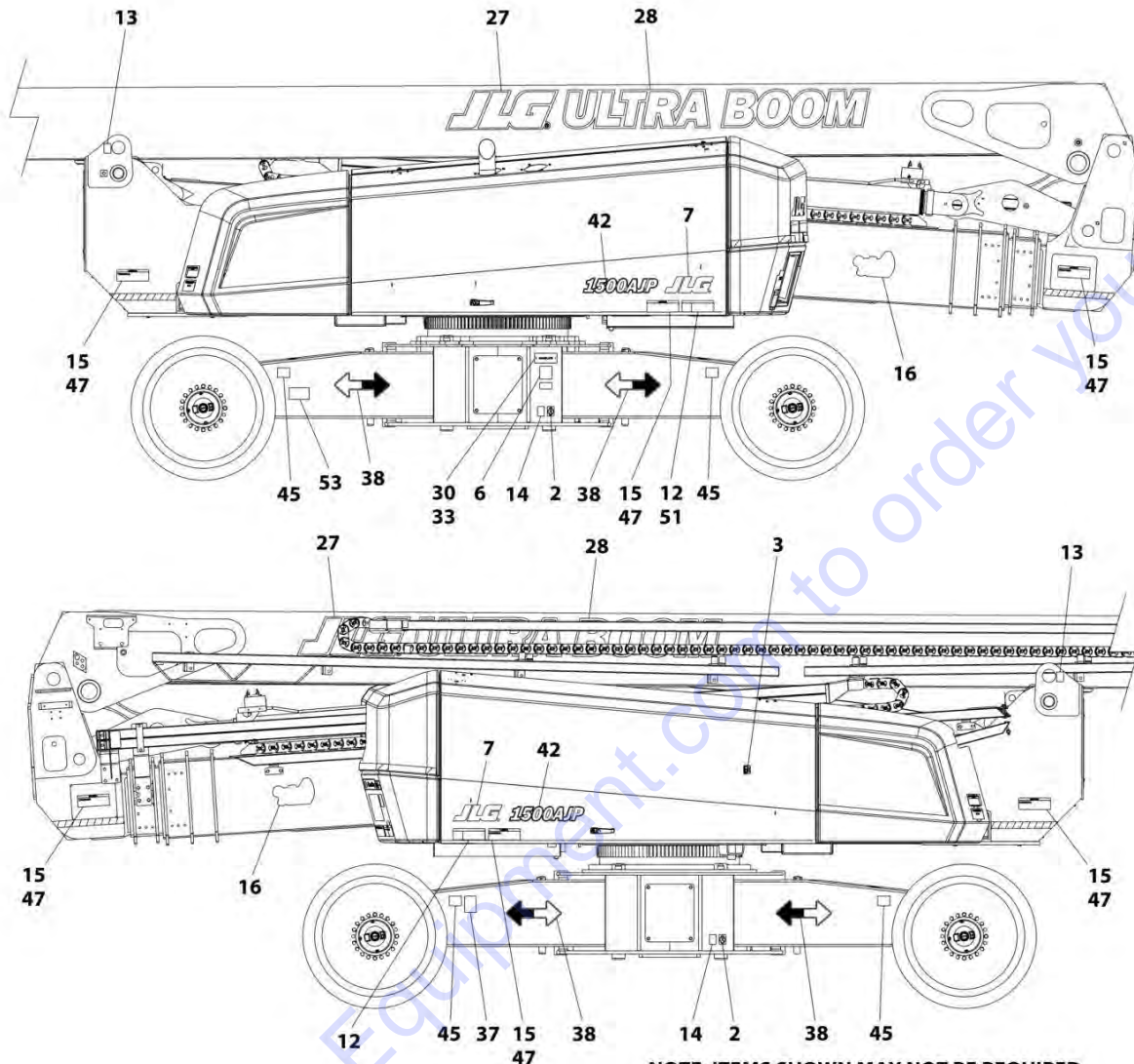
SECTION 9 - DECALS

FIGURE 9-4. DECAL INSTALLATION - CE SPEC

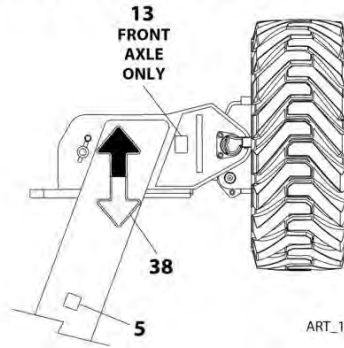
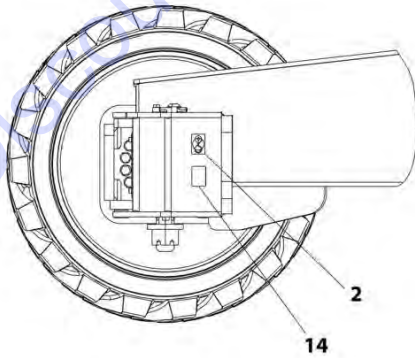
ITEM	PART NUMBER	QTY	DESCRIPTION	REV
	1001197319	Ref	DECAL INSTALLATION - CE SPEC	I
	1001197315	Ref	DECAL INSTALLATION - REFERENCE (Prior to SN 0300240678)	J
	1001234408	Ref	DECAL INSTALLATION - REFERENCE (SN 0300240678 to Present)	A
1	0641406	4	Bolt 1/4 x 3/4	
2	1701499	6	Decal - No Tie Down/Lift	
3	1701505	2	Decal - Diesel Fuel	
4	1701509	1	Decal - Manual	
5	1701691	4	Decal - No Step	
6	See Note	NSS	Decal - Bar Code (Note: Not Available for Purchase)	
7	1702773	3	Decal - JLG	
8	1702774	1	Decal - JLG Lift (Prior to SN 0300240678)	
10	1705921	1	Decal - Tipping/Electrocution	
13	1703811	4	Decal - Lifting Lug	
14	1703814	6	Decal - Tie Down	
16	1703959	2	Decal - Quik Stik	
17	1704277	3	Decal - Lanyard Attach	
18	1704412	1	Decal - Hydraulic Oil	
20	1706098	1	Decal - Warning Ether Start	
21	1705822	1	Decal - Electrical/Safety Manual	
25	1705511	1	Decal - Oil Level	
27	1705864	2	Decal - JLG	
28	1705865	2	Decal - Ultraboom (Prior to SN 0300240678)	
30	See Note	NSS	Decal - Serial Number (Note: Not Available for Purchase)	
31	1705828	1	Nameplate - Footswitch	
32	3311405	4	Nut 1/4	
33	3820001	2	Rivet	
34	4751400	8	Washer 1/4	
35	91403230	1	Box, Manual Storage	
38	1001160445	8	Decal - Arrow	
39	1001197350	1	Decal - Lift Diagram	
40	1001200118	AR	Decal - Warning Dual Capacity	
41	1001200117	1	Decal - Warning Dual Capacity	
42	1001200707	2	Decal - 1500AJP	
44	1001209561	1	Decal - Jump Start/Dual Battery (Prior to SN 0300243458)	
44	1001234789	1	Decal - Jump Start/Dual Battery (SN 0300243458 to Present)	
45	1001209896	4	Decal - Maximum Tire Load	
46	1001187411	1	Decal - Sound Level (Prior to SN 0300228751)	
46	1705515	1	Decal - Sound Level (SN 0300228751 to Present)	
47	1701518	14	Decal - Crushing	
48	1001189882	1	Decal - MSSO Operation	
50	1001211904	1	Decal - Fuse Box	
51	1705961	5	Decal - Electrocution	
52	1001224045	1	Decal - Fuse Box Cover (SN 0300226018 to Present)	

SECTION 9 - DECALS

FIGURE 9-5. DECAL INSTALLATION - CHINA SPEC (ENGLISH/CHINESE)

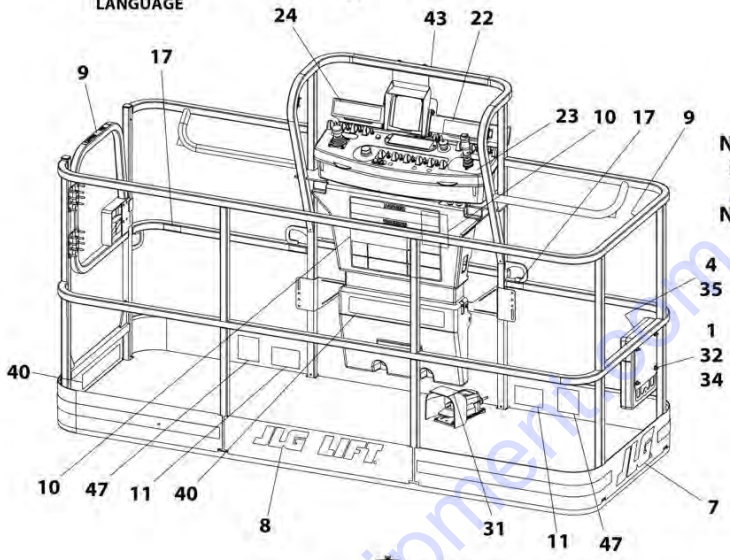
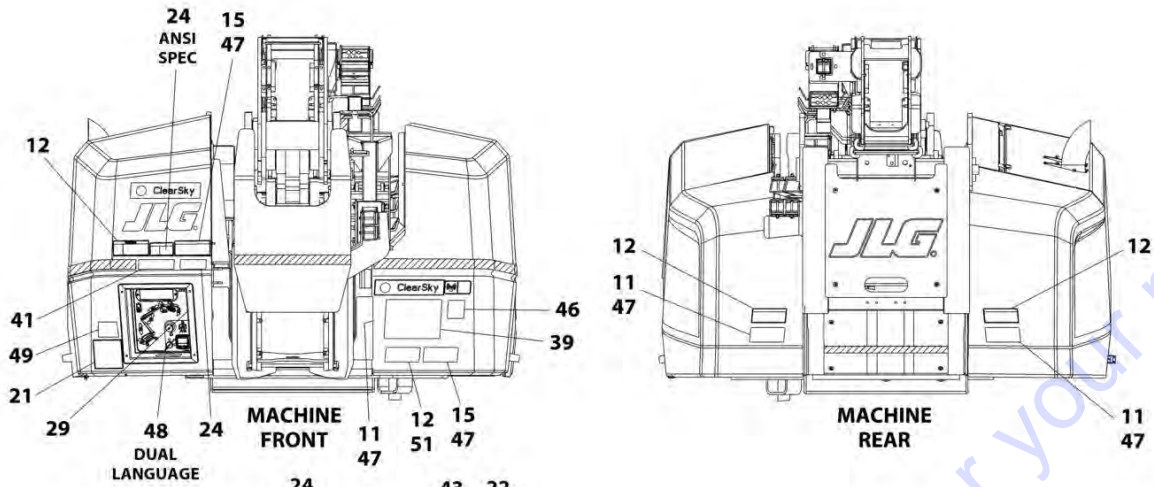


NOTE: ITEMS SHOWN MAY NOT BE REQUIRED FOR ALL SPECS. REFER TO PARTS LISTS FOR USAGE.
 NOTE: ADDITIONAL DECALS CALLED OUT ON DECAL INSTALLATION - OPTIONS.

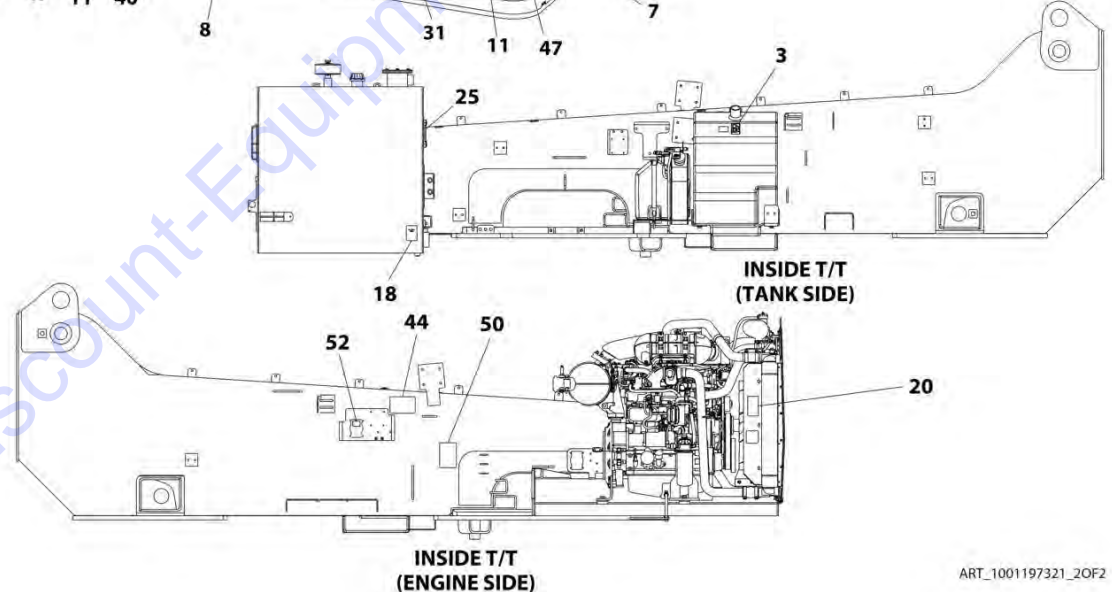


ART_1001197321_10F2

SECTION 9 - DECALS



NOTE: ITEMS SHOWN MAY NOT BE REQUIRED FOR ALL SPECS. REFER TO PARTS LISTS FOR USAGE.
 NOTE: ADDITIONAL DECALS CALLED OUT ON DECAL INSTALLATION - OPTIONS.



ART_1001197321_20F2

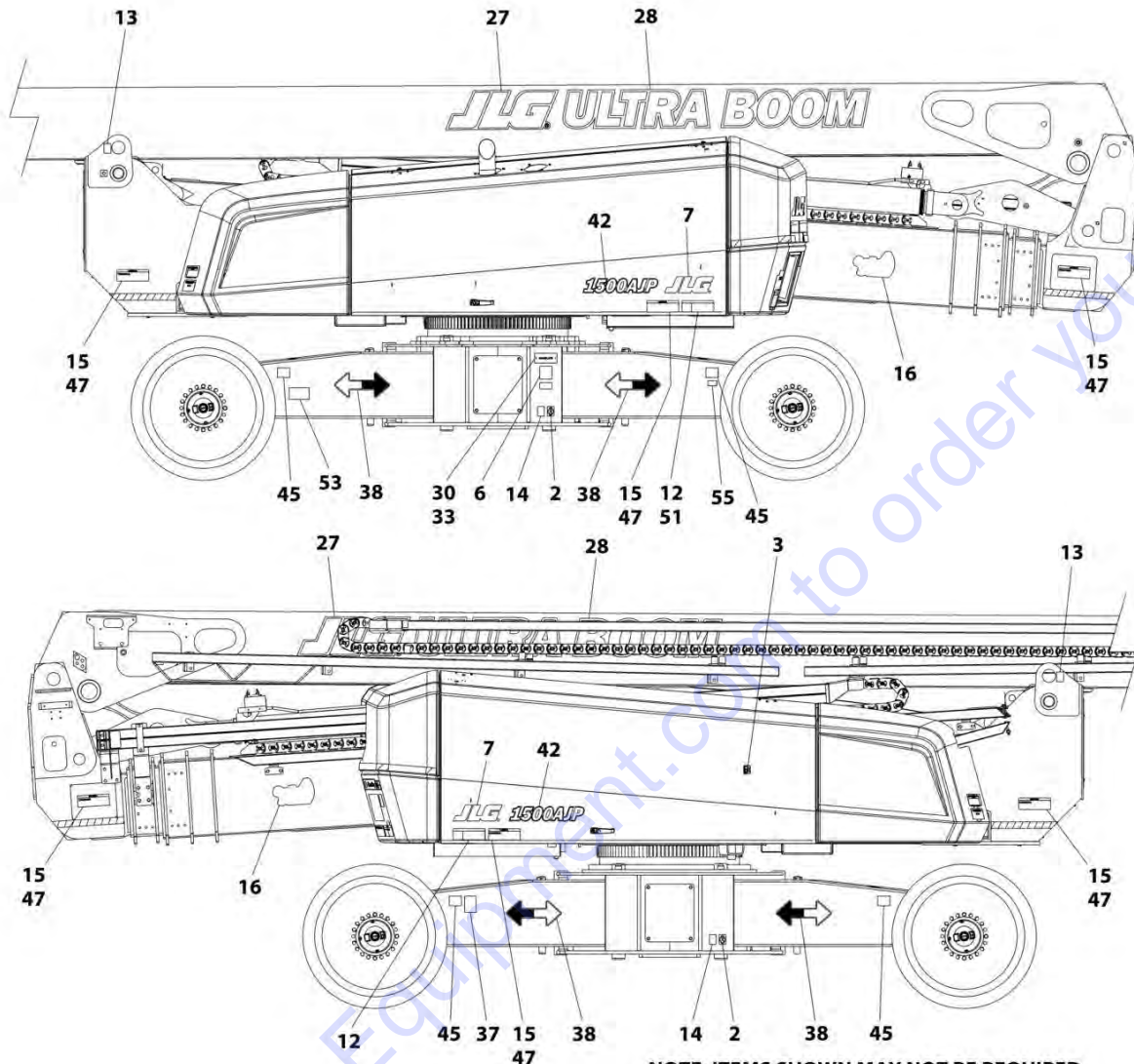
SECTION 9 - DECALS

FIGURE 9-5. DECAL INSTALLATION - CHINA SPEC (ENGLISH/CHINESE)

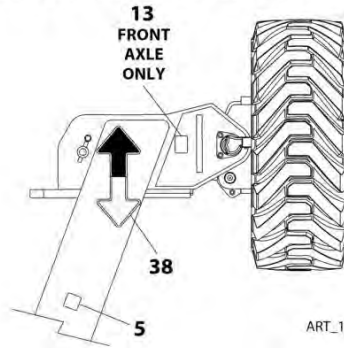
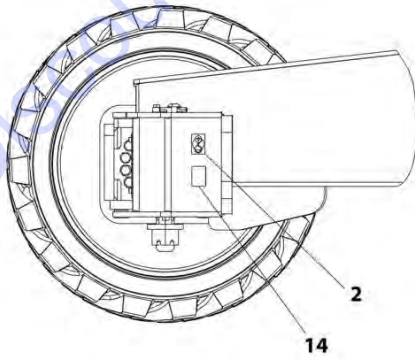
ITEM	PART NUMBER	QTY	DESCRIPTION	REV
	1001197321	Ref	DECAL INSTALLATION - CHINA SPEC (ENGLISH/CHINESE)	I
	1001197315	Ref	DECAL INSTALLATION - REFERENCE	L
1	0641406	4	Bolt 1/4 x 3/4	
2	1701499	6	Decal - No Tie Down/Lift	
3	1701505	2	Decal - Diesel Fuel	
4	1701509	1	Decal - Manual	
5	1701691	4	Decal - No Step	
6	See Note	NSS	Decal - Bar Code (Note: Not Available for Purchase)	
7	1702773	3	Decal - JLG	
8	1702774	1	Decal - JLG Lift	
9	1001116846	2	Decal - Caution No Hands	
10	1703925	1	Decal - Warning/Danger (Prior to SN 0300239974)	
10	1001231321	1	Decal - Warning/Danger (SN 0300239974 to Present)	
11	1703949	6	Decal - Crushing	
12	1001116851	6	Decal - Electrocution	
13	1703811	4	Decal - Lifting Lug	
14	1703814	6	Decal - Tie Down	
15	1703943	8	Decal - Warning Crushing	
16	1703959	2	Decal - Quik Stik	
17	1704277	3	Decal - Lanyard Attach	
18	1704412	1	Decal - Hydraulic Oil	
20	1706060	1	Decal - Warning Fire Hazard	
21	1001116849	1	Decal - Warning Inspection	
22	1001117034	1	Decal - Tip-Over (Prior to SN 0300239974)	
23	1705430	1	Decal - Drive Steer	
24	1001117035	AR	Decal - Tip-Over	
25	1705511	1	Decal - Oil Level	
27	1705864	2	Decal - JLG	
28	1705865	2	Decal - Ultraboom	
29	1705868	1	Decal - Legend (Prior to SN 0300226018)	
29	1001225220	1	Decal - Legend (SN 0300226018 to Present)	
30	See Note	NSS	Nameplate - Serial Number (Note: Not Available for Purchase)	
31	1703982	1	Decal - Footswitch	
32	3311405	4	Nut 1/4	
33	3820001	2	Rivet	
34	4751400	8	Washer 1/4	
35	91403230	1	Box, Manual Storage	
38	1001160445	8	Decal - Arrow	
39	1001197350	1	Decal - Lift Diagram	
40	1001199565	2	Decal - Warning Dual Capacity	
41	1001199570	1	Decal - Warning Dual Capacity	
42	1001200707	2	Decal - 1500AJP	
43	1001204096	1	Decal - Legend	
44	1001209561	1	Decal - Jump Start/Dual Battery (Prior to SN 0300243458)	
44	1001234789	1	Decal - Jump Start/Dual Battery (SN 0300243458 to Present)	
45	1001209896	4	Decal - Maximum Tire Load	
50	1001211904	1	Decal - Fuse Box	
52	1001224045	1	Decal - Fuse Box Cover (SN 0300226018 to Present)	
53	1001224050	1	Decal - Decal Yearly Inspection (SN 0300235176 to Present)	

SECTION 9 - DECALS

FIGURE 9-6. DECAL INSTALLATION - CSA SPEC (ENGLISH/FRENCH)

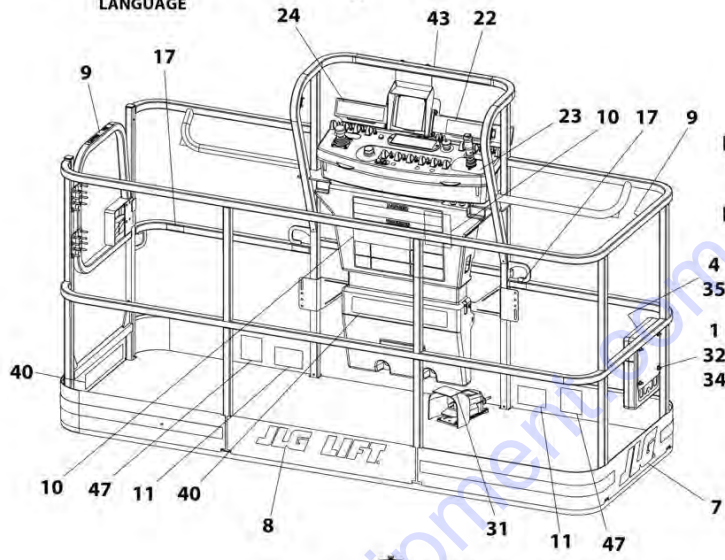
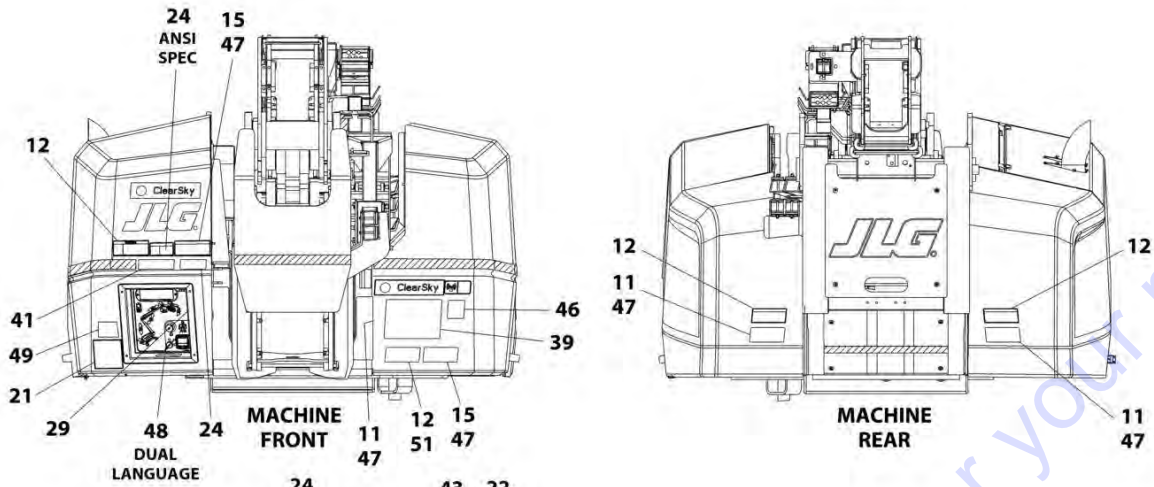


NOTE: ITEMS SHOWN MAY NOT BE REQUIRED FOR ALL SPECS. REFER TO PARTS LISTS FOR USAGE.
 NOTE: ADDITIONAL DECALS CALLED OUT ON DECAL INSTALLATION - OPTIONS.

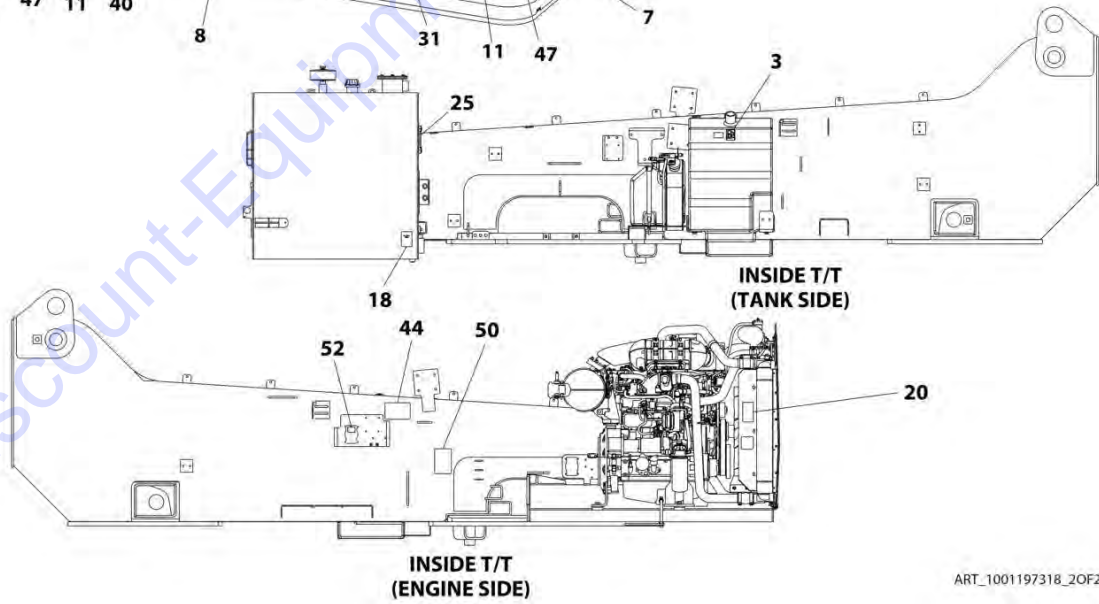


ART_1001197318_10F2

SECTION 9 - DECALS



NOTE: ITEMS SHOWN MAY NOT BE REQUIRED FOR ALL SPECS. REFER TO PARTS LISTS FOR USAGE.
NOTE: ADDITIONAL DECALS CALLED OUT ON DECAL INSTALLATION - OPTIONS.



ART_1001197318_20F2

SECTION 9 - DECALS

FIGURE 9-6. DECAL INSTALLATION - CSA SPEC (ENGLISH/FRENCH)

ITEM	PART NUMBER	QTY	DESCRIPTION	REV
	1001197318	Ref	DECAL INSTALLATION - CSA SPEC (ENGLISH/FRENCH)	J
	1001197315	Ref	DECAL INSTALLATION - REFERENCE	L
1	0641406	4	Bolt 1/4 x 3/4	
2	1701499	6	Decal - No Tie Down/Lift	
3	1701505	2	Decal - Diesel Fuel	
4	1701509	1	Decal - Manual	
5	1701691	4	Decal - No Step	
6	See Note	NSS	Decal - Bar Code (Note: Not Available for Purchase)	
7	1702773	3	Decal - JLG	
8	1702774	1	Decal - JLG Lift	
9	1704000	2	Decal - No Hands	
10	1703924	1	Decal - Danger/Warning (Prior to SN 0300240678)	
10	1001231316	1	Decal - Danger/Warning (SN 0300240678 to Present)	
11	1703948	6	Decal - Warning Crushing	
12	1703936	6	Decal - Electrocution	
13	1703811	4	Decal - Lifting Lug	
14	1703814	6	Decal - Tie Down	
15	1703942	8	Decal - Crushing	
16	1703959	2	Decal - Quik Stik	
17	1704277	3	Decal - Lanyard Attach	
18	1704412	1	Decal - Hydraulic Oil	
20	1706064	1	Decal - Warning Fire Hazard	
21	1705347	1	Decal - Warning Inspection	
22	1705341	1	Decal - Tip-Over (Prior to SN 0300240678)	
23	1705429	1	Decal - Drive/Steer Instructions	
24	1705505	AR	Decal - Tip-Over	
25	1705511	1	Decal - Oil Level	
27	1705864	2	Decal - JLG	
28	1705865	2	Decal - Ultraboom	
29	1705868	1	Decal - Legend (Prior to SN 0300226018)	
29	1001225220	1	Decal - Legend (SN 0300226018 to Present)	
30	See Note	NSS	Nameplate - Serial Number (Note: Not Available for Purchase)	
31	1703984	1	Decal - Footswitch	
32	3311405	4	Nut 1/4	
33	3820001	2	Rivet	
34	4751400	8	Washer 1/4	
35	91403230	1	Box, Manual Storage	
37	1001131269	1	Decal - Patent	
38	1001160445	8	Decal - Arrow	
39	1001197350	1	Decal - Lift Diagram	
40	1001199567	2	Decal - Warning Dual Capacity	
41	1001199572	1	Decal - Warning Dual Capacity	
42	1001200707	2	Decal - 1500AJP	
43	1001204096	1	Decal - Legend	
44	1001209561	1	Decal - Jump Start/Dual Battery (Prior to SN 0300243458)	
44	1001234789	1	Decal - Jump Start/Dual Battery (SN 0300243458 to Present)	
45	1001209896	4	Decal - Maximum Tire Load	
50	1001211904	1	Decal - Fuse Box	
52	1001224045	1	Decal - Fuse Box Cover (SN 0300226018 to Present)	
53	1001223971	1	Decal - Decal Yearly Inspection (SN 0300235176 to Present)	

SECTION 9 - DECALS

ITEM	PART NUMBER	QTY	DESCRIPTION	REV
55	1001223453	1	Decal - ICES (SN 0300243458 to Present)	

Go to Discount-Equipment.com to order your parts

PARTS FINDER

**Search Website
by Part Number**



**Search Manual
Library For Parts
Manual & Lookup Part
Numbers – Purchase
or Request Quote**

Search Manuals

Part Number:

Serial Number:

Make:

Find:

Submit:

Send:

**Can't Find Part or
Manual? Request Help
by Manufacturer,
Model & Description**

Parts Order Form

Manufacturer:

Model:

Description:

Quantity:

Part Number:

Part Name:

Part Description:

Part Location:

Part Drawing:

Part Photo:

Part Notes:

Part Status:

Part Date:

Part Time:

Part Cost:

Part Price:

Part Tax:

Part Total:

Part Order:

Discount-Equipment.com is your online resource for quality parts & equipment.

Florida: **561-964-4949** Outside Florida TOLL FREE: **877-690-3101**

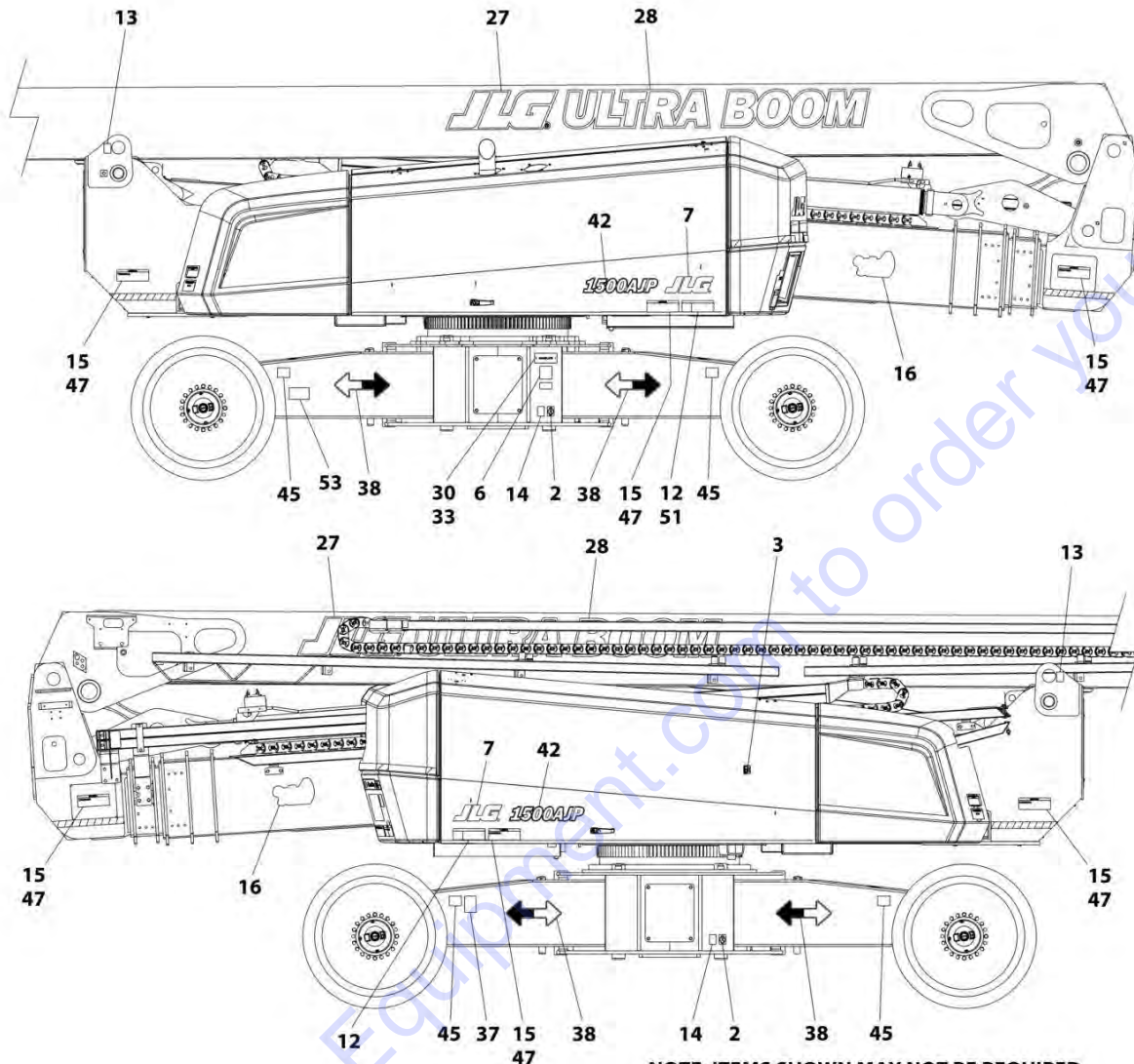
Need parts?

Click on this link: <http://www.discount-equipment.com/category/5443-parts/> and choose one of the options to help get the right parts and equipment you are looking for. Please have the machine model and serial number available in order to help us get you the correct parts. If you don't find the part on the website or on one of the online manuals, please fill out the request form and one of our experienced staff members will get back to you with a quote for the right part that your machine needs.

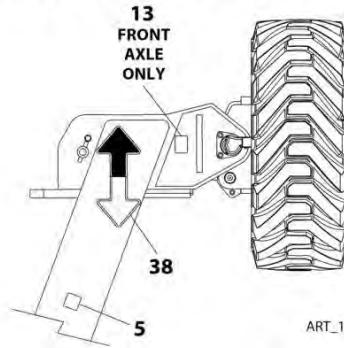
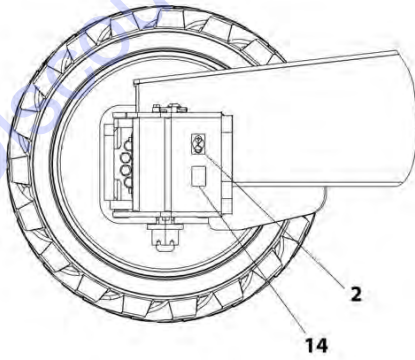
We sell worldwide for the brands: Genie, Terex, JLG, MultiQuip, Mikasa, Essick, Whiteman, Mayco, Toro Stone, Diamond Products, Generac Magnum, Airman, Haulotte, Barreto, Power Blanket, Nifty Lift, Atlas Copco, Chicago Pneumatic, Allmand, Miller Curber, Skyjack, Lull, Skytrak, Tsurumi, Husquvarna Target, Stow, Wacker, Sakai, Mi-T-M, Sullair, Basic, Dynapac, MBW, Weber, Bartell, Bennar Newman, Haulotte, Ditch Runner, Menegotti, Morrison, Contec, Buddy, Crown, Edco, Wyco, Bomag, Laymor, EZ Trench, Bil-Jax, F.S. Curtis, Gehl Pavers, Heli, Honda, ICS/PowerGrit, IHI, Partner, Imer, Clipper, MMD, Koshin, Rice, CH&E, General Equipment, Amida, Coleman, NAC, Gradall, Square Shooter, Kent, Stanley, Tamco, Toku, Hatz, Kohler, Robin, Wisconsin, Northrock, Oztec, Toker TK, Rol-Air, APT, Wylie, Ingersoll Rand / Doosan, Innovatech, Con X, Ammann, Mecalac, Makinex, Smith Surface Prep, Small Line, Wanco, Yanmar

SECTION 9 - DECALS

FIGURE 9-7. DECAL INSTALLATION - JAPAN SPEC (ENGLISH/JAPANESE)

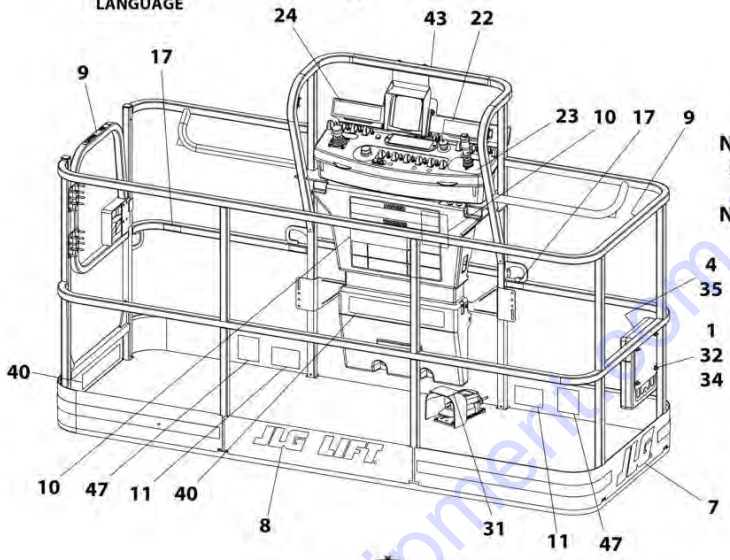
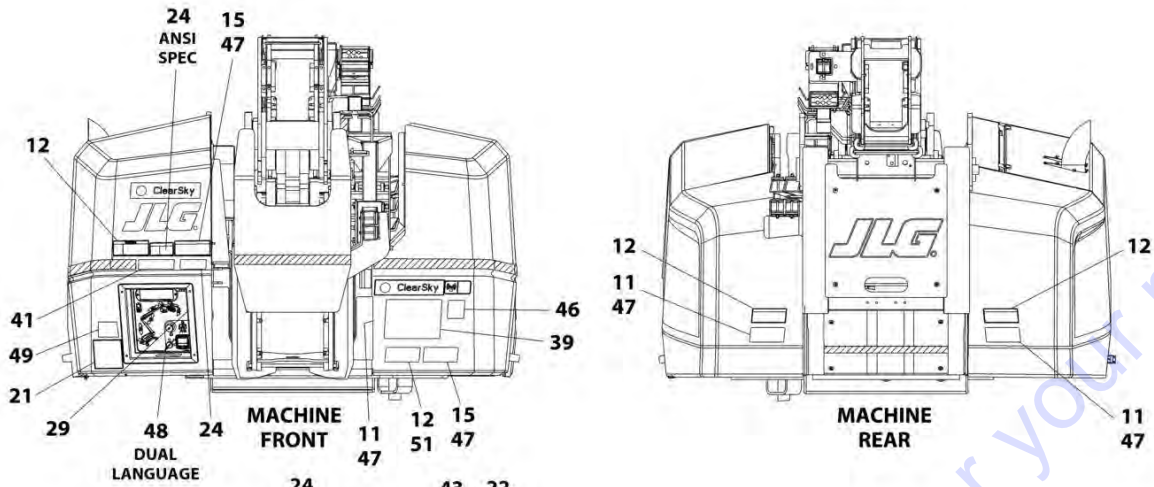


NOTE: ITEMS SHOWN MAY NOT BE REQUIRED FOR ALL SPECS. REFER TO PARTS LISTS FOR USAGE.
 NOTE: ADDITIONAL DECALS CALLED OUT ON DECAL INSTALLATION - OPTIONS.

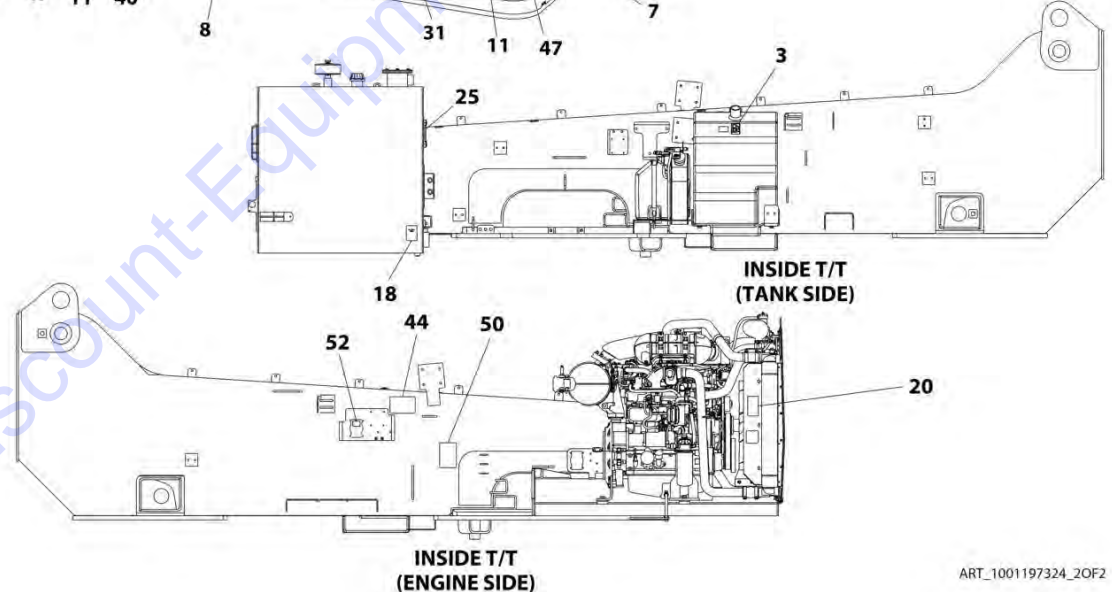


ART_1001197324_10F2

SECTION 9 - DECALS



NOTE: ITEMS SHOWN MAY NOT BE REQUIRED FOR ALL SPECS. REFER TO PARTS LISTS FOR USAGE.
 NOTE: ADDITIONAL DECALS CALLED OUT ON DECAL INSTALLATION - OPTIONS.



ART_1001197324_20F2

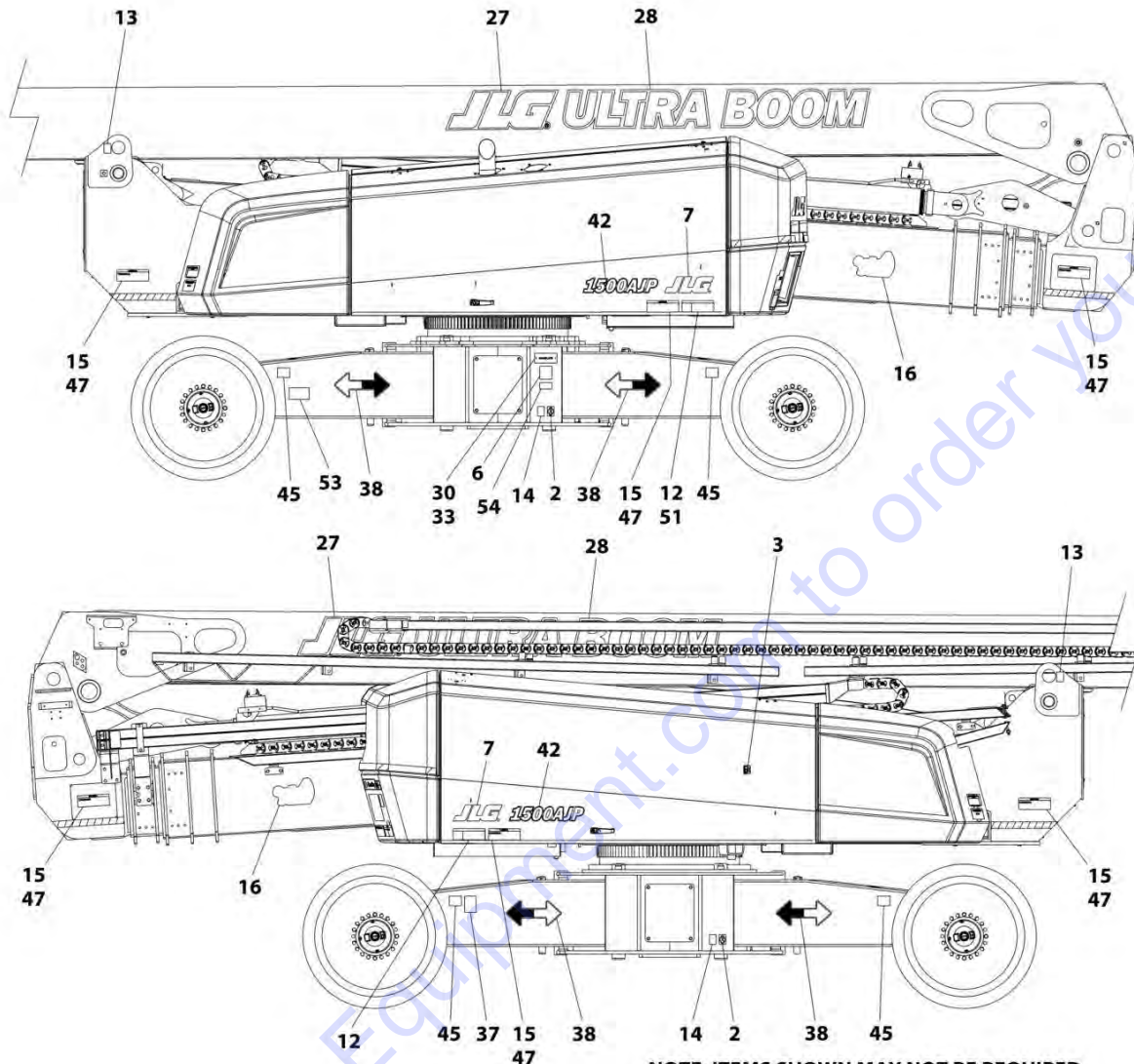
SECTION 9 - DECALS

FIGURE 9-7. DECAL INSTALLATION - JAPAN SPEC (ENGLISH/JAPANESE)

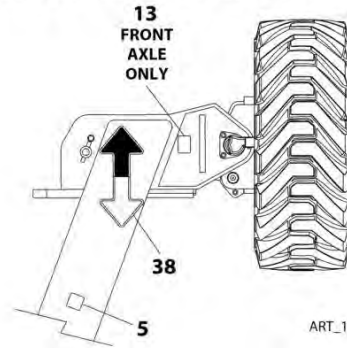
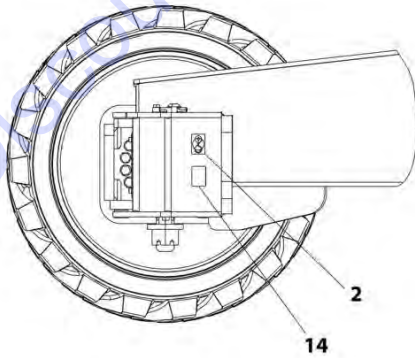
ITEM	PART NUMBER	QTY	DESCRIPTION	REV
	1001197324	Ref	DECAL INSTALLATION - JAPAN SPEC (ENGLISH/JAPANESE)	I
	1001197315	Ref	DECAL INSTALLATION - REFERENCE	L
1	0641406	4	Bolt 1/4 x 3/4	
2	1701499	6	Decal - No Tie Down/Lift	
3	1701505	2	Decal - Diesel Fuel	
4	1701509	1	Decal - Manual	
5	1701691	4	Decal - No Step	
6	See Note	NSS	Decal - Bar Code (Note: Not Available for Purchase)	
7	1702773	3	Decal - JLG	
8	1702774	1	Decal - JLG Lift	
10	1703926	1	Decal - Danger/Warning (Prior to SN 0300240678)	
10	1001231320	1	Decal - Danger/Warning (SN 0300240678 to Present)	
11	1703950	6	Decal - Crushing	
12	1703938	6	Decal - Electrocutation	
13	1703811	4	Decal - Lifting Lug	
14	1703814	6	Decal - Tie Down	
15	1703944	8	Decal - Warning Crushing	
16	1703959	2	Decal - Quik Stik	
17	1704277	3	Decal - Lanyard Attach	
18	1704412	1	Decal - Hydraulic Oil	
20	1704972	1	Decal - Glow Plugs Warning	
21	1705344	1	Decal - Warning Inspection	
22	1705338	1	Decal - Tip-Over (Prior to SN 0300240678)	
23	1705426	1	Decal - Drive/Steer Instruction	
24	1705493	AR	Decal - Warning Tip-Over	
25	1705511	1	Decal - Oil Level	
27	1705864	2	Decal - JLG	
28	1705865	2	Decal - Ultraboom	
29	1705868	1	Decal - Legend (Prior to SN 0300226018)	
29	1001225220	1	Decal - Legend (SN 0300226018 to Present)	
30	See Note	NSS	Nameplate - Serial Number (Note: Not Available for Purchase)	
31	1703980	1	Decal - Footswitch	
32	3311405	4	Nut 1/4	
33	3820001	2	Rivet	
34	4751400	8	Washer 1/4	
35	91403230	1	Box, Manual Storage	
38	1001160445	8	Decal - Arrow	
39	1001197350	1	Decal - Lift Diagram	
40	1001199568	2	Decal - Warning Dual Capacity	
41	1001199573	1	Decal - Warning Dual Capacity	
42	1001200707	2	Decal - 1500AJP	
43	1001204096	1	Decal - Legend	
44	1001209561	1	Decal - Jump Start/Dual Battery (Prior to SN 0300243458)	
44	1001234789	1	Decal - Jump Start/Dual Battery (SN 0300243458 to Present)	
45	1001209896	4	Decal - Maximum Tire Load	
50	1001211904	1	Decal - Fuse Box	
52	1001224045	1	Decal - Fuse Box Cover (SN 0300226018 to Present)	
53	1001224053	1	Decal - Decal Yearly Inspection (SN 0300235176 to Present)	

SECTION 9 - DECALS

FIGURE 9-8. DECAL INSTALLATION - KOREA SPEC (ENGLISH/KOREAN)

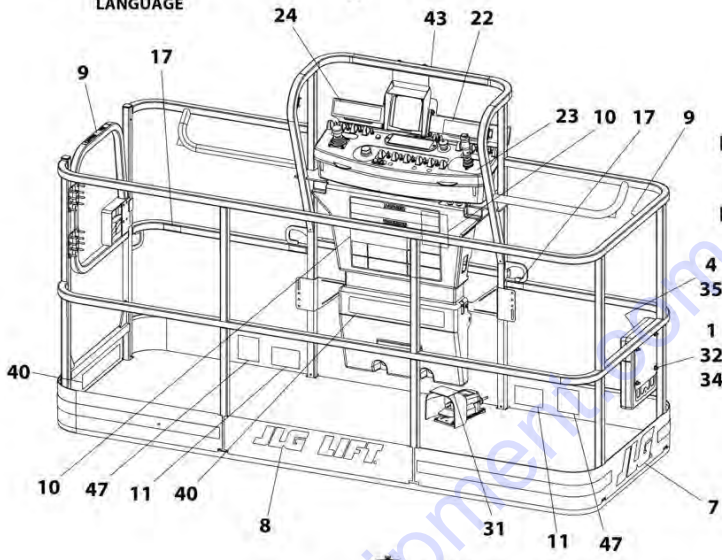
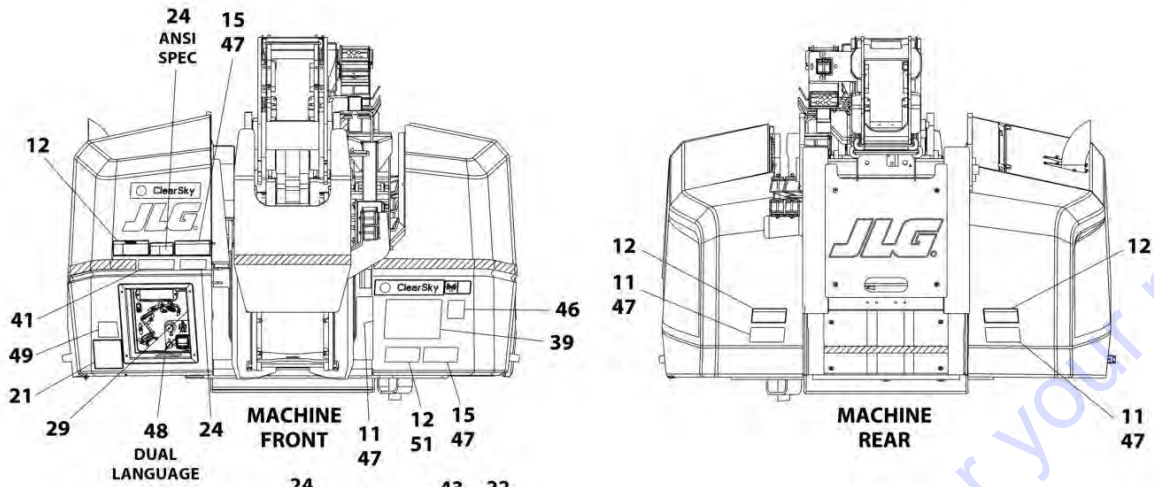


NOTE: ITEMS SHOWN MAY NOT BE REQUIRED FOR ALL SPECS. REFER TO PARTS LISTS FOR USAGE.
 NOTE: ADDITIONAL DECALS CALLED OUT ON DECAL INSTALLATION - OPTIONS.

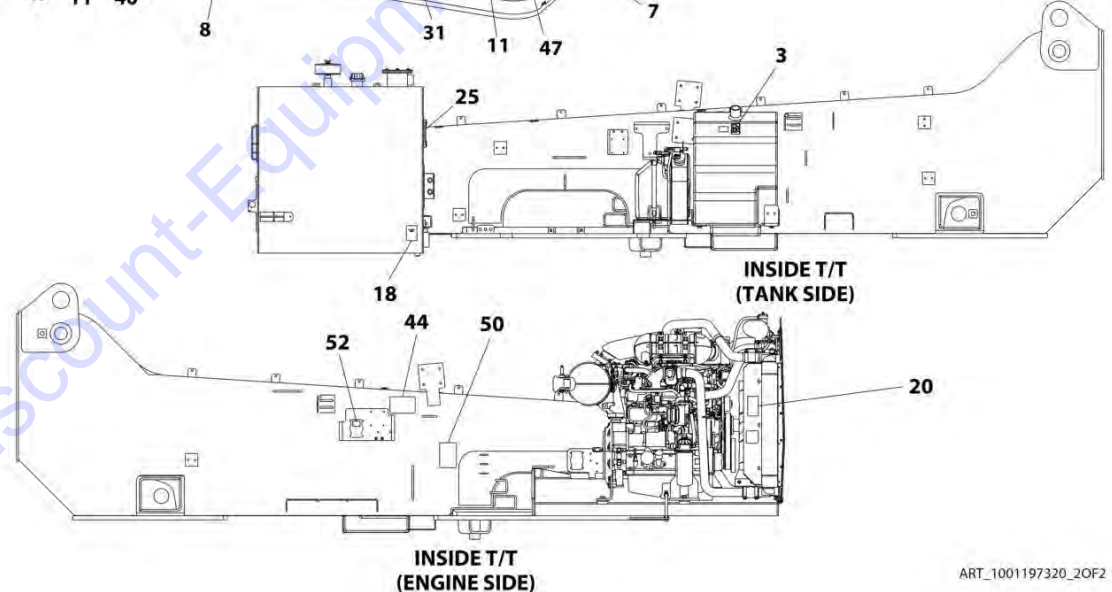


ART_1001197320_10F2

SECTION 9 - DECALS



NOTE: ITEMS SHOWN MAY NOT BE REQUIRED FOR ALL SPECS. REFER TO PARTS LISTS FOR USAGE.
 NOTE: ADDITIONAL DECALS CALLED OUT ON DECAL INSTALLATION - OPTIONS.



ART_1001197320_20F2

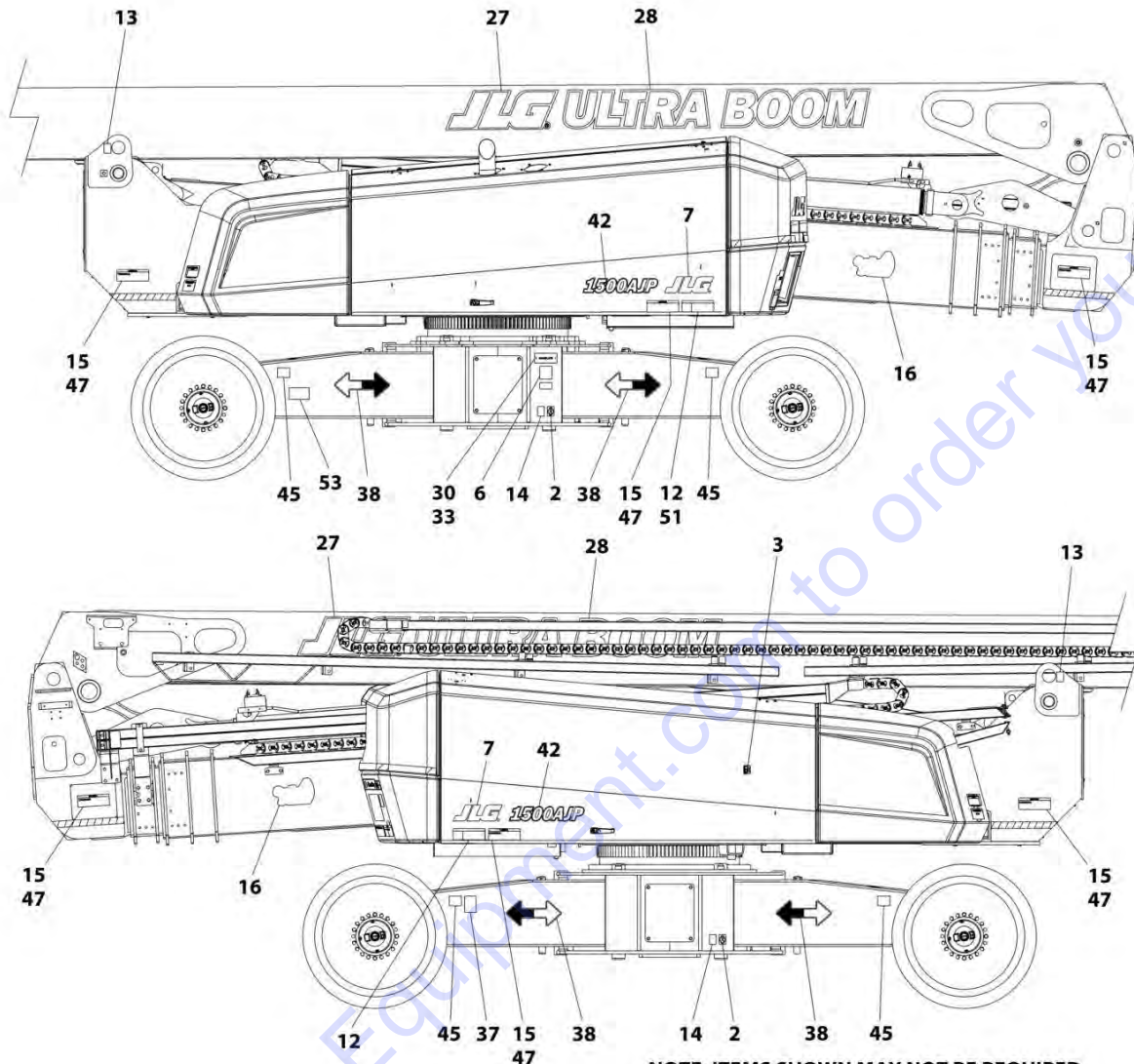
SECTION 9 - DECALS

FIGURE 9-8. DECAL INSTALLATION - KOREA SPEC (ENGLISH/KOREAN)

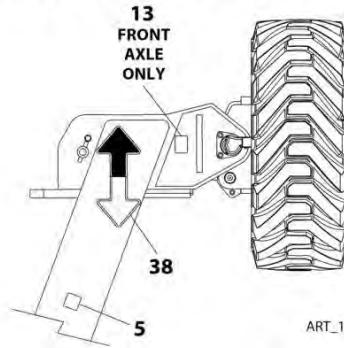
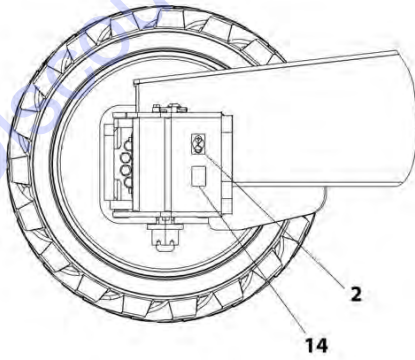
ITEM	PART NUMBER	QTY	DESCRIPTION	REV
	1001197320	Ref	DECAL INSTALLATION - KOREA SPEC (ENGLISH/KOREAN)	I
	1001197315	Ref	DECAL INSTALLATION - REFERENCE	L
1	0641406	4	Bolt 1/4 x 3/4	
2	1701499	6	Decal - No Tie Down/Lift	
3	1701505	2	Decal - Diesel Fuel	
4	1701509	1	Decal - Manual	
5	1701691	4	Decal - No Step	
6	See Note	NSS	Decal - Bar Code (Note: Not Available for Purchase)	
7	1702773	3	Decal - JLG	
8	1702774	1	Decal - JLG Lift	
9	1705969	2	Decal - No Hands	
10	1703927	1	Decal - Warning/Danger (Prior to SN 0300240678)	
10	1001231317	1	Decal - Danger/Warning (SN 0300240678 to Present)	
11	1703951	6	Decal - Warning Crushing	
12	1703939	6	Decal - Danger Electrocution	
13	1703811	4	Decal - Lifting Lug	
14	1703814	6	Decal - Tie Down	
15	1703945	8	Decal - Warning Crushing	
16	1703959	2	Decal - Quik Stik	
17	1704277	3	Decal - Lanyard Attach	
18	1704412	1	Decal - Hydraulic Oil	
20	1706061	1	Decal - Warning Fire Hazard	
21	1705345	1	Decal - Warning Inspection	
22	1705339	1	Decal - Tip-Over (Prior to SN 0300240678)	
23	1705427	1	Decal - Drive/Steer Instruction	
24	1705503	AR	Decal - Warning Tip-Over	
25	1705511	1	Decal - Oil Level	
27	1705864	2	Decal - JLG	
28	1705865	2	Decal - Ultraboom	
29	1705868	1	Decal - Legend (Prior to SN 0300226018)	
29	1001225220	1	Decal - Legend (SN 0300226018 to Present)	
30	See Note	NSS	Nameplate - Serial Number (Note: Not Available for Purchase)	
31	1703981	1	Decal - Footswitch	
32	3311405	4	Nut 1/4	
33	3820001	2	Rivet	
34	4751400	8	Washer 1/4	
35	91403230	1	Box, Manual Storage	
38	1001160445	8	Decal - Arrow	
39	1001197350	1	Decal - Lift Diagram	
40	1001199564	2	Decal - Warning Dual Capacity	
41	1001199569	1	Decal - Warning Dual Capacity	
42	1001200707	2	Decal - 1500AJP	
43	1001204096	1	Decal - Legend	
44	1001209561	1	Decal - Jump Start/Dual Battery (Prior to SN 0300243458)	
44	1001234789	1	Decal - Jump Start/Dual Battery (SN 0300243458 to Present)	
45	1001209896	4	Decal - Maximum Tire Load	
50	1001211904	1	Decal - Fuse Box	
52	1001224045	1	Decal - Fuse Box Cover (SN 0300226018 to Present)	
53	1001224048	1	Decal - Decal Yearly Inspection (SN 0300235176 to Present)	

SECTION 9 - DECALS

FIGURE 9-9. DECAL INSTALLATION - LATIN AMERICA SPEC (ENGLISH/SPANISH)

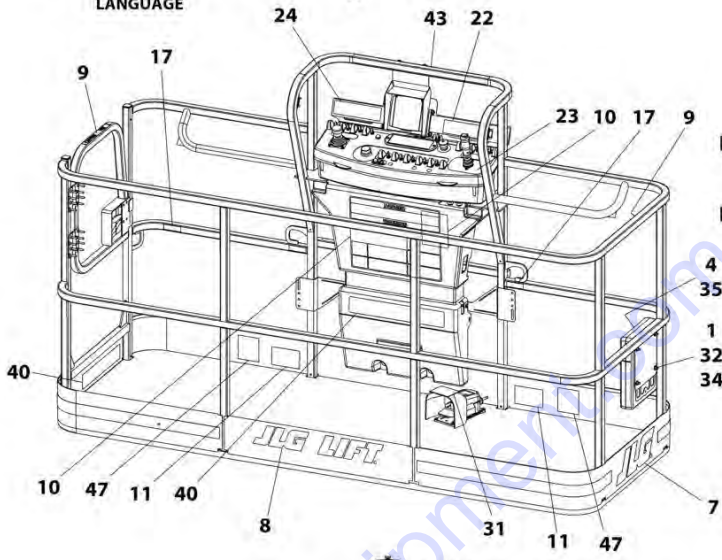
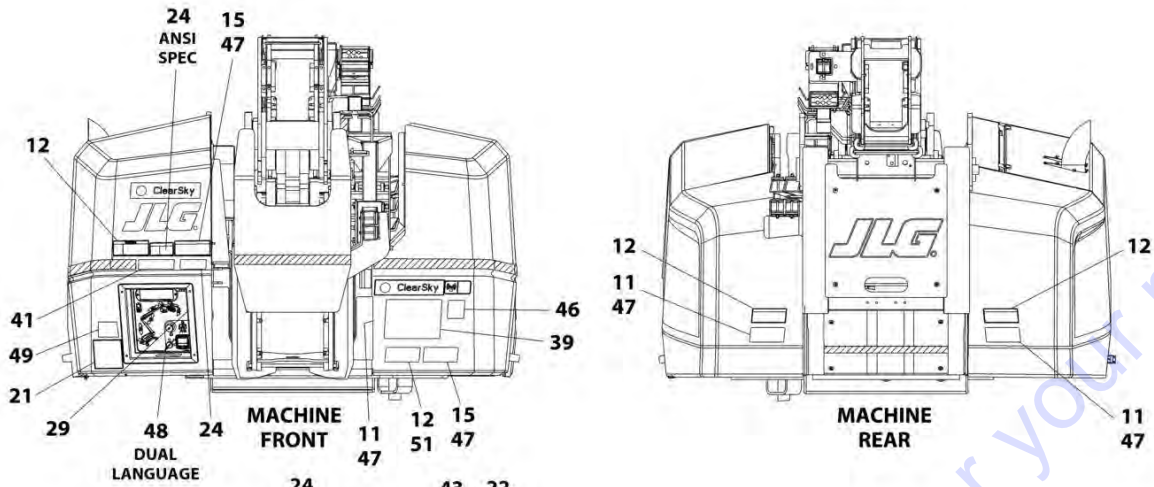


NOTE: ITEMS SHOWN MAY NOT BE REQUIRED FOR ALL SPECS. REFER TO PARTS LISTS FOR USAGE.
 NOTE: ADDITIONAL DECALS CALLED OUT ON DECAL INSTALLATION - OPTIONS.

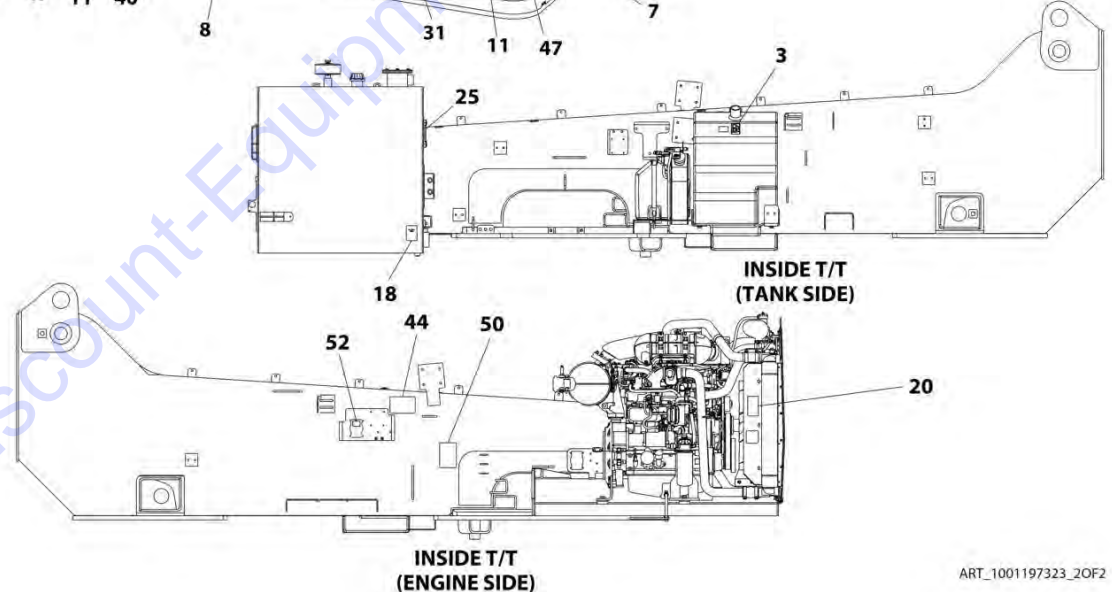


ART_1001197323_10F2

SECTION 9 - DECALS



NOTE: ITEMS SHOWN MAY NOT BE REQUIRED FOR ALL SPECS. REFER TO PARTS LISTS FOR USAGE.
NOTE: ADDITIONAL DECALS CALLED OUT ON DECAL INSTALLATION - OPTIONS.



ART_1001197323_20F2

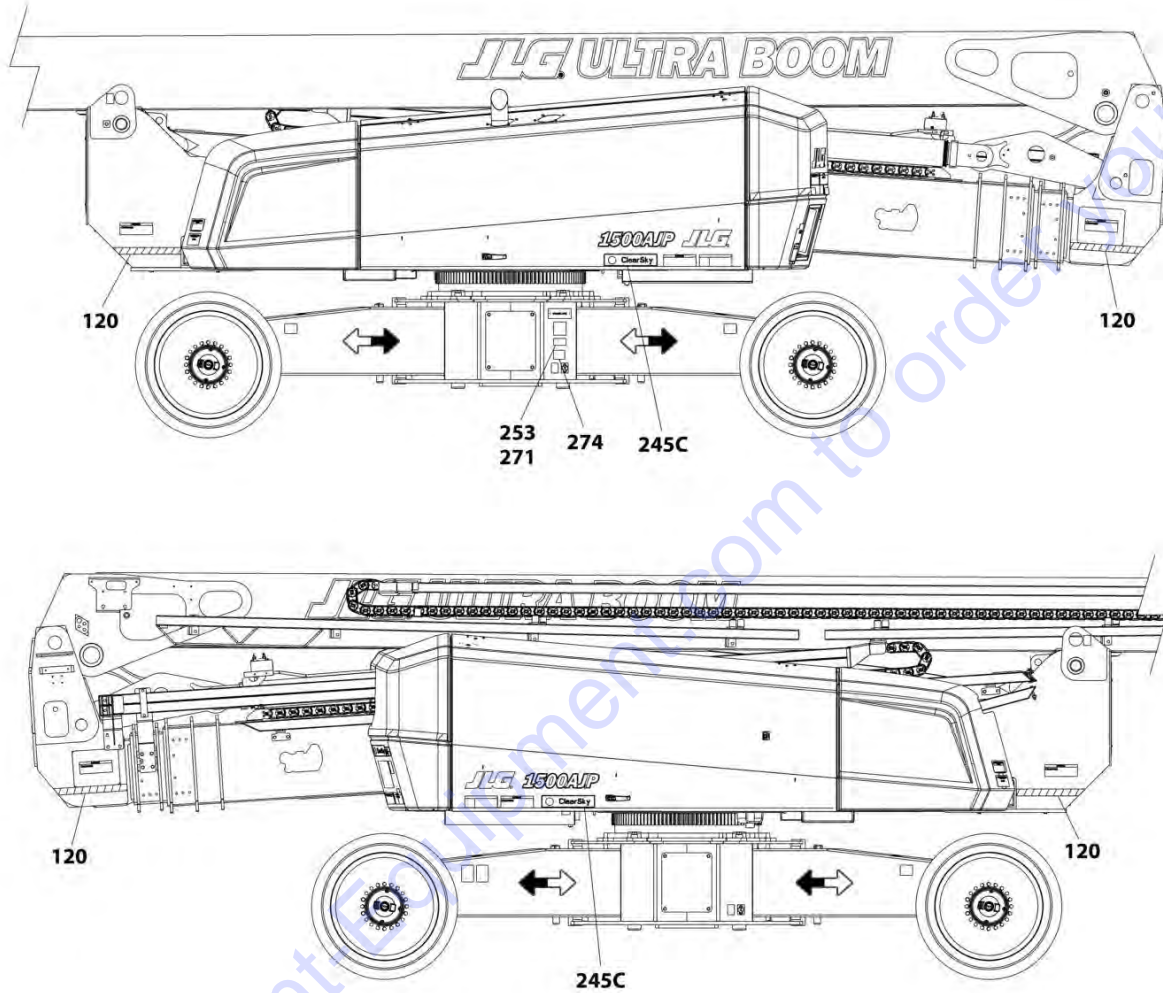
SECTION 9 - DECALS

FIGURE 9-9. DECAL INSTALLATION - LATIN AMERICA SPEC (ENGLISH/SPANISH)

ITEM	PART NUMBER	QTY	DESCRIPTION	REV
	1001197323	Ref	DECAL INSTALLATION - LATIN AMERICA SPEC (ENGLISH/SPANISH)	I
	1001197315	Ref	DECAL INSTALLATION - REFERENCE	L
1	0641406	4	Bolt 1/4 x 3/4	
2	1701499	6	Decal - No Tie Down/Lift	
3	1701505	2	Decal - Diesel Fuel	
4	1701509	1	Decal - Manual	
5	1701691	4	Decal - No Step	
6	See Note	NSS	Decal - Bar Code (Note: Not Available for Purchase)	
7	1702773	3	Decal - JLG	
8	1702774	1	Decal - JLG Lift	
9	1704001	2	Decal - No Hands	
10	1703923	1	Decal - Warning/Danger (Prior to SN 0300240678)	
10	1001231318	1	Decal - Danger/Warning (SN 0300240678 to Present)	
11	1703947	6	Decal - Warning Crushing	
12	1703935	6	Decal - Electrocution	
13	1703811	4	Decal - Lifting Lug	
14	1703814	6	Decal - Tie Down	
15	1703941	8	Decal - Warning Crushing	
16	1703959	2	Decal - Quik Stik	
17	1704277	3	Decal - Lanyard Attach	
18	1704412	1	Decal - Hydraulic Oil	
20	1706063	1	Decal - Warning Fire Hazard	
21	1705917	1	Decal - Warning Inspection	
22	1705909	1	Decal - Tip-Over (Prior to SN 0300240678)	
23	1705910	1	Decal - Drive/Steer Instruction	
24	1705915	AR	Decal - Tip-Over Hazard	
25	1705511	1	Decal - Oil Level	
27	1705864	2	Decal - JLG	
28	1705865	2	Decal - Ultraboom	
29	1705868	1	Decal - Legend (Prior to SN 0300226018)	
29	1001225220	1	Decal - Legend (SN 0300226018 to Present)	
30	See Note	NSS	Nameplate - Serial Number (Note: Not Available for Purchase)	
31	1703983	1	Decal - Footswitch	
32	3311405	4	Nut 1/4	
33	3820001	2	Rivet	
34	4751400	8	Washer 1/4	
35	91403230	1	Box Manual Storage	
38	1001160445	8	Decal - Arrow	
39	1001197350	1	Decal - Lift Diagram	
40	1001200115	2	Decal - Warning Dual Capacity	
41	1001200116	1	Decal - Warning Dual Capacity	
42	1001200707	2	Decal - 1500AJP	
43	1001204096	1	Decal - Legend	
44	1001209561	1	Decal - Jump Start/Dual Battery (Prior to SN 0300243458)	
44	1001234789	1	Decal - Jump Start/Dual Battery (SN 0300243458 to Present)	
45	1001209896	4	Decal - Max Tire Load	
50	1001211904	1	Decal - Fuse Box	
52	1001224045	1	Decal - Fuse Box Cover (SN 0300226018 to Present)	
53	1001224049	1	Decal - Decal Yearly Inspection (SN 0300235176 to Present)	

SECTION 9 - DECALS

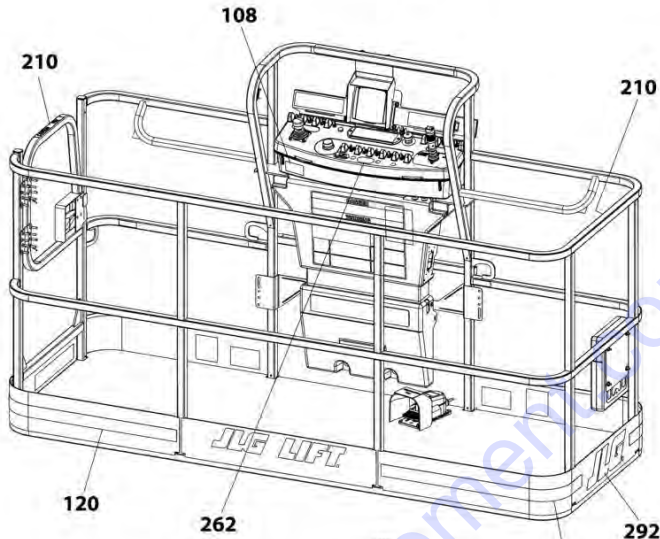
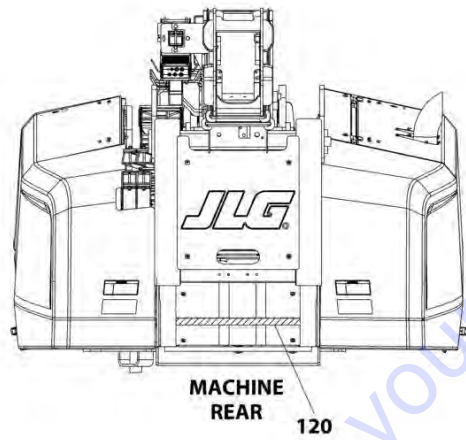
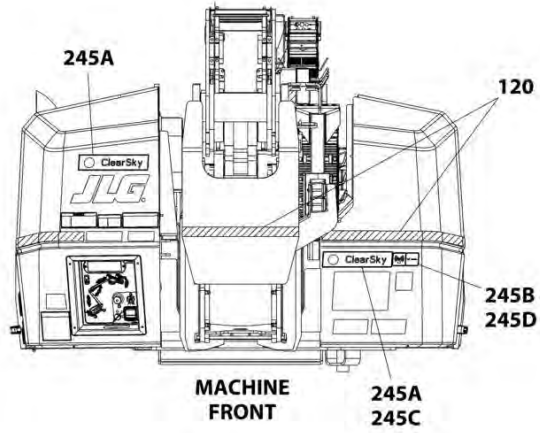
FIGURE 9-10. DECAL INSTALLATION - OPTIONS



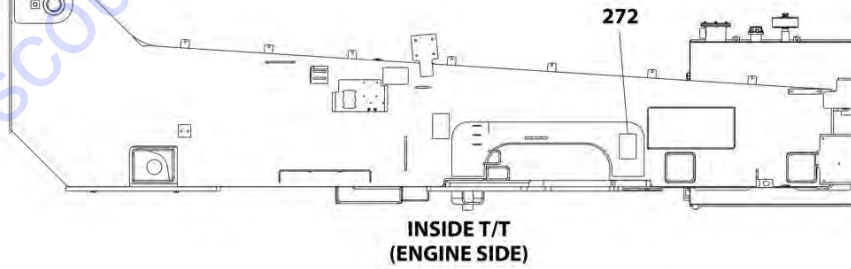
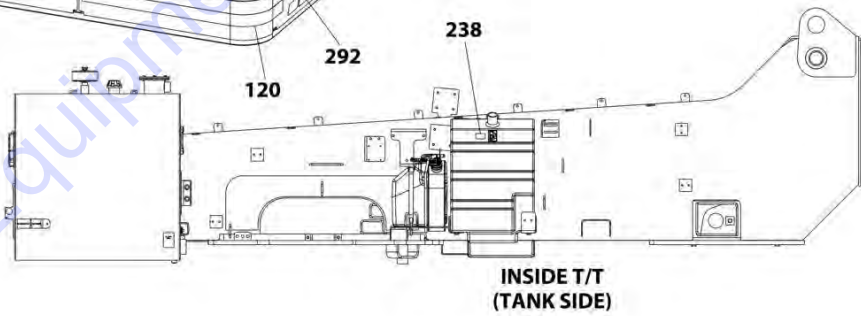
NOTE: ITEMS SHOWN MAY NOT BE REQUIRED FOR ALL SPECS. REFER TO PARTS LISTS FOR USAGE.

ART_DECALOPTIONS_10F2

SECTION 9 - DECALS



NOTE: ITEMS SHOWN MAY NOT BE REQUIRED FOR ALL SPECS. REFER TO PARTS LISTS FOR USAGE.



ART_DECAL OPTIONS_20F2

SECTION 9 - DECALS

FIGURE 9-10. DECAL INSTALLATION - OPTIONS

ITEM	PART NUMBER	QTY	DESCRIPTION	REV
		Ref	DECAL INSTALLATION - OPTIONS	
108	1001231801	1	Decal - Warning Prop 65 Diesel (ANSI Specs) (SN 0300243458 to Present)	
120	4420051	29 ft /8.8m	Decal - Warning Stripes	
210		Ref	Decal - No Hands (Required with Soft Touch Platform or Mesh to Top Rail Options Only)	
210	1702868	2	Decal - No Hands (ANSI and Australian Spec) (English)	
210	1705967	2	Decal - No Hands (Brazil Spec) (English/Portuguese)	
210	1001116846	2	Decal - No Hands (China Spec) (English/Chinese)	
210	1704000	2	Decal - No Hands (CSA Spec) (English/French)	
210	1705969	2	Decal - No Hands (Korean Spec) (English/Korean)	
210	1704001	2	Decal - No Hands (Latin American Spec) (English/Spanish)	
238	1001125387	1	Decal - Ultra Low Sulfur Fuel (ANSI, ANSI Export (HRC) and CSA Specs Only)	
238	1001139654	1	Decal - Ultra Low Sulfur Fuel (ANSI Export (LRC), Australian, CE, China and Japanese Specs Only)	
245	1001160444	Ref	Decal - ClearSky Telematics (Prior to SN 0300223782)	C
245A	1001116208	2	Decal - ClearSky	
245B	1001120989	1	Decal - Radio Frequency	
245	1001216618	Ref	Decal - ClearSky Telematics (SN 0300223782 to Present)	A
245C	1001116208	3	Decal - ClearSky	
245D	1001120989	1	Decal - Radio Frequency	
253	1001143852	1	Decal - Emissions Compliance (ANSI Export (LRC), Australian, CE (LRC) and China Specs Only)	
262	1001141300	1	Decal - SkyGuard Override	
262	1001141302	1	Decal - SkyGuard Override/Soft Touch Override	
271	1705514	1	Decal - CSA (CSA Specs Only)	
272	1001212056	1	Decal - Engine Fuse Box (HRC Only) (Prior to SN 0300226018)	
274	1001214029	1	Decal - EAC (CE Russian Spec)	
292	1001200113	1	Decal - Capacity Tri-Entry Platform (English)	
292	1001199564	1	Decal - Capacity Tri-Entry Platform (English/Korean)	
292	1001199566	1	Decal - Capacity Tri-Entry Platform (English/Portuguese)	
292	1001200115	1	Decal - Capacity Tri-Entry Platform (English/Spanish)	
292	1001199567	1	Decal - Capacity Tri-Entry Platform (English/French)	
292	1001199565	1	Decal - Capacity Tri-Entry Platform (English/Chinese)	
292	1001199568	1	Decal - Capacity Tri-Entry Platform (English/Japanese)	

SECTION 10 - RECOMMENDED SERVICE PARTS STOCK

SECTION 10 - RECOMMENDED SERVICE PARTS STOCK

Go to Discount-Equipment.com to order your parts

SECTION 10 - RECOMMENDED SERVICE PARTS STOCK

FIGURE 10-1. RECOMMENDED SERVICE PARTS STOCK

ITEM	PART NUMBER	QTY	DESCRIPTION	REV
		Ref	Note: The following list will service one machine (built to current production per date on the front cover) with emergency repair parts which can be installed in the field. Parts from the list should be replaced when inventory is depleted to keep service parts stock supplied. For further information, go to Discount-equipment.com.	
		Ref	STANDARD PARTS	
	70002386	1	Coil	
	70004460	1	Coil	
	70004463	1	Coil	
	70002231	12	Element, Pressure Filter	
	1001161232	12	Element, Filter	
	1001216021	1	Relay	
	70004150	12	Tank Filter/Breather Kit	
	4360328	1	Switch, Toggle	
	4360387	1	Switch, Push Button	
	4360469	1	Switch, Key (All Specs except CE Spec)	
	2860030	1	Key, Replacement	
	4360475	1	Switch, Mushroom	
	4360476	1	Contact, Switch Block	
	3740067	1	Relay	
	70023809	12	Air Cleaner Element, Primary	
	70023872	12	Air Cleaner Element - Secondary	
	1001117308	1	Relay	
	7016331	12	Engine Oil Filter	
	70025153	12	Fuel Filter	
	70004512	1	Fuel Filter	
	70003788	1	Coil	
	70003919	1	Power Track Repair Section - Tower Boom	
	70004071	1	Power Track Repair Section - Main Boom	
	70002097	12	Element, Filter	
	1001155045	1	Switch, Toggle	
	1001159256	1	Switch, Toggle	
	1001161709	1	Switch, Toggle	
	1001161710	1	Switch, Toggle	
	4360407	1	Controller, Speed	
	1001212415	1	Controller Kit (Drive/Steer)	
	1001129555	1	Controller Kit (Lift/Swing)	
	8229242	2	Fuse 5Amp	
	8229244	2	Fuse 15Amp	
	8229247	2	Fuse 25Amp	
	1001095704	1	Relay	
	8229245	2	Fuse 30Amp	
	1001196634	2	Fuse 2Amp	
	1001196635	2	Fuse 3Amp	
	1001196636	2	Diode 1Amp	
		Ref	VARIABLE PARTS	
	1001157084	1	Axle Sensor	
	1001146963	1	Steer Sensor	

SECTION 10 - RECOMMENDED SERVICE PARTS STOCK

ITEM	PART NUMBER	QTY	DESCRIPTION	REV
	1001150162	1	Module, Control - Chassis	
	1001227960	1	Module, Control - B.L.A.M.	
	1001181325	1	Sensor, Dual Axis	
	1001187805	1	Module, Control	
	1001138228	1	Module, Relay (LRC Engines)	
	70023592	2	Fuse 20Amp (LRC Engines)	
	70023593	2	Fuse 30Amp (LRC Engines)	
	70005495	1	Module, Control - Engine (HRC Engines)	
	70025210	1	Module, Control - Engine (LRC Engines)	
	4360336	1	Switch, Toggle (Generator Options)	
	4000008	1	Switch, Jib Lock Proximity	
	4360527	1	Switch, Cable Break	
	4360548	1	Switch, Limit	
	1001120104	1	Switch, Jib Telescope Proximity	
	1001197960	1	Sensor, Boom Length	
	1001197961	1	Sensor, Boom Length	
	1001200764	1	Sensor, Angle	
	1001201095	1	Sensor, Angle	
	1001204043	1	Sensor, Proximity	
	1001199483	1	Module, Control - Platform	
	1001137673	1	Switch, SkyGuard (Machines with SkyGuard)	
	1001200183	1	Module, Control - Boom	
	1001181045	1	Circuit Breaker 30mAmp/16Amp (CE Spec Machines)	
	1001189172	1	Circuit Breaker 16Amp Double (CE Spec Machines)	
	1001189171	1	Circuit Breaker 30mAmp (CE Spec Machines)	
	1001186431	1	Relay (Machines with SkyGuard)	

SECTION 11 - SPECIAL OPTIONS

Go to Discount-Equipment.com to order your parts

SECTION 11 - SPECIAL OPTIONS

FIGURE 11-1. SPECIAL OPTIONS

ITEM	PART NUMBER	QTY	DESCRIPTION	REV
		Ref	Note: This list is to accommodate machines ordered with special equipment. Options may not be applicable to all models. For more specific parts information go to Discount-equipment.com.	
		Ref	MISCELLANEOUS SPECIAL OPTIONS	
	1001197342	Ref	Airline Installation - 1/2	
	1001202401	Ref	Air Intake Shut-off Valve (Deutz Engines - HRC) (ANSI and CSA Specs)	
	1001197329	Ref	Bellows Installation - Boom	
	1001158014	Ref	Bellows Installation - Chassis	
	1001221279	Ref	Boom Transport Decal Installation	
	1001197330	Ref	Boom Wipers Installation	
		Ref	ClearSky (Telematics) Installations (Dealer Installed)	
	1001242192	Ref	ClearSky (Telematics) Access Control Installation Kit (Dealer Installed) (ANSI, ANSI Export and CSA Specs)	
	1001243183	Ref	ClearSky (Telematics) Added-on Kit (Dealer Installed) (ANSI, ANSI Export and CSA Specs)	
	1001243184	Ref	ClearSky (Telematics) Added-on Kit (Dealer Installed) (CE Specs)	
	1001234099	Ref	ClearSky Telematics Kit (Dealer Installed) (CE Specs)	
		Ref	ClearSky Telematics Installation (Factory Installed) (Prior to SN 0300234255)	
	1001197377	Ref	ClearSky Telematics Installation (ANSI & CSA Specs) (Factory Installed)	
	1001197380	Ref	ClearSky Telematics Installation (Australian Specs) (Factory Installed)	
	1001197379	Ref	ClearSky Telematics Installation (Brazil & New Zealand Specs) (Factory Installed)	
		Ref	ClearSky Telematics Installation (Factory Installed) (SN 0300234255 to Present)	
	1001227457	Ref	ClearSky Telematics Installation - Canbus Connection (Factory Installed) (ANSI & CSA Specs)	
	1001246471	Ref	ClearSky Telematics Installation - Canbus Connection (Factory Installed) (Australian Specs)	
	1001228959	Ref	ClearSky Telematics Installation - Canbus Connection (Factory Installed) (ANSI Export & CE Specs)	
	1001246472	Ref	ClearSky Telematics Installation - Canbus Connection (Factory Installed) (China Specs)	
	1001229107	Ref	ClearSky Telematics Installation - 3 Wire Connection (Factory Installed) (ANSI & CSA Specs)	
	1001233237	Ref	ClearSky Telematics Installation - 3 Wire Connection (Factory Installed) (ANSI Export & CE Specs)	
	1001197336	Ref	Cold Weather Package (Machines without Arctic Package)	
	1001197337	Ref	Cold Weather Package (Machines with Arctic Package)	
	1001197336	Ref	Cold Weather Package (Machines with Arctic Package)	
	1001233047	Ref	Crankcase Breather Heater Kit	
	1001200137	Ref	Cribbing Switch Installation (ANSI Spec Only)	
	1001220864	Ref	Decal - Boom Transport Decals Kit	
	1001241344	Ref	Decal - Platform Console Box Decal Kit	
	1001241335	Ref	Decal - Platform Decal Kit	
	1001213276	Ref	Decal Installation Options:	
	1001172570	Ref	Decal - SkyGlazier (English Language) (ANSI)	
	1001172620	Ref	Decal - SkyGlazier (English Language) (Australian)	

SECTION 11 - SPECIAL OPTIONS

ITEM	PART NUMBER	QTY	DESCRIPTION	REV
	1001172576	Ref	Decal - SkyGlazier (English Language) (UK)	
	1001172573	Ref	Decal - SkyGlazier (French Language)	
	1001172574	Ref	Decal - SkyGlazier (German Language)	
	1001172575	Ref	Decal - SkyGlazier (Italian Language)	
	1001172572	Ref	Decal - SkyGlazier (Portuguese Language) (Brazil)	
	1001193136	Ref	Decal - SkyGlazier (Portuguese Language) (Europe)	
	1001193135	Ref	Decal - SkyGlazier (Spanish Language) (Europe)	
	1001172571	Ref	Decal - SkyGlazier (Spanish Language) (Latin American)	
	1001244863	Ref	DEF Tank Replacement Kit	
	1001233763	Ref	Deutz Breather Heater Installation (ANSI, ANSI Export (HRC), CE, CSA and Japanese Specs)	
	1001246867	Ref	EDS Level 1 Booms Kit	
	1001246860	Ref	EDS Level 2 Booms Kit	
		Ref	Electrical Connector Kits	
	1001148902	Ref	Amp/Tyco Electrical Connector Kit	
	1001148903	Ref	Deutsch DT Electrical Connector Kit	
	1001148904	Ref	Deutsch HD Electrical Connector Kit	
	1001148905	Ref	Packard Electrical Connector Kit	
	1001148906	Ref	Various Electrical Connectors Kit	
	1001235962	Ref	Engine Coolant Strainer Kit	
	1001237883	Ref	Fall Arrest Bolt On Kit (6FT x 1.83M) (ANSI, ANSI Export, China, CSA, and Japanese Specs) (Fits Platform p/ns 1001186384 & 1001228376)	
	1001237882	Ref	Fall Arrest Bolt On Kit (8FT x 2.44M) (ANSI, ANSI Export, China, CSA, and Japanese Specs) (Fits Platform p/ns 1001186383)	
	1001197775	Ref	Fan Guard Installation (HRC)	
	1001155069	Ref	Fan Guard Installation (LRC)	
		Ref	Filter Kit Options:	
		Ref	Combined Filter Kit Options (Hydraulic/Air & Fuel/Engine Oil):	
	1001225639	Ref	Combined Filter Kit (Deutz HRC & LRC Engines)	
	1001139099	Ref	Fire Extinguisher Installation	
		Ref	Fluids	
	3020039	Ref	Axle Lubricant	
	3020008	Ref	Drive Hub Lubricant	
		Ref	Hydraulic Fluid	
	2300014	Ref	Mobil 424	
	2300029	Ref	Mobil EAL ISO 46 Bio	
	2300016	Ref	Mobil DTE 10 EXCEL 32	
	2300039	Ref	Exxon Univis (Arctic Package)	
	2300019	Ref	Quintolubric 822-220 (Fire Resistant)	
	3020037	Ref	Pump Coupling Grease	
	3020021	Ref	Pump Coupling Grease	
	1001117294	Ref	Foot Switch Shield	
	1001205812	Ref	Fuel Cap Installation - Lockable	
	1001197340	Ref	Headlight and Taillights Installation	
	1001237402	Ref	Hose/Cable Protection Installation (Boom)	
	1001239627	1	Hose Kit - Platform Valve	
	1001239625	Ref	Hose Kit - Upper Powertrack	
	1001241419	Ref	Hostile Environment Kit	
	1001197341	Ref	Illumination Lights Installation	
	1001148971	Ref	Lanyard (Bolt-on) Installation Kit	
	1001230625	Ref	LCD Display Kit (Low Rail)	

SECTION 11 - SPECIAL OPTIONS

ITEM	PART NUMBER	QTY	DESCRIPTION	REV
	1001230626	Ref	LCD Display Kit (High Rail)	
	1001183407	Ref	Low Temperature Cut Out Installation (Prior to SN 0300244681)	
	1001236952	Ref	Low Temperature Cut Out Installation (SN 0300244681 to Present)	
	1001236268	Ref	Main Control Valve Kit	
	1001194835	Ref	Oil Cooler Installation (HRC)	
	1001155064	Ref	Oil Cooler Installation (LRC)	
	1001197436	Ref	Platform Console Cover Installation	
	1580013	Ref	Platform Corner Storage Tray	
		Ref	Platform Entry Kits	
	1001142504	Ref	Drop Bar (Replacing Swing Gate with Drop Bar)	
	1001142505	Ref	Swing Gate (Replacing Drop Bar with Swing Gate)	
	1001202917	Ref	Platform Floodlights Installation	
		Ref	Platform Mesh to Top Rail Add-On Kits: (ANSI, ANSI Export, Australian and CSA Specs)	
	1001214552	Ref	30in x 4ft (76cm x 1.22m) with Gate	
	1001214561	Ref	36in x 6ft (91.5cm x 1.83m) with Gate	
	1001214562	Ref	36in x 8ft (91.5cm x 2.44m) with Gate	
		Ref	Platform Mesh to Top Rail Installations (ANSI, ANSI Export, Australian and CSA Specs)	
	0273147	Ref	30in x 4ft (76cm x 1.22m)	
	0273149	Ref	36in x 6ft (91.5cm x 1.83m)	
	0273145	Ref	36in x 8ft (91.5cm x 2.44m)	
		Ref	Platform Mesh to Mid Rail Add-On Kits: (ANSI, ANSI Export, Australian and CSA Specs)	
	1001214478	Ref	30in x 4ft (76cm x 1.22m) with Gate	
	1001214540	Ref	36in x 6ft (91.5cm x 1.83m) with Gate	
	1001214548	Ref	36in x 8ft (91.5cm x 2.44m) with Gate	
		Ref	Platform Mesh to Mid Rail Installation (ANSI, ANSI Export, Australian and CSA Specs)	
	1001140318	Ref	30in x 4ft (76cm x 1.22m)	
	1001138772	Ref	36in x 6ft (91.5cm x 1.83m)	
	1001138773	Ref	36in x 8ft (91.5cm x 2.44m)	
	1001149730	Ref	Platform Mid Rail Repair Kit	
	0272725	Ref	Platform Rail Extension - 8ft Platform	
	1001202916	Ref	Platform Worklights Installation	
	1001159121	Ref	Receptacle (240V GFCI) Installation (7500W Generator)	
	1001247073	Ref	SkyEye Retrofit Kit	
	1001232643	Ref	SkyLine Kit	
	1001231235	Ref	SkyWelder Locking Bracket Installation	
		Ref	Tools For Service:	
	2901443	1	Analyzer Kit	
	7002821	1	Crimper, Wire	
	7002823	1	Pin Extractor - Universal (For Electrical Connectors with Pins and Sockets)	
	4460467	1	Extractor - 16-18 Gauge (For Removal of Pin/Sockets from Deutsch Connectors)	
	4460510	1	Extractor - 12-14 Gauge (For Removal of Pin/Sockets from Deutsch Connectors)	
	7016654	1	Screwdriver, Magnetic	
	7002822	1	Screwdriver, Potentiometer	
	7004275	1	Seal Tool 1 (For Cylinders)	
	7004276	1	Seal Tool 1 1/2 (For Cylinders)	

SECTION 11 - SPECIAL OPTIONS

ITEM	PART NUMBER	QTY	DESCRIPTION	REV
	7002828	1	Stripper, Wire	
	4921850	1	Throttle Service Harness	
	70004185	1	Torque Multiplier	
	7016655	1	Wire Rope Sheave Gauge	
	1001137005	1	Software Cable Kit	
	70004646	1	Puller (Hub Assembly)	
	70004647	1	Seal Tool (Hub Assembly)	
	70004648	1	Puller (Hub Assembly)	
	1001197359	1	Boom Cable Adjustment Socket Installation	
	1001203463	1	Socket M34	
	1001241273	Ref	Tower Boom Wear Pad Kit	
	1001232034	Ref	White Noise Alarm	
	1001232035	Ref	White Noise Ambient Alarm	
	1001241672	Ref	Wire Rope Kit (Prior to SN 0300225574)	
	1001241673	Ref	Wire Rope Kit (SN 0300225574 to Present)	

Go to Discount-Equipment.com to order your parts

PART NUMBER INDEX

Go to Discount-Equipment.com to order your parts

PART NUMBER INDEX

0100009.....383, 387, 391	0275216..... 513, 627	0700412 ... 103, 107, 111,	0711015....164, 170, 192,
0100011....15, 17, 19, 29,	0275217..... 517, 629	115, 119, 123, 127	198, 232, 246
31, 53, 57, 59, 89, 95,	0275452..... 521, 631	0700510 235, 249	0711214....180, 186, 208,
99, 103, 107, 111, 115,	0275453..... 525, 633	0700608 333	214, 240, 254
119, 123, 127, 153,	0275454..... 529, 635	0700610 95, 170, 180,	0711214001.....306
154, 155, 164, 170,	0370025..... 453	186, 198, 208, 214	0711215001.....306
175, 177, 180, 186,	0400020..... 99	0700612 ... 143, 180, 186,	0711217001.....306
192, 198, 203, 205,	0440162 ... 164, 170, 192,	208, 214, 240, 254,	0711218....180, 186, 208,
208, 214, 232, 235,	198, 232, 246	557, 559	214, 242, 256
240, 246, 249, 254,	0440273..... 15, 301	0700614 ... 165, 170, 193,	0711222001.....339
281, 285, 289, 293,	0480100..... 439	198, 233, 247	0711626001.....312
301, 306, 311, 319,	0561380..... 301	0700615 147, 149	0712435.....79
321, 323, 325, 333,	0561546..... 453	0700616 154, 155	0712444001.....337, 339
337, 339, 343, 347,	0630448001 373	0700620 ... 103, 107, 111,	0721005.....417, 419
351, 353, 355, 361,	0630462 417, 419	115, 119, 123, 127	0731007.....91, 93, 95
363, 365, 409, 411,	0630518 ... 424, 427, 429,	0700815 ... 180, 186, 208,	0741607....281, 285, 289,
413, 417, 419, 424,	431, 435	214, 240, 254, 541,	293
427, 429, 431, 449,	0630534 457, 459	543, 545, 548	0760408....145, 164, 170,
451, 453, 455, 457,	0630535 ... 449, 451, 453,	0700816 333	192, 198, 232, 246
459, 461, 463, 465,	455, 473, 475, 477, 481	0700818 ... 164, 170, 192,	0760508....175, 177, 203,
467, 473, 477, 541,	0630536 461, 463	198, 232, 246	205
543, 545, 547	0630568 384, 388, 392	0700818001 285, 289,	0760516....104, 107, 112,
0100019....17, 19, 79, 83,	0630615001 153	293	115, 120, 123, 127
281, 285, 289, 293,	0641404 ... 383, 387, 391,	0700819001 281	0760604....182, 186, 210,
301, 311, 453, 455,	413	0700820 ... 165, 170, 193,	214
496, 502	0641405 413	198	0760606....165, 170, 193,
0100020....164, 170, 180,	0641406 ... 371, 672, 676,	0700822 ... 164, 170, 192,	198, 281, 285, 289, 293
186, 192, 198, 208,	680, 684, 688, 692,	198	0760608....164, 170, 182,
214, 232, 240, 246,	696, 700, 704	0700823001 494, 502	186, 192, 198, 210,
254, 285, 293, 405,	0641406001 373, 375	0700827 ... 164, 170, 192,	214, 233, 247
424, 435, 513, 515,	0641408 154, 155	198	0760610....103, 107, 111,
517, 519, 521, 523,	0641414 ... 383, 387, 391,	0701013 99, 180, 186,	115, 119, 123, 127,
525, 527, 529, 531, 533	409, 411, 415, 417, 419	208, 214, 240, 254	145, 164, 175, 177,
0100035.....17, 175, 177,	0641416 ... 513, 515, 517,	0701014001 153, 157,	192, 203, 205, 232,
203, 205, 235, 249,	519, 521, 523, 525,	159	235, 246, 249, 281,
333, 391	527, 529, 531, 533	0701015 .91, 93, 95, 153,	285, 289, 293, 333,
0100038....335, 449, 451,	0641418 ... 343, 347, 351,	180, 186, 208, 214,	377, 379, 381, 555
453, 455, 457, 459,	353, 355, 361, 363, 365	240, 254	0760610001.....485
461, 463, 465, 467,	0641422 29	0701016 ... 180, 186, 208,	0760612....155, 377, 379,
473, 477	0641504 37	214, 240, 254	381
0100048....281, 285, 289,	0641506 571	0701017 ... 180, 186, 208,	0760612001.....333
293, 383, 387, 391, 555	0641508 571	214, 240, 254	0760613....103, 107, 111,
0100071.....15, 415, 469,	0641510 485	0701018 83, 281, 285,	115, 119, 123, 127
471	0641511001 489	289, 293, 311	0760614.....95, 180, 186,
0100081....180, 186, 208,	0641514 439	0701019 ... 180, 186, 208,	210, 214, 242, 255
214, 242, 256, 319,	0641606 ... 180, 186, 208,	214, 240, 254	0760614001.....335
321, 383, 387, 421	214, 240, 254, 424,	0701020 311	0760807..... 165, 193
0140011.....383, 387, 391	427, 429, 431	0701022 311	0760807001.....323, 325
0140043..... 143	0641608 235, 249, 275	0701024001 306, 319	0760808001 .17, 323, 325
0200048.....417, 419	0641812 ... 175, 177, 203,	0701025001 323, 325	0760810....104, 107, 112,
0236768.....99	205, 235, 249	0701026001 319	115, 120, 123, 127,
0272254.....429	0642012 421	0701027001 319, 321	153, 164, 170, 180,
0272427.....417	0642212 421	0701028001 494, 502	186, 192, 198, 208,
0272435.....294	0642220 ... 164, 170, 192,	0701031 311	214, 240, 254, 333
0272448.....424, 429	198, 232, 246	0701032001 321	0760810001.....104, 107,
0272521.....427	0681607 477, 481	0701034001 319	112, 115, 120, 123,
0272588.....427	0681608 477, 481	0701220 91, 93, 95	127, 153
0272589.....290	0681620 441, 443, 445	0701222 311	076081229, 31, 103, 107,
0272599.....424, 435	0681814 357, 367, 369	0701224 89	111, 115, 119, 123,
0272607.....435	0681822 357, 367, 369	0701420001 15	127, 153, 164, 170,
0272725.....716	0682220 83	0701422001 17	180, 186, 192, 198,
0273145.....716	0682424 441, 443, 445	0701619001 27	208, 214, 232, 240,
0273147.....716	0700408 ... 513, 515, 517,	0701627 ... 180, 186, 208,	246, 254, 537
0273149.....716	519, 521, 523, 525,	214, 240, 254	0760812001.....153, 339,
0273353.....424	527, 529, 531, 533	0702022001 301	511, 535, 557, 559
0273706.....419		0702426001 302	

PART NUMBER INDEX

0760814 95, 154, 165, 170, 193, 198, 333	0771014001..... 312	1001096653.....29, 31	1001116748 567, 643, 661
0760814001 154	0771016001..... 312	1001097051539, 649	1001116751 643, 661
0760815 154	0771018001..... 312	1001097150.....561, 563	1001116774 655
0760815001 17	0771212001..... 306	1001097244.....377, 379, 381	1001116808 655
0760818001 541, 543, 545, 547	0771218001..... 306	100109758779	1001116812 583, 587, 611
0760822001 494, 502	0771414 ... 180, 208, 240, 254	1001097588..... 182, 187, 210, 215	1001116815 587
0761007001 153, 319, 337	0771415 ... 180, 186, 208, 214, 240, 254	1001098012.....424, 435, 437	1001116846 688, 708
0761008 ... 180, 186, 208, 214, 240, 254	0771416 ... 164, 170, 192, 198, 232, 246	1001098122.....405, 615, 619, 623	1001116849 688
0761009 ... 165, 170, 193, 198, 233, 247	0771617001..... 312	1001098149435	1001116851 688
0761009001 333, 485	0772016001..... 312	1001099125..... 131, 133, 135, 137	1001116952 583
0761010 ... 541, 543, 545, 547	0801550 311	1001099366421	1001116983 589
0761010001 . 57, 59, 312, 323, 325	0860038 ... 285, 293, 511	1001099367421	1001117023 583
0761011 154, 311	0861538 293	1001100341627	1001117034 688
0761011001 312	0861572 289	1001100342629	1001117035 688
0761012 . 29, 31, 59, 153, 180, 186, 208, 214, 240, 254, 311, 325, 555	0861731 ... 523, 527, 531, 533, 631, 633, 635	1001100345631	1001117064 567, 643, 661
0761012001 57, 154, 155, 319, 323, 333	0861781 ... 515, 519, 627, 629	1001100346635	1001117106 583
0761013001 108, 116, 124, 128	0861880 561, 563	1001100347633	1001117107 579
0761014 153, 333	0902888 ... 281, 285, 289, 293	1001101191513, 517, 521, 525, 529, 561, 563, 565	1001117108 580
0761014001 306, 312, 339	0940049 153	1001101196513, 517	1001117110 539, 611, 657
0761015 ... 104, 107, 112, 115, 120, 123, 127, 154, 164, 170, 175, 177, 192, 198, 203, 205, 232, 235, 246, 249, 311, 333, 377, 379, 381	0940092 417, 419	1001101197521, 525, 529	1001117172 405
0761015001 15, 494, 502	0940094 417, 419	1001101421421	1001117174 384, 388, 391, 405
0761016001 15, 301, 321	0940102421	1001101580 165, 171, 193, 199, 233, 247	1001117244 182, 187, 210, 215
0761018 275	0940103417	1001102594639	1001117294 715
0761210 ... 175, 177, 180, 186, 203, 205, 208, 214, 235, 240, 249, 254	0940133419	1001103012658	1001117308 181, 187, 209, 215, 241, 255, 710
0761212 ... 281, 285, 289, 293	0961845 ... 343, 347, 351, 353, 355, 361, 363, 365	1001103452165, 171, 193, 199, 240, 254	1001118274 . 29, 31, 104, 107, 112, 115, 120, 123, 127, 153
0761212001 319	0961893 457, 459	1001104497334	1001118282 580
0761214 19, 153	0961896 449, 451	1001104498539, 658	1001118287 312
0761214001 153, 312, 321	0961897 ... 453, 455, 473, 477, 481	1001106736658	1001118288 312
0761216 89, 154, 175, 177, 203, 205, 235, 249	0961988 461, 463	1001107854539, 658	1001118384 651
0761216001 337, 339	0961903 475	1001108616175, 177, 203, 205, 235, 249, 266	1001118388 605, 619, 651
0761217 154	0961949 453, 455	100110861757, 59	1001118878 ... 39, 41, 43, 45, 47, 49, 51
0761218001 ... 29, 31, 39, 41, 43, 45, 47, 49, 51, 319	0961950 469, 471	100110904891, 93, 95	1001118972 153, 333
0761614001 312	0961951 ... 180, 186, 208, 214, 240, 254, 311, 481	1001109654557, 563	1001119020 655
0761616 311	0962051 ... 164, 170, 192, 198, 232, 246	1001110604494, 502	1001119033 333
0762014001 301	0962224 311, 313	1001110873286, 294, 511	1001119215 555
0762016001 301	0962257 457, 459	1001111116241, 255	1001119412 583, 601
0762018001 19	0962270 ... 357, 367, 369	1001112551676	1001119455 494, 503
0762418001 15, 301	0962423 17	1001112612655, 657	1001119619 645
0762422001 301	0962520 ... 281, 285, 289, 293	1001112757 103, 107, 111, 115, 119, 123, 127	1001119620 647, 649
0771010001 312	0962556 311	1001112796655	1001119727 241, 255
0771012001 312, 337, 339	0962561 ... 449, 451, 453, 455	1001112927175, 177, 203, 205, 235, 249, 273	1001119861 508
	0962562 465, 467	1001113961567, 657	1001119899 312
	1001008559 541, 543, 545, 548	1001116208708	1001120000 15
	1001047062 104, 107, 112, 115, 120, 123	1001116692539	1001120055 615, 619, 623
	1001091102 145, 557, 559	1001116693657, 658	1001120104 333, 711
	1001091969 513	1001116694539	1001120328 409, 411, 413, 579, 616, 620, 624
	1001091970 517	1001116695539	1001120338 384, 388
	1001091973 521	1001116720605, 619	1001120989 708
	1001091974 525	1001116725580	1001122242 373
	1001091975 529	1001116732583	1001125137 469
	1001095704 579, 710	1001116733580, 601	1001125293 373, 607
	1001096612 281	1001116734580	1001125295 607, 609
			1001125387 708

PART NUMBER INDEX

1001125677.....579, 616, 620, 624, 658	1001138228 241, 255, 711	1001148971 715	1001153846..... 312
1001126008.....581, 612, 663	1001138248 181, 187, 209, 215, 241, 255	1001149160 104, 107, 112, 115, 120, 123, 127, 153	1001153981..... 83
1001126009.....568, 651	1001138494 347, 351, 353, 355, 361, 363, 365	1001149407 241, 255	1001153983..... 83
1001126011.....615, 619, 623	1001138514 347, 353, 355, 363, 365	1001149517 181, 187, 209, 215, 241, 255	1001153984..... 83, 85
1001126245..... 581	1001138559 181, 187, 209, 215, 241, 255	1001149711 27	1001154035..... 99
1001126351..... 584	1001138566 281, 285	1001149730 716	1001154142..... 235, 249
1001126352..... 584	1001138772 716	1001149734 337	1001154143..... 235, 249
1001126353..... 579	1001138773 716	1001149736 241, 255	1001154196..... 89
1001126356..... 584	1001138805 459	1001149746 181, 187, 209, 215, 241, 255	1001154247..... 312
1001126357..... 584	1001138827 181, 187, 209, 215, 241, 255	1001149823 79	1001154262..... 165, 171, 193, 199
1001126362..... 580, 584	1001139099 715	1001149867 235, 240	1001154377..... 83
1001126363..... 584	1001139240 181, 187, 209, 215, 241, 255	1001149921 19, 23	1001154405..... 165, 171, 181, 188, 193, 199, 209, 216, 233, 242, 247, 256, 275
1001126384..... 584	1001139654 708	1001149970 103, 107, 111, 115, 119, 123, 127, 577	1001154759..... 19
1001126391.....575, 580, 584	1001140318 716	1001149971 235, 249, 583	1001154772..... 19
1001126393..... 580	1001140429 343, 347, 351, 353, 355, 361, 363, 365	1001149975 ... 39, 41, 43, 45, 47, 49, 51, 567	1001155023..... 181, 188, 209, 216, 242, 256
1001126485..... 580, 581	1001140564 181, 187, 209, 215, 241, 255	1001150162 ... 39, 41, 43, 45, 47, 49, 51, 711	1001155041..... 281, 285, 289, 293
1001126487..... 580	1001141300 708	1001150174 285, 293	1001155044..... 384, 388, 391
1001128127..... 665, 667	1001141302 708	1001150498 241, 255	1001155045..... 383, 387, 392, 710
1001128128..... 580, 583	1001141304 235, 250	1001150499 241, 255	1001155064..... 716
1001128527..... 431	1001141995 181, 187, 209, 215, 241, 255	1001150500 241, 255	1001155069..... 715
1001128556..... 431	1001142501 165, 171, 181, 187, 193, 199, 209, 215, 233, 241, 247, 255	1001150504 181, 187, 241	1001155133..... 15
1001129555..... 710	1001142504 716	1001150505 242, 255	1001155262..... 333
1001131130..... 154	1001142505 716	1001150553 181, 187, 209, 215, 242, 255	1001155303..... 286, 294
1001131269..... 672, 692	1001142683 147, 149	1001150611 657	1001155338..... 281, 286, 289, 293
1001133714 581, 583	1001143390 181, 187, 209, 215, 241, 255	1001150725 83	1001155348..... 289, 293
1001133715 581, 583	1001143852 708	1001150917 465	1001155363..... 15
1001133927 465, 467	1001144147 641	1001150942 465, 467	1001155437..... 154
1001133956..... 584	1001144295 658	1001150943 131, 133, 135, 137	1001155438..... 153, 154
1001133957..... 584	1001144433 388, 411	1001151432 242, 256	1001155454..... 155
1001134314..... 301	1001144629 345, 349, 351, 359, 361	1001151491 181, 187, 209, 215, 242, 256	1001155456..... 153, 155
1001134488 181, 187, 209, 215, 241, 255	1001145405 424, 435	1001151503 465, 467	1001155496..... 181, 188, 209, 216, 242, 256
1001135196 165, 171, 193, 199, 233, 247	1001146588 541, 543, 545, 548	1001151504 181, 187, 209, 215, 242, 256	1001155498..... 181, 188, 209, 216, 242, 256
1001135497 165, 171, 193, 199, 233, 247	1001146940 301	1001151505 181, 187, 209, 215, 242, 256	1001155525..... 182, 188, 209, 216, 242, 256
1001135650..... 581	1001146963 17, 710	1001151749 181, 187, 209, 215, 242, 256	1001155527..... 157
1001135943 181, 187, 209, 215, 241, 255	1001147567 181, 187, 209, 215	1001151761 242, 256	1001155540..... 182, 188, 209, 216, 242, 256
1001136079 181, 187, 241	1001147616 27	1001152112 210, 215, 256	1001155550..... 242, 256
1001136172 209, 215, 255	1001147847 181, 187, 209, 215, 241, 255	1001152457 285	1001155557..... 182, 188, 210, 216, 242, 256
1001136400..... 321	1001148012 313	1001152458 281	1001155561..... 53
1001136583..... 312	1001148059 281, 290	1001152483 565	1001155563..... 182, 188, 210, 216, 242, 256
1001136834 181, 187, 209, 215, 241, 255	1001148076 241, 255, 259	1001152489 181, 188, 209, 216, 242, 256	1001155564..... 182, 188, 210, 216, 242, 256
1001136975..... 165, 171, 193, 199, 233, 247	1001148641 181, 187, 209, 215, 241, 255	1001152525 290, 294	1001155565..... 182, 188, 210, 216, 242, 256
1001137005..... 717	1001148902 715	1001152530 281, 285	1001155566..... 182, 188, 210, 216, 242, 256
1001137032..... 306	1001148903 715	1001152532 282, 286, 595	1001155584..... 154, 155
1001137262..... 504	1001148904 715	1001152742 575	1001155591..... 153
1001137263..... 495, 502, 504	1001148905 715	1001153257 508	1001155728..... 182, 188, 210, 216, 242, 256
1001137578..... 573	1001148906 715	1001153259 282, 286, 599	1001155743..... 567, 579
1001137673 409, 411, 711		1001153785 312	1001155817..... 17, 653
1001138116..... 581		1001153786 312	
1001138173 181, 187, 209, 215, 241, 255		1001153797 312	
1001138175 181, 187, 209, 215, 241, 255		1001153827 312	
		1001153828 312	

PART NUMBER INDEX

1001155823 165, 171, 193, 199, 233, 247	1001157292..... 384, 388, 392	1001161277..... 489	1001168734 236, 250
1001155832 153	1001157300..... 209, 216, 256	1001161278..... 489	1001169085 145, 147, 149
1001155836 17, 333	1001157301..... 210, 216, 256	1001161279..... 489	1001170982 182, 188, 210, 216, 242, 256
1001155939 165, 171, 193, 199, 233, 247	1001157454..... 312	1001161280..... 489	1001171324 335
1001155967 103, 107, 108, 111, 115, 116, 119, 123, 124, 127, 128, 334, 611, 658	1001157520..... 290, 294	1001161281..... 489	1001171482 131, 133, 135, 137
1001155986 17, 469	1001157521..... 290, 294	1001161282..... 489	1001172356 27
1001155987 469	1001157525..... 290	1001161283..... 489	1001172358 15, 153, 154, 155, 157, 159, 301, 306, 312, 319, 321, 323, 334, 337, 339, 485, 494, 502
1001155992 469	1001157528..... 290, 294	1001161289..... 489	1001172570 714
1001155998 469	1001157592..... 294	1001161290..... 489	1001172571 715
1001155999 469	1001157670..... 53	1001161470..... 159	1001172572 715
1001156001 235, 249, 587	1001157730..... 153	1001161488..... 157	1001172573 715
1001156016 449, 451	1001157731..... 153	1001161647..... 495, 503	1001172574 715
1001156030 290, 294, 601	1001157849..... 19	1001161709..... 383, 387, 392, 710	1001172575 715
1001156033 461, 463	1001157850..... 19	1001161710..... 383, 387, 392, 710	1001172576 715
1001156034 182, 188, 210, 216, 242, 256	1001157862..... 182, 188, 210, 216, 242, 256	1001162212..... 165, 171, 193, 199	1001172577 715
1001156035 182, 188, 210, 216, 242, 256	1001157872..... 312	1001162880..... 99, 101	1001172578 421
1001156062 182, 188, 210, 216, 242, 256	1001157878..... 312	1001162986..... 165, 171, 193, 199	1001172579 421
1001156083 508	1001157885..... 312	1001163631..... 39, 41, 43, 45, 47, 49, 51, 639	1001172620 714
1001156091 182, 188, 210, 216, 242, 256	1001157887..... 301	1001164354..... 29, 31, 39, 41, 43, 45, 47, 49, 51	1001172663 339
1001156107 108, 116, 124, 128, 175, 177, 203, 205, 235, 249, 334	1001157890..... 580, 611, 637	1001164700..... 101	1001172760 384, 388, 392
1001156112 242, 256	1001157891..... 541, 543, 545, 547, 575, 657	1001164965..... 93	1001173609 373, 375
1001156242 153	1001157906..... 155	1001164968..... 93	1001173662 306
1001156347 155	1001157907..... 155	1001165035..... 165, 171, 180, 186, 193, 199, 208, 214, 233, 240, 247, 254	1001173763 321
1001156606 17	1001157958..... 469, 471	1001165194..... 575	1001173846 57, 59
1001156613 312	1001158007..... 290, 294	1001166393..... 182, 188, 210, 216, 241, 255	1001174345 17
1001156644 182, 188, 210, 216, 242, 256	1001158008..... 290, 294	1001166538..... 384, 388, 392, 403	1001174795 93
1001156648 15, 449	1001158014..... 714	1001166539..... 384, 388, 392, 399	1001175201 93, 95
1001156650 301	1001158017..... 15	1001166541..... 580	1001175244 339
1001156678 17	1001158080..... 557, 561	1001166543..... 580	1001175265 580
1001156679 17	1001158262..... 242, 256	1001166551..... 579	1001175568 165, 171, 182, 188, 193, 199, 210, 216, 233, 247
1001156692 584	1001158263..... 279	1001166555..... 579	1001176002 579
1001156718 175, 177, 203, 205, 235, 249	1001158289..... 242, 256	1001166556..... 575, 580	1001176004 579
1001156778 17, 334	1001158363..... 281, 285	1001166701..... 580	1001176333 609
1001156785 17	1001158412..... 57, 59	1001166704..... 573	1001176371 182, 210, 219
1001156815 17	1001158529..... 249, 254	1001166774..... 575, 580	1001176469 133, 137
1001156867 53	1001158607..... 279	1001167497..... 312	1001176582 375
1001156923 449	1001159001..... 373	1001167528..... 573	1001176636 373, 375
1001156926 384, 388, 392	1001159121..... 716	1001167565..... 339	1001176778 373
1001156991 17	1001159162..... 103, 107, 111, 115, 119, 123, 127	1001167567..... 339	1001176783 373
1001156996 17	1001159186..... 603, 615, 619, 623	1001167615..... 579	1001177137 241, 255
1001157007 15, 312	1001159256..... 383, 387, 392, 710	1001167616..... 580	1001177635 373, 375
1001157037 449	1001160169..... 465, 467	1001167620..... 579	1001178797 275
1001157041 449	1001160444..... 708	1001167621..... 579	1001179154 294
1001157073 175, 177, 203, 205, 235, 249	1001160445..... 672, 676, 680, 684, 688, 692, 696, 700, 704	1001167622..... 579	1001180153 301
1001157080 449, 451	1001160505..... 155	1001167623..... 579	1001180491 375
1001157084 15, 710	1001160518..... 182, 188, 210, 216, 242, 256	1001167624..... 579	1001180620 154
1001157198 29, 31, 33	1001161232... 57, 59, 710	1001167625..... 579	1001181045 561, 563, 711
1001157207 29, 31, 37	1001161269..... 489	1001167629..... 581	1001181325 103, 111, 119, 711
1001157216 27	1001161270..... 489	1001167630..... 581	1001181625 171, 199
1001157241 489, 506	1001161271..... 489	1001167631..... 581	1001181899 182, 188, 210, 216
	1001161272..... 489	1001167632..... 573	1001182138 415
	1001161273..... 489	1001167634..... 580	1001183407 716
	1001161274..... 489	1001167635..... 580	
	1001161275..... 489	1001168272..... 93	
	1001161276..... 489	1001168402..... 339	

PART NUMBER INDEX

1001184083.....103, 107, 111, 115, 119, 123, 127	1001190952..... 15	1001197292 ... 91, 93, 95, 97	1001197961.....334, 711
1001184619.....397	1001190953..... 15	1001197305 164	1001197969.....301
1001184846.....580	1001190985..... 339	1001197306 192	1001197973.....301
1001185281.....388, 392	1001191122 182, 188, 210, 216	1001197307 232	1001198131..... 301, 465
1001186318.....369	1001191368 277	1001197308 246	1001198132.....465
1001186333.....357	1001191390 277	1001197309 379	1001198157.....465
1001186334.....367	1001191708 415	1001197310 39, 103	1001198193.....465
1001186342.....171, 199, 233, 247	1001192138 182, 188, 210, 216	1001197311 333	1001198376.....321
1001186375.....347	1001192401 591, 658	1001197312 321	1001198377.....321
1001186379.....353	1001193018 513, 515, 517, 519, 521, 523, 525, 527, 529, 531, 533	1001197314 .. 29, 57, 323	1001198382.....321
1001186382.....363	1001193135 715	1001197315 672, 676, 680, 684, 688, 692, 696, 700, 704	1001198383.....321
1001186383.....359	1001193136 715	1001197316 672	1001198386.....321
1001186384.....349	1001193599 182, 188, 210, 216	1001197317 182, 188, 210, 216	1001198388.....321
1001186387.....345	1001193630 79	1001197318 692	1001198389.....321
1001186389.....369	1001193980 165, 171, 193, 199	1001197319 684	1001198546.....306, 477
1001186431.....388, 411, 620, 711	1001194197 523	1001197320 700	1001198547.....477
1001186432.....605, 619, 651	1001194198 527	1001197321 688	1001198561.....477
1001186517409, 411	1001194200 531	1001197322 680	1001198562.....477
1001186579175, 180	1001194203 515	1001197323 704	1001198579.....477
1001187077643	1001194204 519	1001197324 696	1001198581.....477
1001187411676, 684	1001194252 508	1001197325 676	1001198583.....477
1001187508409	1001194365 533	1001197326 541	1001198587.....477, 481
1001187516165, 193	1001194835 716	1001197327 543	1001198594.....477, 482
1001187517165, 193	1001195588 89, 571	1001197328 547	1001198640.....306
1001187518166, 171, 193, 199	1001195906 319	1001197329 714	1001198641.....306
1001187674407	1001195924 312	1001197330 714	1001198642.....306
1001187681645	1001195939 312, 315	1001197331 143	1001198643.....306
1001187744103, 107, 111, 115, 119, 124, 127	1001195940 312, 317	1001197332 535	1001198644.....306
1001187805103, 107, 111, 115, 119, 124, 127, 711	1001195941 312	1001197333 511	1001198645.....306
1001187882579	1001195947 395	1001197335 557	1001198685.....153
1001188162182, 188, 210, 216	1001196517 333	1001197336 714	1001198732.....306
100118849191, 93, 95	1001196562 153	1001197337 714	1001198749.....301
1001188622339	1001196603 658	1001197340 715	1001198757.....301
1001188844339	1001196605 658	1001197341 715	1001198758.....301
1001188889409	1001196634 297, 658, 710	1001197342 714	1001198759.....301
1001188922175, 177, 203, 205, 579	1001196635 658, 710	1001197345 99	1001198760.....301
1001189001339	1001196636 658, 710	1001197350 672, 676, 680, 684, 688, 692, 696, 700, 704	1001198761.....301
1001189002339	1001196681 383, 388, 619	1001197359 717	1001198762.....461, 463
100118915993	1001196682 541, 543, 545, 547, 663	1001197361 485, 506	1001198864.....312
1001189171565, 711	1001196686 103, 108, 111, 115, 119, 124, 127, 657	1001197362 494, 506	1001198938.....312, 473
1001189172565, 711	1001196688 103, 108, 111, 116, 119, 124, 127, 539	1001197377 714	1001198939.....473
1001189291182, 188, 210, 216	1001196689 103, 108, 111, 116, 119, 124, 128, 603	1001197379 714	1001198946.....473
1001189882676, 684	1001196690 103, 111, 119, 665	1001197380 714	1001198951.....473
1001190032159	1001196733 301	1001197436 716	1001198952.....473
1001190104384, 388	1001196806 93, 95	1001197445 175, 177, 203, 205	1001199043.....335
1001190418182, 188, 210, 216	1001196917 301, 311	1001197464 139, 395	1001199083.....313
1001190475165, 171, 193, 199	1001197017 417, 419	1001197465 141, 397	1001199084.....313
1001190656373	1001197118 89	1001197547 203, 208	1001199085.....313
1001190658373	1001197142 81	1001197627 91	1001199086.....313
1001190921579	1001197291 93	1001197719 579	1001199117.....313
1001190927157, 159		1001197760 319	1001199297.....473, 475
100119094915		1001197761 79	1001199310.....153
100119095015		1001197766 319	1001199315.....321
100119095115		1001197775 715	1001199319.....153
		1001197899 306	1001199320.....313
		1001197901 306	1001199465.....153
		1001197902 301, 306	1001199468.....153
		1001197936 153	1001199470.....175, 177, 203, 205, 235, 249, 269
		1001197937 153	1001199480.....379, 387
		1001197960 334, 711	1001199483.....383, 388, 392, 711
			1001199564.....700, 708
			1001199565.....688, 708
			1001199566.....680, 708
			1001199567.....692, 708

PART NUMBER INDEX

1001199568 696, 708	1001200604..... 103, 108, 111, 116, 119, 124, 128	1001201485..... 313	1001202794 147
1001199569 700	1001200605..... 103, 108, 111, 116, 119, 124, 128	1001201503..... 323, 325, 327	1001202817 506
1001199570 688	1001200606..... 103, 108, 111, 116, 119, 124, 128	1001201710..... 545	1001202914 658
1001199571 680	1001200606..... 103, 108, 111, 116, 119, 124, 128	1001201772..... 473, 475	1001202916 716
1001199572 692	1001200686..... 321	1001201846..... 313	1001202917 716
1001199573 696	1001200692..... 131, 135	1001201889..... 384, 388, 392	1001202950 334
1001199582 165, 175	1001200693..... 133, 137	1001201938..... 301, 306	1001203413 145
1001199583 233, 235	1001200698..... 281	1001201986..... 323, 325, 329	1001203463 717
1001199584 193, 203	1001200699..... 285	1001201997 319	1001203655 357
1001199587 247, 249	1001200707..... 672, 676, 680, 684, 688, 692, 696, 700, 704	1001202000 319	1001203656 367, 369
1001199610 313	1001200726..... 103, 108, 111, 116, 119, 124, 128	1001202002 319	1001203753 313
1001199637 383, 615	1001200727..... 103, 108, 111, 116, 119, 124, 128	1001202005 319	1001203754 313
1001199638 377, 383	1001200732..... 313	1001202055 334	1001203755 313
1001199641 313	1001200733..... 313	1001202136..... 494, 502	1001203898 334
1001199670 165, 171, 193, 199	1001200734..... 334	1001202142..... 461	1001203899 334
1001199671 321	1001200736..... 313	1001202169..... 154	1001203900 334
1001199753 153	1001200739..... 313	1001202179..... 334	1001203904 334
1001199754 153	1001200741..... 313	1001202181..... 154	1001204027 541, 543, 545, 547
1001199755 153	1001200741..... 313	1001202182..... 334	1001204028 541, 543, 545, 547, 643
1001199764 153	1001200764..... 334, 711	1001202184..... 461	1001204041 461, 463
1001199778 153	1001200779..... 289	1001202194..... 461	1001204043 334, 711
1001199780 153	1001200780..... 293	1001202201..... 461, 463	1001204073 339
1001199782 153	1001200834..... 334	1001202225..... 154	1001204096 672, 680, 688, 692, 696, 700, 704
1001199804 301	1001200836..... 334	1001202234..... 461	1001204402 323
1001199812 301	1001200837..... 334	1001202236..... 461, 463	1001204650 281
1001199918 141	1001200838..... 334	1001202245..... 319	1001204725 339
1001199919 397	1001200839..... 313	1001202259..... 541, 543, 545, 547, 553	1001204911 339
1001199920 139	1001200848..... 334	1001202260..... 541, 543, 545, 547, 551	1001204912 337
1001199922 395	1001200849..... 334	1001202261..... 541	1001204914 306
1001199990 313	1001200853..... 103, 108, 131	1001202262..... 541	1001205083 495, 503
1001199994 377	1001200854..... 131, 133, 135, 137	1001202263..... 543	1001205084 495, 503
1001200063 301, 461	1001200855..... 111, 116, 133	1001202264..... 543	1001205085 495
1001200091 313	1001200856..... 119, 124, 135	1001202265..... 547	1001205086 495, 503
1001200092 313	1001200910..... 147, 149	1001202266..... 547	1001205087 495, 503
1001200093 313	1001200977..... 494, 503	1001202267..... 545	1001205088 495, 503
1001200113 672, 708	1001200987..... 57, 61	1001202268..... 545	1001205089 495, 503
1001200114 672	1001200988..... 57, 59, 77	1001202269..... 541, 543, 545, 547	1001205090 495, 503
1001200115 704, 708	1001200995..... 43, 111	1001202320..... 495, 503	1001205091 495
1001200116 704	1001200996..... 47, 119	1001202355..... 175, 177, 203, 205, 236, 249	1001205092 495, 503
1001200117 676, 684	1001201007..... 306	1001202356..... 175, 203, 235, 249	1001205093 495, 503
1001200118 676, 684	1001201062..... 541, 543, 545, 547, 641	1001202401..... 714	1001205094 495, 503
1001200137 714	1001201068..... 334	1001202455..... 313	1001205095 495, 503
1001200150 473	1001201069..... 334	1001202539..... 461, 463	1001205096 495, 503
1001200154 301	1001201095..... 334, 711	1001202692..... 323, 325	1001205097 495
1001200183 555, 711	1001201095..... 334, 711	1001202705..... 495, 503	1001205098 495, 503
1001200199 541, 543, 545, 547, 555	1001201103..... 103, 108, 111, 116, 119, 124, 128	1001202706..... 495, 503	1001205099 495
1001200203 555	1001201103..... 103, 108, 111, 116, 119, 124, 128	1001202707..... 495, 503	1001205100 495, 503
1001200345 334	1001201130..... 485	1001202708..... 495, 503	1001205102 495, 503
1001200397 473	1001201131..... 485	1001202709..... 495, 503	1001205103 495, 503
1001200491 339	1001201132..... 485	1001202733..... 154	1001205104 495, 503
1001200494 339	1001201133..... 485	1001202734..... 154	1001205105 495, 503
1001200494 339	1001201134..... 485	1001202742..... 541, 543, 545, 547	1001205106 495, 503
1001200501 153	1001201135..... 485	1001202743..... 541, 543, 545, 547	1001205107 495
1001200502 154	1001201136..... 485	1001202770 57	1001205108 495, 503
1001200519 154	1001201333..... 306	1001202785..... 541, 543, 545, 547, 637	1001205109 495
1001200522 154	1001201334..... 306	1001202787..... 145, 593	1001205110 495, 503
1001200532 154	1001201335..... 306	1001202793 313	1001205111 495, 503
1001200550 334, 494, 503	1001201351..... 339		1001205112 495
1001200560 334			1001205113 495, 503
1001200565 286			1001205114 495, 503
1001200574 301			1001205115 495, 503
1001200575 384, 388			1001205116 495, 503
1001200576 301			1001205117 495, 503
1001200587 334			1001205120 495

PART NUMBER INDEX

1001205121.....495	1001210636 377, 379, 381	1001214561 716	1001223055.....672
1001205122.....495	1001210781 147, 149, 655	1001214562 716	1001223241..... 128, 137
1001205123.....495	1001211337 337	1001214570 537	1001223242..... 51, 127
1001205124.....495, 503	1001211885 104, 108, 112, 116, 120, 124, 128, 589	1001214571 537	1001223453.....673, 693
1001205125.....495, 503	1001211904 672, 676, 680, 684, 688, 692, 696, 700, 704	1001214756 323, 325	1001223971.....692
1001205405.....508	1001212056 166, 171, 194, 199, 708	1001215021 104, 108, 112, 116, 120, 124	1001224045.....672, 676, 680, 684, 688, 692, 696, 700, 704
1001205406.....508	1001212188 637	1001215375 375	1001224046..... 166, 171, 194, 199
1001205660.....557, 559	1001212199 465, 467	1001215379 375	1001224048..... 700
1001205682.....559	1001212328 494, 503	1001215380 375	1001224049..... 704
1001205683.....477, 481	1001212415 710	1001215836 555	1001224050.....688
1001205690.....559, 565	1001212491 503	1001216021 104, 108, 112, 116, 120, 124, 128, 710	1001224052.....680
1001205812.....715	1001212492 503	1001216193 104, 108, 112, 116, 120, 124, 128	1001224053.....696
1001205949.....495, 503	1001212494 503	1001216194 104, 108, 112, 116, 120, 124, 128	1001225167..... 108, 116, 124, 128
1001205958.....521, 523, 525, 527, 529, 531	1001212495 503	1001216238 104, 108, 112, 116, 120, 124, 128	1001225220.....672, 680, 688, 692, 696, 700, 704
1001206119.....282	1001212502 503	1001216258 334	1001225279..... 108, 116, 124, 128
1001206184.....465, 467	1001212503 503	1001216318 579	1001225346.....537
1001206476.....537	1001212504 504	1001216579 333	1001225430.....226
1001206506.....541, 543, 545, 548, 591	1001212505 504	1001216618 708	1001225432.....226
1001206509.....591	1001212507 504	1001216625 611	1001225580.....411, 605
1001206532.....387, 392	1001212509 504	1001216626 611, 661	1001225639.....715
1001206747.....165, 171, 175, 177, 193, 199, 203, 205, 233, 235, 247, 249	1001212510 504	1001216630 339	1001225676.....93
1001206817..... 103, 108, 111, 116, 119, 124, 575	1001212512 502, 506	1001216638 555, 611	1001225677.....93
1001207102.....495, 503	1001212514 504	1001216806 541, 543, 545, 547, 661	1001226098.....220
1001207279.....496, 503	1001212663 335	1001216976 .. 31, 59, 325	1001226102..... 108, 116, 124, 128
1001207388.....339	1001212669 306	1001217007 104, 108, 112, 116, 120, 124, 128, 541, 543, 545, 548	1001226291.....547
1001207937.....301	1001212810 182, 188, 210, 216	1001217086 503	1001226292.....547
1001207963..... 135, 137	1001212817 182, 188, 210, 216, 242, 256	1001217087 503	1001226531.....537
1001207969.....323, 325	1001212825 165, 172, 193, 200	1001218037 302	1001226872.....343
1001208297.....182, 188, 210, 216, 242, 256	1001212826 182, 188, 210, 216	1001218037 302	1001226902.....485
1001208298.....182, 188, 210, 216, 242, 256	1001213053 335	1001218622 547	1001226923.....275
1001208299.....182, 188, 210, 216, 242, 256	1001213276 714	1001218623 547	1001227457.....714
1001208596.....321	1001213292 66, 70, 74	1001218762 41, 107	1001227633.....407
1001209313.....337	1001213293 66, 70, 74	1001218763 45, 115	1001227634.....407
1001209368.....306	1001213294 66, 70, 74	1001218764 49, 123	1001227710.....153
1001209372.....306	1001213295 66, 70, 74	1001218806 108, 116, 124, 128, 667	1001227912.....275
1001209373.....306	1001213296 66, 70, 74	1001219110 31, 35	1001227948.....275
1001209374.....306	1001213297 66, 70, 74	1001219415 439	1001227960..... 107, 115, 123, 127, 711
1001209375.....306	1001213298 66, 70, 74	1001219583 312	1001227985.....407
1001209432.....537	1001213299 66, 70, 74	1001219590 312	1001227987.....407
1001209474.....537	1001213392 59	1001219599 313	1001227996.....647, 649
1001209561.....672, 676, 680, 684, 688, 692, 696, 700, 704	1001213447 615, 619, 623	1001219600 313	1001228025.....311, 459
1001209626.....154	1001213448 658	1001219601 107, 115, 123, 127	1001228034.....311, 455
1001209633.....321	1001213622 104, 108, 112, 116, 120, 124, 128	1001220379 583	1001228065..... 17, 471
1001209664.....409, 411	1001213643 165, 193	1001220470 335	1001228066..... 15, 451
1001209896.....672, 676, 680, 684, 688, 692, 696, 700, 704	1001213836 335	1001220482 375, 609	1001228090.....301, 467
1001209935.....154	1001213852 439	1001220864 714	1001228091.....306, 481
1001209961.....154	1001213882 384, 388, 392	1001220955 375	1001228093.....313, 475
1001210079.....591	1001214029 708	1001221279 714	1001228094.....301, 463
1001210116.....154	1001214098 335	1001221425 302	1001228215.....343
1001210259.....154	1001214275 59, 65	1001221585 107, 115, 123, 127	1001228224.....407
1001210283.....154	1001214478 716	1001222385 312	1001228225.....407
1001210294.....154	1001214540 716	1001222387 312	1001228243.....361
	1001214548 716	1001222402 312	1001228364..... 108, 116, 124, 128
	1001214552 716	1001222404 312	1001228375.....365
		1001222817 275	1001228376.....351
		1001222918 236, 250	1001228377.....355
			1001228872..... 166, 171, 194, 199

PART NUMBER INDEX

1001228959..... 714	1001237863..... 407, 649	1060945..... 547	1702868... 424, 429, 431,
1001228976..... 375	1001237864..... 407, 647	10702077..... 290, 294	435, 672, 708
1001228988..... 424, 427,	1001237865..... 407, 645	10702082..... 290, 294	1702938..... 417, 419
429, 431, 435	1001237882..... 715	1120549..... 17	1702942..... 254
1001229107..... 714	1001237883..... 715	1120555..... 421	1703162... 180, 186, 208,
1001229341..... 407	1001238158..... 95	1260017..... 81	214, 242, 256
1001229485..... 375	1001238236..... 59	1320022..... 93, 95, 256	1703683..... 439
1001229782..... 676	1001238262..... 95	1320041..... 95, 175, 177,	1703797..... 672
1001229922..... 375	1001238263..... 441, 443,	203, 205, 235, 249	1703804..... 672
1001230625..... 715	445	1320136.... 175, 177, 203,	1703805..... 672
1001230626..... 716	1001238319..... 407	205, 235, 249	1703811... 672, 676, 680,
1001230931..... 567, 643,	1001238401..... 172, 200	1320159..... 485	684, 688, 692, 696,
661	1001238402..... 172, 200	1320177..... 424, 435	700, 704
1001231072..... 59, 69	1001238418..... 413, 651	1320263..... 145, 485	1703814... 672, 676, 680,
1001231235..... 716	1001238463..... 443	1320288..... 319, 321	684, 688, 692, 696,
1001231291..... 504	1001238470..... 171, 199	1320296..... 485	700, 704
1001231315..... 672	1001238472..... 413	1320302.... 424, 427, 429,	1703923..... 704
1001231316..... 692	1001238477..... 413	431	1703924..... 692
1001231317..... 700	1001238483..... 108, 116,	1320328..... 319	1703925..... 688
1001231318..... 704	573	1321293..... 333	1703926..... 696
1001231319..... 680	1001238495..... 411	1321385..... 485	1703927..... 700
1001231320..... 696	1001238559..... 413	1321716.... 164, 165, 170,	1703935..... 704
1001231321..... 688	1001238824..... 413	180, 186, 192, 198,	1703936..... 692
1001231801..... 708	1001239625..... 715	208, 214, 240, 254	1703938..... 696
1001231949..... 445	1001239627..... 715	1380147... 164, 170, 192,	1703939..... 700
1001231950..... 441, 443	1001239805..... 537	198, 232, 246	1703941..... 704
1001232010..... 441, 443,	1001239874..... 537	1580012..... 371	1703942..... 692
445	1001239957..... 537	1580013..... 716	1703943..... 688
1001232011..... 441, 443,	1001241273..... 717	1670603..... 533	1703944..... 696
445	1001241335..... 714	1670829... 131, 133, 135,	1703945..... 700
1001232034..... 717	1001241344..... 714	137	1703947..... 704
1001232035..... 717	1001241419..... 715	1671039..... 333	1703948..... 692
1001232164..... 407	1001241586..... 537	1671040..... 17	1703949..... 688
1001232165..... 407	1001241631..... 95	1671092.... 294, 545, 547	1703950..... 696
1001232201..... 504	1001241672..... 717	1671093.... 424, 429, 545,	1703951..... 700
1001232642..... 413	1001241673..... 717	547	1703953..... 672
1001232643..... 716	1001241965..... 413	1671122..... 333	1703959... 672, 676, 680,
1001232650..... 413	1001242192..... 714	1671176.... 383, 387, 391	684, 688, 692, 696,
1001232667..... 413	1001242377..... 188, 216,	1683053..... 457	700, 704
1001232842..... 297	225	1683062..... 449	1703980..... 696
1001233047..... 714	1001242378..... 177, 186	1683063..... 453	1703981..... 700
1001233237..... 714	1001242380..... 205, 214	1684173..... 311, 457	1703982..... 688
1001233763..... 297, 715	1001242382..... 171, 177	1684174..... 457	1703983..... 704
1001234099..... 714	1001242383..... 199, 205	1684176..... 457	1703984..... 692
1001234247..... 59, 73	1001242384..... 170	1684346..... 453	1704000..... 692, 708
1001234408..... 684	1001242386..... 198	1684430..... 311, 453	1704001..... 704, 708
1001234789..... 672, 676,	1001242390..... 95	1701499... 672, 676, 680,	1704260.... 383, 387, 391
680, 684, 688, 692,	1001243183..... 714	684, 688, 692, 696,	1704277... 672, 676, 680,
696, 700, 704	1001243184..... 714	700, 704	684, 688, 692, 696,
1001234791..... 175, 177,	1001243670..... 392, 623	1701505... 672, 676, 680,	700, 704
203, 205, 235, 249	1001243895..... 297	684, 688, 692, 696,	1704412... 672, 676, 680,
1001235011..... 413	1001244452..... 149	700, 704	684, 688, 692, 696,
1001235013..... 413	1001244455..... 381, 391	1701509... 421, 672, 676,	700, 704
1001235962..... 715	1001244457..... 381	680, 684, 688, 692,	1704972..... 672, 696
1001236268..... 716	1001244863..... 715	696, 700, 704	1705014..... 357, 367
1001236504..... 537	1001246471..... 714	1701518..... 676, 684	1705132.... 383, 387, 391
1001236505..... 537	1001246472..... 714	1701691.... 672, 676, 680,	1705171.... 383, 387, 391
1001236552..... 413	1001246860..... 715	684, 688, 692, 696,	1705305... 424, 427, 429,
1001236746..... 445	1001246867..... 715	700, 704	431, 435
1001236747..... 441	1001247073..... 716	1702565.... 383, 387, 391	1705325..... 513, 515
1001236891..... 441, 443,	1060341..... 417, 419	1702566.... 383, 387, 391	1705336..... 672
445	1060343..... 294	1702773.... 357, 367, 369,	1705337..... 672
1001236895..... 441, 443,	1060379..... 439	672, 676, 680, 684,	1705338..... 696
445	1060545..... 565	688, 692, 696, 700, 704	1705339..... 700
1001236952..... 716	1060903..... 417, 419	1702774.... 672, 676, 680,	1705341..... 692
1001237402..... 715	1060908..... 561, 563	684, 688, 692, 696,	1705344..... 696
1001237862..... 647, 649	1060918..... 405	700, 704	1705345..... 700

PART NUMBER INDEX

1705347.....692	2080040 ... 345, 349, 351, 359, 361	2220600 329	2820035.....297
1705351.....672	2080091 17	2220602 494, 502	2820171.....609
1705355.....424, 427, 429	2110404 502	2220618 494, 502	2820247.....647, 649
1705374.....286	2110406 ... 62, 66, 70, 74	2220816 275	2840016....164, 170, 192, 198, 232, 246
1705375....294, 424, 429, 431	2110604 502	2220861 33, 35	2860030.....710
1705387.....286, 295	2110808 19, 489, 494, 502	2220865 .62, 74, 77, 494, 502	2900770....457, 459, 465, 467, 473, 475, 477, 481
1705426.....696	2110810 ... 33, 35, 37, 62, 494, 502	2220881 35, 449, 451	2901443.....716
1705427.....700	2110812 489	2220883 35, 451, 453, 455, 457, 459, 461, 463, 465, 467, 473, 475, 477, 481	2902065....180, 186, 208, 214, 240, 254, 263
1705429.....692	2111010 62, 327, 494, 502, 571	2220885 35, 457, 459, 473, 475, 477, 481	2902087.....449, 451
1705430.....688	2111012 19, 33, 35	2220886 ... 449, 451, 453, 455, 461, 463, 465, 467	2902092.....457
1705460.....290, 294	2111016 .33, 35, 494, 502	2220887 ... 461, 463, 465, 467, 473, 477	2902212.....421
1705461.....290	2111620 494, 502	2220888 465, 467, 473	2902217....424, 427, 429
1705466....424, 427, 429, 431, 435	2120217 323, 325	2220906 .66, 70, 74, 477, 571	2902285.....453, 455
1705489.....281, 290	2130404 494	2220940 485	2902443.....580, 583
1705490.....425, 435	2131010 ...66, 70, 74, 571	2220947 62, 327, 571	2920028.....417, 419
1705492.....672	2131012 19	2221012 477	2920029.....417, 419
1705493.....696	2150406 66	2221034 494, 502	2920129....104, 107, 112, 115, 120, 123, 127
1705503.....700	2150606 70, 74	2221036 477	2920154....383, 387, 391
1705505.....692	2150806 327	2221050 494, 502	2920161.....145
1705511....672, 676, 680, 684, 688, 692, 696, 700, 704	2150808 327	2221077 494, 502	2940074....345, 349, 351, 359, 361
1705514.....708	2150810 327	2221086 ... 33, 35, 37, 62, 66, 70, 74, 327, 329	2940173.....154, 155
1705515.....676, 684	2151010 571	2221114 ... 164, 170, 192, 198, 232, 246	3010136.....311
1705745....383, 387, 391	2151616 66, 70, 74	2221155 77	3020008.....19, 715
1705822.....676, 684	2160002 79	2230025 494, 502	3020021.....263, 715
1705828.....676, 684	2170204 494, 502	2230026 494, 502	3020027....175, 177, 203, 205, 235, 249, 715
1705864....672, 676, 680, 684, 688, 692, 696, 700, 704	2170216 62	2230031 494, 502	3020039.....15, 311, 715
1705865....672, 676, 680, 684, 688, 692, 696, 700, 704	2171310 494, 502	2230035 494, 502	3020042.....306, 311
1705868....672, 680, 688, 692, 696, 700, 704	2180344 79	2230036 494, 502	3020043.....469, 471
1705895.....680	2180832 ... 164, 170, 192, 198, 232, 246, 424, 435	2300014 715	3160339.....19, 21
1705896.....680	2220235 489	2300016 715	3251102....281, 285, 289, 293
1705897.....680	2220313 ... 164, 170, 192, 198, 232, 246	2300019 715	3251242....519, 521, 523, 525, 527, 529, 531, 533
1705898.....680	2220366 ... 485, 494, 502	2300029 715	3251243....286, 294, 511
1705902.....680	2220371 37, 77	2300039 715	3252347.....672
1705903.....680	2220372 489	2360030 ... 131, 133, 135, 137	3271501.....153
1705904.....680	2220373 62, 327, 329, 494, 502	2400060 297, 623	3271605....441, 443, 445
1705905.....680	2220374 .66, 70, 74, 494, 502	2400066 579	3271805....357, 367, 369
1705906.....680	2220375 494, 502	2410014 357, 367, 369	3272001....441, 443, 445
1705909.....704	2220380 77, 494, 502	2540044 485	3290301....164, 170, 192, 198, 232, 246
1705910.....704	2220415 .19, 33, 35, 329, 485, 494, 502	2560136 383, 387, 391	3290405....103, 107, 111, 115, 119, 123, 127, 145, 164, 170, 192, 198, 232, 246, 377, 379, 381, 513, 515, 517, 519, 521, 523, 525, 527, 529, 531, 533, 557, 559
1705915.....704	2220435 77, 327	2560187 154, 155	3290405001.....281
1705917.....704	2220465 62, 66, 70, 74	2600281 ... 345, 349, 351, 359, 361	3290505....131, 133, 135, 137
1705921.....676, 684	2220466 477	2720015 ... 180, 186, 208, 214, 240, 254	3290507....104, 107, 112, 115, 120, 123, 127, 235, 249
1705961.....676, 684	2220468 62	2720160 424, 435	3290601....108, 116, 124, 128, 154, 155
1705967.....680, 708	2220472 19, 66, 70, 74	2720340 ... 180, 208, 240, 254	3290605....39, 41, 43, 45, 47, 49, 51, 95, 103, 107, 111, 115, 119, 123, 127, 143, 147,
1705969.....700, 708	2220473 489, 494, 502	2750528 79	
1706059.....680	2220478 494, 502	2750532 ... 166, 172, 194, 200, 233, 247	
1706060.....688	2220479 494, 502	2751032 79	
1706061.....700	2220479 494, 502	2760105 ... 131, 133, 135, 137	
1706063.....704	2220498 494, 502, 571	2820019 595, 597	
1706064.....692	2220499 327	2820031 ... 281, 285, 289, 293	
1706098.....676, 684	2220500 327, 494, 502		
1706385.....357, 367	2220502 485		
1706493.....369	2220504 489		
1706501.....369	2220515 477		
1706741 383, 387, 391	2220518 477		
2030010....424, 427, 429, 431, 435	2220578 477, 494, 502		
	2220582 ... 62, 66, 70, 74, 327, 329		
	2220596 62, 494		

PART NUMBER INDEX

149, 155, 164, 165, 170, 192, 193, 198, 232, 246, 377, 379, 381, 424, 435, 555, 557, 559	3300408 383, 387, 391	3520071 421	3931012 383, 387, 391
3290605001 334, 375	3300430 409, 411, 415	3520072 343, 345, 347, 349, 351, 353, 355, 357, 359, 361, 363, 365, 367, 369	3931016 ... 281, 285, 289, 293
3290606 ... 347, 353, 355, 363, 365	3300449001 373	3520173 154, 155	3931408 409, 411
3290607 29, 31, 145, 164, 175, 177, 180, 186, 192, 203, 205, 208, 214, 232, 235, 240, 246, 249, 254, 333	3300492 485	3520182 415	3931424 409
3290801001 494, 502	3310401 ... 175, 177, 203, 205, 235, 249	3520189 290	3931508 473, 477
3290805 ... 103, 107, 111, 115, 119, 123, 127, 153, 164, 170, 180, 186, 192, 198, 208, 214, 240, 254, 333, 537, 541, 543, 545, 548	3311001 290, 294	3520192 290	3931512 571
3290805001 17, 103, 108, 111, 116, 119, 124, 128, 154, 281, 285, 289, 293, 339, 511, 535, 541, 543, 545, 547, 557, 559	3311005 ... 147, 149, 285, 289, 293, 383, 387, 391, 424, 427, 429, 431, 435	3520198 ... 343, 345, 347, 349, 351, 353, 355, 359, 361, 363, 365	3931620 ... 175, 177, 203, 205
3290807 ... 164, 170, 180, 186, 192, 198, 208, 214, 232, 240, 246, 254	3311005001 281	3573400 ... 424, 427, 429, 431	3931740 477
3290807001 323, 325	3311401 417, 419	3573642 ... 424, 427, 429, 431	3931824 ... 449, 451, 453, 455
3291001 93	3311405 29, 413, 513, 515, 517, 519, 521, 523, 525, 527, 529, 531, 533, 537, 672, 676, 680, 684, 688, 692, 696, 700, 704	3574091 417, 419	3931840 473
3291001001 339, 496, 502	3311501 417, 419	3576799 424, 435	3932264 465, 467
3291005 83, 154, 180, 186, 208, 214, 240, 254, 311, 333, 377, 379, 381, 555	3311505 439	3577121 ... 424, 427, 429, 431	3932272 461, 463
3291005001 154, 157, 159, 313, 319, 321, 323, 325, 339, 494, 502	3311601 ... 104, 107, 112, 115, 120, 123, 127, 384, 388, 392, 413	3580317 ... 281, 285, 289, 293	3951405 469, 471
3291007 ... 91, 93, 95, 99, 104, 107, 112, 115, 120, 123, 127, 153, 164, 170, 175, 177, 180, 186, 192, 198, 203, 205, 208, 214, 232, 235, 240, 246, 249, 254	3311605 ... 275, 357, 367, 369, 424, 427, 429, 431	3580318 281, 289	3952020 83
3291007001 154	3312002 83, 441, 443, 445	3740067 ... 103, 107, 111, 115, 119, 123, 127, 164, 192, 232, 246, 710	3960389 333
3291201 ... 281, 285, 289, 293	3312005 421	3740086 651	3960422 ... 285, 293, 511
3291201001 339	3312205 421	3760133 311	3960525 91, 93, 95
3291205 ... 89, 91, 93, 95	3322201 89	3760170 81	3960551 17
3291205001 ... 29, 31, 39, 41, 43, 45, 47, 49, 51, 337, 339	3331411 ... 164, 170, 192, 198, 232, 246	3760217 311	3980006 99
3291207001 339	3331611001 313	3760233 311	3990013 651
3291407001 15, 17	3332415001 337, 339	3760368 457, 459	4000008 333, 711
3291601 ... 180, 186, 208, 214, 240, 254	3340763 477, 481	3760371 449, 453, 455	4010308 ... 164, 170, 192, 198, 232, 246
3292201 311	3340764 321	3760383 17, 333	4010408 ... 281, 373, 557, 559
3292401001 301	3340934 485	3790012 ... 383, 387, 391	4010608 424, 435
3300151 ... 343, 347, 351, 353, 355, 361, 363, 365, 424, 427, 429, 431	3340941 319, 321	3790152 ... 175, 177, 203, 205, 235, 249	4010618 ... 347, 353, 355, 363, 365
3300353 383, 387, 391	3340956 421	3790158 19	4031505 407
3300396 285, 290, 294	3380434 ... 377, 379, 381	3820001 ... 672, 676, 680, 684, 688, 692, 696, 700, 704	4031509 333
	3421453 424, 435	3820020 ... 345, 349, 351, 359, 361	4031510 333
	3421563 81	3820032 ... 180, 186, 208, 214, 240, 254	4031512 17, 333
	3421565 81	3841143 ... 164, 170, 192, 198, 232, 246, 311, 339	4031516 413
	3422178 311	3841203 311	4031707 17, 333
	3422661 439	3841258 15, 17, 311	4031708001 375
	3422912 15	3841287 301	4031710 95
	3422937 311	3841356 15, 301	4031912 240, 254
	3422957 311	3900054 ... 357, 367, 369	4032311001 17
	3422958 311	3900183 ... 383, 387, 391	4060802 ... 281, 285, 289, 293
	3423190 311	3900260 485	4060807 ... 182, 186, 210, 214, 242, 256
	3430616 ... 384, 388, 392	3900283 323, 325	4060865 145
	3430816 ... 164, 170, 192, 198, 232, 246	3900349 ... 383, 387, 391	4060906 ... 131, 133, 135, 137, 383, 387, 391
	3441240 453	3900363 ... 154, 155, 333	4070863 311
	3450404 ... 164, 170, 192, 198, 232, 246	3900393001 319	4070864 311
	3451214 17	3910408 ... 175, 177, 203, 205, 235, 249	4070897 311
	3460334 421	3910606 ... 285, 293, 511	4070898 311
	3470003 ... 384, 388, 392	3910612 511	4071044 311
	3480269 449	3910804 ... 131, 133, 135, 137	4071045 311
	3480271 457	3911010 147, 149	4071073 311
	3480282 453		4071074 ... 383, 387, 391
	3520026 ... 383, 387, 391		4071076 319
	3520032 154, 155		4100063 485
	3520035 384		4100100 457

PART NUMBER INDEX

4240033....407, 409, 411, 413, 485	4460267 ... 615, 619, 623, 657, 661	4460509 551, 553, 580	4460899.....17, 567, 568, 577, 605, 643, 645, 651, 658, 663
4240099.... 104, 107, 112, 115, 120, 123, 127, 164, 170, 180, 186, 192, 198, 208, 214, 232, 240, 246, 254, 297, 417, 419, 424, 427, 429	4460268 ... 595, 597, 611, 615, 619, 623	4460510 716	4460905....384, 387, 391, 567, 603, 615, 619, 623, 657, 665, 667
4240149.....421	4460314 615, 619, 623	4460516 571	4460906.....611
4240155.....504	4460315 ... 511, 615, 619, 623	4460518 ... 612, 615, 619, 623, 641, 655, 663	4460910..... 15, 334, 639, 647
4240156.....495	4460346 285, 293, 511	4460536 ... 143, 334, 583, 611	4460911....539, 568, 643, 645
4360057 417, 419	4460384 533	4460539 ... 334, 539, 583, 587, 611, 641, 658, 665, 667	4460912.....539
4360070.....285, 290, 294	4460418 ... 603, 615, 619, 623	4460633 661	4460913.....334
4360328.... 131, 133, 135, 137, 710	4460419 ... 603, 615, 619, 623	4460662 ... 523, 527, 531, 533	4460914..... 17
4360336....281, 285, 289, 293, 711	4460425 ... 281, 285, 290, 294, 417, 419	4460670 658	4460917..... 15, 333, 334
4360387 131, 133, 137, 383, 387, 391, 417, 419, 710	4460426 ... 281, 285, 290, 294, 555	4460703 661	4460918..... 334, 643
4360407....383, 387, 391, 710	4460428 ... 339, 383, 387, 391	4460722 ... 297, 611, 641, 657	4460925.... 615, 619, 623
4360469....131, 133, 135, 137, 710	4460434 ... 611, 615, 619, 623	4460748 580	4460926.....663
4360475.... 131, 133, 135, 137, 383, 387, 391, 710	4460443 658	4460761 ... 567, 615, 619, 623, 657	4460928.... 612, 641, 655
4360476.... 131, 133, 135, 137, 710	4460458 580	4460806 ... 521, 523, 525, 527	4460929.....639
4360527 711	4460464 17, 147, 149, 333, 334, 405, 539, 567, 568, 571, 573, 575, 577, 584, 589, 593, 603, 605, 611, 615, 619, 623, 641, 643, 651, 655, 657, 658, 663	4460807 595, 597	4460930....539, 579, 583, 601, 611, 637, 665, 667
4360548 333, 711	4460465 ... 145, 539, 541, 543, 545, 547, 551, 553, 567, 568, 571, 575, 577, 579, 580, 583, 584, 591, 593, 595, 597, 599, 601, 603, 605, 607, 609, 611, 612, 615, 619, 623, 637, 641, 653, 655, 657, 658, 661, 663, 665, 667	4460808 595, 597	4460931.....658
4420014.....421	4460466 ... 334, 407, 539, 541, 543, 545, 547, 551, 553, 567, 568, 571, 575, 577, 579, 580, 583, 584, 603, 605, 609, 611, 615, 619, 623, 637, 645, 651, 653, 655, 657, 658, 663, 665, 667	4460836 ... 539, 571, 611, 657, 665, 667	4460932....333, 539, 541, 543, 545, 547, 573, 589, 603, 657
4420037....424, 427, 429, 431	4460467 716	4460837 571, 611	4460933....539, 580, 607, 611, 615, 619, 623, 655, 657, 665, 667
4420038.....99	4460470 ... 383, 387, 391, 555, 616, 620, 624, 658	4460843 665, 667	4460934.... 539, 579, 611
4420051.....708	4460471 ... 384, 387, 391, 555, 616, 620, 624, 658	4460844 605	4460935.... 539, 580, 611
4420062.....439	4460473 551, 553	4460851 567, 663	4460941..... 575, 645
4420066.....421	4460496 ... 103, 107, 111, 115, 119, 123, 384, 387, 391, 555, 616, 620, 624, 658	4460852 567, 663	4460942.... 407, 575, 579, 583
4420068.....417, 419	4460497 ... 103, 107, 111, 115, 119, 123, 384, 387, 391, 555, 616, 620, 624, 658	4460865 551, 553	4460943 ... 143, 334, 567, 571, 573, 575, 583, 603, 611, 615, 619, 623, 645, 657, 658
4460016....616, 620, 624	4460508 ... 407, 611, 615, 619, 623, 658	4460866 ... 611, 615, 619, 623, 657	4460944....539, 571, 575, 579, 580, 583, 587, 603, 607, 609, 611, 615, 619, 623, 657
4460019.....657		4460871 ... 567, 603, 615, 619, 623, 657, 665, 667	4460945.....587
4460042.... 580, 583, 603		4460872 ... 567, 665, 667	4460950.....567, 657
4460043.....297, 583		4460873 ... 567, 615, 619, 623, 657	4460954..... 334
4460049.....417, 419		4460874 ... 567, 615, 619, 623, 657	4460956.....561, 563
4460051.....511		4460875 567, 665, 667	4460957.....561, 563
4460071....285, 293, 405		4460876 ... 567, 603, 615, 619, 623	4460959.....547
4460134..... 541, 543		4460877 ... 571, 615, 619, 623, 657	4460960.....547
4460144.....603		4460878 571, 657	4460962....424, 429, 545
4460183.... 615, 619, 624		4460879 615, 619, 623	4460963..... 294, 545
4460205....511, 541, 543		4460880 568	4460967.....599, 601
4460224....383, 387, 391		4460884 ... 575, 579, 583, 591, 611, 615, 619, 623, 637, 657, 661, 665, 667	4460968.... 333, 515, 519
4460225....595, 597, 615, 619, 623		4460887 ... 571, 615, 619, 623, 657	4460970..... 603, 657
4460226....383, 387, 391, 400, 403, 405, 615, 619, 623		4460891 ... 145, 567, 568, 575, 577, 584, 593, 611, 655, 657, 661, 663, 665, 667	4460971.....424, 435
4460227....567, 615, 619, 623		4460892 579, 611, 663	4460982.....575
4460234....383, 387, 391, 417, 419		4460893 611, 658	4460984.... 579, 665, 667
4460247....580, 583, 658		4460894 ... 539, 541, 543, 545, 547, 579, 583, 603, 611, 623, 653, 657, 663	4461006.....580
4460256.....539, 657		4460897 ... 147, 149, 584, 593	4461008.....580, 584
4460259....603, 615, 620, 623			4461016.....611
4460260....603, 615, 619, 623			4461017.....571
4460265.....400, 403			4461018.....657

PART NUMBER INDEX

4461072 580, 583	4751000 .91, 93, 95, 285,	4811900001.....17, 29, 31,	5241000 ... 165, 171, 181,
4461074 580, 583	289, 293, 384, 387,	104, 108, 111, 116,	187, 193, 199, 209,
4461076 333	391, 424, 427, 429,	120, 124, 128, 154,	215, 232, 240, 246, 254
4461077 ... 334, 612, 641,	431, 435	281, 285, 289, 293,	5241000001 313, 337,
645, 651	4751000001.....281	323, 325, 339, 494,	339
4461095 579, 655	4751400 ... 371, 384, 388,	502, 511, 535, 541,	5241200 19, 281, 285,
4461117 539	391, 415, 417, 419,	543, 545, 547, 557, 559	289, 293, 312
4461196 627	424, 427, 429, 431,	4811902.....95, 104, 107,	5241200001 306, 337,
4461198 515, 627	537, 672, 676, 680,	112, 115, 120, 123,	339
4461199 629	684, 688, 692, 696,	127, 153, 164, 171,	5241600 ... 181, 187, 209,
4461201 519, 629	700, 704	180, 186, 192, 199,	215, 241, 255
4461202 631	4751400001..... 373, 375	208, 214, 240, 254, 333	5242000001 19
4461205 633	4751500 ... 417, 419, 439	4811902001.....104, 108,	5242400 79
4461228 334	4751600 ... 104, 107, 112,	112, 116, 120, 124,	5242400001 337, 339
4461244 523, 631	115, 120, 123, 127,	128, 154	5250806001 335
4461245 527, 633	424, 427, 429, 431	4812000.....29, 31, 57, 59,	5250810001 335
4461246 531, 635	4751800 ... 357, 367, 369,	83, 93, 99, 104, 107,	5251008001 335, 339
4461249 635	417, 419	112, 115, 120, 123,	5251010001 313, 335
4461271 567	4755000001..... 17	127, 153, 164, 171,	5251012001 335
4530028 ... 424, 427, 429,	4760600 511	175, 177, 180, 186,	5251013 335
433	4761400 371	192, 199, 203, 205,	5251016001 335, 339
4562516 485	4761600 ... 104, 107, 112,	208, 214, 232, 235,	5251022... 181, 187, 209,
4640452 457, 459	115, 120, 123, 127	240, 246, 249, 254,	215, 240, 254
4640746 473, 475	4791400 ... 108, 116, 124,	281, 285, 289, 293,	5251210001 53
4640751 ... 180, 186, 208,	128, 164, 192, 232, 246	311, 325, 377, 379,	5261018 333
214, 240, 254	4811400 ... 103, 107, 111,	541, 543, 545, 547	5271614 241, 255
4641114 457, 459	115, 119, 123, 127,	4812002...91, 93, 95, 153,	5272023 473, 477
4641155 29, 31	164, 170, 192, 198,	180, 187, 208, 215,	5272024 461, 463
4641260 457, 459	232, 246, 333, 377,	240, 254, 312, 379,	5272025 465, 467
4641386 453, 455	379, 381, 513, 515,	381, 555	70000342 315
4641388 453, 455	517, 519, 521, 523,	4812002001.....154	70000619 289, 293
4641393 453, 455	525, 527, 529, 531, 533	4812100.....89, 153, 175,	70000778 461, 463
4711000 ... 147, 149, 290,	4811400001.....281	177, 181, 187, 203,	70000781 66, 70, 74
294	4811600 ... 104, 107, 112,	205, 208, 215, 235,	70000793 263
4711400 ... 154, 155, 343,	115, 120, 123, 127,	240, 249, 254, 333	70000796 317
347, 351, 353, 355,	175, 177, 180, 186,	4812100001.....29, 31, 39,	70000803 33, 35
361, 363, 365, 409,	203, 205, 208, 214,	41, 43, 45, 47, 49, 51,	70000804 35
411, 413, 415, 513,	235, 240, 249, 254	154, 319, 321, 339	70000805 35
515, 517, 519, 521,	4811700 ... 29, 31, 39, 41,	4812102.....89, 91, 93, 95	70000852 21
523, 525, 527, 529,	43, 45, 47, 49, 51, 95,	4812200....165, 171, 181,	70000853 21
531, 533	103, 107, 111, 115,	187, 193, 199, 208,	70000854 21
4711400001 373	119, 123, 127, 143,	215, 232, 240, 246, 254	70000855 21
4711500 153	147, 149, 155, 164,	4812200001..... 15, 17	70000856 21
4711600 99, 180, 186,	170, 175, 177, 180,	4812700001.....301	70000857 21
208, 214, 240, 254,	186, 192, 198, 203,	4831400.....373	70000858 21
275, 384, 388, 392,	205, 208, 214, 232,	4845582.....439	70000859 21
441, 443, 445, 485	235, 240, 246, 249,	4846482.....312	70000860 21
4711600001 . 57, 59, 323,	254, 281, 285, 347,	4846627....424, 427, 429,	70000861 21
325	353, 355, 363, 365,	431	70000862 21
4711700 289, 293	424, 435, 557, 559	4846673.....417, 419	70000863 289, 294
4711800 17, 164, 170,	4811700001.....335, 375,	4871200....165, 171, 193,	70001100 289, 293
192, 198, 232, 246,	485	199, 232, 246	70001181 223, 228
357, 367, 369	4811702 95, 103, 107,	4871700....108, 116, 124,	70001384 289, 293
4712000 ... 421, 441, 443,	111, 115, 119, 123,	128, 281, 285, 289, 293	70001424 437
445	127, 145, 170, 180,	4891600....175, 177, 203,	70001425 437
4712200 ... 164, 170, 192,	186, 198, 208, 214,	205, 235, 249, 477	70001427 437
198, 232, 246, 421	240, 254, 377, 379,	4891700.....477	70001428 437
4740057 83	381, 555	4891800....165, 171, 175,	70001429 437
4740171 ... 175, 177, 203,	4811702001..... 373, 375	177, 193, 199, 203,	70001430 437
205, 235, 249	4811900 ... 103, 107, 111,	205, 232, 235, 246,	70001431 437
4740229 15, 17	115, 119, 123, 127,	249, 473	70001432 437
4740362 377, 379, 381	154, 155, 164, 171,	4921850.....717	70001639 315
4740397 391	180, 186, 192, 199,	4922641....282, 286, 290,	70001640 317
4740505 17	208, 214, 232, 240,	295	70001696 290, 294
4750400 ... 175, 177, 203,	246, 254, 333, 537,	4922925.....290, 294, 597	70001697 315
205, 235, 249	541, 543, 545, 548	4933218.....508	70001870 .. 219, 225, 259
			70001955 269

PART NUMBER INDEX

70001956.....269	70002595.....270	70004092 . 282, 286, 290, 294	70004460.. 37, 61, 65, 69, 73, 327, 710
70001958.....267	70002599.....270	70004093.....294	70004461.....37
70001966.. 282, 286, 290, 294	70002600.....266	70004094.....290, 294	70004462.....37
70001973.. 282, 286, 290, 294	70002601.....266	70004095.....294	70004463.....37, 710
70001974.....290, 294	70002602.....266	70004096.....290, 294	70004464.....37
70002028.....23	70002605.....267	70004097.....290, 294	70004465.....37
70002031.....23	70002606.....267	70004098 . 282, 286, 290, 294	70004466.....85
70002032.....23	70002607.....267	70004099.....294	70004467.....85
70002036.....23	70002609.....267	70004150.....97, 710	70004468.....85
70002052.....23	70002610.....267	70004150.....97, 710	70004469.....85
70002057.....23, 85	70002612.....267	70004164.....37	70004470.....85
70002097... 323, 325, 710	70002616.....267	70004171 . 282, 286, 289	70004471.....85
70002132.....266	70002617.....267	70004185.....717	70004472.....85
70002133.....266, 269	70002618.....266	70004275.....259	70004473.....85
70002134.....266	70002619.....266	70004280.....223, 228	70004474.....85
70002135.....266	70002620.....266	70004363.....23	70004475.....85
70002136.....266	70002621.....267	70004383.....33, 35	70004476.....85
70002137.....266	70002622.....267	70004384.....33, 35	70004477.....85
70002138.....266	70002623.....267	70004385.....33	70004478.....85
70002139.....266	70002718 . 219, 225, 259	70004386.....33, 35	70004479.....85
70002140.....266	70002758 . 62, 66, 70, 74, 327	70004406 . 461, 463, 473, 475	70004480.....85
70002141.....266	70002759 . 62, 66, 70, 74, 327	70004407.....473, 475	70004481.....85
70002142.....266	70002760.....62	70004411.....97	70004482.....85
70002143.....266	70002813 . 219, 225, 259	70004412.....97	70004483.....85
70002145.....266	70002838.....97	70004416.....269	70004484.....85
70002148.....266	70002859.....317	70004417.....269	70004485.....85
70002150.....266	70002902.....405	70004418.....269	70004486.....85
70002151.....266	70002903.....405	70004419.....269	70004487.....85
70002152.....266	70002904.....405	70004420.....269	70004488.....86
70002153.....266	70002905.....405	70004421.....269	70004489.....86
70002154.....266	70002962.....66, 70, 74	70004422.....269	70004490.....86
70002155.....266	70002978.....33	70004423.....270	70004491.....85
70002156.....266	70003019.....329	70004425.....270	70004492.....86
70002157.....266	70003020.....329	70004426.....270	70004493.....86
70002158.....266	70003021.....329	70004429.....23	70004494.....86
70002159.....266	70003023.....329	70004430.....23	70004505... 219, 225, 259
70002160.....266	70003027.....329	70004431.....23	70004506... 219, 225, 259
70002161.....266	70003408.....33, 35	70004432.....23	70004507... 219, 225, 259
70002162.....266	70003484.....571	70004433.....23	70004508... 219, 225, 259
70002163.....266	70003533.....373	70004434.....23	70004509... 219, 225, 259
70002164.....266	70003534.....373	70004435.....23	70004510... 219, 225, 260
70002165.....266	70003535.....373	70004436.....23	70004511... 220, 226, 260
70002168.....267	70003536.....373	70004437.....23	70004512... 220, 260, 710
70002174.....267	70003628.....21	70004438.....23	70004513... 220, 226, 260
70002175.....267	70003631.....289, 294	70004439.....23	70004514.....260
70002177.....267	70003708 . 282, 286, 290, 294	70004440.....23	70004515.....226, 260
70002178.....267	70003709 . 282, 286, 290, 294	70004441.....23	70004516... 220, 226, 260
70002179.....267	70003784 . 383, 387, 391	70004442.....23	70004517.....261
70002231.....57, 59, 710	70003788.....301, 710	70004443.....23	70004518.....261
70002297.....289, 294	70003919.....319, 710	70004444.....23	70004519.....261
70002386.....33, 35, 710	70003920.....319	70004445.....23	70004520... 221, 227, 261
70002460.....290, 294	70003948.....315	70004446.....23	70004583... 61, 65, 69, 73
70002576.....273	70004017.....33, 35	70004447.....23	70004584... 61, 65, 69, 73
70002577.....273	70004050 . 62, 66, 70, 74, 329	70004448.....23	70004585.. 61, 65, 69, 73, 327, 329
70002578.....270	70004051.....327, 329	70004449.....24	70004586... 61, 65, 69, 73
70002580.....269	70004052 . 61, 62, 65, 66, 69, 70, 73, 74, 327, 329	70004450.....24	70004587... 61, 65, 69, 73
70002582.....269	70004055 . 37, 61, 65, 69, 73	70004451.....24	70004588.. 61, 62, 65, 66, 69, 70, 73, 74, 327
70002583.....269	70004071.....321, 710	70004452.....24	70004589... 61, 65, 69, 73
70002585.....270		70004453.....24	70004590... 61, 65, 69, 73
70002586.....269		70004456.....327	70004591... 61, 65, 69, 73
70002588.....269		70004457 . 62, 66, 70, 74, 329	70004592... 61, 65, 69, 73
70002589.....269		70004459 . 37, 61, 65, 69, 73, 327	70004593.. 61, 65, 69, 73, 327
70002590.....269			
70002592.....269			
70002593.....269			

PART NUMBER INDEX

70004594 . 61, 62, 65, 66, 69, 70, 73, 74, 327	70004770 399	70005552 222, 228	70005999 473, 475
70004595 . 61, 62, 65, 66, 69, 70, 73, 74, 327	70004771 399	70005553 222, 228	70006003 302
70004596 . 61, 62, 65, 66, 69, 70, 73, 74, 327	70004772 399	70005554 222, 228	70006004 302
70004597 . 61, 62, 65, 66, 69, 70, 73, 74, 327	70004773 399	70005555 222, 228	70006005 302
70004600 . 61, 65, 69, 73	70004774 399	70005556 222, 228	70006006 302
70004601 . 62, 66, 70, 74, 327	70004775 399	70005557 222, 228	70006144 226
70004602 . 61, 62, 65, 66, 70, 74, 327	70005189 221, 226	70005558 222, 228	70006344 481
70004603 . 62, 66, 70, 74	70005191 221, 227	70005565 91, 93, 95	70006403 275
70004607 61, 65	70005199 77	70005598 .. 463, 465, 467	70006404 275
70004609 . 61, 65, 69, 73	70005230 403	70005599 477, 481	70006405 275
70004610 . 62, 66, 70, 74	70005433 475, 481	70005600 477, 481	70006406 275
70004613 . 62, 66, 70, 74	70005487 219, 225	70005601 477, 481	70006407 275
70004614 77	70005489 219	70005602 477, 481	70006408 275
70004615 77	70005491 220	70005603 477, 481	70006409 275
70004617 . 62, 66, 70, 74, 327, 329	70005492 220, 226	70005615 101	70006410 275
70004618 66, 70, 74	70005493 220, 226	70005616 101	70006469 471
70004619 66, 70, 74	70005495 . 220, 226, 711	70005617 101	70006470 471
70004646 717	70005496 220	70005618 101	70006471 471
70004647 717	70005497 220, 226	70005619 101	70006472 451
70004648 717	70005498 220, 226	70005620 317	70006473 451
70004653 329	70005499 221	70005621 317	70006474 451
70004676 282, 286	70005501 222, 228	70005622 317	70006475 451
70004678 282, 286	70005502 222	70005624 282, 286	70006494 455
70004679 282, 286	70005503 222, 228	70005625 286	70006495 455
70004680 282, 286	70005504 222, 228	70005633 465, 467	70006496 455
70004681 282	70005505 222, 228	70005651 289	70006510 467
70004683 282, 286	70005506 222	70005652 290	70006511 467
70004685 286	70005507 222, 228	70005654 .. 465, 467, 473, 475	70006512 467
70004738 403	70005508 222	70005655 465, 467	70006523 459
70004739 403	70005509 222	70005656 465, 467	70006524 459
70004740 403	70005511 221	70005657 301	70006525 459
70004741 403	70005512 220	70005658 461, 463	70006526 459
70004742 403	70005513 220, 226	70005659 461, 463	70006545 463
70004743 403	70005514 220, 226	70005666 321	70006546 463
70004744 403	70005515 221	70005678 571	70006552 281, 285
70004745 403	70005516 221, 227	70005679 571	70006553 281, 285
70004746 403	70005517 221, 227	70005721 223	70006653 227
70004747 403	70005518 221	70005804 481	70006707 69, 73
70004748 403	70005519 221	70005916 222, 228	70006708 69, 73
70004749 403	70005521 221	70005917 222, 228	70006731 475, 482
70004750 403	70005522 221, 227	70005941 225	70006732 481
70004751 403	70005523 221, 227	70005943 .. 61, 65, 69, 73	70006853 481
70004752 399	70005524 221, 227	70005944 .. 61, 65, 69, 73	70006854 481
70004753 399	70005525 221, 227	70005945 .. 61, 65, 69, 73	70006856 481
70004754 399	70005527 221, 227	70005946 .. 61, 65, 69, 73	70006857 481
70004755 399	70005528 221, 227	70005947 .. 61, 62, 65, 66, 69, 70, 73, 74	70006858 481
70004756 399	70005529 221, 227	70005948 .. 61, 65, 69, 73	70006859 481
70004757 399	70005530 . 221, 222, 227, 228	70005950 .. 62, 66, 70, 74	70006860 481
70004758 399	70005531 . 221, 222, 227, 228	70005951 .. 62, 66, 70, 74	70006861 481
70004759 399	70005532 221, 227	70005952 .. 62, 66, 70, 74	70006862 482
70004760 399	70005535 222, 227, 228	70005953 .. 62, 66, 70, 74	70006863 482
70004761 399	70005536 .. 222, 227, 228	70005954 62, 327	70006864 482
70004762 399	70005537 222, 227	70005955 62, 327	70006865 482
70004763 399	70005538 222, 227	70005956 62	70006866 475
70004764 399	70005541 222, 228	70005957 62	70006867 475, 481
70004765 399	70005542 222, 228	70005958 .. 62, 66, 70, 74, 77, 327	70006868 475
70004766 399	70005544 222, 228	70005959 77	70006869 475
70004767 399	70005545 222, 228	70005961 77	70006870 475
70004768 399	70005546 222	70005962 327	70006871 475
70004769 399	70005547 222	70005963 327	70006872 475
	70005548 222, 228	70005964 327	70007005 101
	70005549 222, 228	70005965 327	70007006 101
	70005550 222, 228	70005966 329	70007007 101
	70005551 222, 228	70005967 329	70007083 226, 227
			70007084 225
			70007085 227
			70007091 228

PART NUMBER INDEX

70007092.....228	70024513.. 220, 226, 260	70025730 219, 259	7007446..... 21, 266, 269
70007093.....227	70024916 261	70025731 .. 219, 225, 259	7007489..... 273
70007439.....267	70024917 261	70025737 222, 228	7010543..... 33, 35
70022286.....269	70024918 220, 260	70025739 222, 228	7011346.... 465, 467, 477, 481
70022287.....269	70024920 .. 220, 221, 226, 227, 260, 261	70025740 222, 228	7011351.... 461, 463, 473, 475, 477, 481
70023351.....269	70024921 260	70025741 220, 260	7011353..... 453, 455
70023352.....269	70024961 .. 220, 226, 260	70025744 261	7011361.... 465, 467, 477, 481
70023353.....269	70025082 223, 229	70025745 .. 219, 225, 259	7011368..... 477, 481
70023354.....269	70025085 219, 225	70025747 222, 228	7011371..... 477, 481
70023355.....269	70025087 259	70025748 260	7011376.... 449, 451, 453, 455, 461, 463, 465, 467
70023357.....269	70025088 219, 259	70025749 222, 228	7011381..... 473, 475
70023358.....269	70025105 .. 219, 225, 259	70025750 222, 228	70124410..... 223, 229
70023359.....269	70025109 .. 220, 226, 260	70025752 222, 228	70124440..... 223, 229
70023361.....269	70025111 219, 259	70025753 222, 228	7012773.... 37, 61, 65, 69, 73, 327
70023362.....269	70025111 .. 219, 225, 227, 259	70025755 .. 219, 225, 259	7012941..... 33, 35
70023363.....269	70025116 .. 219, 225, 259	70025756 .. 220, 226, 260	7012967..... 457, 459
70023368..... 475	70025119 .. 219, 225, 259	70025757 223, 228	7012973..... 33, 35
70023592..... 241, 711	70025120 .. 220, 226, 260	70025758 223, 228	7012998..... 33, 35
70023593..... 241, 711	70025123 .. 219, 225, 259	70025762 .. 220, 226, 260	7016272..... 145
70023809.. 181, 187, 209, 215, 241, 255, 710	70025128 .. 219, 225, 259	70025763 219, 259	7016309.... 220, 226, 260
70023859.. 61, 65, 69, 73	70025131 221, 261	70025764 222, 228	7016319..... 145
70023860.. 61, 62, 65, 66, 69, 70, 73, 74	70025132 .. 219, 225, 259	70025766 260	7016322.... 164, 170, 192, 198, 232, 246
70023862.. 61, 65, 69, 73	70025137 .. 219, 225, 259	70025768 221, 261	7016331.... 219, 225, 259, 710
70023866..... 77	70025140 .. 220, 226, 260	70025772 .. 220, 226, 260	7016374.... 164, 170, 192, 198, 232, 246
70023867..... 77	70025141 221, 261	70025773 221, 261	7016654..... 716
70023872.. 181, 187, 209, 215, 241, 255, 710	70025144 .. 220, 226, 260	70025778 .. 221, 227, 261	7016655..... 717
70023992..... 61	70025145 .. 220, 226, 260	70025783 261	7017142..... 315
70024039..... 269	70025146 .. 220, 226, 260	70025786 .. 219, 225, 259	7017159..... 315
70024040..... 269	70025149 221, 261	70025789 225, 259	7017163..... 315
70024072..... 465, 467	70025150 261	70025877 221, 227	7017164..... 315
70024328.. 181, 187, 209, 215, 241, 255	70025151 .. 220, 226, 260	70025979 270	7017187..... 317
70024329.. 181, 187, 209, 215, 241, 255	70025152 .. 219, 225, 259	70026210 221, 227	7017189..... 317
70024469..... 221, 261	70025153 .. 220, 260, 710	70026446 301	7017195..... 315
70024471... 219, 225, 259	70025154 .. 220, 226, 260	70027405 228	7017402..... 329
70024473..... 260	70025155 260, 711	70027416 225	7017493..... 33, 35
70024474... 221, 227, 261	70025234 259	70027460 229	7018942.... 62, 66, 70, 74, 327
70024475... 220, 226, 260	70025235 .. 220, 226, 260	70027462 229	7020175.... 131, 133, 135, 137, 383, 387, 391
70024478... 221, 227, 261	70025239 .. 220, 226, 260	70027463 229	7020176.... 131, 133, 135, 137, 383, 387, 391
70024479... 221, 227, 261	70025240 .. 220, 226, 260	70027464 229	7020442.... 219, 225, 259
70024480... 219, 225, 259	70025242 221, 227	70027465 229	7020465.... 219, 225, 259
70024482..... 261	70025533 221, 261	70027466 229	7020492.... 221, 227, 261
70024483..... 219	70025534 .. 220, 226, 260	70027467 229	7021249..... 21
70024485... 220, 226, 260	70025675 228, 260	70027702 475	7021256..... 267
70024486..... 260	70025680 .. 219, 225, 259	7002821 716	7021265..... 267
70024487... 219, 225, 259	70025681 .. 222, 228, 260	7002822 716	7021275..... 21, 266, 269
70024489... 219, 225, 259	70025686 .. 220, 226, 260	7002823 717	7021293..... 267
70024493... 220, 226, 260	70025687 .. 221, 222, 227, 228, 261	70028540 226	7021375.... 37, 61, 65, 69, 73, 327
70024494..... 219, 225	70025699 .. 221, 222, 227, 228, 261	70028765 227	7021625..... 33, 35
70024495... 219, 225, 259	70025701 .. 221, 227, 261	70028814 225	7022300..... 267
70024496..... 261	70025704 223, 228	70028989 227	7022301..... 266
70024497... 219, 225, 259	70025707 261	70029015 227	7022311..... 21
70024498... 220, 226, 260	70025708 261	70029394 226	7022314..... 21
70024499... 220, 226, 260	70025709 261	70029399 227	7022321..... 21
70024500.. 221, 222, 227, 228, 261	70025710 261	70029401 227	7022340..... 269
70024501... 220, 226, 260	70025713 260	70029402 227	7022368..... 21
70024503..... 261	70025714 259	7004275 716	
70024504.. 220, 221, 226, 227, 260, 261	70025717 259	7004276 716	
70024507..... 220, 226	70025718 219, 259	7007207 266, 269	
70024509... 219, 225, 259	70025719 260	7007415 267, 269, 270	
	70025721 260	7007418 266	
	70025722 .. 219, 225, 259	7007419 266	
	70025723 261	7007420 21	
	70025726 .. 220, 226, 260	7007437 21	
	70025729 260	7007438 21	
		7007439 21	

PART NUMBER INDEX

7022371 21	7024885 329	8229245 580, 710	8406110 ... 181, 187, 209,
7022390 329	7024899 329	8229247 579, 710	215, 242, 256
7022399 33, 35	7026004 461, 463	8278020 181, 187, 209,	8406201 ... 165, 171, 193,
7022523 327	7026030 571	215, 241, 255	199
7022608 267	7026031 571	8305401 181, 187, 209,	8406303 241, 255
7023377 269	7026032 571	215, 241, 255	8410009 ... 165, 171, 193,
7023821 61, 65	7026597 290, 294	8305919 281, 285, 289,	199
7023922 329	7026626 290, 294	293	8410011 ... 181, 187, 209,
7023962 269	7027740 21	8307109 181, 187, 209,	215, 241, 255
7023964 269, 270	7027773 433	215, 241, 255	8410012 ... 181, 187, 209,
7024441 97	7027774 433	8310067 165, 171, 193,	215, 242, 256
7024462 433	7027775 433	199, 232, 246	8410013 ... 171, 181, 187,
7024463 433	7027776 433	8310129 421	199, 209, 215, 241, 255
7024467 433	7027777 433	8310548 181, 187, 209,	8750014 ... 165, 171, 193,
7024469 433	7027778 433	215, 241, 255	199, 232, 246
7024470 433	7027779 433	8310614 335	8750027 ... 165, 171, 193,
7024471 433, 437	7027780 433	8310643001 103, 108,	199
7024472 433	7027799 290, 294	111, 116, 119, 124,	8750031 ... 165, 171, 193,
7024473 433	7300435 ... 181, 187, 209,	128, 154, 323, 325	199, 232, 246
7024474 433	215, 241, 255	8310686 103, 107, 111,	8760554 502
7024475 433	77133089 494, 502	115, 119, 123, 127, 333	8769122 489
7024478 433	77133137 . 165, 171, 193,	8405006 275	8769123 ... 165, 171, 193,
7024485 290, 294	199	8405007 181, 187, 209,	199, 233, 247
7024488 289, 293	77363232 . 281, 285, 289,	215, 241, 255	8769127 171, 199
7024489 289, 293	293	8405009 93, 182, 187,	8769128 489
7024530 437	77363233 595, 597	210, 215	88261128 57, 59
7024531 437	7894000042 335	8405104 181, 187, 209,	88411013 537
7024532 437	80963067 580	215, 241, 255	88521214 .. 441, 443, 445
7024533 437	82033995 . 165, 171, 193,	8405211 182, 187, 210,	88662013 494, 502
7024534 437	199	215	91203039 339
7024535 437	8220007 ... 615, 619, 623	8406003 333	91403230 . 672, 676, 680,
7024536 437	8220045 579	8406101 95, 108, 116,	684, 688, 692, 696,
7024537 437	8220051 589	124, 128, 165, 171,	700, 704
7024574 461, 463	8220068 665, 667	193, 199, 232, 246	91554014 . 567, 643, 661,
7024579 219, 225, 259	8220097 580	8406102 165, 171, 193,	665, 667
7024598 ... 164, 170, 192,	8220098 580	199	91563070 . 181, 187, 209,
198, 232, 246	8220115 583	8406105 165, 171, 193,	215, 241, 255
7024800 267	8220116 658	199, 233, 247	
7024865 21	8229242 ... 579, 623, 658,	8406109 181, 187, 209,	
7024867 21	710	215, 241, 255, 511,	
7024868 21	8229244 579, 658, 710	535, 557, 559	

PARTS FINDER

**Search Website
by Part Number**



**Search Manual
Library For Parts
Manual & Lookup Part
Numbers – Purchase
or Request Quote**

A screenshot of the "Search Manuals" form. The form has a title "Search Manuals" and a subtitle "Please enter the model number or serial number of the machine you are looking for." It includes input fields for "Find" (with a dropdown menu), "Serial Number", "Year", "Make", "Model", "Part Number", "Part Name", and "Category". A "Search" button is located at the bottom of the form.

**Can't Find Part or
Manual? Request Help
by Manufacturer,
Model & Description**

A screenshot of the "Parts Order Form". The form has a title "Parts Order Form" and a subtitle "Please fill out the form below." It includes a "Manufacturer" dropdown menu, a "Model" dropdown menu, a "Description" text area, and a "Part Number" text area. A "Submit" button is located at the bottom of the form.

Discount-Equipment.com is your online resource for quality parts & equipment.

Florida: **561-964-4949** Outside Florida TOLL FREE: **877-690-3101**

Need parts?

Click on this link: <http://www.discount-equipment.com/category/5443-parts/> and choose one of the options to help get the right parts and equipment you are looking for. Please have the machine model and serial number available in order to help us get you the correct parts. If you don't find the part on the website or on one of the online manuals, please fill out the request form and one of our experienced staff members will get back to you with a quote for the right part that your machine needs.

We sell worldwide for the brands: Genie, Terex, JLG, MultiQuip, Mikasa, Essick, Whiteman, Mayco, Toro Stone, Diamond Products, Generac Magnum, Airman, Haulotte, Barreto, Power Blanket, Nifty Lift, Atlas Copco, Chicago Pneumatic, Allmand, Miller Curber, Skyjack, Lull, Skytrak, Tsurumi, Husquvarna Target, Stow, Wacker, Sakai, Mi-T-M, Sullair, Basic, Dynapac, MBW, Weber, Bartell, Bennar Newman, Haulotte, Ditch Runner, Menegotti, Morrison, Contec, Buddy, Crown, Edco, Wyco, Bomag, Laymor, EZ Trench, Bil-Jax, F.S. Curtis, Gehl Pavers, Heli, Honda, ICS/PowerGrit, IHI, Partner, Imer, Clipper, MMD, Koshin, Rice, CH&E, General Equipment, Amida, Coleman, NAC, Gradall, Square Shooter, Kent, Stanley, Tamco, Toku, Hatz, Kohler, Robin, Wisconsin, Northrock, Oztec, Toker TK, Rol-Air, APT, Wylie, Ingersoll Rand / Doosan, Innovatech, Con X, Ammann, Mecalac, Makinex, Smith Surface Prep, Small Line, Wanco, Yanmar