



---

# Illustrated Parts Manual

**Model  
1500SJ**

SN 0300209000 to Present

**P/N  
3121733**

October 19, 2018 - Rev K

**ANSI**

**CE**



An Oshkosh Corporation Company

# PARTS FINDER

**Search Website  
by Part Number**



**Search Manual  
Library For Parts  
Manual & Lookup Part  
Numbers – Purchase  
or Request Quote**

**Can't Find Part or  
Manual? Request Help  
by Manufacturer,  
Model & Description**

Discount-Equipment.com is your online resource for quality parts & equipment.

Florida: **561-964-4949** Outside Florida TOLL FREE: **877-690-3101**

## Need parts?

Click on this link: <http://www.discount-equipment.com/category/5443-parts/> and choose one of the options to help get the right parts and equipment you are looking for. Please have the machine model and serial number available in order to help us get you the correct parts. If you don't find the part on the website or on one of the online manuals, please fill out the request form and one of our experienced staff members will get back to you with a quote for the right part that your machine needs.

We sell worldwide for the brands: Genie, Terex, JLG, MultiQuip, Mikasa, Essick, Whiteman, Mayco, Toro Stone, Diamond Products, Generac Magnum, Airman, Haulotte, Barreto, Power Blanket, Nifty Lift, Atlas Copco, Chicago Pneumatic, Allmand, Miller Curber, Skyjack, Lull, Skytrak, Tsurumi, Husquvarna Target, Stow, Wacker, Sakai, Mi-T-M, Sullair, Basic, Dynapac, MBW, Weber, Bartell, Bennar Newman, Haulotte, Ditch Runner, Menegotti, Morrison, Contec, Buddy, Crown, Edco, Wyco, Bomag, Laymor, EZ Trench, Bil-Jax, F.S. Curtis, Gehl Pavers, Heli, Honda, ICS/PowerGrit, IHI, Partner, Imer, Clipper, MMD, Koshin, Rice, CH&E, General Equipment, Amida, Coleman, NAC, Gradall, Square Shooter, Kent, Stanley, Tamco, Toku, Hatz, Kohler, Robin, Wisconsin, Northrock, Oztec, Toker TK, Rol-Air, APT, Wylie, Ingersoll Rand / Doosan, Innovatech, Con X, Ammann, Mecalac, Makinex, Smith Surface Prep, Small Line, Wanco, Yanmar



## REVISION LOG

- April 1, 2016 - A - Original Issue Of Manual (Edited to B/M 1001160120 Revision AI)**
- July 30, 2016 - B - Revised Manual (Edited to B/M 1001160120 Revision AK)**
- October 31, 2016 - C - Revised Manual (Edited to B/M 1001160120 Revision AK)**
- January 20, 2017 - D - Revised Manual (Edited to B/M 1001160120 Revision AP)**
- April 28, 2017 - E - Revised Manual (Edited to B/M 1001160120 Revision AP)**
- July 28, 2017 - F - Revised Manual (Edited to B/M 1001160120 Revision AT)**
- October 20, 2017 - G - Revised Manual (Edited to B/M 1001160120 Revision AU)**
- January 26, 2018 - H - Revised Manual (Edited to B/M 1001160120 Revision AU)**
- April 20, 2018 - I - Revised Manual (Edited to B/M 1001160120 Revision AU)**
- July 6, 2018 - J - Revised Manual (Edited to B/M 1001160120 Revision BB) (Revision 1)**
- October 19, 2018 - K - Revised Manual (Edited to B/M 1001160120 Revision BM) (Revision 3)**



# GENERAL INFORMATION

**SECTION 6 CYLINDER**

**FIGURE 6-3. LIFT CYLINDER ASSEMBLY**

PG#      Model Designation      Manual #

ITEM #	PART NUMBER	QTY.	DESCRIPTION	REV.
	1001140104	Ref.	LIFT CYLINDER ASSEMBLY	B
1	0100011	AR	Compound, Locking	
2	0630535	3	Capscrew 1/4-20 x 1-1/8	
3	0791003	1	Screw #10-24 x 3/8	
4	0961897	1	Bushing, Tapered	
5	1320136	1	Clamp, Cable	
6	1663063	1	Head	
7	2220883	1	Plug, O-Ring	
8	2220885	2	Plug, O-Ring	
8	2220886	1	Plug, O-Ring	
10	3020039	AR	Lubricant	
11	3480282	1	Piston	
12	3760371	1	Ring, Washer	
13	3931420	8	Capscrew 1/4-20 x 1-1/4	
14	3931824	8	Capscrew 1/2-13 x 1-1/2	
15	3951003	1	Screw #10-24 x 3/8	
16	4100099	1	Spacer	
17	4640999	1	Cartridge, Holding Valve (Non Vented)	
17	2900792	1	Kit, Seal - 4640999 Cartridge Valve	
18	4641248	1	Cartridge, Countbalance Valve (Non Vented)	
18	7000196	1	Kit, Seal - 4641248 Cartridge Valve	
19	1001117991	1	Sensor, Cylinder Length	
20	100118070	1	Cap, Retainer	
21	100118054	1	Barrel	
21A	0961950	2	Bushing	
22	100118086	1	Rod	
22A	0961950	2	Bushing	
100	1001139996	1	Kit, Seal (Includes Items 101-109)	
101	See Note	2	Ring, Wear (Note: Use p/n 1001139996)	
102	See Note	1	Ring, Back-Up (Note: Use p/n 1001139996)	
103	See Note	2	Ring, Lock (Note: Use p/n 1001139996)	
104	See Note	2	Ring, Back-Up (Note: Use p/n 1001139996)	
105	See Note	3	O-Ring (Note: Use p/n 1001139996)	
106	See Note	1	O-Ring (Note: Use p/n 1001139996)	
107	See Note	1	Seal (Note: Use p/n 1001139996)	
108	See Note	1	Wiper, Rod (Note: Use p/n 1001139996)	
109	See Note	2	Seal (Note: Use p/n 1001139996)	
200	1001180105	1	Kit, Sensor Magnet (Includes Items 201-203)	
201	See Note	NSS	Sleeve, Spacer (Note: Use p/n 1001180105)	
202	100118066	1	Magnet, Sensor	
203	100118069	1	Ring, Internal Retaining	

Manual #      Model Designation      PG#

## 1) MACHINE IDENTIFICATION

Machines are identified by model and in some cases a combination of models, serial number (SN) or regional standard (i.e. ANSI, CE, CSA). Components may also be identified by SN or manufacturer. Common components that may be identified by these characteristics are engines and hydraulic components.

## 2) PARTS MANUAL ORGANIZATION

Product information in this manual is organized under section titles. Frame, Cylinder, Hydraulic and Electrical are a few examples. Each section is organized by figure and page number. The information within the Figure is then organized by item number, part number, description and corresponding illustration(s).

## 3) TABLE OF CONTENTS

A table of contents is found toward the beginning of the manual. Figure number, description and page number are provided for quick reference to the page containing the related information.

## 4) RECOMMENDED SPARE PARTS

The Recommended Spare Parts, located near the end of the manual, reference most frequently used maintenance parts.

## 5) PART NUMBER INDEX

A numerical index listing all part numbers and the corresponding page number(s) appears at the back of the manual.

## GENERAL INFORMATION

### 6) NON-SERVICED PARTS

In some instances, it is necessary to display non-serviced parts, assemblies or installations. In the case of assemblies and installations there will be a Ref in the Qty column. In case of parts that are not available for service within assemblies or components, there will be a NSS (Not Sold Separately) or NLA (No Longer Available) listed in the Qty. column of the manual.

### 7) PARTS LIST ITEM NUMBERS

Numbers shown in the item# column correspond to numbers used in the associated illustration (s). Item numbers which are missing from the sequence in the parts list are not used on that page

### 8) INDENTED PARTS DESCRIPTION

An indented part description is included in the item under which it is indented.

### 9) ABB REVIATION AND SYMBOLS

AC.....	Alternating Current	LCD.....	Liquid Crystal Display
ADE.....	Advanced Design Electronics	LED.....	Light Emitting Diodes
ANSI.....	American National Standards Institute	LH.....	Left Hand
AR.....	As Required	LSS.....	Load Sensing System
ASSY.....	Assembly	M(m).....	Metric/Meter
AUX.....	Auxiliary	MM (mm).....	Milimeter
AWG.....	American WireGauge	mA.....	Miliamps
B/M.....	Bill of Material	NLA.....	No Longer Available
CE.....	European Conformity	NPT.....	National Pipe Threads
CCW.....	Counter Clockwise	NSS.....	Not So Id Separately
cm.....	Centimeter	OD.....	Outside Diameter
CW.....	Clockwise	ORB.....	O-Ring Boss
CSA.....	Canadian Standards Association	ORFS.....	O-Ring Face Seal
CYL.....	Cylinder	OZ (oz).....	Ounces
DIA.....	Diameter	PG.....	Page
DC.....	Direct Current	P/N.....	Part Number
EMS.....	Emergency Stop	qt.....	Quarts
ENG.....	Engine	QTY.....	Quantity
FT (ft).....	Feet	REF.....	Reference
GA (Ga).....	Gauge	REV.....	Revision Level
HYD.....	Hydraulic	RH.....	Right Hand
Hz.....	Hertz	SAE.....	Society of Automotive Engineers
ID.....	Inside Diameter	SN.....	Serial Number
in.....	inches	SPEC(S).....	Specifications
ISO.....	International Organization for Standards	T/T.....	Turntable
JIC.....	Joint Industry Council	UGM.....	Universal Ground Module
KG.....	Kilogram	V.....	Volts
L.....	Liter	W.....	Watts
LB.....	Pounds	#.....	Number

### 10) ILLUSTRATION REFERENCE LETTERS

When necessary, illustrations may contain reference letters that are intended to track information (i. e. hoses, harnesses) from one point to another or to track visual enlargement of components to show details that may be located in another area on the illustration.

*Note: Due to continuous product improvements, JLG Industries, Inc. reserves the right to make specification changes without prior notification. Contact JLG Industries, Inc. for updated information.*



# TABLE OF CONTENTS

SECTION 1 - FRAME.....	15
FIGURE 1-1. AXLE INSTALLATION - FIXED.....	16
FIGURE 1-2. AXLE INSTALLATION - OSCILLATING.....	20
FIGURE 1-3. STEER INSTALLATION.....	24
FIGURE 1-4. WHEEL DRIVE INSTALLATION - BONFIGLIOLI.....	26
FIGURE 1-5. WHEEL DRIVE INSTALLATION - REGGIANA RIDUTTORI.....	28
FIGURE 1-6. DRIVE HUB ASSEMBLY - BONFIGLIOLI.....	30
FIGURE 1-7. DRIVE HUB ASSEMBLY - REGGIANA RIDUTTORI.....	34
FIGURE 1-8. DRIVE MOTOR ASSEMBLY.....	38
FIGURE 1-9. TIRE AND WHEEL INSTALLATION - FOAM FILLED.....	40
FIGURE 1-10. TIRE AND WHEEL INSTALLATION - SOLID.....	42
FIGURE 1-11. VALVES AND MODULES INSTALLATION - FRAME MOUNTED (ANSI, CSA AND JAPANESE SPECS).....	44
FIGURE 1-12. VALVES AND MODULES INSTALLATION - FRAME MOUNTED (WITH 1 CELL LSS) (CE AND AUSTRALIAN SPECS) (SN 0300234294 to Present).....	46
FIGURE 1-13. STEER VALVE ASSEMBLY.....	48
FIGURE 1-14. TRACTION VALVE ASSEMBLY.....	50
FIGURE 1-15. FRAME COVERS INSTALLATION - PLASTIC.....	52
FIGURE 1-16. FRAME COVERS INSTALLATION - STEEL.....	54
SECTION 2 - TURNTABLE.....	57
FIGURE 2-1. VALVE, MODULE AND FILTER INSTALLATION - TURNTABLE MOUNTED (ANSI, CSA AND JAPANESE SPECS).....	58
FIGURE 2-2. VALVE, MODULE AND FILTER INSTALLATION - TURNTABLE MOUNTED (WITH 1 CELL LSS) (CE AND AUSTRALIAN SPECS) (SN 0300234294 to Present).....	60
FIGURE 2-3. BATTERY, HORN AND AUXILIARY PUMP INSTALLATION.....	62
FIGURE 2-4. MAIN VALVE ASSEMBLY.....	64
FIGURE 2-5. AUXILIARY PUMP ASSEMBLY (SN 0300209000 through 0300243453).....	68
FIGURE 2-6. AUXILIARY PUMP ASSEMBLY (SN 0300243454 to Present).....	70
FIGURE 2-7. SWING DRIVE INSTALLATION (SN 0300209000 through 0300254531).....	72
FIGURE 2-8. SWING DRIVE INSTALLATION (SN 0300254532 to Present).....	74
FIGURE 2-9. TURNTABLE BEARING AND LUBE INSTALLATION.....	76
FIGURE 2-10. TURNTABLE LOCK INSTALLATION.....	78
FIGURE 2-11. SWING MOTOR/HUB ASSEMBLY (SN 0300209000 through 0300254531).....	80
FIGURE 2-12. SWING MOTOR/HUB ASSEMBLY (SN 0300254532 to Present).....	84
FIGURE 2-13. ROTARY COUPLING AND COLLECTOR RING INSTALLATION.....	88
FIGURE 2-14. TANK INSTALLATION - WITH 31 GAL/117.31 L FUEL TANK.....	90
FIGURE 2-15. TANK INSTALLATION - WITH 58.2 GAL/200 L FUEL TANK.....	92
FIGURE 2-16. HYDRAULIC OIL COOLER INSTALLATION - DEUTZ TD2011 ENGINES WITH REXROTH PUMPS (OPTIONAL).....	94
FIGURE 2-17. HYDRAULIC OIL COOLER INSTALLATION - DEUTZ TD2011 ENGINES WITH SAUER PUMPS (OPTIONAL).....	96
FIGURE 2-18. HYDRAULIC OIL COOLER INSTALLATION - DEUTZ TCD2.9L4 ENGINES AND DEUTZ TCD2.9L4 (STAGE V) ENGINES WITH REXROTH PUMPS (OPTIONAL).....	98
FIGURE 2-19. HYDRAULIC OIL COOLER INSTALLATION - DEUTZ TCD2.9L4 ENGINES WITH REXROTH PUMPS (OPTIONAL) (CHINA SPEC ONLY).....	100
FIGURE 2-20. HYDRAULIC OIL COOLER INSTALLATION - DEUTZ TCD2.9L4 ENGINES AND DEUTZ TCD2.9L4 (STAGE V) ENGINES WITH SAUER PUMPS (OPTIONAL).....	102
FIGURE 2-21. HYDRAULIC OIL COOLER INSTALLATION - DEUTZ TCD2.9L4 ENGINES WITH SAUER PUMPS (OPTIONAL) (CHINA SPEC ONLY).....	104
FIGURE 2-22. GROUND CONTROL BOX INSTALLATION - TD2011 ENGINES WITH REXROTH PUMPS (ANSI EXPORT (LRC), AUSTRALIAN AND CHINA SPECS).....	106
FIGURE 2-23. GROUND CONTROL BOX INSTALLATION - TD2011 ENGINES WITH REXROTH PUMPS (CE (LRC) SPECS).....	108
FIGURE 2-24. GROUND CONTROL BOX INSTALLATION - TD2011 ENGINES WITH SAUER PUMPS (ANSI EXPORT (LRC), AUSTRALIAN AND CHINA SPECS).....	110
FIGURE 2-25. GROUND CONTROL BOX INSTALLATION - TD2011 ENGINES WITH SAUER PUMPS (CE (LRC) SPECS).....	112
FIGURE 2-26. GROUND CONTROL BOX INSTALLATION - TCD2.9L4 ENGINES WITH REXROTH PUMPS (ANSI, ANSI EXPORT (HRC), CHINA, CSA AND JAPANESE SPECS).....	114
FIGURE 2-27. GROUND CONTROL BOX INSTALLATION - TCD2.9L4 ENGINES WITH REXROTH PUMPS (CE SPECS).....	116
FIGURE 2-28. GROUND CONTROL BOX ASSEMBLY (ALL SPECS EXCEPT CE SPECS).....	118
FIGURE 2-29. GROUND CONTROL BOX ASSEMBLY (CE SPECS).....	122
FIGURE 2-30. KEYSWITCH INSTALLATION.....	126
FIGURE 2-31. LIGHT PANEL INSTALLATION (ALL SPECS EXCEPT AUSTRALIAN, CE AND CE (LRC) SPECS).....	128
FIGURE 2-32. LIGHT PANEL INSTALLATION (AUSTRALIAN, CE AND CE (LRC) SPECS).....	130
FIGURE 2-33. ALARMS INSTALLATION.....	132



# TABLE OF CONTENTS

FIGURE 2-34. STROBE LIGHT INSTALLATION (AMBER).....	134
FIGURE 2-35. BEACON LIGHT INSTALLATION (BLUE) (SN 0300209000 through 0300217093).....	136
FIGURE 2-36. STROBE LIGHT INSTALLATION (BLUE) (SN 0300217094 through 0300256996).....	138
FIGURE 2-37. STROBE LIGHT INSTALLATION (BLUE) (SN 0300256997 to Present).....	140
FIGURE 2-38. BEACON LIGHT INSTALLATION (RED) (SN 0300209000 through 0300217093).....	142
FIGURE 2-39. STROBE LIGHT INSTALLATION (RED) (SN 0300217094 through 0300256996).....	144
FIGURE 2-40. STROBE LIGHT INSTALLATION (RED) (SN 0300256997 to Present).....	146
FIGURE 2-41. PINION SHIELD INSTALLATION.....	148
FIGURE 2-42. ENGINE TRAY JACK INSTALLATION - DEUTZ TD2011 ENGINES.....	150
FIGURE 2-43. ENGINE TRAY JACK INSTALLATION - DEUTZ TCD2.9L4 ENGINES AND DEUTZ TCD2.9L4 (STAGE V) ENGINES.....	152
FIGURE 2-44. HOOD INSTALLATION - DEUTZ TD2011 ENGINES.....	154
FIGURE 2-45. HOOD INSTALLATION - DEUTZ TCD2.9L4 ENGINES AND DEUTZ TCD2.9L4 (STAGE V) ENGINES.....	158
 SECTION 3 - ENGINE.....	 163
FIGURE 3-1. DEUTZ TD2011 ENGINE INSTALLATION - WITH REXROTH PUMPS (WITHOUT SKYPOWER AND WITHOUT COLD WEATHER PLUS PACKAGE).....	164
FIGURE 3-2. DEUTZ TD2011 ENGINE ASSEMBLY - WITH REXROTH PUMPS (WITHOUT SKYPOWER AND WITHOUT COLD WEATHER PLUS PACKAGE).....	168
FIGURE 3-3. DEUTZ TD2011 ENGINE INSTALLATION - WITH REXROTH PUMPS (WITH SKYPOWER AND WITHOUT COLD WEATHER PLUS PACKAGE).....	172
FIGURE 3-4. DEUTZ TD2011 ENGINE ASSEMBLY - WITH REXROTH PUMPS (WITH SKYPOWER AND WITHOUT COLD WEATHER PLUS PACKAGE).....	176
FIGURE 3-5. DEUTZ TD2011 ENGINE INSTALLATION - WITH REXROTH PUMPS (WITH SKYPOWER AND WITH COLD WEATHER PLUS PACKAGE).....	180
FIGURE 3-6. DEUTZ TD2011 ENGINE ASSEMBLY - WITH REXROTH PUMPS (WITH SKYPOWER AND WITH COLD WEATHER PLUS PACKAGE).....	184
FIGURE 3-7. DEUTZ TD2011 ENGINE INSTALLATION - WITH SAUER PUMPS (WITHOUT SKYPOWER AND WITHOUT COLD WEATHER PLUS PACKAGE).....	188
FIGURE 3-8. DEUTZ TD2011 ENGINE ASSEMBLY - WITH SAUER PUMPS (WITHOUT SKYPOWER AND WITHOUT COLD WEATHER PLUS PACKAGE).....	192
FIGURE 3-9. DEUTZ TD2011 ENGINE INSTALLATION - WITH SAUER PUMPS (WITH SKYPOWER AND WITHOUT COLD WEATHER PLUS PACKAGE).....	196
FIGURE 3-10. DEUTZ TD2011 ENGINE ASSEMBLY - WITH SAUER PUMPS (WITH SKYPOWER AND WITHOUT COLD WEATHER PLUS PACKAGE).....	200
FIGURE 3-11. DEUTZ TD2011 ENGINE INSTALLATION - WITH SAUER PUMPS (WITH SKYPOWER AND WITH COLD WEATHER PLUS PACKAGE).....	204
FIGURE 3-12. DEUTZ TD2011 ENGINE ASSEMBLY - WITH SAUER PUMPS (WITH SKYPOWER AND WITH COLD WEATHER PLUS PACKAGE).....	208
FIGURE 3-13. ENGINE COMPONENTS - DEUTZ TD2011 ENGINE.....	212
FIGURE 3-14. DEUTZ TCD2.9L4 ENGINE INSTALLATION - WITH REXROTH PUMPS (WITHOUT COLD WEATHER PLUS PACKAGE).....	216
FIGURE 3-15. DEUTZ TCD2.9L4 ENGINE SUB-ASSEMBLY - WITH REXROTH PUMPS (WITHOUT COLD WEATHER PLUS PACKAGE).....	220
FIGURE 3-16. DEUTZ TCD2.9L4 ENGINE INSTALLATION - WITH REXROTH PUMPS (WITHOUT COLD WEATHER PLUS PACKAGE) (CHINA SPEC ONLY).....	222
FIGURE 3-17. DEUTZ TCD2.9L4 ENGINE SUB-ASSEMBLY - WITH REXROTH PUMPS (WITHOUT COLD WEATHER PLUS PACKAGE) (CHINA SPEC ONLY).....	226
FIGURE 3-18. DEUTZ TCD2.9L4 ENGINE INSTALLATION - WITH REXROTH PUMPS (WITH COLD WEATHER PLUS PACKAGE).....	228
FIGURE 3-19. DEUTZ TCD2.9L4 ENGINE SUB-ASSEMBLY - WITH REXROTH PUMPS (WITH COLD WEATHER PLUS PACKAGE).....	232
FIGURE 3-20. DEUTZ TCD2.9L4 ENGINE INSTALLATION - WITH SAUER PUMPS (WITHOUT COLD WEATHER PLUS PACKAGE).....	234
FIGURE 3-21. DEUTZ TCD2.9L4 ENGINE SUB-ASSEMBLY - WITH SAUER PUMPS (WITHOUT COLD WEATHER PLUS PACKAGE).....	238
FIGURE 3-22. DEUTZ TCD2.9L4 ENGINE INSTALLATION - WITH SAUER PUMPS (WITHOUT COLD WEATHER PLUS PACKAGE) (CHINA SPEC ONLY).....	240
FIGURE 3-23. DEUTZ TCD2.9L4 ENGINE SUB-ASSEMBLY - WITH SAUER PUMPS (WITHOUT COLD WEATHER PLUS PACKAGE) (CHINA SPEC ONLY).....	244
FIGURE 3-24. DEUTZ TCD2.9L4 ENGINE INSTALLATION - WITH SAUER PUMPS (WITH COLD WEATHER PLUS PACKAGE).....	246
FIGURE 3-25. DEUTZ TCD2.9L4 ENGINE SUB-ASSEMBLY - WITH SAUER PUMPS (WITH COLD WEATHER PLUS PACKAGE).....	250
FIGURE 3-26. DEUTZ TCD2.9L4 ENGINE ASSEMBLY - WITHOUT COLD WEATHER PLUS PACKAGE.....	252

# TABLE OF CONTENTS

FIGURE 3-27. DEUTZ TCD2.9L4 ENGINE ASSEMBLY - WITHOUT COLD WEATHER PLUS PACKAGE (CHINA SPEC ONLY)	258
FIGURE 3-28. DEUTZ TCD2.9L4 ENGINE ASSEMBLY - WITH COLD WEATHER PLUS PACKAGE	264
FIGURE 3-29. ENGINE COMPONENTS - DEUTZ TCD2.9L4 ENGINE	270
FIGURE 3-30. ENGINE COMPONENTS - DEUTZ TCD2.9L4 ENGINE (CHINA SPEC ONLY)	274
FIGURE 3-31. DEUTZ TCD2.9L4 (STAGE V) DIESEL ENGINE INSTALLATION - WITH SAUER PUMPS (WITHOUT COLD WEATHER PLUS PACKAGE)	278
FIGURE 3-32. DEUTZ TCD2.9L4 (STAGE V) DIESEL ENGINE INSTALLATION - WITH REXROTH PUMPS (WITHOUT COLD WEATHER PLUS PACKAGE)	282
FIGURE 3-33. DEUTZ TCD2.9L4 (STAGE V) ENGINE SUB-ASSEMBLY - WITH SAUER PUMP (WITHOUT COLD WEATHER PLUS PACKAGE)	286
FIGURE 3-34. DEUTZ TCD2.9L4 (STAGE V) ENGINE SUB-ASSEMBLY - WITH REXROTH PUMP (WITHOUT COLD WEATHER PLUS PACKAGE)	288
FIGURE 3-35. DEUTZ TCD2.9L4 (STAGE V) ENGINE ASSEMBLY (WITHOUT COLD WEATHER PLUS PACKAGE)	290
FIGURE 3-36. DEUTZ TCD2.9L4 (STAGE V) ENGINE COMPONENTS	296
FIGURE 3-37. PUMP ASSEMBLY (REXROTH) (DEUTZ TD2011 ENGINES)	300
FIGURE 3-38. PUMP ASSEMBLY (REXROTH) (DEUTZ TCD2.9L4 ENGINES AND DEUTZ TCD2.9L4 (STAGE V) ENGINES)	306
FIGURE 3-39. PUMP ASSEMBLY (SAUER TANDEM)	312
FIGURE 3-40. PUMP ASSEMBLY (SAUER PISTON)	316
FIGURE 3-41. PUMP ASSEMBLY (SAUER GEAR)	320
FIGURE 3-42. PUMP COUPLING KIT	322
FIGURE 3-43. FUEL-WATER SEPARATOR INSTALLATION - DEUTZ TD2011 (OPTIONAL)	324
FIGURE 3-44. FUEL PUMP/FILTER BRACKET ASSEMBLY (DEUTZ TCD2.9L4 ENGINE AND DEUTZ TCD2.9L4 (STAGE V) ENGINE)	326
FIGURE 3-45. FUEL PUMP/FILTER BRACKET ASSEMBLY - DEUTZ TCD2.9L4 ENGINE (SN 0300239675 to Present)	328
FIGURE 3-46. FUEL FILTER/WATER SEPARATOR INSTALLATION - DEUTZ TCD2.9L4 ENGINE (CHINA SPECS ONLY)	330
FIGURE 3-47. BREATHER HEATER INSTALLATION - DEUTZ TCD2.9L4 ENGINE AND DEUTZ TCD2.9L4 (STAGE V) ENGINE WITH ARCTIC PACKAGE	332
FIGURE 3-48. SPARK ARRESTOR INSTALLATION - DEUTZ TCD2.9L4 ENGINES AND DEUTZ TCD2.9L4 (STAGE V) ENGINES (OPTIONAL)	334
FIGURE 3-49. 4000W GENERATOR INSTALLATION - 60HZ SPECS (DEUTZ TD2011 ENGINES)	336
FIGURE 3-50. 4000W GENERATOR INSTALLATION - 50HZ SPECS (DEUTZ TD2011 ENGINES)	340
FIGURE 3-51. 4000W GENERATOR INSTALLATION - 60HZ SPEC (DEUTZ TCD2.9L4 ENGINES)	342
FIGURE 3-52. 4000W GENERATOR INSTALLATION - 50HZ SPEC (DEUTZ TCD2.9L4 ENGINES AND DEUTZ TCD2.9L4 (STAGE V) ENGINES)	346
FIGURE 3-53. 7500W SKYPOWER GENERATOR INSTALLATION - 60HZ SPEC (DEUTZ TD2011 ENGINES) (OPTIONAL)	350
FIGURE 3-54. 7500W SKYPOWER GENERATOR INSTALLATION - 50HZ SPEC (DEUTZ TD2011 ENGINES) (OPTIONAL)	354
FIGURE 3-55. 7500W SKYPOWER GENERATOR INSTALLATION - 60HZ SPEC (DEUTZ TCD2.9L4 ENGINES) (OPTIONAL)	358
FIGURE 3-56. 7500W SKYPOWER GENERATOR INSTALLATION - 50HZ SPEC (DEUTZ TCD2.9L4 ENGINES AND DEUTZ TCD2.9L4 (STAGE V) ENGINES) (OPTIONAL)	362
SECTION 4 - BOOM	367
FIGURE 4-1. BOOM INSTALLATION - WITHOUT COLD WEATHER PLUS PACKAGE	368
FIGURE 4-2. BOOM INSTALLATION - WITH COLD WEATHER PLUS PACKAGE	370
FIGURE 4-3. BOOM ASSEMBLY - WITHOUT COLD WEATHER PLUS PACKAGE	372
FIGURE 4-4. BOOM ASSEMBLY - WITH COLD WEATHER PLUS PACKAGE	378
FIGURE 4-5. WIRE ROPE TOOLS INSTALLATION (OPTIONAL)	384
FIGURE 4-6. JIB INSTALLATION	386
FIGURE 4-7. JIB BOOM ASSEMBLY	390
FIGURE 4-8. PLATFORM ROTATE ACTUATOR ASSEMBLY	392
FIGURE 4-9. JIB ROTATE ACTUATOR ASSEMBLY	394
FIGURE 4-10. POWER TRACK INSTALLATION	396
FIGURE 4-11. BOOM SENSORS AND SWITCHES INSTALLATION	400
FIGURE 4-12. VALVES (BOOM MOUNTED) INSTALLATION (ANSI, CSA AND JAPANESE SPECS)	404
FIGURE 4-13. VALVES (BOOM MOUNTED) INSTALLATION (WITH 1 CELL LSS) (CE AND AUSTRALIAN SPECS)	406
FIGURE 4-14. PLATFORM VALVE ASSEMBLY	408
FIGURE 4-15. JIB VALVE ASSEMBLY	410
FIGURE 4-16. ENCLOSURE BOX ASSEMBLY	414
FIGURE 4-17. PLATFORM SUPPORT INSTALLATION - WITHOUT LSS	416
FIGURE 4-18. PLATFORM SUPPORT INSTALLATION - WITH 4 CELL LSS	418
FIGURE 4-19. PLATFORM SUPPORT INSTALLATION - WITH 1 CELL LSS	420
SECTION 5 - PLATFORM	423



# TABLE OF CONTENTS

FIGURE 5-1. PLATFORM ASSEMBLY - 30IN X 3FT (76CM X .91M) - DROP BAR ENTRY .....	424
FIGURE 5-2. PLATFORM ASSEMBLY - 30IN X 4FT (76CM X 1.22M) - SIDE GATE ENTRY .....	426
FIGURE 5-3. PLATFORM ASSEMBLY - 36IN X 6FT (91.5CM X 1.83M) WITH SWING GATE .....	428
FIGURE 5-4. PLATFORM ASSEMBLY - 36IN X 6FT (91.5CM X 1.83M) TRI-ENTRY WITH SWING GATE .....	430
FIGURE 5-5. PLATFORM ASSEMBLY - 36IN X 8FT (91.5CM X 2.44M) WITH SWING GATE .....	432
FIGURE 5-6. PLATFORM ASSEMBLY - 36IN X 8FT (91.5CM X 2.44M) WITH TRI-ENTRY (1 GATE/2 DROP BARS) .....	434
FIGURE 5-7. PLATFORM ASSEMBLY - 30IN X 4FT (76CM X 1.22M) WITH DROP BAR .....	436
FIGURE 5-8. PLATFORM ASSEMBLY - 36IN X 6FT (91.5CM X 1.83M) WITH DROP BAR .....	438
FIGURE 5-9. PLATFORM ASSEMBLY - 36IN X 6FT (91.5CM X 1.83M) TRI-ENTRY WITH DROPBAR .....	440
FIGURE 5-10. PLATFORM ASSEMBLY - 36IN X 8FT (91.5CM X 2.44M) WITH DROP BAR .....	442
FIGURE 5-11. PLATFORM ASSEMBLY - 36IN X 8FT (91.5CM X 2.44M) WITH TRI-ENTRY (3 DROP BARS) .....	444
FIGURE 5-12. PLATFORM ASSEMBLY - 36IN X 8FT (91.5CM X 2.44M) WITH FALL ARREST (ANSI SPECS) .....	446
FIGURE 5-13. PLATFORM ASSEMBLY - 36IN X 8FT (91.5CM X 2.44M) WITH FALL ARREST (AUSTRALIAN AND CE SPECS) .....	448
FIGURE 5-14. PLATFORM CONSOLE BOX INSTALLATION - WITHOUT SKYGUARD (SN 0300209000 through 0300226076) .....	450
FIGURE 5-15. PLATFORM CONSOLE BOX INSTALLATION - WITH SKYGUARD (WITH 4 CELL LSS) .....	452
FIGURE 5-16. PLATFORM CONSOLE BOX INSTALLATION - WITH SKYGUARD (WITH 1 CELL LSS) (SN 0300209000 through 0300256996) .....	454
FIGURE 5-17. PLATFORM CONSOLE BOX INSTALLATION (WITH 1 CELL LSS) (SN 0300256997 to Present) .....	456
FIGURE 5-18. PLATFORM CONSOLE ASSEMBLY - WITHOUT SKYGUARD (SN 0300209000 through 0300220151) .....	458
FIGURE 5-19. PLATFORM CONSOLE ASSEMBLY - WITHOUT SKYGUARD (SN 0300220152 through 0300226076) .....	462
FIGURE 5-20. PLATFORM CONSOLE ASSEMBLY - WITH SKYGUARD (SN 0300209000 through 0300220151) .....	466
FIGURE 5-21. PLATFORM CONSOLE ASSEMBLY - WITH SKYGUARD (WITH 4 CELL LSS) .....	470
FIGURE 5-22. PLATFORM CONSOLE ASSEMBLY - WITH SKYGUARD (WITH 1 CELL LSS) (SN 0300209000 through 0300256996) .....	474
FIGURE 5-23. PLATFORM CONSOLE ASSEMBLY (WITH 1 CELL LSS) (SN 0300256997 to Present) .....	478
FIGURE 5-24. DECAL AND LIGHT PANEL (ANSI SPECS) .....	482
FIGURE 5-25. DECAL AND LIGHT PANEL (CE SPECS) .....	484
FIGURE 5-26. LCD DISPLAY INSTALLATION (SN 0300209000 through 0300248232) .....	486
FIGURE 5-27. LCD DISPLAY INSTALLATION (SN 0300248233 to Present) .....	488
FIGURE 5-28. CONTROLLER ASSEMBLY - LIFT AND SWING .....	490
FIGURE 5-29. CONTROLLER ASSEMBLY - DRIVE AND STEER .....	494
FIGURE 5-30. FOOTSWITCH ASSEMBLY .....	496
FIGURE 5-31. TRAY INSTALLATION .....	498
FIGURE 5-32. SKYEYE INSTALLATION .....	500
FIGURE 5-33. SKYGUARD SYSTEM INSTALLATION (SN 0300209000 through 0300256996) .....	502
FIGURE 5-34. SKYGUARD BAR INSTALLATION (SN 0300256997 to Present) .....	504
FIGURE 5-35. CROSS RAIL INSTALLATION .....	506
FIGURE 5-36. SKYGLAZIER INSTALLATIONS (ANSI AND CSA SPECS) .....	508
FIGURE 5-37. SKYGLAZIER INSTALLATION (AUSTRALIAN SPECS) (SN 0300209000 through 0300234293) .....	510
FIGURE 5-38. SKYLINE INSTALLATION .....	512
FIGURE 5-39. SKYWELDER/SKYCUTTER COMBO INSTALLATION (60HZ) .....	514
FIGURE 5-40. SKYWELDER INSTALLATION (50HZ) .....	518
FIGURE 5-41. SKYWELDER INSTALLATION (60HZ) .....	520
FIGURE 5-42. SKYWELDER PREP PACKAGE (60HZ) .....	522
FIGURE 5-43. WELDER ASSEMBLY .....	524
FIGURE 5-44. SKYCUTTER INSTALLATION .....	526
FIGURE 5-45. PIPE RACK INSTALLATION (ANSI AND CSA SPECS) .....	528
FIGURE 5-46. PIPE RACK INSTALLATION (AUSTRALIAN AND CE SPEC) .....	530
FIGURE 5-47. FALL ARREST INSTALLTION (BOLT-ON EXTERNAL) (6FT/1.82M PLATFORM) .....	532
FIGURE 5-48. FALL ARREST INSTALLTION (BOLT-ON EXTERNAL) (6FT/1.82M TRI-ENTRY PLATFORM) .....	534
FIGURE 5-49. FALL ARREST INSTALLTION (BOLT-ON EXTERNAL) (8FT/2.4M PLATFORM) .....	536
SECTION 6 - CYLINDER .....	539
FIGURE 6-1. AXLE EXTENSION CYLINDER ASSEMBLY (SN 0300209000 through 0300239674) .....	540
FIGURE 6-2. AXLE EXTENSION CYLINDER ASSEMBLY (SN 0300239675 to Present) .....	542
FIGURE 6-3. AXLE LOCKOUT CYLINDER ASSEMBLY (SN 0300209000 through 0300239674) .....	544
FIGURE 6-4. AXLE LOCKOUT CYLINDER ASSEMBLY (SN 0300239675 to Present) .....	546
FIGURE 6-5. LEVEL (JIB) CYLINDER ASSEMBLY - WITHOUT COLD WEATHER PLUS PACKAGE (SN 0300209000 through 0300239990) .....	548
FIGURE 6-6. LEVEL (JIB) CYLINDER ASSEMBLY - WITH COLD WEATHER PLUS PACKAGE (SN 0300209000 through 0300239990) .....	550
FIGURE 6-7. LEVEL (JIB) CYLINDER ASSEMBLY - WITH OR WITHOUT COLD WEATHER PLUS PACKAGE (SN 0300239991 to Present) .....	552
FIGURE 6-8. LEVEL (PLATFORM) CYLINDER ASSEMBLY (SN 0300209000 through 0300239674) .....	554

# TABLE OF CONTENTS

FIGURE 6-9. LEVEL (PLATFORM) CYLINDER ASSEMBLY (SN 0300239675 to Present) .....	556
FIGURE 6-10. LIFT (BOOM) CYLINDER ASSEMBLY (SN 0300209000 through 0300239990).....	558
FIGURE 6-11. LIFT (BOOM) CYLINDER ASSEMBLY (SN 0300239991 to Present).....	560
FIGURE 6-12. LIFT (JIB) CYLINDER ASSEMBLY (SN 0300209000 through 0300239990).....	562
FIGURE 6-13. LIFT (JIB) CYLINDER ASSEMBLY (SN 0300239991 to Present) .....	564
FIGURE 6-14. LOCK (JIB) CYLINDER ASSEMBLY (SN 0300209000 through 0300239674) .....	566
FIGURE 6-15. LOCK (JIB) CYLINDER ASSEMBLY (SN 0300239675 to Present).....	568
FIGURE 6-16. STEER CYLINDER ASSEMBLY (SN 0300209000 through 0300238017).....	570
FIGURE 6-17. STEER CYLINDER ASSEMBLY (SN 0300238018 to Present) .....	572
FIGURE 6-18. TELESCOPE (JIB) CYLINDER ASSEMBLY (SN 0300209000 through 0300213726).....	574
FIGURE 6-19. TELESCOPE (JIB) CYLINDER ASSEMBLY (SN 0300213727 through 0300244704).....	576
FIGURE 6-20. TELESCOPE (JIB) CYLINDER ASSEMBLY (SN 0300244705 to Present) .....	578
FIGURE 6-21. TELESCOPE (MAIN BOOM) CYLINDER ASSEMBLY (SN 0300209000 through 0300244704).....	580
FIGURE 6-22. TELESCOPE (MAIN BOOM) CYLINDER ASSEMBLY (SN 0300244705 to Present) .....	582
SECTION 7 - HYDRAULIC .....	585
FIGURE 7-1. HYDRAULIC DIAGRAM - BOOM .....	586
FIGURE 7-2. HYDRAULIC DIAGRAM - DRIVE .....	590
FIGURE 7-3. HYDRAULIC DIAGRAM - OSCILLATING AXLE.....	594
FIGURE 7-4. HYDRAULIC DIAGRAM - STEER .....	596
FIGURE 7-5. HYDRAULIC DIAGRAM - TURNTABLE (DEUTZ TD2011 ENGINE MACHINES WITH REXROTH PUMPS) .....	598
FIGURE 7-6. HYDRAULIC DIAGRAM - TURNTABLE (DEUTZ TCD2.9L4 ENGINE MACHINES WITH REXROTH PUMPS)....	600
FIGURE 7-7. HYDRAULIC DIAGRAM - TURNTABLE (DEUTZ TD2011 AND DEUTZ TCD2.9L4 ENGINE MACHINES WITH SAUER PUMPS) .....	602
FIGURE 7-8. HYDRAULIC DIAGRAM LIST .....	604
SECTION 8 - ELECTRICAL .....	607
FIGURE 8-1. AC BOX AT PLATFORM - 110V (ANSI SPECS) .....	608
FIGURE 8-2. AC BOX AT PLATFORM - 110V GFI RECEPTACLE (ANSI SPECS) .....	610
FIGURE 8-3. AC BOX AT PLATFORM - 220V GFI RECEPTACLE (ANSI SPECS) .....	612
FIGURE 8-4. AC BOX AT PLATFORM INSTALLATION - BOX WITH COVER (2X4 BOX) WITH 4000W GENERATOR (ANSI EXPORT SPECS) (SN 0300209000 through 0300214023).....	614
FIGURE 8-5. AC BOX AT PLATFORM INSTALLATION - BOX WITH COVER (2X4 BOX) WITH 4000W GENERATOR (ANSI EXPORT SPECS) (SN 0300214024 to Present) .....	616
FIGURE 8-6. AC BOX AT PLATFORM INSTALLATION - 110V IEC 60309 YELLOW WITHOUT 2500W GENERATOR (CE SPECS) .....	618
FIGURE 8-7. AC BOX AT PLATFORM INSTALLATION - 110V IEC 60309 YELLOW WITH 4000W GENERATOR (CE SPECS) (SN 0300209000 through 0300214023) .....	620
FIGURE 8-8. AC BOX AT PLATFORM INSTALLATION - 110V IEC 60309 YELLOW WITH 4000W GENERATOR (CE SPECS) (SN 0300214024 to Present) .....	622
FIGURE 8-9. AC BOX AT PLATFORM INSTALLATION - 220V IEC 60309 BLUE WITHOUT 2500W GENERATOR (CE SPECS) .....	624
FIGURE 8-10. AC BOX AT PLATFORM INSTALLATION - 220V IEC 60309 BLUE WITH 4000W GENERATOR (CE SPECS) (SN 0300209000 through 0300214023).....	626
FIGURE 8-11. AC BOX AT PLATFORM INSTALLATION - 220V IEC 60309 BLUE WITH 4000W GENERATOR (CE SPECS) (SN 0300214024 to Present) .....	628
FIGURE 8-12. AC BOX AT PLATFORM INSTALLATION - 220V CEE7 POST GROUND (2X4 BOX) WITHOUT 2500W GENERATOR (CE SPECS) .....	630
FIGURE 8-13. AC BOX AT PLATFORM INSTALLATION - 220V CEE7 POST GROUND (2X4 BOX) WITH 4000W GENERATOR (CE SPECS) (SN 0300209000 through 0300214023).....	632
FIGURE 8-14. AC BOX AT PLATFORM INSTALLATION - 220V CEE7 POST GROUND (2X4 BOX) WITH 4000W GENERATOR (CE SPECS) (SN 0300214024 to Present).....	634
FIGURE 8-15. AC BOX AT PLATFORM INSTALLATION - 220V CEE7 SIDE GROUND (2X4 BOX) WITHOUT 2500W GENERATOR (CE SPECS) .....	636
FIGURE 8-16. AC BOX AT PLATFORM INSTALLATION - 220V CEE7 SIDE GROUND (2X4 BOX) WITH 4000W GENERATOR (CE SPECS) (SN 0300209000 through 0300214023).....	638
FIGURE 8-17. AC BOX AT PLATFORM INSTALLATION - 220V CEE7 SIDE GROUND (2X4 BOX) WITH 4000W GENERATOR (CE SPECS) (SN 0300214024 to Present).....	640
FIGURE 8-18. AC BOX AT PLATFORM INSTALLATION - 220V AFSINT 107 KEYED GROUND (2X4 BOX) WITHOUT 2500W GENERATOR (CE SPECS) .....	642
FIGURE 8-19. AC BOX AT PLATFORM INSTALLATION - 220V AFSINT 107 KEYED GROUND (2X4 BOX) WITH 4000W GENERATOR (CE SPECS) (SN 0300209000 through 0300214023) .....	644
FIGURE 8-20. AC BOX AT PLATFORM INSTALLATION - 220V AFSINT 107 KEYED GROUND (2X4 BOX) WITH 4000W GENERATOR (CE SPECS) (SN 0300214024 to Present).....	646
FIGURE 8-21. AC 16 AMP/30MA BREAKER BOX INSTALLATION .....	648

# TABLE OF CONTENTS

FIGURE 8-22. AC 16 AMP BREAKER BOX INSTALLATION (CE SPECS)	650
FIGURE 8-23. AXLE POWER TRACK HARNESS ASSEMBLY	652
FIGURE 8-24. BATTERY DISCONNECT INSTALLATION	654
FIGURE 8-25. BEACON CONTROL HARNESS (BLUE BEACON LIGHT ONLY)	656
FIGURE 8-26. BEACON LIGHT HARNESS (BLUE BEACON LIGHT ONLY)	658
FIGURE 8-27. B.L.A.M. HARNESS	660
FIGURE 8-28. B.L.A.M. TO BOOM LENGTH SENSOR HARNESS	662
FIGURE 8-29. B.L.A.M. TO BOOM ANGLE SENSOR HARNESS (LEFT SIDE)	664
FIGURE 8-30. B.L.A.M. TO BOOM ANGLE SENSOR HARNESS (RIGHT SIDE)	666
FIGURE 8-31. BOOM CABLES INSTALLATION (ANSI, CSA AND JAPANESE SPECS)	668
FIGURE 8-32. BOOM CABLES INSTALLATION - WITH 4000W 60HZ GENERATOR (ANSI AND ANSI EXPORT SPECS)	670
FIGURE 8-33. BOOM CABLES INSTALLATION - WITH 4000W 50HZ GENERATOR (CE SPECS)	672
FIGURE 8-34. BOOM CABLES INSTALLATION - WITH 7500W GENERATOR	674
FIGURE 8-35. BOOM CYLINDER ANGLE HARNESS	676
FIGURE 8-36. BREAKER BOX KIT - 16 AMP	678
FIGURE 8-37. BREAKER BOX KIT - 16 AMP (4000W GENERATOR)	680
FIGURE 8-38. BREAKER BOX KIT - 16 AMP/30MA	682
FIGURE 8-39. CHASSIS HARNESS ASSEMBLY	684
FIGURE 8-40. ENGINE HARNESS - DEUTZ TD2011 ENGINES	686
FIGURE 8-41. ENGINE HARNESS - DEUTZ TCD2.9L4 ENGINES AND DEUTZ TCD2.9L4 (STAGE V) ENGINES	688
FIGURE 8-42. FUEL FILTER HARNESS - DEUTZ TCD2.9L4 ENGINES AND DEUTZ TCD2.9L4 (STAGE V) ENGINES	692
FIGURE 8-43. FUEL HARNESS - DEUTZ TCD2.9L4 ENGINES AND DEUTZ TCD2.9L4 (STAGE V) ENGINES	694
FIGURE 8-44. GENERATOR HARNESS - 4000W GENERATOR	696
FIGURE 8-45. GENERATOR HARNESS - 7500W GENERATOR	698
FIGURE 8-46. GROUND CONTROL BOX HARNESS ASSEMBLY (ALL SPECS EXCEPT CE SPECS)	700
FIGURE 8-47. GROUND CONTROL BOX HARNESS ASSEMBLY (CE SPECS)	704
FIGURE 8-48. INTERFACE HARNESS - WITH 1 CELL LSS	708
FIGURE 8-49. JIB BOOM CONTROL HARNESS	710
FIGURE 8-50. JIB ENABLE HARNESS	712
FIGURE 8-51. JIB VALVE HARNESS	714
FIGURE 8-52. LCD DISPLAY HARNESS (SN 0300209000 through 0300248232)	716
FIGURE 8-53. LCD DISPLAY HARNESS (SN 0300248233 to Present)	718
FIGURE 8-54. LOAD SENSING PIN HARNESS	720
FIGURE 8-55. MAIN BOOM CONTROL HARNESS	722
FIGURE 8-56. PLATFORM CONSOLE BOX HARNESS ASSEMBLY - WITHOUT SKYGUARD	724
FIGURE 8-57. PLATFORM CONSOLE BOX HARNESS ASSEMBLY - WITH SKYGUARD (WITH 4 CELL LSS) (SN 0300220152 through 0300234293)	726
FIGURE 8-58. PLATFORM CONSOLE BOX HARNESS ASSEMBLY - WITH SKYGUARD (WITH 1 CELL LSS) (SN 0300234294 to Present)	730
FIGURE 8-59. PLATFORM VALVE HARNESS	732
FIGURE 8-60. PUMP HARNESS	734
FIGURE 8-61. PUMP ADAPTER HARNESS - SAUER PUMP TO REXROTH PUMP	736
FIGURE 8-62. RECEPTACLE BOX KIT - 110V IEC YELLOW WITHOUT 2500W GENERATOR (CE SPECS)	738
FIGURE 8-63. RECEPTACLE BOX KIT - 220V IEC BLUE WITHOUT 2500W GENERATOR (CE SPECS)	740
FIGURE 8-64. RECEPTACLE BOX KIT - 220V CEE7 POST GROUND WITHOUT 2500W GENERATOR (2X4 BOX) (CE SPECS)	742
FIGURE 8-65. RECEPTACLE BOX KIT - 220V CEE7 SIDE GROUND WITHOUT 2500W GENERATOR (2X4 BOX) (CE SPECS)	744
FIGURE 8-66. RECEPTACLE BOX KIT - 220V AFSINT 107 KEYED GROUND WITHOUT 2500W GENERATOR (2X4 BOX) (CE SPECS)	746
FIGURE 8-67. SKYEYE INTERMEDIATE HARNESS	748
FIGURE 8-68. SKYEYE RECEIVER HARNESS	750
FIGURE 8-69. SKYEYE EMITTER HARNESS	752
FIGURE 8-70. SKYLINE HARNESS	754
FIGURE 8-71. STROBE LIGHT HARNESS (AMBER)	756
FIGURE 8-72. TURNTABLE HARNESS ASSEMBLY	758
FIGURE 8-73. ELECTRICAL DIAGRAM LIST	762
SECTION 9 - DECALS	763
FIGURE 9-1. DECAL INSTALLATION - ANSI SPEC	764
FIGURE 9-2. DECAL INSTALLATION - AUSTRALIAN SPEC	766
FIGURE 9-3. DECAL INSTALLATION - BRAZIL SPEC (PORTUGUESE/ENGLISH)	768
FIGURE 9-4. DECAL INSTALLATION - CE SPEC	770
FIGURE 9-5. DECAL INSTALLATION - CSA SPEC (FRENCH/ENGLISH)	772
FIGURE 9-6. DECAL INSTALLATION - CHINESE SPEC (ENGLISH)	774
FIGURE 9-7. DECAL INSTALLATION - JAPANESE SPEC (JAPANESE/ENGLISH)	776

## TABLE OF CONTENTS

FIGURE 9-8. DECAL INSTALLATION - KOREAN SPEC (KOREAN/ENGLISH) .....	778
FIGURE 9-9. DECAL INSTALLATION - LATIN AMERICAN SPEC (SPANISH/ENGLISH) .....	780
FIGURE 9-10. DECAL INSTALLATION - OPTIONS .....	782
SECTION 10 - RECOMMENDED SERVICE PARTS STOCK .....	785
FIGURE 10-1. RECOMMENDED SERVICE PARTS STOCK .....	786
SECTION 11 - SPECIAL OPTIONS .....	789
FIGURE 11-1. SPECIAL OPTIONS .....	790
PART NUMBER INDEX .....	795

Go to [Discount-Equipment.com](http://Discount-Equipment.com) to order your parts



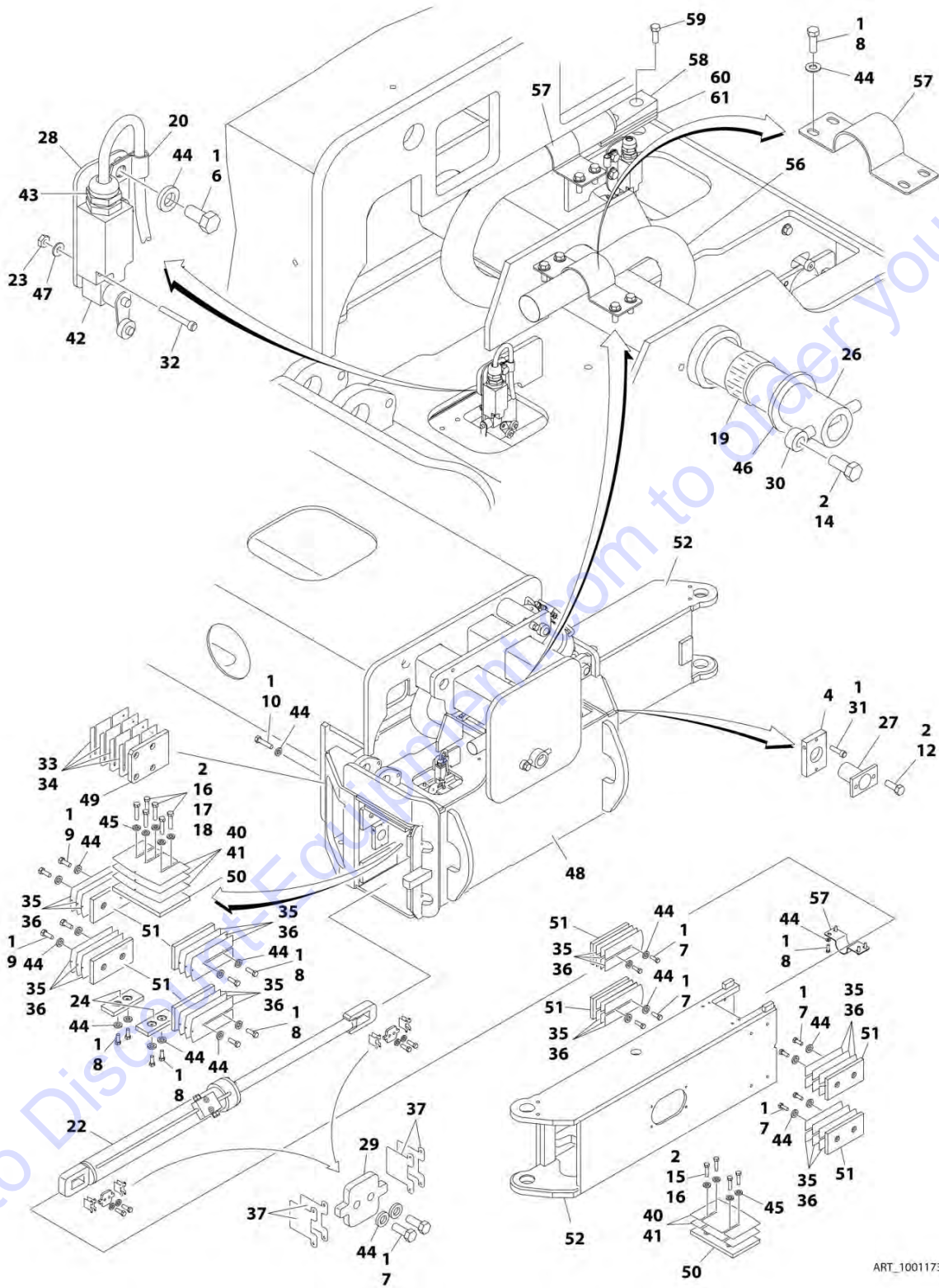
**SECTION 1 - FRAME**

Go to [Discount-Equipment.com](http://Discount-Equipment.com) to order your parts



# SECTION 1 - FRAME

## FIGURE 1-1. AXLE INSTALLATION - FIXED



ART\_1001173914

# SECTION 1 - FRAME

## FIGURE 1-1. AXLE INSTALLATION - FIXED

ITEM	PART NUMBER	QTY	DESCRIPTION	REV
	1001173914	Ref	AXLE INSTALLATION - FIXED	I
1	0100011	AR	Compound, Locking	
2	0100019	AR	Compound, Locking	
4	0363037	4	Bar, Stop	
6	0641606	8	Bolt 3/8 x 3/4	
7	0641608	48	Bolt 3/8 x 1	
8	0641609	64	Bolt 3/8 x 1-1/8	
9	0641611	16	Bolt 3/8 x 1-3/8	
10	0641613	8	Bolt 3/8 x 1-5/8	
12	0641808	8	Bolt 1/2 x 1	
14	0642214	1	Bolt 3/4 x 1-3/4	
15	0681813	12	Bolt 1/2 x 1-5/8 Grade 8	
16	0681814	18	Bolt 1/2 x 1-3/4 Grade 8	
17	0681815	12	Bolt 1/2 x 1-7/8 Grade 8	
18	0681816	6	Bolt 1/2 x 2 Grade 8	
19	0962033	2	Bushing	
20	1320263	4	Clamp, Cable	
22	1684102	NLA	Axle Extension Cylinder Assembly (Use p/n 1001228020) (See CYLINDER SECTION for Breakdown) (SN 0300209000 through 0300239674)	
22	1001228020	4	Axle Extension Cylinder Assembly (See CYLINDER SECTION for Breakdown) (SN 0300239675 to Present)	
23	3310805	8	Nut #8	
24	3340881	8	Pad, Wear	
26	3422918	1	Pin	
27	3422960	4	Pin	
28	3573294	4	Plate	
29	3573335	8	Plate	
30	3841287	1	Keeper, Pin	
31	3900270	4	Bolt 1/2 x 1-1/2	
32	3930820	8	Capscrew #8 x 1-1/4	
33	4071035	2	Shim #18 Gauge	
34	4071036	4	Shim #11 Gauge	
35	4071039	10	Shim #18 Gauge	
36	4071040	36	Shim #11 Gauge	
37	4071042	24	Shim #16 Gauge	
40	4071054	8	Shim #18 Gauge	
41	4071055	12	Shim #11 Gauge	
42	4360578	4	Switch, Limit	
43	4460968	4	Connector, Strain Relief	
44	4711600	144	Washer 3/8	
45	4711800	48	Washer 1/2	
46	4740461	1	Thrustwasher	
47	4750800	8	Washer #8	
48	4846383	1	Box, Axle Pivot	
49	1001161401	2	Pad, Axle	
50	1001161402	8	Pad, Wear	
51	1001161403	32	Pad, Wear	
52	4846637	4	Extension, Axle	
55	4240155	6	Tie-Strap (Not Shown)	

## SECTION 1 - FRAME

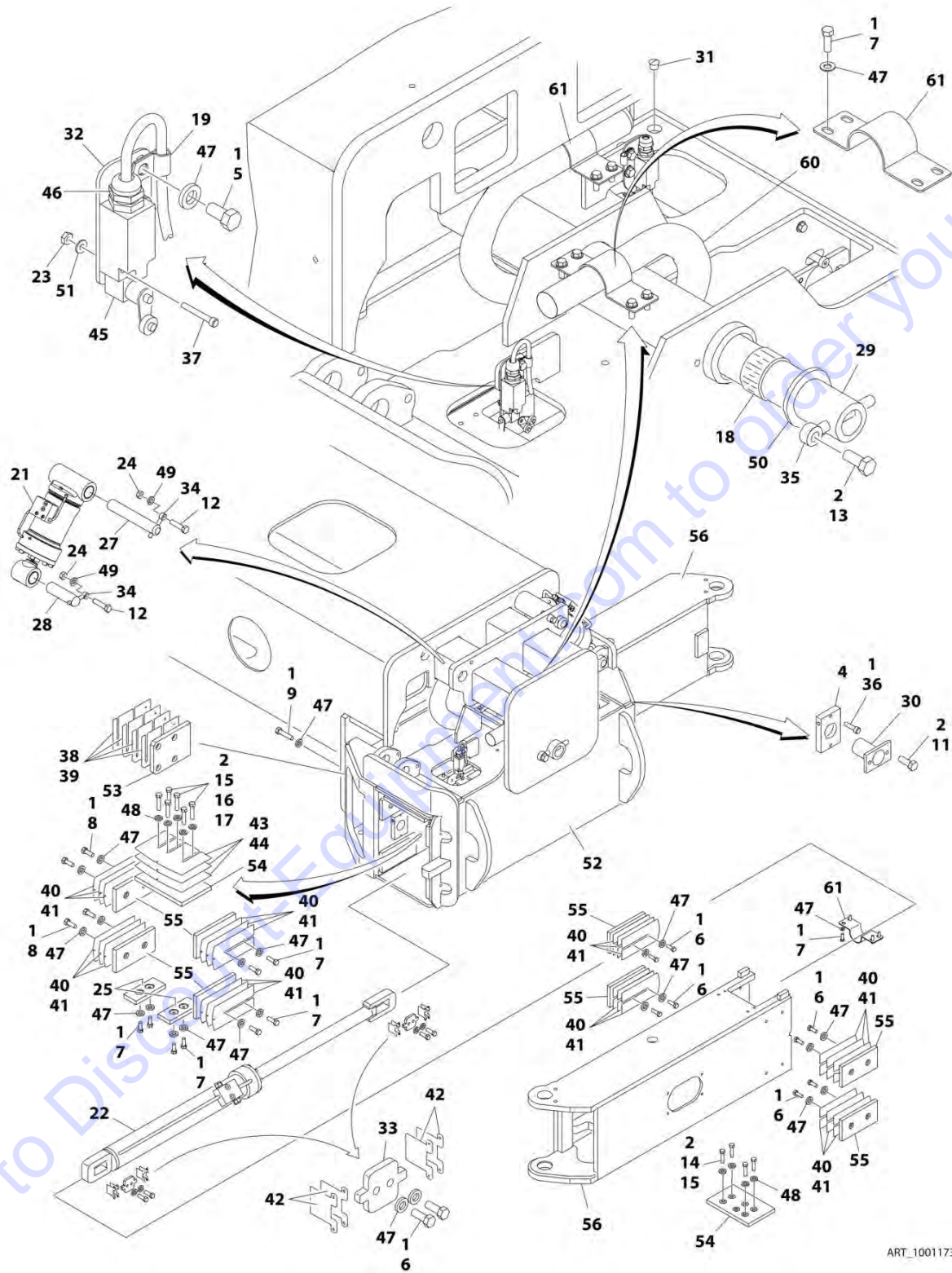
ITEM	PART NUMBER	QTY	DESCRIPTION	REV
56	1001193674	4	Sleeve (Not Shown - Located on Axle Hydraulic Hoses)	
57	1001191541	8	Bracket, Hose Mount	
58	0363076	2	Bar, Stop <b>(SN 0300215910 to Present)</b>	
59	0641814	4	Bolt 1/2 x 1-3/4 <b>(SN 0300215910 to Present)</b>	
60	4071049	4	Shim #11 Gauge <b>(SN 0300215910 to Present)</b>	
61	4071050	2	Shim #16 Gauge <b>(SN 0300215910 to Present)</b>	
62	2220235	1	Plug (Not Shown - Located on Junction Manifold Valve) <b>(SN 0300218861 to Present)</b>	

Go to Discount-Equipment.com to order your parts



# SECTION 1 - FRAME

## FIGURE 1-2. AXLE INSTALLATION - OSCILLATING



ART\_1001173913

## SECTION 1 - FRAME

### FIGURE 1-2. AXLE INSTALLATION - OSCILLATING

ITEM	PART NUMBER	QTY	DESCRIPTION	REV
	1001173913	Ref	AXLE INSTALLATION - OSCILLATING	H
1	0100011	AR	Compound, Locking	
2	0100019	AR	Compound, Locking	
4	0363037	4	Bar, Stop	
5	0641606	8	Bolt 3/8 x 3/4	
6	0641608	48	Bolt 3/8 x 1	
7	0641609	64	Bolt 3/8 x 1-1/8	
8	0641611	16	Bolt 3/8 x 1-3/8	
9	0641613	8	Bolt 3/8 x 1-5/8	
11	0641808	8	Bolt 1/2 x 1	
12	0642020	4	Bolt 5/8 x 2-1/2	
13	0642214	1	Bolt 3/4 x 1-3/4	
14	0681813	12	Bolt 1/2 x 1-5/8 Grade 8	
15	0681814	18	Bolt 1/2 x 1-3/4 Grade 8	
16	0681815	12	Bolt 1/2 x 1-7/8 Grade 8	
17	0681816	6	Bolt 1/2 x 2 Grade 8	
18	0962033	2	Bushing	
19	1320263	4	Clamp, Cable	
21	1684081	NLA	Axle Lockout Cylinder Assembly (Use p/n 1001228019) (See CYLINDER SECTION for Breakdown) <b>(SN 0300209000 through 0300239674)</b>	
21	1001228019	2	Axle Lockout Cylinder Assembly (See CYLINDER SECTION for Breakdown) <b>(SN 0300239675 to Present)</b>	
22	1684102	NLA	Axle Extension Cylinder Assembly (Use p/n 1001228020) (See CYLINDER SECTION for Breakdown) <b>(SN 0300209000 through 0300239674)</b>	
22	1001228020	4	Axle Extension Cylinder Assembly (See CYLINDER SECTION for Breakdown) <b>(SN 0300239675 to Present)</b>	
23	3310805	8	Nut #8	
24	3312005	4	Nut 5/8	
25	3340881	8	Pad, Wear	
27	3422833	2	Pin	
28	3422915	2	Pin	
29	3422918	1	Pin	
30	3422960	4	Pin	
31	3520054	4	Plug	
32	3573294	4	Plate	
33	3573335	8	Plate	
34	3841258	4	Keeper, Pin	
35	3841287	1	Keeper, Pin	
36	3900270	4	Bolt 1/2 x 1-1/2	
37	3930820	8	Capscrew #8 x 1-1/4	
38	4071035	2	Shim #18 Gauge	
39	4071036	4	Shim #11 Gauge	
40	4071039	10	Shim #18 Gauge	
41	4071040	36	Shim #11 Gauge	
42	4071042	24	Shim #16 Gauge	
43	4071054	8	Shim #18 Gauge	
44	4071055	12	Shim #11 Gauge	
45	4360578	4	Switch, Limit	
46	4460968	4	Connector, Strain Relief	



## SECTION 1 - FRAME

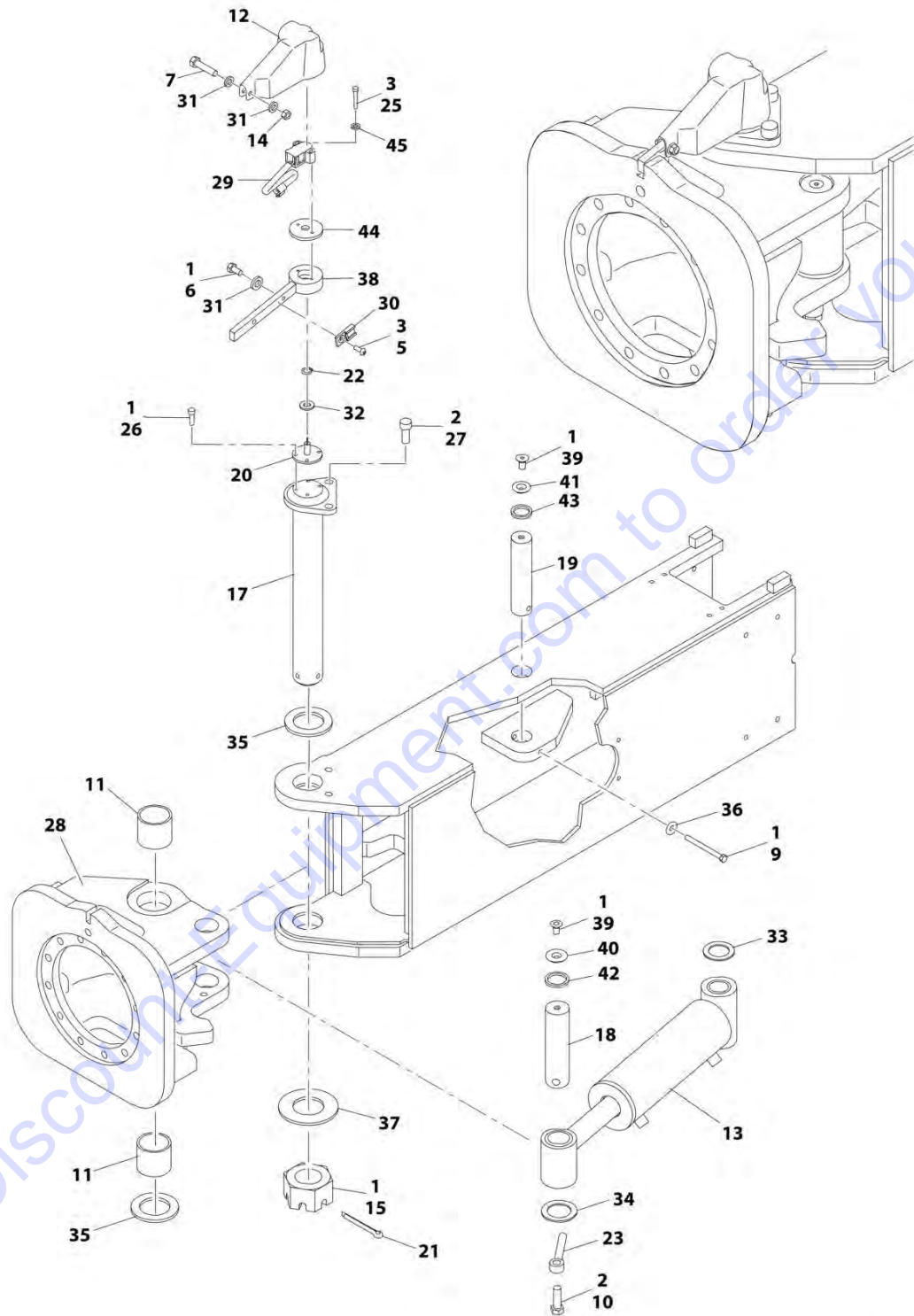
ITEM	PART NUMBER	QTY	DESCRIPTION	REV
47	4711600	144	Washer 3/8	
48	4711800	48	Washer 1/2	
49	4712000	4	Washer 5/8	
50	4740461	1	Thrustwasher	
51	4750800	8	Washer #8	
52	4846383	1	Box, Axle Pivot	
53	1001161401	2	Pad, Axle	
54	1001161402	8	Pad, Wear	
55	1001161403	32	Pad, Wear	
56	4846637	4	Extension, Axle	
59	4240155	6	Tie-Strap (Not Shown)	
60	1001193674	4	Sleeve (Not Shown - Located on Axle Hydraulic Hoses)	
61	1001191541	8	Bracket, Hose Mount	

Go to Discount-Equipment.com to order your parts



# SECTION 1 - FRAME

## FIGURE 1-3. STEER INSTALLATION



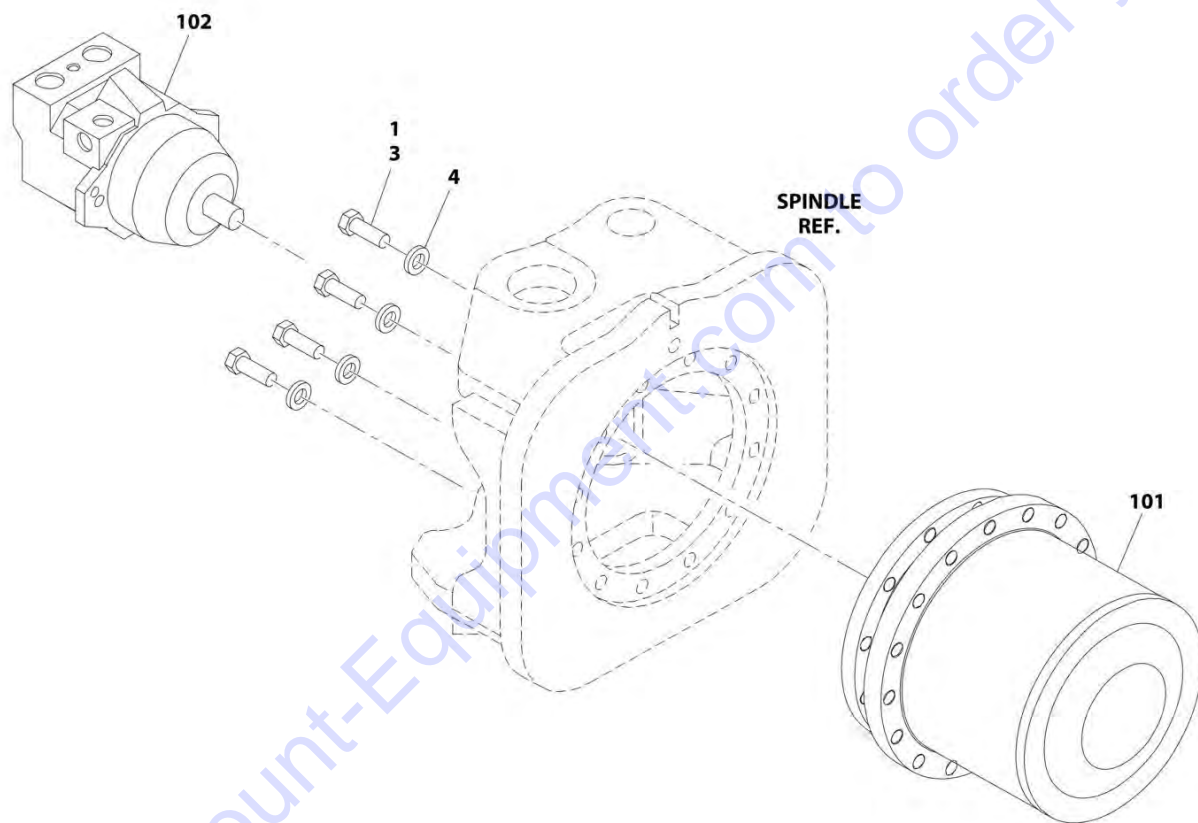
ART\_0271520

FIGURE 1-3. STEER INSTALLATION

ITEM	PART NUMBER	QTY	DESCRIPTION	REV
	0271520	Ref	STEER INSTALLATION	L
1	0100011	AR	Compound, Locking	
2	0100019	AR	Compound, Locking	
3	0100035	AR	Compound, Locking	
5	0630464	4	Screw #10 x 1/2	
6	0641505	4	Bolt 5/16 x 5/8	
7	0641511	4	Bolt 5/16 x 1-3/8	
9	0641634	4	Bolt 3/8 x 4-1/4	
10	0642016	4	Bolt 5/8 x 2	
11	0962423	8	Bushing	
12	1671040	4	Cover, Sensor	
13	1684314	NLA	Steer Cylinder Assembly (Use p/n 1001228031) (See CYLINDER SECTION for Breakdown) (SN 0300209000 through 0300238017)	
13	1001228031	4	Steer Cylinder Assembly (See CYLINDER SECTION for Breakdown) (SN 0300238018 to Present)	
14	3311505	4	Nut 5/16	
15	3300464	4	Nut	
17	3422917	4	Kingpin	
18	3422940	4	Pin, Steer Cylinder (Outer)	
19	3422941	4	Pin, Steer Cylinder (Inner)	
20	3423256	4	Pin, Sensor	
21	3451214	4	Pin, Cotter 3/8 x 3-1/2	
22	3760383	4	Ring, Retaining	
23	3841258	4	Keeper, Pin	
25	3931020	8	Capscrew #10 x 1-1/4	
26	3931412	16	Capscrew 1/4 x 3/4	
27	3932024	8	Capscrew 5/8 x 1-1/2	
28	1001099632	4	Spindle	
29	4360505	4	Switch, Rotary Angle Sensor (Steer)	
29	4460536	1	Receptacle, Female - 2 Position	
29	4460464	2	Pin, Male	
30	4460914	4	Terminal	
31	4711500	12	Washer 5/16	
32	4711800	4	Washer 1/2	
33	4740181	4	Thrustwasher	
34	4740229	4	Thrustwasher	
35	4740505	8	Thrustwasher	
36	4751600	4	Washer 3/8	
37	4755000	4	Washer 2-1/2	
38	0200833	4	Arm, Steer	
39	0741606	8	Screw 3/8 x 3/4	
40	1120549	4	Cap, Seal (Outer)	
41	1120550	4	Cap, Seal (Inner)	
42	3960551	4	Seal (Outer)	
43	3960552	4	Seal (Inner)	
44	0080277	4	Adapter, Angle Sensor Pilot	
45	4750800	8	Washer M8	
45	4811600	8	Washer M5	

# SECTION 1 - FRAME

## FIGURE 1-4. WHEEL DRIVE INSTALLATION - BONFIGLIOLI



ART\_0275685

## SECTION 1 - FRAME

**FIGURE 1-4. WHEEL DRIVE INSTALLATION - BONFIGLIOLI**

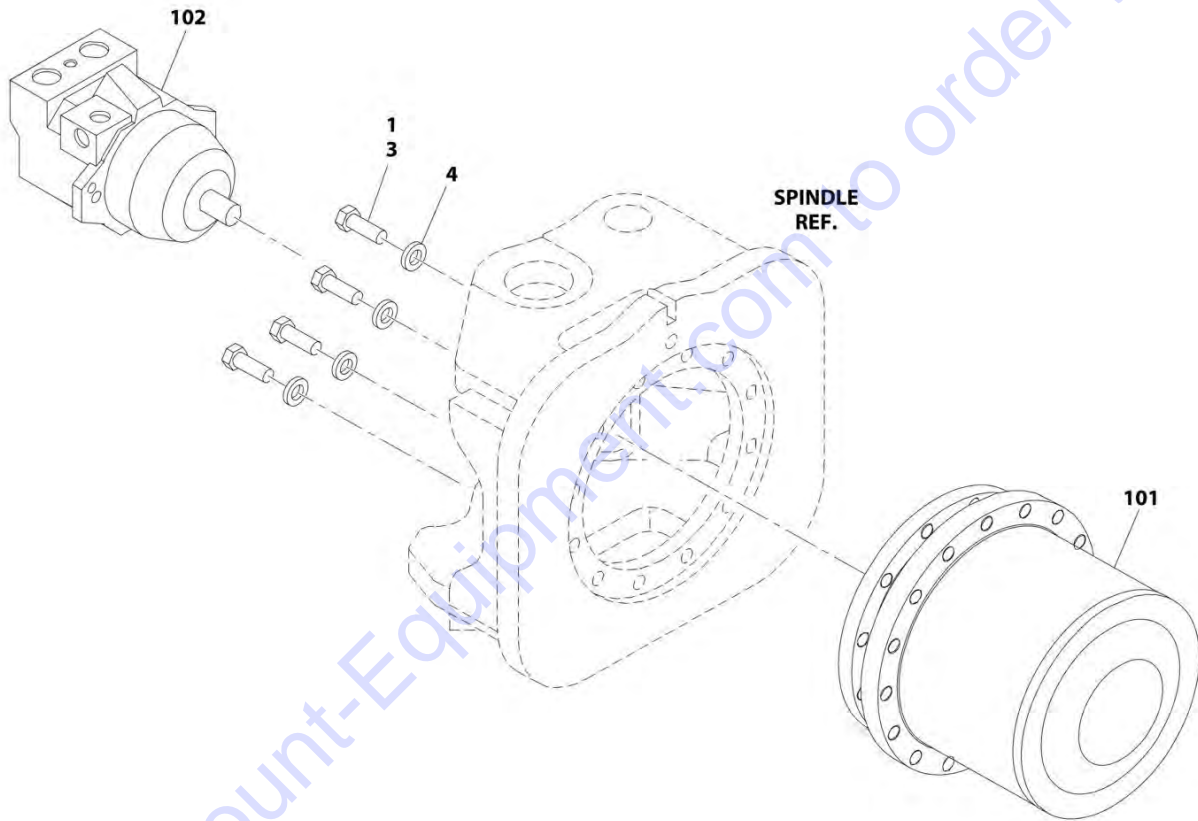
ITEM	PART NUMBER	QTY	DESCRIPTION	REV
	0275685	Ref	WHEEL DRIVE INSTALLATION - BONFIGLIOLI	C
1	0100019	AR	Compound, Locking	
3	0701617	48	Bolt M16 x 45 (12 Per Wheel)	
4	4892000	48	Washer 5/8 (12 Per Wheel)	
	2780286	Ref	HUB AND MOTOR ASSEMBLY - BONFIGLIOLI	D
101	1001093243	4	Drive Hub Assembly - Bonfiglioli (See DRIVE HUB ASSEMBLY - BONFIGLIOLI for Breakdown)	
		Ref	Note: Various brands used. When replacing complete hub, note that all 4 hubs must be the same brand.	
		Ref	Note: Various brands used. Identify brand before ordering replacement parts.	
102	3160339	4	Drive Motor Assembly (See DRIVE MOTOR ASSEMBLY for Breakdown)	

Go to Discount-Equipment.com to order your parts



# SECTION 1 - FRAME

## FIGURE 1-5. WHEEL DRIVE INSTALLATION - REGGIANA RIDUTTORI



ART\_1001104324

## SECTION 1 - FRAME

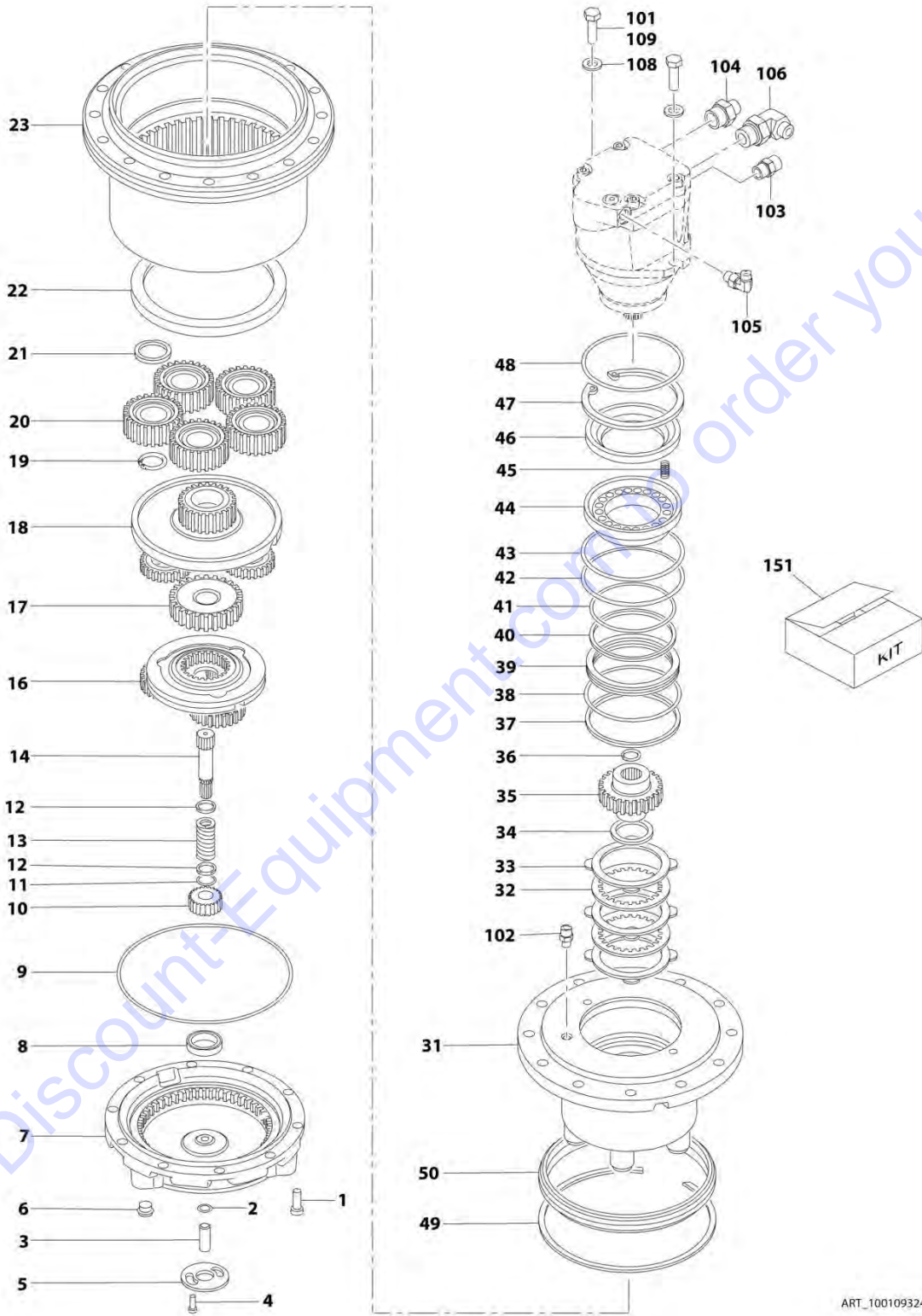
**FIGURE 1-5. WHEEL DRIVE INSTALLATION - REGGIANA RIDUTTORI**

ITEM	PART NUMBER	QTY	DESCRIPTION	REV
	1001104324	Ref	WHEEL DRIVE INSTALLATION - REGGIANA RIDUTTORI	B
1	0100019	AR	Compound, Locking	
3	0701617	48	Bolt M16 x 45 (12 Per Wheel)	
4	4892000	48	Washer 5/8 (12 Per Wheel)	
	1001104315	Ref	HUB AND MOTOR ASSEMBLY - REGGIANA RIDUTTORI	B
101	1001104325	4	Drive Hub Assembly - Reggiana Riduttori (See DRIVE HUB ASSEMBLY - REGGIANA RIDUTTORI for Breakdown)	
		Ref	Note: Various brands used. When replacing complete hub, note that all 4 hubs must be the same brand.	
		Ref	Note: Various brands used. Identify brand before ordering replacement parts.	
102	3160339	4	Drive Motor Assembly (See DRIVE MOTOR ASSEMBLY for Breakdown)	

Go to Discount-Equipment.com to order your parts

# SECTION 1 - FRAME

## FIGURE 1-6. DRIVE HUB ASSEMBLY - BONFIGLIOLI



ART\_1001093243

# SECTION 1 - FRAME

## FIGURE 1-6. DRIVE HUB ASSEMBLY - BONFIGLIOLI

ITEM	PART NUMBER	QTY	DESCRIPTION	REV
	1001093243	Ref	DRIVE HUB ASSEMBLY - BONFIGLIOLI	D
		Ref	Note: Various brands used. Identify brand before ordering replacement parts.	
	1001093242	1	Hub, Torque Less Fittings	
1	70000810	10	Bolt M10 x 25	
2	70000811	1	O-Ring	
3	70000812	1	Pin	
4	70000813	2	Bolt M8 x 16	
5	70002393	1	Cap, Disconnect	
6	See Note	NSS	Plug (Note: Purchase Locally)	
7	70002394	1	Cover Assembly (Includes Items 2-6 & 8)	
8	70000816	1	Pad	
9	70000817	1	O-Ring	
10	70000818	1	Gear, Primary Sun	
11	See Note	1	Ring, Neoprene (Note: Use Item 151)	
12	See Note	2	Washer (Note: Use Item 151)	
13	See Note	1	Spring (Note: Use Item 151)	
14	See Note	1	Shaft (Note: Use Item 151)	
16	70000820	1	Reduction Assembly, Primary	
17	70000821	1	Gear, Secondary Sun	
18	70000822	1	Reduction Assembly, Secondary	
19	70000823	5	Snap Ring	
20	70000824	5	Gear Assembly, Planetary	
21	70000825	5	Spacer	
22	70000826	1	Nut	
23	70002395	1	Housing, Hub (Includes Bearing)	
23	See Note	NSS	Bearing (Note: Use p/n 70002395)	
31	See Note	NSS	Spindle (Note: Use p/n 1001093242)	
32	70000834	4	Disc, Steel	
33	70000835	5	Disc, Lined	
34	70000836	1	Spacer	
35	70002398	1	Shaft, Brake	
36	70000838	1	Snap Ring	
37	70000839	1	Ring, Back-up	
38	70000840	1	O-Ring	
39	70000841	1	Spacer	
40	70000842	1	Ring, Back-up	
41	70000843	1	O-Ring	
42	70000844	1	O-Ring	
43	70000845	1	Ring, Back-up	
44	70000846	1	Piston, Brake	
45	70000847	15	Spring	
46	70000848	1	Plate, Spring Retainer	
47	70000849	1	Snap Ring	
48	70002399	1	O-Ring	
49	70002396	1	Circlip	
50	70002397	1	Seal	
101	0761215	2	Bolt M12 x 35	
102	2110404	1	Fitting, Adapter ORFS/ORB	
103	2110808	1	Fitting, Adapter ORFS/ORB	

## SECTION 1 - FRAME

ITEM	PART NUMBER	QTY	DESCRIPTION	REV
104	2110812	1	Fitting, Adapter ORFS/ORB	
105	2130406	1	Fitting, 90 Adapter ORFS/ORB	
106	2130812	1	Fitting, 90 Adapter ORFS/ORB	
108	5241200	2	Washer M12	
109	0100011	AR	Compound, Locking	
111	3020008	17 oz /0.5L	Lubricant HD 80W-90 (Not Shown)	
151	70000819	1	Brake Shaft Kit (Includes Items 11-14)	

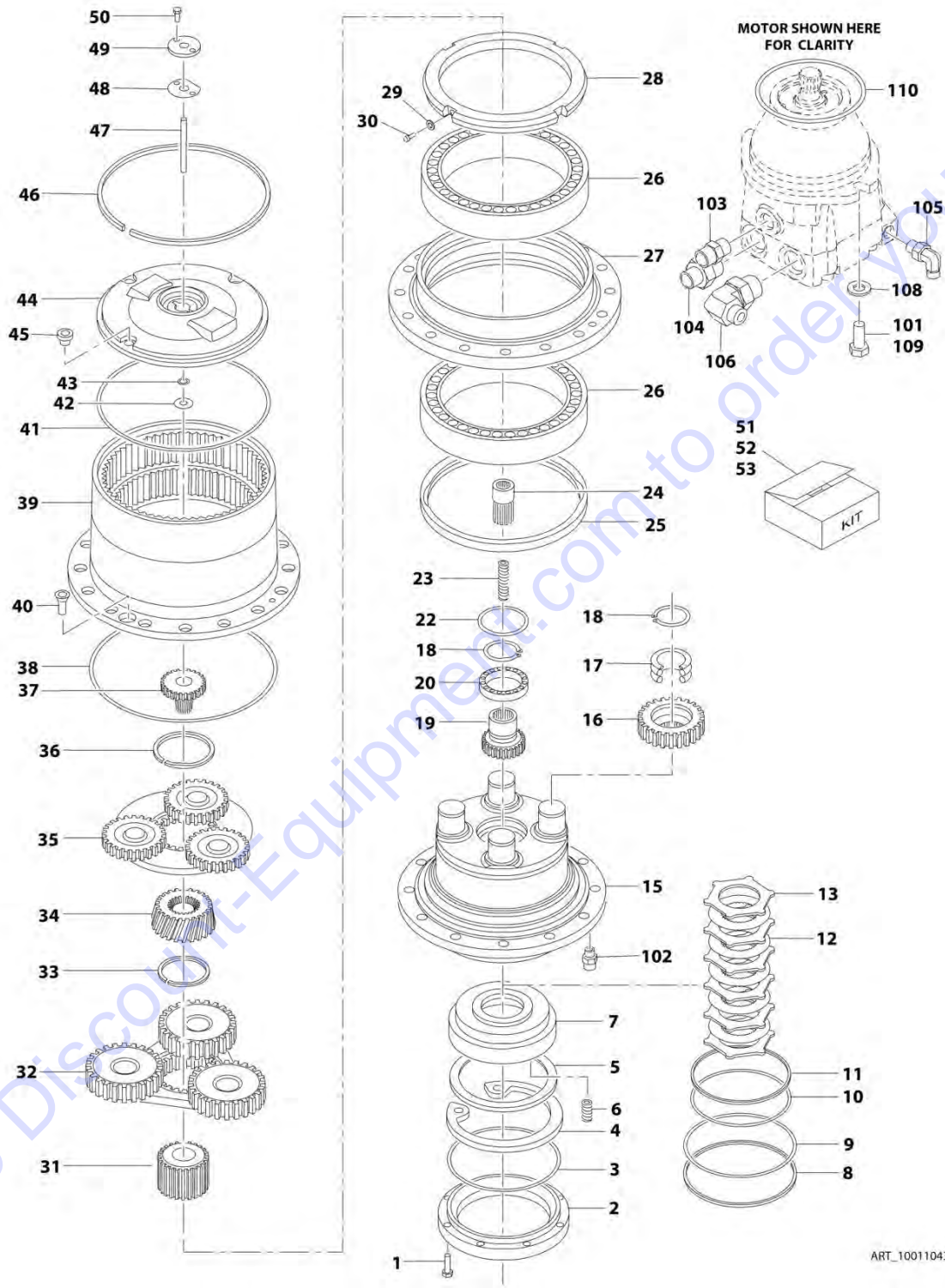
Go to Discount-Equipment.com to order your parts





# SECTION 1 - FRAME

## FIGURE 1-7. DRIVE HUB ASSEMBLY - REGGIANA RIDUTTORI



## SECTION 1 - FRAME

**FIGURE 1-7. DRIVE HUB ASSEMBLY - REGGIANA RIDUTTORI**

ITEM	PART NUMBER	QTY	DESCRIPTION	REV
	1001104325	Ref	DRIVE HUB ASSEMBLY - REGGIANA RIDUTTORI	E
		Ref	Note: Various brands used. Identify brand before ordering replacement parts.	
	1001101550	1	Hub, Torque Less Fittings	
1	70002015	8	Bolt M8 x 25	
2	70002016	1	Ring, Motor Support	
3	See Note	NSS	O-Ring (Note: Use Item 51)	
4	See Note	NSS	Snap Ring (Note: Use Item 53)	
5	See Note	NSS	Retainer, Spring (Note: Use Item 53)	
6	70002020	9	Spring	
7	See Note	NSS	Piston (Note: Use Item 53)	
8	See Note	NSS	Ring, Back-up (Note: Use Item 51 or 53)	
9	See Note	NSS	O-Ring (Note: Use Item 51 or 53)	
10	See Note	NSS	O-Ring (Note: Use Item 51 or 53)	
11	See Note	1	Ring, Back-up (Note: Use Item 51 or 53)	
12	70002026	5	Disc, Friction	
13	70002027	6	Disc, Steel	
15	70002029	1	Spindle	
16	70002030	4	Gear, Planetary	
17	70002031	4	Bearing	
18	70002032	5	Snap Ring	
19	70002033	1	Gear, Brake/Input	
20	70002034	1	Bearing	
22	70002035	1	Ring, Wear	
23	70002036	1	Spring	
24	70002037	1	Shaft, Engagement	
25	See Note	NSS	Seal (Note: Use Item 51)	
26	70002039	2	Bearing Assembly	
27	70002040	1	Support, Hub	
28	70002041	1	Nut, Retaining	
29	70002674	4	Washer	
30	70002674	4	Screw	
31	70002044	1	Gear, Planetary Sun	
32	70002045	1	Reduction Assembly, Secondary	
33	70002046	1	Snap Ring	
34	70002047	1	Gear, Secondary Input Sun	
35	70002048	1	Reduction Assembly, Primary	
36	70002049	1	Snap Ring	
37	70002050	1	Gear, Primary Input Sun	
38	See Note	NSS	O-Ring (Note: Use Item 51)	
39	Not Available	1	Housing, Hub	
40	70002052	2	Screw, Countersunk	
41	See Note	NSS	O-Ring (Note: Use Item 51 or 52)	
42	See Note	NSS	Thrustwasher (Note: Use Item 52)	
43	See Note	NSS	O-Ring (Note: Use Item 51 or 52)	
44	See Note	NSS	Cover, Hub (Note: Use Item 52)	
45	See Note	NSS	Plug (Note: Use Item 52)	
46	See Note	NSS	Snap Ring (Note: Use Item 52)	
47	See Note	NSS	Pin, Engagement (Note: Use Item 52)	
48	See Note	NSS	Gasket (Note: Use Item 51 or 52)	

## SECTION 1 - FRAME

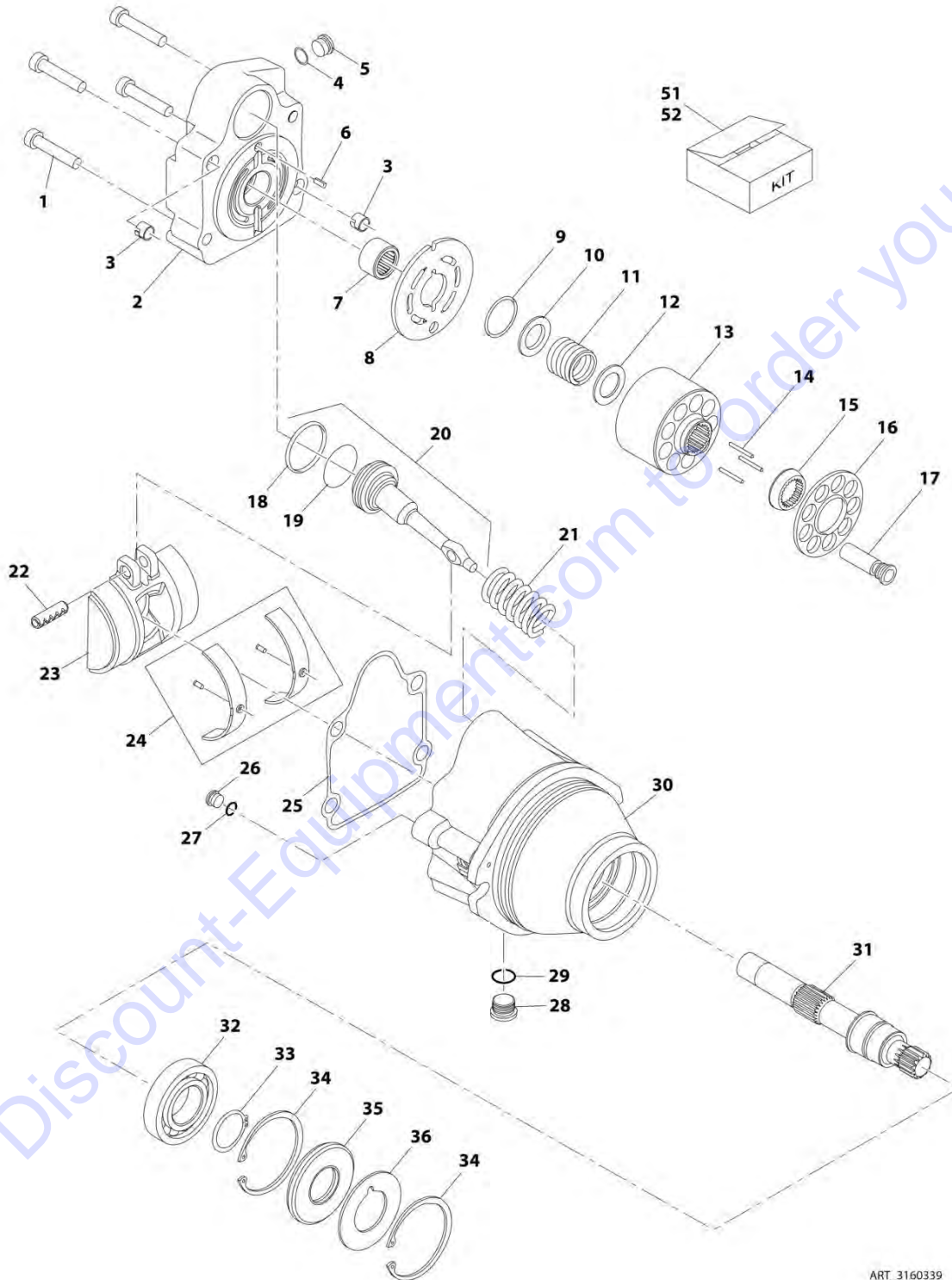
ITEM	PART NUMBER	QTY	DESCRIPTION	REV
49	See Note	NSS	Cover, Engagement (Note: Use Item 52)	
50	See Note	NSS	Screw (Note: Use Item 52)	
51	70002248	1	Seal Kit (Includes Items 3, 8-11, 25, 38, 41, 43 & 48)	
52	70002247	1	Cover Kit (Includes Items 41-50)	
53	70002249	1	Brake Kit (Includes Items 4-13)	
101	0761214	2	Bolt M12 x 30	
102	2110404	1	Fitting, Adapter ORFS/ORB	
103	2110808	1	Fitting, Adapter ORFS/ORB	
104	2110812	1	Fitting, Adapter ORFS/ORB	
105	2130406	1	Fitting, 90 Adapter ORFS/ORB	
106	2130812	1	Fitting, 90 Adapter ORFS/ORB	
108	5241200	2	Washer M12	
109	0100011	AR	Compound, Locking	
110	3790158	1	O-Ring	
111	3020008	1.58 qt/ 1.5L	Lubricant HD 80W-90 (Not Shown)	

Go to Discount-Equipment.com to order your parts



# SECTION 1 - FRAME

## FIGURE 1-8. DRIVE MOTOR ASSEMBLY



ART\_3160339



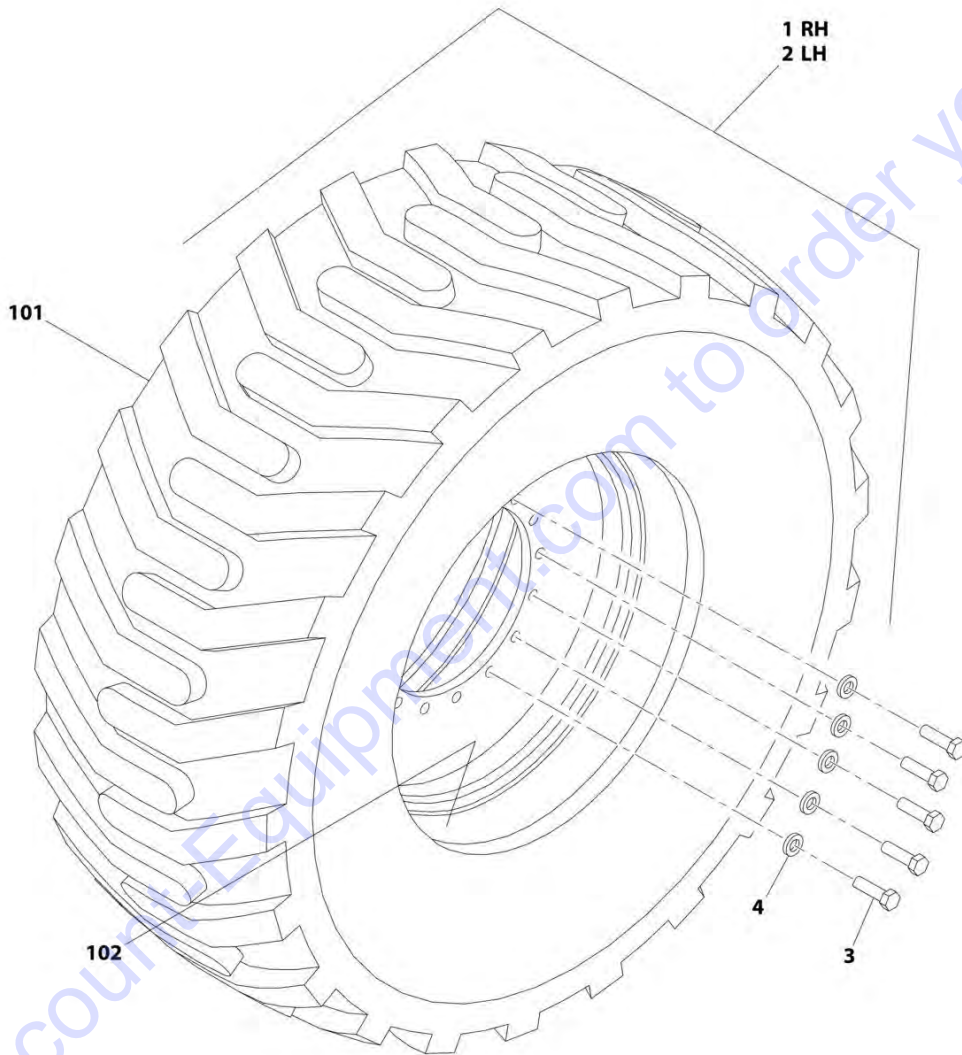
# SECTION 1 - FRAME

## FIGURE 1-8. DRIVE MOTOR ASSEMBLY

ITEM	PART NUMBER	QTY	DESCRIPTION	REV
	3160339	Ref	DRIVE MOTOR ASSEMBLY	D
1	7022368	4	Bolt	
2	70000859	1	End Cap, Motor	
3	70003628	2	Locating Pin	
4	See Note	NSS	O-Ring (Note: Use Item 5 or 51)	
5	7007420	1	Plug (Includes Item 4)	
6	7007446	1	Pin, Dowel	
7	7021249	1	Bearing, Needle	
8	70000854	1	Plate, Valve	
9	7022311	1	Snap Ring	
10	7022314	1	Retainer, Spring	
11	7024867	1	Spring	
12	7024868	1	Washer	
13	70000855	1	Block, Cylinder	
14	7021275	3	Pin, Slipper	
15	70000856	1	Guide	
16	70000857	1	Retainer, Slipper	
17	7024865	9	Piston, Cylinder	
18	See Note	NSS	Ring, Piston (Note: Use Item 20 or 51)	
19	See Note	NSS	O-Ring (Note: Use Item 20 or 51)	
20	70000860	1	Piston, Servo (Includes Items 18 & 19)	
21	70000861	1	Spring	
22	See Note	NSS	Pin (Note: Not Available for Purchase)	
23	70000853	1	Swashplate	
24	70000852	1	Bearing Kit	
25	See Note	NSS	Gasket (Note: Use Item 51)	
26	See Note	NSS	Plug (Note: Not Available for Purchase)	
27	See Note	NSS	O-Ring (Note: Use Item 51)	
28	7022321	1	Plug (Includes Item 29)	
29	See Note	NSS	O-Ring (Note: Use Item 28 or 51)	
30	See Note	NSS	Housing (Note: Use p/n 3160339)	
31	70000858	1	Shaft	
32	7007437	1	Bearing	
33	7007439	1	Snap Ring	
34	7007438	2	Snap Ring	
35	See Note	NSS	Seal (Note: Use Item 51)	
36	7022371	1	Washer, Seal Support	
51	70000862	1	Motor Seal Kit (Includes Items 4, 18, 19, 25, 27, 29 & 35)	
52	7027740	1	Cylinder Block Kit (Includes Items 9-17)	

# SECTION 1 - FRAME

## FIGURE 1-9. TIRE AND WHEEL INSTALLATION - FOAM FILLED



ART\_0271852

## SECTION 1 - FRAME

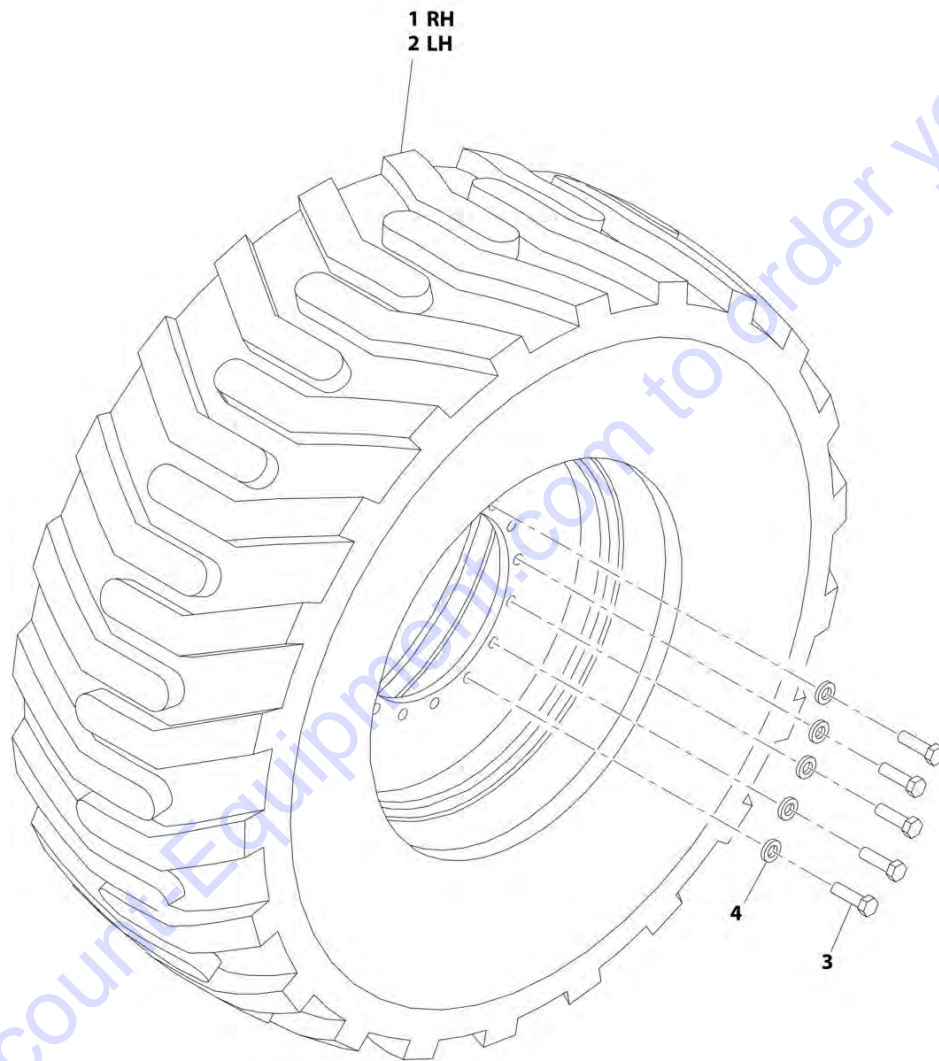
**FIGURE 1-9. TIRE AND WHEEL INSTALLATION - FOAM FILLED**

ITEM	PART NUMBER	QTY	DESCRIPTION	REV
	0271852	Ref	TIRE AND WHEEL INSTALLATION - FOAM FILLED	B
		Ref	Note: Assemblies may require ballast/foam filling to manufacturer's specifications prior to installing on a machine. Refer to Operation and Safety or Service and Maintenance Manuals. Purchase individual tire and/or rim only if able to foam fill tire and wheel assembly, otherwise, purchase complete assembly.	
1	0272055	2	Tire and Wheel Assembly - RH Side (See Items 101-102 for Breakdown)	E
2	0272056	2	Tire and Wheel Assembly - LH Side (See Items 101-102 for Breakdown)	E
3	0701619	64	Bolt M16 x 55 (16 Per Wheel)	
4	4892000	64	Washer 5/8 (16 Per Wheel)	
		Ref	TIRE AND WHEEL ASSEMBLY COMPONENTS	
101	4520261	4	Tire 445/50D710 (For Foam Filling)	
102	4860236	4	Rim, Wheel	

Go to Discount-Equipment.com to order your parts

# SECTION 1 - FRAME

## FIGURE 1-10. TIRE AND WHEEL INSTALLATION - SOLID



ART\_1001115961

## SECTION 1 - FRAME

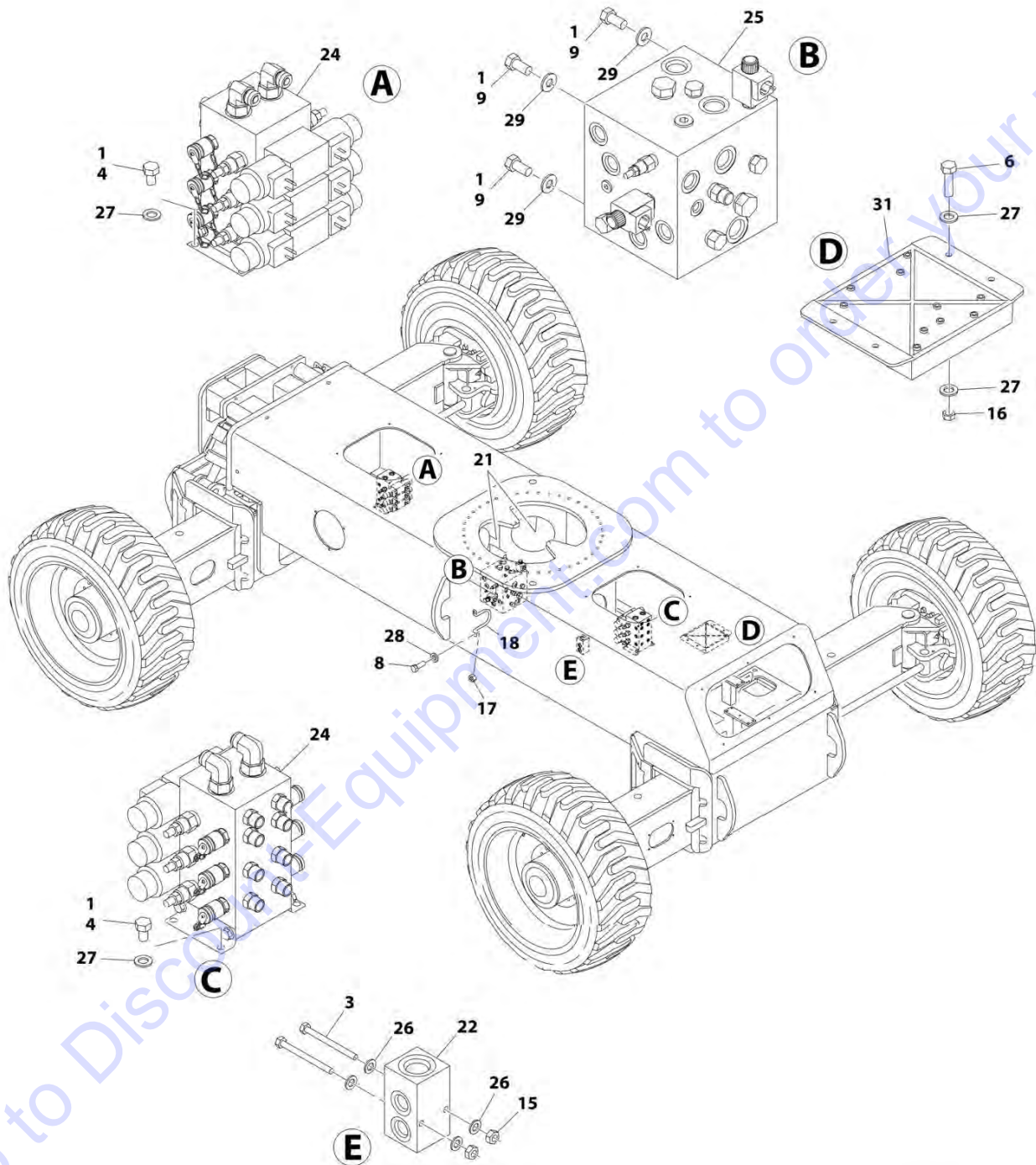
**FIGURE 1-10. TIRE AND WHEEL INSTALLATION - SOLID**

ITEM	PART NUMBER	QTY	DESCRIPTION	REV
1	1001115961	Ref	TIRE AND WHEEL INSTALLATION - SOLID	A
	1001112716	2	Tire and Wheel Assembly - RH Side (Note: Sold as Assembly Only)	
2	1001112669	2	Tire and Wheel Assembly - LH Side (Note: Sold as Assembly Only)	
3	0701619	64	Bolt M16 x 55 (16 Per Wheel)	
4	4892000	64	Washer 5/8 (16 Per Wheel)	

Go to Discount-Equipment.com to order your parts

# SECTION 1 - FRAME

FIGURE 1-11. VALVES AND MODULES INSTALLATION - FRAME MOUNTED (ANSI, CSA AND JAPANESE SPECS)



ART\_100119717\_10F3



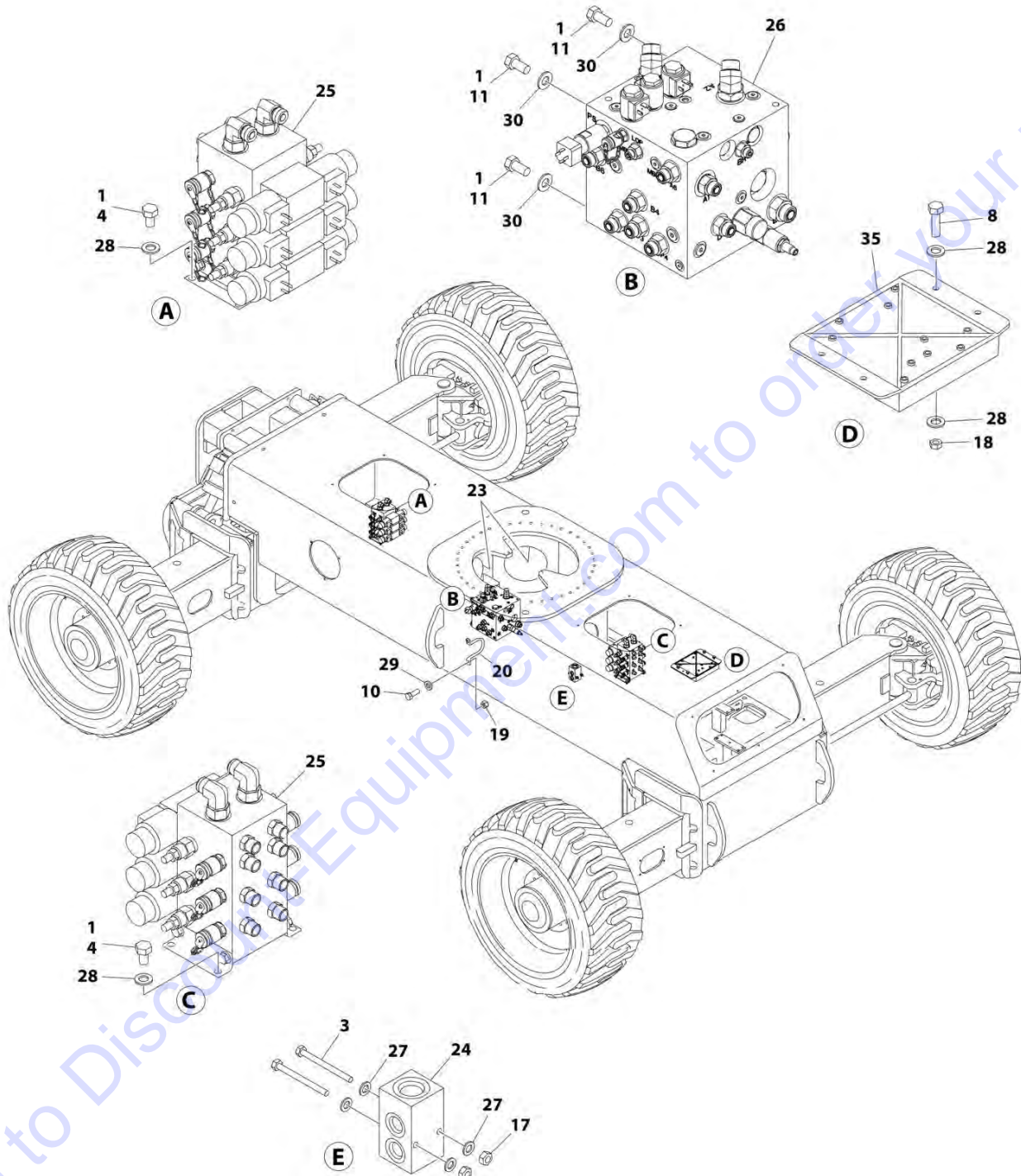
## SECTION 1 - FRAME

**FIGURE 1-11. VALVES AND MODULES INSTALLATION - FRAME MOUNTED (ANSI, CSA AND JAPANESE SPECS)**

ITEM	PART NUMBER	QTY	DESCRIPTION	REV
	1001119717	Ref	VALVES AND MODULES INSTALLATION - FRAME MOUNTED (ANSI, CSA AND JAPANESE SPECS)	G
1	0100011	AR	Compound, Locking	
3	0641424	2	Bolt 1/4 x 3	
4	0641504	8	Bolt 5/16 x 1/2	
6	0641509	4	Bolt 5/16 x 1-1/8	
8	0641608	20	Bolt 3/8 x 1	
9	0641808	4	Bolt 1/2 x 1	
15	3311405	2	Nut 1/4	
16	3311505	9	Nut 5/16	
17	3311605	4	Nut 3/8	
18	3841340	2	Loop, Hose	
21	4060808	124 in/ 3.2m	Flex-Trim	
22	4641155	1	Manifold, Junction	
24	4641268	2	Steer Valve Assembly (See STEER VALVE ASSEMBLY for Breakdown)	
25	4641454	1	Traction Valve Assembly (See TRACTION VALVE ASSEMBLY for Breakdown)	
26	4711400	8	Washer 1/4	
27	4711500	31	Washer 5/16	
28	4711600	26	Washer 3/8	
29	4711800	4	Washer 1/2	
31	1001112758	1	Module, Chassis (Note: Re-calibration Required when Replaced)	

# SECTION 1 - FRAME

FIGURE 1-12. VALVES AND MODULES INSTALLATION - FRAME MOUNTED (WITH 1 CELL LSS) (CE AND AUSTRALIAN SPECS) (SN 0300234294 to Present)



ART\_1001219992\_10F3

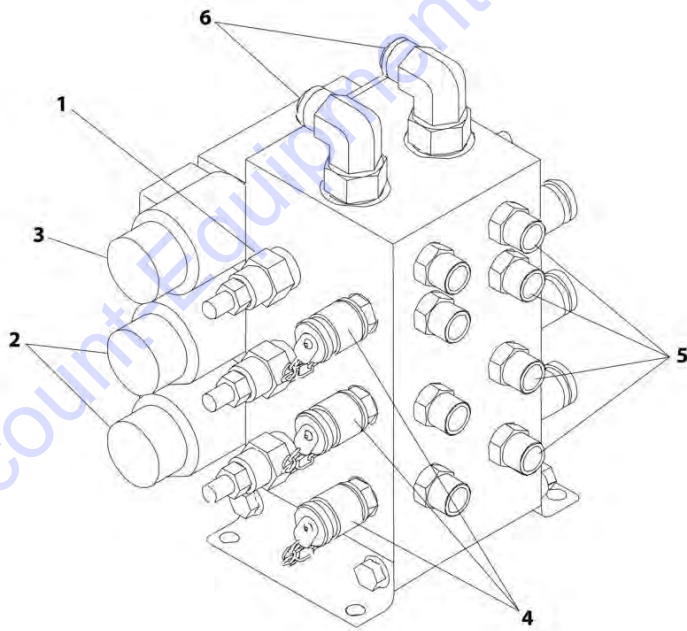
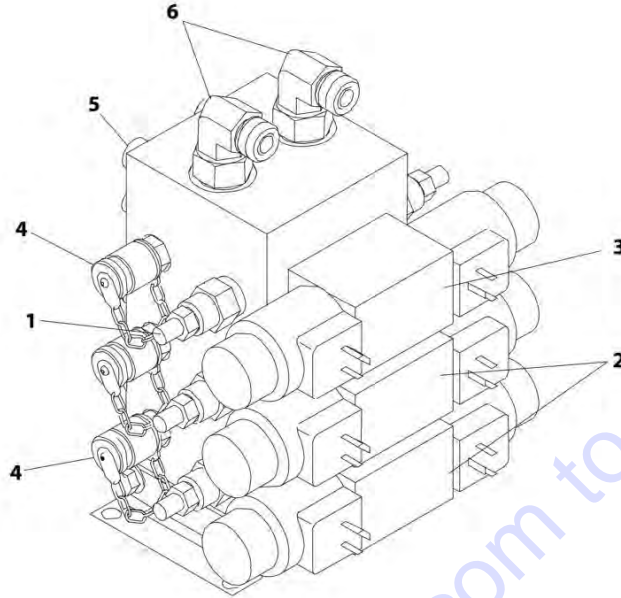
## SECTION 1 - FRAME

**FIGURE 1-12. VALVES AND MODULES INSTALLATION - FRAME MOUNTED (WITH 1 CELL LSS) (CE AND AUSTRALIAN SPECS) (SN 0300234294 to Present)**

ITEM	PART NUMBER	QTY	DESCRIPTION	REV
	1001219992	Ref	VALVES AND MODULES INSTALLATION - FRAME MOUNTED (WITH 1 CELL LSS) (CE AND AUSTRALIAN SPECS) (SN 0300234294 to Present)	A
1	0100011	AR	Compound, Locking	
3	0641424	2	Bolt 1/4 x 3	
4	0641504	8	Bolt 5/16 x 1/2	
8	0641509	4	Bolt 5/16 x 1-1/8	
10	0641608	20	Bolt 3/8 x 1	
11	0641808	4	Bolt 1/2 x 1	
17	3311405	2	Nut 1/4	
18	3311505	9	Nut 5/16	
19	3311605	4	Nut 3/8	
20	3841340	2	Loop, Hose	
23	4060808	124 in/ 3.2m	Flex-Trim	
24	4641155	1	Manifold, Junction	
25	4641268	2	Steer Valve Assembly (See STEER VALVE ASSEMBLY for Breakdown)	
26	4641454	1	Traction Valve Assembly (See TRACTION VALVE ASSEMBLY for Breakdown)	
27	4711400	8	Washer 1/4	
28	4711500	43	Washer 5/16	
29	4711600	24	Washer 3/8	
30	4711800	4	Washer 1/2	
35	100112758	1	Module, Chassis (Note: Re-calibration Required when Replaced)	

# SECTION 1 - FRAME

## FIGURE 1-13. STEER VALVE ASSEMBLY



ART\_4641268

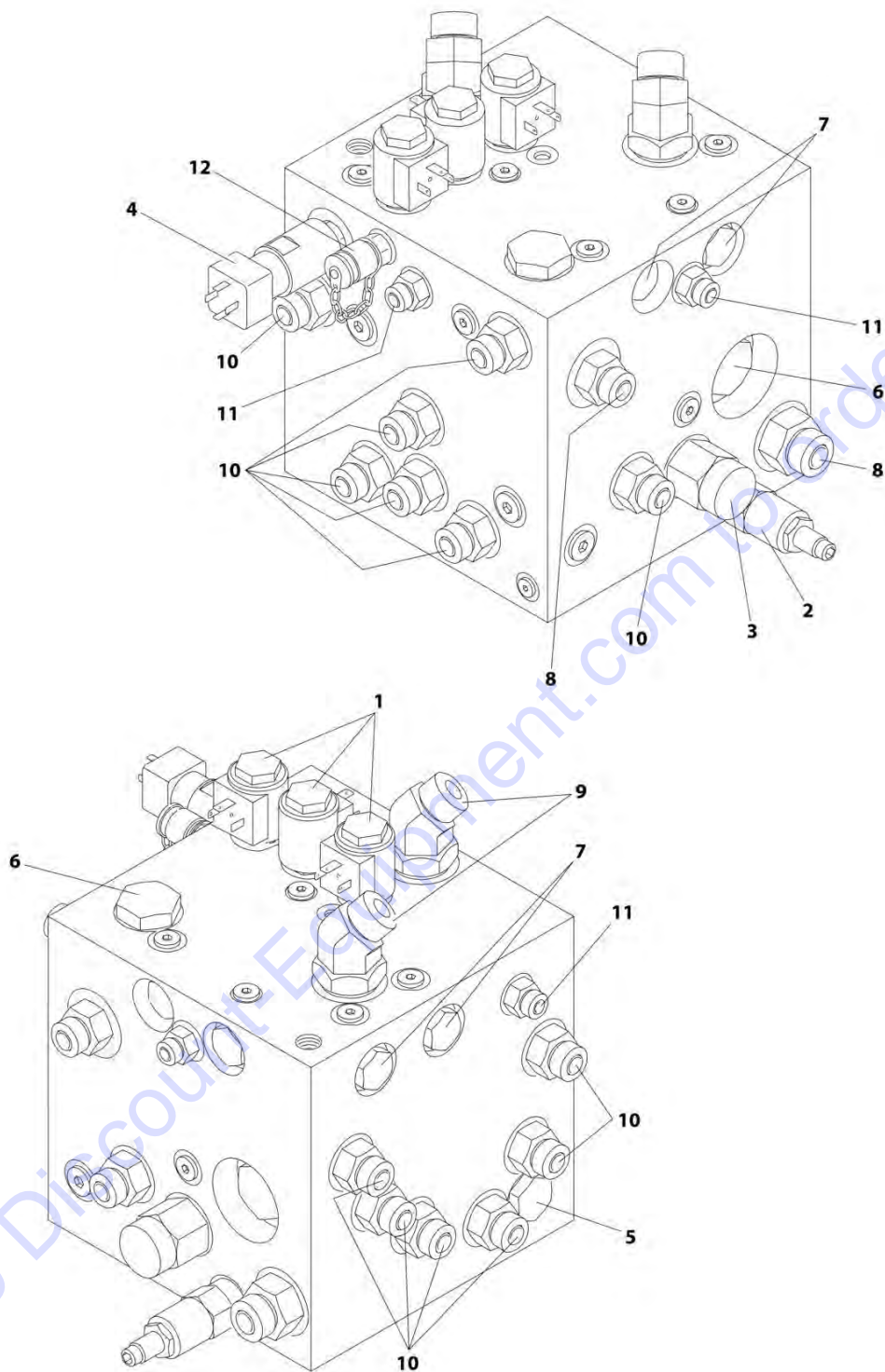
**FIGURE 1-13. STEER VALVE ASSEMBLY**

ITEM	PART NUMBER	QTY	DESCRIPTION	REV
	4641268	Ref	STEER VALVE ASSEMBLY	B
1	7026028	6	Cartridge	
1	7011346	6	Seal Kit - 7026028 Cartridge	
2	7024927	2	Valve	
2	7012773	2	Seal Kit - 7024927 Valve	
2	7018991	4	Coil (2 Per Valve)	
3	70001976	1	Valve	
3	7012773	1	Seal Kit - 70001976 Valve	
3	7018991	2	Coil	
4	2221086	6	Check, Pressure	
5	2110606	8	Fitting, Straight ORFS/ORB	
6	2130810	2	Fitting, 90 ORFS/ORB	

Go to Discount-Equipment.com to order your parts

# SECTION 1 - FRAME

## FIGURE 1-14. TRACTION VALVE ASSEMBLY



ART\_4641454

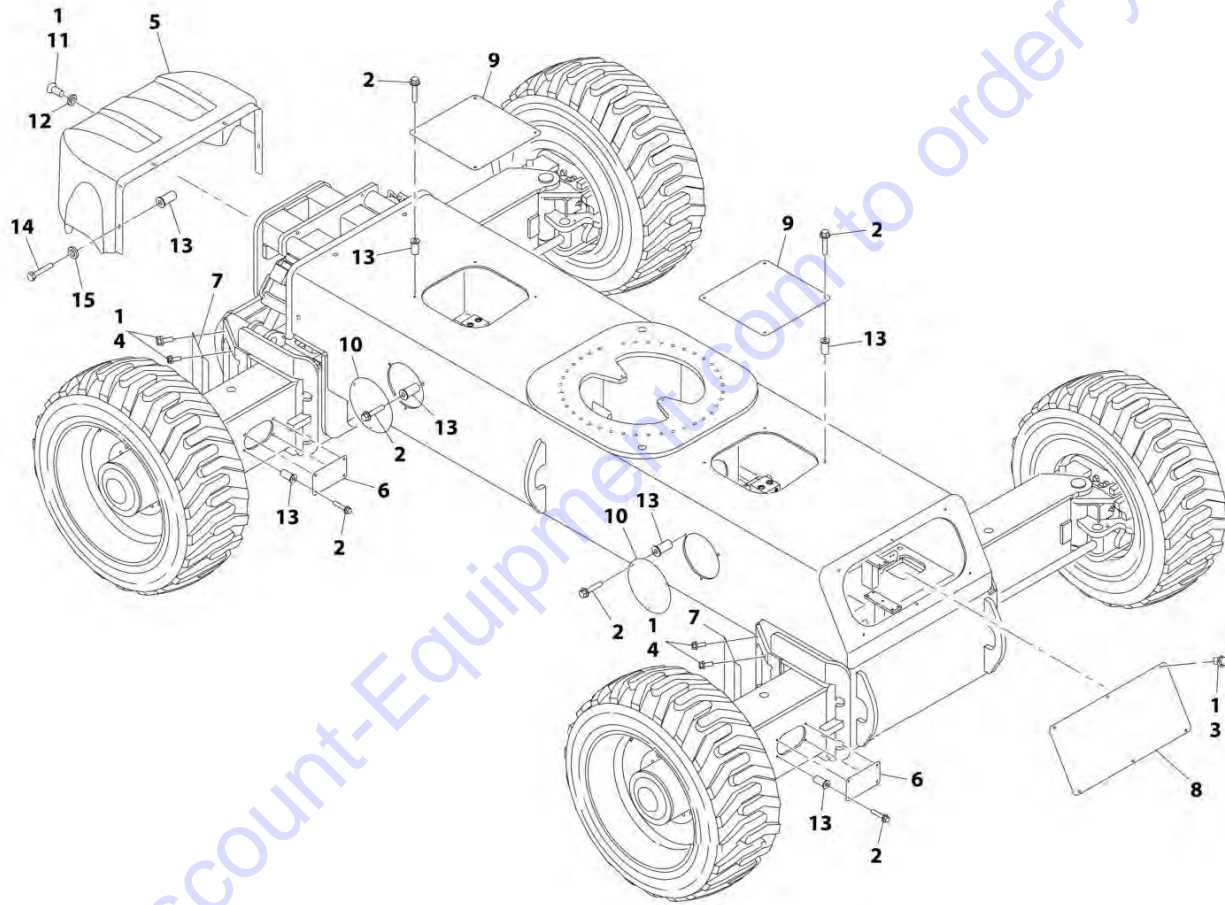


FIGURE 1-14. TRACTION VALVE ASSEMBLY

ITEM	PART NUMBER	QTY	DESCRIPTION	REV
	4641454	Ref	TRACTION VALVE ASSEMBLY	E
1	7012941	3	Cartridge, Solenoid Valve (Steer, Brake and Axle Lockout)	
1	7010543	3	Seal Kit - 7012941 Cartridge	
1	7012944	2	Coil	
2	70000801	1	Cartridge, Valve (Relief)	
2	7012998	1	Seal Kit - 70000801 Cartridge	
3	70000802	1	Cartridge, Valve (Pilot)	
3	7012942	1	Seal Kit - 70000802 Cartridge	
4	70000803	1	Pressure Switch	
5	70000804	1	Cartridge, Valve (Shuttle)	
5	70000805	1	Seal Kit - 70000804 Cartridge	
6	70000806	2	Cartridge, Valve (Flow Divider)	
6	7017405	2	Seal Kit - 70000806 Cartridge	
7	7012955	4	Cartridge, Valve (Check)	
7	7012967	4	Seal Kit - 7012955 Cartridge	
8	2111012	2	Fitting, Straight ORFS/ORB	
9	2151012	2	Fitting, 45 ORFS/ORB	
10	2110810	13	Fitting, Straight ORFS/ORB	
11	2110406	3	Fitting, Straight ORFS/ORB	
12	2221086	1	Check, Pressure	
13	2220883	1	Plug #4 (Not Shown)	

# SECTION 1 - FRAME

## FIGURE 1-15. FRAME COVERS INSTALLATION - PLASTIC



ART\_1001176346

## SECTION 1 - FRAME

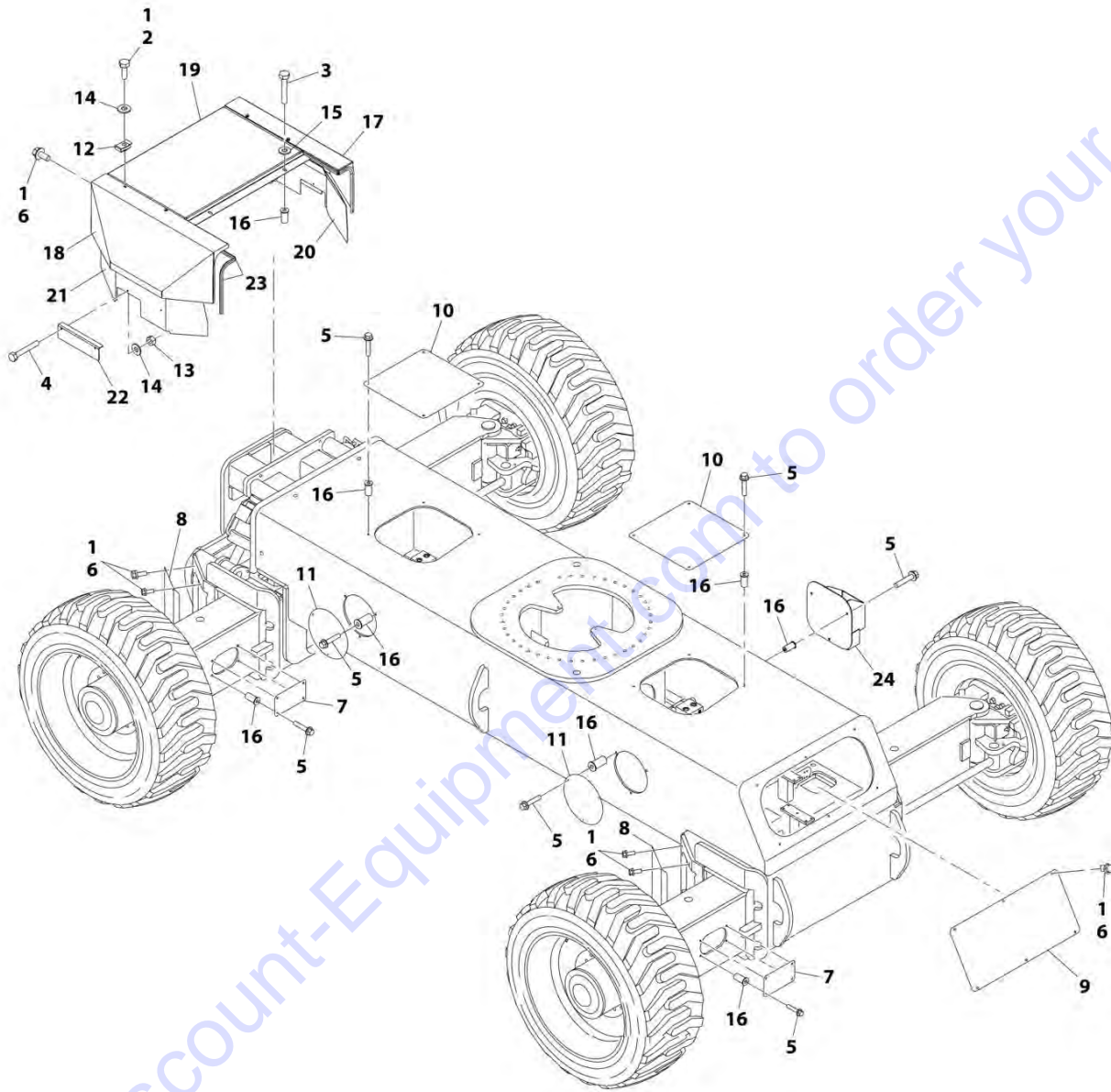
**FIGURE 1-15. FRAME COVERS INSTALLATION - PLASTIC**

ITEM	PART NUMBER	QTY	DESCRIPTION	REV
	1001176346	Ref	FRAME COVERS INSTALLATION - PLASTIC	C
1	0100011	AR	Compound, Locking	
2	0791410	36	Screw 1/4 x 1-1/4	
3	0791604	6	Screw 3/8 x 1/2	
4	0791607	16	Screw 3/8 x 7/8	
5	1670996	1	Cover (Frame Front)	
6	1671045	4	Plate, Cover (Axle Side)	
7	1671046	4	Plate, Cover (Axle Corner)	
8	1671047	1	Plate, Cover (Rear)	
9	1671048	2	Plate, Cover (Frame Top)	
10	1671049	4	Plate, Cover (Frame Side)	
11	3900283	3	Screw 3/8 x 3/4	
12	4751600	3	Washer 3/8	
13	8580420	40	Nut, Well	
14	0641412	4	Bolt 1/4 x 1-1/2	
15	4740430	4	Washer, Fender	

Go to Discount-Equipment.com to order your parts

# SECTION 1 - FRAME

## FIGURE 1-16. FRAME COVERS INSTALLATION - STEEL



ART\_1001176347

## SECTION 1 - FRAME

**FIGURE 1-16. FRAME COVERS INSTALLATION - STEEL**

ITEM	PART NUMBER	QTY	DESCRIPTION	REV
	1001176347	Ref	FRAME COVERS INSTALLATION - STEEL	C
1	0100011	AR	Compound, Locking	
2	0641406	8	Screw 1/4 x 3/4	
3	0641412	2	Bolt 1/4 x 1-1/2	
4	0641414	4	Screw 1/4 x 1-3/4	
5	0791410	36	Screw 1/4 x 1-1/4	
6	0791604	25	Screw 3/8 x 1/2	
7	1671045	4	Plate, Cover (Axle Side)	
8	1671046	4	Plate, Cover (Axle Corner)	
9	1671047	1	Plate, Cover (Rear)	
10	1671048	2	Plate, Cover (Frame Top)	
11	1671049	3	Plate, Cover (Frame Side)	
12	3300454	8	Nut, Retainer 1/4	
13	3311405	4	Nut 1/4	
14	4711400	12	Washer 1/4	
15	4740430	2	Washer, Fender	
16	8580420	38	Nut, Well	
17	1001110108	1	Cover - RH Side	
18	1001110109	1	Cover - LH Side	
19	1001110110	1	Cover - Center Side	
20	1001110111	1	Shift - RH Side	
21	1001110112	1	Shift - LH Side	
22	1001110113	2	Plate	
23	1001110513	51 in/5.5m	Seal	
24	1001110877	1	Mount, Fire Extinguisher	



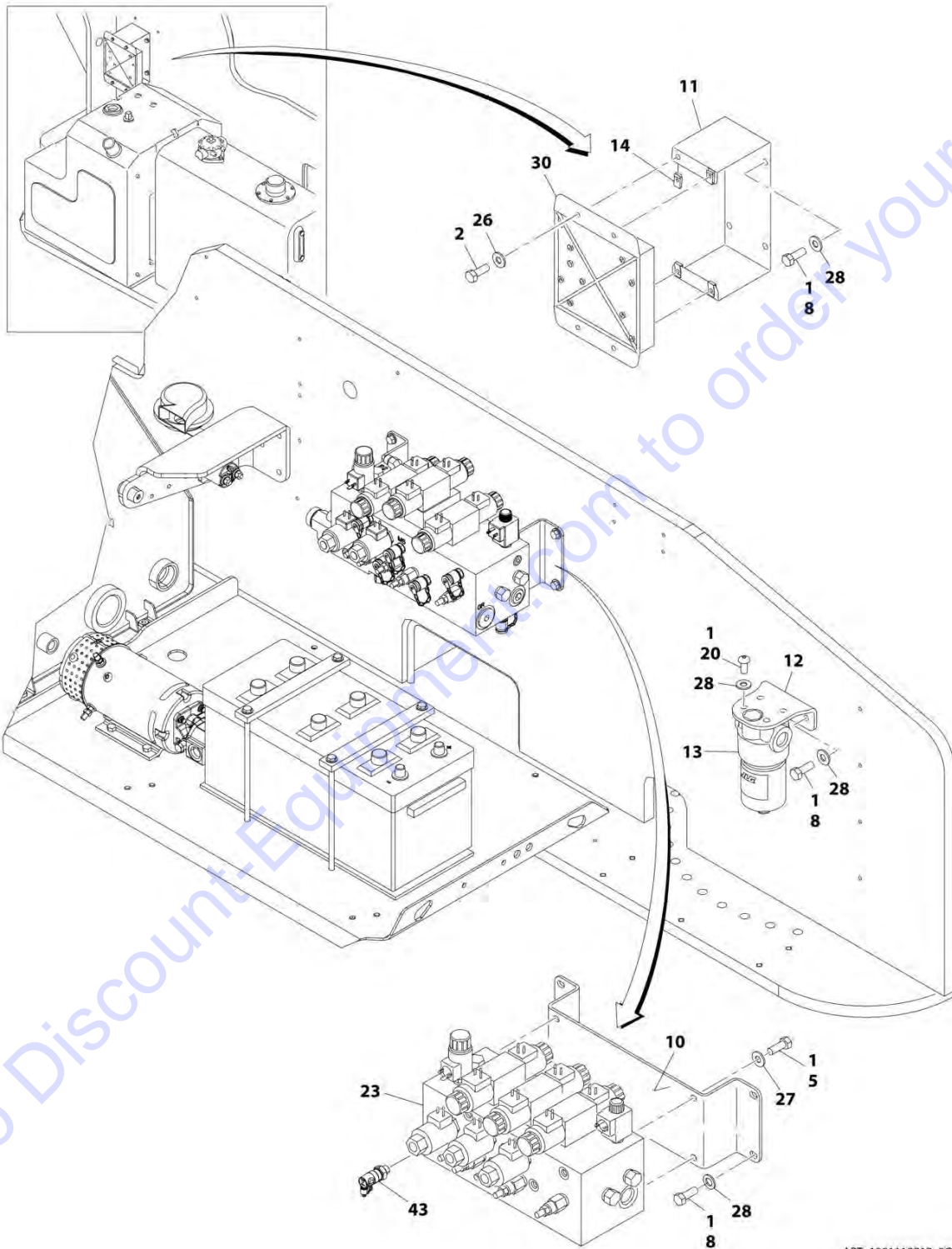


**SECTION 2 - TURNTABLE**

Go to Discount-Equipment.com to order your parts

## SECTION 2 - TURNTABLE

FIGURE 2-1. VALVE, MODULE AND FILTER INSTALLATION - TURNTABLE MOUNTED (ANSI, CSA AND JAPANESE SPECS)



ART\_100119717\_20F3

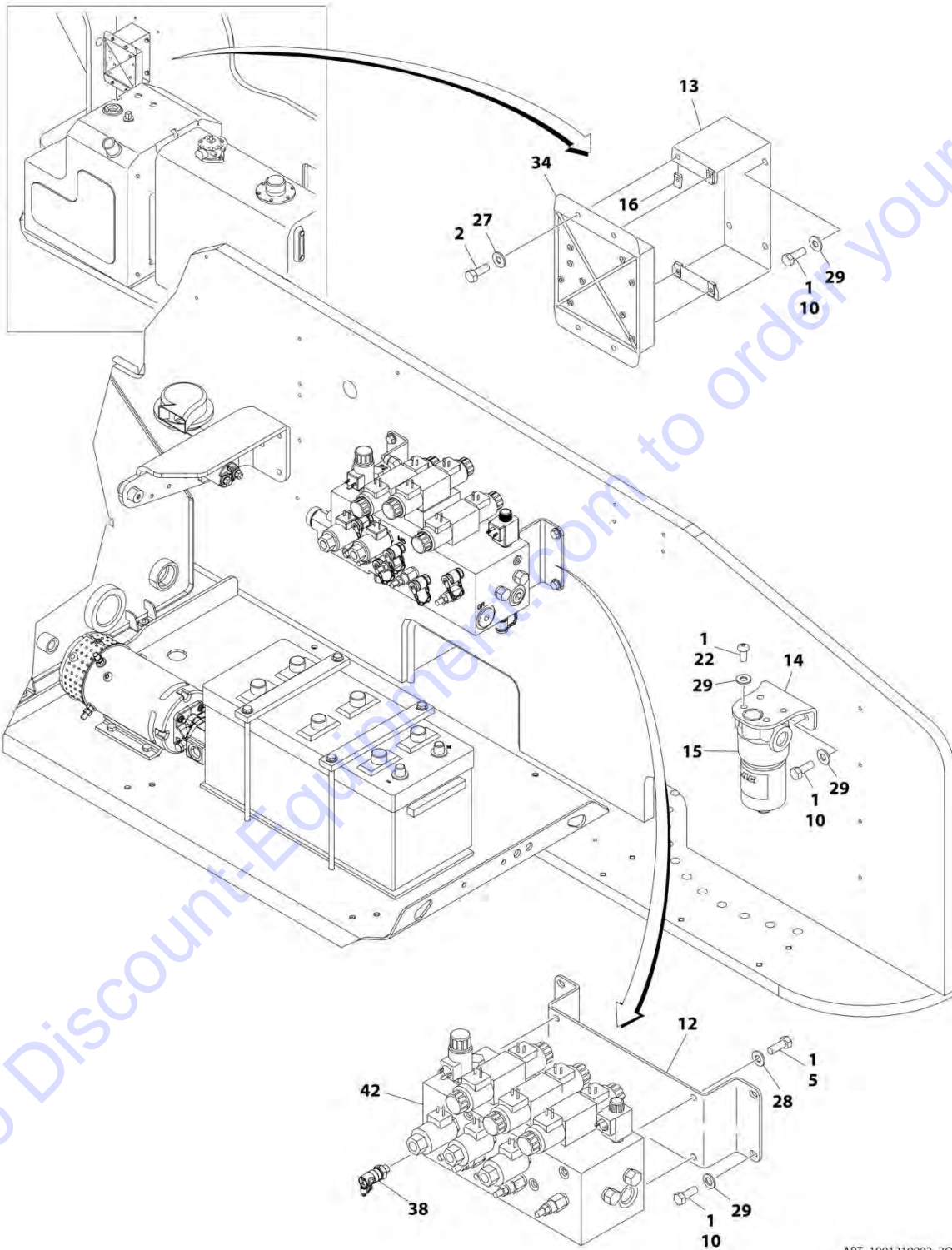
## SECTION 2 - TURNTABLE

**FIGURE 2-1. VALVE, MODULE AND FILTER INSTALLATION - TURNTABLE MOUNTED (ANSI, CSA AND JAPANESE SPECS)**

ITEM	PART NUMBER	QTY	DESCRIPTION	REV
	1001119717	Ref	VALVE, MODULE AND FILTER INSTALLATION - TURNTABLE MOUNTED (ANSI, CSA AND JAPANESE SPECS)	H
1	0100011	AR	Compound, Locking	
2	0641406	4	Bolt 1/4 x 3/4	
5	0641506	4	Bolt 5/16 x 3/4	
8	0641608	20	Bolt 3/8 x 1	
10	0902755	1	Bracket, Valve Mounting	
11	0902800	1	Bracket, Module Mounting	
12	0903530	1	Bracket, Filter Mounting	
13	2120217	1	Filter, Pressure	
13	70002097	1	Element	
13	70004328	1	Plug, Indicator	
14	3300454	4	Nut, Retainer	
20	3900283	4	Screw 3/8 x 3/4	
23	1001132194	1	Main Valve Assembly (See MAIN VALVE ASSEMBLY for Breakdown)	
26	4711400	8	Washer 1/4	
27	4711500	31	Washer 5/16	
28	4711600	26	Washer 3/8	
30	1001112757	NLA	Module, B.L.A.M. (Use p/n 1001227960) (Note: Control System must be recalibrated when Module is replaced) <b>(SN 0300209000 through 0300248621)</b>	
30	1001227960	1	Module, B.L.A.M. (Note: Control System must be recalibrated when Module is replaced) <b>(SN 0300248622 to Present)</b>	
43	1001119455	1	Valve, Oil Sampling	

## SECTION 2 - TURNTABLE

FIGURE 2-2. VALVE, MODULE AND FILTER INSTALLATION - TURNTABLE MOUNTED (WITH 1 CELL LSS) (CE AND AUSTRALIAN SPECS) (SN 0300234294 to Present)



ART\_1001219992\_20F3

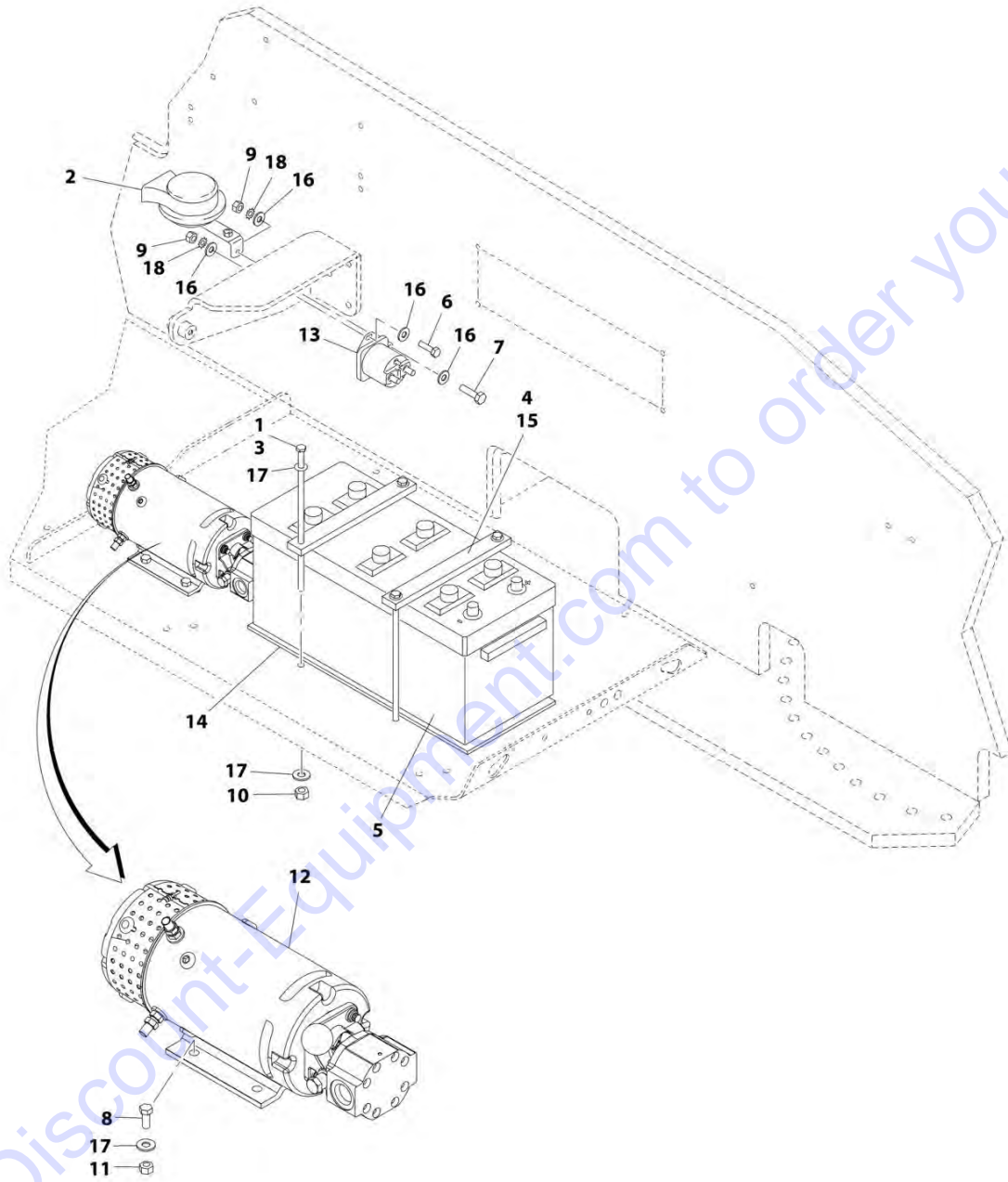
## SECTION 2 - TURNTABLE

**FIGURE 2-2. VALVE, MODULE AND FILTER INSTALLATION - TURNTABLE MOUNTED (WITH 1 CELL LSS) (CE AND AUSTRALIAN SPECS) (SN 0300234294 to Present)**

ITEM	PART NUMBER	QTY	DESCRIPTION	REV
	1001219992	Ref	VALVE, MODULE AND FILTER INSTALLATION - TURNTABLE MOUNTED (WITH 1 CELL LSS) (CE AND AUSTRALIAN SPECS) <b>(SN 0300234294 to Present)</b>	B
1	0100011	AR	Compound, Locking	
2	0641406	4	Bolt 1/4 x 3/4	
5	0641506	4	Bolt 5/16 x 3/4	
10	0641608	20	Bolt 3/8 x 1	
12	0902755	1	Bracket, Valve Mounting	
13	0902800	1	Bracket, Module Mounting	
14	0903530	1	Bracket, Filter Mounting	
15	2120217	1	Filter, Pressure	
15	70002097	1	Element	
15	70004328	1	Plug, Indicator	
16	3300454	4	Nut, Retainer	
22	3900283	4	Screw 3/8 x 3/4	
27	4711400	8	Washer 1/4	
28	4711500	43	Washer 5/16	
29	4711600	24	Washer 3/8	
34	1001112757	NLA	Module, B.L.A.M. (Use p/n 1001227960) (Note: Control System must be re-calibrated when Module is replaced) <b>(SN 0300209000 through 0300248621)</b>	
34	1001227960	1	Module, B.L.A.M. (Note: Control System must be recalibrated when Module is replaced) <b>(SN 0300248622 to Present)</b>	
38	1001119455	1	Valve, Oil Sampling	
42	1001132194	1	Main Valve Assembly (See MAIN VALVE ASSEMBLY for Breakdown)	

## SECTION 2 - TURNTABLE

FIGURE 2-3. BATTERY, HORN AND AUXILIARY PUMP INSTALLATION



ART\_100119952

## SECTION 2 - TURNTABLE

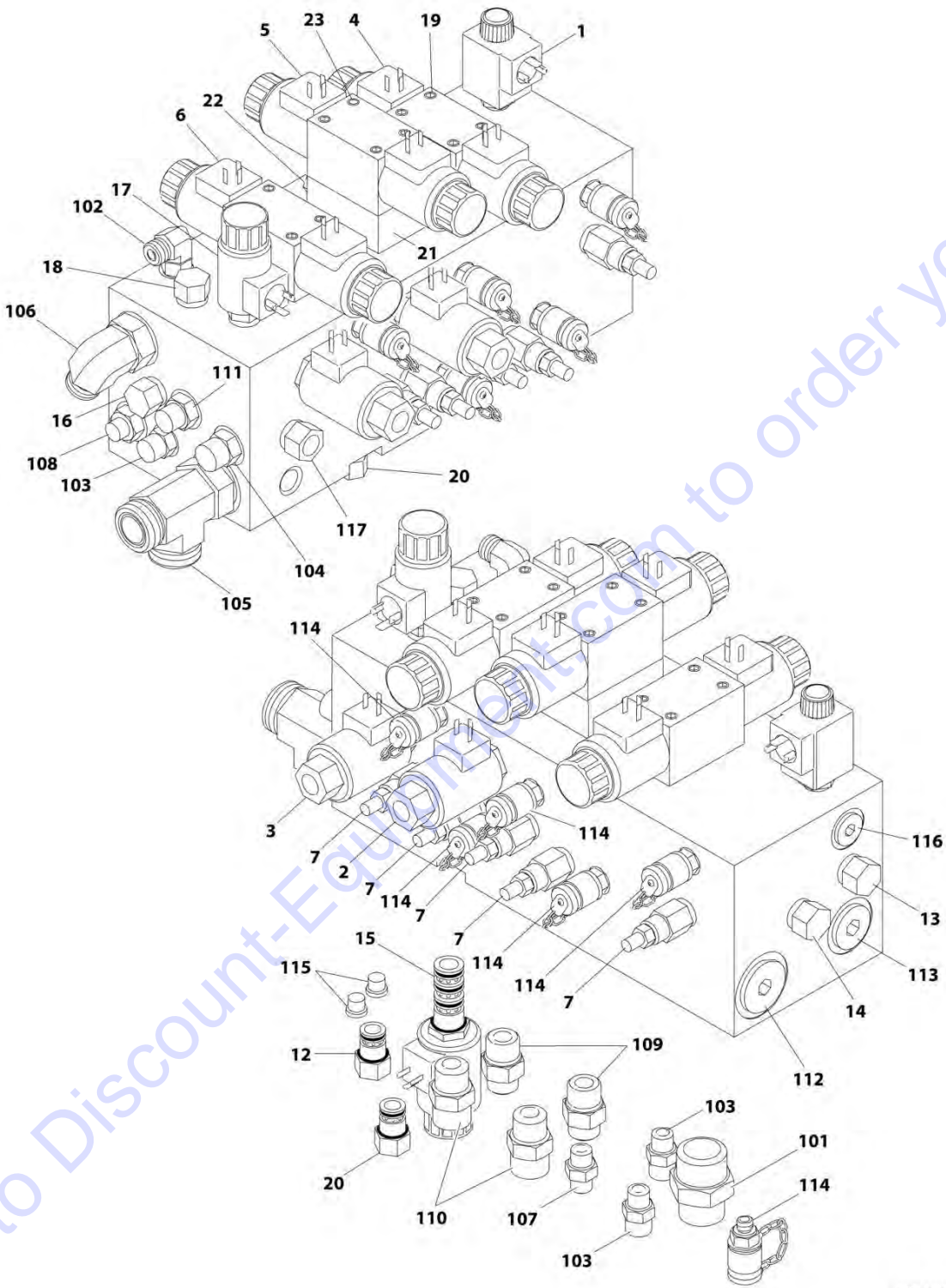
**FIGURE 2-3. BATTERY, HORN AND AUXILIARY PUMP INSTALLATION**

ITEM	PART NUMBER	QTY	DESCRIPTION	REV
	1001119952	Ref	BATTERY, HORN AND AUXILIARY PUMP INSTALLATION	B
1	0100011	AR	Compound, Locking	
2	0140001	1	Horn	
3	0236768	4	Bolt, Hold-down	
4	0363062	2	Bar, Battery	
5	0400020	1	Battery	
6	0641408	1	Bolt 1/4 x 1	
7	0641412	1	Bolt 1/4 x 1-1/2	
8	0641607	4	Bolt 3/8 x 7/8	
9	3311405	3	Nut 1/4	
10	3311601	4	Nut 3/8	
11	3311605	4	Nut 3/8	
12	3600465	NLA	Auxiliary Pump Assembly (Use p/n 1001224066) (See AUXILIARY PUMP ASSEMBLY for Breakdown) <b>(SN 0300209000 through 0300243453)</b>	
12	1001224066	1	Auxiliary Pump Assembly (See AUXILIARY PUMP ASSEMBLY for Breakdown) <b>(SN 0300243454 to Present)</b>	
13	3740067	1	Relay	
14	3980006	1	Seat, Battery	
15	4420037	17 in/ 43cm	Tape, Insulation	
16	4711400	4	Washer 1/4	
17	4711600	12	Washer 3/8	
18	4791400	2	Washer 1/4	



# SECTION 2 - TURNTABLE

## FIGURE 2-4. MAIN VALVE ASSEMBLY



ART\_1001132194

## SECTION 2 - TURNTABLE

### FIGURE 2-4. MAIN VALVE ASSEMBLY

ITEM	PART NUMBER	QTY	DESCRIPTION	REV
	1001132194	Ref	MAIN VALVE ASSEMBLY	B
1	7024573	1	Cartridge, Solenoid Valve (Dump)	
1	7024574	1	Seal Kit - Cartridge	
1	7011354	1	Coil	
2	7021636	1	Cartridge, Solenoid Valve (Lift Flow)	
2	7017495	1	Seal Kit - Cartridge	
2	7017451	1	Coil	
3	7021636	1	Cartridge, Solenoid Valve (Tele Flow)	
3	7017495	1	Seal Kit - Cartridge	
3	7017451	1	Coil	
4	7024924	1	Control Valve Assembly (Swing)	
4	7012773	1	Seal Kit - Valve	
4	7018991	2	Coil	
4	7021375	2	Nut, Coil	
5	7024925	1	Control Valve Assembly (Lift)	
5	7012773	1	Seal Kit - Valve	
5	7018991	2	Coil	
5	7021375	2	Nut, Coil	
6	70001976	1	Control Valve Assembly (Tele)	
6	7012773	1	Seal Kit - Valve	
6	7018991	2	Coil	
6	7021375	2	Nut, Coil	
7	7026007	5	Cartridge, Relief Valve (Swing/Lift Up/Lift Down/Tele In/Tele Out)	
7	7024574	1	Seal Kit - Cartridge	
12	7026000	1	Cartridge, Check Valve	
12	7011311	1	Seal Kit - Cartridge	
13	7026001	1	Cartridge, Check Valve	
13	7011311	1	Seal Kit - Cartridge	
14	7026002	1	Cartridge, Shuttle Valve	
14	2900770	1	Seal Kit - Cartridge	
15	7024570	1	Cartridge, Solenoid Valve (Aux Lift Down Select)	
15	70001930	1	Seal Kit - Cartridge	
15	7024571	1	Coil	
16	7026003	1	Cartridge, Pilot Valve	
16	7026004	1	Seal Kit - Cartridge	
17	7026005	1	Cartridge, Solenoid Valve (Aux Lift Down)	
17	7026006	1	Seal Kit - Cartridge	
17	7024571	1	Coil	
18	7026008	1	Cartridge, Check Valve	
18	7011346	1	Seal Kit - Cartridge	
19	7018942	8	Capscrew #10 x 2	
20	7026016	1	Cartridge, Valve	
20	7011346	1	Seal Kit - Cartridge	
21	70003630	1	Valve, Flow Sandwich	
21	7018968	4	O-Ring	
22	70003021	1	Cartridge, Valve	
22	70003018	1	Seal Kit - Cartridge	
23	7018986	4	Capscrew #10 x 3-1/2	
101	2111216	1	Fitting, Straight ORFS/ORB	
102	2130606	1	Fitting, 90 ORFS/ORB	

## SECTION 2 - TURNTABLE

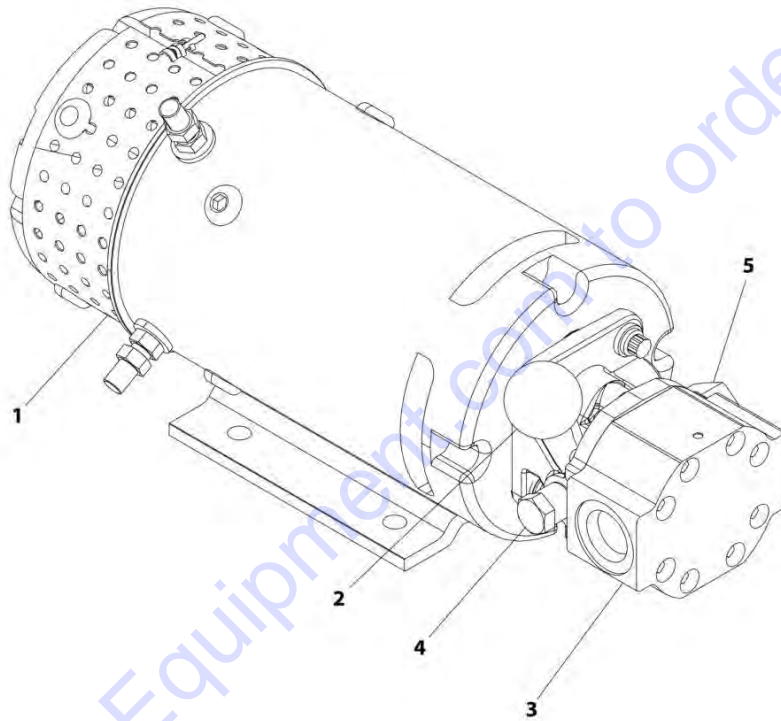
ITEM	PART NUMBER	QTY	DESCRIPTION	REV
103	2110606	3	Fitting, Straight ORFS/ORB	
104	2110808	1	Fitting, Straight ORFS/ORB	
105	2170316	1	Fitting, Tee ORFS/ORB/ORFS	
106	2131012	1	Fitting, 90 ORFS/ORB	
107	2110406	1	Fitting, Straight ORFS/ORB	
108	2110408	1	Fitting, Straight ORFS/ORB	
109	2110810	2	Fitting, Straight ORFS/ORB	
110	2111010	2	Fitting, Straight ORFS/ORB	
111	2110608	1	Fitting, Straight ORFS/ORB	
112	2220890	1	Plug	
113	70002760	1	Plug	
114	2221086	6	Check, Pressure	
115	70002758	2	Fitting, Plug	
116	70002759	1	Plug with O-Ring	
117	1001137354	1	Fitting, Straight FORB/ORB	

Go to Discount-Equipment.com to order your parts



## SECTION 2 - TURNTABLE

FIGURE 2-5. AUXILIARY PUMP ASSEMBLY (SN 0300209000 through 0300243453)



ART\_3600465

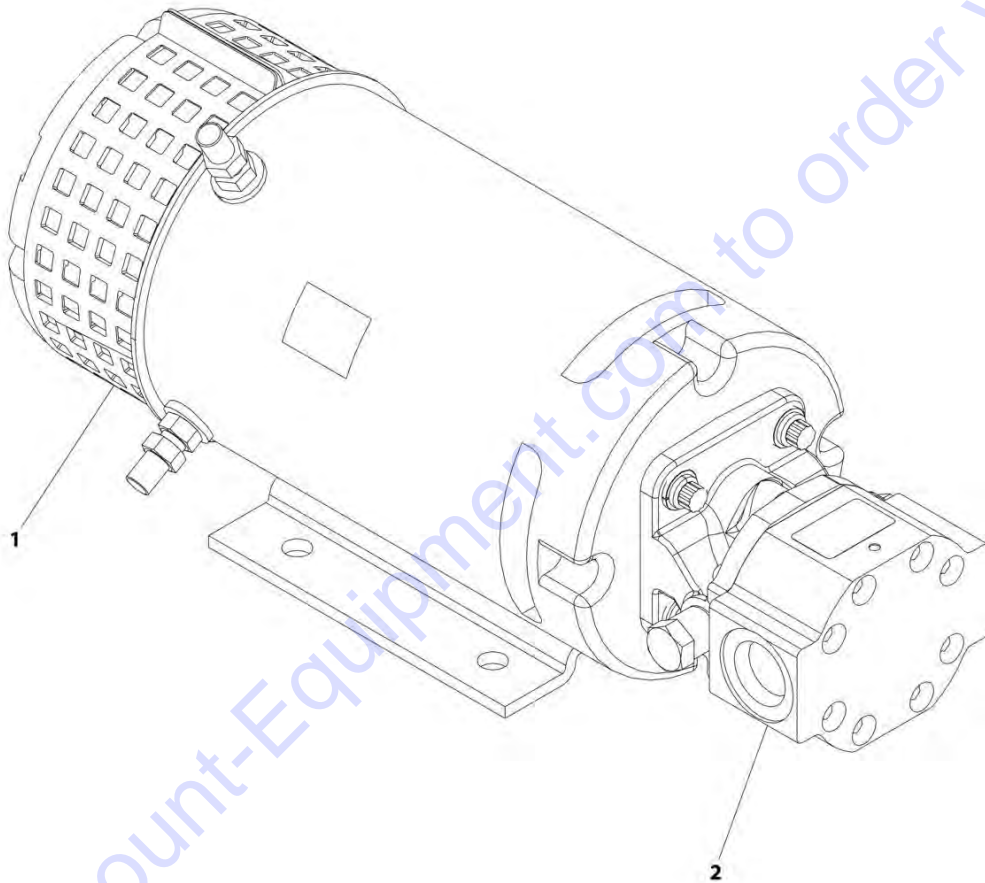
## SECTION 2 - TURNTABLE

**FIGURE 2-5. AUXILIARY PUMP ASSEMBLY (SN 0300209000 through 0300243453)**

ITEM	PART NUMBER	QTY	DESCRIPTION	REV
	3600465	Ref	AUXILIARY PUMP ASSEMBLY (SN 0300209000 through 0300243453)	D
1	7010924	1	Motor	
1	7010639	2	Brush	
1	7010640	8	Spring, Brush	
1	7011044	1	Gasket, Adapter to Motor	
2	70000998	1	Coupling	
2	70000999	1	Key, Woodruff	
2	See Note	NSS	Adapter (Note: Not Available for Purchase)	
3	70001001	1	Pump Kit (Includes Pump, Adapter to Motor Gasket p/n 7011044 and Mounting Hardware)	
3	7011043	4	Screw	
3	7011048	4	Washer	
3	70001000	1	Seal Kit (Includes Adapter to Motor Gasket p/n 7011044, Pump to Adapter Gasket, Shaft Seal and O-Rings for Hex Caps on Adapter)	
4	See Note	NSS	Ball (Note: Not Available for Purchase)	
4	See Note	NSS	Spring (Note: Not Available for Purchase)	
4	See Note	NSS	Screw, Valve Adjustment (Note: Not Available for Purchase)	
5	See Note	NSS	Ball and Spring Assembly (Note: Not Available for Purchase)	
5	See Note	NSS	Plug (Note: Not Available for Purchase)	

## SECTION 2 - TURNTABLE

FIGURE 2-6. AUXILIARY PUMP ASSEMBLY (SN 0300243454 to Present)



ART\_1001224066



**SECTION 2 - TURNTABLE**

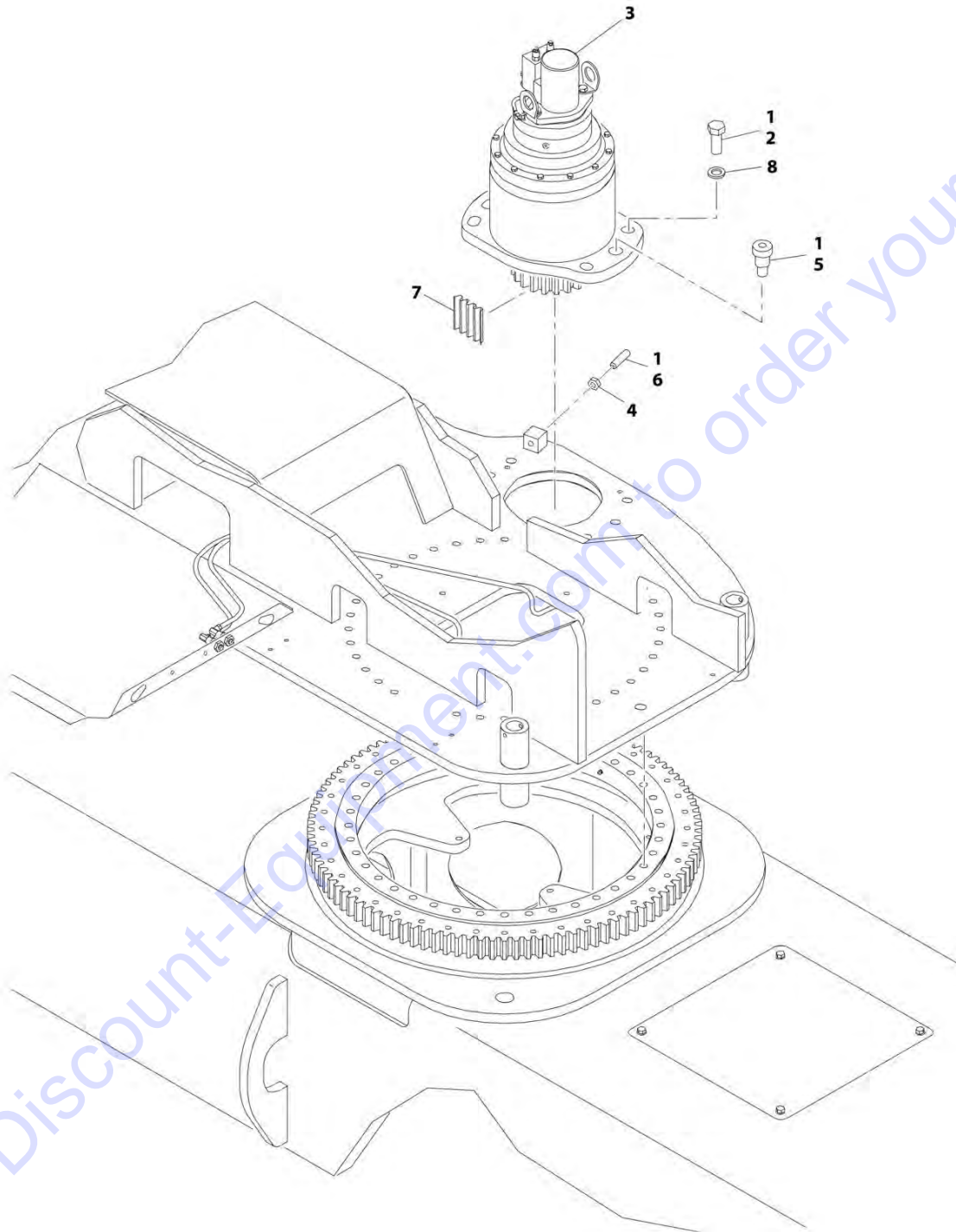
**FIGURE 2-6. AUXILIARY PUMP ASSEMBLY (SN 0300243454 to Present)**

ITEM	PART NUMBER	QTY	DESCRIPTION	REV
	1001224066	Ref	AUXILIARY PUMP ASSEMBLY	B
1	7010924	1	Motor	
1	7010639	2	Brush	
1	7010640	8	Spring, Brush	
1	7011044	1	Gasket, Adapter to Motor	
2	70001001	1	Pump Kit (Includes Pump, Adapter to Motor Gasket p/n 7011044 and Mounting Hardware)	
2	70001000	1	Seal Kit (Includes Adapter to Motor Gasket p/n 7011044, Pump to Adapter Gasket, Shaft Seal and O-Rings for Hex Caps on Adapter)	

Go to Discount-Equipment.com to order your parts

## SECTION 2 - TURNTABLE

FIGURE 2-7. SWING DRIVE INSTALLATION (SN 0300209000 through 0300254531)



ART\_0271596

**SECTION 2 - TURNTABLE**

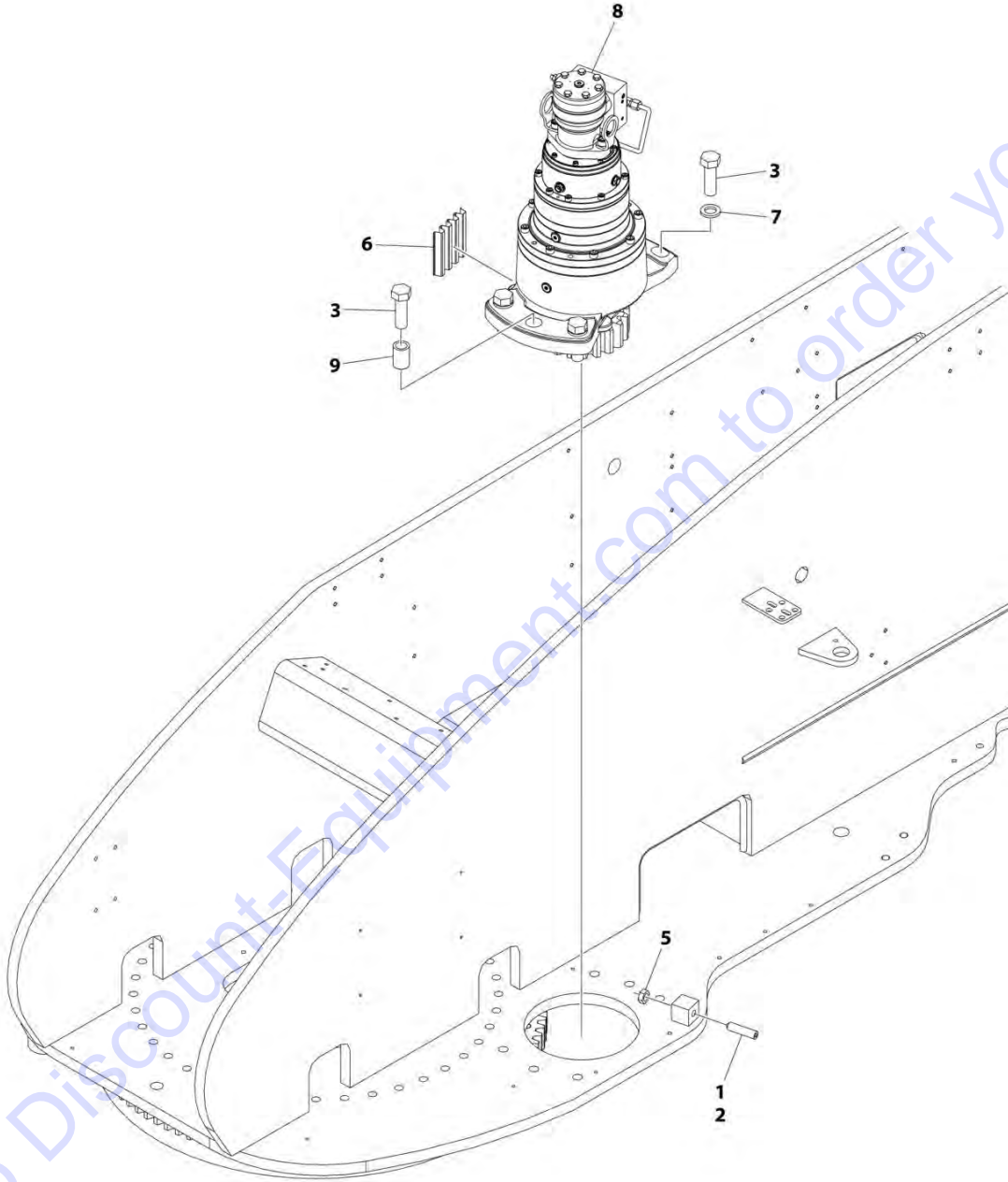
**FIGURE 2-7. SWING DRIVE INSTALLATION (SN 0300209000 through 0300254531)**

ITEM	PART NUMBER	QTY	DESCRIPTION	REV
	0271596	Ref	SWING DRIVE INSTALLATION	E
1	0100019	AR	Compound, Locking	
2	0682418	5	Bolt 7/8 x 2-1/4 Grade 8	
3	1001134098	Ref	Swing Motor/Hub Assembly (See SWING MOTOR/HUB ASSEMBLY for Breakdown)	
4	3312002	1	Nut 5/8	
5	3900223	1	Screw, Shoulder	
6	3952020	1	Setscrew 5/8 x 2-1/2	
7	4071041	1	Shim	
8	4892400	5	Washer 7/8	

Go to Discount-Equipment.com to order your parts

## SECTION 2 - TURNTABLE

FIGURE 2-8. SWING DRIVE INSTALLATION (SN 0300254532 to Present)



ART\_1001228617

**SECTION 2 - TURNTABLE**

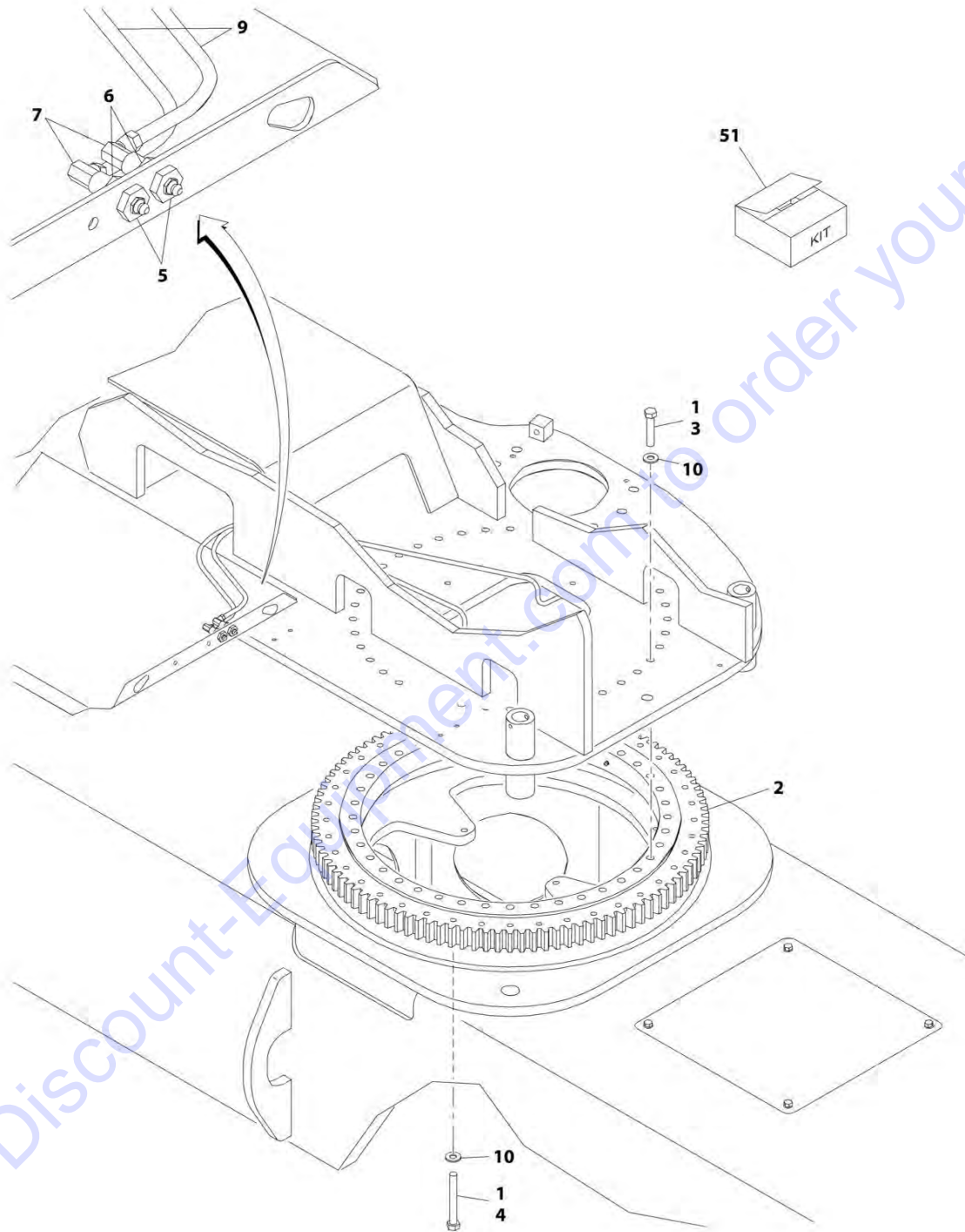
**FIGURE 2-8. SWING DRIVE INSTALLATION (SN 0300254532 to Present)**

ITEM	PART NUMBER	QTY	DESCRIPTION	REV
	1001228617	Ref	SWING DRIVE INSTALLATION	D
1	0100019	AR	Compound, Locking	
2	3952020	1	Setscrew 5/8 x 2-1/2	
3	0682422	6	Bolt 7/8 x 2-3/4 Grade 8	
5	3312002	1	Nut 5/8	
6	4071041	1	Shim	
7	4892400	5	Washer 7/8	
8	1001228488	1	Swing Motor/Hub Assembly (See Separate Breakdown in this Section)	
9	1001229058	1	Sleeve	

Go to Discount-Equipment.com to order your parts

## SECTION 2 - TURNTABLE

FIGURE 2-9. TURNTABLE BEARING AND LUBE INSTALLATION



ART\_0271512

**SECTION 2 - TURNTABLE**

**FIGURE 2-9. TURNTABLE BEARING AND LUBE INSTALLATION**

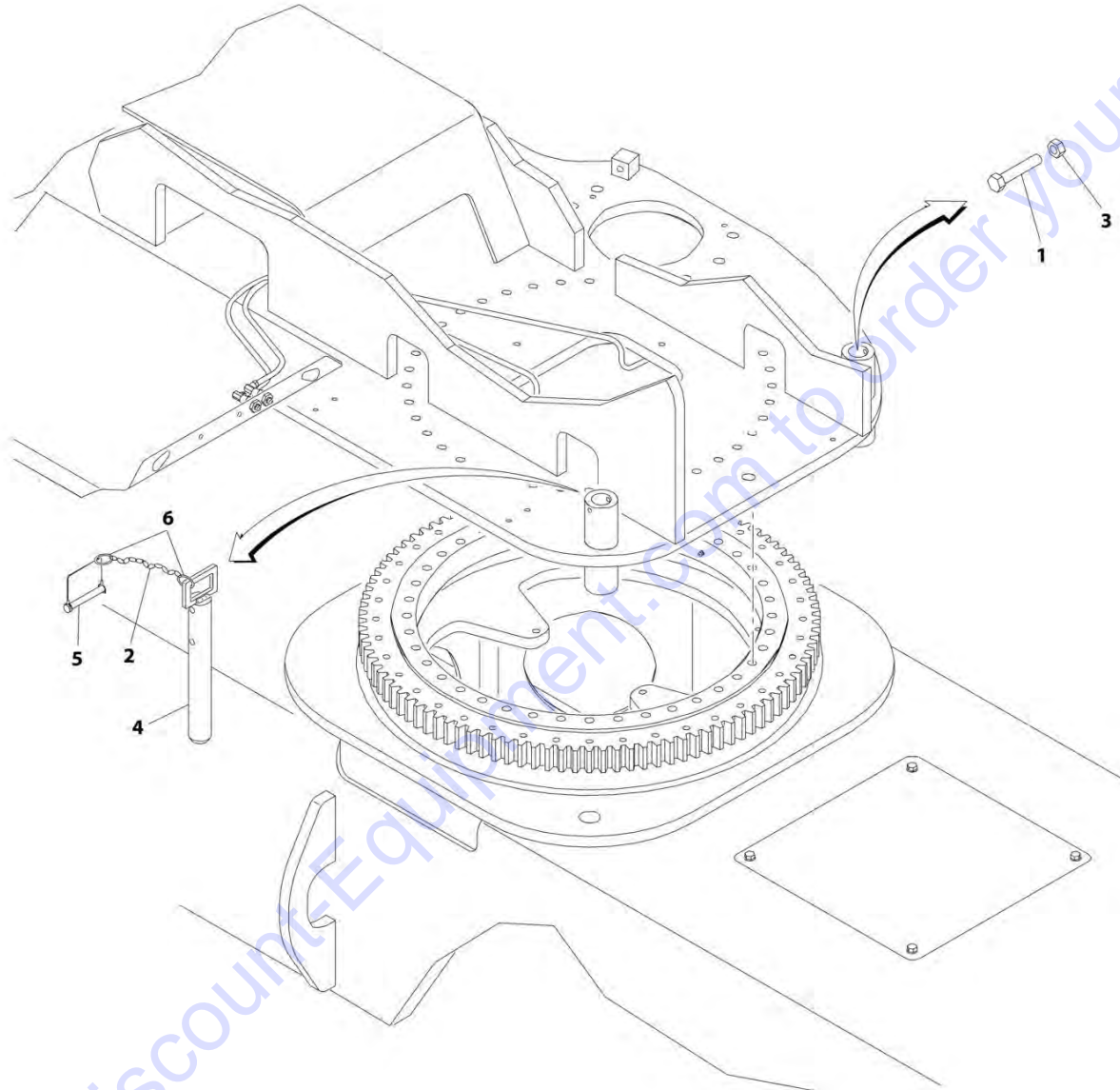
ITEM	PART NUMBER	QTY	DESCRIPTION	REV
	0271512	Ref	TURNTABLE BEARING AND LUBE INSTALLATION	B
1	0100019	AR	Compound, Locking	
2	0440251	1	Bearing, Turntable	
3	0682026	40	Bolt 5/8 x 3-1/4 Grade 8	
4	0682040	40	Bolt 5/8 x 5 Grade 8	
5	2180002	2	Fitting, Grease	
6	2180344	2	Fitting, Bulkhead	
7	2220063	2	Fitting, Adapter	
9	2750528	2	Hose	
10	4892000	80	Washer 5/8	
51	2915072	1	Kit Bearing (Includes Items 2, 3, 4 & 10)	

Go to Discount-Equipment.com to order your parts



## SECTION 2 - TURNTABLE

FIGURE 2-10. TURNTABLE LOCK INSTALLATION



ART\_1001110186

**SECTION 2 - TURNTABLE**

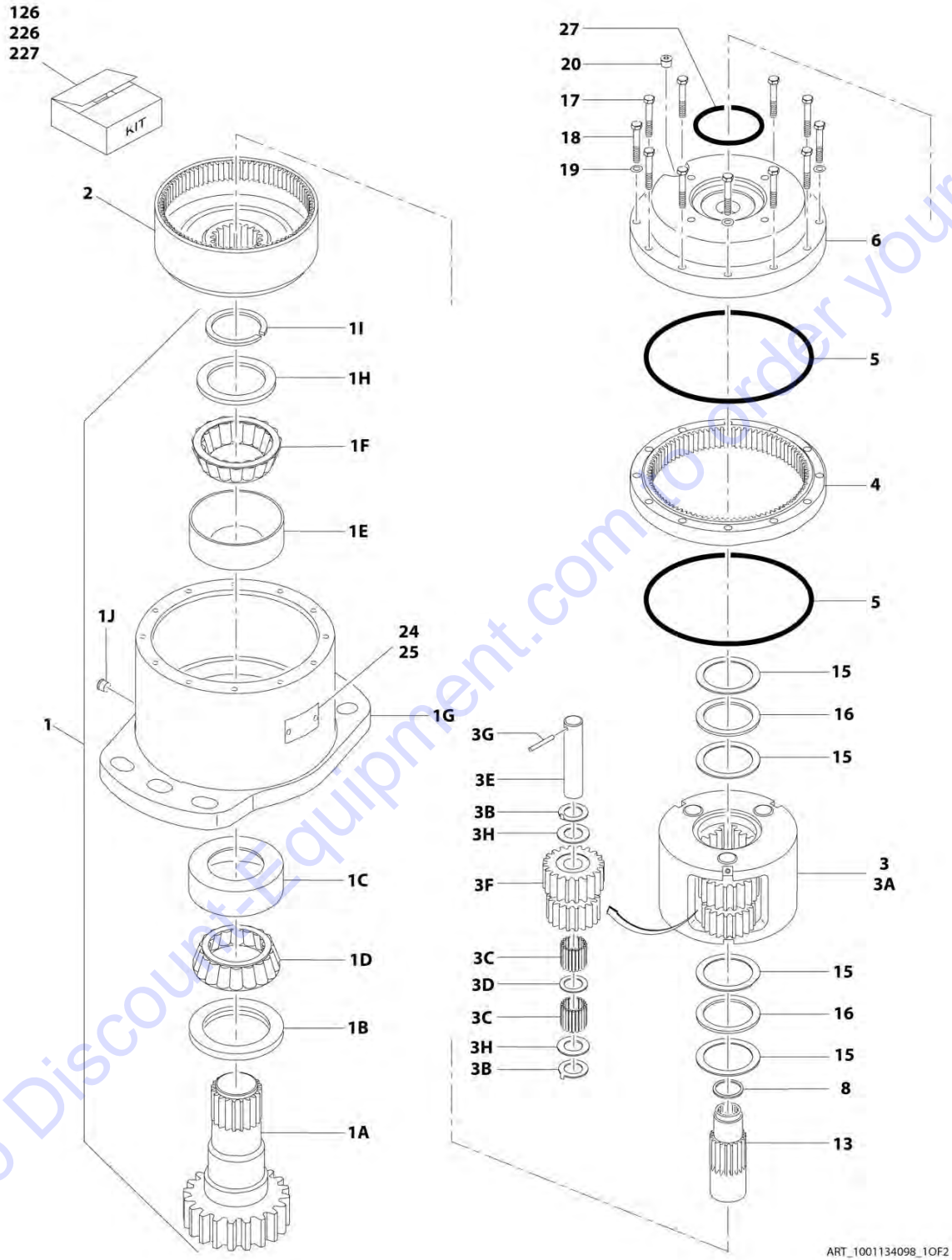
**FIGURE 2-10. TURNTABLE LOCK INSTALLATION**

ITEM	PART NUMBER	QTY	DESCRIPTION	REV
	1001110186	Ref	TURNTABLE LOCK INSTALLATION	C
1	0641524	1	Bolt 5/16 x 3	
2	1260017	9 in/23cm	Chain - #3	
3	3311505	1	Nut 5/16	
4	3421563	1	Pin, Turntable Lock	
5	3421565	1	Pin, Snap	
6	3760170	2	Ring, Quick Release	

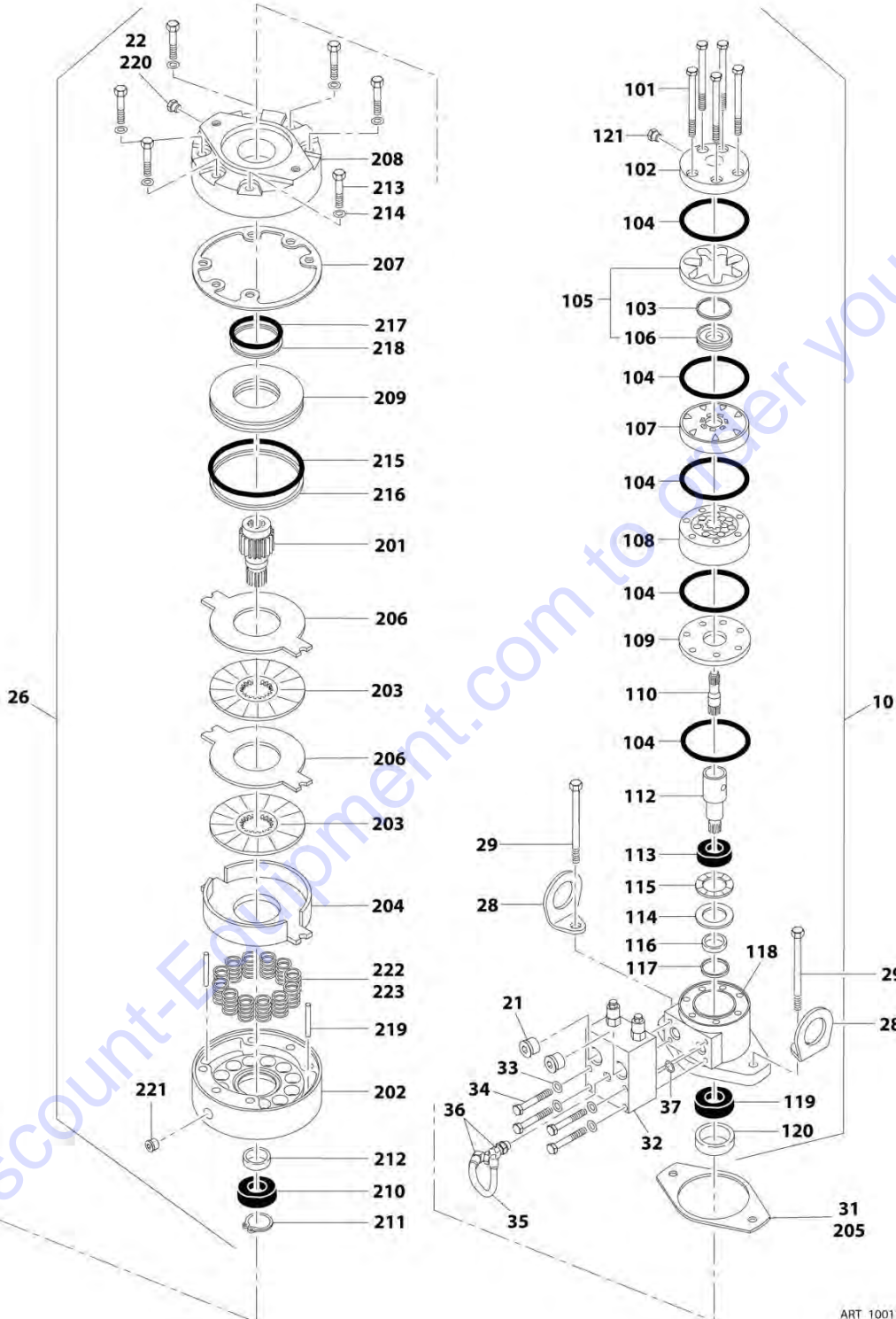
Go to Discount-Equipment.com to order your parts

# SECTION 2 - TURNTABLE

FIGURE 2-11. SWING MOTOR/HUB ASSEMBLY (SN 0300209000 through 0300254531)



# SECTION 2 - TURNTABLE



ART\_1001134098\_2OF2

## SECTION 2 - TURNTABLE

FIGURE 2-11. SWING MOTOR/HUB ASSEMBLY (SN 0300209000 through 0300254531)

ITEM	PART NUMBER	QTY	DESCRIPTION	REV
	1001134098	Ref	SWING MOTOR/HUB ASSEMBLY	D
1	See Note	1	Housing/Shaft Assembly (Note: Not Available for Purchase)	
1A	7024183	1	Shaft, Output	
1B	7000236	1	Seal, Lip	
1C	1001091460	1	Cup, Bearing	
1D	1001091460	1	Cone, Bearing	
1E	1001091461	1	Cup, Bearing	
1F	1001091461	1	Cone, Bearing	
1G	7024184	1	Housing	
1H	7000239	1	Thrustwasher	
1I	7000240	1	Ring, Retaining	
1J	7017072	1	Plug, Pipe	
2	7001917	1	Gear, Internal	
3	7001918	1	Carrier Assembly	
3A	7001900	1	Carrier	
3B	7007645	6	Washer, Tanged	
3C	7001902	84	Bearing, Needle	
3D	7007646	3	Thrustwasher	
3E	7001904	3	Shaft, Planet	
3F	7001927	3	Gear, Cluster	
3G	7001906	3	Rollpin	
3H	7007648	6	Washer	
4	7010467	1	Gear, Ring	
5	7000224	2	O-Ring	
6	7001920	1	Cover, Input	
8	7001922	1	Thrustwasher	
10	7024188	1	Motor Assembly (See Items 101-121 for Breakdown)	
13	7001921	1	Gear, Sun	
15	7000287	4	Thrustwasher	
16	7000288	2	Bearing, Thrust	
17	7001923	8	Bolt 3/8 x 3 Grade 8	
18	7001924	4	Bolt 3/8 x 2-3/4 Grade 8	
19	7001929	4	Washer (Used with Item 18 Only)	
20	7017094	1	Plug, Pipe	
21	7001926	2	Plug, Pipe	
22	7017082	1	Plug, Pipe	
24	See Note	1	Plate, ID (Note: Not Available for Purchase)	
25	7000281	2	Screw, Drive	
26	70003524	1	Brake Assembly (See Items 201-223 for Breakdown)	
27	7024763	1	O-Ring	
28	See Note	NSS	Lug, Lifting (Note: Not Available for Purchase)	
29	7024185	2	Bolt 1/2 x 5 Grade 8	
31	7000731	1	Gasket	
32	70003523	1	Valve	
32	70003629	2	Cartridge	
33	See Note	4	Washer (Note: Not Available - Purchase Locally)	
34	7024135	4	Bolt 5/16 x 2-1/2 Grade 8	
35	7024186	1	Tube	
36	7017085	2	Elbow	
37	7000213	2	O-Ring	

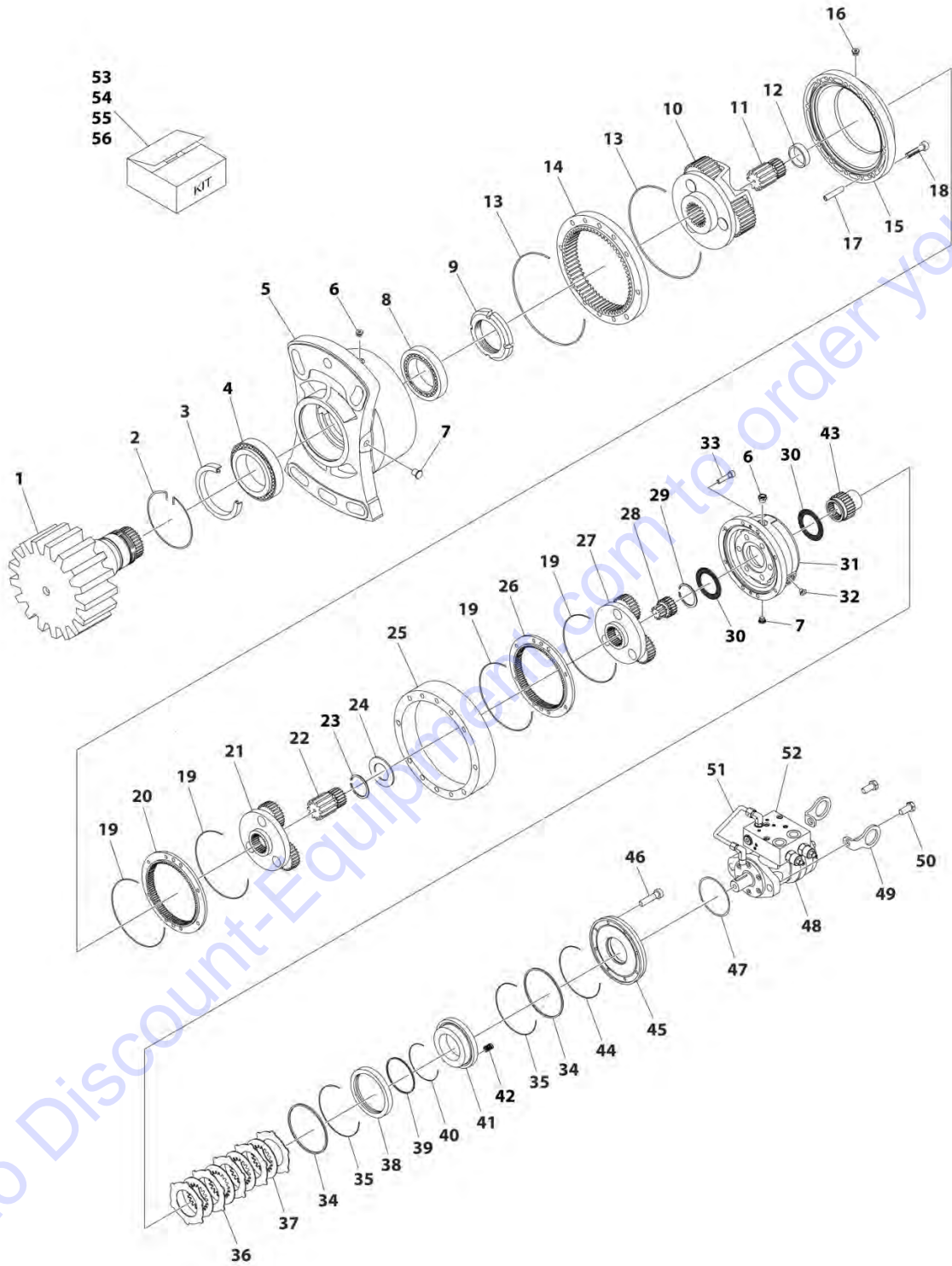
## SECTION 2 - TURNTABLE

ITEM	PART NUMBER	QTY	DESCRIPTION	REV
	7024188	Ref	MOTOR ASSEMBLY	
101	7024391	5	Bolt	
102	7004035	1	Cover, End	
103	See Note	NSS	Seal, Commutator (Note: Use Item 126)	
104	See Note	NSS	Seal, Ring (Note: Use Item 126)	
105	7024453	1	Commutator and Ring Assembly	
106	7004453	1	Ring	
107	7024379	1	Manifold	
108	7024392	1	Rotor Set	
109	7024380	1	Plate, Wear	
110	7024393	1	Link, Drive	
112	7024395	1	Shaft, Coupling	
113	7024381	1	Bushing, Bronze	
114	7004043	1	Thrustwasher	
115	7004044	1	Bearing, Thrust	
116	See Note	NSS	Seal, Inner (Note: Use Item 126)	
117	See Note	NSS	Washer, Back-up (Note: Use Item 126)	
118	7024394	1	Housing	
119	7024390	1	Bearing	
120	See Note	NSS	Seal (Note: Use Item 126)	
121	7010795	1	Plug, O-Ring	
126	7024389	1	Seal Kit - 7024188 Motor (Includes Items 103, 104, 116, 117 & 120)	
	70003524	Ref	BRAKE ASSEMBLY	
201	7024189	1	Shaft	
202	See Note	1	Housing (Note: Not Available - Purchase Complete Assembly)	
203	See Note	NSS	Plate, Friction (Note: Use Item 227)	
204	See Note	NSS	Plate, Pressure (Note: Use Item 227)	
205	7000731	1	Gasket	
206	See Note	NSS	Plate, Outer (Note: Use Item 227)	
207	See Note	NSS	Gasket (Note: Use Item 226 or 227)	
208	7024191	1	Cylinder	
209	7024192	1	Piston	
210	See Note	NSS	Bearing, Ball (Note: Use Item 227)	
211	See Note	NSS	Ring, Retaining (Note: Use Item 227)	
212	See Note	NSS	Seal, Shaft (Note: Use Item 227)	
213	See Note	6	Capscrew (Note: Not Available - Purchase Locally)	
214	See Note	6	Washer (Note: Not Available - Purchase Locally)	
215	See Note	NSS	O-Ring (Note: Use Item 226)	
216	See Note	NSS	Ring, Back-up (Note: Use Item 226)	
217	See Note	NSS	O-Ring (Note: Use Item 226)	
218	See Note	NSS	Ring, Back-up (Note: Use Item 226)	
219	7024190	2	Pin, Dowel	
220	See Note	1	Plug (Note: Not Available - Purchase Locally)	
221	See Note	1	Plug (Note: Not Available - Purchase Locally)	
222	See Note	NSS	Spring (Natural) (Note: Use Item 227)	
223	See Note	NSS	Spring (Blue) (Note: Use Item 227)	
226	7024194	1	Seal Kit - Brake (Includes Items 205, 207 & 215-218)	
227	7024196	1	Spring Kit - Brake (Includes 12 Natural and 2 Blue Colored Springs)	
227	7024193	1	Friction Disc Kit - Brake (Includes Items 203, 204, 206 & 207)	
227	7024197	1	Bearing Kit - Brake (Includes Items 207 & 210-212)	



# SECTION 2 - TURNTABLE

FIGURE 2-12. SWING MOTOR/HUB ASSEMBLY (SN 0300254532 to Present)



ART\_1001228488



## SECTION 2 - TURNTABLE

**FIGURE 2-12. SWING MOTOR/HUB ASSEMBLY (SN 0300254532 to Present)**

ITEM	PART NUMBER	QTY	DESCRIPTION	REV
	1001228488	Ref	SWING MOTOR/HUB ASSEMBLY	B
1	See Note	NSS	Shaft (Note: Use Item 56)	
2	70004467	1	Ring	
3	See Note	NSS	Seal, Oil (Note: Use Item 53)	
4	See Note	NSS	Bearing (Note: Use Item 55)	
5	See Note	NSS	Support, Output (Note: Not Available for Purchase)	
6	70002057	5	Plug with O-Ring	
7	70004469	2	Plug with O-Ring	
8	See Note	NSS	Bearing (Note: Use Item 55)	
9	See Note	NSS	Nut, Ring (Note: Use Item 56)	
10	70006986	1	Reduction, Gear - Complete	
11	70006987	1	Pinion	
12	70004477	1	Spacer	
13	See Note	NSS	O-Ring (Note: Use Item 53)	
14	70004474	1	Ring, Planetary	
15	70006988	1	Spacer	
16	70002057	2	Plug with O-Ring	
17	70006989	4	Pin, Spring	
18	70004480	8	Capscrew M10 x 55	
19	See Note	NSS	O-Ring (Note: Use Item 53)	
20	70006990	1	Ring, Planetary	
21	70006991	1	Reduction, Gear - Complete	
22	70006992	1	Pinion	
23	70002032	1	Ring	
24	70006993	1	Spacer	
25	70006994	1	Spacer	
26	70004481	1	Ring, Planetary	
27	70006995	1	Reduction, Gear - Complete	
28	70006996	1	Pinion	
29	70006997	1	Ring	
30	70006998	2	Washer	
31	See Note	NSS	Housing, Brake (Note: Not Available for Purchase)	
32	70006999	1	Plug	
33	70007000	8	Capscrew M8 x 90	
34	See Note	NSS	Seal (Note: Use Item 53 or 54)	
35	See Note	NSS	O-Ring (Note: Use Item 53 or 54)	
36	See Note	NSS	Disc, Steel (Note: Use Item 54)	
37	See Note	NSS	Disc (Note: Use Item 54)	
38	70005317	1	Spacer	
39	See Note	NSS	Seal (Note: Use Item 53 or 54)	
40	See Note	NSS	O-Ring (Note: Use Item 53 or 54)	
41	70005318	1	Piston, Brake	
42	See Note	NSS	Spring, Brake (Note: Use Item 54)	
43	70007001	1	Shaft, Input	
44	See Note	NSS	O-Ring (Note: Use Item 53 or 54)	
45	70007002	1	Cover	
46	70007003	8	Screw M6 x 25	
47	See Note	NSS	O-Ring (Note: Use Item 53)	
48	70007009	1	Motor	
48	70007011	1	Seal Kit	

## SECTION 2 - TURNTABLE

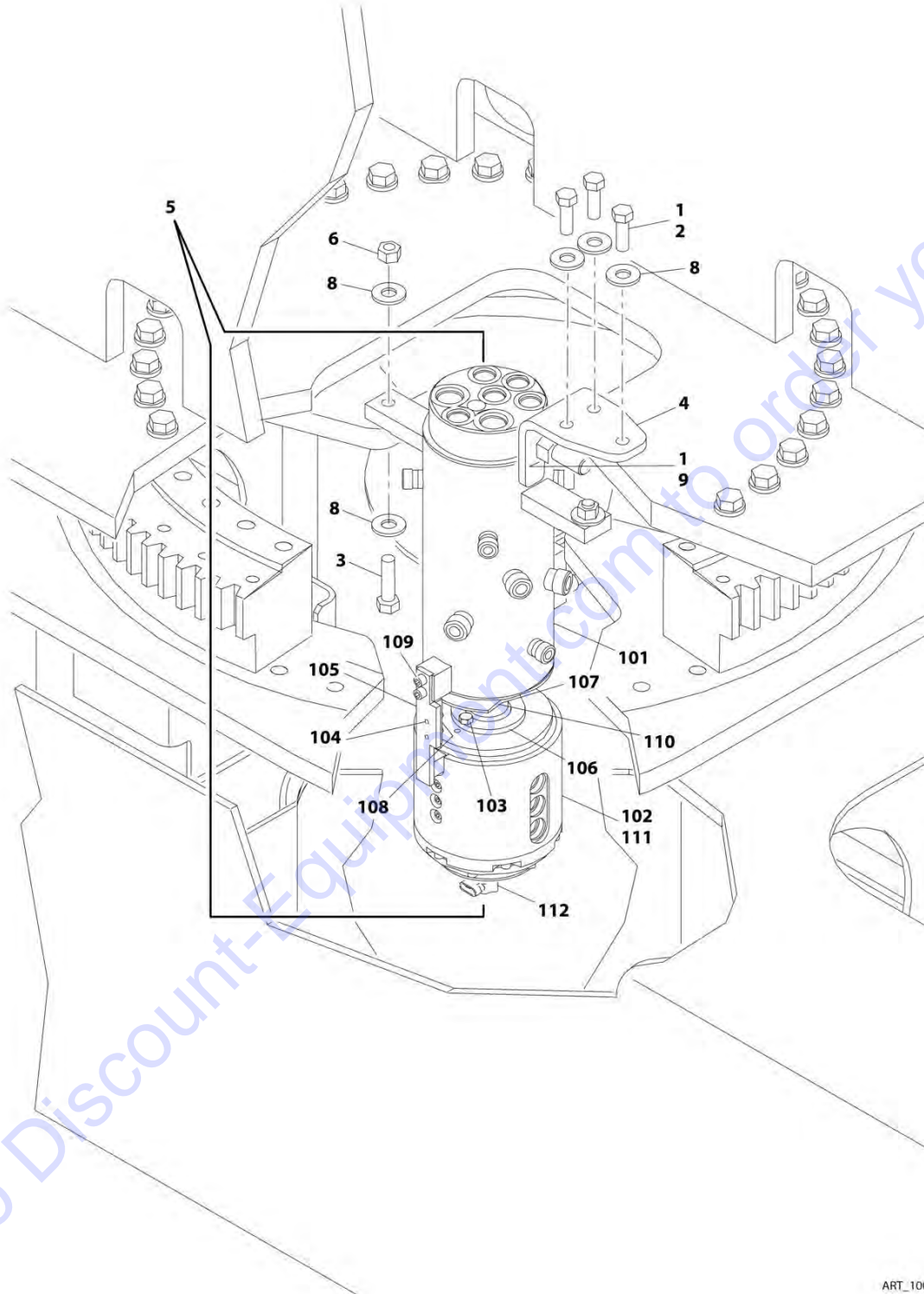
ITEM	PART NUMBER	QTY	DESCRIPTION	REV
49	See Note	NSS	Lug, Lifting (Note: Not Available for Purchase)	
50	70004494	2	Capscrew M12 x 35	
51	70007004	1	Brake, Valve Adapter	
52	70007010	1	Valve	
52	70007012	1	Seal Kit	
52	70007013	1	Hardware Kit	
53	70007005	1	Seal Kit – Brake and Hub (Includes Items 3, 13, 19, 34, 35, 39, 40, 44 & 47)	
54	70007006	1	Seal Kit – Brake (Includes Items 34-37, 39, 40, 42 & 44)	
55	70007007	1	Bearing Kit (Includes Items 4 & 8)	
56	70007008	1	Output Shaft Kit (Includes Items 1 & 9)	

Go to Discount-Equipment.com to order your parts



## SECTION 2 - TURNTABLE

FIGURE 2-13. ROTARY COUPLING AND COLLECTOR RING INSTALLATION



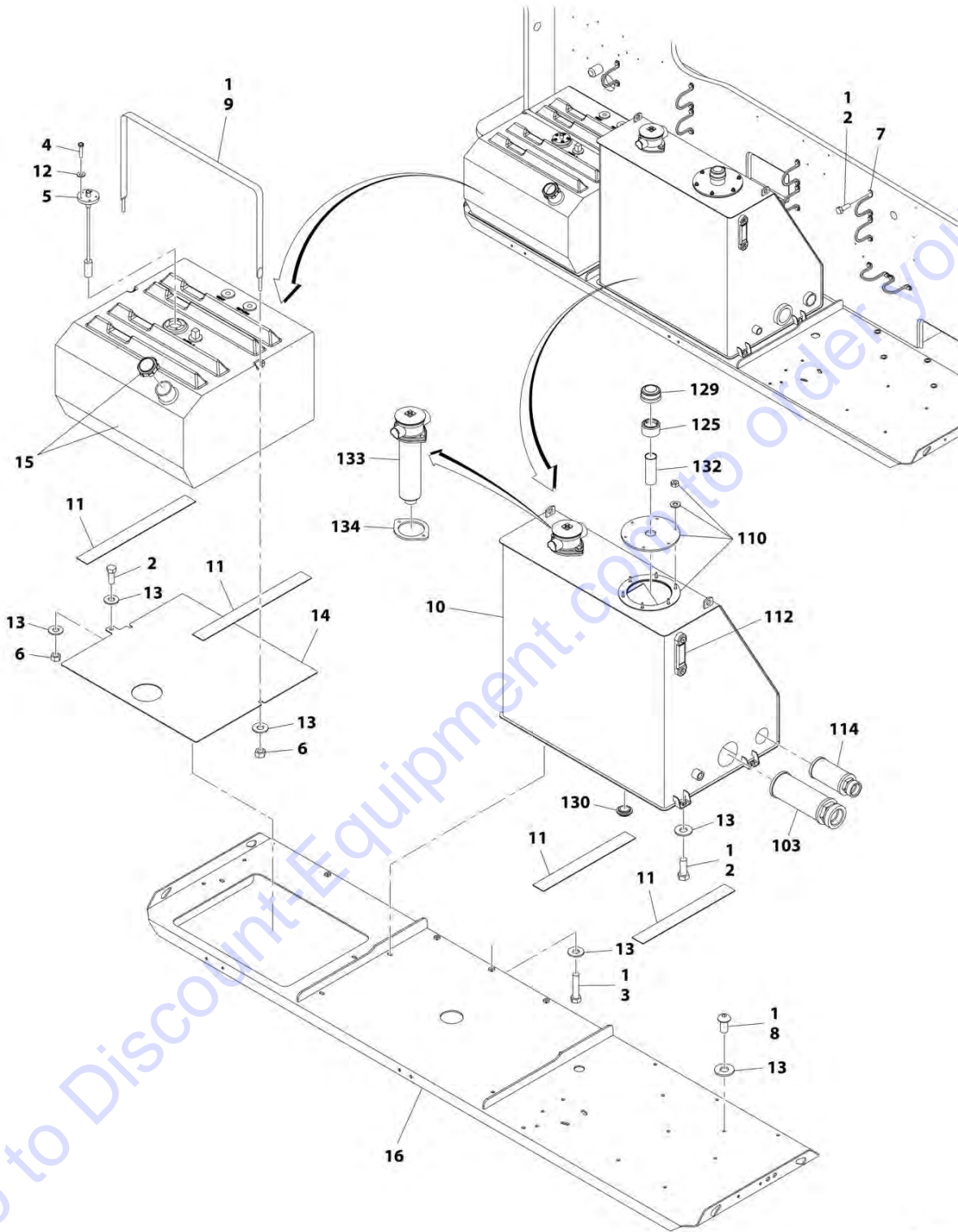
## SECTION 2 - TURNTABLE

**FIGURE 2-13. ROTARY COUPLING AND COLLECTOR RING INSTALLATION**

ITEM	PART NUMBER	QTY	DESCRIPTION	REV
	1001119273	Ref	ROTARY COUPLING AND COLLECTOR RING INSTALLATION	B
1	0100011	AR	Compound, Locking	
2	0641812	3	Bolt 1/2 x 1-1/2	
3	0641820	2	Bolt 1/2 x 2-1/2	
4	0902790	1	Bracket, Swivel (SN 0300209000 through 0300227066)	
4	0902915	1	Bracket, Swivel (SN 0300227067 to Present)	
5	1001119040	1	Rotary Coupling and Collector Ring Assembly (See Items 101-112 for Breakdown)	
6	3311805	2	Nut 1/2	
8	4751800	7	Washer 1/2	
9	3322201	2	Nut 3/4	
	1001119040	Ref	ROTARY COUPLING AND COLLECTOR RING ASSEMBLY	C
101	70001102	1	Coupling, Rotary	
101	See Note	NSS	Bearing (Note: Not Available for Purchase)	
101	70001101	1	Seal Kit - Coupling	
102	70003485	1	Contactora, Rotary Circuit (Does not include connector or pins)	
103	0641506	4	Bolt 5/16 x 3/4	
104	3931512	2	Capscrew 5/16 x 3/4	
105	70003484	1	Arm, Torque	
106	80334251	1	Adapter	
107	7026030	1	Plate, Cam	
108	7026031	1	Sensor, Proximity	
109	3931008	2	Capscrew #10 x 1/2	
110	7026032	1	Pin, Dowel	
111	0100048	AR	Grease, Silicone (Apply to Contactora Connector)	
112	1001133759	1	Sensor, Angle	

## SECTION 2 - TURNTABLE

FIGURE 2-14. TANK INSTALLATION - WITH 31 GAL/117.31 L FUEL TANK



ART\_1001173915

## SECTION 2 - TURNTABLE

**FIGURE 2-14. TANK INSTALLATION - WITH 31 GAL/117.31 L FUEL TANK**

ITEM	PART NUMBER	QTY	DESCRIPTION	REV
	1001173915	Ref	TANK INSTALLATION - WITH 31 GAL/117.31 L FUEL TANK	C
1	0100011	AR	Compound, Locking	
2	0641608	23	Bolt 3/8 x 1	
3	0641614	10	Bolt 3/8 x 1-3/4	
4	0731007	5	Screw #10 x 7/8	
5	2420191	1	Gauge, Fuel	
5	3960525	1	Gasket	
6	3311601	3	Nut 3/8	
7	3841340	9	Loop, Hose	
8	3900283	6	Screw 3/8 x 3/4	
9	4240139	1	Strap, Tank	
10	4400457	1	Tank, Hydraulic Oil (See Items 103-134 for Breakdown)	
11	4420038	75 in/1.9m	Tape	
12	4751000	5	Washer #10	
13	4751600	24	Washer 3/8	
14	1001117359	1	Plate	
15	1001160567	1	Tank, Fuel	
15	70004414	1	Cap, Fuel	
15	7020043	1	Tube, Pickup	
16	1001173171	1	Tray	
	4400457	Ref	HYDRAULIC OIL TANK ASSEMBLY	E
103	7026571	1	Strainer, Suction	
110	7024439	1	Cover	
110	7023306	1	Seal, Cover Plate	
110	7024440	1	Gasket	
112	7024441	1	Gauge, Sight	
114	7024442	1	Strainer	
125	7024445	1	Strainer (Filler Neck)	
129	7024444	1	Breather Filter/Fill Cap	
130	7024446	1	Plug, Magnetic	
132	7024443	1	Neck, Filler	
133	7024374	1	Filter, Hydraulic Oil	
133	7024375	1	Element, Filter	
134	7023347	1	Gasket, Filter Mounting Flange	





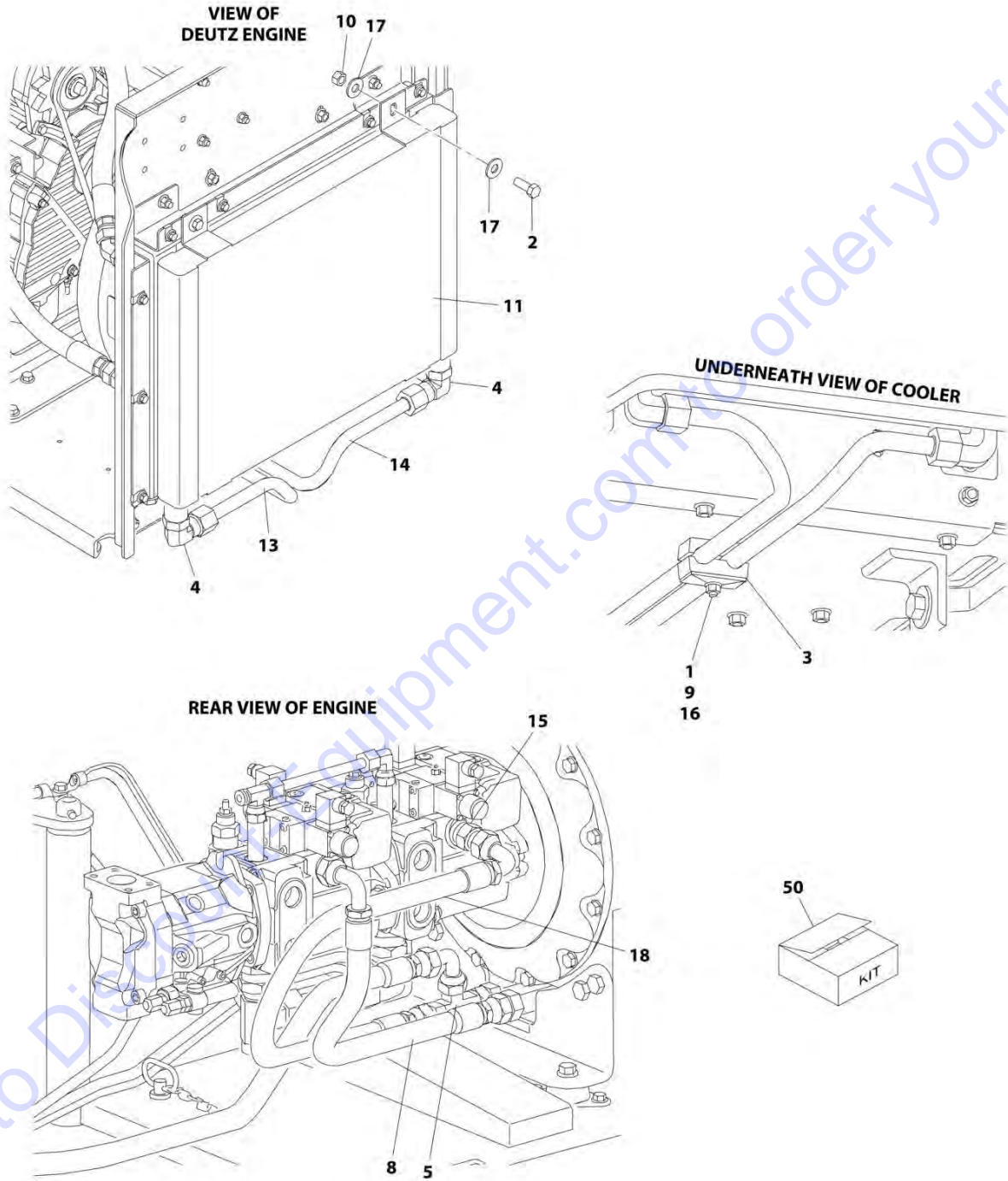
## SECTION 2 - TURNTABLE

**FIGURE 2-15. TANK INSTALLATION - WITH 58.2 GAL/200 L FUEL TANK**

ITEM	PART NUMBER	QTY	DESCRIPTION	REV
	1001173918	Ref	TANK INSTALLATION - WITH 58.2 GAL/200 L FUEL TANK	C
1	0100011	AR	Compound, Locking	
2	0641608	22	Bolt 3/8 x 1	
3	0641614	10	Bolt 3/8 x 1-3/4	
4	0731007	5	Screw #10 x 7/8	
5	2180467	2	Fitting, 90 Barbed	
6	3311601	2	Nut 3/8	
7	3841340	9	Loop, Hose	
8	3900283	6	Screw 3/8 x 3/4	
9	4400457	1	Tank, Hydraulic Oil (See Items 103-134 for Breakdown)	
10	4420038	34 in/.9m	Tape	
11	4751000	5	Washer #10	
12	4751600	22	Washer 3/8	
13	8405009	2	Clamp	
14	1001108579	1	Tank, Fuel	
14	7016314	1	Cap, Fuel	
14	70004413	1	Tube, Pickup	
15	1001109048	1	Gauge, Fuel	
16	1001110059	1	Strap, Tank	
17	1001113103	19.5 in .5m	Tube, Sight	
18	1001173171	1	Tray	
	4400457	Ref	HYDRAULIC OIL TANK ASSEMBLY	E
103	7026571	1	Strainer, Suction	
110	7024439	1	Cover	
110	7023306	1	Seal, Cover Plate	
110	7024440	1	Gasket	
112	7024441	1	Gauge, Sight	
114	7024442	1	Strainer	
125	7024445	1	Strainer (Filler Neck)	
129	7024444	1	Breather Filter/Fill Cap	
130	7024446	1	Plug, Magnetic	
132	7024443	1	Neck, Filler	
133	7024374	1	Filter, Hydraulic Oil	
133	7024375	1	Element, Filter	
134	7023347	1	Gasket, Filter Mounting Flange	

## SECTION 2 - TURNTABLE

FIGURE 2-16. HYDRAULIC OIL COOLER INSTALLATION - DEUTZ TD2011 ENGINES WITH REXROTH PUMPS (OPTIONAL)



ART\_0272080

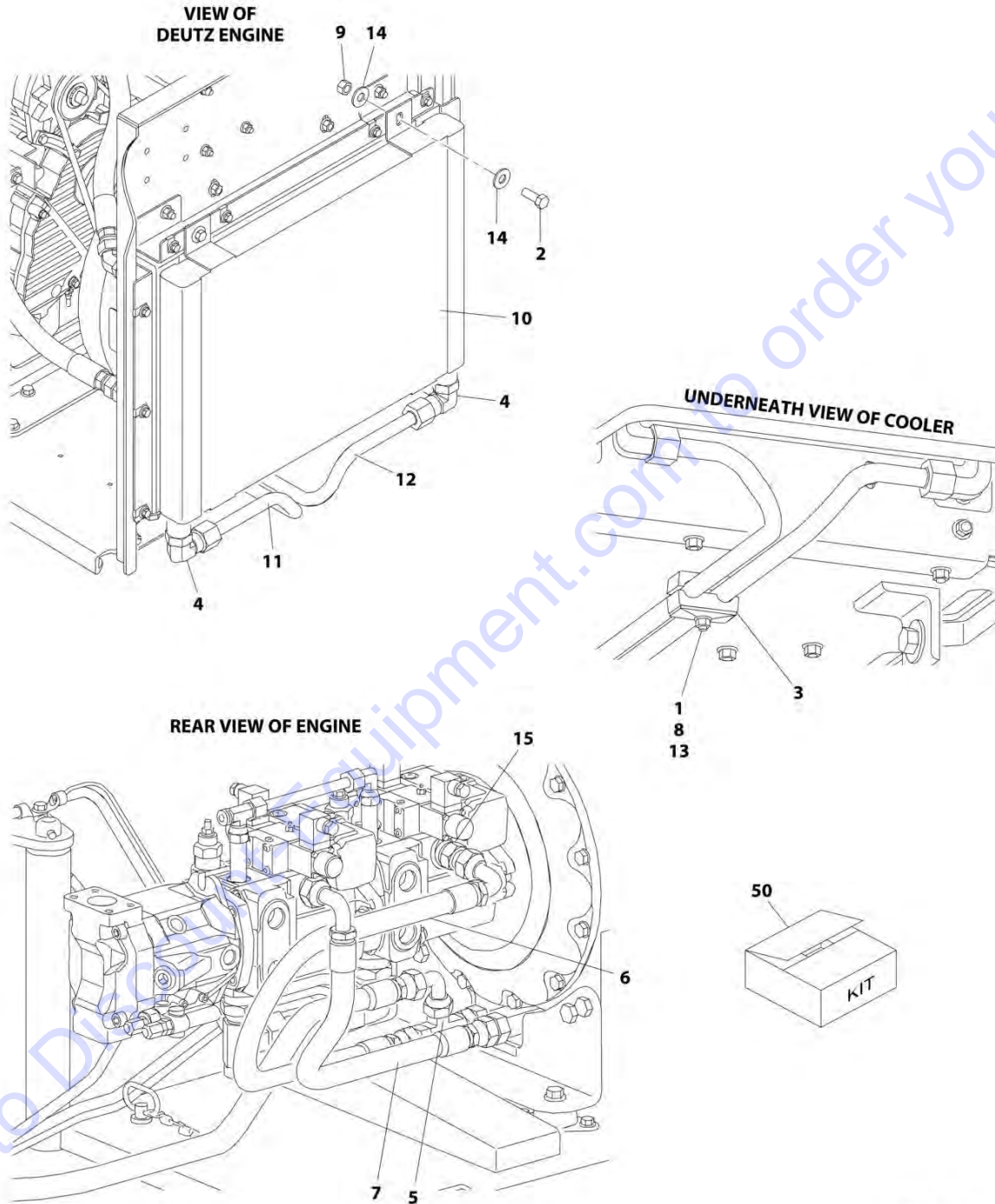
## SECTION 2 - TURNTABLE

**FIGURE 2-16. HYDRAULIC OIL COOLER INSTALLATION - DEUTZ TD2011 ENGINES WITH REXROTH PUMPS (OPTIONAL)**

ITEM	PART NUMBER	QTY	DESCRIPTION	REV
	0272080	Ref	HYDRAULIC OIL COOLER INSTALLATION - DEUTZ TD2011 ENGINES WITH REXROTH PUMPS (OPTIONAL)	B
1	0641520	2	Bolt 5/16 x 2-1/2	
2	0641608	4	Bolt 3/8 x 1	
3	1320162	2	Clamp, Hose	
4	2131212	2	Fitting, 90 ORFS/ORB	
5	2170712	1	Fitting, Tee ORFS/FSORFS/ORFS	
8	2753778	1	Hose	
9	3311505	2	Nut 5/16	
10	3311605	4	Nut 3/8	
11	3620034	1	Cooler, Hydraulic Oil	
13	4568426	1	Tube	
14	4568427	1	Tube	
15	4641247	1	Valve, Check	
16	4711500	4	Washer 5/16	
17	4751600	8	Washer 3/8	
18	2753843	1	Hose	
50	1001120564	1	Oil Cooler Add-on Kit (Includes Items 1-18)	

## SECTION 2 - TURNTABLE

FIGURE 2-17. HYDRAULIC OIL COOLER INSTALLATION - DEUTZ TD2011 ENGINES WITH SAUER PUMPS (OPTIONAL)



ART\_1001118957

**SECTION 2 - TURNTABLE**

**FIGURE 2-17. HYDRAULIC OIL COOLER INSTALLATION - DEUTZ TD2011 ENGINES WITH SAUER PUMPS (OPTIONAL)**

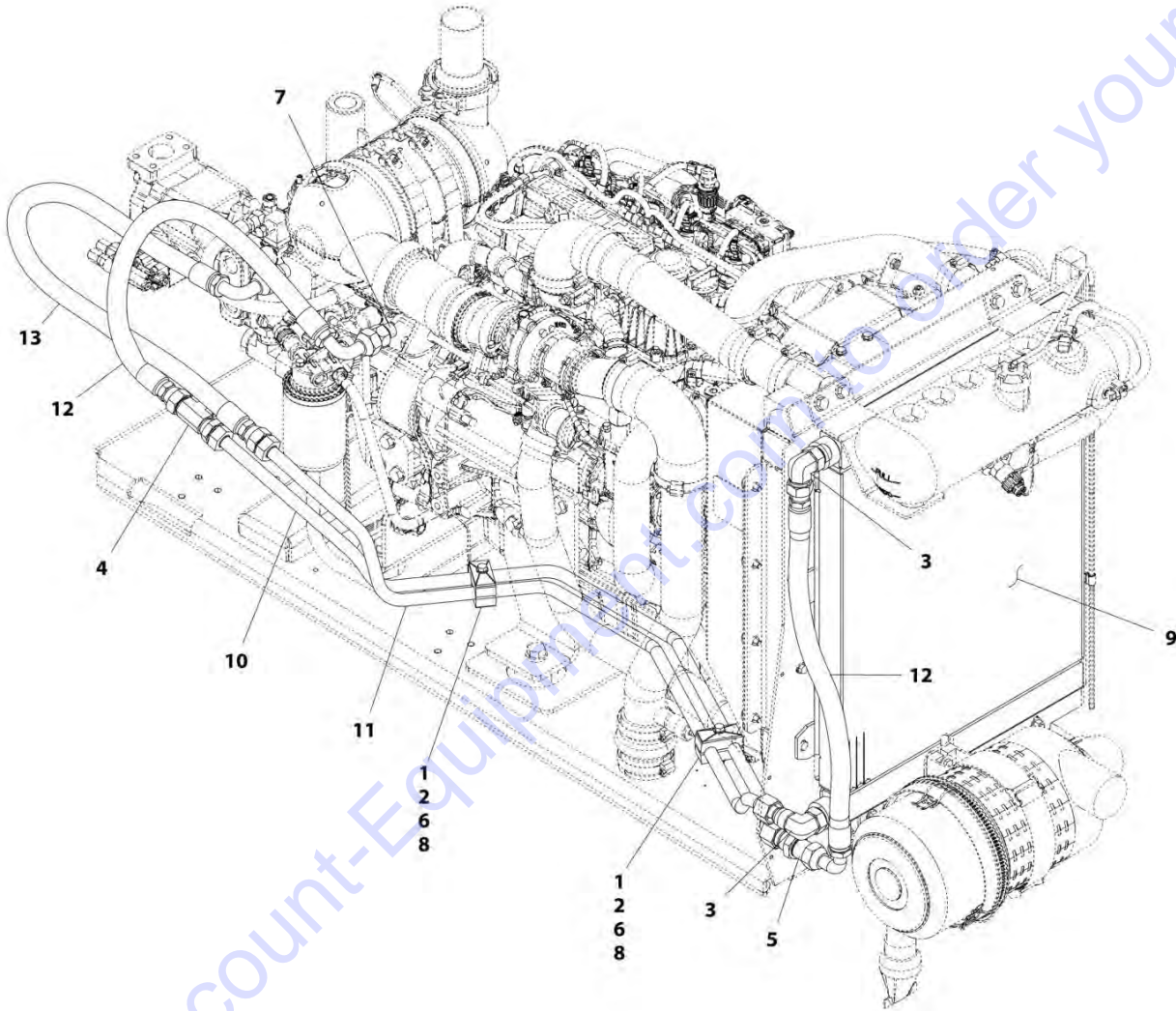
ITEM	PART NUMBER	QTY	DESCRIPTION	REV
	1001118957	Ref	HYDRAULIC OIL COOLER INSTALLATION - DEUTZ TD2011 ENGINES WITH SAUER PUMPS (OPTIONAL)	B
1	0641520	2	Bolt 5/16 x 2-1/2	
2	0641608	4	Bolt 3/8 x 1	
3	1320162	2	Clamp, Hose	
4	2131212	2	Fitting, 90 ORFS/ORB	
5	2170712	1	Fitting, Tee ORFS/FSORFS/ORFS	
6	2753778	1	Hose	
7	2753999	1	Hose	
8	3311505	2	Nut 5/16	
9	3311605	4	Nut 3/8	
10	3620034	1	Cooler, Hydraulic Oil	
11	4568426	1	Tube	
12	4568427	1	Tube	
13	4711500	4	Washer 5/16	
14	4751600	8	Washer 3/8	
15	1001109677	1	Valve, Check	
50	1001120564	1	Oil Cooler Add-on Kit (Includes Items 1-15)	

Go to Discount-Equipment.com to order your parts



## SECTION 2 - TURNTABLE

FIGURE 2-18. HYDRAULIC OIL COOLER INSTALLATION - DEUTZ TCD2.9L4 ENGINES AND DEUTZ TCD2.9L4 (STAGE V) ENGINES WITH REXROTH PUMPS (OPTIONAL)



ART\_1001139494



## SECTION 2 - TURNTABLE

**FIGURE 2-18. HYDRAULIC OIL COOLER INSTALLATION - DEUTZ TCD2.9L4 ENGINES AND DEUTZ TCD2.9L4 (STAGE V) ENGINES WITH REXROTH PUMPS (OPTIONAL)**

ITEM	PART NUMBER	QTY	DESCRIPTION	REV
	1001139494	Ref	HYDRAULIC OIL COOLER INSTALLATION - DEUTZ TCD2.9L4 ENGINES AND DEUTZ TCD2.9L4 (STAGE V) ENGINES WITH REXROTH PUMPS (OPTIONAL)	E
1	0641520	2	Bolt 5/16 x 2-1/2	
2	1320162	2	Clamp, Hose	
3	2131212	2	Fitting, 90 ORFS/ORB	
4	2170712	1	Fitting, Tee ORFS/FSORFS/ORFS	
5	2171112	1	Fitting, Straight ORFS/ORFS	
6	3311505	2	Nut 5/16	
7	4641247	1	Valve	
8	4711500	4	Washer 5/16	
9	1001135124	1	Cooler, Hydraulic Oil	
10	1001154214	1	Tube <b>(SN 0300209000 through 0300237552)</b>	
10	1001139665	1	Tube <b>(SN 0300237553 to Present)</b>	
11	1001139666	1	Tube	
12	1001143087	2	Hose	
13	1001143123	1	Hose	

# PARTS FINDER

**Search Website  
by Part Number**



**Search Manual  
Library For Parts  
Manual & Lookup Part  
Numbers – Purchase  
or Request Quote**

**Can't Find Part or  
Manual? Request Help  
by Manufacturer,  
Model & Description**

Discount-Equipment.com is your online resource for quality parts & equipment.

Florida: **561-964-4949** Outside Florida TOLL FREE: **877-690-3101**

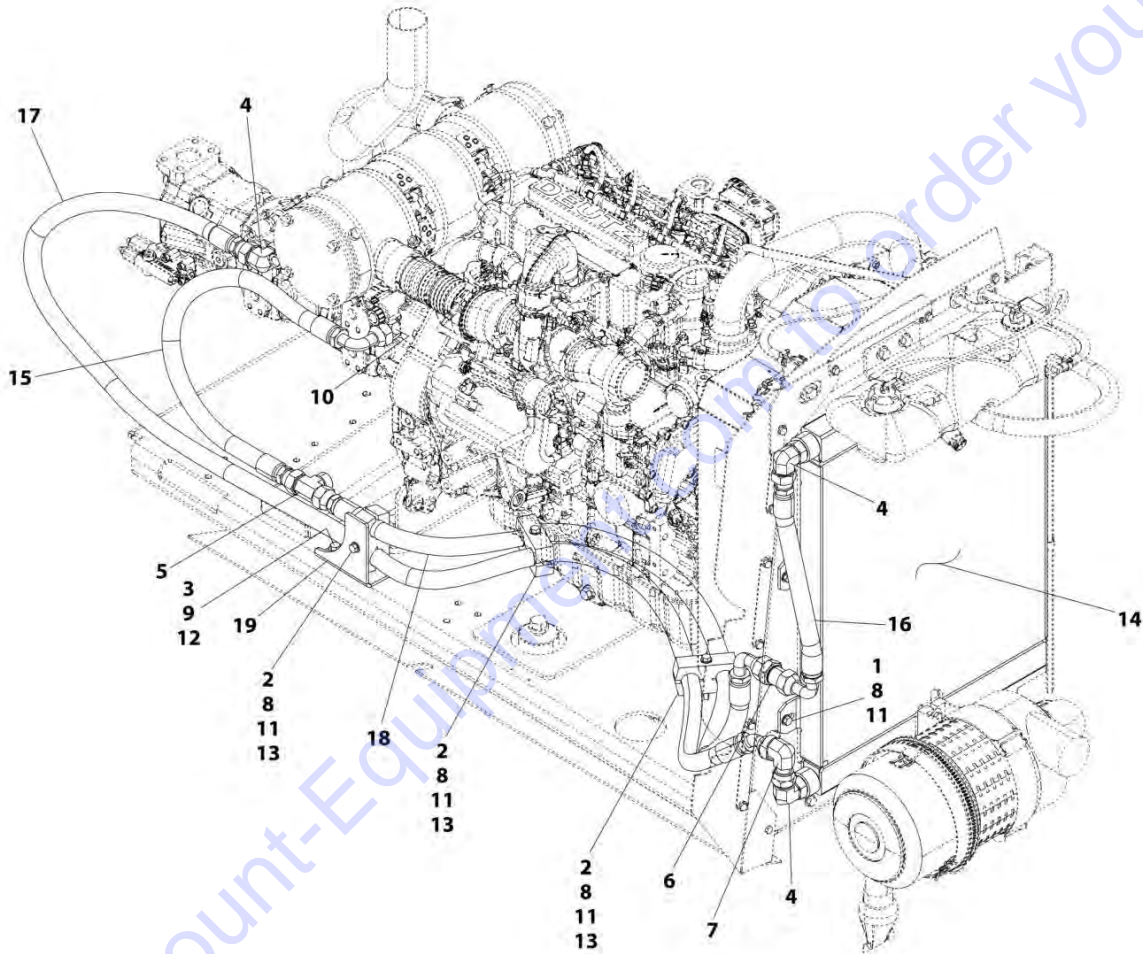
## Need parts?

Click on this link: <http://www.discount-equipment.com/category/5443-parts/> and choose one of the options to help get the right parts and equipment you are looking for. Please have the machine model and serial number available in order to help us get you the correct parts. If you don't find the part on the website or on one of the online manuals, please fill out the request form and one of our experienced staff members will get back to you with a quote for the right part that your machine needs.

We sell worldwide for the brands: Genie, Terex, JLG, MultiQuip, Mikasa, Essick, Whiteman, Mayco, Toro Stone, Diamond Products, Generac Magnum, Airman, Haulotte, Barreto, Power Blanket, Nifty Lift, Atlas Copco, Chicago Pneumatic, Allmand, Miller Curber, Skyjack, Lull, Skytrak, Tsurumi, Husquvarna Target, Stow, Wacker, Sakai, Mi-T-M, Sullair, Basic, Dynapac, MBW, Weber, Bartell, Bennar Newman, Haulotte, Ditch Runner, Menegotti, Morrison, Contec, Buddy, Crown, Edco, Wyco, Bomag, Laymor, EZ Trench, Bil-Jax, F.S. Curtis, Gehl Pavers, Heli, Honda, ICS/PowerGrit, IHI, Partner, Imer, Clipper, MMD, Koshin, Rice, CH&E, General Equipment, Amida, Coleman, NAC, Gradall, Square Shooter, Kent, Stanley, Tamco, Toku, Hatz, Kohler, Robin, Wisconsin, Northrock, Oztec, Toker TK, Rol-Air, APT, Wylie, Ingersoll Rand / Doosan, Innovatech, Con X, Ammann, Mecalac, Makinex, Smith Surface Prep, Small Line, Wanco, Yanmar

## SECTION 2 - TURNTABLE

FIGURE 2-19. HYDRAULIC OIL COOLER INSTALLATION - DEUTZ TCD2.9L4 ENGINES WITH REXROTH PUMPS (OPTIONAL) (CHINA SPEC ONLY)



ART\_1001221802

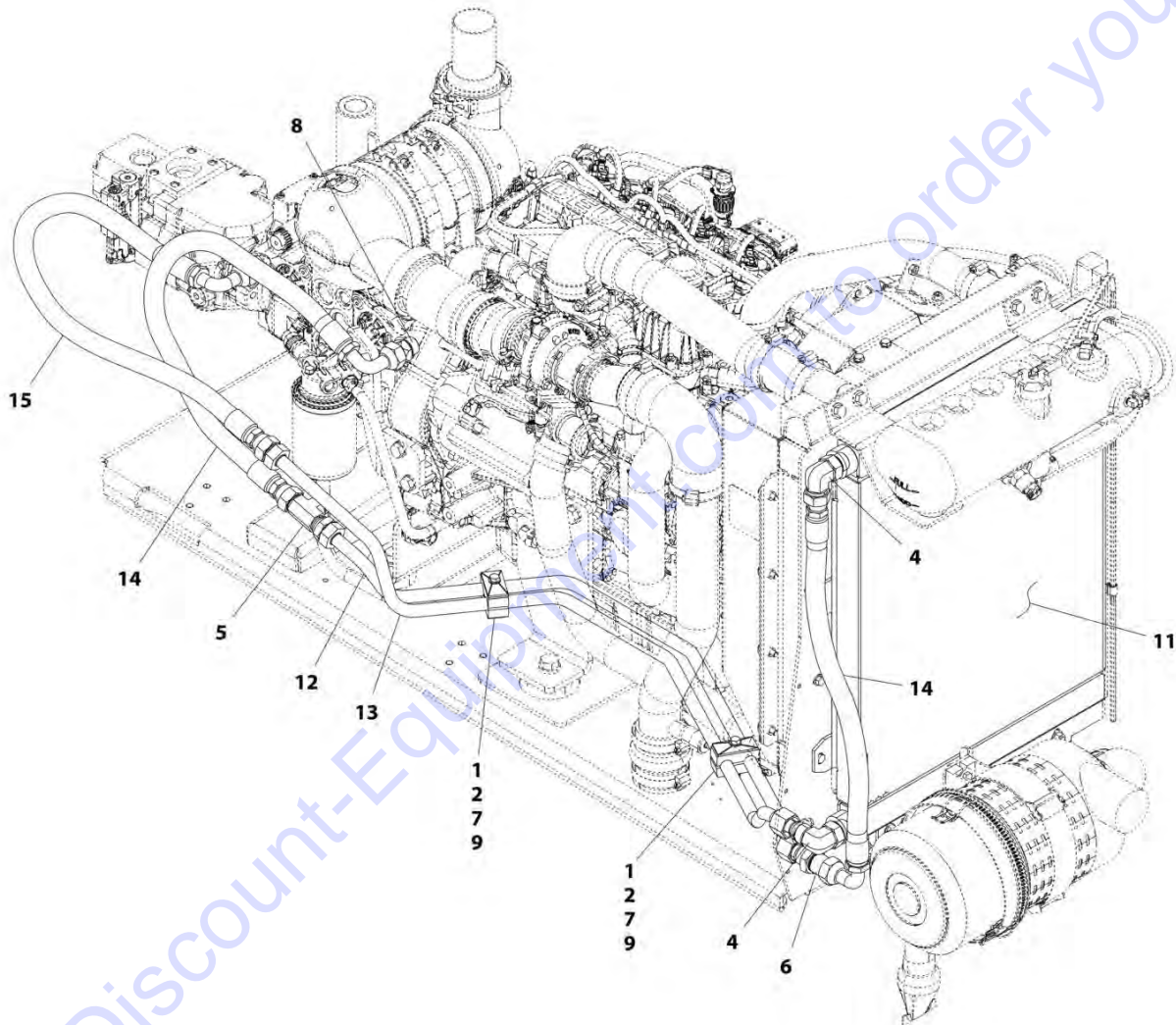
## SECTION 2 - TURNTABLE

**FIGURE 2-19. HYDRAULIC OIL COOLER INSTALLATION - DEUTZ TCD2.9L4 ENGINES WITH REXROTH PUMPS (OPTIONAL) (CHINA SPEC ONLY)**

ITEM	PART NUMBER	QTY	DESCRIPTION	REV
	1001221802	Ref	HYDRAULIC OIL COOLER INSTALLATION - DEUTZ TCD2.9L4 ENGINES WITH REXROTH PUMPS (OPTIONAL) (CHINA SPEC ONLY)	A
1	0641508	4	Bolt 5/16 x 1	
2	0641524	3	Bolt 5/16 x 3	
3	0641609	2	Bolt 3/8 x 1-1/8	
4	2131212	3	Fitting, 90 ORFS/ORB	
5	2170512	1	Fitting, Tee ORFS/ORFS/ORFS	
6	2171112	1	Fitting, Straight ORFS/ORFS	
7	2172112	1	Fitting, 90 ORFS/FSORFS	
8	3311505	7	Nut 5/16	
9	3311605	2	Nut 3/8	
10	4641247	1	Valve	
11	4711500	14	Washer 5/16	
12	4711600	4	Washer 3/8	
13	8750024	3	Clamp	
14	1001135124	1	Cooler, Hydraulic Oil	
15	1001143087	1	Hose	
16	1001181129	1	Hose	
17	1001188376	1	Hose	
18	1001188382	1	Hose	
19	1001220560	1	Bracket	

## SECTION 2 - TURNTABLE

FIGURE 2-20. HYDRAULIC OIL COOLER INSTALLATION - DEUTZ TCD2.9L4 ENGINES AND DEUTZ TCD2.9L4 (STAGE V) ENGINES WITH SAUER PUMPS (OPTIONAL)



ART\_1001139492



**SECTION 2 - TURNTABLE**

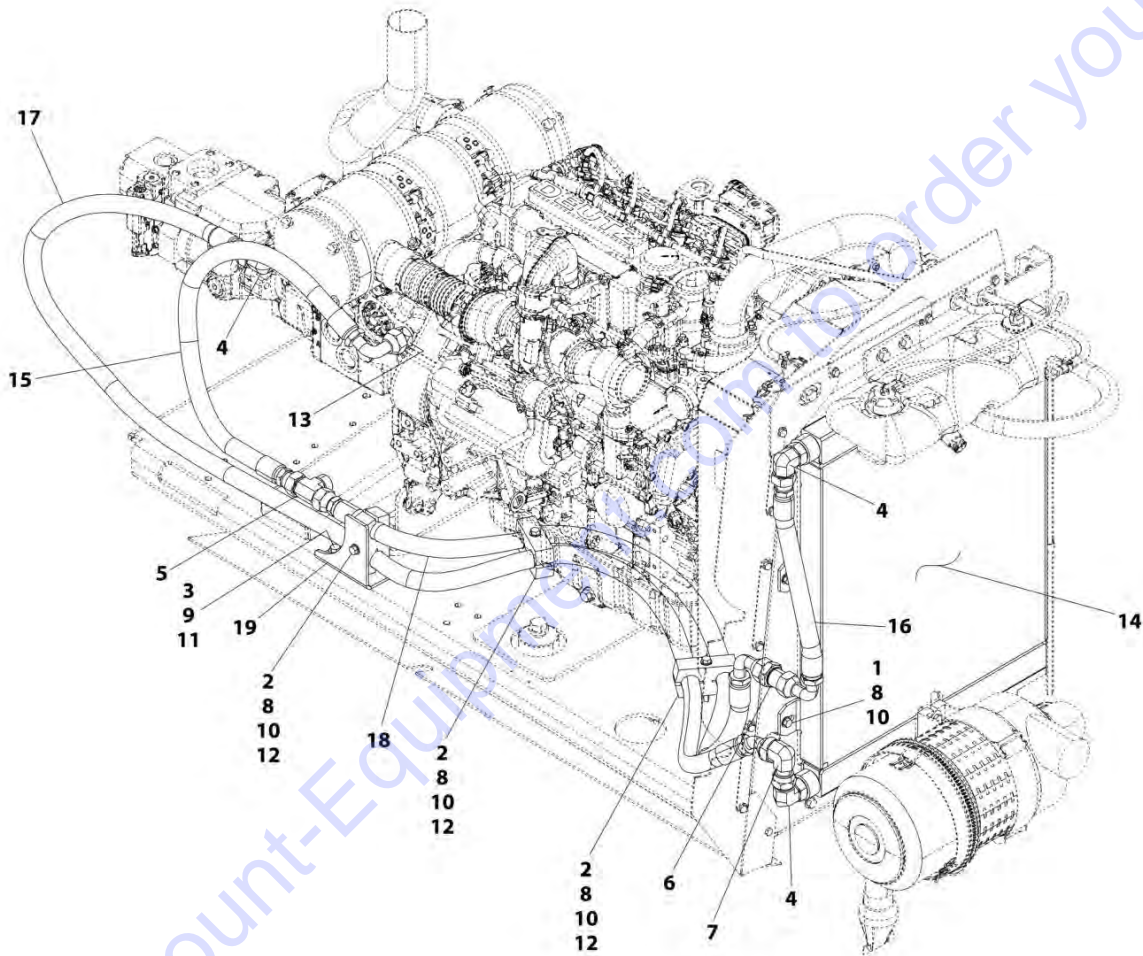
**FIGURE 2-20. HYDRAULIC OIL COOLER INSTALLATION - DEUTZ TCD2.9L4 ENGINES AND DEUTZ TCD2.9L4 (STAGE V) ENGINES WITH SAUER PUMPS (OPTIONAL)**

ITEM	PART NUMBER	QTY	DESCRIPTION	REV
	1001139492	Ref	HYDRAULIC OIL COOLER INSTALLATION - DEUTZ TCD2.9L4 ENGINES AND DEUTZ TCD2.9L4 (STAGE V) ENGINES WITH SAUER PUMPS (OPTIONAL)	E
1	0641520	2	Bolt 5/16 x 2-1/2	
2	1320162	2	Clamp, Hose	
4	2131212	2	Fitting, 90 ORFS/ORB	
5	2170712	1	Fitting, Tee ORFS/FSORFS/ORFS	
6	2171112	1	Fitting, Straight ORFS/ORFS	
7	3311505	2	Nut 5/16	
8	1001109677	1	Valve	
9	4711500	4	Washer 5/16	
11	1001135124	1	Cooler, Hydraulic Oil	
12	1001139665	1	Tube	
13	1001139666	1	Tube	
14	1001143087	2	Hose	
15	1001143123	1	Hose	

Go to Discount-Equipment.com to order your parts

## SECTION 2 - TURNTABLE

FIGURE 2-21. HYDRAULIC OIL COOLER INSTALLATION - DEUTZ TCD2.9L4 ENGINES WITH SAUER PUMPS (OPTIONAL) (CHINA SPEC ONLY)



ART\_1001221666



**SECTION 2 - TURNTABLE**

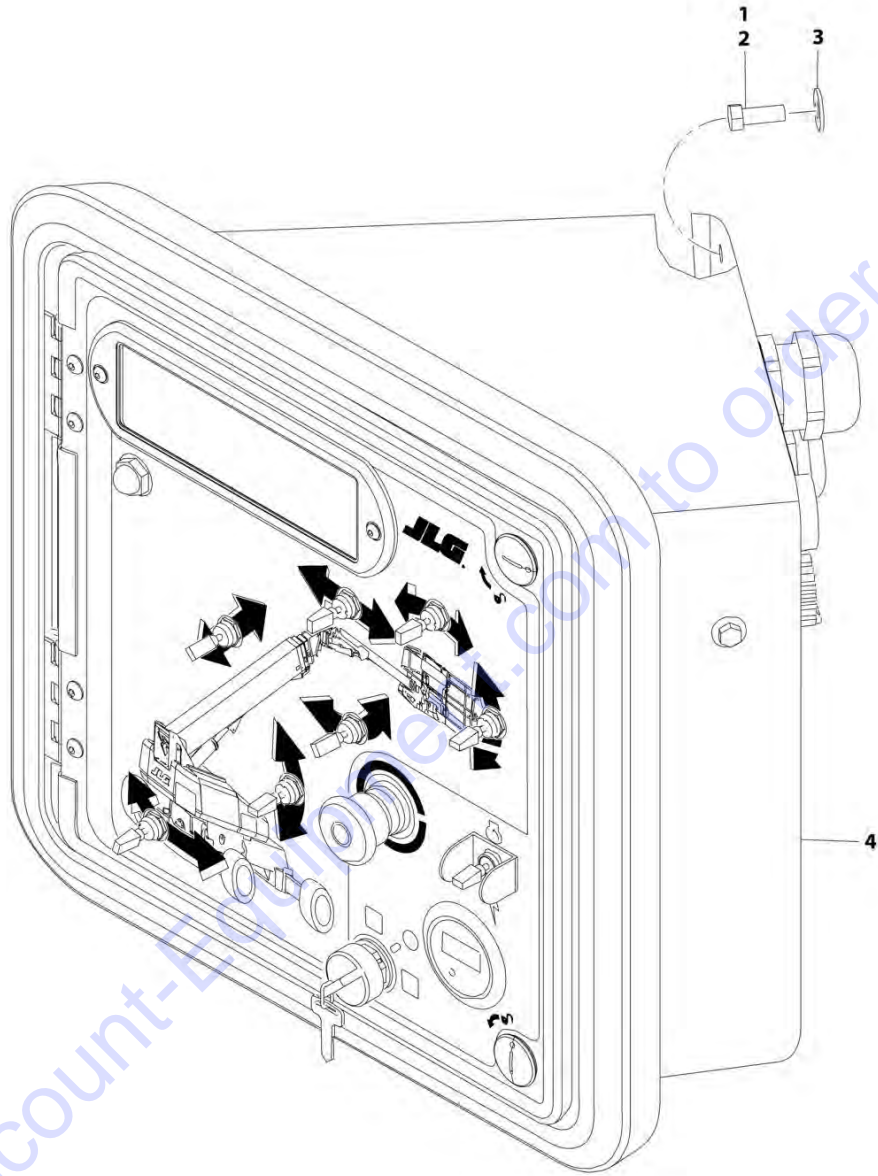
**FIGURE 2-21. HYDRAULIC OIL COOLER INSTALLATION - DEUTZ TCD2.9L4 ENGINES WITH SAUER PUMPS (OPTIONAL) (CHINA SPEC ONLY)**

ITEM	PART NUMBER	QTY	DESCRIPTION	REV
	1001221666	Ref	HYDRAULIC OIL COOLER INSTALLATION - DEUTZ TCD2.9L4 ENGINES WITH SAUER PUMPS (OPTIONAL) (CHINA SPEC ONLY)	A
1	0641508	4	Bolt 5/16 x 1	
2	0641524	3	Bolt 5/16 x 3	
3	0641609	2	Bolt 3/8 x 1-1/8	
4	2131212	3	Fitting, 90 ORFS/ORB	
5	2170512	1	Fitting, Tee ORFS/ORFS/ORFS	
6	2171112	1	Fitting, Straight ORFS/ORFS	
7	2172112	1	Fitting, 90 ORFS/FSORFS	
8	3311505	7	Nut 5/16	
9	3311605	2	Nut 3/8	
10	4711500	14	Washer 5/16	
11	4711600	4	Washer 3/8	
12	8750024	3	Clamp	
13	1001109677	1	Valve	
14	1001135124	1	Cooler, Hydraulic Oil	
15	1001143087	1	Hose	
16	1001181129	1	Hose	
17	1001188376	1	Hose	
18	1001188382	1	Hose	
19	1001220560	1	Bracket	

Go to Discount-Equipment.com to order your parts

## SECTION 2 - TURNTABLE

FIGURE 2-22. GROUND CONTROL BOX INSTALLATION - TD2011 ENGINES WITH REXROTH PUMPS  
(ANSI EXPORT (LRC), AUSTRALIAN AND CHINA SPECS)



ART\_1001120361

## SECTION 2 - TURNTABLE

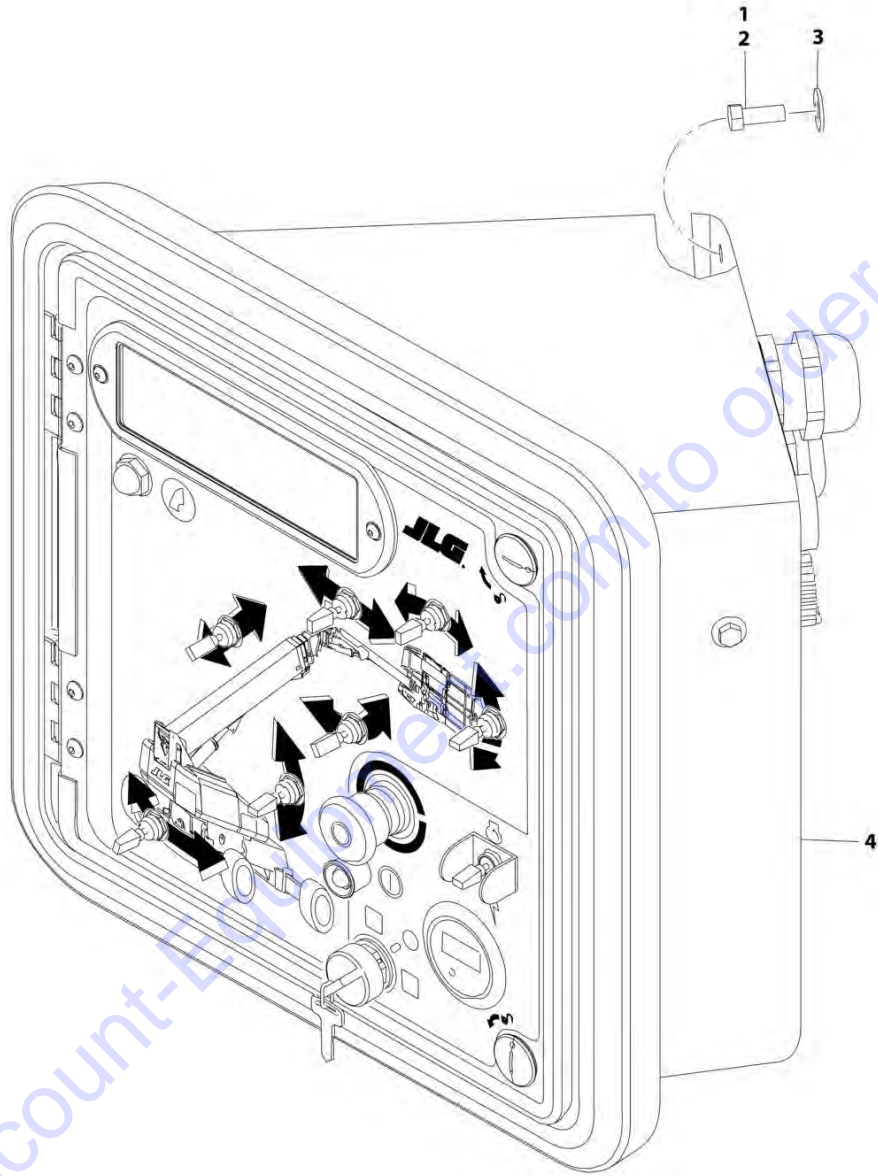
**FIGURE 2-22. GROUND CONTROL BOX INSTALLATION - TD2011 ENGINES WITH REXROTH PUMPS  
(ANSI EXPORT (LRC), AUSTRALIAN AND CHINA SPECS)**

ITEM	PART NUMBER	QTY	DESCRIPTION	REV
	1001120361	Ref	GROUND CONTROL BOX INSTALLATION - TD2011 ENGINES WITH REXROTH PUMPS (ANSI EXPORT (LRC), AUSTRALIAN AND CHINA SPECS)	B
1	0100011	AR	Compound, Locking	
2	3931616	4	Bolt 3/8 x 3/4	
3	4751600	4	Washer 3/8	
4	1001119651	1	Ground Control Box Assembly (See GROUND CONTROL BOX ASSEMBLY (ALL SPECS EXCEPT CE SPECS) for Breakdown)	
5	1001119456	2	Harness, Pump - Sauer to Rexroth Jumper Harness (Not Shown - See ELECTRICAL SECTION for Breakdown)	
6	1001119470	1	Harness, Engine - Deutz TD2011 Engines (Not Shown - See ELECTRICAL SECTION for Breakdown)	

Go to Discount-Equipment.com to order your parts

## SECTION 2 - TURNTABLE

FIGURE 2-23. GROUND CONTROL BOX INSTALLATION - TD2011 ENGINES WITH REXROTH PUMPS  
(CE (LRC) SPECS)



ART\_1001193684

**SECTION 2 - TURNTABLE**

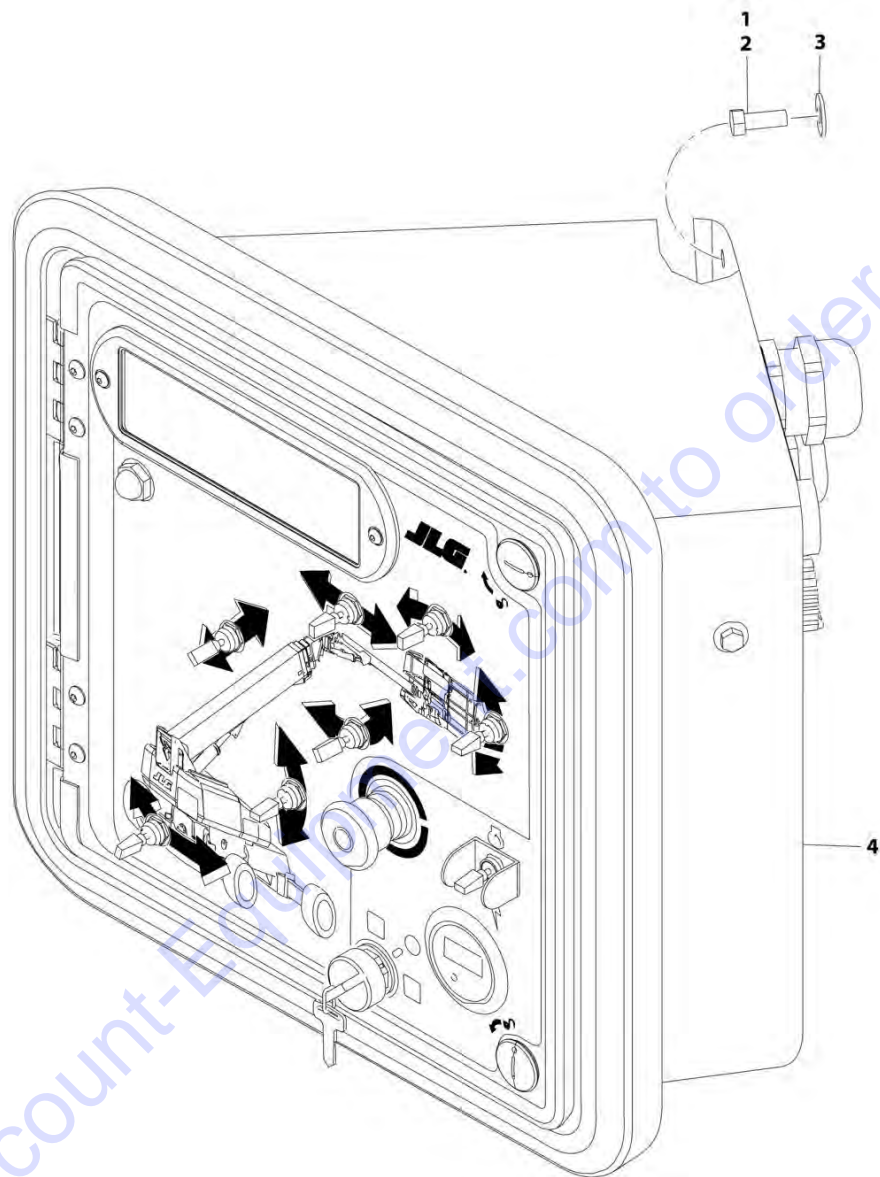
**FIGURE 2-23. GROUND CONTROL BOX INSTALLATION - TD2011 ENGINES WITH REXROTH PUMPS (CE (LRC) SPECS)**

ITEM	PART NUMBER	QTY	DESCRIPTION	REV
	1001193684	Ref	GROUND CONTROL BOX INSTALLATION - TD2011 ENGINES WITH REXROTH PUMPS (CE (LRC) SPECS)	A
1	0100011	AR	Compound, Locking	
2	3931616	4	Bolt 3/8 x 3/4	
3	4751600	4	Washer 3/8	
4	1001184787	1	Ground Control Box Assembly (See GROUND CONTROL BOX ASSEMBLY (CE SPECS) for Breakdown)	
5	1001119456	2	Harness, Pump - Sauer to Rexroth Jumper Harness (Not Shown - See ELECTRICAL SECTION for Breakdown)	
6	1001119470	1	Harness, Engine - Deutz TD2011 Engines (Not Shown - See ELECTRICAL SECTION for Breakdown)	

Go to Discount-Equipment.com to order your parts

## SECTION 2 - TURNTABLE

FIGURE 2-24. GROUND CONTROL BOX INSTALLATION - TD2011 ENGINES WITH SAUER PUMPS  
(ANSI EXPORT (LRC), AUSTRALIAN AND CHINA SPECS)



ART\_1001130025

**SECTION 2 - TURNTABLE**

**FIGURE 2-24. GROUND CONTROL BOX INSTALLATION - TD2011 ENGINES WITH SAUER PUMPS (ANSI EXPORT (LRC), AUSTRALIAN AND CHINA SPECS)**

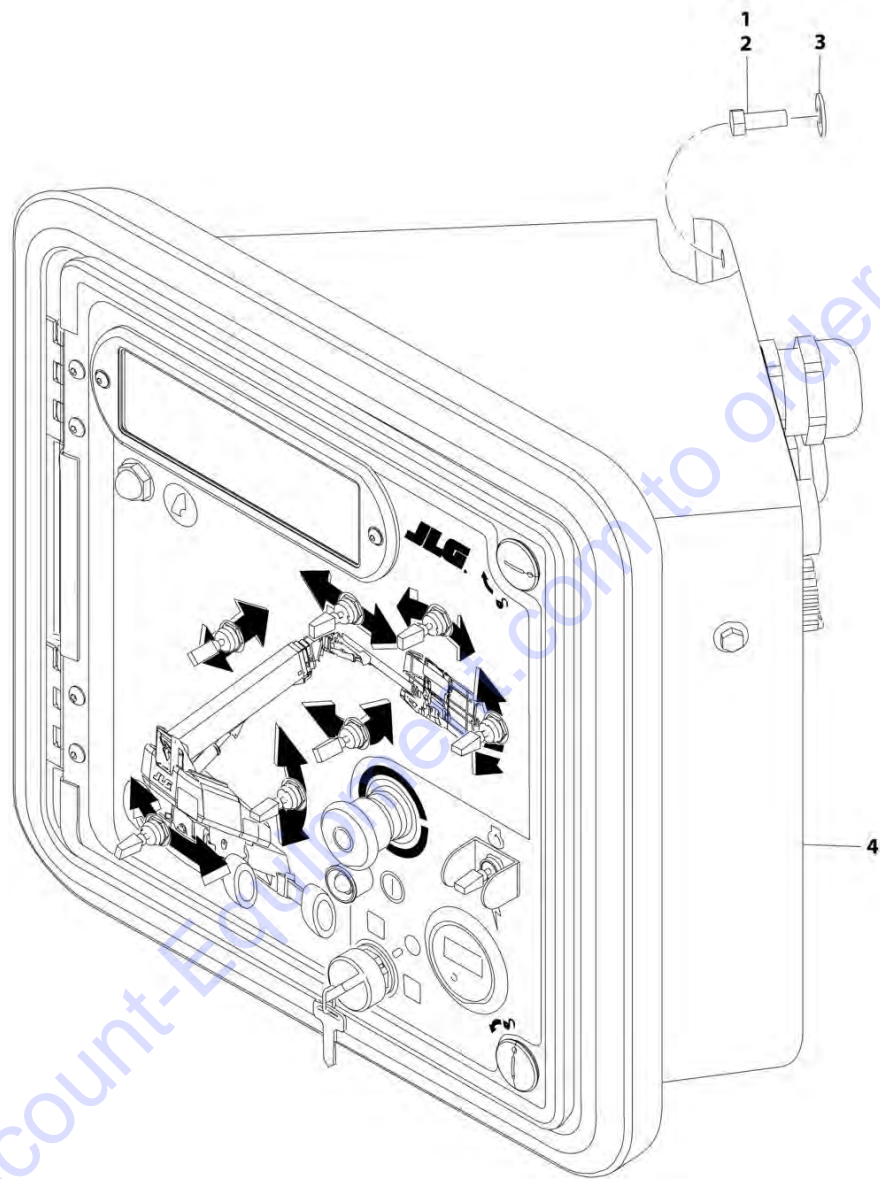
ITEM	PART NUMBER	QTY	DESCRIPTION	REV
	1001130025	Ref	GROUND CONTROL BOX INSTALLATION - TD2011 ENGINES WITH SAUER PUMPS (ANSI EXPORT (LRC), AUSTRALIAN AND CHINA SPECS)	B
1	0100011	AR	Compound, Locking	
2	3931616	4	Bolt 3/8 x 3/4	
3	4751600	4	Washer 3/8	
4	1001119651	1	Ground Control Box Assembly (See GROUND CONTROL BOX ASSEMBLY (ALL SPECS EXCEPT CE SPECS) for Breakdown)	
5	1001119470	1	Harness, Engine - Deutz TD2011 Engines (Not Shown - See ELECTRICAL SECTION for Breakdown)	

Go to Discount-Equipment.com to order your parts



## SECTION 2 - TURNTABLE

FIGURE 2-25. GROUND CONTROL BOX INSTALLATION - TD2011 ENGINES WITH SAUER PUMPS  
(CE (LRC) SPECS)



ART\_1001193685

**SECTION 2 - TURNTABLE**

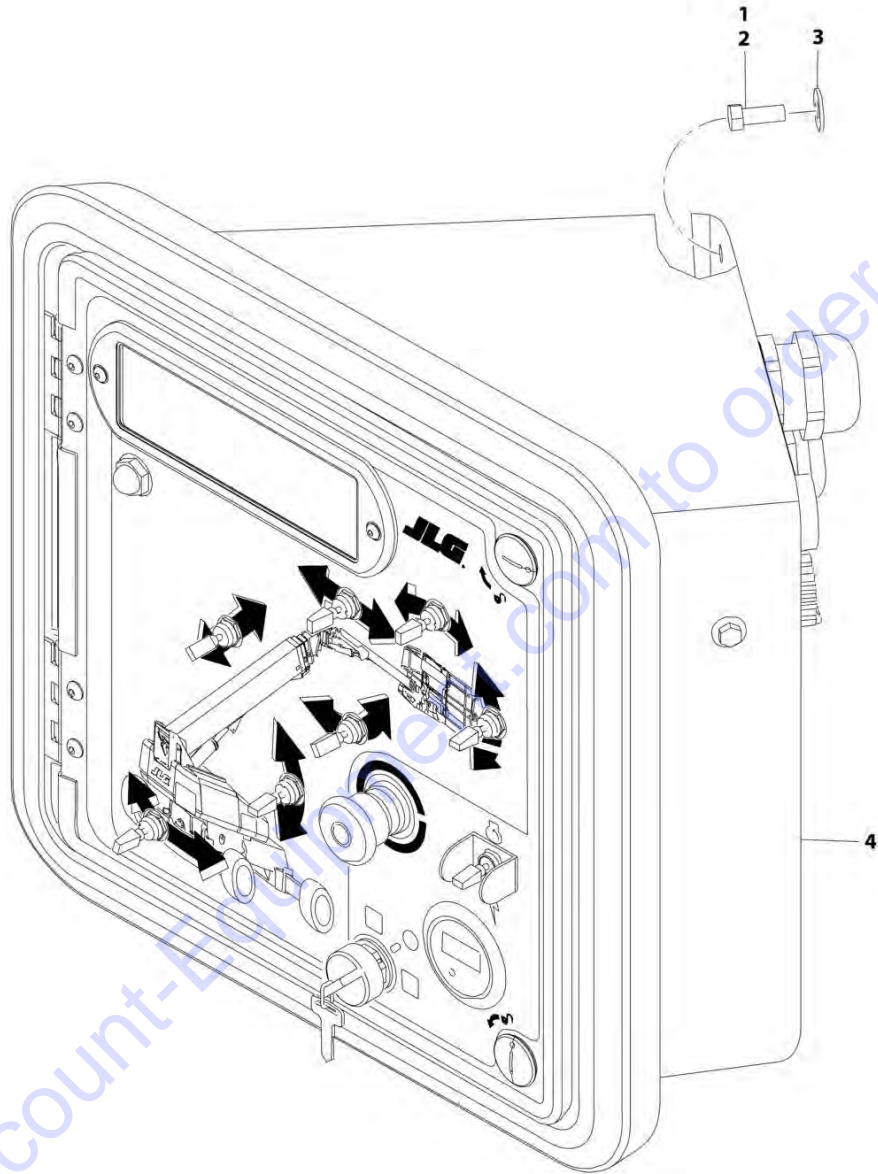
**FIGURE 2-25. GROUND CONTROL BOX INSTALLATION - TD2011 ENGINES WITH SAUER PUMPS (CE (LRC) SPECS)**

ITEM	PART NUMBER	QTY	DESCRIPTION	REV
	1001193685	Ref	GROUND CONTROL BOX INSTALLATION - TD2011 ENGINES WITH SAUER PUMPS (CE (LRC) SPECS)	A
1	0100011	AR	Compound, Locking	
2	3931616	4	Bolt 3/8 x 3/4	
3	4751600	4	Washer 3/8	
4	1001184787	1	Ground Control Box Assembly (See GROUND CONTROL BOX ASSEMBLY (CE SPECS) for Breakdown)	
5	1001119470	1	Harness, Engine - Deutz TD2011 Engines (Not Shown - See ELECTRICAL SECTION for Breakdown)	

Go to Discount-Equipment.com to order your parts

## SECTION 2 - TURNTABLE

FIGURE 2-26. GROUND CONTROL BOX INSTALLATION - TCD2.9L4 ENGINES WITH REXROTH PUMPS (ANSI, ANSI EXPORT (HRC), CHINA, CSA AND JAPANESE SPECS)



ART\_1001144346

**SECTION 2 - TURNTABLE**

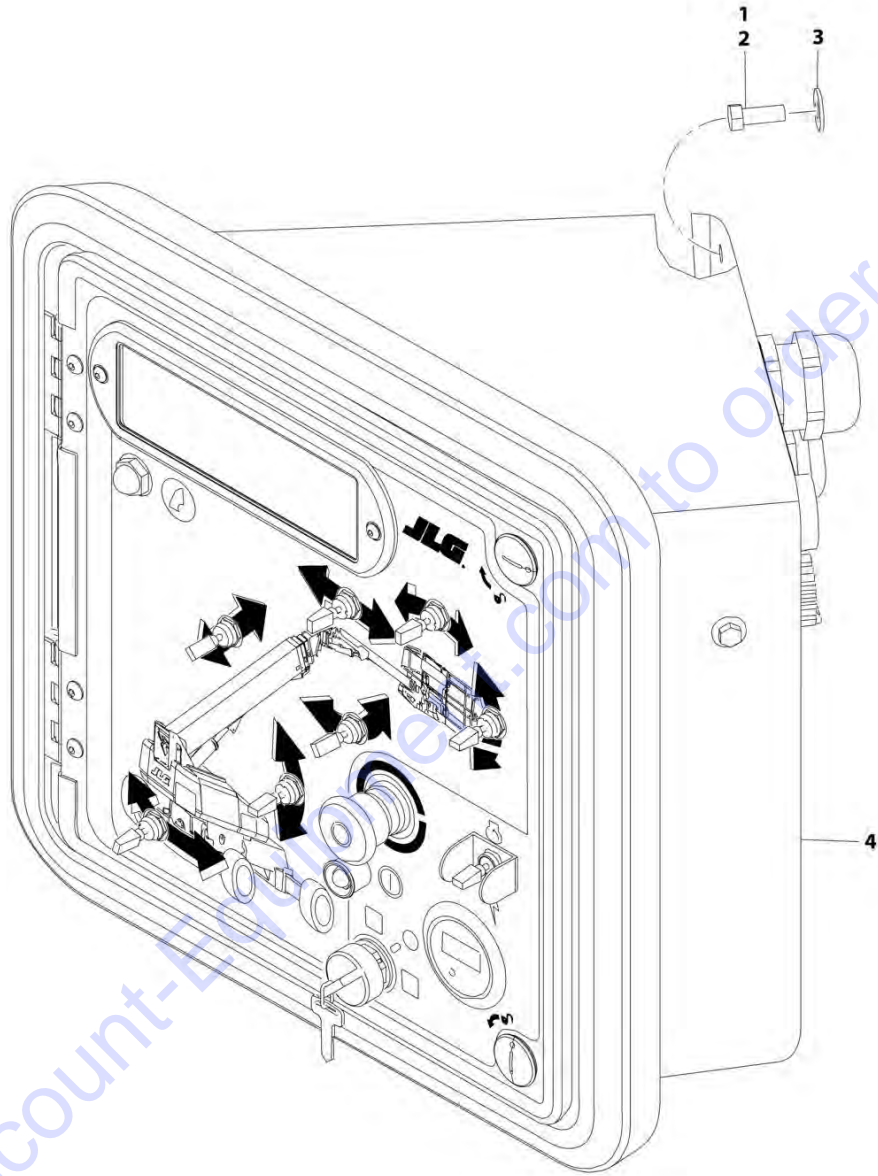
**FIGURE 2-26. GROUND CONTROL BOX INSTALLATION - TCD2.9L4 ENGINES WITH REXROTH PUMPS (ANSI, ANSI EXPORT (HRC), CHINA, CSA AND JAPANESE SPECS)**

ITEM	PART NUMBER	QTY	DESCRIPTION	REV
	1001144346	Ref	GROUND CONTROL BOX INSTALLATION - TCD2.9L4 ENGINES WITH REXROTH PUMPS (ANSI, ANSI EXPORT (HRC), CHINA, CSA AND JAPANESE SPECS)	B
1	0100011	AR	Compound, Locking	
2	3931616	4	Bolt 3/8 x 3/4	
3	4751600	4	Washer 3/8	
4	1001119651	1	Ground Control Box Assembly (See GROUND CONTROL BOX ASSEMBLY (ALL SPECS EXCEPT CE SPECS) for Breakdown)	

Go to Discount-Equipment.com to order your parts

## SECTION 2 - TURNTABLE

FIGURE 2-27. GROUND CONTROL BOX INSTALLATION - TCD2.9L4 ENGINES WITH REXROTH PUMPS (CE SPECS)



ART\_1001184788

**SECTION 2 - TURNTABLE**

**FIGURE 2-27. GROUND CONTROL BOX INSTALLATION - TCD2.9L4 ENGINES WITH REXROTH PUMPS (CE SPECS)**

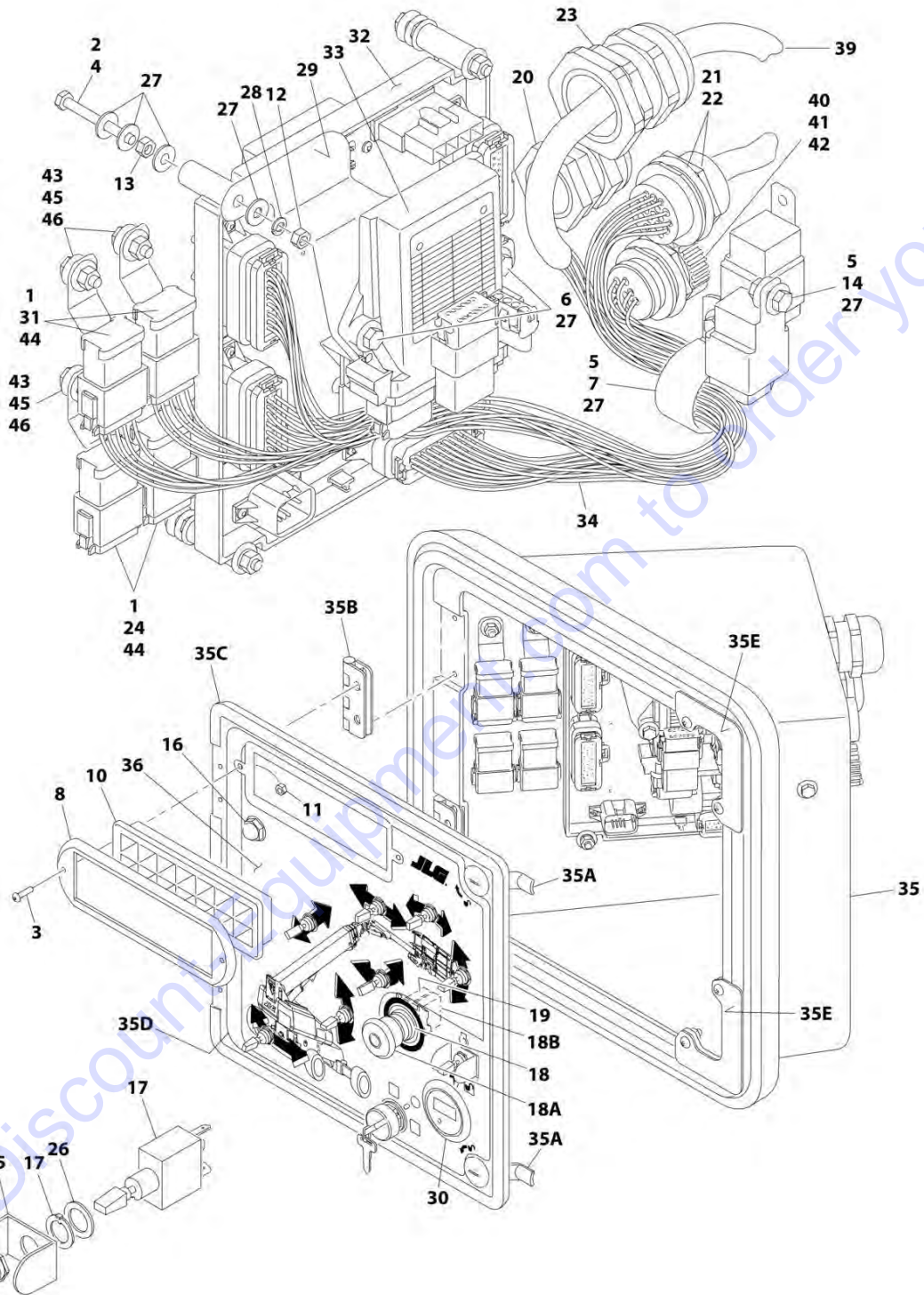
ITEM	PART NUMBER	QTY	DESCRIPTION	REV
	1001184788	Ref	GROUND CONTROL BOX INSTALLATION - TCD2.9L4 ENGINES WITH REXROTH PUMPS (CE SPECS)	A
1	0100011	AR	Compound, Locking	
2	3931616	4	Bolt 3/8 x 3/4	
3	4751600	4	Washer 3/8	
4	1001184787	1	Ground Control Box Assembly (See GROUND CONTROL BOX ASSEMBLY (CE SPECS) for Breakdown)	

Go to Discount-Equipment.com to order your parts



# SECTION 2 - TURNTABLE

FIGURE 2-28. GROUND CONTROL BOX ASSEMBLY (ALL SPECS EXCEPT CE SPECS)



ART\_1001119651



## SECTION 2 - TURNTABLE

**FIGURE 2-28. GROUND CONTROL BOX ASSEMBLY (ALL SPECS EXCEPT CE SPECS)**

ITEM	PART NUMBER	QTY	DESCRIPTION	REV
	1001119651	Ref	GROUND CONTROL BOX ASSEMBLY (ALL SPECS EXCEPT CE SPECS)	L
1	0100048	AR	Grease, Dielectric	
2	0100081	AR	Adhesive	
3	0630518	2	Screw #10 x 3/4	
4	0630548	5	Screw, Self Tapping	
5	0641406	2	Bolt 1/4 x 3/4	
6	0641410	2	Bolt 1/4 x 1-1/4	
7	1320095	1	Clamp	
8	1670829	1	Bezel	
10	2760105	1	Housing, Light	
11	3300408	2	Nut, Nylon	
12	3311401	5	Nut 1/4	
13	3311402	5	Nut 1/4	
14	3311405	4	Nut 1/4	
15	4060906	1	Guard, Switch	
16	4360274	1	Switch, Pushbutton	
17	4360328	8	Switch, Toggle	
18	4360475	1	Switch, Push-Pull Emergency	
18A	7020175	1	Cap	
18B	7020176	1	Block, Contact	
19	4360476	1	Block, Contact	
20	4460426	1	Connector, Strain Relief	
21	4460470	1	Nut, Terminal	
22	4460471	1	Washer, Terminal	
23	4460526	1	Connector, Strain Relief	
24	4460837	2	Connector - 12 Position	
25	4460905	4	Plug, Seal (Not Shown)	
26	4740444	8	Washer, Special	
27	4751400	28	Washer 1/4	
28	4761400	5	Washer 1/4	
29	1001100434	1	Mount, Module	
30	1001109503	1	Gauge, Indicator	
31	1001119020	2	Connector - 12 Position	
32	1001119509	1	Module, Ground Control (Note: Re-calibration Required when Replaced)	
33	1001119512	1	Module, Repeater	
34	1001119652	1	Harness, Ground Control Box (See ELECTRICAL SECTION for Breakdown)	
35	1001120309	1	Box Assembly	D
35A	2940139	2	Latch	
35B	2600279	2	Hinge	
35C	3960418	53 in/1.4m	Seal	
35D	1001120311	1	Panel, Front	
35E	3573144	1	Plate, Latch	
36	1001120323	1	Decal - Lid	
38	1001120332	1	Wiring Diagram (Not Shown) (See ELECTRICAL SECTION for Breakdown)	
39	1001119653	1	Harness, Turntable (See ELECTRICAL SECTION for Breakdown)	
40	4460496	1	Washer, Terminal	

## SECTION 2 - TURNTABLE

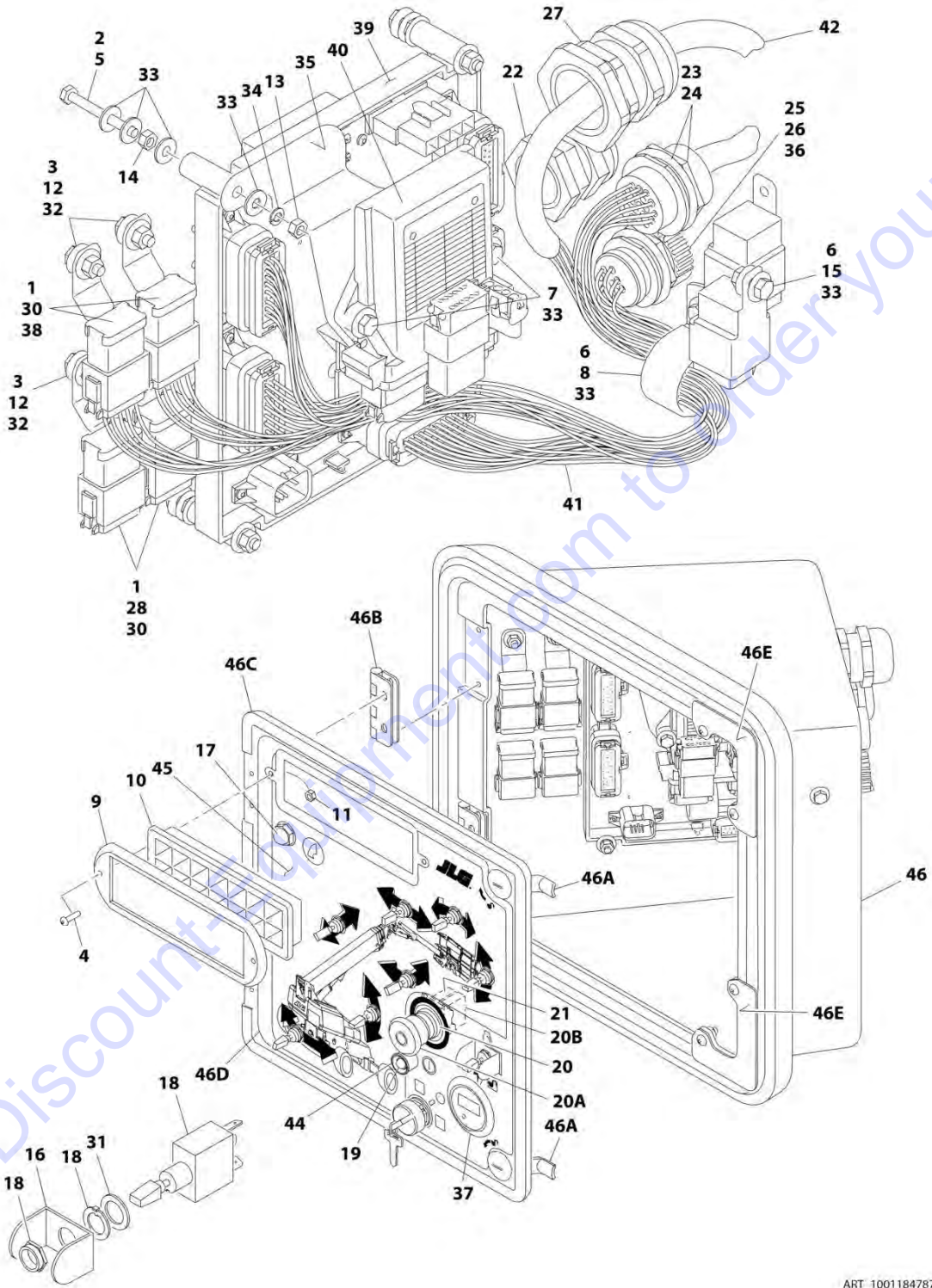
ITEM	PART NUMBER	QTY	DESCRIPTION	REV
41	4460497	1	Nut, Terminal	
42	1001106736	1	Cap, Dust	
43	4751000	4	Washer #10	
44	4460914	4	Mount, Base	
45	3311001	4	Nut #10	
46	0630464	4	Bolt #10 x 1/2	

Go to Discount-Equipment.com to order your parts



# SECTION 2 - TURNTABLE

## FIGURE 2-29. GROUND CONTROL BOX ASSEMBLY (CE SPECS)



ART\_1001184787

## SECTION 2 - TURNTABLE

**FIGURE 2-29. GROUND CONTROL BOX ASSEMBLY (CE SPECS)**

ITEM	PART NUMBER	QTY	DESCRIPTION	REV
	1001184787	Ref	GROUND CONTROL BOX ASSEMBLY (CE SPECS)	A
1	0100048	AR	Grease, Dielectric	
2	0100081	AR	Adhesive	
3	0630464	4	Bolt #10 x 1/2	
4	0630518	2	Screw #10 x 3/4	
5	0630548	5	Screw, Self Tapping	
6	0641406	2	Bolt 1/4 x 3/4	
7	0641410	2	Bolt 1/4 x 1-1/4	
8	1320095	1	Clamp	
9	1670829	1	Bezel	
10	2760105	1	Housing, Light	
11	3300408	2	Nut, Nylon	
12	3311001	4	Nut #10	
13	3311401	5	Nut 1/4	
14	3311402	5	Nut 1/4	
15	3311405	4	Nut 1/4	
16	4060906	1	Guard, Switch	
17	4360274	1	Switch, Pushbutton	
18	4360328	8	Switch, Toggle	
19	4360387	1	Switch, Pushbutton	
20	4360475	1	Switch, Push-Pull Emergency	
20A	7020175	1	Cap	
20B	7020176	1	Block, Contact	
21	4360476	1	Block, Contact	
22	4460426	1	Connector, Strain Relief	
23	4460470	1	Nut, Terminal	
24	4460471	1	Washer, Terminal	
25	4460496	1	Washer, Terminal	
26	4460497	1	Nut, Terminal	
27	4460526	1	Connector, Strain Relief	
28	4460837	2	Connector - 12 Position	
29	4460905	4	Plug, Seal (Not Shown)	
30	4460914	4	Mount, Base	
31	4740444	8	Washer, Special	
32	4751000	4	Washer #10	
33	4751400	28	Washer 1/4	
34	4761400	5	Washer 1/4	
35	1001100434	1	Mount, Module	
36	1001106736	1	Cap, Dust	
37	1001109503	1	Gauge, Indicator	
38	1001119020	2	Connector - 12 Position	
39	1001119509	1	Module, Ground Control (Note: Re-calibration Required when Replaced)	
40	1001119512	1	Module, Repeater	
41	1001186903	1	Harness, Ground Control Box (See ELECTRICAL SECTION for Breakdown)	
42	1001119653	1	Harness, Turntable (See ELECTRICAL SECTION for Breakdown)	
43	1001120332	1	Wiring Diagram (Not Shown) (See ELECTRICAL SECTION for Breakdown)	
44	1001176469	1	Shroud	

## SECTION 2 - TURNTABLE

ITEM	PART NUMBER	QTY	DESCRIPTION	REV
45	1001179830	1	Decal - Lid	A
46	1001184786	1	Box Assembly	
46A	2940139	2	Latch	
46B	2600279	2	Hinge	
46C	3960418	53 in/1.4m	Seal	
46D	1001184785	1	Panel, Front	
46E	3573144	1	Plate, Latch	

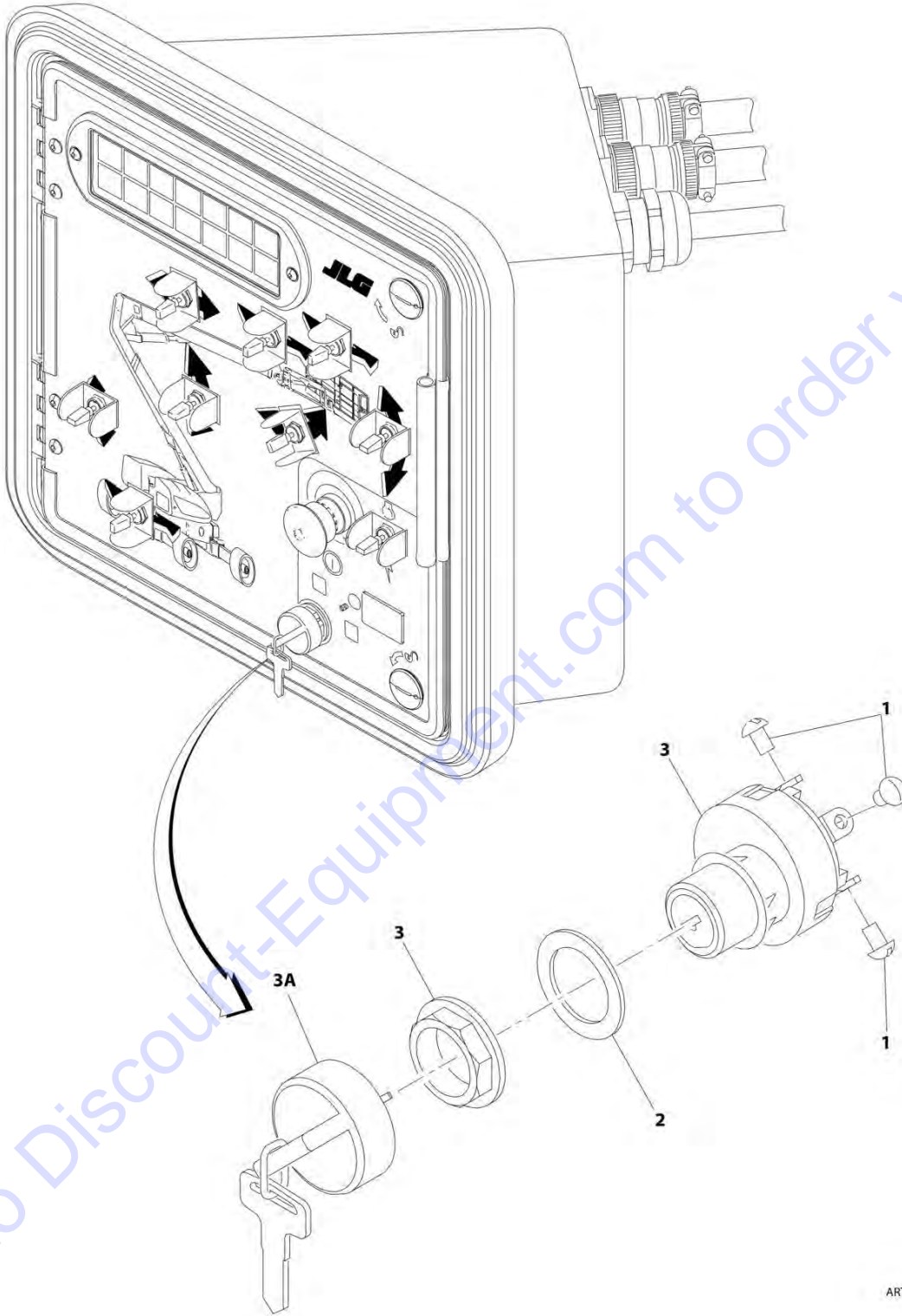
Go to Discount-Equipment.com to order your parts





## SECTION 2 - TURNTABLE

FIGURE 2-30. KEYSWITCH INSTALLATION



ART\_0259666

**SECTION 2 - TURNTABLE**

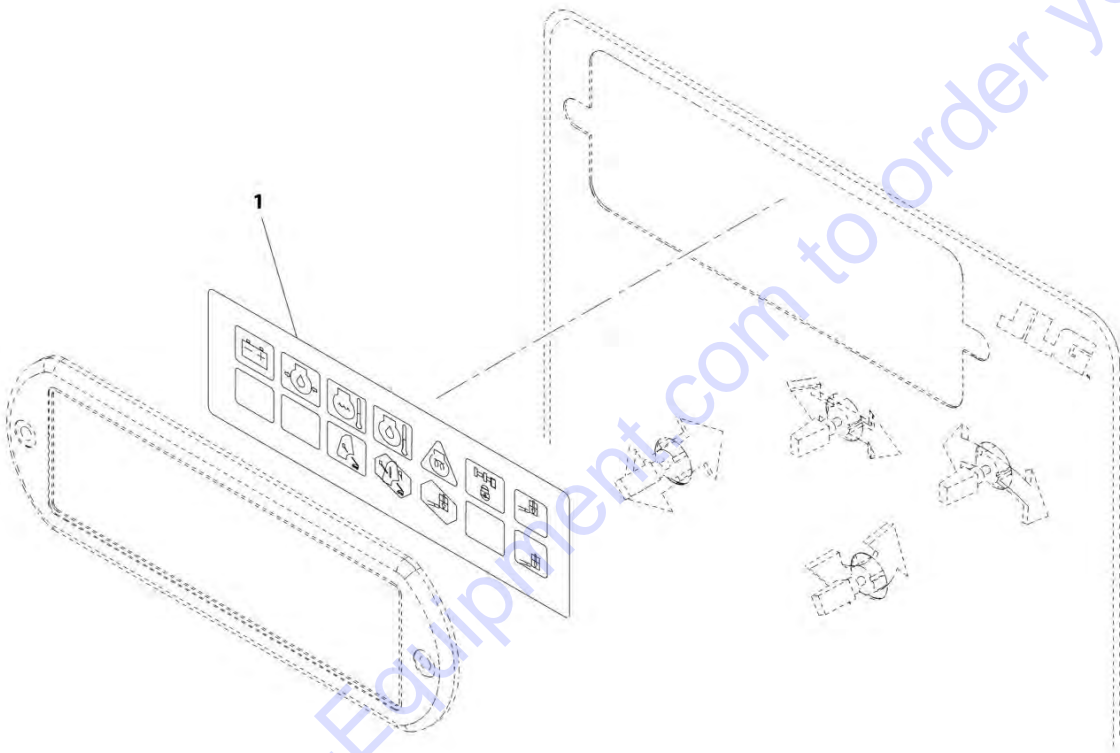
**FIGURE 2-30. KEYSWITCH INSTALLATION**

ITEM	PART NUMBER	QTY	DESCRIPTION	REV
	0259666	Ref	KEYSWITCH INSTALLATION	B
1	3910804	6	Screw #8 x 1/8	
2	1001151393	1	Shim .063	
3	4360469	1	Keyswitch	
3A	2860030	1	Key, Replacement	

Go to Discount-Equipment.com to order your parts

## SECTION 2 - TURNTABLE

FIGURE 2-31. LIGHT PANEL INSTALLATION (ALL SPECS EXCEPT AUSTRALIAN, CE AND CE (LRC) SPECS)



ART\_1001121826\_10F2

**SECTION 2 - TURNTABLE**

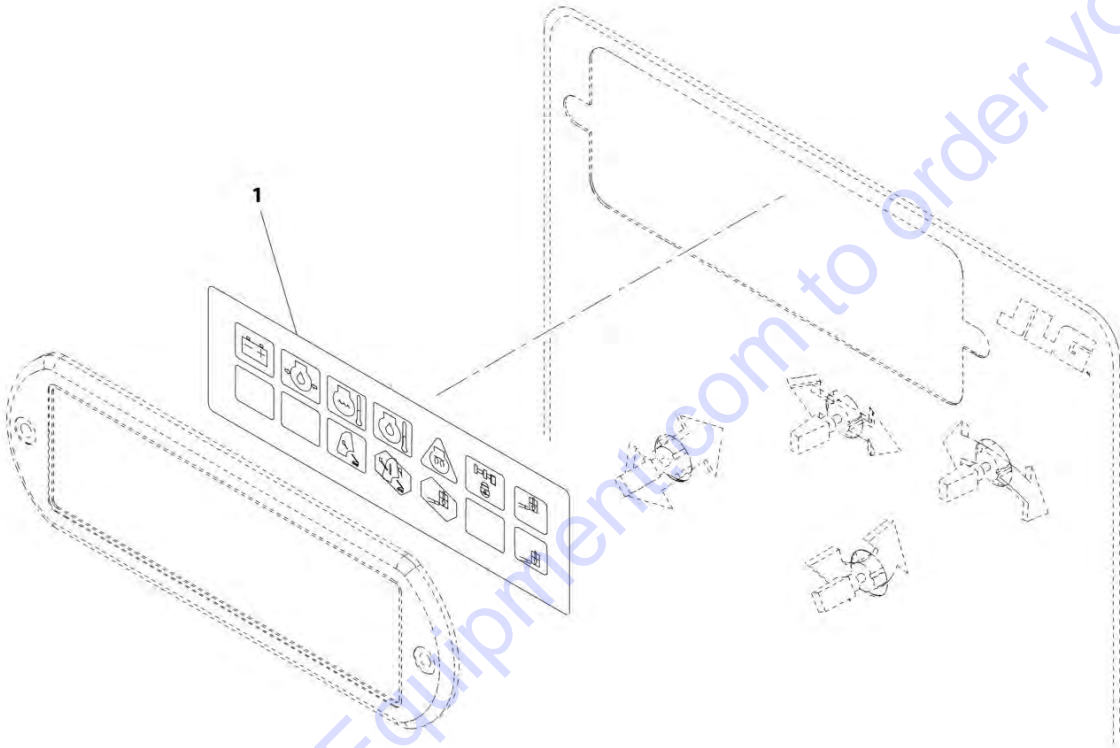
**FIGURE 2-31. LIGHT PANEL INSTALLATION (ALL SPECS EXCEPT AUSTRALIAN, CE AND CE (LRC) SPECS)**

ITEM	PART NUMBER	QTY	DESCRIPTION	REV
	1001121826	Ref	LIGHT PANEL INSTALLATION (ALL SPECS EXCEPT AUSTRALIAN, CE AND CE (LRC) SPECS) Decal - Light Panel	A
1	1001122383	1		

Go to Discount-Equipment.com to order your parts

## SECTION 2 - TURNTABLE

FIGURE 2-32. LIGHT PANEL INSTALLATION (AUSTRALIAN, CE AND CE (LRC) SPECS)



ART\_1001121827\_10F2

**SECTION 2 - TURNTABLE**

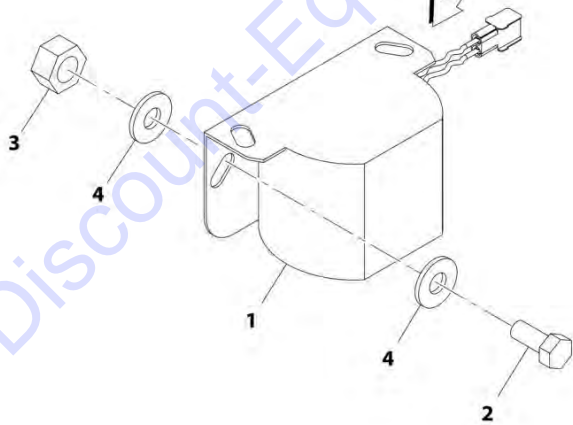
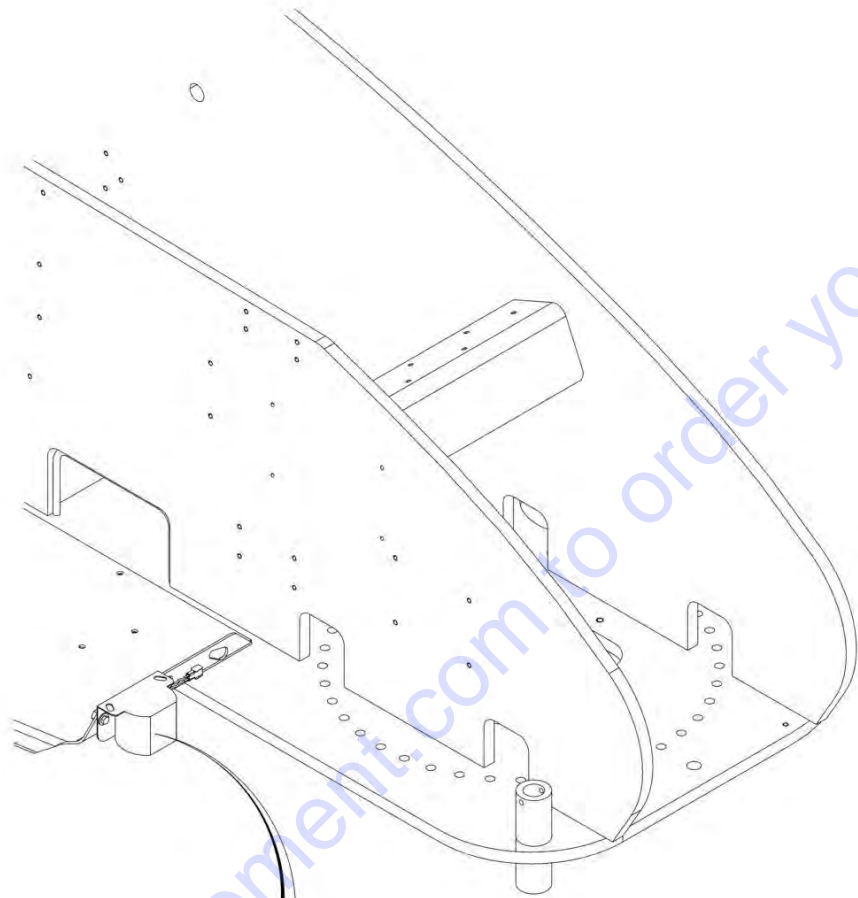
**FIGURE 2-32. LIGHT PANEL INSTALLATION (AUSTRALIAN, CE AND CE (LRC) SPECS)**

ITEM	PART NUMBER	QTY	DESCRIPTION	REV
	1001121827	Ref	LIGHT PANEL INSTALLATION (AUSTRALIAN, CE AND CE (LRC) SPECS)	A
1	1705174	1	Decal - Light Panel	

Go to Discount-Equipment.com to order your parts

## SECTION 2 - TURNTABLE

FIGURE 2-33. ALARMS INSTALLATION



ART\_0271806



**SECTION 2 - TURNTABLE**

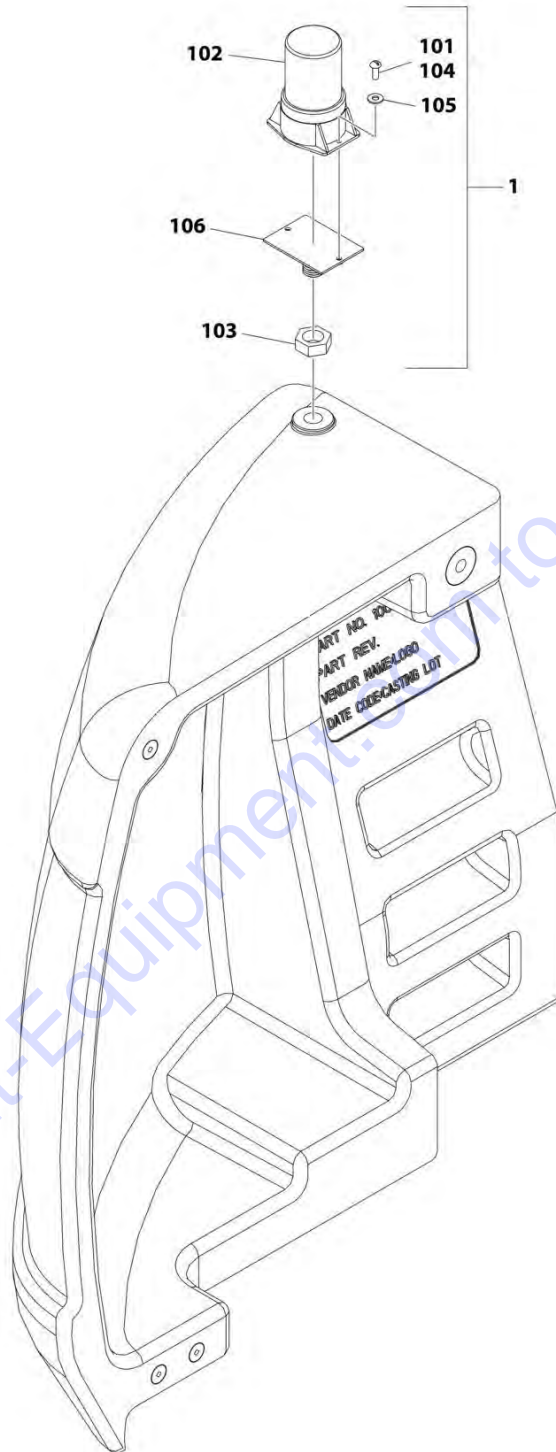
**FIGURE 2-33. ALARMS INSTALLATION**

ITEM	PART NUMBER	QTY	DESCRIPTION	REV
	0271806	Ref	ALARMS INSTALLATION	A
1	0257887	1	Alarm	
1	0140032	1	Alarm	
1	2820035	6 in/15cm	Loom	
1	4460424	1	Plug	
1	4460268	2	Socket, Female	
2	0641506	2	Bolt 5/16 x 3/4	
3	3311505	2	Nut 5/16	
4	4751500	4	Washer 5/16	

Go to Discount-Equipment.com to order your parts

## SECTION 2 - TURNTABLE

FIGURE 2-34. STROBE LIGHT INSTALLATION (AMBER)



ART\_1001149955

**SECTION 2 - TURNTABLE**

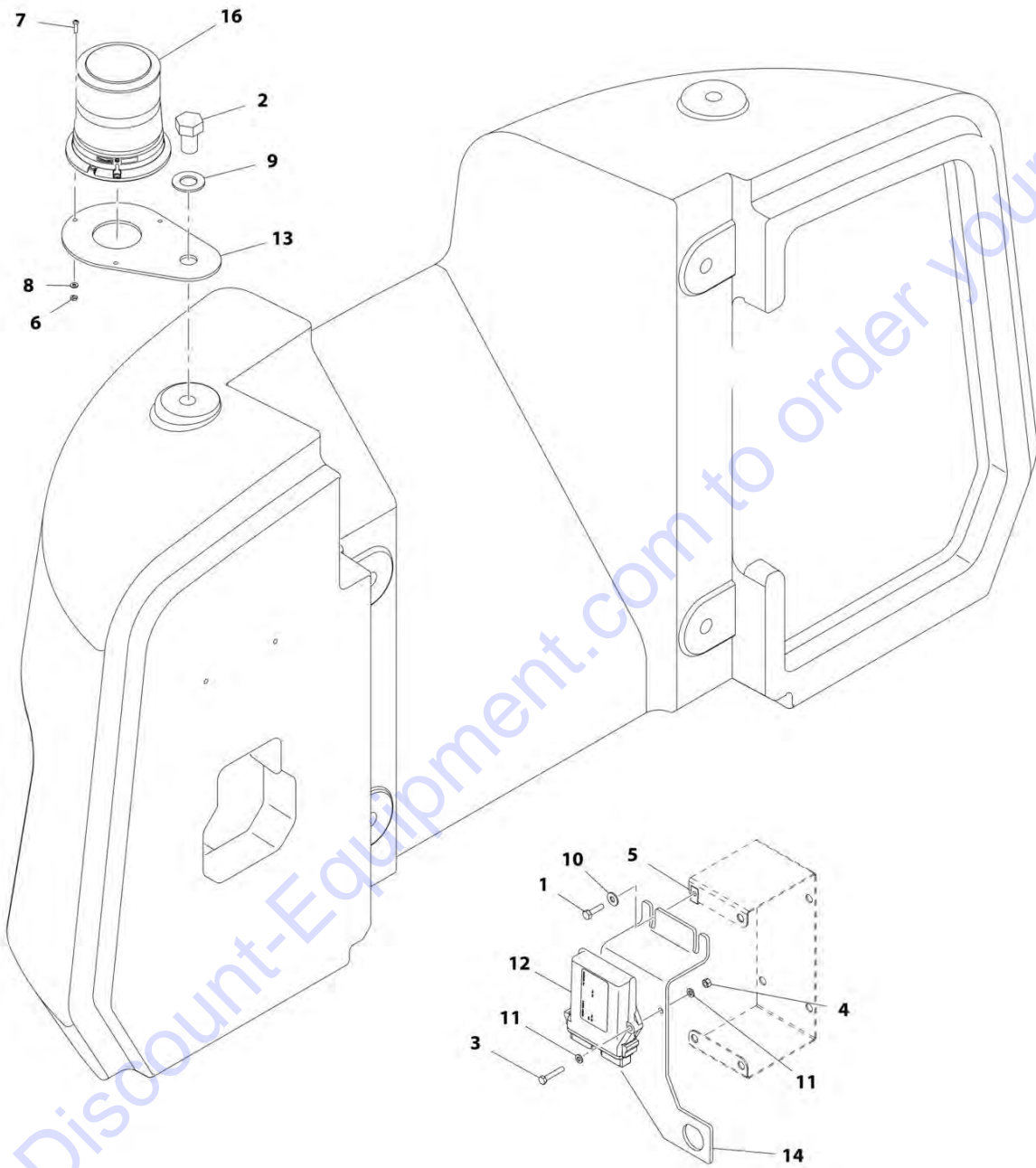
**FIGURE 2-34. STROBE LIGHT INSTALLATION (AMBER)**

ITEM	PART NUMBER	QTY	DESCRIPTION	REV
	1001149955	Ref	STROBE LIGHT INSTALLATION (AMBER)	B
1	1001150406	1	Strobe Light Assembly (See Items 101-106 for Breakdown)	
2	1001149818	1	Harness, Strobe Light (Not Shown - See ELECTRICAL SECTION for Breakdown)	
	1001150406	Ref	STROBE LIGHT ASSEMBLY	B
101	0100035	AR	Compound, Locking	
102	2920161	1	Lamp, Strobe	
102	4460891	1	Connector - 2 Position	
102	4460465	2	Socket, Female	
103	3312602	1	Nut 1-8	
104	3900085	2	Screw #10 x 1/2	
105	4751000	2	Washer #10	
106	1001149994	1	Mount, Strobe	

Go to Discount-Equipment.com to order your parts

## SECTION 2 - TURNTABLE

FIGURE 2-35. BEACON LIGHT INSTALLATION (BLUE) (SN 0300209000 through 0300217093)



ART\_1001189176

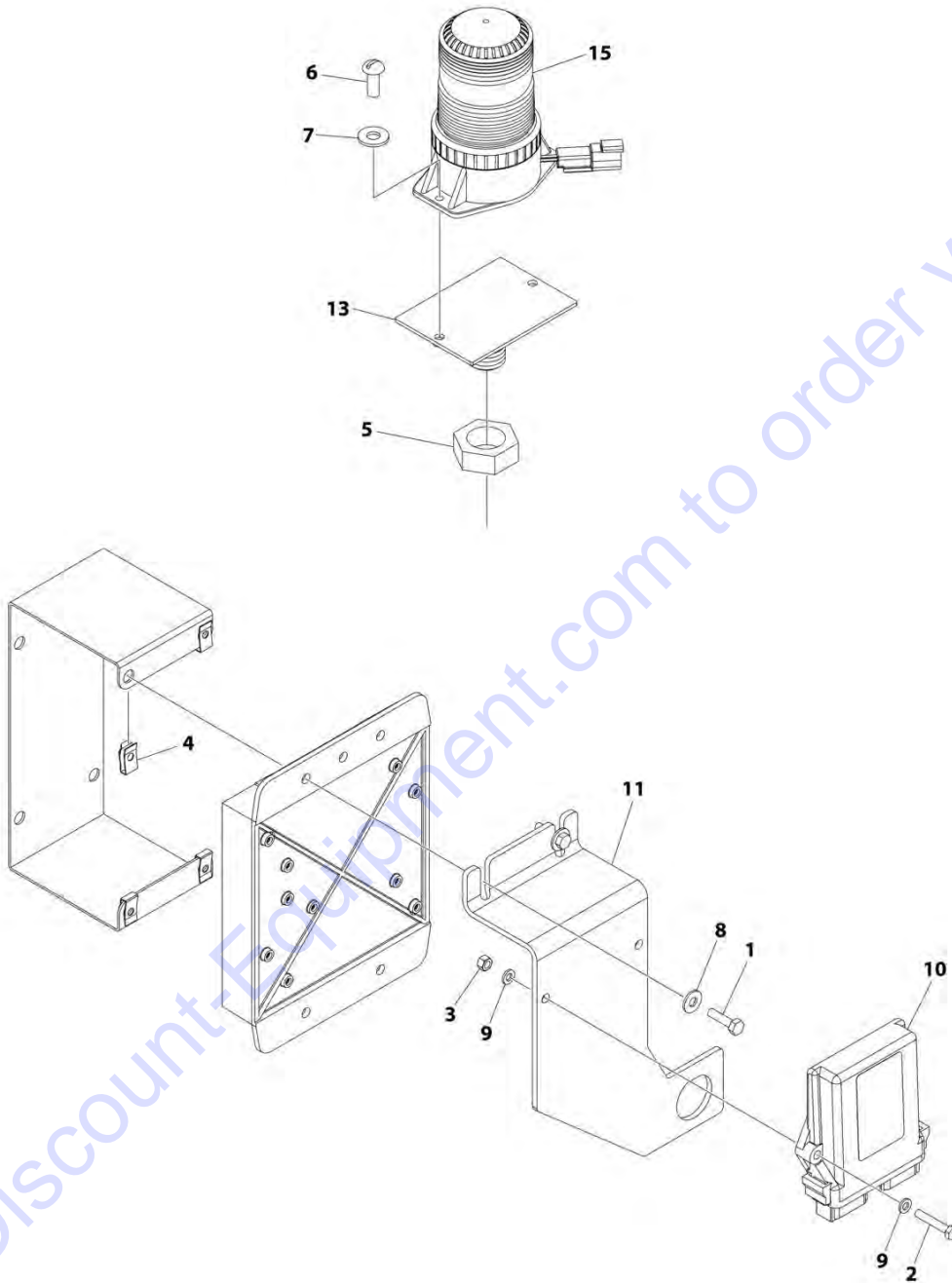
## SECTION 2 - TURNTABLE

**FIGURE 2-35. BEACON LIGHT INSTALLATION (BLUE) (SN 0300209000 through 0300217093)**

ITEM	PART NUMBER	QTY	DESCRIPTION	REV
	1001189176	Ref	BEACON LIGHT INSTALLATION (BLUE) (SN 0300209000 through 0300217093)	B
1	0641408	2	Bolt 1/4 x 1	
2	0642612	1	Bolt 1 x 1-1/2	
3	0700615	2	Bolt M6 x 35	
4	3290607	2	Nut M6 x 1	
5	3300454	2	Nut	
6	3311005	3	Nut #10	
7	3911012	3	Screw 10 x 3/4	
8	4711000	3	Washer #10	
9	4712600	1	Washer 1	
10	4751400	2	Washer 1/4	
11	4811700	4	Washer M6	
12	1001142683	1	Control, Beacon Module	
13	1001142694	1	Bracket, Beacon Mounting	
14	1001142719	1	Bracket, Beacon Module Ultra	
15	1001142736	1	Harness, Beacon Control (Not Shown) (See ELECTRICAL SECTION for Breakdown)	
16	1001143431	NLA	Lamp, Beacon (Use p/n 1001210693 & 1001200910)	
16	7028909	1	Connector - 2 Position	
16	4460943	2	Pin, Male	
17	1001150944	1	Harness, Beacon Control (Not Shown) (See ELECTRICAL SECTION for Breakdown)	

## SECTION 2 - TURNTABLE

FIGURE 2-36. STROBE LIGHT INSTALLATION (BLUE) (SN 0300217094 through 0300256996)



ART\_1001205401

## SECTION 2 - TURNTABLE

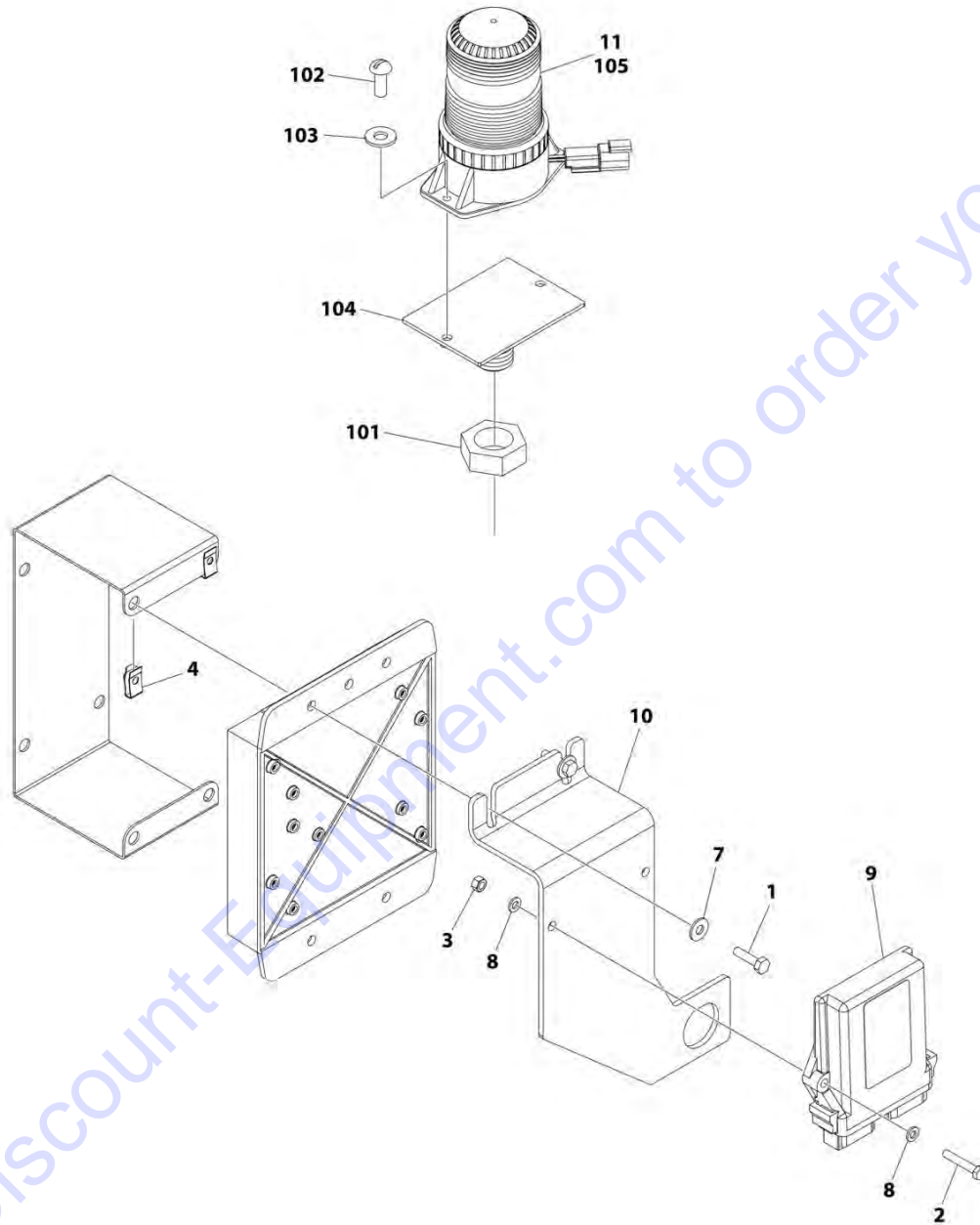
**FIGURE 2-36. STROBE LIGHT INSTALLATION (BLUE) (SN 0300217094 through 0300256996)**

ITEM	PART NUMBER	QTY	DESCRIPTION	REV
	1001205401	Ref	STROBE LIGHT INSTALLATION (BLUE) (SN 0300217094 through 0300256996)	F
1	0641408	2	Bolt 1/4 x 1	
2	0700615	2	Bolt M6 x 35	
3	3290607	2	Nut M6 x 1	
4	3300454	2	Nut 1/4	
5	3312602	1	Nut 1/4	
6	3900085	2	Screw 10 x 1/2	
7	4751000	2	Washer #10	
8	4751400	2	Washer 1/4	
9	4811700	4	Washer M6	
10	1001142683	1	Module, Control Beacon	
11	1001142719	1	Bracket	
12	1001142736	1	Harness, Beacon Control (Not Shown) (See ELECTRICAL SECTION for Breakdown)	
13	1001149994	1	Mount, Beacon	
15	1001200910	1	Light, Strobe	
15	7028909	1	Connector - 2 Position	
15	4460943	2	Pin, Male	
16	4240032	AR	Tie-Strap (Not Shown) (SN 0300225824 through 0300256996)	
17	4460488	AR	Mounting Base (Not Shown) (SN 0300225824 through 0300256996)	
18	1001217005	1	Blue Beacon Light Kit (Not Shown - Includes Items 5, 6, 7, 13 & 15) (SN 0300225824 through 0300256996)	



## SECTION 2 - TURNTABLE

FIGURE 2-37. STROBE LIGHT INSTALLATION (BLUE) (SN 0300256997 to Present)



ART\_1001244026-A

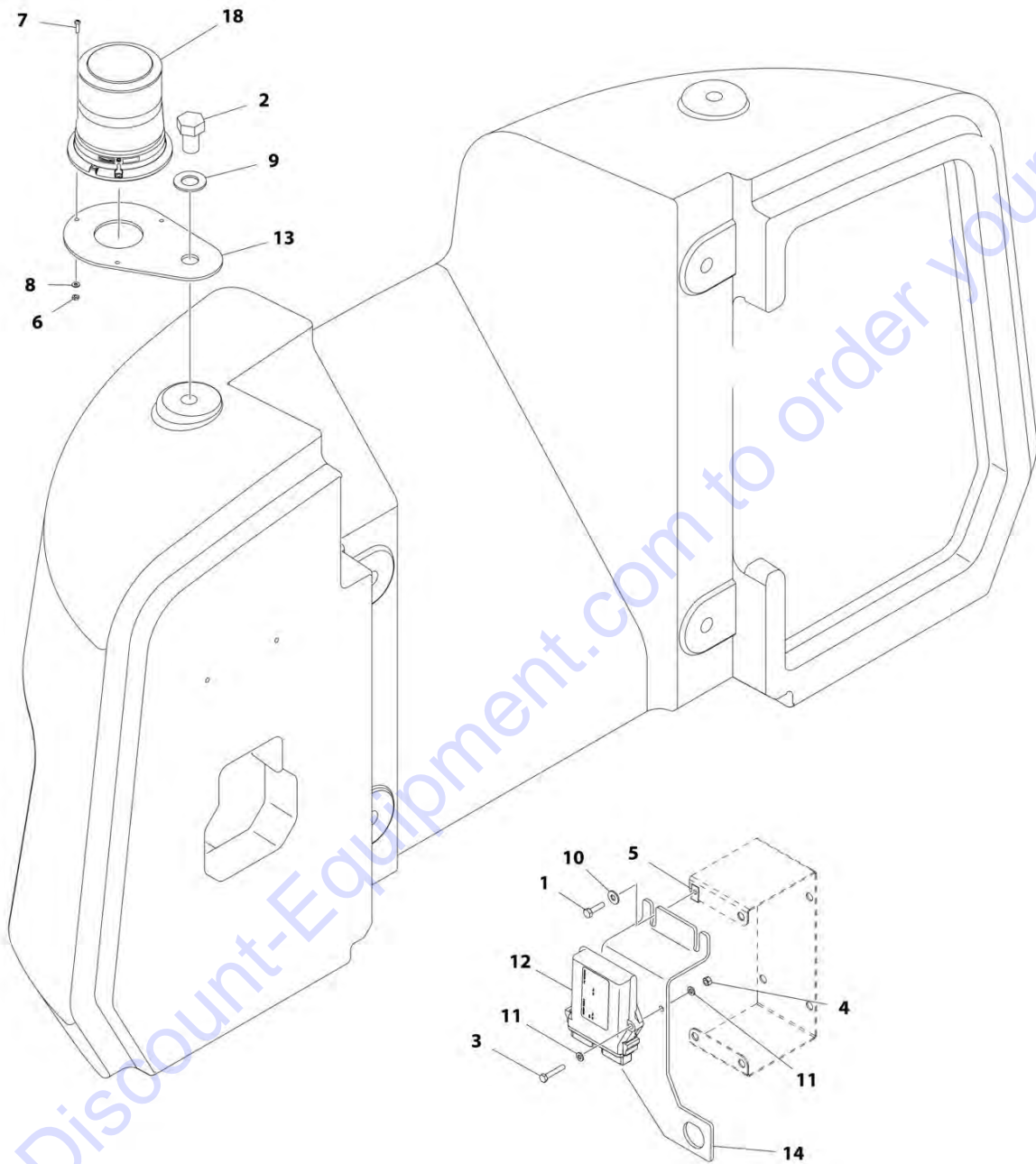
## SECTION 2 - TURNTABLE

**FIGURE 2-37. STROBE LIGHT INSTALLATION (BLUE) (SN 0300256997 to Present)**

ITEM	PART NUMBER	QTY	DESCRIPTION	REV
	1001244026	Ref	STROBE LIGHT INSTALLATION (BLUE)	A
1	0641408	2	Bolt 1/4 x 1	
2	0700615	2	Bolt M6 x 35	
3	3290607	2	Nut M6 x 1	
4	3300454	2	Nut 1/4	
5	4240032	AR	Tie-Strap (Not Shown)	
6	4460488	AR	Mounting Base (Not Shown)	
7	4751400	2	Washer 1/4	
8	4811700	4	Washer M6	
9	1001142683	1	Module, Control Beacon	
10	1001142719	1	Bracket	
11	1001217005	1	Blue Beacon Light Kit (See Items 101-105 for Breakdown)	
12	1001142736	1	Harness, Beacon Control (Not Shown) (See ELECTRICAL SECTION for Breakdown)	
101	3312602	1	Nut 1/4	
102	3900085	2	Screw 10 x 1/2	
103	4751000	2	Washer #10	
104	1001149994	1	Mount, Beacon	
105	1001200910	1	Light, Strobe	
105	7028909	1	Connector - 2 Position	
105	4460943	2	Pin, Male	

## SECTION 2 - TURNTABLE

FIGURE 2-38. BEACON LIGHT INSTALLATION (RED) (SN 0300209000 through 0300217093)



ART\_1001207309

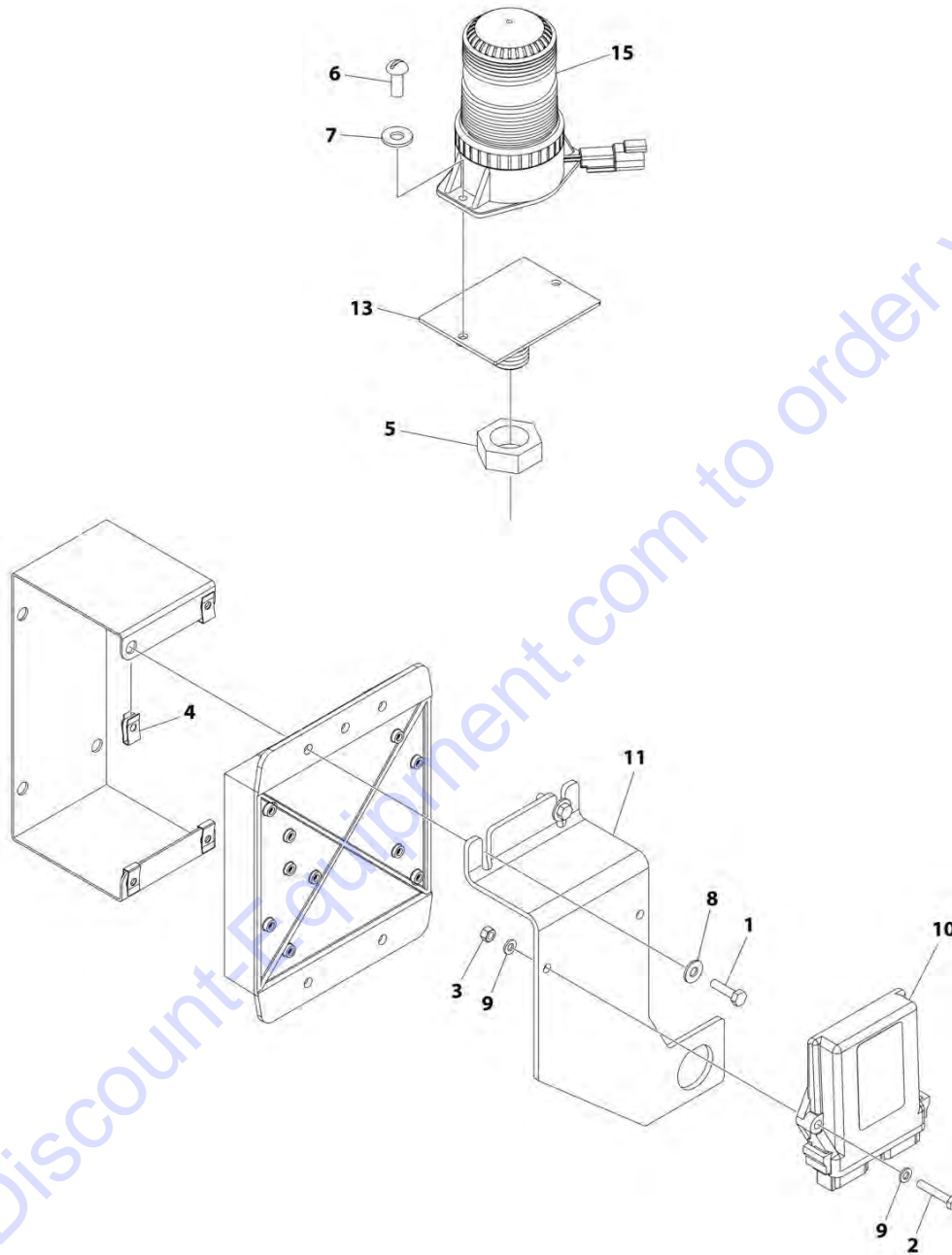
## SECTION 2 - TURNTABLE

**FIGURE 2-38. BEACON LIGHT INSTALLATION (RED) (SN 0300209000 through 0300217093)**

ITEM	PART NUMBER	QTY	DESCRIPTION	REV
	1001207309	Ref	BEACON LIGHT INSTALLATION (RED) (SN 0300209000 through 0300217093)	B
1	0641408	2	Bolt 1/4 x 1	
2	0642612	1	Bolt 1 x 1-1/2	
3	0700615	2	Bolt M6 x 35	
4	3290607	2	Nut M6 x 1	
5	3300454	2	Nut	
6	3311005	3	Nut #10	
7	3911012	3	Screw #10 x 3/4	
8	4711000	3	Washer #10	
9	4712600	1	Washer 1	
10	4751400	2	Washer 1/4	
11	4811700	4	Washer M6	
12	1001142683	1	Control, Beacon Module	
13	1001142694	1	Bracket, Beacon Mounting	
14	1001142719	1	Bracket, Beacon Module Ultra	
15	1001142736	1	Harness, Beacon Control (Not Shown) (See ELECTRICAL SECTION for Breakdown)	
18	1001197067	NLA	Lamp, Beacon (Use p/n 1001210693 & 1001207004)	
18	7028909	1	Connector - 2 Position	
18	4460943	2	Pin, Male	

## SECTION 2 - TURNTABLE

FIGURE 2-39. STROBE LIGHT INSTALLATION (RED) (SN 0300217094 through 0300256996)



ART\_1001209873

**SECTION 2 - TURNTABLE**

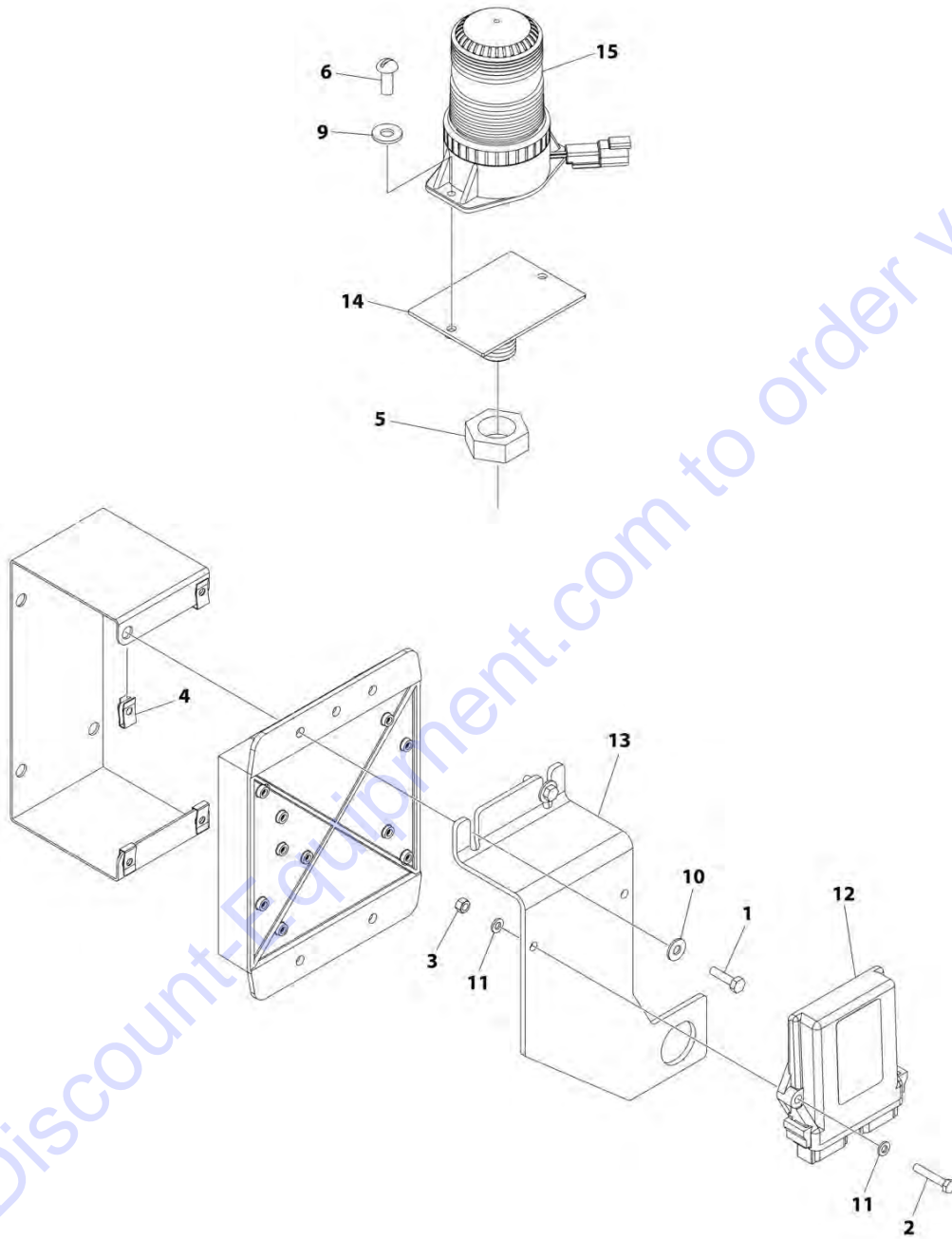
**FIGURE 2-39. STROBE LIGHT INSTALLATION (RED) (SN 0300217094 through 0300256996)**

ITEM	PART NUMBER	QTY	DESCRIPTION	REV
	1001209873	Ref	STROBE LIGHT INSTALLATION (RED) (SN 0300217094 through 0300256996)	E
1	0641408	2	Bolt 1/4 x 1	
2	0700615	2	Bolt M6 x 35	
3	3290607	2	Nut M6 x 1	
4	3300454	2	Nut	
5	3312602	1	Nut 1	
6	3900085	2	Screw 10 x 1/2	
7	4751000	2	Washer #10	
8	4751400	2	Washer 1/4	
9	4811700	4	Washer M6	
10	1001142683	1	Module, Control Beacon	
11	1001142719	1	Bracket	
12	1001142736	1	Harness, Beacon Control (Not Shown) (See ELECTRICAL SECTION for Breakdown)	
13	1001149994	1	Mount, Beacon	
15	1001207004	1	Light, Strobe	
15	7028909	1	Connector - 2 Position	
15	4460943	2	Pin, Male	
16	4240032	AR	Tie-Strap (Not Shown) (SN 0300223781 through 0300256996)	
17	4460488	AR	Mounting Base (Not Shown) (SN 0300223781 through 0300256996)	

Go to Discount-Equipment.com to order your parts

## SECTION 2 - TURNTABLE

FIGURE 2-40. STROBE LIGHT INSTALLATION (RED) (SN 0300256997 to Present)



ART\_1001244027



**SECTION 2 - TURNTABLE**

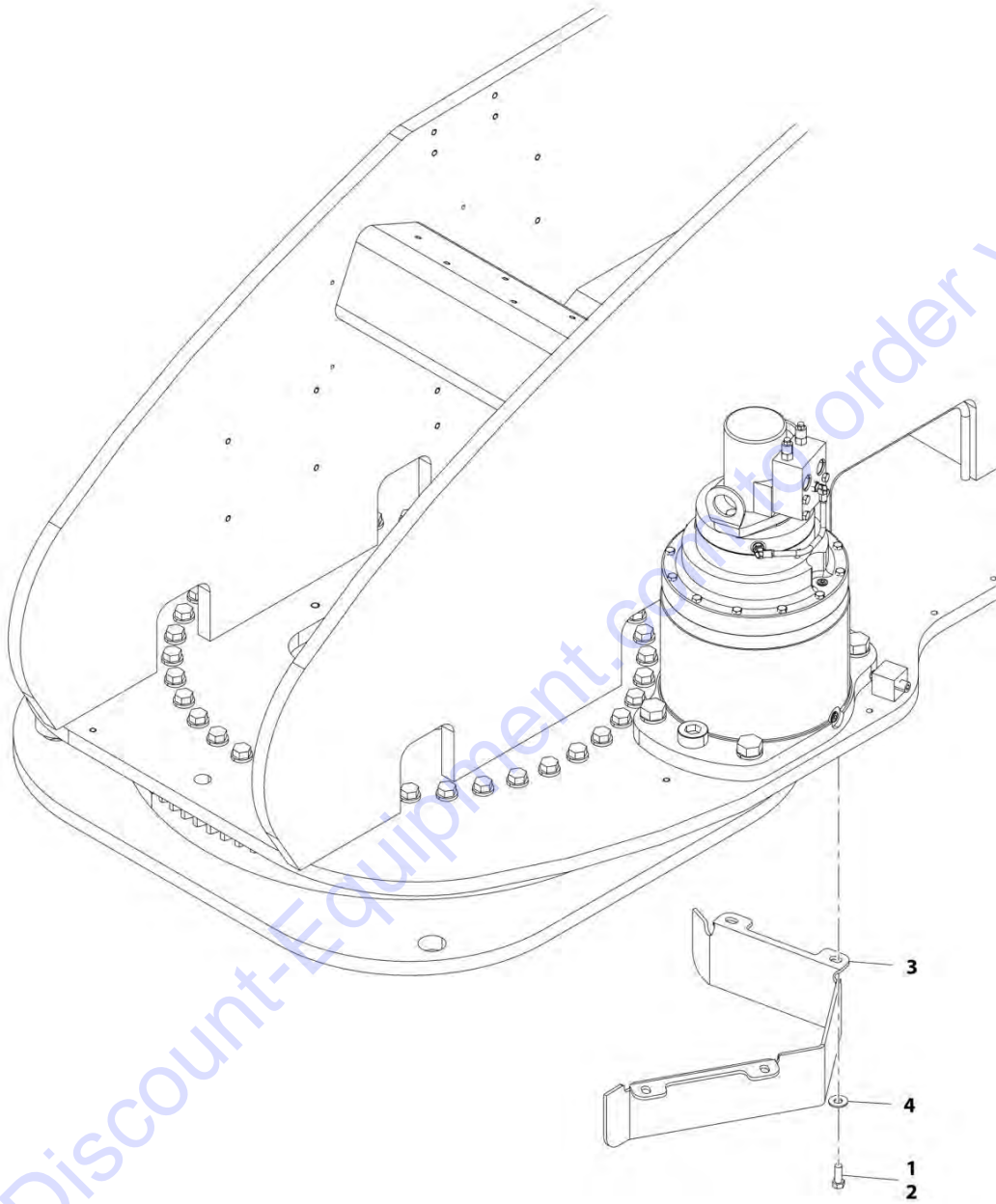
**FIGURE 2-40. STROBE LIGHT INSTALLATION (RED) (SN 0300256997 to Present)**

ITEM	PART NUMBER	QTY	DESCRIPTION	REV
	1001244027	Ref	STROBE LIGHT INSTALLATION (RED)	A
1	0641408	2	Bolt 1/4 x 1	
2	0700615	2	Bolt M6 x 35	
3	3290607	2	Nut M6 x 1	
4	3300454	2	Nut	
5	3312602	1	Nut 1	
6	3900085	2	Screw 10 x 1/2	
7	4240032	AR	Tie-Strap (Not Shown)	
8	4460488	AR	Mounting Base (Not Shown)	
9	4751000	2	Washer #10	
10	4751400	2	Washer 1/4	
11	4811700	4	Washer M6	
12	1001142683	1	Module, Control Beacon	
13	1001142719	1	Bracket	
14	1001149994	1	Mount, Beacon	
15	1001207004	1	Light, Strobe	
15	7028909	1	Connector - 2 Position	
15	4460943	2	Pin, Male	
16	1001142736	1	Harness, Beacon Control (Not Shown) (See ELECTRICAL SECTION for Breakdown)	

Go to Discount-Equipment.com to order your parts

# SECTION 2 - TURNTABLE

## FIGURE 2-41. PINION SHIELD INSTALLATION



ART\_0271874

**SECTION 2 - TURNTABLE**

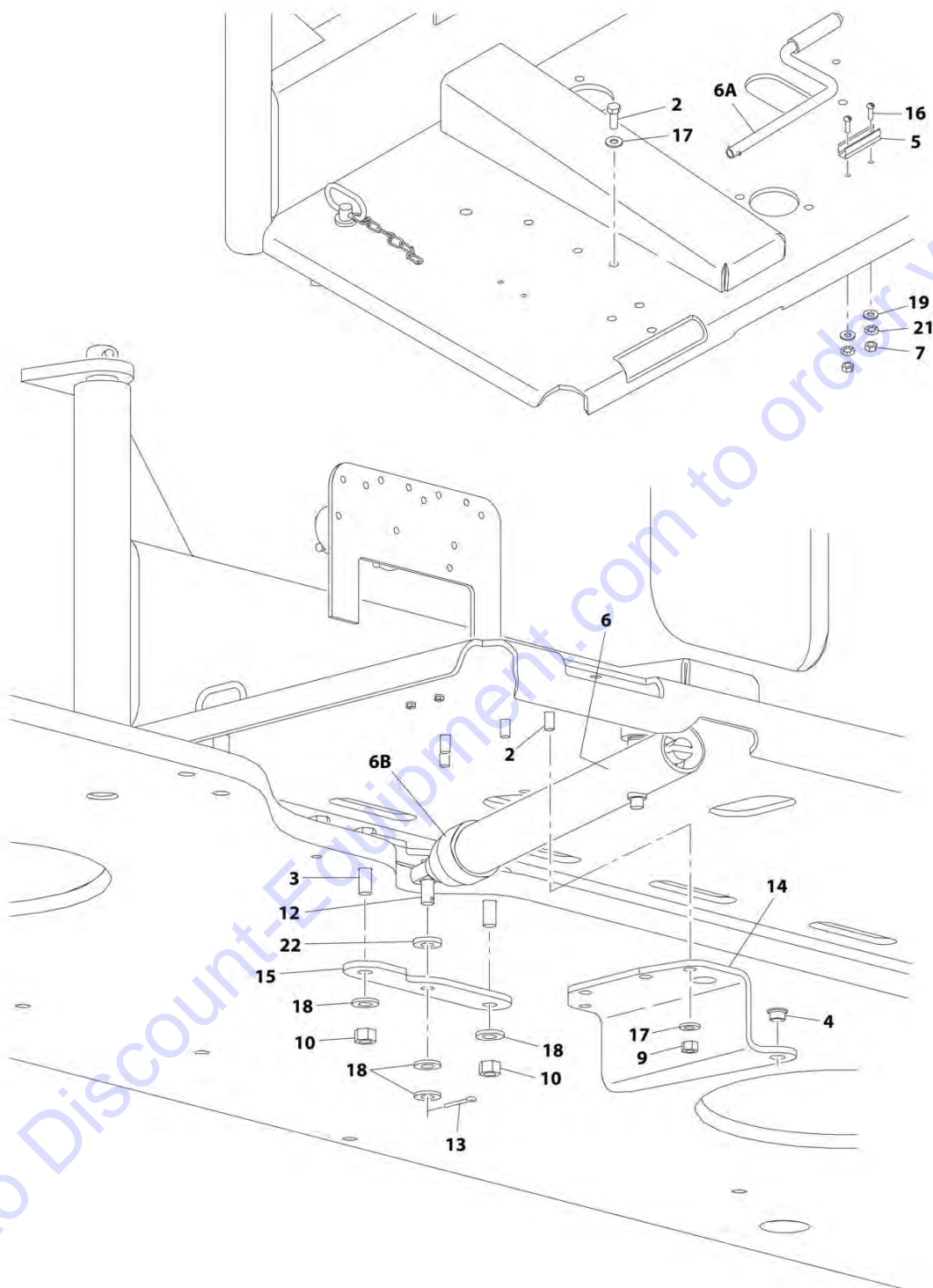
**FIGURE 2-41. PINION SHIELD INSTALLATION**

ITEM	PART NUMBER	QTY	DESCRIPTION	REV
	0271874	Ref	PINION SHIELD INSTALLATION	A
1	0100011	AR	Compound, Locking	
2	0641608	4	Bolt 3/8 x 1	
3	3573355	1	Plate, Pinion	
4	4751600	4	Washer 3/8	

Go to Discount-Equipment.com to order your parts

## SECTION 2 - TURNTABLE

FIGURE 2-42. ENGINE TRAY JACK INSTALLATION - DEUTZ TD2011 ENGINES



ART\_0272064

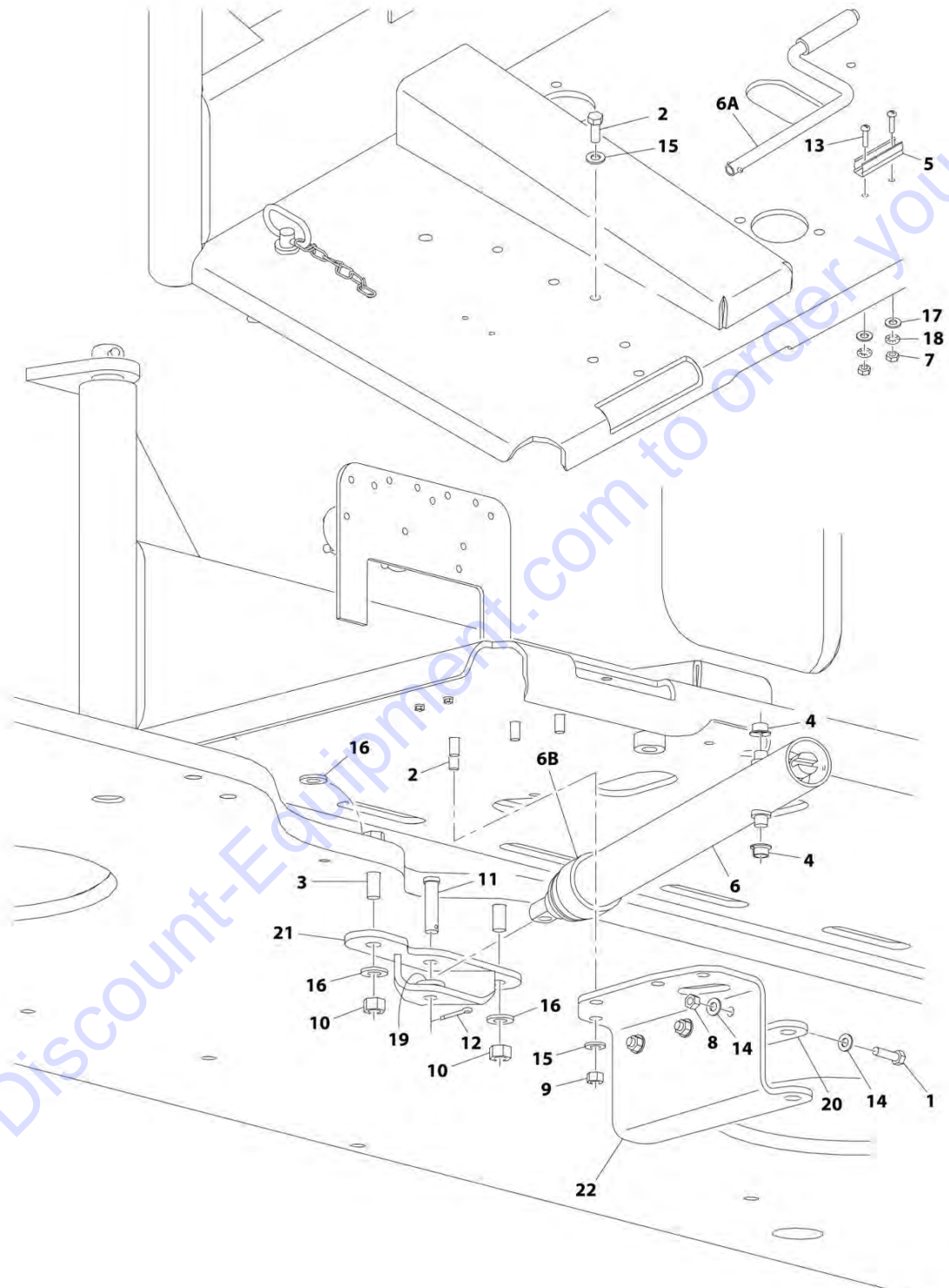
**SECTION 2 - TURNTABLE**

**FIGURE 2-42. ENGINE TRAY JACK INSTALLATION - DEUTZ TD2011 ENGINES**

ITEM	PART NUMBER	QTY	DESCRIPTION	REV
	0272064	Ref	ENGINE TRAY JACK INSTALLATION - DEUTZ TD2011 ENGINES	C
2	0641608	4	Bolt 3/8 x 1	
3	0641818	2	Bolt 1/2 x 2-1/4	
4	0962051	2	Bearing, Flanged	
5	1380147	1	Clip, Spring	
6	2840016	1	Jack and Handle Assembly	
6A		Ref	Handle Options:	
6A	7016374	1	Burr Manufacturing Brand (identified by 4 handle offset)	
6A	7024598	1	Hammerblow Corp Brand (identified by 4-1/2 handle offset)	
6B	7016322	1	Wiper (Burr Manufacturing Brand Only)	
7	3310601	2	Nut #6	
9	3311605	4	Nut 3/8	
10	3311805	2	Nut 1/2	
12	3430816	1	Pin, Clevis	
13	3450404	1	Pin, Cotter 1/8 x 1	
14	3537445	1	Bracket	
15	3573454	2	Bracket	
16	3910608	2	Screw #6 x 1/2	
17	4711600	8	Washer 3/8	
18	4711800	4	Washer 1/2	
19	4750600	2	Washer #6	
21	4770600	2	Washer #6	
22	4891800	1	Washer 1/2	

## SECTION 2 - TURNTABLE

FIGURE 2-43. ENGINE TRAY JACK INSTALLATION - DEUTZ TCD2.9L4 ENGINES AND DEUTZ TCD2.9L4 (STAGE V) ENGINES



ART\_1001143294

## SECTION 2 - TURNTABLE

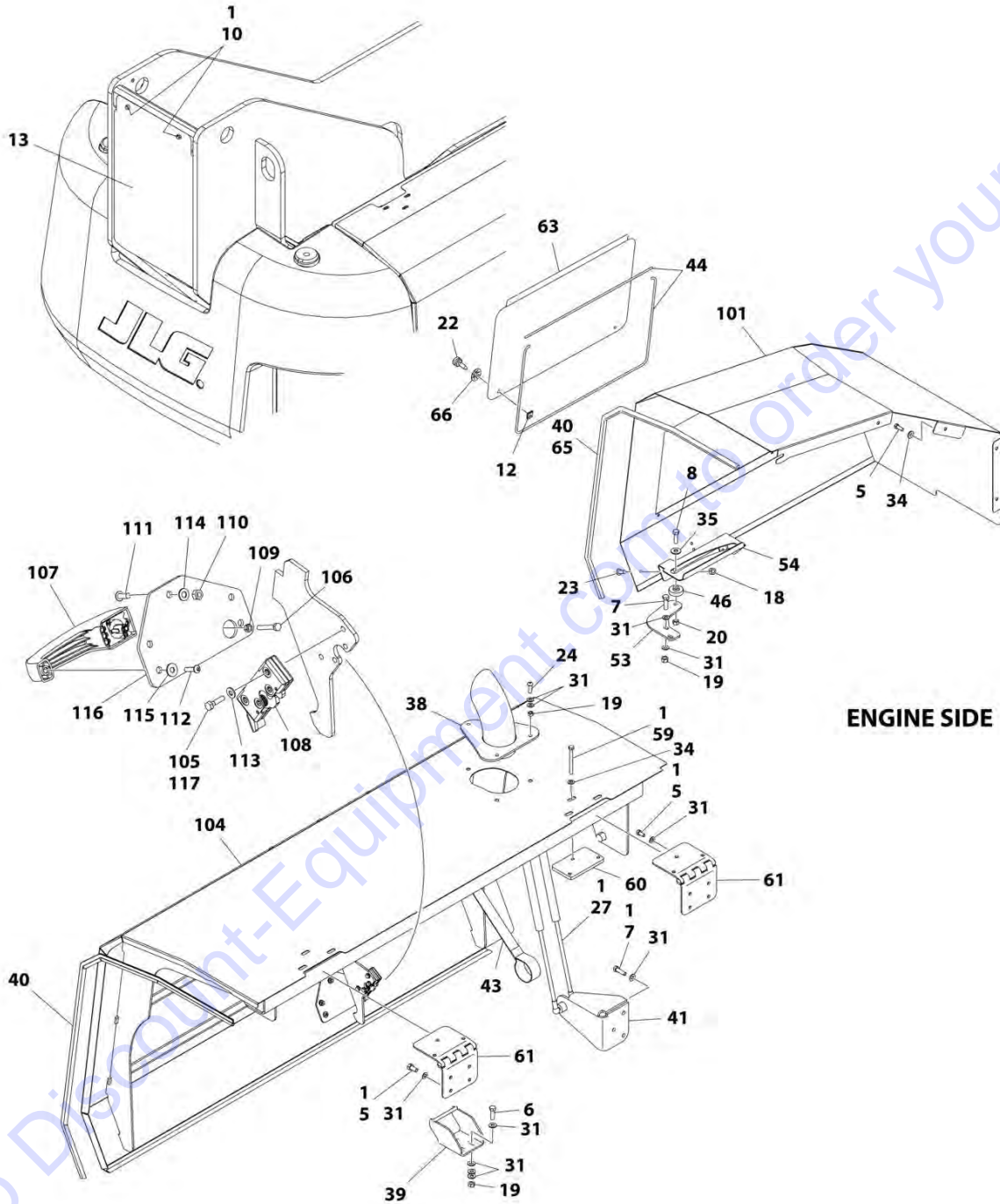
**FIGURE 2-43. ENGINE TRAY JACK INSTALLATION - DEUTZ TCD2.9L4 ENGINES AND DEUTZ TCD2.9L4 (STAGE V) ENGINES**

ITEM	PART NUMBER	QTY	DESCRIPTION	REV
	1001143294	Ref	ENGINE TRAY JACK INSTALLATION - DEUTZ TCD2.9L4 ENGINES AND DEUTZ TCD2.9L4 (STAGE V) ENGINES	A
1	0641509	3	Bolt 5/16 x 1-1/8	
2	0641608	4	Bolt 3/8 x 1	
3	0641816	2	Bolt 1/2 x 2	
4	0962051	2	Bearing, Flanged	
5	1380147	1	Clip, Spring	
6	2840016	1	Jack and Handle Assembly	
6A		Ref	Handle Options:	
6A	7016374	1	Burr Manufacturing Brand (identified by 4 handle offset)	
6A	7024598	1	Hammerblow Corp Brand (identified by 4-1/2 handle offset)	
6B	7016322	1	Wiper (Burr Manufacturing Brand Only)	
7	3310601	2	Nut #6	
8	3311505	3	Nut 5/16	
9	3311605	4	Nut 3/8	
10	3311805	2	Nut 1/2	
11	3430816	1	Pin, Clevis	
12	3450404	1	Pin, Cotter 1/8 x 1	
13	3910608	2	Screw #6 x 1/2	
14	4711500	6	Washer 5/16	
15	4711600	8	Washer 3/8	
16	4711800	4	Washer 1/2	
17	4750600	2	Washer #6	
18	4770600	2	Washer #6	
19	4891800	1	Washer 1/2	
20	1001131482	1	Plate, Jack Bracket	
21	1001135663	1	Support, Engine Tray Jack	
22	1001143298	1	Plate, Jack Bracket	



# SECTION 2 - TURNTABLE

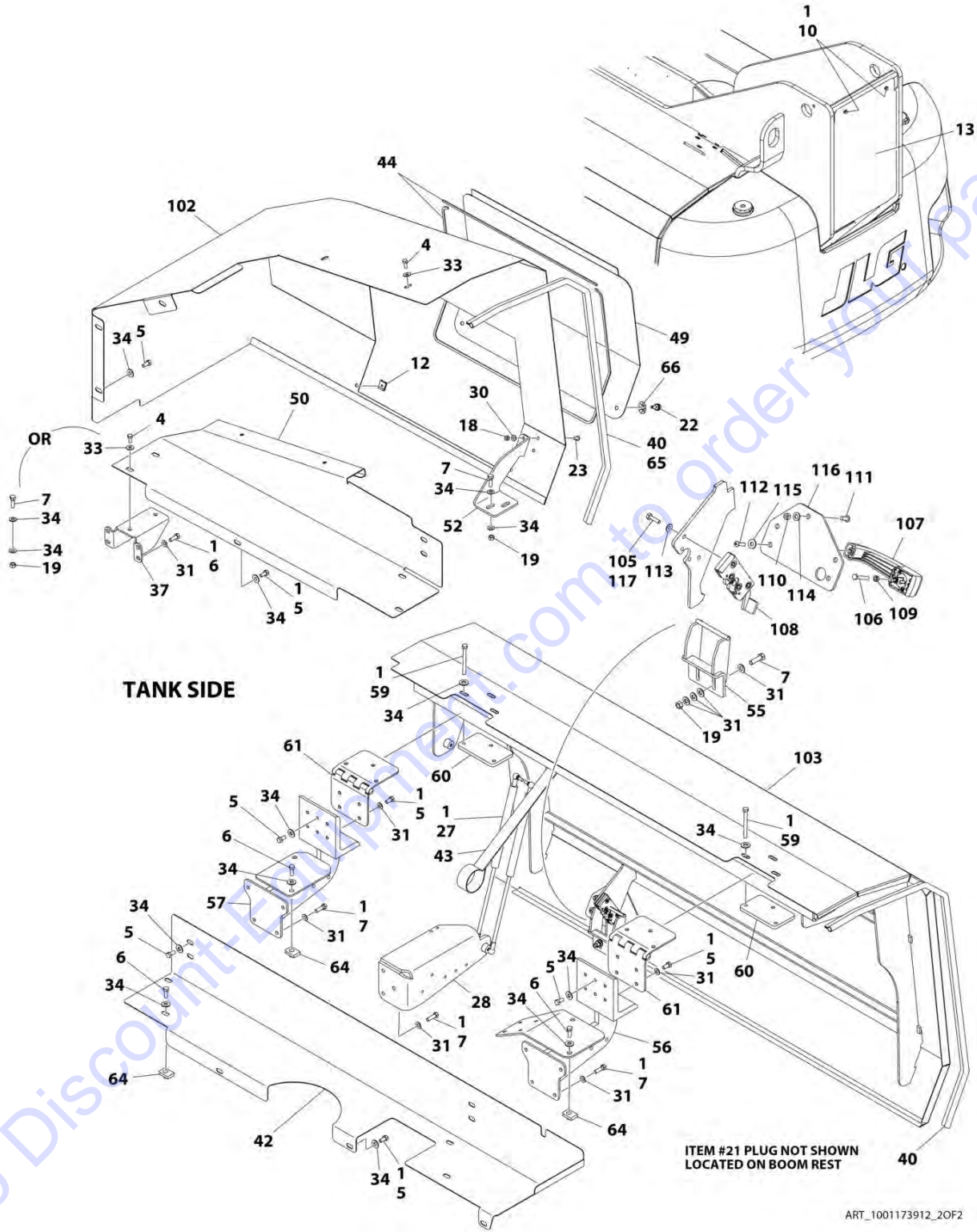
## FIGURE 2-44. HOOD INSTALLATION - DEUTZ TD2011 ENGINES



ENGINE SIDE

ART\_1001173912\_10F2

# SECTION 2 - TURNTABLE



## SECTION 2 - TURNTABLE

FIGURE 2-44. HOOD INSTALLATION - DEUTZ TD2011 ENGINES

ITEM	PART NUMBER	QTY	DESCRIPTION	REV
	1001173912	Ref	HOOD INSTALLATION - DEUTZ TD2011 ENGINES	H
		Ref	Note: Replacement Decals Must be Ordered Separately - See DECAL SECTION.	
1	0100011	AR	Compound, Locking	
4	0641506	AR	Bolt 5/16 x 3/4	
5	0641606	32	Bolt 3/8 x 3/4	
6	0641608	8	Bolt 3/8 x 1	
7	0641610	AR	Bolt 3/8 x 1-1/4	
8	0641813	1	Bolt 1/2 x 1-5/8	
10	0791604	2	Screw 3/8 x 1/2	
12	1380169	4	Clip	
13	1671038	1	Cover	
18	3311505	5	Nut 5/16	
19	3311605	AR	Nut 3/8	
20	3311805	1	Nut 1/2	
21	3520034	2	Plug, Hole	
22	3900174	4	Screw, Thumb	
23	3900210	5	Screw 5/16 x 3/4	
24	3900232	3	Screw 3/8 x 1-1/4	
27	4160194	4	Spring, Gas	
28	4340999	1	Mount, Gas Spring	
30	4711500	2	Washer 5/16	
31	4711600	64	Washer 3/8	
33	4751500	AR	Washer 5/16	
34	4751600	AR	Washer 3/8	
35	4751800	1	Washer 1/2	
37	1001109759	1	Support, Power Track Trough (SN 0300209000 through 0300225823)	
37	3573232	1	Support, Power Track Trough (SN 0300225824 to Present)	
38	1001110027	1	Stack, Exhaust	
39	1001110194	1	Bracket, Striker	
40	1001110433	9 ft/ 2.9m	Seal	
41	1001110486	1	Mount, Gas Spring	
42	1001175859	1	Plate, Power Track Trough	
43	1001112691	2	Strap, Hand Pull	
44	1001113047	14.5 ft/ 4.4mm	Seal	
46	1001131462	1	Pad, Hood Slide	
49	1001173166	1	Cover, Access (Tank Side)	
50	1001173170	1	Plate, Power Track Trough	
52	1001173185	1	Plate, Mounting	
53	1001173186	1	Bracket, Engine Tray	
54	1001173187	1	Bracket, Engine Tray	
55	1001173188	1	Bracket, Hood Latch	
56	1001173647	1	Support, Front Hood	
57	1001173651	1	Support, Front Hood	
59	0641630	12	Bolt 3/8 x 3-3/4	
60	1001175880	4	Plate	
61	1001175879	4	Hinge, Offset Hood	
63	1001180051	1	Cover, Access (Engine Side)	

**SECTION 2 - TURNTABLE**

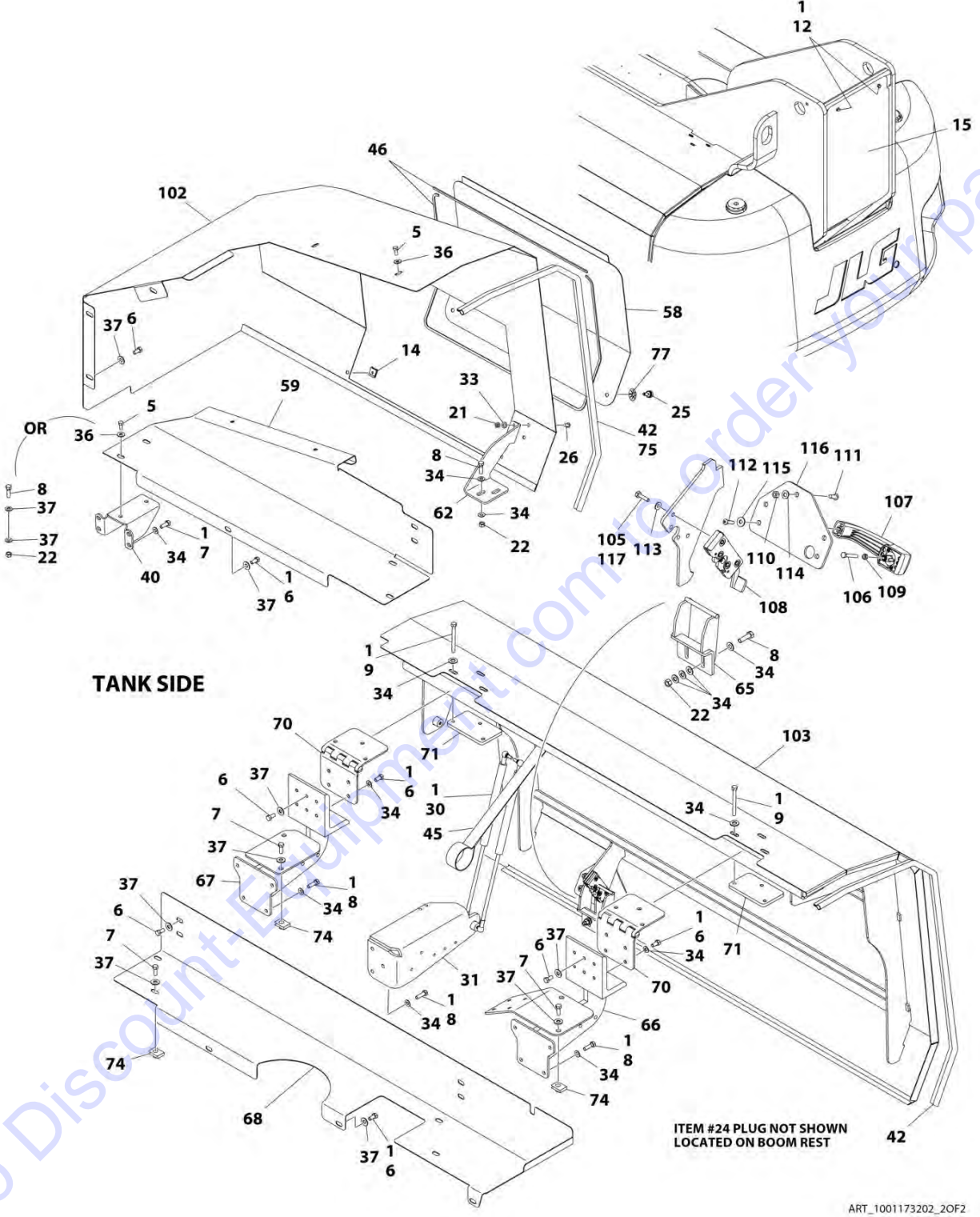
ITEM	PART NUMBER	QTY	DESCRIPTION	REV
64	88662523	4	Nut, Tinnerman	
65	3960447	9.8 ft/ 3.0m	Seal	
66	3760308	4	Retainer <b>(SN 0300243066 to Present)</b>	
100	1001175250	1	Kit, Hood	
101	1001173163	1	Hood, Engine Side - Rear	
102	1001173164	1	Hood, Tank Side - Rear	
103	1001173183	1	Hood, Tank Side - Front	
104	1001174331	1	Hood, Engine Side - Front	
105	0641408	8	Bolt 1/4 x 1	
106	0700616	2	Bolt M6 x 40	
107	2560187	2	Handle, Push Button	
108	2940173	2	Latch, Rotary	
109	3290601	2	Nut M6	
110	3311505	6	Nut 5/16	
111	3900210	6	Screw 5/16 x 3/4	
112	3900363	4	Screw M6 x 1 x 25	
113	4711400	8	Washer 1/4	
114	4711500	6	Washer 5/16	
115	4751400	4	Washer 1/4	
116	1001116290	2	Plate, Latch Mounting	
117	0100011	AR	Compound, Locking	

Go to Discount-Equipment.com to order your parts





SECTION 2 - TURNTABLE



## SECTION 2 - TURNTABLE

FIGURE 2-45. HOOD INSTALLATION - DEUTZ TCD2.9L4 ENGINES AND DEUTZ TCD2.9L4 (STAGE V) ENGINES

ITEM	PART NUMBER	QTY	DESCRIPTION	REV
	1001173202	Ref	HOOD INSTALLATION - DEUTZ TCD2.9L4 ENGINES AND DEUTZ TCD2.9L4 (STAGE V) ENGINES	I
		Ref	Note: Replacement Decals Must be Ordered Separately - See DECAL SECTION.	
1	0100011	AR	Compound, Locking	
3	0641406	2	Bolt 1/4 x 3/4	
5	0641506	AR	Bolt 5/16 x 3/4	
6	0641606	32	Bolt 3/8 x 3/4	
7	0641608	8	Bolt 3/8 x 1	
8	0641610	AR	Bolt 3/8 x 1-1/4	
9	0641630	12	Bolt 3/8 x 3-3/4	
10	0641813	1	Bolt 1/2 x 1-5/8	
12	0791604	2	Screw 3/8 x 1/2	
14	1380169	4	Clip	
15	1671038	1	Cover	
20	3311405	2	Nut 1/4	
21	3311505	5	Nut 5/16	
22	3311605	AR	Nut 3/8	
23	3311805	1	Nut 1/2	
24	3520034	2	Plug, Hole	
25	3900174	4	Screw, Thumb	
26	3900210	10	Screw 5/16 x 3/4	
27	3900232	3	Screw 3/8 x 1-1/4	
30	4160194	4	Spring, Gas	
31	4340999	1	Mount, Gas Spring	
32	4711400	4	Washer 1/4	
33	4711500	2	Washer 5/16	
34	4711600	82	Washer 3/8	
36	4751500	AR	Washer 5/16	
37	4751600	AR	Washer 3/8	
38	4751800	1	Washer 1/2	
39	8310658	5	Nut, Retainer .312 x 1	
40	1001109759	1	Support, Power Track Trough (SN 0300209000 through 0300225823)	
40	3573232	1	Support, Power Track Trough (SN 0300225824 to Present)	
41	1001110194	1	Bracket, Striker	
42	1001110433	9 ft/ 2.9m	Seal	
43	1001110486	1	Mount, Gas Spring	
45	1001112691	2	Strap, Hand Pull	
46	1001113047	14.5 ft/ 4.4mm	Seal	
48	1001131462	1	Pad, Hood Slide	
49	1001139778	1	Stack, Exhaust	
50	1001140485	1	Seal	
51	1001145162	1	Panel, Heat Deflector	
53	1001146178	1	Seal	
54	1001146183	1	Plate	
55	1001146244	1	Seal	
58	1001173166	1	Cover, Access (Tank Side)	
59	1001173170	1	Plate, Power Track Trough	



## SECTION 2 - TURNTABLE

ITEM	PART NUMBER	QTY	DESCRIPTION	REV
62	1001173185	1	Plate, Mounting	
63	1001173186	1	Bracket, Engine Tray	
64	1001173187	1	Bracket, Engine Tray	
65	1001173188	1	Bracket, Hood Latch	
66	1001173647	1	Support, Front Hood	
67	1001173651	1	Support, Front Hood	
68	1001175859	1	Plate, Power Track Trough	
70	1001175879	4	Hinge, Offset Hood	
71	1001175880	4	Plate	
73	1001180051	1	Cover, Access (Engine Side)	
74	88662523	4	Nut, Tinnerman	
75	3960447	9.8 ft/ 3.0m	Seal	
76	1001146132	1	Seal <b>(SN 0300219197 to Present)</b>	
77	3760308	4	Retainer <b>(SN 0300243066 to Present)</b>	
100	1001175237	1	Kit, Hood	
101	1001173163	1	Hood, Engine Side - Rear	
102	1001173164	1	Hood, Tank Side - Rear	
103	1001173183	1	Hood, Tank Side - Front	
104	1001173184	1	Hood, Engine Side - Front	
105	0641408	8	Bolt 1/4 x 1	
106	0700616	2	Bolt M6 x 40	
107	2560187	2	Handle, Push Button	
108	2940173	2	Latch, Rotary	
109	3290601	2	Nut M6	
110	3311505	6	Nut 5/16	
111	3900210	6	Screw 5/16 x 3/4	
112	3900363	4	Screw M6 x 1 x 25	
113	4711400	8	Washer 1/4	
114	4711500	6	Washer 5/16	
115	4751400	4	Washer 1/4	
116	1001116290	2	Plate, Latch Mounting	
117	0100011	1	Compound, Locking	

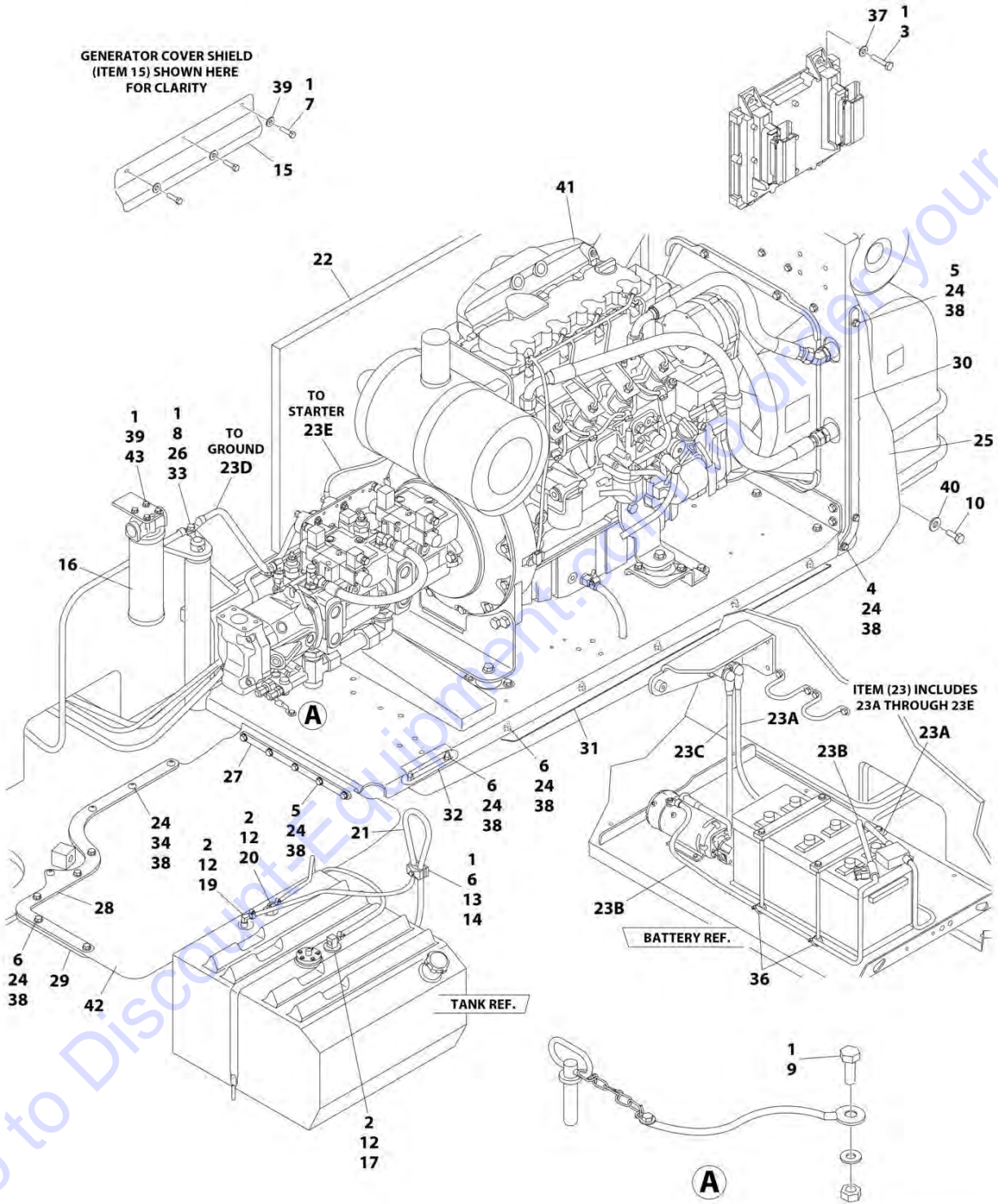


**SECTION 3 - ENGINE**

Go to [Discount-Equipment.com](http://Discount-Equipment.com) to order your parts

# SECTION 3 - ENGINE

## FIGURE 3-1. DEUTZ TD2011 ENGINE INSTALLATION - WITH REXROTH PUMPS (WITHOUT SKYPOWER AND WITHOUT COLD WEATHER PLUS PACKAGE)



ART\_1001117370

## SECTION 3 - ENGINE

**FIGURE 3-1. DEUTZ TD2011 ENGINE INSTALLATION - WITH REXROTH PUMPS (WITHOUT SKYPOWER AND WITHOUT COLD WEATHER PLUS PACKAGE)**

ITEM	PART NUMBER	QTY	DESCRIPTION	REV
	1001117370	Ref	DEUTZ TD2011 ENGINE INSTALLATION - WITH REXROTH PUMPS (WITHOUT SKYPOWER AND WITHOUT COLD WEATHER PLUS PACKAGE)	D
1	0100011	AR	Compound, Locking	
2	0100079	AR	Sealant, Pipe	
3	0641410	4	Bolt 1/4 x 1-1/4	
4	0641506	1	Bolt 5/16 x 3/4	
5	0641509	7	Bolt 5/16 x 1-1/8	
6	0641511	13	Bolt 5/16 x 1-3/8	
7	0641605	3	Bolt 3/8 x 5/8	
8	0641610	1	Bolt 3/8 x 1-1/4	
9	0641808	1	Bolt 1/2 x 1	
10	0642010	1	Bolt 5/8 x 1-1/4	
12	1320022	3	Clamp	
13	1320187	1	Clamp	
14	1320190	1	Clamp, Cover Plate	
15	1671121	1	Cover, Generator	
16	1001108617	1	Filter, Hydraulic	
16	70002231	1	Element, Filter	
17	2180348	1	Fitting, Straight Barbed	
18	2200222	1	Plug (Not Shown - Located in Bottom of Fuel Tank) (SN <b>0300209000 through 0300237553</b> )	
19	2220313	1	Fitting, 90 Barbed	
20	2221176	1	Fitting, 90 Barbed	
21	2750532	5 ft/ 1.5m	Hose	
22	2820170	1	Insulation	
23	2902099	1	Battery Cable Kit	D
23A	7024580	1	Cable, Red (To Aux Pump Relay, Battery Positive Terminal and Start Relay)	
23B	7024581	1	Cable, Black (To Aux Pump, Battery Negative Terminal and Ground at Tray Pivot)	
23C	7024582	1	Cable, Red (Aux Pump Relay to Aux Pump)	
23D	7024583	1	Cable, Black (Tray Pivot to Engine Mount)	
23E	7024584	1	Cable, Red (Start Relay to Starter)	
24	3311505	24	Nut 5/16	
25	3380473	1	Panel, Rubber	
26	3422446	1	Pin	
27	3573644	1	Plate, Tray Clamp	
28	1001112878	1	Plate, Top Clamp	
29	1001112879	1	Plate, Bottom Clamp	
30	3573669	1	Plate, Clamp	
31	1001112880	1	Plate, Tray Clamp	
32	3573728	1	Plate, Tray Clamp	
33	3841143	1	Keeper, Pin	
34	3900272	4	Screw 5/16 x 1-3/4	
35	4240018	2	Tie-Strap (Not Shown)	
36	4240099	AR	Tie-Strap	
37	4711400	4	Washer 1/4	
38	4711500	44	Washer 5/16	
39	4711600	7	Washer 3/8	

### SECTION 3 - ENGINE

ITEM	PART NUMBER	QTY	DESCRIPTION	REV
40	4752000	1	Washer 5/8	
41	1001098513	1	Deutz TD2011 Engine Assembly (See DEUTZ TD2011 ENGINE ASSEMBLY - WITH REXROTH PUMPS (WITHOUT SKYPOWER AND WITHOUT COLD WEATHER PLUS PACKAGE) for Breakdown)	
42	1001111132	1	Panel, Rubber	
43	0641606	4	Bolt 3/8 x 3/4	

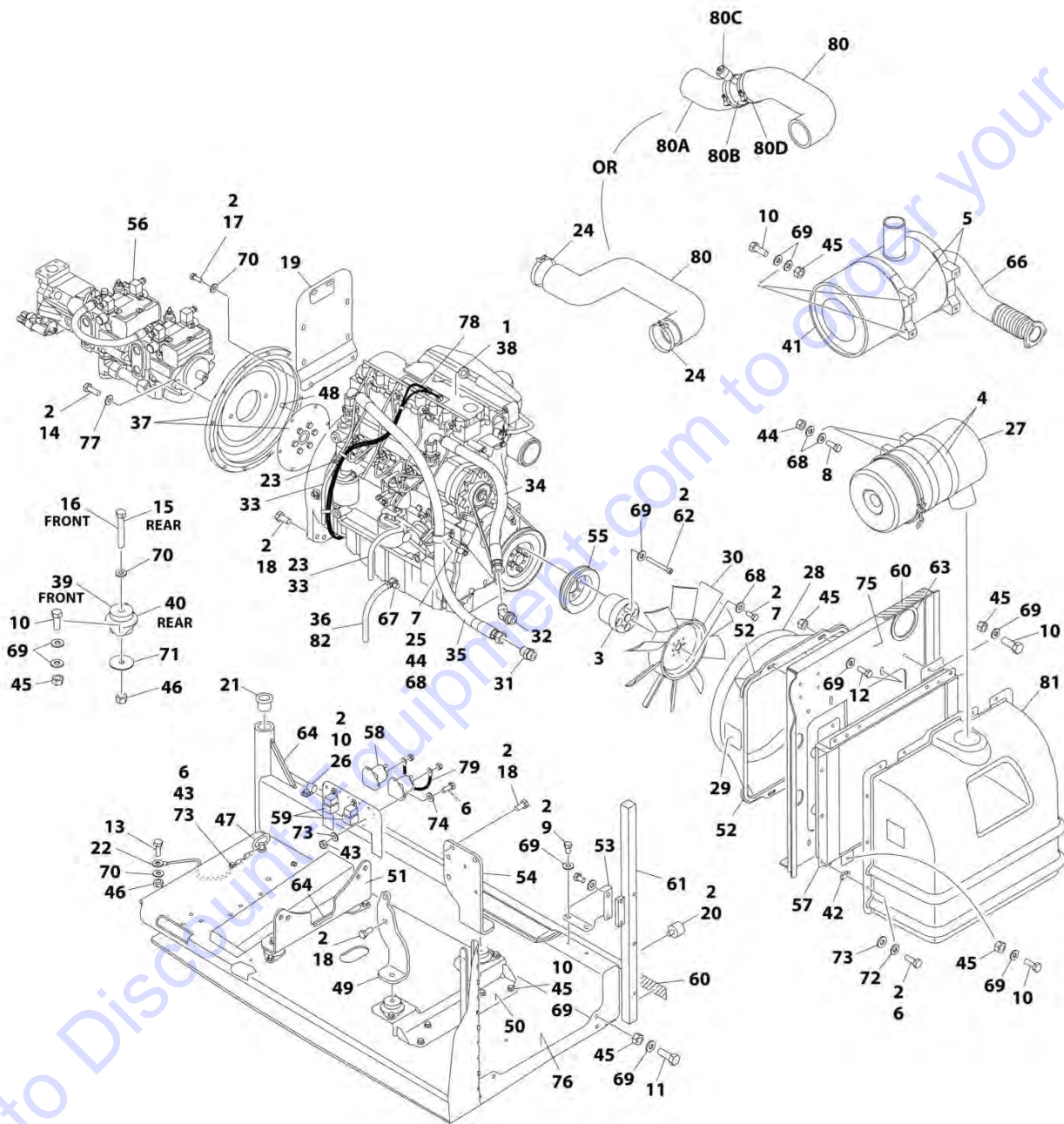
Go to Discount-Equipment.com to order your parts





# SECTION 3 - ENGINE

FIGURE 3-2. DEUTZ TD2011 ENGINE ASSEMBLY - WITH REXROTH PUMPS (WITHOUT SKYPOWER AND WITHOUT COLD WEATHER PLUS PACKAGE)



ART\_1001098513

## SECTION 3 - ENGINE

**FIGURE 3-2. DEUTZ TD2011 ENGINE ASSEMBLY - WITH REXROTH PUMPS (WITHOUT SKYPOWER AND WITHOUT COLD WEATHER PLUS PACKAGE)**

ITEM	PART NUMBER	QTY	DESCRIPTION	REV
	1001098513	Ref	DEUTZ TD2011 ENGINE ASSEMBLY - WITH REXROTH PUMPS (WITHOUT SKYPOWER AND WITHOUT COLD WEATHER PLUS PACKAGE)	H
1	1001098601	1	Engine Components - Deutz TD2011 (See ENGINE COMPONENTS - DEUTZ TD2011 ENGINE for Breakdown)	
2	0100011	AR	Compound, Locking	
3	0080237	1	Spacer, Fan	
4	0340003	2	Band, Air Cleaner	
5	0340051	2	Band, Muffler	
6	0641406	15	Bolt 1/4 x 3/4	
7	0641506	5	Bolt 5/16 x 3/4	
8	0641507	4	Bolt 5/16 x 7/8	
9	0641605	4	Bolt 3/8 x 5/8	
10	0641608	25	Bolt 3/8 x 1	
11	0641609	2	Bolt 3/8 x 1-1/8	
12	0641610	4	Bolt 3/8 x 1-1/4	
13	0641808	1	Bolt 1/2 x 1	
14	0641812	2	Bolt 1/2 x 1-1/2	
15	0641818	2	Bolt 1/2 x 2-1/4	
16	0641826	2	Bolt 1/2 x 3-1/4	
17	0711214	2	Bolt M12 x 30	
18	0771414	10	Bolt M14 x 30	
19	1001112766	1	Bracket, Muffler	
20	0940070	1	Bumper	
21	0961986	2	Bushing, Flanged	
22	1001131542	1	Lanyard	
23	1320022	3	Clamp	
24	1320058	2	Clamp	
25	1320060	1	Clamp	
26	1320223	1	J-Clip	
27	1340065	1	Air Cleaner Assembly	
27	7003655	1	Element, Air Cleaner	
28	1671023	1	Shroud, Fan	
29	1703162	2	Decal - Fan Blade	
30	2060025	1	Fan	
31	2220451	1	Fitting, Straight	
32	2220498	1	Fitting, 45	
33	2720058	34 ft/ 10.3m	Hose	
34	2720500	1	Hose, Oil Cooler (Top)	
35	2720501	1	Hose, Oil Cooler (Bottom)	
36	2750532	9 in/ 23cm	Hose	
37	2902065	1	Pump Coupling Kit (See PUMP COUPLING KIT for Breakdown)	
38	3020016	33 gal/ 12.3L	Oil, Engine 15W-40	
39	3200362	2	Mount, Motor (Front)	
40	3200401	2	Mount, Motor (Rear)	
41		Ref	Muffler Options:	
41	3220126	1	Standard Muffler	
41	3220130	1	Optional Catalytic Muffler	

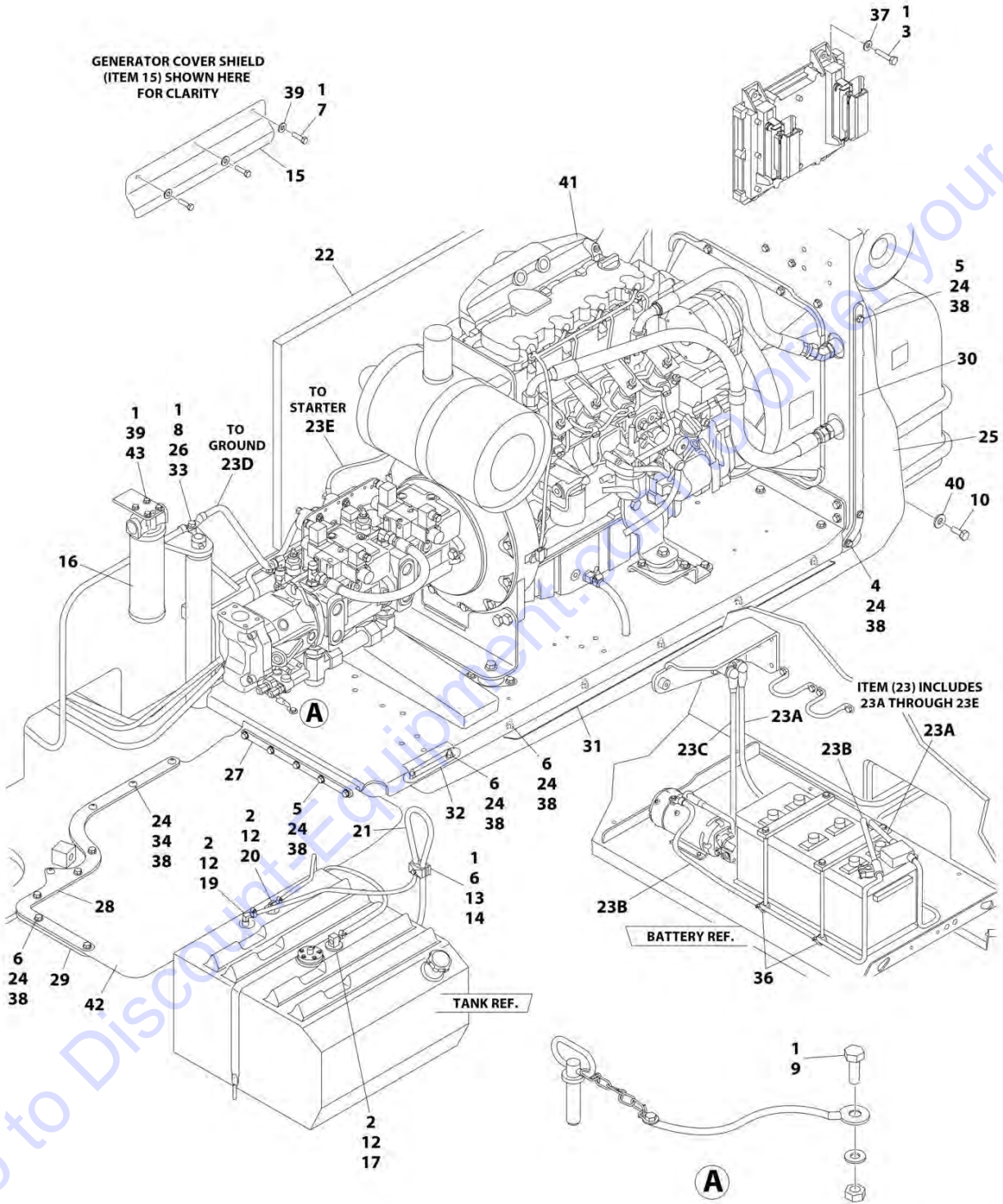
## SECTION 3 - ENGINE

ITEM	PART NUMBER	QTY	DESCRIPTION	REV
41	70001017	1	Clamp (Used on p/n 3220130)	
42	3300454	10	Nut	
43	3311405	5	Nut 1/4	
44	3311505	5	Nut 5/16	
45	3311605	30	Nut 3/8	
46	3311805	5	Nut 1/2	
47	3422532	1	Pin, Hitch	
48	3520054	2	Plug, Hole	
49	3537416	1	Plate, Mounting (Front Right)	
50	3539971	1	Bracket, Engine Mounting (Front)	
51	3573142	1	Bracket, Engine Mounting (Rear)	
52	3573411	2	Plate, Clamp	
53	3573412	1	Plate, Gusset	
54	3573529	1	Plate, Mounting (Front Left)	
55	3580158	1	Pulley	
56	3600339	1	Pump Assembly (Rexroth) (See PUMP ASSEMBLY (REXROTH) (DEUTZ TD2011 ENGINES) for Breakdown)	
57	1001145382	1	Cooler, Engine Oil	
58	3740067	2	Relay	
59	3740080	2	Relay	
60	3960543	1	Seal	
61	3960544	1	Seal	
62	4032022	4	Capscrew M10 x 90	
63	4060804	12 in/ 30cm	Flex-Trim	
64	4060805	8 in/ 20cm	Flex-Trim	
65	4240099	AR	Tie, Wire (Not Shown)	
66	4568293	1	Pipe, Exhaust	
67	4640751	1	Valve, Oil Drain	
68	4711500	13	Washer 5/16	
69	4711600	68	Washer 3/8	
70	4711800	7	Washer 1/2	
71	4740274	4	Washer, Snubbing	
72	4740518	10	Washer, Nylon	
73	4751400	20	Washer 1/4	
74	4791400	4	Starwasher 1/4	
75	4846552	1	Plate, Oil Cooler Mounting	
76	4846946	1	Tray	
77	4891800	2	Washer 1/2	
78	4923468	1	Harness, Glow Plugs	
79	4923592	1	Harness, Cable, Jumper	
80	1001092856	1	Hose, Turbo (SN 0300209000 through 0300234293)	
80	1001225118	1	Hose, Turbo (SN 0300234294 to Present)	
80A	1001151284	1	Hose	
80B	1001149740	1	Pipe	
80C	1001149639	1	Indicator	
80D	1320058	2	Clamp	
81	0272060	1	Box, Air Intake	
82	8410013	1	Clamp	



# SECTION 3 - ENGINE

FIGURE 3-3. DEUTZ TD2011 ENGINE INSTALLATION - WITH REXROTH PUMPS (WITH SKYPOWER AND WITHOUT COLD WEATHER PLUS PACKAGE)



ART\_1001117371



## SECTION 3 - ENGINE

**FIGURE 3-3. DEUTZ TD2011 ENGINE INSTALLATION - WITH REXROTH PUMPS (WITH SKYPOWER AND WITHOUT COLD WEATHER PLUS PACKAGE)**

ITEM	PART NUMBER	QTY	DESCRIPTION	REV
	1001117371	Ref	DEUTZ TD2011 ENGINE INSTALLATION - WITH REXROTH PUMPS (WITH SKYPOWER AND WITHOUT COLD WEATHER PLUS PACKAGE)	D
1	0100011	AR	Compound, Locking	
2	0100079	AR	Sealant, Pipe	
3	0641410	4	Bolt 1/4 x 1-1/4	
4	0641506	1	Bolt 5/16 x 3/4	
5	0641509	7	Bolt 5/16 x 1-1/8	
6	0641511	13	Bolt 5/16 x 1-3/8	
7	0641605	3	Bolt 3/8 x 5/8	
8	0641610	1	Bolt 3/8 x 1-1/4	
9	0641808	1	Bolt 1/2 x 1	
10	0642010	1	Bolt 5/8 x 1-1/4	
12	1320022	3	Clamp	
13	1320187	1	Clamp	
14	1320190	1	Clamp, Cover Plate	
15	1671121	1	Cover, Generator	
16	1001108617	1	Filter, Hydraulic	
16	70002231	1	Element, Filter	
17	2180348	1	Fitting, Straight Barbed	
18	2200222	1	Plug (Not Shown - Located in Bottom of Fuel Tank) (SN <b>0300209000 through 0300237553</b> )	
19	2220313	1	Fitting, 90 Barbed	
20	2221176	1	Fitting, 90 Barbed	
21	2750532	5 ft/ 1.5m	Hose	
22	2820170	1	Insulation	
23	2902099	1	Battery Cable Kit	D
23A	7024580	1	Cable, Red (To Aux Pump Relay, Battery Positive Terminal and Start Relay)	
23B	7024581	1	Cable, Black (To Aux Pump, Battery Negative Terminal and Ground at Tray Pivot)	
23C	7024582	1	Cable, Red (Aux Pump Relay to Aux Pump)	
23D	7024583	1	Cable, Black (Tray Pivot to Engine Mount)	
23E	7024584	1	Cable, Red (Start Relay to Starter)	
24	3311505	24	Nut 5/16	
25	3380473	1	Panel, Rubber	
26	3422446	1	Pin	
27	3573644	1	Plate, Tray Clamp	
28	1001112878	1	Plate, Top Clamp	
29	1001112879	1	Plate, Bottom Clamp	
30	3573669	1	Plate, Clamp	
31	1001112880	1	Plate, Tray Clamp	
32	3573728	1	Plate, Tray Clamp	
33	3841143	1	Keeper, Pin	
34	3900272	4	Screw 5/16 x 1-3/4	
35	4240018	2	Tie-Strap (Not Shown)	
36	4240099	AR	Tie-Strap	
37	4711400	4	Washer 1/4	
38	4711500	44	Washer 5/16	
39	4711600	7	Washer 3/8	

### SECTION 3 - ENGINE

ITEM	PART NUMBER	QTY	DESCRIPTION	REV
40	4752000	1	Washer 5/8	
41	1001098530	1	Deutz TD2011 Engine Assembly (See DEUTZ TD2011 ENGINE ASSEMBLY - WITH REXROTH PUMPS (WITH SKYPOWER AND WITHOUT COLD WEATHER PLUS PACKAGE) for Breakdown)	
42	1001111132	1	Panel, Rubber	
43	0641606	4	Bolt 3/8 x 3/4	

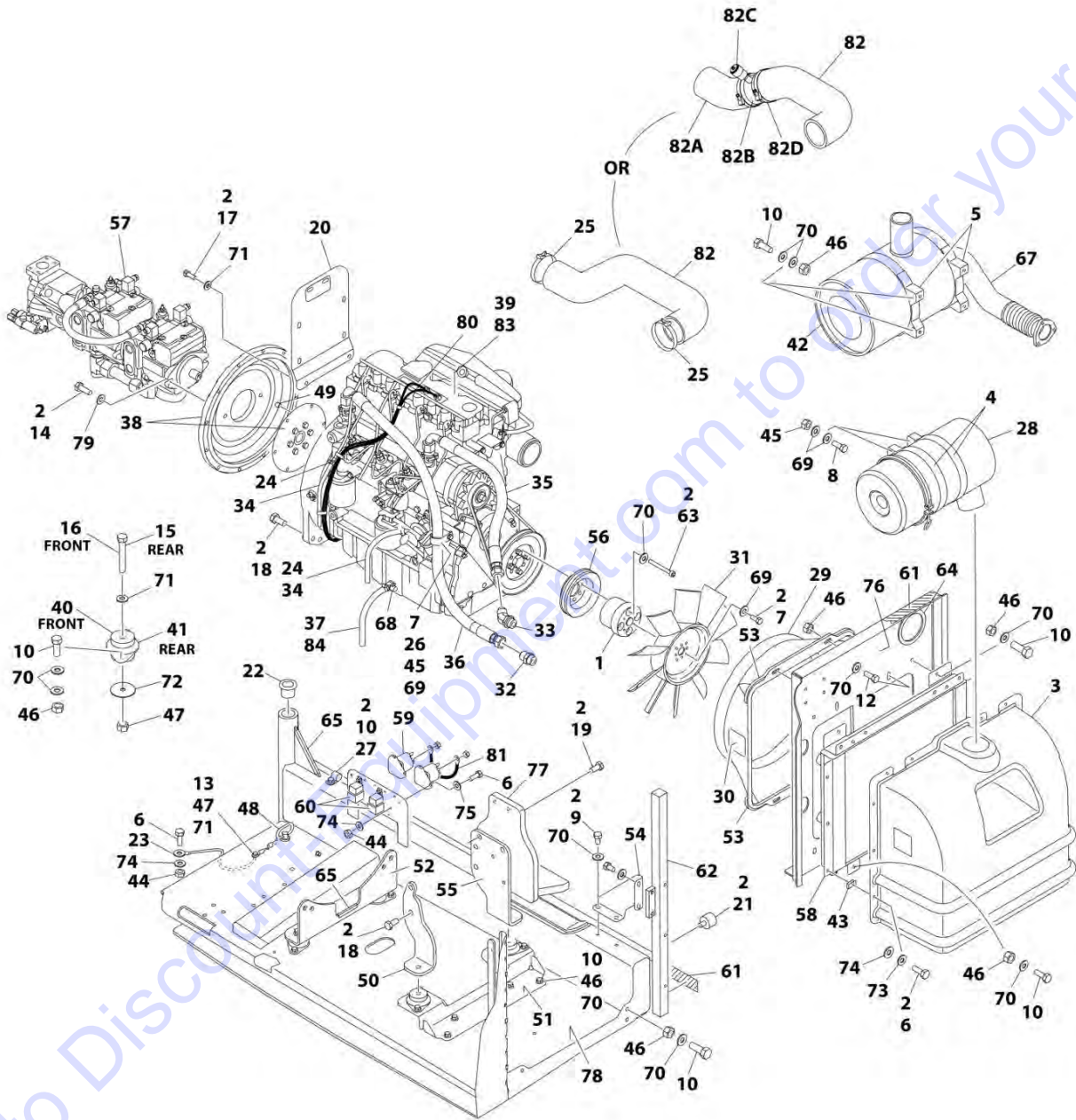
Go to Discount-Equipment.com to order your parts





# SECTION 3 - ENGINE

## FIGURE 3-4. DEUTZ TD2011 ENGINE ASSEMBLY - WITH REXROTH PUMPS (WITH SKYPOWER AND WITHOUT COLD WEATHER PLUS PACKAGE)



ART\_1001098530

## SECTION 3 - ENGINE

**FIGURE 3-4. DEUTZ TD2011 ENGINE ASSEMBLY - WITH REXROTH PUMPS (WITH SKYPOWER AND WITHOUT COLD WEATHER PLUS PACKAGE)**

ITEM	PART NUMBER	QTY	DESCRIPTION	REV
	1001098530	Ref	DEUTZ TD2011 ENGINE ASSEMBLY - WITH REXROTH PUMPS (WITH SKYPOWER AND WITHOUT COLD WEATHER PLUS PACKAGE)	I
1	0080244	1	Spacer, Fan	
2	0100011	AR	Compound, Locking	
3	0272060	1	Box, Air Intake	
4	0340003	2	Band, Air Cleaner	
5	0340051	2	Band, Muffler	
6	0641406	15	Bolt 1/4 x 3/4	
7	0641506	5	Bolt 5/16 x 3/4	
8	0641507	4	Bolt 5/16 x 7/8	
9	0641605	4	Bolt 3/8 x 5/8	
10	0641608	25	Bolt 3/8 x 1	
11	0641609	2	Bolt 3/8 x 1-1/8	
12	0641610	4	Bolt 3/8 x 1-1/4	
13	0641808	1	Bolt 1/2 x 1	
14	0641812	2	Bolt 1/2 x 1-1/2	
15	0641818	2	Bolt 1/2 x 2-1/4	
16	0641826	2	Bolt 1/2 x 3-1/4	
17	0711214	2	Bolt M12 x 30	
18	0771414	6	Bolt M14 x 30	
19	0711417	4	Bolt M14 x 45	
20	1001112766	1	Bracket, Muffler	
21	0940070	1	Bumper	
22	0961986	2	Bushing, Flanged	
23	1001131542	1	Lanyard	
24	1320022	2	Clamp	
25	1320058	2	Clamp	
26	1320060	1	Clamp	
27	1320223	1	J-Clip	
28	1340065	1	Air Cleaner Assembly	
28	7003655	1	Element, Air Cleaner	
29	1671023	1	Shroud, Fan	
30	1703162	2	Decal - Fan Blade	
31	2060025	1	Fan	
32	2220451	1	Fitting, Straight	
33	2220498	1	Fitting, 45	
34	2720058	34 ft/ 10.3m	Hose	
35	2720500	1	Hose, Oil Cooler (Top)	
36	2720501	1	Hose, Oil Cooler (Bottom)	
37	2750532	9 in/ 23cm	Hose	
38	2902065	1	Pump Coupling Kit (See PUMP COUPLING KIT for Breakdown)	
39	3020016	33 gal/ 12.3L	Oil, Engine 15W-40	
40	3200362	2	Mount, Motor (Front)	
41	3200401	2	Mount, Motor (Rear)	
42		Ref	Muffler Options:	
42	3220126	1	Standard Muffler	
42	3220130	1	Optional Catalytic Muffler	

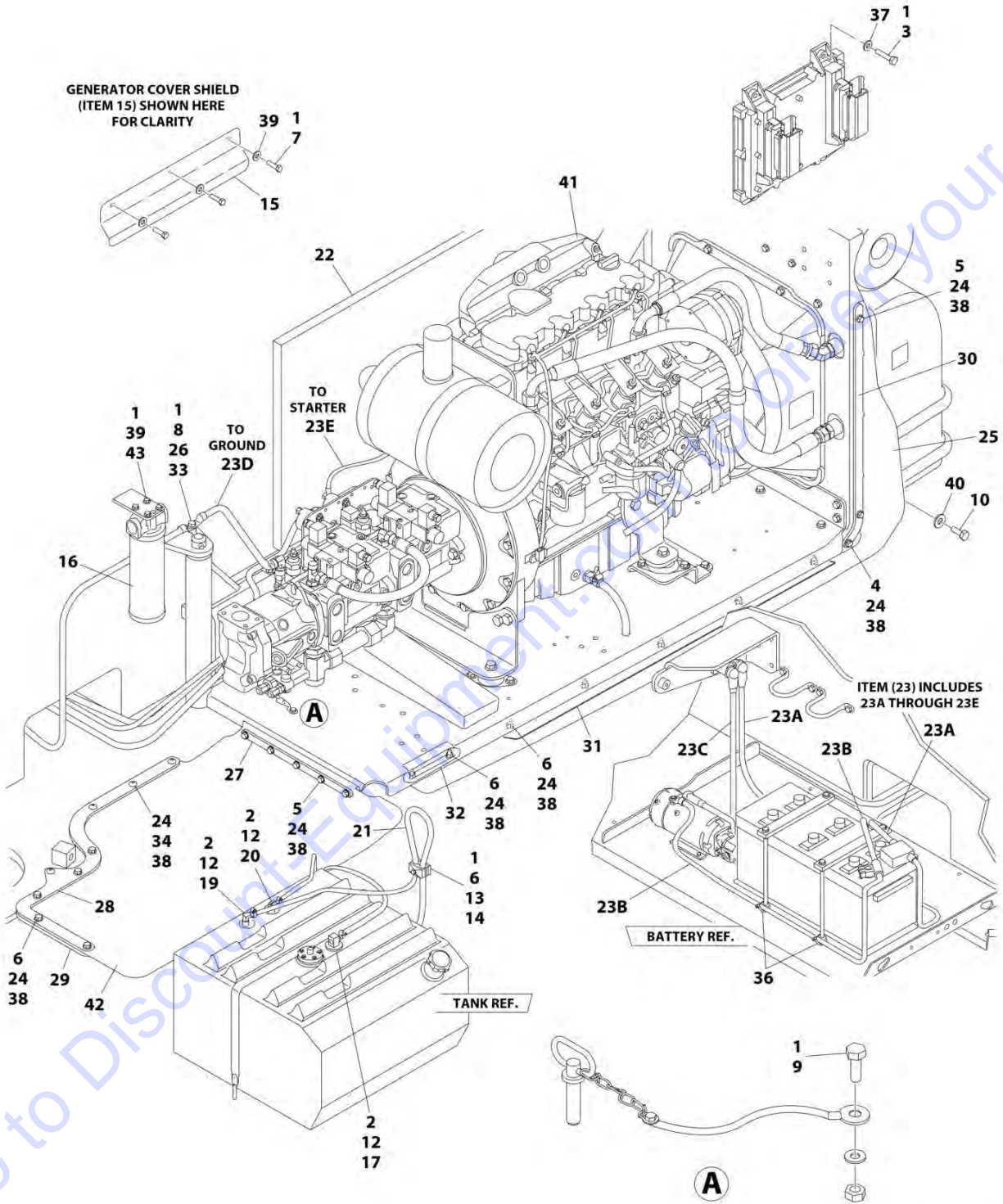
## SECTION 3 - ENGINE

ITEM	PART NUMBER	QTY	DESCRIPTION	REV
42	70001017	1	Clamp (Used on p/n 3220130)	
43	3300454	10	Nut	
44	3311405	5	Nut 1/4	
45	3311505	5	Nut 5/16	
46	3311605	30	Nut 3/8	
47	3311805	5	Nut 1/2	
48	3422532	1	Pin, Hitch	
49	3520054	2	Plug, Hole	
50	3537416	1	Plate, Mounting (Front Right)	
51	3539971	1	Bracket, Engine Mounting (Front)	
52	3573142	1	Bracket, Engine Mounting (Rear)	
53	3573411	2	Plate, Clamp	
54	3573412	1	Plate, Gusset	
55	3573529	1	Plate, Mounting (Front Left)	
56	3580320	1	Pulley	
57	3600339	1	Pump Assembly (Rexroth) (See PUMP ASSEMBLY (REXROTH) (DEUTZ TD2011 ENGINES) for Breakdown)	
58	1001145382	1	Cooler, Engine Oil	
59	3740067	2	Relay	
60	3740080	2	Relay	
61	3960543	1	Seal	
62	3960544	1	Seal	
63	4032022	4	Capscrew M10 x 90	
64	4060804	12 in/ 30cm	Flex-Trim	
65	4060805	8 in/ 20cm	Flex-Trim	
66	4240099	AR	Tie, Wire (Not Shown)	
67	4568293	1	Pipe, Exhaust	
68	4640751	1	Valve, Oil Drain	
69	4711500	13	Washer 5/16	
70	4711600	68	Washer 3/8	
71	4711800	7	Washer 1/2	
72	4740274	4	Washer, Snubbing	
73	4740518	10	Washer, Nylon	
74	4751400	20	Washer 1/4	
75	4791400	4	Washer, Star 1/4	
76	4846552	1	Plate, Oil Cooler Mounting	
77	4846945	1	Mount, Generator	
78	4846946	1	Tray	
79	4891800	2	Washer 1/2	
80	4923468	1	Harness, Glow Plugs	
81	4923592	1	Harness, Cable, Jumper	
82	1001092856	1	Hose, Turbo (SN 0300209000 through 0300234293)	
82	1001225118	1	Hose, Turbo (SN 0300234294 to Present)	
82A	1001151284	1	Hose	
82B	1001149740	1	Pipe	
82C	1001149639	1	Indicator	
82D	1320058	2	Clamp	
83	1001098601	1	Engine Components - Deutz TD2011 (See ENGINE COMPONENTS - DEUTZ TD2011 ENGINE for Breakdown)	
84	8410013	1	Clamp	



# SECTION 3 - ENGINE

FIGURE 3-5. DEUTZ TD2011 ENGINE INSTALLATION - WITH REXROTH PUMPS (WITH SKYPOWER AND WITH COLD WEATHER PLUS PACKAGE)



ART\_1001116015



## SECTION 3 - ENGINE

**FIGURE 3-5. DEUTZ TD2011 ENGINE INSTALLATION - WITH REXROTH PUMPS (WITH SKYPOWER AND WITH COLD WEATHER PLUS PACKAGE)**

ITEM	PART NUMBER	QTY	DESCRIPTION	REV
	1001116015	Ref	DEUTZ TD2011 ENGINE INSTALLATION - WITH REXROTH PUMPS (WITH SKYPOWER AND WITH COLD WEATHER PLUS PACKAGE)	D
1	0100011	AR	Compound, Locking	
2	0100079	AR	Sealant, Pipe	
3	0641410	4	Bolt 1/4 x 1-1/4	
4	0641506	1	Bolt 5/16 x 3/4	
5	0641509	7	Bolt 5/16 x 1-1/8	
6	0641511	13	Bolt 5/16 x 1-3/8	
7	0641605	3	Bolt 3/8 x 5/8	
8	0641610	1	Bolt 3/8 x 1-1/4	
9	0641808	1	Bolt 1/2 x 1	
10	0642010	1	Bolt 5/8 x 1-1/4	
12	1320022	3	Clamp	
13	1320187	1	Clamp	
14	1320190	1	Clamp, Cover Plate	
15	1671121	1	Cover, Generator	
16	1001108617	1	Filter, Hydraulic	
16	70002231	1	Element, Filter	
17	2180348	1	Fitting, Straight Barbed	
18	2200222	1	Plug (Not Shown - Located in Bottom of Fuel Tank) (SN <b>0300209000 through 0300237553</b> )	
19	2220313	1	Fitting, 90 Barbed	
20	2221176	1	Fitting, 90 Barbed	
21	2750532	5 ft/ 1.5m	Hose	
22	2820170	1	Insulation	
23	2902099	1	Battery Cable Kit	D
23A	7024580	1	Cable, Red (To Aux Pump Relay, Battery Positive Terminal and Start Relay)	
23B	7024581	1	Cable, Black (To Aux Pump, Battery Negative Terminal and Ground at Tray Pivot)	
23C	7024582	1	Cable, Red (Aux Pump Relay to Aux Pump)	
23D	7024583	1	Cable, Black (Tray Pivot to Engine Mount)	
23E	7024584	1	Cable, Red (Start Relay to Starter)	
24	3311505	24	Nut 5/16	
25	3380473	1	Panel, Rubber	
26	3422446	1	Pin	
27	3573644	1	Plate, Tray Clamp	
28	1001112878	1	Plate, Top Clamp	
29	1001112879	1	Plate, Bottom Clamp	
30	3573669	1	Plate, Clamp	
31	1001112880	1	Plate, Tray Clamp	
32	3573728	1	Plate, Tray Clamp	
33	3841143	1	Keeper, Pin	
34	3900272	4	Screw 5/16 x 1-3/4	
35	4240018	2	Tie-Strap (Not Shown)	
36	4240099	AR	Tie-Strap	
37	4711400	4	Washer 1/4	
38	4711500	44	Washer 5/16	
39	4711600	7	Washer 3/8	



### SECTION 3 - ENGINE

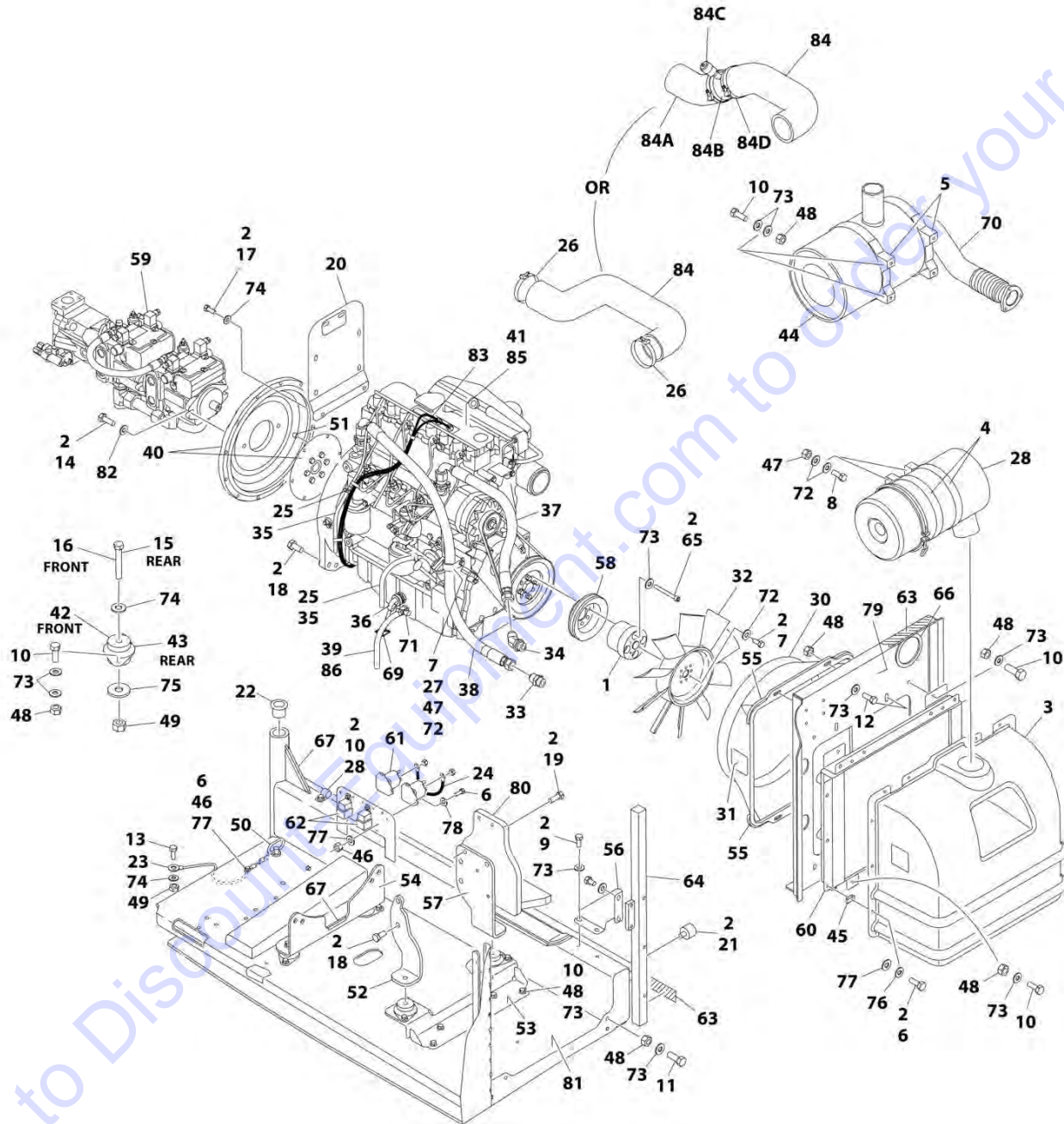
ITEM	PART NUMBER	QTY	DESCRIPTION	REV
40	4752000	1	Washer 5/8	
41	1001098531	1	Deutz TD2011 Engine Assembly (See DEUTZ TD2011 ENGINE ASSEMBLY - WITH REXROTH PUMPS (WITH SKYPOWER AND WITH COLD WEATHER PLUS PACKAGE) for Breakdown)	
42	1001111132	1	Panel, Rubber	
43	1702942	1	Decal - Block Heater (Not Shown)	
44	0641606	4	Bolt 3/8 x 3/4	

Go to Discount-Equipment.com to order your parts



# SECTION 3 - ENGINE

## FIGURE 3-6. DEUTZ TD2011 ENGINE ASSEMBLY - WITH REXROTH PUMPS (WITH SKYPOWER AND WITH COLD WEATHER PLUS PACKAGE)



ART\_1001098531

## SECTION 3 - ENGINE

**FIGURE 3-6. DEUTZ TD2011 ENGINE ASSEMBLY - WITH REXROTH PUMPS (WITH SKYPOWER AND WITH COLD WEATHER PLUS PACKAGE)**

ITEM	PART NUMBER	QTY	DESCRIPTION	REV
	1001098531	Ref	DEUTZ TD2011 ENGINE ASSEMBLY - WITH REXROTH PUMPS (WITH SKYPOWER AND WITH COLD WEATHER PLUS PACKAGE)	J
1	0080244	1	Spacer, Fan	
2	0100011	AR	Compound, Locking	
3	0272060	1	Box, Air Intake	
4	0340003	2	Band, Air Cleaner	
5	0340051	2	Band, Muffler	
6	0641406	15	Bolt 1/4 x 3/4	
7	0641506	5	Bolt 5/16 x 3/4	
8	0641507	4	Bolt 5/16 x 7/8	
9	0641605	4	Bolt 3/8 x 5/8	
10	0641608	25	Bolt 3/8 x 1	
11	0641609	2	Bolt 3/8 x 1-1/8	
12	0641610	4	Bolt 3/8 x 1-1/4	
13	0641808	1	Bolt 1/2 x 1	
14	0641812	2	Bolt 1/2 x 1-1/2	
15	0641818	2	Bolt 1/2 x 2-1/4	
16	0641826	2	Bolt 1/2 x 3-1/4	
17	0711214	2	Bolt M12 x 30	
18	0771414	6	Bolt M14 x 30	
19	0711417	4	Bolt M14 x 45	
20	1001112766	1	Bracket, Muffler	
21	0940070	1	Bumper	
22	0961986	2	Bushing, Flanged	
23	1001131542	1	Lanyard	
24	1060904	1	Cable, Jumper	
25	1320022	2	Clamp	
26	1320058	2	Clamp	
27	1320060	1	Clamp	
28	1320223	1	J-Clip	
29	1340065	1	Air Cleaner Assembly	
29	7003655	1	Element, Air Cleaner	
30	1671023	1	Shroud, Fan	
31	1703162	2	Decal - Fan Blade	
32	2060025	1	Fan	
33	2220451	1	Fitting, Straight	
34	2220498	1	Fitting, 45	
35	2720058	34 ft/ 10.3m	Hose	
36	2580062	1	Heater, Engine Block	
37	2720500	1	Hose, Oil Cooler (Top)	
38	2720501	1	Hose, Oil Cooler (Bottom)	
39	2750532	9 in/ 23cm	Hose	
40	2902065	1	Pump Coupling Kit (See PUMP COUPLING KIT for Breakdown)	
41	3020044	33 gl/ 12.3L	Oil, Engine 0W-40	
42	3200362	2	Mount, Motor (Front)	
43	3200401	2	Mount, Motor (Rear)	
44		Ref	Muffler Options:	

## SECTION 3 - ENGINE

ITEM	PART NUMBER	QTY	DESCRIPTION	REV
44	3220126	1	Standard Muffler	
44	3220130	1	Optional Catalytic Muffler	
44	70001017	1	Clamp (Used on p/n 3220130)	
45	3300454	10	Nut	
46	3311405	5	Nut 1/4	
47	3311505	5	Nut 5/16	
48	3311605	30	Nut 3/8	
49	3311805	5	Nut 1/2	
50	3422532	1	Pin, Hitch	
51	3520054	2	Plug, Hole	
52	3537416	1	Plate, Mounting (Front Right)	
53	3539971	1	Bracket, Engine Mounting (Front)	
54	3573142	1	Bracket, Engine Mounting (Rear)	
55	3573411	2	Plate, Clamp	
56	3573412	1	Plate, Gusset	
57	3573529	1	Plate, Mounting (Front Left)	
58	3580320	1	Pulley	
59	3600339	1	Pump Assembly (Rexroth) (See PUMP ASSEMBLY (REXROTH) (DEUTZ TD2011 ENGINES) for Breakdown)	
60	1001145382	1	Cooler, Engine Oil	
61	3740067	2	Relay	
62	3740080	2	Relay	
63	3960543	1	Seal	
64	3960544	1	Seal	
65	4032022	4	Capscrew M10 x 90	
66	4060804	12 in/ 30cm	Flex-Trim	
67	4060805	8 in/ 20cm	Flex-Trim	
68	4240099	AR	Tie, Wire (Not Shown)	
69	4460234	3	Mount, Wire Tie	
70	4568293	1	Pipe, Exhaust	
71	4640751	1	Valve, Oil Drain	
72	4711500	13	Washer 5/16	
73	4711600	68	Washer 3/8	
74	4711800	7	Washer 1/2	
75	4740274	4	Washer, Snubbing	
76	4740518	10	Washer, Nylon	
77	4751400	20	Washer 1/4	
78	4791400	4	Washer, Star 1/4	
79	4846552	1	Plate, Oil Cooler Mounting	
80	4846945	1	Mount, Generator	
81	4846946	1	Tray	
82	4891800	2	Washer 1/2	
83	4923468	1	Harness, Glow Plugs	
84	1001092856	1	Hose, Turbo (SN 0300209000 through 0300234293)	
84	1001225118	1	Hose, Turbo (SN 0300234294 to Present)	
84A	1001151284	1	Hose	
84B	1001149740	1	Pipe	
84C	1001149639	1	Indicator	
84D	1320058	2	Clamp	
85	1001098601	1	Engine Components - Deutz TD2011 (See ENGINE COMPONENTS - DEUTZ TD2011 ENGINE for Breakdown)	

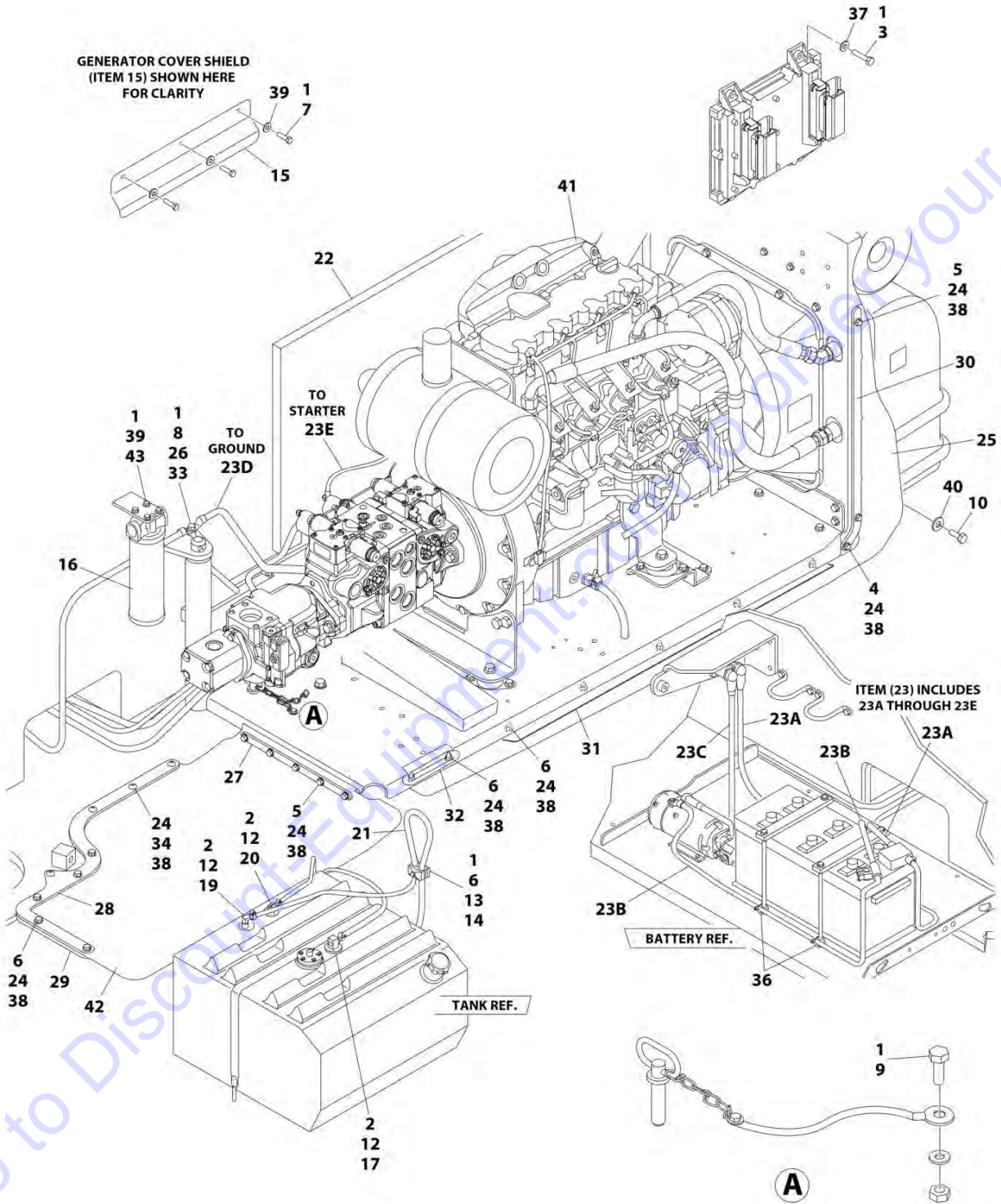
## SECTION 3 - ENGINE

ITEM	PART NUMBER	QTY	DESCRIPTION	REV
86	8410013	1	Clamp	

Go to [Discount-Equipment.com](http://Discount-Equipment.com) to order your parts

# SECTION 3 - ENGINE

FIGURE 3-7. DEUTZ TD2011 ENGINE INSTALLATION - WITH SAUER PUMPS (WITHOUT SKYPOWER AND WITHOUT COLD WEATHER PLUS PACKAGE)



ART\_1001119052



## SECTION 3 - ENGINE

**FIGURE 3-7. DEUTZ TD2011 ENGINE INSTALLATION - WITH SAUER PUMPS (WITHOUT SKYPOWER AND WITHOUT COLD WEATHER PLUS PACKAGE)**

ITEM	PART NUMBER	QTY	DESCRIPTION	REV
	1001119052	Ref	DEUTZ TD2011 ENGINE INSTALLATION - WITH SAUER PUMPS (WITHOUT SKYPOWER AND WITHOUT COLD WEATHER PLUS PACKAGE)	D
1	0100011	AR	Compound, Locking	
2	0100079	AR	Sealant, Pipe	
3	0641410	4	Bolt 1/4 x 1-1/4	
4	0641506	1	Bolt 5/16 x 3/4	
5	0641509	7	Bolt 5/16 x 1-1/8	
6	0641511	13	Bolt 5/16 x 1-3/8	
7	0641605	3	Bolt 3/8 x 5/8	
8	0641610	1	Bolt 3/8 x 1-1/4	
9	0641808	1	Bolt 1/2 x 1	
10	0642010	1	Bolt 5/8 x 1-1/4	
12	1320022	3	Clamp	
13	1320187	1	Clamp	
14	1320190	1	Clamp, Cover Plate	
15	1671121	1	Cover, Generator	
16	1001108617	1	Filter, Hydraulic	
16	70002231	1	Element, Filter	
17	2180348	1	Fitting, Straight Barbed	
18	2200222	1	Plug (Not Shown - Located in Bottom of Fuel Tank) (SN <b>0300209000 through 0300237553</b> )	
19	2220313	1	Fitting, 90 Barbed	
20	2221176	1	Fitting, 90 Barbed	
21	2750532	5 ft/ 1.5m	Hose	
22	2820170	1	Insulation	
23	2902099	1	Battery Cable Kit	D
23A	7024580	1	Cable, Red (To Aux Pump Relay, Battery Positive Terminal and Start Relay)	
23B	7024581	1	Cable, Black (To Aux Pump, Battery Negative Terminal and Ground at Tray Pivot)	
23C	7024582	1	Cable, Red (Aux Pump Relay to Aux Pump)	
23D	7024583	1	Cable, Black (Tray Pivot to Engine Mount)	
23E	7024584	1	Cable, Red (Start Relay to Starter)	
24	3311505	24	Nut 5/16	
25	3380473	1	Panel, Rubber	
26	3422446	1	Pin	
27	3573644	1	Plate, Tray Clamp	
28	1001112878	1	Plate, Top Clamp	
29	1001112879	1	Plate, Bottom Clamp	
30	3573669	1	Plate, Clamp	
31	1001112880	1	Plate, Tray Clamp	
32	3573728	1	Plate, Tray Clamp	
33	3841143	1	Keeper, Pin	
34	3900272	4	Screw 5/16 x 1-3/4	
35	4240018	2	Tie-Strap (Not Shown)	
36	4240099	AR	Tie-Strap	
37	4711400	4	Washer 1/4	
38	4711500	44	Washer 5/16	
39	4711600	7	Washer 3/8	

### SECTION 3 - ENGINE

ITEM	PART NUMBER	QTY	DESCRIPTION	REV
40	4752000	1	Washer 5/8	
41	1001107971	1	Deutz TD2011 Engine Assembly (See DEUTZ TD2011 ENGINE ASSEMBLY - WITH SAUER PUMPS (WITHOUT SKYPOWER AND WITHOUT COLD WEATHER PLUS PACKAGE) for Breakdown)	
42	1001111132	1	Panel, Rubber	
43	0641606	4	Bolt 3/8 x 3/4	

Go to Discount-Equipment.com to order your parts





## SECTION 3 - ENGINE

**FIGURE 3-8. DEUTZ TD2011 ENGINE ASSEMBLY - WITH SAUER PUMPS (WITHOUT SKYPOWER AND WITHOUT COLD WEATHER PLUS PACKAGE)**

ITEM	PART NUMBER	QTY	DESCRIPTION	REV
	1001107971	Ref	DEUTZ TD2011 ENGINE ASSEMBLY - WITH SAUER PUMPS (WITHOUT SKYPOWER AND WITHOUT COLD WEATHER PLUS PACKAGE)	H
1	1001098601	1	Engine Components - Deutz TD2011 (See ENGINE COMPONENTS - DEUTZ TD2011 ENGINE for Breakdown)	
2	0100011	AR	Compound, Locking	
3	0080237	1	Spacer, Fan	
4	0340003	2	Band, Air Cleaner	
5	0340051	2	Band, Muffler	
6	0641406	15	Bolt 1/4 x 3/4	
7	0641506	5	Bolt 5/16 x 3/4	
8	0641507	4	Bolt 5/16 x 7/8	
9	0641605	4	Bolt 3/8 x 5/8	
10	0641608	27	Bolt 3/8 x 1	
11	0641609	2	Bolt 3/8 x 1-1/8	
12	0641610	4	Bolt 3/8 x 1-1/4	
13	0641808	1	Bolt 1/2 x 1	
14	0641814	2	Bolt 1/2 x 1-3/4	
15	0641818	2	Bolt 1/2 x 2-1/4	
16	0641826	2	Bolt 1/2 x 3-1/4	
17	0711214	2	Bolt M12 x 30	
18	0771414	10	Bolt M14 x 30	
19	1001112766	1	Bracket, Muffler	
20	0940070	1	Bumper	
21	0961986	2	Bushing, Flanged	
22	1001131542	1	Lanyard	
23	1320022	3	Clamp	
24	1320058	2	Clamp	
25	1320060	1	Clamp	
26	1320223	1	J-Clip	
27	1340065	1	Air Cleaner Assembly	
27	7003655	1	Element, Air Cleaner	
28	1671023	1	Shroud, Fan	
29	1703162	2	Decal - Fan Blade	
30	2060025	1	Fan	
31	2220451	1	Fitting, Straight	
32	2220498	1	Fitting, 45	
33	2720058	34 ft/ 10.3m	Hose	
34	2720500	1	Hose, Oil Cooler (Top)	
35	2720501	1	Hose, Oil Cooler (Bottom)	
36	2750532	9 in/ 23cm	Hose	
37	2902065	1	Pump Coupling Kit (See PUMP COUPLING KIT for Breakdown)	
38	3020016	3.3 gal/ 12.3L	Oil, Engine 15W-40	
39	3200362	2	Mount, Motor (Front)	
40	3200401	2	Mount, Motor (Rear)	
41		Ref	Muffler Options:	
41	3220126	1	Standard Muffler	
41	3220130	1	Optional Catalytic Muffler	

## SECTION 3 - ENGINE

ITEM	PART NUMBER	QTY	DESCRIPTION	REV
41	70001017	1	Clamp (Used on p/n 3220130)	
42	3300454	10	Nut	
43	3311405	5	Nut 1/4	
44	3311505	5	Nut 5/16	
45	3311605	30	Nut 3/8	
46	3311805	5	Nut 1/2	
47	3422532	1	Pin, Hitch	
48	3520054	2	Plug, Hole	
49	3537416	1	Plate, Mounting (Front Right)	
50	3539971	1	Bracket, Engine Mounting (Front)	
51	3573142	1	Bracket, Engine Mounting (Rear)	
52	3573411	2	Plate, Clamp	
53	3573412	1	Plate, Gusset	
54	3573529	1	Plate, Mounting (Front Left)	
55	3580158	1	Pulley	
56	1001108616	1	Sauer Tandem Pump Assembly (See PUMP ASSEMBLY (SAUER TANDEM) for Breakdown)	
57	1001145382	1	Cooler, Engine Oil	
58	3740067	2	Relay	
59	3740080	2	Relay	
60	3960543	1	Seal	
61	3960544	1	Seal	
62	4032022	4	Capscrew M10 x 90	
63	4060804	12 in/ 30cm	Flex-Trim	
64	4060805	8 in/20cm	Flex-Trim	
65	4240099	AR	Tie, Wire (Not Shown)	
66	4568293	1	Pipe, Exhaust	
67	4640751	1	Valve, Oil Drain	
68	4711500	13	Washer 5/16	
69	4711600	68	Washer 3/8	
70	4711800	7	Washer 1/2	
71	4740274	4	Washer, Snubbing	
72	4740518	10	Washer, Nylon	
73	4751400	20	Washer 1/4	
74	4791400	4	Washer, Star 1/4	
75	4846552	1	Plate, Oil Cooler Mounting	
76	4846946	1	Tray	
77	4891800	4	Washer 1/2	
78	4923468	1	Harness, Glow Plugs	
79	4923592	1	Harness, Cable, Jumper	
80	1001092856	1	Hose, Turbo (SN 0300209000 through 0300234293)	
80	1001225118	1	Hose, Turbo (SN 0300234294 to Present)	
80A	1001151284	1	Hose	
80B	1001149740	1	Pipe	
80C	1001149639	1	Indicator	
80D	1320058	2	Clamp	
81	0272060	1	Box, Air Intake	
82	8410013	1	Clamp	
83	0761215	2	Bolt M14 x 30	
84	4891600	2	Washer 3/8	
85	1001171095	1	Sauer Piston Pump Assembly (See PUMP ASSEMBLY (SAUER	

## SECTION 3 - ENGINE

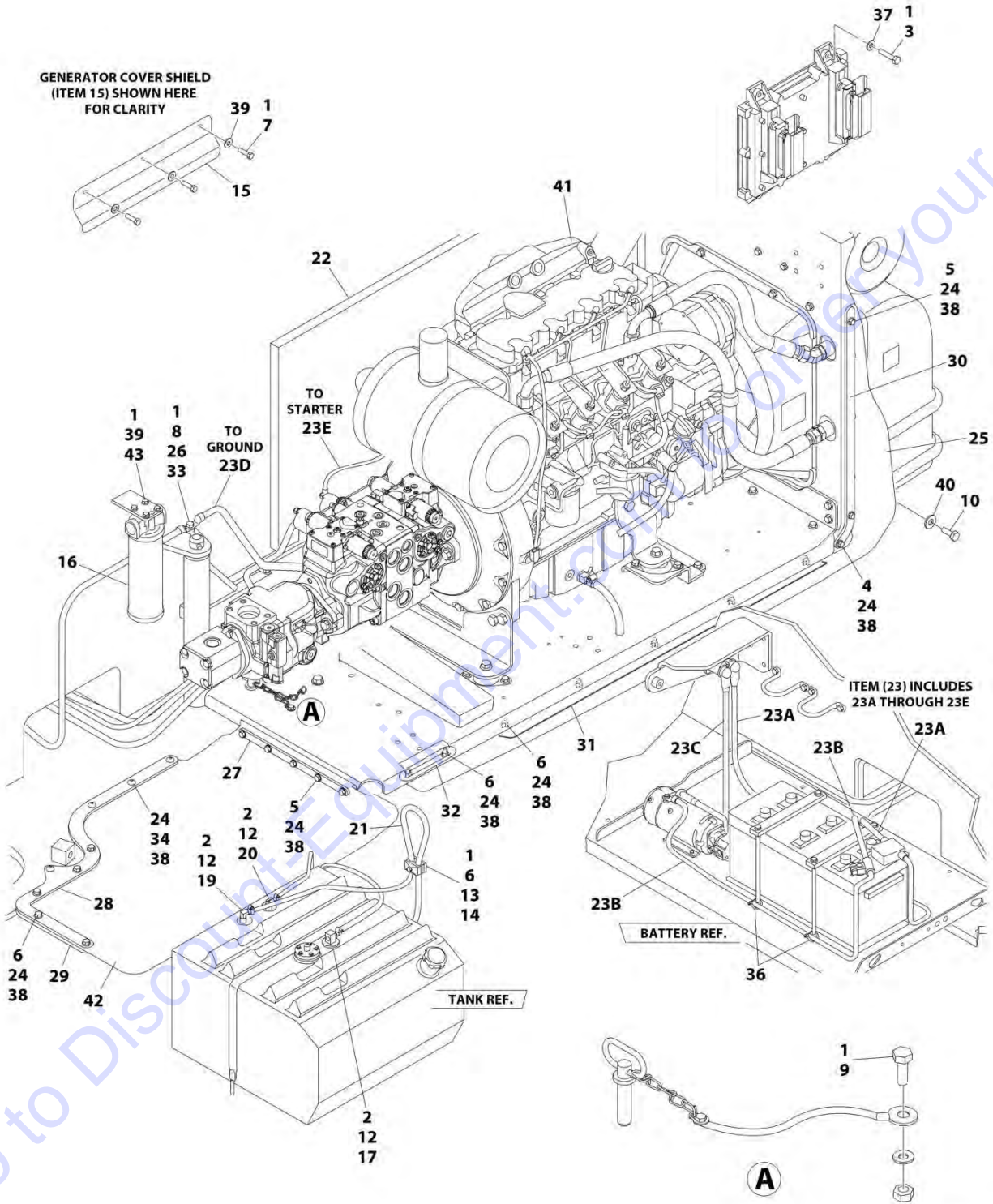
ITEM	PART NUMBER	QTY	DESCRIPTION	REV
87	1001112927	1	PISTON) for Breakdown) Sauer Gear Pump Assembly (See PUMP ASSEMBLY (SAUER GEAR) for Breakdown)	
88	3790152	1	O-Ring	
89	3790155	1	O-Ring	

Go to Discount-Equipment.com to order your parts



# SECTION 3 - ENGINE

## FIGURE 3-9. DEUTZ TD2011 ENGINE INSTALLATION - WITH SAUER PUMPS (WITH SKYPOWER AND WITHOUT COLD WEATHER PLUS PACKAGE)



ART\_1001119053

## SECTION 3 - ENGINE

**FIGURE 3-9. DEUTZ TD2011 ENGINE INSTALLATION - WITH SAUER PUMPS (WITH SKYPOWER AND WITHOUT COLD WEATHER PLUS PACKAGE)**

ITEM	PART NUMBER	QTY	DESCRIPTION	REV
	1001119053	Ref	DEUTZ TD2011 ENGINE INSTALLATION - WITH SAUER PUMPS (WITH SKYPOWER AND WITHOUT COLD WEATHER PLUS PACKAGE)	D
1	0100011	AR	Compound, Locking	
2	0100079	AR	Sealant, Pipe	
3	0641410	4	Bolt 1/4 x 1-1/4	
4	0641506	1	Bolt 5/16 x 3/4	
5	0641509	7	Bolt 5/16 x 1-1/8	
6	0641511	13	Bolt 5/16 x 1-3/8	
7	0641605	3	Bolt 3/8 x 5/8	
8	0641610	1	Bolt 3/8 x 1-1/4	
9	0641808	1	Bolt 1/2 x 1	
10	0642010	1	Bolt 5/8 x 1-1/4	
12	1320022	3	Clamp	
13	1320187	1	Clamp	
14	1320190	1	Clamp, Cover Plate	
15	1671121	1	Cover, Generator	
16	1001108617	1	Filter, Hydraulic	
16	70002231	1	Element, Filter	
17	2180348	1	Fitting, Straight Barbed	
18	2200222	1	Plug (Not Shown - Located in Bottom of Fuel Tank) (SN <b>0300209000 through 0300237553</b> )	
19	2220313	1	Fitting, 90 Barbed	
20	2221176	1	Fitting, 90 Barbed	
21	2750532	5 ft/ 1.5m	Hose	
22	2820170	1	Insulation	
23	2902099	1	Battery Cable Kit	D
23A	7024580	1	Cable, Red (To Aux Pump Relay, Battery Positive Terminal and Start Relay)	
23B	7024581	1	Cable, Black (To Aux Pump, Battery Negative Terminal and Ground at Tray Pivot)	
23C	7024582	1	Cable, Red (Aux Pump Relay to Aux Pump)	
23D	7024583	1	Cable, Black (Tray Pivot to Engine Mount)	
23E	7024584	1	Cable, Red (Start Relay to Starter)	
24	3311505	24	Nut 5/16	
25	3380473	1	Panel, Rubber	
26	3422446	1	Pin	
27	3573644	1	Plate, Tray Clamp	
28	1001112878	1	Plate, Top Clamp	
29	1001112879	1	Plate, Bottom Clamp	
30	3573669	1	Plate, Clamp	
31	1001112880	1	Plate, Tray Clamp	
32	3573728	1	Plate, Tray Clamp	
33	3841143	1	Keeper, Pin	
34	3900272	4	Screw 5/16 x 1-3/4	
35	4240018	2	Tie-Strap (Not Shown)	
36	4240099	AR	Tie-Strap	
37	4711400	4	Washer 1/4	
38	4711500	44	Washer 5/16	
39	4711600	7	Washer 3/8	

### SECTION 3 - ENGINE

ITEM	PART NUMBER	QTY	DESCRIPTION	REV
40	4752000	1	Washer 5/8	
41	1001107973	1	Deutz TD2011 Engine Assembly (See DEUTZ TD2011 ENGINE ASSEMBLY - WITH SAUER PUMPS (WITH SKYPOWER AND WITHOUT COLD WEATHER PLUS PACKAGE) for Breakdown)	
42	1001111132	1	Panel, Rubber	
43	0641606	4	Bolt 3/8 x 3/4	

Go to Discount-Equipment.com to order your parts

# PARTS FINDER

**Search Website  
by Part Number**



**Search Manual  
Library For Parts  
Manual & Lookup Part  
Numbers – Purchase  
or Request Quote**

A screenshot of the "Search Manuals" form. The form is titled "Search Manuals" and includes a search bar, a "Search" button, and a "Print" button. Below the search bar, there are several input fields for "Find", "Serial Number", "Year", "Make", "Model", "Part Number", "Part Name", "Part Description", and "Part Category". A "Submit" button is located at the bottom of the form.

**Can't Find Part or  
Manual? Request Help  
by Manufacturer,  
Model & Description**

A screenshot of the "Parts Order Form". The form is titled "Parts Order Form" and includes a "Print" button. Below the title, there are several input fields for "Manufacturer", "Model", "Description", "Part Number", "Part Name", "Part Description", and "Part Category". A "Submit" button is located at the bottom of the form.

Discount-Equipment.com is your online resource for quality parts & equipment.

Florida: **561-964-4949** Outside Florida TOLL FREE: **877-690-3101**

**Need parts?**

Click on this link: <http://www.discount-equipment.com/category/5443-parts/> and choose one of the options to help get the right parts and equipment you are looking for. Please have the machine model and serial number available in order to help us get you the correct parts. If you don't find the part on the website or on one of the online manuals, please fill out the request form and one of our experienced staff members will get back to you with a quote for the right part that your machine needs.

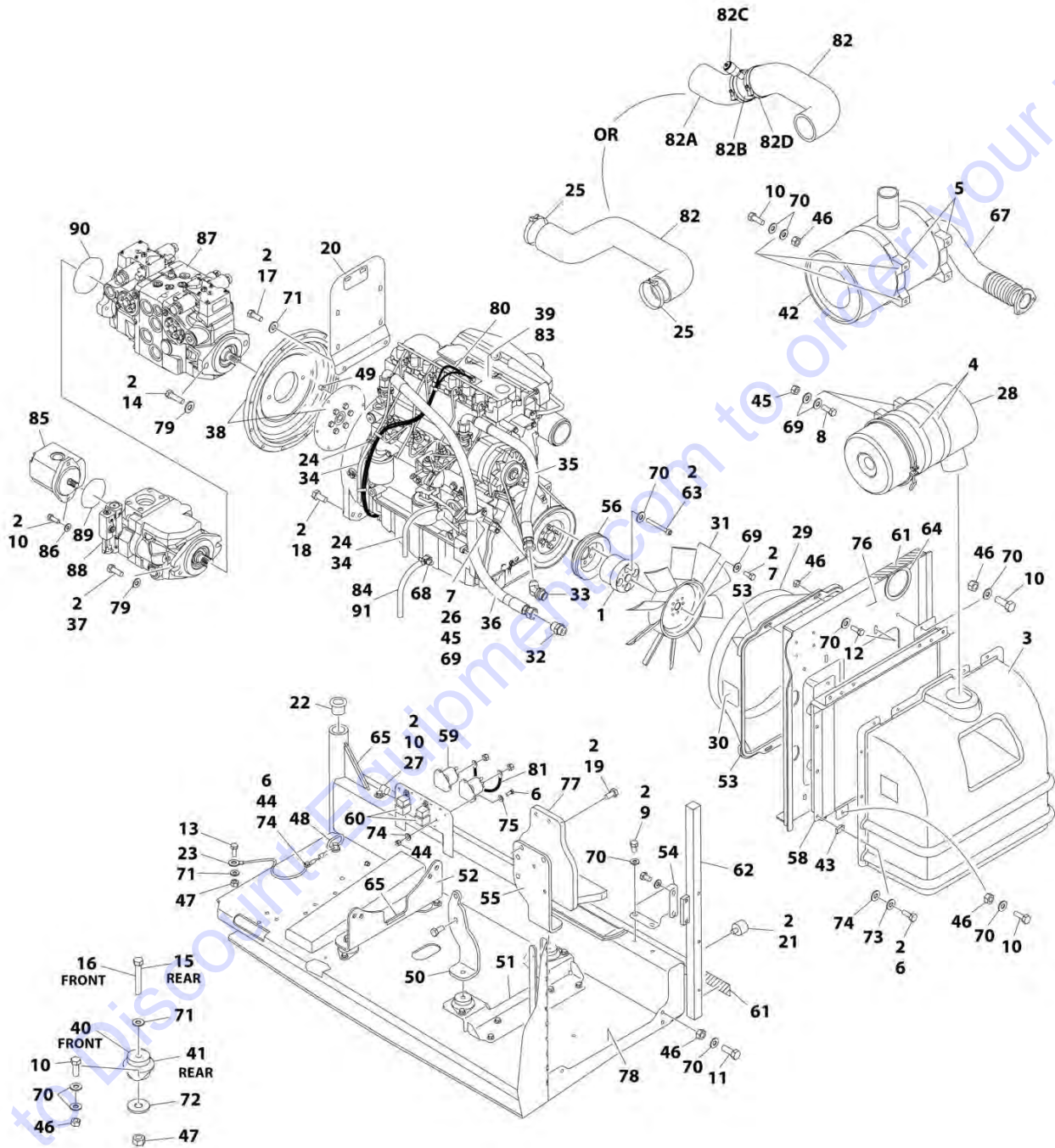
We sell worldwide for the brands: Genie, Terex, JLG, MultiQuip, Mikasa, Essick, Whiteman, Mayco, Toro Stone, Diamond Products, Generac Magnum, Airman, Haulotte, Barreto, Power Blanket, Nifty Lift, Atlas Copco, Chicago Pneumatic, Allmand, Miller Curber, Skyjack, Lull, Skytrak, Tsurumi, Husquvarna Target, Stow, Wacker, Sakai, Mi-T-M, Sullair, Basic, Dynapac, MBW, Weber, Bartell, Bennar Newman, Haulotte, Ditch Runner, Menegotti, Morrison, Contec, Buddy, Crown, Edco, Wyco, Bomag, Laymor, EZ Trench, Bil-Jax, F.S. Curtis, Gehl Pavers, Heli, Honda, ICS/PowerGrit, IHI, Partner, Imer, Clipper, MMD, Koshin, Rice, CH&E, General Equipment, Amida, Coleman, NAC, Gradall, Square Shooter, Kent, Stanley, Tamco, Toku, Hatz, Kohler, Robin, Wisconsin, Northrock, Oztec, Toker TK, Rol-Air, APT, Wylie, Ingersoll Rand / Doosan, Innovatech, Con X, Ammann, Mecalac, Makinex, Smith Surface Prep, Small Line, Wanco, Yanmar





# SECTION 3 - ENGINE

## FIGURE 3-10. DEUTZ TD2011 ENGINE ASSEMBLY - WITH SAUER PUMPS (WITH SKYPOWER AND WITHOUT COLD WEATHER PLUS PACKAGE)



ART\_1001107973

## SECTION 3 - ENGINE

**FIGURE 3-10. DEUTZ TD2011 ENGINE ASSEMBLY - WITH SAUER PUMPS (WITH SKYPOWER AND WITHOUT COLD WEATHER PLUS PACKAGE)**

ITEM	PART NUMBER	QTY	DESCRIPTION	REV
	1001107973	Ref	DEUTZ TD2011 ENGINE ASSEMBLY - WITH SAUER PUMPS (WITH SKYPOWER AND WITHOUT COLD WEATHER PLUS PACKAGE)	H
1	0080244	1	Spacer, Fan	
2	0100011	AR	Compound, Locking	
3	0272060	1	Box, Air Intake	
4	0340003	2	Band, Air Cleaner	
5	0340051	2	Band, Muffler	
6	0641406	15	Bolt 1/4 x 3/4	
7	0641506	5	Bolt 5/16 x 3/4	
8	0641507	4	Bolt 5/16 x 7/8	
9	0641605	4	Bolt 3/8 x 5/8	
10	0641608	27	Bolt 3/8 x 1	
11	0641609	2	Bolt 3/8 x 1-1/8	
12	0641610	4	Bolt 3/8 x 1-1/4	
13	0641808	1	Bolt 1/2 x 1	
14	0641814	2	Bolt 1/2 x 1-3/4	
15	0641818	2	Bolt 1/2 x 2-1/4	
16	0641826	2	Bolt 1/2 x 3-1/4	
17	0711214	2	Bolt M12 x 30	
18	0771414	6	Bolt M14 x 30	
19	0711417	4	Bolt M14 x 45	
20	1001112766	1	Bracket, Muffler	
21	0940070	1	Bumper	
22	0961986	2	Bushing, Flanged	
23	1001131542	1	Lanyard	
24	1320022	2	Clamp	
25	1320058	2	Clamp	
26	1320060	1	Clamp	
27	1320223	1	J-Clip	
28	1340065	1	Air Cleaner Assembly	
28	7003655	1	Element, Air Cleaner	
29	1671023	1	Shroud, Fan	
30	1703162	2	Decal - Fan Blade	
31	2060025	1	Fan	
32	2220451	1	Fitting, Straight	
33	2220498	1	Fitting, 45	
34	2720058	34 ft/ 10.3m	Hose	
35	2720500	1	Hose, Oil Cooler (Top)	
36	2720501	1	Hose, Oil Cooler (Bottom)	
37	0761215	2	Bolt M14 x 30	
38	2902065	1	Pump Coupling Kit (See PUMP COUPLING KIT for Breakdown)	
39	3020016	3.3 gal/ 12.3L	Oil, Engine 15W-40	
40	3200362	2	Mount, Motor (Front)	
41	3200401	2	Mount, Motor (Rear)	
42		Ref	Muffler Options:	
42	3220126	1	Standard Muffler	
42	3220130	1	Optional Catalytic Muffler	



## SECTION 3 - ENGINE

ITEM	PART NUMBER	QTY	DESCRIPTION	REV
42	70001017	1	Clamp (Used on p/n 3220130)	
43	3300454	10	Nut	
44	3311405	5	Nut 1/4	
45	3311505	5	Nut 5/16	
46	3311605	30	Nut 3/8	
47	3311805	5	Nut 1/2	
48	3422532	1	Pin, Hitch	
49	3520054	2	Plug, Hole	
50	3537416	1	Plate, Mounting (Front Right)	
51	3539971	1	Bracket, Engine Mounting (Front)	
52	3573142	1	Bracket, Engine Mounting (Rear)	
53	3573411	2	Plate, Clamp	
54	3573412	1	Plate, Gusset	
55	3573529	1	Plate, Mounting (Front Left)	
56	3580320	1	Pulley	
58	1001145382	1	Cooler, Engine Oil	
59	3740067	2	Relay	
60	3740080	2	Relay	
61	3960543	1	Seal	
62	3960544	1	Seal	
63	4032022	4	Capscrew M10 x 90	
64	4060804	12 in/ 30cm	Flex-Trim	
65	4060805	8 in/20cm	Flex-Trim	
66	4240099	AR	Tie, Wire (Not Shown)	
67	4568293	1	Pipe, Exhaust	
68	4640751	1	Valve, Oil Drain	
69	4711500	13	Washer 5/16	
70	4711600	68	Washer 3/8	
71	4711800	7	Washer 1/2	
72	4740274	4	Washer, Snubbing	
73	4740518	10	Washer, Nylon	
74	4751400	20	Washer 1/4	
75	4791400	4	Washer, Star 1/4	
76	4846552	1	Plate, Oil Cooler Mounting	
77	4846945	1	Mount, Generator	
78	4846946	1	Tray	
79	4891800	8	Washer 1/2	
80	4923468	1	Harness, Glow Plugs	
81	4923592	1	Harness, Cable, Jumper	
82	1001092856	1	Hose, Turbo (SN 0300209000 through 0300234293)	
82	1001225118	1	Hose, Turbo (SN 0300234294 to Present)	
82A	1001151284	1	Hose	
82B	1001149740	1	Pipe	
82C	1001149639	1	Indicator	
82D	1320058	2	Clamp	
83	1001098601	1	Engine Components - Deutz TD2011 (See ENGINE COMPONENTS - DEUTZ TD2011 ENGINE for Breakdown)	
84	8410013	1	Clamp	
85	1001112927	1	Sauer Gear Pump Assembly (See PUMP ASSEMBLY (SAUER GEAR) for Breakdown)	
86	4891600	2	Washer 3/8	

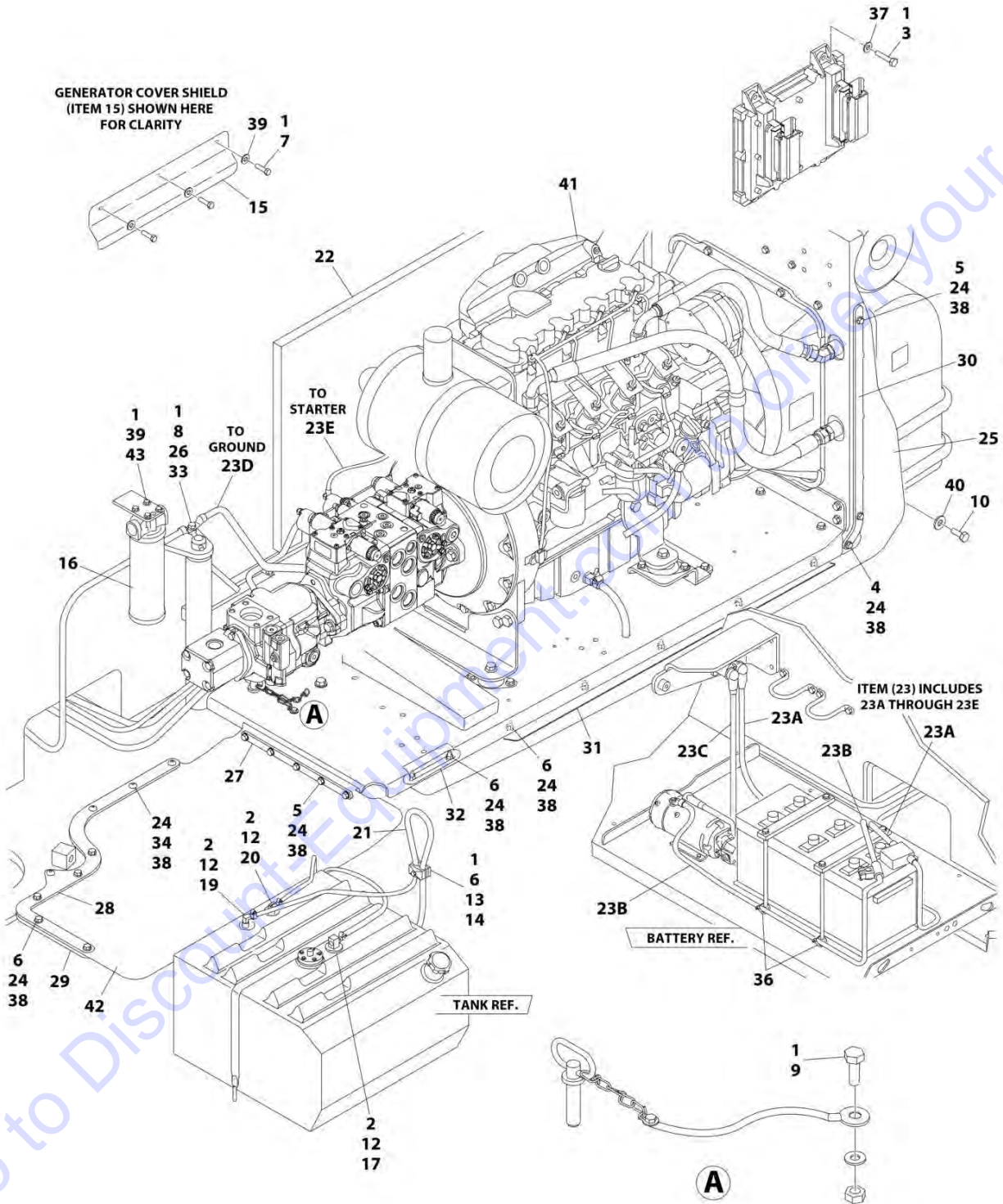
## SECTION 3 - ENGINE

ITEM	PART NUMBER	QTY	DESCRIPTION	REV
87	1001108616	1	Sauer Tandem Pump Assembly (See PUMP ASSEMBLY (SAUER TANDEM) for Breakdown)	
88	1001171095	1	Sauer Piston Pump Assembly (See PUMP ASSEMBLY (SAUER PISTON) for Breakdown)	
89	3790152	1	O-Ring	
90	3790155	1	O-Ring	
91	2750532	0.8 ft/ 0.2m	Hose	

Go to Discount-Equipment.com to order your parts

# SECTION 3 - ENGINE

FIGURE 3-11. DEUTZ TD2011 ENGINE INSTALLATION - WITH SAUER PUMPS (WITH SKYPOWER AND WITH COLD WEATHER PLUS PACKAGE)



ART\_1001119054

## SECTION 3 - ENGINE

**FIGURE 3-11. DEUTZ TD2011 ENGINE INSTALLATION - WITH SAUER PUMPS (WITH SKYPOWER AND WITH COLD WEATHER PLUS PACKAGE)**

ITEM	PART NUMBER	QTY	DESCRIPTION	REV
	1001119054	Ref	DEUTZ TD2011 ENGINE INSTALLATION - WITH SAUER PUMPS (WITH SKYPOWER AND WITH COLD WEATHER PLUS PACKAGE)	D
1	0100011	AR	Compound, Locking	
2	0100079	AR	Sealant, Pipe	
3	0641410	4	Bolt 1/4 x 1-1/4	
4	0641506	1	Bolt 5/16 x 3/4	
5	0641509	7	Bolt 5/16 x 1-1/8	
6	0641511	13	Bolt 5/16 x 1-3/8	
7	0641605	3	Bolt 3/8 x 5/8	
8	0641610	1	Bolt 3/8 x 1-1/4	
9	0641808	1	Bolt 1/2 x 1	
10	0642010	1	Bolt 5/8 x 1-1/4	
12	1320022	3	Clamp	
13	1320187	1	Clamp	
14	1320190	1	Clamp, Cover Plate	
15	1671121	1	Cover, Generator	
16	1001108617	1	Filter, Hydraulic	
16	70002231	1	Element, Filter	
17	2180348	1	Fitting, Straight Barbed	
18	2200222	1	Plug (Not Shown - Located in Bottom of Fuel Tank) (SN <b>0300209000 through 0300237553</b> )	
19	2220313	1	Fitting, 90 Barbed	
20	2221176	1	Fitting, 90 Barbed	
21	2750532	5 ft/ 1.5m	Hose	
22	2820170	1	Insulation	
23	2902099	1	Battery Cable Kit	D
23A	7024580	1	Cable, Red (To Aux Pump Relay, Battery Positive Terminal and Start Relay)	
23B	7024581	1	Cable, Black (To Aux Pump, Battery Negative Terminal and Ground at Tray Pivot)	
23C	7024582	1	Cable, Red (Aux Pump Relay to Aux Pump)	
23D	7024583	1	Cable, Black (Tray Pivot to Engine Mount)	
23E	7024584	1	Cable, Red (Start Relay to Starter)	
24	3311505	24	Nut 5/16	
25	3380473	1	Panel, Rubber	
26	3422446	1	Pin	
27	3573644	1	Plate, Tray Clamp	
28	1001112878	1	Plate, Top Clamp	
29	1001112879	1	Plate, Bottom Clamp	
30	3573669	1	Plate, Clamp	
31	1001112880	1	Plate, Tray Clamp	
32	3573728	1	Plate, Tray Clamp	
33	3841143	1	Keeper, Pin	
34	3900272	4	Screw 5/16 x 1-3/4	
35	4240018	2	Tie-Strap (Not Shown)	
36	4240099	AR	Tie-Strap	
37	4711400	4	Washer 1/4	
38	4711500	44	Washer 5/16	
39	4711600	7	Washer 3/8	

### SECTION 3 - ENGINE

ITEM	PART NUMBER	QTY	DESCRIPTION	REV
40	4752000	1	Washer 5/8	
41	1001107975	1	Deutz TD2011 Engine Assembly (See DEUTZ TD2011 ENGINE ASSEMBLY - WITH SAUER PUMPS (WITH SKYPOWER AND WITH COLD WEATHER PLUS PACKAGE) for Breakdown)	
42	1001111132	1	Panel, Rubber	
43	1702942	1	Decal - Block Heater (Not Shown)	
44	0641606	4	Bolt 3/8 x 3/4	

Go to Discount-Equipment.com to order your parts







## SECTION 3 - ENGINE

**FIGURE 3-12. DEUTZ TD2011 ENGINE ASSEMBLY - WITH SAUER PUMPS (WITH SKYPOWER AND WITH COLD WEATHER PLUS PACKAGE)**

ITEM	PART NUMBER	QTY	DESCRIPTION	REV
	1001107975	Ref	DEUTZ TD2011 ENGINE ASSEMBLY - WITH SAUER PUMPS (WITH SKYPOWER AND WITH COLD WEATHER PLUS PACKAGE)	H
1	0080244	1	Spacer, Fan	
2	0100011	AR	Compound, Locking	
3	0272060	1	Box, Air Intake	
4	0340003	2	Band, Air Cleaner	
5	0340051	2	Band, Muffler	
6	0641406	15	Bolt 1/4 x 3/4	
7	0641506	5	Bolt 5/16 x 3/4	
8	0641507	4	Bolt 5/16 x 7/8	
9	0641605	4	Bolt 3/8 x 5/8	
10	0641608	27	Bolt 3/8 x 1	
11	0641609	2	Bolt 3/8 x 1-1/8	
12	0641610	4	Bolt 3/8 x 1-1/4	
13	0641808	1	Bolt 1/2 x 1	
14	0641814	2	Bolt 1/2 x 1-3/4	
15	0641818	2	Bolt 1/2 x 2-1/4	
16	0641826	2	Bolt 1/2 x 3-1/4	
17	0711214	2	Bolt M12 x 30	
18	0771414	6	Bolt M14 x 30	
19	0711417	4	Bolt M14 x 45	
20	1001112766	1	Bracket, Muffler	
21	0940070	1	Bumper	
22	0961986	2	Bushing, Flanged	
23	1001131542	1	Lanyard	
24	1060904	1	Cable, Jumper	
25	1320022	2	Clamp	
26	1320058	2	Clamp	
27	1320060	1	Clamp	
28	1320223	1	J-Clip	
29	1340065	1	Air Cleaner Assembly	
29	7003655	1	Element, Air Cleaner	
30	1671023	1	Shroud, Fan	
31	1703162	2	Decal - Fan Blade	
32	2060025	1	Fan	
33	2220451	1	Fitting, Straight	
34	2220498	1	Fitting, 45	
35	2720058	34 ft/ 10.3m	Hose	
36	2580062	1	Heater, Engine Block	
37	2720500	1	Hose, Oil Cooler (Top)	
38	2720501	1	Hose, Oil Cooler (Bottom)	
39	2750532	89 in/ 2.3m	Hose	
40	2902065	1	Pump Coupling Kit (See PUMP COUPLING KIT for Breakdown)	
41	3020044	3.3 gal/ 12.3L	Oil, Engine 0W-40	
42	3200362	2	Mount, Motor (Front)	
43	3200401	2	Mount, Motor (Rear)	

## SECTION 3 - ENGINE

ITEM	PART NUMBER	QTY	DESCRIPTION	REV
44		Ref	Muffler Options:	
44	3220126	1	Standard Muffler	
44	3220130	1	Optional Catalytic Muffler	
44	70001017	1	Clamp (Used on p/n 3220130)	
45	3300454	10	Nut	
46	3311405	5	Nut 1/4	
47	3311505	5	Nut 5/16	
48	3311605	30	Nut 3/8	
49	3311805	5	Nut 1/2	
50	3422532	1	Pin, Hitch	
51	3520054	2	Plug, Hole	
52	3537416	1	Plate, Mounting (Front Right)	
53	3539971	1	Bracket, Engine Mounting (Front)	
54	3573142	1	Bracket, Engine Mounting (Rear)	
55	3573411	2	Plate, Clamp	
56	3573412	1	Plate, Gusset	
57	3573529	1	Plate, Mounting (Front Left)	
58	3580320	1	Pulley	
60	1001145382	1	Cooler, Engine Oil	
61	3740067	2	Relay	
62	3740080	2	Relay	
63	3960543	1	Seal	
64	3960544	1	Seal	
65	4032022	4	Capscrew M10 x 90	
66	4060804	12 in/ 30cm	Flex-Trim	
67	4060805	8 in/20cm	Flex-Trim	
68	4240099	AR	Tie, Wire (Not Shown)	
69	4460234	3	Mount, Wire Tie	
70	4568293	1	Pipe, Exhaust	
71	4640751	1	Valve, Oil Drain	
72	4711500	13	Washer 5/16	
73	4711600	68	Washer 3/8	
74	4711800	7	Washer 1/2	
75	4740274	4	Washer, Snubbing	
76	4740518	10	Washer, Nylon	
77	4751400	20	Washer 1/4	
78	4791400	4	Washer, Star 1/4	
79	4846552	1	Plate, Oil Cooler Mounting	
80	4846945	1	Mount, Generator	
81	4846946	1	Tray	
82	4891800	4	Washer 1/2	
83	4923468	1	Harness, Glow Plugs	
84	1001092856	1	Hose, Turbo (SN 0300209000 through 0300234293)	
84	1001225118	1	Hose, Turbo (SN 0300234294 to Present)	
84A	1001151284	1	Hose	
84B	1001149740	1	Pipe	
84C	1001149639	1	Indicator	
84D	1320058	2	Clamp	
85	1001098601	1	Engine Components - Deutz TD2011 Engine (See ENGINE COMPONENTS - DEUTZ TD2011 ENGINE for Breakdown)	
86	8410013	1	Clamp	

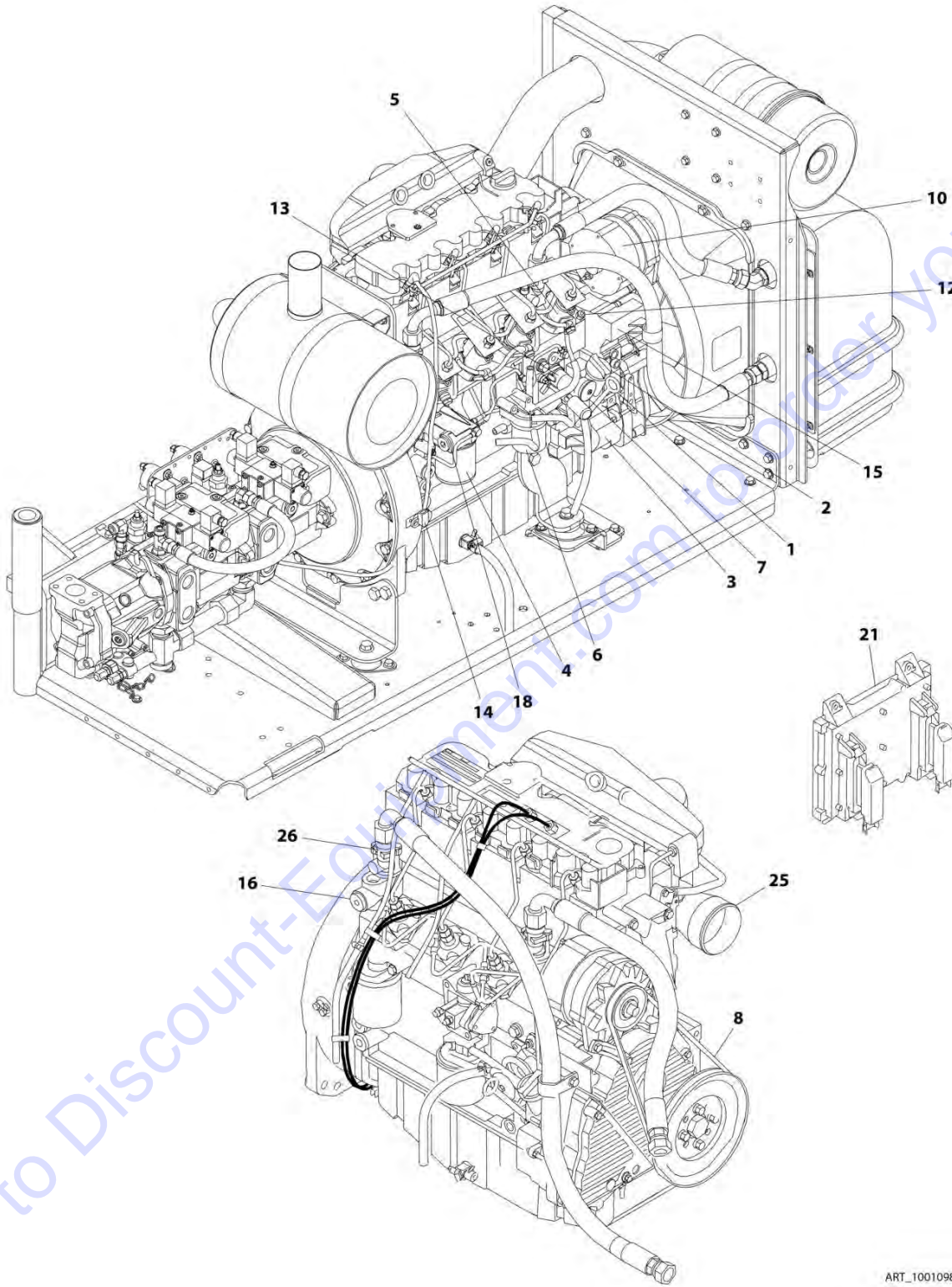
## SECTION 3 - ENGINE

ITEM	PART NUMBER	QTY	DESCRIPTION	REV
87	0761215	2	Bolt M14 x 30	
88	1001112927	1	Sauer Gear Pump Assembly (See PUMP ASSEMBLY (SAUER GEAR) for Breakdown)	
89	4891600	2	Washer 3/8	
90	1001108616	1	Sauer Tandem Pump Assembly (See PUMP ASSEMBLY (SAUER TANDEM) for Breakdown)	
91	1001171095	1	Sauer Piston Pump Assembly (See PUMP ASSEMBLY (SAUER PISTON) for Breakdown)	
92	3790152	1	O-Ring	
93	3790155	1	O-Ring	

Go to Discount-Equipment.com to order your parts

# SECTION 3 - ENGINE

## FIGURE 3-13. ENGINE COMPONENTS - DEUTZ TD2011 ENGINE



ART\_1001098601

## SECTION 3 - ENGINE

**FIGURE 3-13. ENGINE COMPONENTS - DEUTZ TD2011 ENGINE**

ITEM	PART NUMBER	QTY	DESCRIPTION	REV
	1001098601	Ref	ENGINE COMPONENTS - DEUTZ TD2011 ENGINE	C
1	7027235	1	Dipstick	
1	70000044	1	O-Ring	
2	7020465	1	Cap, Filler	
3	70001850	1	Pump, Oil Lube	
3	7020468	1	Seal Between Oil Pump and Engine Block (Not Shown)	
4	7016331	1	Filter, Oil	
5		Ref	Injector Pump Options:	
		Ref	Note: Series Letter is shown on label at base of Injector Pump.	
5	70001128	AR	"A" Series	
5	70001129	AR	"B" Series	
5	70001130	AR	"C" Series	
5	70001131	AR	"D" Series	
6	7016328	1	Filter, Fuel	
7	70000916	1	Pump Fuel Supply	
7	70001435	1	Repair Kit	
7	70000917	1	O-Seal Between Fuel Pump and Engine Block (Not Shown)	
7	70000919	1	Pump, Hand (Not Shown)	
8	7020414	1	V-Belt	
9	7020471	4	Gasket, Exhaust Manifold to Cylinder Head (Not Shown)	
9	7020486	1	Gasket, Exhaust Manifold to Exhaust Pipe (Not Shown)	
10	70001867	1	Alternator	
10	70001868	1	Regulator, Voltage (Not Shown)	
10	70001866	1	Seal (Not Shown)	
11	7020479	1	Starter (Not Shown - Located on Right Side of Engine)	
11	7026608	1	Solenoid	
11	70001498	1	Baffle, Cooling (Not Shown)	
12	7027791	1	Sender, Coolant Temperature	
13	7027790	1	Sensor, Oil Pressure	
14	7024565	1	Sensor, Speed	
15	7027792	1	Actuator, Throttle	
15	7027276	2	Spring	
16	70003475	1	Thermostat	
17	70001870	1	Flywheel (Not Shown)	
17	7024579	1	Gear, Ring (Not Shown)	
18	70003472	1	Bracket, Oil Filter (Includes Temperature Sensor Components)	
18	7027236	1	Sensor, Temperature	
18	700025082	1	Ring, Sealing	
18	70003473	1	Gasket, Bracket to Engine Block (Not Shown)	
19	7027239	1	Solenoid, Start (Not Shown)	
20	7027240	1	Turbocharger (Not Shown)	
20	70001857	1	Flange, Turbocharger (Not Shown)	
20	70001135	1	Gasket (Not Shown)	
20	70002675	2	Clamp (Not Shown - Used on Sleeve rising vertically from Turbo)	
20	70002676	1	Sleeve, Rubber (Not Shown - Rises vertically from Turbo)	
21	7027795	1	Module, Engine Control	
21	7027796	1	Harness, Controller (Not Shown)	
22		Ref	Gasket Options (Not Shown):	
22	70000068	1	Gasket, Breather Pipe	
22	70002677	1	Gasket, Valve Cover	

## SECTION 3 - ENGINE

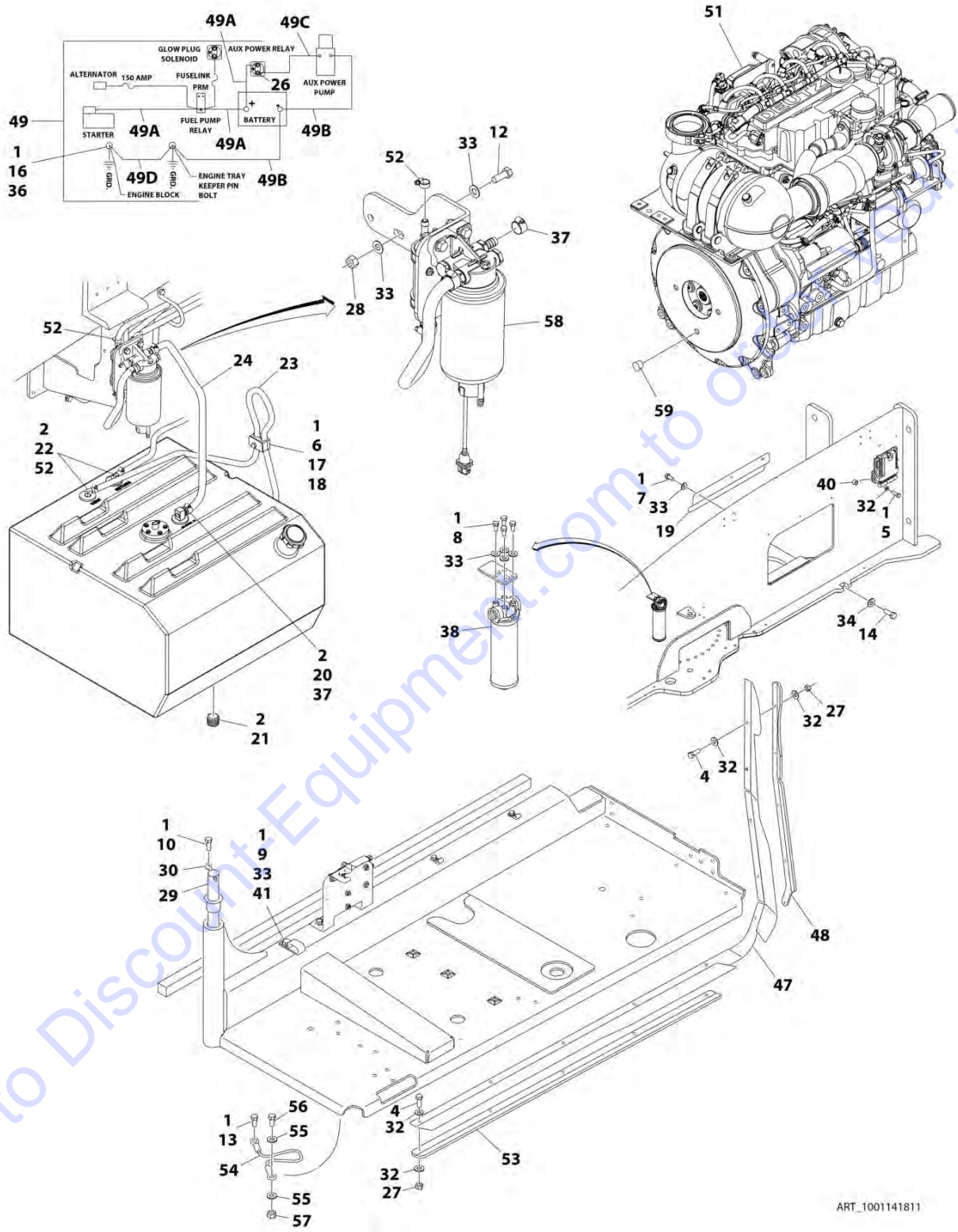
ITEM	PART NUMBER	QTY	DESCRIPTION	REV
22		Ref	Gasket, Cylinder Head	
22	70002415	1	1 Notch	
22	70002416	1	2 Notches	
22	70002417	1	3 Notches	
22	70001871	4	Gasket, Air Intake Manifold	
23	70001847	1	Valve, Breather (Located - Front Cover) (Not Shown)	
23	70001125	1	Cap, Breather (Located - Cylinder Head Cover) (Not Shown)	
23	70001126	1	O-Ring (Not Shown)	
24	70000345	4	Plug, Glow (Not Shown)	
25	70001124	1	Pipe, Breather	
25	70000068	1	Gasket, Breather Pipe	
26	70004268	2	Connector, Radiator	
26	70004269	2	Ring, Sealing	
27	70002718	1	Seal, Rear Main (Not Shown)	
28	70001869	1	Engine Harness (Not Shown) (For other replacement parts refer to Deutz TD2011 engine dealer)	





# SECTION 3 - ENGINE

FIGURE 3-14. DEUTZ TCD2.9L4 ENGINE INSTALLATION - WITH REXROTH PUMPS (WITHOUT COLD WEATHER PLUS PACKAGE)



ART\_1001141811

## SECTION 3 - ENGINE

**FIGURE 3-14. DEUTZ TCD2.9L4 ENGINE INSTALLATION - WITH REXROTH PUMPS (WITHOUT COLD WEATHER PLUS PACKAGE)**

ITEM	PART NUMBER	QTY	DESCRIPTION	REV
	1001141811	Ref	DEUTZ TCD2.9L4 ENGINE INSTALLATION - WITH REXROTH PUMPS (WITHOUT COLD WEATHER PLUS PACKAGE)	J
1	0100011	AR	Compound, Locking	
2	0100079	AR	Sealant, Pipe	
4	0641408	10	Bolt 1/4 x 1	
5	0641410	4	Bolt 1/4 x 1-1/4	
6	0641511	1	Bolt 5/16 x 1-3/8	
7	0641605	3	Bolt 3/8 x 5/8	
8	0641606	4	Bolt 3/8 x 3/4	
9	0641608	1	Bolt 3/8 x 1	
10	0641610	1	Bolt 3/8 x 1-1/4	
12	0641612	2	Bolt 3/8 x 1-1/2	
13	0641808	1	Bolt 1/2 x 1	
14	0642010	1	Bolt 5/8 x 1-1/4	
16	0761210	1	Bolt M12 x 20	
17	1320187	1	Clamp	
18	1320190	1	Cover, Clamp	
19	1671121	1	Cover	
20	2180832	1	Fitting, Barbed	
21	2200222	1	Plug, Pipe (SN 0300209000 through 0300237553)	
22	2220313	2	Fitting, 90 Barbed	
23	1001165035	5 ft/1.5m	Hose (SN 0300209000 through 0300217396)	
23	2750532	5 ft/1.5m	Hose (SN 0300217397 to Present)	
24	1001154405	2 ft/0.6m	Hose	
26	3300220	2	Nut 5/16	
27	3311405	10	Nut 1/4	
28	3311605	2	Nut 3/8	
29	3422446	1	Pin, Pivot	
30	3841143	1	Pin, Keeper	
31	4240018	2	Strap, Tie (Not Shown)	
32	4711400	24	Washer 1/4	
33	4711600	12	Washer 3/8	
34	4752000	1	Washer 5/8	
36	4812100	1	Washer M12	
37	8405006	2	Clamp	
38	1001108617	1	Filter	
38	70002231	1	Element, Filter	
40	1001110425	4	Spacer	
41	1001116792	1	Clamp	
43	1001138491	NLA	Harness, Fuel (Use p/n 1001222665) (Not Shown - See ELECTRICAL SECTION for Breakdown)	
47	1001140604	1	Panel, Rubber	
48	1001145089	1	Clamp	
49	1001141225	1	Battery Cable Kit	E
49A	7027042	1	Cable, Battery (Red) (Battery + to Relays and Starter)	
49B	7027043	1	Cable, Battery (Black) (Battery - to Tray Pivot Grd) and Aux Pump	
49C	7027044	1	Cable (Red) (Aux Relay to Aux Pump)	
49D	7027045	1	Cable, Battery (Black) (Engine to Tray Pivot Grd)	

## SECTION 3 - ENGINE

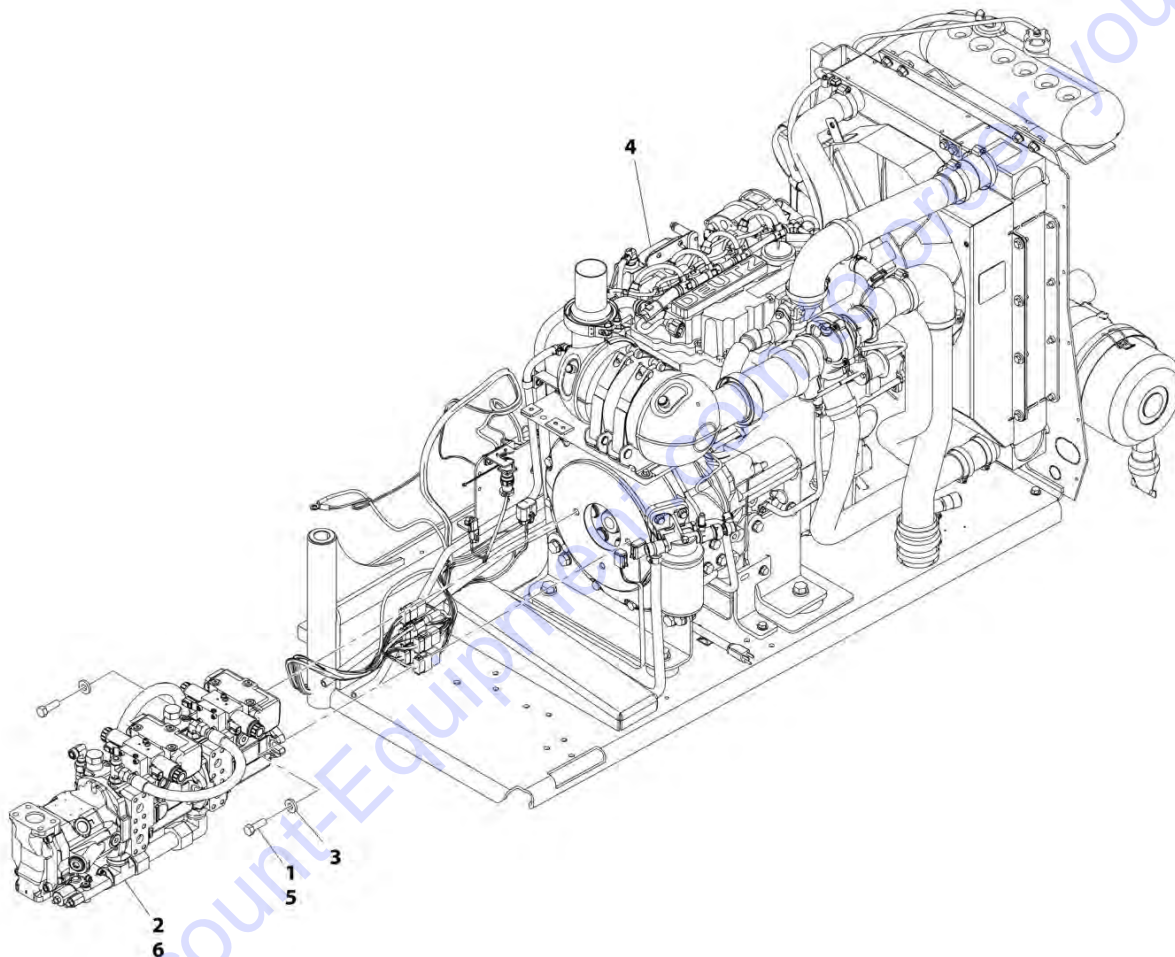
ITEM	PART NUMBER	QTY	DESCRIPTION	REV
51	1001141812	1	Deutz TCD2.9L4 Engine Sub-Assembly (See DEUTZ TCD2.9L4 ENGINE SUB-ASSEMBLY - WITH REXROTH PUMPS (WITHOUT COLD WEATHER PLUS PACKAGE) for Breakdown)	
52	1320022	3	Clamp	
53	1001145842	1	Plate, Clamping	
54	1001131542	1	Lanyard	
55	4711700	2	Washer 7/16	
56	0641708	1	Bolt 7/16 x 1	
57	3311705	1	Nut 7/16	
58	1001165101	1	Bracket, Fuel Pump/Filter Assembly (See FUEL PUMP/FILTER BRACKET ASSEMBLY (DEUTZ TCD2.9L4 ENGINE) for Breakdown)	
59	3520054	1	Plug, Hole	

Go to Discount-Equipment.com to order your parts



## SECTION 3 - ENGINE

FIGURE 3-15. DEUTZ TCD2.9L4 ENGINE SUB-ASSEMBLY - WITH REXROTH PUMPS (WITHOUT COLD WEATHER PLUS PACKAGE)



ART\_1001141812

## SECTION 3 - ENGINE

**FIGURE 3-15. DEUTZ TCD2.9L4 ENGINE SUB-ASSEMBLY - WITH REXROTH PUMPS (WITHOUT COLD WEATHER PLUS PACKAGE)**

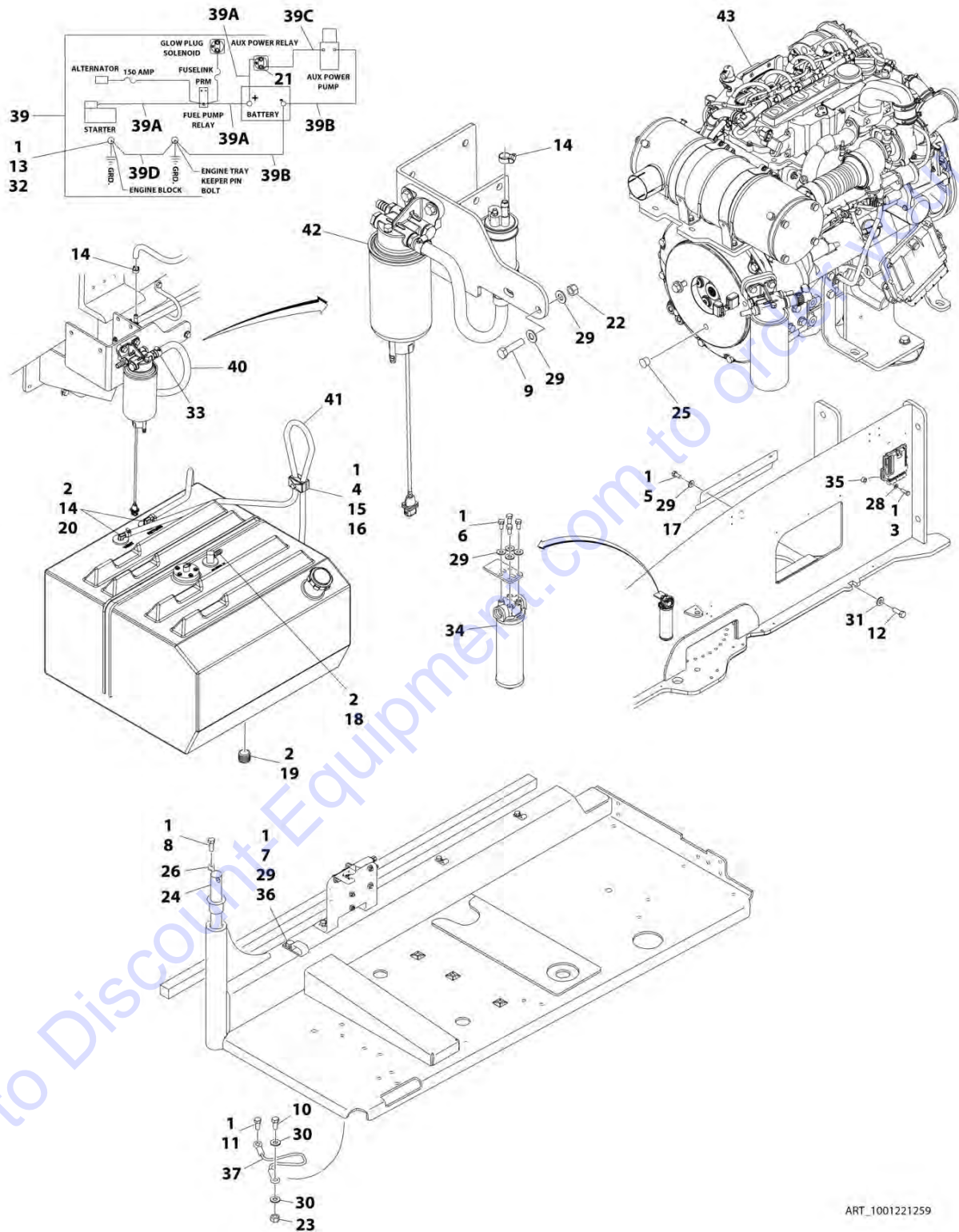
ITEM	PART NUMBER	QTY	DESCRIPTION	REV
	1001141812	Ref	DEUTZ TCD2.9L4 ENGINE SUB-ASSEMBLY - WITH REXROTH PUMPS (WITHOUT COLD WEATHER PLUS PACKAGE)	Y
1	0641812	2	Bolt 1/2 x 1-1/2	
2	3020037	AR	Grease, Pump Coupling	
3	4891800	2	Washer 1/2	
4	1001134392	1	Deutz TCD2.9L4 Engine Assembly (See DEUTZ TCD2.9L4 ENGINE ASSEMBLY – WITHOUT COLD WEATHER PLUS PACKAGE for Breakdown)	
5	0100011	AR	Compound, Locking	
6	1001152963	1	Pump Assembly - Rexroth (See PUMP ASSEMBLY (REXROTH) (DEUTZ TCD2.9L4 ENGINES) for Breakdown)	

Go to Discount-Equipment.com to order your parts



# SECTION 3 - ENGINE

FIGURE 3-16. DEUTZ TCD2.9L4 ENGINE INSTALLATION - WITH REXROTH PUMPS (WITHOUT COLD WEATHER PLUS PACKAGE) (CHINA SPEC ONLY)



ART\_1001221259



## SECTION 3 - ENGINE

**FIGURE 3-16. DEUTZ TCD2.9L4 ENGINE INSTALLATION - WITH REXROTH PUMPS (WITHOUT COLD WEATHER PLUS PACKAGE) (CHINA SPEC ONLY)**

ITEM	PART NUMBER	QTY	DESCRIPTION	REV
	1001221259	Ref	DEUTZ TCD2.9L4 ENGINE INSTALLATION - WITH REXROTH PUMPS (WITHOUT COLD WEATHER PLUS PACKAGE) (CHINA SPEC ONLY)	C
1	0100011	AR	Compound, Locking	
2	0100079	AR	Sealant, Pipe	
3	0641410	4	Bolt 1/4 x 1-1/4	
4	0641511	1	Bolt 5/16 x 1-3/8	
5	0641605	3	Bolt 3/8 x 5/8	
6	0641606	4	Bolt 3/8 x 3/4	
7	0641608	1	Bolt 3/8 x 1	
8	0641610	1	Bolt 3/8 x 1-1/4	
9	0641612	2	Bolt 3/8 x 1-1/2	
10	0641708	1	Bolt 7/16 x 1	
11	0641808	1	Bolt 1/2 x 1	
12	0642010	1	Bolt 5/8 x 1-1/4	
13	0761210	1	Bolt M12 x 20	
14	1320022	3	Clamp	
15	1320187	1	Clamp	
16	1320190	1	Cover, Clamp	
17	1671121	1	Cover	
18	2180832	1	Fitting, Barbed	
19	2200222	1	Plug, Pipe (SN 0300209000 through 0300239674)	
20	2220313	2	Fitting, 90 Barbed	
21	3300220	2	Nut 5/16	
22	3311605	2	Nut 3/8	
23	3311705	1	Nut 7/16	
24	3422446	1	Pin, Pivot	
25	3520054	1	Plug, Hole	
26	3841143	1	Pin, Keeper	
27	4240018	2	Strap, Tie (Not Shown)	
28	4711400	4	Washer 1/4	
29	4711600	12	Washer 3/8	
30	4711700	2	Washer 7/16	
31	4752000	1	Washer 5/8	
32	4812100	1	Washer M12	
33	8405006	2	Clamp (SN 0300209000 through 0300239674)	
34	1001108617	1	Filter	
34	70002231	1	Element, Filter	
35	1001110425	4	Spacer	
36	1001116792	1	Clamp	
37	1001131542	1	Lanyard	
38	1001138491	NLA	Harness, Fuel (Use p/n 1001222665) (Not Shown - See ELECTRICAL SECTION for Breakdown)	
39	1001141225	1	Battery Cable Kit	E
39A	7027042	1	Cable, Battery (Red) (Battery + to Relays and Starter)	
39B	7027043	1	Cable, Battery (Black) (Battery - to Tray Pivot Grd) and Aux Pump	
39C	7027044	1	Cable (Red) (Aux Relay to Aux Pump)	
39D	7027045	1	Cable, Battery (Black) (Engine to Tray Pivot Grd)	
40	1001154405	2 ft/ 0.6m	Hose (SN 0300209000 through 0300239674)	

## SECTION 3 - ENGINE

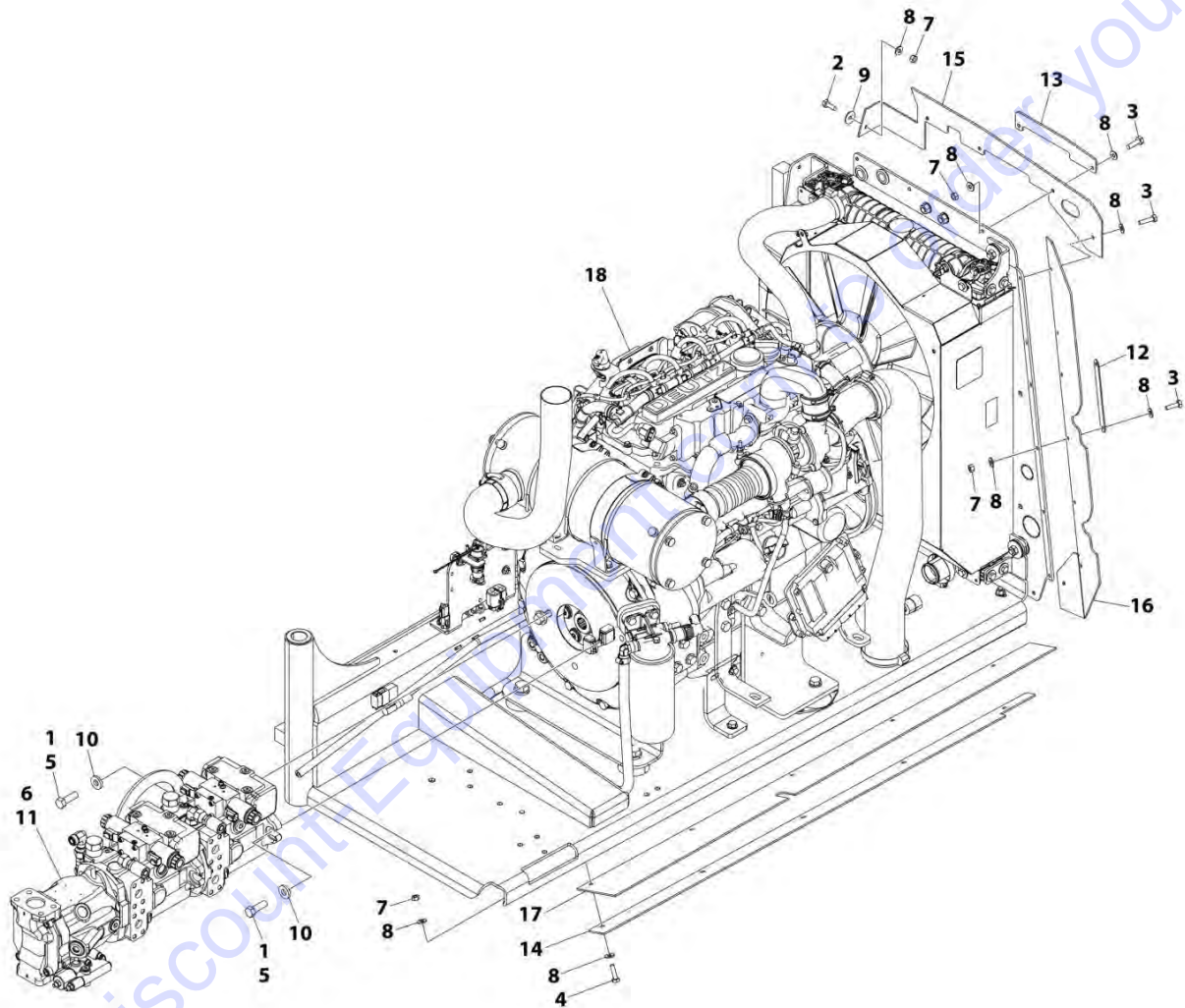
ITEM	PART NUMBER	QTY	DESCRIPTION	REV
41	1001165035	5 ft/ 1.5m	Hose (SN 0300209000 through 0300239674)	
41	2750532	5 ft/ 1.5m	Hose (SN 0300239675 to Present)	
42	1001165101	1	Bracket, Fuel Pump/Filter Assembly (See FUEL PUMP/FILTER BRACKET ASSEMBLY (DEUTZ TCD2.9L4 ENGINE) for Breakdown) (SN 0300209000 through 0300239674)	
42	1001227606	1	Bracket, Fuel Pump/Filter Assembly (See FUEL PUMP/FILTER BRACKET ASSEMBLY (DEUTZ TCD2.9L4 ENGINE) for Breakdown) (SN 0300239675 to Present)	
43	1001221263	1	Deutz TCD2.9L4 Engine Sub-Assembly (See DEUTZ TCD2.9L4 ENGINE SUB-ASSEMBLY - WITH REXROTH PUMPS (WITHOUT COLD WEATHER PLUS PACKAGE) for Breakdown)	

Go to Discount-Equipment.com to order your parts



## SECTION 3 - ENGINE

FIGURE 3-17. DEUTZ TCD2.9L4 ENGINE SUB-ASSEMBLY - WITH REXROTH PUMPS (WITHOUT COLD WEATHER PLUS PACKAGE) (CHINA SPEC ONLY)



ART\_1001221263

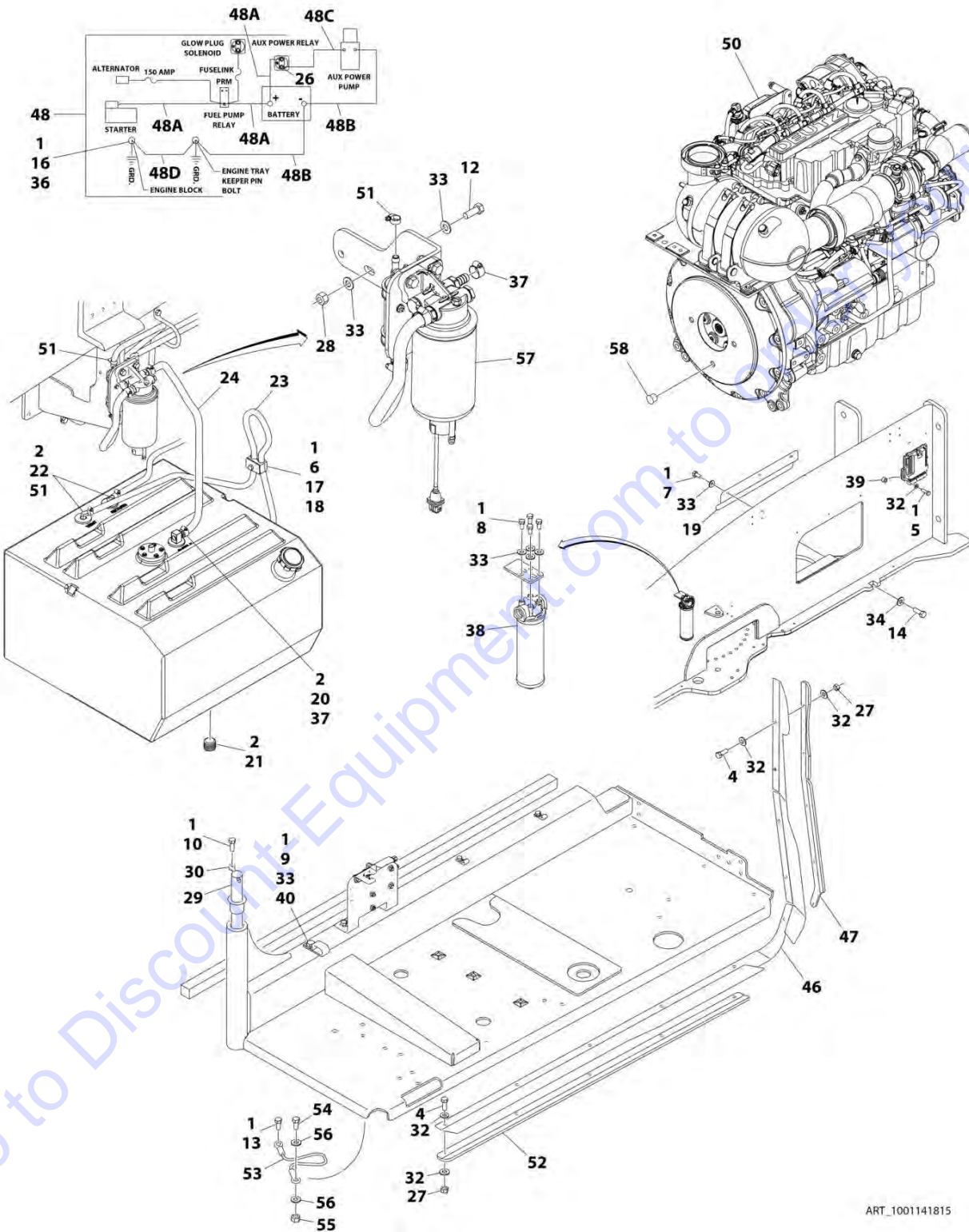
## SECTION 3 - ENGINE

**FIGURE 3-17. DEUTZ TCD2.9L4 ENGINE SUB-ASSEMBLY - WITH REXROTH PUMPS (WITHOUT COLD WEATHER PLUS PACKAGE) (CHINA SPEC ONLY)**

ITEM	PART NUMBER	QTY	DESCRIPTION	REV
	1001221263	Ref	DEUTZ TCD2.9L4 ENGINE SUB-ASSEMBLY - WITH REXROTH PUMPS (WITHOUT COLD WEATHER PLUS PACKAGE) (CHINA SPEC ONLY)	I
1	0100011	AR	Compound, Locking	
2	0641406	AR	Bolt 1/4 x 3/4	
3	0641407	8	Bolt 1/4 x 7/8	
4	0641408	AR	Bolt 1/4 x 1	
5	0641812	2	Bolt 1/2 x 1-1/2	
6	3020037	AR	Grease, Pump Coupling (SN 0300209000 through 0300239674)	
7	3311405	16	Nut 1/4	
8	4711400	AR	Washer 1/4	
9	4740430	AR	Washer, Fender	
10	4891800	2	Washer 1/2	
11	1001152963	1	Pump Assembly - Rexroth (See PUMP ASSEMBLY (REXROTH) (DEUTZ TCD2.9L4 ENGINES) for Breakdown)	
12	1001167164	3	Plate, Support	
13	1001177945	1	Bracket	
14	1001177946	1	Bracket	
15	1001177957	1	Seal, Rubber Baffle	
16	1001177958	1	Seal, Rubber Baffle	
17	1001177959	1	Seal, Rubber Baffle	
18	1001220735	1	Deutz TCD2.9L4 Engine Assembly (See DEUTZ TCD2.9L4 ENGINE ASSEMBLY - WITHOUT COLD WEATHER PLUS PACKAGE for Breakdown)	

# SECTION 3 - ENGINE

FIGURE 3-18. DEUTZ TCD2.9L4 ENGINE INSTALLATION - WITH REXROTH PUMPS (WITH COLD WEATHER PLUS PACKAGE)



ART\_1001141815

## SECTION 3 - ENGINE

**FIGURE 3-18. DEUTZ TCD2.9L4 ENGINE INSTALLATION - WITH REXROTH PUMPS (WITH COLD WEATHER PLUS PACKAGE)**

ITEM	PART NUMBER	QTY	DESCRIPTION	REV
	1001141815	Ref	DEUTZ TCD2.9L4 ENGINE INSTALLATION - WITH REXROTH PUMPS (WITH COLD WEATHER PLUS PACKAGE)	L
1	0100011	AR	Compound, Locking	
2	0100079	AR	Sealant, Pipe	
4	0641408	10	Bolt 1/4 x 1	
5	0641410	4	Bolt 1/4 x 1-1/4	
6	0641511	1	Bolt 5/16 x 1-3/8	
7	0641605	3	Bolt 3/8 x 5/8	
8	0641606	4	Bolt 3/8 x 3/4	
9	0641608	1	Bolt 3/8 x 1	
10	0641610	1	Bolt 3/8 x 1-1/4	
12	0641612	2	Bolt 3/8 x 1-1/2	
13	0641808	1	Bolt 1/2 x 1	
14	0642010	1	Bolt 5/8 x 1-1/4	
16	0761210	1	Bolt M12 x 20	
17	1320187	1	Clamp	
18	1320190	1	Cover, Clamp	
19	1671121	1	Cover	
20	2180832	1	Fitting, Barbed	
21	2200222	1	Plug, Pipe (SN 0300209000 through 0300237553)	
22	2220313	2	Fitting, 90 Barbed	
23	1001165035	5 ft/1.5m	Hose (SN 0300209000 through 0300217396)	
23	2750532	5 ft/1.5m	Hose (SN 0300217397 to Present)	
24	1001154405	2 ft/0.6m	Hose	
26	3300220	2	Nut 5/16	
27	3311405	10	Nut 1/4	
28	3311605	2	Nut 3/8	
29	3422446	1	Pin, Pivot	
30	3841143	1	Pin, Keeper	
31	4240018	2	Strap, Tie (Not Shown)	
32	4711400	24	Washer 1/4	
33	4711600	12	Washer 3/8	
34	4752000	1	Washer 5/8	
36	4812100	1	Washer M12	
37	8405006	2	Clamp	
38	1001108617	1	Filter	
38	70002231	1	Element, Filter	
39	1001110425	4	Spacer	
40	1001116792	1	Clamp	
42	1001138491	NLA	Harness, Fuel (Use p/n 1001222665) (Not Shown - See ELECTRICAL SECTION for Breakdown)	
46	1001140604	1	Panel, Rubber	
47	1001145089	1	Clamp	
48	1001141225	1	Battery Cable Kit	E
48A	7027042	1	Cable, Battery (Red) (Battery + to Relays and Starter)	
48B	7027043	1	Cable, Battery (Black) (Battery - to Tray Pivot Grd) and Aux Pump	
48C	7027044	1	Cable (Red) (Aux Relay to Aux Pump)	
48D	7027045	1	Cable, Battery (Black) (Engine to Tray Pivot Grd)	



## SECTION 3 - ENGINE

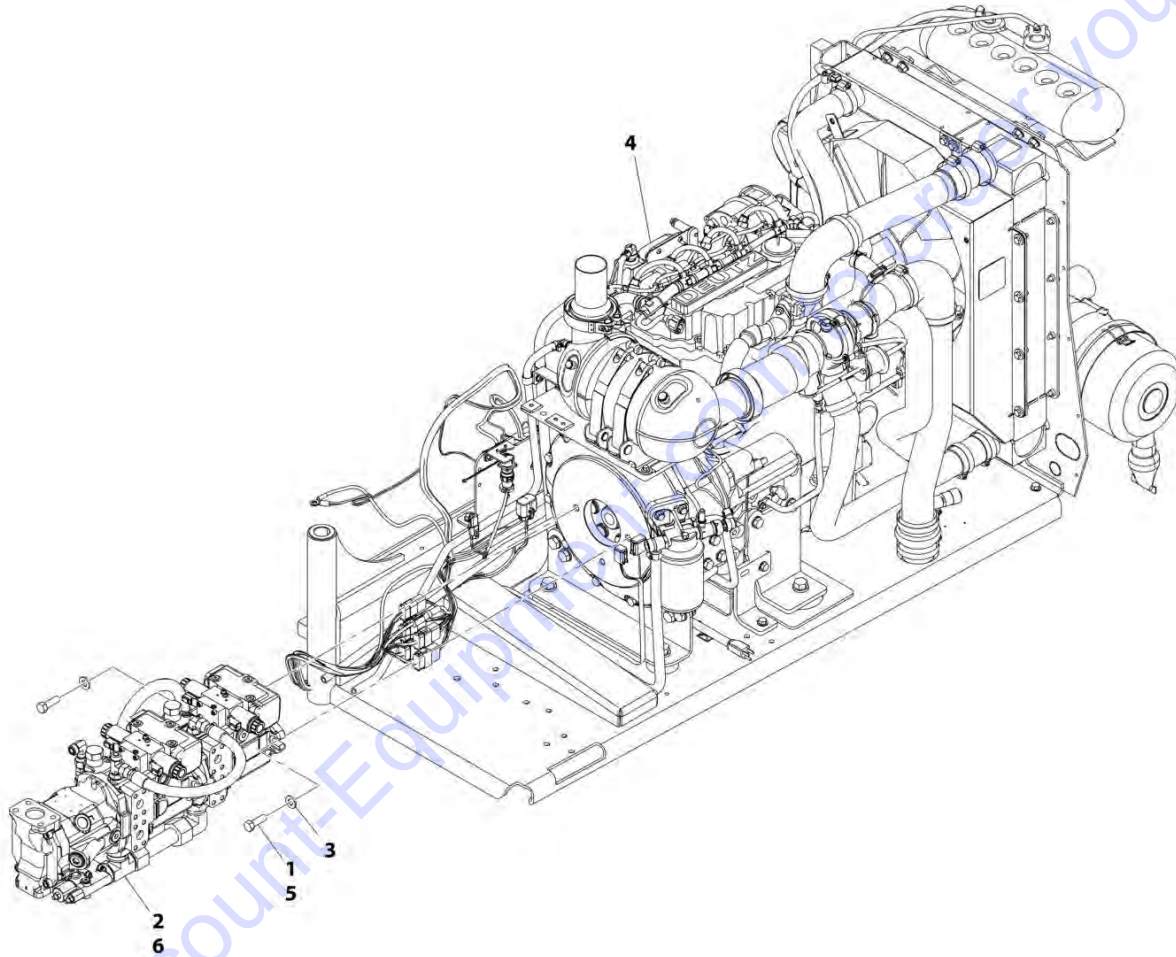
ITEM	PART NUMBER	QTY	DESCRIPTION	REV
50	1001141813	1	Deutz TCD2.9L4 Engine Sub-Assembly (See DEUTZ TCD2.9L4 ENGINE SUB-ASSEMBLY - WITH REXROTH PUMPS (WITH COLD WEATHER PLUS PACKAGE) for Breakdown)	
51	1320022	3	Clamp	
52	1001145842	1	Plate, Clamping	
53	1001131542	1	Lanyard	
54	0641708	1	Bolt 7/16 x 1	
55	3311705	1	Nut 7/16	
56	4711700	2	Washer 7/16	
57	1001165101	1	Bracket, Fuel Pump/Filter Assembly (See FUEL PUMP/FILTER BRACKET ASSEMBLY (DEUTZ TCD2.9L4 ENGINE) for Breakdown)	
58	3520054	1	Plug, Hole	

Go to Discount-Equipment.com to order your parts



## SECTION 3 - ENGINE

FIGURE 3-19. DEUTZ TCD2.9L4 ENGINE SUB-ASSEMBLY - WITH REXROTH PUMPS (WITH COLD WEATHER PLUS PACKAGE)



ART\_1001141813

## SECTION 3 - ENGINE

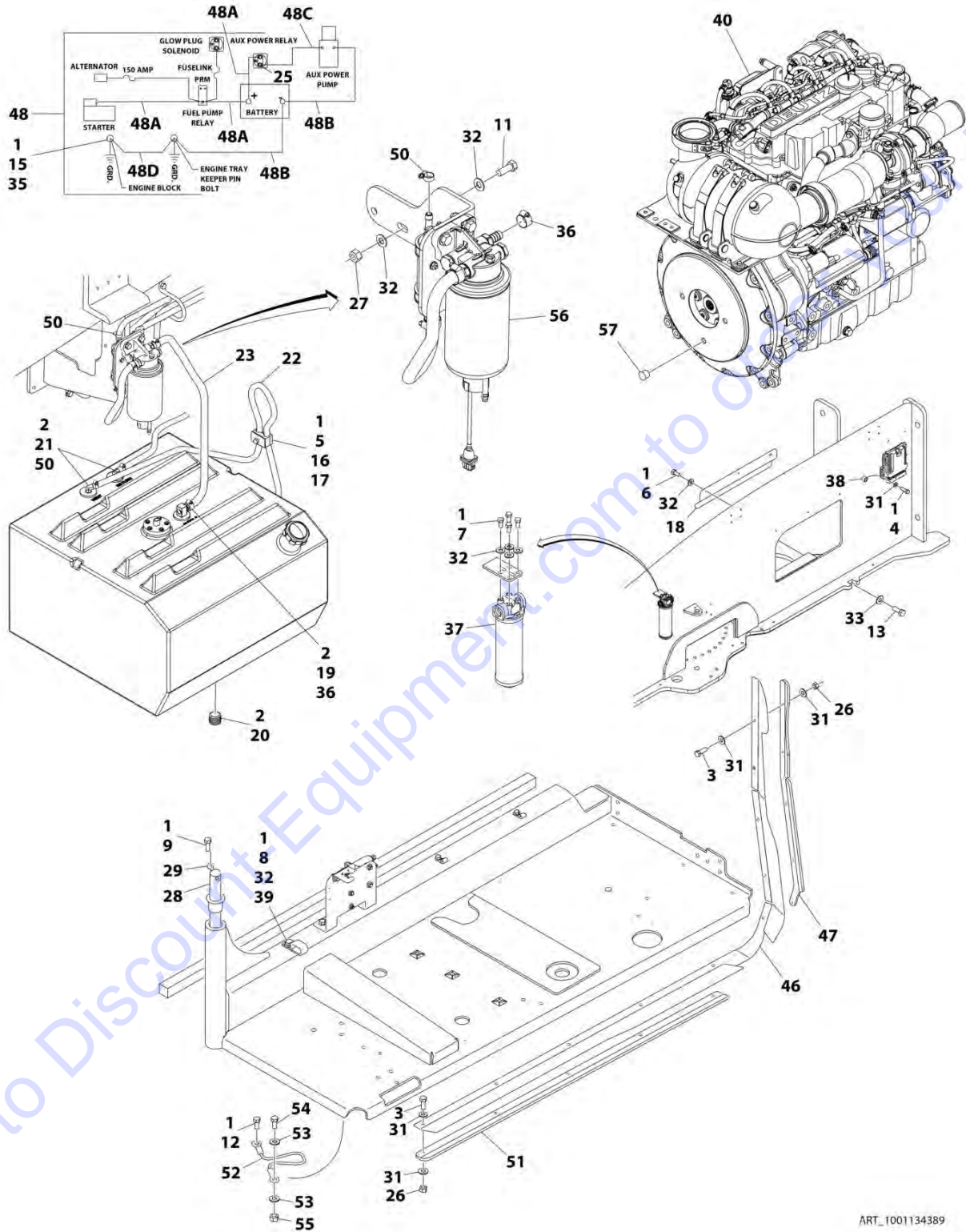
**FIGURE 3-19. DEUTZ TCD2.9L4 ENGINE SUB-ASSEMBLY - WITH REXROTH PUMPS (WITH COLD WEATHER PLUS PACKAGE)**

ITEM	PART NUMBER	QTY	DESCRIPTION	REV
	1001141813	Ref	DEUTZ TCD2.9L4 ENGINE SUB-ASSEMBLY - WITH REXROTH PUMPS (WITH COLD WEATHER PLUS PACKAGE)	AA
1	0641812	2	Bolt 1/2 x 1-1/2	
2	3020037	AR	Grease, Pump Coupling	
3	4740171	2	Washer 1/2	
4	1001141746	1	Deutz TCD2.9L4 Engine Assembly (See DEUTZ TCD2.9L4 ENGINE ASSEMBLY – WITH COLD WEATHER PLUS PACKAGE for Breakdown)	
5	0100011	AR	Compound, Locking	
6	1001152963	1	Pump Assembly - Rexroth (See PUMP ASSEMBLY (REXROTH) (DEUTZ TCD2.9L4 ENGINES) for Breakdown)	

Go to Discount-Equipment.com to order your parts

# SECTION 3 - ENGINE

FIGURE 3-20. DEUTZ TCD2.9L4 ENGINE INSTALLATION - WITH SAUER PUMPS (WITHOUT COLD WEATHER PLUS PACKAGE)



ART\_1001134389

## SECTION 3 - ENGINE

**FIGURE 3-20. DEUTZ TCD2.9L4 ENGINE INSTALLATION - WITH SAUER PUMPS (WITHOUT COLD WEATHER PLUS PACKAGE)**

ITEM	PART NUMBER	QTY	DESCRIPTION	REV
	1001134389	Ref	DEUTZ TCD2.9L4 ENGINE INSTALLATION - WITH SAUER PUMPS (WITHOUT COLD WEATHER PLUS PACKAGE)	J
1	0100011	AR	Compound, Locking	
2	0100079	AR	Sealant, Pipe	
3	0641408	10	Bolt 1/4 x 1	
4	0641410	4	Bolt 1/4 x 1-1/4	
5	0641511	1	Bolt 5/16 x 1-3/8	
6	0641605	3	Bolt 3/8 x 5/8	
7	0641606	4	Bolt 3/8 x 3/4	
8	0641608	1	Bolt 3/8 x 1	
9	0641610	1	Bolt 3/8 x 1-1/4	
11	0641612	2	Bolt 3/8 x 1-1/2	
12	0641808	1	Bolt 1/2 x 1	
13	0642010	1	Bolt 5/8 x 1-1/4	
15	0761210	1	Bolt M12 x 20	
16	1320187	1	Clamp	
17	1320190	1	Cover, Clamp	
18	1671121	1	Cover	
19	2180832	1	Fitting, Barbed	
20	2200222	1	Plug, Pipe (SN 0300209000 through 0300237553)	
21	2220313	2	Fitting, 90 Barbed	
22	1001165035	5 ft/1.5m	Hose (SN 0300209000 through 0300217396)	
22	2750532	5 ft/1.5m	Hose (SN 0300217397 to Present)	
23	1001154405	2 ft/0.6m	Hose	
25	3300220	2	Nut 5/16	
26	3311405	10	Nut 1/4	
27	3311605	2	Nut 3/8	
28	3422446	1	Pin, Pivot	
29	3841143	1	Pin, Keeper	
30	4240018	2	Strap, Tie (Not Shown)	
31	4711400	24	Washer 1/4	
32	4711600	12	Washer 3/8	
33	4752000	1	Washer 5/8	
35	4812100	1	Washer M12	
36	8405006	2	Clamp	
37	1001108617	1	Filter	
37	70002231	1	Element, Filter	
38	1001110425	4	Spacer	
39	1001116792	1	Clamp	
40	1001134390	1	Deutz TCD2.9L4 Engine Sub-Assembly (See DEUTZ TCD2.9L4 ENGINE SUB-ASSEMBLY - WITH SAUER PUMPS (WITHOUT COLD WEATHER PLUS PACKAGE) for Breakdown)	
42	1001138491	NLA	Harness, Fuel (Use p/n 1001222665) (Not Shown - See ELECTRICAL SECTION for Breakdown)	
46	1001140604	1	Panel, Rubber	
47	1001145089	1	Clamp	
48	1001141225	1	Battery Cable Kit	E
48A	7027042	1	Cable, Battery (Red) (Battery + to Relays and Starter)	
48B	7027043	1	Cable, Battery (Black) (Battery - to Tray Pivot Grd) and Aux Pump	

## SECTION 3 - ENGINE

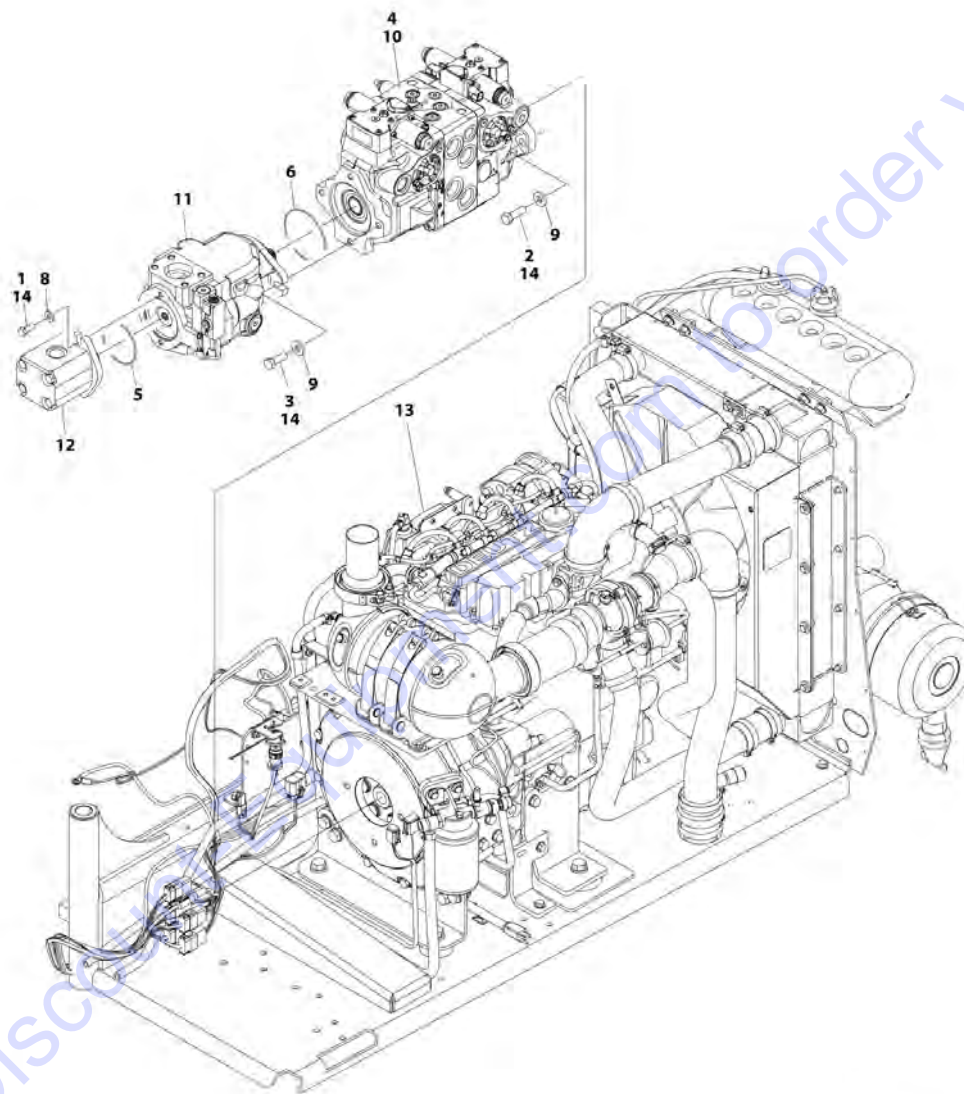
ITEM	PART NUMBER	QTY	DESCRIPTION	REV
48C	7027044	1	Cable (Red) (Aux Relay to Aux Pump)	
48D	7027045	1	Cable, Battery (Black) (Engine to Tray Pivot Grd)	
50	1320022	3	Clamp	
51	1001145842	1	Plate, Clamping	
52	1001131542	1	Lanyard	
53	4711700	2	Washer 7/16	
54	0641708	1	Bolt 7/16 x 1	
55	3311705	1	Nut 7/16	
56	1001165101	1	Bracket, Fuel Pump/Filter Assembly (See FUEL PUMP/FILTER BRACKET ASSEMBLY (DEUTZ TCD2.9L4 ENGINE) for Breakdown)	
57	3520054	1	Plug, Hole	





## SECTION 3 - ENGINE

FIGURE 3-21. DEUTZ TCD2.9L4 ENGINE SUB-ASSEMBLY - WITH SAUER PUMPS (WITHOUT COLD WEATHER PLUS PACKAGE)



J07\_1001E34850

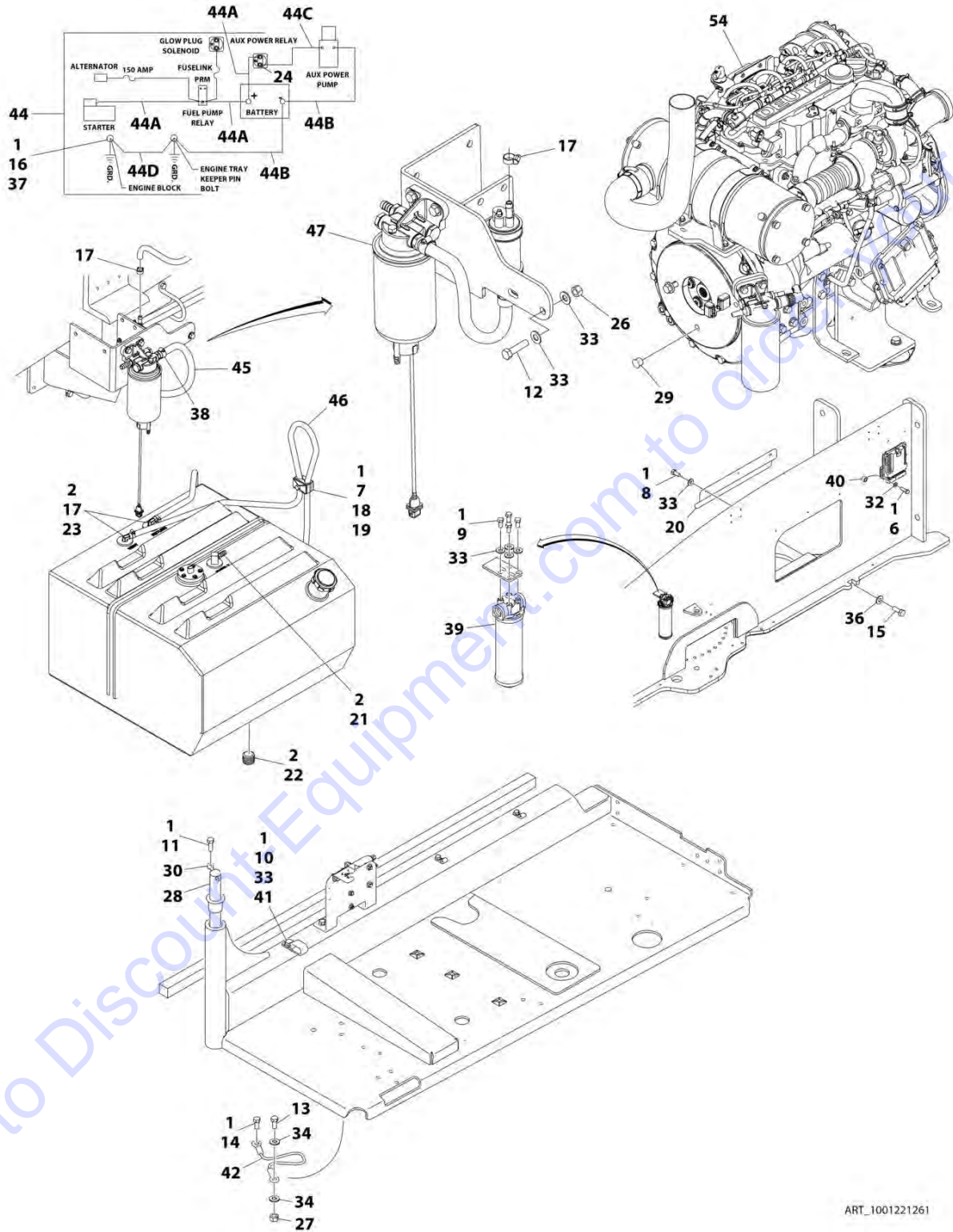
## SECTION 3 - ENGINE

**FIGURE 3-21. DEUTZ TCD2.9L4 ENGINE SUB-ASSEMBLY - WITH SAUER PUMPS (WITHOUT COLD WEATHER PLUS PACKAGE)**

ITEM	PART NUMBER	QTY	DESCRIPTION	REV
	1001134390	Ref	DEUTZ TCD2.9L4 ENGINE SUB-ASSEMBLY - WITH SAUER PUMPS (WITHOUT COLD WEATHER PLUS PACKAGE)	Y
1	0641608	2	Bolt 3/8 x 1	
2	0641812	2	Bolt 1/2 x 1-1/2	
3	0761215	2	Bolt M12 x 35	
4	3020037	AR	Grease, Pump Coupling	
5	3790152	1	O-Ring	
6	3790155	1	O-Ring	
8	4891600	2	Washer 3/8	
9	4891800	4	Washer 1/2	
10	1001108616	1	Pump Assembly (Sauer Tandem) (See PUMP ASSEMBLY (SAUER TANDEM) for Breakdown)	
11	1001171095	1	Pump Assembly (Sauer Piston) (See PUMP ASSEMBLY (SAUER PISTON) for Breakdown)	
12	1001112927	1	Pump Assembly (Sauer Gear) (See PUMP ASSEMBLY (SAUER GEAR) for Breakdown)	
13	1001134392	1	Deutz TCD2.9L4 Engine Assembly (See DEUTZ TCD2.9L4 ENGINE ASSEMBLY – WITHOUT COLD WEATHER PLUS PACKAGE for Breakdown)	
14	0100011	AR	Compound, Locking	

# SECTION 3 - ENGINE

**FIGURE 3-22. DEUTZ TCD2.9L4 ENGINE INSTALLATION - WITH SAUER PUMPS (WITHOUT COLD WEATHER PLUS PACKAGE) (CHINA SPEC ONLY)**



ART\_1001221261

## SECTION 3 - ENGINE

**FIGURE 3-22. DEUTZ TCD2.9L4 ENGINE INSTALLATION - WITH SAUER PUMPS (WITHOUT COLD WEATHER PLUS PACKAGE) (CHINA SPEC ONLY)**

ITEM	PART NUMBER	QTY	DESCRIPTION	REV
	1001221261	Ref	DEUTZ TCD2.9L4 ENGINE INSTALLATION - WITH SAUER PUMPS (WITHOUT COLD WEATHER PLUS PACKAGE) (CHINA SPEC ONLY)	D
1	0100011	AR	Compound, Locking	
2	0100079	AR	Sealant, Pipe	
6	0641410	4	Bolt 1/4 x 1-1/4	
7	0641511	1	Bolt 5/16 x 1-3/8	
8	0641605	3	Bolt 3/8 x 5/8	
9	0641606	4	Bolt 3/8 x 3/4	
10	0641608	1	Bolt 3/8 x 1	
11	0641610	1	Bolt 3/8 x 1-1/4	
12	0641612	2	Bolt 3/8 x 1-1/2	
13	0641708	1	Bolt 7/16 x 1	
14	0641808	1	Bolt 1/2 x 1	
15	0642010	1	Bolt 5/8 x 1-1/4	
16	0761210	1	Bolt M12 x 20	
17	1320022	3	Clamp	
18	1320187	1	Clamp	
19	1320190	1	Cover, Clamp	
20	1671121	1	Cover	
21	2180832	1	Fitting, Barbed	
22	2200222	1	Plug, Pipe (SN 0300209000 through 0300239674)	
23	2220313	2	Fitting, 90 Barbed	
24	3300220	2	Nut 5/16	
26	3311605	2	Nut 3/8	
27	3311705	1	Nut 7/16	
28	3422446	1	Pin, Pivot	
29	3520054	1	Plug, Hole	
30	3841143	1	Pin, Keeper	
31	4240018	2	Strap, Tie (Not Shown)	
32	4711400	4	Washer 1/4	
33	4711600	12	Washer 3/8	
34	4711700	2	Washer 7/16	
36	4752000	1	Washer 5/8	
37	4812100	1	Washer M12	
38	8405006	2	Clamp (SN 0300209000 through 0300239674)	
39	1001108617	1	Filter	
39	70002231	1	Element, Filter	
40	1001110425	4	Spacer	
41	1001116792	1	Clamp	
42	1001131542	1	Lanyard	
43	1001138491	NLA	Harness, Fuel (Use p/n 1001222665) (Not Shown - See ELECTRICAL SECTION for Breakdown)	
44	1001141225	1	Battery Cable Kit	E
44A	7027042	1	Cable, Battery (Red) (Battery + to Relays and Starter)	
44B	7027043	1	Cable, Battery (Black) (Battery - to Tray Pivot Grd) and Aux Pump	
44C	7027044	1	Cable (Red) (Aux Relay to Aux Pump)	
44D	7027045	1	Cable, Battery (Black) (Engine to Tray Pivot Grd)	
45	1001154405	2 ft/ 0.6m	Hose (SN 0300209000 through 0300239674)	

## SECTION 3 - ENGINE

ITEM	PART NUMBER	QTY	DESCRIPTION	REV
46	1001165035	5 ft/ 1.5m	Hose (SN 0300209000 through 0300239674)	
46	2750532	5 ft/ 1.5m	Hose (SN 0300239675 to Present)	
47	1001165101	1	Bracket, Fuel Pump/Filter Assembly (See FUEL PUMP/FILTER BRACKET ASSEMBLY (DEUTZ TCD2.9L4 ENGINE) for Breakdown) (SN 0300209000 through 0300239674)	
47	1001227606	1	Bracket, Fuel Pump/Filter Assembly (See FUEL PUMP/FILTER BRACKET ASSEMBLY (DEUTZ TCD2.9L4 ENGINE) for Breakdown) (SN 0300239675 to Present)	
54	1001221265	1	Deutz TCD2.9L4 Engine Sub-Assembly (See DEUTZ TCD2.9L4 ENGINE SUB-ASSEMBLY - WITH SAUER PUMPS (WITHOUT COLD WEATHER PLUS PACKAGE) for Breakdown)	

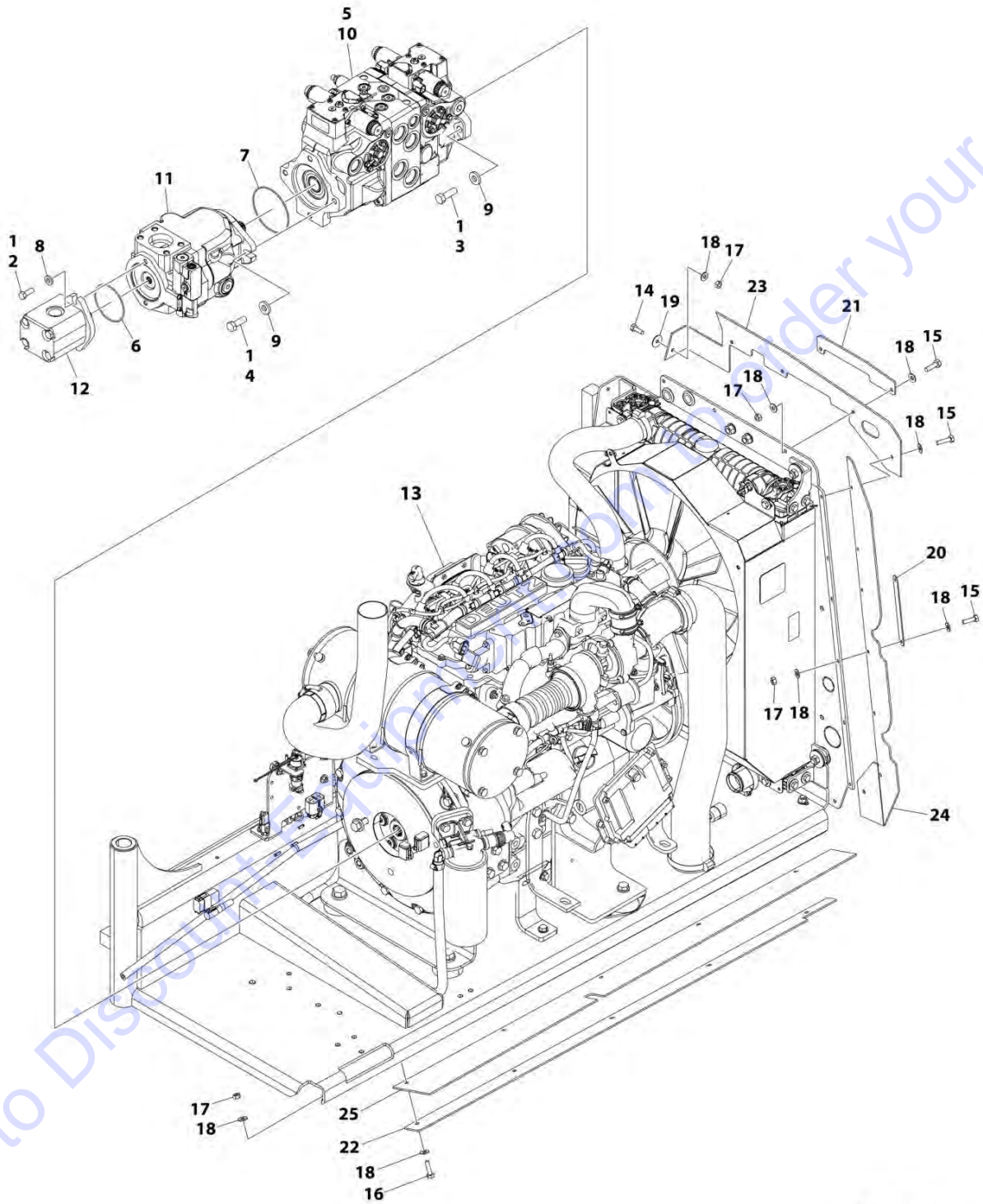
Go to Discount-Equipment.com to order your parts





## SECTION 3 - ENGINE

FIGURE 3-23. DEUTZ TCD2.9L4 ENGINE SUB-ASSEMBLY - WITH SAUER PUMPS (WITHOUT COLD WEATHER PLUS PACKAGE) (CHINA SPEC ONLY)



ART\_1001221265

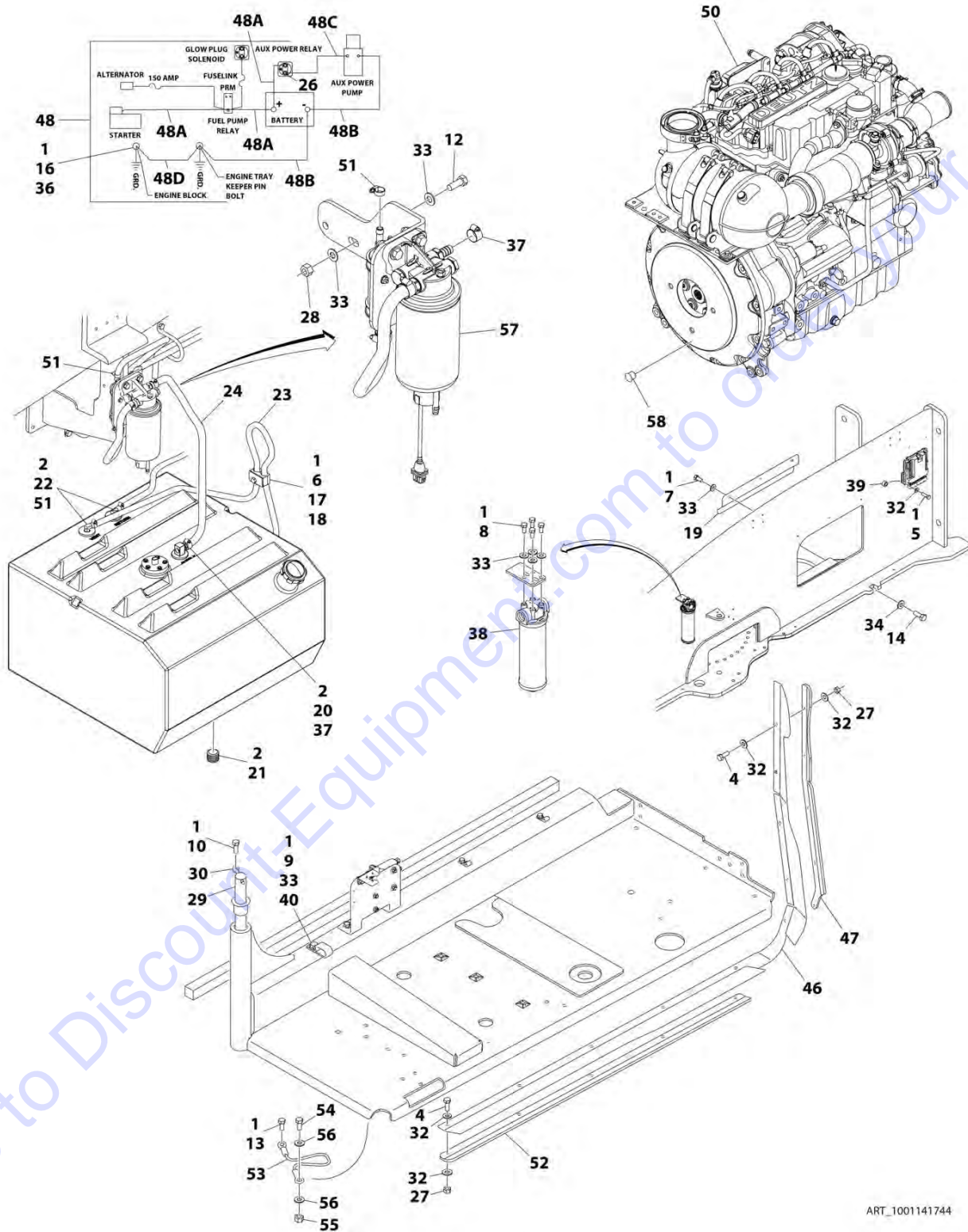
## SECTION 3 - ENGINE

**FIGURE 3-23. DEUTZ TCD2.9L4 ENGINE SUB-ASSEMBLY - WITH SAUER PUMPS (WITHOUT COLD WEATHER PLUS PACKAGE) (CHINA SPEC ONLY)**

ITEM	PART NUMBER	QTY	DESCRIPTION	REV
	1001221265	Ref	DEUTZ TCD2.9L4 ENGINE SUB-ASSEMBLY - WITH SAUER PUMPS (WITHOUT COLD WEATHER PLUS PACKAGE) (CHINA SPEC ONLY)	J
1	0100011	AR	Compound, Locking	
2	0641608	2	Bolt 3/8 x 1	
3	0641812	2	Bolt 1/2 x 1-1/2	
4	0761215	2	Bolt M12 x 35	
5	3020037	AR	Grease, Pump Coupling (SN 0300209000 through 0300239674)	
6	3790152	1	O-Ring	
7	3790155	1	O-Ring	
8	4891600	2	Washer 3/8	
9	4891800	4	Washer 1/2	
10	1001108616	1	Pump Assembly (Sauer Tandem) (See PUMP ASSEMBLY (SAUER TANDEM) for Breakdown)	
11	1001171095	1	Pump Assembly (Sauer Piston) (See PUMP ASSEMBLY (SAUER PISTON) for Breakdown)	
12	1001112927	1	Pump Assembly (Sauer Gear) (See PUMP ASSEMBLY (SAUER GEAR) for Breakdown)	
13	1001220735	1	Deutz TCD2.9L4 Engine Assembly (See DEUTZ TCD2.9L4 ENGINE ASSEMBLY - WITHOUT COLD WEATHER PLUS PACKAGE for Breakdown)	
14	0641406	AR	Bolt 1/4 x 3/4	
15	0641407	8	Bolt 1/4 x 7/8	
16	0641408	AR	Bolt 1/4 x 1	
17	3311405	16	Nut 1/4	
18	4711400	AR	Washer 1/4	
19	4740430	AR	Washer, Fender	
20	1001167164	3	Plate, Support	
21	1001177945	1	Bracket	
22	1001177946	1	Bracket	
23	1001177957	1	Seal, Rubber Baffle	
24	1001177958	1	Seal, Rubber Baffle	
25	1001177959	1	Seal, Rubber Baffle	

# SECTION 3 - ENGINE

## FIGURE 3-24. DEUTZ TCD2.9L4 ENGINE INSTALLATION - WITH SAUER PUMPS (WITH COLD WEATHER PLUS PACKAGE)



ART\_1001141744

## SECTION 3 - ENGINE

**FIGURE 3-24. DEUTZ TCD2.9L4 ENGINE INSTALLATION - WITH SAUER PUMPS (WITH COLD WEATHER PLUS PACKAGE)**

ITEM	PART NUMBER	QTY	DESCRIPTION	REV
	1001141744	Ref	DEUTZ TCD2.9L4 ENGINE INSTALLATION - WITH SAUER PUMPS (WITH COLD WEATHER PLUS PACKAGE)	L
1	0100011	AR	Compound, Locking	
2	0100079	AR	Sealant, Pipe	
4	0641408	10	Bolt 1/4 x 1	
5	0641410	4	Bolt 1/4 x 1-1/4	
6	0641511	1	Bolt 5/16 x 1-3/8	
7	0641605	3	Bolt 3/8 x 5/8	
8	0641606	4	Bolt 3/8 x 3/4	
9	0641608	1	Bolt 3/8 x 1	
10	0641610	1	Bolt 3/8 x 1-1/4	
12	0641612	2	Bolt 3/8 x 1-1/2	
13	0641808	1	Bolt 1/2 x 1	
14	0642010	1	Bolt 5/8 x 1-1/4	
16	0761210	1	Bolt M12 x 20	
17	1320187	1	Clamp	
18	1320190	1	Cover, Clamp	
19	1671121	1	Cover	
20	2180832	1	Fitting, Barbed	
21	2200222	1	Plug, Pipe (SN 0300209000 through 0300237553)	
22	2220313	2	Fitting, 90 Barbed	
23	1001165035	5 ft/ 1.5m	Hose (SN 0300209000 through 0300217396)	
23	2750532	5 ft/ 1.5m	Hose (SN 0300217397 to Present)	
24	1001154405	2 ft/ 0.6m	Hose	
26	3300220	2	Nut 5/16	
27	3311405	10	Nut 1/4	
28	3311605	2	Nut 3/8	
29	3422446	1	Pin, Pivot	
30	3841143	1	Pin, Keeper	
31	4240018	2	Strap, Tie (Not Shown)	
32	4711400	24	Washer 1/4	
33	4711600	12	Washer 3/8	
34	4752000	1	Washer 5/8	
36	4812100	1	Washer M12	
37	8405006	2	Clamp	
38	1001108617	1	Filter	
38	70002231	1	Element, Filter	
39	1001110425	4	Spacer	
40	1001116792	1	Clamp	
42	1001138491	NLA	Harness, Fuel (Use p/n 1001222665) (Not Shown - See ELECTRICAL SECTION for Breakdown)	
46	1001140604	1	Panel, Rubber	
47	1001145089	1	Clamp	
48	1001141225	1	Battery Cable Kit	E
48A	7027042	1	Cable, Battery (Red) (Battery + to Relays and Starter)	
48B	7027043	1	Cable, Battery (Black) (Battery - to Tray Pivot Grd) and Aux Pump	
48C	7027044	1	Cable (Red) (Aux Relay to Aux Pump)	
48D	7027045	1	Cable, Battery (Black) (Engine to Tray Pivot Grd)	

## SECTION 3 - ENGINE

ITEM	PART NUMBER	QTY	DESCRIPTION	REV
50	1001141745	1	Deutz TCD2.9L4 Engine Sub-Assembly (See DEUTZ TCD2.9L4 ENGINE SUB-ASSEMBLY - WITH SAUER PUMPS (WITH COLD WEATHER PLUS PACKAGE) for Breakdown)	
51	1320022	3	Clamp	
52	1001145842	1	Plate, Clamping	
53	1001131542	1	Lanyard	
54	0641708	1	Bolt 7/16 x 1	
55	3311705	1	Nut 7/16	
56	4711700	2	Washer 7/16	
57	1001165101	1	Bracket, Fuel Pump/Filter Assembly (See FUEL PUMP/FILTER BRACKET ASSEMBLY (DEUTZ TCD2.9L4 ENGINE) for Breakdown)	
58	3520054	1	Plug, Hole	

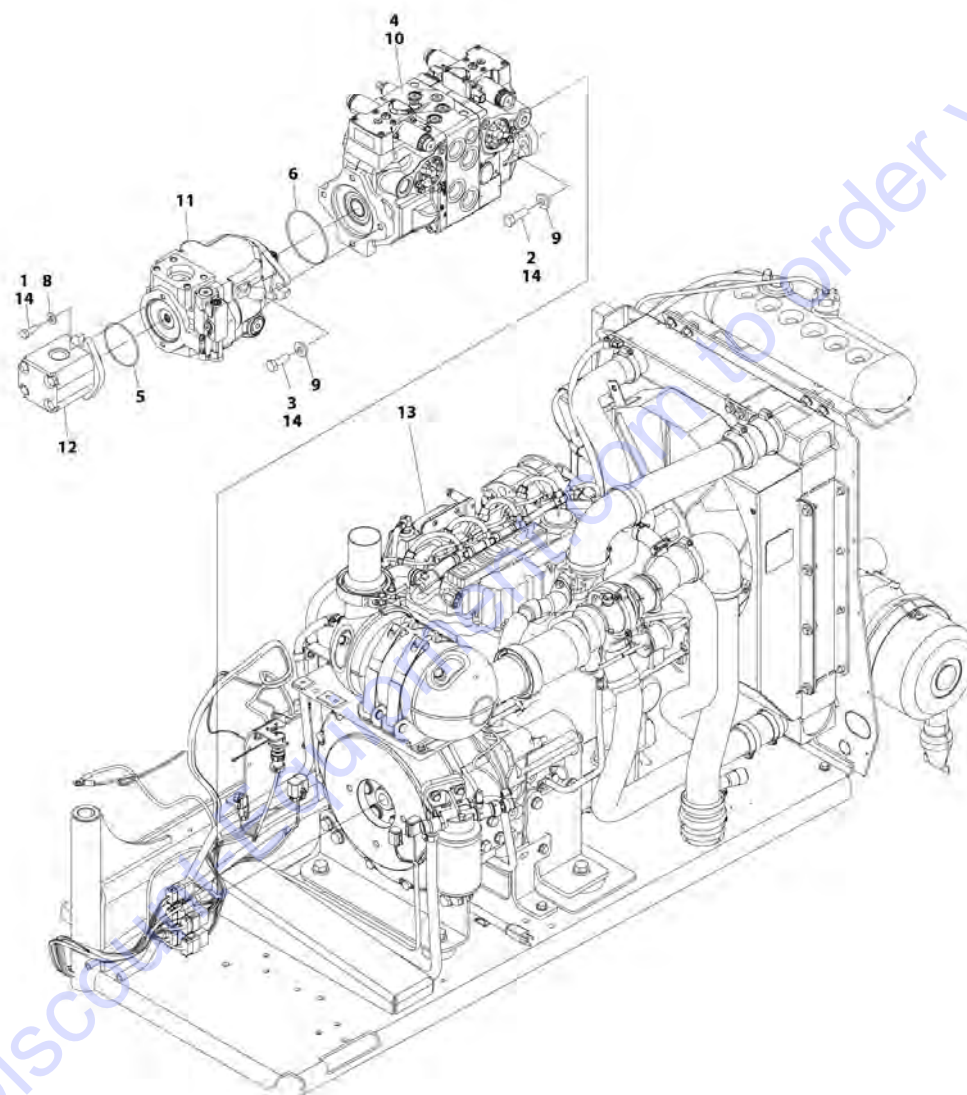
Go to Discount-Equipment.com to order your parts





## SECTION 3 - ENGINE

FIGURE 3-25. DEUTZ TCD2.9L4 ENGINE SUB-ASSEMBLY - WITH SAUER PUMPS (WITH COLD WEATHER PLUS PACKAGE)



ART\_1001141745



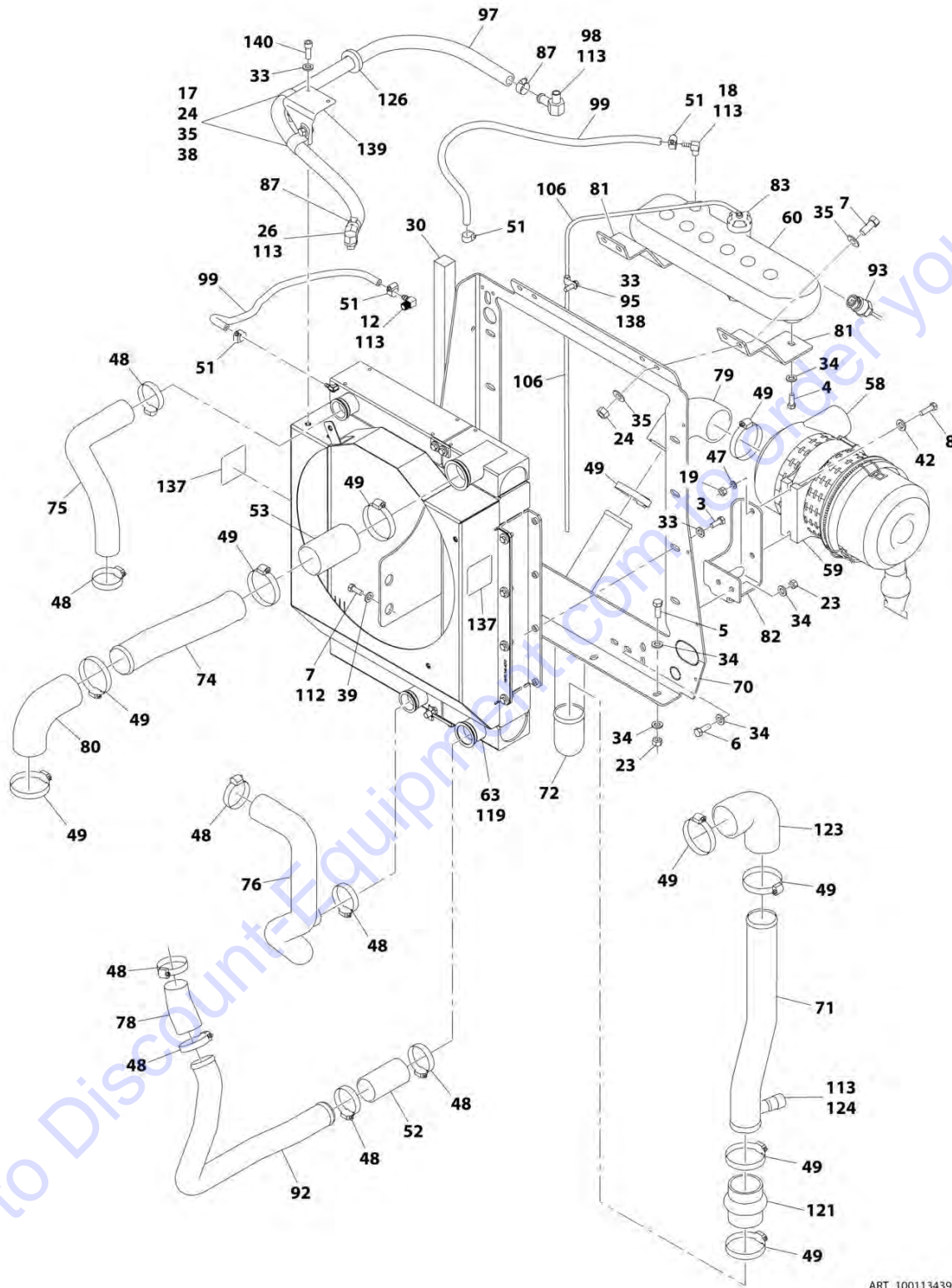
## SECTION 3 - ENGINE

**FIGURE 3-25. DEUTZ TCD2.9L4 ENGINE SUB-ASSEMBLY - WITH SAUER PUMPS (WITH COLD WEATHER PLUS PACKAGE)**

ITEM	PART NUMBER	QTY	DESCRIPTION	REV
	1001141745	Ref	DEUTZ TCD2.9L4 ENGINE SUB-ASSEMBLY - WITH SAUER PUMPS (WITH COLD WEATHER PLUS PACKAGE)	Y
1	0641608	2	Bolt 3/8 x 1	
2	0641812	2	Bolt 1/2 x 1-1/2	
3	0761215	2	Bolt M12 x 35	
4	3020037	AR	Grease, Pump Coupling	
5	3790152	1	O-Ring	
6	3790155	1	O-Ring	
8	4891600	2	Washer 3/8	
9	4891800	4	Washer 1/2	
10	1001108616	1	Pump Assembly (Sauer Tandem) (See PUMP ASSEMBLY (SAUER TANDEM) for Breakdown)	
11	1001171095	1	Pump Assembly (Sauer Piston) (See PUMP ASSEMBLY (SAUER PISTON) for Breakdown)	
12	1001112927	1	Pump Assembly (Sauer Gear) (See PUMP ASSEMBLY (SAUER GEAR) for Breakdown)	
13	1001141746	1	Deutz TCD2.9L4 Engine Assembly (See DEUTZ TCD2.9L4 ENGINE ASSEMBLY – AND WITH COLD WEATHER PLUS PACKAGE for Breakdown)	
14	0100011	AR	Compound, Locking	

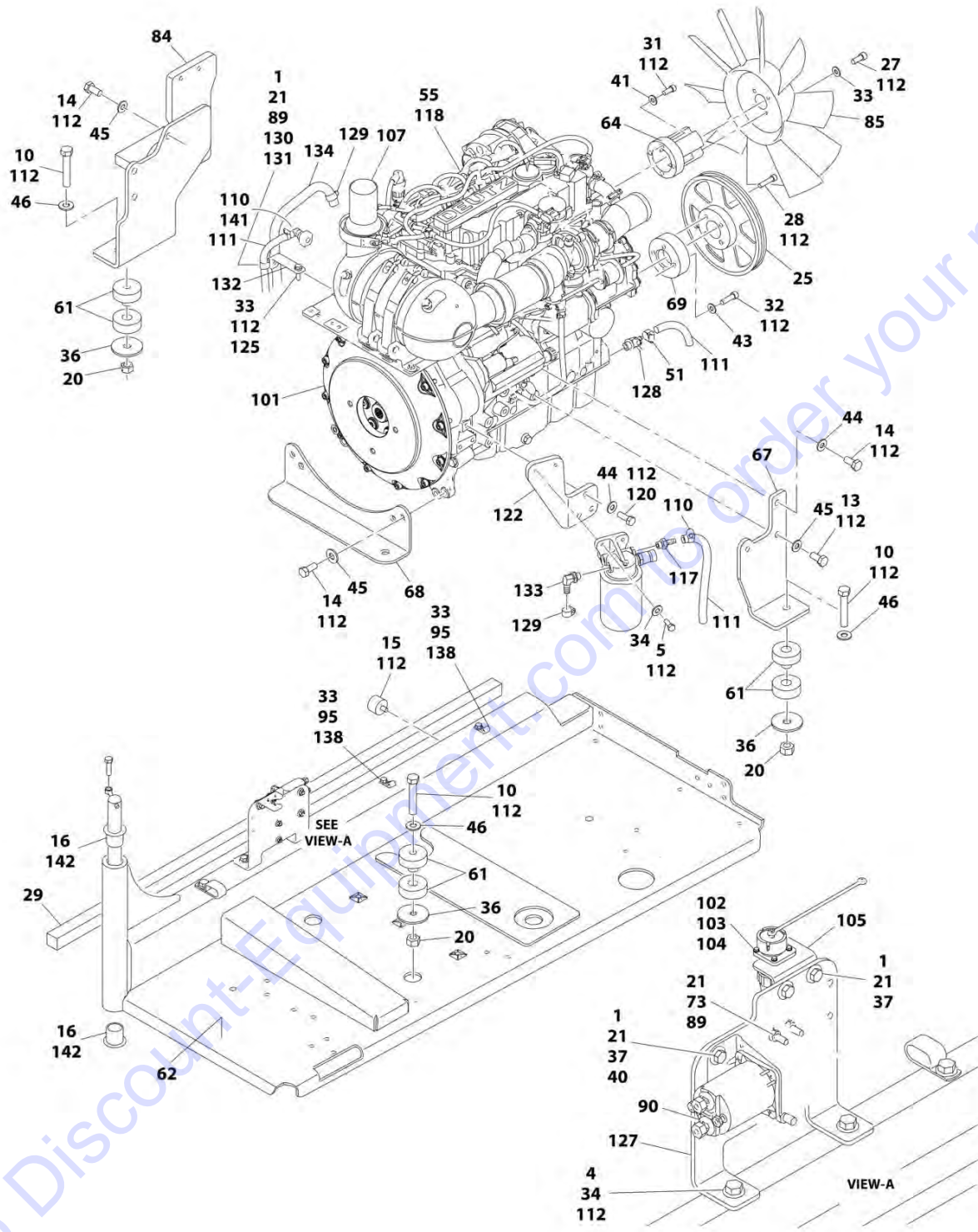
# SECTION 3 - ENGINE

## FIGURE 3-26. DEUTZ TCD2.9L4 ENGINE ASSEMBLY - WITHOUT COLD WEATHER PLUS PACKAGE



ART\_1001134392\_10F2

# SECTION 3 - ENGINE



ART\_1001134392\_20F2

## SECTION 3 - ENGINE

FIGURE 3-26. DEUTZ TCD2.9L4 ENGINE ASSEMBLY - WITHOUT COLD WEATHER PLUS PACKAGE

ITEM	PART NUMBER	QTY	DESCRIPTION	REV
	1001134392	Ref	DEUTZ TCD2.9L4 ENGINE ASSEMBLY - WITHOUT COLD WEATHER PLUS PACKAGE	AI
1	0641406	5	Bolt 1/4 x 3/4	
3	0641508	8	Bolt 5/16 x 1	
4	0641606	5	Bolt 3/8 x 3/4	
5	0641608	9	Bolt 3/8 x 1	
6	0641610	2	Bolt 3/8 x 1-1/4	
7	0641708	6	Bolt 7/16 x 1	
8	0700815	2	Bolt M8 x 35	
10	0682028	4	Bolt 5/8 x 3-1/2 Grade 8	
12	1001140564	1	Fitting, Elbow Barbed	
13	0771212	1	Bolt M12 x 25 Grade 10.9	
14	0771414	9	Bolt M14 x 30 Grade 10.9	
15	0940070	1	Bumper	
16	0961986	2	Bushing, Flanged	
17	0641706	2	Bolt 7/16 x 3/4	
18	1001134488	1	Fitting, Elbow Barbed	
19	3290801	2	Nut M8	
20	3272001	4	Nut 5/8 Grade 8	
21	3311405	6	Nut 1/4	
23	3311605	9	Nut 3/8	
24	3311705	5	Nut 7/16	
25	3580320	1	Pulley	
26	1001141719	1	Fitting, Elbow Barbed	
27	3931512	4	Capscrew 5/16 x 3/4	
28	3931628	4	Capscrew 3/8 x 1-3/4	
29	3960543	1	Seal	
30	3960544	1	Seal	
31	4031914	4	Bolt M8 x 50	
32	4032014	4	Bolt M10 x 50	
33	4711500	19	Washer 5/16	
34	4711600	25	Washer 3/8	
35	4711700	10	Washer 7/16	
36	1001146219	4	Washer Special	
37	4751400	8	Washer 1/4	
38	8406302	2	Clamp	
39	4751700	2	Washer 7/16	
40	4791400	2	Washer, Star 1/4	
41	4811900	4	Washer M8	
42	4811902	2	Washer M8	
43	4812000	4	Washer M10	
44	4812100	4	Washer M12	
45	4812200	9	Washer M14	
46	4892000	4	Washer 5/8	
47	4831900	2	Washer M8	
48	8405201	8	Clamp	
49	8405204	10	Clamp	
51	8410013	5	Clamp	
52	91563070	1	Coupling, Rubber	
53	1001114495	1	Hose	

## SECTION 3 - ENGINE

ITEM	PART NUMBER	QTY	DESCRIPTION	REV
55	1001128947	1	Engine Components - Deutz TCD2.9L4 Engine (See ENGINE COMPONENTS - DEUTZ TCD2.9L4 ENGINE for Breakdown)	
58	1001133633	1	Air Cleaner Assembly	
58	70024190	1	Element, Air Filter	
59	1001133634	1	Clamp	
60	1001166393	1	Tank, Surge	
61	1001155575	4	Mount, Motor	
62	1001134485	NLA	Tray (Use p/n 1001191272) (SN 0300209000 through 0300230067)	
62	1001191272	1	Tray (SN 0300230068 to Present)	
63	1001135090	1	Radiator	
64	1001135138	1	Spacer, Fan	
67	1001135560	1	Support, Engine	
68	1001135562	1	Support, Engine - Rear	
69	1001135679	1	Spacer, Pulley	
70	1001135680	1	Support, Radiator	
71	1001135901	1	Pipe, Air Intake	
72	1001135903	1	Pipe, Air Intake	
73	3931432	1	Capscrew 1/4 x 2	
74	1001135914	1	Pipe, Air Cleaner to Intake	
75	1001135924	1	Hose, Radiator (Upper)	
76	1001135926	1	Hose, Radiator (Lower)	
78	1001135943	1	Coupling, Rubber	
79	1001135946	1	Elbow, Rubber	
80	1001136292	1	Pipe, Elbow	
81	1001136626	2	Bracket	
82	1001136665	1	Bracket	
83	1001136834	1	Cap, Tank	
84	1001142398	1	Support, Engine	
85	1001137276	1	Fan	
87	8405007	2	Clamp	
89	4711400	3	Washer 1/4	
90	1001117308	1	Relay	
92	1001135913	1	Pipe, Turbo to Air Cleaner	
93	1001138827	1	Sensor, Coolant Level	
94	1001138228	1	Module, Power	
94	70023592	1	Fuse 20Amp	
94	70023593	1	Fuse 30Amp	
95	1001138253	5	Clamp	
96	1001138346	1	Harness, Engine (Not Shown - See ELECTRICAL SECTION for Breakdown)	
97	1001138524	1	Hose	
98	1001138559	1	Fitting, Elbow	
99	2720015	4.5 ft/ 1.4m	Hose	
101	2902065	1	Pump Coupling Kit (See PUMP COUPLING KIT for Breakdown)	
102	3310401	3	Nut #4	
103	3910408	3	Screw #4 x 1/2	
104	4710400	3	Washer #4	
105	1001139240	1	Bracket	
106	1001138248	4 ft/1.2m	Tubing	
107	1001153024	1	Pipe, Exhaust	

## SECTION 3 - ENGINE

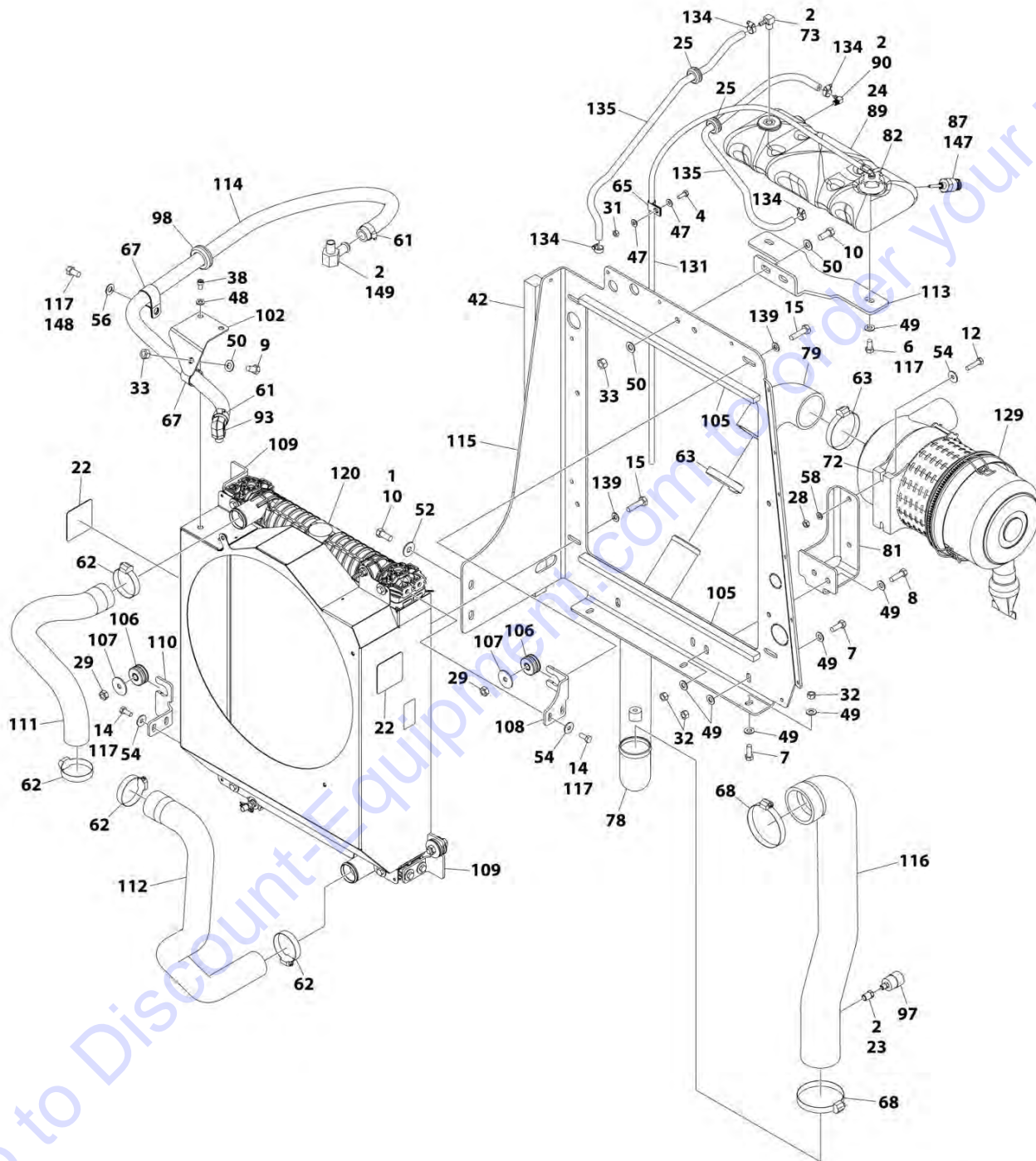
ITEM	PART NUMBER	QTY	DESCRIPTION	REV
110	1320022	2	Clamp	
111	1001165035	30.5 ft/ 9.3m	Hose	
112	0100011	AR	Compound, Locking	
113	0100020	AR	Sealant	
114	1001141304	1	Wire, Glow Plug (Not Shown)	
115	1001135779	1	Cable, Alternator Positive (Not Shown)	
117	1001141717	1	Fitting, Straight	
118	1001136079	2.4 gal/9L	Oil, Motor 15W-40	
119	2300004	3.2 gal/ 12.1L	Anti-freeze	
120	0761214	3	Bolt M12 x 30	
121	1001142637	1	Hose, Hump	
122	1001142685	1	Bracket	
123	1001165820	1	Pipe, Elbow	
124	1001143390	1	Indicator, Air Filter Service	
125	0760810	2	Bolt M8 x 20	
126	1001144089	1	Grommet	
127	1001145154	1	Plate, Mounting	
128	4640751	1	Valve, Oil Drain	
129	8405006	2	Clamp	
130	8406102	2	Clip	
131	8406112	1	Clip	
132	1001138717	1	Bracket	
133	1001142501	1	Fitting, Elbow Barbed	
134	1001154405	5 ft/1.5m	Hose	
135	1001148843	1	Harness, Fuel Filter (Not Shown - See ELECTRICAL SECTION for Breakdown)	
137	1703162	2	Decal - Fan	
138	0641503	3	Bolt 5/16 x 3/8	
139	1001153387	1	Plate	
140	3931508	2	Capscrew 5/16 x 1/2	
141	1001155823	1	Coupling	
142	0100062	AR	Adhesive, Loctite #680	
143	4240099	AR	Tie-Strap (Not Shown)	





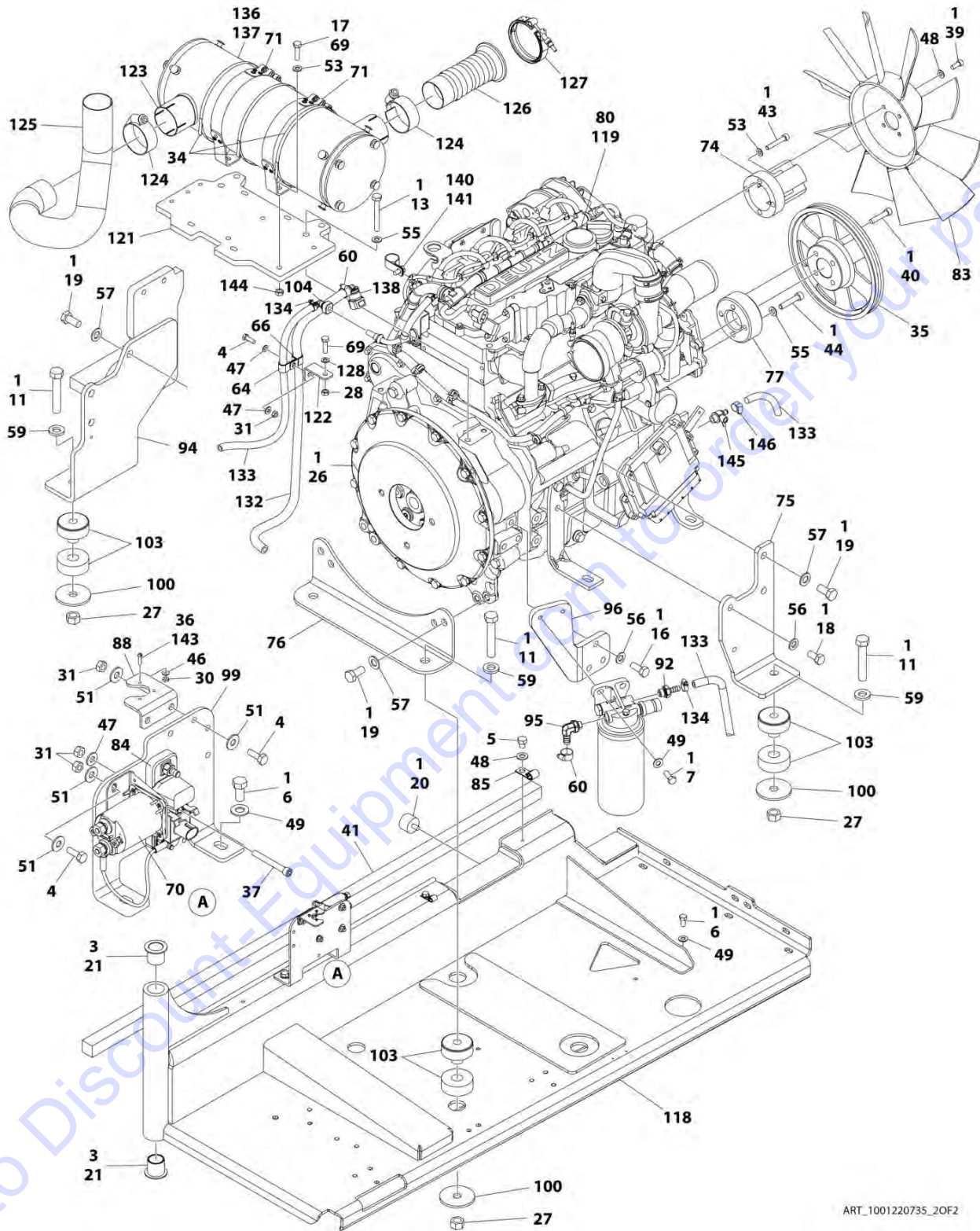
# SECTION 3 - ENGINE

FIGURE 3-27. DEUTZ TCD2.9L4 ENGINE ASSEMBLY - WITHOUT COLD WEATHER PLUS PACKAGE (CHINA SPEC ONLY)



ART\_1001220735\_10F2

# SECTION 3 - ENGINE



## SECTION 3 - ENGINE

**FIGURE 3-27. DEUTZ TCD2.9L4 ENGINE ASSEMBLY - WITHOUT COLD WEATHER PLUS PACKAGE (CHINA SPEC ONLY)**

ITEM	PART NUMBER	QTY	DESCRIPTION	REV
	1001220735	Ref	DEUTZ TCD2.9L4 ENGINE ASSEMBLY - WITHOUT COLD WEATHER PLUS PACKAGE (CHINA SPEC ONLY)	J
1	0100011	AR	Compound, Locking	
2	0100020	AR	Sealant	
3	0100062	AR	Adhesive, Loctite #680	
4	0641406	7	Bolt 1/4 x 3/4	
5	0641503	2	Bolt 5/16 x 3/8	
6	0641606	5	Bolt 3/8 x 3/4	
7	0641608	7	Bolt 3/8 x 1	
8	0641610	2	Bolt 3/8 x 1-1/4	
9	0641706	AR	Bolt 7/16 x 3/4	
10	0641708	4	Bolt 7/16 x 1	
11	0682028	4	Bolt 5/8 x 3-1/2 Grade 8	
12	0700815	2	Bolt M8 x 35	
13	0701024	4	Bolt M10 x 80	
14	0760810	8	Bolt M8 x 20	
15	0761016	4	Bolt M10 x 40	
16	0761214	3	Bolt M12 x 30	
17	0770814	4	Bolt M8 x 30 (SN 0300209000 through 0300227047)	
18	0771212	1	Bolt M12 x 25 Grade 10.9	
19	0771414	9	Bolt M14 x 30 Grade 10.9	
20	0940070	1	Bumper	
21	0961986	2	Bushing, Flanged	
22	1703162	2	Decal - Fan	
23	2220273	1	Fitting, Reducer	
24	2300004	3.2 gal/ 12.1L	Anti-freeze	
25	2540038	2	Grommet	
26	2902065	1	Pump Coupling Kit (See PUMP COUPLING KIT for Breakdown)	
27	3272001	4	Nut 5/8 Grade 8	
28	3290801	AR	Nut M8	
29	3291001	4	Nut M10	
29	3291007	4	Nut M10	
30	3310401	3	Nut #4	
31	3311405	8	Nut 1/4	
32	3311605	7	Nut 3/8	
33	3311705	3	Nut 7/16	
34	1001137336	AR	Strap	
35	3580320	1	Pulley	
36	3910408	3	Screw #4 x 1/2	
37	3931432	1	Capscrew 1/4 x 2	
38	3931508	2	Capscrew 5/16 x 1/2	
38	4031907	2	Capscrew M8 x 16	
39	3931512	4	Capscrew 5/16 x 3/4	
40	3931628	4	Capscrew 3/8 x 1-3/4	
41	3960543	1	Seal	
42	3960544	1	Seal	
43	4031914	4	Bolt M8 x 50	
44	4032014	4	Bolt M10 x 50	

## SECTION 3 - ENGINE

ITEM	PART NUMBER	QTY	DESCRIPTION	REV
45	4240099	AR	Tie-Strap (Not Shown)	
46	4710400	3	Washer #4	
47	4711400	7	Washer 1/4	
48	4711500	AR	Washer 5/16	
49	4711600	21	Washer 3/8	
50	4711700	6	Washer 7/16	
51	4751400	8	Washer 1/4	
52	4751700	2	Washer 7/16	
53	4811900	AR	Washer M8	
54	4811902	10	Washer M8	
55	4812000	AR	Washer M10	
56	4812100	AR	Washer M12	
57	4812200	9	Washer M14	
58	4831900	2	Washer M8 (SN 0300209000 through 0300227047)	
59	4892000	4	Washer 5/8	
60	8405006	2	Clamp	
61	8405007	2	Clamp	
62	8405201	4	Clamp	
63	8405204	2	Clamp	
64	8406102	1	Clip	
65	8406110	2	Clip (SN 0300209000 through 0300227047)	
65	8406109	2	Clip (SN 0300227048 to Present)	
66	8406112	1	Clip	
67	8406302	2	Clamp	
68	8410011	2	Clamp	
69	0760814001	AR	Bolt M8 x 30	
69	0760814	AR	Bolt M8 x 30	
70	1001117308	1	Relay	
71	1001119727	2	Clamp	
72	1001133634	1	Clamp	
73	1001134488	1	Fitting, Elbow Barbed	
74	1001135138	1	Spacer, Fan	
75	1001135560	1	Support, Engine	
76	1001135562	1	Support, Engine - Rear	
77	1001135679	1	Spacer, Pulley	
78	1001135903	1	Pipe, Air Intake	
79	1001135946	1	Elbow, Rubber	
80	1001136079	2.4 gal/9L	Oil, Motor 15W-40	
80	1001136172	2.4 gal/9L	Oil, Motor	
81	1001136665	1	Bracket	
82	1001136834	1	Cap, Tank	
83	1001137276	1	Fan	
84	1001138228	1	Module, Power	
84	70023592	1	Fuse 20Amp	
84	70023593	1	Fuse 30Amp	
85	1001138253	2	Clamp	
86	1001138346	1	Harness, Engine (Not Shown - See ELECTRICAL SECTION for Breakdown)	
87	1001138827	1	Sensor, Coolant Level	
88	1001139240	1	Bracket	
89	1001140535	1	Tank (SN 0300209000 through 0300239674)	
89	1001166393	1	Tank, Surge (SN 0300239675 to Present)	



## SECTION 3 - ENGINE

ITEM	PART NUMBER	QTY	DESCRIPTION	REV
90	1001140564	1	Fitting, Elbow Barbed	
91	1001141304	1	Wire, Glow Plug (Not Shown)	
92	1001141717	1	Fitting, Straight	
93	1001141719	1	Fitting, Elbow Barbed	
94	1001142398	1	Support, Engine	
95	1001142501	1	Fitting, Elbow Barbed	
96	1001142685	1	Bracket	
97	1001143390	1	Indicator, Air Filter Service	
98	1001144089	1	Grommet	
99	1001145154	1	Plate, Mounting	
100	1001146219	4	Washer Special	
101	1001148843	1	Harness, Fuel Filter (Not Shown - See ELECTRICAL SECTION for Breakdown)	
102	1001153387	1	Plate <b>(SN 0300209000 through 0300239674)</b>	
102	1001229600	1	Plate <b>(SN 0300239675 to Present)</b>	
103	1001155575	4	Mount, Motor	
104	1001155823	1	Coupling	
105	1001168166	2	Seal	
106	1001169054	4	Isolator	
107	1001169138	4	Washer, Snubbing	
108	1001170035	1	Bracket	
109	1001176329	2	Bracket	
110	1001176330	1	Bracket	
111	1001176415	1	Hose, Radiator (Upper)	
112	1001176416	1	Hose, Radiator (Lower)	
113	1001176940	1	Bracket <b>(SN 0300209000 through 0300239674)</b>	
113	1001229599	1	Bracket <b>(SN 0300239675 to Present)</b>	
114	1001177094	1	Hose <b>(SN 0300209000 through 0300239674)</b>	
114	1001138524	1	Hose <b>(SN 0300239675 to Present)</b>	
115	1001178236	1	Bracket	
116	1001178894	1	Hose	
117	1001180620	AR	Adhesive	
118	1001187011	1	Tray	
119	1001219642	1	Engine Components - Deutz TCD2.9L4 Engine (See ENGINE COMPONENTS - DEUTZ TCD2.9L4 ENGINE (CHINA SPEC ONLY) for Breakdown)	
120	1001220770	1	Radiator	
121	1001221203	1	Bracket	
122	1001221205	1	Bracket	
123	1001221207	1	Muffler	
124	1001221212	2	Clamp	
125	1001221213	1	Pipe, Exhaust	
126	1001221217	1	Pipe, Flex	
127	1001221219	1	Clamp	
128	4811900001	1	Washer M8	
128	4811900	1	Washer M8	
129	1001133633	1	Air Cleaner Assembly	
129	70024190	1	Element, Air Filter	
130	1001135779	1	Cable, Alternator Positive (Not Shown)	
131	1001138248	4 ft/ 1.2m	Tubing	
132	1001154405	5 ft/ 1.5m	Hose	

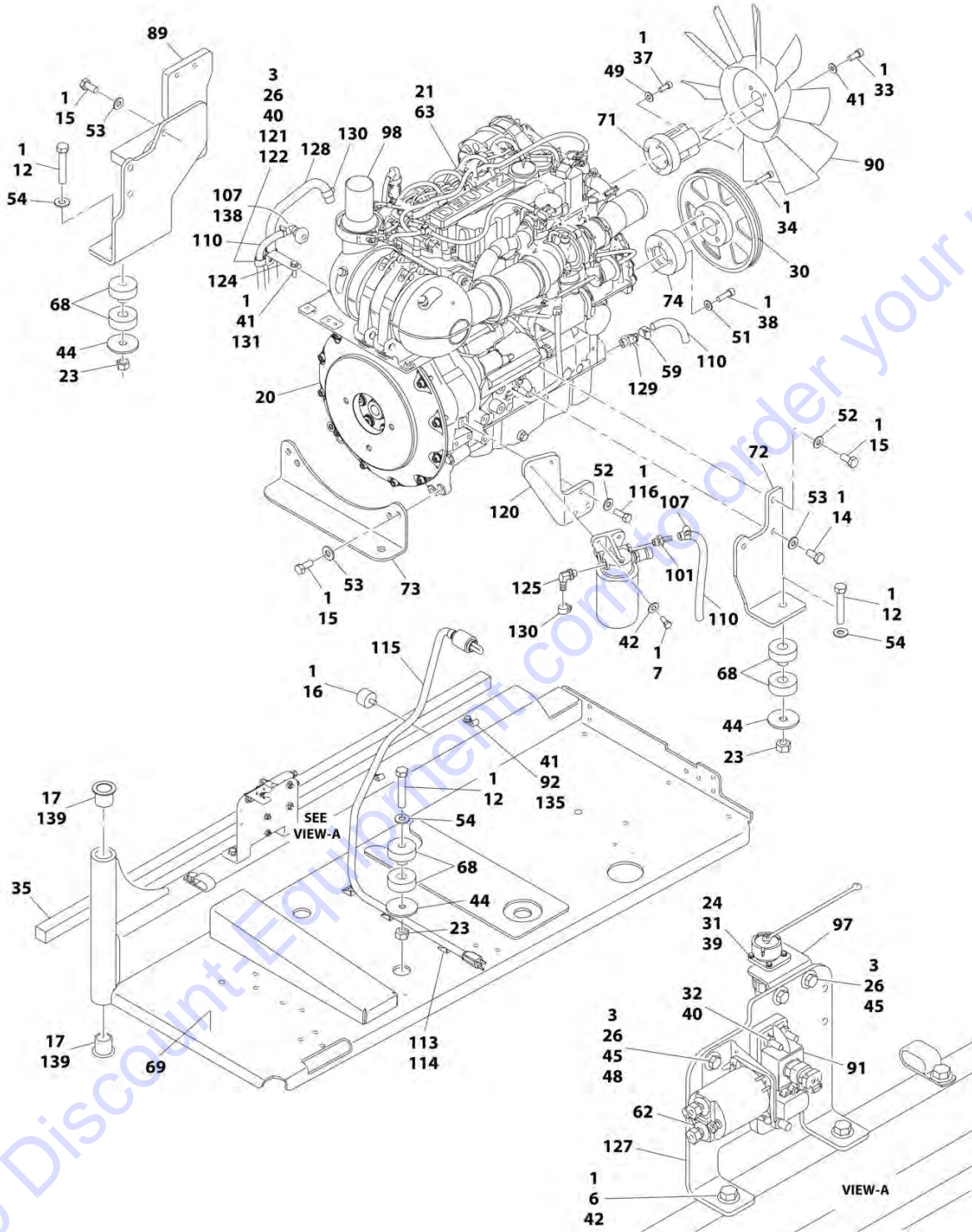
## SECTION 3 - ENGINE

ITEM	PART NUMBER	QTY	DESCRIPTION	REV
133	1001165035	30.5 ft/ 9.3m	Hose	
134	1320022	6	Clamp	
135	2720015	5 ft/ 1.52m	Hose	
136	1001221427	1	Muffler-Wrap	
137	4920385	AR	Wire, Safety <b>(SN 0300227048 to Present)</b>	
138	1001170982	1	Adapter <b>(SN 0300227048 to Present)</b>	
139	4812000	4	Washer M10	
139	4812002	4	Washer M10	
140	1320130	1	Clamp	
141	5250808	1	Bolt M8 x 16	
142	3290805	2	Nut M8	
143	0100035	AR	Compound, Locking	
144	3290807	4	Nut M8 <b>(SN 0300239675 to Present)</b>	
145	4640751	1	Valve, Oil Drain <b>(SN 0300239675 to Present)</b>	
146	8410013	1	Clamp <b>(SN 0300239675 to Present)</b>	
147	1001182997	AR	Adhesive <b>(SN 0300239675 to Present)</b>	
148	0761210	1	Bolt M12 x 20 <b>(SN 0300239675 to Present)</b>	
149	1001138559	1	Fitting, Elbow <b>(SN 0300239675 to Present)</b>	





# SECTION 3 - ENGINE



ART\_1001141746\_20F2

## SECTION 3 - ENGINE

FIGURE 3-28. DEUTZ TCD2.9L4 ENGINE ASSEMBLY - WITH COLD WEATHER PLUS PACKAGE

ITEM	PART NUMBER	QTY	DESCRIPTION	REV
	1001141746	Ref	DEUTZ TCD2.9L4 ENGINE ASSEMBLY - WITH COLD WEATHER PLUS PACKAGE	AG
1	0100011	AR	Compound, Locking	
2	0100020	AR	Sealant	
3	0641406	5	Bolt 1/4 x 3/4	
5	0641508	8	Bolt 5/16 x 1	
6	0641606	5	Bolt 3/8 x 3/4	
7	0641608	9	Bolt 3/8 x 1	
8	0641610	2	Bolt 3/8 x 1-1/4	
9	0641708	6	Bolt 7/16 x 1	
10	0700815	2	Bolt M8 x 35	
12	0682028	4	Bolt 5/8 x 3-1/2 Grade 8	
14	0771212	1	Bolt M12 x 25 Grade 10.9	
15	0771414	9	Bolt M14 x 30 Grade 10.9	
16	0940070	1	Bumper	
17	0961986	2	Bushing, Flanged	
18	0641706	2	Bolt 7/16 x 3/4	
19	2300041	3.2 gal/ 12.1L	Anti-freeze	
20	2902065	1	Pump Coupling Kit (See PUMP COUPLING KIT for Breakdown)	
21	1001136172	2.4 gal/9L	Oil, Motor 5W-40	
22	3290801	2	Nut M8	
23	3272001	4	Nut 5/8 Grade 8	
24	3310401	3	Nut #4	
25	8406302	2	Clamp	
26	3311405	6	Nut 1/4	
28	3311605	9	Nut 3/8	
29	3311705	5	Nut 7/16	
30	3580320	1	Pulley	
31	3910408	3	Screw #4 x 1/2	
32	3931432	1	Capscrew 1/4 x 2	
33	3931512	4	Capscrew 5/16 x 3/4	
34	3931628	4	Capscrew 3/8 x 1-3/4	
35	3960543	1	Seal	
36	3960544	1	Seal	
37	4031914	4	Bolt M8 x 50	
38	4032014	4	Bolt M10 x 50	
39	4710400	3	Washer #4	
40	4711400	3	Washer 1/4	
41	4711500	19	Washer 5/16	
42	4711600	25	Washer 3/8	
43	4711700	10	Washer 7/16	
44	1001146219	4	Washer Special	
45	4751400	8	Washer 1/4	
47	4751700	2	Washer 7/16	
48	4791400	2	Washer, Star 1/4	
49	4811900	4	Washer M8	
50	4811902	2	Washer M8	
51	4812000	4	Washer M10	
52	4812100	4	Washer M12	

## SECTION 3 - ENGINE

ITEM	PART NUMBER	QTY	DESCRIPTION	REV
53	4812200	9	Washer M14	
54	4892000	4	Washer 5/8	
55	4831900	2	Washer M8	
56	8405201	8	Clamp	
57	8405204	10	Clamp	
59	8410013	5	Clamp	
60	91563070	1	Coupling, Rubber	
61	1001114495	1	Hose	
62	1001117308	1	Relay	
63	1001128947	1	Engine Components - Deutz TCD2.9L4 Engine (See ENGINE COMPONENTS - DEUTZ TCD2.9L4 ENGINE for Breakdown)	
66	1001133634	1	Clamp	
67	1001166393	1	Tank, Surge	
68	1001155575	4	Mount, Motor	
69	1001134485	NLA	Tray (Use p/n 1001191272) <b>(SN 0300209000 through 0300230067)</b>	
69	1001191272	1	Tray <b>(SN 0300230068 to Present)</b>	
70	1001135090	1	Radiator	
71	1001135138	1	Spacer, Fan	
72	1001135560	1	Support, Engine	
73	1001135562	1	Support, Engine - Rear	
74	1001135679	1	Spacer, Pulley	
75	1001135680	1	Support, Radiator	
76	1001135901	1	Pipe, Air Intake	
77	1001135903	1	Pipe, Air Intake	
78	1001135913	1	Pipe, Turbo to Air Cleaner	
79	1001135914	1	Pipe, Air Cleaner to Intake	
80	1001135924	1	Hose, Radiator (Upper)	
81	1001135926	1	Hose, Radiator (Lower)	
82	1001135943	1	Coupling, Rubber	
83	1001135946	1	Elbow, Rubber	
84	1001136292	1	Pipe, Elbow	
85	1001138827	1	Sensor, Coolant Level	
86	1001136626	2	Bracket	
87	1001136665	1	Bracket	
88	1001136834	1	Cap, Tank	
89	1001142398	1	Support, Engine	
90	1001137276	1	Fan	
91	1001138228	1	Module, Power	
91	70023592	1	Fuse 20Amp	
91	70023593	1	Fuse 30Amp	
92	1001138253	5	Clamp	
94	1001138346	1	Harness, Engine (Not Shown - See ELECTRICAL SECTION for Breakdown)	
95	1001138524	1	Hose	
96	1001138559	1	Fitting, Elbow	
97	1001139240	1	Bracket	
98	1001153024	1	Pipe, Exhaust	
100	1001141304	1	Wire, Glow Plug (Not Shown)	
101	1001141717	1	Fitting, Straight	
102	1001141719	1	Fitting, Elbow Barbed	
103	1001140564	1	Fitting, Elbow Barbed	

## SECTION 3 - ENGINE

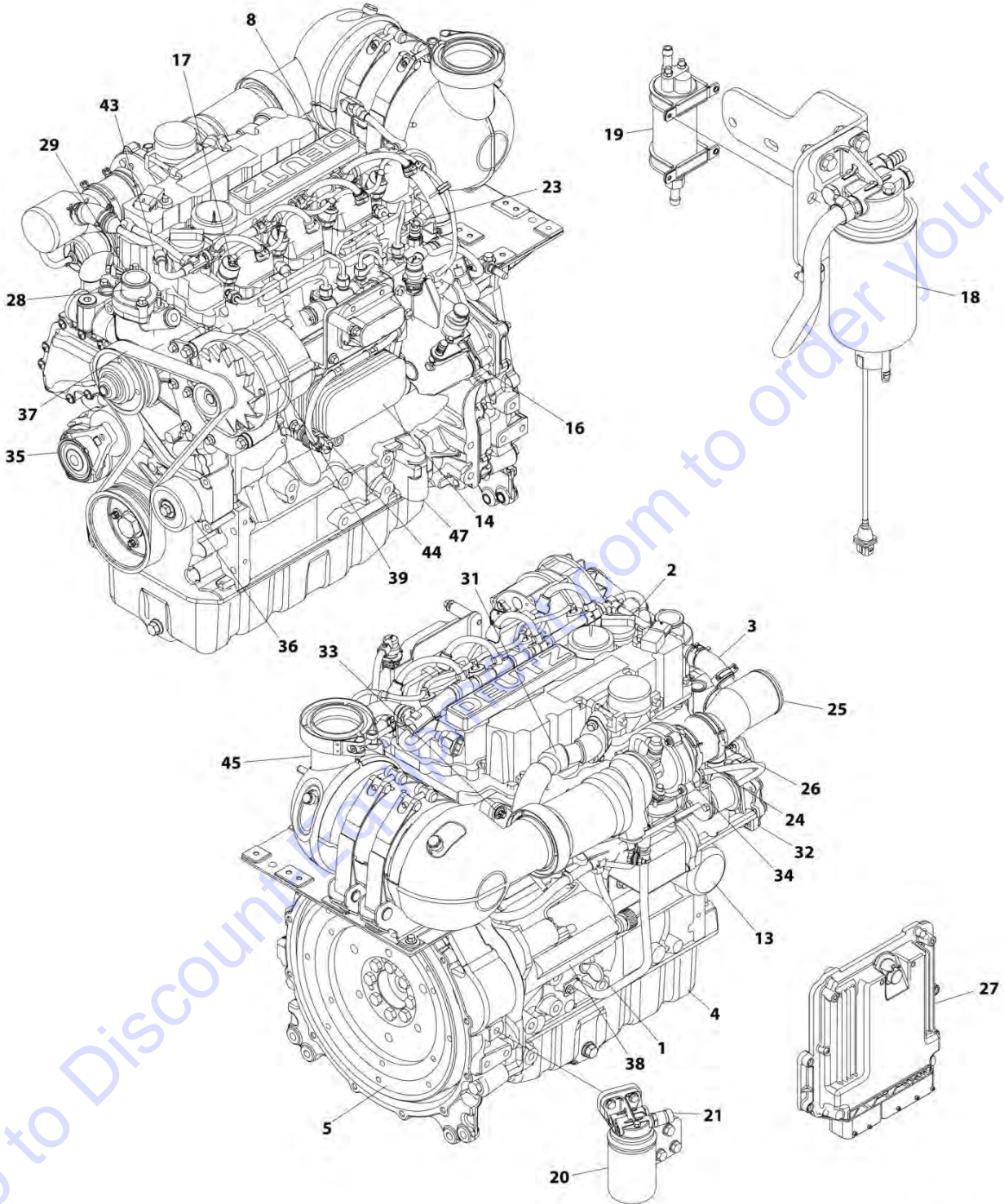
ITEM	PART NUMBER	QTY	DESCRIPTION	REV
104	1001133633	1	Air Cleaner Assembly	
104	70024190	1	Element, Air Filter	
105	1001135779	1	Cable, Alternator Positive (Not Shown)	
106	1001138248	4 ft/ 1.2m	Tubing	
107	1320022	2	Clamp	
108	2720015	4.5 ft/ 1.4m	Hose	
110	1001165035	30.5 ft/ 9.3m	Hose	
112	8405007	2	Clamp	
113	4240099	AR	Tie-Strap	
114	4460234	3	Mount, Wire Tie	
115	1001140312	1	Heater, Block	
116	0761214	3	Bolt M12 x 30	
117	1001165820	1	Pipe, Elbow	
118	1001143390	1	Indicator, Air Filter Service	
119	1001142637	1	Hose, Hump	
120	1001142685	1	Bracket	
121	8406102	2	Clip	
122	8406112	1	Clip	
123	1001134488	1	Fitting, Elbow Barbed	
124	1001138717	1	Bracket	
125	1001142501	1	Fitting, Elbow Barbed	
126	1001144089	1	Grommet	
127	1001145154	1	Plate, Mounting	
128	1001154405	5 ft/ 1.5m	Hose	
129	4640751	1	Valve, Oil Drain	
130	8405006	2	Clamp	
131	0760810	2	Bolt M8 x 20	
132	1001148843	1	Harness, Fuel Filter (Not Shown - See ELECTRICAL SECTION for Breakdown)	
134	1703162	2	Decal - Fan	
135	0641503	3	Bolt 5/16 x 3/8	
136	1001153387	1	Plate	
137	3931508	2	Capscrew 5/16 x 1/2	
138	1001155823	1	Coupling	
139	0100062	AR	Adhesive, Loctite #680	
140	1001181895	AR	Adhesive, Loctite #640 (Not Shown - Apply to Block Heater)	





# SECTION 3 - ENGINE

## FIGURE 3-29. ENGINE COMPONENTS - DEUTZ TCD2.9L4 ENGINE



ART\_1001128947

## SECTION 3 - ENGINE

**FIGURE 3-29. ENGINE COMPONENTS - DEUTZ TCD2.9L4 ENGINE**

ITEM	PART NUMBER	QTY	DESCRIPTION	REV
	1001128947	Ref	ENGINE COMPONENTS - DEUTZ TCD2.9L4 ENGINE	K
1	70024904	1	Dipstick	
1	70024905	1	O-Ring	
2	7020465	2	Cap, Filler	
3	70025111	2	Clamp	
4	70025162	1	Pan, Oil	
4	70025088	2	Plug	
4	7020404	2	Washer, Sealing	
5	70001870	1	Flywheel	
5	7024579	1	Gear, Ring	
6	70024906	1	Gasket, Head (Not Shown)	
7	70025204	1	Shield, Heat (Not Shown)	
8	70025163	1	Cover, Valve	
8	70025205	1	Gasket	
8	70025206	1	Gasket, Small Valve Cover	
8	70025207	1	Gasket, Large Valve Cover	
8	70025208	1	Gasket	
9	70025076	1	Valve (Not Shown - Located on Right Side of Front Engine Cover)	
9	70025176	1	Spring	
9	70025082	1	Ring, Sealing	
9	70025091	1	Plug	
10	70025190	1	Cover, Front (Not Shown - Located on Front of Engine)	
10	70024907	1	Gasket, Front Cover	
10	70004280	1	Seal, Shaft - Front	
11	70002718	1	Seal, Shaft - Rear (Not Shown)	
12	70025202	1	Pump, Oil Lube (Not Shown)	
12	70025135	1	O-Ring	
12	70025136	1	Gasket	
13	7016331	1	Filter, Oil	
13	70025137	1	Bushing	
14	70004275	1	Cooler, Engine Oil (Not Shown - Located on Right Side)	
14	70024925	1	Gasket	
15	70025171	1	Oil Suction Pump (Not Shown - Located Inside of Engine Oil Pan)	
16	70024924	1	Pump, Fuel (Not Shown - Located on Right Side)	
16	70025152	1	O-Ring	
16	70025080	1	Washer	
16	70024488	1	Spacer	
16	70024517	1	O-Ring	
17	70025181	4	Injector, Fuel (Not Shown - Located on Right Side)	
17	70025140	4	Washer, Sealing	
17	70025146	4	Clamp (Top of Injector)	
17	70025145	4	O-Ring	
17	70025154	4	Shoe, Clamping	
17	70000345	1	Plug, Glow (Not Shown)	
17	70025231	1	Harness, Glow Plug (Not Shown)	
18	70024961	1	Fuel Filter Assembly	
18	70025153	1	Filter, Fuel	
18	70024513	1	Cable, Sensor	
18	70025239	1	Ring, Sealing	
19	70024486	1	Pump, Fuel	



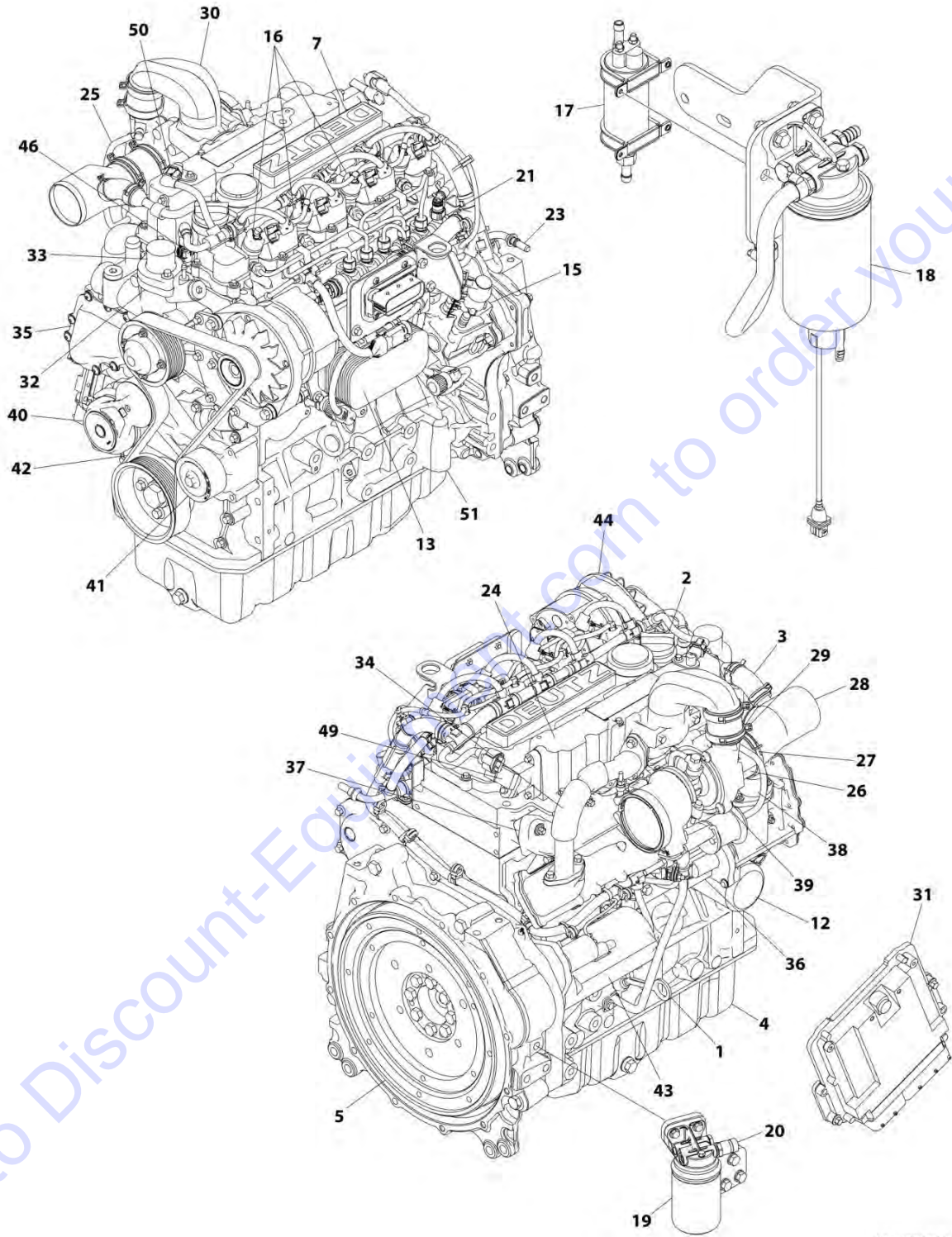
## SECTION 3 - ENGINE

ITEM	PART NUMBER	QTY	DESCRIPTION	REV
19	70025144	2	Clamp	
20	70025160	1	Filter with Head	
20	70025161	1	Filter, Fuel	
21	70024504	1	Sensor, Pressure	
21	70024920	1	O-Ring	
21	70025103	1	Retainer	
22	70025151	1	Rail, Fuel (Not Shown)	
22	70025235	1	Repair Kit	
23	70025182	1	Fuel Line - High Pressure (Cylinder 1 & 2) (Not Shown)	
23	70025183	1	Fuel Line - High Pressure (Cylinder 3 & 4) (Not Shown)	
23	70025184	1	Fuel Line - High Pressure (Supply) (Not Shown)	
24	70004501	1	Sleeve, Rubber	
25	70004502	1	Pipe, Intake	
26	70025112	2	Clamp	
27	70025210	1	ECU (Engine Control Unit)	
28	70024910	1	Pump, Water	
28	70025200	1	Ring, Sealing	
28	70025084	2	Plug	
28	7020492	2	Ring, Sealing	
29	70024473	1	Thermostat	
29	70025143	1	O-Ring	
29	70025142	1	Cover, Thermostat	
30	70025177	1	Pipe (Not Shown - Located on Left Side)	
30	70025179	2	Gasket	
31	70025178	1	Pipe	
31	70025156	1	Valve, Shuttle	
31	70025179	2	Gasket	
31	70025180	1	Gasket	
32	70025203	1	Module, EGR	
32	70025155	1	Plug	
33	70004282	1	Manifold, Exhaust (Not Shown)	
33	70025164	1	Gasket, Exhaust Manifold to Head	
34	70004503	1	Turbocharger	
34	70024912	1	Gasket, Exhaust Manifold	
35	70025477	1	Tensioner, Belt (Not Shown - Located on Front of Engine)	
36	70024484	1	Idler Roller (Not Shown - Located on Front of Engine)	
37	70004277	1	Belt, Drive (Not Shown)	
38	70024915	1	Starter	
39	70025533	1	Generator	
39	70025149	1	Regulator, Voltage	
40	70004284	1	Harness, Engine (Not Shown)	
41	70024507	1	Sensor, Pressure (Not Shown - Located Top Rear)	
41	70025120	1	O-Ring	
42	70024503	1	Sensor, Speed (Not Shown - Located Left Side Front and Flywheel Housing)	
42	70024917	1	O-Ring	
43	70024918	1	Sender, Temperature (Not Shown - Located Top Front)	
44	70024919	1	Sensor, Pressure (Not Shown - Located on Right Side)	
44	70024920	1	O-Ring	
45	70005445	1	Outlet, Muffler	
46	70004279	1	Gasket Kit (Not Shown)	
47	70025660	1	Screw	



# SECTION 3 - ENGINE

FIGURE 3-30. ENGINE COMPONENTS - DEUTZ TCD2.9L4 ENGINE (CHINA SPEC ONLY)



ART\_1001219642

## SECTION 3 - ENGINE

**FIGURE 3-30. ENGINE COMPONENTS - DEUTZ TCD2.9L4 ENGINE (CHINA SPEC ONLY)**

ITEM	PART NUMBER	QTY	DESCRIPTION	REV
	1001219642	Ref	ENGINE COMPONENTS - DEUTZ TCD2.9L4 ENGINE (CHINA SPEC ONLY)	C
1	70006127	1	Dipstick	
1	70024905	1	O-Ring	
2	7020465	2	Cap, Filler	
3	70005920	1	Hose	
3	70025111	2	Clamp	
4	70025162	1	Pan, Oil	
4	70005941	2	Plug	
4	70005942	2	Washer, Sealing	
5	70001870	1	Flywheel	
5	7024579	1	Gear, Ring	
6	70024906	1	Gasket, Head (Not Shown)	
7	70005921	1	Cover, Valve	
7	70025205	1	Gasket	
7	70005171	1	Gasket	
8	70025076	1	Valve (Not Shown - Located on Right Side of Front Engine Cover)	
8	70025176	1	Spring	
8	70025082	1	Ring, Sealing	
8	70025091	1	Plug	
9	70004280	1	Seal, Shaft - Front	
10	70002718	1	Seal, Shaft - Rear (Not Shown)	
11	70005172	1	Pump, Oil Lube (Not Shown)	
11	70025135	1	O-Ring	
11	70005173	1	Gasket	
12	7016331	1	Filter, Oil	
12	70025137	1	Bushing	
13	70024494	1	Cooler, Engine Oil (Not Shown - Located on Right Side)	
13	70024925	1	Gasket	
14	70025171	1	Oil Suction Pump (Not Shown - Located Inside of Engine Oil Pan)	
15	70024924	1	Pump, Fuel	
15	70025152	1	O-Ring	
15	70025080	1	Washer	
15	70024488	1	Spacer	
15	70024517	1	O-Ring	
16	70025181	4	Injector, Fuel (Not Shown - Located on Right Side)	
16	70025140	4	Washer, Sealing	
16	70025146	4	Clamp (Top of Injector)	
16	70025145	4	O-Ring	
16	70025154	4	Shoe, Clamping	
16	70000345	1	Plug, Glow (Not Shown)	
16	70025231	1	Harness, Glow Plug (Not Shown)	
17	70005174	NLA	Pump, Fuel (Use p/n 1001226098)	
17	70025144	2	Clamp	
18	70024961	1	Fuel Filter Assembly	
18	70025153	1	Filter, Fuel	
18	70024513	1	Cable, Sensor	
18	70025239	1	Ring, Sealing	
19	70004511	1	Filter with Head	
19	70004512	1	Filter, Fuel	

## SECTION 3 - ENGINE

ITEM	PART NUMBER	QTY	DESCRIPTION	REV
20	70024504	1	Sensor, Pressure	
20	70024920	1	O-Ring	
21	70025151	1	Rail, Fuel	
21	70025235	1	Repair Kit	
21	70025240	1	O-Ring	
22	70025182	1	Fuel Line - High Pressure (Cylinder 1 & 2) (Not Shown)	
22	70025183	1	Fuel Line - High Pressure (Cylinder 3 & 4) (Not Shown)	
22	70025184	1	Fuel Line - High Pressure (Supply) (Not Shown)	
23	70025158	1	Manifold, Fuel	
23	70025109	2	Clamp	
23	70025115	1	Clamp	
23	70025133	1	Hose	
23	70024502	1	Pipe	
23	70025185	1	Hose	
23	70025101	2	Clamp	
24	70005923	1	Charge Air Pipe	
24	70005924	1	O-Ring	
24	70005177	1	Gasket	
25	70005925	1	Breather Line	
25	70005181	1	O-Ring	
26	70004501	1	Sleeve, Rubber	
27	70025112	2	Clamp	
28	70005926	1	Elbow Connector	
29	70005927	1	Sleeve, Rubber	
29	70025107	2	Clamp	
30	70005928	1	Charge Air Elbow	
31	70025210	1	ECU (Engine Control Unit)	
32	70024910	1	Pump, Water	
32	70025200	1	Ring, Sealing	
32	70025084	2	Plug	
32	7020492	2	Ring, Sealing	
33	70005929	1	Thermostat	
33	70005184	1	O-Ring	
33	70025142	1	Cover, Thermostat	
33	70025931	1	Gasket	
34	70025178	1	Pipe	
34	70025768	1	Valve, Shuttle	
34	70025179	2	Gasket	
34	70025180	1	Gasket	
35	70025203	1	Module, EGR (Includes Item 36)	
35	70025155	1	Plug	
36	70005188	1	Control Valve	
36	70005189	1	Seal	
37	70004282	1	Manifold, Exhaust	
37	70025164	1	Gasket, Exhaust Manifold to Head	
38	70026995	1	Pipe (Not Shown - Located on Left Side)	
38	70021895	2	Gasket	
39	70004276	1	Turbocharger	
39	70024912	1	Gasket, Exhaust Manifold	
39	70024509	1	Gasket, Return Line	
40	70025477	1	Tensioner, Belt	

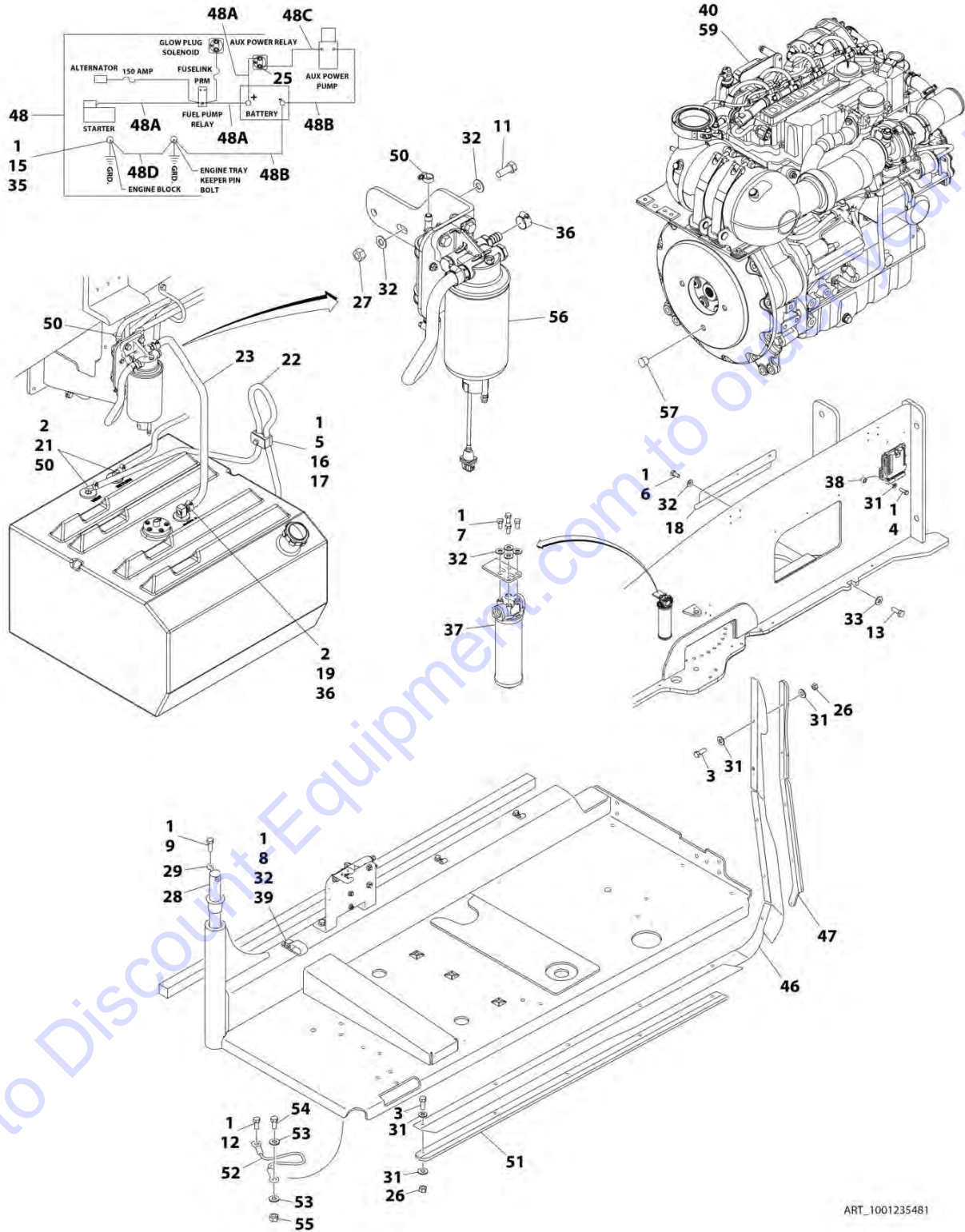
**SECTION 3 - ENGINE**

ITEM	PART NUMBER	QTY	DESCRIPTION	REV
41	70024484	1	Idler Roller	
42	70004277	1	Belt, Drive	
43	70024915	1	Starter	
43	70005647	1	Switch, Solenoid	
43	70005648	1	Relay	
44	70025533	1	Generator	
44	70025149	1	Regulator, Voltage	
45	70025077	1	Harness, Engine (Not Shown)	
46	70024918	1	Sender, Temperature	
47	70024504	1	Sensor, Pressure (Not Shown - Located on Right Side)	
47	70024920	1	O-Ring	
48	70026210	2	Sensor, Speed (Not Shown - Located Left Side Front and Flywheel Housing)	
48	70005191	2	O-Ring	
49	70024507	1	Sensor, Pressure (Not Shown - Located Top Rear)	
49	70025120	1	O-Ring	
50	70024922	1	Temperature, Transmitter	
50	70035212	1	O-Ring	
51	70025660	1	Screw	



# SECTION 3 - ENGINE

FIGURE 3-31. DEUTZ TCD2.9L4 (STAGE V) DIESEL ENGINE INSTALLATION - WITH SAUER PUMPS (WITHOUT COLD WEATHER PLUS PACKAGE)



ART\_1001235481



## SECTION 3 - ENGINE

**FIGURE 3-31. DEUTZ TCD2.9L4 (STAGE V) DIESEL ENGINE INSTALLATION - WITH SAUER PUMPS  
(WITHOUT COLD WEATHER PLUS PACKAGE)**

ITEM	PART NUMBER	QTY	DESCRIPTION	REV
	1001235481	Ref	DEUTZ TCD2.9L4 (STAGE V) DIESEL ENGINE INSTALLATION - WITH SAUER PUMPS (WITHOUT COLD WEATHER PLUS PACKAGE)	C
1	0100011	AR	Compound, Locking	
2	0100079	AR	Sealant, Pipe	
3	0641408	10	Bolt 1/4 x 1	
4	0641410	4	Bolt 1/4 x 1-1/4	
5	0641511	1	Bolt 5/16 x 1-3/8	
6	0641605	3	Bolt 3/8 x 5/8	
7	0641606	4	Bolt 3/8 x 3/4	
8	0641608	1	Bolt 3/8 x 1	
9	0641610	1	Bolt 3/8 x 1-1/4	
11	0641612	2	Bolt 3/8 x 1-1/2	
12	0641808	1	Bolt 1/2 x 1	
13	0642010	1	Bolt 5/8 x 1-1/4	
15	0761210	1	Bolt M12 x 20	
16	1320187	1	Clamp	
17	1320190	1	Cover, Clamp	
18	1671121	1	Cover	
19	2180832	1	Fitting, Barbed	
21	2220313	2	Fitting, 90 Barbed	
22	2750532	5 ft/ 1.5m	Hose	
23	1001154405	2 ft/ 0.6m	Hose	
25	3300220	2	Nut 5/16	
26	3311405	10	Nut 1/4	
27	3311605	2	Nut 3/8	
28	3422446	1	Pin, Pivot	
29	3841143	1	Pin, Keeper	
30	4240018	2	Strap, Tie (Not Shown)	
31	4711400	24	Washer 1/4	
32	4711600	12	Washer 3/8	
33	4752000	1	Washer 5/8	
35	4812100	1	Washer M12	
36	8405006	2	Clamp	
37	1001108617	1	Filter	
37	70002231	1	Element, Filter	
38	1001110425	4	Spacer	
39	1001116792	1	Clamp	
40	1001235476	1	Engine Sub-Assembly (See Separate Breakdown in this Section)	
42	1001138491	NLA	Harness, Fuel (Use p/n 1001222665) (Not Shown - See Separate Breakdown in ELECTRICAL SECTION)	
46	1001140604	1	Panel, Rubber	
47	1001145089	1	Clamp	
48	1001141225	1	Battery Cable Kit	E
48A	7027042	1	Cable, Battery (Red) (Battery + to Relays and Starter)	
48B	7027043	1	Cable, Battery (Black) (Battery - to Tray Pivot Grd and Aux Pump)	
48C	7027044	1	Cable (Red) (Aux Relay to Aux Pump)	
48D	7027045	1	Cable, Battery (Black) (Engine to Tray Pivot Grd)	
50	1320022	3	Clamp	

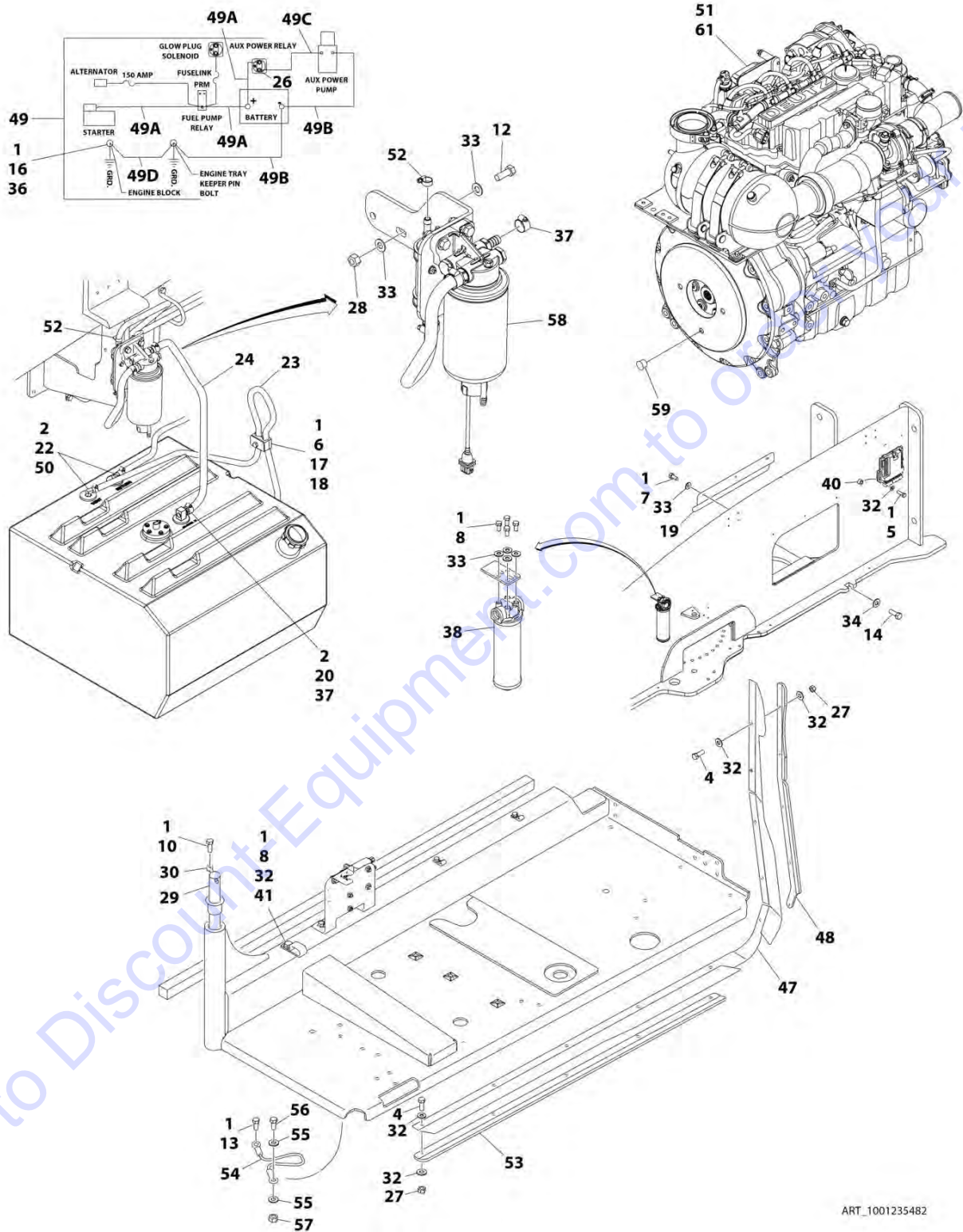
## SECTION 3 - ENGINE

ITEM	PART NUMBER	QTY	DESCRIPTION	REV
51	1001145842	1	Plate, Clamping	
52	1001131542	1	Lanyard	
53	4711700	2	Washer 7/16	
54	0641708	1	Bolt 7/16 x 1	
55	3311705	1	Nut 7/16	
56	1001165101	1	Bracket, Fuel Pump Filter Assembly (See Separate Breakdown in this Section)	
57	3520054	1	Plug	
58	1001241835	1L	Fluid, Diesel Fuel Additive (Not Shown)	
59	1001235459	1	Engine, Deutz TCD2.9L4 (Stage V) (See Separate Breakdown in this Section)	



# SECTION 3 - ENGINE

FIGURE 3-32. DEUTZ TCD2.9L4 (STAGE V) DIESEL ENGINE INSTALLATION - WITH REXROTH PUMPS (WITHOUT COLD WEATHER PLUS PACKAGE)



ART\_1001235482

## SECTION 3 - ENGINE

**FIGURE 3-32. DEUTZ TCD2.9L4 (STAGE V) DIESEL ENGINE INSTALLATION - WITH REXROTH PUMPS (WITHOUT COLD WEATHER PLUS PACKAGE)**

ITEM	PART NUMBER	QTY	DESCRIPTION	REV
	1001235482	Ref	DEUTZ TCD2.9L4 (STAGE V) DIESEL ENGINE INSTALLATION - WITH REXROTH PUMPS (WITHOUT COLD WEATHER PLUS PACKAGE)	C
1	0100011	AR	Compound, Locking	
2	0100079	AR	Sealant, Pipe	
4	0641408	10	Bolt 1/4 x 1	
5	0641410	4	Bolt 1/4 x 1-1/4	
6	0641511	1	Bolt 5/16 x 1-3/8	
7	0641605	3	Bolt 3/8 x 5/8	
8	0641606	4	Bolt 3/8 x 3/4	
9	0641608	1	Bolt 3/8 x 1	
10	0641610	1	Bolt 3/8 x 1-1/4	
12	0641612	2	Bolt 3/8 x 1-1/2	
13	0641808	1	Bolt 1/2 x 1	
14	0642010	1	Bolt 5/8 x 1-1/4	
16	0761210	1	Bolt M12 x 20	
17	1320187	1	Clamp	
18	1320190	1	Cover, Clamp	
19	1671121	1	Cover	
20	2180832	1	Fitting, Barbed	
22	2220313	2	Fitting, 90 Barbed	
23	2750532	5 ft/ 1.5m	Hose	
24	1001154405	2 ft/ 0.6m	Hose	
26	3300220	2	Nut 5/16	
27	3311405	10	Nut 1/4	
28	3311605	2	Nut 3/8	
29	3422446	1	Pin, Pivot	
30	3841143	1	Pin, Keeper	
31	4240018	2	Strap, Tie (Not Shown)	
32	4711400	24	Washer 1/4	
33	4711600	12	Washer 3/8	
34	4752000	1	Washer 5/8	
36	4812100	1	Washer M12	
37	8405006	2	Clamp	
38	1001108617	1	Filter	
38	70002231	1	Element, Filter	
40	1001110425	4	Spacer	
41	1001116792	1	Clamp	
43	1001138491	NLA	Harness, Fuel (Use p/n 1001222665) (Not Shown - See Separate Breakdown in ELECTRICAL SECTION)	
47	1001140604	1	Panel, Rubber	
48	1001145089	1	Clamp	
49	1001141225	1	Battery Cable Kit	
49A	7027042	1	Cable, Battery (Red) (Battery + to Relays and Starter)	
49B	7027043	1	Cable, Battery (Black) (Battery - to Tray Pivot Grd and Aux Pump)	
49C	7027044	1	Cable (Red) (Aux Relay to Aux Pump)	
49D	7027045	1	Cable, Battery (Black) (Engine to Tray Pivot Grd)	
51	1001235479	1	Engine Sub-Assembly (See Separate Breakdown in this Section)	
52	1320022	3	Clamp	

## SECTION 3 - ENGINE

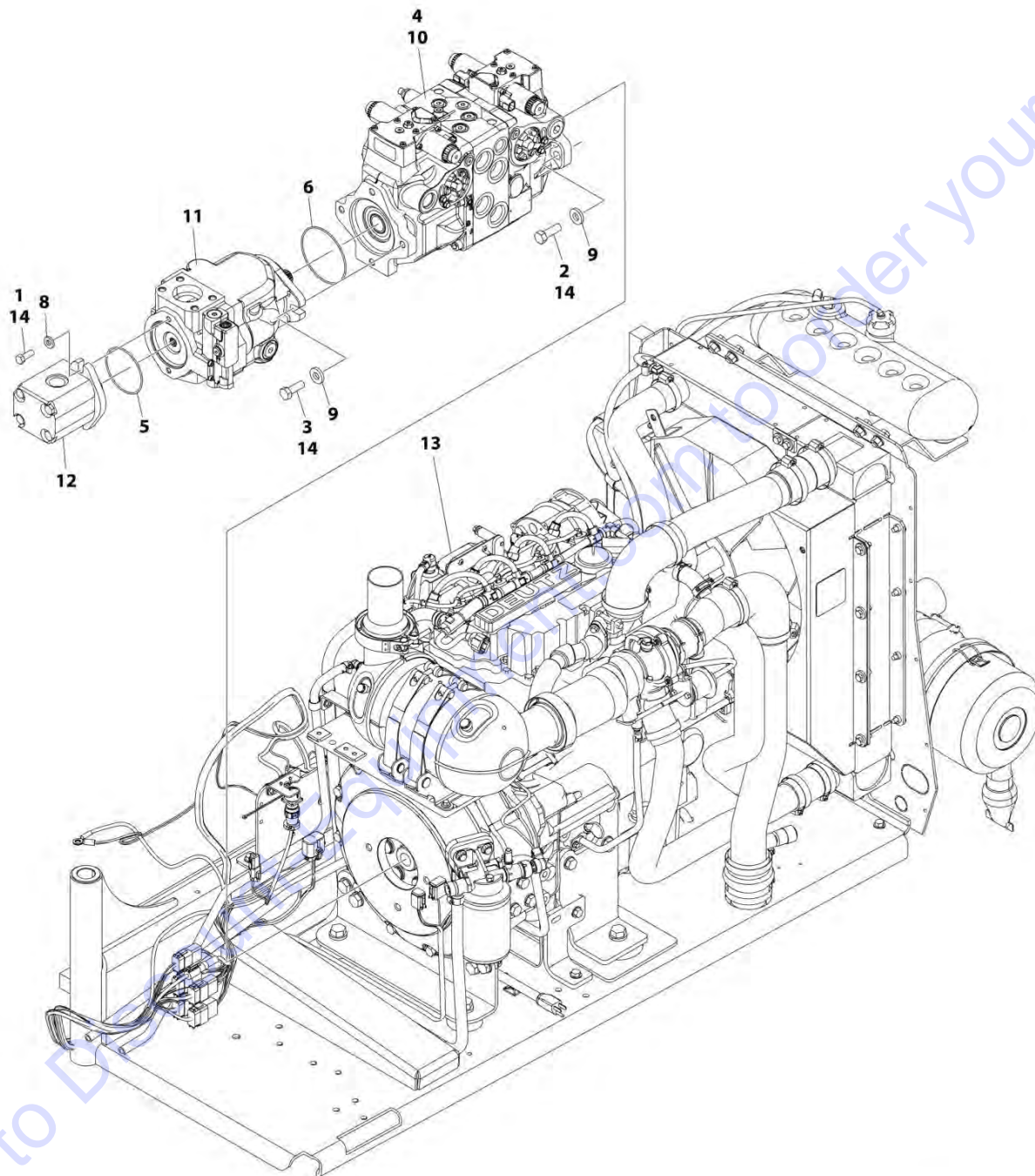
ITEM	PART NUMBER	QTY	DESCRIPTION	REV
53	1001145842	1	Plate, Clamping	
54	1001131542	1	Lanyard	
55	4711700	2	Washer 7/16	
56	0641708	1	Bolt 7/16 x 1	
57	3311705	1	Nut 7/16	
58	1001165101	1	Bracket, Fuel Pump Filter Assembly (See Separate Breakdown in this Section)	
59	3520054	1	Plug	
60	1001241835	1L	Fluid, Diesel Fuel Additive (Not Shown)	
61	1001235459	1	Engine, Deutz TCD2.9L4 (Stage V) (See Separate Breakdown in this Section)	





## SECTION 3 - ENGINE

FIGURE 3-33. DEUTZ TCD2.9L4 (STAGE V) ENGINE SUB-ASSEMBLY - WITH SAUER PUMP  
(WITHOUT COLD WEATHER PLUS PACKAGE)



ART\_1001235476

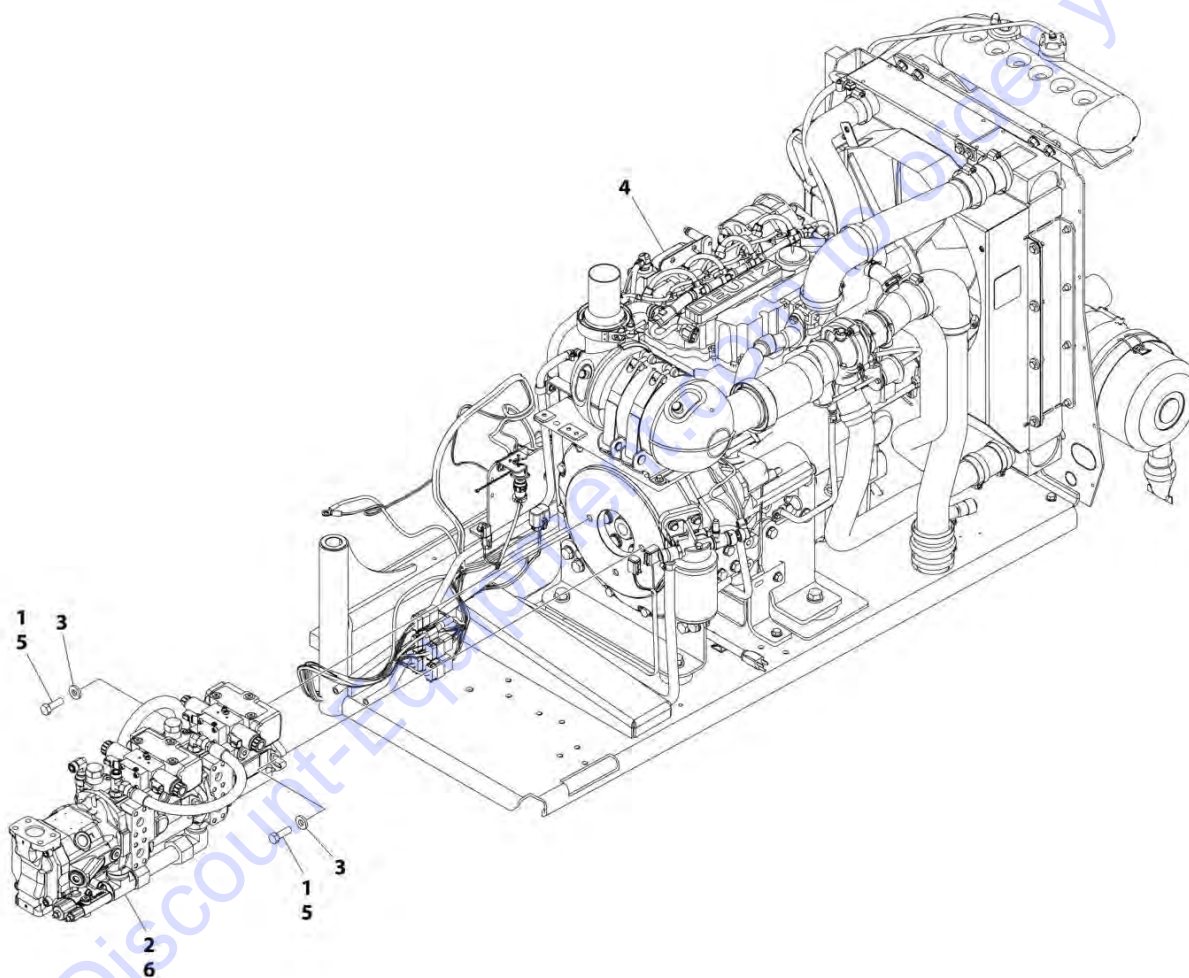
## SECTION 3 - ENGINE

**FIGURE 3-33. DEUTZ TCD2.9L4 (STAGE V) ENGINE SUB-ASSEMBLY - WITH SAUER PUMP  
(WITHOUT COLD WEATHER PLUS PACKAGE)**

ITEM	PART NUMBER	QTY	DESCRIPTION	REV
	1001235476	Ref	DEUTZ TCD2.9L4 (STAGE V) ENGINE SUB-ASSEMBLY - WITH SAUER PUMP (WITHOUT COLD WEATHER PLUS PACKAGE)	D
1	0641608	2	Bolt 3/8 x 1	
2	0641812	2	Bolt 1/2 x 1-1/2	
3	0761215	2	Bolt M12 x 35	
4	3020037	AR	Grease, Pump Coupling	
5	3790152	1	O-Ring	
6	3790155	1	O-Ring	
8	4891600	2	Washer 3/8	
9	4891800	4	Washer 1/2	
10	1001108616	1	Pump Assembly - Sauer Tandem (See Separate Breakdown in this Section)	
11	1001171095	1	Pump Assembly - Sauer Piston (See Separate Breakdown in this Section)	
12	1001112927	1	Pump Assembly - Sauer Gear (See Separate Breakdown in this Section)	
13	1001235477	1	Engine Assembly (See Separate Breakdown in this Section)	
14	0100011	AR	Compound, Locking	

## SECTION 3 - ENGINE

FIGURE 3-34. DEUTZ TCD2.9L4 (STAGE V) ENGINE SUB-ASSEMBLY - WITH REXROTH PUMP  
(WITHOUT COLD WEATHER PLUS PACKAGE)



ART\_1001235479

## SECTION 3 - ENGINE

**FIGURE 3-34. DEUTZ TCD2.9L4 (STAGE V) ENGINE SUB-ASSEMBLY - WITH REXROTH PUMP  
(WITHOUT COLD WEATHER PLUS PACKAGE)**

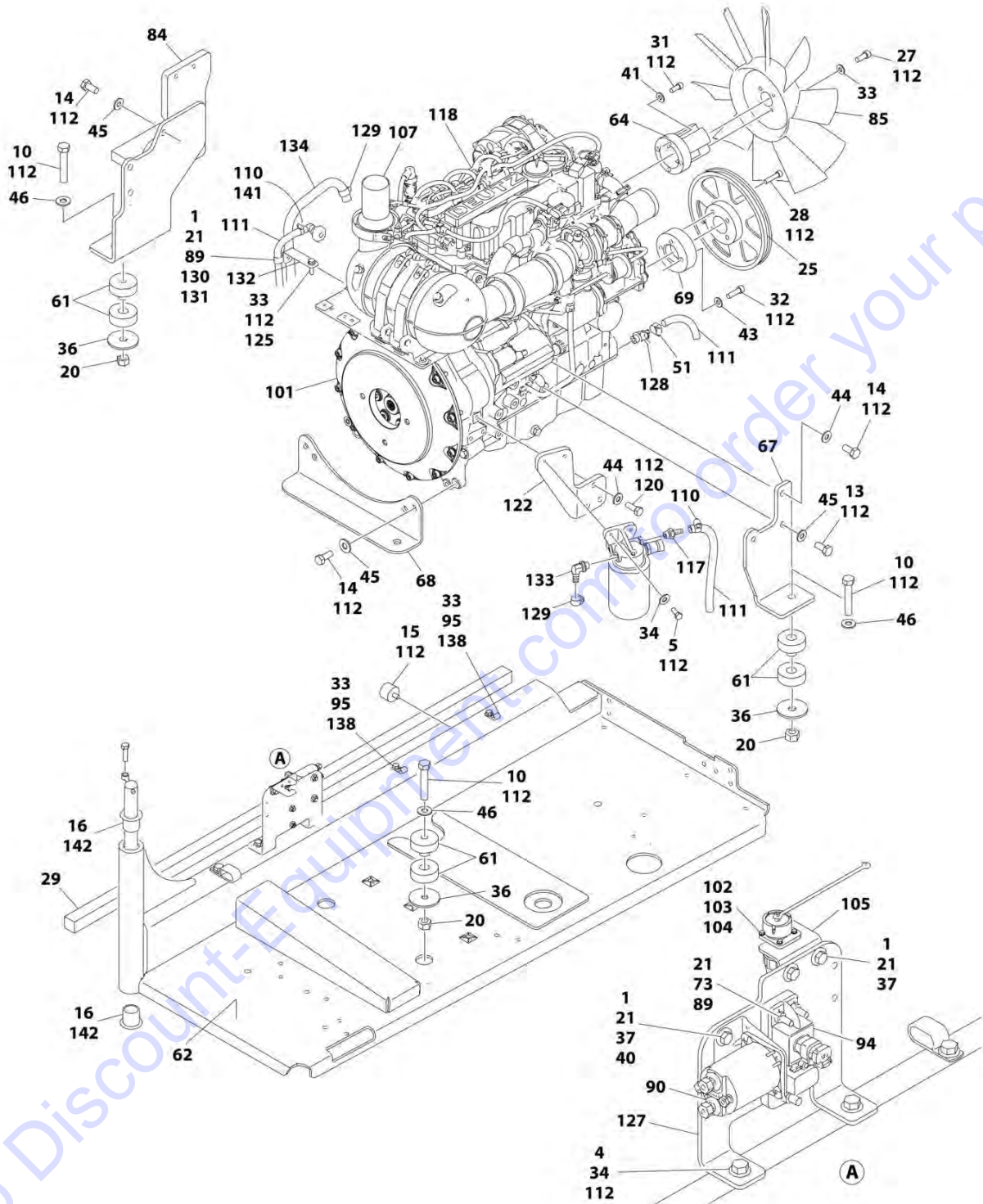
ITEM	PART NUMBER	QTY	DESCRIPTION	REV
	1001235479	Ref	DEUTZ TCD2.9L4 (STAGE V) ENGINE SUB-ASSEMBLY - WITH REXROTH PUMP (WITHOUT COLD WEATHER PLUS PACKAGE)	D
1	0641812	2	Bolt 1/2 x 1-1/2	
2	3020037	AR	Grease, Pump Coupling	
3	4891800	2	Washer 1/2	
4	1001235477	1	Engine Assembly (See Separate Breakdown in this Section)	
5	0100011	AR	Compound, Locking	
6	1001152963	1	Pump Assembly - Rexroth (See Separate Breakdown in this Section)	

Go to Discount-Equipment.com to order your parts





# SECTION 3 - ENGINE



ART\_1001235477\_20F2

## SECTION 3 - ENGINE

**FIGURE 3-35. DEUTZ TCD2.9L4 (STAGE V) ENGINE ASSEMBLY (WITHOUT COLD WEATHER PLUS PACKAGE)**

ITEM	PART NUMBER	QTY	DESCRIPTION	REV
	1001235477	Ref	DEUTZ TCD2.9L4 (STAGE V) ENGINE ASSEMBLY (WITHOUT COLD WEATHER PLUS PACKAGE)	D
1	0641406	5	Bolt 1/4 x 3/4	
3	0641508	8	Bolt 5/16 x 1	
4	0641606	5	Bolt 3/8 x 3/4	
5	0641608	9	Bolt 3/8 x 1	
6	0641610	2	Bolt 3/8 x 1-1/4	
7	0641708	6	Bolt 7/16 x 1	
8	0700815	2	Bolt M8 x 35	
9	1001135913	1	Pipe, Turbo to Air Cleaner	
10	0682028	4	Bolt 5/8 x 3-1/2 Grade 8	
12	1001140564	1	Fitting, 90 Barbed	
13	0771212	1	Bolt M12 x 25 Grade 10.9	
14	0771414	9	Bolt M14 x 30 Grade 10.9	
15	0940070	1	Bumper	
16	0961986	2	Bushing, Flanged	
17	0641706	2	Bolt 7/16 x 3/4	
18	1001134488	1	Fitting, 90 Barbed	
19	3290801	2	Nut M8	
20	3272001	4	Nut 5/8 Grade 8	
21	3311405	6	Nut 1/4	
22	1001135914	1	Pipe, Air Cleaner to Intake	
23	3311605	9	Nut 3/8	
24	3311705	5	Nut 7/16	
25	3580320	1	Pulley	
26	1001141719	1	Fitting, 90 Barbed	
27	3931512	4	Capscrew 5/16 x 3/4	
28	3931628	4	Capscrew 3/8 x 1-3/4	
29	3960543	1	Seal	
30	3960544	1	Seal	
31	4031914	4	Bolt M8 x 50	
32	4032014	4	Bolt M10 x 50	
33	4711500	19	Washer 5/16	
34	4711600	25	Washer 3/8	
35	4711700	10	Washer 7/16	
36	1001146219	4	Washer Special	
37	4751400	8	Washer 1/4	
38	8406302	2	Clamp	
39	4751700	2	Washer 7/16	
40	4791400	2	Starwasher 1/4	
41	4811900	4	Washer M8	
42	4811902	2	Washer M8	
43	4812000	4	Washer M10	
44	4812100	4	Washer M12	
45	4812200	9	Washer M14	
46	4892000	4	Washer 5/8	
47	4831900	2	Washer M8	
48	8405201	8	Clamp	
49	8405204	10	Clamp	



## SECTION 3 - ENGINE

ITEM	PART NUMBER	QTY	DESCRIPTION	REV
50	1001135926	1	Pipe, Radiator (Lower)	
51	8410013	5	Clamp	
52	91563070	1	Coupling, Rubber	
53	1001114495	1	Hose	
58	1001133633	1	Air Cleaner Assembly	
58	70024190	1	Element, Air Filter	
59	1001133634	1	Clamp	
60	1001166393	1	Tank, Surge	
61	1001155575	4	Mount, Motor	
62	1001191272	1	Tray	
63	1001135090	1	Radiator	
64	1001135138	1	Spacer, Fan	
67	1001135560	1	Support, Engine	
68	1001135562	1	Support, Engine - Rear	
69	1001135679	1	Spacer, Pulley	
70	1001135680	1	Support, Radiator	
71	1001135901	1	Pipe, Air Intake	
72	1001135903	1	Pipe, Air Intake	
73	3931432	1	Capscrew 1/4 x 2	
75	1001135924	1	Hose, Radiator (Upper)	
78	1001135943	1	Coupling, Rubber	
79	1001135946	1	Elbow, Rubber	
80	1001136292	1	Pipe, 90	
81	1001136626	2	Bracket	
82	1001136665	1	Bracket	
83	1001136834	1	Cap, Tank	
84	1001142398	1	Support, Engine	
85	1001137276	1	Fan	
87	8405007	2	Clamp	
89	4711400	3	Washer 1/4	
90	1001117308	1	Relay	
93	1001138827	1	Sensor, Coolant Level	
94	1001138228	1	Module, Power	
94	70023592	1	Fuse 20Amp (Switched Output)	
94	70023593	1	Fuse 30Amp (Battery Output)	
95	1001138253	5	Clamp	
96	1001138346	1	Harness, Engine (Not Shown - See Separate Breakdown in ELECTRICAL SECTION)	
97	1001138524	1	Hose	
98	1001138559	1	Fitting, 90	
99	2720015	4.5 ft/ 1.4m	Hose	
101	2902065	1	Pump Coupling Kit (See Separate Breakdown in this Section)	
102	3310401	3	Nut #4	
103	3910408	3	Screw #4 x 1/2	
104	4710400	3	Washer #4	
105	1001139240	1	Bracket	
106	1001138248	4 ft/ 1.2m	Tubing	
107	1001153024	1	Pipe, Exhaust	
110	1320022	2	Clamp	
111	1001165035	30.5 ft/ 9.3m	Hose	

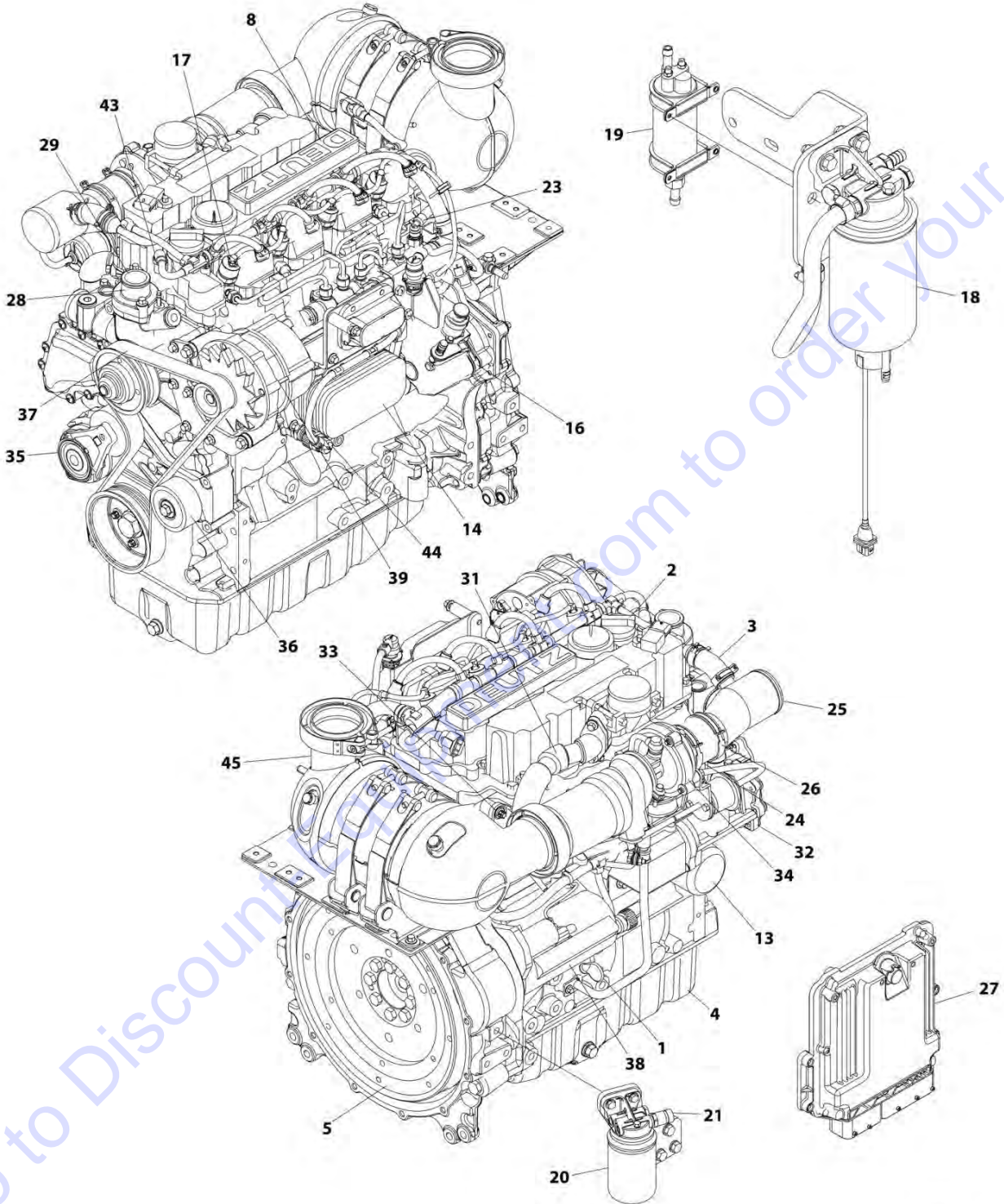
## SECTION 3 - ENGINE

ITEM	PART NUMBER	QTY	DESCRIPTION	REV
112	0100011	AR	Compound, Locking	
113	0100020	AR	Sealant	
114	1001141304	1	Wire, Glow Plug (Not Shown)	
115	1001135779	1	Cable, Alternator Positive (Not Shown)	
117	1001141717	1	Fitting, Straight	
118	1001136079	2.4 gal/ 9L	Oil, Motor	
119	2300004	3.2 gal/ 12.1L	Anti-freeze	
120	0761214	3	Bolt M12 x 30	
121	1001142637	1	Hose, Hump	
122	1001142685	1	Bracket	
123	1001165820	1	Pipe, Elbow	
124	1001143390	1	Indicator, Air Filter Service	
125	0760810	2	Bolt M8 x 20	
126	1001144089	1	Grommet	
127	1001145154	1	Plate, Mounting	
128	4640751	1	Valve, Oil Drain	
129	8405006	2	Clamp	
130	8406102	AR	Clip	
131	8406112	1	Clip	
132	1001138717	1	Bracket	
133	1001142501	1	Fitting, 90 Barbed	
134	1001154405	5 ft/ 1.5m	Hose	
135	1001148843	1	Harness, Fuel Filter (Not Shown - See Separate Breakdown in ELECTRICAL SECTION)	
137	1703162	2	Decal - Fan	
138	0641503	3	Bolt 5/16 x 3/8	
139	1001153387	1	Plate	
140	3931508	2	Capscrew 5/16 x 1/2	
141	1001155823	1	Coupling	
142	0100062	AR	Adhesive, Loctite #680	
143	4240099	AR	Tie-Strap (Not Shown)	



# SECTION 3 - ENGINE

## FIGURE 3-36. DEUTZ TCD2.9L4 (STAGE V) ENGINE COMPONENTS



ART\_1001128947

## SECTION 3 - ENGINE

**FIGURE 3-36. DEUTZ TCD2.9L4 (STAGE V) ENGINE COMPONENTS**

ITEM	PART NUMBER	QTY	DESCRIPTION	REV
	1001235459	Ref	DEUTZ TCD2.9L4 (STAGE V) ENGINE COMPONENTS	B
1	70024904	1	Dipstick	
1	70024905	1	O-Ring	
2	7020465	2	Cap, Filler	
3	7002511	2	Clamp	
4	70025162	1	Pan, Oil	
4	70025088	2	Plug	
4	7020404	2	Washer, Sealing	
5	70001870	1	Flywheel	
5	7024579	1	Gear, Ring	
6	70024906	1	Gasket, Head (Not Shown)	
7	70025204	1	Shield, Heat (Not Shown)	
8	70025163	1	Cover, Valve	
8	70025205	1	Gasket	
8	70025206	1	Gasket, Small Valve Cover	
8	70025207	1	Gasket, Large Valve Cover	
8	70025208	1	Gasket	
9	70025076	1	Valve (Not Shown - Located on Right Side of Front Engine Cover)	
9	70025176	1	Spring	
9	70025082	1	Ring, Sealing	
9	70025091	1	Plug	
10	70025190	1	Cover, Front (Not Shown - Located on Front of Engine)	
10	70024907	1	Gasket, Front Cover	
10	70004280	1	Seal, Shaft - Front	
11	70002718	1	Seal, Shaft - Rear (Not Shown)	
12	70025202	1	Pump, Oil Lube (Not Shown)	
12	70025135	1	O-Ring	
12	70025136	1	Gasket	
13	7016331	1	Filter, Oil	
13	70025137	1	Bushing	
14	70004275	1	Cooler, Engine Oil	
14	70024925	1	Gasket	
15	70025171	1	Oil Suction Pump (Not Shown - Located Inside of Engine Oil Pan)	
16	70024924	1	Pump, Fuel	
16	70025152	1	O-Ring	
16	70025080	1	Washer	
16	70024488	1	Spacer	
16	70024517	1	O-Ring	
17	70025181	4	Injector, Fuel	
17	70025140	4	Washer, Sealing	
17	70025146	4	Clamp (Top of Injector)	
17	70025145	4	O-Ring	
17	70025154	4	Shoe, Clamping	
17	70000345	1	Plug, Glow (Not Shown)	
17	70025231	1	Harness, Glow Plug (Not Shown)	
18	70024961	1	Fuel Filter Assembly	
18	70025153	NLA	Filter, Fuel (Use p/n 1001225430)	
18	70024513	1	Cable, Sensor	
18	70025239	1	Ring, Sealing	
19	70024486	2	Pump, Fuel	



# PARTS FINDER

**Search Website  
by Part Number**



**Search Manual  
Library For Parts  
Manual & Lookup Part  
Numbers – Purchase  
or Request Quote**

**Can't Find Part or  
Manual? Request Help  
by Manufacturer,  
Model & Description**

Discount-Equipment.com is your online resource for quality parts & equipment.

Florida: **561-964-4949** Outside Florida TOLL FREE: **877-690-3101**

**Need parts?**

Click on this link: <http://www.discount-equipment.com/category/5443-parts/> and choose one of the options to help get the right parts and equipment you are looking for. Please have the machine model and serial number available in order to help us get you the correct parts. If you don't find the part on the website or on one of the online manuals, please fill out the request form and one of our experienced staff members will get back to you with a quote for the right part that your machine needs.

We sell worldwide for the brands: Genie, Terex, JLG, MultiQuip, Mikasa, Essick, Whiteman, Mayco, Toro Stone, Diamond Products, Generac Magnum, Airman, Haulotte, Barreto, Power Blanket, Nifty Lift, Atlas Copco, Chicago Pneumatic, Allmand, Miller Curber, Skyjack, Lull, Skytrak, Tsurumi, Husquvarna Target, Stow, Wacker, Sakai, Mi-T-M, Sullair, Basic, Dynapac, MBW, Weber, Bartell, Bennar Newman, Haulotte, Ditch Runner, Menegotti, Morrison, Contec, Buddy, Crown, Edco, Wyco, Bomag, Laymor, EZ Trench, Bil-Jax, F.S. Curtis, Gehl Pavers, Heli, Honda, ICS/PowerGrit, IHI, Partner, Imer, Clipper, MMD, Koshin, Rice, CH&E, General Equipment, Amida, Coleman, NAC, Gradall, Square Shooter, Kent, Stanley, Tamco, Toku, Hatz, Kohler, Robin, Wisconsin, Northrock, Oztec, Toker TK, Rol-Air, APT, Wylie, Ingersoll Rand / Doosan, Innovatech, Con X, Ammann, Mecalac, Makinex, Smith Surface Prep, Small Line, Wanco, Yanmar

## SECTION 3 - ENGINE

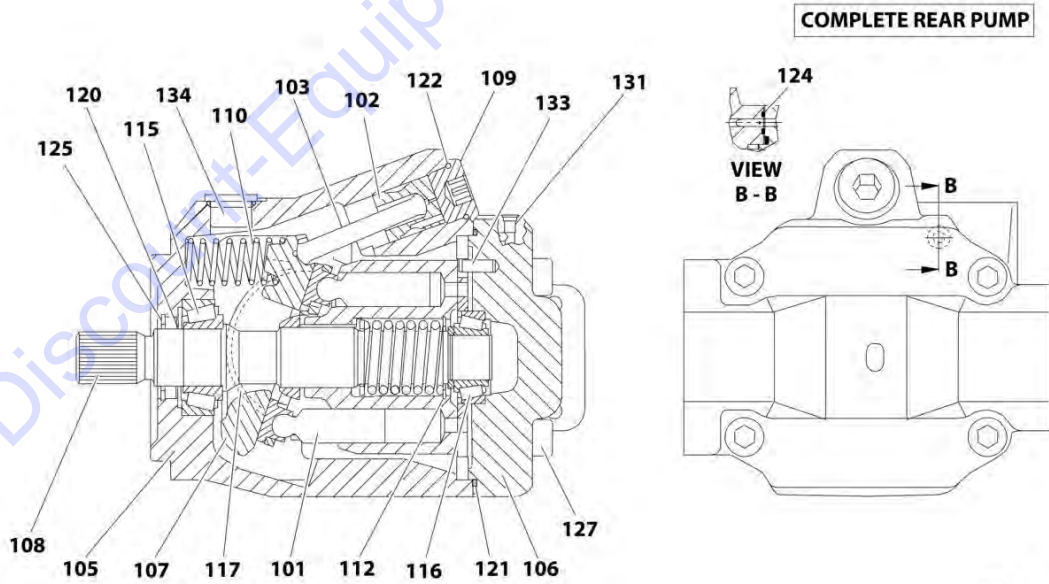
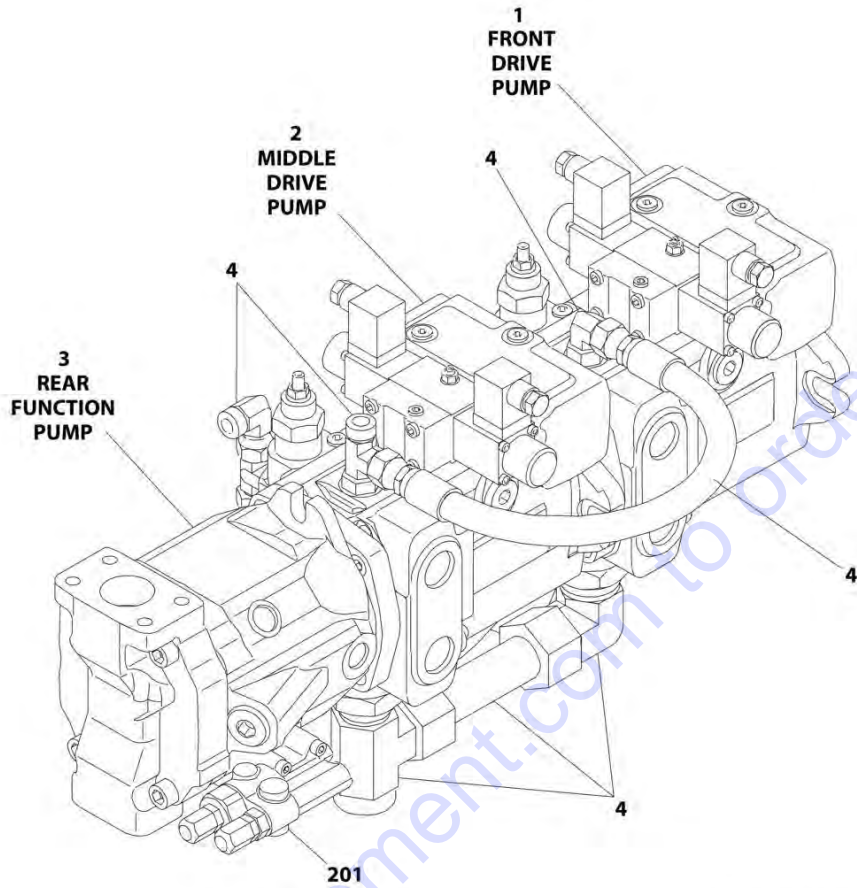
ITEM	PART NUMBER	QTY	DESCRIPTION	REV
19	70025144	1	Clamp	
20	70025160	1	Filter with Head	
20	70025161	NLA	Filter, Fuel (Use p/n 1001225431)	
21	70024504	1	Sensor, Pressure	
21	70024920	1	O-Ring	
21	70025103	1	Retainer	
22	70025151	1	Rail, Fuel (Not Shown)	
22	70025235	1	Repair Kit (Not Shown)	
23	70025182	1	Fuel Line - High Pressure (Cylinder 1 & 2)	
23	70025183	1	Fuel Line - High Pressure (Cylinder 3 & 4)	
23	70025184	1	Fuel Line - High Pressure (Supply)	
24	70004501	1	Sleeve, Rubber	
25	70004502	1	Pipe, Intake	
26	70025112	2	Clamp	
27	70025210	1	ECU (Engine Control Unit)	
28	70024910	1	Pump, Water	
28	70025200	1	Ring, Sealing	
28	70025084	2	Plug	
28	7020492	2	Ring, Sealing	
29	70024473	1	Thermostat	
29	70025143	1	O-Ring	
29	70025142	1	Cover, Thermostat	
30	70025177	1	Pipe (Not Shown - Located on Left Side)	
30	70025179	2	Gasket (Not Shown)	
31	70025178	1	Pipe	
31	70025156	1	Valve, Shuttle	
31	70025179	2	Gasket	
31	70025180	1	Gasket	
32	70025203	1	Module, EGR	
32	70025155	1	Plug	
33	70004282	1	Manifold, Exhaust	
33	70025164	1	Gasket, Exhaust Manifold to Head	
34	70004503	1	Turbocharger	
34	70024912	1	Gasket, Exhaust Manifold	
35	70025477	1	Tensioner, Belt	
36	70024484	1	Idler Roller	
37	70004277	1	Belt, Drive	
38	70024915	1	Starter	
39	70025533	1	Generator	
39	70025149	1	Regulator, Voltage	
40	70004284	1	Harness, Engine (Not Shown)	
41	70024507	1	Sensor, Pressure (Not Shown - Located Top Rear)	
41	70025120	1	O-Ring	
42	70026210	1	Sensor (Not Shown - Located Left Side Front and Flywheel Housing)	
42	70024917	1	O-Ring	
43	70024918	1	Sender, Temperature	
44	70024919	1	Sensor, Pressure	
44	70024920	1	O-Ring	
45	70005445	1	Outlet, Muffler	
46	70004279	1	Gasket Kit (Not Shown)	





# SECTION 3 - ENGINE

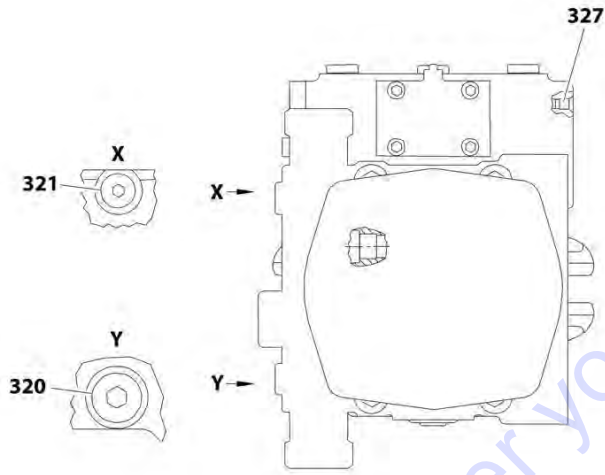
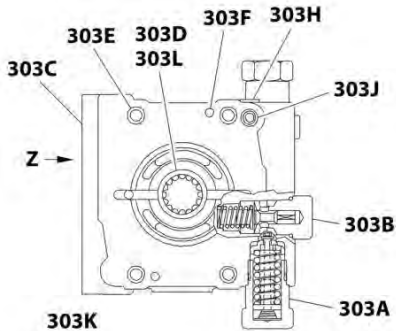
## FIGURE 3-37. PUMP ASSEMBLY (REXROTH) (DEUTZ TD2011 ENGINES)



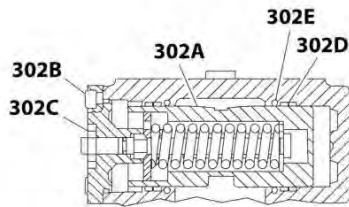
ART\_3600339\_10F2

# SECTION 3 - ENGINE

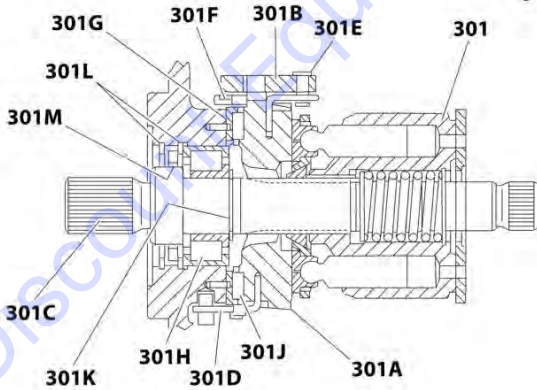
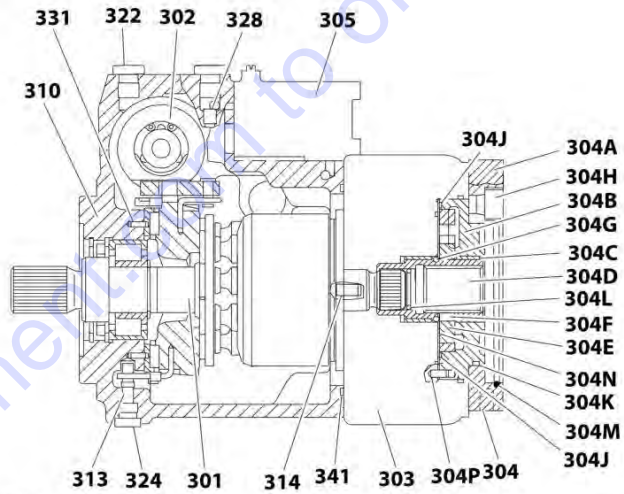
**COMPLETE FRONT AND PUMPS**



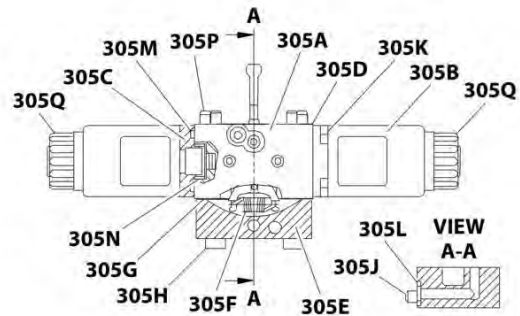
**PORT PLATE SECTION FRONT AND MID PUMPS (DETAIL OF ITEM 303)**



**HYD. CONTROL FRONT AND MID PUMPS (DETAIL OF ITEM 302)**



**ROTARY GROUP FRONT AND MID PUMPS (DETAIL OF ITEM 301)**



**CONTROL MODULE FRONT AND MID PUMPS (DETAIL OF ITEM 305)**

ART\_3600339\_20F2

## SECTION 3 - ENGINE

**FIGURE 3-37. PUMP ASSEMBLY (REXROTH) (DEUTZ TD2011 ENGINES)**

ITEM	PART NUMBER	QTY	DESCRIPTION	REV
	3600339	Ref	PUMP ASSEMBLY (REXROTH) (DEUTZ TD2011 ENGINES)	D
1	7024042	1	Front Drive Pump Assembly (Includes Items 301-341)	
2	7024043	1	Middle Drive Pump Assembly (Includes Items 301-341)	
3	7024044	1	Rear Function Pump Assembly (Includes Items 101-201)	
4	70001952	1	Hydraulic Kit (Includes all Rexroth Supplied Hydraulic Fittings, Hoses and Tubes)	
	7024044	Ref	REAR FUNCTION PUMP ASSEMBLY	
101	7024914	1	Rotary Section	
102	See Note	NSS	Piston, Control (Note: Not Available - Purchase Complete Assembly)	
103	See Note	NSS	Rod, Piston (Note: Not Available - Purchase Complete Assembly)	
105	See Note	NSS	Housing, Pump (Note: Not Available - Purchase Complete Assembly)	
106	See Note	NSS	Plate, Port (Note: Not Available - Purchase Complete Assembly)	
107	7024915	1	Plate, Swash	
108	7024916	1	Driveshaft	
109	See Note	NSS	Plug (Note: Not Available for Purchase)	
110	See Note	NSS	Spring (Note: Not Available for Purchase)	
112	7012709	1	Shim	
115	7024038	1	Bearing, Roller	
116	7012706	1	Bearing, Roller	
117	7024917	2	Shell, Cradle	
120	7024918	1	Seal, Shaft	
121	7024919	1	O-Ring	
122	7024920	1	O-Ring	
124	7024921	1	Seal	
125	7012715	1	V-Ring	
127	See Note	NSS	Capscrew M12 x 45 Grade 10.9 (Note: Not Available for Purchase)	
131	See Note	NSS	Plug (Note: Not Available for Purchase)	
133	See Note	NSS	Pin, Dowel (Note: Not Available for Purchase)	
134	See Note	NSS	Plug (Note: Not Available for Purchase)	
201	7024913	Ref	Pilot Valve Assembly	
		Ref	Note: Two mounting designs of p/n 7024913 pilot valve exist. Early design uses qty. 3 o-rings. Late design uses qty 1 sealing plate. Seal designs cannot be interchanged. Verify seal design before ordering.	
201	7024922	3	O-Ring (Seals between Pilot Valve and Rear Pump)	
201	70021867	1	Plate, Sealing (Seals between Pilot Valve and Rear Pump)	
		Ref	FRONT DRIVE PUMP ASSEMBLIES	
	7024042	Ref	Front Drive Pump Assembly	
	7024043	Ref	Middle Drive Pump Assembly	
301	7024064	1	Rotary Group	
301A	See Note	NSS	Cradle (Note: Use Item 301)	
301B	See Note	NSS	Ring, Slide (Note: Use Item 301)	
301C	See Note	NSS	Driveshaft (Note: Use Item 301)	
301D	See Note	NSS	Wire (Note: Use Item 301)	
301E	See Note	NSS	Pin, Joint (Note: Use Item 301)	
301F	See Note	NSS	Wire (Note: Use Item 301)	
301G	See Note	NSS	Liner, Bearing (Note: Use Item 301)	
301H	See Note	NSS	Bearing, Roller (Note: Use Item 301)	
301J	See Note	NSS	Cradle Bearing Assembly (Note: Use Item 301)	

## SECTION 3 - ENGINE

ITEM	PART NUMBER	QTY	DESCRIPTION	REV
301K	See Note	NSS	Ring, Retaining (Note: Use Item 301)	
301L	70001968	2	Ring, Retaining	
301M	7024070	1	Seal, Shaft Ring	
302	7024065	1	Control Group - Hydraulic	
302A	See Note	NSS	Piston, Positioning - Complete (Note: Use Item 302)	
302A	7024071	1	O-Ring, Outer Seal	
302A	7024072	1	O-Ring, Stem	
302B	See Note	4	Capscrew M6 x 12 (Note: Not Available - Purchase Locally)	
302C	See Note	NSS	Nut (Note: Use Item 302)	
302D	See Note	NSS	Ring, Guide (Note: Use Item 302)	
302E	See Note	NSS	Seal, O-Ring (Note: Use Item 302)	
303	7024911	1	Port Plate Group	
303A	7024073	2	Cartridge, Relief Valve (High Pressure)	
303A	7024075	1	O-Ring	
303A	7024076	1	Ring, Back-up	
303B		Ref	Cartridge Options:	
303B	7024097	1	Front Pump Cartridge (Lock Valve with Orifice) Note: Sold as an Assembly except Outer Seal.	
303B	7024075	1	O-Ring	
303B	7023881	1	Middle Pump Cartridge (Pressure Relief Valve) Note: Sold as an Assembly except Outer Seal.	
303B	7024077	1	O-Ring	
303C	See Note	NSS	Plate, Port (Note: Use Item 303)	
303D	See Note	NSS	Bushing, Bearing (Note: Use Item 303)	
303E	See Note	4	Capscrew M12 x 70 Grade10.9 (Note: Not Available - Purchase Locally)	
303F	See Note	NSS	Pin, Dowel (Note: Use Item 303)	
303G	See Note	NSS	Pin, Break-off (Note: Use Item 303)	
303H	See Note	1	Screw M10 x 1 (Note: Not Available - Purchase Locally)	
303J	7024908	2	O-Ring	
303K	See Note	2	Screw 7/16 (Note: Not Available - Purchase Locally)	
303L	See Note	NSS	Bearing, Roller (Note: Use Item 303)	
304	7024906	1	Internal Gear Pump	
304A	See Note	NSS	Flange, Intermediate (Note: Use Item 304)	
304B	See Note	NSS	IZP-Housing (Note: Use Item 304)	
304C	See Note	NSS	Bushing, Bearing (Note: Use Item 304)	
304D	See Note	NSS	Coupling, Driveshaft Through (Note: Use Item 304)	
304E	See Note	NSS	Gear Set (Note: Use Item 304)	
304F	See Note	NSS	Key, Driveshaft (Note: Use Item 304)	
304G	See Note	NSS	Ring, Retaining (Note: Use Item 304)	
304H	See Note	4	Capscrew M10 x 20 (Note: Not Available - Purchase Locally)	
304J	7024080	2	Seal	
304K	7024081	1	O-Ring	
304L	See Note	NSS	Ring, Retaining (Note: Use Item 304)	
304M	See Note	NSS	O-Ring (Note: Use Item 304)	
304N	7024005	1	Plate, Wear	
304P	See Note	NSS	Pin, Cylinder (Note: Use Item 304)	
305	7024068	1	Control Module	
305A	7024084	1	Valve Body, Lever and Internal Components	
305B	7024083	2	Coil, Solenoid	
305C	See Note	NSS	Spacer, Coil (Note: Use Item 305)	
305D	7024085	1	Gasket	

## SECTION 3 - ENGINE

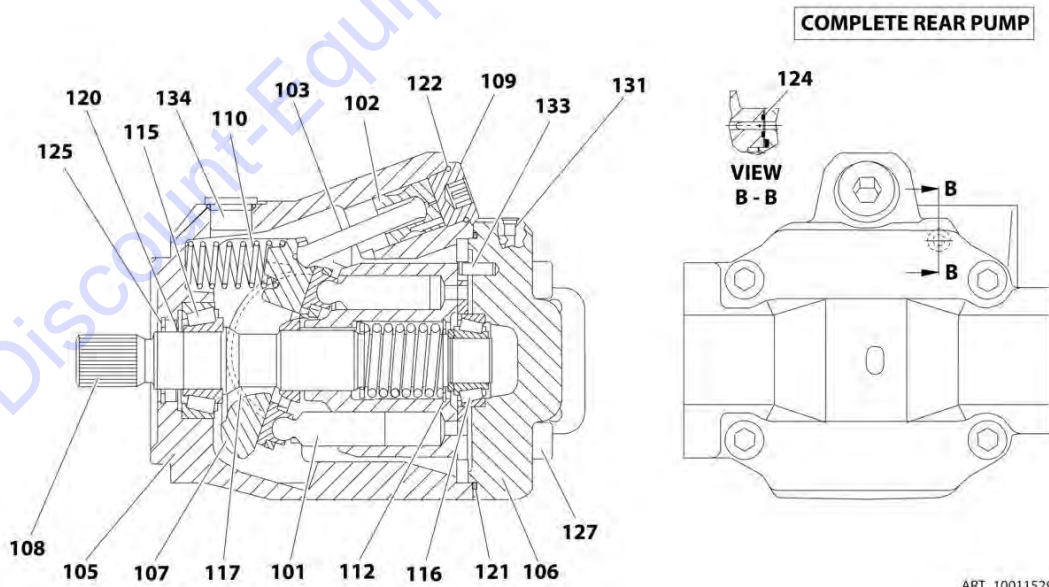
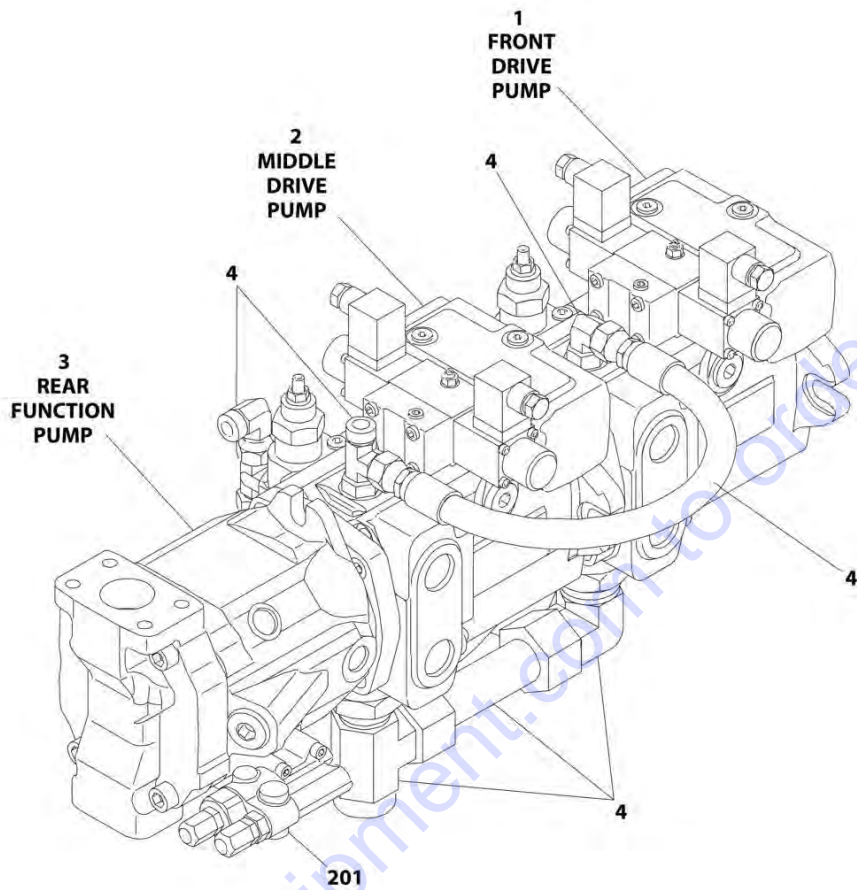
ITEM	PART NUMBER	QTY	DESCRIPTION	REV
305E	See Note	NSS	Cover (Note: Use Item 305)	
305F	See Note	NSS	Spring, Draw (Note: Use Item 305)	
305G	See Note	NSS	Gasket (Note: Use Item 305)	
305H	See Note	4	Capscrew M6 x 65 (Note: Not Available - Purchase Locally)	
305J	See Note	1	Capscrew M6 x 45 (Note: Not Available - Purchase Locally)	
305K	See Note	8	Capscrew M5 x 10 (Note: Not Available - Purchase Locally)	
305L	7024087	1	O-Ring	
305M	7024088	2	O-Ring	
305N	7024089	2	Cup, Spring	
305P	See Note	NSS	Pin, Cylinder (Note: Use Item 305)	
305Q	70002569	2	Nut, Coil	
310	See Note	1	Housing (Note: Not Available for Purchase)	
313	See Note	2	Pin, Dowel (Note: Not Available for Purchase)	
314	See Note	1	Pin, Cylinder (Note: Not Available for Purchase)	
320	See Note	1	Screw 7/8 (Front Drive Pump Only) (Note: Not Available - Purchase Locally)	
321	See Note	1	Screw 9/16 (Note: Not Available - Purchase Locally)	
322	See Note	1	Screw 7/16 (Note: Not Available - Purchase Locally)	
324	See Note	1	Screw M10 x 1 (Note: Not Available - Purchase Locally)	
327	See Note	1	Pin, Double Break-off (Note: Not Available for Purchase)	
328	7018936	2	Orifice	
331	See Note	2	Pin, Clamping (Note: Not Available for Purchase)	
341	7024069	1	O-Ring	





# SECTION 3 - ENGINE

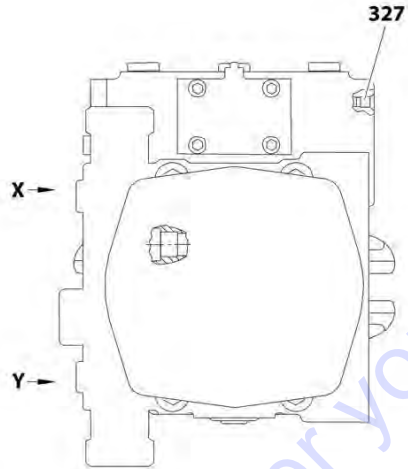
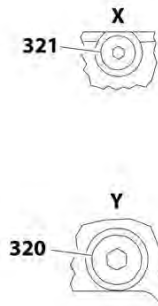
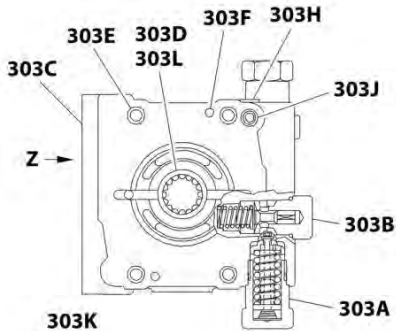
**FIGURE 3-38. PUMP ASSEMBLY (REXROTH) (DEUTZ TCD2.9L4 ENGINES AND DEUTZ TCD2.9L4 (STAGE V) ENGINES)**



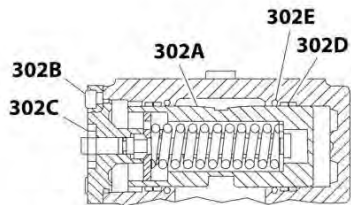
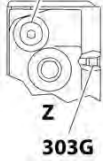
ART\_1001152963\_10F2

# SECTION 3 - ENGINE

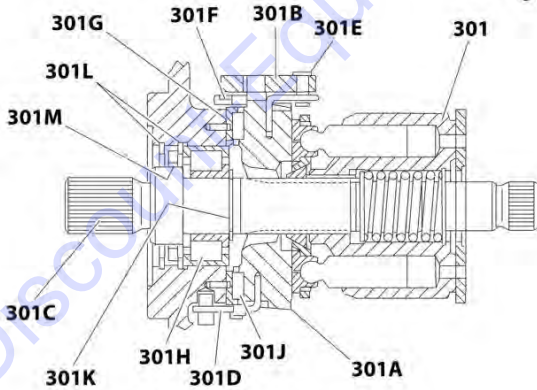
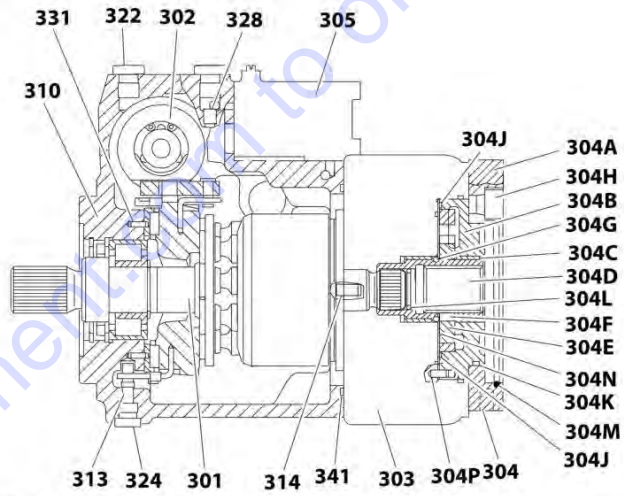
**COMPLETE FRONT AND PUMPS**



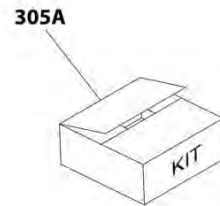
**PORT PLATE SECTION FRONT AND MID PUMPS (DETAIL OF ITEM 303)**



**HYD. CONTROL FRONT AND MID PUMPS (DETAIL OF ITEM 302)**



**ROTARY GROUP FRONT AND MID PUMPS (DETAIL OF ITEM 301)**



ART\_1001152963\_20F2

## SECTION 3 - ENGINE

**FIGURE 3-38. PUMP ASSEMBLY (REXROTH) (DEUTZ TCD2.9L4 ENGINES AND DEUTZ TCD2.9L4 (STAGE V) ENGINES)**

ITEM	PART NUMBER	QTY	DESCRIPTION	REV
	1001152963	Ref	PUMP ASSEMBLY (REXROTH) (DEUTZ TCD2.9L4 ENGINES AND DEUTZ TCD2.9L4 (STAGE V) ENGINES)	C
1	70005480	1	Front Drive Pump Assembly (Includes Items 301-341)	
2	70005481	1	Middle Drive Pump Assembly (Includes Items 301-341)	
3	7024044	1	Rear Function Pump Assembly (Includes Items 101-201)	
4	See Note	NSS	Hydraulic Kit (Includes all Rexroth Supplied Hydraulic Fittings, Hoses and Tubes) (Note: Not Available for Purchase)	
	7024044	Ref	REAR FUNCTION PUMP ASSEMBLY	
101	7024914	1	Rotary Section	
102	See Note	NSS	Piston Control (Note: Not Available - Purchase Complete Assembly)	
103	See Note	NSS	Rod, Piston (Note: Not Available - Purchase Complete Assembly)	
105	See Note	NSS	Housing, Pump (Note: Not Available - Purchase Complete Assembly)	
106	See Note	NSS	Plate, Port (Note: Not Available - Purchase Complete Assembly)	
107	7024915	1	Plate, Swash	
108	7024916	1	Driveshaft	
109	See Note	NSS	Plug (Note: Not Available for Purchase)	
110	See Note	NSS	Spring (Note: Not Available for Purchase)	
112	7012709	1	Shim	
115	7024038	1	Bearing, Roller	
116	7012706	1	Bearing, Roller	
117	7024917	2	Shell, Cradle	
120	7024918	1	Seal, Shaft	
121	7024919	1	O-Ring	
122	7024920	1	O-Ring	
124	7024921	1	Seal	
125	7012715	1	V-Ring	
127	See Note	NSS	Capscrew M12 x 45 Grade 10.9 (Note: Not Available for Purchase)	
131	See Note	NSS	Plug (Note: Not Available for Purchase)	
133	See Note	NSS	Pin, Dowel (Note: Not Available for Purchase)	
134	See Note	NSS	Plug (Note: Not Available for Purchase)	
201	7024913	Ref	Pilot Valve Assembly	
		Ref	Note: Two mounting designs of p/n 7024913 pilot valve exist. Early design uses qty. 3 o-rings. Late design uses qty. 1 sealing plate. Seal designs cannot be interchanged. Verify seal design before ordering.	
201	7024922	3	O-Ring (Seals between Pilot Valve and Rear Pump)	
201	70021867	1	Plate, Sealing (Seals between Pilot Valve and Rear Pump)	
		Ref	FRONT DRIVE PUMP ASSEMBLIES	
	70005480	Ref	Front Drive Pump Assembly	
	70005481	Ref	Middle Drive Pump Assembly	
		Ref	Note: Service Parts not available at time of printing, call-out number on illustration for ref only.	
301	See Note	NSS	Rotary Group (Use p/n 70005480 or 70005481)	
301A	See Note	NSS	Cradle (Note: Use Item 301)	
301B	See Note	NSS	Ring, Slide (Note: Use Item 301)	
301C	See Note	NSS	Driveshaft (Note: Use Item 301)	
301D	See Note	NSS	Wire (Note: Use Item 301)	
301E	See Note	NSS	Pin, Joint (Note: Use Item 301)	

## SECTION 3 - ENGINE

ITEM	PART NUMBER	QTY	DESCRIPTION	REV
301F	See Note	NSS	Wire (Note: Use Item 301)	
301G	See Note	NSS	Liner, Bearing (Note: Use Item 301)	
301H	See Note	NSS	Bearing, Roller (Note: Use Item 301)	
301J	See Note	NSS	Cradle Bearing Assembly (Note: Use Item 301)	
301K	See Note	NSS	Ring, Retaining (Note: Use Item 301)	
301L	See Note	NSS	Ring, Retaining (Note: Not Available for Purchase)	
301M	See Note	NSS	Seal, Shaft Ring	
302	See Note	NSS	Control Group - Hydraulic (Use p/n 70005480 or 70005481)	
302A	See Note	NSS	Piston, Positioning - Complete (Note: Use Item 302)	
302A	See Note	NSS	O-Ring, Outer Seal (Note: Not Available for Purchase)	
302A	See Note	NSS	O-Ring, Stem (Note: Not Available for Purchase)	
302B	See Note	4	Capscrew M6 x 12 (Note: Not Available - Purchase Locally)	
302C	See Note	NSS	Nut (Note: Use Item 302)	
302D	See Note	NSS	Ring, Guide (Note: Use Item 302)	
302E	See Note	NSS	Seal, O-Ring (Note: Use Item 302)	
303	See Note	NSS	Port Plate Group (Use p/n 70005480 or 70005481)	
303A	See Note	NSS	Cartridge, Relief Valve (High Pressure) (Note: Not Available for Purchase)	
303A	See Note	NSS	O-Ring (Note: Not Available for Purchase)	
303A	See Note	NSS	Ring, Back-up (Note: Not Available for Purchase)	
303B		Ref	Cartridge Options:	
303B	See Note	NSS	Front Pump Cartridge (Lock Valve with Orifice) Note: Sold as an Assembly except Outer Seal. (Note: Not Available for Purchase)	
303B	See Note	NSS	O-Ring (Note: Not Available for Purchase)	
303B	See Note	NSS	Middle Pump Cartridge (Pressure Relief valve) Note: Sold as an Assembly except Outer Seal. (Note: Not Available for Purchase)	
303B	See Note	NSS	O-Ring	
303C	See Note	NSS	Plate, Port (Note: Use Item 303)	
303D	See Note	NSS	Bushing, Bearing (Note: Use Item 303)	
303E	See Note	4	Capscrew M12 x 70 Grade 10.9 (Note: Not Available - Purchase Locally)	
303F	See Note	NSS	Pin, Dowel (Note: Use Item 303)	
303G	See Note	NSS	Pin, Break-off (Note: Use Item 303)	
303H	See Note	1	Screw M10 x 1 (Note: Not Available - Purchase Locally)	
303J	See Note	NSS	O-Ring (Note: Not Available for Purchase)	
303K	See Note	2	Screw 7/16 (Note: Not Available - Purchase Locally)	
303L	See Note	NSS	Bearing, Roller (Note: Use Item 303)	
304	See Note	NSS	Internal Gear Pump (Use p/n 70005480 or 70005481)	
304A	See Note	NSS	Flange, Intermediate (Note: Use Item 304)	
304B	See Note	NSS	IZP-Housing (Note: Use Item 304)	
304C	See Note	NSS	Bushing, Bearing (Note: Use Item 304)	
304D	See Note	NSS	Coupling, Driveshaft Through (Note: Use Item 304)	
304E	See Note	NSS	Gear Set (Note: Use Item 304)	
304F	See Note	NSS	Key, Driveshaft (Note: Use Item 304)	
304G	See Note	NSS	Ring, Retaining (Note: Use Item 304)	
304H	See Note	4	Capscrew M10 x 20 (Note: Not Available - Purchase Locally)	
304J	See Note	NSS	Seal (Note: Not Available for Purchase)	
304K	See Note	NSS	O-Ring (Note: Not Available for Purchase)	
304L	See Note	NSS	Ring, Retaining (Note: Use Item 304)	
304M	See Note	NSS	O-Ring (Note: Use Item 304)	
304N	See Note	NSS	Plate, Wear (Note: Not Available for Purchase)	

## SECTION 3 - ENGINE

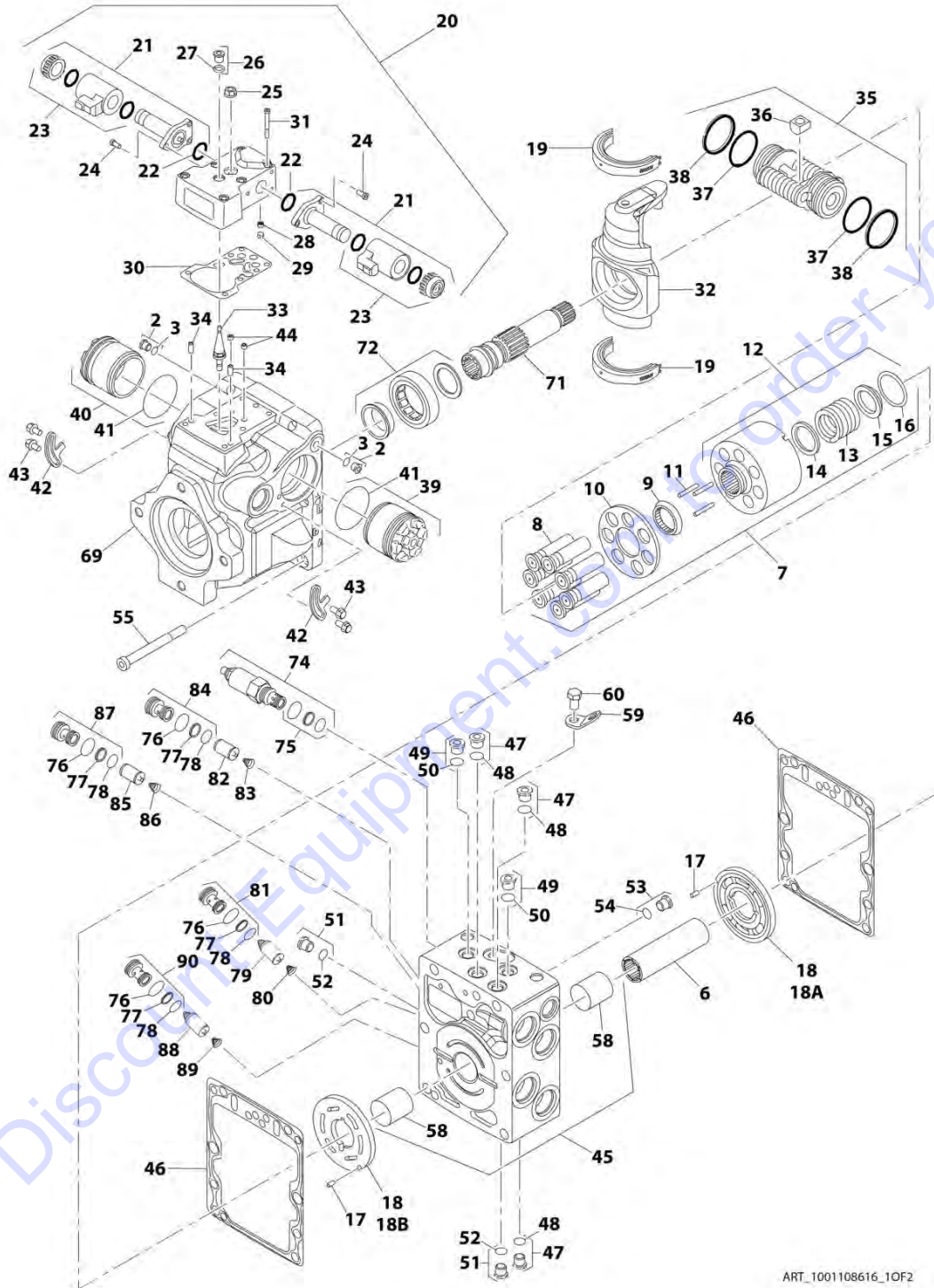
ITEM	PART NUMBER	QTY	DESCRIPTION	REV
304P	See Note	NSS	Pin, Cylinder (Note: Use Item 304)	
305	See Note	NSS	Control Module (Use p/n 70005480 or 70005481)	
305	See Note	NSS	Coil, Solenoid (Note: Not Available for Purchase)	
305A	See Note	NSS	Seal Kit (Note: Not Available for Purchase)	
310	See Note	1	Housing (Note: Not Available for Purchase)	
313	See Note	2	Pin, Dowel (Note: Not Available for Purchase)	
314	See Note	1	Pin, Cylinder (Note: Not Available for Purchase)	
320	See Note	1	Screw 7/8 (Front Drive Pump Only) (Note: Not Available - Purchase Locally)	
321	See Note	1	Screw 9/16 (Note: Not Available - Purchase Locally)	
322	See Note	1	Screw 7/16 (Note: Not Available - Purchase Locally)	
324	See Note	1	Screw M10 x 1 (Note: Not Available - Purchase Locally)	
327	See Note	1	Pin, Double Break-off (Note: Not Available - Purchase Locally)	
328	See Note	NSS	Orifice (Note: Not Available for Purchase)	
331	See Note	2	Pin, Clamping (Note: Not Available for Purchase)	
341	See Note	NSS	O-Ring (Note: Not Available for Purchase)	





# SECTION 3 - ENGINE

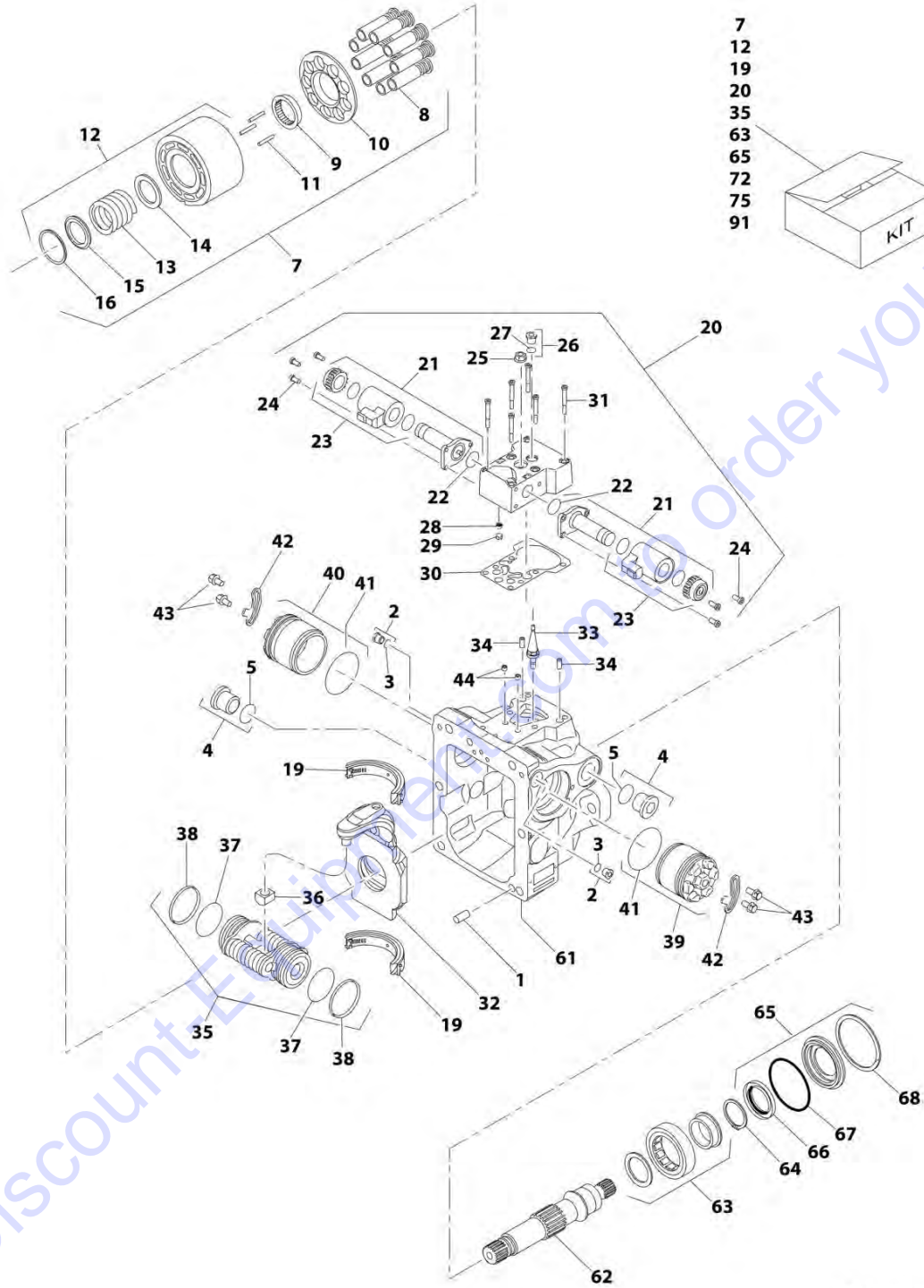
## FIGURE 3-39. PUMP ASSEMBLY (SAUER TANDEM)



ART\_1001108616\_10F2



# SECTION 3 - ENGINE



ART\_1001108616\_20F2

## SECTION 3 - ENGINE

### FIGURE 3-39. PUMP ASSEMBLY (SAUER TANDEM)

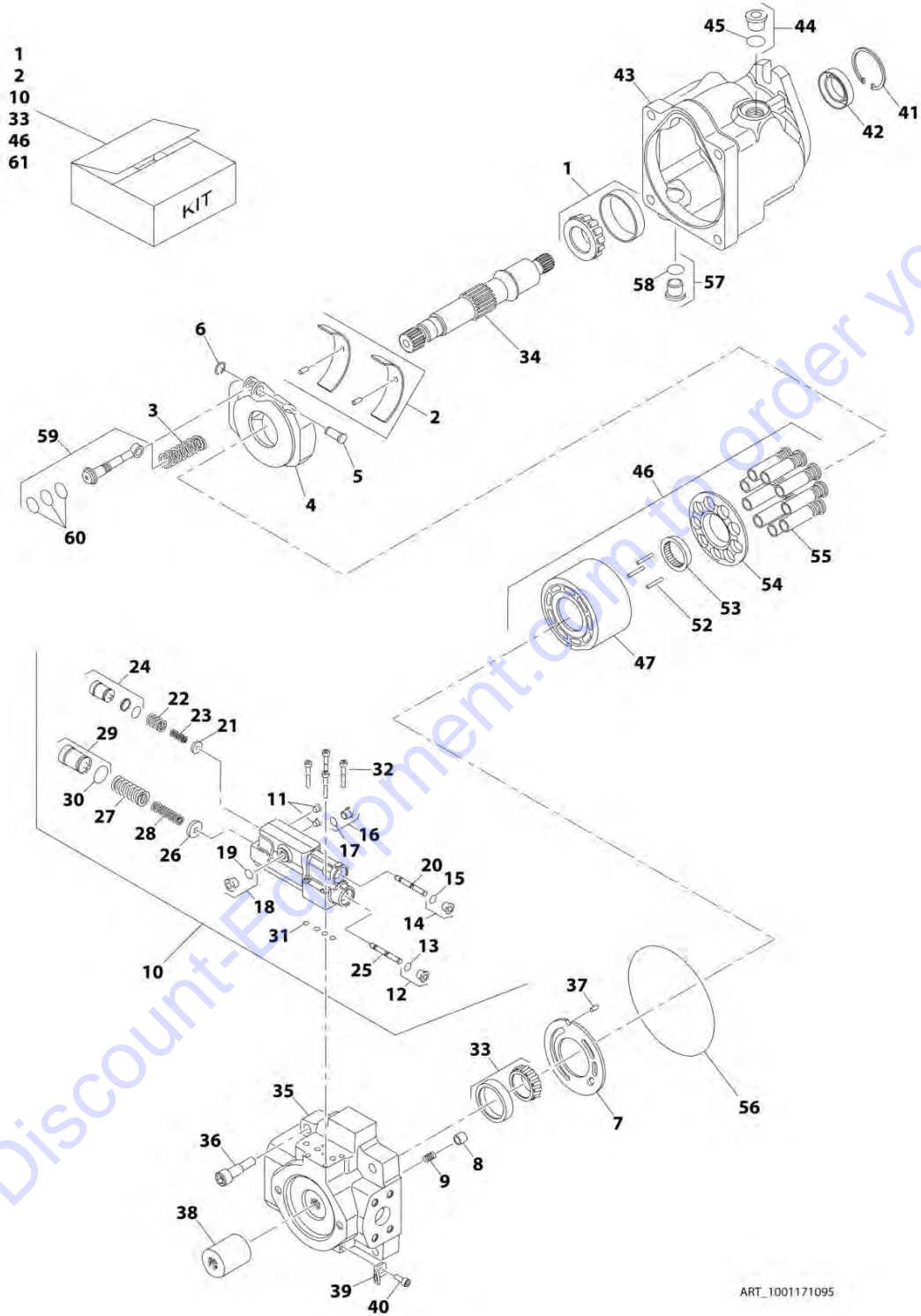
ITEM	PART NUMBER	QTY	DESCRIPTION	REV
	1001108616	Ref	PUMP ASSEMBLY (SAUER TANDEM)	D
1	70002132	4	Pin	
2	70002133	4	Plug Assembly (Includes Item 3)	
3	7007207	4	O-Ring (Part of Item 2)	
4	7007419	2	Plug Assembly (Includes Item 5)	
5	7007418	2	O-Ring (Part of Item 4)	
6	70002600	1	Coupling	
7	70002135	2	Cylinder Block Kit (Each Kit Includes Qty 1 of Items 8-10 & 12-16 & Qty 3 of Item 11)	
8	70002136	2	Piston Assembly Kit (Includes Qty 9 Piston Assemblies) (Part of Item 7)	
9	70002137	2	Guide, Slipper Retainer (Part of Item 7)	
10	70002138	2	Retainer, Slipper (Part of Item 7)	
11	7021275	6	Pin, Slipper Retainer Holddown (Part of Item 7)	
12	70002143	2	Cylinder Block Assembly (Includes Qty 1 of Items 13-16) (Part of Item 7)	
13	70002139	2	Spring (Part of Item 12)	
14	70002140	2	Washer (Part of Item 12)	
15	70002141	2	Washer (Part of Item 12)	
16	70002142	2	Ring, Retaining (Part of Item 12)	
17	7007446	2	Pin	
18		Ref	Plate, Valve Options:	
18A	70002601	1	Plate, CW Valve	
18B	70002602	1	Plate, CCW Valve	
19	70002145	2	Swashplate Bearing Kit (Includes Qty 2 Bearings)	
20	70002618	2	EDC Kit (Includes Items 21-31)	
21	70002619	4	Solenoid Valve Assembly (Includes Items 22 & 23) (Part of Item 20)	
22	70002148	4	O-Ring (2 Per EDC Assembly) (Part of Item 21)	
23	70002620	4	Coil, Nut and Seals Kit (2 Per EDC Assembly) (Part of Item 21)	
24	70002150	12	Screw (Part of Item 20)	
25	7022301	2	Nut, Seal (Part of Item 20)	
26	70002151	2	Plug Assembly (Part of Item 20) (Includes Item 27)	
27	7007207	2	O-Ring (Part of Item 26)	
28	70002134	2	Screen (Part of Item 20)	
29	70002153	2	Ring, Locking (Part of Item 20)	
30	70002154	2	Gasket, Control (Part of Item 20)	
31	70002156	12	Capscrew (Part of Item 20)	
32	70002152	2	Swashplate	
33	70002155	2	Link, Swashplate	
34	70002157	4	Pin, Dowel	
35	70002158	2	Servo Piston Assembly (Includes Items 36-38)	
36	70002159	2	Block, Slider (Part of Item 35)	
37	70002160	2	O-Ring (Part of Item 35)	
38	70002161	2	Ring, Piston (Part of Item 35)	
39	70002162	2	Cylinder, Servo	
40	70002162	2	Cylinder, Servo	
41	70002163	4	O-Ring	
42	70002164	4	Plate, Locking	
43	70002165	8	Screw	

## SECTION 3 - ENGINE

ITEM	PART NUMBER	QTY	DESCRIPTION	REV
44	70002604	4	Orifice	
45	70002605	1	Center Section Assembly (Includes Item 58)	
46	70002168	2	Gasket, End Cap	
47	70001958	2	Plug Assembly (Includes Item 48)	
48	7021256	2	O-Ring (Part of Item 47)	
49	70001958	2	Plug Assembly (Includes Item 50)	
50	7021256	2	O-Ring (Part of Item 49)	
51	70001958	2	Plug Assembly (Includes Item 52)	
52	7021256	2	O-Ring (Part of Item 51)	
53	70001958	2	Plug Assembly (Includes Item 54)	
54	7021256	2	O-Ring (Part of Item 53)	
55	70002606	4	Capscrew	
58	70002607	2	Bearing, Journal (Part of Item 45)	
59	7022608	1	Bracket, Lifting	
60	70002609	1	Screw	
61	See Note	NSS	Housing (Note: Not Available for Purchase)	
62	70002175	1	Shaft	
63	70002610	1	Ball Bearing Kit	
64	70007439	1	Ring, Retaining	
65	70002174	1	Shaft Seal Kit (Includes Items 66-68) (Note: This is a universal kit and will contain extra pieces that are not used on this pump assembly)	
66	70002177	1	Seal, Lip	
67	70002178	1	O-Ring	
68	70002179	1	Ring, Retaining	
69	See Note	NSS	Housing (Note: Not Available for Purchase)	
71	70002612	1	Shaft	
72	70002610	1	Ball Bearing Kit	
74	70002621	1	High Pressure Relief Valve Cartridge Assembly (Includes Item 75)	
75	70002622	1	Seal Kit - 70002621 Valve (Part of Item 74)	
76	7007415	1	O-Ring (Part of Items 81, 84, 87 & 90)	
77	7021293	1	Ring, Back-up (Part of Items 81, 84, 87 & 90)	
78	7022300	1	O-Ring (Part of Items 81, 84, 87 & 90)	
79	70002616	1	SCR Valve Assembly	
80	7024800	1	Spring	
81	7021265	1	Plug Assembly (Includes Qty 1 of Items 76-78)	
82	70002616	1	SCR Valve Assembly	
83	7024800	1	Spring	
84	7021265	1	Plug Assembly (Includes Qty 1 of Items 76-78)	
85	70002616	1	SCR Valve Assembly	
86	7024800	1	Spring	
87	70002617	1	Plug Assembly (Includes Qty 1 of Items 76-78)	
88	70002616	1	SCR Valve Assembly	
89	7024800	1	Spring	
90	7021265	1	Plug Assembly (Includes Qty 1 of Items 76-78)	
91	70002623	1	Overhaul Seal Kit (Includes Items 3, 5, 22, 27, 30, 37, 38, 41, 46, 48, 50, 52, 54, 66, 67, 75, 76, 77 & 78)	

# SECTION 3 - ENGINE

## FIGURE 3-40. PUMP ASSEMBLY (SAUER PISTON)



ART\_1001171095

## SECTION 3 - ENGINE

**FIGURE 3-40. PUMP ASSEMBLY (SAUER PISTON)**

ITEM	PART NUMBER	QTY	DESCRIPTION	REV
	1001171095	Ref	PUMP ASSEMBLY (SAUER PISTON)	B
1	70002578	1	Bearing Kit - Front (Includes Cup and Cone)	
2	70004426	1	Swashplate Bearing Kit (Includes Qty 2 Bearings and Retainer Pins)	
3	70002580	1	Spring, Bias	
4	70004416	1	Swashplate Assembly	
5	70002582	1	Shaft	
6	70002583	1	Ring, Retaining	
7	70004417	1	Plate, Valve	
8	70001956	1	Poppet, Check Valve	
9	70001955	1	Spring	
10	70022286	1	Control Kit (Includes Items 11-32)	
11	See Note	NSS	Setscrew (Note: Use Item 10)	
12	70002133	1	Plug Assembly (Includes Item 13)	
13	7007207	1	O-Ring (Part of Item 12)	
14	70002133	1	Plug Assembly (Includes Item 15)	
15	7007207	1	O-Ring (Part of Item 14)	
16	70002133	1	Plug Assembly (Includes Item 17)	
17	7007207	1	O-Ring (Part of Item 16)	
18	70002133	1	Plug Assembly (Includes Item 19)	
19	7007207	1	O-Ring (Part of Item 18)	
20	See Note	NSS	Spool (Note: Use Item 10)	
21	See Note	NSS	Guide, Spring LS (Note: Use Item 10)	
22	See Note	NSS	Spring, Outer LS (Note: Use Item 10)	
23	See Note	NSS	Spring, Inner LS (Note: Use Item 10)	
24	See Note	NSS	Plug, Adjusting LS (Note: Use Item 10 or 61)	
25	See Note	NSS	Spool, Control (Note: Use Item 10)	
26	See Note	NSS	Guide, Spring PC (Note: Use Item 10)	
27	See Note	NSS	Spring, Outer PC (Note: Use Item 10)	
28	See Note	NSS	Spring, Inner PC (Note: Use Item 10)	
29	See Note	NSS	Plug, Adjusting PC (Note: Use Item 10)	
30	See Note	NSS	O-Ring (Note: Use Item 10 or 61)	
31	See Note	NSS	Ring, Seal (Note: Use Item 10 or 61)	
32	See Note	NSS	Capscrew (Note: Use Item 10)	
33	70002585	1	Bearing Kit - Rear (Includes Cup and Cone)	
34	70002586	1	Shaft	
35	70004420	1	Cap, End	
36	70002588	4	Capscrew	
37	7007446	1	Pin, Slotted	
38	70002589	1	Coupling	
39	7022340	1	Bracket, Lifting	
40	70002590	1	Capscrew	
41	7023962	1	Ring, Retaining	
42	See Note	NSS	Seal, Lip (Note: Use Item 61)	
43	See Note	NSS	Housing (Note: Not Available for Purchase)	
44	7023964	1	Plug Assembly (Includes Item 45)	
45	7007415	1	O-Ring (Part of Item 44)	
46	70004423	1	Cylinder Block Kit (Includes Items 47-55)	
47	70004421	1	Cylinder	
52	7021275	3	Pin, Hold-down	

### SECTION 3 - ENGINE

ITEM	PART NUMBER	QTY	DESCRIPTION	REV
53	70002592	1	Guide, Slipper Retainer	
54	70002593	1	Retainer, Slipper	
55	70004422	1	Piston Assembly	
56	See Note	NSS	Seal, End Cap (Note: Use Item 61)	
57	7023964	1	Plug, O-Ring (Includes Item 58)	
58	7007415	1	O-Ring (Part of Item 57)	
59	70005418	1	Servo Piston Assembly (Includes Item 60)	
60	See Note	NSS	Ring, Piston (Part of Item 59) (Note: Use Item 61)	
61	70002599	1	Complete Seal Kit (Includes Items 13, 15, 17, 19, 24, 30, 31, 42, 45, 56, 58 & 60)	

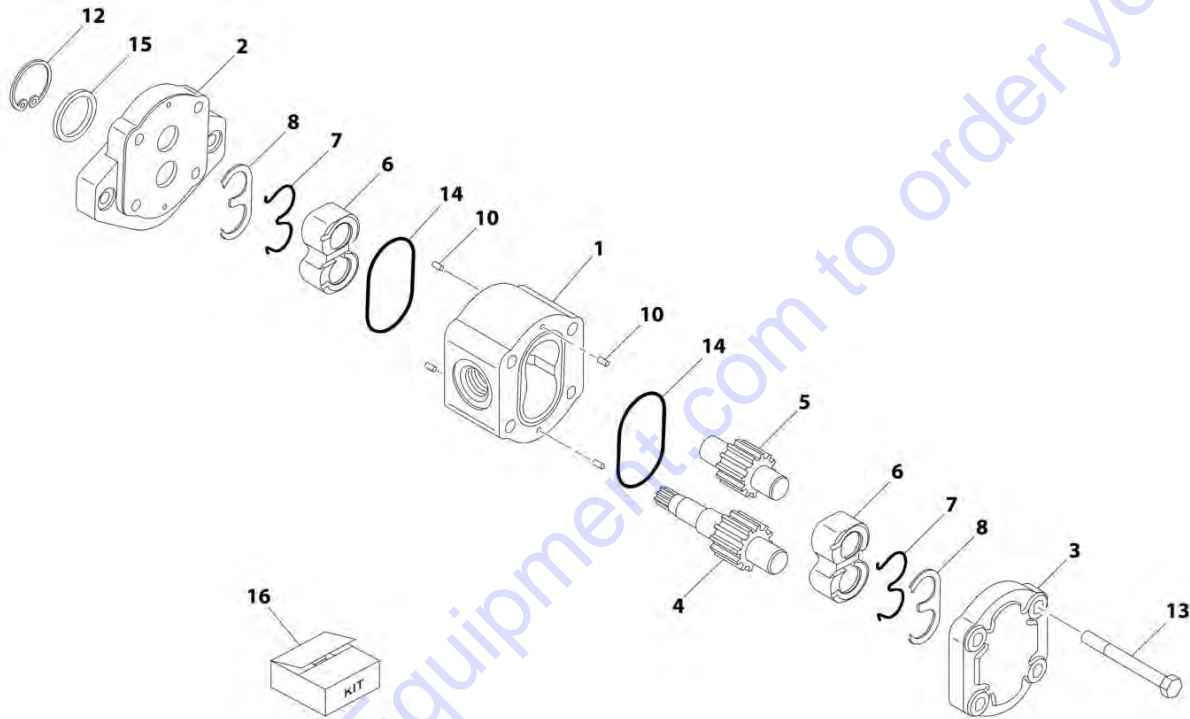
Go to Discount-Equipment.com to order your parts





# SECTION 3 - ENGINE

## FIGURE 3-41. PUMP ASSEMBLY (SAUER GEAR)



ART\_1001112927

## SECTION 3 - ENGINE

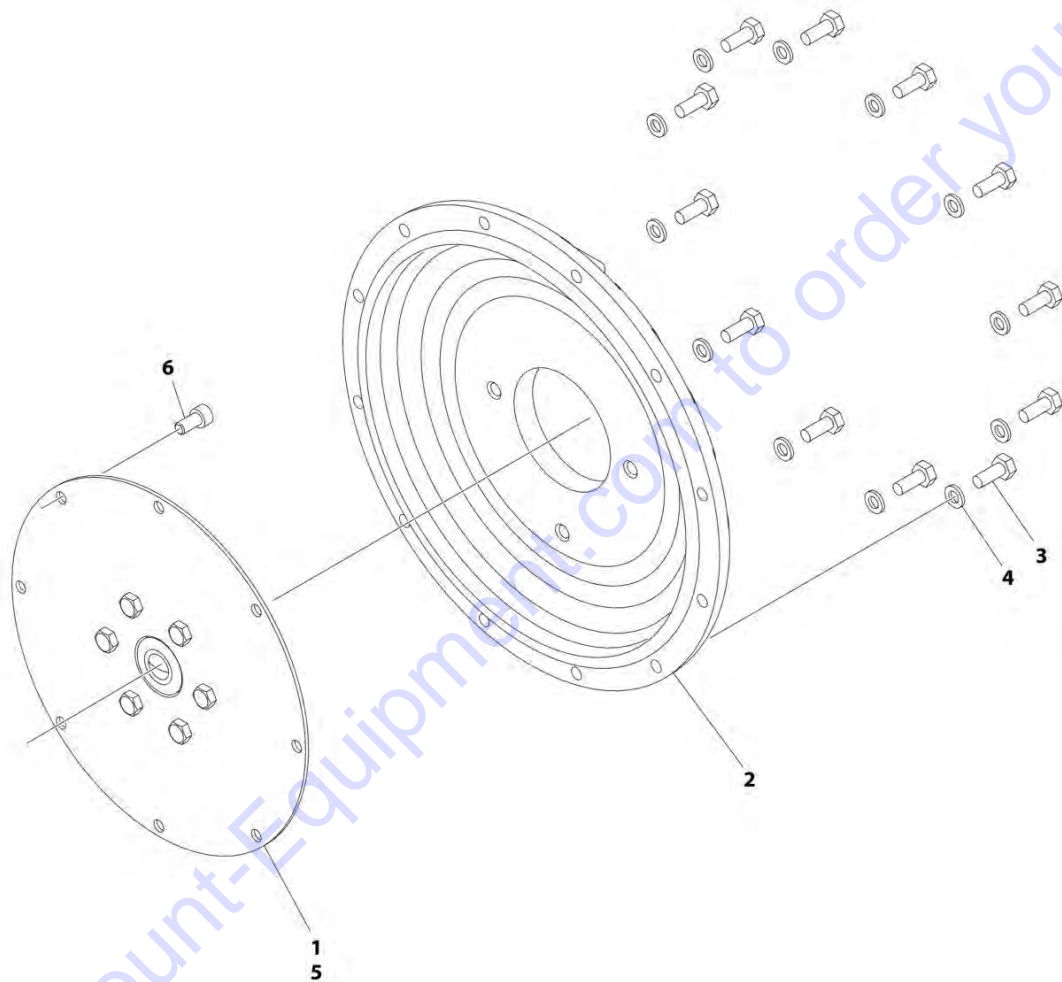
**FIGURE 3-41. PUMP ASSEMBLY (SAUER GEAR)**

ITEM	PART NUMBER	QTY	DESCRIPTION	REV
	1001112927	Ref	PUMP ASSEMBLY (SAUER GEAR)	A
1	See Note	NSS	Body (Note: Use p/n 1001112927)	
2	See Note	NSS	Cover, Front (Note: Use p/n 1001112927)	
3	See Note	NSS	Cover, Rear (Note: Use p/n 1001112927)	
4	See Note	NSS	Shaft, Gear (Note: Use p/n 1001112927)	
5	See Note	NSS	Gear, Idler (Note: Use p/n 1001112927)	
6	See Note	NSS	Block, Bearing (Note: Use p/n 1001112927)	
7	See Note	NSS	Ring, Anti-Extrusion (Note: Use Item 16)	
8	See Note	NSS	Ring, Seal (Note: Use Item 16)	
10	See Note	NSS	Pin, Dowel (Note: Not Available for Purchase)	
12	70002576	1	Ring, Retaining	
13	See Note	NSS	Capscrew (Note: Not Available for Purchase)	
14	See Note	NSS	O-Ring (Note: Use Item 16)	
15	See Note	NSS	Seal, Lip (Note: Use Item 16)	
16	7007489	1	Seal Kit - 1001112927 Pump (Includes Items 7, 8, 14 & 15)	

Go to Discount-Equipment.com to order your parts

# SECTION 3 - ENGINE

## FIGURE 3-42. PUMP COUPLING KIT



ART\_2902065

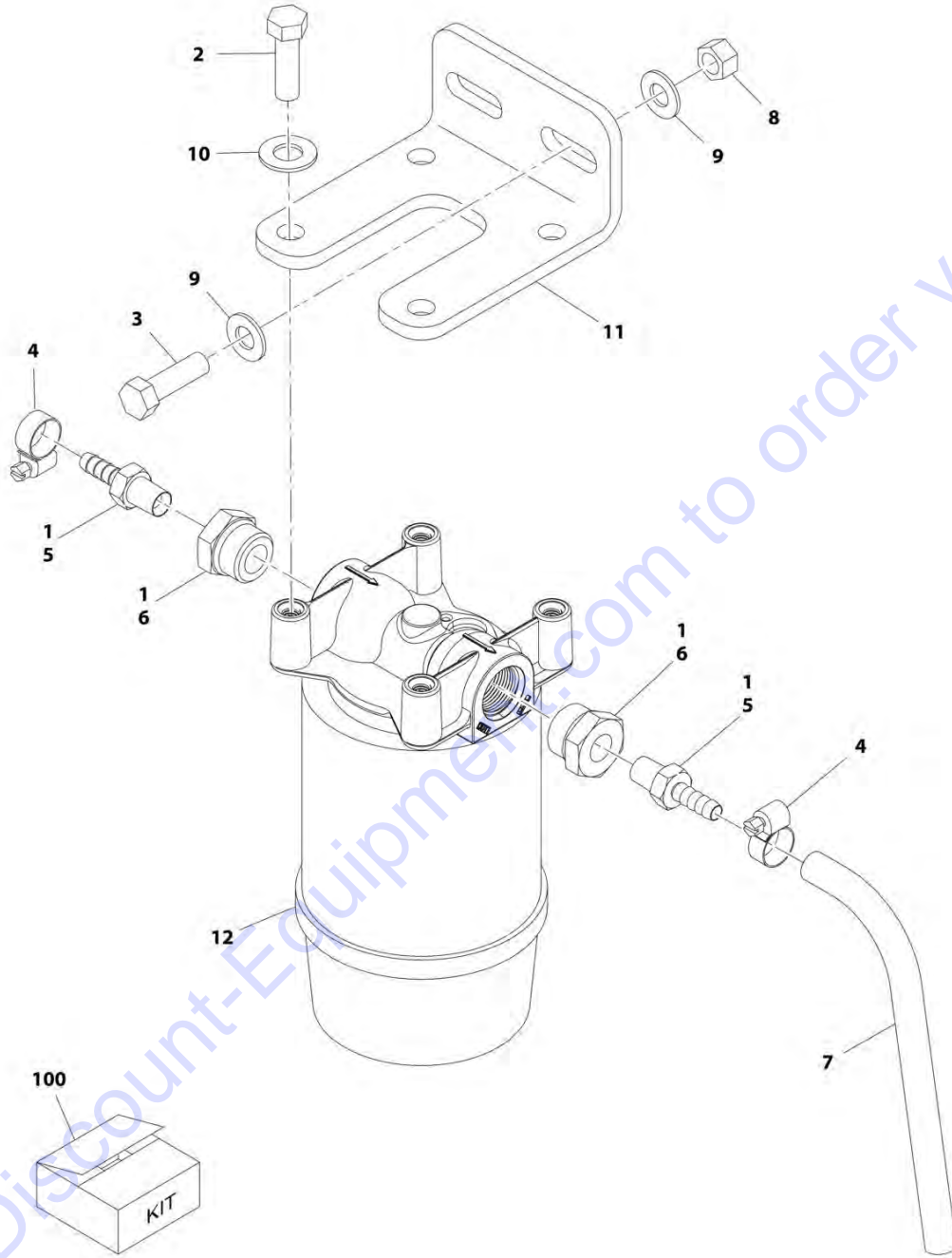
FIGURE 3-42. PUMP COUPLING KIT

ITEM	PART NUMBER	QTY	DESCRIPTION	REV
	2902065	Ref	PUMP COUPLING KIT	K
1	70000793	1	Coupling, Hayes	
2	See Note	NSS	Plate, Pump Adapter (Note: Use p/n 2902065)	
3	See Note	NSS	Bolt M10 x 30 Grade 10.9 (Note: Use p/n 2902065)	
4	See Note	NSS	Washer M10 (Note: Use p/n 2902065)	
5	3020021	AR	Grease, Coupling	
6	See Note	NSS	Capscrew M10 x 20 Grade 10.9 (Note: Use p/n 2902065)	

Go to Discount-Equipment.com to order your parts

# SECTION 3 - ENGINE

## FIGURE 3-43. FUEL-WATER SEPARATOR INSTALLATION - DEUTZ TD2011 (OPTIONAL)



ART\_1001198751

## SECTION 3 - ENGINE

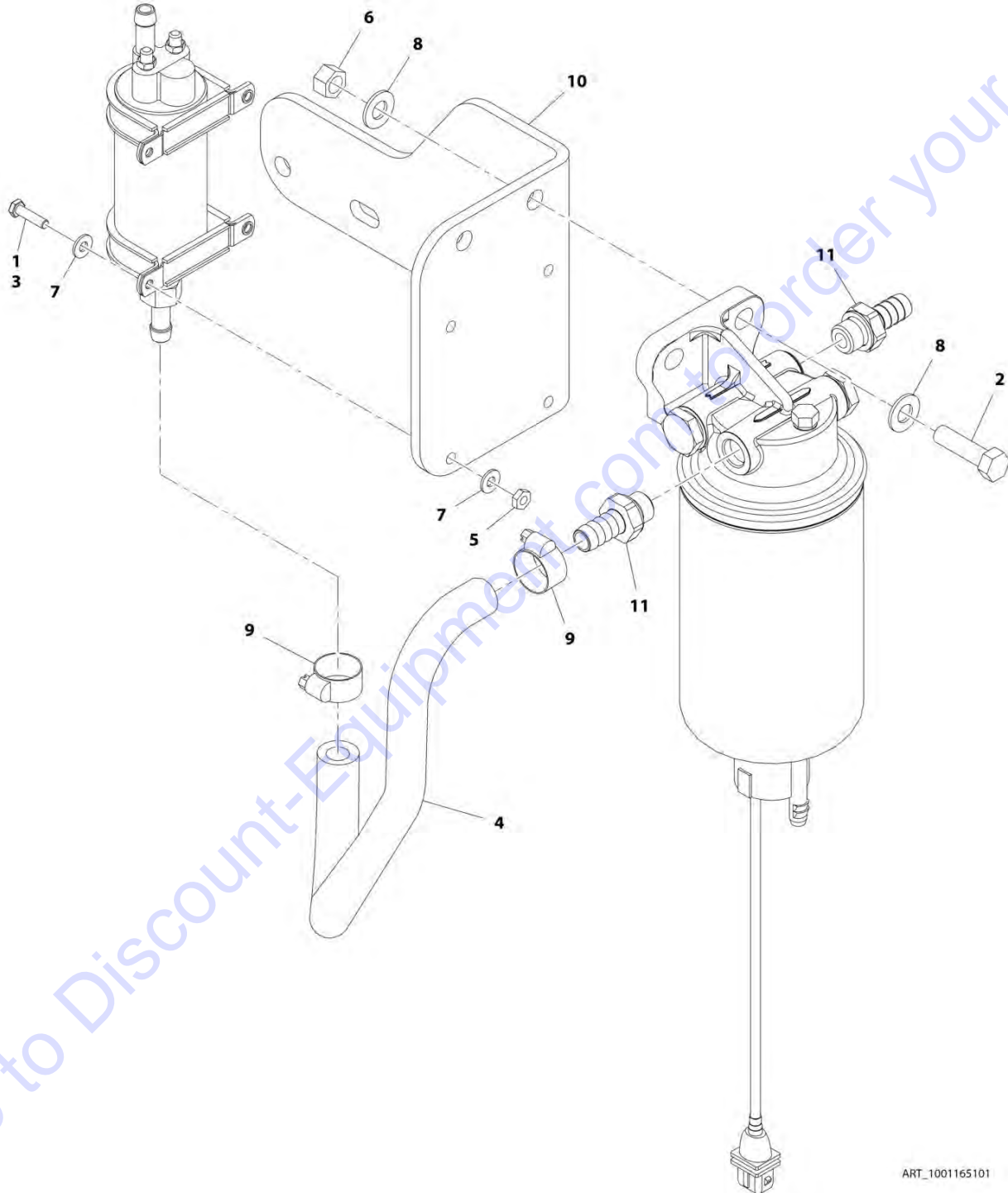
**FIGURE 3-43. FUEL-WATER SEPARATOR INSTALLATION - DEUTZ TD2011 (OPTIONAL)**

ITEM	PART NUMBER	QTY	DESCRIPTION	REV
	1001198751	Ref	FUEL-WATER SEPARATOR INSTALLATION - DEUTZ TD2011 (OPTIONAL)	A
1	0100079	AR	Sealant	
2	0641610	4	Bolt 3/8 x 1-1/4	
3	0641612	2	Bolt 3/8 x 1-1/2	
4	1320022	2	Clamp	
5	2180348	2	Fitting, Barbed Straight	
6	2220816	2	Fitting, Straight FNPTF/ORB	
7	2720058	4.5 ft /1.4m	Hose	
8	3271601	2	Nut 3/8	
9	4711600	4	Washer 3/8	
10	4711700	4	Washer 7/16	
11	1001188884	1	Bracket	
12	1001188887	1	Fuel/Water Separator Assembly	
12	1001202280	1	Head	
12	1001202281	1	Element	
100	1001203866	1	Water/Separator Add-on Kit	

Go to Discount-Equipment.com to order your parts

## SECTION 3 - ENGINE

FIGURE 3-44. FUEL PUMP/FILTER BRACKET ASSEMBLY (DEUTZ TCD2.9L4 ENGINE AND DEUTZ TCD2.9L4 (STAGE V) ENGINE)



ART\_1001165101



## SECTION 3 - ENGINE

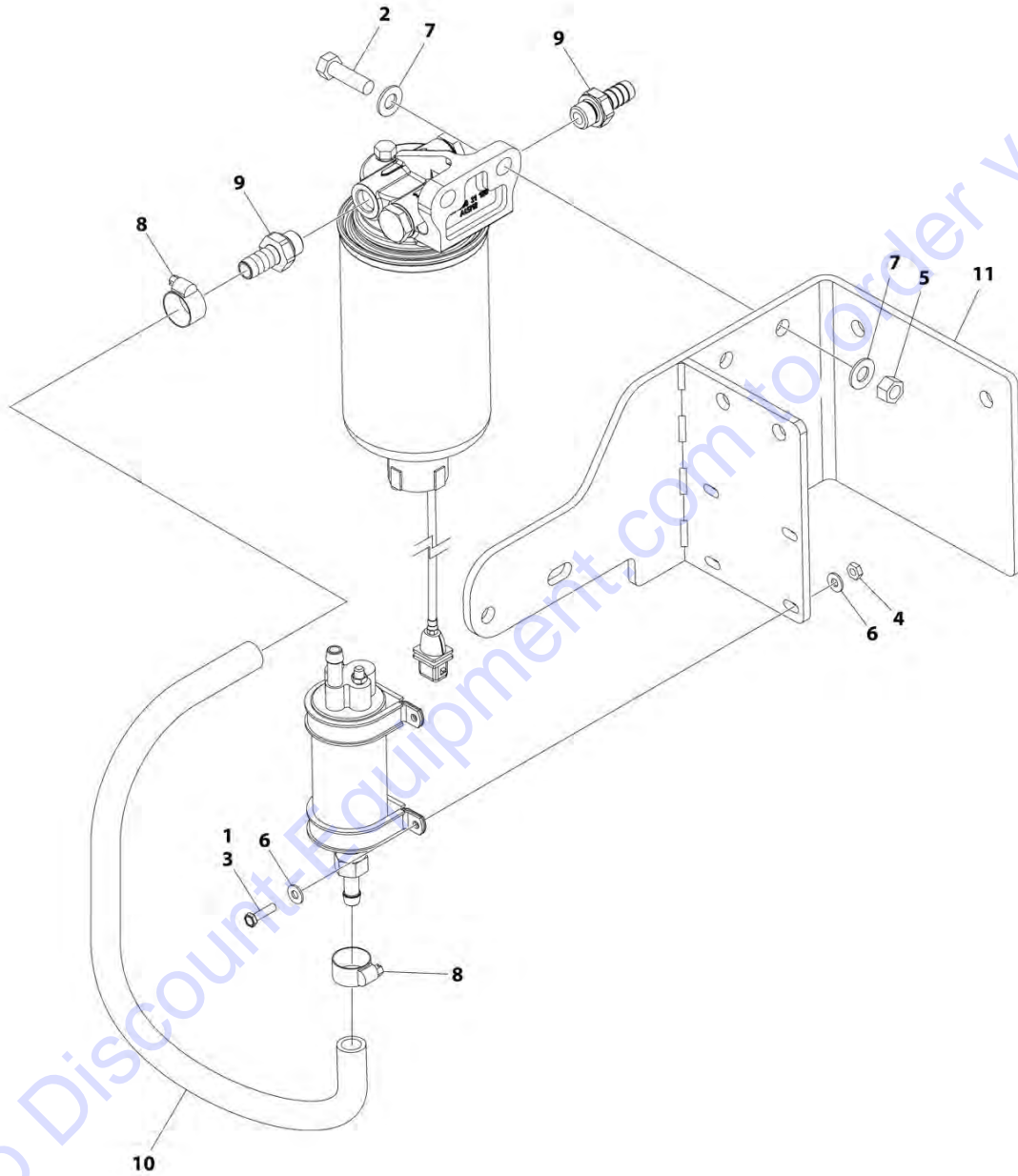
**FIGURE 3-44. FUEL PUMP/FILTER BRACKET ASSEMBLY (DEUTZ TCD2.9L4 ENGINE AND DEUTZ TCD2.9L4 (STAGE V) ENGINE)**

ITEM	PART NUMBER	QTY	DESCRIPTION	REV
	1001165101	Ref	FUEL PUMP/FILTER BRACKET ASSEMBLY (DEUTZ TCD2.9L4 ENGINE AND DEUTZ TCD2.9L4 (STAGE V) ENGINE)	C
1	0100011	AR	Compound, Locking	
2	0641611	2	Bolt 3/8 x 1-3/8	
3	0721006	4	Bolt #10 x 3/4	
4	1001154405	1.5 ft /0.4m	Hose	
5	3311001	4	Nut #10	
6	3311605	2	Nut 3/8	
7	4711000	8	Washer #10	
8	4711600	4	Washer 3/8	
9	8405006	2	Clamp	
10	1001140222	1	Bracket, Fuel Pump Mounting	
11	1001141718	2	Fitting, Barbed	

Go to Discount-Equipment.com to order your parts

## SECTION 3 - ENGINE

FIGURE 3-45. FUEL PUMP/FILTER BRACKET ASSEMBLY - DEUTZ TCD2.9L4 ENGINE (SN 0300239675 to Present)



ART\_1001227606

## SECTION 3 - ENGINE

**FIGURE 3-45. FUEL PUMP/FILTER BRACKET ASSEMBLY - DEUTZ TCD2.9L4 ENGINE (SN 0300239675 to Present)**

ITEM	PART NUMBER	QTY	DESCRIPTION	REV
	1001227606	Ref	FUEL PUMP/FILTER BRACKET ASSEMBLY - DEUTZ TCD2.9L4 ENGINE	A
1	0100011	AR	Compound, Locking	
2	0641610	2	Bolt 3/8 x 1-1/4	
3	0721006	4	Bolt #10 x 3/4	
4	3311001	4	Nut #10	
5	3311605	2	Nut 3/8	
6	4711000	8	Washer #10	
7	4711600	4	Washer 3/8	
8	8405006	2	Clamp	
9	1001141718	2	Fitting, Barbed	
10	1001154405	1.5 ft/ 0.4m	Hose	
11	1001222773	1	Bracket, Fuel Pump Mounting	

Go to Discount-Equipment.com to order your parts



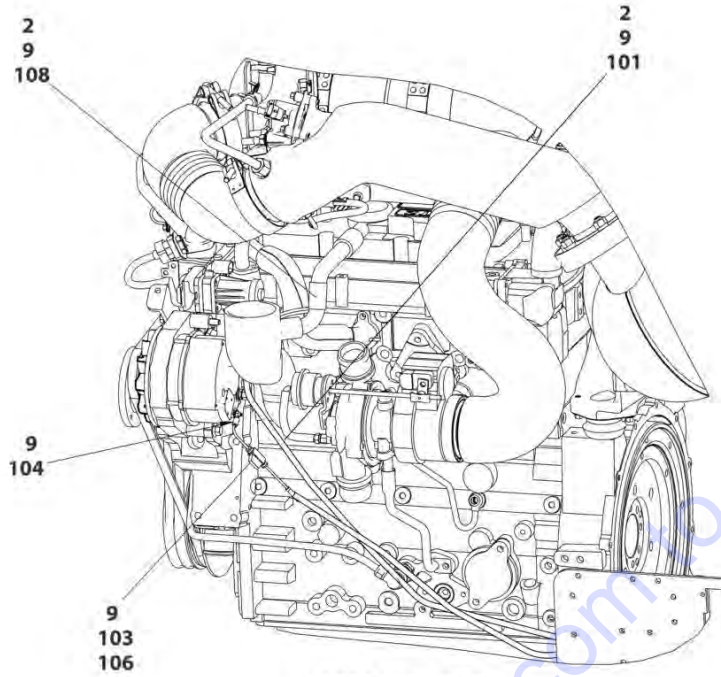
## SECTION 3 - ENGINE

**FIGURE 3-46. FUEL FILTER/WATER SEPARATOR INSTALLATION - DEUTZ TCD2.9L4 ENGINE  
(CHINA SPECS ONLY)**

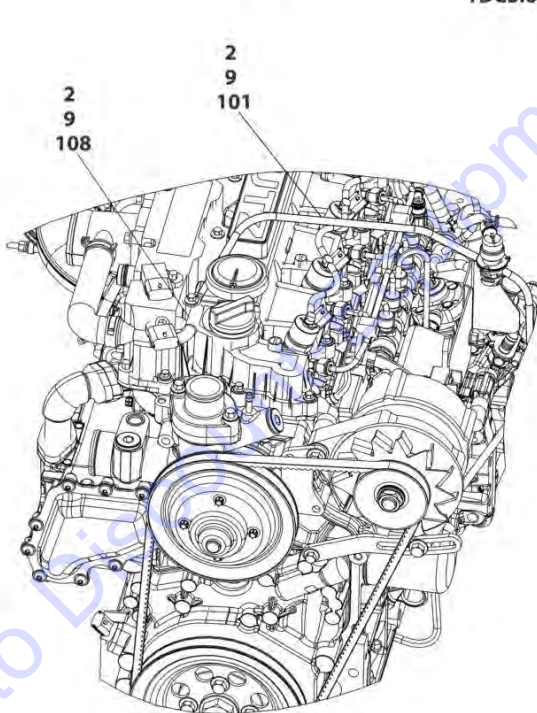
ITEM	PART NUMBER	QTY	DESCRIPTION	REV
	1001223068	Ref	FUEL FILTER/WATER SEPARATOR INSTALLATION - DEUTZ TCD2.9L4 ENGINE (CHINA SPECS ONLY)	C
1	0641608	2	Bolt 3/8 x 1	
3	2220816	2	Fitting, Adapter FNPTF/ORB	
4	3311605	2	Nut 3/8	
5	4711600	4	Washer 3/8	
6	8405006	4	Clamp	
7	1001154405	4 ft/ 1.22m	Hose	
9	1001222817	1	Fuel Filter Assembly (See Items 101-107 for Breakdown)	
10	1001178797	2	Fitting, 90 Elbow	
11	1001226923	1	Decal - Fuel Water Separator	
	1001222817	Ref	FUEL FILTER ASSEMBLY	
101	70006403	1	T-Handle Kit (Includes O-Ring)	
102	70006404	1	Lid Kit (Includes Gasket)	
103	70006405	1	Element	
104	70006406	1	Checkball & Gasket Kit (Not Shown)	
105	70006407	1	Centrifuge and Baffle Kit (Not Shown)	
106	70006409	1	Bowl Kit (Includes Gasket, O-Ring and Drain)	
106	70006408	1	Gasket, Bowl	
107	70006410	1	Bowl Ring Kit (Includes Gasket & Hardware) (Not Shown)	

# SECTION 3 - ENGINE

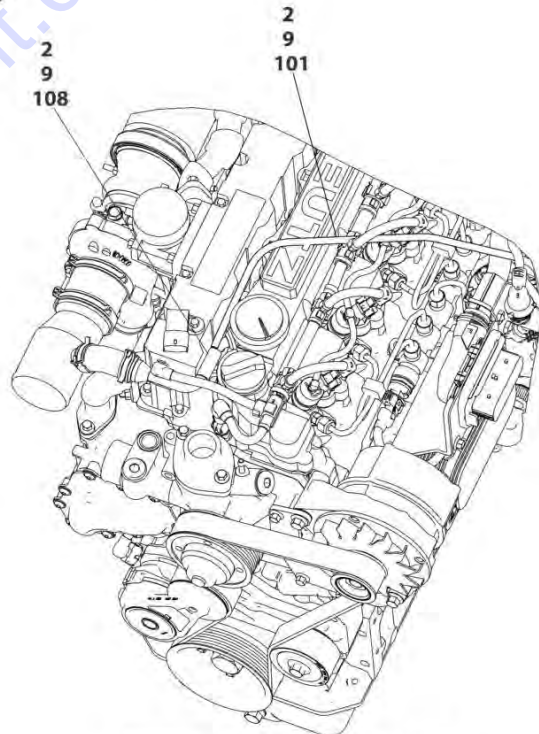
## FIGURE 3-47. BREATHER HEATER INSTALLATION - DEUTZ TCD2.9L4 ENGINE AND DEUTZ TCD2.9L4 (STAGE V) ENGINE WITH ARCTIC PACKAGE



TDC3.6 ENGINES



D2.9L4 ENGINES



TCD2.9L4 AND TD2.9L4 ENGINES

ART\_1001233763

## SECTION 3 - ENGINE

**FIGURE 3-47. BREATHER HEATER INSTALLATION - DEUTZ TCD2.9L4 ENGINE AND DEUTZ TCD2.9L4 (STAGE V) ENGINE WITH ARCTIC PACKAGE**

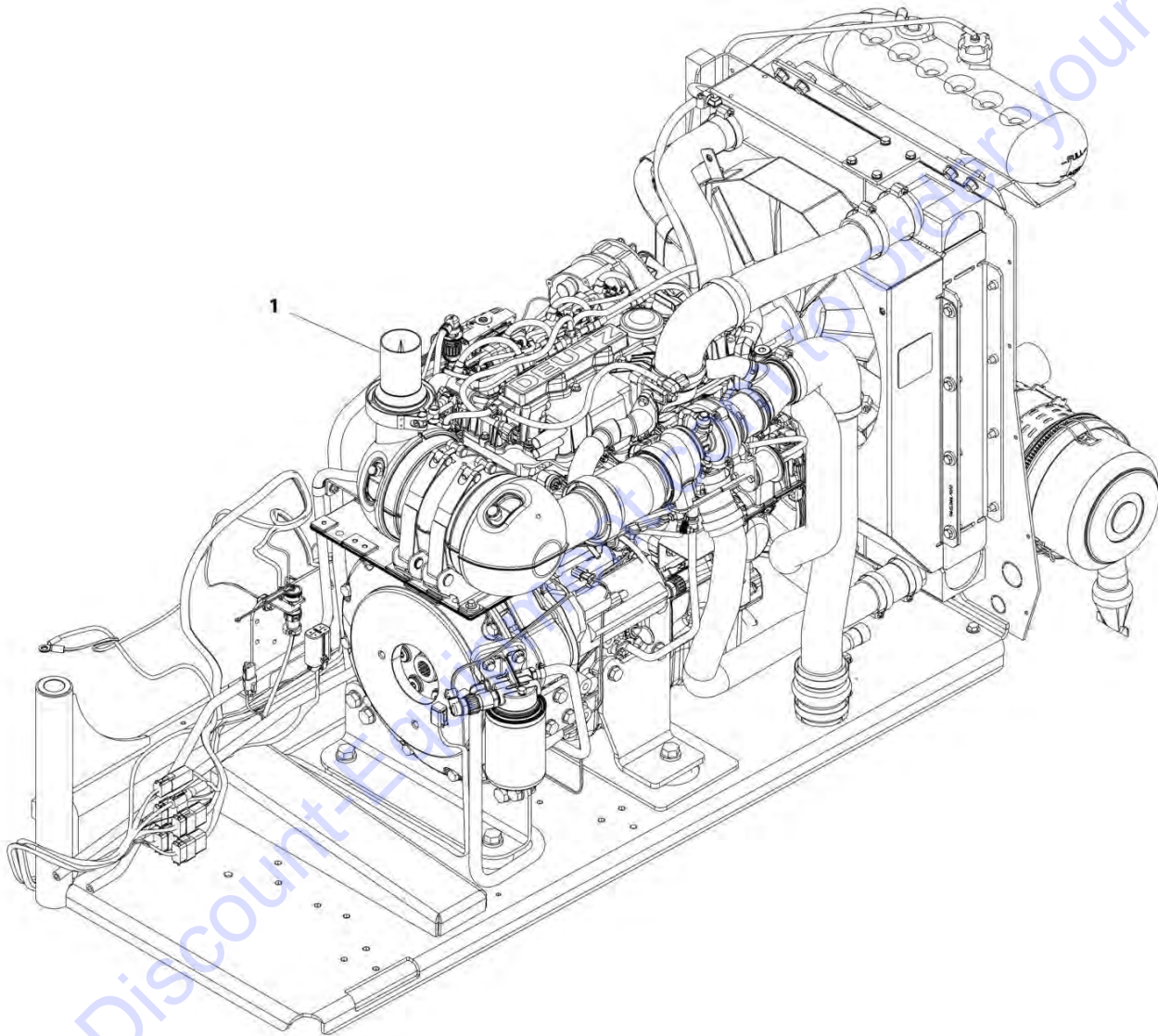
ITEM	PART NUMBER	QTY	DESCRIPTION	REV
	1001233763	Ref	BREATHER HEATER INSTALLATION - DEUTZ ENGINES	C
2	4240099	AR	Tie-Strap	
9	1001243895	1	Breather Heater Harness	
101	2820035	10 ft/ 3m	Insulation	
103	2400060	1	Fuseholder with Cover	
104	4460043	1	Terminal, Ring	
105	4460722	1	Terminal, Ring (Not Shown)	
106	1001196634	1	Fuse - 2 Amp	
108	1001232842	1	Breather Heater Kit	

Go to Discount-Equipment.com to order your parts



## SECTION 3 - ENGINE

FIGURE 3-48. SPARK ARRESTOR INSTALLATION - DEUTZ TCD2.9L4 ENGINES AND DEUTZ TCD2.9L4 (STAGE V) ENGINES (OPTIONAL)



ART\_1001139930

## SECTION 3 - ENGINE

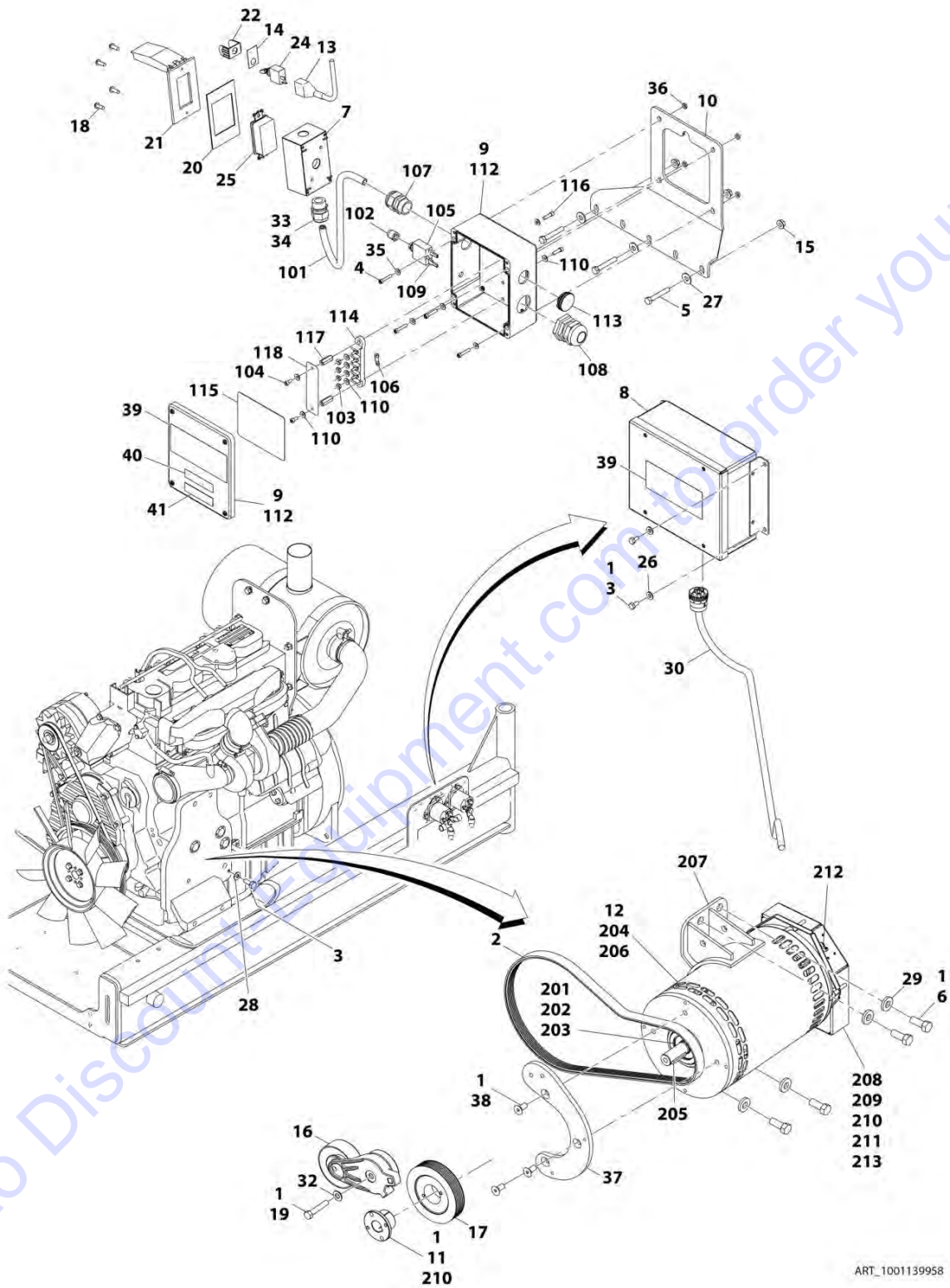
**FIGURE 3-48. SPARK ARRESTOR INSTALLATION - DEUTZ TCD2.9L4 ENGINES AND DEUTZ TCD2.9L4 (STAGE V) ENGINES (OPTIONAL)**

ITEM	PART NUMBER	QTY	DESCRIPTION	REV
	1001139930	Ref	SPARK ARRESTOR INSTALLATION - DEUTZ TCD2.9L4 ENGINES AND DEUTZ TCD2.9L4 (STAGE V) ENGINES (OPTIONAL)	C
1	1001154157	1	Arrestor, Spark	

Go to Discount-Equipment.com to order your parts

# SECTION 3 - ENGINE

## FIGURE 3-49. 4000W GENERATOR INSTALLATION - 60HZ SPECS (DEUTZ TD2011 ENGINES)



ART\_1001139958

## SECTION 3 - ENGINE

**FIGURE 3-49. 4000W GENERATOR INSTALLATION - 60HZ SPECS (DEUTZ TD2011 ENGINES)**

ITEM	PART NUMBER	QTY	DESCRIPTION	REV
	1001139958	Ref	4000W GENERATOR INSTALLATION - 60HZ SPECS (DEUTZ TD2011 ENGINES)	B
		Ref	Note: See ELECTRICAL SECTION for Boom Cable Installation.	
1	0100011	AR	Compound, Locking	
2	0480128	1	Belt, Generator	
3	0641404	5	Bolt 1/4 x 1/2	
4	3931016	4	Screw 1/4 x 1	
5	0641516	3	Bolt 5/16 x 2	
6	0641810	4	Bolt 1/2 x 1-1/4	
7	0860038	1	Box, Switch-Weatherhead	
8	1001138566	1	Box, Generator Control	
8	70006552	1	Capacitor	
8	70006553	1	Relay	
9	1001152457	1	Box, Junction Assembly (See Items 101-118 for Breakdown)	
10	0902888	1	Bracket, Generator Junction Box	
11	0962520	1	Bushing, Taper	
12	1001129858	1	Generator, 4000W Assembly (See Items 200-213 for Breakdown)	
13	2820031	AR	Insulator, Heat Shrink	
14	3251102	1	Nameplate, Generator	
15	3311508	3	Nut 5/16	
16	3580317	1	Pulley, Belt Tensioner	
17	3580318	1	Pulley, Generator	
18	3910606	4	Screw M6 x 3/8	
19	0641616	1	Bolt 3/8 x 2	
20	3960422	1	Gasket, AC Receptacle	
21	1001110873	1	Cover, Gang Vertical Receptacle GFCI	
22	4060802	1	Guard, Switch	
23	4240018	AR	Strap, Tie (Not Shown)	
24	4360336	1	Switch, Toggle	
25	4460346	1	Terminal, Receptacle	
26	4711400	4	Washer 1/4	
27	4751500	3	Washer 5/16	
28	4791400	2	Washer, Star 1/4	
29	4891800	4	Washer 1/2	
30	1001152533	1	Harness, Generator Cable (See ELECTRICAL SECTION for Breakdown)	
31	1001153257	1	Diagram, Generator Wiring (Not Shown)	
32	4711600	1	Washer 3/8	
33	0100020	AR	Sealant, Pipe (Not Shown)	
34	4460071	1	Connector, Strain Relief	
35	4751000	4	Washer #10	
36	3311005	4	Nut #10 Grade 2	
37	1001139357	1	Mount, Generator Tensioner	
38	0741607	3	Screw 3/8 x .88	
39	1705387	3	Decal - Hazardous Voltage	
40	3251243	1	Decal - 120V-60Hz	
41	1705374	1	Decal - 240V-60Hz	
	1001152457	Ref	JUNCTION BOX ASSEMBLY	B
101	1001179154	2.5 ft /0.8m	Cable, 12/3	

## SECTION 3 - ENGINE

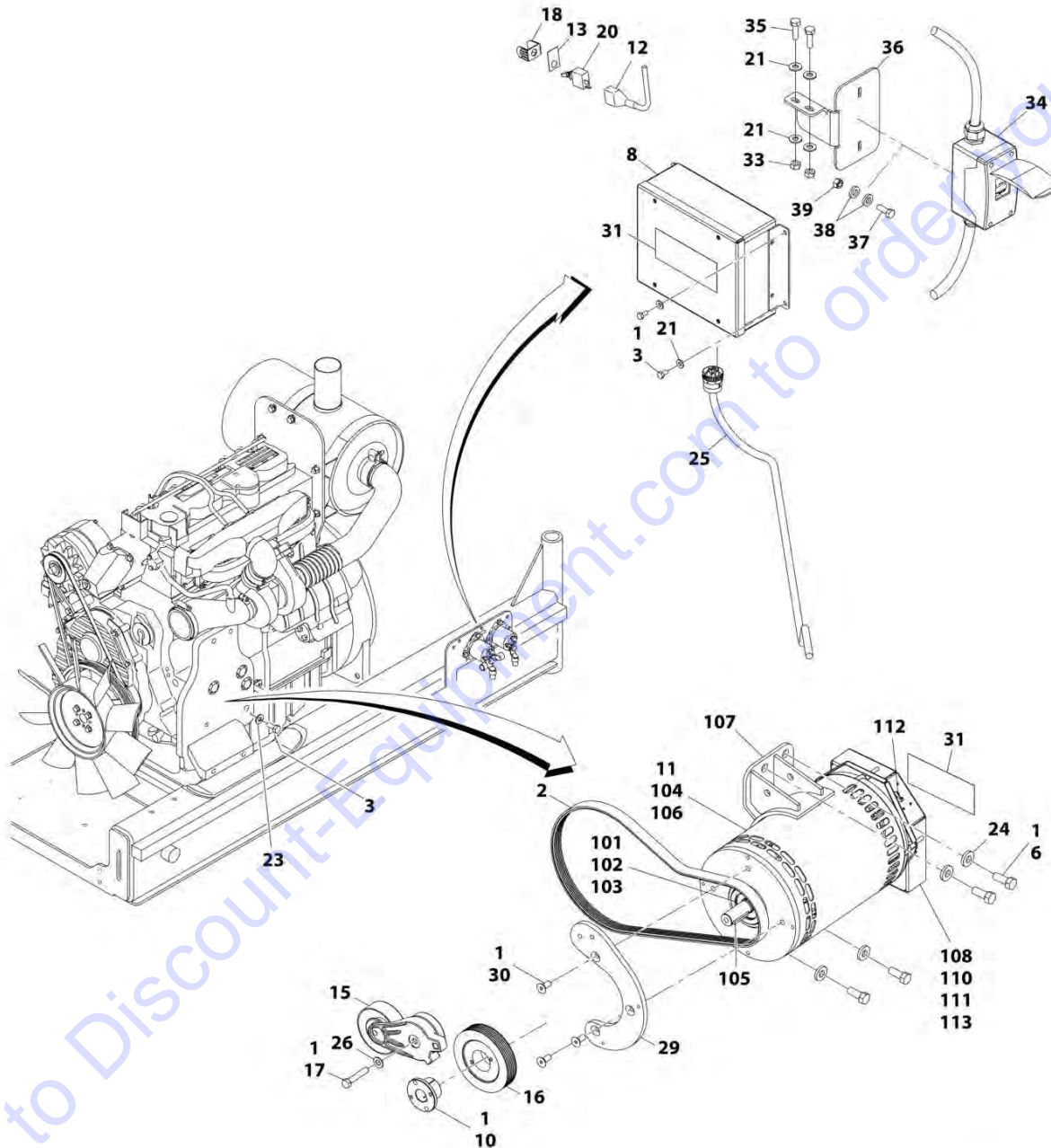
ITEM	PART NUMBER	QTY	DESCRIPTION	REV
102	3300396	1	Cover, Fuse	
103	3311001	4	Nut #10 Grade 2	
104	3900300	2	Screw, Spec, Cap	
105	4360070	1	Circuit Breaker, 15Amp	
106	4460068	3	Terminal, Ring	
107	4460425	1	Terminal, Strain Relief	
108	4460426	1	Connector, Strain Relief	
109	4460483	2	Terminal	
110	4711000	8	Washer #10	
112	1001152456	1	Box, Junction	
113	1001152525	1	Plug, Hole Plugit	
114	1001152530	1	Terminal, Block, 4 pole	
115	1001153260	1	Decal - Wiring 4000W Generator	
116	3900267	2	Screw, Spec, Cap	
117	1001158008	2	Stand-off, female, Threaded	
118	1001158363	1	Plate, Cover, PVC	
	1001129858	Ref	4000W GENERATOR ASSEMBLY	
201	70003709	1	Ring, Retaining	
202	70003708	1	Ring, Retaining	
203	70001966	1	Bearing, Ball	
204	70004092	1	Endbell	
205	70004171	1	Key	
206	70004676	1	Rotor Assembly	
207	70004684	1	Stator, Generator 4000W	
208	70004678	1	Endbell	
209	70004679	1	Cover, Endbell	
210	70004680	1	Enclosure	
211	70004685	1	Cover, Enclosure	
212	70004682	1	Protector, Supplementary, Manual reset	
213	70004098	1	Bushing, Strain Relief	





# SECTION 3 - ENGINE

## FIGURE 3-50. 4000W GENERATOR INSTALLATION - 50HZ SPECS (DEUTZ TD2011 ENGINES)



ART\_1001139959



## SECTION 3 - ENGINE

**FIGURE 3-50. 4000W GENERATOR INSTALLATION - 50HZ SPECS (DEUTZ TD2011 ENGINES)**

ITEM	PART NUMBER	QTY	DESCRIPTION	REV
	1001139959	Ref	4000W GENERATOR INSTALLATION - 50HZ SPECS (DEUTZ TD2011 ENGINES)	D
		Ref	Note: See ELECTRICAL SECTION for Boom Cable Installation.	
1	0100011	AR	Compound, Locking	
2	1001136356	1	Belt, Generator	
3	0641404	5	Bolt 1/4 x 1/2	
6	0641810	4	Bolt 1/2 x 1-1/4	
8	1001138566	1	Box, Generator Control	
8	70006552	1	Capacitor	
8	70006553	1	Relay	
10	0962520	1	Bushing, Taper	
11	1001138565	1	Generator, 4000W Assembly (See Items 100-113 for Breakdown)	
12	2820031	AR	Insulator, Heat Shrink	
13	3251102	1	Nameplate, Generator	
15	3580317	1	Pulley, Belt Tensioner	
16	3580319	1	Pulley, Generator	
17	0641616	1	Bolt 3/8 x 2	
18	4060802	1	Guard, Switch	
19	4240018	AR	Strap, Tie (Not Shown)	
20	4360336	1	Switch, Toggle	
21	4711400	8	Washer 1/4	
23	4791400	2	Washer, Star 1/4	
24	4891800	4	Washer 1/2	
25	1001152533	1	Harness, Generator Cable (See ELECTRICAL SECTION for Breakdown)	
26	4711600	1	Washer 3/8	
29	1001139357	1	Mount, Generator Tensioner	
30	0741607	3	Screw 3/8 x .88	
31	1705489	2	Decal - Hazardous Voltage	
33	3311405	2	Nut 1/4	
34	1001165368	1	Kit, Box and Breaker (See ELECTRICAL SECTION for Breakdown)	
35	0641407	2	Bolt 1/4 x 7/8	
36	1001094915	1	Bracket, AC Breaker Box	
37	4010408	2	Screw M4 x 16	
38	1001091102	4	Washer M4	
39	3290405	2	Nut M4	
	1001138565	Ref	4000W GENERATOR ASSEMBLY	
101	70003709	1	Ring, Retaining	
102	70003708	1	Ring, Retaining	
103	70001966	1	Bearing, Ball	
104	70004092	1	Endbell	
105	70004171	1	Key	
106	70004676	1	Rotor Assembly	
107	70004677	1	Stator, Generator 4000W	
108	70004678	1	Endbell	
110	70004680	1	Enclosure	
111	70004681	1	Cover, Enclosure	
112	70004682	1	Protector, Supplementary, Manual reset	
113	70004683	1	Bushing, Strain Relief	



## SECTION 3 - ENGINE

**FIGURE 3-51. 4000W GENERATOR INSTALLATION - 60HZ SPEC (DEUTZ TCD2.9L4 ENGINES)**

ITEM	PART NUMBER	QTY	DESCRIPTION	REV
	1001171130	Ref	4000W GENERATOR INSTALLATION - 60HZ SPEC (DEUTZ TCD2.9L4 ENGINES)	B
		Ref	Note: See ELECTRICAL SECTION for Boom Cable Installation.	
1	0100011	AR	Compound, Locking	
2	0100019	AR	Compound, Locking	
3	0100020	AR	Sealant, Pipe	
4	0100048	AR	Grease, Dielectric	
5	0641404	5	Bolt 1/4 x 1/2	
6	3931016	4	Screw 1/4 x 1	
7	0641516	3	Bolt 5/16 x 2	
8	0641618	1	Bolt 3/8 x 2-1/4	
9	0641810	2	Bolt 1/2 x 1-1/4	
10	0741607	3	Screw 3/8 x 0.88	
11	0860038	1	Box, Switch-Weatherhead	
12	1001138566	1	Box, Generator Control	
12	70006552	1	Capacitor	
12	70006553	1	Relay	
13	1001152457	1	Box, Junction Assembly (See Items 101-118 for Breakdown)	
14	0902888	1	Bracket, Generator Junction Box	
15	0962520	1	Bushing, Taper	
16	2820031	AR	Insulator, Heat Shrink	
17	3251102	1	Nameplate, Generator	
18	3311508	3	Nut 5/16	
19	3311801	2	Nut 1/2	
20	3580317	1	Pulley, Belt Tensioner	
21	3580318	1	Pulley, Generator	
22	3910606	4	Screw M6 x 3/8	
23	3960422	1	Gasket, AC Receptacle	
24	4060802	1	Guard, Switch	
25	4240018	AR	Strap, Tie (Not Shown)	
26	4300157	2	Stud	
27	4360336	1	Switch, Toggle	
28	4460071	1	Connector, Strain Relief	
29	4460346	1	Terminal, Receptacle	
30	4711400	4	Washer 1/4	
31	4711600	1	Washer 3/8	
32	4751500	3	Washer 5/16	
33	4791400	2	Washer, Star 1/4	
34	4891800	4	Washer 1/2	
35	1001140346	1	Generator, 4000W Assembly (See Items 200-213 for Breakdown)	
36	1001153257	1	Diagram, Generator Wiring (Not Shown)	
37	1001152533	1	Harness, Generator Cable (See ELECTRICAL SECTION for Breakdown)	
38	1001138011	1	Mount, Generator Tensioner	
39	1001110873	1	Cover, Gang Vertical Receptacle GFCI	
40	1001142645	1	Belt, Generator	
41	4751000	4	Washer #10	
42	3311005	4	Nut #10	
43	1705387	3	Decal - Hazardous Voltage	
44	1705374	1	Decal - 240V-60Hz	

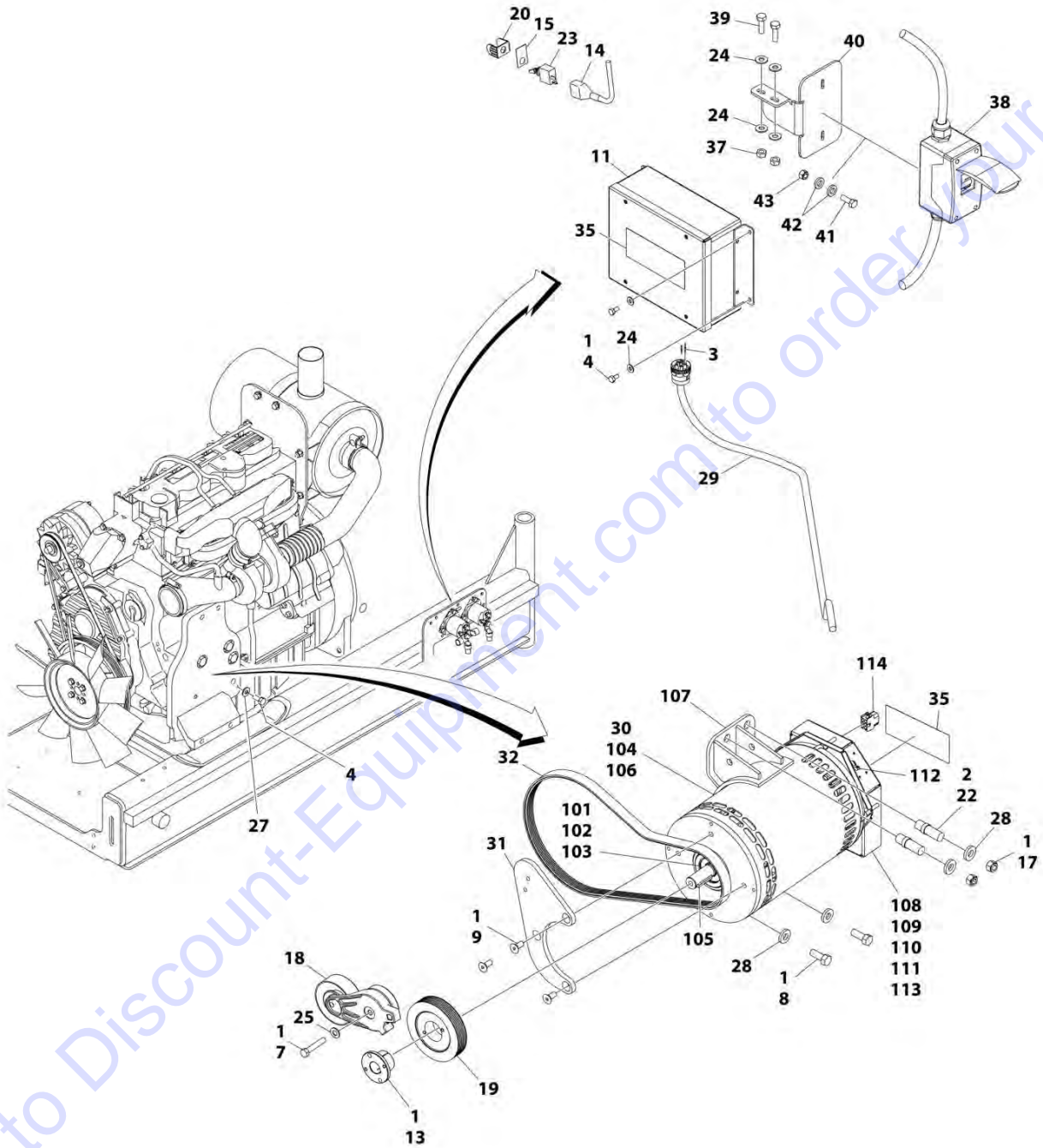
## SECTION 3 - ENGINE

ITEM	PART NUMBER	QTY	DESCRIPTION	REV
45	3251243	1	Decal - 120V-60Hz	B
	1001152457	Ref	JUNCTION BOX ASSEMBLY	
101	1001179154	2.5 ft /0.8m	Cable, Electrical 12/3	
102	3300396	1	Cover, Fuse	
103	3311001	4	Nut 10 Grade 2	
104	3900300	2	Screw, Spec, Cap	
105	4360070	1	Circuit Breaker, 15Amp	
106	4460068	3	Terminal, Ring	
107	4460425	1	Terminal, Strain Relief	
108	4460426	1	Connector, Strain Relief	
109	4460483	2	Terminal	
110	4711000	8	Washer #10	
112	1001152456	1	Box, Junction	
113	1001152525	1	Plug, Hole Plugit	
114	1001152530	1	Terminal, Block, 4 Pole	
115	1001153260	1	Decal - Wiring 4000W Generator	
116	3900267	2	Screw, Spec, Cap	
117	1001158008	2	Stand-off, Female, Threaded	
118	1001158363	1	Plate, Cover, PVC	
	1001140346	Ref	4000W GENERATOR ASSEMBLY	
201	70003709	1	Ring, Retaining	
202	70003708	1	Ring, Retaining	
203	70001966	1	Bearing, Ball	
204	70004092	1	Endbell	
205	70004099	1	Key	
206	70004676	1	Rotor Assembly	
207	70004687	1	Stator, Generator 4000W	
208	70004678	1	Endbell	
210	70004680	1	Enclosure	
211	70004685	1	Cover, Enclosure	
212	70004682	1	Protector, Supplementary, Manual Reset	
213	70004098	1	Bushing, Strain Relief	



# SECTION 3 - ENGINE

FIGURE 3-52. 4000W GENERATOR INSTALLATION - 50HZ SPEC (DEUTZ TCD2.9L4 ENGINES AND DEUTZ TCD2.9L4 (STAGE V) ENGINES)



ART\_1001171273

## SECTION 3 - ENGINE

**FIGURE 3-52. 4000W GENERATOR INSTALLATION - 50HZ SPEC (DEUTZ TCD2.9L4 ENGINES AND DEUTZ TCD2.9L4 (STAGE V) ENGINES)**

ITEM	PART NUMBER	QTY	DESCRIPTION	REV
	1001171273	Ref	4000W GENERATOR INSTALLATION - 50HZ SPEC (DEUTZ TCD2.9L4 ENGINES AND DEUTZ TCD2.9L4 (STAGE V) ENGINES)	C
		Ref	Note: See ELECTRICAL SECTION for Boom Cable Installation.	
1	0100011	AR	Compound, Locking	
2	0100019	AR	Compound, Locking	
3	0100048	AR	Grease, Dielectric	
4	0641404	5	Bolt 1/4 x 1/2	
7	0641618	1	Bolt 3/8 x 2-1/4	
8	0641810	2	Bolt 1/2 x 1-1/4	
9	0741607	3	Screw 3/8 x .88	
11	1001138566	1	Box, Generator Control	
11	70006552	1	Capacitor	
11	70006553	1	Relay	
13	0962520	1	Bushing, Taper	
14	2820031	AR	Insulator, Heat Shrink	
15	3251102	1	Nameplate, Generator	
17	3311801	2	Nut 1/2	
18	3580317	1	Pulley, Belt Tensioner	
19	3580319	1	Pulley, Generator	
20	4060802	1	Guard, Switch	
21	4240018	AR	Strap, Tie (Not Shown)	
22	4300157	2	Stud	
23	4360336	1	Switch, Toggle	
24	4711400	8	Washer 1/4	
25	4711600	1	Washer 3/8	
27	4791400	2	Washer, Star 1/4	
28	4891800	4	Washer 1/2	
29	1001152533	1	Harness, Generator Cable (See ELECTRICAL SECTION for Breakdown)	
30	1001140347	1	Generator, 4000W Assembly (See Items 101-113 for Breakdown)	
31	1001138011	1	Mount, Generator Tensioner	
32	1001136357	1	Belt, Generator	
35	1705489	2	Decal - Hazardous Voltage	
37	3311405	2	Nut 1/4	
38	1001165368	1	Kit, Box and Breaker (See ELECTRICAL SECTION for Breakdown)	
39	0641407	2	Bolt 1/4 x 7/8	
40	1001094915	1	Bracket, AC Breaker Box	
41	4010408	2	Screw M4 x 16	
42	1001091102	4	Washer M4	
43	3290405	2	Nut M4	
	1001140347	Ref	4000W GENERATOR ASSEMBLY	
101	70003709	1	Ring, Retaining	
102	70003708	1	Ring, Retaining	
103	70001966	1	Bearing, Ball	
104	70004092	1	Endbell	
105	70004099	1	Key	
106	70004676	1	Rotor Assembly	
107	70004686	1	Stator, Generator 4000W	



### SECTION 3 - ENGINE

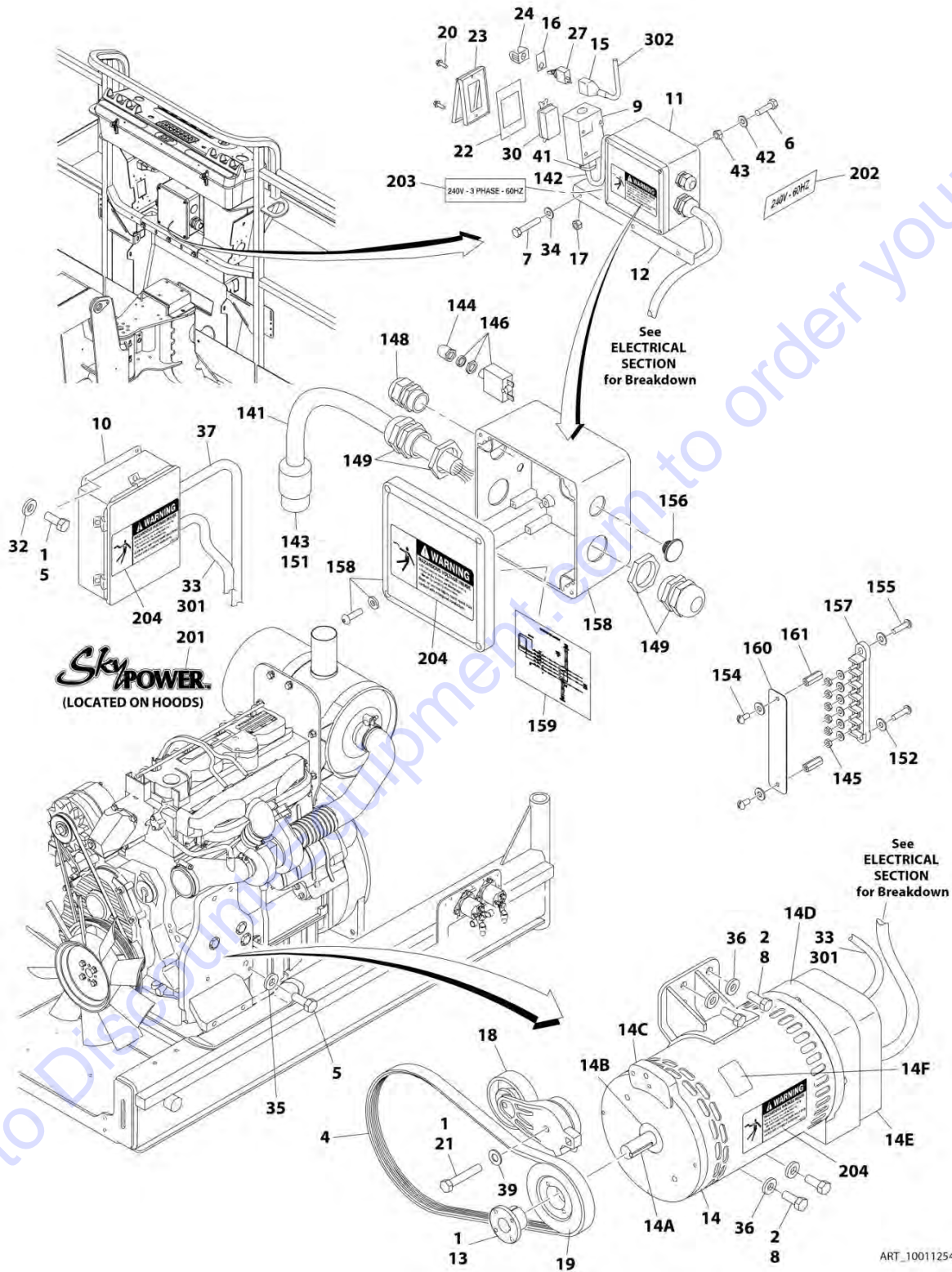
ITEM	PART NUMBER	QTY	DESCRIPTION	REV
108	70004678	1	Endbell	
109	70004679	1	Cover, Endbell	
110	70004680	1	Enclosure	
111	70004681	1	Cover, Enclosure	
112	70004682	1	Protector, Supplementary, Manual reset	
113	70004683	1	Bushing, Strain Relief	
114	4460224	1	Connector - 6 Position	
114	4460294	6	Pin, Male	
114	4460807	1	Seal, Plug	
114	4460808	1	Seal, Plug	

Go to Discount-Equipment.com to order your parts



# SECTION 3 - ENGINE

FIGURE 3-53. 7500W SKYPOWER GENERATOR INSTALLATION - 60HZ SPEC (DEUTZ TD2011 ENGINES) (OPTIONAL)



## SECTION 3 - ENGINE

**FIGURE 3-53. 7500W SKYPOWER GENERATOR INSTALLATION - 60HZ SPEC (DEUTZ TD2011 ENGINES) (OPTIONAL)**

ITEM	PART NUMBER	QTY	DESCRIPTION	REV
	1001125427	Ref	7500W SKYPOWER GENERATOR INSTALLATION - 60HZ SPEC (DEUTZ TD2011 ENGINES) (OPTIONAL)	D
		Ref	Note: See ELECTRICAL SECTION for Boom Cable Installation.	
1	0100011	AR	Compound, Locking	
2	0100019	AR	Compound, Locking	
4	0480128	1	Belt, Generator	
5	0641404	6	Bolt 1/4 x 1/2	
6	3931016	4	Bolt 10 x 1	
7	0641516	3	Bolt 5/16 x 2	
8	0641810	4	Bolt 1/2 x 1-1/4	
9	0860038	1	Box, Switch	
10	0861538	1	Box, Generator Control	
10	7024488	1	Card, Circuit - Generator Power (Not Shown)	
10	See Note	1	Fuse (Note: Not Available - Purchase Locally)	
10	7024489	1	Card, Circuit - Control (Not Shown)	
		Ref	Note: When replacing card, rocker switch on card must be set for required application.	
10	70000619	1	Harness, Circuit Card	
11	1001157592	1	Junction Box Assembly Options (See Items 141-161 for Breakdown)	
12	0902888	1	Bracket, Generator Junction Box	
13	0962520	1	Bushing, Taper	
14	2460048	1	Generator, 7500W	
14	70001100	1	Rotor (Includes p/n 70001384 & 70000863) (Not Shown)	
14	70001384	1	Bearing, Shaft (Rear) (Not Shown)	
14	70000863	1	Fan, Generator (Not Shown)	
14	70002088	1	Stator (Not Shown)	
14	70002297	2	Stud 1/4-20 x 12-7/8 (Not Shown)	
14	70003631	1	Brushholder Assembly (Not Shown)	
14A	70004171	1	Key	
14B	70001966	1	Bearing, Ball Radial (Located in Belt Tensioner Endbell)	
14B	70003709	1	Ring, Retaining (Small)	
14B	70003708	1	Ring, Retaining (Large)	
14C	70001953	1	Endbell, Belt Tensioner	
14D	70004169	1	Kit, Endbell (Includes Endbell, Brush Block and Shroud Assembly)	
14E	7027799	1	Block, Connector - 6 Position (Not Shown)	
14E	70002460	6	Nut, Brass (Attaches p/n 7027799 to Cover) (Not Shown)	
14E	7024485	1	Breaker, Circuit 30Amp (Not Shown)	
14E	70001696	1	Boot, Breaker (Not Shown)	
14E	7026597	1	Connector with Leads (Not Shown)	
14E	7026626	1	Connector with Pins (Not Shown)	
14E	7026188	1	Clamp, Cable (Not Shown)	
14E	70002255	1	Plate, End Panel (Not Shown)	
14E	See Note	NSS	Insulator, End Panel (Note: Not Available for Purchase)	
14E	70001974	1	Decal - Terminal Connections (Not Shown)	
14F	70001973	1	Decal - Warning Moving Parts	
15	2820031	AR	Insulator, Heat Shrink	
16	3251102	1	Nameplate, Generator	
17	3311508	3	Nut 5/16	

## SECTION 3 - ENGINE

ITEM	PART NUMBER	QTY	DESCRIPTION	REV
18	3580317	1	Pulley, Belt Tensioner	
19	3580318	1	Pulley, Generator	
20	3910606	4	Screw #6 x 3/8	
21	0641618	1	Bolt 3/8 x 2	
22	3960422	1	Gasket, AC Receptacle	
23	1001110873	1	Shield, Receptacle Cover	
24	4060802	1	Guard, Switch	
26	4240018	AR	Strap, Tie (Not Shown)	
27	4360336	1	Switch, Toggle	
30	4460346	1	Terminal, Receptacle	
32	4711400	4	Washer 1/4	
33	0100048	AR	Grease, Dielectric	
34	4751500	3	Washer 5/16	
35	4791400	2	Washer, Star 1/4	
36	4891800	4	Washer 1/2	
37	4922972	1	Harness, Generator Cable (See ELECTRICAL SECTION for Breakdown)	
39	4711600	1	Washer 3/8	
40	0100020	AR	Sealant, Pipe (Not Shown)	
41	4460071	1	Connector, Strain Relief	
42	4751000	4	Washer #10	
43	3311005	4	Nut #10	
	1001157592	Ref	JUNCTION BOX ASSEMBLY	C
141	1060343	1.5 ft /0.5m	Cable, Electrical 10/4	
142	1001179154	2.5 ft /0.8m	Cable, Electrical 12/3	
143	1671092	1	Cover	
144	3300396	1	Cover, Fuse	
145	3311001	6	Nut #10	
146	4360070	1	Circuit Breaker - 15Amp	
148	4460425	1	Strain Relief, Terminal	
149	4460426	2	Connector, Strain Relief	
151	4460963	1	Connector	
152	4711000	10	Washer #10	
154	10702077	2	Screw #10 x 3/8	
155	10702082	2	Screw #10 x 3/4	
156	1001152525	1	Plug	
157	1001157520	1	Block, Terminal	
158	1001157521	1	Box, Junction	
159	1001157528	1	Decal - Wiring Schematic	
160	1001158007	1	Decal - PVC	
161	1001158008	2	Stand-off	
	0272435	Ref	DECAL INSTALLATION	D
201	1705460	2	Decal - SkyPower	
202	1705374	1	Decal - 240V-60Hz (SN 0300209000 through 0300202038)	
202	3251243	1	Decal - 120V-60Hz (SN 0300222674 to Present)	
203	1705375	1	Decal - 240V - 3 Phase	
204	1705387	3	Decal - Hazardous Voltage	
	1001122528	Ref	ELECTRICAL DIAGRAM COMPONENTS	B
301	1001119968	1	Generator Harness	C
301A	4460967	1	Plug, Male - 3 Position (Not Shown)	

## SECTION 3 - ENGINE

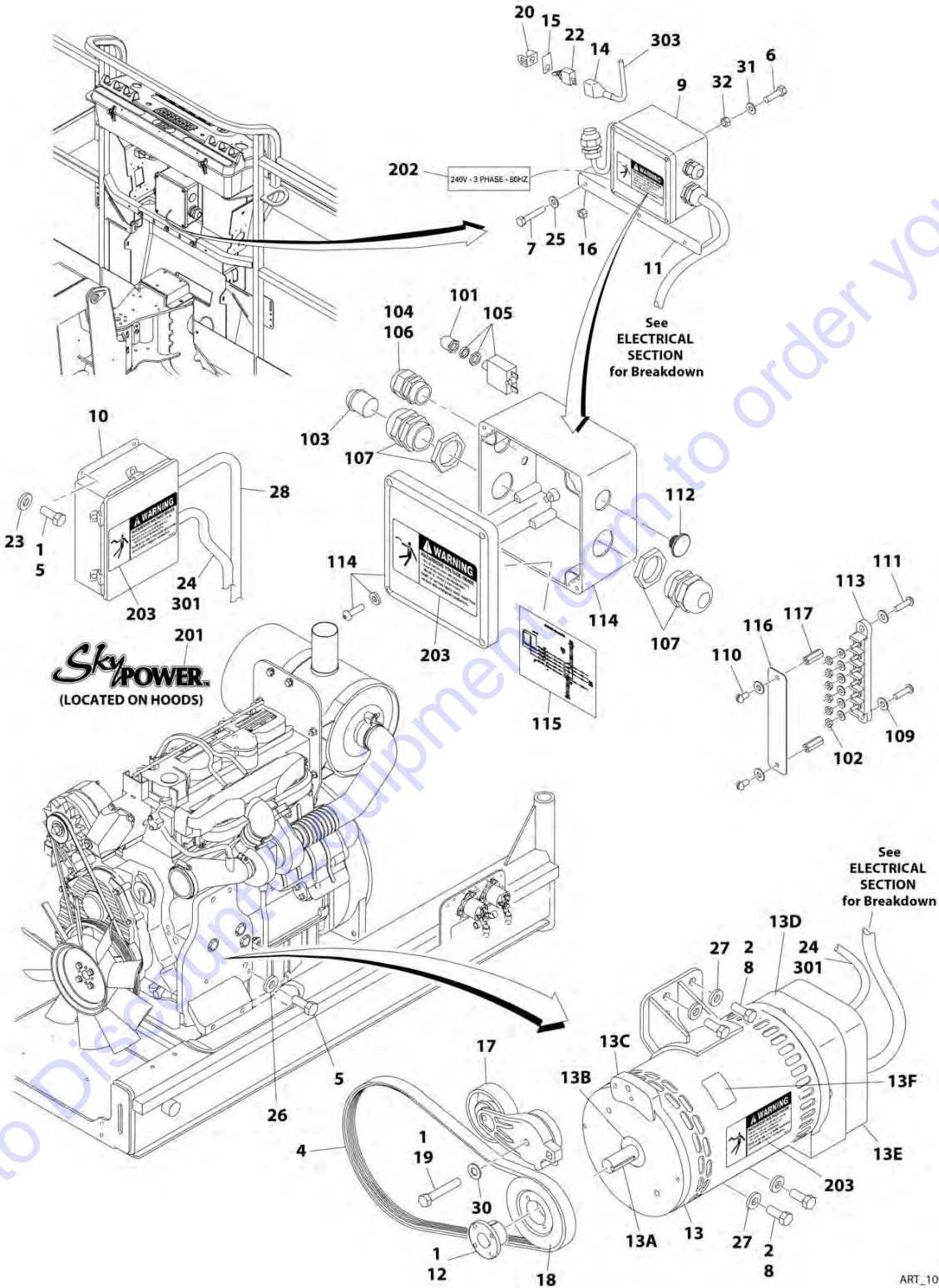
ITEM	PART NUMBER	QTY	DESCRIPTION	REV
301A	4460465	6	Socket, Female	
301B	1001117078	1	Fuseholder with Fuse (Not Shown)	
302	4922641	1	Switch, Harness	

Go to [Discount-Equipment.com](http://Discount-Equipment.com) to order your parts



# SECTION 3 - ENGINE

## FIGURE 3-54. 7500W SKYPOWER GENERATOR INSTALLATION - 50HZ SPEC (DEUTZ TD2011 ENGINES) (OPTIONAL)



ART\_1001125428



## SECTION 3 - ENGINE

**FIGURE 3-54. 7500W SKYPOWER GENERATOR INSTALLATION - 50HZ SPEC (DEUTZ TD2011 ENGINES) (OPTIONAL)**

ITEM	PART NUMBER	QTY	DESCRIPTION	REV
	1001125428	Ref	7500W SKYPOWER GENERATOR INSTALLATION - 50HZ SPEC (DEUTZ TD2011 ENGINES) (OPTIONAL)	C
		Ref	Note: See ELECTRICAL SECTION for Boom Cable Installation.	
1	0100011	AR	Compound, Locking	
2	0100019	AR	Compound, Locking	
4	0480129	1	Belt, Generator	
5	0641404	5	Bolt 1/4 x 1/2	
6	3931016	4	Bolt M10 x 1	
7	0641516	3	Bolt 5/16 x 2	
8	0641810	4	Bolt 1/2 x 1-1/4	
9	1001157525	1	Junction Box Assembly (See Items 101-117 for Breakdown)	
10	0861572	1	Box, Generator Control	
10	7024488	1	Card, Circuit - Generator Power (Not Shown)	
10	See Note	1	Fuse (Note: Not Available - Purchase Locally)	
10	7024489	1	Card, Circuit - Control (Not Shown)	
		Ref	Note: When replacing card, rocker switch on card must be set for required application.	
10	70000619	1	Harness, Circuit Card	
11	0902888	1	Bracket, Generator Junction Box	
12	0962520	1	Bushing, Taper	
13	2460048	1	Generator, 7500W	
13	70001100	1	Rotor (Includes p/n 70001384 & 70000863) (Not Shown)	
13	70001384	1	Bearing, Shaft (Rear) (Not Shown)	
13	70000863	1	Fan, Generator (Not Shown)	
13	70002088	1	Stator (Not Shown)	
13	70002297	2	Stud 1/4-20 x 12-7/8	
13	70003631	1	Brushholder Assembly (Not Shown)	
13A	70004171	1	Key	
13B	70001966	1	Bearing, Ball Radial (Located in Belt Tensioner Endbell)	
13B	70003709	1	Ring, Retaining (Small)	
13B	70003708	1	Ring, Retaining (Large)	
13C	70001953	1	Endbell, Belt Tensioner	
13D	70004169	1	Kit, Endbell (Includes Endbell, Brush Block and Shroud Assembly)	
13E	7027799	1	Block, Connector - 6 Position (Not Shown)	
13E	70002460	6	Nut, Brass (Attaches p/n 7027799 to Cover) (Not Shown)	
13E	7024485	1	Breaker, Circuit 30Amp (Not Shown)	
13E	70001696	1	Boot, Breaker (Not Shown)	
13E	7026597	1	Connector with Lead (Not Shown)	
13E	7026626	1	Connector with Pins (Not Shown)	
13E	7026188	1	Clamp, Cable (Not Shown)	
13E	70002255	1	Plate, End Panel (Not Shown)	
13E	See Note	1	Insulator, End Panel (Not Shown) (Note: Not Available for Purchase)	
13E	70001974	1	Decal - Terminal Connections (Not Shown)	
13F	70001973	1	Decal - Warning Moving Parts	
14	2820031	AR	Insulator, Heat Shrink	
15	3251102	1	Nameplate, Generator	
16	3311508	3	Nut 5/16	
17	3580317	1	Pulley, Belt Tensioner	

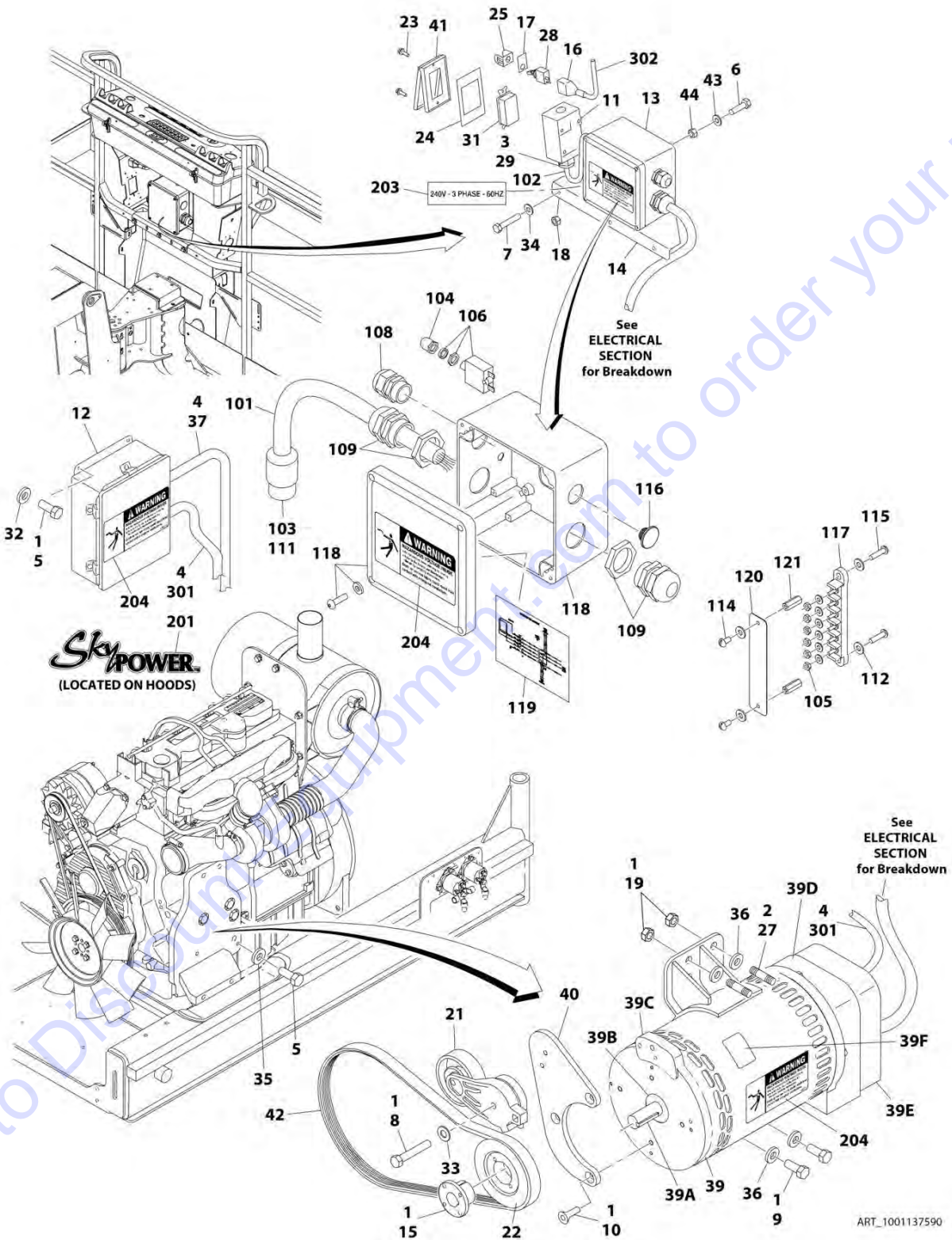
## SECTION 3 - ENGINE

ITEM	PART NUMBER	QTY	DESCRIPTION	REV
18	3580319	1	Pulley, Generator	
19	0641618	1	Bolt 3/8 x 2	
20	4060802	1	Guard, Switch	
21	4240018	AR	Strap, Tie (Not Shown)	
22	4360336	1	Switch, Toggle	
23	4711400	4	Washer 1/4	
24	0100048	AR	Grease, Dielectric	
25	4751500	3	Washer 5/16	
26	4791400	2	Washer, Star 1/4	
27	4891800	4	Washer 1/2	
28	4922972	1	Harness, Generator Cable (See ELECTRICAL SECTION for Breakdown)	
30	4711600	1	Washer 3/8	
31	4751000	4	Washer #10	
32	3311005	4	Nut #10	
	1001157525	Ref	JUNCTION BOX ASSEMBLY	B
101	3300396	1	Cover, Fuse	
102	3311001	6	Nut #10	
103	3520189	1	Plug	
104	3520192	1	Plug	
105	4360070	1	Circuit Breaker - 15Amp	
106	4460425	1	Strain Relief, Terminal	
107	4460426	2	Connector, Strain Relief	
109	4711000	10	Washer #10	
110	10702077	2	Screw #10 x 3/8	
111	10702082	2	Screw #10 x 3/4	
112	1001152525	1	Plug	
113	1001157520	1	Block, Terminal	
114	1001157521	1	Box, Junction	
115	1001157528	1	Decal - Wiring Schematic	
116	1001158007	1	Cover, PVC	
117	1001158008	2	Stand-off	
	0272589	Ref	DECAL INSTALLATION	A
201	1705460	2	Decal - SkyPower	
202	1705461	1	Decal - 240V - 3 Phase	
203	1705489	3	Decal - Hazardous Voltage	
	1001122528	Ref	ELECTRICAL DIAGRAM COMPONENTS	B
301	1001119968	1	Generator Harness	C
301A	4460967	1	Plug, Male - 3 Position (Not Shown)	
301A	4460465	6	Socket, Female	
301B	1001117078	1	Fuseholder with Fuse (Not Shown)	
303	4922641	1	Switch Harness	



# SECTION 3 - ENGINE

FIGURE 3-55. 7500W SKYPOWER GENERATOR INSTALLATION - 60HZ SPEC (DEUTZ TCD2.9L4 ENGINES) (OPTIONAL)



## SECTION 3 - ENGINE

**FIGURE 3-55. 7500W SKYPOWER GENERATOR INSTALLATION - 60HZ SPEC (DEUTZ TCD2.9L4 ENGINES) (OPTIONAL)**

ITEM	PART NUMBER	QTY	DESCRIPTION	REV
	1001137590	Ref	7500W SKYPOWER GENERATOR INSTALLATION - 60HZ SPEC (DEUTZ TCD2.9L4 ENGINES) (OPTIONAL)	G
		Ref	Note: See ELECTRICAL SECTION for Boom Cable Installation.	
1	0100011	AR	Compound, Locking	
2	0100019	AR	Compound, Locking	
3	0100020	AR	Sealant, Pipe	
4	0100048	AR	Grease, Dielectric	
5	0641404	5	Bolt 1/4 x 1/2	
6	3931016	4	Bolt 10 x 1	
7	0641516	3	Bolt 5/16 x 2	
8	0641618	1	Bolt 3/8 x 2	
9	0641810	2	Bolt 1/2 x 1-1/4	
10	0741607	3	Screw 3/8 x 7/8	
11	0860038	1	Box, Switch	
12	0861538	1	Box, Generator Control	
12	7024488	1	Card, Circuit - Generator Power (Not Shown)	
12	See Note	1	Fuse (Note: Not Available Purchase Locally)	
12	7024489	1	Card, Circuit - Control (Not Shown)	
		Ref	Note: When replacing card, rocker switch on card must be set for required application.	
12	70000619	1	Harness, Circuit Card	
13	1001157592	1	Junction Box Assembly (See Items 101-121 for Breakdown)	
14	0902888	1	Bracket, Generator Junction Box	
15	0962520	1	Bushing, Taper	
16	2820031	AR	Insulator, Heat Shrink	
17	3251102	1	Nameplate, Generator	
18	3311508	3	Nut 5/16	
19	3311801	2	Nut 1/2	
21	3580317	1	Pulley, Belt Tensioner	
22	3580318	1	Pulley, Generator	
23	3910606	4	Screw #6 x 3/8	
24	3960422	1	Gasket, AC Receptacle	
25	4060802	1	Guard, Switch	
26	4240018	AR	Strap, Tie (Not Shown)	
27	4300157	2	Stud 1/2-13	
28	4360336	1	Switch, Toggle	
29	4460071	1	Connector, Strain Relief	
31	4460346	1	Terminal, Receptacle	
32	4711400	4	Washer 1/4	
33	4711600	1	Washer 3/8	
34	4751500	3	Washer 5/16	
35	4791400	2	Washer, Star 1/4	
36	4891800	4	Washer 1/2	
37	4922972	1	Harness, Generator Cable (See ELECTRICAL SECTION for Breakdown)	
39	1001136988	NLA	Generator, 7500W (Use p/n 1001212223) <b>(SN 0300209000 through 0300226075)</b>	
39	1001212223	1	Generator Assembly <b>(SN 0300226076 to Present)</b>	
39	70001100	1	Rotor (Includes p/n 70001384 & 70000863) (Not Shown)	
39	70001384	1	Bearing, Shaft (Rear) (Not Shown)	

## SECTION 3 - ENGINE

ITEM	PART NUMBER	QTY	DESCRIPTION	REV
39	7000863	1	Fan, Generator (Not Shown)	
39	70004093	1	Stator (Not Shown) (1001136988 Generator)	
39	70006093	1	Stator (Not Shown) (1001212223 Generator)	
39	70002297	2	Stud 1/4-20 x 12-7/8 (Not Shown)	
39	70003631	1	Brushholder Assembly (Not Shown)	
39A	70004099	1	Key	
39B	70001966	1	Bearing, Ball Radial (Located in Belt Tensioner Endbell)	
39B	70003709	1	Ring, Retaining (Small)	
39B	70003708	1	Ring, Retaining (Large)	
39C	70004092	1	Endbell, Belt Tensioner	
39D	70004094	1	Endbell, Brush Block	
39E	70004096	1	Shroud (1001136988 Generator)	
39E	70006094	1	Shroud (1001212223 Generator)	
39E	7027799	1	Block, Connector - 6 Position (Not Shown)	
39E	70002460	6	Nut, Brass (Attaches p/n 7027799 to Cover) (Not Shown)	
39E	7024485	1	Breaker, Circuit 30Amp (Not Shown) (1001136988 Generator)	
39E	70006095	1	Breaker, Circuit 30Amp (Not Shown) (1001212223 Generator)	
39E	70001696	1	Boot, Breaker (Not Shown) (1001136988 Generator)	
39E	70006096	1	Guard, Breaker (Not Shown) (1001212223 Generator)	
39E	7026597	1	Connector with Leads (Not Shown)	
39E	7026626	1	Connector with Pins (Not Shown)	
39E	70004098	1	Clamp, Cable (Not Shown)	
39E	70004095	1	Plate, End Panel (Not Shown) (1001136988 Generator)	
39E	70006097	1	Plate, End Panel (Not Shown) (1001212223 Generator)	
39E	70004097	1	Insulator, Endbell (Not Shown) (1001136988 Generator)	
39E	70002291	1	Insulator, Endbell (Not Shown) (1001212223 Generator)	
39E	70001974	1	Decal - Terminal Connections (Not Shown)	
39F	70001973	1	Decal - Warning Moving Parts	
40	1001138011	1	Bracket	
41	1001110873	1	Shield, Receptacle Cover	
42	1001142645	1	Belt, Generator	
43	4751000	4	Washer #10	
44	3311005	4	Nut #10	
	1001157592	Ref	JUNCTION BOX ASSEMBLY	C
101	1060343	1.5 ft /0.5m	Cable, Electrical 10/4	
102	1001179154	2.5 ft /0.8m	Cable, Electrical 12/3	
103	1671092	1	Cover	
104	3300396	1	Cover, Fuse	
105	3311001	6	Nut #10	
106	4360070	1	Circuit Breaker - 15Amp	
108	4460425	1	Strain Relief, Terminal	
109	4460426	2	Connector, Strain Relief	
111	4460963	1	Connector	
112	4711000	10	Washer #10	
114	10702077	2	Screw #10 x 3/8	
115	10702082	2	Screw #10 x 3/4	
116	1001152525	1	Plug	
117	1001157520	1	Block, Terminal	
118	1001157521	1	Box, Junction	
119	1001157528	1	Decal - Wiring Schematic	

## SECTION 3 - ENGINE

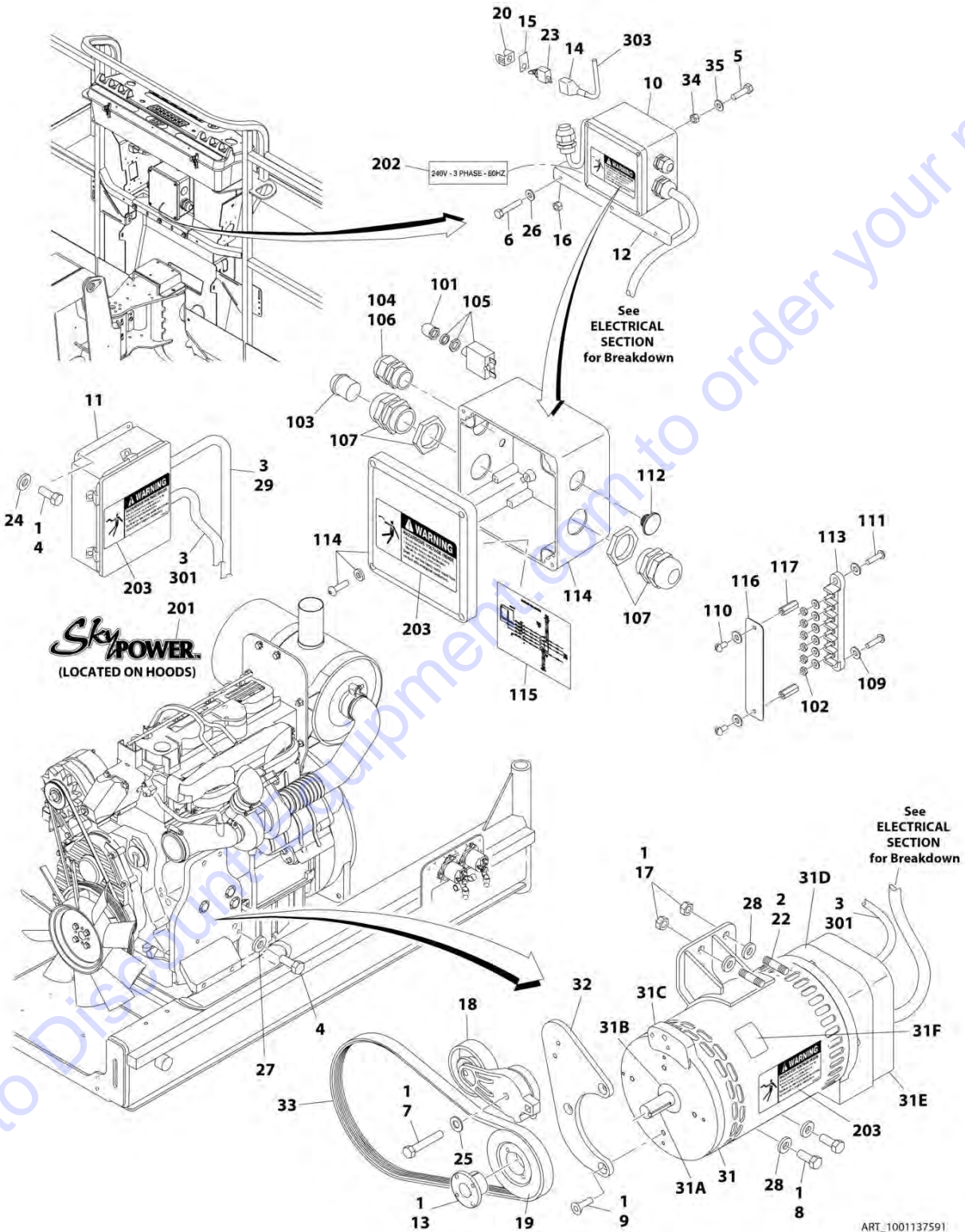
ITEM	PART NUMBER	QTY	DESCRIPTION	REV
120	1001158007	1	Cover, PVC	
121	1001158008	2	Stand-off	
	0272435	Ref	DECAL INSTALLATION	D
201	1705460	2	Decal - SkyPower	
202	3251243	1	Decal - 120V-60Hz (Not Shown - Located at Platform Receptacle) <b>(SN 0300222674 to Present)</b>	
203	1705375	1	Decal - 240V - 3 Phase	
204	1705387	3	Decal - Hazardous Voltage	
	1001122528	Ref	ELECTRICAL DIAGRAM COMPONENTS	B
301	1001119968	1	Generator Harness	C
301A	4460967	1	Plug, Male - 3 Position (Not Shown)	
301A	4460465	6	Socket, Female	
301B	1001117078	1	Fuseholder with Fuse (Not Shown)	
302	4922641	1	Switch Harness	

Go to Discount-Equipment.com to order your parts



# SECTION 3 - ENGINE

FIGURE 3-56. 7500W SKYPOWER GENERATOR INSTALLATION - 50HZ SPEC (DEUTZ TCD2.9L4 ENGINES AND DEUTZ TCD2.9L4 (STAGE V) ENGINES) (OPTIONAL)



ART\_1001137591

## SECTION 3 - ENGINE

**FIGURE 3-56. 7500W SKYPOWER GENERATOR INSTALLATION - 50HZ SPEC (DEUTZ TCD2.9L4 ENGINES AND DEUTZ TCD2.9L4 (STAGE V) ENGINES) (OPTIONAL)**

ITEM	PART NUMBER	QTY	DESCRIPTION	REV
	1001137591	Ref	7500W SKYPOWER GENERATOR INSTALLATION - 50HZ SPEC (DEUTZ TCD2.9L4 ENGINES AND DEUTZ TCD2.9L4 (STAGE V) ENGINES) (OPTIONAL)	D
		Ref	Note: See ELECTRICAL SECTION for Boom Cable Installation.	
1	0100011	AR	Compound, Locking	
2	0100019	AR	Compound, Locking	
3	0100048	AR	Grease, Dielectric	
4	0641404	5	Bolt 1/4 x 1/2	
5	3931016	4	Bolt #10 x 1	
6	0641516	3	Bolt 5/16 x 2	
7	0641618	1	Bolt 3/8 x 2	
8	0641810	2	Bolt 1/2 x 1-1/4	
9	0741607	3	Screw 3/8 x 7/8	
10	1001157525	1	Junction Box Assembly (See Items 101-117 for Breakdown)	
11	0861572	1	Box, Generator Control	
11	7024488	1	Card, Circuit - Generator Power (Not Shown)	
11	See Note	1	Fuse (Note: Not Available - Purchase Locally)	
11	7024489	1	Card, Circuit - Control (Not Shown)	
		Ref	Note: When replacing card, rocker switch on card must be set for required application.	
11	70000619	1	Harness, Circuit Card	
12	0902888	1	Bracket, Generator Junction Box	
13	0962520	1	Bushing, Taper	
14	2820031	AR	Insulator, Heat Shrink	
15	3251102	1	Nameplate, Generator	
16	3311508	3	Nut 5/16	
17	3311801	2	Nut 1/2	
18	3580317	1	Pulley, Belt Tensioner	
19	3580319	1	Pulley, Generator	
20	4060802	1	Guard, Switch	
21	4240018	AR	Strap, Tie (Not Shown)	
22	4300157	2	Stud 1/2-13	
23	4360336	1	Switch, Toggle	
24	4711400	4	Washer 1/4	
25	4711600	1	Washer 3/8	
26	4751500	3	Washer 5/16	
27	4791400	2	Washer, Star 1/4	
28	4891800	4	Washer 1/2	
29	4922972	1	Harness, Generator Cable (See ELECTRICAL SECTION for Breakdown)	
31	1001136988	NLA	Generator, 7500W (Use p/n 1001212223) <b>(SN 0300209000 through 0300226075)</b>	
31	1001212223	1	Generator Assembly <b>(SN 0300226076 to Present)</b>	
31	70001100	1	Rotor (Includes p/n 70001384 & 70000863) (Not Shown)	
31	70001384	1	Bearing, Shaft (Rear) (Not Shown)	
31	70000863	1	Fan, Generator (Not Shown)	
31	70004093	1	Stator (Not Shown) (1001136988 Generator)	
31	70006093	1	Stator (Not Shown) (1001212223 Generator)	
31	70002297	2	Stud 1/4-20 x 12-7/8 (Not Shown)	
31	70003631	1	Brushholder Assembly (Not Shown)	

## SECTION 3 - ENGINE

ITEM	PART NUMBER	QTY	DESCRIPTION	REV
31A	70004099	1	Key	
31B	70001966	1	Bearing, Ball Radial (Located in Belt Tensioner Endbell)	
31B	70003709	1	Ring, Retaining (Small)	
31B	70003708	1	Ring, Retaining (Large)	
31C	70004092	1	Endbell, Belt Tensioner	
31D	70004094	1	Endbell, Brush Block	
31E	70004096	1	Shroud Assembly	
31E	7027799	1	Block, Connector - 6 Position (Not Shown)	
31E	70002460	6	Nut, Brass (Attaches p/n 7027799 to Cover) (Not Shown)	
31E	7024485	1	Breaker, Circuit 30Amp (Not Shown) (1001136988 Generator)	
31E	70006095	1	Breaker, Circuit 30Amp (Not Shown) (1001212223 Generator)	
31E	70001696	1	Boot, Breaker (Not Shown) (1001136988 Generator)	
31E	70006096	1	Guard, Breaker (Not Shown) (1001212223 Generator)	
31E	7026597	1	Connector with Leads (Not Shown)	
31E	7026626	1	Connector with Pins (Not Shown)	
31E	70004098	1	Clamp, Cable (Not Shown)	
31E	70004095	1	Plate, End Panel (Not Shown) (1001136988 Generator)	
31E	70006097	1	Plate, End Panel (Not Shown) (1001212223 Generator)	
31E	70004097	1	Insulator, Endbell (Not Shown) (1001136988 Generator)	
31E	70002291	1	Insulator, Endbell (Not Shown) (1001212223 Generator)	
31E	70001974	1	Decal - Terminal Connections (Not Shown)	
31F	70001973	1	Decal - Warning Moving Parts	
32	1001138011	1	Bracket	
33	1001136357	1	Belt, Generator	
34	3311005	4	Nut #10	
35	4751000	4	Washer #10	
	1001157525	Ref	JUNCTION BOX ASSEMBLY	B
101	3300396	1	Cover, Fuse	
102	3311001	6	Nut #10	
103	3520189	1	Plug (50Hz Spec Only)	
104	3520192	1	Plug	
105	4360070	1	Circuit Breaker - 15Amp	
106	4460425	1	Strain Relief, Terminal	
107	4460426	2	Connector, Strain Relief	
109	4711000	10	Washer #10	
110	10702077	2	Screw #10 x 3/8	
111	10702082	2	Screw #10 x 3/4	
112	1001152525	1	Plug	
113	1001157520	1	Block, Terminal	
114	1001157521	1	Box, Junction	
115	1001157528	1	Decal - Wiring Schematic	
116	1001158007	1	Cover, PVC	
117	1001158008	2	Stand-off	
	0272589	Ref	DECAL INSTALLATION	A
201	1705460	2	Decal - SkyPower	
202	1705461	1	Decal - 240V - 3 Phase	
203	1705489	3	Decal - Hazardous Voltage	
	1001122528	Ref	ELECTRICAL DIAGRAM COMPONENTS	B
301	1001119968	1	Generator Harness	C
301A	4460967	1	Plug, Male - 3 Position (Not Shown)	
301A	4460465	6	Socket, Female	

## SECTION 3 - ENGINE

ITEM	PART NUMBER	QTY	DESCRIPTION	REV
301B	1001117078	1	Fuseholder with Fuse (Not Shown)	
303	4922641	1	Switch Harness	

Go to Discount-Equipment.com to order your parts

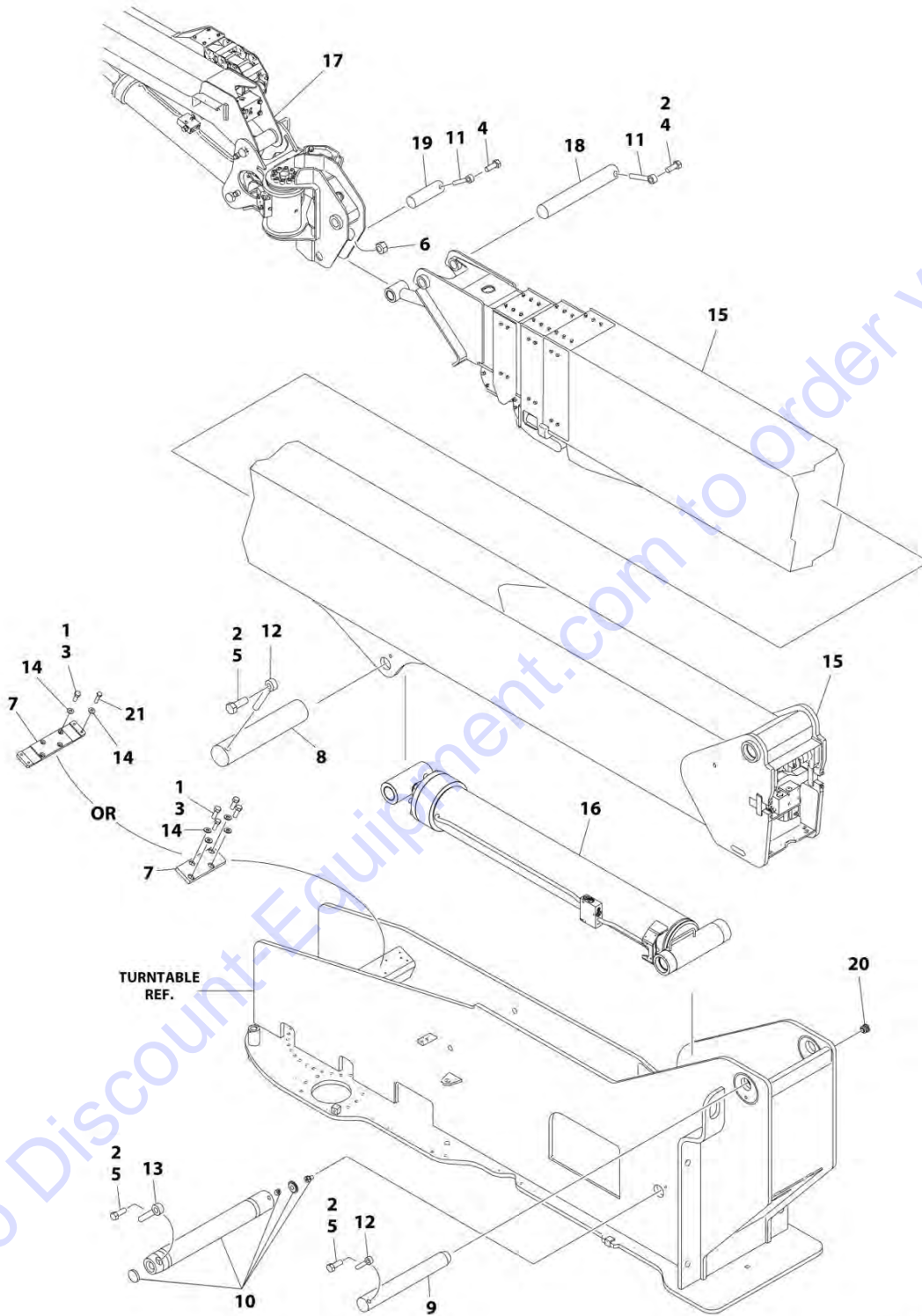


**SECTION 4 - BOOM**

Go to [Discount-Equipment.com](http://Discount-Equipment.com) to order your parts

# SECTION 4 - BOOM

## FIGURE 4-1. BOOM INSTALLATION - WITHOUT COLD WEATHER PLUS PACKAGE



ART\_100119970



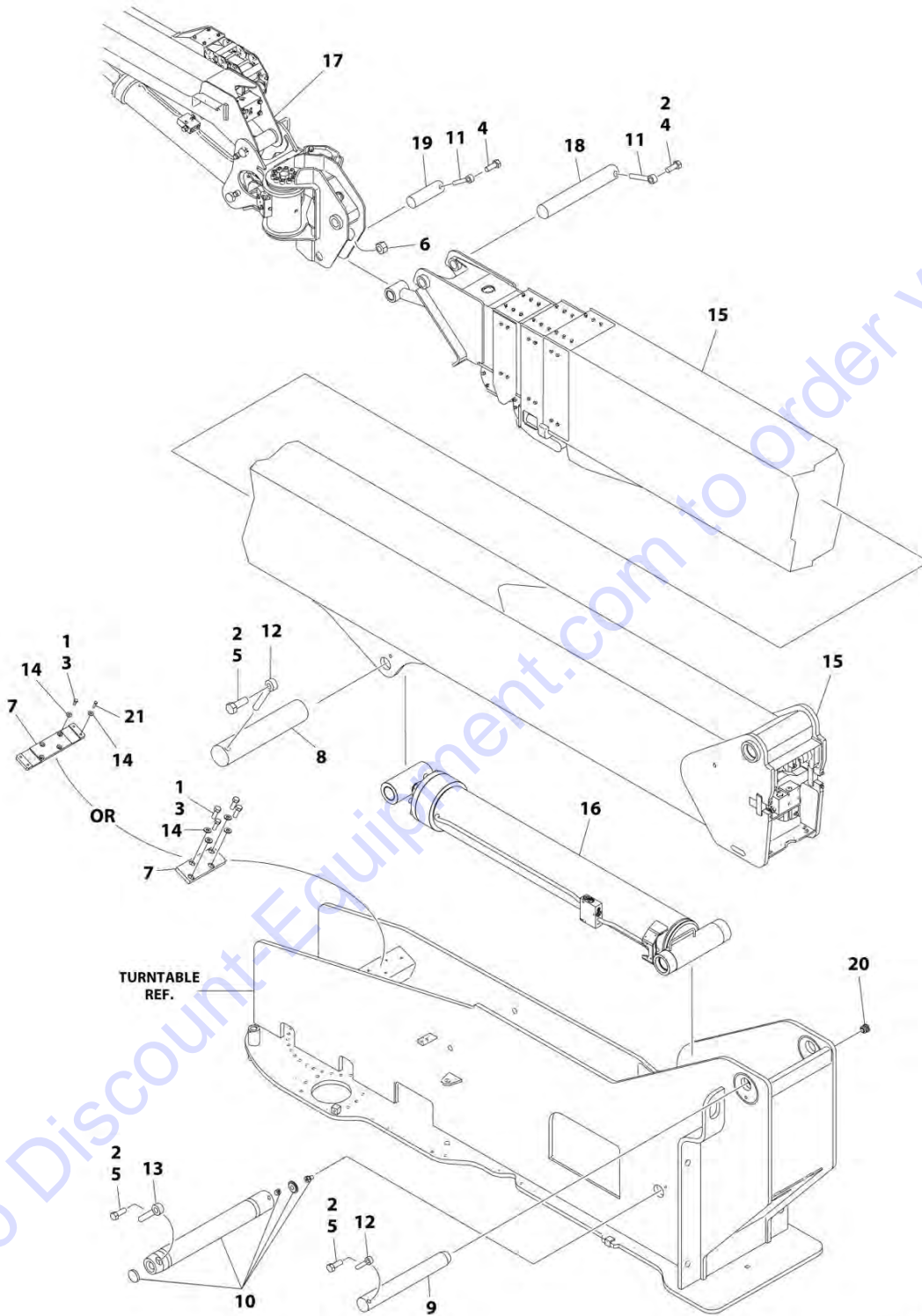
## SECTION 4 - BOOM

**FIGURE 4-1. BOOM INSTALLATION - WITHOUT COLD WEATHER PLUS PACKAGE**

ITEM	PART NUMBER	QTY	DESCRIPTION	REV
	1001119970	Ref	BOOM INSTALLATION - WITHOUT COLD WEATHER PLUS PACKAGE	F
1	0100011	AR	Compound, Locking	
2	0100019	AR	Compound, Locking	
3	0641608	4	Bolt 3/8 x 1	
4	0642012	2	Bolt 5/8 x 1-1/2	
5	0642214	3	Bolt 3/4 x 1-3/4	
6	3312005	1	Nut 5/8	
7	3340927	1	Pad <b>(SN 0300209000 through 0300251462)</b>	
7	1001237755	1	Pad <b>(SN 0300251463 to Present)</b>	
8	3422955	1	Pin	
9	3422988	1	Pin	
10	3423208	1	Pin, Load Sensing	
11	3841258	2	Keeper, Pin	
12	3841287	2	Keeper, Pin	
13	3841581	1	Keeper, Pin	
14	4751600	AR	Washer 3/8	
15	1001117455	1	Boom Assembly (See BOOM ASSEMBLY - WITHOUT COLD WEATHER PLUS PACKAGE for Breakdown)	
16	1001118442	NLA	Lift Cylinder Assembly (Use p/n 1001228045) (See CYLINDER SECTION for Breakdown) <b>(SN 0300209000 through 0300239990)</b>	
16	1001228045	1	Lift Cylinder Assembly (See CYLINDER SECTION for Breakdown) <b>(SN 0300239991 to Present)</b>	
17	1001140108	1	Jib Installation (See JIB INSTALLATION for Breakdown)	
18	1001119899	1	Pin	
19	1001119999	1	Pin	
20	1001213705	1	Plug <b>(SN 0300216196 to Present)</b>	
21	0641612	4	Bolt 3/8 x 1-1/2	

# SECTION 4 - BOOM

## FIGURE 4-2. BOOM INSTALLATION - WITH COLD WEATHER PLUS PACKAGE



ART\_1001140105

## SECTION 4 - BOOM

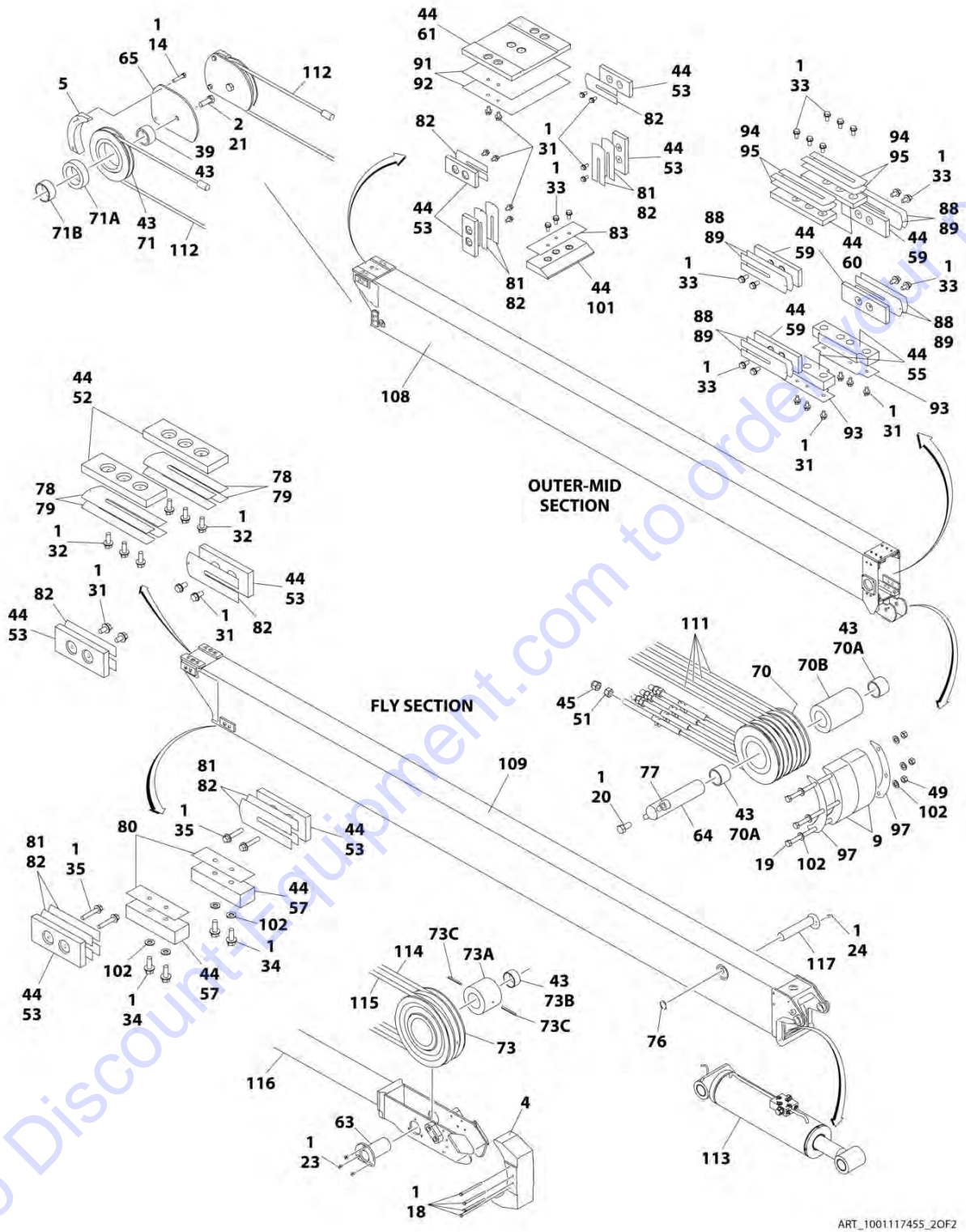
**FIGURE 4-2. BOOM INSTALLATION - WITH COLD WEATHER PLUS PACKAGE**

ITEM	PART NUMBER	QTY	DESCRIPTION	REV
	1001140105	Ref	BOOM INSTALLATION - WITH COLD WEATHER PLUS PACKAGE	E
1	0100011	AR	Compound, Locking	
2	0100019	AR	Compound, Locking	
3	0641608	4	Bolt 3/8 x 1	
4	0642012	2	Bolt 5/8 x 1-1/2	
5	0642214	3	Bolt 3/4 x 1-3/4	
6	3312005	1	Nut 5/8	
7	3340927	1	Pad <b>(SN 0300209000 through 0300251462)</b>	
7	1001237755	1	Pad <b>(SN 0300251463 to Present)</b>	
8	3422955	1	Pin	
9	3422988	1	Pin	
10	3423208	1	Pin, Load Sensing	
11	3841258	2	Keeper, Pin	
12	3841287	2	Keeper, Pin	
13	3841581	1	Keeper, Pin	
14	4751600	AR	Washer 3/8	
15	1001140107	1	Boom Assembly (See BOOM ASSEMBLY - WITH COLD WEATHER PLUS PACKAGE for Breakdown)	
16	1001118442	NLA	Lift Cylinder Assembly (Use p/n 1001228045) (See CYLINDER SECTION for Breakdown) <b>(SN 0300209000 through 0300239990)</b>	
16	1001228045	1	Lift Cylinder Assembly (See CYLINDER SECTION for Breakdown) <b>(SN 0300239991 to Present)</b>	
17	1001140108	1	Jib Installation (See JIB INSTALLATION for Breakdown)	
18	1001119899	1	Pin	
19	1001119999	1	Pin	
20	1001213705	1	Plug <b>(SN 0300216196 to Present)</b>	
21	0641612	1	Bolt 3/8 x 1-1/2	





# SECTION 4 - BOOM



ART\_1001117455\_2OF2

## SECTION 4 - BOOM

FIGURE 4-3. BOOM ASSEMBLY - WITHOUT COLD WEATHER PLUS PACKAGE

ITEM	PART NUMBER	QTY	DESCRIPTION	REV
	1001117455	Ref	BOOM ASSEMBLY - WITHOUT COLD WEATHER PLUS PACKAGE	J
1	0100011	AR	Compound, Locking	
2	0100019	AR	Compound, Locking	
3	0363066	2	Bar, Stabilizer	
4	0561431	1	Block, Rope Retainer	
5	0561437	2	Block, Rope Retainer	
6	0561439	1	Block, Outer Mid Extend	
7	0561444	2	Block, Cable Retainer	
8	0561454	1	Block, Switch Adjuster	
9	0561457	2	Block, Cable Retainer	
10	0561458	2	Block, Cable Retainer	
11	0561471	2	Block, Spacer	
12	0561482	2	Block, Trunnion Keeper	
13	0561500	2	Block, Trunnion Keeper	
14	0641615	4	Bolt 3/8 x 1-7/8	
15	0641618	6	Screw 3/8 x 2-1/4	
16	0641640	1	Bolt 3/8 x 5	
17	0641644	2	Bolt 3/8 x 5-1/2	
18	0641646	4	Bolt 3/8 x 5-3/4	
19	0641652	3	Bolt 3/8 x 6-1/2	
20	0641808	1	Bolt 1/2 x 1	
21	0642014	4	Bolt 5/8 x 1-3/4	
22	0642022	2	Bolt 5/8 x 2-3/4	
23	0741606	3	Screw 3/8 x 3/4	
24	0741806	1	Screw 1/2 x 3/4	
25	0791604	4	Screw 3/8 x 1/2	
26	0791605	6	Screw 3/8 x 5/8	
27	0791612	4	Screw 3/8 x 1-1/2	
28	0791618	4	Screw 3/8 x 2-1/4	
29	0791620	10	Screw 3/8 x 2-1/2	
30	0791624	4	Screw 3/8 x 3	
31	0811606	30	Screw 3/8 x 3/4	
32	0811607	24	Screw 3/8 x 7/8	
33	0811608	43	Screw 3/8 x 1	
34	0811610	10	Screw 3/8 x 1-1/4	
35	0811614	4	Screw 3/8 x 1-3/4	
36	0811616	6	Screw 3/8 x 2	
37	0962297	2	Bushing	
38	0962409	2	Bushing	
39	0962410	2	Bushing	
40	0962447	2	Bearing, Flanged	
41	1671032	1	Cover	
42	1671033	1	Cover	
43	3020039	AR	Lubricant, Moly	
44	3020042	AR	Lubricant with PTFE	
45	3300239	4	Nut, Nylon Insert	
46	3300458	1	Nut 1-12	
47	3300460	2	Nut 1-1/4-7	
48	3300461	3	Nut 1-3/8-6	

## SECTION 4 - BOOM

ITEM	PART NUMBER	QTY	DESCRIPTION	REV
49	3311605	6	Nut 3/8-16	
50	3311608	8	Nut 3/8-16	
51	3311801	4	Nut 1/2-13	
52	3340871	2	Pad, Wear	
53	3340881	12	Pad, Wear	
54	3340910	1	Pad, Wear	
55	3340912	2	Pad, Wear	
56	3340916	2	Pad, Wear	
57	3340917	2	Pad, Wear	
58	3340918	2	Pad, Wear	
59	3340921	12	Pad, Wear	
60	3340922	6	Pad, Wear	
61	3340926	1	Pad, Wear	
62	3340955	1	Pad	
63	3422926	1	Pin	
64	3422959	1	Pin	
65	3572950	2	Plate, Cable Retract Retainer	
66	1001131292	1	Plate, Cable Retract Retainer (LH)	
67	3573437	1	Plate, Pulley Adjustment	
68	3573444	6	Plate, Lock	
69	1001131330	2	Sheave	
69A	0962402	2	Bushing (Outer)	
69B	0962406	2	Bushing (Inner)	
70	3580300	1	Sheave	
70A	1001139972	1	Bushing (Inner)	
70B	0962403	1	Bushing (Outer)	
71	3580302	2	Sheave	
71A	0962404	2	Bushing (Outer)	
71B	0962411	2	Bushing (Inner)	
72	3580306	4	Pulley	
73	1001154260	2	Sheave	
73A	1001154306	2	Bushing (Outer)	
73B	1001154304	2	Bushing (Inner)	
73C	1001154294	2	Ring, Retainer	
74	3580341	2	Sheave	
75	3580342	2	Sheave	
76	3760217	1	Ring, Retaining	
77	3841203	1	Keeper, Pin	
78	4070863	2	Shim #11 Gauge	
79	4070864	2	Shim #18 Gauge	
80	4070895	2	Shim #16 Gauge	
81	4070897	6	Shim #18 Gauge	
82	4070898	12	Shim #11 Gauge	
83	4071012	1	Shim #16 Gauge	
85	4071015	2	Shim #16 Gauge	
86	4071016	2	Shim #11 Gauge	
87	4071017	1	Shim #16 Gauge	
88	4071018	8	Shim #16 Gauge	
89	4071019	12	Shim #11 Gauge	
90	4071024	1	Shim #16 Gauge	
91	4071025	1	Shim #16 Gauge	



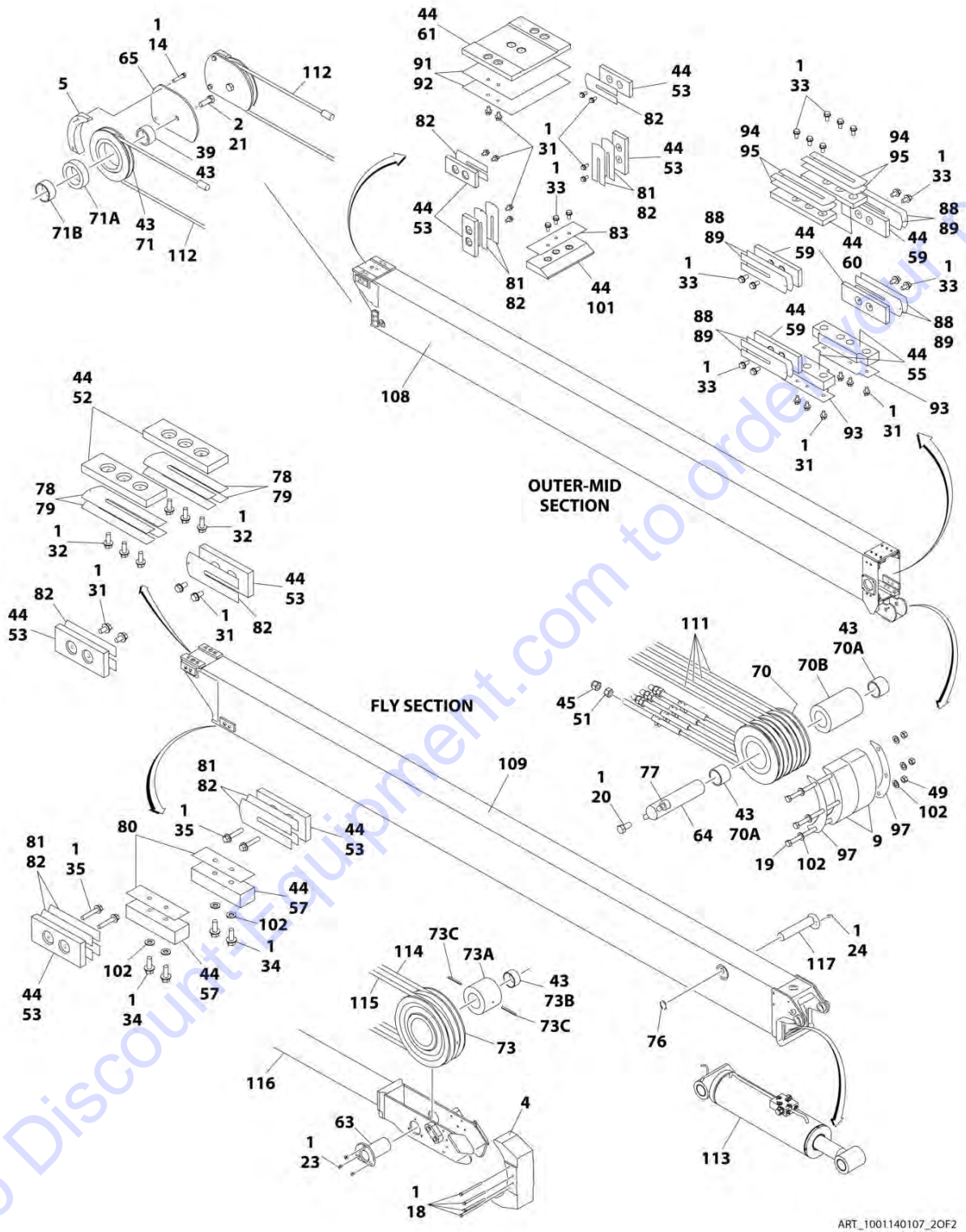
## SECTION 4 - BOOM

ITEM	PART NUMBER	QTY	DESCRIPTION	REV
92	4071026	1	Shim #11 Gauge	
93	4071027	2	Shim #16 Gauge	
94	4071028	6	Shim #16 Gauge	
95	4071029	6	Shim #11 Gauge	
96	4071031	4	Shim #16 Gauge	
97	4071046	2	Shim #16 Gauge	
98	4160197	1	Spring	
99	4568423	4	Tube, Spacer	
100	1001131296	1	Pad, Wear	
101	4700039	1	Pad, Wear	
102	4711600	10	Washer 3/8	
103	4740509	2	Spacer	
104	4846453	1	Plate, Mounting	
105	4892000	2	Washer 5/8	
106	1001117456	1	Base, Boom	
107	1001117457	1	Mid, Inner	
108	1001117458	1	Mid, Outer	
109	1001117459	1	Fly, Boom	
110	1001117479	2	Cable, Outer Mid Retract	
111	1001117480	4	Cable, Fly Extend	
112	1001117481	2	Cable, Fly Retract	
113	1001118142	NLA	Jib Level Cylinder Assembly (Use p/n 1001228043) (See CYLINDER SECTION for Breakdown) <b>(SN 0300209000 through 0300239990)</b>	
113	1001228043	1	Jib Level Cylinder Assembly (See CYLINDER SECTION for Breakdown) <b>(SN 0300239991 to Present)</b>	
114	1001118430	1	Cable, Outer Mid Extend	
115	1001118431	1	Cable, Outer Mid Extend	
116	1001119497	NLA	Telescope Cylinder Assembly (Use p/n 1001228047) (See CYLINDER SECTION for Breakdown) <b>(SN 0300209000 through 0300244704)</b>	
116	1001228047	1	Telescope Cylinder Assembly (See CYLINDER SECTION for Breakdown) <b>(SN 0300244705 to Present)</b>	
117	1001119571	1	Pin	
118	1001131293	1	Plate, Cable Retract Retainer (RH)	
		Ref	Kit Options:	
	1001143929	1	Main Boom Wear Pad Kit (Includes Items 11, 31-36, 52-61, 78-95 & 101-102)	
	1001143927	1	Wire Rope Kit (Includes Items 14-23, 26-30, 38-40, 45-51, 63, 64, 69A, 69B, 70-73, 77, 99, 102, 105 & 110-115)	





# SECTION 4 - BOOM



ART\_1001140107\_2OF2

## SECTION 4 - BOOM

**FIGURE 4-4. BOOM ASSEMBLY - WITH COLD WEATHER PLUS PACKAGE**

ITEM	PART NUMBER	QTY	DESCRIPTION	REV
	1001140107	Ref	BOOM ASSEMBLY - WITH COLD WEATHER PLUS PACKAGE	D
1	0100011	AR	Compound, Locking	
2	0100019	AR	Compound, Locking	
3	0363066	2	Bar, Stabilizer	
4	0561431	1	Block, Rope Retainer	
5	0561437	2	Block, Rope Retainer	
6	0561439	1	Block, Outer Mid Extend	
7	0561444	2	Block, Cable Retainer	
8	0561454	1	Block, Switch Adjuster	
9	0561457	2	Block, Cable Retainer	
10	0561458	2	Block, Cable Retainer	
11	0561471	2	Block, Spacer	
12	0561482	2	Block, Trunnion Keeper	
13	0561500	2	Block, Trunnion Keeper	
14	0641615	4	Bolt 3/8 x 1-7/8	
15	0641618	6	Screw 3/8 x 2-1/4	
16	0641640	1	Bolt 3/8 x 5	
17	0641644	2	Bolt 3/8 x 5-1/2	
18	0641646	4	Bolt 3/8 x 5-3/4	
19	0641652	3	Bolt 3/8 x 6-1/2	
20	0641808	1	Bolt 1/2 x 1	
21	0642014	4	Bolt 5/8 x 1-3/4	
22	0642022	2	Bolt 5/8 x 2-3/4	
23	0741606	3	Screw 3/8 x 3/4	
24	0741806	1	Screw 1/2 x 3/4	
25	0791604	4	Screw 3/8 x 1/2	
26	0791605	6	Screw 3/8 x 5/8	
27	0791612	4	Screw 3/8 x 1-1/2	
28	0791618	4	Screw 3/8 x 2-1/4	
29	0791620	10	Screw 3/8 x 2-1/2	
30	0791624	4	Screw 3/8 x 3	
31	0811606	30	Screw 3/8 x 3/4	
32	0811607	24	Screw 3/8 x 7/8	
33	0811608	43	Screw 3/8 x 1	
34	0811610	10	Screw 3/8 x 1-1/4	
35	0811614	4	Screw 3/8 x 1-3/4	
36	0811616	6	Screw 3/8 x 2	
37	0962297	2	Bushing	
38	0962409	2	Bushing	
39	0962410	2	Bushing	
40	0962447	2	Bearing, Flanged	
41	1671032	1	Cover	
42	1671033	1	Cover	
43	3020039	AR	Lubricant, Moly	
44	3020042	AR	Lubricant with PTFE	
45	3300239	4	Nut, Nylon Insert	
46	3300458	1	Nut 1-12	
47	3300460	2	Nut 1-1/4-7	
48	3300461	3	Nut 1-3/8-6	
49	3311605	6	Nut 3/8-16	

## SECTION 4 - BOOM

ITEM	PART NUMBER	QTY	DESCRIPTION	REV
50	3311608	8	Nut 3/8-16	
51	3311801	4	Nut 1/2-13	
52	3340871	2	Pad, Wear	
53	3340881	12	Pad, Wear	
54	3340910	1	Pad, Wear	
55	3340912	2	Pad, Wear	
56	3340916	2	Pad, Wear	
57	3340917	2	Pad, Wear	
58	3340918	2	Pad, Wear	
59	3340921	12	Pad, Wear	
60	3340922	6	Pad, Wear	
61	3340926	1	Pad, Wear	
62	3340955	1	Pad	
63	3422926	1	Pin	
64	3422959	1	Pin	
65	3572950	2	Plate, Cable Retract Retainer	
66	1001131292	1	Plate, Cable Retract Retainer (LH)	
67	3573437	1	Plate, Pulley Adjustment	
68	3573444	6	Plate, Lock	
69	1001131330	2	Sheave	
69A	0962402	2	Bushing (Outer)	
69B	0962406	2	Bushing (Inner)	
70	3580300	1	Sheave	
70A	1001139972	1	Bushing (Inner)	
70B	0962403	1	Bushing (Outer)	
71	3580302	2	Sheave	
71A	0962404	2	Bushing (Outer)	
71B	0962411	2	Bushing (Inner)	
72	3580306	4	Pulley	
73	1001154260	2	Sheave	
73A	1001154306	2	Bushing (Outer)	
73B	1001154304	2	Bushing (Inner)	
73C	1001154294	2	Ring, Retainer	
74	3580341	2	Sheave	
75	3580342	2	Sheave	
76	3760217	1	Ring, Retaining	
77	3841203	1	Keeper, Pin	
78	4070863	2	Shim #11 Gauge	
79	4070864	2	Shim #18 Gauge	
80	4070895	2	Shim #16 Gauge	
81	4070897	6	Shim #18 Gauge	
82	4070898	12	Shim #11 Gauge	
83	4071012	1	Shim #16 Gauge	
84	4071013	2	Shim #16 Gauge	
85	4071015	2	Shim #16 Gauge	
86	4071016	2	Shim #11 Gauge	
87	4071017	1	Shim #16 Gauge	
88	4071018	8	Shim #16 Gauge	
89	4071019	12	Shim #11 Gauge	
90	4071024	1	Shim #16 Gauge	
91	4071025	1	Shim #16 Gauge	



## SECTION 4 - BOOM

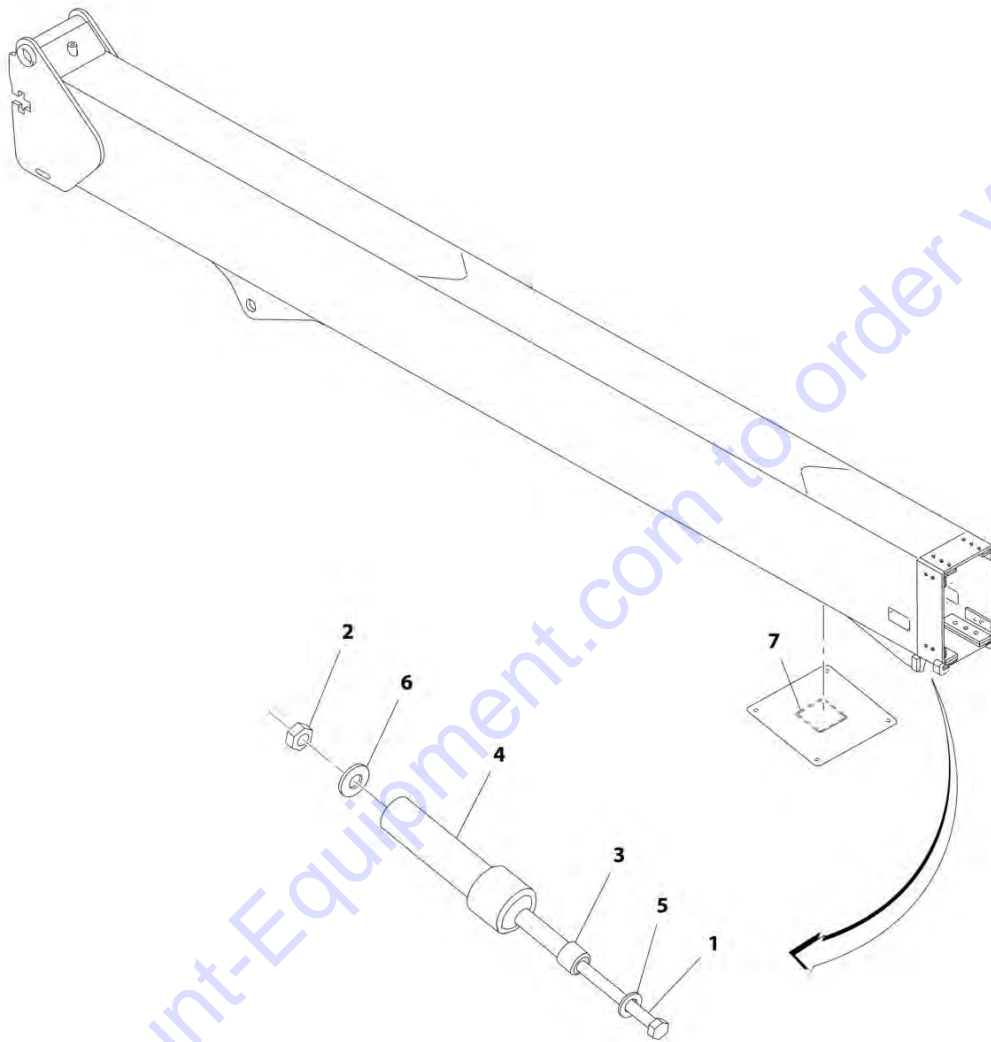
ITEM	PART NUMBER	QTY	DESCRIPTION	REV
92	4071026	1	Shim #11 Gauge	
93	4071027	2	Shim #16 Gauge	
94	4071028	6	Shim #16 Gauge	
95	4071029	6	Shim #11 Gauge	
96	4071031	4	Shim #16 Gauge	
97	4071046	2	Shim #16 Gauge	
98	4160197	1	Spring	
99	4568423	4	Tube, Spacer	
100	1001131296	1	Pad, Wear	
101	4700039	1	Pad, Wear	
102	4711600	10	Washer 3/8	
103	4740509	2	Spacer	
104	4846453	1	Plate, Mounting	
105	4892000	2	Washer 5/8	
106	1001117456	1	Base, Boom	
107	1001117457	1	Mid, Inner	
108	1001117458	1	Mid, Outer	
109	1001117459	1	Fly, Boom	
110	1001117479	2	Cable, Outer Mid Retract	
111	1001117480	4	Cable, Fly Extend	
112	1001117481	2	Cable, Fly Retract	
113	1001139998	NLA	Jib Level Cylinder Assembly (Use p/n 1001228043) (See CYLINDER SECTION for Breakdown) <b>(SN 0300209000 through 0300239990)</b>	
113	1001228043	1	Jib Level Cylinder Assembly (See CYLINDER SECTION for Breakdown) <b>(SN 0300239991 to Present)</b>	
114	1001118430	1	Cable, Outer Mid Extend	
115	1001118431	1	Cable, Outer Mid Extend	
116	1001119497	NLA	Telescope Cylinder Assembly (Use p/n 1001228047) (See CYLINDER SECTION for Breakdown) <b>(SN 0300209000 through 0300244704)</b>	
116	1001228047	1	Telescope Cylinder Assembly (See CYLINDER SECTION for Breakdown) <b>(SN 0300244705 to Present)</b>	
117	1001119571	1	Pin	
118	1001131293	1	Plate, Cable Retract Retainer (RH)	
		Ref	Kit Options:	
	1001143929	1	Main Boom Wear Pad Kit (Includes Items 11, 31-36, 52-61, 78-95 & 101-102)	
	1001143927	1	Wire Rope Kit (Includes Items 14-23, 26-30, 38-40, 45-51, 63, 64, 69A, 69B, 70-73, 77, 99, 102, 105 & 110-115)	





# SECTION 4 - BOOM

## FIGURE 4-5. WIRE ROPE TOOLS INSTALLATION (OPTIONAL)



ART\_0272048

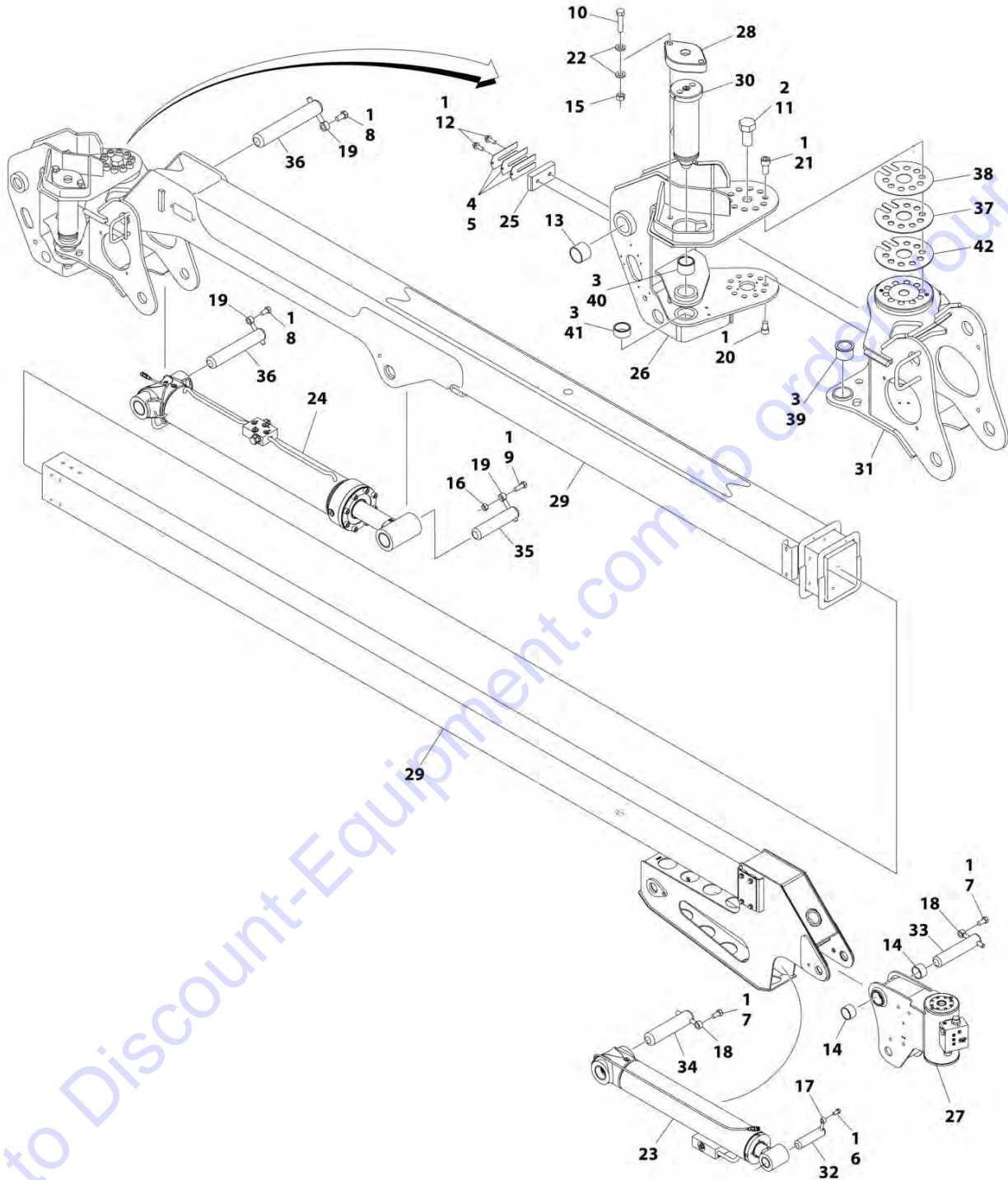
FIGURE 4-5. WIRE ROPE TOOLS INSTALLATION (OPTIONAL)

ITEM	PART NUMBER	QTY	DESCRIPTION	REV
	0272048	Ref	WIRE ROPE TOOLS INSTALLATION (OPTIONAL)	B
1	0641676	1	Bolt 3/8 x 9-1/2	
2	3311605	1	Nut 3/8	
3	4120040	1	Socket 3/4	
4	4120043	1	Socket 2	
5	4711600	1	Washer 3/8	
6	4891600	1	Washer 3/8	
7	1705307	1	Decal - Tool Location	

Go to Discount-Equipment.com to order your parts

# SECTION 4 - BOOM

## FIGURE 4-6. JIB INSTALLATION



ART\_1001140108

FIGURE 4-6. JIB INSTALLATION

ITEM	PART NUMBER	QTY	DESCRIPTION	REV
	1001140108	Ref	JIB INSTALLATION	G
1	0100011	AR	Compound, Locking	
2	0100019	AR	Compound, Locking	
3	0100063	AR	Compound, Locking	
4	91471226	AR	Shim 16Ga	
5	91471227	AR	Shim 20Ga	
6	0641606	1	Bolt 3/8 x 3/4	
7	0641808	2	Bolt 1/2 x 1	
8	0642010	2	Bolt 5/8 x 1-1/4	
9	0642014	1	Bolt 5/8 x 1-3/4	
10	0682022	2	Bolt 5/8 x 2-3/4 Grade 8	
11	0683020	1	Bolt 1-1/4 x 2-1/4 Grade 8	
12	0811608	2	Screw 3/8 x 1	
13	0961950	2	Bushing	
14	0962181	2	Bushing	
15	3272005	2	Nut 5/8 Grade 8	
16	3312005	1	Nut 5/8	
17	3841143	1	Keeper, Pin	
18	3841203	2	Keeper, Pin	
19	3841258	3	Keeper, Pin	
20	3932016	10	Capscrew 5/8 x 1	
21	3932224	10	Capscrew 3/4 x 1-1/2	
22	4892000	4	Washer 5/8	
23	1001139999	NLA	Platform Level Cylinder Assembly (Use p/n 1001228057) (See CYLINDER SECTION for Breakdown) <b>(SN 0300209000 through 0300239674)</b>	
23	1001228057	1	Platform Level Cylinder Assembly (See CYLINDER SECTION for Breakdown) <b>(SN 0300239675 to Present)</b>	
24	1001140104	NLA	Jib Lift Cylinder Assembly (Use p/n 1001228058) (See CYLINDER SECTION for Breakdown) <b>(SN 0300209000 through 0300239990)</b>	
24	1001228058	1	Jib Lift Cylinder Assembly (See CYLINDER SECTION for Breakdown) <b>(SN 0300239991 to Present)</b>	
25	1001118369	1	Pad, Wear	
26	1001118564	1	Pivot, Jib	
27	1001178249	1	Platform Rotate Actuator Assembly (See PLATFORM ROTATE ACTUATOR ASSEMBLY for Breakdown)	
28	1001119042	1	Cap	
29	1001119111	1	Jib Boom Assembly (See JIB BOOM ASSEMBLY for Breakdown)	
30	1001119313	NLA	Jib Lock Cylinder Assembly (Use p/n 1001228046) (See CYLINDER SECTION for Breakdown) <b>(SN 0300209000 through 0300239674)</b>	
30	1001228046	1	Jib Lock Cylinder Assembly (See CYLINDER SECTION for Breakdown) <b>(SN 0300239675 to Present)</b>	
31	1001178250	1	Jib Rotate Actuator Assembly (See JIB ROTATE ACTUATOR ASSEMBLY for Breakdown)	
32	1001119985	1	Pin	
33	1001119990	1	Pin	
34	1001119991	1	Pin	
35	1001119998	1	Pin	
36	1001120000	2	Pin	
37	1001120014	1	Shim 11Ga	
38	1001120015	AR	Shim 18Ga	

## SECTION 4 - BOOM

ITEM	PART NUMBER	QTY	DESCRIPTION	REV
39	1001120037	1	Bearing, Flange	
40	1001120038	1	Bearing	
41	1001120039	1	Bearing	
42	1001225266	AR	Shim (SN 0300230068 to Present)	

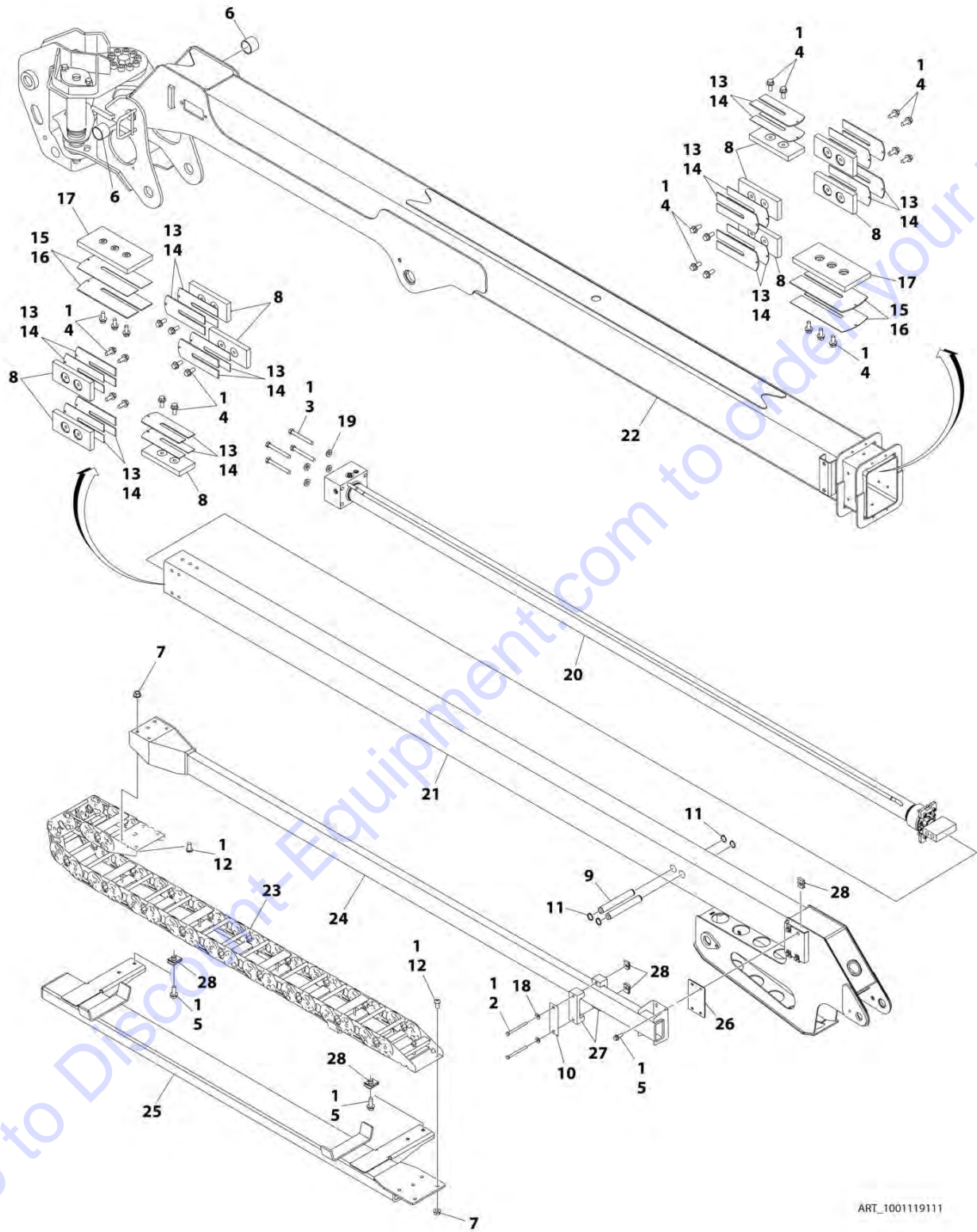
Go to Discount-Equipment.com to order your parts





# SECTION 4 - BOOM

## FIGURE 4-7. JIB BOOM ASSEMBLY



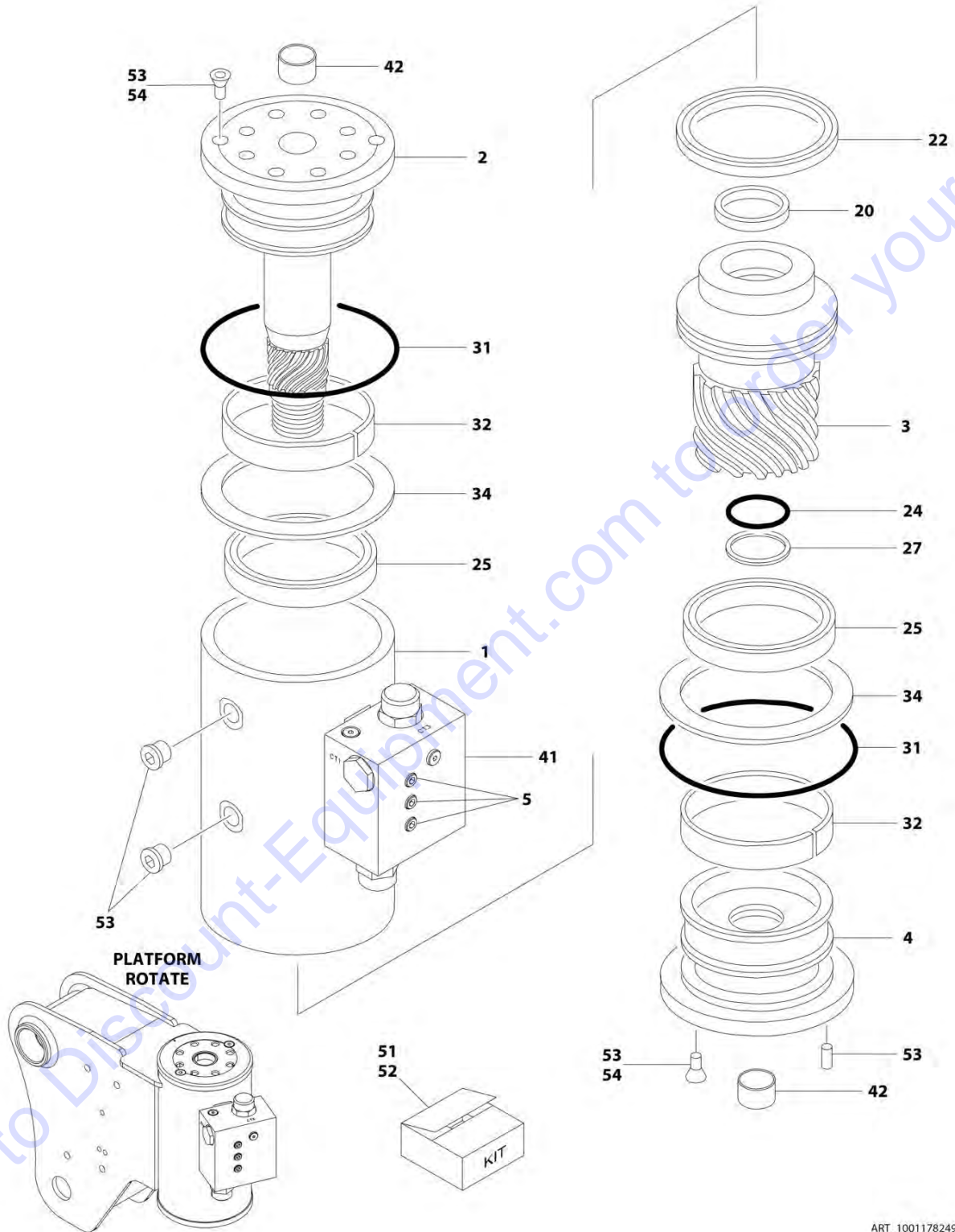
ART\_1001119111

FIGURE 4-7. JIB BOOM ASSEMBLY

ITEM	PART NUMBER	QTY	DESCRIPTION	REV
	1001119111	Ref	JIB BOOM ASSEMBLY	M
1	0100011	AR	Compound, Locking	
2	0641636	2	Bolt 3/8 x 4-1/2	
3	0681836	4	Bolt 1/2 x 4-1/2 Grade 8	
4	0811607	26	Screw 3/8 x 7/8	
5	0811608	8	Screw 3/8 x 1	
6	0961950	2	Bushing	
7	3311608	8	Nut 3/8	
8	3340881	10	Pad, Wear	
9	3423161	2	Pin	
10	3575889	1	Plate	
11	3760351	4	Ring, Retaining	
12	3900283	8	Screw 3/8 x 3/4	
13	4070897	10	Pad, Wear	
14	4070898	10	Pad, Wear	
15	4071039	2	Shim 18Ga	
16	4071040	2	Shim 11Ga	
17	1001129961	2	Pad, Wear	
18	4751600	2	Washer 3/8	
19	4891800	4	Washer 1/2	
20	1001118663	NLA	Jib Telescope Cylinder Assembly (See CYLINDER SECTION for Breakdown) (Use p/n 1001228048) <b>(SN 0300209000 through 0300213726)</b>	
20	1001121121	NLA	Jib Telescope Cylinder Assembly (Use p/n 1001228048) (See CYLINDER SECTION for Breakdown) <b>(SN 0300213727 through 0300244704)</b>	
20	1001228048	1	Jib Telescope Cylinder Assembly (See CYLINDER SECTION for Breakdown) <b>(SN 0300244705 to Present)</b>	
21	1001119413	1	Boom, Jib Fly	
22	1001119414	1	Boom, Jib Base	
23	1001134180	1	Power Track Assembly	
23	70003923	AR	Repair Section (Includes links, cross bars and mounting hardware)	
23	70003924	1	Mounting Bracket Repair Kit (Includes mounting feet for both ends of power track and attaching hardware)	
24	1001119654	1	Tube, Push	
25	1001119668	1	Support, Power Track	
26	1001119710	1	Shim, Push Tube	
27	1001119714	2	Pad, Push Tube	
28	88662523	10	Nut, Retainer	
	1001143928	1	Jib Wear Pad Kit (Includes Items 4, 5, 8 & 13-17)	

# SECTION 4 - BOOM

## FIGURE 4-8. PLATFORM ROTATE ACTUATOR ASSEMBLY



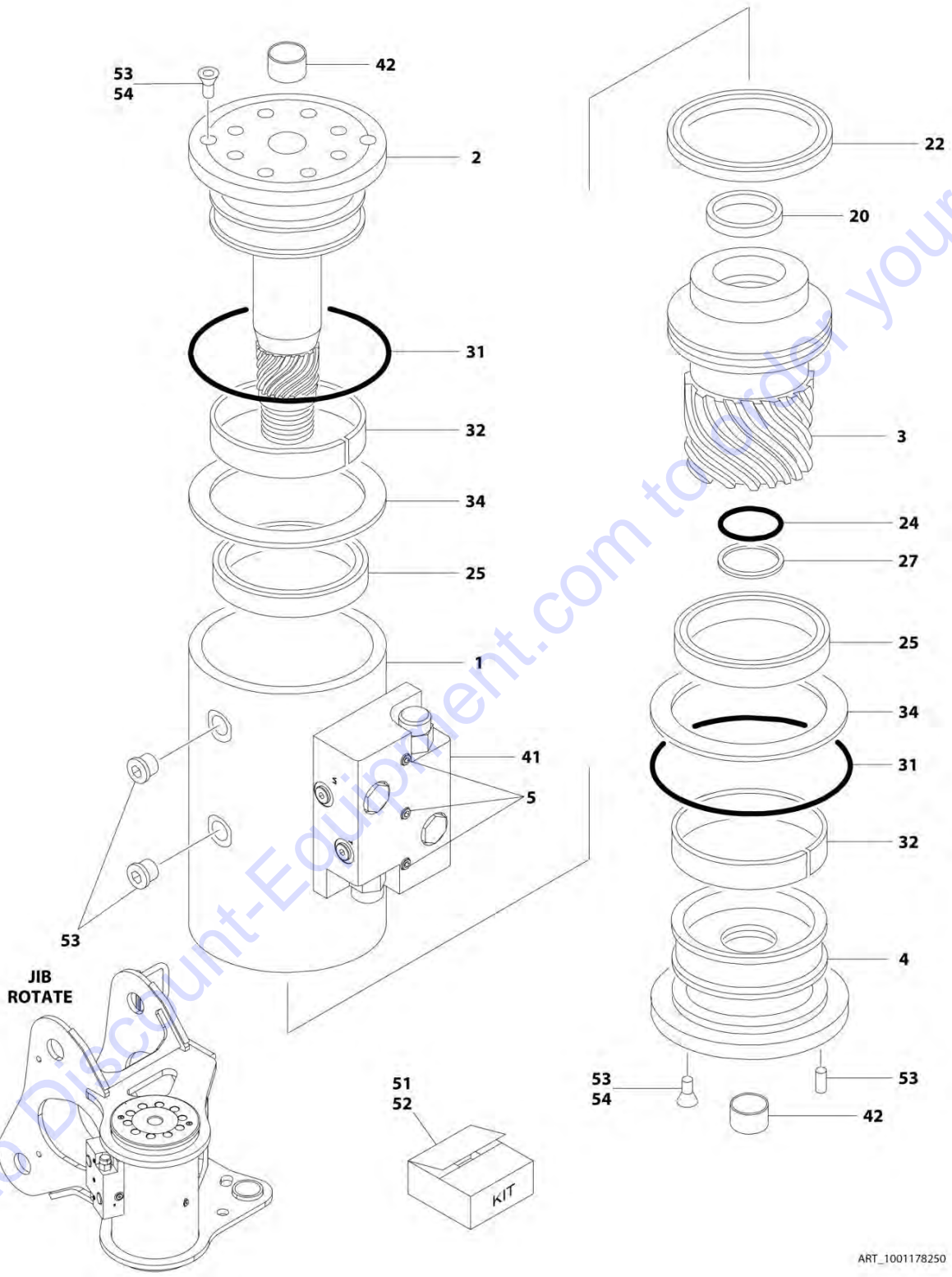
ART\_1001178249

FIGURE 4-8. PLATFORM ROTATE ACTUATOR ASSEMBLY

ITEM	PART NUMBER	QTY	DESCRIPTION	REV
	1001178249	Ref	PLATFORM ROTATE ACTUATOR ASSEMBLY	A
1	See Note	NSS	Case/Bracket Weldment (Note: Use p/n 1001178249)	
2	7017162	1	Shaft	
3	7017163	1	Sleeve, Piston	
4	7017164	1	Cap, End	
5	See Note	NSS	Capscrew 1/4 x 1-1/2 Grade 8 (Note: Not Available for Purchase)	
20	See Note	NSS	Seal, Rod (Note: Use Item 52)	
22	See Note	NSS	Seal, Piston (Note: Use Item 52)	
24	See Note	NSS	Seal, Cap (Note: Use Item 52)	
25	See Note	NSS	Packing, Bearing (Note: Use Item 52)	
27	See Note	NSS	Ring, Cap Back-up (Note: Use Item 52)	
31	See Note	NSS	Seal (Note: Use Item 52)	
32	See Note	NSS	Bearing, Shaft (Note: Use Item 51)	
34	See Note	NSS	Thrustwasher (Note: Use Item 51)	
41		Ref	Motion Control Valve Assembly	
41	7017183	1	Valve Assembly for Platform Rotate Actuator	
41	7017193	2	Replacement Cartridge (Located on Top and Bottom of Valve) (Valve for Platform Rotate Actuator Only)	
41	See Note	2	Seal Kit - 7017193 Cartridge (Note: Not Available for Purchase)	
41	See Note	1	Replacement Cartridge (Not Shown - Located on Side of Valve) (Valve for Platform Rotate Actuator Only) (Note: Not Available for Purchase)	
41	See Note	1	Seal Kit - 7017193 Cartridge (Note: Not Available for Purchase)	
41	70002859	1	Valve Assembly for Jib Rotator Actuator (No Service Parts Available)	
42	7017195	2	Bushing, Shaft	
51	7017159	1	Bearing Kit (Includes Items 32 & 34)	
52	70000342	1	Seal Kit (Includes Items 20, 22, 24, 25, 27 & 31)	
53	7017142	1	Hardware Kit	
54	70001697	4	Screw 1/4 x 3/8 Grade 8	

# SECTION 4 - BOOM

## FIGURE 4-9. JIB ROTATE ACTUATOR ASSEMBLY



ART\_1001178250

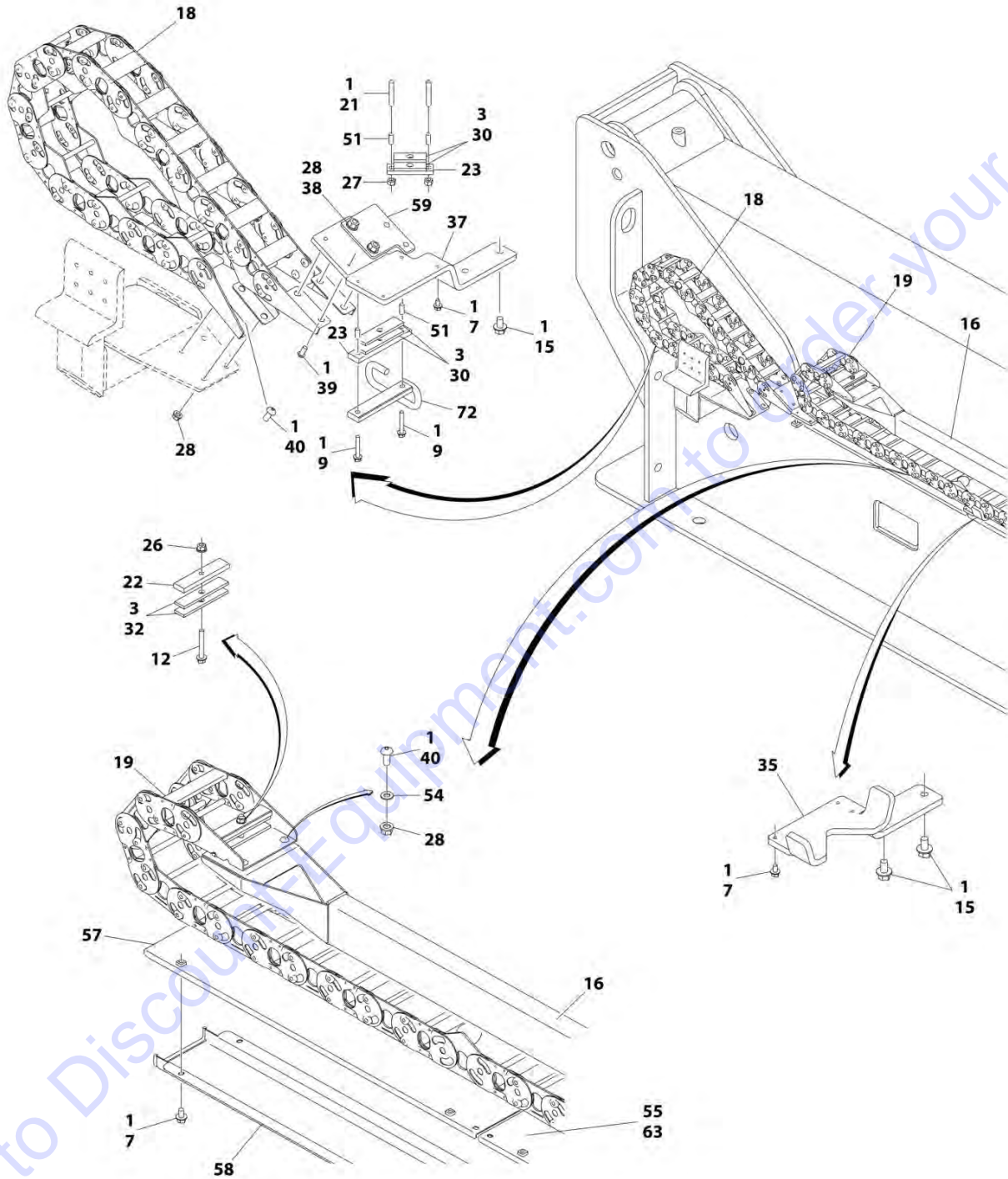


FIGURE 4-9. JIB ROTATE ACTUATOR ASSEMBLY

ITEM	PART NUMBER	QTY	DESCRIPTION	REV
	1001178250	Ref	JIB ROTATE ACTUATOR ASSEMBLY	A
1	See Note	NSS	Case/Bracket Weldment (Note: Use p/n 1001178250)	
2	70002853	1	Shaft	
3	70002854	1	Sleeve, Piston	
4	70002855	1	Cap, End	
5	See Note	NSS	Capscrew 1/4 x 1-1/2 Grade 8 (Note: Not Available for Purchase)	
20	See Note	NSS	Seal, Rod (Note: Use Item 52)	
22	See Note	NSS	Seal, Piston (Note: Use Item 52)	
24	See Note	NSS	Seal, Cap (Note: Use Item 52)	
25	See Note	NSS	Packing, Bearing (Note: Use Item 52)	
27	See Note	NSS	Ring, Cap Back-up (Note: Use Item 52)	
31	See Note	NSS	Seal (Note: Use Item 52)	
32	See Note	NSS	Bearing, Shaft (Note: Use Item 51)	
34	See Note	NSS	Thrustwasher (Note: Use Item 51)	
41	70002859	NSS	Motion Control Valve Assembly (No Service Parts Available)	
42	See Note	NSS	Bushing, Shaft (Note: Not Available for Purchase)	
51	70002857	1	Bearing Kit (Includes Items 32 & 34)	
52	70005170	1	Seal Kit (Includes Items 20, 22, 24, 25, 27 & 31)	
53	70002858	1	Hardware Kit	
54	70001697	4	Screw 1/4 x 3/8 Grade 8	

# SECTION 4 - BOOM

## FIGURE 4-10. POWER TRACK INSTALLATION



ART\_1001119944\_10F2



# PARTS FINDER

**Search Website  
by Part Number**



**Search Manual  
Library For Parts  
Manual & Lookup Part  
Numbers – Purchase  
or Request Quote**

**Can't Find Part or  
Manual? Request Help  
by Manufacturer,  
Model & Description**

Discount-Equipment.com is your online resource for quality parts & equipment.

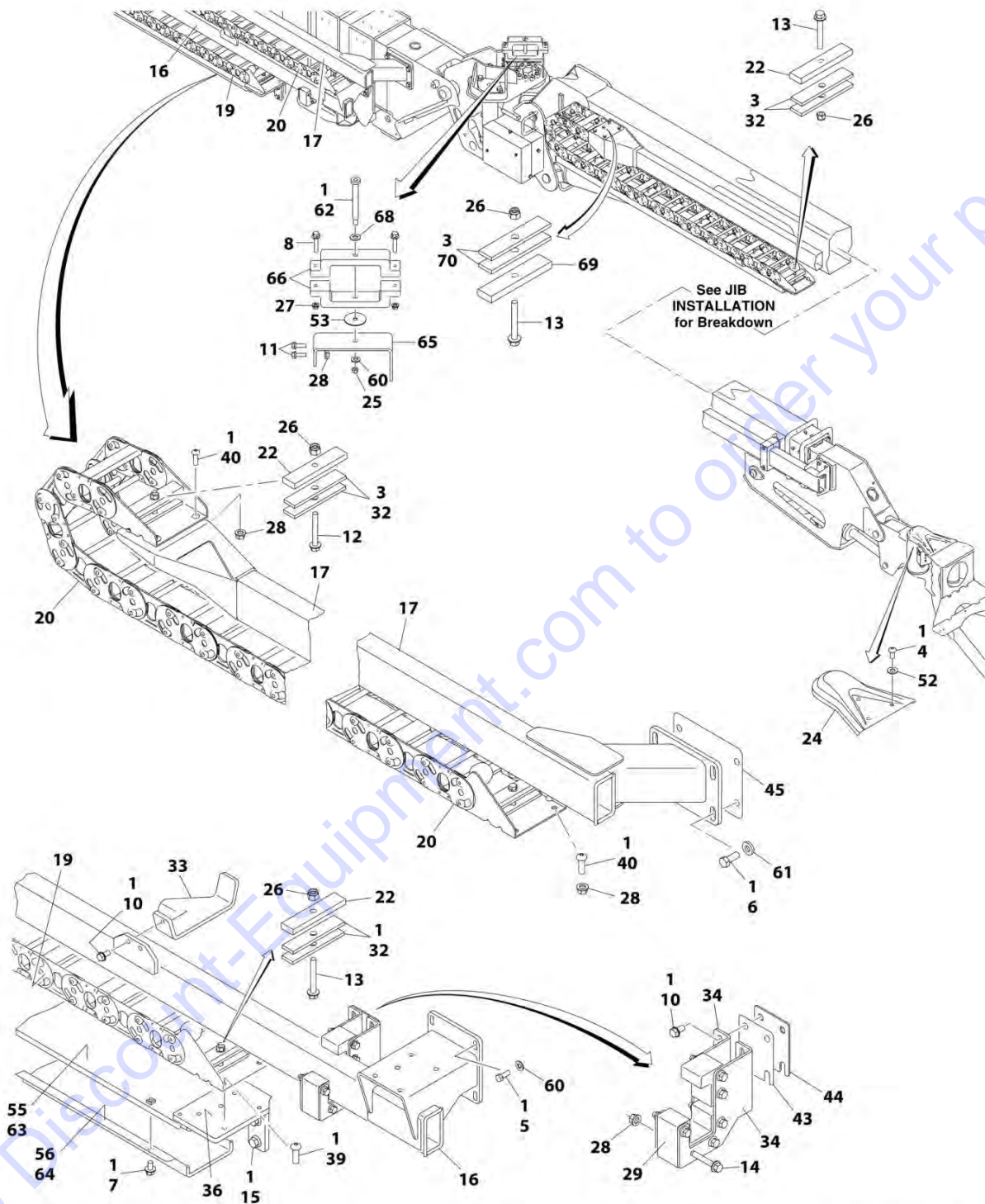
Florida: **561-964-4949** Outside Florida TOLL FREE: **877-690-3101**

## Need parts?

Click on this link: <http://www.discount-equipment.com/category/5443-parts/> and choose one of the options to help get the right parts and equipment you are looking for. Please have the machine model and serial number available in order to help us get you the correct parts. If you don't find the part on the website or on one of the online manuals, please fill out the request form and one of our experienced staff members will get back to you with a quote for the right part that your machine needs.

We sell worldwide for the brands: Genie, Terex, JLG, MultiQuip, Mikasa, Essick, Whiteman, Mayco, Toro Stone, Diamond Products, Generac Magnum, Airman, Haulotte, Barreto, Power Blanket, Nifty Lift, Atlas Copco, Chicago Pneumatic, Allmand, Miller Curber, Skyjack, Lull, Skytrak, Tsurumi, Husquvarna Target, Stow, Wacker, Sakai, Mi-T-M, Sullair, Basic, Dynapac, MBW, Weber, Bartell, Bennar Newman, Haulotte, Ditch Runner, Menegotti, Morrison, Contec, Buddy, Crown, Edco, Wyco, Bomag, Laymor, EZ Trench, Bil-Jax, F.S. Curtis, Gehl Pavers, Heli, Honda, ICS/PowerGrit, IHI, Partner, Imer, Clipper, MMD, Koshin, Rice, CH&E, General Equipment, Amida, Coleman, NAC, Gradall, Square Shooter, Kent, Stanley, Tamco, Toku, Hatz, Kohler, Robin, Wisconsin, Northrock, Oztec, Toker TK, Rol-Air, APT, Wylie, Ingersoll Rand / Doosan, Innovatech, Con X, Ammann, Mecalac, Makinex, Smith Surface Prep, Small Line, Wanco, Yanmar

# SECTION 4 - BOOM



ART\_1001119944\_20F2

## SECTION 4 - BOOM

**FIGURE 4-10. POWER TRACK INSTALLATION**

ITEM	PART NUMBER	QTY	DESCRIPTION	REV
	1001119944	Ref	POWER TRACK INSTALLATION	K
1	0100011	AR	Compound, Locking	
2	0100019	AR	Compound, Locking (Not Shown)	
3	0100081	AR	Adhesive #454	
4	0630467	3	Screw 5/16 x 1/2 <b>(SN 0300209000 through 0300224867)</b>	
5	0641608	4	Bolt 3/8 x 1	
6	0641810	4	Bolt 1/2 x 1-1/4	
7	0791504	66	Screw 5/16 x 1/2	
8	0791516	2	Screw 5/16 x 2	
9	0791520	2	Setscrew 5/16 x 2-1/2	
10	0791607	10	Screw 3/8 x 7/8	
11	0791609	2	Screw 3/8 x 1-1/8	
12	0791620	2	Screw 3/8 x 2-1/2	
13	0791622	4	Screw 3/8 x 2-3/4	
14	0791624	6	Screw 3/8 x 3	
15	0791808	16	Screw 1/2 x 1	
16	1180362	1	Tube, Push (Lower)	
17	1180363	1	Tube, Push (Upper)	
18	1001131620	1	Carrier (T/T to Boom)	
18	70003917	AR	Section Repair Kit (Includes Inner and Outer Links, Joining Bars and Rollers and Assembling Hardware)	
18	70003918	1	Mounting Bracket Kit (Includes Mounting Brackets for Both Ends, 1 Roller Assembly and Assembling Hardware)	
19	1001131733	1	Carrier (Lower)	
19	70003913	AR	Section Repair Kit (Includes Inner and Outer Links, Joining Bars and Rollers and Assembling Hardware)	
19	70003915	1	Mounting Bracket Kit (Includes Mounting Brackets for Both Ends, 1 Roller Assembly and Assembling Hardware)	
19	70003914	AR	Center Bracket Kit (Includes 1 Flat Bar, 1 Round Bar, 1 Roller and Assembling Hardware)	
20	1001131728	1	Carrier (Upper)	
20	70003913	AR	Section Repair Kit (Includes Inner and Outer Links, Joining Bars and Rollers and Assembling Hardware)	
20	70003915	1	Mounting Bracket Kit (Includes Mounting Brackets for Both Ends, 1 Roller Assembly and Assembling Hardware)	
20	70003914	AR	Center Bracket Kit (Includes 1 Flat Bar, 1 Round Bar, 1 Roller and Assembling Hardware)	
21	3951522	2	Setscrew 5/16 x 2-3/4	
22	1320294	5	Clamp, Bar	
23	1320295	AR	Clamp, Bar	
24	1670964	1	Cover, Support/Rotator <b>(SN 0300209000 through 0300224867)</b>	
25	3271601	2	Nut 3/8 Grade 8	
26	3300492	6	Nut, Nylon Insert	
27	3311508	4	Nut 5/16	
28	3311608	AR	Nut 3/8	
29	3340925	1	Pad	
30	3340940	4	Pad, Rubber	
32	3340942	10	Pad, Rubber	
33	3573016	3	Support, Track	
34	3573179	2	Plate, Mounting	
35	3573181	6	Support, Track	

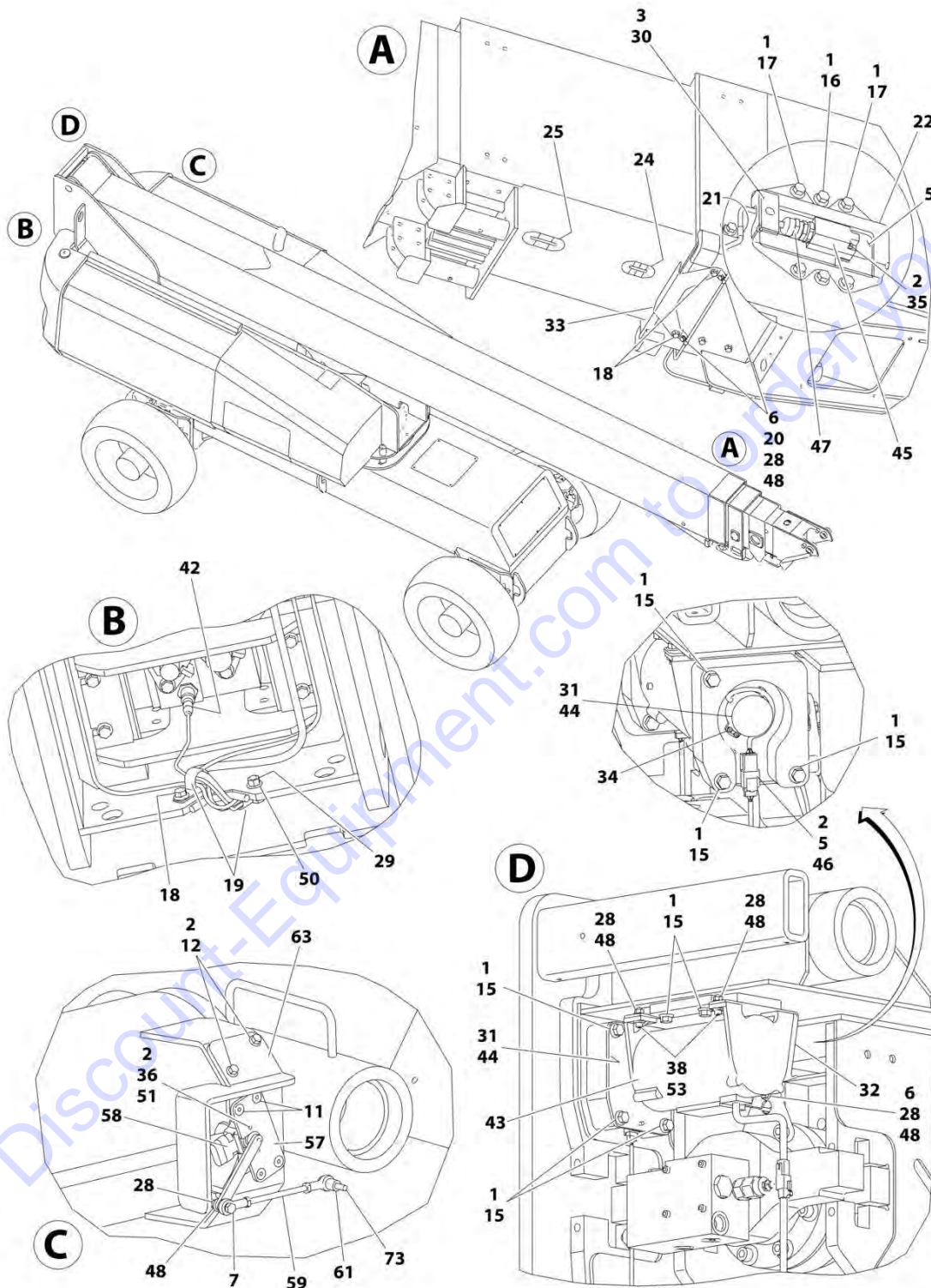
## SECTION 4 - BOOM

ITEM	PART NUMBER	QTY	DESCRIPTION	REV
36	3573194	1	Plate, Track Mounting	
37	3573210	1	Plate, Track Mounting	
38	3900232	2	Screw 3/8 x 1-1/4 <b>(SN 0300209000 through 0300247535)</b>	
39	3900283	AR	Screw 3/8 x 3/4	
40	3900316	16	Screw 3/8 x 1	
42	4060804	11 in /28cm	Shield, Flex Trim 3/16 (Not Shown)	
43	4071021	1	Shim, Adjusting 16Ga	
44	4071022	1	Shim, Adjusting 11Ga	
45	4071023	1	Shim, Adjusting 11Ga	
47	4240018	10	Tie-Strap (Not Shown)	
48	4240153	3	Strap, 4 Cinch (Not Shown)	
49	4240155	6	Strap, 8 Cinch (Not Shown)	
50	1001137263	1	Strap, 12 Cinch (Not Shown)	
51	4562516	AR	Tubing, Poly	
52	4711500	3	Washer 5/16 <b>(SN 0300209000 through 0300224867)</b>	
53	4740400	1	Washer, Special	
54	4751500	4	Washer 5/16	
55	4846423	5	Cover, Cable (Rear)	
56	4846429	5	Support, Cable (Rear)	
57	4846431	1	Cover, Cable (Front)	
58	4846485	1	Support, Cable (Front)	
59	4846753	1	Shield, Hose Protection <b>(SN 0300209000 through 0300247535)</b>	
60	4891600	5	Washer 3/8	
61	4891800	4	Washer 1/2	
62	8310235	1	Capscrew 3/8	
63	1001119521	1	Cover, Cable (Middle)	
64	1001119522	1	Support, Cable (Middle)	
65	1001120209	1	Bracket, Guide Block	
66	1001120257	2	Pad, Guide	
68	4711800	1	Washer 1/2	
69	1320298	1	Clamp, Bar	
70	3340939	2	Pad, Rubber	
71	1001137262	1	Strap, 4 Cinch (Not Shown)	
72	1001212790	1	Clamp <b>(SN 0300247536 to Present)</b>	



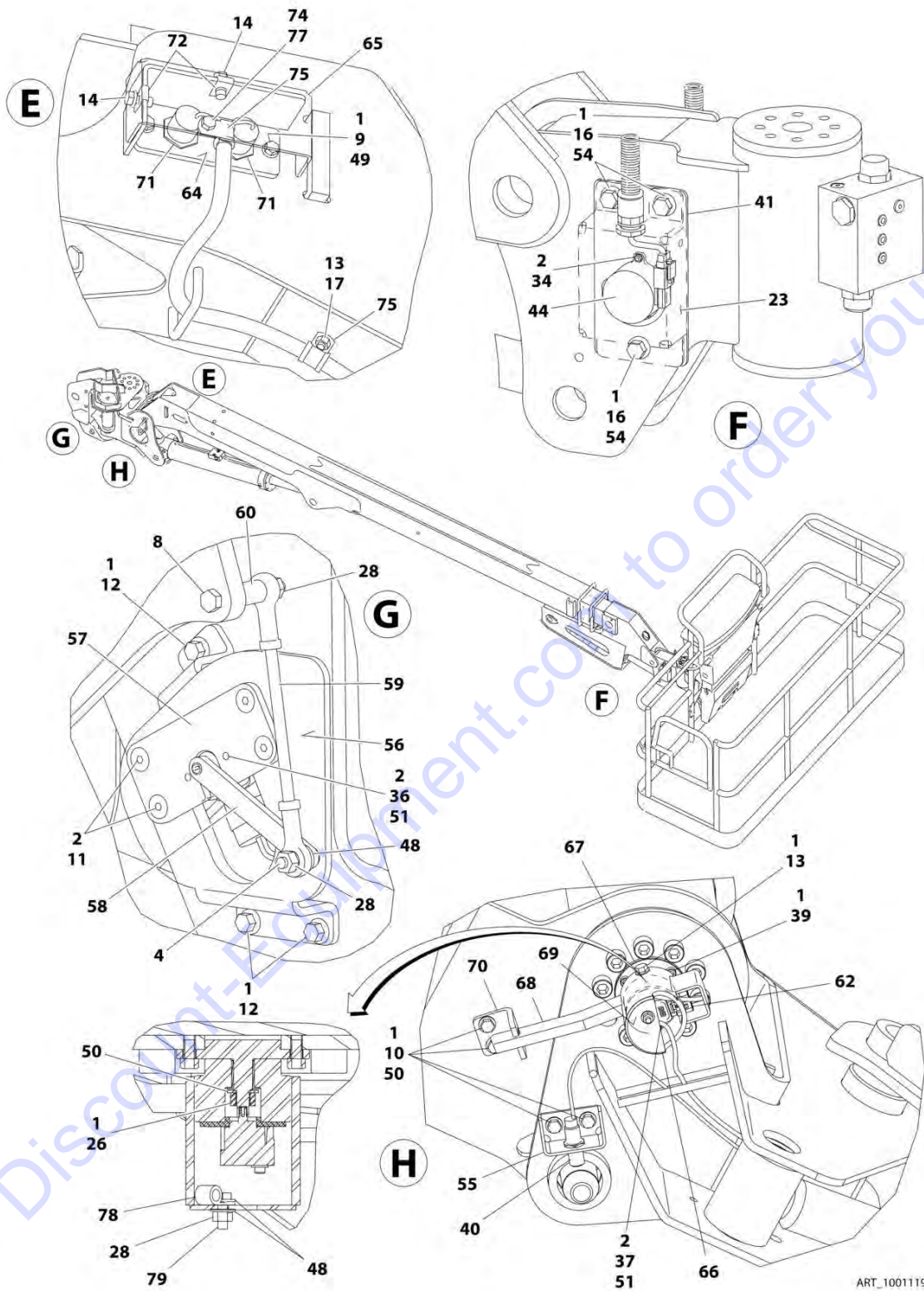
# SECTION 4 - BOOM

## FIGURE 4-11. BOOM SENSORS AND SWITCHES INSTALLATION



ART\_1001119225\_10F2

# SECTION 4 - BOOM



ART\_1001119225\_20F2

## SECTION 4 - BOOM

**FIGURE 4-11. BOOM SENSORS AND SWITCHES INSTALLATION**

ITEM	PART NUMBER	QTY	DESCRIPTION	REV
	1001119225	Ref	BOOM SENSORS AND SWITCHES INSTALLATION	H
1	0100011	AR	Compound, Locking	
2	0100035	AR	Compound, Locking	
3	0100081	AR	Adhesive	
4	0630357	1	Screw 1/4 x 1	
5	0630464	2	Screw #10 x 1/2	
6	0641405	3	Bolt 1/4 x 5/8	
7	0641408	1	Bolt 1/4 x 1	
8	0641418	1	Bolt 1/4 x 2-1/4	
9	0641508	2	Bolt 5/16 x 1	
10	0641607	4	Bolt 3/8 x 7/8	
11	0741404	8	Screw 1/4 x 1/2	
12	0791406	5	Screw 1/4 x 3/4	
13	0791505	3	Screw 5/16 x 5/8	
14	0791506	2	Screw 5/16 x 3/4	
15	0791604	8	Screw 3/8 x 1/2	
16	0791605	10	Screw 3/8 x 5/8	
17	0791606	4	Screw 3/8 x 3/4	
18	0791608	2	Screw 3/8 x 1	
19	1320130	2	Clamp, Hose	
20	1320136	2	Clamp, Hose	
21	1320301	1	Clamp, Cable	
22	1671031	1	Cover, Limit Switch	
23	1671044	2	Cover, Level Sensor	
24	1705366	1	Decal - Boom Length (500LB Cap)	
25	1705367	1	Decal - Boom Length (1000LB Cap)	
26	3281601	1	Nut 3/8 Grade 8	
28	3311405	11	Nut 1/4	
29	3311605	2	Nut 3/8	
30	3340941	1	Pad, Rubber	
31	3573301	2	Plate, Sensor Mounting	
32	3574431	1	Plate, Switch Mounting	
33	3574616	1	Plate, Boom Length	
34	3930606	12	Capscrew #6 x 3/8	
35	3930816	2	Capscrew #8 x 1	
36	3930820	4	Capscrew #8 x 1-1/4	
37	3930824	2	Capscrew #8 x 1-1/2	
38	3931414	4	Capscrew 1/4 x 7/8	
39	3931508	4	Capscrew 5/16 x 1/2	
40	4000008	1	Sensor, Proximity (Jib Lock) (Note: Control System must be recalibrated when Sensor is replaced)	
41	4341158	2	Plate, Mounting Sensor	
42	4360527	1	Switch, Proximity (Cable Break) (Note: Control System must be recalibrated when Switch is replaced)	
43	4360543	1	Sensor, String (Boom Length) (Note: Control System must be recalibrated when Sensor is replaced)	
44	1001147479	4	Sensor, Angle Indicator (Platform Level and Main Boom Angle) (Note: Control System must be recalibrated when Sensor is replaced)	
45	4360578	1	Switch, Limit (Boom Length) (Note: Control System must be recalibrated when Switch is replaced)	

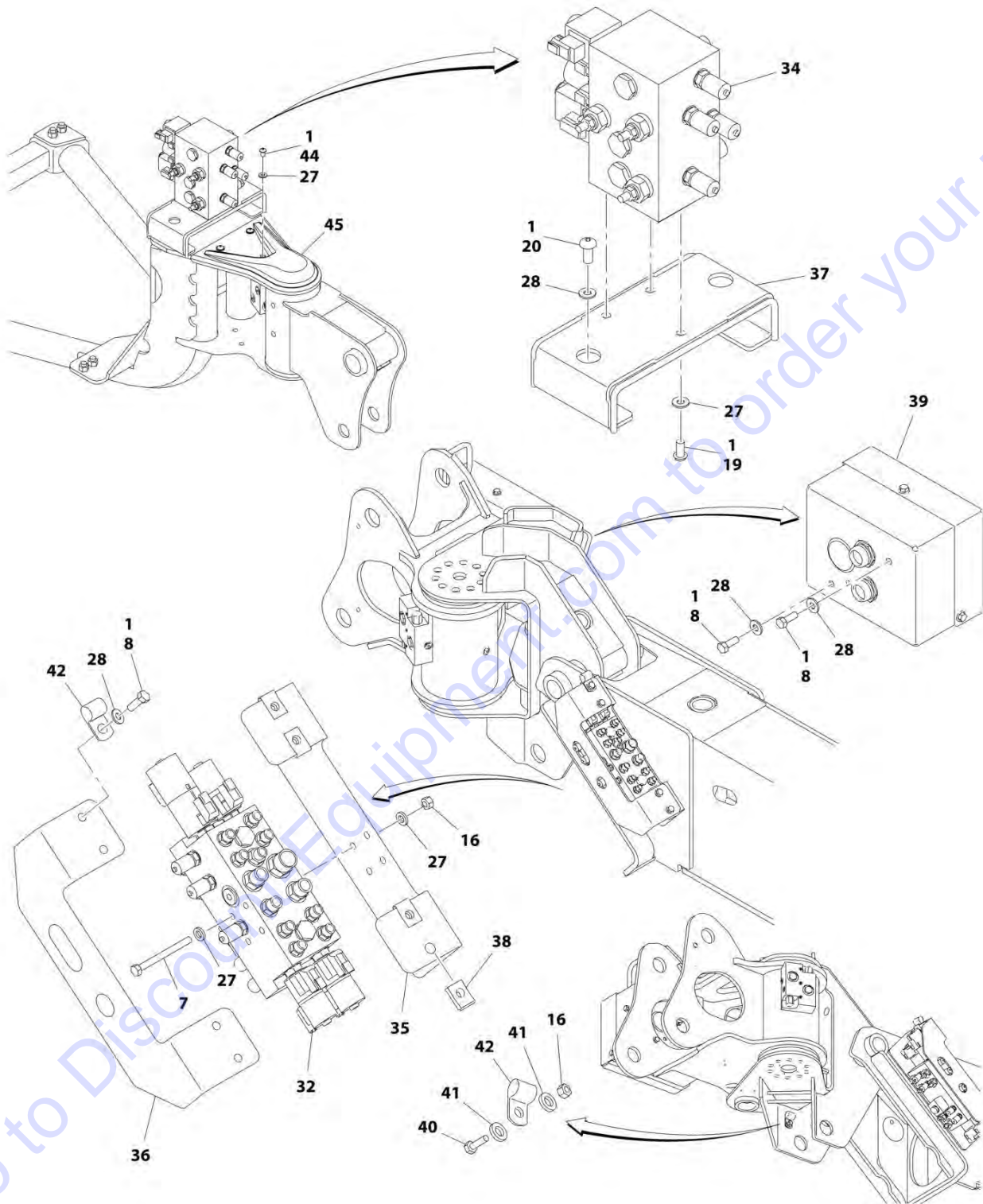


## SECTION 4 - BOOM

ITEM	PART NUMBER	QTY	DESCRIPTION	REV
46	4460914	2	Terminal, Base	
47	4460968	1	Connector, Strain Relief	
48	4711400	15	Washer 1/4	
49	4711500	2	Washer 5/16	
50	4711600	7	Washer 3/8	
51	4750800	6	Washer 1/4	
52	4846484	1	Mount, Switch	
53	4891400	4	Washer 1/4	
54	8310070	6	Pushnut 3/8	
55	1001118373	1	Bracket, Sensor Mounting	
56	1001118930	1	Cover, Sensor	
57	1001118931	2	Mount, Sensor	
58	1001118971	2	Sensor, Angle Indicator (Main Boom Protractor) (Note: Control System must be recalibrated when Sensor is replaced)	
58	70005667	1	Arm (1 Per Sensor)	
59	1001119033	2	Link, Sensor	
60	1001119137	1	Sleeve, Spacer	
61	1001119141	1	Sleeve, Spacer	
62	1001135479	1	Sensor, Angle Indicator (Jib Rotate) (Note: Control System must be recalibrated when Sensor is replaced)	
63	1001119729	1	Cover, Sensor	
64	1001120028	1	Mount, Sensor	
65	1001120048	1	Cover, Sensor	
66	1001179510	1	Cover, Sensor	
67	1001135483	1	Pin, Angle Sensor	
68	1001120076	1	Mount, Sensor	
69	1001135484	1	Adapter	
70	1001120084	1	Bracket	
71	1001120104	2	Switch, Proximity (Jib Telescope) (Note: Control System must be recalibrated when Switch is replaced)	
72	88662530	2	Nut, Retainer	
73	0641412	1	Bolt 1/4 x 1-1/2	
74	0641504	1	Bolt 5/16 x 1/2	
75	1320061	2	Clamp, Cable	
77	3311505	2	Nut 5/16	
78	1321293	1	Clamp	
79	0641406	1	Bolt 1/4 x 3/4	

# SECTION 4 - BOOM

## FIGURE 4-12. VALVES (BOOM MOUNTED) INSTALLATION (ANSI, CSA AND JAPANESE SPECS)



ART\_100119717\_30F3

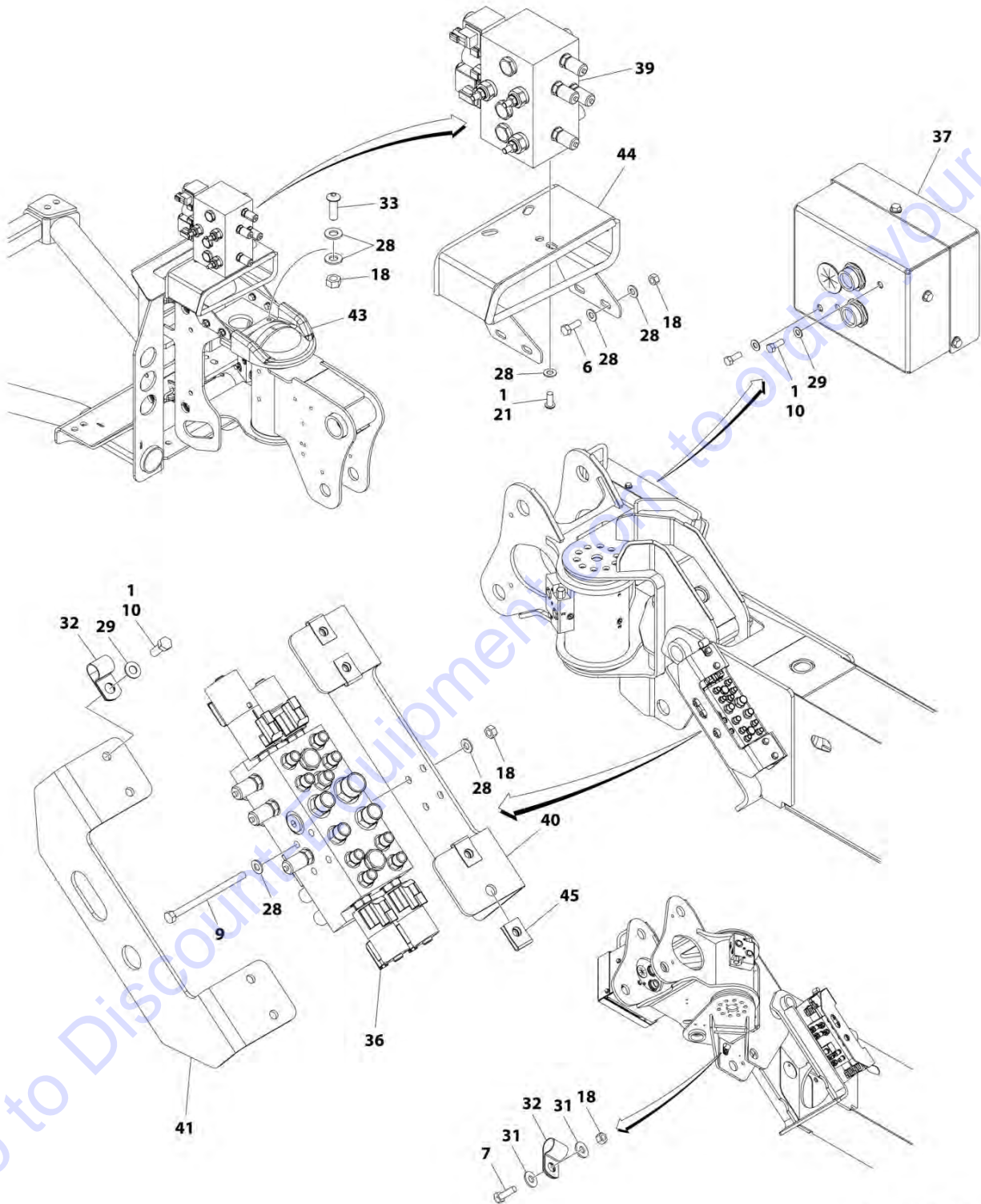
## SECTION 4 - BOOM

**FIGURE 4-12. VALVES (BOOM MOUNTED) INSTALLATION (ANSI, CSA AND JAPANESE SPECS)**

ITEM	PART NUMBER	QTY	DESCRIPTION	REV
	1001119717	Ref	VALVES (BOOM MOUNTED) INSTALLATION (ANSI, CSA AND JAPANESE SPECS)	G
1	0100011	AR	Compound, Locking	
7	0641538	4	Bolt 5/16 x 4-3/4	
8	0641608	6	Bolt 3/8 x 1	
16	3311505	9	Nut 5/16	
19	3900210	3	Screw 5/16 x 3/4	
20	3900283	3	Screw 3/8 x 3/4	
27	4711500	AR	Washer 5/16	
28	4711600	8	Washer 3/8	
32	1001118286	1	Jib Valve Assembly (See JIB VALVE ASSEMBLY for Breakdown)	
34	1001119702	1	Platform Valve Assembly (See PLATFORM VALVE ASSEMBLY for Breakdown)	
35	1001119703	1	Plate, Valve Mounting	
36	1001119704	1	Plate, Valve Protection	
37	1001119706	1	Plate, Valve Mounting	
38	88662523	4	Nut, Retainer	
39	1001119212	1	Enclosure Box Assembly (See ENCLOSURE BOX ASSEMBLY for Breakdown)	
40	0641508	1	Bolt 5/16 x 1	
41	4751500	1	Washer 5/16	
42	8406105	2	Clamp	
44	0630467	3	Screw 5/16 x 1/2 (SN 0300224868 to Present)	
45	1670964	1	Cover (SN 0300224868 to Present)	

# SECTION 4 - BOOM

## FIGURE 4-13. VALVES (BOOM MOUNTED) INSTALLATION (WITH 1 CELL LSS) (CE AND AUSTRALIAN SPECS)



ART\_1001219992\_30F3

## SECTION 4 - BOOM

**FIGURE 4-13. VALVES (BOOM MOUNTED) INSTALLATION (WITH 1 CELL LSS) (CE AND AUSTRALIAN SPECS)**

ITEM	PART NUMBER	QTY	DESCRIPTION	REV
	1001219992	Ref	VALVES (BOOM MOUNTED) INSTALLATION (WITH 1 CELL LSS) (CE AND AUSTRALIAN SPECS) (SN 0300234294 to Present)	A
1	0100011	AR	Compound, Locking	
6	0641507	4	Bolt 5/16 x 7/8	
7	0641508	1	Bolt 5/16 x 1	
9	0641538	4	Bolt 5/16 x 3/4	
10	0641608	20	Bolt 3/8 x 1	
18	3311505	15	Nut 5/16	
21	3900210	3	Screw 5/16 x 3/4	
28	4711500	43	Washer 5/16	
29	4711600	24	Washer 3/8	
31	4751500	2	Washer 5/16	
32	8406105	2	Clamp	
33	88261024	2	Screw 5/16 x 1	
36	1001118286	1	Jib Valve Assembly (See JIB VALVE ASSEMBLY for Breakdown)	
37	1001119212	1	Enclosure Box Assembly (See ENCLOSURE BOX ASSEMBLY for Breakdown)	
39	1001119702	1	Platform Valve Assembly (See PLATFORM VALVE ASSEMBLY for Breakdown)	
40	1001119703	1	Plate, Valve Mounting	
41	1001119704	1	Plate, Valve Protection	
43	1001207969	1	Cover	
44	1001208994	1	Mount, Valve	
45	88662523	4	Nut	



# SECTION 4 - BOOM

## FIGURE 4-14. PLATFORM VALVE ASSEMBLY

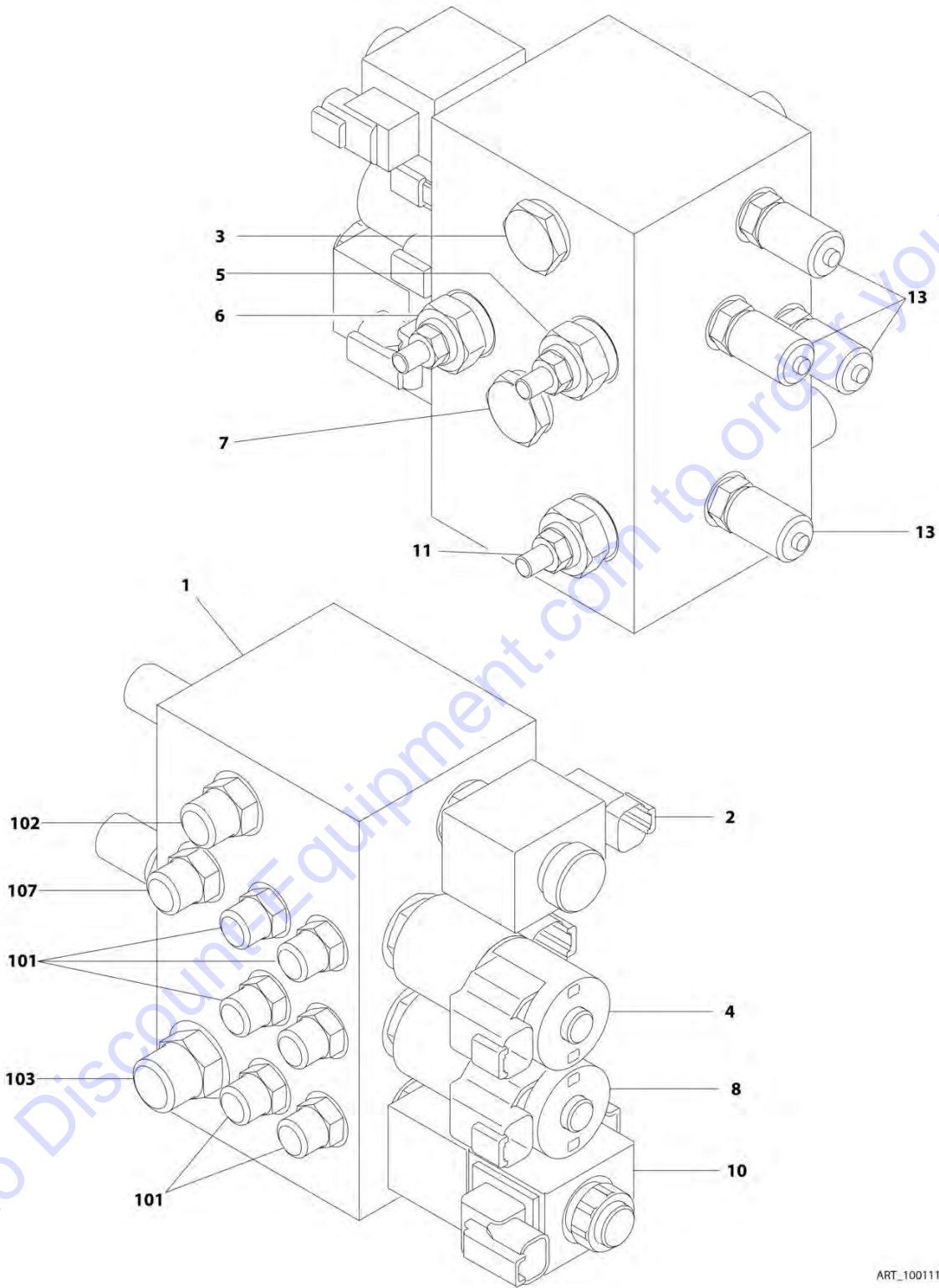


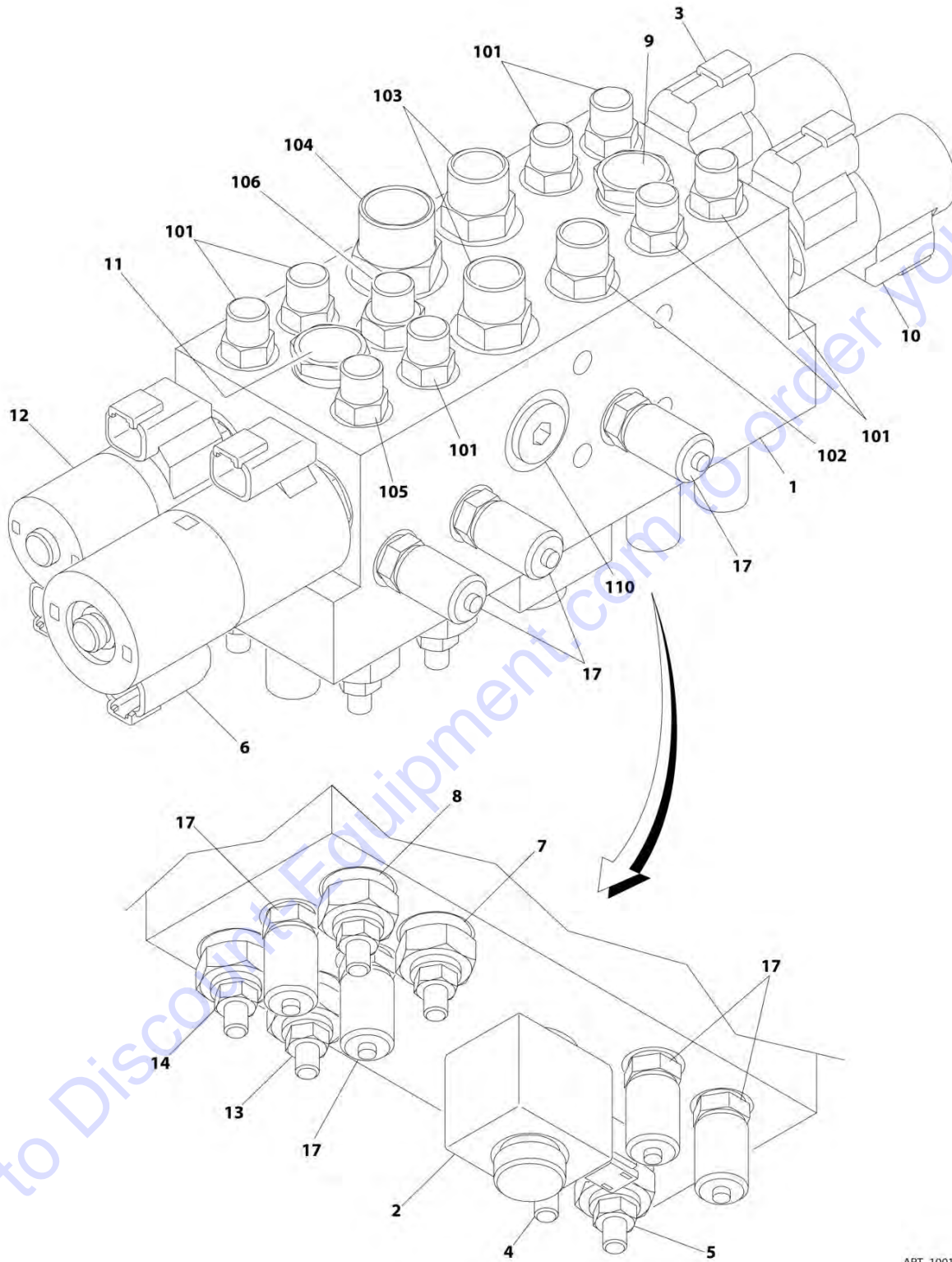
FIGURE 4-14. PLATFORM VALVE ASSEMBLY

ITEM	PART NUMBER	QTY	DESCRIPTION	REV
	1001119702	Ref	PLATFORM VALVE ASSEMBLY	E
		Ref	Cartridges:	
1	See Note	NSS	Block, Valve (Note: Not Available for Purchase)	
2	70003025	1	Valve, Cartridge (Valve Inlet)	
2	70004050	1	Seal Kit - 70003025 Cartridge	
2	70004051	1	Nut, Coil	
2	70003026	1	Coil	
3	70003021	1	Valve, Cartridge (Valve Inlet)	
3	70004052	1	Seal Kit - 70003021 Cartridge	
4	7024899	1	Valve, Cartridge (Platform Level)	
4	7017402	1	Seal Kit - 7024899 Cartridge	
4	7022390	1	Nut, Coil	
4	70003023	1	Spacer, Coil	
4	7024885	2	Coil	
5	70003019	1	Valve, Cartridge (Platform Level)	
5	70004052	1	Seal Kit - 70003019 Cartridge	
6	70003019	1	Valve, Cartridge (Platform Level)	
6	70004052	1	Seal Kit - 70003019 Cartridge	
7	70003027	1	Valve, Cartridge (Platform Rotate)	
7	70004052	1	Seal Kit - 70003027 Cartridge	
8	7024899	1	Valve, Cartridge (Platform Rotate)	
8	7017402	1	Seal Kit - 7024899 Cartridge	
8	7022390	1	Nut, Coil	
8	70003023	1	Spacer, Coil	
8	7024885	2	Coil	
10	70003028	1	Valve, Cartridge (Jib Lock Pin)	
10	70004053	1	Seal Kit - 70003028 Cartridge	
10	70004054	1	Nut, Coil	
10	70003026	2	Coil	
11	70003019	1	Valve, Cartridge (Jib Lock Pin)	
11	70004052	1	Seal Kit - 70003019 Cartridge	
13	2221086	4	Check, Pressure	
		Ref	Fittings:	
101	2110404	6	Fitting, Straight ORFS/ORB	
102	2110606	1	Fitting, Straight ORFS/ORB	
103	2110808	1	Fitting, Straight ORFS/ORB	
107	2110406	1	Fitting, Straight ORFS/ORB	



# SECTION 4 - BOOM

## FIGURE 4-15. JIB VALVE ASSEMBLY



ART\_1001118286

FIGURE 4-15. JIB VALVE ASSEMBLY

ITEM	PART NUMBER	QTY	DESCRIPTION	REV
	1001118286	Ref	JIB VALVE ASSEMBLY	D
		Ref	Cartridges:	
1	See Note	1	Block, Valve (Note: Not Available for Purchase)	
2	70003017	1	Valve, Cartridge (Valve Inlet)	
2	70004055	1	Seal Kit - 70003017 Cartridge	
2	70004051	1	Nut, Coil	
2	70022147	1	Coil	
3	7023922	1	Valve, Cartridge (Jib Level)	
3	7017402	1	Seal Kit - 7023922 Cartridge	
3	7022390	1	Nut, Coil	
3	70003023	1	Spacer, Coil	
3	7024885	2	Coil	
4	70003019	1	Valve, Cartridge (Jib Level)	
4	70004052	1	Seal Kit - 70003019 Cartridge	
5	70003019	1	Valve, Cartridge (Jib Level)	
5	70004052	1	Seal Kit - 70003019 Cartridge	
6	70003022	1	Valve, Cartridge (Jib Tele)	
6	7012903	1	Seal Kit - 70003022 Cartridge	
6	7022390	1	Nut, Coil	
6	70003024	1	Spacer, Coil	
6	7024883	2	Coil	
7	70003019	1	Valve, Cartridge (Jib Tele)	
7	70004052	1	Seal Kit - 70003019 Cartridge	
8	70003019	1	Valve, Cartridge (Jib Tele)	
8	70004052	1	Seal Kit - 70003019 Cartridge	
9	70003020	1	Valve, Cartridge (Jib Swing)	
9	70004052	1	Seal Kit - 70003020 Cartridge	
10	7024899	1	Valve, Cartridge (Jib Swing)	
10	7017402	1	Seal Kit - 7024899 Cartridge	
10	7022390	1	Nut, Coil	
10	70003023	1	Spacer, Coil	
10	7024885	2	Coil	
11	70003021	1	Valve, Cartridge (Jib Lift)	
11	70004052	1	Seal Kit - 70003021 Cartridge	
12	7023922	1	Valve, Cartridge (Jib Lift)	
12	7017402	1	Seal Kit - 7023922 Cartridge	
12	7022390	1	Nut, Coil	
12	70003023	1	Spacer, Coil	
12	7024885	2	Coil	
13	70003019	1	Valve, Cartridge (Jib Lift)	
13	70004052	1	Seal Kit - 70003019 Cartridge	
14	70003019	1	Valve, Cartridge (Jib Lift)	
14	70004052	1	Seal Kit - 70003019 Cartridge	
17	2221086	7	Check, Pressure	
		Ref	Fittings:	
101	2110404	7	Fitting, Straight ORFS/ORB	
102	2110606	1	Fitting, Straight ORFS/ORB	
103	2110808	2	Fitting, Straight ORFS/ORB	
104	2111010	1	Fitting, Straight ORFS/ORB	
105	2110604	1	Fitting, Straight ORFS/ORB	

## SECTION 4 - BOOM

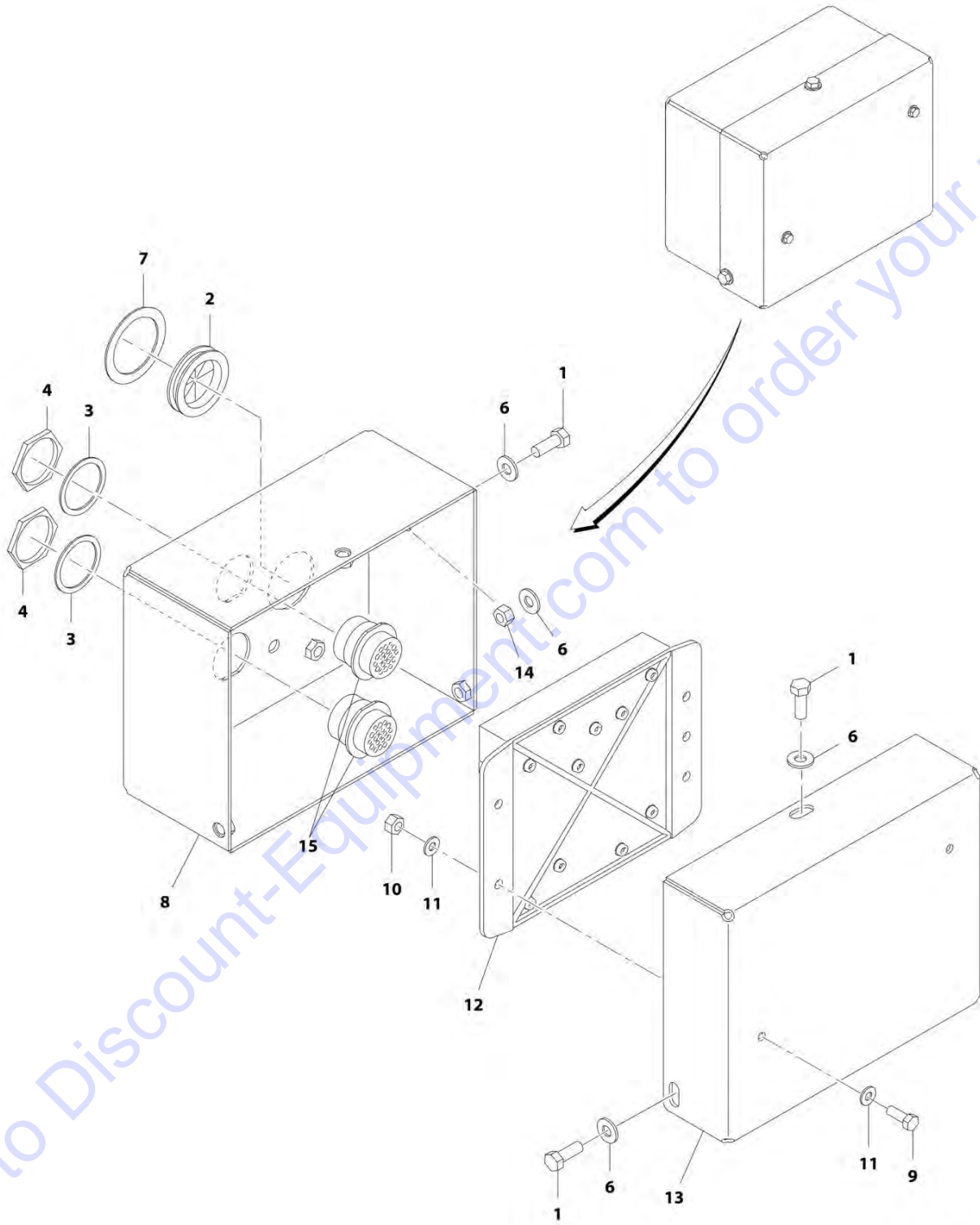
ITEM	PART NUMBER	QTY	DESCRIPTION	REV
106	2110406	1	Fitting, Straight ORFS/ORB	
110	70002759	1	Plug	

Go to [Discount-Equipment.com](http://Discount-Equipment.com) to order your parts



# SECTION 4 - BOOM

## FIGURE 4-16. ENCLOSURE BOX ASSEMBLY



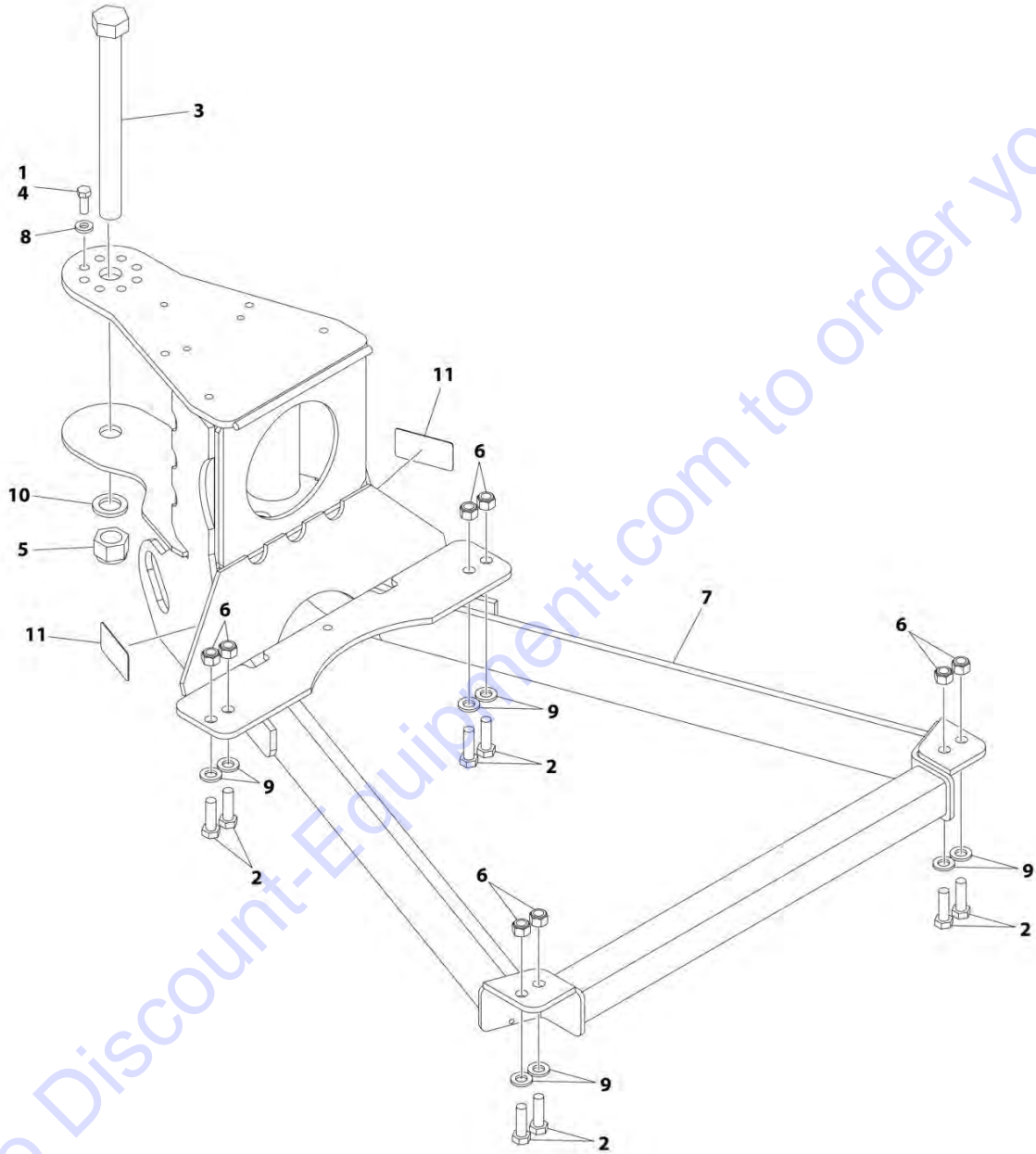
ART\_1001119212

FIGURE 4-16. ENCLOSURE BOX ASSEMBLY

ITEM	PART NUMBER	QTY	DESCRIPTION	REV
	1001119212	Ref	ENCLOSURE BOX ASSEMBLY	D
1	0641608	5	Bolt 3/8 x 1	
2	2540045	1	Grommet	
3	4460470	2	Washer, Terminal	
4	4460971	2	Nut, Terminal	
6	4711600	7	Washer 3/8	
7	1001119211	1	Washer, Grommet	
8	1001119214	1	Box Assembly	
9	0641406	2	Bolt 1/4 x 3/4	
10	3311405	2	Nut 1/4	
11	4711400	4	Washer 1/4	
12	1001119262	1	Module, Jib Control (Note: Control System must be recalibrated when replaced)	
13	1001119215	1	Cover	
14	3311605	2	Nut 3/8	
15	1001119392	1	Harness, Jib Valve (See ELECTRICAL SECTION for Breakdown)	

# SECTION 4 - BOOM

## FIGURE 4-17. PLATFORM SUPPORT INSTALLATION - WITHOUT LSS



ART\_0272070



## SECTION 4 - BOOM

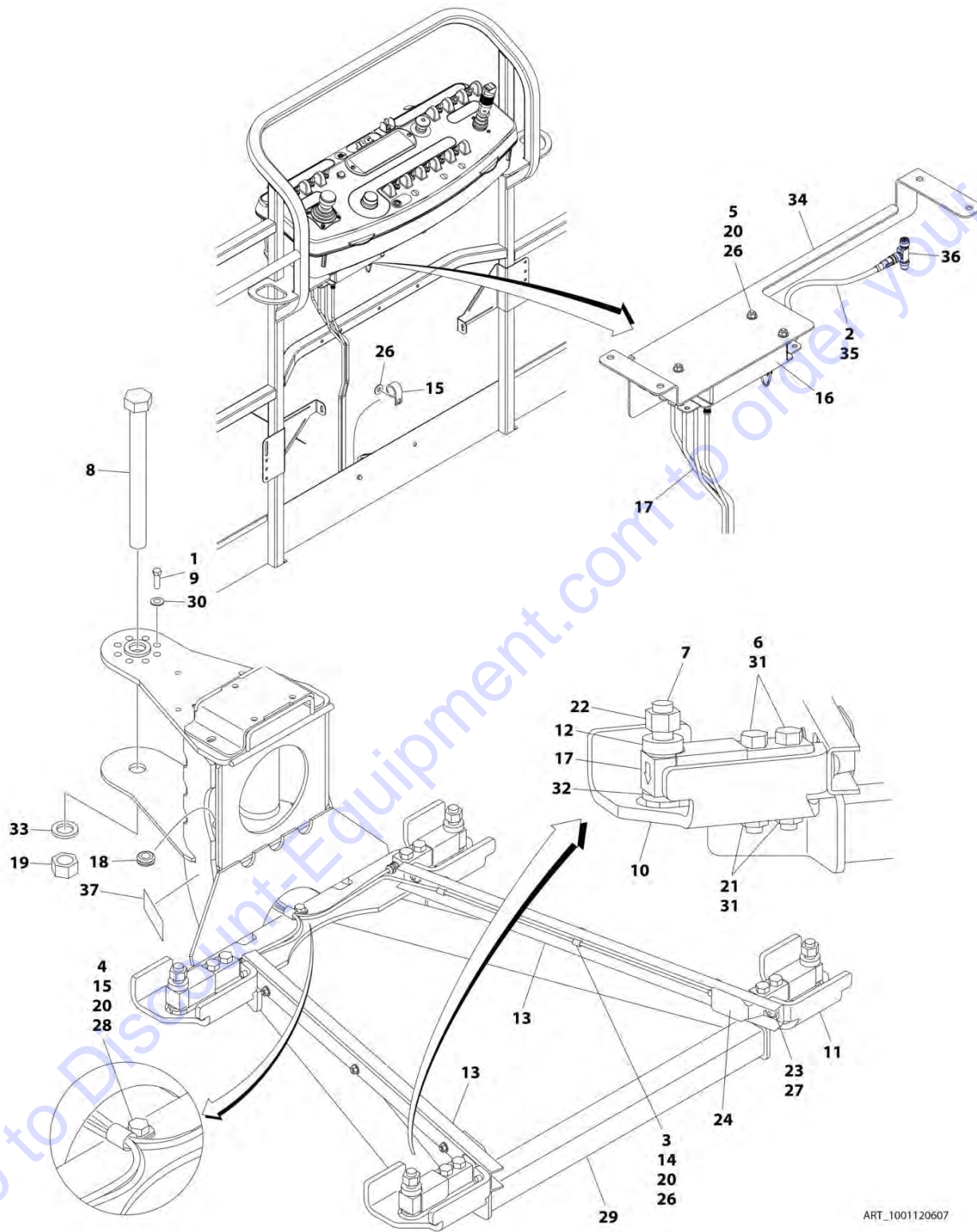
**FIGURE 4-17. PLATFORM SUPPORT INSTALLATION - WITHOUT LSS**

ITEM	PART NUMBER	QTY	DESCRIPTION	REV
	0272070	Ref	PLATFORM SUPPORT INSTALLATION - WITHOUT LSS	I
	See Note	Ref	Machines without Load Sensing and with SkyGlazier (Note: For Replacement Parts, Go to Discount-equipment.com and Request Manual p/n 3124242)	
1	0100011	AR	Compound, Locking	
2	0641812	8	Bolt 1/2 x 1-1/2	
2	0761216	8	Bolt M12 x 40	
3	0642684	1	Bolt 1 x 10-1/4	
4	0681608	8	Bolt 3/8 x 1 Grade 8	
5	3300243	1	Nut 1	
6	3311805	8	Nut 1/2	
6	3291205	8	Nut M12	
7	4846573	1	Support Weldment	
8	4891600	8	Washer 3/8	
9	4891800	8	Washer 1/2	
9	5241200	8	Washer M12	
10	4892600	1	Washer 1	
11	1001216630	2	Decal - Tie Down/No Lift <b>(SN 0300224754 to Present)</b>	

Go to Discount-Equipment.com to order your parts

# SECTION 4 - BOOM

## FIGURE 4-18. PLATFORM SUPPORT INSTALLATION - WITH 4 CELL LSS



ART\_1001120607

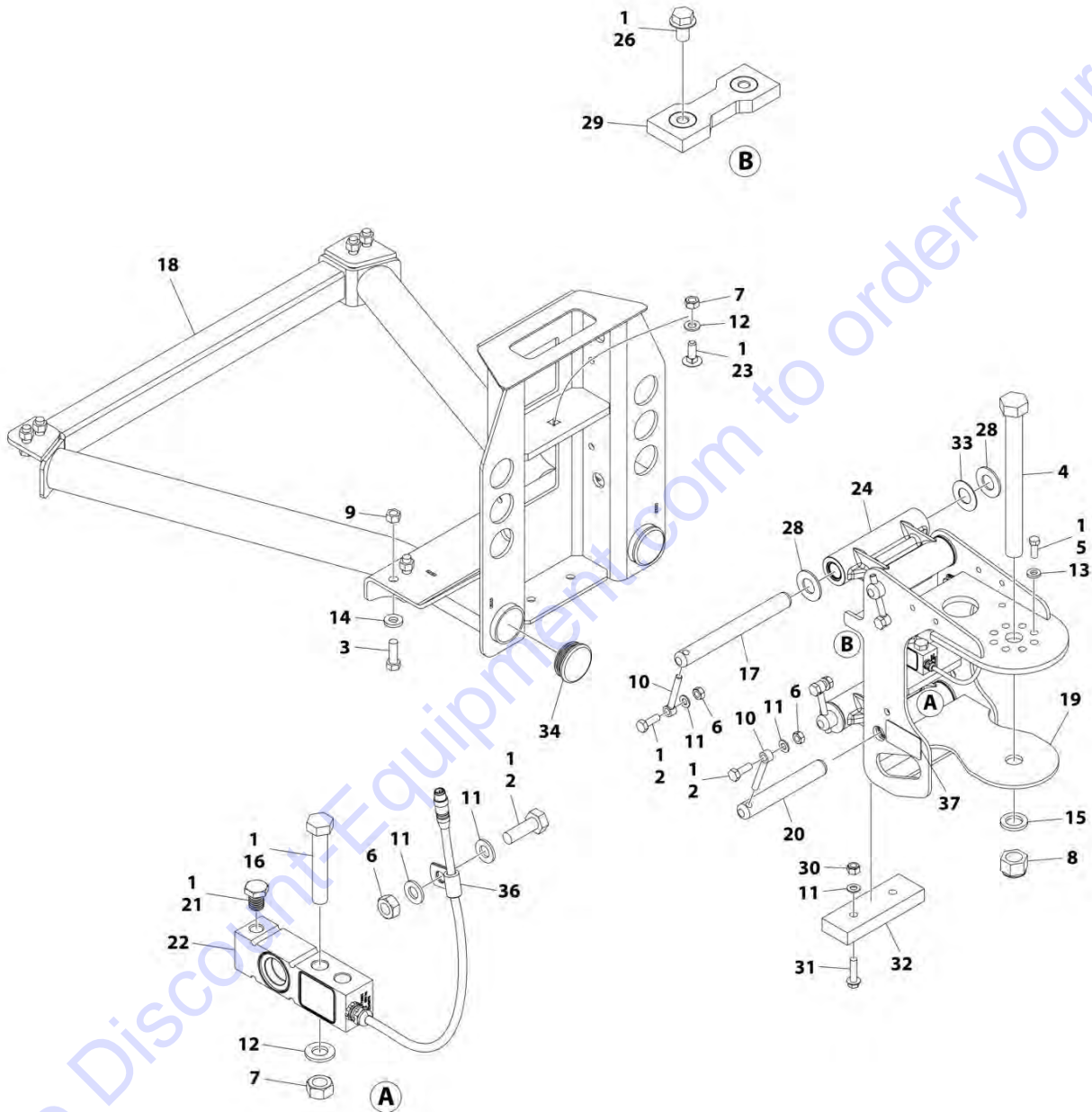
## SECTION 4 - BOOM

**FIGURE 4-18. PLATFORM SUPPORT INSTALLATION - WITH 4 CELL LSS**

ITEM	PART NUMBER	QTY	DESCRIPTION	REV
	1001120607	Ref	PLATFORM SUPPORT INSTALLATION - WITH 4 CELL LSS (SN 0300209000 through 0300234293)	E
1	0100011	AR	Compound, Locking	
2	0100048	AR	Grease, Dielectric	
3	0641405	6	Bolt 1/4 x 5/8	
4	0641407	1	Bolt 1/4 x 7/8	
5	0641416	3	Bolt 1/4 x 2	
6	0641822	8	Bolt 1/2 x 2-3/4	
7	0642024	4	Bolt 5/8 x 3	
8	0642684	1	Bolt 1 x 10-1/2	
9	0681608	8	Bolt 3/8 x 1 Grade 8	
10	0902919	2	Bracket, Cell Guard	
11	0902920	2	Bracket, Cell Guard	
12	0962450	4	Bushing, Spacer	
13	1271538	2	Channel	
14	1320136	6	Clamp	
15	1320224	2	Clamp	
16	1600387	1	Module, Control - LSS (Note: Re-calibration Required When Replaced)	
17	2420202	4	Cell, Load (Includes Cable)	
18	2540038	1	Grommet	
19	3272605	1	Nut 1 Grade 8	
20	3311405	10	Nut 1/4	
21	3311805	8	Nut 1/2	
22	3312005	4	Nut 5/8	
23	3900283	4	Screw 3/8 x 3/4	
24	4061054	2	Shield	
25	4240033	AR	Tie-Strap (Not Shown)	
26	4711400	13	Washer 1/4	
27	4711600	4	Washer 3/8	
28	4751400	1	Washer 1/4	
29	4846573	1	Support, Platform	
30	4891600	8	Washer 3/8	
31	4891800	8	Washer 1/2	
32	4892000	4	Washer 5/8	
33	4892600	1	Washer 1	
34	1001113483	1	Bracket, Module Mount	
35	1001120608	1	LSS Harness	
35	1001120631	1	Connector, M12 Male Cordset	
35	4460836	1	Connector - 12 Position (Black) (J2)	
35	4460944	3	Socket, Female	
35	4460466	9	Plug, Terminal	
35	4460933	1	Connector - 12 Position (Grey) (J1)	
35	4460465	2	Socket, Female	
35	4460466	10	Plug, Terminal	
36	1001108122	1	Connector, M12 Tee Adapter	
37	1001216630	2	Decal - Tie Down/No Lift	

# SECTION 4 - BOOM

## FIGURE 4-19. PLATFORM SUPPORT INSTALLATION - WITH 1 CELL LSS



ART\_1001167596

## SECTION 4 - BOOM

**FIGURE 4-19. PLATFORM SUPPORT INSTALLATION - WITH 1 CELL LSS**

ITEM	PART NUMBER	QTY	DESCRIPTION	REV
	1001167596	Ref	PLATFORM SUPPORT INSTALLATION - WITH 1 CELL LSS (SN <b>0300234294 to Present)</b>	J
1	0100011	AR	Compound, Locking	
2	0761014	5	Bolt M10 x 30	
3	0641812	8	Bolt 1/2 x 1-1/2	
3	0761216	8	Bolt M12 x 40	
4	0642684	1	Bolt 1 x 10-1/2	
5	0681608	8	Bolt 3/8 x 1	
6	3291001	5	Nut M10	
7	3291201	3	Nut M12	
8	3300243	1	Nut 1	
9	3311805	8	Nut 1/2	
9	3291205	8	Nut M12	
10	3841143	1	Keeper, Pin	
11	4812000	8	Washer M10	
12	4812100	3	Washer M12	
13	4891600	8	Washer 3/8	
14	4891800	8	Washer 1/2	
14	5241200	8	Washer M12	
15	4892600	1	Washer 1	
16	1001098828	2	Bolt M12 x 70 Grade 10.9	
17	1001167565	2	Pin	
18	1001200494	1	Support, Platform	
19	1001167567	1	Support, Rotator	
20	1001168402	2	Pin	
21	1001188622	1	Screw	
22	1001172663	1	Gauge, Load Sensing	
23	1001188844	1	Bolt M12 x 35	
24	1001201351	2	Link, LSS Assembly	
26	5251008	2	Bolt M10 x 16	
28	1001189002	8	Bearing	
29	1001190985	1	Pad, Wear	
30	3291005	2	Nut M10	
31	5251016	2	Bolt M10 x 40	
32	1001200491	1	Pad, Wear	
33	1001189001	4	Bearing	
34	1001204725	2	Plug	
36	91203039	1	Clamp	
37	1001216630	2	Decal - Tie Down/No Lift	



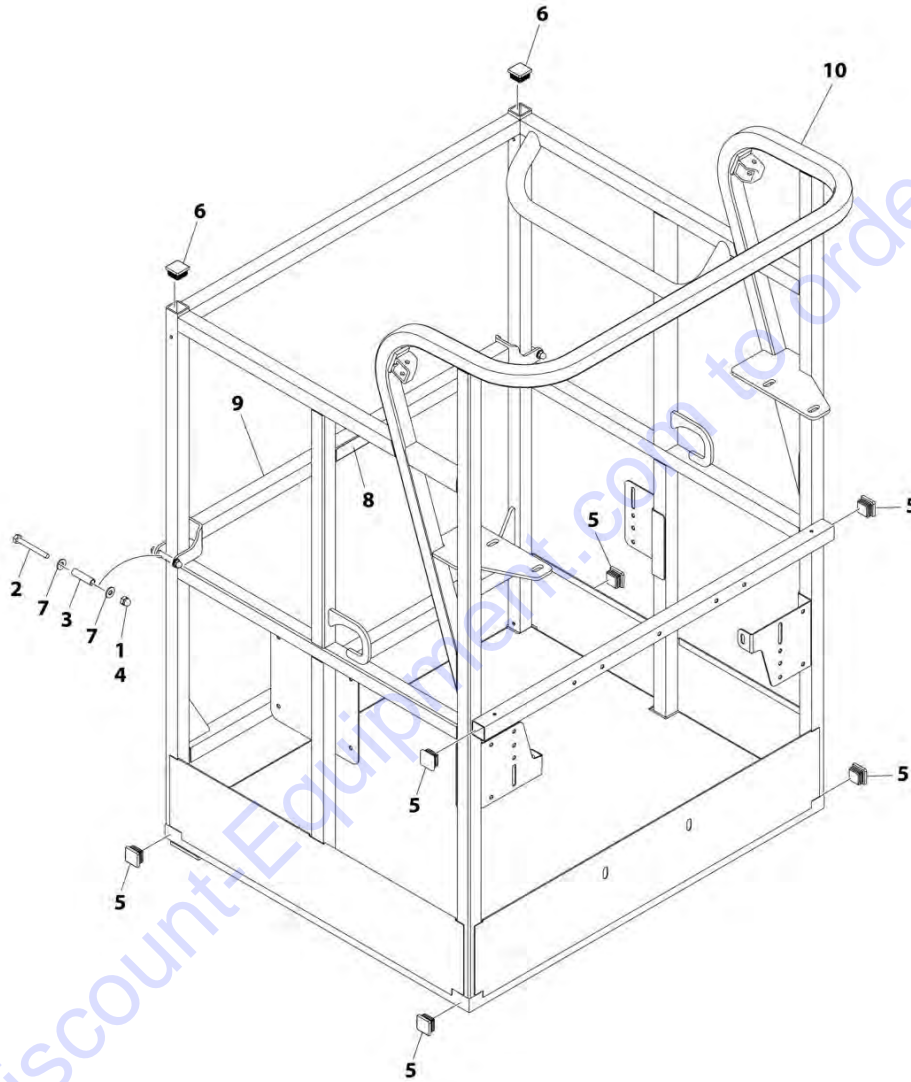
**SECTION 5 - PLATFORM**

Go to [Discount-Equipment.com](http://Discount-Equipment.com) to order your parts



# SECTION 5 - PLATFORM

FIGURE 5-1. PLATFORM ASSEMBLY - 30IN X 3FT (76CM X .91M) - DROP BAR ENTRY



Go to Discount-Equipment.com to order your parts

ART\_1001228215

## SECTION 5 - PLATFORM

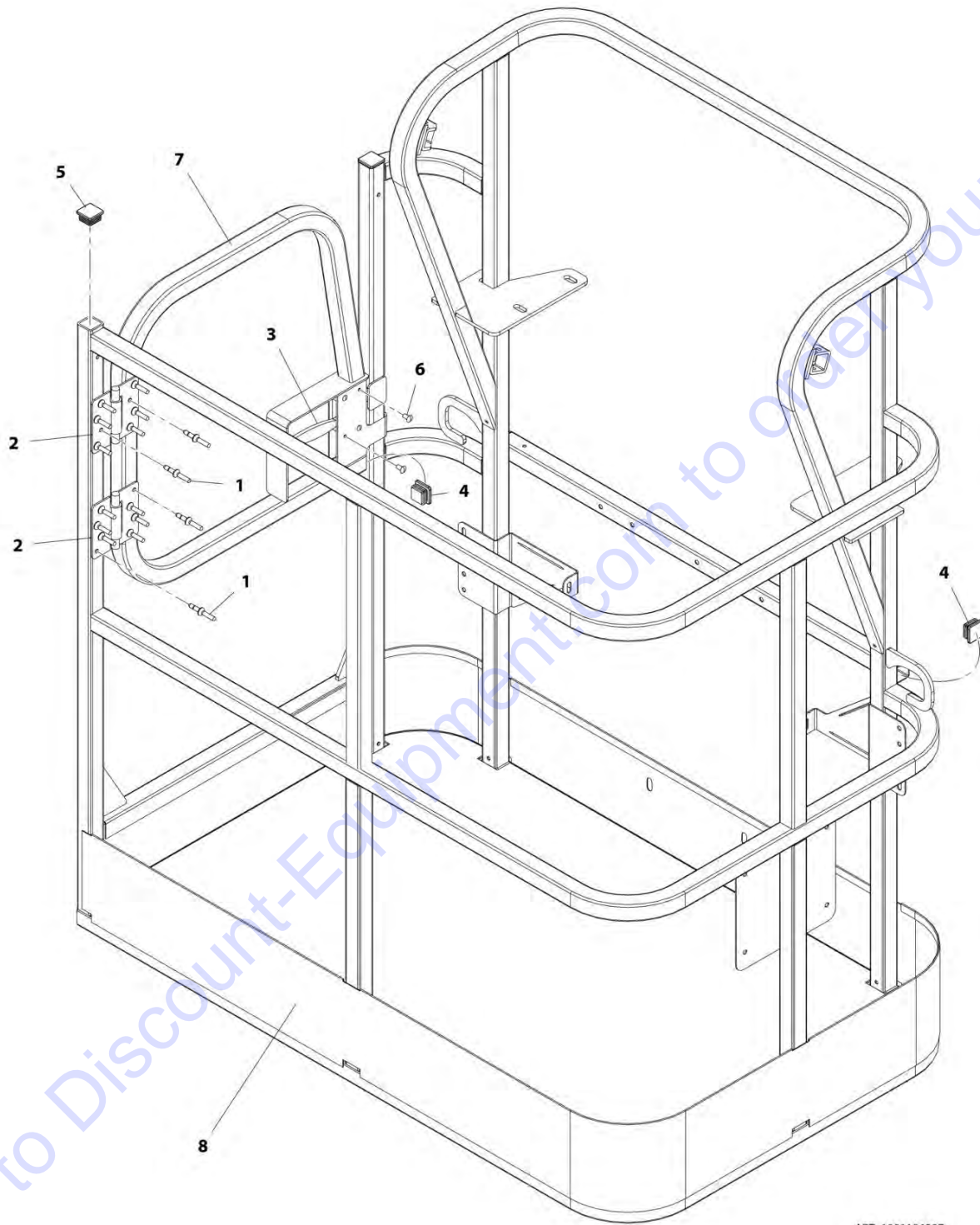
**FIGURE 5-1. PLATFORM ASSEMBLY - 30IN X 3FT (76CM X .91M) - DROP BAR ENTRY**

ITEM	PART NUMBER	QTY	DESCRIPTION	REV
	1001228215	Ref	PLATFORM ASSEMBLY - 30IN X 3FT (76CM X .91M) - DROP BAR ENTRY	A
	See Note	Ref	Note: Platform and Mesh must be ordered separately for Platforms with Mesh. See SPECIAL OPTIONS SECTION for Mesh Installations.	
	See Note	Ref	Note: Replacement Decals Must be Ordered Separately - See DECAL SECTION.	
1	0100011	AR	Compound, Locking	
2	0641418	2	Bolt 1/4 x 2-1/4	
3	0961845	2	Bushing	
4	3300151	2	Nut 1/4	
5	3520072	6	Cap, Plug	
6	3520198	2	Cap, Plug	
7	4711400	4	Washer 1/4	
8	1001140429	1	Decal - Drop Bar	
9	1001226872	1	Bar, Drop	
10	See Note	NSS	Platform, Weldment (Note: Not Available - Purchase Platform Assembly)	

Go to Discount-Equipment.com to order your parts

# SECTION 5 - PLATFORM

FIGURE 5-2. PLATFORM ASSEMBLY - 30IN X 4FT (76CM X 1.22M) - SIDE GATE ENTRY



ART\_1001186387

## SECTION 5 - PLATFORM

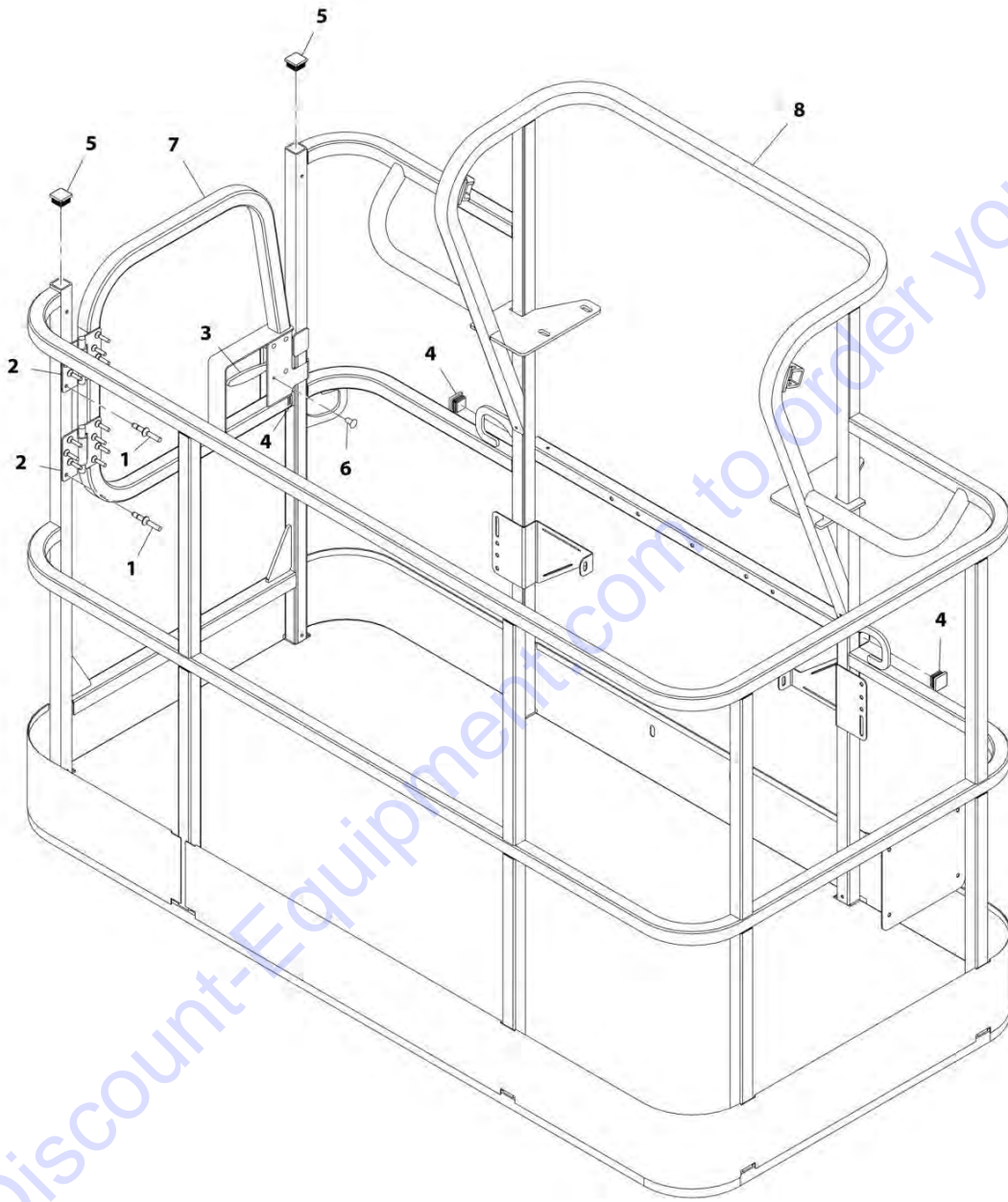
**FIGURE 5-2. PLATFORM ASSEMBLY - 30IN X 4FT (76CM X 1.22M) - SIDE GATE ENTRY**

ITEM	PART NUMBER	QTY	DESCRIPTION	REV
	1001186387	Ref	PLATFORM ASSEMBLY - 30IN X 4FT (76CM X 1.22M) - SIDE GATE ENTRY	C
		Ref	Note: Platform and Mesh must be ordered separately for Platforms with Mesh. See SPECIAL OPTIONS SECTION for Mesh Installations.	
		Ref	Note: Replacement Decals Must be Ordered Separately - See DECALS SECTION.	
		Ref	Note: When replacing platform on machines with SkyCutter option, new bracket p/n 1001145405 must be purchased to accommodate SkyCutter components.	
1	2080040	16	Fastener, Huck	
2	2600281	2	Hinge, Self-Closing	
3	2940074	1	Latch	
4	3520072	3	Cap, Plug	
5	3520198	2	Cap, Plug	
6	3820020	4	Rivet	
7	1001144629	1	Gate, Weldment	
8	See Note	1	Platform (Note: Not Available - Purchase Platform Assembly)	

Go to Discount-Equipment.com to order your parts

# SECTION 5 - PLATFORM

FIGURE 5-3. PLATFORM ASSEMBLY - 36IN X 6FT (91.5CM X 1.83M) WITH SWING GATE



ART\_1001186384

## SECTION 5 - PLATFORM

**FIGURE 5-3. PLATFORM ASSEMBLY - 36IN X 6FT (91.5CM X 1.83M) WITH SWING GATE**

ITEM	PART NUMBER	QTY	DESCRIPTION	REV
	1001186384	Ref	PLATFORM ASSEMBLY - 36IN X 6FT (91.5CM X 1.83M) WITH SWING GATE	C
		Ref	Note: Platform and Mesh must be ordered separately for Platforms with Mesh. See SPECIAL OPTIONS SECTION for Mesh Installations.	
		Ref	Note: Replacement Decals Must be Ordered Separately - See DECALS SECTION.	
		Ref	Note: When replacing platform on machines with SkyCutter option, new bracket p/n 1001145405 must be purchased to accommodate SkyCutter components.	
1	2080040	16	Fastener, Huck	
2	2600281	2	Hinge, Self-Closing	
3	2940074	1	Latch	
4	3520072	3	Cap, Plug	
5	3520198	2	Cap, Plug	
6	3820020	4	Rivet	
7	1001144629	1	Gate, Weldment	
8	See Note	1	Platform (Note: Not Available - Purchase Platform Assembly)	

Go to Discount-Equipment.com to order your parts





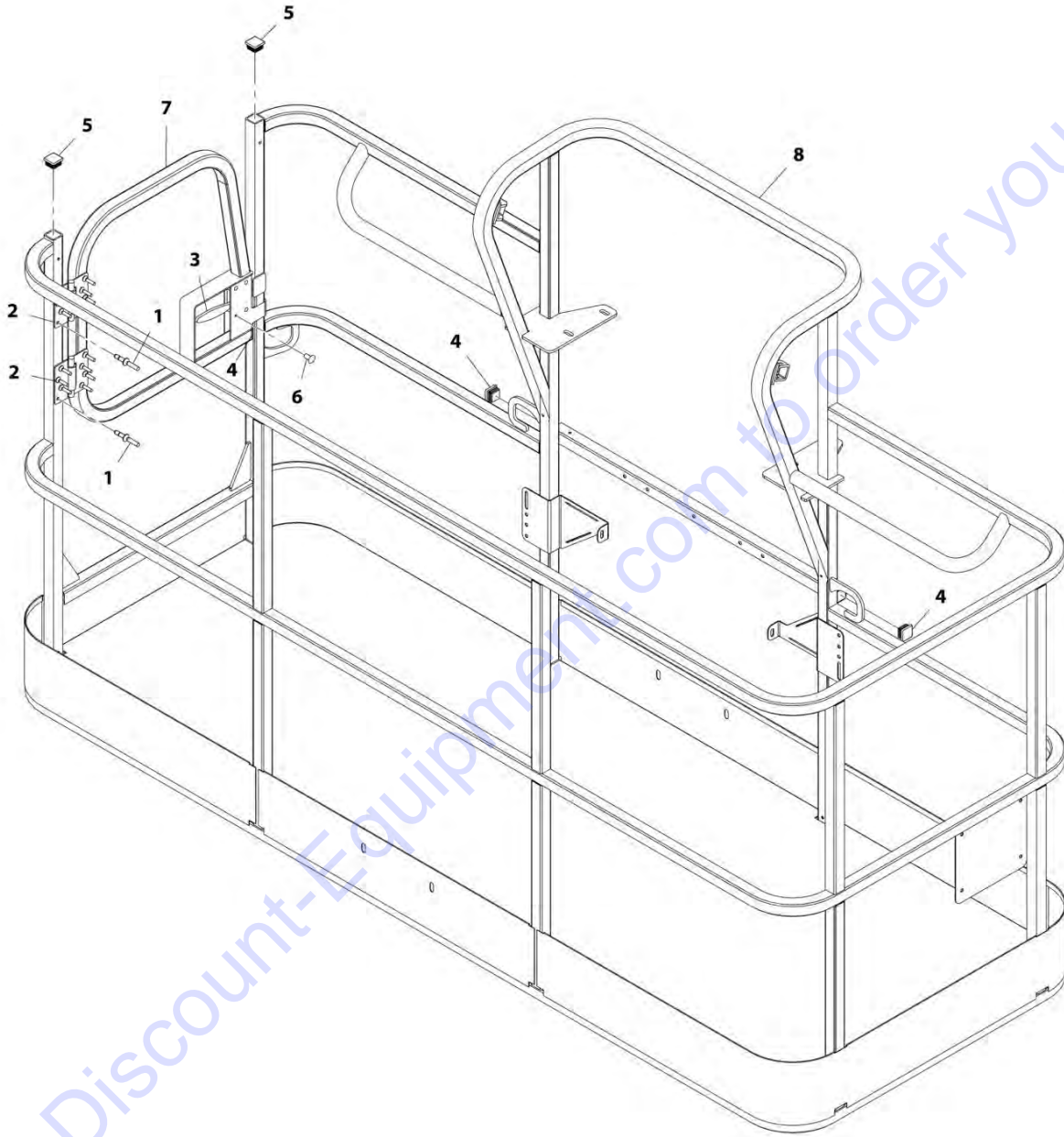
## SECTION 5 - PLATFORM

**FIGURE 5-4. PLATFORM ASSEMBLY - 36IN X 6FT (91.5CM X 1.83M) TRI-ENTRY WITH SWING GATE**

ITEM	PART NUMBER	QTY	DESCRIPTION	REV
	1001228376	Ref	PLATFORM ASSEMBLY - 36IN x 6FT (91.5CM x 1.83M)	A
		Ref	Note: Platform and Mesh must be ordered separately for Platforms with Mesh. See SPECIAL OPTIONS SECTION for Mesh Installations.	
		Ref	Note: Replacement Decals Must be Ordered Separately - See DECAL SECTION.	
1	0100011	AR	Compound, Locking	
2	0641418	4	Bolt 1/4 x 2-1/4	
3	0961845	4	Bushing	
4	2080040	16	Fastener	
5	2600281	2	Hinge	
6	2940074	1	Latch	
7	3300151	4	Nut 1/4	
8	3520072	3	Plug	
9	3520198	2	Plug	
10	3820020	4	Rivet	
11	4711400	8	Washer 1/4	
12	1001138494	2	Bar, Drop	
13	1001140429	2	Decal - Drop Bar	
14	1001144629	1	Gate	
15	See Note	NSS	Platform (Note: Not Available - Purchase Platform Assembly)	

# SECTION 5 - PLATFORM

FIGURE 5-5. PLATFORM ASSEMBLY - 36IN X 8FT (91.5CM X 2.44M) WITH SWING GATE



ART\_1001186383

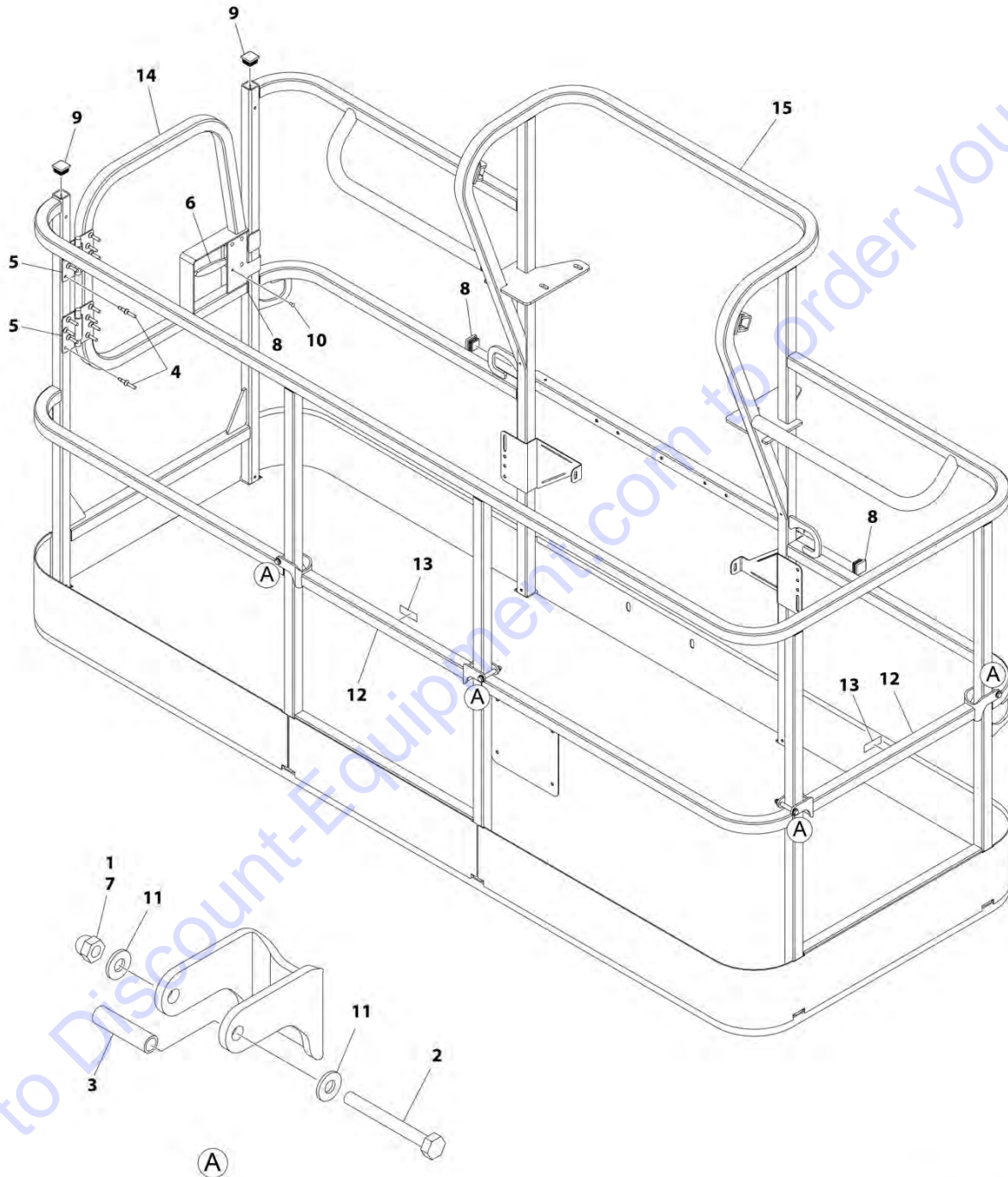
## SECTION 5 - PLATFORM

**FIGURE 5-5. PLATFORM ASSEMBLY - 36IN X 8FT (91.5CM X 2.44M) WITH SWING GATE**

ITEM	PART NUMBER	QTY	DESCRIPTION	REV
	1001186383	Ref	PLATFORM ASSEMBLY - 36IN X 8FT (91.5CM X 2.44M) WITH SWING GATE	D
		Ref	Note: Platform and Mesh must be ordered separately for Platforms with Mesh. See SPECIAL OPTIONS SECTION for Mesh Installations.	
		Ref	Note: Replacement Decals Must be Ordered Separately - See DECALS SECTION.	
		Ref	Note: When replacing 8ft/2.44m platform with Soft Touch option, new Soft Touch Rail p/n 4846673 must be purchased to accommodate limit switch locations.	
		Ref	Note: When replacing platform on machines with SkyCutter option, new bracket p/n 1001145405 must be purchased to accommodate SkyCutter components.	
1	2080040	16	Fastener, Huck	
2	2600281	2	Hinge, Self-Closing	
3	2940074	1	Latch	
4	3520072	3	Cap, Plug	
5	3520198	2	Cap, Plug	
6	3820020	4	Rivet	
7	1001144629	1	Gate, Weldment	
8	See Note	1	Platform (Note: Not Available - Purchase Platform Assembly)	

# SECTION 5 - PLATFORM

FIGURE 5-6. PLATFORM ASSEMBLY - 36IN X 8FT (91.5CM X 2.44M) WITH TRI-ENTRY (1 GATE/2 DROP BARS)



ART\_1001228243

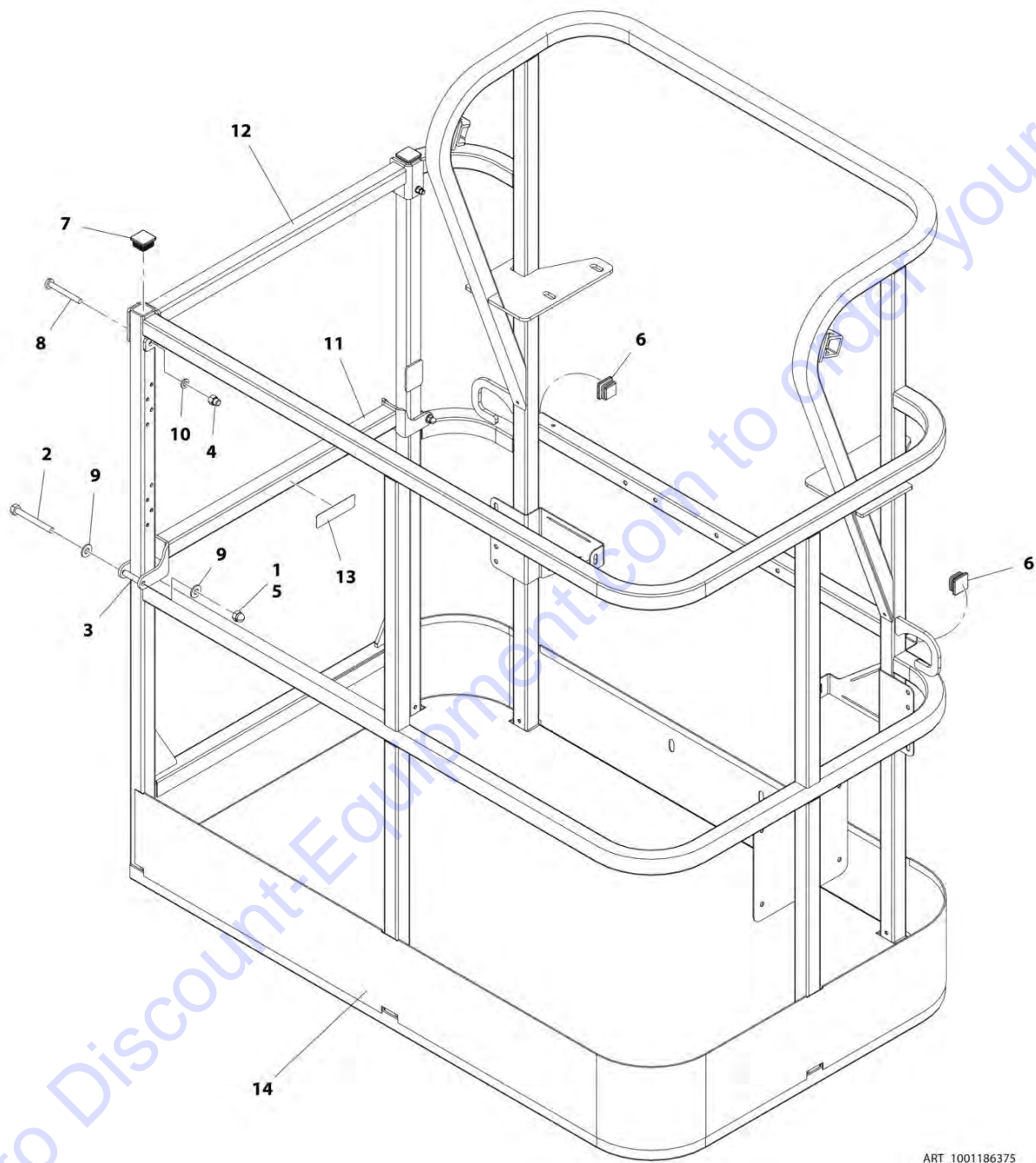
## SECTION 5 - PLATFORM

**FIGURE 5-6. PLATFORM ASSEMBLY - 36IN X 8FT (91.5CM X 2.44M) WITH TRI-ENTRY (1 GATE/2 DROP BARS)**

ITEM	PART NUMBER	QTY	DESCRIPTION	REV
	1001228243	Ref	PLATFORM ASSEMBLY - 36IN x 8FT (91.5CM x 2.44M) TRI-ENTRY WITH DROPBAR	A
		Ref	Note: Platform and Mesh must be ordered separately for Platforms with Mesh. See SPECIAL OPTIONS SECTION for Mesh Installations.	
1	0100011	AR	Compound, Locking	
2	0641418	4	Bolt 1/4 x 2-1/4	
3	0961845	4	Bushing	
4	2080040	16	Fastener, Huck	
5	2600281	2	Hinge, Self-Closing	
6	2940074	1	Latch	
7	3300151	4	Nut 1/4	
8	3520072	3	Cap, Plug	
9	3520198	2	Cap, Plug	
10	3820020	4	Rivet	
11	4711400	8	Washer 1/4	
12	1001138494	2	Bar, Drop	
13	1001140429	2	Decal - Drop Bar	
14	1001144629	1	Gate, Weldment	
15	See Note	1	Platform (Note: Not Available - Purchase Platform Assembly)	

# SECTION 5 - PLATFORM

FIGURE 5-7. PLATFORM ASSEMBLY - 30IN X 4FT (76CM X 1.22M) WITH DROP BAR



ART\_1001186375

## SECTION 5 - PLATFORM

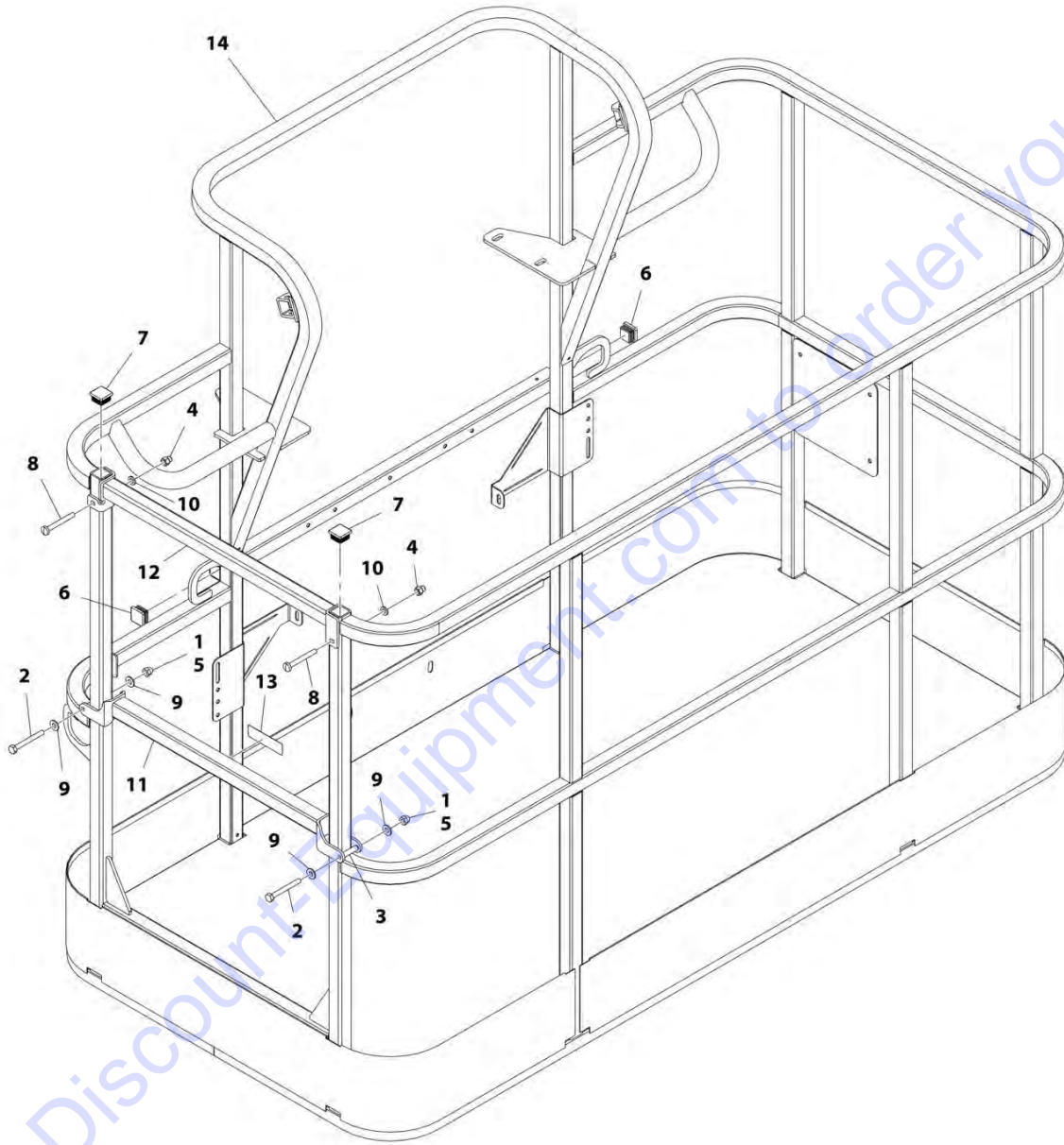
**FIGURE 5-7. PLATFORM ASSEMBLY - 30IN X 4FT (76CM X 1.22M) WITH DROP BAR**

ITEM	PART NUMBER	QTY	DESCRIPTION	REV
	1001186375	Ref	PLATFORM ASSEMBLY - 30IN X 4FT (76CM X 1.22M) WITH DROP BAR	B
		Ref	Note: Replacement Decals Must be Ordered Separately - See DECALS SECTION.	
		Ref	Note: When replacing platform on machines with SkyCutter option, new bracket p/n 1001145405 must be purchased to accommodate SkyCutter components.	
1	0100011	AR	Compound, Locking	
2	0641418	2	Bolt 1/4 x 2-1/4	
3	0961845	2	Bushing	
4	3290606	2	Nut M6 x 1	
5	3300151	2	Nut 1/4	
6	3520072	2	Cap, Plug	
7	3520198	2	Cap, Plug	
8	4010618	2	Screw M6 x 50	
9	4711400	4	Washer 1/4	
10	4811700	2	Washer M6	
11	1001138494	1	Bar, Drop	
12	1001138514	1	Rail (Top)	
13	1001140429	1	Decal - Drop Bar	
14	See Note	1	Platform (Note: Not Available - Purchase Platform Assembly)	



# SECTION 5 - PLATFORM

FIGURE 5-8. PLATFORM ASSEMBLY - 36IN X 6FT (91.5CM X 1.83M) WITH DROP BAR



ART\_1001186379

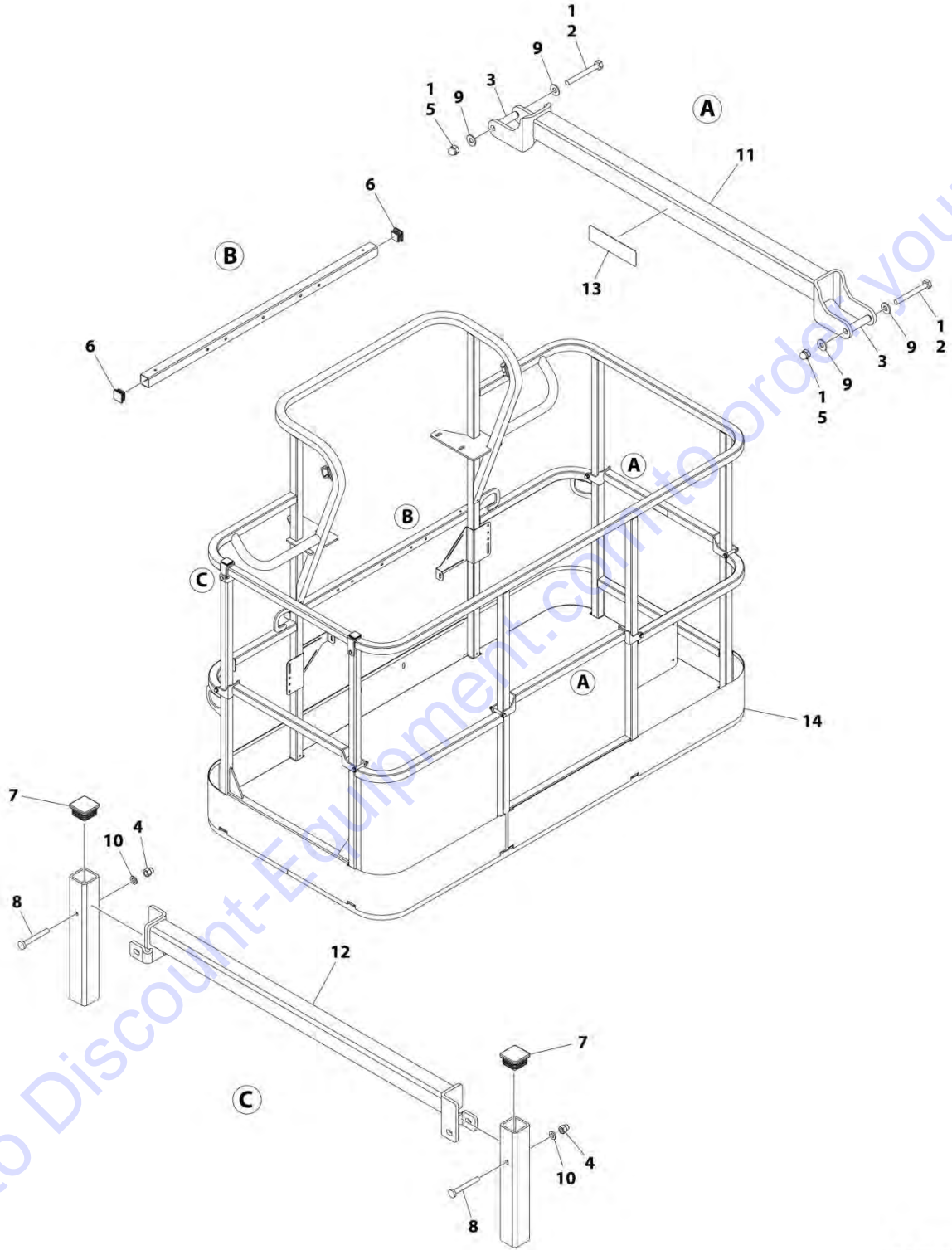
## SECTION 5 - PLATFORM

**FIGURE 5-8. PLATFORM ASSEMBLY - 36IN X 6FT (91.5CM X 1.83M) WITH DROP BAR**

ITEM	PART NUMBER	QTY	DESCRIPTION	REV
	1001186379	Ref	PLATFORM ASSEMBLY - 36IN X 6FT (91.5CM X 1.83M) WITH DROP BAR	B
		Ref	Note: Replacement Decals Must be Ordered Separately - See DECALS SECTION.	
		Ref	Note: When replacing platform on machines with SkyCutter option, new bracket p/n 1001145405 must be purchased to accommodate SkyCutter components.	
1	0100011	AR	Compound, Locking	
2	0641418	2	Bolt 1/4 x 2-1/4	
3	0961845	2	Bushing	
4	3290606	2	Nut M6 x 1	
5	3300151	2	Nut 1/4	
6	3520072	2	Cap, Plug	
7	3520198	2	Cap, Plug	
8	4010618	2	Screw M6 x 50	
9	4711400	4	Washer 1/4	
10	4811700	2	Washer M6	
11	1001138494	1	Bar, Drop	
12	1001138514	1	Rail (Top)	
13	1001140429	1	Decal - Drop Bar	
14	See Note	1	Platform (Note: Not Available - Purchase Platform Assembly)	

# SECTION 5 - PLATFORM

FIGURE 5-9. PLATFORM ASSEMBLY - 36IN X 6FT (91.5CM X 1.83M) TRI-ENTRY WITH DROPBAR



ART\_1001228377

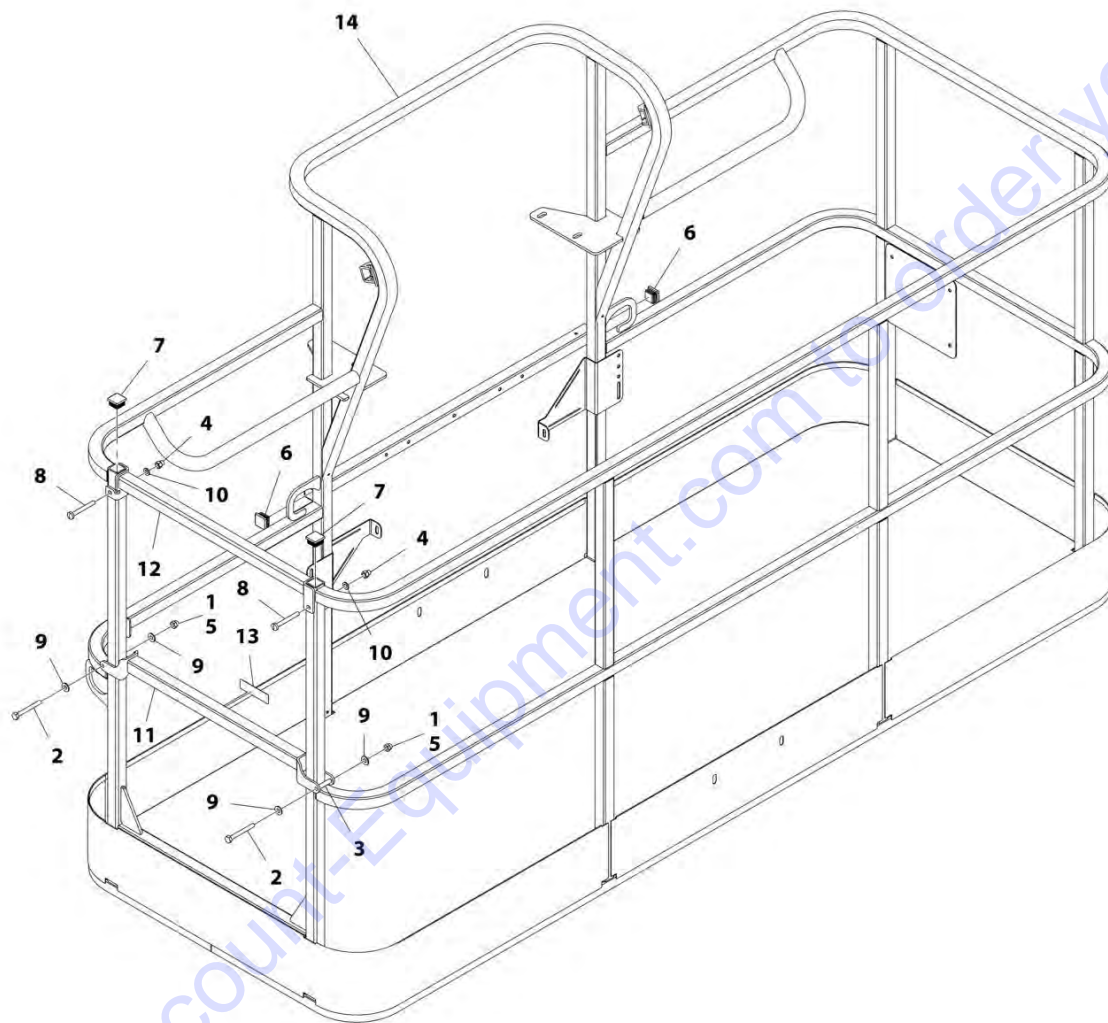
## SECTION 5 - PLATFORM

**FIGURE 5-9. PLATFORM ASSEMBLY - 36IN X 6FT (91.5CM X 1.83M) TRI-ENTRY WITH DROPBAR**

ITEM	PART NUMBER	QTY	DESCRIPTION	REV
	1001228377	Ref	PLATFORM ASSEMBLY - 36IN x 6FT (91.5CM x 1.83M)	A
		Ref	Note: Platform and Mesh must be ordered separately for Platforms with Mesh. See SPECIAL OPTIONS SECTION for Mesh Installations.	
		Ref	Note: Replacement Decals Must be Ordered Separately - See DECAL SECTION.	
1	0100011	1	Compound, Locking	
2	0641418	6	Bolt 1/4 x 2-1/4	
3	0961845	6	Bushing	
4	3290606	2	Nut M6	
5	3300151	6	Nut 1/4	
6	3520072	2	Plug	
7	3520198	2	Plug	
8	4010618	2	Screw M6 x 50	
9	4711400	12	Washer 1/4	
10	4811700	2	Washer M6	
11	1001138494	3	Bar, Drop	
12	1001138514	1	Rail (Top)	
13	1001140429	3	Decal - Drop Bar	
14	See Note	NSS	Platform, Weldment (Note: Not Available - Purchase Platform Assembly)	

# SECTION 5 - PLATFORM

FIGURE 5-10. PLATFORM ASSEMBLY - 36IN X 8FT (91.5CM X 2.44M) WITH DROP BAR



ART\_1001186382

## SECTION 5 - PLATFORM

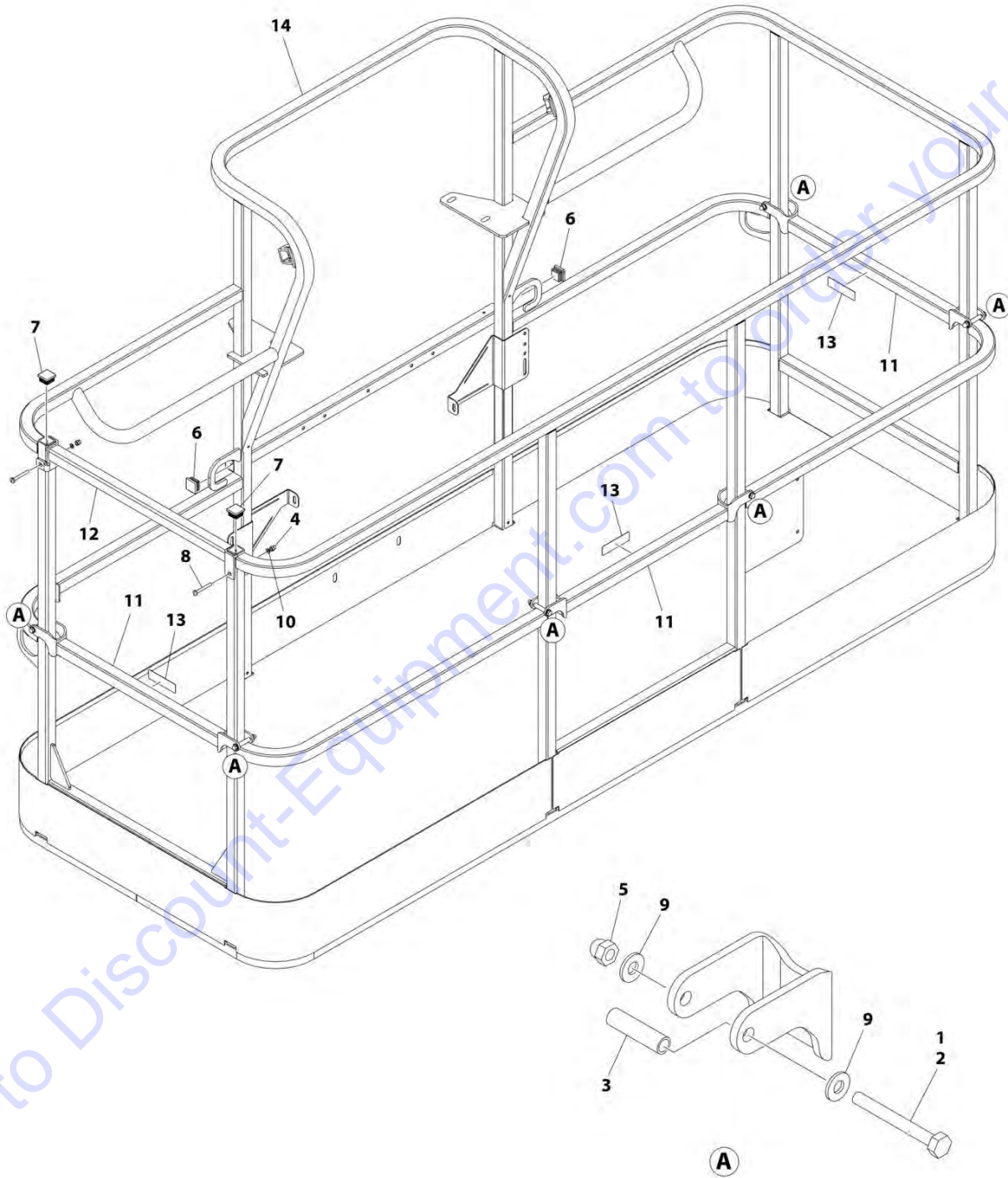
**FIGURE 5-10. PLATFORM ASSEMBLY - 36IN X 8FT (91.5CM X 2.44M) WITH DROP BAR**

ITEM	PART NUMBER	QTY	DESCRIPTION	REV
	1001186382	Ref	PLATFORM ASSEMBLY - 36IN X 8FT (91.5CM X 2.44M) WITH DROP BAR	C
		Ref	Note: Replacement Decals Must be Ordered Separately - See DECALS SECTION.	
		Ref	Note: When replacing 8ft/2.44m platform with Soft Touch option, new Soft Touch Rail p/n 4846673 must be purchased to accommodate limit switch locations.	
		Ref	Note: When replacing platform on machines with SkyCutter option, new bracket p/n 1001145405 must be purchased to accommodate SkyCutter components.	
1	0100011	AR	Compound, Locking	
2	0641418	2	Bolt 1/4 x 2-1/4	
3	0961845	2	Bushing	
4	3290606	2	Nut M6 x 1	
5	3300151	2	Nut 1/4	
6	3520072	2	Cap, Plug	
7	3520198	2	Cap, Plug	
8	4010618	2	Screw M6 x 50	
9	4711400	4	Washer 1/4	
10	4811700	2	Washer M6	
11	1001138494	1	Bar, Drop	
12	1001138514	1	Rail (Top)	
13	1001140429	1	Decal - Drop Bar	
14	See Note	1	Platform (Note: Not Available - Purchase Platform Assembly)	



# SECTION 5 - PLATFORM

FIGURE 5-11. PLATFORM ASSEMBLY - 36IN X 8FT (91.5CM X 2.44M) WITH TRI-ENTRY (3 DROP BARS)





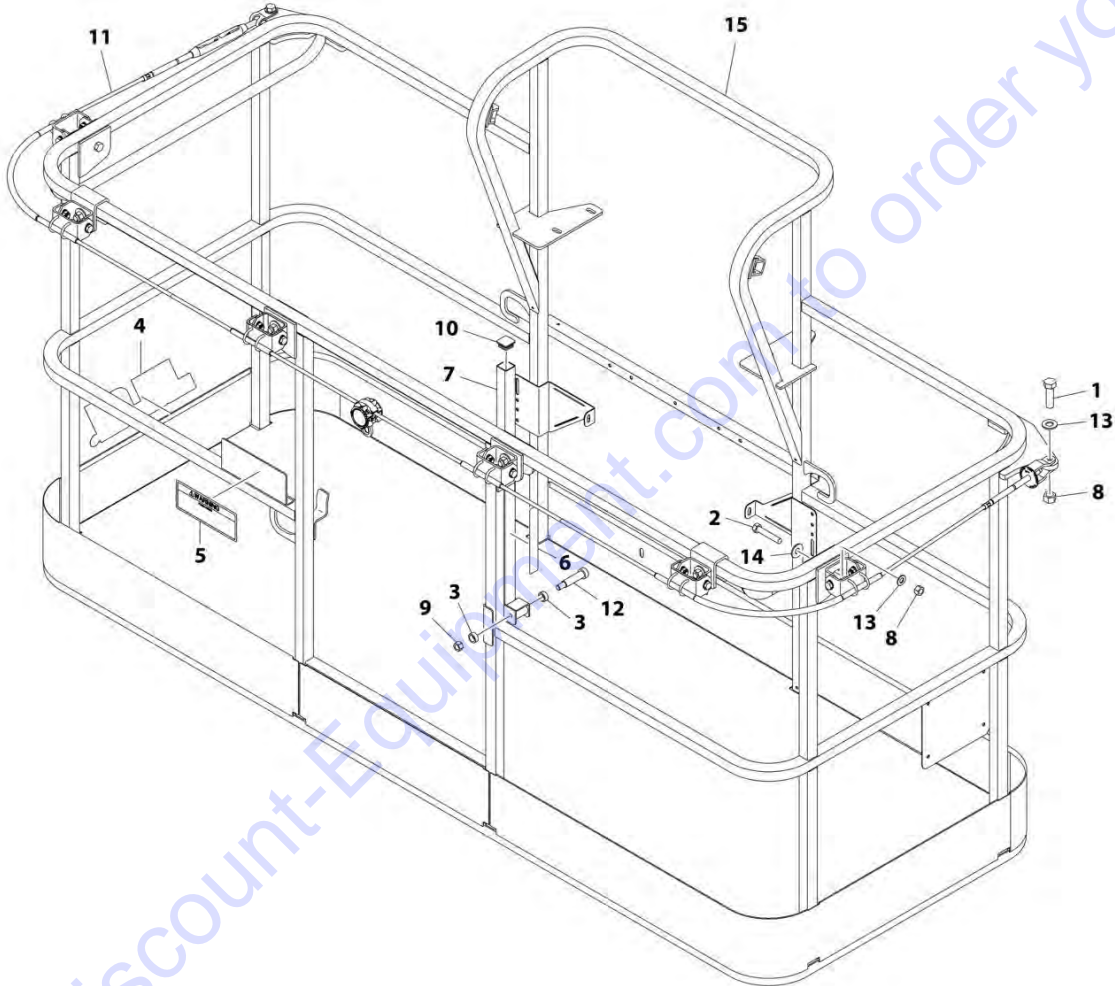
## SECTION 5 - PLATFORM

**FIGURE 5-11. PLATFORM ASSEMBLY - 36IN X 8FT (91.5CM X 2.44M) WITH TRI-ENTRY (3 DROP BARS)**

ITEM	PART NUMBER	QTY	DESCRIPTION	REV
	1001228375	Ref	PLATFORM ASSEMBLY - 36IN x 8FT (91.5CM x 2.44M) TRI-ENTRY WITH DROPGATE	A
		Ref	Note: Platform and Mesh must be ordered separately for Platforms with Mesh. See SPECIAL OPTIONS SECTION for Mesh Installations.	
		Ref	Note: Replacement Decals Must be Ordered Separately - See DECAL SECTION.	
1	0100011	AR	Compound, Locking	
2	0641418	6	Bolt 1/4 x 2-1/4	
3	0961845	6	Bushing	
4	3290606	2	Nut M6 x 1	
5	3300151	6	Nut 1/4	
6	3520072	2	Cap, Plug	
7	3520198	2	Cap, Plug	
8	4010618	2	Screw M6 x 50	
9	4711400	12	Washer 1/4	
10	4811700	2	Washer M6	
11	1001138494	3	Bar, Drop	
12	1001138514	1	Rail (Top)	
13	1001140429	3	Decal - Drop Bar	
14	See Note	1	Platform (Note: Not Available - Purchase Platform Assembly)	

# SECTION 5 - PLATFORM

FIGURE 5-12. PLATFORM ASSEMBLY - 36IN X 8FT (91.5CM X 2.44M) WITH FALL ARREST (ANSI SPECS)



ART\_1001186334

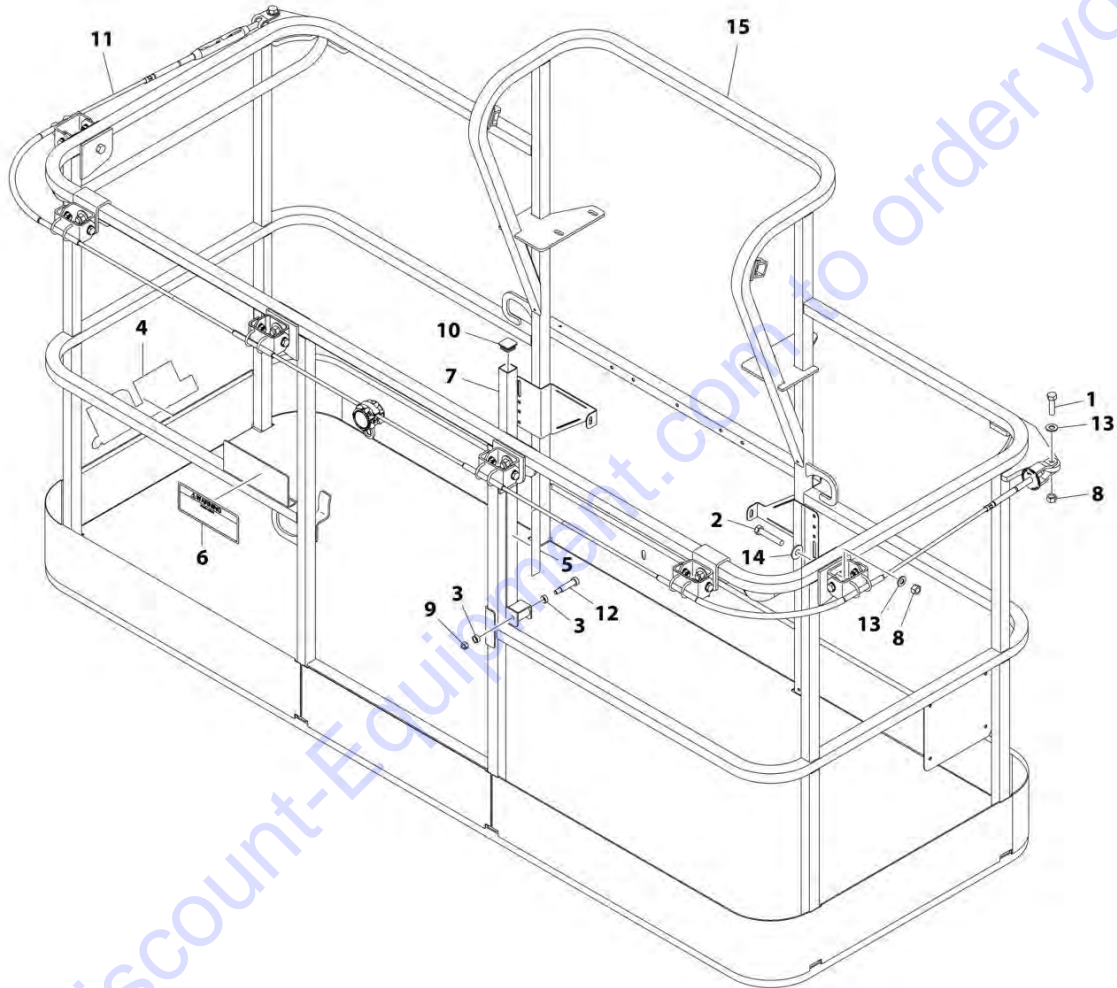
## SECTION 5 - PLATFORM

**FIGURE 5-12. PLATFORM ASSEMBLY - 36IN X 8FT (91.5CM X 2.44M) WITH FALL ARREST (ANSI SPECS)**

ITEM	PART NUMBER	QTY	DESCRIPTION	REV
	1001186334	Ref	PLATFORM ASSEMBLY - 36IN X 8FT (91.5CM X 2.44M) WITH FALL ARREST (ANSI SPECS)	D
		Ref	Note: Replacement Decals Must be Ordered Separately - See DECALS SECTION.	
1	0681814	2	Bolt 1/2 x 1-3/4 Grade 8	
2	0681822	6	Bolt 1/2 x 2-3/4 Grade 8	
3	0962270	2	Bearing	
4	1702773	1	Decal - JLG	
5	1705014	1	Decal - Safety	
6	1706385	1	Decal - Drop Bar	
7	2410014	1	Gate	
8	3271805	8	Nut 1/2 Grade 8	
9	3311605	1	Nut 3/8	
10	3520072	1	Cap, Plug	
11	3890040	NLA	Cable, Fall Arrest (Use p/n 1001203656) <b>(SN 0300209000 through 0300215909)</b>	
11	1001203656	1	Cable, Fall Arrest <b>(SN 0300215910 to Present)</b>	
12	3900054	1	Bolt 1/2 x 1-3/4	
13	4711800	AR	Washer 1/2	
14	4751800	6	Washer 1/2	
15	See Note	NSS	Platform (Note: Purchase Platform Assembly)	

# SECTION 5 - PLATFORM

FIGURE 5-13. PLATFORM ASSEMBLY - 36IN X 8FT (91.5CM X 2.44M) WITH FALL ARREST (AUSTRALIAN AND CE SPECS)



ART\_1001186389

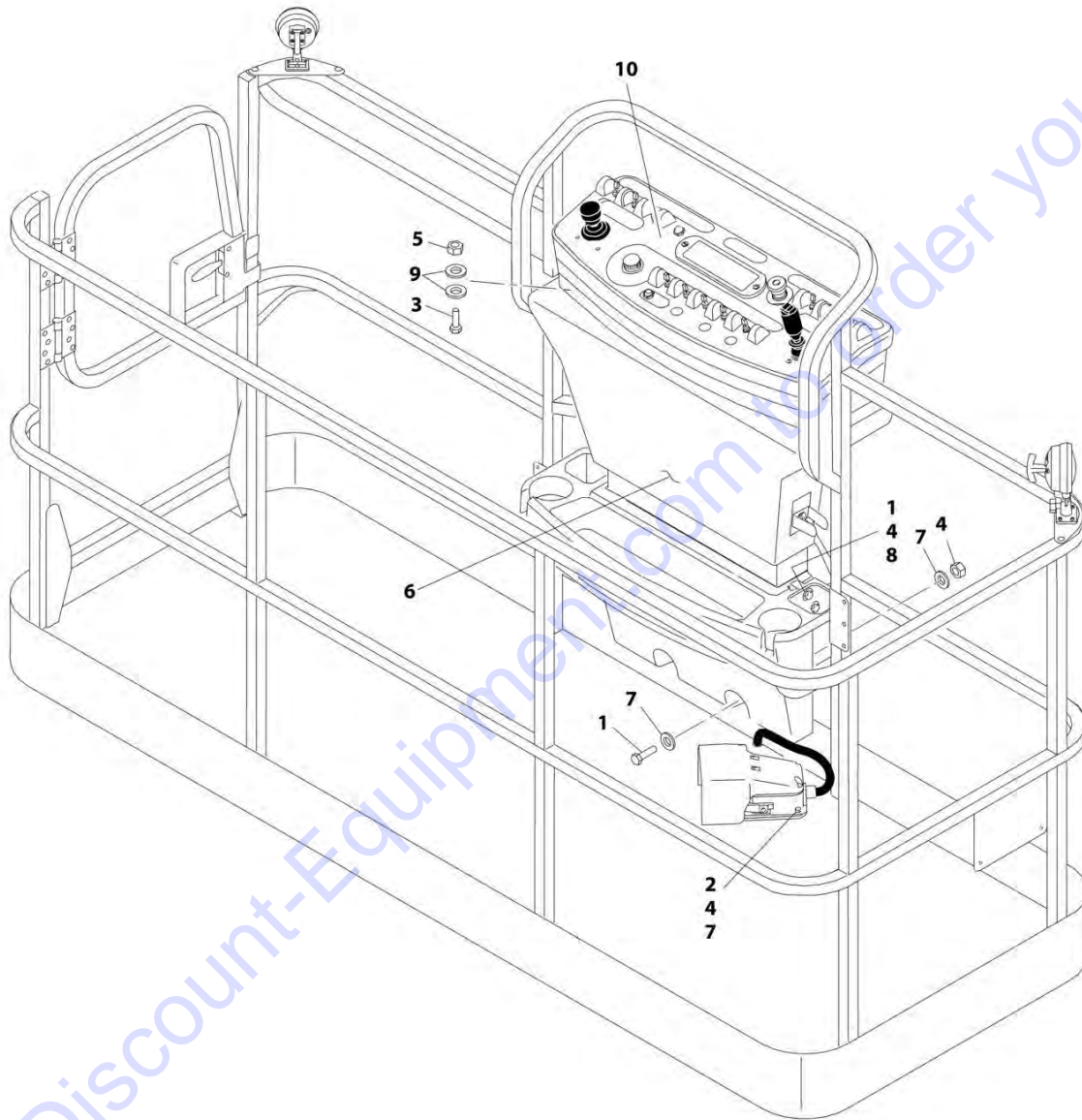
## SECTION 5 - PLATFORM

**FIGURE 5-13. PLATFORM ASSEMBLY - 36IN X 8FT (91.5CM X 2.44M) WITH FALL ARREST  
(AUSTRALIAN AND CE SPECS)**

ITEM	PART NUMBER	QTY	DESCRIPTION	REV
	1001186389	Ref	PLATFORM ASSEMBLY - 36IN X 8FT (91.5CM X 2.44M) WITH FALL ARREST (AUSTRALIAN AND CE SPECS)	D
		Ref	Note: Replacement Decals Must be Ordered Separately - See DECALS SECTION.	
1	0681814	2	Bolt 1/2 x 1-3/4 Grade 8	
2	0681822	6	Bolt 1/2 x 2-3/4 Grade 8	
3	0962270	2	Bearing	
4	1702773	1	Decal - JLG	
5	1706493	1	Decal - Drop Bar	
6	1706501	1	Decal - Safety	
7	2410014	1	Gate	
8	3271805	8	Nut 1/2	
9	3311605	1	Nut 3/8	
10	3520072	1	Cap, Plug	
11	3890040	NLA	Cable, Fall Arrest (Use p/n 1001203656) <b>(SN 0300209000 through 0300214282)</b>	
11	1001203656	1	Cable, Fall Arrest <b>(SN 0300214283 to Present)</b>	
12	3900054	1	Bolt 1/2 x 1-3/4	
13	4711800	AR	Washer 1/2	
14	4751800	6	Washer 1/2	
15	See Note	NSS	Platform (Note: Purchase Platform Assembly)	

## SECTION 5 - PLATFORM

FIGURE 5-14. PLATFORM CONSOLE BOX INSTALLATION - WITHOUT SKYGUARD (SN 0300209000 through 0300226076)



ART\_1001146042

## SECTION 5 - PLATFORM

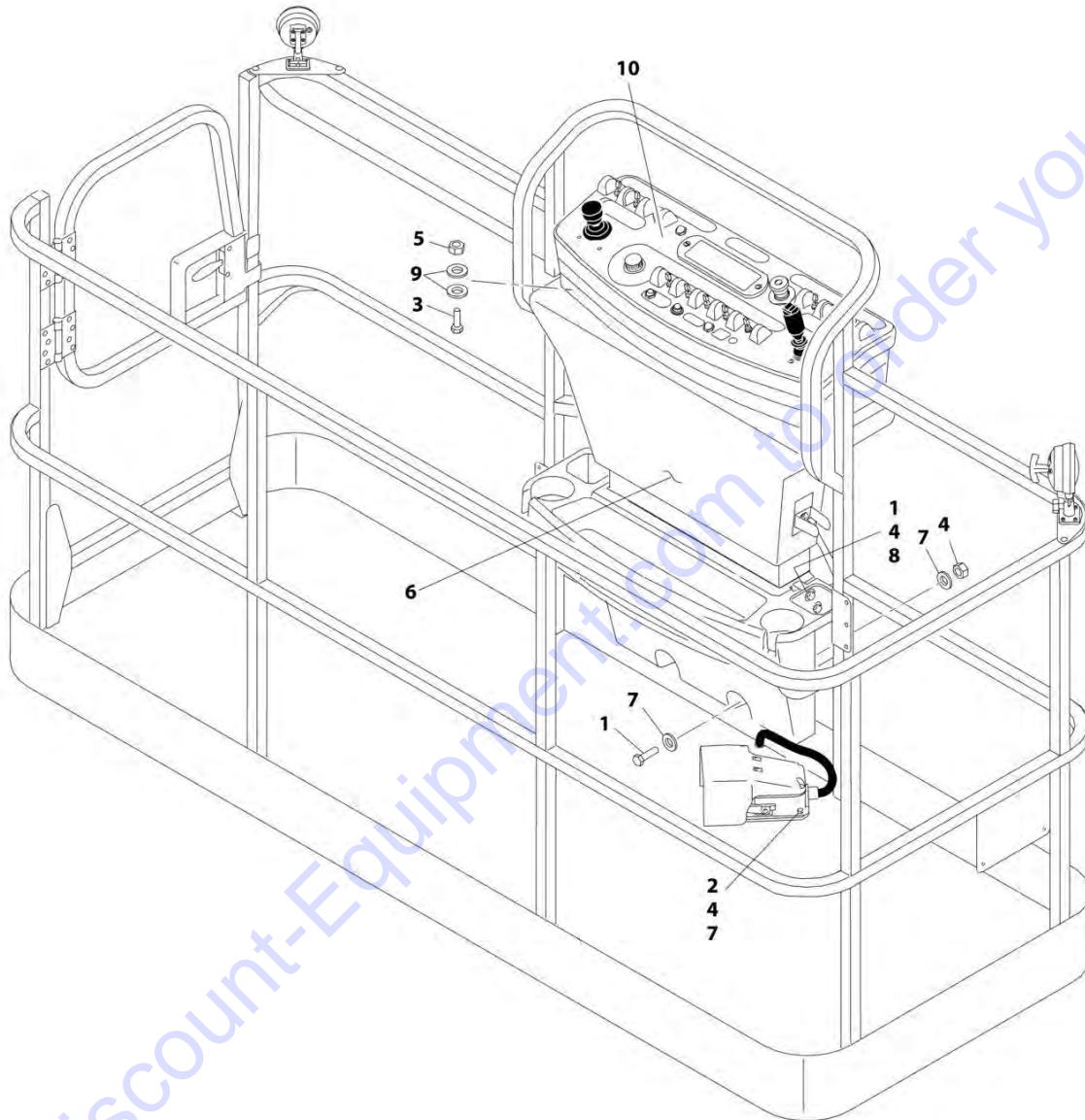
**FIGURE 5-14. PLATFORM CONSOLE BOX INSTALLATION - WITHOUT SKYGUARD (SN 0300209000 through 0300226076)**

ITEM	PART NUMBER	QTY	DESCRIPTION	REV
	1001146042	Ref	PLATFORM CONSOLE BOX INSTALLATION - WITHOUT SKYGUARD (SN 0300209000 through 0300226076)	C
		Ref	Note: Replacement Decals Must be Ordered Separately - See DECALS SECTION.	
1	0641406	4	Bolt 1/4 x 3/4	
2	0641408	3	Bolt 1/4 x 1	
3	0641610	4	Bolt 3/8 x 1-1/4	
4	3311405	7	Nut 1/4	
5	3311605	4	Nut 3/8	
6	3380434	1	Panel, Molded	
7	4740362	7	Washer, Fender	
8	4751400	4	Washer 1/4	
9	4751600	8	Washer 3/8	
10	1001166664	NLA	Platform Console Box Assembly (See PLATFORM CONSOLE ASSEMBLY - WITHOUT SKYGUARD for Breakdown) (Use p/n 1001202561) (SN 0300209000 through 0300220151)	
10	1001202561	1	Platform Console Box Assembly (See PLATFORM CONSOLE ASSEMBLY - WITHOUT SKYGUARD for Breakdown) (SN 0300220152 through 0300226076)	



# SECTION 5 - PLATFORM

FIGURE 5-15. PLATFORM CONSOLE BOX INSTALLATION - WITH SKYGUARD (WITH 4 CELL LSS)



ART\_1001190110

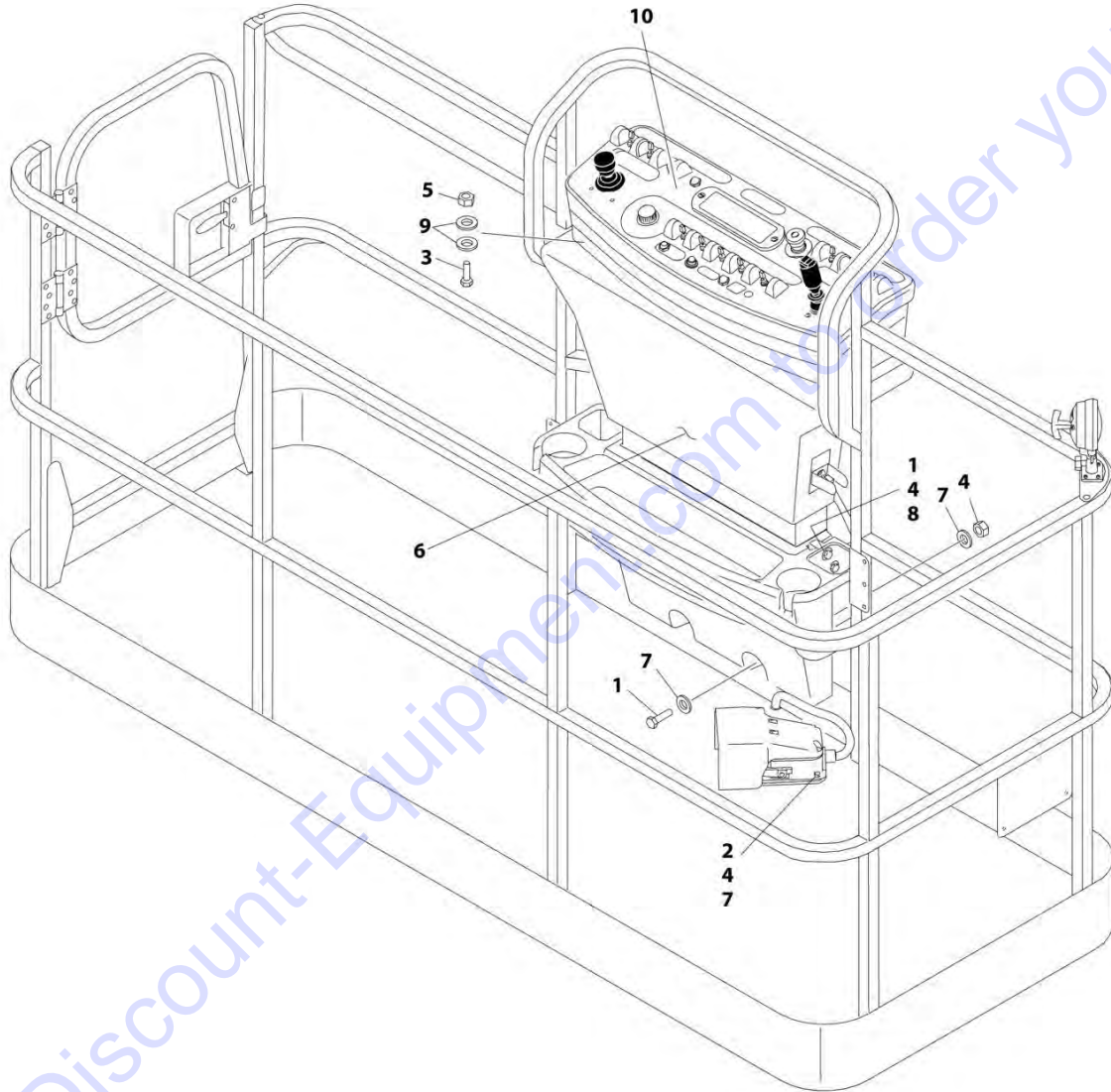
## SECTION 5 - PLATFORM

**FIGURE 5-15. PLATFORM CONSOLE BOX INSTALLATION - WITH SKYGUARD (WITH 4 CELL LSS)**

ITEM	PART NUMBER	QTY	DESCRIPTION	REV
	1001190110	Ref	PLATFORM CONSOLE BOX INSTALLATION - WITH SKYGUARD (WITH 4 CELL LSS) <b>(SN 0300209000 through 0300234293)</b>	C
		Ref	Note: Replacement Decals Must be Ordered Separately - See DECALS SECTION.	
1	0641406	4	Bolt 1/4 x 3/4	
2	0641408	3	Bolt 1/4 x 1	
3	0641610	4	Bolt 3/8 x 1-1/4	
4	3311405	7	Nut 1/4	
5	3311605	4	Nut 3/8	
6	3380434	1	Panel, Molded	
7	4740362	7	Washer, Fender	
8	4751400	4	Washer 1/4	
9	4751600	8	Washer 3/8	
10	1001190097	NLA	Platform Console Box Assembly (See PLATFORM CONSOLE ASSEMBLY - WITH SKYGUARD for Breakdown) (Use p/n 1001202559) <b>(SN 0300209000 through 0300220151)</b>	
10	1001202559	1	Platform Console Box Assembly (See PLATFORM CONSOLE ASSEMBLY - WITH SKYGUARD for Breakdown) <b>(SN 0300220152 to Present)</b>	

## SECTION 5 - PLATFORM

FIGURE 5-16. PLATFORM CONSOLE BOX INSTALLATION - WITH SKYGUARD (WITH 1 CELL LSS)  
(SN 0300209000 through 0300256996)



ART\_1001221707

## SECTION 5 - PLATFORM

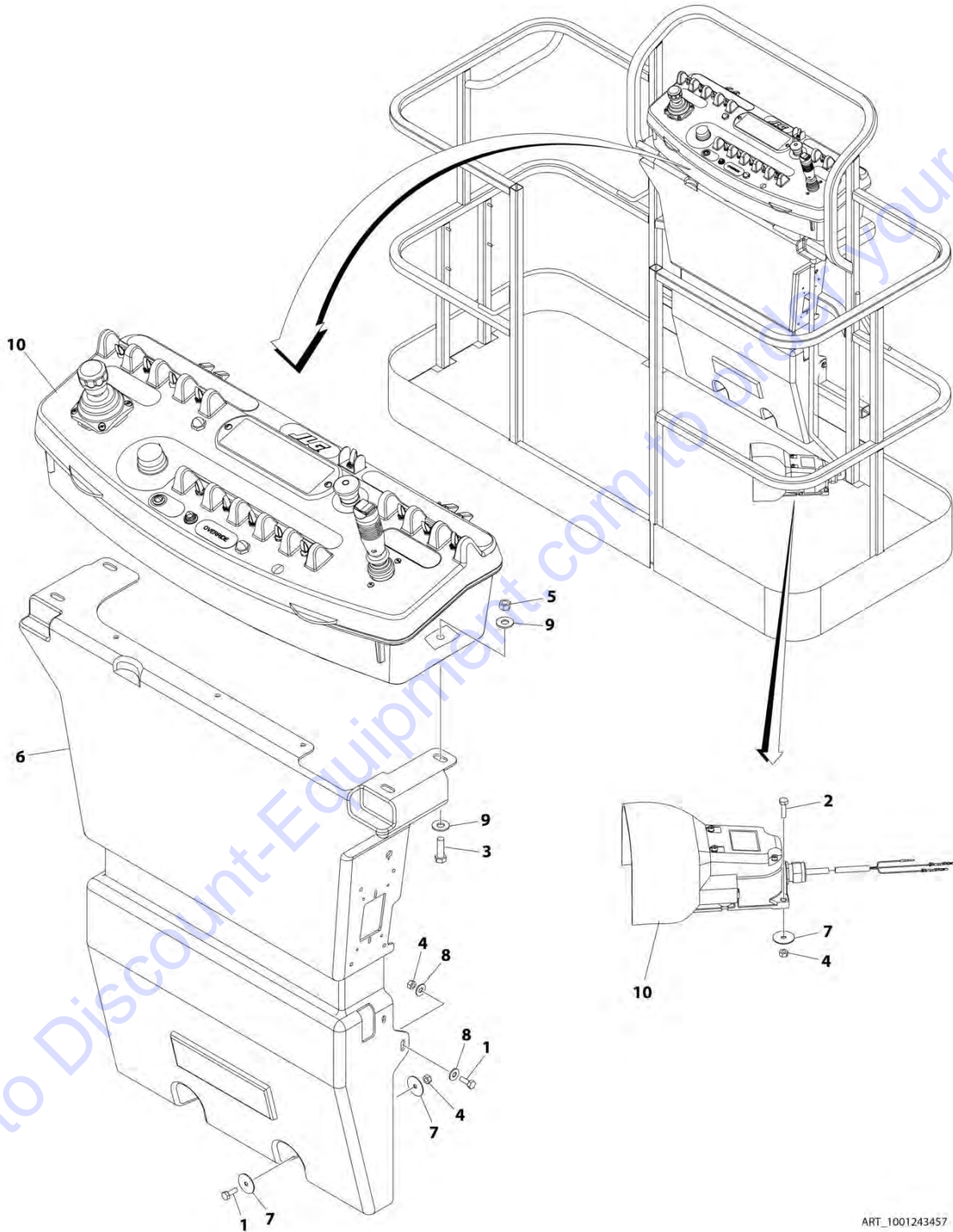
**FIGURE 5-16. PLATFORM CONSOLE BOX INSTALLATION - WITH SKYGUARD (WITH 1 CELL LSS)  
(SN 0300209000 through 0300256996)**

ITEM	PART NUMBER	QTY	DESCRIPTION	REV
	1001221707	Ref	PLATFORM CONSOLE BOX INSTALLATION - WITH SKYGUARD (WITH 1 CELL LSS)	B
		Ref	Note: Replacement Decals Must be Ordered Separately - See DECALS SECTION.	
1	0641406	4	Bolt 1/4 x 3/4	
2	0641408	3	Bolt 1/4 x 1	
3	0641610	4	Bolt 3/8 x 1-1/4	
4	3311405	7	Nut 1/4	
5	3311605	4	Nut 3/8	
6	3380434	1	Panel, Molded	
7	4740362	7	Washer, Fender	
8	4751400	4	Washer 1/4	
9	4751600	8	Washer 3/8	
10	1001219991	NLA	Platform Console Box Assembly (Use p/n 1001243466) (See Separate Breakdown in this Section)	

Go to Discount-Equipment.com to order your parts

# SECTION 5 - PLATFORM

FIGURE 5-17. PLATFORM CONSOLE BOX INSTALLATION (WITH 1 CELL LSS) (SN 0300256997 to Present)



ART\_1001243457

## SECTION 5 - PLATFORM

**FIGURE 5-17. PLATFORM CONSOLE BOX INSTALLATION (WITH 1 CELL LSS) (SN 0300256997 to Present)**

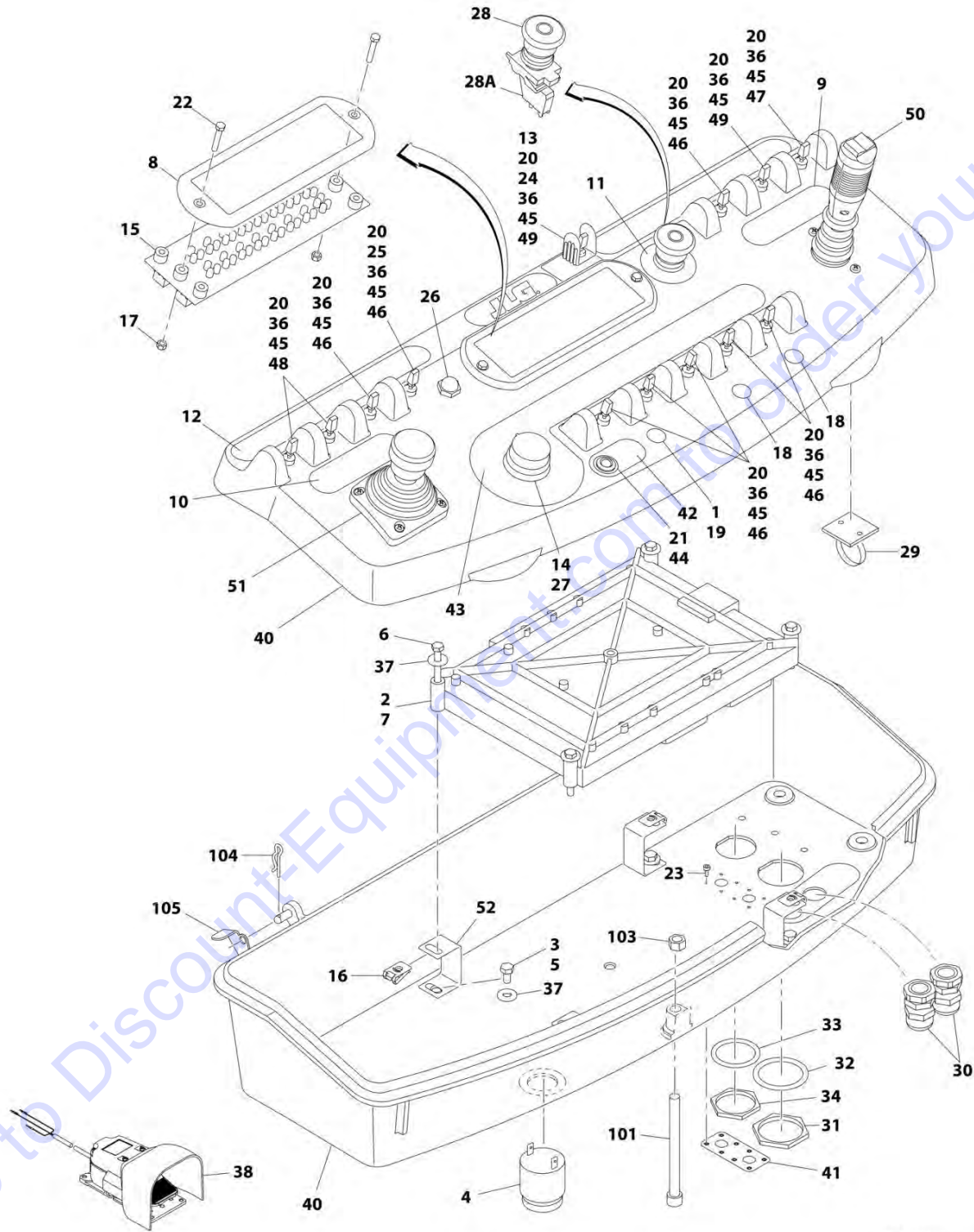
ITEM	PART NUMBER	QTY	DESCRIPTION	REV
	1001243457	Ref	PLATFORM CONSOLE BOX INSTALLATION (WITH 1 CELL LSS)	A
		Ref	Note: Replacement Decals Must be Ordered Separately - See DECALS SECTION.	
1	0641406	4	Bolt 1/4 x 3/4	
2	0641408	3	Bolt 1/4 x 1	
3	0641610	4	Bolt 3/8 x 1-1/4	
4	3311405	7	Nut 1/4	
5	3311605	4	Nut 3/8	
6	3380434	1	Panel, Molded	
7	4740362	7	Washer, Fender	
8	4751400	4	Washer 1/4	
9	4751600	8	Washer 3/8	
10	1001243466	1	Platform Console Box Assembly (See Separate Breakdown in this Section)	

Go to Discount-Equipment.com to order your parts



# SECTION 5 - PLATFORM

FIGURE 5-18. PLATFORM CONSOLE ASSEMBLY - WITHOUT SKYGUARD (SN 0300209000 through 0300220151)



ART\_1001166664



## SECTION 5 - PLATFORM

**FIGURE 5-18. PLATFORM CONSOLE ASSEMBLY - WITHOUT SKYGUARD (SN 0300209000 through 0300220151)**

ITEM	PART NUMBER	QTY	DESCRIPTION	REV
	1001166664	Ref	PLATFORM CONSOLE ASSEMBLY - WITHOUT SKYGUARD (SN 0300209000 through 0300220151)	C
1	0100009	AR	Sealant	
2	0100048	AR	Grease, Dielectric	
3	0100081	AR	Adhesive	
4	0140011	1	Alarm	
5	0641404	4	Bolt 1/4 x 1/2	
6	0641414	4	Bolt 1/4 x 1-3/4	
7	1600343	1	Module, Control (Note: Re-calibration Required when Replaced)	
8	1671176	1	Bezel	
9	1702565	1	Decal - Drive and Steer	
10	1702566	1	Decal - Lift and Swing	
11	1704260	1	Decal - EMS	
12	1705744	1	Decal - Horn	
13	1706741	1	Decal - Jib Select	
14	2560136	1	Handle, Knob	
15	2920154	1	Panel, LED Light	
16	3300353	4	Nut, Retainer	
17	3300408	2	Nut	
18	3520026	2	Plug, Hole	
19	3520027	1	Plug, Hole	
20	3790012	13	O-Ring	
21	3790015	1	O-Ring	
22	3900183	2	Bolt #10 x 1-1/4	
23	3900349	8	Capscrew M2.5	
24	4060906	1	Guard, Switch	
25	4071074	1	Shim, Switch	
26	4360387	1	Switch, Pushbutton	
27	4360407	1	Controller, Speed	
27	See Note	NSS	Gasket "Top Hat" (Included with Switch) (Note: Not Available - Purchase Complete Controller)	
27	70003784	1	Seal	
28	4360475	1	Switch, Emergency Stop	
28	7020175	1	Cap, Red	
28A	7020176	1	Block, Contact	
29	4460234	3	Base, Mounting	
30	4460428	2	Connector, Strain Relief	
31	4460470	1	Nut, Terminal	
32	4460471	1	Washer, Terminal	
33	4460496	1	Washer, Terminal	
34	4460497	1	Nut, Terminal	
35	4460905	AR	Seal, Plug (Not Shown)	
36	4740397	13	Spacer	
37	4751400	8	Washer 1/4	
38	1001117174	1	Footswitch Assembly (See FOOTSWITCH ASSEMBLY for Breakdown)	
39	1001119389	1	Harness, Console Box (Not Shown - See ELECTRICAL SECTION for Breakdown)	
40	1001120300	1	Box, Console (See Items 101-105 for Breakdown)	
41	1001120338	1	Mount, Connector	

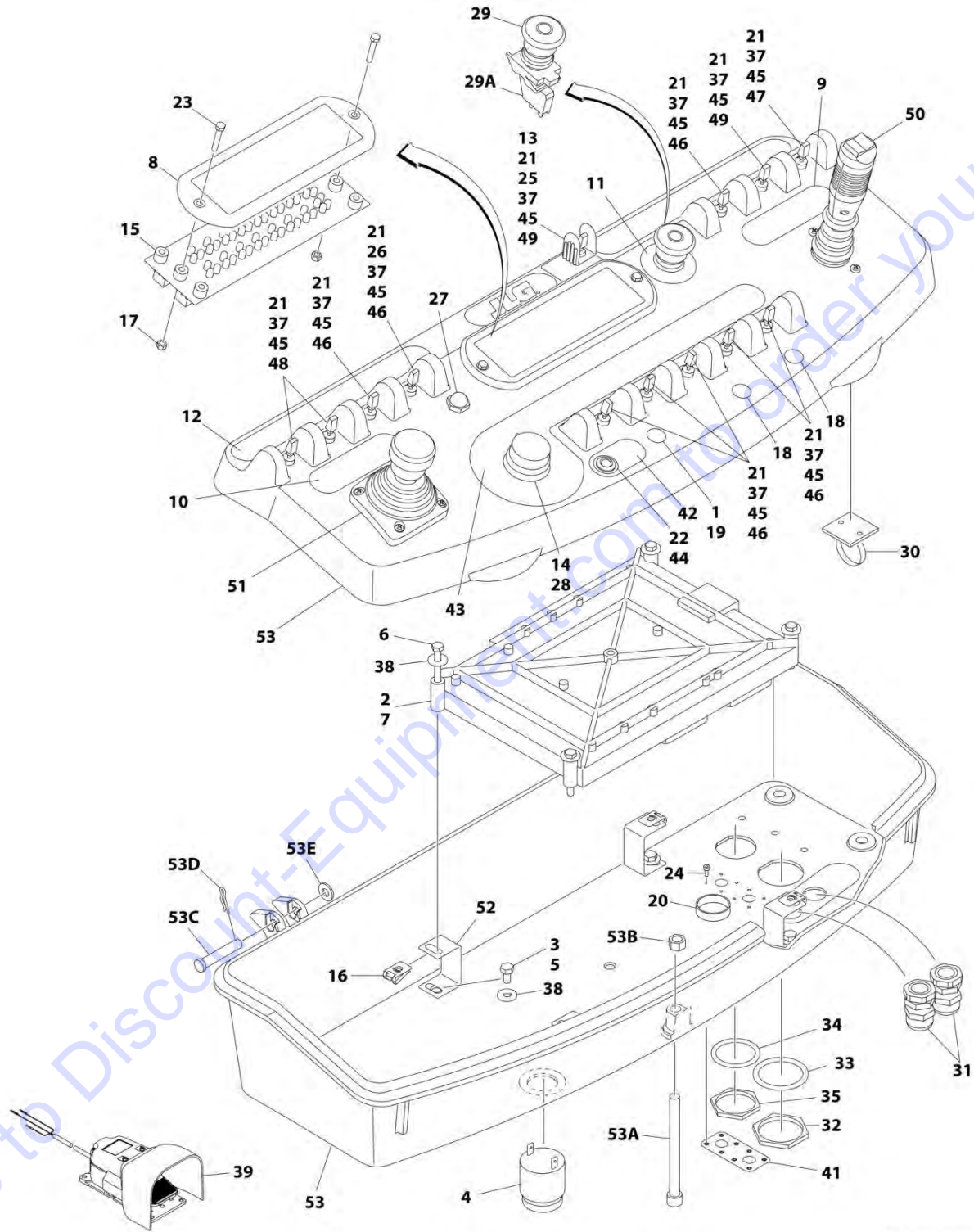
## SECTION 5 - PLATFORM

ITEM	PART NUMBER	QTY	DESCRIPTION	REV
42	1001125194	1	Decal - Jib Stow	
43	1001125195	1	Decal - Function Speed	
44	1001137364	1	Lamp, Indicator	
45	1001155044	13	Nut 15/32-32	
46	1001155045	8	Switch, Toggle	
47	1001159256	1	Switch, Toggle	
48	1001161709	2	Switch, Toggle	
49	1001161710	2	Switch, Toggle	
50	1001166538	NLA	Controller Assembly - Drive and Steer (Use p/n 1001212415) (See CONTROLLER ASSEMBLY - DRIVE AND STEER for Breakdown)	
51	1001166539	NLA	Controller Assembly - Lift and Swing (Use p/n 1001129555) (See CONTROLLER ASSEMBLY - LIFT AND SWING for Breakdown)	
52	1001172760	4	Bracket, Support	
	1001120300	Ref	CONSOLE BOX ASSEMBLY	B
101	0630568	1	Screw 3/8 x 4-1/2	
103	3311601	1	Nut 3/8	
104	3470003	2	Pin, Cotter	
105	1001200575	2	Bracket, Stop	



# SECTION 5 - PLATFORM

FIGURE 5-19. PLATFORM CONSOLE ASSEMBLY - WITHOUT SKYGUARD (SN 0300220152 through 0300226076)



ART\_1001202561

## SECTION 5 - PLATFORM

**FIGURE 5-19. PLATFORM CONSOLE ASSEMBLY - WITHOUT SKYGUARD (SN 0300220152 through 0300226076)**

ITEM	PART NUMBER	QTY	DESCRIPTION	REV
	1001202561	Ref	PLATFORM CONSOLE ASSEMBLY - WITHOUT SKYGUARD (SN 0300220152 through 0300226076)	B
1	0100009	AR	Sealant	
2	0100048	AR	Grease, Dielectric	
3	0100081	AR	Adhesive	
4	0140011	1	Alarm	
5	0641404	4	Bolt 1/4 x 1/2	
6	0641414	4	Bolt 1/4 x 1-3/4	
7	1600343	1	Module, Control (Note: Re-calibration Required when Replaced)	
8	1671176	1	Bezel	
9	1702565	1	Decal - Drive and Steer	
10	1702566	1	Decal - Lift and Swing	
11	1704260	1	Decal - EMS	
12	1705744	1	Decal - Horn	
13	1706741	1	Decal - Jib Select	
14	2560136	1	Handle, Knob	
15	2920154	1	Panel, LED Light	
16	3300353	4	Nut, Retainer	
17	3300408	2	Nut	
18	3520026	2	Plug, Hole	
19	3520027	1	Plug, Hole	
20	3520035	1	Plug, Cap	
21	3790012	13	O-Ring	
22	3790015	1	O-Ring	
23	3900183	2	Bolt #10 x 1-1/4	
24	3900349	8	Capscrew M2.5	
25	4060906	1	Guard, Switch	
26	4071074	1	Shim, Switch	
27	4360387	1	Switch, Pushbutton	
28	4360407	1	Controller, Speed	
28	See Note	NSS	Gasket "Top Hat" (Included with Switch) (Note: Not Available - Purchase Complete Controller)	
28	70003784	1	Seal	
29	4360475	1	Switch, Emergency Stop	
29	7020175	1	Cap, Red	
29A	7020176	1	Block, Contact	
30	4460234	3	Base, Mounting	
31	4460428	2	Connector, Strain Relief	
32	4460470	1	Nut, Terminal	
33	4460471	1	Washer, Terminal	
34	4460496	1	Washer, Terminal	
35	4460497	1	Nut, Terminal	
36	4460905	AR	Seal, Plug (Not Shown)	
37	4740397	13	Spacer	
38	4751400	8	Washer 1/4	
39	1001117174	1	Footswitch Assembly (See FOOTSWITCH ASSEMBLY for Breakdown)	
40	1001119389	1	Harness, Console Box (Not Shown - See ELECTRICAL SECTION for Breakdown)	
41	1001120338	1	Mount, Connector	

## SECTION 5 - PLATFORM

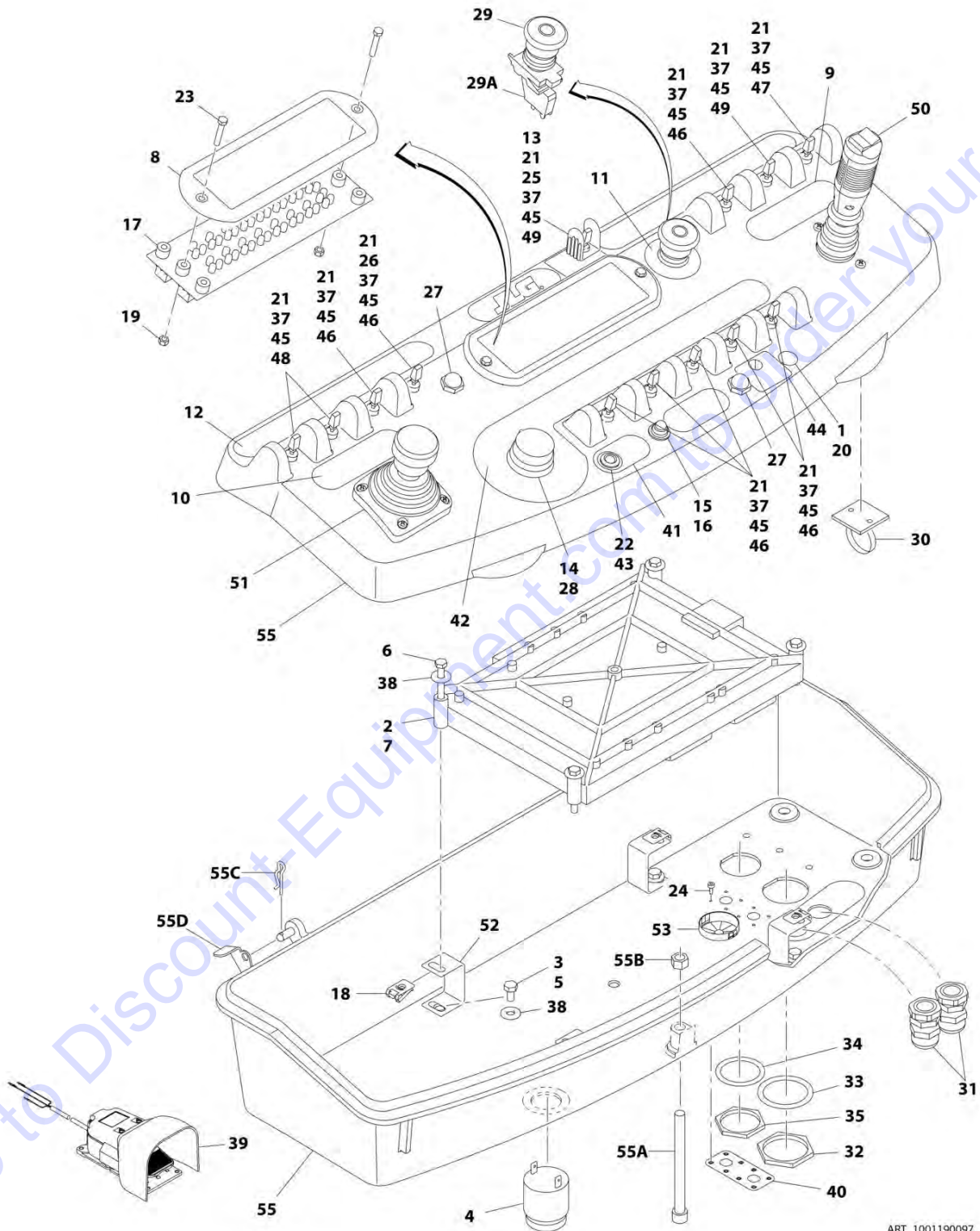
ITEM	PART NUMBER	QTY	DESCRIPTION	REV
42	1001125194	1	Decal - Jib Stow	
43	1001125195	1	Decal - Function Speed	
44	1001137364	1	Lamp, Indicator	
45	1001155044	13	Nut 15/32-32	
46	1001155045	8	Switch, Toggle	
47	1001159256	1	Switch, Toggle	
48	1001161709	2	Switch, Toggle	
49	1001161710	2	Switch, Toggle	
50	1001166538	NLA	Controller Assembly - Drive and Steer (Use p/n 1001212415) (See CONTROLLER ASSEMBLY - DRIVE AND STEER for Breakdown)	
51	1001166539	NLA	Controller Assembly - Lift and Swing (Use p/n 1001129555) (See CONTROLLER ASSEMBLY - LIFT AND SWING for Breakdown)	
52	1001172760	4	Bracket, Support	
53	1001201888	1	Box, Console	B
53A	0630568	1	Screw 3/8 x 4-1/2	
53B	3311601	1	Nut 3/8	
53C	3430616	2	Pin, Clevis	
53D	3470003	2	Pin, Cotter	
53E	4711600	2	Washer, 3/8	





# SECTION 5 - PLATFORM

FIGURE 5-20. PLATFORM CONSOLE ASSEMBLY - WITH SKYGUARD (SN 0300209000 through 0300220151)



ART\_1001190097

## SECTION 5 - PLATFORM

**FIGURE 5-20. PLATFORM CONSOLE ASSEMBLY - WITH SKYGUARD (SN 0300209000 through 0300220151)**

ITEM	PART NUMBER	QTY	DESCRIPTION	REV
	1001190097	Ref	PLATFORM CONSOLE ASSEMBLY - WITH SKYGUARD (SN 0300209000 through 0300220151)	D
1	0100009	AR	Sealant	
2	0100048	AR	Grease, Dielectric	
3	0100081	AR	Adhesive	
4	0140011	1	Alarm	
5	0641404	4	Bolt 1/4 x 1/2	
6	0641414	4	Bolt 1/4 x 1-3/4	
7	1600343	1	Module, Control (Note: Re-calibration Required when Replaced)	
8	1671176	1	Bezel	
9	1702565	1	Decal - Drive and Steer	
10	1702566	1	Decal - Lift and Swing	
11	1704260	1	Decal - EMS	
12	1705744	1	Decal - Horn	
13	1706741	1	Decal - Jib Select	
14	2560136	1	Handle, Knob	
15	2920028	1	Lamp, Indicator	
16	2920029	1	Bulb	
17	2920154	1	Panel, LED Light	
18	3300353	4	Nut, Retainer	
19	3300408	2	Nut	
20	3520026	1	Plug, Hole	
21	3790012	13	O-Ring	
22	3790015	1	O-Ring	
23	3900183	2	Bolt #10 x 1-1/4	
24	3900349	8	Capscrew M2.5	
25	4060906	1	Guard, Switch	
26	4071074	1	Shim, Switch	
27	4360387	2	Switch, Pushbutton	
28	4360407	1	Controller, Speed	
28	See Note	NSS	Gasket "Top Hat" (Included with Switch) (Note: Not Available - Purchase Complete Controller)	
28	70003784	1	Seal	
29	4360475	1	Switch, Emergency Stop	
29	7020175	1	Cap, Red	
29A	7020176	1	Block, Contact	
30	4460234	3	Base, Mounting	
31	4460428	2	Connector, Strain Relief	
32	4460470	1	Nut, Terminal	
33	4460471	1	Washer, Terminal	
34	4460496	1	Washer, Terminal	
35	4460497	1	Nut, Terminal	
36	4460905	AR	Seal, Plug (Not Shown)	
37	4740397	13	Spacer	
38	4751400	8	Washer 1/4	
39	1001117174	1	Footswitch Assembly (See FOOTSWITCH ASSEMBLY for Breakdown)	
40	1001120338	1	Mount, Connector	
41	1001125194	1	Decal - Jib Stow	

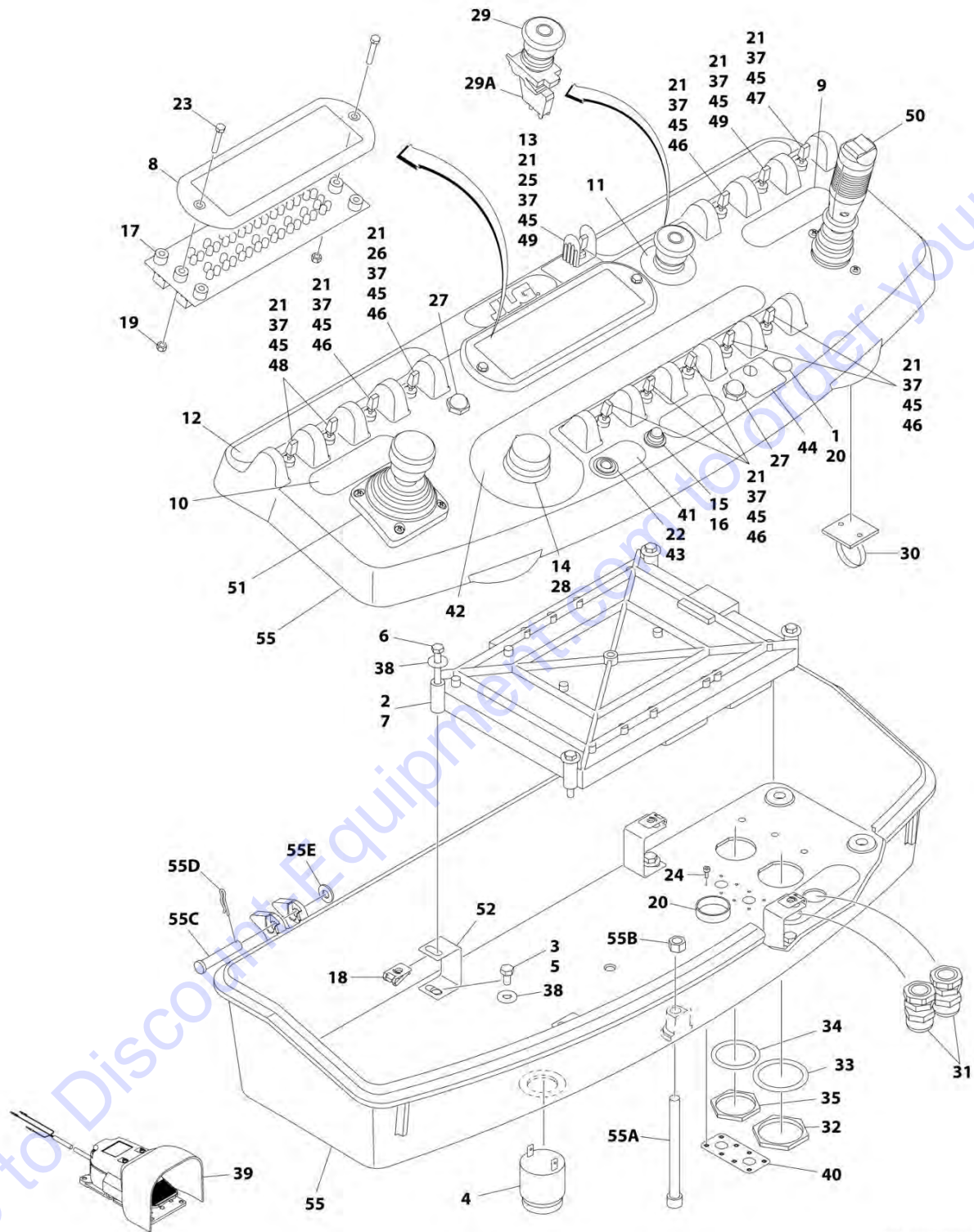
## SECTION 5 - PLATFORM

ITEM	PART NUMBER	QTY	DESCRIPTION	REV
42	1001125195	1	Decal - Function Speed	
43	1001137364	1	Light, Indicator (Green)	
44	1001144433	1	Decal - No Weight SkyGuard	
45	1001155044	13	Nut 15/32-32	
46	1001155045	8	Switch, Toggle	
47	1001159256	1	Switch, Toggle	
48	1001161709	2	Switch, Toggle	
49	1001161710	2	Switch, Toggle	
50	1001166538	NLA	Controller Assembly - Drive and Steer (Use p/n 1001212415) (See CONTROLLER ASSEMBLY - DRIVE AND STEER for Breakdown)	
51	1001166539	NLA	Controller Assembly - Lift and Swing (Use p/n 1001129555) (See CONTROLLER ASSEMBLY - LIFT AND SWING for Breakdown)	
52	1001172760	4	Bracket, Support	
53	1001185281	1	Plug	
54	1001186905	1	Harness, Console Box (Not Shown - See ELECTRICAL SECTION for Breakdown)	
55	1001190105	1	Box, Console	
55A	0630568	1	Capscrew 3/8 x 4-1/2	
55B	3311601	1	Nut 3/8	
55C	3470003	2	Pin, Hair	
55D	1001200575	2	Bracket, Stop	



# SECTION 5 - PLATFORM

## FIGURE 5-21. PLATFORM CONSOLE ASSEMBLY - WITH SKYGUARD (WITH 4 CELL LSS)



ART\_1001202559

## SECTION 5 - PLATFORM

**FIGURE 5-21. PLATFORM CONSOLE ASSEMBLY - WITH SKYGUARD (WITH 4 CELL LSS)**

ITEM	PART NUMBER	QTY	DESCRIPTION	REV
	1001202559	Ref	PLATFORM CONSOLE ASSEMBLY - WITH SKYGUARD (WITH 4 CELL LSS) (SN 0300220152 through 0300234293)	C
1	0100009	AR	Sealant	
2	0100048	AR	Grease, Dielectric	
3	0100081	AR	Adhesive	
4	0140011	1	Alarm	
5	0641404	4	Bolt 1/4 x 1/2	
6	0641414	4	Bolt 1/4 x 1-3/4	
7	1600343	1	Module, Control (Note: Re-calibration Required when Replaced)	
8	1671176	1	Bezel	
9	1702565	1	Decal - Drive and Steer	
10	1702566	1	Decal - Lift and Swing	
11	1704260	1	Decal - EMS	
12	1705744	1	Decal - Horn	
13	1706741	1	Decal - Jib Select	
14	2560136	1	Handle, Knob	
15	2920028	1	Lamp, Indicator	
16	2920029	1	Bulb	
17	2920154	1	Panel, LED Light	
18	3300353	4	Nut, Retainer	
19	3300408	2	Nut	
20	3520026	1	Plug, Hole	
21	3790012	13	O-Ring	
22	3790015	1	O-Ring	
23	3900183	2	Bolt #10 x 1-1/4	
24	3900349	8	Capscrew M2.5	
25	4060906	1	Guard, Switch	
26	4071074	1	Shim, Switch	
27	4360387	2	Switch, Pushbutton	
28	4360407	1	Controller, Speed	
28	See Note	NSS	Gasket "Top Hat" (Included with Switch) (Note: Not Available - Purchase Complete Controller)	
28	70003784	1	Seal	
29	4360475	1	Switch, Emergency Stop	
29	7020175	1	Cap, Red	
29A	7020176	1	Block, Contact	
30	4460234	3	Base, Mounting	
31	4460428	2	Connector, Strain Relief	
32	4460470	1	Nut, Terminal	
33	4460471	1	Washer, Terminal	
34	4460496	1	Washer, Terminal	
35	4460497	1	Nut, Terminal	
36	4460905	AR	Seal, Plug (Not Shown)	
37	4740397	13	Spacer	
38	4751400	8	Washer 1/4	
39	1001117174	1	Footswitch Assembly (See FOOTSWITCH ASSEMBLY for Breakdown)	
40	1001120338	1	Mount, Connector	
41	1001125194	1	Decal - Jib Stow	
42	1001125195	1	Decal - Function Speed	

## SECTION 5 - PLATFORM

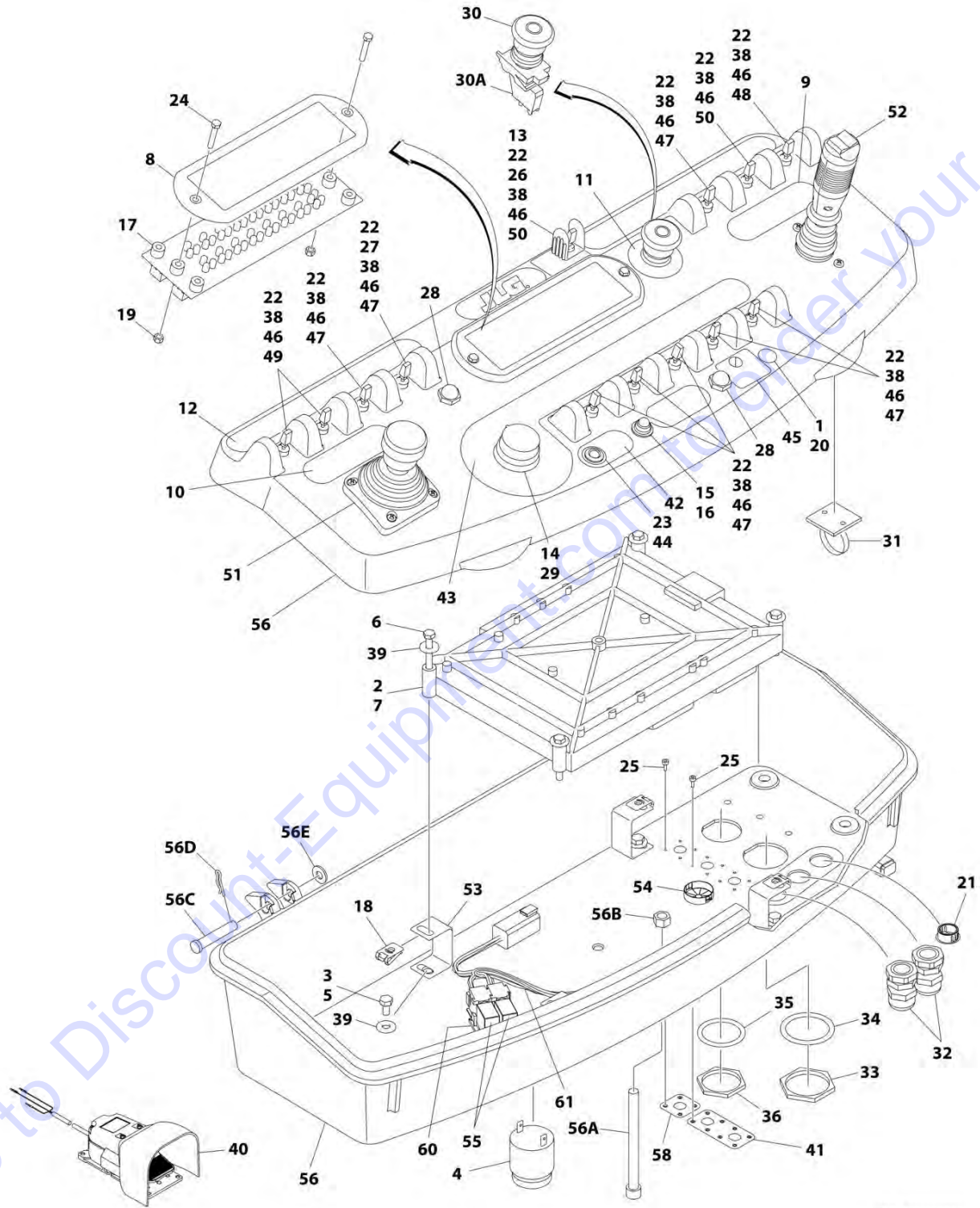
ITEM	PART NUMBER	QTY	DESCRIPTION	REV
43	1001137364	1	Light, Indicator (Green)	
44	1001144433	1	Decal - No Weight SkyGuard	
45	1001155044	13	Nut 15/32-32	
46	1001155045	8	Switch, Toggle	
47	1001159256	1	Switch, Toggle	
48	1001161709	2	Switch, Toggle	
49	1001161710	2	Switch, Toggle	
50	1001166538	NLA	Controller Assembly - Drive and Steer (Use p/n 1001212415) (See CONTROLLER ASSEMBLY - DRIVE AND STEER for Breakdown)	
51	1001166539	NLA	Controller Assembly - Lift and Swing (Use p/n 1001129555) (See CONTROLLER ASSEMBLY - LIFT AND SWING for Breakdown)	
52	1001172760	4	Bracket, Support	
53	1001185281	1	Plug	
54	1001186905	1	Harness, Console Box (Not Shown - See ELECTRICAL SECTION for Breakdown)	
55	1001201888	1	Box, Console	B
55A	0630568	1	Capscrew 3/8 x 4-1/2	
55B	3311601	1	Nut 3/8	
55C	3430616	2	Pin, Clevis	
55D	3470003	2	Pin, Hair	
55E	4711600	2	Washer, 3/8	





# SECTION 5 - PLATFORM

FIGURE 5-22. PLATFORM CONSOLE ASSEMBLY - WITH SKYGUARD (WITH 1 CELL LSS) (SN 0300209000 through 0300256996)



ART\_1001219991

## SECTION 5 - PLATFORM

**FIGURE 5-22. PLATFORM CONSOLE ASSEMBLY - WITH SKYGUARD (WITH 1 CELL LSS) (SN 0300209000 through 0300256996)**

ITEM	PART NUMBER	QTY	DESCRIPTION	REV
	1001219991	Ref	PLATFORM CONSOLE ASSEMBLY - WITH SKYGUARD (WITH 1 CELL LSS)	C
1	0100009	AR	Sealant	
2	0100048	AR	Grease, Dielectric	
3	0100035	AR	Compound, Locking	
4	0140011	1	Alarm	
5	0641404	4	Bolt 1/4 x 1/2	
6	0641414	4	Bolt 1/4 x 1-3/4	
7	1600343	1	Module, Control (Note: Re-calibration Required when Replaced)	
8	1671176	1	Bezel	
9	1702565	1	Decal - Drive and Steer	
10	1702566	1	Decal - Lift and Swing	
11	1704260	1	Decal - EMS	
12	1705744	1	Decal - Horn	
13	1706741	1	Decal - Jib Select	
14	2560136	1	Handle, Knob	
15	2920028	1	Lamp, Indicator	
16	2920029	1	Bulb	
17	2920154	1	Panel, LED Light	
18	3300353	4	Nut, Retainer	
19	3300408	2	Nut	
20	3520026	1	Plug, Hole	
21	3520030	1	Plug, Hole	
22	3790012	13	O-Ring	
23	3790015	1	O-Ring	
24	3900183	2	Bolt #10 x 1-1/4	
25	3900349	12	Capscrew M2.5	
26	4060906	1	Guard, Switch	
27	4071074	1	Shim, Switch	
28	4360387	2	Switch, Pushbutton	
29	4360407	1	Controller, Speed	
29	See Note	NSS	Gasket "Top Hat" (Included with Switch) (Note: Not Available - Purchase Complete Controller)	
29	70003784	1	Seal	
30	4360475	1	Switch, Emergency Stop	
30	7020175	1	Cap, Red	
30A	7020176	1	Block, Contact	
31	4460234	3	Base, Mounting	
32	4460428	2	Connector, Strain Relief	
33	4460470	1	Nut, Terminal	
34	4460471	1	Washer, Terminal	
35	4460496	1	Washer, Terminal	
36	4460497	1	Nut, Terminal	
37	4460905	AR	Seal, Plug (Not Shown)	
38	4740397	13	Seal, Plug (Not Shown)	
39	4751400	8	Washer 1/4	
40	1001117174	1	Footswitch Assembly (See FOOTSWITCH ASSEMBLY for Breakdown)	
41	1001120338	1	Mount, Connector	

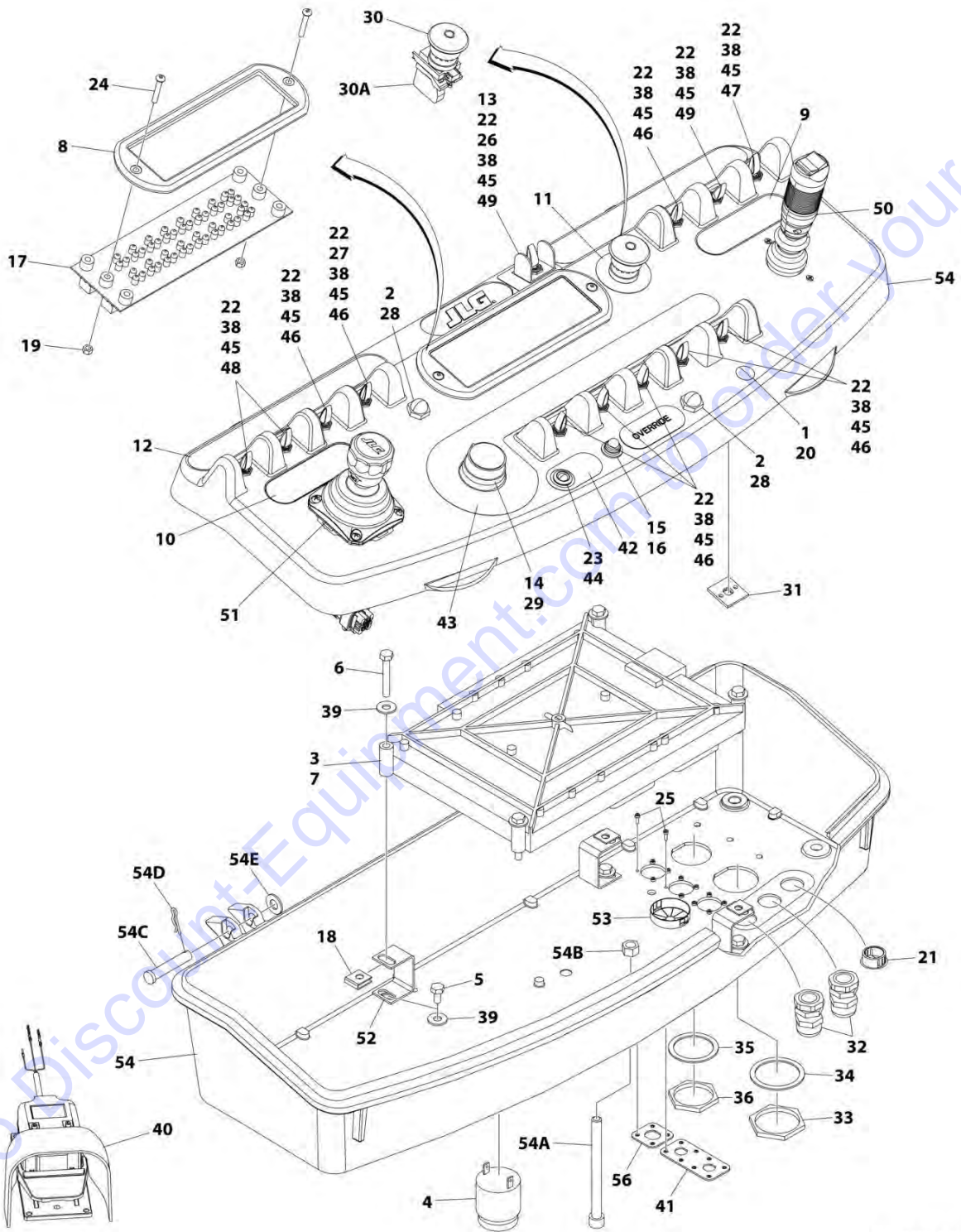
## SECTION 5 - PLATFORM

ITEM	PART NUMBER	QTY	DESCRIPTION	REV
42	1001125194	1	Decal - Jib Stow	
43	1001125195	1	Decal - Function Speed	
44	1001137364	1	Light, Indicator (Green)	
45	1001144433	1	Decal - No Weight SkyGuard	
46	1001155044	13	Nut 15/32-32	
47	1001155045	8	Switch, Toggle	
48	1001159256	1	Switch, Toggle	
49	1001161709	2	Switch, Toggle	
50	1001161710	2	Switch, Toggle	
51	1001166539	NLA	Controller Assembly - Lift and Swing (Use p/n 1001129555) (See CONTROLLER ASSEMBLY - LIFT AND SWING for Breakdown)	
52	1001166538	NLA	Controller Assembly - Drive and Steer (Use p/n 1001212415) (See CONTROLLER ASSEMBLY - DRIVE AND STEER for Breakdown)	
53	1001172760	4	Bracket, Support	
54	1001185281	1	Plug	
55	1001186431	2	Relay	
56	1001201889	1	Box, Console	C
56A	0630568	1	Capscrew 3/8 x 4-1/2	
56B	3311601	1	Nut 3/8	
56C	3430616	2	Pin, Clevis	
56D	3470003	2	Pin, Hair	
56E	4711600	2	Washer, 3/8	
57	1001220867	1	Harness, Console Box (Not Shown - See ELECTRICAL SECTION for Breakdown)	
58	1001220929	1	Mount, Connector	
59	4240032	1	Tie-Strap (Not Shown)	
60	4460488	1	Mounting Base	
61	1001225580	1	Generator 2 Platform Interface Harness (Not Shown - See ELECTRICAL SECTION for Breakdown)	



# SECTION 5 - PLATFORM

FIGURE 5-23. PLATFORM CONSOLE ASSEMBLY (WITH 1 CELL LSS) (SN 0300256997 to Present)



ART\_1001243466

## SECTION 5 - PLATFORM

**FIGURE 5-23. PLATFORM CONSOLE ASSEMBLY (WITH 1 CELL LSS) (SN 0300256997 to Present)**

ITEM	PART NUMBER	QTY	DESCRIPTION	REV
	1001243466	Ref	PLATFORM CONSOLE ASSEMBLY (WITH 1 CELL LSS)	A
1	0100009	AR	Sealant	
2	0100035	AR	Compound, Locking	
3	0100048	AR	Grease, Dielectric	
4	0140011	1	Alarm	
5	0641404	4	Bolt 1/4 x 1/2	
6	0641414	4	Bolt 1/4 x 1-3/4	
7	1600343	1	Module, Control (Note: Re-calibration Required when Replaced)	
8	1671176	1	Bezel	
9	1702565	1	Decal - Drive and Steer	
10	1702566	1	Decal - Lift and Swing	
11	1704260	1	Decal - EMS	
12	1705744	1	Decal - Horn	
13	1706741	1	Decal - Jib Select	
14	2560136	1	Handle, Knob	
15	2920028	1	Lamp, Indicator	
16	2920029	1	Bulb	
17	2920154	1	Panel, LED Light	
18	3300353	4	Nut, Retainer	
19	3300408	2	Nut	
20	3520026	1	Plug, Hole	
21	3520030	1	Plug, Hole	
22	3790012	13	O-Ring	
23	3790015	1	O-Ring	
24	3900183	2	Bolt #10 x 1-1/4	
25	3900349	12	Capscrew M2.5	
26	4060906	1	Guard, Switch	
27	4071074	1	Shim, Switch	
28	4360387	2	Switch, Pushbutton	
29	4360407	1	Controller, Speed	
29	See Note	NSS	Gasket "Top Hat" (Included with Switch) (Note: Not Available - Purchase Complete Controller)	
29	70003784	1	Seal	
30	4360475	1	Switch, Emergency Stop	
30	7020175	1	Cap, Red	
30A	7020176	1	Block, Contact	
31	4460234	3	Base, Mounting	
32	4460428	2	Connector, Strain Relief	
33	4460470	1	Nut, Terminal	
34	4460471	1	Washer, Terminal	
35	4460496	1	Washer, Terminal	
36	4460497	1	Nut, Terminal	
37	4460905	AR	Seal, Plug (Not Shown)	
38	4740397	13	Seal, Plug (Not Shown)	
39	4751400	8	Washer 1/4	
40	1001117174	1	Footswitch Assembly (See FOOTSWITCH ASSEMBLY for Breakdown)	
41	1001120338	1	Mount, Connector	
42	1001125194	1	Decal - Jib Stow	
43	1001125195	1	Decal - Function Speed	



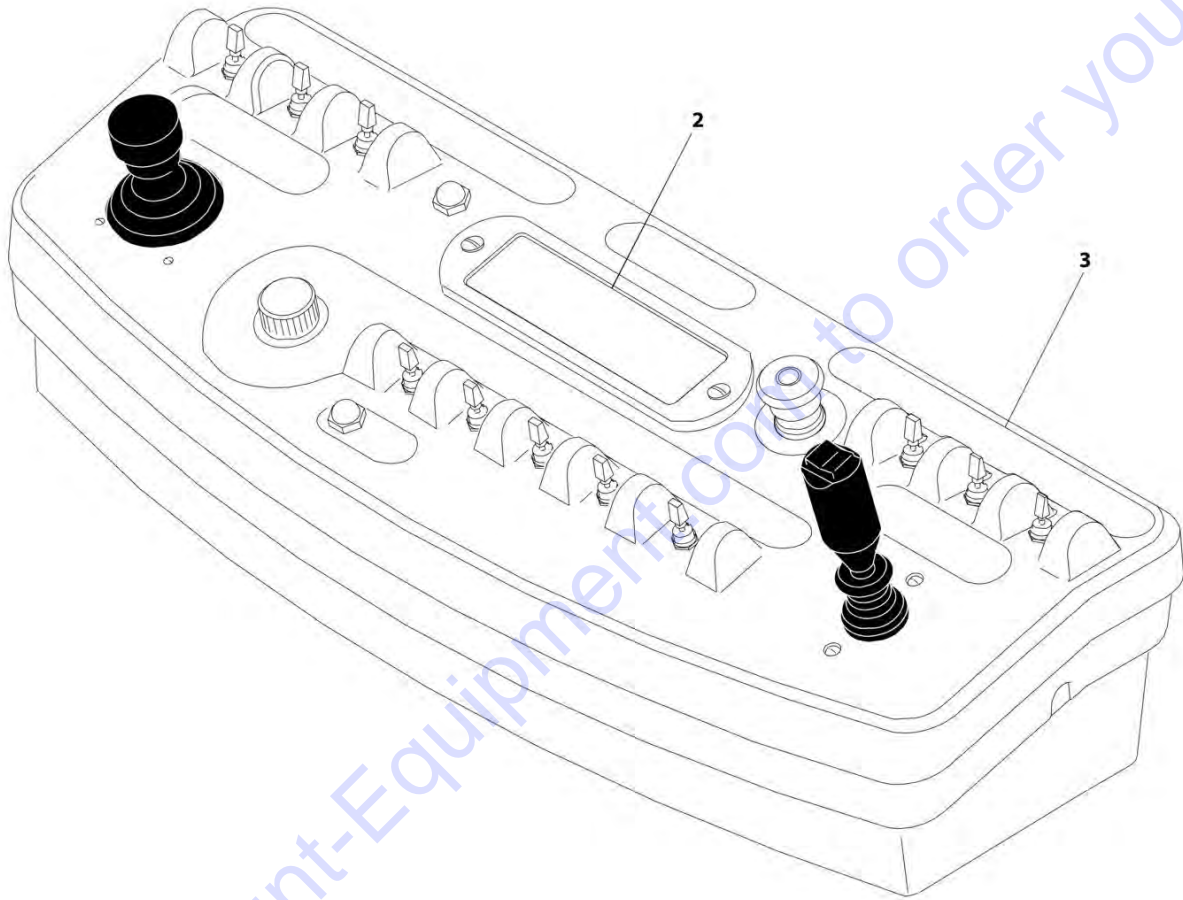
## SECTION 5 - PLATFORM

ITEM	PART NUMBER	QTY	DESCRIPTION	REV
44	1001137364	1	Light, Indicator (Green)	
45	1001155044	13	Nut 15/32-32	
46	1001155045	8	Switch, Toggle	
47	1001159256	1	Switch, Toggle	
48	1001161709	2	Switch, Toggle	
49	1001161710	2	Switch, Toggle	
50	1001166538	NLA	Controller Assembly - Drive and Steer (Use p/n 1001212415) (See CONTROLLER ASSEMBLY - DRIVE AND STEER for Breakdown)	
51	1001166539	NLA	Controller Assembly - Lift and Swing (Use p/n 1001129555) (See CONTROLLER ASSEMBLY - LIFT AND SWING for Breakdown)	
52	1001172760	4	Bracket, Support	
53	1001185281	1	Plug	
54	1001201889	1	Box, Console	
54A	0630568	1	Capscrew 3/8 x 4-1/2	
54B	3311601	1	Nut 3/8	
54C	3430616	2	Pin, Clevis	
54D	3470003	2	Pin, Hair	
54E	4711600	2	Washer, 3/8	
55	1001220867	1	Harness, Console Box (Not Shown - See ELECTRICAL SECTION for Breakdown)	
56	1001220929	1	Mount, Connector	



# SECTION 5 - PLATFORM

FIGURE 5-24. DECAL AND LIGHT PANEL (ANSI SPECS)



ART\_1001121826\_20F2

## SECTION 5 - PLATFORM

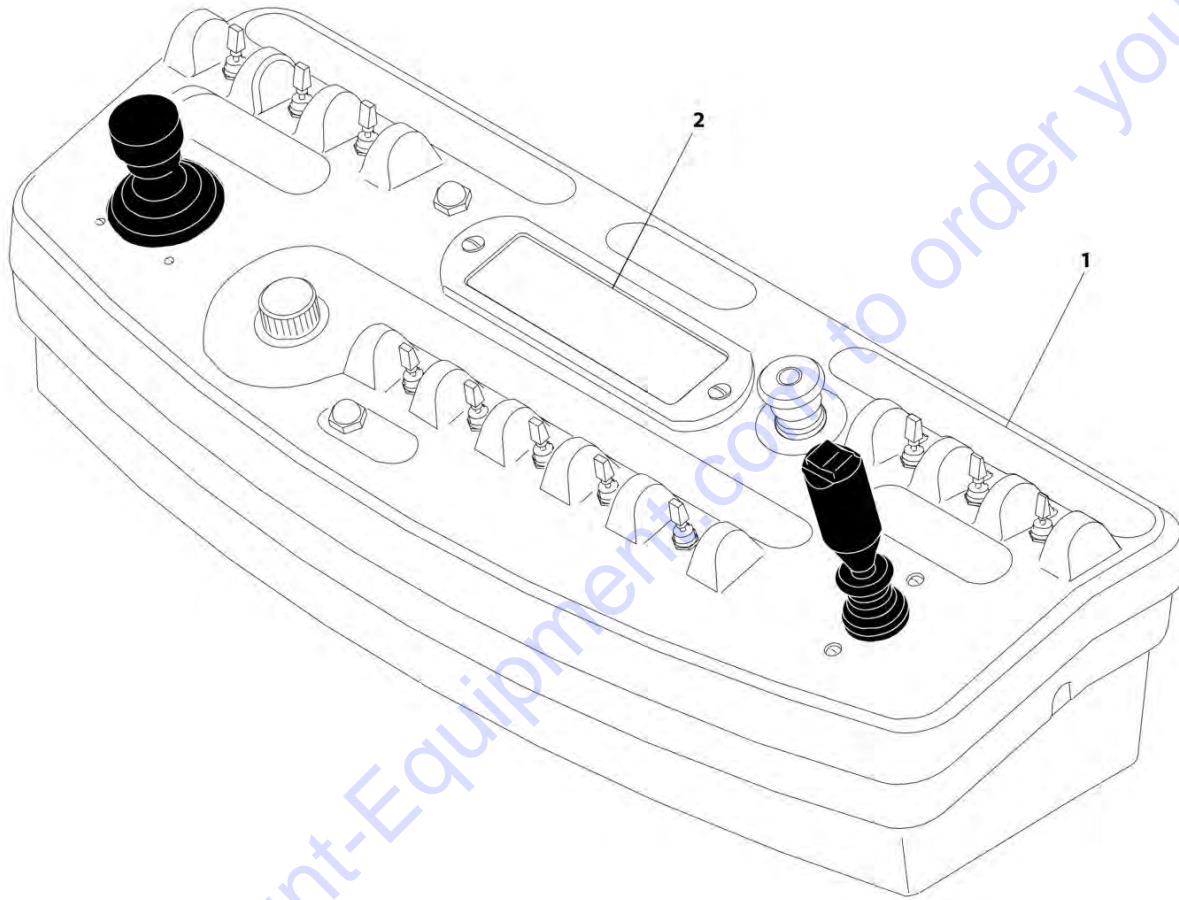
**FIGURE 5-24. DECAL AND LIGHT PANEL (ANSI SPECS)**

ITEM	PART NUMBER	QTY	DESCRIPTION	REV
	1001121826	Ref	DECAL AND LIGHT PANEL (ANSI SPECS)	A
2	1001122384	1	Decal - Display	
3	1001122611	1	Decal - Stop	

Go to Discount-Equipment.com to order your parts

# SECTION 5 - PLATFORM

FIGURE 5-25. DECAL AND LIGHT PANEL (CE SPECS)



ART\_1001121827\_2OF2

## SECTION 5 - PLATFORM

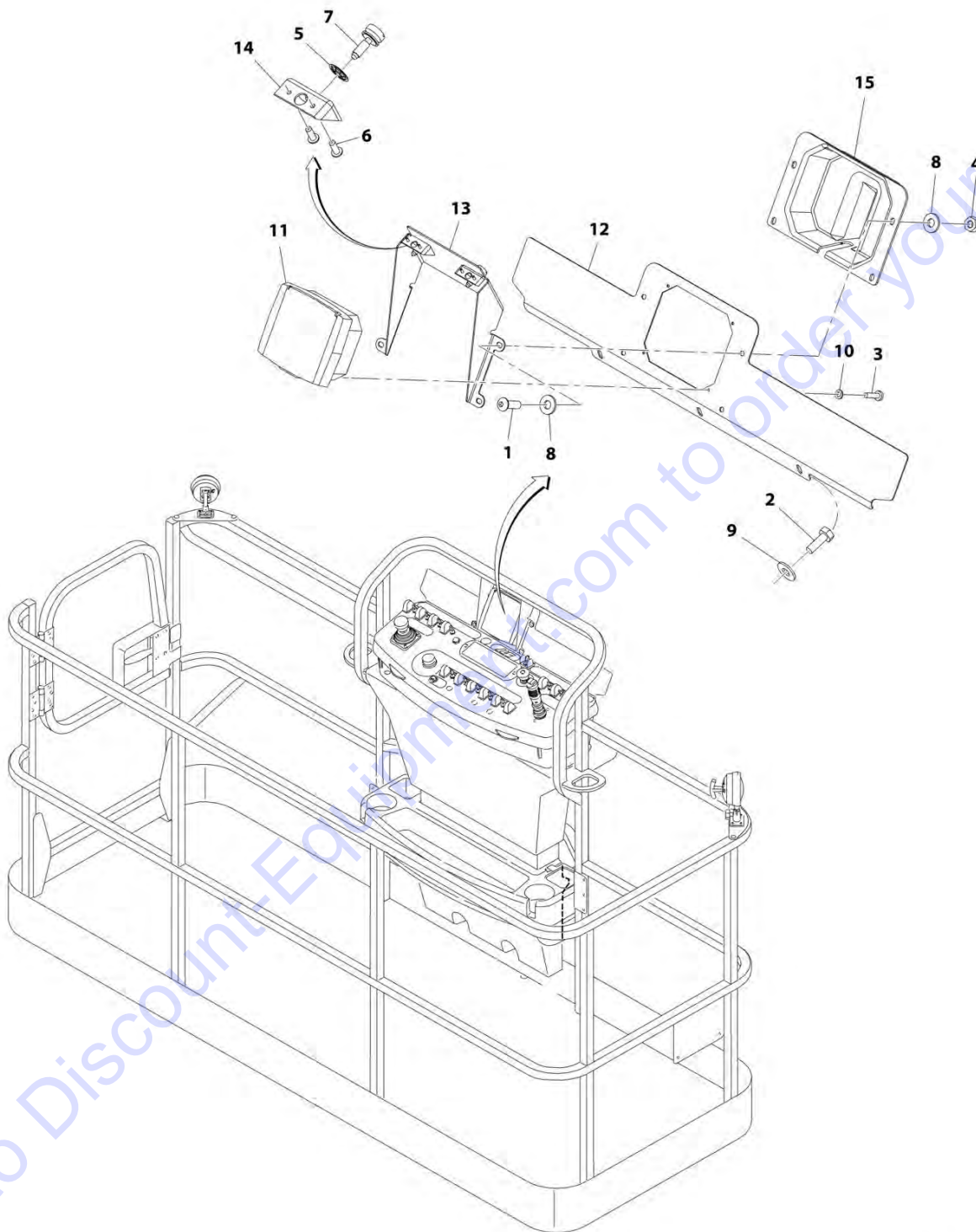
**FIGURE 5-25. DECAL AND LIGHT PANEL (CE SPECS)**

ITEM	PART NUMBER	QTY	DESCRIPTION	REV
	1001121827	Ref	DECAL AND LIGHT PANEL (CE SPECS)	A
1	1705974	1	Decal - Stop	
2	1705973	1	Decal - Display	

Go to Discount-Equipment.com to order your parts

# SECTION 5 - PLATFORM

FIGURE 5-26. LCD DISPLAY INSTALLATION (SN 0300209000 through 0300248232)



ART\_1001190586



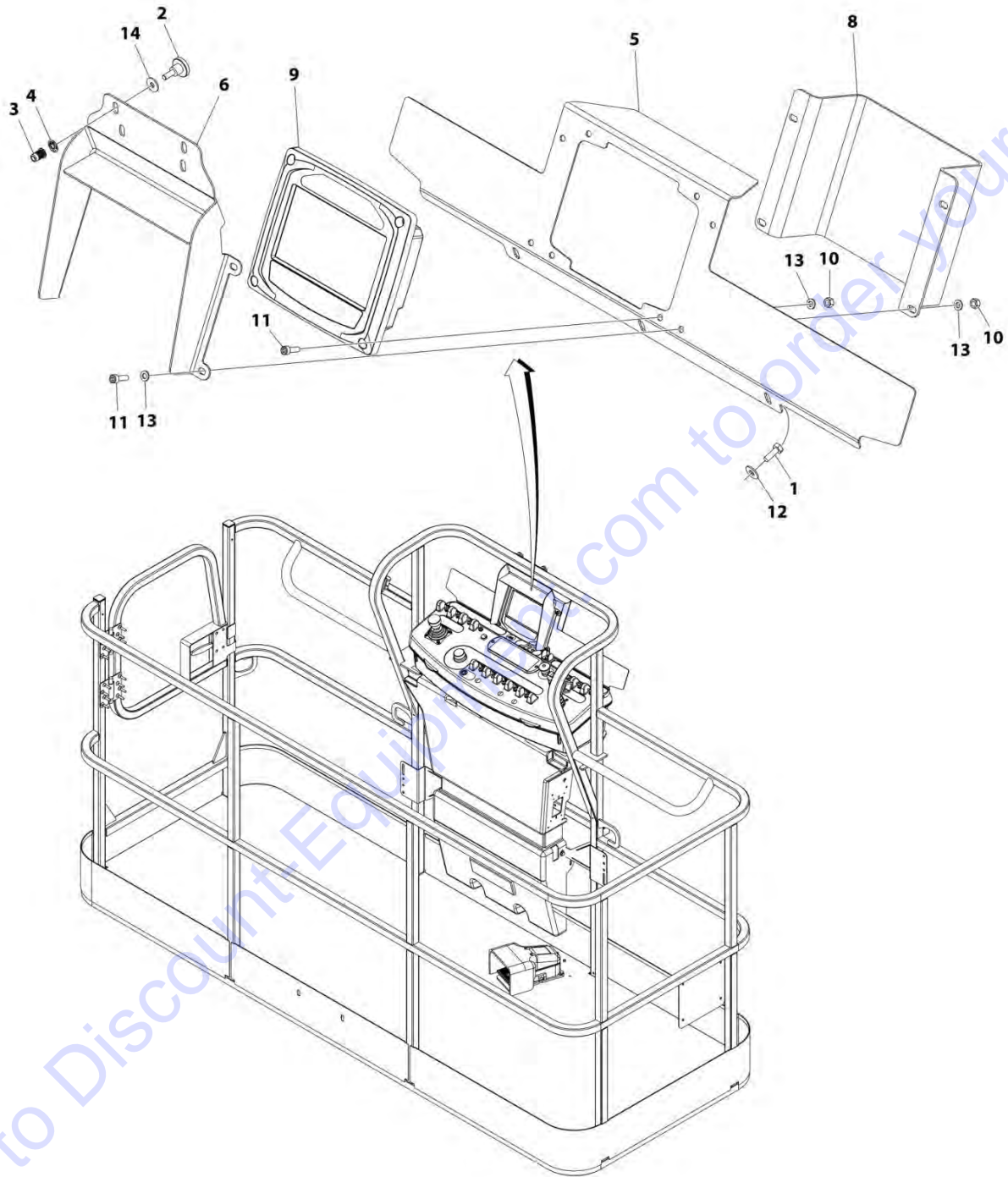
## SECTION 5 - PLATFORM

**FIGURE 5-26. LCD DISPLAY INSTALLATION (SN 0300209000 through 0300248232)**

ITEM	PART NUMBER	QTY	DESCRIPTION	REV
	1001190586	Ref	LCD DISPLAY INSTALLATION	C
1	0630448	4	Screw 1/4 x 3/4	
2	0641406	3	Bolt 1/4 x 3/4	
3	4010408	4	Bolt M4 x 16	
4	3300449	4	Nut 1/4	
5	3760308	2	Nut, Retainer	
6	3820034	4	Rivet	
7	3900174	2	Screw, Thumb	
8	4711400	8	Washer 1/4	
9	4751400	3	Washer 1/4	
10	4831400	4	Washer M4	
11	1001121837	1	Gauge, LCD <b>(SN 0300209000 through 0300216483)</b>	
11	1001126300	1	Decal - Platform Display	
11	70003533	1	AR Film	
11	70003534	1	Cover	
11	70003535	1	Hinge	
11	70003536	AR	Screw, Hinge	
11	1001176778	1	Gauge, LCD <b>(SN 0300216484 through 0300248232)</b>	
11	1001176783	1	Decal - Platform Display	
11	70003533	1	AR Film	
11	70003534	1	Cover	
11	70003535	1	Hinge	
11	70003536	AR	Screw, Hinge	
12	1001121943	1	Bracket, Mounting	
13	1001190587	1	Bracket, Protector	
14	1001122235	2	Bracket, Mounting	
15	1001122242	1	Cover	
16	1001125293	1	Harness, LCD Display (Not Shown - See ELECTRICAL SECTION for Breakdown)	

# SECTION 5 - PLATFORM

FIGURE 5-27. LCD DISPLAY INSTALLATION (SN 0300248233 to Present)



ART\_1001215375

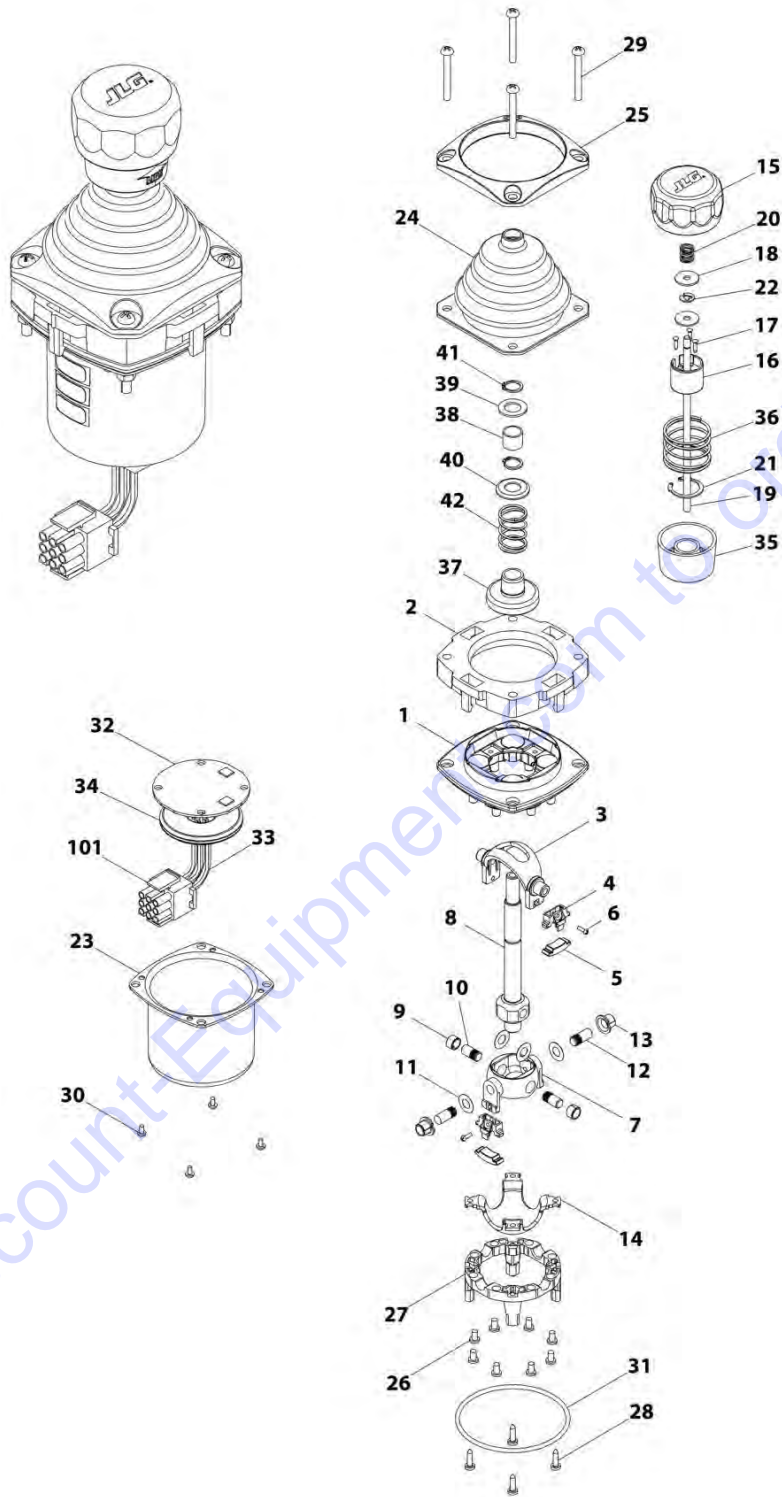
## SECTION 5 - PLATFORM

**FIGURE 5-27. LCD DISPLAY INSTALLATION (SN 0300248233 to Present)**

ITEM	PART NUMBER	QTY	DESCRIPTION	REV
	1001215375	Ref	LCD DISPLAY INSTALLATION	A
1	0641406001	3	Bolt 1/4 x 3/4	
2	1001173609	2	Screw, Thumb M6 x 16	
3	1001176636	2	Rivet, Nut M6	
4	1001177635	2	Nut M6	
5	1001215379	1	Bracket, Mounting	
6	1001215380	1	Bracket, Visor	
7	1001220482	1	Harness, LCD Display (Not Shown - See ELECTRICAL SECTION for Breakdown)	
8	1001228976	1	Cover	
9	1001229485	1	Electrical Assembly	
9	1001220955	1	Gauge, LCD Display	
9	1001176582	1	Decal - Platform Display	
9	1001180491	4	Screw #10	
9	1001229922	1	Screen Protector, LCD Display	
10	3290605001	8	Nut M6	
11	4031708001	8	Bolt M6 x 20	
12	4751400001	3	Washer 1/4	
13	4811700001	12	Washer M6	
14	4811702001	2	Washer M6	

# SECTION 5 - PLATFORM

## FIGURE 5-28. CONTROLLER ASSEMBLY - LIFT AND SWING



ART\_1001166539

## SECTION 5 - PLATFORM

**FIGURE 5-28. CONTROLLER ASSEMBLY - LIFT AND SWING**

ITEM	PART NUMBER	QTY	DESCRIPTION	REV
	1001166539	Ref	CONTROLLER ASSEMBLY - LIFT AND SWING	D
		Ref	Note: Use p/n 1001129555 as replacement.	
1	See Note	1	Main Cast Body (Note: Not Available - Purchase Complete Assembly)	
2	70004752	1	Adapter	
3	See Note	1	Pivot Arm, Plastic (Note: Not Available - Purchase Complete Assembly)	
4	See Note	2	Holder, Magnet (Note: Not Available - Purchase Complete Assembly)	
5	See Note	2	Arc, Magnet (Note: Not Available - Purchase Complete Assembly)	
6	See Note	2	Screw (Note: Not Available for Purchase)	
7	See Note	1	Pivot Arm, Cast (Note: Not Available - Purchase Complete Assembly)	
8	See Note	1	Shaft, Main (Note: Not Available - Purchase Complete Assembly)	
9	See Note	2	Bearing (Note: Not Available - Purchase Complete Assembly)	
10	See Note	2	Pin (Note: Not Available - Purchase Complete Assembly)	
11	See Note	4	Shim (Note: Not Available - Purchase Complete Assembly)	
12	See Note	2	Pin (Note: Not Available - Purchase Complete Assembly)	
13	See Note	2	Bearing (Note: Not Available - Purchase Complete Assembly)	
14	See Note	1	Dome, Centering (Note: Not Available - Purchase Complete Assembly)	
15	70004753	1	Cap	
16	70004754	1	Insert, Cap	
17	70004755	3	Pin	
18	70004756	2	Washer	
19	70004757	1	Pin, Centering	
20	70004758	1	Spring	
21	70004759	1	Ring, Retaining	
22	70004760	1	E-Ring	
23	70004761	1	Can, Enclosure	
24	70004762	1	Boot	
25	70004763	1	Bezel	
26	See Note	8	Screw (Note: Not Available for Purchase)	
27	See Note	1	Base Mounting (Note: Not Available - Purchase Complete Assembly)	
28	See Note	4	Screw (Note: Not Available for Purchase)	
29	70004764	4	Screw	
30	70004765	4	Screw	
31	70004766	1	O-Ring	
32	See Note	1	Plate (Note: Not Available - Purchase Complete Assembly)	
33	See Note	1	Harness (Note: Not Available - Purchase Complete Assembly)	
34	70004767	1	Grommet, Rubber	
35	70004768	1	Housing	
36	70004769	1	Spring	
37	70004770	1	Stopper	
38	70004771	1	Spacer	
39	70004772	1	Washer	
40	70004773	1	Disc	
41	70004774	2	Ring, Retaining	
42	70004775	1	Spring	
101	4460265	1	Connector - 9 Position	

## SECTION 5 - PLATFORM

ITEM	PART NUMBER	QTY	DESCRIPTION	REV
101	4460226	6	Socket, Female	

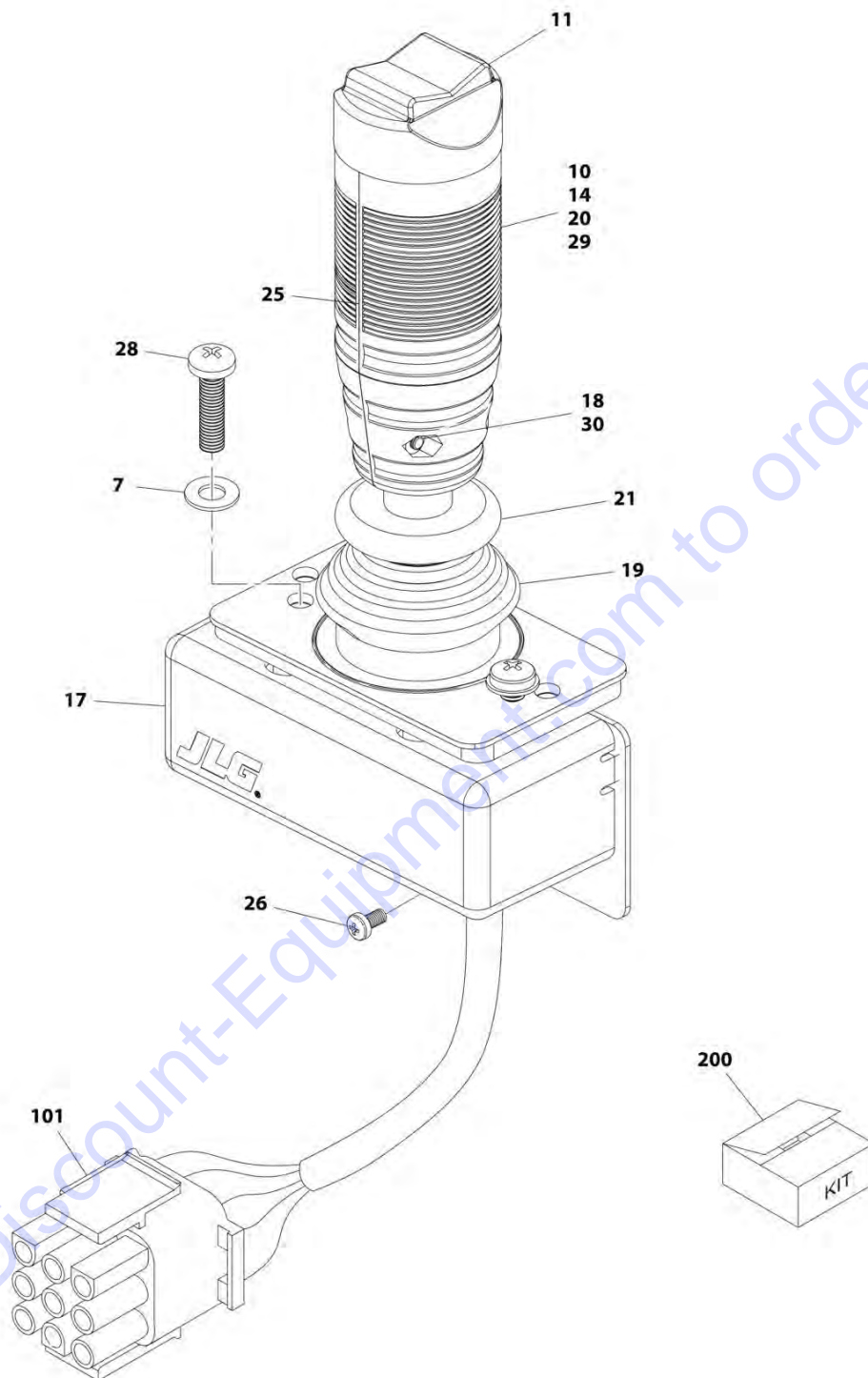
Go to Discount-Equipment.com to order your parts





# SECTION 5 - PLATFORM

## FIGURE 5-29. CONTROLLER ASSEMBLY - DRIVE AND STEER



ART\_1001166538

## SECTION 5 - PLATFORM

**FIGURE 5-29. CONTROLLER ASSEMBLY - DRIVE AND STEER**

ITEM	PART NUMBER	QTY	DESCRIPTION	REV
	1001166538	Ref	CONTROLLER ASSEMBLY - DRIVE AND STEER	G
	See Note	Ref	Note: Use p/n 1001212415 Kit as Replacement.	
7	70004738	2	Washer	
10	70004739	1	Roller	
11	70004740	1	Boot, Switch	
14	70004741	2	Half, Handle	
17	70004742	1	Enclosure	
18	70004743	4	Nut	
19	70004744	NLA	Boot, Controller (Use Item 200)	
20	70004745	NLA	Tube, Locking (Use Item 200)	
21	70004746	NLA	Disc, Locking (Use Item 200)	
25	70004747	2	Seal, Rope	
26	70004748	1	Screw M3 x 6	
28	70004749	2	Screw M5 x 20	
29	70004750	1	Pin, Dowel	
30	70004751	4	Screw M3 x 16	
101	4460265	1	Connector - 9 Position	
101	4460226	7	Socket, Female	
200	70005230	1	Boot Kit (Includes Items 19-21)	

# PARTS FINDER

**Search Website  
by Part Number**



**Search Manual  
Library For Parts  
Manual & Lookup Part  
Numbers – Purchase  
or Request Quote**

A screenshot of the "Search Manuals" form. The form is titled "Search Manuals" and includes a search bar, a "Search" button, and a "Print" button. Below the search bar, there are several input fields for "Part Number", "Serial Number", "Make", "Model", "Year", and "Category". The form is designed to help users find the manual they need for their equipment.

**Can't Find Part or  
Manual? Request Help  
by Manufacturer,  
Model & Description**

A screenshot of the "Parts Order Form". The form is titled "Parts Order Form" and includes a "Print" button. Below the "Print" button, there are several input fields for "Manufacturer", "Model", "Year", "Description", "Part Number", "Quantity", and "Price". The form is designed to help users request help with finding parts or manuals for their equipment.

Discount-Equipment.com is your online resource for quality parts & equipment.

Florida: **561-964-4949** Outside Florida TOLL FREE: **877-690-3101**

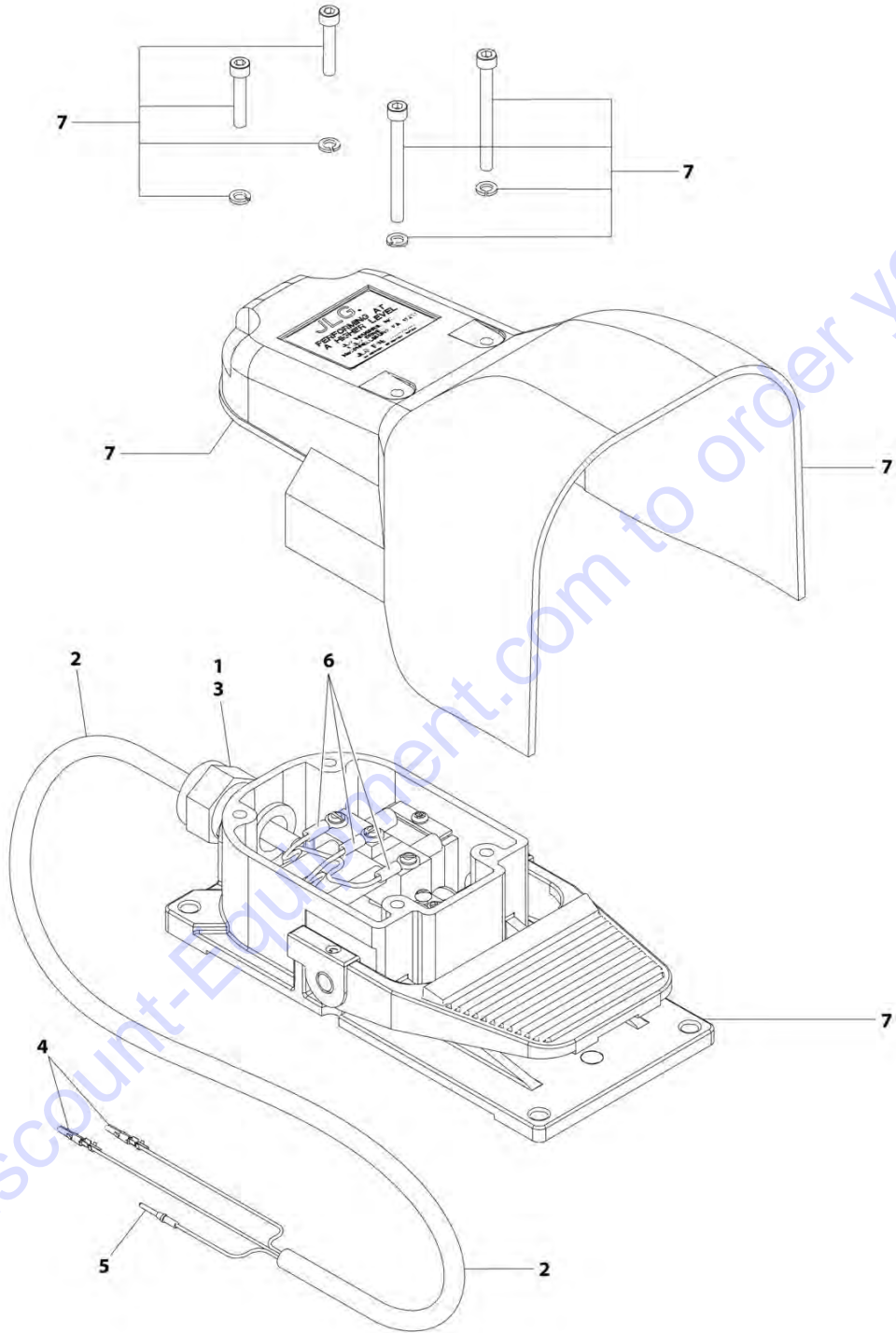
**Need parts?**

Click on this link: <http://www.discount-equipment.com/category/5443-parts/> and choose one of the options to help get the right parts and equipment you are looking for. Please have the machine model and serial number available in order to help us get you the correct parts. If you don't find the part on the website or on one of the online manuals, please fill out the request form and one of our experienced staff members will get back to you with a quote for the right part that your machine needs.

We sell worldwide for the brands: Genie, Terex, JLG, MultiQuip, Mikasa, Essick, Whiteman, Mayco, Toro Stone, Diamond Products, Generac Magnum, Airman, Haulotte, Barreto, Power Blanket, Nifty Lift, Atlas Copco, Chicago Pneumatic, Allmand, Miller Curber, Skyjack, Lull, Skytrak, Tsurumi, Husquvarna Target, Stow, Wacker, Sakai, Mi-T-M, Sullair, Basic, Dynapac, MBW, Weber, Bartell, Bennar Newman, Haulotte, Ditch Runner, Menegotti, Morrison, Contec, Buddy, Crown, Edco, Wyco, Bomag, Laymor, EZ Trench, Bil-Jax, F.S. Curtis, Gehl Pavers, Heli, Honda, ICS/PowerGrit, IHI, Partner, Imer, Clipper, MMD, Koshin, Rice, CH&E, General Equipment, Amida, Coleman, NAC, Gradall, Square Shooter, Kent, Stanley, Tamco, Toku, Hatz, Kohler, Robin, Wisconsin, Northrock, Oztec, Toker TK, Rol-Air, APT, Wylie, Ingersoll Rand / Doosan, Innovatech, Con X, Ammann, Mecalac, Makinex, Smith Surface Prep, Small Line, Wanco, Yanmar

# SECTION 5 - PLATFORM

## FIGURE 5-30. FOOTSWITCH ASSEMBLY



ART\_1001117174

## SECTION 5 - PLATFORM

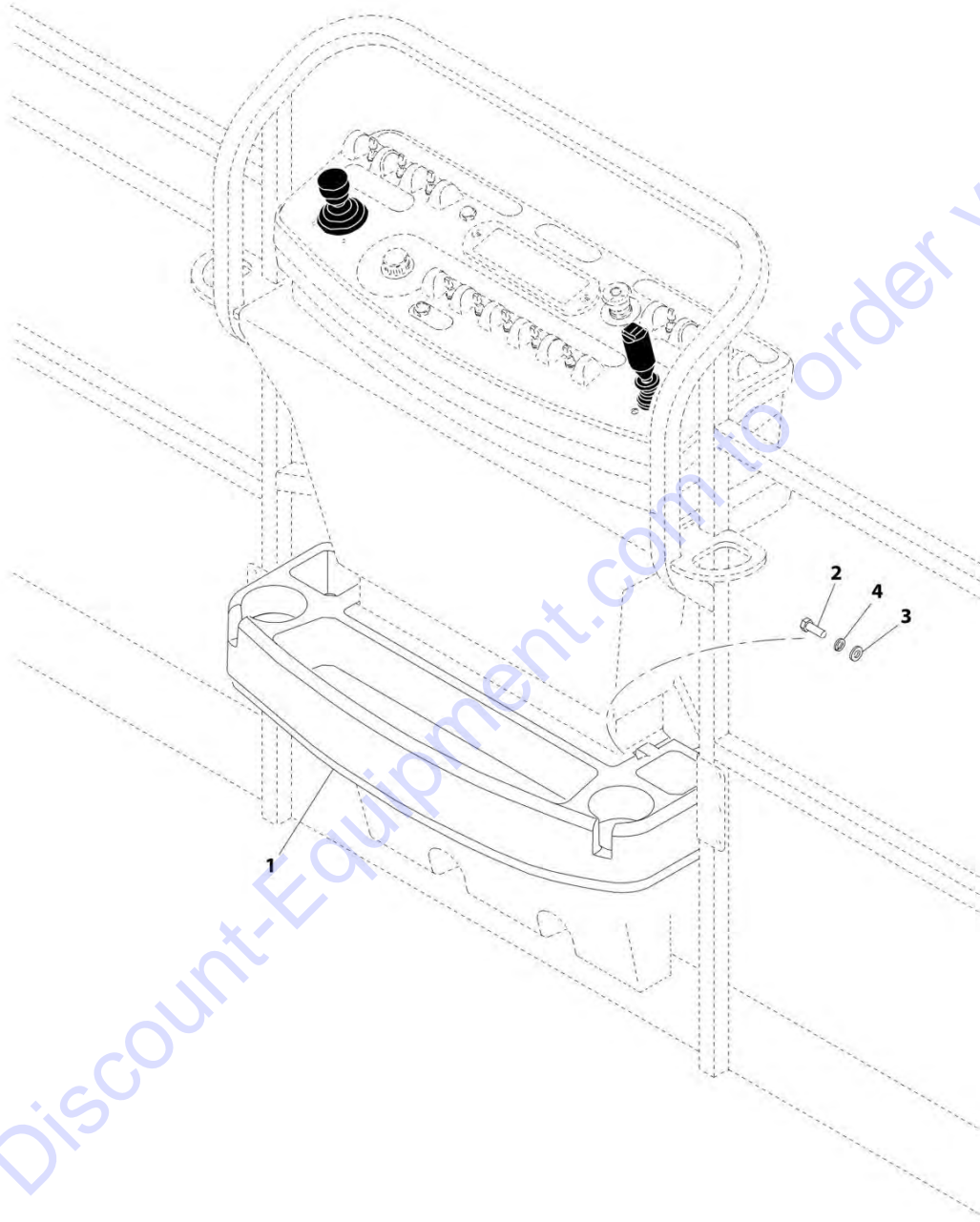
**FIGURE 5-30. FOOTSWITCH ASSEMBLY**

ITEM	PART NUMBER	QTY	DESCRIPTION	REV
	1001117174	Ref	FOOTSWITCH ASSEMBLY	B
1	0100020	AR	Sealant	
2	1060918	7.5 ft /2.3m	Cable, Electrical - 18/3	
3	4460071	1	Connector, Strain Relief	
4	4460226	2	Socket, Female	
5	4460464	1	Pin, Male	
6	1001098122	3	Terminal	
7	1001117172	1	Footswitch	
7	70002902	1	Switch, 20A	
7	70002903	1	Gasket	
7	70002904	1	Kit, Replacement Bolt	
7	70002905	1	Cover	

Go to Discount-Equipment.com to order your parts

# SECTION 5 - PLATFORM

## FIGURE 5-31. TRAY INSTALLATION



ART\_1580012

## SECTION 5 - PLATFORM

### FIGURE 5-31. TRAY INSTALLATION

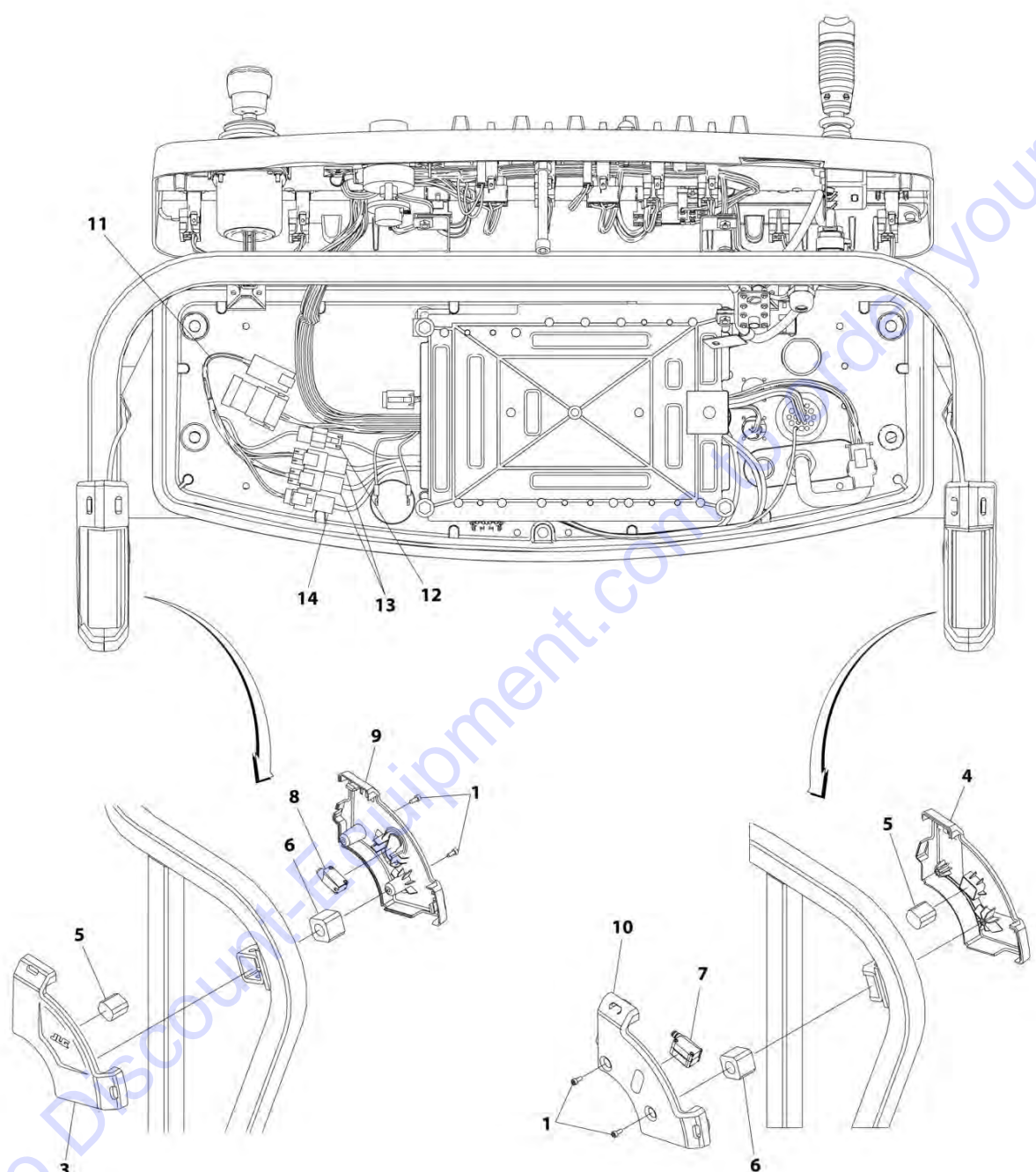
ITEM	PART NUMBER	QTY	DESCRIPTION	REV
	1580012	Ref	TRAY INSTALLATION	C
1	See Note	1	Tray, Storage (Center) (Note: Purchase p/n 1580012)	
2	0641406	2	Bolt 1/4 x 3/4	
3	4751400	2	Washer 1/4	
4	4761400	2	Washer 1/4	

Go to Discount-Equipment.com to order your parts



# SECTION 5 - PLATFORM

## FIGURE 5-32. SKYEYE INSTALLATION



ART\_1001229341

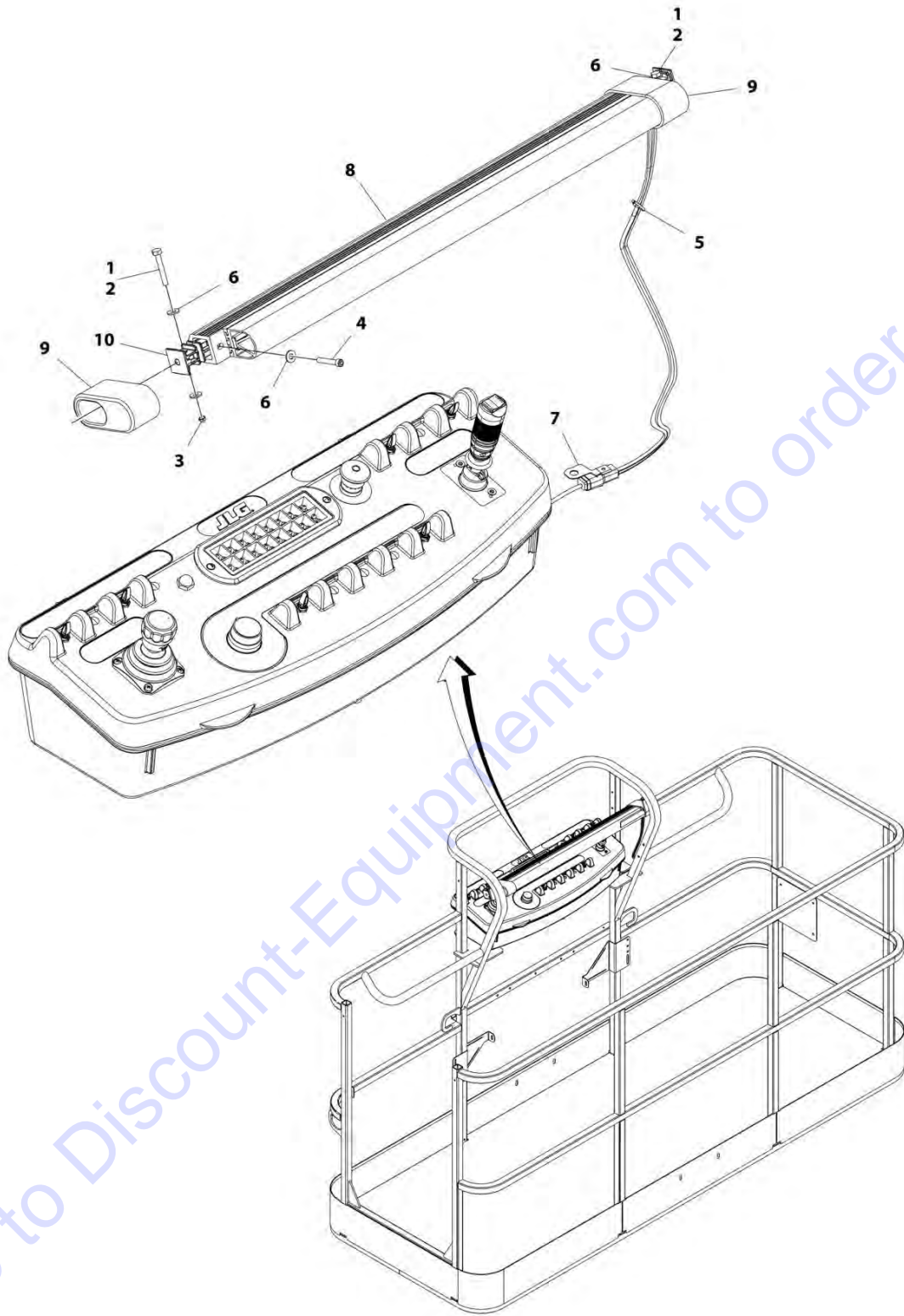
## SECTION 5 - PLATFORM

**FIGURE 5-32. SKYEYE INSTALLATION**

ITEM	PART NUMBER	QTY	DESCRIPTION	REV
	1001229341	Ref	SKYEYE INSTALLATION	A
1	4031505	4	Bolt M4 x 10	
2	4240033	AR	Tie-Strap (Not Shown)	
3	1001227633	1	Housing, LH Outer	
4	1001227634	1	Housing, RH Outer	
5	1001227985	2	Shim	
6	1001227987	2	Shim	
7	1001228224	2	Sensor, Receiver	
8	1001228225	1	Sensor, Emitter	
9	1001232164	1	Housing, LH Inner	
10	1001232165	1	Housing, RH Inner	
11	1001237865	1	Harness, Skyeye Intermediate (See Separate Breakdown in ELECTRICAL SECTION)	
12	1001238319	1	Harness, Skyeye Drain Jumper	
12	1001187674	1	Plug, Male - 2 Position	
12	4460942	1	Terminal	
12	4460466	1	Plug, Terminal	
12	4460508	1	Pin, Male	
13	1001237863	2	Harness, Skyeye Receiver (See Separate Breakdown in ELECTRICAL SECTION)	
14	1001237864	1	Harness, Skyeye Emitter (See Separate Breakdown in ELECTRICAL SECTION)	

# SECTION 5 - PLATFORM

FIGURE 5-33. SKYGUARD SYSTEM INSTALLATION (SN 0300209000 through 0300256996)



Go to Discount-Equipment.com to order your parts

ART\_1001187508

## SECTION 5 - PLATFORM

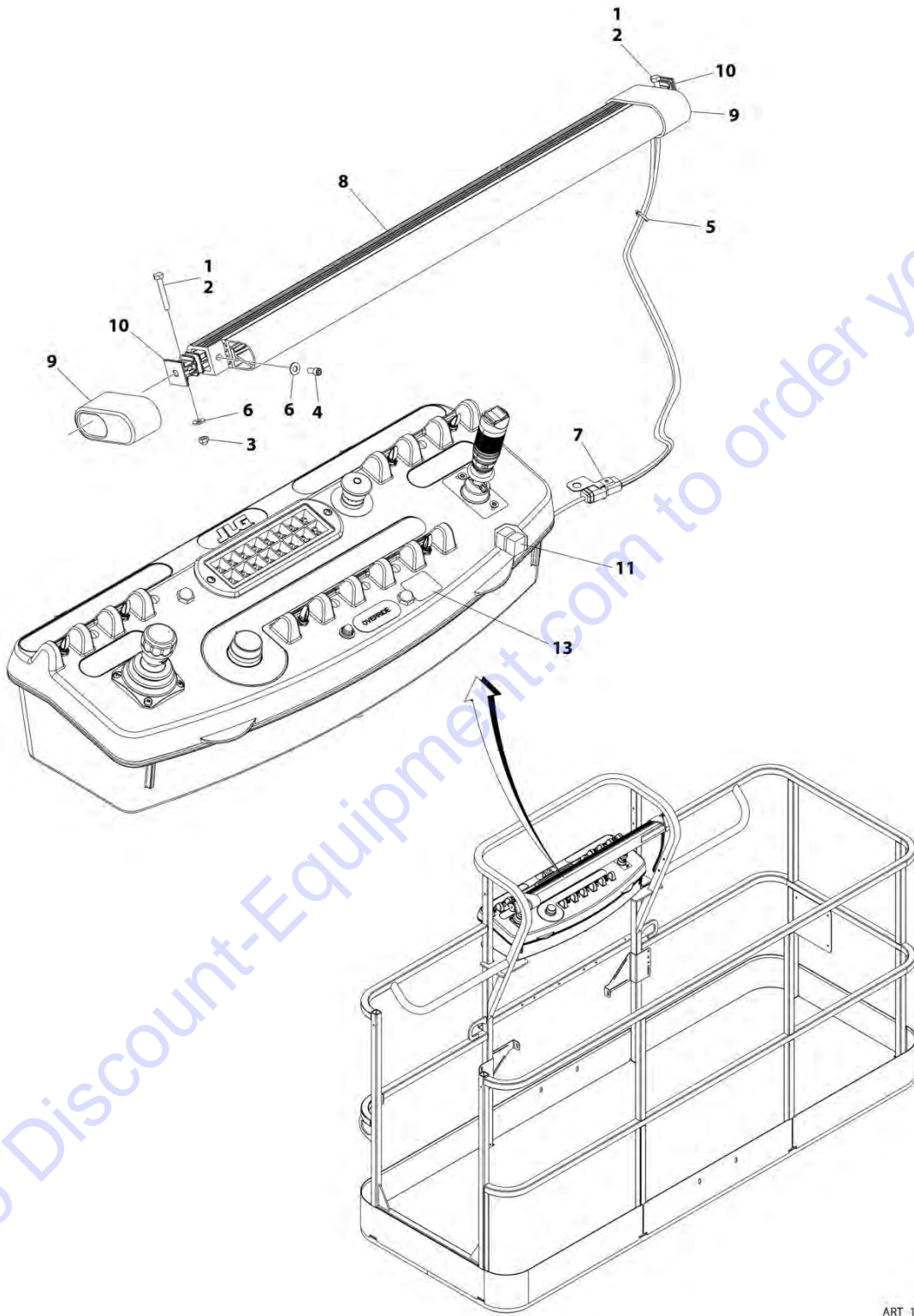
**FIGURE 5-33. SKYGUARD SYSTEM INSTALLATION (SN 0300209000 through 0300256996)**

ITEM	PART NUMBER	QTY	DESCRIPTION	REV
	1001187508	Ref	SKYGUARD SYSTEM INSTALLATION	C
1	0100011	AR	Compound, Locking	
2	0641414	2	Bolt 1/4 x 1-3/4	
3	3300430	2	Nut 1/4	
4	3931424	2	Capscrew 1/4 x 1-1/2	
5	4240033	AR	Tie-Strap	
6	4711400	AR	Washer 1/4	
7	1001120328	1	Mount	
8	1001137673	1	Switch, SkyGuard Assembly	
9	1001186517	2	Cover, Platform Sensor	
10	1001188889	2	Support, Block <b>(SN 0300209000 through 0300244704)</b>	
10	1001209664	2	Support, Block <b>(SN 030024705 through 0300256996)</b>	

Go to Discount-Equipment.com to order your parts

# SECTION 5 - PLATFORM

FIGURE 5-34. SKYGUARD BAR INSTALLATION (SN 0300256997 to Present)



ART\_1001238495

## SECTION 5 - PLATFORM

**FIGURE 5-34. SKYGUARD BAR INSTALLATION (SN 0300256997 to Present)**

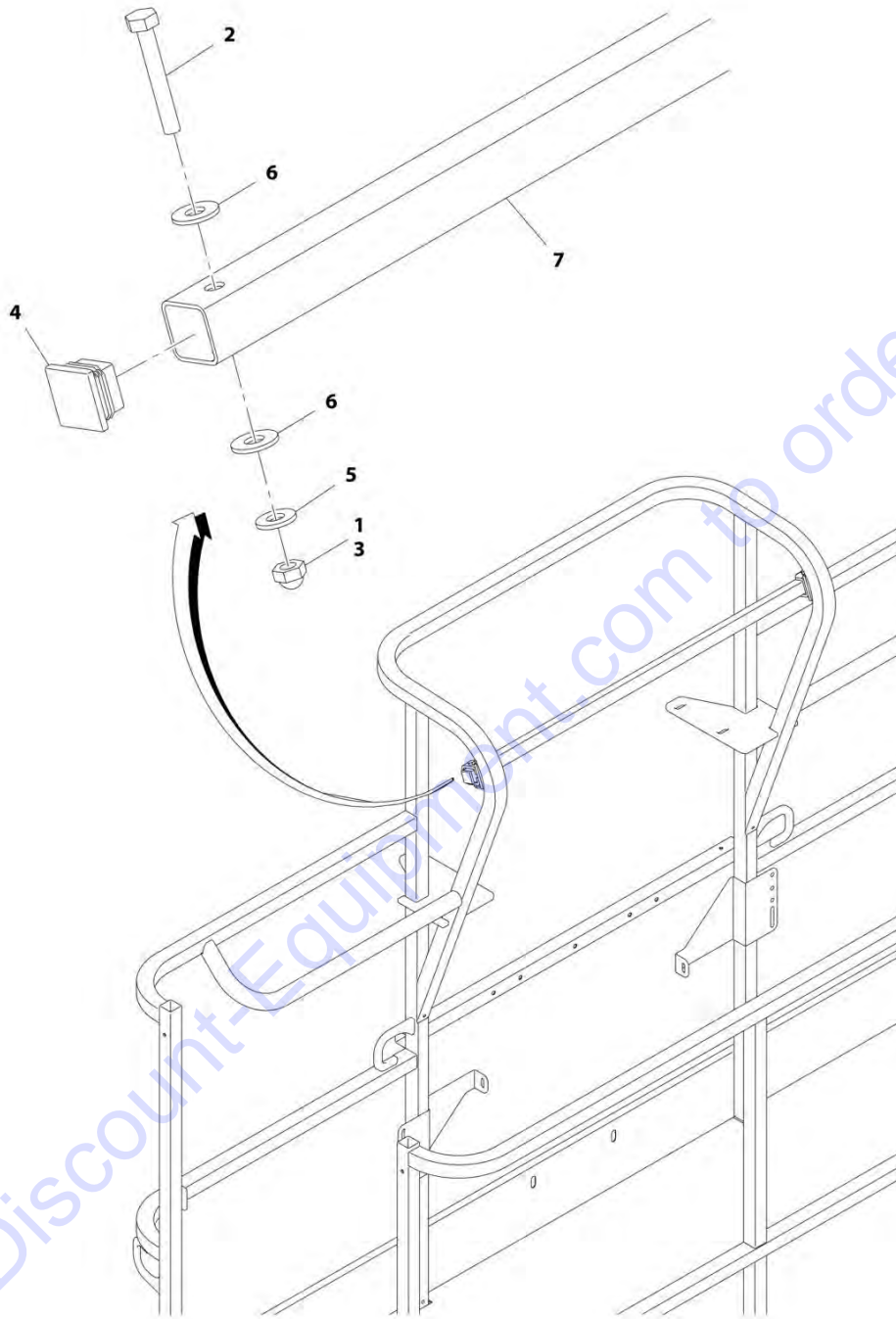
ITEM	PART NUMBER	QTY	DESCRIPTION	REV
	1001238495	Ref	SKYGUARD BAR INSTALLATION	A
1	0100011	AR	Compound, Locking	
2	0641414	2	Bolt 1/4 x 1-3/4	
3	3300430	2	Nut 1/4	
4	3931408	2	Capscrew 1/4 x 1/2	
5	4240033	8	Tie-Strap	
6	4711400	6	Washer 1/4	
7	1001120328	1	Mount	
8	1001137673	1	SkyGuard Switch Assembly	
9	1001186517	2	Cover, Platform Sensor	
10	1001209664	2	Support, Block	
11	1001186431	2	Relay	
12	1001225580	1	Interface Harness Assembly (Not Shown - Located Inside Console Box) (See ELECTRICAL SECTION for Breakdown)	
13	1001144433	1	Decal - No Weight SkyGuard	

Go to Discount-Equipment.com to order your parts



# SECTION 5 - PLATFORM

## FIGURE 5-35. CROSS RAIL INSTALLATION



ART\_1001182138



## SECTION 5 - PLATFORM

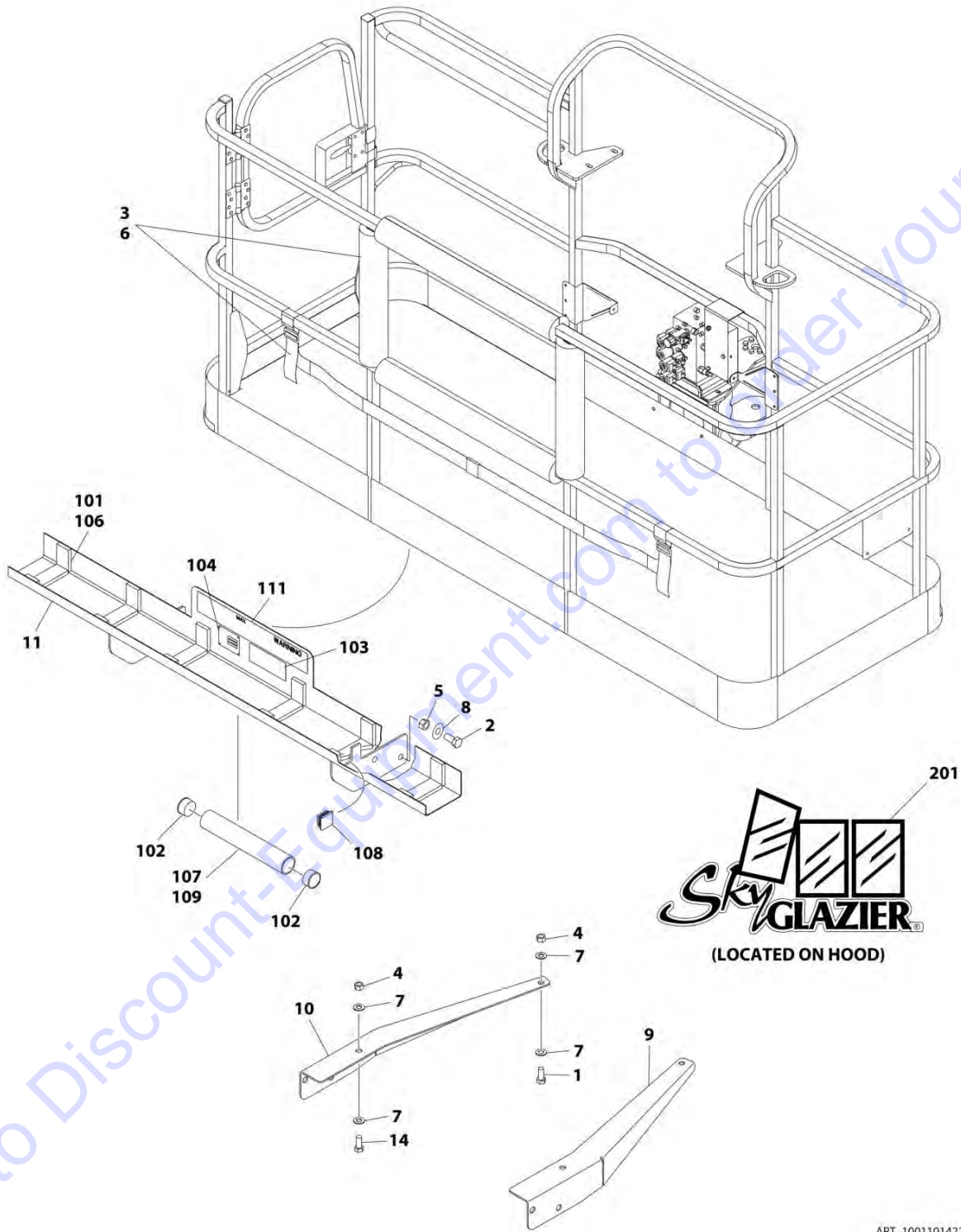
### FIGURE 5-35. CROSS RAIL INSTALLATION

ITEM	PART NUMBER	QTY	DESCRIPTION	REV
	1001182138	Ref	CROSS RAIL INSTALLATION	A
1	0100071	AR	Compound, Locking	
2	0641414	2	Bolt 1/4 x 1-3/4	
3	3300430	2	Nut 1/4	
4	3520182	2	Plug	
5	4711400	2	Washer 1/4	
6	4751400	4	Washer 1/4	
7	1001191708	1	Bar	

Go to Discount-Equipment.com to order your parts

# SECTION 5 - PLATFORM

## FIGURE 5-36. SKYGLAZIER INSTALLATIONS (ANSI AND CSA SPECS)



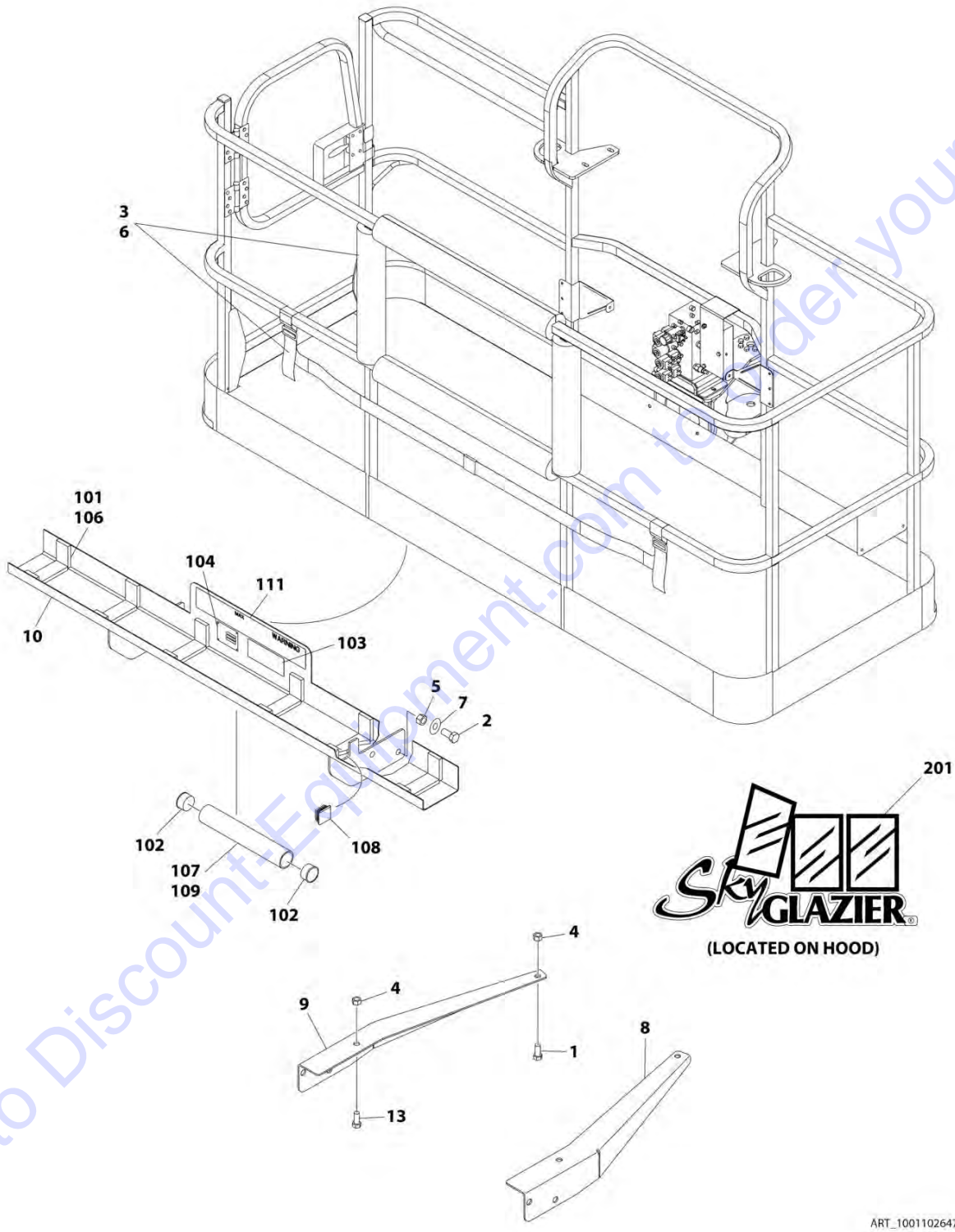
## SECTION 5 - PLATFORM

**FIGURE 5-36. SKYGLAZIER INSTALLATIONS (ANSI AND CSA SPECS)**

ITEM	PART NUMBER	QTY	DESCRIPTION	REV
		Ref	SKYGLAZIER INSTALLATIONS (ANSI AND CSA SPECS)	
	1001101422	Ref	ANSI and CSA Specs	C
	1001101422	Ref	Australian Specs <b>(SN 0300234294 to Present)</b>	C
1	0642012	2	Bolt 5/8 x 1-1/2	
2	0642212	4	Bolt 3/4 x 1-1/2	
3	2902212	1	Bumpers and Strap Kit	
3	0940102	1	Bumper Only	
3	4240149	1	Strap Only	
4	3312005	4	Nut 5/8	
5	3312205	4	Nut 3/4	
6	4420014	AR	Tape	
7	4712000	6	Washer 5/8	
8	4712200	8	Washer 3/4	
9	1001099366	1	Support	
10	1001099367	1	Support	
11	1001101421	1	Tray Assembly (See Items 101-111 for Breakdown)	
14	8310129	2	Bolt 3/4 x 2-1/2	
	1001101421	Ref	TRAY ASSEMBLY	E
101	0100081	AR	Adhesive	
102	1120555	2	Cap, Tube	
103	1701509	1	Decal - Manual	
104	See Note	NSS	Nameplate - Serial Number (Note: Not Available for Purchase)	
106	3340956	1	Pad Kit	
107	3460334	1	Tube	
108	3520071	2	Plug	
109	4420066	AR	Tape, Double Sided	
111	1001163131	2	Decal - Glazier Capacity	
	0272418	Ref	SKYGLAZIER DECAL INSTALLATION	4
201	1705358	2	Decal - SkyGlazier	

# SECTION 5 - PLATFORM

FIGURE 5-37. SKYGLAZIER INSTALLATION (AUSTRALIAN SPECS) (SN 0300209000 through 0300234293)



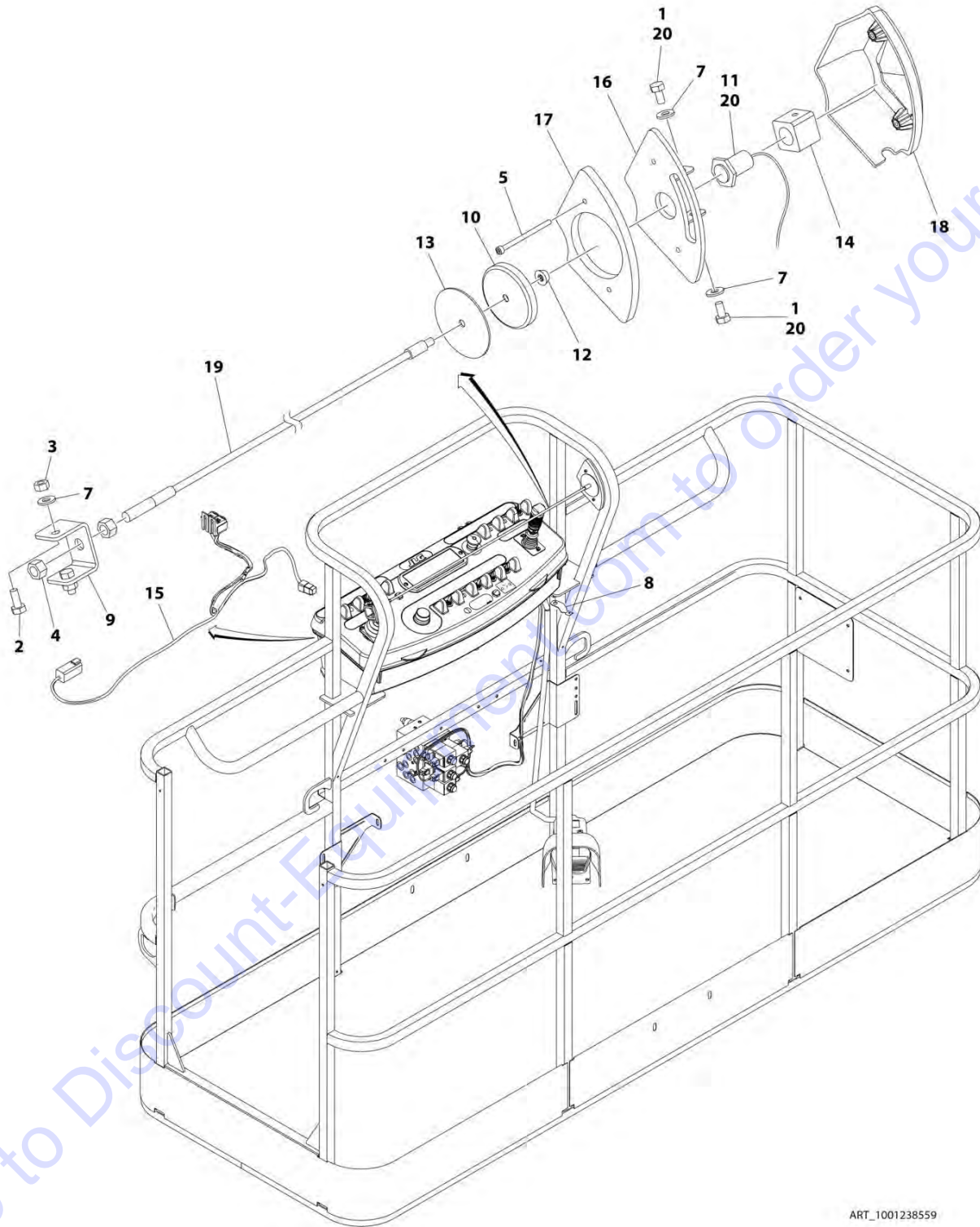
## SECTION 5 - PLATFORM

**FIGURE 5-37. SKYGLAZIER INSTALLATION (AUSTRALIAN SPECS) (SN 0300209000 through 0300234293)**

ITEM	PART NUMBER	QTY	DESCRIPTION	REV
	1001102647	Ref	SKYGLAZIER INSTALLATION (AUSTRALIAN SPECS) (SN 0300209000 through 0300234293)	C
1	0642026	2	Bolt 5/8 x 3-1/4	
2	0642212	4	Bolt 3/4 x 1-1/2	
3	2902212	1	Bumpers and Strap Kit	
3	0940102	1	Bumper Only	
3	4240149	1	Strap Only	
4	3312005	4	Nut 5/8	
5	3312205	4	Nut 3/4	
6	4420014	AR	Tape	
7	4712200	8	Washer 3/4	
8	1001099366	1	Support	
9	1001099367	1	Support	
10	1001101421	1	Tray Assembly (See Items 101-111 for Breakdown)	
13	8310230	2	Bolt 5/8 x 4	
	1001101421	Ref	TRAY ASSEMBLY	E
101	0100081	AR	Adhesive	
102	1120555	2	Cap, Tube	
103	1701509	1	Decal - Manual	
104	See Note	NSS	Nameplate - Serial Number (Note: Not Available for Purchase)	
106	3340956	1	Pad Kit	
107	3460334	1	Tube	
108	3520071	2	Plug	
101	4420066	AR	Tape, Double Sided	
111	1001163131	2	Decal - Glazier Capacity	
	0272418	Ref	SKYGLAZIER DECAL INSTALLATION	4
201	1705358	2	Decal - SkyGlazier	

# SECTION 5 - PLATFORM

## FIGURE 5-38. SKYLINE INSTALLATION



ART\_1001238559

## SECTION 5 - PLATFORM

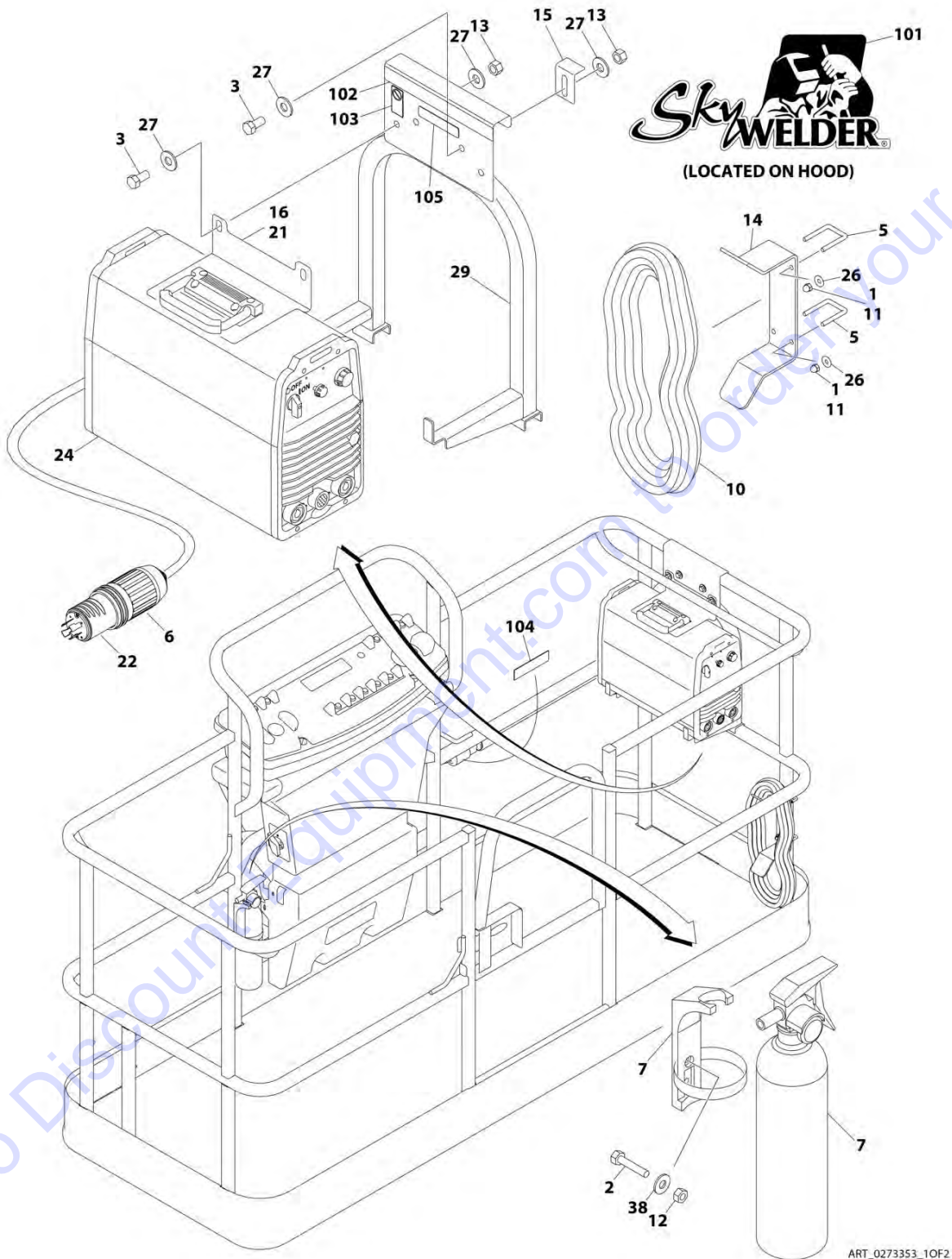
**FIGURE 5-38. SKYLINE INSTALLATION**

ITEM	PART NUMBER	QTY	DESCRIPTION	REV
	1001238559	Ref	SKYLINE INSTALLATION	B
1	0641404	2	Bolt 1/4 x 1/2	
2	0641405	2	Bolt 1/4 x 5/8	
3	3311405	2	Nut 1/4	
4	3311601	2	Nut 3/8	
5	4031516	2	Capscrew M4 x 60	
6	4240033	AR	Tie-Strap (Not Shown)	
7	4711400	4	Washer 1/4	
8	1001120328	1	Mount	
9	1001232642	1	Bracket	
10	1001232650	1	Magnet	
11	1001232667	1	Sensor, Proximity	
12	1001235011	1	Nut	
13	1001235013	1	Washer	
14	1001236552	1	Block	
15	1001238418	1	Harness, Skyline (See Separate Breakdown in ELECTRICAL SECTION)	
16	1001238472	1	Mount	
17	1001238477	1	Housing, LH	
18	1001241965	1	Housing, RH	
19	1001238824	1	Rope	
20	0100011	AR	Compound, Locking	

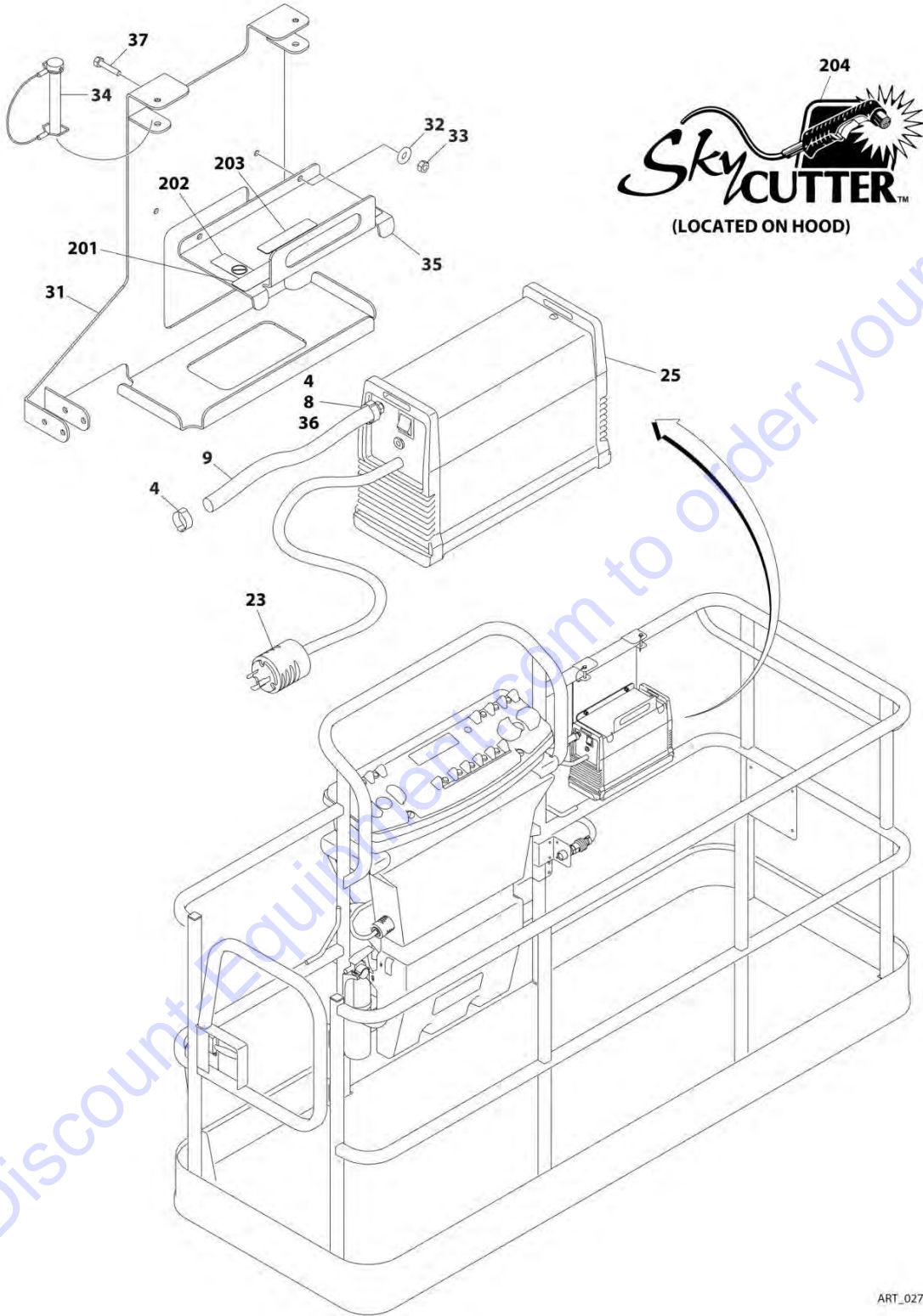


# SECTION 5 - PLATFORM

## FIGURE 5-39. SKYWELDER/SKYCUTTER COMBO INSTALLATION (60HZ)



# SECTION 5 - PLATFORM



Go to DiscountEquipment.com to order your parts

ART\_0273353\_20F2

## SECTION 5 - PLATFORM

FIGURE 5-39. SKYWELDER/SKYCUTTER COMBO INSTALLATION (60HZ)

ITEM	PART NUMBER	QTY	DESCRIPTION	REV
	0273353	Ref	SKYWELDER/SKYCUTTER COMBO INSTALLATION (60HZ)	G
		Ref	Note: ANSI, ANSI Export and CSA Spec Only.	
1	0100011	AR	Compound, Locking	
2	0630518	2	Screw #10 x 3/4	
3	0641606	4	Bolt 3/8 x 3/4	
4	1320177	2	Clamp	
5	1320302	2	Clamp	
6	1671093	1	Cover, Plug	
7	2030010	1	Extinguisher, Fire	
8	2180832	1	Fitting, Barbed/NPT	
9	2720160	4.5 ft /1.4m	Hose	
10	2902217	1	Weld Leads Kit	
11	3300151	4	Nut 1/4	
12	3311005	2	Nut #10	
13	3311605	4	Nut 3/8	
14	3573400	1	Bracket	
15	3577121	2	Angle	
16	3573642	1	Plate	
20	4240099	AR	Tie-Strap (Not Shown)	
21	4420037	2.4 ft / .7m	Tape	
22	4460962	1	Plug, Twist Lock	
23	4460971	1	Plug, Twist Lock	
24	4530028	1	Welder Assembly (See WELDER ASSEMBLY for Breakdown)	
25	1001098012	1	Plasma Cutter Assembly (See PLASMA CUTTER ASSEMBLY for Breakdown)	
26	4751400	4	Washer 1/4	
27	4751600	8	Washer 3/8	
29	4846627	1	Support	
31	1001145405	1	Bracket	
32	4811700	2	Washer M6	
33	3290605	2	Nut M6	
34	3421453	3	Pin	
35	3576799	1	Plate, Hold-Down	
36	0100020	1	Sealant	
37	4010608	2	Screw M6 x 16	
38	4751000	2	Washer #10	
	0272448	Ref	SKYWELDER DECAL INSTALLATION	B
101	1705355	2	Decal - SkyWelder	
102	1702868	1	Decal - No Hands	
103	1705305	1	Decal - Weld Leads	
104	1705375	1	Decal - 240V - 3 Phase - 60Hz	
105	1705466	NLA	Decal - Weight (Use p/n 1001228988) (SN 0300209000 through 0300234293)	
105	1001228988	1	Decal - Weight (SN 0300234294 to Present)	
	0272599	Ref	SKYCUTTER DECAL INSTALLATION	B
201	1702868	1	Decal - No Hands	
202	1705305	1	Decal - Weld Leads	
203	1705466	NLA	Decal - Weight (Use p/n 1001228988) (SN 0300209000 through 0300234293)	

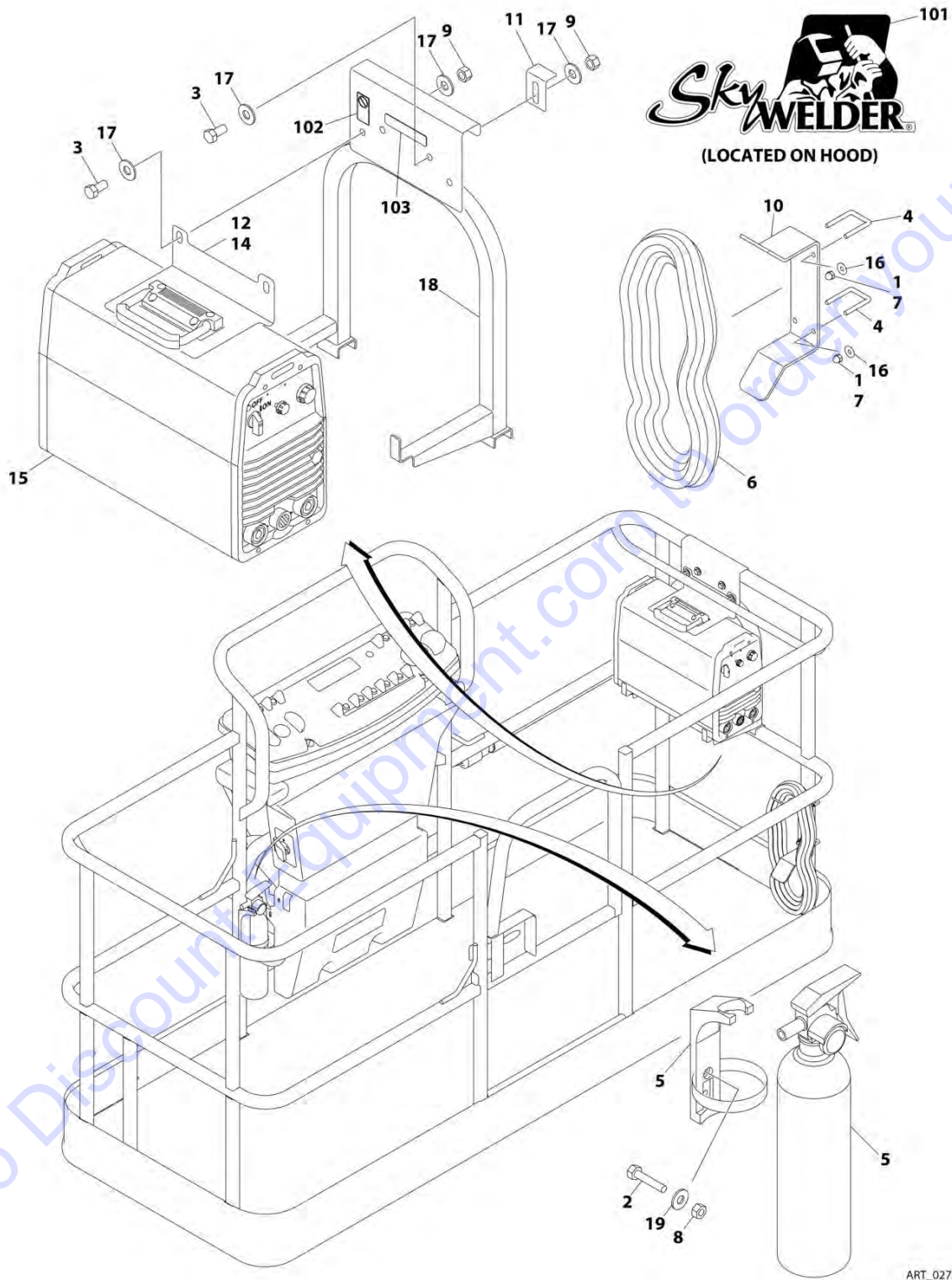
## SECTION 5 - PLATFORM

ITEM	PART NUMBER	QTY	DESCRIPTION	REV
203	1001228988	1	Decal - Weight (SN 0300234294 to Present)	
204	1705490	2	Decal - SkyCutter	

Go to [Discount-Equipment.com](http://Discount-Equipment.com) to order your parts

# SECTION 5 - PLATFORM

## FIGURE 5-40. SKYWELDER INSTALLATION (50HZ)





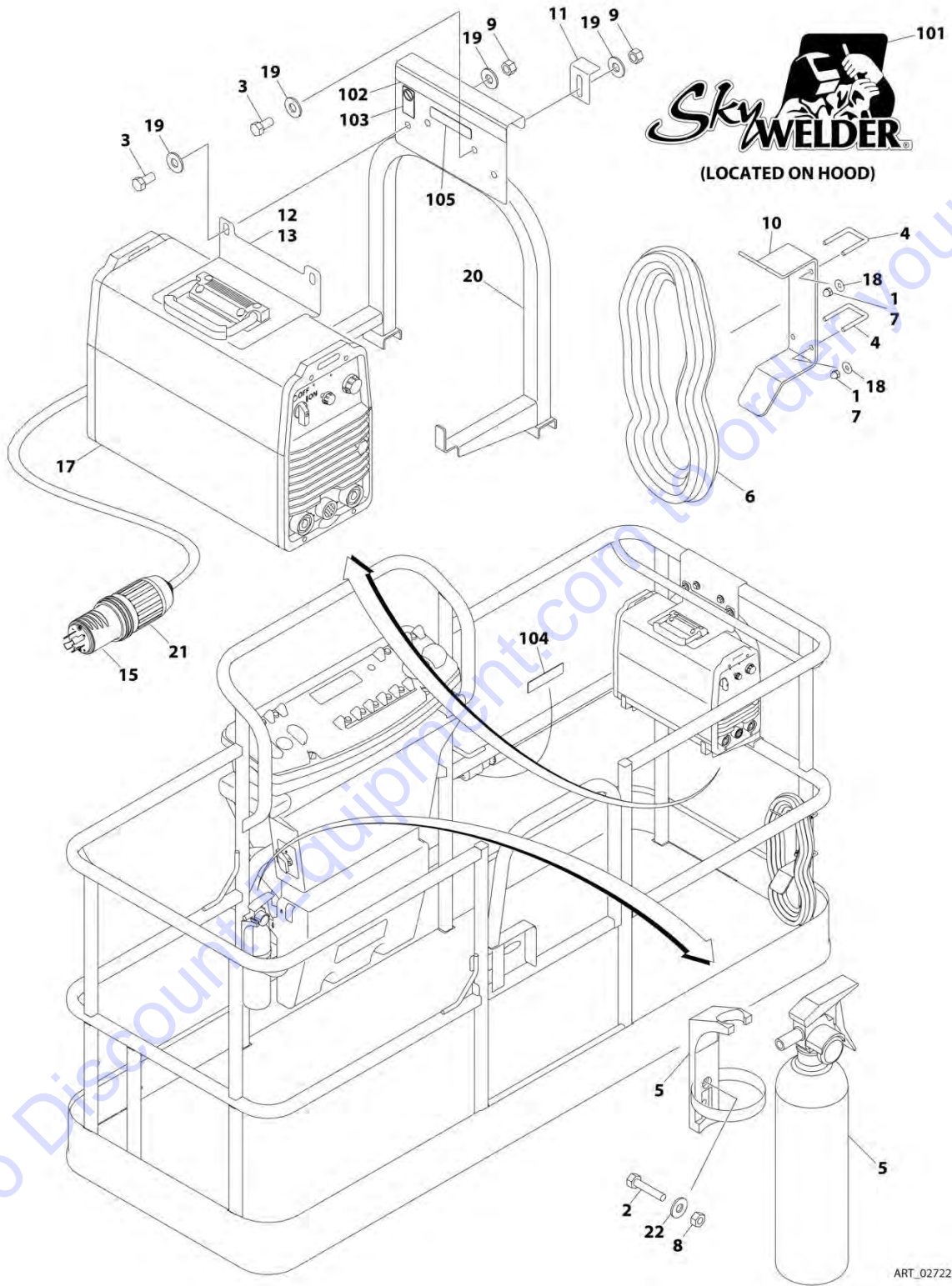
## SECTION 5 - PLATFORM

**FIGURE 5-40. SKYWELDER INSTALLATION (50HZ)**

ITEM	PART NUMBER	QTY	DESCRIPTION	REV
	0272521	Ref	SKYWELDER INSTALLATION (50HZ)	F
		Ref	Note: Australian, CE and Japanese Specs Only.	
1	0100011	AR	Compound, Locking	
2	0630518	2	Screw #10 x 3/4	
3	0641606	4	Bolt 3/8 x 3/4	
4	1320302	2	U-Clamp	
5	2030010	1	Extinguisher, Fire	
6	2902217	1	Weld Leads Kit	
7	3300151	4	Nut 1/4	
8	3311005	2	Nut #10	
9	3311605	4	Nut 3/8	
10	3573400	1	Bracket	
11	3577121	2	Angle	
12	3573642	1	Plate	
13	4240099	AR	Tie-Strap (Not Shown)	
14	4420037	AR	Tape	
15	4530028	1	Welder Assembly (See WELDER ASSEMBLY for Breakdown)	
16	4751400	4	Washer 1/4	
17	4751600	8	Washer 3/8	
18	4846627	1	Support	
19	4751000	2	Washer #10	
	0272588	Ref	SKYWELDER DECAL INSTALLATION	B
101	1705355	2	Decal - SkyWelder	
102	1705305	1	Decal - Weld Lead	
103	1705466	NLA	Decal - Weight (Use p/n 1001228988) <b>(SN 0300209000 through 0300234293)</b>	
103	1001228988	1	Decal - Weight <b>(SN 0300234294 to Present)</b>	

# SECTION 5 - PLATFORM

## FIGURE 5-41. SKYWELDER INSTALLATION (60HZ)





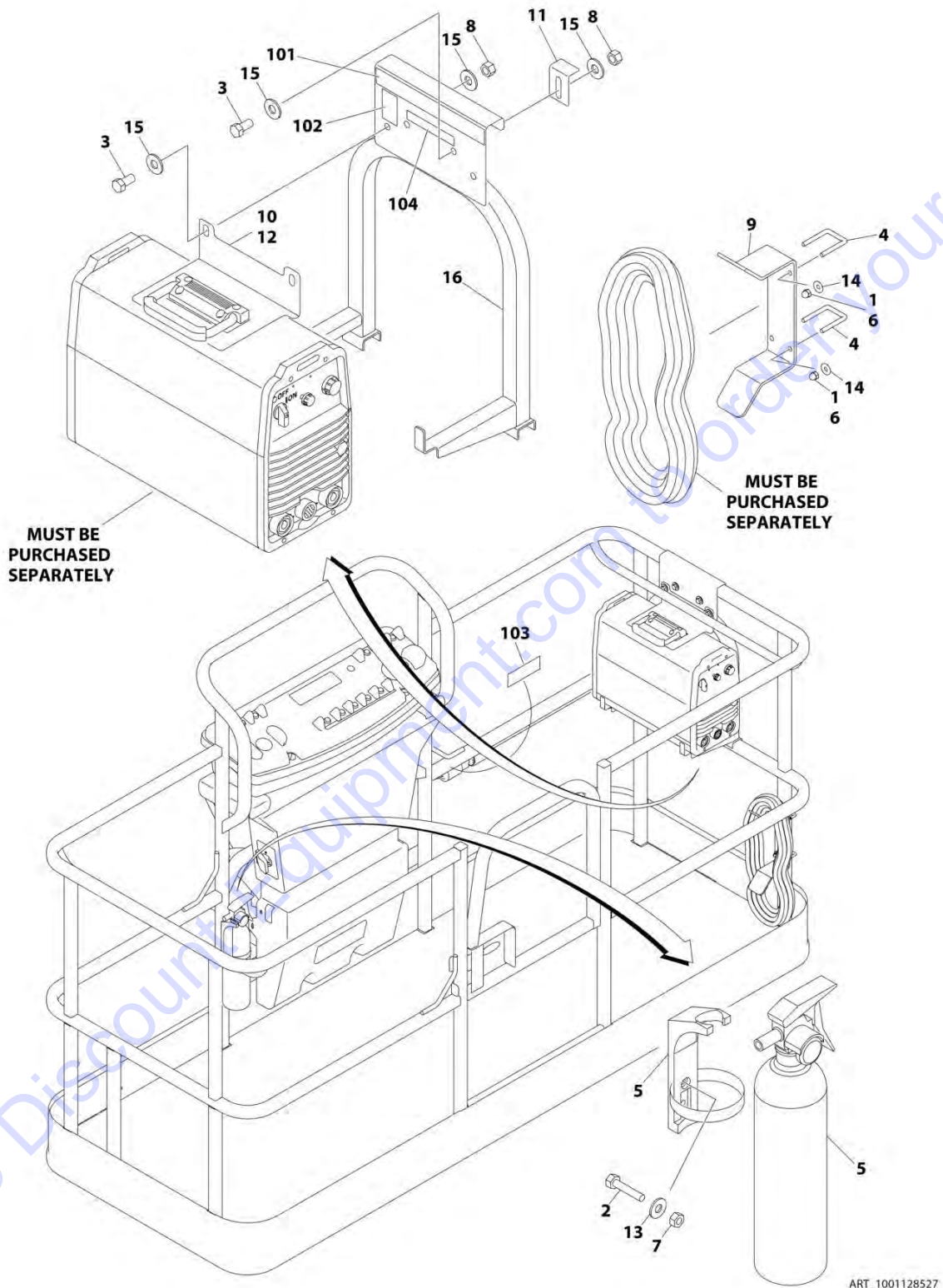
## SECTION 5 - PLATFORM

**FIGURE 5-41. SKYWELDER INSTALLATION (60HZ)**

ITEM	PART NUMBER	QTY	DESCRIPTION	REV
	0272254	Ref	SKYWELDER INSTALLATION (60HZ)	I
		Ref	Note: ANSI, ANSI Export and CSA Specs Only.	
1	0100011	AR	Compound, Locking	
2	0630518	2	Screw #10 x 3/4	
3	0641606	4	Bolt 3/8 x 3/4	
4	1320302	2	U-Clamp	
5	2030010	1	Extinguisher, Fire	
6	2902217	1	Weld Leads Kit	
7	3300151	4	Nut 1/4	
8	3311005	2	Nut #10	
9	3311605	4	Nut 3/8	
10	3573400	1	Bracket	
11	3577121	2	Angle	
12	3573642	1	Plate	
13	4420037	AR	Tape	
14	4240099	AR	Tie-Strap (Not Shown)	
15	4460962	1	Plug, Male Twistlock	
17	4530028	1	Welder Assembly (See WELDER ASSEMBLY for Breakdown)	
18	4751400	4	Washer 1/4	
19	4751600	8	Washer 3/8	
20	4846627	1	Support	
21	1671093	1	Cover, Plug	
22	4751000	2	Washer #10	
	0272448	Ref	SKYWELDER DECAL INSTALLATION	B
101	1705355	2	Decal - SkyWelder	
102	1702868	1	Decal - No Hands	
103	1705305	1	Decal - Weld Lead	
104	1705375	1	Decal - 240V - 3 Phase - 60Hz	
105	1705466	NLA	Decal - Weight (Use p/n 1001228988) (SN 0300209000 through 0300234293)	
105	1001228988	1	Decal - Weight (SN 0300234294 to Present)	

# SECTION 5 - PLATFORM

## FIGURE 5-42. SKYWELDER PREP PACKAGE (60HZ)



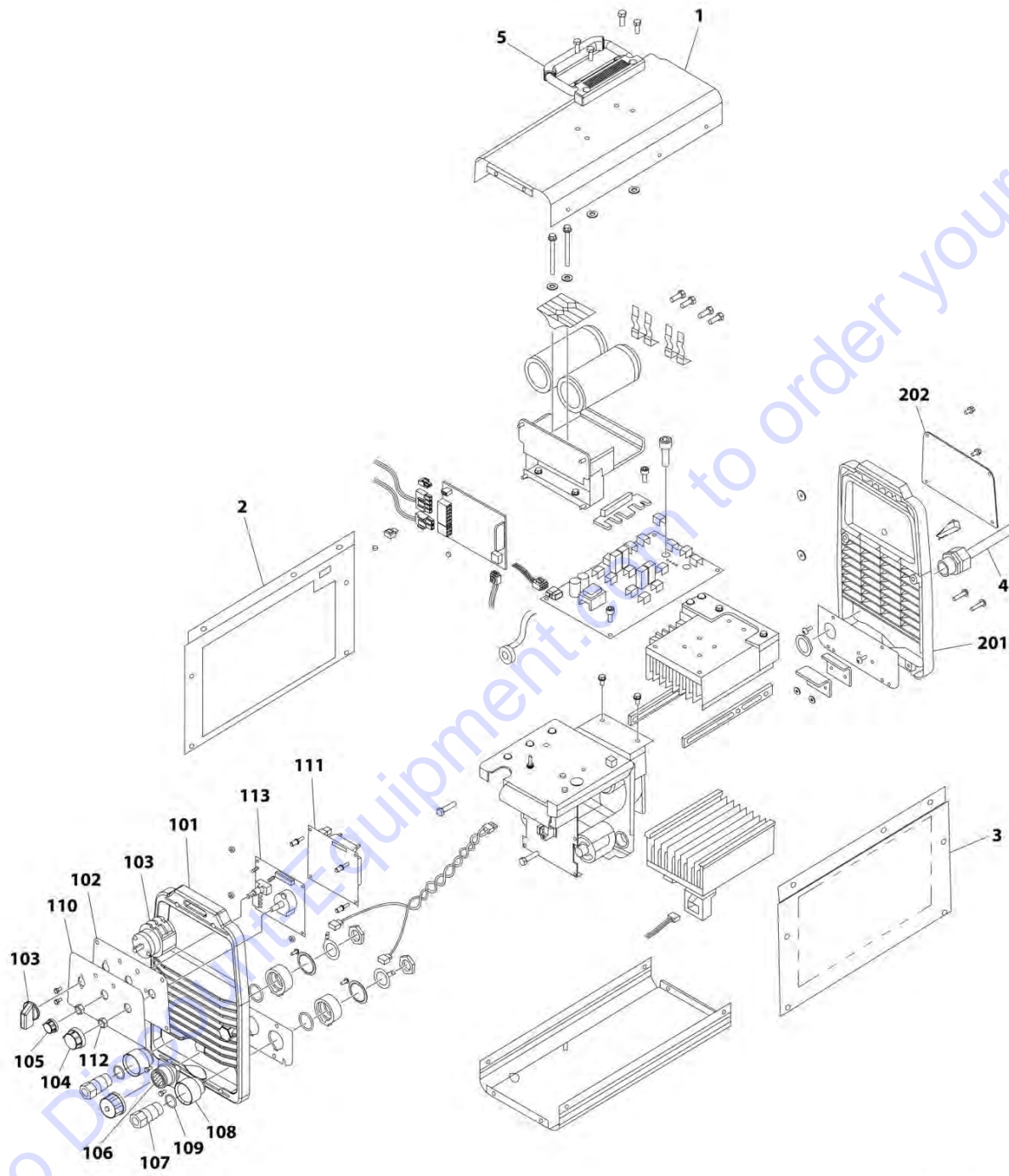
## SECTION 5 - PLATFORM

**FIGURE 5-42. SKYWELDER PREP PACKAGE (60HZ)**

ITEM	PART NUMBER	QTY	DESCRIPTION	REV
	1001128527	Ref	SKYWELDER PREP PACKAGE (60HZ)	B
		Ref	Note: ANSI, ANSI Export and CSA Specs Only.	
1	0100011	AR	Compound, Locking	
2	0630518	2	Screw #10 x 3/4	
3	0641606	4	Bolt 3/8 x 3/4	
4	1320302	2	U-Clamp	
5	2030010	1	Extinguisher, Fire	
6	3300151	4	Nut 1/4	
7	3311005	2	Nut #10	
8	3311605	4	Nut 3/8	
9	3573400	1	Bracket	
10	3573642	1	Plate	
11	3577121	2	Angle	
12	4420037	AR	Tape	
13	4751000	2	Washer #10	
14	4751400	4	Washer 1/4	
15	4751600	8	Washer 3/8	
16	4846627	1	Support	
	1001128556	Ref	SKYWELDER DECAL INSTALLATION	B
101	1702868	1	Decal - No Hands	
102	1705305	1	Decal - Weld Lead	
103	1705375	1	Decal - 240V - 3 Phase - 60Hz	
104	1705466	1	Decal - Weight (Use p/n 1001228988) <b>(SN 0300209000 through 0300234293)</b>	
104	1001228988	1	Decal - Weight <b>(SN 0300234294 to Present)</b>	

# SECTION 5 - PLATFORM

## FIGURE 5-43. WELDER ASSEMBLY



ART\_4530028

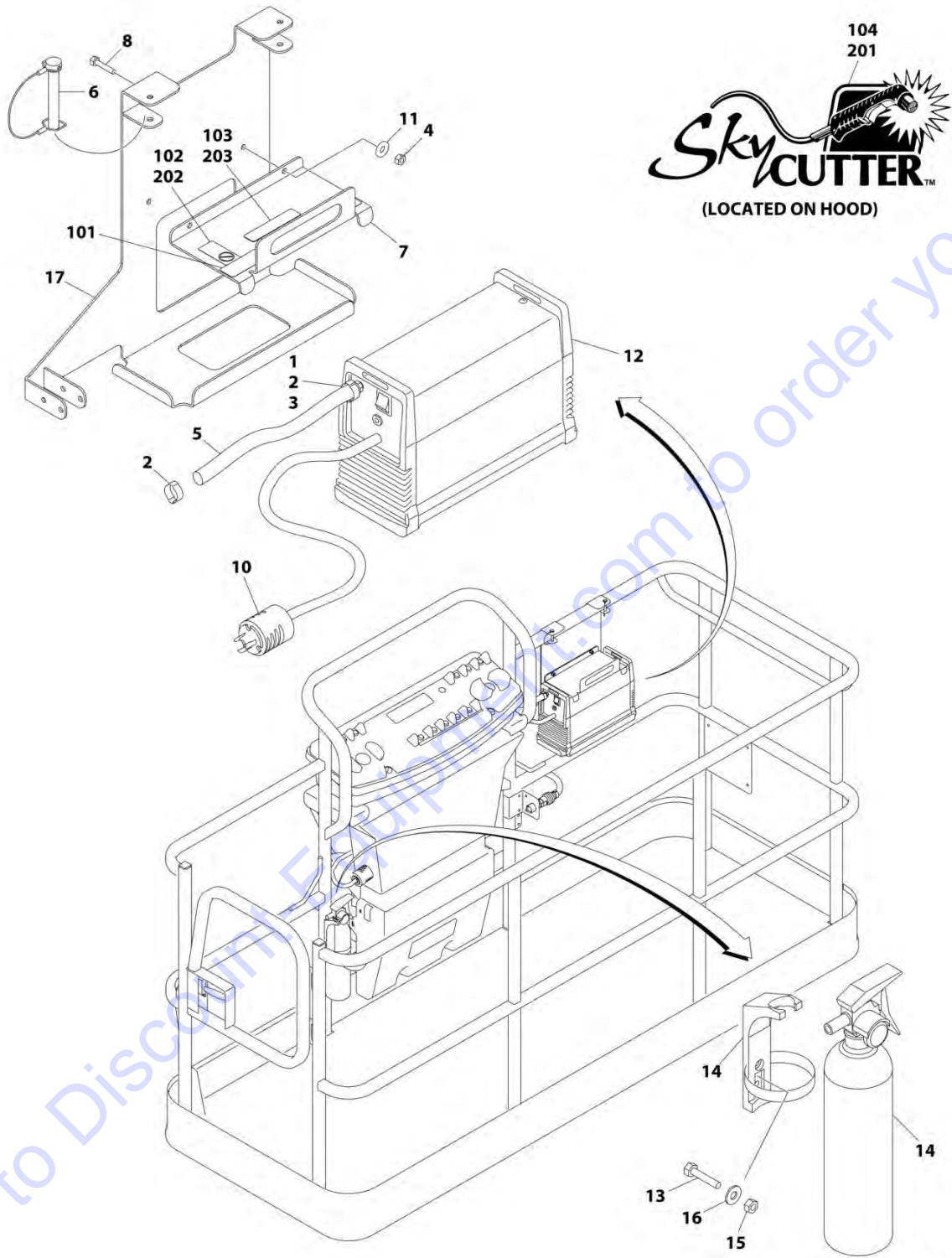
## SECTION 5 - PLATFORM

**FIGURE 5-43. WELDER ASSEMBLY**

ITEM	PART NUMBER	QTY	DESCRIPTION	REV
	4530028	Ref	WELDER ASSEMBLY	B
		Ref	Note: For Other Components, contact your Miller Welder Dealer.	
1	7027773	1	Cover, Top	
1	7027774	1	Decal - Static Precautionary Warning	
2	See Note	NSS	Panel, LH Side (Note: Part of Item 1. Purchase Item 1)	
3	See Note	NSS	Panel, RH Side (Note: Part of Item 1. Purchase Item 1)	
4	7024467	1	Cable, Power	
4	7027775	1	Decal - Electrical Shock Warning (Not Shown)	
5	7027776	1	Handle, Carrying	
101	7024462	1	Panel, Front	
102	7024463	1	Panel, Console	
103	7024469	1	Switch with Lead	
104	7024470	1	Knob	
105	7024471	1	Knob	
106	7024472	1	Receptacle with Leads and Plugs	
107	7024473	2	Receptacle, Twistlock Female	
108	7024474	2	Insulator	
109	7024475	1	O-Ring	
110	7027777	1	Nameplate	
111	7027779	1	Circuit Card Assembly (Process Control)	
112	7024478	2	Nut	
113	7027778	1	Circuit Card Assembly (Operator Interface)	
201	7024462	1	Panel, Rear	
202	7027780	1	Panel, Cover	

# SECTION 5 - PLATFORM

## FIGURE 5-44. SKYCUTTER INSTALLATION



ART\_1001098149



## SECTION 5 - PLATFORM

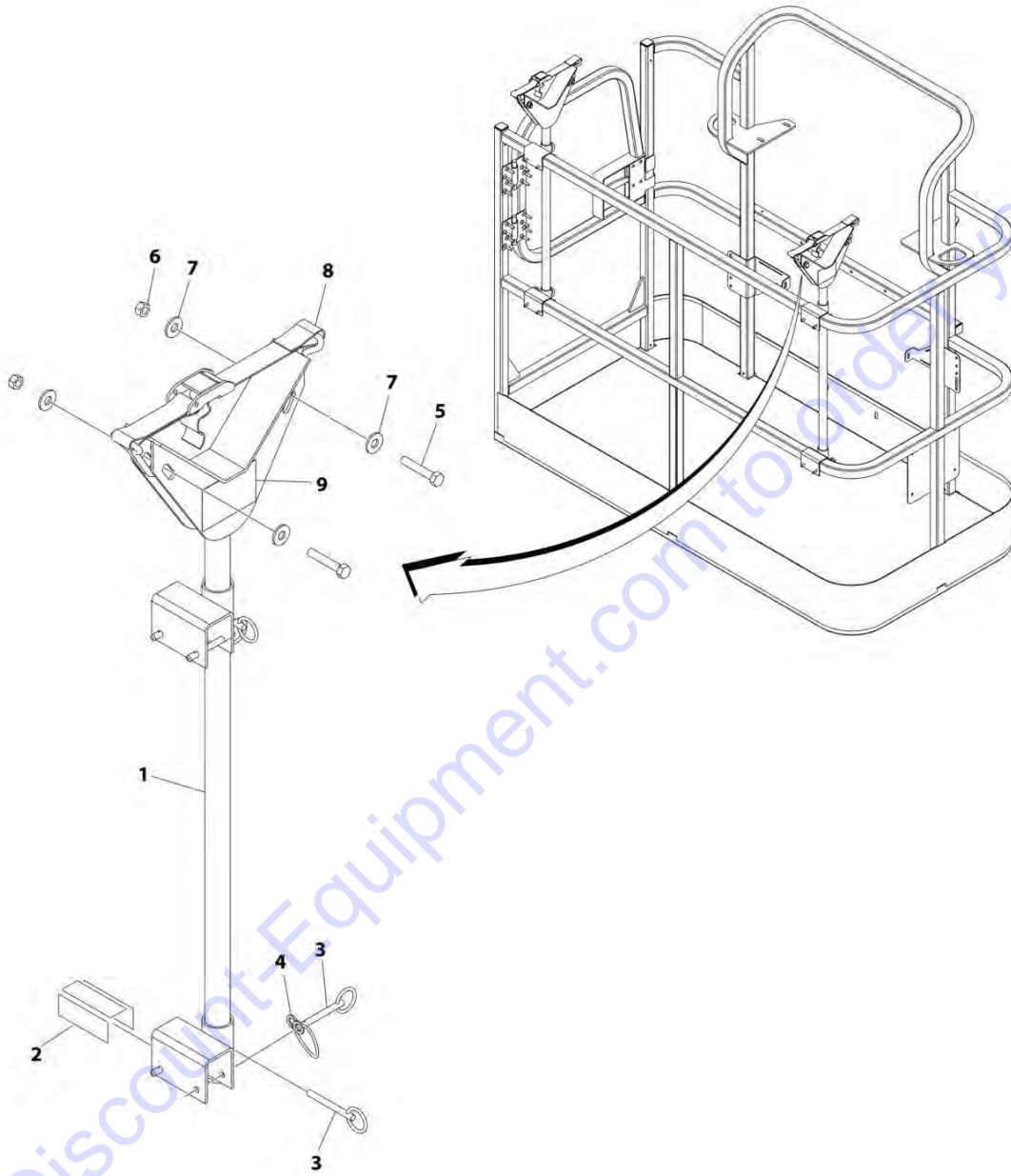
**FIGURE 5-44. SKYCUTTER INSTALLATION**

ITEM	PART NUMBER	QTY	DESCRIPTION	REV
	1001098149	Ref	SKYCUTTER INSTALLATION	D
		Ref	Note: ANSI, ANSI Export, CSA and Japanese Specs Only.	
		Ref	Note: When replacing platform on machines with SkyCutter option, new bracket p/n 1001145405 must be purchased to accommodate SkyCutter components.	
1	0100020	AR	Sealant	
2	1320177	2	Clamp, Hose	
3	2180832	1	Fitting, NPT/Barbed	
4	3290605	2	Nut M6	
5	2720160	3 ft/.9m	Hose	
6	3421453	3	Pin	
7	3576799	1	Plate, Hold-Down	
8	4010608	2	Screw M6 x 16	
10	4460971	1	Plug, Twistlock	
11	4811700	2	Washer M6	
12	1001098012	1	Plasma Cutter Assembly (See PLASMA CUTTER ASSEMBLY for Breakdown)	
13	0630518	2	Screw #10 x 3/4	
14	2030010	1	Extinguisher, Fire	
15	3311005	2	Nut #10	
16	4751000	2	Washer #10	
17	1001145405	1	Support	
	0272599	Ref	SKYCUTTER DECAL INSTALLATION (ANSI, ANSI EXPORT AND CSA SPECS)	B
101	1702868	1	Decal - No Hands	
102	1705305	1	Decal - Weld Lead	
103	1705466	NLA	Decal - Weight (Use p/n 1001228988) (SN 0300209000 through 0300234293)	
103	1001228988	1	Decal - Weight (SN 0300234294 to Present)	
104	1705490	2	Decal - SkyCutter	
	0272607	Ref	SKYCUTTER DECAL INSTALLATION (JAPANESE SPECS)	B
201	1705490	2	Decal - SkyCutter	
202	1705305	1	Decal - Weld Lead	
203	1705466	NLA	Decal - Weight (Use p/n 1001228988) (SN 0300209000 through 0300234293)	
203	1001228988	1	Decal - Weight (SN 0300234294 to Present)	



# SECTION 5 - PLATFORM

FIGURE 5-45. PIPE RACK INSTALLATION (ANSI AND CSA SPECS)



ART\_0257728

## SECTION 5 - PLATFORM

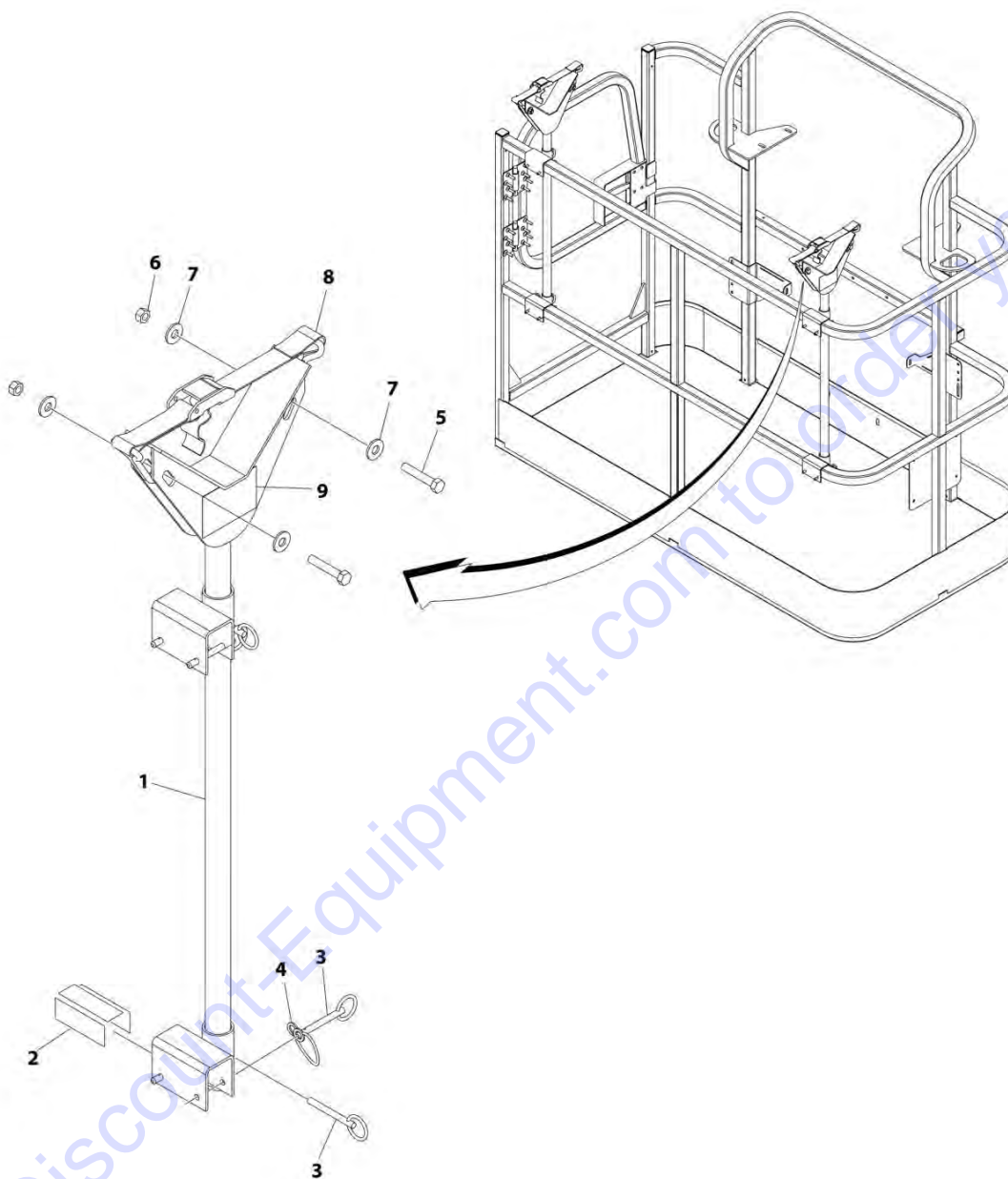
**FIGURE 5-45. PIPE RACK INSTALLATION (ANSI AND CSA SPECS)**

ITEM	PART NUMBER	QTY	DESCRIPTION	REV
	0257728	Ref	PIPE RACK INSTALLATION (ANSI AND CSA SPECS)	2/C
1	4845582	2	Rack, Pipe	
2	4420062	AR	Tape	
3	3422661	10	Pin	
4	1060379	4	Lanyard	
5	0641514	4	Bolt 5/16 x 1-3/4	
6	3311505	4	Nut 5/16	
7	4751500	8	Washer 5/16	
8	0480100	2	Tie-Down	
9	1703683	2	Decal - Capacity	

Go to Discount-Equipment.com to order your parts

# SECTION 5 - PLATFORM

FIGURE 5-46. PIPE RACK INSTALLATION (AUSTRALIAN AND CE SPEC)



ART\_0274661

## SECTION 5 - PLATFORM

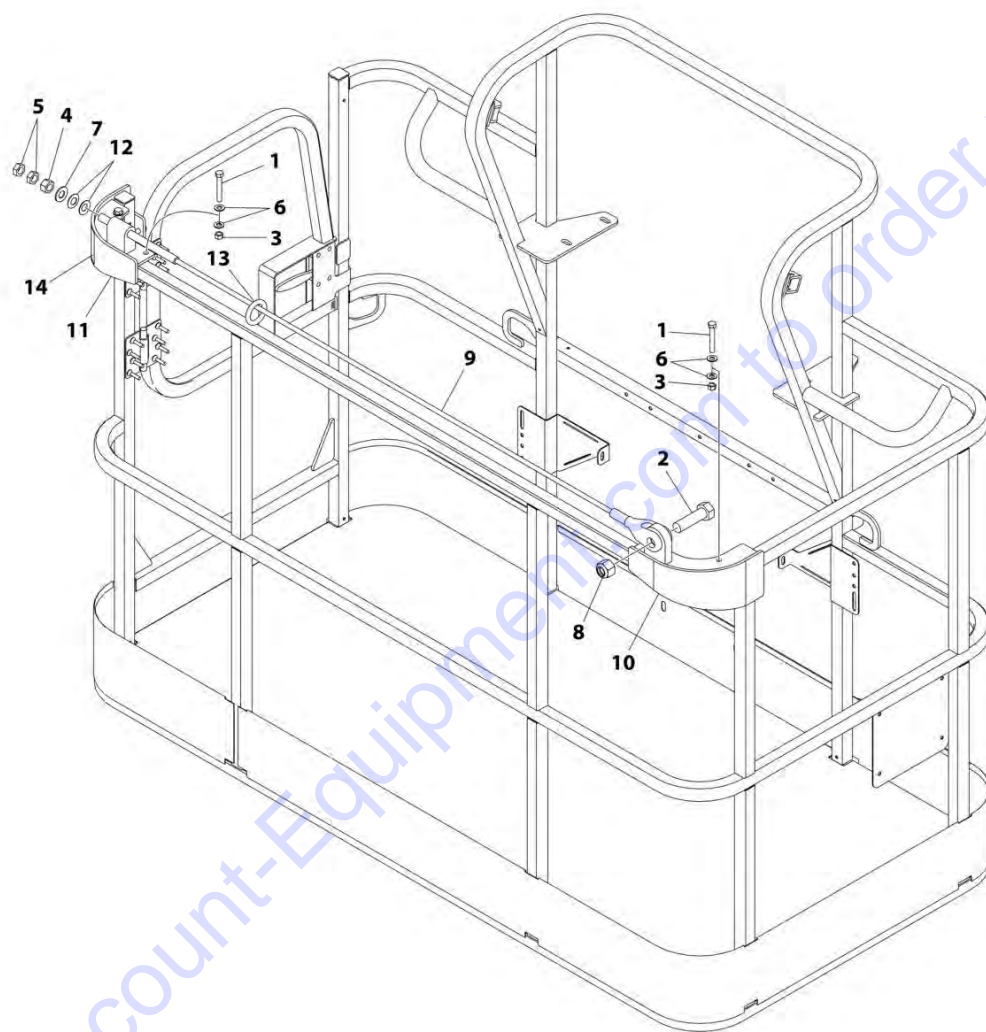
**FIGURE 5-46. PIPE RACK INSTALLATION (AUSTRALIAN AND CE SPEC)**

ITEM	PART NUMBER	QTY	DESCRIPTION	REV
	0274661	Ref	PIPE RACK INSTALLATION (AUSTRALIAN AND CE SPEC)	1/A
1	4845582	2	Rack, Pipe	
2	4420062	AR	Tape	
3	3422661	10	Pin	
4	1060379	4	Lanyard	
5	0641514	4	Bolt 5/16 x 1-3/4	
6	3311505	4	Nut 5/16	
7	4751500	8	Washer 5/16	
8	0480100	2	Tie-Down	
9	1706510	2	Decal - Capacity	

Go to Discount-Equipment.com to order your parts

# SECTION 5 - PLATFORM

FIGURE 5-47. FALL ARREST INSTALLTION (BOLT-ON EXTERNAL) (6FT/1.82M PLATFORM)



ART\_1001236747

## SECTION 5 - PLATFORM

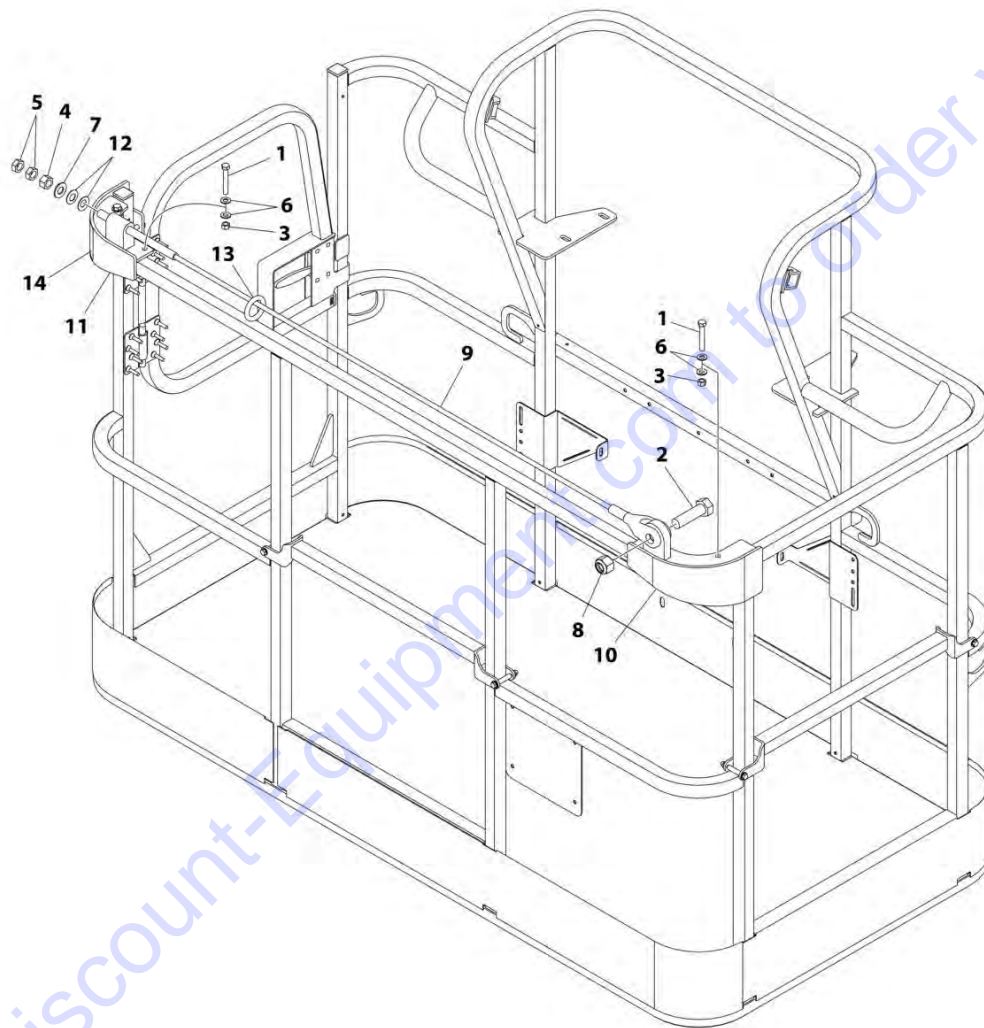
**FIGURE 5-47. FALL ARREST INSTALLTION (BOLT-ON EXTERNAL) (6FT/1.82M PLATFORM)**

ITEM	PART NUMBER	QTY	DESCRIPTION	REV
	1001236747	Ref	FALL ARREST INSTALLATION (BOLT - ON) 6FT/1.82M PLATFORM	A
1	0681620	6	Bolt 3/8 x 2-1/2	
2	0682424	1	Bolt 7/8 x 3	
3	3271605	6	Nut 3/8	
4	3272001	1	Nut 5/8	
5	3312002	2	Nut 5/8	
6	4711600	12	Washer 3/8	
7	4712000	1	Washer 5/8	
8	88521214	1	Nut 7/8	
9	1001231950	1	Rope	
10	1001232010	1	Bracket (RH)	
11	1001232011	1	Bracket (LH)	
12	1001236891	2	Washer	
13	1001236895	1	Ring	
14	1001238263	1	Decal - Warning Falling Hazard	

Go to Discount-Equipment.com to order your parts

## SECTION 5 - PLATFORM

FIGURE 5-48. FALL ARREST INSTALLTION (BOLT-ON EXTERNAL) (6FT/1.82M TRI-ENTRY PLATFORM)



ART\_1001238463



## SECTION 5 - PLATFORM

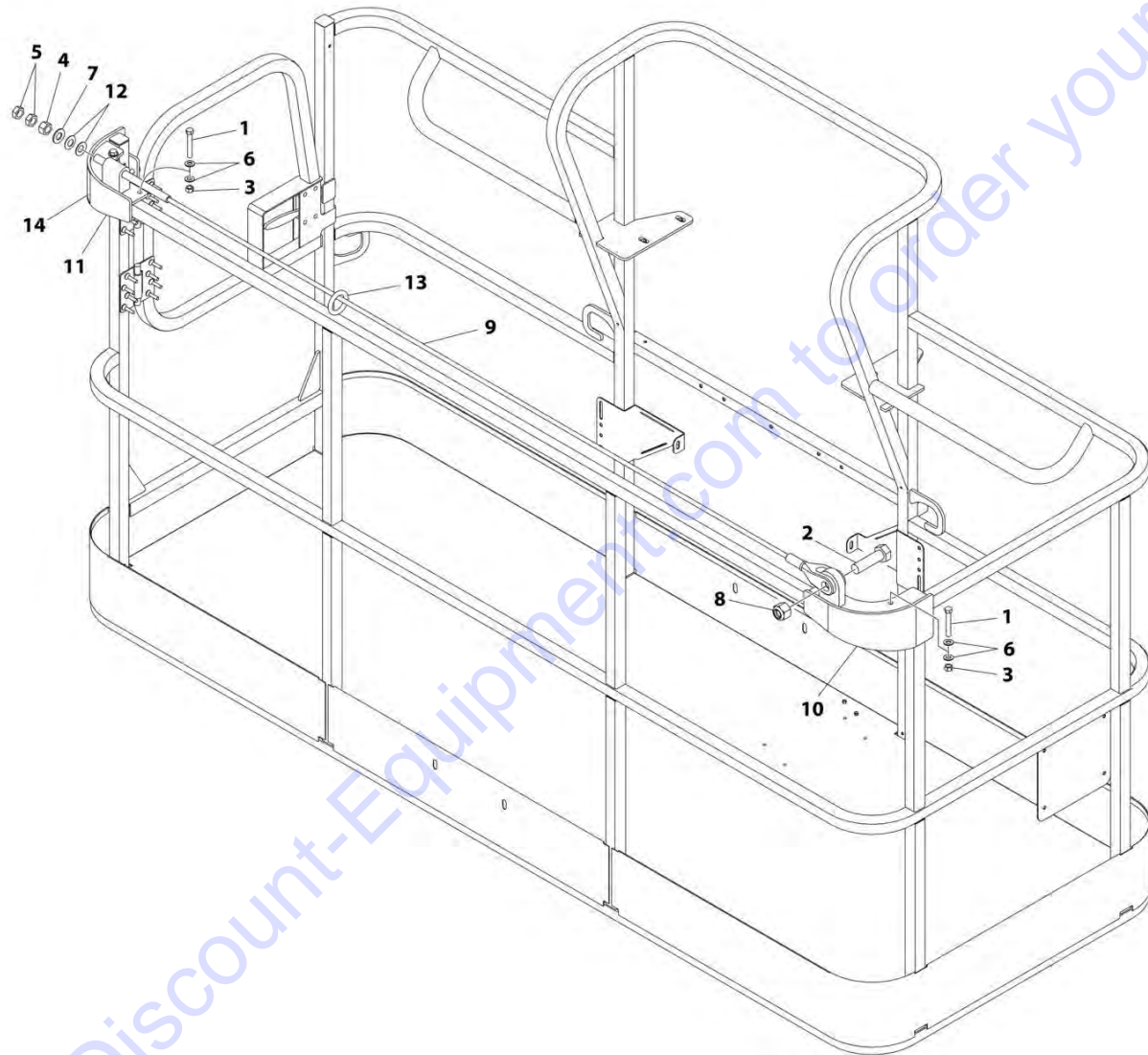
**FIGURE 5-48. FALL ARREST INSTALLTION (BOLT-ON EXTERNAL) (6FT/1.82M TRI-ENTRY PLATFORM)**

ITEM	PART NUMBER	QTY	DESCRIPTION	REV
	1001238463	Ref	FALL ARREST INSTALLATION (BOLT - ON) 6FT/1.82M PLATFORM	B
1	0681620	6	Bolt 3/8 x 2-1/2	
2	0682424	1	Bolt 7/8 x 3	
3	3271605	6	Nut 3/8	
4	3272001	1	Nut 5/8	
5	3312002	2	Nut 5/8	
6	4711600	12	Washer 3/8	
7	4712000	1	Washer 5/8	
8	88521214	1	Nut 7/8	
9	1001231950	1	Rope	
10	1001232010	1	Bracket (RH)	
11	1001232011	1	Bracket (LH)	
12	1001236891	2	Washer	
13	1001236895	1	Ring	
14	1001238263	1	Decal - Warning Falling Hazard	

Go to Discount-Equipment.com to order your parts

# SECTION 5 - PLATFORM

FIGURE 5-49. FALL ARREST INSTALLTION (BOLT-ON EXTERNAL) (8FT/2.4M PLATFORM)



ART\_1001236746

## SECTION 5 - PLATFORM

**FIGURE 5-49. FALL ARREST INSTALLTION (BOLT-ON EXTERNAL) (8FT/2.4M PLATFORM)**

ITEM	PART NUMBER	QTY	DESCRIPTION	REV
	1001236746	Ref	FALL ARREST INSTALLATION (BOLT - ON) 8FT/2.4M PLATFORM	A
1	0681620	6	Bolt 3/8 x 2-1/2	
2	0682424	1	Bolt 7/8 x 3	
3	3271605	6	Nut 3/8	
4	3272001	1	Nut 5/8	
5	3312002	2	Nut 5/8	
6	4711600	12	Washer 3/8	
7	4712000	1	Washer 5/8	
8	88521214	1	Nut 7/8	
9	1001231949	1	Rope	
10	1001232010	1	Bracket (RH)	
11	1001232011	1	Bracket (LH)	
12	1001236891	2	Washer	
13	1001236895	1	Ring	
14	1001238263	1	Decal - Warning Falling Hazard	

Go to Discount-Equipment.com to order your parts

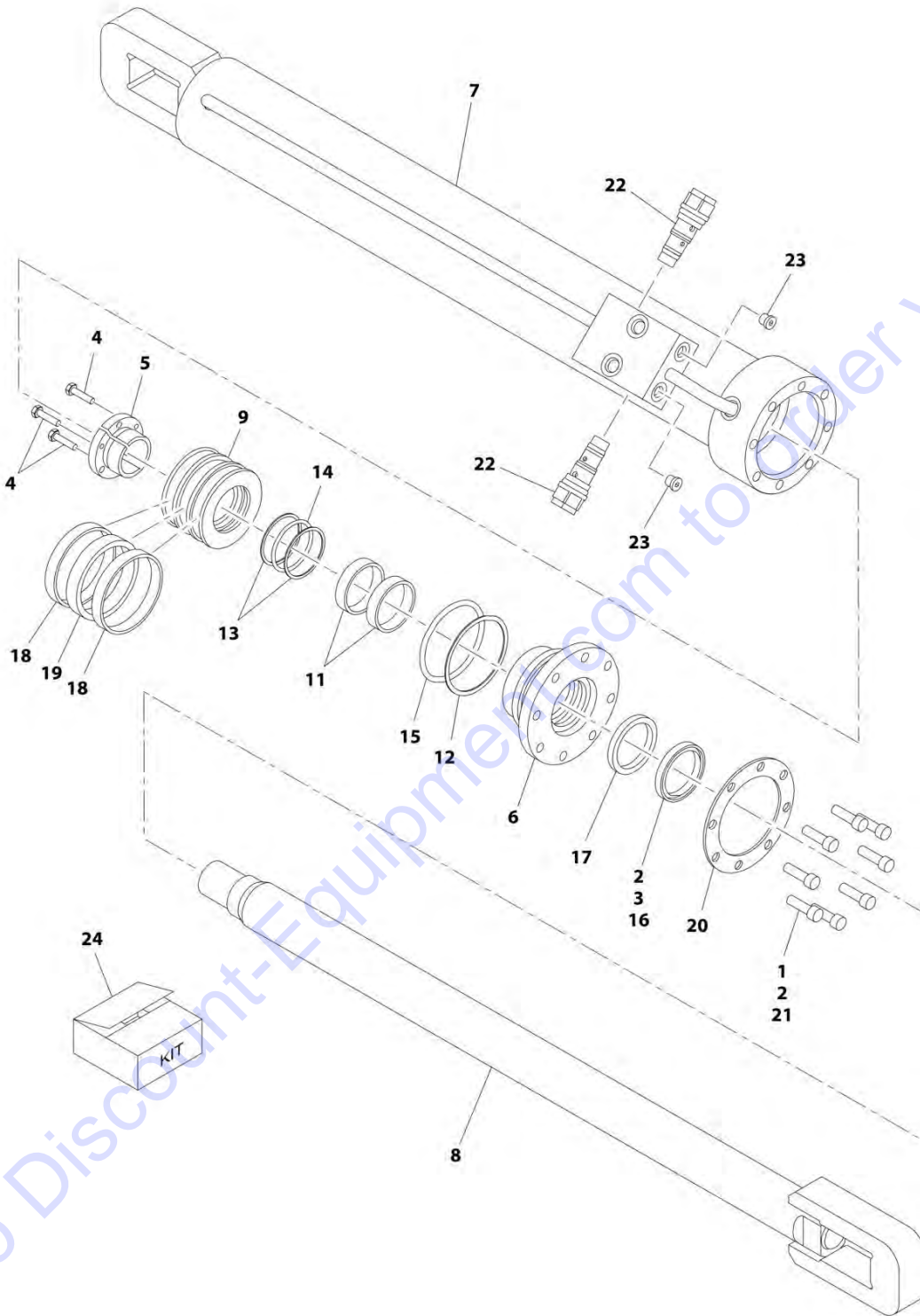


**SECTION 6 - CYLINDER**

Go to [Discount-Equipment.com](http://Discount-Equipment.com) to order your parts

# SECTION 6 - CYLINDER

FIGURE 6-1. AXLE EXTENSION CYLINDER ASSEMBLY (SN 0300209000 through 0300239674)



ART\_1684102

## SECTION 6 - CYLINDER

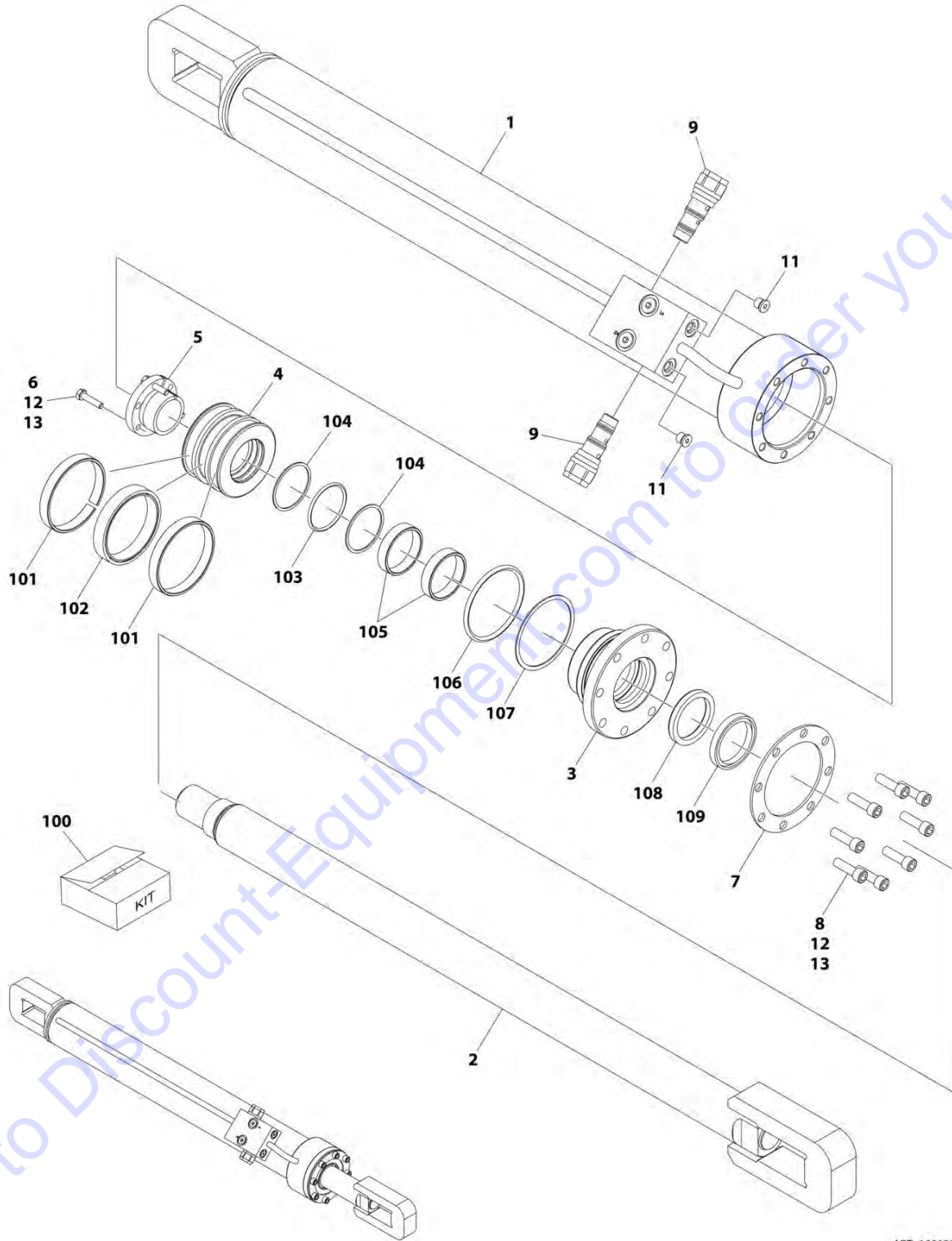
**FIGURE 6-1. AXLE EXTENSION CYLINDER ASSEMBLY (SN 0300209000 through 0300239674)**

ITEM	PART NUMBER	QTY	DESCRIPTION	REV
	1684102	Ref	AXLE EXTENSION CYLINDER ASSEMBLY	E
		Ref	Note: Original Cylinder May Have Been Replaced with Service Replacement. Identify PN Stamped on Cylinder Before Ordering Parts.	
1	0100011	AR	Compound, Locking	
2	0100038	AR	Primer, Locking	
3	0100063	AR	Loctite #RC 609	
4	0630535	3	Capscrew 1/4 x 1-1/8	
5	0961896	1	Bushing, Tapered	
6	1683056	1	Head	
7	1684103	1	Barrel Weldment	
8	1684105	1	Rod Weldment	
9	3480272	1	Piston	
11	See Note	NSS	Ring, Wear (Note: Use Item 24)	
12	See Note	NSS	Ring, Back-up (Note: Use Item 24)	
13	See Note	NSS	Ring, Back-up (Note: Use Item 24)	
14	See Note	NSS	O-Ring (Note: Use Item 24)	
15	See Note	NSS	O-Ring (Note: Use Item 24)	
16	See Note	NSS	Wiper, Rod (Note: Use Item 24)	
17	See Note	NSS	Seal (Note: Use Item 24)	
18	See Note	NSS	Ring, Wear (Note: Use Item 24)	
19	See Note	NSS	T-Seal (Note: Use Item 24)	
20	3760369	1	Ring, Washer	
21	3931620	8	Bolt 3/8 x 1-1/4	
22	4640509	2	Cartridge, Holding Valve	
22	2900792	2	Seal Kit - 4640509 Cartridge Valve (1 Per Valve)	
23	2220883	2	Plug, O-Ring	
24	2901773	1	Seal Kit (Includes Items 11-19)	



# SECTION 6 - CYLINDER

## FIGURE 6-2. AXLE EXTENSION CYLINDER ASSEMBLY (SN 0300239675 to Present)



ART\_1001228020

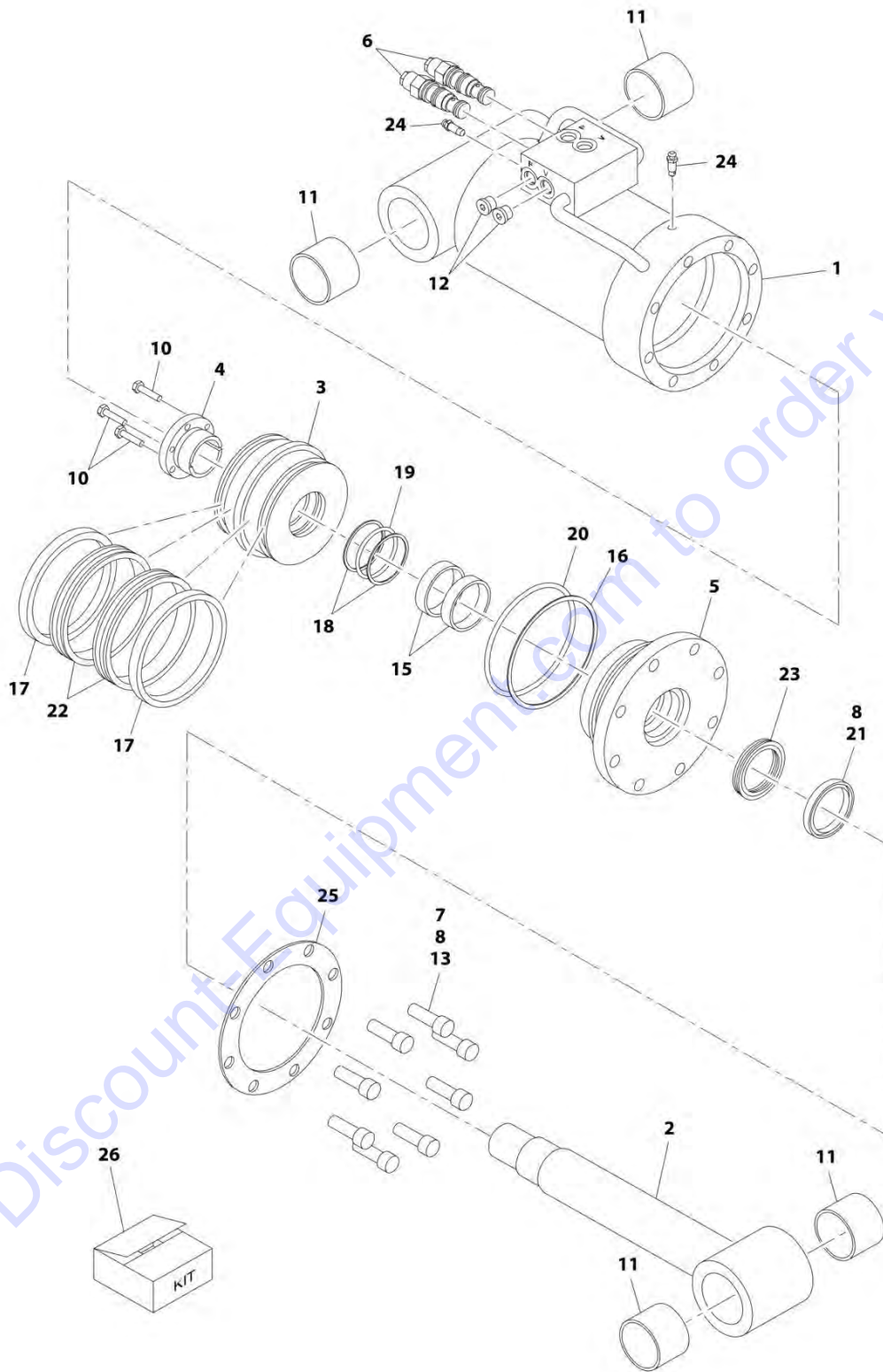
## SECTION 6 - CYLINDER

**FIGURE 6-2. AXLE EXTENSION CYLINDER ASSEMBLY (SN 0300239675 to Present)**

ITEM	PART NUMBER	QTY	DESCRIPTION	REV
	1001228020	Ref	AXLE EXTENSION CYLINDER ASSEMBLY	D
		Ref	Note: Original Cylinder May Have Been Replaced with Service Replacement. Identify PN Stamped on Cylinder Before Ordering Parts.	
1	See Note	NSS	Barrel Weldment (Note: Not Available for Purchase)	
2	70006363	1	Rod Weldment	
3	70006362	1	Head	
4	70006361	1	Piston	
5	70006360	1	Bushing, Tapered	
6	0630535	3	Capscrew 1/4 x 1-1/8	
7	70006359	1	Ring, Washer	
8	3931620	8	Bolt 3/8 x 1-1/4	
9	4640509	2	Cartridge, Holding Valve	
9	2900792	2	Seal Kit - 4640509 Cartridge Valve (1 Per Valve)	
11	2220883	2	Plug, O-Ring	
12	0100011	AR	Compound, Locking	
13	0100038	AR	Primer, Locking	
100	2901773	1	Seal Kit (Includes Items 101-109)	
101	See Note	NSS	Ring, Wear (Note: Use Item 100)	
102	See Note	NSS	T-Seal (Note: Use Item 100)	
103	See Note	NSS	O-Ring (Note: Use Item 100)	
104	See Note	NSS	Ring, Back-up (Note: Use Item 100)	
105	See Note	NSS	Ring, Wear (Note: Use Item 100)	
106	See Note	NSS	O-Ring (Note: Use Item 100)	
107	See Note	NSS	Ring, Back-up (Note: Use Item 100)	
108	See Note	NSS	Seal (Note: Use Item 100)	
109	See Note	NSS	Wiper, Rod (Note: Use Item 100)	

# SECTION 6 - CYLINDER

FIGURE 6-3. AXLE LOCKOUT CYLINDER ASSEMBLY (SN 0300209000 through 0300239674)



ART\_1684081

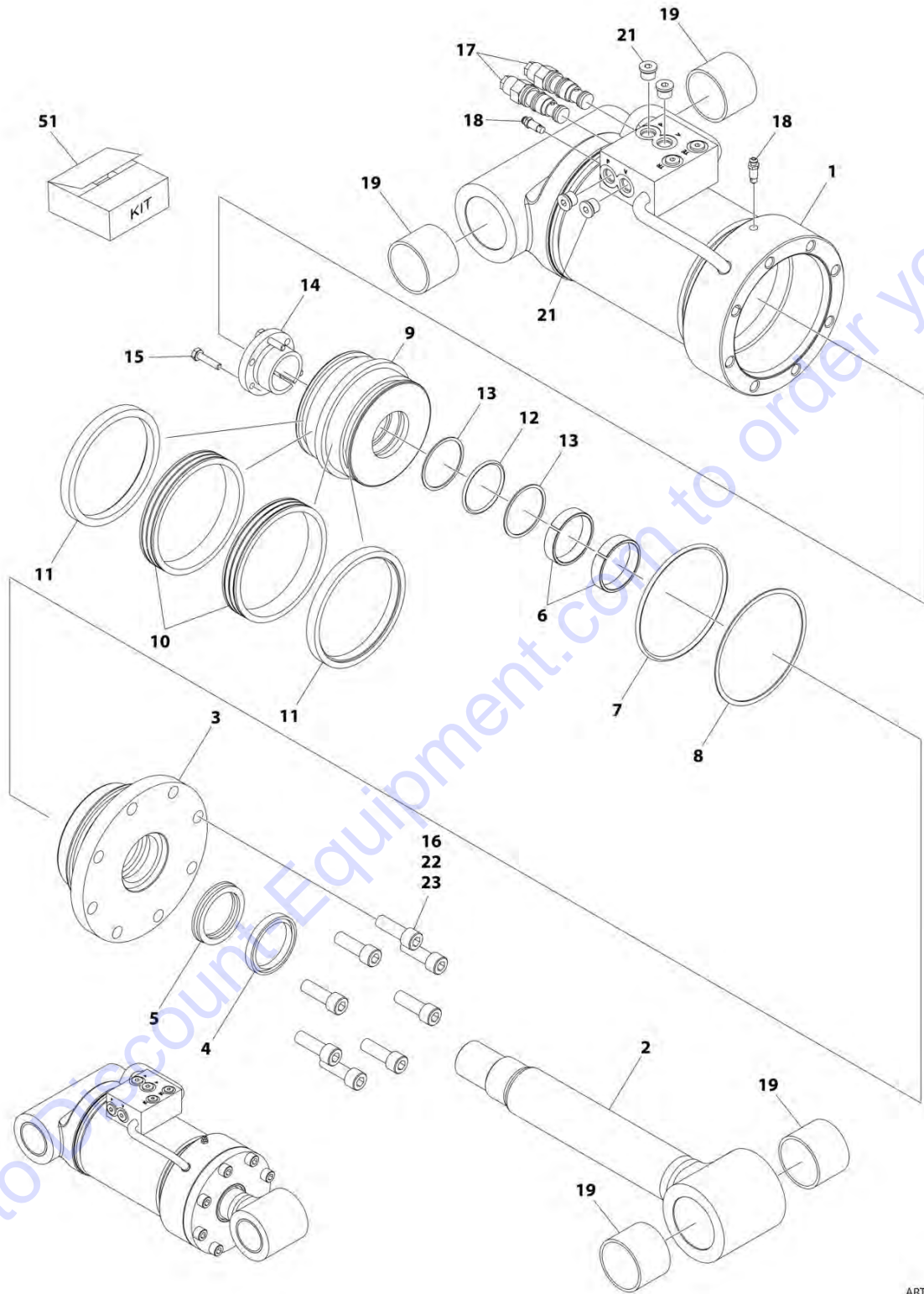
## SECTION 6 - CYLINDER

**FIGURE 6-3. AXLE LOCKOUT CYLINDER ASSEMBLY (SN 0300209000 through 0300239674)**

ITEM	PART NUMBER	QTY	DESCRIPTION	REV
	1684081	Ref	AXLE LOCKOUT CYLINDER ASSEMBLY	F
		Ref	Note: Original Cylinder May Have Been Replaced with Service Replacement. Identify PN Stamped on Cylinder Before Ordering Parts.	
1	1684082	1	Barrel Weldment	
2	1684083	1	Rod Weldment	
3	3480269	1	Piston	
4	0961896	1	Bushing	
5	1683062	1	Head	
6	4641276	2	Cartridge, Valve (Counterbalance)	
6	2900770	2	Seal Kit - 4641276 Valve (1 Per Assembly)	
7	0100011	AR	Compound, Locking	
8	0100038	AR	Primer, Locking	
10	0630535	3	Bolt 1/4 x 1-1/8	
11	0961950	4	Bearing	
12	2220885	2	Plug, O-Ring	
13	3931824	8	Bolt 1/2 x 1-1/2	
15	See Note	NSS	Ring, Wear (Note: Use Item 26)	
16	See Note	NSS	Ring, Back-up (Note: Use Item 26)	
17	See Note	NSS	Ring, Lock (Note: Use Item 26)	
18	See Note	NSS	Ring, Back-up (Note: Use Item 26)	
19	See Note	NSS	O-Ring (Note: Use Item 26)	
20	See Note	NSS	O-Ring (Note: Use Item 26)	
21	See Note	NSS	Wiper (Note: Use Item 26)	
22	See Note	NSS	Seal (Note: Use Item 26)	
23	See Note	NSS	Seal, Rod (Note: Use Item 26)	
24	4640858	2	Valve, Bleeder	
25	3760371	1	Ring, Washer	
26	2902087	1	Seal Kit (Includes Items 15-23)	

# SECTION 6 - CYLINDER

FIGURE 6-4. AXLE LOCKOUT CYLINDER ASSEMBLY (SN 0300239675 to Present)



ART\_1001228019

## SECTION 6 - CYLINDER

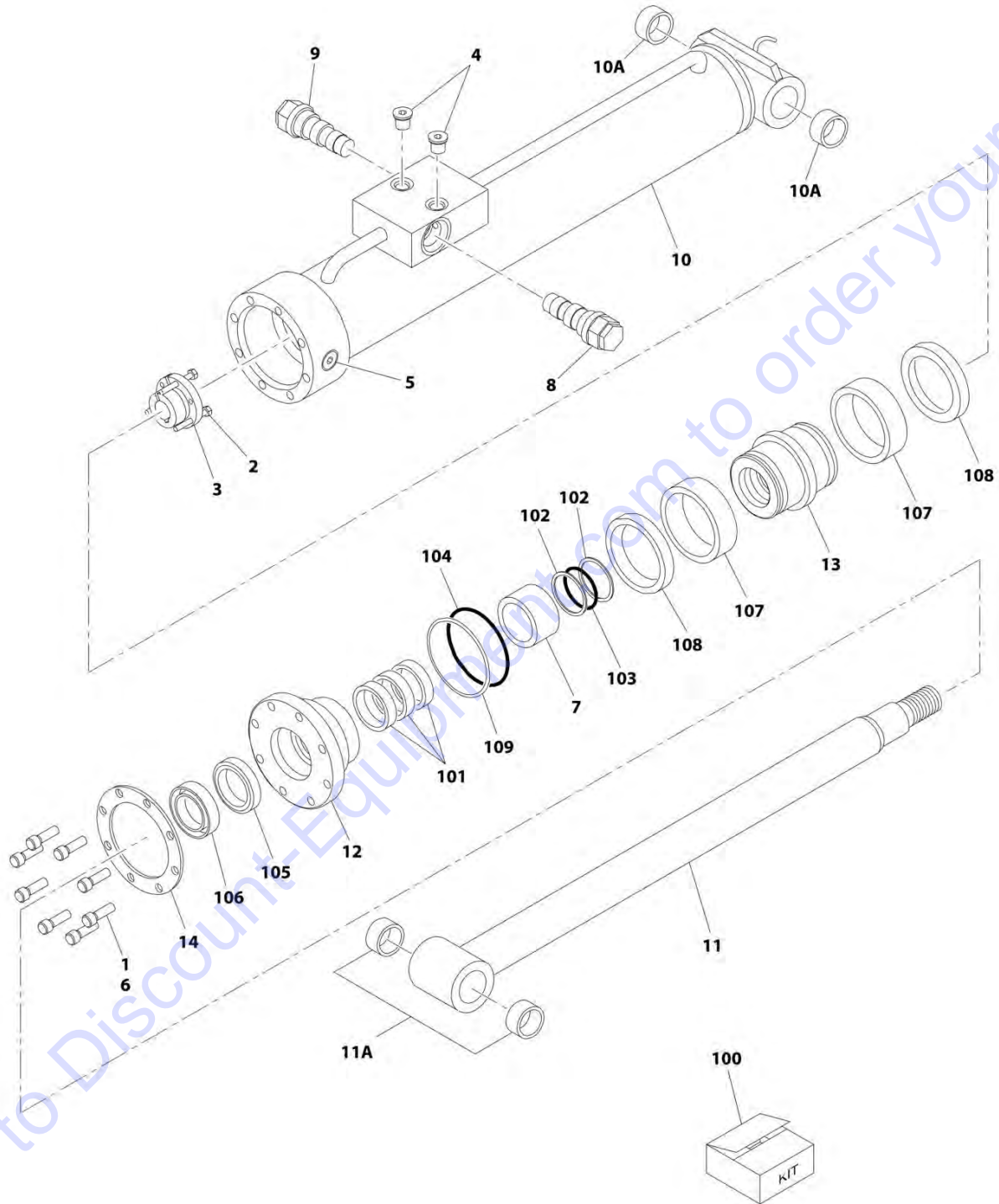
**FIGURE 6-4. AXLE LOCKOUT CYLINDER ASSEMBLY (SN 0300239675 to Present)**

ITEM	PART NUMBER	QTY	DESCRIPTION	REV
	1001228019	Ref	AXLE LOCKOUT CYLINDER ASSEMBLY	C
		Ref	Note: Original Cylinder May Have Been Replaced with Service Replacement. Identify PN Stamped on Cylinder Before Ordering Parts.	
1	See Note	NSS	Barrel Weldment (Note: Not Available for Purchase)	
2	70006520	1	Rod Weldment	
3	70006474	1	Head	
4	See Note	NSS	Wiper (Note: Use Item 51)	
5	See Note	NSS	Seal, Rod (Note: Use Item 51)	
6	See Note	NSS	Ring, Wear (Note: Use Item 51)	
7	See Note	NSS	O-Ring (Note: Use Item 51)	
8	See Note	NSS	Ring, Back-up (Note: Use Item 51)	
9	70006473	1	Piston	
10	See Note	NSS	Seal (Note: Use Item 51)	
11	See Note	NSS	Ring, Lock (Note: Use Item 51)	
12	See Note	NSS	O-Ring (Note: Use Item 51)	
13	See Note	NSS	Ring, Back-up (Note: Use Item 51)	
14	0961896	1	Bushing	
15	0630535	3	Bolt 1/4 x 1-1/8	
16	3931824	8	Bolt 1/2 x 1-1/2	
17	4641276	2	Cartridge, Valve Options: (Counterbalance)	
17	2900770	2	Seal Kit - 4641276 Valve (1 Per Assembly)	
18	4640858	2	Valve, Bleeder	
19	0961950	4	Bearing	
21	2220885	2	Plug, O-Ring	
22	0100011	AR	Compound, Locking	
23	0100038	AR	Primer, Locking	
51	2902087	1	Seal Kit (Includes Items 4-8 & 10-13)	



# SECTION 6 - CYLINDER

FIGURE 6-5. LEVEL (JIB) CYLINDER ASSEMBLY - WITHOUT COLD WEATHER PLUS PACKAGE (SN 0300209000 through 0300239990)



ART\_1001118142



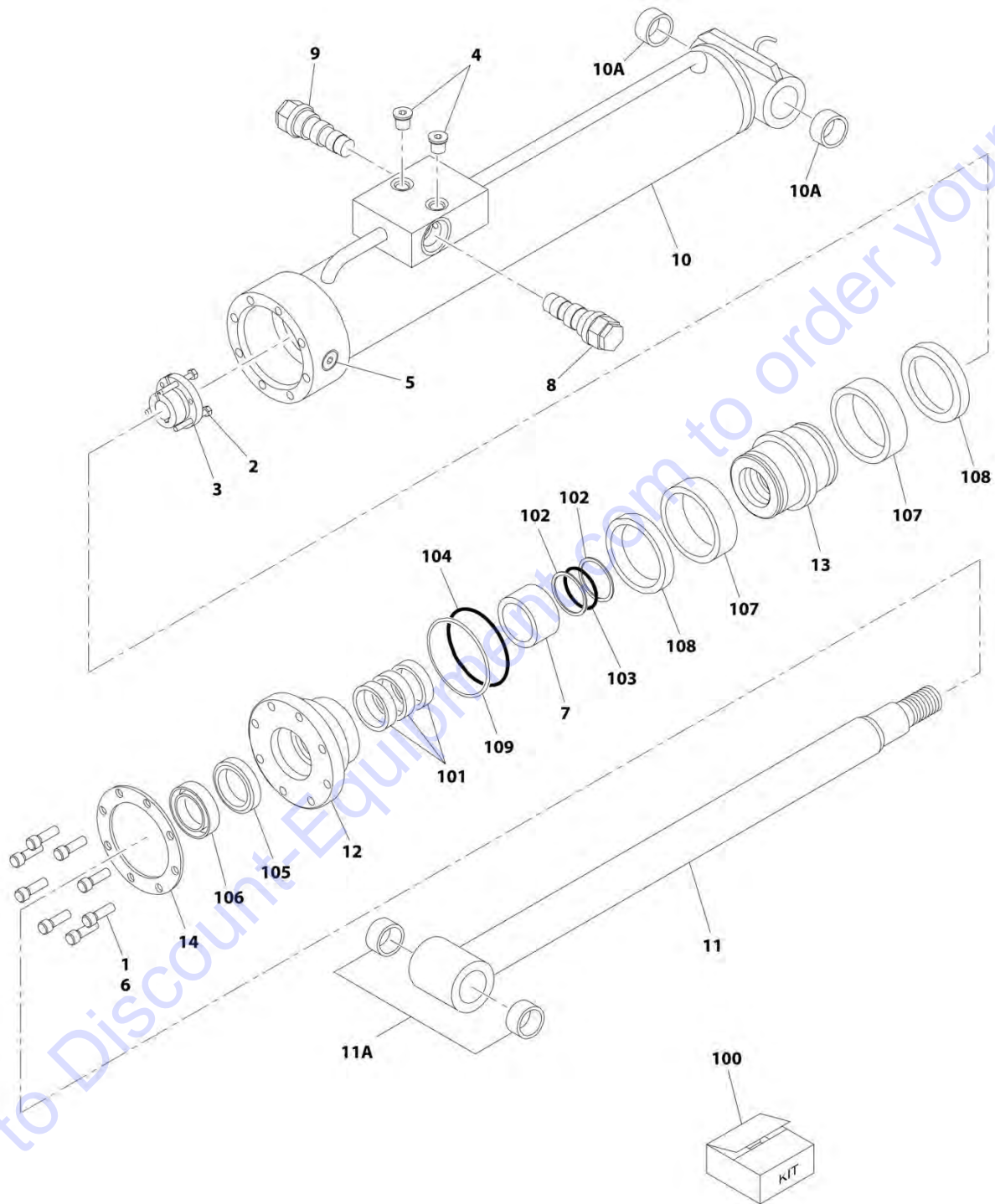
## SECTION 6 - CYLINDER

**FIGURE 6-5. LEVEL (JIB) CYLINDER ASSEMBLY - WITHOUT COLD WEATHER PLUS PACKAGE (SN 0300209000 through 0300239990)**

ITEM	PART NUMBER	QTY	DESCRIPTION	REV
	1001118142	Ref	LEVEL (JIB) CYLINDER ASSEMBLY - WITHOUT COLD WEATHER PLUS PACKAGE	C
		Ref	Note: Original Cylinder May Have Been Replaced with Service Replacement. Identify PN Stamped on Cylinder Before Ordering Parts.	
1	0100011	AR	Compound, Locking	
2	0630535	3	Bolt 1/4 x 1-1/8	
3	0961897	1	Bushing, Tapered	
4	2220885	2	Plug, O-Ring	
5	2220886	1	Plug, O-Ring	
6	3932032	8	Capscrew 5/8 x 2	
7	4566667	1	Spacer	
8	4640999	1	Cartridge, Holding Valve (Non Vented)	
8	2900792	1	Seal Kit - 4640999 Cartridge Valve	
9	4641248	1	Cartridge, Counterbalance Valve (Non Vented)	
9	See Note	1	Seal Kit - 4641248 Cartridge Valve (Note: Not Available for Purchase)	
10	1001118143	1	Barrel Weldment	
10A	0961950	2	Bushing	
11	1001118145	1	Rod Weldment	
11A	0961950	2	Bushing	
12	1001118148	1	Head	
13	1001118149	1	Piston	
14	1001118177	1	Ring, Washer	
100	1001119647	1	Seal Kit (Includes Items 101-109)	
101	See Note	NSS	Ring, Wear (Note: Use Item 100)	
102	See Note	NSS	Ring, Back-up (Note: Use Item 100)	
103	See Note	NSS	O-Ring (Note: Use Item 100)	
104	See Note	NSS	O-Ring (Note: Use Item 100)	
105	See Note	NSS	Seal (Note: Use Item 100)	
106	See Note	NSS	Wiper, Rod (Note: Use Item 100)	
107	See Note	NSS	Seal (Note: Use Item 100)	
108	See Note	NSS	Ring, Guide (Note: Use Item 100)	
109	See Note	NSS	Ring, Back-up (Note: Use Item 100)	

# SECTION 6 - CYLINDER

FIGURE 6-6. LEVEL (JIB) CYLINDER ASSEMBLY - WITH COLD WEATHER PLUS PACKAGE (SN 0300209000 through 0300239990)



ART\_1001139998

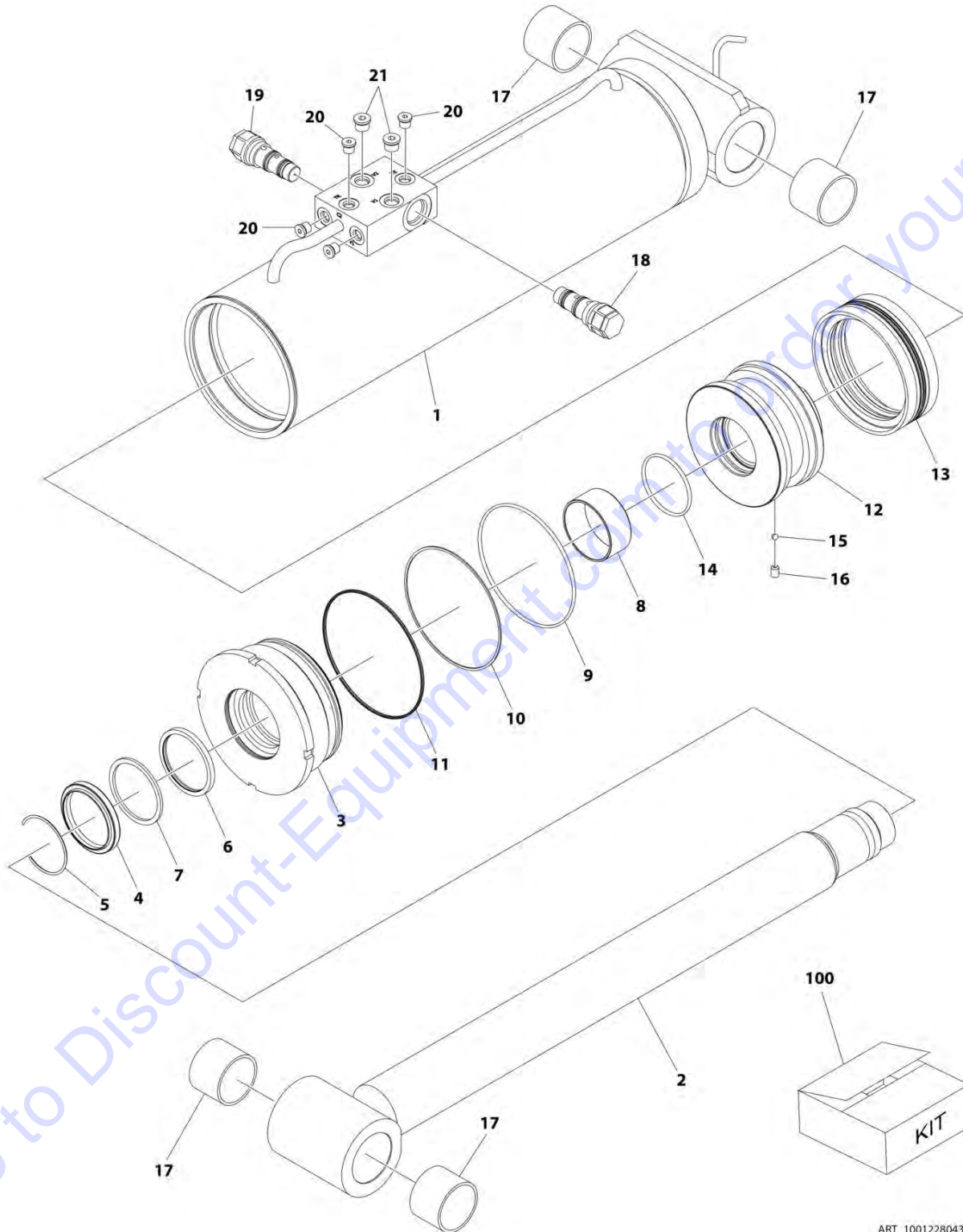
## SECTION 6 - CYLINDER

**FIGURE 6-6. LEVEL (JIB) CYLINDER ASSEMBLY - WITH COLD WEATHER PLUS PACKAGE (SN 0300209000 through 0300239990)**

ITEM	PART NUMBER	QTY	DESCRIPTION	REV
	1001139998	Ref	LEVEL (JIB) CYLINDER ASSEMBLY - WITH COLD WEATHER PLUS PACKAGE	B
		Ref	Note: Original Cylinder May Have Been Replaced with Service Replacement. Identify PN Stamped on Cylinder Before Ordering Parts.	
1	0100011	AR	Compound, Locking	
2	0630535	3	Bolt 1/4 x 1-1/8	
3	0961897	1	Bushing, Tapered	
4	2220885	2	Plug, O-Ring	
5	2220886	1	Plug, O-Ring	
6	3932032	8	Capscrew 5/8 x 2	
7	4566667	1	Spacer	
8	4640999	1	Cartridge, Holding Valve (Non Vented)	
8	2900792	1	Seal Kit - 4640999 Cartridge Valve	
9	4641248	1	Cartridge, Counterbalance Valve (Non Vented)	
9	See Note	1	Seal Kit - 4641248 Cartridge Valve (Note: Not Available for Purchase)	
10	1001118143	1	Barrel Weldment	
10A	0961950	2	Bushing	
11	1001118145	1	Rod Weldment	
11A	0961950	2	Bushing	
12	1001118148	1	Head	
13	1001118149	1	Piston	
14	1001118177	1	Ring, Washer	
100	1001139994	1	Seal Kit (Includes Items 101-109)	
101	See Note	NSS	Ring, Wear (Note: Use Item 100)	
102	See Note	NSS	Ring, Back-up (Note: Use Item 100)	
103	See Note	NSS	O-Ring (Note: Use Item 100)	
104	See Note	NSS	O-Ring (Note: Use Item 100)	
105	See Note	NSS	Seal (Note: Use Item 100)	
106	See Note	NSS	Wiper, Rod (Note: Use Item 100)	
107	See Note	NSS	Seal (Note: Use Item 100)	
108	See Note	NSS	Ring, Guide (Note: Use Item 100)	
109	See Note	NSS	Ring, Back-up (Note: Use Item 100)	

# SECTION 6 - CYLINDER

FIGURE 6-7. LEVEL (JIB) CYLINDER ASSEMBLY - WITH OR WITHOUT COLD WEATHER PLUS PACKAGE (SN 0300239991 to Present)



ART\_1001228043

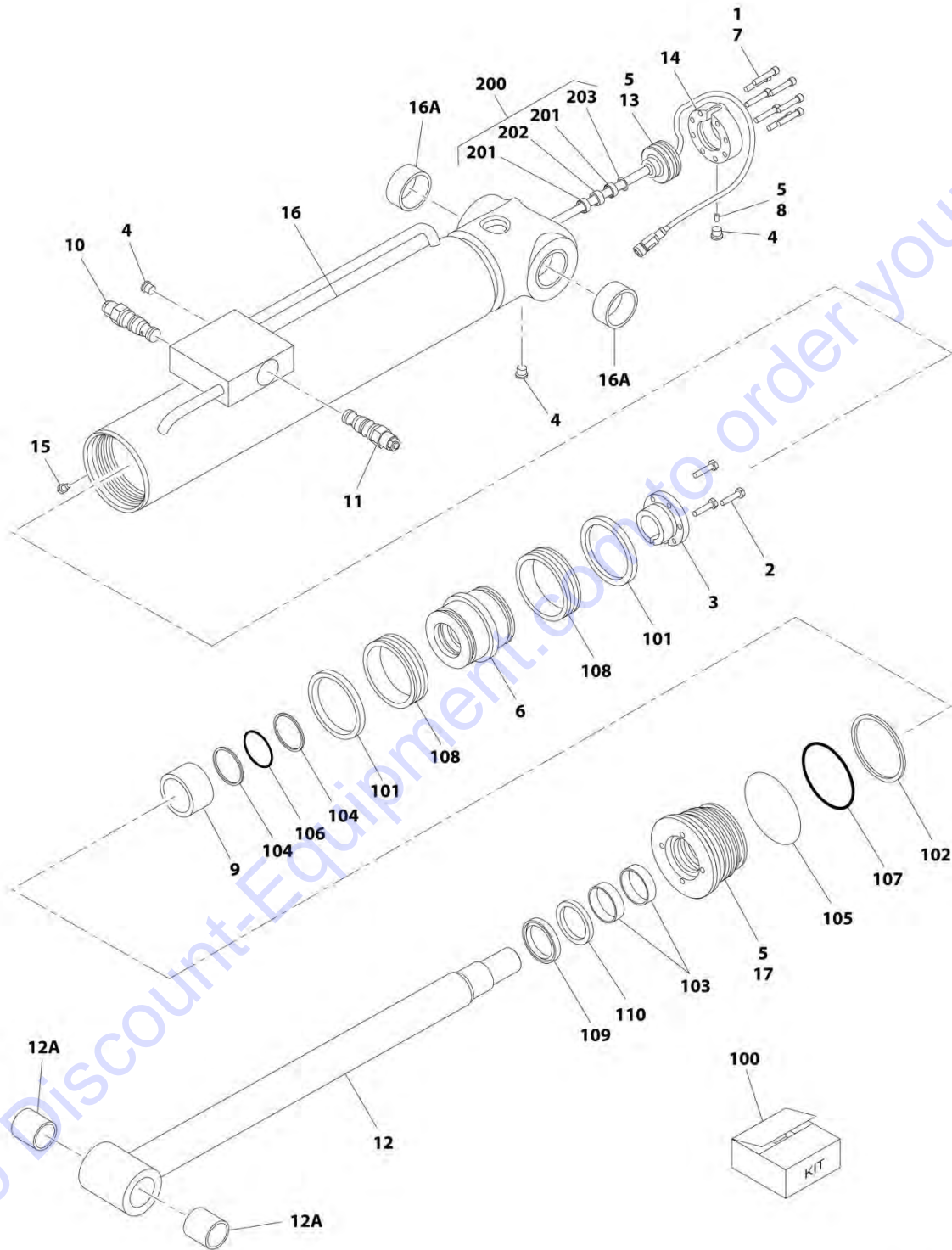
## SECTION 6 - CYLINDER

**FIGURE 6-7. LEVEL (JIB) CYLINDER ASSEMBLY - WITH OR WITHOUT COLD WEATHER PLUS PACKAGE (SN 0300239991 to Present)**

ITEM	PART NUMBER	QTY	DESCRIPTION	REV
	1001228043	Ref	LEVEL (JIB) CYLINDER ASSEMBLY - WITH OR WITHOUT COLD WEATHER PLUS PACKAGE	B
		Ref	Note: Original Cylinder May Have Been Replaced with Service Replacement. Identify PN Stamped on Cylinder Before Ordering Parts.	
1	See Note	NSS	Barrel Weldment (Note: Not Available for Purchase)	
2	70006646	1	Rod Weldment	
3	70006635	1	Head	
4	See Note	NSS	Wiper, Rod (Note: Use Item 100)	
5	70050795	1	Ring, Retaining	
6	See Note	NSS	Seal, Rod (Note: Use Item 100)	
7	See Note	NSS	Ring, Back-up (Note: Use Item 100)	
8	70006636	1	Ring, Wear	
9	See Note	NSS	O-Ring (Note: Use Item 100)	
10	See Note	NSS	Ring, Back-up (Note: Use Item 100)	
11	See Note	NSS	O-Ring (Note: Use Item 100)	
12	70006637	1	Piston	
13	See Note	NSS	Seal, Piston (Note: Use Item 100)	
14	See Note	NSS	O-Ring (Note: Use Item 100)	
15	70006596	1	Ball, Steel	
16	70022564	1	Setscrew	
17	0961950	4	Bushing	
18	4640999	1	Cartridge, Holding Valve (Non Vented)	
18	2900792	1	Seal Kit - 4640999 Cartridge Valve	
19	4641248	1	Cartridge, Counterbalance Valve (Non Vented)	
19	See Note	1	Seal Kit - 4641248 Cartridge Valve (Note: Not Available for Purchase)	
20	2220883	4	Plug, O-Ring	
21	2220885	2	Plug, O-Ring	
100	70006647	1	Seal Kit (Includes Items 4, 6, 7, 9-11, 13 & 14)	

# SECTION 6 - CYLINDER

FIGURE 6-8. LEVEL (PLATFORM) CYLINDER ASSEMBLY (SN 0300209000 through 0300239674)



ART\_1001139999



## SECTION 6 - CYLINDER

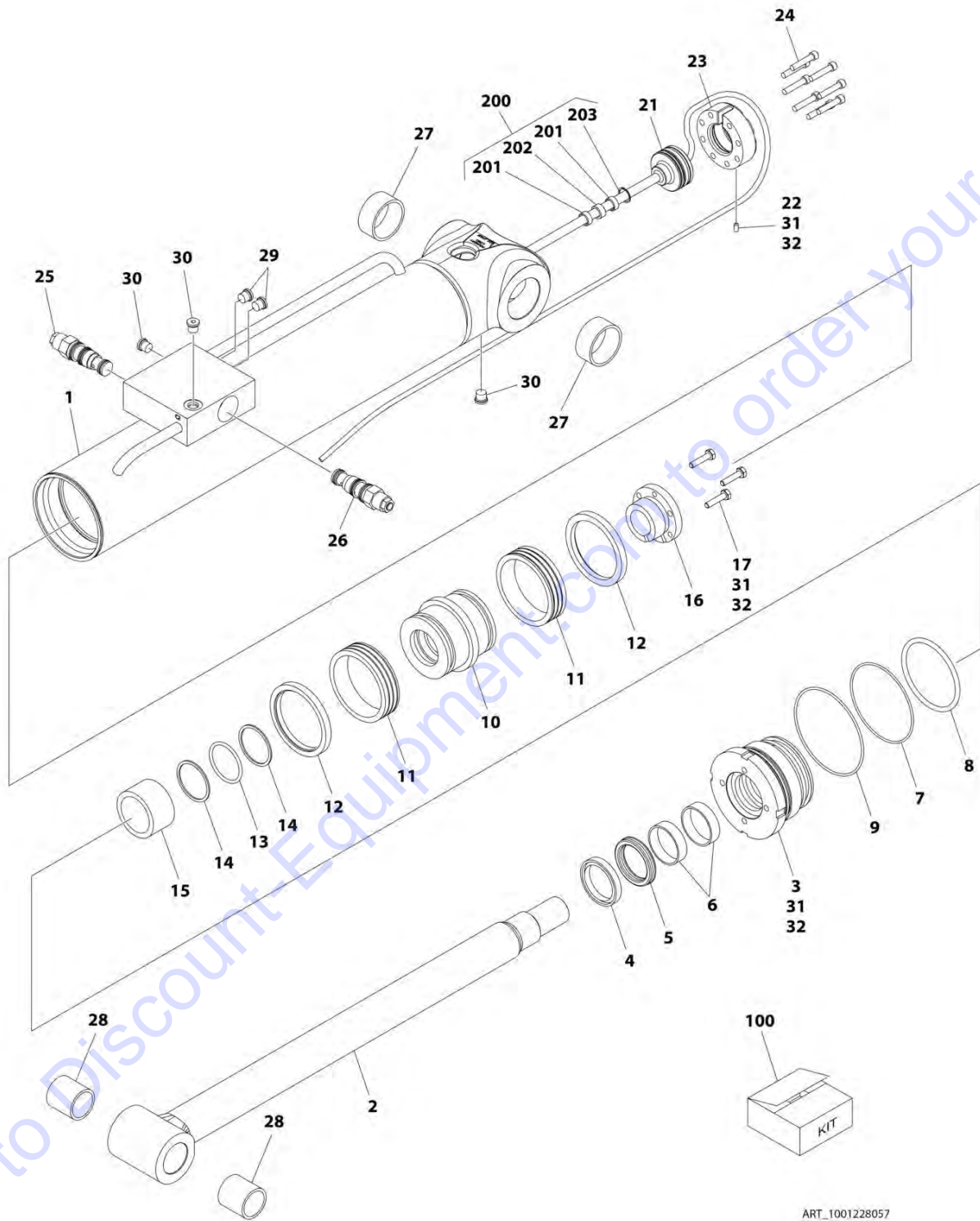
**FIGURE 6-8. LEVEL (PLATFORM) CYLINDER ASSEMBLY (SN 0300209000 through 0300239674)**

ITEM	PART NUMBER	QTY	DESCRIPTION	REV
	1001139999	Ref	LEVEL (PLATFORM) CYLINDER ASSEMBLY	D
		Ref	Note: Original Cylinder May Have Been Replaced with Service Replacement. Identify PN Stamped on Cylinder Before Ordering Parts.	
1	0100011	AR	Compound, Locking	
2	0630535	3	Capscrew 1/4 x 1-1/8	
3	0961902	1	Bushing, Tapered	
4	2220883	2	Plug, O-Ring	
5	3020039	AR	Lubricant	
6	3480233	1	Piston	
7	3931420	8	Capscrew 1/4 x 1-1/4	
8	3951003	1	Setscrew #10 x 3/8	
9	4567434	1	Spacer	
10	4640489	1	Cartridge, Counterbalance Valve	
10	See Note	NSS	Seal Kit - 4640489 Cartridge Valve (1 Per Valve) (Note: Not Available for Purchase)	
11	4641260	1	Cartridge, Counterbalance Valve	
11	2900770	1	Seal Kit - 4641260 Cartridge Valve (1 Per Valve)	
12	1001117984	1	Rod Weldment	
12A	0962006	2	Bushing	
13	1001117990	1	Sensor, Cylinder Length	
14	1001118070	1	Cap, Retainer	
15	1001125137	1	Screw #8	
16	1001129920	1	Barrel Weldment	
16A	1001117969	2	Bushing	
17	1001129921	1	Head	
100	1001139995	1	Seal Kit (Includes Items 101-110)	
101	See Note	NSS	Ring, Lock (Note: Use Item 100)	
102	See Note	NSS	Ring, Back-up (Note: Use Item 100)	
103	See Note	NSS	Ring, Wear (Note: Use Item 100)	
104	See Note	NSS	Ring, Back-up (Note: Use Item 100)	
105	See Note	NSS	O-Ring (Note: Use Item 100)	
106	See Note	NSS	O-Ring (Note: Use Item 100)	
107	See Note	NSS	O-Ring (Note: Use Item 100)	
108	See Note	NSS	Seal (Note: Use Item 100)	
109	See Note	NSS	Wiper, Rod (Note: Use Item 100)	
110	See Note	NSS	Seal (Note: Use Item 100)	
200	1001119105	1	Sensor Magnet Kit (Includes Items 201-203)	
201	1001117994	2	Sleeve, Spacer	
202	1001118066	1	Magnet, Sensor	
203	1001118069	1	Ring, Internal Retaining	



# SECTION 6 - CYLINDER

FIGURE 6-9. LEVEL (PLATFORM) CYLINDER ASSEMBLY (SN 0300239675 to Present)



ART\_1001228057

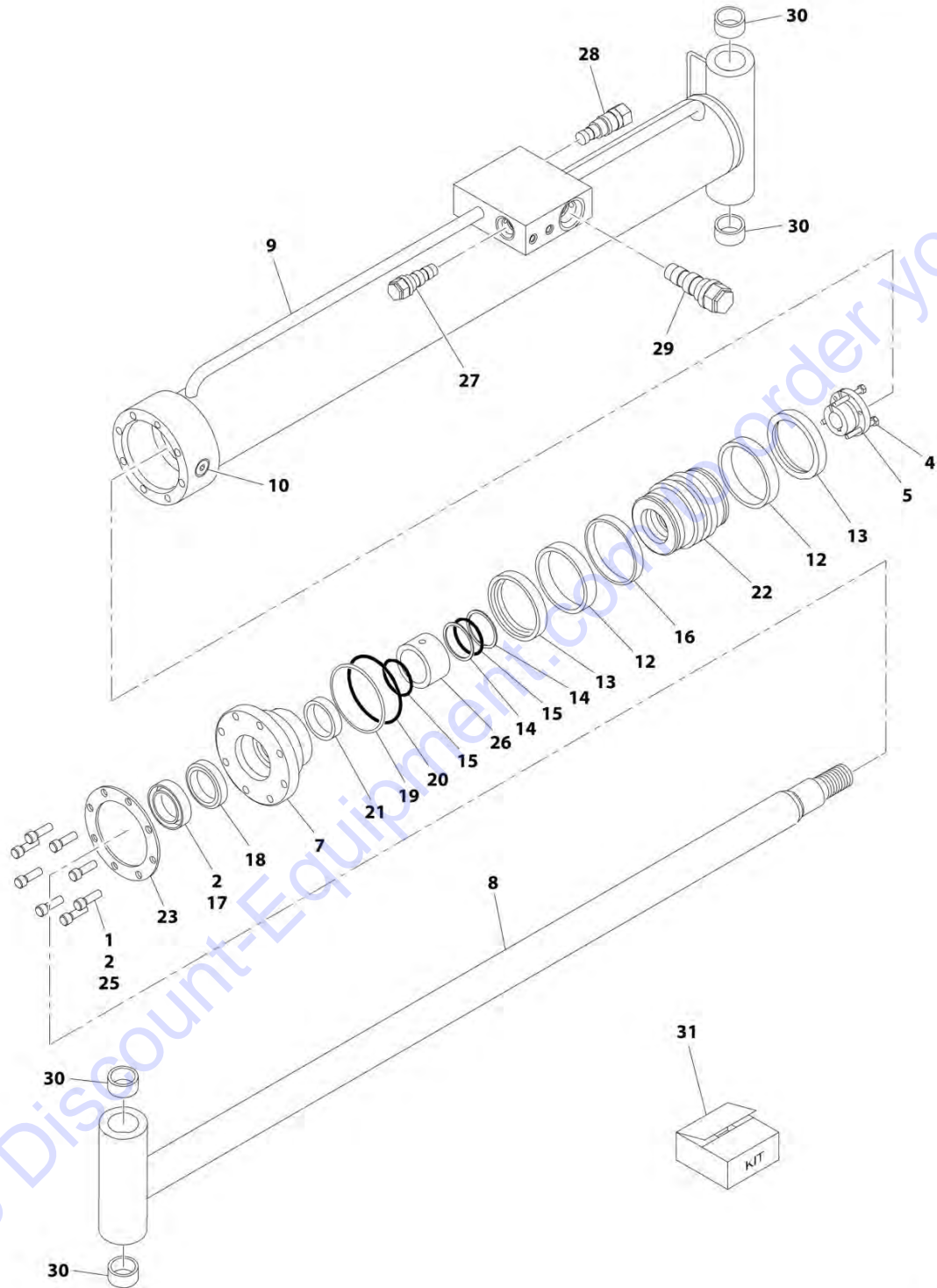
## SECTION 6 - CYLINDER

**FIGURE 6-9. LEVEL (PLATFORM) CYLINDER ASSEMBLY (SN 0300239675 to Present)**

ITEM	PART NUMBER	QTY	DESCRIPTION	REV
	1001228057	Ref	LEVEL (PLATFORM) CYLINDER ASSEMBLY	D
		Ref	Note: Original Cylinder May Have Been Replaced with Service Replacement. Identify PN Stamped on Cylinder Before Ordering Parts.	
1	See Note	NSS	Barrel Weldment (Note: Not Available for Purchase)	
2	70006519	1	Rod Weldment	
3	70006518	1	Head	
4	See Note	NSS	Wiper, Rod (Note: Use Item 100)	
5	See Note	NSS	Seal, Rod (Note: Use Item 100)	
6	See Note	NSS	Ring, Wear (Note: Use Item 100)	
7	See Note	NSS	O-Ring (Note: Use Item 100)	
8	See Note	NSS	Ring, Back-up (Note: Use Item 100)	
9	See Note	NSS	O-Ring (Note: Use Item 100)	
10	70006517	1	Piston	
11	See Note	NSS	Ring, Lock (Note: Use Item 100)	
12	See Note	NSS	Ring, Guide (Note: Use Item 100)	
13	See Note	NSS	O-Ring (Note: Use Item 100)	
14	See Note	NSS	Ring, Back-up (Note: Use Item 100)	
15	70006516	1	Spacer	
16	0961902	1	Bushing, Tapered	
17	0630535	3	Capscrew 1/4 x 1-1/8	
21	1001117990	1	Sensor, Cylinder Length	
22	70006464	1	Setscrew M5	
23	70006463	1	Cap, Retainer	
24	3931420	8	Capscrew 1/4 x 1-1/4	
25	4640489	1	Cartridge, Counterbalance Valve	
25	See Note	NSS	Seal Kit - 4640489 Cartridge Valve (1 Per Valve) (Note: Not Available for Purchase)	
26	4641260	1	Cartridge, Counterbalance Valve	
26	2900770	1	Seal Kit - 4641260 Cartridge Valve (1 Per Valve)	
27	1001117969	2	Bushing	
28	0962006	2	Bushing	
29	2220883	2	Plug, O-Ring	
30	2220883	3	Plug, O-Ring	
31	0100011	AR	Compound, Locking	
32	0100038	AR	Primer, Locking	
100	1001139995	1	Seal Kit (Includes Items 4-9 & 11-14)	
200	1001119105	1	Sensor Magnet Kit (Includes Items 201-203)	
201	1001117994	2	Sleeve, Spacer	
202	1001118066	1	Magnet, Sensor	
203	1001118069	1	Ring, Internal Retaining	

# SECTION 6 - CYLINDER

FIGURE 6-10. LIFT (BOOM) CYLINDER ASSEMBLY (SN 0300209000 through 0300239990)



ART\_1001118442

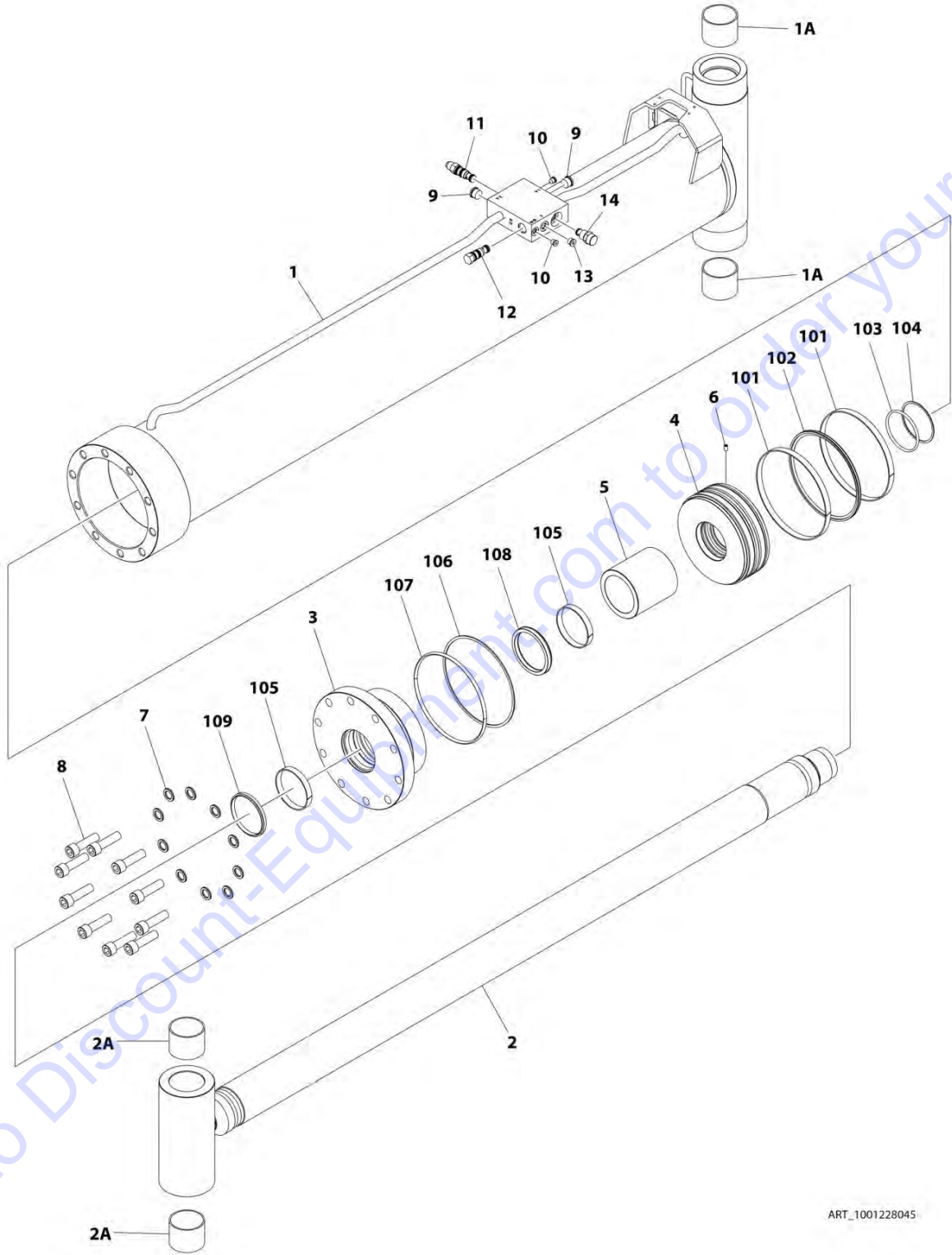
## SECTION 6 - CYLINDER

**FIGURE 6-10. LIFT (BOOM) CYLINDER ASSEMBLY (SN 0300209000 through 0300239990)**

ITEM	PART NUMBER	QTY	DESCRIPTION	REV
	1001118442	Ref	LIFT (BOOM) CYLINDER ASSEMBLY	D
		Ref	Note: Original Cylinder May Have Been Replaced with Service Replacement. Identify PN Stamped on Cylinder Before Ordering Parts.	
1	0100011	AR	Compound, Locking	
2	0100038	AR	Primer, Locking	
4	0630537	3	Capscrew	
5	0961901	1	Bushing, Tapered	
7	1683072	1	Head	
8	1684159	1	Rod	
9	1001118443	1	Barrel	
10	2220888	1	Plug, O-Ring	
12	See Note	NSS	Ring, Guide (Note: Use Item 31)	
13	See Note	NSS	Ring, Lock (Note: Use Item 31)	
14	See Note	NSS	Ring, Back-up (Note: Use Item 31)	
15	See Note	NSS	O-Ring (Note: Use Item 31)	
16	See Note	NSS	Ring, Wear (Note: Use Item 31)	
17	See Note	NSS	Wiper, Rod (Note: Use Item 31)	
18	See Note	NSS	Seal, Rod (Note: Use Item 31)	
19	See Note	NSS	Ring, Back-up (Note: Use Item 31)	
20	See Note	NSS	O-Ring (Note: Use Item 31)	
21	See Note	NSS	Ring, Wear (Note: Use Item 31)	
22	3480270	1	Piston	
23	3760375	1	Ring, Washer	
25	3932244	8	Capscrew 3/4 x 2-3/4	
26	4568319	1	Spacer	
27	4640438	1	Cartridge, Check Valve	
27	2900770	1	Seal Kit - 4640438 Cartridge Valve	
28	1001125279	1	Cartridge, Valve	
28	2900770	1	Seal Kit - 1001125279 Cartridge Valve	
29	4641210	1	Cartridge, Pressure Regulator Valve	
29	7010545	1	Seal Kit - 4641210 Cartridge Valve	
30	0962297	4	Bushing	
31	1001174325	1	Seal Kit (Includes Items 12-21)	

# SECTION 6 - CYLINDER

FIGURE 6-11. LIFT (BOOM) CYLINDER ASSEMBLY (SN 0300239991 to Present)



ART\_1001228045

## SECTION 6 - CYLINDER

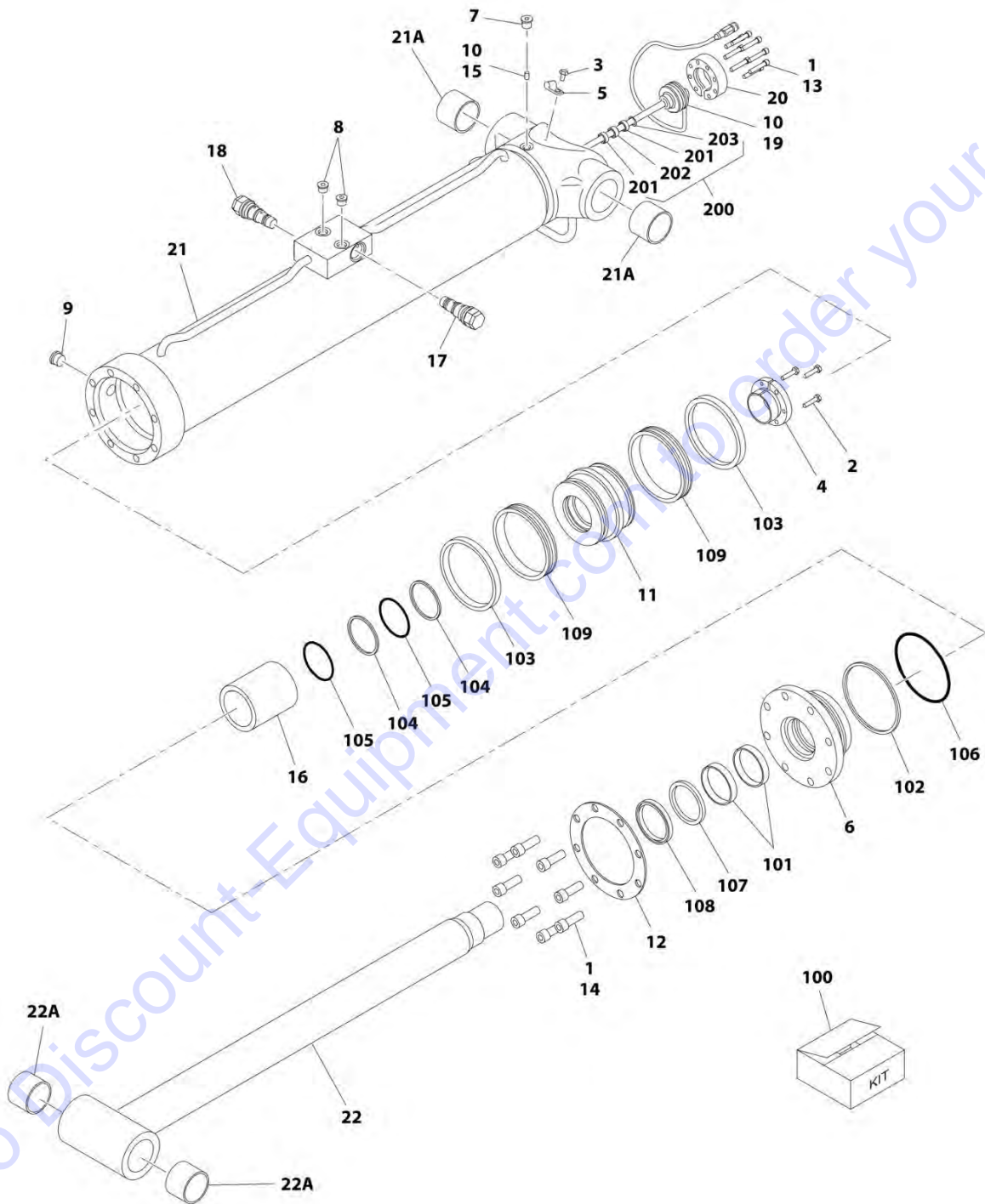
**FIGURE 6-11. LIFT (BOOM) CYLINDER ASSEMBLY (SN 0300239991 to Present)**

ITEM	PART NUMBER	QTY	DESCRIPTION	REV
	1001228045	Ref	LIFT (BOOM) CYLINDER ASSEMBLY	B
		Ref	Note: Original Cylinder May Have Been Replaced with Service Replacement. Identify PN Stamped on Cylinder Before Ordering Parts.	
1	See Note	NSS	Barrel (Note: Not Available for Purchase)	
1A	0962297	2	Bearing	
2	70006559	1	Rod	
2A	0962297	2	Bearing	
3	70006558	1	Head	
4	70006557	1	Piston	
5	70006556	1	Spacer	
6	70020438	1	Screw	
7	70006555	10	Washer	
8	70006554	10	Capscrew 3/4 x 2-3/4	
9	2220887	2	Plug, O-Ring	
10	2220883	2	Plug, O-Ring	
11	1001125279	1	Cartridge, Valve	
11	2900770	1	Seal Kit - 1001125279 Cartridge Valve	
12	4640438	1	Cartridge, Check Valve	
12	2900770	1	Seal Kit - 4640438 Cartridge Valve	
13	2220885	1	Plug, O-Ring	
14	4641210	1	Cartridge, Pressure Regulator Valve	
14	7010545	1	Seal Kit - 4641210 Cartridge Valve	
100	70006560	1	Seal Kit (Includes Items 12-21)	
101	See Note	NSS	Ring, Wear (Note: Use Item 100)	
102	See Note	NSS	Seal, Piston (Note: Use Item 100)	
103	See Note	NSS	Ring, Back-up (Note: Use Item 100)	
104	See Note	NSS	O-Ring (Note: Use Item 100)	
105	See Note	NSS	Ring, Wear (Note: Use Item 100)	
106	See Note	NSS	O-Ring (Note: Use Item 100)	
107	See Note	NSS	Ring, Back-up (Note: Use Item 100)	
108	See Note	NSS	Seal, Rod (Note: Use Item 100)	
109	See Note	NSS	Wiper, Rod (Note: Use Item 100)	



# SECTION 6 - CYLINDER

FIGURE 6-12. LIFT (JIB) CYLINDER ASSEMBLY (SN 0300209000 through 0300239990)



ART\_1001140104



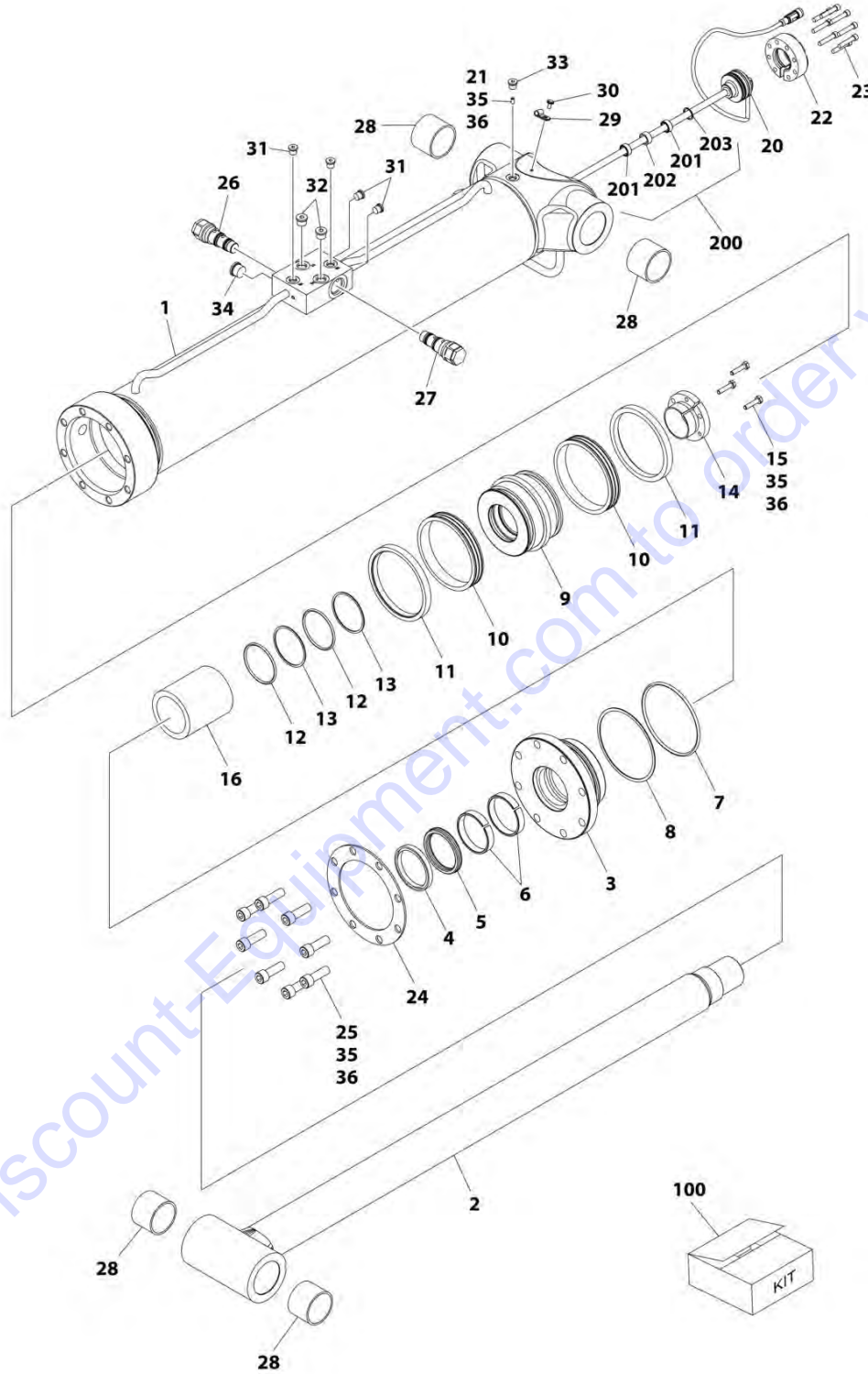
## SECTION 6 - CYLINDER

**FIGURE 6-12. LIFT (JIB) CYLINDER ASSEMBLY (SN 0300209000 through 0300239990)**

ITEM	PART NUMBER	QTY	DESCRIPTION	REV
	1001140104	Ref	LIFT (JIB) CYLINDER ASSEMBLY	D
		Ref	Note: Original Cylinder May Have Been Replaced with Service Replacement. Identify PN Stamped on Cylinder Before Ordering Parts.	
1	0100011	AR	Compound, Locking	
2	0630535	3	Capscrew 1/4 x 1-1/8	
3	0791003	1	Screw #10 x 3/8	
4	0961897	1	Bushing, Tapered	
5	1320136	1	Clamp, Cable	
6	1683063	1	Head	
7	2220883	1	Plug, O-Ring	
8	2220885	2	Plug, O-Ring	
9	2220886	1	Plug, O-Ring	
10	3020039	AR	Lubricant	
11	3480282	1	Piston	
12	3760371	1	Ring, Washer	
13	3931420	8	Capscrew 1/4 x 1-1/4	
14	3931824	8	Capscrew 1/2 x 1-1/2	
15	3951003	1	Setscrew #10 x 3/8	
16	4100099	1	Spacer	
17	4640999	1	Cartridge, Holding Valve (Non Vented)	
17	2900792	1	Seal Kit - 4640999 Cartridge Valve	
18	4641248	1	Cartridge, Counterbalance Valve (Non Vented)	
18	See Note	1	Seal Kit - 4641248 Cartridge Valve (Note: Not Available for Purchase)	
19	1001117991	1	Sensor, Cylinder Length	
20	1001118070	1	Cap, Retainer	
21	1001118084	1	Barrel Weldment	
21A	0961950	2	Bushing	
22	1001118086	1	Rod Weldment	
22A	0961950	2	Bushing	
100	1001139996	1	Seal Kit (Includes Items 101-109)	
101	See Note	NSS	Ring, Wear (Note: Use Item 100)	
102	See Note	NSS	Ring, Back-up (Note: Use Item 100)	
103	See Note	NSS	Ring, Lock (Note: Use Item 100)	
104	See Note	NSS	Ring, Back-up (Note: Use Item 100)	
105	See Note	NSS	O-Ring (Note: Use Item 100)	
106	See Note	NSS	O-Ring (Note: Use Item 100)	
107	See Note	NSS	Seal (Note: Use Item 100)	
108	See Note	NSS	Wiper, Rod (Note: Use Item 100)	
109	See Note	NSS	Seal (Note: Use Item 100)	
200	1001119105	1	Sensor Magnet Kit (Includes Items 201-203)	
201	1001117994	2	Sleeve, Spacer	
202	1001118066	1	Magnet, Sensor	
203	1001118069	1	Ring, Internal Retaining	

# SECTION 6 - CYLINDER

FIGURE 6-13. LIFT (JIB) CYLINDER ASSEMBLY (SN 0300239991 to Present)



ART\_1001228058

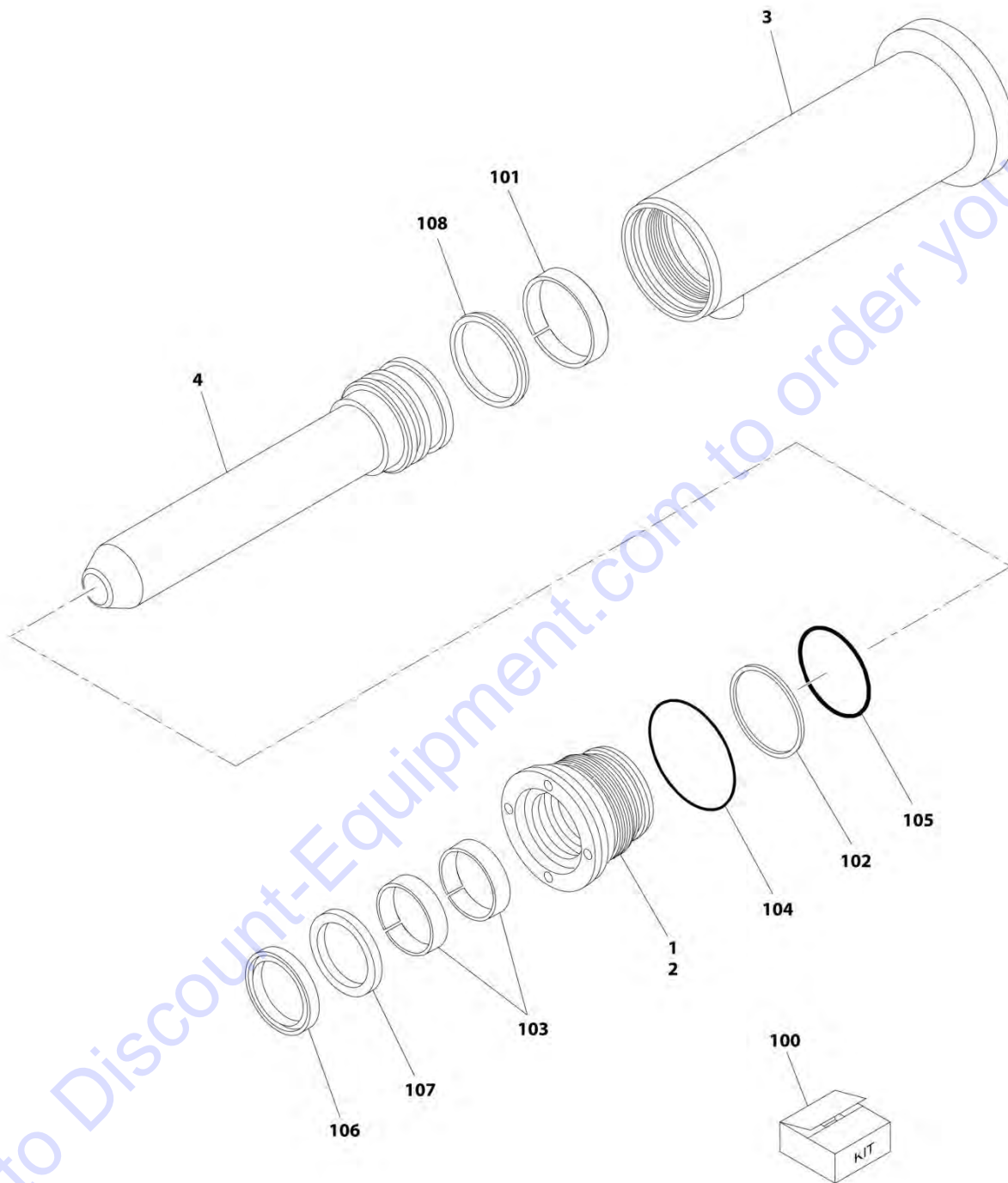
## SECTION 6 - CYLINDER

**FIGURE 6-13. LIFT (JIB) CYLINDER ASSEMBLY (SN 0300239991 to Present)**

ITEM	PART NUMBER	QTY	DESCRIPTION	REV
	1001228058	Ref	LIFT (JIB) CYLINDER ASSEMBLY	E
		Ref	Note: Original Cylinder May Have Been Replaced with Service Replacement. Identify PN Stamped on Cylinder Before Ordering Parts.	
1	See Note	NSS	Barrel Weldment (Note: Not Available for Purchase)	
2	70006468	NLA	Rod Weldment (Use p/n 70007058)	
3	70006467	1	Head	
4	See Note	NSS	Wiper (Note: Use Item 100)	
5	See Note	NSS	Seal, Rod (Note: Use Item 100)	
6	See Note	NSS	Ring, Wear (Note: Use Item 100)	
7	See Note	NSS	O-Ring (Note: Use Item 100)	
8	See Note	NSS	Ring, Back-up (Note: Use Item 100)	
9	70006466	1	Piston	
10	See Note	NSS	Ring, Lock (Note: Use Item 100)	
11	See Note	NSS	Ring, Guide (Note: Use Item 100)	
12	See Note	NSS	O-Ring (Note: Use Item 100)	
13	See Note	NSS	Ring, Back-up (Note: Use Item 100)	
14	0961897	1	Bushing, Tapered	
15	0630535	3	Capscrew 1/4 x 1-1/8	
16	70006465	1	Spacer	
20	1001117991	1	Sensor, Cylinder Length	
21	70006464	1	Setscrew M5	
22	70006463	1	Cap, Retainer	
23	3931420	1	Capscrew 1/4 x 1-1/4	
24	3760371	1	Ring, Washer	
24	70007049	2	Ring, Washer	
25	3931824	8	Capscrew 1/2 x 1-1/2	
26	4641248	1	Cartridge, Counterbalance Valve (Non Vented)	
26	See Note	NSS	Seal Kit - 4641248 Cartridge Valve (Note: Not Available for Purchase)	
27	4640999	1	Cartridge, Holding Valve (Non Vented)	
27	2900792	1	Seal Kit - 4640999 Cartridge Valve	
28	0961950	2	Bushing	
29	1320136	1	Clamp, Cable	
30	70006462	1	Bolt M5	
31	2220883	2	Plug, O-Ring	
32	2220885	2	Plug, O-Ring	
33	2220883	3	Plug, O-Ring	
34	2220886	1	Plug, O-Ring	
35	0100011	AR	Compound, Locking	
36	0100038	AR	Primer, Locking	
100	1001139996	1	Seal Kit (Includes Items 4-8 & 10-13)	
200	1001119105	1	Sensor Magnet Kit (Includes Items 201-203)	
201	1001117994	2	Sleeve, Spacer	
202	1001118066	1	Magnet, Sensor	
203	1001118069	1	Ring, Internal Retaining	

# SECTION 6 - CYLINDER

FIGURE 6-14. LOCK (JIB) CYLINDER ASSEMBLY (SN 0300209000 through 0300239674)



Go to Discount-Equipment.com to order your parts

ART\_100119313

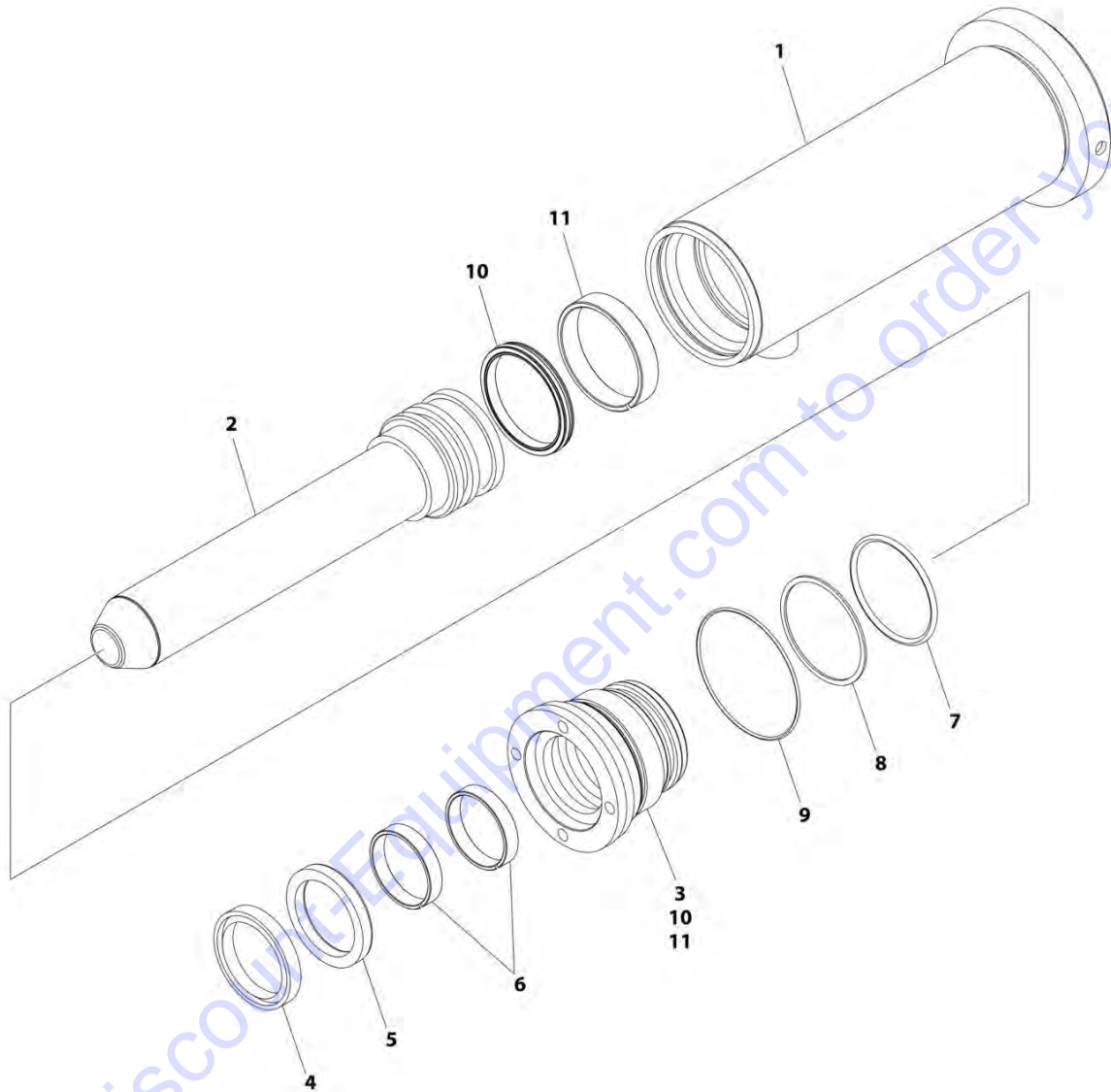
## SECTION 6 - CYLINDER

**FIGURE 6-14. LOCK (JIB) CYLINDER ASSEMBLY (SN 0300209000 through 0300239674)**

ITEM	PART NUMBER	QTY	DESCRIPTION	REV
	1001119313	Ref	LOCK (JIB) CYLINDER ASSEMBLY	C
		Ref	Note: Original Cylinder May Have Been Replaced with Service Replacement. Identify PN Stamped on Cylinder Before Ordering Parts.	
1	2570008	1	Head	
2	3020043	AR	Lubricant	
3	1001119314	1	Barrel Weldment	
4	1001119318	1	Rod Weldment	
100	1001119452	1	Seal Kit (Includes Items 101-108)	
101	See Note	NSS	Ring, Wear (Note: Use Item 100)	
102	See Note	NSS	Ring, Back-up (Note: Use Item 100)	
103	See Note	NSS	Ring, Wear (Note: Use Item 100)	
104	See Note	NSS	O-Ring (Note: Use Item 100)	
105	See Note	NSS	O-Ring (Note: Use Item 100)	
106	See Note	NSS	Wiper, Rod (Note: Use Item 100)	
107	See Note	NSS	Seal (Note: Use Item 100)	
108	See Note	NSS	Seal (Note: Use Item 100)	

# SECTION 6 - CYLINDER

FIGURE 6-15. LOCK (JIB) CYLINDER ASSEMBLY (SN 0300239675 to Present)



ART\_1001228046

## SECTION 6 - CYLINDER

**FIGURE 6-15. LOCK (JIB) CYLINDER ASSEMBLY (SN 0300239675 to Present)**

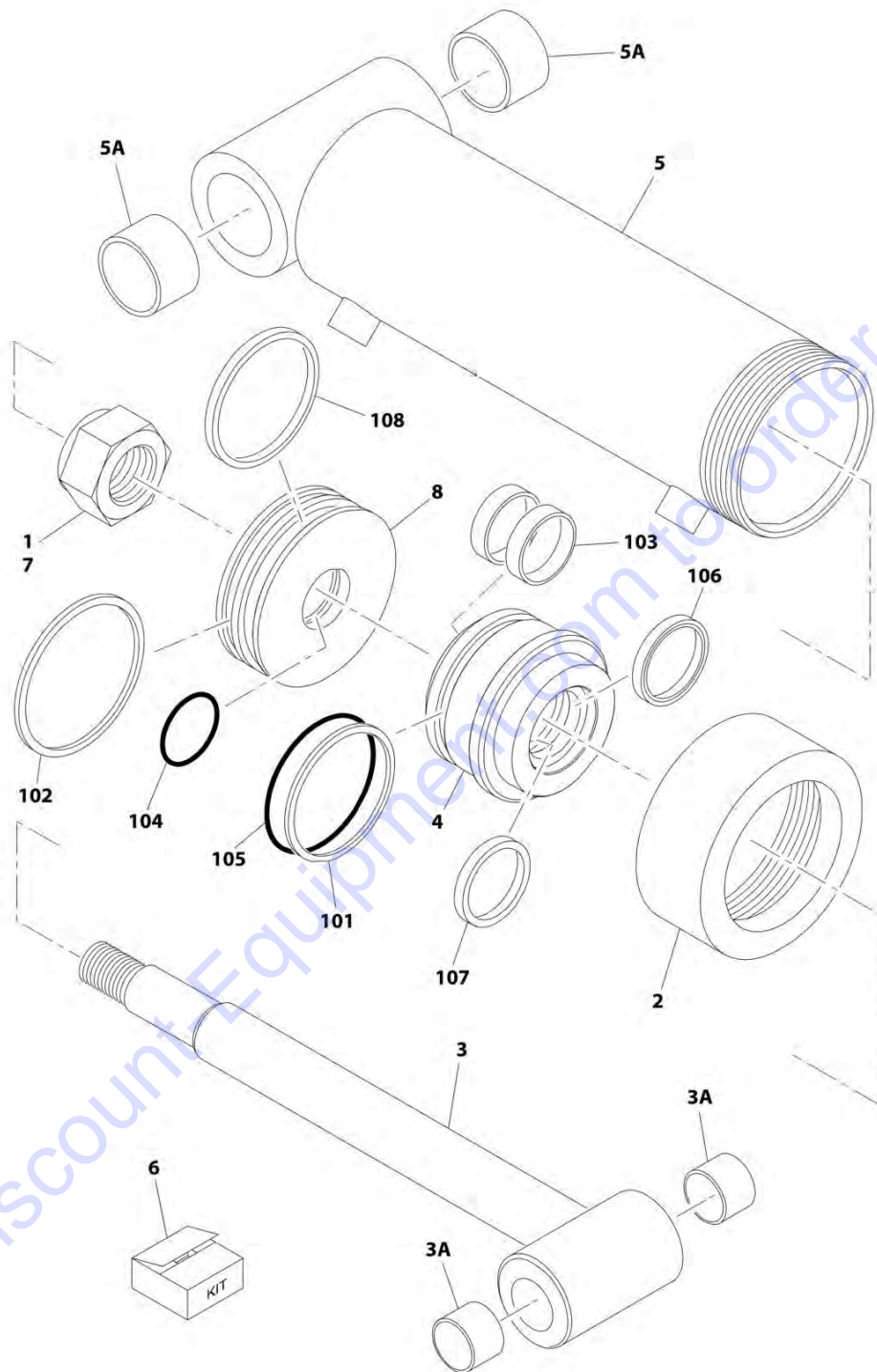
ITEM	PART NUMBER	QTY	DESCRIPTION	REV
	1001228046	Ref	LOCK (JIB) CYLINDER ASSEMBLY	B
		Ref	Note: Original Cylinder May Have Been Replaced with Service Replacement. Identify PN Stamped on Cylinder Before Ordering Parts.	
1	See Note	NSS	Barrel Weldment (Note: Not Available for Purchase)	
2	70006449	1	Rod	
3	70006448	1	Head	
4	See Note	NSS	Ring, Wiper (Note: Use Item 100)	
5	See Note	NSS	Seal, Rod (Note: Use Item 100)	
6	See Note	NSS	Ring, Wear (Note: Use Item 100)	
7	See Note	NSS	O-Ring (Note: Use Item 100)	
8	See Note	NSS	Ring, Back-up (Note: Use Item 100)	
9	See Note	NSS	O-Ring (Note: Use Item 100)	
10	0100011	AR	Compound, Locking	
11	0100038	AR	Primer, Locking	
100	1001119452	1	Seal Kit (Includes Items 4-9)	

Go to Discount-Equipment.com to order your parts



# SECTION 6 - CYLINDER

FIGURE 6-16. STEER CYLINDER ASSEMBLY (SN 0300209000 through 0300238017)



ART\_1684314

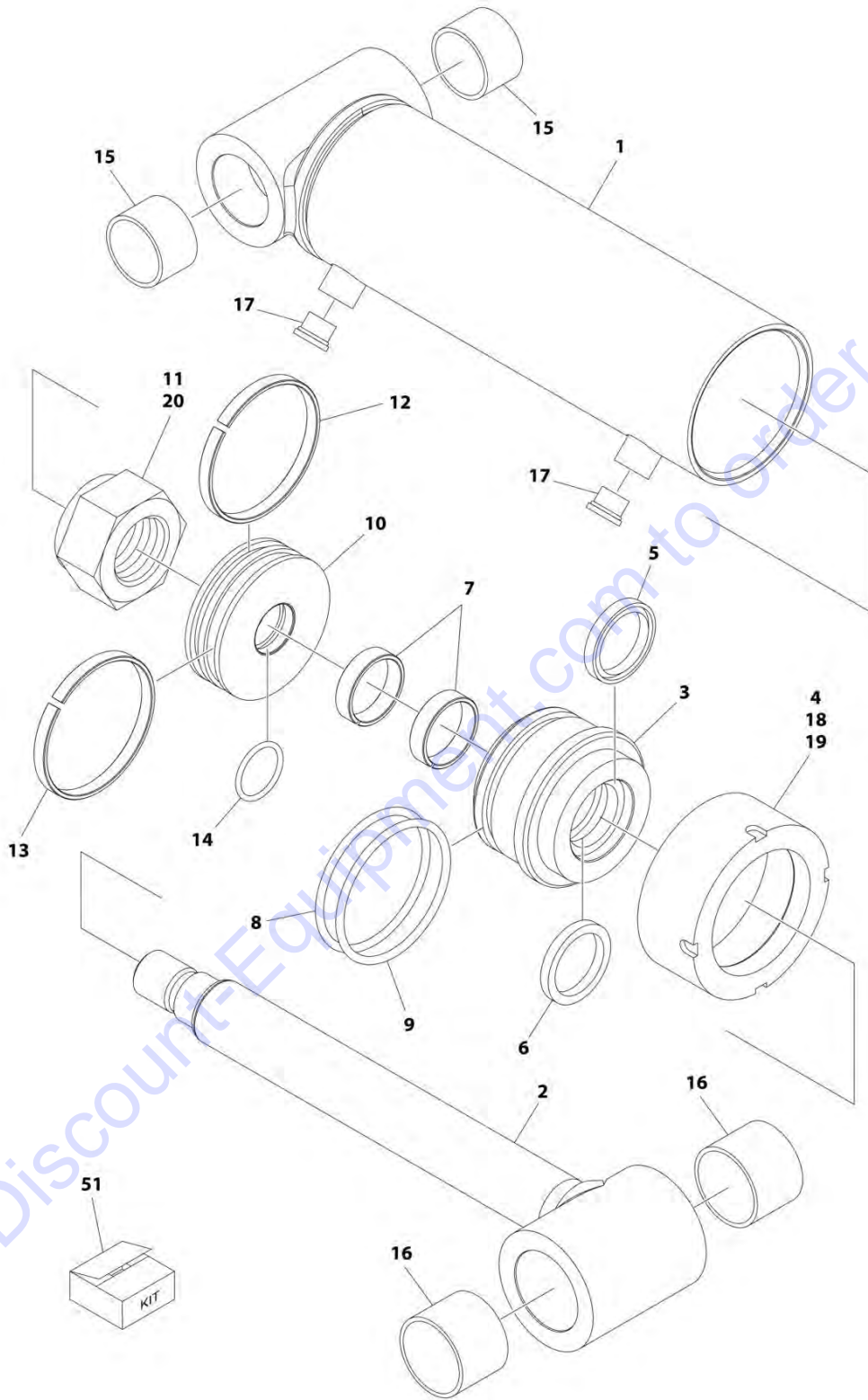
## SECTION 6 - CYLINDER

**FIGURE 6-16. STEER CYLINDER ASSEMBLY (SN 0300209000 through 0300238017)**

ITEM	PART NUMBER	QTY	DESCRIPTION	REV
	1684314	Ref	STEER CYLINDER ASSEMBLY	F
		Ref	Note: Original Cylinder May Have Been Replaced with Service Replacement. Identify PN Stamped on Cylinder Before Ordering Parts.	
1	0100035	AR	Compound, Locking	
2	1120094	1	Cap, Cylinder	
3	1684275	1	Rod	
3A	0961950	2	Bushing	
4	1684315	1	Head	
5	1684317	1	Barrel	
5A	0961949	2	Bushing	
6	2902257	1	Seal Kit (Includes Items 101-108)	
7	3300465	1	Nut	
8	3480278	1	Piston	
101	See Note	NSS	Ring, Back-up (Note: Use Item 6)	
102	See Note	NSS	Ring, Wear (Note: Use Item 6)	
103	See Note	NSS	Ring, Wear (Note: Use Item 6)	
104	See Note	NSS	O-Ring (Note: Use Item 6)	
105	See Note	NSS	O-Ring (Note: Use Item 6)	
106	See Note	NSS	Wiper (Note: Use Item 6)	
107	See Note	NSS	Seal, Rod (Note: Use Item 6)	
108	See Note	NSS	Seal, Piston (Note: Use Item 6)	

# SECTION 6 - CYLINDER

FIGURE 6-17. STEER CYLINDER ASSEMBLY (SN 0300238018 to Present)



ART\_1001228031

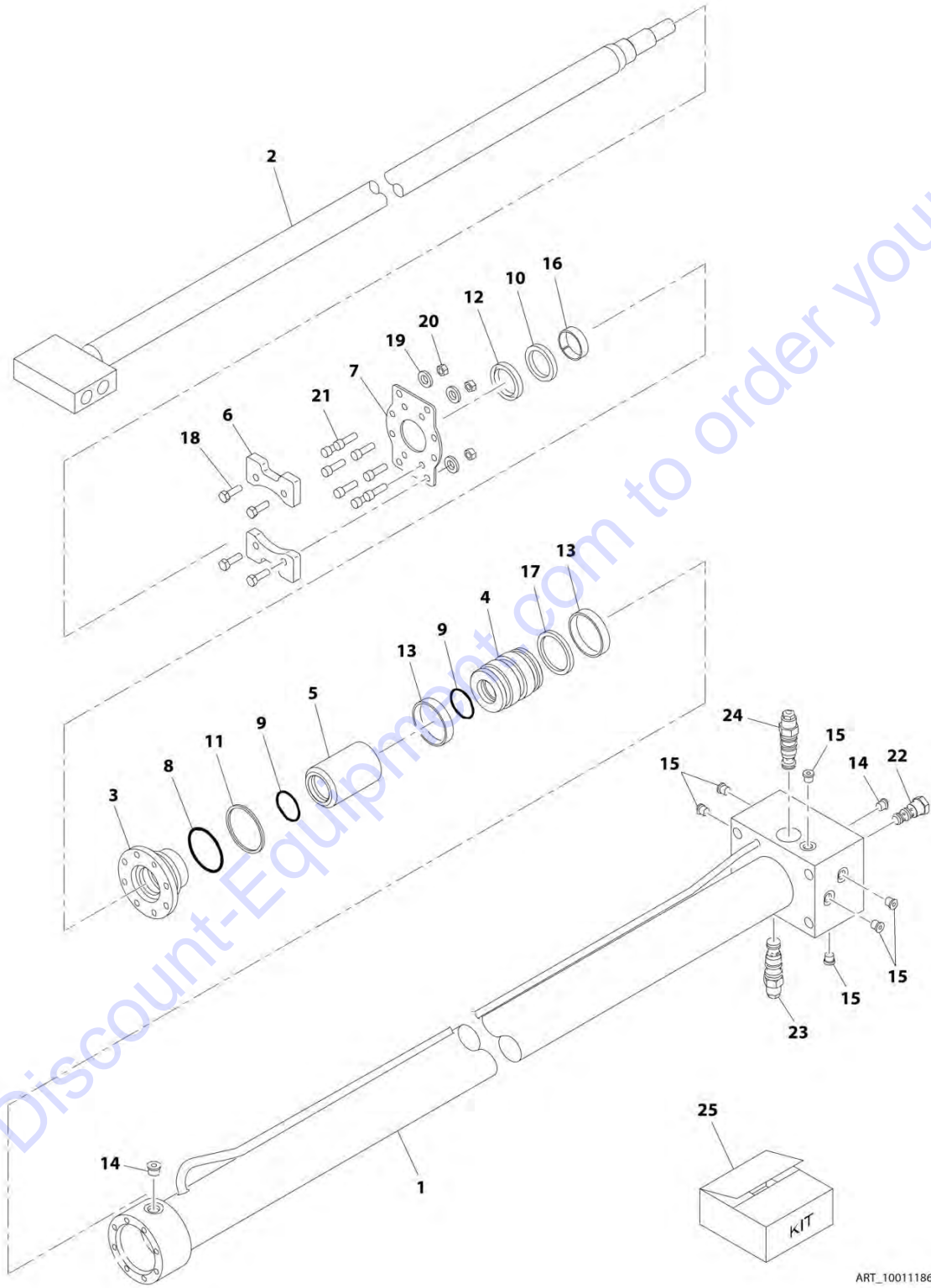
## SECTION 6 - CYLINDER

**FIGURE 6-17. STEER CYLINDER ASSEMBLY (SN 0300238018 to Present)**

ITEM	PART NUMBER	QTY	DESCRIPTION	REV
	1001228031	Ref	STEER CYLINDER ASSEMBLY	A
		Ref	Note: Original Cylinder May Have Been Replaced with Service Replacement. Identify PN Stamped on Cylinder Before Ordering Parts.	
1	See Note	NSS	Barrel (Note: Not Available for Purchase)	
2	70006493	1	Rod	
3	70006492	1	Head	
4	70006491	1	Cap, Cylinder	
5	See Note	NSS	Wiper (Note: Use Item 51)	
6	See Note	NSS	Seal, Rod (Note: Use Item 51)	
7	See Note	NSS	Ring, Wear (Note: Use Item 51)	
8	See Note	NSS	O-Ring (Note: Use Item 51)	
9	See Note	NSS	Ring, Back-up (Note: Use Item 51)	
10	70006490	1	Piston	
11	3300465	1	Nut	
12	See Note	NSS	Seal, Piston (Note: Use Item 51)	
13	See Note	NSS	Ring, Wear (Note: Use Item 51)	
14	See Note	NSS	O-Ring (Note: Use Item 51)	
15	0961949	2	Bushing	
16	0961950	2	Bushing	
17	2220885	2	Plug (With O-Ring)	
18	0100011	AR	Compound, Locking	
19	0100038	AR	Primer, Locking	
20	0100019	AR	Compound, Locking	
51	2902257	1	Seal Kit (Includes Items 5-9 & 12-14)	

# SECTION 6 - CYLINDER

FIGURE 6-18. TELESCOPE (JIB) CYLINDER ASSEMBLY (SN 0300209000 through 0300213726)



ART\_100118663

## SECTION 6 - CYLINDER

**FIGURE 6-18. TELESCOPE (JIB) CYLINDER ASSEMBLY (SN 0300209000 through 0300213726)**

ITEM	PART NUMBER	QTY	DESCRIPTION	REV
	1001118663	Ref	TELESCOPE (JIB) CYLINDER ASSEMBLY	F
1	70003052	1	Barrel	
2	70003051	1	Rod	
3	70003050	1	Head	
4	70003049	1	Piston	
5	70003048	1	Spacer	
6	70003047	2	Pad, Wear	
7	70003046	1	Support, Wear Pad	
8	See Note	NSS	O-Ring (Note: Use Item 25)	
9	See Note	NSS	O-Ring (Note: Use Item 25)	
10	See Note	NSS	Seal (Note: Use Item 25)	
11	See Note	NSS	Ring, Back-up (Note: Use Item 25)	
12	See Note	NSS	Wiper (Note: Use Item 25)	
13	See Note	NSS	Ring, Wear (Note: Use Item 25)	
14	2220885	3	Plug (With O-Ring)	
15	2220883	6	Plug (With O-Ring)	
16	See Note	NSS	Ring, Wear (Note: Use Item 25)	
17	See Note	NSS	Seal (Note: Use Item 25)	
18	0641510	4	Bolt 5/16 x 1-1/4	
19	4761500	4	Washer 5/16	
20	3311501	4	Nut 5/16	
21	3931516	8	Capscrew 5/16 x 1	
22	10837580	1	Cartridge, Shuttle Valve	
22	7010543	1	Seal Kit - 10837580 Valve	
23	70003045	1	Cartridge, Counterbalance Valve	
23	2900770	1	Seal Kit - 70003045 Valve	
24	4640771	1	Cartridge, Counterbalance Valve	
24	2900770	1	Seal Kit - 4640771 Valve	
25	70003053	1	Seal Kit - 1001118663 Cylinder (Includes Items 8-13, 16 & 17)	





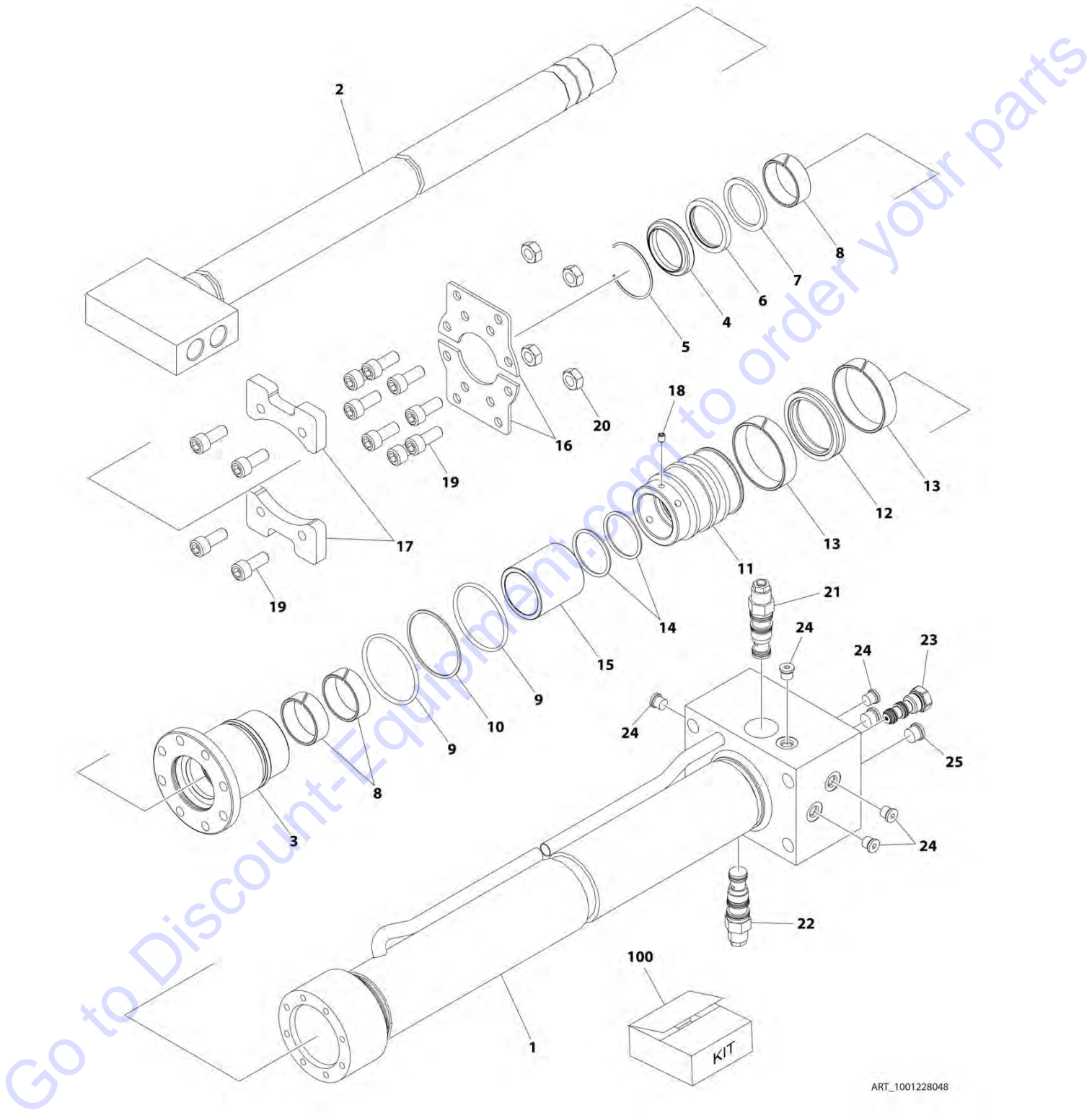
## SECTION 6 - CYLINDER

**FIGURE 6-19. TELESCOPE (JIB) CYLINDER ASSEMBLY (SN 0300213727 through 0300244704)**

ITEM	PART NUMBER	QTY	DESCRIPTION	REV
	1001121121	Ref	TELESCOPE (JIB) CYLINDER ASSEMBLY (SN 0300213727 through 0300244704)	D
		Ref	Note: Original Cylinder May Have Been Replaced with Service Replacement. Identify PN Stamped on Cylinder Before Ordering Parts.	
1	0100011	AR	Compound, Locking	
2	0630534	3	Capscrew #10 x 1	
3	0641508	4	Bolt 5/16 x 1	
4	0962185	1	Bushing, Tapered	
5	1683051	1	Head	
6	2220883	6	Plug (With O-Ring)	
7	2220885	1	Plug (With O-Ring)	
8	3311505	4	Nut 5/16	
9	3931516	8	Capscrew 5/16 x 1	
10	4640771	1	Cartridge, Counterbalance Valve	
10	2900770	1	Seal Kit - 4640771 Valve	
11	4751500	4	Washer 5/16	
12	10837580	1	Cartridge, Shuttle Valve	
12	7010543	1	Seal Kit - 10837580 Valve	
13	1001120944	1	Piston	
14	1001120950	1	Barrel	
15	1001120952	1	Spacer	
16	1001120954	1	Rod	
17	1001120960	2	Support, Wear Pad	
18	1001120961	2	Pad, Wear	
19	1001121155	1	Cartridge, Counterbalance Valve	
19	2900770	1	Seal Kit - 1001121155 Valve	
100	1001121157	1	Seal Kit - 1001121121 Cylinder (Includes Items 101-110)	
101	See Note	NSS	O-Ring (Note: Use Item 100)	
102	See Note	NSS	Seal (Note: Use Item 100)	
103	See Note	NSS	Ring, Wear (Note: Use Item 100)	
104	See Note	NSS	Seal (Note: Use Item 100)	
105	See Note	NSS	O-Ring (Note: Use Item 100)	
106	See Note	NSS	O-Ring (Note: Use Item 100)	
107	See Note	NSS	Seal, Back-up (Note: Use Item 100)	
108	See Note	NSS	Seal, Rod (Note: Use Item 100)	
109	See Note	NSS	Seal, Wiper (Note: Use Item 100)	
110	See Note	NSS	Ring, Wear (Note: Use Item 100)	

# SECTION 6 - CYLINDER

FIGURE 6-20. TELESCOPE (JIB) CYLINDER ASSEMBLY (SN 0300244705 to Present)



ART\_1001228048

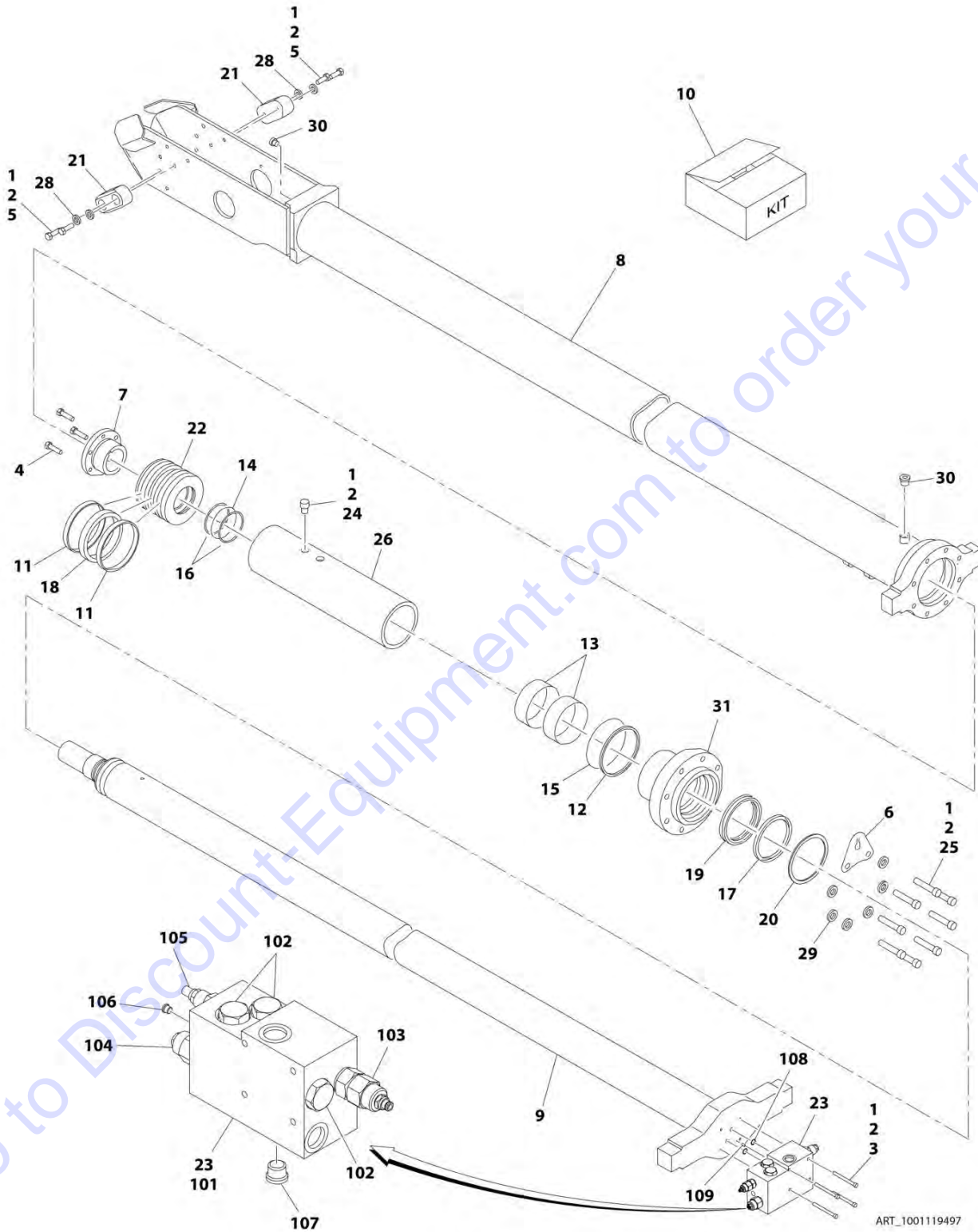
## SECTION 6 - CYLINDER

**FIGURE 6-20. TELESCOPE (JIB) CYLINDER ASSEMBLY (SN 0300244705 to Present)**

ITEM	PART NUMBER	QTY	DESCRIPTION	REV
	1001228048	Ref	TELESCOPE (JIB) CYLINDER ASSEMBLY	C
		Ref	Note: Original Cylinder May Have Been Replaced with Service Replacement. Identify PN Stamped on Cylinder Before Ordering Parts.	
1	See Note	NSS	Barrel Weldment (Note: Not Available for Purchase)	
2	70006845	1	Rod Weldment	
3	70006846	1	Head	
4	See Note	NSS	Wiper, Rod (Note: Use Item 100)	
5	70002373	1	Ring, Retaining	
6	See Note	NSS	Seal, Rod (Note: Use Item 100)	
7	See Note	NSS	Ring, Back-up (Note: Use Item 100)	
8	See Note	NSS	Ring, Wear (Note: Use Item 100)	
9	See Note	NSS	O-Ring (Note: Use Item 100)	
10	See Note	NSS	Ring, Back-up (Note: Use Item 100)	
11	70006847	1	Piston	
12	See Note	NSS	Seal, Piston (Note: Use Item 100)	
13	See Note	NSS	Ring, Wear (Note: Use Item 100)	
14	70006848	2	O-Ring	
15	70006849	1	Spacer	
16	70006850	2	Plate	
17	70006851	2	Bracket	
18	70005879	1	Setscrew	
19	70005885	12	Capscrew M8	
20	70005594	4	Nut M8	
21	4640771	1	Cartridge, Counterbalance Valve	
21	2900770	1	Seal Kit - 4640771 Valve	
22	1001121155	1	Cartridge, Counterbalance Valve	
22	2900770	1	Seal Kit - 1001121155 Valve	
23	10837580	1	Cartridge, Shuttle Valve	
23	7010543	1	Seal Kit - 10837580 Valve	
24	2220883	6	Plug (With O-Ring)	
25	2220885	2	Plug (With O-Ring)	
100	70006852	1	Seal Kit (Includes Items 4, 6-10, 12 & 13)	

# SECTION 6 - CYLINDER

FIGURE 6-21. TELESCOPE (MAIN BOOM) CYLINDER ASSEMBLY (SN 0300209000 through 0300244704)



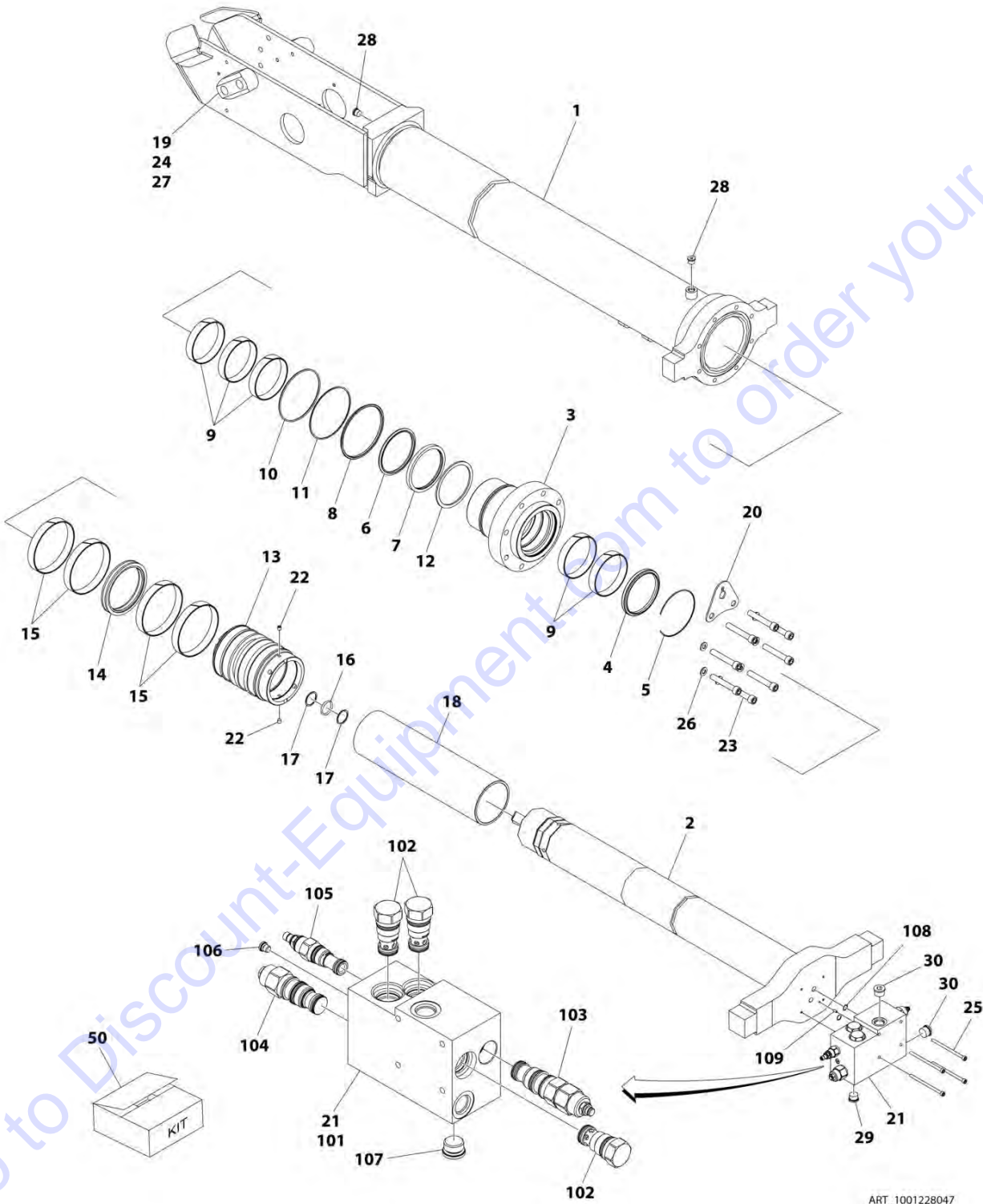
## SECTION 6 - CYLINDER

**FIGURE 6-21. TELESCOPE (MAIN BOOM) CYLINDER ASSEMBLY (SN 0300209000 through 0300244704)**

ITEM	PART NUMBER	QTY	DESCRIPTION	REV
	1001119497	Ref	TELESCOPE (MAIN BOOM) CYLINDER ASSEMBLY (SN 0300209000 through 0300244704)	D
		Ref	Note: Original Cylinder May Have Been Replaced with Service Replacement. Identify PN Stamped on Cylinder Before Ordering Parts.	
1	0100011	AR	Compound, Locking	
2	0100038	AR	Primer, Locking	
3	3931456	4	Capscrew 1/4 x 3-1/2	
4	0630535	3	Capscrew	
5	0641608	4	Bolt 3/8 x 1	
6	0902743	1	Bracket	
7	0961903	1	Bushing, Tapered	
8	1001119498	1	Barrel Weldment	
9	1001119500	1	Rod Weldment	
10	2902081	1	Seal Kit (Includes Items 11-20)	
11	See Note	NSS	Ring, Wear (Note: Use Item 10)	
12	See Note	NSS	Ring, Back-up (Note: Use Item 10)	
13	See Note	NSS	Ring, Wear (Note: Use Item 10)	
14	See Note	NSS	O-Ring (Note: Use Item 10)	
15	See Note	NSS	O-Ring (Note: Use Item 10)	
16	See Note	NSS	Ring, Back-up (Note: Use Item 10)	
17	See Note	NSS	Wiper, Rod (Note: Use Item 10)	
18	See Note	NSS	T-Seal (Note: Use Item 10)	
19	See Note	NSS	Seal, Rod (Note: Use Item 10)	
20	See Note	NSS	Ring, Retaining (Note: Use Item 10)	
21	3340963	2	Pad, Wear	
22	3480268	1	Piston	
23	1001144398	1	Valve Assembly (See Items 101-109 for Breakdown)	
24	3931608	1	Capscrew 3/8 x 1	
25	3931840	8	Capscrew 1/2 x 2-1/2	
26	1001104922	1	Spacer	
28	4711600	4	Washer 3/8	
29	4891800	6	Washer 1/2	
30	2220885	2	Plug, O-Ring	
31	1684141	1	Head	
	1001144398	Ref	VALVE ASSEMBLY	A
101	See Note	NSS	Body, Valve (Note: Not Available for Purchase)	
102	7011368	3	Cartridge, Check Valve	
102	7011351	3	Seal Kit - 7011368 Cartridge	
103	70004029	1	Cartridge, Counterbalance Valve	
103	7011371	1	Seal Kit - 70004029 Cartridge	
104	4641289	1	Cartridge, Counterbalance Valve	
104	2900789	1	Seal Kit - 4641289 Cartridge	
105	70004030	1	Cartridge, Relief Valve	
105	7011311	1	Seal Kit - 70004030 Cartridge	
106	70003031	1	Plug, O-Ring	
107	70003030	1	Plug, O-Ring	
108	70003029	2	O-Ring	
109	See Note	NSS	Pin (Note: Not Available for Purchase)	

# SECTION 6 - CYLINDER

FIGURE 6-22. TELESCOPE (MAIN BOOM) CYLINDER ASSEMBLY (SN 0300244705 to Present)



ART\_1001228047



## SECTION 6 - CYLINDER

**FIGURE 6-22. TELESCOPE (MAIN BOOM) CYLINDER ASSEMBLY (SN 0300244705 to Present)**

ITEM	PART NUMBER	QTY	DESCRIPTION	REV
	1001228047	Ref	TELESCOPE (MAIN BOOM) CYLINDER ASSEMBLY	C
		Ref	Note: Original Cylinder May Have Been Replaced with Service Replacement. Identify PN Stamped on Cylinder Before Ordering Parts.	
1	See Note	NSS	Barrel (Note: Not Available for Purchase)	
2	70006824	1	Rod	
3	70006825	1	Head	
4	See Note	NSS	Wiper, Rod (Note: Use Item 50)	
5	70026283	1	Ring, Retaining	
6	See Note	NSS	Seal, Rod (Note: Use Item 50)	
7	See Note	NSS	Ring, Back-up (Note: Use Item 50)	
8	See Note	NSS	O-Ring (Note: Use Item 50)	
9	See Note	NSS	Ring, Wear (Note: Use Item 50)	
10	See Note	NSS	O-Ring (Note: Use Item 50)	
11	See Note	NSS	Ring, Back-up (Note: Use Item 50)	
12	See Note	NSS	O-Ring (Note: Use Item 50)	
13	70006826	1	Piston	
14	See Note	NSS	Seal, Piston (Note: Use Item 50)	
15	See Note	NSS	Ring, Wear (Note: Use Item 50)	
16	See Note	NSS	O-Ring (Note: Use Item 50)	
17	See Note	NSS	Ring, Back-up (Note: Use Item 50)	
18	70006827	1	Spacer	
19	70006828	2	Pad, Wear	
20	70006829	1	Bracket	
21	1001144398	1	Valve Assembly (See Items 101-109 for Breakdown)	
22	70006799	2	Setscrew	
23	70005882	8	Capscrew M12	
24	70005885	4	Capscrew	
25	70006830	4	Capscrew	
26	70005883	6	Washer M12	
27	70006344	4	Washer	
28	2220885	2	Plug, O-Ring	
29	2220886	1	Plug, O-Ring	
30	70005433	2	Plug, O-Ring	
50	70006831	1	Seal Kit (Includes Items 4, 6-12 & 14-17)	
	1001144398	Ref	VALVE ASSEMBLY	A
101	See Note	NSS	Body, Valve (Note: Not Available for Purchase)	
102	7011368	3	Cartridge, Check Valve	
102	7011351	3	Seal Kit - 7011368 Cartridge	
103	70004029	1	Cartridge, Counterbalance Valve	
103	7011371	1	Seal Kit - 70004029 Cartridge	
104	4641289	1	Cartridge, Counterbalance Valve	
104	2900789	1	Seal Kit - 4641289 Cartridge	
105	70004030	1	Cartridge, Relief Valve	
105	7011311	1	Seal Kit - 70004030 Cartridge	
106	70003031	1	Plug, O-Ring	
107	70003030	1	Plug, O-Ring	
108	70003029	2	O-Ring	
109	See Note	NSS	Pin (Note: Not Available for Purchase)	



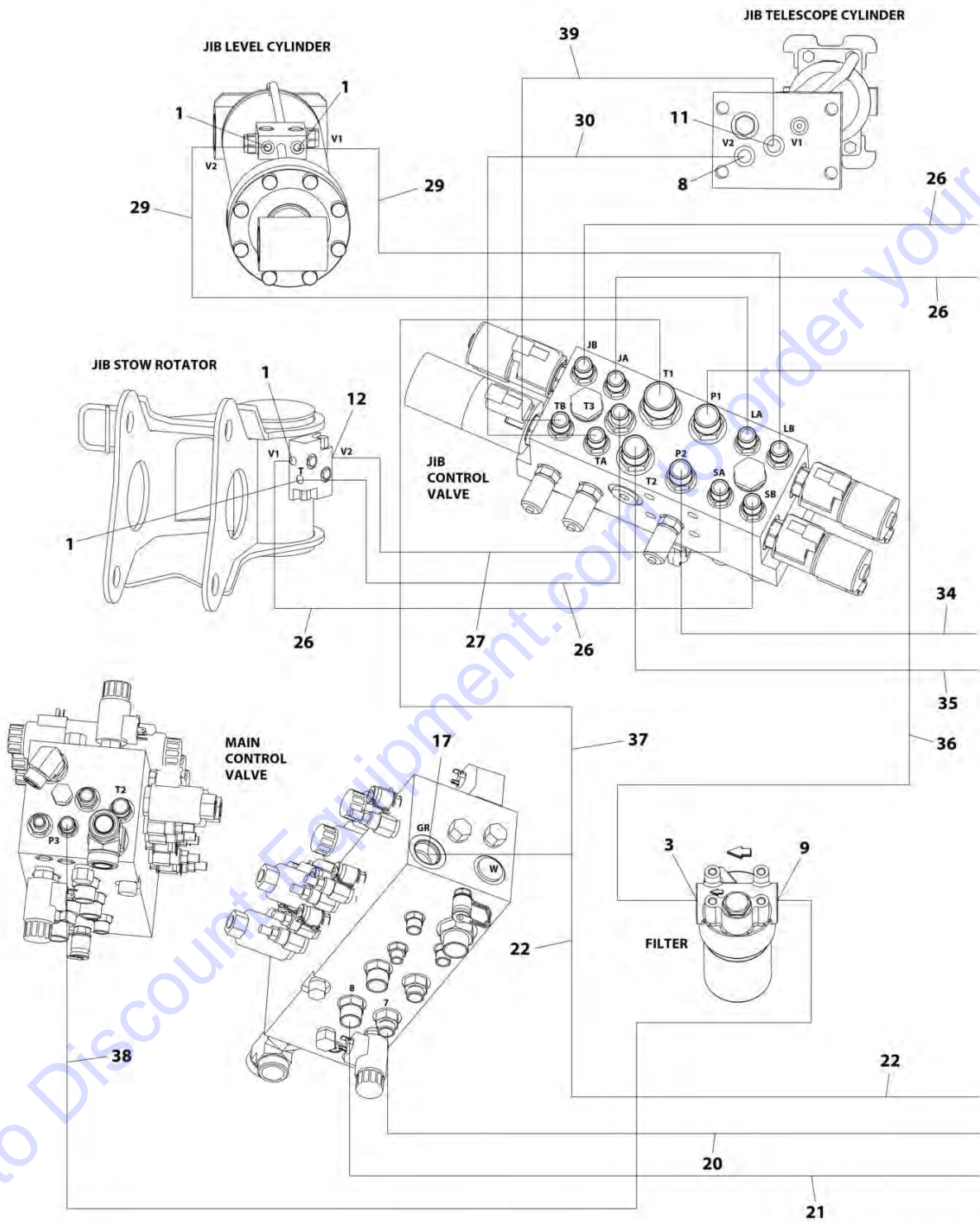


**SECTION 7 - HYDRAULIC**

Go to Discount-Equipment.com to order your parts

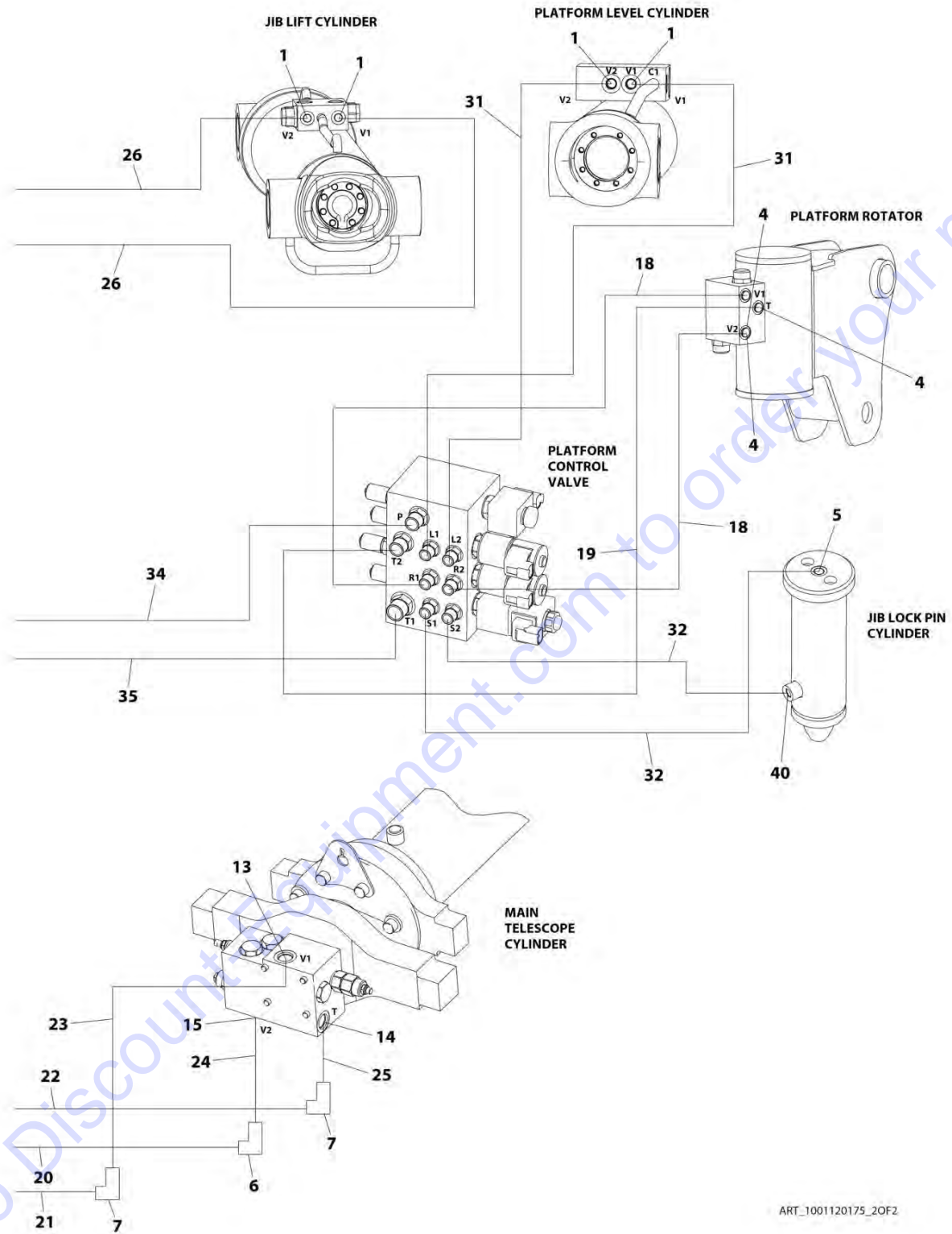
# SECTION 7 - HYDRAULIC

## FIGURE 7-1. HYDRAULIC DIAGRAM - BOOM



ART\_1001120175\_10F2

# SECTION 7 - HYDRAULIC



ART\_1001120175\_20F2

## SECTION 7 - HYDRAULIC

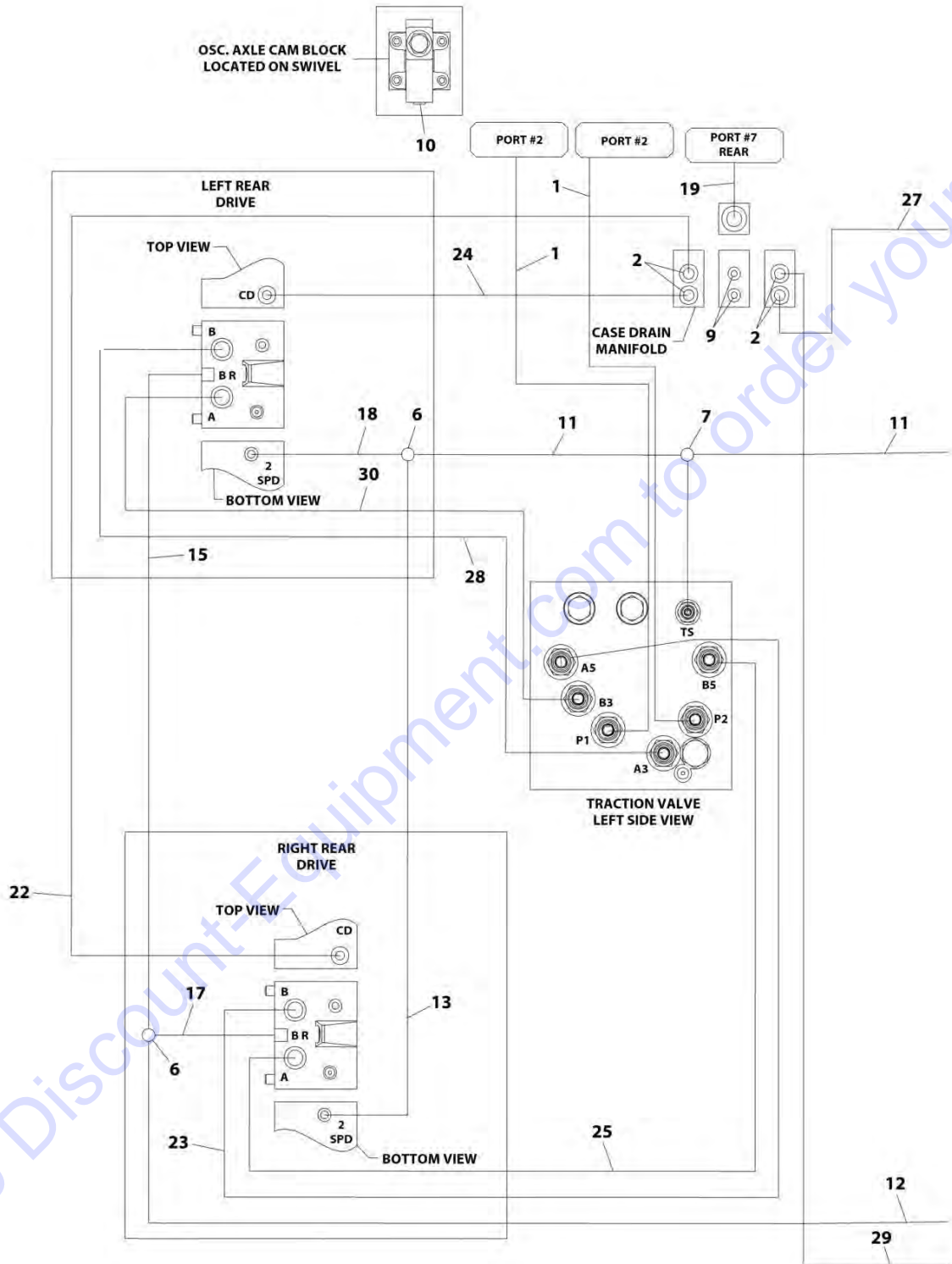
FIGURE 7-1. HYDRAULIC DIAGRAM - BOOM

ITEM	PART NUMBER	QTY	DESCRIPTION	REV
		Ref	HYDRAULIC DIAGRAM - BOOM	
	1001120168	Ref	Hydraulic Diagram Chart for Deutz TD2011 Engine Machines with Rexroth Pumps	F
	1001152972	Ref	Hydraulic Diagram Chart for Deutz TCD2.9L4 Engine Machines with Rexroth Pumps	B
	1001120169	Ref	Hydraulic Diagram Chart for Deutz TD2011 & Deutz TCD2.9L4 Engine Machines with Sauer Pumps	E
	1001120175	Ref	Hydraulic Diagram - Main Boom and Jib	G
1	2110404	8	Fitting, Straight ORFS/ORB	
3	2110812	1	Fitting, Straight ORFS/ORB	
4	2150404	3	Fitting, 45 ORFS/ORB	
5	2110406	2	Fitting, Straight ORFS/ORB	
6	2171208	1	Fitting, 90 ORFS/ORB	
7	2171210	2	Fitting, 90 ORFS/ORB	
8	2130406	2	Fitting, 90 ORFS/ORB	
9	2130812	1	Fitting, 90 ORFS/ORB	
11	1001134728	1	Fitting, 90 with 0.090 Orifice	
12	2130404	1	Fitting, 90 ORFS/ORB	
13	2111010	1	Fitting, Straight ORFS/ORB	
14	2131010	1	Fitting, 90 ORFS/ORB	
15	2130808	1	Fitting, 90 ORFS/ORB	
17	2170710	1	Fitting, Straight Adapter ORFS/ORFS/ORB	
18	2753545	2	Hose	
19	1001120348	1	Hose	
20	2753755	1	Hose	
21	2753767	1	Hose	
22	1001120349	1	Hose	
23	2753763	1	Hose	
24	1001120350	1	Hose	
25	1001120351	1	Hose	
26	2753784	4	Hose	
27	2753675	1	Hose	
29	2753743	2	Hose	
30	1001118932	1	Hose (SN 0300209000 through 0300217093)	
30	1001213385	1	Hose (SN 0300217094 to Present)	
31	2754470	1	Hose	
32	1001120352	2	Hose	
34	1001120354	1	Hose	
35	1001120355	1	Hose	
36	1001120356	1	Hose	
37	1001120357	1	Hose	
38	1001120358	1	Hose (SN 0300209000 through 0300218860)	
38	1001119546	1	Hose (SN 0300218861 to Present)	
39	2717235	1	Hose	
40	2150406	1	Adapter ORFS/ORB	



# SECTION 7 - HYDRAULIC

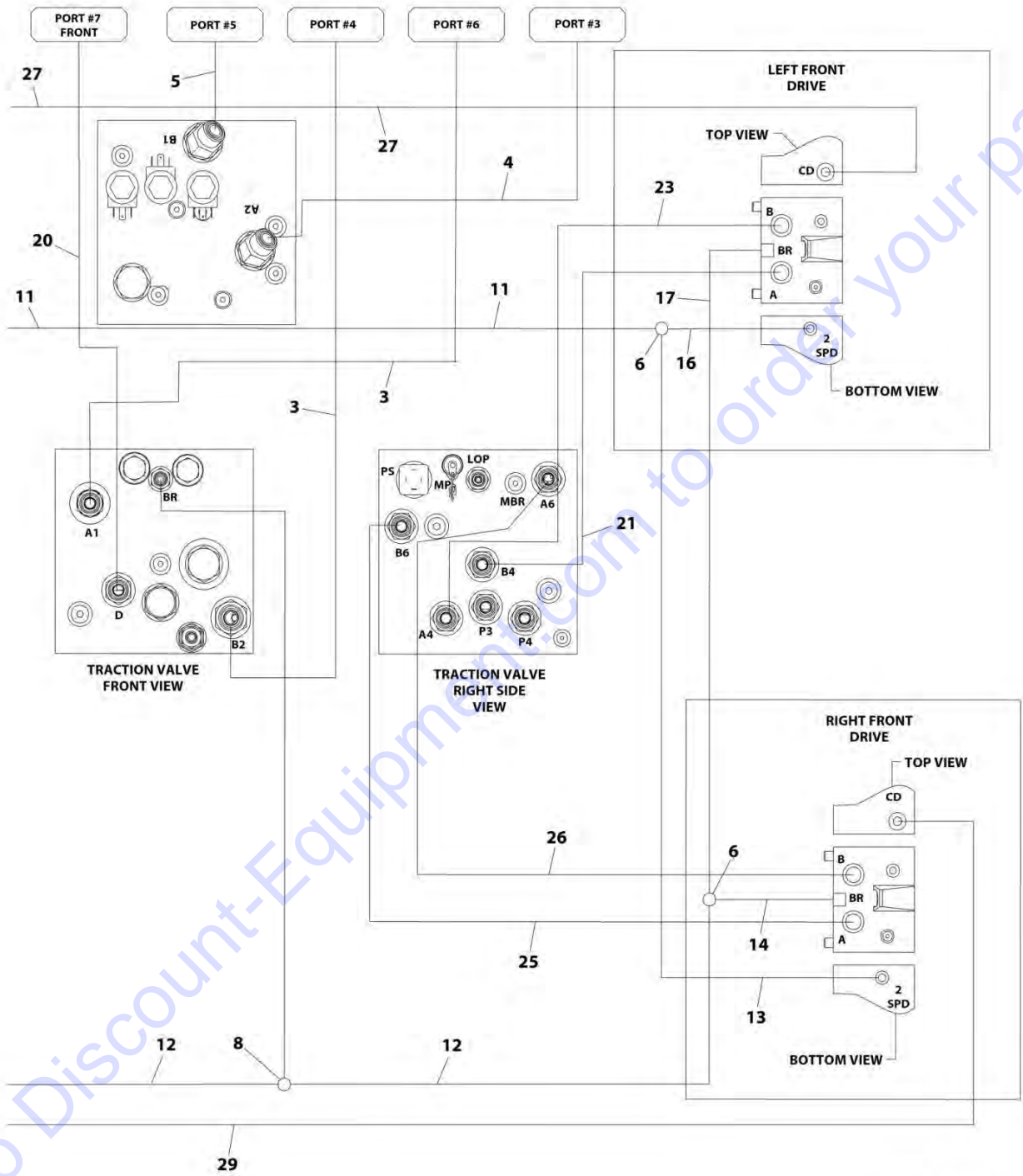
## FIGURE 7-2. HYDRAULIC DIAGRAM - DRIVE



ART\_1001120172\_10F2



# SECTION 7 - HYDRAULIC



ART\_1001120172\_2OF2

## SECTION 7 - HYDRAULIC

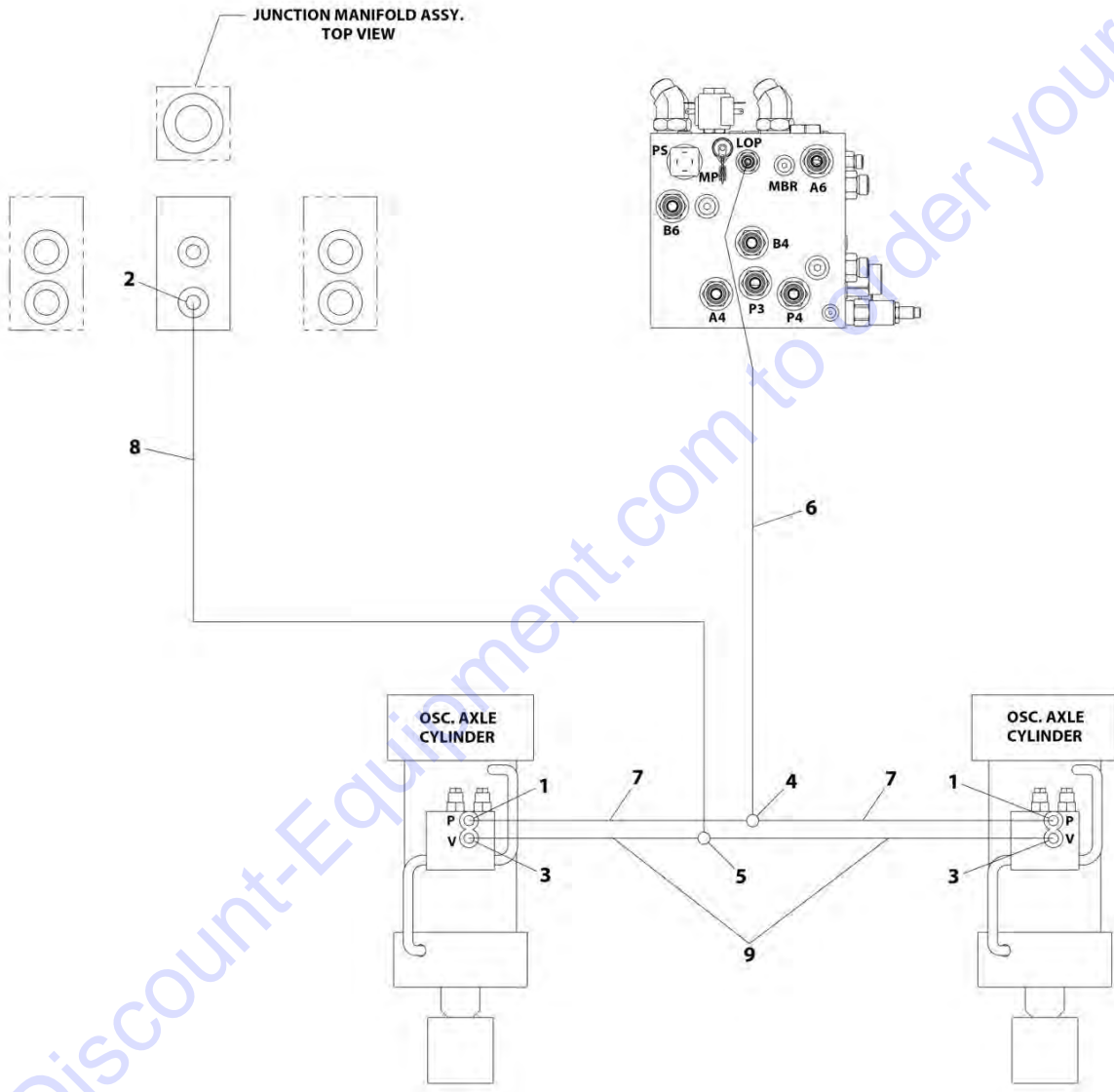
FIGURE 7-2. HYDRAULIC DIAGRAM - DRIVE

ITEM	PART NUMBER	QTY	DESCRIPTION	REV
		Ref	HYDRAULIC DIAGRAM - DRIVE	
	1001120168	Ref	Hydraulic Diagram Chart for Deutz TD2011 Engine Machines with Rexroth Pumps	F
	1001152972	Ref	Hydraulic Diagram Chart for Deutz TCD2.9L4 Engine Machines with Rexroth Pumps	B
	1001120169	Ref	Hydraulic Diagram Chart for Deutz TD2011 & Deutz TCD2.9L4 Engine Machines with Sauer Pumps	E
	1001120172	Ref	Hydraulic Diagram - Drive	B
1	2753685	2	Hose	
2	2110808	4	Fitting, Straight ORFS/ORB	
3	2753703	2	Hose	
4	2753764	1	Hose	
5	2753768	1	Hose	
6	2170504	4	Fitting, Tee ORFS/ORFS/ORFS	
7	2170704	1	Fitting, Tee ORFS/ORB/ORFS	
8	2170804	1	Fitting, Tee ORFS/ORB/ORFS	
9	2220235	AR	Plug	
10	2220238	1	Plug (SN 0300209000 through 0300218861)	
11	2753541	2	Hose	
12	2753545	2	Hose	
13	2753677	2	Hose	
14	2753714	1	Hose	
15	2753713	1	Hose	
16	2753716	1	Hose	
17	2753715	2	Hose	
18	2753552	1	Hose	
19	2753752	1	Hose	
20	2753582	1	Hose	
21	2753756	1	Hose	
22	2753747	1	Hose	
23	2753757	2	Hose	
24	2753748	1	Hose	
25	2753759	2	Hose	
26	2753760	1	Hose	
27	2753749	1	Hose	
28	2753761	1	Hose	
29	2753750	1	Hose	
30	2753762	1	Hose	



# SECTION 7 - HYDRAULIC

## FIGURE 7-3. HYDRAULIC DIAGRAM - OSCILLATING AXLE



ART\_1001120174

# PARTS FINDER

**Search Website  
by Part Number**



**Search Manual  
Library For Parts  
Manual & Lookup Part  
Numbers – Purchase  
or Request Quote**

A screenshot of the "Search Manuals" form. The form has a title "Search Manuals" and a subtitle "Please enter the model number or serial number of the machine you are looking for." Below the subtitle are several input fields: "Find" (with a dropdown menu), "Serial Number" (with a dropdown menu), "Year" (with a dropdown menu), "Make" (with a dropdown menu), "Part Number" (with a dropdown menu), "Part Name" (with a dropdown menu), and "Category" (with a dropdown menu). There is a "Search" button at the bottom of the form.

**Can't Find Part or  
Manual? Request Help  
by Manufacturer,  
Model & Description**

A screenshot of the "Parts Order Form". The form has a title "Parts Order Form" and a subtitle "Please fill out the form below." Below the subtitle are several input fields: "Manufacturer" (with a dropdown menu), "Model" (with a dropdown menu), "Description" (with a text area), "Part Number" (with a dropdown menu), "Part Name" (with a dropdown menu), "Quantity" (with a text input field), "Unit Price" (with a text input field), "Total Price" (with a text input field), "Customer Name" (with a text input field), "Address" (with a text input field), "City" (with a text input field), "State" (with a dropdown menu), "Zip" (with a text input field), and "Phone" (with a text input field). There is a "Submit" button at the bottom of the form.

Discount-Equipment.com is your online resource for quality parts & equipment.

Florida: **561-964-4949** Outside Florida TOLL FREE: **877-690-3101**

**Need parts?**

Click on this link: <http://www.discount-equipment.com/category/5443-parts/> and choose one of the options to help get the right parts and equipment you are looking for. Please have the machine model and serial number available in order to help us get you the correct parts. If you don't find the part on the website or on one of the online manuals, please fill out the request form and one of our experienced staff members will get back to you with a quote for the right part that your machine needs.

We sell worldwide for the brands: Genie, Terex, JLG, MultiQuip, Mikasa, Essick, Whiteman, Mayco, Toro Stone, Diamond Products, Generac Magnum, Airman, Haulotte, Barreto, Power Blanket, Nifty Lift, Atlas Copco, Chicago Pneumatic, Allmand, Miller Curber, Skyjack, Lull, Skytrak, Tsurumi, Husquvarna Target, Stow, Wacker, Sakai, Mi-T-M, Sullair, Basic, Dynapac, MBW, Weber, Bartell, Bennar Newman, Haulotte, Ditch Runner, Menegotti, Morrison, Contec, Buddy, Crown, Edco, Wyco, Bomag, Laymor, EZ Trench, Bil-Jax, F.S. Curtis, Gehl Pavers, Heli, Honda, ICS/PowerGrit, IHI, Partner, Imer, Clipper, MMD, Koshin, Rice, CH&E, General Equipment, Amida, Coleman, NAC, Gradall, Square Shooter, Kent, Stanley, Tamco, Toku, Hatz, Kohler, Robin, Wisconsin, Northrock, Oztec, Toker TK, Rol-Air, APT, Wylie, Ingersoll Rand / Doosan, Innovatech, Con X, Ammann, Mecalac, Makinex, Smith Surface Prep, Small Line, Wanco, Yanmar

## SECTION 7 - HYDRAULIC

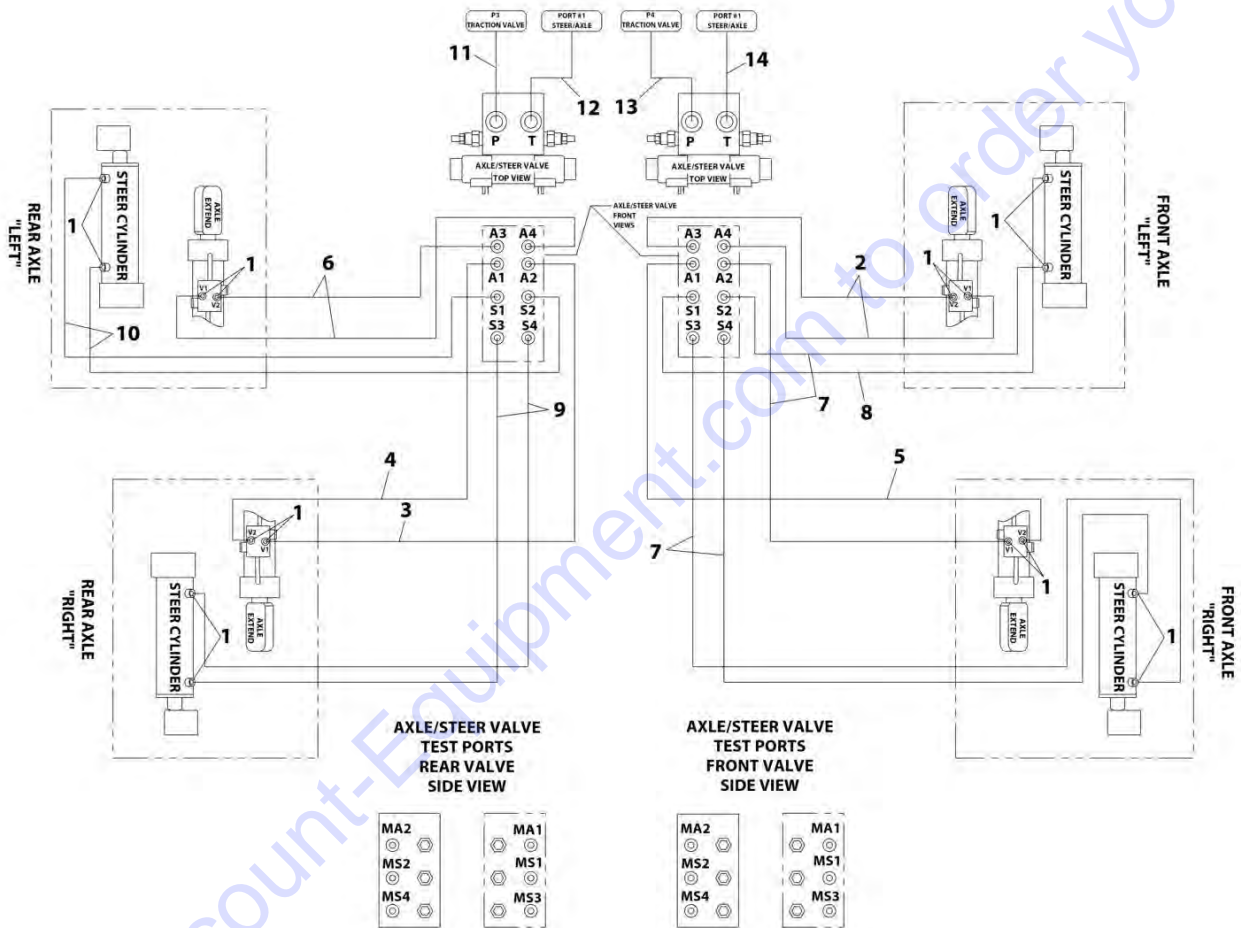
**FIGURE 7-3. HYDRAULIC DIAGRAM - OSCILLATING AXLE**

ITEM	PART NUMBER	QTY	DESCRIPTION	REV
		Ref	HYDRAULIC DIAGRAM - OSCILLATING AXLE	
	1001120168	Ref	Hydraulic Diagram Chart for Deutz TD2011 Engine Machines with Rexroth Pumps	F
	1001152972	Ref	Hydraulic Diagram Chart for Deutz TCD2.9L4 Engine Machines with Rexroth Pumps	B
	1001120169	Ref	Hydraulic Diagram Chart for Deutz TD2011 & Deutz TCD2.9L4 Engine Machines with Sauer Pumps	E
	1001120174	Ref	Hydraulic Diagram - Oscillating Axle	1
1	2110406	2	Fitting, Straight ORFS/ORB	
2	2110604	1	Fitting, Straight ORFS/ORB	
3	2110606	2	Fitting, Straight ORFS/ORB	
4	2170504	1	Fitting, Tee ORFS/ORFS/ORFS	
5	2170506	1	Fitting, Tee ORFS/ORFS/ORFS	
6	2753726	1	Hose	
7	2753719	2	Hose	
8	2753727	1	Hose	
9	2753729	2	Hose	

Go to Discount-Equipment.com to order your parts

# SECTION 7 - HYDRAULIC

## FIGURE 7-4. HYDRAULIC DIAGRAM - STEER



ART\_1001120173



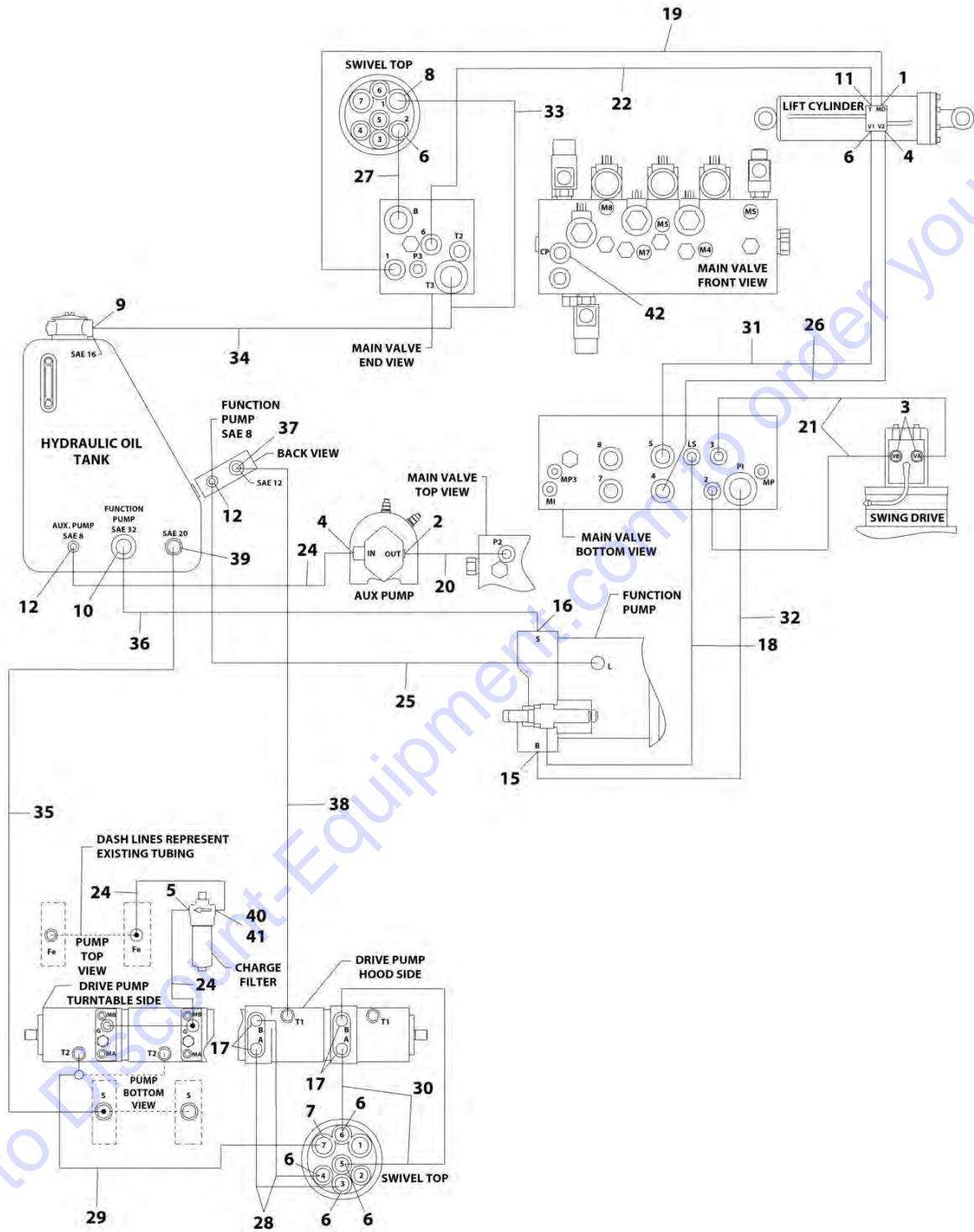
## SECTION 7 - HYDRAULIC

**FIGURE 7-4. HYDRAULIC DIAGRAM - STEER**

ITEM	PART NUMBER	QTY	DESCRIPTION	REV
		Ref	HYDRAULIC DIAGRAM - STEER	
	1001120168	Ref	Hydraulic Diagram Chart for Deutz TD2011 Engine Machines with Rexroth Pumps	F
	1001152972	Ref	Hydraulic Diagram Chart for Deutz TCD2.9L4 Engine Machines with Rexroth Pumps	B
	1001120169	Ref	Hydraulic Diagram Chart for Deutz TD2011 & Deutz TCD2.9L4 Engine Machines with Sauer Pumps	E
	1001120173	Ref	Hydraulic Diagram - Steer	1
1	2130606	16	Fitting, 90 ORFS/ORB	
2	2753732	2	Hose	
3	2753733	1	Hose	
4	2753728	1	Hose	
5	2753734	1	Hose	
6	2753735	2	Hose	
7	2753736	4	Hose	
8	2753737	1	Hose	
9	2753738	2	Hose	
10	2753739	2	Hose	
11	2753753	1	Hose	
12	2753742	1	Hose	
13	2753754	1	Hose	
14	2753743	1	Hose	

# SECTION 7 - HYDRAULIC

## FIGURE 7-5. HYDRAULIC DIAGRAM - TURNTABLE (DEUTZ TD2011 ENGINE MACHINES WITH REXROTH PUMPS)



ART\_1001120170

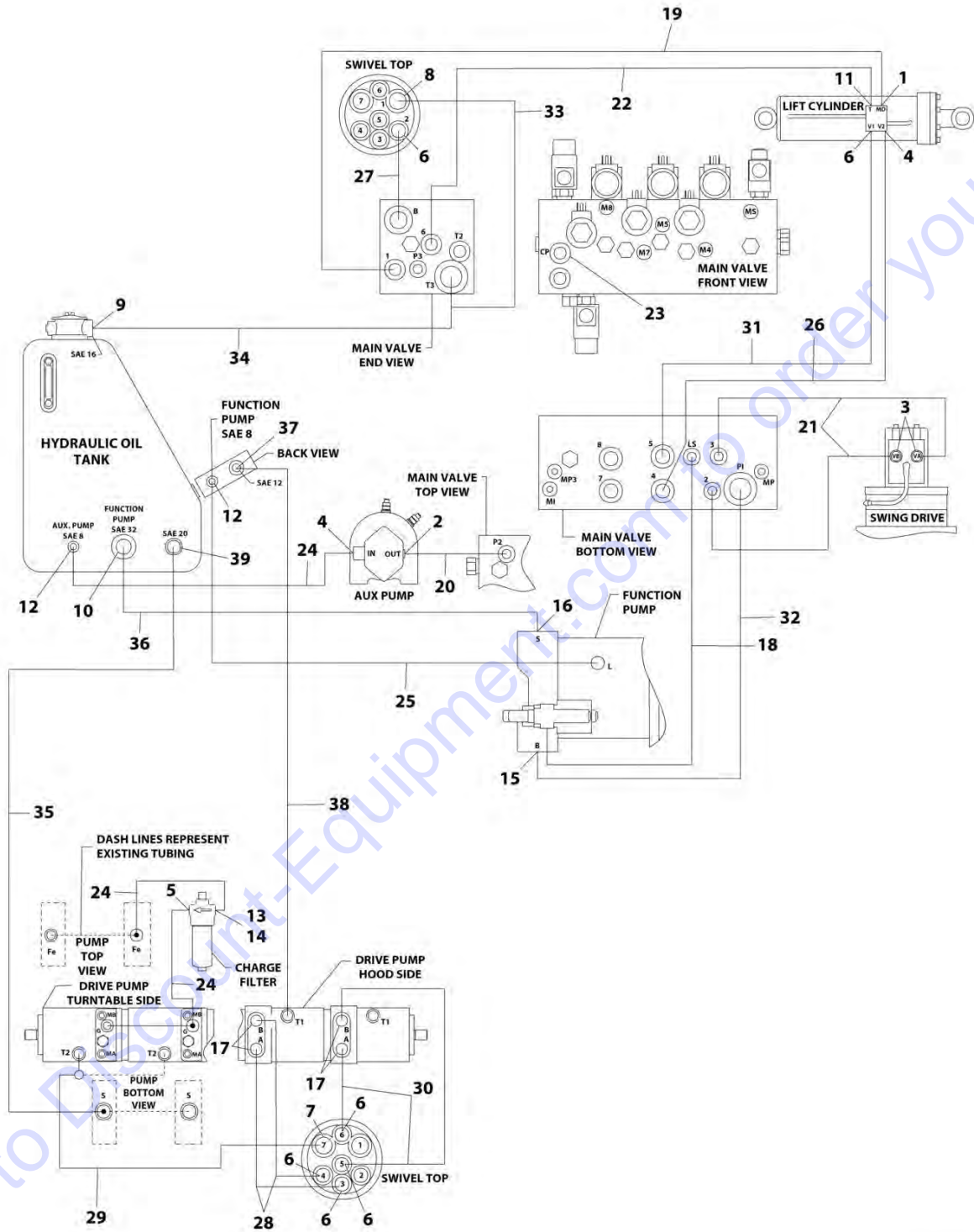
## SECTION 7 - HYDRAULIC

**FIGURE 7-5. HYDRAULIC DIAGRAM - TURNTABLE (DEUTZ TD2011 ENGINE MACHINES WITH REXROTH PUMPS)**

ITEM	PART NUMBER	QTY	DESCRIPTION	REV
		Ref	HYDRAULIC DIAGRAM - TURNTABLE (DEUTZ TD2011 ENGINE MACHINES WITH REXROTH PUMPS)	
	1001120168	Ref	Hydraulic Diagram Chart for Deutz TD2011 Engine Machines with Rexroth Pumps	F
	1001120170	Ref	Hydraulic Diagram - Turntable	C
1	2110404	1	Fitting, Straight ORFS/ORB	
2	2110608	1	Fitting, Straight ORFS/ORB	
3	2110610	2	Fitting, Straight ORFS/ORB	
4	2110810	2	Fitting, Straight ORFS/ORB	
5	2110812	1	Fitting, Straight ORFS/ORB	
6	2111010	6	Fitting, Straight ORFS/ORB	
7	2111012	1	Fitting, Straight ORFS/ORB	
8	2111212	1	Fitting, Straight ORFS/ORB	
9	2111616	1	Fitting, Straight ORFS/ORB	
10	2113232	1	Fitting, Straight ORFS/ORB	
11	2130606	1	Fitting, 90 ORFS/ORB	
12	2130808	2	Fitting, 90 ORFS/ORB	
15	2220478	1	Flange Kit	
16	2220737	1	Flange Kit	
17	2221117	4	Flange Kit	
18	2753622	1	Hose (SN 0300209000 through 0300217093)	
18	1001213385	1	Hose (SN 0300217094 to Present)	
19	2753718	1	Hose	
20	2753730	1	Hose	
21	2753731	2	Hose	
22	2753734	1	Hose	
24	2753746	3	Hose	
25	2753741	1	Hose	
26	2753744	1	Hose	
27	2753766	1	Hose	
28	2753769	2	Hose	
29	2753708	1	Hose	
30	2753770	2	Hose	
31	2753765	1	Hose	
32	2753771	1	Hose	
33	2753772	1	Hose	
34	2753774	1	Hose	
35	2753775	1	Hose	
36	2753776	1	Hose	
37	2131212	1	Fitting, 90 ORFS/ORB	
38	2753773	1	Hose	
39	2112020	1	Fitting, Straight ORFS/ORB	
40	2221084	1	Fitting, Tee ORFS/ORB/ORFS	
41	2170908	1	Fitting, Cap ORFS	
42	1001119455	1	Valve, Oil Sampling	

# SECTION 7 - HYDRAULIC

FIGURE 7-6. HYDRAULIC DIAGRAM - TURNTABLE (DEUTZ TCD2.9L4 ENGINE MACHINES WITH REXROTH PUMPS)



ART\_1001152969

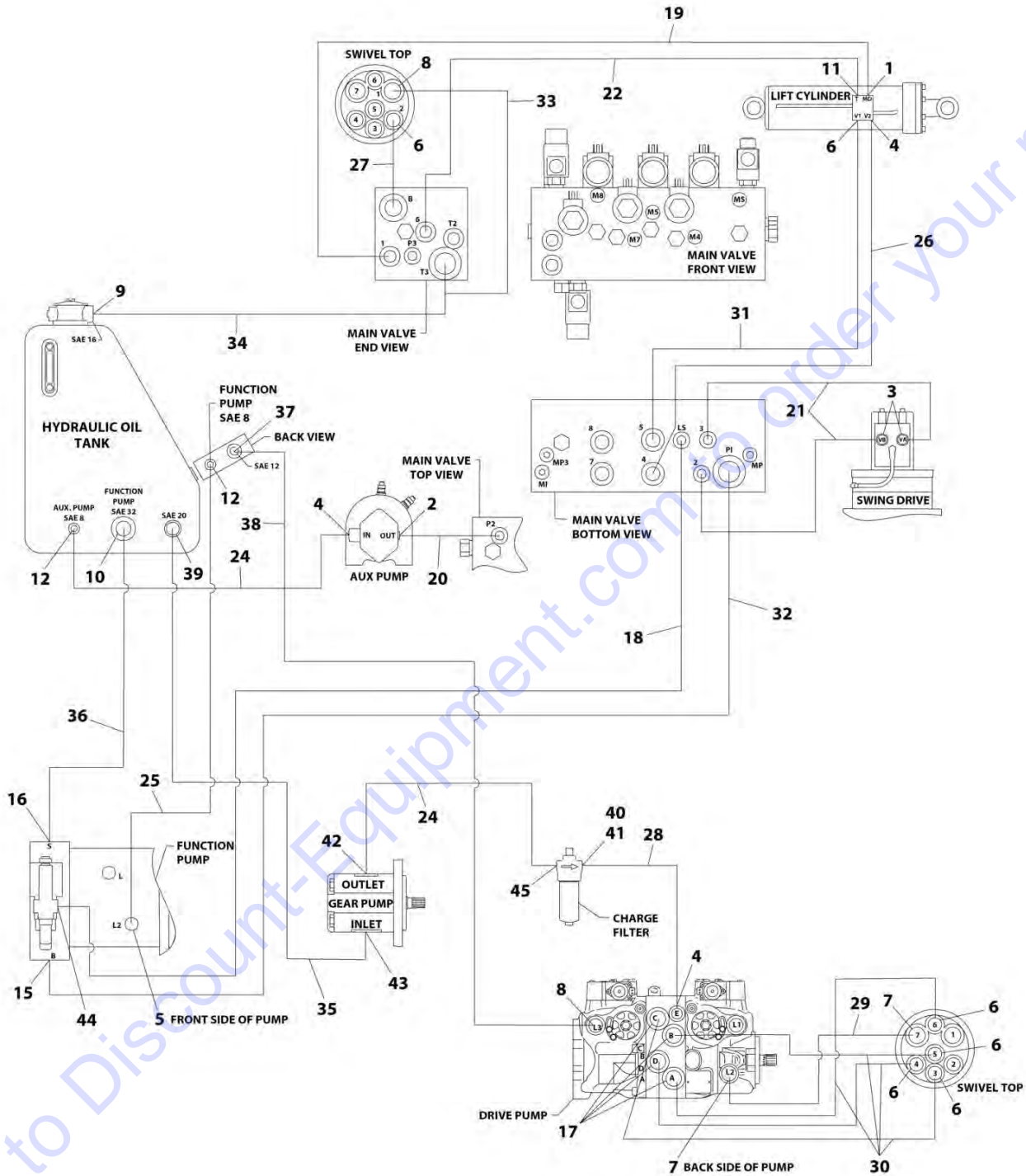
## SECTION 7 - HYDRAULIC

**FIGURE 7-6. HYDRAULIC DIAGRAM - TURNTABLE (DEUTZ TCD2.9L4 ENGINE MACHINES WITH REXROTH PUMPS)**

ITEM	PART NUMBER	QTY	DESCRIPTION	REV
		Ref	HYDRAULIC DIAGRAM - TURNTABLE (DEUTZ TCD2.9L4 ENGINE MACHINES WITH REXROTH PUMPS)	
	1001152972	Ref	Hydraulic Diagram Chart for Deutz TCD2.9L4 Engine Machines with Rexroth Pumps	B
	1001152969	Ref	Hydraulic Diagram - Turntable	A
1	2110404	1	Fitting, Straight ORFS/ORB	
2	2110608	1	Fitting, Straight ORFS/ORB	
3	2110610	2	Fitting, Straight ORFS/ORB	
4	2110810	2	Fitting, Straight ORFS/ORB	
5	2110812	1	Fitting, Straight ORFS/ORB	
6	2111010	6	Fitting, Straight ORFS/ORB	
7	2111012	1	Fitting, Straight ORFS/ORB	
8	2111212	1	Fitting, Straight ORFS/ORB	
9	2111616	1	Fitting, Straight ORFS/ORB	
10	2113232	1	Fitting, Straight ORFS/ORB	
11	2130606	1	Fitting, 90 ORFS/ORB	
12	2130808	2	Fitting, 90 ORFS/ORB	
13	2221084	1	Fitting, Tee ORFS/ORB/ORFS	
14	2170908	1	Fitting, Cap ORFS	
15	2220478	1	Flange Kit	
16	2220737	1	Flange Kit	
17	2221117	4	Flange Kit	
18	2753622	1	Hose	
19	2753718	1	Hose	
20	2753730	1	Hose	
21	2753731	2	Hose	
22	2753734	1	Hose	
23	1001119455	1	Valve, Oil Sampling	
24	2753746	3	Hose	
25	2753741	1	Hose	
26	2753744	1	Hose	
27	2753766	1	Hose	
28	2753769	2	Hose	
29	2753708	1	Hose	
30	2753770	2	Hose	
31	2753765	1	Hose	
32	2753771	1	Hose	
33	2753772	1	Hose	
34	2753774	1	Hose	
35	1001152966	1	Hose	
36	2753776	1	Hose	
37	2131212	1	Fitting, 90 ORFS/ORB	
38	2753773	1	Hose	
39	2112020	1	Fitting, Straight ORFS/ORB	

# SECTION 7 - HYDRAULIC

FIGURE 7-7. HYDRAULIC DIAGRAM - TURNTABLE (DEUTZ TD2011 AND DEUTZ TCD2.9L4 ENGINE MACHINES WITH SAUER PUMPS)



ART\_1001120171

## SECTION 7 - HYDRAULIC

**FIGURE 7-7. HYDRAULIC DIAGRAM - TURNTABLE (DEUTZ TD2011 AND DEUTZ TCD2.9L4 ENGINE MACHINES WITH SAUER PUMPS)**

ITEM	PART NUMBER	QTY	DESCRIPTION	REV
		Ref	HYDRAULIC DIAGRAM - TURNTABLE (DEUTZ TD2011 AND DEUTZ TCD2.9L4 ENGINE MACHINES WITH SAUER PUMPS)	
	1001120169	Ref	Hydraulic Diagram Chart for Deutz TD2011 and Deutz TCD2.9L4 Engine Machines with Sauer Pumps	E
	1001120171	Ref	Hydraulic Diagram - Turntable	E
1	2110404	1	Fitting, Straight ORFS/ORB	
2	2110608	1	Fitting, Straight ORFS/ORB	
3	2110610	2	Fitting, Straight ORFS/ORB	
4	2110810	3	Fitting, Straight ORFS/ORB	
5	2130810	1	Fitting, 90 ORFS/ORB	
6	2111010	6	Fitting, Straight ORFS/ORB	
7	2111012	2	Fitting, Straight ORFS/ORB	
8	2111212	1	Fitting, Straight ORFS/ORB	
9	2111616	1	Fitting, Straight ORFS/ORB	
10	2113232	1	Fitting, Straight ORFS/ORB	
11	2130606	1	Fitting, 90 ORFS/ORB	
12	2130808	AR	Fitting, 90 ORFS/ORB	
15	2220478	1	Flange Kit	
16	1001110604	1	Flange Kit	
17	2111016	4	Fitting, Straight ORFS/ORB	
18	1001118932	1	Hose (SN 0300209000 through 0300217093)	
18	1001213385	1	Hose (SN 0300217094 to Present)	
19	2753718	1	Hose	
20	2753730	1	Hose	
21	2753731	2	Hose	
22	2753734	1	Hose	
24	2753746	2	Hose	
25	1001118934	1	Hose	
26	2753744	1	Hose	
27	2753766	1	Hose	
28	1001118933	1	Hose	
29	2753708	1	Hose	
30	1001109468	4	Hose	
31	2753765	1	Hose	
32	2753771	1	Hose	
33	2753772	1	Hose	
34	2753774	1	Hose	
35	1001119817	1	Hose	
36	1001118935	1	Hose	
37	2131612	1	Fitting, 90 ORFS/ORB	
38	1001119138	1	Hose	
39	2112020	1	Fitting, Straight ORFS/ORB	
40	2221084	1	Fitting, Tee ORFS/ORFS/ORB	
41	2170908	1	Fitting, Cap ORFS	
42	2110812	1	Fitting, Straight ORFS/ORB	
43	2112016	1	Fitting, Straight ORFS/ORB	
44	2130404	1	Fitting, 90 ORFS/ORB	
45	2130812	1	Fitting, 90 ORFS/ORB	



## SECTION 7 - HYDRAULIC

### FIGURE 7-8. HYDRAULIC DIAGRAM LIST

ITEM	PART NUMBER	QTY	DESCRIPTION	REV
		Ref	HYDRAULIC DIAGRAM - BOOM	
	1001120168	Ref	Hydraulic Diagram Chart for Deutz TD2011 Engine Machines with Rexroth Pumps	
	1001152972	Ref	Hydraulic Diagram Chart for Deutz TCD2.9L4 Engine Machines with Rexroth Pumps	
	1001120169	Ref	Hydraulic Diagram Chart for Deutz TD2011 and Deutz TCD2.9L4 Engine Machines with Sauer Pumps	
	1001120175	Ref	Hydraulic Diagram - Main Boom and Jib	
		Ref	HYDRAULIC DIAGRAM - DRIVE	
	1001120168	Ref	Hydraulic Diagram Chart for Deutz TD2011 Engine Machines with Rexroth Pumps	
	1001152972	Ref	Hydraulic Diagram Chart for Deutz TCD2.9L4 Engine Machines with Rexroth Pumps	
	1001120169	Ref	Hydraulic Diagram Chart for Deutz TD2011 and Deutz TCD2.9L4 Engine Machines with Sauer Pumps	
	1001120172	Ref	Hydraulic Diagram - Drive	
		Ref	HYDRAULIC DIAGRAM - OSCILLATING AXLE	
	1001120168	Ref	Hydraulic Diagram Chart for Deutz TD2011 Engine Machines with Rexroth Pumps	
	1001152972	Ref	Hydraulic Diagram Chart for Deutz TCD2.9L4 Engine Machines with Rexroth Pumps	
	1001120169	Ref	Hydraulic Diagram Chart for Deutz TD2011 and Deutz TCD2.9L4 Engine Machines with Sauer Pumps	
	1001120174	Ref	Hydraulic Diagram - Oscillating Axle	
		Ref	HYDRAULIC DIAGRAM - STEER	
	1001120168	Ref	Hydraulic Diagram Chart for Deutz TD2011 Engine Machines with Rexroth Pumps	
	1001152972	Ref	Hydraulic Diagram Chart for Deutz TCD2.9L4 Engine Machines with Rexroth Pumps	
	1001120169	Ref	Hydraulic Diagram Chart for Deutz TD2011 and Deutz TCD2.9L4 Engine Machines with Sauer Pumps	
	1001120173	Ref	Hydraulic Diagram - Steer	
		Ref	HYDRAULIC DIAGRAMS - TURNTABLE (DEUTZ TD2011 ENGINE MACHINES WITH REXROTH PUMPS)	
	1001120168	Ref	Hydraulic Diagram Chart for Deutz TD2011 Engine Machines with Rexroth Pumps	
	1001120170	Ref	Hydraulic Diagram - Turntable	
		Ref	HYDRAULIC DIAGRAMS - TURNTABLE (DEUTZ TCD2.9L4 ENGINE MACHINES WITH REXROTH PUMPS)	
	1001152972	Ref	Hydraulic Diagram Chart for Deutz TCD2.9L4 Engine Machines with Rexroth Pumps	
	1001152969	Ref	Hydraulic Diagram - Turntable	
		Ref	HYDRAULIC DIAGRAMS - TURNTABLE (DEUTZ TD2011 AND DEUTZ TCD2.9L4 ENGINE MACHINES WITH SAUER PUMPS)	
	1001120169	Ref	Hydraulic Diagram Chart for Deutz TD2011 and Deutz TCD2.9L4 Engine Machines with Sauer Pumps	
	1001120171	Ref	Hydraulic Diagram - Turntable	
		Ref	Hydraulic Schematic - Oil Cooler Options (Not Shown):	
	0272080	Ref	Deutz TD2011 Engine Machines with Rexroth Pumps	
	1001139494	Ref	Deutz TCD2.9L4 Engine and Deutz TCD2.9L4 (Stage V) Engine Machines with Rexroth Pumps	
	1001221802	Ref	Deutz TCD2.9L4 Engine Machines with Rexroth Pumps (China Spec Only)	

## SECTION 7 - HYDRAULIC

ITEM	PART NUMBER	QTY	DESCRIPTION	REV
	1001118957	Ref	Deutz TD2011 Engine Machines with Sauer Pumps	
	1001139492	Ref	Deutz TCD2.9L4 Engine and Deutz TCD2.9L4 (Stage V) Engine Machines with Sauer Pumps	
	1001221666	Ref	Deutz TCD2.9L4 Engine Machines with Sauer Pumps (China Spec Only)	
	1001120628	Ref	Hydraulic Schematic - Standard (Not Shown - See Service Manual)	

Go to Discount-Equipment.com to order your parts

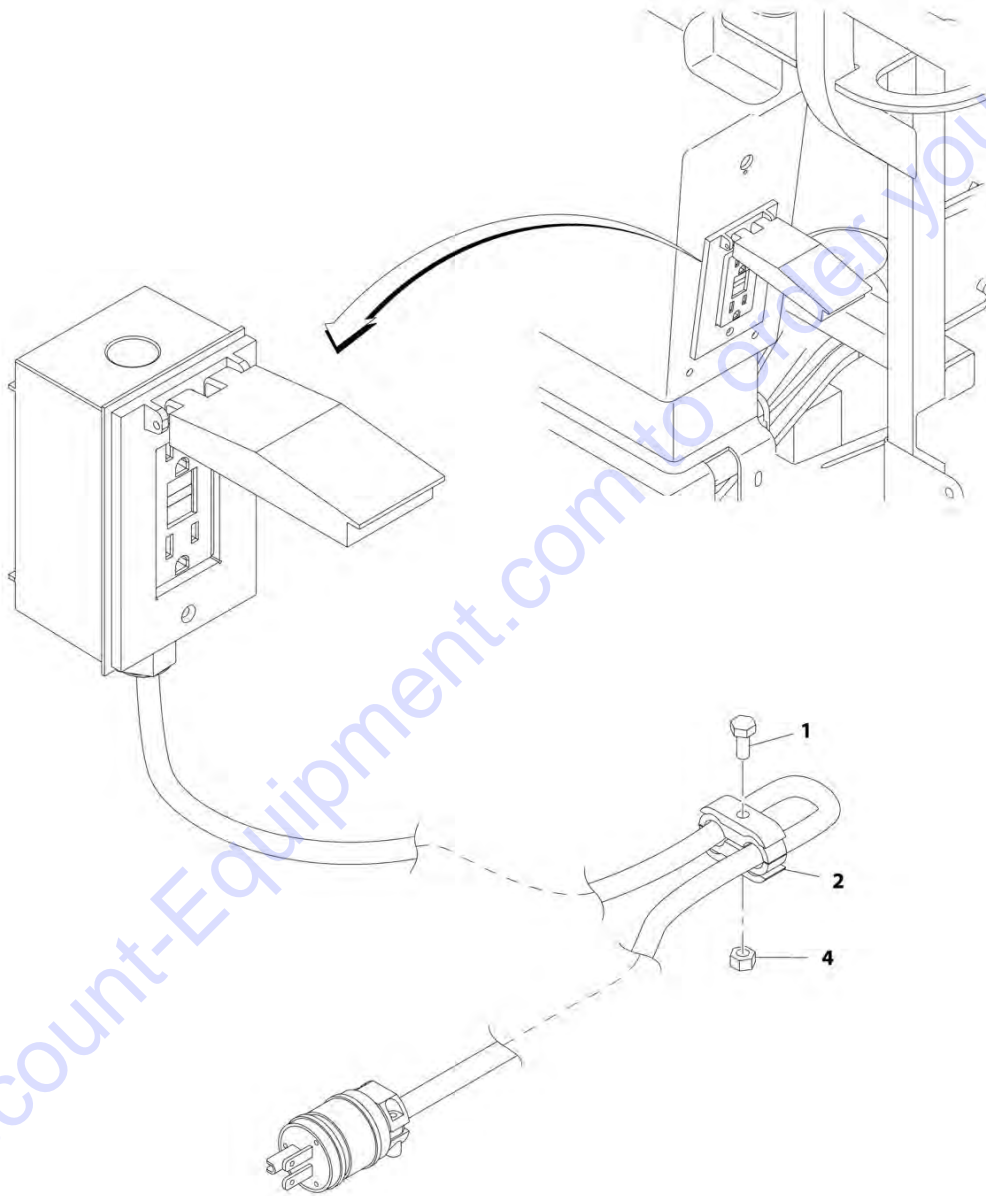


**SECTION 8 - ELECTRICAL**

Go to [Discount-Equipment.com](http://Discount-Equipment.com) to order your parts

# SECTION 8 - ELECTRICAL

FIGURE 8-1. AC BOX AT PLATFORM - 110V (ANSI SPECS)



ART\_0271955

## SECTION 8 - ELECTRICAL

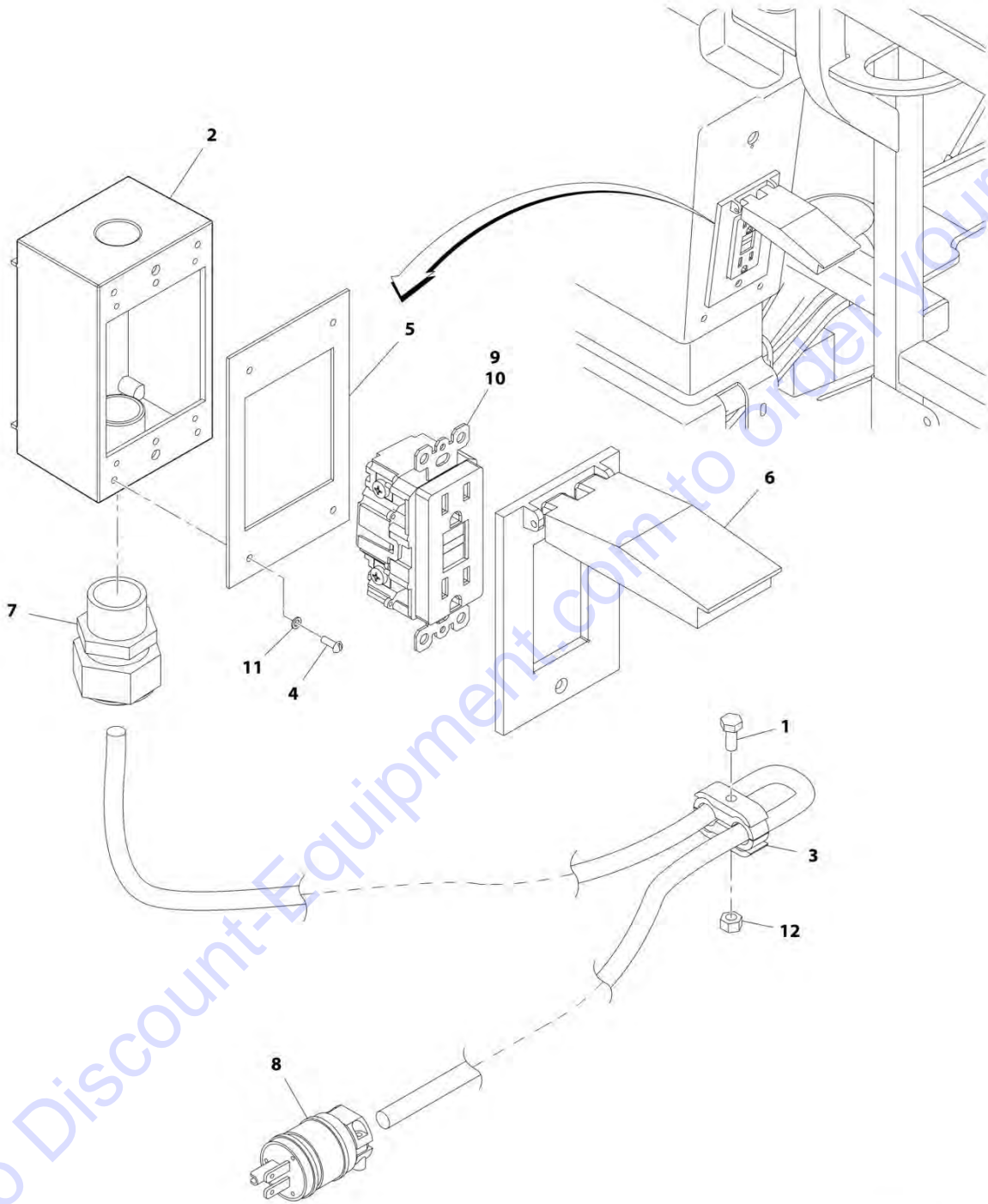
**FIGURE 8-1. AC BOX AT PLATFORM - 110V (ANSI SPECS)**

ITEM	PART NUMBER	QTY	DESCRIPTION	REV
	0271955	Ref	AC BOX AT PLATFORM - 110V (ANSI SPECS)	C
1	0641416	1	Bolt 1/4 x 2	
2	1320146	1	Clamp	
4	3311405	1	Nut 1/4	

Go to Discount-Equipment.com to order your parts

# SECTION 8 - ELECTRICAL

## FIGURE 8-2. AC BOX AT PLATFORM - 110V GFI RECEPTACLE (ANSI SPECS)



ART\_0271953



## SECTION 8 - ELECTRICAL

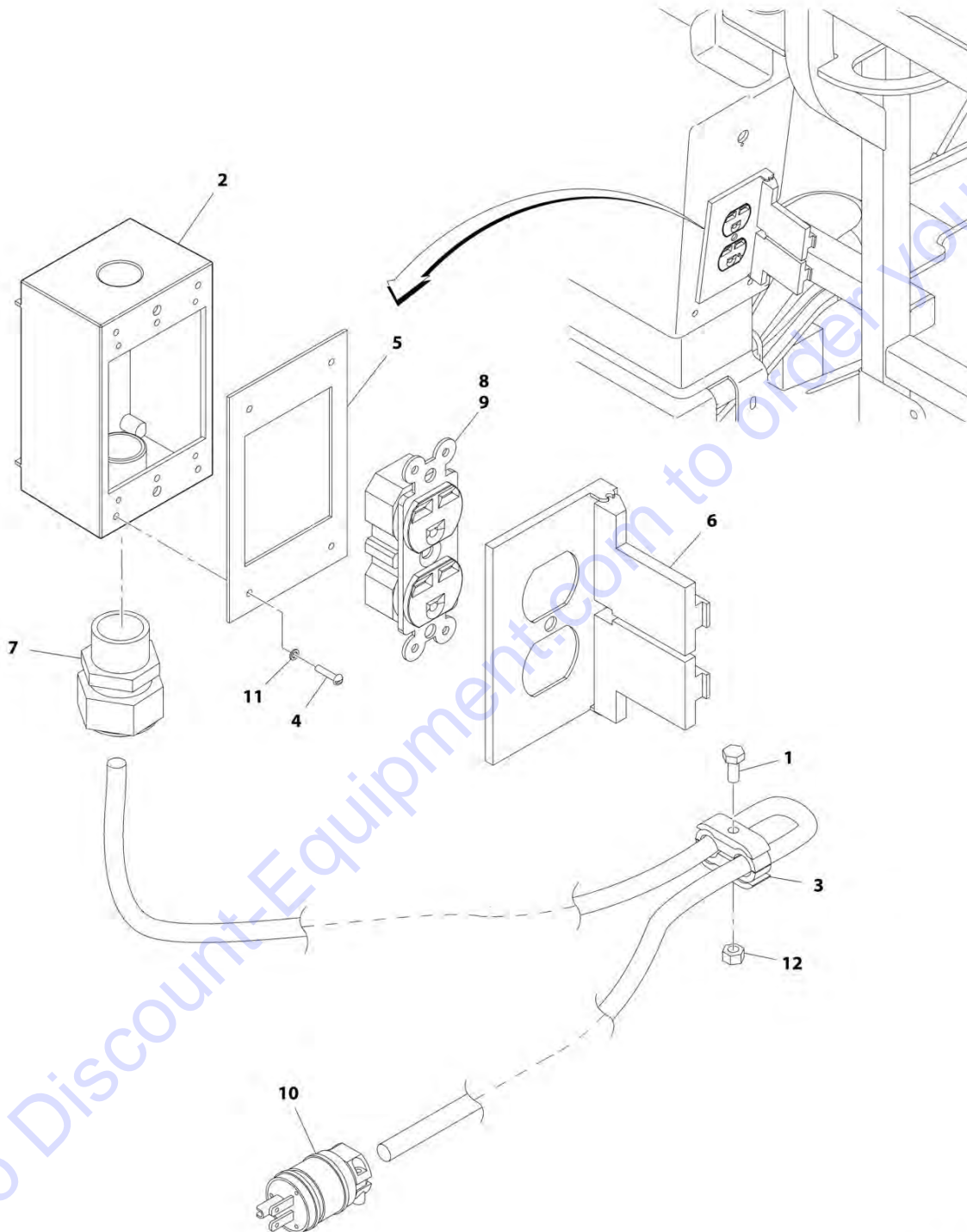
**FIGURE 8-2. AC BOX AT PLATFORM - 110V GFI RECEPTACLE (ANSI SPECS)**

ITEM	PART NUMBER	QTY	DESCRIPTION	REV
	0271953	Ref	AC BOX AT PLATFORM - 110V GFI RECEPTACLE (ANSI SPECS)	D
1	0641416	1	Bolt 1/4 x 2	
2	0860038	1	Box, Switch	
3	1320146	1	Clamp	
4	3910606	4	Screw #6 x 3/8	
5	3960422	1	Gasket, AC Receptacle	
6	1001110873	1	Shield, Receptacle Cover	
7	4460051	1	Connector, Strain Relief	
8	4460205	1	Plug, Male	
9	4460315	1	Terminal, Spade	
10	4460346	1	Terminal, Receptacle	
11	4760600	4	Washer #6	
12	3311405	1	Nut 1/4	

Go to Discount-Equipment.com to order your parts

## SECTION 8 - ELECTRICAL

FIGURE 8-3. AC BOX AT PLATFORM - 220V GFI RECEPTACLE (ANSI SPECS)



ART\_0271954

## SECTION 8 - ELECTRICAL

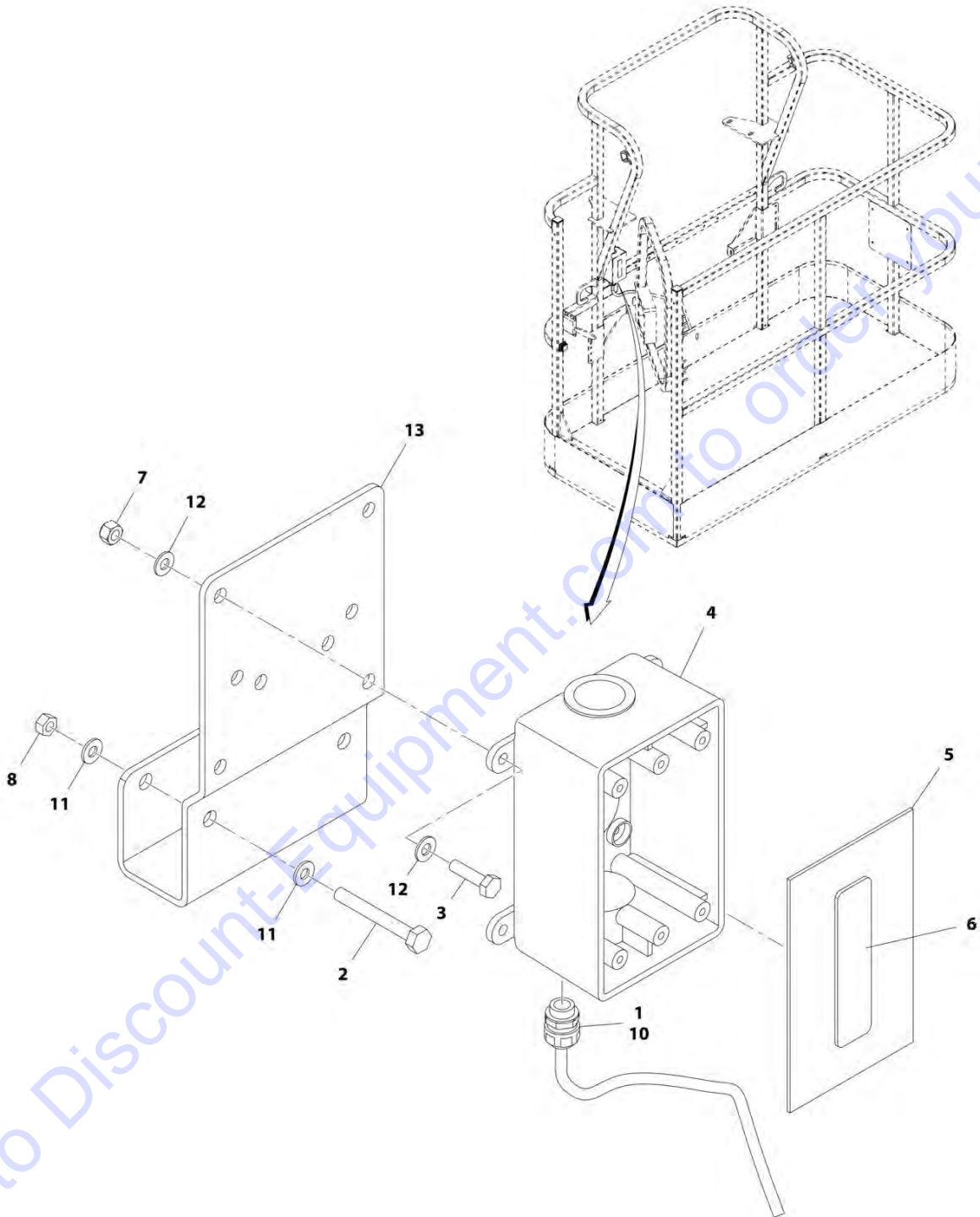
**FIGURE 8-3. AC BOX AT PLATFORM - 220V GFI RECEPTACLE (ANSI SPECS)**

ITEM	PART NUMBER	QTY	DESCRIPTION	REV
	0271954	Ref	AC BOX AT PLATFORM - 220V GFI RECEPTACLE (ANSI SPECS)	C
1	0641416	1	Bolt 1/4 x 2	
2	0860038	1	Box, Switch	
3	1320146	1	Clamp	
4	3910606	4	Screw #6 x 3/8	
5	3960422	1	Gasket, AC Receptacle	
6	4060092	1	Shield, Receptacle Cover	
7	4460051	1	Connector, Strain Relief	
8	4460125	1	Terminal, Receptacle	
9	4460315	1	Terminal, Spade	
10	4460709	1	Plug, Male	
11	4760600	4	Washer #6	
12	3311405	1	Nut 1/4	

Go to Discount-Equipment.com to order your parts

## SECTION 8 - ELECTRICAL

FIGURE 8-4. AC BOX AT PLATFORM INSTALLATION - BOX WITH COVER (2X4 BOX) WITH 4000W GENERATOR (ANSI EXPORT SPECS) (SN 0300209000 through 0300214023)



ART\_1001194365

## SECTION 8 - ELECTRICAL

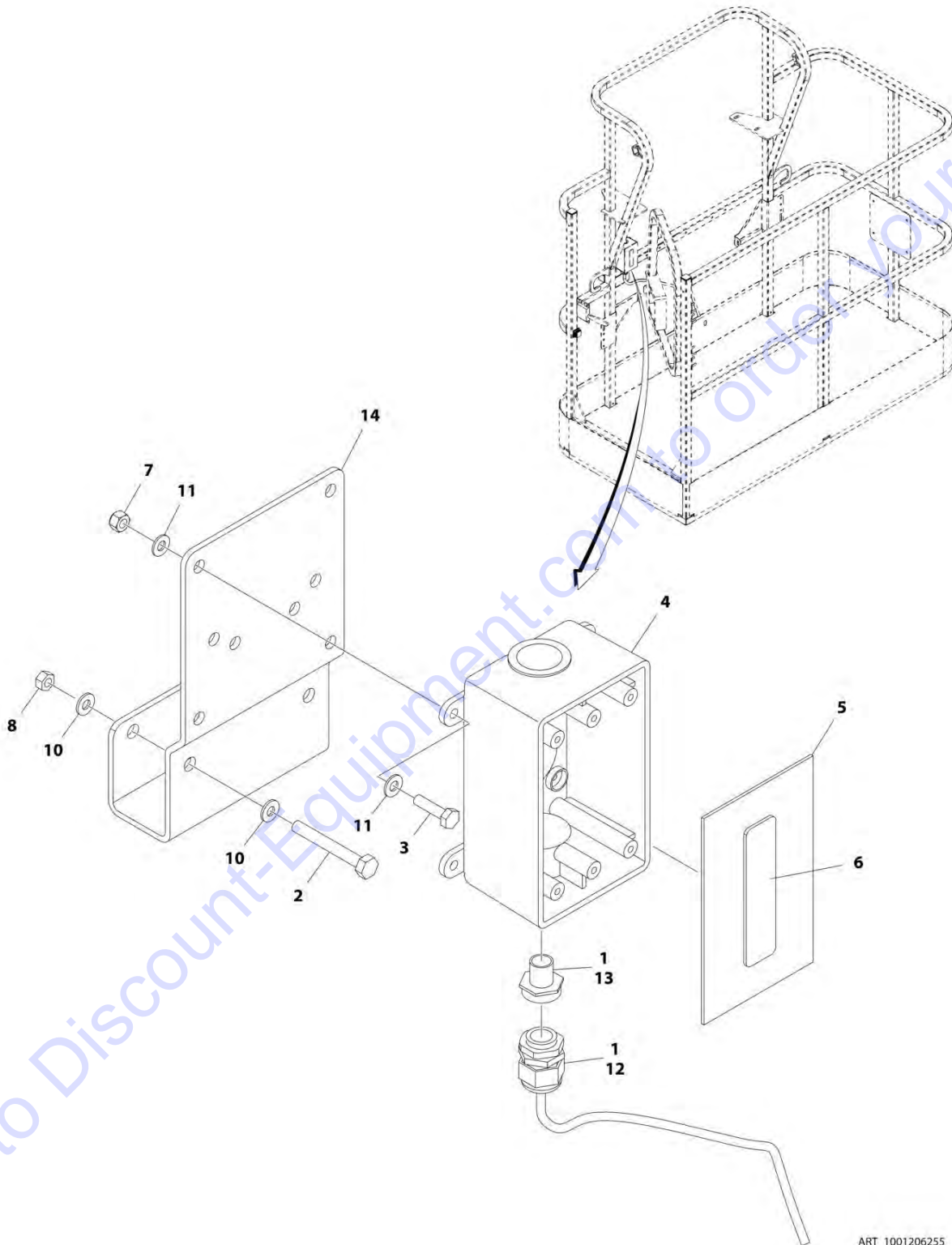
**FIGURE 8-4. AC BOX AT PLATFORM INSTALLATION - BOX WITH COVER (2X4 BOX) WITH 4000W GENERATOR (ANSI EXPORT SPECS) (SN 0300209000 through 0300214023)**

ITEM	PART NUMBER	QTY	DESCRIPTION	REV
	1001194365	Ref	AC BOX AT PLATFORM INSTALLATION - BOX WITH COVER (2X4 BOX) WITH 4000W GENERATOR (ANSI EXPORT SPECS) (SN 0300209000 through 0300214023)	A
1	0100020	AR	Sealant, Pipe	
2	0641416	2	Bolt 1/4 x 2	
3	0700408	4	Bolt M4 x 16	
4	0861731	1	Box, Switch	
5	1670603	1	Cover	
6	3251242	1	Decal - 240V-50Hz	
7	3290405	4	Nut M4	
8	3311405	2	Nut 1/4	
9	4460384	3	Terminal (Not Shown)	
10	4460662	1	Connector, Strain Relief	
11	4711400	4	Washer 1/4	
12	4811400	8	Washer M4	
13	1001193018	1	Bracket, AC Receptacle	

Go to Discount-Equipment.com to order your parts

## SECTION 8 - ELECTRICAL

FIGURE 8-5. AC BOX AT PLATFORM INSTALLATION - BOX WITH COVER (2X4 BOX) WITH 4000W GENERATOR (ANSI EXPORT SPECS) (SN 0300214024 to Present)



ART\_1001206255

## SECTION 8 - ELECTRICAL

**FIGURE 8-5. AC BOX AT PLATFORM INSTALLATION - BOX WITH COVER (2X4 BOX) WITH 4000W GENERATOR (ANSI EXPORT SPECS) (SN 0300214024 to Present)**

ITEM	PART NUMBER	QTY	DESCRIPTION	REV
	1001206255	Ref	AC BOX AT PLATFORM INSTALLATION - BOX WITH COVER (2X4 BOX) WITH 4000W GENERATOR (ANSI EXPORT SPECS) (SN 0300214024 to Present)	A
1	0100020	AR	Sealant, Pipe	
2	0641416	2	Bolt 1/4 x 2	
3	0700408	4	Bolt M4 x 16	
4	0861731	1	Box, Switch	
5	1670603	1	Cover	
6	3251242	1	Decal - 240V-50Hz	
7	3290405	4	Nut M4	
8	3311405	2	Nut 1/4	
9	4460384	3	Terminal (Not Shown)	
10	4711400	4	Washer 1/4	
11	4811400	8	Washer M4	
12	1001101191	1	Connector, Strain Relief	
13	1001101197	1	Connector, Adapter	
14	1001193018	1	Bracket, AC Receptacle	





## SECTION 8 - ELECTRICAL

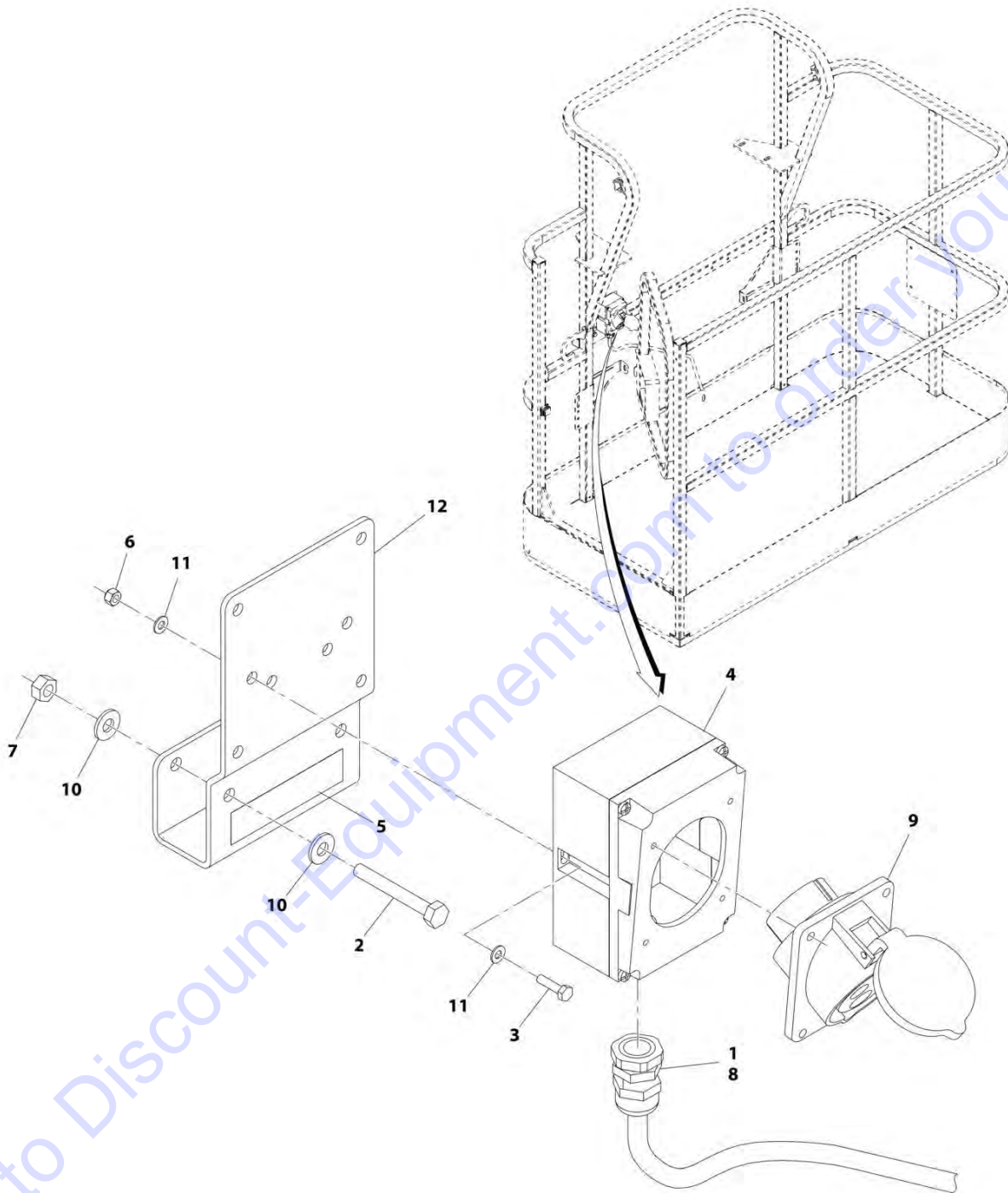
**FIGURE 8-6. AC BOX AT PLATFORM INSTALLATION - 110V IEC 60309 YELLOW WITHOUT 2500W GENERATOR (CE SPECS)**

ITEM	PART NUMBER	QTY	DESCRIPTION	REV
	1001091969	Ref	AC BOX AT PLATFORM INSTALLATION - 110V IEC 60309 YELLOW WITHOUT 2500W GENERATOR (CE SPECS)	C
1	0100020	AR	Sealant, Pipe	
2	0275216	1	Receptacle Box Kit (See RECEPTACLE BOX KIT - 110V IEC YELLOW WITHOUT 2500W GENERATOR (CE SPECS) for Breakdown)	
3	0700408	2	Bolt M4 x 16	
4	3290405	2	Nut M4	
5	1001101196	1	Adapter	
6	4811400	4	Washer M4	
7	1001101191	1	Connector, Strain Relief	
8	0641416	2	Bolt 1/4 x 2	
9	1705325	1	Decal - 110V	
10	3311405	2	Nut 1/4	
11	4711400	4	Washer 1/4	
12	1001193018	1	Bracket	

Go to Discount-Equipment.com to order your parts

## SECTION 8 - ELECTRICAL

FIGURE 8-7. AC BOX AT PLATFORM INSTALLATION - 110V IEC 60309 YELLOW WITH 4000W GENERATOR (CE SPECS) (SN 0300209000 through 0300214023)



ART\_1001194203

## SECTION 8 - ELECTRICAL

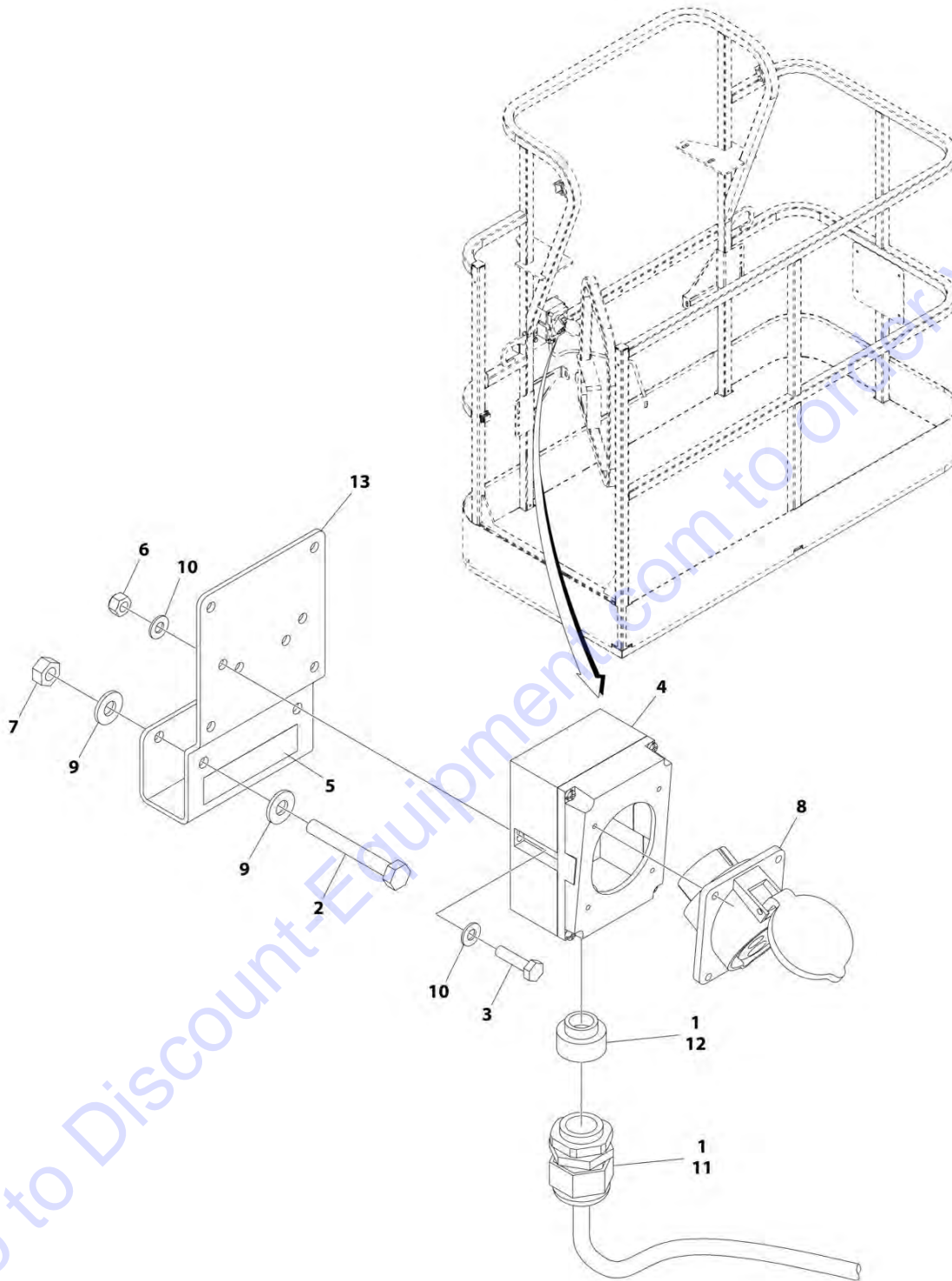
**FIGURE 8-7. AC BOX AT PLATFORM INSTALLATION - 110V IEC 60309 YELLOW WITH 4000W GENERATOR (CE SPECS) (SN 0300209000 through 0300214023)**

ITEM	PART NUMBER	QTY	DESCRIPTION	REV
	1001194203	Ref	AC BOX AT PLATFORM INSTALLATION - 110V IEC 60309 YELLOW WITH 4000W GENERATOR (CE SPECS) (SN 0300209000 through 0300214023)	B
1	0100020	AR	Sealant, Pipe	
2	0641416	2	Bolt 1/4 x 2	
3	0700408	2	Bolt M4 x 16	
4	0861781	1	Box, Switch	
5	1705325	1	Decal - 110V	
6	3290405	2	Nut M4	
7	3311405	2	Nut 1/4	
8	4460968	1	Connector, Strain Relief	
9	4461198	1	Receptacle	
10	4711400	4	Washer 1/4	
11	4811400	4	Washer M4	
12	1001193018	1	Bracket, AC Receptacle	

Go to Discount-Equipment.com to order your parts

## SECTION 8 - ELECTRICAL

FIGURE 8-8. AC BOX AT PLATFORM INSTALLATION - 110V IEC 60309 YELLOW WITH 4000W GENERATOR (CE SPECS) (SN 0300214024 to Present)



ART\_1001206253

## SECTION 8 - ELECTRICAL

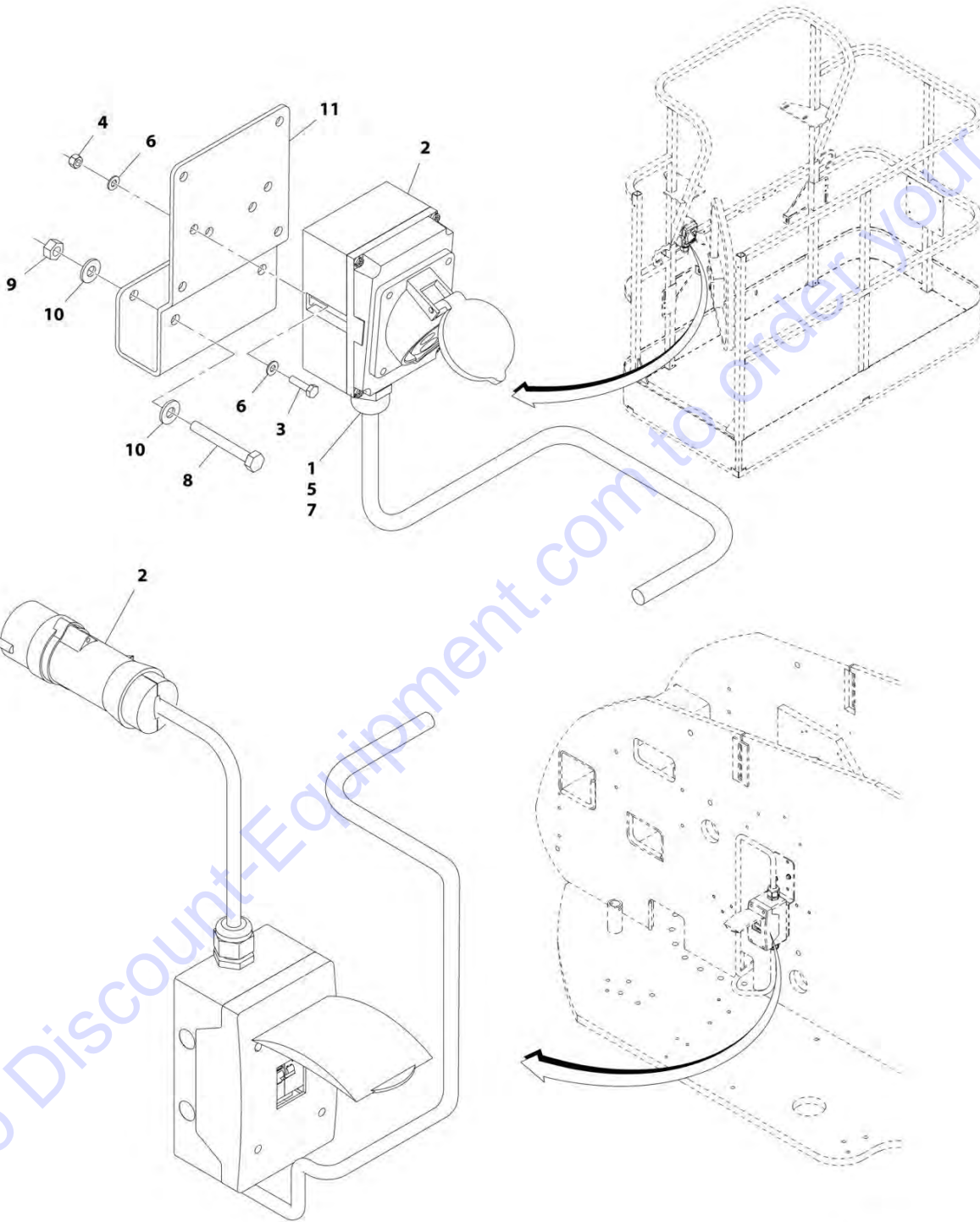
**FIGURE 8-8. AC BOX AT PLATFORM INSTALLATION - 110V IEC 60309 YELLOW WITH 4000W GENERATOR (CE SPECS) (SN 0300214024 to Present)**

ITEM	PART NUMBER	QTY	DESCRIPTION	REV
	1001206253	Ref	AC BOX AT PLATFORM INSTALLATION - 110V IEC 60309 YELLOW WITH 4000W GENERATOR (CE SPECS) (SN <b>0300214024 to Present</b> )	A
1	0100020	AR	Sealant, Pipe	
2	0641416	2	Bolt 1/4 x 2	
3	0700408	2	Bolt M4 x 16	
4	0861781	1	Box, Switch	
5	1705325	1	Decal - 110V	
6	3290405	2	Nut M4	
7	3311405	2	Nut 1/4	
8	4461198	1	Receptacle	
9	4711400	4	Washer 1/4	
10	4811400	4	Washer M4	
11	1001101191	1	Connector, Strain Relief	
12	1001101196	1	Connector, Adapter	
13	1001193018	1	Bracket, AC Receptacle	

Go to Discount-Equipment.com to order your parts

## SECTION 8 - ELECTRICAL

FIGURE 8-9. AC BOX AT PLATFORM INSTALLATION - 220V IEC 60309 BLUE WITHOUT 2500W GENERATOR (CE SPECS)



ART\_1001091970



## SECTION 8 - ELECTRICAL

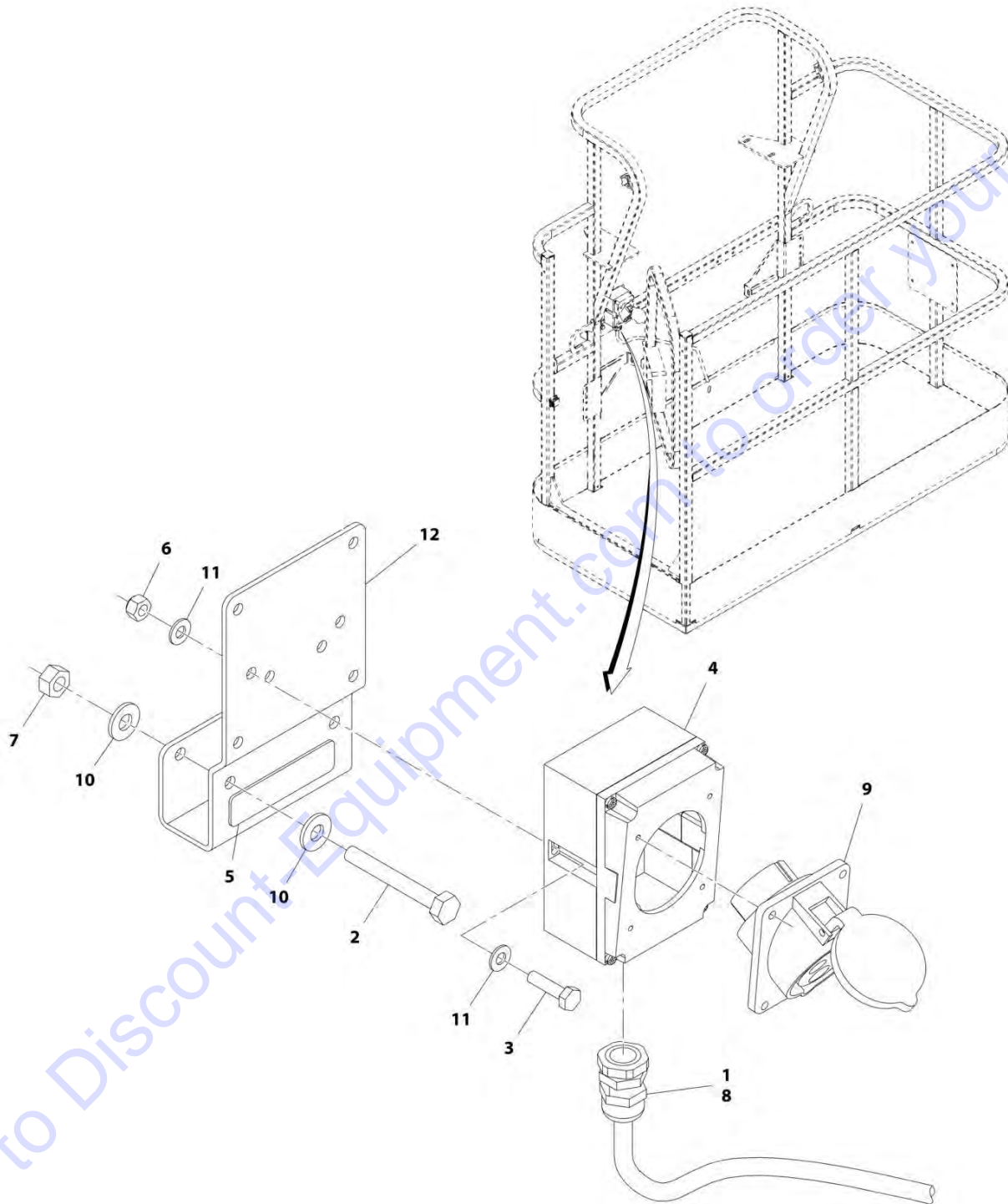
**FIGURE 8-9. AC BOX AT PLATFORM INSTALLATION - 220V IEC 60309 BLUE WITHOUT 2500W GENERATOR (CE SPECS)**

ITEM	PART NUMBER	QTY	DESCRIPTION	REV
	1001091970	Ref	AC BOX AT PLATFORM INSTALLATION - 220V IEC 60309 BLUE WITHOUT 2500W GENERATOR (CE SPECS)	C
1	0100020	AR	Sealant, Pipe	
2	0275217	1	Receptacle Box Kit (See RECEPTACLE BOX KIT - 220V IEC BLUE WITHOUT 2500W GENERATOR (CE SPECS) for Breakdown)	
3	0700408	2	Bolt M4 x 16	
4	3290405	2	Nut M4	
5	1001101196	1	Adapter	
6	4811400	4	Washer M4	
7	1001101191	1	Connector, Strain Relief	
8	0641416	2	Bolt 1/4 x 2	
9	3311405	2	Nut 1/4	
10	4711400	4	Washer 1/4	
11	1001193018	1	Bracket	

Go to Discount-Equipment.com to order your parts

## SECTION 8 - ELECTRICAL

FIGURE 8-10. AC BOX AT PLATFORM INSTALLATION - 220V IEC 60309 BLUE WITH 4000W GENERATOR (CE SPECS) (SN 0300209000 through 0300214023)



ART\_1001194204

## SECTION 8 - ELECTRICAL

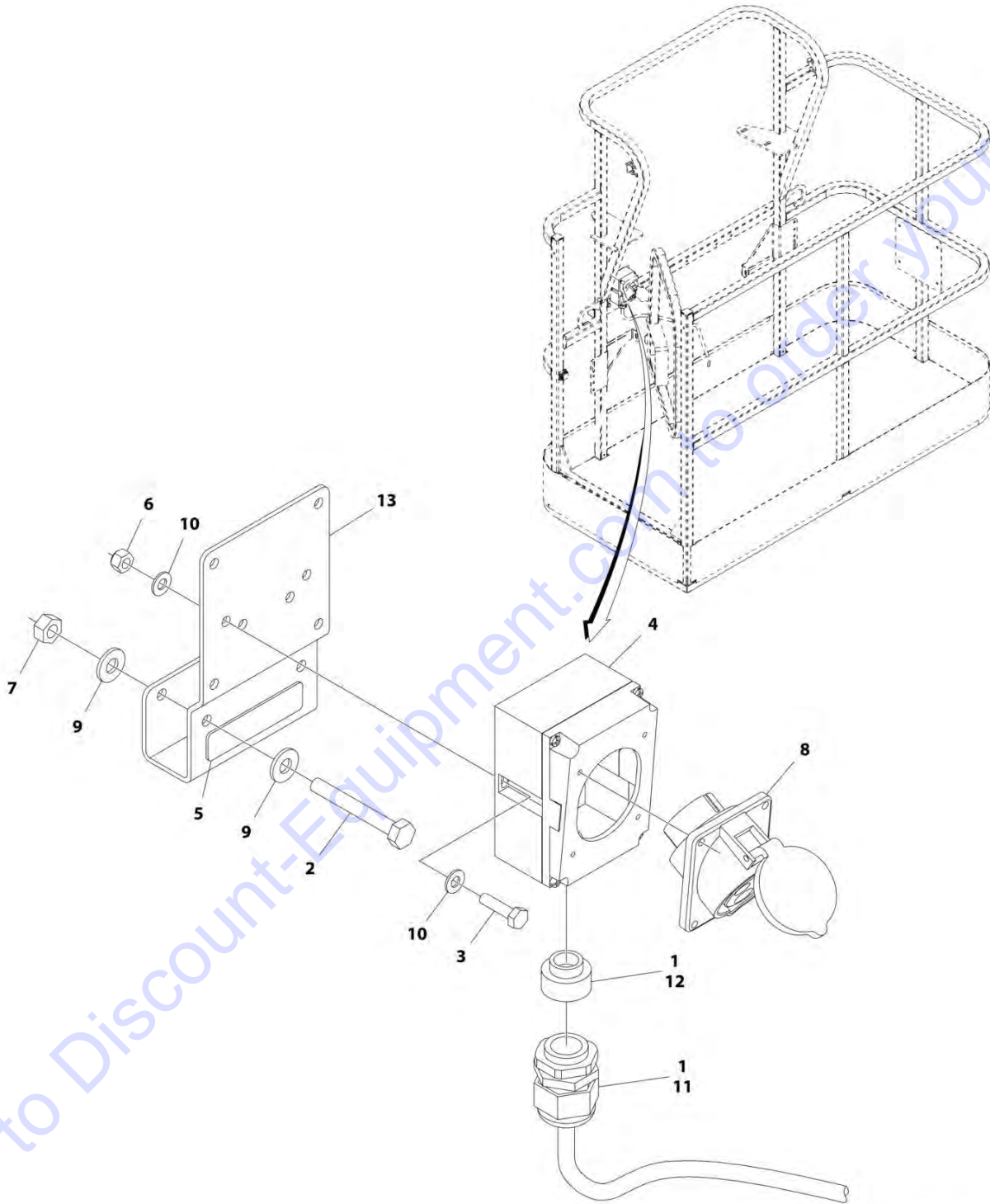
**FIGURE 8-10. AC BOX AT PLATFORM INSTALLATION - 220V IEC 60309 BLUE WITH 4000W GENERATOR (CE SPECS) (SN 0300209000 through 0300214023)**

ITEM	PART NUMBER	QTY	DESCRIPTION	REV
	1001194204	Ref	AC BOX AT PLATFORM INSTALLATION - 220V IEC 60309 BLUE WITH 4000W GENERATOR (CE SPECS) (SN 0300209000 through 0300214023)	B
1	0100020	AR	Sealant, Pipe	
2	0641416	2	Bolt 1/4 x 2	
3	0700408	2	Bolt M4 x 16	
4	0861781	1	Box, Switch	
5	3251242	1	Decal - 240V-50Hz	
6	3290405	2	Nut M4	
7	3311405	2	Nut 1/4	
8	4460968	1	Connector, Strain Relief	
9	4461201	1	Receptacle	
10	4711400	4	Washer 1/4	
11	4811400	4	Washer M4	
12	1001193018	1	Bracket, AC Receptacle	

Go to Discount-Equipment.com to order your parts

# SECTION 8 - ELECTRICAL

FIGURE 8-11. AC BOX AT PLATFORM INSTALLATION - 220V IEC 60309 BLUE WITH 4000W GENERATOR (CE SPECS) (SN 0300214024 to Present)



ART\_1001206254

## SECTION 8 - ELECTRICAL

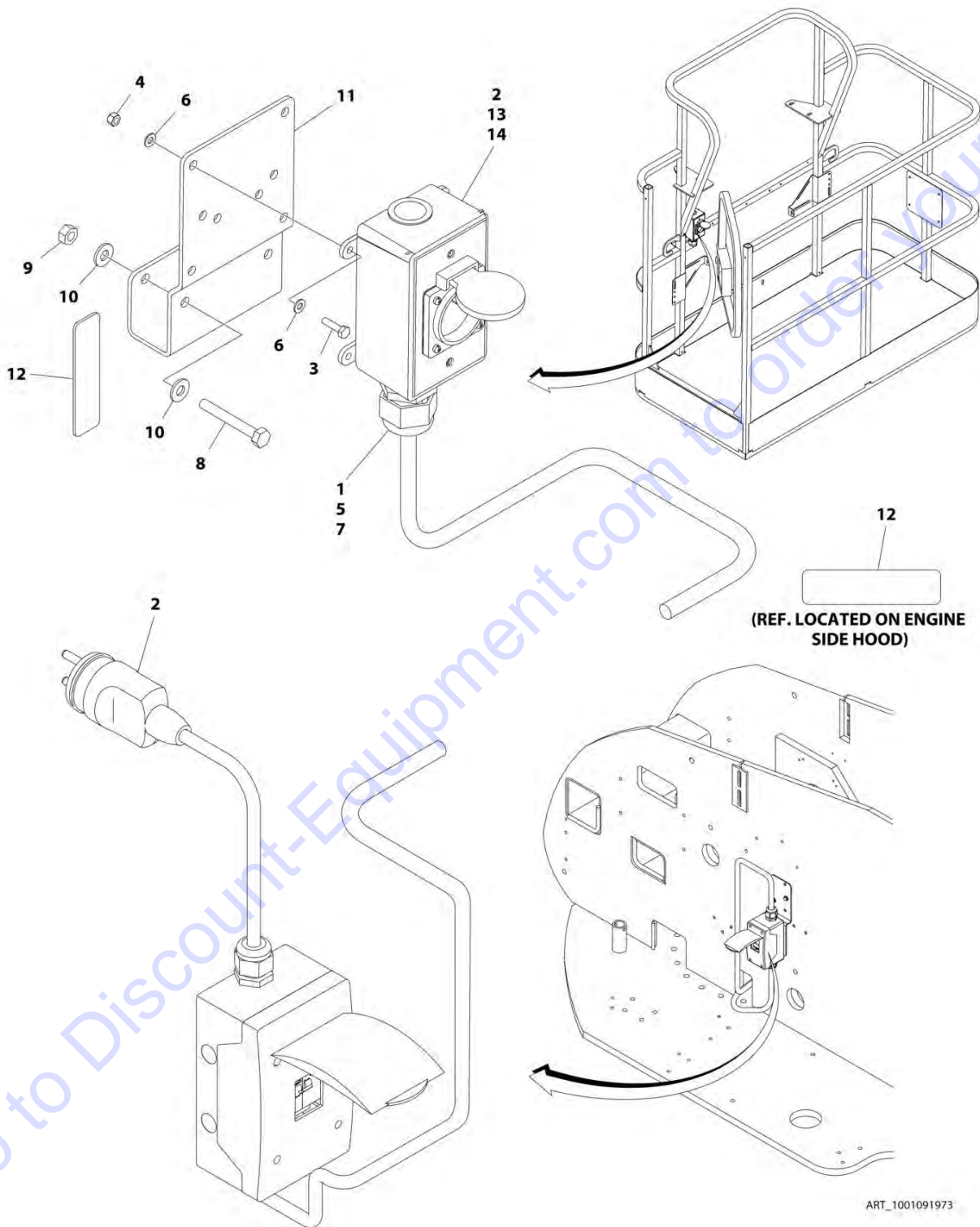
**FIGURE 8-11. AC BOX AT PLATFORM INSTALLATION - 220V IEC 60309 BLUE WITH 4000W GENERATOR (CE SPECS) (SN 0300214024 to Present)**

ITEM	PART NUMBER	QTY	DESCRIPTION	REV
	1001206254	Ref	AC BOX AT PLATFORM INSTALLATION - 220V IEC 60309 BLUE WITH 4000W GENERATOR (CE SPECS) <b>(SN 0300214024 to Present)</b>	A
1	0100020	AR	Sealant, Pipe	
2	0641416	2	Bolt 1/4 x 2	
3	0700408	2	Bolt M4 x 16	
4	0861781	1	Box, Switch	
5	3251242	1	Decal - 240V-50Hz	
6	3290405	2	Nut M4	
7	3311405	2	Nut 1/4	
8	4461201	1	Receptacle	
9	4711400	4	Washer 1/4	
10	4811400	4	Washer M4	
11	1001101191	1	Connector, Strain Relief	
12	1001101196	1	Connector, Adapter	
13	1001193018	1	Bracket, AC Receptacle	

Go to Discount-Equipment.com to order your parts

## SECTION 8 - ELECTRICAL

FIGURE 8-12. AC BOX AT PLATFORM INSTALLATION - 220V CEE7 POST GROUND (2X4 BOX)  
WITHOUT 2500W GENERATOR (CE SPECS)



## SECTION 8 - ELECTRICAL

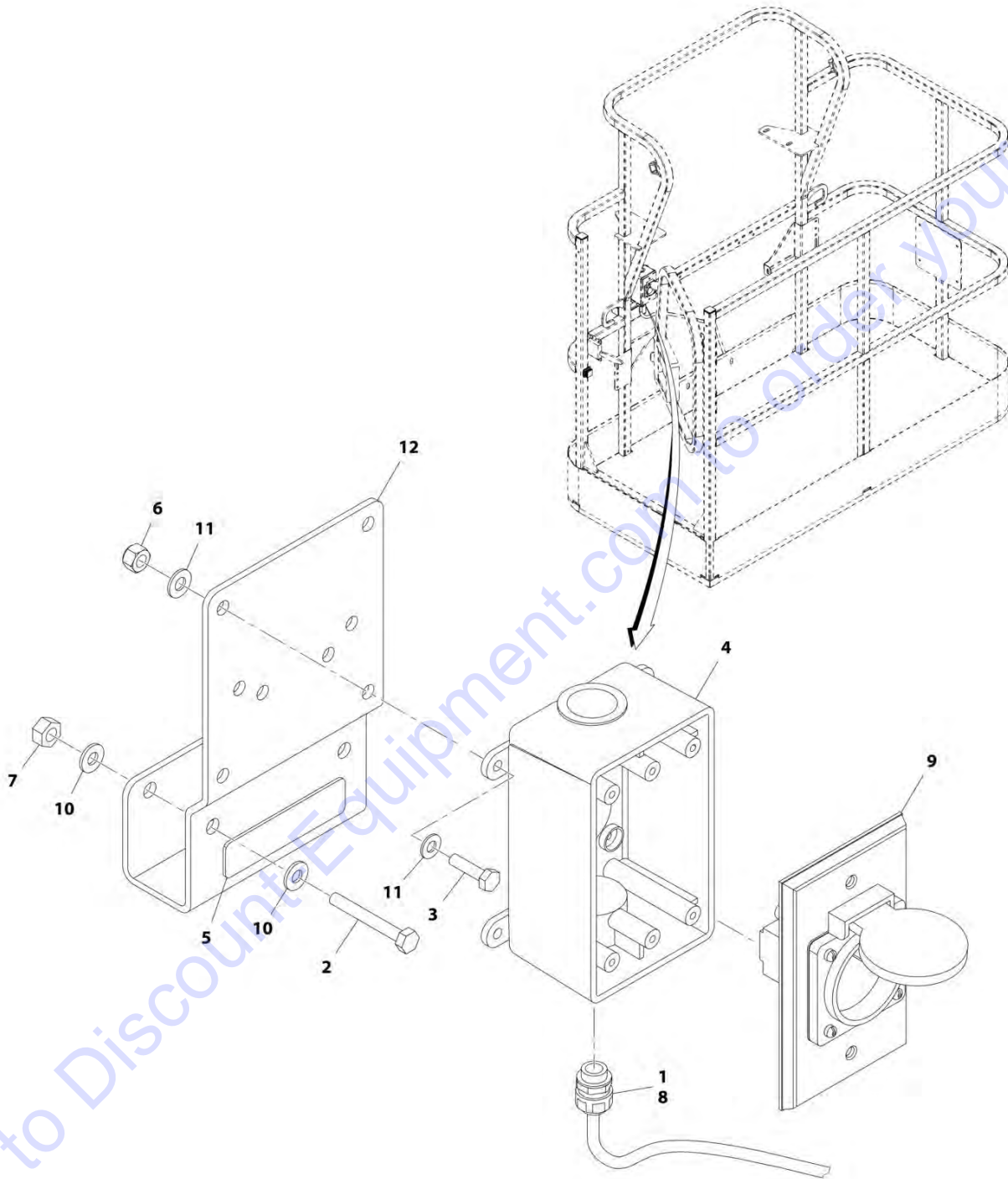
**FIGURE 8-12. AC BOX AT PLATFORM INSTALLATION - 220V CEE7 POST GROUND (2X4 BOX) WITHOUT 2500W GENERATOR (CE SPECS)**

ITEM	PART NUMBER	QTY	DESCRIPTION	REV
	1001091973	Ref	AC BOX AT PLATFORM INSTALLATION - 220V CEE7 POST GROUND (2X4 BOX) WITHOUT 2500W GENERATOR (CE SPECS)	F
1	0100020	AR	Sealant, Pipe	
2	0275452	1	Receptacle Box Kit (See RECEPTACLE BOX KIT - 220V CEE7 POST GROUND WITHOUT 2500W GENERATOR (2X4 BOX) (CE SPECS) for Breakdown)	
3	0700408	4	Bolt M4 x 16	
4	3290405	4	Nut M4	
5	1001101197	1	Adapter	
6	4811400	8	Washer M4	
7	1001101191	1	Connector, Strain Relief	
8	0641416	2	Bolt 1/4 x 2	
9	3311405	2	Nut 1/4	
10	4711400	4	Washer 1/4	
11	1001193018	1	Bracket	
12	3251242	2	Decal - 240V-50Hz <b>(SN 0300240303 to Present)</b>	
13	4460806	2	Terminal, Fork	
14	1001205958	1	Terminal	



## SECTION 8 - ELECTRICAL

FIGURE 8-13. AC BOX AT PLATFORM INSTALLATION - 220V CEE7 POST GROUND (2X4 BOX) WITH 4000W GENERATOR (CE SPECS) (SN 0300209000 through 0300214023)



ART\_1001194197

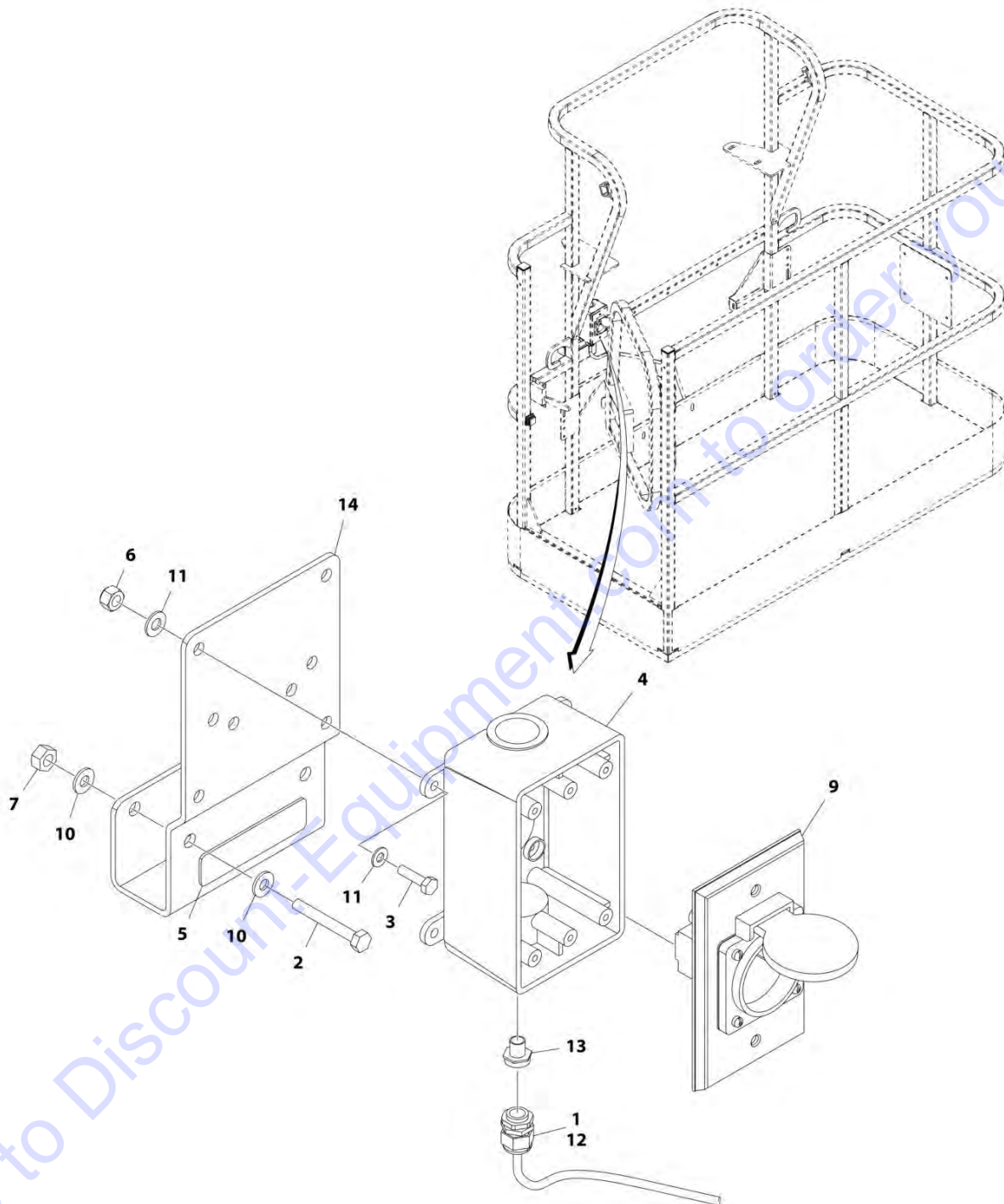
## SECTION 8 - ELECTRICAL

**FIGURE 8-13. AC BOX AT PLATFORM INSTALLATION - 220V CEE7 POST GROUND (2X4 BOX) WITH 4000W GENERATOR (CE SPECS) (SN 0300209000 through 0300214023)**

ITEM	PART NUMBER	QTY	DESCRIPTION	REV
	1001194197	Ref	AC BOX AT PLATFORM INSTALLATION - 220V CEE7 POST GROUND (2X4 BOX) WITH 4000W GENERATOR (CE SPECS) (SN 0300209000 through 0300214023)	B
1	0100020	AR	Sealant, Pipe	
2	0641416	2	Bolt 1/4 x 2	
3	0700408	4	Bolt M4 x 16	
4	0861731	1	Box, Switch	
5	3251242	1	Decal - 240V-50Hz	
6	3290405	4	Nut M4	
7	3311405	2	Nut 1/4	
8	4460662	1	Connector, Strain Relief	
9	4461244	1	Receptacle	
10	4711400	4	Washer 1/4	
11	4811400	8	Washer M4	
12	1001193018	1	Bracket, AC Receptacle	
13	4460806	2	Terminal, Fork (Not Shown)	
14	1001205958	1	Terminal (Not Shown)	

## SECTION 8 - ELECTRICAL

FIGURE 8-14. AC BOX AT PLATFORM INSTALLATION - 220V CEE7 POST GROUND (2X4 BOX) WITH 4000W GENERATOR (CE SPECS) (SN 0300214024 to Present)



ART\_1001206250

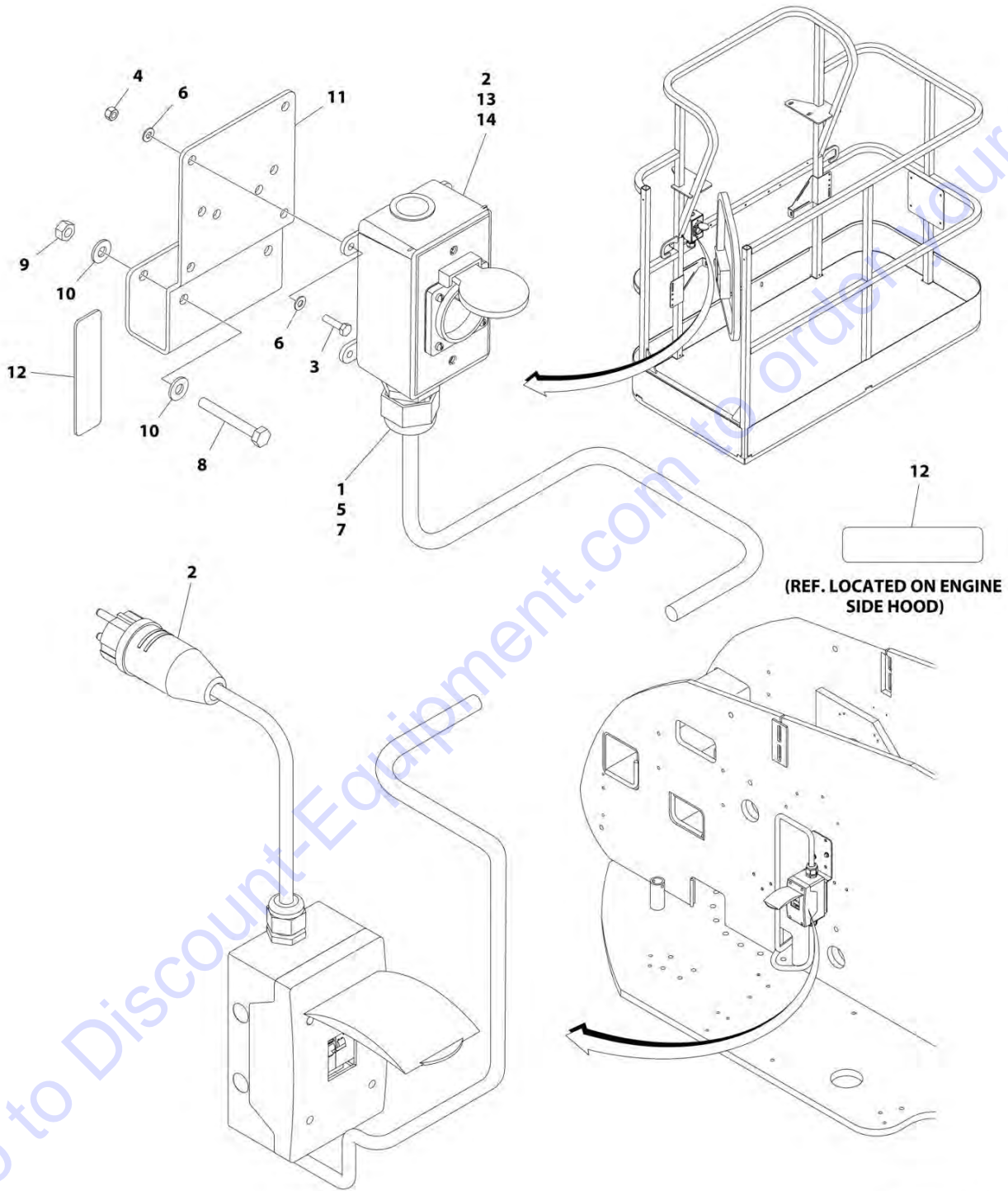
## SECTION 8 - ELECTRICAL

**FIGURE 8-14. AC BOX AT PLATFORM INSTALLATION - 220V CEE7 POST GROUND (2X4 BOX) WITH 4000W GENERATOR (CE SPECS) (SN 0300214024 to Present)**

ITEM	PART NUMBER	QTY	DESCRIPTION	REV
	1001206250	Ref	AC BOX AT PLATFORM INSTALLATION - 220V CEE7 POST GROUND (2X4 BOX) WITH 4000W GENERATOR (CE SPECS) (SN 0300214024 to Present)	A
1	0100020	AR	Sealant, Pipe	
2	0641416	2	Bolt 1/4 x 2	
3	0700408	4	Bolt M4 x 16	
4	0861731	1	Box, Switch	
5	3251242	1	Decal - 240V-50Hz	
6	3290405	4	Nut M4	
7	3311405	2	Nut 1/4	
8	4460806	2	Terminal, Fork (Not Shown)	
9	4461244	1	Receptacle	
10	4711400	4	Washer 1/4	
11	4811400	8	Washer M4	
12	1001101191	1	Connector, Strain Relief	
13	1001101197	1	Connector, Adapter	
14	1001193018	1	Bracket, AC Receptacle	
15	1001205958	1	Terminal (Not Shown)	

# SECTION 8 - ELECTRICAL

## FIGURE 8-15. AC BOX AT PLATFORM INSTALLATION - 220V CEE7 SIDE GROUND (2X4 BOX) WITHOUT 2500W GENERATOR (CE SPECS)



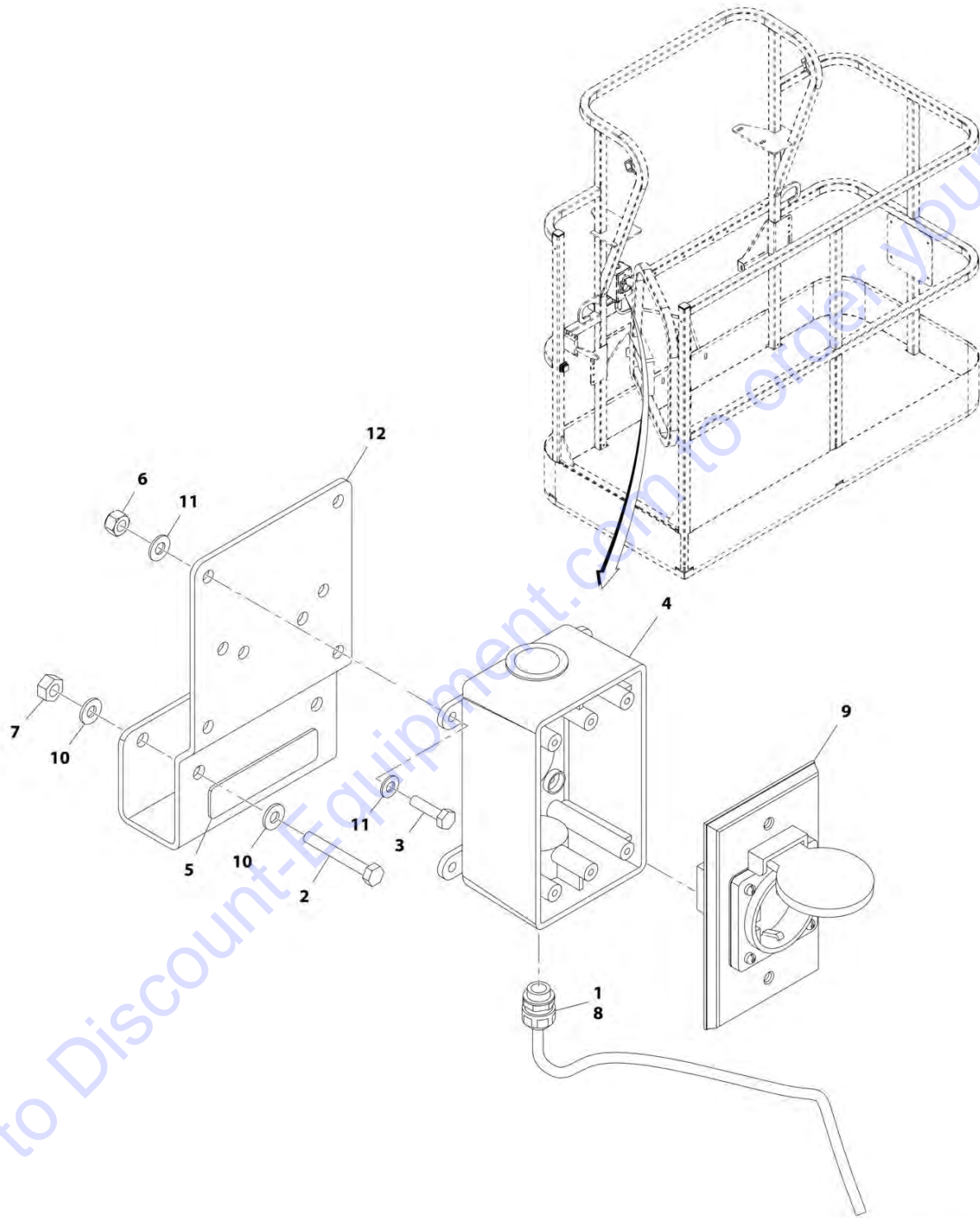
## SECTION 8 - ELECTRICAL

**FIGURE 8-15. AC BOX AT PLATFORM INSTALLATION - 220V CEE7 SIDE GROUND (2X4 BOX) WITHOUT 2500W GENERATOR (CE SPECS)**

ITEM	PART NUMBER	QTY	DESCRIPTION	REV
	1001091974	Ref	AC BOX AT PLATFORM INSTALLATION - 220V CEE7 SIDE GROUND (2X4 BOX) WITHOUT 2500W GENERATOR (CE SPECS)	F
1	0100020	AR	Sealant, Pipe	
2	0275453	1	Receptacle Box Kit (See RECEPTACLE BOX KIT - 220V CEE7 SIDE GROUND WITHOUT 2500W GENERATOR (2X4 BOX) (CE SPECS) for Breakdown)	
3	0700408	4	Bolt M4 x 16	
4	3290405	4	Nut M4	
5	1001101197	1	Adapter	
6	4811400	8	Washer M4	
7	1001101191	1	Connector, Strain Relief	
8	0641416	2	Bolt 1/4 x 2	
9	3311405	2	Nut 1/4	
10	4711400	4	Washer 1/4	
11	1001193018	1	Bracket	
12	3251242	2	Decal - 240V-50Hz <b>(SN 0300240303 to Present)</b>	
13	4460806	2	Terminal, Fork	
14	1001205958	1	Terminal	

## SECTION 8 - ELECTRICAL

FIGURE 8-16. AC BOX AT PLATFORM INSTALLATION - 220V CEE7 SIDE GROUND (2X4 BOX) WITH 4000W GENERATOR (CE SPECS) (SN 0300209000 through 0300214023)



ART\_1001194198



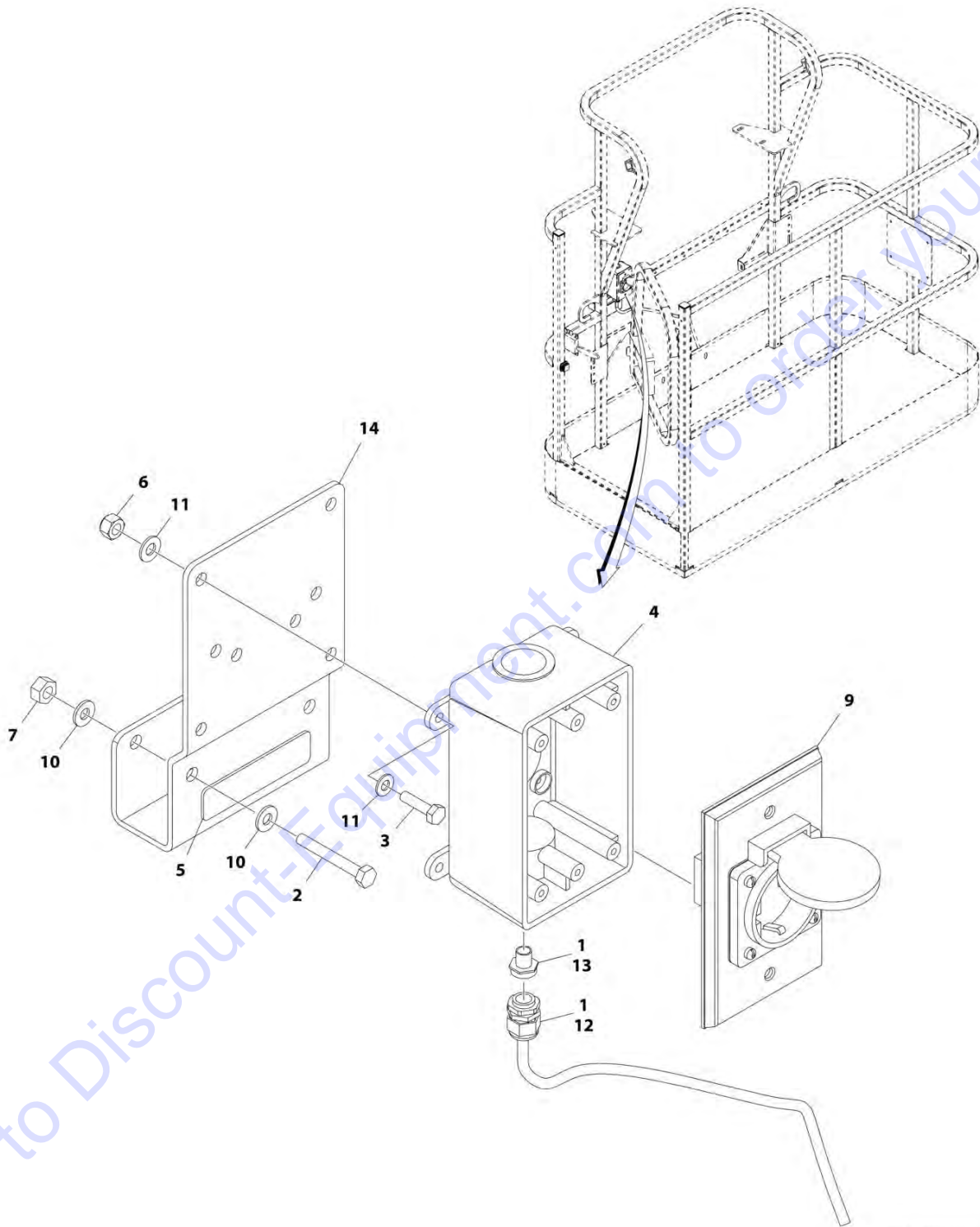
## SECTION 8 - ELECTRICAL

**FIGURE 8-16. AC BOX AT PLATFORM INSTALLATION - 220V CEE7 SIDE GROUND (2X4 BOX) WITH 4000W GENERATOR (CE SPECS) (SN 0300209000 through 0300214023)**

ITEM	PART NUMBER	QTY	DESCRIPTION	REV
	1001194198	Ref	AC BOX AT PLATFORM INSTALLATION - 220V CEE7 SIDE GROUND (2X4 BOX) WITH 4000W GENERATOR (CE SPECS) (SN 0300209000 through 0300214023)	B
1	0100020	AR	Sealant, Pipe	
2	0641416	2	Bolt 1/4 x 2	
3	0700408	4	Bolt M4 x 16	
4	0861731	1	Box, Switch	
5	3251242	1	Decal - 240V-50Hz	
6	3290405	4	Nut M4	
7	3311405	2	Nut 1/4	
8	4460662	1	Connector, Strain Relief	
9	4461245	1	Receptacle	
10	4711400	4	Washer 1/4	
11	4811400	8	Washer M4	
12	1001193018	1	Bracket, AC Receptacle	
13	4460806	2	Terminal, Fork (Not Shown)	
14	1001205958	1	Terminal (Not Shown)	

## SECTION 8 - ELECTRICAL

FIGURE 8-17. AC BOX AT PLATFORM INSTALLATION - 220V CEE7 SIDE GROUND (2X4 BOX) WITH 4000W GENERATOR (CE SPECS) (SN 0300214024 to Present)



ART\_1001206251

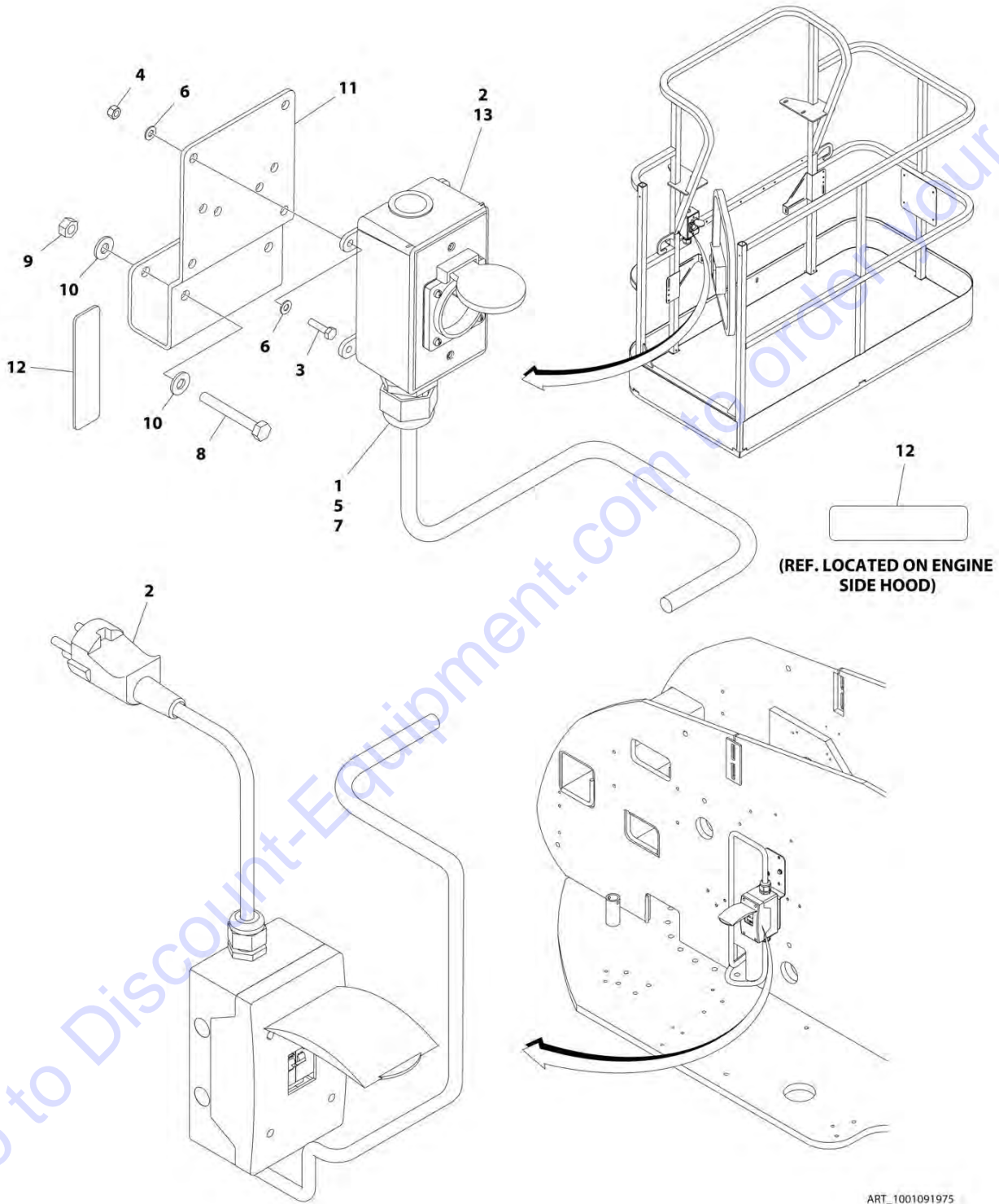
## SECTION 8 - ELECTRICAL

**FIGURE 8-17. AC BOX AT PLATFORM INSTALLATION - 220V CEE7 SIDE GROUND (2X4 BOX) WITH 4000W GENERATOR (CE SPECS) (SN 0300214024 to Present)**

ITEM	PART NUMBER	QTY	DESCRIPTION	REV
	1001206251	Ref	AC BOX AT PLATFORM INSTALLATION - 220V CEE7 SIDE GROUND (2X4 BOX) WITH 4000W GENERATOR (CE SPECS) (SN 0300214024 to Present)	A
1	0100020	AR	Sealant, Pipe	
2	0641416	2	Bolt 1/4 x 2	
3	0700408	4	Bolt M4 x 16	
4	0861731	1	Box, Switch	
5	3251242	1	Decal - 240V-50Hz	
6	3290405	4	Nut M4	
7	3311405	2	Nut 1/4	
8	4460806	2	Terminal, Fork (Not Shown)	
9	4461245	1	Receptacle	
10	4711400	4	Washer 1/4	
11	4811400	8	Washer M4	
12	1001101191	1	Connector, Strain Relief	
13	1001101197	1	Connector, Adapter	
14	1001193018	1	Bracket, AC Receptacle	
15	1001205958	1	Terminal (Not Shown)	

## SECTION 8 - ELECTRICAL

FIGURE 8-18. AC BOX AT PLATFORM INSTALLATION - 220V AFSINT 107 KEYED GROUND (2X4 BOX) WITHOUT 2500W GENERATOR (CE SPECS)



ART\_1001091975

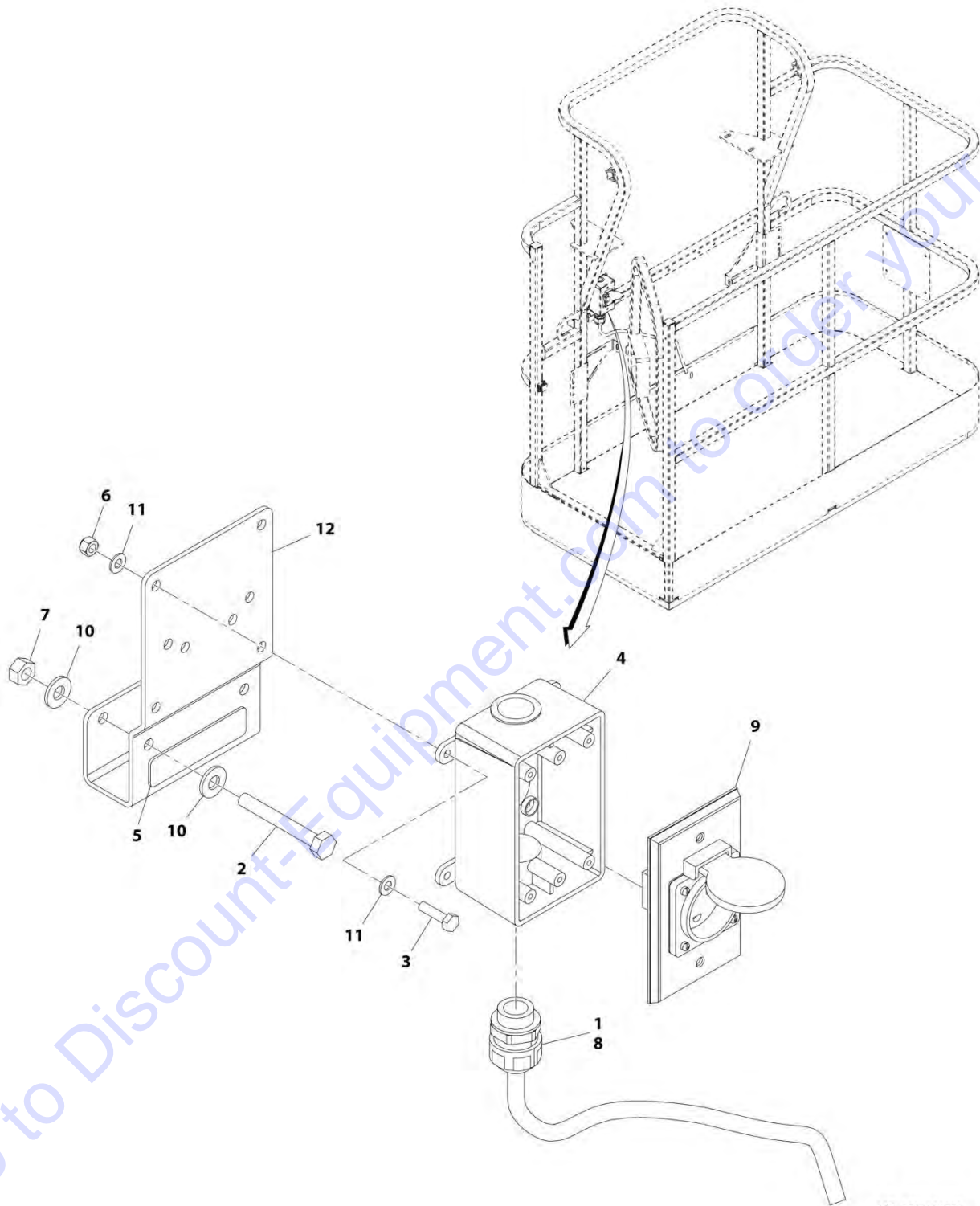
## SECTION 8 - ELECTRICAL

**FIGURE 8-18. AC BOX AT PLATFORM INSTALLATION - 220V AFSINT 107 KEYED GROUND (2X4 BOX) WITHOUT 2500W GENERATOR (CE SPECS)**

ITEM	PART NUMBER	QTY	DESCRIPTION	REV
	1001091975	Ref	AC BOX AT PLATFORM INSTALLATION - 220V AFSINT 107 KEYED GROUND (2X4 BOX) WITHOUT 2500W GENERATOR (CE SPECS)	F
1	0100020	AR	Sealant, Pipe	
2	0275454	1	Receptacle Box Kit (See RECEPTACLE BOX KIT - 220V AFSINT 107 KEYED GROUND WITHOUT 2500W GENERATOR (2X4 BOX) (CE SPECS) for Breakdown)	
3	0700408	4	Bolt M4 x 16	
4	3290405	4	Nut M4	
5	1001101197	1	Adapter	
6	4811400	8	Washer M4	
7	1001101191	1	Connector, Strain Relief	
8	0641416	2	Bolt 1/4 x 2	
9	3311405	2	Nut 1/4	
10	4711400	4	Washer 1/4	
11	1001193018	1	Bracket	
12	3251242	2	Decal - 240V-50Hz <b>(SN 0300240303 to Present)</b>	
13	1001205958	3	Terminal	

## SECTION 8 - ELECTRICAL

FIGURE 8-19. AC BOX AT PLATFORM INSTALLATION - 220V AFSINT 107 KEYED GROUND (2X4 BOX) WITH 4000W GENERATOR (CE SPECS) (SN 0300209000 through 0300214023)



ART\_1001194200

## SECTION 8 - ELECTRICAL

**FIGURE 8-19. AC BOX AT PLATFORM INSTALLATION - 220V AFSINT 107 KEYED GROUND (2X4 BOX) WITH 4000W GENERATOR (CE SPECS) (SN 0300209000 through 0300214023)**

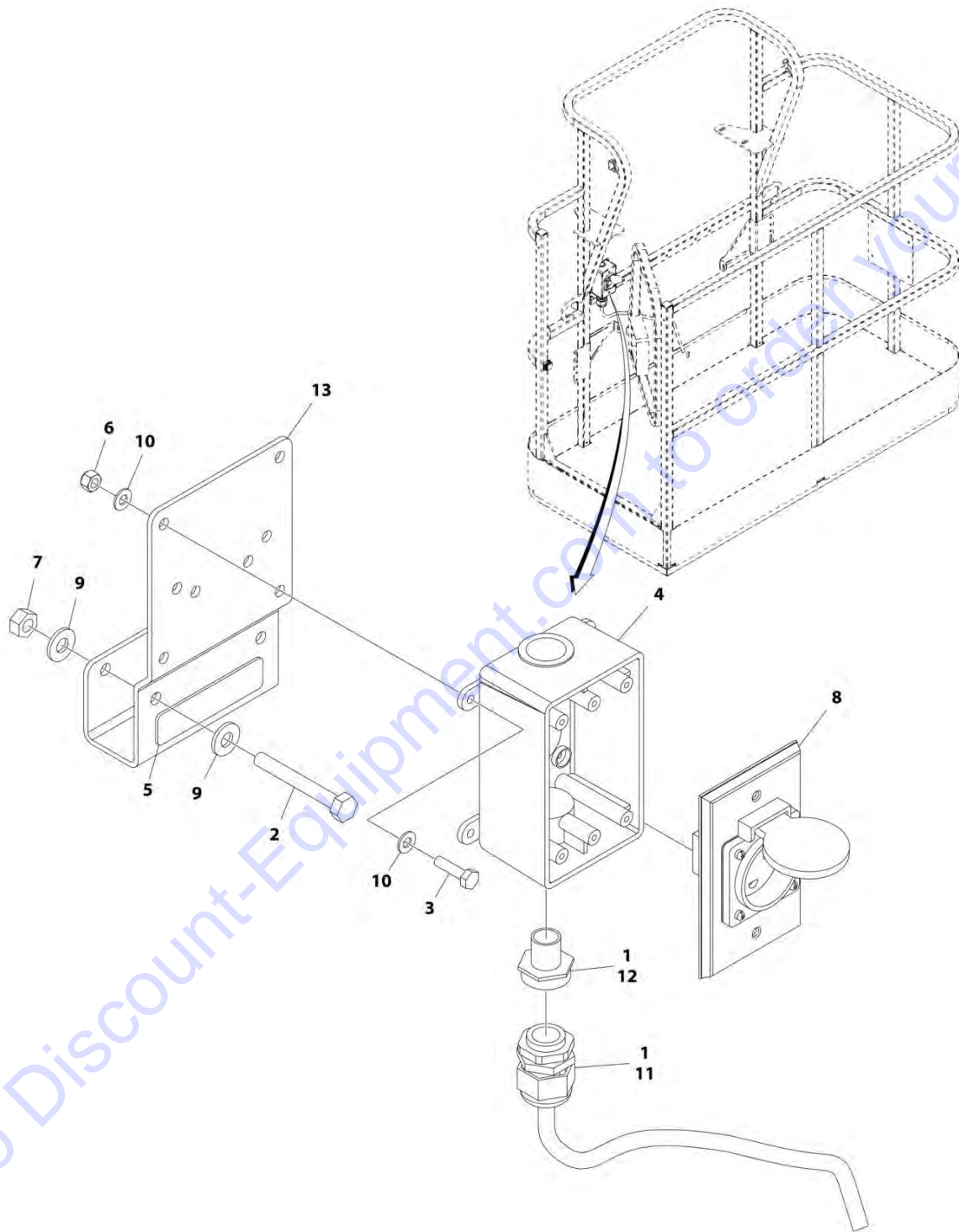
ITEM	PART NUMBER	QTY	DESCRIPTION	REV
	1001194200	Ref	AC BOX AT PLATFORM INSTALLATION - 220V AFSINT 107 KEYED GROUND (2X4 BOX) WITH 4000W GENERATOR (CE SPECS) (SN 0300209000 through 0300214023)	B
1	0100020	AR	Sealant, Pipe	
2	0641416	2	Bolt 1/4 x 2	
3	0700408	4	Bolt M4 x 16	
4	0861731	1	Box, Switch	
5	3251242	1	Decal - 240V-50Hz	
6	3290405	4	Nut M4	
7	3311405	2	Nut 1/4	
8	4460662	1	Connector, Strain Relief	
9	4461246	1	Receptacle	
10	4711400	4	Washer 1/4	
11	4811400	8	Washer M4	
12	1001193018	1	Bracket, AC Receptacle	
13	1001205958	3	Terminal (Not Shown)	

Go to Discount-Equipment.com to order your parts



## SECTION 8 - ELECTRICAL

FIGURE 8-20. AC BOX AT PLATFORM INSTALLATION - 220V AFSINT 107 KEYED GROUND (2X4 BOX) WITH 4000W GENERATOR (CE SPECS) (SN 0300214024 to Present)



ART\_1001206252

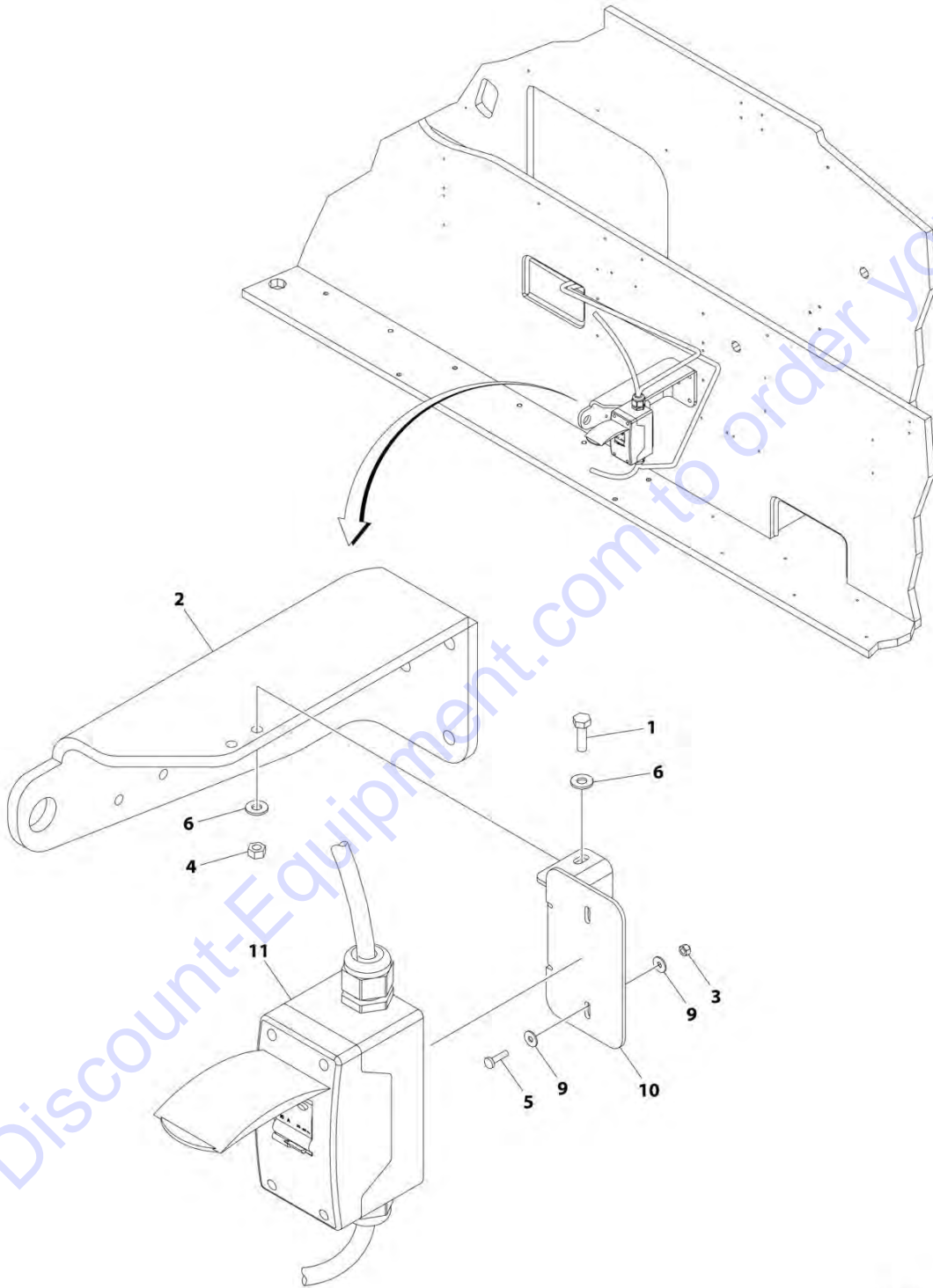
## SECTION 8 - ELECTRICAL

**FIGURE 8-20. AC BOX AT PLATFORM INSTALLATION - 220V AFSINT 107 KEYED GROUND (2X4 BOX) WITH 4000W GENERATOR (CE SPECS) (SN 0300214024 to Present)**

ITEM	PART NUMBER	QTY	DESCRIPTION	REV
	1001206252	Ref	AC BOX AT PLATFORM INSTALLATION - 220V AFSINT 107 KEYED GROUND (2X4 BOX) WITH 4000W GENERATOR (CE SPECS) (SN 0300214024 to Present)	A
1	0100020	AR	Sealant, Pipe	
2	0641416	2	Bolt 1/4 x 2	
3	0700408	4	Bolt M4 x 16	
4	0861731	1	Box, Switch	
5	3251242	1	Decal - 240V-50Hz	
6	3290405	4	Nut M4	
7	3311405	2	Nut 1/4	
8	4461246	1	Receptacle	
9	4711400	4	Washer 1/4	
10	4811400	8	Washer M4	
11	1001101191	1	Connector, Strain Relief	
12	1001101197	1	Connector, Adapter	
13	1001193018	1	Bracket, AC Receptacle	
14	1001205958	3	Terminal (Not Shown)	

# SECTION 8 - ELECTRICAL

## FIGURE 8-21. AC 16 AMP/30MA BREAKER BOX INSTALLATION



ART\_1001188367

## SECTION 8 - ELECTRICAL

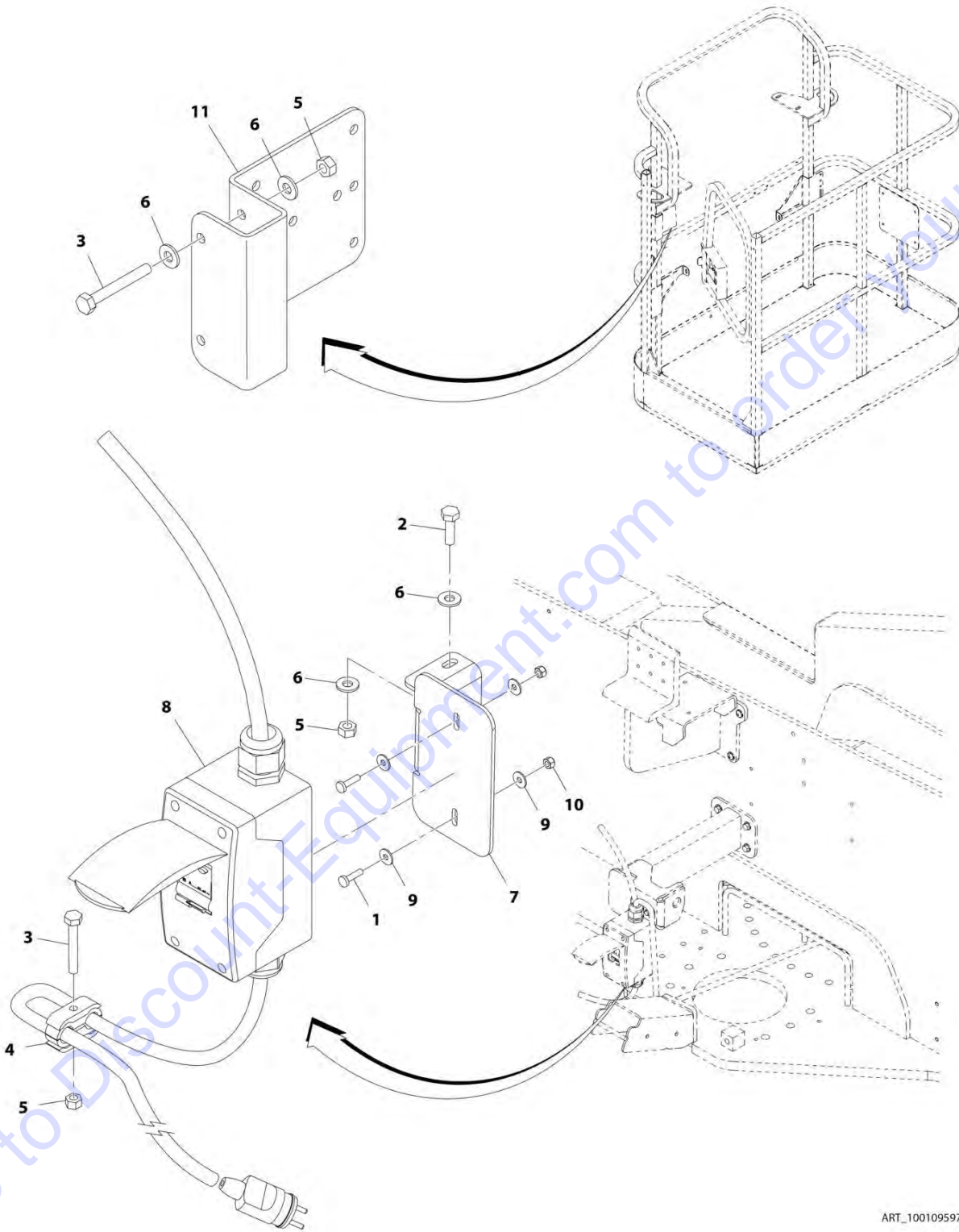
**FIGURE 8-21. AC 16 AMP/30MA BREAKER BOX INSTALLATION**

ITEM	PART NUMBER	QTY	DESCRIPTION	REV
	1001188367	Ref	AC 16 AMP/30mA BREAKER BOX INSTALLATION	A
1	0641407	2	Bolt 1/4 x 7/8	
2	0903149	1	Bracket	
3	3290405	4	Nut M4	
4	3311405	2	Nut 1/4	
5	4010408	2	Screw M4 x 16	
6	4711400	4	Washer 1/4	
7	4922610	1	Harness, Upper (Not Shown)	
7	4460709	1	Plug, Male	
8	4922612	1	Harness, Lower (Not Shown)	
8	4460710	1	Receptacle, Female	
9	1001091102	4	Washer M4	
10	1001094915	1	Bracket	
11	1001096070	1	Breaker Box Kit - 16 Amp/30mA (See BREAKER BOX KIT - 16AMP/30mA for Breakdown)	

Go to Discount-Equipment.com to order your parts

# SECTION 8 - ELECTRICAL

## FIGURE 8-22. AC 16 AMP BREAKER BOX INSTALLATION (CE SPECS)



ART\_1001095976

## SECTION 8 - ELECTRICAL

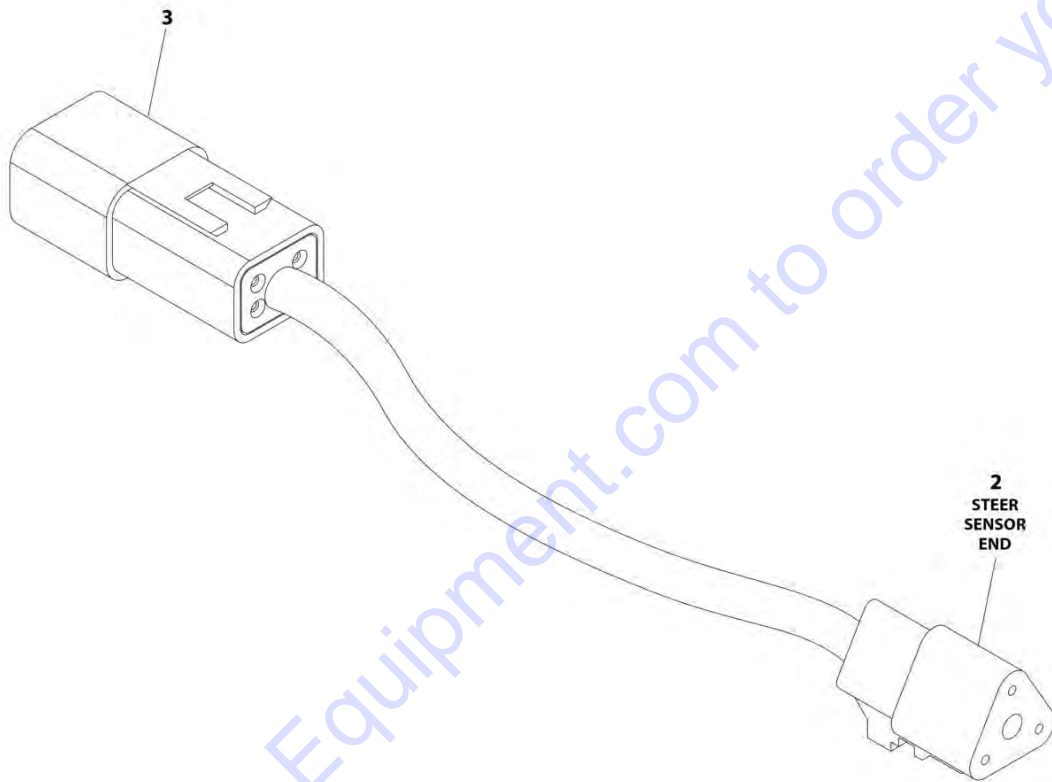
**FIGURE 8-22. AC 16 AMP BREAKER BOX INSTALLATION (CE SPECS)**

ITEM	PART NUMBER	QTY	DESCRIPTION	REV
	1001095976	Ref	AC 16 AMP BREAKER BOX INSTALLATION (CE SPECS)	D
1	4010408	2	Screw M4 x 16	
2	0641407	2	Bolt 1/4 x 7/8	
3	0641416	AR	Bolt 1/4 x 2	
4	1320146	1	Clamp	
5	3311405	AR	Nut 1/4	
6	4711400	AR	Washer 1/4	
7	1001094915	1	Bracket	
8	1001109654	1	Breaker Box Kit - 16 Amp (See BREAKER BOX KIT - 16 AMP for Breakdown)	
9	1001091102	4	Washer M4	
10	3290405	2	Nut M4	
11	0903484	1	Bracket (SN 0300209000 through 0300237553)	

Go to Discount-Equipment.com to order your parts

## SECTION 8 - ELECTRICAL

FIGURE 8-23. AXLE POWER TRACK HARNESS ASSEMBLY



ART\_4922718



## SECTION 8 - ELECTRICAL

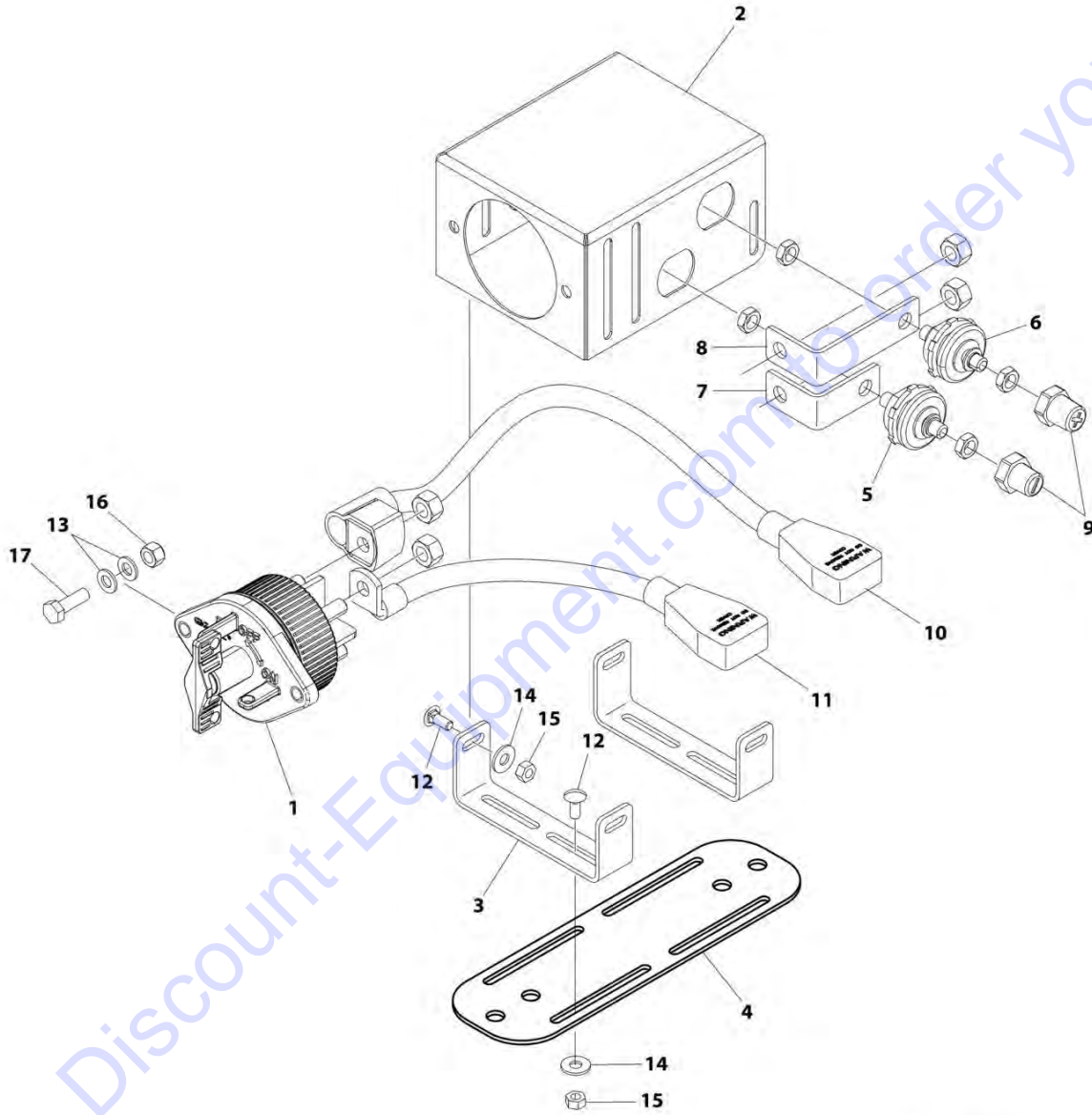
### FIGURE 8-23. AXLE POWER TRACK HARNESS ASSEMBLY

ITEM	PART NUMBER	QTY	DESCRIPTION	REV
	4922718	Ref	AXLE POWER TRACK HARNESS ASSEMBLY	D
2	4460539	1	Connector - 3 Position	
2	4460944	3	Socket, Female	
3	4460932	1	Connector - 4 Position	
3	4460943	4	Pin, Male	

Go to Discount-Equipment.com to order your parts

# SECTION 8 - ELECTRICAL

## FIGURE 8-24. BATTERY DISCONNECT INSTALLATION



ART\_1001241630

## SECTION 8 - ELECTRICAL

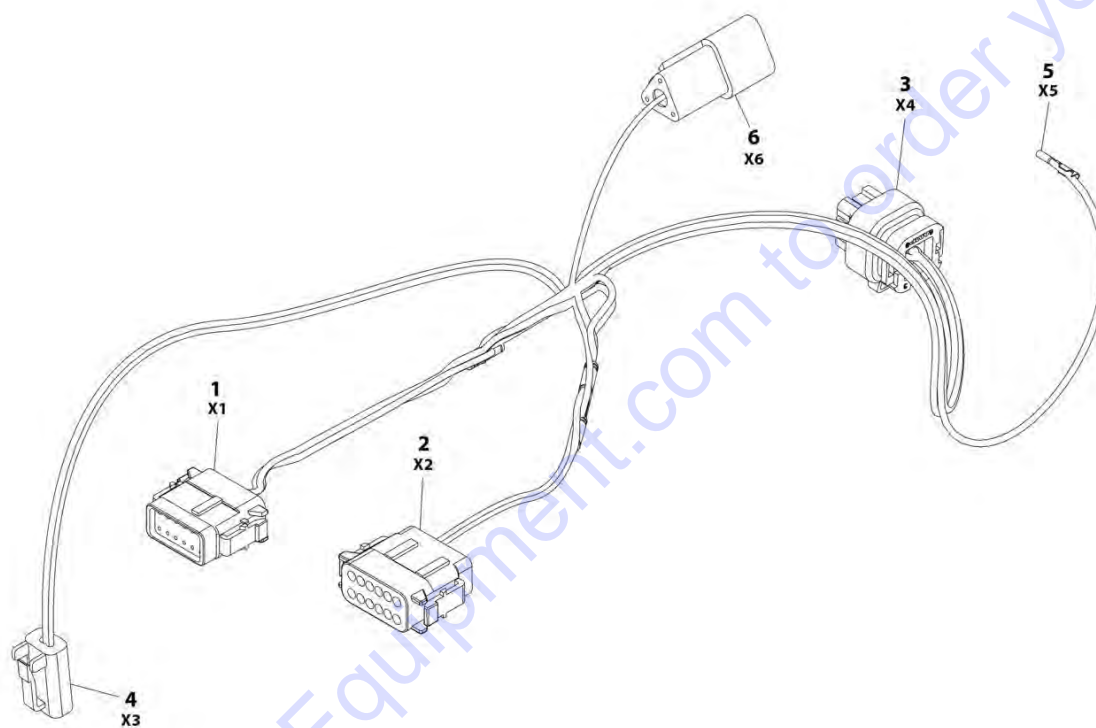
**FIGURE 8-24. BATTERY DISCONNECT INSTALLATION**

ITEM	PART NUMBER	QTY	DESCRIPTION	REV
	1001241630	Ref	BATTERY DISCONNECT INSTALLATION	A
1	1001225346	1	Switch, Disconnect	
2	1001226531	1	Mount	
3	1001239805	2	Mount	
4	1001241585	1	Plate	
5	1001214571	1	Connector (Black)	
6	1001214570	1	Connector (Red)	
7	1001209474	1	Buss bar	
8	1001209432	1	Buss bar	
9	1001206476	1	Connector	
10	1001236504	1	Cable (Positive)	
11	1001236505	1	Cable (Negative)	
12	88411013	8	Bolt 1/4 x 3/4	
13	4811900	4	Washer M8	
14	4751400	8	Washer 1/4	
15	3311405	8	Nut 1/4	
16	3290805	2	Nut M8	
17	0760812	2	Bolt M8 x 25	

Go to Discount-Equipment.com to order your parts

## SECTION 8 - ELECTRICAL

FIGURE 8-25. BEACON CONTROL HARNESS (BLUE BEACON LIGHT ONLY)



ART\_1001150944

## SECTION 8 - ELECTRICAL

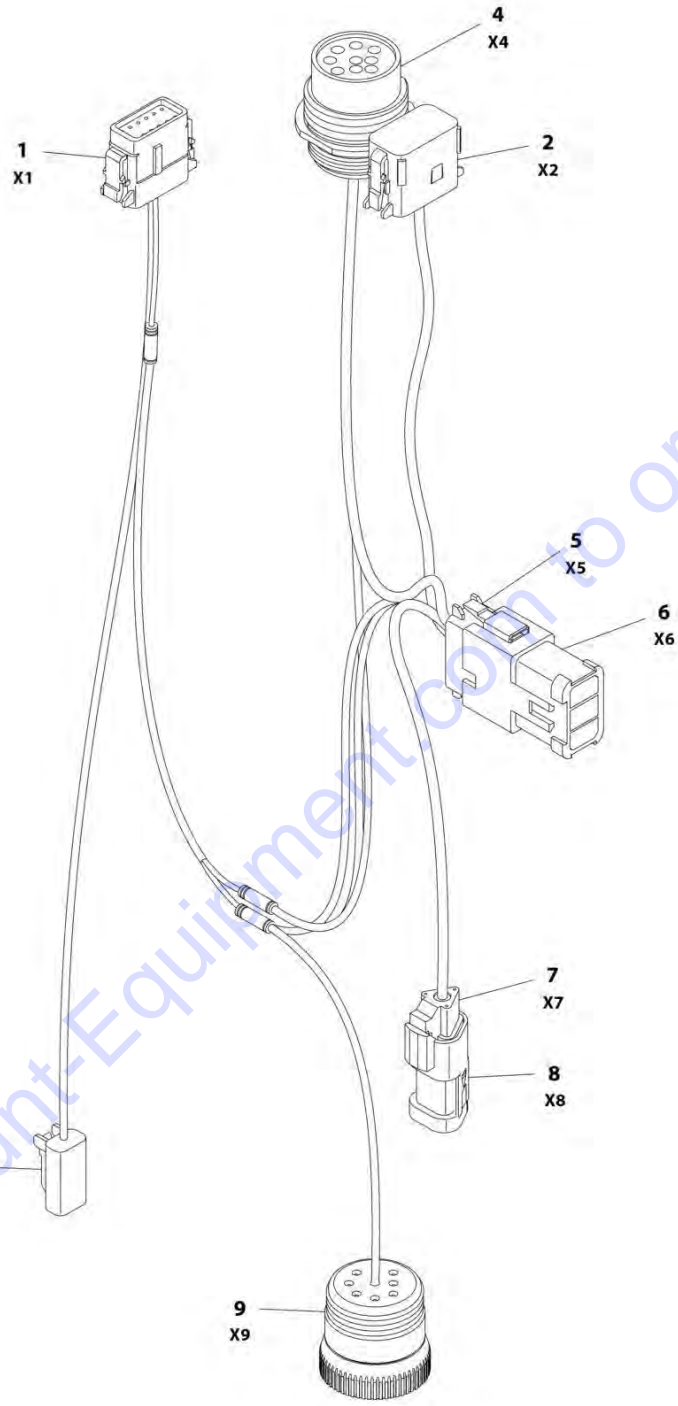
**FIGURE 8-25. BEACON CONTROL HARNESS (BLUE BEACON LIGHT ONLY)**

ITEM	PART NUMBER	QTY	DESCRIPTION	REV
	1001150944	Ref	BEACON CONTROL HARNESS (BLUE BEACON LIGHT ONLY)	C
1	1001116808	1	Connector - 12 Position	
1	1001126008	3	Pin, Male	
1	4460518	9	Plug, Sealing	
2	1001116774	1	Connector - 12 Position	
2	1001116008	2	Pin, Male	
2	4460518	10	Plug, Sealing	
3	1001113961	1	Connector - 8 Position	
3	4460871	5	Socket, Female	
3	4460905	3	Plug, Sealing	
4	4460891	1	Connector - 2 Position	
4	4460465	2	Socket, Female	
5	4460871	1	Socket, Female	
6	1001144147	1	Connector - 3 Position	
6	4460464	2	Pin, Male	
6	4460466	1	Plug, Terminal	
6	1001116815	1	Connector - 3 Position	

Go to Discount-Equipment.com to order your parts

# SECTION 8 - ELECTRICAL

## FIGURE 8-26. BEACON LIGHT HARNESS (BLUE BEACON LIGHT ONLY)



Go to Discount-Equipment.com to order your parts

ART\_1001142736

## SECTION 8 - ELECTRICAL

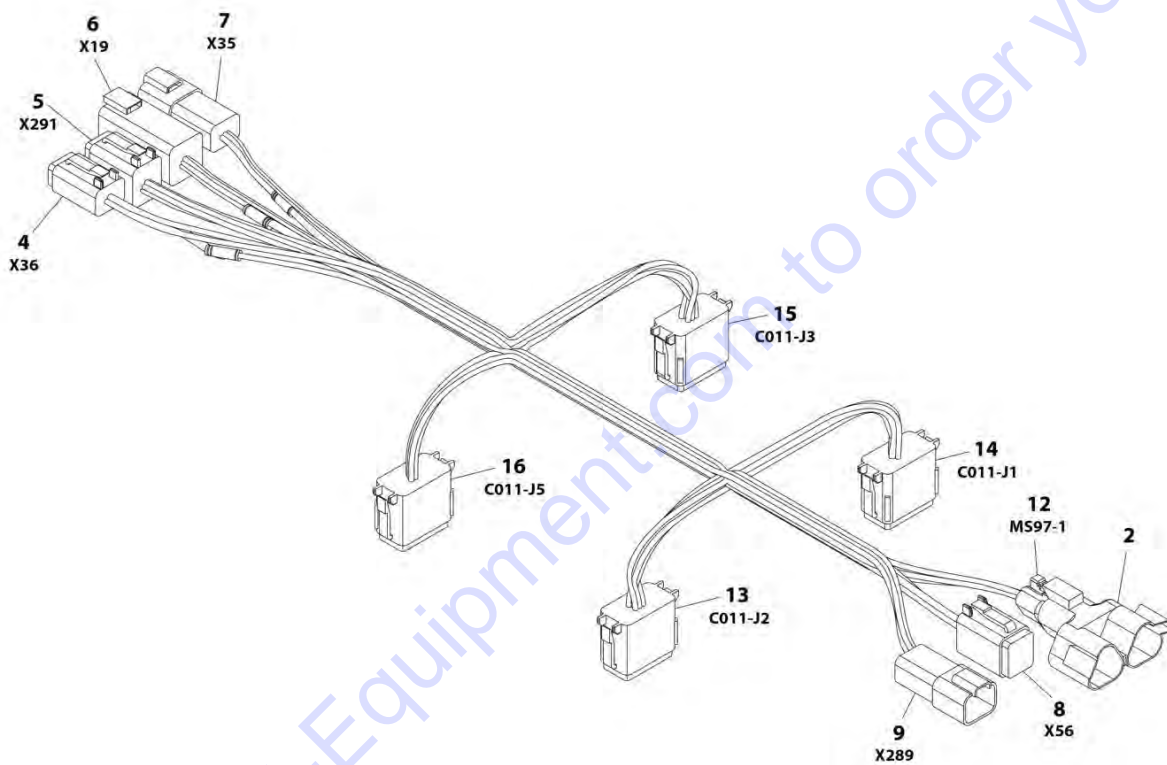
**FIGURE 8-26. BEACON LIGHT HARNESS (BLUE BEACON LIGHT ONLY)**

ITEM	PART NUMBER	QTY	DESCRIPTION	REV
	1001142736	Ref	BEACON LIGHT HARNESS (BLUE BEACON LIGHT ONLY)	F
1	1001116808	1	Plug, Male - 12 Position	
1	4460928	3	Socket, Female	
1	4460518	9	Plug, Terminal	
2	1001116774	1	Plug, Male - 12 Position	
2	4460928	3	Socket, Female	
2	4460518	9	Plug, Terminal	
3	4460891	1	Plug, Male - 2 Position	
3	4460465	2	Socket, Female	
4	1001112612	1	Connector - 9 Position	
4	4460464	6	Pin, Male	
4	4460466	3	Plug, Terminal	
5	4460933	1	Plug, Male - 12 Position	
5	4460465	12	Socket, Female	
6	1001119020	1	Bussbar - 12 Position	
7	4461095	1	Plug, Male - 3 Position	
7	4460465	3	Socket, Female	
8	4461070	1	Bussbar - 3 Position	
9	1001112796	1	Connector - 9 Position	
9	4460465	6	Socket, Female	
9	4460466	3	Plug, Terminal	



# SECTION 8 - ELECTRICAL

## FIGURE 8-27. B.L.A.M. HARNESS



ART\_1001119394

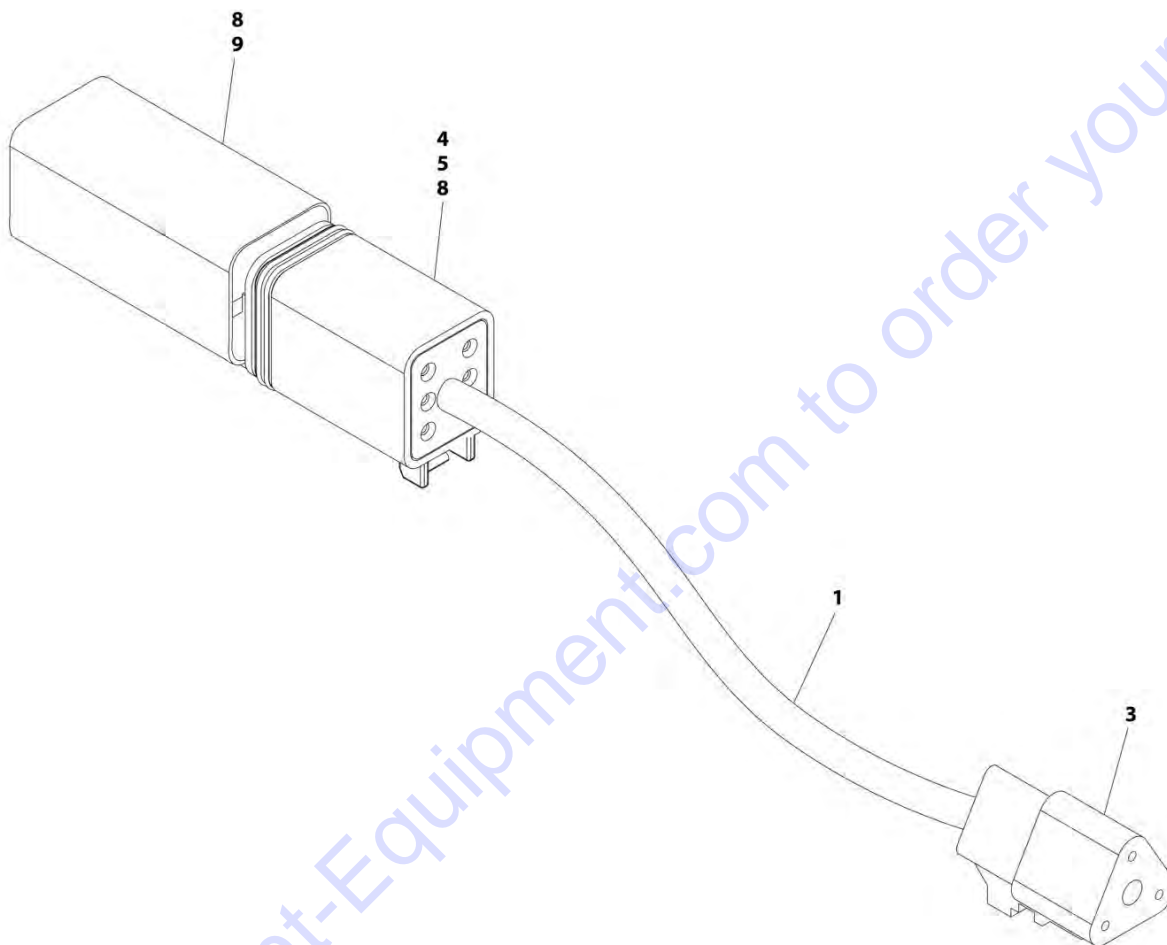
## SECTION 8 - ELECTRICAL

### FIGURE 8-27. B.L.A.M. HARNESS

ITEM	PART NUMBER	QTY	DESCRIPTION	REV
	1001119394	Ref	B.L.A.M. HARNESS	B
2	4460945	1	Connector, Female - 3 Way	
4	4460884	1	Connector, Gray - 4 Position	
4	4460944	4	Socket, Female (Gold)	
5	4460894	1	Plug, Male - 6 Position	
5	4460944	6	Socket, Female (Gold)	
6	4460899	1	Connector, Female - 6 Position	
6	4460943	4	Pin, Male 16 Ga	
7	4460932	1	Connector, Female - 4 Position	
7	4460943	4	Pin, Male 16 Ga	
8	4460894	1	Plug, Male - 6 Position	
8	4460465	5	Socket, Female 18 Gauge	
9	4460932	1	Connector, Female - 4 Position	
9	4460941	2	Pin, Male	
9	4460464	1	Pin, Male	
12	4460965	1	Connector, Female - 3 Position	
12	4460944	3	Socket, Female (Gold)	
13	4460836	1	Plug, Male - 12 Position	
13	4460944	5	Socket, Female (Gold)	
13	4460465	2	Socket, Female 18 Gauge	
14	4460933	1	Connector, Male - 12 Position (Gray)	
14	4460944	3	Socket, Female (Gold)	
14	4460465	4	Socket, Female 18 Gauge	
14	4460942	2	Socket, Female	
15	4460934	1	Plug, Male - 12 Position (Green)	
15	4460944	11	Socket, Female (Gold)	
16	4460935	1	Plug, Male - 12 Position (Brown)	
16	4460465	5	Socket, Female 18 Gauge	

# SECTION 8 - ELECTRICAL

## FIGURE 8-28. B.L.A.M. TO BOOM LENGTH SENSOR HARNESS



ART\_4922716

## SECTION 8 - ELECTRICAL

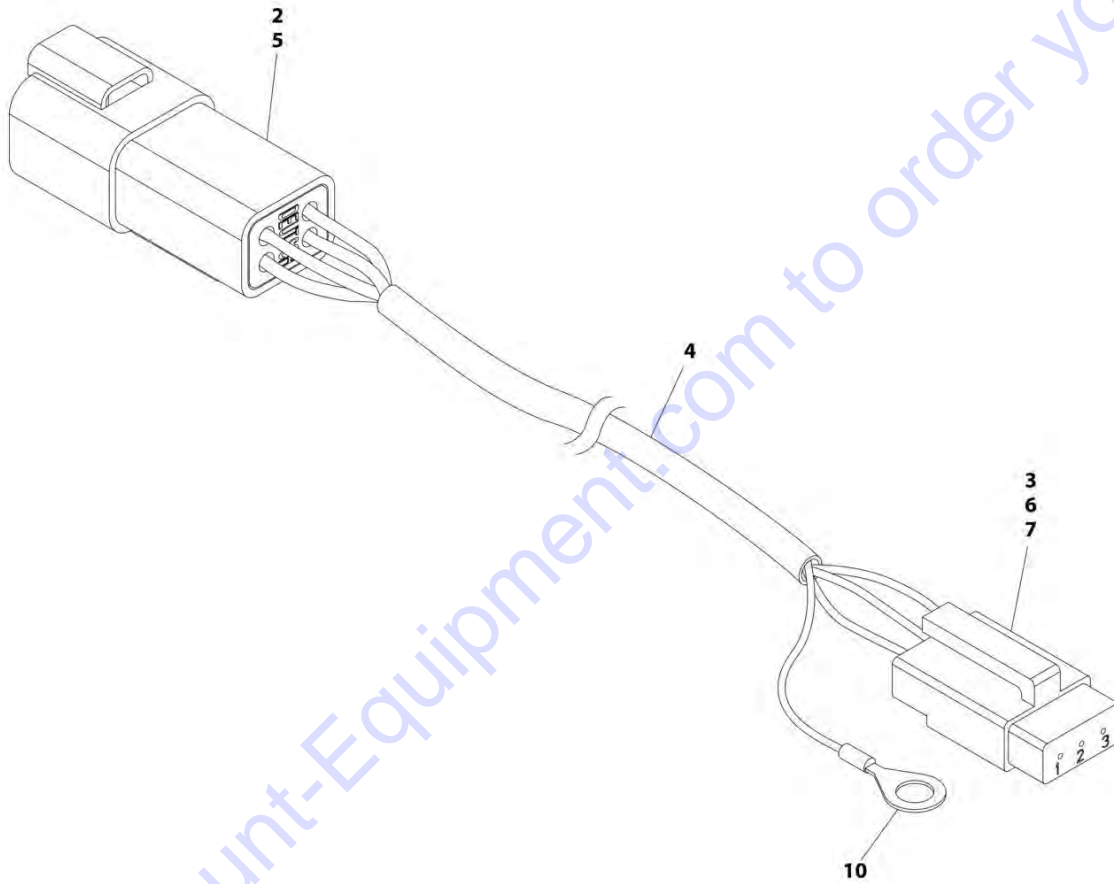
**FIGURE 8-28. B.L.A.M. TO BOOM LENGTH SENSOR HARNESS**

ITEM	PART NUMBER	QTY	DESCRIPTION	REV
	4922716	Ref	B.L.A.M. TO BOOM LENGTH SENSOR HARNESS	G
1	1060981	12 ft/ 3.66m	Cable, Electrical 18/3	
3	4460539	1	Connector - 3 Position	
4	4460944	7	Socket, Female (Gold)	
5	4460894	1	Plug, Male - 6 Position	
8	4460466	AR	Plug, Terminal	
9	4460899	1	Connector, Female - 6 Position <b>(SN 0300237553 to Present)</b>	

Go to Discount-Equipment.com to order your parts

## SECTION 8 - ELECTRICAL

FIGURE 8-29. B.L.A.M. TO BOOM ANGLE SENSOR HARNESS (LEFT SIDE)



ART\_4922781

## SECTION 8 - ELECTRICAL

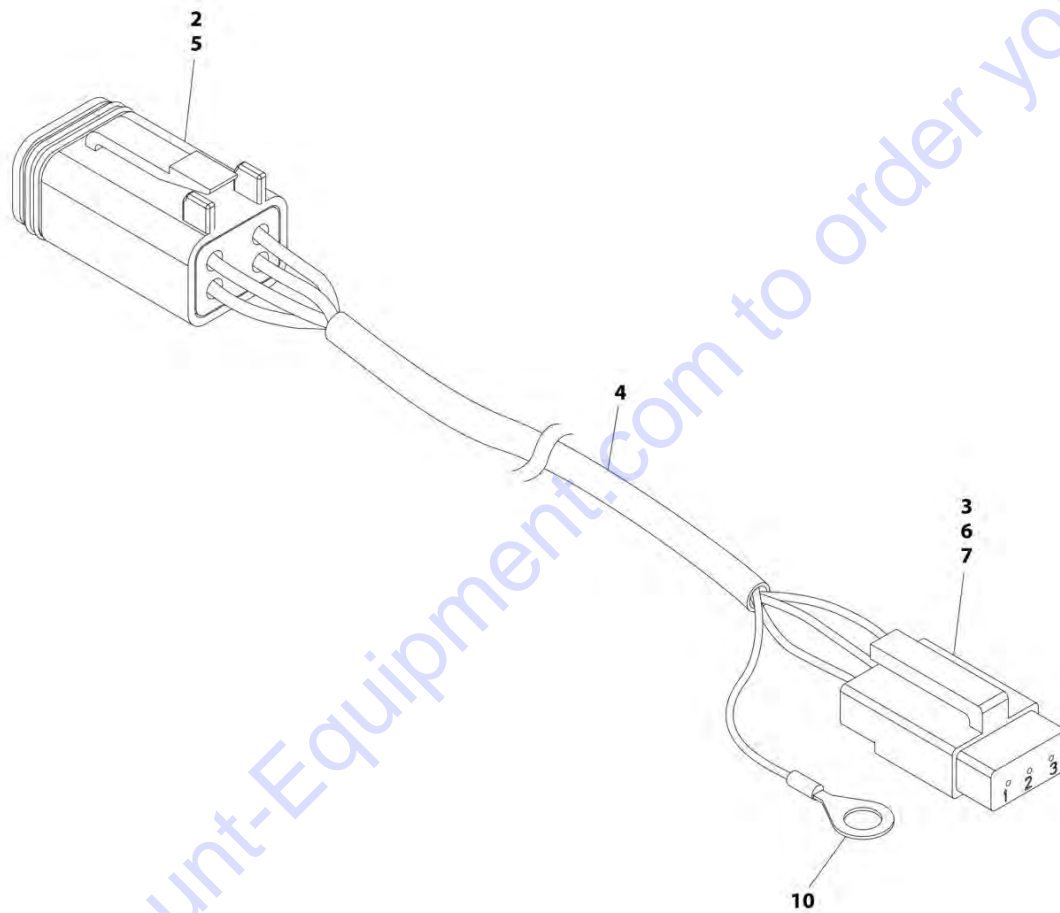
**FIGURE 8-29. B.L.A.M. TO BOOM ANGLE SENSOR HARNESS (LEFT SIDE)**

ITEM	PART NUMBER	QTY	DESCRIPTION	REV
	4922781	Ref	B.L.A.M. TO BOOM ANGLE SENSOR HARNESS (LEFT SIDE)	F
2	4460932	1	Connector, Female - 4 Position	
3	4460912	1	Lock, Wedge - Position	
4	1060982	16.2 ft/ 4.94m	Cable, Electrical 18/3	
5	4460943	4	Pin, Male 16 Ga	
6	4460911	1	Plug, Male - 3 Position	
7	4460918	3	Socket, Female (Gold)	
10	4460722	1	Terminal, Ring	

Go to Discount-Equipment.com to order your parts

## SECTION 8 - ELECTRICAL

FIGURE 8-30. B.L.A.M. TO BOOM ANGLE SENSOR HARNESS (RIGHT SIDE)



ART\_4922780



## SECTION 8 - ELECTRICAL

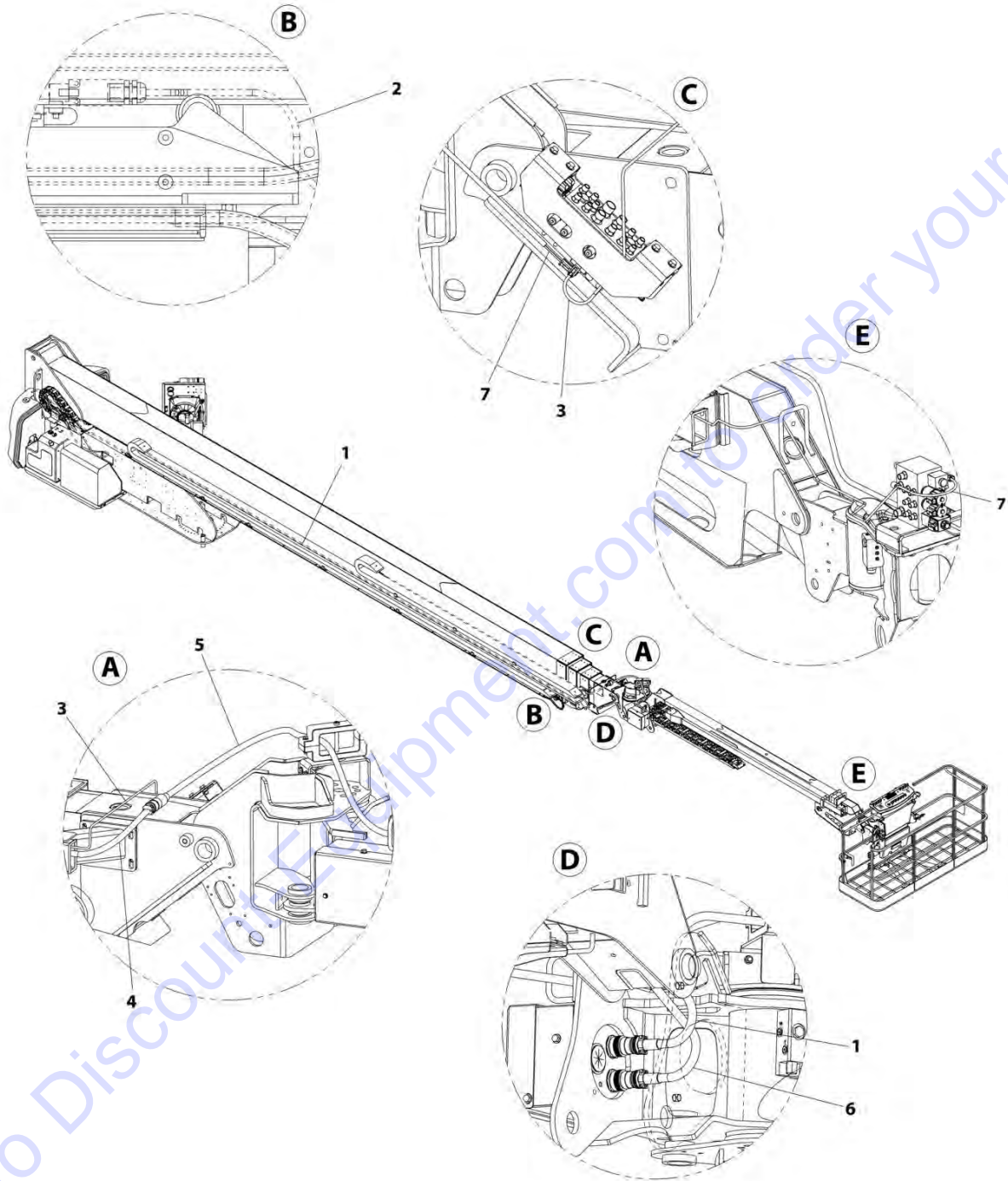
**FIGURE 8-30. B.L.A.M. TO BOOM ANGLE SENSOR HARNESS (RIGHT SIDE)**

ITEM	PART NUMBER	QTY	DESCRIPTION	REV
	4922780	Ref	B.L.A.M. TO BOOM ANGLE SENSOR HARNESS (RIGHT SIDE)	E
2	4460884	1	Connector, Gray - 4 Position	
3	4460912	1	Lock, Wedge - Position	
4	1060981	16.2 ft/ 4.94m	Cable, Electrical 18/3	
5	4460944	4	Socket, Female (Gold)	
6	4460911	1	Plug, Male - 3 Position	
7	4460918	3	Socket, Female (Gold)	
10	4460722	1	Terminal, Ring	

Go to Discount-Equipment.com to order your parts

# SECTION 8 - ELECTRICAL

## FIGURE 8-31. BOOM CABLES INSTALLATION (ANSI, CSA AND JAPANESE SPECS)



ART\_1001120137

## SECTION 8 - ELECTRICAL

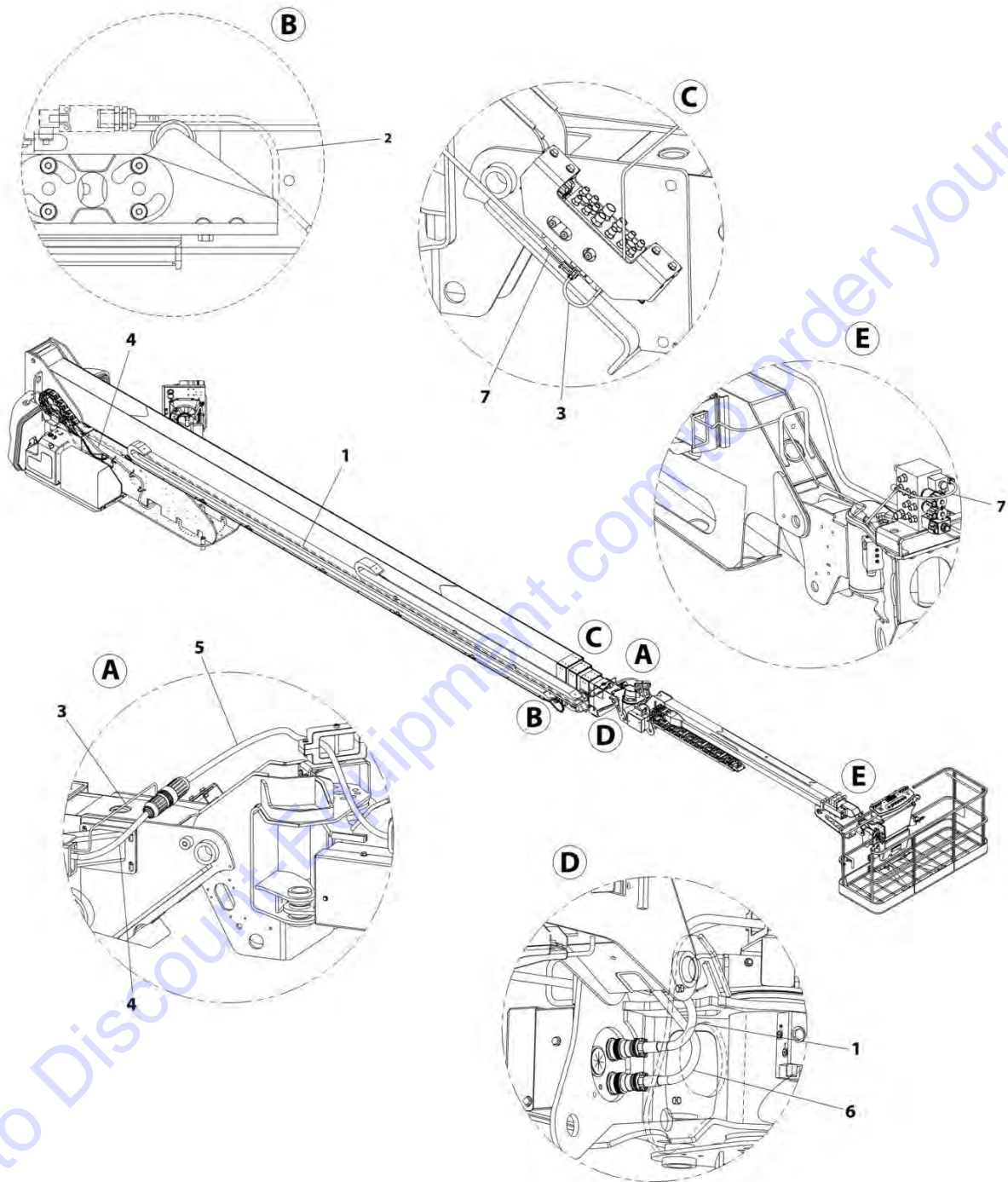
**FIGURE 8-31. BOOM CABLES INSTALLATION (ANSI, CSA AND JAPANESE SPECS)**

ITEM	PART NUMBER	QTY	DESCRIPTION	REV
	1001120137	Ref	BOOM CABLES INSTALLATION (ANSI, CSA AND JAPANESE SPECS)	D
1	1001122396	1	Harness, Main Boom Control (See MAIN BOOM CONTROL HARNESS for Breakdown)	
2	1001179216	1	Transport Switch Cable	
3	1001119393	1	Harness, Jib Enable (See JIB ENABLE HARNESS for Breakdown)	
4	1001120099	1	Harness, Main Boom AC/Generator Power	
4	4460134	1	Receptacle, Female	
5	1001120107	1	Harness, Jib Boom AC/Generator Power	
5	4460205	1	Plug, Male	
6	1001120098	1	Harness, Jib Control (See JIB BOOM CONTROL HARNESS for Breakdown)	
7	1001125666	1	Harness, Platform Dump	
7	4460891	2	Plug, Male - 2 Position	
7	4460942	4	Socket, Female	

Go to Discount-Equipment.com to order your parts

# SECTION 8 - ELECTRICAL

FIGURE 8-32. BOOM CABLES INSTALLATION - WITH 4000W 60HZ GENERATOR (ANSI AND ANSI EXPORT SPECS)



ART\_1001161052

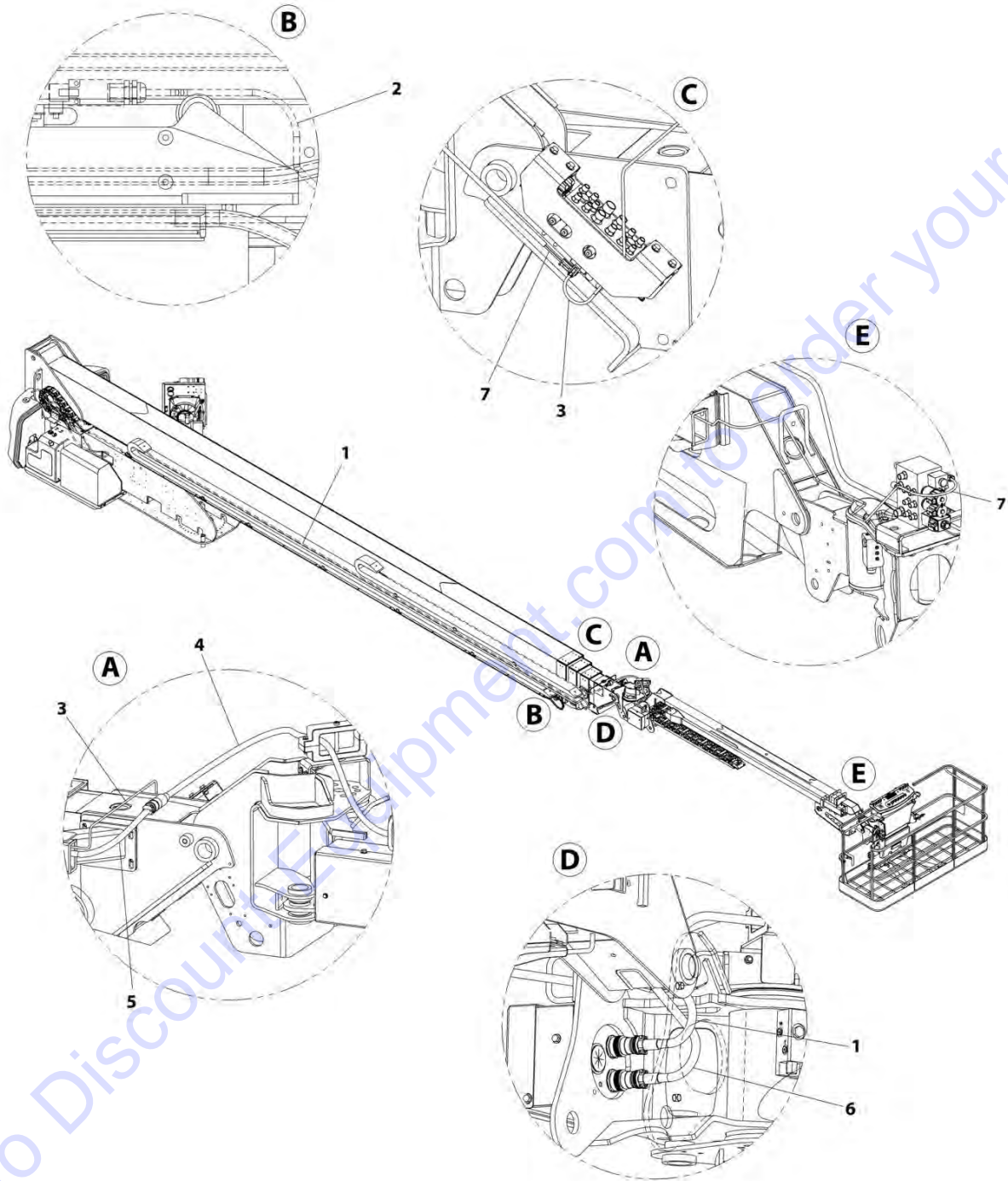
## SECTION 8 - ELECTRICAL

**FIGURE 8-32. BOOM CABLES INSTALLATION - WITH 4000W 60HZ GENERATOR (ANSI AND ANSI EXPORT SPECS)**

ITEM	PART NUMBER	QTY	DESCRIPTION	REV
	1001161052	Ref	BOOM CABLES INSTALLATION - WITH 4000W 60HZ GENERATOR (ANSI AND ANSI EXPORT SPECS)	B
1	1001122396	1	Harness, Main Boom Control (See MAIN BOOM CONTROL HARNESS for Breakdown)	
2	1001179216	1	Transport Switch Cable	
3	1001119393	1	Harness, Jib Enable (See JIB ENABLE HARNESS for Breakdown)	
4	1001161046	1	Harness, Main Boom AC/Generator Power	
4	1671092	1	Cover	
4	4460963	1	Connector, Female	
5	1001161047	1	Harness, Jib Boom AC/Generator Power	
5	1671093	1	Cover	
5	4460962	1	Plug, Male	
6	1001120098	1	Harness, Jib Control (See JIB BOOM CONTROL HARNESS for Breakdown)	
7	1001125666	1	Harness, Platform Dump	
7	4460891	2	Plug, Male - 2 Position	
7	4460942	4	Socket, Female	

# SECTION 8 - ELECTRICAL

FIGURE 8-33. BOOM CABLES INSTALLATION - WITH 4000W 50HZ GENERATOR (CE SPECS)



ART\_1001120138



## SECTION 8 - ELECTRICAL

**FIGURE 8-33. BOOM CABLES INSTALLATION - WITH 4000W 50HZ GENERATOR (CE SPECS)**

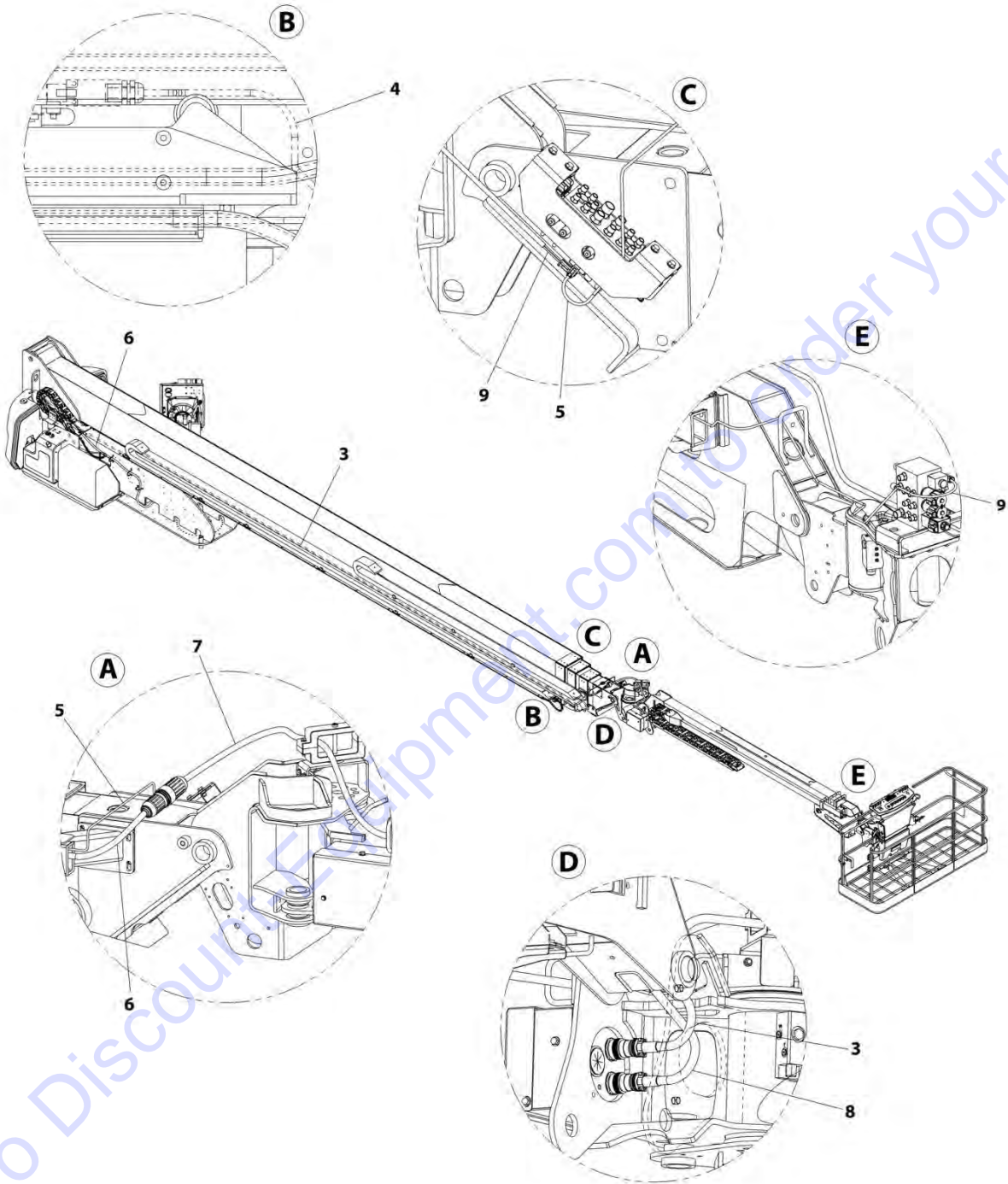
ITEM	PART NUMBER	QTY	DESCRIPTION	REV
	1001120138	Ref	BOOM CABLES INSTALLATION - WITH 4000W 50HZ GENERATOR (CE SPECS)	E
1	1001122396	1	Harness, Main Boom Control (See MAIN BOOM CONTROL HARNESS for Breakdown)	
2	1001179216	1	Transport Switch Cable	
3	1001119393	1	Harness, Jib Enable (See JIB ENABLE HARNESS for Breakdown)	
4	1001120108	1	Harness, Jib Boom AC/Generator Power	
4	4460709	1	Plug, Male	
5	1001120111	1	Harness, Main Boom AC/Generator Power	
5	4460710	1	Receptacle, Female	
6	1001120098	1	Harness, Jib Control (See JIB BOOM CONTROL HARNESS for Breakdown)	
7	1001125666	1	Harness, Platform Dump	
7	4460891	2	Plug, Male - 2 Position	
7	4460942	4	Socket, Female	

Go to Discount-Equipment.com to order your parts



# SECTION 8 - ELECTRICAL

## FIGURE 8-34. BOOM CABLES INSTALLATION - WITH 7500W GENERATOR



ART\_1001120139

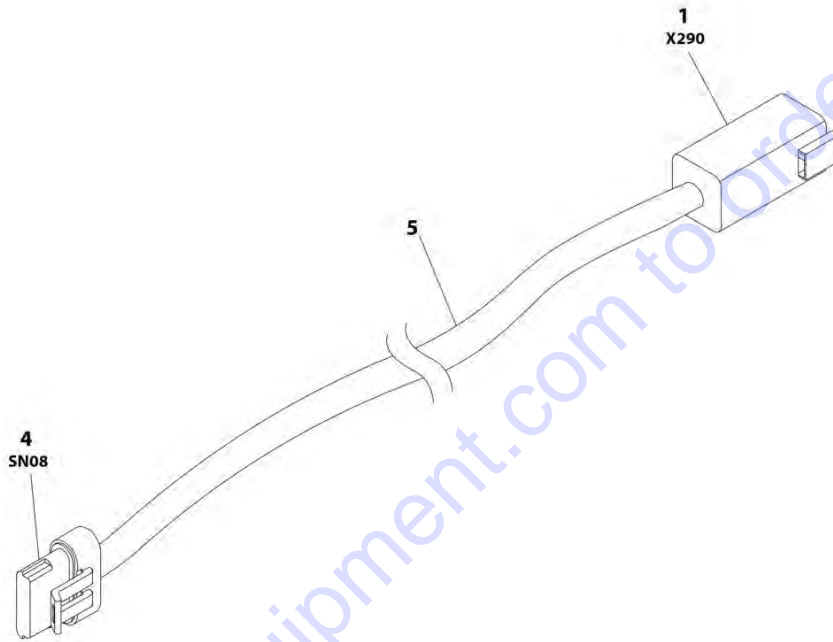
## SECTION 8 - ELECTRICAL

**FIGURE 8-34. BOOM CABLES INSTALLATION - WITH 7500W GENERATOR**

ITEM	PART NUMBER	QTY	DESCRIPTION	REV
	1001120139	Ref	BOOM CABLES INSTALLATION - WITH 7500W GENERATOR	F
3	1001122396	1	Harness, Main Boom Control (See MAIN BOOM CONTROL HARNESS for Breakdown)	
4	1001179216	1	Transport Switch Cable	
5	1001119393	1	Harness, Jib Enable (See JIB ENABLE HARNESS for Breakdown)	
6	1001120100	1	Harness, Main Boom AC/Generator Power ( <b>SN 0300209000 through 0300228821</b> )	
6	1671092	1	Cover	
6	4460960	1	Connector, Female	
6	1001226289	1	Harness, Main Boom AC/Generator Power ( <b>SN 0300228822 to Present</b> )	
6	1001218623	1	Connector, Female	
7	1001120101	1	Harness, Jib Boom AC/Generator Power ( <b>SN 0300209000 through 0300228821</b> )	
7	1671093	1	Cover	
7	4460959	1	Plug, Male	
7	1001226290	1	Harness, Jib Boom AC/Generator Power ( <b>SN 0300228822 to Present</b> )	
7	1001218622	1	Plug, Male	
8	1001120098	1	Harness, Jib Control (See JIB BOOM CONTROL HARNESS for Breakdown)	
9	1001125666	1	Harness, Platform Dump	
9	4460891	2	Plug, Male - 2 Position	
9	4460942	4	Socket, Female	

## SECTION 8 - ELECTRICAL

FIGURE 8-35. BOOM CYLINDER ANGLE HARNESS



ART\_1001120278

## SECTION 8 - ELECTRICAL

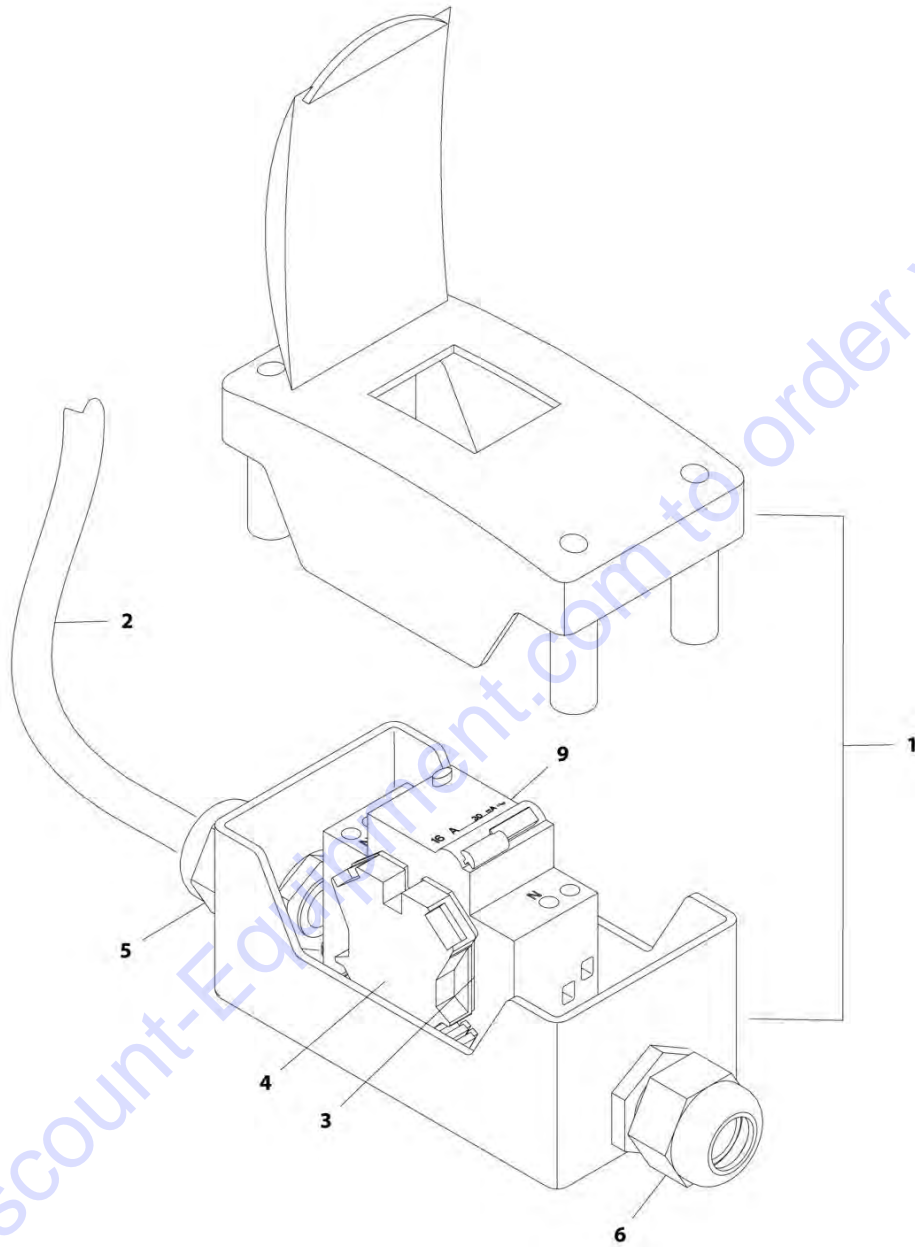
**FIGURE 8-35. BOOM CYLINDER ANGLE HARNESS**

ITEM	PART NUMBER	QTY	DESCRIPTION	REV
	1001120278	Ref	BOOM CYLINDER ANGLE HARNESS	D
1	4460899	1	Connector, Female - 6 Position	
1	4460943	6	Pin, Male 16 Ga	
4	1001117064	NLA	Plug, Male - 6 Position (Use p/n 1001230931) <b>(SN 0300209000 through 0300237757)</b>	
4	91554014	NLA	Socket, Female (Use p/n 1001116748) <b>(SN 0300209000 through 0300237757)</b>	
4	1001230931	1	Plug, Male - 6 Position <b>(SN 0300237758 to Present)</b>	
4	1001116748	6	Socket, Female <b>(SN 0300237758 to Present)</b>	
5	1060979	10.5 ft/ 4.4m	Cable, Electrical 18/6	

Go to Discount-Equipment.com to order your parts

**SECTION 8 - ELECTRICAL**

**FIGURE 8-36. BREAKER BOX KIT - 16 AMP**



ART\_1001109654

## SECTION 8 - ELECTRICAL

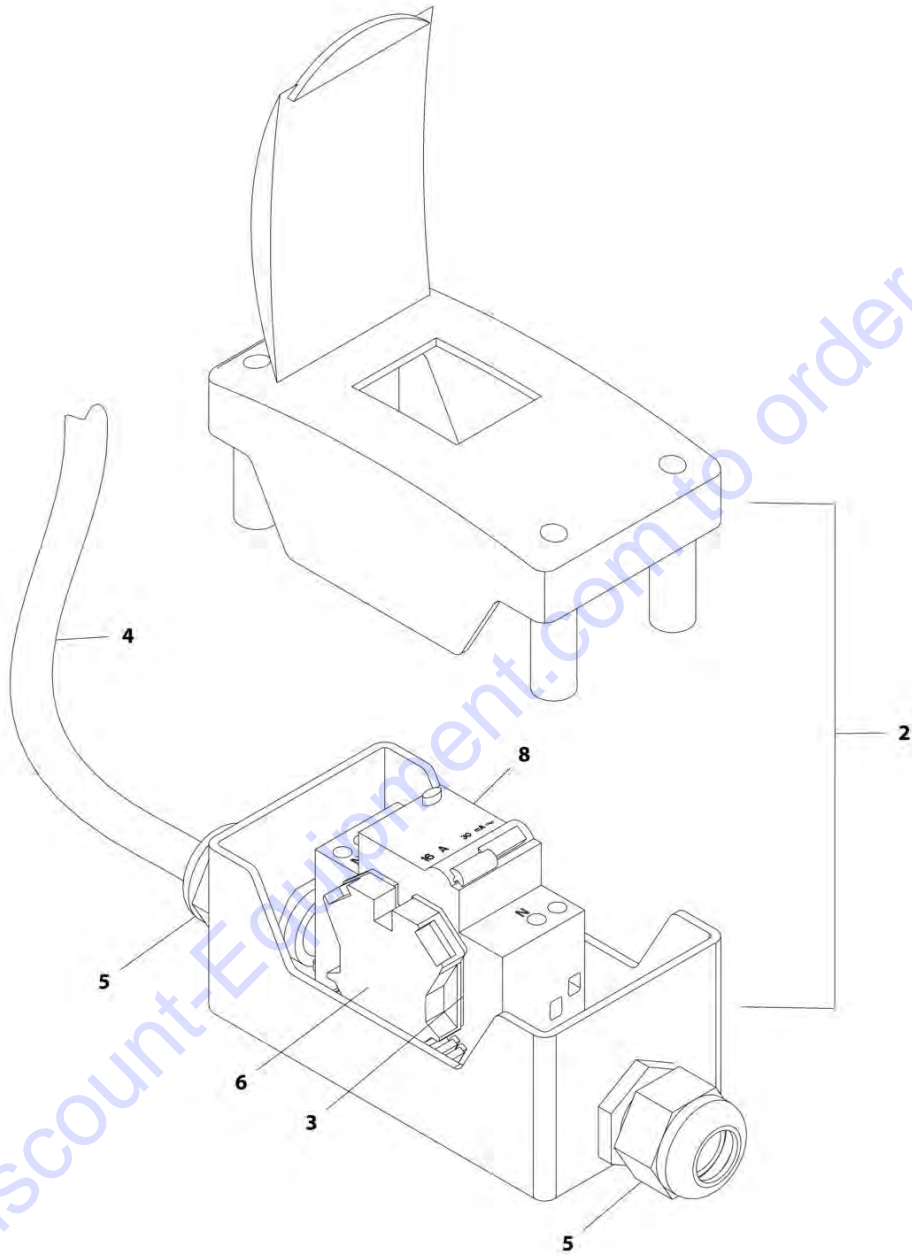
**FIGURE 8-36. BREAKER BOX KIT - 16 AMP**

ITEM	PART NUMBER	QTY	DESCRIPTION	REV
	1001109654	Ref	BREAKER BOX KIT - 16 AMP	B
1	0861880	1	Box, Breaker	
2	1060908	12 ft /3.6m	Cable, Electrical 12/3	
3	4460956	1	Barrier, Terminal Block End	
4	4460957	1	Block, Terminal	
5	1001097150	1	Connector, Strain Relief	
6	1001101191	1	Connector, Strain Relief	
9	1001181045	1	Breaker, Double 30mA/16Amp	

Go to Discount-Equipment.com to order your parts

# SECTION 8 - ELECTRICAL

## FIGURE 8-37. BREAKER BOX KIT - 16 AMP (4000W GENERATOR)



ART\_1001165368



## SECTION 8 - ELECTRICAL

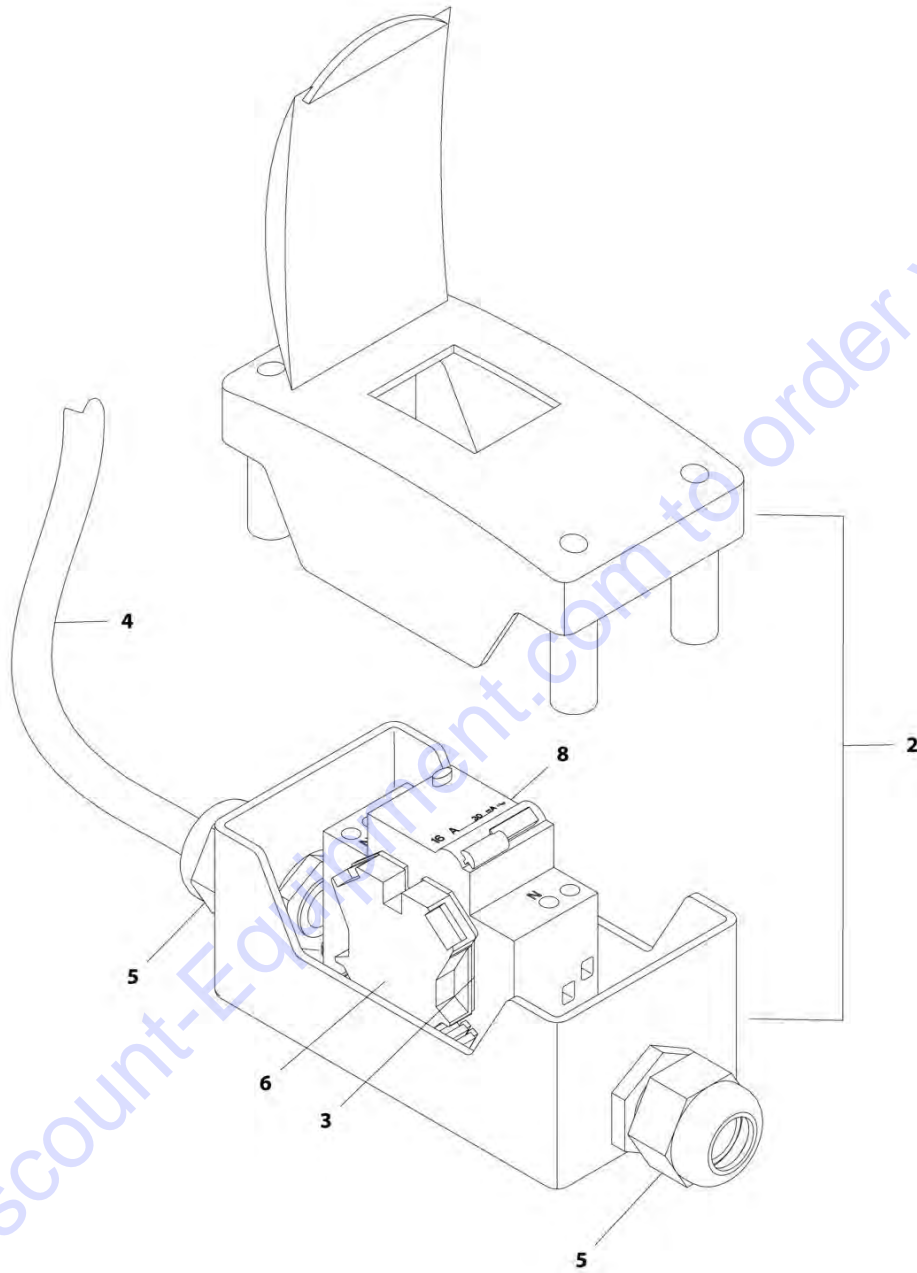
**FIGURE 8-37. BREAKER BOX KIT - 16 AMP (4000W GENERATOR)**

ITEM	PART NUMBER	QTY	DESCRIPTION	REV
	1001165368	Ref	BREAKER BOX KIT - 16 AMP (4000W GENERATOR)	B
2	0861880	1	Box, Circuit Breaker	
3	4460956	1	Barrier, Terminal Block End	
4	1060545	12 ft /3.6m	Cable, Electrical 10/3	
5	1001101191	2	Connector, Strain Relief	
6	4460957	1	Block, Terminal	
8	1001181045	1	Breaker, Double 30mA/16Amp	

Go to Discount-Equipment.com to order your parts

# SECTION 8 - ELECTRICAL

## FIGURE 8-38. BREAKER BOX KIT - 16 AMP/30MA



ART\_1001096070

## SECTION 8 - ELECTRICAL

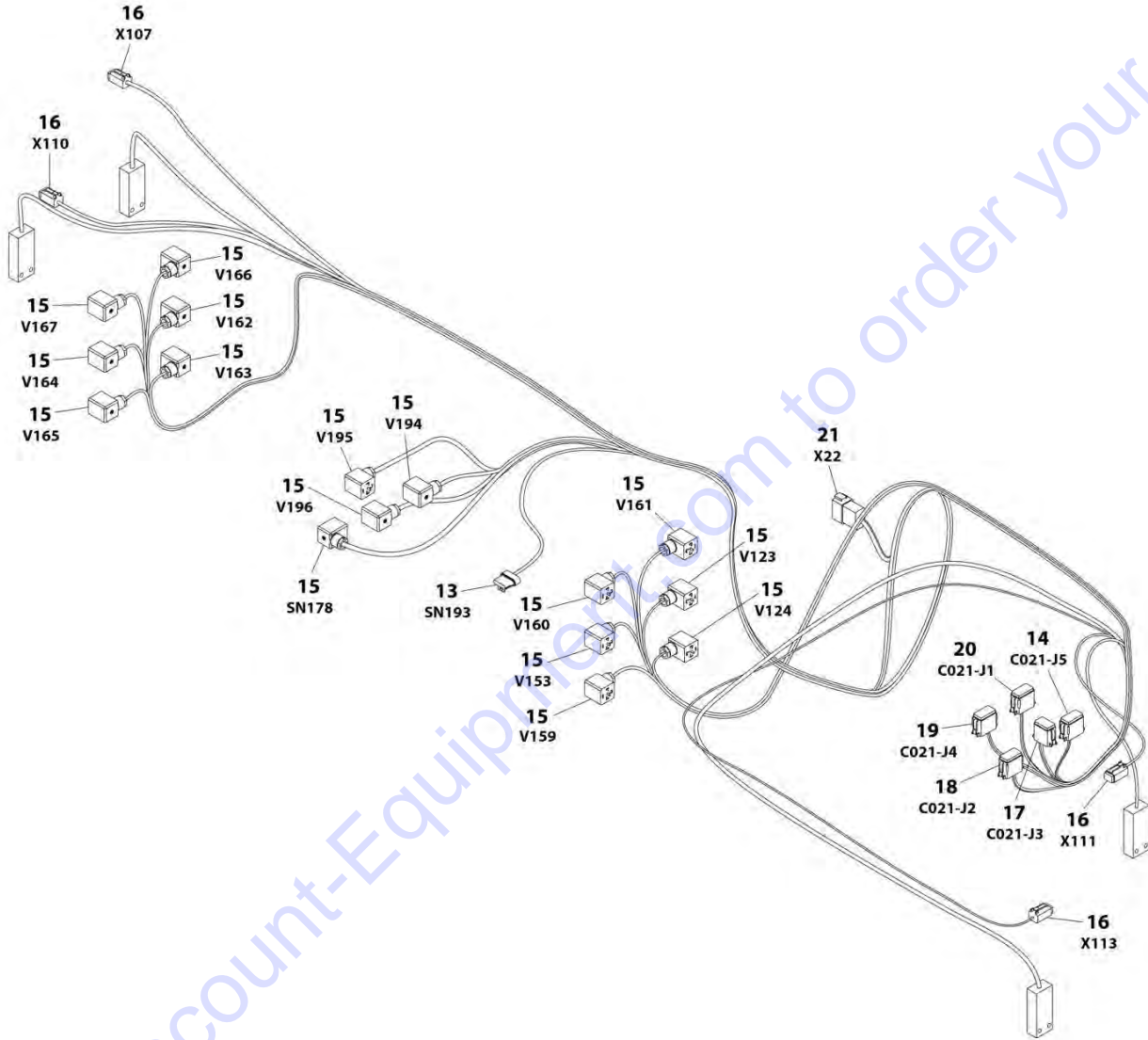
**FIGURE 8-38. BREAKER BOX KIT - 16 AMP/30MA**

ITEM	PART NUMBER	QTY	DESCRIPTION	REV
	1001096070	Ref	BREAKER BOX KIT - 16 AMP/30mA	E
2	0861880	1	Box, Breaker	
3	4460956	1	Barrier, Terminal Block End	
4	1060908	12 ft/3.6m	Cable, Electrical 12/3	
5	1001097150	2	Connector, Strain Relief	
6	4460957	1	Block, Terminal	
8	1001181045	1	Breaker, Double 16Amp/30mA	

Go to Discount-Equipment.com to order your parts

# SECTION 8 - ELECTRICAL

## FIGURE 8-39. CHASSIS HARNESS ASSEMBLY



ART\_1001119395

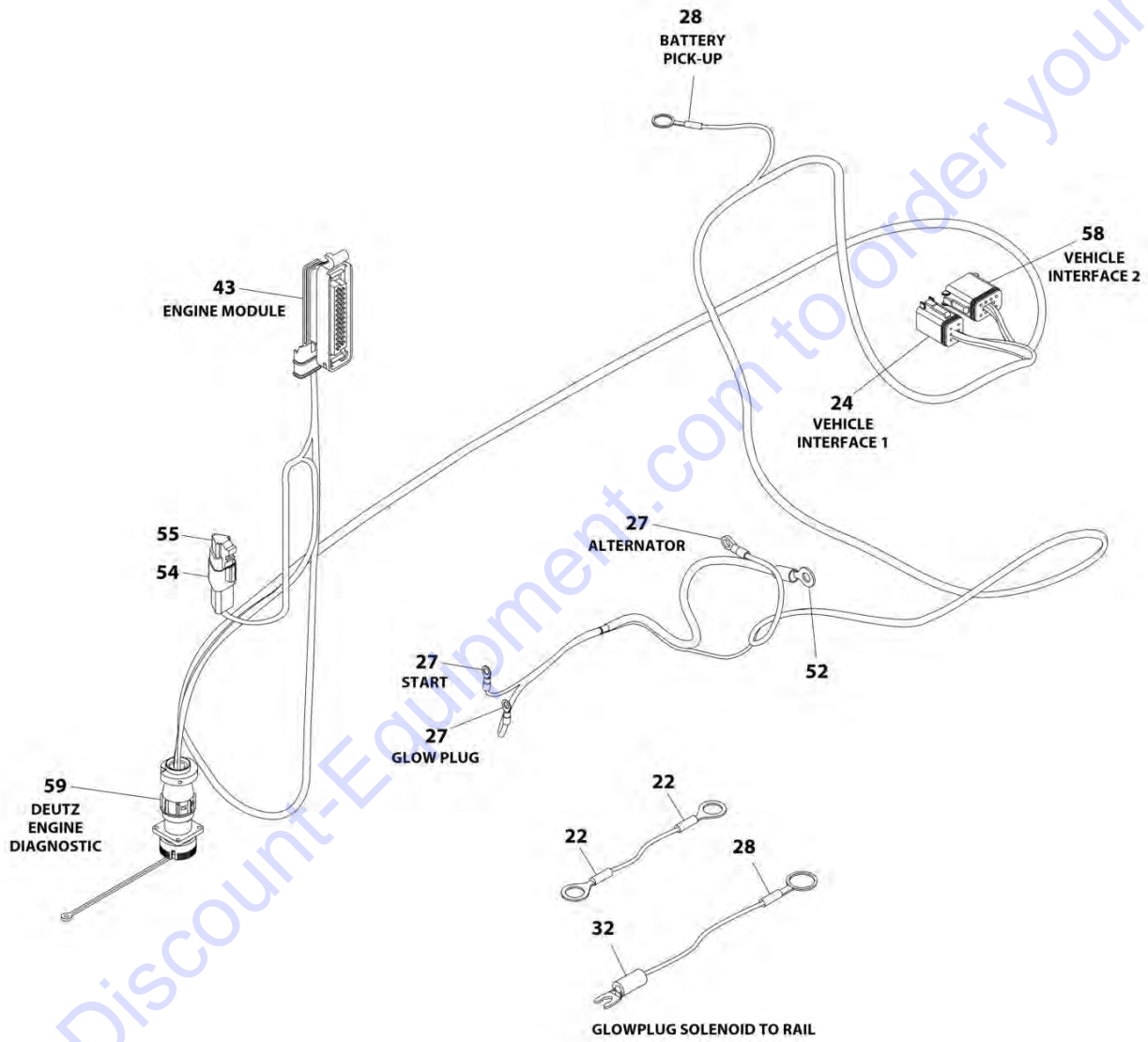
## SECTION 8 - ELECTRICAL

**FIGURE 8-39. CHASSIS HARNESS ASSEMBLY**

ITEM	PART NUMBER	QTY	DESCRIPTION	REV
	1001119395	Ref	CHASSIS HARNESS ASSEMBLY	C
13	1001117064	NLA	Plug, Male - 6 Position (Use p/n 1001230931) <b>(SN 0300209000 through 0300237552)</b>	
13	1001230931	1	Plug, Male - 6 Position <b>(SN 0300237553 to Present)</b>	
13	1001116748	6	Socket, Female	
14	4460836	1	Plug, Male - 12 Position	
14	4460465	9	Socket, Female 18 Gauge	
15	4460880	16	DIN Connector	
16	4460884	4	Connector, Gray - 4 Position	
16	4460944	16	Socket, Female (Gold)	
17	4460930	1	Connector, Gray - 8 Position	
17	4460465	4	Socket, Female	
18	4460933	1	Connector, Male - 12 Position (Gray)	
18	4460465	4	Socket, Female	
18	4460944	3	Socket, Female (Gold)	
18	4460942	2	Socket, Female	
19	4460934	1	Plug, Male - 12 Position (Green)	
19	4460944	12	Socket, Female (Gold)	
20	4460935	1	Plug, Male - 12 Position (Brown)	
20	4460465	10	Socket, Female 18 Gauge	
21	4460950	1	Connector, Female - 12 Position	
21	4460464	4	Pin, Male	
21	4460943	3	Pin, Male 16 Ga	
21	4460941	2	Pin, Male	

# SECTION 8 - ELECTRICAL

## FIGURE 8-40. ENGINE HARNESS - DEUTZ TD2011 ENGINES



ART\_1001119470

## SECTION 8 - ELECTRICAL

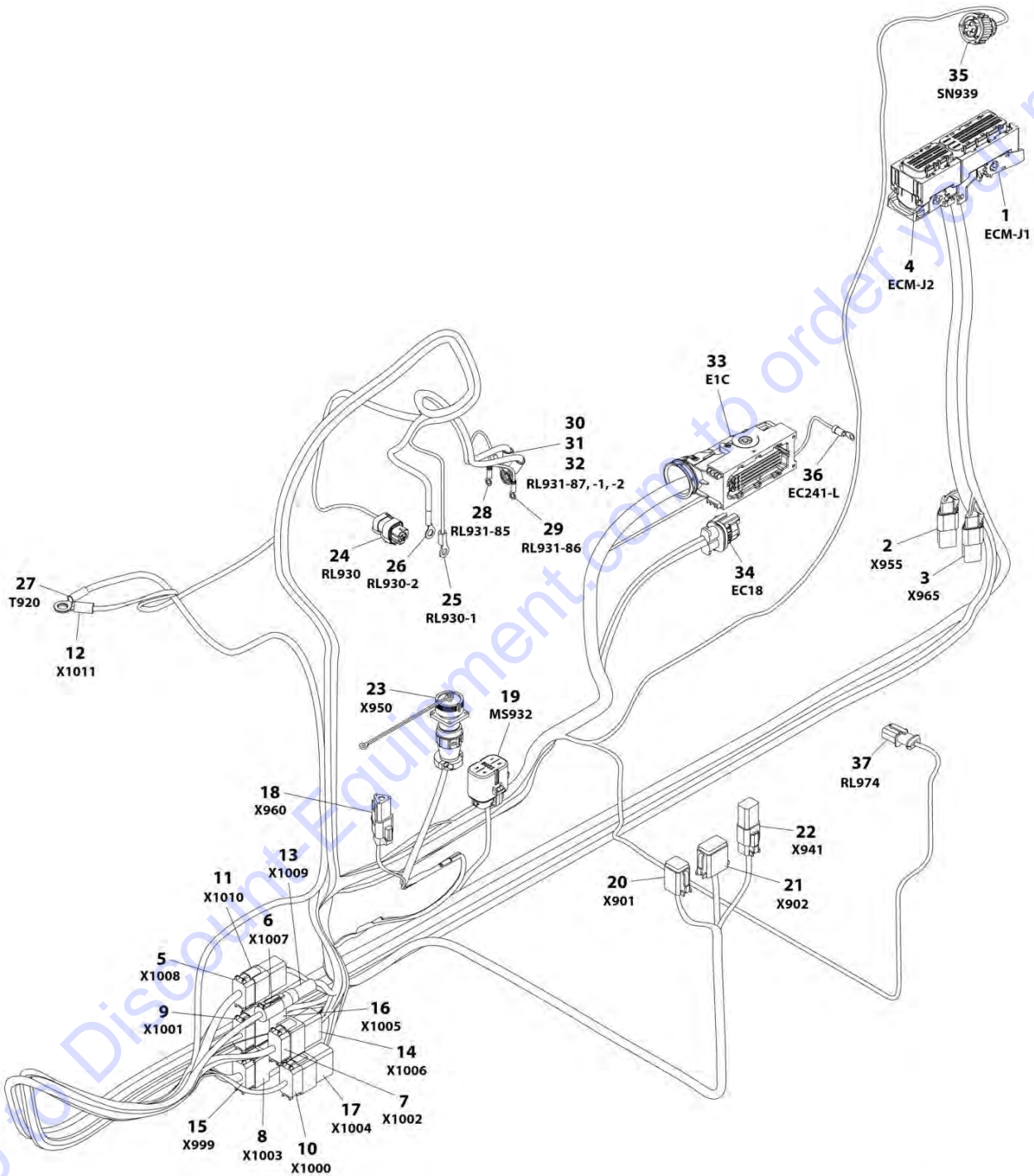
**FIGURE 8-40. ENGINE HARNESS - DEUTZ TD2011 ENGINES**

ITEM	PART NUMBER	QTY	DESCRIPTION	REV
	1001119470	Ref	ENGINE HARNESS - DEUTZ TD2011 ENGINES	B
22	4460702	2	Terminal, Ring	
24	4460894	1	Connector - 6 Position	
24	4460465	2	Socket, Female	
24	4460466	1	Plug, Terminal	
24	4460944	3	Socket, Female	
27	4460313	3	Terminal, Ring	
28	4460019	2	Terminal, Ring	
32	4460315	1	Terminal, Fork	
43	4461052	1	Connector - 25 Position	
43	4461005	5	Terminal	
43	4461006	5	Seal	
43	4461060	2	Terminal (Tin)	
43	4461054	2	Seal, Terminal	
43	4461008	18	Plug, Hole	
43	4461053	1	Cover, Plug	
50	4240032	AR	Tie-Strap (Not Shown)	
51	4240033	AR	Tie-Strap (Not Shown)	
52	4461097	1	Terminal, Ring	
54	4461095	1	Connector - 3 Position	
54	4460944	3	Socket, Female	
55	4461070	1	Connector with Resistor (3 Position)	
58	4460930	1	Connector - 8 Position	
58	4460465	2	Socket, Female	
58	4460466	6	Seal, Plug	
59	2902443	1	Kit, Receptacle	
59	4461071	8	Terminal, Female (Gold)	
59	4461072	1	Connector, Flange Mount	
59	4461073	1	Connector, Dust Cap	
59	4461074	1	Connector, Shell	



# SECTION 8 - ELECTRICAL

## FIGURE 8-41. ENGINE HARNESS - DEUTZ TCD2.9L4 ENGINES AND DEUTZ TCD2.9L4 (STAGE V) ENGINES



ART\_1001138346

## SECTION 8 - ELECTRICAL

**FIGURE 8-41. ENGINE HARNESS - DEUTZ TCD2.9L4 ENGINES AND DEUTZ TCD2.9L4 (STAGE V) ENGINES**

ITEM	PART NUMBER	QTY	DESCRIPTION	REV
	1001138346	Ref	ENGINE HARNESS - DEUTZ TCD2.9L4 ENGINES	G
1	1001133956	1	Connector (Includes Cover, Locks and Retention Plate)	
1	1001126352	6	Terminal	
1	1001126384	19	Terminal	
1	1001126351	1	Terminal	
1	1001126357	3	Plug, Seal	
1	1001126356	65	Plug, Seal	
2	4461070	1	Connector with Resistor (3 Position)	
2	4461095	1	Connector - 3 Position	
2	4460944	2	Socket, Female	
2	4460466	1	Seal, Plug	
3	4461070	1	Connector with Resistor (3 Position)	
3	4461095	1	Connector - 3 Position	
3	4460944	2	Socket, Female	
3	4460466	1	Seal, Plug	
4	1001133957	1	Connector (Includes Cover, Locks and Retention Plate)	
4	1001126351	13	Terminal	
4	1001126384	17	Terminal	
4	1001126356	19	Plug, Seal	
4	1001126357	11	Plug, Seal	
5	4460930	1	Connector - 8 Position	
5	4460944	5	Socket, Female (Gold)	
5	4460465	2	Socket, Female	
5	4460466	1	Seal, Plug	
6	1001116707	1	Connector - 1 Position	
6	91143340	1	Terminal	
7	4460935	1	Plug, Brown - 12 Position	
7	4460465	12	Socket, Female	
8	4460970	1	Connector - 12 Position	
8	4460941	12	Pin, Male	
9	4460934	1	Connector, Green - 12 Position	
9	4460465	10	Socket, Female	
9	4460466	2	Seal, Plug	
10	4460836	1	Connector, Black - 12 Position	
10	4460465	8	Socket, Female	
10	4460466	4	Seal, Plug	
11	4460931	1	Connector - 8 Position (Gray)	
11	4460943	5	Pin, Male (Gold)	
11	4460466	3	Plug, Socket	
12	8220164	1	Terminal, Ring	
13	1001116967	1	Connector - 1 Position	
13	91143339	1	Terminal	
14	4460982	1	Connector - 12 Position	
14	4460464	12	Pin, Male	
15	4460933	1	Connector, Gray - 12 Position	
15	4460942	12	Socket, Female	
16	1001152742	1	Connector - 12 Position	
16	4460464	10	Pin, Male	
16	4460466	2	Seal, Plug	

## SECTION 8 - ELECTRICAL

ITEM	PART NUMBER	QTY	DESCRIPTION	REV
17	4460950	1	Connector - 12 Position	
17	4460464	8	Pin, Male	
17	4460466	4	Plug, Seal	
18	4461070	1	Connector with Resistor (3 Position)	
18	4461095	1	Connector - 3 Position	
18	4460944	2	Socket, Female	
18	4460466	1	Seal, Plug	
19	80484084	1	Connector - 8 Position	
19	8229242	1	Fuse - 5A	
19	80983191	1	Fuse - 10A	
19	1001147264	1	Cap	
19	1001116728	4	Plug	
19	4460458	4	Seal	
20	4460894	1	Connector - 6 Position	
20	4460465	3	Socket, Female	
20	4460944	2	Socket, Female	
20	4460466	1	Seal, Plug	
21	4460930	1	Connector - 8 Position	
21	4460465	1	Socket, Female	
21	4460466	7	Plug, Seal	
22	4460884	1	Connector - 4 Position (SN 0300209000 through 0300224866)	
22	1001220379	1	Connector - 4 Position (SN 0300224867 to Present)	
22	4460465	2	Socket, Female	
22	4460942	2	Socket, Female	
22	4460932	1	Connector - 4 Position	
22	4460466	4	Seal, Plug	
23	2902443	1	Kit, Receptacle	
23	4461071	8	Terminal, Female (Gold)	
23	4461072	1	Connector, Flange Mount	
23	4461073	1	Connector, Dust Cap	
23	4461074	1	Connector, Shell	
24	1001116952	1	Connector - 2 Position	
24	4460465	2	Socket, Female	
25	4460043	1	Terminal, Ring	
26	1001117106	1	Terminal, Ring	
27	4460019	1	Terminal, Ring	
28	4460247	1	Terminal, Ring	
29	4460247	1	Terminal, Ring	
30	1001117107	1	Terminal, Ring	
31	1001117107	1	Terminal, Ring	
32	4460703	1	Terminal, Ring	
33	1001126362	1	Connector - 62 Position	
33	1001126363	33	Terminal	
33	1001126364	33	Seal	
33	1001126391	23	Plug	
33	4461008	4	Plug, Cavity	
33	1001126365	2	Terminal	
33	4461054	2	Seal	
34	1001142938	1	Connector - 2 Position	
34	1001142940	2	Terminal, Female	
34	1001142941	2	Seal	

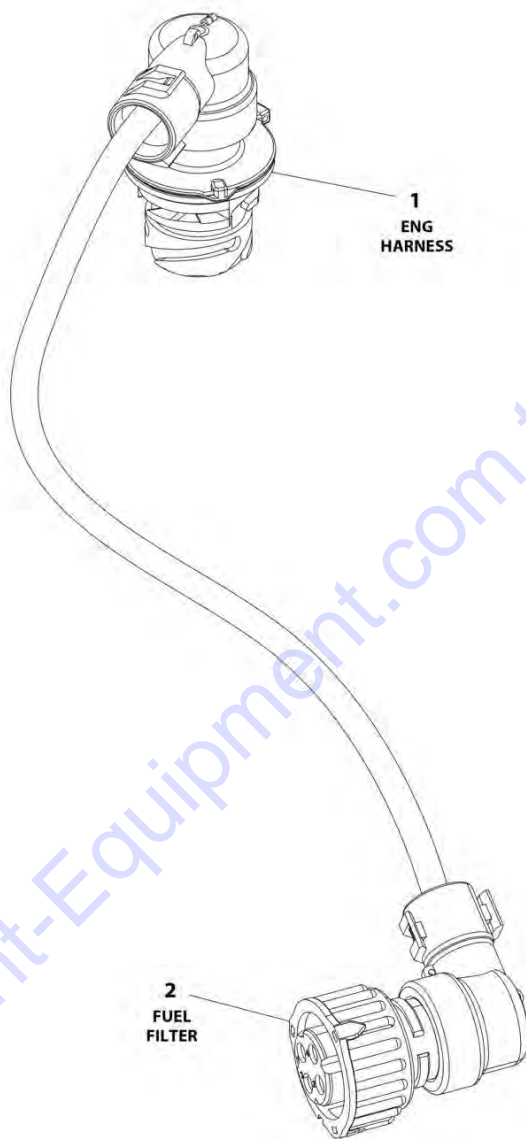
## SECTION 8 - ELECTRICAL

ITEM	PART NUMBER	QTY	DESCRIPTION	REV
35	1001133714	1	Connector - 4 Position	
35	1001133715	3	Terminal, Female	
35	1001135650	1	Seal	
35	1001135651	1	Plug, Cavity	
36	4460042	1	Terminal, Ring	
37	1001138110	1	Connector - 2 Position	
37	1001138111	2	Socket, Female	
37	1001138113	2	Seal	

Go to Discount-Equipment.com to order your parts

## SECTION 8 - ELECTRICAL

FIGURE 8-42. FUEL FILTER HARNESS - DEUTZ TCD2.9L4 ENGINES AND DEUTZ TCD2.9L4 (STAGE V) ENGINES



ART\_1001148843

## SECTION 8 - ELECTRICAL

**FIGURE 8-42. FUEL FILTER HARNESS - DEUTZ TCD2.9L4 ENGINES AND DEUTZ TCD2.9L4 (STAGE V) ENGINES**

ITEM	PART NUMBER	QTY	DESCRIPTION	REV
	1001148843	Ref	FUEL FILTER HARNESS - DEUTZ TCD2.9L4 ENGINES	A
1	1001148842	1	Connector - 4 Position	
1	1001148841	4	Pin, Male	
1	1001135650	4	Seal	
2	1001133714	1	Plug, Male - 4 Position	
2	1001133715	4	Socket, Female	
2	1001135650	4	Seal	

Go to Discount-Equipment.com to order your parts

# PARTS FINDER

**Search Website  
by Part Number**



**Search Manual  
Library For Parts  
Manual & Lookup Part  
Numbers – Purchase  
or Request Quote**

**Can't Find Part or  
Manual? Request Help  
by Manufacturer,  
Model & Description**

Discount-Equipment.com is your online resource for quality parts & equipment.

Florida: **561-964-4949** Outside Florida TOLL FREE: **877-690-3101**

## Need parts?

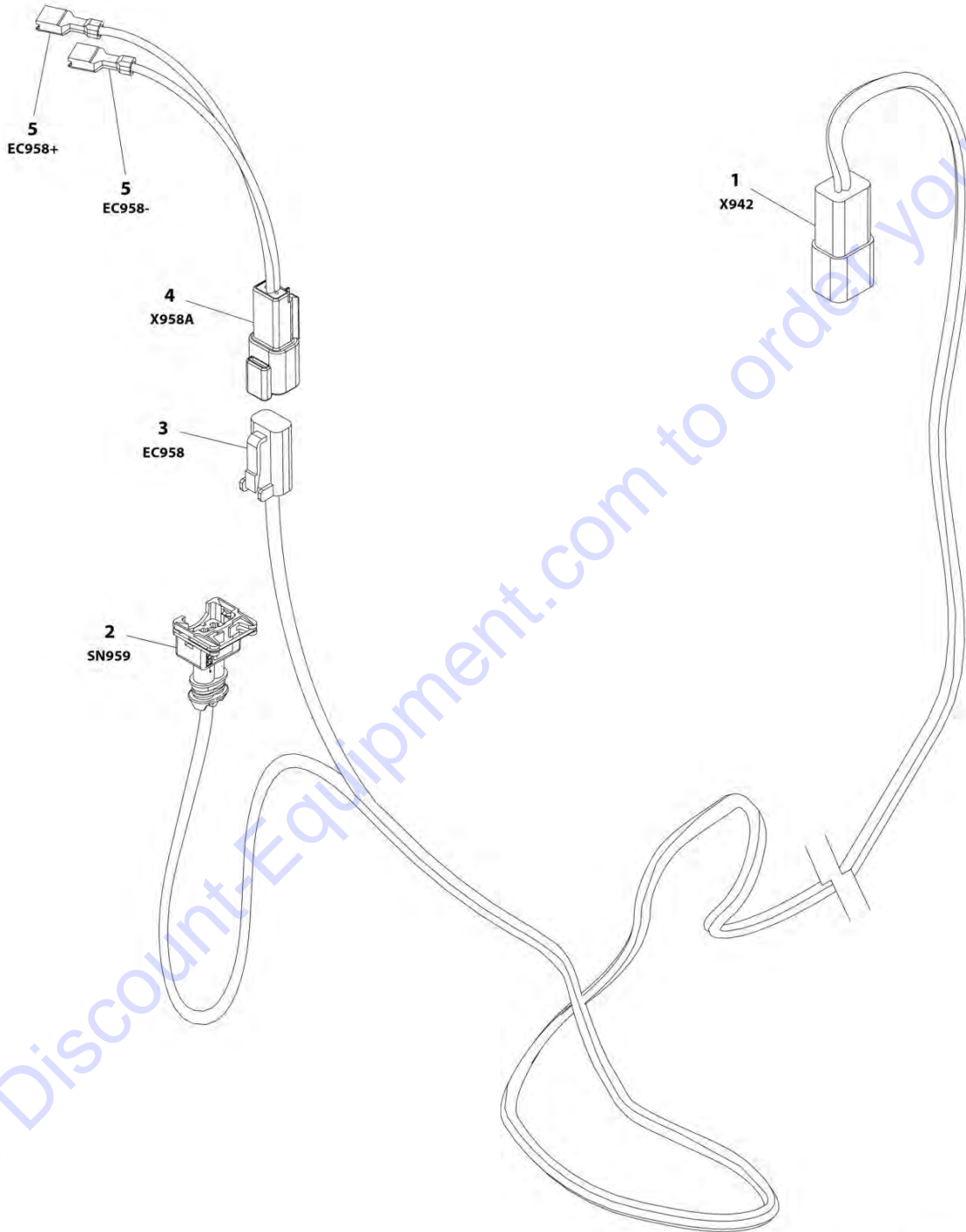
Click on this link: <http://www.discount-equipment.com/category/5443-parts/> and choose one of the options to help get the right parts and equipment you are looking for. Please have the machine model and serial number available in order to help us get you the correct parts. If you don't find the part on the website or on one of the online manuals, please fill out the request form and one of our experienced staff members will get back to you with a quote for the right part that your machine needs.

We sell worldwide for the brands: Genie, Terex, JLG, MultiQuip, Mikasa, Essick, Whiteman, Mayco, Toro Stone, Diamond Products, Generac Magnum, Airman, Haulotte, Barreto, Power Blanket, Nifty Lift, Atlas Copco, Chicago Pneumatic, Allmand, Miller Curber, Skyjack, Lull, Skytrak, Tsurumi, Husquvarna Target, Stow, Wacker, Sakai, Mi-T-M, Sullair, Basic, Dynapac, MBW, Weber, Bartell, Bennar Newman, Haulotte, Ditch Runner, Menegotti, Morrison, Contec, Buddy, Crown, Edco, Wyco, Bomag, Laymor, EZ Trench, Bil-Jax, F.S. Curtis, Gehl Pavers, Heli, Honda, ICS/PowerGrit, IHI, Partner, Imer, Clipper, MMD, Koshin, Rice, CH&E, General Equipment, Amida, Coleman, NAC, Gradall, Square Shooter, Kent, Stanley, Tamco, Toku, Hatz, Kohler, Robin, Wisconsin, Northrock, Oztec, Toker TK, Rol-Air, APT, Wylie, Ingersoll Rand / Doosan, Innovatech, Con X, Ammann, Mecalac, Makinex, Smith Surface Prep, Small Line, Wanco, Yanmar



## SECTION 8 - ELECTRICAL

FIGURE 8-43. FUEL HARNESS - DEUTZ TCD2.9L4 ENGINES AND DEUTZ TCD2.9L4 (STAGE V) ENGINES



ART\_1001138491

## SECTION 8 - ELECTRICAL

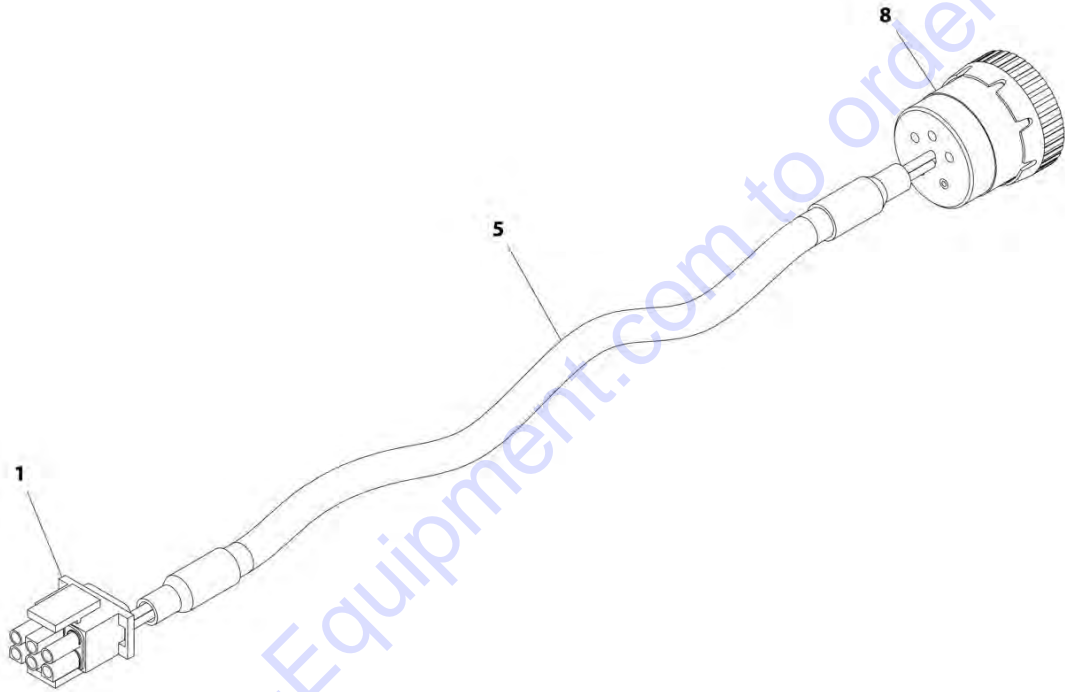
**FIGURE 8-43. FUEL HARNESS - DEUTZ TCD2.9L4 ENGINES AND DEUTZ TCD2.9L4 (STAGE V) ENGINES**

ITEM	PART NUMBER	QTY	DESCRIPTION	REV
	1001138491	Ref	FUEL HARNESS - DEUTZ TCD2.9L4 ENGINES	D
1	4460932	1	Connector - 4 Position	
1	4460464	2	Pin, Male	
1	4460941	2	Pin, Male	
2	1001116983	1	Connector - 2 Position	
2	1001116710	2	Socket, Female	
2	4461054	2	Seal	
3	4460891	1	Connector - 2 Position	
3	4460942	2	Socket, Female	
4	4460897	1	Connector - 2 Position	
4	4460941	2	Pin, Male	
5	4460042	2	Terminal, Ring (SN 0300209000 through 0300234714)	
5	8220051	2	Coupler, Female (SN 0300234715 to Present)	

Go to Discount-Equipment.com to order your parts

## SECTION 8 - ELECTRICAL

FIGURE 8-44. GENERATOR HARNESS - 4000W GENERATOR



ART\_1001152533

## SECTION 8 - ELECTRICAL

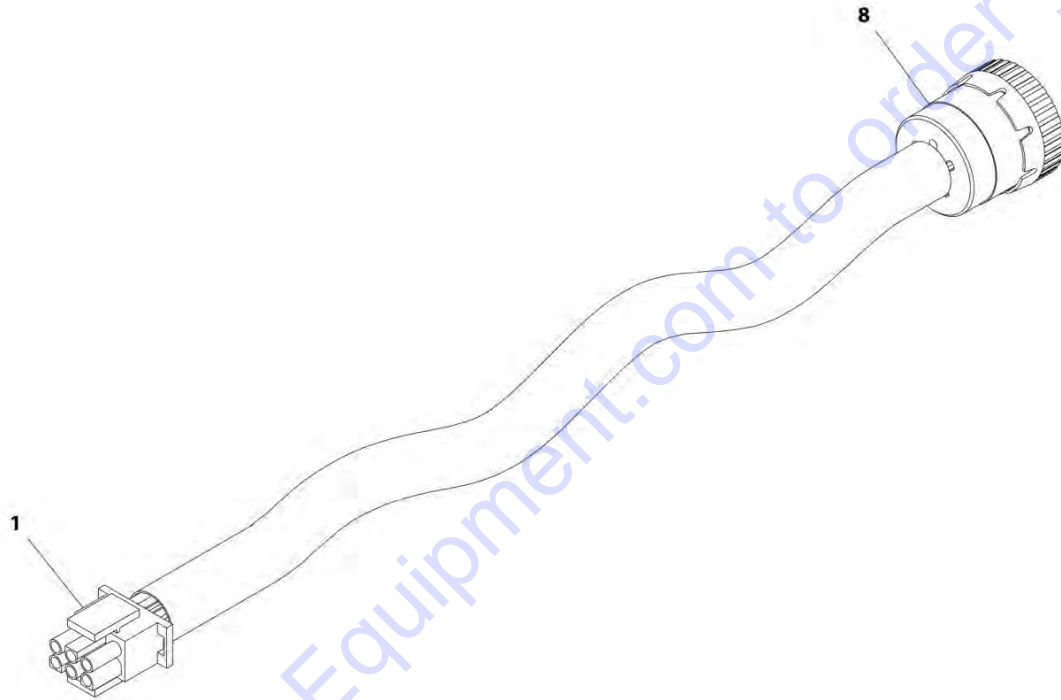
### FIGURE 8-44. GENERATOR HARNESS - 4000W GENERATOR

ITEM	PART NUMBER	QTY	DESCRIPTION	REV
	1001152533	Ref	GENERATOR HARNESS - 4000W GENERATOR	A
1	4460225	1	Connector - 6 Position	
1	4460268	2	Socket, Female	
1	4460807	1	Seal, Plug	
1	4460808	1	Seal, Plug	
5	1060341	8 ft /2.4m	Cable, 16/2	
8	77363233	1	Connector - 6 Position	
8	4460465	2	Socket, Female	

Go to Discount-Equipment.com to order your parts

## SECTION 8 - ELECTRICAL

FIGURE 8-45. GENERATOR HARNESS - 7500W GENERATOR



ART\_4922972

## SECTION 8 - ELECTRICAL

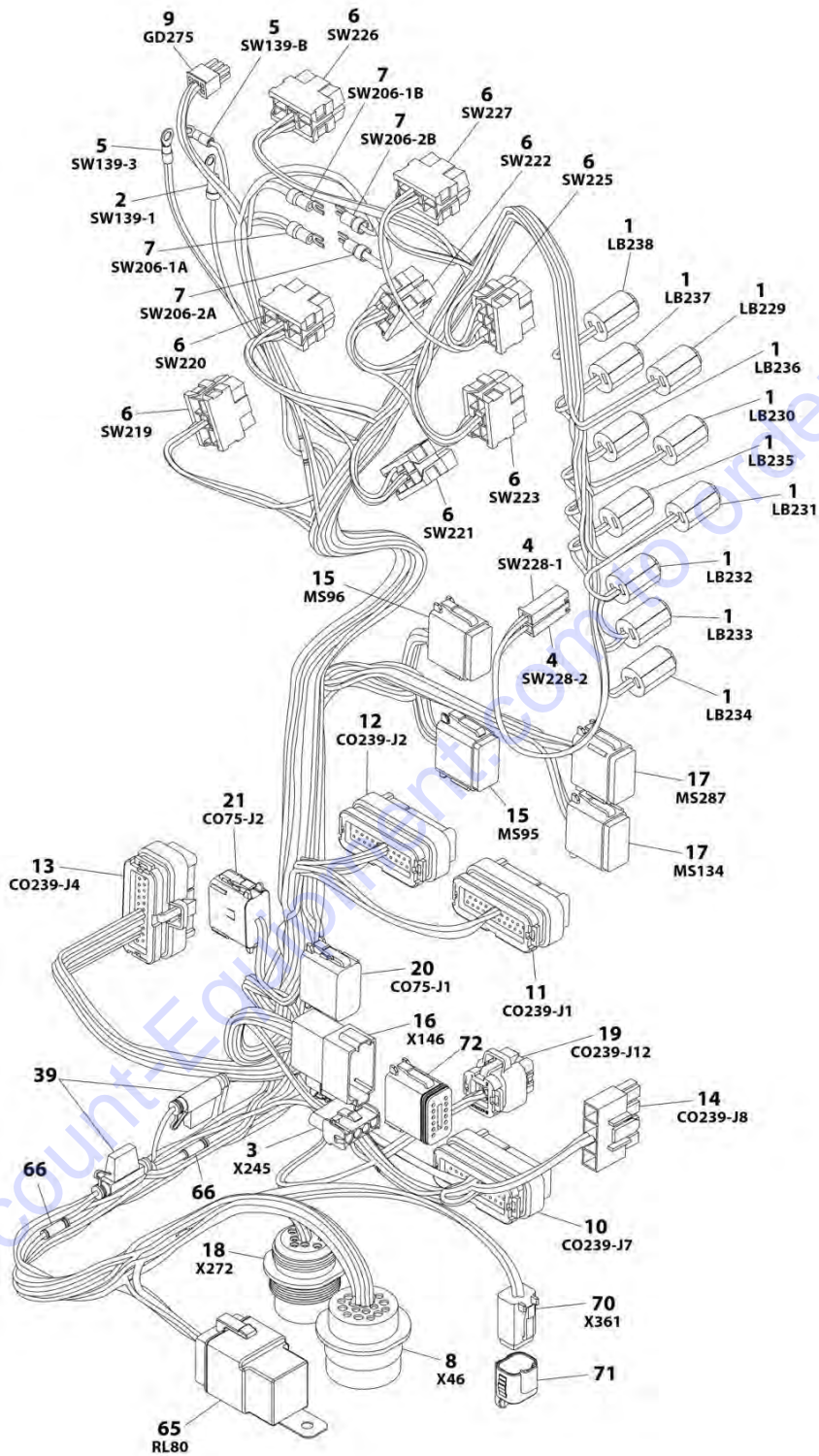
### FIGURE 8-45. GENERATOR HARNESS - 7500W GENERATOR

ITEM	PART NUMBER	QTY	DESCRIPTION	REV
	4922972	Ref	GENERATOR HARNESS - 7500W GENERATOR	C
1	4460225	1	Connector - 6 Position	
1	4460268	6	Socket, Female	
1	4460807	1	Seal, Plug	
1	4460808	1	Seal, Plug	
8	77363233	1	Connector - 6 Position	
8	4460465	2	Socket, Female	

Go to Discount-Equipment.com to order your parts

# SECTION 8 - ELECTRICAL

## FIGURE 8-46. GROUND CONTROL BOX HARNESS ASSEMBLY (ALL SPECS EXCEPT CE SPECS)



ART\_1001119652



## SECTION 8 - ELECTRICAL

**FIGURE 8-46. GROUND CONTROL BOX HARNESS ASSEMBLY (ALL SPECS EXCEPT CE SPECS)**

ITEM	PART NUMBER	QTY	DESCRIPTION	REV
	1001119652	Ref	GROUND CONTROL BOX HARNESS ASSEMBLY (ALL SPECS EXCEPT CE SPECS)	J
1	4120035	10	Base, Light	
1	4460634	10	Terminal (16 Gauge)	
1	4460635	20	Terminal (12 Gauge)	
2	4460042	1	Terminal, Ring	
3	4460761	1	Connector - 4 Position	
3	4460227	4	Pin, Male	
4	4460260	2	Terminal, Housing	
4	4460259	2	Terminal	
5	4460313	2	Terminal, Ring	
6	4460418	8	Connector - 6 Position	
6	4460419	24	Socket, Female	
7	4460806	4	Terminal, Fork	
8	4460866	1	Connector - 19 Position	
8	4460464	11	Pin, Male	
8	4460508	4	Pin, Male Deutsch 12 Ga	
9	4460868	1	Connector - 6 Pin	
9	4460877	4	Socket, Female	
10	4460873	1	Connector - 35 Position (Black)	
10	4460871	20	Socket, Female	
11	4460874	1	Connector - 35 Position (Natural)	
11	4460871	5	Socket, Female	
12	4460875	1	Connector, Gray - 35 Position	
12	4460871	7	Socket, Female	
13	4460876	1	Connector - 35 Position (Blue)	
13	4460871	29	Socket, Female	
14	4460878	1	Connector - 4 Position	
14	4460877	2	Socket, Female	
15	4460836	2	Connector - 12 Position	
15	4460465	12	Socket, Female	
16	4460970	1	Connector - 12 Position	
16	4460464	10	Pin, Male	
17	4460933	2	Connector, Male - 12 Position (Gray)	
17	4460871	13	Socket, Female	
18	1001112612	1	Connector, Diagnostic	
18	4460464	6	Pin, Male	
19	1001113961	1	Connector - 8 Position	
19	4460871	5	Socket, Female	
20	1001116774	1	Connector - 12 Position	
20	4460928	4	Socket, Female	
21	4460908	1	Connector - 12 Position (SN 0300209000 through 0300232593)	
21	4460918	3	Socket, Female (Gold)	
21	1001116808	1	Connector - 12 Position (SN 0300232594 to Present)	
21	4460918	3	Socket, Female (Gold)	
34	4460905	71	Seal, Plug (Not Shown)	
39	2400060	2	Fuseholder	
39	2400064	2	Fuse - 5Amp	
65	1001117025	1	Relay with Connector	
65	3740080	1	Relay, Sealed	

## SECTION 8 - ELECTRICAL

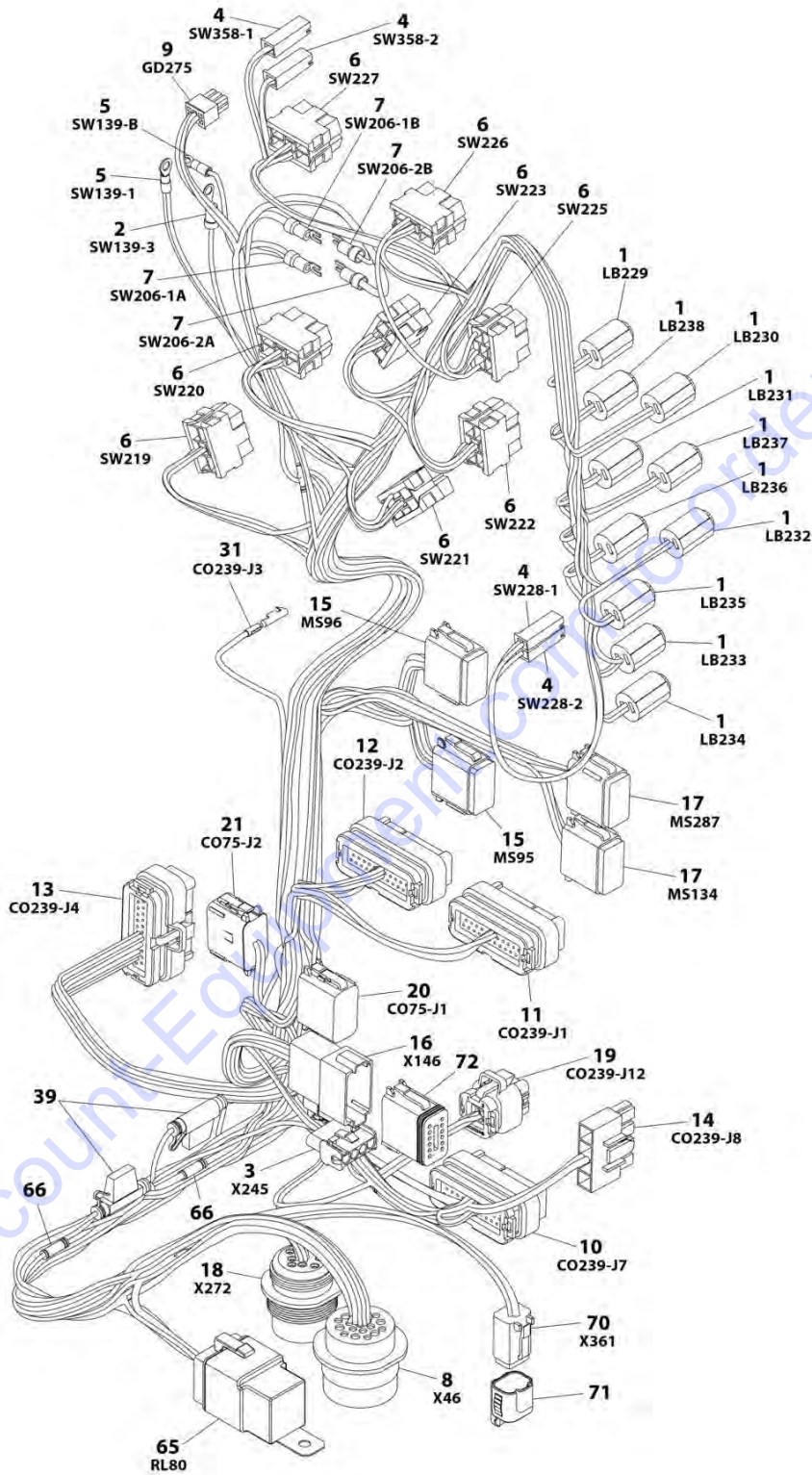
ITEM	PART NUMBER	QTY	DESCRIPTION	REV
65	4460374	1	Plug, Sealed	
65	4460375	4	Terminal, Female	
66	3990001	2	Diode - 3Amp	
70	4460884	1	Connector, Gray - 4 Position	
70	4460465	4	Socket, Female	
71	1001192401	1	Connector, Dust Cap	
72	4460933	1	Connector, Male - 12 Position (Gray)	
72	4460465	6	Socket, Female	
72	4460942	4	Socket, Female	

Go to Discount-Equipment.com to order your parts



# SECTION 8 - ELECTRICAL

## FIGURE 8-47. GROUND CONTROL BOX HARNESS ASSEMBLY (CE SPECS)



ART\_1001186903

## SECTION 8 - ELECTRICAL

**FIGURE 8-47. GROUND CONTROL BOX HARNESS ASSEMBLY (CE SPECS)**

ITEM	PART NUMBER	QTY	DESCRIPTION	REV
	1001186903	Ref	GROUND CONTROL BOX HARNESS ASSEMBLY (CE SPECS)	C
1	4120035	10	Base, Light	
1	4460634	10	Terminal (16 Gauge)	
1	4460635	20	Terminal (12 Gauge)	
2	4460042	1	Terminal, Ring	
3	4460761	1	Connector - 4 Position	
3	4460227	4	Pin, Male	
4	4460260	4	Terminal, Housing	
4	4460259	4	Terminal	
5	4460313	2	Terminal, Ring	
6	4460418	8	Connector - 6 Position	
6	4460419	32	Socket, Female	
7	4460806	4	Terminal, Fork	
8	4460866	1	Connector - 19 Position	
8	4460464	11	Pin, Male	
8	4460508	4	Pin, Male Deutsch 12 Ga	
9	4460868	1	Connector - 6 Pin	
9	4460877	4	Socket, Female	
10	4460873	1	Connector - 35 Position (Black)	
10	4460871	20	Socket, Female	
11	4460874	1	Connector - 35 Position (Natural)	
11	4460871	5	Socket, Female	
11	4460905	1	Seal, Plug	
12	4460875	1	Connector, Gray - 35 Position	
12	4460871	7	Socket, Female	
13	4460876	1	Connector - 35 Position (Blue)	
13	4460871	29	Socket, Female	
14	4460878	1	Connector - 4 Position	
14	4460877	2	Socket, Female	
15	4460836	2	Connector - 12 Position	
15	4460465	12	Socket, Female	
16	4460970	1	Connector - 12 Position	
16	4460464	10	Pin, Male	
17	4460933	2	Connector, Male - 12 Position (Gray)	
17	4460871	13	Socket, Female	
18	1001112612	1	Connector, Diagnostic	
18	4460464	6	Pin, Male	
19	1001113961	1	Connector - 8 Position	
19	4460871	5	Socket, Female	
19	4460905	1	Seal, Plug	
20	1001116774	1	Connector - 12 Position	
20	4460928	2	Socket, Female	
20	4460918	2	Socket, Female (Gold)	
21	4460908	1	Connector - 12 Position (SN 0300209000 through 0300249765)	
21	1001116808	1	Connector - 12 Position (SN 0300249766 to Present)	
21	4460918	3	Socket, Female (Gold)	
31	4460871	5	Socket, Female	
34	4460905	71	Seal, Plug (Not Shown)	
39	2400060	2	Fuseholder	
39	2400064	2	Fuse - 5Amp	

## SECTION 8 - ELECTRICAL

ITEM	PART NUMBER	QTY	DESCRIPTION	REV
65	1001117025	1	Relay with Connector	
65	3740080	1	Relay, Sealed	
65	4460374	1	Plug, Sealed	
65	4460375	4	Terminal, Female	
66	3990001	2	Diode - 3Amp	
70	4460884	1	Connector, Gray - 4 Position	
70	4460465	4	Socket, Female	
71	1001192401	1	Connector, Dust Cap	
72	4460933	1	Connector, Male - 12 Position (Gray)	
72	4460465	6	Socket, Female	
72	4460942	4	Socket, Female	

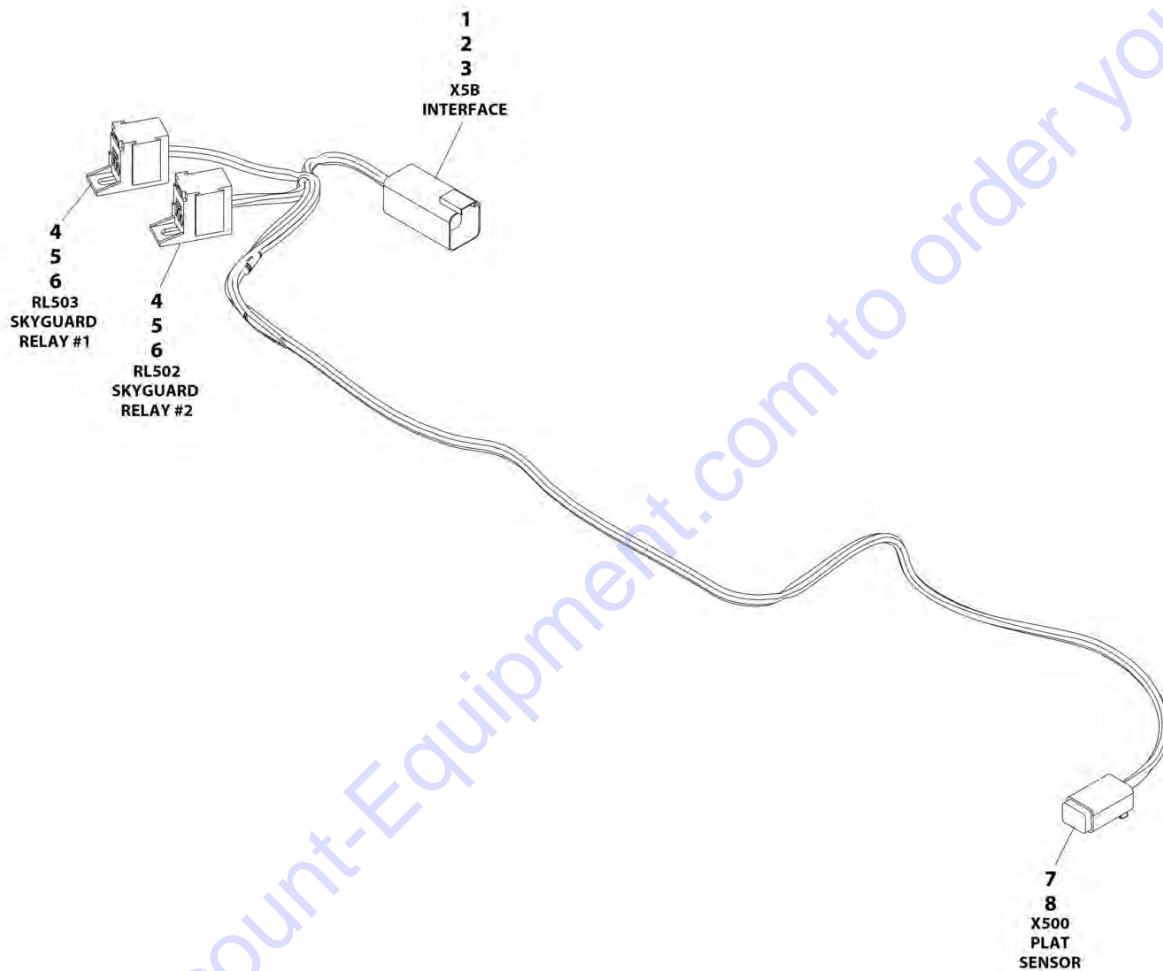
Go to Discount-Equipment.com to order your parts





# SECTION 8 - ELECTRICAL

## FIGURE 8-48. INTERFACE HARNESS - WITH 1 CELL LSS



ART\_1001225580

## SECTION 8 - ELECTRICAL

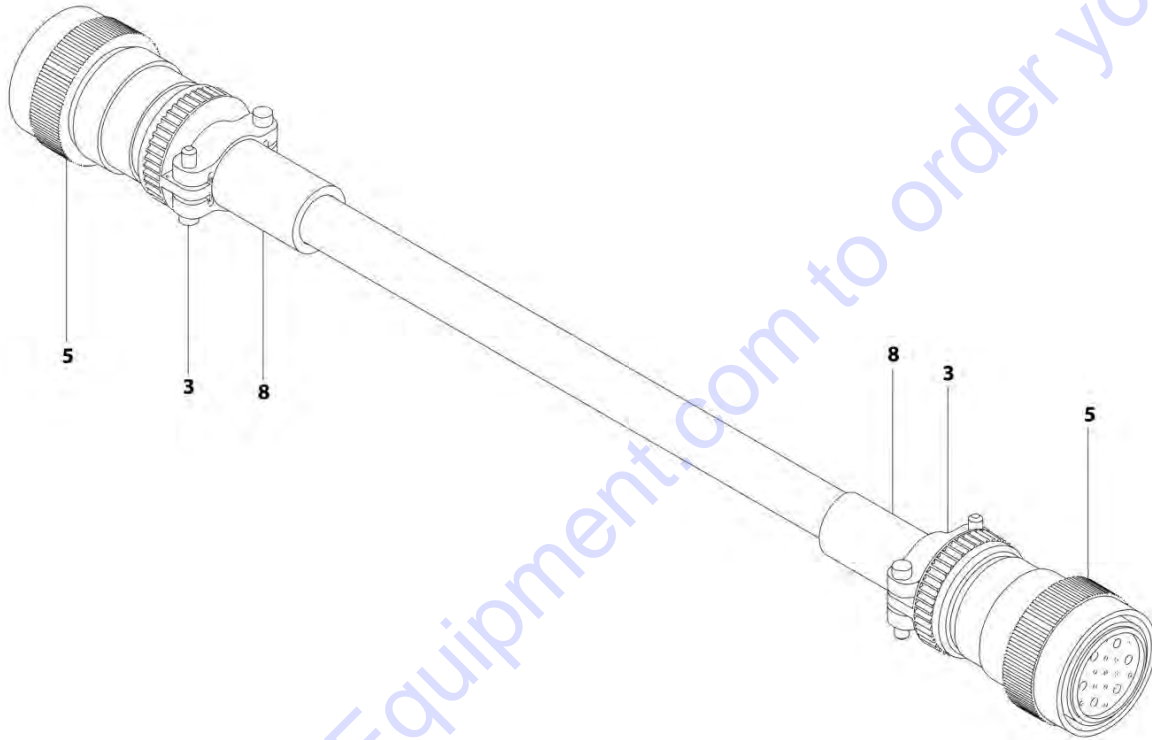
FIGURE 8-48. INTERFACE HARNESS - WITH 1 CELL LSS

ITEM	PART NUMBER	QTY	DESCRIPTION	REV
	1001225580	Ref	INTERFACE HARNESS - WITH 1 CELL LSS	D
1	4460899	1	Connector	
2	4460464	4	Terminal	
3	4460466	2	Plug	
4	1001186432	2	Connector	
5	1001116720	4	Terminal	
6	1001118388	4	Terminal	
7	4460844	1	Connector	
8	4460465	4	Terminal	

Go to Discount-Equipment.com to order your parts

# SECTION 8 - ELECTRICAL

FIGURE 8-49. JIB BOOM CONTROL HARNESS



ART\_1001120098

## SECTION 8 - ELECTRICAL

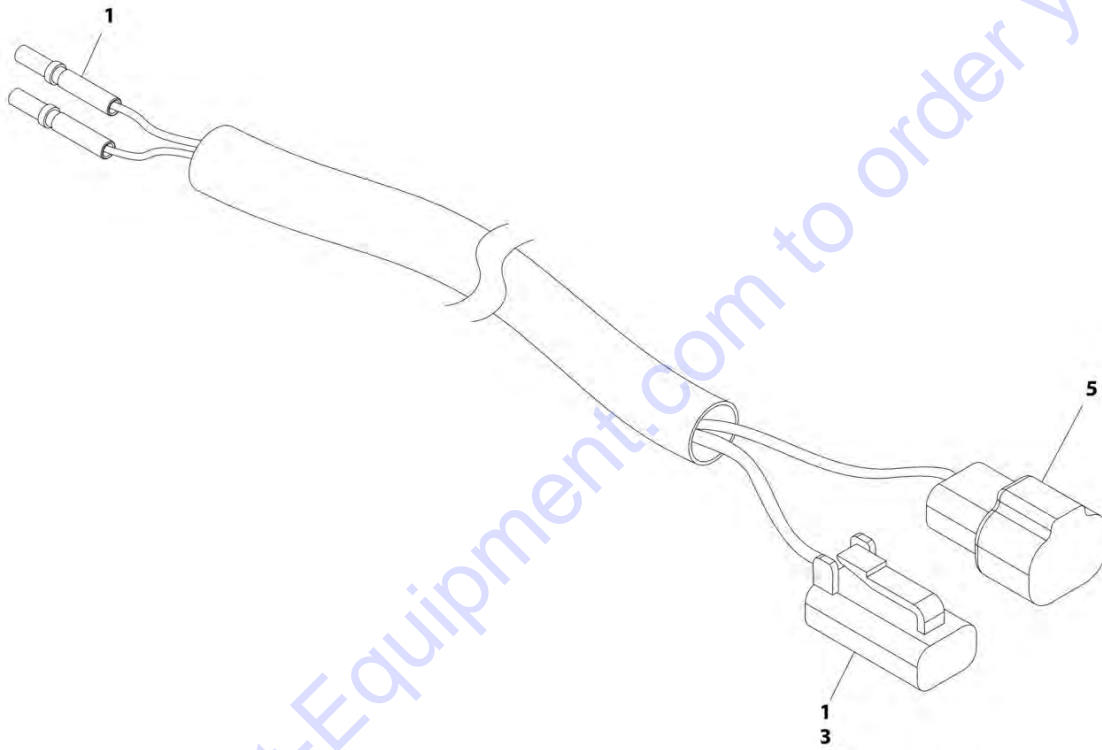
### FIGURE 8-49. JIB BOOM CONTROL HARNESS

ITEM	PART NUMBER	QTY	DESCRIPTION	REV
	1001120098	Ref	JIB BOOM CONTROL HARNESS	D
3	4460473	2	Clamp	
5	4460865	2	Connector - 19 Position	
5	4460509	8	Socket, Female	
5	4460465	22	Socket, Female	
5	4460466	8	Plug, Socket	
8	1001226400	2	Heat Shrink	

Go to Discount-Equipment.com to order your parts

# SECTION 8 - ELECTRICAL

## FIGURE 8-50. JIB ENABLE HARNESS



ART\_1001119393

## SECTION 8 - ELECTRICAL

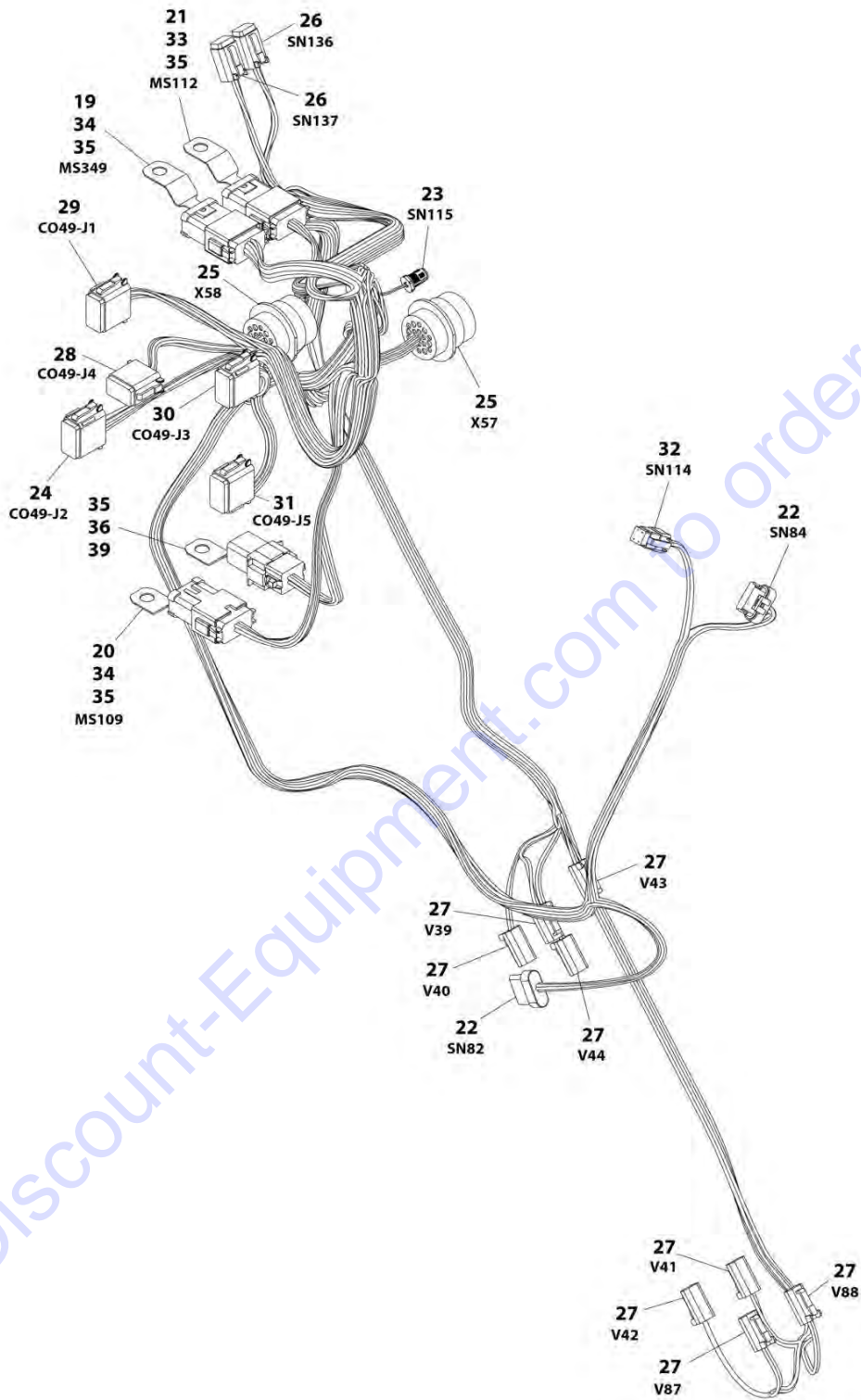
### FIGURE 8-50. JIB ENABLE HARNESS

ITEM	PART NUMBER	QTY	DESCRIPTION	REV
	1001119393	Ref	JIB ENABLE HARNESS	D
1	4460942	4	Socket, Female	
3	4460891	1	Plug, Male - 2 Position	
3	4460942	2	Socket, Female	
5	4460897	1	Plug, Male - 2 Position (Includes Wedge Lock and Seal)	
5	4460941	2	Pin, Male	

Go to Discount-Equipment.com to order your parts

# SECTION 8 - ELECTRICAL

## FIGURE 8-51. JIB VALVE HARNESS



ART\_1001119392



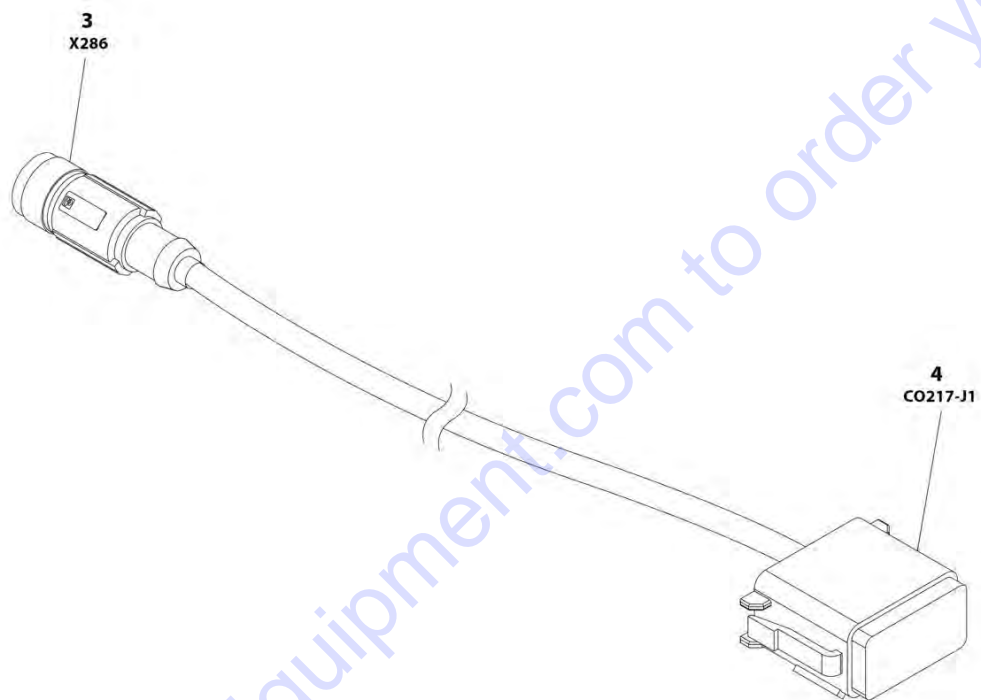
## SECTION 8 - ELECTRICAL

### FIGURE 8-51. JIB VALVE HARNESS

ITEM	PART NUMBER	QTY	DESCRIPTION	REV
	1001119392	Ref	JIB VALVE HARNESS	J
19	4460933	1	Connector, Male - 12 Position (Gray)	
19	4460465	9	Socket, Female	
20	4460933	1	Connector, Male - 12 Position (Gray)	
20	4460944	8	Socket, Female (Gold)	
21	4460933	1	Connector, Male - 12 Position (Gray)	
21	4460465	2	Socket, Female	
21	4460942	2	Socket, Female	
21	1001157890	8	Socket, Female	
22	1001117064	NLA	Plug, Male - 6 Position (Use p/n 1001230931) <b>(SN 0300209000 through 0300237757)</b>	
22	91554014	NLA	Socket, Female (Use p/n 1001116748) <b>(SN 0300209000 through 0300237757)</b>	
22	1001230931	2	Plug, Male - 6 Position <b>(SN 0300237758 to Present)</b>	
22	1001116748	12	Socket, Female <b>(SN 0300237758 to Present)</b>	
23	1001120055	1	Connector - 5 Position with Leads	
24	4460836	1	Connector - 12 Position	
24	4460465	9	Socket, Female	
25	4460866	2	Connector - 19 Position	
25	4460464	20	Pin, Male	
25	4460508	8	Pin, Male Deutsch 12 Ga	
26	4460884	2	Connector, Gray - 4 Position	
26	4460465	8	Socket, Female	
27	4460891	8	Plug, Male - 2 Position	
27	4460465	16	Socket, Female	
28	4460930	1	Connector - 8 Position (Gray)	
28	4460465	6	Socket, Female	
29	4460933	1	Connector, Male - 12 Position (Gray)	
29	4460465	7	Socket, Female	
29	4460942	2	Socket, Female	
30	4460934	1	Plug, Male - 12 Position (Green)	
30	4460465	12	Socket, Female	
31	4460935	1	Plug, Male - 12 Position (Brown)	
31	4460465	7	Socket, Female 18 Gauge	
32	4461077	1	Plug, Male - 4 Position	
32	1001126008	4	Socket, Female	
33	1001125677	1	Connector - 12 Position Buss Bar	
34	1001119020	2	Connector - 12 Position Buss Bar	
35	1001120328	4	Mount, Deutsch	
36	4460852	1	Connector - 8 Position Buss Bar	
39	4460851	1	Plug, Male - 8 Position	
39	4460465	7	Socket, Female 18 Gauge	

## SECTION 8 - ELECTRICAL

FIGURE 8-52. LCD DISPLAY HARNESS (SN 0300209000 through 0300248232)



ART\_1001125293

## SECTION 8 - ELECTRICAL

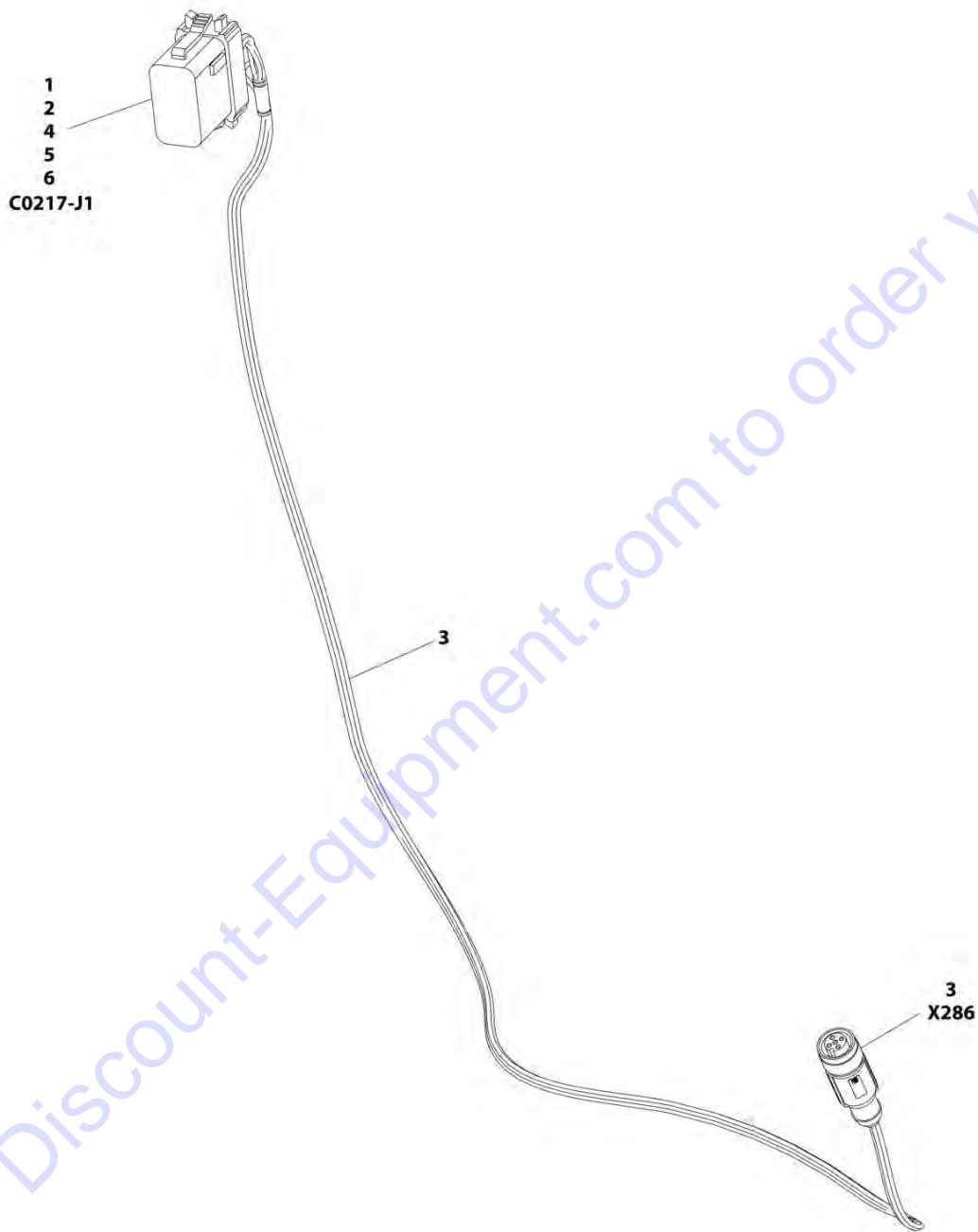
**FIGURE 8-52. LCD DISPLAY HARNESS (SN 0300209000 through 0300248232)**

ITEM	PART NUMBER	QTY	DESCRIPTION	REV
	1001125293	Ref	LCD DISPLAY HARNESS	C
3	1001125295	1	Connector - 5 Position with Leads	
4	4460933	1	Connector, Male - 12 Position (Gray)	
4	4460465	3	Socket, Female	
4	4460944	2	Socket, Female (Gold)	

Go to Discount-Equipment.com to order your parts

# SECTION 8 - ELECTRICAL

FIGURE 8-53. LCD DISPLAY HARNESS (SN 0300248233 to Present)



ART\_1001220482

## SECTION 8 - ELECTRICAL

**FIGURE 8-53. LCD DISPLAY HARNESS (SN 0300248233 to Present)**

ITEM	PART NUMBER	QTY	DESCRIPTION	REV
	1001220482	Ref	LCD DISPLAY HARNESS	A
1	4460465	3	Socket, Female	
2	4460944	2	Socket, Female (Gold)	
3	1001125295	1	Connector with Cable	
4	1001176333	1	Connector - 12 Position	
5	4460466	13	Plug, Seal	
6	2820171	3	Tube, Heat Shrink	

Go to Discount-Equipment.com to order your parts

## SECTION 8 - ELECTRICAL

FIGURE 8-54. LOAD SENSING PIN HARNESS



ART\_4923256

## SECTION 8 - ELECTRICAL

### FIGURE 8-54. LOAD SENSING PIN HARNESS

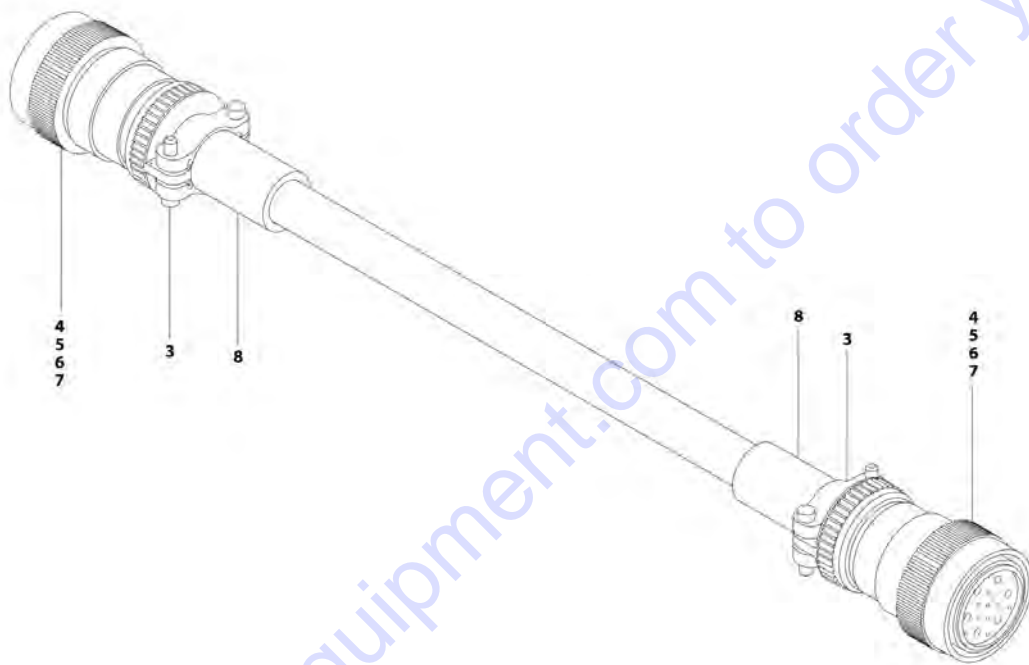
ITEM	PART NUMBER	QTY	DESCRIPTION	REV
	4923256	Ref	LOAD SENSING PIN HARNESS	B
1	4460930	1	Connector - 8 Position (Gray)	
1	4460465	4	Socket, Female	
1	4460466	3	Plug, Sealing	
2	See Note	NSS	Connector - 4 Position (Note: Not Available for Purchase)	
2	See Note	NSS	Terminal (Note: Not Available for Purchase)	

Go to Discount-Equipment.com to order your parts



# SECTION 8 - ELECTRICAL

## FIGURE 8-55. MAIN BOOM CONTROL HARNESS



ART\_1001122396

## SECTION 8 - ELECTRICAL

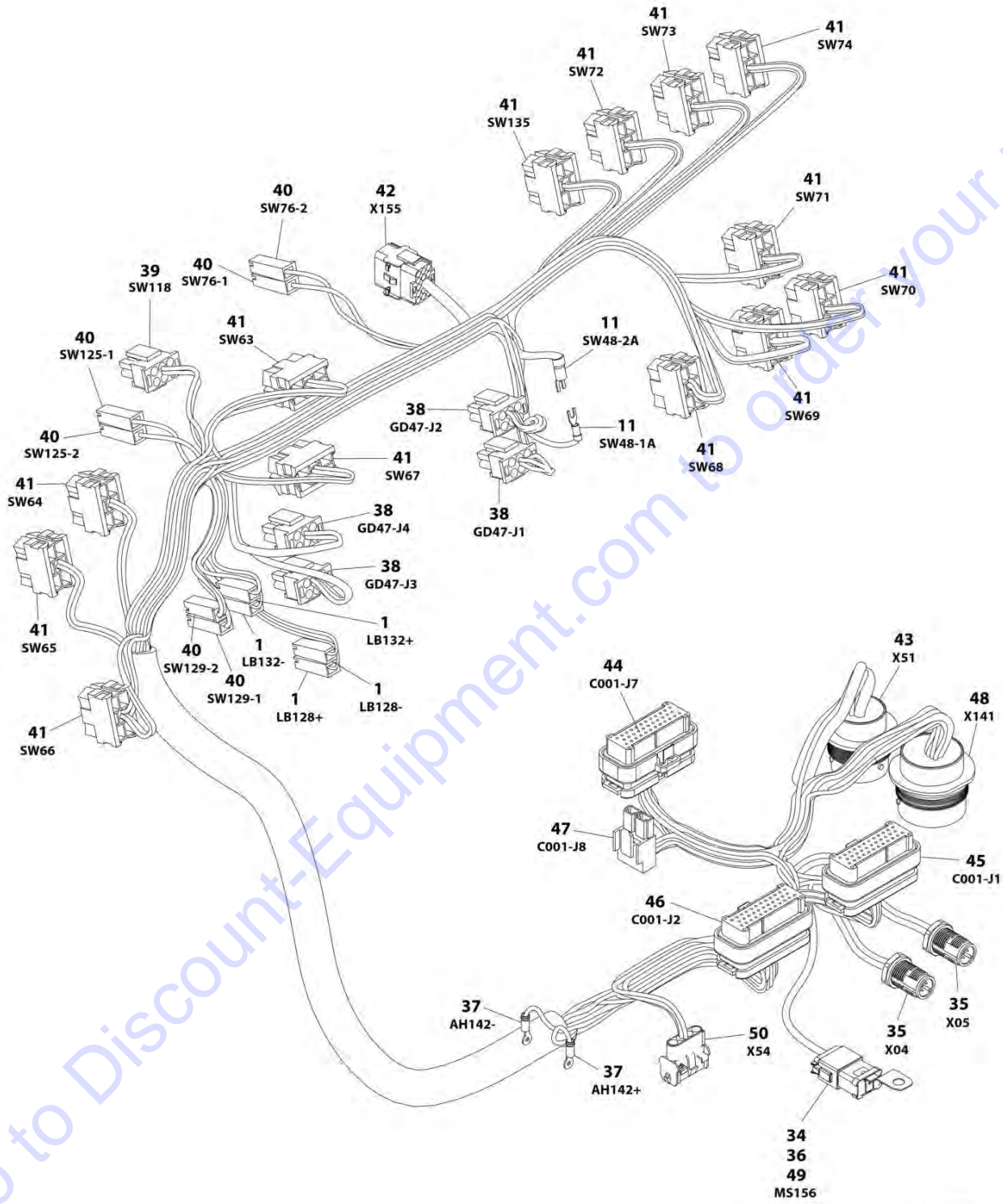
### FIGURE 8-55. MAIN BOOM CONTROL HARNESS

ITEM	PART NUMBER	QTY	DESCRIPTION	REV
	1001122396	Ref	MAIN BOOM CONTROL HARNESS	D
3	4460473	2	Clamp	
4	4460509	8	Socket, Female	
5	4460865	2	Connector - 19 Position	
6	4460465	22	Socket, Female	
7	4460466	8	Plug, Socket	
8	1001226400	2	Heat Shrink	

Go to Discount-Equipment.com to order your parts

# SECTION 8 - ELECTRICAL

## FIGURE 8-56. PLATFORM CONSOLE BOX HARNESS ASSEMBLY - WITHOUT SKYGUARD



ART\_1001119389

## SECTION 8 - ELECTRICAL

**FIGURE 8-56. PLATFORM CONSOLE BOX HARNESS ASSEMBLY - WITHOUT SKYGUARD**

ITEM	PART NUMBER	QTY	DESCRIPTION	REV
	1001119389	Ref	PLATFORM CONSOLE BOX HARNESS ASSEMBLY - WITHOUT SKYGUARD	F
1	4460016	4	Terminal	
11	4460888	2	Terminal, Fork	
34	1001119020	1	Connector - 12 Position Buss Bar	
35	1001120055	2	Connector - 5 Position with Leads	
36	1001120328	1	Mount, Deutsch	
37	4460213	2	Terminal, Ring	
38	4460225	4	Connector - 6 Position	
38	4460226	20	Socket, Female	
39	4460225	1	Connector - 6 Position	
39	4460227	6	Pin, Male	
40	4460260	6	Terminal, Housing	
40	4460259	6	Terminal	
41	4460418	13	Connector, Female - 6 Position	
41	4460419	AR	Socket, Female	
42	4460434	1	Plug, Male - 15 Position	
42	4460227	9	Pin, Male	
42	4460708	1	Connector - 15 Position	
43	4460866	1	Connector - 19 Position	
43	4460464	7	Pin, Male	
43	4460508	4	Pin, Male Deutsch 12 Ga	
43	4460943	3	Pin, Male 16 Ga	
44	4460873	1	Connector - 35 Position (Black)	
44	4460871	24	Socket, Female	
44	4460905	11	Seal, Plug	
45	4460874	1	Connector - 35 Position (Natural)	
45	4460871	32	Socket, Female	
45	4460905	3	Seal, Plug	
46	4460876	1	Connector - 35 Position (Blue)	
46	4460871	33	Socket, Female	
46	4460905	2	Seal, Plug	
47	4460879	1	Connector, Male - 2 Position	
47	4460887	2	Terminal (12 Gauge)	
48	4460925	1	Connector - 21 Position	
48	4460929	13	Pin, Male Deutsch 16 Ga	
49	4460933	1	Connector, Male - 12 Position (Gray)	
49	4460944	12	Socket, Female (Gold)	
50	4460761	1	Connector, Female - 4 Position	
50	4460227	4	Pin, Male	



## SECTION 8 - ELECTRICAL

**FIGURE 8-57. PLATFORM CONSOLE BOX HARNESS ASSEMBLY - WITH SKYGUARD (WITH 4 CELL LSS) (SN 0300220152 through 0300234293)**

ITEM	PART NUMBER	QTY	DESCRIPTION	REV
	1001186905	Ref	PLATFORM CONSOLE BOX HARNESS ASSEMBLY - WITH SKYGUARD (WITH 4 CELL LSS) (SN 0300220152 through 0300234293)	C
1	4460016	4	Terminal	
11	4460888	2	Terminal, Fork	
34	1001119020	1	Connector - 12 Position Buss Bar	
35	1001120055	2	Connector - 5 Position with Leads	
36	1001120328	1	Mount, Deutsch	
37	4460213	2	Terminal, Ring	
38	4460225	5	Connector - 6 Position	
38	4460226	20	Socket, Female	
39	4460225	1	Connector - 6 Position	
39	4460227	6	Pin, Male	
40	4460260	6	Terminal, Housing	
40	4460259	6	Terminal	
41	4460418	13	Connector, Female - 6 Position	
41	4460419	AR	Socket, Female	
42	4460434	1	Plug, Male - 15 Position	
42	4460227	9	Pin, Male	
43	4460866	1	Connector - 19 Position	
43	4460464	7	Pin, Male	
43	4460508	4	Pin, Male Deutsch 12 Ga	
43	4460943	3	Pin, Male 16 Ga	
44	4460873	1	Connector - 35 Position (Black)	
44	4460871	24	Socket, Female	
44	4460905	11	Seal, Plug	
45	4460874	1	Connector - 35 Position (Natural)	
45	4460871	32	Socket, Female	
45	4460905	3	Seal, Plug	
46	4460876	1	Connector - 35 Position (Blue)	
46	4460871	33	Socket, Female	
46	4460905	2	Seal, Plug	
47	4460879	1	Connector, Male - 2 Position	
47	4460887	2	Terminal (12 Gauge)	
48	4460925	1	Connector - 21 Position	
48	4460929	13	Pin, Male Deutsch 16 Ga	
49	4460933	1	Connector, Male - 12 Position (Gray)	
49	4460944	12	Socket, Female (Gold)	
50	4460761	1	Connector, Female - 4 Position	
50	4460227	4	Pin, Male	
51	4460536	1	Plug, Male - 3 Position	
51	4460943	3	Pin, Male	
52	4460539	1	Plug, Male - 3 Position (Includes Wedge Lock and Seal)	
52	4460944	3	Socket, Female	
54	4460884	1	Connector, Gray - 4 Position	
54	4460465	4	Socket, Female	
54	4460932	1	Connector, Female - 4 Position	
61	4460708	1	Connector - 15 Position	
61	4460226	3	Socket, Female	

## SECTION 8 - ELECTRICAL

ITEM	PART NUMBER	QTY	DESCRIPTION	REV
62	70004016	2	Relay	

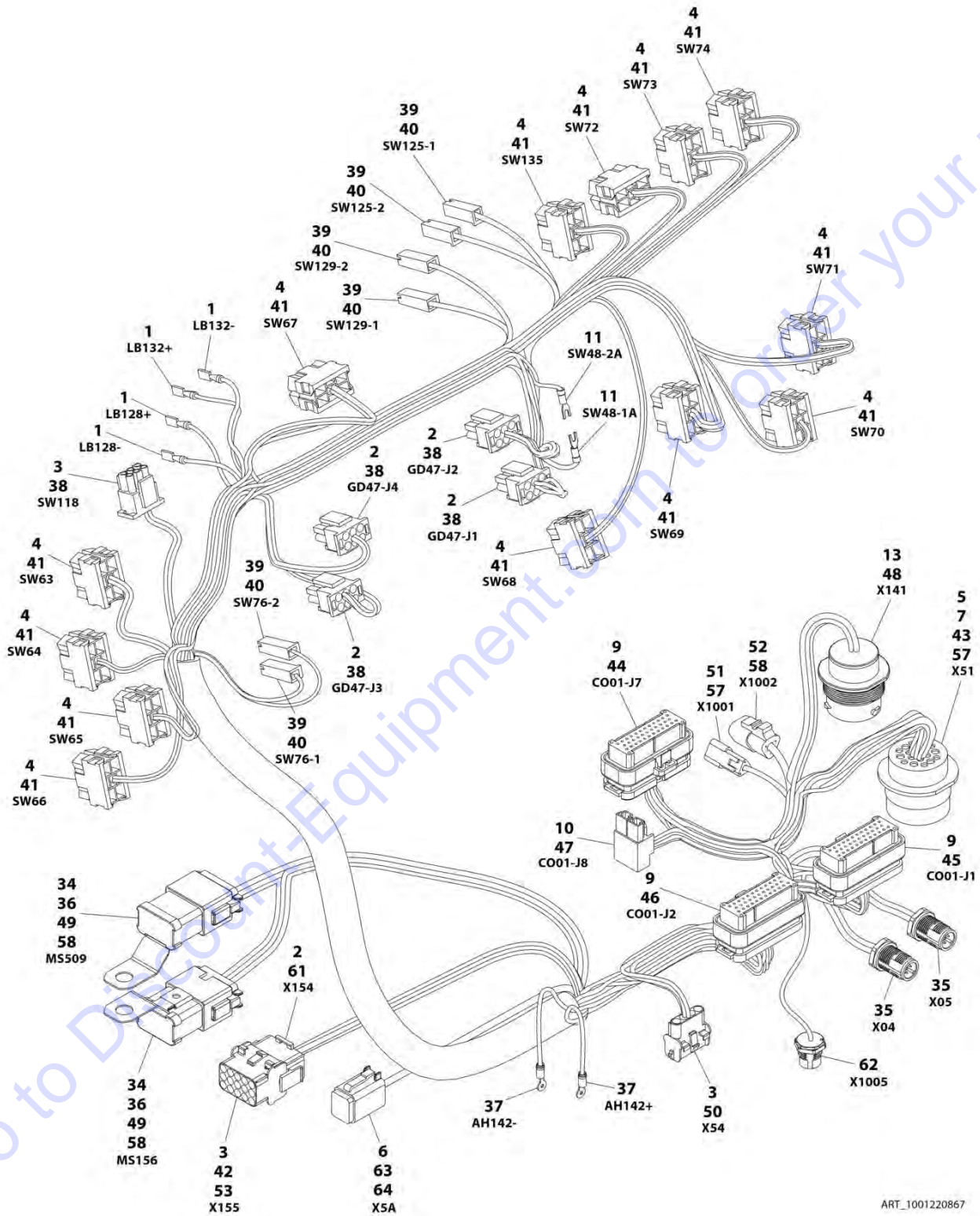
Go to Discount-Equipment.com to order your parts





# SECTION 8 - ELECTRICAL

## FIGURE 8-58. PLATFORM CONSOLE BOX HARNESS ASSEMBLY - WITH SKYGUARD (WITH 1 CELL LSS) (SN 0300234294 to Present)



ART\_1001220867

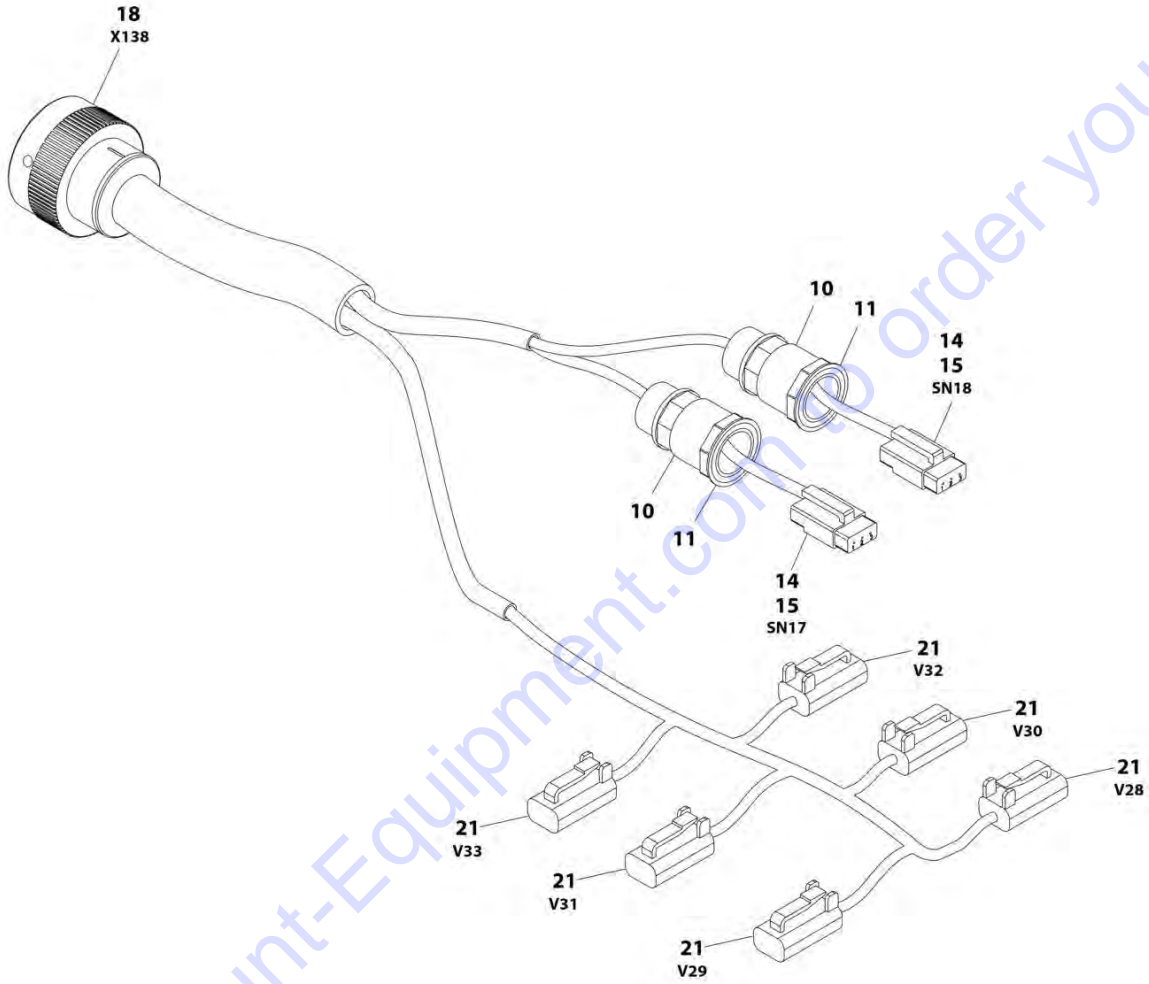
## SECTION 8 - ELECTRICAL

**FIGURE 8-58. PLATFORM CONSOLE BOX HARNESS ASSEMBLY - WITH SKYGUARD (WITH 1 CELL LSS) (SN 0300234294 to Present)**

ITEM	PART NUMBER	QTY	DESCRIPTION	REV
	1001220867	Ref	PLATFORM CONSOLE BOX HARNESS ASSEMBLY - WITH SKYGUARD (WITH 1 CELL LSS) (SN 0300234294 to Present)	D
1	4460016	5	Terminal	
2	4460226	21	Socket, Female	
3	4460227	19	Pin, Male	
4	4460419	36	Socket, Female	
5	4460464	7	Pin, Male	
6	4460466	12	Plug, Terminal	
7	4460508	4	Pin, Male Deutsch 12 Ga	
9	4460871	89	Socket, Female	
10	4460887	2	Terminal (12 Gauge)	
11	4460888	2	Terminal, Fork	
13	4460929	12	Pin, Male Deutsch 16 Ga	
34	1001119020	2	Connector - 12 Position Buss Bar	
35	1001120055	2	Connector - 5 Position with Leads	
36	1001120328	2	Mount, Deutsch	
37	4460213	2	Terminal, Ring	
38	4460225	5	Connector - 6 Position	
39	4460259	6	Terminal	
40	4460260	6	Terminal, Housing	
41	4460418	13	Connector, Female - 6 Position	
42	4460434	1	Plug, Male - 15 Position	
43	4460866	1	Connector - 19 Position	
44	4460873	1	Connector - 35 Position (Black)	
45	4460874	1	Connector - 35 Position (Natural)	
46	4460876	1	Connector - 35 Position (Blue)	
47	4460879	1	Connector, Male - 2 Position	
48	4460925	1	Connector - 21 Position	
49	4460933	2	Connector, Male - 12 Position (Gray)	
50	4460761	1	Connector, Female - 4 Position	
51	4460536	1	Plug, Male - 3 Position	
52	4460539	1	Plug, Male - 3 Position (Includes Wedge Lock and Seal)	
53	4460267	2	Pin, Male	
57	4460943	6	Pin, Male	
58	4460944	23	Socket, Female	
61	4460708	1	Connector - 15 Position	
62	1001213447	1	Connector - 5 Position	
63	4460894	1	Plug, Male - 6 Position	
64	4460465	5	Socket, Female 18 Gauge	

# SECTION 8 - ELECTRICAL

## FIGURE 8-59. PLATFORM VALVE HARNESS



ART\_100119390

## SECTION 8 - ELECTRICAL

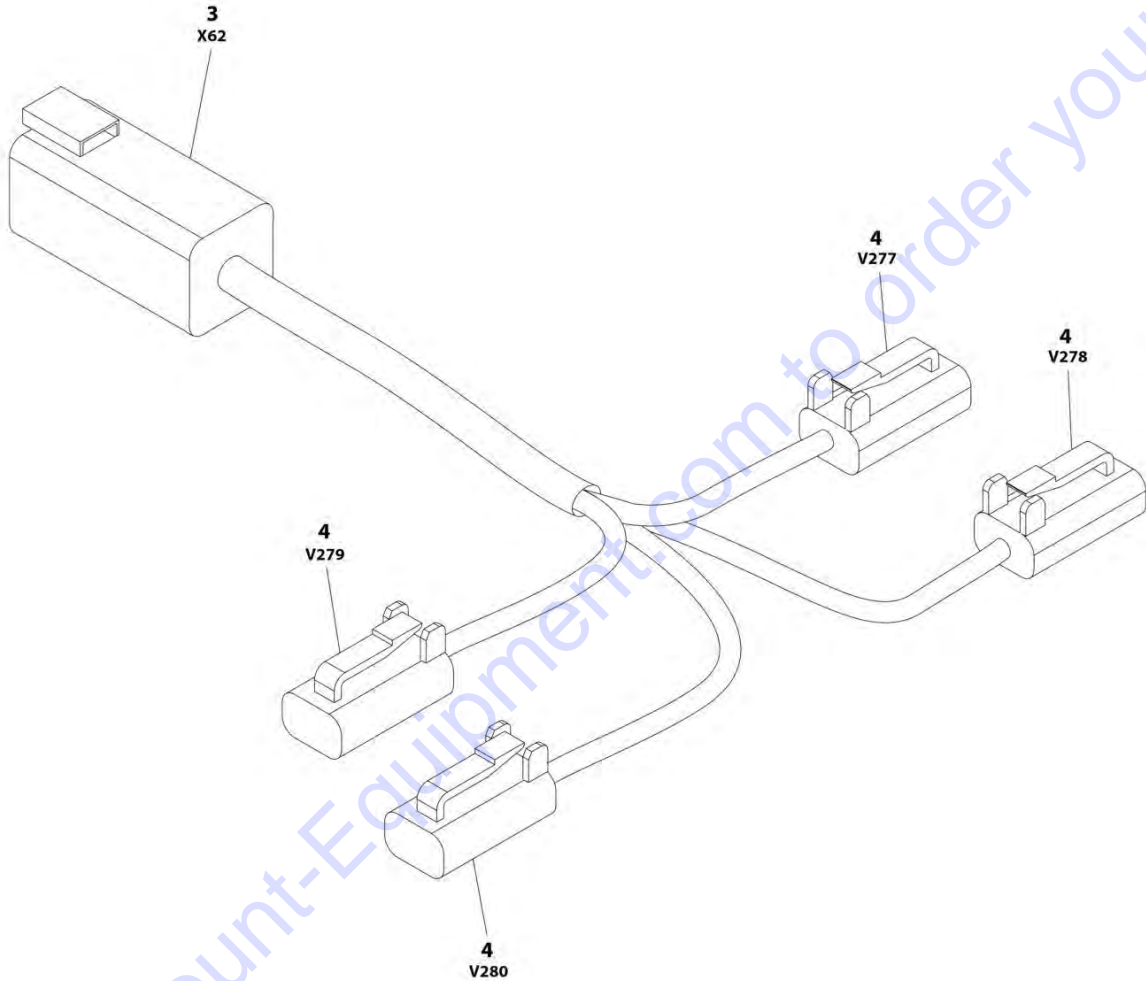
**FIGURE 8-59. PLATFORM VALVE HARNESS**

ITEM	PART NUMBER	QTY	DESCRIPTION	REV
	1001119390	Ref	PLATFORM VALVE HARNESS	D
10	1560011	2	Connector, Conduit	
11	1560012	2	Nut, Conduit Connector	
14	4460911	2	Plug, Male - 3 Position	
14	4460918	6	Socket, Female (Gold)	
15	4460912	2	Lock, Wedge - Position	
18	4460926	1	Connector - 21 Position	
18	4460918	6	Socket, Female (Gold)	
18	4460928	8	Socket, Female	
21	4460891	6	Plug, Male - 2 Position	
21	4460465	12	Socket, Female	

Go to Discount-Equipment.com to order your parts

**SECTION 8 - ELECTRICAL**

**FIGURE 8-60. PUMP HARNESS**



ART\_1001120276

## SECTION 8 - ELECTRICAL

### FIGURE 8-60. PUMP HARNESS

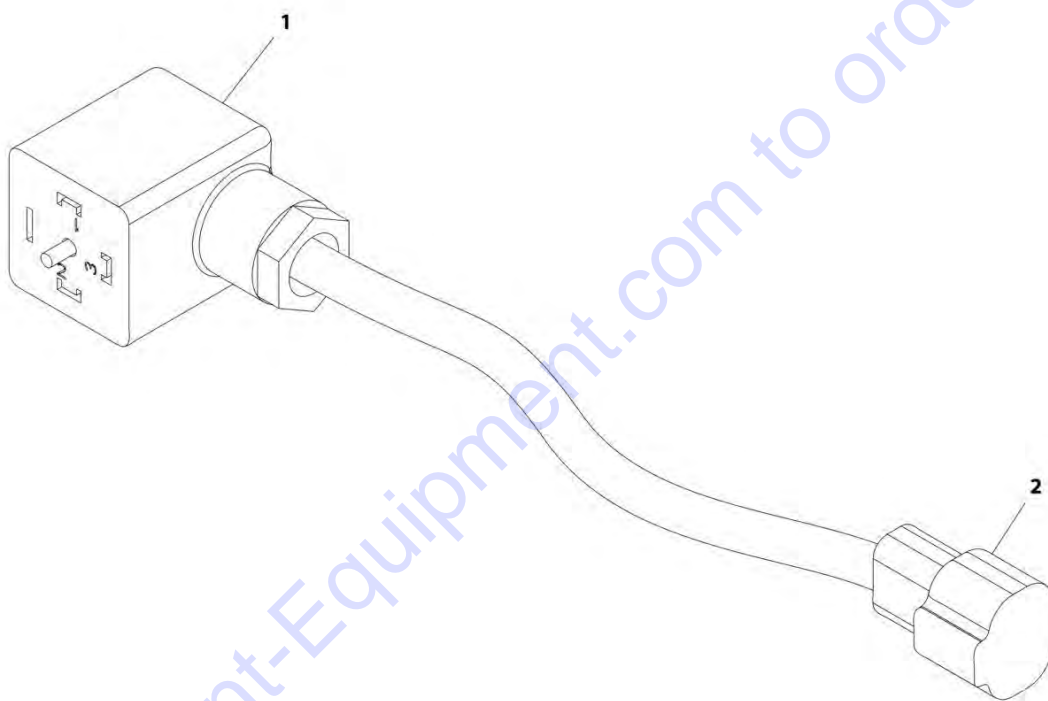
ITEM	PART NUMBER	QTY	DESCRIPTION	REV
	1001120276	Ref	PUMP HARNESS	A
3	4460899	1	Connector, Female - 6 Position	
3	4460464	5	Pin, Male	
4	4460891	4	Plug, Male - 2 Position	
4	4460465	8	Socket, Female	

Go to Discount-Equipment.com to order your parts



## SECTION 8 - ELECTRICAL

FIGURE 8-61. PUMP ADAPTER HARNESS - SAUER PUMP TO REXROTH PUMP



ART\_1001119456

## SECTION 8 - ELECTRICAL

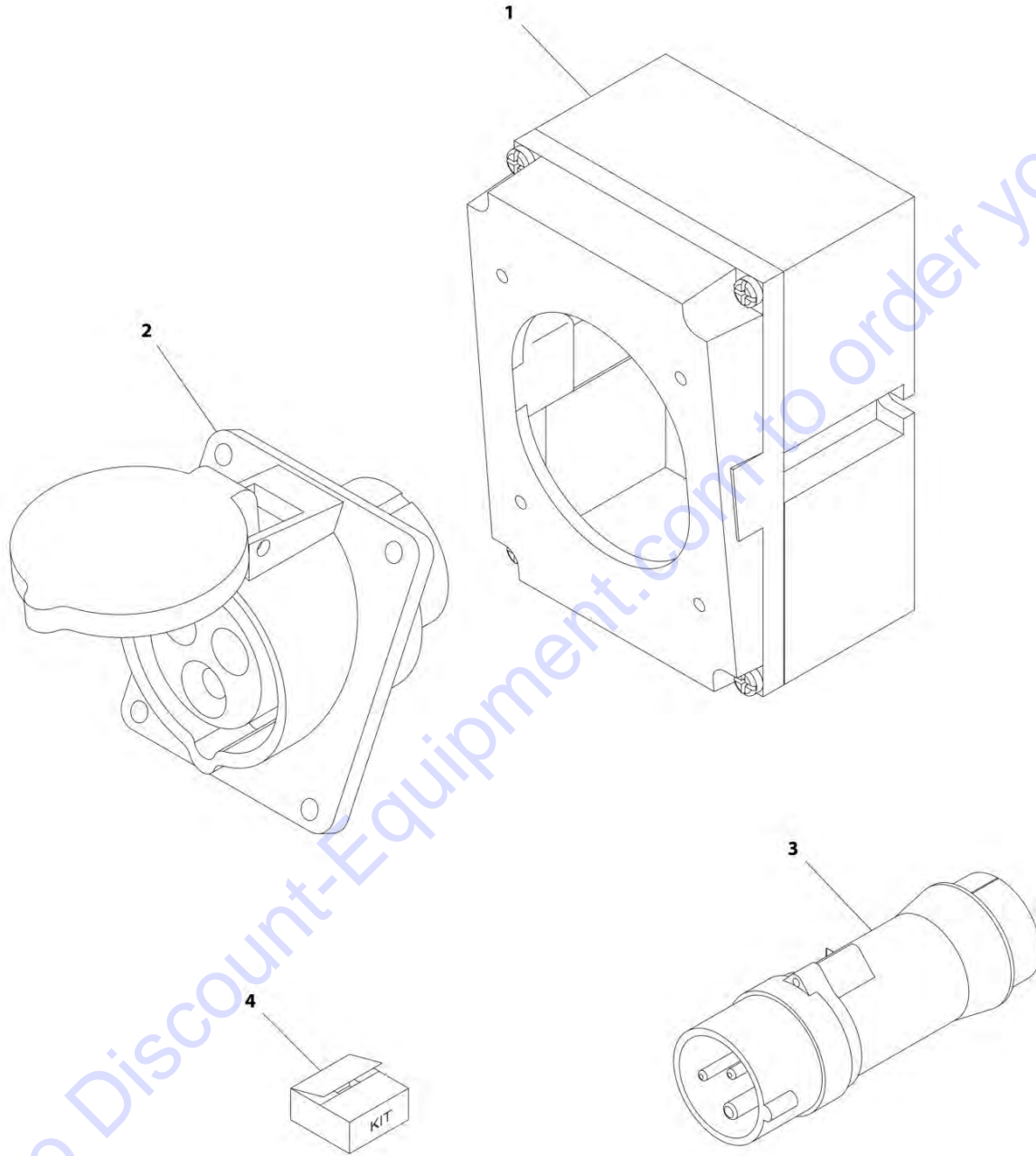
**FIGURE 8-61. PUMP ADAPTER HARNESS - SAUER PUMP TO REXROTH PUMP**

ITEM	PART NUMBER	QTY	DESCRIPTION	REV
	1001119456	Ref	PUMP ADAPTER HARNESS - SAUER PUMP TO REXROTH PUMP	C
1	4460880	2	DIN Connector	
2	4460897	2	Connector - 2 Position	
2	4460464	4	Pin, Male	

Go to Discount-Equipment.com to order your parts

## SECTION 8 - ELECTRICAL

FIGURE 8-62. RECEPTACLE BOX KIT - 110V IEC YELLOW WITHOUT 2500W GENERATOR (CE SPECS)



ART\_0275216

## SECTION 8 - ELECTRICAL

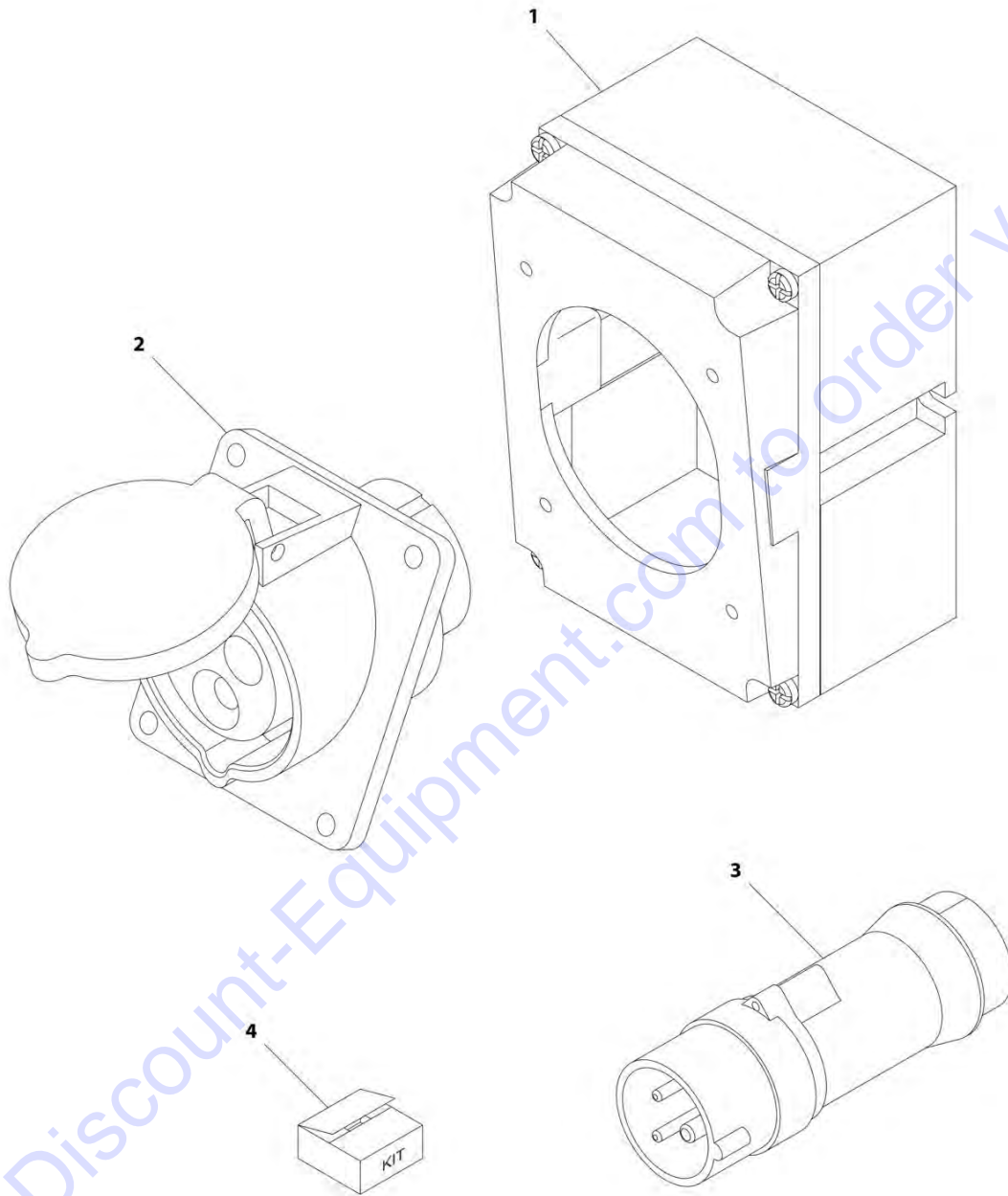
**FIGURE 8-62. RECEPTACLE BOX KIT - 110V IEC YELLOW WITHOUT 2500W GENERATOR (CE SPECS)**

ITEM	PART NUMBER	QTY	DESCRIPTION	REV
	0275216	Ref	RECEPTACLE BOX KIT - 110V IEC YELLOW WITHOUT 2500W GENERATOR (CE SPECS)	1
1	0861781	1	Box, Switch	
2	4461198	1	Receptacle	
3	4461196	1	Plug, Male	
4	1001100341	1	Plug and Socket Kit (Includes Items 1-3 and Female Plug p/n 4461197)	

Go to Discount-Equipment.com to order your parts

## SECTION 8 - ELECTRICAL

FIGURE 8-63. RECEPTACLE BOX KIT - 220V IEC BLUE WITHOUT 2500W GENERATOR (CE SPECS)



ART\_0275217

## SECTION 8 - ELECTRICAL

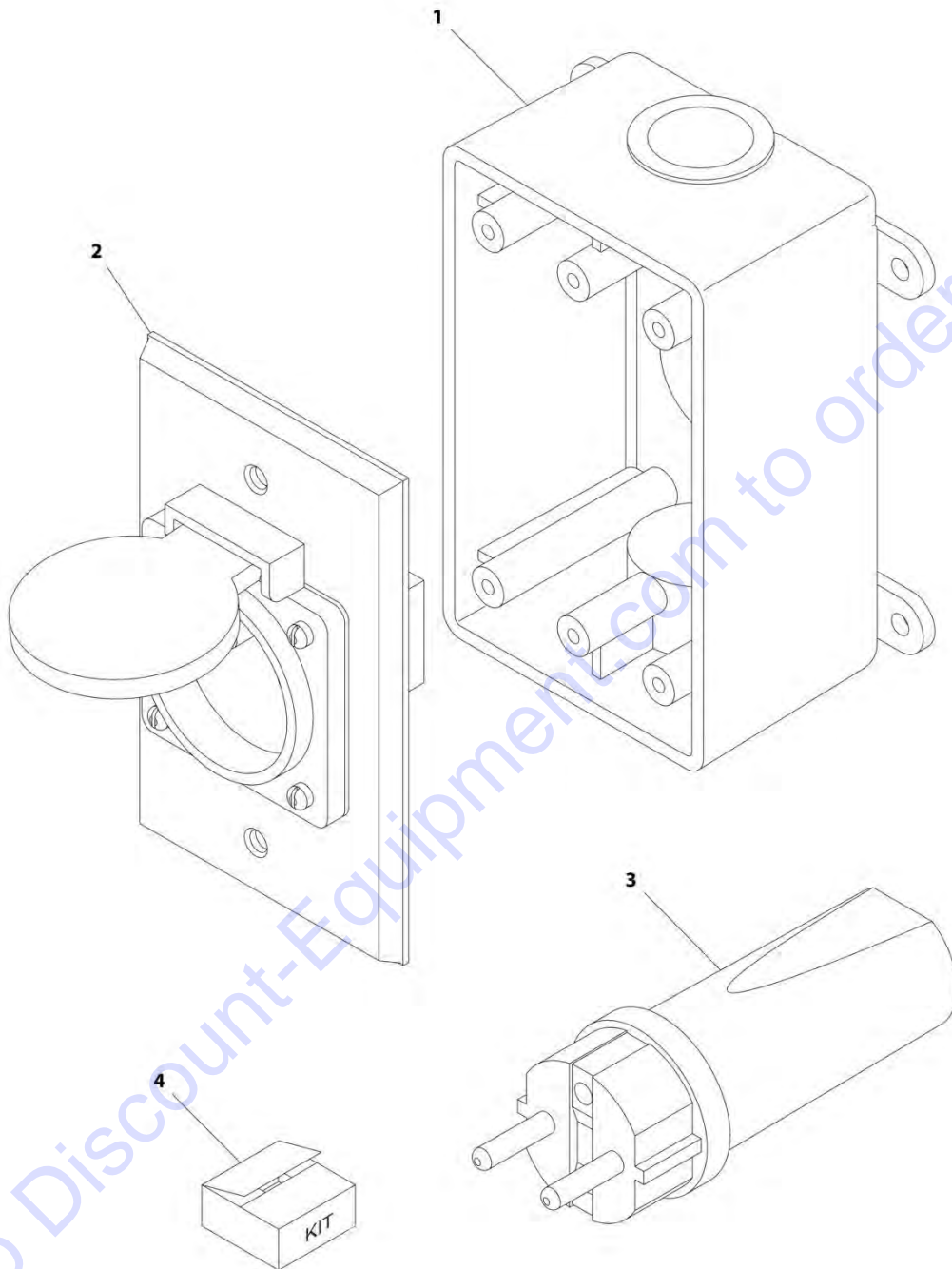
**FIGURE 8-63. RECEPTACLE BOX KIT - 220V IEC BLUE WITHOUT 2500W GENERATOR (CE SPECS)**

ITEM	PART NUMBER	QTY	DESCRIPTION	REV
	0275217	Ref	RECEPTACLE BOX KIT - 220V IEC BLUE WITHOUT 2500W GENERATOR (CE SPECS)	1
1	0861781	1	Box, Switch	
2	4461201	1	Receptacle	
3	4461199	1	Plug, Male	
4	1001100342	1	Plug and Socket Kit (Includes Items 1-3 and Female Plug p/n 4461200)	

Go to Discount-Equipment.com to order your parts

## SECTION 8 - ELECTRICAL

FIGURE 8-64. RECEPTACLE BOX KIT - 220V CEE7 POST GROUND WITHOUT 2500W GENERATOR  
(2X4 BOX) (CE SPECS)



ART\_0275452



## SECTION 8 - ELECTRICAL

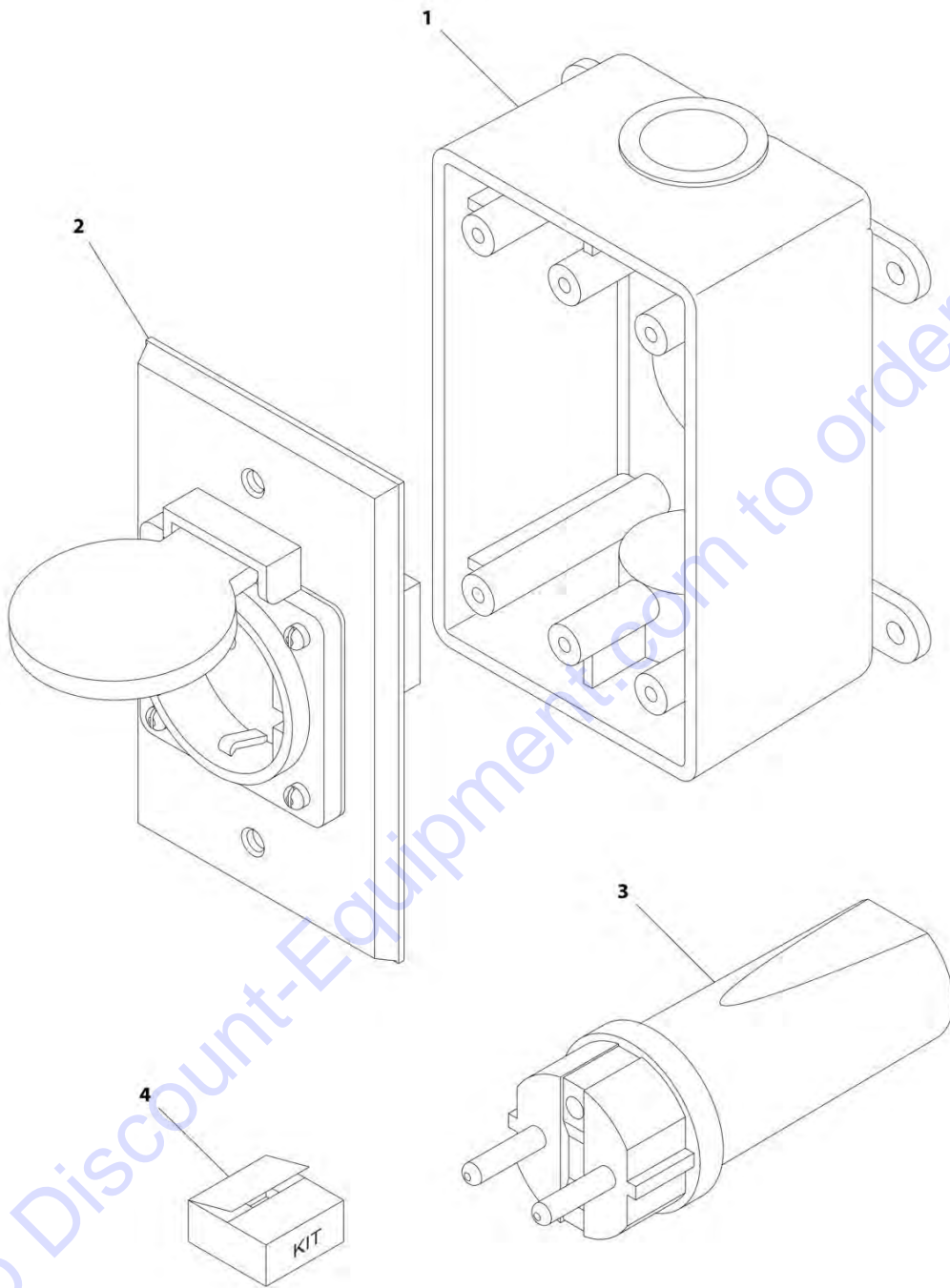
**FIGURE 8-64. RECEPTACLE BOX KIT - 220V CEE7 POST GROUND WITHOUT 2500W GENERATOR (2X4 BOX) (CE SPECS)**

ITEM	PART NUMBER	QTY	DESCRIPTION	REV
	0275452	Ref	RECEPTACLE BOX KIT - 220V CEE7 POST GROUND WITHOUT 2500W GENERATOR (2X4 BOX) (CE SPECS)	C
1	0861731	1	Box, Switch	
2	4461244	1	Receptacle	
3	4461202	1	Plug, Male <b>(SN 0300209000 through 0300218315)</b>	
3	4461205	1	Plug, Male <b>(SN 0300218316 to Present)</b>	
4	1001100345	1	Plug and Socket Kit (Includes Items 1-3 and Female Plug p/n 4461206)	

Go to Discount-Equipment.com to order your parts

## SECTION 8 - ELECTRICAL

FIGURE 8-65. RECEPTACLE BOX KIT - 220V CEE7 SIDE GROUND WITHOUT 2500W GENERATOR  
(2X4 BOX) (CE SPECS)



ART\_0275453

## SECTION 8 - ELECTRICAL

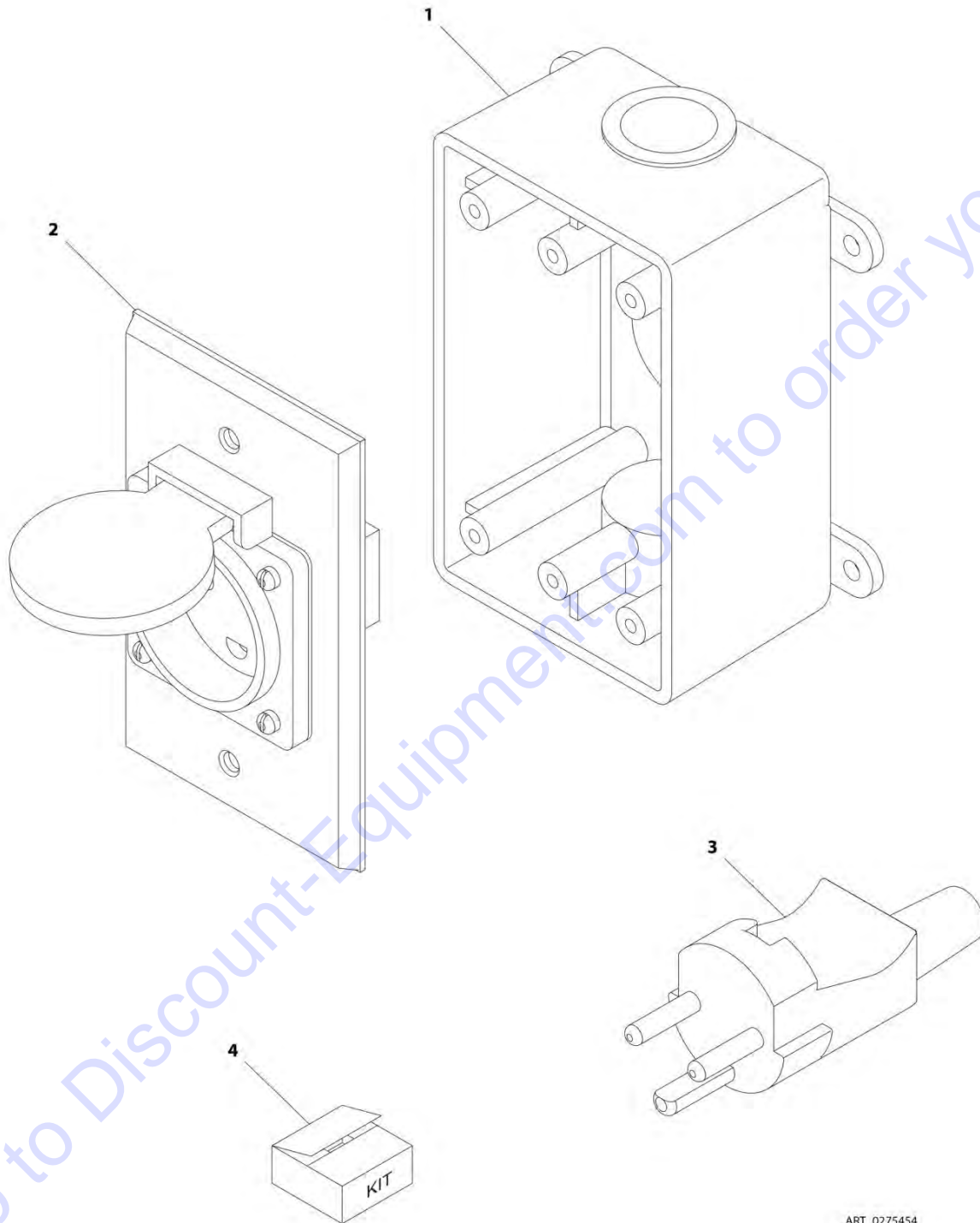
**FIGURE 8-65. RECEPTACLE BOX KIT - 220V CEE7 SIDE GROUND WITHOUT 2500W GENERATOR (2X4 BOX) (CE SPECS)**

ITEM	PART NUMBER	QTY	DESCRIPTION	REV
	0275453	Ref	RECEPTACLE BOX KIT - 220V CEE7 SIDE GROUND WITHOUT 2500W GENERATOR (2X4 BOX) (CE SPECS)	1
1	0861731	1	Box, Switch	
2	4461245	1	Receptacle	
3	4461205	1	Plug, Male	
4	1001100347	1	Plug and Socket Kit (Includes Items 1-3 and Female Plug p/n 4461206)	

Go to Discount-Equipment.com to order your parts

# SECTION 8 - ELECTRICAL

FIGURE 8-66. RECEPTACLE BOX KIT - 220V AFSINT 107 KEYED GROUND WITHOUT 2500W GENERATOR (2X4 BOX) (CE SPECS)



ART\_0275454

## SECTION 8 - ELECTRICAL

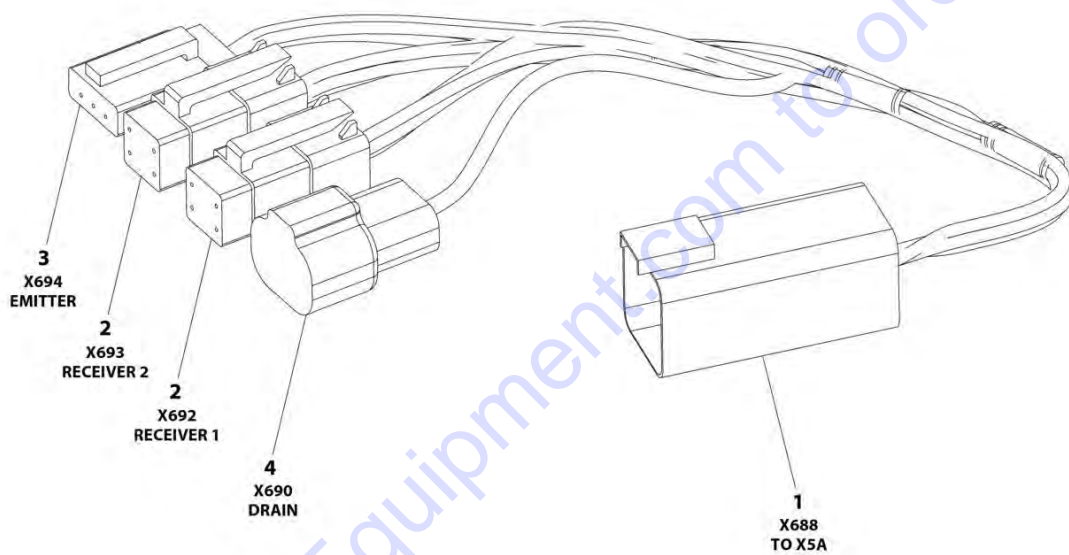
**FIGURE 8-66. RECEPTACLE BOX KIT - 220V AFSINT 107 KEYED GROUND WITHOUT 2500W GENERATOR (2X4 BOX) (CE SPECS)**

ITEM	PART NUMBER	QTY	DESCRIPTION	REV
	0275454	Ref	RECEPTACLE BOX KIT - 220V AFSINT 107 KEYED GROUND WITHOUT 2500W GENERATOR (2X4 BOX) (CE SPECS)	1
1	0861731	1	Box, Switch	
2	4461246	1	Receptacle	
3	4461249	1	Plug, Male	
4	1001100346	1	Plug and Socket Kit (Includes Items 1-3 and Female Plug p/n 4461250)	

Go to Discount-Equipment.com to order your parts

# SECTION 8 - ELECTRICAL

## FIGURE 8-67. SKYEYE INTERMEDIATE HARNESS



ART\_1001237865

## SECTION 8 - ELECTRICAL

**FIGURE 8-67. SKYEYE INTERMEDIATE HARNESS**

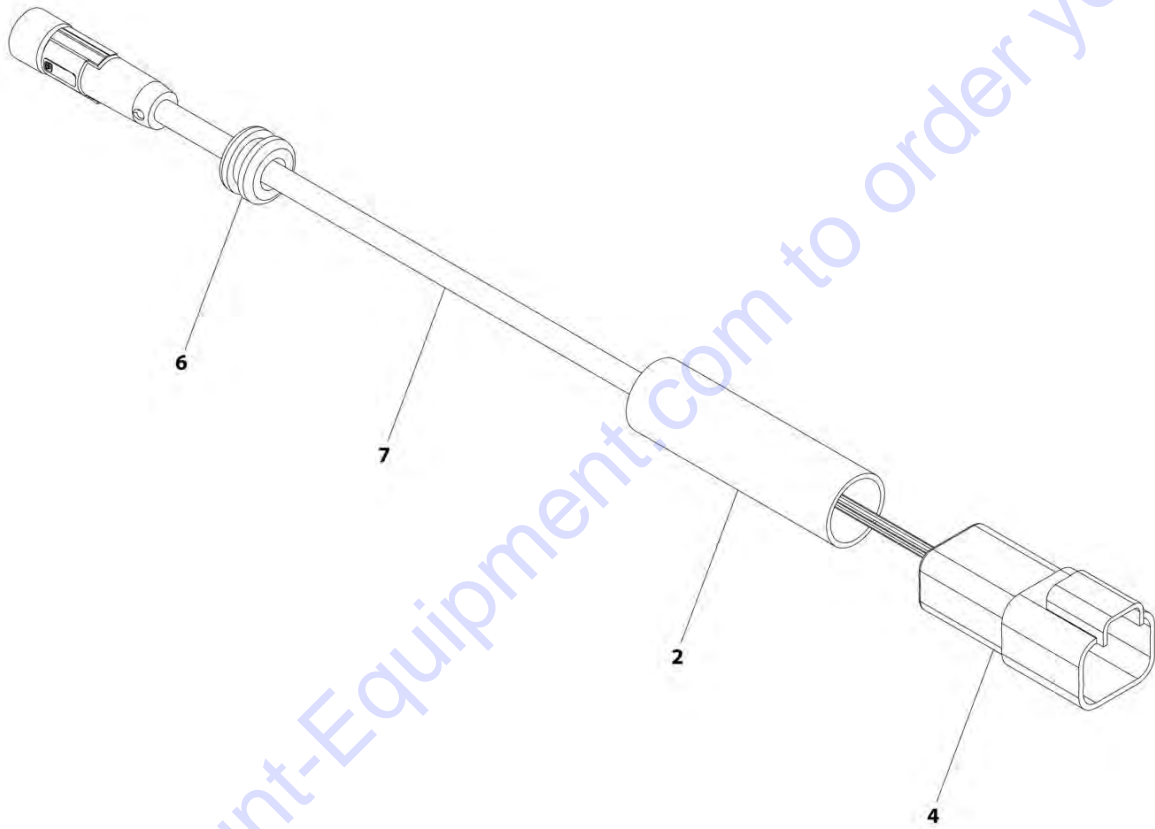
ITEM	PART NUMBER	QTY	DESCRIPTION	REV
	1001237865	Ref	SKYEYE INTERMEDIATE HARNESS	A
1	4460899	1	Connector - 6 Position	
1	4460943	4	Pin, Male	
1	4460466	2	Plug, Terminal	
2	4461077	2	Connector - 4 Position	
2	1001119619	8	Socket, Female	
3	4460911	1	Connector - 3 Position	
3	1001119619	3	Socket, Female	
4	1001187681	1	Connector - 2 Position	
4	4460941	1	Pin, Male	
4	4460466	1	Plug, Terminal	

Go to Discount-Equipment.com to order your parts



# SECTION 8 - ELECTRICAL

## FIGURE 8-68. SKYEYE RECEIVER HARNESS



ART\_1001237863

## SECTION 8 - ELECTRICAL

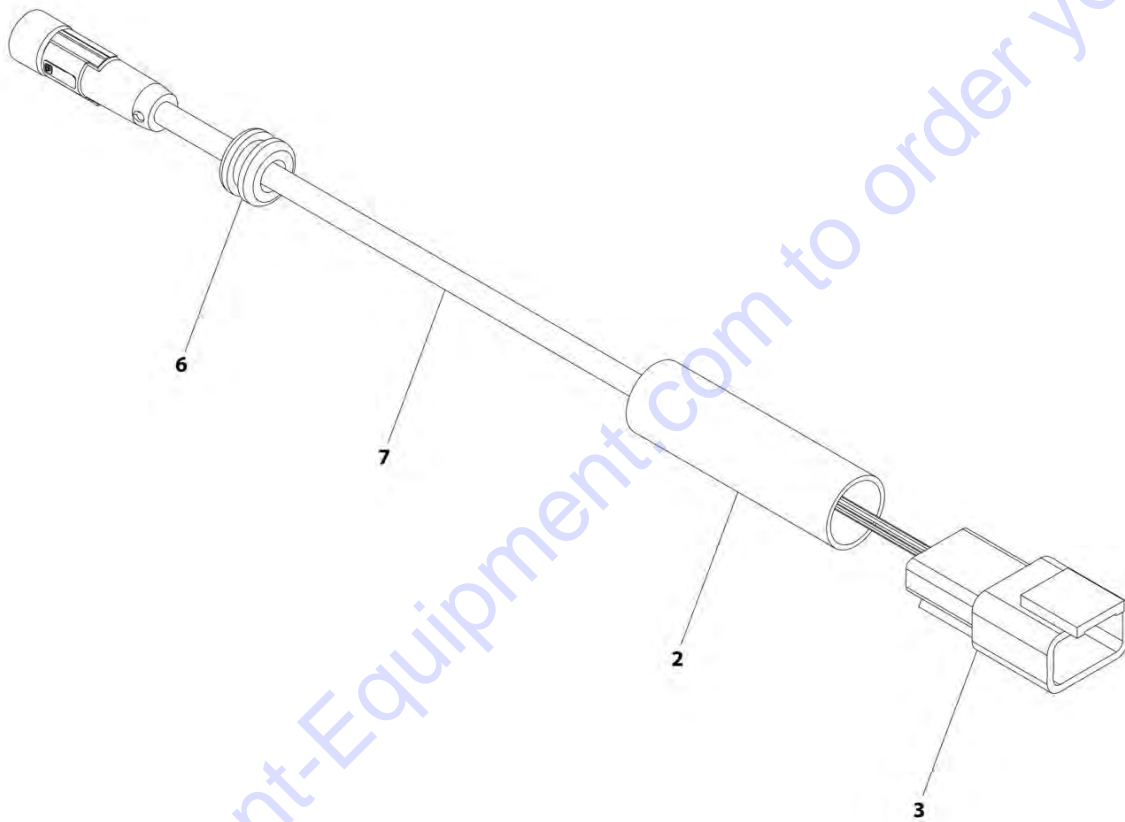
### FIGURE 8-68. SKYEYE RECEIVER HARNESS

ITEM	PART NUMBER	QTY	DESCRIPTION	REV
	1001237863	Ref	SKYEYE RECEIVER HARNESS	A
2	2820247	AR	Tubing, Heat Shrink	
4	1001097051	1	Connector - 4 Position	
4	1001119620	4	Pin, Male	
6	1001227996	1	Grommet	
7	1001237862	1	Cable, M8 Female Cordset	

Go to Discount-Equipment.com to order your parts

# SECTION 8 - ELECTRICAL

## FIGURE 8-69. SKYEYE EMITTER HARNESS



ART\_1001237864

## SECTION 8 - ELECTRICAL

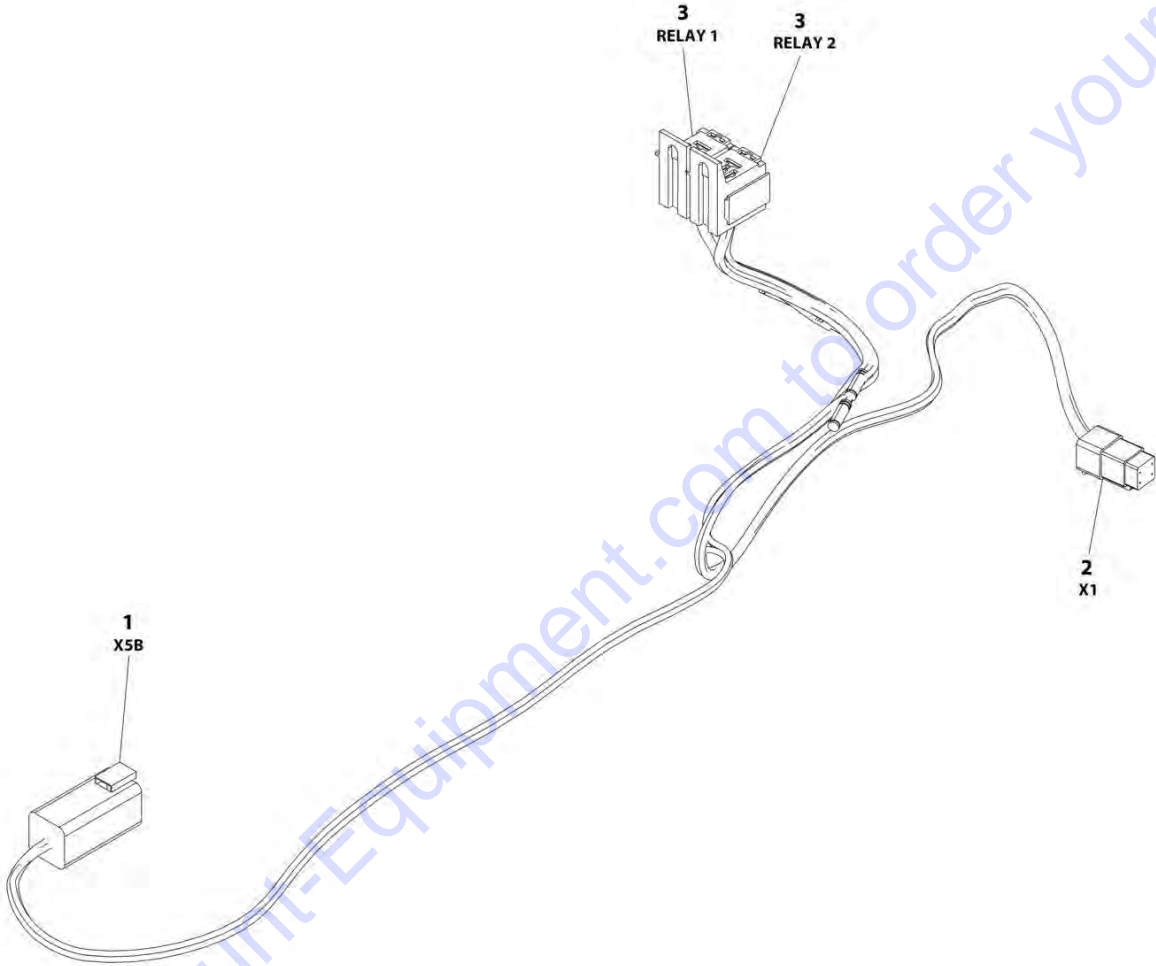
### FIGURE 8-69. SKYEYE EMITTER HARNESS

ITEM	PART NUMBER	QTY	DESCRIPTION	REV
	1001237864	Ref	SKYEYE EMITTER HARNESS	A
2	2820247	AR	Tubing, Heat Shrink	
3	4460910	1	Connector - 3 Position	
3	1001119620	3	Pin, Male	
6	1001227996	1	Grommet	
7	1001237862	1	Cable, M8 Female Cordset	

Go to Discount-Equipment.com to order your parts

# SECTION 8 - ELECTRICAL

## FIGURE 8-70. SKYLINE HARNESS



ART\_1001238418

## SECTION 8 - ELECTRICAL

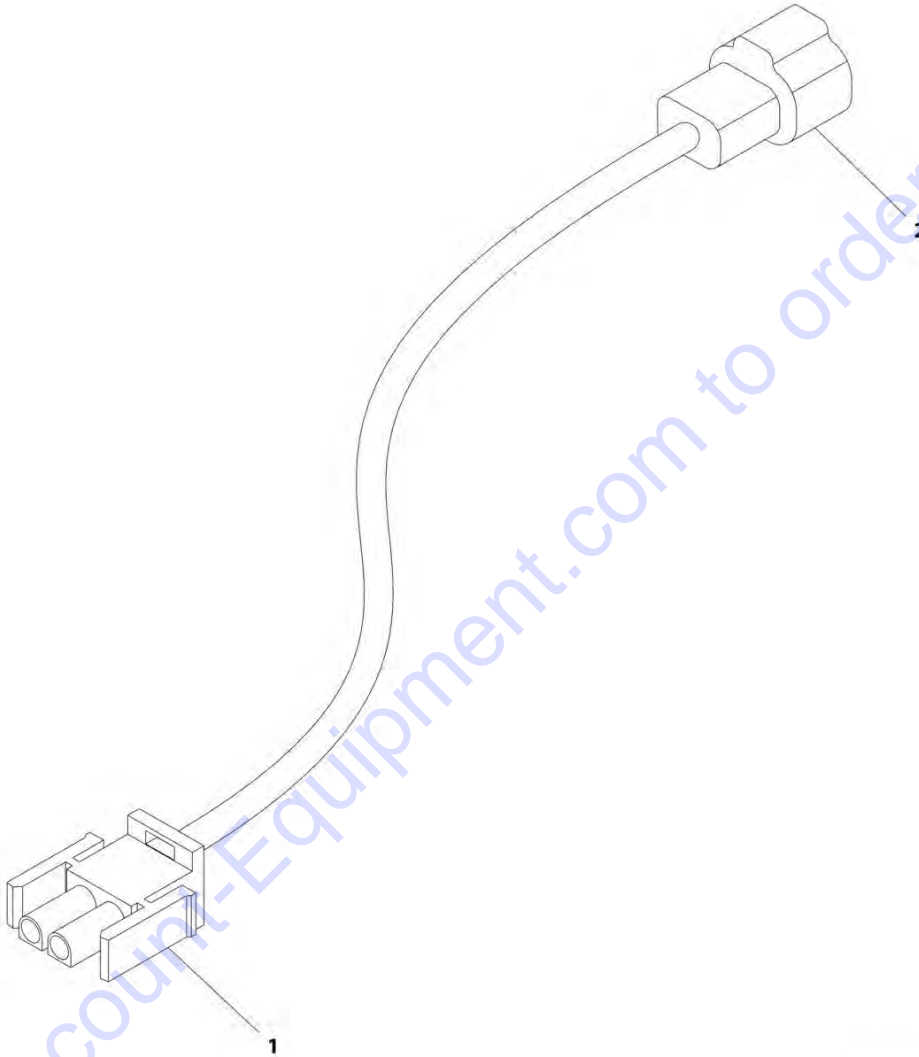
### FIGURE 8-70. SKYLINE HARNESS

ITEM	PART NUMBER	QTY	DESCRIPTION	REV
	1001238418	Ref	SKYLINE HARNESS	A
1	4460899	1	Connector - 6 Position	
1	4460464	4	Pin, Male	
1	4460466	2	Plug, Terminal	
2	4461077	1	Connector - 4 Position	
2	1001126009	4	Socket, Female	
3	1001186432	2	Plug, Relay	
3	1001118388	5	Terminal	
3	1001118384	3	Terminal	
3	3740086	2	Relay	
3	3990013	2	Diode	

Go to Discount-Equipment.com to order your parts

## SECTION 8 - ELECTRICAL

FIGURE 8-71. STROBE LIGHT HARNESS (AMBER)



ART\_1001149818



## SECTION 8 - ELECTRICAL

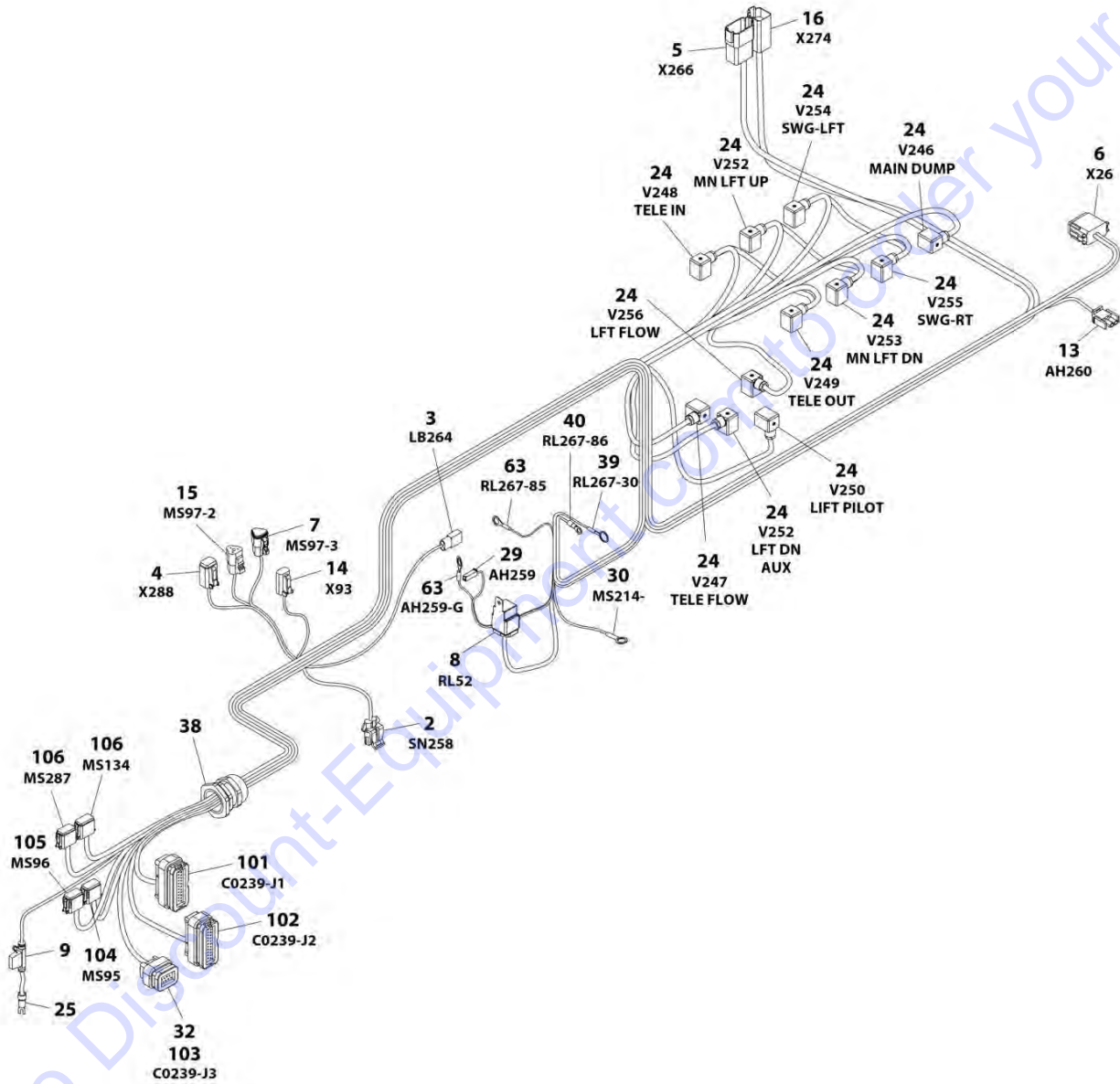
### FIGURE 8-71. STROBE LIGHT HARNESS (AMBER)

ITEM	PART NUMBER	QTY	DESCRIPTION	REV
	1001149818	Ref	STROBE LIGHT HARNESS (AMBER)	D
1	4460320	1	Plug, Male - 2 Position	
1	4460267	2	Pin, Male	
2	4460897	1	Connector - 2 Position	
2	4460464	2	Pin, Male	

Go to Discount-Equipment.com to order your parts

# SECTION 8 - ELECTRICAL

## FIGURE 8-72. TURNTABLE HARNESS ASSEMBLY



ART\_1001119653

## SECTION 8 - ELECTRICAL

### FIGURE 8-72. TURNTABLE HARNESS ASSEMBLY

ITEM	PART NUMBER	QTY	DESCRIPTION	REV
	1001119653	Ref	TURNTABLE HARNESS ASSEMBLY	H
2	4460843	1	Plug, Male - 2 Position	
2	4460842	2	Socket, Female	
3	4460424	1	Connector, Female - 2 Position	
3	4460268	2	Socket, Female	
4	4460884	1	Connector, Gray - 4 Position	
4	4460465	3	Socket, Female	
5	4460931	1	Connector, Female - 8 Position	
5	4460464	8	Pin, Male	
6	4460836	1	Connector - 12 Position	
6	4460465	3	Socket, Female	
6	4460944	2	Socket, Female (Gold)	
6	4460942	2	Socket, Female	
7	1001116812	1	Plug, Male - 3 Position (Includes Wedge Lock and Seal)	
7	4460944	2	Socket, Female (Gold)	
8	1001117025	1	Relay with Connector	
8	3740080	1	Relay, Sealed	
8	4460374	1	Plug, Sealed	
8	4460375	4	Terminal, Female	
9	2400066	1	Fuseholder	
9	2400065	1	Fuse - 30Amp	
13	4460320	1	Plug, Male - 2 Position	
13	4460267	2	Pin, Male	
14	4460891	1	Plug, Male - 2 Position	
14	4460465	2	Socket, Female	
15	4460539	1	Connector - 3 Position	
15	4460944	3	Socket, Female (Gold)	
16	4460899	1	Connector, Female - 6 Position	
16	4460464	3	Pin, Male	
16	4460943	2	Pin, Male 16 Ga	
16	4460465	1	Socket, Female	
24	4460880	11	DIN Connector	
25	4460806	1	Terminal, Fork	
29	4460260	1	Terminal, Housing	
29	4460259	1	Terminal	
30	4460256	1	Terminal, Ring	
32	4460872	1	Plug, Male - 14 Position	
32	4460871	1	Socket, Female	
38	4460526	1	Connector, Strain Relief	
39	4460019	1	Terminal, Ring	
40	4460313	1	Terminal, Ring	
63	4460702	2	Terminal, Ring	
		Ref	ADDITIONAL COMPONENTS	
101	4460874	1	Connector - 35 Position (Natural)	
101	4460871	10	Socket, Female	
102	4460875	1	Connector, Gray - 35 Position	
102	4460871	19	Socket, Female	
103	4460872	1	Plug, Male - 14 Position	
103	4460871	1	Socket, Female	
104	4460836	1	Plug, Male - 12 Position	

## SECTION 8 - ELECTRICAL

ITEM	PART NUMBER	QTY	DESCRIPTION	REV
104	4460465	4	Socket, Female	
105	4460836	1	Plug, Male - 12 Position	
105	4460465	5	Socket, Female	
106	4460933	2	Connector, Male - 12 Position (Gray)	
106	4460944	6	Socket, Female (Gold)	

Go to Discount-Equipment.com to order your parts



## SECTION 8 - ELECTRICAL

FIGURE 8-73. ELECTRICAL DIAGRAM LIST

ITEM	PART NUMBER	QTY	DESCRIPTION	REV
		Ref	Note: Diagrams not shown are available from the JLG Service Department. Schematics shown in the Service and Maintenance Manual.	
		Ref	ELECTRICAL DIAGRAM LIST	
	1001119266	Ref	Electrical Schematic	
	1001120332	Ref	Wiring Diagram - Ground Control Box	
	1001162899	Ref	Wiring Diagram - 4000W Generator 50Hz (Australian Specs)	
	1001162901	Ref	Wiring Diagram - 4000W Generator 50Hz (CE Specs)	
	1001162900	Ref	Wiring Diagram - 4000W Generator 50Hz (UK Specs)	
	1001195793	Ref	Wiring Diagram - 4000W Generator 50Hz (ANSI Export Specs)	
	1001119395	Ref	Wiring Harness Installation	

**SECTION 9 - DECALS**

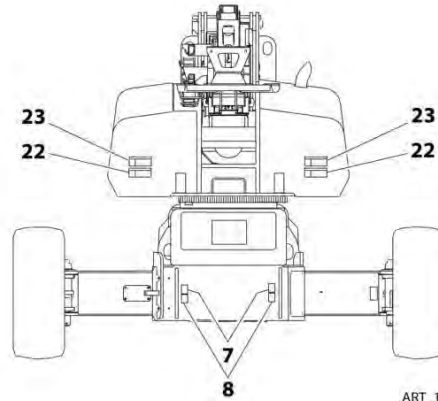
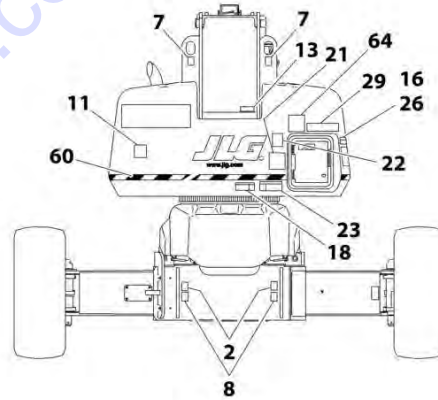
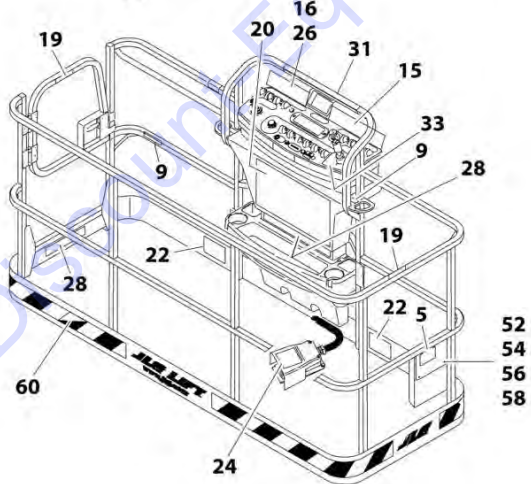
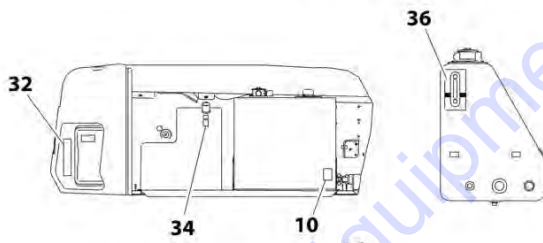
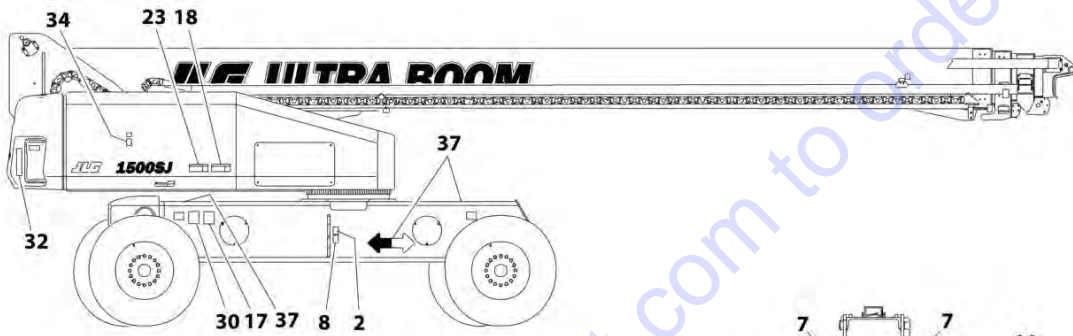
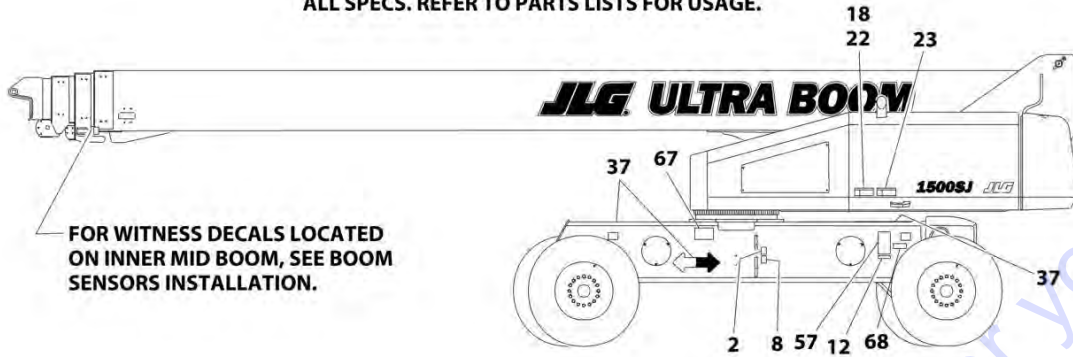
Go to [Discount-Equipment.com](http://Discount-Equipment.com) to order your parts



# SECTION 9 - DECALS

## FIGURE 9-1. DECAL INSTALLATION - ANSI SPEC

NOTE: ITEMS SHOWN MAY NOT BE REQUIRED FOR ALL SPECS. REFER TO PARTS LISTS FOR USAGE.



ART\_1001125140

## SECTION 9 - DECALS

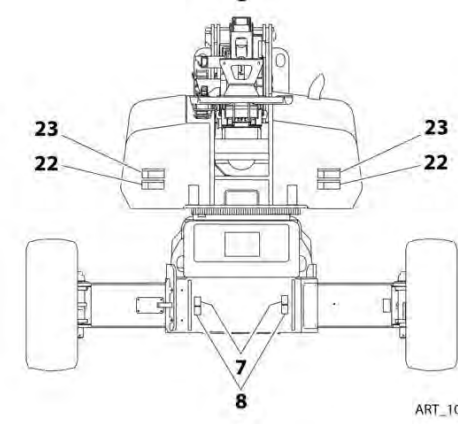
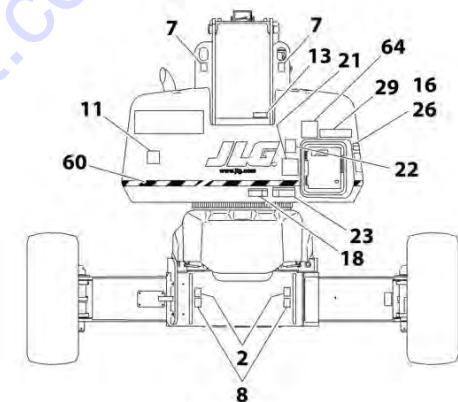
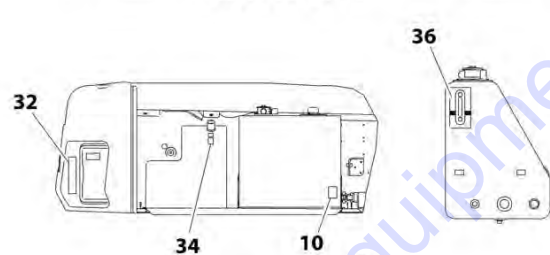
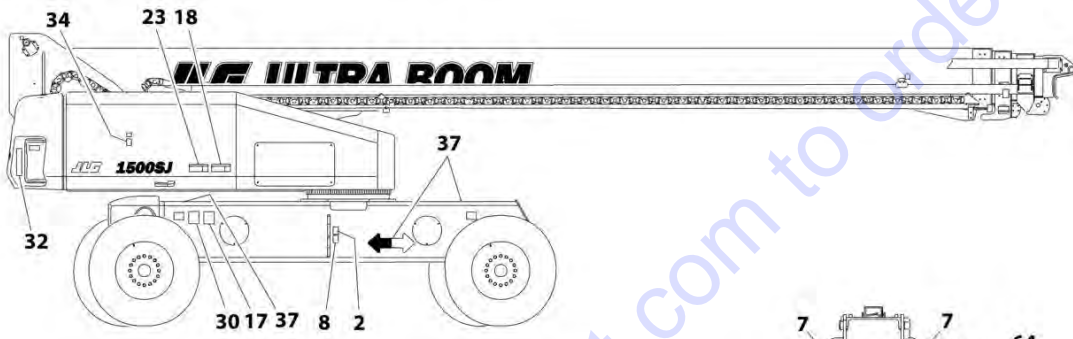
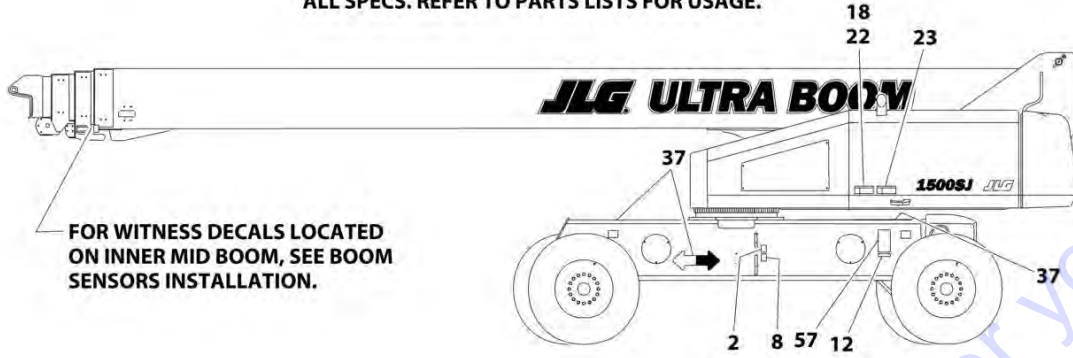
**FIGURE 9-1. DECAL INSTALLATION - ANSI SPEC**

ITEM	PART NUMBER	QTY	DESCRIPTION	REV
	1001123066	Ref	DECAL INSTALLATION - REFERENCE CHART	I
	1001125140	Ref	DECAL INSTALLATION - ANSI SPEC	F
2	1701499	4	Decal - No Lift	
5	1701509	1	Decal - Manual	
7	1703811	4	Decal - Tie Down/Lift	
8	1703814	6	Decal - Tie Down	
9	1704277	3	Decal - Attach Lanyard Here	
10	1704412	1	Decal - Hydraulic Oil Chart	
12	1705514	1	Decal - CSA <b>(SN 0300222923 to Present)</b>	
13	3251243	1	Nameplate - 120V-60Hz	
15	1705337	1	Decal - Tip Over <b>(SN 0300209000 through 0300241955)</b>	
18	1703953	3	Decal - Warning/Crushing	
19	1702868	2	Decal - No Hands	
20	1703797	1	Decal - Danger/Warning (Platform) <b>(SN 0300209000 through 0300241955)</b>	
20	1001231315	1	Decal - Danger/Warning (Platform) <b>(SN 0300241956 to Present)</b>	
21	1705336	1	Decal - Danger/Warning (Ground Control)	
22	1703804	4	Decal - Warning Crushing	
23	1703805	5	Decal - Danger/Electrocution	
24	3252347	1	Decal - Footswitch	
26	1705492	AR	Decal - Tip Over Hazard	
28	1001125175	2	Decal - Capacity (Platform)	
29	1001125176	1	Decal - Capacity (Ground Control)	
30	1001130584	1	Decal - Patent	
31	1001130584	1	Decal - Legend (Platform)	
32	1705868	1	Decal - Legend (Ground Control)	
33	1705351	1	Decal - Drive/Steer Instructions	
34	1701505	2	Decal - Fuel	
35	1704972	1	Decal - Warning Explosion/Fire (Not Shown - Located on Air Intake Box in Engine Compartment)	
36	1705511	1	Decal - Oil Level	
37	1701501	4	Decal - Arrow	
52	0641406	4	Bolt 1/4 x 3/4	
54	91403230	1	Box, Manual Storage	
56	3311405	4	Nut 1/4	
57	3820001	2	Rivet	
58	4751400	4	Washer 1/4	
67	1001223055	1	Decal - Yearly Inspection <b>(SN 0300237553 to Present)</b>	
68	1001223453	1	Decal - ICES <b>(SN 0300241956 to Present)</b>	

# SECTION 9 - DECALS

## FIGURE 9-2. DECAL INSTALLATION - AUSTRALIAN SPEC

NOTE: ITEMS SHOWN MAY NOT BE REQUIRED FOR ALL SPECS. REFER TO PARTS LISTS FOR USAGE.



ART\_1001125141

## SECTION 9 - DECALS

**FIGURE 9-2. DECAL INSTALLATION - AUSTRALIAN SPEC**

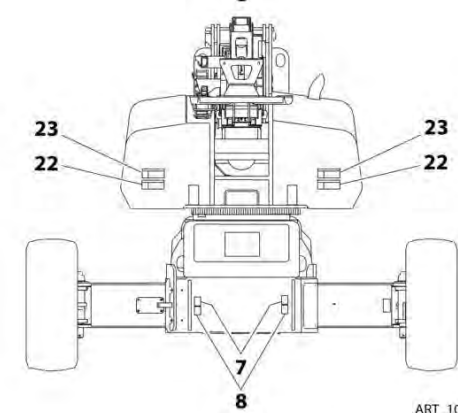
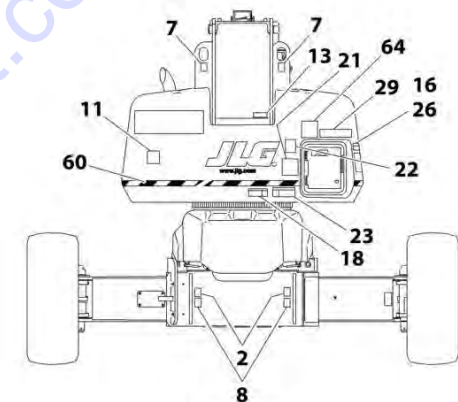
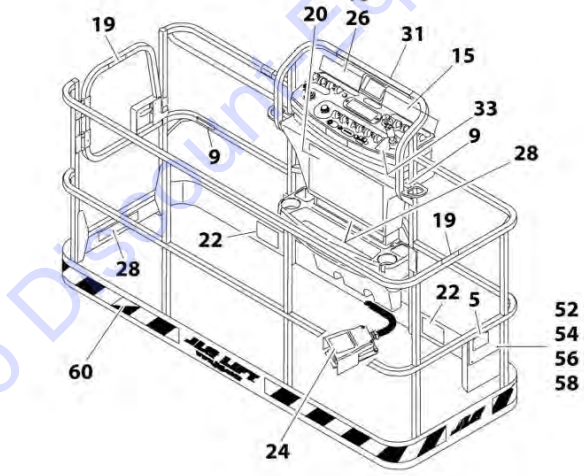
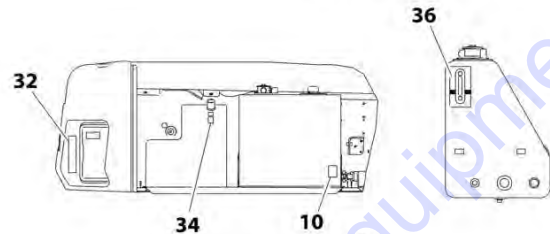
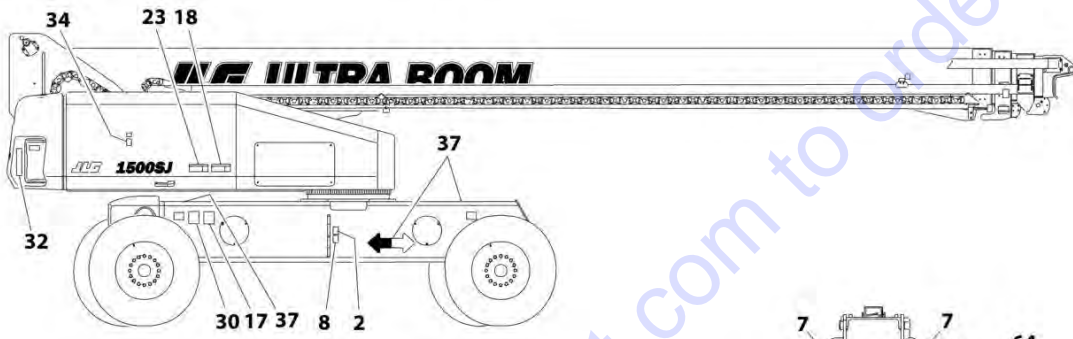
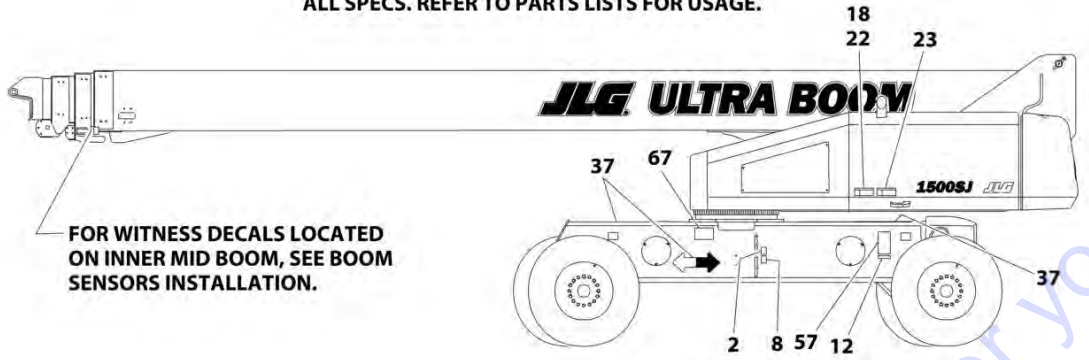
ITEM	PART NUMBER	QTY	DESCRIPTION	REV
	1001123066	Ref	DECAL INSTALLATION - REFERENCE CHART	I
	1001125141	Ref	DECAL INSTALLATION - AUSTRALIAN SPEC	E
2	1701499	4	Decal - No Lift	
5	1701509	1	Decal - Manual	
7	1703811	4	Decal - Tie Down/Lift	
8	1703814	6	Decal - Tie Down	
9	1704277	3	Decal - Attach Lanyard Here	
10	1704412	1	Decal - Hydraulic Oil Chart	
11	1705980	1	Decal - Sound Power Level	
20	1705921	1	Decal - Tipping/Electrical (Platform)	
21	1705822	1	Decal - Electrical/Safety (Ground Control)	
22	1701518	7	Decal - Warning Crushing	
23	1705961	5	Decal - Danger Electrocutation	
24	1705828	1	Decal - Footswitch	
28	1001125177	1	Decal - Capacity (Platform)	
29	1001125178	1	Decal - Capacity (Ground Control)	
34	1701505	2	Decal - Fuel	
35	1706098	1	Decal - Warning Explosion/Fire (Not Shown - Located on Air Intake Box in Engine Compartment)	
36	1705511	1	Decal - Oil Level	
37	1701501	4	Decal - Arrow	
52	0641406	4	Bolt 1/4 x 3/4	
54	91403230	1	Box, Manual Storage	
56	3311405	AR	Nut 1/4	
57	3820001	6	Rivet	
58	4751400	AR	Washer 1/4	
64	1001112551	1	Decal - Emergency Controls	



# SECTION 9 - DECALS

## FIGURE 9-3. DECAL INSTALLATION - BRAZIL SPEC (PORTUGUESE/ENGLISH)

NOTE: ITEMS SHOWN MAY NOT BE REQUIRED FOR ALL SPECS. REFER TO PARTS LISTS FOR USAGE.



ART\_1001125150

## SECTION 9 - DECALS

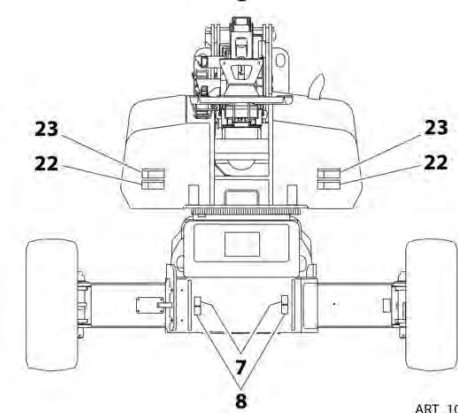
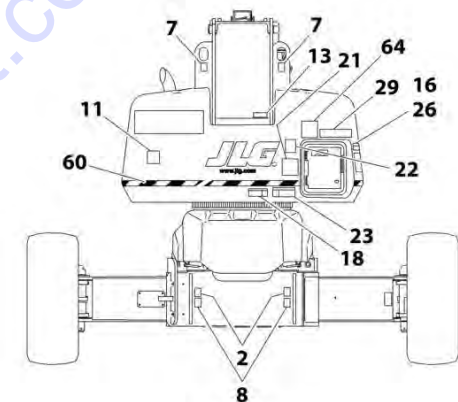
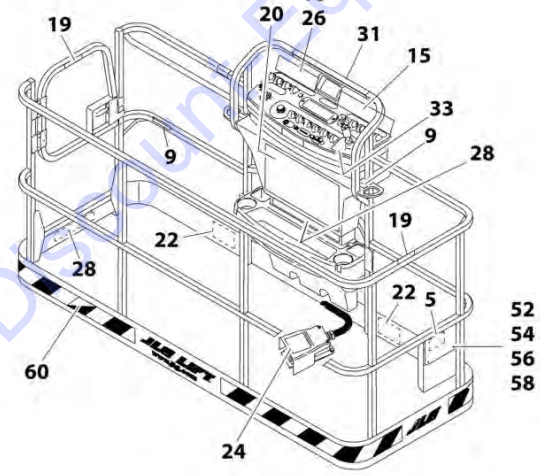
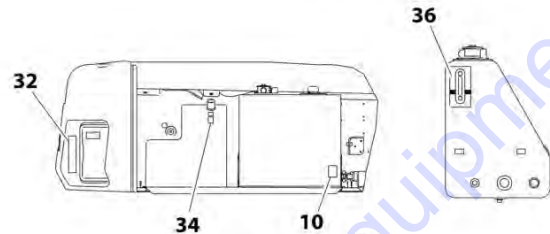
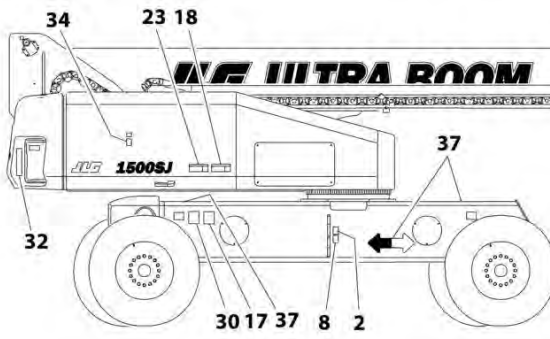
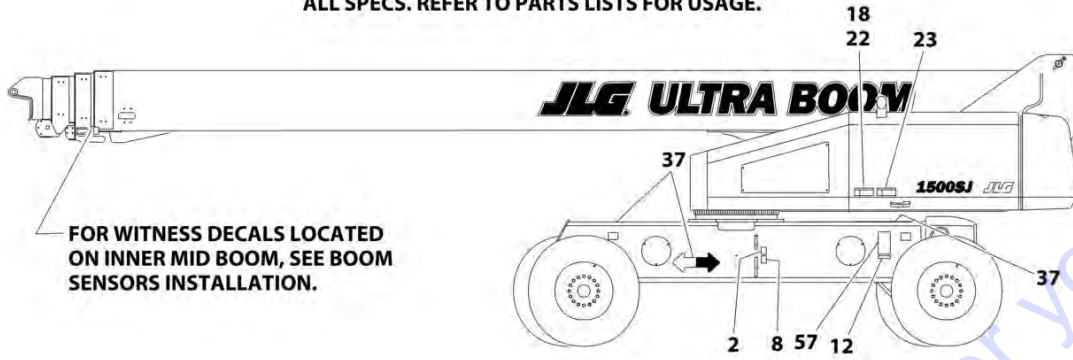
**FIGURE 9-3. DECAL INSTALLATION - BRAZIL SPEC (PORTUGUESE/ENGLISH)**

ITEM	PART NUMBER	QTY	DESCRIPTION	REV
	1001123066	Ref	DECAL INSTALLATION - REFERENCE CHART	I
	1001125150	Ref	DECAL INSTALLATION - BRAZIL SPEC (PORTUGUESE/ENGLISH)	E
2	1701499	4	Decal - No Lift	
5	1701509	1	Decal - Manual	
7	1703811	4	Decal - Tie Down/Lift	
8	1703814	6	Decal - Tie Down	
9	1704277	3	Decal - Attach Lanyard Here	
10	1704412	1	Decal - Hydraulic Oil Chart	
15	1705904	1	Decal - Tip Over <b>(SN 0300209000 through 0300241955)</b>	
16	1705906	AR	Decal - Tip Over Hazard	
17	1705901	1	Decal - Inspection	
18	1705903	3	Decal - Warning/Crushing	
19	1705967	2	Decal - No Hands	
20	1705895	1	Decal - Danger/Warning (Platform) <b>(SN 0300209000 through 0300241955)</b>	
20	1001231319	1	Decal - Danger/Warning (Platform) <b>(SN 0300241956 to Present)</b>	
21	1705896	1	Decal - Danger/Warning (Ground Control)	
22	1705898	4	Decal - Warning Crushing	
23	1705897	5	Decal - Danger/Electrocution	
24	1705902	1	Decal - Footswitch	
28	1001125187	2	Decal - Capacity (Platform)	
29	1001125188	1	Decal - Capacity (Ground Control)	
31	1001130584	1	Decal - Legend (Platform)	
32	1705868	1	Decal - Legend (Ground Controls)	
33	1705905	1	Decal - Drive/Steer Instructions	
34	1701505	2	Decal - Fuel	
35	1706059	1	Decal - Warning Explosion/Fire (Not Shown - Located on Air Intake Box in Engine Compartment)	
36	1705511	1	Decal - Oil Level	
37	1701501	4	Decal - Arrow	
52	0641406	4	Bolt 1/4 x 3/4	
54	91403230	1	Box, Manual Storage	
56	3311405	4	Nut 1/4	
57	3820001	2	Rivet	
58	4751400	4	Washer 1/4	
67	1001224052	1	Decal - Yearly Inspection <b>(SN 0300237553 to Present)</b>	

# SECTION 9 - DECALS

## FIGURE 9-4. DECAL INSTALLATION - CE SPEC

NOTE: ITEMS SHOWN MAY NOT BE REQUIRED FOR ALL SPECS. REFER TO PARTS LISTS FOR USAGE.



ART\_1001125143



## SECTION 9 - DECALS

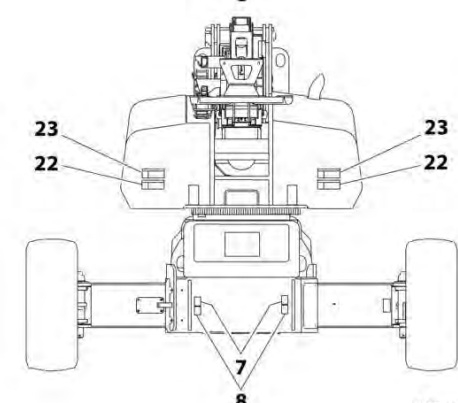
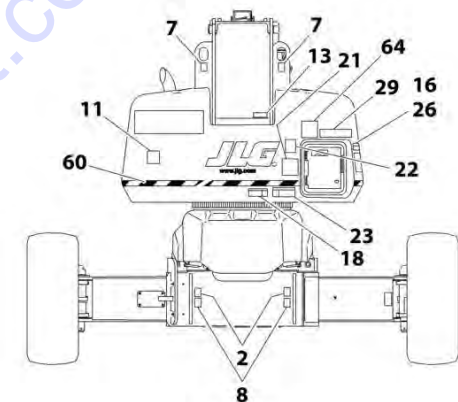
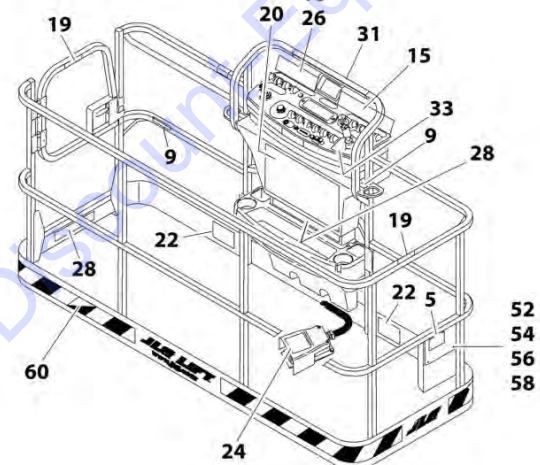
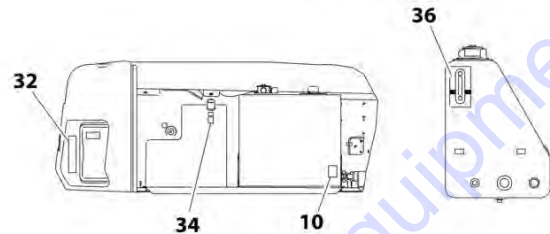
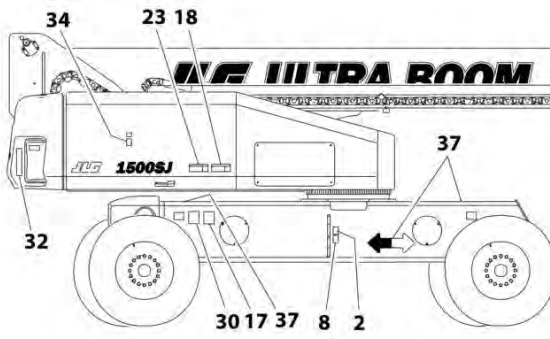
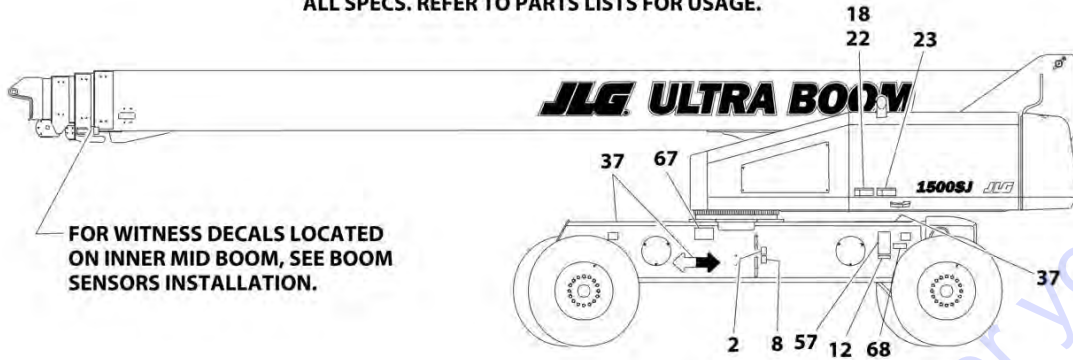
**FIGURE 9-4. DECAL INSTALLATION - CE SPEC**

ITEM	PART NUMBER	QTY	DESCRIPTION	REV
	1001123066	Ref	DECAL INSTALLATION - REFERENCE CHART (SN 0300209000 through 0300221604)	G
	1001218384	Ref	DECAL INSTALLATION - REFERENCE CHART (SN 0300221605 to Present)	A
	1001125143	Ref	DECAL INSTALLATION - CE SPEC	C
2	1701499	4	Decal - No Lift	
5	1701509	1	Decal - Manual	
7	1703811	4	Decal - Tie Down/Lift	
8	1703814	6	Decal - Tie Down	
9	1704277	3	Decal - Attach Lanyard Here	
10	1704412	1	Decal - Hydraulic Oil Chart	
20	1705921	1	Decal - Tipping/Electrical (Platform)	
21	1705822	1	Decal - Electrical/Safety (Ground Control)	
22	1701518	7	Decal - Warning Crushing	
23	1705961	5	Decal - Danger Electrocution	
24	1705828	1	Decal - Footswitch	
28	1001125177	1	Decal - Capacity (Platform)	
29	1001125178	1	Decal - Capacity (Ground Control)	
34	1701505	2	Decal - Fuel	
35	1706098	1	Decal - Warning Explosion/Fire (Not Shown - Located on Air Intake Box in Engine Compartment)	
36	1705511	1	Decal - Oil Level	
37	1701501	4	Decal - Arrow	
52	0641406	4	Bolt 1/4 x 3/4	
54	91403230	1	Box, Manual Storage	
56	3311405	4	Nut 1/4	
57	3820001	6	Rivet	
58	4751400	AR	Washer 1/4	
60	4420051	29 ft/8.8m	Decal - Warning Stripes	

# SECTION 9 - DECALS

## FIGURE 9-5. DECAL INSTALLATION - CSA SPEC (FRENCH/ENGLISH)

NOTE: ITEMS SHOWN MAY NOT BE REQUIRED FOR ALL SPECS. REFER TO PARTS LISTS FOR USAGE.



ART\_1001125146

## SECTION 9 - DECALS

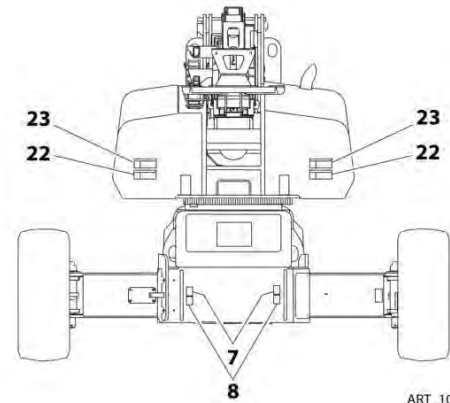
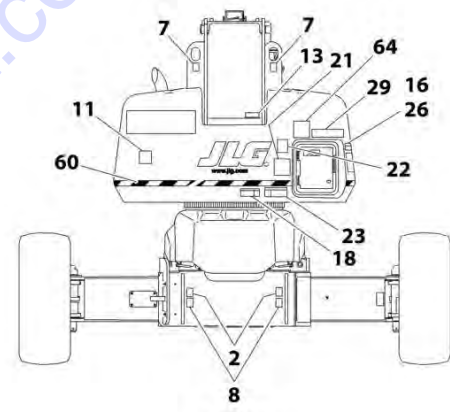
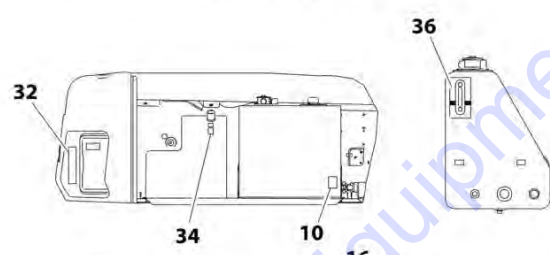
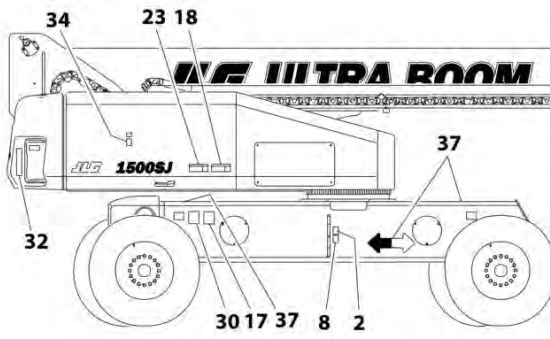
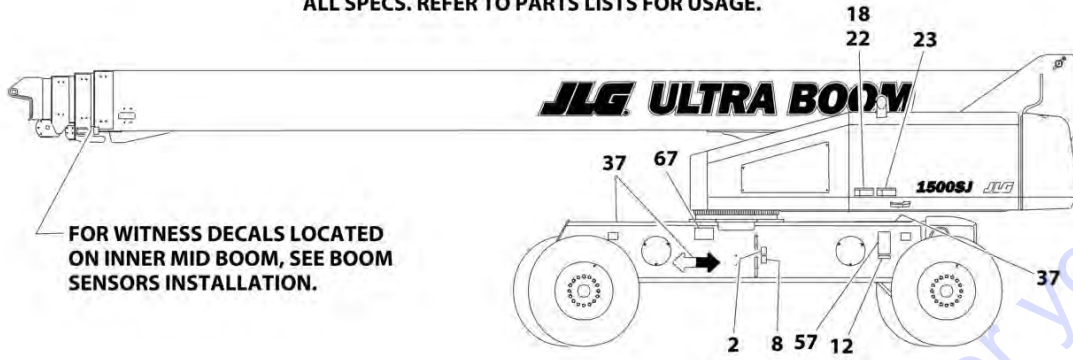
**FIGURE 9-5. DECAL INSTALLATION - CSA SPEC (FRENCH/ENGLISH)**

ITEM	PART NUMBER	QTY	DESCRIPTION	REV
	1001123066	Ref	DECAL INSTALLATION - REFERENCE CHART	I
	1001125146	Ref	DECAL INSTALLATION - CSA SPEC (FRENCH/ENGLISH)	F
2	1701499	4	Decal - No Lift	
5	1701509	1	Decal - Manual	
7	1703811	4	Decal - Tie Down/Lift	
8	1703814	6	Decal - Tie Down	
9	1704277	3	Decal - Attach Lanyard Here	
10	1704412	1	Decal - Hydraulic Oil Chart	
12	1705514	1	Decal - CSA	
13	3251243	1	Nameplate - 120V-60Hz	
15	1705341	1	Decal - Tip Over <b>(SN 0300209000 through 0300241955)</b>	
16	1705505	AR	Decal - Tip Over Hazard	
17	1704006	1	Decal - Inspection	
18	1703942	3	Decal - Warning/Crushing	
19	1704000	2	Decal - No Hands	
20	1703924	1	Decal - Danger/Warning (Platform) <b>(SN 0300209000 through 0300241955)</b>	
20	1001231316	1	Decal - Danger/Warning (Platform) <b>(SN 0300241956 to Present)</b>	
21	1705347	1	Decal - Danger/Warning (Ground Control)	
22	1703948	4	Decal - Warning Crushing	
23	1703936	5	Decal - Danger/Electrocution	
24	1703984	1	Decal - Footswitch	
28	1001125181	2	Decal - Capacity (Platform)	
29	1001125182	1	Decal - Capacity (Ground Control)	
30	1001131269	1	Decal - Patent	
31	1001130584	1	Decal - Legend (Platform)	
32	1705868	1	Decal - Legend (Ground Controls)	
33	1705429	1	Decal - Drive/Steer Instructions	
34	1701505	2	Decal - Fuel	
35	1706064	1	Decal - Warning Explosion/Fire (Not Shown - Located on Air Intake Box in Engine Compartment)	
36	1705511	1	Decal - Oil Level	
37	1701501	4	Decal - Arrow	
52	0641406	4	Bolt 1/4 x 3/4	
54	91403230	1	Box, Manual Storage	
56	3311405	4	Nut 1/4	
57	3820001	2	Rivet	
58	4751400	4	Washer 1/4	
67	1001223971	1	Decal - Yearly Inspection <b>(SN 0300237553 to Present)</b>	
68	1001223453	1	Decal - ICES <b>(SN 0300241956 to Present)</b>	

# SECTION 9 - DECALS

## FIGURE 9-6. DECAL INSTALLATION - CHINESE SPEC (ENGLISH)

NOTE: ITEMS SHOWN MAY NOT BE REQUIRED FOR ALL SPECS. REFER TO PARTS LISTS FOR USAGE.



ART\_1001125144

## SECTION 9 - DECALS

**FIGURE 9-6. DECAL INSTALLATION - CHINESE SPEC (ENGLISH)**

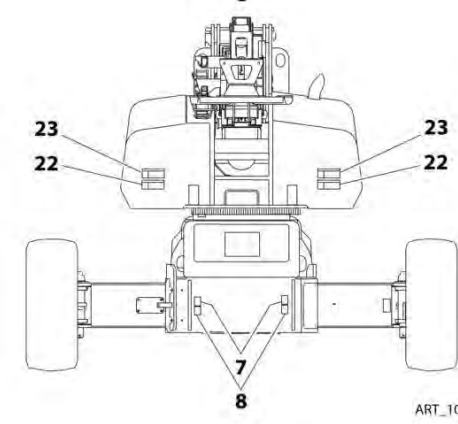
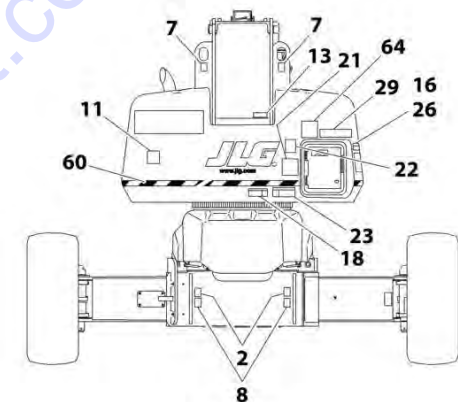
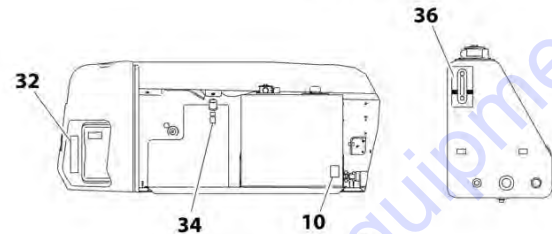
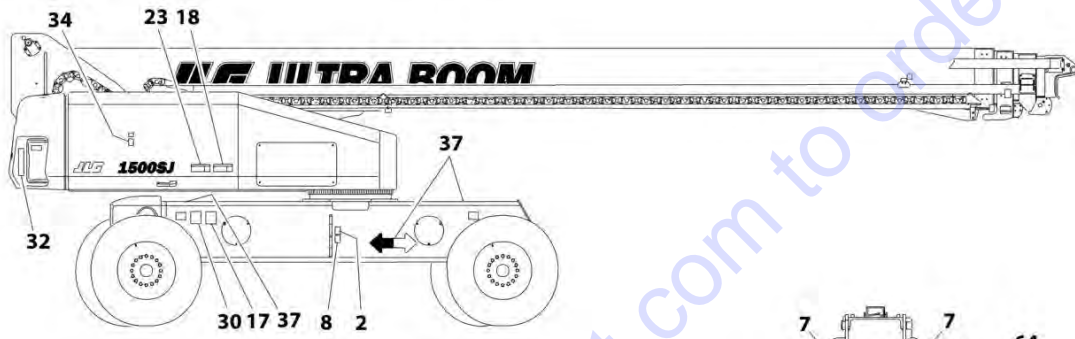
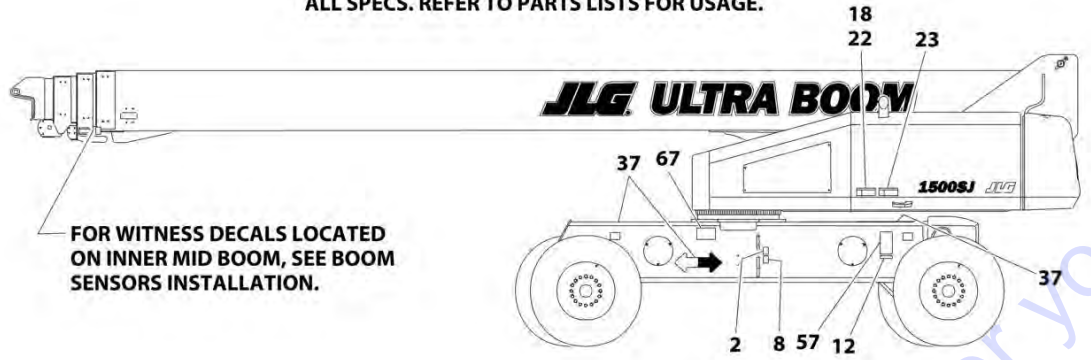
ITEM	PART NUMBER	QTY	DESCRIPTION	REV
	1001123066	Ref	DECAL INSTALLATION - REFERENCE CHART	I
	1001125144	Ref	DECAL INSTALLATION - CHINESE SPEC (ENGLISH)	E
2	1701499	4	Decal - No Lift	
5	1701509	1	Decal - Manual	
7	1703811	4	Decal - Tie Down/Lift	
8	1703814	6	Decal - Tie Down	
9	1704277	3	Decal - Attach Lanyard Here	
10	1704412	1	Decal - Hydraulic Oil Chart	
15	1705342	1	Decal - Tip Over <b>(SN 0300209000 through 0300241955)</b>	
16	1705507	AR	Decal - Tip Over Hazard	
18	1703943	3	Decal - Warning/Crushing	
19	1705968	2	Decal - No Hands	
20	1703925	1	Decal - Danger/Warning (Platform) <b>(SN 0300209000 through 0300241955)</b>	
20	1001231321	1	Decal - Danger/Warning (Platform) <b>(SN 0300241956 to Present)</b>	
21	1705348	1	Decal - Danger/Warning (Ground Control)	
22	1703949	4	Decal - Warning Crushing	
23	1703937	5	Decal - Danger/Electrocution	
24	1703982	1	Decal - Footswitch	
28	1001125179	2	Decal - Capacity (Platform)	
29	1001125180	1	Decal - Capacity (Ground Control)	
31	1001130584	1	Decal - Legend (Platform)	
32	1705868	1	Decal - Legend (Ground Controls)	
33	1705430	1	Decal - Drive/Steer Instructions	
34	1701505	2	Decal - Fuel	
35	1706060	1	Decal - Warning Explosion/Fire (Not Shown - Located on Air Intake Box in Engine Compartment)	
36	1705511	1	Decal - Oil Level	
37	1701501	4	Decal - Arrow	
52	0641406	4	Bolt 1/4 x 3/4	
54	91403230	1	Box, Manual Storage	
56	3311405	4	Nut 1/4	
57	3820001	2	Rivet	
58	4751400	4	Washer 1/4	
67	1001224050	1	Decal - Yearly Inspection <b>(SN 0300237553 to Present)</b>	



# SECTION 9 - DECALS

## FIGURE 9-7. DECAL INSTALLATION - JAPANESE SPEC (JAPANESE/ENGLISH)

NOTE: ITEMS SHOWN MAY NOT BE REQUIRED FOR ALL SPECS. REFER TO PARTS LISTS FOR USAGE.



ART\_1001125147

## SECTION 9 - DECALS

**FIGURE 9-7. DECAL INSTALLATION - JAPANESE SPEC (JAPANESE/ENGLISH)**

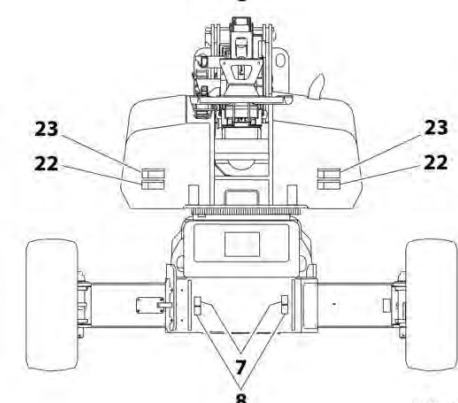
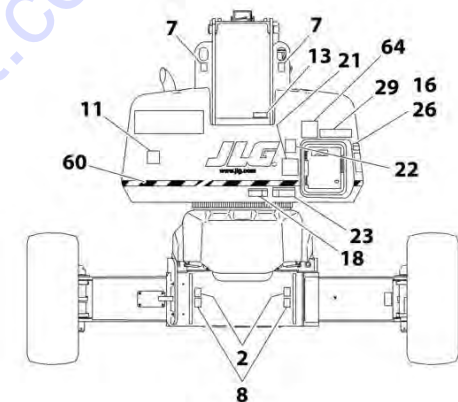
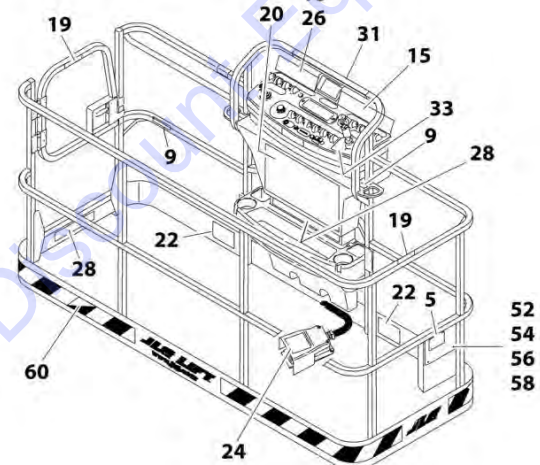
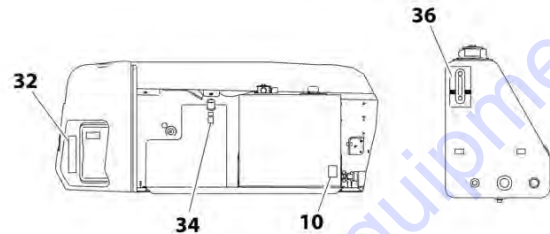
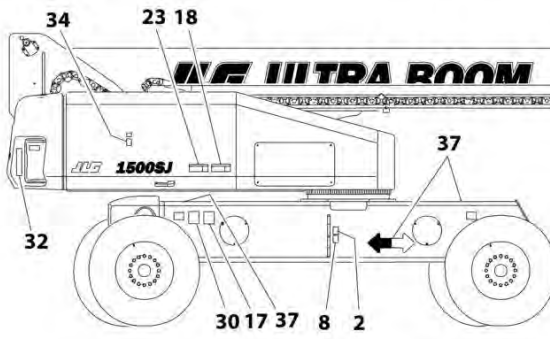
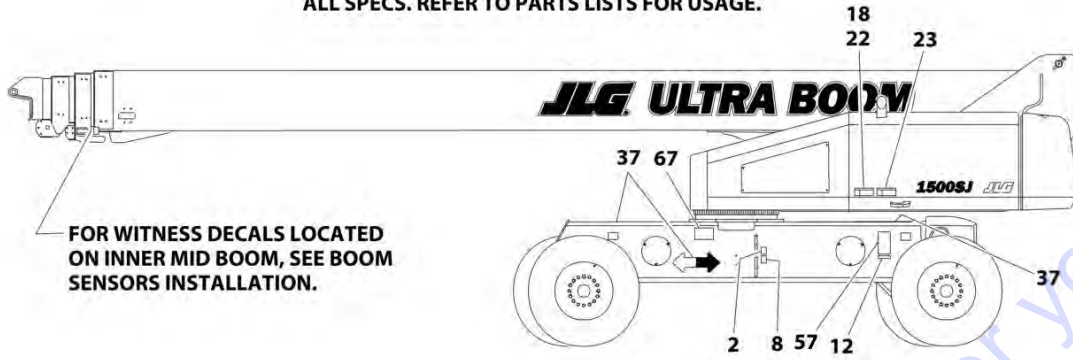
ITEM	PART NUMBER	QTY	DESCRIPTION	REV
	1001123066	Ref	DECAL INSTALLATION - REFERENCE CHART	I
	1001125147	Ref	DECAL INSTALLATION - JAPANESE SPEC (JAPANESE/ENGLISH)	E
2	1701499	4	Decal - No Lift	
5	1701509	1	Decal - Manual	
7	1703811	4	Decal - Tie Down/Lift	
8	1703814	6	Decal - Tie Down	
9	1704277	3	Decal - Attach Lanyard Here	
10	1704412	1	Decal - Hydraulic Oil Chart	
15	1705338	1	Decal - Tip Over <b>(SN 0300209000 through 0300241955)</b>	
16	1705493	AR	Decal - Tip Over Hazard	
18	1703944	3	Decal - Warning/Crushing	
20	1703926	1	Decal - Danger/Warning (Platform) <b>(SN 0300209000 through 0300241955)</b>	
20	1001231320	1	Decal - Danger/Warning (Platform) <b>(SN 0300241956 to Present)</b>	
21	1705344	1	Decal - Danger/Warning (Ground Control)	
22	1703950	4	Decal - Warning Crushing	
23	1703938	5	Decal - Danger/Electrocution	
24	1703980	1	Decal - Footswitch	
28	1001125183	2	Decal - Capacity (Platform)	
29	1001125184	1	Decal - Capacity (Ground Control)	
31	1001130584	1	Decal - Legend (Platform)	
32	1705868	1	Decal - Legend (Ground Controls)	
33	1705426	1	Decal - Drive/Steer Instructions	
34	1701505	2	Decal - Fuel	
35	1704972	1	Decal - Warning Explosion/Fire (Not Shown - Located on Air Intake Box in Engine Compartment) <b>(SN 0300209000 through 0300237552)</b>	
35	1706062	1	Decal - Warning Explosion/Fire (Not Shown - Located on Air Intake Box in Engine Compartment) <b>(SN 0300237553 to Present)</b>	
36	1705511	1	Decal - Oil Level	
37	1701501	4	Decal - Arrow	
52	0641406	4	Bolt 1/4 x 3/4	
54	91403230	1	Box, Manual Storage	
56	3311405	4	Nut 1/4	
57	3820001	2	Rivet	
58	4751400	4	Washer 1/4	
67	1001224053	1	Decal - Yearly Inspection <b>(SN 0300237553 to Present)</b>	



# SECTION 9 - DECALS

## FIGURE 9-8. DECAL INSTALLATION - KOREAN SPEC (KOREAN/ENGLISH)

NOTE: ITEMS SHOWN MAY NOT BE REQUIRED FOR ALL SPECS. REFER TO PARTS LISTS FOR USAGE.



ART\_1001125148

Go to [DodgeEquipment.com](http://DodgeEquipment.com) to order your parts

## SECTION 9 - DECALS

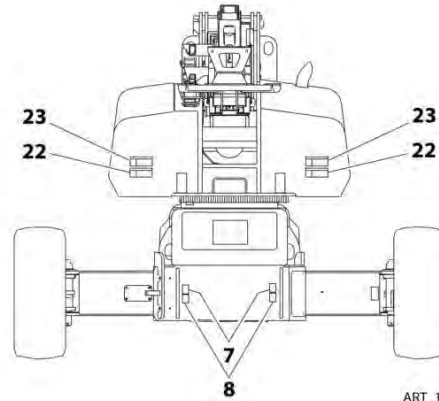
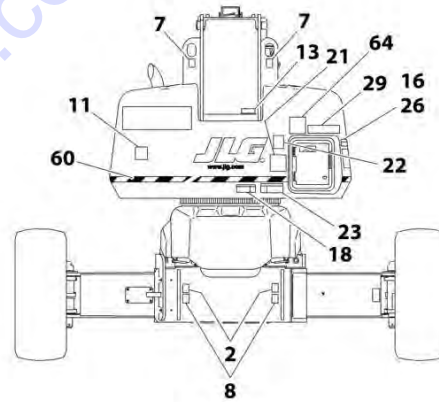
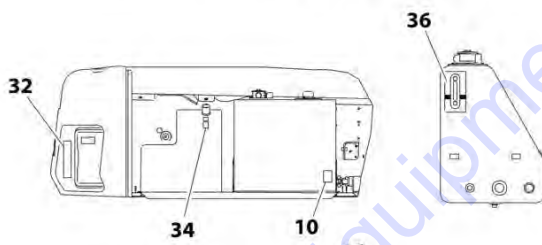
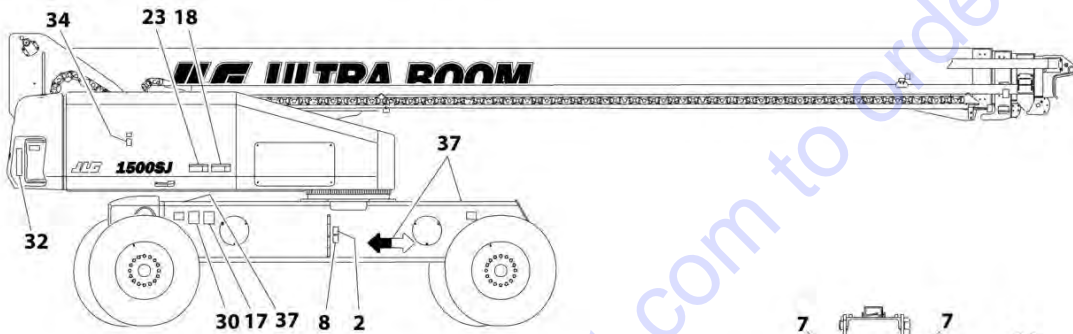
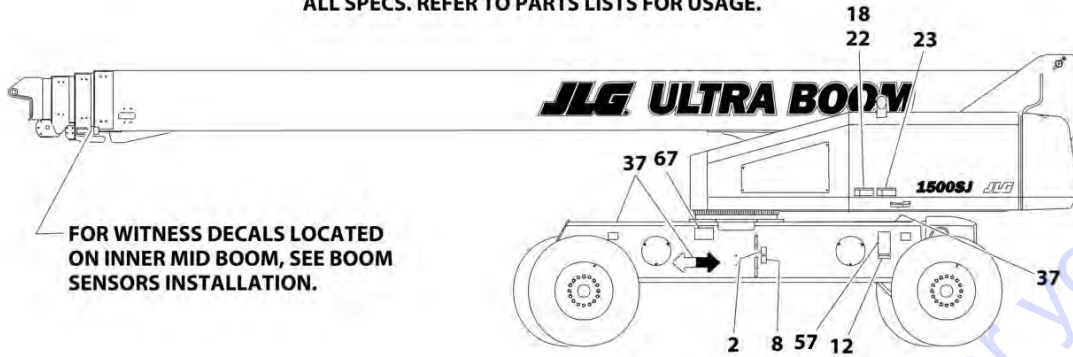
**FIGURE 9-8. DECAL INSTALLATION - KOREAN SPEC (KOREAN/ENGLISH)**

ITEM	PART NUMBER	QTY	DESCRIPTION	REV
	1001123066	Ref	DECAL INSTALLATION - REFERENCE CHART	I
	1001125148	Ref	DECAL INSTALLATION - KOREAN SPEC (KOREAN/ENGLISH)	E
2	1701499	4	Decal - No Lift	
5	1701509	1	Decal - Manual	
7	1703811	4	Decal - Tie Down/Lift	
8	1703814	6	Decal - Tie Down	
9	1704277	3	Decal - Attach Lanyard Here	
10	1704412	1	Decal - Hydraulic Oil Chart	
15	1705339	1	Decal - Tip Over <b>(SN 0300209000 through 0300241955)</b>	
16	1705503	AR	Decal - Tip Over Hazard	
18	1703945	3	Decal - Warning/Crushing	
19	1705969	2	Decal - No Hands	
20	1703927	1	Decal - Danger/Warning (Platform) <b>(SN 0300209000 through 0300241955)</b>	
20	1001231317	1	Decal - Danger/Warning (Platform) <b>(SN 0300241956 to Present)</b>	
21	1705345	1	Decal - Danger/Warning (Ground Control)	
22	1703951	4	Decal - Warning Crushing	
23	1703939	5	Decal - Danger/Electrocution	
24	1703981	1	Decal - Footswitch	
28	1001125185	2	Decal - Capacity (Platform)	
29	1001125186	1	Decal - Capacity (Ground Control)	
31	1001130584	1	Decal - Legend (Platform)	
32	1705868	1	Decal - Legend (Ground Controls)	
33	1705427	1	Decal - Drive/Steer Instructions	
34	1701505	2	Decal - Fuel	
35	1706061	1	Decal - Warning Explosion/Fire (Not Shown - Located on Air Intake Box in Engine Compartment)	
36	1705511	1	Decal - Oil Level	
37	1701501	4	Decal - Arrow	
52	0641406	4	Bolt 1/4 x 3/4	
54	91403230	1	Box, Manual Storage	
56	3311405	4	Nut 1/4	
57	3820001	2	Rivet	
58	4751400	4	Washer 1/4	
67	1001224048	1	Decal - Yearly Inspection <b>(SN 0300237553 to Present)</b>	

# SECTION 9 - DECALS

## FIGURE 9-9. DECAL INSTALLATION - LATIN AMERICAN SPEC (SPANISH/ENGLISH)

NOTE: ITEMS SHOWN MAY NOT BE REQUIRED FOR ALL SPECS. REFER TO PARTS LISTS FOR USAGE.



ART\_1001125151

## SECTION 9 - DECALS

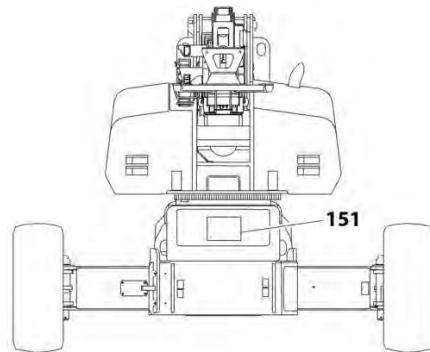
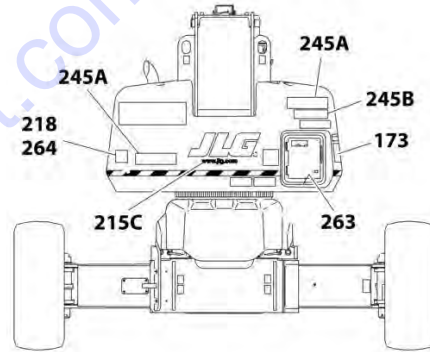
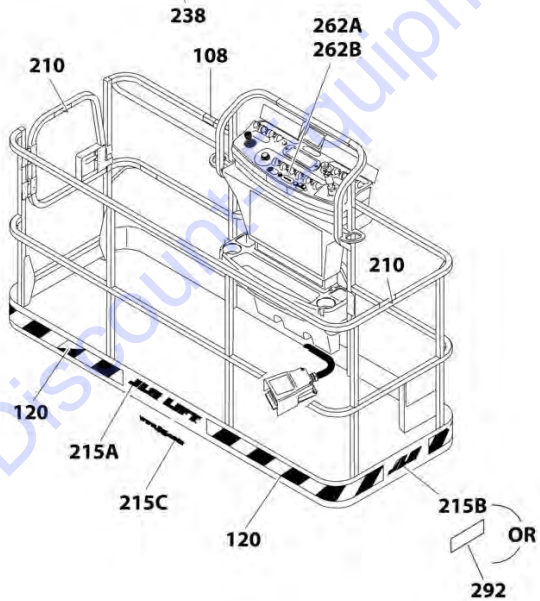
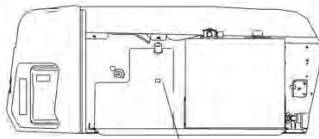
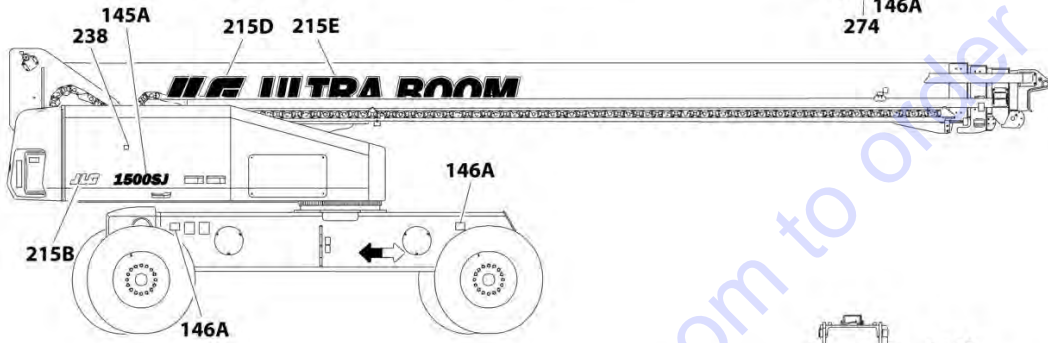
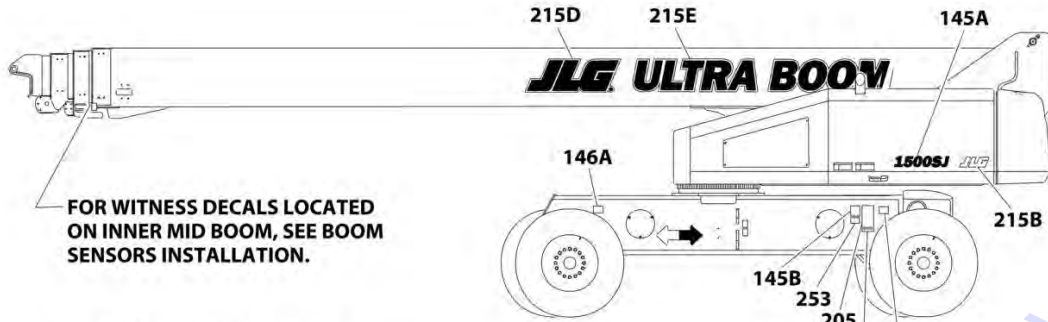
**FIGURE 9-9. DECAL INSTALLATION - LATIN AMERICAN SPEC (SPANISH/ENGLISH)**

ITEM	PART NUMBER	QTY	DESCRIPTION	REV
	1001123066	Ref	DECAL INSTALLATION - REFERENCE CHART	I
	1001125151	Ref	DECAL INSTALLATION - LATIN AMERICAN SPEC (SPANISH/ENGLISH)	E
2	1701499	4	Decal - No Lift	
5	1701509	1	Decal - Manual	
7	1703811	4	Decal - Tie Down/Lift	
8	1703814	6	Decal - Tie Down	
9	1704277	3	Decal - Attach Lanyard Here	
10	1704412	1	Decal - Hydraulic Oil Chart	
15	1705909	1	Decal - Tip Over <b>(SN 0300209000 through 0300241955)</b>	
16	1705915	AR	Decal - Tip Over Hazard	
17	1704007	1	Decal - Inspection	
18	1703941	3	Decal - Warning/Crushing	
19	1704001	2	Decal - No Hands	
20	1703923	1	Decal - Danger/Warning (Platform) <b>(SN 0300209000 through 0300241955)</b>	
20	1001231318	1	Decal - Danger/Warning (Platform) <b>(SN 0300241956 to Present)</b>	
21	1705917	1	Decal - Danger/Warning (Ground Control)	
22	1703947	4	Decal - Warning Crushing	
23	1703935	5	Decal - Danger/Electrocution	
24	1703983	1	Decal - Footswitch	
28	1001125189	2	Decal - Capacity (Platform)	
29	1001125190	1	Decal - Capacity (Ground Control)	
31	1001130584	1	Decal - Legend (Platform)	
32	1705868	1	Decal - Legend (Ground Controls)	
33	1705910	1	Decal - Drive/Steer Instructions	
34	1701505	2	Decal - Fuel	
35	1706063	1	Decal - Warning Explosion/Fire (Not Shown - Located on Air Intake Box in Engine Compartment)	
36	1705511	1	Decal - Oil Level	
37	1701501	4	Decal - Arrow	
52	0641406	4	Bolt 1/4 x 3/4	
54	91403230	1	Box, Manual Storage	
56	3311405	4	Nut 1/4	
57	3820001	2	Rivet	
58	4751400	4	Washer 1/4	
67	1001224049	1	Decal - Yearly Inspection <b>(SN 0300237553 to Present)</b>	



# SECTION 9 - DECALS

## FIGURE 9-10. DECAL INSTALLATION - OPTIONS



ART\_DECAL\_OPTIONS

## SECTION 9 - DECALS

### FIGURE 9-10. DECAL INSTALLATION - OPTIONS

ITEM	PART NUMBER	QTY	DESCRIPTION	REV
	1001123066	Ref	DECAL INSTALLATION - REFERENCE CHART	I
	1001160120	Ref	DECAL INSTALLATION - OPTIONS	AU
108	1702962	1	Decal - Warning (Proposition 65) (ANSI Spec Only) <b>(SN 0300209000 through 0300247535)</b>	
108	1001231801	1	Decal - Warning (Proposition 65) (ANSI Spec Only) <b>(SN 0300247536 to Present)</b>	
120	4420051	29 ft/8.8m	Decal - Warning Stripes	
145	1001125152	1	Decal - Model Designation Installation	C
145A	1001125191	2	Decal - 1500SJ	
145B	See Note	1	Decal - Bar Code (Note: Not Available for Purchase)	
146	1001125153	1	Decal - Max Tire Load Kit	1
146A	1001125192	4	Decal - Max Tire Load	
151	1001125274	1	Decal - Lift Diagram	
173	1001125196	1	Decal - Daily Check List - ANSI Spec	
173	1001125196	1	Decal - Daily Check List - Australian Spec	
173	1001125200	1	Decal - Daily Check List - Brazil Spec (Spanish/Portuguese)	
173	1001125198	1	Decal - Daily Check List - Chinese Spec (Chinese/English)	
173	1001125201	1	Decal - Daily Check List - CSA Spec (English/French)	
173	1001125209	1	Decal - Daily Check List - Danish Spec	
173	1001125203	1	Decal - Daily Check List - Dutch Spec	
173	1001172840	1	Decal - Daily Check List - Estonian Spec	
173	1001125207	1	Decal - Daily Check List - Finnish Spec	
173	1001125204	1	Decal - Daily Check List - French Spec	
173	1001125211	1	Decal - Daily Check List - German Spec	
173	1001125205	1	Decal - Daily Check List - Italian Spec	
173	1001125202	1	Decal - Daily Check List - Japanese Spec (Japanese/English)	
173	1001125197	1	Decal - Daily Check List - Korean Spec (Korean/English)	
173	1001125199	1	Decal - Daily Check List - Latin American Spec (Spanish/English)	
173	1001125210	1	Decal - Daily Check List - Norwegian Spec	
173	1001125212	1	Decal - Daily Check List - Polish Spec	
173	1001125200	1	Decal - Daily Check List - Portuguese Spec	
173	1001125206	1	Decal - Daily Check List - Spanish Spec	
173	1001125208	1	Decal - Daily Check List - Swedish Spec	
173	1001125196	1	Decal - Daily Check List - UK English Spec	
205	See Note	1	Decal - Nameplate (Note: Not Available for Purchase)	
210	1702868	2	Decal - No Hands - ANSI Spec	
210	1704000	2	Decal - No Hands - CSA Spec (French/English)	
210	1705969	2	Decal - No Hands - Korean Spec (Korean/English)	
215	1001116025	1	Decal - JLG Decal Installation	D
215A	1702774	1	Decal - JLG Lift	
215B	1702773	3	Decal - JLG	
215C	1704885	1	Decal - Website	
215D	1705864	2	Decal - JLG	
215E	1705865	2	Decal - Ultra Boom	
218	3251813	1	Decal - USA (ANSI, ANSI Export and CSA Specs)	
238	1001125387	1	Decal - Ultra Low Sulfur Fuel (Deutz TCD2.9L4 Engines) (ANSI and CSA Specs)	
238	1001139654	1	Decal - Ultra Low Sulfur Fuel (Deutz TCD2.9L4 Engines and Deutz TCD2.9L4 (Stage V) Engines) (ANSI Export (HRC), CE and Japanese Specs)	
245	1001120994	1	Decal - ClearSky Telematics Decal Installation	A

## SECTION 9 - DECALS

ITEM	PART NUMBER	QTY	DESCRIPTION	REV
245A	1001116208	2	Decal - ClearSky	
245B	1001120989	1	Decal - Radio Frequency Device	
253	1001143852	1	Decal – EPA (ANSI Export (LRC), CE (LRC) and Australian Specs)	
262A	1001141300	1	Decal - SkyGuard Override	
262B	1001141302	1	Decal - SkyGuard/Soft Touch Override	
263	1001197408	1	Decal - MSSO (CE Specs Only)	
264	1705980	1	Decal - Sound Power (Deutz TD2011 Engines)	
264	1001191525	1	Decal - Sound Power (Deutz TCD2.9L4 Engines and Deutz TCD2.9L4(Stage V) Engines)	
274	1001214029	1	Decal - EAC Installation (CIS and Russia Specs)	
274A	1001173703	1	Decal - EAC	
292	1001125175	1	Decal - Dual Capacity (ANSI Spec)	
292	1001125187	1	Decal – Dual Capacity (Brazil Spec - Dual Language English/Portuguese)	
292	1001125179	1	Decal – Dual Capacity (Chinese Spec - Dual Language English/Chinese)	
292	1001125181	1	Decal – Dual Capacity (CSA Spec - Dual Language English/French)	
292	1001125185	1	Decal – Dual Capacity (Korean Spec - Dual Language English/Korean)	
292	1001125189	1	Decal – Dual Capacity (Latin American - Dual Language English/Spanish)	
292	1001125183	1	Decal – Dual Capacity (Japanese Spec - Dual Language English/Japanese)	



**SECTION 10 - RECOMMENDED SERVICE PARTS STOCK**

**SECTION 10 - RECOMMENDED SERVICE PARTS STOCK**

Go to [Discount-Equipment.com](http://Discount-Equipment.com) to order your parts

# SECTION 10 - RECOMMENDED SERVICE PARTS STOCK

FIGURE 10-1. RECOMMENDED SERVICE PARTS STOCK

ITEM	PART NUMBER	QTY	DESCRIPTION	REV
		Ref	Note: The following list will service one machine (built to current production per date on the front cover) with emergency repair parts which can be installed in the field. Parts from the list should be replaced when inventory is depleted to keep service parts stock supplied.	
		Ref	STANDARD PARTS	
	4360505	1	Switch	
	7018991	1	Coil	
	7012944	1	Coil	
	3740067	1	Relay	
	7011354	1	Coil	
	7017451	1	Coil	
	7024571	1	Coil	
	70002231	12	Element, Pressure Filter	
	3740080	1	Relay	
	7024444	12	Breather, Hydraulic Oil Tank	
	7024375	12	Element, Hydraulic Oil Filter	
	4360274	1	Switch, Push Button	
	4360328	1	Switch, Toggle	
	4360475	1	Switch, Mushroom	
	4360476	1	Contact, Switch Block	
	2860030	1	Key, Replacement	
	70003923	1	Jib Power Track Repair Kit	
	70003917	1	Boom Power Track Repair Section	
	70003913	1	Boom Power Track Repair Section	
	70003026	1	Coil	
	7024885	1	Coil	
	70022147	1	Coil	
	7024883	1	Coil	
	2940074	1	Latch, Platform	
	1001129555	1	Controller, Lift and Swing	
	1001212415	1	Controller, Drive and Steer	
	1001159256	1	Switch, Toggle	
	1001161709	1	Switch, Toggle	
	4360387	1	Switch, Push Button	
	1001161710	1	Switch, Toggle	
	1001155045	1	Switch, Toggle	
	4360407	1	Controller, Speed	
	3990001	2	Diode - 3Amp	
	2400064	2	Fuse	
	2400065	2	Fuse	
		Ref	VARIABLE PARTS	
	4360578	1	Switch, Limit	
	1001112758	1	Module (Chassis)	
	1001227960	1	Module, B.L.A.M.	
	7027795	1	Module, Deutz Engine	
	7016331	12	Element, Deutz TD2011 Engine Oil Filter	
	7016328	12	Element, Deutz TD2011 Engine Fuel	

## SECTION 10 - RECOMMENDED SERVICE PARTS STOCK

ITEM	PART NUMBER	QTY	DESCRIPTION	REV
	7003655	12	Element, Deutz TD2011 Engine Air Filter	
	70024190	12	Element, Deutz TCD2.9L4 Air Filter	
	7026031	1	Sensor, Proximity	
	1001119509	1	Module, Ground Control	
	1001119512	1	Module, Repeater	
	4360469	1	Switch, Key (All Specs except CE Spec)	
	4360336	1	Switch, Toggle (Generator Options)	
	4360070	1	Circuit Breaker 15Amp (Machines with Generator)	
	4000008	1	Switch, Jib Lock Proximity	
	4360527	1	Switch, Cable Break	
	4360543	1	Sensor, Boom Length	
	1001147479	1	Sensor, Angle Indicator	
	1001118971	1	Switch, Angle Indicator (Main Boom Protractor) Proximity	
	1001135479	1	Switch, Angle Indicator (Jib Rotate) Proximity	
	1001120104	1	Switch, Jib Telescope Proximity	
	1001119262	1	Module, Jib Control	
	1001117174	1	Footswitch Kit	
	1600387	1	Module, LSS System	
	1600343	1	Module, Platform Control	
	1001181045	1	Circuit Breaker 30mAmp/16Amp (CE Spec Machines)	



**SECTION 11 - SPECIAL OPTIONS**

Go to [Discount-Equipment.com](http://Discount-Equipment.com) to order your parts

## SECTION 11 - SPECIAL OPTIONS

FIGURE 11-1. SPECIAL OPTIONS

ITEM	PART NUMBER	QTY	DESCRIPTION	REV
		Ref	Note: This list is to accommodate machines ordered with special equipment. Options may not be applicable to all models.	
		Ref	MISCELLANEOUS SPECIAL OPTIONS	
	0272078	Ref	Accessory Counterweight (Required with SkyWelder and/or Fall Arrest Platform Options)	
	1340067	Ref	Air Cleaner Pre-Cleaner	
	1001120325	Ref	Airline Installation, 1/2	
	1001202697	Ref	Air Intake Shut-off Valve (Deutz TCD2.9L4 Engines) (ANSI and CSA Specs)	
	0271803	Ref	Bellows, Cylinder (Fixed Axle)	
	0271804	Ref	Bellows, Cylinder (Oscillating Axle)	
	1001122591	Ref	Bellows, Cylinder (Boom)	
	0271875	Ref	Boom Wipers Installation (Boom)	
	1001134627	Ref	Boom Wipers Installation (Jib)	
		Ref	ClearSky (Telematics) Installations (Dealer Installed)	
	1001242192	Ref	ClearSky (Telematics) Access Control Installation Kit (Dealer Installed) (ANSI, ANSI Export and CSA Specs)	
	1001243183	Ref	ClearSky (Telematics) Added-on Kit (Dealer Installed) (ANSI, ANSI Export and CSA Specs)	
	1001243184	Ref	ClearSky (Telematics) Added-on Kit (Dealer Installed) (CE Specs)	
	1001234099	Ref	ClearSky Telematics Kit (Dealer Installed) (CE Specs)	
		Ref	ClearSky (Telematics) Installations (Factory Installed)	
	1001112988	Ref	ClearSky Telematics (ANSI Spec) <b>(SN 0300209000 through 0300234714)</b>	
	1001132730	Ref	ClearSky Telematics (Australian Spec) <b>(SN 0300209000 through 0300234714)</b>	
	1001127092	Ref	ClearSky Telematics (Brazil and New Zealand Specs) <b>(SN 0300209000 through 0300234714)</b>	
	1001112973	Ref	ClearSky Telematics (CSA Spec) <b>(SN 0300209000 through 0300234714)</b>	
	1001227451	Ref	ClearSky Telematics Installation - Canbus Connection (ANSI & CSA Specs)	
	1001246127	Ref	ClearSky Telematics Installation - Canbus Connection (Australian Specs)	
	1001228952	Ref	ClearSky Telematics Installation - Canbus Connection (ANSI Export and CE Specs)	
	1001246128	Ref	ClearSky Telematics Installation - Canbus Connection (China Specs)	
	1001229107	Ref	ClearSky Telematics Installation - 3 Wire Connection (ANSI & CSA Specs)	
	1001233237	Ref	ClearSky Telematics Installation - 3 Wire Connection (ANSI Export and CE Specs)	
	0273862	Ref	Cold Weather Package (Deutz TD2011 Engines)	
	1001235617	Ref	Cold Weather Package (Deutz TCD2.9L4 Engines and Deutz TCD2.9L4 (Stage V) Engines)	
	1001205036	Ref	Cold Weather Plus Package Kit (Deutz TCD2.9L4 Engines)	
	1001233047	Ref	Crankcase Breather Heater Kit (Deutz TCD2.9L4 Engines)	
	1001216363	Ref	Cribbing Enable Installation	
		Ref	Decals Installations	
	1702788	Ref	Decal - Biodegradable Hydraulic Fluid (English)	

## SECTION 11 - SPECIAL OPTIONS

ITEM	PART NUMBER	QTY	DESCRIPTION	REV
	1703479	Ref	Decal - Biodegradable Hydraulic Fluid (German)	
	1001200067	Ref	Decal - Quick Start Guide (CE Spec) (Danish Decal) (For LOXAM Rentals Only)	
	1001200065	Ref	Decal - Quick Start Guide (CE Spec) (Dutch Decal) (For LOXAM Rentals Only)	
	1001177562	Ref	Decal - Quick Start Guide (CE Spec) (English Decal) (For LOXAM Rentals Only)	
	1001200064	Ref	Decal - Quick Start Guide (CE Spec) (French Decal) (For LOXAM Rentals Only)	
	1001200066	Ref	Decal - Quick Start Guide (CE Spec) (German Decal) (For LOXAM Rentals Only)	
	1001200071	Ref	Decal - Quick Start Guide (CE Spec) (Norwegian Decal) (For LOXAM Rentals Only)	
	1001200070	Ref	Decal - Quick Start Guide (CE Spec) (Spanish Decal) (For LOXAM Rentals Only)	
	1001200069	Ref	Decal - Quick Start Guide (CE Spec) (Swedish Decal) (For LOXAM Rentals Only)	
	0272599	Ref	Decal - SkyCutter (ANSI and ANSI Export Specs)	
	0272607	Ref	Decal - SkyCutter (Japan Spec)	
	0272418	Ref	Decal - SkyGlazier	
	0272435	Ref	Decal - SkyPower (60Hz) (ANSI and ANSI Export Specs)	
	0272589	Ref	Decal - SkyPower (50Hz) (Australian and CE Specs)	
	0272448	Ref	Decal - SkyWelder (ANSI and ANSI Export Specs)	
	0272588	Ref	Decal - SkyWelder (Australian and CE Specs)	
	1705307	1	Decal - Tool Location	
	4420051	Ref	Decal - Warning Stripe	
		Ref	Decal Kits	
	2902307	Ref	Decal Kit - Country Spec (ANSI Spec) <b>(SN 0300209000 through 0300241955)</b>	
	1001232172	Ref	Decal Kit - Country Spec (ANSI Spec) <b>(SN 0300241956 to Present)</b>	
	2902329	Ref	Decal Kit - Country Spec (Australian and CE Specs)	
	2902312	Ref	Decal Kit - Country Spec (Brazilian Spec) <b>(SN 0300209000 through 0300241955)</b>	
	1001232176	Ref	Decal Kit - Country Spec (Brazilian Spec) <b>(SN 0300241956 to Present)</b>	
	2902309	Ref	Decal Kit - Country Spec (Chinese Spec) <b>(SN 0300209000 through 0300241955)</b>	
	1001232178	Ref	Decal Kit - Country Spec (Chinese Spec) <b>(SN 0300241956 to Present)</b>	
	2902322	Ref	Decal Kit - Country Spec (CSA Spec) <b>(SN 0300209000 through 0300241955)</b>	
	1001232173	Ref	Decal Kit - Country Spec (CSA Spec) <b>(SN 0300241956 to Present)</b>	
	2902308	Ref	Decal Kit - Country Spec (Japanese Spec) <b>(SN 0300209000 through 0300241955)</b>	
	1001232177	Ref	Decal Kit - Country Spec (Japanese Spec) <b>(SN 0300241956 to Present)</b>	
	2902310	Ref	Decal Kit - Country Spec (Korean Spec) <b>(SN 0300209000 through 0300241955)</b>	
	1001232174	Ref	Decal Kit - Country Spec (Korean Spec) <b>(SN 0300241956 to Present)</b>	
	2902311	Ref	Decal Kit - Country Spec (Latin American Spec) <b>(SN 0300209000 through 0300241955)</b>	
	1001232175	Ref	Decal Kit - Country Spec (Latin American Spec) <b>(SN 0300241956 to Present)</b>	



## SECTION 11 - SPECIAL OPTIONS

ITEM	PART NUMBER	QTY	DESCRIPTION	REV
	1001193646	Ref	Decal Kit - Machine	
	2902303	Ref	Decal Kit - Master (All Specs except Australian and CE Specs)	
	1001104651	Ref	Decal Kit - Master (Australian and CE Specs)	
	1001143931	Ref	Decal Kit - Platform (ANSI Spec)	
	1001143930	Ref	Decal Kit - Platform Console Box	
		Ref	Electrical Connector Kits	
	1001148902	Ref	Amp/Tyco Electrical Connector Kit	
	1001148903	Ref	Deutsch DT Electrical Connector Kit	
	1001148904	Ref	Deutsch HD Electrical Connector Kit	
	1001148905	Ref	Packard Electrical Connector Kit	
	1001148906	Ref	Various Electrical Connectors Kit	
	1001246867	Ref	Enhanced Detection System (EDS) Level 1 (2-Bar) Installation Kit	
	1001246860	Ref	Enhanced Detection System (EDS) Level 2 (3-Bar) Installation Kit	
	1001237883	Ref	Fall Arrest (Bolt-on) Add-on Kit (6ft/1.82m Platform) (ANSI, ANSI Export, China, CSA & Japanese Specs Only) (Fits Platform p/ns 1001186384)	
	1001237882	Ref	Fall Arrest (Bolt-on) Add-on Kit (8ft/2.4m Platform) (ANSI, ANSI Export, China, CSA & Japanese Specs Only) (Fits Platform p/ns 1001186383)	
	1001182600	NLA	Fan and Belt Shield Kit (Deutz TD2011 Engines Only) (Use p/n 1001202221)	
	1001202221	Ref	Fan and Belt Shield Kit (Deutz TD2011 Engines Only)	
	1001185079	NLA	Fan and Belt Shield Add-on Kit (Deutz TD2011 Engines Only) (Use p/n 1001206794)	
	1001206794	Ref	Fan and Belt Shield Add-on Kit (Deutz TD2011 Engines Only)	
	1001145708	Ref	Fan Guard Installation (Deutz TCD2.9L4 Engines and Deutz TCD2.9L4 (Stage V) Engines Only)	
	1001203564	Ref	Fan and Belt Guard Installation (Deutz TCD2.9L4 Engines and Deutz TCD2.9L4 (Stage V) Engines Only)	
	1001206797	Ref	Fan and Belt Guard Add-on Kit (Deutz TCD2.9L4 Engines Only)	
		Ref	Filter Kits:	
	1001133071	1	Combined Filter Kit (Hydraulic/Air and Fuel/Engine Oil) (Deutz TD2011 Engines)	
	1001181151	1	Combined Filter Kit (Hydraulic/Air and Fuel/Engine Oil) (Deutz TCD2.9L4 Engines)	
	1001133068	1	Hydraulic/Air Filter (Deutz TD2011 Engines)	
	1001182241	1	Hydraulic/Air Filter (Deutz TCD2.9L4 Engines)	
	1001110133	1	Engine - Fuel/Engine Oil Filter (Deutz TD2011 Engines)	
	1001182242	1	Engine - Fuel/Engine Oil Filter (Deutz TCD2.9L4 Engines)	
	1001139099	Ref	Fire Extinguisher Installation	
		Ref	Fluids	
	3020008	Ref	Drive Hub Lubricant	
		Ref	Hydraulic Fluid	
	2300014	Ref	Mobil 424	
	2300029	Ref	Mobil EAL ISO 46 Bio	
	2300016	Ref	Mobil DTE 10 EXCEL 32	
	2300021	Ref	Union Carbide Ucon HP5046 Fire Resistant	
	2300039	Ref	Exxon Univis (Arctic Package)	
	1001117294	Ref	Foot Switch Shield	
	1001191395	Ref	Fuel Cap Cover (Lockable) (Green)	
	1001202749	Ref	Fuel Cap Cover (Lockable) (Black)	
	1001222665	Ref	Fuel Pump Harness Kit (Deutz TCD2.9L4 Engines)	

## SECTION 11 - SPECIAL OPTIONS

ITEM	PART NUMBER	QTY	DESCRIPTION	REV
	1001176291	Ref	Generator Kit - 4000W 50Hz (Deutz TD2011 Engines)	
	1001213601	Ref	Generator Kit - 4000W 60Hz (Deutz TD2011 Engines)	
	1001211801	Ref	Generator Kit - 4000W 50Hz (Deutz TCD2.9L4 Engines)	
	1001213600	Ref	Generator Kit - 4000W 60Hz (Deutz TCD2.9L4 Engines)	
	1001220149	Ref	Generator Cable Kit - 4000W 60Hz	
	1001103286	Ref	Generator Hourmeter Installation	
	0271769	Ref	Headlight and Taillights Installation	
	1001228431	Ref	Hose/Cable Protection Installation (Boom)	
	1001187456	Ref	Hose/Cable Protection Installation - Without LSS (Platform)	
	1001233494	Ref	Hose/Cable Protection Installation - With LSS (Platform)	
	1001239634	Ref	Hose Kit - Jib Valve	
	1001204900	Ref	Platform Valve Hose Kit	
	1001187787	Ref	Hose Kit - Upper Power Track	
	1001241420	Ref	Hostile Environment Kit	
	0271808	Ref	Illumination Lights Installation	
	1001120362	Ref	Intercom System (David Clark)	
	1001148971	Ref	Lanyard (Bolt-on) Installation Kit	
	1001230625	Ref	LCD Display Kit (Low Rail)	
	1001230626	Ref	LCD Display Kit (High Rail)	
	1001183407	Ref	Low Temperature Cutout Installation (Russian Specs) <b>(SN 0300240302 through 0300245803)</b>	
	1001236951	Ref	Low Temperature Cutout Installation (Russian Specs) <b>(SN 0300245804 to Present)</b>	
		Ref	Platform Cable Carrier Installation Options:	
	1001116419	NLA	30in Platform (Use 1001172045) <b>(SN 0300209000 through 0300224753)</b>	
	1001116420	NLA	36in Platform (Use 1001172045) <b>(SN 0300209000 through 0300224753)</b>	
	1001172045	Ref	Platform Cable Carrier Installation <b>(SN 0300224754 to Present)</b>	
	1001197436	Ref	Platform Console Cover Installation	
	1580013	Ref	Platform Corner Storage Tray	
		Ref	Platform Entry Kits	
	1001142504	Ref	Drop Bar (Replacing Swing Gate with Drop Bar)	
	1001142505	Ref	Swing Gate (Replacing Drop Bar with Swing Gate)	
	1001120467	Ref	Platform Floodlights Installation	
		Ref	Platform Mesh to Top Rail Installations	
	0273145	Ref	36in x 8ft (91.5cm x 2.44m) (ANSI Spec)	
	0273149	Ref	36in x 6ft (91.5cm x 1.83m) (ANSI and ANSI Export Specs)	
		Ref	Platform Mesh to Top Rail Kits	
	1001214562	Ref	36in x 8ft (91.5cm x 2.44m) (ANSI Specs)	
	1001214561	Ref	36in x 6ft (91.5cm x 1.83m) (ANSI Specs)	
	1001214552	Ref	30in x 4ft (76.2cm x 1.22m) (ANSI Specs)	
		Ref	Platform Mesh to Mid Rail Installations	
	1001138773	Ref	36in x 8ft (91.5cm x 2.44m) (ANSI, ANSI Export and Australian Specs)	
	1001138772	Ref	36in x 6ft (91.5cm x 1.83m) (ANSI, ANSI Export and Australian Specs)	
	1001140318	Ref	30in x 4ft (76.2cm x 1.22m) (ANSI, ANSI Export and Australian Specs)	
		Ref	Platform Mesh to Mid Rail Kits	
	1001214548	Ref	36in x 8ft (91.5cm x 2.44m) (ANSI Specs)	
	1001214540	Ref	36in x 6ft (91.5cm x 1.83m) (ANSI Specs)	

## SECTION 11 - SPECIAL OPTIONS

ITEM	PART NUMBER	QTY	DESCRIPTION	REV
	1001214478	Ref	30in x 4ft (76.2cm x 1.22m) (ANSI Specs)	
	1001149730	Ref	Platform Mid Rail Repair Kit	
		Ref	Platform Rail Extensions	
	0272733	Ref	6ft Platform	
	0272725	Ref	8ft Platform	
	1001120466	Ref	Platform Worklights Installation	
	1001209059	Ref	Platform Work Surface Installation	
	1001171131	Ref	Receptacle (240V GFCI) Installation (4000W Generator)	
	1001159121	Ref	Receptacle (240V GFCI) Installation (7500W Generator)	
	1001247073	Ref	SkyEye Retrofit Kit	
	1001197016	Ref	SkyGuard Installation Kit	
	1001208923	Ref	SkyGuard Complete Add-on Kit (Blue Beacon) (Use p/n 1001209481)	
	1001210043	Ref	SkyGuard Complete Add-on Kit (Red Beacon)	
	1001137672	Ref	SkyGuard Platform Sensor Kit	
	1001206544	Ref	SkyGuard Strobe Light Kit (Blue Beacon)	
	1001210028	Ref	SkyGuard Strobe Light Kit (Red Beacon)	
	1001232643	Ref	SkyLine Kit	
	1001231235	Ref	SkyWelder Locking Bracket	
	0273824	Ref	Soft Touch System Installation - 6ft/1.8m Platforms	
	0272427	Ref	Soft Touch System Installation - 8ft/2.4m Platforms	
	0273706	Ref	Soft Touch System Installation - 6ft/1.8m Platforms (With Fall Arrest)	
	1001228964	Ref	Telematics Retrofit Harness Kit (Machines with UGM)	
		Ref	Tools For Service:	
	2901443	1	Analyzer Kit	
	0272048	Ref	Boom Cable Tools Installation	
	4120040	1	Socket 3/4	
	4120043	1	Socket 2	
	1705307	1	Decal - Tool Location	
	7002821	Ref	Crimper, Wire	
	7002823	Ref	Pin Extractor - Universal (For Electrical Connectors with Pins and Sockets)	
	4460467	1	Extractor - 16-18 Gauge (For Removal of Pin/Sockets from Deutsch Connectors)	
	4460510	1	Extractor - 12-14 Gauge (For Removal of Pin/Sockets from Deutsch Connectors)	
	7016654	Ref	Screwdriver, Magnetic	
	7002822	Ref	Screwdriver, Potentiometer	
	7004275	Ref	Seal Tool 1 (For Cylinders)	
	7004276	Ref	Seal Tool 1 1/2 (For Cylinders)	
	7002828	Ref	Stripper, Wire	
	4921850	1	Throttle Service Harness	
	70004185	1	Torque Multiplier	
	7016655	1	Wire Rope Sheave Gauge	
	1001137005	1	Software Cable Kit	
	70004646	1	Puller (Hub Assembly)	
	70004647	1	Seal Tool (Hub Assembly)	
	70004648	1	Puller (Hub Assembly)	
	1001143927	Ref	Wire Rope Kit	

**PART NUMBER INDEX**

Go to [Discount-Equipment.com](http://Discount-Equipment.com) to order your parts

# PART NUMBER INDEX

0080237.....169, 193	0140011 ... 459, 463, 467, 471, 475, 479	0480100 ..... 529, 531	0641418....402, 425, 431, 435, 437, 439, 441, 443, 445
0080244....177, 185, 201, 209	0140032 ..... 133	0480128 ..... 337, 351	0641424.....45, 47
0080277.....25	0200833 ..... 25	0480129 ..... 355	0641503....256, 260, 268, 294
0100009....459, 463, 467, 471, 475, 479	0236768 ..... 63	0561431 ..... 374, 380	0641504.....45, 47, 403
0100011....17, 21, 25, 32, 36, 45, 47, 53, 55, 59, 61, 63, 89, 91, 93, 107, 109, 111, 113, 115, 117, 149, 156, 157, 160, 161, 165, 169, 173, 177, 181, 185, 189, 193, 197, 201, 205, 209, 217, 221, 223, 227, 229, 233, 235, 239, 241, 245, 247, 251, 256, 260, 266, 279, 283, 287, 289, 294, 327, 329, 337, 341, 343, 347, 351, 355, 359, 363, 369, 371, 374, 380, 387, 391, 398, 402, 405, 407, 417, 419, 421, 425, 431, 435, 437, 439, 441, 443, 445, 503, 505, 513, 516, 519, 521, 523, 541, 543, 545, 547, 549, 551, 555, 557, 559, 563, 565, 569, 573, 577, 581	0257728 ..... 529	0561437 ..... 374, 380	0641505.....25
0100019....17, 21, 25, 27, 29, 73, 75, 77, 343, 347, 351, 355, 359, 363, 369, 371, 374, 380, 387, 398, 573	0257887 ..... 133	0561439 ..... 374, 380	0641506...59, 61, 89, 133, 156, 160, 165, 169, 173, 177, 181, 185, 189, 193, 197, 201, 205, 209
0100020....256, 260, 266, 294, 337, 343, 352, 359, 497, 516, 527, 615, 617, 619, 621, 623, 625, 627, 629, 631, 633, 635, 637, 639, 641, 643, 645, 647	0259666 ..... 127	0561444 ..... 374, 380	0641507....169, 177, 185, 193, 201, 209, 407
0100035.....25, 135, 263, 402, 475, 479, 571	0271512 ..... 77	0561457 ..... 374, 380	0641508....101, 105, 254, 266, 292, 402, 405, 407, 577
0100038....541, 543, 545, 547, 557, 559, 565, 569, 573, 581	0271520 ..... 25	0561458 ..... 374, 380	064150945, 47, 153, 165, 173, 181, 189, 197, 205
0100048.....89, 119, 123, 343, 347, 352, 356, 359, 363, 419, 459, 463, 467, 471, 475, 479	0271596 ..... 73	0561471 ..... 374, 380	0641510.....575
0100062....256, 260, 268, 294	0271769 ..... 793	0561482 ..... 374, 380	0641511.....25, 165, 173, 181, 189, 197, 205, 217, 223, 229, 235, 241, 247, 279, 283
0100063.....387, 541	0271803 ..... 790	0561500 ..... 374, 380	0641514.....529, 531
0100071.....507	0271804 ..... 790	0630357 ..... 402	0641516....337, 343, 351, 355, 359, 363
0100079....165, 173, 181, 189, 197, 205, 217, 223, 229, 235, 241, 247, 279, 283, 325	0271806 ..... 133	0630448 ..... 487	0641520...95, 97, 99, 103
0100081....119, 123, 398, 402, 459, 463, 467, 471, 509, 511	0271808 ..... 793	0630464 .... 25, 120, 123, 402	0641524.....79, 101, 105
0140001.....63	0271852 ..... 41	0630467 ..... 398, 405	0641538.....405, 407
	0271874 ..... 149	0630518 ... 119, 123, 516, 519, 521, 523, 527	0641605....165, 169, 173, 177, 181, 185, 189, 193, 197, 201, 205, 209, 217, 223, 229, 235, 241, 247, 279, 283
	0271875 ..... 790	0630534 ..... 577	064160617, 21, 156, 160, 166, 174, 182, 190, 198, 206, 217, 223, 229, 235, 241, 247, 254, 260, 266, 279, 283, 292, 387, 516, 519, 521, 523
	0271953 ..... 611	0630535 ... 541, 543, 545, 547, 549, 551, 555, 557, 563, 565, 581	0641607.....63, 402
	0271954 ..... 613	0630537 ..... 559	0641608....17, 21, 45, 47, 59, 61, 91, 93, 95, 97, 149, 151, 153, 156, 160, 169, 177, 185, 193, 201, 209, 217, 223, 229, 235, 239, 241, 245, 247, 251, 254, 260, 266, 279, 283, 287, 292, 331, 369, 371, 398, 405, 407, 415, 581
	0271955 ..... 609	0630548 ..... 119, 123	064160917, 21, 101, 105, 169, 177, 185, 193, 201, 209
	0272048 ..... 385, 794	0630568 ... 460, 464, 468, 472, 476, 480	0641610....156, 160, 165, 169, 173, 177, 181, 185, 189, 193, 197, 201, 205, 209, 217, 223, 229, 235, 241, 247, 254, 260, 266, 279, 283, 292, 325, 329, 451, 453, 455, 457
	0272055 ..... 41	0641404 ... 337, 341, 343, 347, 351, 355, 359, 363, 459, 463, 467, 471, 475, 479, 513	
	0272056 ..... 41	0641405 .... 402, 419, 513	
	0272060 ... 170, 177, 185, 194, 201, 209	0641406 .55, 59, 61, 119, 123, 160, 169, 177, 185, 193, 201, 209, 227, 245, 254, 260, 266, 292, 403, 415, 451, 453, 455, 457, 487, 499, 765, 767, 769, 771, 773, 775, 777, 779, 781	
	0272064 ..... 151	0641406001 ..... 489	
	0272070 ..... 417	0641407 ... 227, 245, 341, 347, 419, 649, 651	
	0272078 ..... 790	0641408 .... 63, 137, 139, 141, 143, 145, 147, 157, 161, 217, 227, 229, 235, 245, 247, 279, 283, 402, 451, 453, 455, 457	
	0272080 ..... 95, 604	0641410 ... 119, 123, 165, 173, 181, 189, 197, 205, 217, 223, 229, 235, 241, 247, 279, 283	
	0272254 ..... 521	0641412 ..53, 55, 63, 403	
	0272418 .... 509, 511, 791	0641414 .... 55, 459, 463, 467, 471, 475, 479, 503, 505, 507	
	0272427 ..... 794	0641416 ... 419, 609, 611, 613, 615, 617, 619, 621, 623, 625, 627, 629, 631, 633, 635, 637, 639, 641, 643, 645, 647, 651	
	0272435 .... 352, 361, 791		
	0272448 .... 516, 521, 791		
	0272521 ..... 519		
	0272588 ..... 519, 791		
	0272589 .... 356, 364, 791		
	0272599 .... 516, 527, 791		
	0272607 ..... 527, 791		
	0272725 ..... 794		
	0272733 ..... 794		
	0273145 ..... 793		
	0273149 ..... 793		
	0273353 ..... 516		
	0273706 ..... 794		
	0273824 ..... 794		
	0273862 ..... 790		
	0274661 ..... 531		
	0275216 ..... 619, 739		
	0275217 ..... 625, 741		
	0275452 ..... 631, 743		
	0275453 ..... 637, 745		
	0275454 ..... 643, 747		
	0275685 ..... 27		
	0340003 ... 169, 177, 185, 193, 201, 209		
	0340051 ... 169, 177, 185, 193, 201, 209		
	0363037 ..... 17, 21		
	0363062 ..... 63		
	0363066 ..... 374, 380		
	0363076 ..... 18		
	0400020 ..... 63		
	0440251 ..... 77		

## PART NUMBER INDEX

0641611 ..... 17, 21, 327	0681816 ..... 17, 21	0791605.....374, 380, 402	0962402 ..... 375, 381
0641612 ... 217, 223, 229, 235, 241, 247, 279, 283, 325, 369, 371	0681822 ..... 447, 449	0791606 ..... 402	0962403 ..... 375, 381
0641613 ..... 17, 21	0681836 ..... 391	0791607 ..... 53, 398	0962404 ..... 375, 381
0641614 ..... 91, 93	0682022 ..... 387	0791608 ..... 402	0962406 ..... 375, 381
0641615 ..... 374, 380	0682026 ..... 77	0791609 ..... 398	0962409 ..... 374, 380
0641616 ..... 337, 341	0682028 ... 254, 260, 266, 292	0791612 ..... 374, 380	0962410 ..... 374, 380
0641618 ... 343, 347, 352, 356, 359, 363, 374, 380	0682040 ..... 77	0791618 ..... 374, 380	0962411 ..... 375, 381
0641630 ..... 156, 160	0682418 ..... 73	0791620.....374, 380, 398	0962423 ..... 25
0641634 ..... 25	0682422 ..... 75	0791622 ..... 398	0962447 ..... 374, 380
0641636 ..... 391	0682424 ... 533, 535, 537	0791624.....374, 380, 398	0962450 ..... 419
0641640 ..... 374, 380	0683020 ..... 387	0791808 ..... 398	0962520 ... 337, 341, 343, 347, 351, 355, 359, 363
0641644 ..... 374, 380	0700408 ... 615, 617, 619, 621, 623, 625, 627, 629, 631, 633, 635, 637, 639, 641, 643, 645, 647	0811606 ..... 374, 380	1001091102 ..... 341, 347, 649, 651
0641646 ..... 374, 380	0700615 ... 137, 139, 141, 143, 145, 147	0811607 ..... 374, 380, 391	1001091460 ..... 82
0641652 ..... 374, 380	0700616 ..... 157, 161	0811608.....374, 380, 387, 391	1001091461 ..... 82
0641676 ..... 385	0700815 ... 254, 260, 266, 292	0811614 ..... 374, 380	1001091969 ..... 619
0641706 ... 254, 260, 266, 292	0701024 ..... 260	0811616 ..... 374, 380	1001091970 ..... 625
0641708 ... 218, 223, 230, 236, 241, 248, 254, 260, 266, 280, 284, 292	0701617 ..... 27, 29	0860038.....337, 343, 351, 359, 611, 613	1001091973 ..... 631
0641808 ... 17, 21, 45, 47, 165, 169, 173, 177, 181, 185, 189, 193, 197, 201, 205, 209, 217, 223, 229, 235, 241, 247, 279, 283, 374, 380, 387	0711214 ... 169, 177, 185, 193, 201, 209	0861538 ..... 351, 359	1001091974 ..... 637
0641810 ... 337, 341, 343, 347, 351, 355, 359, 363, 398	0711417 ... 177, 185, 201, 209	0861572 ..... 355, 363	1001091975 ..... 643
0641812 ..... 89, 169, 177, 185, 221, 227, 233, 239, 245, 251, 287, 289, 417, 421	0721006 ..... 327, 329	0861731.....615, 617, 633, 635, 639, 641, 645, 647, 743, 745, 747	1001092856 ..... 170, 178, 186, 194, 202, 210
0641813 ..... 156, 160	0731007 ..... 91, 93	0861781.....621, 623, 627, 629, 739, 741	1001093242 ..... 31
0641814 ..... 18, 193, 201, 209	0741404 ..... 402	0861880 ..... 679, 681, 683	1001093243 ..... 27, 31
0641816 ..... 153	0741606 ..... 25, 374, 380	0902743 ..... 581	1001094915 ..... 341, 347, 649, 651
0641818 ... 151, 169, 177, 185, 193, 201, 209	0741607 ... 337, 341, 343, 347, 359, 363	0902755 ..... 59, 61	1001095976 ..... 651
0641820 ..... 89	0741607 ... 337, 341, 343, 347, 359, 363	0902790 ..... 89	1001096070 ..... 649, 683
0641822 ..... 419	0741806 ..... 374, 380	0902800 ..... 59, 61	1001097051 ..... 751
0641826 ... 169, 177, 185, 193, 201, 209	0760810 ... 256, 260, 268, 294	0902888.....337, 343, 351, 355, 359, 363	1001097150 ..... 679, 683
0642010 ... 165, 173, 181, 189, 197, 205, 217, 223, 229, 235, 241, 247, 279, 283, 387	0760812 ..... 655	0902915 ..... 89	1001098012 ..... 516, 527
0642012 ... 369, 371, 509	0760814 ..... 261	0902919 ..... 419	1001098122 ..... 497
0642014 ... 374, 380, 387	0760814001 ..... 261	0902920 ..... 419	1001098149 ..... 527
0642016 ..... 25	0761014 ..... 421	0903149 ..... 649	1001098513 ..... 166, 169
0642020 ..... 21	0761016 ..... 260	0903484 ..... 651	1001098530 ..... 174, 177
0642022 ..... 374, 380	0761210 ... 217, 223, 229, 235, 241, 247, 263, 279, 283	0903530 ..... 59, 61	1001098531 ..... 182, 185
0642024 ..... 419	0761212 ... 254, 260, 266, 292	0940070.....169, 177, 185, 193, 201, 209, 254, 260, 266, 292	1001098601 ..... 169, 178, 186, 193, 202, 210, 213
0642026 ..... 511	0771212 ... 254, 260, 266, 292	0940102 ..... 509, 511	1001098828 ..... 421
0642212 ..... 509, 511	0771414 ... 169, 177, 185, 193, 201, 209, 254, 260, 266, 292	0961845.....425, 431, 435, 437, 439, 441, 443, 445	1001099366 ..... 509, 511
0642214 17, 21, 369, 371	0791003 ..... 563	0961896.....541, 545, 547	1001099367 ..... 509, 511
0642612 ..... 137, 143	0791406 ..... 402	0961897.....549, 551, 563, 565	1001099632 ..... 25
0642684 ... 417, 419, 421	0791410 ..... 53, 55	0961901 ..... 559	1001100341 ..... 739
0681608 ... 417, 419, 421	0791504 ..... 398	0961902 ..... 555, 557	1001100342 ..... 741
0681620 ... 533, 535, 537	0791505 ..... 402	0961903 ..... 581	1001100345 ..... 743
0681813 ..... 17, 21	0791506 ..... 402	0961949 ..... 571, 573	1001100346 ..... 747
0681814 17, 21, 447, 449	0791516 ..... 398	0961950.....387, 391, 545, 547, 549, 551, 553, 563, 565, 571, 573	1001100347 ..... 745
0681815 ..... 17, 21	0791520 ..... 398	0961986.....169, 177, 185, 193, 201, 209, 254, 260, 266, 292	1001100434 ..... 119, 123
	0791604 53, 55, 156, 160, 374, 380, 402	0961987.....169, 177, 185, 193, 201, 209, 254, 260, 266, 292	1001101191 ..... 617, 619, 623, 625, 629, 631, 635, 637, 641, 643, 647, 679, 681
		0962006 ..... 555, 557	1001101196 ..... 619, 623, 625, 629
		0962033 ..... 17, 21	1001101197 ..... 617, 631, 635, 637, 641, 643, 647
		0962051 ..... 151, 153	1001101421 ..... 509, 511
		0962181 ..... 387	1001101422 ..... 509
		0962185 ..... 577	1001101550 ..... 35
		0962270 ..... 447, 449	1001102647 ..... 511
		0962297.....374, 380, 559, 561	1001103286 ..... 793
			1001104315 ..... 29
			1001104324 ..... 29
			1001104325 ..... 29, 35
			1001104651 ..... 792
			1001104922 ..... 581



# PART NUMBER INDEX

1001106736.....120, 123	1001113961.....657, 701, 705	1001118084.....563	1001119455..59, 61, 599, 601
1001107971.....190, 193	1001114495.....254, 267, 293	1001118086.....563	1001119456.....107, 109, 737
1001107973.....198, 201	1001115961.....43	1001118142.....376, 549	1001119470.....107, 109, 111, 113, 687
1001107975.....206, 209	1001116008.....657	1001118143.....549, 551	1001119497.....376, 382, 581
1001108122.....419	1001116015.....181	1001118145.....549, 551	1001119498.....581
1001108579.....93	1001116025.....783	1001118148.....549, 551	1001119500.....581
1001108616.....194, 203, 211, 239, 245, 251, 287, 314	1001116208.....784	1001118149.....549, 551	1001119509.....119, 123, 787
1001108617.....165, 173, 181, 189, 197, 205, 217, 223, 229, 235, 241, 247, 279, 283	1001116290.....157, 161	1001118177.....549, 551	1001119512.....119, 123, 787
1001109048.....93	1001116419.....793	1001118286.....405, 407, 411	1001119521.....399
1001109468.....603	1001116420.....793	1001118369.....387	1001119522.....399
1001109503.....119, 123	1001116707.....689	1001118373.....403	1001119546.....588
1001109654.....651, 679	1001116710.....695	1001118384.....755	1001119571.....376, 382
1001109677..97, 103, 105	1001116720.....709	1001118388.....709, 755	1001119619.....749
1001109759.....156, 160	1001116728.....690	1001118430.....376, 382	1001119620.....751, 753
1001110027.....156	1001116748.....677, 685, 715	1001118431.....376, 382	1001119647.....549
1001110059.....93	1001116774.....657, 659, 701, 705	1001118442.....369, 371, 559	1001119651.....107, 111, 115, 119
1001110108.....55	1001116792.....217, 223, 229, 235, 241, 247, 279, 283	1001118443.....559	1001119652.....119, 701
1001110109.....55	1001116808.....657, 659, 701, 705	1001118564.....387	1001119653.....119, 123, 759
1001110110.....55	1001116812.....759	1001118663.....391, 575	1001119654.....391
1001110111.....55	1001116815.....657	1001118663.....391, 575	1001119668.....391
1001110112.....55	1001116952.....690	1001118930.....403	1001119702.....405, 407, 409
1001110113.....55	1001116967.....689	1001118931.....403	1001119703.....405, 407
1001110133.....792	1001116983.....695	1001118932.....588, 603	1001119704.....405, 407
1001110186.....79	1001117025.....701, 706, 759	1001118933.....603	1001119706.....405
1001110194.....156, 160	1001117064.....677, 685, 715	1001118934.....603	1001119710.....391
1001110425.....217, 223, 229, 235, 241, 247, 279, 283	1001117078.....353, 356, 361, 365	1001118935.....603	1001119714.....391
1001110433.....156, 160	1001117106.....690	1001118957.....97, 605	1001119717...45, 59, 405
1001110486.....156, 160	1001117107.....690	1001118971.....403, 787	1001119727.....261
1001110513.....55	1001117172.....497	1001119020.....119, 123, 659, 715, 725, 727, 731	1001119729.....403
1001110604.....603	1001117174.....459, 463, 467, 471, 475, 479, 497, 787	1001119033.....403	1001119817.....603
1001110873.....337, 343, 352, 360, 611	1001117294.....792	1001119040.....89	1001119899.....369, 371
1001110877.....55	1001117308.....255, 261, 267, 293	1001119042.....387	1001119944.....398
1001111132.....166, 174, 182, 190, 198, 206	1001117359.....91	1001119052.....189	1001119952.....63
1001111251.....767	1001117370.....165	1001119053.....197	1001119968.....352, 356, 361, 364
10011112612.....659, 701, 705	1001117371.....173	1001119054.....205	1001119970.....369
1001112669.....43	1001117455.....369, 374	1001119105.....555, 557, 563, 565	1001119985.....387
1001112691.....156, 160	1001117456.....376, 382	1001119111.....387, 391	1001119990.....387
1001112716.....43	1001117457.....376, 382	1001119137.....403	1001119991.....387
1001112757.....59, 61	1001117458.....376, 382	1001119138.....603	1001119998.....387
1001112758...45, 47, 786	1001117459.....376, 382	1001119141.....403	1001119999.....369, 371
1001112766.....169, 177, 185, 193, 201, 209	1001117479.....376, 382	1001119211.....415	1001120000.....387
1001112796.....659	1001117480.....376, 382	1001119212.....405, 407, 415	1001120014.....387
1001112878.....165, 173, 181, 189, 197, 205	1001117481.....376, 382	1001119214.....415	1001120015.....387
1001112879.....165, 173, 181, 189, 197, 205	1001117969.....555, 557	1001119215.....415	1001120028.....403
1001112880.....165, 173, 181, 189, 197, 205	1001117984.....555	1001119225.....402	1001120037.....388
1001112927.....195, 202, 211, 239, 245, 251, 287, 321	1001117990.....555, 557	1001119262.....415, 787	1001120038.....388
1001112973.....790	1001117991.....563, 565	1001119266.....762	1001120039.....388
1001112988.....790	1001117994.....555, 557, 563, 565	1001119273.....89	1001120048.....403
1001113047.....156, 160	1001118066.....555, 557, 563, 565	1001119313.....387, 567	1001120055.....715, 725, 727, 731
1001113103.....93	1001118069.....555, 557, 563, 565	1001119314.....567	1001120076.....403
1001113483.....419	1001118070.....555, 563	1001119318.....567	1001120084.....403
		1001119389.....459, 463, 725	1001120098.....669, 671, 673, 675, 711
		1001119390.....733	1001120099.....669
		1001119392.....415, 715	1001120100.....675
		1001119393.....669, 671, 673, 675, 713	1001120101.....675
		1001119394.....661	
		1001119395.....685, 762	
		1001119413.....391	
		1001119414.....391	
		1001119452.....567, 569	



## PART NUMBER INDEX

1001120104 ..... 403, 787	1001122242..... 487	1001125387..... 783	1001134488 ..... 254, 261, 268, 292
1001120107 ..... 669	1001122383..... 129	1001125427..... 351	1001134627 ..... 790
1001120108 ..... 673	1001122384..... 483	1001125428..... 355	1001134728 ..... 588
1001120111 ..... 673	1001122396..... 669, 671, 673, 675, 723	1001125666..... 669, 671, 673, 675	1001135090 ..... 255, 267, 293
1001120137 ..... 669	1001122528..... 352, 356, 361, 364	1001125677 ..... 715	1001135124 99, 101, 103, 105
1001120138 ..... 673	1001122591..... 790	1001126008..... 657, 715	1001135138 ..... 255, 261, 267, 293
1001120139 ..... 675	1001122611..... 483	1001126009..... 755	1001135479 ..... 403, 787
1001120168 ..... 588, 592, 595, 597, 599, 604	1001123066..... 765, 767, 769, 771, 773, 775, 777, 779, 781, 783	1001126300..... 487	1001135483 ..... 403
1001120169 ..... 588, 592, 595, 597, 603, 604		1001126351..... 689	1001135484 ..... 403
1001120170 ..... 599, 604		1001126352..... 689	1001135560 ..... 255, 261, 267, 293
1001120171 ..... 603, 604	1001125137..... 555	1001126356..... 689	1001135562 ..... 255, 261, 267, 293
1001120172 ..... 592, 604	1001125140..... 765	1001126357 ..... 689	1001135650 ..... 691, 693
1001120173 ..... 597, 604	1001125141..... 767	1001126362..... 690	1001135651 ..... 691
1001120174 ..... 595, 604	1001125143..... 771	1001126363..... 690	1001135663 ..... 153
1001120175 ..... 588, 604	1001125144..... 775	1001126364..... 690	1001135679 ..... 255, 261, 267, 293
1001120209 ..... 399	1001125146..... 773	1001126365..... 690	1001135680 ..... 255, 267, 293
1001120257 ..... 399	1001125147..... 777	1001126384..... 689	1001135779 ..... 256, 262, 268, 294
1001120276 ..... 735	1001125148..... 779	1001126391..... 690	1001135901 ..... 255, 267, 293
1001120278 ..... 677	1001125150..... 769	1001127092 ..... 790	1001135903 ..... 255, 261, 267, 293
1001120300 ..... 459, 460	1001125151..... 781	1001128527 ..... 523	1001135913 ..... 255, 267, 292
1001120309 ..... 119	1001125152..... 783	1001128556 ..... 523	1001135914 ..... 255, 267, 292
1001120311 ..... 119	1001125153..... 783	1001128947 ..... 255, 267, 271	1001135924 ..... 255, 267, 293
1001120323 ..... 119	1001125175..... 765, 784	1001129555 ..... 786	1001135926 ..... 255, 267, 293
1001120325 ..... 790	1001125176..... 765	1001129858 ..... 337, 338	1001135943 ..... 255, 267, 293
1001120328 ..... 503, 505, 513, 715, 725, 727, 731	1001125177..... 767, 771	1001129920 ..... 555	1001135946 ..... 255, 261, 267, 293
1001120332 ..... 119, 123, 762	1001125178..... 767, 771	1001129921 ..... 555	1001136079 ..... 256, 261, 294
1001120338 ..... 459, 463, 467, 471, 475, 479	1001125179..... 775, 784	1001129961 ..... 391	1001136172 ..... 261, 266
1001120348 ..... 588	1001125180..... 775	1001130025 ..... 111	1001136292 ..... 255, 267, 293
1001120349 ..... 588	1001125181..... 773, 784	1001130584 ..... 765, 769, 773, 775, 777, 779, 781	1001136356 ..... 341
1001120350 ..... 588	1001125182..... 773	1001131269 ..... 773	1001136357 ..... 347, 364
1001120351 ..... 588	1001125183..... 777, 784	1001131292 ..... 375, 381	1001136626 ..... 255, 267, 293
1001120352 ..... 588	1001125184..... 777	1001131293 ..... 376, 382	1001136665 ..... 255, 261, 267, 293
1001120354 ..... 588	1001125185..... 779, 784	1001131296 ..... 376, 382	1001136834 ..... 255, 261, 267, 293
1001120355 ..... 588	1001125186..... 779	1001131330 ..... 375, 381	1001136988 ..... 359, 363
1001120356 ..... 588	1001125187..... 769, 784	1001131362 ..... 156, 160	1001137005 ..... 794
1001120357 ..... 588	1001125188..... 769	1001131462 ..... 153	1001137262 ..... 399
1001120358 ..... 588	1001125189..... 781, 784	1001131542 ..... 169, 177, 185, 193, 201, 209, 218, 223, 230, 236, 241, 248, 280, 284	1001137263 ..... 399
1001120361 ..... 107	1001125190..... 781	1001131620 ..... 398	1001137276 ..... 255, 261, 267, 293
1001120362 ..... 793	1001125191..... 783	1001131728 ..... 398	1001137336 ..... 260
1001120466 ..... 794	1001125192..... 783	1001131733 ..... 398	1001137354 ..... 66
1001120467 ..... 793	1001125194..... 460, 464, 467, 471, 476, 479	1001132194 ..... 59, 61, 65	1001137364 ..... 460, 464, 468, 472, 476, 480
1001120564 ..... 95, 97	1001125195..... 460, 464, 468, 471, 476, 479	1001132730 ..... 790	1001137590 ..... 359
1001120607 ..... 419	1001125196..... 783	1001133068 ..... 792	1001137591 ..... 363
1001120608 ..... 419	1001125197..... 783	1001133071 ..... 792	
1001120628 ..... 605	1001125198..... 783	1001133633 ..... 255, 262, 268, 293	
1001120631 ..... 419	1001125199..... 783	1001133634 ..... 255, 261, 267, 293	
1001120944 ..... 577	1001125200..... 783	1001133714 ..... 691, 693	
1001120950 ..... 577	1001125201..... 783	1001133715 ..... 691, 693	
1001120952 ..... 577	1001125202..... 783	1001133759 ..... 89	
1001120954 ..... 577	1001125203..... 783	1001133956 ..... 689	
1001120960 ..... 577	1001125204..... 783	1001133957 ..... 689	
1001120961 ..... 577	1001125205..... 783	1001134098 ..... 73, 82	
1001120989 ..... 784	1001125206..... 783	1001134180 ..... 391	
1001120994 ..... 783	1001125207..... 783	1001134389 ..... 235	
1001121121 ..... 391, 577	1001125208..... 783	1001134390 ..... 235, 239	
1001121155 ..... 577, 579	1001125209..... 783	1001134392 ..... 221, 239, 254	
1001121157 ..... 577	1001125210..... 783	1001134485 ..... 255, 267	
1001121826 ..... 129, 483	1001125211..... 783		
1001121827 ..... 131, 485	1001125212..... 783		
1001121837 ..... 487	1001125214..... 783		
1001121943 ..... 487	1001125274..... 783		
1001122235 ..... 487	1001125279..... 559, 561		
	1001125293..... 487, 717		
	1001125295..... 717, 719		

# PART NUMBER INDEX

1001137672.....794	1001140485.....160	1001144433.....468, 472, 476, 505	1001153387.....256, 262, 268, 294
1001137673.....503, 505	1001140535.....261	1001144629.....427, 429, 431, 433, 435	1001154157.....335
1001138011.....343, 347, 360, 364	1001140564.....254, 262, 267, 292	1001145089.....217, 229, 235, 247, 279, 283	1001154214.....99
1001138110.....691	1001140604.....217, 229, 235, 247, 279, 283	1001145154.....256, 262, 268, 294	1001154260.....375, 381
1001138111.....691	1001141225.....217, 223, 229, 235, 241, 247, 279, 283	1001145382.....170, 178, 186, 194, 202, 210	1001154294.....375, 381
1001138113.....691	1001141300.....784	1001145405.....516, 527	1001154304.....375, 381
1001138228.....255, 261, 267, 293	1001141302.....784	1001145708.....792	1001154405.....217, 223, 229, 235, 241, 247, 256, 262, 268, 279, 283, 294, 327, 329, 331
1001138248.....255, 262, 268, 293	1001141304.....256, 262, 267, 294	1001145842.....218, 230, 236, 248, 280, 284	1001155044.....460, 464, 468, 472, 476, 480
1001138253.....255, 261, 267, 293	1001141717.....256, 262, 267, 294	1001146042.....451	1001155045.....460, 464, 468, 472, 476, 480, 786
1001138346.....255, 261, 267, 293, 689	1001141718.....327, 329	1001146132.....161	1001155575.....255, 262, 267, 293
1001138491.....217, 223, 229, 235, 241, 247, 279, 283, 695	1001141719.....254, 262, 267, 292	1001146178.....160	1001155823.....256, 262, 268, 294
1001138494.....431, 435, 437, 439, 441, 443, 445	1001141744.....247	1001146183.....160	1001157520.....352, 356, 360, 364
1001138514.....437, 439, 441, 443, 445	1001141745.....248, 251	1001146219.....254, 262, 266, 292	1001157521.....352, 356, 360, 364
1001138524.....255, 262, 267, 293	1001141746.....233, 251, 266	1001146244.....160	1001157525.....355, 356, 363, 364
1001138559.....255, 263, 267, 293	1001141811.....217	1001147264.....690	1001157528.....352, 356, 360, 364
1001138565.....341	1001141812.....218, 221	1001147479.....402, 787	1001157592.....351, 352, 359, 360
1001138566.....337, 341, 343, 347	1001141813.....230, 233	1001148841.....693	1001157890.....715
1001138717.....256, 268, 294	1001141815.....229	1001148842.....693	1001158007.....352, 356, 361, 364
1001138772.....793	1001142398.....255, 262, 267, 293	1001148843.....256, 262, 268, 294, 693	1001158008.....338, 344, 352, 356, 361, 364
1001138773.....793	1001142501.....256, 262, 268, 294	1001148902.....792	1001158363.....338, 344
1001138827.....255, 261, 267, 293	1001142504.....793	1001148903.....792	1001159121.....794
1001139099.....792	1001142505.....793	1001148905.....792	1001159256.....460, 464, 468, 472, 476, 480, 786
1001139240.....255, 261, 267, 293	1001142637.....256, 268, 294	1001148906.....792	1001160120.....783
1001139357.....337, 341	1001142645.....343, 360	1001148971.....793	1001160567.....91
1001139492.....103, 605	1001142683.....137, 139, 141, 143, 145, 147	1001149639.....170, 178, 186, 194, 202, 210	1001161046.....671
1001139494.....99, 604	1001142685.....256, 262, 268, 294	1001149730.....794	1001161047.....671
1001139654.....783	1001142694.....137, 143	1001149740.....170, 178, 186, 194, 202, 210	1001161052.....671
1001139665.....99, 103	1001142719.....137, 139, 141, 143, 145, 147	1001149818.....135, 757	1001161401.....17, 22
1001139666.....99, 103	1001142736.....137, 139, 141, 143, 145, 147, 659	1001149955.....135	1001161402.....17, 22
1001139778.....160	1001142938.....690	1001149994.....135, 139, 141, 145, 147	1001161403.....17, 22
1001139930.....335	1001142940.....690	1001150406.....135	1001161709.....460, 464, 468, 472, 476, 480, 786
1001139958.....337	1001142941.....690	1001150944.....137, 657	1001161710.....460, 464, 468, 472, 476, 480, 786
1001139959.....341	1001143087 99, 101, 103, 105	1001151284.....170, 178, 186, 194, 202, 210	1001162899.....762
1001139972.....375, 381	1001143123.....99, 103	1001151393.....127	1001162900.....762
1001139994.....551	1001143294.....153	1001152456.....338, 344	1001162901.....762
1001139995.....555, 557	1001143298.....153	1001152457.....337, 343, 344	1001163131.....509, 511
1001139996.....563, 565	1001143390.....256, 262, 268, 294	1001152525.....338, 344, 352, 356, 360, 364	1001165035.....217, 224, 229, 235, 242, 247, 256, 263, 268, 293
1001139998.....382, 551	1001143431.....137	1001152530.....338, 344	1001165101.....218, 224, 230, 236, 242, 248, 280, 284, 327
1001139999.....387, 555	1001143431.....137	1001152533.....337, 341, 343, 347, 697	1001165368.....341, 347, 681
1001140104.....387, 563	1001143852.....784	1001152742.....689	1001165820.....256, 268, 294
1001140105.....371	1001143927.....376, 382, 794	1001152963.....221, 227, 233, 289, 308	1001166393.....255, 261, 267, 293
1001140107.....371, 380	1001143928.....391	1001152966.....601	
1001140108.....369, 371, 387	1001143929.....376, 382	1001152969.....601, 604	
1001140222.....327	1001143930.....792	1001152972.....588, 592, 595, 597, 601, 604	
1001140312.....268	1001143931.....792	1001153024.....255, 267, 293	
1001140318.....793	1001144089.....256, 262, 268, 294	1001153257.....337, 343	
1001140346.....343, 344	1001144147.....657	1001153260.....338, 344	
1001140347.....347	1001144346.....115		
1001140429.....425, 431, 435, 437, 439, 441, 443, 445	1001144398.....581, 583		

## PART NUMBER INDEX

1001166538 ..... 460, 464, 468, 472, 476, 480, 495	1001176940.....262	1001188884.....325	1001205036 ..... 790
1001166539 ..... 460, 464, 468, 472, 476, 480, 491	1001177094.....262	1001188887.....325	1001205401 ..... 139
1001166664 ..... 451, 459	1001177562.....791	1001188889.....503	1001205958 ..... 631, 633, 635, 637, 639, 641, 643, 645, 647
1001167164 ..... 227, 245	1001177635.....489	1001189001.....421	1001206250 ..... 635
1001167565 ..... 421	1001177945..... 227, 245	1001189002.....421	1001206251 ..... 641
1001167567 ..... 421	1001177946..... 227, 245	1001189176.....137	1001206252 ..... 647
1001167596 ..... 421	1001177957..... 227, 245	1001190097.....453, 467	1001206253 ..... 623
1001168166 ..... 262	1001177958..... 227, 245	1001190105.....468	1001206254 ..... 629
1001168402 ..... 421	1001178236.....262	1001190110.....453	1001206255 ..... 617
1001169054 ..... 262	1001178249..... 387, 393	1001190586.....487	1001206476 ..... 655
1001169138 ..... 262	1001178250..... 387, 395	1001190587.....487	1001206544 ..... 794
1001170035 ..... 262	1001178797.....331	1001190985.....421	1001206794 ..... 792
1001170982 ..... 263	1001178894.....262	1001191272.....255, 267, 293	1001206797 ..... 792
1001171095 ..... 194, 203, 211, 239, 245, 251, 287, 317	1001179154..... 337, 344, 352, 360	1001191395.....792	1001207004 ..... 145, 147
1001171130 ..... 343	1001179216.....669, 671, 673, 675	1001191525.....784	1001207309 ..... 143
1001171131 ..... 794	1001179510.....403	1001191541.....18, 22	1001207969 ..... 407
1001171273 ..... 347	1001179830.....124	1001191708.....507	1001208923 ..... 794
1001172045 ..... 793	1001180051..... 156, 161	1001192401.....702, 706	1001208994 ..... 407
1001172663 ..... 421	1001180491.....489	1001193018.....615, 617, 619, 621, 623, 625, 627, 629, 631, 633, 635, 637, 639, 641, 643, 645, 647	1001209059 ..... 794
1001172760 ..... 460, 464, 468, 472, 476, 480	1001180620.....262	1001193646.....792	1001209432 ..... 655
1001172840 ..... 783	1001181045.....679, 681, 683, 787	1001193674.....18, 22	1001209474 ..... 655
1001173163 ..... 157, 161	1001181129..... 101, 105	1001193684.....109	1001209664 ..... 503, 505
1001173164 ..... 157, 161	1001181151.....792	1001193685.....113	1001209873 ..... 145
1001173166 ..... 156, 160	1001181895.....268	1001194197.....633	1001210028 ..... 794
1001173170 ..... 156, 160	1001182138.....507	1001194198.....639	1001210043 ..... 794
1001173171 ..... 91, 93	1001182241.....792	1001194200.....645	1001211801 ..... 793
1001173183 ..... 157, 161	1001182242.....792	1001194203.....621	1001212223 ..... 359, 363
1001173184 ..... 161	1001182600.....792	1001194204.....627	1001212415 ..... 786
1001173185 ..... 156, 161	1001182997.....263	1001194365.....615	1001212790 ..... 399
1001173186 ..... 156, 161	1001183407.....793	1001195793.....762	1001213385 ..... 588, 599, 603
1001173187 ..... 156, 161	1001184785.....124	1001196634.....333	1001213447 ..... 731
1001173188 ..... 156, 161	1001184786.....124	1001197016.....794	1001213600 ..... 793
1001173202 ..... 160	1001184787.....109, 113, 117, 123	1001197067.....143	1001213601 ..... 793
1001173609 ..... 489	1001184788.....117	1001197408.....784	1001213705 ..... 369, 371
1001173647 ..... 156, 161	1001185079.....792	1001197436.....793	1001214029 ..... 784
1001173651 ..... 156, 161	1001185281.....468, 472, 476, 480	1001198751.....325	1001214478 ..... 794
1001173703 ..... 784	1001186334.....447	1001200064.....791	1001214540 ..... 793
1001173912 ..... 156	1001186375.....437	1001200065.....791	1001214548 ..... 793
1001173913 ..... 21	1001186379.....439	1001200066.....791	1001214552 ..... 793
1001173914 ..... 17	1001186382.....443	1001200067.....791	1001214561 ..... 793
1001173915 ..... 91	1001186383.....433	1001200069.....791	1001214562 ..... 793
1001173918 ..... 93	1001186384.....429	1001200070.....791	1001214570 ..... 655
1001174325 ..... 559	1001186387.....427	1001200071.....791	1001214571 ..... 655
1001174331 ..... 157	1001186389.....449	1001200491.....421	1001215375 ..... 489
1001175237 ..... 161	1001186431.....476, 505	1001200494.....421	1001215379 ..... 489
1001175250 ..... 157	1001186432.....709, 755	1001200575.....460, 468	1001215380 ..... 489
1001175859 ..... 156, 161	1001186517.....503, 505	1001200910.....139, 141	1001216363 ..... 790
1001175879 ..... 156, 161	1001186903.....123, 705	1001201351.....421	1001216630 ..... 417, 419, 421
1001175880 ..... 156, 161	1001186905.....468, 472, 727	1001201888.....464, 472	1001217005 ..... 139, 141
1001176291 ..... 793	1001187011.....262	1001201889.....476, 480	1001218384 ..... 771
1001176329 ..... 262	1001187456.....793	1001202221.....792	1001218622 ..... 675
1001176330 ..... 262	1001187508.....503	1001202228.....325	1001218623 ..... 675
1001176333 ..... 719	1001187674.....501	1001202281.....325	1001219642 ..... 262, 275
1001176346 ..... 53	1001187681.....749	1001202559.....453, 471	1001219991 ..... 455, 475
1001176347 ..... 55	1001187787.....793	1001202561.....451, 463	1001219992 ..... 47, 61, 407
1001176415 ..... 262	1001188367.....649	1001202697.....790	1001220149 ..... 793
1001176416 ..... 262	1001188376.....101, 105	1001202749.....792	1001220379 ..... 690
1001176469 ..... 123	1001188382.....101, 105	1001203564.....792	1001220482 ..... 489, 719
1001176582 ..... 489	1001188622.....421	1001203656.....447, 449	1001220560 ..... 101, 105
1001176636 ..... 489	1001188844.....421	1001203866.....325	1001220735 ..... 227, 245, 260
1001176778 ..... 487		1001204725.....421	1001220770 ..... 262
1001176783 ..... 487		1001204900.....793	

# PART NUMBER INDEX

1001220867 .....476, 480, 731	1001228224 ..... 501	1001235481 ..... 279	1120550.....25
1001220929 .....476, 480	1001228225 ..... 501	1001235482 ..... 283	1120555.....509, 511
1001220955 .....489	1001228243 ..... 435	1001235617 ..... 790	1180362.....398
1001221203 .....262	1001228375 ..... 445	1001236504 ..... 655	1180363.....398
1001221205 .....262	1001228376 ..... 431	1001236505 ..... 655	1260017.....79
1001221207 .....262	1001228377 ..... 441	1001236552 ..... 513	1271538.....419
1001221212 .....262	1001228431 ..... 793	1001236746 ..... 537	1320022....165, 169, 173, 177, 181, 185, 189, 193, 197, 201, 205, 209, 218, 223, 230, 236, 241, 248, 256, 263, 268, 279, 283, 293, 325
1001221213 .....262	1001228488 ..... 75, 85	1001236747 ..... 533	1320058....169, 170, 177, 178, 185, 186, 193, 194, 201, 202, 209, 210
1001221217 .....262	1001228617 ..... 75	1001236891 ..... 533, 535, 537	1320060....169, 177, 185, 193, 201, 209
1001221219 .....262	1001228952 ..... 790	1001236895 ..... 533, 535, 537	1320061.....403
1001221259 .....223	1001228964 ..... 794	1001236951 ..... 793	1320095.....119, 123
1001221261 .....241	1001228976 ..... 489	1001237755 ..... 369, 371	1320130.....263, 402
1001221263 .....224, 227	1001228988 ..... 516, 517, 519, 521, 523, 527	1001237862 ..... 751, 753	1320136....402, 419, 563, 565
1001221265 .....242, 245	1001229058 ..... 75	1001237863 ..... 501, 751	1320146....609, 611, 613, 651
1001221427 .....263	1001229107 ..... 790	1001237864 ..... 501, 753	1320162...95, 97, 99, 103
1001221666 .....105, 605	1001229341 ..... 501	1001237865 ..... 501, 749	1320177.....516, 527
1001221707 .....455	1001229485 ..... 489	1001237882 ..... 792	1320187....165, 173, 181, 189, 197, 205, 217, 223, 229, 235, 241, 247, 279, 283
1001221802 .....101, 604	1001229599 ..... 262	1001237883 ..... 792	1320190....165, 173, 181, 189, 197, 205, 217, 223, 229, 235, 241, 247, 279, 283
1001222665 .....792	1001229600 ..... 262	1001238263 ..... 533, 535, 537	1320223....169, 177, 185, 193, 201, 209
1001222773 .....329	1001229922 ..... 489	1001238319 ..... 501	1320224.....419
1001222817 .....331	1001230625 ..... 793	1001238418 ..... 513, 755	1320263.....17, 21
1001223055 .....765	1001230626 ..... 793	1001238463 ..... 535	1320294.....398
1001223068 .....331	1001230931 ..... 677, 685, 715	1001238472 ..... 513	1320295.....398
1001223453 .....765, 773	1001231235 ..... 794	1001238477 ..... 513	1320298.....399
1001223971 .....773	1001231315 ..... 765	1001238495 ..... 505	1320301.....402
1001224048 .....779	1001231316 ..... 773	1001238559 ..... 513	1320302....516, 519, 521, 523
1001224049 .....781	1001231317 ..... 779	1001238824 ..... 513	1321293.....403
1001224050 .....775	1001231318 ..... 781	1001239634 ..... 793	1340065....169, 177, 185, 193, 201, 209
1001224052 .....769	1001231319 ..... 769	1001239805 ..... 655	1340067.....790
1001224053 .....777	1001231320 ..... 777	1001241420 ..... 793	1380147.....151, 153
1001224066 .....63, 71	1001231321 ..... 775	1001241585 ..... 655	1380169.....156, 160
1001225118 .....170, 178, 186, 194, 202, 210	1001231801 ..... 783	1001241630 ..... 655	1560011.....733
1001225266 .....388	1001231949 ..... 537	1001241835 ..... 280, 284	1560012.....733
1001225346 .....655	1001231950 ..... 533, 535	1001241965 ..... 513	1580012.....499
1001225580 .....476, 505, 709	1001232010 ..... 533, 535, 537	1001242192 ..... 790	1580013.....793
1001226289 .....675	1001232011 ..... 533, 535, 537	1001243183 ..... 790	1600343....459, 463, 467, 471, 475, 479, 787
1001226290 .....675	1001232164 ..... 501	1001243184 ..... 790	1600387.....419, 787
1001226400 .....711, 723	1001232165 ..... 501	1001243457 ..... 457	1670603.....615, 617
1001226531 .....655	1001232172 ..... 791	1001243466 ..... 457, 479	1670829.....119, 123
1001226872 .....425	1001232173 ..... 791	1001243895 ..... 333	1670964.....398, 405
1001226923 .....331	1001232174 ..... 791	1001244026 ..... 141	1670996.....53
1001227451 .....790	1001232175 ..... 791	1001244027 ..... 147	1671023....169, 177, 185, 193, 201, 209
1001227606 .....224, 242, 329	1001232176 ..... 791	1001246127 ..... 790	1671031.....402
1001227633 .....501	1001232177 ..... 791	1001246128 ..... 790	1671032.....374, 380
1001227634 .....501	1001232178 ..... 791	1001246860 ..... 792	1671033.....374, 380
1001227960 .....59, 61, 786	1001232178 ..... 791	1001246867 ..... 792	
1001227985 .....501	1001232642 ..... 513	1001247073 ..... 794	
1001227987 .....501	1001232643 ..... 794	1060341 ..... 697	
1001227996 .....751, 753	1001232650 ..... 513	1060343 ..... 352, 360	
1001228019 .....21, 547	1001232667 ..... 513	1060379 ..... 529, 531	
1001228020 .....17, 21, 543	1001232842 ..... 333	1060545 ..... 681	
1001228031 .....25, 573	1001233047 ..... 790	1060904 ..... 185, 209	
1001228043 .....376, 382, 553	1001233237 ..... 790	1060908 ..... 679, 683	
1001228045 .....369, 371, 561	1001233494 ..... 793	1060918 ..... 497	
1001228046 .....387, 569	1001233763 ..... 333	1060979 ..... 677	
1001228047 .....376, 382, 583	1001234099 ..... 790	1060981 ..... 663, 667	
1001228048 .....391, 579	1001235011 ..... 513	1060982 ..... 665	
1001228057 .....387, 557	1001235013 ..... 513	10702077 . 352, 356, 360, 364	
1001228058 .....387, 565	1001235459 ..... 280, 284, 297	10702082 . 352, 356, 360, 364	
1001228215 .....425	1001235476 ..... 279, 287	10837580 .. 575, 577, 579	
	1001235477 ..... 287, 289, 292	1120094 ..... 571	
	1001235479 ..... 283, 289	1120549 ..... 25	

## PART NUMBER INDEX

1671038 ..... 156, 160	1703811 ... 765, 767, 769, 771, 773, 775, 777, 779, 781	1705374 ..... 337, 343, 352	1706741 ... 459, 463, 467, 471, 475, 479
1671040 ..... 25	1703814 ... 765, 767, 769, 771, 773, 775, 777, 779, 781	1705375 ... 352, 361, 516, 521, 523	2030010 ... 516, 519, 521, 523, 527
1671044 ..... 402	1703923 ..... 781	1705387 ... 337, 343, 352, 361	2060025 ... 169, 177, 185, 193, 201, 209
1671045 ..... 53, 55	1703924 ..... 773	1705426 ..... 777	2080040 ... 427, 429, 431, 433, 435
1671046 ..... 53, 55	1703925 ..... 775	1705427 ..... 779	2110404 31, 36, 409, 411, 588, 599, 601, 603
1671047 ..... 53, 55	1703926 ..... 777	1705429 ..... 773	2110406 51, 66, 409, 412, 588, 595
1671048 ..... 53, 55	1703927 ..... 779	1705430 ..... 775	2110408 ..... 66
1671049 ..... 53, 55	1703935 ..... 781	1705460 ... 352, 356, 361, 364	2110604 ..... 411, 595
1671092 ... 352, 360, 671, 675	1703936 ..... 773	1705461 ..... 356, 364	2110606 49, 66, 409, 411, 595
1671093 ... 516, 521, 671, 675	1703937 ..... 775	1705466 ... 516, 519, 521, 523, 527	2110608 .... 66, 599, 601, 603
1671121 ... 165, 173, 181, 189, 197, 205, 217, 223, 229, 235, 241, 247, 279, 283	1703938 ..... 777	1705489 ... 341, 347, 356, 364	2110610 .... 599, 601, 603
1671176 ... 459, 463, 467, 471, 475, 479	1703939 ..... 779	1705490 ..... 517, 527	2110808 . 31, 36, 66, 409, 411, 592
1683051 ..... 577	1703941 ..... 781	1705492 ..... 765	2110810 51, 66, 599, 601, 603
1683056 ..... 541	1703942 ..... 773	1705493 ..... 777	2110812 32, 36, 588, 599, 601, 603
1683062 ..... 545	1703943 ..... 775	1705503 ..... 779	2111010 .... 66, 411, 588, 599, 601, 603
1683063 ..... 563	1703944 ..... 777	1705505 ..... 773	2111012 .... 51, 599, 601, 603
1683072 ..... 559	1703945 ..... 779	1705507 ..... 775	2111016 ..... 603
1684081 ..... 21, 545	1703947 ..... 781	1705511 ... 765, 767, 769, 771, 773, 775, 777, 779, 781	2111212 ... 599, 601, 603
1684082 ..... 545	1703948 ..... 773	1705514 ..... 765, 773	2111216 ..... 65
1684083 ..... 545	1703949 ..... 775	1705744 ... 459, 463, 467, 471, 475, 479	2111616 ... 599, 601, 603
1684102 ..... 17, 21, 541	1703950 ..... 777	1705822 ..... 767, 771	2112016 ..... 603
1684103 ..... 541	1703951 ..... 779	1705828 ..... 767, 771	2112020 ... 599, 601, 603
1684105 ..... 541	1703953 ..... 765	1705864 ..... 783	2113232 ... 599, 601, 603
1684141 ..... 581	1703980 ..... 777	1705865 ..... 783	2120217 ..... 59, 61
1684159 ..... 559	1703981 ..... 779	1705868 ... 765, 769, 773, 775, 777, 779, 781	2130404 ..... 588, 603
1684275 ..... 571	1703982 ..... 775	1705895 ..... 769	2130406 ..... 32, 36, 588
1684314 ..... 25, 571	1703983 ..... 781	1705896 ..... 769	2130606 .... 65, 597, 599, 601, 603
1684315 ..... 571	1703984 ..... 773	1705897 ..... 769	2130808 ... 588, 599, 601, 603
1684317 ..... 571	1704000 ..... 773, 783	1705898 ..... 769	2130810 ..... 49, 603
1701499 ... 765, 767, 769, 771, 773, 775, 777, 779, 781	1704001 ..... 781	1705901 ..... 769	2130812 . 32, 36, 588, 603
1701501 ... 765, 767, 769, 771, 773, 775, 777, 779, 781	1704006 ..... 773	1705902 ..... 769	2131010 ..... 588
1701505 ... 765, 767, 769, 771, 773, 775, 777, 779, 781	1704007 ..... 781	1705903 ..... 769	2131012 ..... 66
1701509 ... 509, 511, 765, 767, 769, 771, 773, 775, 777, 779, 781	1704260 ... 459, 463, 467, 471, 475, 479	1705904 ..... 769	2131212 . 95, 97, 99, 101, 103, 105, 599, 601
1701518 ..... 767, 771	1704277 ... 765, 767, 769, 771, 773, 775, 777, 779, 781	1705905 ..... 769	2131612 ..... 603
1702565 ... 459, 463, 467, 471, 475, 479	1704412 ... 765, 767, 769, 771, 773, 775, 777, 779, 781	1705906 ..... 769	2150404 ..... 588
1702566 ... 459, 463, 467, 471, 475, 479	1704885 ..... 783	1705909 ..... 781	2150406 ..... 588
1702773 ..... 447, 449, 783	1704972 ..... 765, 777	1705910 ..... 781	2151012 ..... 51
1702774 ..... 783	1705014 ..... 447	1705915 ..... 781	2170316 ..... 66
1702788 ..... 790	1705174 ..... 131	1705917 ..... 781	2170504 ..... 592, 595
1702868 ... 516, 521, 523, 527, 765, 783	1705305 ... 516, 519, 521, 523, 527	1705921 ..... 767, 771	2170506 ..... 595
1702942 ..... 182, 206	1705307 ... 385, 791, 794	1705961 ..... 767, 771	2170512 ..... 101, 105
1702962 ..... 783	1705325 ... 619, 621, 623	1705967 ..... 775	2170704 ..... 592
1703162 ... 169, 177, 185, 193, 201, 209, 256, 260, 268, 294	1705336 ..... 765	1705969 ..... 779, 783	2170710 ..... 588
1703479 ..... 791	1705337 ..... 765	1705973 ..... 485	2170712 ... 95, 97, 99, 103
1703683 ..... 529	1705338 ..... 777	1705974 ..... 485	2170804 ..... 592
1703797 ..... 765	1705339 ..... 779	1705980 ..... 767, 784	2170908 ... 599, 601, 603
1703804 ..... 765	1705341 ..... 773	1706059 ..... 769	2171112 .... 99, 101, 103, 105
1703805 ..... 765	1705342 ..... 775	1706060 ..... 775	2171208 ..... 588
	1705344 ..... 777	1706061 ..... 779	2171210 ..... 588
	1705345 ..... 779	1706062 ..... 777	2172112 ..... 101, 105
	1705347 ..... 773	1706063 ..... 781	
	1705348 ..... 775	1706064 ..... 773	
	1705351 ..... 765	1706098 ..... 767, 771	
	1705355 ... 516, 519, 521	1706385 ..... 447	
	1705358 ..... 509, 511	1706493 ..... 449	
	1705366 ..... 402	1706501 ..... 449	
	1705367 ..... 402	1706510 ..... 531	



# PART NUMBER INDEX

2180002.....77	2600281 ... 427, 429, 431,	2753762 ..... 592	2940074.... 427, 429, 431,
2180344.....77	433, 435	2753763 ..... 588	433, 435, 786
2180348.... 165, 173, 181,	2717235 ..... 588	2753764 ..... 592	2940139..... 119, 124
189, 197, 205, 325	2720015 ... 255, 263, 268,	2753765 .... 599, 601, 603	2940173..... 157, 161
2180467 .....93	293	2753766 .... 599, 601, 603	3020008..... 32, 36, 792
2180832.... 217, 223, 229,	2720058 ... 169, 177, 185,	2753767 ..... 588	3020016.... 169, 177, 193,
235, 241, 247, 279,	193, 201, 209, 325	2753768 ..... 592	201
283, 516, 527	2720160 ..... 516, 527	2753769 ..... 599, 601	3020021..... 323
2200222.... 165, 173, 181,	2720500 ... 169, 177, 185,	2753770 ..... 599, 601	3020037.... 221, 227, 233,
189, 197, 205, 217,	193, 201, 209	2753771 .... 599, 601, 603	239, 245, 251, 287, 289
223, 229, 235, 241, 247	2720501 ... 169, 177, 185,	2753772 .... 599, 601, 603	3020039.... 374, 380, 555,
2220063.....77	193, 201, 209	2753773 ..... 599, 601	563
2220235 ..... 18, 592	2750528 ..... 77	2753774 .... 599, 601, 603	3020042..... 374, 380
2220238..... 592	2750532 ... 165, 169, 173,	2753775 ..... 599	3020043..... 567
2220273..... 260	177, 181, 185, 189,	2753776 ..... 599, 601	3020044..... 185, 209
2220313.... 165, 173, 181,	193, 197, 203, 205,	2753778 ..... 95, 97	3160339..... 27, 29, 39
189, 197, 205, 217,	209, 217, 224, 229,	2753784 ..... 588	3200362.... 169, 177, 185,
223, 229, 235, 241,	235, 242, 247, 279, 283	2753843 ..... 95	193, 201, 209
247, 279, 283	2753541 ..... 592	2753999 ..... 97	3200401.... 169, 177, 185,
2220451.... 169, 177, 185,	2753545 ..... 588, 592	2754470 ..... 588	193, 201, 209
193, 201, 209	2753552 ..... 592	2760105 ..... 119, 123	3220126.... 169, 177, 186,
2220478.... 599, 601, 603	2753582 ..... 592	2780286 ..... 27	193, 201, 210
2220498.... 169, 177, 185,	2753622 ..... 599, 601	2820031 ... 337, 341, 343,	3220130.... 169, 177, 186,
193, 201, 209	2753675 ..... 588	347, 351, 355, 359, 363	193, 201, 210
2220737 ..... 599, 601	2753677 ..... 592	2820035 ..... 133, 333	3251102.... 337, 341, 343,
2220816..... 325, 331	2753685 ..... 592	2820170 ... 165, 173, 181,	347, 351, 355, 359, 363
2220883..... 51, 541, 543,	2753703 ..... 592	189, 197, 205	3251242.... 615, 617, 627,
553, 555, 557, 561,	2753708 .... 599, 601, 603	2820171 ..... 719	629, 631, 633, 635,
563, 565, 575, 577, 579	2753713 ..... 592	2820247 ..... 751, 753	637, 639, 641, 643,
2220885.... 545, 547, 549,	2753714 ..... 592	2840016 ..... 151, 153	645, 647
551, 553, 561, 563,	2753715 ..... 592	2860030 ..... 127, 786	3251243.... 337, 344, 352,
565, 573, 575, 577,	2753716 ..... 592	2900770 .... 65, 545, 547,	361, 765, 773
579, 581, 583	2753718 .... 599, 601, 603	555, 557, 559, 561,	3251813..... 783
2220886.... 549, 551, 563,	2753719 ..... 595	575, 577, 579	3252347 ..... 765
565, 583	2753726 ..... 595	2900789 ..... 581, 583	3271601..... 325, 398
2220887 ..... 561	2753727 ..... 595	2900792 ... 541, 543, 549,	3271605.... 533, 535, 537
2220888 ..... 559	2753728 ..... 597	551, 553, 563, 565	3271805..... 447, 449
2220890 ..... 66	2753729 ..... 595	2901443 ..... 794	3272001.... 254, 260, 266,
2221084.... 599, 601, 603	2753730 .... 599, 601, 603	2901773 ..... 541, 543	292, 533, 535, 537
2221086.. 49, 51, 66, 409,	2753731 .... 599, 601, 603	2902065 ... 169, 177, 185,	3272005..... 387
411	2753732 ..... 597	193, 201, 209, 255,	3272605..... 419
2221117 ..... 599, 601	2753733 ..... 597	260, 266, 293, 323	3281601..... 402
2221176.... 165, 173, 181,	2753734 ... 597, 599, 601,	2902081 ..... 581	3290405.... 341, 347, 615,
189, 197, 205	603	2902087 ..... 545, 547	617, 619, 621, 623,
2300004.... 256, 260, 294	2753735 ..... 597	2902099 ... 165, 173, 181,	625, 627, 629, 631,
2300014..... 792	2753736 ..... 597	189, 197, 205	633, 635, 637, 639,
2300016..... 792	2753737 ..... 597	2902212 ..... 509, 511	641, 643, 645, 647,
2300021..... 792	2753738 ..... 597	2902217 .... 516, 519, 521	649, 651
2300029..... 792	2753739 ..... 597	2902257 ..... 571, 573	3290601..... 157, 161
2300039..... 792	2753741 ..... 599, 601	2902303 ..... 792	3290605..... 516, 527
2300041 ..... 266	2753742 ..... 597	2902307 ..... 791	3290605001..... 489
2400060.... 333, 701, 705	2753743 ..... 588, 597	2902308 ..... 791	3290606.... 437, 439, 441,
2400064.... 701, 705, 786	2753744 ... 599, 601, 603	2902309 ..... 791	443, 445
2400065..... 759, 786	2753746 .... 599, 601, 603	2902310 ..... 791	3290607.... 137, 139, 141,
2400066..... 759	2753747 ..... 592	2902311 ..... 791	143, 145, 147
2410014..... 447, 449	2753748 ..... 592	2902312 ..... 791	3290801.... 254, 260, 266,
2420191..... 91	2753749 ..... 592	2902322 ..... 791	292
2420202 ..... 419	2753750 ..... 592	2902329 ..... 791	3290805..... 263, 655
2460048..... 351, 355	2753752 ..... 592	2902443 ..... 687, 690	3290807..... 263
2540038..... 260, 419	2753753 ..... 597	2915072 ..... 77	3291001..... 260, 421
2540045..... 415	2753754 ..... 597	2920028 ... 467, 471, 475,	3291005..... 421
2560136.... 459, 463, 467,	2753755 ..... 588	479	3291007..... 260
471, 475, 479	2753756 ..... 592	2920029 ... 467, 471, 475,	3291201..... 421
2560187 ..... 157, 161	2753757 ..... 592	479	3291205..... 417, 421
2570008..... 567	2753759 ..... 592	2920154 ... 459, 463, 467,	3300151.... 425, 431, 435,
2580062..... 185, 209	2753760 ..... 592	471, 475, 479	437, 439, 441, 443,
2600279..... 119, 124	2753761 ..... 592	2920161 ..... 135	445, 516, 519, 521, 523

## PART NUMBER INDEX

3300220 ... 217, 223, 229, 235, 241, 247, 279, 283	3311605 ... 45, 47, 63, 95, 97, 101, 105, 151, 153, 156, 160, 170, 178, 186, 194, 202, 210, 217, 223, 229, 235, 241, 247, 254, 260, 266, 279, 283, 292, 327, 329, 331, 375, 380, 385, 402, 415, 447, 449, 451, 453, 455, 457, 516, 519, 521, 523	3422917 ..... 25	3573400 ... 516, 519, 521, 523
3300239 ..... 374, 380	3311608 ... 375, 381, 391, 398	3422918 ..... 17, 21	3573411 ... 170, 178, 186, 194, 202, 210
3300243 ..... 417, 421	3311705 ... 218, 223, 230, 236, 241, 248, 254, 260, 266, 280, 284, 292	3422926 ..... 375, 381	3573412 ... 170, 178, 186, 194, 202, 210
3300353 ... 459, 463, 467, 471, 475, 479	3311801 ... 343, 347, 359, 363, 375, 381	3422940 ..... 25	3573437 ..... 375, 381
3300396 ... 338, 344, 352, 356, 360, 364	3311805 ..... 89, 151, 153, 156, 160, 170, 178, 186, 194, 202, 210, 417, 419, 421	3422941 ..... 25	3573444 ..... 375, 381
3300408 ... 119, 123, 459, 463, 467, 471, 475, 479	3312002 73, 75, 533, 535, 537	3422955 ..... 369, 371	3573454 ..... 151
3300430 .... 503, 505, 507	3312005 ..... 21, 369, 371, 387, 419, 509, 511	3422959 ..... 375, 381	3573529 ... 170, 178, 186, 194, 202, 210
3300449 ..... 487	3312205 ..... 509, 511	3422960 ..... 17, 21	3573642 ... 516, 519, 521, 523
3300454 . 55, 59, 61, 137, 139, 141, 143, 145, 147, 170, 178, 186, 194, 202, 210	3312602 ... 135, 139, 141, 145, 147	3422988 ..... 369, 371	3573644 ... 165, 173, 181, 189, 197, 205
3300458 ..... 374, 380	3322201 ..... 89	3423161 ..... 391	3573669 ... 165, 173, 181, 189, 197, 205
3300460 ..... 374, 380	3340871 ..... 375, 381	3423208 ..... 369, 371	3573728 ... 165, 173, 181, 189, 197, 205
3300461 ..... 374, 380	3340881 17, 21, 375, 381, 391	3423256 ..... 25	3574431 ..... 402
3300464 ..... 25	3340910 ..... 375, 381	3430616 ... 464, 472, 476, 480	3574616 ..... 402
3300465 ..... 571, 573	3340912 ..... 375, 381	3430816 ..... 151, 153	3575889 ..... 391
3300492 ..... 398	3340916 ..... 375, 381	3450404 ..... 151, 153	3576799 ..... 516, 527
3310401 ... 255, 260, 266, 293	3340917 ..... 375, 381	3451214 ..... 25	3577121 ... 516, 519, 521, 523
3310601 ..... 151, 153	3340918 ..... 375, 381	3460334 ..... 509, 511	3580158 ..... 170, 194
3310805 ..... 17, 21	3340921 ..... 375, 381	3470003 ... 460, 464, 468, 472, 476, 480	3580300 ..... 375, 381
3311001 ... 120, 123, 327, 329, 338, 344, 352, 356, 360, 364	3340922 ..... 375, 381	3480233 ..... 555	3580302 ..... 375, 381
3311005 ... 137, 143, 337, 343, 352, 356, 360, 364, 516, 519, 521, 523, 527	3340925 ..... 398	3480268 ..... 581	3580306 ..... 375, 381
3311401 ..... 119, 123	3340926 ..... 375, 381	3480269 ..... 545	3580317 ... 337, 341, 343, 347, 352, 355, 359, 363
3311402 ..... 119, 123	3340927 ..... 369, 371	3480270 ..... 559	3580318 ... 337, 343, 352, 359
3311405 ... 45, 47, 55, 63, 119, 123, 160, 170, 178, 186, 194, 202, 210, 217, 227, 229, 235, 245, 247, 254, 260, 266, 279, 283, 292, 341, 347, 402, 415, 419, 451, 453, 455, 457, 513, 609, 611, 613, 615, 617, 619, 621, 623, 625, 627, 629, 631, 633, 635, 637, 639, 641, 643, 645, 647, 649, 651, 655, 765, 767, 769, 771, 773, 775, 777, 779, 781	3340939 ..... 399	3480272 ..... 541	3580319 ... 341, 347, 356, 363
3311501 ..... 575	3340940 ..... 398	3480278 ..... 571	3580320 ... 178, 186, 202, 210, 254, 260, 266, 292
3311505 ... 25, 45, 47, 79, 95, 97, 99, 101, 103, 105, 133, 153, 156, 157, 160, 161, 165, 170, 173, 178, 181, 186, 189, 194, 197, 202, 205, 210, 403, 405, 407, 529, 531, 577	3340941 ..... 402	3480282 ..... 563	3580341 ..... 375, 381
3311508 ... 337, 343, 351, 355, 359, 363, 398	3340942 ..... 398	3520026 ... 459, 463, 467, 471, 475, 479	3580342 ..... 375, 381
3311601 . 63, 91, 93, 460, 464, 468, 472, 476, 480, 513	3340955 ..... 375, 381	3520027 ..... 459, 463	3600339 ... 170, 178, 186, 302
	3340956 ..... 509, 511	3520030 ..... 475, 479	3600465 ..... 63, 69
	3340963 ..... 581	3520034 ..... 156, 160	3620034 ..... 95, 97
	3380434 ... 451, 453, 455, 457	3520035 ..... 463	3740067 .... 63, 170, 178, 186, 194, 202, 210, 786
	3380473 ... 165, 173, 181, 189, 197, 205	3520054 ..... 21, 170, 178, 186, 194, 202, 210, 218, 223, 230, 236, 241, 248, 280, 284	3740080 ... 170, 178, 186, 194, 202, 210, 701, 706, 759, 786
	3421453 ..... 516, 527	3520182 ..... 507	3740086 ..... 755
	3421563 ..... 79	3520189 ..... 356, 364	3760170 ..... 79
	3421565 ..... 79	3520192 ..... 356, 364	3760217 ..... 375, 381
	3422446 ... 165, 173, 181, 189, 197, 205, 217, 223, 229, 235, 241, 247, 279, 283	3520198 ... 425, 427, 429, 431, 433, 435, 437, 439, 441, 443, 445, 447, 449	3760308 .... 157, 161, 487
	3422532 ... 170, 178, 186, 194, 202, 210	3520182 ..... 507	3760351 ..... 391
	3422661 ..... 529, 531	3520189 ..... 356, 364	3760369 ..... 541
	3422833 ..... 21	3520192 ..... 356, 364	3760371 .... 545, 563, 565
	3422915 ..... 21	3520198 ... 425, 427, 429, 431, 433, 435, 437, 439, 441, 443, 445	3760375 ..... 559
		3520182 ..... 507	3760383 ..... 25
		3520189 ..... 356, 364	3790012 ... 459, 463, 467, 471, 475, 479
		3520192 ..... 356, 364	3790015 ... 459, 463, 467, 471, 475, 479
		3520198 ... 425, 427, 429, 431, 433, 435, 437, 439, 441, 443, 445	3790152 ... 195, 203, 211, 239, 245, 251, 287
		3520182 ..... 507	3790155 ... 195, 203, 211, 239, 245, 251, 287
		3520189 ..... 356, 364	3790158 ..... 36
		3520192 ..... 356, 364	
		3520198 ... 425, 427, 429, 431, 433, 435, 437, 439, 441, 443, 445	
		3520182 ..... 507	
		3520189 ..... 356, 364	
		3520192 ..... 356, 364	
		3520198 ... 425, 427, 429, 431, 433, 435, 437, 439, 441, 443, 445	
		3520182 ..... 507	
		3520189 ..... 356, 364	
		3520192 ..... 356, 364	
		3520198 ... 425, 427, 429, 431, 433, 435, 437, 439, 441, 443, 445	
		3520182 ..... 507	
		3520189 ..... 356, 364	
		3520192 ..... 356, 364	
		3520198 ... 425, 427, 429, 431, 433, 435, 437, 439, 441, 443, 445	
		3520182 ..... 507	
		3520189 ..... 356, 364	
		3520192 ..... 356, 364	
		3520198 ... 425, 427, 429, 431, 433, 435, 437, 439, 441, 443, 445	
		3520182 ..... 507	
		3520189 ..... 356, 364	
		3520192 ..... 356, 364	
		3520198 ... 425, 427, 429, 431, 433, 435, 437, 439, 441, 443, 445	
		3520182 ..... 507	
		3520189 ..... 356, 364	
		3520192 ..... 356, 364	
		3520198 ... 425, 427, 429, 431, 433, 435, 437, 439, 441, 443, 445	
		3520182 ..... 507	
		3520189 ..... 356, 364	
		3520192 ..... 356, 364	
		3520198 ... 425, 427, 429, 431, 433, 435, 437, 439, 441, 443, 445	
		3520182 ..... 507	
		3520189 ..... 356, 364	
		3520192 ..... 356, 364	
		3520198 ... 425, 427, 429, 431, 433, 435, 437, 439, 441, 443, 445	
		3520182 ..... 507	
		3520189 ..... 356, 364	
		3520192 ..... 356, 364	
		3520198 ... 425, 427, 429, 431, 433, 435, 437, 439, 441, 443, 445	
		3520182 ..... 507	
		3520189 ..... 356, 364	
		3520192 ..... 356, 364	
		3520198 ... 425, 427, 429, 431, 433, 435, 437, 439, 441, 443, 445	
		3520182 ..... 507	
		3520189 ..... 356, 364	
		3520192 ..... 356, 364	
		3520198 ... 425, 427, 429, 431, 433, 435, 437, 439, 441, 443, 445	
		3520182 ..... 507	
		3520189 ..... 356, 364	
		3520192 ..... 356, 364	
		3520198 ... 425, 427, 429, 431, 433, 435, 437, 439, 441, 443, 445	
		3520182 ..... 507	
		3520189 ..... 356, 364	
		3520192 ..... 356, 364	
		3520198 ... 425, 427, 429, 431, 433, 435, 437, 439, 441, 443, 445	
		3520182 ..... 507	
		3520189 ..... 356, 364	
		3520192 ..... 356, 364	
		3520198 ... 425, 427, 429, 431, 433, 435, 437, 439, 441, 443, 445	
		3520182 ..... 507	
		3520189 ..... 356, 364	
		3520192 ..... 356, 364	
		3520198 ... 425, 427, 429, 431, 433, 435, 437, 439, 441, 443, 445	
		3520182 ..... 507	
		3520189 ..... 356, 364	
		3520192 ..... 356, 364	
		3520198 ... 425, 427, 429, 431, 433, 435, 437, 439, 441, 443, 445	
		3520182 ..... 507	
		3520189 ..... 356, 364	
		3520192 ..... 356, 364	
		3520198 ... 425, 427, 429, 431, 433, 435, 437, 439, 441, 443, 445	
		3520182 ..... 507	
		3520189 ..... 356, 364	
		3520192 ..... 356, 364	
		3520198 ... 425, 427, 429, 431, 433, 435, 437, 439, 441, 443, 445	
		3520182 ..... 507	
		3520189 ..... 356, 364	
		3520192 ..... 356, 364	
		3520198 ... 425, 427, 429, 431, 433, 435, 437, 439, 441, 443, 445	
		3520182 ..... 507	
		3520189 ..... 356, 364	
		3520192 ..... 356, 364	
		3520198 ... 425, 427, 429, 431, 433, 435, 437, 439, 441, 443, 445	
		3520182 ..... 507	
		3520189 ..... 356, 364	
		3520192 ..... 356, 364	
		3520198 ... 425, 427, 429, 431, 433, 435, 437, 439, 441, 443, 445	
		3520182 ..... 507	
		3520189 ..... 356, 364	
		3520192 ..... 356, 364	
		3520198 ... 425, 427, 429, 431, 433, 435, 437, 439, 441, 443, 445	
		3520182 ..... 507	
		3520189 ..... 356, 364	
		3520192 ..... 356, 364	
		3520198 ... 425, 427, 429, 431, 433, 435, 437, 439, 441, 443, 445	
		3520182 ..... 507	
		3520189 ..... 356, 364	
		3520192 ..... 356, 364	
		3520198 ... 425, 427, 429, 431, 433, 435, 437, 439, 441, 443, 445	
		3520182 ..... 507	
		3520189 ..... 356, 364	
		3520192 ..... 356, 364	
		3520198 ... 425, 427, 429, 431, 433, 435, 437, 439, 441, 443, 445	
		3520182 ..... 507	
		3520189 ..... 356, 364	
		3520192 ..... 356, 364	
		3520198 ... 425, 427, 429, 431, 433, 435, 437, 439, 441, 443, 445	
		3520182 ..... 507	
		3520189 ..... 356, 364	
		3520192 ..... 356, 364	
		3520198 ... 425, 427, 429, 431, 433, 435, 437, 439, 441, 443, 445	
		3520182 ..... 507	
		3520189 ..... 356, 364	
		3520192 ..... 356, 364	
		3520198 ... 425, 427, 429, 431, 433, 435, 437, 439, 441, 443, 445	
		3520182 ..... 507	
		3520189 .....	



# PART NUMBER INDEX

3820001....765, 767, 769, 771, 773, 775, 777, 779, 781	3931608..... 581	4071015..... 375, 381	4360407....459, 463, 467, 471, 475, 479, 786
3820020....427, 429, 431, 433, 435	3931616... 107, 109, 111, 113, 115, 117	4071016..... 375, 381	4360469..... 127, 787
3820034.....487	3931620..... 541, 543	4071017..... 375, 381	4360475.... 119, 123, 459, 463, 467, 471, 475, 479, 786
3841143.... 165, 173, 181, 189, 197, 205, 217, 223, 229, 235, 241, 247, 279, 283, 387, 421	3931628... 254, 260, 266, 292	4071018..... 375, 381	4360476.... 119, 123, 786
3841203.... 375, 381, 387	3931824... 545, 547, 563, 565	4071019..... 375, 381	4360505..... 25, 786
384125821, 25, 369, 371, 387	3931840..... 581	4071021..... 399	4360527..... 402, 787
3841287.17, 21, 369, 371	3932016..... 387	4071022..... 399	4360543..... 402, 787
3841340....45, 47, 91, 93	3932024..... 25	4071023..... 399	4360578.17, 21, 402, 786
3841581.....369, 371	3932032..... 549, 551	4071024..... 375, 381	4400457..... 91, 93
3890040.....447, 449	3932224..... 387	4071025..... 375, 381	4420014.....509, 511
3900054.....447, 449	3932244..... 559	4071026..... 376, 382	4420037..... 63, 516, 519, 521, 523
3900085.... 135, 139, 141, 145, 147	3951003..... 555, 563	4071027..... 376, 382	4420038..... 91, 93
3900174.... 156, 160, 487	3951522..... 398	4071028..... 376, 382	4420051.... 771, 783, 791
3900183....459, 463, 467, 471, 475, 479	3952020..... 73, 75	4071029..... 376, 382	4420062..... 529, 531
3900210....156, 157, 160, 161, 405, 407	3960418..... 119, 124	4071031..... 376, 382	4420066..... 509, 511
3900223.....73	3960422... 337, 343, 352, 359, 611, 613	4071035..... 17, 21	4460016.... 725, 727, 731
3900232.... 156, 160, 399	3960447..... 157, 161	4071036..... 17, 21	4460019.... 687, 690, 759
3900267.....338, 344	3960525..... 91	4071039..... 17, 21, 391	4460042.... 691, 695, 701, 705
3900270..... 17, 21	3960543... 170, 178, 186, 194, 202, 210, 254, 260, 266, 292	4071040..... 17, 21, 391	4460043..... 333, 690
3900272.... 165, 173, 181, 189, 197, 205	3960544... 170, 178, 186, 194, 202, 210, 254, 260, 266, 292	4071041..... 73, 75	4460051..... 611, 613
3900283.... 53, 59, 61, 91, 93, 391, 399, 405, 419	3960551..... 25	4071042..... 17, 21	4460068..... 338, 344
3900300.....338, 344	3960552..... 25	4071046..... 376, 382	4460071.... 337, 343, 352, 359, 497
3900316.....399	3980006..... 63	4071049..... 18	4460125..... 613
3900349....459, 463, 467, 471, 475, 479	3990001.... 702, 706, 786	4071050..... 18	4460134..... 669
3900363..... 157, 161	3990013..... 755	4071054..... 17, 21	4460205..... 611, 669
3910408....255, 260, 266, 293	4000008..... 402, 787	4071055..... 17, 21	4460213.... 725, 727, 731
3910606.... 337, 343, 352, 359, 611, 613	4010408... 341, 347, 487, 649, 651	4071074... 459, 463, 467, 471, 475, 479	4460224..... 348
3910608..... 151, 153	4010608..... 516, 527	4100099..... 563	4460225.... 697, 699, 725, 727, 731
3910804..... 127	4010618... 437, 439, 441, 443, 445	4120035..... 701, 705	4460226.... 492, 495, 497, 725, 727, 731
3911012..... 137, 143	4031505..... 501	4120040..... 385, 794	4460227.... 701, 705, 725, 727, 731
3930606.....402	4031516..... 513	4120043..... 385, 794	4460234.... 186, 210, 268, 459, 463, 467, 471, 475, 479
3930816.....402	4031708001..... 489	4160194..... 156, 160	4460247..... 690
3930820..... 17, 21, 402	4031907..... 260	4160197..... 376, 382	4460256..... 759
3930824.....402	4031914... 254, 260, 266, 292	4240018... 165, 173, 181, 189, 197, 205, 217, 223, 229, 235, 241, 247, 279, 283, 337, 341, 343, 347, 352, 356, 359, 363, 399	4460259.... 701, 705, 725, 727, 731, 759
3931008..... 89	4032014... 254, 260, 266, 292	4240032... 139, 141, 145, 147, 476, 687	4460260.... 701, 705, 725, 727, 731, 759
3931016.... 337, 343, 351, 355, 359, 363	4032022... 170, 178, 186, 194, 202, 210	4240033... 419, 501, 503, 505, 513, 687	4460265..... 491, 495
3931020.....25	4060092..... 613	4240099... 165, 170, 173, 178, 181, 186, 189, 194, 197, 202, 205, 210, 256, 261, 268, 294, 333, 516, 519, 521	4460267.... 731, 757, 759
3931408.....505	4060802... 337, 341, 343, 347, 352, 356, 359, 363	4240139..... 91	4460268.... 133, 697, 699, 759
3931412.....25	4060804... 170, 178, 186, 194, 202, 210, 399	4240149..... 509, 511	4460294..... 348
3931414.....402	4060805... 170, 178, 186, 194, 202, 210	4240153..... 399	4460313.... 687, 701, 705, 759
3931420....555, 557, 563, 565	4060808..... 45, 47	4240155..... 17, 22, 399	4460315.... 611, 613, 687
3931424.....503	4060906... 119, 123, 459, 463, 467, 471, 475, 479	4300157... 343, 347, 359, 363	4460320..... 757, 759
3931432....255, 260, 266, 293	4061054..... 419	4340999..... 156, 160	4460346.... 337, 343, 352, 359, 611
3931456.....581	4070863..... 375, 381	4341158..... 402	4460374.... 702, 706, 759
3931508....256, 260, 268, 294, 402	4070864..... 375, 381	4360070... 338, 344, 352, 356, 360, 364, 787	4460375.... 702, 706, 759
3931512.... 89, 254, 260, 266, 292	4070895..... 375, 381	4360274... 119, 123, 786	4460384..... 615, 617
3931516.....575, 577	4070897... 375, 381, 391	4360328... 119, 123, 786	4460418.... 701, 705, 725, 727, 731
	4070898... 375, 381, 391	4360336... 337, 341, 343, 347, 352, 356, 359, 363, 787	4460419.... 701, 705, 725, 727, 731
	4071012..... 375, 381	4360387... 123, 459, 463, 467, 471, 475, 479, 786	4460424..... 133, 759
	4071013..... 381		

## PART NUMBER INDEX

4460425 ... 338, 344, 352, 356, 360, 364	4460836 ... 419, 661, 685, 689, 701, 705, 715, 759, 760	705, 706, 715, 717, 725, 727, 731, 760	4530028 ... 516, 519, 521, 525
4460426 ... 119, 123, 338, 344, 352, 356, 360, 364	4460837 ..... 119, 123	4460934 ... 661, 685, 689, 715	4562516 ..... 399
4460428 ... 459, 463, 467, 471, 475, 479	4460842 ..... 759	4460935 ... 661, 685, 689, 715	4566667 ..... 549, 551
4460434 ... 725, 727, 731	4460843 ..... 759	4460941 ... 661, 685, 689, 695, 713, 749	4567434 ..... 555
4460458 ..... 690	4460844 ..... 709	4460942 ... 501, 661, 669, 671, 673, 675, 685, 689, 690, 695, 702, 706, 713, 715, 759	4568293 ... 170, 178, 186, 194, 202, 210
4460464 ... 25, 497, 657, 659, 661, 685, 689, 690, 695, 701, 705, 709, 715, 725, 727, 731, 735, 737, 755, 757, 759	4460851 ..... 715	4460943 ... 137, 139, 141, 143, 145, 147, 653, 661, 665, 677, 685, 689, 725, 727, 731, 749, 759	4568319 ..... 559
4460465 ... 135, 353, 356, 361, 364, 419, 657, 659, 661, 685, 687, 689, 690, 697, 699, 701, 702, 705, 706, 709, 711, 715, 717, 719, 721, 723, 727, 731, 733, 735, 759, 760	4460852 ..... 715	4460944 ... 419, 653, 661, 663, 667, 685, 687, 689, 690, 715, 717, 719, 725, 727, 731, 759, 760	4568423 ..... 376, 382
4460466 ... 419, 501, 657, 659, 663, 687, 689, 690, 709, 711, 719, 721, 723, 731, 749, 755	4460865 ..... 711, 723	4460945 ..... 661	4568426 ..... 95, 97
4460467 ..... 794	4460866 ... 701, 705, 715, 725, 727, 731	4460950 ..... 685, 690	4568427 ..... 95, 97
4460470 ... 119, 123, 415, 459, 463, 467, 471, 475, 479	4460868 ..... 701, 705	4460956 ... 679, 681, 683	4640438 ..... 559, 561
4460471 ... 119, 123, 459, 463, 467, 471, 475, 479	4460871 ... 657, 701, 705, 725, 727, 731, 759	4460957 ... 679, 681, 683	4640489 ..... 555, 557
4460473 ..... 711, 723	4460872 ..... 759	4460959 ..... 675	4640509 ..... 541, 543
4460483 ..... 338, 344	4460873 ... 701, 705, 725, 727, 731	4460960 ..... 675	4640751 ... 170, 178, 186, 194, 202, 210, 256, 263, 268, 294
4460488 ... 139, 141, 145, 147, 476	4460874 ... 701, 705, 725, 727, 731, 759	4460962 ... 516, 521, 671	4640771 ... 575, 577, 579
4460496 ... 119, 123, 459, 463, 467, 471, 475, 479	4460875 ... 701, 705, 759	4460963 ... 352, 360, 671	4640858 ..... 545, 547
4460497 ... 120, 123, 459, 463, 467, 471, 475, 479	4460876 ... 701, 705, 725, 727, 731	4460965 ..... 661	4640999 ... 549, 551, 553, 563, 565
4460508 ... 501, 701, 705, 715, 725, 727, 731	4460877 ..... 701, 705	4460967 ... 352, 356, 361, 364	4641155 ..... 45, 47
4460509 ..... 711, 723	4460878 ..... 701, 705	4460968 17, 21, 403, 621, 627	4641210 ..... 559, 561
4460510 ..... 794	4460879 ... 725, 727, 731	4460970 ... 689, 701, 705	4641247 ..... 95, 99, 101
4460518 ..... 657, 659	4460880 ... 685, 737, 759	4460971 ... 415, 516, 527	4641248 ... 549, 551, 553, 563, 565
4460526 ... 119, 123, 759	4460884 ... 661, 667, 685, 690, 702, 706, 715, 727, 759	4460982 ..... 689	4641260 ..... 555, 557
4460536 ... 25, 727, 731	4460887 ... 725, 727, 731	4461005 ..... 687	4641268 ..... 45, 47, 49
4460539 ... 653, 663, 727, 731, 759	4460888 ... 725, 727, 731	4461006 ..... 687	4641276 ..... 545, 547
4460634 ..... 701, 705	4460891 ... 135, 657, 659, 669, 671, 673, 675, 695, 713, 715, 733, 735, 759	4461008 ..... 687, 690	4641289 ..... 581, 583
4460635 ..... 701, 705	4460894 ... 661, 663, 687, 690, 731	4461052 ..... 687	4641454 ..... 45, 47, 51
4460662 ... 615, 633, 639, 645	4460897 ... 695, 713, 737, 757	4461053 ..... 687	4700039 ..... 376, 382
4460702 ..... 687, 759	4460899 ... 661, 663, 677, 709, 735, 749, 755, 759	4461054 ... 687, 690, 695	4710400 ... 255, 261, 266, 293
4460703 ..... 690	4460905 ... 119, 123, 459, 463, 467, 471, 475,	4461060 ..... 687	4711000 ... 137, 143, 327, 329, 338, 344, 352, 356, 360, 364
4460708 ... 725, 727, 731	4460906 ... 725, 727	4461070 ... 659, 687, 689, 690	4711400 ... 45, 47, 55, 59, 61, 63, 157, 160, 161, 165, 173, 181, 189, 197, 205, 217, 223, 227, 229, 235, 241, 245, 247, 255, 261, 266, 279, 283, 293, 337, 341, 343, 347, 352, 356, 359, 363, 403, 415, 419, 425, 431, 435, 437, 439, 441, 443, 445, 487, 503, 505, 507, 513, 615, 617, 619, 621, 623, 625, 627, 629, 631, 633, 635, 637, 639, 641, 643, 645, 647, 649, 651
4460709 ... 613, 649, 673	4460908 ..... 701, 705	4461071 ..... 687, 690	4711500 ... 25, 45, 47, 59, 61, 95, 97, 99, 101, 103, 105, 153, 156, 157, 160, 161, 165, 170, 173, 178, 181, 186, 189, 194, 197, 202, 205, 210, 254, 261, 266, 292, 399, 403, 405, 407
4460710 ..... 649, 673	4460910 ..... 753	4461072 ..... 687, 690	4711600 ... 17, 22, 45, 47, 59, 61, 63, 101, 105, 151, 153, 156, 160,
4460722 ... 333, 665, 667	4460911 ... 665, 667, 733, 749	4461073 ..... 687, 690	
4460761 ... 701, 705, 725, 727, 731	4460912 ... 665, 667, 733	4461074 ..... 687, 690	
4460806 ... 631, 633, 635, 637, 639, 641, 701, 705, 759	4460914 ... 25, 120, 123, 403	4461077 ... 715, 749, 755	
4460807 ... 348, 697, 699	4460918 ... 665, 667, 701, 705, 733	4461095 ... 659, 687, 689, 690	
4460808 ... 348, 697, 699	4460925 ... 725, 727, 731	4461097 ..... 687	
	4460926 ..... 733	4461196 ..... 739	
	4460928 ... 659, 701, 705, 733	4461198 ... 621, 623, 739	
	4460929 ... 725, 727, 731	4461199 ..... 741	
	4460930 ... 685, 687, 689, 690, 715, 721	4461201 ... 627, 629, 741	
	4460931 ..... 689, 759	4461202 ..... 743	
	4460932 ... 653, 661, 665, 690, 695, 727	4461205 ..... 743, 745	
	4460933 ... 419, 659, 661, 685, 689, 701, 702,	4461244 ... 633, 635, 743	
		4461245 ... 639, 641, 745	
		4461246 ... 645, 647, 747	
		4461249 ..... 747	
		4520261 ..... 41	



## PART NUMBER INDEX

70001868 .....	213	70002155 .....	314	70002609 .....	315	70003536 .....	487
70001869 .....	214	70002156 .....	314	70002610 .....	315	70003628 .....	39
70001870 . 213, 271, 275, 297		70002157 .....	314	70002612 .....	315	70003629 .....	82
70001871 .....	214	70002158 .....	314	70002616 .....	315	70003630 .....	65
70001930 .....	65	70002159 .....	314	70002617 .....	315	70003631 . 351, 355, 360, 363	
70001952 .....	302	70002160 .....	314	70002618 .....	314	70003708 . 338, 341, 344, 347, 351, 355, 360, 364	
70001953 .....	351, 355	70002161 .....	314	70002619 .....	314	70003709 . 338, 341, 344, 347, 351, 355, 360, 364	
70001955 .....	317	70002162 .....	314	70002620 .....	314	70003784 . 459, 463, 467, 471, 475, 479	
70001956 .....	317	70002163 .....	314	70002621 .....	315	70003913 .....	398, 786
70001958 .....	315	70002164 .....	314	70002622 .....	315	70003914 .....	398
70001966 . 338, 341, 344, 347, 351, 355, 360, 364		70002165 .....	314	70002623 .....	315	70003915 .....	398
70001968 .....	303	70002168 .....	315	70002674 .....	35	70003917 .....	398, 786
70001973 . 351, 355, 360, 364		70002174 .....	315	70002675 .....	213	70003918 .....	398
70001974 . 351, 355, 360, 364		70002175 .....	315	70002676 .....	213	70003923 .....	391, 786
70001976 .....	49, 65	70002177 .....	315	70002677 .....	213	70003924 .....	391
70002015 .....	35	70002178 .....	315	70002718 . 214, 271, 275, 297		70004016 .....	728
70002016 .....	35	70002179 .....	315	70002758 .....	66	70004029 .....	581, 583
70002020 .....	35	70002231 . 165, 173, 181, 189, 197, 205, 217, 223, 229, 235, 241, 247, 279, 283, 786		70002759 .....	66, 412	70004030 .....	581, 583
70002026 .....	35	7000224 .....	82	70002760 .....	66	70004050 .....	409
70002027 .....	35	70002247 .....	36	7000281 .....	82	70004051 .....	409, 411
70002029 .....	35	70002248 .....	36	70002853 .....	395	70004052 .....	409, 411
70002030 .....	35	70002249 .....	36	70002854 .....	395	70004053 .....	409
70002031 .....	35	70002255 .....	351, 355	70002855 .....	395	70004054 .....	409
70002032 .....	35, 85	70002291 .....	360, 364	70002857 .....	395	70004055 .....	411
70002033 .....	35	70002297 . 351, 355, 360, 363		70002858 .....	395	70004092 . 338, 341, 344, 347, 360, 364	
70002034 .....	35	70002299 . 351, 355, 360, 364		70002859 .....	393, 395	70004093 .....	360, 363
70002035 .....	35	7000236 .....	82	7000287 .....	82	70004094 .....	360, 364
70002036 .....	35	70002373 .....	579	7000288 .....	82	70004095 .....	360, 364
70002037 .....	35	7000239 .....	82	70002902 .....	497	70004096 .....	360, 364
70002039 .....	35	70002393 .....	31	70002903 .....	497	70004097 .....	360, 364
70002039 .....	35	70002394 .....	31	70002904 .....	497	70004098 . 338, 344, 360, 364	
70002040 .....	35	70002395 .....	31	70002905 .....	497	70004099 . 344, 347, 360, 364	
70002041 .....	35	70002396 .....	31	70003017 .....	411	70004169 .....	351, 355
70002044 .....	35	70002397 .....	31	70003018 .....	65	70004171 . 338, 341, 351, 355	
70002045 .....	35	70002398 .....	31	70003019 .....	409, 411	70004185 .....	794
70002046 .....	35	70002399 .....	31	70003020 .....	411	70004268 .....	214
70002047 .....	35	7000240 .....	82	70003021 .....	65, 409, 411	70004269 .....	214
70002048 .....	35	70002415 .....	214	70003022 .....	411	70004275 .....	271, 297
70002049 .....	35	70002416 .....	214	70003023 .....	409, 411	70004276 .....	276
70002050 .....	35	70002417 .....	214	70003024 .....	411	70004277 . 272, 277, 298	
70002052 .....	35	70002460 . 351, 355, 360, 364		70003025 .....	409	70004279 .....	272, 298
70002057 .....	85	70002460 . 351, 355, 360, 364		70003026 .....	409, 786	70004280 . 271, 275, 297	
70002088 .....	351, 355	70002502 .....	213	70003027 .....	409	70004282 . 272, 276, 298	
70002097 .....	59, 61	700025082 .....	213	70003028 .....	409	70004284 .....	272, 298
7000213 .....	82	70002569 .....	304	70003029 .....	581, 583	70004328 .....	59, 61
70002132 .....	314	70002576 .....	321	70003030 .....	581, 583	70004413 .....	93
70002132 .....	314	70002577 .....	321	70003031 .....	581, 583	70004414 .....	91
70002133 .....	314, 317	70002578 .....	317	70003045 .....	575	70004416 .....	317
70002134 .....	314	70002580 .....	317	70003046 .....	575	70004417 .....	317
70002135 .....	314	70002582 .....	317	70003047 .....	575	70004420 .....	317
70002136 .....	314	70002583 .....	317	70003048 .....	575	70004421 .....	317
70002137 .....	314	70002585 .....	317	70003049 .....	575	70004422 .....	318
70002138 .....	314	70002586 .....	317	70003050 .....	575	70004423 .....	317
70002138 .....	314	70002588 .....	317	70003051 .....	575	70004426 .....	317
70002139 .....	314	70002589 .....	317	70003052 .....	575	70004467 .....	85
70002140 .....	314	70002590 .....	317	70003053 .....	575	70004469 .....	85
70002141 .....	314	70002592 .....	318	70003472 .....	213	70004474 .....	85
70002142 .....	314	70002593 .....	318	70003473 .....	213	70004477 .....	85
70002143 .....	314	70002599 .....	318	70003475 .....	213	70004480 .....	85
70002145 .....	314	70002600 .....	314	70003484 .....	89		
70002148 .....	314	70002601 .....	314	70003485 .....	89		
70002150 .....	314	70002602 .....	314	70003523 .....	82		
70002151 .....	314	70002604 .....	315	70003524 .....	82, 83		
70002152 .....	314	70002605 .....	315	70003533 .....	487		
70002153 .....	314	70002606 .....	315	70003534 .....	487		
70002154 .....	314	70002607 .....	315	70003535 .....	487		

# PART NUMBER INDEX

70004481.....	85	70005173.....	275	70006491.....	573	70007011.....	85
70004494.....	86	70005174.....	275	70006492.....	573	70007012.....	86
70004501...272, 276, 298		70005177.....	276	70006493.....	573	70007013.....	86
70004502.....	272, 298	70005181.....	276	70006516.....	557	70007049.....	565
70004503.....	272, 298	70005184.....	276	70006517.....	557	7000731.....	82, 83
70004511.....	275	70005188.....	276	70006518.....	557	70007439.....	315
70004512.....	275	70005189.....	276	70006519.....	557	7001900.....	82
70004646.....	794	70005191.....	277	70006520.....	547	7001902.....	82
70004647.....	794	70005230.....	495	70006552..337, 341, 343,		7001904.....	82
70004648.....	794	70005317.....	85	347		7001906.....	82
70004676..338, 341, 344,		70005318.....	85	70006553..337, 341, 343,		7001917.....	82
347		70005418.....	318	347		7001918.....	82
70004677.....	341	70005433.....	583	70006554.....	561	7001920.....	82
70004678..338, 341, 344,		70005445.....	272, 298	70006555.....	561	7001921.....	82
348		70005480.....	308	70006556.....	561	7001922.....	82
70004679.....	338, 348	70005481.....	308	70006557.....	561	7001923.....	82
70004680..338, 341, 344,		70005594.....	579	70006558.....	561	7001924.....	82
348		70005647.....	277	70006559.....	561	7001926.....	82
70004681.....	341, 348	70005648.....	277	70006560.....	561	7001927.....	82
70004682..338, 341, 344,		70005667.....	403	70006596.....	553	7001929.....	82
348		70005879.....	579	70006635.....	553	70020438.....	561
70004683.....	341, 348	70005882.....	583	70006636.....	553	70021867.....	302, 308
70004684.....	338	70005883.....	583	70006637.....	553	70021895.....	276
70004685.....	338, 344	70005885.....	579, 583	70006646.....	553	70022147.....	411, 786
70004686.....	347	70005920.....	275	70006647.....	553	70022286.....	317
70004687.....	344	70005921.....	275	70006799.....	583	70022564.....	553
70004738.....	495	70005923.....	276	70006824.....	583	70023592..255, 261, 267,	
70004739.....	495	70005924.....	276	70006825.....	583	293	
70004740.....	495	70005925.....	276	70006826.....	583	70023593..255, 261, 267,	
70004741.....	495	70005926.....	276	70006827.....	583	293	
70004742.....	495	70005927.....	276	70006828.....	583	70024190..255, 262, 268,	
70004743.....	495	70005928.....	276	70006829.....	583	293, 787	
70004744.....	495	70005929.....	276	70006830.....	583	70024473.....	272, 298
70004745.....	495	70005941.....	275	70006831.....	583	70024484..272, 277, 298	
70004746.....	495	70005942.....	275	70006845.....	579	70024486.....	271, 297
70004747.....	495	70006093.....	360, 363	70006846.....	579	70024488...271, 275, 297	
70004748.....	495	70006094.....	360	70006847.....	579	70024494.....	275
70004749.....	495	70006095.....	360, 364	70006848.....	579	70024502.....	276
70004750.....	495	70006096.....	360, 364	70006849.....	579	70024503.....	272
70004751.....	495	70006097.....	360, 364	70006850.....	579	70024504..272, 276, 277,	
70004752.....	491	70006127.....	275	70006851.....	579	298	
70004753.....	491	70006344.....	583	70006852.....	579	70024507...272, 277, 298	
70004754.....	491	70006359.....	543	70006986.....	85	70024509.....	276
70004755.....	491	70006360.....	543	70006987.....	85	70024513...271, 275, 297	
70004756.....	491	70006361.....	543	70006988.....	85	70024517...271, 275, 297	
70004757.....	491	70006362.....	543	70006989.....	85	70024904.....	271, 297
70004758.....	491	70006363.....	543	70006990.....	85	70024905...271, 275, 297	
70004759.....	491	70006403.....	331	70006991.....	85	70024906...271, 275, 297	
70004760.....	491	70006404.....	331	70006992.....	85	70024907.....	271, 297
70004761.....	491	70006405.....	331	70006993.....	85	70024910...272, 276, 298	
70004762.....	491	70006406.....	331	70006994.....	85	70024912...272, 276, 298	
70004763.....	491	70006407.....	331	70006995.....	85	70024915...272, 277, 298	
70004764.....	491	70006408.....	331	70006996.....	85	70024917.....	272, 298
70004765.....	491	70006409.....	331	70006997.....	85	70024918...272, 277, 298	
70004766.....	491	70006410.....	331	70006998.....	85	70024919.....	272, 298
70004767.....	491	70006448.....	569	70006999.....	85	70024920..272, 276, 277,	
70004768.....	491	70006449.....	569	70007000.....	85	298	
70004769.....	491	70006462.....	565	70007001.....	85	70024922.....	277
70004770.....	491	70006463.....	557, 565	70007002.....	85	70024924...271, 275, 297	
70004771.....	491	70006464.....	557, 565	70007003.....	85	70024925...271, 275, 297	
70004772.....	491	70006465.....	565	70007004.....	86	70024961...271, 275, 297	
70004773.....	491	70006466.....	565	70007005.....	86	70025076...271, 275, 297	
70004774.....	491	70006467.....	565	70007006.....	86	70025077.....	277
70004775.....	491	70006468.....	565	70007007.....	86	70025080...271, 275, 297	
70005170.....	395	70006473.....	547	70007008.....	86	70025082...271, 275, 297	
70005171.....	275	70006474.....	547	70007009.....	85	70025084...272, 276, 298	
70005172.....	275	70006490.....	573	70007010.....	86	70025088.....	271, 297



## PART NUMBER INDEX

70025091 .. 271, 275, 297	7002822 ..... 794	7017159..... 393	7024076..... 303
70025101 ..... 276	7002823 ..... 794	7017162..... 393	7024077..... 303
70025103 ..... 272, 298	7002828 ..... 794	7017163..... 393	7024080..... 303
70025107 ..... 276	70035212 ..... 277	7017164..... 393	7024081..... 303
70025109 ..... 276	7003655 ... 169, 177, 185, 193, 201, 209, 787	7017183..... 393	7024083..... 303
70025111 ..... 297	7004035 ..... 83	7017193..... 393	7024084..... 303
70025111 ..... 271, 275	7004043 ..... 83	7017195..... 393	7024085..... 303
70025112 .. 272, 276, 298	7004044 ..... 83	7017402..... 409, 411	7024087..... 304
70025115 ..... 276	7004275 ..... 794	7017405..... 51	7024088..... 304
70025120 .. 272, 277, 298	7004276 ..... 794	7017451..... 65, 786	7024089..... 304
70025133 ..... 276	7004453 ..... 83	7017495..... 65	7024097..... 303
70025135 .. 271, 275, 297	70050795 ..... 553	7018936..... 304	7024135..... 82
70025136 ..... 271, 297	7007207 ..... 314, 317	7018942..... 65	7024183..... 82
70025137 .. 271, 275, 297	7007415 .... 315, 317, 318	7018968..... 65	7024184..... 82
70025140 .. 271, 275, 297	7007418 ..... 314	7018986..... 65	7024185..... 82
70025142 .. 272, 276, 298	7007419 ..... 314	7018991..... 49, 65, 786	7024186..... 82
70025143 ..... 272, 298	7007420 ..... 39	7020043..... 91	7024188..... 82, 83
70025144 .. 272, 275, 298	7007437 ..... 39	7020175.... 119, 123, 459, 463, 467, 471, 475, 479	7024189..... 83
70025145 .. 271, 275, 297	7007438 ..... 39	7020176.... 119, 123, 459, 463, 467, 471, 475, 479	7024190..... 83
70025146 .. 271, 275, 297	7007439 ..... 39	7020404..... 271, 297	7024191..... 83
70025149 .. 272, 277, 298	7007446 ..... 39, 314, 317	7020414..... 213	7024192..... 83
70025151 .. 272, 276, 298	7007489 ..... 321	7020465.... 213, 271, 275, 297	7024193..... 83
70025152 .. 271, 275, 297	7007645 ..... 82	7020468..... 213	7024194..... 83
70025153 .. 271, 275, 297	7007646 ..... 82	7020471..... 213	7024196..... 83
70025154 .. 271, 275, 297	7007648 ..... 82	7020479..... 213	7024197..... 83
70025155 .. 272, 276, 298	7010467 ..... 82	7020486..... 213	7024374..... 91, 93
70025156 ..... 272, 298	7010543 .... 51, 575, 577, 579	7020492.... 272, 276, 298	7024375..... 91, 93, 786
70025158 ..... 276	7010545 ..... 559, 561	7021249..... 39	7024379..... 83
70025160 ..... 272, 298	7010639 ..... 69, 71	7021256..... 315	7024380..... 83
70025161 ..... 272, 298	7010640 ..... 69, 71	7021265..... 315	7024381..... 83
70025162 .. 271, 275, 297	7010795 ..... 83	7021275..... 39, 314, 317	7024389..... 83
70025163 ..... 271, 297	7010924 ..... 69, 71	7021293..... 315	7024390..... 83
70025164 .. 272, 276, 298	7011043 ..... 69	7021375..... 65	7024391..... 83
70025171 .. 271, 275, 297	7011044 ..... 69, 71	7021636..... 65	7024392..... 83
70025176 .. 271, 275, 297	7011048 ..... 69	7022300..... 315	7024393..... 83
70025177 ..... 272, 298	7011311 .... 65, 581, 583	7022301..... 314	7024394..... 83
70025178 .. 272, 276, 298	7011346 ..... 49, 65	7022311..... 39	7024439..... 91, 93
70025179 .. 272, 276, 298	7011351 ..... 581, 583	7022314..... 39	7024440..... 91, 93
70025180 .. 272, 276, 298	7011354 ..... 65, 786	7022321..... 39	7024441..... 91, 93
70025181 .. 271, 275, 297	7011368 ..... 581, 583	7022340..... 317	7024442..... 91, 93
70025182 .. 272, 276, 298	7011371 ..... 581, 583	7022368..... 39	7024443..... 91, 93
70025183 .. 272, 276, 298	7012706 ..... 302, 308	7022371..... 39	7024444..... 91, 93, 786
70025184 .. 272, 276, 298	7012709 ..... 302, 308	7022390..... 409, 411	7024445..... 91, 93
70025185 ..... 276	7012715 ..... 302, 308	7022608..... 315	7024446..... 91, 93
70025190 ..... 271, 297	7012773 ..... 49, 65	7023306..... 91, 93	7024453..... 83
70025200 .. 272, 276, 298	7012903 ..... 411	7023347..... 91, 93	7024462..... 525
70025202 ..... 271, 297	7012941 ..... 51	7023881..... 303	7024463..... 525
70025203 .. 272, 276, 298	7012942 ..... 51	7023922..... 411	7024467..... 525
70025204 ..... 271, 297	7012944 ..... 51, 786	7023962..... 317	7024469..... 525
70025205 .. 271, 275, 297	7012955 ..... 51	7023964..... 317, 318	7024470..... 525
70025206 ..... 271, 297	7012967 ..... 51	7024005..... 303	7024471..... 525
70025207 ..... 271, 297	7012998 ..... 51	7024038..... 302, 308	7024472..... 525
70025208 ..... 271, 297	7016314 ..... 93	7024042..... 302	7024473..... 525
70025210 .. 272, 276, 298	7016322 ..... 151, 153	7024043..... 302	7024474..... 525
70025231 .. 271, 275, 297	7016328 ..... 213, 786	7024044..... 302, 308	7024475..... 525
70025235 .. 272, 276, 298	7016331 ... 213, 271, 275, 297, 786	7024064..... 302	7024478..... 525
70025239 .. 271, 275, 297	7016374 ..... 151, 153	7024065..... 303	7024485... 351, 355, 360, 364
70025240 ..... 276	7016654 ..... 794	7024068..... 303	7024488... 351, 355, 359, 363
70025477 .. 272, 276, 298	7016655 ..... 794	7024069..... 304	7024489... 351, 355, 359, 363
70025533 .. 272, 277, 298	7017072 ..... 82	7024070..... 303	7024565..... 213
70025660 ..... 272, 277	7017082 ..... 82	7024071..... 303	7024570..... 65
70025768 ..... 276	7017085 ..... 82	7024072..... 303	7024571..... 65, 786
70025931 ..... 276	7017094 ..... 82	7024073..... 303	7024573..... 65
70026210 ..... 277, 298	7017142 ..... 393	7024075..... 303	
70026283 ..... 583			
70026995 ..... 276			
7002821 ..... 794			

## PART NUMBER INDEX

7024574.....65	7024925.....65	7027740.....39	8405009.....93
7024579....213, 271, 275, 297	7024927.....49	7027773.....525	8405201....254, 261, 267, 292
7024580....165, 173, 181, 189, 197, 205	7026000.....65	7027774.....525	8405204....254, 261, 267, 292
7024581....165, 173, 181, 189, 197, 205	7026001.....65	7027775.....525	8406102....256, 261, 268, 294
7024582....165, 173, 181, 189, 197, 205	7026002.....65	7027776.....525	8406105.....405, 407
7024583....165, 173, 181, 189, 197, 205	7026003.....65	7027777.....525	8406109.....261
7024584....165, 173, 181, 189, 197, 205	7026004.....65	7027778.....525	8406110.....261
7024598.....151, 153	7026005.....65	7027779.....525	8406112....256, 261, 268, 294
7024763.....82	7026006.....65	7027780.....525	8406302....254, 261, 266, 292
7024800.....315	7026007.....65	7027790.....213	8410011.....261
7024865.....39	7026008.....65	7027791.....213	8410013....170, 178, 187, 194, 202, 210, 254, 263, 267, 293
7024867.....39	7026016.....65	7027792.....213	8580420.....53, 55
7024868.....39	7026028.....49	7027795.....213, 786	8750024.....101, 105
7024883.....411, 786	7026030.....89	7027796.....213	88261024.....407
7024885....409, 411, 786	7026031.....89, 787	7027799...351, 355, 360, 364	88411013.....655
7024899.....409, 411	7026032.....89	7028909...137, 139, 141, 143, 145, 147	88521214...533, 535, 537
7024906.....303	7026188.....351, 355	77363233.....697, 699	88662523..157, 161, 391, 405, 407
7024908.....303	7026571.....91, 93	80334251.....89	88662530.....403
7024911.....303	7026597...351, 355, 360, 364	80484084.....690	91143339.....689
7024913.....302, 308	7026608.....213	80983191.....690	91143340.....689
7024914.....302, 308	7026626...351, 355, 360, 364	8220051.....695	91203039.....421
7024915.....302, 308	7027042...217, 223, 229, 235, 241, 247, 279, 283	8220164.....689	91403230..765, 767, 769, 771, 773, 775, 777, 779, 781
7024916.....302, 308	7027043...217, 223, 229, 235, 241, 247, 279, 283	8229242.....690	91471226.....387
7024917.....302, 308	7027044...217, 223, 229, 236, 241, 247, 279, 283	8310070.....403	91471227.....387
7024918.....302, 308	7027045...217, 223, 229, 236, 241, 247, 279, 283	8310129.....509	91554014.....677, 715
7024919.....302, 308	7027235.....213	8310230.....511	91563070...254, 267, 293
7024920.....302, 308	7027236.....213	8310235.....399	
7024921.....302, 308	7027239.....213	8310658.....160	
7024922.....302, 308	7027240.....213	8405006...217, 223, 229, 235, 241, 247, 256, 261, 268, 279, 283, 294, 327, 329, 331	
7024924.....65	7027276.....213	8405007...255, 261, 268, 293	



# PARTS FINDER

**Search Website  
by Part Number**



**Search Manual  
Library For Parts  
Manual & Lookup Part  
Numbers – Purchase  
or Request Quote**

**Search Manuals**

Part Number:

Serial Number:

Make:

Model:

Part Name:

Quantity:

Submit

**Can't Find Part or  
Manual? Request Help  
by Manufacturer,  
Model & Description**

**Parts Order Form**

Manufacturer:

Model:

Description:

Quantity:

Submit

Discount-Equipment.com is your online resource for quality parts & equipment.

Florida: **561-964-4949** Outside Florida TOLL FREE: **877-690-3101**

**Need parts?**

Click on this link: <http://www.discount-equipment.com/category/5443-parts/> and choose one of the options to help get the right parts and equipment you are looking for. Please have the machine model and serial number available in order to help us get you the correct parts. If you don't find the part on the website or on one of the online manuals, please fill out the request form and one of our experienced staff members will get back to you with a quote for the right part that your machine needs.

We sell worldwide for the brands: Genie, Terex, JLG, MultiQuip, Mikasa, Essick, Whiteman, Mayco, Toro Stone, Diamond Products, Generac Magnum, Airman, Haulotte, Barreto, Power Blanket, Nifty Lift, Atlas Copco, Chicago Pneumatic, Allmand, Miller Curber, Skyjack, Lull, Skytrak, Tsurumi, Husquvarna Target, Stow, Wacker, Sakai, Mi-T-M, Sullair, Basic, Dynapac, MBW, Weber, Bartell, Bennar Newman, Haulotte, Ditch Runner, Menegotti, Morrison, Contec, Buddy, Crown, Edco, Wyco, Bomag, Laymor, EZ Trench, Bil-Jax, F.S. Curtis, Gehl Pavers, Heli, Honda, ICS/PowerGrit, IHI, Partner, Imer, Clipper, MMD, Koshin, Rice, CH&E, General Equipment, Amida, Coleman, NAC, Gradall, Square Shooter, Kent, Stanley, Tamco, Toku, Hatz, Kohler, Robin, Wisconsin, Northrock, Oztec, Toker TK, Rol-Air, APT, Wylie, Ingersoll Rand / Doosan, Innovatech, Con X, Ammann, Mecalac, Makinex, Smith Surface Prep, Small Line, Wanco, Yanmar