



Illustrated Parts Manual

**Model
1250AJP**

SN 0300201017 to Present

**P/N
3121737**

December 15, 2018 - Rev L

ANSI



AS/NZS



An Oshkosh Corporation Company

PARTS FINDER

**Search Website
by Part Number**



**Search Manual
Library For Parts
Manual & Lookup Part
Numbers – Purchase
or Request Quote**

**Can't Find Part or
Manual? Request Help
by Manufacturer,
Model & Description**

Discount-Equipment.com is your online resource for quality parts & equipment.

Florida: **561-964-4949** Outside Florida TOLL FREE: **877-690-3101**

Need parts?

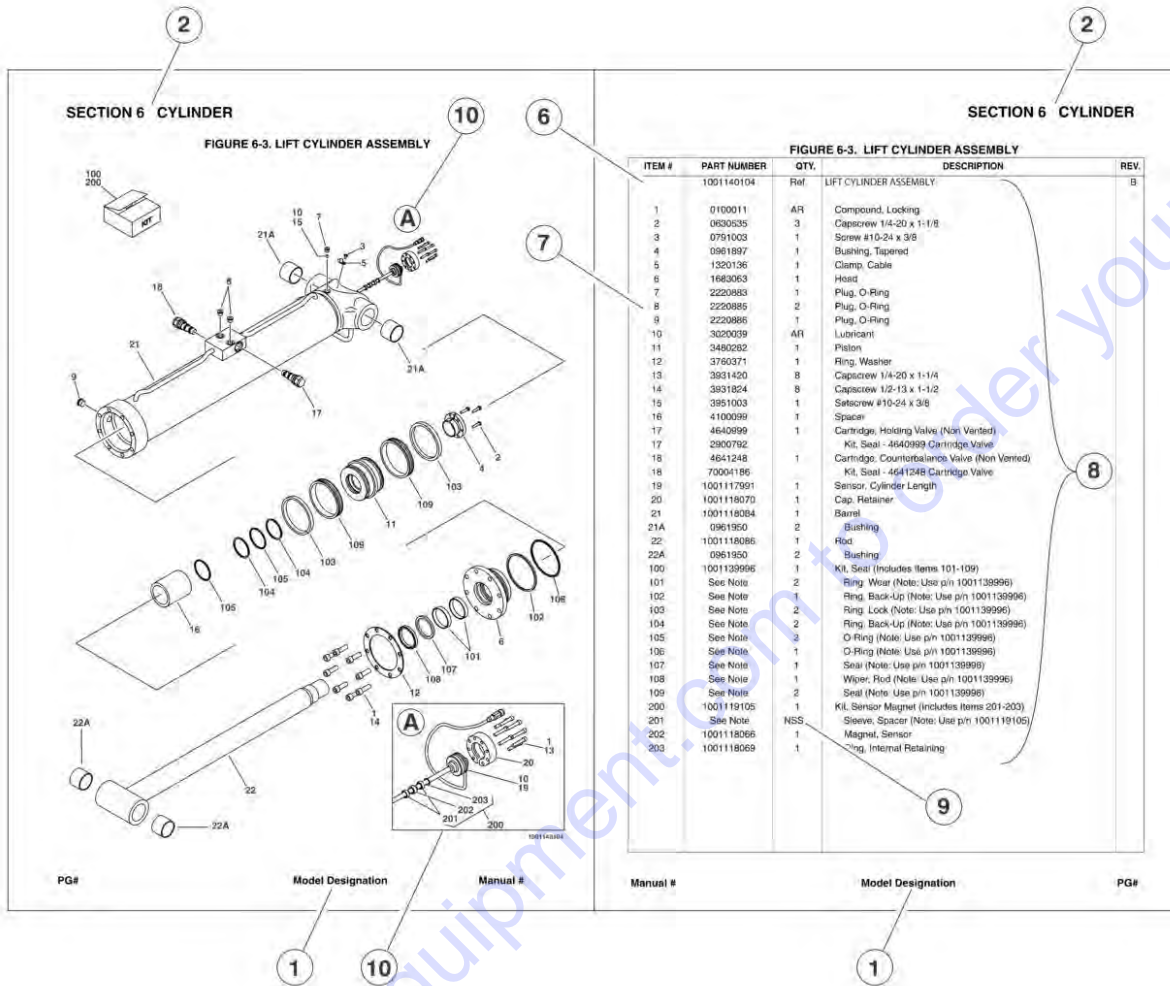
Click on this link: <http://www.discount-equipment.com/category/5443-parts/> and choose one of the options to help get the right parts and equipment you are looking for. Please have the machine model and serial number available in order to help us get you the correct parts. If you don't find the part on the website or on one of the online manuals, please fill out the request form and one of our experienced staff members will get back to you with a quote for the right part that your machine needs.

We sell worldwide for the brands: Genie, Terex, JLG, MultiQuip, Mikasa, Essick, Whiteman, Mayco, Toro Stone, Diamond Products, Generac Magnum, Airman, Haulotte, Barreto, Power Blanket, Nifty Lift, Atlas Copco, Chicago Pneumatic, Allmand, Miller Curber, Skyjack, Lull, Skytrak, Tsurumi, Husquvarna Target, Stow, Wacker, Sakai, Mi-T-M, Sullair, Basic, Dynapac, MBW, Weber, Bartell, Bennar Newman, Haulotte, Ditch Runner, Menegotti, Morrison, Contec, Buddy, Crown, Edco, Wyco, Bomag, Laymor, EZ Trench, Bil-Jax, F.S. Curtis, Gehl Pavers, Heli, Honda, ICS/PowerGrit, IHI, Partner, Imer, Clipper, MMD, Koshin, Rice, CH&E, General Equipment, Amida, Coleman, NAC, Gradall, Square Shooter, Kent, Stanley, Tamco, Toku, Hatz, Kohler, Robin, Wisconsin, Northrock, Oztec, Toker TK, Rol-Air, APT, Wylie, Ingersoll Rand / Doosan, Innovatech, Con X, Ammann, Mecalac, Makinex, Smith Surface Prep, Small Line, Wanco, Yanmar

REVISION LOG

January 29, 2016 - A - Original Issue Of Manual (Edited to B/M 1001160110 Revision Y)
May 27, 2016 - B - Revised Manual (Edited to B/M 1001160110 Revision AD)
August 15, 2016 - C - Revised Manual (Edited to B/M 1001160110 Revision AD)
December 09, 2016 - D - Revised Manual (Edited to B/M 1001160110 Revision AI)
March 15, 2017 - E - Revised Manual (Edited to B/M 1001160110 Revision AN)
June 28, 2017 - F - Revised Manual (Edited to B/M 1001160110 Revision AN)
September 29, 2017 - G - Revised Manual (Edited to B/M 1001160110 Revision AP)
December 22, 2017 - H - Revised Manual (Edited to B/M 1001160110 Revision AQ)
March 9, 2018 - I - Revised Manual (Edited to B/M 1001160110 Revision AQ)
June 22, 2018 - J - Revised Manual (Edited to B/M 1001160110 Revision AU)
September 14, 2018 - K - Revised Manual (Edited to B/M 1001160110 Revision AZ) (Revision 1)
December 15, 2018 - Rev L - Revised Manual (Edited to B/M 1001160110 Revision BJ) (Revision 2)

GENERAL INFORMATION



1) MACHINE IDENTIFICATION

Machines are identified by model and in some cases a combination of models, serial number (SN) or regional standard (i.e. ANSI, CE, CSA). Components may also be identified by SN or manufacturer. Common components that may be identified by these characteristics are engines and hydraulic components.

2) PARTS MANUAL ORGANIZATION

Product information in this manual is organized under section titles. Frame, Cylinder, Hydraulic and Electrical are a few examples. Each section is organized by figure and page number. The information within the Figure is then organized by item number, part number, description and corresponding illustration(s).

3) TABLE OF CONTENTS

A table of contents is found toward the beginning of the manual. Figure number, description and page number are provided for quick reference to the page containing the related information.

4) RECOMMENDED SPARE PARTS

The Recommended Spare Parts, located near the end of the manual, reference most frequently used maintenance parts.

5) PART NUMBER INDEX

A numerical index listing all part numbers and the corresponding page number(s) appears at the back of the manual.

GENERAL INFORMATION

6) NON-SERVICED PARTS

In some instances, it is necessary to display non-serviced parts, assemblies or installations. In the case of assemblies and installations there will be a Ref in the Qty column. In case of parts that are not available for service within assemblies or components, there will be a NSS (Not Sold Separately) or NLA (No Longer Available) listed in the Qty. column of the manual.

7) PARTS LIST ITEM NUMBERS

Numbers shown in the item# column correspond to numbers used in the associated illustration (s). Item numbers which are missing from the sequence in the parts list are not used on that page

8) INDENTED PARTS DESCRIPTION

An indented part description is included in the item under which it is indented.

9) ABB REVIATION AND SYMBOLS

AC.....	Alternating Current	LCD.....	Liquid Crystal Display
ADE.....	Advanced Design Electronics	LED.....	Light Emitting Diodes
ANSI.....	American National Standards Institute	LH.....	Left Hand
AR.....	As Required	LSS.....	Load Sensing System
ASSY.....	Assembly	M(m).....	Metric/Meter
AUX.....	Auxiliary	MM (mm).....	Milimeter
AWG.....	American WireGauge	mA.....	Miliamps
B/M.....	Bill of Material	NLA.....	No Longer Available
CE.....	European Conformity	NPT.....	National Pipe Threads
CCW.....	Counter Clockwise	NSS.....	Not So Id Separately
cm.....	Centimeter	OD.....	Outside Diameter
CW.....	Clockwise	ORB.....	O-Ring Boss
CSA.....	Canadian Standards Association	ORFS.....	O-Ring Face Seal
CYL.....	Cylinder	OZ (oz).....	Ounces
DIA.....	Diameter	PG.....	Page
DC.....	Direct Current	P/N.....	Part Number
EMS.....	Emergency Stop	qt.....	Quarts
ENG.....	Engine	QTY.....	Quantity
FT (ft).....	Feet	REF.....	Reference
GA (Ga).....	Gauge	REV.....	Revision Level
HYD.....	Hydraulic	RH.....	Right Hand
Hz.....	Hertz	SAE.....	Society of Automotive Engineers
ID.....	Inside Diameter	SN.....	Serial Number
in.....	inches	SPEC(S).....	Specifications
ISO.....	International Organization for Standards	T/T.....	Turntable
JIC.....	Joint Industry Council	UGM.....	Universal Ground Module
KG.....	Kilogram	V.....	Volts
L.....	Liter	W.....	Watts
LB.....	Pounds	#.....	Number

10) ILLUSTRATION REFERENCE LETTERS

When necessary, illustrations may contain reference letters that are intended to track information (i. e. hoses, harnesses) from one point to another or to track visual enlargement of components to show details that may be located in another area on the illustration.

Note: Due to continuous product improvements, JLG Industries, Inc. reserves the right to make specification changes without prior notification.

TABLE OF CONTENTS

SECTION 1 - FRAME.....	15
FIGURE 1-1. AXLE INSTALLATION - FIXED (SN 0300201017 through 0300207703).....	16
FIGURE 1-2. AXLE INSTALLATION - FIXED (SN 0300207704 to Present).....	20
FIGURE 1-3. AXLE INSTALLATION - OSCILLATING (SN 0300201017 through 0300207703).....	24
FIGURE 1-4. AXLE INSTALLATION - OSCILLATING (SN 0300207704 to Present).....	28
FIGURE 1-5. AXLE STOP BLOCKS INSTALLATION.....	32
FIGURE 1-6. STEER INSTALLATION.....	34
FIGURE 1-7. WHEEL DRIVE INSTALLATION - BONFIGLIOLI.....	36
FIGURE 1-8. WHEEL DRIVE INSTALLATION - REGGIANA RIDUTTORI.....	38
FIGURE 1-9. DRIVE HUB AND MOTOR ASSEMBLY - BONFIGLIOLI.....	40
FIGURE 1-10. DRIVE HUB AND MOTOR ASSEMBLY - REGGIANA RIDUTTORI.....	42
FIGURE 1-11. DRIVE HUB ASSEMBLY - BONFIGLIOLI.....	44
FIGURE 1-12. DRIVE HUB ASSEMBLY - REGGIANA RIDUTTORI.....	48
FIGURE 1-13. DRIVE MOTOR ASSEMBLY.....	52
FIGURE 1-14. TIRE AND WHEEL INSTALLATION - FOAM - FILLED.....	54
FIGURE 1-15. TIRE AND WHEEL INSTALLATION - SOLID.....	56
FIGURE 1-16. FRAME VALVES INSTALLATION - WITHOUT LSS AND WITH 4 CELL LSS.....	58
FIGURE 1-17. FRAME VALVES INSTALLATION - WITH 1 CELL LSS.....	60
FIGURE 1-18. STEER VALVE ASSEMBLY.....	62
FIGURE 1-19. TRACTION VALVE ASSEMBLY.....	64
FIGURE 1-20. FRAME COVERS INSTALLATION.....	66
SECTION 2 - TURNTABLE.....	69
FIGURE 2-1. TURNTABLE VALVES INSTALLATION - WITHOUT LSS AND WITH 4 CELL LSS.....	70
FIGURE 2-2. TURNTABLE VALVES INSTALLATION - WITH 1 CELL LSS.....	72
FIGURE 2-3. BATTERY AND AUXILIARY PUMP INSTALLATION - WITHOUT COLD WEATHER PLUS PACKAGE.....	74
FIGURE 2-4. BATTERY AND AUXILIARY PUMP INSTALLATION - WITH COLD WEATHER PLUS PACKAGE.....	76
FIGURE 2-5. AUXILIARY PUMP ASSEMBLY (WITHOUT COLD WEATHER PLUS PACKAGE).....	78
FIGURE 2-6. AUXILIARY PUMP ASSEMBLY (WITH COLD WEATHER PLUS PACKAGE).....	80
FIGURE 2-7. MAIN VALVE ASSEMBLY.....	82
FIGURE 2-8. SWING DRIVE INSTALLATION (SN 0300201017 through 0300254456).....	86
FIGURE 2-9. SWING DRIVE INSTALLATION (SN 0300254457 to Present).....	88
FIGURE 2-10. TURNTABLE BEARING AND LUBE INSTALLATION.....	90
FIGURE 2-11. TURNTABLE LOCK INSTALLATION.....	92
FIGURE 2-12. PINION SHIELD INSTALLATION.....	94
FIGURE 2-13. SWING MOTOR/HUB ASSEMBLY (SN 0300201017 through 0300254456).....	96
FIGURE 2-14. SWING MOTOR/HUB ASSEMBLY (SN 0300254457 to Present).....	100
FIGURE 2-15. ROTARY COUPLING AND COLLECTOR RING INSTALLATION.....	104
FIGURE 2-16. TANK INSTALLATION.....	106
FIGURE 2-17. HYDRAULIC OIL COOLER INSTALLATION - DEUTZ TD2011 ENGINES WITH REXROTH PUMP (OPTIONAL).....	108
FIGURE 2-18. HYDRAULIC OIL COOLER INSTALLATION - DEUTZ TD2011 ENGINES WITH SAUER PUMP (OPTIONAL).....	110
FIGURE 2-19. HYDRAULIC OIL COOLER INSTALLATION - DEUTZ TCD2.9L4 ENGINES AND DEUTZ TCD2.9L4 (STAGE V) ENGINES WITH REXROTH PUMP (OPTIONAL).....	112
FIGURE 2-20. HYDRAULIC OIL COOLER INSTALLATION - DEUTZ TCD2.9L4 ENGINES AND DEUTZ TCD2.9L4 (STAGE V) ENGINES WITH SAUER PUMP (OPTIONAL).....	114
FIGURE 2-21. GROUND CONTROL BOX INSTALLATION WITH REXROTH PUMPS - DEUTZ TD2011 ENGINES WITH REXROTH PUMP.....	116
FIGURE 2-22. GROUND CONTROL BOX INSTALLATION WITH SAUER PUMPS - DEUTZ TD2011 ENGINES WITH SAUER PUMP.....	118
FIGURE 2-23. GROUND CONTROL BOX INSTALLATION - DEUTZ TCD2.9L4 ENGINES.....	120
FIGURE 2-24. GROUND CONTROL BOX INSTALLATION - DEUTZ TCD2.9L4 ENGINES (CE SPECS).....	122
FIGURE 2-25. GROUND CONTROL BOX INSTALLATION WITH REXROTH PUMPS - DEUTZ TD2011 ENGINES (CE SPECS) (LRC).....	124
FIGURE 2-26. GROUND CONTROL BOX INSTALLATION WITH SAUER PUMPS - DEUTZ TD2011 ENGINES (CE SPECS) (LRC).....	126
FIGURE 2-27. GROUND CONTROL ASSEMBLY.....	128
FIGURE 2-28. GROUND CONTROL ASSEMBLY - DEUTZ 2.9L4 ENGINES (CE SPECS).....	132
FIGURE 2-29. KEYSWITCH INSTALLATION.....	136
FIGURE 2-30. KEYSWITCH INSTALLATION.....	138
FIGURE 2-31. LIGHT PANEL INSTALLATION - ANSI AND ANSI EXPORT SPECS.....	140
FIGURE 2-32. LIGHT PANEL INSTALLATION - AUSTRALIAN AND CE SPECS.....	142
FIGURE 2-33. ALARMS INSTALLATION.....	144
FIGURE 2-34. BACKUP ALARM AMBIENT (WHITE NOISE) INSTALLATION.....	146

TABLE OF CONTENTS

FIGURE 2-35. STROBE LIGHT INSTALLATION (AMBER).....	148
FIGURE 2-36. STROBE LIGHT INSTALLATION (BLUE) (SN 0300201017 through 0300217072).....	150
FIGURE 2-37. STROBE LIGHT INSTALLATION (BLUE) (SN 0300217073 through 0300256982).....	152
FIGURE 2-38. STROBE LIGHT INSTALLATION (BLUE) (SN 0300256982 to Present).....	154
FIGURE 2-39. STROBE LIGHT INSTALLATION (RED) (SN 0300201017 through 0300217072).....	156
FIGURE 2-40. STROBE LIGHT INSTALLATION (RED) (SN 0300217073 through 0300256982).....	158
FIGURE 2-41. STROBE LIGHT INSTALLATION (RED) (SN 0300256982 to Present).....	160
FIGURE 2-42. ENGINE TRAY JACK INSTALLATION - DEUTZ TD2011 ENGINES.....	162
FIGURE 2-43. ENGINE TRAY JACK INSTALLATION - DEUTZ TCD2.9L4 ENGINES AND DEUTZ TCD2.9L4 (STAGE V) ENGINES.....	164
FIGURE 2-44. HOODS INSTALLATION - DEUTZ TD2011 ENGINES.....	166
FIGURE 2-45. HOODS INSTALLATION - DEUTZ TCD2.9L4 ENGINES AND DEUTZ TCD2.9L4 (STAGE V) ENGINES.....	170
SECTION 3 - ENGINE.....	175
FIGURE 3-1. DEUTZ TD2011 ENGINE INSTALLATION - WITH REXROTH PUMP (WITHOUT GENERATOR AND WITHOUT COLD WEATHER PLUS PACKAGE).....	176
FIGURE 3-2. DEUTZ TD2011 ENGINE ASSEMBLY - WITH REXROTH PUMP (WITHOUT GENERATOR AND WITHOUT COLD WEATHER PLUS PACKAGE).....	180
FIGURE 3-3. DEUTZ TD2011 ENGINE INSTALLATION - WITH REXROTH PUMP (WITH GENERATOR AND WITHOUT COLD WEATHER PLUS PACKAGE).....	184
FIGURE 3-4. DEUTZ TD2011 ENGINE ASSEMBLY - WITH REXROTH PUMP (WITH GENERATOR AND WITHOUT COLD WEATHER PLUS PACKAGE).....	188
FIGURE 3-5. DEUTZ TD2011 ENGINE INSTALLATION - WITH REXROTH PUMP (WITH GENERATOR AND WITH COLD WEATHER PLUS PACKAGE).....	192
FIGURE 3-6. DEUTZ TD2011 ENGINE ASSEMBLY - WITH REXROTH PUMP (WITH GENERATOR AND WITH COLD WEATHER PLUS PACKAGE).....	196
FIGURE 3-7. DEUTZ TD2011 ENGINE INSTALLATION - WITH SAUER PUMP (WITHOUT GENERATOR AND WITHOUT COLD WEATHER PLUS PACKAGE).....	200
FIGURE 3-8. DEUTZ TD2011 ENGINE ASSEMBLY - WITH SAUER PUMP (WITHOUT GENERATOR AND WITHOUT COLD WEATHER PLUS PACKAGE).....	204
FIGURE 3-9. DEUTZ TD2011 ENGINE INSTALLATION - WITH SAUER PUMP (WITH GENERATOR AND WITHOUT COLD WEATHER PLUS PACKAGE).....	208
FIGURE 3-10. DEUTZ TD2011 ENGINE ASSEMBLY - WITH SAUER PUMP (WITH GENERATOR AND WITHOUT COLD WEATHER PLUS PACKAGE).....	212
FIGURE 3-11. DEUTZ TD2011 ENGINE INSTALLATION - WITH SAUER PUMP (WITH GENERATOR AND WITH COLD WEATHER PLUS PACKAGE).....	216
FIGURE 3-12. DEUTZ TD2011 ENGINE ASSEMBLY - WITH SAUER PUMP (WITH GENERATOR AND WITH COLD WEATHER PLUS PACKAGE).....	220
FIGURE 3-13. DEUTZ TD2011 ENGINE COMPONENTS.....	224
FIGURE 3-14. DEUTZ TCD2.9L4 ENGINE INSTALLATION - WITH REXROTH PUMP (WITHOUT COLD WEATHER PLUS PACKAGE).....	226
FIGURE 3-15. DEUTZ TCD2.9L4 ENGINE SUB-ASSEMBLY - WITH REXROTH PUMP (WITHOUT COLD WEATHER PLUS PACKAGE).....	230
FIGURE 3-16. DEUTZ TCD2.9L4 ENGINE ASSEMBLY - WITH REXROTH PUMP (WITHOUT COLD WEATHER PLUS PACKAGE).....	232
FIGURE 3-17. DEUTZ TCD2.9L4 ENGINE INSTALLATION - WITH REXROTH PUMP (WITH COLD WEATHER PLUS PACKAGE).....	238
FIGURE 3-18. DEUTZ TCD2.9L4 ENGINE SUB-ASSEMBLY - WITH REXROTH PUMP (WITH COLD WEATHER PLUS PACKAGE).....	242
FIGURE 3-19. DEUTZ TCD2.9L4 ENGINE ASSEMBLY - WITH REXROTH PUMP (WITH COLD WEATHER PLUS PACKAGE).....	244
FIGURE 3-20. DEUTZ TCD2.9L4 ENGINE INSTALLATION - WITH SAUER PUMPS (WITHOUT COLD WEATHER PLUS PACKAGE).....	250
FIGURE 3-21. DEUTZ TCD2.9L4 ENGINE SUB-ASSEMBLY - WITH SAUER PUMP (WITHOUT COLD WEATHER PLUS PACKAGE).....	254
FIGURE 3-22. DEUTZ TCD2.9L4 ENGINE ASSEMBLY - WITH SAUER PUMP (WITHOUT COLD WEATHER PLUS PACKAGE).....	256
FIGURE 3-23. DEUTZ TCD2.9L4 ENGINE INSTALLATION - WITH SAUER PUMPS (WITH COLD WEATHER PLUS PACKAGE).....	262
FIGURE 3-24. DEUTZ TCD2.9L4 ENGINE SUB-ASSEMBLY - WITH SAUER PUMPS (WITH COLD WEATHER PLUS PACKAGE).....	266
FIGURE 3-25. DEUTZ TCD2.9L4 ENGINE ASSEMBLY - WITH SAUER PUMPS (WITH COLD WEATHER PLUS PACKAGE).....	268
FIGURE 3-26. DEUTZ TCD2.9L4 ENGINE COMPONENTS.....	274
FIGURE 3-27. DEUTZ TCD2.9L4 (STAGE V) ENGINE INSTALLATION - WITH REXROTH PUMP (WITHOUT COLD WEATHER PLUS PACKAGE).....	278

TABLE OF CONTENTS

FIGURE 3-28. DEUTZ TCD2.9L4 (STAGE V) ENGINE SUB-ASSEMBLY - WITH REXROTH PUMP AND ABS HOODS (WITHOUT COLD WEATHER PLUS PACKAGE)	282
FIGURE 3-29. DEUTZ TCD2.9L4 (STAGE V) ENGINE INSTALLATION - WITH SAUER PUMP (WITHOUT COLD WEATHER PLUS PACKAGE).....	284
FIGURE 3-30. DEUTZ TCD2.9L4 (STAGE V) ENGINE SUB-ASSEMBLY - WITH SAUER PUMP AND ABS HOODS (WITHOUT COLD WEATHER PLUS PACKAGE)	288
FIGURE 3-31. DEUTZ TCD2.9L4 (STAGE V) ENGINE ASSEMBLY (WITHOUT COLD WEATHER PLUS PACKAGE).....	290
FIGURE 3-32. DEUTZ TCD2.9L4 (STAGE V) ENGINE COMPONENTS.....	296
FIGURE 3-33. PUMP ASSEMBLY (REXROTH) (DEUTZ TD2011 ENGINES)	300
FIGURE 3-34. PUMP ASSEMBLY (REXROTH) (DEUTZ TCD2.9L4 ENGINES AND DEUTZ TCD2.9L4 (STAGE V) ENGINES)	306
FIGURE 3-35. PUMP ASSEMBLY (SAUER TANDEM).....	312
FIGURE 3-36. PUMP ASSEMBLY (SAUER PISTON)	316
FIGURE 3-37. PUMP ASSEMBLY (SAUER GEAR).....	320
FIGURE 3-38. PUMP COUPLING KIT	322
FIGURE 3-39. FUEL PUMP/FILTER BRACKET ASSEMBLY - DEUTZ TCD2.9L4 ENGINE AND DEUTZ TCD2.9L4 (STAGE V) ENGINE.....	324
FIGURE 3-40. WATER/FUEL SEPARATOR INSTALLATION - DEUTZ TCD2.9L4 ENGINE	326
FIGURE 3-41. SPARK ARRESTING CATALYTIC MUFFLER - DEUTZ TD2011 ENGINES (OPTIONAL)	328
FIGURE 3-42. SPARK ARRESTOR INSTALLATION - DEUTZ TCD2.9L4 ENGINES AND DEUTZ TCD2.9L4 (STAGE V) ENGINES (OPTIONAL).....	330
FIGURE 3-43. 2500W GENERATOR INSTALLATION - DEUTZ TD2011 ENGINES (OPTIONAL)	332
FIGURE 3-44. 4000W GENERATOR INSTALLATION - 60HZ SPEC (DEUTZ TD2011 ENGINES).....	336
FIGURE 3-45. 4000W GENERATOR INSTALLATION - 50HZ SPEC (DEUTZ TD2011 ENGINES).....	340
FIGURE 3-46. 4000W GENERATOR INSTALLATION - 60HZ SPEC (DEUTZ TCD2.9L4 ENGINES)	344
FIGURE 3-47. 4000W GENERATOR INSTALLATION - 50HZ SPEC (DEUTZ TCD2.9L4 ENGINES AND DEUTZ TCD2.9L4 (STAGE V) ENGINES)	348
FIGURE 3-48. 7500W SKYPOWER GENERATOR INSTALLATION - 60HZ SPEC (DEUTZ TD2011 ENGINES) (OPTIONAL).....	352
FIGURE 3-49. 7500W SKYPOWER GENERATOR INSTALLATION - 50HZ SPEC (DEUTZ TD2011 ENGINES) (OPTIONAL).....	356
FIGURE 3-50. 7500W SKYPOWER GENERATOR INSTALLATION - 60HZ SPEC (DEUTZ TCD2.9L4 ENGINES) (OPTIONAL).....	360
FIGURE 3-51. 7500W SKYPOWER GENERATOR INSTALLATION - 50HZ SPEC (DEUTZ TCD2.9L4 ENGINES AND DEUTZ TCD2.9L4 (STAGE V) ENGINES) (OPTIONAL).....	364
SECTION 4 - BOOM	369
FIGURE 4-1. BOOM AND CYLINDER INSTALLATION - WITHOUT COLD WEATHER PLUS PACKAGE.....	370
FIGURE 4-2. BOOM AND CYLINDER INSTALLATION - WITH COLD WEATHER PLUS PACKAGE	374
FIGURE 4-3. TOWER BOOM ASSEMBLY	378
FIGURE 4-4. MAIN BOOM ASSEMBLY - WITHOUT COLD WEATHER PLUS PACKAGE.....	382
FIGURE 4-5. MAIN BOOM ASSEMBLY - WITH COLD WEATHER PLUS PACKAGE	386
FIGURE 4-6. PLATFORM ROTATE ASSEMBLY (SN 0300201017 through 0300201349).....	390
FIGURE 4-7. PLATFORM ROTATE ASSEMBLY (SN 0300201350 to Present)	392
FIGURE 4-8. JIB ROTATE ASSEMBLY (SN 0300201017 through 0300201349).....	394
FIGURE 4-9. JIB ROTATE ASSEMBLY (SN 0300201350 to Present).....	396
FIGURE 4-10. POWER TRACK AND BOOM CLAMPS INSTALLATION (TOWER BOOM)	398
FIGURE 4-11. POWER TRACK AND BOOM CLAMPS INSTALLATION (MAIN BOOM AND JIB).....	400
FIGURE 4-12. BOOM SENSORS AND SWITCHES INSTALLATION.....	404
FIGURE 4-13. PLATFORM SUPPORT INSTALLATION - WITHOUT LSS	408
FIGURE 4-14. PLATFORM SUPPORT INSTALLATION - WITH 4 CELL LSS	410
FIGURE 4-15. PLATFORM SUPPORT INSTALLATION - WITH 1 CELL LSS.....	412
FIGURE 4-16. CONTROL VALVE INSTALLATION - WITHOUT LSS AND WITH 4 CELL LSS.....	414
FIGURE 4-17. CONTROL VALVE INSTALLATION - WITH 1 CELL LSS.....	416
FIGURE 4-18. PLATFORM VALVE ASSEMBLY	418
SECTION 5 - PLATFORM	421
FIGURE 5-1. PLATFORM ASSEMBLY - 36IN X 6FT (91.5CM X 1.83M) WITH SWING GATE.....	422
FIGURE 5-2. PLATFORM ASSEMBLY - 36IN X 8FT (91.5CM X 2.44M) WITH SWING GATE.....	424
FIGURE 5-3. PLATFORM ASSEMBLY - 30IN X 3FT (76CM X .91M) - WITH DROP BAR.....	426
FIGURE 5-4. PLATFORM ASSEMBLY - 36IN X 6FT (91.5CM X 1.83M) WITH DROP BAR.....	428
FIGURE 5-5. PLATFORM ASSEMBLY - 36IN X 8FT (91.5CM X 2.44M) WITH DROP BAR.....	430
FIGURE 5-6. PLATFORM ASSEMBLY - 36IN X 6FT (91.5CM X 1.83M) WITH FALL ARREST (ANSI, ANSI EXPORT AND CHINA SPECS).....	432
FIGURE 5-7. PLATFORM ASSEMBLY - 36IN X 8FT (91.5CM X 2.44M) WITH FALL ARREST (ANSI SPECS).....	434
FIGURE 5-8. PLATFORM ASSEMBLY - 36IN X 6FT (91.5CM X 1.83M) TRI-ENTRY WITH SWING GATE.....	436
FIGURE 5-9. PLATFORM ASSEMBLY - 36IN X 6FT (91.5CM X 1.83M) TRI-ENTRY WITH DROP BAR.....	438

TABLE OF CONTENTS

FIGURE 5-10. PLATFORM ASSEMBLY - 36IN X 8FT (91.5CM X 2.44M) TRI-ENTRY WITH DROPBAR	440
FIGURE 5-11. PLATFORM ASSEMBLY - 36IN X 8FT (91.5CM X 2.44M) TRI-ENTRY WITH DROPGATE	442
FIGURE 5-12. TRAY INSTALLATION.....	444
FIGURE 5-13. PLATFORM CONTROLS INSTALLATION - WITHOUT SKYGUARD.....	446
FIGURE 5-14. PLATFORM CONTROLS INSTALLATION - WITH SKYGUARD (SN 0300201017 through 0300234289)	448
FIGURE 5-15. PLATFORM CONTROLS INSTALLATION - WITH SKYGUARD (SN 0300234290 through 0300256982)	450
FIGURE 5-16. PLATFORM CONTROLS INSTALLATION - WITH SKYGUARD (SN 0300256982 to Present).....	452
FIGURE 5-17. PLATFORM CONSOLE ASSEMBLY - WITHOUT SKYGUARD (SN 0300201017 through 0300220134)	454
FIGURE 5-18. PLATFORM CONSOLE ASSEMBLY - WITHOUT SKYGUARD (SN 0300220135 to Present).....	458
FIGURE 5-19. PLATFORM CONSOLE ASSEMBLY - WITH SKYGUARD (SN 0300201017 through 0300220134).....	462
FIGURE 5-20. PLATFORM CONSOLE ASSEMBLY - WITH SKYGUARD (SN 0300220135 through 0300234289).....	466
FIGURE 5-21. PLATFORM CONSOLE ASSEMBLY - WITH SKYGUARD (SN 0300234290 through 0300256982).....	470
FIGURE 5-22. PLATFORM CONSOLE ASSEMBLY - WITH SKYGUARD (SN 0300256982 to Present).....	474
FIGURE 5-23. DECAL AND LIGHT PANEL (ANSI SPECS).....	478
FIGURE 5-24. DECAL AND LIGHT PANEL (CE SPECS).....	480
FIGURE 5-25. CONTROLLER ASSEMBLY (LIFT AND SWING)	482
FIGURE 5-26. CONTROLLER ASSEMBLY (DRIVE AND STEER).....	486
FIGURE 5-27. TOWER LIFT SWITCH INSTALLATION	488
FIGURE 5-28. FOOTSWITCH ASSEMBLY	490
FIGURE 5-29. SOFT TOUCH SYSTEM INSTALLATION - 6FT/1.8M PLATFORMS (OPTIONAL)	492
FIGURE 5-30. SOFT TOUCH SYSTEM INSTALLATION - 8FT/2.4M PLATFORMS (OPTIONAL)	494
FIGURE 5-31. SOFT TOUCH SYSTEM INSTALLATION - 6FT/1.8M PLATFORMS (WITH FALL ARREST) (OPTIONAL).....	496
FIGURE 5-32. SKYGUARD SYSTEM INSTALLATION (SN 0300201017 through 0300256981).....	498
FIGURE 5-33. SKYGUARD BAR INSTALLATION (SN 0300256982 to Present)	500
FIGURE 5-34. SKYEYE INSTALLATION.....	502
FIGURE 5-35. SKYLINE INSTALLATION.....	504
FIGURE 5-36. CROSS RAIL INSTALLATION	506
FIGURE 5-37. SKYGLAZIER INSTALLATION (ANSI AND CSA SPECS).....	508
FIGURE 5-38. SKYGLAZIER INSTALLATION (AUSTRALIAN SPECS) (SN 0300201017 through 0300234289).....	510
FIGURE 5-39. SKYGLAZIER INSTALLATION (AUSTRALIAN SPECS) (SN 0300234290 to Present)	512
FIGURE 5-40. SKYGLAZIER INSTALLATION (BRAZIL SPECS).....	514
FIGURE 5-41. SKYGLAZIER INSTALLATION (DANISH SPECS).....	516
FIGURE 5-42. SKYGLAZIER INSTALLATION (FRENCH SPECS) (SN 0300201017 through 0300234289)	518
FIGURE 5-43. SKYGLAZIER INSTALLATION (FRENCH SPECS) (SN 0300234290 to Present).....	520
FIGURE 5-44. SKYGLAZIER INSTALLATION (GERMAN SPECS) (SN 0300201017 through 0300234289)	522
FIGURE 5-45. SKYGLAZIER INSTALLATION (GERMAN SPECS) (SN 0300234290 to Present).....	524
FIGURE 5-46. SKYGLAZIER INSTALLATION (ITALIAN SPECS) (SN 0300201017 through 0300234289).....	526
FIGURE 5-47. SKYGLAZIER INSTALLATION (ITALIAN SPECS) (SN 0300234290 to Present)	528
FIGURE 5-48. SKYGLAZIER INSTALLATION (LATIN AMERICAN SPECS)	530
FIGURE 5-49. SKYGLAZIER INSTALLATION (PORTUGUESE SPECS) (SN 0300201017 through 0300234289).....	532
FIGURE 5-50. SKYGLAZIER INSTALLATION (PORTUGUESE SPECS) (SN 0300234290 to Present).....	534
FIGURE 5-51. SKYGLAZIER INSTALLATION (SPANISH SPECS) (SN 0300201017 through 0300234289)	536
FIGURE 5-52. SKYGLAZIER INSTALLATION (SPANISH SPECS) (SN 0300234290 to Present).....	538
FIGURE 5-53. SKYGLAZIER INSTALLATION (SWEDISH SPECS) (SN 0300201017 through 0300234289)	540
FIGURE 5-54. SKYGLAZIER INSTALLATION (SWEDISH SPECS) (SN 0300234290 to Present).....	542
FIGURE 5-55. SKYGLAZIER INSTALLATION (UK SPECS) (SN 0300201017 through 0300234289)	544
FIGURE 5-56. SKYGLAZIER INSTALLATION (UK SPECS) (SN 0300234290 to Present).....	546
FIGURE 5-57. SKYWELDER/SKYCUTTER COMBO INSTALLATION (60HZ)	548
FIGURE 5-58. SKYWELDER INSTALLATION (50HZ).....	552
FIGURE 5-59. SKYWELDER INSTALLATION (60HZ).....	554
FIGURE 5-60. SKYWELDER PREP PACKAGE (60HZ).....	556
FIGURE 5-61. WELDER ASSEMBLY	558
FIGURE 5-62. SKYCUTTER INSTALLATION	560
FIGURE 5-63. PLASMA CUTTER ASSEMBLY	562
FIGURE 5-64. PIPE RACK INSTALLATION (ANSI SPEC).....	564
FIGURE 5-65. PIPE RACK INSTALLATION (AUSTRALIAN AND CE SPEC).....	566
FIGURE 5-66. FALL ARREST INSTALLATION (BOLT-ON EXTERNAL) (6FT/1.82M PLATFORM).....	568
FIGURE 5-67. FALL ARREST INSTALLATION (BOLT-ON EXTERNAL) (6FT/1.82M TRI-ENTRY PLATFORM).....	570
FIGURE 5-68. FALL ARREST INSTALLATION (BOLT-ON EXTERNAL) (8FT/2.4M PLATFORM).....	572
SECTION 6 - CYLINDER.....	575
FIGURE 6-1. AXLE EXTENSION CYLINDER ASSEMBLY (SN 0300201017 through 0300238558)	576
FIGURE 6-2. AXLE EXTENSION CYLINDER ASSEMBLY (SN 0300238559 to Present).....	578
FIGURE 6-3. AXLE LOCKOUT CYLINDER ASSEMBLY (SN 0300201017 through 0300239155).....	580
FIGURE 6-4. AXLE LOCKOUT CYLINDER ASSEMBLY (SN 0300239156 to Present)	582

TABLE OF CONTENTS

FIGURE 6-5. PLATFORM LEVEL CYLINDER ASSEMBLY - WITHOUT COLD WEATHER PLUS PACKAGE (SN 0300201017 through 0300238006)	584
FIGURE 6-6. PLATFORM LEVEL CYLINDER ASSEMBLY - WITHOUT COLD WEATHER PLUS PACKAGE (SN 0300238007 to Present)	586
FIGURE 6-7. PLATFORM LEVEL CYLINDER ASSEMBLY (SN 0300201017 through 0300239155)	588
FIGURE 6-8. LIFT CYLINDER ASSEMBLY - MAIN BOOM (SN 0300201017 through 0300211613)	590
FIGURE 6-9. LIFT CYLINDER ASSEMBLY - MAIN BOOM (SN 0300211614 through 0300239976)	592
FIGURE 6-10. LIFT CYLINDER ASSEMBLY - MAIN BOOM (SN 0300239977 to Present)	594
FIGURE 6-11. LIFT CYLINDER ASSEMBLY - TOWER BOOM (SN 0300201017 through 0300211613)	596
FIGURE 6-12. LIFT CYLINDER ASSEMBLY - TOWER BOOM (SN 0300211614 through 0300238464)	598
FIGURE 6-13. LIFT CYLINDER ASSEMBLY - TOWER BOOM (SN 0300239465 to Present)	600
FIGURE 6-14. JIB CYLINDER ASSEMBLY (SN 0300201017 through 0300239155)	602
FIGURE 6-15. JIB CYLINDER ASSEMBLY (SN 0300239156 to Present)	604
FIGURE 6-16. JIB CYLINDER ASSEMBLY (SN 0300201017 through 0300239155)	606
FIGURE 6-17. STEER CYLINDER ASSEMBLY (SN 0300201017 through 0300238558)	608
FIGURE 6-18. STEER CYLINDER ASSEMBLY (SN 0300238559 to Present)	610
FIGURE 6-19. TELESCOPE CYLINDER ASSEMBLY - MAIN BOOM (SN 0300201017 through 0300243463)	612
FIGURE 6-20. TELESCOPE CYLINDER ASSEMBLY - MAIN BOOM (SN 0300243464 to Present)	614
FIGURE 6-21. TELESCOPE CYLINDER ASSEMBLY - TOWER BOOM (SN 0300201017 through 0300243458)	616
FIGURE 6-22. TELESCOPE CYLINDER ASSEMBLY - TOWER BOOM (SN 0300243459 to Present)	620
SECTION 7 - HYDRAULIC	623
FIGURE 7-1. HYDRAULIC DIAGRAM - BOOM (WITH REXROTH PUMPS)	624
FIGURE 7-2. HYDRAULIC DIAGRAM - BOOM (WITH SAUER PUMPS)	628
FIGURE 7-3. HYDRAULIC DIAGRAM - DRIVE (WITH REXROTH PUMPS)	632
FIGURE 7-4. HYDRAULIC DIAGRAM - DRIVE (WITH SAUER PUMPS)	636
FIGURE 7-5. HYDRAULIC DIAGRAM - OSCILLATING AXLE (WITH REXROTH PUMPS)	640
FIGURE 7-6. HYDRAULIC DIAGRAM - OSCILLATING AXLE (WITH SAUER PUMPS)	642
FIGURE 7-7. HYDRAULIC DIAGRAM - STEER (WITH REXROTH PUMPS)	644
FIGURE 7-8. HYDRAULIC DIAGRAM - STEER (WITH SAUER PUMPS)	646
FIGURE 7-9. HYDRAULIC DIAGRAM - TURNTABLE (DEUTZ TD2011 ENGINES WITH REXROTH PUMPS)	648
FIGURE 7-10. HYDRAULIC DIAGRAM - TURNTABLE (DEUTZ TCD2.9L4 ENGINES AND DEUTZ TCD2.9L4 (STAGE V) ENGINES WITH REXROTH PUMPS)	652
FIGURE 7-11. HYDRAULIC DIAGRAM - TURNTABLE (WITH SAUER PUMPS)	656
FIGURE 7-12. HYDRAULIC DIAGRAM - AUXILIARY POWER MOTOR	660
FIGURE 7-13. HYDRAULIC DIAGRAM LIST	662
SECTION 8 - ELECTRICAL	665
FIGURE 8-1. AC BOX AT PLATFORM - 110V GFI RECEPTACLE (ANSI SPECS)	666
FIGURE 8-2. AC BOX AT PLATFORM - 220V GFI RECEPTACLE (ANSI SPECS)	668
FIGURE 8-3. AC BOX AT PLATFORM INSTALLATION - BOX WITH COVER (2X4 BOX) WITH 4000W GENERATOR (ANSI EXPORT SPECS) (SN 0300201017 through 0300214026)	670
FIGURE 8-4. AC BOX AT PLATFORM INSTALLATION - BOX WITH COVER (2X4 BOX) WITH 4000W GENERATOR (ANSI EXPORT, AUSTRALIAN, CE AND JAPANESE SPECS) (SN 0300214027 to Present)	672
FIGURE 8-5. AC BOX AT PLATFORM INSTALLATION - 110V IEC 60309 YELLOW WITHOUT 2500W GENERATOR (CE SPECS)	674
FIGURE 8-6. AC BOX AT PLATFORM INSTALLATION - 110V IEC 60309 YELLOW WITH 2500W GENERATOR (CE SPECS)	676
FIGURE 8-7. AC BOX AT PLATFORM INSTALLATION - 110V IEC 60309 YELLOW WITH 4000W GENERATOR (CE SPECS) (SN 0300201017 through 0300214026)	678
FIGURE 8-8. AC BOX AT PLATFORM INSTALLATION - 110V IEC 60309 YELLOW WITH 4000W GENERATOR (CE SPECS) (SN 0300214027 to Present)	680
FIGURE 8-9. AC BOX AT PLATFORM INSTALLATION - 220V IEC 60309 BLUE WITHOUT 2500W GENERATOR (CE SPECS)	682
FIGURE 8-10. AC BOX AT PLATFORM INSTALLATION - 220V IEC 60309 BLUE WITH 2500W GENERATOR (CE SPECS)	684
FIGURE 8-11. AC BOX AT PLATFORM INSTALLATION - 220V IEC 60309 BLUE WITH 4000W GENERATOR (CE SPECS) (SN 0300201017 through 0300214026)	686
FIGURE 8-12. AC BOX AT PLATFORM INSTALLATION - 220V IEC 60309 BLUE WITH 4000W GENERATOR (CE SPECS) (SN 0300214027 to Present)	688
FIGURE 8-13. AC BOX AT PLATFORM INSTALLATION - 220V CEE7 POST GROUND (70MM X 70MM BOX) WITHOUT 2500W GENERATOR (CE SPECS) (SN 0300201017 through 0300205138)	690
FIGURE 8-14. AC BOX AT PLATFORM INSTALLATION - 220V CEE7 POST GROUND (70MM X 70MM BOX) WITH 2500W GENERATOR (CE SPECS) (SN 0300201017 through 0300205138)	692
FIGURE 8-15. AC BOX AT PLATFORM INSTALLATION - 220V CEE7 SIDE GROUND (70MM X 70MM BOX) WITHOUT 2500W GENERATOR (CE SPECS) (SN 0300201017 through 0300205138)	694

TABLE OF CONTENTS

FIGURE 8-16. AC BOX AT PLATFORM INSTALLATION - 220V CEE7 SIDE GROUND (70MM X 70MM BOX) WITH 2500W GENERATOR (CE SPECS) (SN 0300201017 through 0300205138).....	696
FIGURE 8-17. AC BOX AT PLATFORM INSTALLATION - 220V CEE7 POST GROUND (2X4 BOX) WITHOUT 2500W GENERATOR (CE SPECS).....	698
FIGURE 8-18. AC BOX AT PLATFORM INSTALLATION - 220V CEE7 POST GROUND (2X4 BOX) WITH 2500W GENERATOR (CE SPECS).....	700
FIGURE 8-19. AC BOX AT PLATFORM INSTALLATION - 220V CEE7 POST GROUND (2X4 BOX) WITH 4000W GENERATOR (CE SPECS) (SN 0300201017 through 0300214026).....	702
FIGURE 8-20. AC BOX AT PLATFORM INSTALLATION - 220V CEE7 POST GROUND (2X4 BOX) WITH 4000W GENERATOR (CE SPECS) (SN 0300214027 to Present).....	704
FIGURE 8-21. AC BOX AT PLATFORM INSTALLATION - 220V CEE7 SIDE GROUND (2X4 BOX) WITHOUT 2500W GENERATOR (CE SPECS).....	706
FIGURE 8-22. AC BOX AT PLATFORM INSTALLATION - 220V CEE7 SIDE GROUND (2X4 BOX) WITH 2500W GENERATOR (CE SPECS).....	708
FIGURE 8-23. AC BOX AT PLATFORM INSTALLATION - 220V CEE7 SIDE GROUND (2X4 BOX) WITH 4000W GENERATOR (CE SPECS) (SN 0300201017 through 0300214026).....	710
FIGURE 8-24. AC BOX AT PLATFORM INSTALLATION - 220V CEE7 SIDE GROUND (2X4 BOX) WITH 4000W GENERATOR (CE SPECS) (SN 0300214027 to Present).....	712
FIGURE 8-25. AC BOX AT PLATFORM INSTALLATION - 220V AFSINT 107 KEYED GROUND (2X4 BOX) WITHOUT 2500W GENERATOR (CE SPECS).....	714
FIGURE 8-26. AC BOX AT PLATFORM INSTALLATION - 220V AFSINT 107 KEYED GROUND (2X4 BOX) WITH 2500W GENERATOR (CE SPECS).....	716
FIGURE 8-27. AC BOX AT PLATFORM INSTALLATION - 220V AFSINT 107 KEYED GROUND (2X4 BOX) WITH 4000W GENERATOR (CE SPECS) (SN 0300201017 through 0300214026).....	718
FIGURE 8-28. AC BOX AT PLATFORM INSTALLATION - 220V AFSINT 107 KEYED GROUND (2X4 BOX) WITH 4000W GENERATOR (CE SPECS) (SN 0300214027 to Present).....	720
FIGURE 8-29. AC CIRCUIT BREAKER INSTALLATION.....	722
FIGURE 8-30. AC LEAD INSTALLATION (CE SPECS).....	724
FIGURE 8-31. AC 10 AMP BREAKER BOX INSTALLATION (CE SPECS).....	726
FIGURE 8-32. AC 16 AMP BREAKER BOX INSTALLATION (CE SPECS).....	728
FIGURE 8-33. ANALYZER CALBE HARNESS.....	730
FIGURE 8-34. AXLE POWER TRACK HARNESS ASSEMBLY.....	732
FIGURE 8-35. BATTERY DISCONNECT INSTALLATION.....	734
FIGURE 8-36. BEACON CONTROL HARNESS (BLUE BEACON LIGHT ONLY).....	736
FIGURE 8-37. BEACON LIGHT HARNESS (BLUE BEACON LIGHT ONLY).....	738
FIGURE 8-38. B.L.A.M. BOARD ANALYZER HARNESS.....	740
FIGURE 8-39. B.L.A.M. HARNESS.....	742
FIGURE 8-40. BOOM CABLE INSTALLATION (ANSI SPECS).....	744
FIGURE 8-41. BOOM CABLE INSTALLATION (CE SPECS).....	746
FIGURE 8-42. BOOM CABLE INSTALLATION - 4000W 60HZ GENERATOR.....	748
FIGURE 8-43. BOOM CABLE INSTALLATION - 4000W 50HZ GENERATOR.....	750
FIGURE 8-44. BOOM CABLE INSTALLATION - 7500W GENERATOR.....	752
FIGURE 8-45. BREAKER BOX KIT - 10 AMP (2500W GENERATOR).....	754
FIGURE 8-46. BREAKER BOX KIT - 16 AMP (4000W GENERATOR).....	756
FIGURE 8-47. BREAKER BOX KIT - 16 AMP (2500W GENERATOR).....	758
FIGURE 8-48. BREAKER BOX KIT - 30MA/16 AMP (WITHOUT GENERATOR).....	760
FIGURE 8-49. CHASSIS POWER DISTRIBUTION HARNESS.....	762
FIGURE 8-50. CHASSIS HARNESS ASSEMBLY.....	764
FIGURE 8-51. CLEARSKY READY HARNESS.....	766
FIGURE 8-52. DUAL CAPACITY JIB POSITION SWITCH HARNESS.....	768
FIGURE 8-53. EIM LOAD CELL HARNESS.....	770
FIGURE 8-54. ENGINE HARNESS - DEUTZ TD2011 ENGINES.....	772
FIGURE 8-55. ENGINE HARNESS - DEUTZ TCD2.9L4 ENGINES AND DEUTZ TCD2.9L4 (STAGE V) ENGINES.....	774
FIGURE 8-56. FUEL FILTER HARNESS - DEUTZ TCD2.9L4 ENGINES AND DEUTZ TCD2.9L4 (STAGE V) ENGINES.....	778
FIGURE 8-57. FUEL HARNESS - DEUTZ TCD2.9L4 ENGINES AND DEUTZ TCD2.9L4 (STAGE V) ENGINES.....	780
FIGURE 8-58. GENERATOR HARNESS - 4000W GENERATOR.....	782
FIGURE 8-59. GENERATOR HARNESS - 7500W GENERATOR.....	784
FIGURE 8-60. GENERATOR CABLE HARNESS - 7500W GENERATOR.....	786
FIGURE 8-61. GROUND CONTROL BOX HARNESS.....	788
FIGURE 8-62. GROUND CONTROL BOX HARNESS - DEUTZ TCD2.9L4 ENGINES (CE SPECS).....	792
FIGURE 8-63. GROUND CONTROLS TO ENGINE HARNESS.....	796
FIGURE 8-64. JIB STOW SWITCH HARNESS.....	798
FIGURE 8-65. LOAD SENSING PIN HARNESS.....	800
FIGURE 8-66. LOCKOUT VALVE HARNESS.....	802
FIGURE 8-67. MAIN BOOM CONTROL CABLE HARNESS.....	804
FIGURE 8-68. MAIN BOOM DUAL CAPACITY SWITCH HARNESS.....	806
FIGURE 8-69. MAIN BOOM TRANSPORT SWITCH HARNESS.....	808

TABLE OF CONTENTS

FIGURE 8-70. MAIN VALVE HARNESS	810
FIGURE 8-71. PLATFORM CONSOLE BOX HARNESS - WITHOUT SKYGUARD	812
FIGURE 8-72. PLATFROM CONSOLE BOX HARNESS - WITH SKYGUARD (SN 0300201017 through 0300234289)	814
FIGURE 8-73. PLATFORM CONSOLE BOX HARNESS - WITH SKYGUARD (SN 0300234290 to Present)	818
FIGURE 8-74. PLATFORM INTERFACE HARNESS	822
FIGURE 8-75. PLATFORM VALVE HARNESS	824
FIGURE 8-76. PRESSURE TRANSDUCER HARNESS (SN 0300201017 through 0300226468)	826
FIGURE 8-77. PRESSURE TRANSDUCER HARNESS (SN 0300226469 through 0300234068)	828
FIGURE 8-78. PRESSURE TRANSDUCER HARNESS (SN 0300234069 to Present)	830
FIGURE 8-79. PRESSURE TRANSDUCER HARNESS (SN 0300226469 through 0300234068)	832
FIGURE 8-80. PRESSURE TRANSDUCER HARNESS (SN 0300234069 to Present)	834
FIGURE 8-81. PUMP ADAPTER HARNESS - SAUER PUMPS	836
FIGURE 8-82. RECEPTACLE BOX KIT - 110V IEC YELLOW WITHOUT 2500W GENERATOR (CE SPECS)	838
FIGURE 8-83. RECEPTACLE BOX KIT - 110V IEC YELLOW WITH 2500W GENERATOR (CE SPECS)	840
FIGURE 8-84. RECEPTACLE BOX KIT - 220V IEC BLUE WITHOUT 2500W GENERATOR (CE SPECS)	842
FIGURE 8-85. RECEPTACLE BOX KIT - 220V IEC BLUE WITH 2500W GENERATOR (CE SPECS)	844
FIGURE 8-86. RECEPTACLE BOX KIT - 220V CEE7 POST GROUND WITHOUT 2500W GENERATOR (70MM X 70MM BOX) (CE SPECS)	846
FIGURE 8-87. RECEPTACLE BOX KIT - 220V CEE7 POST GROUND WITH 2500W GENERATOR (70MM X 70MM BOX) (CE SPECS)	848
FIGURE 8-88. RECEPTACLE BOX KIT - 220V CEE7 SIDE GROUND WITHOUT 2500W GENERATOR (70MM X 70MM BOX) (CE SPECS)	850
FIGURE 8-89. RECEPTACLE BOX KIT - 220V CEE7 SIDE GROUND WITH 2500W GENERATOR (70MM X 70MM BOX) (CE SPECS)	852
FIGURE 8-90. RECEPTACLE BOX KIT - 220V CEE7 POST GROUND WITHOUT 2500W GENERATOR (2X4 BOX) (CE SPECS)	854
FIGURE 8-91. RECEPTACLE BOX KIT - 220V CEE7 POST GROUND WITH 2500W GENERATOR (2X4 BOX) (CE SPECS)	856
FIGURE 8-92. RECEPTACLE BOX KIT - 220V CEE7 SIDE GROUND WITHOUT 2500W GENERATOR (2X4 BOX) (CE SPECS)	858
FIGURE 8-93. RECEPTACLE BOX KIT - 220V CEE7 SIDE GROUND WITH 2500W GENERATOR (2X4 BOX) (CE SPECS)	860
FIGURE 8-94. RECEPTACLE BOX KIT - 220V AFSINT 107 KEYED GROUND WITHOUT 2500W GENERATOR (2X4 BOX) (CE SPECS)	862
FIGURE 8-95. RECEPTACLE BOX KIT - 220V AFSINT 107 KEYED GROUND WITH 2500W GENERATOR (2X4 BOX) (CE SPECS)	864
FIGURE 8-96. RELAY HARNESS	866
FIGURE 8-97. STROBE LIGHT HARNESS (AMBER)	868
FIGURE 8-98. TILT SENSOR HARNESS (LEFT)	870
FIGURE 8-99. TILT SENSOR HARNESS (RIGHT)	872
FIGURE 8-100. TOWER BOOM ANGLE SENSOR HARNESS (LEFT)	874
FIGURE 8-101. TOWER BOOM ANGLE SENSOR HARNESS (RIGHT)	876
FIGURE 8-102. TOWER BOOM CONTROL CABLE HARNESS	878
FIGURE 8-103. TOWER BOOM FLY TO GROUND CONTROL BOX HARNESS	880
FIGURE 8-104. TOWER BOOM FLY TO MAIN BOOM BASE HARNESS	882
FIGURE 8-105. TOWER BOOM LENGTH SENSORS HARNESS	884
FIGURE 8-106. TOWER BOOM TRANSPORT LENGTH SWITCH HARNESS	886
FIGURE 8-107. ELECTRICAL DIAGRAM LIST	888
FIGURE 8-108. SKYEYE INTERMEDIATE HARNESS	890
FIGURE 8-109. SKYEYE RECEIVER HARNESS	892
FIGURE 8-110. SKYLINE HARNESS	894
SECTION 9 - DECALS	897
FIGURE 9-1. DECAL INSTALLATION - ANSI SPEC	898
FIGURE 9-2. DECAL INSTALLATION - AUSTRALIAN SPEC	902
FIGURE 9-3. DECAL INSTALLATION - BRAZIL SPEC (PORTUGUESE/ENGLISH)	904
FIGURE 9-4. DECAL INSTALLATION - CE SPEC	908
FIGURE 9-5. DECAL INSTALLATION - CHINESE SPEC (CHINESE/ENGLISH)	912
FIGURE 9-6. DECAL INSTALLATION - CSA SPEC (ENGLISH/FRENCH)	916
FIGURE 9-7. DECAL INSTALLATION - JAPANESE SPEC (JAPANESE/ENGLISH)	920
FIGURE 9-8. DECAL INSTALLATION - KOREAN SPEC (KOREAN/ENGLISH)	924
FIGURE 9-9. DECAL INSTALLATION - LATIN AMERICAN SPEC (SPANISH/ENGLISH)	928
FIGURE 9-10. DECAL INSTALLATION - OPTIONS	932
SECTION 10 - RECOMMENDED SERVICE PARTS STOCK	935
FIGURE 10-1. RECOMMENDED SERVICE PARTS	936

TABLE OF CONTENTS

SECTION 11 - SPECIAL OPTIONS	939
FIGURE 11-1. SPECIAL OPTIONS	940
PART NUMBER INDEX.....	947

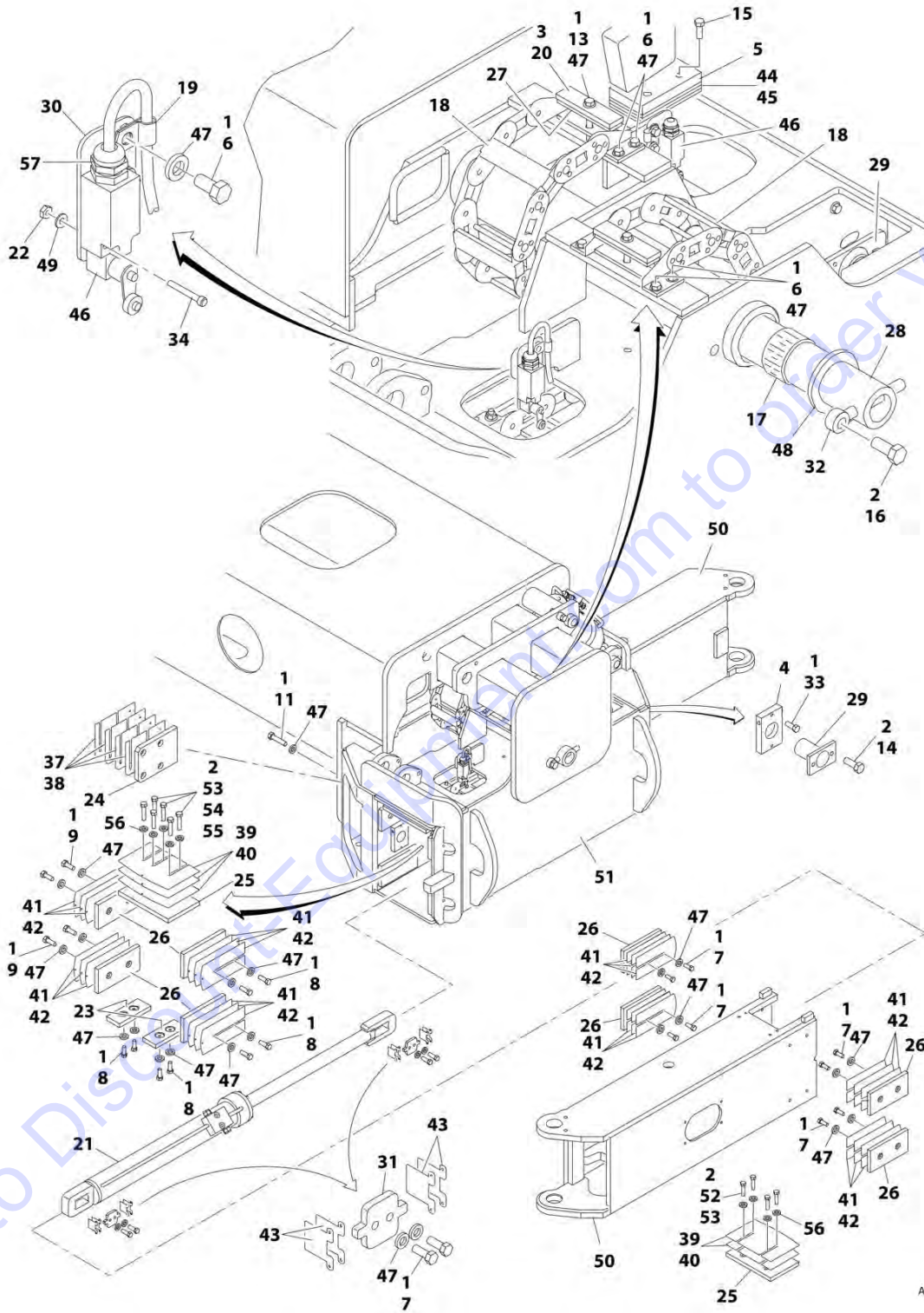
Go to Discount-Equipment.com to order your parts

SECTION 1 - FRAME

Go to Discount-Equipment.com to order your parts

SECTION 1 - FRAME

FIGURE 1-1. AXLE INSTALLATION - FIXED (SN 0300201017 through 0300207703)



ART_0271934

SECTION 1 - FRAME

FIGURE 1-1. AXLE INSTALLATION - FIXED (SN 0300201017 through 0300207703)

ITEM	PART NUMBER	QTY	DESCRIPTION	REV
	0271934	Ref	AXLE INSTALLATION - FIXED (SN 0300201017 through 0300207703)	M
1	0100011	AR	Compound, Locking	
2	0100019	AR	Compound, Locking	
3	0100081	AR	Adhesive #454	
4	0363037	4	Bar, Stop	
5	0363076	2	Bar, Stop	
6	0641606	40	Bolt 3/8 x 3/4	
7	0641608	48	Bolt 3/8 x 1	
8	0641609	32	Bolt 3/8 x 1-1/8	
9	0641611	16	Bolt 3/8 x 1-3/8	
11	0641613	8	Bolt 3/8 x 1-5/8	
13	0641620	4	Bolt 3/8 x 2-1/2	
14	0641808	8	Bolt 1/2 x 1	
15	0641814	4	Bolt 1/2 x 1-3/4	
16	0642214	1	Bolt 3/4 x 1-3/4	
17	0962033	2	Bushing	
18	1180358	4	Carrier	
18	7024365	AR	Section Repair Kit (Includes Inner and Outer Links, Joining Bars and Rollers and Assembling Hardware)	
18	7024366	1	Mounting Bracket Kit (Includes Mounting Brackets for Both Ends, 1 Roller Assembly and Assembling Hardware)	
19	1320263	4	Clamp, Cable	
20	1320298	4	Clamp, Hose	
21	1684102	4	Axle Extension Cylinder Assembly (See CYLINDER SECTION for Breakdown)	
22	3310805	8	Nut #8	
23	3340881	8	Pad, Wear	
24	1001161401	2	Pad, Axle	
25	1001161402	8	Pad, Wear	
26	1001161403	32	Pad, Wear	
27	3340939	8	Pad, Rubber	
28	3422918	1	Pin	
29	3422960	4	Pin	
30	3573294	4	Plate	
31	3573335	8	Plate	
32	3841287	1	Keeper, Pin	
33	3900270	4	Bolt 1/2 x 1-1/2	
34	3930820	8	Capscrew #8 x 1-1/4	
37	4071035	2	Shim #18 Gauge	
38	4071036	4	Shim #11 Gauge	
39	4071054	8	Shim #18 Gauge	
40	4071055	12	Shim #11 Gauge	
41	4071039	10	Shim #18 Gauge	
42	4071040	36	Shim #11 Gauge	
43	4071042	24	Shim #16 Gauge	
44	4071049	6	Shim #11 Gauge	
45	4071050	4	Shim #16 Gauge	
46	4360578	4	Switch, Limit	
47	4711600	140	Washer 3/8	

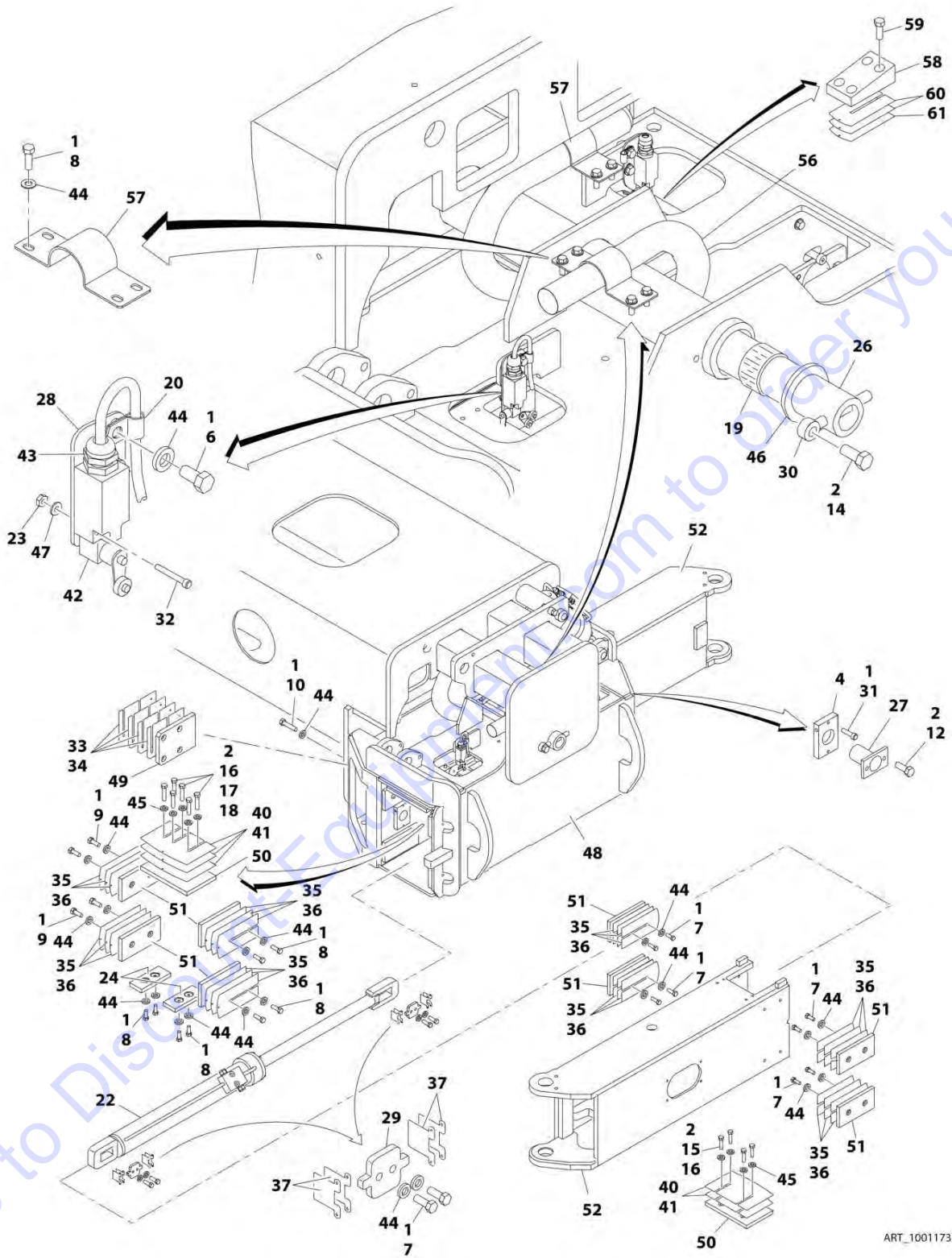
SECTION 1 - FRAME

ITEM	PART NUMBER	QTY	DESCRIPTION	REV
48	4740461	1	Thrustwasher	
49	4750800	8	Washer #8	
50	4846637	4	Extension, Axle	
51	4846383	1	Box, Axle Pivot	
52	0681813	12	Bolt 1/2 x 1-5/8 Grade 8	
53	0681814	18	Bolt 1/2 x 1-3/4 Grade 8	
54	0681815	12	Bolt 1/2 x 1-7/8 Grade 8	
55	0681816	6	Bolt 1/2 x 2 Grade 8	
56	4711800	48	Washer 1/2	
57	4460968	4	Connector, Strain Relief	

Go to Discount-Equipment.com to order your parts

SECTION 1 - FRAME

FIGURE 1-2. AXLE INSTALLATION - FIXED (SN 0300207704 to Present)



ART_1001173914

SECTION 1 - FRAME

FIGURE 1-2. AXLE INSTALLATION - FIXED (SN 0300207704 to Present)

ITEM	PART NUMBER	QTY	DESCRIPTION	REV
	1001173914	Ref	AXLE INSTALLATION - FIXED (SN 0300207704 to Present)	I
1	0100011	AR	Compound, Locking	
2	0100019	AR	Compound, Locking	
4	0363037	4	Bar, Stop	
6	0641606	8	Bolt 3/8 x 3/4	
7	0641608	48	Bolt 3/8 x 1	
8	0641609	64	Bolt 3/8 x 1-1/8	
9	0641611	16	Bolt 3/8 x 1-3/8	
10	0641613	8	Bolt 3/8 x 1-5/8	
12	0641808	8	Bolt 1/2 x 1	
14	0642214	1	Bolt 3/4 x 1-3/4	
15	0681813	12	Bolt 1/2 x 1-5/8 Grade 8	
16	0681814	18	Bolt 1/2 x 1-3/4 Grade 8	
17	0681815	12	Bolt 1/2 x 1-7/8 Grade 8	
18	0681816	6	Bolt 1/2 x 2 Grade 8	
19	0962033	2	Bushing	
20	1320263	4	Clamp, Cable	
22	1684102	NLA	Axle Extension Cylinder Assembly (Use p/n 1001228020) (See CYLINDER SECTION for Breakdown) (SN 0300207704 through 0300238558)	
22	1001228020	4	Axle Extension Cylinder Assembly (See CYLINDER SECTION for Breakdown) (SN 0300238559 to Present)	
23	3310805	8	Nut #8	
24	3340881	8	Pad, Wear	
26	3422918	1	Pin	
27	3422960	4	Pin	
28	3573294	4	Plate	
29	3573335	8	Plate	
30	3841287	1	Keeper, Pin	
31	3900270	4	Bolt 1/2 x 1-1/2	
32	3930820	8	Capscrew #8 x 1-1/4	
33	4071035	2	Shim #18 Gauge	
34	4071036	4	Shim #11 Gauge	
35	4071039	10	Shim #18 Gauge	
36	4071040	36	Shim #11 Gauge	
37	4071042	24	Shim #16 Gauge	
40	4071054	8	Shim #18 Gauge	
41	4071055	12	Shim #11 Gauge	
42	4360578	4	Switch, Limit	
43	4460968	4	Connector, Strain Relief	
44	4711600	144	Washer 3/8	
45	4711800	48	Washer 1/2	
46	4740461	1	Thrustwasher	
47	4750800	8	Washer #8	
48	4846383	1	Box, Axle Pivot	
49	1001161401	2	Pad, Axle	
50	1001161402	8	Pad, Wear	
51	1001161403	32	Pad, Wear	
52	4846637	4	Extension, Axle	
55	4240155	6	Strap (Not Shown)	

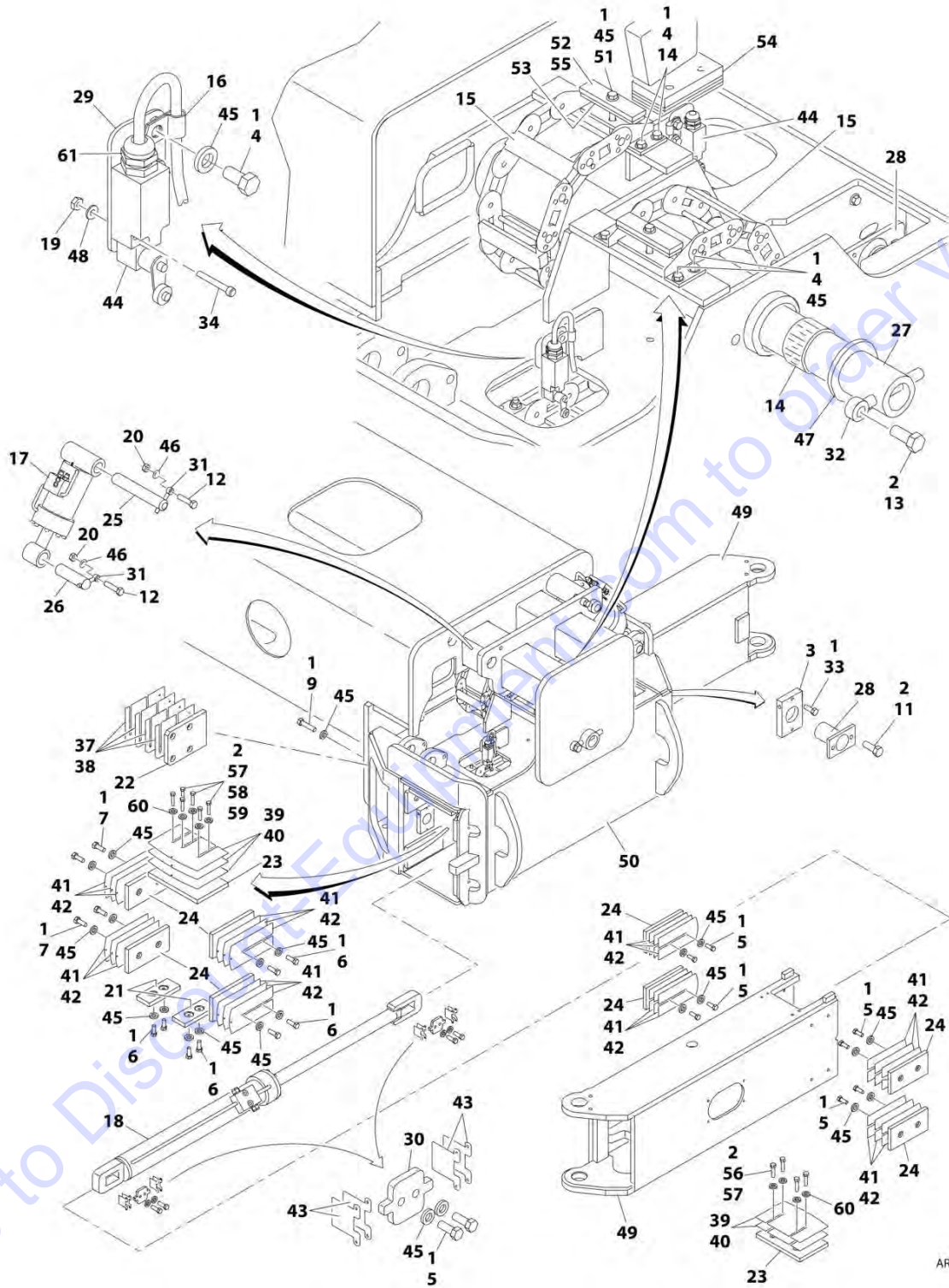
SECTION 1 - FRAME

ITEM	PART NUMBER	QTY	DESCRIPTION	REV
56	1001193674	4	Sleeve, Nylon	
57	1001191541	8	Bracket, Hose Mount	
58	0363076	2	Bar	
59	0641814	4	Bolt 1/2 x 1-3/4	
60	4071049	4	Shim #11 Gauge	
61	4071050	2	Shim #16 Gauge	
62	2220235	1	Plug (Not Shown - Located on Junction Manifold)	

Go to Discount-Equipment.com to order your parts

SECTION 1 - FRAME

FIGURE 1-3. AXLE INSTALLATION - OSCILLATING (SN 0300201017 through 0300207703)



ART_0271521

SECTION 1 - FRAME

FIGURE 1-3. AXLE INSTALLATION - OSCILLATING (SN 0300201017 through 0300207703)

ITEM	PART NUMBER	QTY	DESCRIPTION	REV
	0271521	Ref	AXLE INSTALLATION - OSCILLATING (SN 0300201017 through 0300207703)	M
1	0100011	AR	Compound, Locking	
2	0100019	AR	Compound, Locking	
3	0363037	4	Bar, Stop	
4	0641606	40	Bolt 3/8 x 3/4	
5	0641608	48	Bolt 3/8 x 1	
6	0641609	32	Bolt 3/8 x 1-1/8	
7	0641611	16	Bolt 3/8 x 1-3/8	
9	0641613	8	Bolt 3/8 x 1-5/8	
11	0641808	8	Bolt 1/2 x 1	
12	0642020	4	Bolt 5/8 x 2-1/2	
13	0642214	1	Bolt 3/4 x 1-3/4	
14	0962033	2	Bushing	
15	1180358	4	Carrier	
15	7024365	AR	Section Repair Kit (Includes Inner and Outer Links, Joining Bars and Rollers and Assembling Hardware)	
15	7024366	1	Mounting Bracket Kit (Includes Mounting Brackets for Both Ends, 1 Roller Assembly and Assembling Hardware)	
16	1320263	4	Clamp, Cable	
17	1684081	2	Oscillating Axle Cylinder Assembly (See CYLINDER SECTION for Breakdown)	
18	1684102	4	Axle Extension Cylinder Assembly (See CYLINDER SECTION for Breakdown)	
19	3310805	8	Nut #8	
20	3312005	4	Nut 5/8	
21	3340881	8	Pad, Wear	
22	1001161401	2	Pad, Axle	
23	1001161402	8	Pad, Wear	
24	1001161403	32	Pad, Wear	
25	3422833	2	Pin	
26	3422915	2	Pin	
27	3422918	1	Pin	
28	3422960	4	Pin	
29	3573294	4	Plate	
30	3573335	8	Plate	
31	3841258	4	Keeper, Pin	
32	3841287	1	Keeper, Pin	
33	3900270	4	Bolt 1/2 x 1-1/2	
34	3930820	8	Capscrew #8 x 1-1/4	
37	4071035	2	Shim #18 Gauge	
38	4071036	4	Shim #11 Gauge	
39	4071054	8	Shim #18 Gauge	
40	4071055	12	Shim #11 Gauge	
41	4071039	10	Shim #18 Gauge	
42	4071040	36	Shim #11 Gauge	
43	4071042	24	Shim #16 Gauge	
44	4360578	4	Switch, Limit	
45	4711600	140	Washer 3/8	
46	4712000	4	Washer 5/8	
47	4740461	1	Thrustwasher	

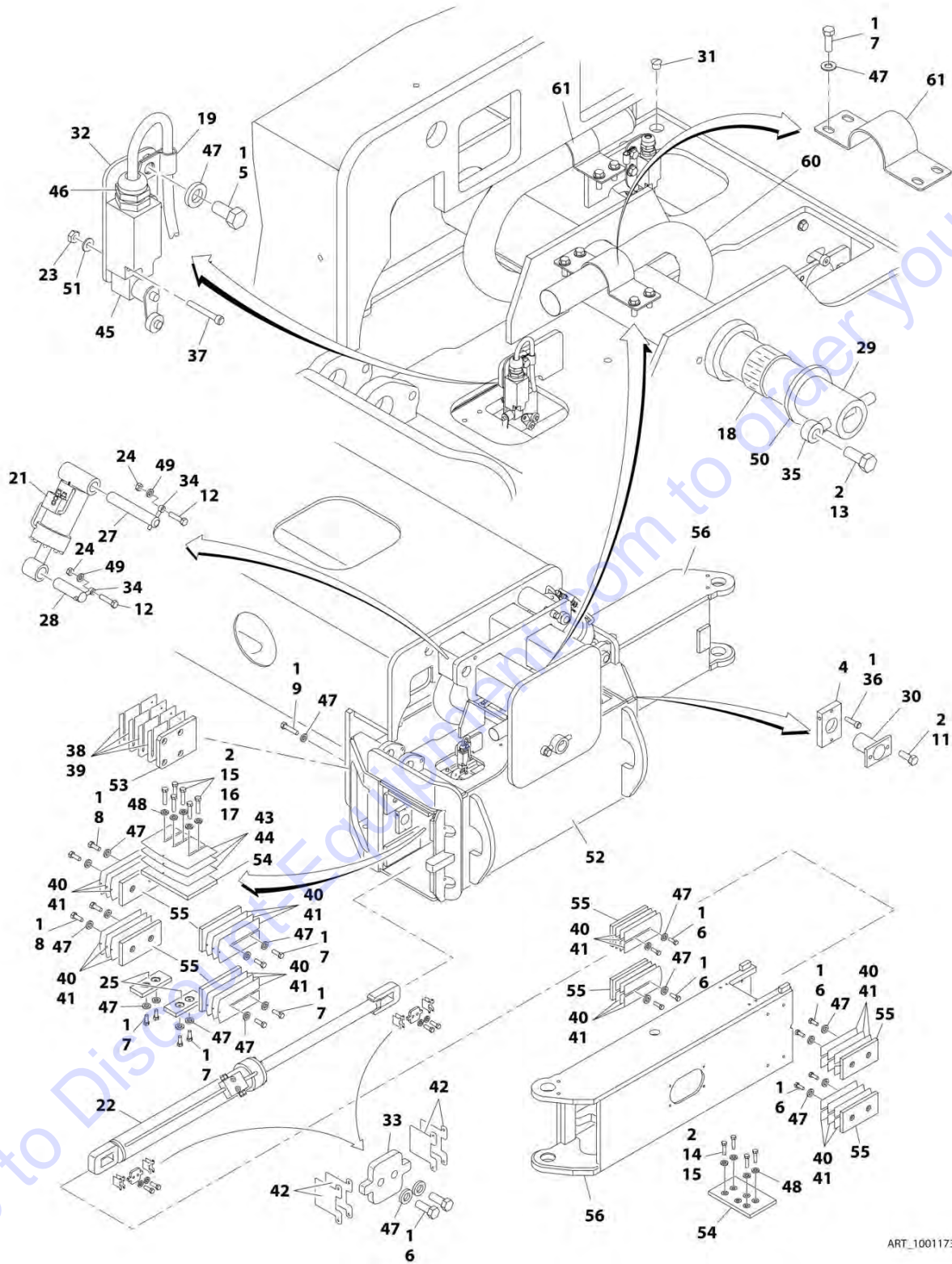
SECTION 1 - FRAME

ITEM	PART NUMBER	QTY	DESCRIPTION	REV
48	4750800	8	Washer #8	
49	4846637	4	Extension, Axle	
50	4846383	1	Box, Axle Pivot	
51	0641624	4	Bolt 3/8 x 3	
52	1320298	4	Clamp, Hose	
53	3340939	8	Pad, Rubber	
54	3520054	4	Plug	
55	0100081	AR	Adhesive #454	
56	0681813	12	Bolt 1/2 x 1-5/8 Grade 8	
57	0681814	18	Bolt 1/2 x 1-3/4 Grade 8	
58	0681815	12	Bolt 1/2 x 1-7/8 Grade 8	
59	0681816	6	Bolt 1/2 x 2 Grade 8	
60	4711800	48	Washer 1/2	
61	4460968	4	Connector, Strain Relief	

Go to Discount-Equipment.com to order your parts

SECTION 1 - FRAME

FIGURE 1-4. AXLE INSTALLATION - OSCILLATING (SN 0300207704 to Present)



ART_1001173913

SECTION 1 - FRAME

FIGURE 1-4. AXLE INSTALLATION - OSCILLATING (SN 0300207704 to Present)

ITEM	PART NUMBER	QTY	DESCRIPTION	REV
	1001173913	Ref	AXLE INSTALLATION - OSCILLATING (SN 0300207704 to Present)	H
1	0100011	AR	Compound, Locking	
2	0100019	AR	Compound, Locking	
4	0363037	4	Bar, Stop	
5	0641606	8	Bolt 3/8 x 3/4	
6	0641608	48	Bolt 3/8 x 1	
7	0641609	64	Bolt 3/6 x 1-1/8	
8	0641611	16	Bolt 3/8 x 1-3/8	
9	0641613	8	Bolt 3/8 x 1-5/8	
11	0641808	8	Bolt 1/2 x 1	
12	0642020	4	Bolt 5/8 x 2-1/2	
13	0642214	1	Bolt 3/4 x 1-3/4	
14	0681813	12	Bolt 1/2 x 1-5/8 Grade 8	
15	0681814	18	Bolt 1/2 x 1-3/4 Grade 8	
16	0681815	12	Bolt 1/2 x 1-7/8 Grade 8	
17	0681816	6	Bolt 1/2 x 2 Grade 8	
18	0962033	2	Bushing	
19	1320263	4	Clamp, Cable	
21	1684081	NLA	Oscillating Axle Cylinder Assembly (Use p/n 1001228019) (See CYLINDER SECTION for Breakdown) (SN 0300207704 through 0300239155)	
21	1001228019	2	Oscillating Axle Cylinder Assembly (See CYLINDER SECTION for Breakdown) (SN 0300239156 to Present)	
22	1684102	NLA	Axle Extension Cylinder Assembly (Use p/n 1001228020) (See CYLINDER SECTION for Breakdown) (SN 0300207704 through 0300238558)	
22	1001228020	4	Axle Extension Cylinder Assembly (See CYLINDER SECTION for Breakdown) (SN 0300238559 to Present)	
23	3310805	8	Nut #8	
24	3312005	4	Nut 5/8	
25	3340881	8	Pad, Wear	
27	3422833	2	Pin	
28	3422915	2	Pin	
29	3422918	1	Pin	
30	3422960	4	Pin	
31	3520054	4	Plug	
32	3573294	4	Plate	
33	3573335	8	Plate	
34	3841258	4	Keeper, Pin	
35	3841287	1	Keeper, Pin	
36	3900270	4	Bolt 1/2 x 1-1/2	
37	3930820	8	Capscrew #8 x 1-1/4	
38	4071035	2	Shim #18 Gauge	
39	4071036	4	Shim #11 Gauge	
40	4071039	10	Shim #18 Gauge	
41	4071040	36	Shim #11 Gauge	
42	4071042	24	Shim #16 Gauge	
43	4071054	8	Shim #18 Gauge	
44	4071055	12	Shim #11 Gauge	
45	4360578	4	Switch, Limit	

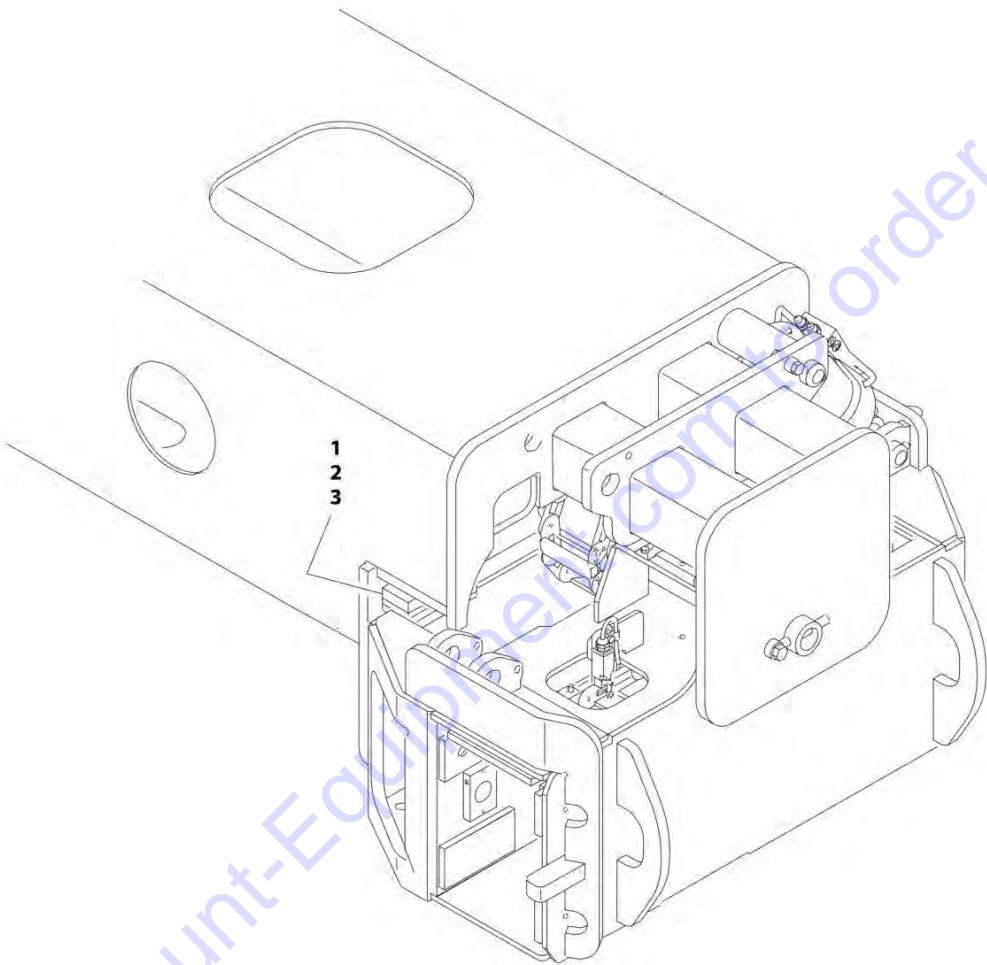
SECTION 1 - FRAME

ITEM	PART NUMBER	QTY	DESCRIPTION	REV
46	4460968	4	Connector, Strain Relief	
47	4711600	144	Washer 3/8	
48	4711800	48	Washer 1/2	
49	4712000	4	Washer 5/8	
50	4740461	1	Thrustwasher	
51	4750800	8	Washer #8	
52	4846383	1	Box, Axle Pivot	
53	1001161401	2	Pad, Axle	
54	1001161402	8	Pad, Wear	
55	1001161403	32	Pad, Wear	
56	4846637	4	Extension, Axle	
59	4240155	6	Strap (Not Shown)	
60	1001193674	4	Sleeve, Nylon	
61	1001191541	8	Bracket, Hose Mount	

Go to Discount-Equipment.com to order your parts

SECTION 1 - FRAME

FIGURE 1-5. AXLE STOP BLOCKS INSTALLATION



ART_0274106

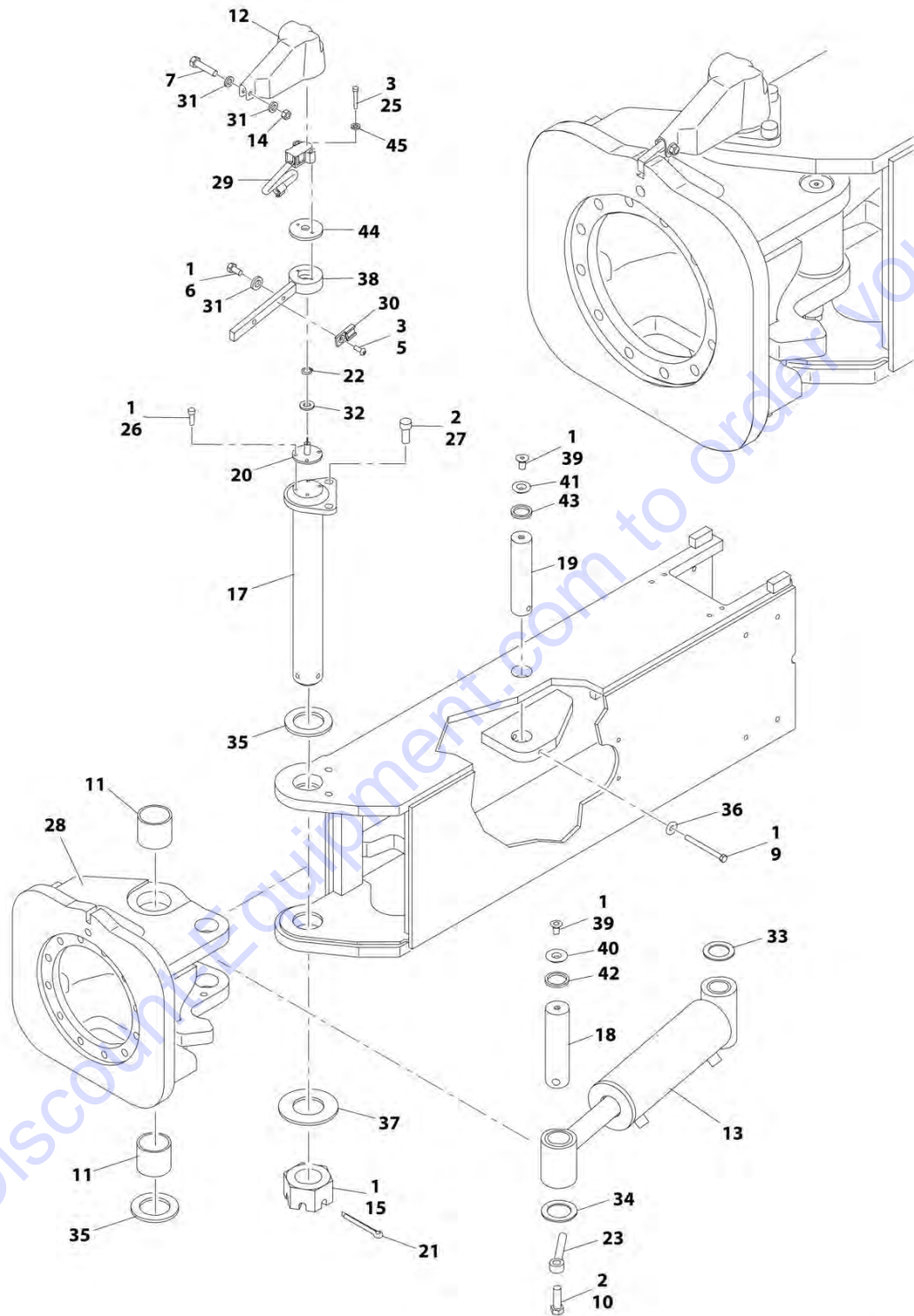
FIGURE 1-5. AXLE STOP BLOCKS INSTALLATION

ITEM	PART NUMBER	QTY	DESCRIPTION	REV
	0274106	Ref	AXLE STOP BLOCKS INSTALLATION	A
1	0100019	AR	Compound, Locking	
2	3931816	4	Capscrew 1/2 x 1	
3	4220235	2	Block, Stop	

Go to Discount-Equipment.com to order your parts

SECTION 1 - FRAME

FIGURE 1-6. STEER INSTALLATION



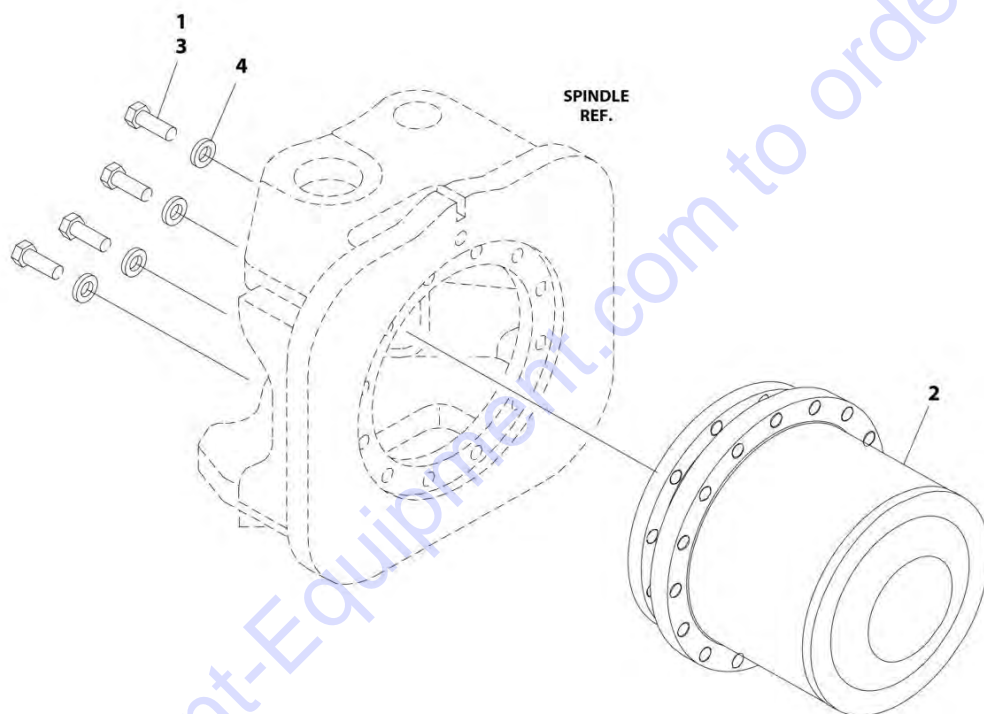
ART_0271520

FIGURE 1-6. STEER INSTALLATION

ITEM	PART NUMBER	QTY	DESCRIPTION	REV
	0271520	Ref	STEER INSTALLATION	L
1	0100011	AR	Compound, Locking	
2	0100019	AR	Compound, Locking	
3	0100035	AR	Compound, Locking	
5	0630464	4	Screw #10 x 1/2	
6	0641505	4	Bolt 5/16 x 5/8	
7	0641511	4	Bolt 5/16 x 1-3/8	
9	0641634	4	Bolt 3/8 x 4-1/4	
10	0642016	4	Bolt 5/8 x 2	
11	0962423	8	Bushing	
12	1671040	4	Cover, Sensor	
13	1684314	NLA	Steer Cylinder Assembly (Use p/n 1001228031) (SN 0300201017 through 0300238558)	
13	1001228031	4	Steer Cylinder Assembly (SN 0300238559 to Present)	
14	3311505	4	Nut 5/16	
15	3300464	4	Nut, Slotted	
17	3422917	4	Kingpin	
18	3422940	4	Pin, Steer Cylinder (Outer)	
19	3422941	4	Pin, Steer Cylinder (Inner)	
20	3423256	4	Pin, Sensor	
21	3451214	4	Pin, Cotter 3/8 x 3-1/2	
22	3760383	4	Ring, Retaining	
23	3841258	4	Keeper, Pin	
25	3931020	8	Capscrew #10 x 1-1/4	
26	3931412	16	Capscrew 1/4 x 3/4	
27	3932024	8	Capscrew 5/8 x 1-1/2	
28	1001099632	4	Spindle	
29	4360505	4	Switch, Rotary Angle Sensor (Steer)	
30	4460914	4	Terminal	
31	4711500	12	Washer 5/16	
32	4711800	4	Washer 1/2	
33	4740181	4	Thrustwasher	
34	4740229	4	Thrustwasher	
35	4740505	8	Thrustwasher	
36	4751600	4	Washer 3/8	
37	4755000	4	Washer 2-1/2	
38	0200833	4	Arm, Steer	
39	0741606	8	Screw 3/8 x 3/4	
40	1120549	4	Cap, Seal (Outer)	
41	1120550	4	Cap, Seal (Inner)	
42	3960551	4	Seal (Outer)	
43	3960552	4	Seal (Inner)	
44	0080277	4	Adapter, Angle Sensor Pilot	
45	4750800	8	Washer M8 (SN 0300201017 through 0300235777)	
45	4811600	8	Washer M5 (SN 0300235778 to Present)	

SECTION 1 - FRAME

FIGURE 1-7. WHEEL DRIVE INSTALLATION - BONFIGLIOLI



ART_0275685

SECTION 1 - FRAME

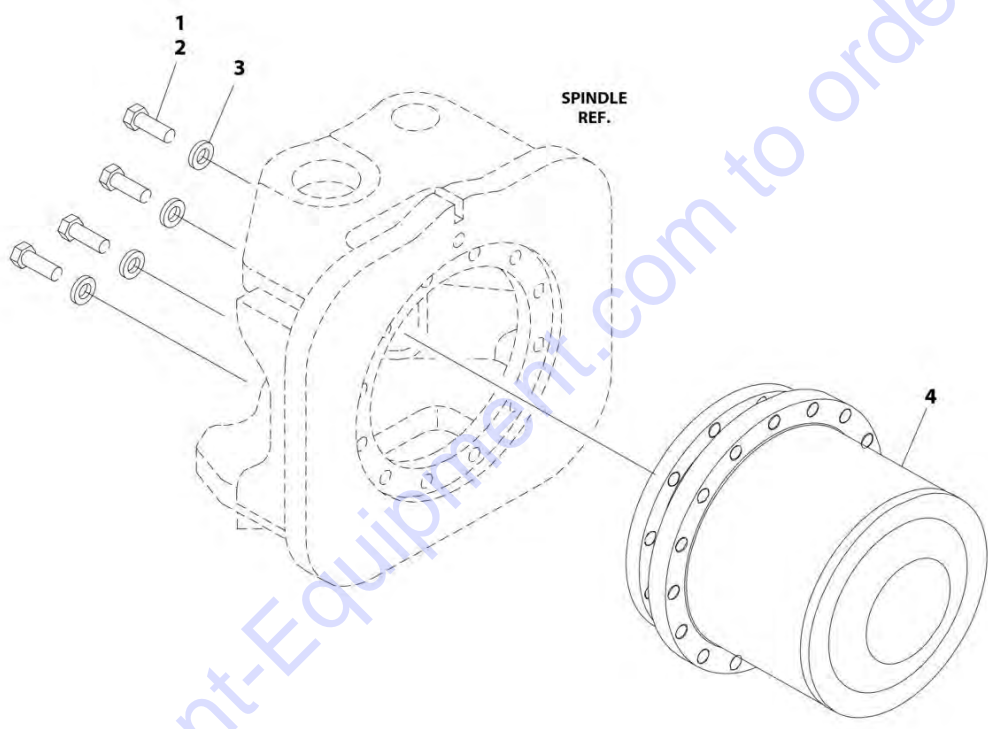
FIGURE 1-7. WHEEL DRIVE INSTALLATION - BONFIGLIOLI

ITEM	PART NUMBER	QTY	DESCRIPTION	REV
	0275685	Ref	WHEEL DRIVE INSTALLATION - BONFIGLIOLI	C
1	0100019	AR	Compound, Locking	
2	2780286	4	Drive Hub and Motor Assembly - Bonfiglioli (See DRIVE HUB AND MOTOR ASSEMBLY - BONFIGLIOLI for Breakdown)	
3	0701617	48	Bolt M16 x 45 (12 Per Wheel)	
4	4892000	48	Washer 5/8 (12 Per Wheel)	

Go to Discount-Equipment.com to order your parts

SECTION 1 - FRAME

FIGURE 1-8. WHEEL DRIVE INSTALLATION - REGGIANA RIDUTTORI



ART_1001104324

SECTION 1 - FRAME

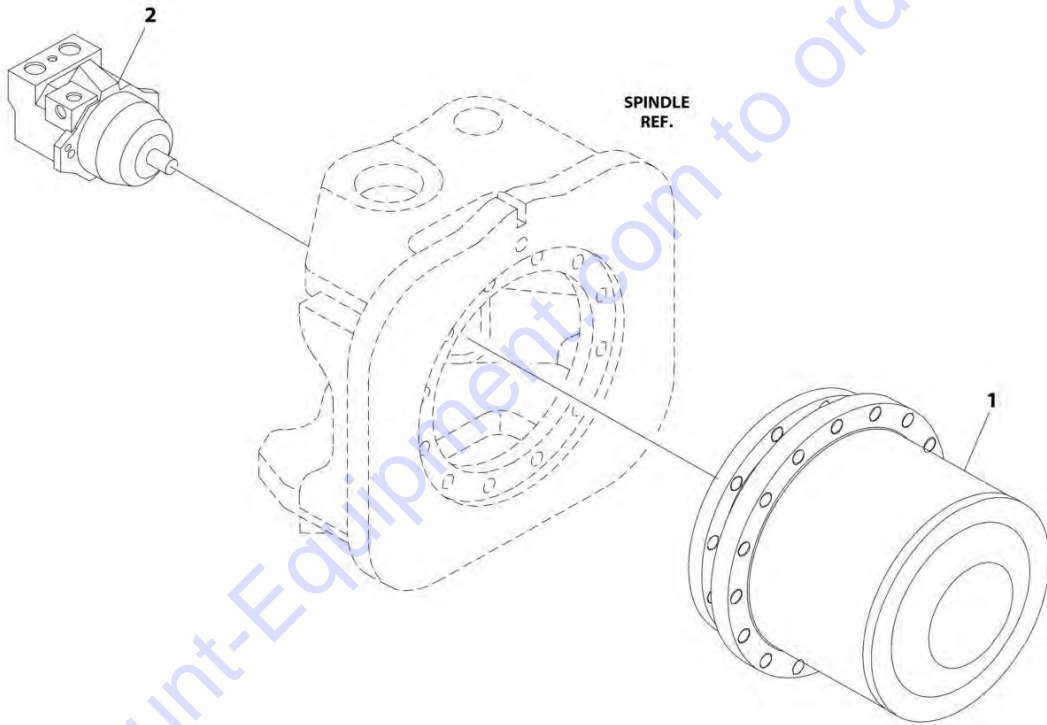
FIGURE 1-8. WHEEL DRIVE INSTALLATION - REGGIANA RIDUTTORI

ITEM	PART NUMBER	QTY	DESCRIPTION	REV
	1001104324	Ref	WHEEL DRIVE INSTALLATION - REGGIANA RIDUTTORI	B
1	0100019	AR	Compound, Locking	
2	0701617	48	Bolt M16 x 45 (12 Per Wheel)	
3	4892000	48	Washer 5/8 (12 Per Wheel)	
4	1001104315	4	Drive Hub and Motor Assembly - Reggiana Riduttori (See DRIVE HUB AND MOTOR ASSEMBLY - REGGIANA RIDUTTORI for Breakdown)	

Go to Discount-Equipment.com to order your parts

SECTION 1 - FRAME

FIGURE 1-9. DRIVE HUB AND MOTOR ASSEMBLY - BONFIGLIOLI



ART_2780286

SECTION 1 - FRAME

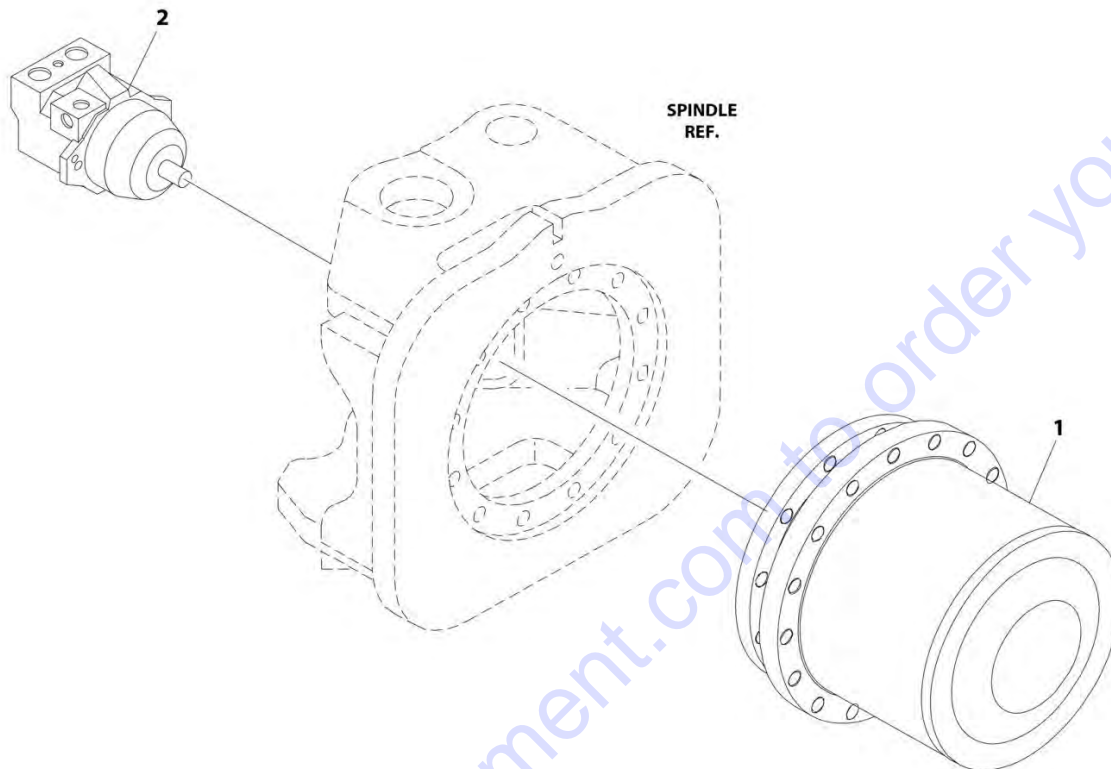
FIGURE 1-9. DRIVE HUB AND MOTOR ASSEMBLY - BONFIGLIOLI

ITEM	PART NUMBER	QTY	DESCRIPTION	REV
	2780286	Ref	DRIVE HUB AND MOTOR ASSEMBLY - BONFIGLIOLI	D
		Ref	Note: Various brands used on Machines. When replacing complete hub, note that all 4 hubs must be the same brand.	
		Ref	Note: Various brands used on Machines. Identify brand before ordering replacement parts.	
1	1001093243	4	Drive Hub Assembly - Bonfiglioli (See DRIVE HUB ASSEMBLY - BONFIGLIOLI for Breakdown)	
2	3160339	4	Drive Motor Assembly (See DRIVE MOTOR ASSEMBLY for Breakdown)	

Go to Discount-Equipment.com to order your parts

SECTION 1 - FRAME

FIGURE 1-10. DRIVE HUB AND MOTOR ASSEMBLY - REGGIANA RIDUTTORI



ART_1001104315

SECTION 1 - FRAME

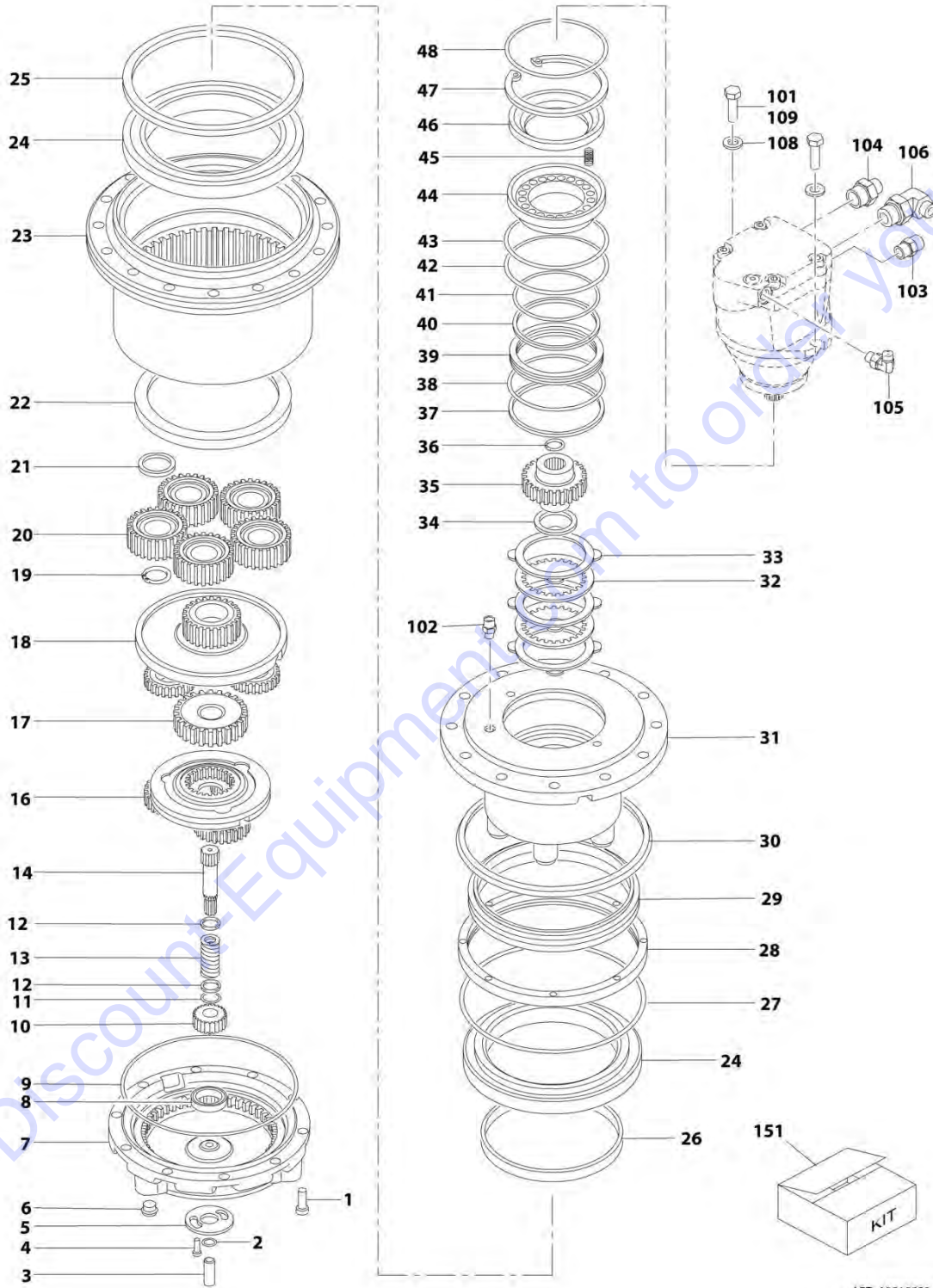
FIGURE 1-10. DRIVE HUB AND MOTOR ASSEMBLY - REGGIANA RIDUTTORI

ITEM	PART NUMBER	QTY	DESCRIPTION	REV
	1001104315	Ref	DRIVE HUB AND MOTOR ASSEMBLY - REGGIANA RIDUTTORI	B
		Ref	Note: Various brands used on Machines. When replacing complete hub, note that all 4 hubs must be the same brand.	
		Ref	Note: Various brands used on Machines. Identify brand before ordering replacement parts.	
1	1001104325	4	Drive Hub Assembly - Reggiana Riduttori (See DRIVE HUB ASSEMBLY - REGGIANA RIDUTTORI for Breakdown)	
2	3160339	4	Drive Motor Assembly (See DRIVE MOTOR ASSEMBLY for Breakdown)	

Go to Discount-Equipment.com to order your parts

SECTION 1 - FRAME

FIGURE 1-11. DRIVE HUB ASSEMBLY - BONFIGLIOLI



ART_1001093243

SECTION 1 - FRAME

FIGURE 1-11. DRIVE HUB ASSEMBLY - BONFIGLIOLI

ITEM	PART NUMBER	QTY	DESCRIPTION	REV
	1001093243	Ref	DRIVE HUB ASSEMBLY - BONFIGLIOLI	D
		Ref	Note: Various brands used on Machines. Identify brand before ordering replacement parts.	
	1001093242	1	Hub, Torque - Bonfiglioli	
1	70000810	10	Bolt M10 x 25	
2	70000811	1	O-Ring	
3	70000812	1	Pin	
4	70000813	2	Bolt M8 x 16	
5	70002393	1	Cap, Disconnect	
6	See Note	2	Plug (Note: Not Available for Purchase)	
7	70000815	1	Cover Assembly (Includes Items 2-6 & 8)	
8	70000816	1	Pad	
9	70000817	1	O-Ring	
10	70000818	1	Gear, Primary Sun	
11	See Note	NSS	Ring, Neoprene (Note: Use Item 151)	
12	See Note	NSS	Washer (Note: Use Item 151)	
13	See Note	NSS	Spring (Note: Use Item 151)	
14	See Note	NSS	Shaft (Note: Use Item 151)	
16	70000820	1	Reduction Assembly, Primary	
17	70000821	1	Gear, Secondary Sun	
18	70000822	1	Reduction Assembly, Secondary	
19	70000823	5	Snap Ring	
20	70000824	5	Gear Assembly, Planetary	
21	70000825	5	Spacer	
22	70000826	1	Nut	
23	70002395	1	Housing, Hub (Includes Item 24)	
24	70002396	2	Ball Bearing	
25	70000828	1	Spacer	
26	70000829	1	Spacer	
27	70000830	1	O-Ring	
28	70000831	1	Spacer	
29	70000832	1	Seal	
30	70000833	1	Ring, Sealing	
31	See Note	NSS	Spindle (Note: Not Available - Purchase Complete Assembly)	
32	70000834	4	Disc, Steel	
33	70000835	5	Disc, Lined	
34	70000836	1	Spacer	
35	70000837	1	Shaft, Brake	
36	70000838	1	Snap Ring	
37	70000839	1	Ring, Back-up	
38	70000840	1	O-Ring	
39	70000841	1	Spacer	
40	70000842	1	Ring, Back-up	
41	70000843	1	O-Ring	
42	70000844	1	O-Ring	
43	70000845	1	Ring, Back-up	
44	70000846	1	Piston, Brake	
45	70000847	15	Spring	
46	70000848	1	Plate, Spring Retainer	
47	70000849	1	Snap Ring	

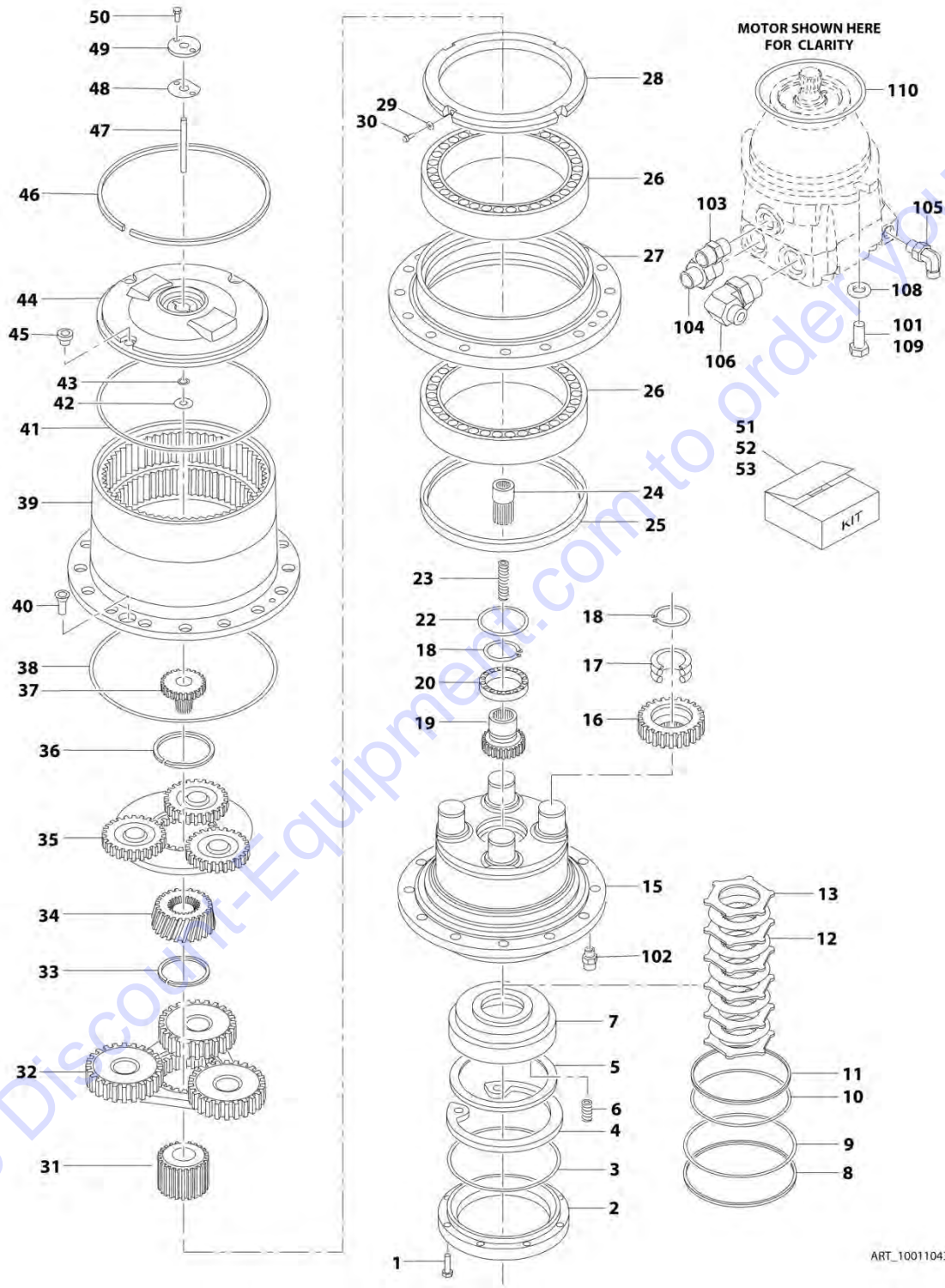
SECTION 1 - FRAME

ITEM	PART NUMBER	QTY	DESCRIPTION	REV
48	3790158	1	O-Ring	
101	0761215	2	Bolt M12 x 35	
102	2110404	1	Fitting, Adapter	
103	2110808	1	Fitting, Adapter	
104	2110812	1	Fitting, Adapter	
105	2130406	1	Fitting, 90 Adapter	
106	2130812	1	Fitting, 90 Adapter	
108	5241200	2	Washer M12	
109	0100011	AR	Compound, Locking	
110	3020008	17 oz /0.5L	Lubricant HD 80W-90 (Not Shown)	
151	70000819	1	Brake Shaft Kit (Includes Items 11-14)	

Go to Discount-Equipment.com to order your parts

SECTION 1 - FRAME

FIGURE 1-12. DRIVE HUB ASSEMBLY - REGGIANA RIDUTTORI



SECTION 1 - FRAME

FIGURE 1-12. DRIVE HUB ASSEMBLY - REGGIANA RIDUTTORI

ITEM	PART NUMBER	QTY	DESCRIPTION	REV
	1001104325	Ref	DRIVE HUB ASSEMBLY - REGGIANA RIDUTTORI	E
		Ref	Note: Various brands used on Machines. Identify brand before ordering replacement parts.	
	1001101550	1	Hub, Torque	E
1	70002015	8	Bolt M8 x 25	
2	70002016	1	Ring, Motor Support	
3	See Note	NSS	O-Ring (Note: Use Item 51)	
4	70002018	1	Snap Ring	
5	70002019	1	Retainer, Spring	
6	70002020	9	Spring	
7	70002021	1	Piston	
8	See Note	NSS	Ring, Back-up (Note: Use Item 51 or 53)	
9	See Note	NSS	O-Ring (Note: Use Item 51 or 53)	
10	See Note	NSS	O-Ring (Note: Use Item 51 or 53)	
11	See Note	NSS	Ring, Back-up (Note: Use Item 51 or 53)	
12	70002026	5	Disc, Friction	
13	70002027	6	Disc, Steel	
15	70002029	1	Spindle	
16	70002030	4	Gear, Planetary	
17	70002031	4	Bearing	
18	70002032	5	Snap Ring	
19	70002033	1	Gear, Brake/Input	
20	70002034	1	Bearing	
22	70002035	1	Ring, Wear	
23	70002036	1	Spring	
24	70002037	1	Shaft, Engagement	
25	See Note	NSS	Seal (Note: Use Item 51)	
26	70002039	2	Bearing Assembly	
27	70002040	1	Support, Hub	
28	70002041	1	Nut, Retaining	
29	70002674	4	Washer	
30	70002674	4	Screw	
31	70002044	1	Gear, Planetary Sun	
32	70002045	1	Reduction Assembly, Secondary	
33	70002046	1	Snap Ring	
34	70002047	1	Gear, Secondary Input Sun	
35	70002048	1	Reduction Assembly, Primary	
36	70002049	1	Snap Ring	
37	70002050	1	Gear, Primary Input Sun	
38	See Note	NSS	O-Ring (Note: Use Item 51)	
39	See Note	NSS	Housing, Hub (Note: Not Available - Purchase Complete Assembly)	
40	70002052	2	Screw, Countersunk	
41	See Note	NSS	O-Ring (Note: Use Item 51 or 52)	
42	See Note	NSS	Thrustwasher (Note: Use Item 52)	
43	See Note	NSS	O-Ring (Note: Use Item 51 or 52)	
44	See Note	NSS	Cover, Hub (Note: Use Item 52)	
45	70002057	3	Plug	
46	See Note	NSS	Snap Ring (Note: Use Item 52)	
47	See Note	NSS	Pin, Engagement (Note: Use Item 52)	

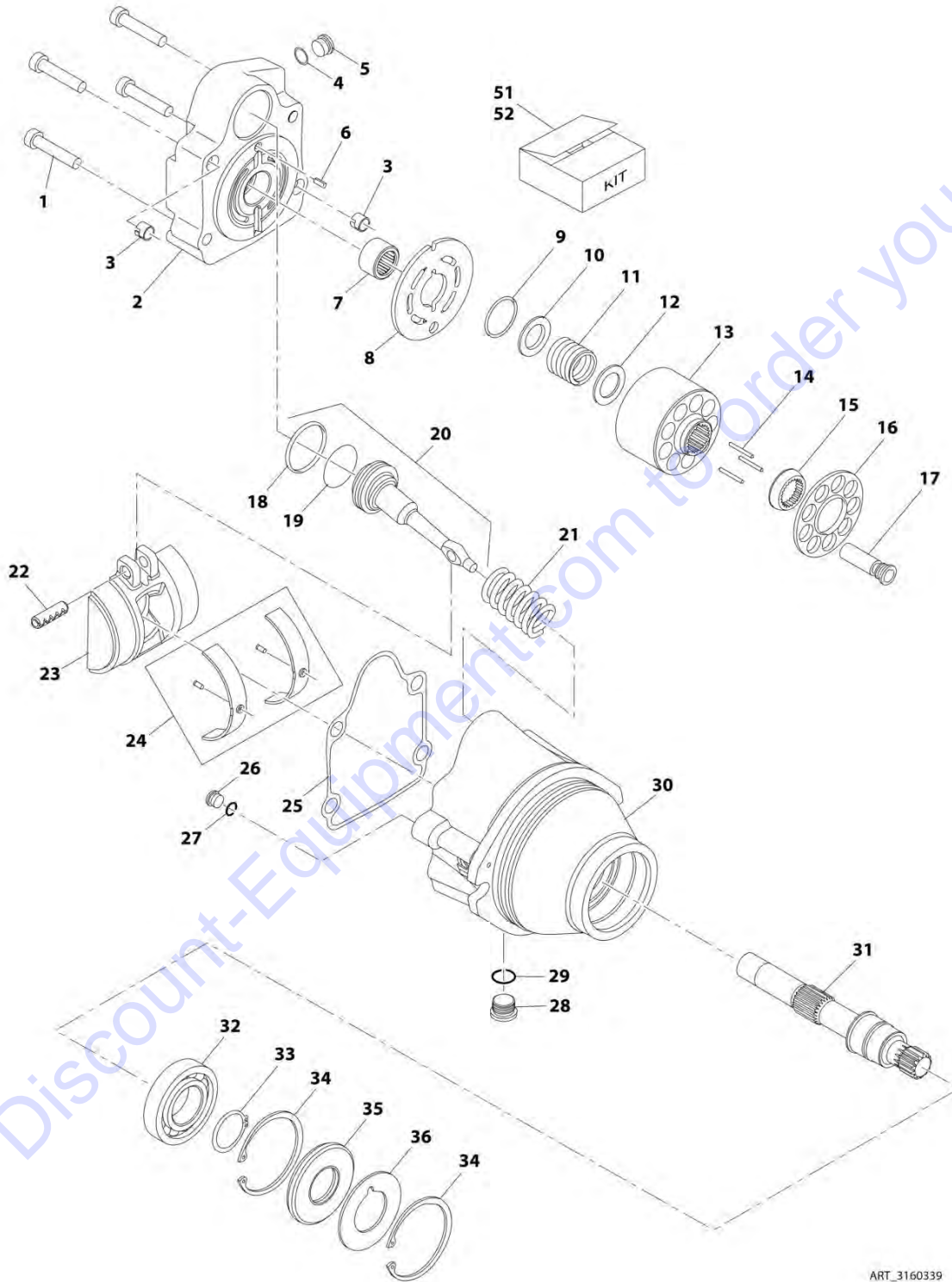
SECTION 1 - FRAME

ITEM	PART NUMBER	QTY	DESCRIPTION	REV
48	See Note	NSS	Gasket (Note: Use Item 51 or 52)	
49	See Note	NSS	Cover, Engagement (Note: Use Item 52)	
50	See Note	NSS	Screw (Note: Use Item 52)	
51	70002248	1	Seal Kit (Includes Items 3, 8-11, 25, 38, 41, 43 & 48)	
52	70002247	1	Cover Kit (Includes Items 41-50)	
53	70002249	1	Brake Kit (Includes Items 4-13)	
101	0761214	2	Bolt M12 x 30	
102	2110404	1	Fitting, Adapter	
103	2110808	1	Fitting, Adapter	
104	2110812	1	Fitting, Adapter	
105	2130406	1	Fitting, 90 Adapter	
106	2130812	1	Fitting, 90 Adapter	
108	5241200	2	Washer M12	
109	0100011	AR	Compound, Locking	
110	3790158	1	O-Ring	
111	3020008	51 oz/ 1.5L	Lubricant HD 80W-90 (Not Shown)	

Go to Discount-Equipment.com to order your parts

SECTION 1 - FRAME

FIGURE 1-13. DRIVE MOTOR ASSEMBLY



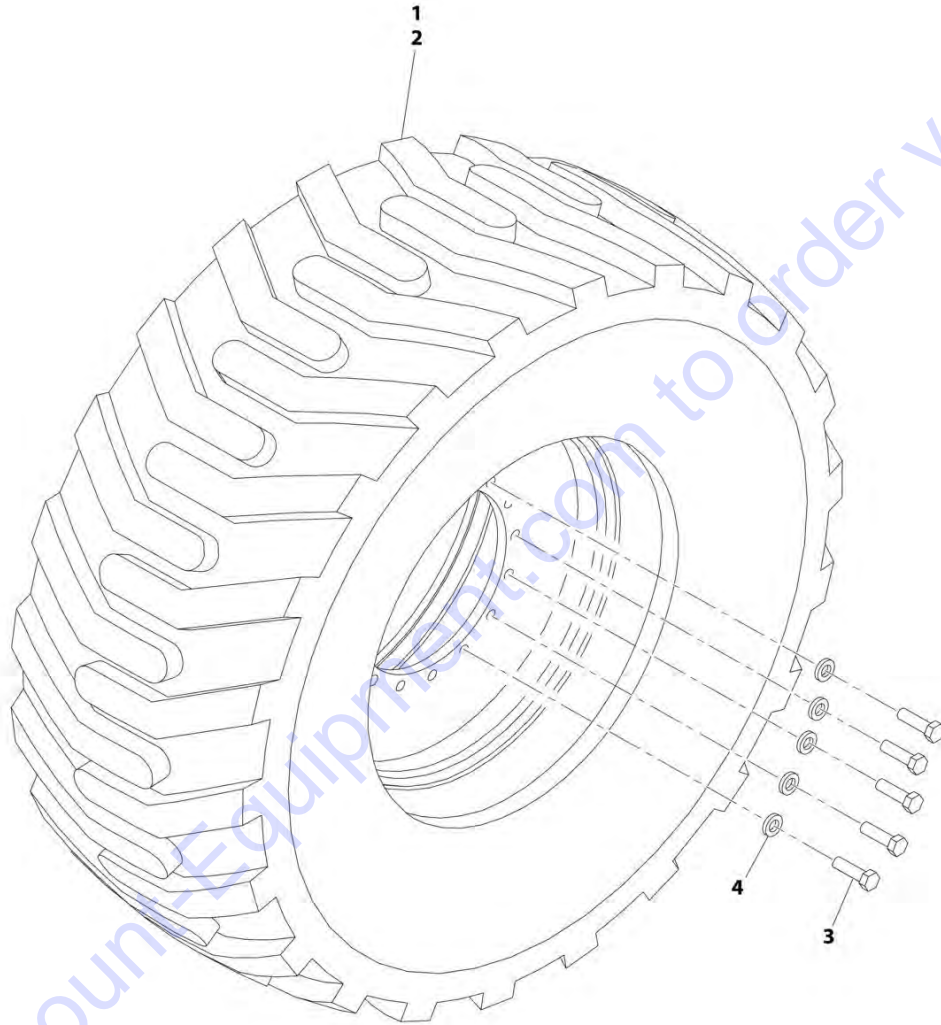
ART_3160339

FIGURE 1-13. DRIVE MOTOR ASSEMBLY

ITEM	PART NUMBER	QTY	DESCRIPTION	REV
	3160339	Ref	DRIVE MOTOR ASSEMBLY	D
1	7022368	4	Bolt	
2	70000859	1	End Cap, Motor	
3	70003628	2	Locating Pin	
4	See Note	NSS	O-Ring (Note: Use Item 51)	
5	7007420	1	Plug (Includes Item 4)	
6	7007446	1	Pin, Dowel	
7	7021249	1	Bearing, Needle	
8	70000854	1	Plate, Valve	
9	7022311	1	Snap Ring	
10	7022314	1	Retainer, Spring	
11	7024867	1	Spring	
12	7024868	1	Washer	
13	70000855	1	Block, Cylinder	
14	7021275	3	Pin, Slipper	
15	70000856	1	Guide	
16	70000857	1	Retainer, Slipper	
17	7024865	9	Piston, Cylinder	
18	See Note	NSS	Ring, Piston (Note: Use Item 51)	
19	See Note	NSS	O-Ring (Note: Use Item 51)	
20	70000860	1	Piston, Servo (Includes Items 18 & 19)	
21	70000861	1	Spring	
22	See Note	1	Pin (Note: Not Available for Purchase)	
23	70000853	1	Swash Plate	
24	70000852	1	Bearing Kit	
25	See Note	NSS	Gasket (Note: Use Item 51)	
26	See Note	1	Plug (Note: Not Available for Purchase)	
27	See Note	NSS	O-Ring (Note: Use Item 51)	
28	7022321	1	Plug (Includes Item 29)	
29	See Note	NSS	O-Ring (Note: Use Item 51)	
30	See Note	1	Housing (Note: Not Available - Purchase Complete Motor)	
31	70000858	1	Shaft	
32	7007437	1	Bearing	
33	7007439	1	Snap Ring	
34	7007438	2	Snap Ring	
35	See Note	NSS	Seal (Note: Use Item 51)	
36	7022371	1	Washer, Seal Support	
51	70000862	1	Kit 1 - Motor Seal Kit (Includes Items 4, 18, 19, 25, 27, 29 & 35)	
52	7027740	1	Kit 2 - Cylinder Block Kit (Includes Items 9-17)	

SECTION 1 - FRAME

FIGURE 1-14. TIRE AND WHEEL INSTALLATION - FOAM - FILLED



ART_0271852

SECTION 1 - FRAME

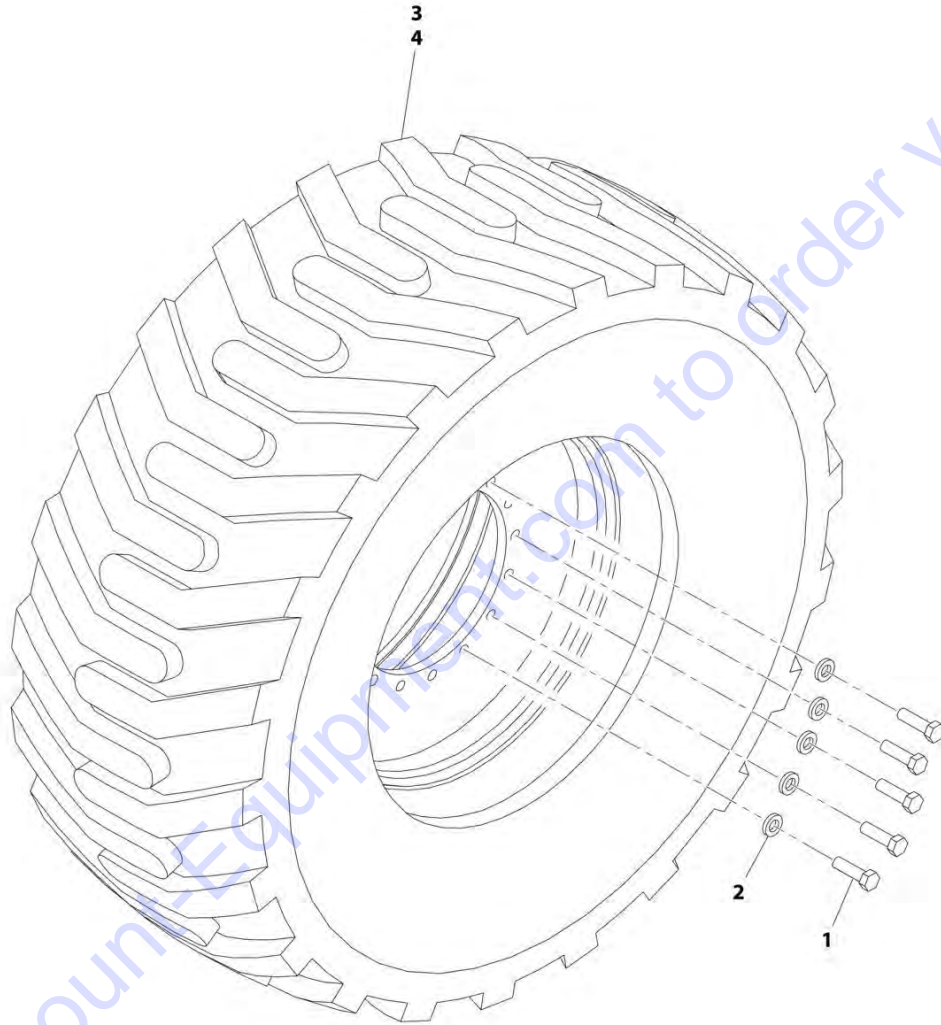
FIGURE 1-14. TIRE AND WHEEL INSTALLATION - FOAM - FILLED

ITEM	PART NUMBER	QTY	DESCRIPTION	REV
	0271852	Ref	TIRE AND WHEEL INSTALLATION - FOAM - FILLED	B
		Ref	Note: Assemblies may require ballast/foam filling to manufacturer's specifications prior to installing on a machine. Refer to Operation and Safety or Service and Maintenance Manuals. Purchase individual tire and/or rim only if able to foam fill tire and wheel assembly, otherwise, purchase complete assembly.	
1	0272055	2	Right Side Tire and Wheel Assembly - Foam - Filled	
2	0272056	2	Left Side Tire and Wheel Assembly - Foam - Filled	
3	0701619	64	Bolt M16 x 55 (16 Per Wheel)	
4	4892000	64	Washer 5/8 (16 Per Wheel)	

Go to Discount-Equipment.com to order your parts

SECTION 1 - FRAME

FIGURE 1-15. TIRE AND WHEEL INSTALLATION - SOLID



ART_1001115961

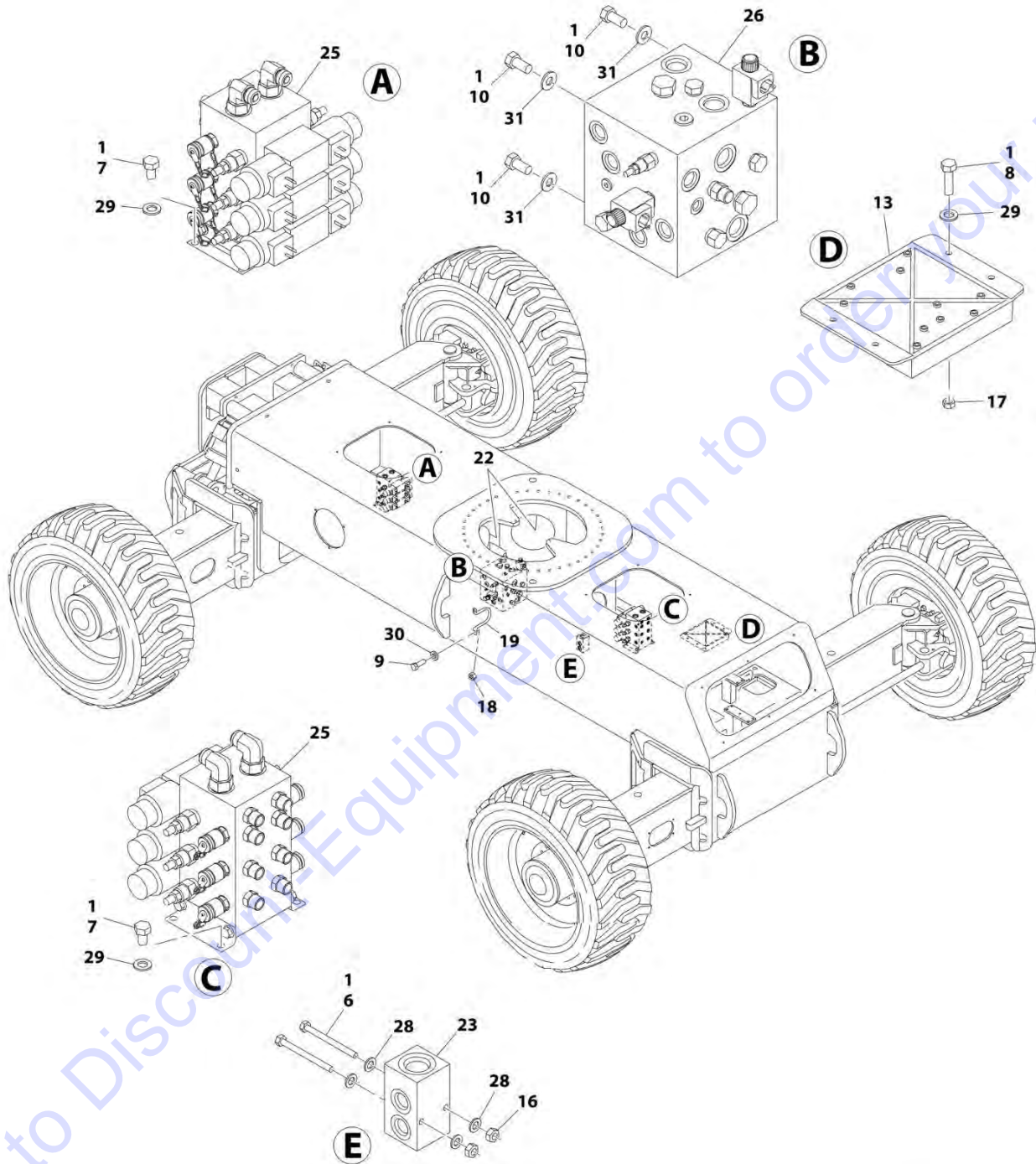
FIGURE 1-15. TIRE AND WHEEL INSTALLATION - SOLID

ITEM	PART NUMBER	QTY	DESCRIPTION	REV
	1001115961	Ref	TIRE AND WHEEL INSTALLATION - SOLID	A
1	0701619	64	Bolt M16 x 55 (16 Per Wheel)	
2	4892000	64	Washer 5/8 (16 Per Wheel)	
3	1001112716	2	Right Side Tire and Wheel Assembly - Solid	
4	1001112669	2	Left Side Tire and Wheel Assembly - Solid	

Go to Discount-Equipment.com to order your parts

SECTION 1 - FRAME

FIGURE 1-16. FRAME VALVES INSTALLATION - WITHOUT LSS AND WITH 4 CELL LSS



ART_0273377_10F3

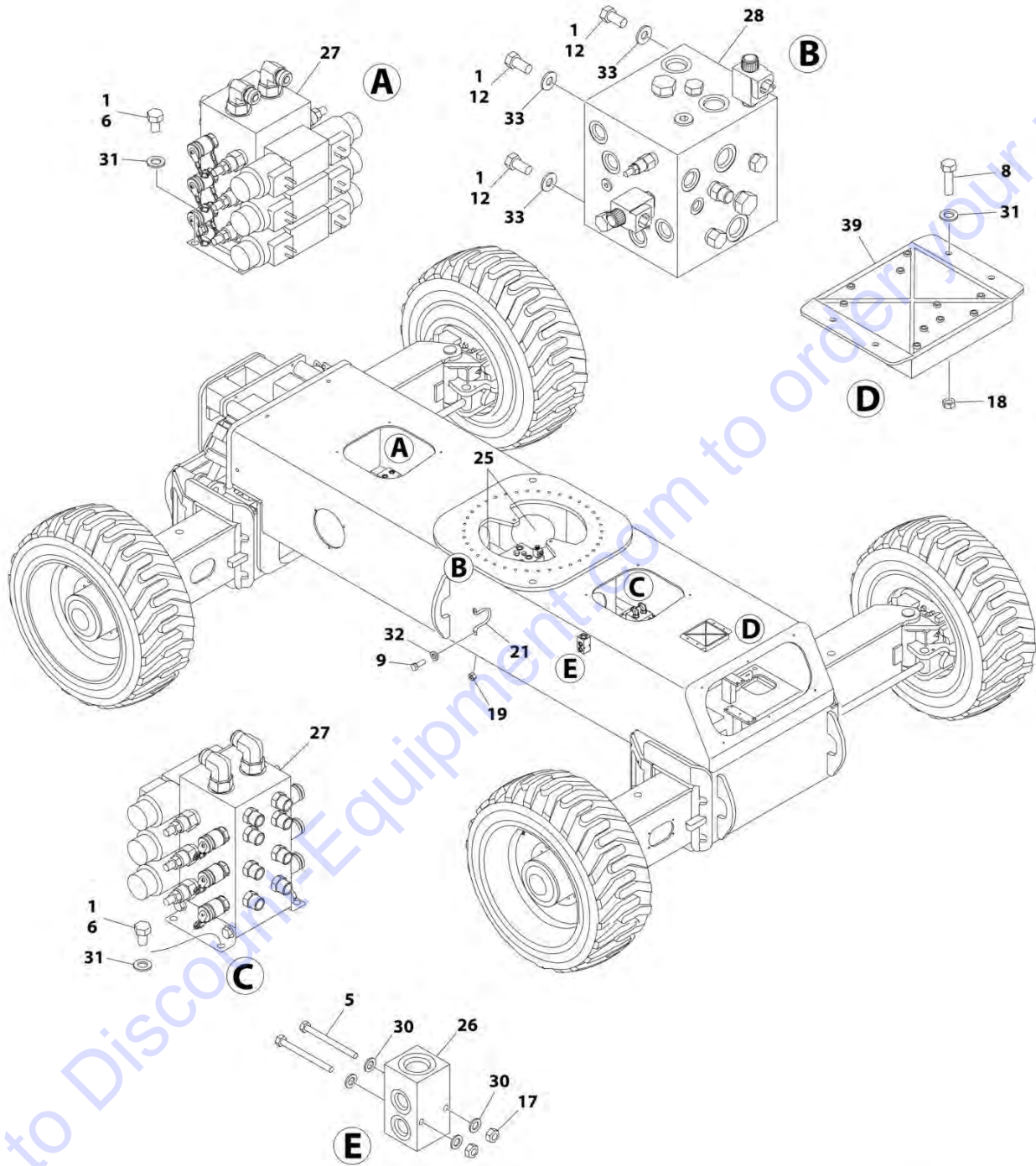
SECTION 1 - FRAME

FIGURE 1-16. FRAME VALVES INSTALLATION - WITHOUT LSS AND WITH 4 CELL LSS

ITEM	PART NUMBER	QTY	DESCRIPTION	REV
	0273377	Ref	FRAME VALVES INSTALLATION - WITHOUT LSS AND WITH 4 CELL LSS	O
1	0100011	AR	Compound, Locking	
6	0641424	2	Bolt 1/4 x 3	
7	0641504	8	Bolt 5/16 x 1/2	
8	0641509	4	Bolt 5/16 x 1-1/8	
9	0641608	12	Bolt 3/8 x 1	
10	0641808	4	Bolt 1/2 x 1	
13	1001112758	1	Module (Chassis) (Note: Re-calibration required when replaced)	
13	2915024	1	Update Kit (Includes Cables, Programming Instructions and CD Software)	
16	3311405	2	Nut 1/4	
17	3311505	4	Nut 5/16	
18	3311605	4	Nut 3/8	
19	3841340	2	Loop, Hose	
22	4060808	124 in/ 3.2m	Flex-Trim	
23	4641155	1	Manifold, Junction	
25	4641268	2	Valve Assembly - Steer (See STEER VALVE ASSEMBLY for Breakdown)	
26	4641454	1	Traction Valve Assembly (See TRACTION VALVE ASSEMBLY for Breakdown)	
28	4711400	8	Washer 1/4	
29	4711500	16	Washer 5/16	
30	4711600	8	Washer 3/8	
31	4711800	4	Washer 1/2	

SECTION 1 - FRAME

FIGURE 1-17. FRAME VALVES INSTALLATION - WITH 1 CELL LSS



ART_1001219989_10F3

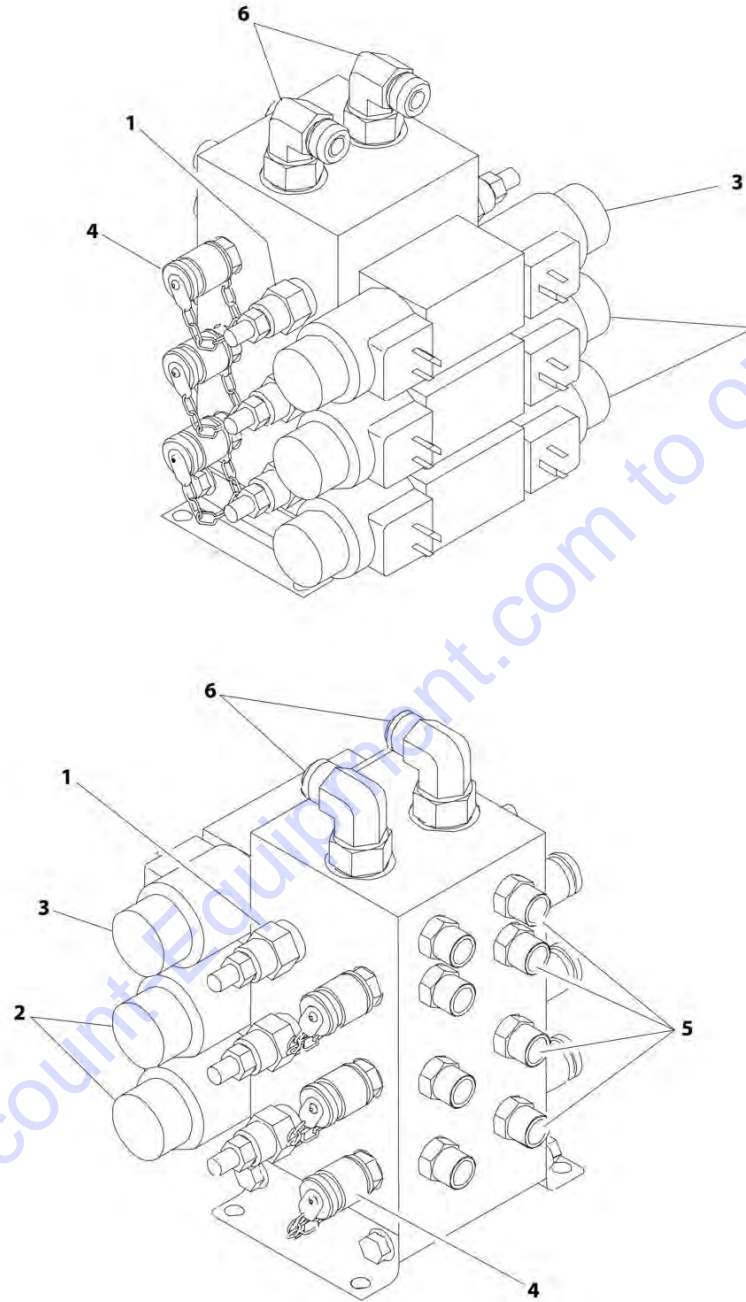
SECTION 1 - FRAME

FIGURE 1-17. FRAME VALVES INSTALLATION - WITH 1 CELL LSS

ITEM	PART NUMBER	QTY	DESCRIPTION	REV
	1001219989	Ref	FRAME VALVES INSTALLATION - WITH 1 CELL LSS	B
1	0100011	AR	Compound, Locking	
5	0641424	2	Bolt 1/4 x 3	
6	0641504	8	Bolt 5/16 x 1/2	
8	0641509	4	Bolt 5/16 x 1-1/8	
9	0641608	4	Bolt 3/8 x 1	
12	0641808	4	Bolt 1/2 x 1	
17	3311405	2	Nut 1/4	
18	3311505	4	Nut 5/16	
19	3311605	4	Nut 3/8	
21	3841340	2	Loop, Hose	
25	4060808	124 in/ 3.2m	Flex-Trim	
26	4641155	1	Manifold, Junction	
27	4641268	2	Valve Assembly - Steer (See STEER VALVE ASSEMBLY for Breakdown)	
28	4641454	1	Traction Valve Assembly (See TRACTION VALVE ASSEMBLY for Breakdown)	
30	4711400	4	Washer 1/4	
31	4711500	12	Washer 5/16	
32	4711600	4	Washer 3/8	
33	4711800	4	Washer 1/2	
39	1001112758	1	Module (Chassis) (Note: Re-calibration required when Replaced)	
39	2915024	1	Update Kit (Includes Cables, Programming Instructions and CD Software)	

SECTION 1 - FRAME

FIGURE 1-18. STEER VALVE ASSEMBLY



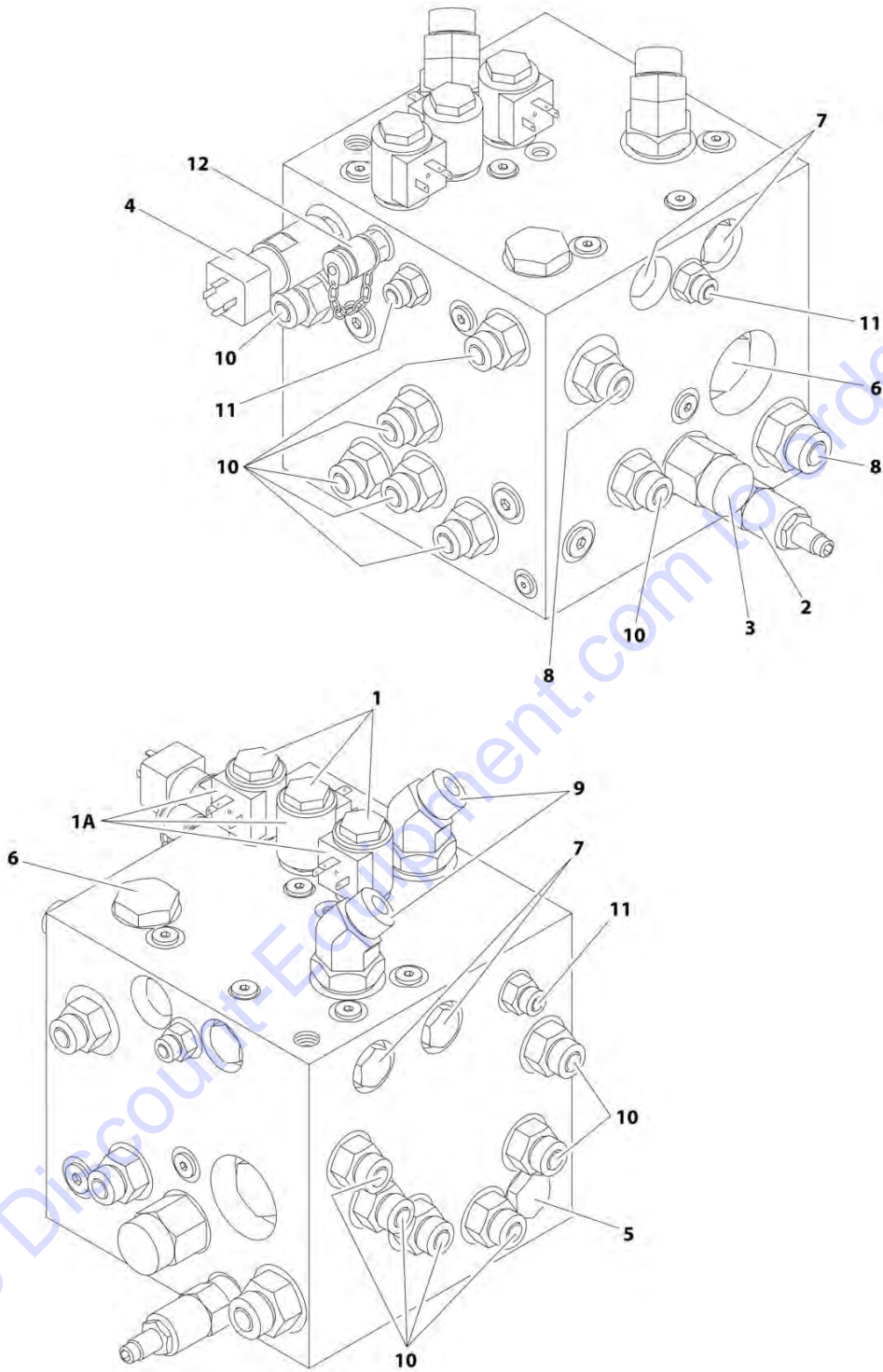
ART_4641268

FIGURE 1-18. STEER VALVE ASSEMBLY

ITEM	PART NUMBER	QTY	DESCRIPTION	REV
	4641268	Ref	STEER VALVE ASSEMBLY	B
1	7026028	12	Cartridge (6 Per Valve)	
1	7011346	12	Seal Kit - Cartridge (1 Per Cartridge)	
2	7024927	4	Valve (2 Per Valve)	
2	7012773	4	Seal Kit - Cartridge (1 Per Cartridge)	
2	7018991	8	Coil (2 Per Valve)	
3	70001976	2	Valve (1 Per Valve)	
3	7012773	2	Seal Kit - Cartridge (1 Per Cartridge)	
3	7018991	4	Coil (2 Per Valve)	
3	70001939	2	Orifice	
4	2221086	6	Check, Pressure	
5	2110606	8	Fitting, Straight	
6	2130810	2	Fitting, 90	

SECTION 1 - FRAME

FIGURE 1-19. TRACTION VALVE ASSEMBLY



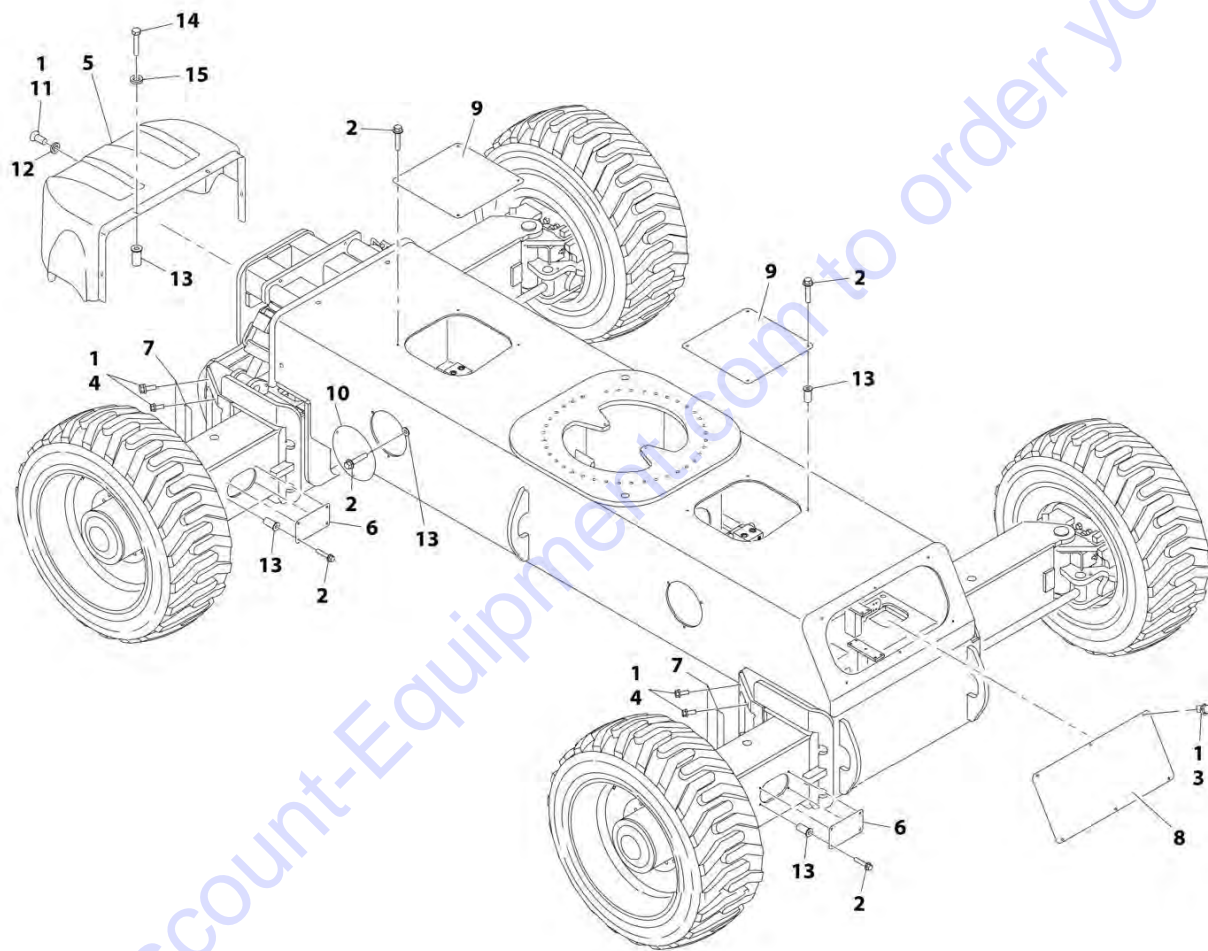
ART_4641454

FIGURE 1-19. TRACTION VALVE ASSEMBLY

ITEM	PART NUMBER	QTY	DESCRIPTION	REV
	4641454	Ref	TRACTION VALVE ASSEMBLY	E
1	7012941	3	Cartridge, Valve (Steer, Brake and Axle Lockout)	
1	7010543	3	Seal Kit - 7012941 Cartridge	
1A	7012944	2	Coil	
2	70000801	1	Cartridge, Valve (Relief)	
2	7012998	1	Seal Kit - 70000801 Cartridge	
3	70000802	1	Cartridge, Valve (Pilot)	
3	7012942	1	Seal Kit - 70000802 Cartridge	
4	70000803	1	Pressure Switch	
5	70000804	1	Cartridge, Valve (Shuttle)	
5	70000805	1	Seal Kit - 70000804 Cartridge	
6	70000806	2	Cartridge, Valve (Flow Divider)	
6	7017405	2	Seal Kit - 70000806 Cartridge	
7	7012955	4	Cartridge, Valve (Check)	
7	7012967	4	Seal Kit - 7012955 Cartridge	
8	2111012	2	Fitting, Straight	
9	2151012	2	Fitting, 45	
10	2110810	13	Fitting, Straight	
11	2110406	3	Fitting, Straight	
12	2221086	1	Check, Pressure	
13	2220883	1	Plug, #4 (Not Shown)	

SECTION 1 - FRAME

FIGURE 1-20. FRAME COVERS INSTALLATION



ART_1001176346

SECTION 1 - FRAME

FIGURE 1-20. FRAME COVERS INSTALLATION

ITEM	PART NUMBER	QTY	DESCRIPTION	REV
	1001176346	Ref	FRAME COVERS INSTALLATION	C
1	0100011	AR	Compound, Locking	
2	0791410	36	Screw 1/4 x 1-1/4	
3	0791604	6	Screw 3/8 x 1/2	
4	0791607	16	Screw 3/8 x 7/8	
5	1670996	1	Cover, Front	
6	1671045	4	Plate, Cover (Axle Side)	
7	1671046	4	Plate, Cover (Axle Corner)	
8	1671047	1	Plate, Cover (Rear)	
9	1671048	2	Plate, Cover (Frame Top)	
10	1671049	4	Plate, Cover (Frame Side)	
11	3900283	3	Screw 3/8 x 3/4	
12	4751600	3	Washer 3/8	
13	8580420	40	Nut, Well	
14	0641412	4	Bolt 1/4 x 1-1/2	
15	4740430	4	Washer, Fender	

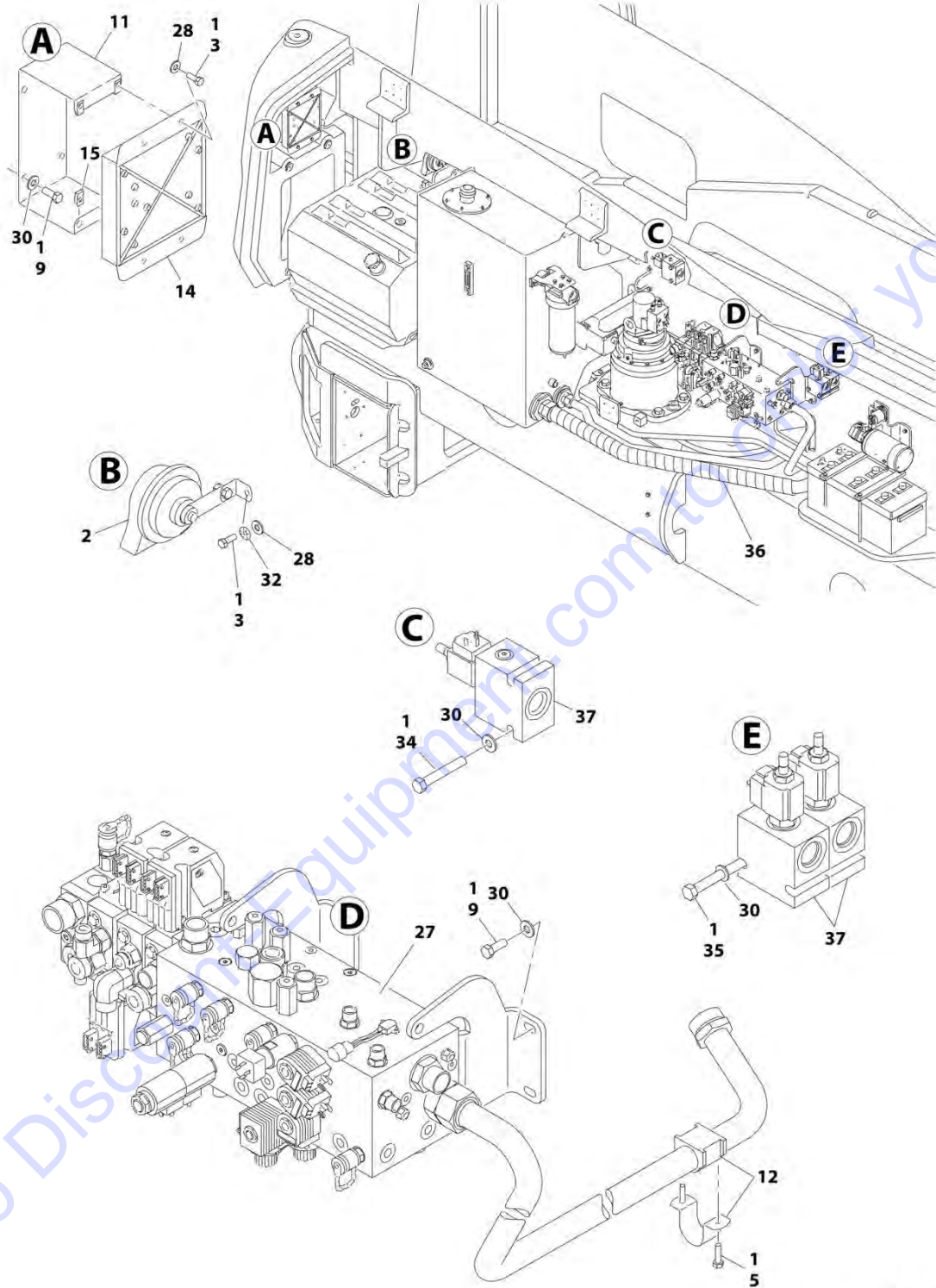
Go to Discount-Equipment.com to order your parts

SECTION 2 - TURNTABLE

Go to Discount-Equipment.com to order your parts

SECTION 2 - TURNTABLE

FIGURE 2-1. TURNTABLE VALVES INSTALLATION - WITHOUT LSS AND WITH 4 CELL LSS



ART_0273377_20F3

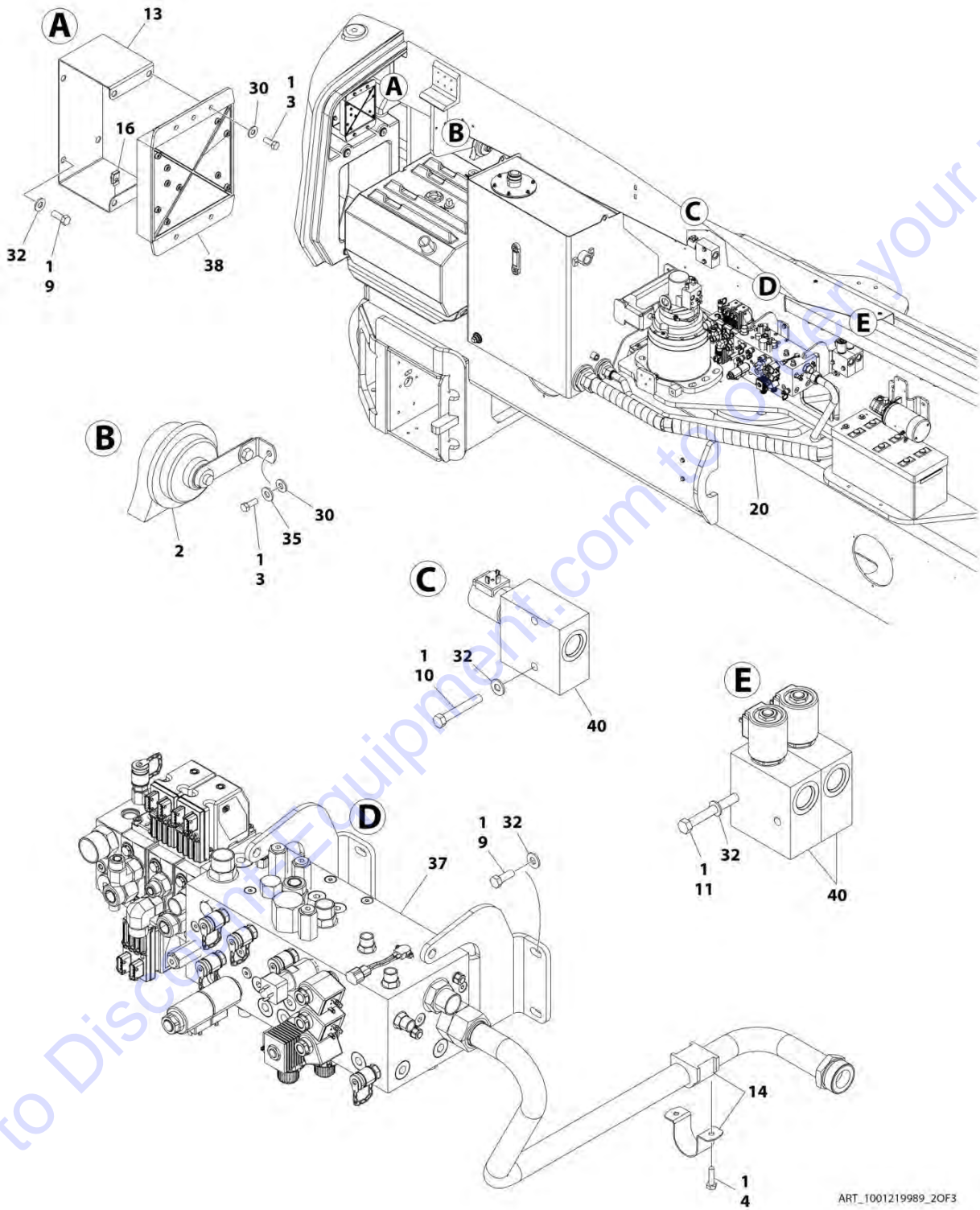
SECTION 2 - TURNTABLE

FIGURE 2-1. TURNTABLE VALVES INSTALLATION - WITHOUT LSS AND WITH 4 CELL LSS

ITEM	PART NUMBER	QTY	DESCRIPTION	REV
	0273377	Ref	TURNTABLE VALVES INSTALLATION - WITHOUT LSS AND WITH 4 CELL LSS	0
1	0100011	AR	Compound, Locking	
2	0140001	1	Horn	
3	0641406	5	Bolt 1/4 x 3/4	
5	0641408	2	Bolt 1/4 x 1	
9	0641608	8	Bolt 3/8 x 1	
11	0902800	1	Bracket, Module Mounting	
12	1320322	1	Clamp	
14	1001112757	NLA	Module, B.L.A.M (Use p/n 1001227960) (Note: Control System must be re-calibrated when Module is replaced) (SN 0300201017 through 0300248593)	
14	1001227960	1	Module, B.L.A.M (Note: Control System must be re-calibrated when Module is replaced) (SN 0300248594 to Present)	
14	2915024	1	Update Kit (Includes Cables, Programming Instructions and CD Software)	
15	3300454	4	Nut, Special	
27	1001103793	1	Main Valve Assembly (See MAIN VALVE ASSEMBLY for Breakdown)	
28	4711400	5	Washer 1/4	
30	4711600	12	Washer 3/8	
32	4791400	1	Starwasher 1/4	
34	0641620	2	Bolt 3/8 x 2-1/2	
35	0641636	2	Bolt 3/8 x 4-1/2	
36	3380523	1	Shield, Tube	
37	1001112850	3	Enable Valve Assembly	
37	7024890	1	Coil	

SECTION 2 - TURNTABLE

FIGURE 2-2. TURNTABLE VALVES INSTALLATION - WITH 1 CELL LSS



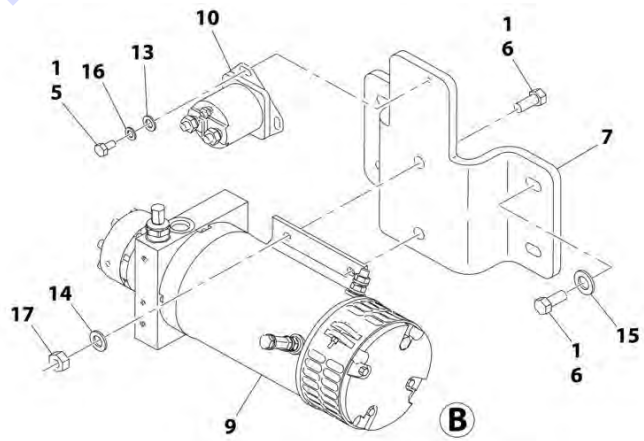
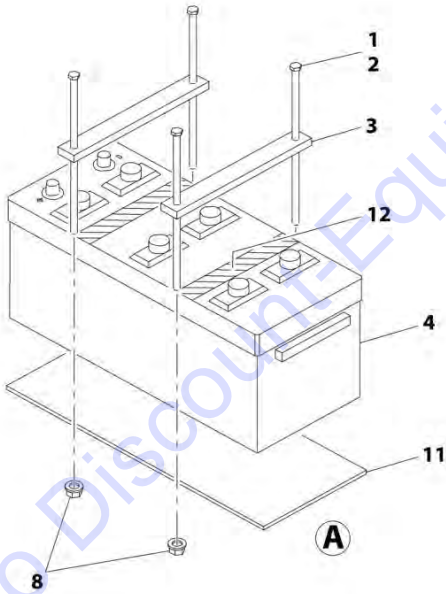
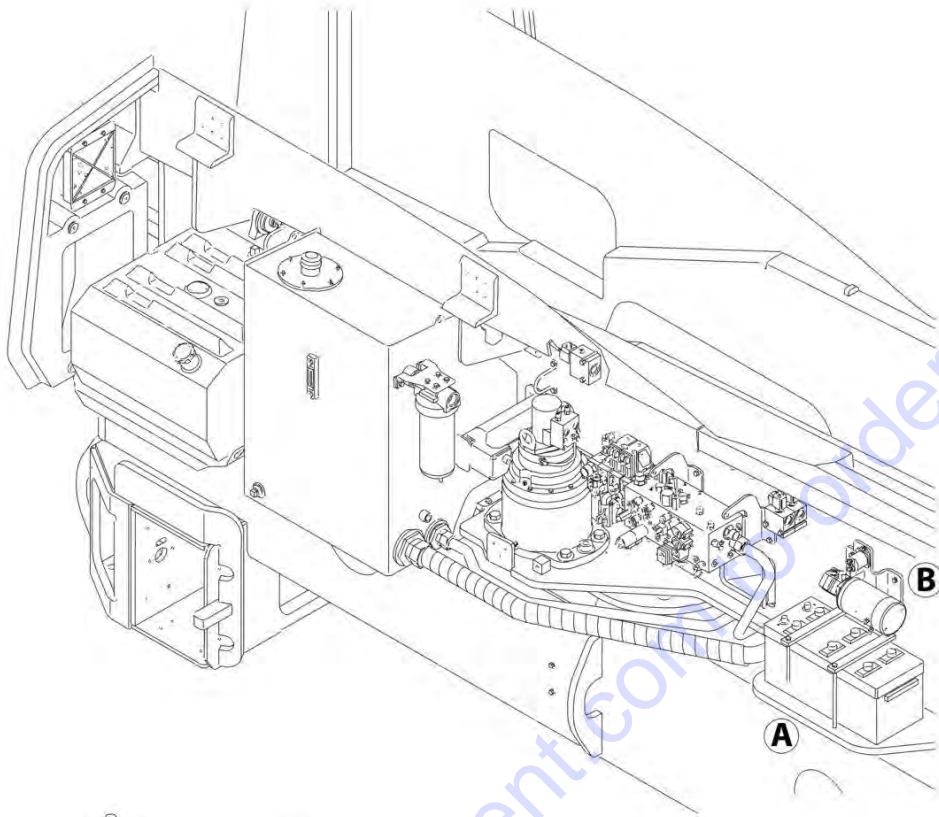
SECTION 2 - TURNTABLE

FIGURE 2-2. TURNTABLE VALVES INSTALLATION - WITH 1 CELL LSS

ITEM	PART NUMBER	QTY	DESCRIPTION	REV
	1001219989	Ref	TURNTABLE VALVES INSTALLATION - WITH 1 CELL LSS	B
1	0100011	AR	Compound, Locking	
2	0140001	1	Horn	
3	0641406	5	Bolt 1/4 x 3/4	
4	0641408	2	Bolt 1/4 x 1	
9	0641608	8	Bolt 3/8 x 1	
10	0641620	2	Bolt 3/8 x 2-1/2	
11	0641636	2	Bolt 3/8 x 4-1/2	
13	0902800	1	Bracket, Module Mounting	
14	1320322	1	Clamp	
16	3300454	4	Nut, Special	
20	3380523	1	Shield, Tube	
30	4711400	5	Washer 1/4	
32	4711600	12	Washer 3/8	
35	4791400	1	Starwasher 1/4	
37	1001103793	1	Main Valve Assembly (See MAIN VALVE ASSEMBLY for Breakdown)	
38	1001112757	NLA	Module, B.L.A.M (Use p/n 1001227960) (Note: Control System must be Re-calibrated when Module is Replaced) (SN 0300201017 through 0300248593)	
38	1001227960	1	Module, B.L.A.M (Note: Control System must be Re-calibrated when Module is Replaced) (SN 0300248594 to Present)	
40	1001112850	3	Enable Valve Assembly	
40	7024890	3	Coil	

SECTION 2 - TURNTABLE

FIGURE 2-3. BATTERY AND AUXILIARY PUMP INSTALLATION - WITHOUT COLD WEATHER PLUS PACKAGE



ART_1001145323

SECTION 2 - TURNTABLE

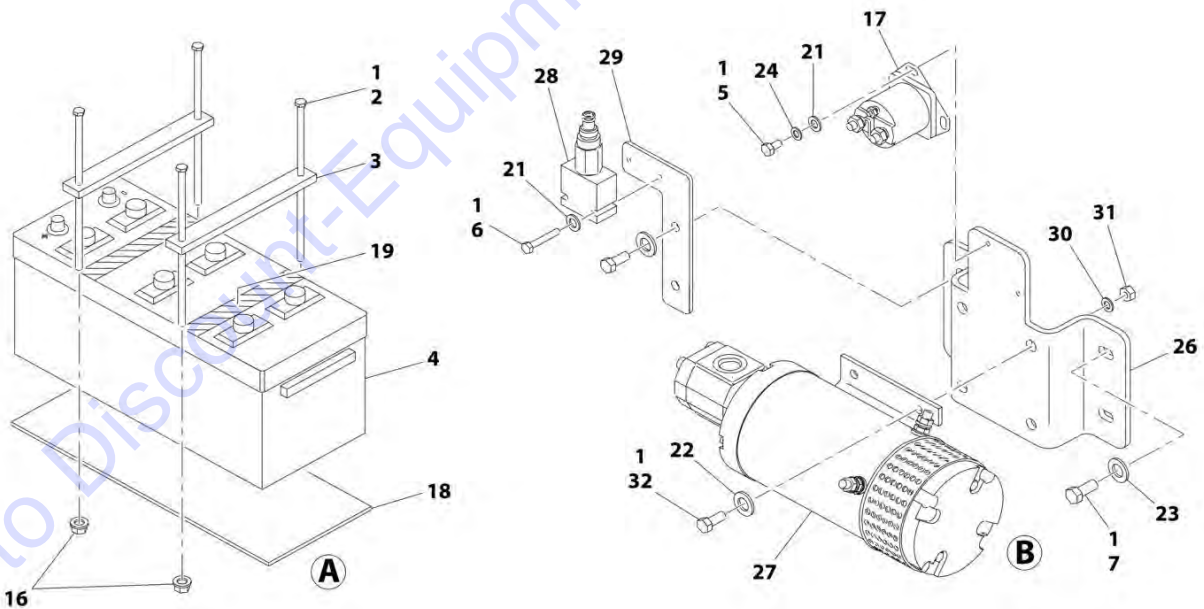
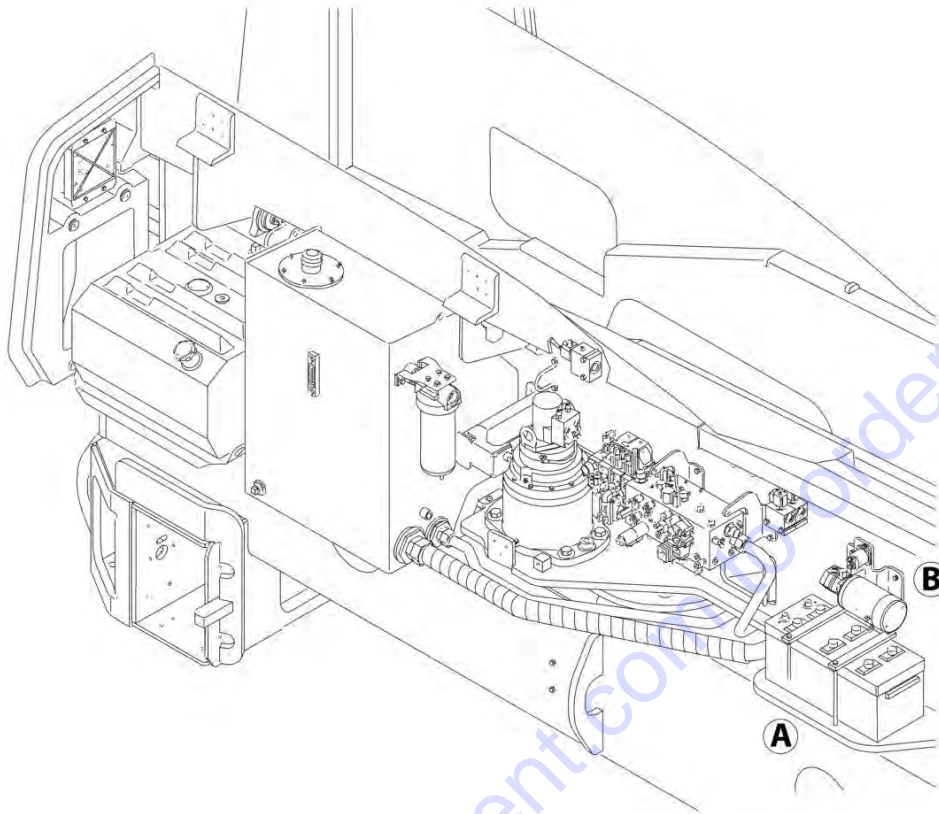
FIGURE 2-3. BATTERY AND AUXILIARY PUMP INSTALLATION - WITHOUT COLD WEATHER PLUS PACKAGE

ITEM	PART NUMBER	QTY	DESCRIPTION	REV
	1001145323	Ref	BATTERY AND AUXILIARY PUMP INSTALLATION - WITHOUT COLD WEATHER PLUS PACKAGE	B
1	0100011	AR	Compound, Locking	
2	0236768	4	Rod, Hold-down	
3	0363062	2	Bar, Battery	
4	0400020	1	Battery	
5	0641408	2	Bolt 1/4 x 1	
6	0641607	8	Bolt 3/8 x 7/8	
7	0903696	1	Bracket	
8	3311608	4	Nut 3/8	
9	1001162880	1	Auxiliary Pump Assembly (See AUXILIARY PUMP ASSEMBLY for Breakdown)	
10	3740067	1	Relay	
11	3980006	1	Seat, Battery	
12	4420037	17 in /43cm	Tape, Insulation	
13	4711400	2	Washer 1/4	
14	4711600	4	Washer 3/8	
15	4751600	4	Washer 3/8	
16	4791400	2	Starwasher 1/4	
17	3311605	4	Nut 3/8	

Go to Discount-Equipment.com to order your parts

SECTION 2 - TURNTABLE

FIGURE 2-4. BATTERY AND AUXILIARY PUMP INSTALLATION - WITH COLD WEATHER PLUS PACKAGE



ART_100113952_10F2

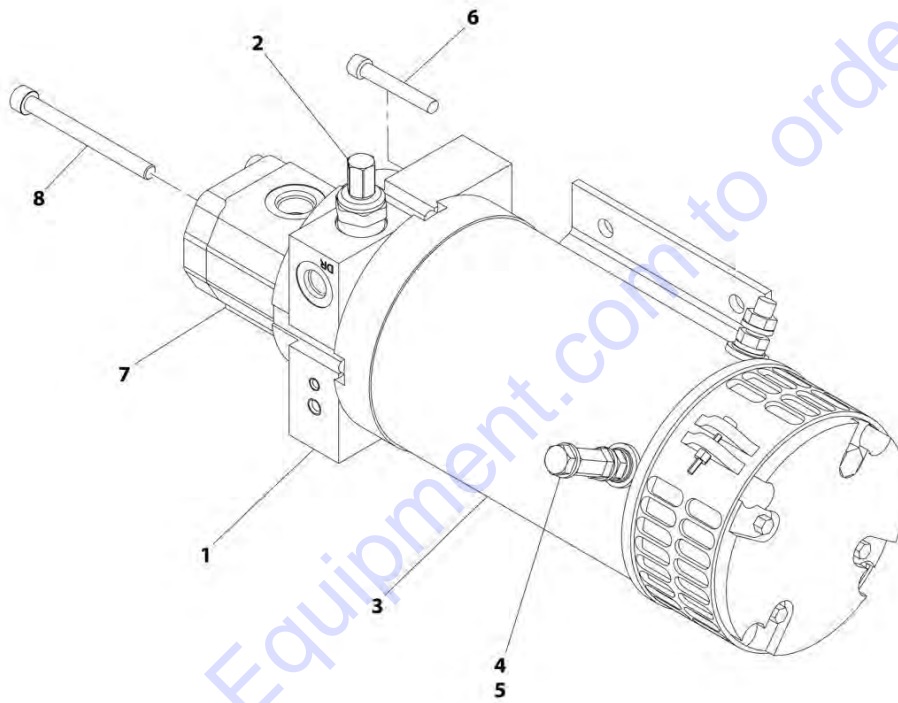
SECTION 2 - TURNTABLE

FIGURE 2-4. BATTERY AND AUXILIARY PUMP INSTALLATION - WITH COLD WEATHER PLUS PACKAGE

ITEM	PART NUMBER	QTY	DESCRIPTION	REV
	1001139520	Ref	BATTERY AND AUXILIARY PUMP INSTALLATION - WITH COLD WEATHER PLUS PACKAGE	A
1	0100011	AR	Compound, Locking	
2	0236768	4	Rod, Hold-down	
3	0363062	2	Bar, Battery	
4	0400020	1	Battery	
5	0641404	2	Bolt 1/4 x 1/2	
6	0641413	2	Bolt 1/4 x 1-5/8	
7	0641607	4	Bolt 3/8 x 7/8	
16	3311608	4	Nut 3/8	
17	3740067	1	Relay	
18	3980006	1	Seat, Battery	
19	4420037	17 in /43cm	Tape, Insulation	
21	4711400	4	Washer 1/4	
22	4711600	4	Washer 3/8	
23	4751600	4	Washer 3/8	
24	4791400	2	Starwasher 1/4	
26	0903696	1	Bracket	
27	1001138838	1	Auxiliary Pump Assembly (See AUXILIARY PUMP ASSEMBLY (WITH COLD WEATHER PLUS PACKAGE) for Breakdown)	
28	1001133163	1	Valve, Relief	
28	7023936	1	Seal Kit	
29	1001133593	1	Bracket	
30	4761600	4	Washer 3/8	
31	3311601	4	Nut 3/8	
32	0641608	4	Bolt 3/8 x 1	

SECTION 2 - TURNTABLE

FIGURE 2-5. AUXILIARY PUMP ASSEMBLY (WITHOUT COLD WEATHER PLUS PACKAGE)



ART_1001162880

SECTION 2 - TURNTABLE

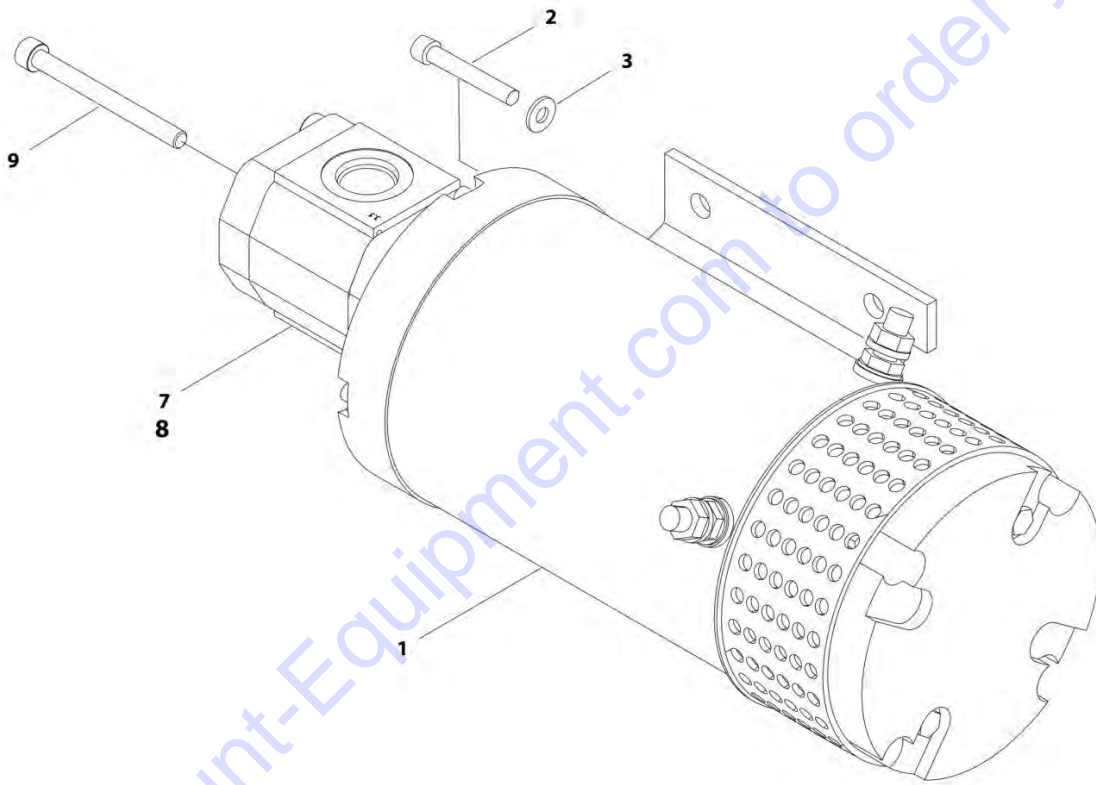
FIGURE 2-5. AUXILIARY PUMP ASSEMBLY (WITHOUT COLD WEATHER PLUS PACKAGE)

ITEM	PART NUMBER	QTY	DESCRIPTION	REV
	1001162880	Ref	AUXILIARY PUMP ASSEMBLY (WITHOUT COLD WEATHER PLUS PACKAGE)	A
1	1001164700	1	Base Assembly	
1	70005618	1	Plug	
1	70005617	1	Spring	
1	70005616	1	Poppet, Check	
2	1001164700	1	Valve, Relief	
3	See Note	1	Motor (Note: Not Available for Purchase)	
4	70007006	1	Nut 3/8	
5	70007007	1	Screw 3/8 x 3/4	
6	70007005	4	Screw 1/4 x 3	
6	See Note	1	Sleeve (Note: Not Available for Purchase)	
7	See Note	1	Pump Assembly (Note: Not Available for Purchase)	
7	70005615	1	Seal, Shaft	
7	70005619	1	Bearing	
8	See Note	4	Screw M8 x 85 (Note: Not Available for Purchase)	

Go to Discount-Equipment.com to order your parts

SECTION 2 - TURNTABLE

FIGURE 2-6. AUXILIARY PUMP ASSEMBLY (WITH COLD WEATHER PLUS PACKAGE)



ART_1001138838

SECTION 2 - TURNTABLE

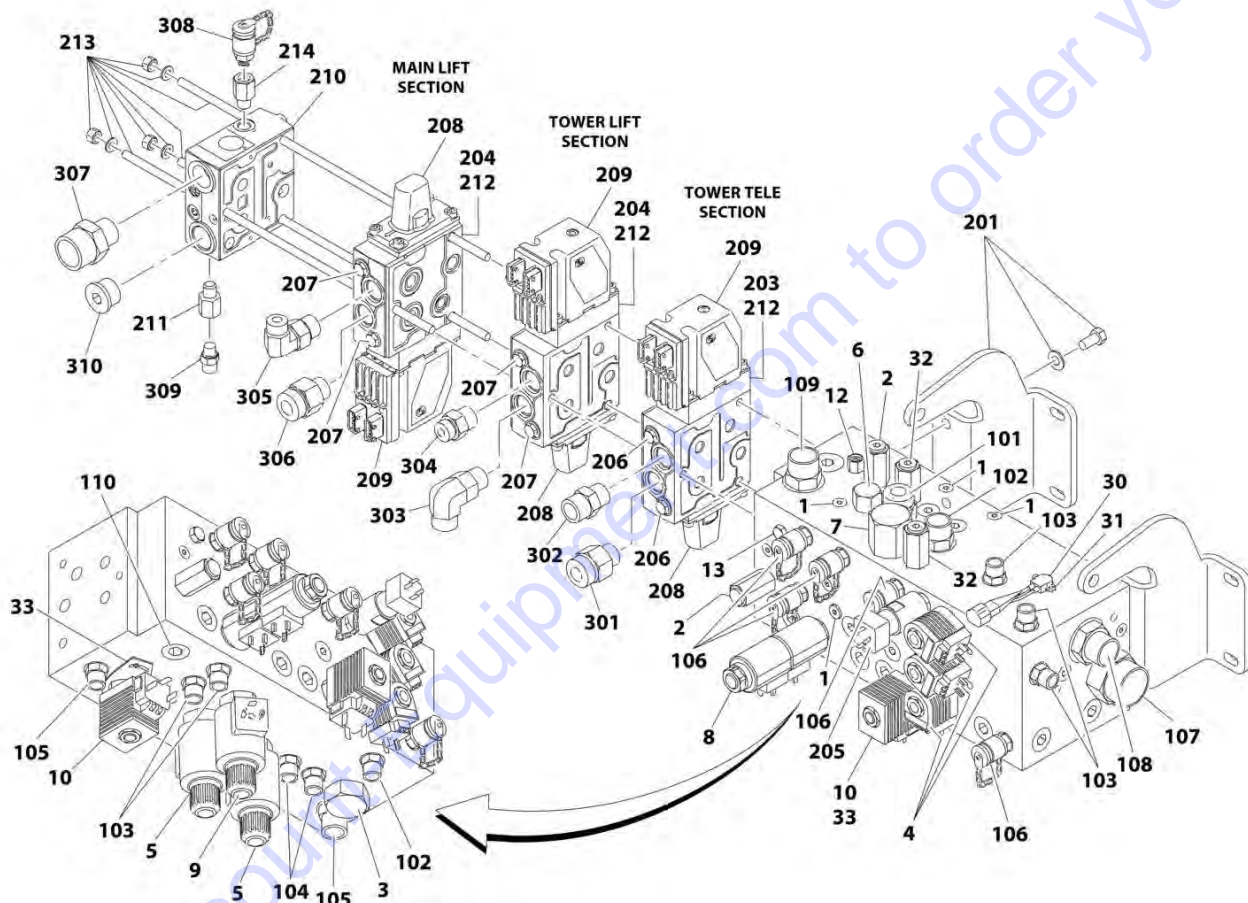
FIGURE 2-6. AUXILIARY PUMP ASSEMBLY (WITH COLD WEATHER PLUS PACKAGE)

ITEM	PART NUMBER	QTY	DESCRIPTION	REV
	1001138838	Ref	AUXILIARY PUMP ASSEMBLY (WITH COLD WEATHER PLUS PACKAGE)	A
1	70003800	1	Motor	
1	See Note	NSS	Shaft (Note: Not Available for Purchase)	
2	70003801	4	Capscrew 5/16 x 3/4 (Pump Mounting)	
3	70003802	4	Washer 5/16	
4	See Note	NSS	Adapter (Not Shown) (Note: Not Available for Purchase)	
5	See Note	NSS	Pin, Dowel (Not Shown) (Note: Not Available for Purchase)	
6	See Note	NSS	O-Ring (Not Shown) (Note: Not Available for Purchase)	
7	70003803	1	Pump Assembly	
7	See Note	NSS	Seal, Shaft (Note: Not Available for Purchase)	
8	See Note	NSS	Cover, Rear (Note: Not Available for Purchase)	
9	See Note	NSS	Screw M8 x 80 (Note: Not Available for Purchase)	

Go to Discount-Equipment.com to order your parts

SECTION 2 - TURNTABLE

FIGURE 2-7. MAIN VALVE ASSEMBLY



ART_1001103793

SECTION 2 - TURNTABLE

FIGURE 2-7. MAIN VALVE ASSEMBLY

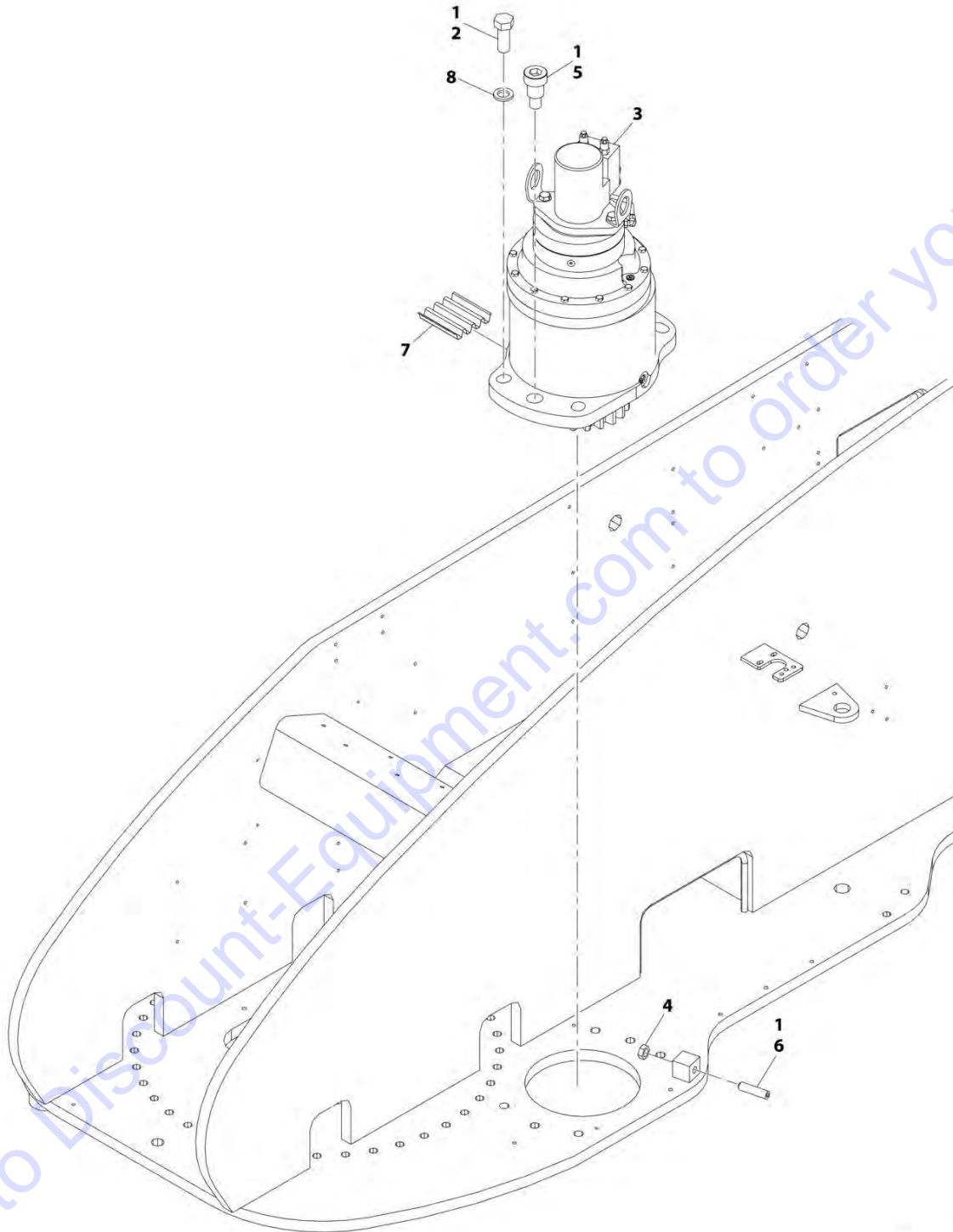
ITEM	PART NUMBER	QTY	DESCRIPTION	REV
	1001103793	Ref	MAIN VALVE ASSEMBLY	C
		Ref	MAIN VALVE BODY COMPONENTS	
1	7026684	4	Cartridge, Check Valve	
1	7026685	4	Seal Kit - Valve	
2	7026686	2	Cartridge, Relief Valve	
2	7026687	2	Seal Kit - Valve	
3	7026688	1	Cartridge, Check Valve	
3	7026689	1	Seal Kit - Valve	
4	7026690	3	Cartridge, Solenoid Valve Less Coil	
4	7026691	3	Seal Kit - Valve	
4	7027206	3	Coil	
5	7026692	2	Cartridge, Solenoid Valve Less Coil	
5	7026693	2	Seal Kit - Valve	
5	7027207	2	Coil	
6	7026694	1	Cartridge, Differential Sensing Valve	
6	7026695	1	Seal Kit - Valve	
7	7026696	1	Cartridge, Differential Sensing Valve	
7	7026697	1	Seal Kit - Valve	
8	7026698	1	Cartridge, Solenoid Valve Less Coil	
8	See Note	1	Seal Kit - Valve (Note: Not Available for Purchase)	
8	7027209	2	Coil	
9	7027882	1	Valve Assembly, Solenoid	
9	7026693	1	Seal Kit - Valve	
9	7027208	1	Coil	
10	7027200	2	Cartridge, Solenoid Valve	
10	7010697	2	Seal Kit - Valve	
10	7012943	2	Coil	
12	7027201	1	Cartridge, Check Valve	
12	7027202	1	Seal Kit - Valve	
13	7027203	1	Cartridge, Check Valve	
13	7026687	1	Seal Kit - Valve	
30	7027738	1	Switch, Thermostatic	
31	70006315	2	Screw #6 x 1/2	
32	7027204	2	Cartridge, Relief Valve	
32	7026687	2	Seal Kit - Valve	
33	1001104841	2	Lock Plate, Cartridge	
33	3941404	2	Screw, Self-Tapping	
		Ref	MAIN VALVE BODY FITTINGS	
101	2111210	1	Fitting, Straight	
102	2111010	2	Fitting, Straight	
103	2110606	5	Fitting, Straight	
104	2110406	2	Fitting, Straight	
105	2110404	2	Fitting, Straight	
106	2221086	5	Check, Pressure	
107	2112016	1	Fitting, Straight	
108	2111216	1	Fitting, Straight	
109	2111212	1	Fitting, Straight	
110	2220887	1	Plug	
		Ref	PROPORTIONAL VALVE SECTION AND ADDITIONAL COMPONENTS	

SECTION 2 - TURNTABLE

ITEM	PART NUMBER	QTY	DESCRIPTION	REV
201	7026671	2	Bracket	
203	See Note	NSS	Spool Assembly (Tower Telescope) (Note: Use Item 212)	
204	See Note	NSS	Spool Assembly (Tower/Main Lift) (Note: Use Item 212)	
205	7026672	1	Switch, Pressure	
206	See Note	NSS	Valve, Shock	
207	See Note	NSS	Valve, Shock	
208	See Note	NSS	Cover	
208	8007894	AR	Seal Kit, Cover Mounting (1 per cover)	
209	70001873	3	Actuator, Electrical	
209	8007954	AR	Seal Kit, Actuator Mounting (1 per actuator)	
210	70001421	1	Module, Pump Side	
210	8007939	1	Seal Kit, Pump Side Module (Internal Seals for Pump Side Module)	
211	7026678	1	Plug with Check Valve	
212	70002742	1	Module, Tower Lift (Includes Items 204, 207, 208, 210 Seal Kit and p/n 8007935 Seal Kit)	
212	70002743	1	Module, Tower Telescope (Includes Items 203, 206, 208, 210 Seal Kit and p/n 8007935 Seal Kit)	
212	70003043	1	Module, Main Lift (Includes Items 204, 207, 208, 210 Seal Kit and p/n 8007935 Seal Kit)	
212	8007935	AR	Seal Kit, Module Mounting (Includes seals for one side of Module - requires four for complete valve)	
213	7026680	1	Tie-Rod Kit (Includes Hardware and Seals)	
214	See Note	1	Fitting, Adapter (Note: Not Available for Purchase)	
		Ref	PROPORTIONAL VALVE SECTION FITTINGS	
301	2111210	1	Fitting, Straight	
302	2111010	1	Fitting, Straight	
303	2131010	1	Fitting, 90	
304	2110810	1	Fitting, Straight	
305	2130810	1	Fitting, 90	
306	2111210	1	Fitting, Straight	
307	7026683	2	Fitting, Straight	
308	2221086	1	Check, Pressure	
309	2110404	1	Fitting, Straight	
310	2220888	1	Plug	

SECTION 2 - TURNTABLE

FIGURE 2-8. SWING DRIVE INSTALLATION (SN 0300201017 through 0300254456)



ART_0271596

SECTION 2 - TURNTABLE

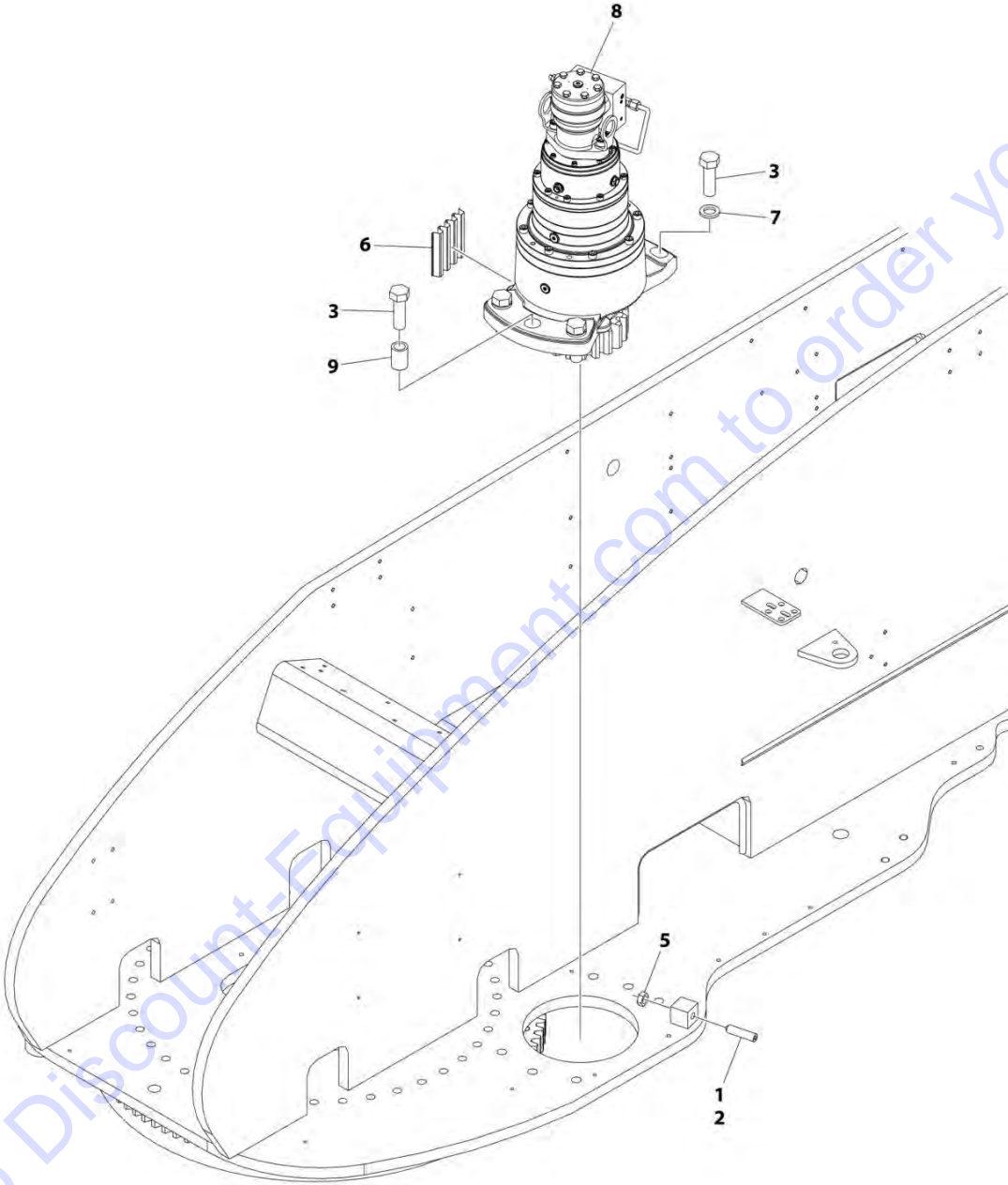
FIGURE 2-8. SWING DRIVE INSTALLATION (SN 0300201017 through 0300254456)

ITEM	PART NUMBER	QTY	DESCRIPTION	REV
	0271596	Ref	SWING DRIVE INSTALLATION	E
1	0100019	AR	Compound, Locking	
2	0682418	5	Bolt 7/8 x 2-1/4 Grade 8	
3	1001134098	1	Swing Motor/Hub Assembly (See SWING MOTOR/HUB ASSEMBLY for Breakdown)	
4	3312002	1	Nut 5/8	
5	3900223	1	Screw, Shoulder	
6	3952020	1	Setscrew 5/8 x 2-1/2	
7	4071041	1	Shim	
8	4892400	5	Washer 7/8	

Go to Discount-Equipment.com to order your parts

SECTION 2 - TURNTABLE

FIGURE 2-9. SWING DRIVE INSTALLATION (SN 0300254457 to Present)



ART_1001228617

SECTION 2 - TURNTABLE

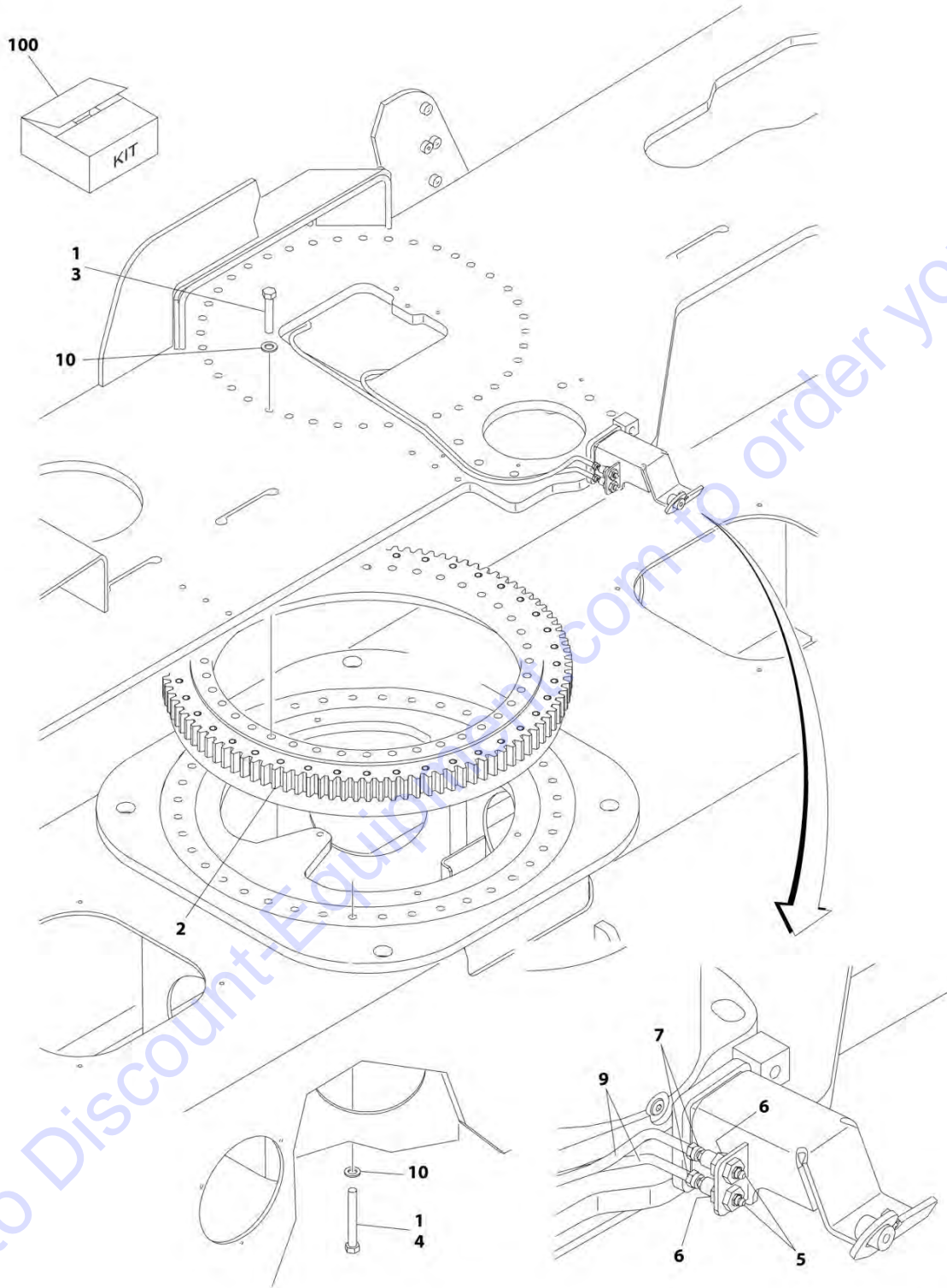
FIGURE 2-9. SWING DRIVE INSTALLATION (SN 0300254457 to Present)

ITEM	PART NUMBER	QTY	DESCRIPTION	REV
	1001228617	Ref	SWING DRIVE INSTALLATION	D
1	0100019	AR	Compound, Locking	
2	3952020	1	Setscrew 5/8 x 2-1/2	
3	0682422	6	Bolt 7/8 x 2-3/4 Grade 8	
5	3312002	1	Nut 5/8	
6	4071041	1	Shim	
7	4892400	5	Washer 7/8	
8	1001228488	1	Swing Motor/Hub Assembly (See Separate Breakdown in this Section)	
9	1001229058	1	Sleeve	

Go to Discount-Equipment.com to order your parts

SECTION 2 - TURNTABLE

FIGURE 2-10. TURNTABLE BEARING AND LUBE INSTALLATION



ART_0273451

SECTION 2 - TURNTABLE

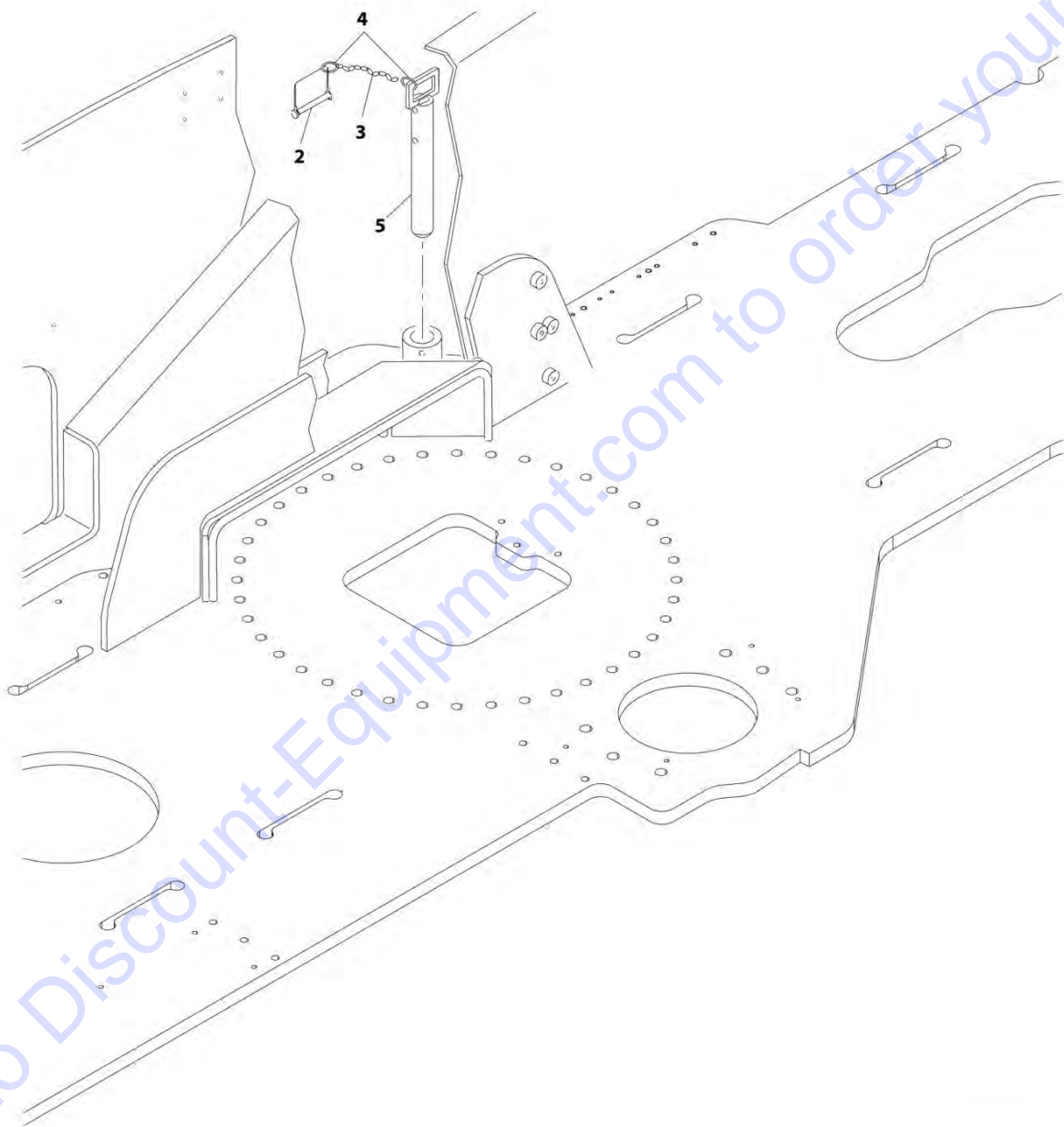
FIGURE 2-10. TURNTABLE BEARING AND LUBE INSTALLATION

ITEM	PART NUMBER	QTY	DESCRIPTION	REV
	0273451	Ref	TURNTABLE BEARING AND LUBE INSTALLATION	B
1	0100019	AR	Compound, Locking	
2	0440251	1	Bearing, Turntable	
3	0682026	40	Bolt 5/8 x 3-1/4 Grade 8	
4	0682040	40	Bolt 5/8 x 5 Grade 8	
5	2160002	2	Fitting, Grease	
6	2180344	2	Fitting, Bulkhead	
7	2220001	2	Fitting, Straight Swivel	
9	2750528	2	Hose	
10	4892000	80	Washer 5/8	
100	2915072	1	TURNTABLE BEARING KIT	

Go to Discount-Equipment.com to order your parts

SECTION 2 - TURNTABLE

FIGURE 2-11. TURNTABLE LOCK INSTALLATION



ART_0239842

SECTION 2 - TURNTABLE

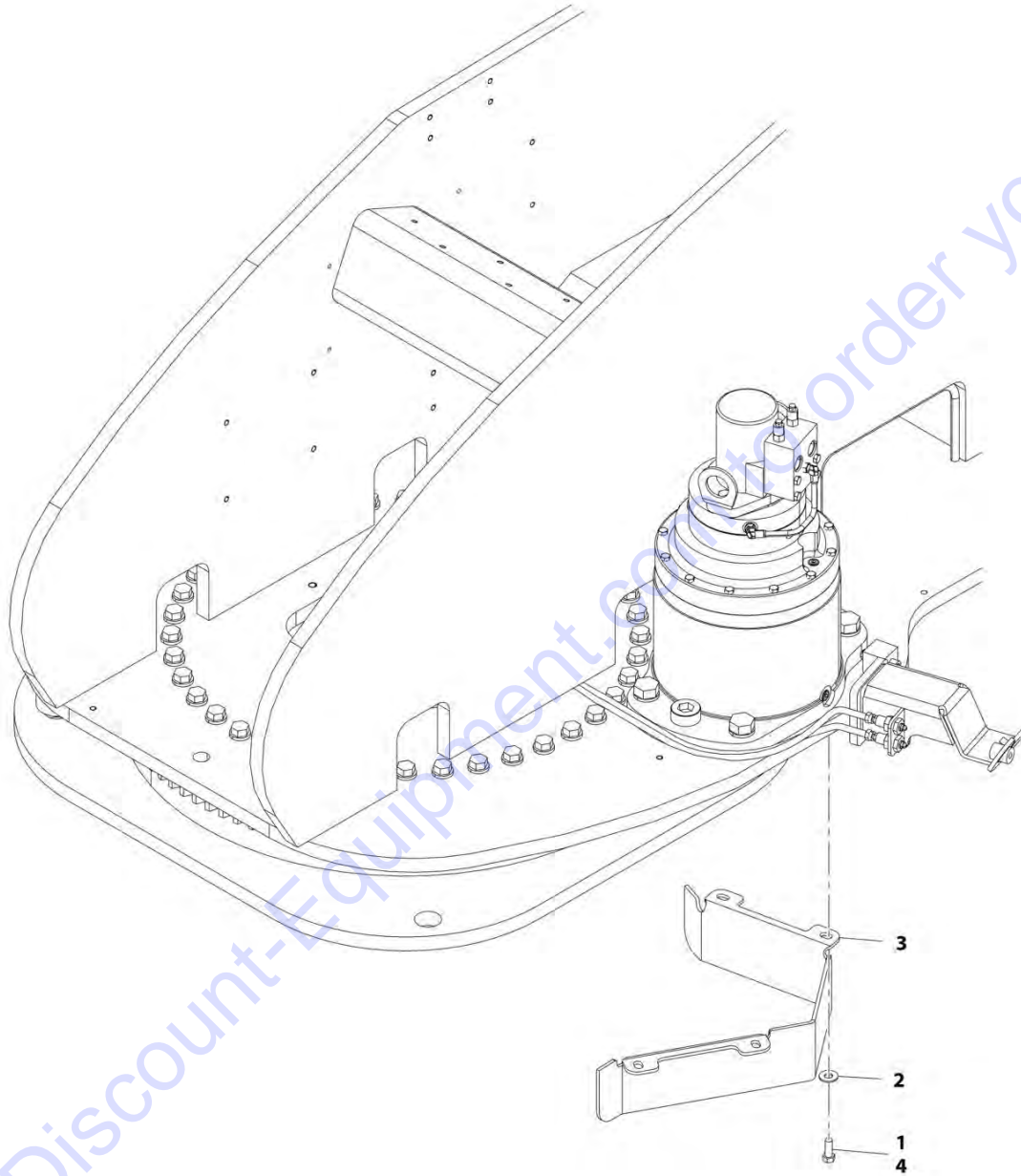
FIGURE 2-11. TURNTABLE LOCK INSTALLATION

ITEM	PART NUMBER	QTY	DESCRIPTION	REV
	0239842	Ref	TURNTABLE LOCK INSTALLATION	B
2	3421565	1	Pin, Snap	
3	1260017	9 in/23cm	Chain - #3	
4	3760170	2	Ring, Quick Release	
5	3421563	1	Pin, Turntable Lock	

Go to Discount-Equipment.com to order your parts

SECTION 2 - TURNTABLE

FIGURE 2-12. PINION SHIELD INSTALLATION



ART_0271874

SECTION 2 - TURNTABLE

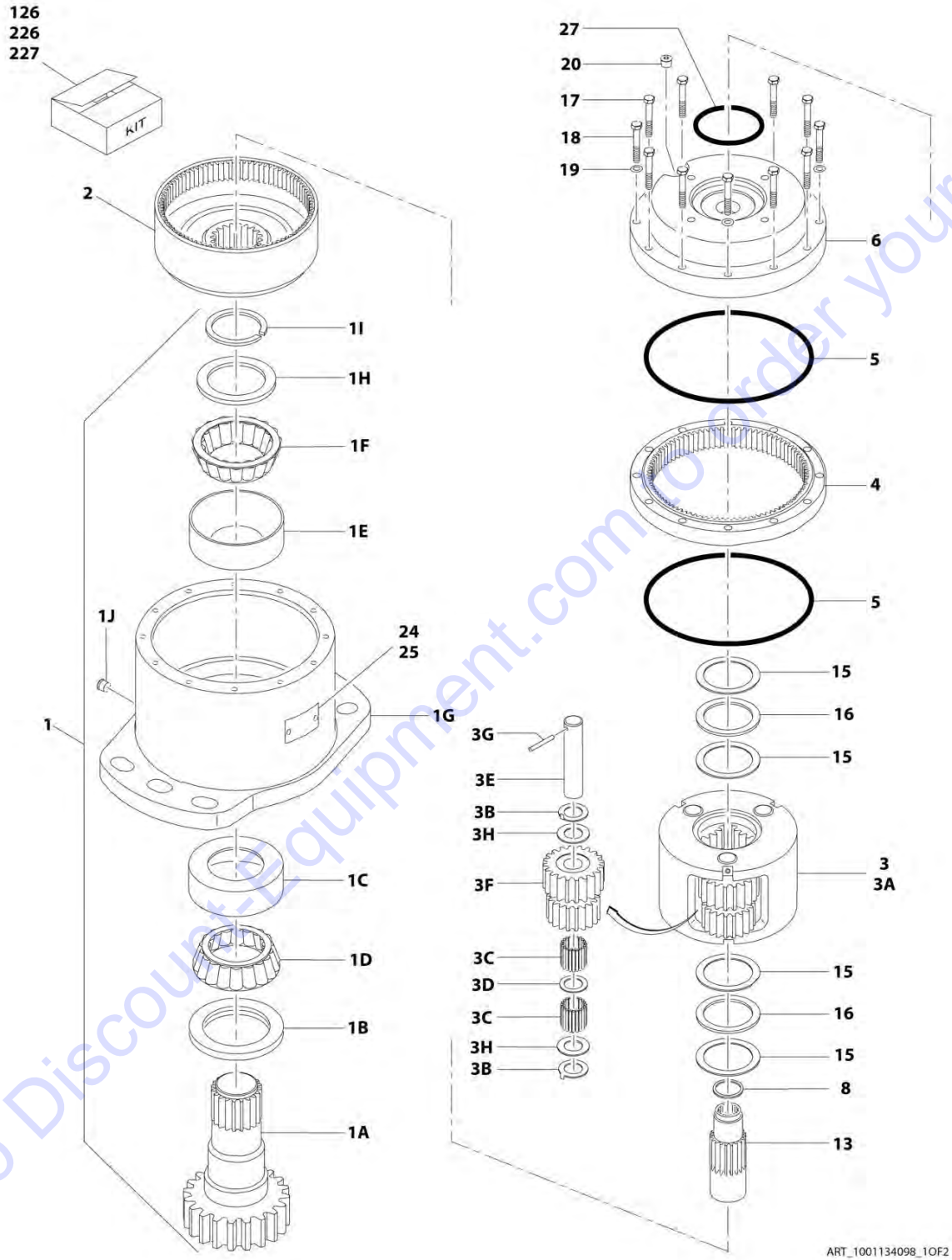
FIGURE 2-12. PINION SHIELD INSTALLATION

ITEM	PART NUMBER	QTY	DESCRIPTION	REV
	0271874	Ref	PINION SHIELD INSTALLATION	A
1	0100011	AR	Compound, Locking	
2	0641608	4	Bolt 3/8 x 1	
3	3573355	1	Shield	
4	4751600	4	Washer 3/8	

Go to Discount-Equipment.com to order your parts

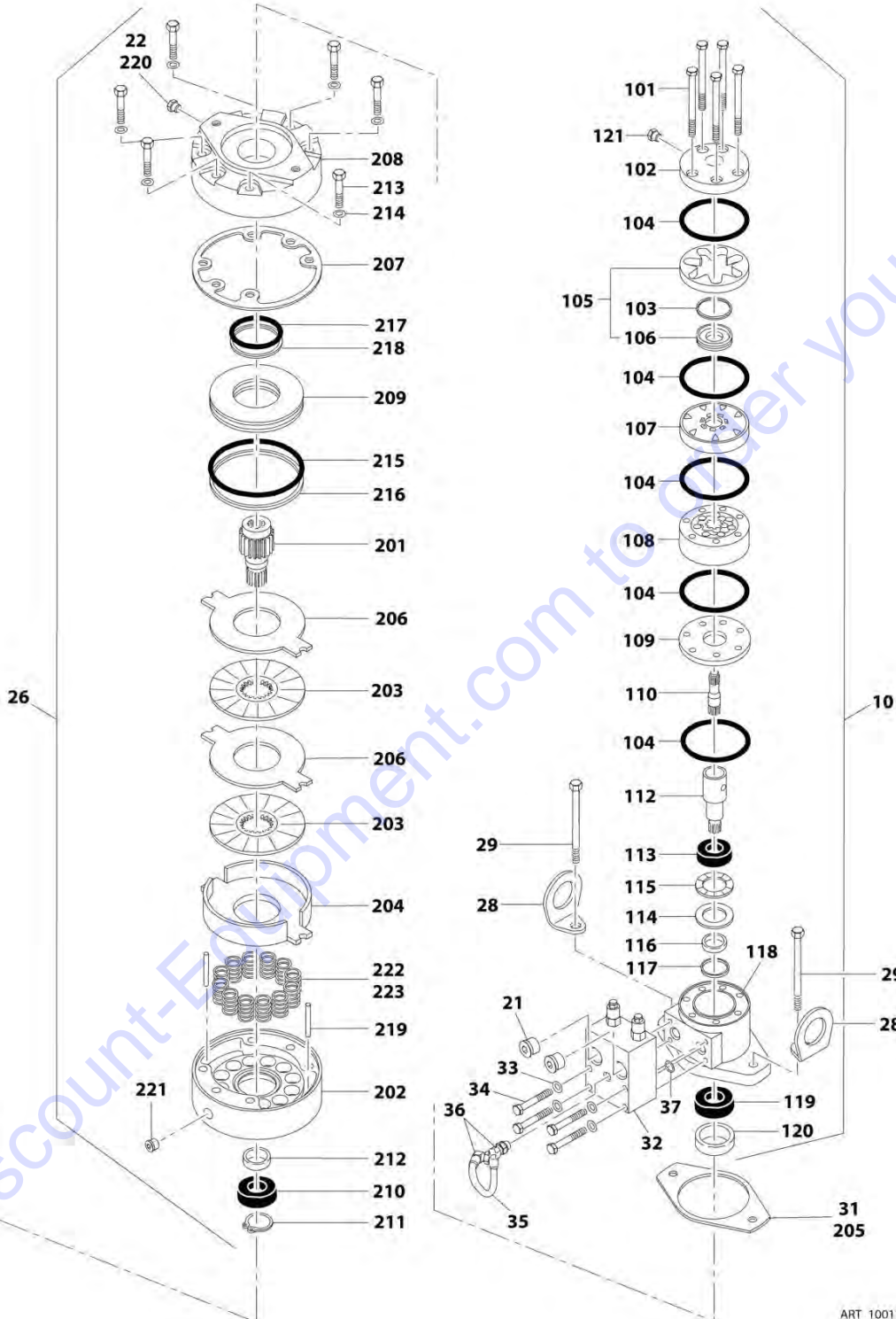
SECTION 2 - TURNTABLE

FIGURE 2-13. SWING MOTOR/HUB ASSEMBLY (SN 0300201017 through 0300254456)



ART_1001134098_10F2

SECTION 2 - TURNTABLE



ART_1001134098_2OF2

SECTION 2 - TURNTABLE

FIGURE 2-13. SWING MOTOR/HUB ASSEMBLY (SN 0300201017 through 0300254456)

ITEM	PART NUMBER	QTY	DESCRIPTION	REV
	1001134098	Ref	SWING MOTOR/HUB ASSEMBLY	D
1	See Note	1	Housing/Shaft Assembly (Note: Not Available for Purchase)	
1A	7024183	1	Shaft, Output	
1B	7000236	1	Seal, Lip	
1C	1001091460	1	Cup, Bearing	
1D	1001091460	1	Cone, Bearing	
1E	1001091461	1	Cup, Bearing	
1F	1001091461	1	Cone, Bearing	
1G	7024184	1	Housing	
1H	7000239	1	Thrustwasher	
1I	7000240	1	Ring, Retaining	
1J	7017072	1	Plug, Pipe	
2	7001917	1	Gear, Internal	
3	7001918	1	Carrier Assembly	
3A	7001900	1	Carrier	
3B	7007645	6	Washer, Tanged	
3C	7001902	84	Bearing, Needle	
3D	7007646	3	Thrustwasher	
3E	7001904	3	Shaft, Planet	
3F	7001927	3	Gear, Cluster	
3G	7001906	3	Rollpin	
3H	7007648	6	Washer	
4	7010467	1	Gear, Ring	
5	7000224	2	O-Ring	
6	7001920	1	Cover, Input	
8	7001922	1	Thrustwasher	
10	7024188	1	Motor Assembly (See Items 101-121 for Breakdown)	
13	7001921	1	Gear, Sun	
15	7000287	4	Thrustwasher	
16	7000288	2	Bearing, Thrust	
17	7001923	8	Bolt 3/8 x 3 Grade 8	
18	7001924	4	Bolt 3/8 x 2-3/4 Grade 8	
19	7001929	4	Washer (Used with Item 18 Only)	
20	7017094	1	Plug, Pipe	
21	7001926	2	Plug, Pipe	
22	7017082	1	Plug, Pipe	
24	See Note	1	Plate, ID (Note: Not Available for Purchase)	
25	7000281	2	Screw, Drive	
26	70003524	1	Brake Assembly (See Items 201-223 for Breakdown)	
27	7024763	1	O-Ring	
28	See Note	NSS	Lug, Lifting (Note: Not Available for Purchase)	
29	7024185	2	Bolt 1/2 x 5 Grade 8	
31	7000731	1	Gasket	
32	70003523	1	Valve	
32	70003629	2	Cartridge	
33	See Note	4	Washer (Note: Not Available - Purchase Locally)	
34	7024135	4	Bolt 5/16 x 2-1/2 Grade 8	
35	7024186	1	Tube	
36	7017085	2	Elbow	
37	7000213	2	O-Ring	

SECTION 2 - TURNTABLE

ITEM	PART NUMBER	QTY	DESCRIPTION	REV
	7024188	Ref	MOTOR ASSEMBLY	
101	7024391	5	Bolt	
102	7004035	1	Cover, End	
103	See Note	NSS	Seal, Commutator (Note: Use Item 126)	
104	See Note	NSS	Seal, Ring (Note: Use Item 126)	
105	7024453	1	Commutator and Ring Assembly	
106	7004453	1	Ring	
107	7024379	1	Manifold	
108	7024392	1	Rotor Set	
109	7024380	1	Plate, Wear	
110	7024393	1	Link, Drive	
112	7024395	1	Shaft, Coupling	
113	7024381	1	Bushing, Bronze	
114	7004043	1	Thrustwasher	
115	7004044	1	Bearing, Thrust	
116	See Note	NSS	Seal, Inner (Note: Use Item 126)	
117	See Note	NSS	Washer, Back-up (Note: Use Item 126)	
118	7024394	1	Housing	
119	7024390	1	Bearing	
120	See Note	NSS	Seal (Note: Use Item 126)	
121	7010795	1	Plug, O-Ring	
126	7024389	1	Seal Kit - 7024188 Motor (Includes Items 103, 104, 116, 117 & 120)	
	70003524	Ref	BRAKE ASSEMBLY	
201	7024189	1	Shaft	
202	See Note	1	Housing (Note: Not Available - Purchase Complete Assembly)	
203	See Note	NSS	Plate, Friction (Note: Use Item 227)	
204	See Note	NSS	Plate, Pressure (Note: Use Item 227)	
205	7000731	1	Gasket	
206	See Note	NSS	Plate, Outer (Note: Use Item 227)	
207	See Note	NSS	Gasket (Note: Use Item 226 or 227)	
208	7024191	1	Cylinder	
209	7024192	1	Piston	
210	See Note	NSS	Bearing, Ball (Note: Use Item 227)	
211	See Note	NSS	Ring, Retaining (Note: Use Item 227)	
212	See Note	NSS	Seal, Shaft (Note: Use Item 227)	
213	See Note	6	Capscrew (Note: Not Available - Purchase Locally)	
214	See Note	6	Washer (Note: Not Available - Purchase Locally)	
215	See Note	NSS	O-Ring (Note: Use Item 226)	
216	See Note	NSS	Ring, Back-up (Note: Use Item 226)	
217	See Note	NSS	O-Ring (Note: Use Item 226)	
218	See Note	NSS	Ring, Back-up (Note: Use Item 226)	
219	7024190	2	Pin, Dowel	
220	See Note	1	Plug (Note: Not Available - Purchase Locally)	
221	See Note	1	Plug (Note: Not Available - Purchase Locally)	
222	See Note	NSS	Spring (Natural) (Note: Use Item 227)	
223	See Note	NSS	Spring (Blue) (Note: Use Item 227)	
226	7024194	1	Seal Kit - Brake (Includes Items 205, 207 & 215-218)	
227	7024196	1	Spring Kit - Brake (Includes 12 Natural and 2 Blue Colored Springs)	
227	7024193	1	Friction Disc Kit - Brake (Includes Items 203, 204, 206 & 207)	
227	7024197	1	Bearing Kit - Brake (Includes Items 207 & 210-212)	

PARTS FINDER

**Search Website
by Part Number**



**Search Manual
Library For Parts
Manual & Lookup Part
Numbers – Purchase
or Request Quote**

A screenshot of the "Search Manuals" form. It includes a search bar, a "Search" button, and a "Manuals" section with a list of manual titles and their corresponding part numbers. The form is designed to help users find the correct manual for their equipment.

**Can't Find Part or
Manual? Request Help
by Manufacturer,
Model & Description**

A screenshot of the "Parts Order Form". It is a form designed to help users request help finding parts or manuals. It includes fields for "Manufacturer", "Model", "Description", "Part Number", "Quantity", and "Comments". There is also a "Submit" button at the bottom.

Discount-Equipment.com is your online resource for quality parts & equipment.

Florida: **561-964-4949** Outside Florida TOLL FREE: **877-690-3101**

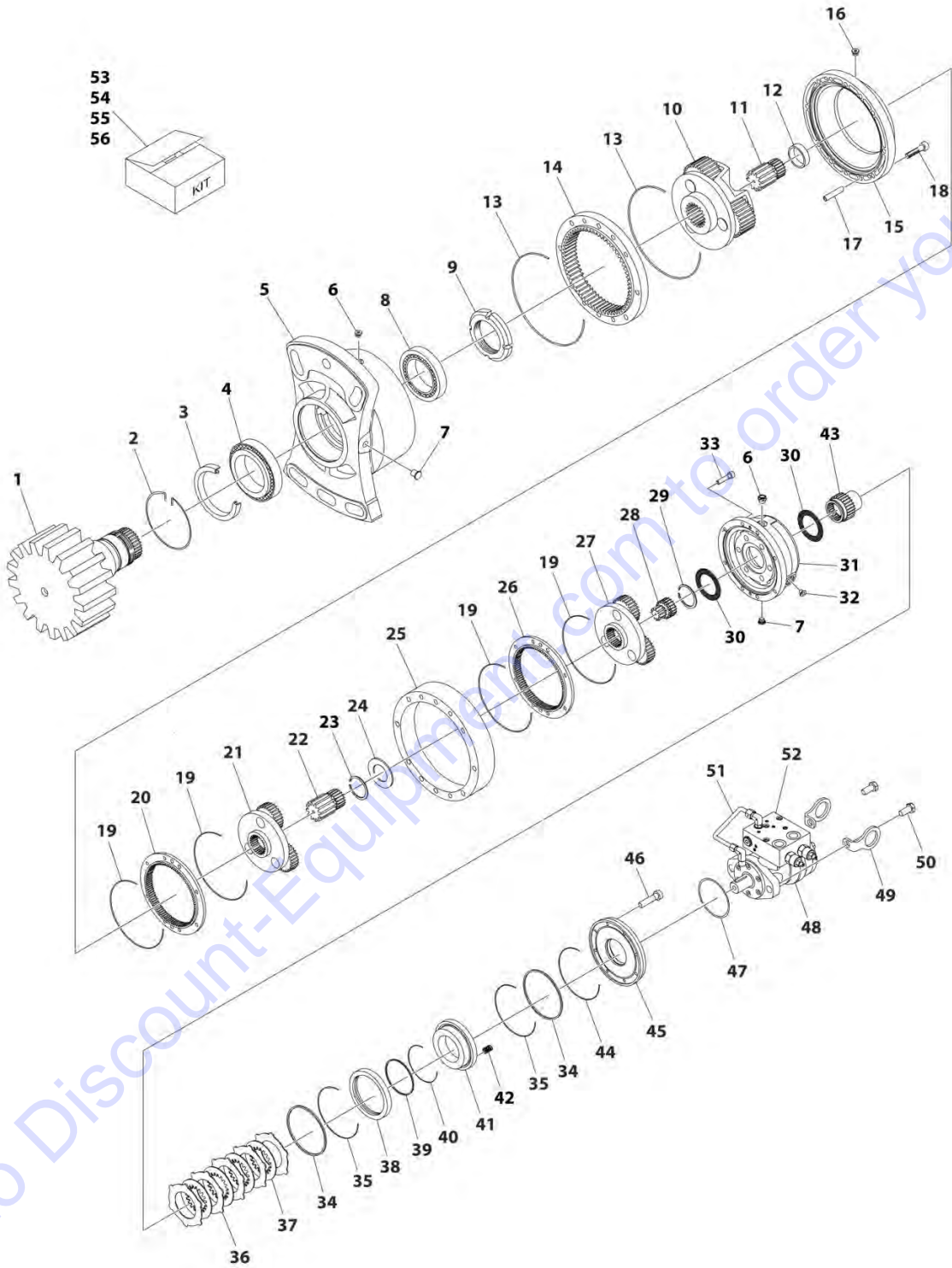
Need parts?

Click on this link: <http://www.discount-equipment.com/category/5443-parts/> and choose one of the options to help get the right parts and equipment you are looking for. Please have the machine model and serial number available in order to help us get you the correct parts. If you don't find the part on the website or on one of the online manuals, please fill out the request form and one of our experienced staff members will get back to you with a quote for the right part that your machine needs.

We sell worldwide for the brands: Genie, Terex, JLG, MultiQuip, Mikasa, Essick, Whiteman, Mayco, Toro Stone, Diamond Products, Generac Magnum, Airman, Haulotte, Barreto, Power Blanket, Nifty Lift, Atlas Copco, Chicago Pneumatic, Allmand, Miller Curber, Skyjack, Lull, Skytrak, Tsurumi, Husquvarna Target, Stow, Wacker, Sakai, Mi-T-M, Sullair, Basic, Dynapac, MBW, Weber, Bartell, Bennar Newman, Haulotte, Ditch Runner, Menegotti, Morrison, Contec, Buddy, Crown, Edco, Wyco, Bomag, Laymor, EZ Trench, Bil-Jax, F.S. Curtis, Gehl Pavers, Heli, Honda, ICS/PowerGrit, IHI, Partner, Imer, Clipper, MMD, Koshin, Rice, CH&E, General Equipment, Amida, Coleman, NAC, Gradall, Square Shooter, Kent, Stanley, Tamco, Toku, Hatz, Kohler, Robin, Wisconsin, Northrock, Oztec, Toker TK, Rol-Air, APT, Wylie, Ingersoll Rand / Doosan, Innovatech, Con X, Ammann, Mecalac, Makinex, Smith Surface Prep, Small Line, Wanco, Yanmar

SECTION 2 - TURNTABLE

FIGURE 2-14. SWING MOTOR/HUB ASSEMBLY (SN 0300254457 to Present)



ART_1001228488

SECTION 2 - TURNTABLE

FIGURE 2-14. SWING MOTOR/HUB ASSEMBLY (SN 0300254457 to Present)

ITEM	PART NUMBER	QTY	DESCRIPTION	REV
	1001228488	Ref	SWING MOTOR/HUB ASSEMBLY	B
1	See Note	NSS	Shaft (Note: Use Item 56)	
2	70004467	1	Ring	
3	See Note	NSS	Seal, Oil (Note: Use Item 53)	
4	See Note	NSS	Bearing (Note: Use Item 55)	
5	See Note	NSS	Support, Output (Note: Not Available for Purchase)	
6	70002057	5	Plug with O-Ring	
7	70004469	2	Plug with O-Ring	
8	See Note	NSS	Bearing (Note: Use Item 55)	
9	See Note	NSS	Nut, Ring (Note: Use Item 56)	
10	70006986	1	Reduction, Gear - Complete	
11	70006987	1	Pinion	
12	70004477	1	Spacer	
13	See Note	NSS	O-Ring (Note: Use Item 53)	
14	70004474	1	Ring, Planetary	
15	70006988	1	Spacer	
16	70002057	2	Plug with O-Ring	
17	70006989	4	Pin, Spring	
18	70004480	8	Capscrew M10 x 55	
19	See Note	NSS	O-Ring (Note: Use Item 53)	
20	70006990	1	Ring, Planetary	
21	70006991	1	Reduction, Gear - Complete	
22	70006992	1	Pinion	
23	70002032	1	Ring	
24	70006993	1	Spacer	
25	70006994	1	Spacer	
26	70004481	1	Ring, Planetary	
27	70006995	1	Reduction, Gear - Complete	
28	70006996	1	Pinion	
29	70006997	1	Ring	
30	70006998	2	Washer	
31	See Note	NSS	Housing, Brake (Note: Not Available for Purchase)	
32	70006999	1	Plug	
33	70007000	8	Capscrew M8 x 90	
34	See Note	NSS	Seal (Note: Use Item 53 or 54)	
35	See Note	NSS	O-Ring (Note: Use Item 53 or 54)	
36	See Note	NSS	Disc, Steel (Note: Use Item 54)	
37	See Note	NSS	Disc (Note: Use Item 54)	
38	70005317	1	Spacer	
39	See Note	NSS	Seal (Note: Use Item 53 or 54)	
40	See Note	NSS	O-Ring (Note: Use Item 53 or 54)	
41	70005318	1	Piston, Brake	
42	See Note	NSS	Spring, Brake (Note: Use Item 54)	
43	70007001	1	Shaft, Input	
44	See Note	NSS	O-Ring (Note: Use Item 53 or 54)	
45	70007002	1	Cover	
46	70007003	8	Screw M6 x 25	
47	See Note	NSS	O-Ring (Note: Use Item 53)	
48	70007009	1	Motor	
48	70007011	1	Seal Kit	

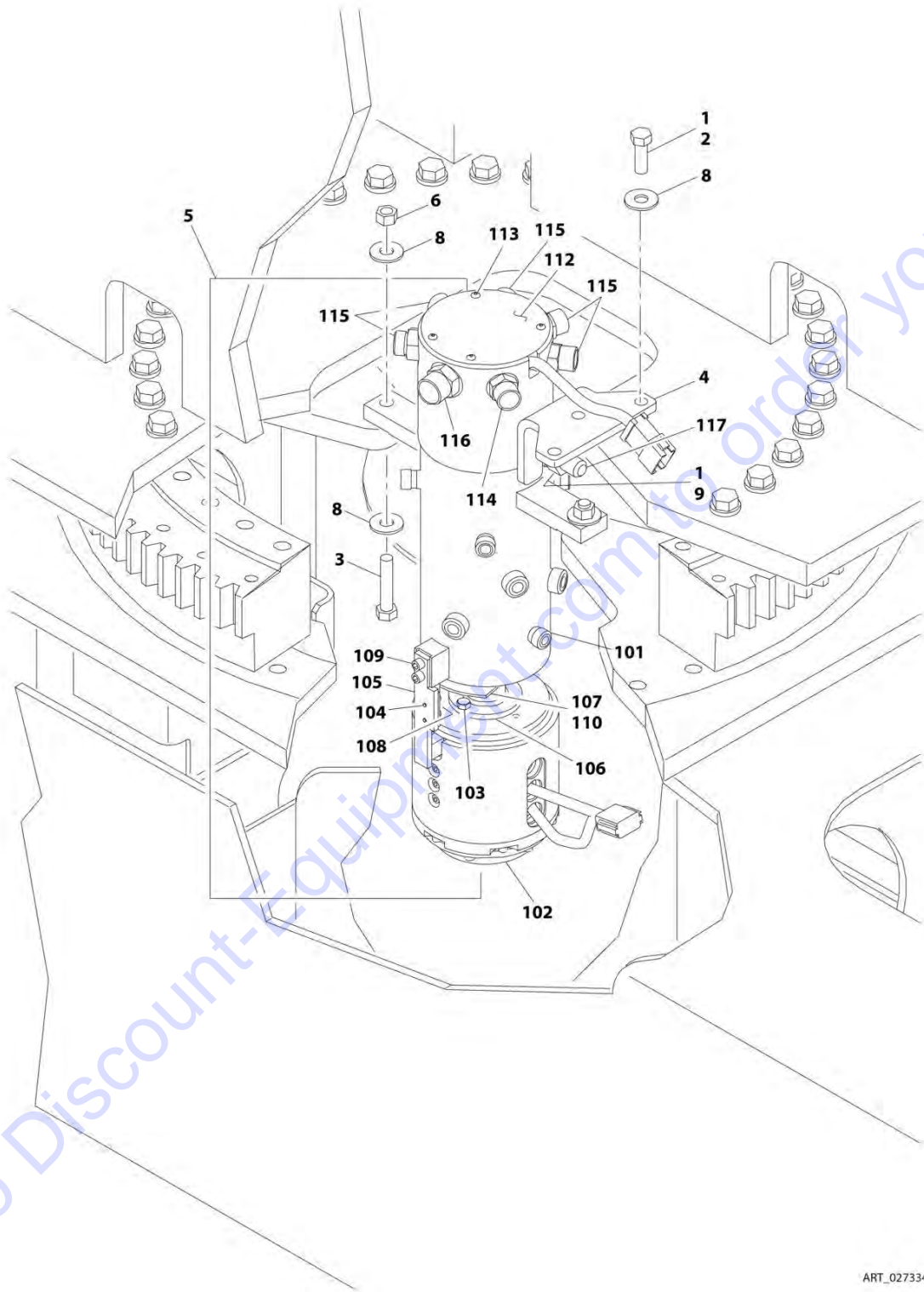
SECTION 2 - TURNTABLE

ITEM	PART NUMBER	QTY	DESCRIPTION	REV
49	See Note	NSS	Lug, Lifting (Note: Not Available for Purchase)	
50	70004494	2	Capscrew M12 x 35	
51	70007004	1	Brake, Valve Adapter	
52	70007010	1	Valve	
52	70007012	1	Seal Kit	
52	70007013	1	Hardware Kit	
53	70007005	1	Seal Kit – Brake and Hub (Includes Items 3, 13, 19, 34, 35, 39, 40, 44 & 47)	
54	70007006	1	Seal Kit – Brake (Includes Items 34-37, 39, 40, 42 & 44)	
55	70007007	1	Bearing Kit (Includes Items 4 & 8)	
56	70007008	1	Output Shaft Kit (Includes Items 1 & 9)	

Go to Discount-Equipment.com to order your parts

SECTION 2 - TURNTABLE

FIGURE 2-15. ROTARY COUPLING AND COLLECTOR RING INSTALLATION



ART_0273349

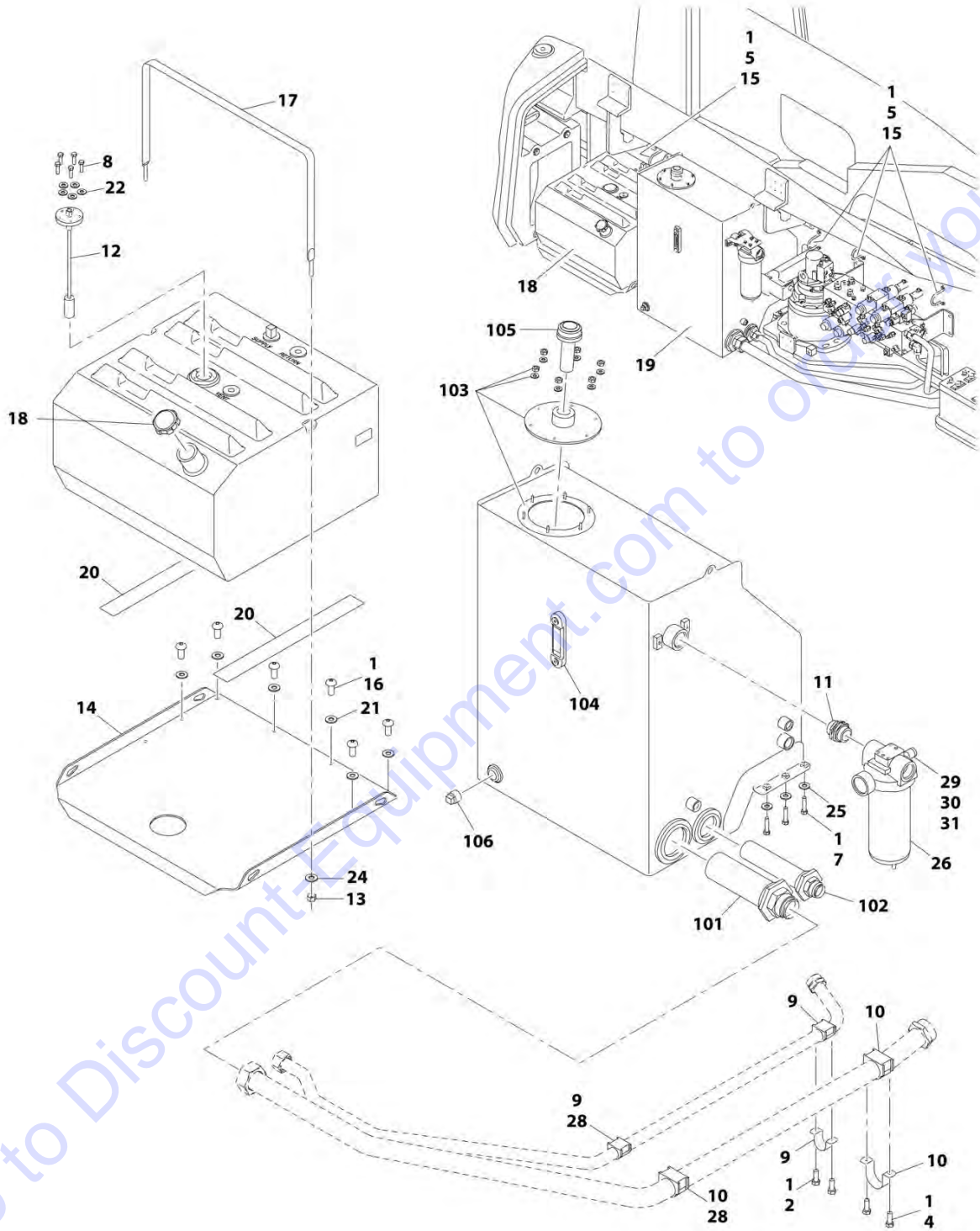
SECTION 2 - TURNTABLE

FIGURE 2-15. ROTARY COUPLING AND COLLECTOR RING INSTALLATION

ITEM	PART NUMBER	QTY	DESCRIPTION	REV
	0273349	Ref	ROTARY COUPLING AND COLLECTOR RING INSTALLATION	A
1	0100011	AR	Compound, Locking	
2	0641812	3	Bolt 1/2 x 1-1/2	
3	0641820	2	Bolt 1/2 x 2-1/2	
4	0902915	1	Bracket, Swivel	
5	1660256	1	Rotary Coupling and Collector Ring Assembly (See Items 101-117 for Breakdown)	
6	3311805	2	Nut 1/2	
8	4751800	7	Washer 1/2	
9	3322201	2	Nut 3/4	
	1660256	Ref	ROTARY COUPLING AND COLLECTOR RING ASSEMBLY	D
101	7026665	1	Coupling, Rotary	
101	70001123	1	Seal Kit - Coupling	
102	7026029	1	Contactoer with Harness, Rotary Circuit (Purchase Pins and Connector Separately)	
103	0641506	4	Bolt 5/16 x 3/4	
104	3931512	2	Capscrew 5/16 x 3/4	
105	70000780	1	Arm, Torque	
106	80334251	1	Adapter	
107	7026030	1	Plate, Cam	
108	7026031	1	Sensor, Proximity	
109	3931008	2	Capscrew #10 x 1/2	
110	7026032	1	Pin, Dowel	
112	1660256	1	Cover	
113	See Note	4	Screw #10 x 3/8 (Note: Not Available - Purchase Locally)	
114	2111212	1	Fitting, Straight	
115	2111010	5	Fitting, Straight	
116	2111012	1	Fitting, Straight	
117	70005456	1	Torque Arm	

SECTION 2 - TURNTABLE

FIGURE 2-16. TANK INSTALLATION



ART_0273401

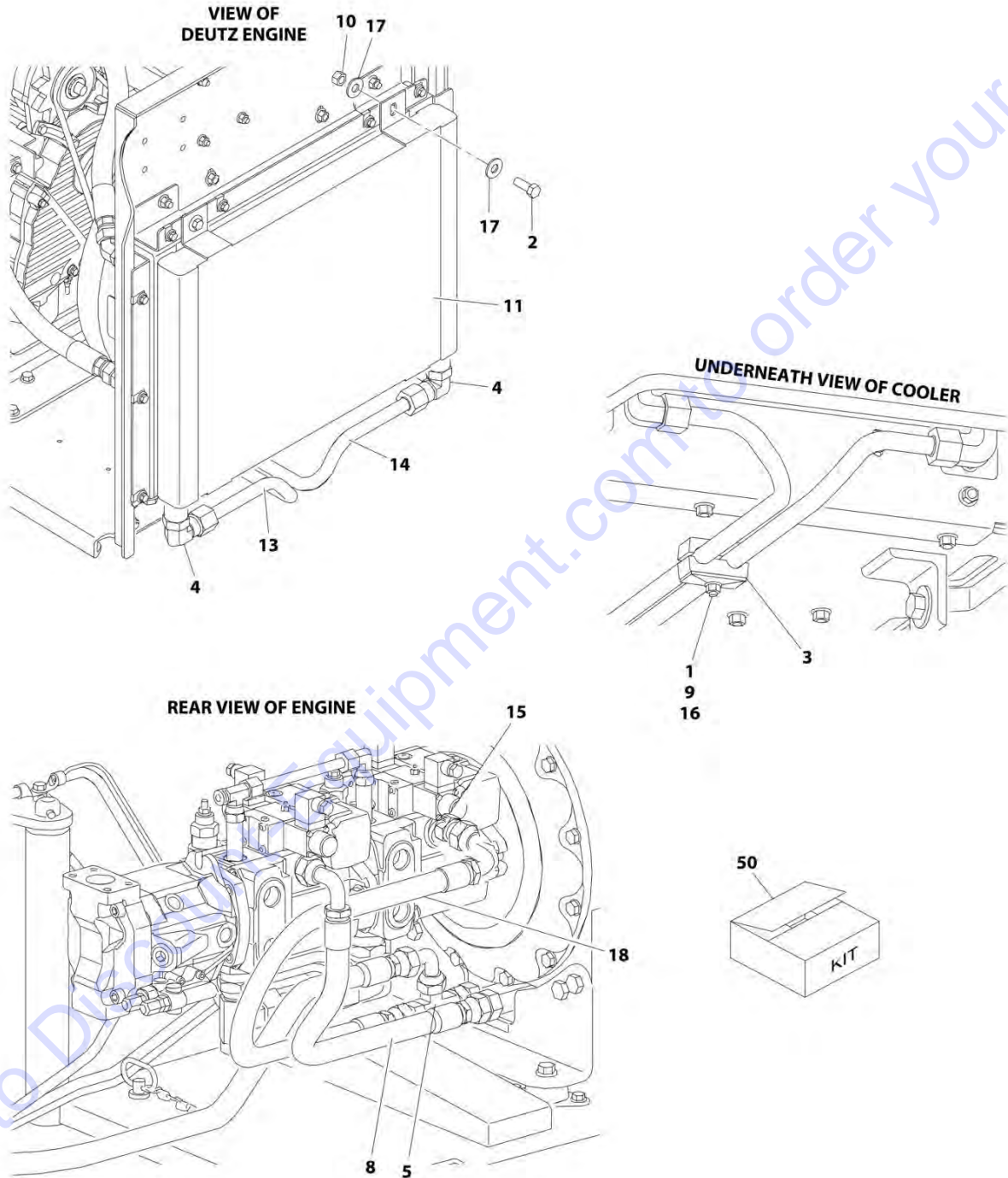
SECTION 2 - TURNTABLE

FIGURE 2-16. TANK INSTALLATION

ITEM	PART NUMBER	QTY	DESCRIPTION	REV
	0273401	Ref	TANK INSTALLATION	G
1	0100011	AR	Compound, Locking	
2	0641408	2	Bolt 1/4 x 1	
4	0641508	2	Bolt 5/16 x 1	
5	0641604	12	Bolt 3/8 x 1/2	
7	0641615	6	Bolt 3/8 x 1-7/8	
8	0731007	5	Screw, Machine #10 x 7/8	
9	1320322	2	Clamp	
10	1320323	2	Clamp	
11	2220893	1	Fitting, Adapter	
12	2420191	1	Gauge, Fuel	
12	3960525	1	Gasket	
13	3311601	2	Nut 3/8	
14	3574494	1	Tray	
15	3841340	8	Loop, Hose	
16	3900232	6	Screw 3/8 x 1-1/4	
17	4240139	1	Strap, Tank	
18	1001160567	1	Tank, Fuel	
18	70004414	1	Cap	
18	7020043	1	Tube, Pick up	
19	4400462	1	Tank, Hydraulic Oil (See Items 101-106 for Breakdown)	
20	4420038	40 in/1m	Tape	
21	4711600	6	Washer 3/8	
22	4751000	5	Washer #10	
24	4751600	2	Washer 3/8	
25	4891600	6	Washer 3/8	
26	2120167	1	Filter, Return	
26	2120168	1	Element, Filter	
26	7020021	1	Gauge, Pressure	
28	0100081	AR	Loctite #454	
29	0100079	AR	Sealant, Thread	
30	1001119455	1	Fitting, Diagnostic	
31	1001119119	1	Fitting, Adapter	
	4400462	Ref	HYDRAULIC OIL TANK ASSEMBLY	E
101	7026599	1	Strainer, Suction	
102	7026600	1	Strainer, Suction	
103	7024439	1	Cover	
103	7024440	1	Gasket, Cover	
104	7024441	1	Gauge, Sight	
105	7024444	1	Cap, Breather	
105	7024443	1	Neck Assembly	
105	7024445	1	Strainer	
106	7024446	2	Plug, Magnetic	

SECTION 2 - TURNTABLE

FIGURE 2-17. HYDRAULIC OIL COOLER INSTALLATION - DEUTZ TD2011 ENGINES WITH REXROTH PUMP (OPTIONAL)



ART_0272080

SECTION 2 - TURNTABLE

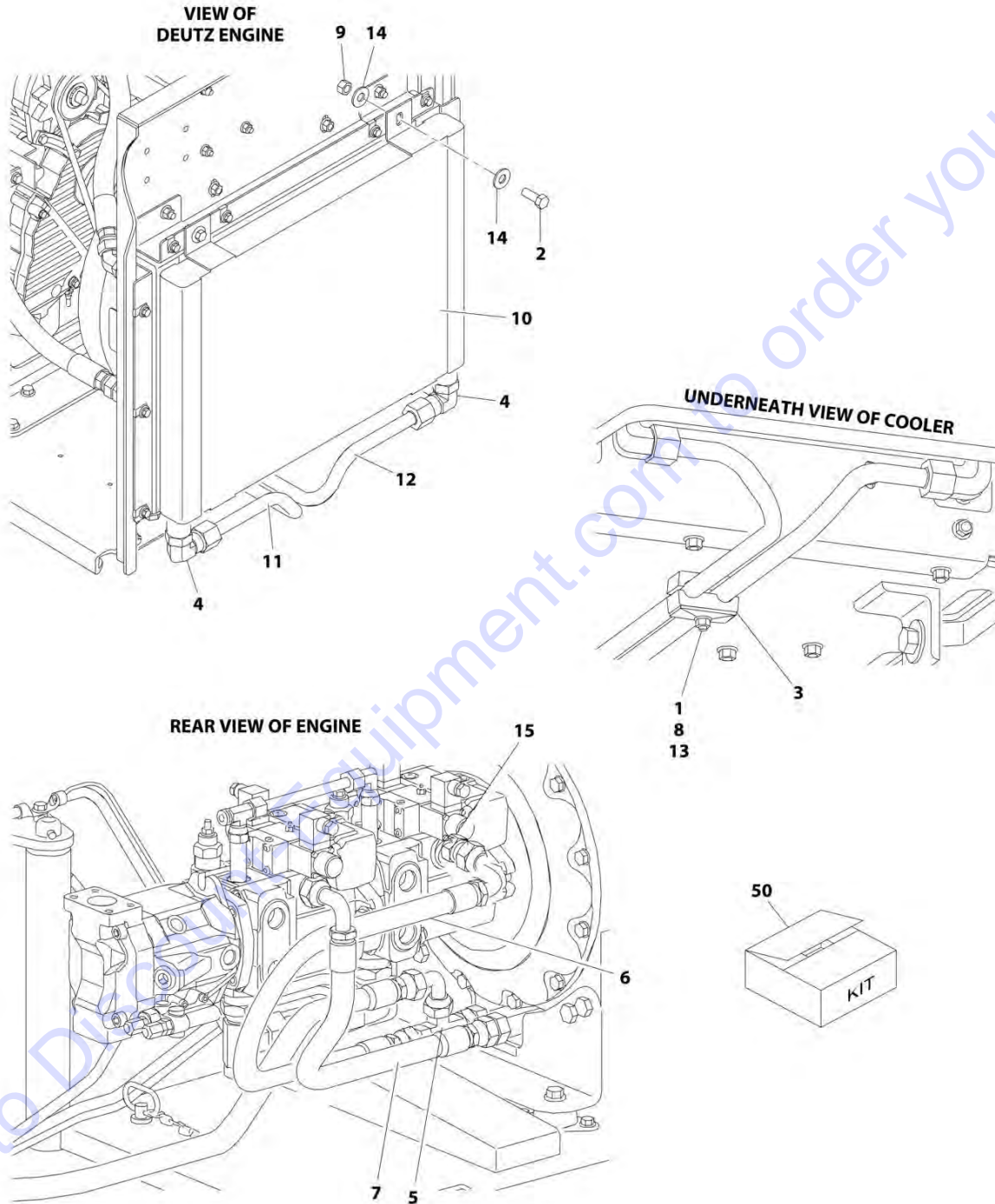
FIGURE 2-17. HYDRAULIC OIL COOLER INSTALLATION - DEUTZ TD2011 ENGINES WITH REXROTH PUMP (OPTIONAL)

ITEM	PART NUMBER	QTY	DESCRIPTION	REV
	0272080	Ref	HYDRAULIC OIL COOLER INSTALLATION - DEUTZ TD2011 ENGINES WITH REXROTH PUMP (OPTIONAL)	B
		Ref	Note: See Engine Installation for Engine Oil Cooler.	
1	0641520	2	Bolt 5/16 x 2-1/2	
2	0641608	4	Bolt 3/8 x 1	
3	1320162	2	Clamp, Hose	
4	2131212	2	Fitting, 90	
5	2170712	1	Fitting, Tee	
8	2753778	1	Hose	
9	3311505	2	Nut 5/16	
10	3311605	4	Nut 3/8	
11	3620034	1	Cooler, Hydraulic Oil	
13	4568426	1	Tube	
14	4568427	1	Tube	
15	4641247	1	Valve, Check	
16	4711500	4	Washer 5/16	
17	4751600	8	Washer 3/8	
18	2753843	1	Hose	
50	1001120564	1	Oil Cooler Add-On Kit (Includes Items 1-18)	

Go to Discount-Equipment.com to order your parts

SECTION 2 - TURNTABLE

FIGURE 2-18. HYDRAULIC OIL COOLER INSTALLATION - DEUTZ TD2011 ENGINES WITH SAUER PUMP (OPTIONAL)



ART_100118957

SECTION 2 - TURNTABLE

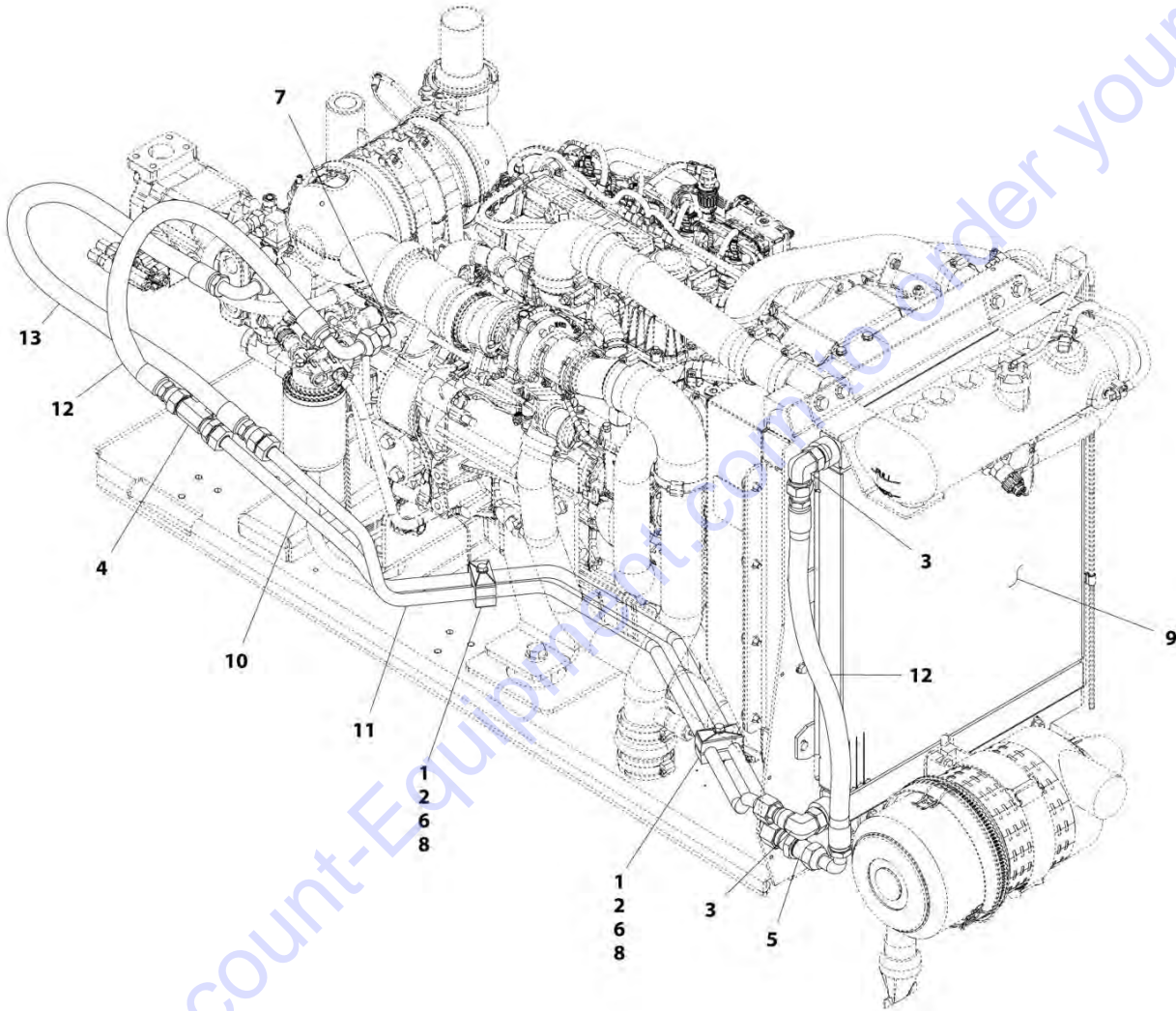
FIGURE 2-18. HYDRAULIC OIL COOLER INSTALLATION - DEUTZ TD2011 ENGINES WITH SAUER PUMP (OPTIONAL)

ITEM	PART NUMBER	QTY	DESCRIPTION	REV
	1001118957	Ref	HYDRAULIC OIL COOLER INSTALLATION - DEUTZ TD2011 ENGINES WITH SAUER PUMP (OPTIONAL)	B
		Ref	Note: See Engine Installation for Engine Oil Cooler.	
1	0641520	2	Bolt 5/16 x 2-1/2	
2	0641608	4	Bolt 3/8 x 1	
3	1320162	2	Clamp, Hose	
4	2131212	2	Fitting, 90	
5	2170712	1	Fitting, Tee	
6	2753778	1	Hose	
7	2753999	1	Hose	
8	3311505	2	Nut 5/16	
9	3311605	4	Nut 3/8	
10	3620034	1	Cooler, Hydraulic Oil	
11	4568426	1	Tube	
12	4568427	1	Tube	
13	4711500	4	Washer 5/16	
14	4751600	8	Washer 3/8	
15	1001109677	1	Valve, Check	
50	1001120564	1	Oil Cooler Add-On Kit (Includes Items 1-15)	

Go to Discount-Equipment.com to order your parts

SECTION 2 - TURNTABLE

FIGURE 2-19. HYDRAULIC OIL COOLER INSTALLATION - DEUTZ TCD2.9L4 ENGINES AND DEUTZ TCD2.9L4 (STAGE V) ENGINES WITH REXROTH PUMP (OPTIONAL)



ART_1001139494

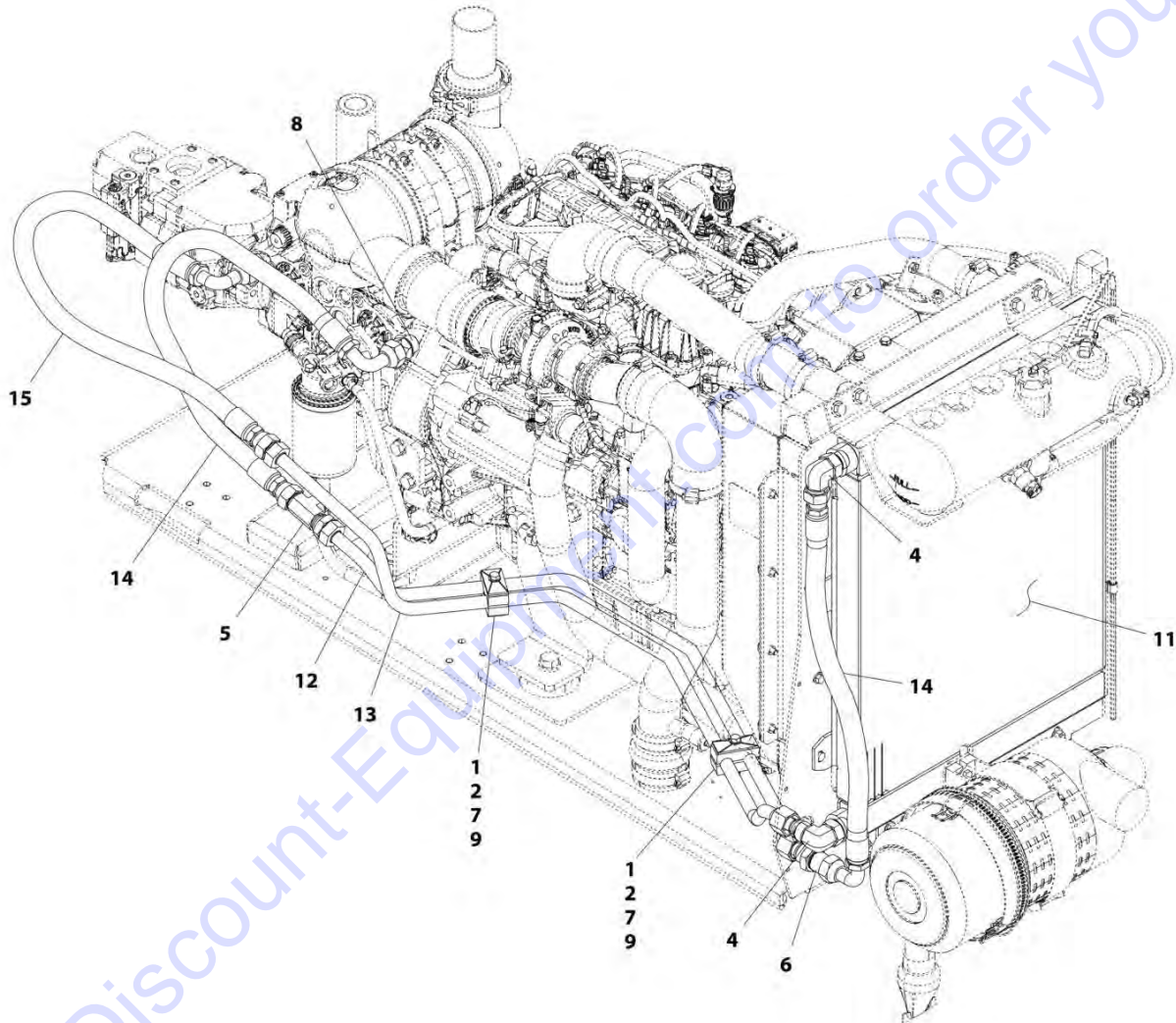
SECTION 2 - TURNTABLE

FIGURE 2-19. HYDRAULIC OIL COOLER INSTALLATION - DEUTZ TCD2.9L4 ENGINES AND DEUTZ TCD2.9L4 (STAGE V) ENGINES WITH REXROTH PUMP (OPTIONAL)

ITEM	PART NUMBER	QTY	DESCRIPTION	REV
	1001139494	Ref	HYDRAULIC OIL COOLER INSTALLATION - DEUTZ TCD2.9L4 ENGINES AND DEUTZ TCD2.9L4 (STAGE V) ENGINES WITH REXROTH PUMP (OPTIONAL)	E
		Ref	Note: See Engine Installation for Engine Oil Cooler.	
1	0641520	2	Bolt 5/16 x 2-1/2	
2	1320162	2	Clamp, Hose	
3	2131212	2	Fitting, 90	
4	2170712	1	Fitting, Tee	
5	2171112	1	Fitting, Straight	
6	3311505	2	Nut 5/16	
7	4641247	1	Valve	
8	4711500	4	Washer 5/16	
9	1001135124	1	Cooler, Hydraulic Oil	
10	1001154214	1	Tube (SN 0300201017 through 0300237152)	
10	1001139665	1	Tube (SN 0300237153 to Present)	
11	1001139666	1	Tube	
12	1001143087	2	Hose	
13	1001143123	1	Hose	

SECTION 2 - TURNTABLE

FIGURE 2-20. HYDRAULIC OIL COOLER INSTALLATION - DEUTZ TCD2.9L4 ENGINES AND DEUTZ TCD2.9L4 (STAGE V) ENGINES WITH SAUER PUMP (OPTIONAL)



ART_1001139492

SECTION 2 - TURNTABLE

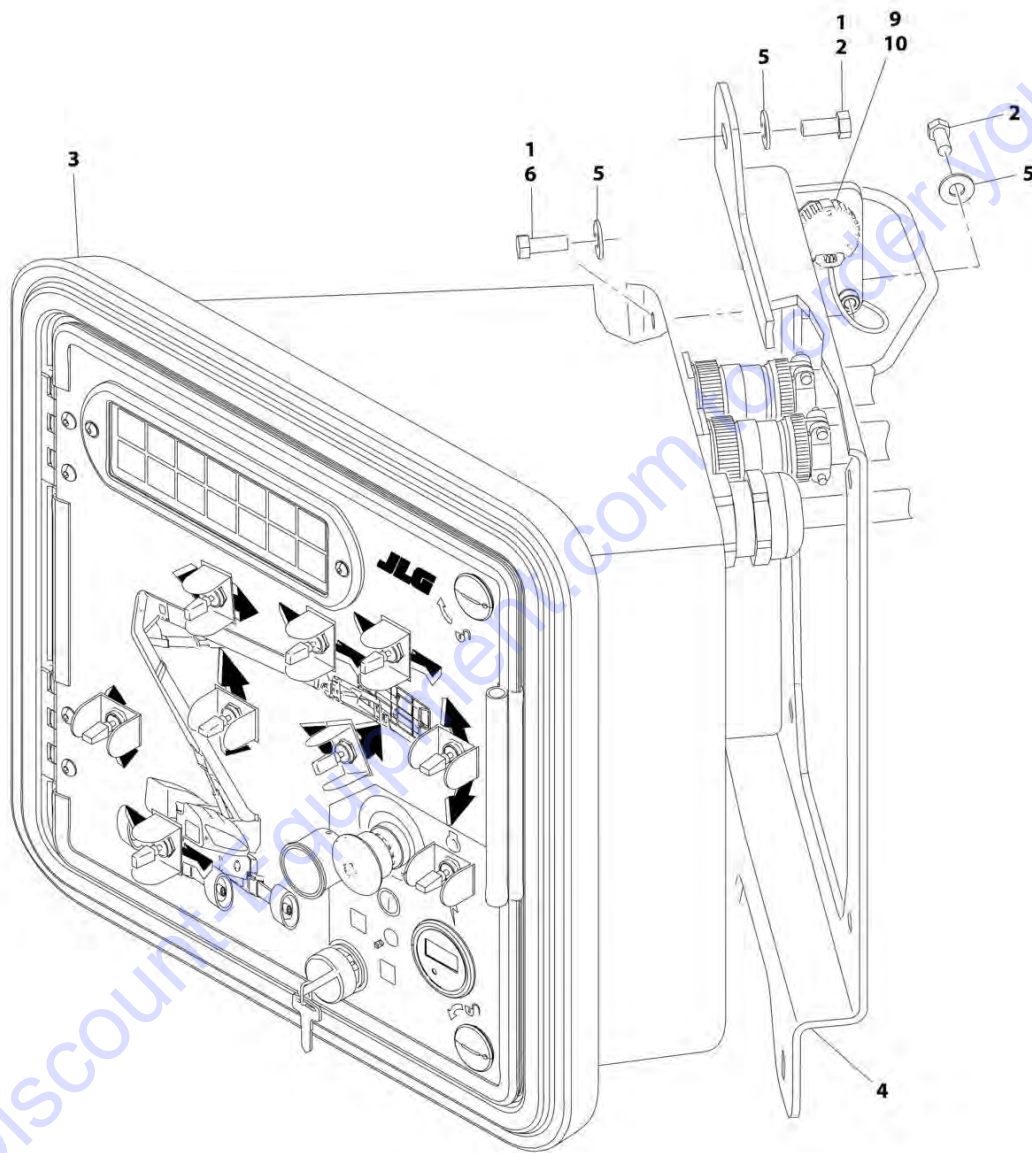
FIGURE 2-20. HYDRAULIC OIL COOLER INSTALLATION - DEUTZ TCD2.9L4 ENGINES AND DEUTZ TCD2.9L4 (STAGE V) ENGINES WITH SAUER PUMP (OPTIONAL)

ITEM	PART NUMBER	QTY	DESCRIPTION	REV
	1001139492	Ref	HYDRAULIC OIL COOLER INSTALLATION - DEUTZ TCD2.9L4 ENGINES AND DEUTZ TCD2.9L4 (STAGE V) ENGINES WITH SAUER PUMP (OPTIONAL)	E
		Ref	Note: See Engine Installation for Engine Oil Cooler.	
1	0641520	2	Bolt 5/16 x 2-1/2	
2	1320162	2	Clamp, Hose	
4	2131212	2	Fitting, 90	
5	2170712	1	Fitting, Tee	
6	2171112	1	Fitting, Straight	
7	3311505	2	Nut 5/16	
8	1001109677	1	Valve	
9	4711500	4	Washer 5/16	
11	1001135124	1	Cooler, Hydraulic Oil	
12	1001139665	1	Tube	
13	1001139666	1	Tube	
14	1001143087	2	Hose	
15	1001143123	1	Hose	

Go to Discount-Equipment.com to order your parts

SECTION 2 - TURNTABLE

FIGURE 2-21. GROUND CONTROL BOX INSTALLATION WITH REXROTH PUMPS - DEUTZ TD2011 ENGINES WITH REXROTH PUMP



ART_100119354

SECTION 2 - TURNTABLE

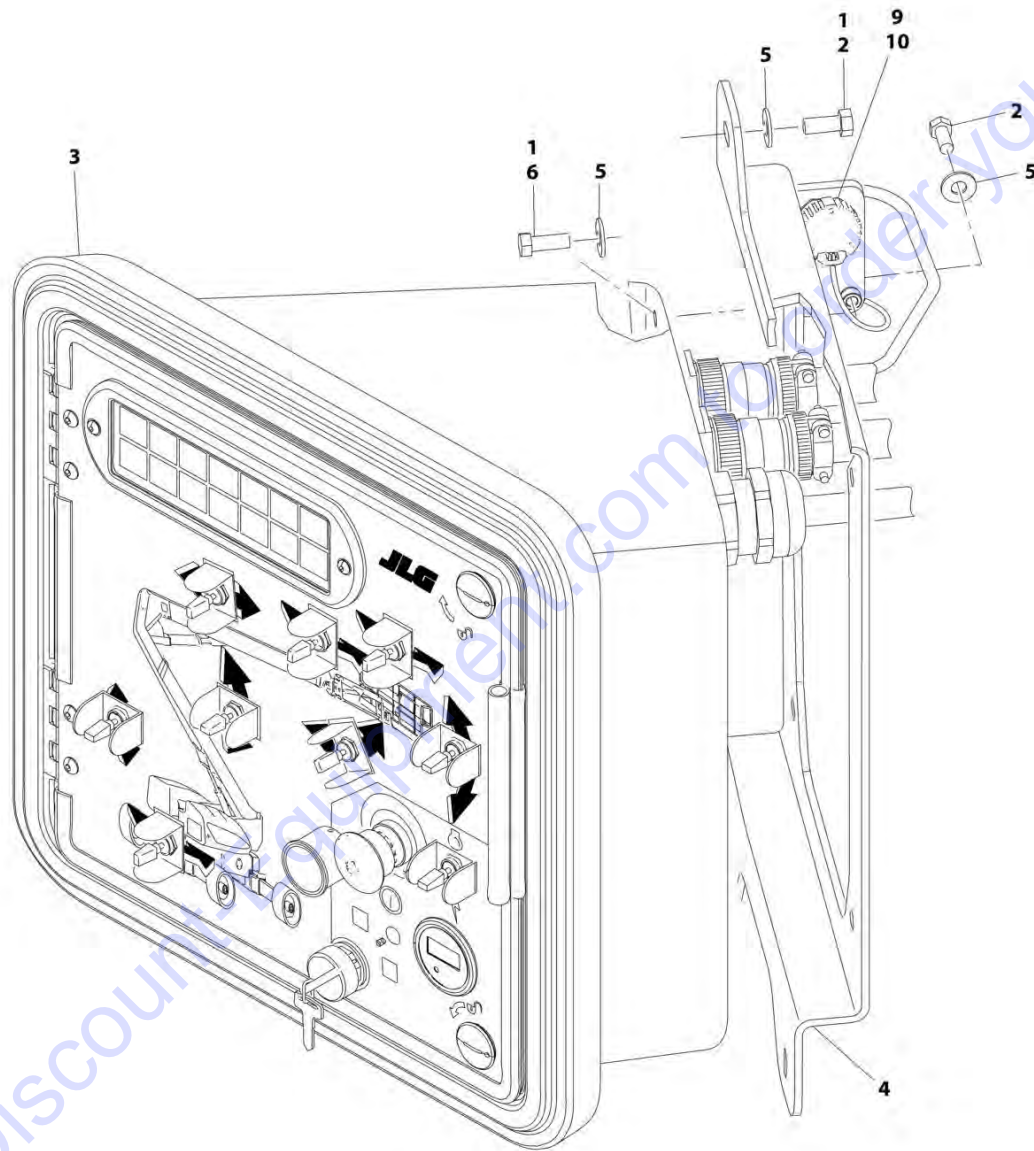
FIGURE 2-21. GROUND CONTROL BOX INSTALLATION WITH REXROTH PUMPS - DEUTZ TD2011 ENGINES WITH REXROTH PUMP

ITEM	PART NUMBER	QTY	DESCRIPTION	REV
	1001119354	Ref	GROUND CONTROL BOX INSTALLATION WITH REXROTH PUMPS - DEUTZ TD2011 ENGINES WITH REXROTH PUMP	B
1	0100011	AR	Compound, Locking	
2	0641607	5	Bolt 3/8 x 7/8	
3	1001119376	1	Ground Controls Assembly (See GROUND CONTROL ASSEMBLY for Breakdown)	
4	1001114487	1	Bracket, Mounting	
5	4751600	9	Washer 3/8	
6	3931616	4	Capscrew 3/8 x 1	
7	1001119456	1	Harness, Pump Adapter (Not Shown) (See ELECTRICAL SECTION for Breakdown)	
8	1001119470	1	Harness, Engine (Not Shown) (See ELECTRICAL SECTION for Breakdown)	
9	4460496	1	Terminal, Washer	
10	4460497	1	Terminal, Nut	

Go to Discount-Equipment.com to order your parts

SECTION 2 - TURNTABLE

FIGURE 2-22. GROUND CONTROL BOX INSTALLATION WITH SAUER PUMPS - DEUTZ TD2011 ENGINES WITH SAUER PUMP



ART_100119353

SECTION 2 - TURNTABLE

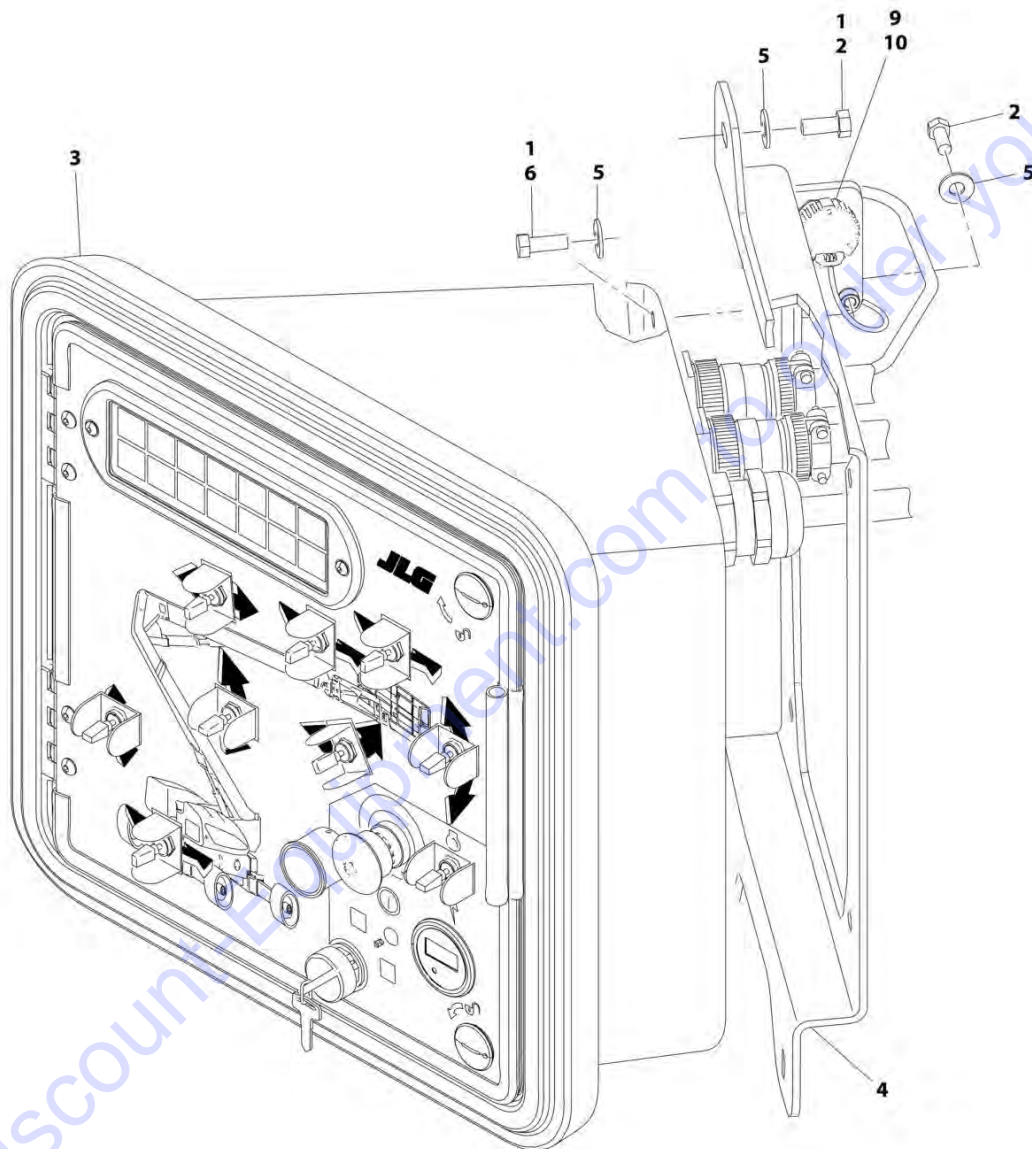
FIGURE 2-22. GROUND CONTROL BOX INSTALLATION WITH SAUER PUMPS - DEUTZ TD2011 ENGINES WITH SAUER PUMP

ITEM	PART NUMBER	QTY	DESCRIPTION	REV
	1001119353	Ref	GROUND CONTROL BOX INSTALLATION WITH SAUER PUMPS - DEUTZ TD2011 ENGINES WITH SAUER PUMP	B
1	0100011	AR	Compound, Locking	
2	0641607	5	Bolt 3/8 x 7/8	
3	1001119376	1	Ground Controls Assembly (See GROUND CONTROL ASSEMBLY for Breakdown)	
4	1001114487	1	Bracket, Mounting	
5	4751600	9	Washer 3/8	
6	3931616	4	Capscrew 3/8 x 1	
8	1001119470	1	Harness, Engine (Not Shown) (See ELECTRICAL SECTION for Breakdown)	
9	4460496	1	Terminal, Washer	
10	4460497	1	Terminal, Nut	

Go to Discount-Equipment.com to order your parts

SECTION 2 - TURNTABLE

FIGURE 2-23. GROUND CONTROL BOX INSTALLATION - DEUTZ TCD2.9L4 ENGINES



ART_1001138016

SECTION 2 - TURNTABLE

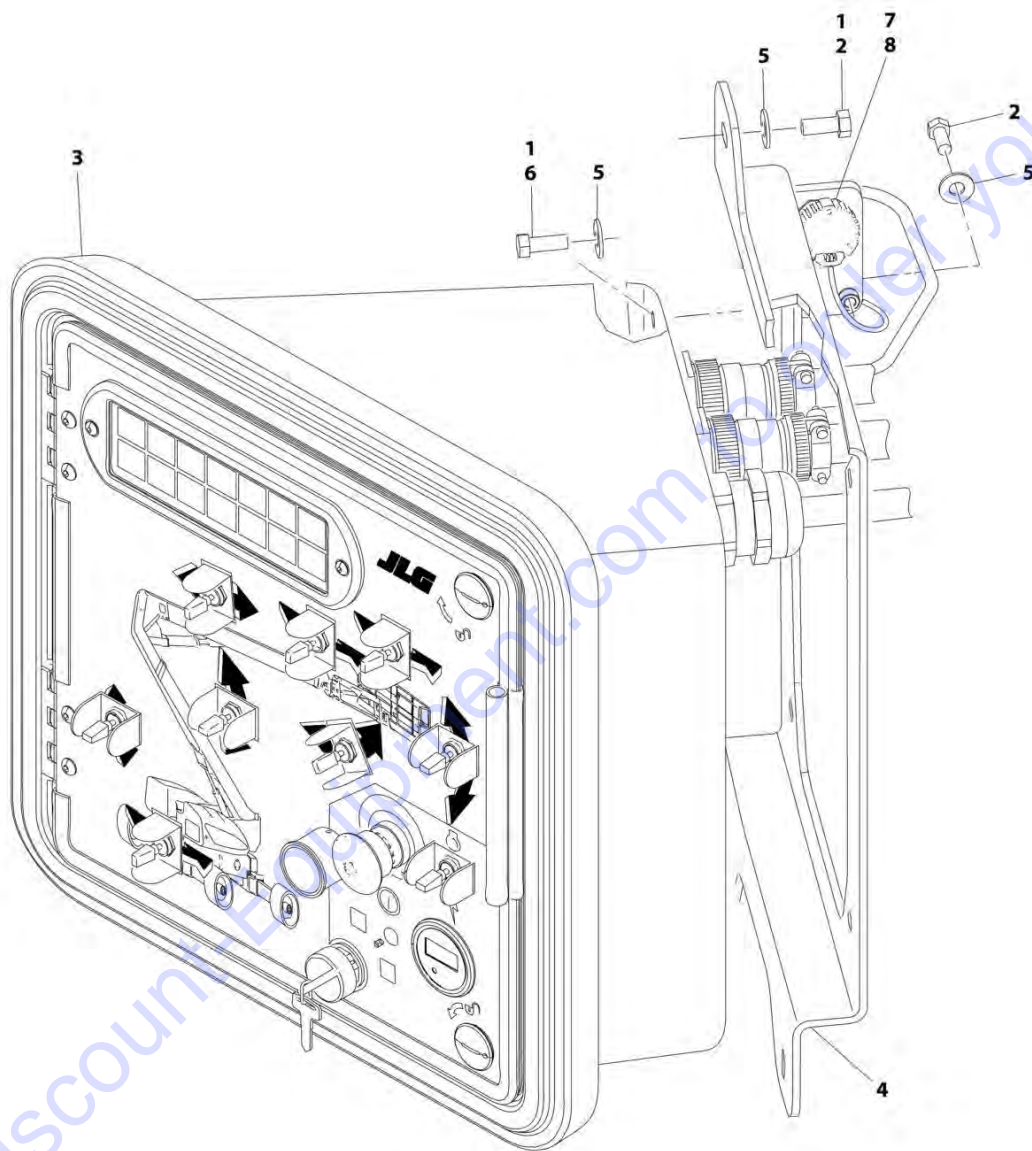
FIGURE 2-23. GROUND CONTROL BOX INSTALLATION - DEUTZ TCD2.9L4 ENGINES

ITEM	PART NUMBER	QTY	DESCRIPTION	REV
	1001138016	Ref	GROUND CONTROL BOX INSTALLATION - DEUTZ TCD2.9L4 ENGINES	B
1	0100011	AR	Compound, Locking	
2	0641607	5	Bolt 3/8 x 7/8	
3	1001119376	1	Ground Controls Assembly (See GROUND CONTROL ASSEMBLY for Breakdown)	
4	1001114487	1	Bracket, Mounting	
5	4751600	9	Washer 3/8	
6	3931616	4	Capscrew 3/8 x 1	
9	4460496	1	Terminal, Washer	
10	4460497	1	Terminal, Nut	

Go to Discount-Equipment.com to order your parts

SECTION 2 - TURNTABLE

FIGURE 2-24. GROUND CONTROL BOX INSTALLATION - DEUTZ TCD2.9L4 ENGINES (CE SPECS)



ART_1001185588

SECTION 2 - TURNTABLE

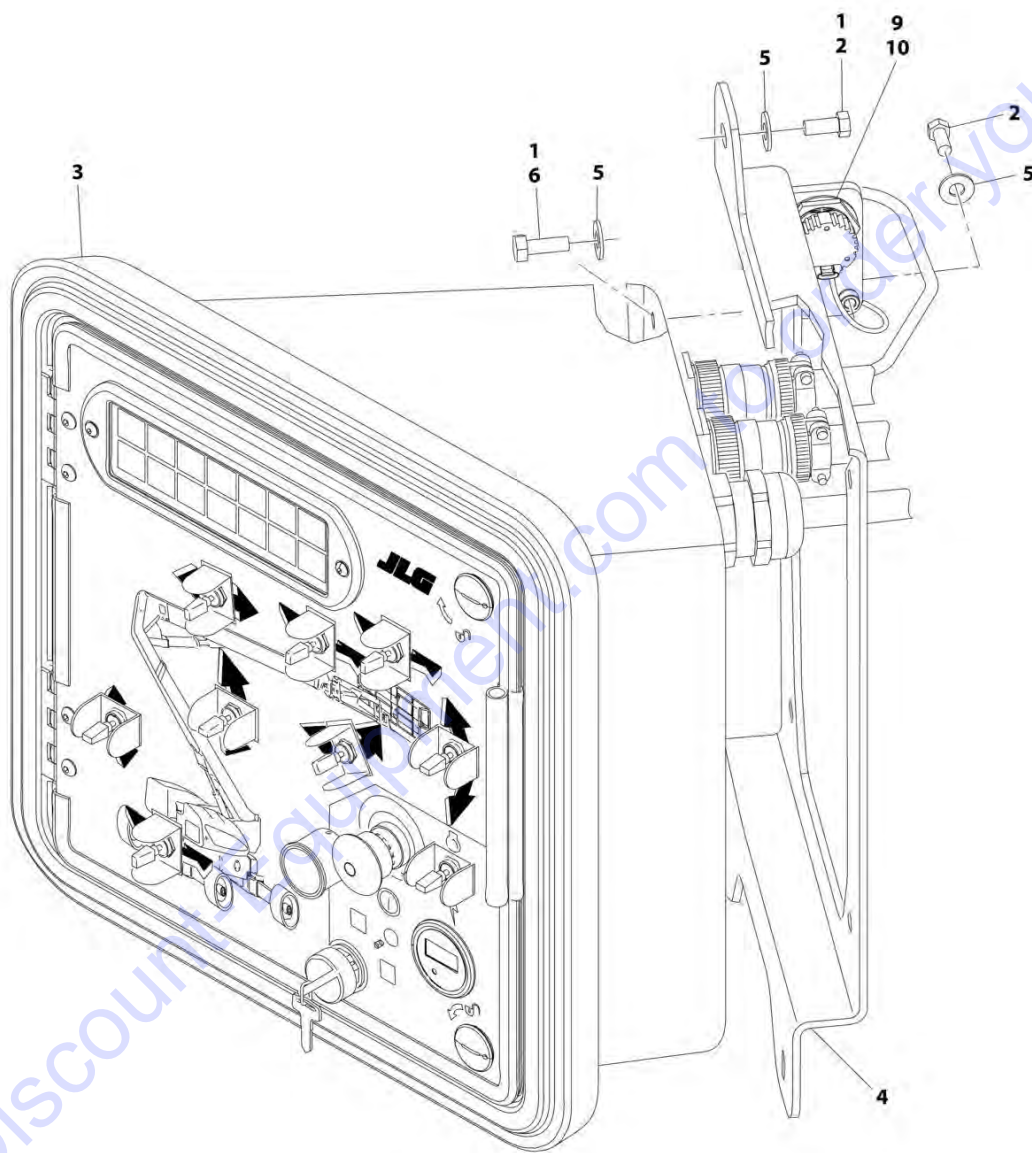
FIGURE 2-24. GROUND CONTROL BOX INSTALLATION - DEUTZ TCD2.9L4 ENGINES (CE SPECS)

ITEM	PART NUMBER	QTY	DESCRIPTION	REV
	1001185588	Ref	GROUND CONTROL BOX INSTALLATION - DEUTZ TCD2.9L4 ENGINES (CE SPECS)	A
1	0100011	AR	Compound, Locking	
2	0641607	5	Bolt 3/8 x 7/8	
3	1001185301	1	Ground Controls Assembly (See GROUND CONTROL ASSEMBLY - DEUTZ 2.9L4 ENGINES (CE SPECS) for Breakdown)	
4	1001114487	1	Bracket, Mounting	
5	4751600	9	Washer 3/8	
6	3931616	4	Capscrew 3/8 x 1	
7	4460496	1	Terminal, Washer	
8	4460497	1	Terminal, Nut	

Go to Discount-Equipment.com to order your parts

SECTION 2 - TURNTABLE

FIGURE 2-25. GROUND CONTROL BOX INSTALLATION WITH REXROTH PUMPS - DEUTZ TD2011 ENGINES (CE SPECS) (LRC)



ART_1001194124

SECTION 2 - TURNTABLE

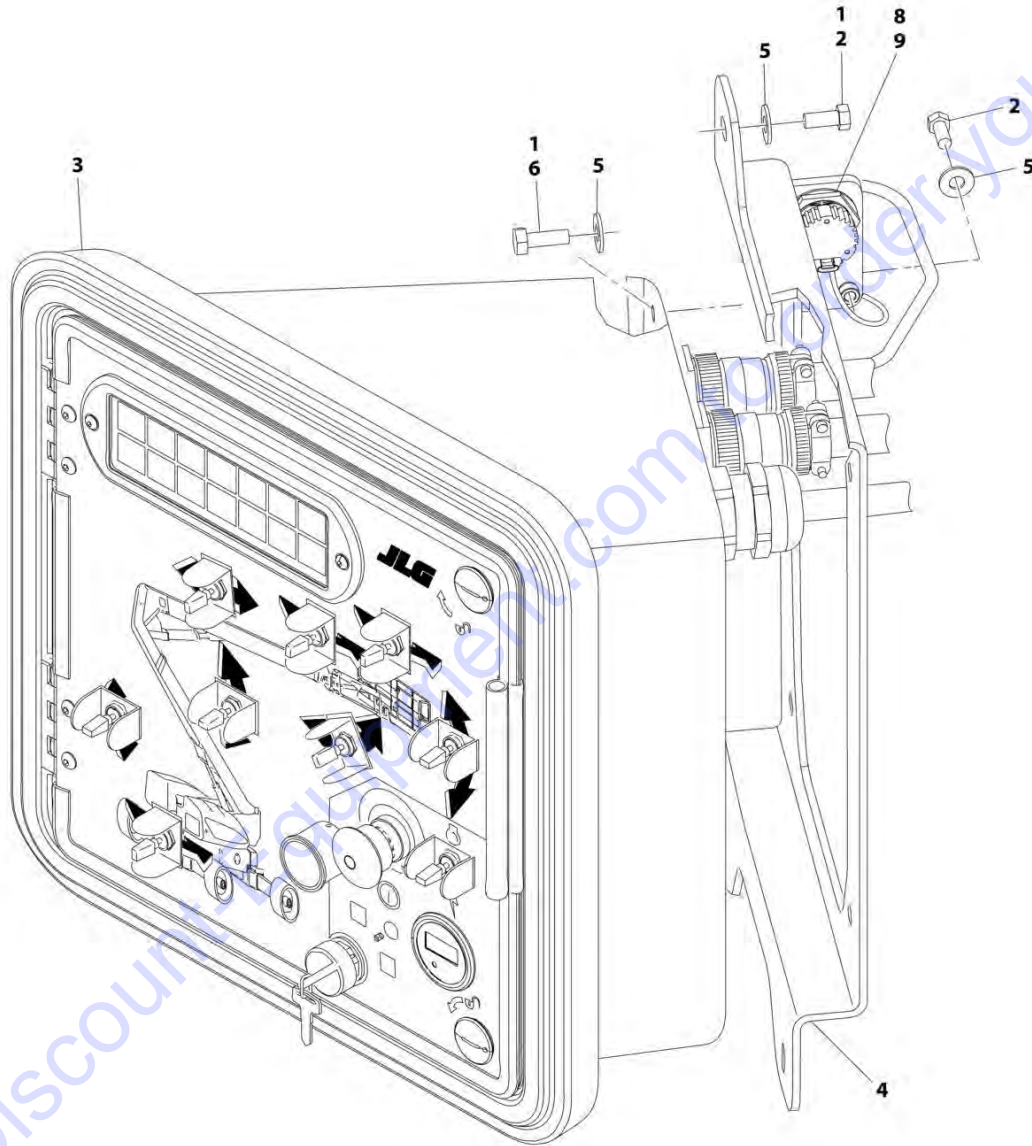
FIGURE 2-25. GROUND CONTROL BOX INSTALLATION WITH REXROTH PUMPS - DEUTZ TD2011 ENGINES (CE SPECS) (LRC)

ITEM	PART NUMBER	QTY	DESCRIPTION	REV
	1001194124	Ref	GROUND CONTROL BOX INSTALLATION WITH REXROTH PUMPS - DEUTZ TD2011 ENGINES (CE SPECS) (LRC)	A
1	0100011	AR	Compound, Locking	
2	0641607	5	Bolt 3/8 x 7/8	
3	1001185301	1	Ground Controls Assembly (See GROUND CONTROL ASSEMBLY - DEUTZ 2.9L4 ENGINES (CE SPECS) for Breakdown)	
4	1001114487	1	Bracket, Mounting	
5	4751600	9	Washer 3/8	
6	3931616	4	Capscrew 3/8 x 1	
7	1001119456	2	Harness, Pump Adapter (Not Shown) (See ELECTRICAL SECTION for Breakdown)	
8	1001119470	1	Harness, Engine (Not Shown) (See ELECTRICAL SECTION for Breakdown)	
9	4460496	1	Terminal, Washer	
10	4460497	1	Terminal, Nut	

Go to Discount-Equipment.com to order your parts

SECTION 2 - TURNTABLE

FIGURE 2-26. GROUND CONTROL BOX INSTALLATION WITH SAUER PUMPS - DEUTZ TD2011 ENGINES (CE SPECS) (LRC)



ART_1001194125

SECTION 2 - TURNTABLE

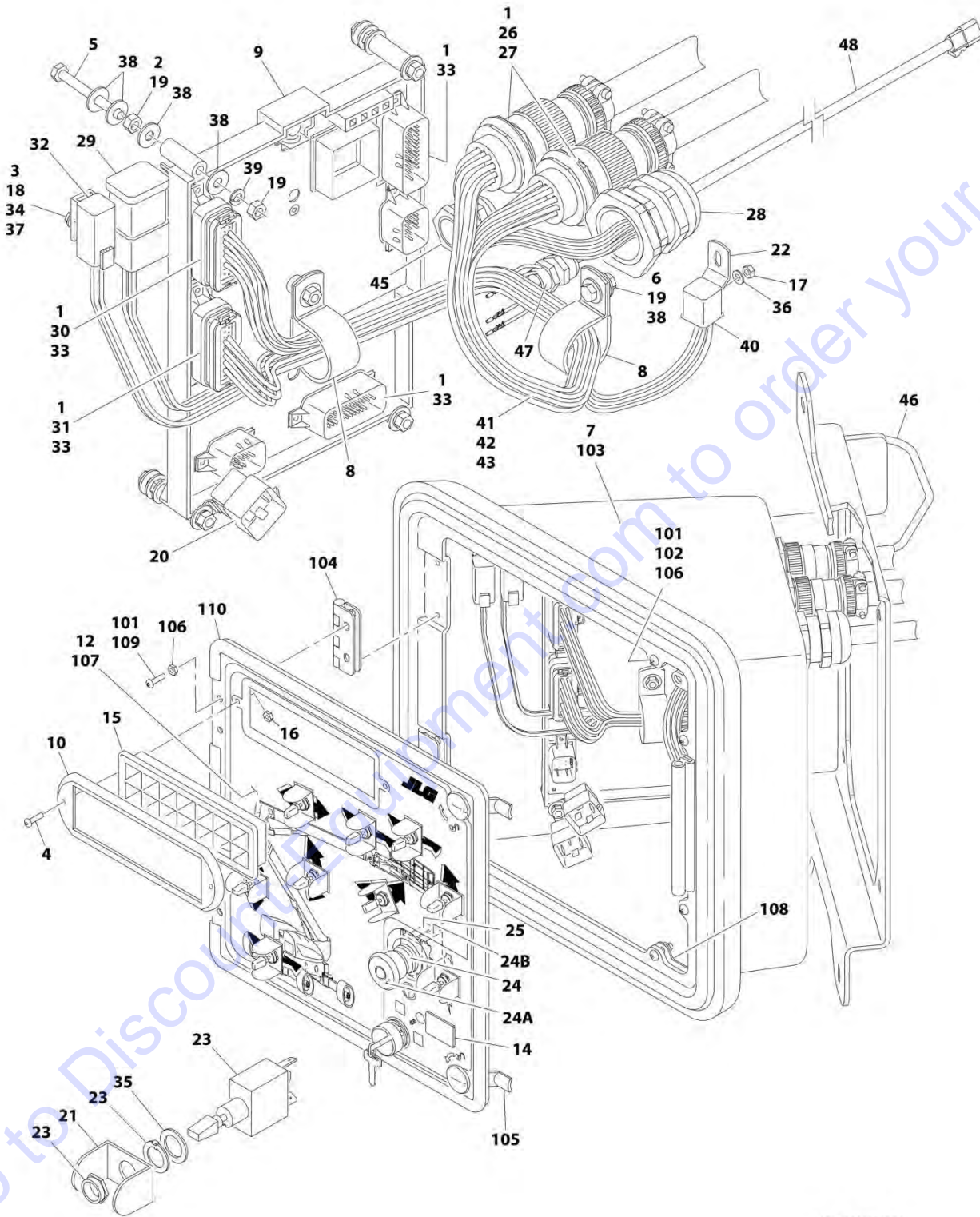
FIGURE 2-26. GROUND CONTROL BOX INSTALLATION WITH SAUER PUMPS - DEUTZ TD2011 ENGINES (CE SPECS) (LRC)

ITEM	PART NUMBER	QTY	DESCRIPTION	REV
	1001194125	Ref	GROUND CONTROL BOX INSTALLATION WITH SAUER PUMPS - DEUTZ TD2011 ENGINES (CE SPECS) (LRC)	A
1	0100011	AR	Compound, Locking	
2	0641607	5	Bolt 3/8 x 7/8	
3	1001185301	1	Ground Controls Assembly (See GROUND CONTROL ASSEMBLY - DEUTZ 2.9L4 ENGINES (CE SPECS) for Breakdown)	
4	1001114487	1	Bracket, Mounting	
5	4751600	9	Washer 3/8	
6	3931616	4	Capscrew 3/8 x 1	
7	1001119470	1	Harness, Engine (Not Shown) (See ELECTRICAL SECTION for Breakdown)	
8	4460496	1	Terminal, Washer	
9	4460497	1	Terminal, Nut	

Go to Discount-Equipment.com to order your parts

SECTION 2 - TURNTABLE

FIGURE 2-27. GROUND CONTROL ASSEMBLY



ART_1001119376

SECTION 2 - TURNTABLE

FIGURE 2-27. GROUND CONTROL ASSEMBLY

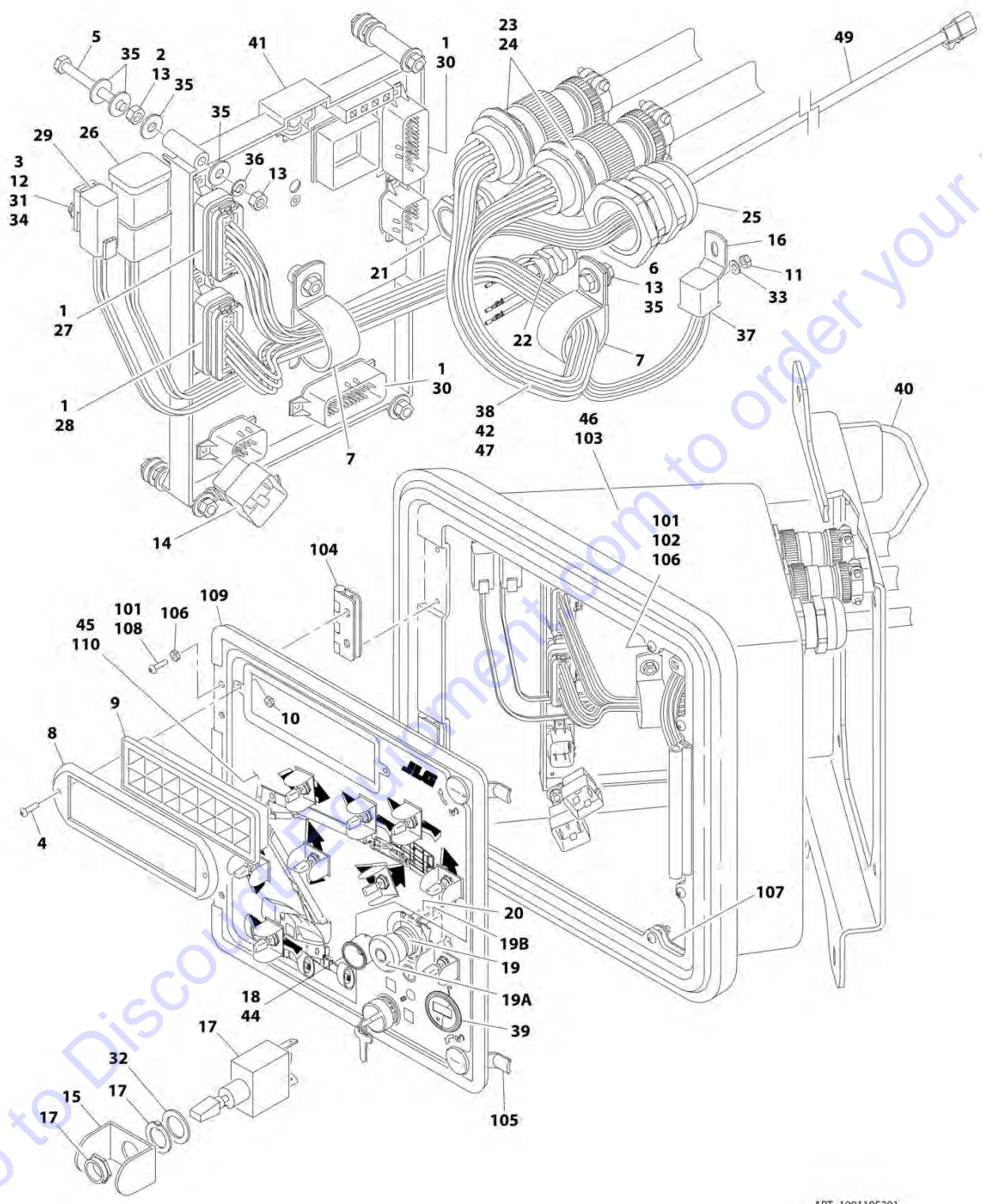
ITEM	PART NUMBER	QTY	DESCRIPTION	REV
	1001119376	Ref	GROUND CONTROL ASSEMBLY	0
1	0100048	AR	Grease, Dielectric	
2	0100081	AR	Loctite #454	
3	0630464	2	Screw #10 x 1/2	
4	0630518	2	Screw #10 x 3/4	
5	0630548	5	Screw, Self Tapping	
6	0641406	1	Bolt 1/4 x 3/4	
7	0861628	1	Box Assembly (See Items 101-110 for Breakdown)	
8	1320095	2	Clamp	
9	1001119508	1	Module, Ground Control (Note: Re-calibration Required when Replaced)	
10	1670829	1	Bezel	
12	1705799	1	Decal - Lid	
14	2420172	1	Hourmeter	
15	2760105	1	Housing, Light	
16	3300408	2	Nut, Nylon	
17	3310601	1	Nut #6	
18	3311001	2	Nut #10	
19	3311401	11	Nut 1/4	
20	3740049	1	Relay	
21	4060906	9	Guard, Switch	
22	4340832	1	Mount, Relay	
23	4360328	9	Switch, Toggle	
24	4360475	1	Switch, Push-Pull Emergency	
24A	7020175	1	Cap	
24B	7020176	1	Block, Contact	
25	4360476	1	Block, Contact	
26	4460470	2	Nut, Terminal	
27	4460471	2	Washer, Terminal	
28	4460526	1	Connector, Strain Relief	
29	4460837	1	Connector - 12 Pin	
30	4460874	1	Connector, White	
31	4460875	1	Connector, Gray	
32	4460892	1	Connector, Buss Bar - 6 Position	
33	4460905	4	Connector, Plug	
34	4460914	2	Base, Terminal	
35	4740444	9	Washer	
36	4750600	1	Washer #6	
37	4751000	2	Washer #10	
38	4751400	22	Washer 1/4	
39	4761400	5	Washer 1/4	
40	4923036	1	Harness, Relay (See ELECTRICAL SECTION for Breakdown)	
41	4923397	1	Harness, Valve (See ELECTRICAL SECTION for Breakdown)	
42	1001119529	1	Harness, Engine (See ELECTRICAL SECTION for Breakdown)	
43	1001120181	1	Harness, Ground Control Box (See ELECTRICAL SECTION for Breakdown)	
45	4460425	1	Connector, Strain Relief	
46	1001114438	1	Harness, ClearSky Ready (See ELECTRICAL SECTION for Breakdown)	
47	4460428	1	Connector, Strain Relief	

SECTION 2 - TURNTABLE

ITEM	PART NUMBER	QTY	DESCRIPTION	REV
48	1001120681	1	Harness, Pressure Transducer (See ELECTRICAL SECTION for Breakdown) (SN 0300226469 through 0300234068)	G
48	1001228497	1	Harness, Pressure Transducer (See ELECTRICAL SECTION for Breakdown) (SN 0300234069 to Present)	
	0861628	Ref	BOX ASSEMBLY	
101	0100011	AR	Compound, Locking	
102	0630407	4	Screw 1/4 x 5/8	
103	0861627	1	Box	
104	2600279	2	Hinge	
105	2940139	2	Latch	
106	3311402	8	Nut 1/4	
107	3380494	1	Lid	
108	3573144	2	Plate, Latch	
109	3900251	8	Screw 1/4 x 3/8	
110	3960418	53 in/1.4m	Seal	

SECTION 2 - TURNTABLE

FIGURE 2-28. GROUND CONTROL ASSEMBLY - DEUTZ 2.9L4 ENGINES (CE SPECS)



ART_1001185301

SECTION 2 - TURNTABLE

FIGURE 2-28. GROUND CONTROL ASSEMBLY - DEUTZ 2.9L4 ENGINES (CE SPECS)

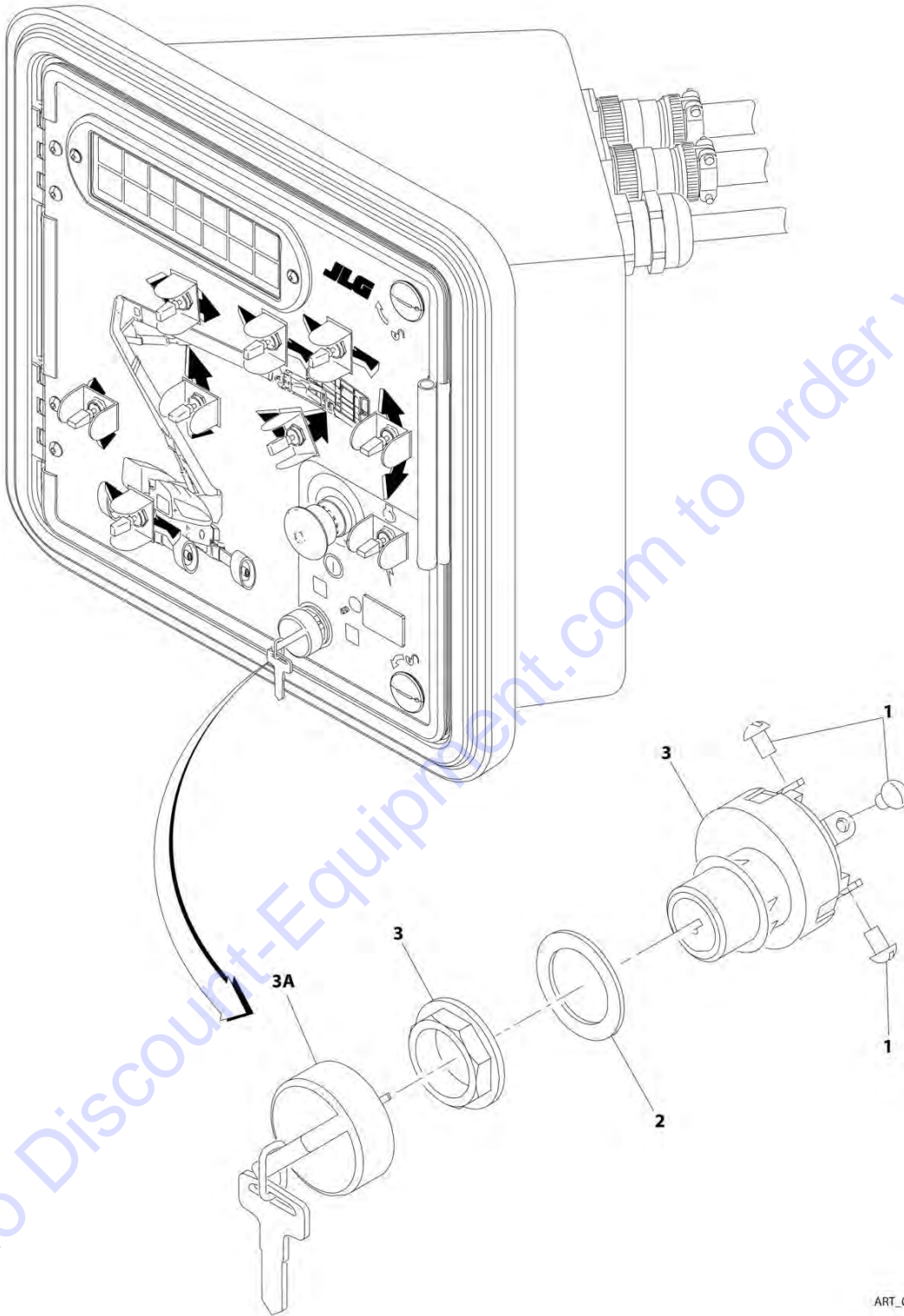
ITEM	PART NUMBER	QTY	DESCRIPTION	REV
	1001185301	Ref	GROUND CONTROL ASSEMBLY - DEUTZ 2.9L4 ENGINES (CE SPECS)	D
1	0100048	AR	Grease, Dielectric	
2	0100081	AR	Loctite #454	
3	0630464	2	Screw #10 x 1/2	
4	0630518	2	Screw #10 x 3/4	
5	0630548	5	Screw, Self Tapping	
6	0641406	1	Bolt 1/4 x 3/4	
7	1320095	2	Clamp	
8	1670829	1	Bezel	
9	2760105	1	Housing, Light	
10	3300408	2	Nut, Nylon	
11	3310601	1	Nut #6	
12	3311001	2	Nut #10	
13	3311401	11	Nut 1/4	
14	3740049	1	Relay	
15	4060906	9	Guard, Switch	
16	4340832	1	Mount, Relay	
17	4360328	9	Switch, Toggle	
18	4360387	1	Switch, Push Button	
19	4360475	1	Switch, Push-Pull Emergency	
19A	7020175	1	Cap	
19B	7020176	1	Block, Contact	
20	4360476	1	Block, Contact	
21	4460425	1	Connector, Strain Relief	
22	4460428	1	Connector, Strain Relief	
23	4460470	2	Nut, Terminal	
24	4460471	2	Washer, Terminal	
25	4460526	1	Connector, Strain Relief	
26	4460837	1	Connector - 12 Pin	
27	4460874	1	Connector, White	
28	4460875	1	Connector, Gray	
29	4460892	1	Connector, Buss Bar - 6 Position	
30	4460905	4	Connector, Plug	
31	4460914	2	Base, Terminal	
32	4740444	9	Washer	
33	4750600	1	Washer #6	
34	4751000	2	Washer #10	
35	4751400	22	Washer 1/4	
36	4761400	5	Washer 1/4	
37	4923036	1	Harness, Relay (See ELECTRICAL SECTION for Breakdown)	
38	4923397	1	Harness, Valve (See ELECTRICAL SECTION for Breakdown)	
39	1001109503	1	Gauge, Indicator	
40	1001114438	1	Harness, ClearSky Ready (See ELECTRICAL SECTION for Breakdown)	
41	1001119508	1	Module, Ground Control (Note: Re-calibration Required when Replaced)	
42	1001119529	1	Harness, Engine (See ELECTRICAL SECTION for Breakdown)	
44	1001176469	1	Shroud	
45	1001180007	1	Decal - Lid	

SECTION 2 - TURNTABLE

ITEM	PART NUMBER	QTY	DESCRIPTION	REV
46	1001185297	1	Box Assembly (See Items 101-110 for Breakdown)	A
47	1001186468	1	Harness, Ground Control Box (See ELECTRICAL SECTION for Breakdown)	
49	1001120681	1	Harness, Pressure Transducer (See ELECTRICAL SECTION for Breakdown) (SN 0300226469 through 0300234068)	
49	1001228497	1	Harness, Pressure Transducer (See ELECTRICAL SECTION for Breakdown) (SN 0300234069 to Present)	
	1001185297	Ref	BOX ASSEMBLY	
101	0100011	AR	Compound, Locking	
102	0630407	4	Screw 1/4 x 5/8	
103	0861627	1	Box	
104	2600279	2	Hinge	
105	2940139	2	Latch	
106	3311402	8	Nut 1/4	
107	3573144	2	Plate, Latch	
108	3900251	8	Screw 1/4 x 3/8	
109	3960418	53 in/1.4m	Seal	
110	1001185296	1	Lid	

SECTION 2 - TURNTABLE

FIGURE 2-29. KEYSWITCH INSTALLATION



ART_0259666

SECTION 2 - TURNTABLE

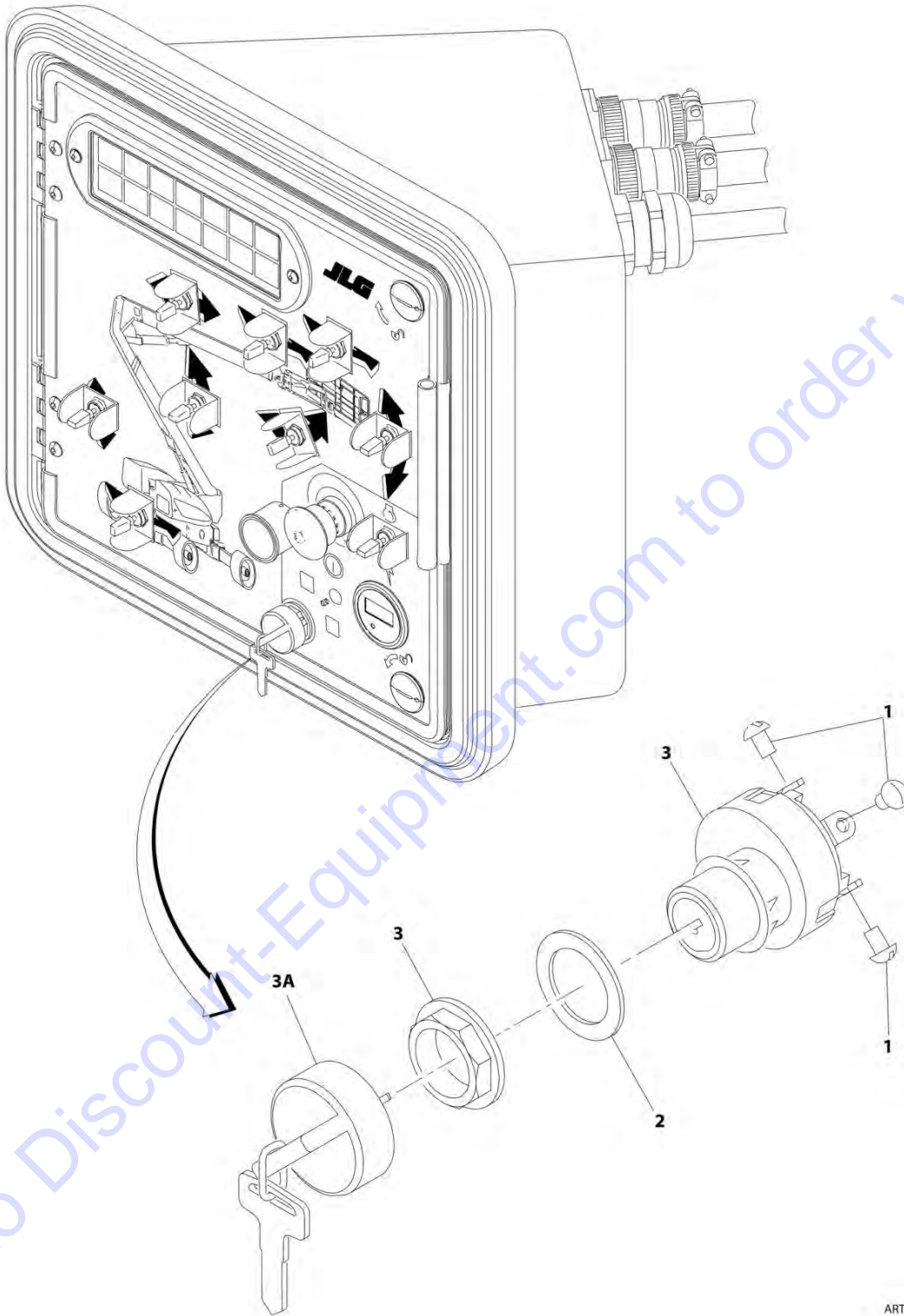
FIGURE 2-29. KEYSWITCH INSTALLATION

ITEM	PART NUMBER	QTY	DESCRIPTION	REV
		Ref	USAGE CHART:	
		Ref	- All Specs Except CE (LRC) Specs	
		Ref	- CE (LRC) Specs (SN 0300205139 to Present)	
	0259666	Ref	KEYSWITCH INSTALLATION	B
1	3910804	6	Screw #8 x 1/8	
2	1001151393	1	Shim .063	
3	4360469	1	Keyswitch	
3A	2860030	1	Key, Replacement	

Go to Discount-Equipment.com to order your parts

SECTION 2 - TURNTABLE

FIGURE 2-30. KEYSWITCH INSTALLATION



ART_0259667

SECTION 2 - TURNTABLE

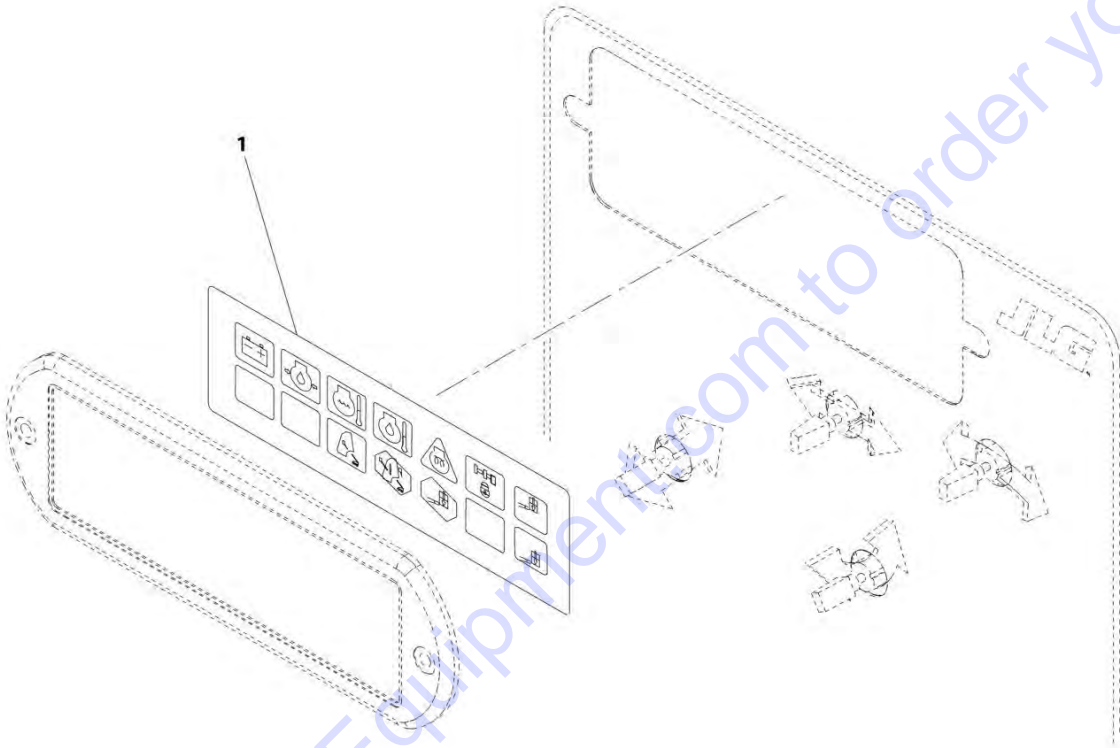
FIGURE 2-30. KEYSWITCH INSTALLATION

ITEM	PART NUMBER	QTY	DESCRIPTION	REV
		Ref	USAGE CHART:	
		Ref	- CE (LRC) Specs (SN 0300201017 through 0300205138)	
	0259667	Ref	KEYSWITCH INSTALLATION	B
1	3910804	6	Screw #8 x 1/8	
2	1001151393	1	Shim .063	
3	4360470	1	Keyswitch	
3A	2860030	1	Key, Replacement	

Go to Discount-Equipment.com to order your parts

SECTION 2 - TURNTABLE

FIGURE 2-31. LIGHT PANEL INSTALLATION - ANSI AND ANSI EXPORT SPECS



ART_1001121826_10F2

SECTION 2 - TURNTABLE

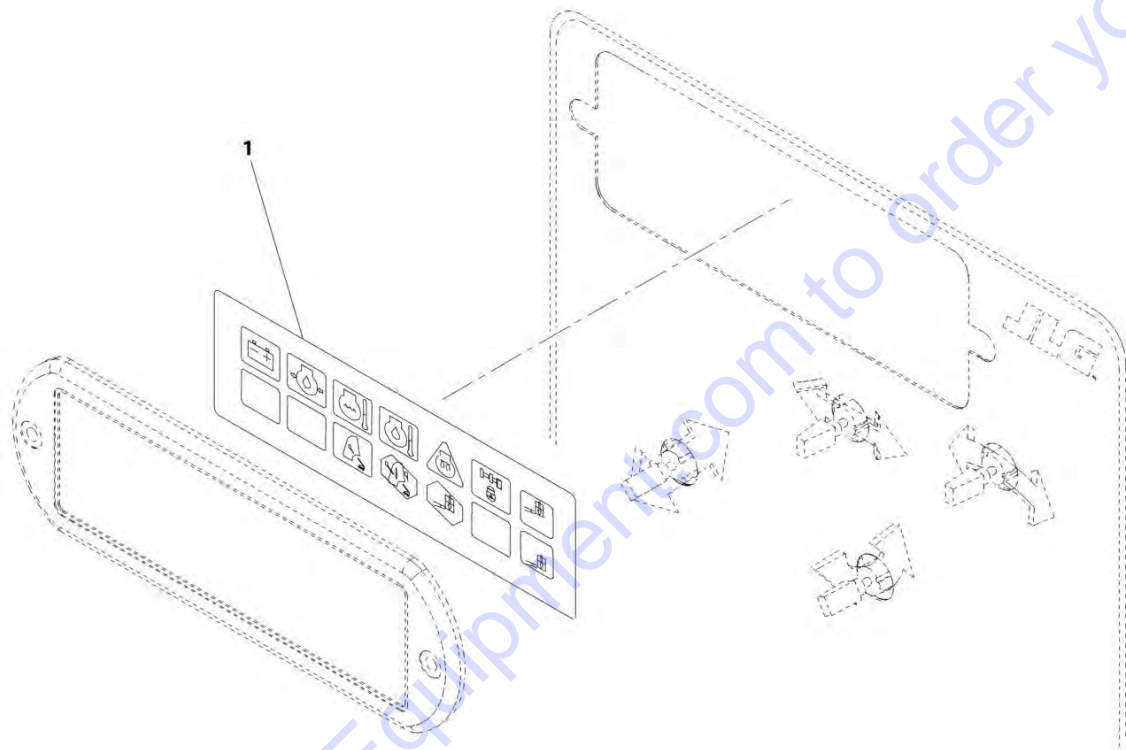
FIGURE 2-31. LIGHT PANEL INSTALLATION - ANSI AND ANSI EXPORT SPECS

ITEM	PART NUMBER	QTY	DESCRIPTION	REV
1	1001121826	Ref	LIGHT PANEL INSTALLATION - ANSI AND ANSI EXPORT SPECS	A
	1001122383	1	Decal - Light Panel	

Go to Discount-Equipment.com to order your parts

SECTION 2 - TURNTABLE

FIGURE 2-32. LIGHT PANEL INSTALLATION - AUSTRALIAN AND CE SPECS



ART_1001121827_10F2

SECTION 2 - TURNTABLE

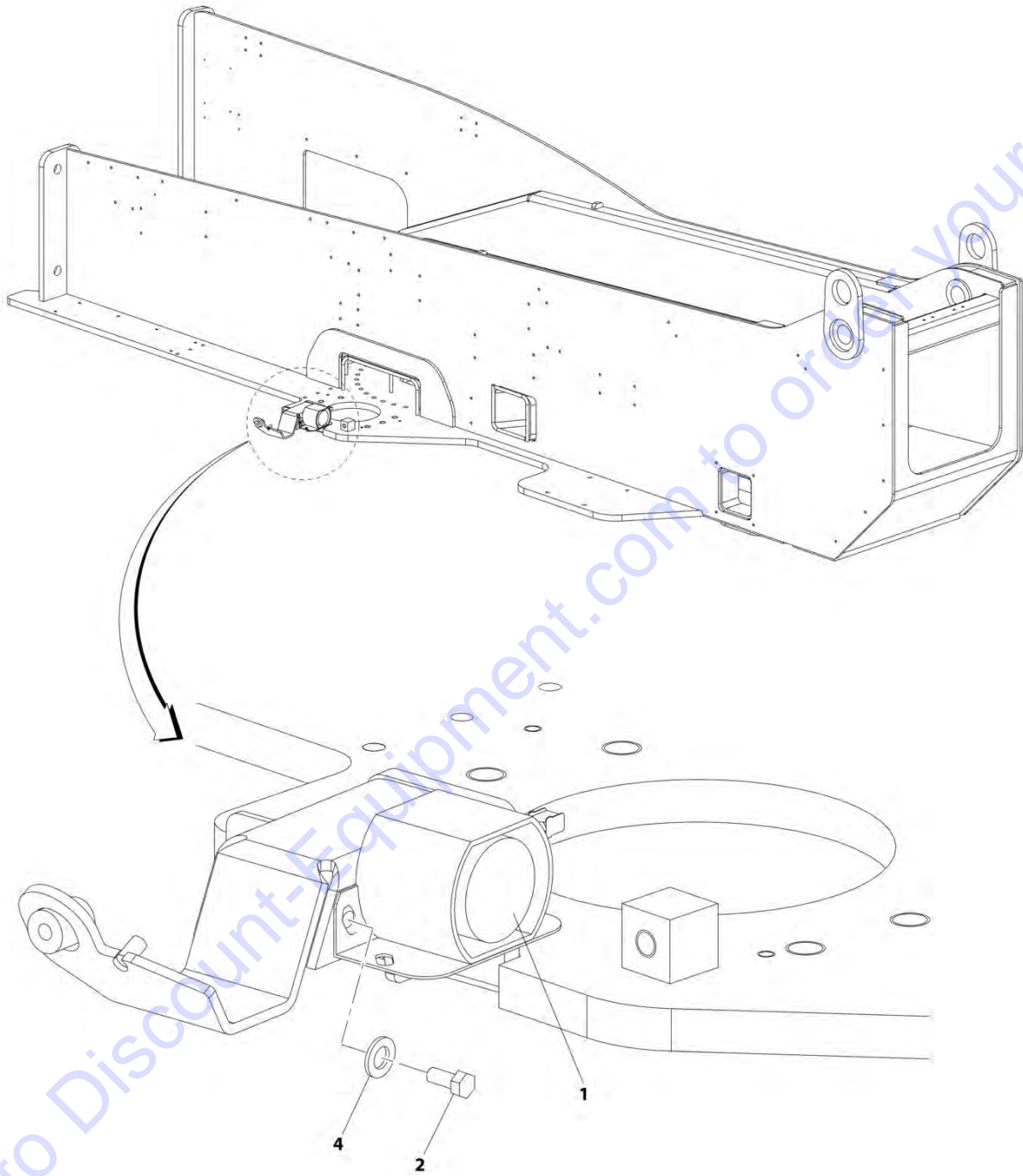
FIGURE 2-32. LIGHT PANEL INSTALLATION - AUSTRALIAN AND CE SPECS

ITEM	PART NUMBER	QTY	DESCRIPTION	REV
1	1001121827 1705174	Ref 1	LIGHT PANEL INSTALLATION - AUSTRALIAN AND CE SPECS Decal - Light Panel	A

Go to Discount-Equipment.com to order your parts

SECTION 2 - TURNTABLE

FIGURE 2-33. ALARMS INSTALLATION



ART_0273447

SECTION 2 - TURNTABLE

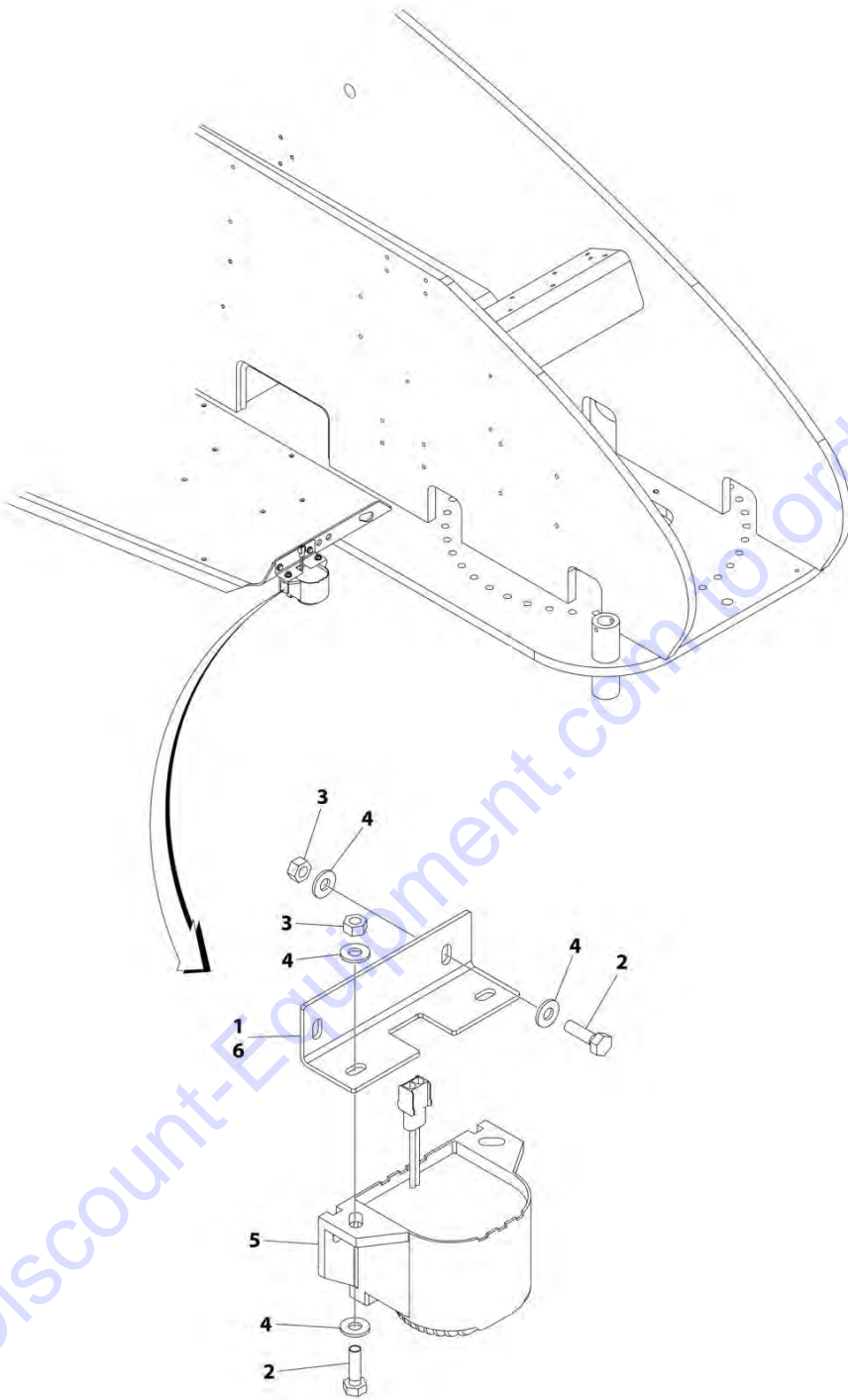
FIGURE 2-33. ALARMS INSTALLATION

ITEM	PART NUMBER	QTY	DESCRIPTION	REV
	0273447	Ref	ALARMS INSTALLATION	B
1	0257887	1	Alarm	
1	0140032	1	Alarm	
1	2820035	6 in/15cm	Loom	
1	4460424	1	Plug	
1	4460268	2	Socket, Female	
2	0641506	2	Bolt 6/16 x 3/4	
4	4751500	AR	Washer 5/16	

Go to Discount-Equipment.com to order your parts

SECTION 2 - TURNTABLE

FIGURE 2-34. BACKUP ALARM AMBIENT (WHITE NOISE) INSTALLATION



ART_1001241383

SECTION 2 - TURNTABLE

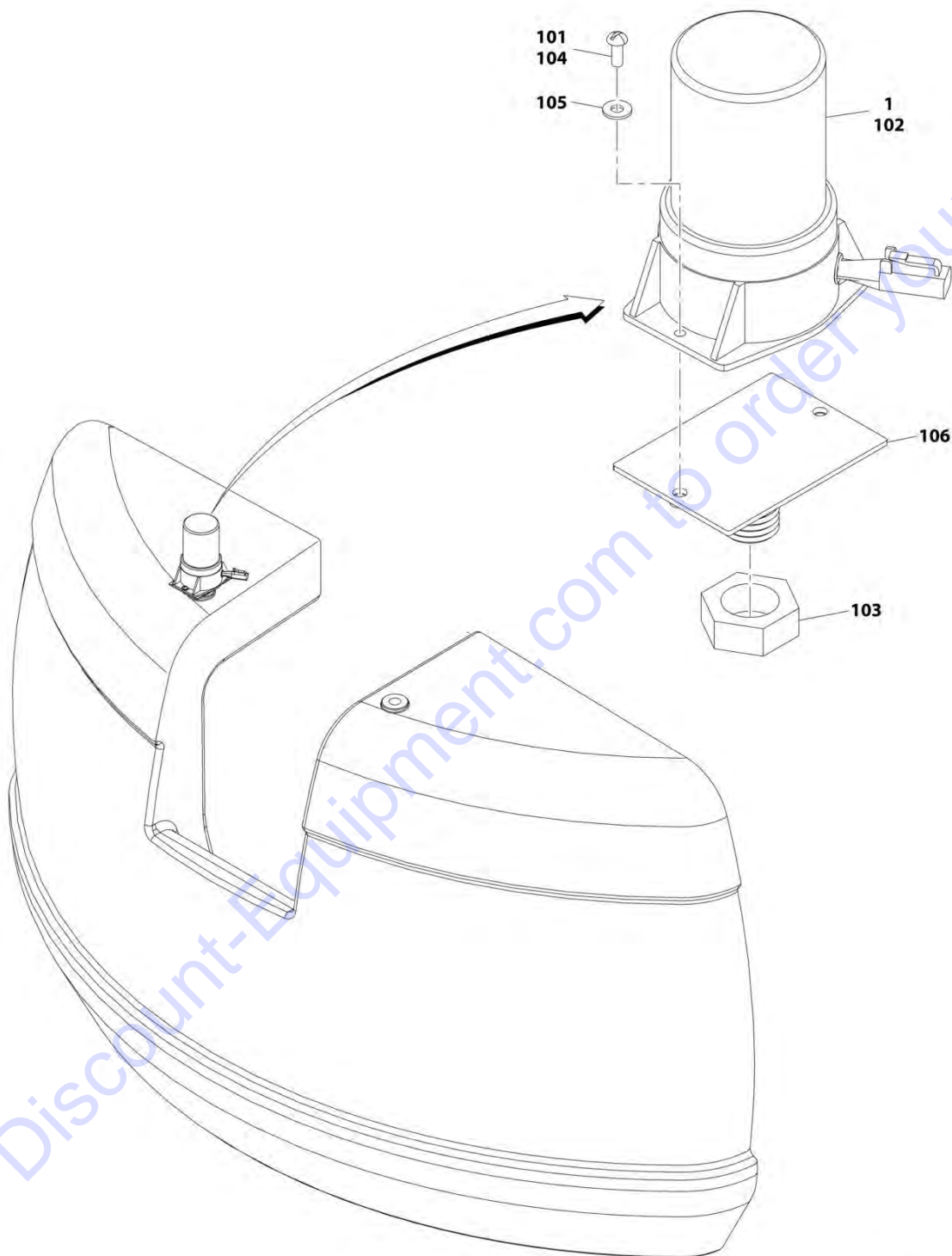
FIGURE 2-34. BACKUP ALARM AMBIENT (WHITE NOISE) INSTALLATION

ITEM	PART NUMBER	QTY	DESCRIPTION	REV
	1001241383	Ref	BACKUP ALARM AMBIENT (WHITE NOISE) INSTALLATION	A
1	0100048	AR	Grease, Dielectric	
2	0641407	4	Bolt 1/4 x 7/8	
3	3311405	4	Nut 1/4	
4	4711400	8	Washer 1/4	
5	1001243731	1	Alarm	
5	1001182806	1	Alarm	
5	4460424	1	Plug	
5	4460268	2	Socket, Female	
6	1001243849	1	Plate	

Go to Discount-Equipment.com to order your parts

SECTION 2 - TURNTABLE

FIGURE 2-35. STROBE LIGHT INSTALLATION (AMBER)



ART_1001149955

SECTION 2 - TURNTABLE

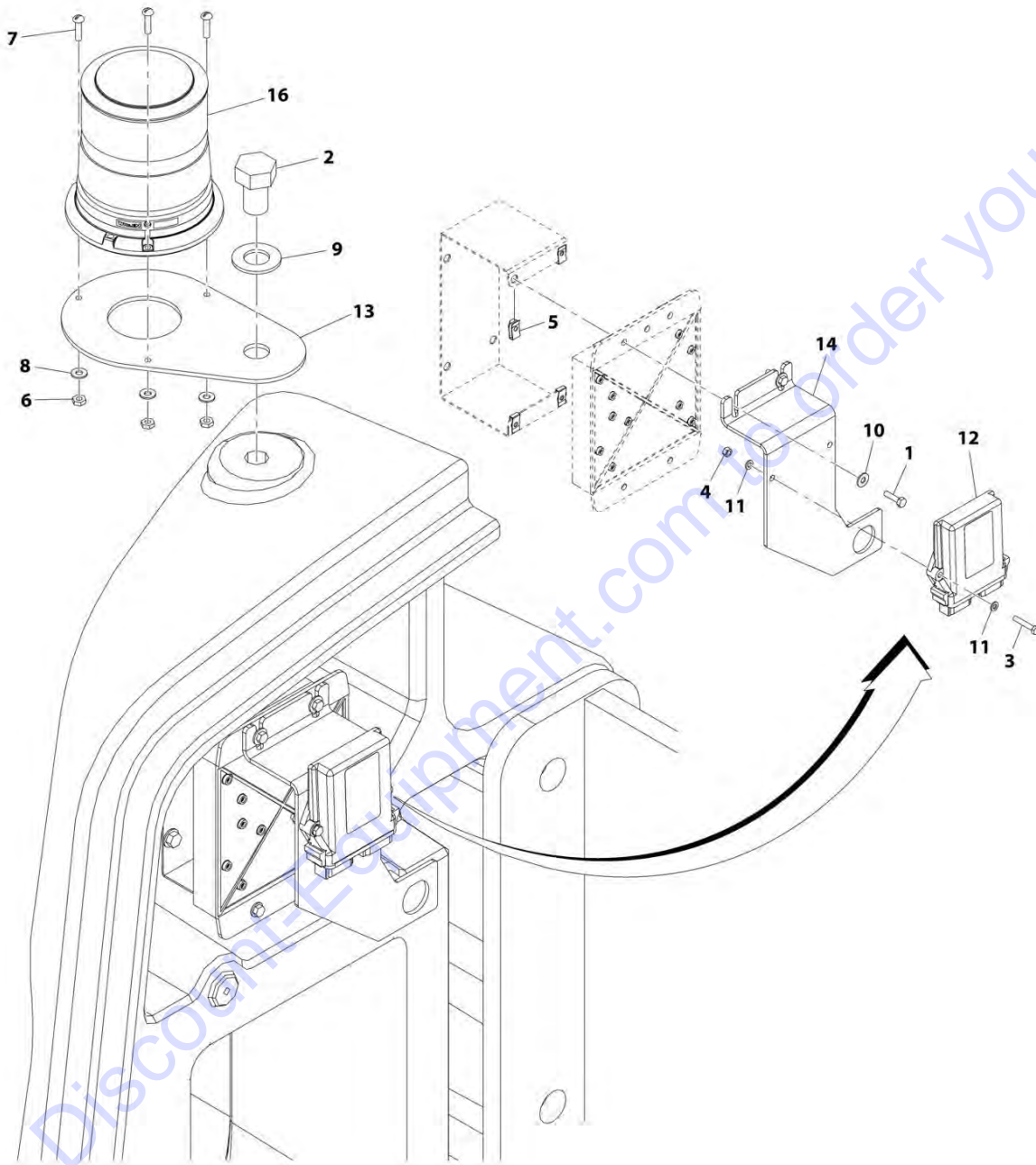
FIGURE 2-35. STROBE LIGHT INSTALLATION (AMBER)

ITEM	PART NUMBER	QTY	DESCRIPTION	REV
	1001149955	Ref	STROBE LIGHT INSTALLATION (AMBER)	B
1	1001150406	1	Strobe Light Assembly (See Items 101-106 for Breakdown)	
2	1001149818	1	Harness, Strobe Light (Not Shown) (See ELECTRICAL SECTION for Breakdown)	
	1001150406	Ref	STROBE LIGHT ASSEMBLY (AMBER)	B
101	0100035	AR	Compound, Locking	
102	2920161	1	Strobe Light/Harness Assembly	
102	7016319	1	Bulb	
102	7016372	1	Lens	
103	3312602	1	Nut 1	
104	3900085	2	Screw #10 x 1/2	
105	4751000	2	Washer 1/4	
106	1001149994	1	Mount Strobe	

Go to Discount-Equipment.com to order your parts

SECTION 2 - TURNTABLE

FIGURE 2-36. STROBE LIGHT INSTALLATION (BLUE) (SN 0300201017 through 0300217072)



ART_1001189176

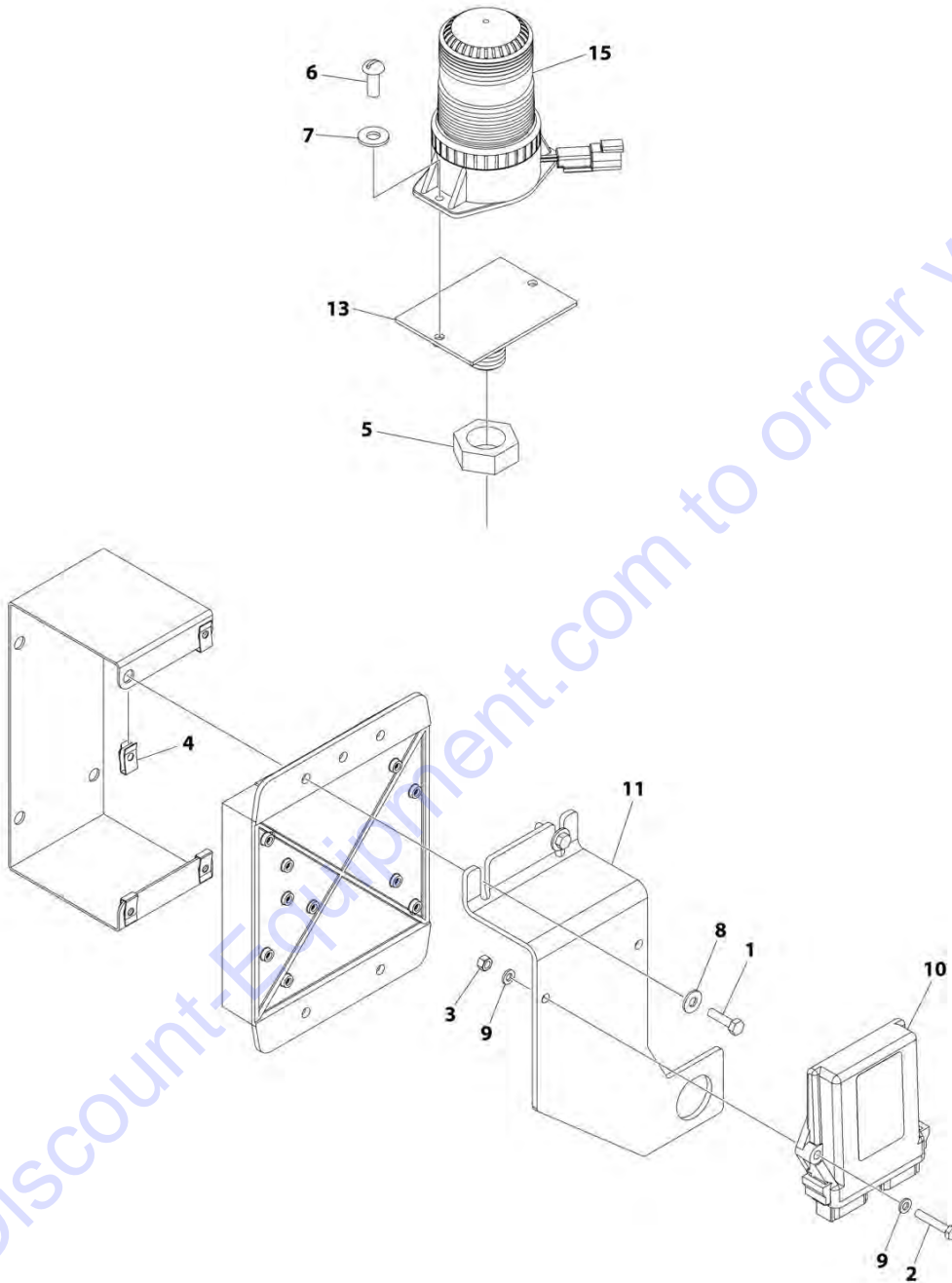
SECTION 2 - TURNTABLE

FIGURE 2-36. STROBE LIGHT INSTALLATION (BLUE) (SN 0300201017 through 0300217072)

ITEM	PART NUMBER	QTY	DESCRIPTION	REV
	1001189176	Ref	STROBE LIGHT INSTALLATION (BLUE) (SN 0300201017 through 0300217072)	B
1	0641408	2	Bolt 1/4 x 1	
2	0642612	1	Bolt 1 x 1-1/2	
3	0700615	2	Bolt M6 x 35	
4	3290607	2	Nut M6 x 1	
5	3300454	2	Nut	
6	3311005	3	Nut #10	
7	3911012	3	Screw 10 x 3/4	
8	4711000	3	Washer #10	
9	4712600	1	Washer 1	
10	4751400	2	Washer 1/4	
11	4811700	4	Washer M6	
12	1001142683	1	Module, Control Beacon	
13	1001142694	1	Bracket	
14	1001142719	1	Bracket	
15	1001142736	1	Harness, Beacon Control (Not Shown) (See ELECTRICAL SECTION for Breakdown)	
16	1001143431	NLA	Light, Strobe (Use p/n 1001210693 and 1001200910)	
16	7028909	1	Connector - 2 Position	
16	4460943	2	Pin, Male	
17	1001150944	1	Harness, Beacon Control (Not Shown) (See ELECTRICAL SECTION for Breakdown)	

SECTION 2 - TURNTABLE

FIGURE 2-37. STROBE LIGHT INSTALLATION (BLUE) (SN 0300217073 through 0300256982)



ART_1001205401

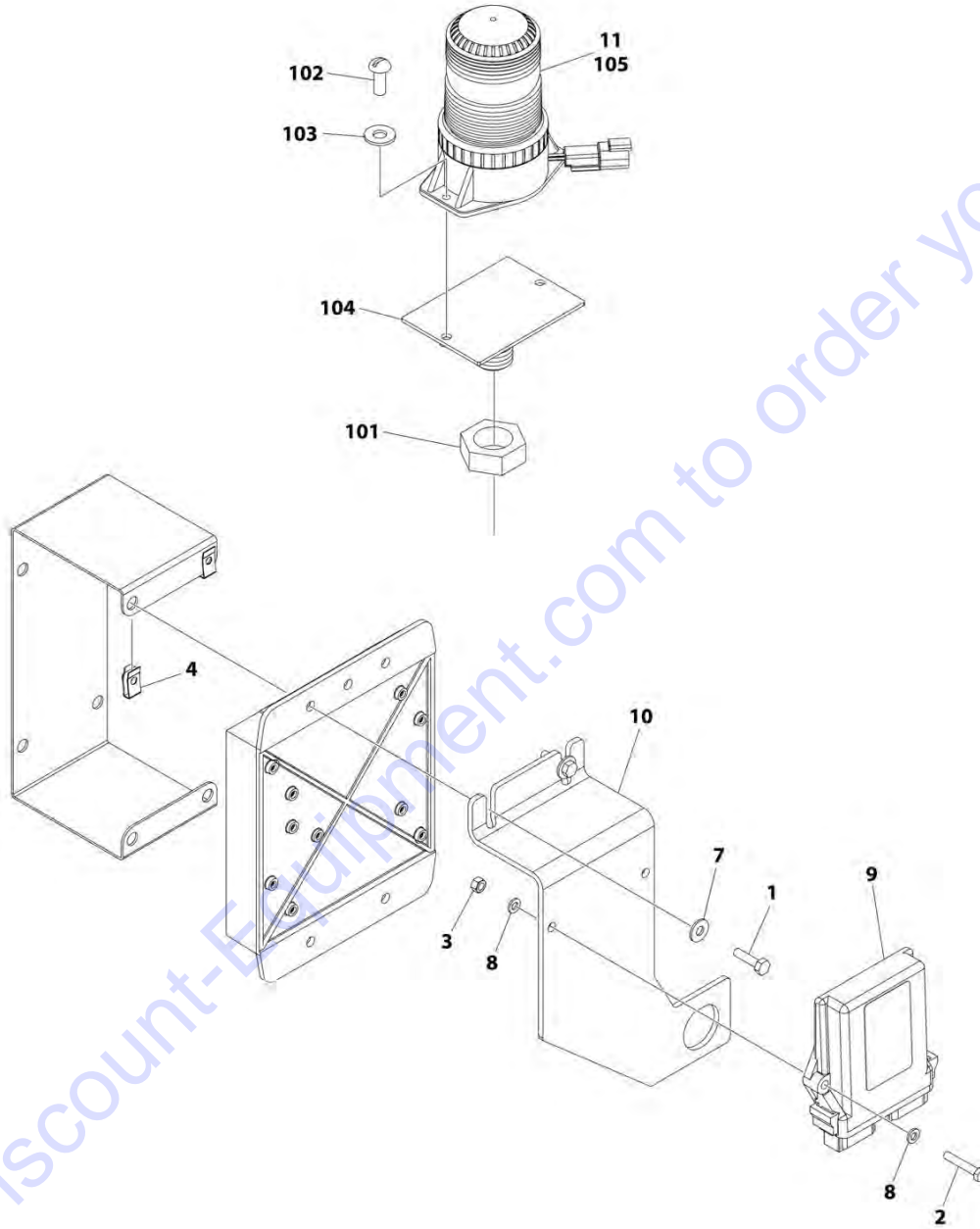
SECTION 2 - TURNTABLE

FIGURE 2-37. STROBE LIGHT INSTALLATION (BLUE) (SN 0300217073 through 0300256982)

ITEM	PART NUMBER	QTY	DESCRIPTION	REV
	1001205401	Ref	STROBE LIGHT INSTALLATION (BLUE)	F
1	0641408	2	Bolt 1/4 x 1	
2	0700615	2	Bolt M6 x 35	
3	3290607	2	Nut M6 x 1	
4	3300454	2	Nut	
5	3312602	1	Nut 1	
6	3900085	2	Screw 10 x 1/2	
7	4751000	2	Washer #10	
8	4751400	2	Washer 1/4	
9	4811700	4	Washer M6	
10	1001142683	1	Module, Control Beacon	
11	1001142719	1	Bracket	
12	1001142736	1	Harness, Beacon Control (Not Shown) (See ELECTRICAL SECTION for Breakdown)	
13	1001149994	1	Mount, Beacon	
15	1001200910	1	Light, Strobe	
15	7028909	1	Connector - 2 Position	
15	4460943	2	Pin, Male	
16	4240032	AR	Tie-Strap (SN 0300237541 to Present)	
17	4460488	AR	Mount, Tie-Strap (SN 0300237541 to Present)	
18	1001217005	1	Strobe Light Kit - Blue (Includes Items 5, 6, 7, 13 & 15) (Not Shown) (SN 0300237541 to Present)	

SECTION 2 - TURNTABLE

FIGURE 2-38. STROBE LIGHT INSTALLATION (BLUE) (SN 0300256982 to Present)



ART_1001244026-A

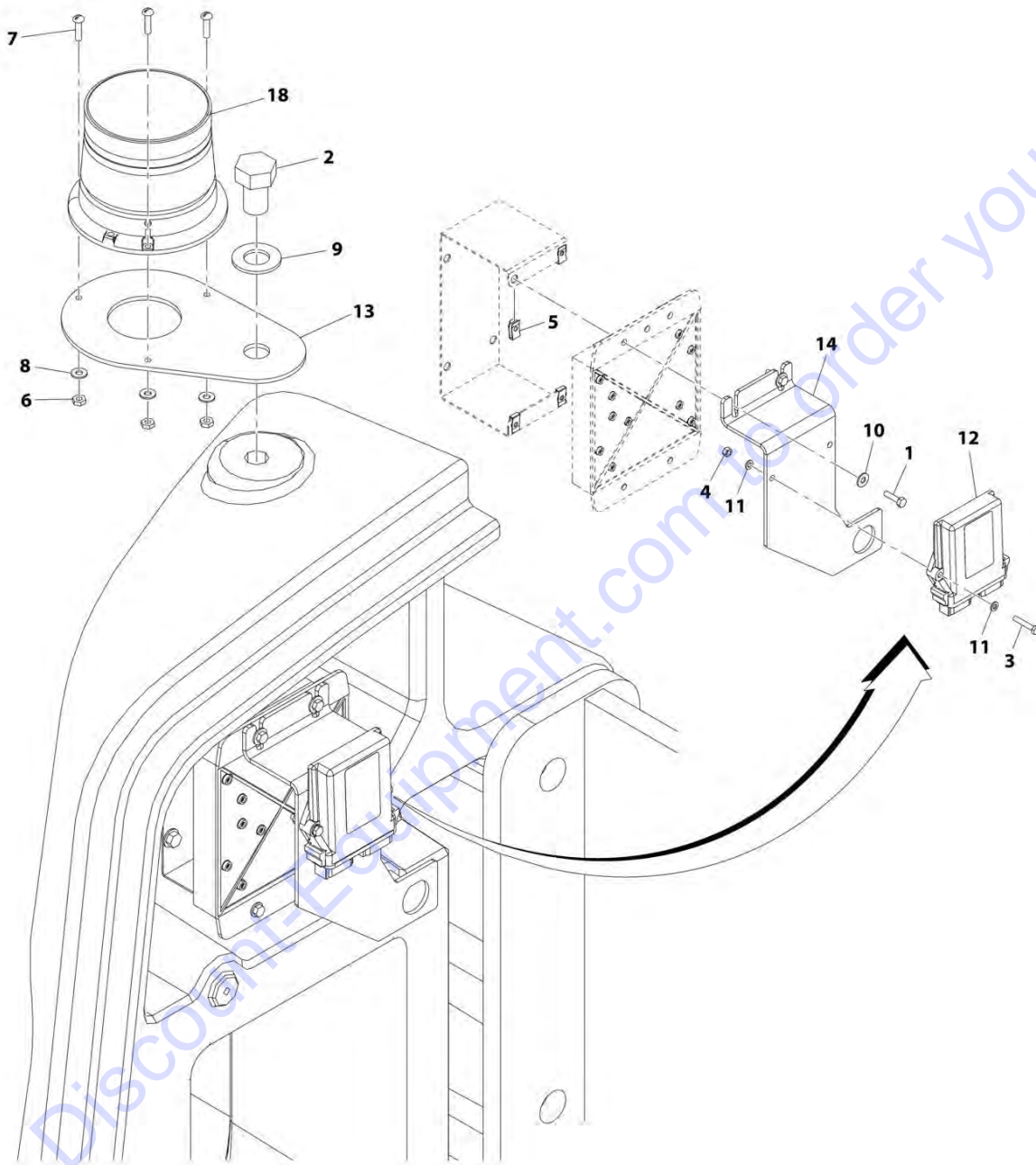
SECTION 2 - TURNTABLE

FIGURE 2-38. STROBE LIGHT INSTALLATION (BLUE) (SN 0300256982 to Present)

ITEM	PART NUMBER	QTY	DESCRIPTION	REV
	1001244026	Ref	STROBE LIGHT INSTALLATION (BLUE)	A
1	0641408	2	Bolt 1/4 x 1	
2	0700615	2	Bolt M6 x 35	
3	3290607	2	Nut M6 x 1	
4	3300454	2	Nut 1/4	
5	4240032	AR	Tie-Strap (Not Shown)	
6	4460488	AR	Mounting Base (Not Shown)	
7	4751400	2	Washer 1/4	
8	4811700	4	Washer M6	
9	1001142683	1	Module, Control Beacon	
10	1001142719	1	Bracket	
11	1001217005	1	Blue Beacon Light Kit (See Items 101-105 for Breakdown)	
12	1001142736	1	Harness, Beacon Control (Not Shown) (See ELECTRICAL SECTION for Breakdown)	
101	3312602	1	Nut 1/4	
102	3900085	2	Screw 10 x 1/2	
103	4751000	2	Washer #10	
104	1001149994	1	Mount, Beacon	
105	1001200910	1	Light, Strobe	
105	7028909	1	Connector - 2 Position	
105	4460943	2	Pin, Male	

SECTION 2 - TURNTABLE

FIGURE 2-39. STROBE LIGHT INSTALLATION (RED) (SN 0300201017 through 0300217072)



ART_1001207309

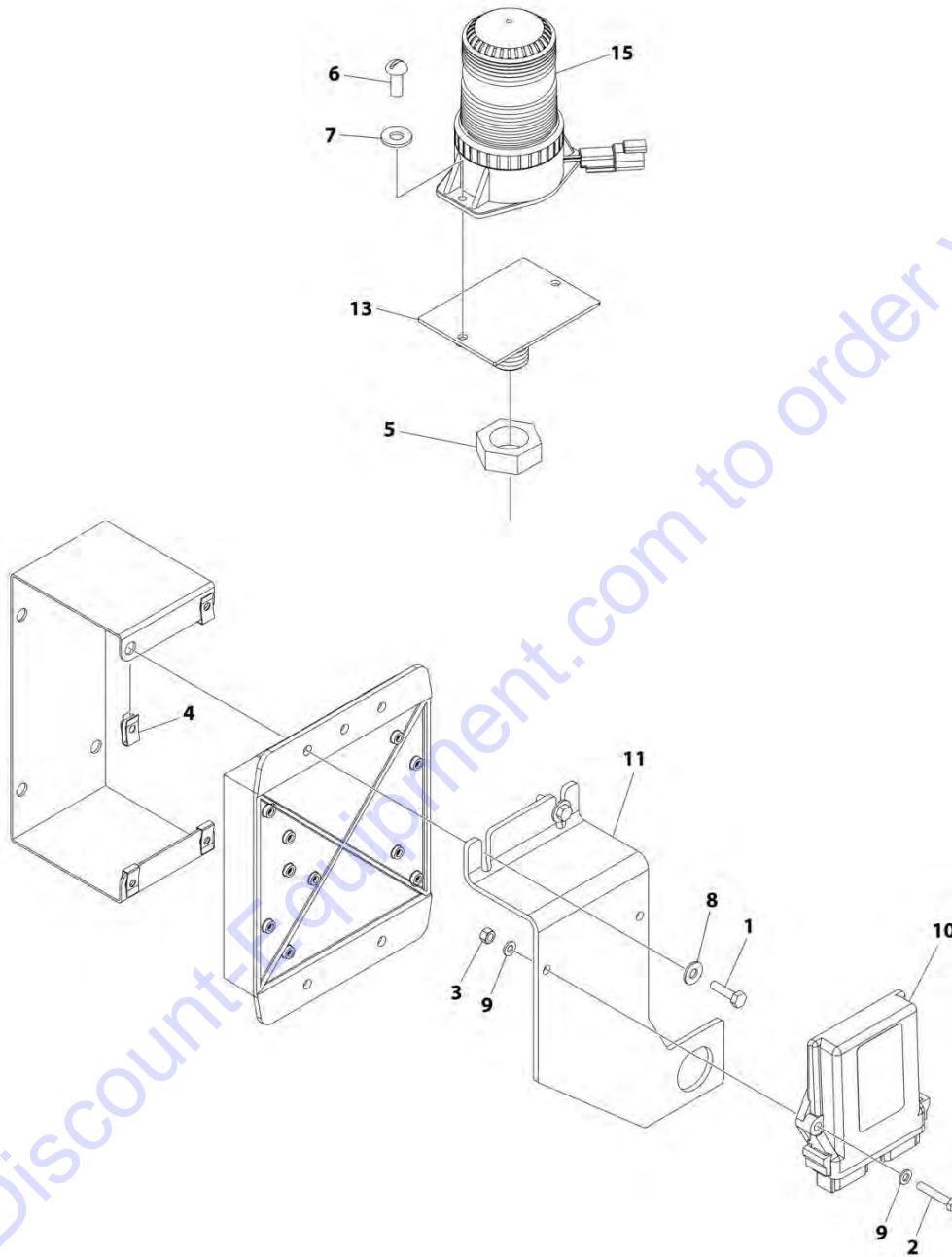
SECTION 2 - TURNTABLE

FIGURE 2-39. STROBE LIGHT INSTALLATION (RED) (SN 0300201017 through 0300217072)

ITEM	PART NUMBER	QTY	DESCRIPTION	REV
	1001207309	Ref	STROBE LIGHT INSTALLATION (RED) (SN 0300201017 through 0300217072)	B
1	0641408	2	Bolt 1/4 x 1	
2	0642612	1	Bolt 1 x 1-1/2	
3	0700615	2	Bolt M6 x 35	
4	3290607	2	Nut M6 x 1	
5	3300454	2	Nut	
6	3311005	3	Nut #10	
7	3911012	3	Screw 10 x 3/4	
8	4711000	3	Washer #10	
9	4712600	1	Washer 1	
10	4751400	2	Washer 1/4	
11	4811700	4	Washer M6	
12	1001142683	1	Module, Control Beacon	
13	1001142694	1	Bracket	
14	1001142719	1	Bracket	
15	1001142736	1	Harness, Beacon Control (Not Shown) (See ELECTRICAL SECTION for Breakdown)	
18	1001197067	NLA	Light, Strobe (Use p/n 1001210693 & 1001207004)	
18	7028909	1	Connector - 2 Position	
18	4460943	2	Pin, Male	

SECTION 2 - TURNTABLE

FIGURE 2-40. STROBE LIGHT INSTALLATION (RED) (SN 0300217073 through 0300256982)



ART_1001209873

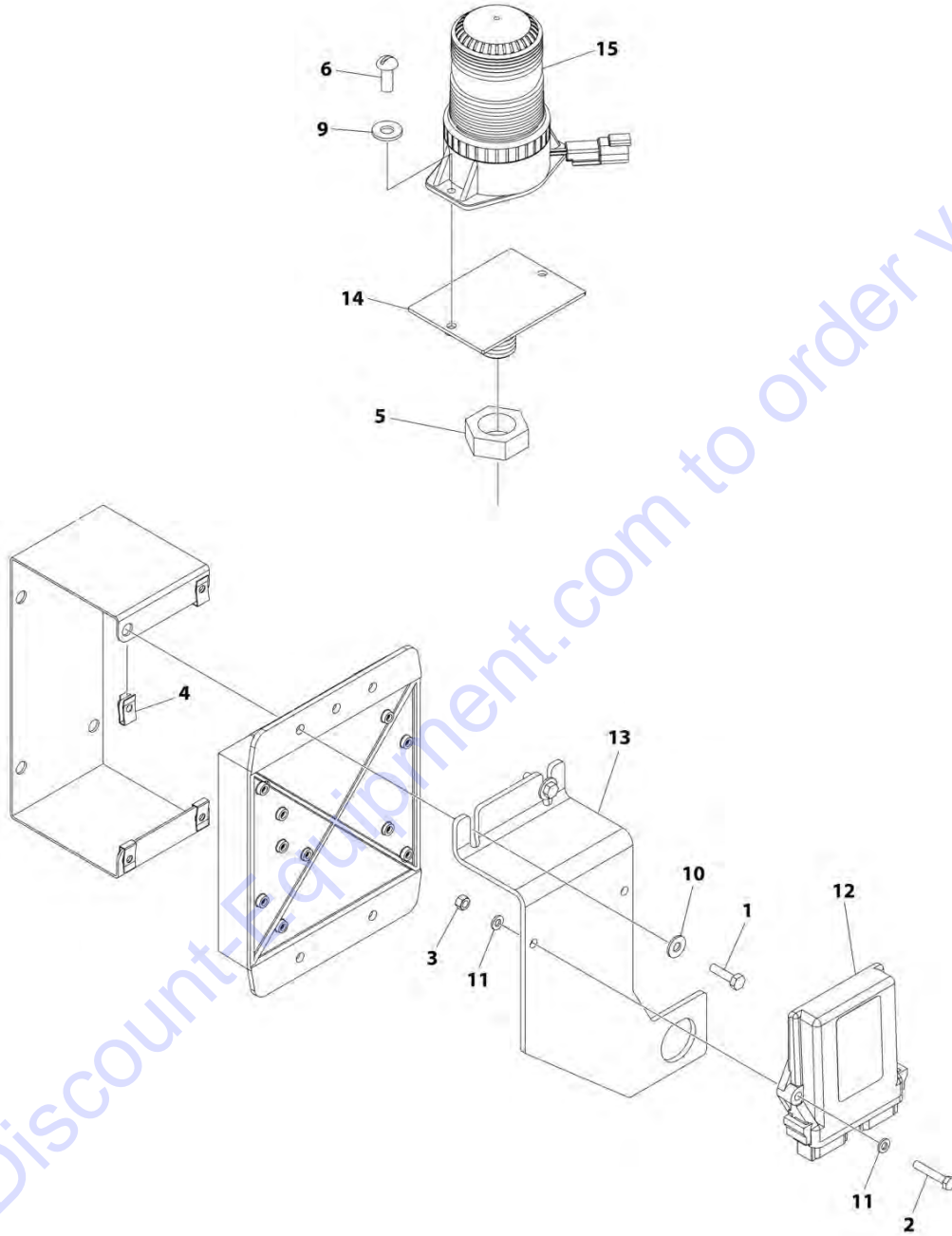
SECTION 2 - TURNTABLE

FIGURE 2-40. STROBE LIGHT INSTALLATION (RED) (SN 0300217073 through 0300256982)

ITEM	PART NUMBER	QTY	DESCRIPTION	REV
	1001209873	Ref	STROBE LIGHT INSTALLATION (RED)	E
1	0641408	2	Bolt 1/4 x 1	
2	0700615	2	Bolt M6 x 35	
3	3290607	2	Nut M6 x 1	
4	3300454	2	Nut	
5	3312602	1	Nut 1	
6	3900085	2	Screw 10 x 1/2	
7	4751000	2	Washer #10	
8	4751400	2	Washer 1/4	
9	4811700	4	Washer M6	
10	1001142683	1	Module, Control Beacon	
11	1001142719	1	Bracket	
12	1001142736	1	Harness, Beacon Control (Not Shown) (See ELECTRICAL SECTION for Breakdown)	
13	1001149994	1	Mount, Beacon	
15	1001207004	1	Light, Strobe	
15	7028909	1	Connector - 2 Position	
15	4460943	2	Pin, Male	
16	4240032	AR	Tie-Strap (Not Shown) (SN 0300223739 to Present)	
17	4460488	AR	Terminal, Mounting Base (SN 0300223739 to Present)	

SECTION 2 - TURNTABLE

FIGURE 2-41. STROBE LIGHT INSTALLATION (RED) (SN 0300256982 to Present)



ART_1001244027

SECTION 2 - TURNTABLE

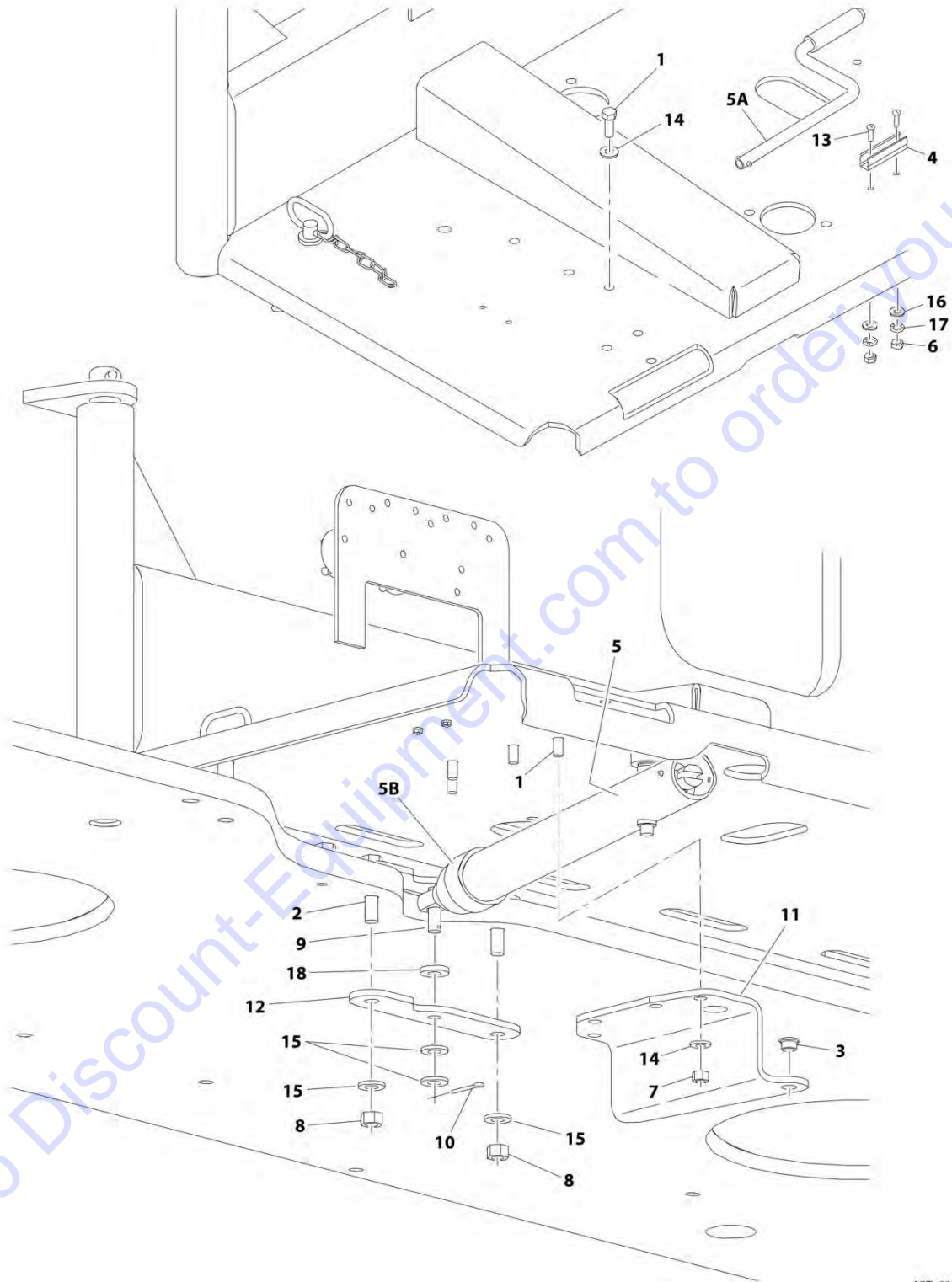
FIGURE 2-41. STROBE LIGHT INSTALLATION (RED) (SN 0300256982 to Present)

ITEM	PART NUMBER	QTY	DESCRIPTION	REV
	1001244027	Ref	STROBE LIGHT INSTALLATION (RED)	A
1	0641408	2	Bolt 1/4 x 1	
2	0700615	2	Bolt M6 x 35	
3	3290607	2	Nut M6 x 1	
4	3300454	2	Nut	
5	3312602	1	Nut 1	
6	3900085	2	Screw 10 x 1/2	
7	4240032	AR	Tie-Strap (Not Shown)	
8	4460488	AR	Mounting Base (Not Shown)	
9	4751000	2	Washer #10	
10	4751400	2	Washer 1/4	
11	4811700	4	Washer M6	
12	1001142683	1	Module, Control Beacon	
13	1001142719	1	Bracket	
14	1001149994	1	Mount, Beacon	
15	1001207004	1	Light, Strobe	
15	7028909	1	Connector - 2 Position	
15	4460943	2	Pin, Male	
16	1001142736	1	Harness, Beacon Control (Not Shown) (See ELECTRICAL SECTION for Breakdown)	

Go to Discount-Equipment.com to order your parts

SECTION 2 - TURNTABLE

FIGURE 2-42. ENGINE TRAY JACK INSTALLATION - DEUTZ TD2011 ENGINES



ART_0273395

SECTION 2 - TURNTABLE

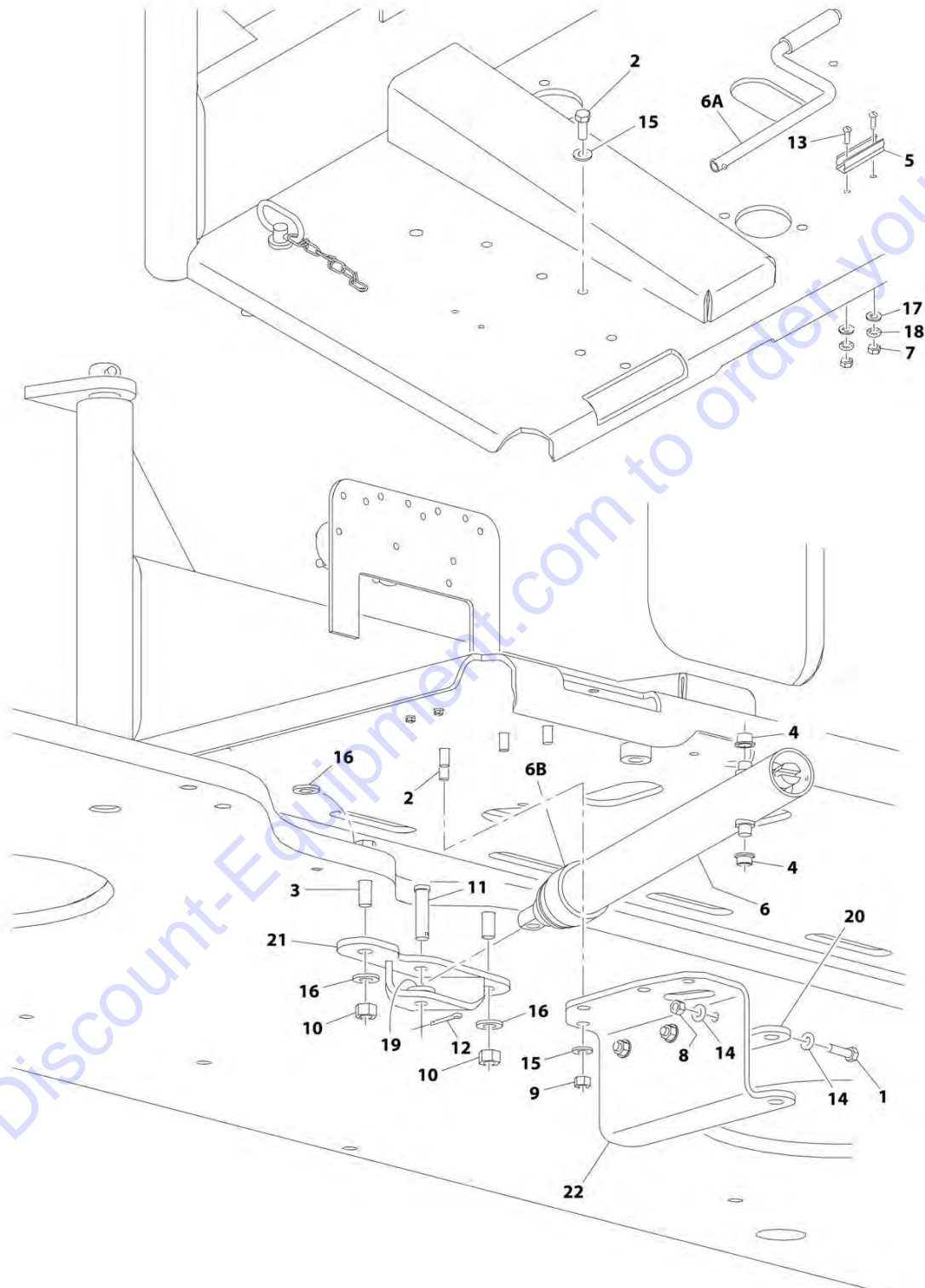
FIGURE 2-42. ENGINE TRAY JACK INSTALLATION - DEUTZ TD2011 ENGINES

ITEM	PART NUMBER	QTY	DESCRIPTION	REV
	0273395	Ref	ENGINE TRAY JACK INSTALLATION - DEUTZ TD2011 ENGINES	B
1	0641608	4	Bolt 3/8 x 1	
2	0641818	2	Bolt 1/2 x 2-1/4	
3	0962051	2	Bearing, Flanged	
4	1380147	1	Clip, Spring	
5	2840016	1	Jack and Handle Assembly	
5A		Ref	Handle Options:	
5A	7016374	1	Burr Manufacturing Brand	
5A	7024598	1	Hammerblow Corp Brand	
5B	7016322	1	Wiper (Burr Manufacturing Brand Only)	
6	3310601	2	Nut #6	
7	3311605	4	Nut 3/8	
8	3311805	2	Nut 1/2	
9	3430816	1	Pin, Clevis	
10	3450404	1	Pin, Cotter 1/8 x 1	
11	3537445	1	Bracket	
12	3574492	2	Plate	
13	3910608	2	Screw #6 x 1/2	
14	4711600	8	Washer 3/8	
15	4711800	4	Washer 1/2	
16	4750600	2	Washer #6	
17	4770600	2	Starwasher #6	
18	4891800	1	Washer 1/2	

Go to Discount-Equipment.com to order your parts

SECTION 2 - TURNTABLE

FIGURE 2-43. ENGINE TRAY JACK INSTALLATION - DEUTZ TCD2.9L4 ENGINES AND DEUTZ TCD2.9L4 (STAGE V) ENGINES



ART_1001146050

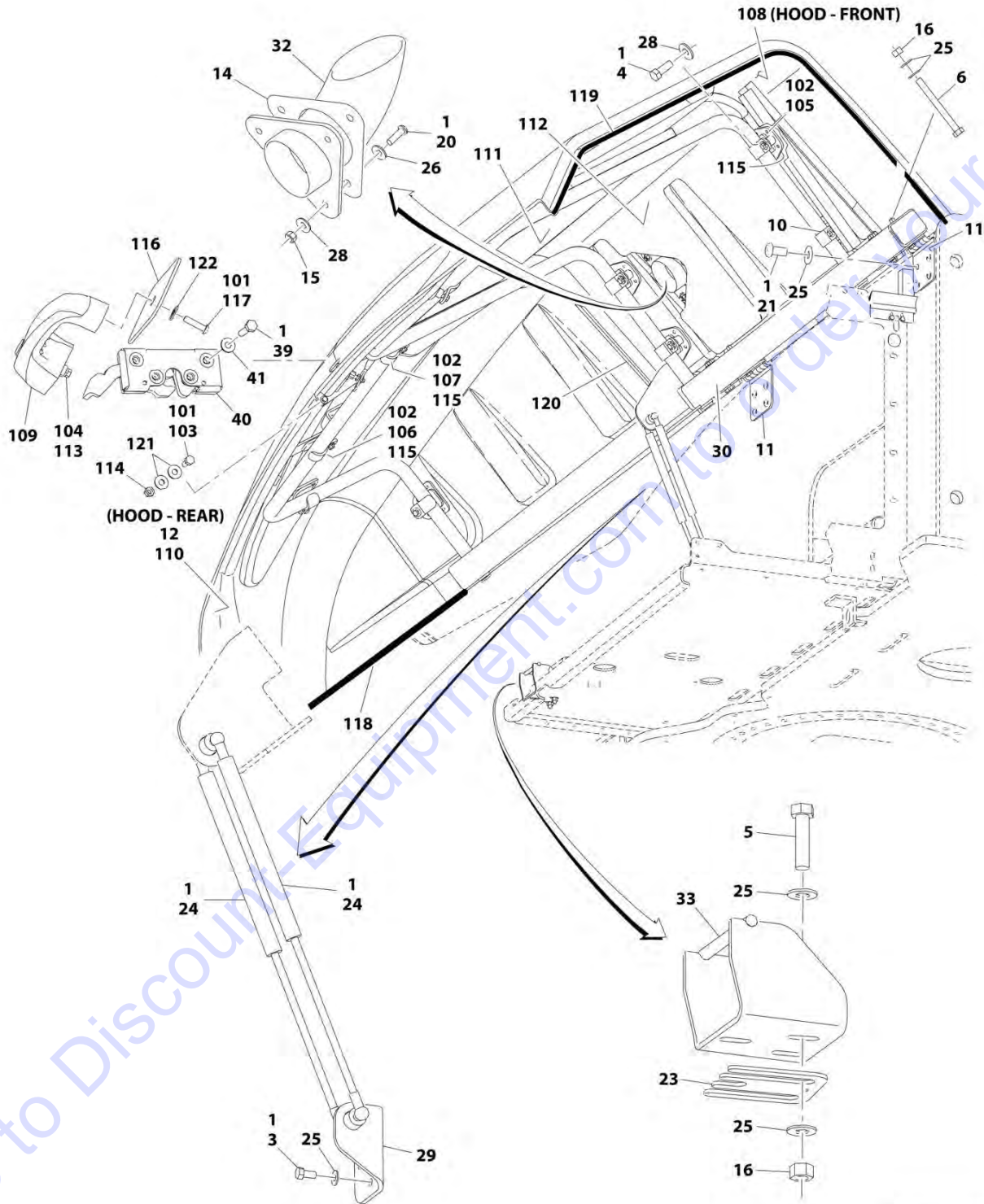
SECTION 2 - TURNTABLE

FIGURE 2-43. ENGINE TRAY JACK INSTALLATION - DEUTZ TCD2.9L4 ENGINES AND DEUTZ TCD2.9L4 (STAGE V) ENGINES

ITEM	PART NUMBER	QTY	DESCRIPTION	REV
	1001146050	Ref	ENGINE TRAY JACK INSTALLATION - DEUTZ TCD2.9L4 ENGINES AND DEUTZ TCD2.9L4 (STAGE V) ENGINES	B
1	0641509	3	Bolt 5/16 x 1-1/8	
2	0641608	4	Bolt 3/8 x 1	
3	0641816	2	Bolt 1/2 x 2	
4	0962051	2	Bearing, Flanged	
5	1380147	1	Clip, Spring	
6	2840016	1	Jack and Handle Assembly	
6A		Ref	Handle Options:	
6A	7016374	1	Burr Manufacturing Brand (Identified by 4in handle offset)	
6A	7024598	1	Hammerblow Corp Brand (Identified by 4-1/2in handle offset)	
6B	7016322	1	Wiper (Burr Manufacturing Brand Only)	
7	3310601	2	Nut #6	
8	3311505	3	Nut 5/16	
9	3311605	4	Nut 3/8	
10	3311805	2	Nut 1/2	
11	3430816	1	Pin, Clevis	
12	3450404	1	Pin, Cotter 1/8 x 1	
13	3910608	2	Screw #6 x 1/2	
14	4711500	6	Washer 5/16	
15	4711600	8	Washer 3/8	
16	4711800	4	Washer 1/2	
17	4750600	2	Washer #6	
18	4770600	2	Starwasher #6	
19	4891800	1	Washer 1/2	
20	1001131482	1	Plate, Jack Bracket	
21	1001135497	1	Support, Engine Tray Jack	
22	1001143298	1	Plate, Jack Bracket	

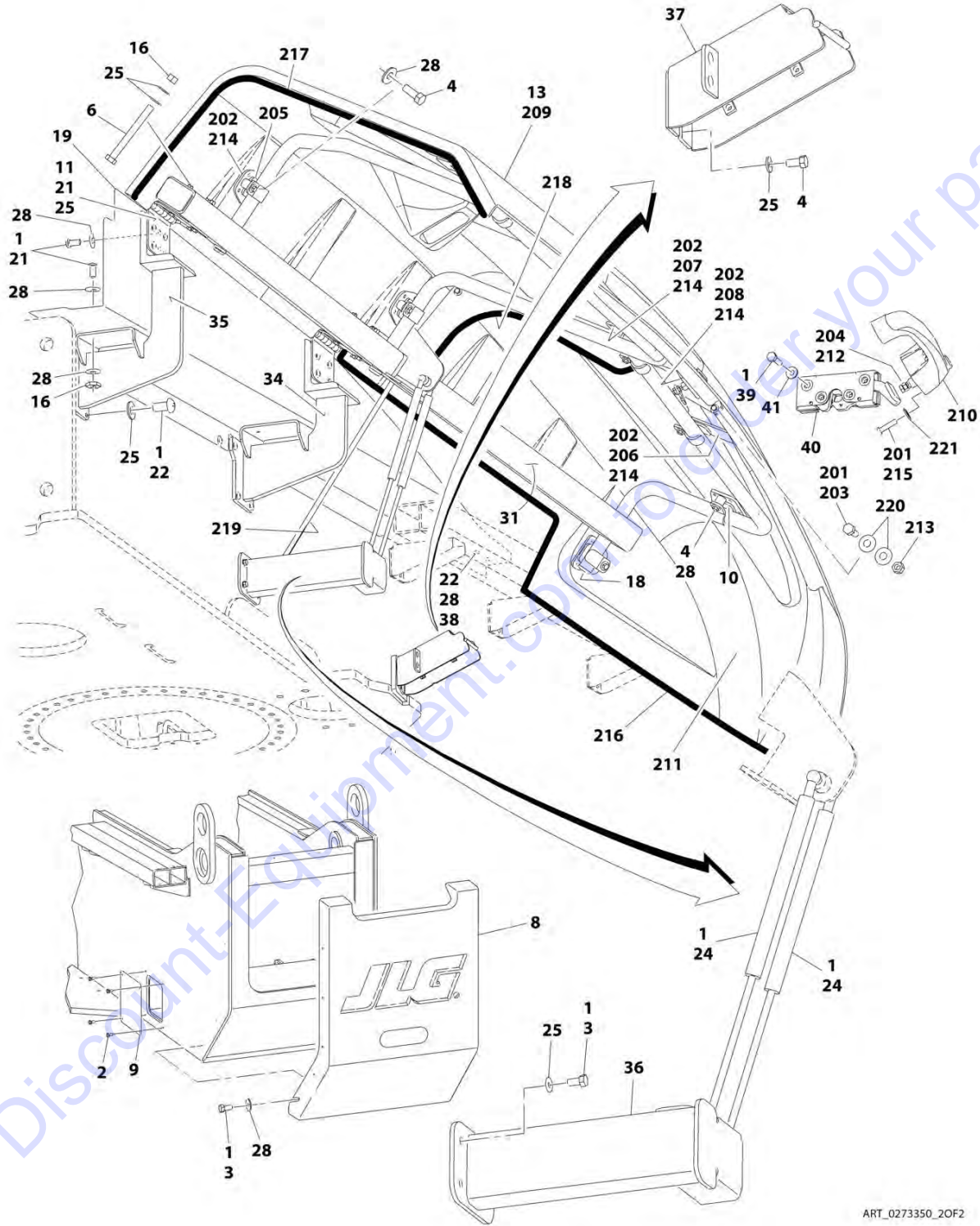
SECTION 2 - TURNTABLE

FIGURE 2-44. HOODS INSTALLATION - DEUTZ TD2011 ENGINES



ART_0273350_10F2

SECTION 2 - TURNTABLE



SECTION 2 - TURNTABLE

FIGURE 2-44. HOODS INSTALLATION - DEUTZ TD2011 ENGINES

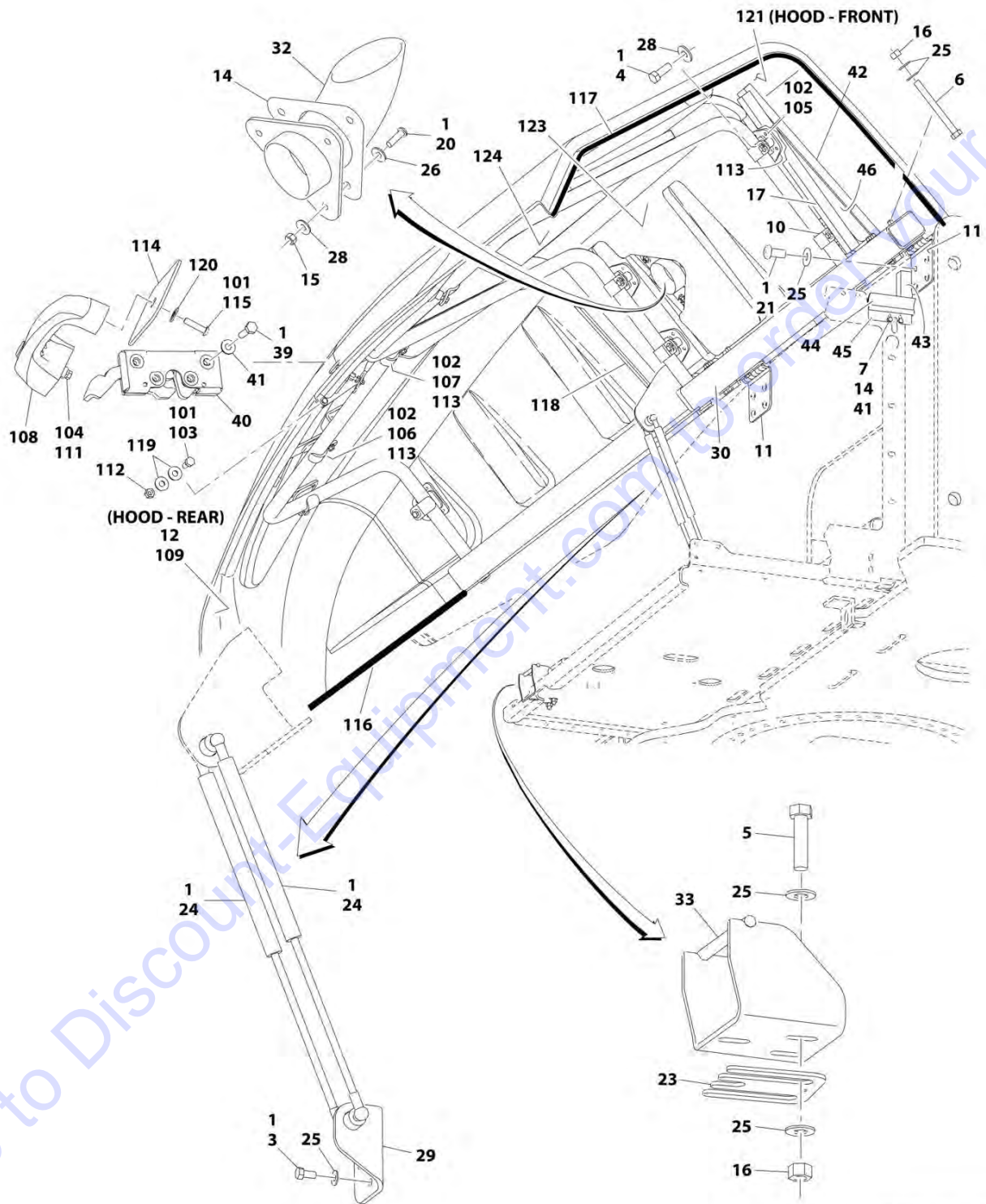
ITEM	PART NUMBER	QTY	DESCRIPTION	REV
	0273350	Ref	HOODS INSTALLATION - DEUTZ TD2011 ENGINES	E
1	0100011	AR	Compound, Locking	
2	0791605	8	Screw 3/8 x 3/4	
3	0641606	17	Bolt 3/8 x 3/4	
4	0641608	19	Bolt 3/8 x 1	
5	0641610	3	Bolt 3/8 x 1-1/4	
6	0641630	12	Bolt 3/8 x 3-3/4	
8	1671109	1	Cover, Turntable	
9	1671118	2	Cover, Pin Access	
10	2080051	16	Clamp	
11	2600280	4	Hinge	
12	1671192	1	Hood, Engine Side (See Items 101-122 for Breakdown)	
		Ref	Note: Replacement Decals Must Be Ordered Separately - See DECAL SECTION.	
13	1671194	1	Hood, Tank Side (See Items 201-221 for Breakdown)	
		Ref	Note: Replacement Decals Must Be Ordered Separately - See DECAL SECTION.	
14	2820141	1	Shield, Heat	
15	3311601	3	Nut 3/8	
16	3311605	15	Nut 3/8	
18	3520186	6	Plug	
19	3574533	1	Trough, Powertrack	
20	3900232	3	Screw 3/8 x 1-1/4	
21	3900283	29	Screw 3/8 x 3/4	
22	3900316	10	Screw 3/8 x 1	
23	4071048	3	Shim	
24	4160194	4	Spring, Gas	
25	4711600	64	Washer 1/4	
26	4740500	3	Washer, Nylon	
28	4751600	47	Washer 3/8	
29	4341001	1	Mount, Gas Spring	
30	4340996	1	Support, Engine Side Hood	
31	4340995	1	Support, Tank Side Hood	
32	4846503	1	Stack, Exhaust	
33	0903154	1	Bracket, Latch	
34	4846871	1	Support, Front Hood	
35	4846872	1	Support, Rear Hood	
36	4341000	1	Mount, Gas Spring	
37	0903157	1	Bracket, Tank Side Striker	
38	88662523	2	Nut, Tinnerman Only	
39	0641408	8	Bolt 1/4 x 1	
40	2940173	2	Latch, Rotary	
41	4711400	AR	Washer 1/4	
	1671192	Ref	ENGINE SIDE HOOD ASSEMBLY	B
101	0100011	AR	Compound, Locking	
102	0100081	AR	Adhesive	
103	0641506	10	Bolt 5/16 x 3/4	
104	0760608	1	Bolt M6 x 16	
105	0902746	7	Bracket	
106	0902761	1	Bracket	

SECTION 2 - TURNTABLE

ITEM	PART NUMBER	QTY	DESCRIPTION	REV
107	0903161	1	Bracket	
108	1671191	1	Hood, Engine Side Front	
109	2560187	1	Handle	
110	2680496	1	Hood, Engine Side Rear	
111	2820145	1	Insulation, Sound Absorbing	
112	2820146	1	Insulation, Noise Absorbing	
113	3290601	1	Nut M6 x 1	
114	3311501	10	Nut 5/16	
115	3340877	9	Pad	
116	3575782	1	Plate	
117	3900363	2	Screw M6 x 25	
118	3960464	12.1 ft /3.7m	Seal	
119	4060804	5.1 ft /1.6m	Shield, Flex Trim	
120	4060806	4.1 ft /1.2m	Shield, Flex Trim	
121	4751500	20	Washer 5/16	
122	4811900	2	Washer M8	
	1671194	Ref	TANK SIDE HOOD ASSEMBLY	A
201	0100011	AR	Compound, Locking	
202	0100081	AR	Adhesive	
203	0641506	9	Bolt 5/16 x 3/4	
204	0760608	1	Bolt M6 x 16	
205	0902746	4	Bracket	
206	0902762	1	Bracket	
207	0902763	1	Bracket	
208	0903162	1	Bracket	
209	1671193	1	Hood, Tank Side Front	
210	2560187	1	Handle	
211	2680498	1	Hood, Tank Side Rear	
212	3290601	1	Nut M6 x 1	
213	3311501	9	Nut 5/16	
214	3340877	7	Pad	
215	3900363	2	Screw M6 x 25	
216	3960464	12.4 ft /3.8m	Seal	
217	4060804	4.4 ft /1.3m	Shield, Flex Trim	
218	4060806	3.3 ft/1m	Shield, Flex Trim	
219	4240150	1	Strap	
220	4751500	18	Washer 5/16	
221	4811900	2	Washer M8	

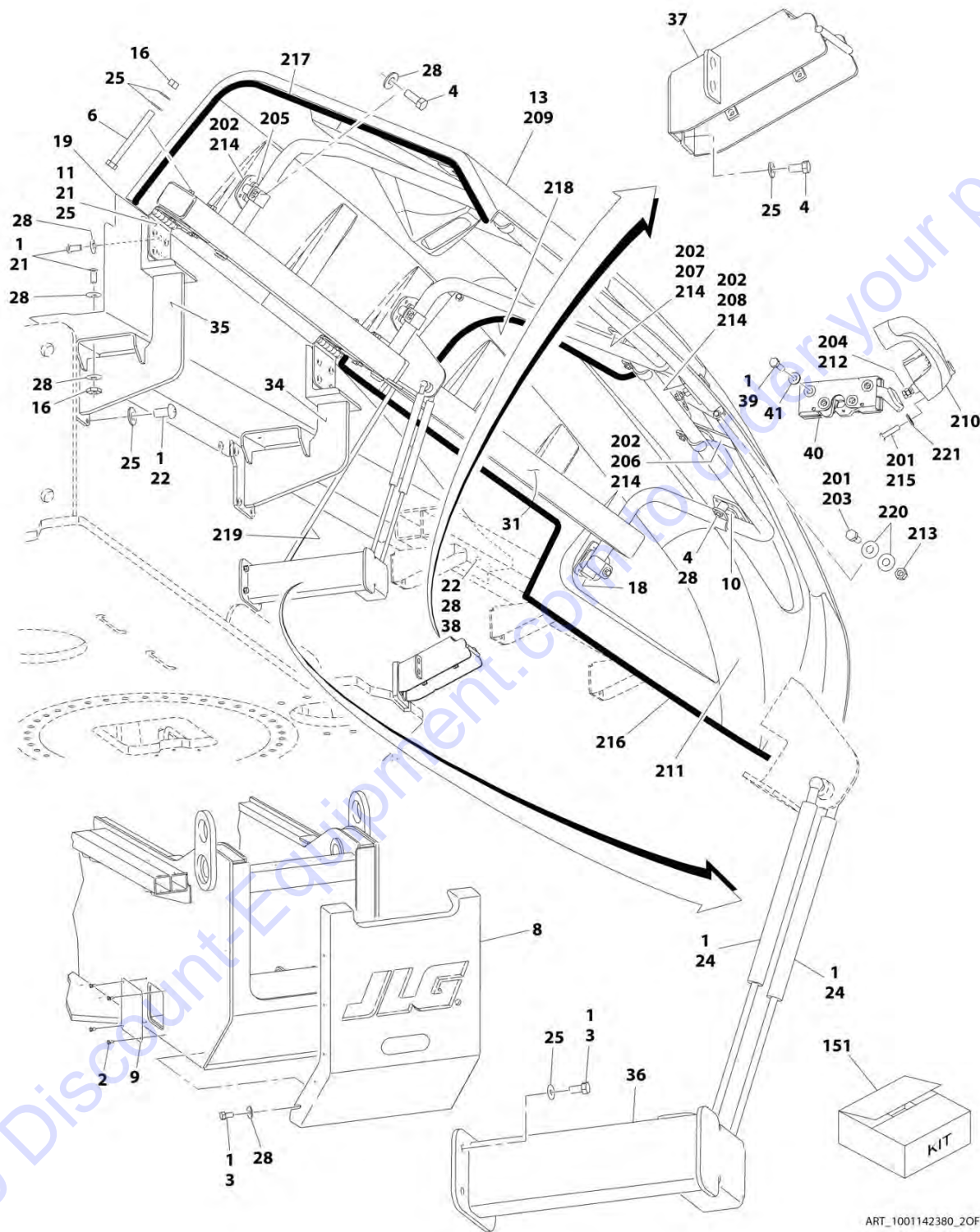
SECTION 2 - TURNTABLE

FIGURE 2-45. HOODS INSTALLATION - DEUTZ TCD2.9L4 ENGINES AND DEUTZ TCD2.9L4 (STAGE V) ENGINES



ART_1001142380_10F2

SECTION 2 - TURNTABLE



ART_1001142380_20F2

SECTION 2 - TURNTABLE

FIGURE 2-45. HOODS INSTALLATION - DEUTZ TCD2.9L4 ENGINES AND DEUTZ TCD2.9L4 (STAGE V) ENGINES

ITEM	PART NUMBER	QTY	DESCRIPTION	REV
	1001142380	Ref	HOODS INSTALLATION - DEUTZ TCD2.9L4 ENGINES AND DEUTZ TCD2.9L4 (STAGE V) ENGINES	C
1	0100011	AR	Compound, Locking	
2	0791605	8	Screw 3/8 x 5/8	
3	0641606	17	Bolt 3/8 x 3/4	
4	0641608	19	Bolt 3/8 x 1	
5	0641610	3	Bolt 3/8 x 1-1/4	
6	0641630	12	Bolt 3/8 x 3-3/4	
7	0641406	2	Bolt 1/4 x 3/4	
8	1671109	1	Cover, Turntable	
9	1671118	2	Cover, Pin Access	
10	2080051	16	Clamp	
11	2600280	4	Hinge	
12	1001142023	1	Hood, Engine Side	
13	1671194	1	Hood, Tank Side	
14	3311405	2	Nut 1/4	
15	3311601	5	Nut 3/8	
16	3311605	15	Nut 3/8	
17	1001140485	1	Seal, Foam Gasket	
18	3520186	6	Plug	
19	3574533	1	Trough, Powertrack	
20	3900232	5	Screw 3/8 x 1-1/4	
21	3900283	29	Screw 3/8 x 3/4	
22	3900316	10	Screw 3/8 x 1	
23	4071048	3	Shim	
24	4160194	4	Spring, Gas	
25	4711600	64	Washer 1/4	
26	4740500	5	Washer, Nylon	
28	4751600	51	Washer 3/8	
29	4341001	1	Weldment, Gas Spring Mount	
30	4340996	1	Support, Engine Side Hood	
31	4340995	1	Support, Tank Side Hood	
32	1001142181	1	Weldment, Exhaust Stack	
33	0903154	1	Bracket, Engine Side Striker	
34	4846871	1	Weldment, Rear Hood Support	
35	4846872	1	Weldment, Front Hood Support	
36	4341000	1	Mount, Tank Side Gas Spring	
37	0903157	1	Bracket, Tank Side Striker	
38	88662523	2	Nut, Tinnerman	
39	0641408	8	Bolt 1/4 x 1	
40	2940173	2	Latch, Rotary	
41	4711400	12	Washer 1/4	
42	1001142144	1	Bracket, Hood Baffle	
43	1001146132	1	Seal, Foam Gasket	
44	1001146178	1	Seal, Hood Frame	
45	1001146183	1	Plate, Hood Frame Baffle	
46	1001146142	1	Seal, Foam Gasket	
	1001142023	Ref	ENGINE SIDE HOOD ASSEMBLY	D
101	0100011	AR	Compound, Locking	

SECTION 2 - TURNTABLE

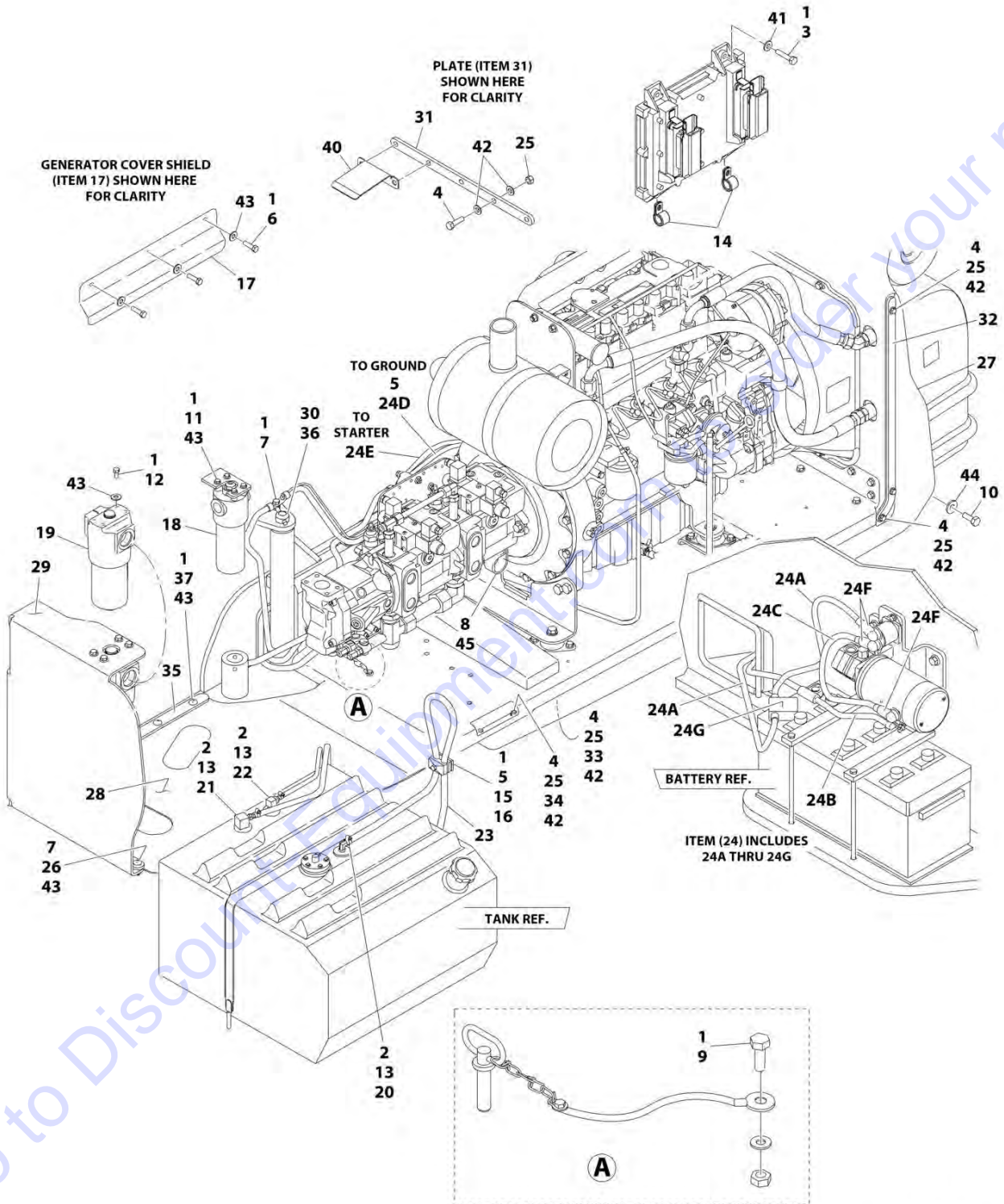
ITEM	PART NUMBER	QTY	DESCRIPTION	REV
102	0100081	AR	Adhesive	
103	0641510	10	Bolt 5/16 x 1-1/4	
104	0760608	1	Bolt M6 x 16	
105	0902746	7	Bracket	
106	0902761	1	Bracket	
107	0903161	1	Bracket	
108	2560187	1	Handle	
109	2680496	1	Hood, Engine Side Rear	
111	3290601	1	Nut M6 x 1	
112	3311501	10	Nut 5/16	
113	3340877	9	Pad	
114	3575782	1	Plate	
115	3900363	2	Screw M6 x 25	
116	3960464	12.1 ft /3.7m	Seal	
117	4060804	5.1 ft /1.6m	Shield, Flex Trim	
118	4060806	4.1 ft /1.2m	Shield, Flex Trim	
119	4751500	20	Washer 5/16	
120	4811900	2	Washer M8	
121	1001142021	1	Hood, Engine Side Front	
123	1001152566	AR	Insulate	
124	1001117140	AR	Tape, Aluminized Polyester	
151	1001184934	1	Kit, Engine Side Hood (Includes Items 101, 102, 104-108, 111, 113-118 & 120-124) (SN 0300213773 to Present)	
	1671194	Ref	TANK SIDE HOOD ASSEMBLY	A
201	0100011	AR	Compound, Locking	
202	0100081	AR	Adhesive	
203	0641506	9	Bolt 5/16 x 3/4	
204	0760608	1	Bolt M6 x 16	
205	0902746	4	Bracket	
206	0902762	1	Bracket	
207	0902763	1	Bracket	
208	0903162	1	Bracket	
209	1671193	1	Hood, Tank Side Front	
210	2560187	1	Handle	
211	2680498	1	Hood, Tank Side Rear	
212	3290601	1	Nut M6 x 1	
213	3311501	9	Nut 5/16	
214	3340877	7	Pad	
215	3900363	2	Screw M6 x 25	
216	3960464	12.4 ft /3.8m	Seal	
217	4060804	4.4 ft /1.3m	Shield, Flex Trim	
218	4060806	3.3 ft/1m	Shield, Flex Trim	
219	4240150	1	Strap	
220	4751500	18	Washer 5/16	
221	4811900	2	Washer M8	

SECTION 3 - ENGINE

Go to Discount-Equipment.com to order your parts

SECTION 3 - ENGINE

FIGURE 3-1. DEUTZ TD2011 ENGINE INSTALLATION - WITH REXROTH PUMP (WITHOUT GENERATOR AND WITHOUT COLD WEATHER PLUS PACKAGE)



ART_1001098519

SECTION 3 - ENGINE

FIGURE 3-1. DEUTZ TD2011 ENGINE INSTALLATION - WITH REXROTH PUMP (WITHOUT GENERATOR AND WITHOUT COLD WEATHER PLUS PACKAGE)

ITEM	PART NUMBER	QTY	DESCRIPTION	REV
	1001098519	Ref	DEUTZ TD2011 ENGINE INSTALLATION - WITH REXROTH PUMP (WITHOUT GENERATOR AND WITHOUT COLD WEATHER PLUS PACKAGE)	G
1	0100011	AR	Compound, Locking	
2	0100079	AR	Sealant, Pipe	
3	0641410	4	Bolt 1/4 x 1-1/4	
4	0641509	15	Bolt 5/16 x 1-1/8	
5	0641511	1	Bolt 5/16 x 1-3/8	
6	0641605	3	Bolt 3/8 x 5/8	
7	0641610	5	Bolt 3/8 x 1-1/4	
8	0641806	1	Bolt 1/2 x 3/4	
9	0641808	1	Bolt 1/2 x 1	
10	0642010	1	Bolt 5/8 x 1-1/4	
11	0641606	4	Bolt 3/8 x 3/4	
12	0651606	4	Bolt 3/8 x 3/4	
13	1320022	3	Clamp	
14	1320041	2	Clamp	
15	1320187	1	Clamp	
16	1320190	1	Clamp	
17	1671121	1	Cover, Generator	
18	1001108617	1	Filter, Pressure	
18	70002231	1	Element, Filter	
19	2120218	1	Filter, High Pressure	
19	2120219	1	Element	
19	70001344	1	O-Ring, Bowl	
19	70006137	1	Seal Kit - Includes O-Ring (Element), O-Ring (Bowl), Back-up Ring (Bowl), Seal Ring (Indicator) and O-Ring (Indicator)	
20	2180348	1	Fitting, Barbed	
21	2220313	1	Fitting, 90 Barbed	
22	2221176	1	Fitting, 90 Elbow	
23	2750532	5 ft/ 1.5m	Hose	
24	2902292	1	Battery Cable Kit	
24A	7027008	1	Cable, Red (To Aux Pump Relay, Battery Positive Terminal and Start Relay)	
24B	7027009	1	Cable, Black (To Aux Pump, Battery Negative Terminal and Ground at Tray Pivot)	
24C	7027010	1	Cable, Red (Aux Pump Relay to Aux Pump)	
24D	7027011	1	Cable, Black (Tray Pivot to Engine Mount)	
24E	7024584	1	Cable, Red (Start Relay to Starter)	
24F	See Note	NSS	Boot, Terminal (Red) (Note: Not Available for Purchase)	
24G	See Note	NSS	Boot, Square Terminal (Red) (Note: Not Available for Purchase)	
25	3311505	15	Nut 5/16	
26	3311605	4	Nut 3/8	
27	3380473	1	Panel, Rubber	
28	3380498	1	Panel	
29	3380723	1	Panel	
30	3422446	1	Pin	
31	3573644	1	Plate, Tray Clamp	
32	3573669	1	Plate, Clamp	
33	3573727	1	Plate, Tray Clamp	

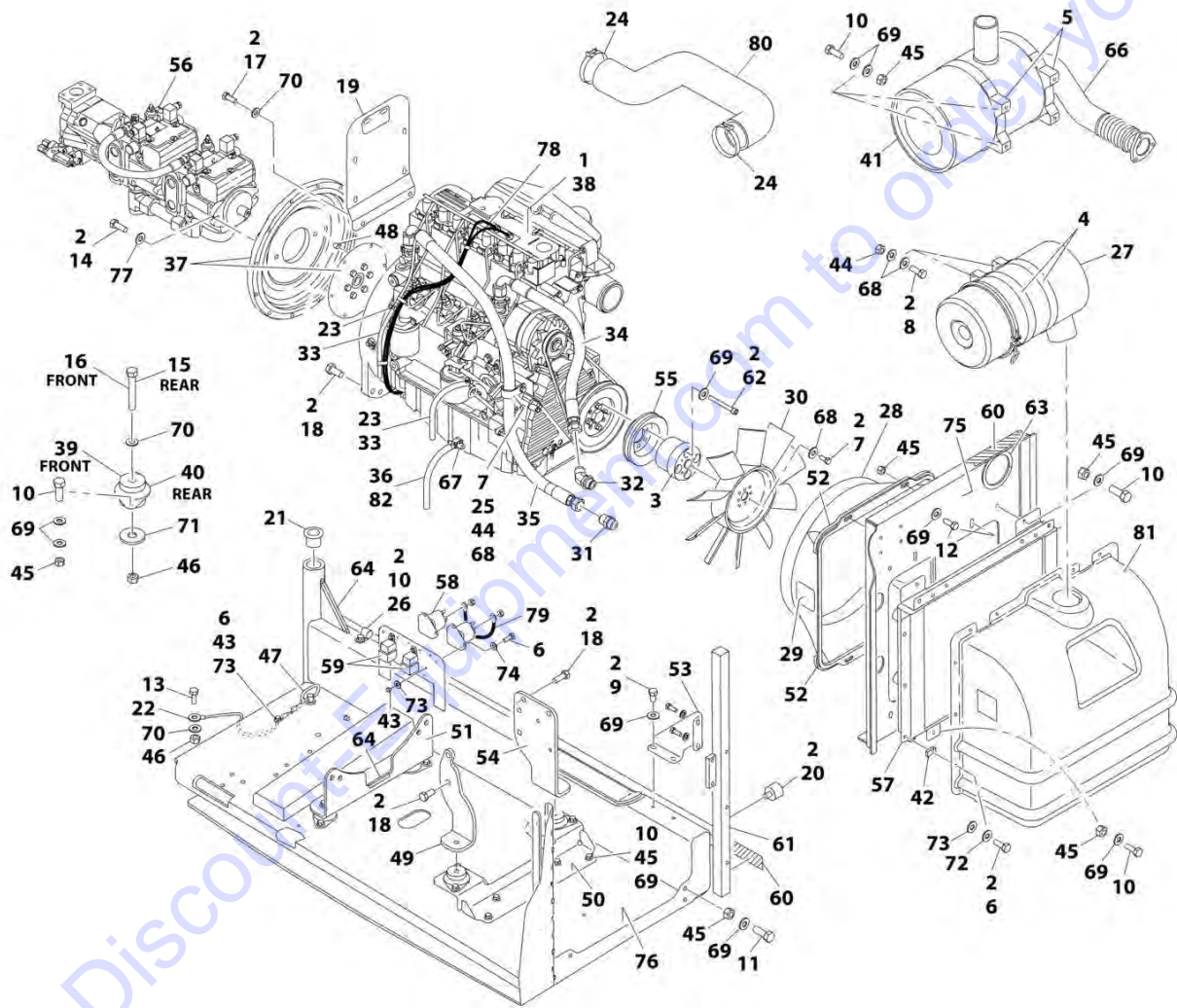
SECTION 3 - ENGINE

ITEM	PART NUMBER	QTY	DESCRIPTION	REV
34	3573728	1	Plate, Tray Clamp	
35	3574633	1	Plate	
36	3841143	1	Keeper	
37	3900316	10	Screw 3/8 x 1	
38	4240018	2	Strap, Cable Tie (Not Shown)	
39	4240033	AR	Tie, Wire (Not Shown)	
40	4341110	1	Support	
41	4711400	4	Washer 1/4	
42	4711500	30	Washer 5/16	
43	4711600	29	Washer 3/8	
44	4752000	1	Washer 5/8	
45	90028660	1	Clamp	
47	2200222	1	Plug, Fuel Tank (Not Shown) (SN 0300201017 through 0300237152)	

Go to Discount-Equipment.com to order your parts

SECTION 3 - ENGINE

FIGURE 3-2. DEUTZ TD2011 ENGINE ASSEMBLY - WITH REXROTH PUMP (WITHOUT GENERATOR AND WITHOUT COLD WEATHER PLUS PACKAGE)



ART_1001098513

SECTION 3 - ENGINE

FIGURE 3-2. DEUTZ TD2011 ENGINE ASSEMBLY - WITH REXROTH PUMP (WITHOUT GENERATOR AND WITHOUT COLD WEATHER PLUS PACKAGE)

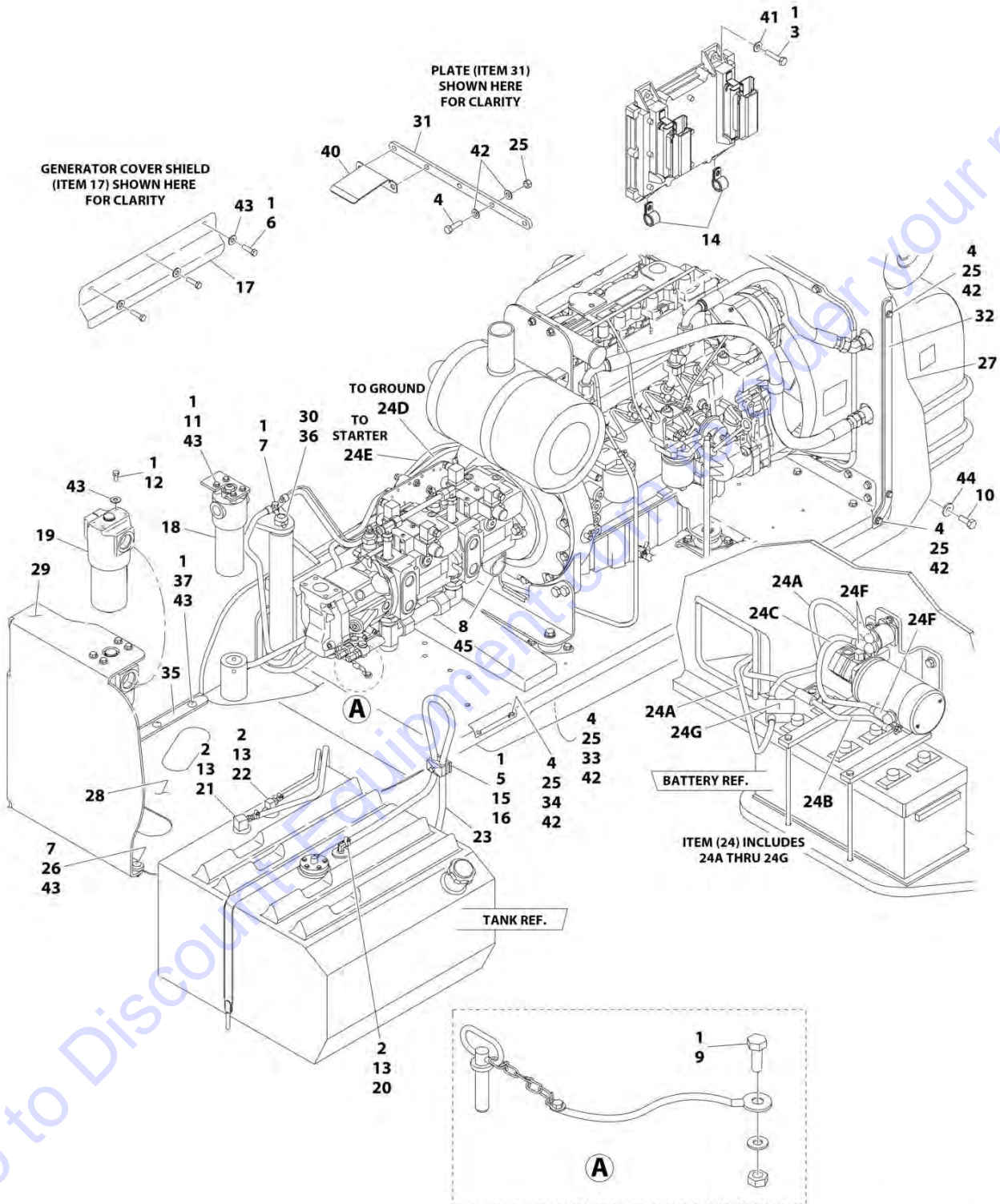
ITEM	PART NUMBER	QTY	DESCRIPTION	REV
	1001098513	Ref	DEUTZ TD2011 ENGINE ASSEMBLY - WITH REXROTH PUMP (WITHOUT GENERATOR AND WITHOUT COLD WEATHER PLUS PACKAGE)	I
1	1001098601	1	Deutz TD2011 Engine (See DEUTZ TD2011 ENGINE COMPONENTS for Breakdown)	
2	0100011	AR	Compound, Locking	
3	0080237	1	Spacer, Fan	
4	0340003	2	Band, Air Cleaner	
5	0340051	2	Band, Muffler	
6	0641406	15	Bolt 1/4 x 3/4	
7	0641506	5	Bolt 5/16 x 3/4	
8	0641507	4	Bolt 5/16 x 7/8	
9	0641605	4	Bolt 3/8 x 5/8	
10	0641608	25	Bolt 3/8 x 1	
11	0641609	2	Bolt 3/8 x 1-1/8	
12	0641610	4	Bolt 3/8 x 1-1/4	
13	0641808	1	Bolt 1/2 x 1	
14	0641812	2	Bolt 1/2 x 1-1/2	
15	0641818	2	Bolt 1/2 x 2-1/4	
16	0641826	2	Bolt 1/2 x 3-1/4	
17	0711214	2	Bolt M12 x 30	
18	0771414	10	Bolt M14 x 30	
19	1001112766	1	Bracket, Muffler	
20	0940070	1	Bumper	
21	0961986	2	Bearing, Flange	
22	1001131542	1	Cable, Lanyard	
23	1320022	3	Clamp	
24	1320058	2	Clamp	
25	1320060	1	Clamp	
26	1320223	1	Clamp	
27	1340065	1	Air Cleaner Assembly	
27	7003655	1	Element, Air Cleaner	
27	7015013	1	Baffle, Rubber	
27	7015014	1	Clamp, Cap	
27	7015015	1	Cup	
27	7015003	1	Wingnut	
28	1671023	1	Shroud, Fan	
29	1703162	2	Decal - Fan Blade	
30	2060025	1	Fan	
31	2220451	1	Fitting, Straight JIC/ORB	
32	2220498	1	Fitting, 45 JIC/ORB	
33	2720058	34 ft/ 10.4m	Hose	
34	2720500	1	Hose	
35	2720501	1	Hose	
36	2750532	0.75 ft/ 0.2m	Hose	
37	2902065	1	Pump Coupling Kit (See PUMP COUPLING KIT for Breakdown)	
38	3020016	3.25 gal/ 12.3L	Motor Oil, 15W-40	

SECTION 3 - ENGINE

ITEM	PART NUMBER	QTY	DESCRIPTION	REV
39	3200362	2	Mount, Motor (Front)	
40	3200401	2	Mount, Motor (Rear)	
41	3220126	1	Muffler, Spark Arresting	
42	3300454	10	Nut 1/4	
43	3311405	5	Nut 1/4	
44	3311505	5	Nut 5/16	
45	3311605	30	Nut 3/8	
46	3311805	5	Nut 1/2	
47	3422532	1	Pin, Hitch	
48	3520054	2	Plug	
49	3537416	1	Plate, Mounting (Front Right)	
50	3539971	1	Bracket, Engine Mounting (Front)	
51	3573142	1	Bracket, Engine Mounting (Rear)	
52	3573411	2	Plate, Clamp	
53	3573412	1	Plate, Gusset	
54	3573529	1	Plate, Engine Mounting (Front Left)	
55	3580158	1	Pulley	
56	3600339	1	Pump Assembly - Rexroth (See PUMP ASSEMBLY (REXROTH) (DEUTZ TD2011 ENGINES) for Breakdown)	
57	1001145382	1	Radiator Oil Cooler	
58	3740067	2	Relay	
59	3740080	2	Relay	
60	3960543	1	Seal	
61	3960544	1	Seal	
62	4032022	4	Bolt M10 x 90	
63	4060804	0.98 ft/ 0.3m	Flex-Trim	
64	4060805	0.67 ft/ 0.2m	Flex-Trim	
65	4240099	AR	Tie, Wire (Not Shown)	
66	4568293	1	Tube, Exhaust	
67	4640751	1	Valve, Oil Drain	
68	4711500	13	Washer 5/16	
69	4711600	68	Washer 3/8	
70	4711800	7	Washer 1/2	
71	4740274	4	Washer, Special (Snubbing)	
72	4740518	10	Washer, Nylon	
73	4751400	20	Washer 1/4	
74	4791400	4	Starwasher 1/4	
75	4846552	1	Plate, Oil Cooler Mounting	
76	4846946	1	Tray	
77	4891800	2	Washer 1/2	
78	4923468	1	Harness, Glow Plug	
79	4923592	1	Cable, Jumper	
80	1001092856	1	Hose (SN 0300201017 through 0300234289)	
80	1001225118	1	Hose (SN 0300234290 to Present)	
81	0272060	1	Box, Air Intake	
82	8410013	1	Clamp	

SECTION 3 - ENGINE

FIGURE 3-3. DEUTZ TD2011 ENGINE INSTALLATION - WITH REXROTH PUMP (WITH GENERATOR AND WITHOUT COLD WEATHER PLUS PACKAGE)



ART_1001098518

SECTION 3 - ENGINE

FIGURE 3-3. DEUTZ TD2011 ENGINE INSTALLATION - WITH REXROTH PUMP (WITH GENERATOR AND WITHOUT COLD WEATHER PLUS PACKAGE)

ITEM	PART NUMBER	QTY	DESCRIPTION	REV
	1001098518	Ref	DEUTZ TD2011 ENGINE INSTALLATION - WITH REXROTH PUMP (WITH GENERATOR AND WITHOUT COLD WEATHER PLUS PACKAGE)	G
1	0100011	AR	Compound, Locking	
2	0100079	AR	Sealant, Pipe	
3	0641410	4	Bolt 1/4 x 1-1/4	
4	0641509	15	Bolt 5/16 x 1-1/8	
5	0641511	1	Bolt 5/16 x 1-3/8	
6	0641605	3	Bolt 3/8 x 5/8	
7	0641610	5	Bolt 3/8 x 1-1/4	
8	0641806	1	Bolt 1/2 x 3/4	
9	0641808	1	Bolt 1/2 x 1	
10	0642010	1	Bolt 5/8 x 1-1/4	
11	0641606	4	Bolt 3/8 x 3/4	
12	0651606	4	Bolt 3/8 x 3/4	
13	1320022	3	Clamp	
14	1320041	2	Clamp	
15	1320187	1	Clamp, Twin	
16	1320190	1	Cover, Clamp	
17	1671121	1	Cover, Generator	
18	1001108617	1	Filter, Pressure	
18	70002231	1	Element, Filter	
19	2120218	1	Filter, High Pressure	
19	2120219	1	Element	
19	70001344	1	O-Ring, Bowl	
19	70006137	1	Seal Kit - Includes O-Ring (Element), O-Ring (Bowl), Back-up Ring (Bowl), Seal Ring (Indicator) and O-Ring (Indicator)	
20	2180348	1	Fitting, Barbed	
21	2220313	1	Fitting, 90 Barbed	
22	2221176	1	Fitting, 90 Elbow	
23	2750532	5 ft/ 1.5m	Hose	
24	2902292	1	Battery Cable Kit	
24A	7027008	1	Cable, Red (To Aux Pump Relay, Battery Positive Terminal and Start Relay)	
24B	7027009	1	Cable, Black (To Aux Pump, Battery Negative Terminal and Ground at Tray Pivot)	
24C	7027010	1	Cable, Red (Aux Pump Relay to Aux Pump)	
24D	7027011	1	Cable, Black (Tray Pivot to Engine Mount)	
24E	7024584	1	Cable, Red (Start Relay to Starter)	
24F	See Note	NSS	Boot, Terminal (Red) (Note: Not Available for Purchase)	
24G	See Note	NSS	Boot, Square Terminal (Red) (Note: Not Available for Purchase)	
25	3311505	15	Nut 5/16	
26	3311605	4	Nut 3/8	
27	3380473	1	Panel, Rubber	
28	3380498	1	Panel	
29	3380723	1	Panel	
30	3422446	1	Pin	
31	3573644	1	Plate, Tray Clamp	
32	3573669	1	Plate, Clamp	
33	3573727	1	Plate, Tray Clamp	

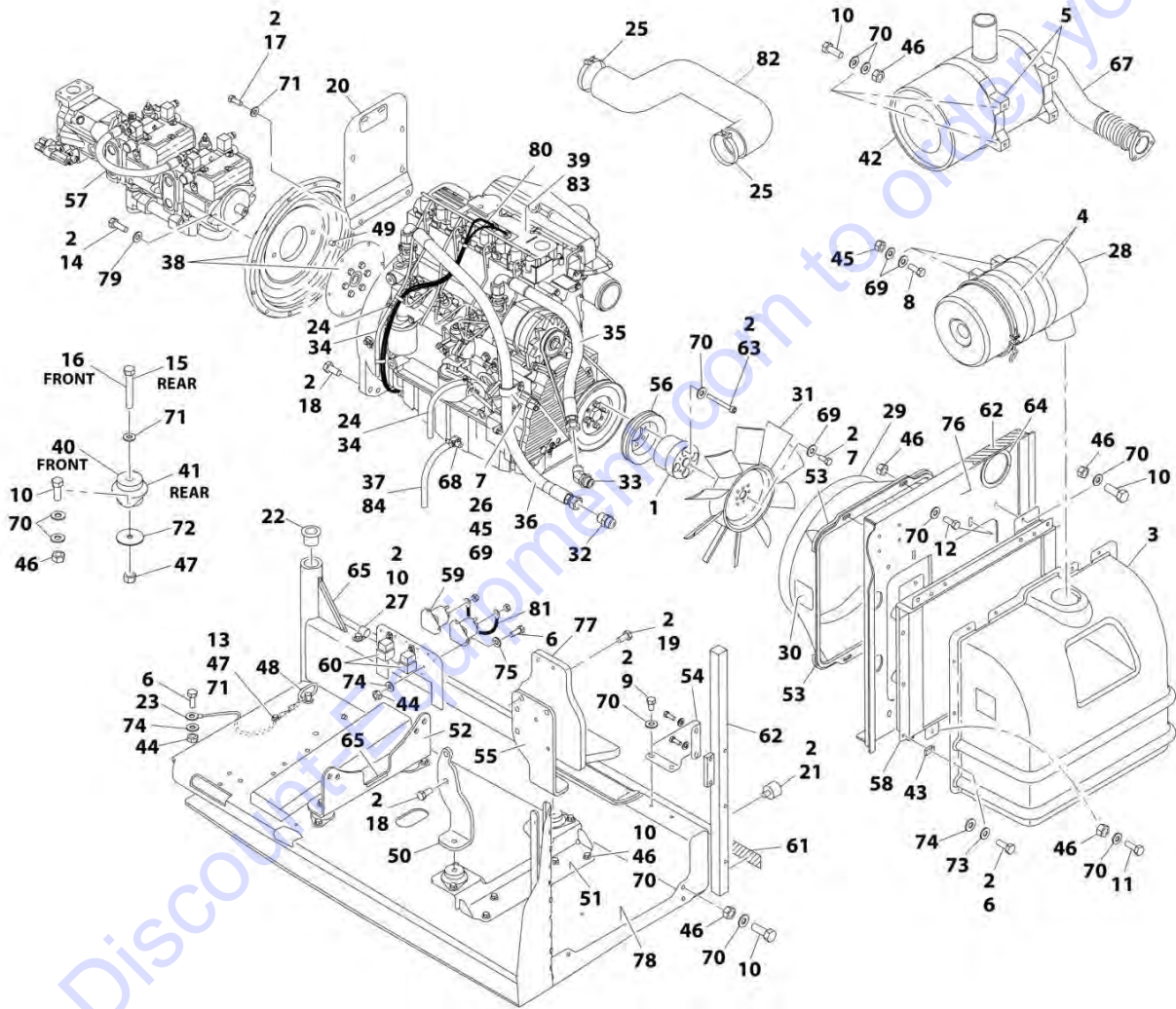
SECTION 3 - ENGINE

ITEM	PART NUMBER	QTY	DESCRIPTION	REV
34	3573728	1	Plate, Tray Clamp	
35	3574633	1	Plate	
36	3841143	1	Keeper	
37	3900316	10	Screw 3/8 x 1	
38	4240018	2	Strap, Cable Tie (Not Shown)	
39	4240033	AR	Tie, Wire (Not Shown)	
40	4341110	1	Support	
41	4711400	4	Washer 1/4	
42	4711500	30	Washer 5/16	
43	4711600	29	Washer 3/8	
44	4752000	1	Washer 5/8	
45	90028660	1	Clamp	
47	2200222	1	Plug, Fuel Tank (Not Shown) (SN 0300201017 through 0300237152)	

Go to Discount-Equipment.com to order your parts

SECTION 3 - ENGINE

FIGURE 3-4. DEUTZ TD2011 ENGINE ASSEMBLY - WITH REXROTH PUMP (WITH GENERATOR AND WITHOUT COLD WEATHER PLUS PACKAGE)



ART_1001098530

SECTION 3 - ENGINE

FIGURE 3-4. DEUTZ TD2011 ENGINE ASSEMBLY - WITH REXROTH PUMP (WITH GENERATOR AND WITHOUT COLD WEATHER PLUS PACKAGE)

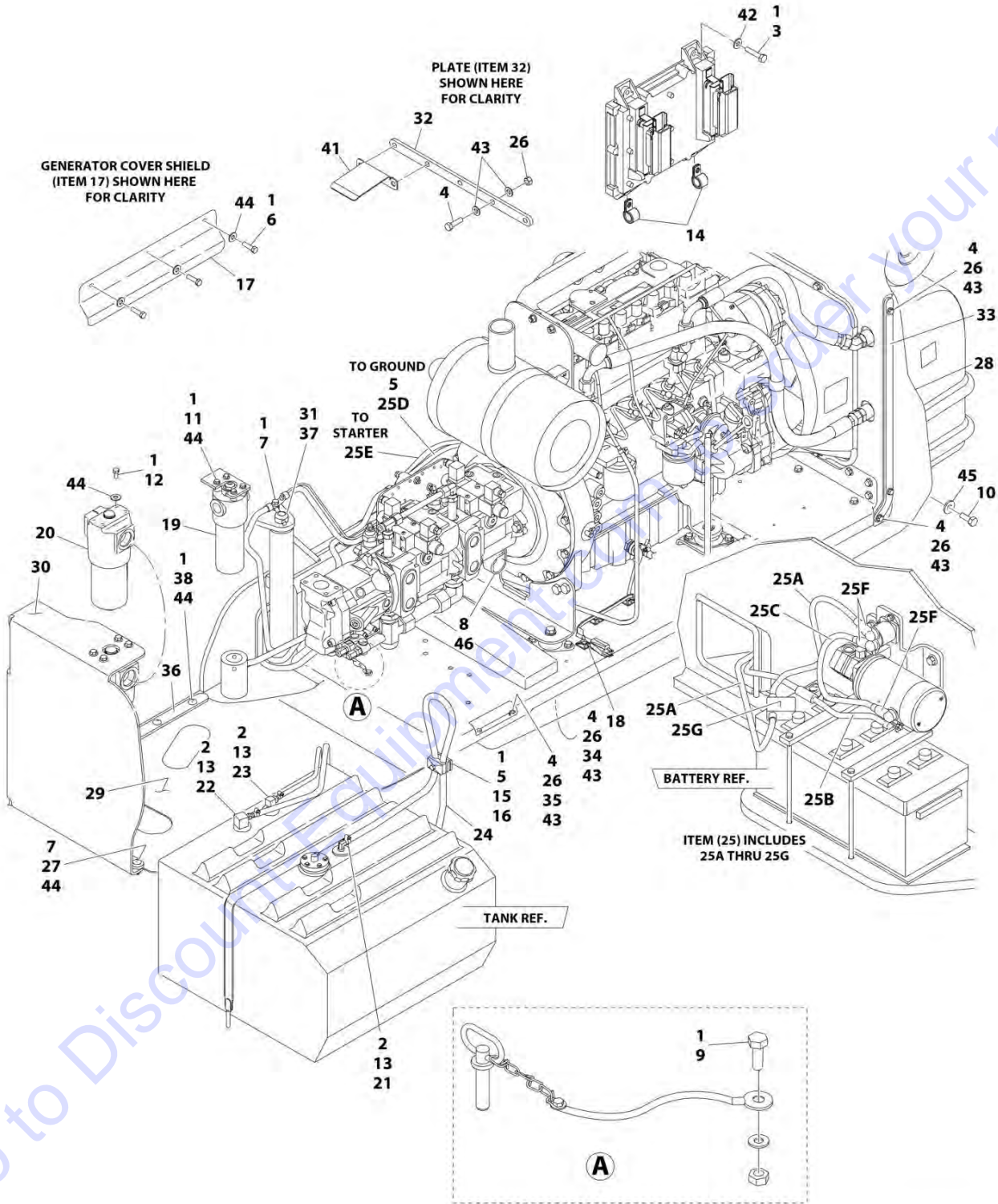
ITEM	PART NUMBER	QTY	DESCRIPTION	REV
	1001098530	Ref	DEUTZ TD2011 ENGINE ASSEMBLY - WITH REXROTH PUMP (WITH GENERATOR AND WITHOUT COLD WEATHER PLUS PACKAGE)	J
1	0080244	1	Spacer, Fan	
2	0100011	AR	Compound, Locking	
3	0272060	1	Box, Air Intake	
4	0340003	2	Band, Air Cleaner	
5	0340051	2	Band, Muffler	
6	0641406	15	Bolt 1/4 x 3/4	
7	0641506	5	Bolt 5/16 x 3/4	
8	0641507	4	Bolt 5/16 x 7/8	
9	0641605	4	Bolt 3/8 x 5/8	
10	0641608	25	Bolt 3/8 x 1	
11	0641609	2	Bolt 3/8 x 1-1/8	
12	0641610	4	Bolt 3/8 x 1-1/4	
13	0641808	1	Bolt 1/2 x 1	
14	0641812	2	Bolt 1/2 x 1-1/2	
15	0641818	2	Bolt 1/2 x 2-1/4	
16	0641826	2	Bolt 1/2 x 3-1/4	
17	0711214	2	Bolt M12 x 30	
18	0771414	6	Bolt M14 x 30	
19	0711417	4	Bolt M14 x 45	
20	1001112766	1	Bracket, Muffler	
21	0940070	1	Bumper	
22	0961986	2	Bearing, Flange	
23	1001131542	1	Cable, Lanyard	
24	1320022	2	Clamp	
25	1320058	2	Clamp	
26	1320060	1	Clamp	
27	1320223	1	Clamp	
28	1340065	1	Air Cleaner Assembly	
28	7003655	1	Element, Air Cleaner	
28	7015013	1	Baffle, Rubber	
28	7015014	1	Clamp, Cap	
28	7015015	1	Cup	
28	7015003	1	Wingnut	
29	1671023	1	Shroud, Fan	
30	1703162	2	Decal - Fan Blade	
31	2060025	1	Fan	
32	2220451	1	Fitting, Straight JIC/ORB	
33	2220498	1	Fitting, 45 JIC/ORB	
34	2720058	34 ft/ 10.4m	Hose	
35	2720500	1	Hose	
36	2720501	1	Hose	
37	2750532	0.75 ft/ 0.2m	Hose	
38	2902065	1	Pump Coupling Kit (See PUMP COUPLING KIT for Breakdown)	
39	3020016	3.25 gal/ 12.3L	Motor Oil, 15W-40	

SECTION 3 - ENGINE

ITEM	PART NUMBER	QTY	DESCRIPTION	REV
40	3200362	2	Mount, Motor (Front)	
41	3200401	2	Mount, Motor (Rear)	
42	3220126	1	Muffler, Spark Arresting	
43	3300454	10	Nut 1/4	
44	3311405	5	Nut 1/4	
45	3311505	5	Nut 5/16	
46	3311605	30	Nut 3/8	
47	3311805	5	Nut 1/2	
48	3422532	1	Pin, Hitch	
49	3520054	2	Plug	
50	3537416	1	Plate, Mounting (Front Right)	
51	3539971	1	Bracket, Engine Mounting (Front)	
52	3573142	1	Bracket, Engine Mounting (Rear)	
53	3573411	2	Plate, Clamp	
54	3573412	1	Plate, Gusset	
55	3573529	1	Plate, Engine Mounting (Front Left)	
56	3580320	1	Pulley	
57	3600339	1	Pump Assembly - Rexroth (See PUMP ASSEMBLY (REXROTH) (DEUTZ TD2011 ENGINES) for Breakdown)	
58	1001145382	1	Radiator Oil Cooler	
59	3740067	2	Relay	
60	3740080	2	Relay	
61	3960543	1	Seal	
62	3960544	1	Seal	
63	4032022	4	Bolt M10 x 90	
64	4060804	0.98 ft/ 0.3m	Flex-Trim	
65	4060805	0.67 ft/ 0.2m	Flex-Trim	
66	4240099	AR	Tie, Wire (Not Shown)	
67	4568293	1	Tube, Exhaust	
68	4640751	1	Valve, Oil Drain	
69	4711500	13	Washer 5/16	
70	4711600	68	Washer 3/8	
71	4711800	7	Washer 1/2	
72	4740274	4	Washer, Special (Snubbing)	
73	4740518	10	Washer, Nylon	
74	4751400	20	Washer 1/4	
75	4791400	4	Starwasher 1/4	
76	4846552	1	Plate, Oil Cooler Mounting	
77	4846945	1	Mount, Generator	
78	4846946	1	Tray	
79	4891800	2	Washer 1/2	
80	4923468	1	Harness, Glow Plug	
81	4923592	1	Cable, Jumper	
82	1001092856	1	Hose (SN 0300201017 through 0300234289)	
82	1001225118	1	Hose (SN 0300234290 to Present)	
83	1001098601	1	Deutz TD2011 Engine (See DEUTZ TD2011 ENGINE COMPONENTS for Breakdown)	
84	8410013	1	Clamp	

SECTION 3 - ENGINE

FIGURE 3-5. DEUTZ TD2011 ENGINE INSTALLATION - WITH REXROTH PUMP (WITH GENERATOR AND WITH COLD WEATHER PLUS PACKAGE)



ART_1001098520

SECTION 3 - ENGINE

FIGURE 3-5. DEUTZ TD2011 ENGINE INSTALLATION - WITH REXROTH PUMP (WITH GENERATOR AND WITH COLD WEATHER PLUS PACKAGE)

ITEM	PART NUMBER	QTY	DESCRIPTION	REV
	1001098520	Ref	DEUTZ TD2011 ENGINE INSTALLATION - WITH REXROTH PUMP (WITH GENERATOR AND WITH COLD WEATHER PLUS PACKAGE)	G
1	0100011	AR	Compound, Locking	
2	0100079	AR	Sealant, Pipe	
3	0641410	4	Bolt 1/4 x 1-1/4	
4	0641509	15	Bolt 5/16 x 1-1/8	
5	0641511	1	Bolt 5/16 x 1-3/8	
6	0641605	3	Bolt 3/8 x 5/8	
7	0641610	5	Bolt 3/8 x 1-1/4	
8	0641806	1	Bolt 1/2 x 3/4	
9	0641808	1	Bolt 1/2 x 1	
10	0642010	1	Bolt 5/8 x 1-1/4	
11	0641606	4	Bolt 3/8 x 3/4	
12	0651606	4	Bolt 3/8 x 3/4	
13	1320022	3	Clamp	
14	1320041	2	Clamp	
15	1320187	1	Clamp, Twin	
16	1320190	1	Cover, Clamp	
17	1671121	1	Cover, Generator	
18	1702942	1	Decal - Engine Block Heater	
19	1001108617	1	Filter, Pressure	
19	70002231	1	Element, Filter	
20	2120218	1	Filter, High Pressure	
20	2120219	1	Element	
20	70001344	1	O-Ring, Bowl	
20	70006137	1	Seal Kit - Includes O-Ring (Element), O-Ring (Bowl), Back-up Ring (Bowl), Seal Ring (Indicator) and O-Ring (Indicator)	
21	2180348	1	Fitting, Barbed	
22	2220313	1	Fitting, 90 Barbed	
23	2221176	1	Fitting, 90 Elbow	
24	2750532	5 ft/ 1.5m	Hose	
25	2902292	1	Battery Cable Kit	
25A	7027008	1	Cable, Red (To Aux Pump Relay, Battery Positive Terminal and Start Relay)	
25B	7027009	1	Cable, Black (To Aux Pump, Battery Negative Terminal and Ground at Tray Pivot)	
25C	7027010	1	Cable, Red (Aux Pump Relay to Aux Pump)	
25D	7027011	1	Cable, Black (Tray Pivot to Engine Mount)	
25E	7024584	1	Cable, Red (Start Relay to Starter)	
25F	See Note	NSS	Boot, Terminal (Red) (Note: Not Available for Purchase)	
25G	See Note	NSS	Boot, Square Terminal (Red) (Note: Not Available for Purchase)	
26	3311505	15	Nut 5/16	
27	3311605	4	Nut 3/8	
28	3380473	1	Panel, Rubber	
29	3380498	1	Panel	
30	3380723	1	Panel	
31	3422446	1	Pin	
32	3573644	1	Plate, Tray Clamp	
33	3573669	1	Plate, Clamp	

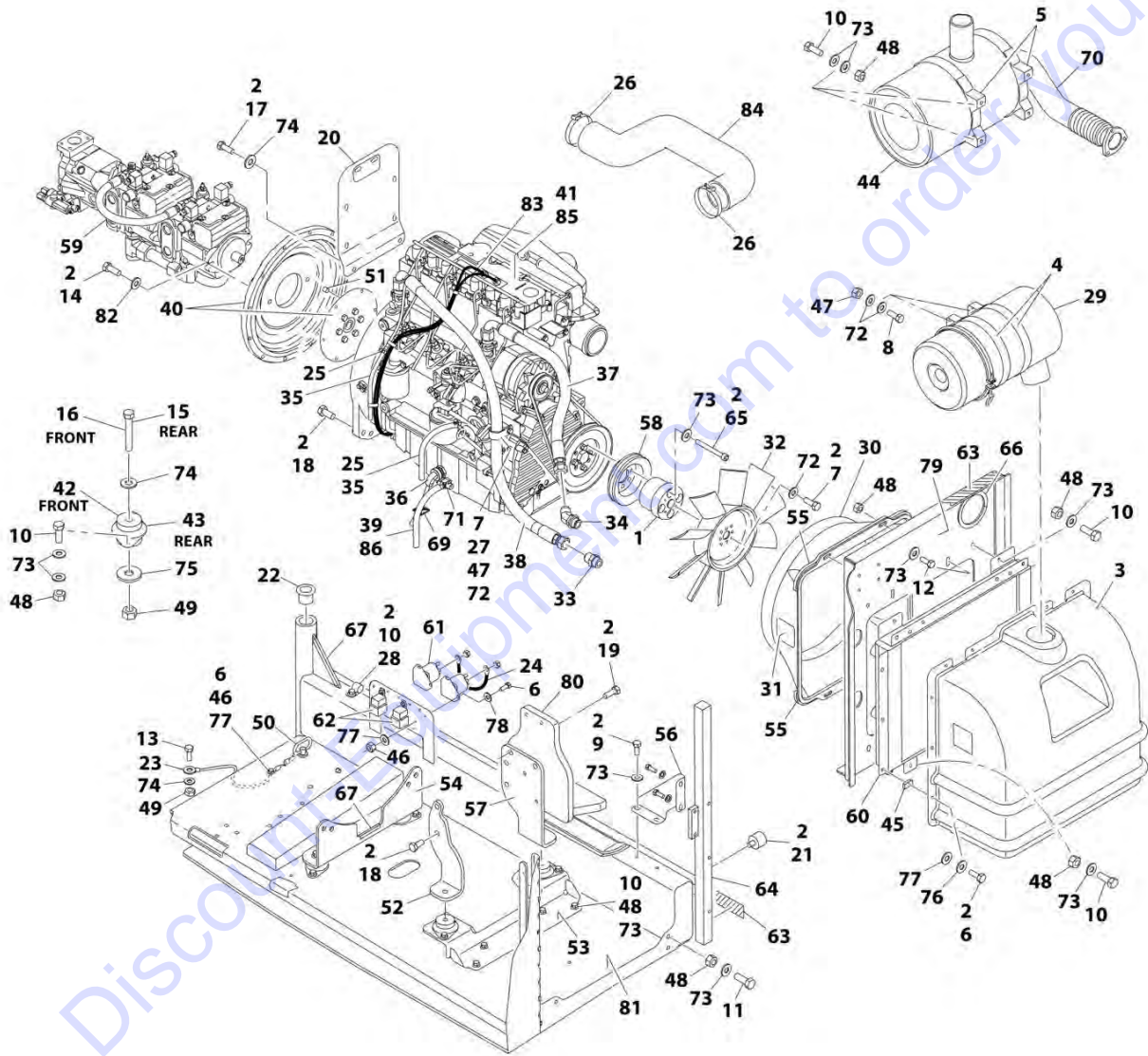
SECTION 3 - ENGINE

ITEM	PART NUMBER	QTY	DESCRIPTION	REV
34	3573727	1	Plate, Tray Clamp	
35	3573728	1	Plate, Tray Clamp	
36	3574633	1	Plate	
37	3841143	1	Keeper	
38	3900316	10	Screw 3/8 x 1	
39	4240018	2	Strap, Cable Tie (Not Shown)	
40	4240033	AR	Tie, Wire (Not Shown)	
41	4341110	1	Support	
42	4711400	4	Washer 1/4	
43	4711500	30	Washer 5/16	
44	4711600	29	Washer 3/8	
45	4752000	1	Washer 5/8	
46	90028660	1	Clamp	
48	2200222	1	Plug, Fuel Tank (Not Shown) (SN 0300201017 through 0300237152)	

Go to Discount-Equipment.com to order your parts

SECTION 3 - ENGINE

FIGURE 3-6. DEUTZ TD2011 ENGINE ASSEMBLY - WITH REXROTH PUMP (WITH GENERATOR AND WITH COLD WEATHER PLUS PACKAGE)



ART_1001098531

SECTION 3 - ENGINE

FIGURE 3-6. DEUTZ TD2011 ENGINE ASSEMBLY - WITH REXROTH PUMP (WITH GENERATOR AND WITH COLD WEATHER PLUS PACKAGE)

ITEM	PART NUMBER	QTY	DESCRIPTION	REV
	1001098531	Ref	DEUTZ TD2011 ENGINE ASSEMBLY - WITH REXROTH PUMP (WITH GENERATOR AND WITH COLD WEATHER PLUS PACKAGE)	I
1	0080244	1	Spacer, Fan	
2	0100011	AR	Compound, Locking	
3	0272060	1	Box, Air Intake	
4	0340003	2	Band, Air Cleaner	
5	0340051	2	Band, Muffler	
6	0641406	15	Bolt 1/4 x 3/4	
7	0641506	5	Bolt 5/16 x 3/4	
8	0641507	4	Bolt 5/16 x 7/8	
9	0641605	4	Bolt 3/8 x 5/8	
10	0641608	25	Bolt 3/8 x 1	
11	0641609	2	Bolt 3/8 x 1-1/8	
12	0641610	4	Bolt 3/8 x 1-1/4	
13	0641808	1	Bolt 1/2 x 1	
14	0641812	2	Bolt 1/2 x 1-1/2	
15	0641818	2	Bolt 1/2 x 2-1/4	
16	0641826	2	Bolt 1/2 x 3-1/4	
17	0711214	2	Bolt M12 x 30	
18	0771414	6	Bolt M14 x 30	
19	0711417	4	Bolt M14 x 45	
20	1001112766	1	Bracket, Muffler	
21	0940070	1	Bumper	
22	0961986	2	Bearing, Flange	
23	1001131542	1	Cable, Lanyard	
24	1060904	1	Cable, Jumper	
25	1320022	2	Clamp	
26	1320058	2	Clamp	
27	1320060	1	Clamp	
28	1320223	1	Clamp	
29	1340065	1	Air Cleaner Assembly	
29	7003655	1	Element, Air Cleaner	
29	7015013	1	Baffle, Rubber	
29	7015014	1	Clamp, Cap	
29	7015015	1	Cup	
29	7015003	1	Wingnut	
30	1671023	1	Shroud, Fan	
31	1703162	2	Decal - Fan Blade	
32	2060025	1	Fan	
33	2220451	1	Fitting, Straight JIC/ORB	
34	2220498	1	Fitting, 45 JIC/ORB	
35	2720058	34 ft/ 10.4m	Hose	
36	2580062	1	Heater, Engine Block	
37	2720500	1	Hose	
38	2720501	1	Hose	
39	2750532	0.75 ft/ 0.2m	Hose	
40	2902065	1	Pump Coupling Kit (See PUMP COUPLING KIT for Breakdown)	

SECTION 3 - ENGINE

ITEM	PART NUMBER	QTY	DESCRIPTION	REV
41	3020044	3.25 gal/ 12.3L	Oil, Engine	
42	3200362	2	Mount, Motor (Front)	
43	3200401	2	Mount, Motor (Rear)	
44	3220126	1	Muffler, Spark Arresting	
45	3300454	10	Nut 1/4	
46	3311405	5	Nut 1/4	
47	3311505	5	Nut 5/16	
48	3311605	30	Nut 3/8	
49	3311805	5	Nut 1/2	
50	3422532	1	Pin, Hitch	
51	3520054	2	Plug	
52	3537416	1	Plate, Mounting (Front Right)	
53	3539971	1	Bracket, Engine Mounting (Front)	
54	3573142	1	Bracket, Engine Mounting (Rear)	
55	3573411	2	Plate, Clamp	
56	3573412	1	Plate, Gusset	
57	3573529	1	Plate, Engine Mounting (Front Left)	
58	3580320	1	Pulley	
59	3600339	1	Pump Assembly - Rexroth (See PUMP ASSEMBLY (REXROTH) (DEUTZ TD2011 ENGINES) for Breakdown)	
60	1001145382	1	Radiator Oil Cooler	
61	3740067	2	Relay	
62	3740080	2	Relay	
63	3960543	1	Seal	
64	3960544	1	Seal	
65	4032022	4	Bolt M10 x 90	
66	4060804	0.98 ft/ 0.3m	Flex-Trim	
67	4060805	0.67 ft/ 0.2m	Flex-Trim	
68	4240099	AR	Tie, Wire (Not Shown)	
69	4460234	3	Terminal, Mount Cable Tie	
70	4568293	1	Tube, Exhaust	
71	4640751	1	Valve, Oil Drain	
72	4711500	13	Washer 5/16	
73	4711600	68	Washer 3/8	
74	4711800	7	Washer 1/2	
75	4740274	4	Washer, Special (Snubbing)	
76	4740518	10	Washer, Nylon	
77	4751400	20	Washer 1/4	
78	4791400	4	Starwasher 1/4	
79	4846552	1	Plate, Oil Cooler Mounting	
80	4846945	1	Mount, Generator	
81	4846946	1	Tray	
82	4891800	2	Washer 1/2	
83	4923468	1	Harness, Glow Plug	
84	1001092856	1	Hose (SN 0300201017 through 0300234289)	
84	1001225118	1	Hose (SN 0300234290 to Present)	
85	1001098601	1	Deutz TD2011 Engine (See DEUTZ TD2011 ENGINE COMPONENTS for Breakdown)	
86	8410013	1	Clamp	

PARTS FINDER

**Search Website
by Part Number**



**Search Manual
Library For Parts
Manual & Lookup Part
Numbers – Purchase
or Request Quote**

**Can't Find Part or
Manual? Request Help
by Manufacturer,
Model & Description**

Discount-Equipment.com is your online resource for quality parts & equipment.

Florida: **561-964-4949** Outside Florida TOLL FREE: **877-690-3101**

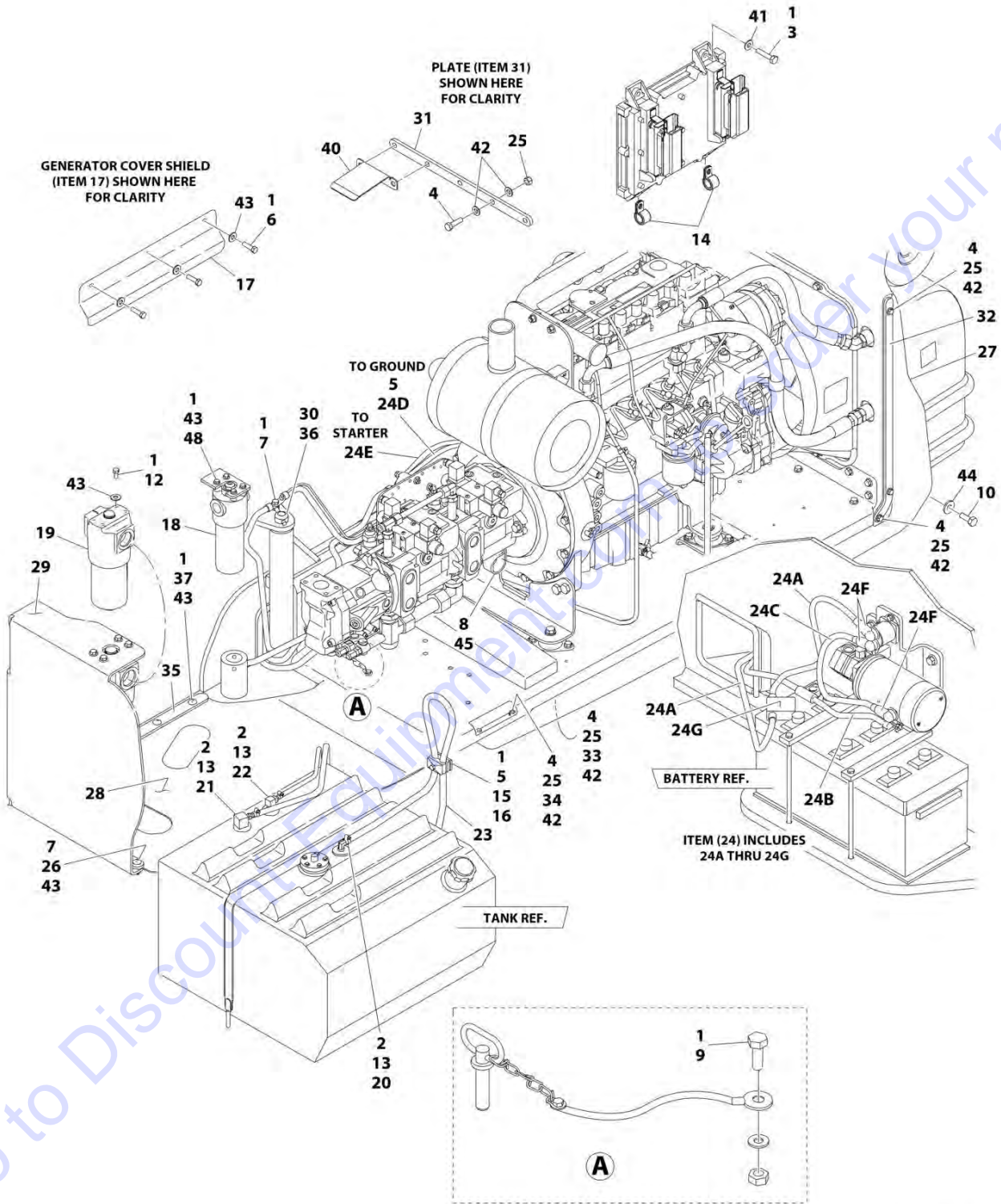
Need parts?

Click on this link: <http://www.discount-equipment.com/category/5443-parts/> and choose one of the options to help get the right parts and equipment you are looking for. Please have the machine model and serial number available in order to help us get you the correct parts. If you don't find the part on the website or on one of the online manuals, please fill out the request form and one of our experienced staff members will get back to you with a quote for the right part that your machine needs.

We sell worldwide for the brands: Genie, Terex, JLG, MultiQuip, Mikasa, Essick, Whiteman, Mayco, Toro Stone, Diamond Products, Generac Magnum, Airman, Haulotte, Barreto, Power Blanket, Nifty Lift, Atlas Copco, Chicago Pneumatic, Allmand, Miller Curber, Skyjack, Lull, Skytrak, Tsurumi, Husquvarna Target, Stow, Wacker, Sakai, Mi-T-M, Sullair, Basic, Dynapac, MBW, Weber, Bartell, Bennar Newman, Haulotte, Ditch Runner, Menegotti, Morrison, Contec, Buddy, Crown, Edco, Wyco, Bomag, Laymor, EZ Trench, Bil-Jax, F.S. Curtis, Gehl Pavers, Heli, Honda, ICS/PowerGrit, IHI, Partner, Imer, Clipper, MMD, Koshin, Rice, CH&E, General Equipment, Amida, Coleman, NAC, Gradall, Square Shooter, Kent, Stanley, Tamco, Toku, Hatz, Kohler, Robin, Wisconsin, Northrock, Oztec, Toker TK, Rol-Air, APT, Wylie, Ingersoll Rand / Doosan, Innovatech, Con X, Ammann, Mecalac, Makinex, Smith Surface Prep, Small Line, Wanco, Yanmar

SECTION 3 - ENGINE

FIGURE 3-7. DEUTZ TD2011 ENGINE INSTALLATION - WITH SAUER PUMP (WITHOUT GENERATOR AND WITHOUT COLD WEATHER PLUS PACKAGE)



ART_1001107972

SECTION 3 - ENGINE

FIGURE 3-7. DEUTZ TD2011 ENGINE INSTALLATION - WITH SAUER PUMP (WITHOUT GENERATOR AND WITHOUT COLD WEATHER PLUS PACKAGE)

ITEM	PART NUMBER	QTY	DESCRIPTION	REV
	1001107972	Ref	DEUTZ TD2011 ENGINE INSTALLATION - WITH SAUER PUMP (WITHOUT GENERATOR AND WITHOUT COLD WEATHER PLUS PACKAGE)	E
1	0100011	AR	Compound, Locking	
2	0100079	AR	Sealant, Pipe	
3	0641410	4	Bolt 1/4 x 1-1/4	
4	0641509	15	Bolt 5/16 x 1-1/8	
5	0641511	1	Bolt 5/16 x 1-3/8	
6	0641605	3	Bolt 3/8 x 5/8	
7	0641610	5	Bolt 3/8 x 1-1/4	
8	0641806	1	Bolt 1/2 x 3/4	
9	0641808	1	Bolt 1/2 x 1	
10	0642010	1	Bolt 5/8 x 1-1/4	
12	0651606	4	Bolt 3/8 x 3/4	
13	1320022	3	Clamp	
14	1320041	2	Clamp	
15	1320187	1	Clamp, Twin	
16	1320190	1	Cover, Clamp	
17	1671121	1	Cover, Generator	
18	1001108617	1	Filter, Pressure	
18	70002231	1	Element, Filter	
19	2120218	1	Filter, High Pressure	
19	2120219	1	Element	
19	70001344	1	O-Ring, Bowl	
19	70006137	1	Seal Kit - Includes O-Ring (Element), O-Ring (Bowl), Back-up Ring (Bowl), Seal Ring (Indicator) and O-Ring (Indicator)	
20	2180348	1	Fitting, Barbed	
21	2220313	1	Fitting, 90 Barbed	
22	2221176	1	Fitting, 90 Elbow	
23	2750532	5 ft/ 1.5m	Hose	
24	2902292	1	Battery Cable Kit	
24A	7027008	1	Cable, Red (To Aux Pump Relay, Battery Positive Terminal and Start Relay)	
24B	7027009	1	Cable, Black (To Aux Pump, Battery Negative Terminal and Ground at Tray Pivot)	
24C	7027010	1	Cable, Red (Aux Pump Relay to Aux Pump)	
24D	7027011	1	Cable, Black (Tray Pivot to Engine Mount)	
24E	7024584	1	Cable, Red (Start Relay to Starter)	
24F	See Note	NSS	Boot, Terminal (Red) (Note: Not Available for Purchase)	
24G	See Note	NSS	Boot, Square Terminal (Red) (Note: Not Available for Purchase)	
25	3311505	15	Nut 5/16	
26	3311605	4	Nut 3/8	
27	3380473	1	Panel, Rubber	
28	3380498	1	Panel	
29	3380723	1	Panel	
30	3422446	1	Pin	
31	3573644	1	Plate, Tray Clamp	
32	3573669	1	Plate, Clamp	
33	3573727	1	Plate, Tray Clamp	
34	3573728	1	Plate, Tray Clamp	

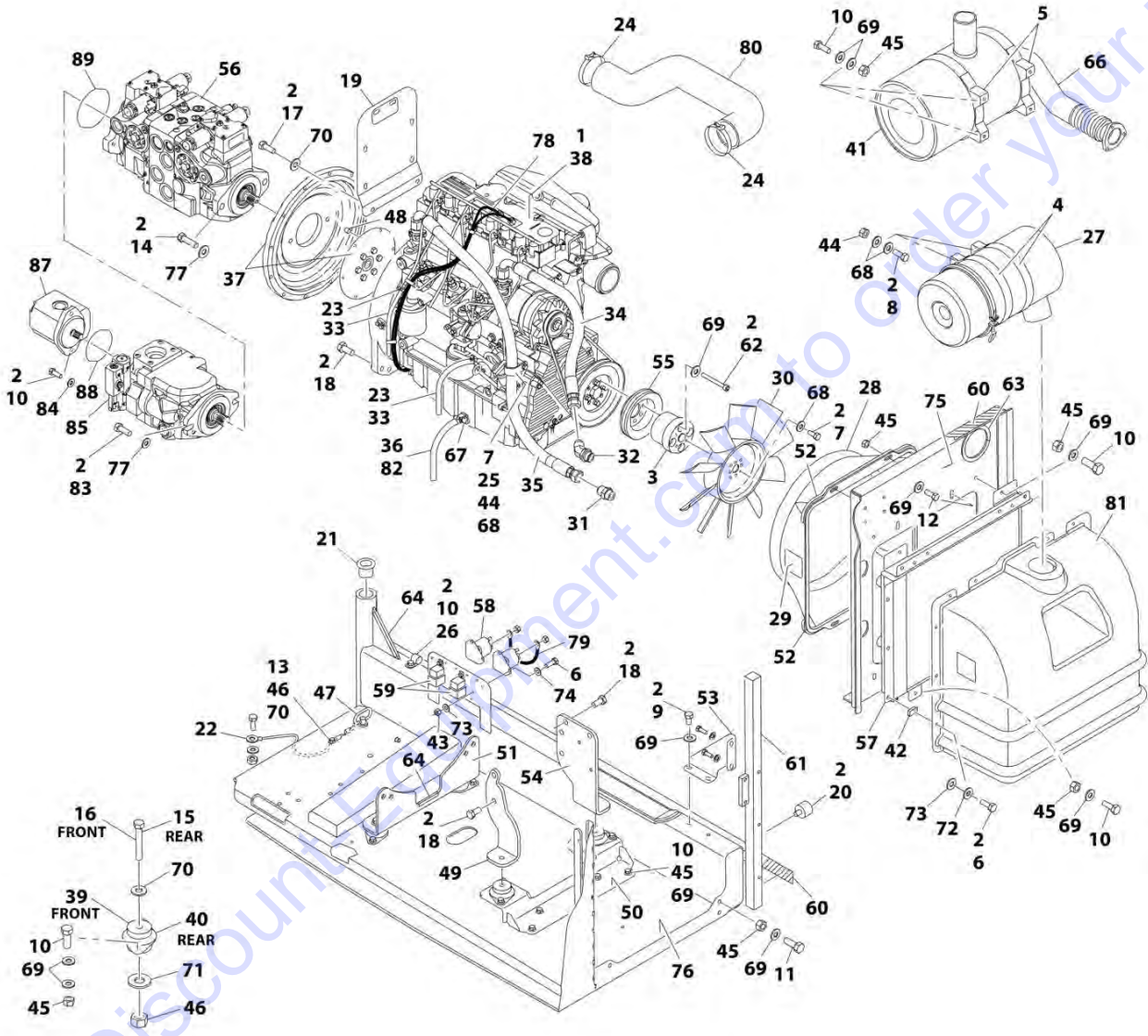
SECTION 3 - ENGINE

ITEM	PART NUMBER	QTY	DESCRIPTION	REV
35	3574633	1	Plate	
36	3841143	1	Keeper	
37	3900316	10	Screw 3/8 x 1	
38	4240018	2	Strap, Cable Tie (Not Shown)	
39	4240033	AR	Tie, Wire (Not Shown)	
40	4341110	1	Support	
41	4711400	4	Washer 1/4	
42	4711500	30	Washer 5/16	
43	4711600	29	Washer 3/8	
44	4752000	1	Washer 5/8	
45	90028660	1	Clamp	
47	2200222	1	Plug, Fuel Tank (Not Shown) (SN 0300201017 through 0300237152)	
48	0641606	4	Bolt 3/8 x 3/4	

Go to Discount-Equipment.com to order your parts

SECTION 3 - ENGINE

FIGURE 3-8. DEUTZ TD2011 ENGINE ASSEMBLY - WITH SAUER PUMP (WITHOUT GENERATOR AND WITHOUT COLD WEATHER PLUS PACKAGE)



ART_1001107971

SECTION 3 - ENGINE

FIGURE 3-8. DEUTZ TD2011 ENGINE ASSEMBLY - WITH SAUER PUMP (WITHOUT GENERATOR AND WITHOUT COLD WEATHER PLUS PACKAGE)

ITEM	PART NUMBER	QTY	DESCRIPTION	REV
	1001107971	Ref	DEUTZ TD2011 ENGINE ASSEMBLY - WITH SAUER PUMP (WITHOUT GENERATOR AND WITHOUT COLD WEATHER PLUS PACKAGE)	I
1	1001098601	1	Deutz TD2011 Engine (See DEUTZ TD2011 ENGINE COMPONENTS for Breakdown)	
2	0100011	AR	Compound, Locking	
3	0080237	1	Spacer, Fan	
4	0340003	2	Band, Air Cleaner	
5	0340051	2	Band, Muffler	
6	0641406	15	Bolt 1/4 x 3/4	
7	0641506	5	Bolt 5/16 x 3/4	
8	0641507	4	Bolt 5/16 x 7/8	
9	0641605	4	Bolt 3/8 x 5/8	
10	0641608	27	Bolt 3/8 x 1	
11	0641609	2	Bolt 3/8 x 1-1/8	
12	0641610	4	Bolt 3/8 x 1-1/4	
13	0641808	1	Bolt 1/2 x 1	
14	0641814	2	Bolt 1/2 x 1-3/4	
15	0641818	2	Bolt 1/2 x 2-1/4	
16	0641826	2	Bolt 1/2 x 3-1/4	
17	0711214	2	Bolt M12 x 30	
18	0771414	10	Bolt M14 x 30	
19	1001112766	1	Bracket, Muffler	
20	0940070	1	Bumper	
21	0961986	2	Bearing, Flange	
22	1001131542	1	Cable, Lanyard	
23	1320022	3	Clamp	
24	1320058	2	Clamp	
25	1320060	1	Clamp	
26	1320223	1	Clamp	
27	1340065	1	Air Cleaner Assembly	
27	7003655	1	Element, Air Cleaner	
27	7015013	1	Baffle, Rubber	
27	7015014	1	Clamp, Cap	
27	7015015	1	Cup	
27	7015003	1	Wingnut	
28	1671023	1	Shroud, Fan	
29	1703162	2	Decal - Fan Blade	
30	2060025	1	Fan	
31	2220451	1	Fitting, Straight JIC/ORB	
32	2220498	1	Fitting, 45 JIC/ORB	
33	2720058	34 ft/ 10.4m	Hose	
34	2720500	1	Hose	
35	2720501	1	Hose	
36	2750532	0.75 ft/ 0.2m	Hose	
37	2902065	1	Pump Coupling Kit (See PUMP COUPLING KIT for Breakdown)	
38	3020016	3.25 gal/ 12.3L	Motor Oil, 15W-40	

SECTION 3 - ENGINE

ITEM	PART NUMBER	QTY	DESCRIPTION	REV
39	3200362	2	Mount, Motor (Front)	
40	3200401	2	Mount, Motor (Rear)	
41	3220126	1	Muffler, Spark Arresting	
42	3300454	10	Nut 1/4	
43	3311405	5	Nut 1/4	
44	3311505	5	Nut 5/16	
45	3311605	30	Nut 3/8	
46	3311805	5	Nut 1/2	
47	3422532	1	Pin, Hitch	
48	3520054	2	Plug	
49	3537416	1	Plate, Mounting (Front Right)	
50	3539971	1	Bracket, Engine Mounting (Front)	
51	3573142	1	Bracket, Engine Mounting (Rear)	
52	3573411	2	Plate, Clamp	
53	3573412	1	Plate, Gusset	
54	3573529	1	Plate, Engine Mounting (Front Left)	
55	3580158	1	Pulley	
56	1001108616	1	Pump Assembly - Sauer Tandem (See PUMP ASSEMBLY (SAUER TANDEM) for Breakdown)	
57	1001145382	1	Radiator Oil Cooler	
58	3740067	2	Relay	
59	3740080	2	Relay	
60	3960543	1	Seal	
61	3960544	1	Seal	
62	4032022	4	Bolt M10 x 90	
63	4060804	0.98 ft/ 0.3m	Flex-Trim	
64	4060805	0.67 ft/ 0.2m	Flex-Trim	
65	4240099	AR	Tie, Wire (Not Shown)	
66	4568293	1	Tube, Exhaust	
67	4640751	1	Valve, Oil Drain	
68	4711500	13	Washer 5/16	
69	4711600	68	Washer 3/8	
70	4711800	7	Washer 1/2	
71	4740274	4	Washer, Special (Snubbing)	
72	4740518	10	Washer, Nylon	
73	4751400	20	Washer 1/4	
74	4791400	4	Starwasher 1/4	
75	4846552	1	Plate, Oil Cooler Mounting	
76	4846946	1	Tray	
77	4891800	4	Washer 1/2	
78	4923468	1	Harness, Glow Plug	
79	4923592	1	Cable, Jumper	
80	1001092856	1	Hose (SN 0300201017 through 0300234289)	
80	1001225118	1	Hose (SN 0300234290 to Present)	
81	0272060	1	Box, Air Intake	
82	8410013	1	Clamp	
83	0761215	2	Bolt M12 x 35	
84	4891600	2	Washer 3/8	
85	1001171095	1	Pump Assembly - Sauer Piston (See PUMP ASSEMBLY (SAUER PISTON) for Breakdown)	

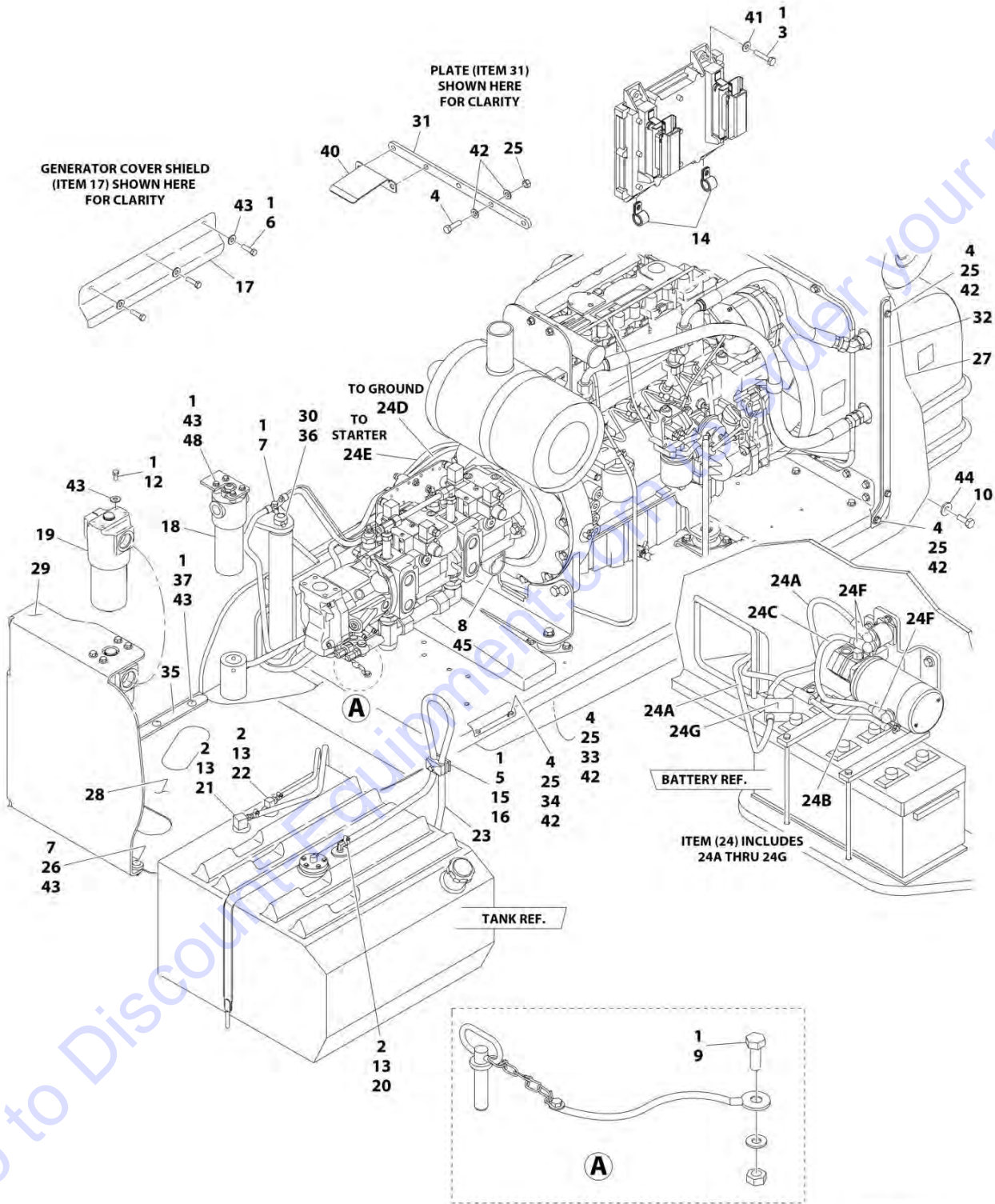
SECTION 3 - ENGINE

ITEM	PART NUMBER	QTY	DESCRIPTION	REV
87	1001112927	1	Pump Assembly - Sauer Gear (See PUMP ASSEMBLY (SAUER GEAR) for Breakdown)	
88	3790152	1	O-Ring	
89	3790155	1	O-Ring	

Go to Discount-Equipment.com to order your parts

SECTION 3 - ENGINE

FIGURE 3-9. DEUTZ TD2011 ENGINE INSTALLATION - WITH SAUER PUMP (WITH GENERATOR AND WITHOUT COLD WEATHER PLUS PACKAGE)



ART_1001107974

SECTION 3 - ENGINE

FIGURE 3-9. DEUTZ TD2011 ENGINE INSTALLATION - WITH SAUER PUMP (WITH GENERATOR AND WITHOUT COLD WEATHER PLUS PACKAGE)

ITEM	PART NUMBER	QTY	DESCRIPTION	REV
	1001107974	Ref	DEUTZ TD2011 ENGINE INSTALLATION - WITH SAUER PUMP (WITH GENERATOR AND WITHOUT COLD WEATHER PLUS PACKAGE)	E
1	0100011	AR	Compound, Locking	
2	0100079	AR	Sealant, Pipe	
3	0641410	4	Bolt 1/4 x 1-1/4	
4	0641509	15	Bolt 5/16 x 1-1/8	
5	0641511	1	Bolt 5/16 x 1-3/8	
6	0641605	3	Bolt 3/8 x 5/8	
7	0641610	5	Bolt 3/8 x 1-1/4	
8	0641806	1	Bolt 1/2 x 3/4	
9	0641808	1	Bolt 1/2 x 1	
10	0642010	1	Bolt 5/8 x 1-1/4	
12	0651606	4	Bolt 3/8 x 3/4	
13	1320022	3	Clamp	
14	1320041	2	Clamp	
15	1320187	1	Clamp, Twin	
16	1320190	1	Cover, Clamp	
17	1671121	1	Cover, Generator	
18	1001108617	1	Filter, Pressure	
18	70002231	1	Element, Filter	
19	2120218	1	Filter, High Pressure	
19	2120219	1	Element	
19	70001344	1	O-Ring, Bowl	
19	70006137	1	Seal Kit - Includes O-Ring (Element), O-Ring (Bowl), Back-up Ring (Bowl), Seal Ring (Indicator) and O-Ring (Indicator)	
20	2180348	1	Fitting, Barbed	
21	2220313	1	Fitting, 90 Barbed	
22	2221176	1	Fitting, 90 Elbow	
23	2750532	5 ft/ 1.5m	Hose	
24	2902292	1	Battery Cable Kit	
24A	7027008	1	Cable, Red (To Aux Pump Relay, Battery Positive Terminal and Start Relay)	
24B	7027009	1	Cable, Black (To Aux Pump, Battery Negative Terminal and Ground at Tray Pivot)	
24C	7027010	1	Cable, Red (Aux Pump Relay to Aux Pump)	
24D	7027011	1	Cable, Black (Tray Pivot to Engine Mount)	
24E	7024584	1	Cable, Red (Start Relay to Starter)	
24F	See Note	NSS	Boot, Terminal (Red) (Note: Not Available for Purchase)	
24G	See Note	NSS	Boot, Square Terminal (Red) (Note: Not Available for Purchase)	
25	3311505	15	Nut 5/16	
26	3311605	4	Nut 3/8	
27	3380473	1	Panel, Rubber	
28	3380498	1	Panel	
29	3380723	1	Panel	
30	3422446	1	Pin	
31	3573644	1	Plate, Tray Clamp	
32	3573669	1	Plate, Clamp	
33	3573727	1	Plate, Tray Clamp	
34	3573728	1	Plate, Tray Clamp	

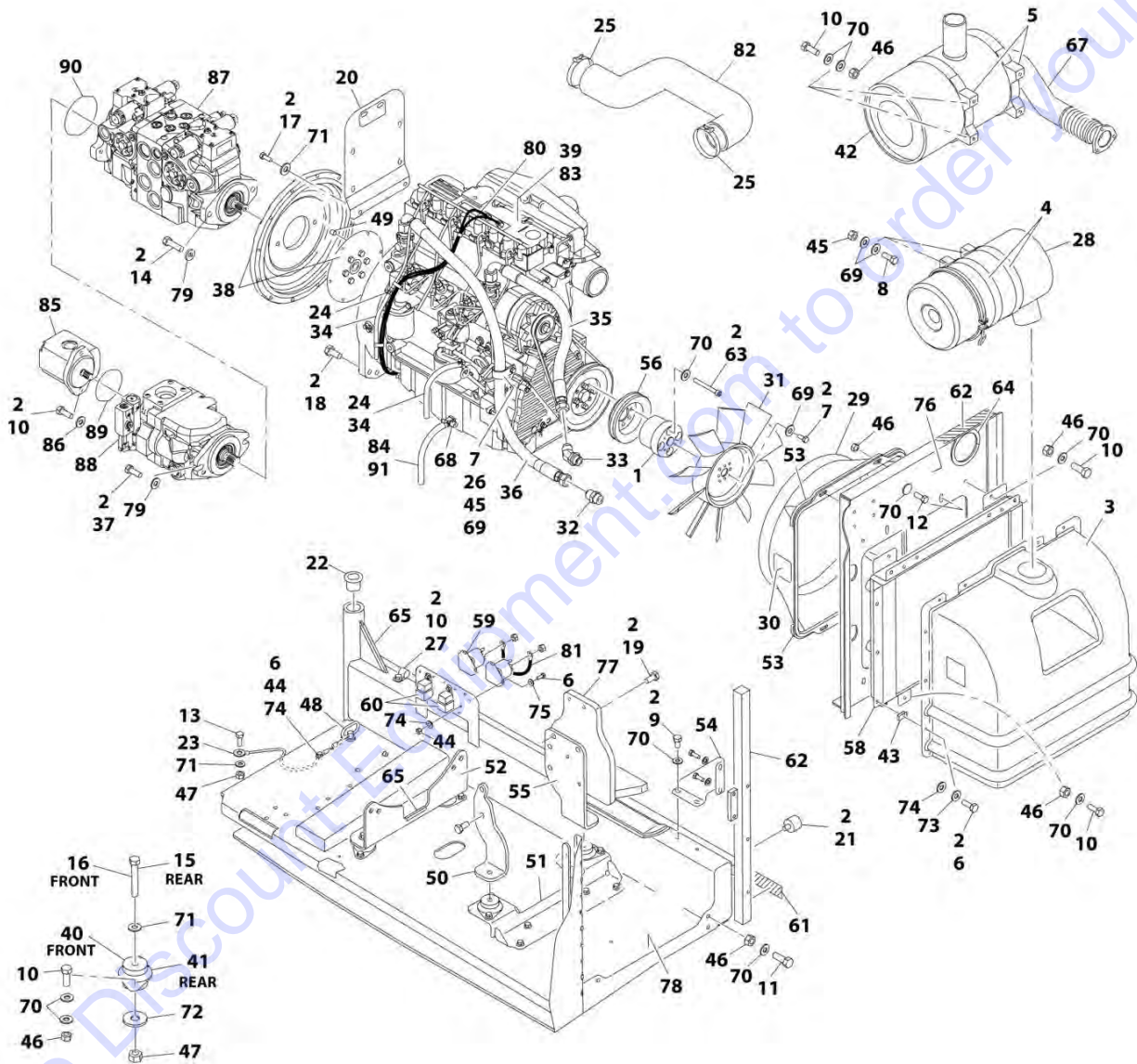
SECTION 3 - ENGINE

ITEM	PART NUMBER	QTY	DESCRIPTION	REV
35	3574633	1	Plate	
36	3841143	1	Keeper	
37	3900316	10	Screw 3/8 x 1	
38	4240018	2	Strap, Cable Tie (Not Shown)	
39	4240033	AR	Tie, Wire (Not Shown)	
40	4341110	1	Support	
41	4711400	4	Washer 1/4	
42	4711500	30	Washer 5/16	
43	4711600	29	Washer 3/8	
44	4752000	1	Washer 5/8	
45	90028660	1	Clamp	
47	2200222	1	Plug, Fuel Tank (Not Shown) (SN 0300201017 through 0300237152)	
48	0641606	4	Bolt 3/8 x 3/4	

Go to Discount-Equipment.com to order your parts

SECTION 3 - ENGINE

FIGURE 3-10. DEUTZ TD2011 ENGINE ASSEMBLY - WITH SAUER PUMP (WITH GENERATOR AND WITHOUT COLD WEATHER PLUS PACKAGE)



ART_1001107973

SECTION 3 - ENGINE

FIGURE 3-10. DEUTZ TD2011 ENGINE ASSEMBLY - WITH SAUER PUMP (WITH GENERATOR AND WITHOUT COLD WEATHER PLUS PACKAGE)

ITEM	PART NUMBER	QTY	DESCRIPTION	REV
	1001107973	Ref	DEUTZ TD2011 ENGINE ASSEMBLY - WITH SAUER PUMP (WITH GENERATOR AND WITHOUT COLD WEATHER PLUS PACKAGE)	I
1	0080244	1	Spacer, Fan	
2	0100011	AR	Compound, Locking	
3	0272060	1	Box, Air Intake	
4	0340003	2	Band, Air Cleaner	
5	0340051	2	Band, Muffler	
6	0641406	15	Bolt 1/4 x 3/4	
7	0641506	5	Bolt 5/16 x 3/4	
8	0641507	4	Bolt 5/16 x 7/8	
9	0641605	4	Bolt 3/8 x 5/8	
10	0641608	27	Bolt 3/8 x 1	
11	0641609	2	Bolt 3/8 x 1-1/8	
12	0641610	4	Bolt 3/8 x 1-1/4	
13	0641808	1	Bolt 1/2 x 1	
14	0641814	2	Bolt 1/2 x 1-3/4	
15	0641818	2	Bolt 1/2 x 2-1/4	
16	0641826	2	Bolt 1/2 x 3-1/4	
17	0711214	2	Bolt M12 x 30	
18	0771414	6	Bolt M14 x 30	
19	0711417	4	Bolt M14 x 45	
20	1001112766	1	Bracket, Muffler	
21	0940070	1	Bumper	
22	0961986	2	Bearing, Flange	
23	1001131542	1	Cable, Lanyard	
24	1320022	2	Clamp	
25	1320058	2	Clamp	
26	1320060	1	Clamp	
27	1320223	1	Clamp	
28	1340065	1	Air Cleaner Assembly	
28	7003655	1	Element, Air Cleaner	
28	7015013	1	Baffle, Rubber	
28	7015014	1	Clamp, Cap	
28	7015015	1	Cup	
28	7015003	1	Wingnut	
29	1671023	1	Shroud, Fan	
30	1703162	2	Decal - Fan Blade	
31	2060025	1	Fan	
32	2220451	1	Fitting, Straight JIC/ORB	
33	2220498	1	Fitting, 45 JIC/ORB	
34	2720058	34 ft/ 10.4m	Hose	
35	2720500	1	Hose	
36	2720501	1	Hose	
37	0761215	2	Bolt M12 x 35	
38	2902065	1	Pump Coupling Kit (See PUMP COUPLING KIT for Breakdown)	
39	3020016	3.25 gal/ 12.3L	Motor Oil, 15W-40	
40	3200362	2	Mount, Motor (Front)	

SECTION 3 - ENGINE

ITEM	PART NUMBER	QTY	DESCRIPTION	REV
41	3200401	2	Mount, Motor (Rear)	
42	3220126	1	Muffler, Spark Arresting	
43	3300454	10	Nut 1/4	
44	3311405	5	Nut 1/4	
45	3311505	5	Nut 5/16	
46	3311605	30	Nut 3/8	
47	3311805	5	Nut 1/2	
48	3422532	1	Pin, Hitch	
49	3520054	2	Plug	
50	3537416	1	Plate, Mounting (Front Right)	
51	3539971	1	Bracket, Engine Mounting (Front)	
52	3573142	1	Bracket, Engine Mounting (Rear)	
53	3573411	2	Plate, Clamp	
54	3573412	1	Plate, Gusset	
55	3573529	1	Plate, Mounting (Front Left)	
56	3580320	1	Pulley	
58	1001145382	1	Radiator Oil Cooler	
59	3740067	2	Relay	
60	3740080	2	Relay	
61	3960543	1	Seal	
62	3960544	1	Seal	
63	4032022	4	Bolt M10 x 90	
64	4060804	0.98 ft/ 0.3m	Flex-Trim	
65	4060805	0.67 ft/ 0.2m	Flex-Trim	
66	4240099	AR	Tie, Wire (Not Shown)	
67	4568293	1	Tube, Exhaust	
68	4640751	1	Valve, Oil Drain	
69	4711500	13	Washer 5/16	
70	4711600	68	Washer 3/8	
71	4711800	7	Washer 1/2	
72	4740274	4	Washer, Special (Snubbing)	
73	4740518	10	Washer, Nylon	
74	4751400	20	Washer 1/4	
75	4791400	4	Starwasher 1/4	
76	4846552	1	Plate, Oil Cooler Mounting	
77	4846945	1	Mount, Generator	
78	4846946	1	Tray	
79	4891800	4	Washer 1/2	
80	4923468	1	Harness, Glow Plug	
81	4923592	1	Cable, Jumper	
82	1001092856	1	Hose (SN 0300201017 through 0300234289)	
82	1001225118	1	Hose (SN 0300234290 to Present)	
83	1001098601	1	Deutz TD2011 Engine (See DEUTZ TD2011 ENGINE COMPONENTS for Breakdown)	
84	8410013	1	Clamp	
85	1001112927	1	Pump Assembly - Sauer Gear (See PUMP ASSEMBLY (SAUER GEAR) for Breakdown)	
86	4891600	2	Washer 3/8	
87	1001108616	1	Pump Assembly - Sauer Tandem (See PUMP ASSEMBLY (SAUER TANDEM) for Breakdown)	

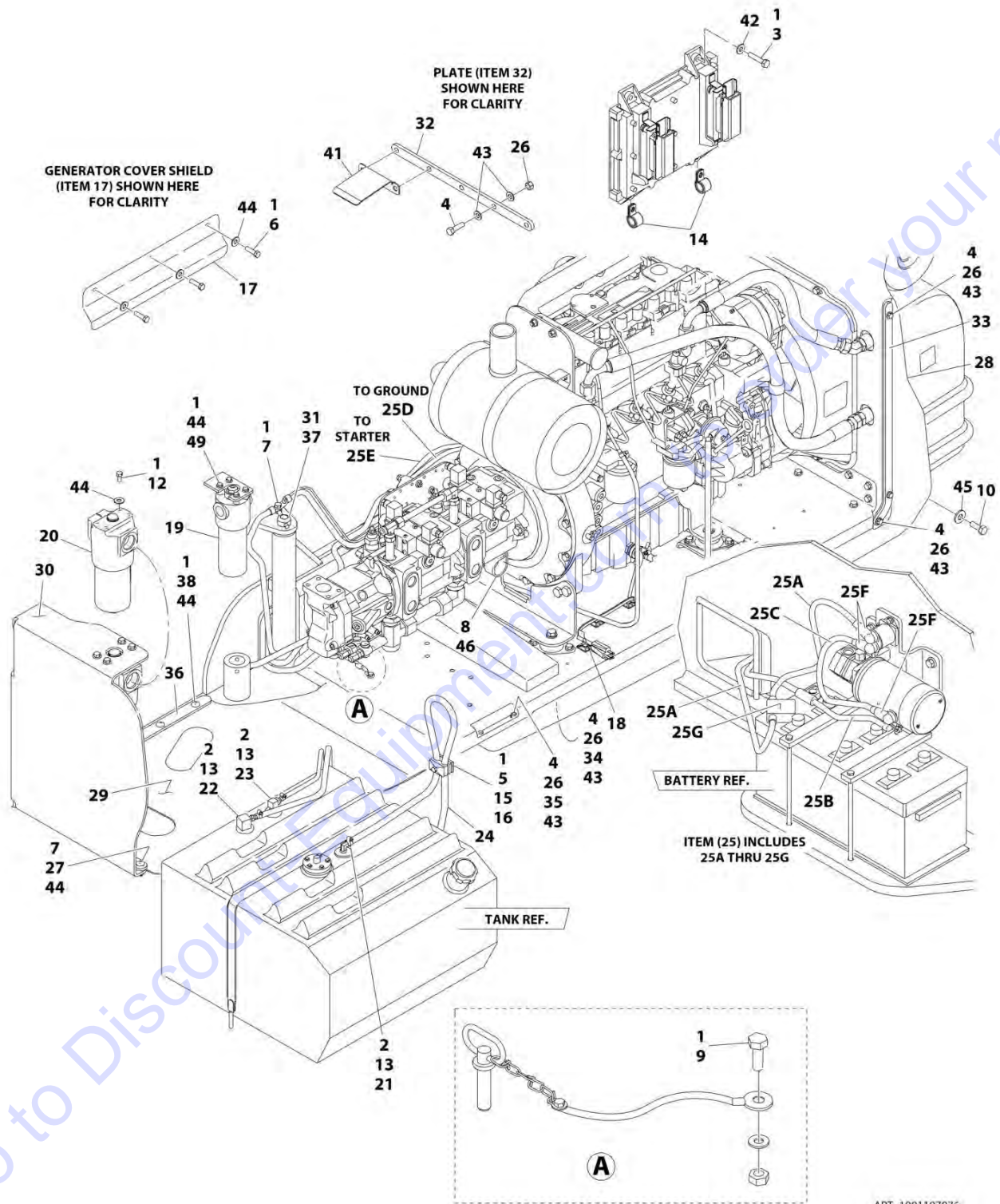
SECTION 3 - ENGINE

ITEM	PART NUMBER	QTY	DESCRIPTION	REV
88	1001171095	1	Pump Assembly - Sauer Piston (See PUMP ASSEMBLY (SAUER PISTON) for Breakdown)	
89	3790152	1	O-Ring	
90	3790155	1	O-Ring	
91	2750532	0.75 ft/ 0.2m	Hose	

Go to Discount-Equipment.com to order your parts

SECTION 3 - ENGINE

FIGURE 3-11. DEUTZ TD2011 ENGINE INSTALLATION - WITH SAUER PUMP (WITH GENERATOR AND WITH COLD WEATHER PLUS PACKAGE)



ART_1001107976

SECTION 3 - ENGINE

FIGURE 3-11. DEUTZ TD2011 ENGINE INSTALLATION - WITH SAUER PUMP (WITH GENERATOR AND WITH COLD WEATHER PLUS PACKAGE)

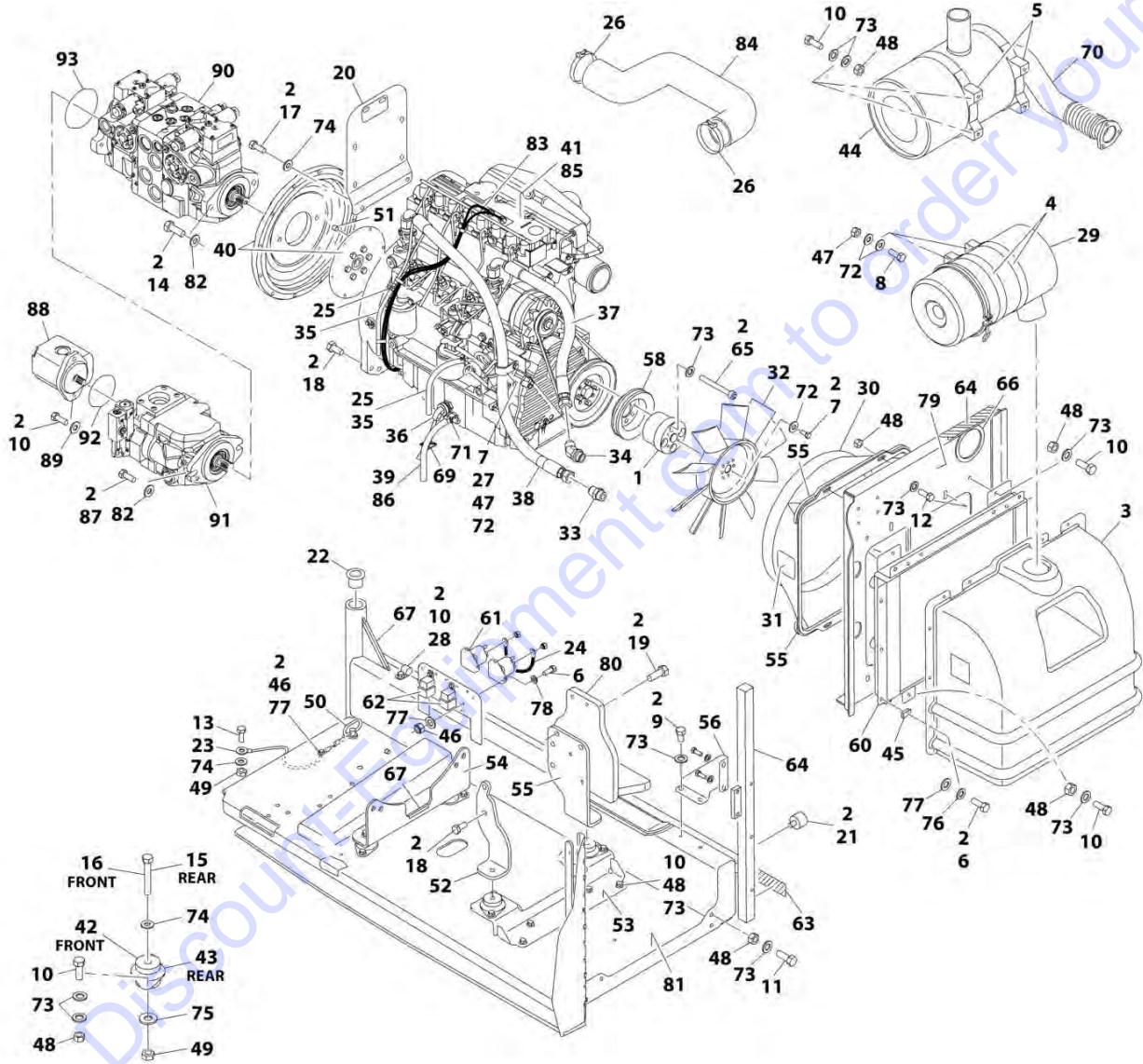
ITEM	PART NUMBER	QTY	DESCRIPTION	REV
	1001107976	Ref	DEUTZ TD2011 ENGINE INSTALLATION - WITH SAUER PUMP (WITH GENERATOR AND WITH COLD WEATHER PLUS PACKAGE)	E
1	0100011	AR	Compound, Locking	
2	0100079	AR	Sealant, Pipe	
3	0641410	4	Bolt 1/4 x 1-1/4	
4	0641509	15	Bolt 5/16 x 1-1/8	
5	0641511	1	Bolt 5/16 x 1-3/8	
6	0641605	3	Bolt 3/8 x 5/8	
7	0641610	5	Bolt 3/8 X 1-1/4	
8	0641806	1	Bolt 1/2 x 3/4	
9	0641808	1	Bolt 1/2 x 1	
10	0642010	1	Bolt 5/8 x 1-1/4	
12	0651606	4	Bolt 3/8 x 3/4	
13	1320022	3	Clamp	
14	1320041	2	Clamp	
15	1320187	1	Clamp, Twin	
16	1320190	1	Cover, Clamp	
17	1671121	1	Cover, Generator	
18	1702942	1	Decal - Engine Block Heater	
19	1001108617	1	Filter, Pressure	
19	70002231	1	Element, Filter	
20	2120218	1	Filter, High Pressure	
20	2120219	1	Element	
20	70001344	1	O-Ring, Bowl	
20	70006137	1	Seal Kit - Includes O-Ring (Element), O-Ring (Bowl), Back-up Ring (Bowl), Seal Ring (Indicator) and O-Ring (Indicator)	
21	2180348	1	Fitting, Barbed	
22	2220313	1	Fitting, 90 Barbed	
23	2221176	1	Fitting, 90	
24	2750532	5 ft/ 1.5m	Hose	
25	2902292	1	Battery Cable Kit	
25A	7027008	1	Cable, Red (To Aux Pump Relay, Battery Positive Terminal and Start Relay)	
25B	7027009	1	Cable, Black (To Aux Pump, Battery Negative Terminal and Ground at Tray Pivot)	
25C	7027010	1	Cable, Red (Aux Pump Relay to Aux Pump)	
25D	7027011	1	Cable, Black (Tray Pivot to Engine Mount)	
25E	7024584	1	Cable, Red (Start Relay to Starter)	
25F	See Note	NSS	Boot, Terminal (Red) (Note: Not Available for Purchase)	
25G	See Note	NSS	Boot, Square Terminal (Red) (Note: Not Available for Purchase)	
26	3311505	15	Nut 5/16	
27	3311605	4	Nut 3/8	
28	3380473	1	Panel, Rubber	
29	3380498	1	Panel	
30	3380723	1	Panel	
31	3422446	1	Pin	
32	3573644	1	Plate, Tray Clamp	
33	3573669	1	Plate, Clamp	
34	3573727	1	Plate, Tray Clamp	

SECTION 3 - ENGINE

ITEM	PART NUMBER	QTY	DESCRIPTION	REV
35	3573728	1	Plate, Tray Clamp	
36	3574633	1	Plate	
37	3841143	1	Keeper, Pin	
38	3900316	10	Screw 3/8 x 1	
39	4240018	2	Strap, Cable Tie (Not Shown)	
40	4240033	AR	Tie, Wire (Not Shown)	
41	4341110	1	Support	
42	4711400	4	Washer 1/4	
43	4711500	30	Washer 5/16	
44	4711600	29	Washer 3/8	
45	4752000	1	Washer 5/8	
46	90028660	1	Clamp	
48	2200222	1	Plug, Fuel Tank (Not Shown) (SN 0300201017 through 0300237152)	
49	0641606	4	Bolt 3/8 x 3/4	

SECTION 3 - ENGINE

FIGURE 3-12. DEUTZ TD2011 ENGINE ASSEMBLY - WITH SAUER PUMP (WITH GENERATOR AND WITH COLD WEATHER PLUS PACKAGE)



ART_1001107975

SECTION 3 - ENGINE

FIGURE 3-12. DEUTZ TD2011 ENGINE ASSEMBLY - WITH SAUER PUMP (WITH GENERATOR AND WITH COLD WEATHER PLUS PACKAGE)

ITEM	PART NUMBER	QTY	DESCRIPTION	REV
	1001107975	Ref	DEUTZ TD2011 ENGINE ASSEMBLY - WITH SAUER PUMP (WITH GENERATOR AND WITH COLD WEATHER PLUS PACKAGE)	I
1	0080244	1	Spacer, Fan	
2	0100011	AR	Compound, Locking	
3	0272060	1	Box, Air Intake	
4	0340003	2	Band, Air Cleaner	
5	0340051	2	Band, Muffler	
6	0641406	15	Bolt 1/4 x 3/4	
7	0641506	5	Bolt 5/16 x 3/4	
8	0641507	4	Bolt 5/16 x 7/8	
9	0641605	4	Bolt 3/8 x 5/8	
10	0641608	27	Bolt 3/8 x 1	
11	0641609	2	Bolt 3/8 x 1-1/8	
12	0641610	4	Bolt 3/8 x 1-1/4	
13	0641808	1	Bolt 1/2 x 1	
14	0641814	2	Bolt 1/2 x 1-3/4	
15	0641818	2	Bolt 1/2 x 2-1/4	
16	0641826	2	Bolt 1/2 x 3-1/4	
17	0711214	2	Bolt M12 x 30	
18	0771414	6	Bolt M14 x 30	
19	0711417	4	Bolt M14 x 45	
20	1001112766	1	Bracket, Muffler	
21	0940070	1	Bumper	
22	0961986	2	Bearing, Flange	
23	1001131542	1	Cable, Lanyard	
24	1060904	1	Cable, Jumper	
25	1320022	2	Clamp	
26	1320058	2	Clamp	
27	1320060	1	Clamp	
28	1320223	1	Clamp	
29	1340065	1	Air Cleaner Assembly	
29	7003655	1	Element, Air Cleaner	
29	7015013	1	Baffle, Rubber	
29	7015014	1	Clamp, Cap	
29	7015015	1	Cup	
29	7015003	1	Wingnut	
30	1671023	1	Shroud, Fan	
31	1703162	2	Decal - Fan Blade	
32	2060025	1	Fan	
33	2220451	1	Fitting, Straight JIC/ORB	
34	2220498	1	Fitting, 45 JIC/ORB	
35	2720058	34 ft/ 10.4m	Hose	
36	2580062	1	Heater, Engine Block	
37	2720500	1	Hose	
38	2720501	1	Hose	
39	2750532	0.75 ft/ 0.2m	Hose	
40	2902065	1	Pump Coupling Kit (See PUMP COUPLING KIT for Breakdown)	

SECTION 3 - ENGINE

ITEM	PART NUMBER	QTY	DESCRIPTION	REV
41	3020044	3.25 gal/ 12.3L	Oil, Engine	
42	3200362	2	Mount, Motor (Front)	
43	3200401	2	Mount, Motor (Rear)	
44	3220126	1	Muffler, Spark Arresting	
45	3300454	10	Nut 1/4	
46	3311405	5	Nut 1/4	
47	3311505	5	Nut 5/16	
48	3311605	30	Nut 3/8	
49	3311805	5	Nut 1/2	
50	3422532	1	Pin, Hitch	
51	3520054	2	Plug	
52	3537416	1	Plate, Mounting (Front Right)	
53	3539971	1	Bracket, Engine Mounting (Front)	
54	3573142	1	Bracket, Engine Mounting (Rear)	
55	3573411	2	Plate, Clamp	
56	3573412	1	Plate, Gusset	
57	3573529	1	Plate, Engine Mounting (Front Left)	
58	3580320	1	Pulley	
60	1001145382	1	Radiator Oil Cooler	
61	3740067	2	Relay	
62	3740080	2	Relay	
63	3960543	1	Seal	
64	3960544	1	Seal	
65	4032022	4	Bolt M10 x 90	
66	4060804	0.98 ft/ 0.3m	Flex-Trim	
67	4060805	0.67 ft/ 0.2m	Flex-Trim	
68	4240099	AR	Tie, Wire (Not Shown)	
69	4460234	3	Terminal, Mount Cable Tie	
70	4568293	1	Tube, Exhaust	
71	4640751	1	Valve, Oil Drain	
72	4711500	13	Washer 5/16	
73	4711600	68	Washer 3/8	
74	4711800	7	Washer 1/2	
75	4740274	4	Washer, Special (Snubbing)	
76	4740518	10	Washer, Nylon	
77	4751400	20	Washer 1/4	
78	4791400	4	Starwasher 1/4	
79	4846552	1	Plate, Oil Cooler Mounting	
80	4846945	1	Mount, Generator	
81	4846946	1	Tray	
82	4891800	4	Washer 1/2	
83	4923468	1	Harness, Glow Plug	
84	1001092856	1	Hose (SN 0300201017 through 0300234289)	
84	1001225118	1	Hose (SN 0300234290 to Present)	
85	1001098601	1	Deutz TD2011 Engine (See DEUTZ TD2011 ENGINE COMPONENTS for Breakdown)	
86	8410013	1	Clamp	
87	0761215	2	Bolt M12 x 35	
88	1001112927	1	Pump Assembly - Sauer Gear (See PUMP ASSEMBLY (SAUER	

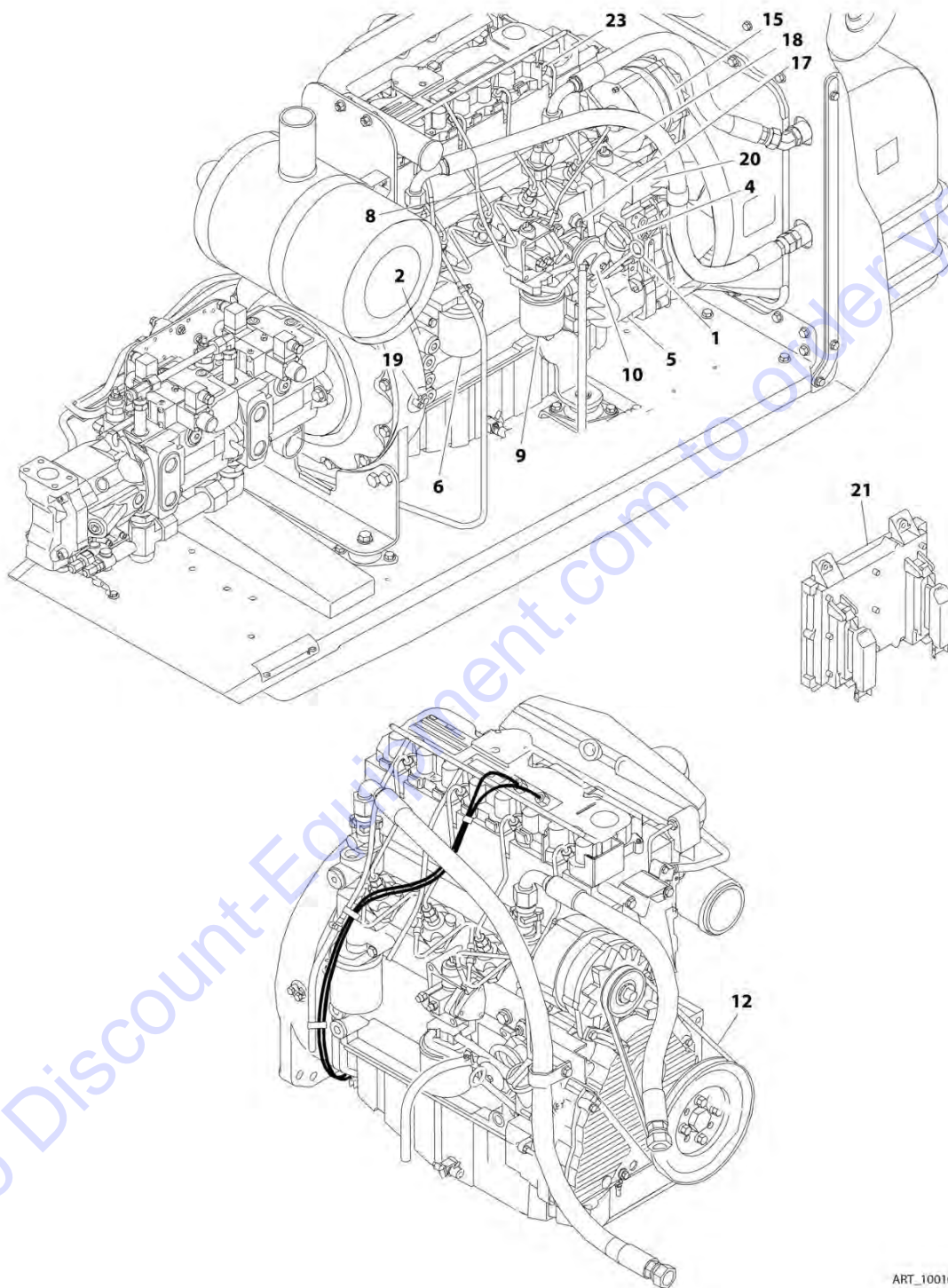
SECTION 3 - ENGINE

ITEM	PART NUMBER	QTY	DESCRIPTION	REV
89	4891600	2	GEAR) for Breakdown) Washer 3/8	
90	1001108616	1	Pump Assembly - Sauer Tandem (See PUMP ASSEMBLY (SAUER TANDEM) for Breakdown)	
91	1001171095	1	Pump Assembly - Sauer Piston (See PUMP ASSEMBLY (SAUER PISTON) for Breakdown)	
92	3790152	1	O-Ring	
93	3790155	1	O-Ring	

Go to Discount-Equipment.com to order your parts

SECTION 3 - ENGINE

FIGURE 3-13. DEUTZ TD2011 ENGINE COMPONENTS



ART_1001098601

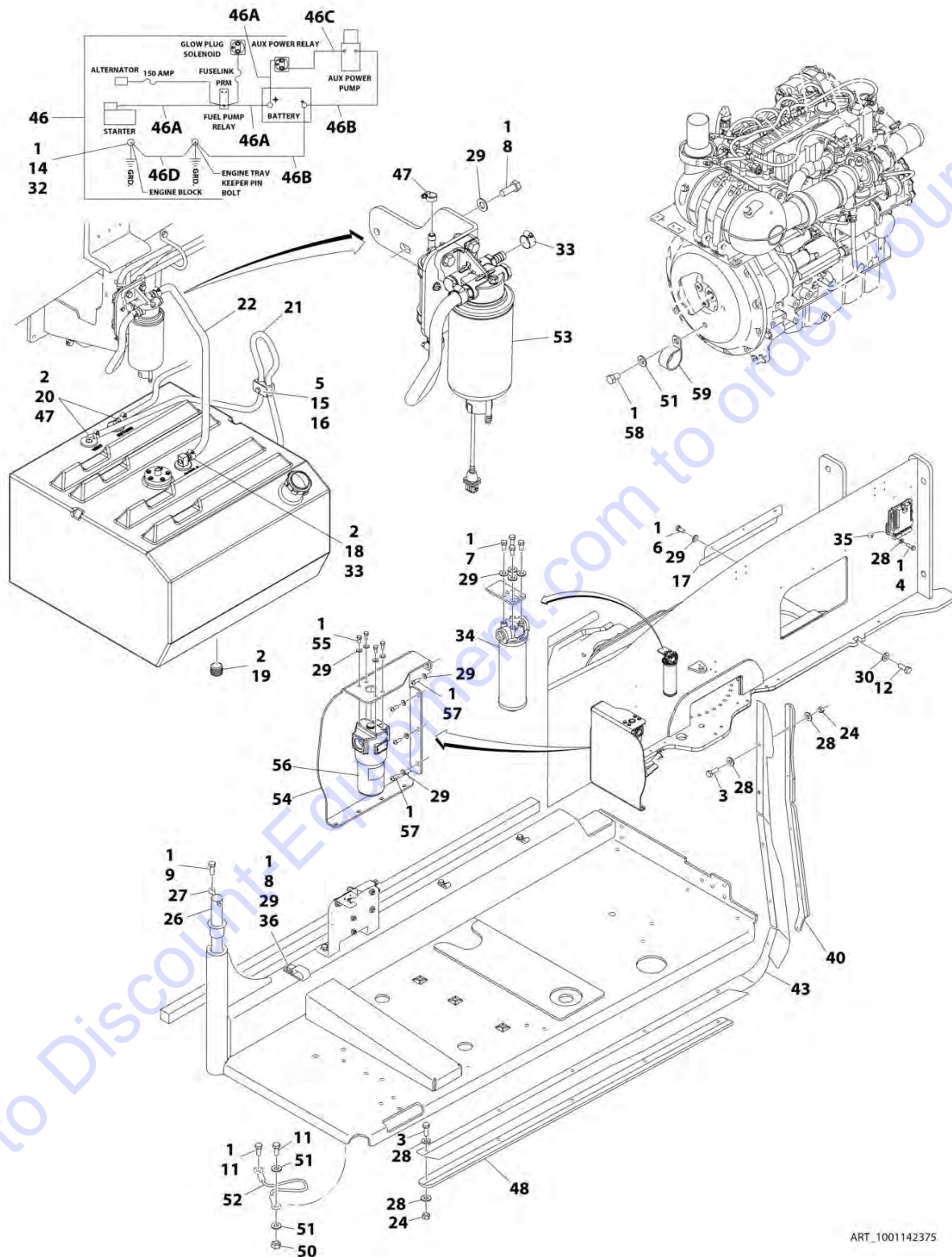
SECTION 3 - ENGINE

FIGURE 3-13. DEUTZ TD2011 ENGINE COMPONENTS

ITEM	PART NUMBER	QTY	DESCRIPTION	REV
	1001098601	Ref	DEUTZ TD2011 ENGINE COMPONENTS	C
1	7027235	1	Dipstick	
1	70000044	1	O-Ring	
2	70003475	1	Thermostat	
2	7020460	1	Compression Spring	
3	70001870	1	Flywheel (Not Shown)	
3	7024579	1	Gear, Ring (Not Shown)	
4	7020465	1	Cap, Filler	
5	70001850	1	Pump, Oil	
5	7020468	1	Seal Between Oil Pump and Engine Block (Not Shown)	
6	7016331	1	Filter, Oil	
6	7027236	1	Sender, Temperature (Located near Oil Filter)	
8		Ref	Injector Pump	
8	70001128	AR	"A" Series	
8	70001129	AR	"B" Series	
8	70001130	AR	"C" Series	
8	70001131	AR	"D" Series	
8	7020447	AR	Gasket (1 per Injector)	
9	8320270	1	Filter, Fuel	
10	70000916	1	Pump Fuel Supply	
10	70001435	1	Repair Kit	
10	70000917	1	O-Seal Between Fuel Pump and Engine Block (Not Shown)	
10	70000918	1	Sealing Ring (Not Shown)	
10	70000919	1	Pump, Hand (Not Shown)	
11	7027239	1	Solenoid, Start (Not Shown - Located near Throttle)	
12	7020414	1	V-Belt	
13	7020471	4	Gasket, Exhaust Manifold to Engine Block (Not Shown)	
13	7020486	1	Gasket, Exhaust Manifold to Exhaust Pipe (Not Shown)	
14	7027240	1	Turbocharger (Not Shown)	
14	70001857	1	Flange, Turbocharger (Not Shown)	
14	70001135	1	Gasket (Not Shown)	
15	70001867	1	Alternator	
15	70001868	1	Regulator, Voltage (Not Shown)	
16	7020479	1	Starter (Not Shown - Located on Right Side of Engine)	
16	7026608	1	Relay, Start (Not Shown)	
17	7027790	1	Sensor, Oil Pressure	
18	7027791	1	Sensor, Temperature (Not Shown)	
19	7024565	1	Sensor, Speed	
20	7027792	1	Actuator Throttle	
20	7027276	2	Spring	
21	1600443	1	Module, EMR2 Controller	
22	70002718	1	Seal, Rear Main (Not Shown)	
23	70003135	4	Injector, Fuel	
23	70003136	1	Ring, Sealing	
24	70001847	1	Valve, Breather (Located - Front Cover) (Not Shown)	
24	70001126	1	O-Ring (Not Shown)	
25	70001125	1	Cap, Breather (Located In Cylinder Head Cover) (Not Shown)	
25	70001126	1	O-Ring (Not Shown)	
26	70001871	4	Gasket, Air Intake Manifold (Not Shown)	
27	70000345	4	Plug, Glow (Not Shown)	

SECTION 3 - ENGINE

FIGURE 3-14. DEUTZ TCD2.9L4 ENGINE INSTALLATION - WITH REXROTH PUMP (WITHOUT COLD WEATHER PLUS PACKAGE)



ART_1001142375

SECTION 3 - ENGINE

FIGURE 3-14. DEUTZ TCD2.9L4 ENGINE INSTALLATION - WITH REXROTH PUMP (WITHOUT COLD WEATHER PLUS PACKAGE)

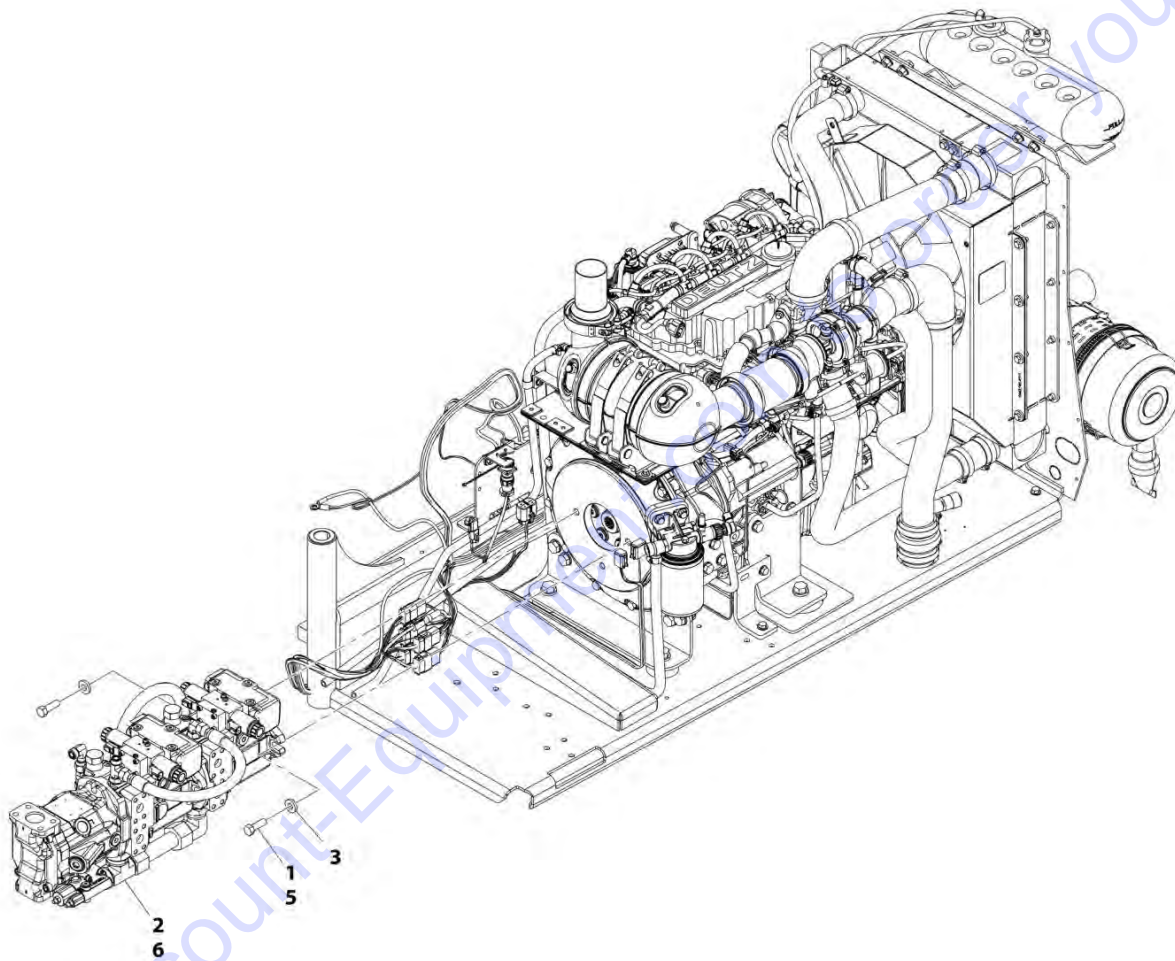
ITEM	PART NUMBER	QTY	DESCRIPTION	REV
	1001142375	Ref	DEUTZ TCD2.9L4 ENGINE INSTALLATION - WITH REXROTH PUMP (WITHOUT COLD WEATHER PLUS PACKAGE)	J
1	0100011	AR	Compound, Locking	
2	0100079	AR	Sealant, Pipe	
3	0641408	10	Bolt 1/4 x 1	
4	0641410	4	Bolt 1/4 x 1-1/4	
5	0641511	1	Bolt 5/16 x 1-3/8	
6	0641605	3	Bolt 3/8 x 5/8	
7	0641606	4	Bolt 3/8 x 3/4	
8	0641608	3	Bolt 3/8 x 1	
9	0641610	1	Bolt 3/8 x 1-1/4	
11	0641808	2	Bolt 1/2 x 1	
12	0642010	1	Bolt 5/8 x 1-1/4	
14	0761210	1	Bolt M12 x 20	
15	1320187	1	Clamp	
16	1320190	1	Cover, Clamp	
17	1671121	1	Cover	
18	2180832	1	Fitting, Barbed	
19	2200222	1	Plug, Pipe (SN 0300201017 through 0300227047)	
20	2220313	2	Fitting, 90 Barbed	
21	1001165035	4.5 ft/ 1.4m	Hose (SN 0300201017 through 0300227047)	
21	2750532	5 ft/ 1.5m	Hose (SN 0300227048 to Present)	
22	1001154405	1.9 ft/ 0.6m	Hose	
24	3311405	10	Nut 1/4	
26	3422446	1	Pin, Pivot	
27	3841143	1	Pin, Keeper	
28	4711400	24	Washer 1/4	
29	4711600	19	Washer 3/8	
30	4752000	1	Washer 5/8	
32	4812100	1	Washer M12	
33	8405006	2	Clamp	
34	1001108617	1	Hydraulic Pressure Filter Assembly	
34	70002231	1	Element, Filter	
35	1001110425	4	Spacer	
36	1001116792	1	Clamp	
38	1001138491	NLA	Harness, Fuel (Use p/n 1001222665) (Not Shown - See ELECTRICAL SECTION for Breakdown)	
40	1001145089	1	Clamp	
43	1001145560	1	Panel, Rubber	
46	1001142610	1	Battery Cable Kit	
46A	7027046	1	Cable, Battery (Red) (Battery + to Relays and Starter)	
46A	See Note	NSS	Boot, Ring Terminal (Red) (Note: Not Available - Purchase Locally)	
46B	7027047	1	Cable, Battery (Black) (Battery - to Tray Pivot Grd) and Aux Pump	
46B	See Note	NSS	Boot, Ring Terminal (Black) (Note: Not Available - Purchase Locally)	
46C	7027048	1	Cable (Red) (Aux Relay to Aux Pump)	

SECTION 3 - ENGINE

ITEM	PART NUMBER	QTY	DESCRIPTION	REV
46C	See Note	NSS	Boot, Ring Terminal (Red) (Note: Not Available - Purchase Locally)	
46D	7027049	1	Cable, Battery (Black) (Engine to Tray Pivot Grd)	
47	1320022	3	Clamp	
48	1001145842	1	Plate, Clamping	
50	3311805	1	Nut 1/2	
51	4711800	3	Washer 1/2	
52	1001131542	1	Lanyard	
53	1001165101	1	Bracket, Fuel Pump Filter Assembly (See FUEL PUMP/FILTER BRACKET ASSEMBLY - DEUTZ TCD2.9L4 ENGINES for Breakdown)	
54	3380723	1	Panel, Noise Reduction	
55	0651606	4	Bolt 3/8 x 3/4	
56	2120218	1	Filter, High Pressure	
56	2120219	1	Element, Filter	
56	70001344	1	O-Ring, Bowl	
56	70006137	1	Seal Kit - Includes O-Ring (Element), O-Ring (Bowl), Back-up Ring (Bowl), Seal Ring (Indicator) and O-Ring (Indicator)	
57	3900316	5	Screw 3/8 x 1	
58	0641806	1	Bolt 1/2 x 3/4	
59	90028660	1	Clamp	

SECTION 3 - ENGINE

FIGURE 3-15. DEUTZ TCD2.9L4 ENGINE SUB-ASSEMBLY - WITH REXROTH PUMP (WITHOUT COLD WEATHER PLUS PACKAGE)



ART_1001141812

SECTION 3 - ENGINE

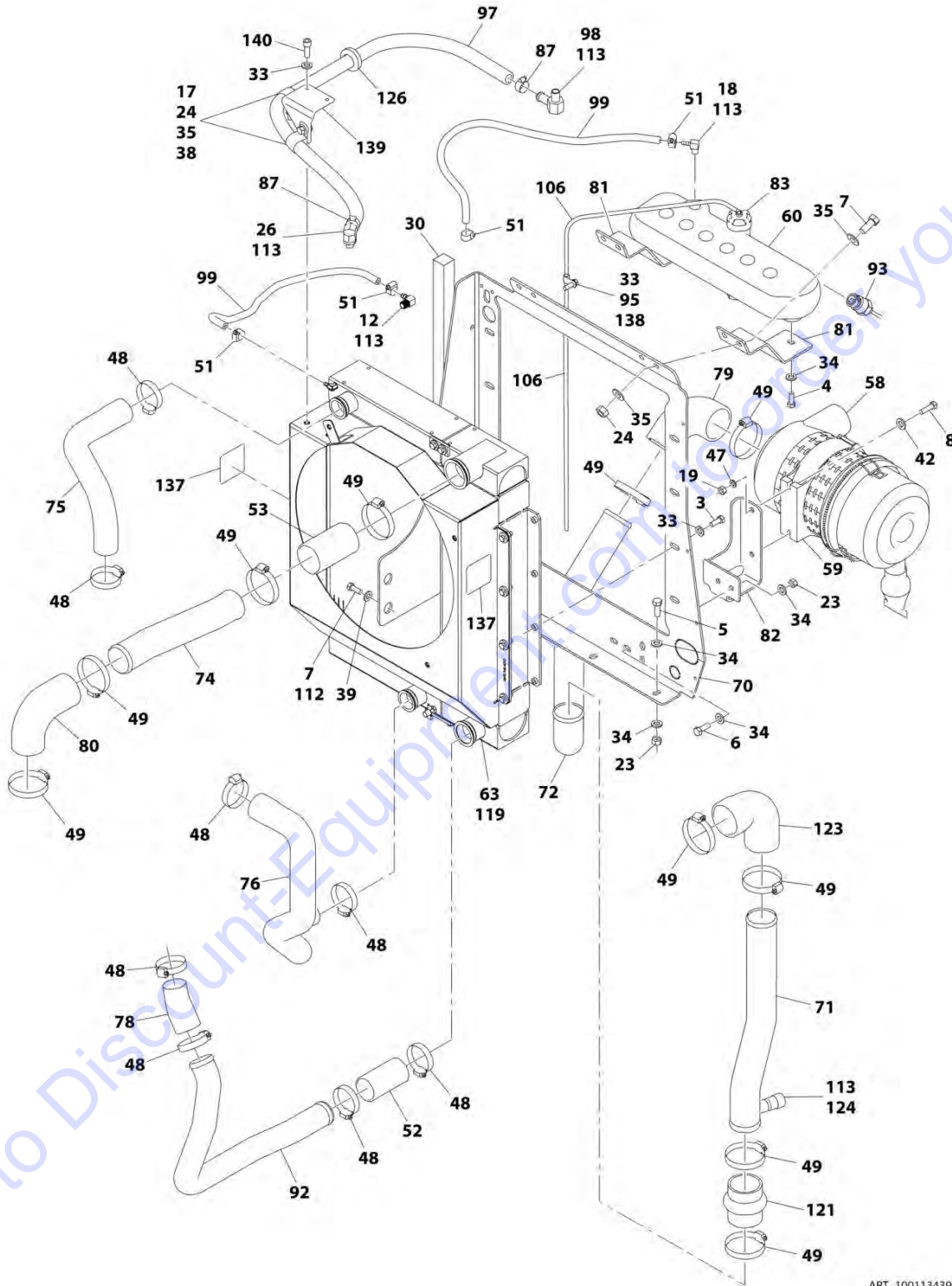
FIGURE 3-15. DEUTZ TCD2.9L4 ENGINE SUB-ASSEMBLY - WITH REXROTH PUMP (WITHOUT COLD WEATHER PLUS PACKAGE)

ITEM	PART NUMBER	QTY	DESCRIPTION	REV
	1001141812	Ref	DEUTZ TCD2.9L4 ENGINE SUB-ASSEMBLY - WITH REXROTH PUMP (WITHOUT COLD WEATHER PLUS PACKAGE)	Z
1	0641812	2	Bolt 1/2 x 1-1/2	
2	3020037	AR	Grease, Pump Coupling	
3	4891800	2	Washer 1/2	
5	0100011	AR	Compound, Locking	
6	1001152963	1	Pump Assembly - Rexroth (See PUMP ASSEMBLY (REXROTH) DEUTZ TCD2.9L4 ENGINES for Breakdown)	

Go to Discount-Equipment.com to order your parts

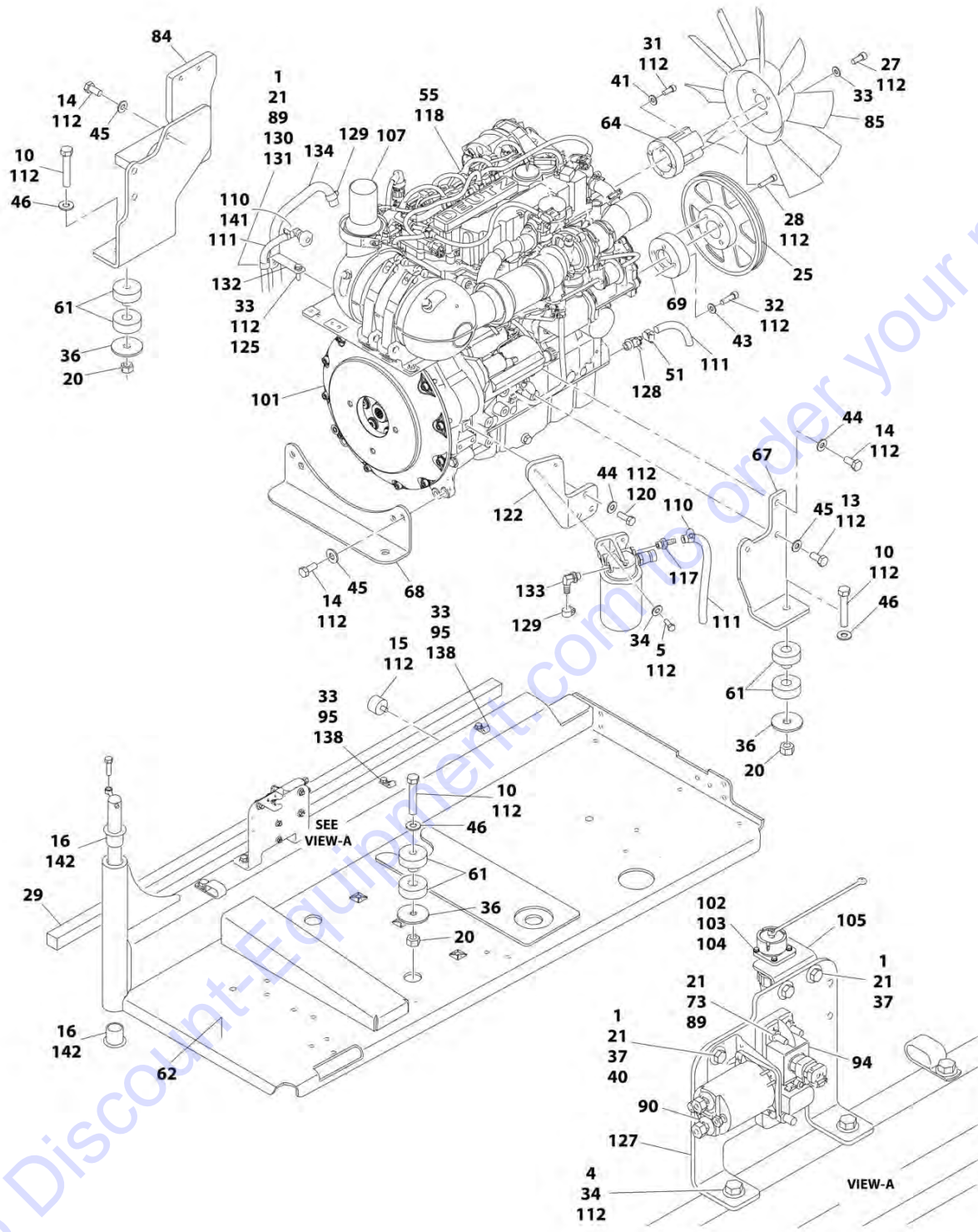
SECTION 3 - ENGINE

FIGURE 3-16. DEUTZ TCD2.9L4 ENGINE ASSEMBLY - WITH REXROTH PUMP (WITHOUT COLD WEATHER PLUS PACKAGE)



ART_1001134392_10F2

SECTION 3 - ENGINE



ART_1001134392_20F2

SECTION 3 - ENGINE

FIGURE 3-16. DEUTZ TCD2.9L4 ENGINE ASSEMBLY - WITH REXROTH PUMP (WITHOUT COLD WEATHER PLUS PACKAGE)

ITEM	PART NUMBER	QTY	DESCRIPTION	REV
	1001134392	Ref	DEUTZ TCD2.9L4 ENGINE ASSEMBLY - WITH REXROTH PUMP (WITHOUT COLD WEATHER PLUS PACKAGE)	AH
1	0641406	5	Bolt 1/4 x 3/4	
3	0641508	8	Bolt 5/16 x 1	
4	0641606	5	Bolt 3/8 x 3/4	
5	0641608	9	Bolt 3/8 x 1	
6	0641610	2	Bolt 3/8 x 1-1/4	
7	0641708	6	Bolt 7/16 x 1	
8	0700815	2	Bolt M8 x 35	
10	0682028	4	Bolt 5/8 x 3-1/2 Grade 8	
12	1001140564	1	Fitting, 90 Barbed	
13	0771212	1	Bolt M12 x 25 Grade 10.9	
14	0771414	9	Bolt M14 x 30 Grade 10.9	
15	0940070	1	Bumper	
16	0961986	2	Bushing, Flanged	
17	0641706	2	Bolt 7/16 x 3/4	
18	1001134488	1	Fitting, 90 Barbed	
19	3290801	2	Nut M8	
20	3272001	4	Nut 5/8 Grade 8	
21	3311405	6	Nut 1/4	
23	3311605	9	Nut 3/8	
24	3311705	5	Nut 7/16	
25	3580320	1	Pulley	
26	1001141719	1	Fitting, 90 Barbed	
27	3931512	4	Capscrew 5/16 x 3/4	
28	3931628	4	Capscrew 3/8 x 1-3/4	
29	3960543	1	Seal	
30	3960544	1	Seal	
31	4031914	4	Bolt M8 x 50	
32	4032014	4	Bolt M10 x 50	
33	4711500	19	Washer 5/16	
34	4711600	25	Washer 3/8	
35	4711700	10	Washer 7/16	
36	1001146219	4	Washer Special	
37	4751400	8	Washer 1/4	
38	8406302	2	Clamp	
39	4751700	2	Washer 7/16	
40	4791400	2	Starwasher 1/4	
41	4811900	4	Washer M8	
42	4811902	2	Washer M8	
43	4812000	4	Washer M10	
44	4812100	4	Washer M12	
45	4812200	9	Washer M14	
46	4892000	4	Washer 5/8	
47	4831900	2	Washer M8	
48	8405201	8	Clamp	
49	8405204	10	Clamp	
51	8410013	5	Clamp	
52	91563070	1	Coupling, Rubber	

SECTION 3 - ENGINE

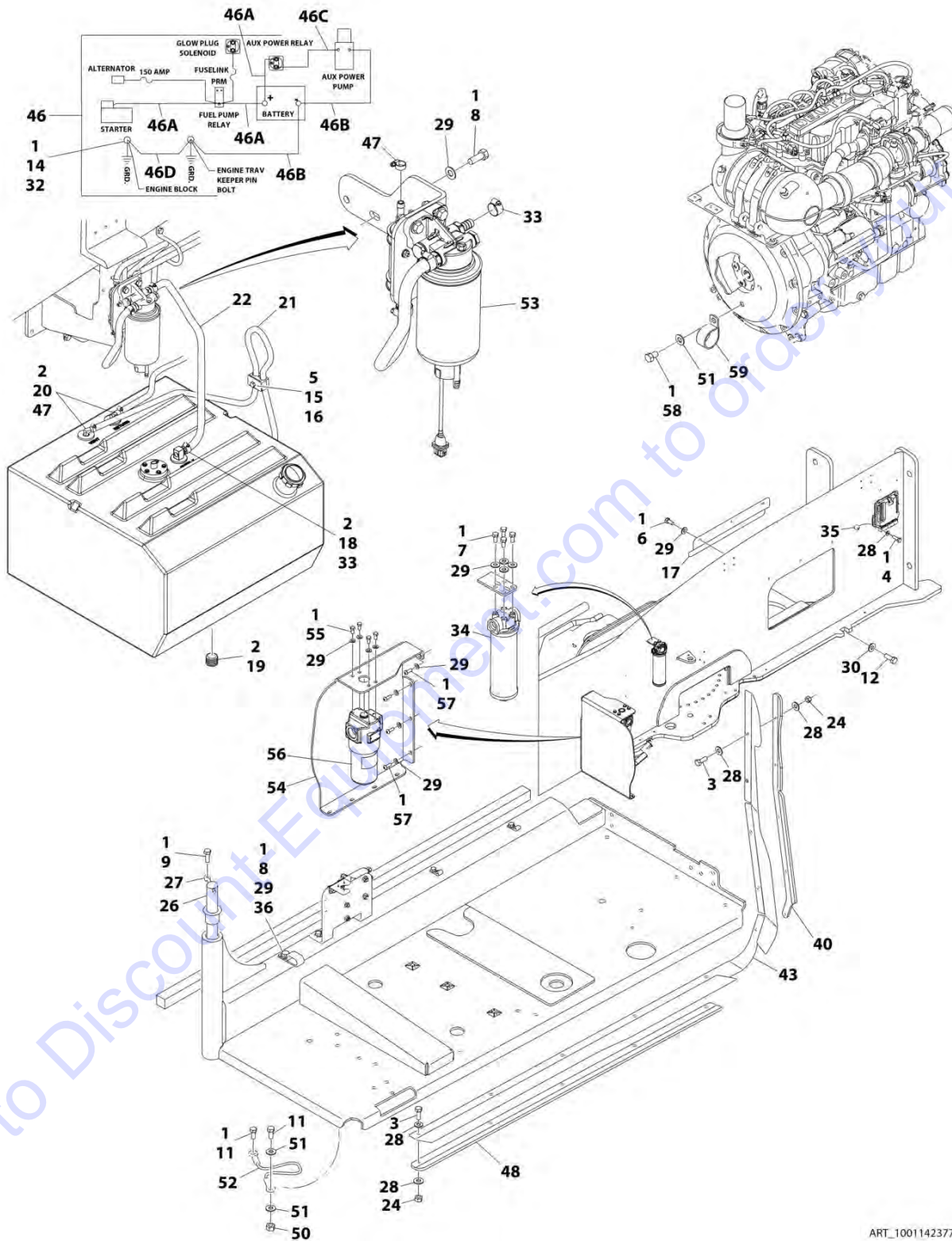
ITEM	PART NUMBER	QTY	DESCRIPTION	REV
53	1001114495	1	Hose	
55	1001128947	1	Engine, Deutz TCD2.9L4 (See DEUTZ TCD2.9L4 ENGINE COMPONENTS for Breakdown)	
58	1001133633	1	Air Cleaner Assembly	
58	70024190	1	Element, Air Filter	
59	1001133634	1	Clamp	
60	1001166393	1	Tank, Surge	
61	1001155575	4	Mount, Motor	
62	1001134485	NLA	Tray (Use p/n 1001191272) (SN 0300201017 through 0300230054)	
62	1001191272	1	Tray (SN 0300230055 to Present)	
63	1001135090	1	Radiator	
64	1001135138	1	Spacer, Fan	
67	1001135560	1	Support, Engine	
68	1001135562	1	Support, Engine - Rear	
69	1001135679	1	Spacer, Pulley	
70	1001135680	1	Support, Radiator	
71	1001135901	1	Pipe, Air Intake	
72	1001135903	1	Pipe, Air Intake	
73	3931432	1	Capscrew 1/4 x 2	
74	1001135914	1	Pipe, Air Cleaner to Intake	
75	1001135924	1	Hose, Radiator (Upper)	
76	1001135926	1	Hose, Radiator (Lower)	
78	1001135943	1	Coupling, Rubber	
79	1001135946	1	Elbow, Rubber	
80	1001136292	1	Pipe, 90	
81	1001136626	2	Bracket	
82	1001136665	1	Bracket	
83	1001136834	1	Cap, Tank	
84	1001142398	1	Support, Engine	
85	1001137276	1	Fan	
87	8405007	2	Clamp	
89	4711400	3	Washer 1/4	
90	1001117308	1	Relay	
92	1001135913	1	Pipe, Turbo to Air Cleaner	
93	1001138827	1	Sensor, Coolant Level	
94	1001138228	1	Module, Power	
94	70023592	1	Fuse 20Amp (Switched Output)	
94	70023593	1	Fuse 30Amp (Battery Output)	
95	1001138253	5	Clamp	
96	1001138346	1	Harness, Engine (Not Shown - See ELECTRICAL SECTION for Breakdown)	
97	1001138524	1	Hose	
98	1001138559	1	Fitting, 90	
99	2720015	4.5 ft/ 1.4m	Hose	
101	2902065	1	Pump Coupling Kit (See PUMP COUPLING KIT for Breakdown)	
102	3310401	3	Nut #4	
103	3910408	3	Screw #4 x 1/2	
104	4710400	3	Washer #4	
105	1001139240	1	Bracket	
106	1001138248	4 ft /1.2m	Tubing	

SECTION 3 - ENGINE

ITEM	PART NUMBER	QTY	DESCRIPTION	REV
107	1001153024	1	Pipe, Exhaust	
110	1320022	2	Clamp	
111	1001165035	30.5 ft/ 9.3m	Hose	
112	0100011	AR	Compound, Locking	
113	0100020	AR	Sealant	
114	1001141304	1	Wire, Glow Plug (Not Shown)	
115	1001135779	1	Cable, Alternator Positive (Not Shown)	
117	1001141717	1	Fitting, Straight	
118	1001136079	2.4 gal /9L	Oil, Motor	
119	2300004	3.2 gal/ 12.1L	Anti-freeze	
120	0761214	3	Bolt M12 x 30	
121	1001142637	1	Hose, Hump	
122	1001142685	1	Bracket	
123	1001165820	1	Pipe, Elbow	
124	1001143390	1	Indicator, Air Filter Service	
125	0760810	2	Bolt M8 x 20	
126	1001144089	1	Grommet	
127	1001145154	1	Plate, Mounting	
128	4640751	1	Valve, Oil Drain	
129	8405006	2	Clamp	
130	8406102	AR	Clip	
131	8406112	1	Clip	
132	1001138717	1	Bracket	
133	1001142501	1	Fitting, 90 Barbed	
134	1001154405	5 ft/1.5m	Hose	
135	1001148843	1	Harness, Fuel Filter (Not Shown - See ELECTRICAL SECTION for Breakdown)	
137	1703162	2	Decal - Fan	
138	0641503	3	Bolt 5/16 x 3/8	
139	1001153387	1	Plate	
140	3931508	2	Capscrew 5/16 x 1/2	
141	1001155823	1	Coupling	
142	0100062	AR	Adhesive, Loctite #680	
143	4240099	AR	Tie-Strap (Not Shown)	

SECTION 3 - ENGINE

FIGURE 3-17. DEUTZ TCD2.9L4 ENGINE INSTALLATION - WITH REXROTH PUMP (WITH COLD WEATHER PLUS PACKAGE)



ART_1001142377

SECTION 3 - ENGINE

FIGURE 3-17. DEUTZ TCD2.9L4 ENGINE INSTALLATION - WITH REXROTH PUMP (WITH COLD WEATHER PLUS PACKAGE)

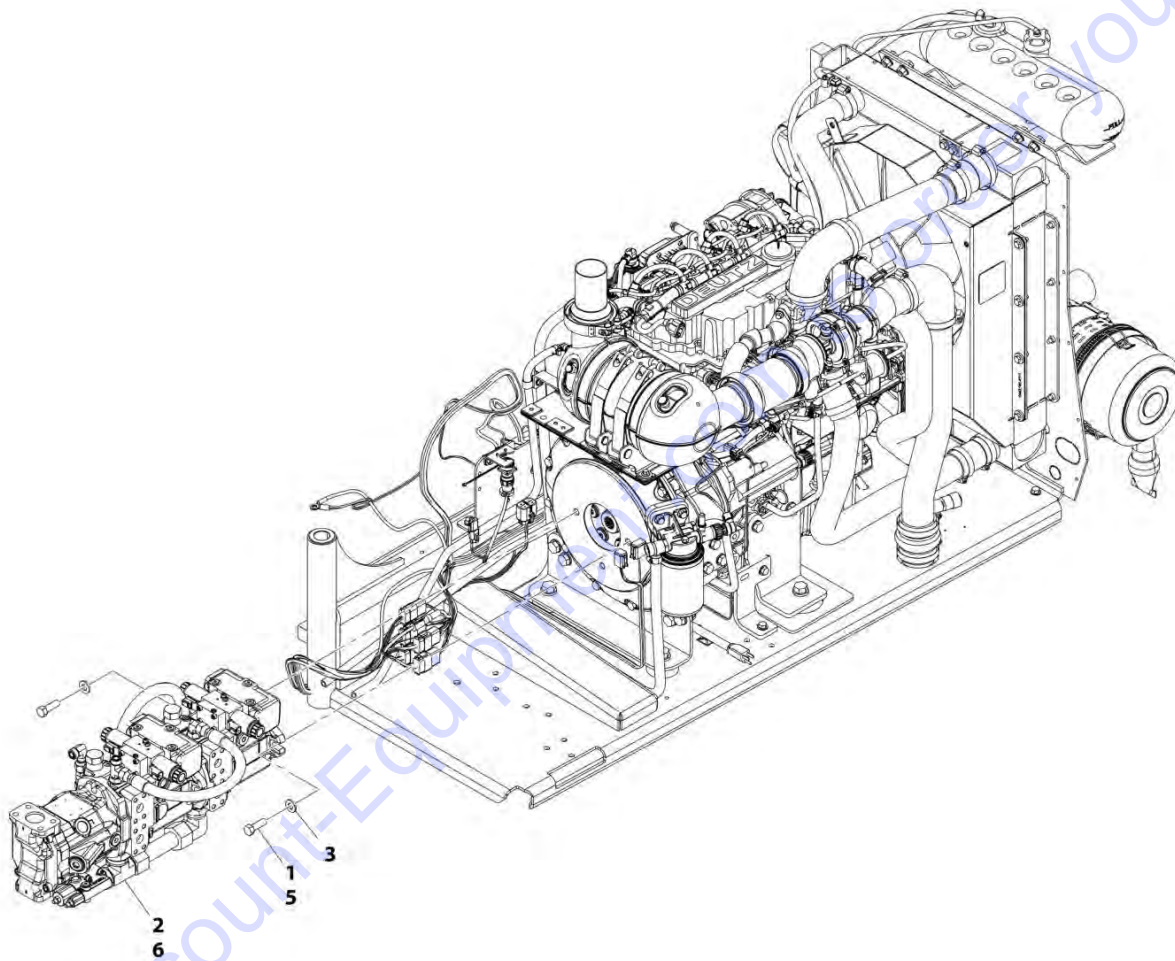
ITEM	PART NUMBER	QTY	DESCRIPTION	REV
	1001142377	Ref	DEUTZ TCD2.9L4 ENGINE INSTALLATION - WITH REXROTH PUMP (WITH COLD WEATHER PLUS PACKAGE)	L
1	0100011	AR	Compound, Locking	
2	0100079	AR	Sealant, Pipe	
3	0641408	10	Bolt 1/4 x 1	
4	0641410	4	Bolt 1/4 x 1-1/4	
5	0641511	1	Bolt 5/16 x 1-3/8	
6	0641605	3	Bolt 3/8 x 5/8	
7	0641606	4	Bolt 3/8 x 3/4	
8	0641608	3	Bolt 3/8 x 1	
9	0641610	1	Bolt 3/8 x 1-1/4	
11	0641808	AR	Bolt 1/2 x 1	
12	0642010	1	Bolt 5/8 x 1-1/4	
14	0761210	1	Bolt M12 x 20	
15	1320187	1	Clamp	
16	1320190	1	Cover, Clamp	
17	1671121	1	Cover	
18	2180832	1	Fitting, Barbed	
19	2200222	1	Plug, Pipe (SN 0300201017 through 0300227047)	
20	2220313	2	Fitting, 90 Barbed	
21	1001165035	4.5 ft/ 1.4m	Hose (SN 0300201017 through 0300227047)	
21	2750532	5 ft/ 1.5m	Hose (SN 0300227048 to Present)	
22	1001154405	1.9 ft /0.6m	Hose	
24	3311405	10	Nut 1/4	
26	3422446	1	Pin, Pivot	
27	3841143	1	Pin, Keeper	
28	4711400	24	Washer 1/4	
29	4711600	AR	Washer 3/8	
30	4752000	1	Washer 5/8	
32	4812100	1	Washer M12	
33	8405006	2	Clamp	
34	1001108617	1	Hydraulic Pressure Filter Assembly	
34	70002231	1	Element, Filter	
35	1001110425	4	Spacer	
36	1001116792	1	Clamp	
38	1001138491	NLA	Harness, Fuel (Use p/n 1001222665) (Not Shown - See ELECTRICAL SECTION for Breakdown)	
40	1001145089	1	Clamp	
43	1001145560	1	Panel, Rubber	
46	1001142610	1	Battery Cable Kit	C
46A	7027046	1	Cable, Battery (Red) (Battery + to Relays and Starter)	
46A	See Note	NSS	Boot, Ring Terminal (Red) (Note: Not Available - Purchase Locally)	
46B	7027047	1	Cable, Battery (Black) (Battery - to Tray Pivot Grd) and Aux Pump	
46B	See Note	NSS	Boot, Ring Terminal (Black) (Note: Not Available - Purchase Locally)	
46C	7027048	1	Cable (Red) (Aux Relay to Aux Pump)	

SECTION 3 - ENGINE

ITEM	PART NUMBER	QTY	DESCRIPTION	REV
46C	See Note	NSS	Boot, Ring Terminal (Red) (Note: Not Available - Purchase Locally)	
46D	7027049	1	Cable, Battery (Black) (Engine to Tray Pivot Grd)	
47	1320022	3	Clamp	
48	1001145842	1	Plate, Clamping	
50	3311805	1	Nut 1/2	
51	4711800	3	Washer 1/2	
52	1001131542	1	Lanyard	
53	1001165101	1	Fuel Pump Filter Assembly (See FUEL PUMP/FILTER BRACKET ASSEMBLY - DEUTZ TCD2.9L4 ENGINES for Breakdown)	
54	3380723	1	Panel, Noise Reduction	
55	0651606	4	Bolt 3/8 x 3/4	
56	2120218	1	Filter, High Pressure	
56	2120219	1	Element, Filter	
56	70001344	1	O-Ring, Bowl	
56	70006137	1	Seal Kit - Includes O-Ring (Element), O-Ring (Bowl), Back-up Ring (Bowl), Seal Ring (Indicator) and O-Ring (Indicator)	
57	3900316	5	Screw 3/8 x 1	
58	0641806	1	Bolt 1/2 x 3/4	
59	90028660	1	Clamp	

SECTION 3 - ENGINE

FIGURE 3-18. DEUTZ TCD2.9L4 ENGINE SUB-ASSEMBLY - WITH REXROTH PUMP (WITH COLD WEATHER PLUS PACKAGE)



ART_1001141813

SECTION 3 - ENGINE

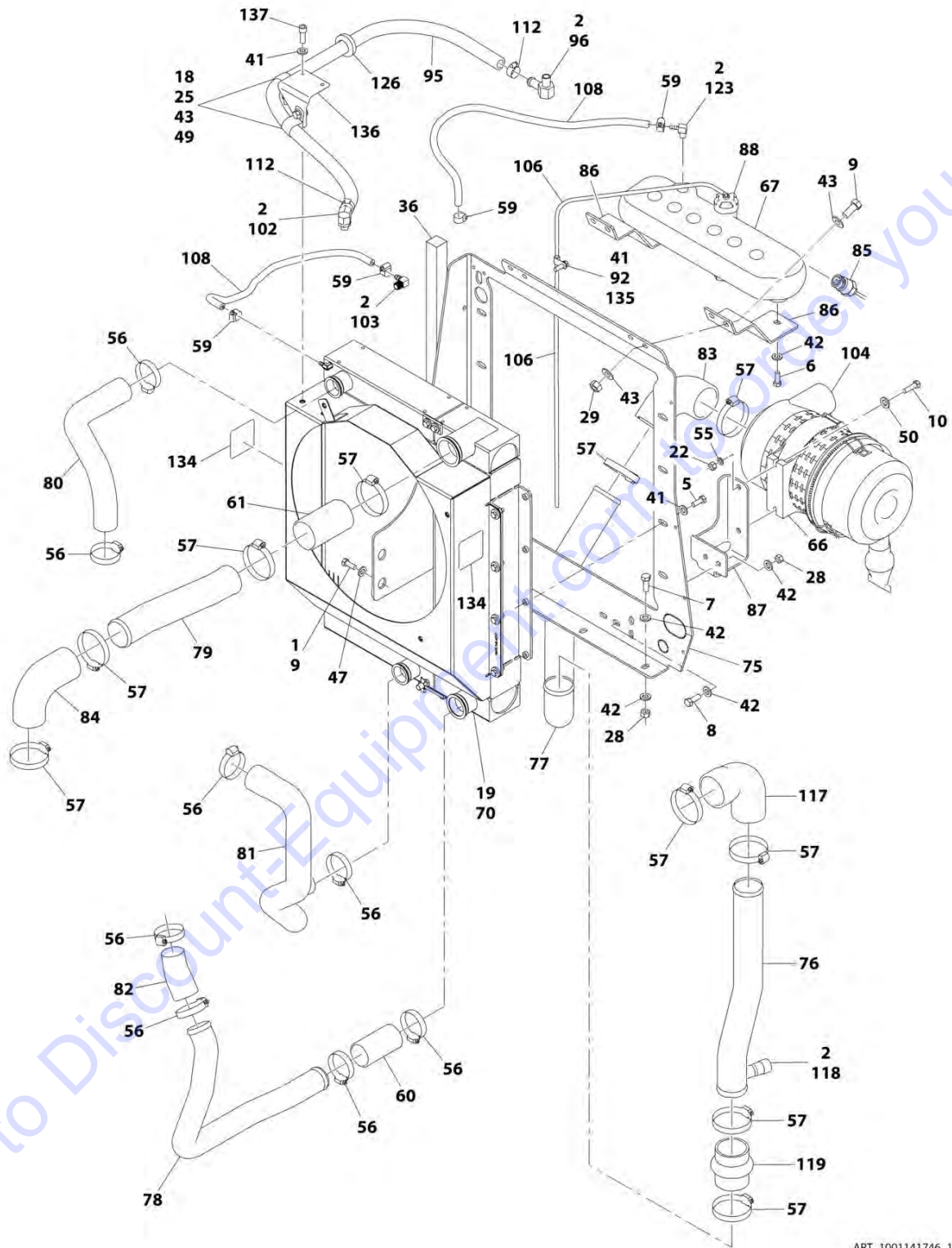
FIGURE 3-18. DEUTZ TCD2.9L4 ENGINE SUB-ASSEMBLY - WITH REXROTH PUMP (WITH COLD WEATHER PLUS PACKAGE)

ITEM	PART NUMBER	QTY	DESCRIPTION	REV
	1001141813	Ref	DEUTZ TCD2.9L4 ENGINE SUB-ASSEMBLY - WITH REXROTH PUMP (WITH COLD WEATHER PLUS PACKAGE)	AB
1	0641812	2	Bolt 1/2 x 1-1/2	
2	3020037	AR	Grease, Pump Coupling	
3	4740171	2	Washer 1/2	
5	0100011	AR	Compound, Locking	
6	1001152963	1	Pump Assembly - Rexroth (See PUMP ASSEMBLY (REXROTH) DEUTZ TCD2.9L4 ENGINES for Breakdown)	

Go to Discount-Equipment.com to order your parts

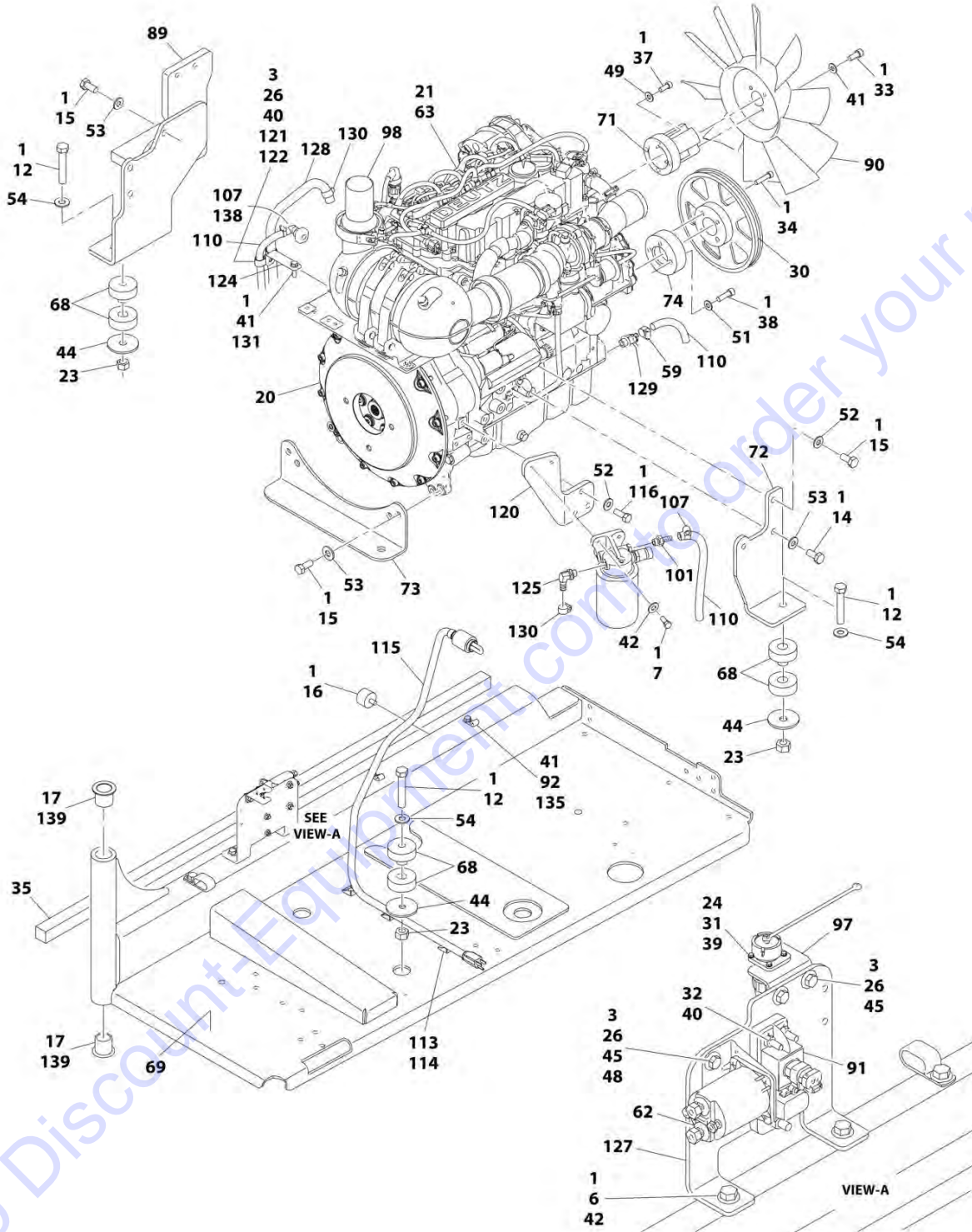
SECTION 3 - ENGINE

FIGURE 3-19. DEUTZ TCD2.9L4 ENGINE ASSEMBLY - WITH REXROTH PUMP (WITH COLD WEATHER PLUS PACKAGE)



ART_1001141746_10F2

SECTION 3 - ENGINE



ART_1001141746_20F2

SECTION 3 - ENGINE

FIGURE 3-19. DEUTZ TCD2.9L4 ENGINE ASSEMBLY - WITH REXROTH PUMP (WITH COLD WEATHER PLUS PACKAGE)

ITEM	PART NUMBER	QTY	DESCRIPTION	REV
	1001141746	Ref	DEUTZ TCD2.9L4 ENGINE ASSEMBLY - WITH REXROTH PUMP (WITH COLD WEATHER PLUS PACKAGE)	AG
1	0100011	AR	Compound, Locking	
2	0100020	AR	Sealant	
3	0641406	5	Bolt 1/4 x 3/4	
5	0641508	8	Bolt 5/16 x 1	
6	0641606	5	Bolt 3/8 x 3/4	
7	0641608	9	Bolt 3/8 x 1	
8	0641610	2	Bolt 3/8 x 1-1/4	
9	0641708	6	Bolt 7/16 x 1	
10	0700815	2	Bolt M8 x 35	
12	0682028	4	Bolt 5/8 x 3-1/2 Grade 8	
14	0771212	1	Bolt M12 x 25 Grade 10.9	
15	0771414	9	Bolt M14 x 30 Grade 10.9	
16	0940070	1	Bumper	
17	0961986	2	Bushing, Flanged	
18	0641706	2	Bolt 7/16 x 3/4	
19	2300041	3.2 gal/ 12.1L	Anti-freeze	
20	2902065	1	Pump Coupling Kit (See PUMP COUPLING KIT for Breakdown)	
21	1001136172	2.4 gal /9L	Oil, Motor	
22	3290801	2	Nut M8	
23	3272001	4	Nut 5/8 Grade 8	
24	3310401	3	Nut #4	
25	8406302	2	Clamp	
26	3311405	6	Nut 1/4	
28	3311605	9	Nut 3/8	
29	3311705	5	Nut 7/16	
30	3580320	1	Pulley	
31	3910408	3	Screw #4 x 1/2	
32	3931432	1	Capscrew 1/4 x 2	
33	3931512	4	Capscrew 5/16 x 3/4	
34	3931628	4	Capscrew 3/8 x 1-3/4	
35	3960543	1	Seal	
36	3960544	1	Seal	
37	4031914	4	Bolt M8 x 50	
38	4032014	4	Bolt M10 x 50	
39	4710400	3	Washer #4	
40	4711400	3	Washer 1/4	
41	4711500	19	Washer 5/16	
42	4711600	25	Washer 3/8	
43	4711700	10	Washer 7/16	
44	1001146219	4	Washer Special	
45	4751400	8	Washer 1/4	
47	4751700	2	Washer 7/16	
48	4791400	2	Starwasher 1/4	
49	4811900	4	Washer M8	
50	4811902	2	Washer M8	
51	4812000	4	Washer M10	

SECTION 3 - ENGINE

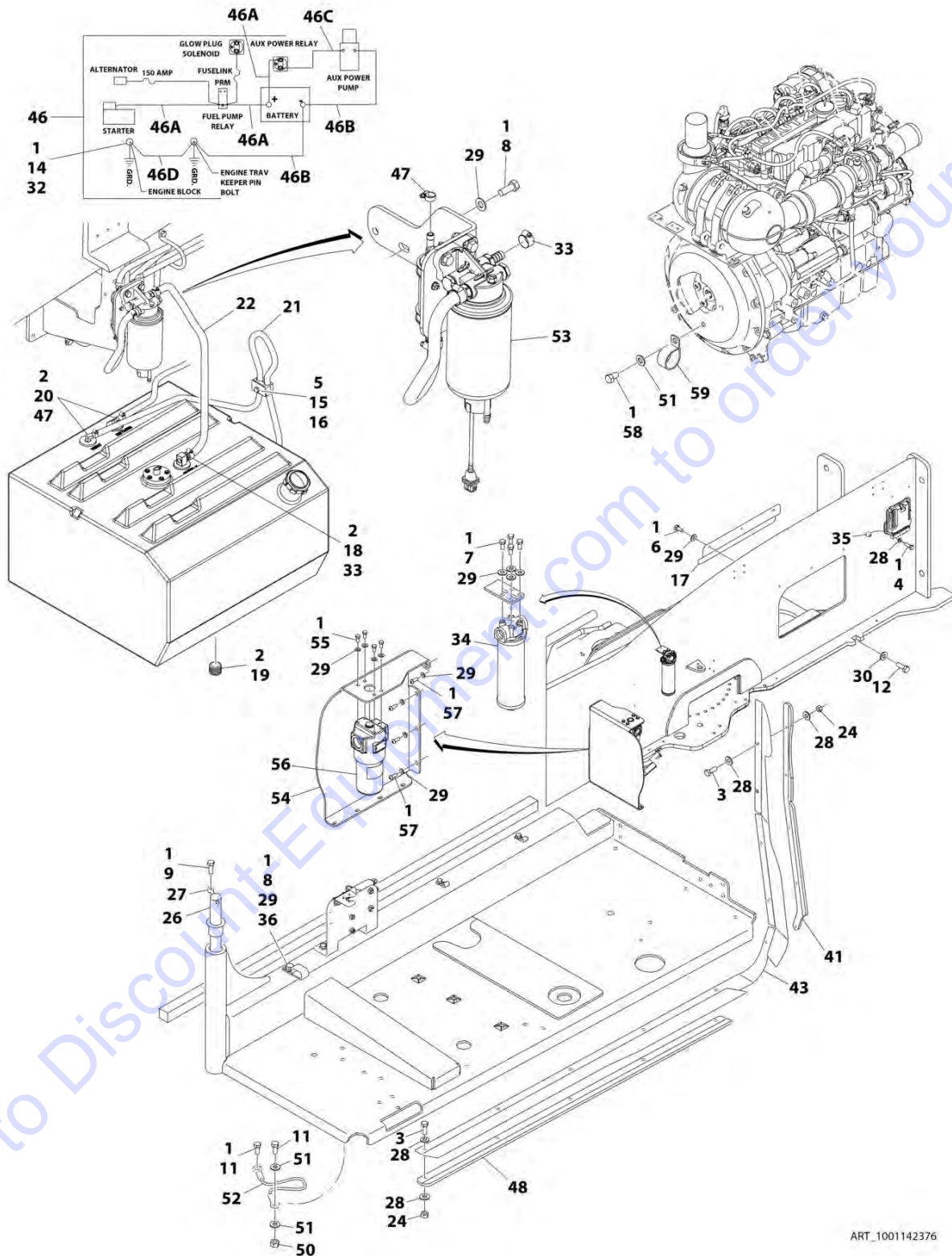
ITEM	PART NUMBER	QTY	DESCRIPTION	REV
52	4812100	4	Washer M12	
53	4812200	9	Washer M14	
54	4892000	4	Washer 5/8	
55	4831900	2	Washer M8	
56	8405201	8	Clamp	
57	8405204	10	Clamp	
59	8410013	5	Clamp	
60	91563070	1	Coupling, Rubber	
61	1001114495	1	Hose	
62	1001117308	1	Relay	
63	1001128947	1	Engine, Deutz TD2.9L4 (See DEUTZ TCD2.9L4 ENGINE COMPONENTS for Breakdown)	
66	1001133634	1	Clamp	
67	1001166393	1	Tank, Surge	
68	1001155575	4	Mount, Motor	
69	1001134485	NLA	Tray (Use p/n 1001191272) (SN 0300201017 through 0300230054)	
69	1001191272	1	Tray (SN 0300230055 to Present)	
70	1001135090	1	Radiator	
71	1001135138	1	Spacer, Fan	
72	1001135560	1	Support, Engine	
73	1001135562	1	Support, Engine - Rear	
74	1001135679	1	Spacer, Pulley	
75	1001135680	1	Support, Radiator	
76	1001135901	1	Pipe, Air Intake	
77	1001135903	1	Pipe, Air Intake	
78	1001135913	1	Pipe, Turbo to Air Cleaner	
79	1001135914	1	Pipe, Air Cleaner to Intake	
80	1001135924	1	Hose, Radiator (Upper)	
81	1001135926	1	Hose, Radiator (Lower)	
82	1001135943	1	Coupling, Rubber	
83	1001135946	1	Elbow, Rubber	
84	1001136292	1	Pipe, 90	
85	1001138827	1	Sensor, Coolant Level	
86	1001136626	2	Bracket	
87	1001136665	1	Bracket	
88	1001136834	1	Cap, Tank	
89	1001142398	1	Support, Engine	
90	1001137276	1	Fan	
91	1001138228	1	Module, Power	
91	70023592	1	Fuse 20Amp (Switched Output)	
91	70023593	1	Fuse 30Amp (Battery Output)	
92	1001138253	5	Clamp	
94	1001138346	1	Harness, Engine (Not Shown - See ELECTRICAL SECTION for Breakdown)	
95	1001138524	1	Hose	
96	1001138559	1	Fitting, 90	
97	1001139240	1	Bracket	
98	1001153024	1	Pipe, Exhaust	
100	1001141304	1	Wire, Glow Plug (Not Shown)	
101	1001141717	1	Fitting, Straight	
102	1001141719	1	Fitting, 90 Barbed	

SECTION 3 - ENGINE

ITEM	PART NUMBER	QTY	DESCRIPTION	REV
103	1001140564	1	Fitting, 90 Barbed	
104	1001133633	1	Air Cleaner Assembly	
104	70024190	1	Element, Air Filter	
105	1001135779	1	Cable, Alternator Positive (Not Shown)	
106	1001138248	4 ft/1.2m	Tubing	
107	1320022	2	Clamp	
108	2720015	4.5 ft/ 1.4m	Hose	
110	1001165035	30.5 ft/ 9.3m	Hose	
112	8405007	2	Clamp	
113	4240099	AR	Tie-Strap (Used to Secure Block Heater Cord)	
114	4460234	3	Mount, Wire Tie (Used to Secure Block Heater Cord)	
115	1001140312	1	Heater, Block	
116	0761214	3	Bolt M12 x 30	
117	1001165820	1	Pipe, Elbow	
118	1001143390	1	Indicator, Air Filter Service	
119	1001142637	1	Hose, Hump	
120	1001142685	1	Bracket	
121	8406102	AR	Clip	
122	8406112	1	Clip	
123	1001134488	1	Fitting, 90 Barbed	
124	1001138717	1	Bracket	
125	1001142501	1	Fitting, 90 Barbed	
126	1001144089	1	Grommet	
127	1001145154	1	Plate, Mounting	
128	1001154405	5 ft/1.5m	Hose	
129	4640751	1	Valve, Oil Drain	
130	8405006	2	Clamp	
131	0760810	AR	Bolt M8 x 20	
132	1001148843	1	Harness, Fuel Filter (Not Shown - See ELECTRICAL SECTION for Breakdown)	
134	1703162	2	Decal - Fan	
135	0641503	3	Bolt 5/16 x 3/8	
136	1001153387	1	Plate	
137	3931508	2	Capscrew 5/16 x 1/2	
138	1001155823	1	Coupling	
139	0100062	AR	Adhesive, Loctite #680	
140	1001181895	AR	Adhesive, Loctite #640 (Not Shown - Apply to Block Heater)	

SECTION 3 - ENGINE

FIGURE 3-20. DEUTZ TCD2.9L4 ENGINE INSTALLATION - WITH SAUER PUMPS (WITHOUT COLD WEATHER PLUS PACKAGE)



ART_1001142376

SECTION 3 - ENGINE

FIGURE 3-20. DEUTZ TCD2.9L4 ENGINE INSTALLATION - WITH SAUER PUMPS (WITHOUT COLD WEATHER PLUS PACKAGE)

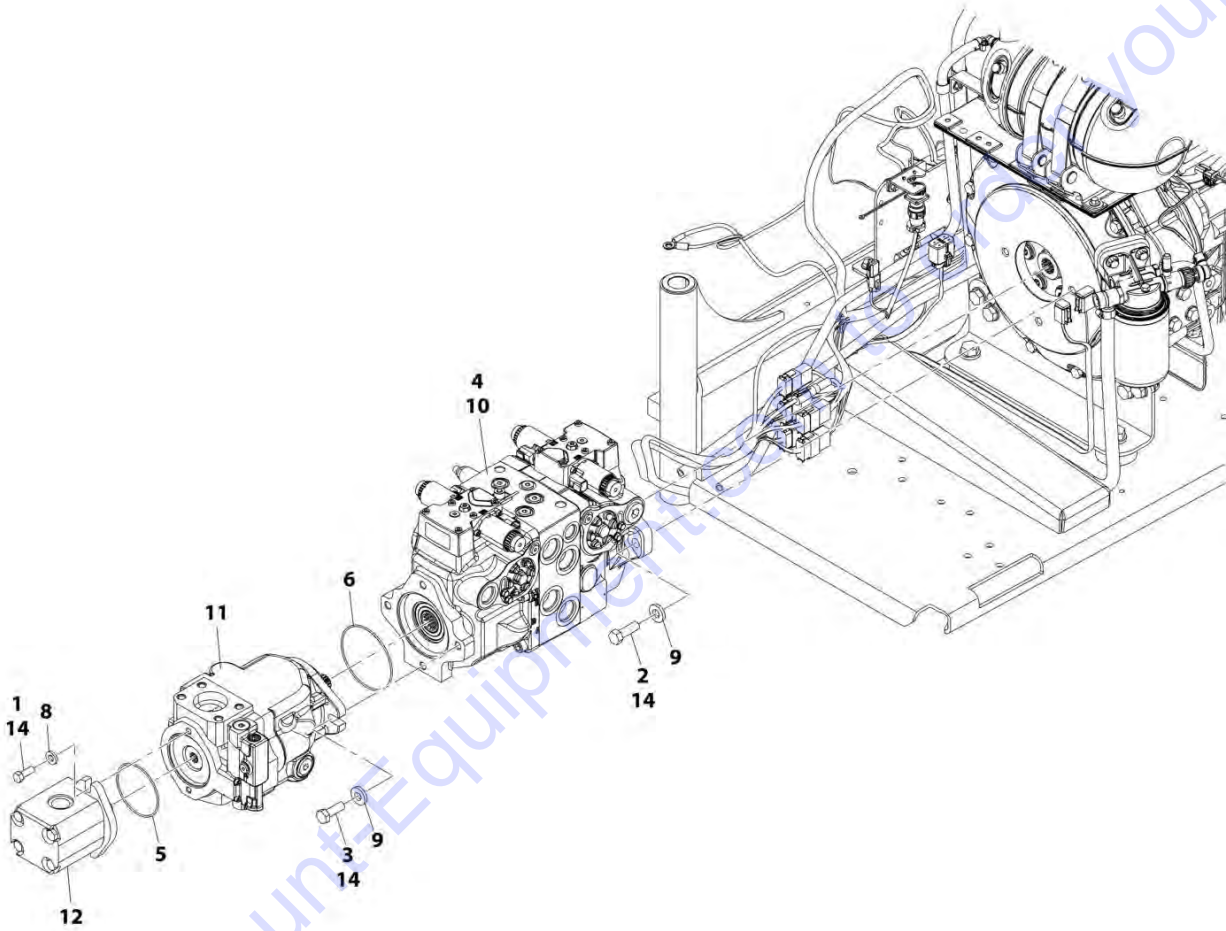
ITEM	PART NUMBER	QTY	DESCRIPTION	REV
	1001142376	Ref	DEUTZ TCD2.9L4 ENGINE INSTALLATION - WITH SAUER PUMPS (WITHOUT COLD WEATHER PLUS PACKAGE)	J
1	0100011	AR	Compound, Locking	
2	0100079	AR	Sealant, Pipe	
3	0641408	10	Bolt 1/4 x 1	
4	0641410	4	Bolt 1/4 x 1-1/4	
5	0641511	1	Bolt 5/16 x 1-3/8	
6	0641605	3	Bolt 3/8 x 5/8	
7	0641606	4	Bolt 3/8 x 3/4	
8	0641608	3	Bolt 3/8 x 1	
9	0641610	1	Bolt 3/8 x 1-1/4	
10	0641611	2	Bolt 3/8 x 1-1/4	
11	0641808	AR	Bolt 1/2 x 1	
12	0642010	1	Bolt 5/8 x 1-1/4	
14	0761210	1	Bolt M12 x 20	
15	1320187	1	Clamp	
16	1320190	1	Cover, Clamp	
17	1671121	1	Cover	
18	2180832	1	Fitting, Barbed	
19	2200222	1	Plug, Pipe (SN 0300201017 through 0300227047)	
20	2220313	2	Fitting, 90 Barbed	
21	1001165035	4.5 ft/ 1.4m	Hose (SN 0300201017 through 0300227047)	
21	2750532	5 ft/ 1.5m	Hose (SN 0300227048 to Present)	
22	1001154405	1.9 ft/ 0.6m	Hose	
24	3311405	10	Nut 1/4	
26	3422446	1	Pin, Pivot	
27	3841143	1	Pin, Keeper	
28	4711400	24	Washer 1/4	
29	4711600	19	Washer 3/8	
30	4752000	1	Washer 5/8	
32	4812100	1	Washer M12	
33	8405006	2	Clamp	
34	1001108617	1	Hydraulic Pressure Filter Assembly	
34	70002231	1	Element, Filter	
35	1001110425	4	Spacer	
36	1001116792	1	Clamp	
39	1001138491	NLA	Harness, Fuel (Use p/n 1001222665) (Not Shown - See ELECTRICAL SECTION for Breakdown)	
41	1001145089	1	Clamp	
43	1001145560	1	Panel, Rubber	
46	1001142610	1	Battery Cable Kit	C
46A	7027046	1	Cable, Battery (Red) (Battery + to Relays and Starter)	
46A	See Note	NSS	Boot, Ring Terminal (Red) (Note: Not Available - Purchase Locally)	
46B	7027047	1	Cable, Battery (Black) (Battery - to Tray Pivot Grd) and Aux Pump	
46B	See Note	NSS	Boot, Ring Terminal (Black) (Note: Not Available - Purchase Locally)	

SECTION 3 - ENGINE

ITEM	PART NUMBER	QTY	DESCRIPTION	REV
46C	7027048	1	Cable (Red) (Aux Relay to Aux Pump)	
46C	See Note	NSS	Boot, Ring Terminal (Red) (Note: Not Available - Purchase Locally)	
46D	7027049	1	Cable, Battery (Black) (Engine to Tray Pivot Grd)	
47	1320022	3	Clamp	
48	1001145842	1	Plate, Clamping	
50	3311805	1	Nut 1/2	
51	4711800	3	Washer 1/2	
52	1001131542	1	Lanyard	
53	1001165101	1	Fuel Pump Filter Assembly (See FUEL PUMP/FILTER BRACKET ASSEMBLY - DEUTZ TCD2.9L4 ENGINES for Breakdown)	
54	3380723	1	Panel, Noise Reduction	
55	0651606	4	Bolt 3/8 x 3/4	
56	2120218	1	Filter, High Pressure	
56	2120219	1	Element, Filter	
56	70001344	1	O-Ring, Bowl	
56	70006137	1	Seal Kit - Includes O-Ring (Element), O-Ring (Bowl), Back-up Ring (Bowl), Seal Ring (Indicator) and O-Ring (Indicator)	
57	3900316	5	Screw 3/8 x 1	
58	0641806	1	Bolt 1/2 x 3/4	
59	90028660	1	Clamp	

SECTION 3 - ENGINE

FIGURE 3-21. DEUTZ TCD2.9L4 ENGINE SUB-ASSEMBLY - WITH SAUER PUMP (WITHOUT COLD WEATHER PLUS PACKAGE)



ART_1001134390

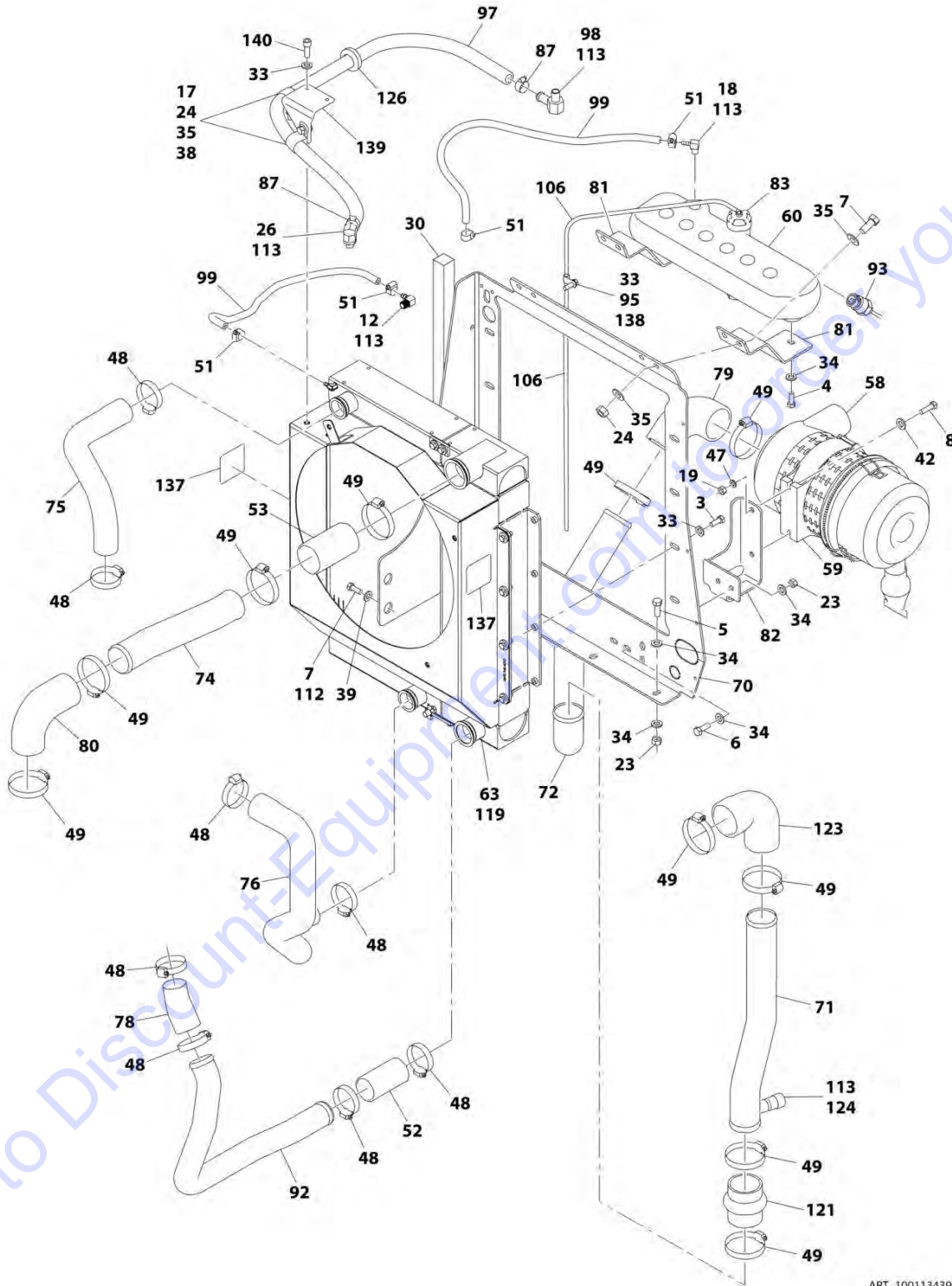
SECTION 3 - ENGINE

FIGURE 3-21. DEUTZ TCD2.9L4 ENGINE SUB-ASSEMBLY - WITH SAUER PUMP (WITHOUT COLD WEATHER PLUS PACKAGE)

ITEM	PART NUMBER	QTY	DESCRIPTION	REV
	1001134390	Ref	DEUTZ TCD2.9L4 ENGINE SUB-ASSEMBLY - WITH SAUER PUMP (WITHOUT COLD WEATHER PLUS PACKAGE)	Y
1	0641608	2	Bolt 3/8 x 1	
2	0641812	2	Bolt 1/2 x 1-1/2	
3	0761215	2	Bolt M12 x 35	
4	3020037	AR	Grease, Pump Coupling	
5	3790152	1	O-Ring	
6	3790155	1	O-Ring	
8	4891600	2	Washer 3/8	
9	4891800	4	Washer 1/2	
10	1001108616	1	Pump Assembly - Sauer Tandem (See PUMP ASSEMBLY (SAUER TANDEM) for Breakdown)	
11	1001171095	1	Pump Assembly - Sauer Piston (See PUMP ASSEMBLY (SAUER PISTON) for Breakdown)	
12	1001112927	1	Pump Assembly - Sauer Gear (See PUMP ASSEMBLY (SAUER GEAR) for Breakdown)	
14	0100011	AR	Compound, Locking	

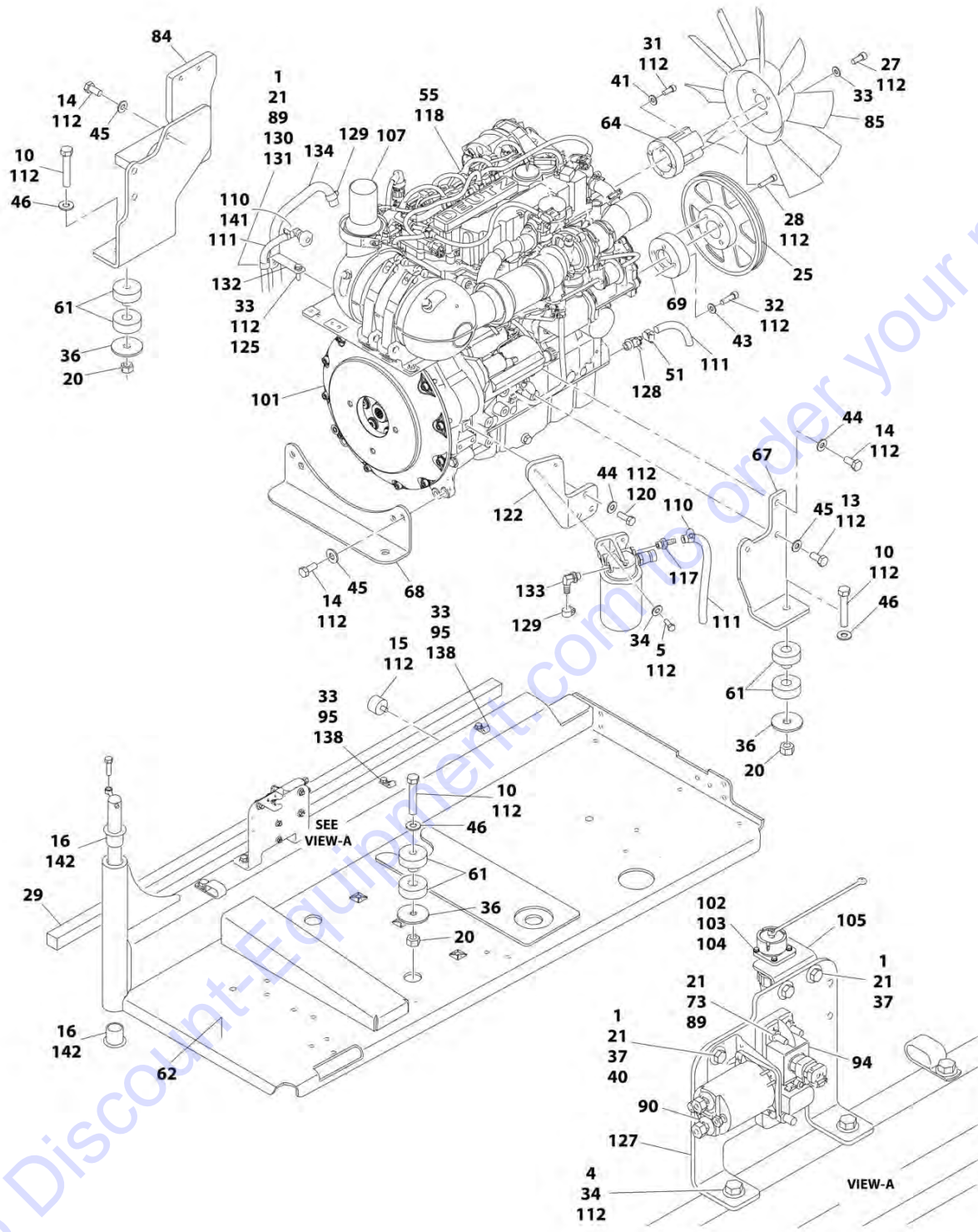
SECTION 3 - ENGINE

FIGURE 3-22. DEUTZ TCD2.9L4 ENGINE ASSEMBLY - WITH SAUER PUMP (WITHOUT COLD WEATHER PLUS PACKAGE)



ART_1001134392_10F2

SECTION 3 - ENGINE



ART_1001134392_20F2

SECTION 3 - ENGINE

FIGURE 3-22. DEUTZ TCD2.9L4 ENGINE ASSEMBLY - WITH SAUER PUMP (WITHOUT COLD WEATHER PLUS PACKAGE)

ITEM	PART NUMBER	QTY	DESCRIPTION	REV
	1001134392	Ref	DEUTZ TCD2.9L4 ENGINE ASSEMBLY - WITH SAUER PUMP (WITHOUT COLD WEATHER PLUS PACKAGE)	AI
1	0641406	5	Bolt 1/4 x 3/4	
3	0641508	8	Bolt 5/16 x 1	
4	0641606	5	Bolt 3/8 x 3/4	
5	0641608	9	Bolt 3/8 x 1	
6	0641610	2	Bolt 3/8 x 1-1/4	
7	0641708	6	Bolt 7/16 x 1	
8	0700815	2	Bolt M8 x 35	
10	0682028	4	Bolt 5/8 x 3-1/2 Grade 8	
12	1001140564	1	Fitting, 90 Barbed	
13	0771212	1	Bolt M12 x 25 Grade 10.9	
14	0771414	9	Bolt M14 x 30 Grade 10.9	
15	0940070	1	Bumper	
16	0961986	2	Bushing, Flanged	
17	0641706	2	Bolt 7/16 x 3/4	
18	1001134488	1	Fitting, 90 Barbed	
19	3290801	2	Nut M8	
20	3272001	4	Nut 5/8 Grade 8	
21	3311405	6	Nut 1/4	
23	3311605	9	Nut 3/8	
24	3311705	5	Nut 7/16	
25	3580320	1	Pulley	
26	1001141719	1	Fitting, 90 Barbed	
27	3931512	4	Capscrew 5/16 x 3/4	
28	3931628	4	Capscrew 3/8 x 1-3/4	
29	3960543	1	Seal	
30	3960544	1	Seal	
31	4031914	4	Bolt M8 x 50	
32	4032014	4	Bolt M10 x 50	
33	4711500	19	Washer 5/16	
34	4711600	25	Washer 3/8	
35	4711700	10	Washer 7/16	
36	1001146219	4	Washer Special	
37	4751400	8	Washer 1/4	
38	8406302	2	Clamp	
39	4751700	2	Washer 7/16	
40	4791400	2	Starwasher 1/4	
41	4811900	4	Washer M8	
42	4811902	2	Washer M8	
43	4812000	4	Washer M10	
44	4812100	4	Washer M12	
45	4812200	9	Washer M14	
46	4892000	4	Washer 5/8	
47	4831900	2	Washer M8	
48	8405201	8	Clamp	
49	8405204	10	Clamp	
51	8410013	5	Clamp	
52	91563070	1	Coupling, Rubber	

SECTION 3 - ENGINE

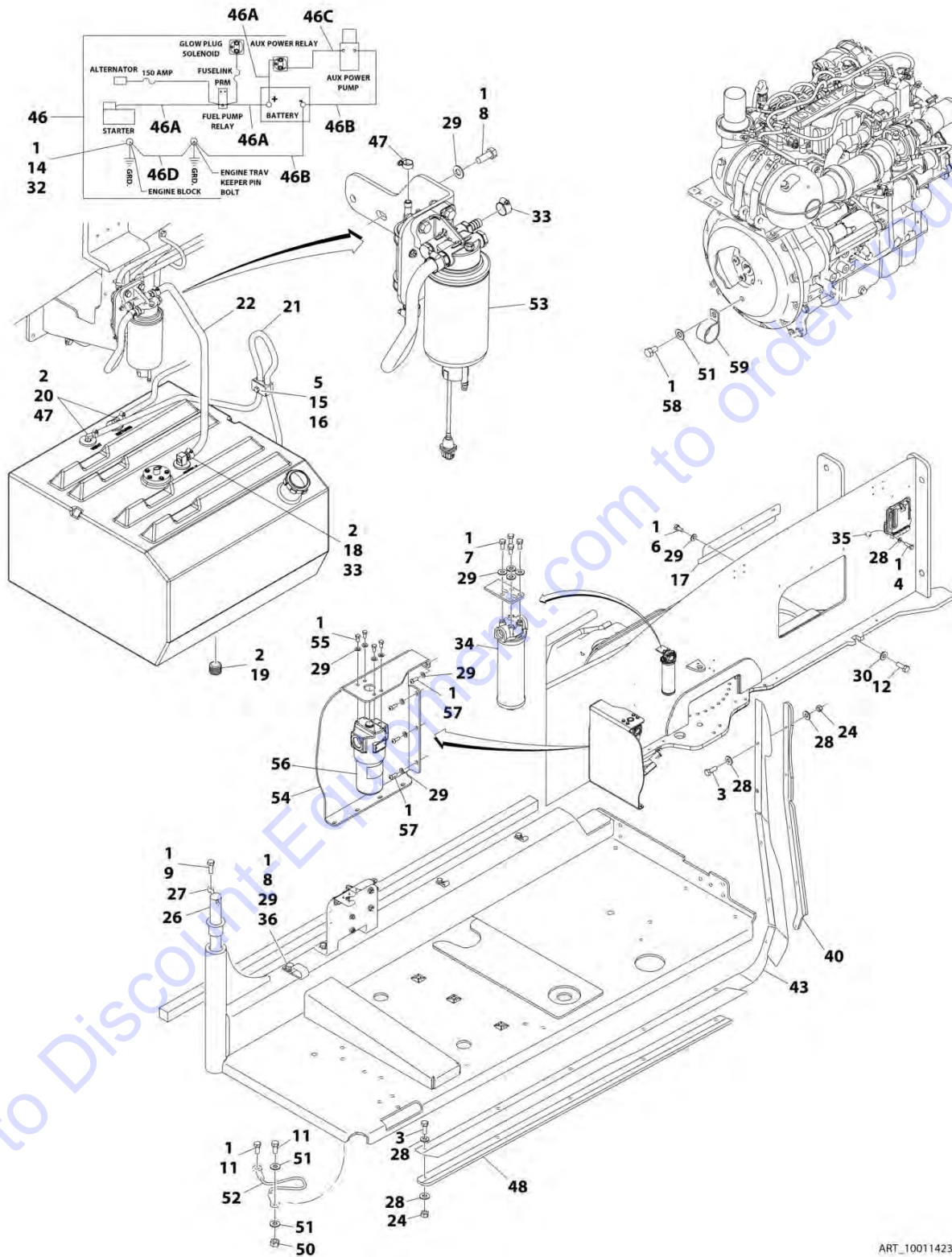
ITEM	PART NUMBER	QTY	DESCRIPTION	REV
53	1001114495	1	Hose	
55	1001128947	1	Engine, Deutz TCD2.9L4 (See DEUTZ TCD2.9L4 ENGINE COMPONENTS for Breakdown)	
58	1001133633	1	Air Cleaner Assembly	
58	70024190	1	Element, Air Filter	
59	1001133634	1	Clamp	
60	1001166393	1	Tank, Surge	
61	1001155575	4	Mount, Motor	
62	1001134485	NLA	Tray (Use p/n 1001191272) (SN 0300201017 through 0300230054)	
62	1001191272	1	Tray (SN 0300230055 to Present)	
63	1001135090	1	Radiator	
64	1001135138	1	Spacer, Fan	
67	1001135560	1	Support, Engine	
68	1001135562	1	Support, Engine - Rear	
69	1001135679	1	Spacer, Pulley	
70	1001135680	1	Support, Radiator	
71	1001135901	1	Pipe, Air Intake	
72	1001135903	1	Pipe, Air Intake	
73	3931432	1	Capscrew 1/4 x 2	
74	1001135914	1	Pipe, Air Cleaner to Intake	
75	1001135924	1	Hose, Radiator (Upper)	
76	1001135926	1	Hose, Radiator (Lower)	
78	1001135943	1	Coupling, Rubber	
79	1001135946	1	Elbow, Rubber	
80	1001136292	1	Pipe, 90	
81	1001136626	2	Bracket	
82	1001136665	1	Bracket	
83	1001136834	1	Cap, Tank	
84	1001142398	1	Support, Engine	
85	1001137276	1	Fan	
87	8405007	2	Clamp	
89	4711400	3	Washer 1/4	
90	1001117308	1	Relay	
92	1001135913	1	Pipe, Turbo to Air Cleaner	
93	1001138827	1	Sensor, Coolant Level	
94	1001138228	1	Module, Power	
94	70023592	1	Fuse 20Amp (Switched Output)	
94	70023593	1	Fuse 30Amp (Battery Output)	
95	1001138253	5	Clamp	
96	1001138346	1	Harness, Engine (Not Shown - See ELECTRICAL SECTION for Breakdown)	
97	1001138524	1	Hose	
98	1001138559	1	Fitting, 90	
99	2720015	4.5 ft/ 1.4m	Hose	
101	2902065	1	Pump Coupling Kit (See PUMP COUPLING KIT for Breakdown)	
102	3310401	3	Nut #4	
103	3910408	3	Screw #4 x 1/2	
104	4710400	3	Washer #4	
105	1001139240	1	Bracket	
106	1001138248	4 ft/1.2m	Tubing	

SECTION 3 - ENGINE

ITEM	PART NUMBER	QTY	DESCRIPTION	REV
107	1001153024	1	Pipe, Exhaust	
110	1320022	2	Clamp	
111	1001165035	30.5 ft/ 9.3m	Hose	
112	0100011	AR	Compound, Locking	
113	0100020	AR	Sealant	
114	1001141304	1	Wire, Glow Plug (Not Shown)	
115	1001135779	1	Cable, Alternator Positive (Not Shown)	
117	1001141717	1	Fitting, Straight	
118	1001136079	2.4 gal/9L	Oil, Motor	
119	2300004	3.2 gal/ 12.1L	Anti-freeze	
120	0761214	3	Bolt M12 x 30	
121	1001142637	1	Hose, Hump	
122	1001142685	1	Bracket	
123	1001165820	1	Pipe, Elbow	
124	1001143390	1	Indicator, Air Filter Service	
125	0760810	2	Bolt M8 x 20	
126	1001144089	1	Grommet	
127	1001145154	1	Plate, Mounting	
128	4640751	1	Valve, Oil Drain	
129	8405006	2	Clamp	
130	8406102	AR	Clip	
131	8406112	1	Clip	
132	1001138717	1	Bracket	
133	1001142501	1	Fitting, 90 Barbed	
134	1001154405	5 ft/1.5m	Hose	
135	1001148843	1	Harness, Fuel Filter (Not Shown - See ELECTRICAL SECTION for Breakdown)	
137	1703162	2	Decal - Fan	
138	0641503	3	Bolt 5/16 x 3/8	
139	1001153387	1	Plate	
140	3931508	2	Capscrew 5/16 x 1/2	
141	1001155823	1	Coupling	
142	0100062	AR	Adhesive, Loctite #680	
143	4240099	AR	Tie-Strap (Not Shown)	

SECTION 3 - ENGINE

FIGURE 3-23. DEUTZ TCD2.9L4 ENGINE INSTALLATION - WITH SAUER PUMPS (WITH COLD WEATHER PLUS PACKAGE)



ART_1001142378

SECTION 3 - ENGINE

FIGURE 3-23. DEUTZ TCD2.9L4 ENGINE INSTALLATION - WITH SAUER PUMPS (WITH COLD WEATHER PLUS PACKAGE)

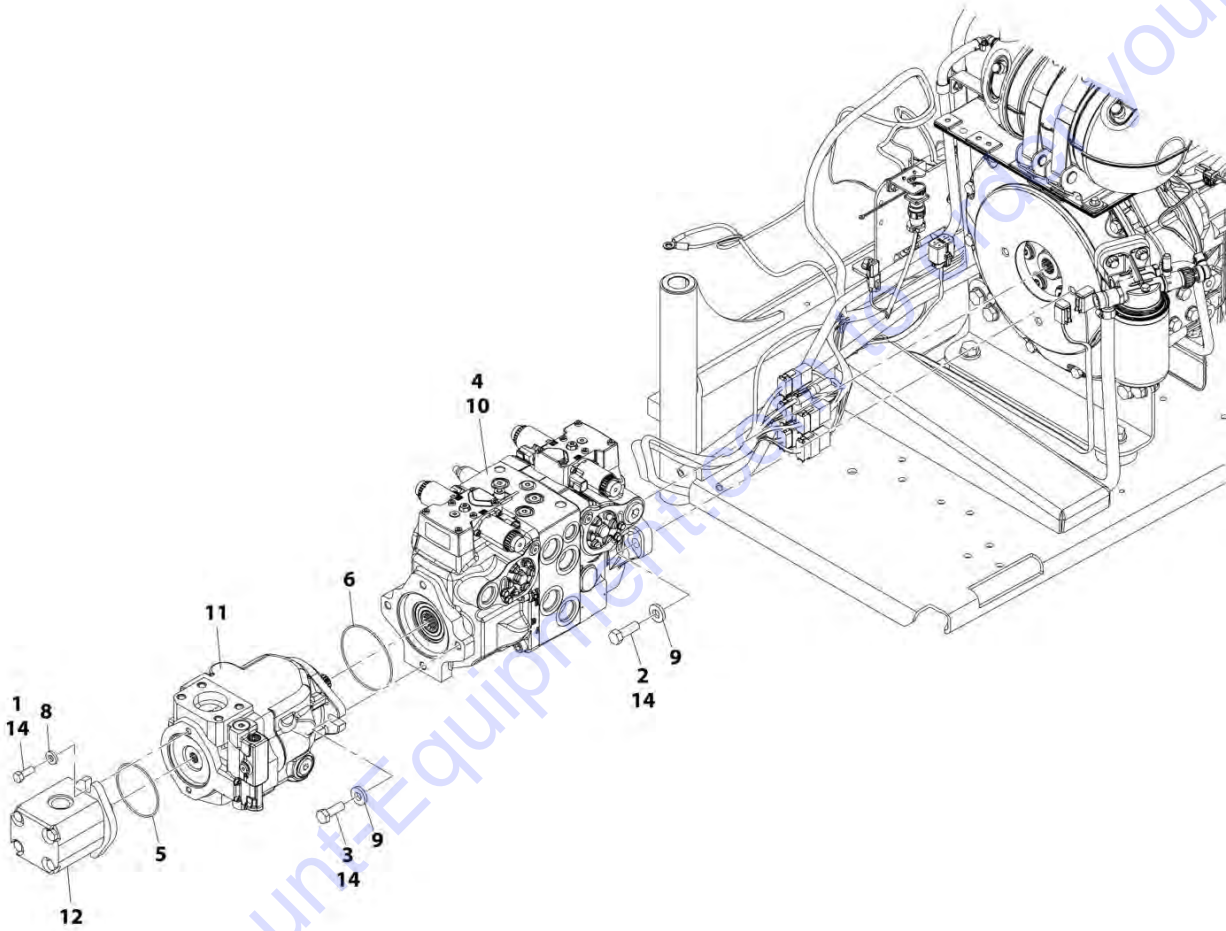
ITEM	PART NUMBER	QTY	DESCRIPTION	REV
	1001142378	Ref	DEUTZ TCD2.9L4 ENGINE INSTALLATION - WITH SAUER PUMPS (WITH COLD WEATHER PLUS PACKAGE)	L
1	0100011	AR	Compound, Locking	
2	0100079	AR	Sealant, Pipe	
3	0641408	10	Bolt 1/4 x 1	
4	0641410	4	Bolt 1/4 x 1-1/4	
5	0641511	1	Bolt 5/16 x 1-3/8	
6	0641605	3	Bolt 3/8 x 5/8	
7	0641606	4	Bolt 3/8 x 3/4	
8	0641608	3	Bolt 3/8 x 1	
9	0641610	1	Bolt 3/8 x 1-1/4	
11	0641808	AR	Bolt 1/2 x 1	
12	0642010	1	Bolt 5/8 x 1-1/4	
14	0761210	1	Bolt M12 x 20	
15	1320187	1	Clamp	
16	1320190	1	Cover, Clamp	
17	1671121	1	Cover	
18	2180832	1	Fitting, Barbed	
19	2200222	1	Plug, Pipe (SN 0300201017 through 0300227047)	
20	2220313	2	Fitting, 90 Barbed	
21	1001165035	4.5 ft/ 1.4m	Hose (SN 0300201017 through 0300227047)	
21	2750532	5 ft/ 1.5m	Hose (SN 0300227048 to Present)	
22	1001154405	1.9 ft/ 0.6m	Hose	
24	3311405	10	Nut 1/4	
26	3422446	1	Pin, Pivot	
27	3841143	1	Pin, Keeper	
28	4711400	24	Washer 1/4	
29	4711600	19	Washer 3/8	
30	4752000	1	Washer 5/8	
32	4812100	1	Washer M12	
33	8405006	2	Clamp	
34	1001108617	1	Hydraulic Pressure Filter Assembly	
34	70002231	1	Element, Filter	
35	1001110425	4	Spacer	
36	1001116792	1	Clamp	
38	1001138491	NLA	Harness, Fuel (Use p/n 1001222665) (Not Shown - See ELECTRICAL SECTION for Breakdown)	
40	1001145089	1	Clamp	
43	1001145560	1	Panel, Rubber	
46	1001142610	1	Battery Cable Kit	C
46A	7027046	1	Cable, Battery (Red) (Battery + to Relays and Starter)	
46A	See Note	NSS	Boot, Ring Terminal (Red) (Note: Not Available - Purchase Locally)	
46B	7027047	1	Cable, Battery (Black) (Battery - to Tray Pivot Grd) and Aux Pump	
46B	See Note	NSS	Boot, Ring Terminal (Black) (Note: Not Available - Purchase Locally)	
46C	7027048	1	Cable (Red) (Aux Relay to Aux Pump)	

SECTION 3 - ENGINE

ITEM	PART NUMBER	QTY	DESCRIPTION	REV
46C	See Note	NSS	Boot, Ring Terminal (Red) (Note: Not Available - Purchase Locally)	
46D	7027049	1	Cable, Battery (Black) (Engine to Tray Pivot Grd)	
47	1320022	3	Clamp	
48	1001145842	1	Plate, Clamping	
50	3311805	1	Nut 1/2	
51	4711800	3	Washer 1/2	
52	1001131542	1	Lanyard	
53	1001165101	1	Fuel Pump Filter Assembly (See FUEL PUMP/FILTER BRACKET ASSEMBLY - DEUTZ TCD2.9L4 ENGINES for Breakdown)	
54	3380723	1	Panel, Noise Reduction	
55	3900316	5	Screw 3/8 x 1	
56	2120218	1	Filter, High Pressure	
56	2120219	1	Element, Filter	
56	70001344	1	O-Ring, Bowl	
56	70006137	1	Seal Kit - Includes O-Ring (Element), O-Ring (Bowl), Back-up Ring (Bowl), Seal Ring (Indicator) and O-Ring (Indicator)	
57	0651606	4	Bolt 3/8 x 3/4	
58	0641806	1	Bolt 1/2 x 3/4	
59	90028660	1	Clamp	

SECTION 3 - ENGINE

FIGURE 3-24. DEUTZ TCD2.9L4 ENGINE SUB-ASSEMBLY - WITH SAUER PUMPS (WITH COLD WEATHER PLUS PACKAGE)



ART_1001141745

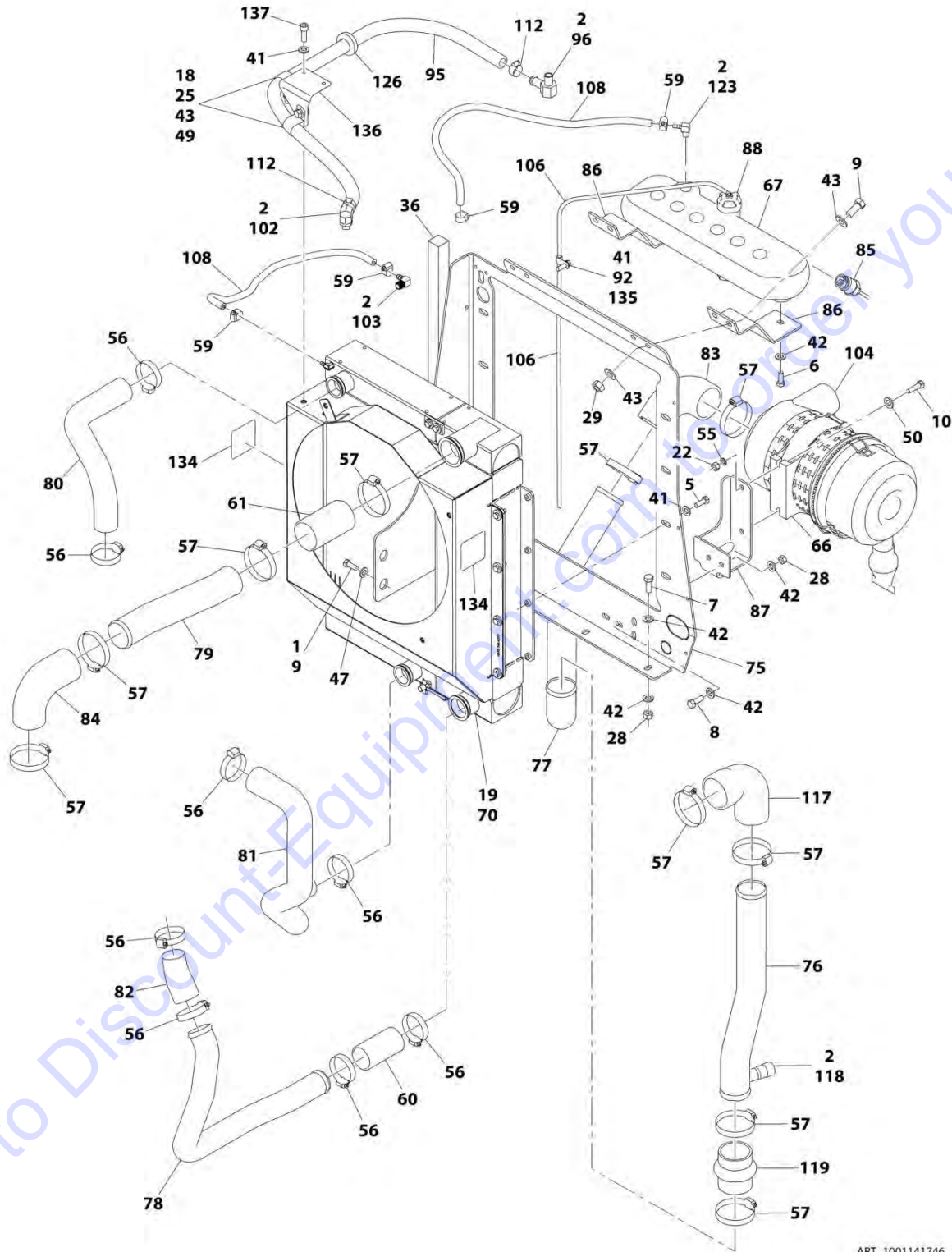
SECTION 3 - ENGINE

FIGURE 3-24. DEUTZ TCD2.9L4 ENGINE SUB-ASSEMBLY - WITH SAUER PUMPS (WITH COLD WEATHER PLUS PACKAGE)

ITEM	PART NUMBER	QTY	DESCRIPTION	REV
	1001141745	Ref	DEUTZ TCD2.9L4 ENGINE SUB-ASSEMBLY - WITH SAUER PUMPS (WITH COLD WEATHER PLUS PACKAGE)	Y
1	0641608	2	Bolt 3/8 x 1	
2	0641812	2	Bolt 1/2 x 1-1/2	
3	0761215	2	Bolt M12 x 35	
4	3020037	AR	Grease, Pump Coupling	
5	3790152	1	O-Ring	
6	3790155	1	O-Ring	
8	4891600	2	Washer 3/8	
9	4891800	4	Washer 1/2	
10	1001108616	1	Pump Assembly - Sauer Tandem (See PUMP ASSEMBLY (SAUER TANDEM) for Breakdown)	
11	1001171095	1	Pump Assembly - Sauer Piston (See PUMP ASSEMBLY (SAUER PISTON) for Breakdown)	
12	1001112927	1	Pump Assembly - Sauer Gear (See PUMP ASSEMBLY (SAUER GEAR) for Breakdown)	
14	0100011	AR	Compound, Locking	

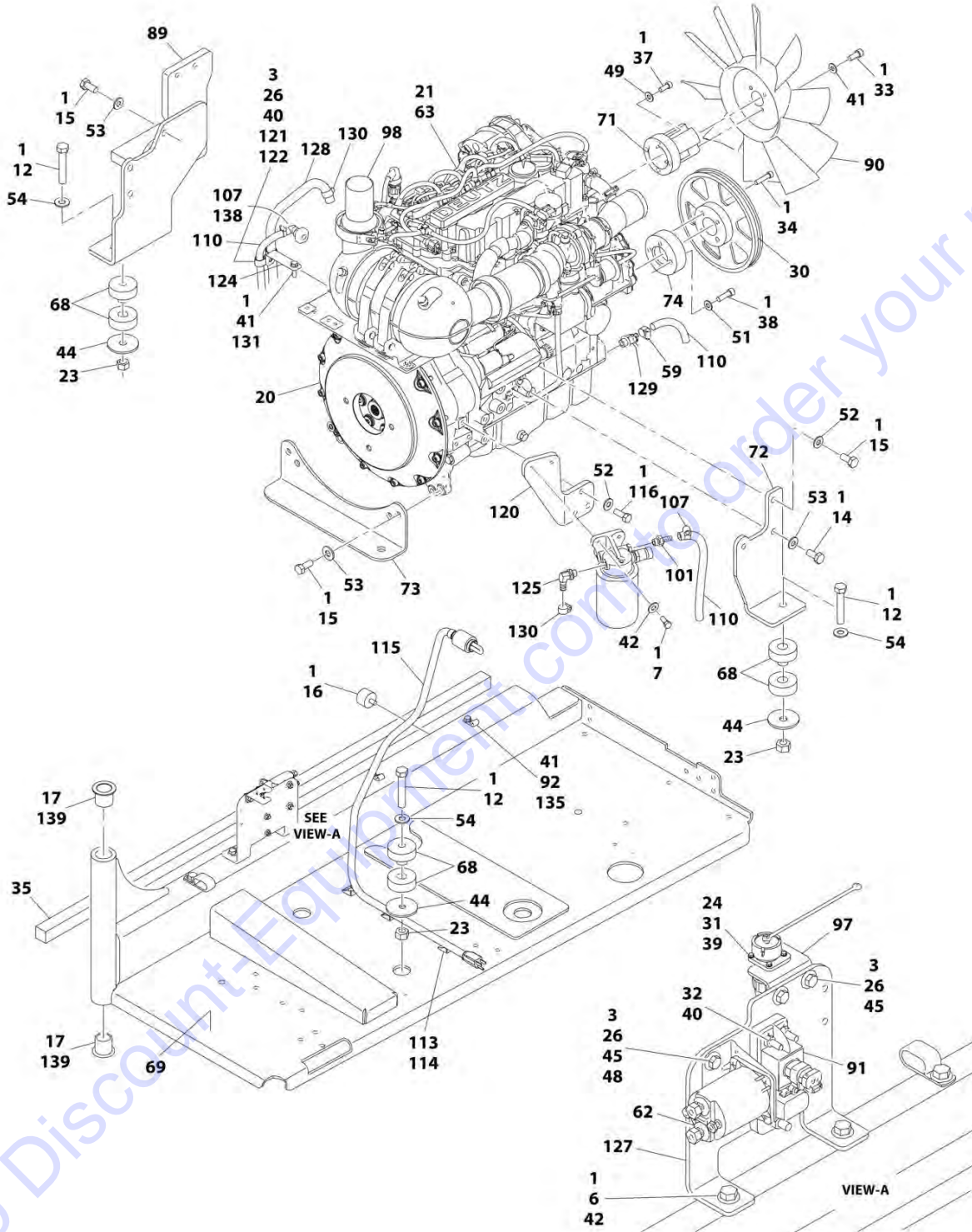
SECTION 3 - ENGINE

FIGURE 3-25. DEUTZ TCD2.9L4 ENGINE ASSEMBLY - WITH SAUER PUMPS (WITH COLD WEATHER PLUS PACKAGE)



ART_1001141746_10F2

SECTION 3 - ENGINE



ART_1001141746_20F2

SECTION 3 - ENGINE

FIGURE 3-25. DEUTZ TCD2.9L4 ENGINE ASSEMBLY - WITH SAUER PUMPS (WITH COLD WEATHER PLUS PACKAGE)

ITEM	PART NUMBER	QTY	DESCRIPTION	REV
	1001141746	Ref	DEUTZ TCD2.9L4 ENGINE ASSEMBLY - WITH SAUER PUMPS (WITH COLD WEATHER PLUS PACKAGE)	AG
1	0100011	AR	Compound, Locking	
2	0100020	AR	Sealant	
3	0641406	5	Bolt 1/4 x 3/4	
5	0641508	8	Bolt 5/16 x 1	
6	0641606	5	Bolt 3/8 x 3/4	
7	0641608	9	Bolt 3/8 x 1	
8	0641610	2	Bolt 3/8 x 1-1/4	
9	0641708	6	Bolt 7/16 x 1	
10	0700815	2	Bolt M8 x 35	
12	0682028	4	Bolt 5/8 x 3-1/2 Grade 8	
14	0771212	1	Bolt M12 x 25 Grade 10.9	
15	0771414	9	Bolt M14 x 30 Grade 10.9	
16	0940070	1	Bumper	
17	0961986	2	Bushing, Flanged	
18	0641706	2	Bolt 7/16 x 3/4	
19	2300041	3.2 gal/ 12.1L	Anti-freeze	
20	2902065	1	Pump Coupling Kit (See PUMP COUPLING KIT for Breakdown)	
21	1001136172	2.4 gal/9L	Oil, Motor	
22	3290801	2	Nut M8	
23	3272001	4	Nut 5/8 Grade 8	
24	3310401	3	Nut #4	
25	8406302	2	Clamp	
26	3311405	6	Nut 1/4	
28	3311605	9	Nut 3/8	
29	3311705	5	Nut 7/16	
30	3580320	1	Pulley	
31	3910408	3	Screw #4 x 1/2	
32	3931432	1	Capscrew 1/4 x 2	
33	3931512	4	Capscrew 5/16 x 3/4	
34	3931628	4	Capscrew 3/8 x 1-3/4	
35	3960543	1	Seal	
36	3960544	1	Seal	
37	4031914	4	Bolt M8 x 50	
38	4032014	4	Bolt M10 x 50	
39	4710400	3	Washer #4	
40	4711400	3	Washer 1/4	
41	4711500	19	Washer 5/16	
42	4711600	25	Washer 3/8	
43	4711700	10	Washer 7/16	
44	1001146219	4	Washer Special	
45	4751400	8	Washer 1/4	
47	4751700	2	Washer 7/16	
48	4791400	2	Starwasher 1/4	
49	4811900	4	Washer M8	
50	4811902	2	Washer M8	
51	4812000	4	Washer M10	

SECTION 3 - ENGINE

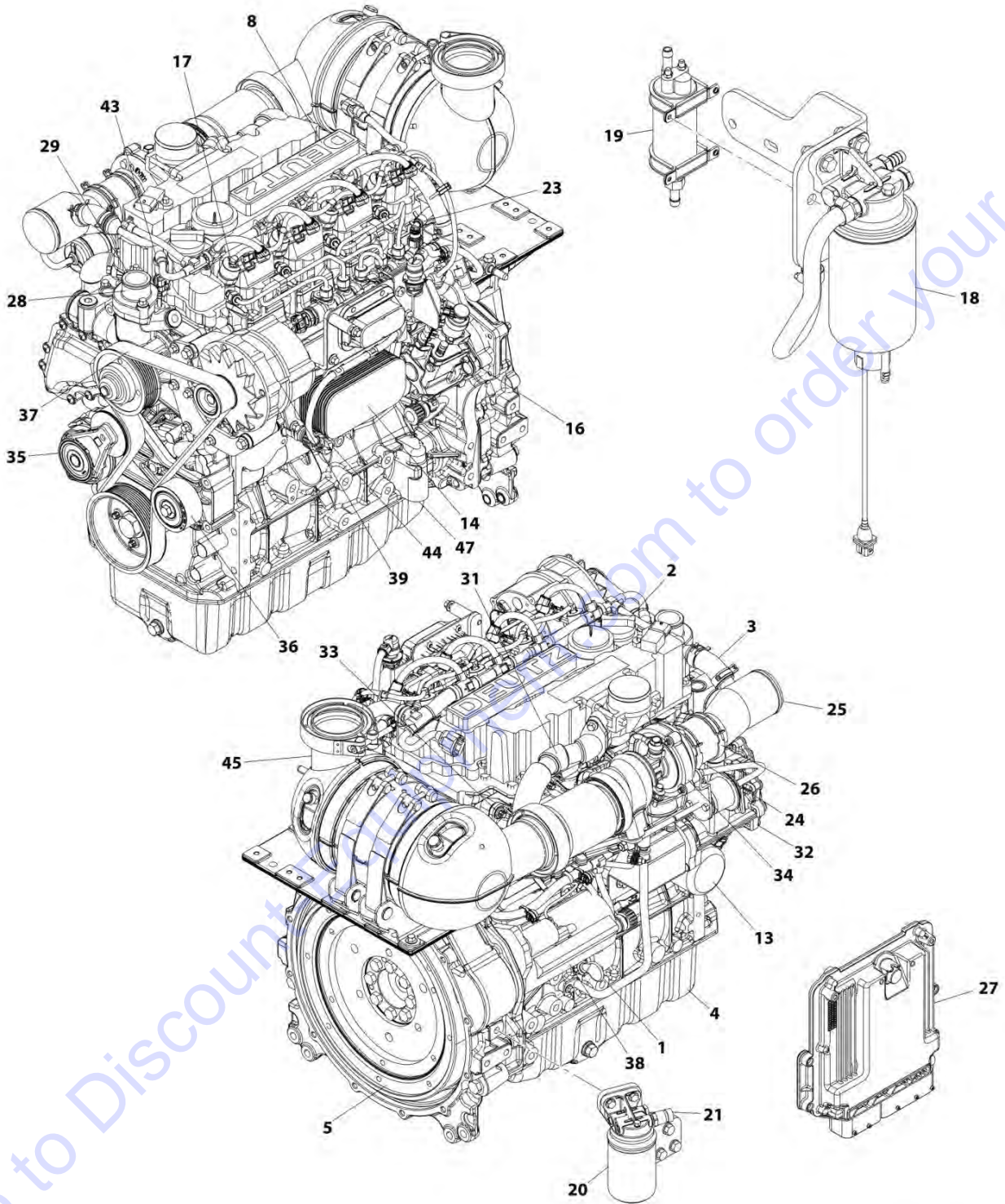
ITEM	PART NUMBER	QTY	DESCRIPTION	REV
52	4812100	4	Washer M12	
53	4812200	9	Washer M14	
54	4892000	4	Washer 5/8	
55	4831900	2	Washer M8	
56	8405201	8	Clamp	
57	8405204	10	Clamp	
59	8410013	5	Clamp	
60	91563070	1	Coupling, Rubber	
61	1001114495	1	Hose	
62	1001117308	1	Relay	
63	1001128947	1	Engine, Deutz TD2.9L4 (See DEUTZ TCD2.9L4 ENGINE COMPONENTS for Breakdown)	
66	1001133634	1	Clamp	
67	1001166393	1	Tank, Surge	
68	1001155575	4	Mount, Motor	
69	1001134485	NLA	Tray (Use p/n 1001191272) (SN 0300201017 through 0300230054)	
69	1001191272	1	Tray (SN 0300230055 to Present)	
70	1001135090	1	Radiator	
71	1001135138	1	Spacer, Fan	
72	1001135560	1	Support, Engine	
73	1001135562	1	Support, Engine - Rear	
74	1001135679	1	Spacer, Pulley	
75	1001135680	1	Support, Radiator	
76	1001135901	1	Pipe, Air Intake	
77	1001135903	1	Pipe, Air Intake	
78	1001135913	1	Pipe, Turbo to Air Cleaner	
79	1001135914	1	Pipe, Air Cleaner to Intake	
80	1001135924	1	Hose, Radiator (Upper)	
81	1001135926	1	Hose, Radiator (Lower)	
82	1001135943	1	Coupling, Rubber	
83	1001135946	1	Elbow, Rubber	
84	1001136292	1	Pipe, 90	
85	1001138827	1	Sensor, Coolant Level	
86	1001136626	2	Bracket	
87	1001136665	1	Bracket	
88	1001136834	1	Cap, Tank	
89	1001142398	1	Support, Engine	
90	1001137276	1	Fan	
91	1001138228	1	Module, Power	
91	70023592	1	Fuse 20Amp (Switched Output)	
91	70023593	1	Fuse 30Amp (Battery Output)	
92	1001138253	5	Clamp	
94	1001138346	1	Harness, Engine (Not Shown - See ELECTRICAL SECTION for Breakdown)	
95	1001138524	1	Hose	
96	1001138559	1	Fitting, 90	
97	1001139240	1	Bracket	
98	1001153024	1	Pipe, Exhaust	
100	1001141304	1	Wire, Glow Plug (Not Shown)	
101	1001141717	1	Fitting, Straight	
102	1001141719	1	Fitting, 90 Barbed	

SECTION 3 - ENGINE

ITEM	PART NUMBER	QTY	DESCRIPTION	REV
103	1001140564	1	Fitting, 90 Barbed	
104	1001133633	1	Air Cleaner Assembly	
104	70024190	1	Element, Air Filter	
105	1001135779	1	Cable, Alternator Positive (Not Shown)	
106	1001138248	4 ft/1.2m	Tubing	
107	1320022	2	Clamp	
108	2720015	4.5 ft/ 1.4m	Hose	
110	1001165035	30.5 ft/ 9.3m	Hose	
112	8405007	2	Clamp	
113	4240099	AR	Tie-Strap (Used to Secure Block Heater Cord)	
114	4460234	3	Mount, Wire Tie (Used to Secure Block Heater Cord)	
115	1001140312	1	Heater, Block	
116	0761214	3	Bolt M12 x 30	
117	1001165820	1	Pipe, Elbow	
118	1001143390	1	Indicator, Air Filter Service	
119	1001142637	1	Hose, Hump	
120	1001142685	1	Bracket	
121	8406102	AR	Clip	
122	8406112	1	Clip	
123	1001134488	1	Fitting, 90 Barbed	
124	1001138717	1	Bracket	
125	1001142501	1	Fitting, 90 Barbed	
126	1001144089	1	Grommet	
127	1001145154	1	Plate, Mounting	
128	1001154405	5 ft/1.5m	Hose	
129	4640751	1	Valve, Oil Drain	
130	8405006	2	Clamp	
131	0760810	AR	Bolt M8 x 20	
132	1001148843	1	Harness, Fuel Filter (Not Shown - See ELECTRICAL SECTION for Breakdown)	
134	1703162	2	Decal - Fan	
135	0641503	3	Bolt 5/16 x 3/8	
136	1001153387	1	Plate	
137	3931508	2	Capscrew 5/16 x 1/2	
138	1001155823	1	Coupling	
139	0100062	AR	Adhesive, Loctite #680	
140	1001181895	AR	Adhesive, Loctite #640 (Not Shown - Apply to Block Heater)	

SECTION 3 - ENGINE

FIGURE 3-26. DEUTZ TCD2.9L4 ENGINE COMPONENTS



ART_1001128947

SECTION 3 - ENGINE

FIGURE 3-26. DEUTZ TCD2.9L4 ENGINE COMPONENTS

ITEM	PART NUMBER	QTY	DESCRIPTION	REV
	1001128947	Ref	DEUTZ TCD2.9L4 ENGINE COMPONENTS	K
1	70024904	1	Dipstick	
1	70024905	1	O-Ring	
2	7020465	2	Cap, Filler	
3	7002511	2	Clamp	
4	70025162	1	Pan, Oil	
4	70025088	2	Plug	
4	7020404	2	Washer, Sealing	
5	70001870	1	Flywheel	
5	7024579	1	Gear, Ring	
6	70024906	1	Gasket, Head (Not Shown)	
7	70025204	1	Shield, Heat (Not Shown)	
8	70025163	1	Cover, Valve	
8	70025205	1	Gasket	
8	70025206	1	Gasket, Small Valve Cover	
8	70025207	1	Gasket, Large Valve Cover	
8	70025208	1	Gasket	
9	70025076	1	Valve (Not Shown - Located on Right Side of Front Engine Cover)	
9	70025176	1	Spring	
9	70025082	1	Ring, Sealing	
9	70025091	1	Plug	
10	70025190	1	Cover, Front (Not Shown - Located on Front of Engine)	
10	70024907	1	Gasket, Front Cover	
10	70004280	1	Seal, Shaft - Front	
11	70002718	1	Seal, Shaft - Rear (Not Shown)	
12	70025202	1	Pump, Oil Lube (Not Shown)	
12	70025135	1	O-Ring	
12	70025136	1	Gasket	
13	7016331	1	Filter, Oil	
13	70025137	1	Bushing	
14	70004275	1	Cooler, Engine Oil	
14	70024925	1	Gasket	
15	70025171	1	Oil Suction Pump (Not Shown - Located Inside of Engine Oil Pan)	
16	70024924	1	Pump, Fuel	
16	70025152	1	O-Ring	
16	70025080	1	Washer	
16	70024488	1	Spacer	
16	70024517	1	O-Ring	
17	70025181	4	Injector, Fuel	
17	70025140	4	Washer, Sealing	
17	70025146	4	Clamp (Top of Injector)	
17	70025145	4	O-Ring	
17	70025154	4	Shoe, Clamping	
17	70000345	1	Plug, Glow (Not Shown)	
17	70025231	1	Harness, Glow Plug (Not Shown)	
18	70024961	1	Fuel Filter Assembly	
18	70025153	NLA	Filter, Fuel (Use p/n 1001225430)	
18	70024513	1	Cable, Sensor	
18	70025239	1	Ring, Sealing	
19	70024486	1	Pump, Fuel	

SECTION 3 - ENGINE

ITEM	PART NUMBER	QTY	DESCRIPTION	REV
19	70025144	2	Clamp	
20	70025160	1	Filter with Head	
20	70025161	NLA	Filter, Fuel (Use p/n 1001225431)	
21	70024504	1	Sensor, Pressure	
21	70024920	1	O-Ring	
21	70025103	1	Retainer	
22	70025151	1	Rail, Fuel (Not Shown)	
22	70025235	1	Repair Kit (Not Shown)	
23	70025182	1	Fuel Line - High Pressure (Cylinder 1 & 2)	
23	70025183	1	Fuel Line - High Pressure (Cylinder 3 & 4)	
23	70025184	1	Fuel Line - High Pressure (Supply)	
24	70004501	1	Sleeve, Rubber	
25	70004502	1	Pipe, Intake	
26	70025112	2	Clamp	
27	70025210	1	ECU (Engine Control Unit)	
28	70024910	1	Pump, Water	
28	70025200	1	Ring, Sealing	
28	70025084	2	Plug	
28	7020492	2	Ring, Sealing	
29	70024473	1	Thermostat	
29	70025143	1	O-Ring	
29	70025142	1	Cover, Thermostat	
30	70025177	1	Pipe (Not Shown - Located on Left Side)	
30	70025179	2	Gasket (Not Shown)	
31	70025178	1	Pipe	
31	70025156	1	Valve, Shuttle	
31	70025179	2	Gasket	
31	70025180	1	Gasket	
32	70025203	1	Module, EGR	
32	70025155	1	Plug	
33	70004282	1	Manifold, Exhaust	
33	70025164	1	Gasket, Exhaust Manifold to Head	
34	70004503	1	Turbocharger	
34	70024912	1	Gasket, Exhaust Manifold	
35	70025477	1	Tensioner, Belt	
36	70024484	1	Idler Roller	
37	70004277	1	Belt, Drive	
38	70024915	1	Starter	
39	70025533	1	Generator	
39	70025149	1	Regulator, Voltage	
40	70004284	1	Harness, Engine (Not Shown)	
41	70024507	1	Sensor, Pressure (Not Shown - Located Top Rear)	
41	70025120	1	O-Ring	
42	70026210	1	Sensor (Not Shown - Located Left Side Front and Flywheel Housing)	
42	70024917	1	O-Ring	
43	70024918	1	Sender, Temperature	
44	70024919	1	Sensor, Pressure	
44	70024920	1	O-Ring	
45	70005445	1	Outlet, Muffler	
46	70004279	1	Gasket Kit (Not Shown)	
47	70124530	1	Valve, Pressure Relief	

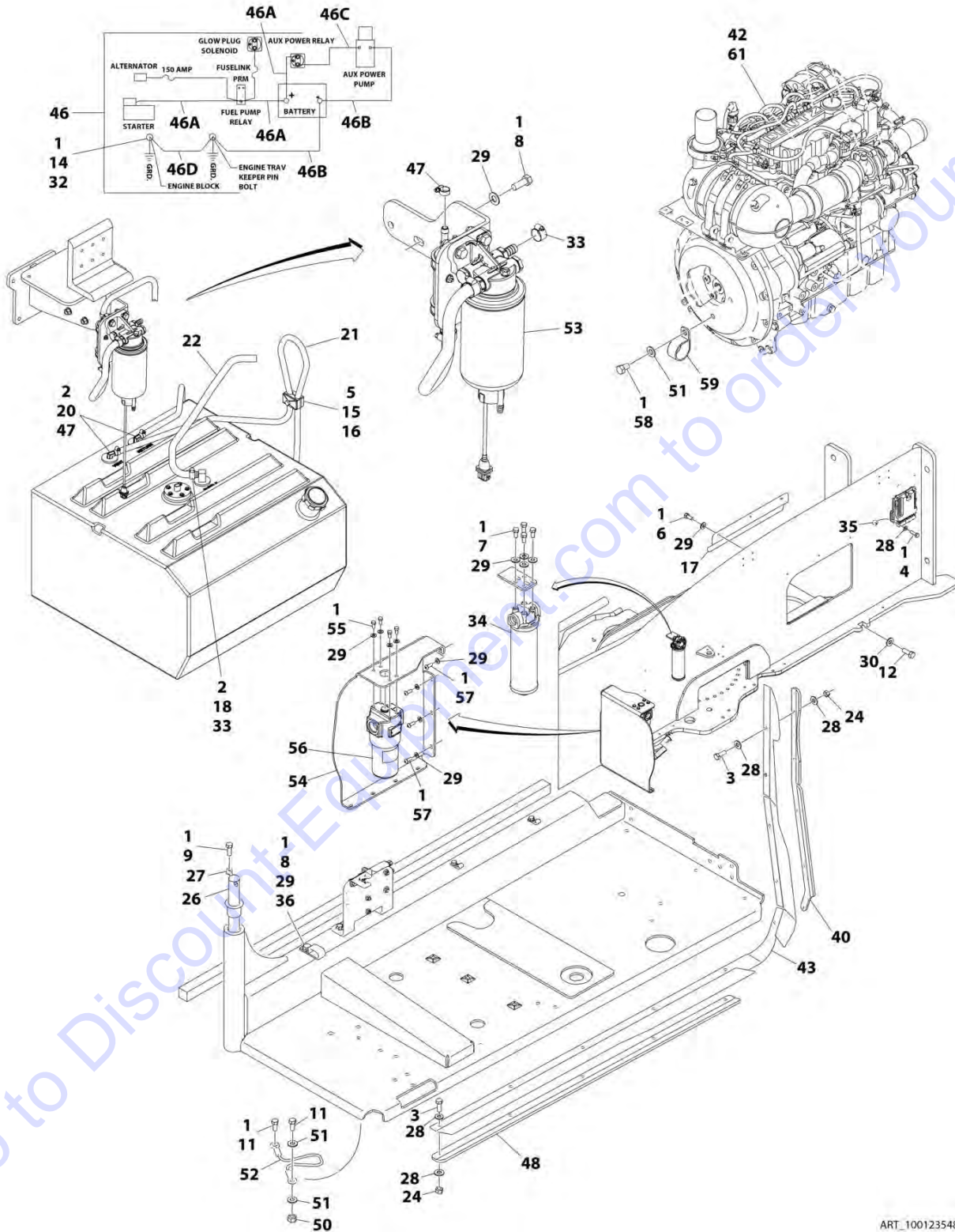
SECTION 3 - ENGINE

ITEM	PART NUMBER	QTY	DESCRIPTION	REV
47	70124538	1	Spring, Compression	
47	70104570	1	Ring, Sealing	
47	70025660	1	Screw	

Go to Discount-Equipment.com to order your parts

SECTION 3 - ENGINE

FIGURE 3-27. DEUTZ TCD2.9L4 (STAGE V) ENGINE INSTALLATION - WITH REXROTH PUMP (WITHOUT COLD WEATHER PLUS PACKAGE)



ART_1001235480

SECTION 3 - ENGINE

**FIGURE 3-27. DEUTZ TCD2.9L4 (STAGE V) ENGINE INSTALLATION - WITH REXROTH PUMP
(WITHOUT COLD WEATHER PLUS PACKAGE)**

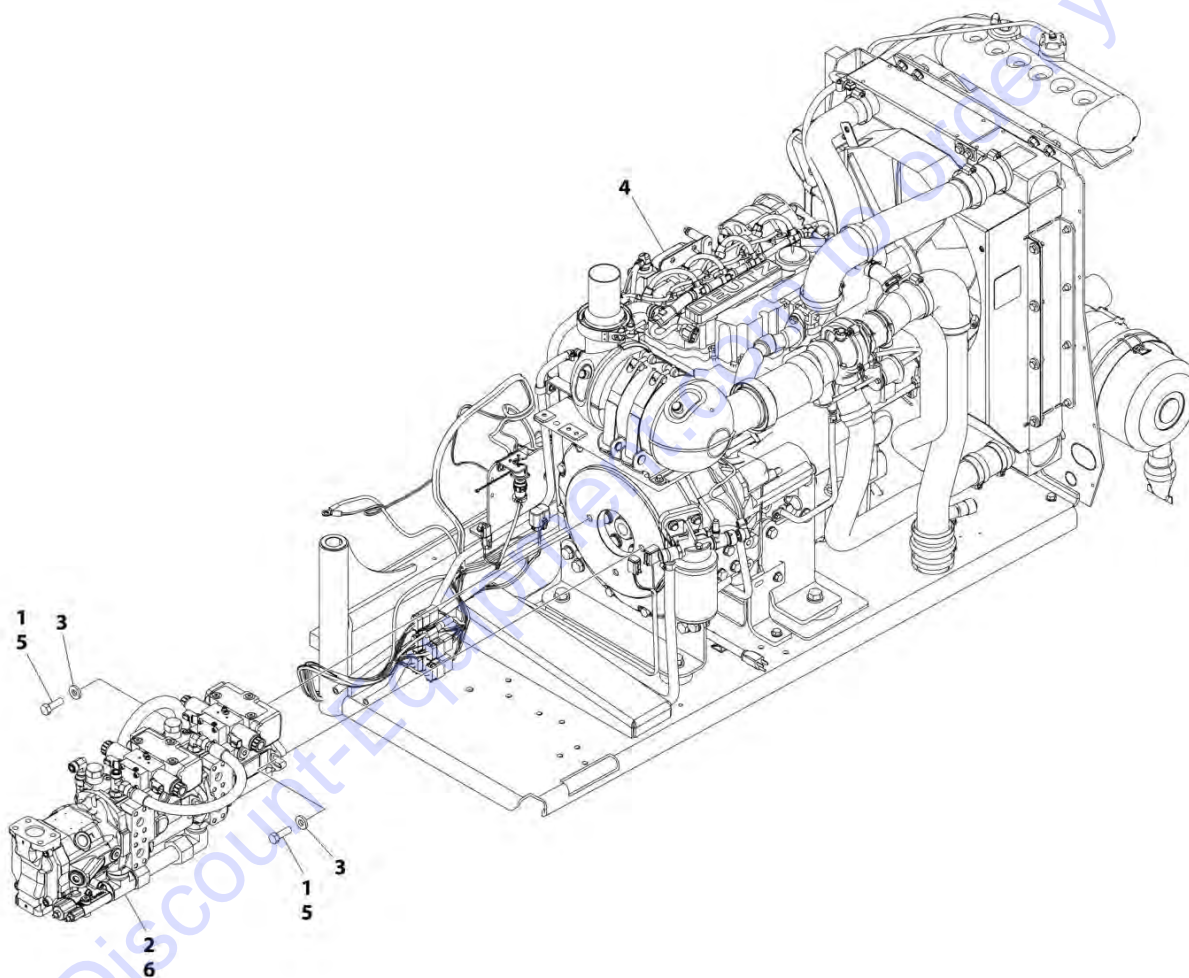
ITEM	PART NUMBER	QTY	DESCRIPTION	REV
	1001235480	Ref	DEUTZ TCD2.9L4 (STAGE V) ENGINE INSTALLATION - WITH REXROTH PUMP (WITHOUT COLD WEATHER PLUS PACKAGE)	C
1	0100011	AR	Compound, Locking	
2	0100079	AR	Sealant, Pipe	
3	0641408	10	Bolt 1/4 x 1	
4	0641410	4	Bolt 1/4 x 1-1/4	
5	0641511	1	Bolt 5/16 x 1-3/8	
6	0641605	3	Bolt 3/8 x 5/8	
7	0641606	4	Bolt 3/8 x 3/4	
8	0641608	3	Bolt 3/8 x 1	
9	0641610	1	Bolt 3/8 x 1-1/4	
11	0641808	2	Bolt 1/2 x 1	
12	0642010	1	Bolt 5/8 x 1-1/4	
14	0761210	1	Bolt M12 x 20	
15	1320187	1	Clamp	
16	1320190	1	Cover, Clamp	
17	1671121	1	Cover	
18	2180832	1	Fitting, Barbed	
20	2220313	2	Fitting, 90 Barbed	
21	2750532	5 ft/ 1.5m	Hose	
22	1001154405	1.9 ft/ 0.6m	Hose	
24	3311405	10	Nut 1/4	
26	3422446	1	Pin, Pivot	
27	3841143	1	Pin, Keeper	
28	4711400	24	Washer 1/4	
29	4711600	19	Washer 3/8	
30	4752000	1	Washer 5/8	
32	4812100	1	Washer M12	
33	8405006	2	Clamp	
34	1001108617	1	Hydraulic Pressure Filter Assembly	
34	70002231	1	Element, Filter	
35	1001110425	4	Spacer	
36	1001116792	1	Clamp	
39	1001138491	NLA	Harness, Fuel (Use p/n 1001222665) (Not Shown - See ELECTRICAL SECTION for Breakdown)	
40	1001145089	1	Clamp	
42	1001235479	1	Engine Sub-Assembly (See Separate Breakdown in this Section)	
43	1001145560	1	Panel, Rubber	
46	1001142610	1	Battery Cable Kit	
46A	7027046	1	Cable, Battery (Red) (Battery + to Relays and Starter)	
46A	See Note	NSS	Boot, Ring Terminal (Red) (Note: Not Available - Purchase Locally)	
46B	7027047	1	Cable, Battery (Black) (Battery - to Tray Pivot Grd) and Aux Pump	
46B	See Note	NSS	Boot, Ring Terminal (Black) (Note: Not Available - Purchase Locally)	
46C	7027048	1	Cable (Red) (Aux Relay to Aux Pump)	
46C	See Note	NSS	Boot, Ring Terminal (Red) (Note: Not Available - Purchase Locally)	

SECTION 3 - ENGINE

ITEM	PART NUMBER	QTY	DESCRIPTION	REV
46D	7027049	1	Cable, Battery (Black) (Engine to Tray Pivot Grd)	
47	1320022	3	Clamp	
48	1001145842	1	Plate, Clamping	
50	3311805	1	Nut 1/2	
51	4711800	3	Washer 1/2	
52	1001131542	1	Lanyard	
53	1001165101	1	Bracket, Fuel Pump Filter Assembly (See FUEL PUMP/FILTER BRACKET ASSEMBLY - DEUTZ TCD2.9L4 ENGINES for Breakdown)	
54	3380723	1	Panel, Noise Reduction	
55	0651606	4	Bolt 3/8 x 3/4	
56	2120218	1	Filter, High Pressure	
56	2120219	1	Element, Filter	
56	70001344	1	O-Ring, Bowl	
56	70006137	1	Seal Kit - Includes O-Ring (Element), O-Ring (Bowl), Back-up Ring (Bowl), Seal Ring (Indicator) and O-Ring (Indicator)	
57	3900316	5	Screw 3/8 x 1	
58	0641806	1	Bolt 1/2 x 3/4	
59	90028660	1	Clamp	
60	1001241835	1	Fluid, Diesel Fuel Additive (Not Shown)	
61	1001235459	1	Engine, Deutz T4F (SN 03002566934 to Present)	

SECTION 3 - ENGINE

FIGURE 3-28. DEUTZ TCD2.9L4 (STAGE V) ENGINE SUB-ASSEMBLY - WITH REXROTH PUMP AND ABS HOODS (WITHOUT COLD WEATHER PLUS PACKAGE)



ART_1001235479

SECTION 3 - ENGINE

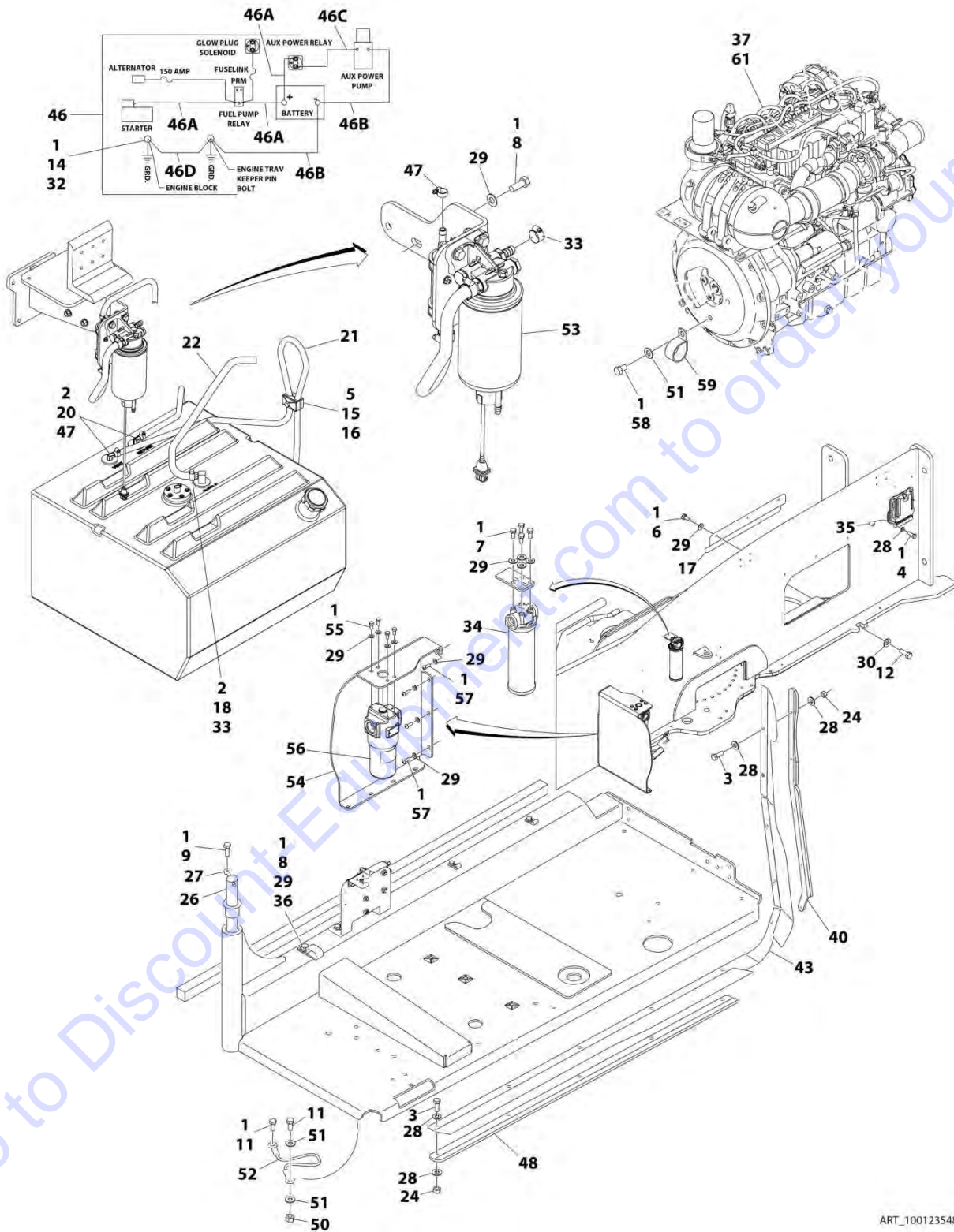
FIGURE 3-28. DEUTZ TCD2.9L4 (STAGE V) ENGINE SUB-ASSEMBLY - WITH REXROTH PUMP AND ABS HOODS (WITHOUT COLD WEATHER PLUS PACKAGE)

ITEM	PART NUMBER	QTY	DESCRIPTION	REV
	1001235479	Ref	DEUTZ TCD2.9L4 (STAGE V) ENGINE SUB-ASSEMBLY - WITH REXROTH PUMP (WITHOUT COLD WEATHER PLUS PACKAGE)	D
1	0641812	2	Bolt 1/2 x 1-1/2	
2	3020037	AR	Grease, Pump Coupling	
3	4891800	2	Washer 1/2	
4	1001235477	1	Engine Assembly (See Separate Breakdown in this Section)	
5	0100011	AR	Compound, Locking	
6	1001152963	1	Pump Assembly - Rexroth (See Separate Breakdown in this Section)	

Go to Discount-Equipment.com to order your parts

SECTION 3 - ENGINE

FIGURE 3-29. DEUTZ TCD2.9L4 (STAGE V) ENGINE INSTALLATION - WITH SAUER PUMP (WITHOUT COLD WEATHER PLUS PACKAGE)



ART_1001235483

SECTION 3 - ENGINE

FIGURE 3-29. DEUTZ TCD2.9L4 (STAGE V) ENGINE INSTALLATION - WITH SAUER PUMP (WITHOUT COLD WEATHER PLUS PACKAGE)

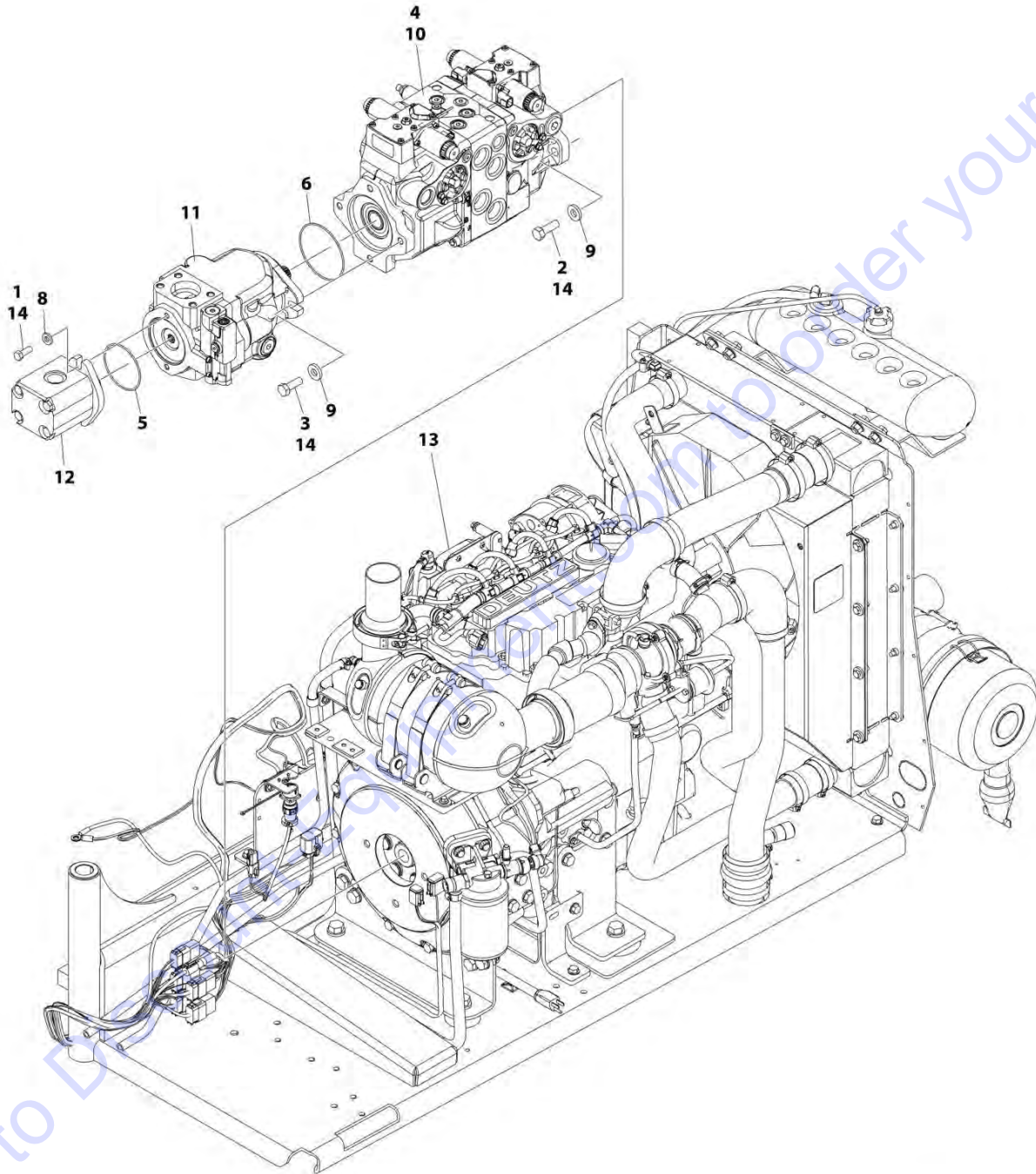
ITEM	PART NUMBER	QTY	DESCRIPTION	REV
	1001235483	Ref	DEUTZ TCD2.9L4 (STAGE V) ENGINE INSTALLATION - WITH SAUER PUMP (WITHOUT COLD WEATHER PLUS PACKAGE)	C
1	0100011	AR	Compound, Locking	
2	0100079	AR	Sealant, Pipe	
3	0641408	10	Bolt 1/4 x 1	
4	0641410	4	Bolt 1/4 x 1-1/4	
5	0641511	1	Bolt 5/16 x 1-3/8	
6	0641605	3	Bolt 3/8 x 5/8	
7	0641606	4	Bolt 3/8 x 3/4	
8	0641608	3	Bolt 3/8 x 1	
9	0641610	1	Bolt 3/8 x 1-1/4	
11	0641808	2	Bolt 1/2 x 1	
12	0642010	1	Bolt 5/8 x 1-1/4	
14	0761210	1	Bolt M12 x 20	
15	1320187	1	Clamp	
16	1320190	1	Cover, Clamp	
17	1671121	1	Cover	
18	2180832	1	Fitting, Barbed	
20	2220313	2	Fitting, 90 Barbed	
21	2750532	5 ft/ 1.5m	Hose	
22	1001154405	1.9 ft/ 0.6m	Hose	
24	3311405	10	Nut 1/4	
26	3422446	1	Pin, Pivot	
27	3841143	1	Pin, Keeper	
28	4711400	24	Washer 1/4	
29	4711600	19	Washer 3/8	
30	4752000	1	Washer 5/8	
32	4812100	1	Washer M12	
33	8405006	2	Clamp	
34	1001108617	1	Hydraulic Pressure Filter Assembly	
34	70002231	1	Element, Filter	
35	1001110425	4	Spacer	
36	1001116792	1	Clamp	
37	1001235476	1	Engine Sub-Assembly (See Separate Breakdown in this Section)	
39	1001138491	NLA	Harness, Fuel (Use p/n 1001222665) (Not Shown - See ELECTRICAL SECTION for Breakdown)	
40	1001145089	1	Clamp	
43	1001145560	1	Panel, Rubber	
46	1001142610	1	Battery Cable Kit	C
46A	7027046	1	Cable, Battery (Red) (Battery + to Relays and Starter)	
46A	See Note	NSS	Boot, Ring Terminal (Red) (Note: Not Available - Purchase Locally)	
46B	7027047	1	Cable, Battery (Black) (Battery - to Tray Pivot Grd) and Aux Pump	
46B	See Note	NSS	Boot, Ring Terminal (Black) (Note: Not Available - Purchase Locally)	
46C	7027048	1	Cable (Red) (Aux Relay to Aux Pump)	
46C	See Note	NSS	Boot, Ring Terminal (Red) (Note: Not Available - Purchase Locally)	

SECTION 3 - ENGINE

ITEM	PART NUMBER	QTY	DESCRIPTION	REV
46D	7027049	1	Cable, Battery (Black) (Engine to Tray Pivot Grd)	
47	1320022	3	Clamp	
48	1001145842	1	Plate, Clamping	
50	3311805	1	Nut 1/2	
51	4711800	3	Washer 1/2	
52	1001131542	1	Lanyard	
53	1001165101	1	Fuel Pump Filter Assembly (See FUEL PUMP/FILTER BRACKET ASSEMBLY - DEUTZ TCD2.9L4 ENGINES ENGINE AND DEUTZ TCD2.9L4 (STAGE V) ENGINE for Breakdown)	
54	3380723	1	Panel, Noise Reduction	
55	0651606	4	Bolt 3/8 x 3/4	
56	2120218	1	Filter, High Pressure	
56	2120219	1	Element, Filter	
56	70001344	1	O-Ring, Bowl	
56	70006137	1	Seal Kit - Includes O-Ring (Element), O-Ring (Bowl), Back-up Ring (Bowl), Seal Ring (Indicator) and O-Ring (Indicator)	
57	3900316	5	Screw 3/8 x 1	
58	0641806	1	Bolt 1/2 x 3/4	
59	90028660	1	Clamp	
60	1001241835	1	Fluid, Diesel Fuel Additive (Not Shown)	
61	1001235459	1	Engine, Deutz T4F (SN 0300256934 to Present)	

SECTION 3 - ENGINE

FIGURE 3-30. DEUTZ TCD2.9L4 (STAGE V) ENGINE SUB-ASSEMBLY - WITH SAUER PUMP AND ABS HOODS (WITHOUT COLD WEATHER PLUS PACKAGE)



ART_1001235476

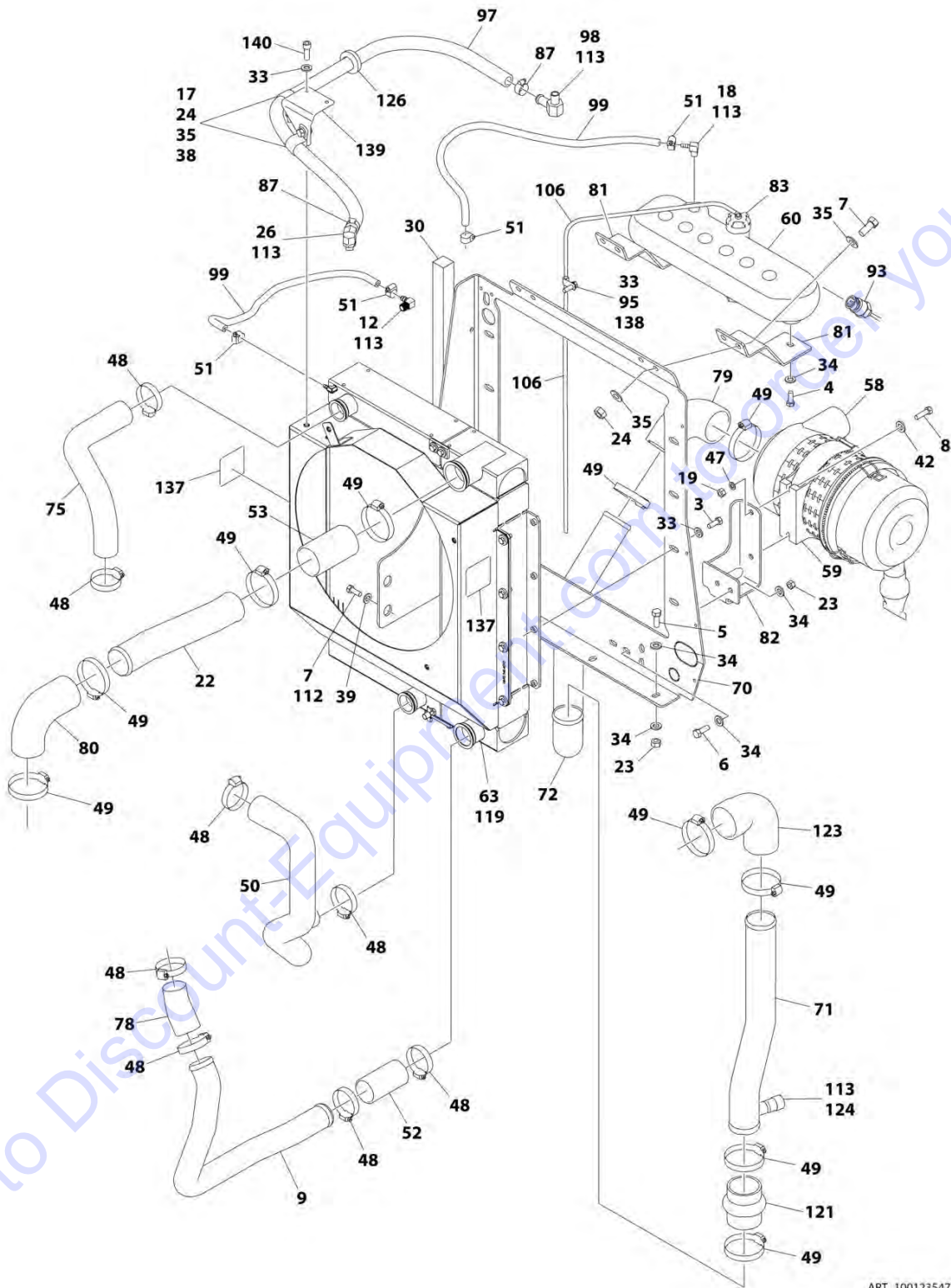
SECTION 3 - ENGINE

FIGURE 3-30. DEUTZ TCD2.9L4 (STAGE V) ENGINE SUB-ASSEMBLY - WITH SAUER PUMP AND ABS HOODS (WITHOUT COLD WEATHER PLUS PACKAGE)

ITEM	PART NUMBER	QTY	DESCRIPTION	REV
	1001235476	Ref	DEUTZ TCD2.9L4 (STAGE V) ENGINE SUB-ASSEMBLY - WITH SAUER PUMP (WITHOUT COLD WEATHER PLUS PACKAGE)	D
1	0641608	2	Bolt 3/8 x 1	
2	0641812	2	Bolt 1/2 x 1-1/2	
3	0761215	2	Bolt M12 x 35	
4	3020037	AR	Grease, Pump Coupling	
5	3790152	1	O-Ring	
6	3790155	1	O-Ring	
8	4891600	2	Washer 3/8	
9	4891800	4	Washer 1/2	
10	1001108616	1	Pump Assembly - Sauer Tandem (See Separate Breakdown in this Section)	
11	1001171095	1	Pump Assembly - Sauer Piston (See Separate Breakdown in this Section)	
12	1001112927	1	Pump Assembly - Sauer Gear (See Separate Breakdown in this Section)	
13	1001235477	1	Engine Assembly (See Separate Breakdown in this Section)	
14	0100011	AR	Compound, Locking	

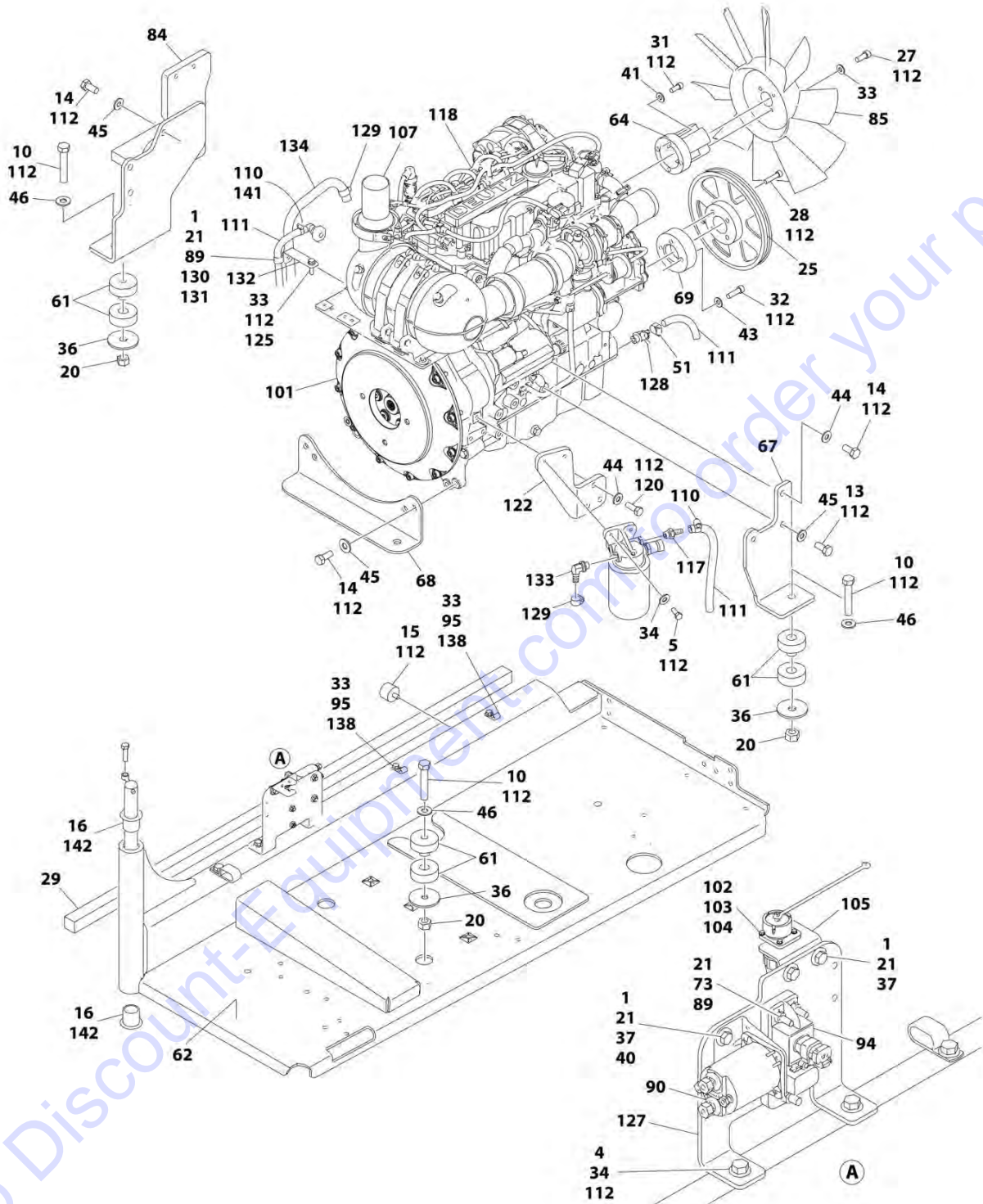
SECTION 3 - ENGINE

FIGURE 3-31. DEUTZ TCD2.9L4 (STAGE V) ENGINE ASSEMBLY (WITHOUT COLD WEATHER PLUS PACKAGE)



ART_1001235477_10F2

SECTION 3 - ENGINE



ART_1001235477_20F2

SECTION 3 - ENGINE

FIGURE 3-31. DEUTZ TCD2.9L4 (STAGE V) ENGINE ASSEMBLY (WITHOUT COLD WEATHER PLUS PACKAGE)

ITEM	PART NUMBER	QTY	DESCRIPTION	REV
	1001235477	Ref	DEUTZ TCD2.9L4 (STAGE V) ENGINE ASSEMBLY (WITHOUT COLD WEATHER PLUS PACKAGE)	D
1	0641406	5	Bolt 1/4 x 3/4	
3	0641508	8	Bolt 5/16 x 1	
4	0641606	5	Bolt 3/8 x 3/4	
5	0641608	9	Bolt 3/8 x 1	
6	0641610	2	Bolt 3/8 x 1-1/4	
7	0641708	6	Bolt 7/16 x 1	
8	0700815	2	Bolt M8 x 35	
9	1001135913	1	Pipe, Turbo to Air Cleaner	
10	0682028	4	Bolt 5/8 x 3-1/2 Grade 8	
12	1001140564	1	Fitting, 90 Barbed	
13	0771212	1	Bolt M12 x 25 Grade 10.9	
14	0771414	9	Bolt M14 x 30 Grade 10.9	
15	0940070	1	Bumper	
16	0961986	2	Bushing, Flanged	
17	0641706	2	Bolt 7/16 x 3/4	
18	1001134488	1	Fitting, 90 Barbed	
19	3290801	2	Nut M8	
20	3272001	4	Nut 5/8 Grade 8	
21	3311405	6	Nut 1/4	
22	1001135914	1	Pipe, Air Cleaner to Intake	
23	3311605	9	Nut 3/8	
24	3311705	5	Nut 7/16	
25	3580320	1	Pulley	
26	1001141719	1	Fitting, 90 Barbed	
27	3931512	4	Capscrew 5/16 x 3/4	
28	3931628	4	Capscrew 3/8 x 1-3/4	
29	3960543	1	Seal	
30	3960544	1	Seal	
31	4031914	4	Bolt M8 x 50	
32	4032014	4	Bolt M10 x 50	
33	4711500	19	Washer 5/16	
34	4711600	25	Washer 3/8	
35	4711700	10	Washer 7/16	
36	1001146219	4	Washer Special	
37	4751400	8	Washer 1/4	
38	8406302	2	Clamp	
39	4751700	2	Washer 7/16	
40	4791400	2	Starwasher 1/4	
41	4811900	4	Washer M8	
42	4811902	2	Washer M8	
43	4812000	4	Washer M10	
44	4812100	4	Washer M12	
45	4812200	9	Washer M14	
46	4892000	4	Washer 5/8	
47	4831900	2	Washer M8	
48	8405201	8	Clamp	
49	8405204	10	Clamp	

SECTION 3 - ENGINE

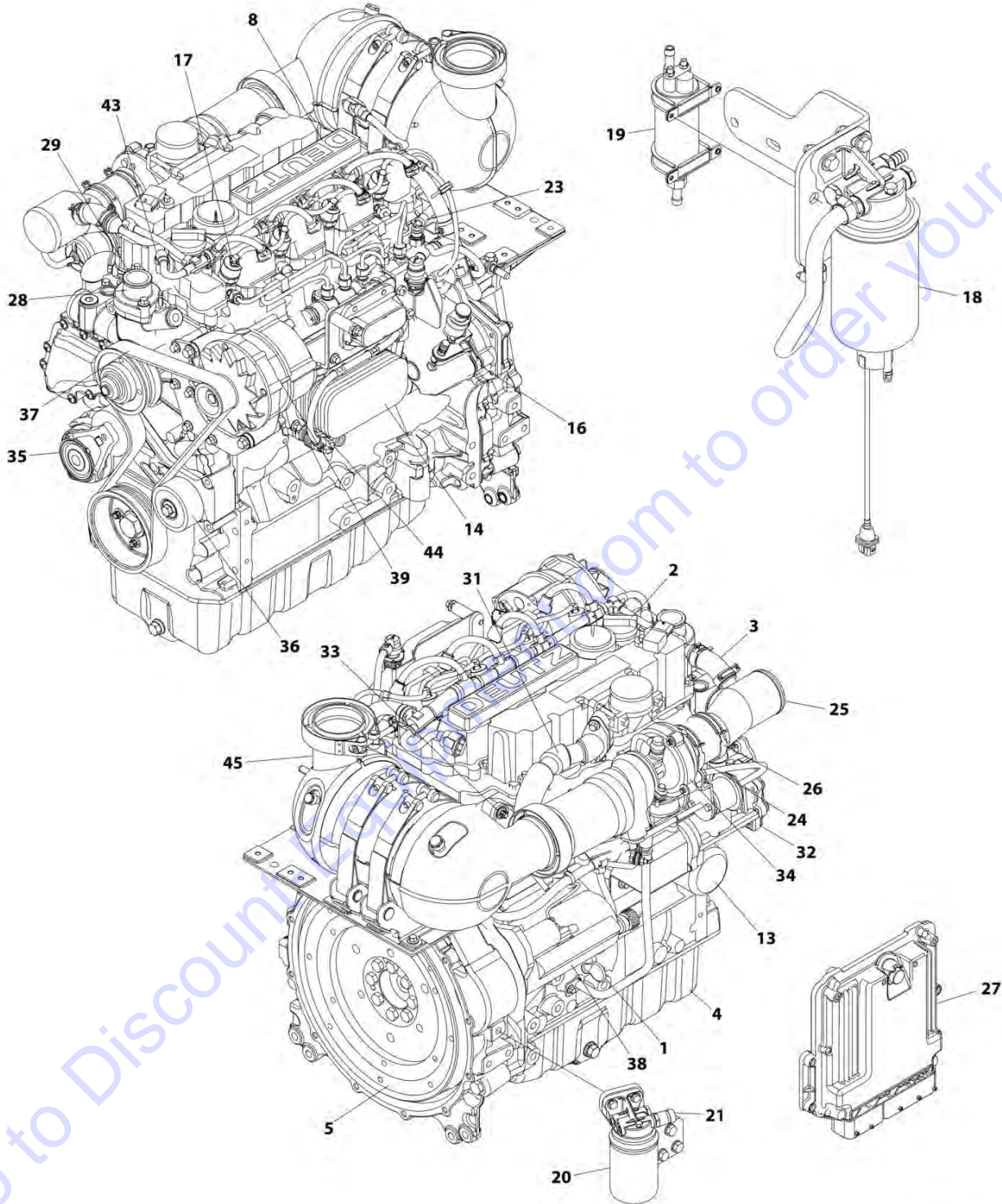
ITEM	PART NUMBER	QTY	DESCRIPTION	REV
50	1001135926	1	Pipe, Radiator (Lower)	
51	8410013	5	Clamp	
52	91563070	1	Coupling, Rubber	
53	1001114495	1	Hose	
58	1001133633	1	Air Cleaner Assembly	
58	70024190	1	Element, Air Filter	
59	1001133634	1	Clamp	
60	1001166393	1	Tank, Surge	
61	1001155575	4	Mount, Motor	
62	1001191272	1	Tray	
63	1001135090	1	Radiator	
64	1001135138	1	Spacer, Fan	
67	1001135560	1	Support, Engine	
68	1001135562	1	Support, Engine - Rear	
69	1001135679	1	Spacer, Pulley	
70	1001135680	1	Support, Radiator	
71	1001135901	1	Pipe, Air Intake	
72	1001135903	1	Pipe, Air Intake	
73	3931432	1	Capscrew 1/4 x 2	
75	1001135924	1	Hose, Radiator (Upper)	
78	1001135943	1	Coupling, Rubber	
79	1001135946	1	Elbow, Rubber	
80	1001136292	1	Pipe, 90	
81	1001136626	2	Bracket	
82	1001136665	1	Bracket	
83	1001136834	1	Cap, Tank	
84	1001142398	1	Support, Engine	
85	1001137276	1	Fan	
87	8405007	2	Clamp	
89	4711400	3	Washer 1/4	
90	1001117308	1	Relay	
93	1001138827	1	Sensor, Coolant Level	
94	1001138228	1	Module, Power	
94	70023592	1	Fuse 20Amp (Switched Output)	
94	70023593	1	Fuse 30Amp (Battery Output)	
95	1001138253	5	Clamp	
96	1001138346	1	Harness, Engine (Not Shown - See Separate Breakdown in ELECTRICAL SECTION)	
97	1001138524	1	Hose	
98	1001138559	1	Fitting, 90	
99	2720015	4.5 ft/ 1.4m	Hose	
101	2902065	1	Pump Coupling Kit (See Separate Breakdown in this Section)	
102	3310401	3	Nut #4	
103	3910408	3	Screw #4 x 1/2	
104	4710400	3	Washer #4	
105	1001139240	1	Bracket	
106	1001138248	4 ft/ 1.2m	Tubing	
107	1001153024	1	Pipe, Exhaust	
110	1320022	2	Clamp	
111	1001165035	30.5 ft/ 9.3m	Hose	

SECTION 3 - ENGINE

ITEM	PART NUMBER	QTY	DESCRIPTION	REV
112	0100011	AR	Compound, Locking	
113	0100020	AR	Sealant	
114	1001141304	1	Wire, Glow Plug (Not Shown)	
115	1001135779	1	Cable, Alternator Positive (Not Shown)	
117	1001141717	1	Fitting, Straight	
118	1001136079	2.4 gal/ 9L	Oil, Motor	
119	2300004	3.2 gal/ 12.1L	Anti-freeze	
120	0761214	3	Bolt M12 x 30	
121	1001142637	1	Hose, Hump	
122	1001142685	1	Bracket	
123	1001165820	1	Pipe, Elbow	
124	1001143390	1	Indicator, Air Filter Service	
125	0760810	2	Bolt M8 x 20	
126	1001144089	1	Grommet	
127	1001145154	1	Plate, Mounting	
128	4640751	1	Valve, Oil Drain	
129	8405006	2	Clamp	
130	8406102	AR	Clip	
131	8406112	1	Clip	
132	1001138717	1	Bracket	
133	1001142501	1	Fitting, 90 Barbed	
134	1001154405	5 ft/ 1.5m	Hose	
135	1001148843	1	Harness, Fuel Filter (Not Shown - See Separate Breakdown in ELECTRICAL SECTION)	
137	1703162	2	Decal - Fan	
138	0641503	3	Bolt 5/16 x 3/8	
139	1001153387	1	Plate	
140	3931508	2	Capscrew 5/16 x 1/2	
141	1001155823	1	Coupling	
142	0100062	AR	Adhesive, Loctite #680	
143	4240099	AR	Tie-Strap (Not Shown)	

SECTION 3 - ENGINE

FIGURE 3-32. DEUTZ TCD2.9L4 (STAGE V) ENGINE COMPONENTS



ART_1001128947

SECTION 3 - ENGINE

FIGURE 3-32. DEUTZ TCD2.9L4 (STAGE V) ENGINE COMPONENTS

ITEM	PART NUMBER	QTY	DESCRIPTION	REV
	1001235459	Ref	DEUTZ TCD2.9L4 (STAGE V) ENGINE COMPONENTS	B
1	70024904	1	Dipstick	
1	70024905	1	O-Ring	
2	7020465	2	Cap, Filler	
3	7002511	2	Clamp	
4	70025162	1	Pan, Oil	
4	70025088	2	Plug	
4	7020404	2	Washer, Sealing	
5	70001870	1	Flywheel	
5	7024579	1	Gear, Ring	
6	70024906	1	Gasket, Head (Not Shown)	
7	70025204	1	Shield, Heat (Not Shown)	
8	70025163	1	Cover, Valve	
8	70025205	1	Gasket	
8	70025206	1	Gasket, Small Valve Cover	
8	70025207	1	Gasket, Large Valve Cover	
8	70025208	1	Gasket	
9	70025076	1	Valve (Not Shown - Located on Right Side of Front Engine Cover)	
9	70025176	1	Spring	
9	70025082	1	Ring, Sealing	
9	70025091	1	Plug	
10	70025190	1	Cover, Front (Not Shown - Located on Front of Engine)	
10	70024907	1	Gasket, Front Cover	
10	70004280	1	Seal, Shaft - Front	
11	70002718	1	Seal, Shaft - Rear (Not Shown)	
12	70025202	1	Pump, Oil Lube (Not Shown)	
12	70025135	1	O-Ring	
12	70025136	1	Gasket	
13	7016331	1	Filter, Oil	
13	70025137	1	Bushing	
14	70004275	1	Cooler, Engine Oil	
14	70024925	1	Gasket	
15	70025171	1	Oil Suction Pump (Not Shown - Located Inside of Engine Oil Pan)	
16	70024924	1	Pump, Fuel	
16	70025152	1	O-Ring	
16	70025080	1	Washer	
16	70024488	1	Spacer	
16	70024517	1	O-Ring	
17	70025181	4	Injector, Fuel	
17	70025140	4	Washer, Sealing	
17	70025146	4	Clamp (Top of Injector)	
17	70025145	4	O-Ring	
17	70025154	4	Shoe, Clamping	
17	70000345	1	Plug, Glow (Not Shown)	
17	70025231	1	Harness, Glow Plug (Not Shown)	
18	70024961	1	Fuel Filter Assembly	
18	70025153	NLA	Filter, Fuel (Use p/n 1001225430)	
18	70024513	1	Cable, Sensor	
18	70025239	1	Ring, Sealing	
19	70024486	2	Pump, Fuel	

PARTS FINDER

**Search Website
by Part Number**



**Search Manual
Library For Parts
Manual & Lookup Part
Numbers – Purchase
or Request Quote**

**Can't Find Part or
Manual? Request Help
by Manufacturer,
Model & Description**

Discount-Equipment.com is your online resource for quality parts & equipment.

Florida: **561-964-4949** Outside Florida TOLL FREE: **877-690-3101**

Need parts?

Click on this link: <http://www.discount-equipment.com/category/5443-parts/> and choose one of the options to help get the right parts and equipment you are looking for. Please have the machine model and serial number available in order to help us get you the correct parts. If you don't find the part on the website or on one of the online manuals, please fill out the request form and one of our experienced staff members will get back to you with a quote for the right part that your machine needs.

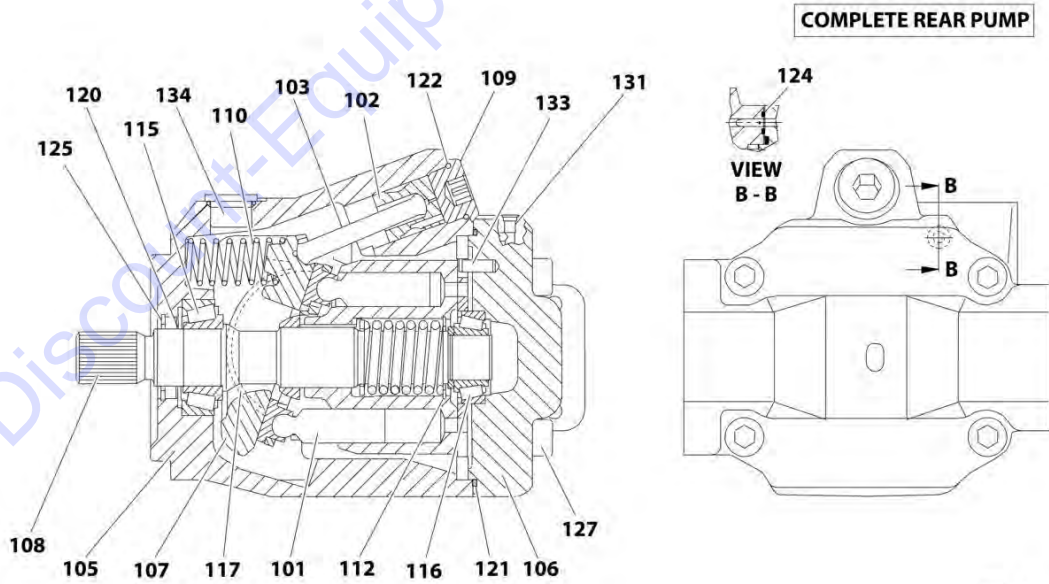
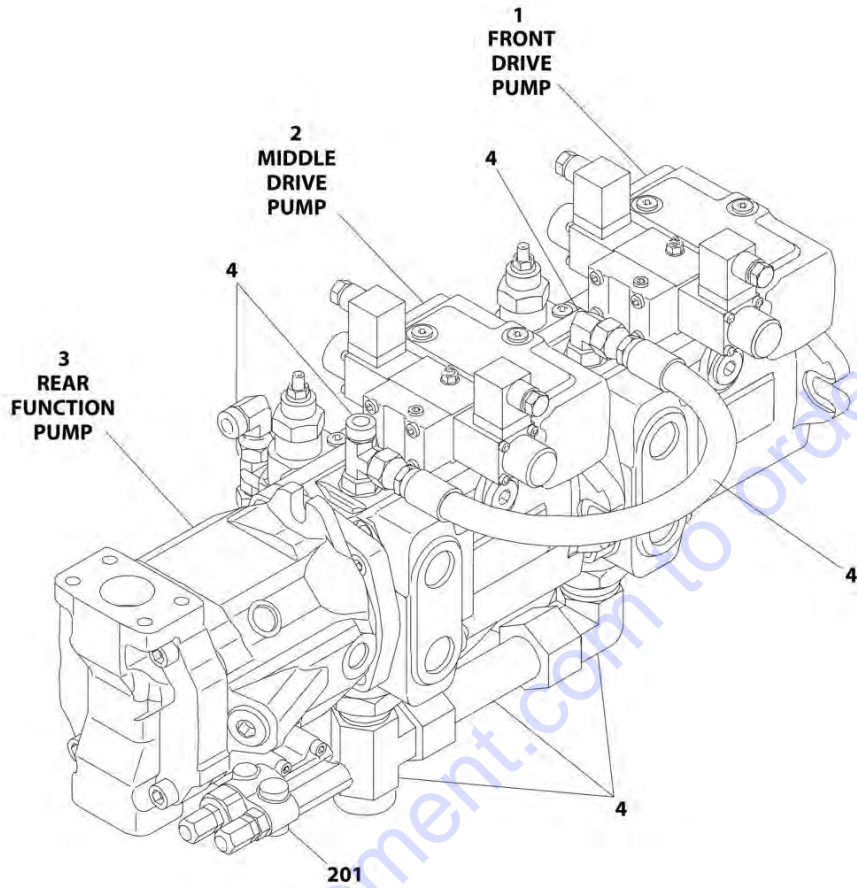
We sell worldwide for the brands: Genie, Terex, JLG, MultiQuip, Mikasa, Essick, Whiteman, Mayco, Toro Stone, Diamond Products, Generac Magnum, Airman, Haulotte, Barreto, Power Blanket, Nifty Lift, Atlas Copco, Chicago Pneumatic, Allmand, Miller Curber, Skyjack, Lull, Skytrak, Tsurumi, Husquvarna Target, Stow, Wacker, Sakai, Mi-T-M, Sullair, Basic, Dynapac, MBW, Weber, Bartell, Bennar Newman, Haulotte, Ditch Runner, Menegotti, Morrison, Contec, Buddy, Crown, Edco, Wyco, Bomag, Laymor, EZ Trench, Bil-Jax, F.S. Curtis, Gehl Pavers, Heli, Honda, ICS/PowerGrit, IHI, Partner, Imer, Clipper, MMD, Koshin, Rice, CH&E, General Equipment, Amida, Coleman, NAC, Gradall, Square Shooter, Kent, Stanley, Tamco, Toku, Hatz, Kohler, Robin, Wisconsin, Northrock, Oztec, Toker TK, Rol-Air, APT, Wylie, Ingersoll Rand / Doosan, Innovatech, Con X, Ammann, Mecalac, Makinex, Smith Surface Prep, Small Line, Wanco, Yanmar

SECTION 3 - ENGINE

ITEM	PART NUMBER	QTY	DESCRIPTION	REV
19	70025144	1	Clamp	
20	70025160	1	Filter with Head	
20	70025161	NLA	Filter, Fuel (Use p/n 1001225431)	
21	70024504	1	Sensor, Pressure	
21	70024920	1	O-Ring	
21	70025103	1	Retainer	
22	70025151	1	Rail, Fuel (Not Shown)	
22	70025235	1	Repair Kit (Not Shown)	
23	70025182	1	Fuel Line - High Pressure (Cylinder 1 & 2)	
23	70025183	1	Fuel Line - High Pressure (Cylinder 3 & 4)	
23	70025184	1	Fuel Line - High Pressure (Supply)	
24	70004501	1	Sleeve, Rubber	
25	70004502	1	Pipe, Intake	
26	70025112	2	Clamp	
27	70025210	1	ECU (Engine Control Unit)	
28	70024910	1	Pump, Water	
28	70025200	1	Ring, Sealing	
28	70025084	2	Plug	
28	7020492	2	Ring, Sealing	
29	70024473	1	Thermostat	
29	70025143	1	O-Ring	
29	70025142	1	Cover, Thermostat	
30	70025177	1	Pipe (Not Shown - Located on Left Side)	
30	70025179	2	Gasket (Not Shown)	
31	70025178	1	Pipe	
31	70025156	1	Valve, Shuttle	
31	70025179	2	Gasket	
31	70025180	1	Gasket	
32	70025203	1	Module, EGR	
32	70025155	1	Plug	
33	70004282	1	Manifold, Exhaust	
33	70025164	1	Gasket, Exhaust Manifold to Head	
34	70004503	1	Turbocharger	
34	70024912	1	Gasket, Exhaust Manifold	
35	70025477	1	Tensioner, Belt	
36	70024484	1	Idler Roller	
37	70004277	1	Belt, Drive	
38	70024915	1	Starter	
39	70025533	1	Generator	
39	70025149	1	Regulator, Voltage	
40	70004284	1	Harness, Engine (Not Shown)	
41	70024507	1	Sensor, Pressure (Not Shown - Located Top Rear)	
41	70025120	1	O-Ring	
42	70026210	1	Sensor (Not Shown - Located Left Side Front and Flywheel Housing)	
42	70024917	1	O-Ring	
43	70024918	1	Sender, Temperature	
44	70024919	1	Sensor, Pressure	
44	70024920	1	O-Ring	
45	70005445	1	Outlet, Muffler	
46	70004279	1	Gasket Kit (Not Shown)	

SECTION 3 - ENGINE

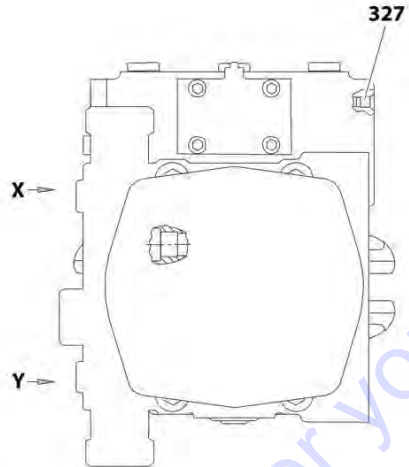
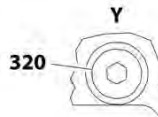
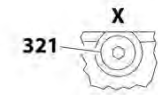
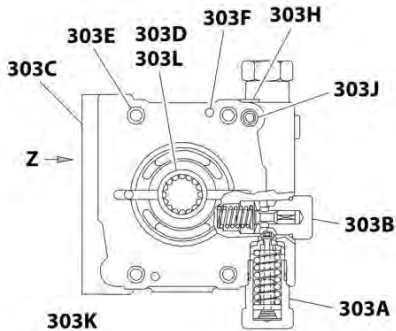
FIGURE 3-33. PUMP ASSEMBLY (REXROTH) (DEUTZ TD2011 ENGINES)



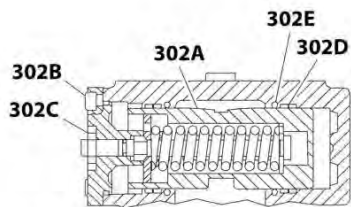
ART_3600339_10F2

SECTION 3 - ENGINE

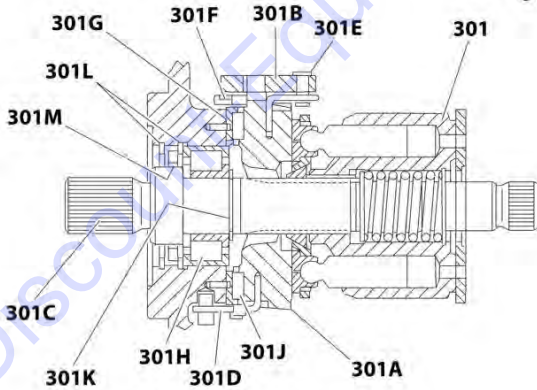
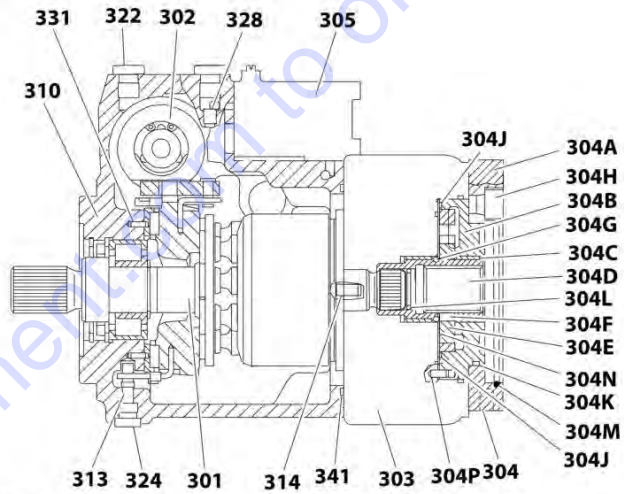
COMPLETE FRONT AND PUMPS



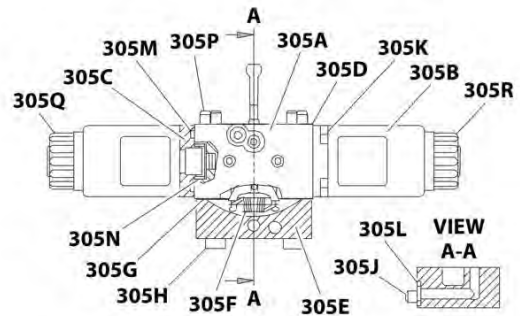
PORT PLATE SECTION FRONT AND MID PUMPS (DETAIL OF ITEM 303)



HYD. CONTROL FRONT AND MID PUMPS (DETAIL OF ITEM 302)



ROTARY GROUP FRONT AND MID PUMPS (DETAIL OF ITEM 301)



CONTROL MODULE FRONT AND MID PUMPS (DETAIL OF ITEM 305)

ART_3600339_20F2

SECTION 3 - ENGINE

FIGURE 3-33. PUMP ASSEMBLY (REXROTH) (DEUTZ TD2011 ENGINES)

ITEM	PART NUMBER	QTY	DESCRIPTION	REV
	3600339	Ref	PUMP ASSEMBLY (REXROTH) (DEUTZ TD2011 ENGINES)	D
1	7024042	1	Front Drive Pump Assembly (Includes Items 301-341)	
2	7024043	1	Middle Drive Pump Assembly (Includes Items 301-341)	
3	7024044	1	Rear Function Pump Assembly (Includes Items 101-201)	
4	70001952	1	Hydraulic Kit (Includes all Rexroth Supplied Hydraulic Fittings, Hoses and Tubes)	
	7024044	Ref	REAR FUNCTION PUMP ASSEMBLY	
101	7024914	1	Rotary Section	
102	See Note	1	Piston, Control (Note: Not Available - Purchase Complete Assembly)	
103	See Note	1	Rod, Piston (Note: Not Available - Purchase Complete Assembly)	
105	See Note	1	Housing, Pump (Note: Not Available - Purchase Complete Assembly)	
106	See Note	1	Plate, Port (Note: Not Available - Purchase Complete Assembly)	
107	7024915	1	Plate, Swash	
108	7024916	1	Driveshaft	
109	See Note	1	Plug (Note: Not Available for Purchase)	
110	See Note	1	Spring (Note: Not Available for Purchase)	
112	7012709	1	Shim	
115	7024038	1	Bearing, Roller	
116	7012706	1	Bearing, Roller	
117	7024917	2	Shell, Cradle	
120	7024918	1	Seal, Shaft	
121	7024919	1	O-Ring	
122	7024920	1	O-Ring	
124	7024921	1	Seal	
125	7012715	1	V-Ring	
127	See Note	4	Capscrew M12 x 45 Grade 10.9 (Note: Not Available for Purchase)	
131	See Note	1	Plug (Note: Not Available for Purchase)	
133	See Note	1	Pin, Dowel (Note: Not Available for Purchase)	
134	See Note	1	Plug (Note: Not Available for Purchase)	
201	7024913	Ref	Pilot Valve Assembly	
		Ref	Note: Two mounting designs of p/n 7024913 pilot valve exist. Early design uses qty. 3 o-rings. Late design uses qty 1 sealing plate. Seal designs cannot be interchanged. Verify seal design before ordering.	
201	7024922	3	O-Ring (Seals between Pilot Valve and Rear Pump)	
201	70021867	1	Plate, Sealing (Seals between Pilot Valve and Rear Pump)	
		Ref	FRONT DRIVE PUMP ASSEMBLIES	
	7024042	Ref	Front Drive Pump Assembly	
	7024043	Ref	Middle Drive Pump Assembly	
301	7024064	1	Rotary Group	
301A	See Note	NSS	Cradle (Note: Use Item 301)	
301B	See Note	NSS	Ring, Slide (Note: Use Item 301)	
301C	See Note	NSS	Driveshaft (Note: Use Item 301)	
301D	See Note	NSS	Wire (Note: Use Item 301)	
301E	See Note	NSS	Pin, Joint (Note: Use Item 301)	
301F	See Note	NSS	Wire (Note: Use Item 301)	
301G	See Note	NSS	Liner, Bearing (Note: Use Item 301)	
301H	See Note	NSS	Bearing, Roller (Note: Use Item 301)	
301J	See Note	NSS	Cradle Bearing Assembly (Note: Use Item 301)	

SECTION 3 - ENGINE

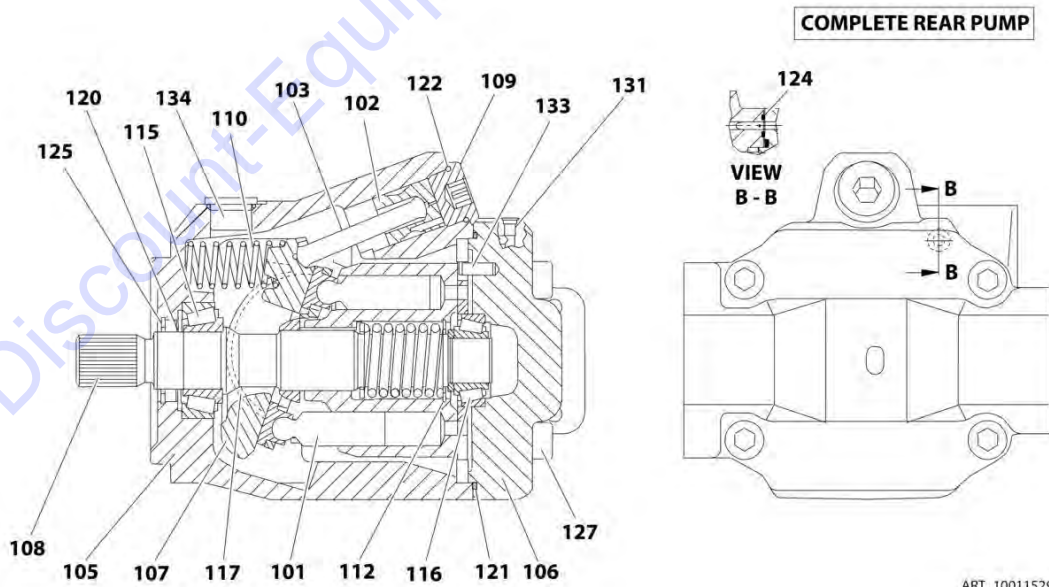
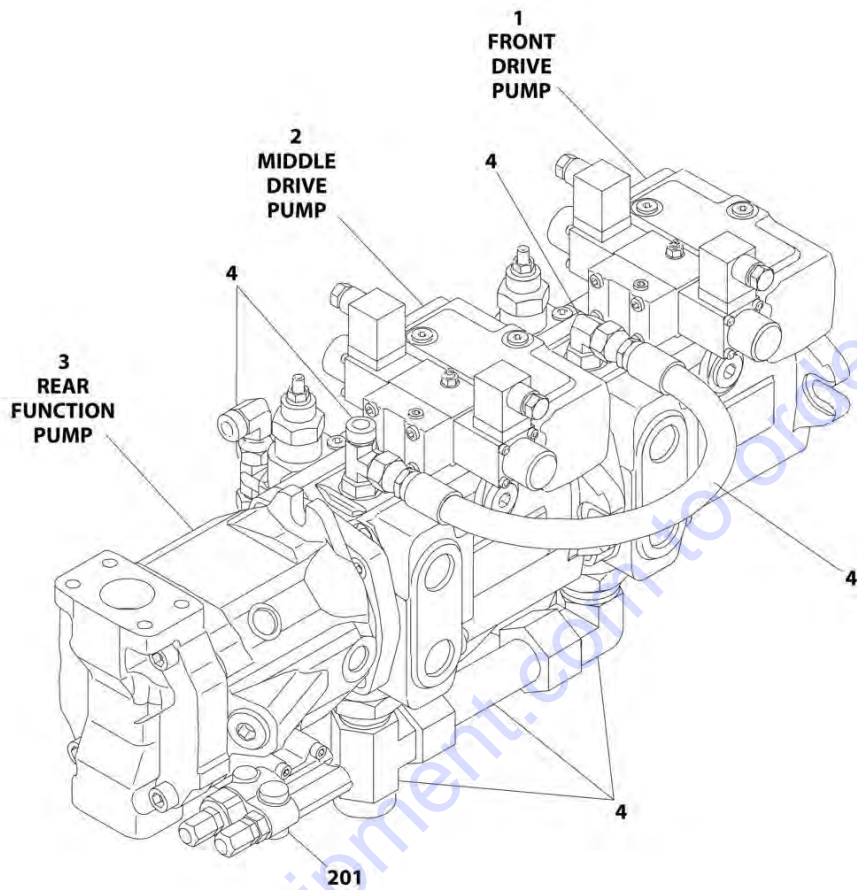
ITEM	PART NUMBER	QTY	DESCRIPTION	REV
301K	See Note	NSS	Ring, Retaining (Note: Use Item 301)	
301L	70001968	2	Ring, Retaining	
301M	7024070	1	Seal, Shaft Ring	
302	7024065	1	Control Group - Hydraulic	
302A	See Note	NSS	Piston, Positioning - Complete (Note: Use Item 302)	
302A	7024071	1	O-Ring, Outer Seal	
302A	7024072	1	O-Ring, Stem	
302B	See Note	4	Capscrew M6 x 12 (Note: Not Available - Purchase Locally)	
302C	See Note	NSS	Nut (Note: Use Item 302)	
302D	See Note	NSS	Ring, Guide (Note: Use Item 302)	
302E	See Note	NSS	Seal, O-Ring (Note: Use Item 302)	
303	7024911	1	Port Plate Group	
303A	7024073	2	Cartridge, Relief Valve (High Pressure)	
303A	7024075	1	O-Ring	
303A	7024076	1	Ring, Back-up	
303B		Ref	Cartridge Options:	
303B	7024097	1	Front Pump Cartridge (Lock Valve with Orifice) Note: Sold as an Assembly except Outer Seal.	
303B	7024075	1	O-Ring	
303B	7023881	1	Middle Pump Cartridge (Pressure Relief Valve) Note: Sold as an Assembly except Outer Seal.	
303B	7024077	1	O-Ring	
303C	See Note	NSS	Plate, Port (Note: Use Item 303)	
303D	See Note	NSS	Bushing, Bearing (Note: Use Item 303)	
303E	See Note	4	Capscrew M12 x 70 Grade10.9 (Note: Not Available - Purchase Locally)	
303F	See Note	NSS	Pin, Dowel (Note: Use Item 303)	
303G	See Note	NSS	Pin, Break-Off (Note: Use Item 303)	
303H	See Note	1	Screw, Locking M10 x 1 (Note: Not Available - Purchase Locally)	
303J	7024908	2	O-Ring	
303K	See Note	2	Screw, Locking 7/16 (Note: Not Available - Purchase Locally)	
303L	See Note	NSS	Bearing, Roller (Note: Use Item 303)	
304	7024906	1	Internal Gear Pump	
304A	See Note	NSS	Flange, Intermediate (Note: Use Item 304)	
304B	See Note	NSS	IZP-Housing (Note: Use Item 304)	
304C	See Note	NSS	Bushing, Bearing (Note: Use Item 304)	
304D	See Note	NSS	Coupling, Driveshaft Through (Note: Use Item 304)	
304E	See Note	NSS	Gear Set (Note: Use Item 304)	
304F	See Note	NSS	Key, Driveshaft (Note: Use Item 304)	
304G	See Note	NSS	Ring, Retaining (Note: Use Item 304)	
304H	See Note	4	Capscrew M10 x 20 (Note: Not Available - Purchase Locally)	
304J	7024080	2	Seal	
304K	7024081	1	O-Ring	
304L	See Note	NSS	Ring, Retaining (Note: Use Item 304)	
304M	See Note	NSS	O-Ring (Note: Use Item 304)	
304N	7024005	1	Plate, Wear	
304P	See Note	NSS	Pin, Cylinder (Note: Use Item 304)	
305	7024068	1	Control Module	
305A	7024084	1	Valve Body, Lever and Internal Components	
305B	7024083	2	Coil, Solenoid	
305C	See Note	NSS	Spacer, Coil (Note: Use Item 305)	

SECTION 3 - ENGINE

ITEM	PART NUMBER	QTY	DESCRIPTION	REV
305D	7024085	1	Gasket	
305E	See Note	NSS	Cover (Note: Use Item 305)	
305F	See Note	NSS	Spring, Draw (Note: Use Item 305)	
305G	See Note	NSS	Gasket (Note: Use Item 305)	
305H	See Note	4	Capscrew M6 x 65 (Note: Not Available - Purchase Locally)	
305J	See Note	1	Capscrew M6 x 45 (Note: Not Available - Purchase Locally)	
305K	See Note	8	Capscrew M5 x 10 (Note: Not Available - Purchase Locally)	
305L	7024087	1	O-Ring	
305M	7024088	2	O-Ring	
305N	7024089	2	Cup, Spring	
305P	See Note	NSS	Pin, Cylinder (Note: Use Item 305)	
305Q	70002569	2	Nut, Coil	
310	See Note	1	Housing (Note: Not Available for Purchase)	
313	See Note	2	Pin, Dowel (Note: Not Available for Purchase)	
314	See Note	1	Pin, Cylinder (Note: Not Available for Purchase)	
320	See Note	1	Screw 7/8 (Front Drive Pump Only) (Note: Not Available - Purchase Locally)	
321	See Note	1	Screw 9/16 (Note: Not Available - Purchase Locally)	
322	See Note	1	Screw 7/16 (Note: Not Available - Purchase Locally)	
324	See Note	1	Screw M10 x 1 (Note: Not Available - Purchase Locally)	
327	See Note	1	Pin, Double Break-Off (Note: Not Available for Purchase)	
328	7018936	2	Orifice	
331	See Note	2	Pin, Clamping (Note: Not Available for Purchase)	
341	7024069	1	O-Ring	

SECTION 3 - ENGINE

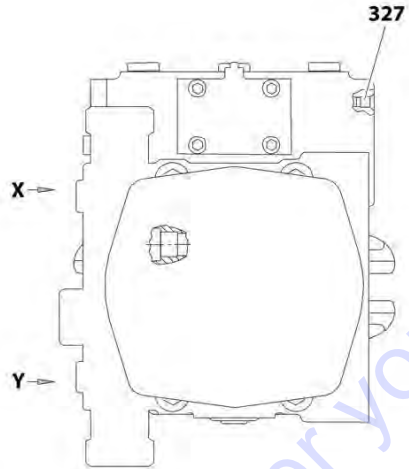
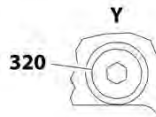
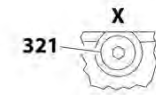
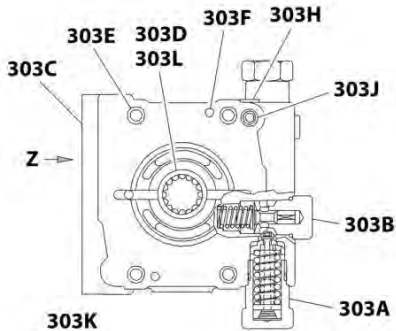
FIGURE 3-34. PUMP ASSEMBLY (REXROTH) (DEUTZ TCD2.9L4 ENGINES AND DEUTZ TCD2.9L4 (STAGE V) ENGINES)



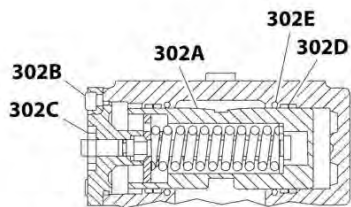
ART_1001152963_10F2

SECTION 3 - ENGINE

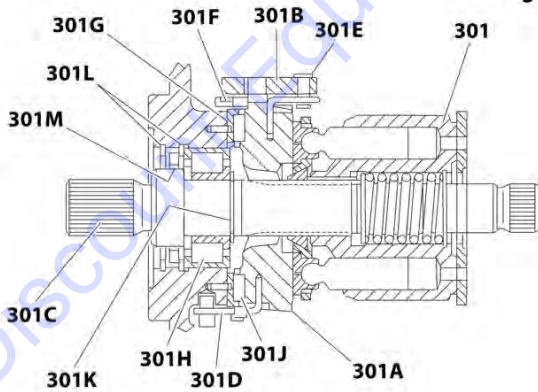
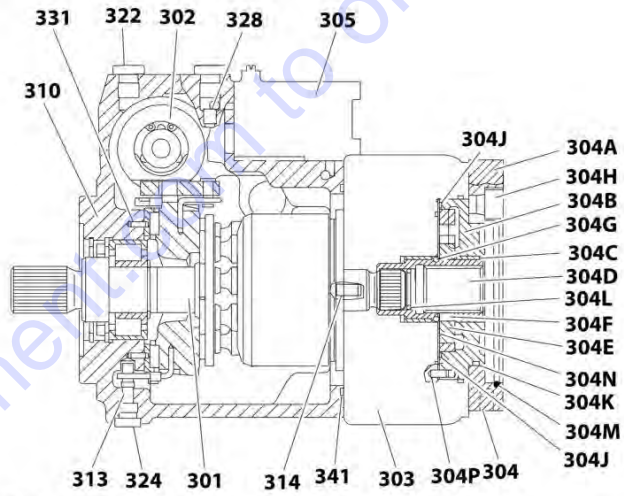
COMPLETE FRONT AND PUMPS



PORT PLATE SECTION FRONT AND MID PUMPS (DETAIL OF ITEM 303)



HYD. CONTROL FRONT AND MID PUMPS (DETAIL OF ITEM 302)



ROTARY GROUP FRONT AND MID PUMPS (DETAIL OF ITEM 301)



ART_1001152963_20F2

SECTION 3 - ENGINE

FIGURE 3-34. PUMP ASSEMBLY (REXROTH) (DEUTZ TCD2.9L4 ENGINES AND DEUTZ TCD2.9L4 (STAGE V) ENGINES)

ITEM	PART NUMBER	QTY	DESCRIPTION	REV
	1001152963	Ref	PUMP ASSEMBLY (REXROTH) (DEUTZ TCD2.9L4 ENGINES AND DEUTZ TCD2.9L4 (STAGE V) ENGINES)	C
1	70005480	1	Front Drive Pump Assembly Options (Includes Items 301-341)	
2	70005481	1	Middle Drive Pump Assembly (Includes Items 301-341)	
3	7024044	1	Rear Function Pump Assembly (Includes Items 101-201)	
4	See Note	NSS	Hydraulic Kit (Includes all Rexroth Supplied Hydraulic Fittings, Hoses and Tubes) (Note: Not Available for Purchase)	
	7024044	Ref	REAR FUNCTION PUMP ASSEMBLY	
101	7024914	1	Rotary Section	
102	See Note	1	Piston Control (Note: Not Available - Purchase Complete Assembly)	
103	See Note	1	Rod, Piston (Note: Not Available - Purchase Complete Assembly)	
105	See Note	1	Housing, Pump (Note: Not Available - Purchase Complete Assembly)	
106	See Note	1	Plate, Port (Note: Not Available - Purchase Complete Assembly)	
107	7024915	1	Plate, Swash	
108	7024916	1	Driveshaft	
109	See Note	1	Plug (Note: Not Available for Purchase)	
110	See Note	1	Spring (Note: Not Available for Purchase)	
112	7012709	1	Shim	
115	7024038	1	Bearing, Roller	
116	7012706	1	Bearing, Roller	
117	7024917	2	Shell, Cradle	
120	7024918	1	Seal, Shaft	
121	7024919	1	O-Ring	
122	7024920	1	O-Ring	
124	7024921	1	Seal	
125	7012715	1	V-Ring	
127	See Note	4	Capscrew M12 x 45 Grade 10.9 (Note: Not Available for Purchase)	
131	See Note	1	Plug (Note: Not Available for Purchase)	
133	See Note	1	Pin, Dowel (Note: Not Available for Purchase)	
134	See Note	1	Plug (Note: Not Available for Purchase)	
201	7024913	Ref	Pilot Valve Assembly	
		Ref	Note: Two mounting designs of p/n 7024913 pilot valve exist. Early design uses qty. 3 o-rings. Late design uses qty. 1 sealing plate. Seal designs cannot be interchanged. Verify seal design before ordering.	
201	7024922	3	O-Ring (Seals between Pilot Valve and Rear Pump)	
201	70021867	1	Plate, Sealing (Seals between Pilot Valve and Rear Pump)	
		Ref	FRONT DRIVE PUMP ASSEMBLIES	
	70005480	Ref	Front Drive Pump Assembly	
	70005481	Ref	Middle Drive Pump Assembly	
		Ref	Note: Service Parts not available at time of printing, call-out number on illustration for ref only.	
301	See Note	NSS	Rotary Group (Use p/n 70005480 or 70005481)	
301A	See Note	NSS	Cradle (Note: Use Item 301)	
301B	See Note	NSS	Ring, Slide (Note: Use Item 301)	
301C	See Note	NSS	Driveshaft (Note: Use Item 301)	
301D	See Note	NSS	Wire (Note: Use Item 301)	
301E	See Note	NSS	Pin, Joint (Note: Use Item 301)	

SECTION 3 - ENGINE

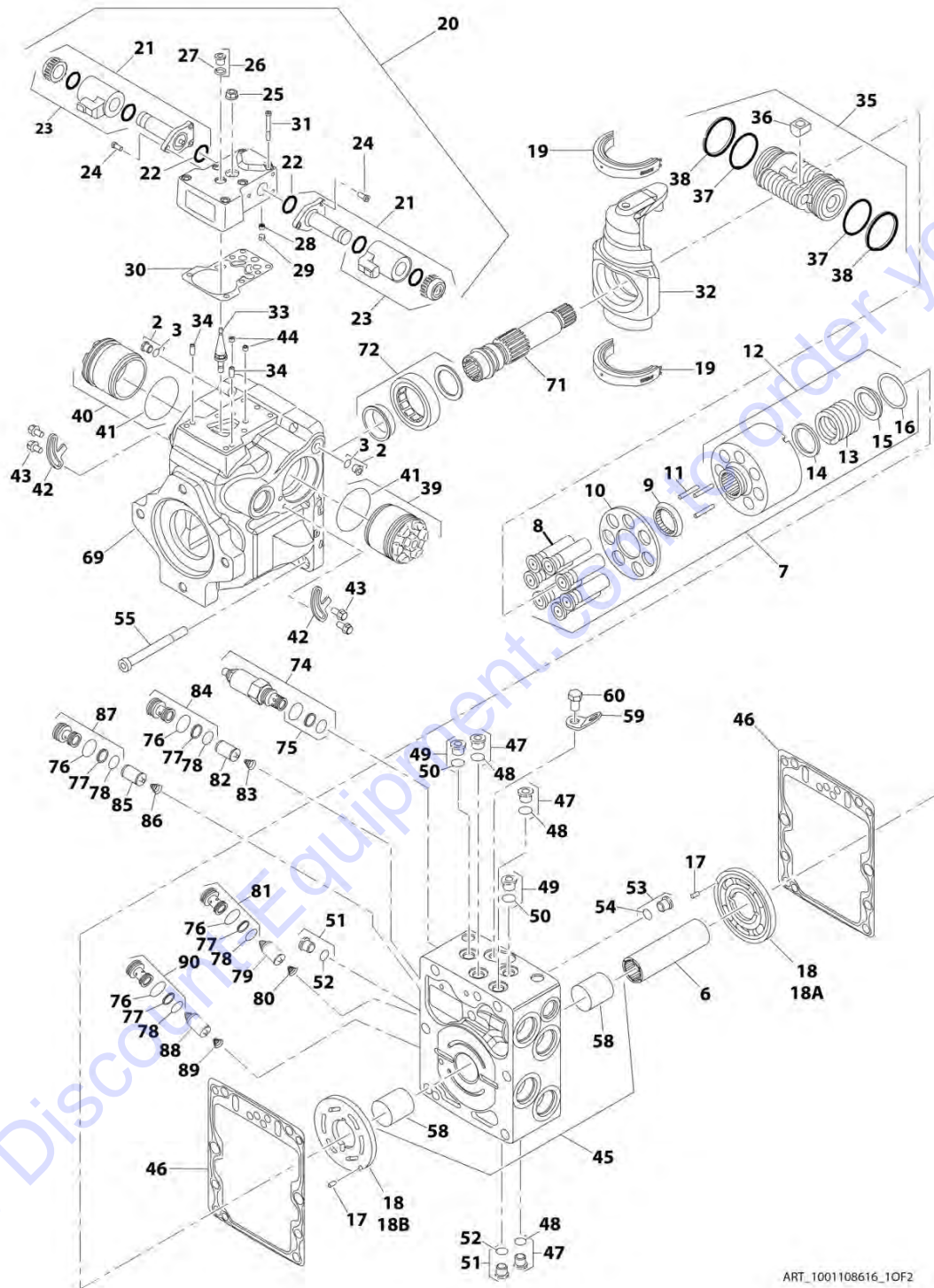
ITEM	PART NUMBER	QTY	DESCRIPTION	REV
301F	See Note	NSS	Wire (Note: Use Item 301)	
301G	See Note	NSS	Liner, Bearing (Note: Use Item 301)	
301H	See Note	NSS	Bearing, Roller (Note: Use Item 301)	
301J	See Note	NSS	Cradle Bearing Assembly (Note: Use Item 301)	
301K	See Note	NSS	Ring, Retaining (Note: Use Item 301)	
301L	See Note	NSS	Ring, Retaining (Note: Not Available for Purchase)	
301M	See Note	NSS	Seal, Shaft Ring	
302	See Note	NSS	Control Group - Hydraulic (Use p/n 70005480 or 70005481)	
302A	See Note	NSS	Piston, Positioning - Complete (Note: Use Item 302)	
302A	See Note	NSS	O-Ring, Outer Seal (Note: Not Available for Purchase)	
302A	See Note	NSS	O-Ring, Stem (Note: Not Available for Purchase)	
302B	See Note	4	Capscrew M6 x 12 (Note: Not Available - Purchase Locally)	
302C	See Note	NSS	Nut (Note: Use Item 302)	
302D	See Note	NSS	Ring, Guide (Note: Use Item 302)	
302E	See Note	NSS	Seal, O-Ring (Note: Use Item 302)	
303	See Note	NSS	Port Plate Group (Use p/n 70005480 or 70005481)	
303A	See Note	NSS	Cartridge, Relief Valve (High Pressure) (Note: Not Available for Purchase)	
303A	See Note	NSS	O-Ring (Note: Not Available for Purchase)	
303A	See Note	NSS	Ring, Back-up (Note: Not Available for Purchase)	
303B		Ref	Cartridge Options:	
303B	See Note	NSS	Front Pump Cartridge (Lock Valve with Orifice) Note: Sold as an Assembly except Outer Seal. (Note: Not Available for Purchase)	
303B	See Note	NSS	O-Ring (Note: Not Available for Purchase)	
303B	See Note	NSS	Middle Pump Cartridge (Pressure Relief valve) Note: Sold as an Assembly except Outer Seal. (Note: Not Available for Purchase)	
303B	See Note	NSS	O-Ring	
303C	See Note	NSS	Plate, Port (Note: Use Item 303)	
303D	See Note	NSS	Bushing, Bearing (Note: Use Item 303)	
303E	See Note	4	Capscrew M12 x 70 Grade 10.9 (Note: Not Available - Purchase Locally)	
303F	See Note	NSS	Pin, Dowel (Note: Use Item 303)	
303G	See Note	NSS	Pin, Break-Off (Note: Use Item 303)	
303H	See Note	1	Screw, Locking M10 x 1 (Note: Not Available - Purchase Locally)	
303J	See Note	NSS	O-Ring (Note: Not Available for Purchase)	
303K	See Note	2	Screw, Locking 7/16 (Note: Not Available - Purchase Locally)	
303L	See Note	NSS	Bearing, Roller (Note: Use Item 303)	
304	See Note	NSS	Internal Gear Pump (Use p/n 70005480 or 70005481)	
304A	See Note	NSS	Flange, Intermediate (Note: Use Item 304)	
304B	See Note	NSS	IZP-Housing (Note: Use Item 304)	
304C	See Note	NSS	Bushing, Bearing (Note: Use Item 304)	
304D	See Note	NSS	Coupling, Driveshaft Through (Note: Use Item 304)	
304E	See Note	NSS	Gear Set (Note: Use Item 304)	
304F	See Note	NSS	Key, Driveshaft (Note: Use Item 304)	
304G	See Note	NSS	Ring, Retaining (Note: Use Item 304)	
304H	See Note	4	Capscrew M10 x 20 (Note: Not Available - Purchase Locally)	
304J	See Note	NSS	Seal (Note: Not Available for Purchase)	
304K	See Note	NSS	O-Ring (Note: Not Available for Purchase)	
304L	See Note	NSS	Ring, Retaining (Note: Use Item 304)	
304M	See Note	NSS	O-Ring (Note: Use Item 304)	

SECTION 3 - ENGINE

ITEM	PART NUMBER	QTY	DESCRIPTION	REV
304N	See Note	NSS	Plate, Wear (Note: Not Available for Purchase)	
304P	See Note	NSS	Pin, Cylinder (Note: Use Item 304)	
305	See Note	NSS	Control Module (Use p/n 70005480 or 70005481)	
305	See Note	NSS	Coil, Solenoid (Note: Not Available for Purchase)	
305A	See Note	NSS	Seal Kit (Note: Not Available for Purchase)	
310	See Note	1	Housing (Note: Not Available for Purchase)	
313	See Note	2	Pin, Dowel (Note: Not Available for Purchase)	
314	See Note	1	Pin, Cylinder (Note: Not Available for Purchase)	
320	See Note	1	Screw 7/8 (Front Drive Pump Only) (Note: Not Available - Purchase Locally)	
321	See Note	1	Screw 9/16 (Note: Not Available - Purchase Locally)	
322	See Note	1	Screw 7/16 (Note: Not Available - Purchase Locally)	
324	See Note	1	Screw M10 x 1 (Note: Not Available - Purchase Locally)	
327	See Note	1	Pin, Double Break-Off (Note: Not Available - Purchase Locally)	
328	See Note	NSS	Orifice (Note: Not Available for Purchase)	
331	See Note	2	Pin, Clamping (Note: Not Available for Purchase)	
341	See Note	NSS	O-Ring (Note: Not Available for Purchase)	

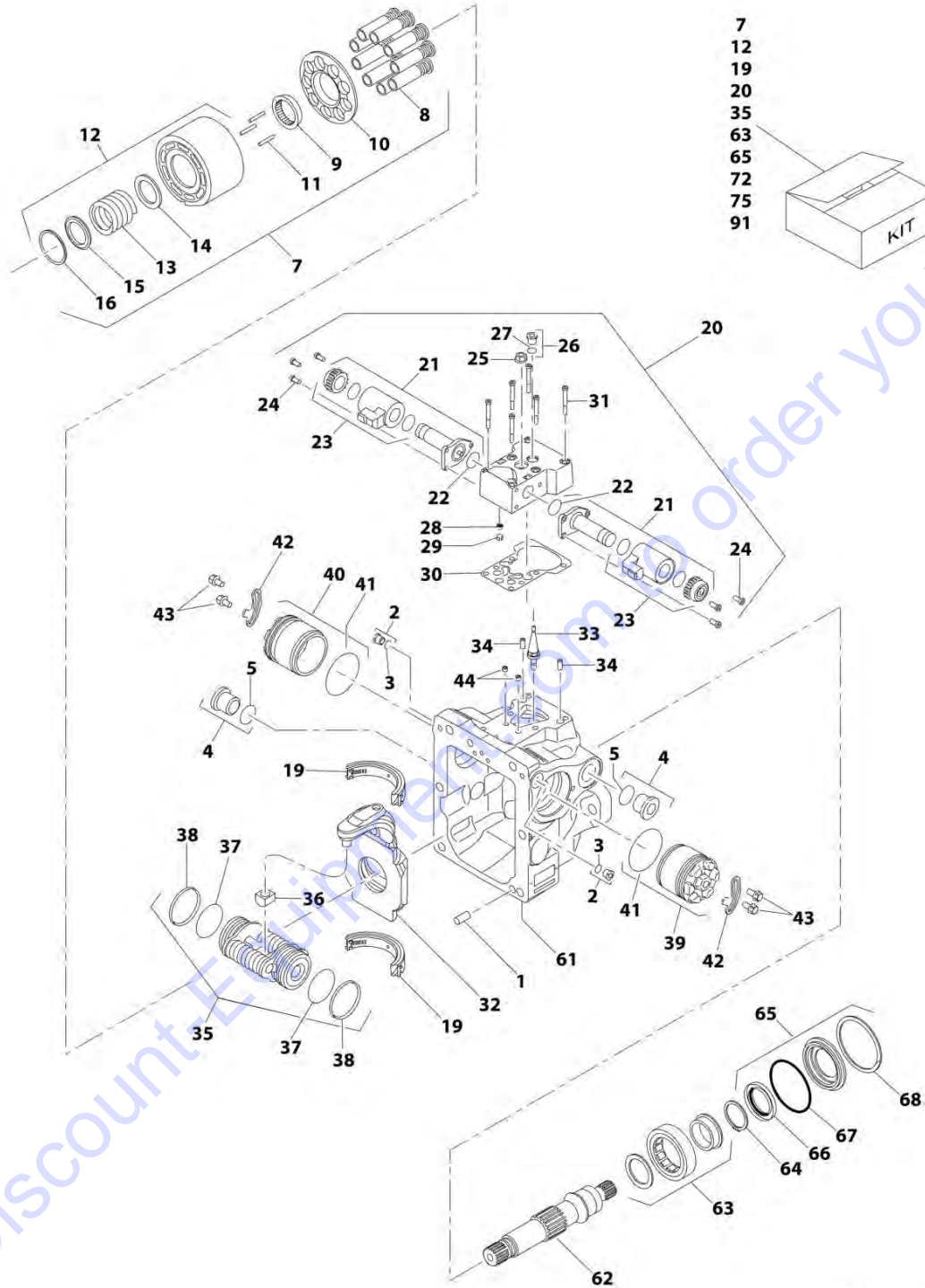
SECTION 3 - ENGINE

FIGURE 3-35. PUMP ASSEMBLY (SAUER TANDEM)



ART_1001108616_10F2

SECTION 3 - ENGINE



ART_1001108616_20F2

SECTION 3 - ENGINE

FIGURE 3-35. PUMP ASSEMBLY (SAUER TANDEM)

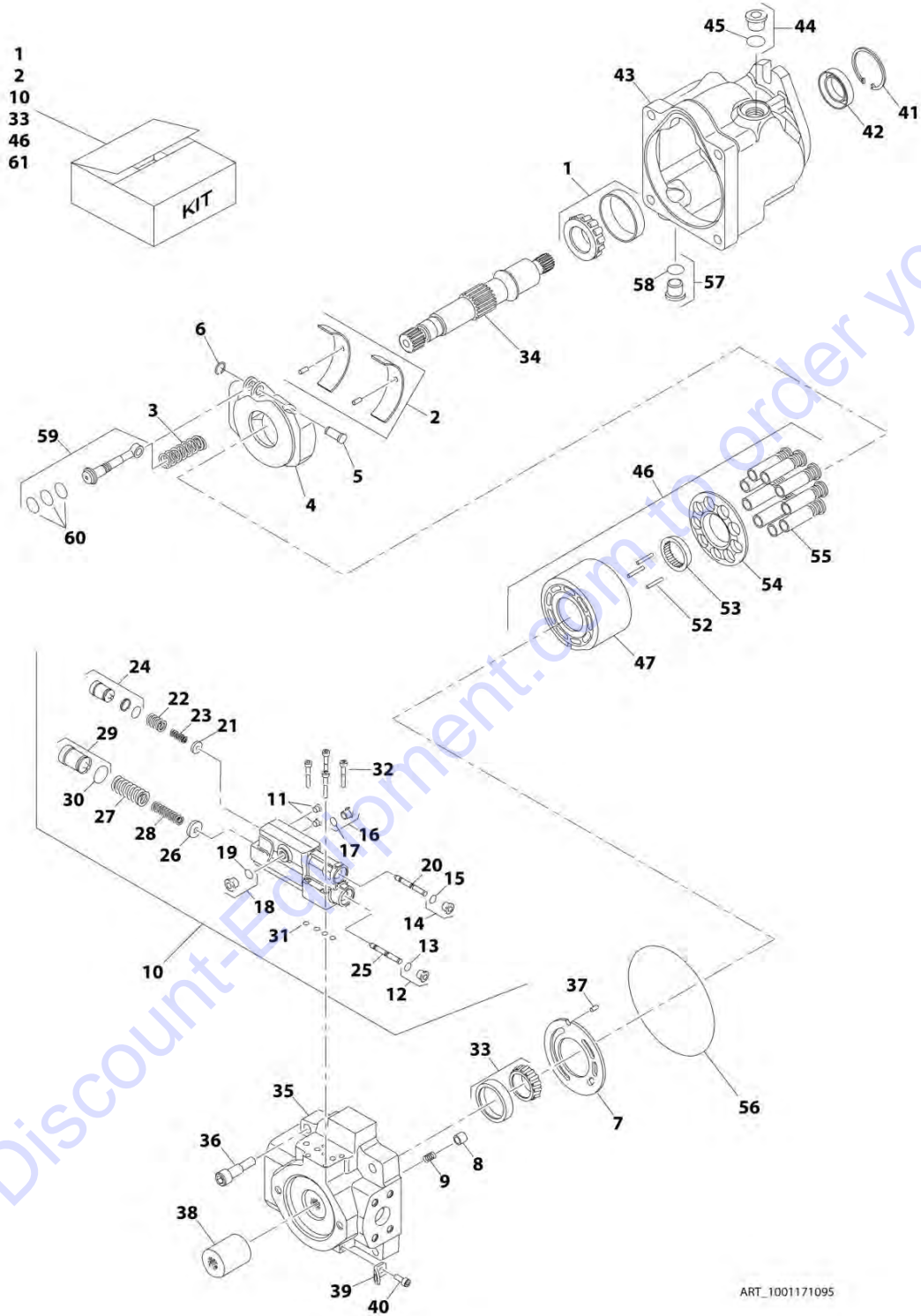
ITEM	PART NUMBER	QTY	DESCRIPTION	REV
	1001108616	Ref	PUMP ASSEMBLY (SAUER TANDEM)	D
1	70002132	4	Pin	
2	70002133	4	Plug Assembly (Includes Item 3)	
3	7007207	4	O-Ring (Part of Item 2)	
4	7007419	2	Plug Assembly (Includes Item 5)	
5	7007418	2	O-Ring (Part of Item 4)	
6	70002600	1	Coupling	
7	70002135	2	Cylinder Block Kit (Each Kit Includes Qty 1 of Items 8-10 & 12-16 & Qty 3 of Item 11)	
8	70002136	2	Piston Assembly Kit (Includes Qty 9 Piston Assemblies) (Part of Item 7)	
9	70002137	2	Guide, Slipper Retainer (Part of Item 7)	
10	70002138	2	Retainer, Slipper (Part of Item 7)	
11	7021275	6	Pin, Slipper Retainer Holddown (Part of Item 7)	
12	70002143	2	Cylinder Block Assembly (Includes Qty 1 of Item 13-16) (Part of Item 7)	
13	70002139	2	Spring (Part of Item 12)	
14	70002140	2	Washer (Part of Item 12)	
15	70002141	2	Washer (Part of Item 12)	
16	70002142	2	Ring, Retaining (Part of Item 12)	
17	7007446	2	Pin	
18		Ref	Plate, Valve Options:	
18A	70002601	1	Plate, CW Valve	
18B	70002602	1	Plate, CCW Valve	
19	70002145	2	Swash Plate Bearing Kit (Includes Qty 2 Bearings)	
20	70002618	2	EDC Kit (Includes Items 21-31)	
21	70002619	4	Solenoid Valve Assembly (Includes Items 22 & 23) (Part of Item 20)	
22	70002148	4	O-Ring (2 Per EDC Assembly) (Part of Item 21)	
23	70002620	4	Coil, Nut and Seals Kit (2 Per EDC Assembly) (Part of Item 21)	
24	70002150	12	Screw (Part of Item 20)	
25	7022301	2	Nut, Seal (Part of Item 20)	
26	70002151	2	Plug Assembly (Part of Item 20) (Includes Item 27)	
27	7007207	2	O-Ring (Part of Item 26)	
28	70002134	2	Screen (Part of Item 20)	
29	70002153	2	Ring, Locking (Part of Item 20)	
30	70002154	2	Gasket, Control (Part of Item 20)	
31	70002156	12	Capscrew (Part of Item 20)	
32	70002152	2	Swash Plate	
33	70002155	2	Link, Swash Plate	
34	70002157	4	Pin, Dowel	
35	70002158	2	Servo Piston Assembly (Includes Items 36-38)	
36	70002159	2	Block, Slider (Part of Item 35)	
37	70002160	2	O-Ring (Part of Item 35)	
38	70002161	2	Ring, Piston (Part of Item 35)	
39	70002162	2	Cylinder, Servo	
40	70002162	2	Cylinder, Servo	
41	70002163	4	O-Ring	
42	70002164	4	Plate, Locking	
43	70002165	8	Screw	

SECTION 3 - ENGINE

ITEM	PART NUMBER	QTY	DESCRIPTION	REV
44	70002604	4	Orifice	
45	70002605	1	Center Section Assembly (Includes Item 58)	
46	70002168	2	Gasket, End Cap	
47	70001958	2	Plug Assembly (Includes Item 48)	
48	7021256	2	O-Ring (Part of Item 47)	
49	70001958	2	Plug Assembly (Includes Item 50)	
50	7021256	2	O-Ring (Part of Item 49)	
51	70001958	2	Plug Assembly (Includes Item 52)	
52	7021256	2	O-Ring (Part of Item 51)	
53	70001958	2	Plug Assembly (Includes Item 54)	
54	7021256	2	O-Ring (Part of Item 53)	
55	70002606	4	Capscrew	
58	70002607	2	Bearing, Journal (Part of Item 45)	
59	7022608	1	Bracket, Lifting	
60	70002609	1	Screw	
61	See Note	1	Housing (Note: Not Available for Purchase)	
62	70002175	1	Shaft	
63	70002610	1	Ball Bearing Kit	
64	70007439	1	Ring, Retaining	
65	70002174	1	Shaft Seal Kit (Includes Items 66-68) (Note: This is a universal kit and will contain extra pieces that are not used on this pump assembly)	
66	70002177	1	Seal, Lip	
67	70002178	1	O-Ring	
68	70002179	1	Ring, Retaining	
69	See Note	1	Housing (Note: Not Available for Purchase)	
71	70002612	1	Shaft	
72	70002610	1	Ball Bearing Kit	
74	70002621	1	High Pressure Relief Valve Cartridge Assembly (Includes Item 75)	
75	70002622	1	Seal Kit - 70002621 Valve (Part of Item 74)	
76	7007415	1	O-Ring (Part of Items 81, 84, 87 & 90)	
77	7021293	1	Ring, Back-up (Part of Items 81, 84, 87 & 90)	
78	7022300	1	O-Ring (Part of Items 81, 84, 87 & 90)	
79	70002616	1	SCR Valve Assembly	
80	7024800	1	Spring	
81	7021265	1	Plug Assembly (Includes Qty 1 of Items 76-78)	
82	70002616	1	SCR Valve Assembly	
83	7024800	1	Spring	
84	7021265	1	Plug Assembly (Includes Qty 1 of Item 76-78)	
85	70002616	1	SCR Valve Assembly	
86	7024800	1	Spring	
87	70002617	1	Plug Assembly (Includes Qty 1 of Item 76-78)	
88	70002616	1	SCR Valve Assembly	
89	7024800	1	Spring	
90	7021265	1	Plug Assembly (Includes Qty 1 of Items 76-78)	
91	70002623	1	Overhaul Seal Kit (Includes Items 3, 5, 22, 27, 30, 37, 38, 41, 46, 48, 50, 52, 54, 66, 67, 75, 76, 77 & 78)	

SECTION 3 - ENGINE

FIGURE 3-36. PUMP ASSEMBLY (SAUER PISTON)



ART_1001171095

SECTION 3 - ENGINE

FIGURE 3-36. PUMP ASSEMBLY (SAUER PISTON)

ITEM	PART NUMBER	QTY	DESCRIPTION	REV
	1001171095	Ref	PUMP ASSEMBLY (SAUER PISTON)	B
1	70002578	1	Bearing Kit - Front (Includes Cup and Cone)	
2	70004426	1	Swash Plate Bearing Kit (Includes Qty 2 Bearings and Retainer Pins)	
3	70002580	1	Spring, Bias	
4	70004416	1	Swash Plate Assembly	
5	70002582	1	Shaft	
6	70002583	1	Ring, Retaining	
7	70004417	1	Plate, Valve	
8	70001956	1	Poppet, Check Valve	
9	70001955	1	Spring	
10	70022286	1	Control Kit (Includes Items 11-32)	
11	See Note	NSS	Setscrew (Note: Use Item 10)	
12	70002133	1	Plug Assembly (Includes Item 13)	
13	7007207	1	O-Ring (Part of Item 12)	
14	70002133	1	Plug Assembly (Part of Item 15)	
15	7007207	1	O-Ring (Part of Item 14)	
16	70002133	1	Plug Assembly (Includes Item 17)	
17	7007207	1	O-Ring (Part of Item 16)	
18	70002133	1	Plug Assembly (Includes Item 19)	
19	7007207	1	O-Ring (Part of Item 18)	
20	See Note	NSS	Spool (Note: Use Item 10)	
21	See Note	NSS	Guide, Spring LS (Note: Use Item 10)	
22	See Note	NSS	Spring, Outer LS (Note: Use Item 10)	
23	See Note	NSS	Spring, Inner LS (Note: Use Item 10)	
24	See Note	NSS	Plug, Adjusting LS (Note: Use Item 10 or 61)	
25	See Note	NSS	Spool, Control (Note: Use Item 10)	
26	See Note	NSS	Guide, Spring PC (Note: Use Item 10)	
27	See Note	NSS	Spring, Outer PC (Note: Use Item 10)	
28	See Note	NSS	Spring, Inner PC (Note: Use Item 10)	
29	See Note	NSS	Plug, Adjusting PC (Note: Use Item 10)	
30	See Note	NSS	O-Ring (Note: Use Item 10 or 61)	
31	See Note	NSS	Ring, Seal (Note: Use Item 10 or 61)	
32	See Note	NSS	Capscrew (Note: Use Item 10)	
33	70002585	1	Bearing Kit - Rear (Includes Cup and Cone)	
34	70002586	1	Shaft	
35	70004420	1	Cap, End	
36	70002588	4	Capscrew	
37	7007446	1	Pin, Slotted	
38	70002589	1	Coupling	
39	7022340	1	Bracket, Lifting	
40	70002590	1	Capscrew	
41	7023962	1	Ring, Retaining	
42	See Note	NSS	Seal, Lip (Note: Use Item 61)	
43	See Note	NSS	Housing (Note: Not Available for Purchase)	
44	7023964	1	Plug Assembly (Includes Item 45)	
45	7007415	1	O-Ring (Part of Item 44)	
46	70004423	1	Cylinder Block Kit (Includes Items 47-55)	
47	70004421	1	Cylinder	
52	7021275	3	Pin, Hold-down	

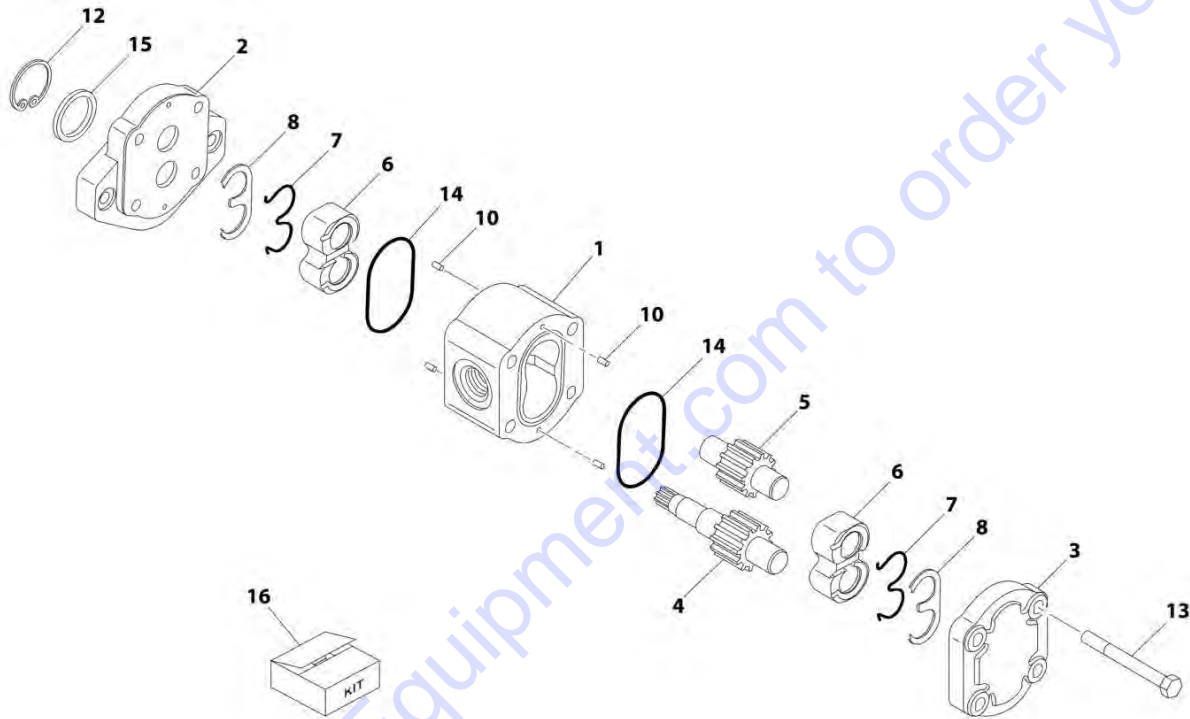
SECTION 3 - ENGINE

ITEM	PART NUMBER	QTY	DESCRIPTION	REV
53	70002592	1	Guide, Slipper Retainer	
54	70002593	1	Retainer, Slipper	
55	70004422	1	Piston Assembly	
56	See Note	NSS	Seal, End Cap (Note: Use Item 61)	
57	7023964	1	Plug, O-Ring (Includes Item 58)	
58	7007415	1	O-Ring (Part of Item 57)	
59	70005418	1	Servo Piston Assembly (Includes Item 60)	
60	See Note	NSS	Ring, Piston (Part of Item 59) (Note: Use Item 61)	
61	70002599	1	Complete Seal Kit (Includes Items 13, 15, 17, 19, 24, 30, 31, 42, 45, 56, 58 & 60)	

Go to Discount-Equipment.com to order your parts

SECTION 3 - ENGINE

FIGURE 3-37. PUMP ASSEMBLY (SAUER GEAR)



ART_1001112927

SECTION 3 - ENGINE

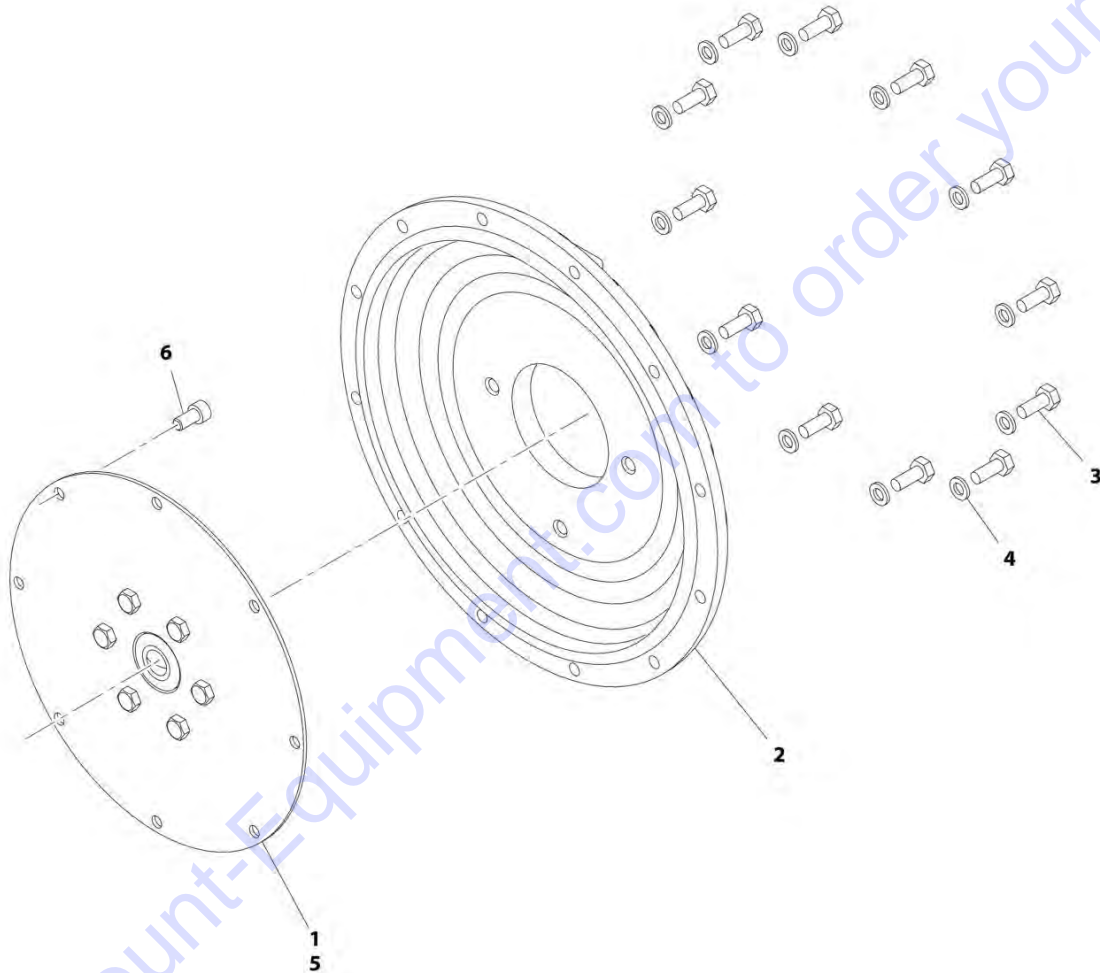
FIGURE 3-37. PUMP ASSEMBLY (SAUER GEAR)

ITEM	PART NUMBER	QTY	DESCRIPTION	REV
	1001112927	Ref	PUMP ASSEMBLY (SAUER GEAR)	A
1	See Note	NSS	Body (Note: Use p/n 1001112927)	
2	See Note	NSS	Cover, Front (Note: Use p/n 1001112927)	
3	See Note	NSS	Cover, Rear (Note: Use p/n 1001112927)	
4	See Note	NSS	Shaft, Gear (Note: Use p/n 1001112927)	
5	See Note	NSS	Gear, Idler (Note: Use p/n 1001112927)	
6	See Note	NSS	Block, Bearing (Note: Use p/n 1001112927)	
7	7007489	2	Ring, Anti-Extrusion	
8	7007489	2	Ring, Seal	
10	See Note	NSS	Pin, Dowel (Note: Use p/n 1001112927)	
12	70002576	1	Ring, Retaining	
13	See Note	NSS	Capscrew (Note: Use p/n 1001112927)	
14	7007489	2	O-Ring	
15	7007489	1	Seal, Lip	
16	7007489	1	Seal Kit - 1001112927 Pump (Includes Items 7, 8, 14 & 15)	

Go to Discount-Equipment.com to order your parts

SECTION 3 - ENGINE

FIGURE 3-38. PUMP COUPLING KIT



ART_2902065

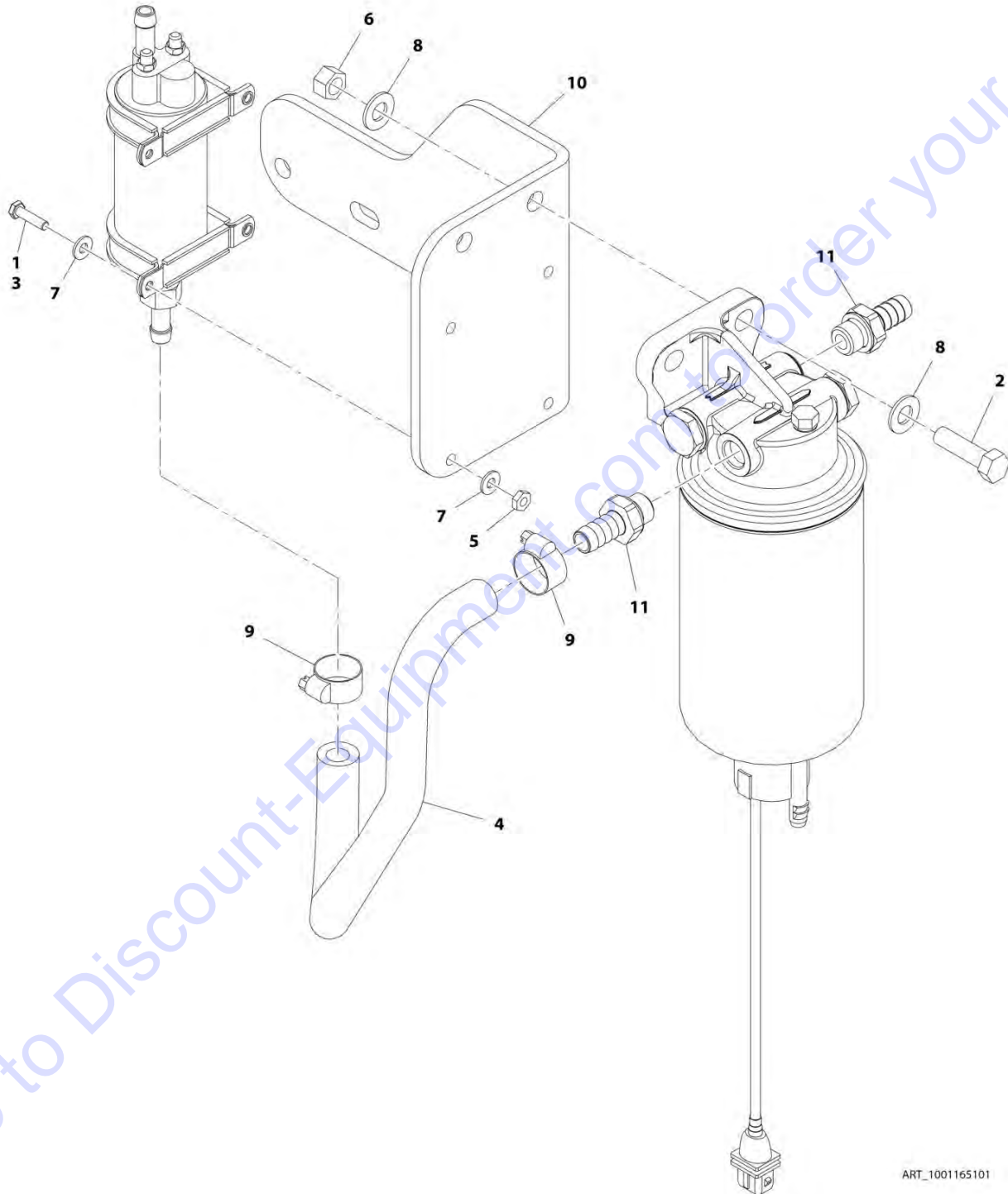
FIGURE 3-38. PUMP COUPLING KIT

ITEM	PART NUMBER	QTY	DESCRIPTION	REV
	2902065	Ref	PUMP COUPLING KIT	K
1	70000793	1	Coupling, Hayes	
2	See Note	NSS	Plate, Pump Adapter (Note: Use p/n 2902065)	
3	See Note	NSS	Bolt M10 x 30 Grade 10.9 (Note: Use p/n 2902065)	
4	See Note	NSS	Washer M10 (Note: Use p/n 2902065)	
5	3020021	AR	Grease, Coupling	
6	See Note	NSS	Bolt M10 x 20 Grade 10.9 (Note: Use p/n 2902065)	

Go to Discount-Equipment.com to order your parts

SECTION 3 - ENGINE

FIGURE 3-39. FUEL PUMP/FILTER BRACKET ASSEMBLY - DEUTZ TCD2.9L4 ENGINE AND DEUTZ TCD2.9L4 (STAGE V) ENGINE



SECTION 3 - ENGINE

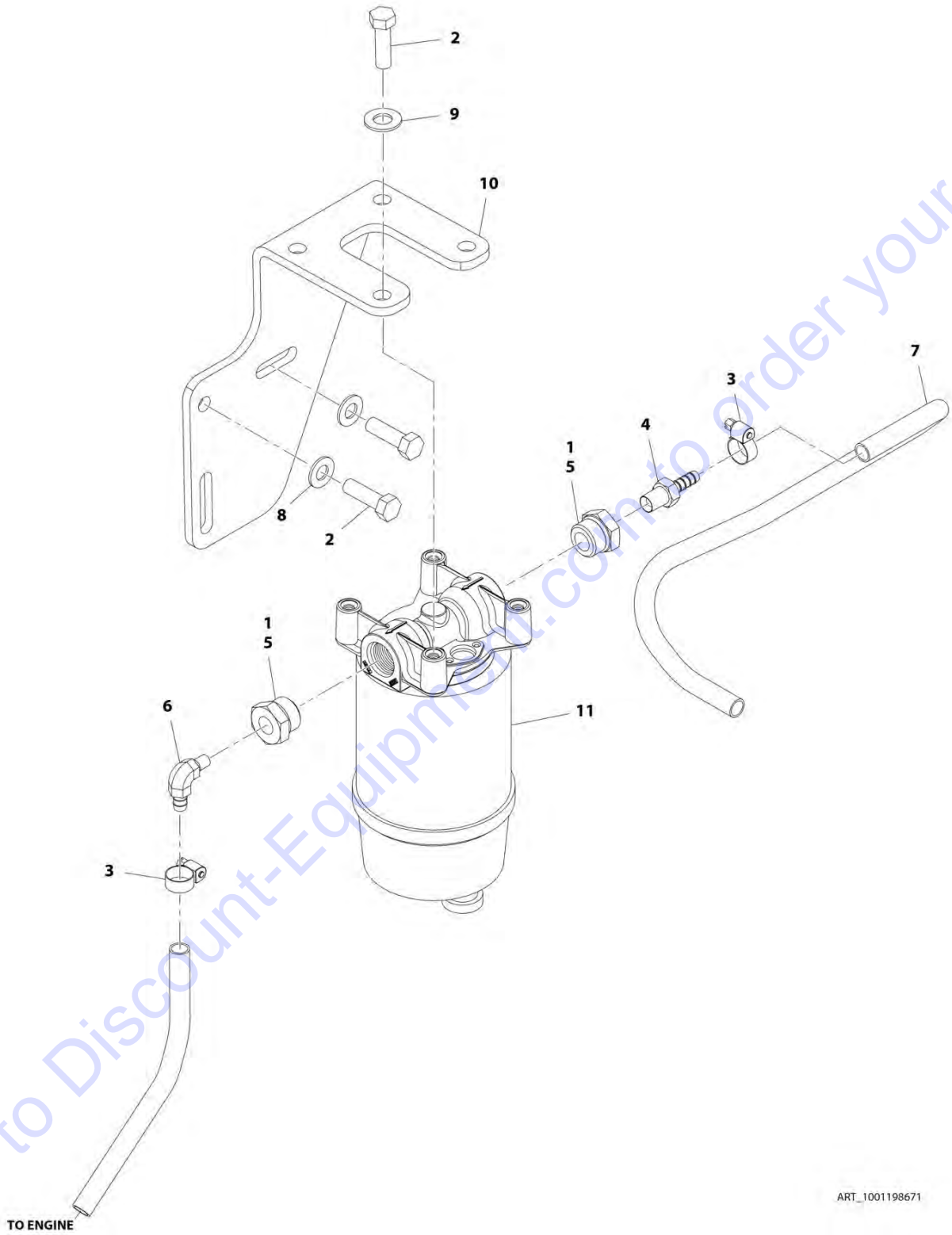
FIGURE 3-39. FUEL PUMP/FILTER BRACKET ASSEMBLY - DEUTZ TCD2.9L4 ENGINE AND DEUTZ TCD2.9L4 (STAGE V) ENGINE

ITEM	PART NUMBER	QTY	DESCRIPTION	REV
	1001165101	Ref	FUEL PUMP/FILTER BRACKET ASSEMBLY - DEUTZ TCD2.9L4 ENGINE AND DEUTZ TCD2.9L4 (STAGE V) ENGINE	C
1	0100011	AR	Compound, Locking	
2	0641611	2	Bolt 3/8 x 1-3/8	
3	0721006	4	Bolt #10 x 3/4	
4	1001154405	1.5 ft /0.4m	Hose	
5	3311001	4	Nut #10	
6	3311605	2	Nut 3/8	
7	4711000	8	Washer #10	
8	4711600	4	Washer 3/8	
9	8405006	2	Clamp	
10	1001140222	1	Bracket, Fuel Pump Mounting	
11	1001141718	1	Fitting, Barbed	

Go to Discount-Equipment.com to order your parts

SECTION 3 - ENGINE

FIGURE 3-40. WATER/FUEL SEPARATOR INSTALLATION - DEUTZ TCD2.9L4 ENGINE



SECTION 3 - ENGINE

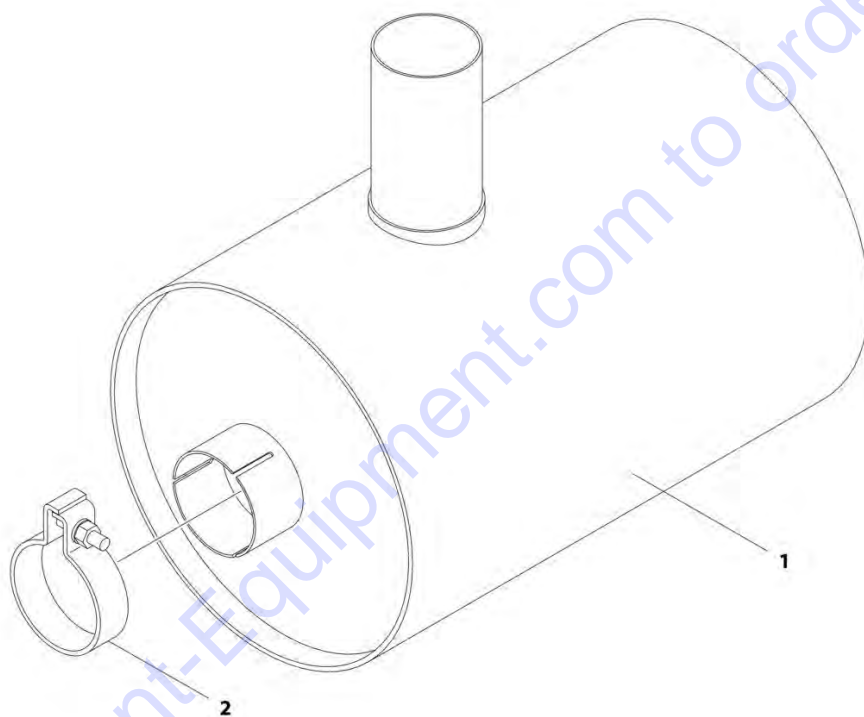
FIGURE 3-40. WATER/FUEL SEPARATOR INSTALLATION - DEUTZ TCD2.9L4 ENGINE

ITEM	PART NUMBER	QTY	DESCRIPTION	REV
	1001198671	Ref	WATER/FUEL SEPARATOR INSTALLATION - DEUTZ TCD2.9L4 ENGINE	A
1	0100079	AR	Sealant, Pipe	
2	0641610	6	Bolt 3/8 x 1-1/4	
3	1320022	2	Clamp	
4	2180348	1	Fitting, Barbed	
5	2220816	2	Fitting, Adapter FNPTF/ORB	
6	2221046	1	Fitting, 90 Elbow	
7	2720058	4.5 ft /1.37m	Hose	
8	4711600	2	Washer 3/8	
9	4711700	4	Washer 7/16	
10	1001188885	1	Bracket, Water/Fuel	
11	1001188887	1	Filter Water/Fuel	
11	1001202280	1	Filter, Head	
11	1001202281	1	Filter, Element	

Go to Discount-Equipment.com to order your parts

SECTION 3 - ENGINE

FIGURE 3-41. SPARK ARRESTING CATALYTIC MUFFLER - DEUTZ TD2011 ENGINES (OPTIONAL)



ART_3220130

SECTION 3 - ENGINE

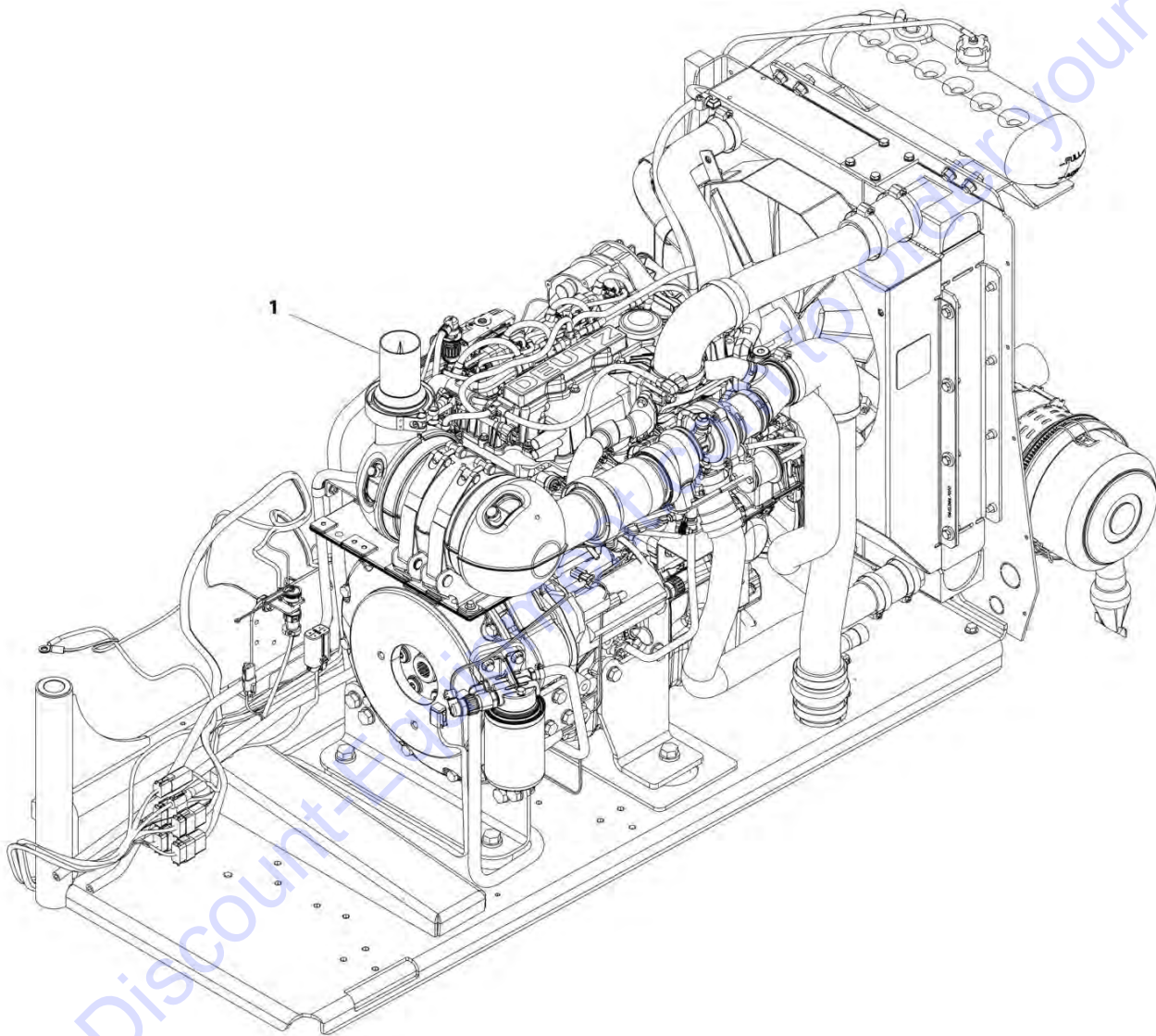
FIGURE 3-41. SPARK ARRESTING CATALYTIC MUFFLER - DEUTZ TD2011 ENGINES (OPTIONAL)

ITEM	PART NUMBER	QTY	DESCRIPTION	REV
	3220130	Ref	SPARK ARRESTING CATALYTIC MUFFLER - DEUTZ TD2011 ENGINES (OPTIONAL)	A
1	See Note	NSS	Muffler (Note: Use p/n 3220130)	
2	70001017	1	Clamp	

Go to Discount-Equipment.com to order your parts

SECTION 3 - ENGINE

FIGURE 3-42. SPARK ARRESTOR INSTALLATION - DEUTZ TCD2.9L4 ENGINES AND DEUTZ TCD2.9L4 (STAGE V) ENGINES (OPTIONAL)



ART_1001139930

SECTION 3 - ENGINE

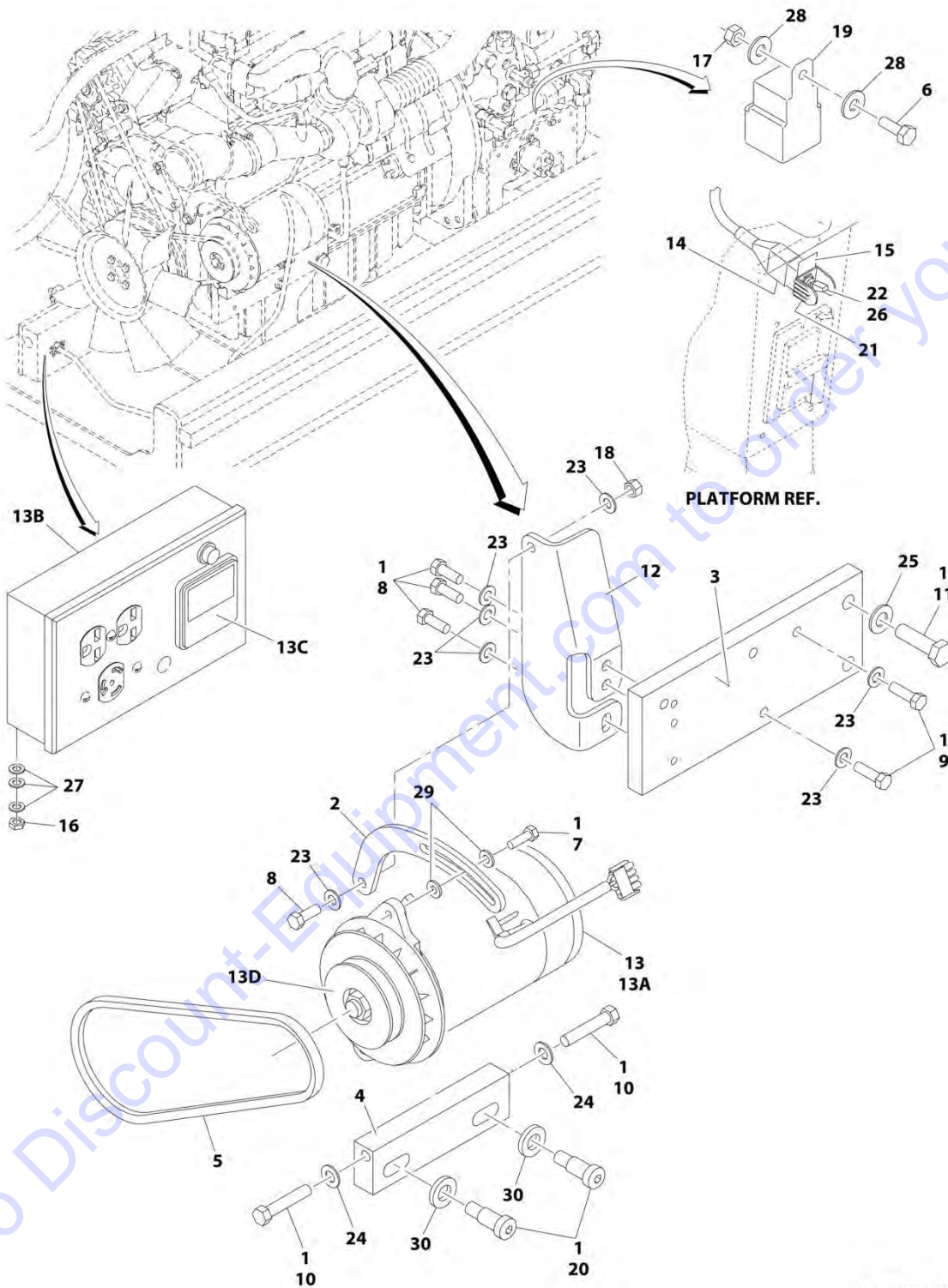
FIGURE 3-42. SPARK ARRESTOR INSTALLATION - DEUTZ TCD2.9L4 ENGINES AND DEUTZ TCD2.9L4 (STAGE V) ENGINES (OPTIONAL)

ITEM	PART NUMBER	QTY	DESCRIPTION	REV
	1001139930	Ref	SPARK ARRESTOR INSTALLATION - DEUTZ TCD2.9L4 ENGINES AND DEUTZ TCD2.9L4 (STAGE V) ENGINES (OPTIONAL)	C
1	1001154157	1	Arrestor, Spark	

Go to Discount-Equipment.com to order your parts

SECTION 3 - ENGINE

FIGURE 3-43. 2500W GENERATOR INSTALLATION - DEUTZ TD2011 ENGINES (OPTIONAL)



ART_1001125425

SECTION 3 - ENGINE

FIGURE 3-43. 2500W GENERATOR INSTALLATION - DEUTZ TD2011 ENGINES (OPTIONAL)

ITEM	PART NUMBER	QTY	DESCRIPTION	REV
		Ref	Note: For Module Identification, refer to Revision Log page A.	
	1001125425	Ref	2500W GENERATOR INSTALLATION - DEUTZ TD2011 ENGINES (OPTIONAL)	A
1	0100011	AR	Compound, Locking	
2	0200742	1	Arm, Adjusting	
3	0363081	1	Bar, Mounting	
4	0363082	1	Bar, Adjusting	
5	0480127	1	Belt	
6	0641406	1	Bolt 1/4 x 3/4	
7	0641508	1	Bolt 5/16 x 1	
8	0641608	4	Bolt 3/8 x 1	
9	0641610	2	Bolt 3/8 x 1-1/4	
10	0641718	2	Bolt 7/16 x 2-1/14	
11	0701418	2	Bolt M14 x 50	
12	0902813	1	Bracket, Arm Mounting	
13	2460055	1	Generator, 110V/60Hz	
13A	7012558	1	Generator 110V/60Hz	
		Ref	Note: Replacement generators come standard with p/n 3580134 pulley. This pulley may not be correct for all applications. Refer to pulley options below for correct pulley.	
13A	7012513	4	Cap, Brush Holder	
13A	7020108	4	Brush	
13A	7020109	4	Holder, Brush	
13A	7012514	1	Fan	
13A	7020190	2	Bearing	
13A	7020110	1	End Bell, Front	
13A	7020111	1	End Bell, Rear	
13B	7019680	1	Box Control	
13B	4360542	1	Breaker, Circuit	
13B	4460190	AR	Receptacle, Double (110V)	
13B	4460027	AR	Receptacle, Double Twist Lock (110V)	
13B	70000124	1	Receptacle, Double (220V)	
13B	70000125	1	Receptacle, Single Twist Lock (220V)	
13C	2420203	1	Voltmeter	
13D	3580276	1	Pulley	
13D	7027887	1	Key, Woodruff	
14	2820031	AR	Heat Shrink	
15	3251102	1	Nameplate - Generator	
16	3311005	2	Nut #10	
17	3311405	1	Nut 1/4	
18	3311605	1	Nut 3/8	
19	3740080	1	Relay	
20	3900322	2	Screw, Socket Head Shoulder	
21	4060802	1	Guard, Switch	
22	4360336	1	Switch, Toggle	
23	4711600	7	Washer 3/8	
24	4711700	2	Washer 7/16	
25	4711900	2	Washer 9/16	
26	4740397	1	Spacer	
27	4751000	6	Washer #10	

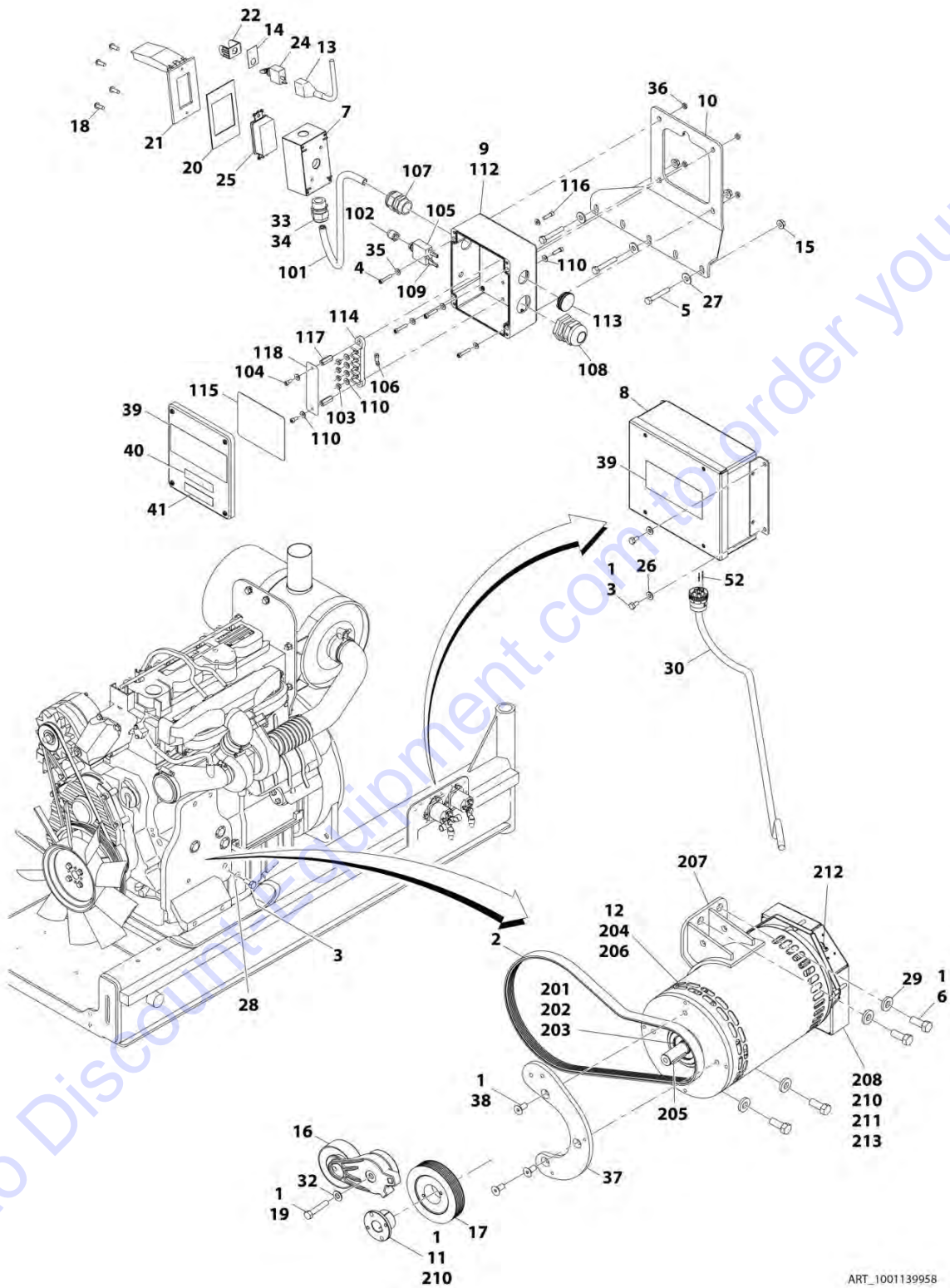
SECTION 3 - ENGINE

ITEM	PART NUMBER	QTY	DESCRIPTION	REV
28	4751400	2	Washer 1/4	
29	4891500	2	Washer 5/16	
30	4892000	2	Washer 5/8	

Go to Discount-Equipment.com to order your parts

SECTION 3 - ENGINE

FIGURE 3-44. 4000W GENERATOR INSTALLATION - 60HZ SPEC (DEUTZ TD2011 ENGINES)



ART_1001139958

SECTION 3 - ENGINE

FIGURE 3-44. 4000W GENERATOR INSTALLATION - 60HZ SPEC (DEUTZ TD2011 ENGINES)

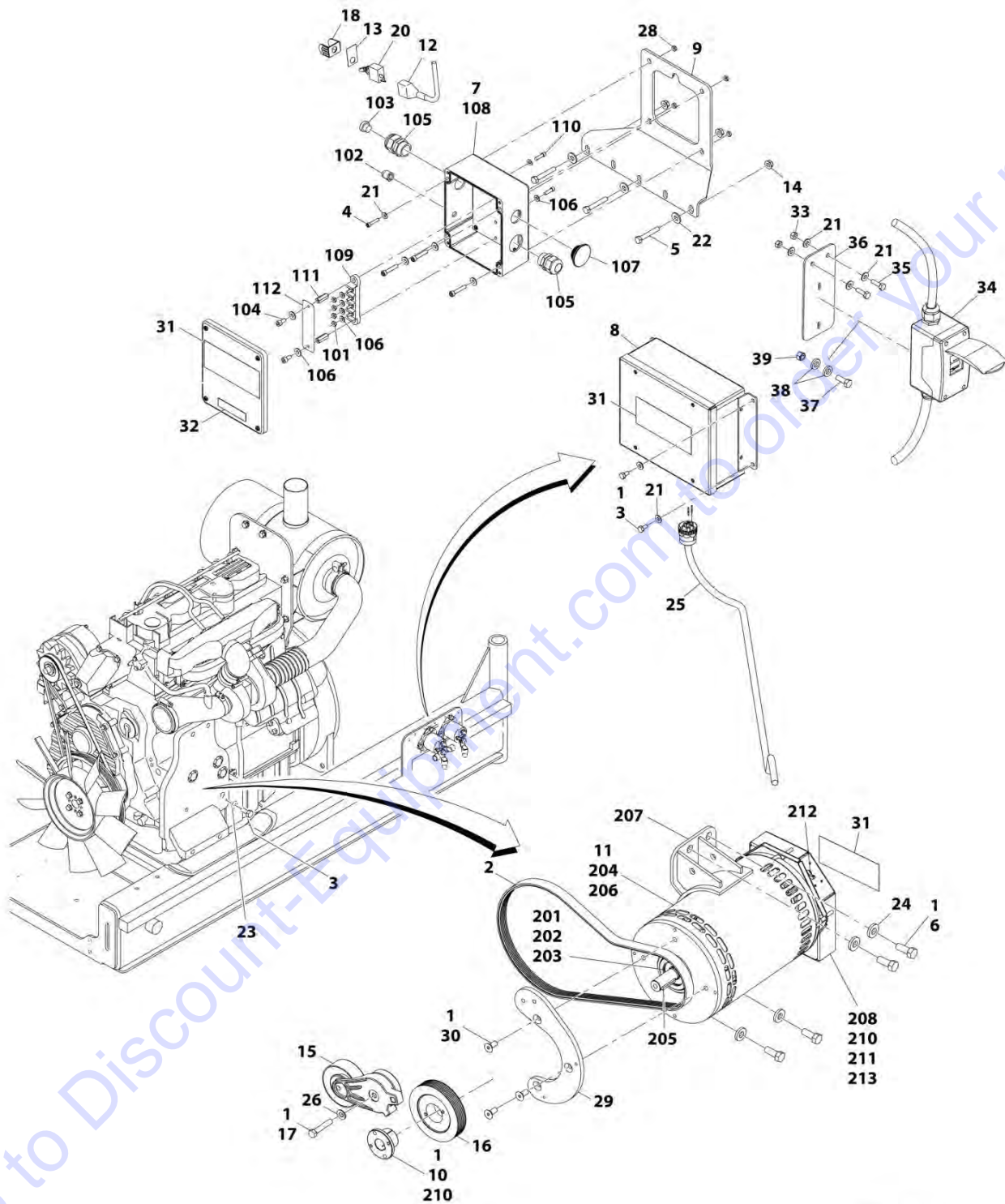
ITEM	PART NUMBER	QTY	DESCRIPTION	REV
	1001139958	Ref	4000W GENERATOR INSTALLATION - 60HZ SPEC (DEUTZ TD2011 ENGINES)	B
		Ref	Note: See ELECTRICAL SECTION for Boom Cable Installation.	
1	0100011	AR	Compound, Locking	
2	0480128	1	Belt, Generator	
3	0641404	5	Bolt 1/4 x 1/2	
4	3931016	4	Screw 1/4 x 1	
5	0641516	3	Bolt 5/16 x 2	
6	0641810	4	Bolt 1/2 x 1-1/4	
7	0860038	1	Box, Switch-Weatherhead	
8	1001138566	1	Box, Generator Control	
8	70006552	1	Capacitor	
8	70006553	1	Relay	
9	1001152457	1	Box, Junction Assembly (See Items 101-118 for Breakdown)	
10	0902888	1	Bracket, Generator Junction Box	
11	0962520	1	Bushing, Taper	
12	1001129858	1	Generator, 4000W Assembly (See Items 200-213 for Breakdown)	
13	2820031	AR	Insulator, Heat Shrink	
14	3251102	1	Nameplate, Generator	
15	3311508	3	Nut 5/16 Serrated Flange	
16	3580317	1	Pulley, Belt Tensioner	
17	3580318	1	Pulley, Generator	
18	3910606	4	Screw 6 x 3/8	
19	0641616	AR	Bolt 3/8 x 2	
20	3960422	1	Gasket, AC Receptacle	
21	1001110873	1	Cover, Gang Vertical Receptacle GFCI	
22	4060802	1	Guard, Switch	
23	4240018	AR	Strap, Tie (Not Shown)	
24	4360336	1	Switch, Toggle	
25	4460346	1	Terminal, Receptacle	
26	4711400	4	Washer 1/4	
27	4751500	3	Washer 5/16	
28	4791400	2	Starwasher 1/4	
29	4891800	4	Washer 1/2	
30	1001152533	1	Harness, Generator Cable (See Items 301-308 for Breakdown)	
31	1001153257	1	Diagram, Generator Wiring (Not Shown)	
32	4711600	1	Washer 3/8	
33	0100020	AR	Sealant, Pipe	
34	4460071	1	Connector, Strain Relief	
35	4751000	4	Washer #10	
36	3311005	4	Nut 10	
37	1001139357	1	Mount, Generator Tensioner	
38	0741607	3	Screw 3/8 x 0.88	
39	1705387	3	Decal - Hazardous Voltage	
40	3251243	1	Decal - 120V-60Hz	
41	1705374	1	Decal - 240V-60Hz	
52	0100048	AR	Grease, Dielectric	
	1001152457	Ref	JUNCTION BOX ASSEMBLY	B
101	1060494	2 ft /0.61m	Cable, 12/3 (SN 0300201017 through 0300205505)	

SECTION 3 - ENGINE

ITEM	PART NUMBER	QTY	DESCRIPTION	REV
101	1001179154	2.5 ft /0.76m	Cable, 12/3 (SN 0300205506 to Present)	
102	3300396	1	Cover, Fuse	
103	3311001	4	Nut 10 Grade 2	
104	3900300	2	Screw, Spec, Cap	
105	4360070	1	Circuit Breaker, 15Amp	
106	4460068	3	Terminal, Ring	
107	4460425	1	Terminal, Strain Relief	
108	4460426	1	Connector, Strain Relief	
109	4460483	2	Terminal	
110	4711000	8	Washer #10	
112	1001152456	1	Box, Junction	
113	1001152525	1	Plug, Hole Pluggit	
114	1001152530	1	Terminal, Block, 4 Pole	
115	1001153260	1	Decal - Wiring 4000W Generator	
116	3900267	2	Screw, Spec, Cap	
117	1001158008	2	Stand-Off, Female, Threaded	
118	1001158363	1	Plate, Cover, PVC	
	1001129858	Ref	4000W GENERATOR ASSEMBLY	
201	70003709	1	Ring, Retaining	
202	70003708	1	Ring, Retaining	
203	70001966	1	Bearing, Ball	
204	70004092	1	Endbell	
205	70004171	1	Key	
206	70004676	1	Rotor Assembly	
207	70004684	1	Stator, Generator 4000W	
208	70004678	1	Endbell	
210	70004680	1	Enclosure	
211	70004685	1	Cover, Enclosure	
212	70004682	1	Protector, Supplementary, Manual Reset	
213	70004098	1	Bushing, Strain Relief	

SECTION 3 - ENGINE

FIGURE 3-45. 4000W GENERATOR INSTALLATION - 50HZ SPEC (DEUTZ TD2011 ENGINES)



ART_1001180019

SECTION 3 - ENGINE

FIGURE 3-45. 4000W GENERATOR INSTALLATION - 50HZ SPEC (DEUTZ TD2011 ENGINES)

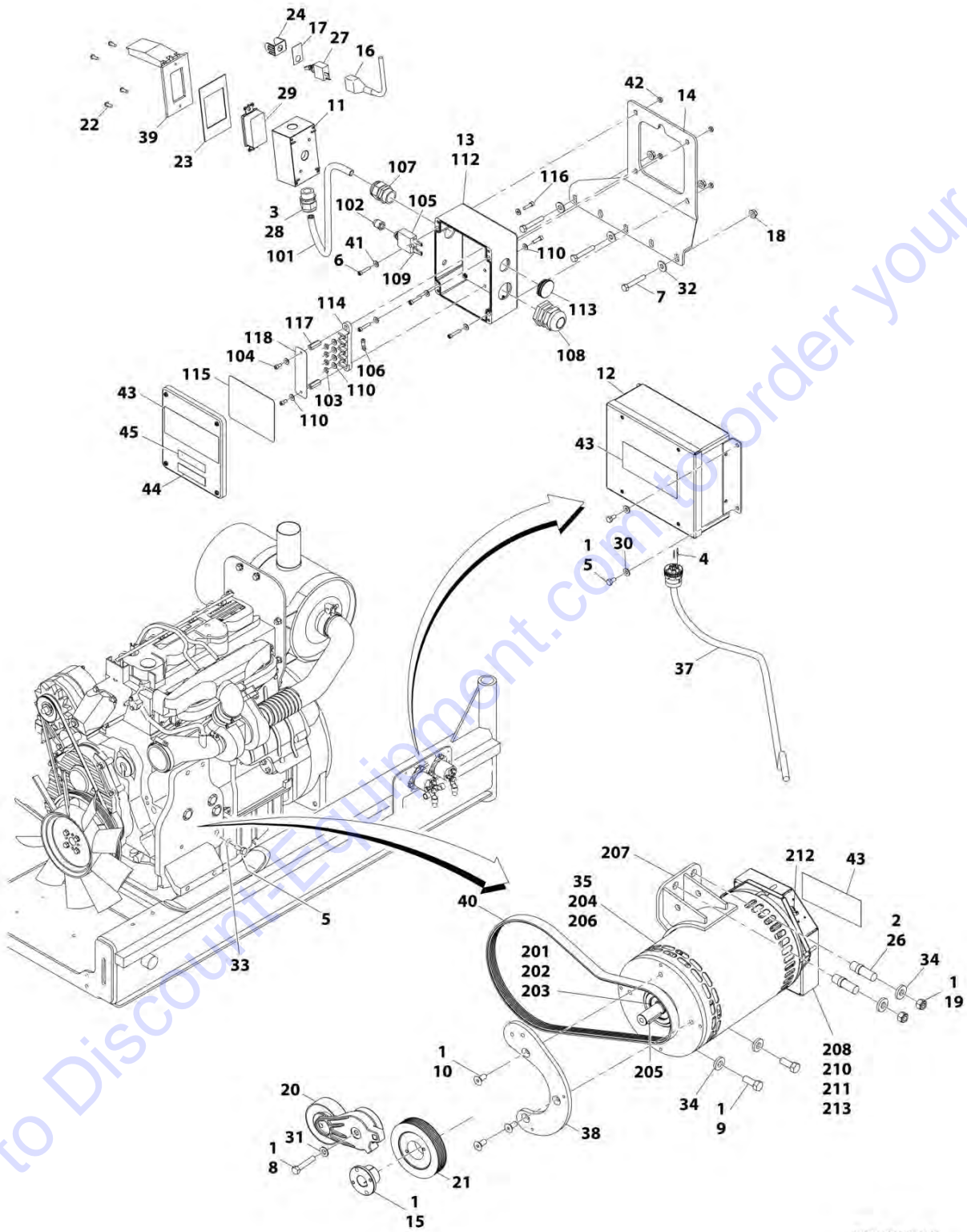
ITEM	PART NUMBER	QTY	DESCRIPTION	REV
	1001180019	Ref	4000W GENERATOR INSTALLATION - 50HZ SPEC (DEUTZ TD2011 ENGINES)	C
		Ref	Note: See ELECTRICAL SECTION for Boom Cable Installation.	
1	0100011	AR	Compound, Locking	
2	1001136356	1	Belt, Generator	
3	0641404	5	Bolt 1/4 x 1/2	
4	3931016	4	Screw 1/4 x 1 (SN 0300201017 through 0300203457)	
5	0641516	3	Bolt 5/16 x 2 (SN 0300201017 through 0300203457)	
6	0641810	4	Bolt 1/2 x 1-1/4	
7	1001152458	1	Box Junction Assembly (See Items 101-113 for Breakdown) (SN 0300201017 through 0300203457)	
8	1001138566	1	Box, Generator Control	
8	70006552	1	Capacitor	
8	70006553	1	Relay	
9	0902888	1	Bracket, Generator Junction Box (SN 0300201017 through 0300203457)	
10	0962520	1	Bushing, Taper	
11	1001138565	1	Generator, 4000W Assembly (See Items 200-213 for Breakdown)	
12	2820031	AR	Insulator, Heat Shrink	
13	3251102	1	Nameplate, Generator	
14	3311508	3	Nut 5/16 Serrated Flange (SN 0300201017 through 0300203457)	
15	3580317	1	Pulley, Belt Tensioner	
16	3580319	1	Pulley, Generator	
17	0641616	AR	Bolt 3/8 x 2	
18	4060802	1	Guard, Switch	
19	4240018	AR	Strap, Tie (Not Shown)	
20	4360336	1	Switch, Toggle	
21	4711400	8	Washer 1/4	
22	4751500	3	Washer 5/16 (SN 0300201017 through 0300203457)	
23	4791400	2	Starwasher 1/4	
24	4891800	4	Washer 1/2	
25	1001152533	1	Harness, Generator Cable (See ELECTRICAL SECTION for Breakdown)	
26	4711600	1	Washer 3/8	
27	4751000	4	Washer #10 (SN 0300201017 through 0300203457)	
28	3311005	4	Nut 10 (SN 0300201017 through 0300203457)	
29	1001139357	1	Mount, Generator Tensioner	
30	0741607	3	Screw 3/8 x 0.88	
31	1705489	AR	Decal - Hazardous Voltage	
32	3251242	1	Decal - 240V-50Hz (SN 0300201017 through 0300203457)	B
33	3311405	2	Nut 1/4 Grade 2	
34	1001165368	1	Kit, Box and Breaker (See ELECTRICAL SECTION for Breakdown)	
35	0641407	2	Bolt 1/4 x 7/8	
36	1001096172	1	Bracket	
37	4010408	2	Screw M4 x 16	
38	1001091102	4	Washer M4	
39	3290405	2	Nut M4	
	1001152458	Ref	JUNCTION BOX ASSEMBLY (SN 0300201017 through 0300203457)	B

SECTION 3 - ENGINE

ITEM	PART NUMBER	QTY	DESCRIPTION	REV
101	3311001	3	Nut 10 Grade 2	
102	1001155813	1	Plug, Hole Pluggit	
103	3520192	1	Plug	
104	3900300	2	Screw, Spec, Cap	
105	4460425	2	Terminal, Strain Relief	
106	4711000	7	Washer #10	
107	1001148648	1	Plug	
108	1001152456	1	Box, Junction	
109	1001152530	1	Terminal, Block, 4 Pole	
110	3900267	2	Screw, Spec, Cap	
111	1001158008	2	Stand-Off, Female, Threaded	
112	1001158363	1	Plate, Cover, PVC	
	1001138565	Ref	4000W GENERATOR ASSEMBLY	
201	70003709	1	Ring, Retaining	
202	70003708	1	Ring, Retaining	
203	70001966	1	Bearing, Ball	
204	70004092	1	Endbell	
205	70004171	1	Key	
206	70004676	1	Rotor Assembly	
207	70004677	1	Stator, Generator 4000W	
208	70004678	1	Endbell	
210	70004680	1	Enclosure	
211	70004681	1	Cover, Enclosure	
212	70004682	1	Protector, Supplementary, Manual Reset	
213	70004683	1	Bushing, Strain Relief	

SECTION 3 - ENGINE

FIGURE 3-46. 4000W GENERATOR INSTALLATION - 60HZ SPEC (DEUTZ TCD2.9L4 ENGINES)



ART_1001171130

SECTION 3 - ENGINE

FIGURE 3-46. 4000W GENERATOR INSTALLATION - 60HZ SPEC (DEUTZ TCD2.9L4 ENGINES)

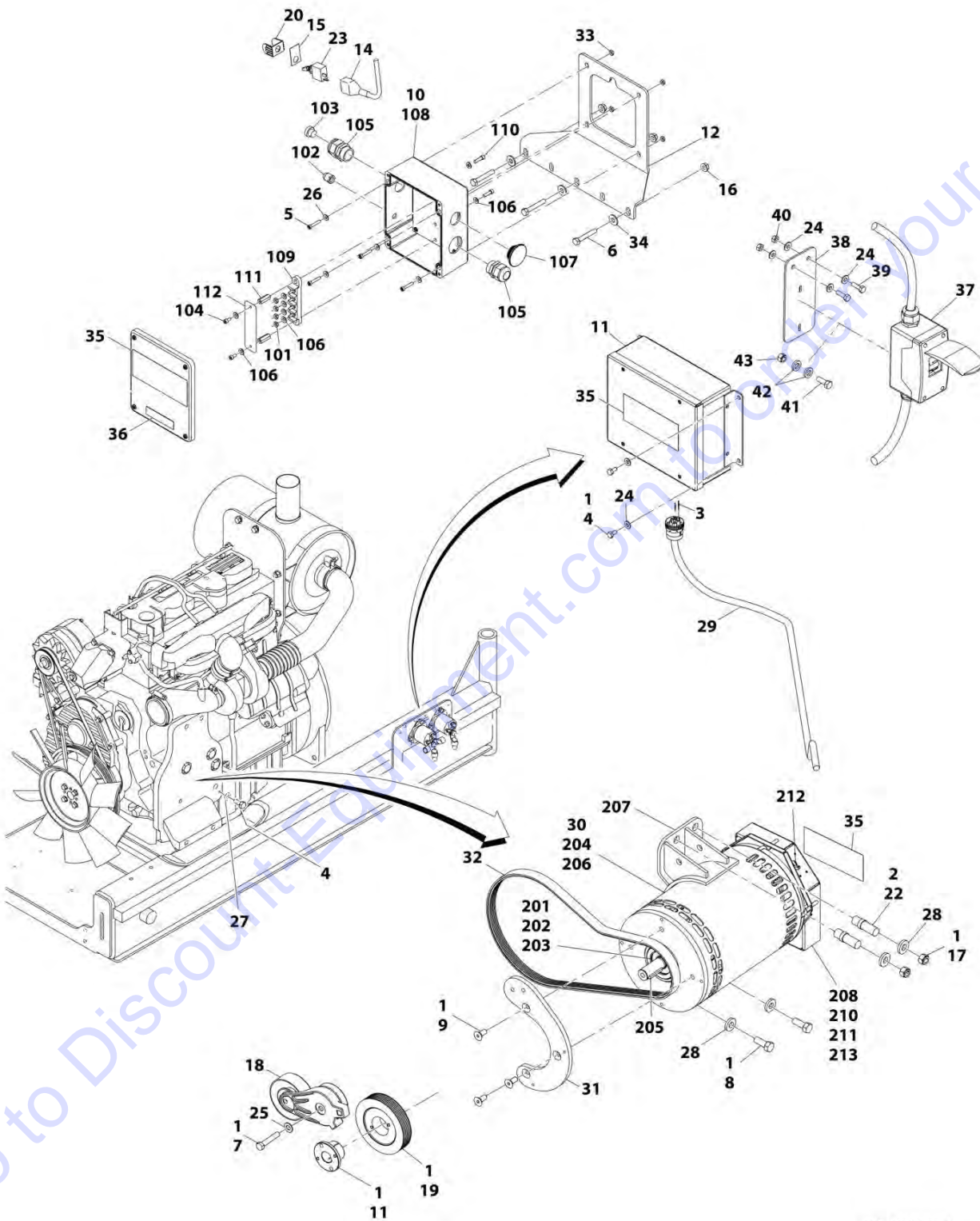
ITEM	PART NUMBER	QTY	DESCRIPTION	REV
	1001171130	Ref	4000W GENERATOR INSTALLATION - 60HZ SPEC (DEUTZ TCD2.9L4 ENGINES)	B
		Ref	Note: See ELECTRICAL SECTION for Boom Cable Installation.	
1	0100011	AR	Compound, Locking	
2	0100019	AR	Compound, Locking	
3	0100020	AR	Sealant, Pipe	
4	0100048	AR	Grease, Dielectric	
5	0641404	5	Bolt 1/4 x 1/2	
6	3931016	4	Screw 1/4 x 1	
7	0641516	3	Bolt 5/16 x 2	
8	0641618	1	Bolt 3/8 x 2-1/4	
9	0641810	2	Bolt 1/2 x 1-1/4	
10	0741607	3	Screw 3/8 x 0.88	
11	0860038	1	Box, Switch-Weatherhead	
12	1001138566	1	Box, Generator Control	
12	70006552	1	Capacitor	
12	70006553	1	Relay	
13	1001152457	1	Box, Junction Assembly (See Items 101-118 for Breakdown)	
14	0902888	1	Bracket, Generator Junction Box	
15	0962520	1	Bushing, Taper	
16	2820031	AR	Insulator, Heat Shrink	
17	3251102	1	Nameplate, Generator	
18	3311508	3	Nut 5/16 Serrated Flange	
19	3311801	2	Nut 1/2	
20	3580317	1	Pulley, Belt Tensioner	
21	3580318	1	Pulley, Generator	
22	3910606	4	Screw 6 x 3/8	
23	3960422	1	Gasket, AC Receptacle	
24	4060802	1	Guard, Switch	
25	4240018	AR	Strap, Tie (Not Shown)	
26	4300157	2	Stud	
27	4360336	1	Switch, Toggle	
28	4460071	1	Connector, Strain Relief	
29	4460346	1	Terminal, Receptacle	
30	4711400	4	Washer 1/4	
31	4711600	1	Washer 3/8	
32	4751500	3	Washer 5/16	
33	4791400	2	Starwasher 1/4	
34	4891800	4	Washer 1/2	
35	1001140344	1	Generator, 4000W Assembly (See Items 200-213 for Breakdown)	
36	1001132055	1	Diagram, Generator Wiring (Not Shown) (SN 0300201017 through 0300213728)	
36	1001153257	1	Diagram, Generator Wiring (Not Shown) (SN 0300213729 to Present)	
37	1001152533	1	Harness, Generator Cable (See ELECTRICAL SECTION for Breakdown)	
38	1001138011	1	Mount, Generator Tensioner	
39	1001110873	1	Cover, Gang Vertical Receptacle GFCI	
40	1001142645	1	Belt, Generator	
41	4751000	4	Washer #10	

SECTION 3 - ENGINE

ITEM	PART NUMBER	QTY	DESCRIPTION	REV
42	3311005	4	Nut 10	
43	1705387	3	Decal - Hazardous Voltage	
44	1705374	1	Decal - 240V-60Hz	
45	3251243	1	Decal - 120V-60Hz	
	1001152457	Ref	JUNCTION BOX ASSEMBLY	B
101	1060494	2 ft /0.61m	Cable, Electrical 12/3 (SN 0300201017 through 0300205505)	
101	1001179154	2.5 ft /0.76m	Cable, Electrical 12/3 (SN 0300205506 to Present)	
102	3300396	1	Cover, Fuse	
103	3311001	4	Nut 10 Grade 2	
104	3900300	2	Screw, Spec, Cap	
105	4360070	1	Circuit Breaker, 15Amp	
106	4460068	3	Terminal, Ring	
107	4460425	1	Terminal, Strain Relief	
108	4460426	1	Connector, Strain Relief	
109	4460483	2	Terminal	
110	4711000	AR	Washer #10	
112	1001152456	1	Box, Junction	
113	1001152525	1	Plug, Hole Pluggit	
114	1001152530	1	Terminal, Block, 4 Pole	
115	1001153260	1	Decal - Wiring 4000W Generator	
116	3900267	2	Screw, Spec, Cap	
117	1001158008	2	Stand-Off, Female, Threaded	
118	1001158363	1	Plate, Cover, PVC	
	1001140346	Ref	4000W GENERATOR ASSEMBLY	
201	70003709	1	Ring, Retaining	
202	70003708	1	Ring, Retaining	
203	70001966	1	Bearing, Ball	
204	70004092	1	Endbell	
205	70004099	1	Key	
206	70004676	1	Rotor Assembly	
207	70004687	1	Stator, Generator 4000W	
208	70004678	1	Endbell	
210	70004680	1	Enclosure	
211	70004685	1	Cover, Enclosure	
212	70004682	1	Protector, Supplementary, Manual Reset	
213	70004098	1	Bushing, Strain Relief	

SECTION 3 - ENGINE

FIGURE 3-47. 4000W GENERATOR INSTALLATION - 50HZ SPEC (DEUTZ TCD2.9L4 ENGINES AND DEUTZ TCD2.9L4 (STAGE V) ENGINES)



ART_1001180219

SECTION 3 - ENGINE

FIGURE 3-47. 4000W GENERATOR INSTALLATION - 50HZ SPEC (DEUTZ TCD2.9L4 ENGINES AND DEUTZ TCD2.9L4 (STAGE V) ENGINES)

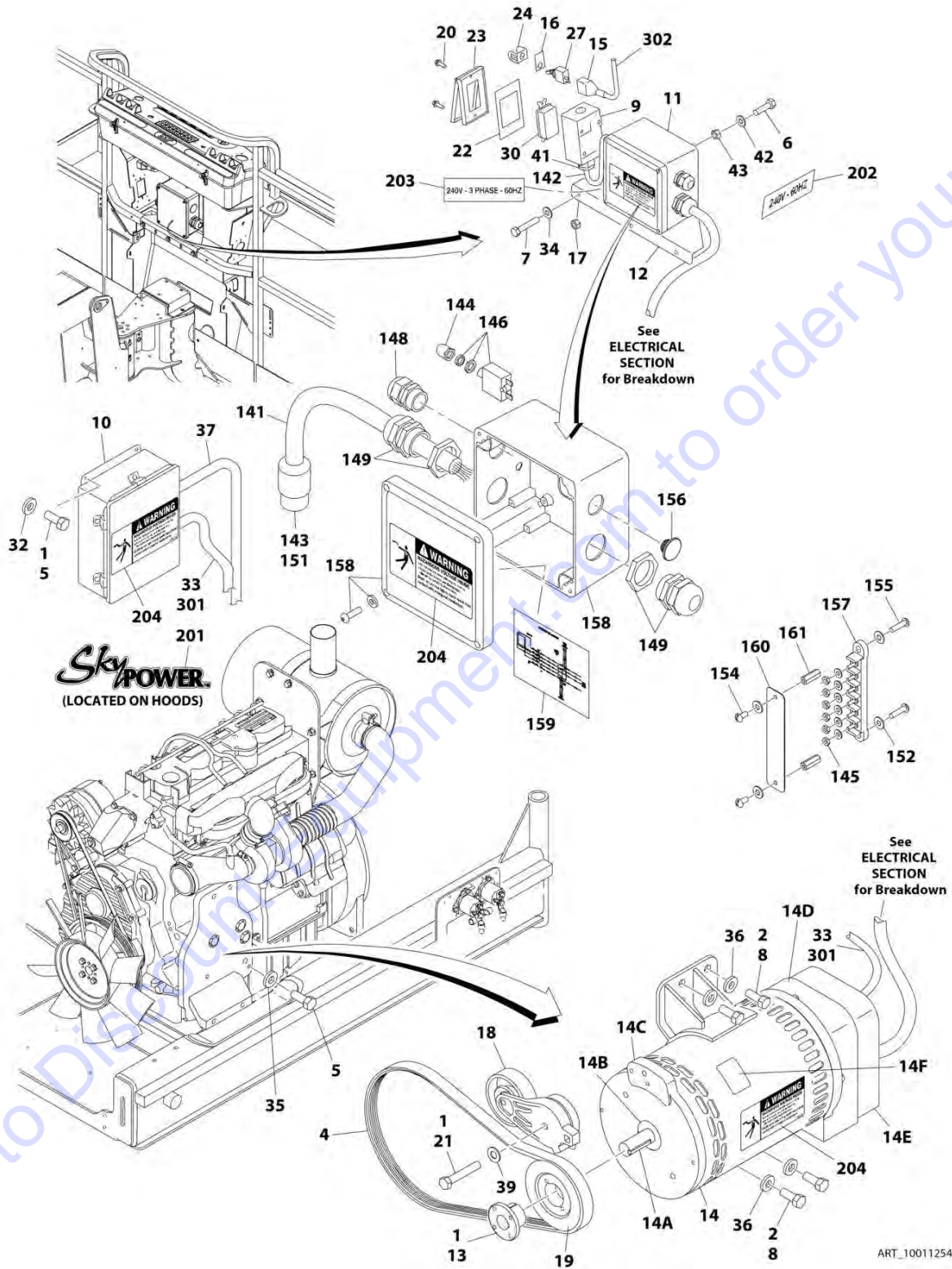
ITEM	PART NUMBER	QTY	DESCRIPTION	REV
	1001180219	Ref	4000W GENERATOR INSTALLATION - 50HZ SPEC (DEUTZ TCD2.9L4 ENGINES AND DEUTZ TCD2.9L4 (STAGE V) ENGINES)	C
		Ref	Note: See ELECTRICAL SECTION for Boom Cable Installation.	
1	0100011	AR	Compound, Locking	
2	0100019	AR	Compound, Locking	
3	0100048	AR	Grease, Dielectric	
4	0641404	5	Bolt 1/4 x 1/2	
5	3931016	4	Screw 1/4 x 1 (SN 0300201017 through 0300205138)	
6	0641516	3	Bolt 5/16 x 2 (SN 0300201017 through 0300205138)	
7	0641618	1	Bolt 3/8 x 2-1/4	
8	0641810	2	Bolt 1/2 x 1-1/4	
9	0741607	3	Screw 3/8 x 0.88	
10	1001152458	1	Box, Junction Assembly (See Items 101-113 for Breakdown) (SN 0300201017 through 0300205138)	
11	1001138566	1	Box, Generator Control	
11	70006552	1	Capacitor	
11	70006553	1	Relay	
12	0902888	1	Bracket, Generator Junction Box (SN 0300201017 through 0300205138)	
13	0962520	1	Bushing, Taper	
14	2820031	AR	Insulator, Heat Shrink	
15	3251102	1	Nameplate, Generator	
16	3311508	3	Nut 5/16 Serrated Flange (SN 0300201017 through 0300205138)	
17	3311801	2	Nut 1/2	
18	3580317	1	Pulley, Belt Tensioner	
19	3580319	1	Pulley, Generator	
20	4060802	1	Guard, Switch	
21	4240018	AR	Strap, Tie (Not Shown)	
22	4300157	2	Stud	
23	4360336	1	Switch, Toggle	
24	4711400	8	Washer 1/4	
25	4711600	1	Washer 3/8	
26	4751000	AR	Washer #10 (SN 0300201017 through 0300205138)	
27	4791400	2	Starwasher 1/4	
28	4891800	4	Washer 1/2	
29	1001152533	1	Harness, Generator Cable (See ELECTRICAL SECTION for Breakdown)	
30	1001140397	1	Generator, 4000W Assembly (See Items 200-213 for Breakdown)	
31	1001138011	1	Mount, Generator Tensioner	
32	1001136357	1	Belt, Generator	
33	3311005	4	Nut 10 (SN 0300201017 through 0300205138)	
34	4751500	3	Washer 5/16 (SN 0300201017 through 0300205138)	
35	1705489	AR	Decal - Hazardous Voltage	
36	3251242	1	Decal - 240V-50Hz (SN 0300201017 through 0300205138)	B
37	1001165368	1	Kit, Box and Breaker (See ELECTRICAL SECTION for Breakdown)	
38	1001096172	1	Bracket	
39	0641406	2	Bolt 1/4 x 3/4	

SECTION 3 - ENGINE

ITEM	PART NUMBER	QTY	DESCRIPTION	REV
40	3311405	2	Nut 1/4 Grade 2	
41	4010408	2	Screw M4 x 16	
42	1001091102	4	Washer M4	
43	3290405	2	Nut M4	
	1001152458	Ref	JUNCTION BOX ASSEMBLY (SN 0300201017 through 0300205138)	B
101	3311001	3	Nut 10 Grade 2	
102	1001155813	1	Plug, Hole Pluggit	
103	3520192	1	Plug	
104	3900300	2	Screw, Spec, Cap	
105	4460425	2	Terminal, Strain Relief	
106	4711000	7	Washer #10	
107	1001148648	1	Plug	
108	1001152456	1	Box, Junction	
109	1001152530	1	Terminal, Block, 4 Pole	
110	3900267	2	Screw, Spec, Cap	
111	1001158008	2	Stand-Off, Female, Threaded	
112	1001158363	1	Plate, Cover, PVC	
	1001140347	Ref	4000W GENERATOR ASSEMBLY	
201	70003709	1	Ring, Retaining	
202	70003708	1	Ring, Retaining	
203	70001966	1	Bearing, Ball	
204	70004092	1	Endbell	
205	70004099	1	Key	
206	70004676	1	Rotor Assembly	
207	70004686	1	Stator, Generator 4000W	
208	70004678	1	Endbell	
210	70004680	1	Enclosure	
211	70004681	1	Cover, Enclosure	
212	70004682	1	Protector, Supplementary, Manual Reset	
213	70004683	1	Bushing, Strain Relief	
214	4460224	1	Connector - 6 Position (50Hz) (Not Shown - Located on Enclosure Cover)	
214	4460294	2	Pin, Male (50Hz) (Not Shown - Located on Enclosure Cover)	

SECTION 3 - ENGINE

FIGURE 3-48. 7500W SKYPOWER GENERATOR INSTALLATION - 60HZ SPEC (DEUTZ TD2011 ENGINES) (OPTIONAL)



ART_1001125427

SECTION 3 - ENGINE

FIGURE 3-48. 7500W SKYPOWER GENERATOR INSTALLATION - 60HZ SPEC (DEUTZ TD2011 ENGINES) (OPTIONAL)

ITEM	PART NUMBER	QTY	DESCRIPTION	REV
	1001125427	Ref	7500W SKYPOWER GENERATOR INSTALLATION - 60HZ SPEC (DEUTZ TD2011 ENGINES) (OPTIONAL)	D
		Ref	Note: See ELECTRICAL SECTION for Boom Cable Installation.	
1	0100011	AR	Compound, Locking	
2	0100019	AR	Compound, Locking	
4	0480128	1	Belt, Generator	
5	0641404	6	Bolt 1/4 x 1/2	
6	3931016	AR	Bolt 10 x 1	
7	0641516	3	Bolt 5/16 x 2	
8	0641810	4	Bolt 1/2 x 1-1/4	
9	0860038	1	Box, Switch	
10	0861538	1	Box, Generator Control	
10	7024488	1	Card, Circuit - Generator Power (Not Shown)	
10	See Note	1	Fuse (Note: Not Available - Purchase Locally)	
10	7024489	1	Card, Circuit - Control (Not Shown)	
		Ref	Note: When replacing card, rocker switch on card must be set for required application.	
10	70000619	1	Harness, Circuit Card	
11	1001157592	1	Junction Box Assembly Options (See Items 141-161 for Breakdown)	
12	0902888	1	Bracket, Generator Junction Box	
13	0962520	1	Bushing, Taper	
14	2460048	1	Generator, 7500W	
14	70001100	1	Rotor (Includes p/n 70001384 & 70000863) (Not Shown)	
14	70001384	1	Bearing, Shaft (Rear) (Not Shown)	
14	70000863	1	Fan, Generator (Not Shown)	
14	70002088	1	Stator (Not Shown)	
14	70002297	2	Stud 1/4-20 x 12-7/8 (Not Shown)	
14	70003631	1	Brushholder Assembly (Not Shown) (was p/n 7024484)	
14A	70004171	1	Key	
14B	70001966	1	Bearing, Ball Radial (Located in Belt Tensioner Endbell)	
14B	70003709	1	Ring, Retaining (Small)	
14B	70003708	1	Ring, Retaining (Large)	
14C	70001953	1	Endbell, Belt Tensioner	
14D	70004169	1	Kit, Endbell (Includes Endbell, Brush Block and Shroud Assembly)	
14E	7027799	1	Block, Connector 6 Position (Not Shown)	
14E	70002460	6	Nut, Brass (Attaches p/n 7027799 to Cover) (Not Shown)	
14E	7024485	1	Breaker, Circuit 30Amp (Not Shown)	
14E	70001696	1	Boot, Breaker (Not Shown)	
14E	7026597	1	Connector with Leads (Not Shown)	
14E	7026626	1	Connector with Pins (Not Shown)	
14E	7026188	1	Clamp, Cable (Not Shown)	
14E	70002255	1	Plate, End Panel (Not Shown)	
14E	See Note	NSS	Insulator, End Panel (Note: Not Available for Purchase)	
14E	70001974	1	Decal - Terminal Connections (Not Shown)	
14F	70001973	1	Decal - Warning Moving Parts	
15	2820031	AR	Insulator, Heat Shrink	
16	3251102	1	Nameplate, Generator	
17	3311508	3	Nut 5/16 Serrated Flange	

SECTION 3 - ENGINE

ITEM	PART NUMBER	QTY	DESCRIPTION	REV
18	3580317	1	Pulley, Belt Tensioner	
19	3580318	1	Pulley, Generator	
20	3910606	4	Screw #6 x 3/8	
21	0641618	1	Bolt 3/8 x 2	
22	3960422	1	Gasket, AC Receptacle	
23	1001110873	1	Shield, Receptacle Cover	
24	4060802	1	Guard, Switch	
26	4240018	AR	Strap, Tie (Not Shown)	
27	4360336	1	Switch, Toggle	
30	4460346	1	Terminal, Receptacle	
32	4711400	4	Washer 1/4	
33	0100048	AR	Grease, Dielectric	
34	4751500	3	Washer 5/16	
35	4791400	2	Starwasher 1/4	
36	4891800	4	Washer 1/2	
37	4922972	1	Harness, Generator Cable (See Separate Breakdown in ELECTRICAL SECTION)	
39	4711600	1	Washer 3/8	
40	0100020	AR	Sealant, Pipe (Not Shown)	
41	4460071	1	Connector, Strain Relief	
42	4751000	4	Washer #10	
43	3311005	4	Nut #10	
	1001157592	Ref	JUNCTION BOX ASSEMBLY	C
141	1060343	1.5 ft /0.46m	Cable, Electrical 10/4	
142	1060494	2 ft /0.61m	Cable, Electrical 12/3 (SN 0300201017 through 0300205505)	
142	1001179154	2.5 ft /0.76m	Cable, Electrical 12/3 (SN 0300205506 to Present)	
143	1671092	1	Cover	
144	3300396	1	Cover, Fuse	
145	3311001	6	Nut #10	
146	4360070	1	Circuit Breaker - 15Amp	
148	4460425	1	Strain Relief, Terminal	
149	4460426	2	Connector, Strain Relief	
151	4460963	1	Connector	
152	4711000	10	Washer #10	
154	10702077	2	Screw #10 x 3/8	
155	10702082	2	Screw #10 x 3/4	
156	1001152525	1	Plug	
157	1001157520	1	Block, Terminal	
158	1001157521	1	Box, Junction	
159	1001157528	1	Decal - Wiring Schematic	
160	1001158007	1	Decal - PVC	
161	1001158008	2	Stand-Off	
	0272435	Ref	DECAL INSTALLATION	D
201	1705460	2	Decal - SkyPower	
202	1705374	1	Decal - 240V-60Hz (SN 0300201017 through 0300202017)	
202	3251243	1	Decal - 120V - 60Hz (SN 0300222663 to Present)	
203	1705375	1	Decal - 240V - 3 Phase	
204	1705387	3	Decal - Hazardous Voltage	
	1001122528	Ref	ELECTRICAL DIAGRAM COMPONENTS	B

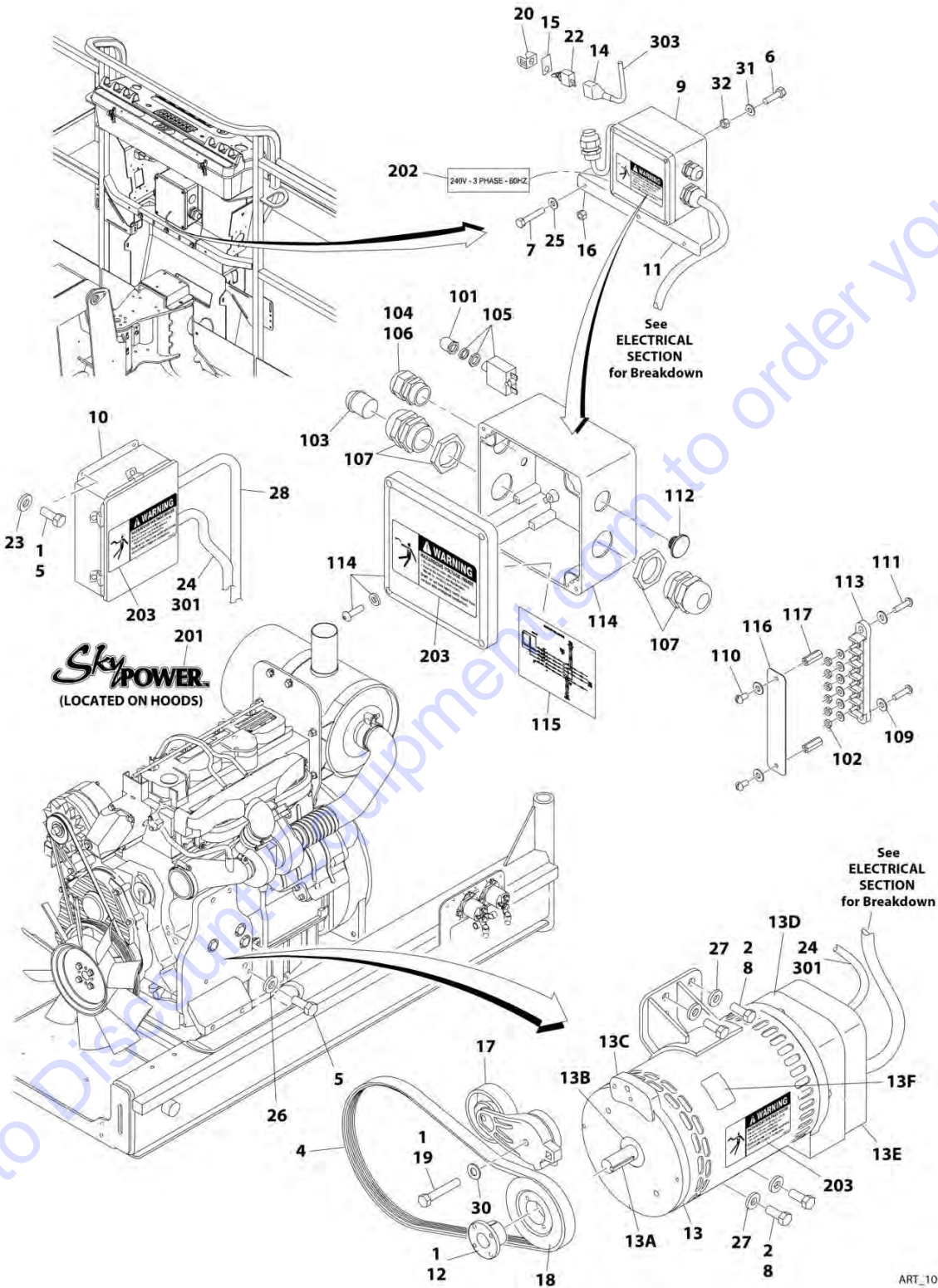
SECTION 3 - ENGINE

ITEM	PART NUMBER	QTY	DESCRIPTION	REV
301	1001119968	1	Generator Harness (See ELECTRICAL SECTION for Breakdown)	B
301A	4460967	1	Plug, Male - 3 Position (Not Shown)	
301A	4460465	6	Socket, Female	
301B	1001117078	1	Fuseholder with Fuse (Not Shown)	
302	4922641	1	Switch, Harness	

Go to Discount-Equipment.com to order your parts

SECTION 3 - ENGINE

FIGURE 3-49. 7500W SKYPOWER GENERATOR INSTALLATION - 50HZ SPEC (DEUTZ TD2011 ENGINES) (OPTIONAL)



ART_1001125428

SECTION 3 - ENGINE

FIGURE 3-49. 7500W SKYPOWER GENERATOR INSTALLATION - 50HZ SPEC (DEUTZ TD2011 ENGINES) (OPTIONAL)

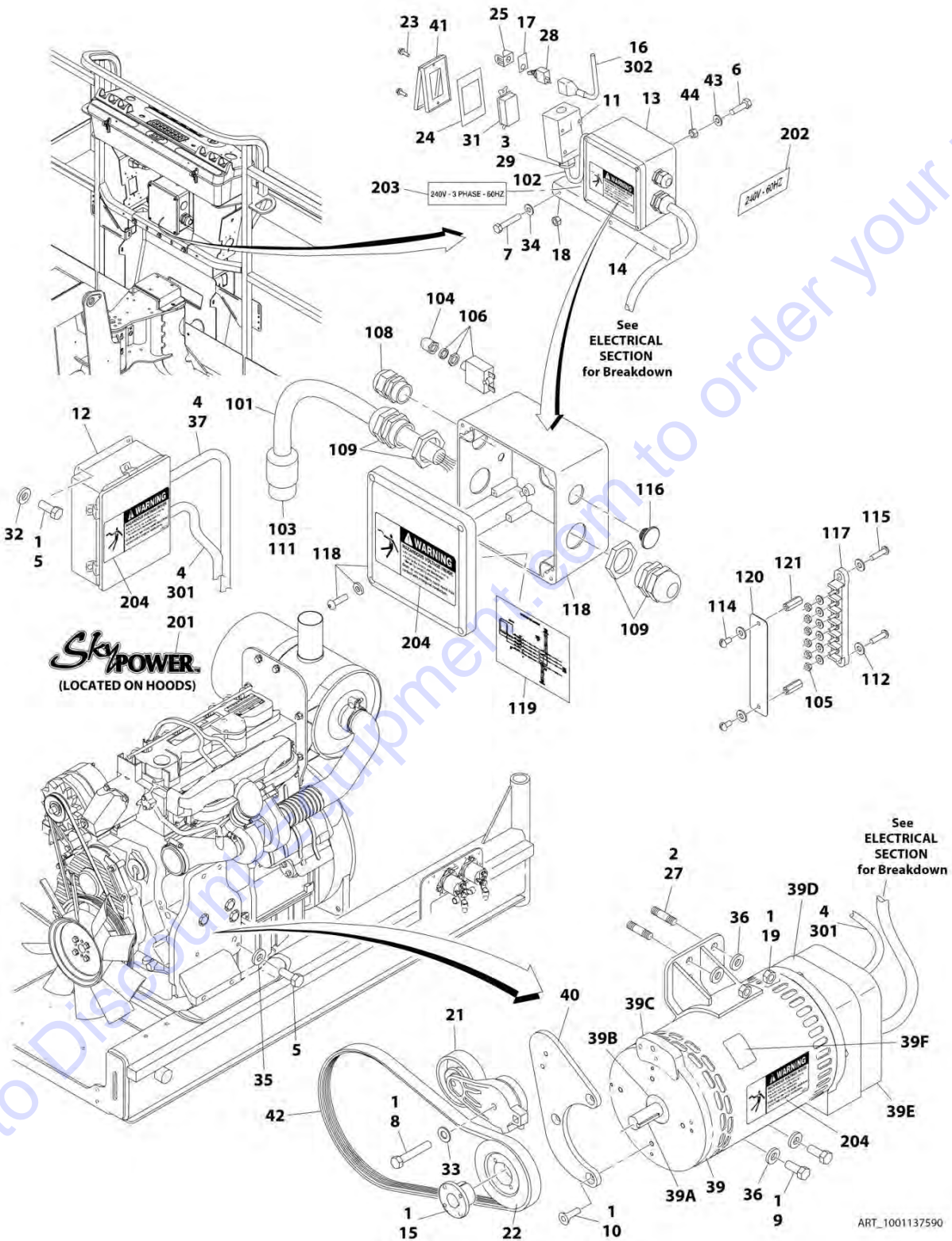
ITEM	PART NUMBER	QTY	DESCRIPTION	REV
	1001125428	Ref	7500W SKYPOWER GENERATOR INSTALLATION - 50HZ SPEC (DEUTZ TD2011 ENGINES) (OPTIONAL)	C
		Ref	Note: See ELECTRICAL SECTION for Boom Cable Installation.	
1	0100011	AR	Compound, Locking	
2	0100019	AR	Compound, Locking	
4	0480129	1	Belt, Generator	
5	0641404	5	Bolt 1/4 x 1/2	
6	3931016	4	Bolt 10 x 1	
7	0641516	3	Bolt 5/16 x 2	
8	0641810	4	Bolt 1/2 x 1-1/4	
9	1001157525	1	Junction Box Assembly (See Items 101-117 for Breakdown)	
10	0861572	1	Box, Generator Control	
10	7024488	1	Card, Circuit - Generator Power (Not Shown)	
10	See Note	1	Fuse (Note: Not Available - Purchase Locally)	
10	7024489	1	Card, Circuit - Control (Not Shown)	
		Ref	Note: When replacing card, rocker switch on card must be set for required application.	
10	70000619	1	Harness, Circuit Card	
11	0902888	1	Bracket, Generator Junction Box	
12	0962520	1	Bushing, Taper	
13	2460048	1	Generator, 7500W	
13	70001100	1	Rotor (Includes p/n 70001384 & 70000863) (Not Shown)	
13	70001384	1	Bearing, Shaft (Rear) (Not Shown)	
13	70000863	1	Fan, Generator (Not Shown)	
13	70002088	1	Stator (Not Shown)	
13	70002297	2	Stud 1/4-20 x 12-7/8	
13	70003631	1	Brushholder Assembly (Not Shown)	
13A	70004171	1	Key	
13B	70001966	1	Bearing, Ball Radial (Located in Belt Tensioner Endbell)	
13B	70003709	1	Ring, Retaining (Small)	
13B	70003708	1	Ring, Retaining (Large)	
13C	70001953	1	Endbell, Belt Tensioner	
13D	70004169	1	Kit, Endbell (Includes Endbell, Brush Block and Shroud Assembly)	
13E	7027799	1	Block, Connector 6 Position (Not Shown)	
13E	70002460	6	Nut, Brass (Attaches p/n 7027799 to Cover) (Not Shown)	
13E	7024485	1	Breaker, Circuit 30Amp (Not Shown)	
13E	70001696	1	Boot, Breaker (Not Shown)	
13E	7026597	1	Connector with Lead (Not Shown)	
13E	7026626	1	Connector with Pins (Not Shown)	
13E	7026188	1	Clamp, Cable (Not Shown)	
13E	70002255	1	Plate, End Panel (Not Shown)	
13E	See Note	1	Insulator, End Panel (Not Shown) (Note: Not Available for Purchase)	
13E	70001974	1	Decal - Terminal Connections (Not Shown)	
13F	70001973	1	Decal - Warning Moving Parts	
14	2820031	AR	Insulator, Heat Shrink	
15	3251102	1	Nameplate, Generator	
16	3311508	3	Nut 5/16 Serrated Flange	
17	3580317	1	Pulley, Belt Tensioner	

SECTION 3 - ENGINE

ITEM	PART NUMBER	QTY	DESCRIPTION	REV
18	3580319	1	Pulley, Generator	
19	0641618	1	Bolt 3/8 x 2	
20	4060802	1	Guard, Switch	
21	4240018	AR	Strap, Tie (Not Shown)	
22	4360336	1	Switch, Toggle	
23	4711400	4	Washer 1/4	
24	0100048	AR	Grease, Dielectric	
25	4751500	3	Washer 5/16	
26	4791400	2	Starwasher 1/4	
27	4891800	4	Washer 1/2	
28	4922972	1	Harness, Generator Cable (See Separate Breakdown in ELECTRICAL SECTION)	
30	4711600	1	Washer 3/8	
31	4751000	4	Washer #10	
32	3311005	4	Nut #10	
	1001157525	Ref	JUNCTION BOX ASSEMBLY	B
101	3300396	1	Cover, Fuse	
102	3311001	6	Nut #10	
103	3520189	1	Plug	
104	3520192	1	Plug	
105	4360070	1	Circuit Breaker - 15Amp	
106	4460425	1	Strain Relief, Terminal	
107	4460426	2	Connector, Strain Relief	
109	4711000	10	Washer #10	
110	10702077	2	Screw #10 x 3/8	
111	10702082	2	Screw #10 x 3/4	
112	1001152525	1	Plug	
113	1001157520	1	Block, Terminal	
114	1001157521	1	Box, Junction	
115	1001157528	1	Decal - Wiring Schematic	
116	1001158007	1	Cover, PVC	
117	1001158008	2	Stand-Off	
	0272589	1	DECAL INSTALLATION	A
201	1705460	2	Decal - SkyPower	
202	1705461	1	Decal - 240V - 3 Phase	
203	1705489	3	Decal - Hazardous Voltage	
	1001122528	Ref	ELECTRICAL DIAGRAM COMPONENTS	B
301	1001119968	1	Generator Harness	B
301A	4460967	1	Plug, Male - 3 Position (Not Shown)	
301A	4460465	6	Socket, Female	
301B	1001117078	1	Fuseholder with Fuse (Not Shown)	
303	4922641	1	Switch Harness	

SECTION 3 - ENGINE

FIGURE 3-50. 7500W SKYPOWER GENERATOR INSTALLATION - 60HZ SPEC (DEUTZ TCD2.9L4 ENGINES) (OPTIONAL)



SECTION 3 - ENGINE

FIGURE 3-50. 7500W SKYPOWER GENERATOR INSTALLATION - 60HZ SPEC (DEUTZ TCD2.9L4 ENGINES) (OPTIONAL)

ITEM	PART NUMBER	QTY	DESCRIPTION	REV
	1001137590	Ref	7500W SKYPOWER GENERATOR INSTALLATION - 60HZ SPEC (DEUTZ TCD2.9L4 ENGINES) (OPTIONAL)	G
		Ref	Note: See ELECTRICAL SECTION for Boom Cable Installation.	
1	0100011	AR	Compound, Locking	
2	0100019	AR	Compound, Locking	
3	0100020	AR	Sealant, Pipe	
4	0100048	AR	Grease, Dielectric	
5	0641404	5	Bolt 1/4 x 1/2	
6	3931016	4	Bolt 10 x 1	
7	0641516	3	Bolt 5/16 x 2	
8	0641618	1	Bolt 3/8 x 2	
9	0641810	2	Bolt 1/2 x 1-1/4	
10	0741607	3	Screw 3/8 x 7/8	
11	0860038	1	Box, Switch	
12	0861538	1	Box, Generator Control	
12	7024488	1	Card, Circuit - Generator Power (Not Shown)	
12	See Note	1	Fuse (Note: Not Available Purchase Locally)	
12	7024489	1	Card, Circuit - Control (Not Shown)	
		Ref	Note: When replacing card, rocker switch on card must be set for required application.	
12	70000619	1	Harness, Circuit Card	
13	1001157592	1	Junction Box Assembly (See Items 101-121 for Breakdown)	
14	0902888	1	Bracket, Generator Junction Box	
15	0962520	1	Bushing, Taper	
16	2820031	AR	Insulator, Heat Shrink	
17	3251102	1	Nameplate, Generator	
18	3311508	3	Nut 5/16 Serrated Flange	
19	3311801	2	Nut 1/2	
21	3580317	1	Pulley, Belt Tensioner	
22	3580318	1	Pulley, Generator	
23	3910606	AR	Screw #6 x 3/8	
24	3960422	1	Gasket, AC Receptacle	
25	4060802	1	Guard, Switch	
26	4240018	AR	Strap, Tie (Not Shown)	
27	4300157	2	Stud 1/2-13	
28	4360336	1	Switch, Toggle	
29	4460071	1	Connector, Strain Relief	
30	4460315	3	Terminal, Spade (Not Shown)	
31	4460346	1	Terminal, Receptacle	
32	4711400	4	Washer 1/4	
33	4711600	1	Washer 3/8	
34	4751500	3	Washer 5/16	
35	4791400	2	Starwasher 1/4	
36	4891800	4	Washer 1/2	
37	4922972	1	Harness, Generator Cable (See Separate Breakdown in ELECTRICAL SECTION)	
39	1001136988	NLA	Generator, 7500W (Use p/n 1001212223) (SN 0300201017 through 0300226067)	
39	1001212223	1	Generator, 7500W (SN 0300226068 to Present)	
39	70001100	1	Rotor (Includes p/n 70001384 & 70000863) (Not Shown)	

SECTION 3 - ENGINE

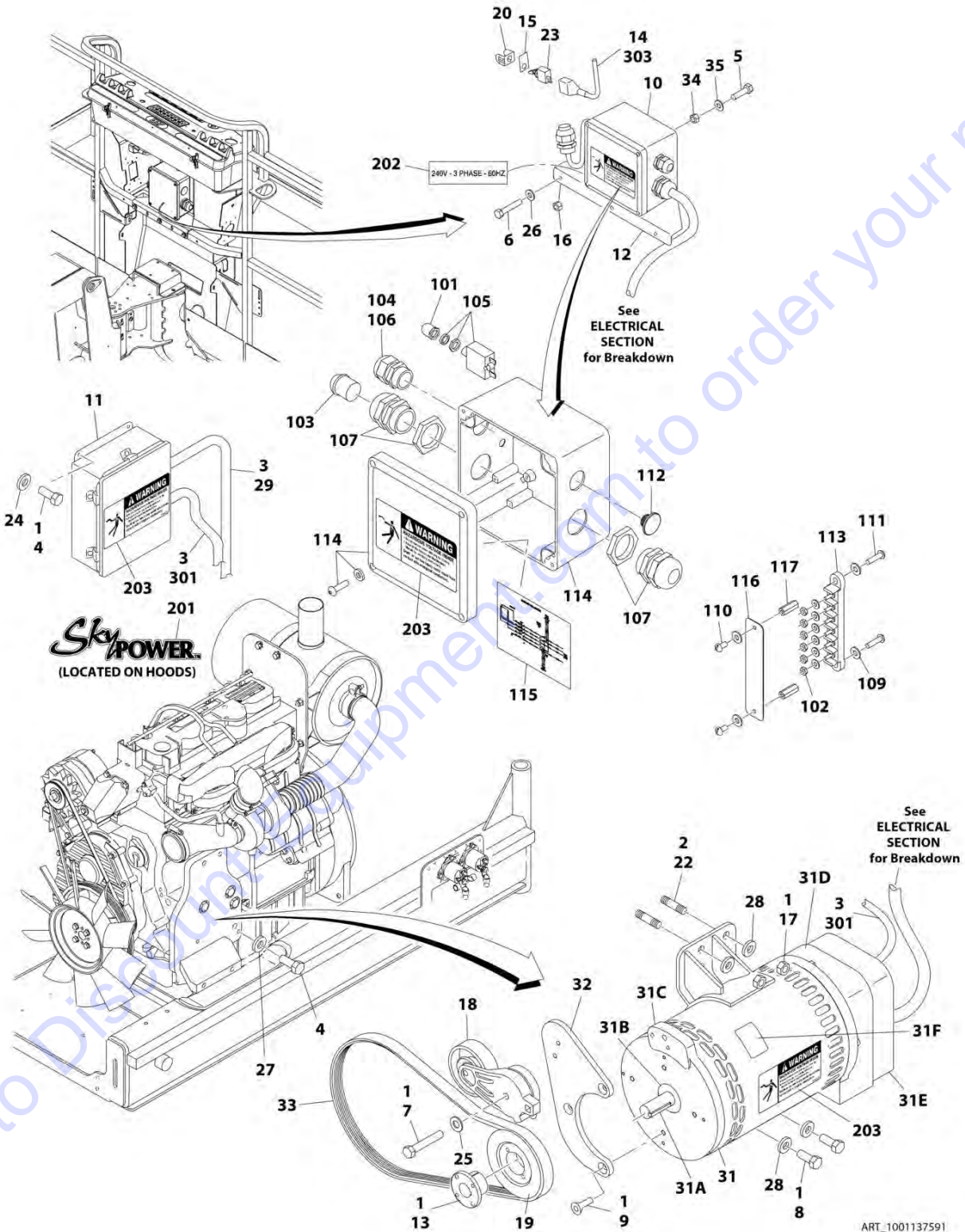
ITEM	PART NUMBER	QTY	DESCRIPTION	REV
39	70001384	1	Bearing, Shaft (Rear) (Not Shown)	
39	70000863	1	Fan, Generator (Not Shown)	
39	70004093	1	Stator - 1001136988 Generator (Not Shown)	
39	70006093	1	Stator - 1001212223 Generator (Not Shown)	
39	70002297	2	Stud 1/4-20 x 12-7/8 - 1001136988 Generator (Not Shown)	
39	70003631	1	Brushholder Assembly (Not Shown) (was p/n 7024484)	
39A	70004099	NLA	Key (Use p/n 70004171)	
39B	70001966	1	Bearing, Ball Radial (Located in Belt Tensioner Endbell)	
39B	70003709	1	Ring, Retaining (Small)	
39B	70003708	1	Ring, Retaining (Large)	
39C	70004092	1	Endbell, Belt Tensioner	
39D	70004094	1	Endbell, Brush Block	
39E	70004096	1	Shroud Assembly - 1001136988 Generator	
39E	70006094	1	Shroud Assembly - 1001212223 Generator	
39E	7027799	1	Block, Connector - 6 Position (Not Shown)	
39E	70002460	6	Nut, Brass (Attaches p/n 7027799 to Cover) (Not Shown)	
39E	7024485	1	Breaker, Circuit 30Amp - 1001136988 Generator (Not Shown)	
39E	70006095	1	Breaker, Circuit 30Amp - 1001212223 Generator (Not Shown)	
39E	70001696	1	Boot, Breaker - 1001136988 Generator (Not Shown)	
39E	70006096	1	Boot, Breaker - 1001212223 Generator (Not Shown)	
39E	7026597	1	Connector with Leads (Not Shown)	
39E	7026626	1	Connector with Pins (Not Shown)	
39E	70004098	1	Clamp, Cable (Not Shown)	
39E	70004095	1	Plate, End Panel - 1001136988 Generator (Not Shown)	
39E	70006097	1	Plate, End Panel - 1001212223 Generator (Not Shown)	
39E	70004097	1	Insulator, End Panel - 1001136988 Generator (Not Shown)	
39E	70002291	1	Insulator, End Panel - 1001212223 Generator (Not Shown)	
39E	70001974	1	Decal - Terminal Connections (Not Shown)	
39F	70001973	1	Decal - Warning Moving Parts	
40	1001138011	1	Bracket	
41	1001110873	1	Shield, Receptacle Cover	
42	1001142645	1	Belt, Generator	
43	4751000	4	Washer #10	
44	3311005	4	Nut #10	
	1001157592	Ref	JUNCTION BOX ASSEMBLY	C
101	1060343	1.5 ft /0.46m	Cable, Electrical 10/4	
102	1060494	2 ft /0.61m	Cable, Electrical 12/3 (SN 0300201017 through 0300205505)	
102	1001179154	2.5 ft /0.76m	Cable, Electrical 12/3 (SN 0300205506 to Present)	
103	1671092	1	Cover	
104	3300396	1	Cover, Fuse	
105	3311001	6	Nut #10	
106	4360070	1	Circuit Breaker - 15Amp	
108	4460425	1	Strain Relief, Terminal	
109	4460426	2	Connector, Strain Relief	
111	4460963	1	Connector	
112	4711000	10	Washer #10	
114	10702077	2	Screw #10 x 3/8	
115	10702082	2	Screw #10 x 3/4	
116	1001152525	1	Plug	

SECTION 3 - ENGINE

ITEM	PART NUMBER	QTY	DESCRIPTION	REV
117	1001157520	1	Block, Terminal	
118	1001157521	1	Box, Junction	
119	1001157528	1	Decal - Wiring Schematic	
120	1001158007	1	Cover, PVC	
121	1001158008	2	Stand-Off	
	0272435	Ref	DECAL INSTALLATION	D
201	1705460	2	Decal - SkyPower	
202	1705374	1	Decal - 240V/60Hz (SN 0300201017 through 0300202017)	
202	3251243	1	Decal - 120V - 60Hz (SN 0300222663 to Present)	
203	1705375	1	Decal - 240V - 3 Phase	
204	1705387	3	Decal - Hazardous Voltage	
	1001122528	Ref	ELECTRICAL DIAGRAM COMPONENTS	B
301	1001119968	1	Generator Harness	B
301A	4460967	1	Plug, Male - 3 Position (Not Shown)	
301A	4460465	6	Socket, Female	
301B	1001117078	1	Fuseholder with Fuse (Not Shown)	
302	4922641	1	Switch Harness	

SECTION 3 - ENGINE

FIGURE 3-51. 7500W SKYPOWER GENERATOR INSTALLATION - 50HZ SPEC (DEUTZ TCD2.9L4 ENGINES AND DEUTZ TCD2.9L4 (STAGE V) ENGINES) (OPTIONAL)



SECTION 3 - ENGINE

FIGURE 3-51. 7500W SKYPOWER GENERATOR INSTALLATION - 50HZ SPEC (DEUTZ TCD2.9L4 ENGINES AND DEUTZ TCD2.9L4 (STAGE V) ENGINES) (OPTIONAL)

ITEM	PART NUMBER	QTY	DESCRIPTION	REV
	1001137591	Ref	7500W SKYPOWER GENERATOR INSTALLATION - 50HZ SPEC (DEUTZ TCD2.9L4 ENGINES AND DEUTZ TCD2.9L4 (STAGE V) ENGINES) (OPTIONAL)	D
		Ref	Note: See ELECTRICAL SECTION for Boom Cable Installation.	
1	0100011	AR	Compound, Locking	
2	0100019	AR	Compound, Locking	
3	0100048	AR	Grease, Dielectric	
4	0641404	5	Bolt 1/4 x 1/2	
5	3931016	4	Bolt 10 x 1	
6	0641516	3	Bolt 5/16 x 2	
7	0641618	1	Bolt 3/8 x 2	
8	0641810	2	Bolt 1/2 x 1-1/4	
9	0741607	3	Screw 3/8 x 7/8	
10	1001157525	1	Junction Box Assembly (See Items 101-117 for Breakdown)	
11	0861572	1	Box, Generator Control	
11	7024488	1	Card, Circuit - Generator Power (Not Shown)	
11	See Note	1	Fuse (Note: Not Available - Purchase Locally)	
11	7024489	1	Card, Circuit - Control (Not Shown)	
		Ref	Note: When replacing card, rocker switch on card must be set for required application.	
11	70000619	1	Harness, Circuit Card	
12	0902888	1	Bracket, Generator Junction Box	
13	0962520	1	Bushing, Taper	
14	2820031	AR	Insulator, Heat Shrink	
15	3251102	1	Nameplate, Generator	
16	3311508	3	Nut 5/16 Serrated Flange	
17	3311801	2	Nut 1/2	
18	3580317	1	Pulley, Belt Tensioner	
19	3580319	1	Pulley, Generator	
20	4060802	1	Guard, Switch	
21	4240018	AR	Strap, Tie (Not Shown)	
22	4300157	2	Stud 1/2-13	
23	4360336	1	Switch, Toggle	
24	4711400	4	Washer 1/4	
25	4711600	1	Washer 3/8	
26	4751500	3	Washer 5/16	
27	4791400	2	Starwasher 1/4	
28	4891800	4	Washer 1/2	
29	4922972	1	Harness, Generator Cable (See Separate Breakdown in ELECTRICAL SECTION)	
31	1001136988	NLA	Generator, 7500W (Use p/n 1001212223) (SN 0300201017 through 0300226067)	
31	1001212223	1	Generator, 7500W (SN 0300226068 to Present)	
31	70001100	1	Rotor (Includes p/n 70001384 & 70000863) (Not Shown)	
31	70001384	1	Bearing, Shaft (Rear) (Not Shown)	
31	70000863	1	Fan, Generator (Not Shown)	
31	70004093	1	Stator - 1001136988 Generator (Not Shown)	
31	70006093	1	Stator - 1001212223 Generator (Not Shown)	
31	70002297	2	Stud 1/4-20 x 12-7/8 - 1001136988 Generator (Not Shown)	
31	70003631	1	Brushholder Assembly (Not Shown)	

SECTION 3 - ENGINE

ITEM	PART NUMBER	QTY	DESCRIPTION	REV
31A	70004099	NLA	Key (Use p/n 70004171)	
31B	70001966	1	Bearing, Ball Radial (Located in Belt Tensioner Endbell)	
31B	70003709	1	Ring, Retaining (Small)	
31B	70003708	1	Ring, Retaining (Large)	
31C	70004092	1	Endbell, Belt Tensioner	
31D	70004094	1	Endbell, Brush Block	
31E	70004096	1	Shroud Assembly - 1001136988 Generator	
31E	70006094	1	Shroud Assembly - 1001212223 Generator	
31E	7027799	1	Block, Connector - 6 Position (Not Shown)	
31E	70002460	6	Nut, Brass (Attaches p/n 7027799 to Cover) (Not Shown)	
31E	7024485	1	Breaker, Circuit 30Amp - 1001136988 Generator (Not Shown)	
31E	70006095	1	Breaker, Circuit 30Amp - 1001212223 Generator (Not Shown)	
31E	70001696	1	Boot, Breaker - 1001136988 Generator (Not Shown)	
31E	70006096	1	Boot, Breaker - 1001212223 Generator (Not Shown)	
31E	7026597	1	Connector with Leads (Not Shown)	
31E	7026626	1	Connector with Pins (Not Shown)	
31E	70004098	1	Clamp, Cable (Not Shown)	
31E	70004095	1	Plate, End Panel - 1001136988 Generator (Not Shown)	
31E	70006097	1	Plate, End Panel - 1001212223 Generator (Not Shown)	
31E	70004097	1	Insulator, End Panel - 1001136988 Generator (Not Shown)	
31E	70002291	1	Insulator, End Panel - 1001212223 Generator (Not Shown)	
31E	70001974	1	Decal - Terminal Connections (Not Shown)	
31F	70001973	1	Decal - Warning Moving Parts	
32	1001138011	1	Bracket	
33	1001136357	1	Belt, Generator	
34	3311005	4	Nut #10	
35	4751000	4	Washer #10	
	1001157525	Ref	JUNCTION BOX ASSEMBLY	B
101	3300396	1	Cover, Fuse	
102	3311001	6	Nut #10	
103	3520189	1	Plug (50Hz Spec Only)	
104	3520192	1	Plug	
105	4360070	1	Circuit Breaker - 15Amp	
106	4460425	1	Strain Relief, Terminal	
107	4460426	2	Connector, Strain Relief	
109	4711000	10	Washer #10	
110	10702077	2	Screw #10 x 3/8	
111	10702082	2	Screw #10 x 3/4	
112	1001152525	1	Plug	
113	1001157520	1	Block, Terminal	
114	1001157521	1	Box, Junction	
115	1001157528	1	Decal - Wiring Schematic	
116	1001158007	1	Cover, PVC	
117	1001158008	2	Stand-Off	
	0272589	Ref	DECAL INSTALLATION	A
201	1705460	2	Decal - SkyPower	
202	1705461	1	Decal - 240V - 3 Phase	
203	1705489	3	Decal - Hazardous Voltage	
	1001122528	Ref	ELECTRICAL DIAGRAM COMPONENTS	B
301	1001119968	1	Generator Harness (With UGM)	B
301A	4460967	1	Plug, Male - 3 Position (Not Shown)	

SECTION 3 - ENGINE

ITEM	PART NUMBER	QTY	DESCRIPTION	REV
301A	4460465	6	Socket, Female	
301B	1001117078	1	Fuseholder with Fuse (Not Shown)	
303	4922641	1	Switch Harness	

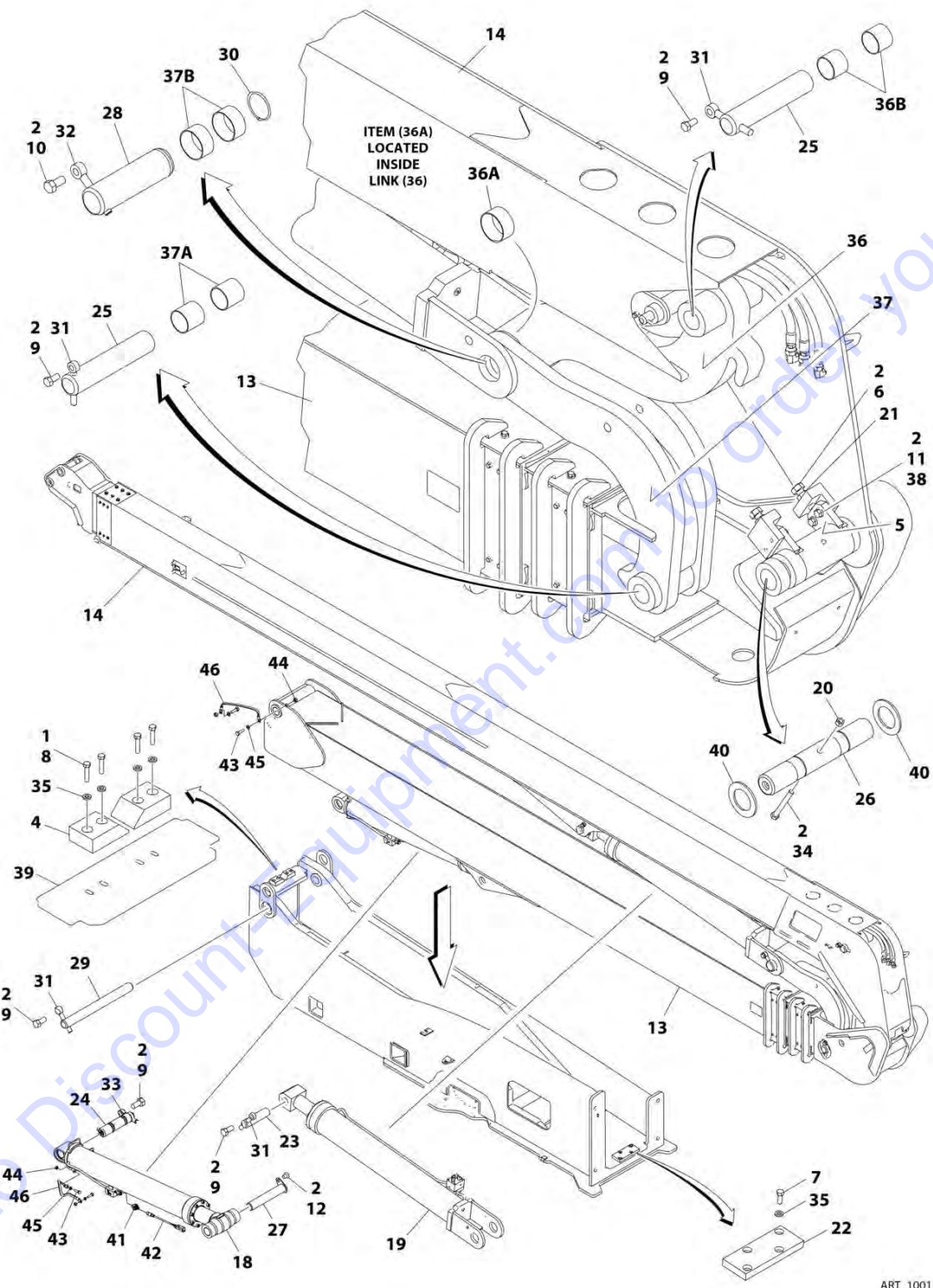
Go to Discount-Equipment.com to order your parts

SECTION 4 - BOOM

Go to Discount-Equipment.com to order your parts

SECTION 4 - BOOM

FIGURE 4-1. BOOM AND CYLINDER INSTALLATION - WITHOUT COLD WEATHER PLUS PACKAGE



SECTION 4 - BOOM

FIGURE 4-1. BOOM AND CYLINDER INSTALLATION - WITHOUT COLD WEATHER PLUS PACKAGE

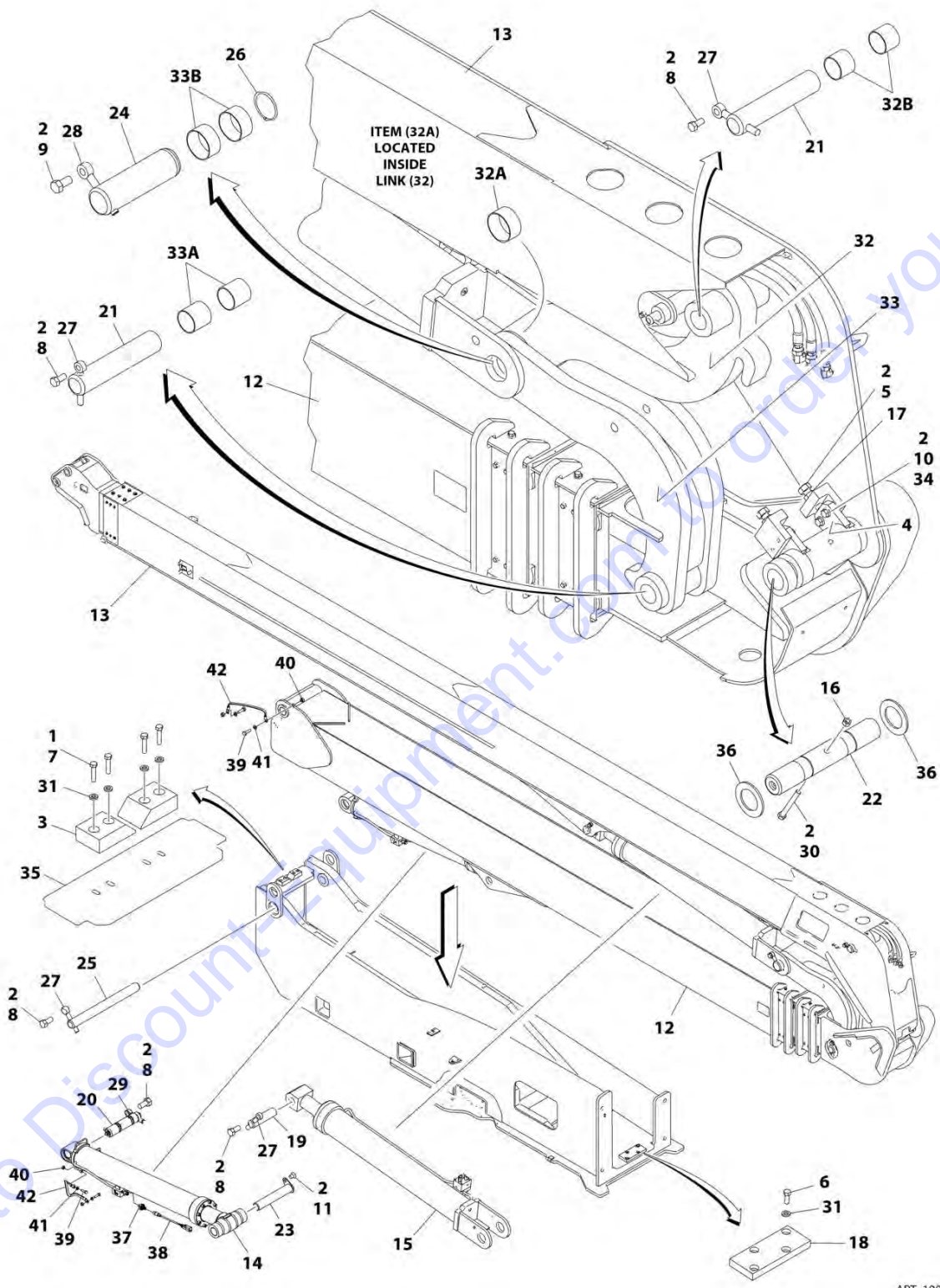
ITEM	PART NUMBER	QTY	DESCRIPTION	REV
	1001120653	Ref	BOOM AND CYLINDER INSTALLATION - WITHOUT COLD WEATHER PLUS PACKAGE	H
1	0100011	AR	Compound, Locking	
2	0100019	AR	Compound, Locking	
4	0561380	2	Rest, Boom	
5	0561547	2	Block, Clamping	
6	0642624	2	Bolt 1 x 3	
7	0641608	4	Bolt 3/8 x 1	
8	0641613	4	Bolt 3/8 x 1-5/8	
9	0642212	5	Bolt 3/4 x 1-1/2	
10	0642616	1	Bolt 1 x 2	
11	0682016	4	Bolt 5/8 x 2 Grade 8	
12	0742210	1	Screw 3/4 x 1-1/4	
13	0801370	1	Tower Boom Assembly (See TOWER BOOM ASSEMBLY for Breakdown)	
14	0801371	1	Main Boom Assembly (See MAIN BOOM ASSEMBLY - WITHOUT COLD WEATHER PLUS PACKAGE for Breakdown)	
18	1001118753	NLA	Tower Lift Cylinder Assembly (See CYLINDER SECTION for Breakdown) (Use p/n 1001228077) (SN 0300201017 through 0300211613)	
18	1001165507	NLA	Tower Lift Cylinder Assembly (Use p/n 1001228077) (See CYLINDER SECTION for Breakdown) (SN 0300211614 through 0300239464)	
18	1001228077	1	Tower Lift Cylinder Assembly (See CYLINDER SECTION for Breakdown) (SN 0300239465 to Present)	
19	1684318	NLA	Main Lift Cylinder Assembly (Use p/n 1001228078) (See CYLINDER SECTION for Breakdown) (SN 0300201017 through 0300211613)	
19	1001165510	NLA	Main Lift Cylinder Assembly (Use p/n 1001228078) (See CYLINDER SECTION for Breakdown) (SN 0300211614 through 0300239976)	
19	1001228078	1	Main Lift Cylinder Assembly (See CYLINDER SECTION for Breakdown) (SN 0300239977 to Present)	
20	3272001	1	Nut 5/8 Grade 8	
21	3312602	2	Nut 1	
22	3340927	1	Pad	
23	3422920	1	Pin	
24	3423209	1	Pin, Load Sensing	
25	3423061	2	Pin	
26	3423062	1	Pin	
27	3423063	1	Pin	
28	3423064	1	Pin	
29	3423065	1	Pin	
30	3760475	1	Ring, Retaining	
31	3841287	4	Keeper, Pin	
32	3841356	1	Keeper, Pin	
33	3841581	1	Keeper, Pin	
34	0682048	1	Bolt 5/8 x 6 Grade 8	
35	4711600	8	Washer 3/8	
36	3010133	1	Link, Upper	
36A	0440273	1	Bearing	
36B	0962297	2	Bushing	

SECTION 4 - BOOM

ITEM	PART NUMBER	QTY	DESCRIPTION	REV
37	3010134	1	Link, Lower	
37A	0962033	2	Bushing	
37B	0962122	2	Bushing	
38	4892000	4	Washer 5/8	
39	3380547	1	Deflector	
40	4740492	2	Thrustwasher	
41	1001119614	1	Switch, Pressure Transducer	
42	1001120161	NLA	Harness, Pressure Transducer (Use p/n 1001220898) (See ELECTRICAL SECTION for Breakdown) (SN 0300201017 through 0300226468)	
42	1001220898	1	Harness, Pressure Transducer (See ELECTRICAL SECTION for Breakdown) (SN 0300226469 through 0300234068)	
42	1001228498	1	Harness, Pressure Transducer (See ELECTRICAL SECTION for Breakdown) (SN 0300234069 to Present)	
43	0761015	4	Bolt M10 x 35 (SN 0300241341 to Present)	
44	3291007	4	Nut M10 (SN 0300241341 to Present)	
45	4812000	4	Washer M10 (SN 0300241341 to Present)	
46	1001212243	2	Cable (SN 0300241341 to Present)	

SECTION 4 - BOOM

FIGURE 4-2. BOOM AND CYLINDER INSTALLATION - WITH COLD WEATHER PLUS PACKAGE



ART_1001138811

SECTION 4 - BOOM

FIGURE 4-2. BOOM AND CYLINDER INSTALLATION - WITH COLD WEATHER PLUS PACKAGE

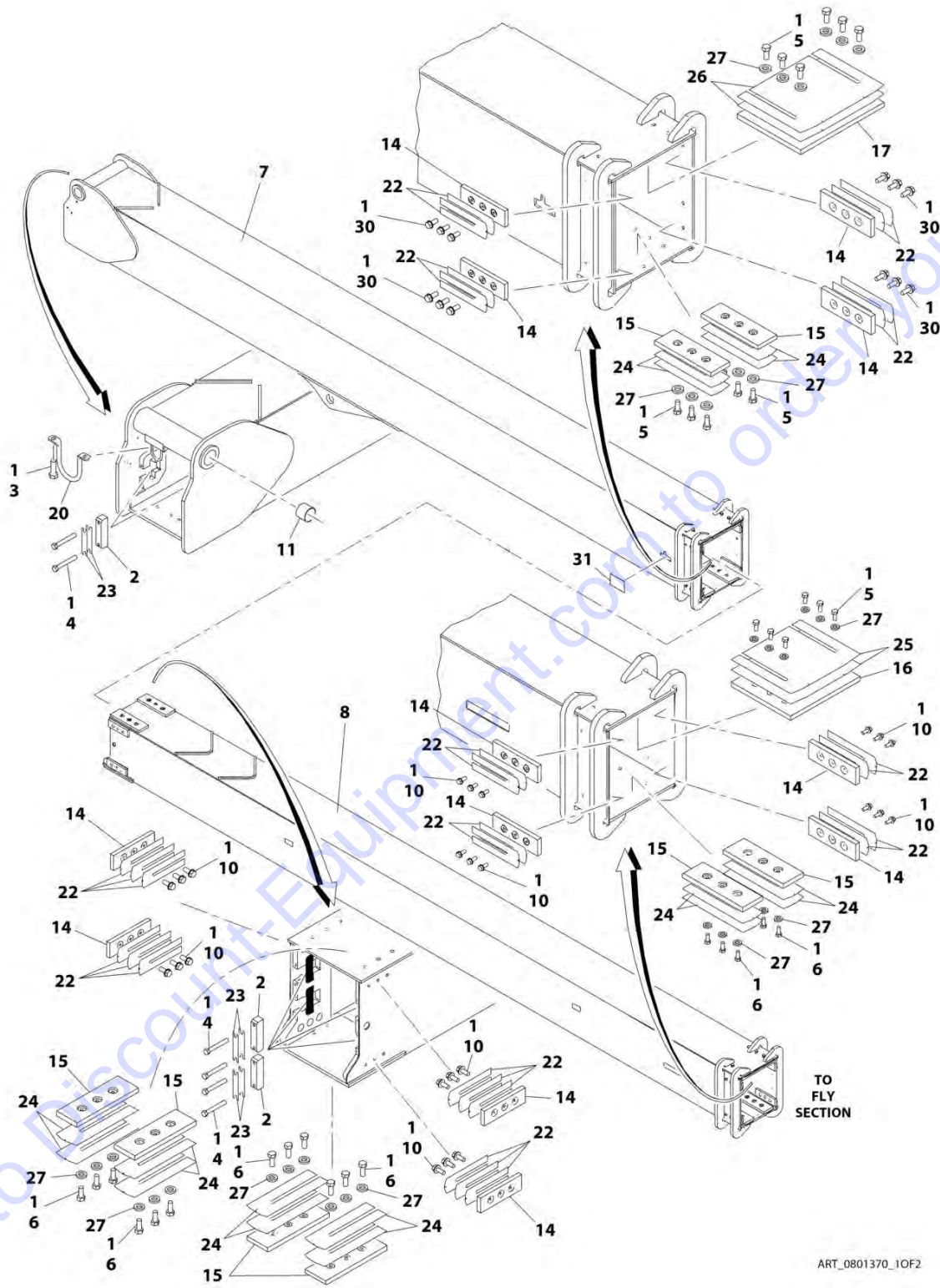
ITEM	PART NUMBER	QTY	DESCRIPTION	REV
	1001138811	Ref	BOOM AND CYLINDER INSTALLATION - WITH COLD WEATHER PLUS PACKAGE	G
1	0100011	AR	Compound, Locking	
2	0100019	AR	Compound, Locking	
3	0561380	2	Rest, Boom	
4	0561547	2	Block, Clamping	
5	0642624	2	Bolt 1 x 3	
6	0641608	4	Bolt 3/8 x 1	
7	0641613	4	Bolt 3/8 x 1-5/8	
8	0642212	5	Bolt 3/4 x 1-1/2	
9	0642616	1	Bolt 1 x 2	
10	0682016	4	Bolt 5/8 x 2 Grade 8	
11	0742210	1	Screw 3/4 x 1-1/4	
12	0801370	1	Tower Boom Assembly (See TOWER BOOM ASSEMBLY for Breakdown)	
13	1001138812	1	Main Boom Assembly (See MAIN BOOM ASSEMBLY - WITH COLD WEATHER PLUS PACKAGE for Breakdown)	
14	1001118753	NLA	Tower Lift Cylinder Assembly (See CYLINDER SECTION for Breakdown) (Use p/n 1001228077) (SN 0300201017 through 0300211613)	
14	1001165507	NLA	Tower Lift Cylinder Assembly (Use p/n 1001228077) (See CYLINDER SECTION for Breakdown) (SN 0300211614 through 0300239464)	
14	1001228077	1	Tower Lift Cylinder Assembly (See CYLINDER SECTION for Breakdown) (SN 0300239465 to Present)	
15	1684318	NLA	Main Lift Cylinder Assembly (See CYLINDER SECTION for Breakdown) (Use p/n 1001228078) (SN 0300201017 through 0300211613)	
15	1001165510	NLA	Main Lift Cylinder Assembly (Use p/n 1001228078) (See CYLINDER SECTION for Breakdown) (SN 0300211614 to Present)	
15	1001228078	1	Main Lift Cylinder Assembly (See CYLINDER SECTION for Breakdown) (SN 0300211614 to Present)	
16	3272001	1	Nut 5/8 Grade 8	
17	3312602	2	Nut 1	
18	3340927	1	Pad	
19	3422920	1	Pin	
20	3423209	1	Pin, Load Sensing	
21	3423061	2	Pin	
22	3423062	1	Pin	
23	3423063	1	Pin	
24	3423064	1	Pin	
25	3423065	1	Pin	
26	3760475	1	Ring, Retaining	
27	3841287	4	Keeper, Pin	
28	3841356	1	Keeper, Pin	
29	3841581	1	Keeper, Pin	
30	0682048	1	Bolt 5/8 x 6 Grade 8	
31	4711600	8	Washer 3/8	
32	3010133	1	Link, Upper	
32A	0440273	1	Bearing	
32B	0962297	2	Bushing	

SECTION 4 - BOOM

ITEM	PART NUMBER	QTY	DESCRIPTION	REV
33	3010134	1	Link, Lower	
33A	0962033	2	Bushing	
33B	0962122	2	Bushing	
34	4892000	4	Washer 5/8	
35	3380547	1	Deflector	
36	4740492	2	Thrustwasher	
37	1001119614	1	Switch, Pressure Transducer	
38	1001120161	NLA	Harness, Pressure Transducer (Use p/n 1001220898) (Not Shown - See ELECTRICAL SECTION for Breakdown) (SN 0300201017 through 0300226468)	
38	1001220898	1	Harness, Pressure Transducer (Not Shown - See ELECTRICAL SECTION for Breakdown) (SN 0300226469 through 0300234068)	
38	1001228498	1	Harness, Pressure Transducer (Not Shown - See ELECTRICAL SECTION for Breakdown) (SN 0300234068 to Present)	
39	0761015	4	Bolt M10 x 35 (SN 0300241341 to Present)	
40	3291007	4	Nut M10 (SN 0300241341 to Present)	
41	4812000	4	Washer M10 (SN 0300241341 to Present)	
42	1001212243	2	Cable (SN 0300241341 to Present)	

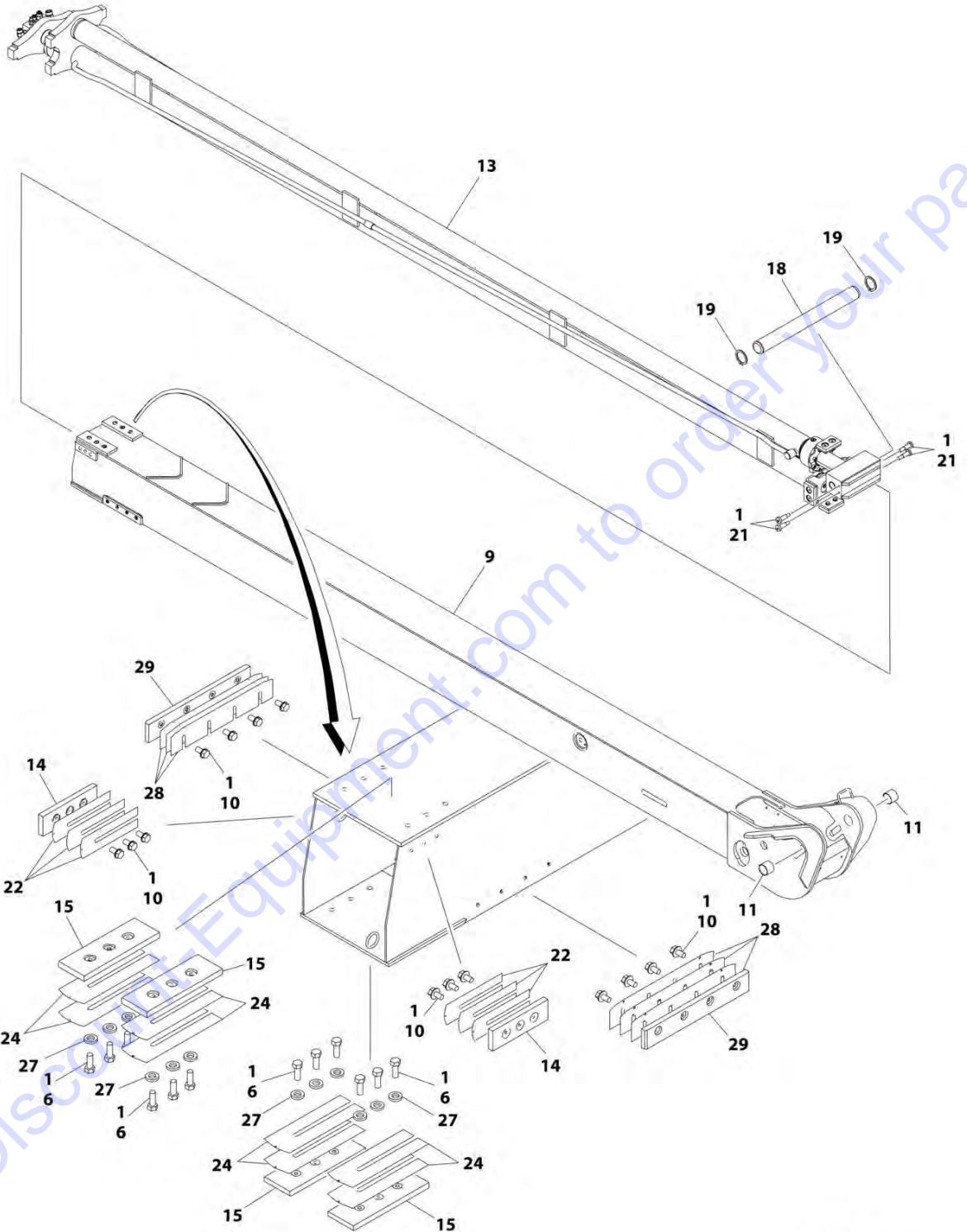
SECTION 4 - BOOM

FIGURE 4-3. TOWER BOOM ASSEMBLY



ART_0801370_10F2

SECTION 4 - BOOM



ART_0801370_20F2

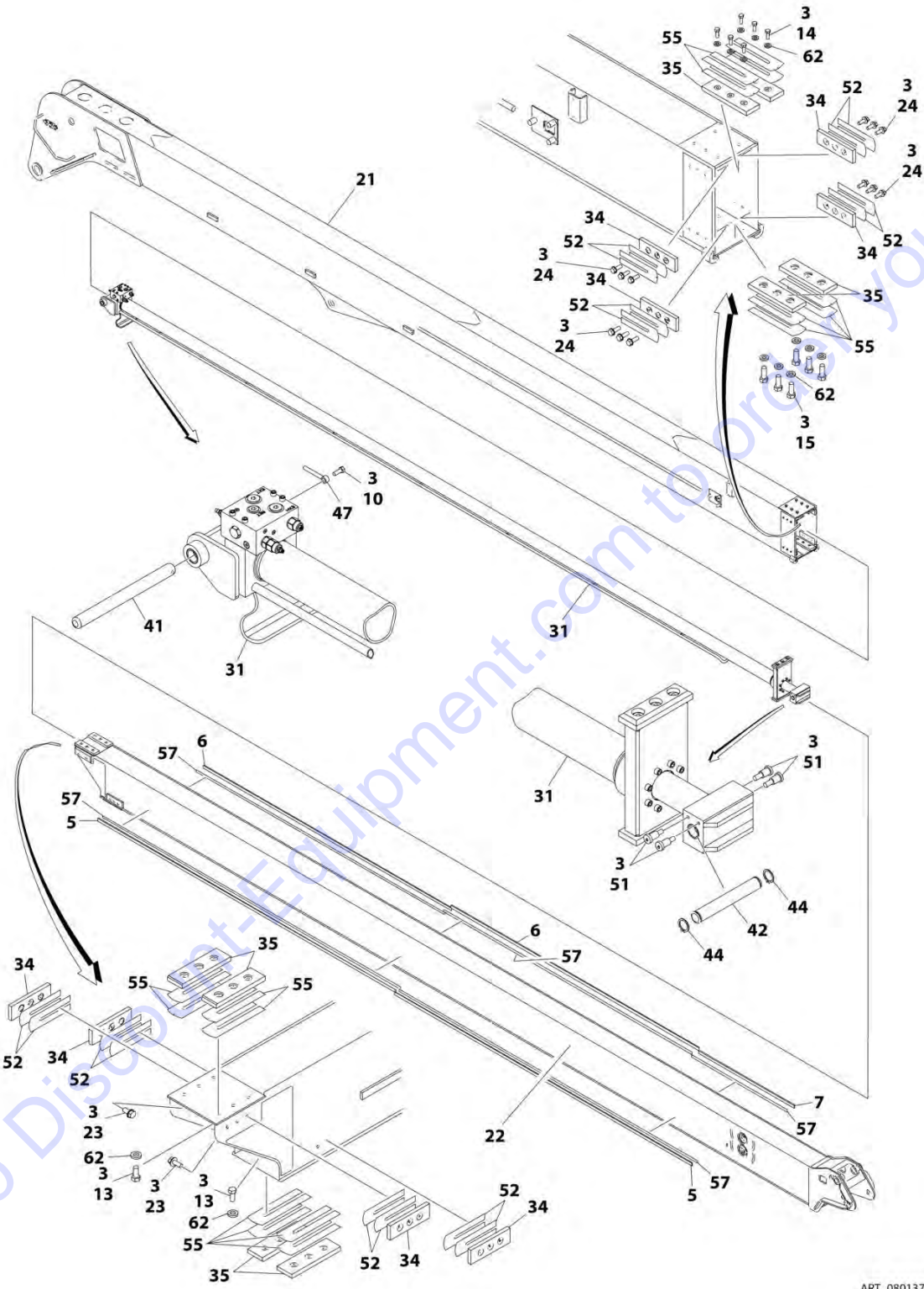
SECTION 4 - BOOM

FIGURE 4-3. TOWER BOOM ASSEMBLY

ITEM	PART NUMBER	QTY	DESCRIPTION	REV
	0801370	Ref	TOWER BOOM ASSEMBLY	E
1	0100011	AR	Compound, Locking	
2	0561533	6	Block, Trunnion Keeper	
3	0641604	2	Bolt 3/8 x 1/2	
4	0641622	12	Bolt 3/8 x 2-3/4	
5	0641809	18	Bolt 1/2 x 1-1/8	
6	0641810	30	Bolt 1/2 x 1-1/4	
7	0801365	1	Base, Boom	
8	0801366	1	Mid, Boom	
9	0801367	1	Fly, Boom	
10	0811606	38	Screw 3/8 x 3/4	
11	0962297	4	Bushing	
13	1684320	NLA	Tower Telescope Cylinder Assembly (Use p/n 1001228032) (See CYLINDER SECTION for Breakdown) (SN 0300201017 through 0300243458)	
13	1001228032	1	Tower Telescope Cylinder Assembly (See CYLINDER SECTION for Breakdown) (SN 0300243459 to Present)	
14	3340878	14	Pad, Wear	
15	3340978	12	Pad, Wear	
16	3340979	1	Pad, Wear	
17	3340980	1	Pad, Wear	
18	3423066	1	Pin	
19	3760133	2	Ring, Retaining	
20	3811340	1	Loop, Hose	
21	3900269	4	Bolt 1/2 x 1	
22	4070864	34	Shim #16 Gauge	
23	4071031	12	Shim, Trunnion Keeper	
24	4071067	24	Shim #18 Gauge	
25	4071069	2	Shim #18 Gauge	
26	4071071	2	Shim #18 Gauge	
27	4891800	48	Washer 1/2	
28	4071081	6	Shim #18 Gauge	
29	4700014	2	Pad, Wear	
30	0811607	12	Screw 3/8 x 7/8	
31	1671013	1	Cover	

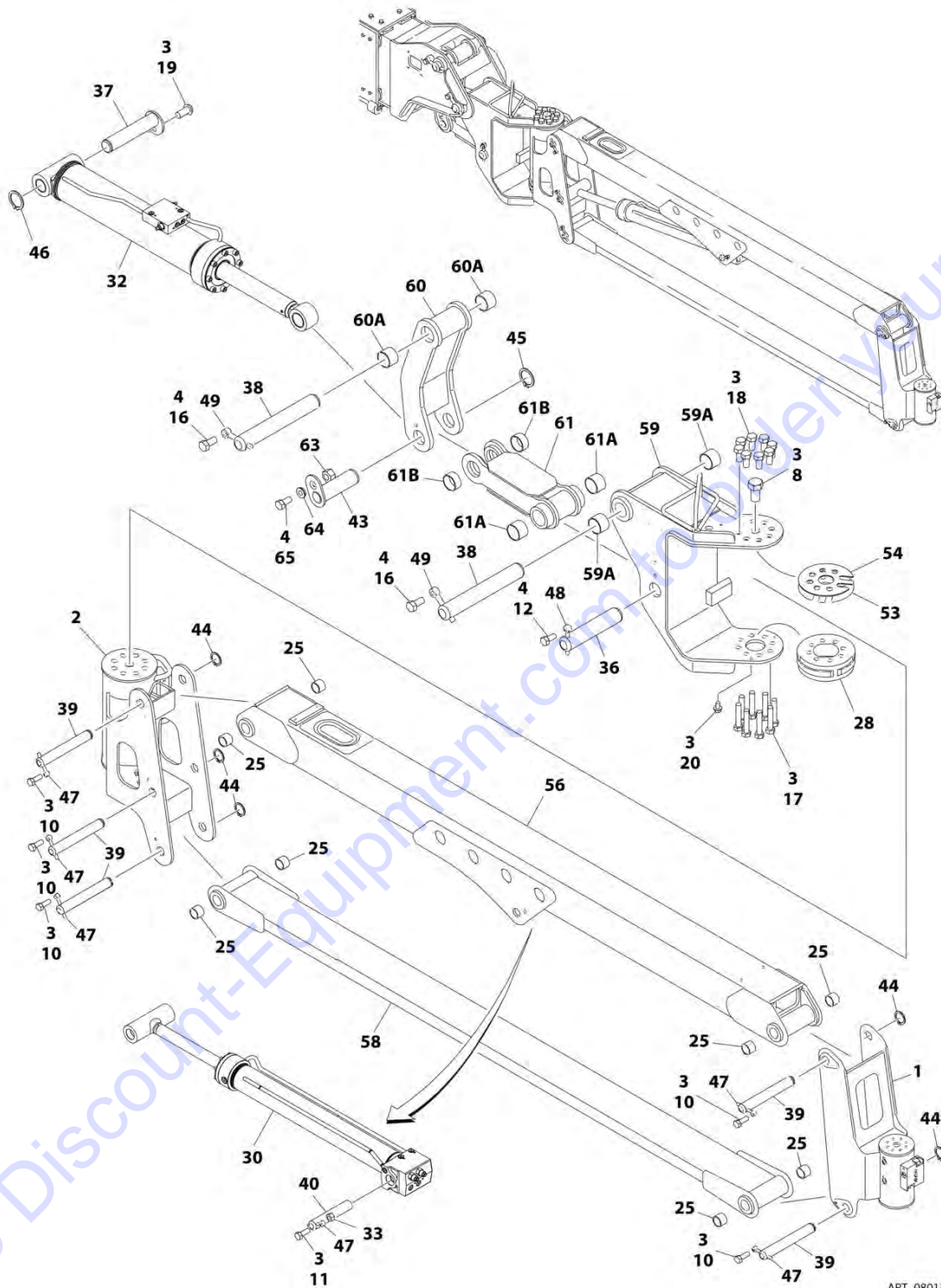
SECTION 4 - BOOM

FIGURE 4-4. MAIN BOOM ASSEMBLY - WITHOUT COLD WEATHER PLUS PACKAGE



ART_0801371_10F2

SECTION 4 - BOOM



ART_0801371_20F2

SECTION 4 - BOOM

FIGURE 4-4. MAIN BOOM ASSEMBLY - WITHOUT COLD WEATHER PLUS PACKAGE

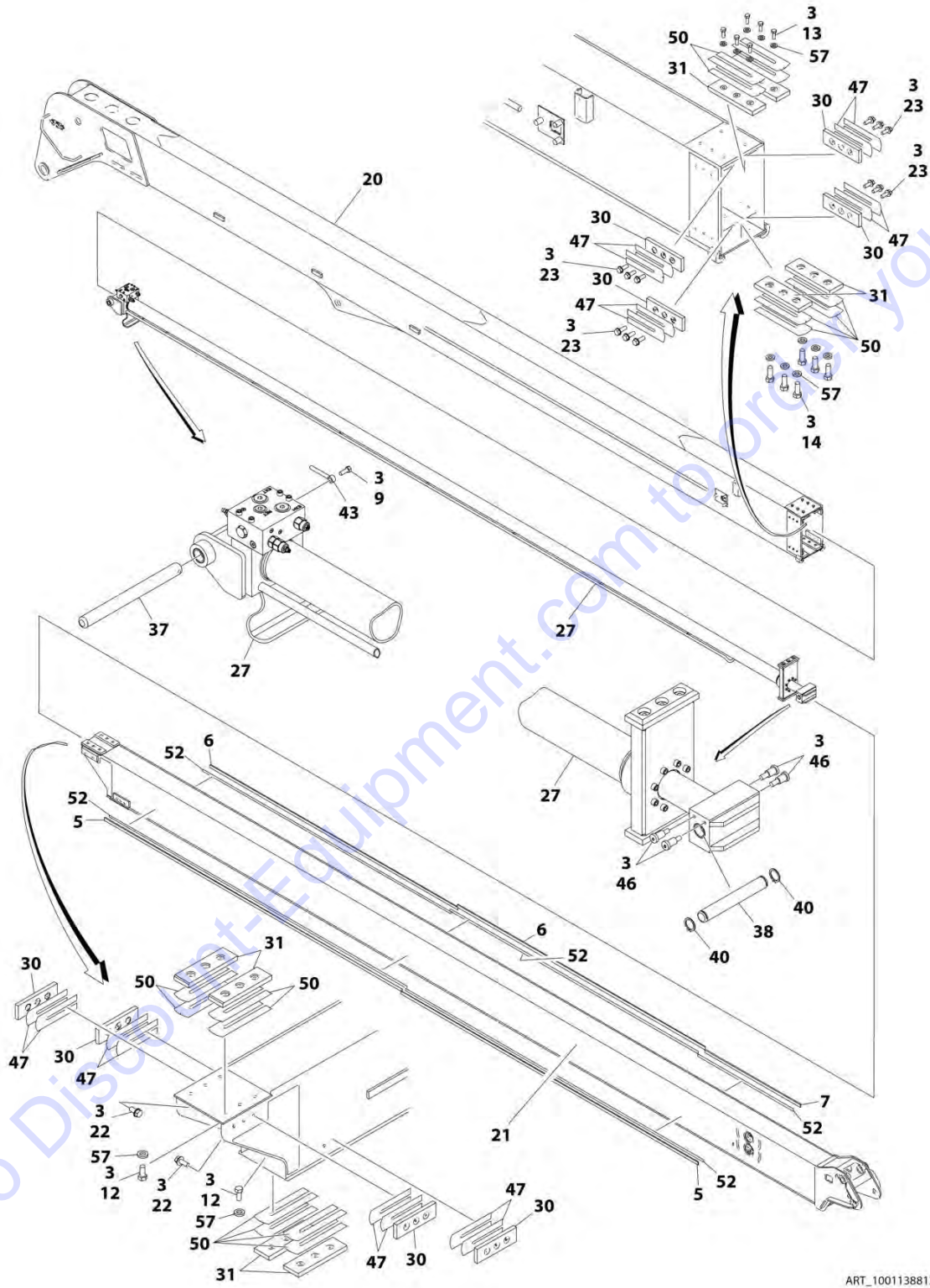
ITEM	PART NUMBER	QTY	DESCRIPTION	REV
	0801371	Ref	MAIN BOOM ASSEMBLY - WITHOUT COLD WEATHER PLUS PACKAGE	U
1	1001097643	NLA	Actuator Assembly (Platform Rotate) (See PLATFORM ROTATE ASSEMBLY for Breakdown) (Use p/n 1001178247) (SN 0300201017 through 0300201349)	
1	1001178247	1	Actuator Assembly (Platform Rotate) (See PLATFORM ROTATE ASSEMBLY for Breakdown) (SN 0300201350 to Present)	
2	1001097619	NLA	Actuator Assembly (Jib Rotate) (See JIB ROTATE ASSEMBLY for Breakdown) (Use p/n 1001178248) (SN 0300201017 through 0300201349)	
2	1001178248	1	Actuator Assembly (Jib Rotate) (See JIB ROTATE ASSEMBLY for Breakdown) (SN 0300201350 to Present)	
3	0100011	AR	Compound, Locking	
4	0100019	AR	Compound, Locking	
5	1001106483	2	Bar, Fiberglass	
6	1001106475	2	Bar, Fiberglass	
7	1001106476	1	Bar, Fiberglass	
8	0630558	1	Bolt, Special	
10	0641607	6	Bolt 3/8 x 7/8	
11	0641610	1	Bolt 3/8 x 1-1/4	
12	0641808	1	Bolt 1/2 x 1-1/8	
13	0641809	12	Bolt 1/2 x 1	
14	0641810	6	Bolt 1/2 x 1-1/4	
15	0641813	6	Bolt 1/2 x 1-5/8	
16	0642010	2	Bolt 5/8 x 1-1/4	
17	0682028	8	Bolt 5/8 x 3-1/2 Grade 8	
18	0682212	8	Bolt 3/4 x 1-1/2 Grade 8	
19	0741806	1	Screw 1/2 x 3/4	
20	0791606	2	Screw 3/8 x 3/4	
21	0801497	1	Base, Boom	
22	0801369	1	Fly, Boom	
23	0811606	12	Screw 3/8 x 3/4	
24	0811607	12	Screw 3/8 x 7/8	
25	0961951	8	Bushing	
28	1100141	1	Cam	
30	1684173	NLA	Jib Cylinder Assembly (Use p/n 1001228025) (See CYLINDER SECTION for Breakdown) (SN 0300201017 through 0300239155)	
30	1001228025	1	Jib Cylinder Assembly (See CYLINDER SECTION for Breakdown) (SN 0300239156 to Present)	
31	1001175888	NLA	Telescope Cylinder Assembly (Use p/n 1001228080) (See CYLINDER SECTION for Breakdown) (SN 0300201017 through 0300243463)	
31	1001228080	1	Telescope Cylinder Assembly (See CYLINDER SECTION for Breakdown) (SN 0300243464 to Present)	
32	1684430	NLA	Platform Level Cylinder Assembly (Use p/n 1001228034) (See CYLINDER SECTION for Breakdown) (SN 0300201017 through 0300238006)	
32	1001228034	1	Platform Level Cylinder Assembly (See CYLINDER SECTION for Breakdown) (SN 0300238007 to Present)	
33	3311605	1	Nut 3/8	
34	3340878	8	Pad, Wear	
35	3340974	8	Pad, Wear	
36	3422178	1	Pin	

SECTION 4 - BOOM

ITEM	PART NUMBER	QTY	DESCRIPTION	REV
37	3422937	1	Pin	
38	1001119899	2	Pin	
39	3422957	5	Pin	
40	3422958	1	Pin	
41	3423058	1	Pin	
42	3423059	1	Pin	
43	3423190	1	Pin	
44	3760133	7	Ring, Retaining	
45	3760217	1	Ring, Retaining	
46	3760233	1	Ring, Retaining	
47	3841143	7	Keeper, Pin	
48	3841203	1	Keeper, Pin	
49	3841258	2	Keeper, Pin	
51	3900259	4	Bolt, Shoulder	
52	4070864	16	Shim #18 Gauge	
53	4071044	1	Shim #18 Gauge	
54	4071045	1	Shim #11 Gauge	
55	4071073	16	Shim #18 Gauge	
56	4846482	1	Link, Jib (Upper)	
57	4420060	52 ft/16m	Tape, Double-Sided	
58	0801550	1	Link, Jib (Lower)	
59	4630006	1	Pivot	
59A	0962224	2	Bearing	
60	3010142	1	Link (Upper) (SN 0300201017 through 0300218295))	
60	1001200839	1	Link (Upper) (SN 0300218296 to Present)	
60A	0962224	2	Bearing	
61	3010136	1	Link (Lower)	
61A	0962224	2	Bearing	
61B	0962556	2	Bearing	
62	4891800	24	Washer 1/2	
63	3272001	1	Nut 5/8	
64	4100101	1	Sleeve, Pin Retainer	
65	0682014	1	Bolt 5/8 x 1-3/4	
66	3020042	AR	Lube, Super (Not Shown)	

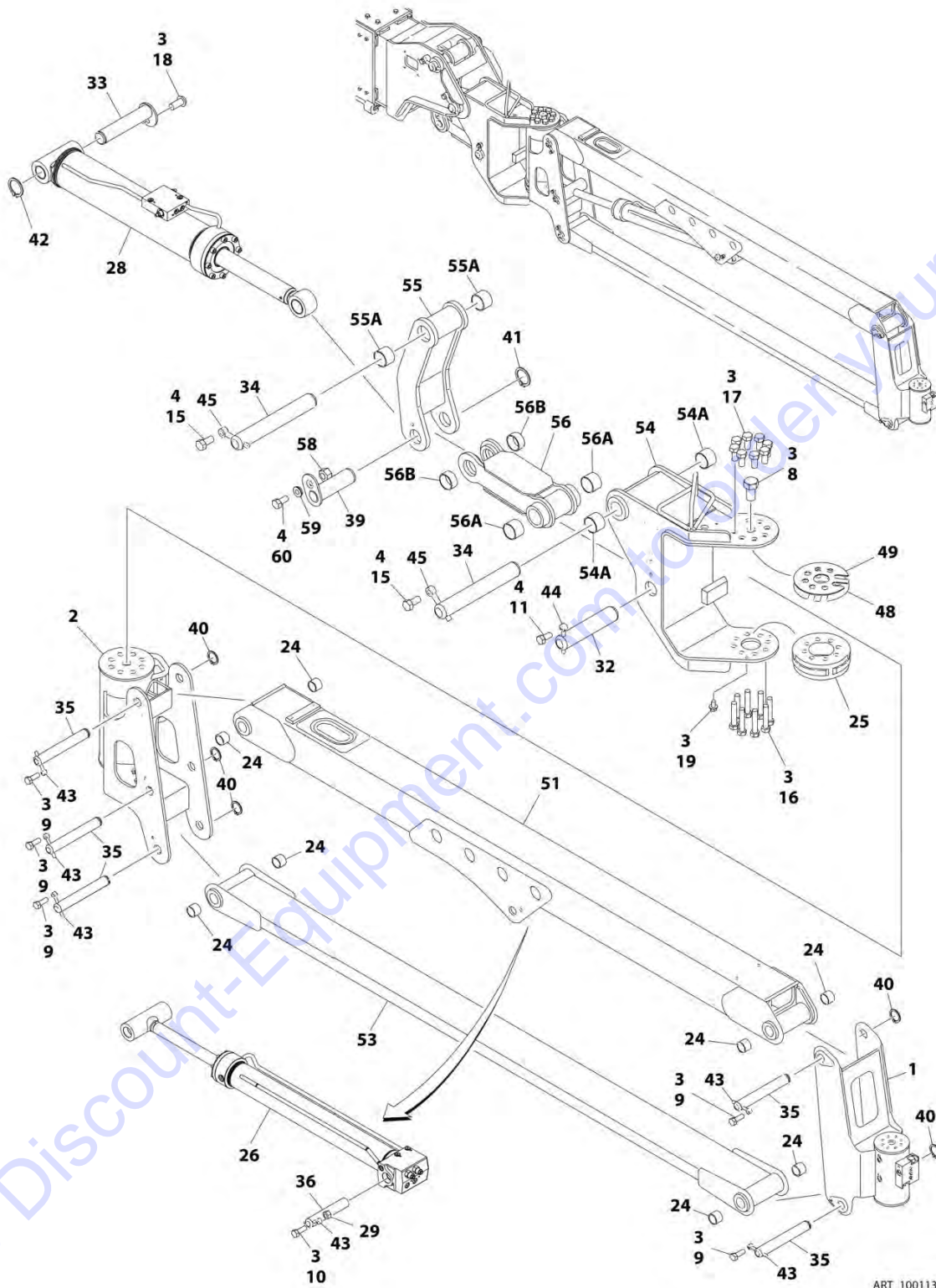
SECTION 4 - BOOM

FIGURE 4-5. MAIN BOOM ASSEMBLY - WITH COLD WEATHER PLUS PACKAGE



ART_1001138812_10F2

SECTION 4 - BOOM



ART_1001138812_10F2

SECTION 4 - BOOM

FIGURE 4-5. MAIN BOOM ASSEMBLY - WITH COLD WEATHER PLUS PACKAGE

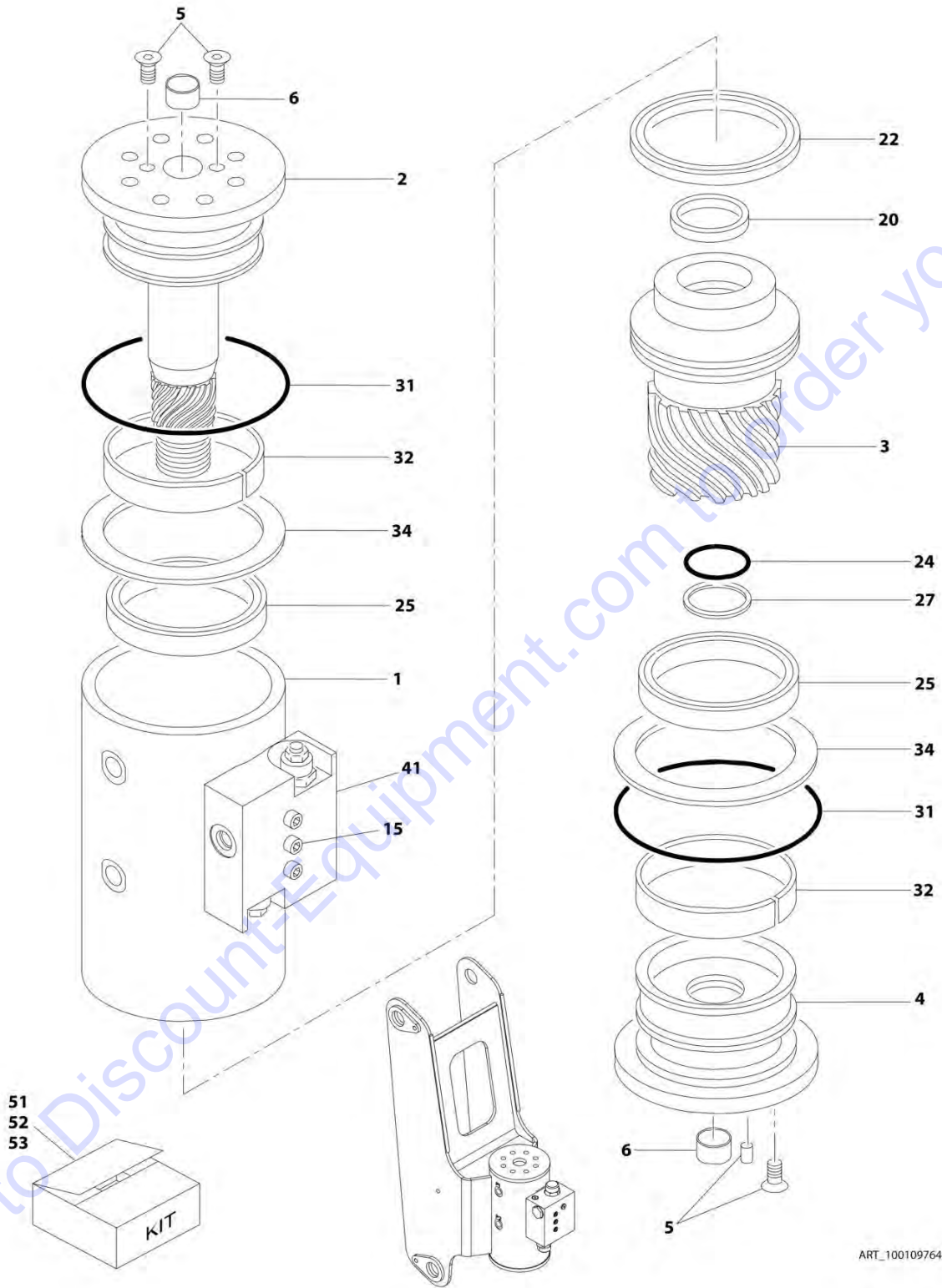
ITEM	PART NUMBER	QTY	DESCRIPTION	REV
	1001138812	Ref	MAIN BOOM ASSEMBLY - WITH COLD WEATHER PLUS PACKAGE	G
1	1001097643	NLA	Actuator Assembly (Platform Rotate) (See PLATFORM ROTATE ASSEMBLY for Breakdown) (Use p/n 1001178247) (SN 0300201017 through 0300201349)	
1	1001178247	1	Actuator Assembly (Platform Rotate) (See PLATFORM ROTATE ASSEMBLY for Breakdown) (SN 0300201350 to Present)	
2	1001097619	NLA	Actuator Assembly (Jib Rotate) (See JIB ROTATE ASSEMBLY for Breakdown) (Use p/n 1001178248) (SN 0300201017 through 0300201349)	
2	1001178248	1	Actuator Assembly (Jib Rotate) (See JIB ROTATE ASSEMBLY for Breakdown) (SN 0300201350 to Present)	
3	0100011	AR	Compound, Locking	
4	0100019	AR	Compound, Locking	
5	1001106483	2	Bar, Fiberglass	
6	1001106475	2	Bar, Fiberglass	
7	1001106476	1	Bar, Fiberglass	
8	0630558	1	Bolt, Special	
9	0641607	6	Bolt 3/8 x 7/8	
10	0641610	1	Bolt 3/8 x 1-1/4	
11	0641808	1	Bolt 1/2 x 1-1/8	
12	0641809	12	Bolt 1/2 x 1	
13	0641810	6	Bolt 1/2 x 1-1/4	
14	0641813	6	Bolt 1/2 x 1-5/8	
15	0642010	2	Bolt 5/8 x 1-1/4	
16	0682028	8	Bolt 5/8 x 3-1/2 Grade 8	
17	0682212	8	Bolt 3/4 x 1-1/2 Grade 8	
18	0741806	1	Screw 1/2 x 3/4	
19	0791606	2	Screw 3/8 x 3/4	
20	0801497	1	Base, Boom	
21	0801369	1	Fly, Boom	
22	0811606	12	Screw 3/8 x 3/4	
23	0811607	12	Screw 3/8 x 7/8	
24	0961951	8	Bushing	
25	1100141	1	Cam	
26	1001138803	NLA	Jib Cylinder Assembly (Use p/b 1001228025) (See CYLINDER SECTION for Breakdown) (SN 0300201017 through 0300239155)	
26	1001228025	1	Jib Cylinder Assembly (See CYLINDER SECTION for Breakdown) (SN 0300239156 to Present)	
27	1001175888	NLA	Telescope Cylinder Assembly (Use p/n 1001228080) (See CYLINDER SECTION for Breakdown) (SN 0300201017 through 0300243463)	
27	1001228080	1	Telescope Cylinder Assembly (See CYLINDER SECTION for Breakdown) (SN 0300243464 to Present)	
28	1001138813	NLA	Platform Level Cylinder Assembly (Use p/n 1001228034) (See CYLINDER SECTION for Breakdown) (SN 0300201017 through 0300239155)	
28	1001228034	1	Platform Level Cylinder Assembly (See CYLINDER SECTION for Breakdown) (SN 0300239156 to Present)	
29	3311605	1	Nut 3/8	
30	3340878	8	Pad, Wear	
31	3340974	8	Pad, Wear	
32	3422178	1	Pin	

SECTION 4 - BOOM

ITEM	PART NUMBER	QTY	DESCRIPTION	REV
33	3422937	1	Pin	
34	1001119899	2	Pin	
35	3422957	5	Pin	
36	3422958	1	Pin	
37	3423058	1	Pin	
38	3423059	1	Pin	
39	3423190	1	Pin	
40	3760133	7	Ring, Retaining	
41	3760217	1	Ring, Retaining	
42	3760233	1	Ring, Retaining	
43	3841143	7	Keeper, Pin	
44	3841203	1	Keeper, Pin	
45	3841258	2	Keeper, Pin	
46	3900259	4	Bolt, Shoulder	
47	4070864	16	Shim #18 Gauge	
48	4071044	1	Shim #18 Gauge	
49	4071045	1	Shim #11 Gauge	
50	4071073	16	Shim #18 Gauge	
51	4846482	1	Link, Jib (Upper)	
52	4420060	52 ft/16m	Tape, Double-Sided	
53	0801550	1	Link, Jib (Lower)	
54	4630006	1	Pivot	
54A	0962224	2	Bearing	
55	3010142	1	Link (Upper) (SN 0300201017 through 0300218295)	
55	1001200839	1	Link (Upper) (SN 0300218296 to Present)	
55A	0962224	2	Bearing	
56	3010136	1	Link (Lower)	
56A	0962224	2	Bearing	
56B	0962556	2	Bearing	
57	4891800	24	Washer 1/2	
58	3272001	1	Nut 5/8	
59	4100101	1	Sleeve, Pin Retainer	
60	0682014	1	Bolt 5/8 x 1-3/4	
61	3020042	AR	Lube, Super (Not Shown)	

SECTION 4 - BOOM

FIGURE 4-6. PLATFORM ROTATE ASSEMBLY (SN 0300201017 through 0300201349)



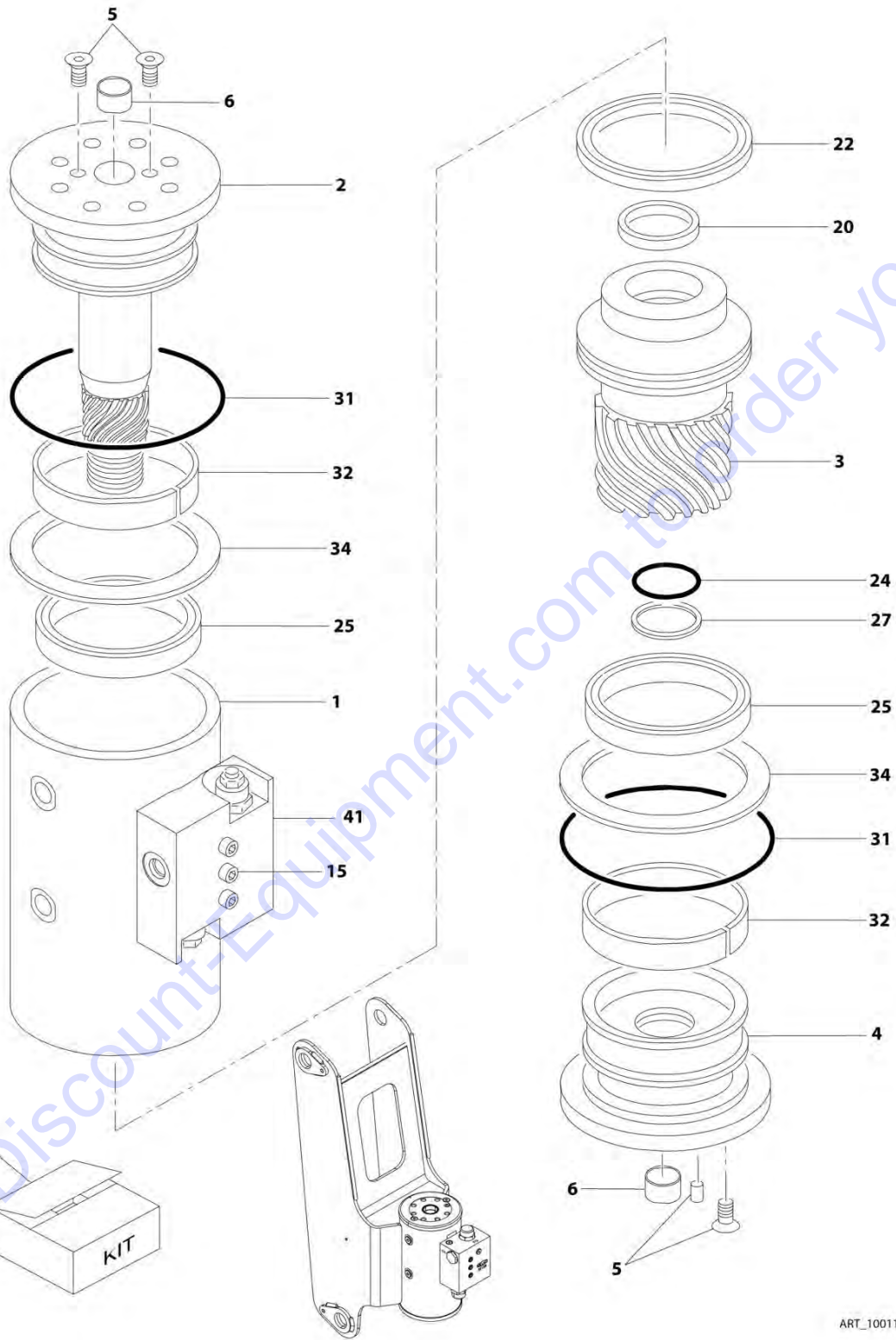
SECTION 4 - BOOM

FIGURE 4-6. PLATFORM ROTATE ASSEMBLY (SN 0300201017 through 0300201349)

ITEM	PART NUMBER	QTY	DESCRIPTION	REV
	1001097643	Ref	PLATFORM ROTATE ASSEMBLY (SN 0300201017 through 0300201349)	B
1	See Note	NSS	Case/Bracket Weldment (Note: Not Available - Purchase Complete Assembly)	
2	7017162	1	Shaft	
3	7017163	1	Sleeve, Piston	
4	7017164	1	Cap, End	
5	See Note	AR	Screw (Note: See Item 53 for Replacement)	
5	See Note	AR	Dowel Pin (Note: See Item 53 for Replacement)	
6	7017195	2	Bushing	
15	See Note	NSS	Capscrew 1/4 x 1-1/2 (Grade 8) (Note: Not Available for Purchase)	
20	See Note	1	Seal, Rod (Note: See Item 51 for Replacement Options)	
22	See Note	1	Seal, Piston (Note: See Item 51 for Replacement Options)	
24	See Note	1	Seal, Cap (Note: See Item 51 for Replacement Options)	
25	See Note	2	Packing, Bearing (Note: See Item 51 for Replacement Options)	
27	See Note	1	Ring, Cap Back-up (Note: See Item 51 for Replacement Options)	
31	See Note	2	Seal (Note: See Item 51 for Replacement Options)	
32	See Note	2	Bearing, Shaft (Note: See Item 52 for Replacement)	
34	See Note	2	Thrustwasher (Note: See Item 52 for Replacement)	
41	70001639	1	Motion Control Valve Assembly (Cartridges not serviced separately)	
51		Ref	Seal Kit Options: (Includes Items 20, 22, 24, 25, 27 & 31)	
51	7017158	1	Standard	
51	70000342	1	Cold Climate	
52	7017159	1	Bearing Kit (Includes Items 32 & 34)	
53	7017142	1	Hardware Kit (Includes Item 5 and Plugs)	

SECTION 4 - BOOM

FIGURE 4-7. PLATFORM ROTATE ASSEMBLY (SN 0300201350 to Present)



ART_1001178247

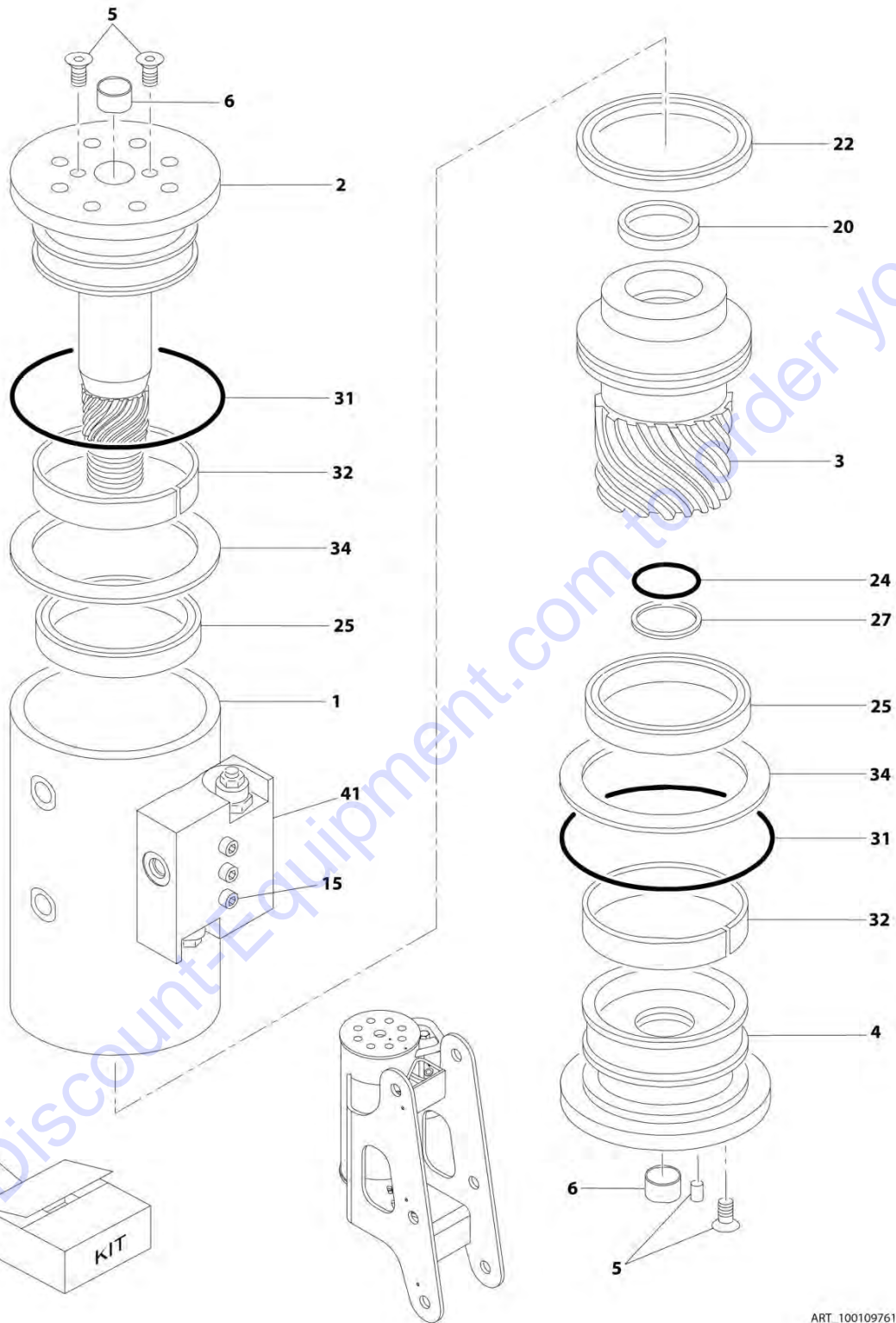
SECTION 4 - BOOM

FIGURE 4-7. PLATFORM ROTATE ASSEMBLY (SN 0300201350 to Present)

ITEM	PART NUMBER	QTY	DESCRIPTION	REV
	1001178247	Ref	PLATFORM ROTATE ASSEMBLY (SN 0300201350 to Present)	A
1	See Note	NSS	Case/Bracket Weldment (Note: Not Available - Purchase Complete Assembly)	
2	7017162	1	Shaft	
3	7017163	1	Sleeve, Piston	
4	7017164	1	Cap, End	
5	See Note	AR	Screw (Note: See Item 53 for Replacement)	
5	See Note	AR	Dowel Pin (Note: See Item 53 for Replacement)	
6	7017195	2	Bushing	
15	See Note	NSS	Capscrew 1/4 x 1-1/2 (Grade 8) (Note: Not Available for Purchase)	
20	See Note	1	Seal, Rod (Note: See Item 51 for Replacement Options)	
22	See Note	1	Seal, Piston (Note: See Item 51 for Replacement Options)	
24	See Note	1	Seal, Cap (Note: See Item 51 for Replacement Options)	
25	See Note	2	Packing, Bearing (Note: See Item 51 for Replacement Options)	
27	See Note	1	Ring, Cap Back-up (Note: See Item 51 for Replacement Options)	
31	See Note	2	Seal (Note: See Item 51 for Replacement Options)	
32	See Note	2	Bearing, Shaft (Note: See Item 52 for Replacement)	
34	See Note	2	Thrustwasher (Note: See Item 52 for Replacement)	
41	70001639	1	Motion Control Valve Assembly (Cartridges not serviced separately)	
51	70000342	1	Seal Kit (Includes Items 20, 22, 24, 25, 27 & 31)	
52	7017159	1	Bearing Kit (Includes Items 32 & 34)	
53	7017142	1	Hardware Kit (Includes Item 5 and Plugs)	

SECTION 4 - BOOM

FIGURE 4-8. JIB ROTATE ASSEMBLY (SN 0300201017 through 0300201349)



ART_1001097619

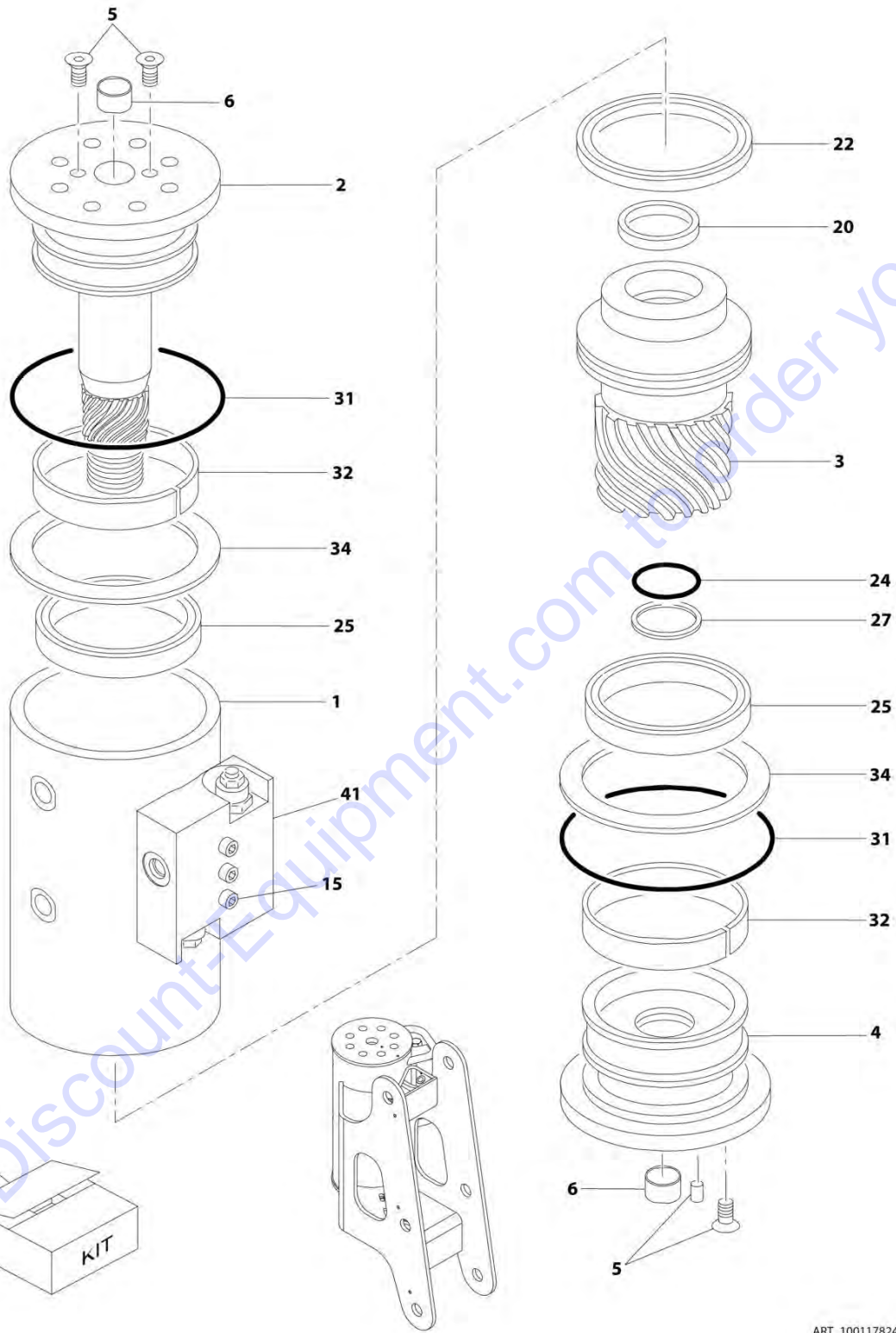
SECTION 4 - BOOM

FIGURE 4-8. JIB ROTATE ASSEMBLY (SN 0300201017 through 0300201349)

ITEM	PART NUMBER	QTY	DESCRIPTION	REV
	1001097619	Ref	JIB ROTATE ASSEMBLY (SN 0300201017 through 0300201349)	B
1	See Note	NSS	Case/Bracket Weldment (Note: Not Available - Purchase Complete Assembly)	
2	7017191	1	Shaft	
3	7017187	1	Sleeve, Piston	
4	7017188	1	Cap, End	
5	See Note	AR	Screw (Note: See Item 53 for Replacement)	
5	See Note	AR	Dowel Pin (Note: See Item 53 for Replacement)	
6	7017195	2	Bushing	
15	See Note	NSS	Capscrew 1/4 x 1-1/2 (Grade 8) (Note: Not Available for Purchase)	
20	See Note	1	Seal, Rod (Note: See Item 51 for Replacement Options)	
22	See Note	1	Seal, Piston (Note: See Item 51 for Replacement Options)	
24	See Note	1	Seal, Cap (Note: See Item 51 for Replacement Options)	
25	See Note	2	Packing, Bearing (Note: See Item 51 for Replacement Options)	
27	See Note	1	Ring, Cap Back-up (Note: See Item 51 for Replacement Options)	
31	See Note	2	Seal (Note: See Item 51 for Replacement Options)	
32	See Note	2	Bearing, Shaft (Note: See Item 52 for Replacement)	
34	See Note	2	Thrustwasher (Note: See Item 52 for Replacement)	
41	70002859	1	Motion Control Valve Assembly (Cartridges not serviced separately)	
51		Ref	Seal Kit Options: (Includes Items 20, 22, 24, 25, 27 & 31)	
51	7017184	1	Standard	
51	70000796	1	Cold Climate	
52	7017185	1	Bearing Kit (Includes Items 32 & 34)	
53	70001640	1	Hardware Kit (Includes Item 5 and Plugs)	

SECTION 4 - BOOM

FIGURE 4-9. JIB ROTATE ASSEMBLY (SN 0300201350 to Present)



ART_1001178248

PARTS FINDER

**Search Website
by Part Number**



**Search Manual
Library For Parts
Manual & Lookup Part
Numbers – Purchase
or Request Quote**

**Can't Find Part or
Manual? Request Help
by Manufacturer,
Model & Description**

Discount-Equipment.com is your online resource for quality parts & equipment.

Florida: **561-964-4949** Outside Florida TOLL FREE: **877-690-3101**

Need parts?

Click on this link: <http://www.discount-equipment.com/category/5443-parts/> and choose one of the options to help get the right parts and equipment you are looking for. Please have the machine model and serial number available in order to help us get you the correct parts. If you don't find the part on the website or on one of the online manuals, please fill out the request form and one of our experienced staff members will get back to you with a quote for the right part that your machine needs.

We sell worldwide for the brands: Genie, Terex, JLG, MultiQuip, Mikasa, Essick, Whiteman, Mayco, Toro Stone, Diamond Products, Generac Magnum, Airman, Haulotte, Barreto, Power Blanket, Nifty Lift, Atlas Copco, Chicago Pneumatic, Allmand, Miller Curber, Skyjack, Lull, Skytrak, Tsurumi, Husquvarna Target, Stow, Wacker, Sakai, Mi-T-M, Sullair, Basic, Dynapac, MBW, Weber, Bartell, Bennar Newman, Haulotte, Ditch Runner, Menegotti, Morrison, Contec, Buddy, Crown, Edco, Wyco, Bomag, Laymor, EZ Trench, Bil-Jax, F.S. Curtis, Gehl Pavers, Heli, Honda, ICS/PowerGrit, IHI, Partner, Imer, Clipper, MMD, Koshin, Rice, CH&E, General Equipment, Amida, Coleman, NAC, Gradall, Square Shooter, Kent, Stanley, Tamco, Toku, Hatz, Kohler, Robin, Wisconsin, Northrock, Oztec, Toker TK, Rol-Air, APT, Wylie, Ingersoll Rand / Doosan, Innovatech, Con X, Ammann, Mecalac, Makinex, Smith Surface Prep, Small Line, Wanco, Yanmar

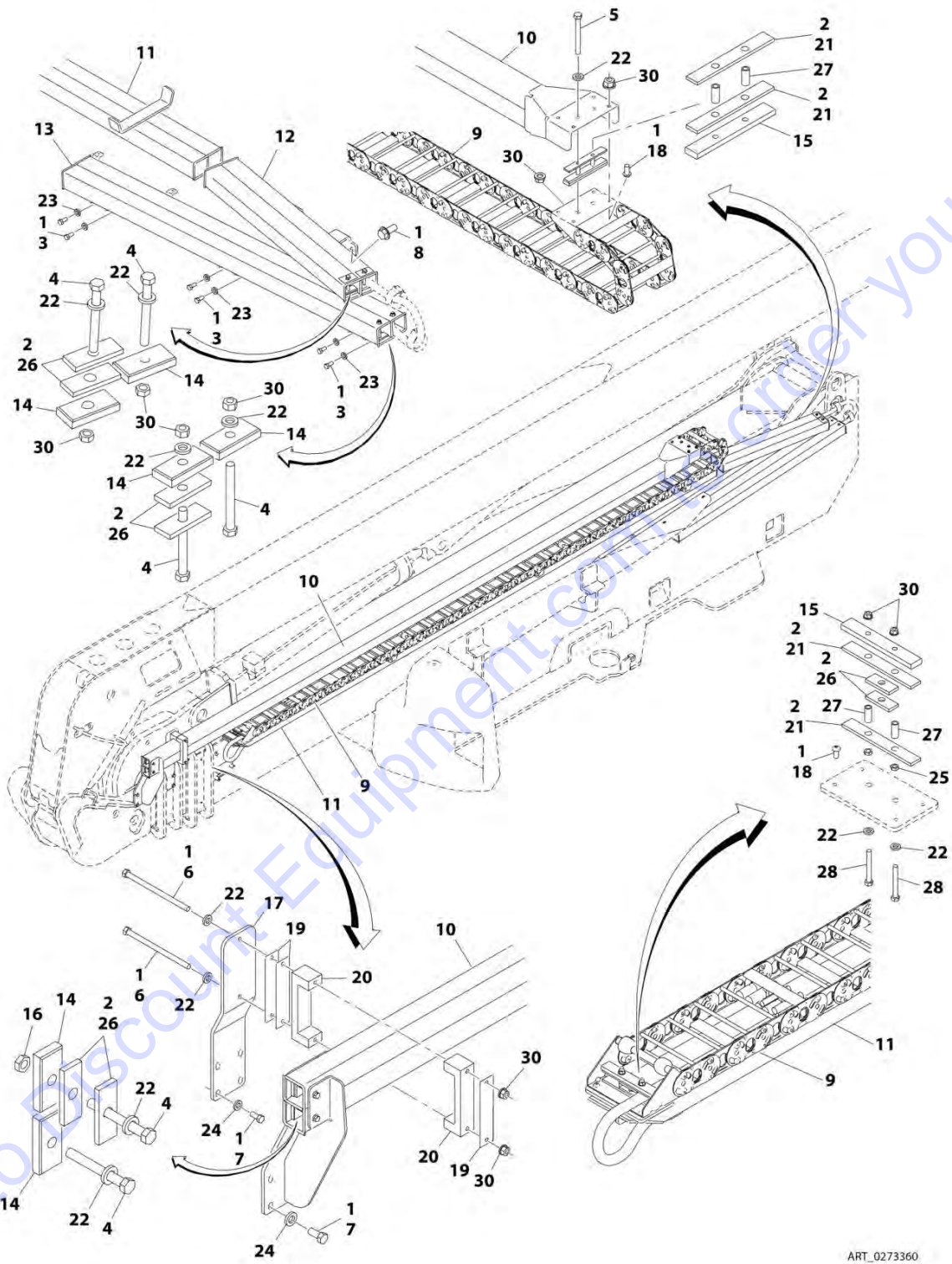
SECTION 4 - BOOM

FIGURE 4-9. JIB ROTATE ASSEMBLY (SN 0300201350 to Present)

ITEM	PART NUMBER	QTY	DESCRIPTION	REV
	1001178248	Ref	JIB ROTATE ASSEMBLY (SN 0300201350 to Present)	A
1	See Note	NSS	Case/Bracket Weldment (Note: Not Available - Purchase Complete Assembly)	
2	7017162	1	Shaft	
3	7017163	1	Sleeve, Piston	
4	7017164	1	Cap, End	
5	See Note	AR	Screw (Note: See Item 53 for Replacement)	
5	See Note	AR	Dowel Pin (Note: See Item 53 for Replacement)	
6	7017195	2	Bushing	
15	See Note	NSS	Capscrew 1/4 x 1-1/2 (Grade 8) (Note: Not Available for Purchase)	
20	See Note	1	Seal, Rod (Note: See Item 51 for Replacement Options)	
22	See Note	1	Seal, Piston (Note: See Item 51 for Replacement Options)	
24	See Note	1	Seal, Cap (Note: See Item 51 for Replacement Options)	
25	See Note	2	Packing, Bearing (Note: See Item 51 for Replacement Options)	
27	See Note	1	Ring, Cap Back-up (Note: See Item 51 for Replacement Options)	
31	See Note	2	Seal (Note: See Item 51 for Replacement Options)	
32	See Note	2	Bearing, Shaft (Note: See Item 52 for Replacement)	
34	See Note	2	Thrustwasher (Note: See Item 52 for Replacement)	
41	70002859	1	Motion Control Valve Assembly (Cartridges not serviced separately)	
51	70000796	1	Seal Kit (Includes Items 20, 22, 24, 25, 27 & 31)	
52	7017185	1	Bearing Kit (Includes Items 32 & 34)	
53	70001640	1	Hardware Kit (Includes Item 5 and Plugs)	

SECTION 4 - BOOM

FIGURE 4-10. POWER TRACK AND BOOM CLAMPS INSTALLATION (TOWER BOOM)



ART_0273360

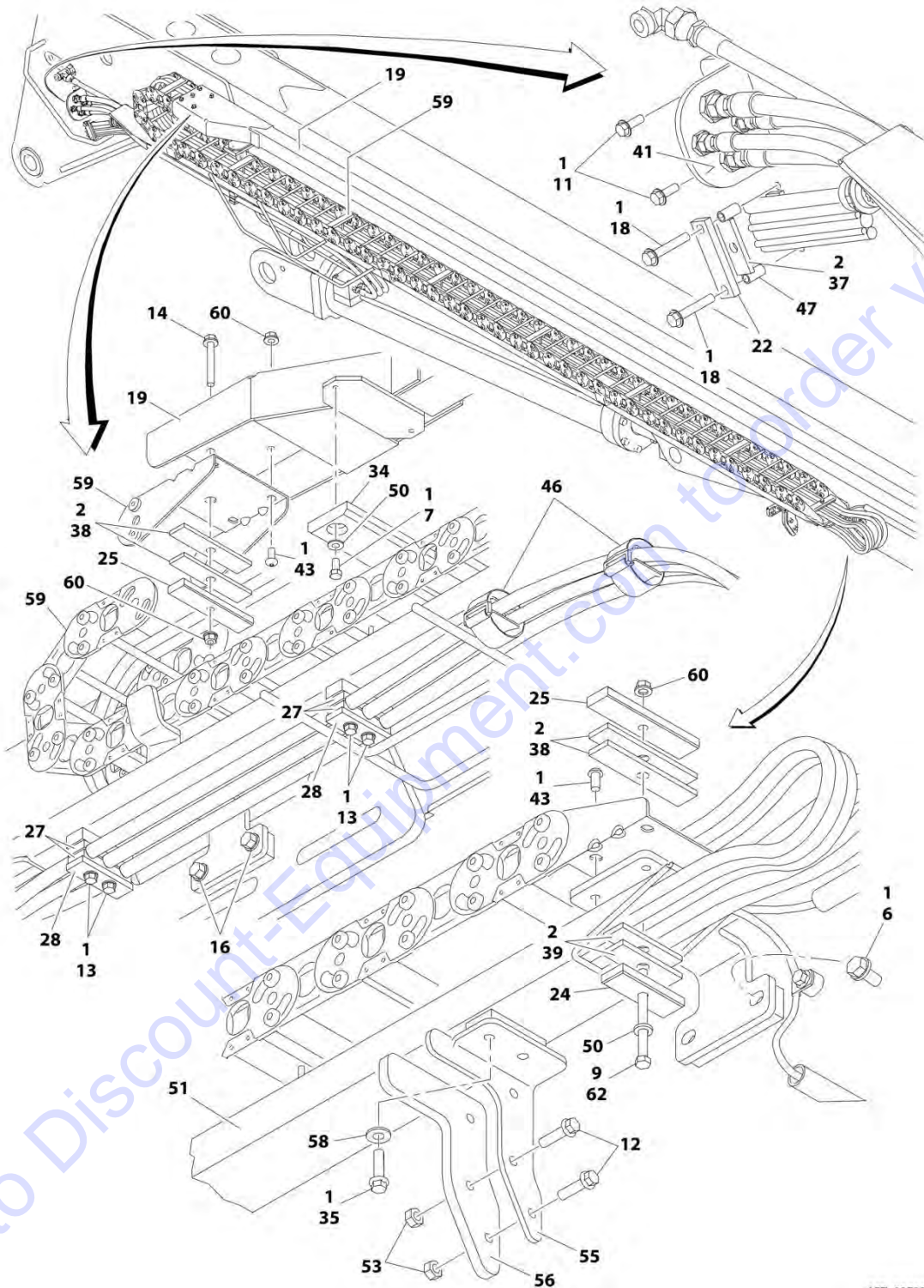
SECTION 4 - BOOM

FIGURE 4-10. POWER TRACK AND BOOM CLAMPS INSTALLATION (TOWER BOOM)

ITEM	PART NUMBER	QTY	DESCRIPTION	REV
	0273360	Ref	POWER TRACK AND BOOM CLAMPS INSTALLATION (TOWER BOOM)	F
1	0100011	AR	Compound, Locking	
2	0100081	AR	Adhesive #454	
3	0641606	6	Bolt 3/8 x 3/4	
4	0641628	6	Bolt 3/8 x 3-1/2	
5	0630539	2	Bolt 3/8 x 3-1/2	
6	0641652	2	Bolt 3/8 x 6-1/2	
7	0641809	8	Bolt 1/2 x 1-1/8	
8	0791808	12	Screw 1/2 x 1	
9	1001131730	1	Power Track, Tower Hose	
9	70003919	AR	Repair Section Kit (Includes Inner and Outer Links, Joining Bars and Rollers, and Assembling Hardware)	
9	70003920	1	Mounting Bracket Kit (Includes Mounting Brackets for Both Ends, 1 Roller Assembly and Assembling Hardware)	
10	1180387	1	Tube, Push (Upper Tower Boom)	
11	1180388	1	Tube, Carrier (Lower Tower Boom)	
12	1180389	1	Tube, Carrier (T/T to Tower Boom)	
13	1180390	1	Tube, Carrier (Turntable)	
14	1320288	6	Clamp, Bar	
15	1320328	2	Clamp, Bar	
16	3311608	6	Nut 3/8	
17	3574644	1	Plate, Support	
18	3900283	8	Screw 3/8 x 3/4	
19	4071076	3	Shim	
20	4220189	2	Block, Support	
21	4220190	4	Pad, Rubber	
22	4711600	12	Washer 3/8	
23	4891600	6	Washer 3/8	
24	4891800	8	Washer 1/2	
25	3311602	2	Nut 3/8	
26	3340941	8	Pad, Rubber	
27	4562516	3 in/7.6cm	Tubing, Poly	
28	0630593	2	Bolt 3/8 x 3-1/4	
29	4240155	AR	Strap (Not Shown)	
30	3300492	10	Nut, Lock Nylon Insert	

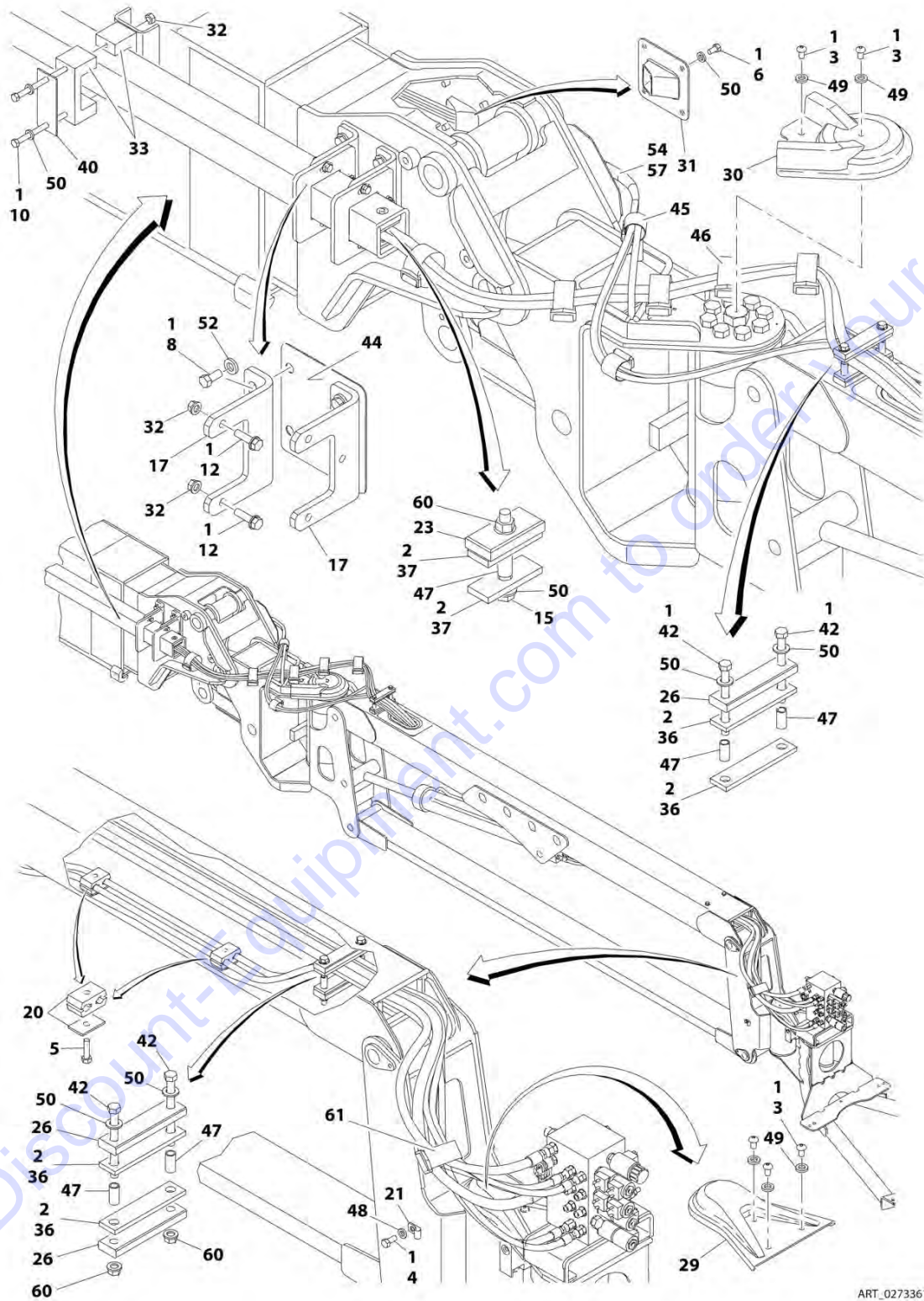
SECTION 4 - BOOM

FIGURE 4-11. POWER TRACK AND BOOM CLAMPS INSTALLATION (MAIN BOOM AND JIB)



ART_0273361_1OF2

SECTION 4 - BOOM



ART_0273361_20F2

SECTION 4 - BOOM

FIGURE 4-11. POWER TRACK AND BOOM CLAMPS INSTALLATION (MAIN BOOM AND JIB)

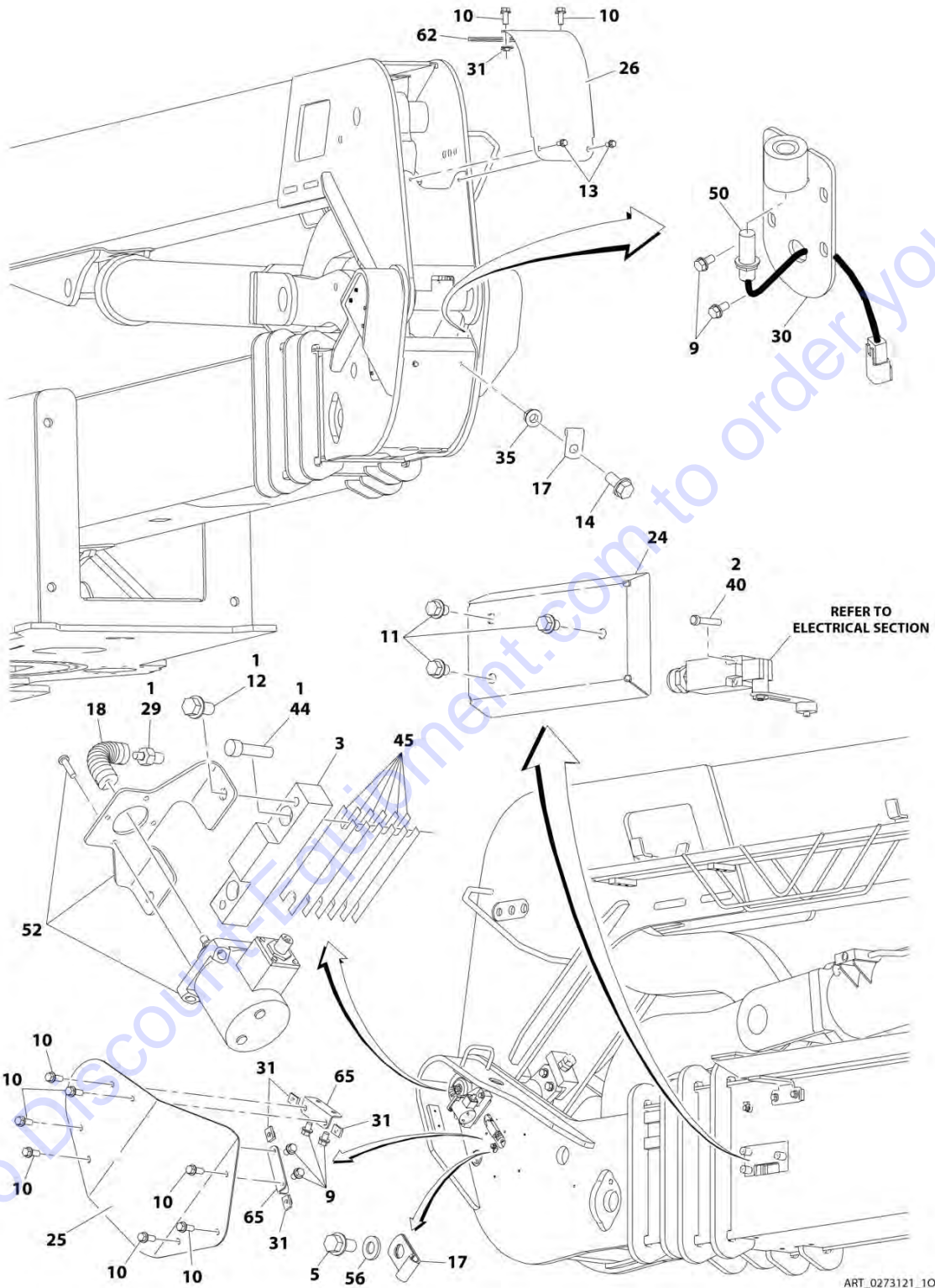
ITEM	PART NUMBER	QTY	DESCRIPTION	REV
	0273361	Ref	POWER TRACK AND BOOM CLAMPS INSTALLATION (MAIN BOOM AND JIB)	J
1	0100011	AR	Compound, Locking	
2	0100081	AR	Adhesive #454	
3	0630467	AR	Screw 5/16 x 1/2	
4	0641406	1	Bolt 1/4 x 3/4	
5	0791510	2	Screw 5/16 x 1-1/4	
6	0641605	4	Bolt 3/8 x 5/8	
7	0641606	2	Bolt 3/8 x 3/4	
8	0641809	4	Bolt 1/2 x 1-1/8	
9	0641638	1	Bolt 3/8 x 4-3/4	
10	0641644	2	Bolt 3/8 x 5-1/2	
11	0791608	2	Screw 3/8 x 1	
12	0791610	10	Screw 3/8 x 1-1/4	
13	0791616	4	Screw 3/8 x 2	
14	0791622	1	Screw 3/8 x 2-3/4	
15	0641626	1	Bolt 3/8 x 3-1/4	
16	0791808	8	Screw 1/2 x 1	
17	0902932	2	Bracket, Mounting	
18	0791618	2	Screw 3/8 x 2-1/4	
19	1180386	1	Tube, Push (Upper Main Boom)	
20	1320159	2	Clamp, Hose	
21	1320263	2	Clamp, Hose	
22	1320277	1	Clamp, Hose	
23	1320288	1	Clamp, Hose	
24	1320289	1	Clamp, Hose	
25	1320294	2	Clamp, Bar	
26	1320296	3	Clamp, Bar	
27	1320325	2	Clamp, Block	
28	1320327	2	Clamp, Cover Plate	
29	1670964	1	Cover, Support/Rotator (SN 0300201017 through 0300224857)	
30	1671122	1	Cover, Jib Pivot	
31	2540044	1	Guide, Hose	
32	3311608	12	Nut 3/8	
33	3340764	2	Pad, Push Tube	
34	3340787	NLA	Pad, Wear (Use p/n 1001136469)	
35	0811606	2	Screw 3/8 x 3/4	
36	3340934	4	Pad, Clamp	
37	3340941	4	Pad, Rubber	
38	3340942	4	Pad, Rubber	
39	3340943	2	Pad, Rubber	
40	3538758	1	Plate, Backing	
41	3574606	1	Plate, Bulkhead Mounting	
42	3900260	4	Capscrew 3/8 x 4	
43	3900283	8	Screw 3/8 x 3/4	
44	4071072	1	Shim, Adjusting 16Ga	
45	4240153	AR	Tie-Strap	
46	4240155	AR	Tie-Strap	
47	4562516	7 in/18 cm	Tubing, Poly	
48	4711400	1	Washer 1/4	

SECTION 4 - BOOM

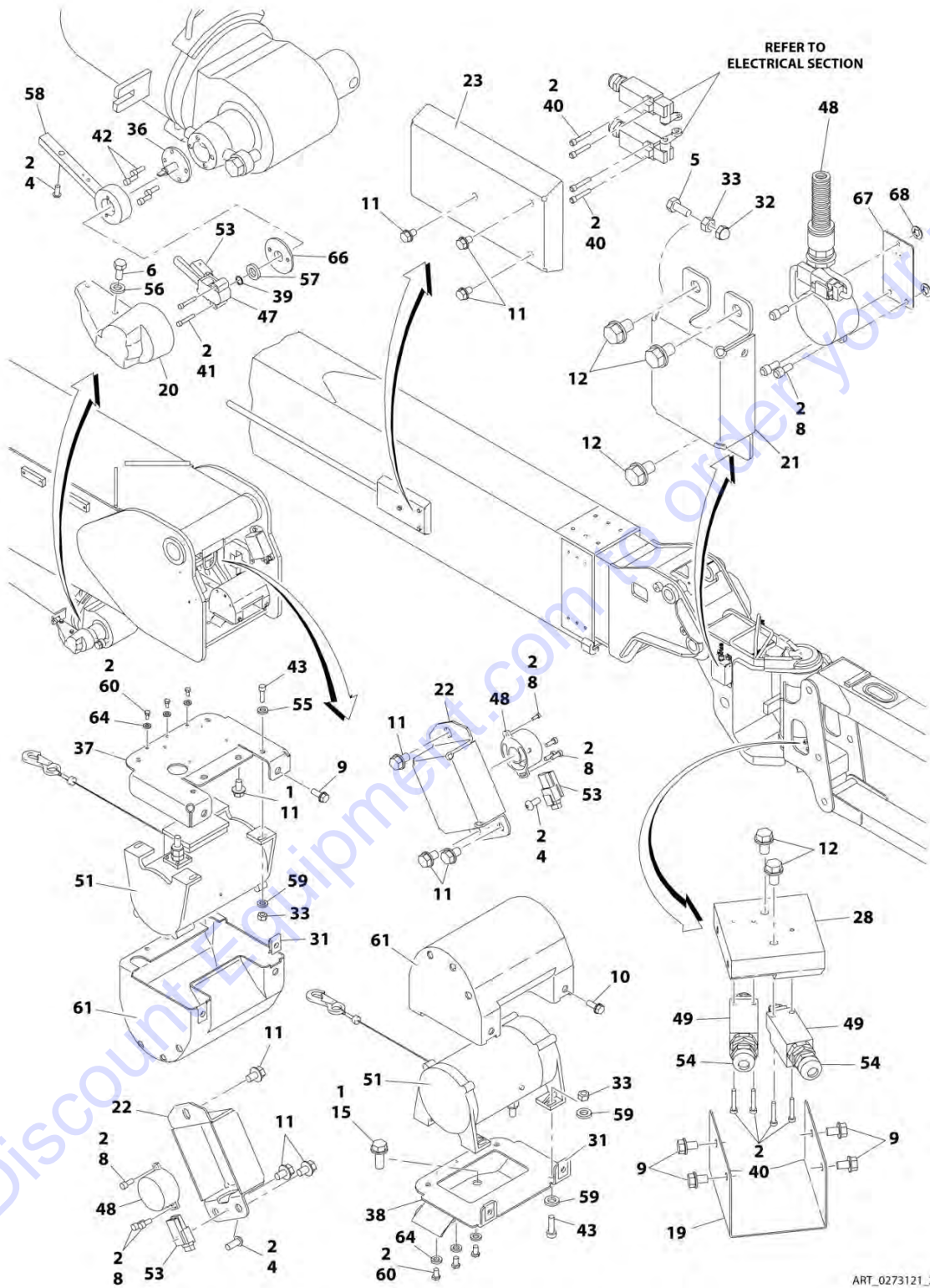
ITEM	PART NUMBER	QTY	DESCRIPTION	REV
49	4711500	AR	Washer 5/16	
50	4711600	18	Washer 3/8	
51	4846920	1	Tube, Carrier (Lower Main Boom)	
52	4891800	4	Washer 1/2	
53	3311605	4	Nut 3/8	
54	4240033	AR	Tie-Strap	
55	0902965	1	Bracket, Push Tube Guide	
56	4220197	1	Pad, Guide Tube	
57	4100063	1	Sleeve	
58	4891600	2	Washer 3/8	
59	1001131732	1	Power Track, Main Cable	
59	70003913	AR	Repair Section Kit (Includes Inner and Outer Links, Joining Bars and Rollers, and Assembling Hardware)	
59	70003914	1	Roller Link Section Kit (Includes 1 Roller Assembly and Assembling Hardware)	
59	70003916	1	Mounting Bracket Kit (Includes Mounting Brackets for Both Ends and Assembling Hardware)	
60	3300492	5	Nut, Lock Nylon Insert	
61	4240156	1	Tie-Strap	
62	0641636	1	Bolt 3/8 x 4-1/2	
63	1321385	1	Clamp, Hose Retaining (Located at Platform Rotator - Not Shown)	

SECTION 4 - BOOM

FIGURE 4-12. BOOM SENSORS AND SWITCHES INSTALLATION



SECTION 4 - BOOM



ART_0273121_20F2

SECTION 4 - BOOM

FIGURE 4-12. BOOM SENSORS AND SWITCHES INSTALLATION

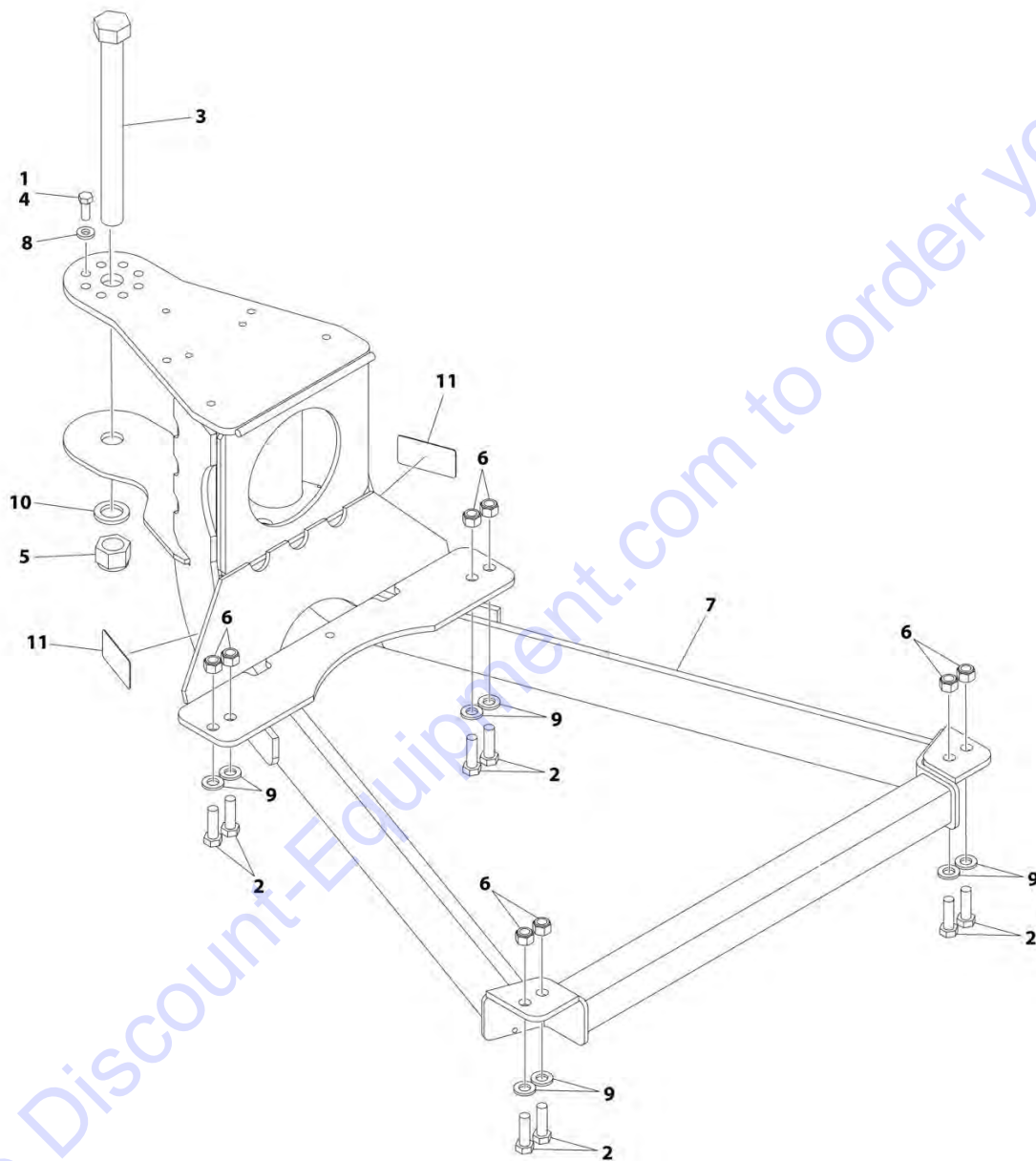
ITEM	PART NUMBER	QTY	DESCRIPTION	REV
	0273121	Ref	BOOM SENSORS AND SWITCHES INSTALLATION	P
1	0100011	AR	Compound, Locking	
2	0100035	AR	Compound, Locking	
3	0363224	2	Bar, Sensor Mounting	
4	0630464	3	Screw #10 x 1/2	
5	0641405	2	Bolt 1/4 x 5/8	
6	0641505	1	Bolt 5/16 x 5/8	
8	3930606	12	Capscrew #6 x 3/8	
9	0791504	17	Screw 5/16 x 1/2	
10	0791506	20	Screw 5/16 x 3/4	
11	0791604	20	Screw 3/8 x 1/2	
12	0791605	12	Screw 3/8 x 5/8	
13	0791606	2	Screw 3/8 x 3/4	
14	0791608	2	Screw 3/8 x 1	
15	0791810	2	Screw 1/2 x 1-1/4	
16	4240018	AR	Tie-Strap (Not Shown)	
17	1320301	7	Clamp, Hose	
18	1660261	2	Coupling, Rotary Sensor	
19	1671039	1	Cover, Jib Switch	
20	1671040	1	Cover, Sensor	
21	1671044	2	Cover, Level Sensor	
22	1671112	2	Cover, Angle Sensor	
23	1671113	2	Cover, Limit Switch	
24	1671117	1	Cover, Limit Switch	
25	3380528	2	Cover, Rotary Sensor	
26	1671123	1	Cover, Main Base Hose	
28	3200433	1	Mount, Jib Switch	
29	3200458	2	Mount, Coupling	
30	4340959	1	Mount, Sensor	
31	3300364	14	Nut, Tinnerman 5/16	
32	3300430	2	Nut 1/4	
33	3311405	10	Nut 1/4	
35	3311608	2	Nut 3/8	
36	3423256	1	Pin, Sensor (Note: Control System must be re-calibrated when Switch is replaced)	
37	4340810	1	Mount, Sensor (Upper)	
38	4340811	1	Mount, Sensor (Lower)	
39	3760383	1	Ring	
40	3930816	14	Capscrew #8 x 1	
41	3931020	2	Capscrew #10 x 1-1/4	
42	3931412	4	Capscrew 1/4 x 3/4	
43	3931414	8	Capscrew 1/4 x 7/8	
44	3931624	4	Capscrew 3/8 x 1-1/2	
45	4071031	12	Shim, Trunnion Keeper	
46	4240033	AR	Tie-Strap (Not Shown)	
47	4360505	1	Switch, Rotary Angle Sensor (Note: Control System must be re-calibrated when Switch is replaced)	
48	1001147479	4	Switch, Digital Angle Sensor (Note: Control System must be re-calibrated when Switch is replaced)	
49	4360548	2	Switch, Plunger	

SECTION 4 - BOOM

ITEM	PART NUMBER	QTY	DESCRIPTION	REV
50	4000008	1	Sensor, Proximity Assembly	
51	4360552	2	Switch, Boom Length (Note: Control System must be re-calibrated when Switch is replaced)	
52	4360622	2	Switch, Rotary Transducer (Note: Control System must be re-calibrated when Switch is replaced)	
53	4460914	3	Terminal, Base	
54	4460968	3	Connector, Strain Relief	
55	4711400	8	Washer 1/4	
56	4711500	2	Washer 5/16	
57	4711800	1	Washer 1/2	
58	0200833	1	Arm	
59	4891400	8	Washer 1/4	
60	0721003	6	Screw #10 x 3/8	
61	1671142	2	Cover, Length Sensor	
62	3960389	11 in /28cm	Seal	
63	3960571	1	Seal, Gasket (Not Shown)	
64	4751000	6	Washer #10	
65	4340861	4	Plate, Mounting	
66	0080277	1	Adapter, Angle Sensor Pilot	
67	4341158	2	Mount, Sensor	
68	8310070	6	Pushnut 3/8	

SECTION 4 - BOOM

FIGURE 4-13. PLATFORM SUPPORT INSTALLATION - WITHOUT LSS



ART_0272070

SECTION 4 - BOOM

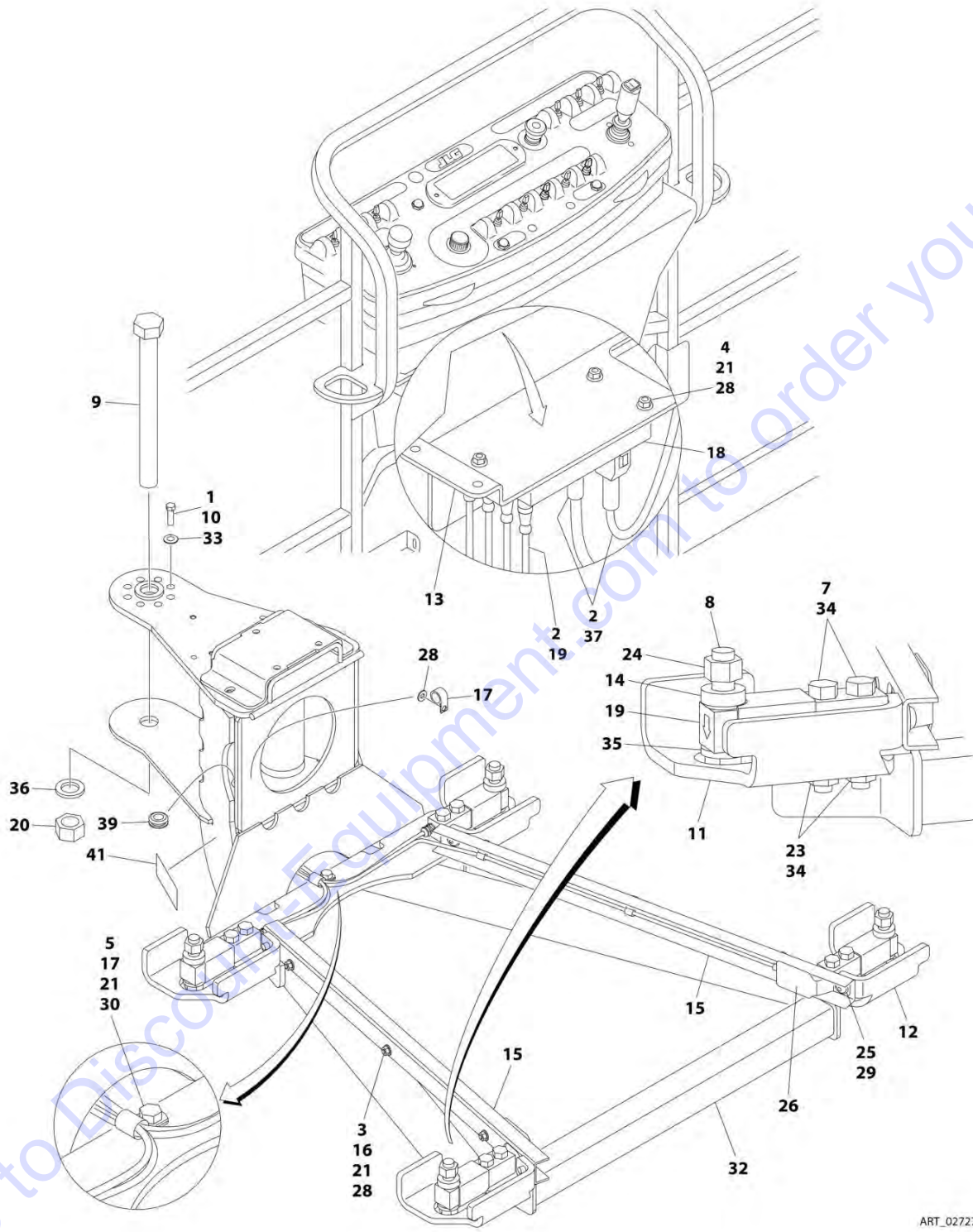
FIGURE 4-13. PLATFORM SUPPORT INSTALLATION - WITHOUT LSS

ITEM	PART NUMBER	QTY	DESCRIPTION	REV
	0272070	Ref	PLATFORM SUPPORT INSTALLATION - WITHOUT LSS	I
1	0100011	AR	Compound, Locking	
2	0641812	8	Bolt 1/2 x 1-1/2	
2	0761216	8	Bolt M12 x 40	
3	0642684	1	Bolt 1 x 10-1/4	
4	0681608	8	Bolt 3/8 x 1	
5	3300243	1	Nut 1	
6	3311805	8	Nut 1/2	
6	3291205	8	Nut M12	
7	4846573	1	Support	
8	4891600	8	Washer 3/8	
9	4891800	8	Washer 1/2	
9	5241200	8	Washer M12	
10	4892600	1	Washer 1	
11	1001216630	2	Decal - Tie Down/No Lift (SN 0300246739 to Present)	

Go to Discount-Equipment.com to order your parts

SECTION 4 - BOOM

FIGURE 4-14. PLATFORM SUPPORT INSTALLATION - WITH 4 CELL LSS



ART_0272703

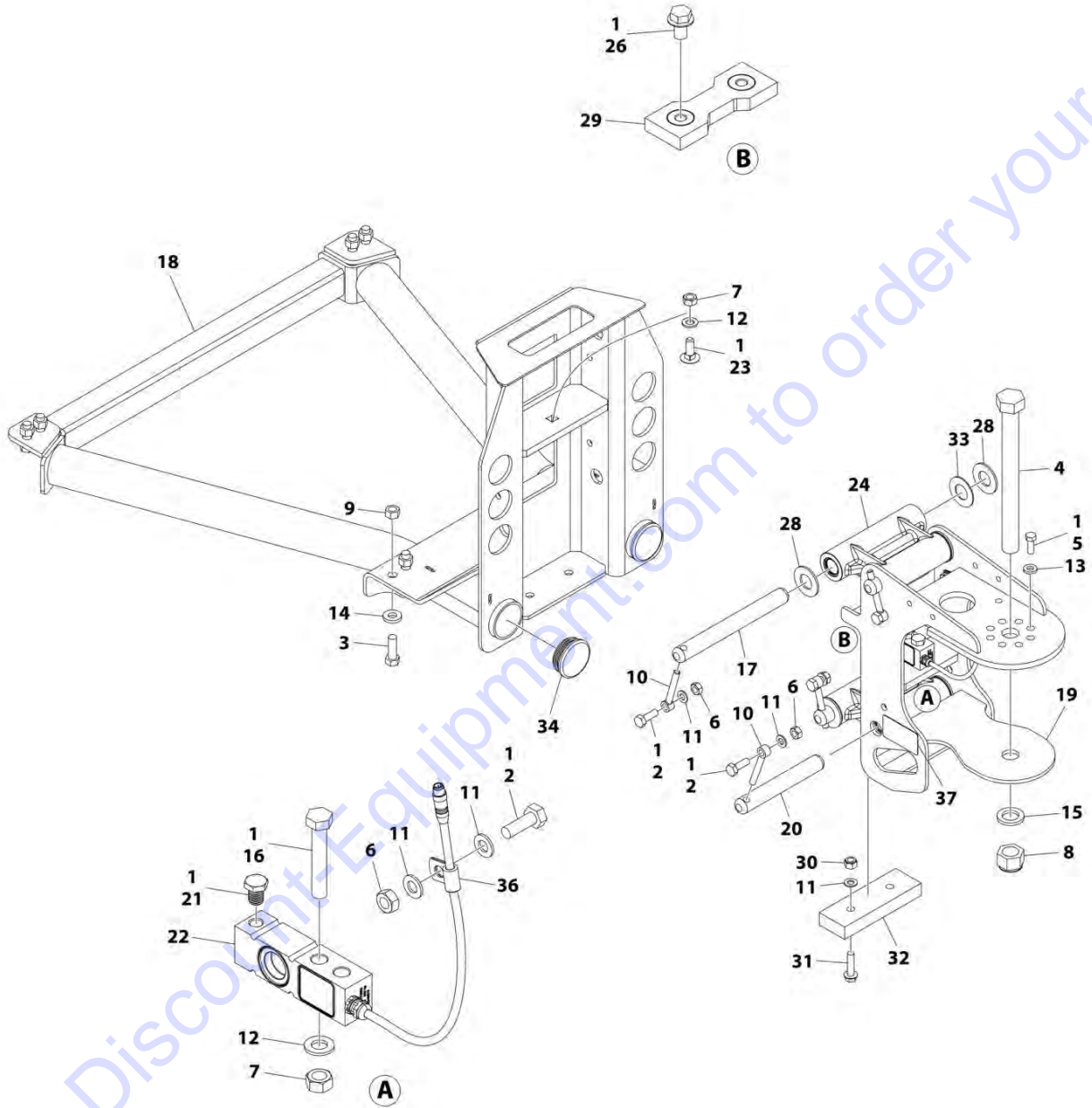
SECTION 4 - BOOM

FIGURE 4-14. PLATFORM SUPPORT INSTALLATION - WITH 4 CELL LSS

ITEM	PART NUMBER	QTY	DESCRIPTION	REV
	0272703	Ref	PLATFORM SUPPORT INSTALLATION - WITH 4 CELL LSS	Q
1	0100011	AR	Compound, Locking	
2	0100048	AR	Grease, Dielectric	
3	0641405	6	Bolt 1/4 x 5/8	
4	0641416	3	Bolt 1/4 x 2	
5	0641407	1	Bolt 1/4 x 7/8	
7	0641822	8	Bolt 1/2 x 2-3/4	
8	0642024	4	Bolt 5/8 x 3	
9	0642684	1	Bolt 1 x 10-1/2	
10	0681608	8	Bolt 3/8 x 1	
11	0902919	2	Bracket, Cell Guard	
12	0902920	2	Bracket, Cell Guard	
13	1001113483	1	Bracket, Module Mount	
14	0962450	4	Bushing, Spacer	
15	1271538	2	Channel	
16	1320136	6	Clamp	
17	1320224	2	Clamp	
18	1600387	1	Electronic Interface Module	
19	2420202	4	Load Cell Assembly	
20	3272605	1	Nut 1	
21	3311405	10	Nut 1/4	
23	3311805	8	Nut 1/2	
24	3312005	4	Nut 5/8	
25	3900283	4	Screw 3/8 x 3/4	
26	4061054	2	Shield	
27	4240033	AR	Tie-Strap (Not Shown)	
28	4711400	13	Washer 1/4	
29	4711600	4	Washer 3/8	
30	4751400	1	Washer 1/4	
32	4846573	1	Platform Support	
33	4891600	8	Washer 3/8	
34	4891800	8	Washer 1/2	
35	4892000	4	Washer 5/8	
36	4892600	1	Washer 1	
37	4922869	1	EIM Load Cell Harness (See Separate Breakdown in ELECTRICAL SECTION)	
38	4933278	1	EIM Load Cell to Platform Console Box Wiring (See Separate Breakdown in ELECTRICAL SECTION)	
39	2540038	1	Grommet	
40	2920129	1	Bulb (Not Shown - Located in Ground Control Box)	
41	1001216630	2	Decal - Tie Down/No Lift	

SECTION 4 - BOOM

FIGURE 4-15. PLATFORM SUPPORT INSTALLATION - WITH 1 CELL LSS



ART_1001167596

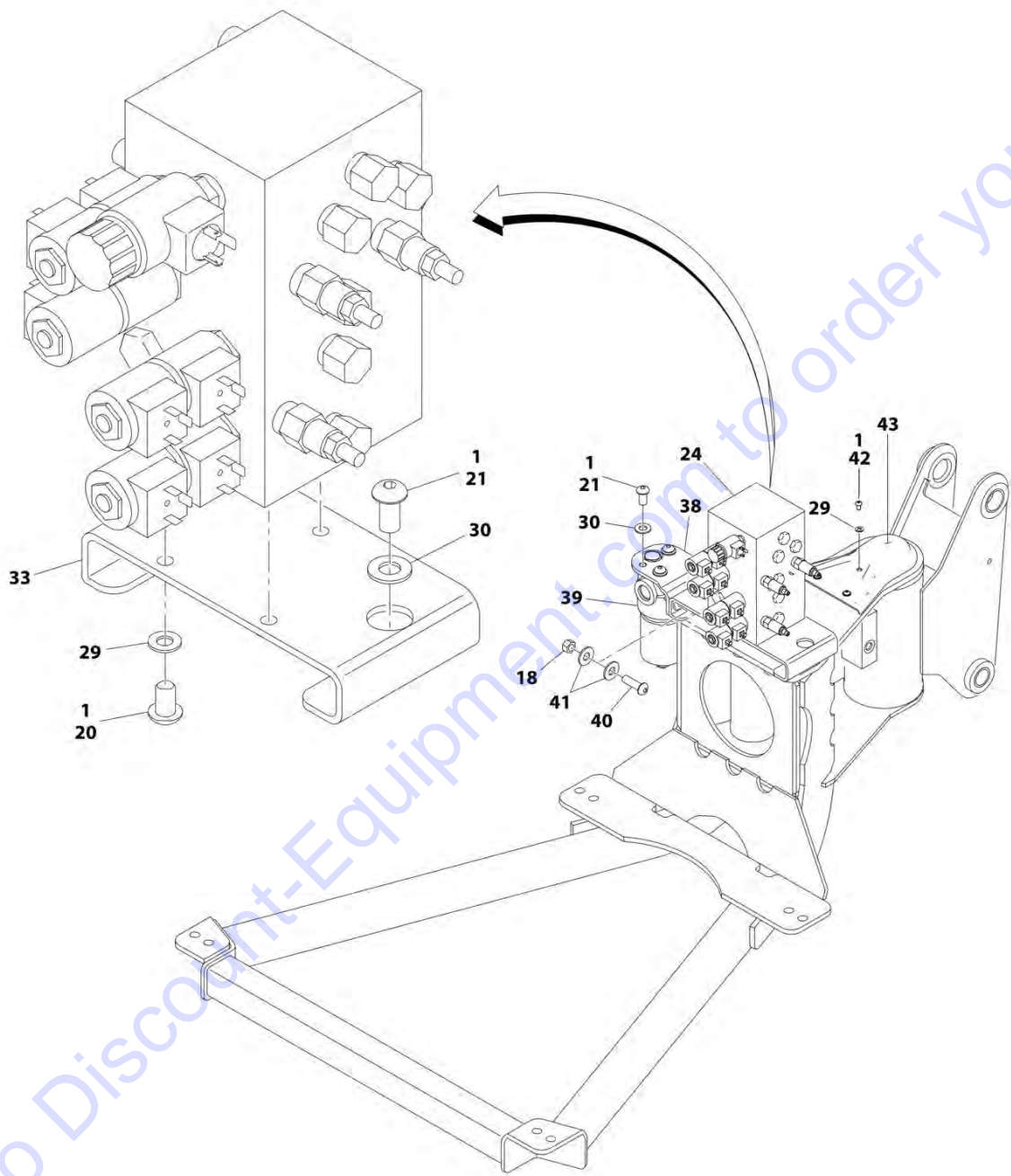
SECTION 4 - BOOM

FIGURE 4-15. PLATFORM SUPPORT INSTALLATION - WITH 1 CELL LSS

ITEM	PART NUMBER	QTY	DESCRIPTION	REV
	1001167596	Ref	PLATFORM SUPPORT INSTALLATION - WITH 1 CELL LSS	J
1	0100011	AR	Compound, Locking	
2	0761014	5	Bolt M10 x 30	
3	0641812	8	Bolt 1/2 x 1-1/2	
3	0761216	8	Bolt M12 x 40	
4	0642684	1	Bolt 1 x 10-1/2	
5	0681608	8	Bolt 3/8 x 1	
6	3291001	5	Nut M10	
7	3291201	3	Nut M12	
8	3300243	1	Nut 1	
9	3311805	8	Nut 1/2	
9	3291205	8	Nut M12	
10	3841143	4	Keeper, Pin	
11	4812000	8	Washer M10	
12	4812100	3	Washer M12	
13	4891600	8	Washer 3/8	
14	4891800	8	Washer 1/2	
14	5241200	8	Washer M12	
15	4892600	1	Washer 1	
16	1001098828	2	Bolt M12 x 70 Grade 10.9	
17	1001167565	2	Pin	
18	1001200494	1	Support, Platform	
19	1001167567	1	Support, Rotator	
20	1001168402	2	Pin	
21	1001188622	1	Screw	
22	1001172663	1	Gauge, Load Sensing	
23	1001188844	1	Bolt M12 x 35	
24	1001201351	2	Link, LSS Assembly	
26	5251008	2	Bolt M10 x 16	
28	1001189002	8	Bearing	
29	1001190985	1	Pad, Wear	
30	3291005	2	Nut M10	
31	5251016	2	Bolt M10 x 40	
32	1001200491	1	Pad, Wear	
33	1001189001	4	Bearing	
34	1001204725	2	Plug	
36	91203039	1	Clamp	
37	1001216630	2	Decal - Tie Down/No Lift	

SECTION 4 - BOOM

FIGURE 4-16. CONTROL VALVE INSTALLATION - WITHOUT LSS AND WITH 4 CELL LSS



ART_0273377_30F3

SECTION 4 - BOOM

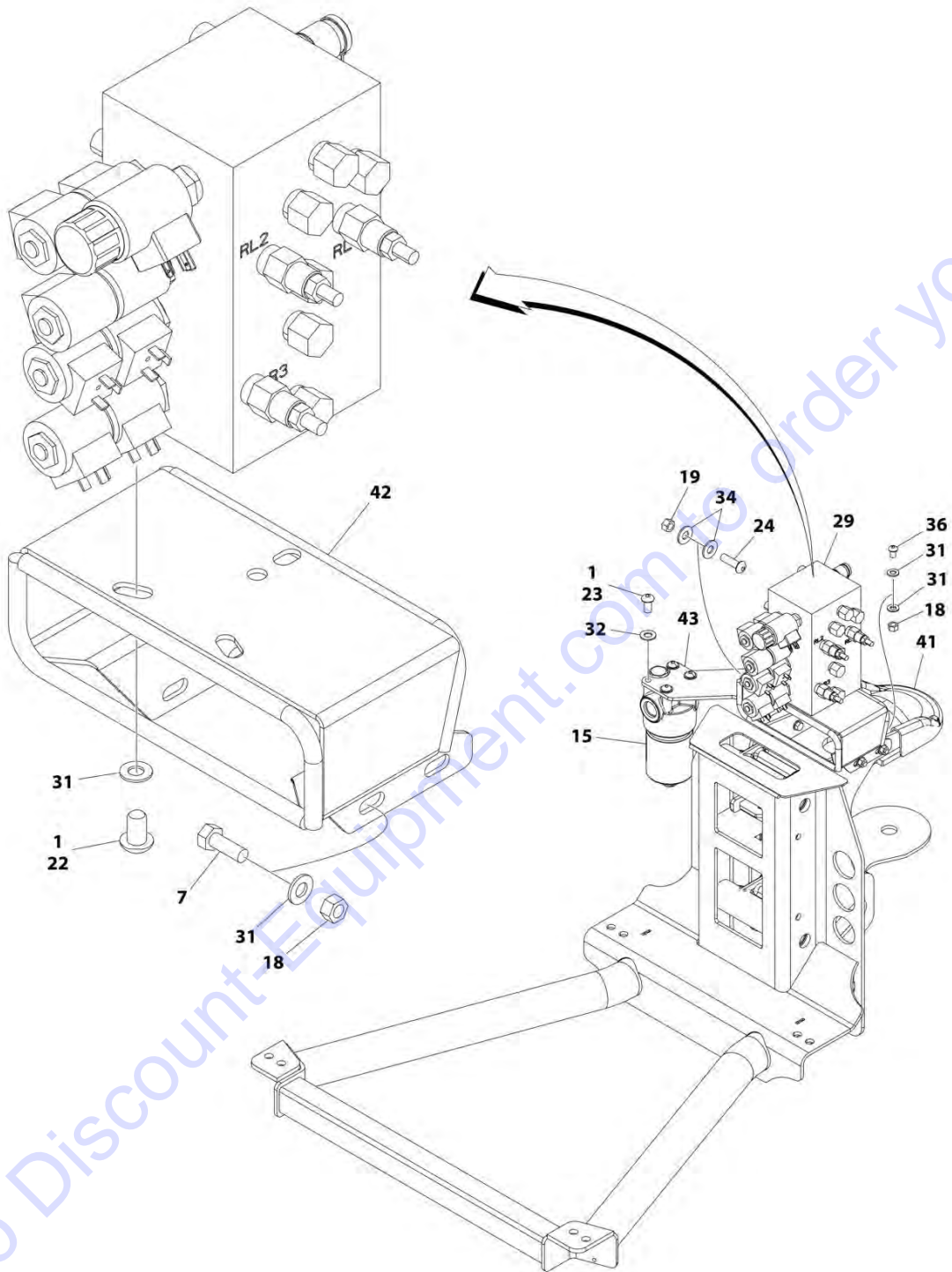
FIGURE 4-16. CONTROL VALVE INSTALLATION - WITHOUT LSS AND WITH 4 CELL LSS

ITEM	PART NUMBER	QTY	DESCRIPTION	REV
	0273377	Ref	CONTROL VALVE INSTALLATION - WITHOUT LSS AND WITH 4 CELL LSS	O
1	0100011	AR	Compound, Locking	
18	3311605	2	Nut 3/8	
20	3900210	3	Screw 5/16 x 3/4	
21	3900283	6	Screw 3/8 x 3/4	
24	4641460	1	Platform Valve (See PLATFORM VALVE ASSEMBLY for Breakdown)	
29	4711500	AR	Washer 5/16	
30	4711600	6	Washer 3/8	
33	4341264	1	Plate, Valve Mounting	
38	0903530	1	Bracket, Filter Mounting	
39	2120217	1	Filter, Pressure	
39	70002097	1	Element	
39	70004328	1	Plug, Indicator	
40	3900232	2	Screw 3/8 x 1-1/4	
41	4751600	4	Washer 3/8	
42	0630467	3	Screw 5/16 x 1/2 (SN 0300224858 to Present)	
43	1670964	1	Cover, Support/Rotator (SN 0300224858 to Present)	

Go to Discount-Equipment.com to order your parts

SECTION 4 - BOOM

FIGURE 4-17. CONTROL VALVE INSTALLATION - WITH 1 CELL LSS



ART_1001219989_3OF3

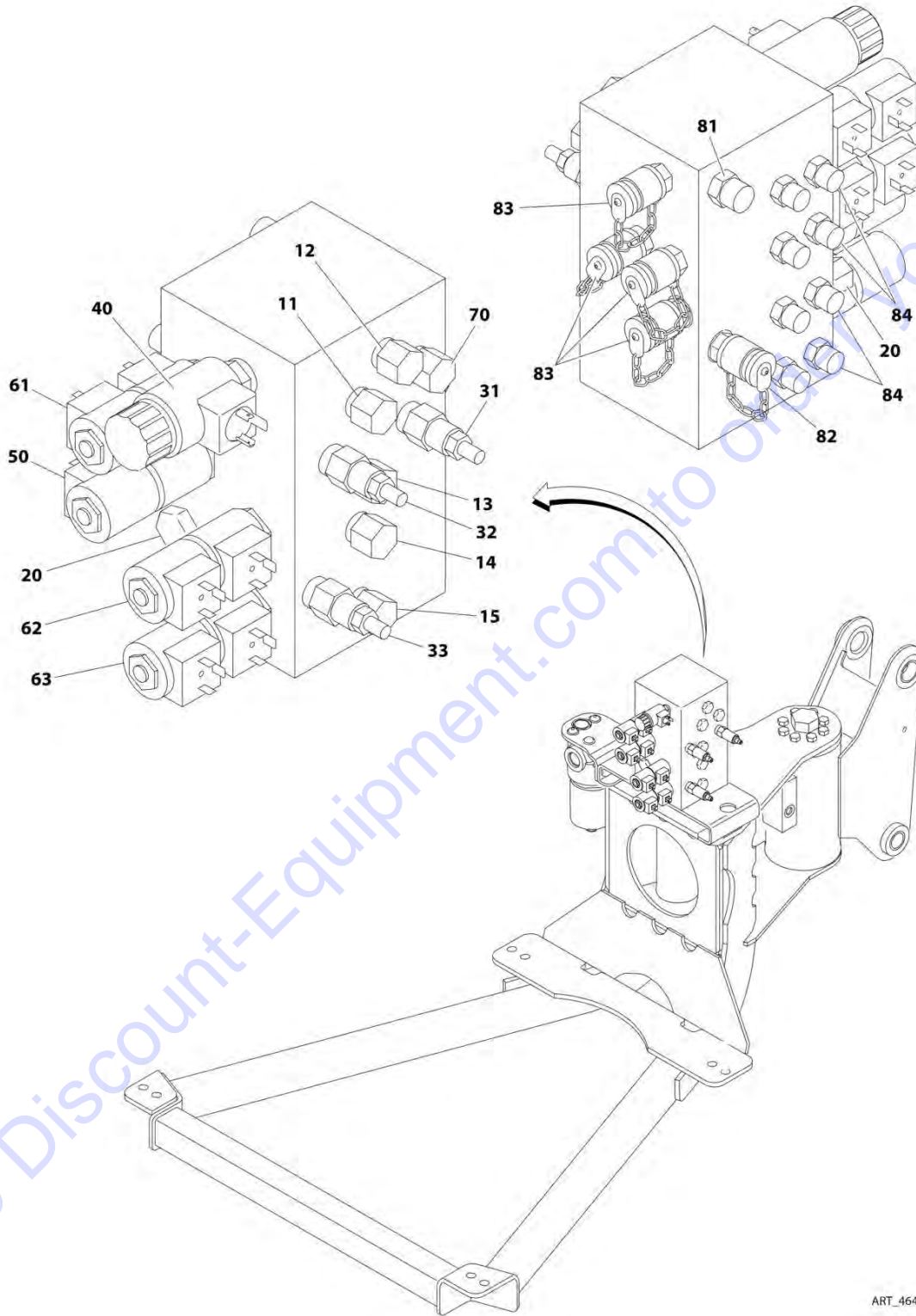
SECTION 4 - BOOM

FIGURE 4-17. CONTROL VALVE INSTALLATION - WITH 1 CELL LSS

ITEM	PART NUMBER	QTY	DESCRIPTION	REV
	1001219989	Ref	CONTROL VALVE INSTALLATION - WITH 1 CELL LSS	B
1	0100011	AR	Compound, Locking	
7	0641507	4	Bolt 5/16 x 7/8	
15	2120217	1	Filter, Pressure	
15	70002097	1	Element	
15	70004328	1	Plug, Indicator	
18	3311505	6	Nut 5/16	
19	3311605	2	Nut 3/8	
22	3900210	3	Screw 5/16 x 3/4	
23	3900283	4	Screw 3/8 x 3/4	
24	3900316	2	Screw 3/8 x 1	
29	4641460	1	Platform Valve (See PLATFORM VALVE ASSEMBLY for Breakdown)	
31	4711500	12	Washer 5/16	
32	4711600	4	Washer 3/8	
34	4751600	4	Washer 3/8	
36	88261024	2	Bolt 5/16 x 1	
41	1001207969	1	Cover, Support/Rotator	
42	1001208994	1	Plate, Valve Mounting	
43	1001222314	1	Bracket, Filter Mounting	

SECTION 4 - BOOM

FIGURE 4-18. PLATFORM VALVE ASSEMBLY



ART_4641460

FIGURE 4-18. PLATFORM VALVE ASSEMBLY

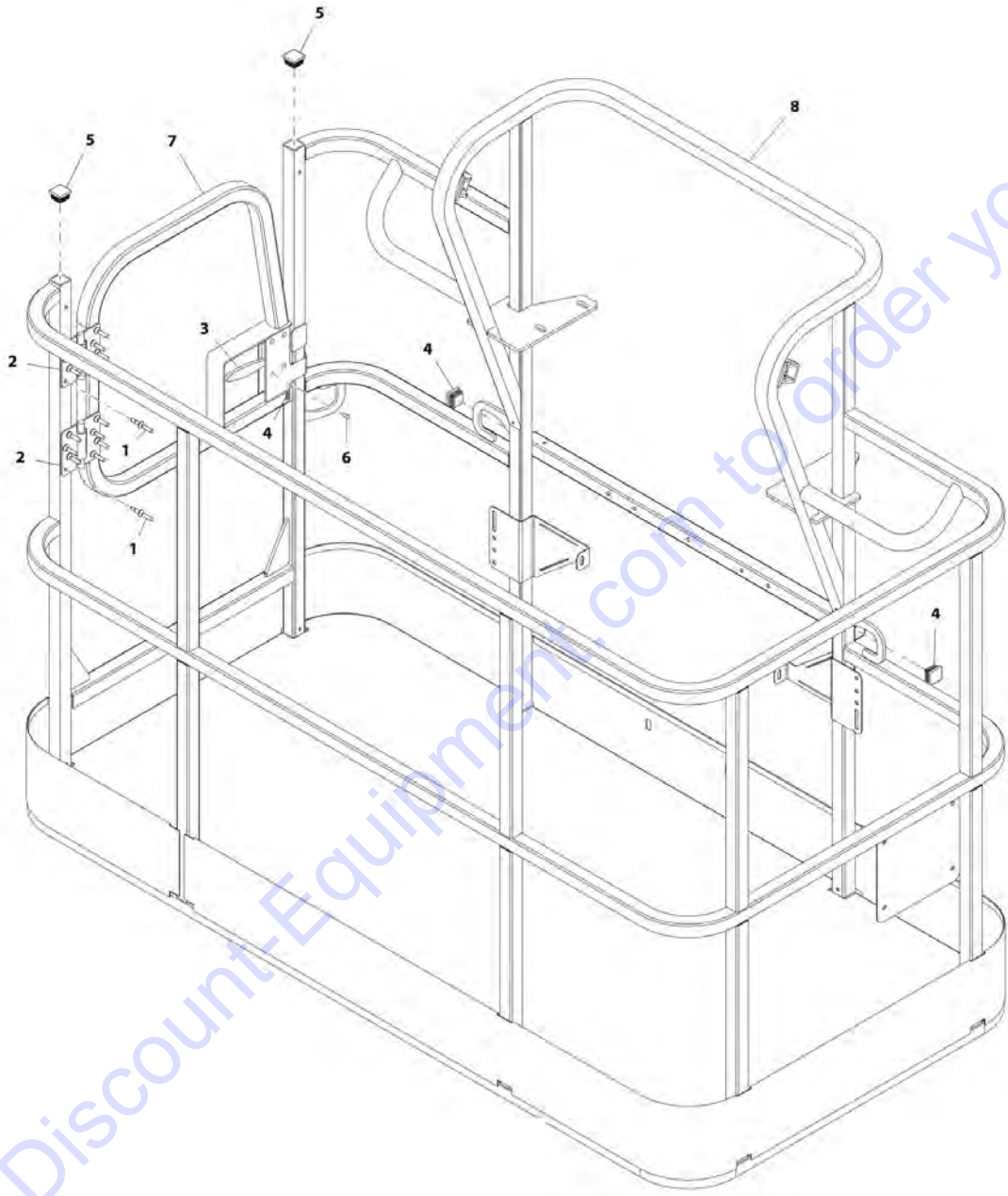
ITEM	PART NUMBER	QTY	DESCRIPTION	REV
	4641460	Ref	PLATFORM VALVE ASSEMBLY	C
11	7026018	1	Valve, Cartridge	
11	7011346	1	Seal Kit - Valve	
12	7026019	1	Valve, Cartridge (Flow Control)	
12	7011346	1	Seal Kit - Valve	
13	7026020	1	Valve, Cartridge (Rotate)	
13	7011346	1	Seal Kit - Valve	
14	7026021	1	Valve, Cartridge (Jib Swing)	
14	7011346	1	Seal Kit - Valve	
15	7026019	1	Valve, Cartridge (Jib Lift)	
15	7011346	1	Seal Kit - Valve	
20	7011355	1	Valve, Cartridge (Jib)	
20	2900770	1	Seal Kit - Valve	
31	7024572	1	Valve, Relief Cartridge (Platform Level Up)	
31	7011346	1	Seal Kit - Valve	
32	7024572	1	Valve, Relief Cartridge (Platform Level Down)	
32	7011346	1	Seal Kit - Valve	
33	7024572	1	Valve, Relief Cartridge (Jib Up/Down)	
33	7011346	1	Seal Kit - Valve	
40	7026022	1	Valve, Cartridge (Dump)	
40	2900770	1	Seal Kit - Valve	
40	7024571	1	Coil	
50	7023922	1	Valve, Cartridge (Platform Rotate)	
50	7017402	1	Seal Kit - Valve	
50	7012944	2	Coil	
61	7023922	1	Valve, Cartridge (Platform Level)	
61	7017402	1	Seal Kit - Valve	
61	7012944	2	Coil	
62	7023922	1	Valve, Cartridge (Jib Swing)	
62	7017402	1	Seal Kit - Valve	
62	7012944	2	Coil	
63	7023922	1	Valve, Cartridge (Jib Lift)	
63	7017402	1	Seal Kit - Valve	
63	7012944	2	Coil	
70	7026023	1	Valve, Cartridge (Check)	
70	7011346	1	Seal Kit - Valve	
81	2110606	1	Fitting, Straight	
82	4641255	1	Check Valve	
83	2221086	4	Check, Pressure	
84	2110404	8	Fitting, Straight	

SECTION 5 - PLATFORM

Go to Discount-Equipment.com to order your parts

SECTION 5 - PLATFORM

FIGURE 5-1. PLATFORM ASSEMBLY - 36IN X 6FT (91.5CM X 1.83M) WITH SWING GATE



Go to Discount-Equipment.com to order your parts

ART 100116384

SECTION 5 - PLATFORM

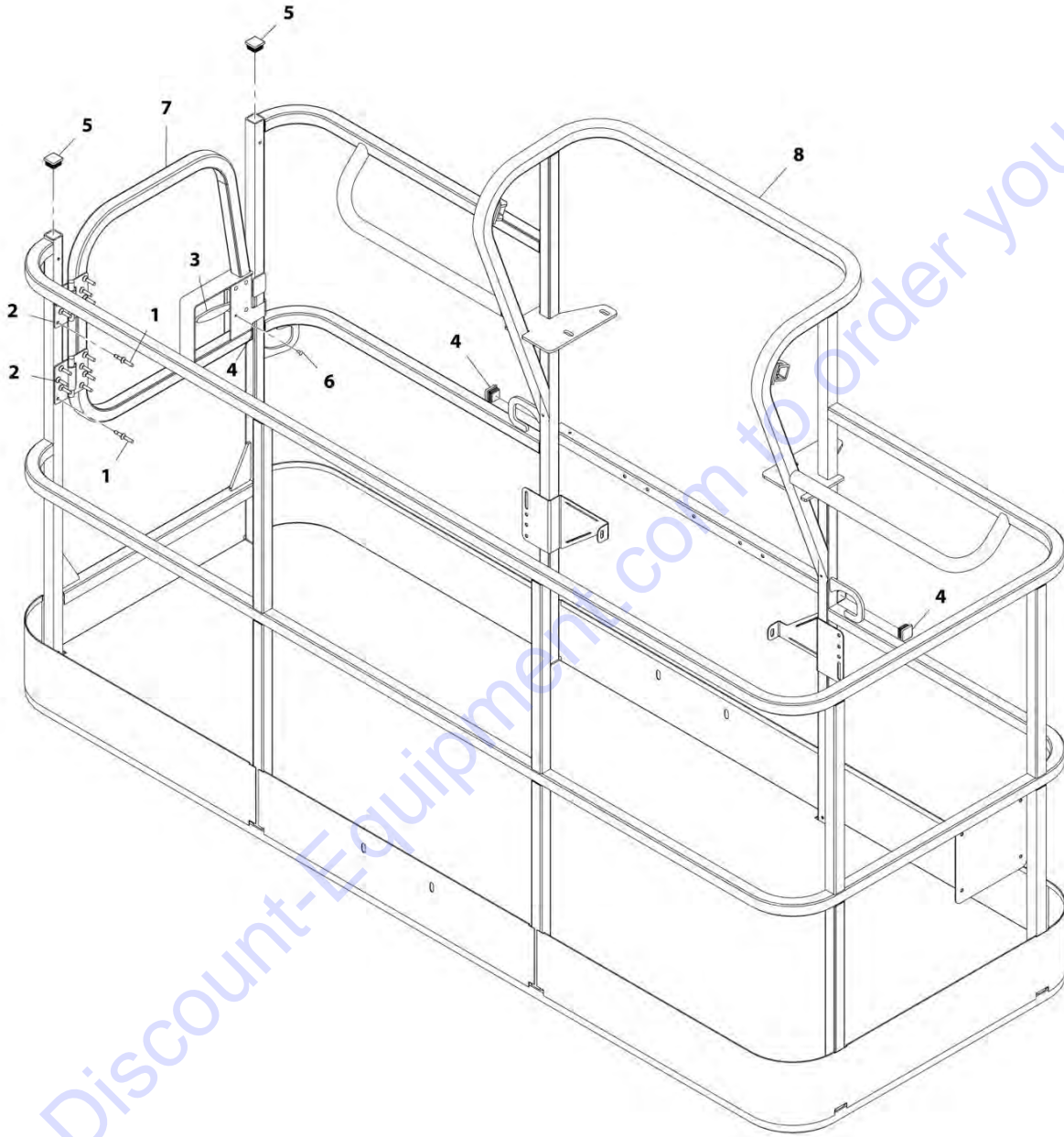
FIGURE 5-1. PLATFORM ASSEMBLY - 36IN X 6FT (91.5CM X 1.83M) WITH SWING GATE

ITEM	PART NUMBER	QTY	DESCRIPTION	REV
	1001186384	Ref	PLATFORM ASSEMBLY - 36IN X 6FT (91.5CM X 1.83M) WITH SWING GATE	C
	See Note	Ref	Note: Platform and Mesh must be ordered separately for Platforms with Mesh. See SPECIAL OPTIONS SECTION for Mesh Installations.	
	See Note	Ref	Note: Replacement Decals Must be Ordered Separately - See DECALS SECTION.	
1	2080040	16	Fastener, Huck	
2	2600281	2	Hinge, Self-Closing	
3	2940074	1	Latch	
4	3520072	3	Cap, Plug	
5	3520198	2	Cap, Plug	
6	3820020	4	Rivet	
7	1001144629	1	Gate, Weldment	
8	See Note	1	Platform (Note: Not Available - Purchase Platform Assembly)	

Go to Discount-Equipment.com to order your parts

SECTION 5 - PLATFORM

FIGURE 5-2. PLATFORM ASSEMBLY - 36IN X 8FT (91.5CM X 2.44M) WITH SWING GATE



ART_1001186383

SECTION 5 - PLATFORM

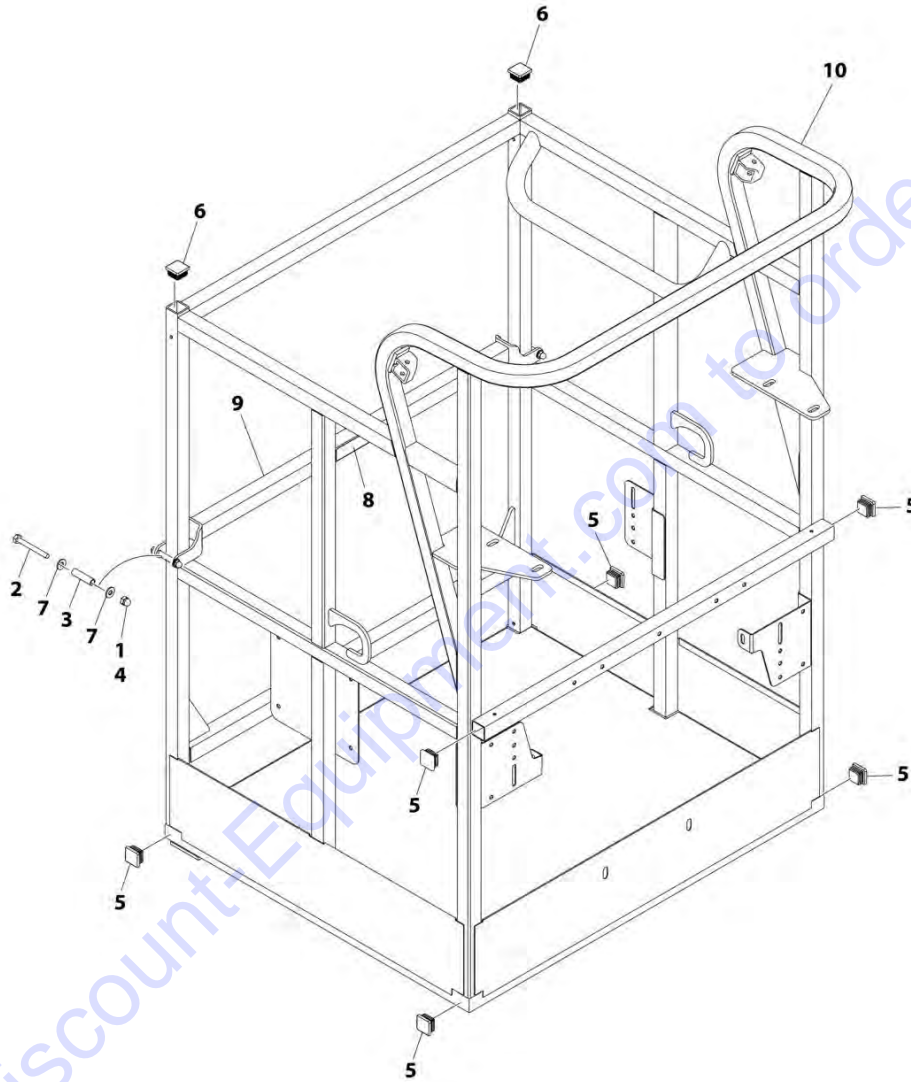
FIGURE 5-2. PLATFORM ASSEMBLY - 36IN X 8FT (91.5CM X 2.44M) WITH SWING GATE

ITEM	PART NUMBER	QTY	DESCRIPTION	REV
	1001186383	Ref	PLATFORM ASSEMBLY - 36IN X 8FT (91.5CM X 2.44M) WITH SWING GATE	D
	See Note	Ref	Note: Platform and Mesh must be ordered separately for Platforms with Mesh. See SPECIAL OPTIONS SECTION for Mesh Installations.	
	See Note	Ref	Note: Replacement Decals Must be Ordered Separately - See DECALS SECTION.	
1	2080040	16	Fastener, Huck	
2	2600281	2	Hinge, Self-Closing	
3	2940074	1	Latch	
4	3520072	3	Cap, Plug	
5	3520198	2	Cap, Plug	
6	3820020	4	Rivet	
7	1001144629	1	Gate, Weldment	
8	See Note	1	Platform (Note: Not Available - Purchase Platform Assembly)	

Go to Discount-Equipment.com to order your parts

SECTION 5 - PLATFORM

FIGURE 5-3. PLATFORM ASSEMBLY - 30IN X 3FT (76CM X .91M) - WITH DROP BAR



ART_1001228215

SECTION 5 - PLATFORM

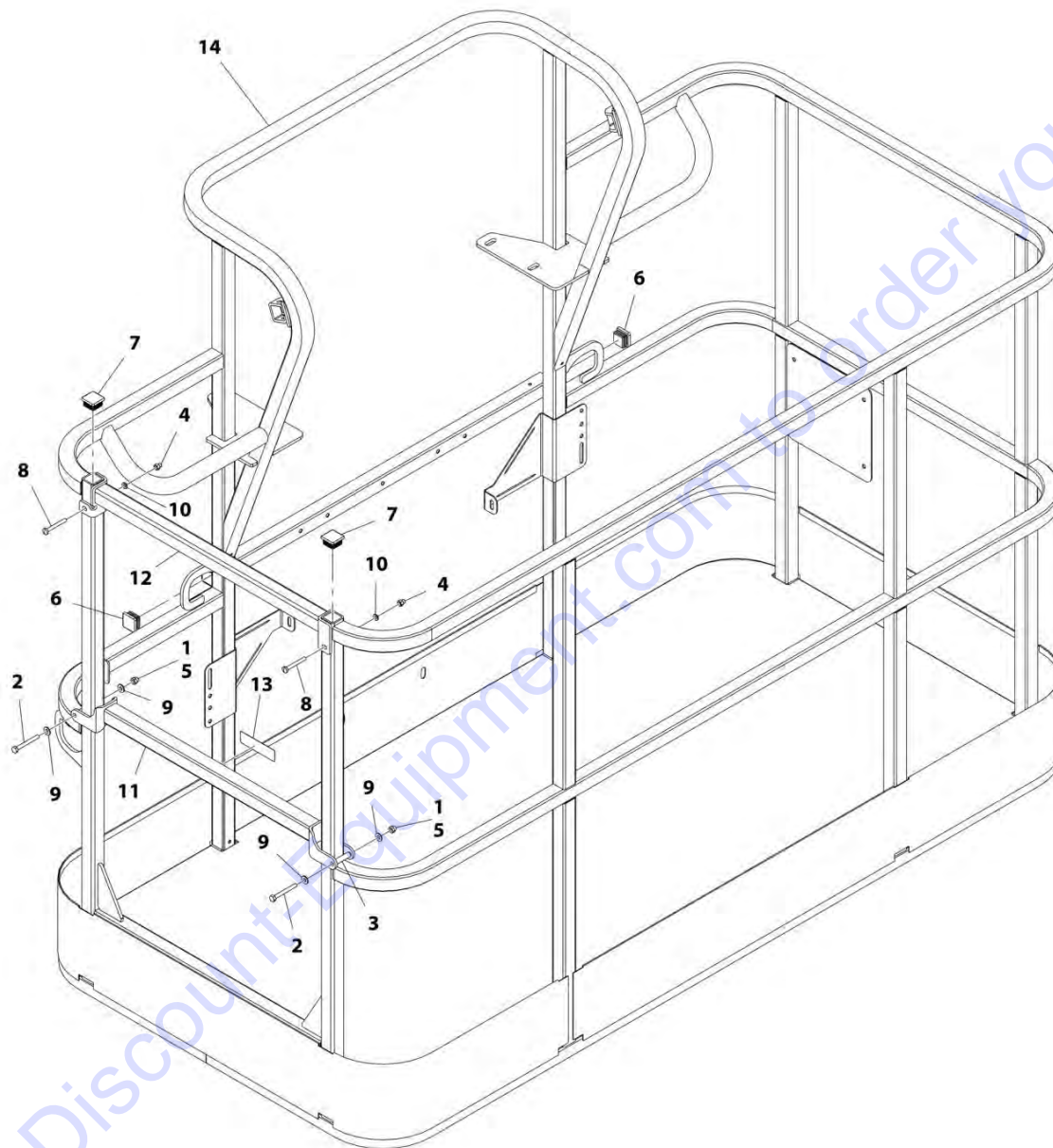
FIGURE 5-3. PLATFORM ASSEMBLY - 30IN X 3FT (76CM X .91M) - WITH DROP BAR

ITEM	PART NUMBER	QTY	DESCRIPTION	REV
	1001228215	Ref	PLATFORM ASSEMBLY - 30IN X 3FT (76CM X .91M) - DROP BAR ENTRY	A
	See Note	Ref	Note: Platform and Mesh must be ordered separately for Platforms with Mesh. See SPECIAL OPTIONS SECTION for Mesh Installations.	
	See Note	Ref	Note: Replacement Decals Must be Ordered Separately - See DECAL SECTION.	
1	0100011	AR	Compound, Locking	
2	0641418	2	Bolt 1/4 x 2-1/4	
3	0961845	2	Bushing	
4	3300151	2	Nut 1/4	
5	3520072	6	Cap, Plug	
6	3520198	2	Cap, Plug	
7	4711400	4	Washer 1/4	
8	1001140429	1	Decal - Drop Bar	
9	1001226872	1	Bar, Drop	
10	See Note	NSS	Platform, Weldment (Note: Not Available - Purchase Platform Assembly)	

Go to Discount-Equipment.com to order your parts

SECTION 5 - PLATFORM

FIGURE 5-4. PLATFORM ASSEMBLY - 36IN X 6FT (91.5CM X 1.83M) WITH DROP BAR



ART_1001186379

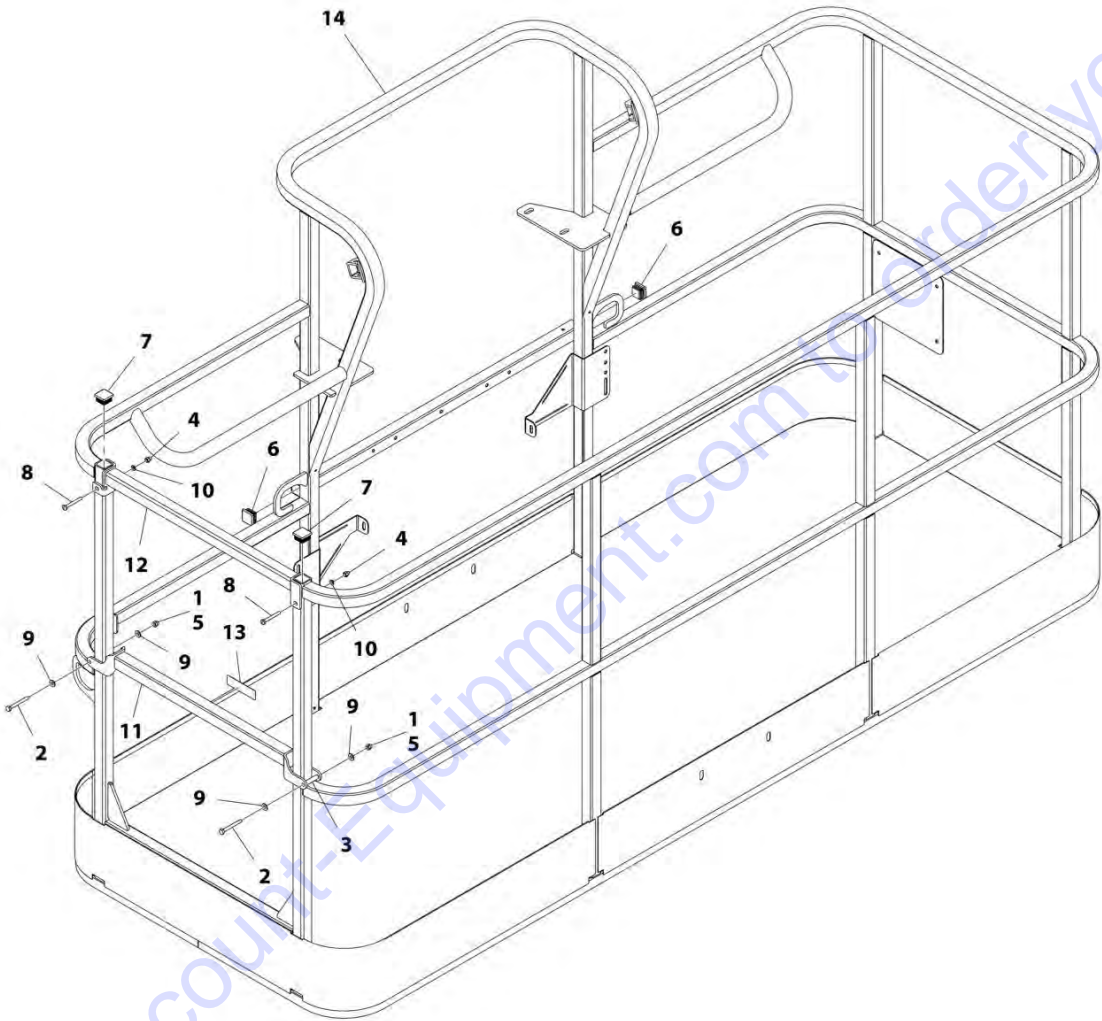
SECTION 5 - PLATFORM

FIGURE 5-4. PLATFORM ASSEMBLY - 36IN X 6FT (91.5CM X 1.83M) WITH DROP BAR

ITEM	PART NUMBER	QTY	DESCRIPTION	REV
	1001186379	Ref	PLATFORM ASSEMBLY - 36IN X 6FT (91.5CM X 1.83M) WITH DROP BAR	B
	See Note	Ref	Note: Platform and Mesh must be ordered separately for Platforms with Mesh. See SPECIAL OPTIONS SECTION for Mesh Installations.	
	See Note	Ref	Note: Replacement Decals Must be Ordered Separately - See DECALS SECTION.	
1	0100011	AR	Compound, Locking	
2	0641418	2	Bolt 1/4 x 2-1/4	
3	0961845	2	Bushing	
4	3290606	2	Nut M6 x 1	
5	3300151	2	Nut 1/4	
6	3520072	2	Cap, Plug	
7	3520198	2	Cap, Plug	
8	4010618	2	Screw M6 x 50	
9	4711400	4	Washer 1/4	
10	4811700	2	Washer M6	
11	1001138494	1	Bar, Drop	
12	1001138514	1	Rail (Top)	
13	1001140429	1	Decal - Drop Bar	
14	See Note	1	Platform (Note: Not Available - Purchase Platform Assembly)	

SECTION 5 - PLATFORM

FIGURE 5-5. PLATFORM ASSEMBLY - 36IN X 8FT (91.5CM X 2.44M) WITH DROP BAR



ART_1001186382

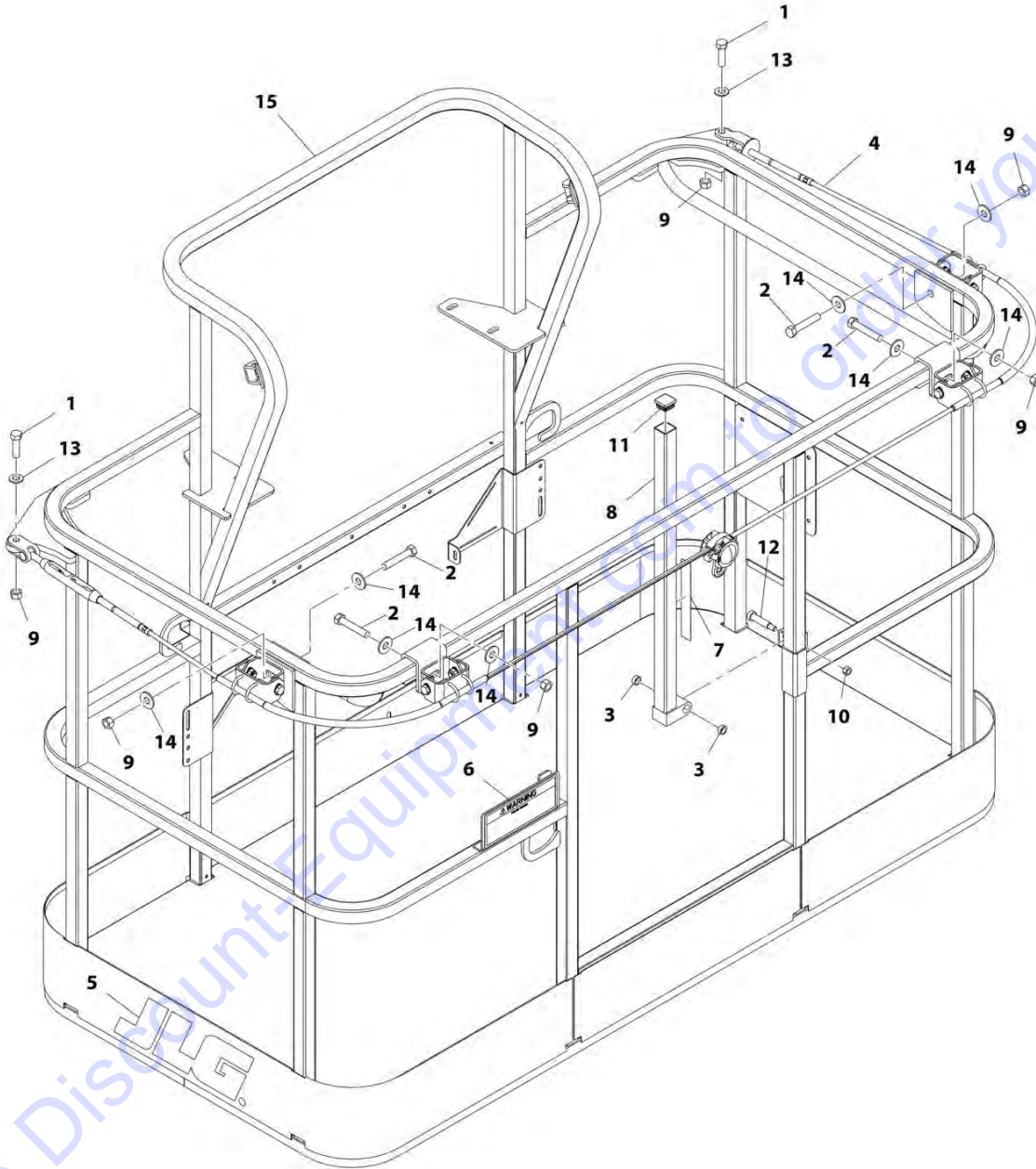
SECTION 5 - PLATFORM

FIGURE 5-5. PLATFORM ASSEMBLY - 36IN X 8FT (91.5CM X 2.44M) WITH DROP BAR

ITEM	PART NUMBER	QTY	DESCRIPTION	REV
	1001186382	Ref	PLATFORM ASSEMBLY - 36IN X 8FT (91.5CM X 2.44M) WITH DROP BAR	C
	See Note	Ref	Note: Platform and Mesh must be ordered separately for Platforms with Mesh. See SPECIAL OPTIONS SECTION for Mesh Installations.	
	See Note	Ref	Note: Replacement Decals Must be Ordered Separately - See DECALS SECTION.	
1	0100011	AR	Compound, Locking	
2	0641418	2	Bolt 1/4 x 2-1/4	
3	0961845	2	Bushing	
4	3290606	2	Nut M6 x 1	
5	3300151	2	Nut 1/4	
6	3520072	2	Cap, Plug	
7	3520198	2	Cap, Plug	
8	4010618	2	Screw M6 x 50	
9	4711400	4	Washer 1/4	
10	4811700	2	Washer M6	
11	1001138494	1	Bar, Drop	
12	1001138514	1	Rail (Top)	
13	1001140429	1	Decal - Drop Bar	
14	See Note	1	Platform (Note: Not Available - Purchase Platform Assembly)	

SECTION 5 - PLATFORM

FIGURE 5-6. PLATFORM ASSEMBLY - 36IN X 6FT (91.5CM X 1.83M) WITH FALL ARREST (ANSI, ANSI EXPORT AND CHINA SPECS)



ART_1001186333

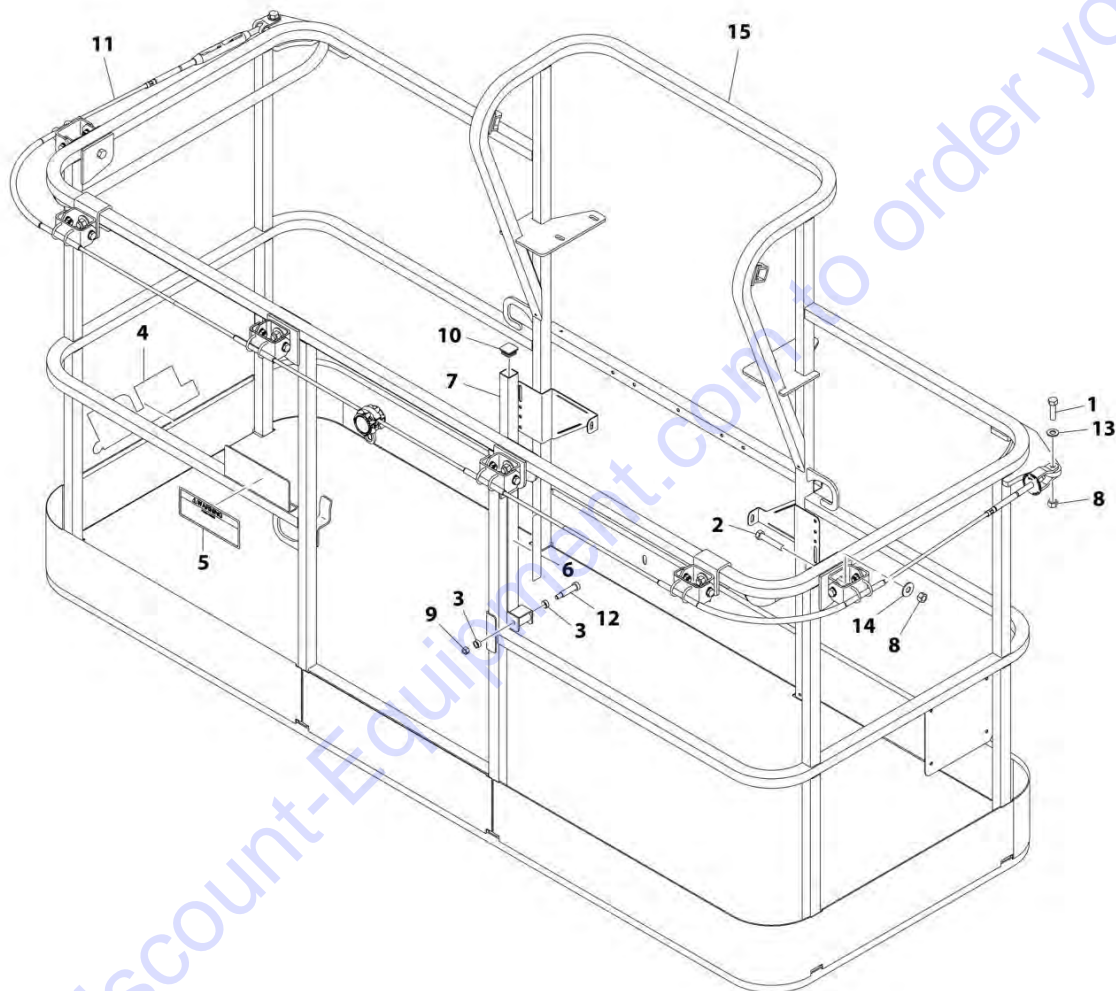
SECTION 5 - PLATFORM

FIGURE 5-6. PLATFORM ASSEMBLY - 36IN X 6FT (91.5CM X 1.83M) WITH FALL ARREST (ANSI, ANSI EXPORT AND CHINA SPECS)

ITEM	PART NUMBER	QTY	DESCRIPTION	REV
	1001186333	Ref	PLATFORM ASSEMBLY - 36IN X 6FT (91.5CM X 1.83M) WITH FALL ARREST (ANSI, ANSI EXPORT AND CHINA SPECS)	C
	See Note	Ref	Note: Fall Arrest Not Available on CE Spec Platform Assembly.	
	See Note	Ref	Note: Replacement Decals Must be Ordered Separately - See DECALS SECTION.	
1	0681814	2	Bolt 1/2 x 1-3/4 Grade 8	
2	0681822	4	Bolt 1/2 x 2-3/4 Grade 8	
3	0962270	2	Bearing	
4	1060919	1	Cable, Fall Arrest (SN 0300201017 through 0300214294)	
4	1001203655	1	Cable, Fall Arrest (SN 0300214295 to Present)	
5	1702773	1	Decal - JLG	
6	1705014	1	Decal - Safety	
7	1706385	1	Decal - Drop Bar	
8	2410014	1	Gate	
9	3271805	6	Nut 1/2 Grade 8	
10	3311605	1	Nut 3/8	
11	3520072	1	Cap, Plug	
12	3900054	1	Bolt 1/2 x 1-3/4	
13	4711800	AR	Washer 1/2	
14	4751800	AR	Washer 1/2	
15	See Note	1	Platform (Note: Not Available - Purchase Platform Assembly)	

SECTION 5 - PLATFORM

FIGURE 5-7. PLATFORM ASSEMBLY - 36IN X 8FT (91.5CM X 2.44M) WITH FALL ARREST (ANSI SPECS)



ART_1001186334

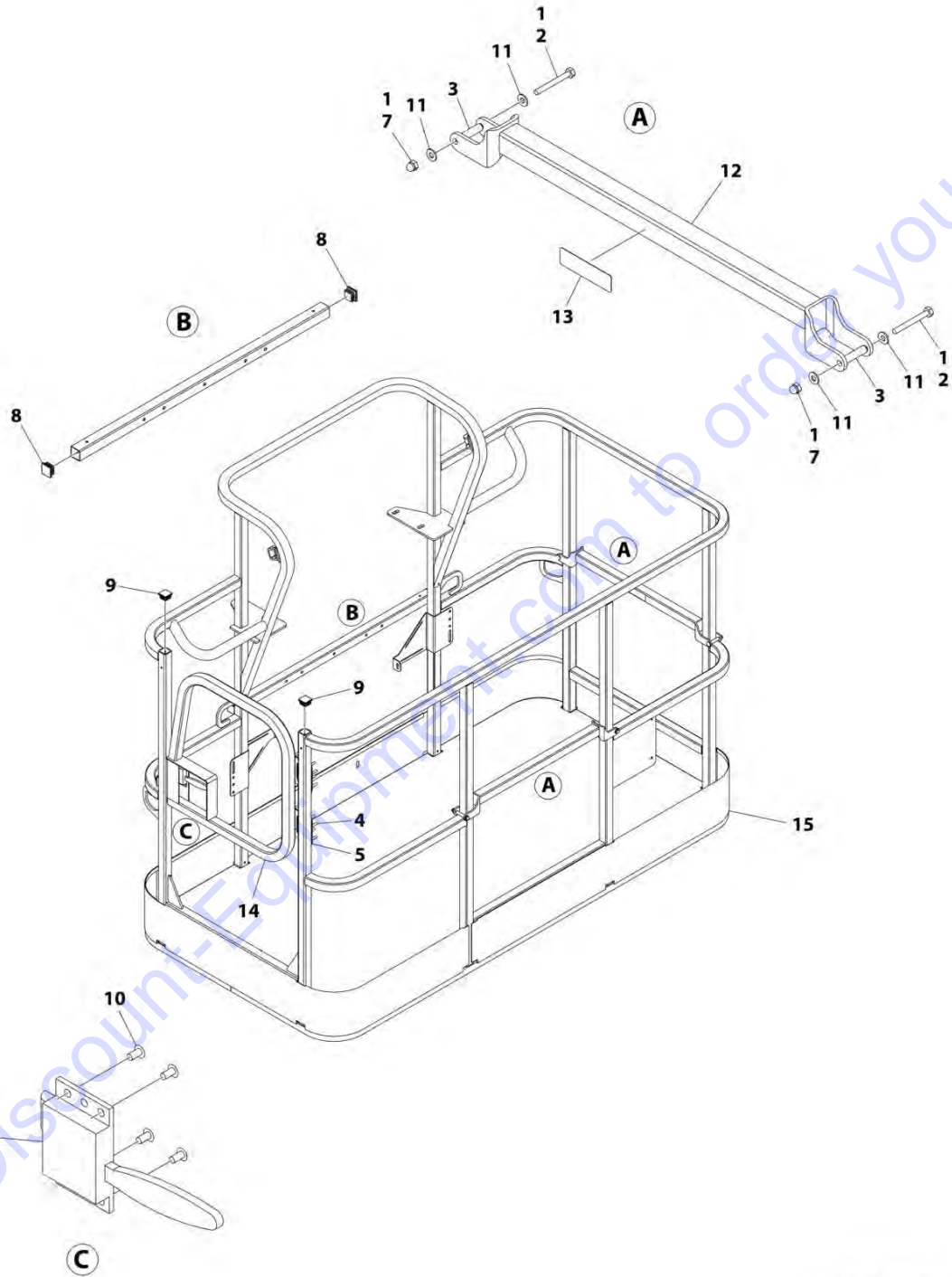
SECTION 5 - PLATFORM

FIGURE 5-7. PLATFORM ASSEMBLY - 36IN X 8FT (91.5CM X 2.44M) WITH FALL ARREST (ANSI SPECS)

ITEM	PART NUMBER	QTY	DESCRIPTION	REV
		Ref	Note: Replacement Decals Must be Ordered Separately - See DECALS SECTION.	
	1001186334	Ref	PLATFORM ASSEMBLY - 36IN X 8FT (91.5CM X 2.44M) WITH FALL ARREST (ANSI SPECS)	D
1	0681814	2	Bolt 1/2 x 1-3/4 Grade 8	
2	0681822	6	Bolt 1/2 x 2-3/4 Grade 8	
3	0962270	2	Bearing	
4	1702773	1	Decal - JLG	
5	1705014	1	Decal - Safety	
6	1706385	1	Decal - Drop Bar	
7	2410014	1	Gate	
8	3271805	8	Nut 1/2 Grade 8	
9	3311605	1	Nut 3/8	
10	3520072	1	Plug	
11	3890040	1	Cable (SN 0300201017 through 0300215893)	
11	1001203656	1	Cable (SN 0300215894 to Present)	
12	3900054	1	Bolt 1/2 x 1-3/4	
13	4711800	AR	Washer 1/2	
14	4751800	6	Washer 1/2	
15	See Note	NSS	Platform (Note: Purchase Platform Assembly)	

SECTION 5 - PLATFORM

FIGURE 5-8. PLATFORM ASSEMBLY - 36IN X 6FT (91.5CM X 1.83M) TRI-ENTRY WITH SWING GATE



ART_1001228376

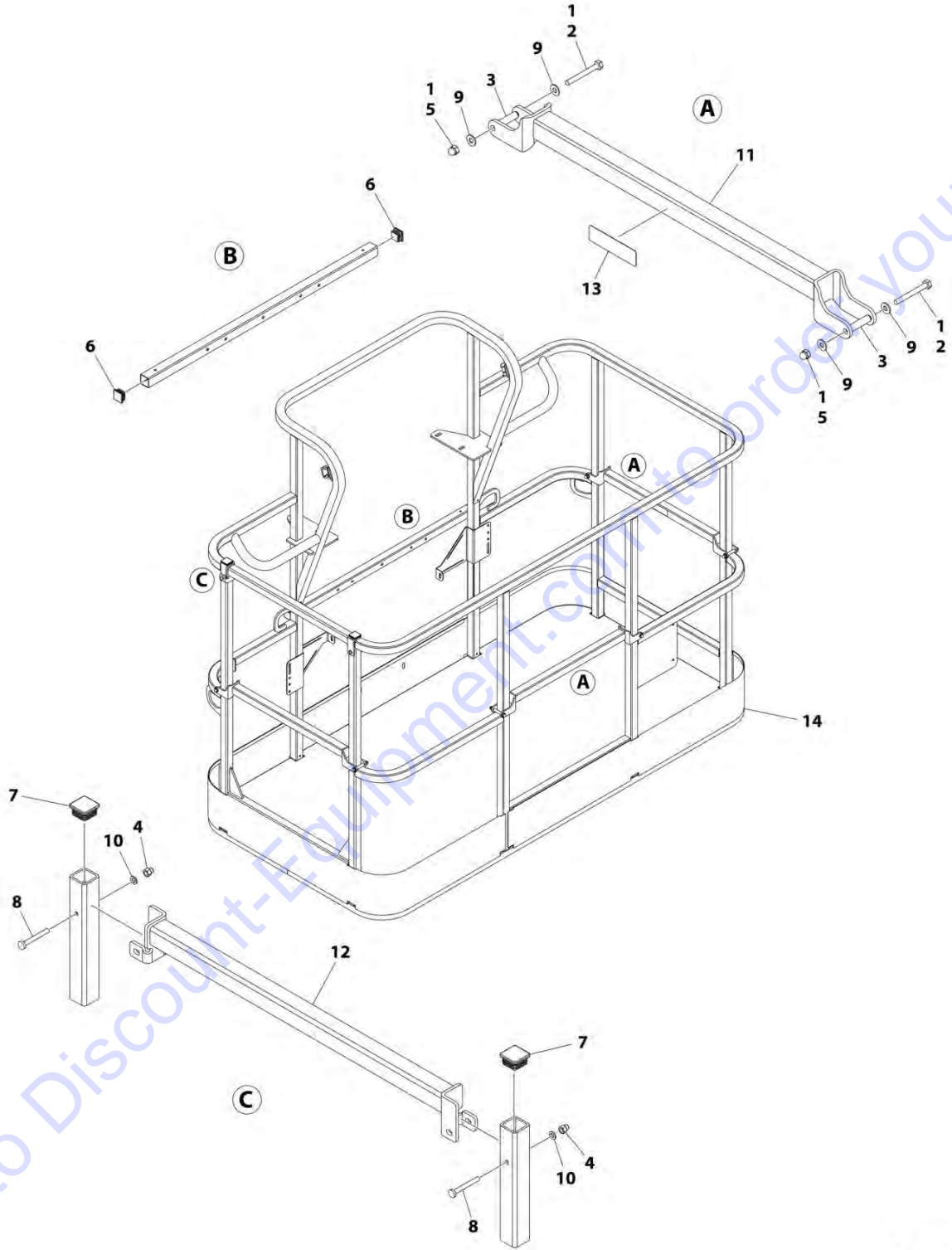
SECTION 5 - PLATFORM

FIGURE 5-8. PLATFORM ASSEMBLY - 36IN X 6FT (91.5CM X 1.83M) TRI-ENTRY WITH SWING GATE

ITEM	PART NUMBER	QTY	DESCRIPTION	REV
	1001228376	Ref	PLATFORM ASSEMBLY - 36IN x 6FT (91.5CM x 1.83M)	A
		Ref	Note: Platform and Mesh must be ordered separately for Platforms with Mesh. See SPECIAL OPTIONS SECTION for Mesh Installations.	
		Ref	Note: Replacement Decals Must be Ordered Separately - See DECAL SECTION.	
1	0100011	AR	Compound, Locking	
2	0641418	4	Bolt 1/4 x 2-1/4	
3	0961845	4	Bushing	
4	2080040	16	Fastener	
5	2600281	2	Hinge	
6	2940074	1	Latch	
7	3300151	4	Nut 1/4	
8	3520072	3	Plug	
9	3520198	2	Plug	
10	3820020	4	Rivet	
11	4711400	8	Washer 1/4	
12	1001138494	2	Bar, Drop	
13	1001140429	2	Decal - Drop Bar	
14	1001144629	1	Gate	
15	See Note	NSS	Platform (Note: Not Available - Purchase Platform Assembly)	

SECTION 5 - PLATFORM

FIGURE 5-9. PLATFORM ASSEMBLY - 36IN X 6FT (91.5CM X 1.83M) TRI-ENTRY WITH DROP BAR



ART_1001228377

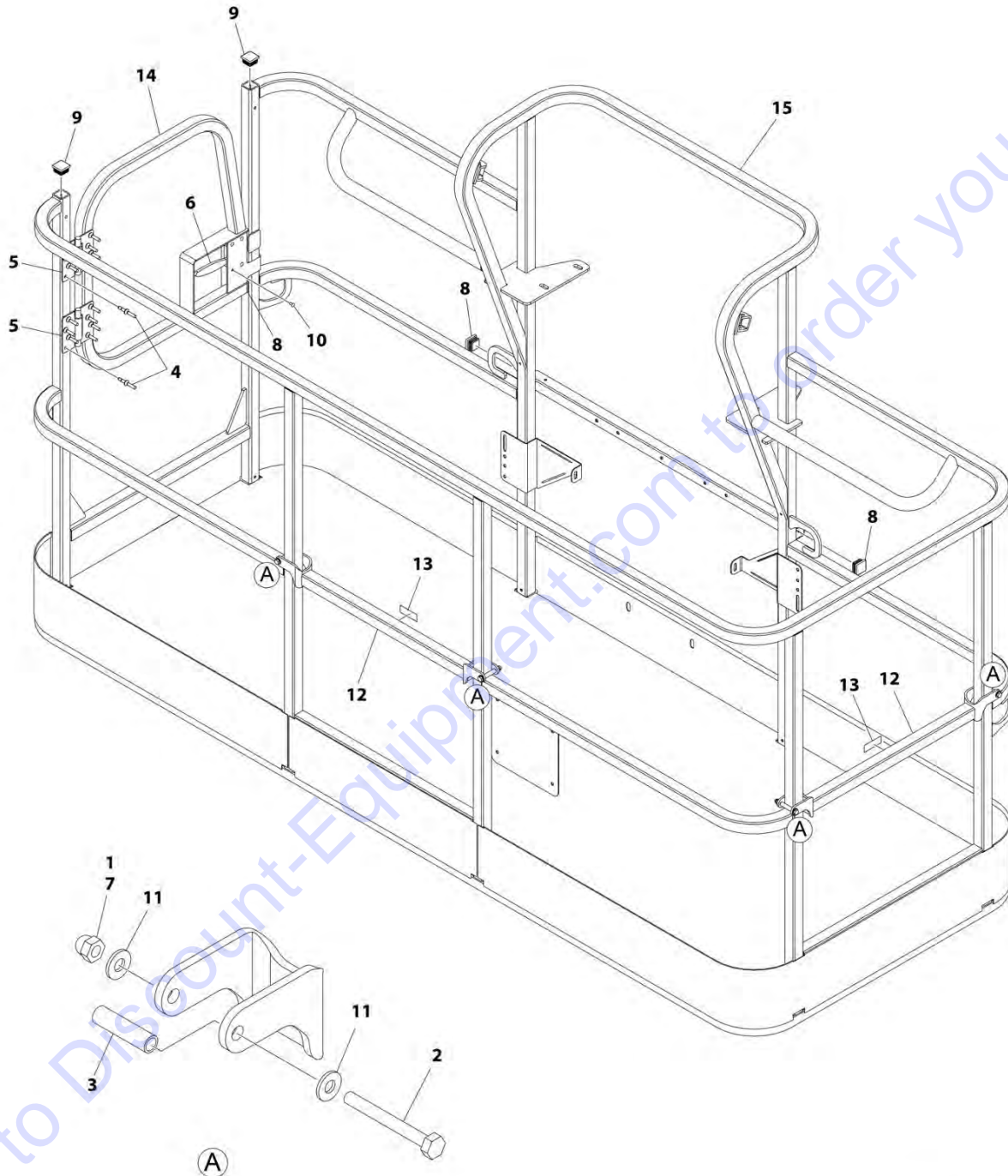
SECTION 5 - PLATFORM

FIGURE 5-9. PLATFORM ASSEMBLY - 36IN X 6FT (91.5CM X 1.83M) TRI-ENTRY WITH DROP BAR

ITEM	PART NUMBER	QTY	DESCRIPTION	REV
	1001228377	Ref	PLATFORM ASSEMBLY - 36IN x 6FT (91.5CM x 1.83M)	A
		Ref	Note: Platform and Mesh must be ordered separately for Platforms with Mesh. See SPECIAL OPTIONS SECTION for Mesh Installations.	
		Ref	Note: Replacement Decals Must be Ordered Separately - See DECAL SECTION.	
1	0100011	1	Compound, Locking	
2	0641418	6	Bolt 1/4 x 2-1/4	
3	0961845	6	Bushing	
4	3290606	2	Nut M6	
5	3300151	6	Nut 1/4	
6	3520072	2	Plug	
7	3520198	2	Plug	
8	4010618	2	Screw M6 x 50	
9	4711400	12	Washer 1/4	
10	4811700	2	Washer M6	
11	1001138494	3	Bar, Drop	
12	1001138514	1	Rail (Top)	
13	1001140429	3	Decal - Drop Bar	
14	See Note	NSS	Platform, Weldment (Note: Not Available - Purchase Platform Assembly)	

SECTION 5 - PLATFORM

FIGURE 5-10. PLATFORM ASSEMBLY - 36IN X 8FT (91.5CM X 2.44M) TRI-ENTRY WITH DROPBAR



ART_1001228243

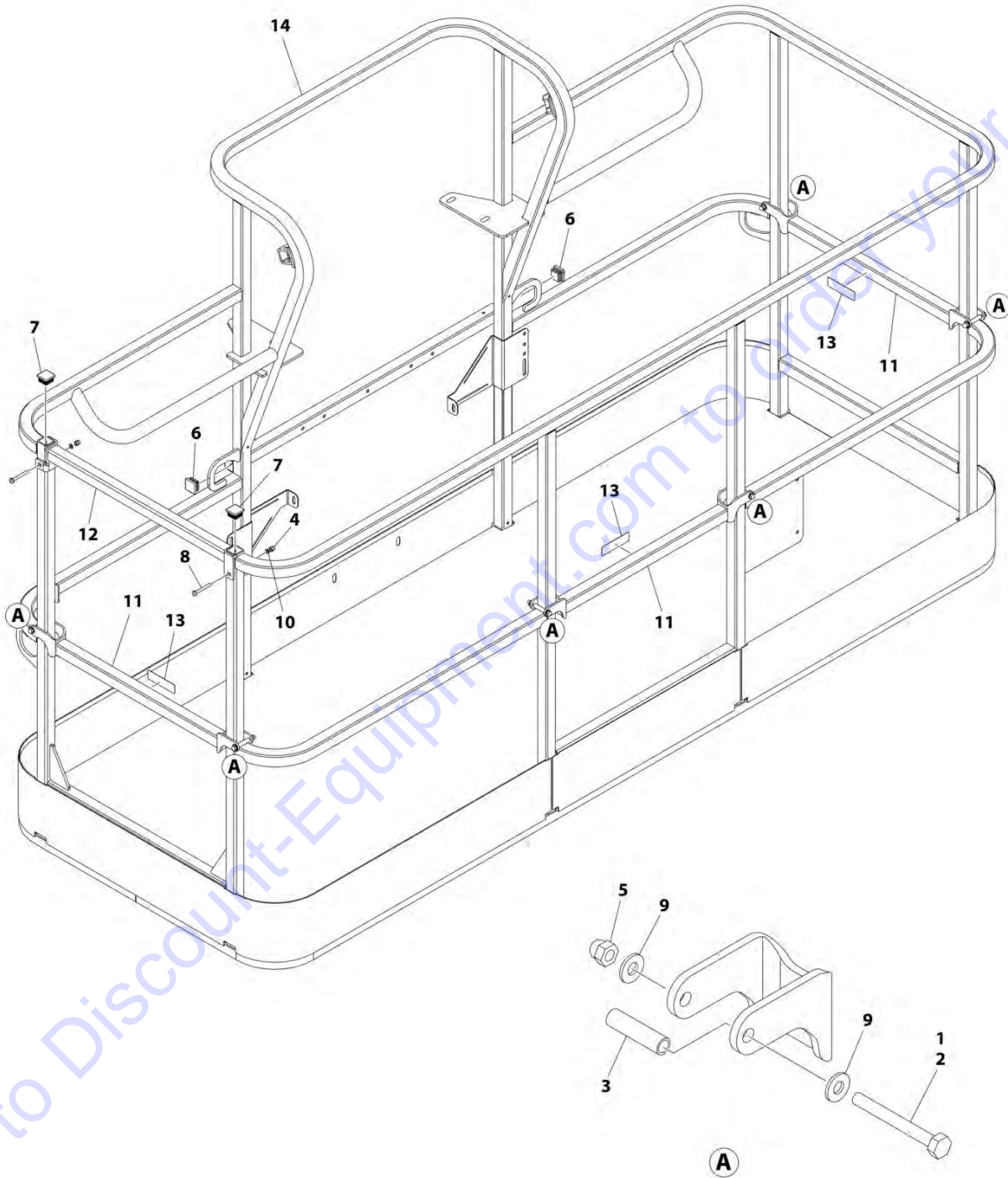
SECTION 5 - PLATFORM

FIGURE 5-10. PLATFORM ASSEMBLY - 36IN X 8FT (91.5CM X 2.44M) TRI-ENTRY WITH DROPBAR

ITEM	PART NUMBER	QTY	DESCRIPTION	REV
	1001228243	Ref	PLATFORM ASSEMBLY - 36IN x 8FT (91.5CM x 2.44M) TRI-ENTRY WITH DROPBAR	A
		Ref	Note: Platform and Mesh must be ordered separately for Platforms with Mesh. See SPECIAL OPTIONS SECTION for Mesh Installations.	
1	0100011	AR	Compound, Locking	
2	0641418	4	Bolt 1/4 x 2-1/4	
3	0961845	4	Bushing	
4	2080040	16	Fastener, Huck	
5	2600281	2	Hinge, Self-Closing	
6	2940074	1	Latch	
7	3300151	4	Nut 1/4	
8	3520072	3	Cap, Plug	
9	3520198	2	Cap, Plug	
10	3820020	4	Rivet	
11	4711400	8	Washer 1/4	
12	1001138494	2	Bar, Drop	
13	1001140429	2	Decal - Drop Bar	
14	1001144629	1	Gate, Weldment	
15	See Note	1	Platform (Note: Not Available - Purchase Platform Assembly)	

SECTION 5 - PLATFORM

FIGURE 5-11. PLATFORM ASSEMBLY - 36IN X 8FT (91.5CM X 2.44M) TRI-ENTRY WITH DROPGATE



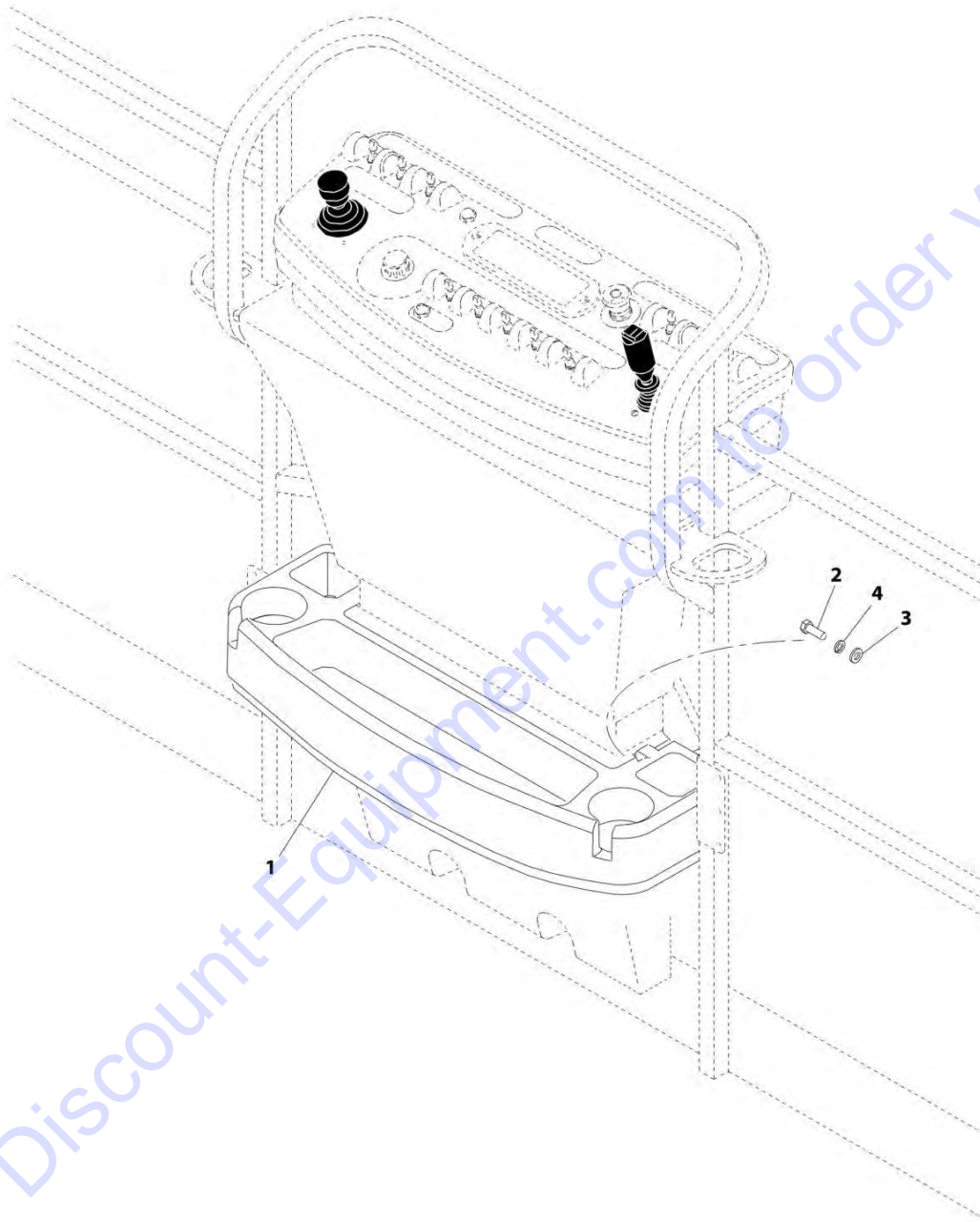
SECTION 5 - PLATFORM

FIGURE 5-11. PLATFORM ASSEMBLY - 36IN X 8FT (91.5CM X 2.44M) TRI-ENTRY WITH DROPGATE

ITEM	PART NUMBER	QTY	DESCRIPTION	REV
	1001228375	Ref	PLATFORM ASSEMBLY - 36IN x 8FT (91.5CM x 2.44M) TRI-ENTRY WITH DROPGATE	A
		Ref	Note: Platform and Mesh must be ordered separately for Platforms with Mesh. See SPECIAL OPTIONS SECTION for Mesh Installations.	
		Ref	Note: Replacement Decals Must be Ordered Separately - See DECAL SECTION.	
1	0100011	AR	Compound, Locking	
2	0641418	6	Bolt 1/4 x 2-1/4	
3	0961845	6	Bushing	
4	3290606	2	Nut M6 x 1	
5	3300151	6	Nut 1/4	
6	3520072	2	Cap, Plug	
7	3520198	2	Cap, Plug	
8	4010618	2	Screw M6 x 50	
9	4711400	12	Washer 1/4	
10	4811700	2	Washer M6	
11	1001138494	3	Bar, Drop	
12	1001138514	1	Rail (Top)	
13	1001140429	3	Decal - Drop Bar	
14	See Note	1	Platform (Note: Not Available - Purchase Platform Assembly)	

SECTION 5 - PLATFORM

FIGURE 5-12. TRAY INSTALLATION



ART_1580012

SECTION 5 - PLATFORM

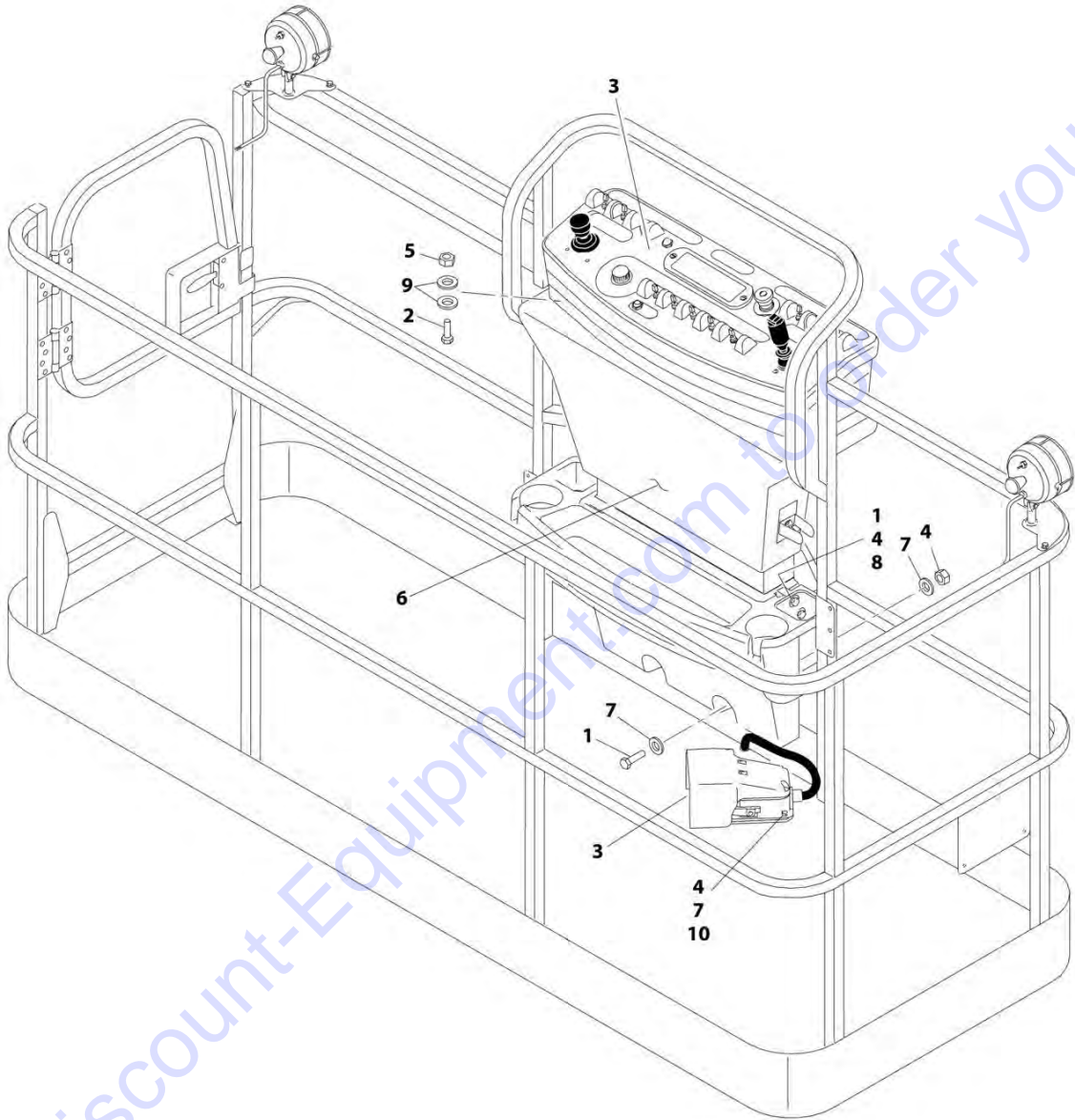
FIGURE 5-12. TRAY INSTALLATION

ITEM	PART NUMBER	QTY	DESCRIPTION	REV
	1580012	Ref	TRAY INSTALLATION	C
1	See Note	1	Tray, Storage (Center) (Note: Purchase p/n 1580012)	
2	0641406	2	Bolt 1/4 x 3/4	
3	4751400	2	Washer 1/4	
4	4761400	2	Washer 1/4	

Go to Discount-Equipment.com to order your parts

SECTION 5 - PLATFORM

FIGURE 5-13. PLATFORM CONTROLS INSTALLATION - WITHOUT SKYGUARD



ART_1001145785

SECTION 5 - PLATFORM

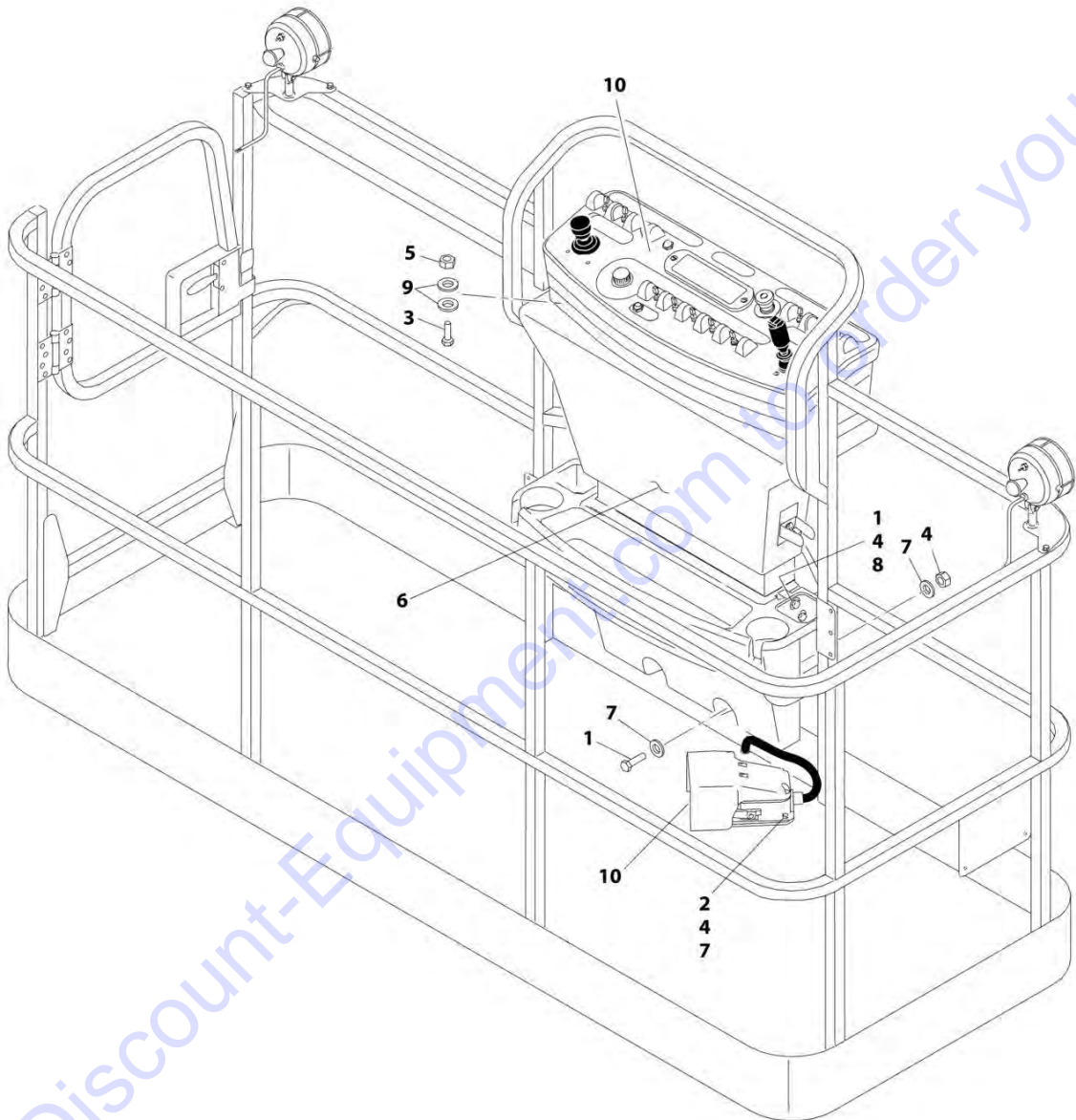
FIGURE 5-13. PLATFORM CONTROLS INSTALLATION - WITHOUT SKYGUARD

ITEM	PART NUMBER	QTY	DESCRIPTION	REV
	1001145785	Ref	PLATFORM CONTROLS INSTALLATION - WITHOUT SKYGUARD	C
1	0641406	4	Bolt 1/4 x 3/4	
2	0641610	4	Bolt 3/8 x 1-1/4	
3	1001166665	NLA	Platform Console Box Assembly (See PLATFORM CONSOLE ASSEMBLY for Breakdown) (Use p/n 1001202564) (SN 0300201017 through 0300220134)	
3	1001202564	1	Platform Console Box Assembly (See PLATFORM CONSOLE ASSEMBLY for Breakdown) (SN 0300220135 to Present)	
4	3311405	7	Nut 1/4	
5	3311605	4	Nut 3/8	
6	3380434	1	Panel, Molded	
7	4740362	7	Washer, Fender	
8	4751400	4	Washer 1/4	
9	4751600	8	Washer 3/8	
10	0641408	3	Bolt 1/4 x 1	

Go to Discount-Equipment.com to order your parts

SECTION 5 - PLATFORM

FIGURE 5-14. PLATFORM CONTROLS INSTALLATION - WITH SKYGUARD (SN 0300201017 through 0300234289)



ART_1001190111

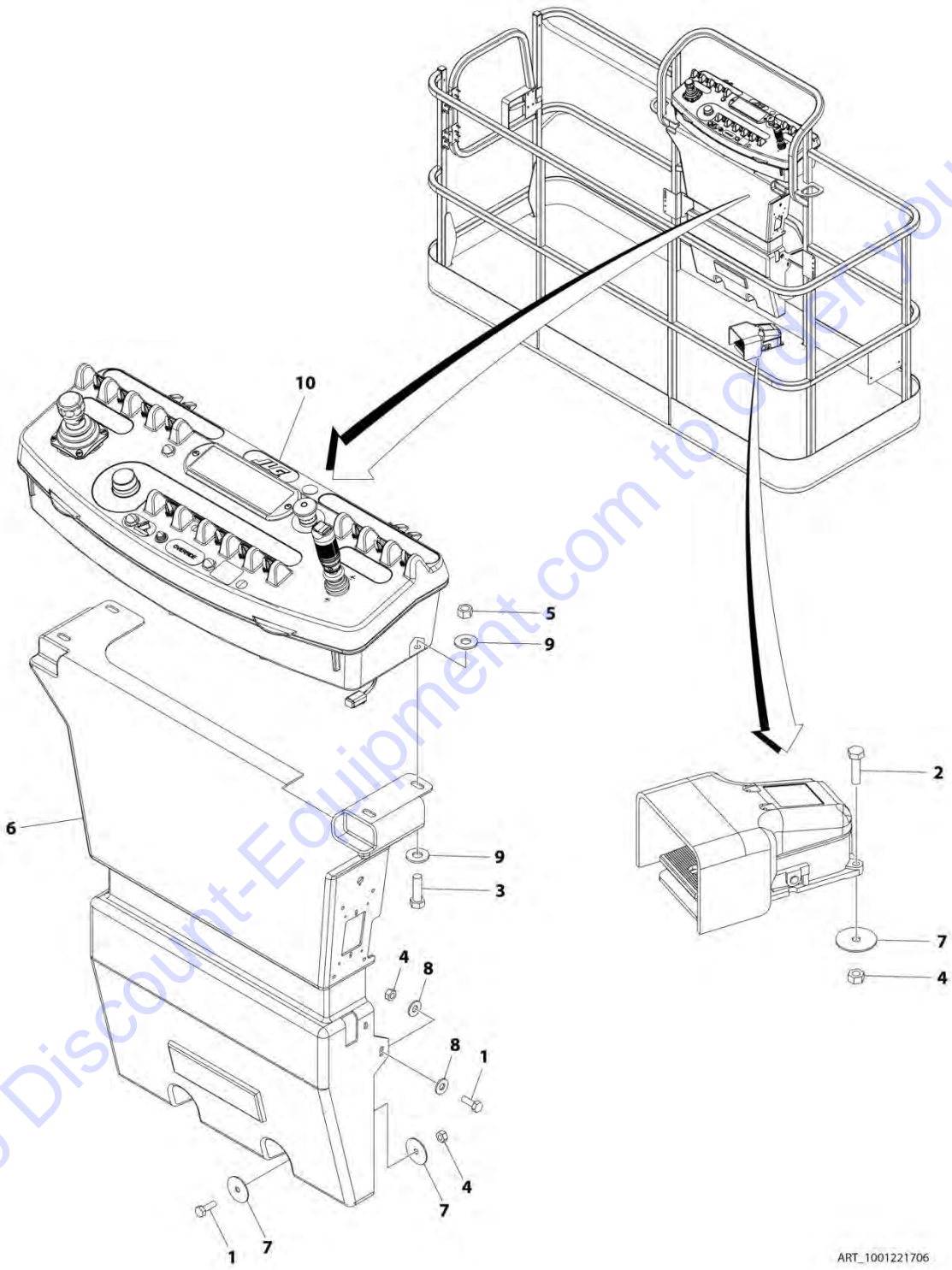
SECTION 5 - PLATFORM

FIGURE 5-14. PLATFORM CONTROLS INSTALLATION - WITH SKYGUARD (SN 0300201017 through 0300234289)

ITEM	PART NUMBER	QTY	DESCRIPTION	REV
	1001190111	Ref	PLATFORM CONTROLS INSTALLATION - WITH SKYGUARD (SN 0300201017 through 0300234289)	C
1	0641406	4	Bolt 1/4 x 3/4	
2	0641408	3	Bolt 1/4 x 1	
3	0641610	4	Bolt 3/8 x 1-1/4	
4	3311405	7	Nut 1/4	
5	3311605	4	Nut 3/8	
6	3380434	1	Panel, Molded	
7	4740362	7	Washer, Fender	
8	4751400	4	Washer 1/4	
9	4751600	8	Washer 3/8	
10	1001190098	1	Platform Console Box Assembly (See PLATFORM CONSOLE ASSEMBLY for Breakdown) (SN 0300201017 through 0300220134)	
10	1001202562	1	Platform Console Box Assembly (See PLATFORM CONSOLE ASSEMBLY for Breakdown) (SN 0300220135 through 0300234289)	

SECTION 5 - PLATFORM

FIGURE 5-15. PLATFORM CONTROLS INSTALLATION - WITH SKYGUARD (SN 0300234290 through 0300256982)



ART_1001221706

SECTION 5 - PLATFORM

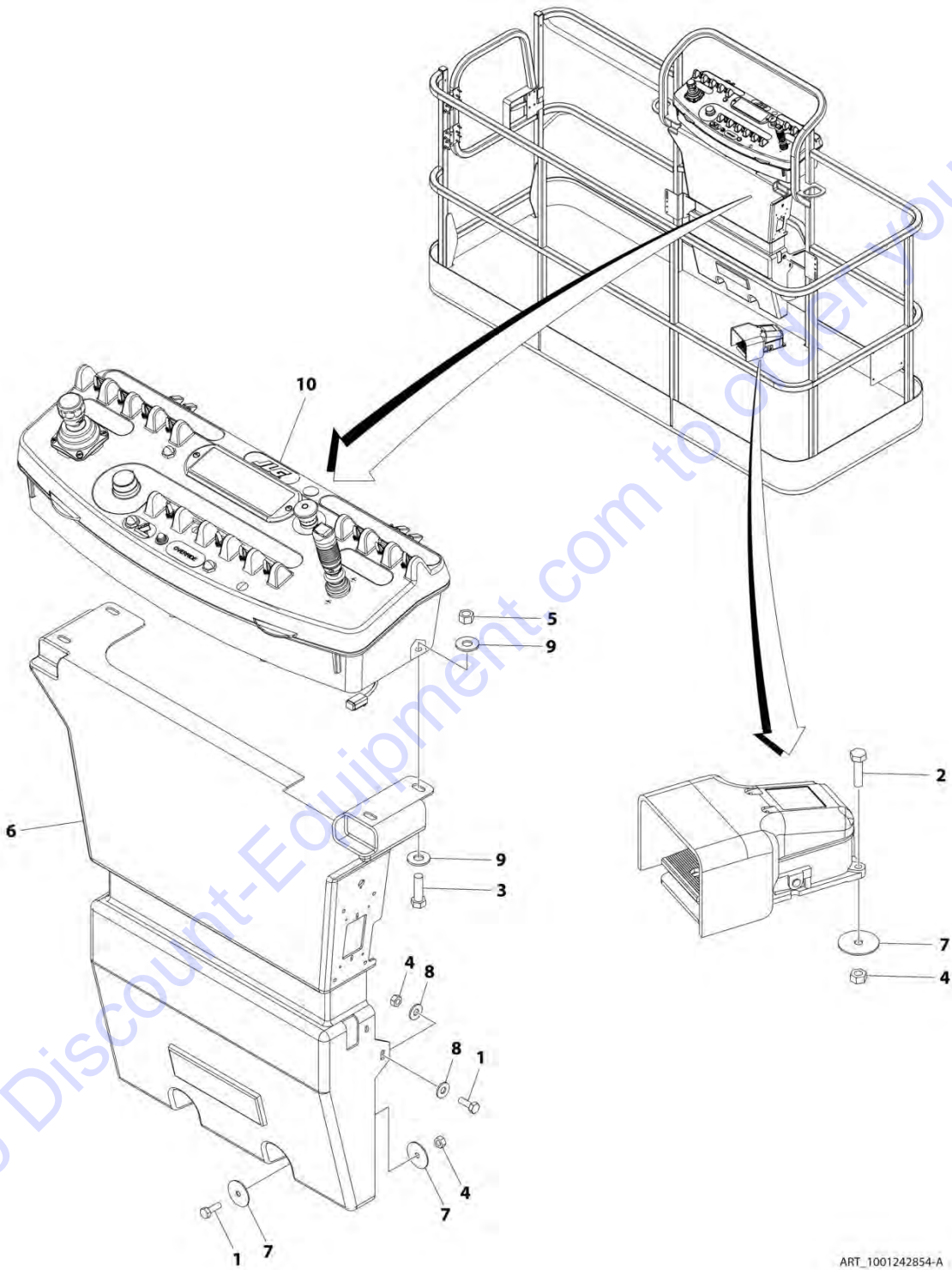
FIGURE 5-15. PLATFORM CONTROLS INSTALLATION - WITH SKYGUARD (SN 0300234290 through 0300256982)

ITEM	PART NUMBER	QTY	DESCRIPTION	REV
	1001221706	Ref	PLATFORM CONTROLS INSTALLATION - WITH SKYGUARD	B
1	0641406	4	Bolt 1/4 x 3/4	
2	0641408	3	Bolt 1/4 x 1	
3	0641610	4	Bolt 3/8 x 1-1/4	
4	3311405	7	Nut 1/4	
5	3311605	4	Nut 3/8	
6	3380434	1	Panel, Molded	
7	4740362	7	Washer, Fender	
8	4751400	4	Washer 1/4	
9	4751600	8	Washer 3/8	
10	1001219987	1	Platform Console Box Assembly (See Separate Breakdown in this Section)	

Go to Discount-Equipment.com to order your parts

SECTION 5 - PLATFORM

FIGURE 5-16. PLATFORM CONTROLS INSTALLATION - WITH SKYGUARD (SN 0300256982 to Present)



ART_1001242854-A

SECTION 5 - PLATFORM

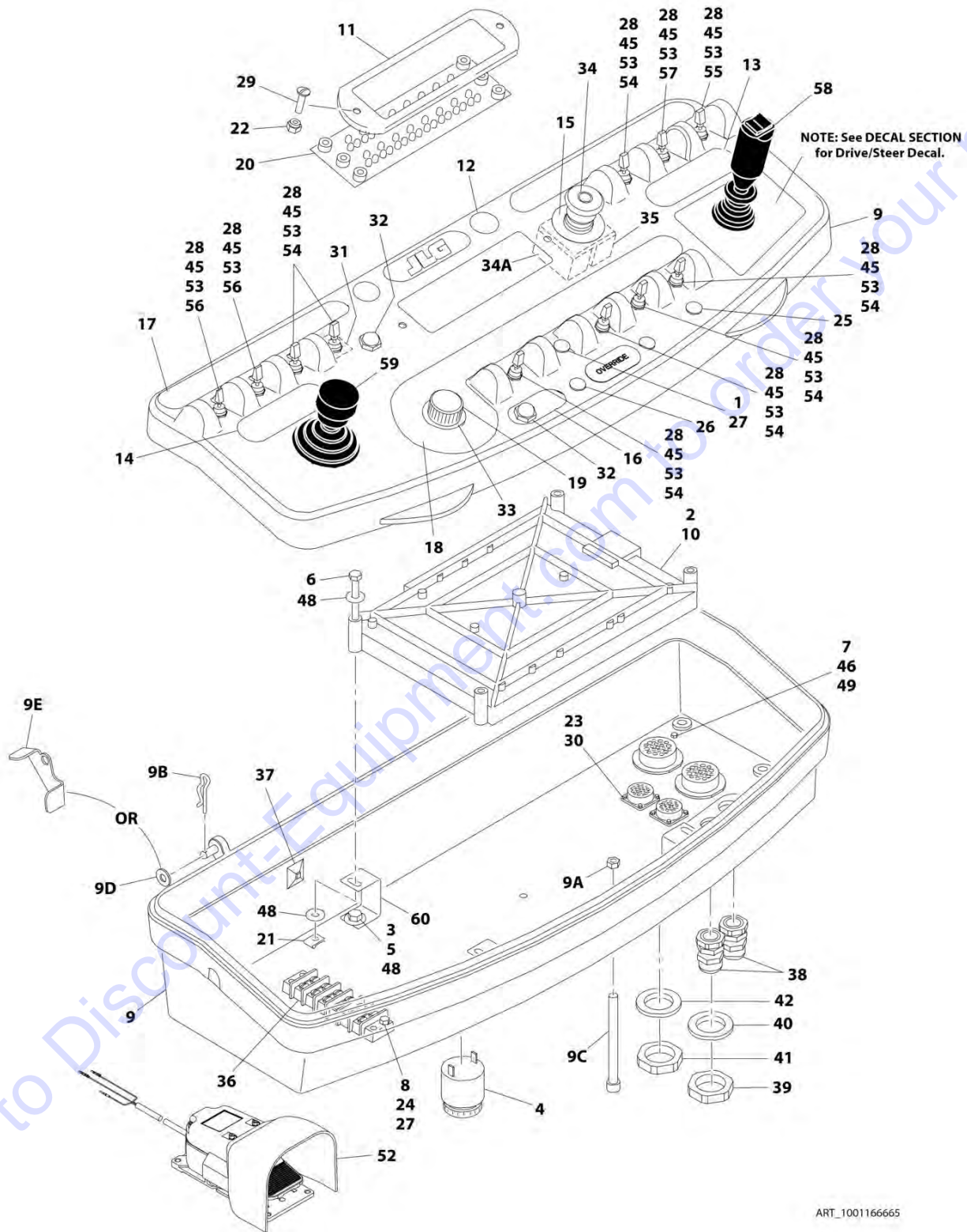
FIGURE 5-16. PLATFORM CONTROLS INSTALLATION - WITH SKYGUARD (SN 0300256982 to Present)

ITEM	PART NUMBER	QTY	DESCRIPTION	REV
	1001242854	Ref	PLATFORM CONTROLS INSTALLATION	A
1	0641406	4	Bolt 1/4 x 3/4	
2	0641408	3	Bolt 1/4 x 1	
3	0641610	4	Bolt 3/8 x 1-1/4	
4	3311405	7	Nut 1/4	
5	3311605	4	Nut 3/8	
6	3380434	1	Panel, Molded	
7	4740362	7	Washer, Fender	
8	4751400	4	Washer 1/4	
9	4751600	8	Washer 3/8	
10	1001243461	1	Platform Console Assembly	

Go to Discount-Equipment.com to order your parts

SECTION 5 - PLATFORM

FIGURE 5-17. PLATFORM CONSOLE ASSEMBLY - WITHOUT SKYGUARD (SN 0300201017 through 0300220134)



ART_1001166665

SECTION 5 - PLATFORM

FIGURE 5-17. PLATFORM CONSOLE ASSEMBLY - WITHOUT SKYGUARD (SN 0300201017 through 0300220134)

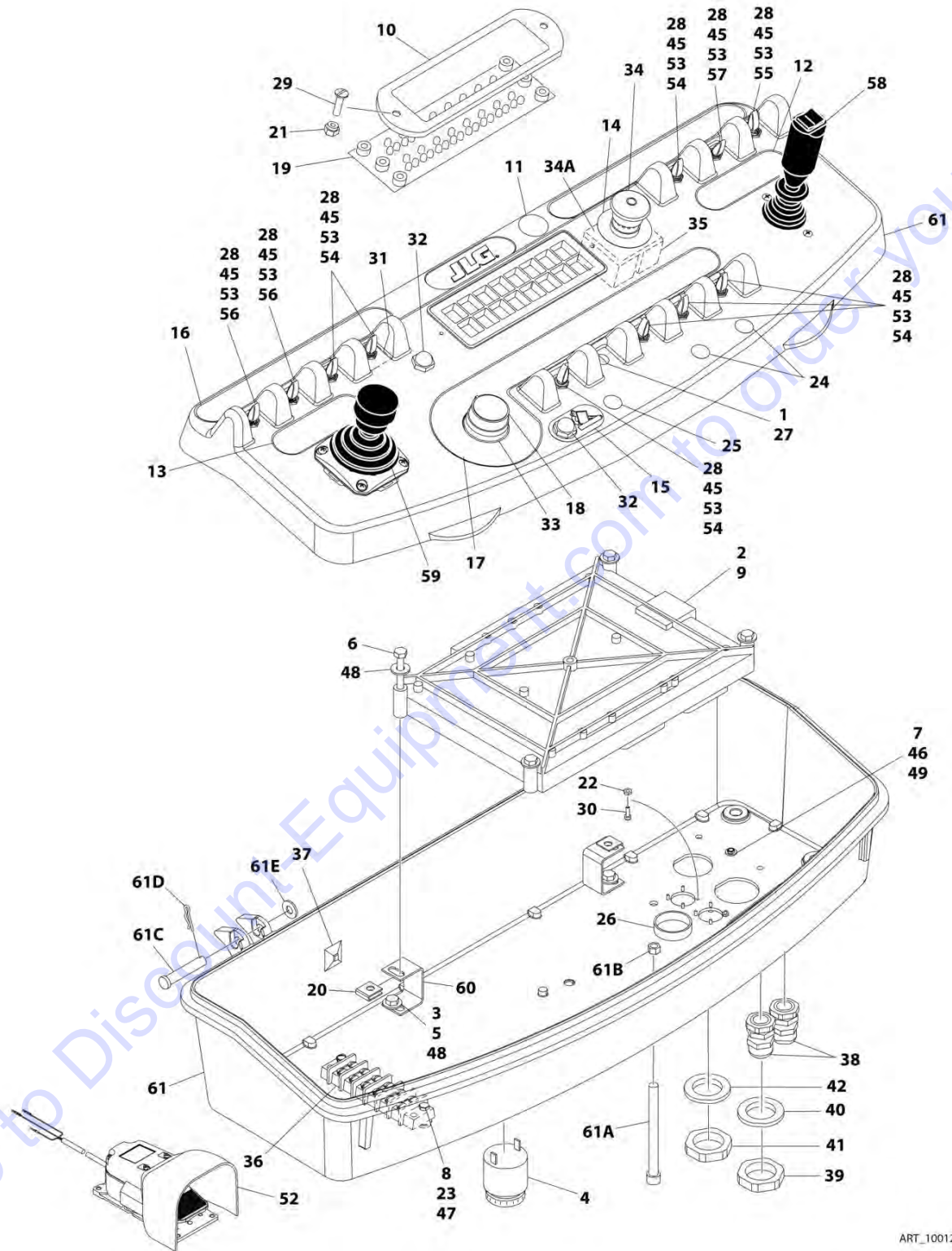
ITEM	PART NUMBER	QTY	DESCRIPTION	REV
	1001166665	Ref	PLATFORM CONSOLE ASSEMBLY - WITHOUT SKYGUARD (SN 0300201017 through 0300220134)	C
1	0100009	AR	Sealant	
2	0100048	AR	Grease, Dielectric	
3	0100081	AR	Loctite 454	
4	0140011	1	Alarm	
5	0641404	4	Bolt 1/4 x 1/2	
6	0641414	4	Bolt 1/4 x 1-3/4	
7	0720804	1	Screw #8 x 1/2	
8	0721006	2	Bolt #10 x 3/4	
9	0861630	NLA	Box, Console (Use p/n 1001201888)	H
9A	3311601	1	Nut 3/8	
9B	3470003	2	Pin	
9C	0630568	1	Screw 3/8 x 4-1/2	
9D	4711500	2	Washer 5/16 (SN 0300201017 through 0300210409)	
9E	1001200575	2	Bracket, Stop (SN 0300210410 through 0300220134)	
10	1600343	1	Module, Platform Control (Note: Re-calibration Required when Replaced)	
10	2915024	1	Update Kit (Includes Cables, Programming Instructions and CD Software)	
11	1671176	1	Bezel	
12	1671314	1	Cover, Hole	
13	1702565	1	Decal - Drive and Steer	
14	1702566	1	Decal - Lift and Swing	
15	1704260	1	Decal - EMS	
16	1705171	1	Decal - Jib Stow	
17	1705744	1	Decal - Horn	
18	1705745	1	Decal - Function Speed	
19	2560136	1	Handle, Knob	
20	2920154	1	Panel, LED Light	
21	3300353	4	Nut, Tinnerman	
22	3300408	2	Insert, Nylon	
23	3300482	2	Nut M2.5	
24	3311005	2	Nut #10	
25	3520026	2	Plug, Hole	
26	3520027	1	Plug, Hole	
27	3520054	1	Plug, Hole	
28	3790012	11	O-Ring	
29	3900183	2	Screw #10 x 1-1/4	
30	3900349	8	Capscrew M2.5	
31	4071074	1	Shim	
32	4360387	2	Switch, Pushbutton	
33	4360407	1	Controller, Speed	
	See Note	1	Gasket "Top Hat" (Included with Switch) (Note: Not Available - Purchase Complete Controller)	
33	70003784	1	Seal	
34	4360475	1	Switch, Emergency Stop	
34	7020175	1	Cap, Red	
34A	7020176	1	Block, Contact	
35	4360476	1	Block, Contact	

SECTION 5 - PLATFORM

ITEM	PART NUMBER	QTY	DESCRIPTION	REV
36	4460007	1	Bar, Buss	
37	4460234	3	Tie-Strap	
38	4460428	2	Connector, Strain Relief	
39	4460470	1	Nut, Terminal	
40	4460471	1	Washer, Terminal	
41	4460496	1	Nut, Terminal	
42	4460497	1	Washer, Terminal	
43	4460708	2	Connector, Female - 15 Position (Not Shown - See ELECTRICAL SECTION for Location)	
44	4460905	AR	Plug, Seal (Not Shown - See ELECTRICAL SECTION for Location)	
45	4740397	11	Spacer	
46	4750800	1	Washer #8	
47	4751000	2	Washer #10	
48	4751400	8	Washer 1/4	
49	4760800	1	Washer #8	
50	4922666	1	Harness, Analyzer Cable (Not Shown - See ELECTRICAL SECTION for Breakdown)	
51	4923448	1	Harness, Console Box (Not Shown - See ELECTRICAL SECTION for Breakdown)	
52	1001117174	1	Footswitch Assembly (See FOOTSWITCH ASSEMBLY for Breakdown)	
53	1001155044	11	Nut	
54	1001155045	7	Switch, Toggle	
55	1001159256	1	Switch, Toggle	
56	1001161709	2	Switch, Toggle	
57	1001161710	1	Switch, Toggle	
58	1001166538	NLA	Controller Assembly (Drive and Steer) (Use p/n 1001212415) (See CONTROLLER ASSEMBLY (DRIVE AND STEER) for Breakdown)	
59	1001166539	1	Controller Assembly (Lift and Swing) (See CONTROLLER ASSEMBLY (LIFT AND SWING) for Breakdown)	
60	1001172760	4	Bracket, Support	

SECTION 5 - PLATFORM

FIGURE 5-18. PLATFORM CONSOLE ASSEMBLY - WITHOUT SKYGUARD (SN 0300220135 to Present)



ART_1001202564

SECTION 5 - PLATFORM

FIGURE 5-18. PLATFORM CONSOLE ASSEMBLY - WITHOUT SKYGUARD (SN 0300220135 to Present)

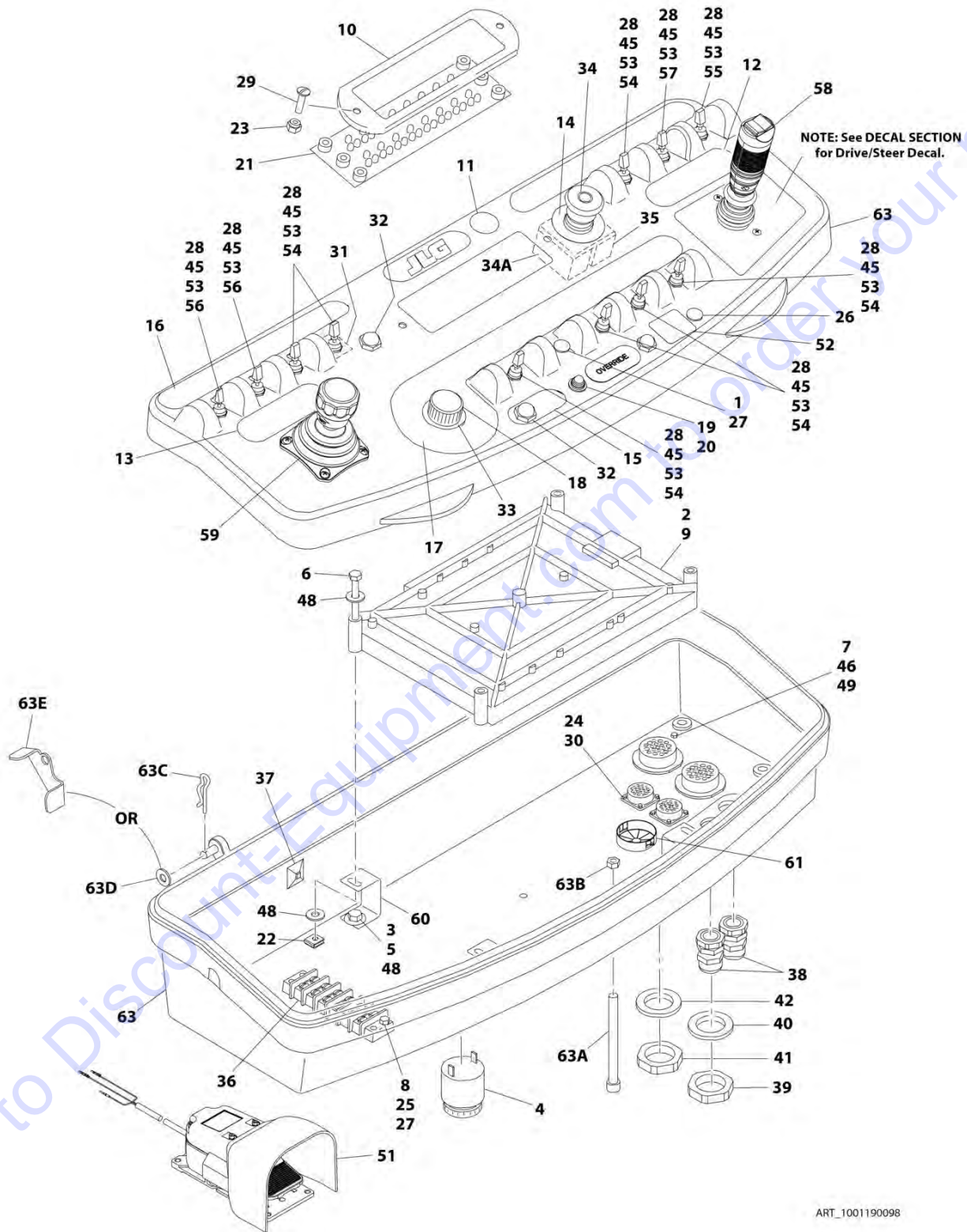
ITEM	PART NUMBER	QTY	DESCRIPTION	REV
	1001202564	Ref	PLATFORM CONSOLE ASSEMBLY - WITHOUT SKYGUARD (SN 0300220135 to Present)	B
1	0100009	AR	Sealant	
2	0100048	AR	Grease, Dielectric	
3	0100081	AR	Loctite 454	
4	0140011	1	Alarm	
5	0641404	4	Bolt 1/4 x 1/2	
6	0641414	4	Bolt 1/4 x 1-3/4	
7	0720804	1	Screw #8 x 1/2	
8	0721006	2	Bolt #10 x 3/4	
9	1600343	1	Module, Platform Control (Note: Re-calibration Required when Replaced)	
9	2915024	1	Update Kit (Includes Cables, Programming Instructions and CD Software)	
10	1671176	1	Bezel	
11	1671314	1	Cover, Hole	
12	1702565	1	Decal - Drive and Steer	
13	1702566	1	Decal - Lift and Swing	
14	1704260	1	Decal - EMS	
15	1705171	1	Decal - Jib Stow	
16	1705744	1	Decal - Horn	
17	1705745	1	Decal - Function Speed	
18	2560136	1	Handle, Knob	
19	2920154	1	Panel, LED Light	
20	3300353	4	Nut, Tinnerman	
21	3300408	2	Insert, Nylon	
22	3300482	2	Nut M2.5	
23	3311005	2	Nut #10	
24	3520026	2	Plug, Hole	
25	3520027	1	Plug, Hole	
26	3520035	1	Plug, Cap	
27	3520054	1	Plug, Hole	
28	3790012	11	O-Ring	
29	3900183	2	Screw #10 x 1-1/4	
30	3900349	8	Capscrew M2.5	
31	4071074	1	Shim	
32	4360387	2	Switch, Pushbutton	
33	4360407	1	Controller, Speed	
	See Note	1	Gasket "Top Hat" (Included with Switch) (Note: Not Available - Purchase Complete Controller)	
33	70003784	1	Seal	
34	4360475	1	Switch, Emergency Stop	
34	7020175	1	Cap, Red	
34A	7020176	1	Block, Contact	
35	4360476	1	Block, Contact	
36	4460007	1	Bar, Buss	
37	4460234	3	Tie-Strap	
38	4460428	2	Connector, Strain Relief	
39	4460470	1	Nut, Terminal	
40	4460471	1	Washer, Terminal	

SECTION 5 - PLATFORM

ITEM	PART NUMBER	QTY	DESCRIPTION	REV
41	4460496	1	Nut, Terminal	
42	4460497	1	Washer, Terminal	
43	4460708	2	Connector, Female - 15 Position (Not Shown - See ELECTRICAL SECTION for Location)	
44	4460905	AR	Plug, Seal (Not Shown - See ELECTRICAL SECTION for Location)	
45	4740397	11	Spacer	
46	4750800	1	Washer #8	
47	4751000	2	Washer #10	
48	4751400	8	Washer 1/4	
49	4760800	1	Washer #8	
50	4922666	1	Harness, Analyzer Cable (Not Shown - See ELECTRICAL SECTION for Breakdown)	
51	4923448	1	Harness, Console Box (Not Shown - See ELECTRICAL SECTION for Breakdown)	
52	1001117174	1	Footswitch Assembly (See FOOTSWITCH ASSEMBLY for Breakdown)	
53	1001155044	11	Nut	
54	1001155045	7	Switch, Toggle	
55	1001159256	1	Switch, Toggle	
56	1001161709	2	Switch, Toggle	
57	1001161710	1	Switch, Toggle	
58	1001166538	NLA	Controller Assembly (Drive and Steer) (Use p/n 1001212415) (See CONTROLLER ASSEMBLY (DRIVE AND STEER) for Breakdown)	
59	1001166539	1	Controller Assembly (Lift and Swing) (See CONTROLLER ASSEMBLY (LIFT AND SWING) for Breakdown)	
60	1001172760	4	Bracket, Support	
61	1001201888	1	Box, Console	B
61A	0630568	1	Screw 3/8 x 4-1/2	
61B	3311601	1	Nut 3/8	
61C	3430616	2	Pin, Clevis	
61D	3470003	2	Pin	
61E	4711600	2	Washer 3/8	

SECTION 5 - PLATFORM

FIGURE 5-19. PLATFORM CONSOLE ASSEMBLY - WITH SKYGUARD (SN 0300201017 through 0300220134)



ART_1001190098

SECTION 5 - PLATFORM

FIGURE 5-19. PLATFORM CONSOLE ASSEMBLY - WITH SKYGUARD (SN 0300201017 through 0300220134)

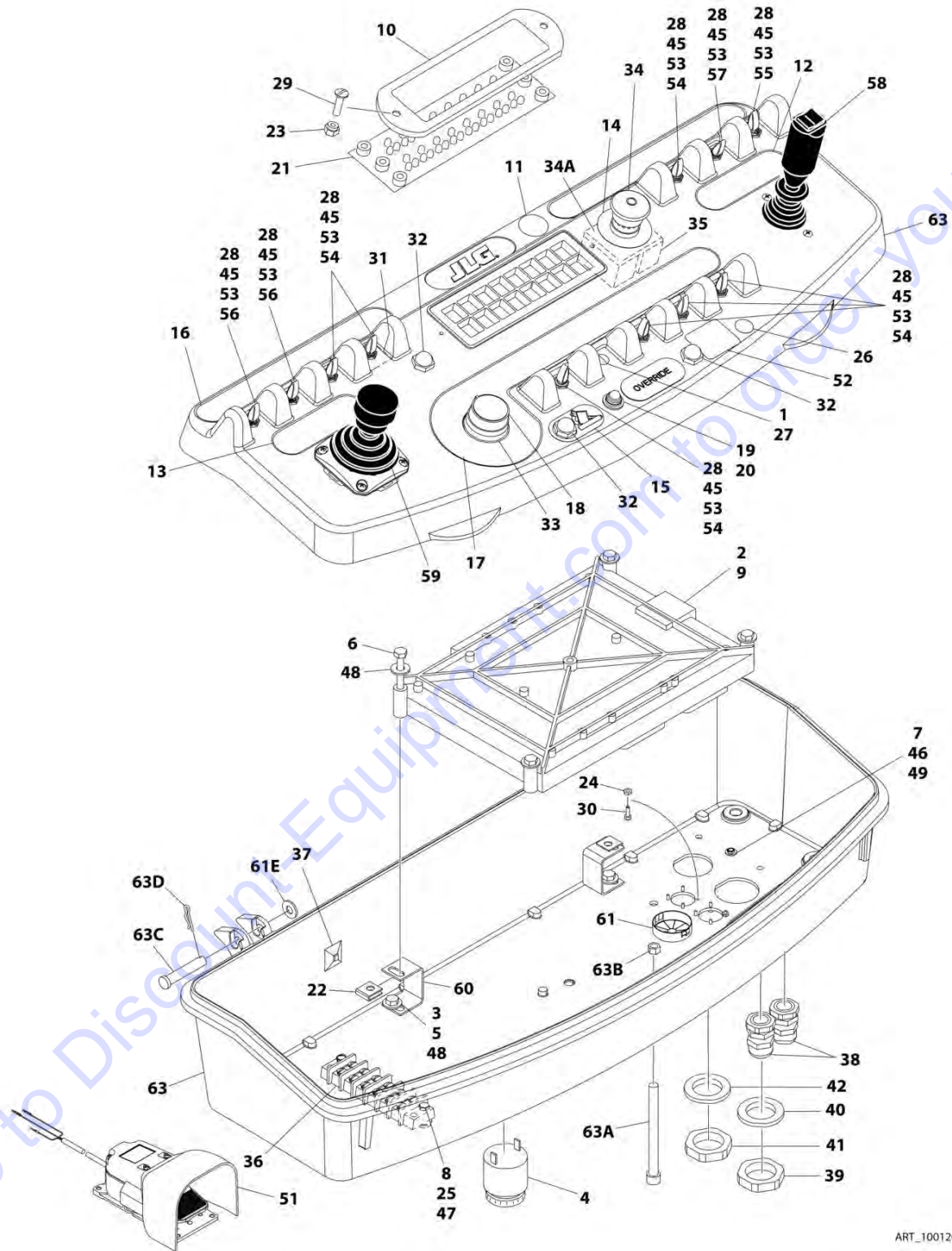
ITEM	PART NUMBER	QTY	DESCRIPTION	REV
	1001190098	Ref	PLATFORM CONSOLE ASSEMBLY - WITH SKYGUARD (SN 0300201017 through 0300220134)	C
1	0100009	AR	Sealant	
2	0100048	AR	Grease, Dielectric	
3	0100081	AR	Loctite 454	
4	0140011	1	Alarm	
5	0641404	4	Bolt 1/4 x 1/2	
6	0641414	4	Bolt 1/4 x 1-3/4	
7	0720804	1	Screw #8 x 1/2	
8	0721006	2	Bolt #10 x 3/4	
9	1600343	1	Module, Platform Control (Note: Re-calibration Required when Replaced)	
9	2915024	1	Update Kit (Includes Cables, Programming Instructions and CD Software)	
10	1671176	1	Bezel	
11	1671314	1	Cover, Hole	
12	1702565	1	Decal - Drive and Steer	
13	1702566	1	Decal - Lift and Swing	
14	1704260	1	Decal - EMS	
15	1705171	1	Decal - Jib Stow	
16	1705744	1	Decal - Horn	
17	1705745	1	Decal - Function Speed	
18	2560136	1	Handle, Knob	
19	2920028	1	Light, Indicator	
20	2920029	1	Bulb	
21	2920154	1	Panel, LED Light	
22	3300353	4	Nut, Tinnerman	
23	3300408	2	Insert, Nylon	
24	3300482	2	Nut M2.5	
25	3311005	2	Nut #10	
26	3520026	2	Plug, Hole	
27	3520054	1	Plug, Hole	
28	3790012	11	O-Ring	
29	3900183	2	Screw #10 x 1-1/4	
30	3900349	8	Capscrew M2.5	
31	4071074	1	Shim	
32	4360387	2	Switch, Pushbutton	
33	4360407	1	Controller, Speed	
	See Note	1	Gasket "Top Hat" (Included with Switch) (Note: Not Available - Purchase Complete Controller)	
33	70003784	1	Seal	
34	4360475	1	Switch, Emergency Stop	
34	7020175	1	Cap, Red	
34A	7020176	1	Block, Contact	
35	4360476	1	Block, Contact	
36	4460007	1	Bar, Buss	
37	4460234	3	Tie-Strap	
38	4460428	2	Connector, Strain Relief	
39	4460470	1	Nut, Terminal	
40	4460471	1	Washer, Terminal	

SECTION 5 - PLATFORM

ITEM	PART NUMBER	QTY	DESCRIPTION	REV
41	4460496	1	Nut, Terminal	
42	4460497	1	Washer, Terminal	
43	4460708	2	Connector, Female - 15 Position (Not Shown - See ELECTRICAL SECTION for Location)	
44	4460905	AR	Plug, Seal (Not Shown - See ELECTRICAL SECTION for Location)	
45	4740397	11	Spacer	
46	4750800	1	Washer #8	
47	4751000	2	Washer #10	
48	4751400	8	Washer 1/4	
49	4760800	1	Washer #8	
50	4922666	1	Harness, Analyzer Cable (Not Shown - See ELECTRICAL SECTION for Breakdown)	
51	1001117174	1	Footswitch Assembly (See FOOTSWITCH ASSEMBLY for Breakdown)	
52	1001144433	1	Decal - No Weight SkyGuard	
53	1001155044	11	Nut	
54	1001155045	7	Switch, Toggle	
55	1001159256	1	Switch, Toggle	
56	1001161709	2	Switch, Toggle	
57	1001161710	1	Switch, Toggle	
58	1001166538	NLA	Controller Assembly (Drive and Steer) (Use p/n 1001212415) (See CONTROLLER ASSEMBLY (DRIVE AND STEER) for Breakdown)	
59	1001166539	1	Controller Assembly (Lift and Swing) (See CONTROLLER ASSEMBLY (LIFT AND SWING) for Breakdown)	
60	1001172760	4	Bracket, Support	
61	1001185281	1	Plug	
62	1001186477	1	Harness, Console Box (Not Shown - See ELECTRICAL SECTION for Breakdown)	
63	1001190106	NLA	Box, Console (Use p/n 1001201888)	B
63A	0630568	1	Capscrew 3/8 X 4-1/2	
63B	3311601	1	Nut 3/8	
63C	3470003	2	Pin, Hair	
63D	4711500	2	Washer 5/16 (SN 0300201017 through 0300210409)	
63E	1001200575	2	Bracket, Stop (SN 0300210410 through 0300220134)	

SECTION 5 - PLATFORM

FIGURE 5-20. PLATFORM CONSOLE ASSEMBLY - WITH SKYGUARD (SN 0300220135 through 0300234289)



ART_1001202562

SECTION 5 - PLATFORM

FIGURE 5-20. PLATFORM CONSOLE ASSEMBLY - WITH SKYGUARD (SN 0300220135 through 0300234289)

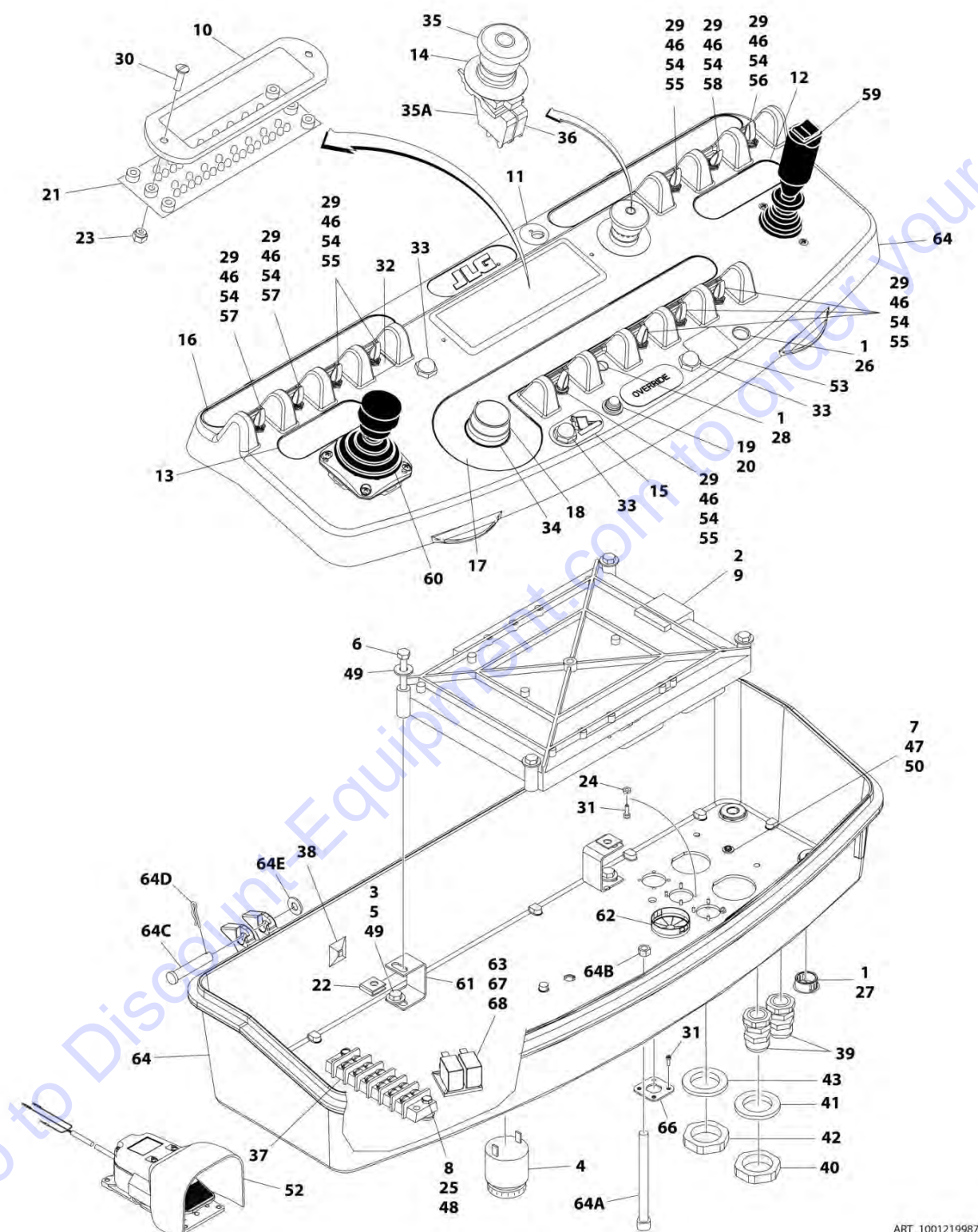
ITEM	PART NUMBER	QTY	DESCRIPTION	REV
	1001202562	Ref	PLATFORM CONSOLE ASSEMBLY - WITH SKYGUARD (SN 0300220135 through 0300234289)	D
1	0100009	AR	Sealant	
2	0100048	AR	Grease, Dielectric	
3	0100035	AR	Compound, Locking	
4	0140011	1	Alarm	
5	0641404	4	Bolt 1/4 x 1/2	
6	0641414	4	Bolt 1/4 x 1-3/4	
7	0720804	1	Screw #8 x 1/2	
8	0721006	2	Bolt #10 x 3/4	
9	1600343	1	Module, Platform Control (Note: Re-calibration Required when Replaced)	
9	2915024	1	Update Kit (Includes Cables, Programming Instructions and CD Software)	
10	1671176	1	Bezel	
11	1671314	1	Cover, Hole	
12	1702565	1	Decal - Drive and Steer	
13	1702566	1	Decal - Lift and Swing	
14	1704260	1	Decal - EMS	
15	1705171	1	Decal - Jib Stow	
16	1705744	1	Decal - Horn	
17	1705745	1	Decal - Function Speed	
18	2560136	1	Handle, Knob	
19	2920028	1	Light, Indicator	
20	2920029	1	Bulb	
21	2920154	1	Panel, LED Light	
22	3300353	4	Nut, Tinnerman	
23	3300408	2	Insert, Nylon	
24	3300482	2	Nut M2.5	
25	3311005	2	Nut #10	
26	3520026	2	Plug, Hole	
27	3520054	2	Plug, Hole	
28	3790012	11	O-Ring	
29	3900183	2	Screw #10 x 1-1/4	
30	3900349	8	Capscrew M2.5	
31	4071074	1	Shim	
32	4360387	2	Switch, Pushbutton	
33	4360407	1	Controller, Speed	
	See Note	1	Gasket "Top Hat" (Included with Switch) (Note: Not Available - Purchase Complete Controller)	
33	70003784	1	Seal	
34	4360475	1	Switch, Emergency Stop	
34	7020175	1	Cap, Red	
34A	7020176	1	Block, Contact	
35	4360476	1	Block, Contact	
36	4460007	1	Bar, Buss	
37	4460234	3	Tie-Strap	
38	4460428	2	Connector, Strain Relief	
39	4460470	1	Nut, Terminal	
40	4460471	1	Washer, Terminal	

SECTION 5 - PLATFORM

ITEM	PART NUMBER	QTY	DESCRIPTION	REV
41	4460496	1	Nut, Terminal	
42	4460497	1	Washer, Terminal	
43	4460708	2	Connector, Female - 15 Position (Not Shown)	
44	4460905	AR	Plug, Seal (Not Shown)	
45	4740397	11	Spacer	
46	4750800	1	Washer #8	
47	4751000	2	Washer #10	
48	4751400	8	Washer 1/4	
49	4760800	1	Washer #8	
50	4922666	1	Harness, Analyzer Cable (Not Shown - See Separate Breakdown in ELECTRICAL SECTION)	
51	1001117174	1	Footswitch Assembly (See Separate Breakdown in this Section)	
52	1001144433	1	Decal - No Weight SkyGuard	
53	1001155044	11	Nut	
54	1001155045	7	Switch, Toggle	
55	1001159256	1	Switch, Toggle	
56	1001161709	2	Switch, Toggle	
57	1001161710	1	Switch, Toggle	
58	1001166538	NLA	Controller Assembly (Drive and Steer) (Use p/n 1001212415) (See Separate Breakdown in this Section)	
59	1001166539	1	Controller Assembly (Lift and Swing) (See Separate Breakdown in this Section)	
60	1001172760	4	Bracket, Support	
61	1001185281	1	Plug	
62	1001186477	1	Harness, Console Box (Not Shown - See Separate Breakdown in ELECTRICAL SECTION)	
63	1001201888	1	Box, Console	B
63A	0630568	1	Screw 3/8 x 4-1/2	
63B	3311601	1	Nut 3/8	
63C	3430616	2	Clevis	
63D	3470003	2	Pin	
63E	4711600	2	Washer 3/8	

SECTION 5 - PLATFORM

FIGURE 5-21. PLATFORM CONSOLE ASSEMBLY - WITH SKYGUARD (SN 0300234290 through 0300256982)



ART_1001219987

SECTION 5 - PLATFORM

FIGURE 5-21. PLATFORM CONSOLE ASSEMBLY - WITH SKYGUARD (SN 0300234290 through 0300256982)

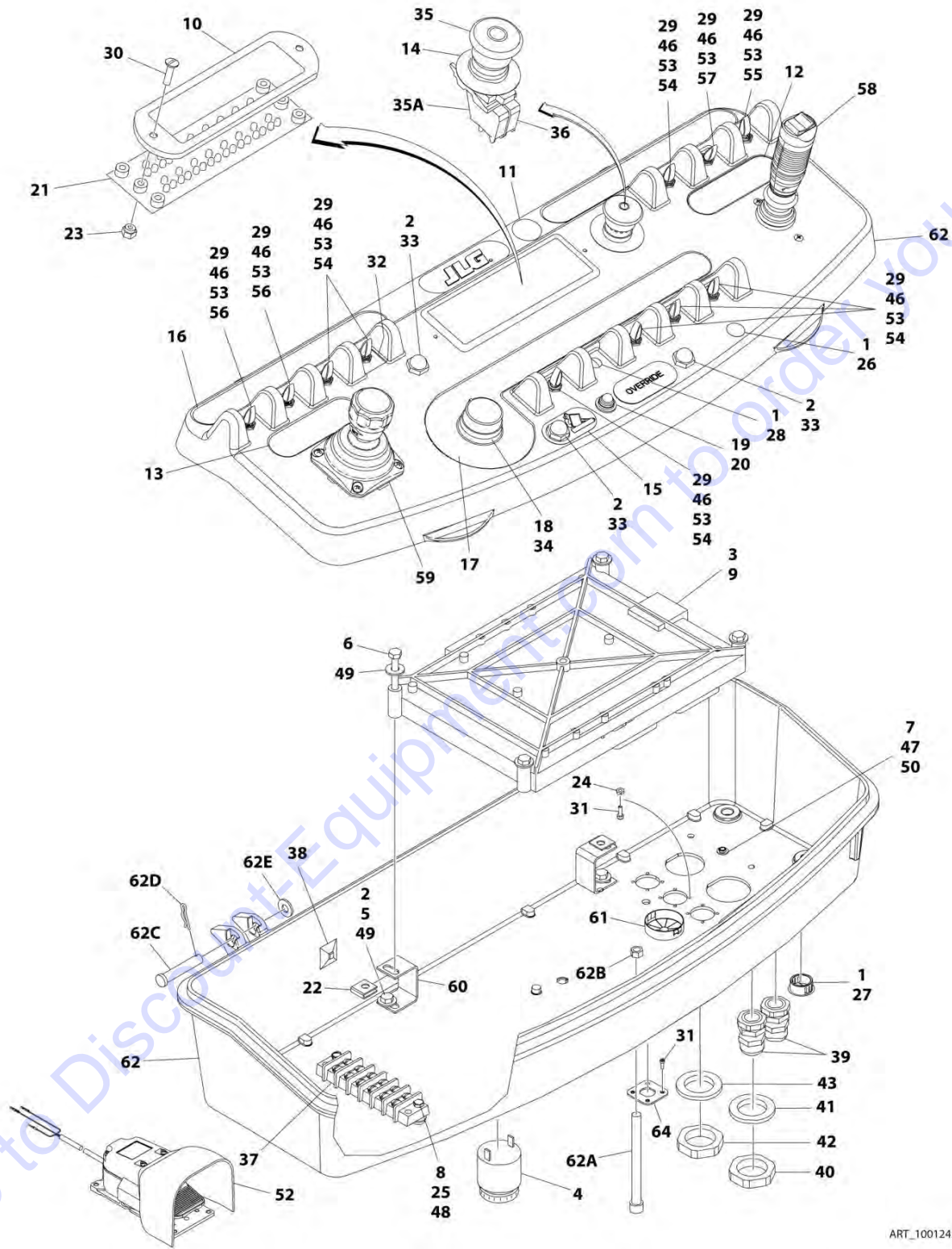
ITEM	PART NUMBER	QTY	DESCRIPTION	REV
	1001219987	Ref	PLATFORM CONSOLE ASSEMBLY - WITH SKYGUARD (SN 0300234290 to Present)	C
1	0100009	AR	Sealant	
2	0100048	AR	Grease, Dielectric	
3	0100035	AR	Compound, Locking	
4	0140011	1	Alarm	
5	0641404	4	Bolt 1/4 x 1/2	
6	0641414	4	Bolt 1/4 x 1-3/4	
7	0720804	1	Screw #8 x 1/2	
8	0721006	2	Bolt #10 x 3/4	
9	1600343	1	Module, Platform Control (Note: Re-calibration Required when Replaced)	
9	2915024	1	Update Kit (Includes Cables, Programming Instructions and CD Software)	
10	1671176	1	Bezel	
11	1671314	1	Cover, Hole	
12	1702565	1	Decal - Drive and Steer	
13	1702566	1	Decal - Lift and Swing	
14	1704260	1	Decal - EMS	
15	1705171	1	Decal - Jib Stow	
16	1705744	1	Decal - Horn	
17	1705745	1	Decal - Function Speed	
18	2560136	1	Handle, Knob	
19	2920028	1	Light, Indicator	
20	2920029	1	Bulb	
21	2920154	1	Panel, LED Light	
22	3300353	4	Nut, Tinnerman	
23	3300408	2	Insert, Nylon	
24	3300482	2	Nut M2.5	
25	3311005	2	Nut #10	
26	3520026	2	Plug, Hole	
27	3520030	1	Plug, Hole	
28	3520054	1	Plug, Hole	
29	3790012	11	O-Ring	
30	3900183	2	Screw #10 x 1-1/4	
31	3900349	8	Capscrew M2.5	
32	4071074	1	Shim	
33	4360387	2	Switch, Pushbutton	
34	4360407	1	Controller, Speed	
	See Note	NSS	Gasket "Top Hat" (Included with Switch) (Note: Not Available - Purchase Complete Controller)	
34	70003784	1	Seal	
35	4360475	1	Switch, Emergency Stop	
35	7020175	1	Cap, Red	
35A	7020176	1	Block, Contact	
36	4360476	1	Block, Contact	
37	4460007	1	Bar, Buss	
38	4460234	3	Tie-Strap	
39	4460428	2	Connector, Strain Relief	
40	4460470	2	Nut, Terminal	

SECTION 5 - PLATFORM

ITEM	PART NUMBER	QTY	DESCRIPTION	REV
41	4460471	1	Washer, Terminal	
42	4460496	1	Nut, Terminal	
43	4460497	1	Washer, Terminal	
44	4460708	2	Connector, Female - 15 Position (Not Shown)	
45	4460905	AR	Plug, Seal (Not Shown)	
46	4740397	11	Spacer	
47	4750800	1	Washer #8	
48	4751000	2	Washer #10	
49	4751400	8	Washer 1/4	
50	4760800	1	Washer #8	
51	4922666	1	Harness, Analyzer Cable (Not Shown - See Separate Breakdown in ELECTRICAL SECTION)	
52	1001117174	1	Footswitch Assembly (See Separate Breakdown in this Section)	
53	1001144433	1	Decal - No Weight SkyGuard	
54	1001155044	11	Nut	
55	1001155045	7	Switch, Toggle	
56	1001159256	1	Switch, Toggle	
57	1001161709	2	Switch, Toggle	
58	1001161710	1	Switch, Toggle	
59	1001166538	NLA	Controller Assembly (Drive and Steer) (Use p/n 1001212415) (See Separate Breakdown in this Section)	
60	1001166539	NLA	Controller Assembly (Lift and Swing) (Use p/n 1001129555) (See Separate Breakdown in this Section)	
61	1001172760	4	Bracket, Support	
62	1001185281	1	Plug	
63	1001186431	2	Relay	
64	1001201889	1	Box, Console	C
64A	0630568	1	Screw 3/8 x 4-1/2	
64B	3311601	1	Nut 3/8	
64C	3430616	2	Clevis	
64D	3470003	2	Pin	
64E	4711600	2	Washer 3/8	
65	1001220866	1	Harness, Console Box (Not Shown - See Separate Breakdown in ELECTRICAL SECTION)	
66	1001220929	1	Mount	
67	4240032	1	Tie-Strap	
68	4460488	1	Mount, Tie Strap	
69	1001225580	1	Harness, Interface (Not Shown - See Separate Breakdown in ELECTRICAL SECTION)	

SECTION 5 - PLATFORM

FIGURE 5-22. PLATFORM CONSOLE ASSEMBLY - WITH SKYGUARD (SN 0300256982 to Present)



ART_1001243461-A

SECTION 5 - PLATFORM

FIGURE 5-22. PLATFORM CONSOLE ASSEMBLY - WITH SKYGUARD (SN 0300256982 to Present)

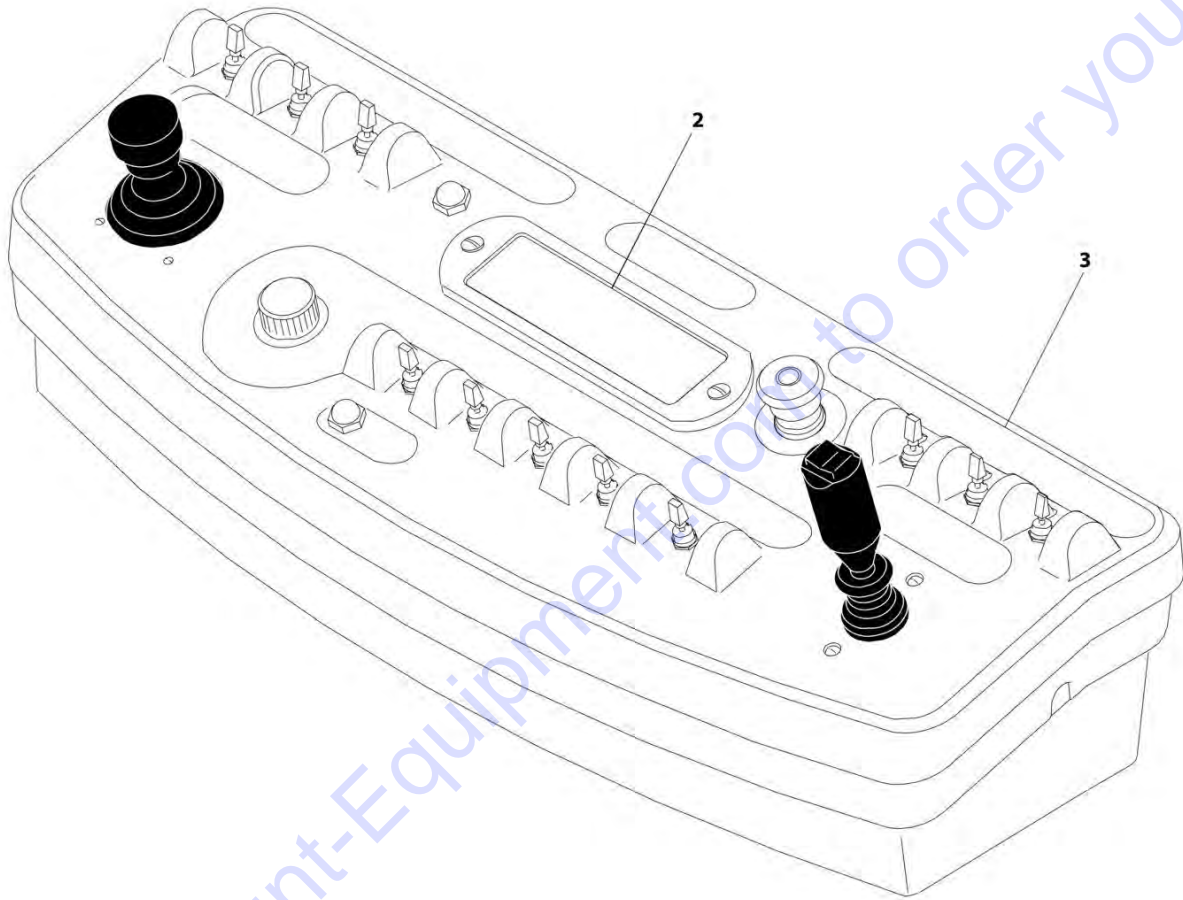
ITEM	PART NUMBER	QTY	DESCRIPTION	REV
	1001243461	Ref	PLATFORM CONSOLE ASSEMBLY	A
1	0100009	AR	Sealant	
2	0100035	AR	Compound, Locking	
3	0100048	AR	Grease, Dielectric	
4	0140011	1	Alarm	
5	0641404	4	Bolt 1/4 x 1/2	
6	0641414	4	Bolt 1/4 x 1-3/4	
7	0720804	1	Screw #8 x 1/2	
8	0721006	2	Bolt #10 x 3/4	
9	1600343	1	Module, Platform Control (Note: Re-calibration Required when Replaced)	
9	2915024	1	Update Kit (Includes Cables, Programming Instructions and CD Software)	
10	1671176	1	Bezel	
11	1671314	1	Cover, Hole	
12	1702565	1	Decal - Drive and Steer	
13	1702566	1	Decal - Lift and Swing	
14	1704260	1	Decal - EMS	
15	1705171	1	Decal - Jib Stow	
16	1705744	1	Decal - Horn	
17	1705745	1	Decal - Function Speed	
18	2560136	1	Handle, Knob	
19	2920028	1	Light, Indicator	
20	2920029	1	Bulb	
21	2920154	1	Panel, LED Light	
22	3300353	4	Nut, Tinnerman	
23	3300408	2	Insert, Nylon	
24	3300482	2	Nut M2.5	
25	3311005	2	Nut #10	
26	3520026	1	Plug, Hole	
27	3520030	1	Plug, Hole	
28	3520054	1	Plug, Hole	
29	3790012	11	O-Ring	
30	3900183	2	Screw #10 x 1-1/4	
31	3900349	12	Capscrew M2.5	
32	4071074	1	Shim	
33	4360387	3	Switch, Pushbutton	
34	4360407	1	Controller, Speed	
	See Note	NSS	Gasket "Top Hat" (Included with Switch) (Note: Not Available - Purchase Complete Controller)	
34	70003784	1	Seal	
35	4360475	1	Switch, Emergency Stop	
35	7020175	1	Cap	
35A	7020176	1	Block, Contact	
36	4360476	1	Block, Contact	
37	4460007	1	Bar, Buss	
38	4460234	3	Tie-Strap	
39	4460428	2	Connector, Strain Relief	
40	4460470	1	Nut, Terminal	
41	4460471	1	Washer, Terminal	

SECTION 5 - PLATFORM

ITEM	PART NUMBER	QTY	DESCRIPTION	REV
42	4460496	1	Nut, Terminal	
43	4460497	1	Washer, Terminal	
44	4460708	2	Connector, Female - 15 Position (Not Shown)	
45	4460905	AR	Plug, Seal (Not Shown)	
46	4740397	11	Spacer	
47	4750800	1	Washer #8	
48	4751000	2	Washer #10	
49	4751400	8	Washer 1/4	
50	4760800	1	Washer	
51	4922666	1	Harness, Analyzer Cable (Not Shown - See Separate Breakdown in ELECTRICAL SECTION)	
52	1001117174	1	Footswitch Assembly (See Separate Breakdown in this Section)	
53	1001155044	11	Nut 15/32-32	
54	1001155045	7	Switch, Toggle	
55	1001159156	1	Switch, Toggle	
56	1001161709	2	Switch, Toggle	
57	1001161710	1	Switch, Toggle	
58	1001166538	NLA	Controller Assembly - Drive and Steer (See CONTROLLER ASSEMBLY - DRIVE AND STEER for Breakdown)	
59	1001166539	NLA	Controller Assembly - Lift and Swing (See CONTROLLER ASSEMBLY - LIFT AND SWING for Breakdown)	
60	1001172760	4	Bracket, Support	
61	1001185281	1	Plug	
62	1001201889	1	Box, Console	C
62A	0630568	1	Screw 3/8 x 4-1/2	
62B	3311601	1	Nut 3/8	
62C	3430616	2	Clevis	
62D	3470003	2	Pin	
62E	4711600	2	Washer 3/8	
63	1001220866	1	Harness, Console Box (Not Shown - See Separate Breakdown in ELECTRICAL SECTION)	
64	1001220929	1	Mount, Connector	

SECTION 5 - PLATFORM

FIGURE 5-23. DECAL AND LIGHT PANEL (ANSI SPECS)



ART_1001121826_20F2

SECTION 5 - PLATFORM

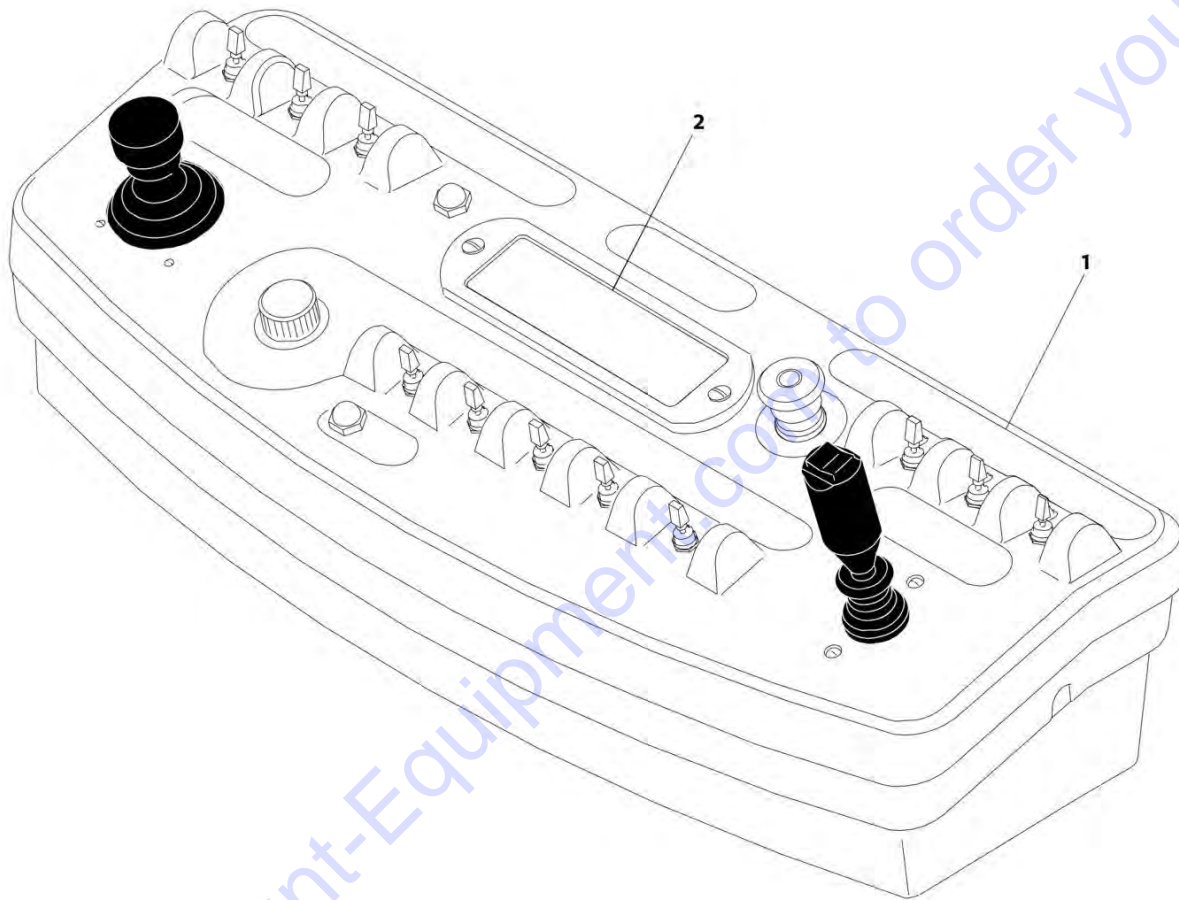
FIGURE 5-23. DECAL AND LIGHT PANEL (ANSI SPECS)

ITEM	PART NUMBER	QTY	DESCRIPTION	REV
	1001121826	Ref	DECAL AND LIGHT PANEL (ANSI SPECS)	A
2	1001122384	1	Decal - Display	
3	1001122611	1	Decal - Stop	

Go to Discount-Equipment.com to order your parts

SECTION 5 - PLATFORM

FIGURE 5-24. DECAL AND LIGHT PANEL (CE SPECS)



ART_1001121827_2OF2

SECTION 5 - PLATFORM

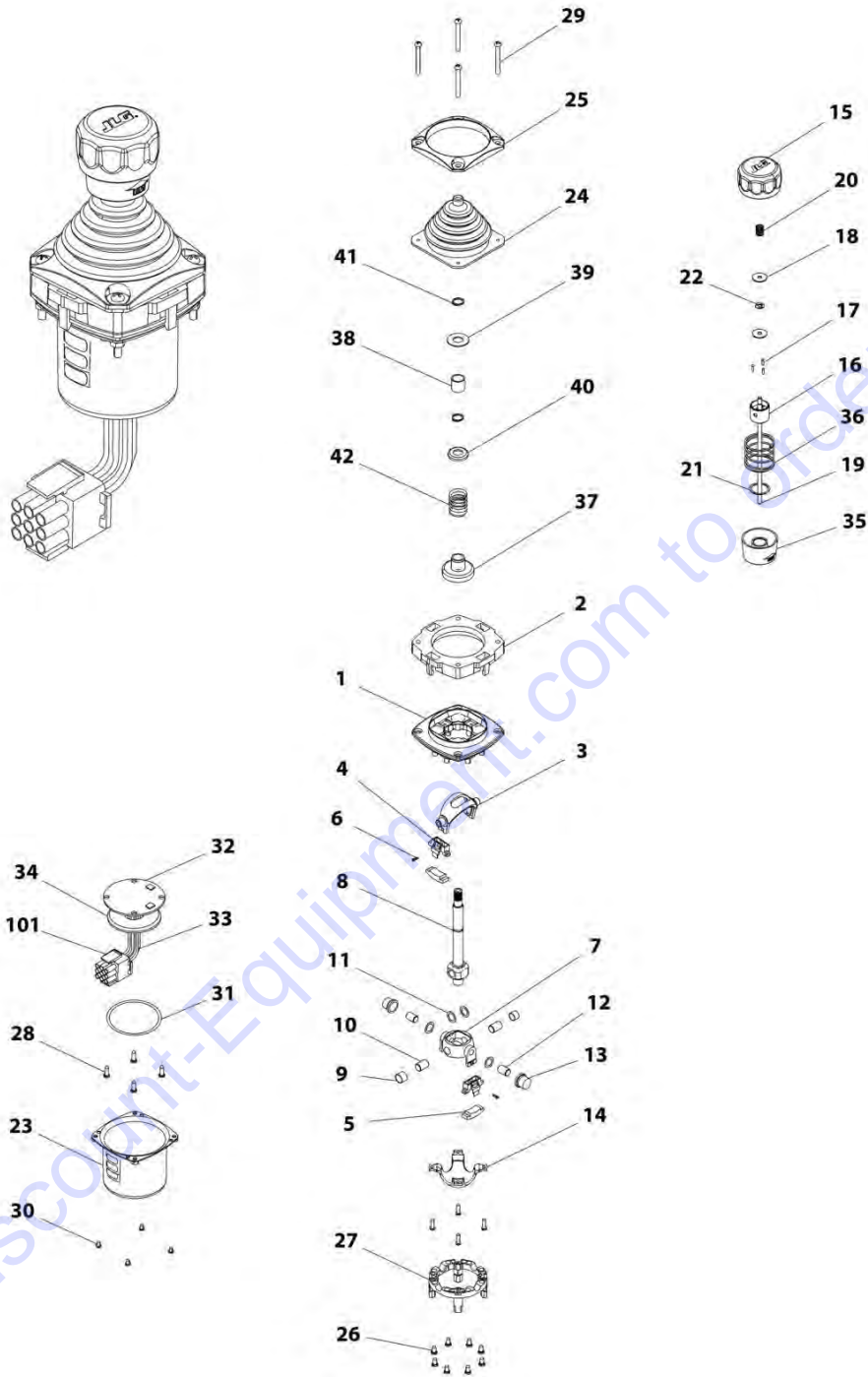
FIGURE 5-24. DECAL AND LIGHT PANEL (CE SPECS)

ITEM	PART NUMBER	QTY	DESCRIPTION	REV
	1001121827	Ref	DECAL AND LIGHT PANEL (CE SPECS)	A
1	1705974	1	Decal - Stop	
2	1705973	1	Decal - Display	

Go to Discount-Equipment.com to order your parts

SECTION 5 - PLATFORM

FIGURE 5-25. CONTROLLER ASSEMBLY (LIFT AND SWING)



ART_1001166539

SECTION 5 - PLATFORM

FIGURE 5-25. CONTROLLER ASSEMBLY (LIFT AND SWING)

ITEM	PART NUMBER	QTY	DESCRIPTION	REV
	1001166539	Ref	CONTROLLER ASSEMBLY (LIFT AND SWING)	D
		Ref	Note: Use p/n 1001129555 as replacement	
1	See Note	1	Main Cast Body (Note: Not Available - Purchase Complete Assembly)	
2	70004752	1	Adapter	
3	See Note	1	Pivot Arm, Plastic (Note: Not Available - Purchase Complete Assembly)	
4	See Note	2	Holder, Magnet (Note: Not Available - Purchase Complete Assembly)	
5	See Note	2	Arc, Magnet (Note: Not Available - Purchase Complete Assembly)	
6	See Note	2	Screw (Note: Not Available for Purchase)	
7	See Note	1	Pivot Arm, Cast (Note: Not Available - Purchase Complete Assembly)	
8	See Note	1	Shaft, Main (Note: Not Available - Purchase Complete Assembly)	
9	See Note	2	Bearing (Note: Not Available - Purchase Complete Assembly)	
10	See Note	2	Pin (Note: Not Available - Purchase Complete Assembly)	
11	See Note	4	Shim (Note: Not Available - Purchase Complete Assembly)	
12	See Note	2	Pin (Note: Not Available - Purchase Complete Assembly)	
13	See Note	2	Bearing (Note: Not Available - Purchase Complete Assembly)	
14	See Note	1	Dome, Centering (Note: Not Available - Purchase Complete Assembly)	
15	70004753	1	Cap	
16	70004754	1	Insert, Cap	
17	70004755	3	Pin	
18	70004756	2	Washer	
19	70004757	1	Pin, Centering	
20	70004758	1	Spring	
21	70004759	1	Ring, Retaining	
22	70004760	1	E-Ring	
23	70004761	1	Can, Enclosure	
24	70004762	1	Boot	
25	70004763	1	Bezel	
26	See Note	8	Screw (Note: Not Available for Purchase)	
27	See Note	1	Base, Mounting (Note: Not Available - Purchase Complete Assembly)	
28	See Note	4	Screw (Note: Not Available for Purchase)	
29	70004764	4	Screw	
30	70004765	4	Screw	
31	70004766	1	O-Ring	
32	See Note	1	Plate (Note: Not Available - Purchase Complete Assembly)	
33	See Note	1	Harness (Note: Not Available - Purchase Complete Assembly)	
34	70004767	1	Grommet, Rubber	
35	70004768	1	Housing	
36	70004769	1	Spring	
37	70004770	1	Stopper	
38	70004771	1	Spacer	
39	70004772	1	Washer	
40	70004773	1	Disc	
41	70004774	2	Ring, Retaining	
42	70004775	1	Spring	
101	4460265	1	Connector - 9 Position	

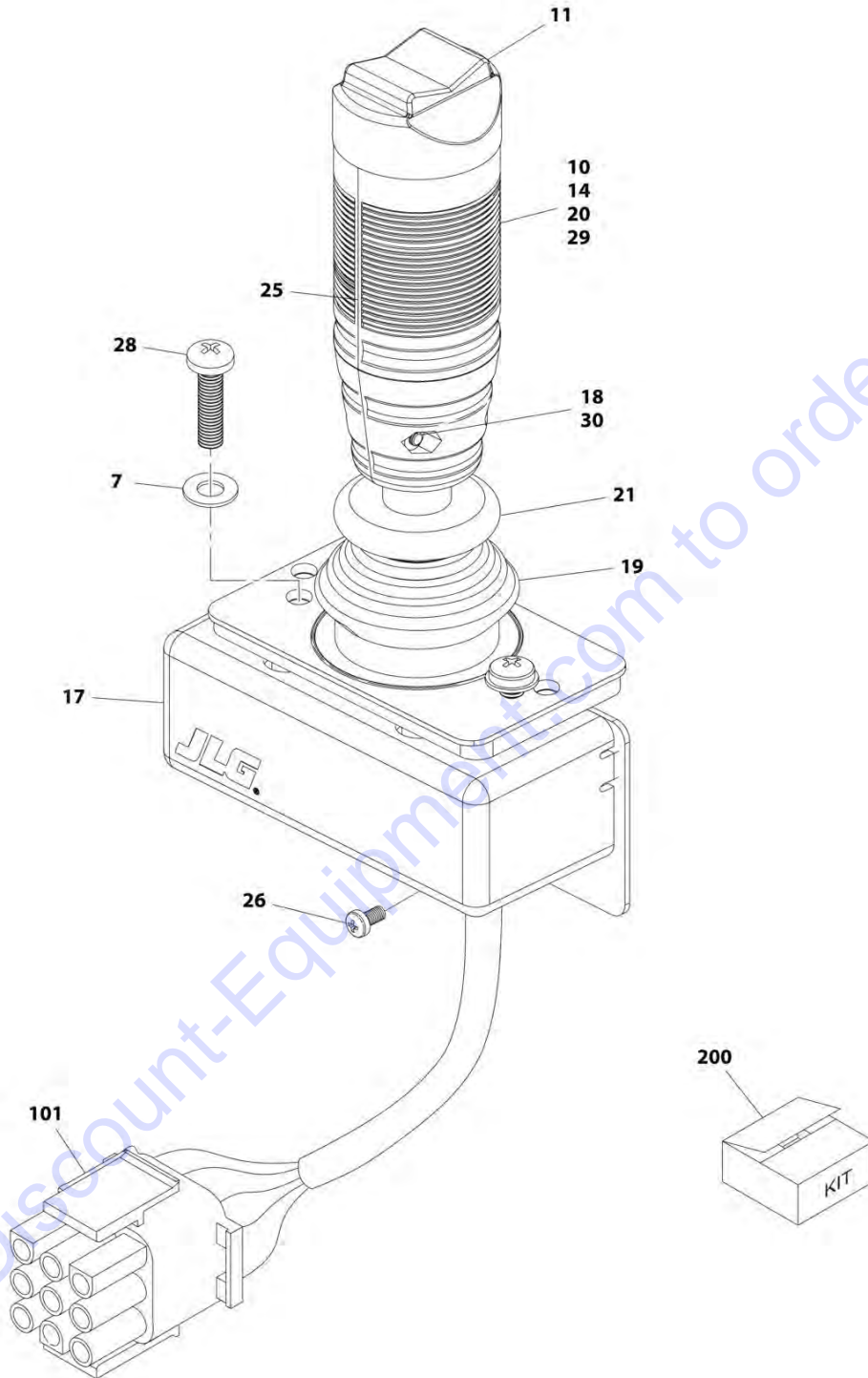
SECTION 5 - PLATFORM

ITEM	PART NUMBER	QTY	DESCRIPTION	REV
101	4460226	6	Socket, Female	

Go to Discount-Equipment.com to order your parts

SECTION 5 - PLATFORM

FIGURE 5-26. CONTROLLER ASSEMBLY (DRIVE AND STEER)



ART_1001166538

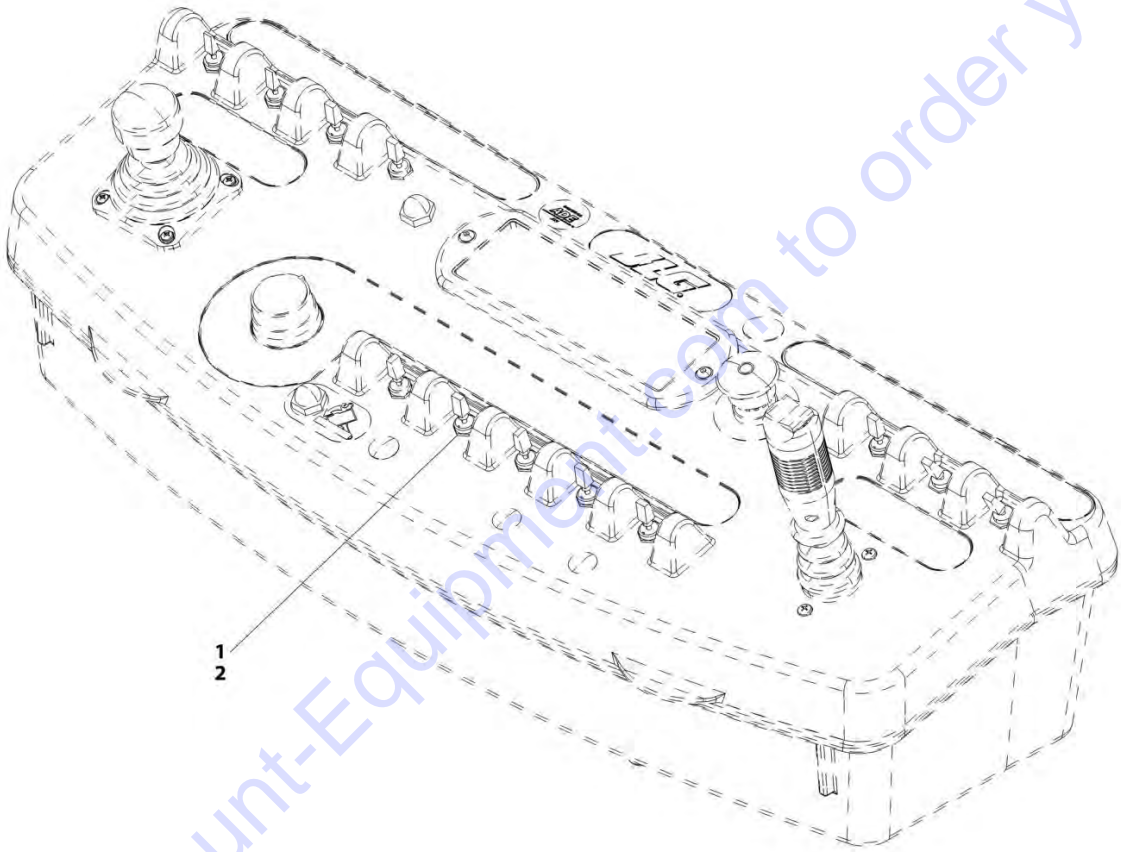
SECTION 5 - PLATFORM

FIGURE 5-26. CONTROLLER ASSEMBLY (DRIVE AND STEER)

ITEM	PART NUMBER	QTY	DESCRIPTION	REV
	1001166538	Ref	CONTROLLER ASSEMBLY (DRIVE AND STEER)	G
		Ref	Note: Use p/n 1001212415 for Replacement.	
7	70004738	2	Washer	
10	70004739	1	Roller	
11	70004740	1	Boot, Switch	
14	70004741	2	Half, Handle	
17	70004742	1	Enclosure	
18	70004743	4	Nut	
19	70004744	NLA	Boot, Controller (Use Item 200)	
20	70004745	NLA	Tube, Locking (Use Item 200)	
21	70004746	NLA	Disc, Locking (Use Item 200)	
25	70004747	2	Seal, Rope	
26	70004748	1	Screw M3 x 6	
28	70004749	2	Screw M5 x 20	
29	70004750	1	Pin, Dowel	
30	70004751	4	Screw M3 x 16	
101	4460265	1	Connector - 9 Position	
101	4460226	7	Socket, Female	
200	70005230	1	Boot Kit (Includes Items 19-21)	

SECTION 5 - PLATFORM

FIGURE 5-27. TOWER LIFT SWITCH INSTALLATION



ART_0273446

SECTION 5 - PLATFORM

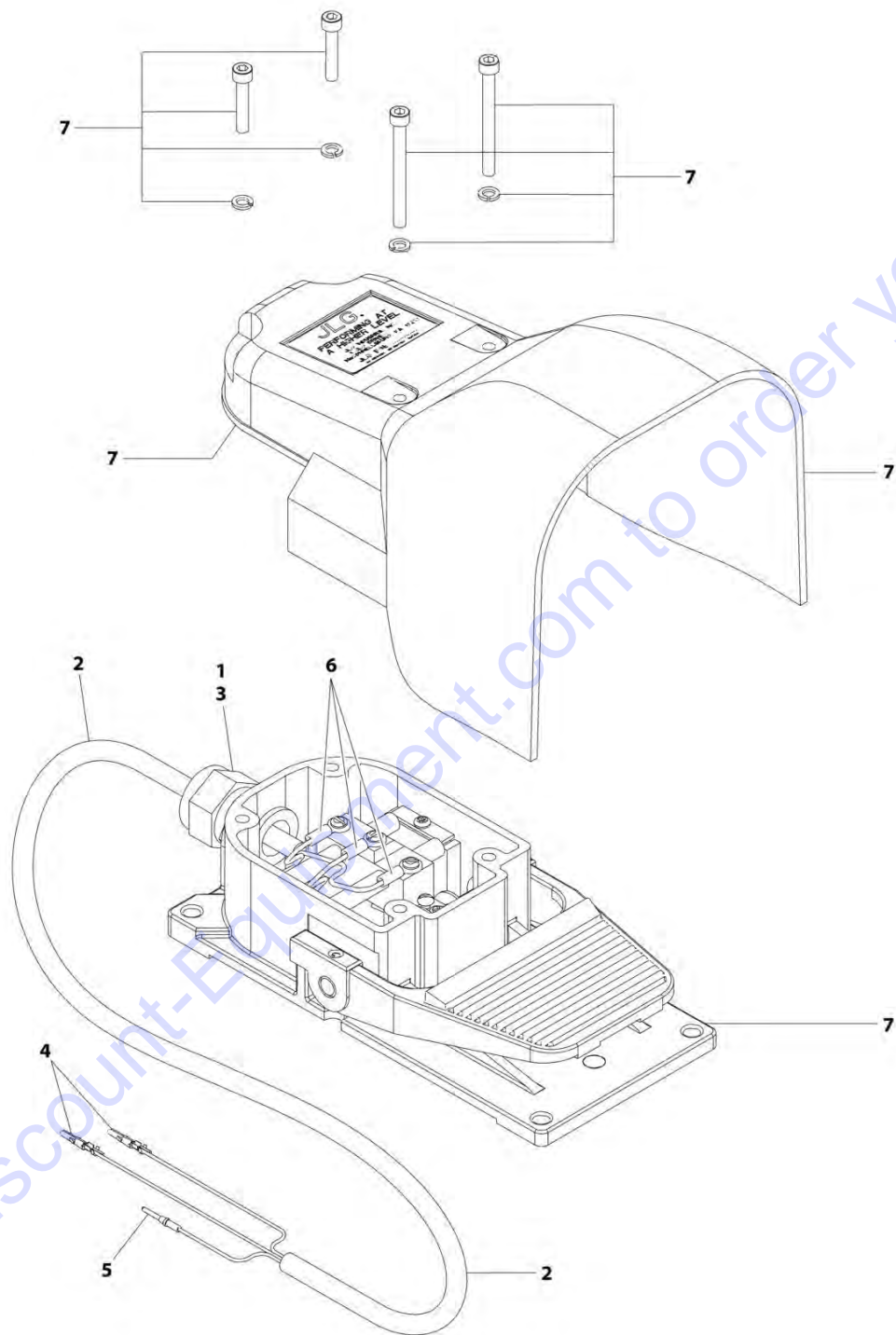
FIGURE 5-27. TOWER LIFT SWITCH INSTALLATION

ITEM	PART NUMBER	QTY	DESCRIPTION	REV
	0273446	Ref	TOWER LIFT SWITCH INSTALLATION	A
1	3790012	1	O-Ring	
2	4360328	1	Switch, Toggle	

Go to Discount-Equipment.com to order your parts

SECTION 5 - PLATFORM

FIGURE 5-28. FOOTSWITCH ASSEMBLY



ART_1001117174

SECTION 5 - PLATFORM

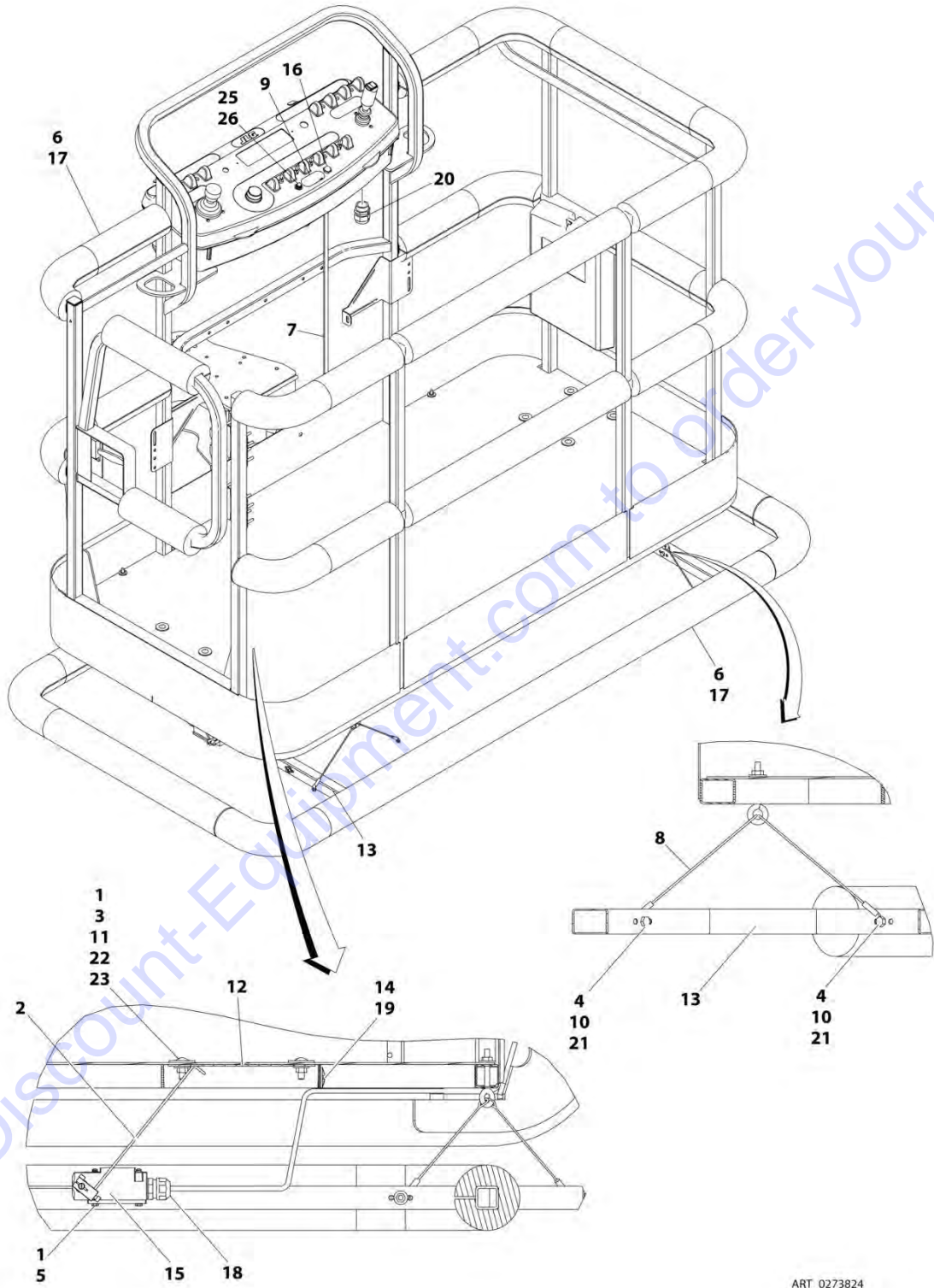
FIGURE 5-28. FOOTSWITCH ASSEMBLY

ITEM	PART NUMBER	QTY	DESCRIPTION	REV
	1001117174	Ref	FOOTSWITCH ASSEMBLY	B
1	0100020	AR	Sealant	
2	1060918	7.5 ft /2.3m	Cable, Electrical - 18/3	
3	4460071	1	Connector, Strain Relief	
4	4460226	2	Socket, Female	
5	4460464	1	Pin, Male	
6	1001098122	3	Terminal	
7	1001117172	1	Footswitch	
7	70002902	1	Switch, 20A	
7	70002903	1	Gasket	
7	70002904	1	Kit, Replacement Bolt	
7	70002905	1	Cover	

Go to Discount-Equipment.com to order your parts

SECTION 5 - PLATFORM

FIGURE 5-29. SOFT TOUCH SYSTEM INSTALLATION - 6FT/1.8M PLATFORMS (OPTIONAL)



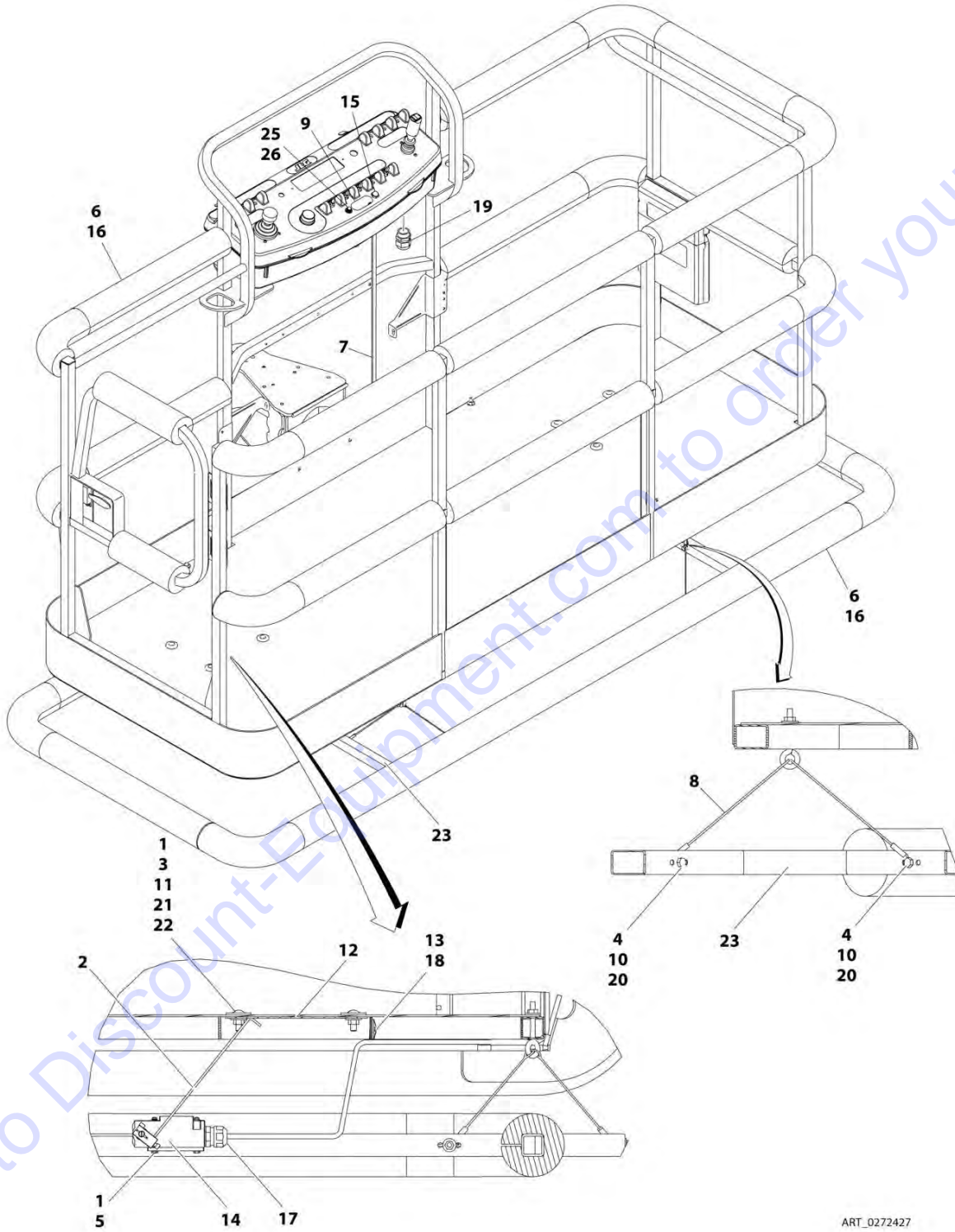
SECTION 5 - PLATFORM

FIGURE 5-29. SOFT TOUCH SYSTEM INSTALLATION - 6FT/1.8M PLATFORMS (OPTIONAL)

ITEM	PART NUMBER	QTY	DESCRIPTION	REV
	0273824	Ref	SOFT TOUCH SYSTEM INSTALLATION - 6FT/1.8M PLATFORMS (OPTIONAL)	D
1	0100011	AR	Compound, Locking	
2	0200048	2	Arm, Switch	
3	0630462	8	Bolt, Carriage	
4	0641414	8	Bolt 1/4 x 1-3/4	
5	0721005	4	Bolt #10 x 5/8	
6	0940134	1	Bumper Kit	
6	0940092	AR	Bumper (Corner)	
6	0940094	AR	Bumper (12ft Length)	
7	1060341	23 ft/7m	Cable, Electrical - 16/2	
8	1060903	4	Wire Rope and Eyebolt Assembly	
9	1702938	1	Decal - Soft Touch Override	
10	3311401	8	Nut 1/4	
11	3311501	8	Nut 5/16	
12	3575359	2	Plate, Switch Strike	
13	3641569	1	Rail, Soft Touch	
14	4240099	7	Tie-Strap	
15	4360057	2	Switch, Limit	
16	4360387	1	Switch, Push Button	
17	4420068	AR	Tape, Adhesive	
17	1001197017	AR	Tie-Strap	
18	4460049	2	Connector, Strain Relief	
19	4460234	7	Mount, Tie-Strap	
20	4460425	1	Connector, Strain Relief	
21	4751400	8	Washer 1/4	
22	4751500	12	Washer 5/16	
23	4751800	8	Washer 1/2	
24	4933218	1	Wiring Diagram (See ELECTRICAL SECTION for Breakdown) (Not Shown)	
25	2920028	1	Light, Indicator	
26	2920029	1	Bulb	

SECTION 5 - PLATFORM

FIGURE 5-30. SOFT TOUCH SYSTEM INSTALLATION - 8FT/2.4M PLATFORMS (OPTIONAL)



SECTION 5 - PLATFORM

FIGURE 5-30. SOFT TOUCH SYSTEM INSTALLATION - 8FT/2.4M PLATFORMS (OPTIONAL)

ITEM	PART NUMBER	QTY	DESCRIPTION	REV
	0272427	Ref	SOFT TOUCH SYSTEM INSTALLATION - 8FT/2.4M PLATFORMS (OPTIONAL)	G
1	0100011	AR	Compound, Locking	
2	0200048	2	Arm, Switch	
3	0630462	8	Bolt, Carriage	
4	0641414	8	Bolt 1/4 x 1-3/4	
5	0721005	4	Bolt #10 x 5/8	
6	0940103	1	Bumper Kit	
6	0940092	AR	Bumper (Corner)	
6	0940094	AR	Bumper (12ft Length)	
7	1060341	23 ft/7m	Cable, Electrical - 16/2	
8	1060903	4	Wire Rope and Eyebolt Assembly	
9	1702938	1	Decal - Soft Touch Override	
10	3311401	8	Nut 1/4	
11	3311501	8	Nut 5/16	
12	3574091	2	Plate, Switch Strike	
13	4240099	7	Tie-Strap	
14	4360057	2	Switch, Limit	
15	4360387	1	Switch, Push Button	
16	4420068	AR	Tape, Adhesive	
16	1001197017	AR	Tie-Strap	
17	4460049	2	Connector, Strain Relief	
18	4460234	7	Mount, Tie-Strap	
19	4460425	1	Connector, Strain Relief	
20	4751400	8	Washer 1/4	
21	4751500	12	Washer 5/16	
22	4751800	8	Washer 1/2	
23	4846673	1	Rail, Soft Touch	
24	4933218	1	Wiring Diagram (See ELECTRICAL SECTION for Breakdown) (Not Shown)	
25	2920028	1	Light, Indicator	
26	2920029	1	Bulb	

PARTS FINDER

**Search Website
by Part Number**



**Search Manual
Library For Parts
Manual & Lookup Part
Numbers – Purchase
or Request Quote**

**Can't Find Part or
Manual? Request Help
by Manufacturer,
Model & Description**

Discount-Equipment.com is your online resource for quality parts & equipment.

Florida: **561-964-4949** Outside Florida TOLL FREE: **877-690-3101**

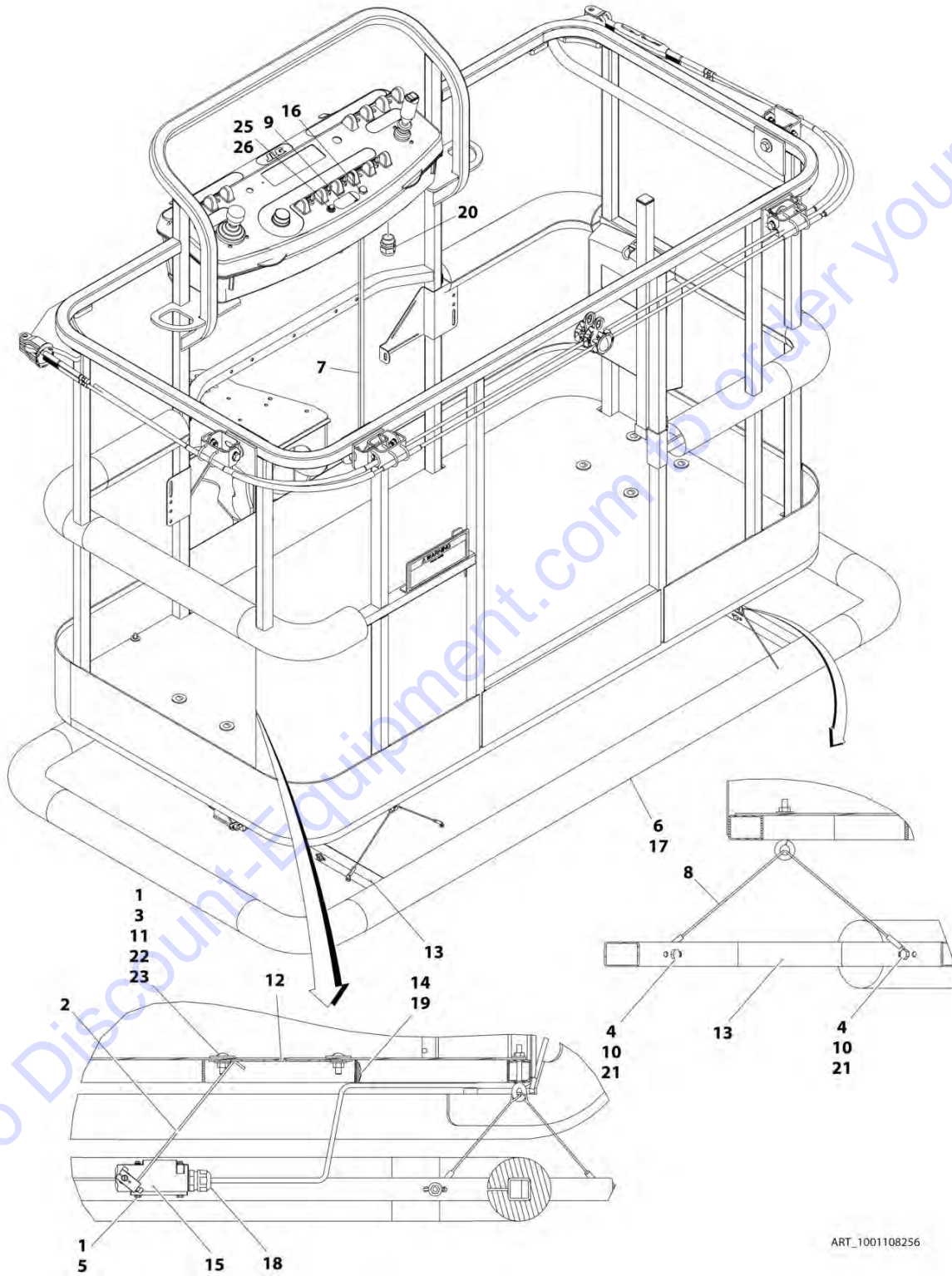
Need parts?

Click on this link: <http://www.discount-equipment.com/category/5443-parts/> and choose one of the options to help get the right parts and equipment you are looking for. Please have the machine model and serial number available in order to help us get you the correct parts. If you don't find the part on the website or on one of the online manuals, please fill out the request form and one of our experienced staff members will get back to you with a quote for the right part that your machine needs.

We sell worldwide for the brands: Genie, Terex, JLG, MultiQuip, Mikasa, Essick, Whiteman, Mayco, Toro Stone, Diamond Products, Generac Magnum, Airman, Haulotte, Barreto, Power Blanket, Nifty Lift, Atlas Copco, Chicago Pneumatic, Allmand, Miller Curber, Skyjack, Lull, Skytrak, Tsurumi, Husquvarna Target, Stow, Wacker, Sakai, Mi-T-M, Sullair, Basic, Dynapac, MBW, Weber, Bartell, Bennar Newman, Haulotte, Ditch Runner, Menegotti, Morrison, Contec, Buddy, Crown, Edco, Wyco, Bomag, Laymor, EZ Trench, Bil-Jax, F.S. Curtis, Gehl Pavers, Heli, Honda, ICS/PowerGrit, IHI, Partner, Imer, Clipper, MMD, Koshin, Rice, CH&E, General Equipment, Amida, Coleman, NAC, Gradall, Square Shooter, Kent, Stanley, Tamco, Toku, Hatz, Kohler, Robin, Wisconsin, Northrock, Oztec, Toker TK, Rol-Air, APT, Wylie, Ingersoll Rand / Doosan, Innovatech, Con X, Ammann, Mecalac, Makinex, Smith Surface Prep, Small Line, Wanco, Yanmar

SECTION 5 - PLATFORM

FIGURE 5-31. SOFT TOUCH SYSTEM INSTALLATION - 6FT/1.8M PLATFORMS (WITH FALL ARREST) (OPTIONAL)



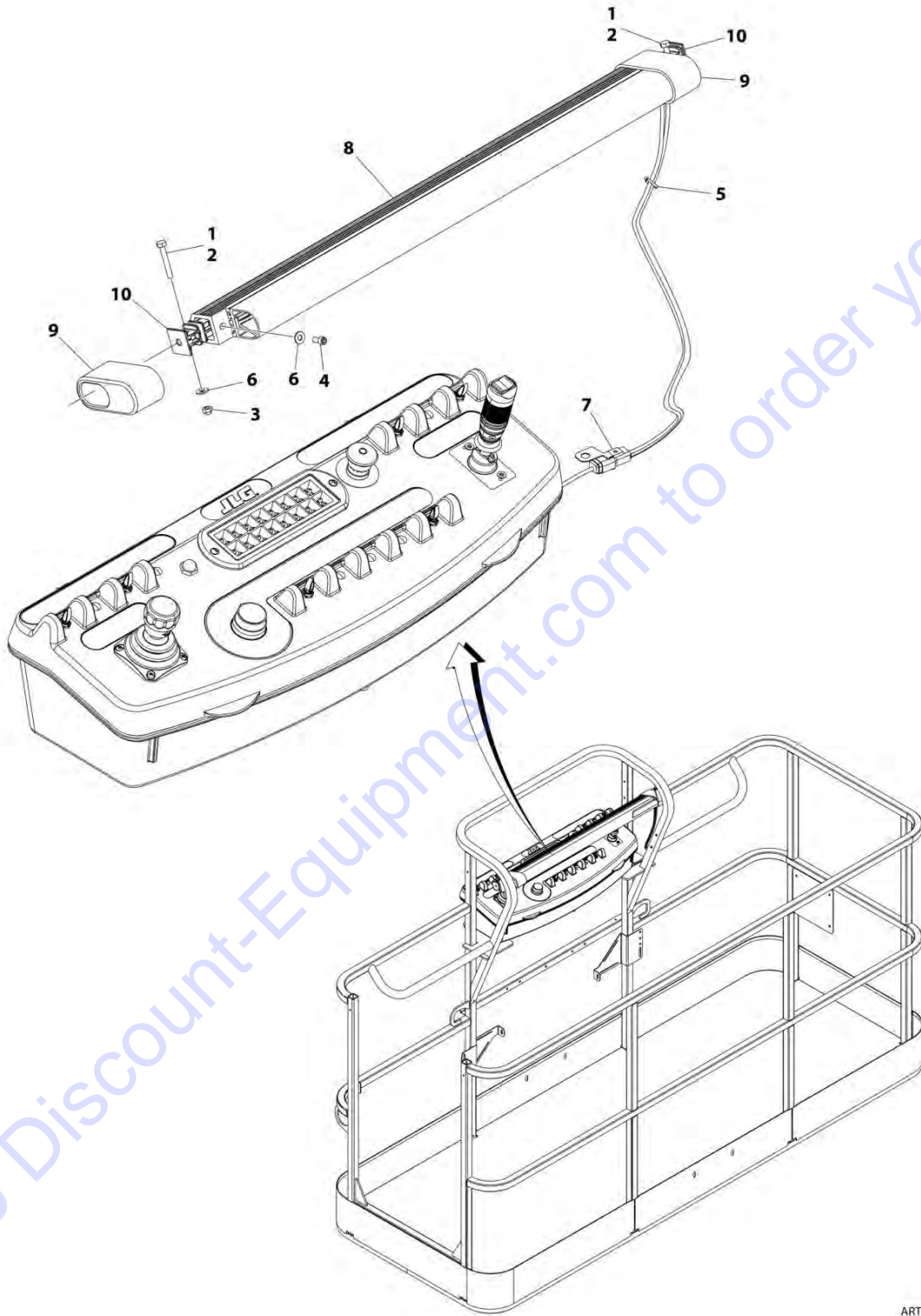
SECTION 5 - PLATFORM

**FIGURE 5-31. SOFT TOUCH SYSTEM INSTALLATION - 6FT/1.8M PLATFORMS (WITH FALL ARREST)
(OPTIONAL)**

ITEM	PART NUMBER	QTY	DESCRIPTION	REV
	1001108256	Ref	SOFT TOUCH SYSTEM INSTALLATION - 6FT/1.8M PLATFORMS (WITH FALL ARREST) (OPTIONAL)	C
1	0100011	AR	Compound, Locking	
2	0200048	2	Arm, Switch	
3	0630462	8	Bolt, Carriage	
4	0641414	8	Bolt 1/4 x 1-3/4	
5	0721005	4	Bolt #10 x 5/8	
6	0940177	Ref	Bumper Kit	
6	0940092	AR	Bumper (Corner)	
6	0940094	AR	Bumper (12ft Length)	
7	1060341	23 ft/7m	Cable, Electrical - 16/2	
8	1060903	4	Wire Rope and Eyebolt Assembly	
9	1702938	1	Decal - Soft Touch Override	
10	3311401	8	Nut 1/4	
11	3311501	8	Nut 5/16	
12	3575359	2	Plate, Switch Strike	
13	3641569	1	Rail, Soft Touch	
14	4240099	7	Tie-Strap	
15	4360057	2	Switch, Limit	
16	4360387	1	Switch, Push Button	
17	4420068	AR	Tape, Adhesive	
17	1001197017	AR	Tie-Strap	
18	4460049	2	Connector, Strain Relief	
19	4460234	7	Mount, Tie-Strap	
20	4460425	1	Connector, Strain Relief	
21	4751400	8	Washer 1/4	
22	4751500	12	Washer 5/16	
23	4751800	8	Washer 1/2	
24	4933218	1	Wiring Diagram (See ELECTRICAL SECTION for Breakdown) (Not Shown)	
25	2920028	1	Light, Indicator	
26	2920029	1	Bulb	

SECTION 5 - PLATFORM

FIGURE 5-32. SKYGUARD SYSTEM INSTALLATION (SN 0300201017 through 0300256981)



ART_1001187508

SECTION 5 - PLATFORM

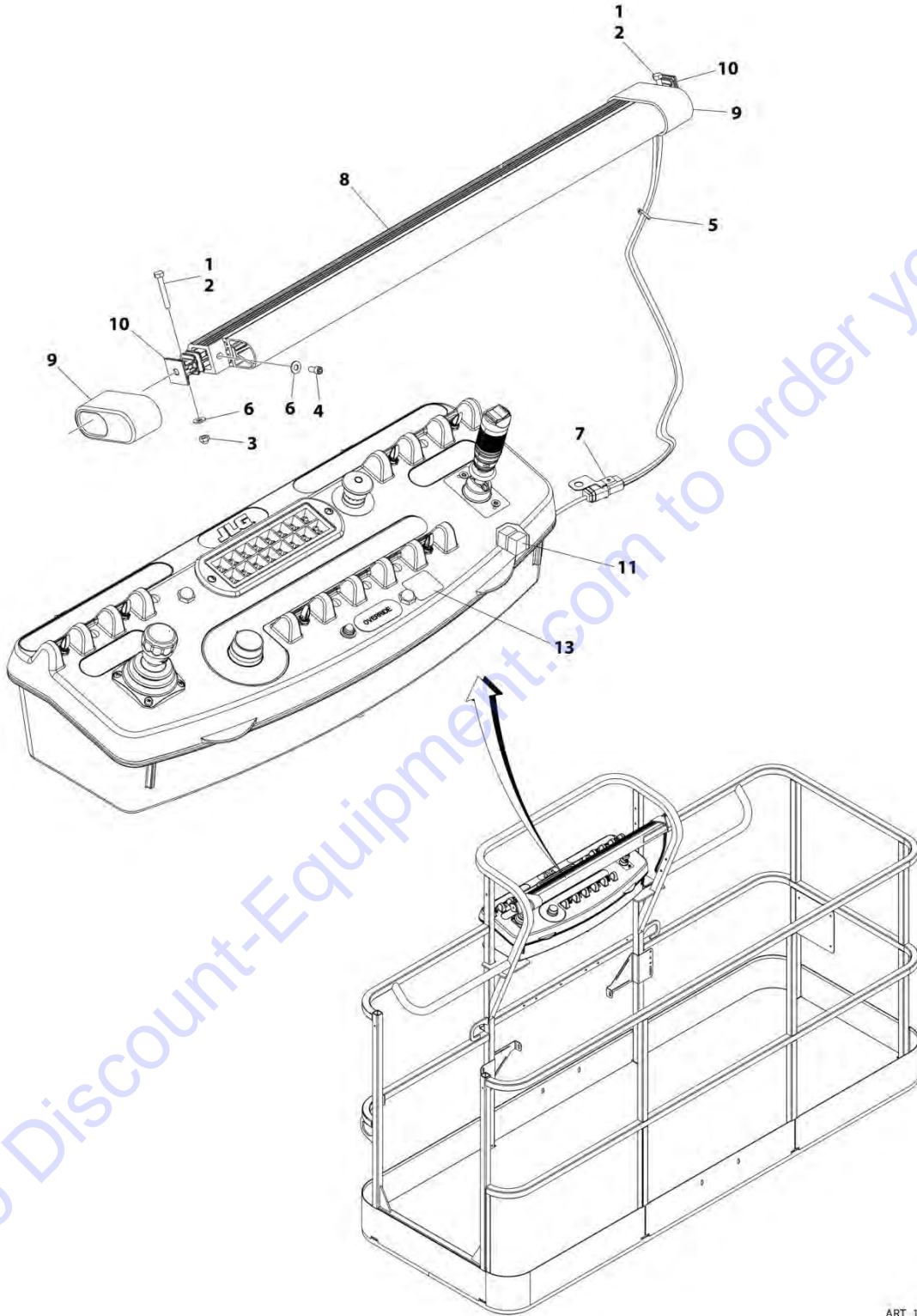
FIGURE 5-32. SKYGUARD SYSTEM INSTALLATION (SN 0300201017 through 0300256981)

ITEM	PART NUMBER	QTY	DESCRIPTION	REV
	1001187508	Ref	SKYGUARD SYSTEM INSTALLATION	C
1	0100011	AR	Compound, Locking	
2	0641414	2	Bolt 1/4 x 1-3/4	
3	3300430	2	Nut 1/4	
4	3931424	2	Capscrew 1/4 x 1-1/2	
4	3931408	2	Capscrew 1/4 x 1/2	
5	4240033	AR	Tie-Strap	
6	4711400	AR	Washer 1/4	
7	1001120328	1	Mount	
8	1001137673	1	Switch, SkyGuard Assembly	
9	1001186517	2	Cover, Platform Sensor	
10	1001188889	NLA	Support, Block (Use p/n 1001209664) (SN 0300201017 through 0300246738)	
10	1001209664	2	Support, Block (SN 0300246739 through 0300256981)	

Go to Discount-Equipment.com to order your parts

SECTION 5 - PLATFORM

FIGURE 5-33. SKYGUARD BAR INSTALLATION (SN 0300256982 to Present)



ART_1001238495

SECTION 5 - PLATFORM

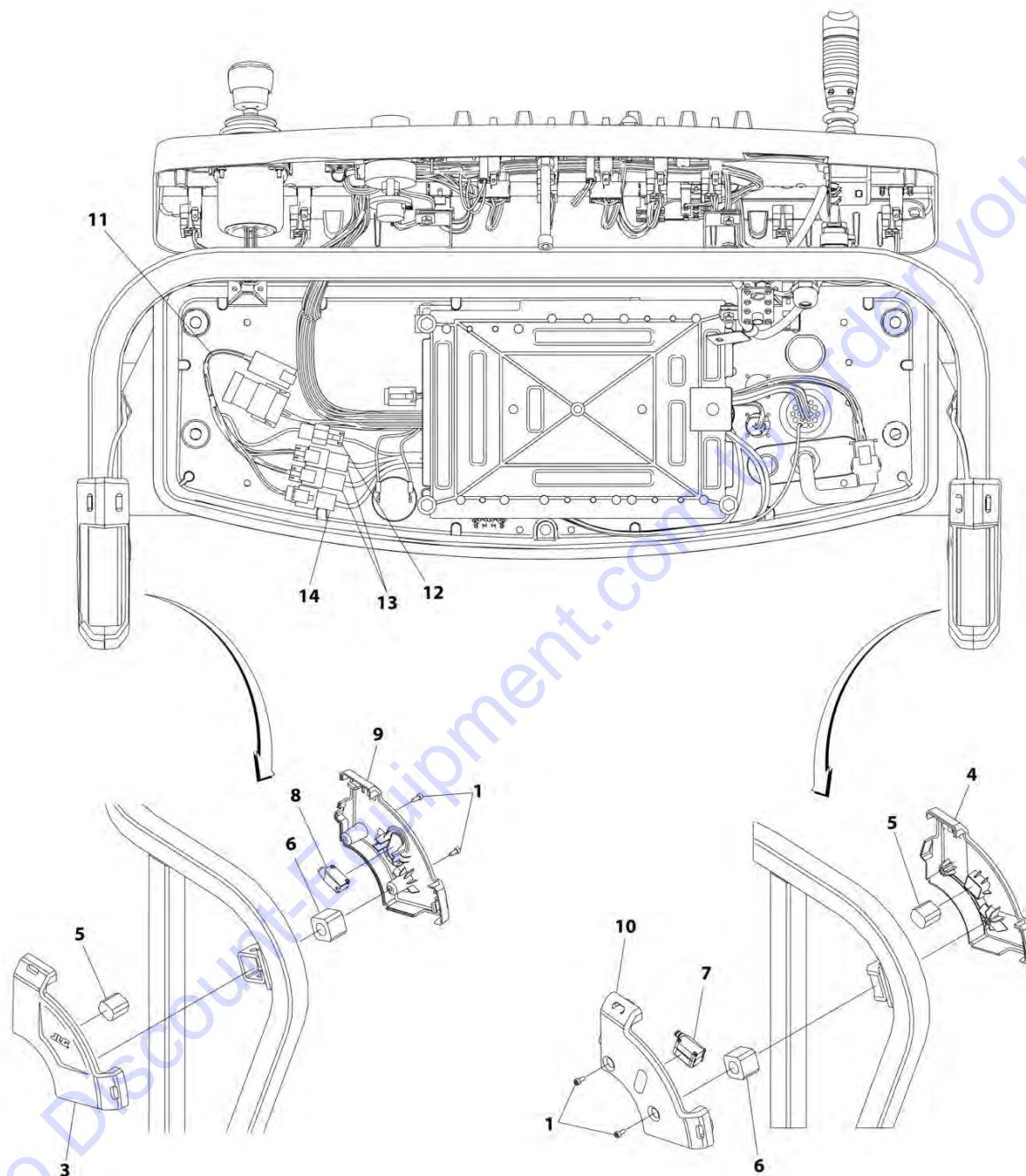
FIGURE 5-33. SKYGUARD BAR INSTALLATION (SN 0300256982 to Present)

ITEM	PART NUMBER	QTY	DESCRIPTION	REV
	1001238495	Ref	SKYGUARD BAR INSTALLATION	A
1	0100011	AR	Compound, Locking	
2	0641414	2	Bolt 1/4 x 1-3/4	
3	3300430	2	Nut 1/4	
4	3931408	2	Capscrew 1/4 x 1/2	
5	4240033	8	Tie-Strap	
6	4711400	6	Washer 1/4	
7	1001120328	1	Mount	
8	1001137673	1	SkyGuard Switch Assembly	
9	1001186517	2	Cover, Platform Sensor	
10	1001209664	2	Support, Block	
11	1001186431	2	Relay	
12	1001225580	1	Interface Harness Assembly (Not Shown - Located Inside Console Box) (See ELECTRICAL SECTION for Breakdown)	
13	1001144433	1	Decal - No Weight SkyGuard	

Go to Discount-Equipment.com to order your parts

SECTION 5 - PLATFORM

FIGURE 5-34. SKYEYE INSTALLATION



ART_1001229341

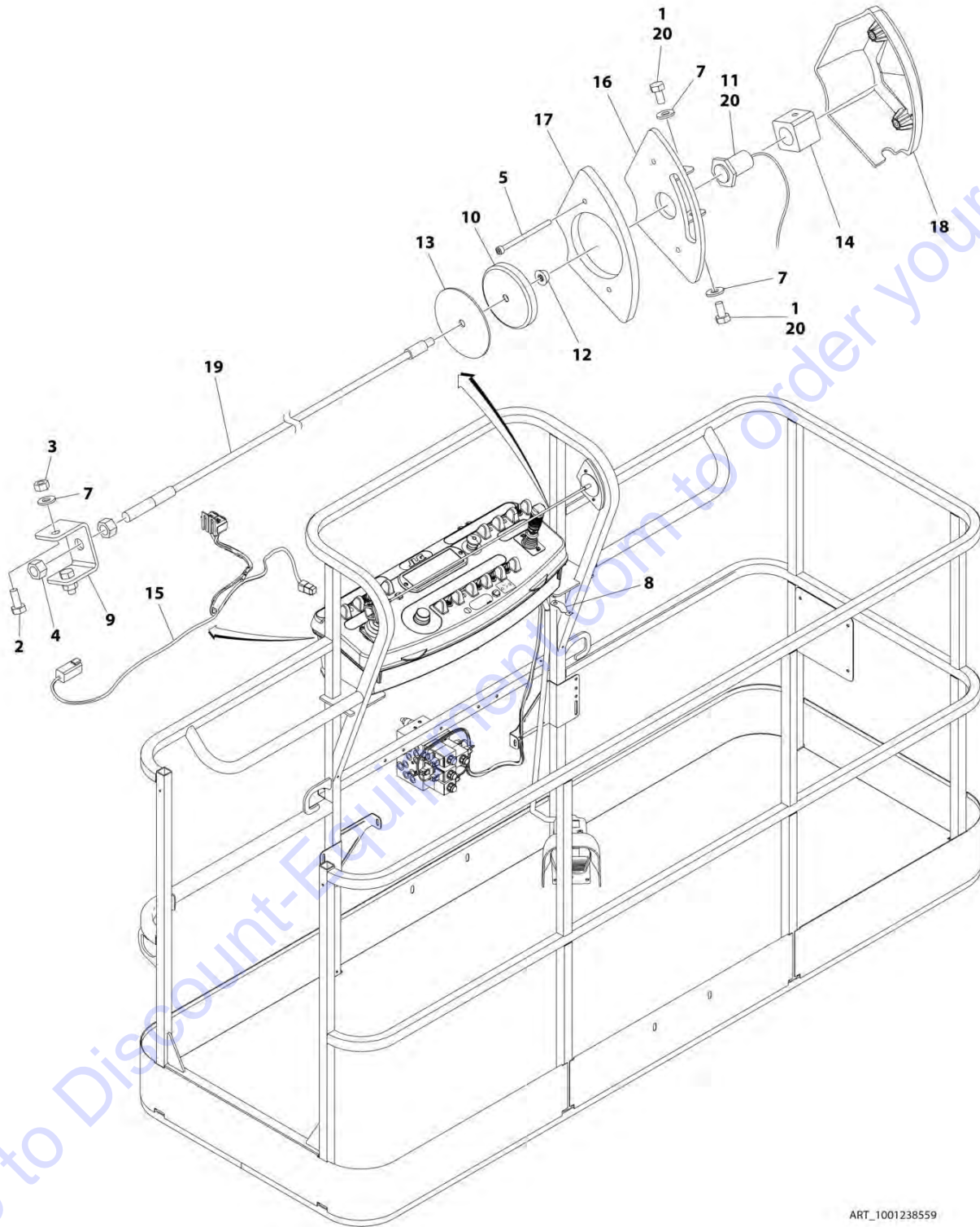
SECTION 5 - PLATFORM

FIGURE 5-34. SKYEYE INSTALLATION

ITEM	PART NUMBER	QTY	DESCRIPTION	REV
	1001229341	Ref	SKYEYE INSTALLATION	A
1	4031505	4	Bolt M4 x 10	
2	4240033	AR	Tie-Strap (Not Shown)	
3	1001227633	1	Housing, LH Outer	
4	1001227634	1	Housing, RH Outer	
5	1001227985	2	Shim	
6	1001227987	2	Shim	
7	1001228224	2	Sensor, Receiver	
8	1001228225	1	Sensor, Emitter	
9	1001232164	1	Housing, LH Inner	
10	1001232165	1	Housing, RH Inner	
11	1001237865	1	Harness, Skyeye Intermediate (See Separate Breakdown in ELECTRICAL SECTION)	
12	1001238319	1	Harness, Skyeye Drain Jumper	
12	1001187674	1	Plug, Male - 2 Position	
12	4460942	1	Terminal	
12	4460466	1	Plug, Terminal	
12	4460508	1	Pin, Male	
13	1001237863	2	Harness, Skyeye Receiver (See Separate Breakdown in ELECTRICAL SECTION)	
14	1001237864	1	Harness, Skyeye Emitter (See Separate Breakdown in ELECTRICAL SECTION)	

SECTION 5 - PLATFORM

FIGURE 5-35. SKYLINE INSTALLATION



ART_1001238559

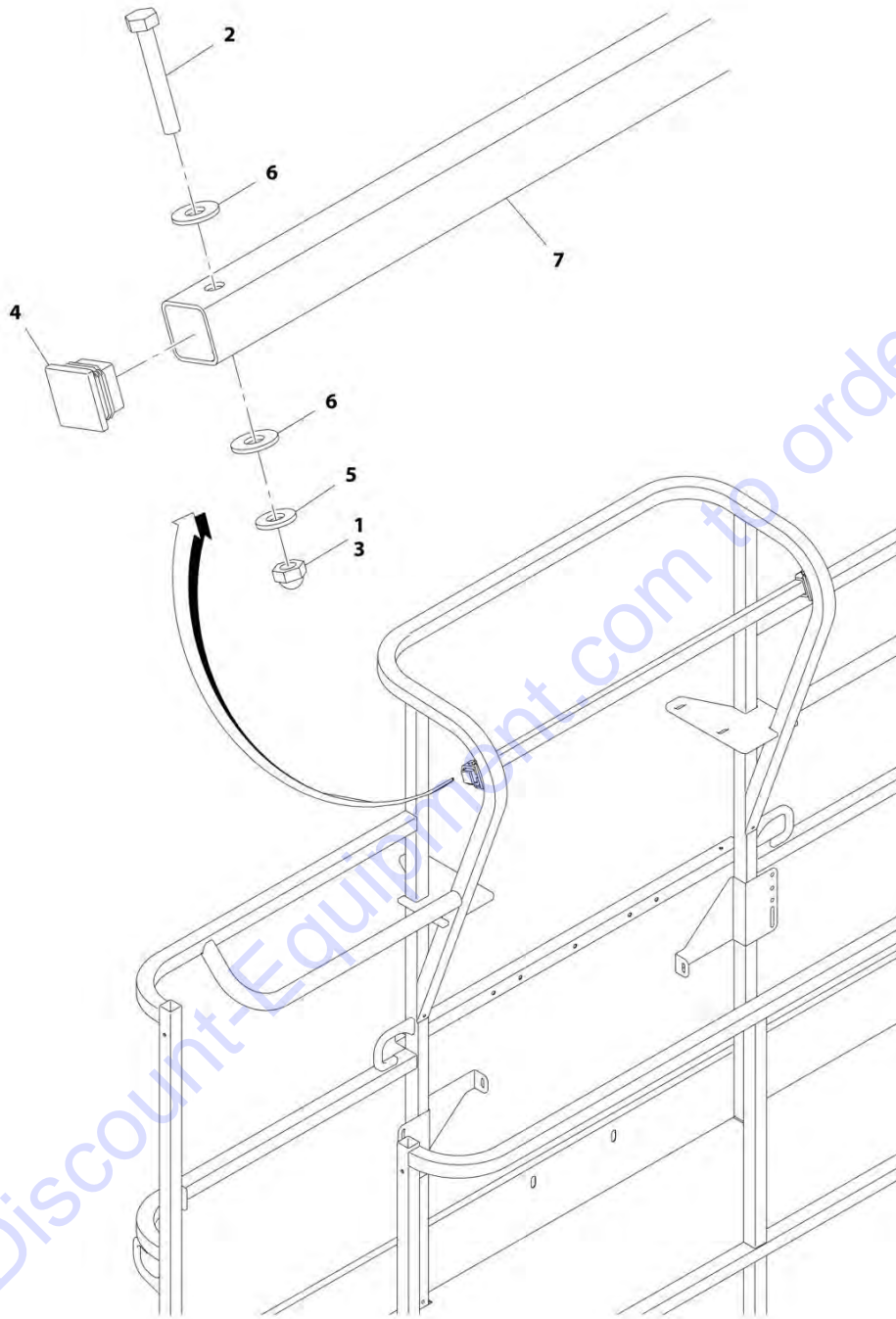
SECTION 5 - PLATFORM

FIGURE 5-35. SKYLINE INSTALLATION

ITEM	PART NUMBER	QTY	DESCRIPTION	REV
	1001238559	Ref	SKYLINE INSTALLATION	B
1	0641404	2	Bolt 1/4 x 1/2	
2	0641405	2	Bolt 1/4 x 5/8	
3	3311405	2	Nut 1/4	
4	3311601	2	Nut 3/8	
5	4031516	2	Capscrew M4 x 60	
6	4240033	AR	Tie-Strap (Not Shown)	
7	4711400	4	Washer 1/4	
8	1001120328	1	Mount	
9	1001232642	1	Bracket	
10	1001232650	1	Magnet	
11	1001232667	1	Sensor, Proximity	
12	1001235011	1	Nut	
13	1001235013	1	Washer	
14	1001236552	1	Block	
15	1001238418	1	Harness, Skyline (See Separate Breakdown in ELECTRICAL SECTION)	
16	1001238472	1	Mount	
17	1001238477	1	Housing, LH	
18	1001241965	1	Housing, RH	
19	1001238824	1	Rope	
20	0100011	AR	Compound, Locking	

SECTION 5 - PLATFORM

FIGURE 5-36. CROSS RAIL INSTALLATION



ART_1001182138

SECTION 5 - PLATFORM

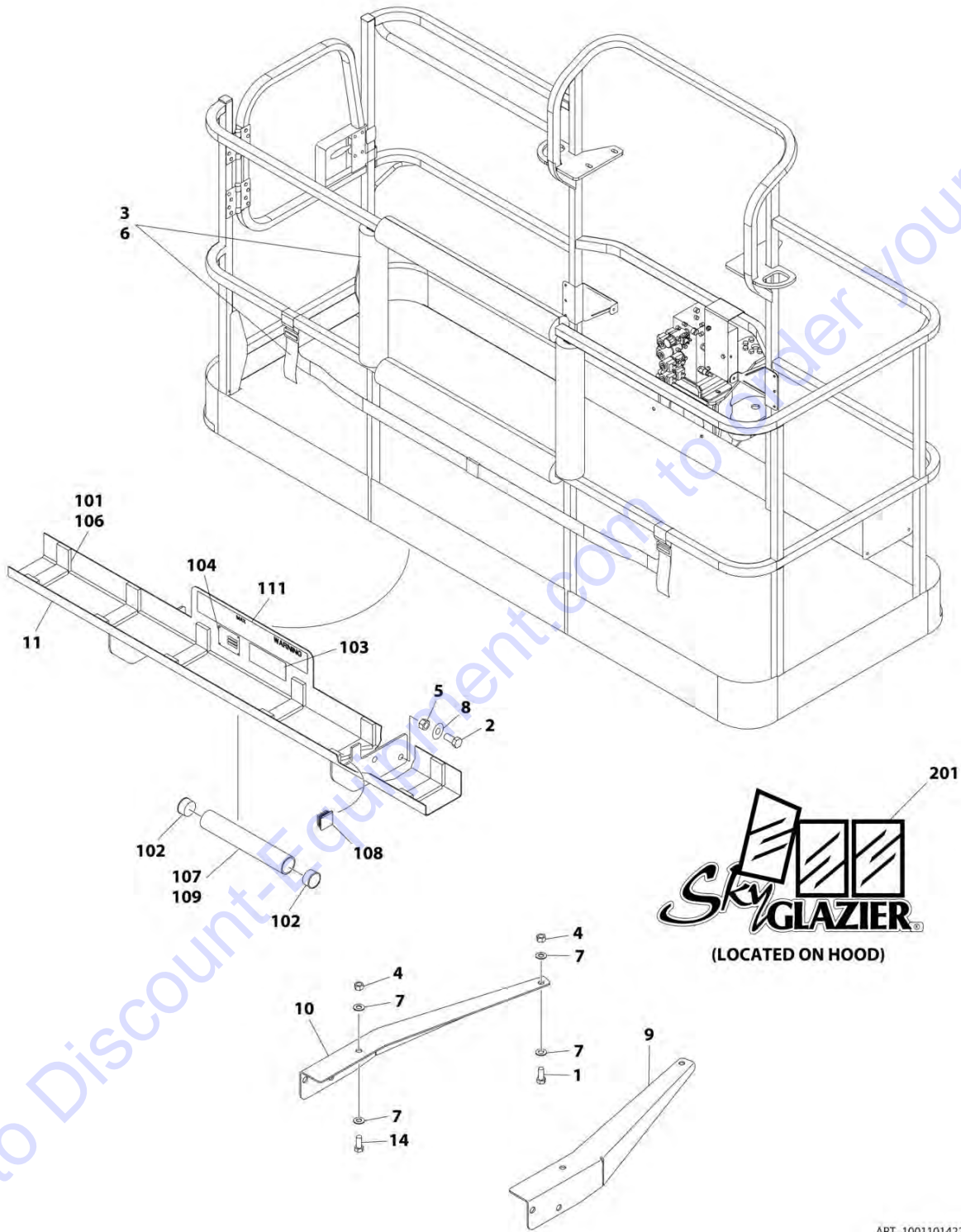
FIGURE 5-36. CROSS RAIL INSTALLATION

ITEM	PART NUMBER	QTY	DESCRIPTION	REV
	1001182138	Ref	CROSS RAIL INSTALLATION	A
1	0100071	AR	Compound, Locking	
2	0641414	2	Bolt 1/4 x 1-3/4	
3	3300430	2	Nut 1/4	
4	3520182	2	Plug	
5	4711400	2	Washer 1/4	
6	4751400	4	Washer 1/4	
7	1001191708	1	Bar	

Go to Discount-Equipment.com to order your parts

SECTION 5 - PLATFORM

FIGURE 5-37. SKYGLAZIER INSTALLATION (ANSI AND CSA SPECS)



ART_1001101422

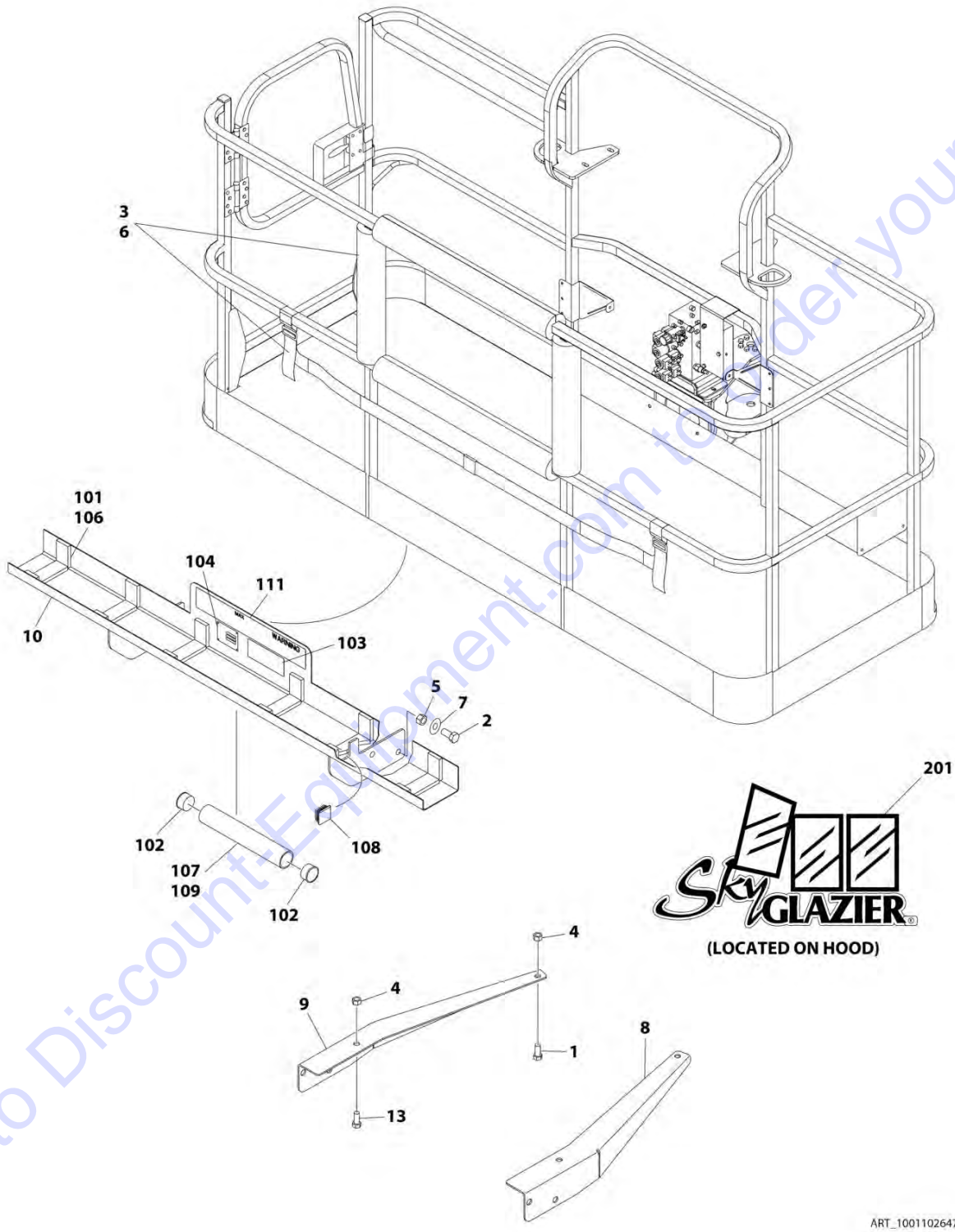
SECTION 5 - PLATFORM

FIGURE 5-37. SKYGLAZIER INSTALLATION (ANSI AND CSA SPECS)

ITEM	PART NUMBER	QTY	DESCRIPTION	REV
	1001101422	Ref	SKYGLAZIER INSTALLATION (ANSI AND CSA SPECS)	C
1	0642012	2	Bolt 5/8 x 1-1/2	
2	0642212	4	Bolt 3/4 x 1-1/2	
3	2902212	1	Bumpers and Strap Kit	
3	0940102	1	Bumper Only	
3	4240149	1	Strap Only	
4	3312005	4	Nut 5/8	
5	3312205	4	Nut 3/4	
6	4420014	AR	Tape	
7	4712000	6	Washer 5/8	
8	4712200	8	Washer 3/4	
9	1001099366	1	Support	
10	1001099367	1	Support	
11	1001101421	1	Tray Assembly (See Items 101-111 for Breakdown)	
14	8310129	2	Bolt 3/4 x 2-1/2	
	1001101421	Ref	TRAY ASSEMBLY	E
101	0100081	AR	Adhesive	
102	1120555	2	Cap, Tube	
103	1701509	1	Decal - Manual	
104	See Note	NSS	Nameplate - Serial Number (Note: Not Available for Purchase)	
106	3340956	1	Pad Kit	
107	3460334	1	Tube	
108	3520071	2	Plug	
109	4420066	AR	Tape, Double Sided	
111	1001163131	2	Decal - Glazier Capacity	
	0272418	Ref	SKYGLAZIER DECAL INSTALLATION	4
201	1705358	2	Decal - SkyGlazier	

SECTION 5 - PLATFORM

FIGURE 5-38. SKYGLAZIER INSTALLATION (AUSTRALIAN SPECS) (SN 0300201017 through 0300234289)



ART_1001102647

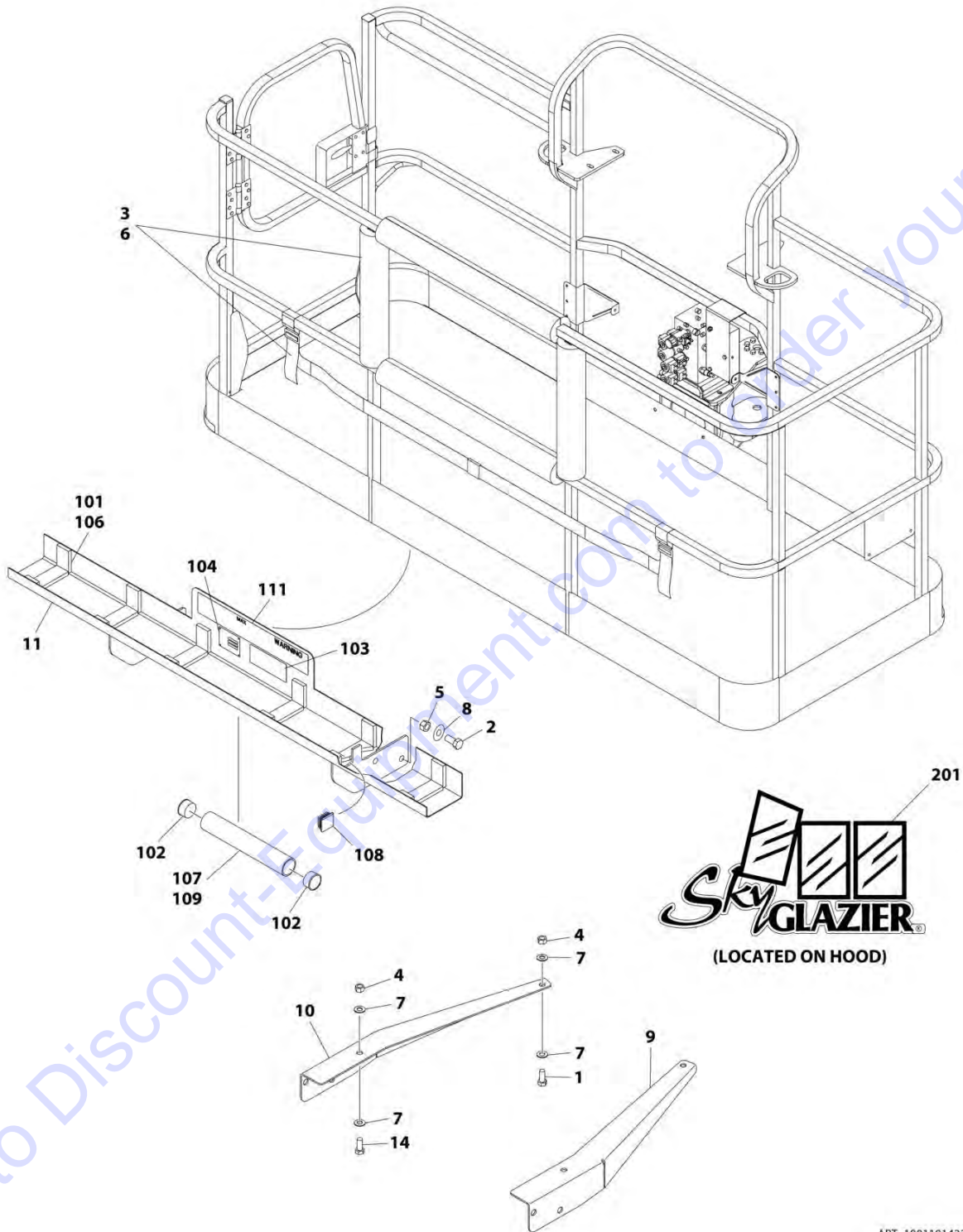
SECTION 5 - PLATFORM

FIGURE 5-38. SKYGLAZIER INSTALLATION (AUSTRALIAN SPECS) (SN 0300201017 through 0300234289)

ITEM	PART NUMBER	QTY	DESCRIPTION	REV
	1001102647	Ref	SKYGLAZIER INSTALLATION (AUSTRALIAN SPECS) (SN 0300201017 through 0300234289)	C
1	0642026	2	Bolt 5/8 x 3-1/4	
2	0642212	4	Bolt 3/4 x 1-1/2	
3	2902212	1	Bumpers and Strap Kit	
3	0940102	1	Bumper Only	
3	4240149	1	Strap Only	
4	3312005	4	Nut 5/8	
5	3312205	4	Nut 3/4	
6	4420014	AR	Tape	
7	4712200	8	Washer 3/4	
8	1001099366	1	Support	
9	1001099367	1	Support	
10	1001101421	1	Tray Assembly (See Items 101-111 for Breakdown)	
13	8310230	2	Bolt 5/8 x 4	
	1001101421	Ref	TRAY ASSEMBLY	E
101	0100081	AR	Adhesive	
102	1120555	2	Cap, Tube	
103	1701509	1	Decal - Manual	
104	See Note	NSS	Nameplate - Serial Number (Note: Not Available for Purchase)	
106	3340956	1	Pad Kit	
107	3460334	1	Tube	
108	3520071	2	Plug	
109	4420066	AR	Tape, Double Sided	
111	1001163131	2	Decal - Glazier Capacity	
	0272418	Ref	SKYGLAZIER DECAL INSTALLATION	4
201	1705358	2	Decal - SkyGlazier	

SECTION 5 - PLATFORM

FIGURE 5-39. SKYGLAZIER INSTALLATION (AUSTRALIAN SPECS) (SN 0300234290 to Present)



ART_1001101422

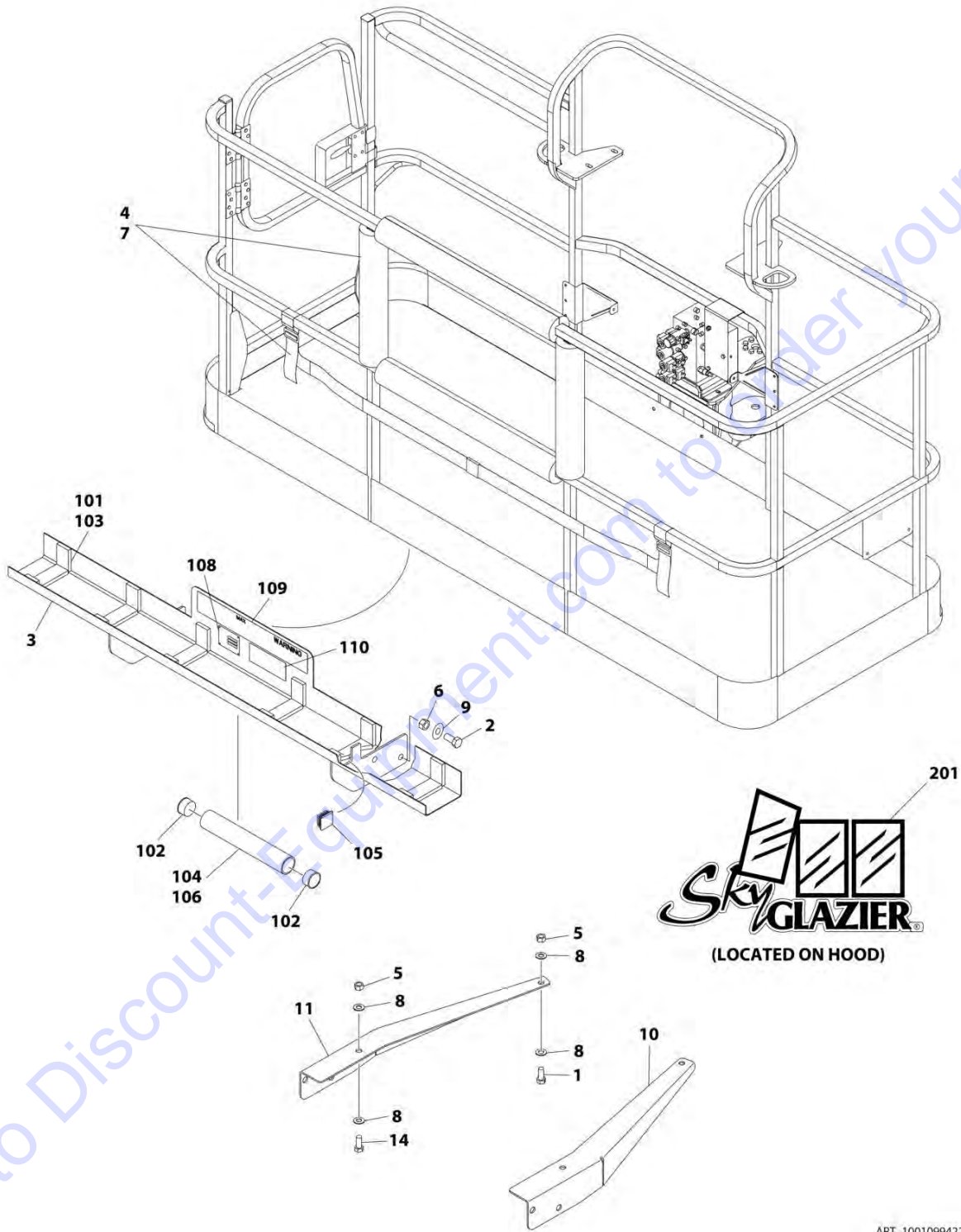
SECTION 5 - PLATFORM

FIGURE 5-39. SKYGLAZIER INSTALLATION (AUSTRALIAN SPECS) (SN 0300234290 to Present)

ITEM	PART NUMBER	QTY	DESCRIPTION	REV
	1001101422	Ref	SKYGLAZIER INSTALLATION (AUSTRALIAN SPECS) (SN 0300234290 to Present)	C
1	0642012	2	Bolt 5/8 x 1-1/2	
2	0642212	4	Bolt 3/4 x 1-1/2	
3	2902212	1	Bumpers and Strap Kit	
3	0940102	1	Bumper Only	
3	4240149	1	Strap Only	
4	3312005	4	Nut 5/8	
5	3312205	4	Nut 3/4	
6	4420014	AR	Tape	
7	4712000	6	Washer 5/8	
8	4712200	8	Washer 3/4	
9	1001099366	1	Support	
10	1001099367	1	Support	
11	1001101421	1	Tray Assembly (See Items 101-111 for Breakdown)	
14	8310129	2	Bolt 3/4 x 2-1/2	
	1001101421	Ref	TRAY ASSEMBLY	E
101	0100081	AR	Adhesive	
102	1120555	2	Cap, Tube	
103	1701509	1	Decal - Manual	
104	See Note	NSS	Nameplate - Serial Number (Note: Not Available for Purchase)	
106	3340956	1	Pad Kit	
107	3460334	1	Tube	
108	3520071	2	Plug	
109	4420066	AR	Tape, Double Sided	
111	1001163131	2	Decal - Glazier Capacity	
	0272418	Ref	SKYGLAZIER DECAL INSTALLATION	4
201	1705358	2	Decal - SkyGlazier	

SECTION 5 - PLATFORM

FIGURE 5-40. SKYGLAZIER INSTALLATION (BRAZIL SPECS)



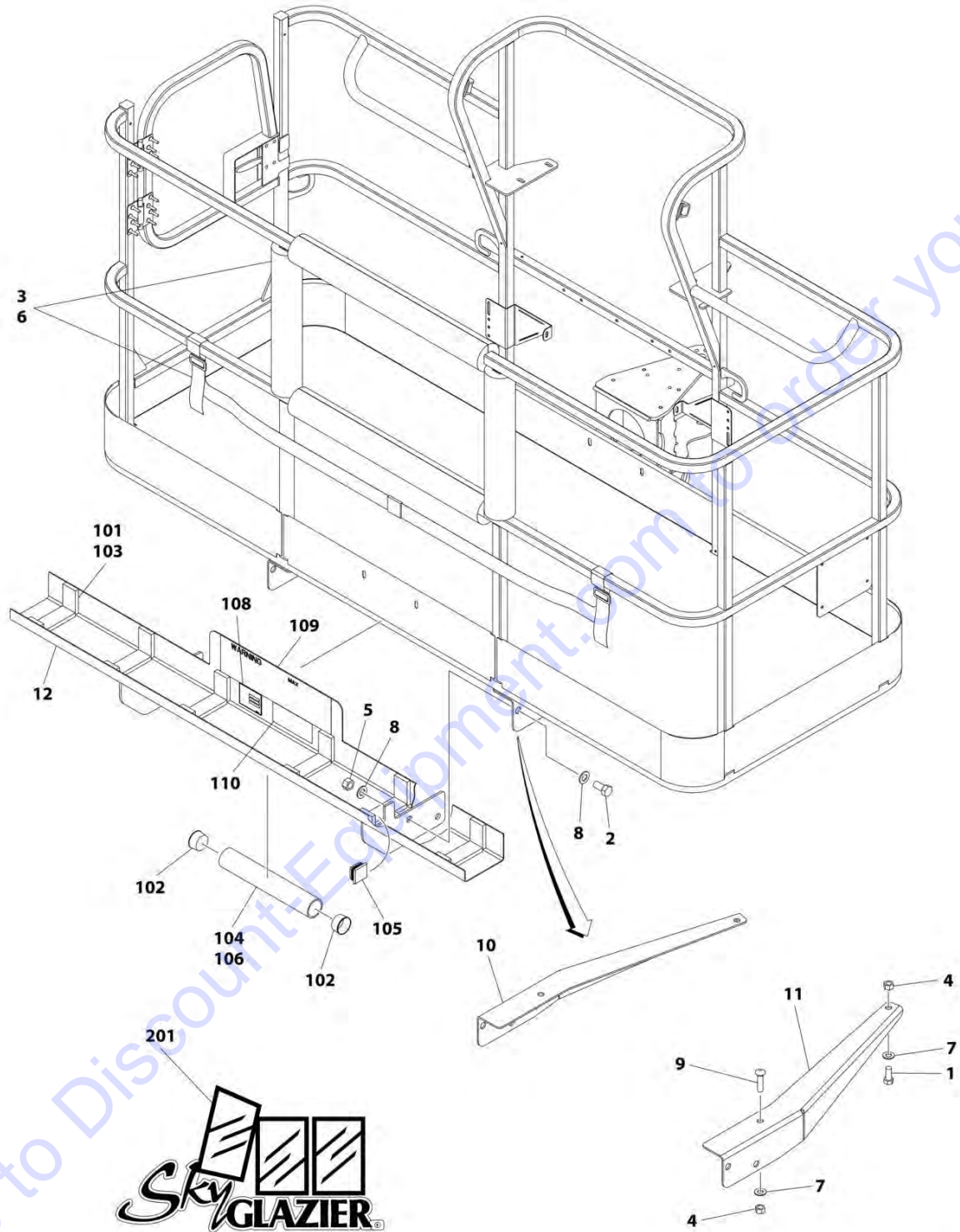
SECTION 5 - PLATFORM

FIGURE 5-40. SKYGLAZIER INSTALLATION (BRAZIL SPECS)

ITEM	PART NUMBER	QTY	DESCRIPTION	REV
	1001099422	Ref	SKYGLAZIER INSTALLATION (BRAZIL SPECS)	C
1	0642012	2	Bolt 5/8 x 1-1/2	
2	0642212	4	Bolt 3/4 x 1-1/2	
3	0272951	1	Tray Assembly (See Items 101-110 for Breakdown)	
4	2902212	1	Bumpers and Strap Kit	
4	0940102	1	Bumper Only	
4	4240149	1	Strap Only	
5	3312005	4	Nut 5/8	
6	3312205	4	Nut 3/4	
7	4420014	AR	Tape	
8	4712000	6	Washer 5/8	
9	4712200	8	Washer 3/4	
10	1001099366	1	Support	
11	1001099367	1	Support	
14	8310129	2	Bolt 5/8 x 2-1/2	
	0272951	Ref	TRAY ASSEMBLY	E
101	0100081	AR	Adhesive	
102	1120555	2	Cap, Tube	
103	3340956	1	Pad Kit	
104	3460334	1	Tube	
105	3520071	2	Plug	
106	4420066	AR	Tape, Double Sided	
108	See Note	NSS	Nameplate - Serial Number (Note: Not Available for Purchase)	
109	1001163297	2	Decal - Glazier Capacity	
110	1701509	1	Decal - Manual	
	0272418	Ref	SKYGLAZIER DECAL INSTALLATION	4
201	1705358	2	Decal - SkyGlazier	

SECTION 5 - PLATFORM

FIGURE 5-41. SKYGLAZIER INSTALLATION (DANISH SPECS)



ART_1001238462

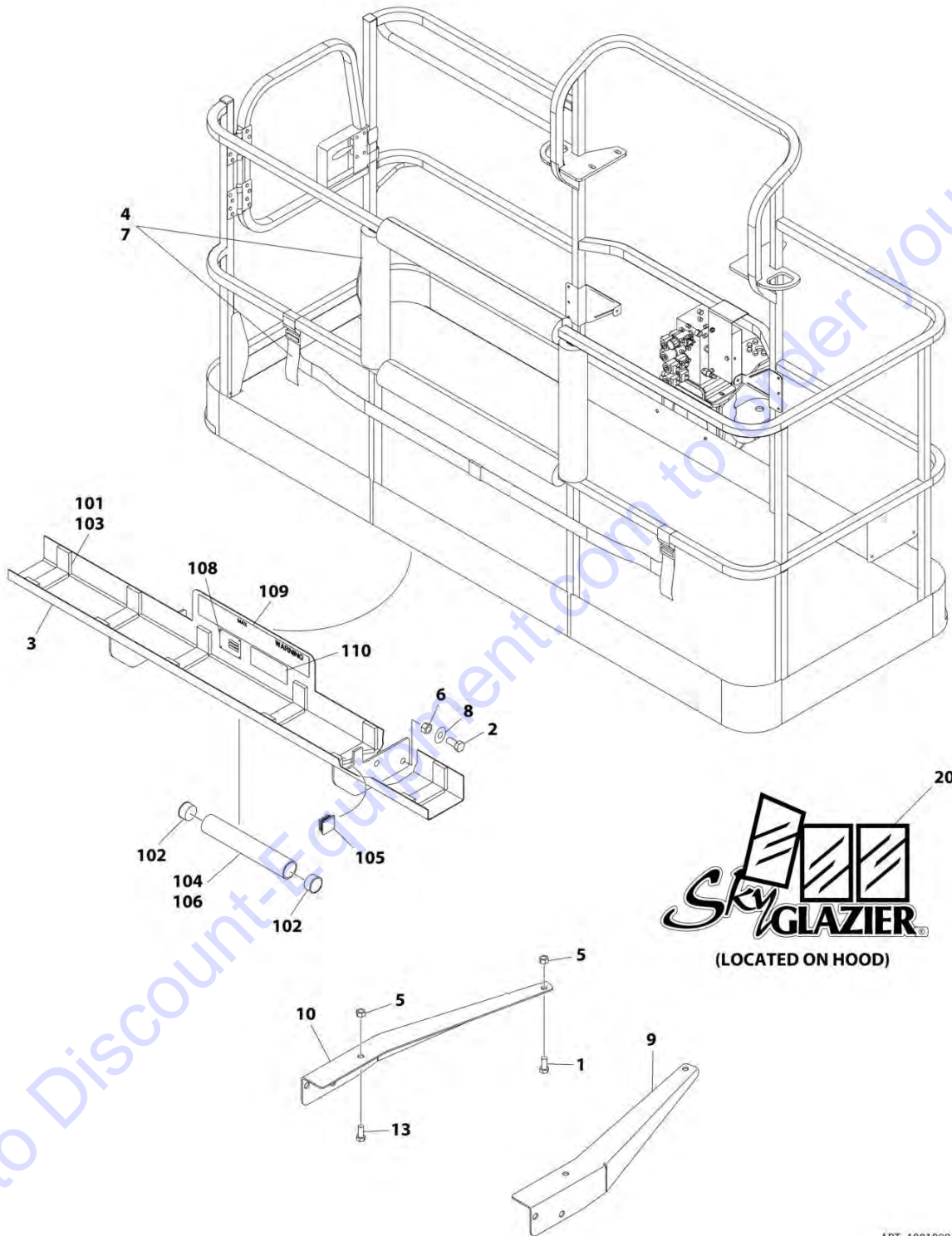
SECTION 5 - PLATFORM

FIGURE 5-41. SKYGLAZIER INSTALLATION (DANISH SPECS)

ITEM	PART NUMBER	QTY	DESCRIPTION	REV
	1001238462	Ref	SKYGLAZIER INSTALLATION (DANISH SPECS)	A
1	0642012	2	Bolt 5/8 x 1-1/2	
2	0642212	4	Bolt 3/4 x 1-1/2	
3	2902212	1	Bumpers and Strap Kit	
3	0940102	1	Bumper Only	
3	4240149	1	Strap Only	
4	3312005	4	Nut 5/8	
5	3312205	4	Nut 3/4	
6	4420014	AR	Tape	
7	4712000	6	Washer 5/8	
8	4712200	8	Washer 3/4	
9	8310129	2	Bolt 5/8 x 2-1/2	
10	1001099366	1	Support	
11	1001099367	1	Support	
12	1001238423	1	Tray Assembly (See Items 101-110 for Breakdown)	
	1001238423	Ref	TRAY ASSEMBLY	A
101	0100081	AR	Adhesive	
102	1120555	2	Cap, Tube	
103	3340956	1	Pad Kit	
104	3460334	1	Tube	
105	3520071	2	Plug	
106	4420066	AR	Tape, Double Sided	
108	See Note	NSS	Nameplate - Serial Number (Note: Not Available for Purchase)	
109	1001237705	2	Decal - Glazier Capacity	
110	1701509	1	Decal - Manual	
	0272418	Ref	SKYGLAZIER DECAL INSTALLATION	4
201	1705358	2	Decal - SkyGlazier	

SECTION 5 - PLATFORM

FIGURE 5-42. SKYGLAZIER INSTALLATION (FRENCH SPECS) (SN 0300201017 through 0300234289)



Go to Discount-Equipment.com to order your parts

ART_1001099436

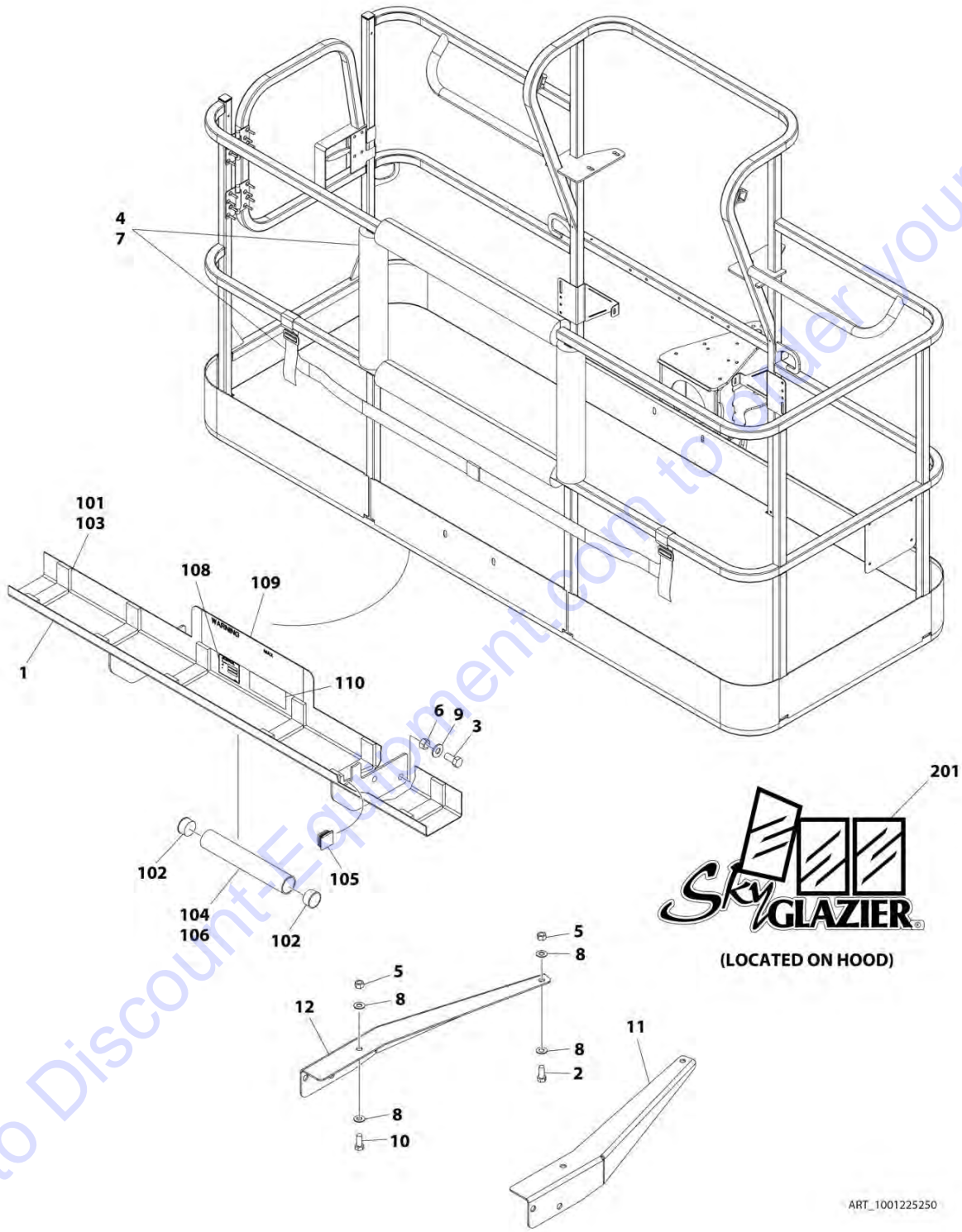
SECTION 5 - PLATFORM

FIGURE 5-42. SKYGLAZIER INSTALLATION (FRENCH SPECS) (SN 0300201017 through 0300234289)

ITEM	PART NUMBER	QTY	DESCRIPTION	REV
	1001099436	Ref	SKYGLAZIER INSTALLATION (FRENCH SPECS) (SN 0300201017 through 0300234289)	D
1	0642026	2	Bolt 5/8 x 3-1/4	
2	0642212	4	Bolt 3/4 x 1-1/2	
3	0272949	1	Tray Assembly (See Items 101-110 for Breakdown)	
4	2902212	1	Bumpers and Strap Kit	
4	0940102	1	Bumper Only	
4	4240149	1	Strap Only	
5	3312005	4	Nut 5/8	
6	3312205	4	Nut 3/4	
7	4420014	AR	Tape	
8	4712200	8	Washer 3/4	
9	1001099366	1	Support	
10	1001099367	1	Support	
13	8310230	2	Bolt 5/8 x 4	
	0272949	Ref	TRAY ASSEMBLY	D
101	0100081	AR	Adhesive	
102	1120555	2	Cap, Tube	
103	3340956	1	Pad Kit	
104	3460334	1	Tube	
105	3520071	2	Plug	
106	4420066	AR	Tape, Double Sided	
108	See Note	NSS	Nameplate - Serial Number (Note: Not Available for Purchase)	
109	1001163293	2	Decal - Glazier Capacity	
110	1701509	1	Decal - Manual	
	0272418	Ref	SKYGLAZIER DECAL INSTALLATION	4
201	1705358	2	Decal - SkyGlazier	

SECTION 5 - PLATFORM

FIGURE 5-43. SKYGLAZIER INSTALLATION (FRENCH SPECS) (SN 0300234290 to Present)



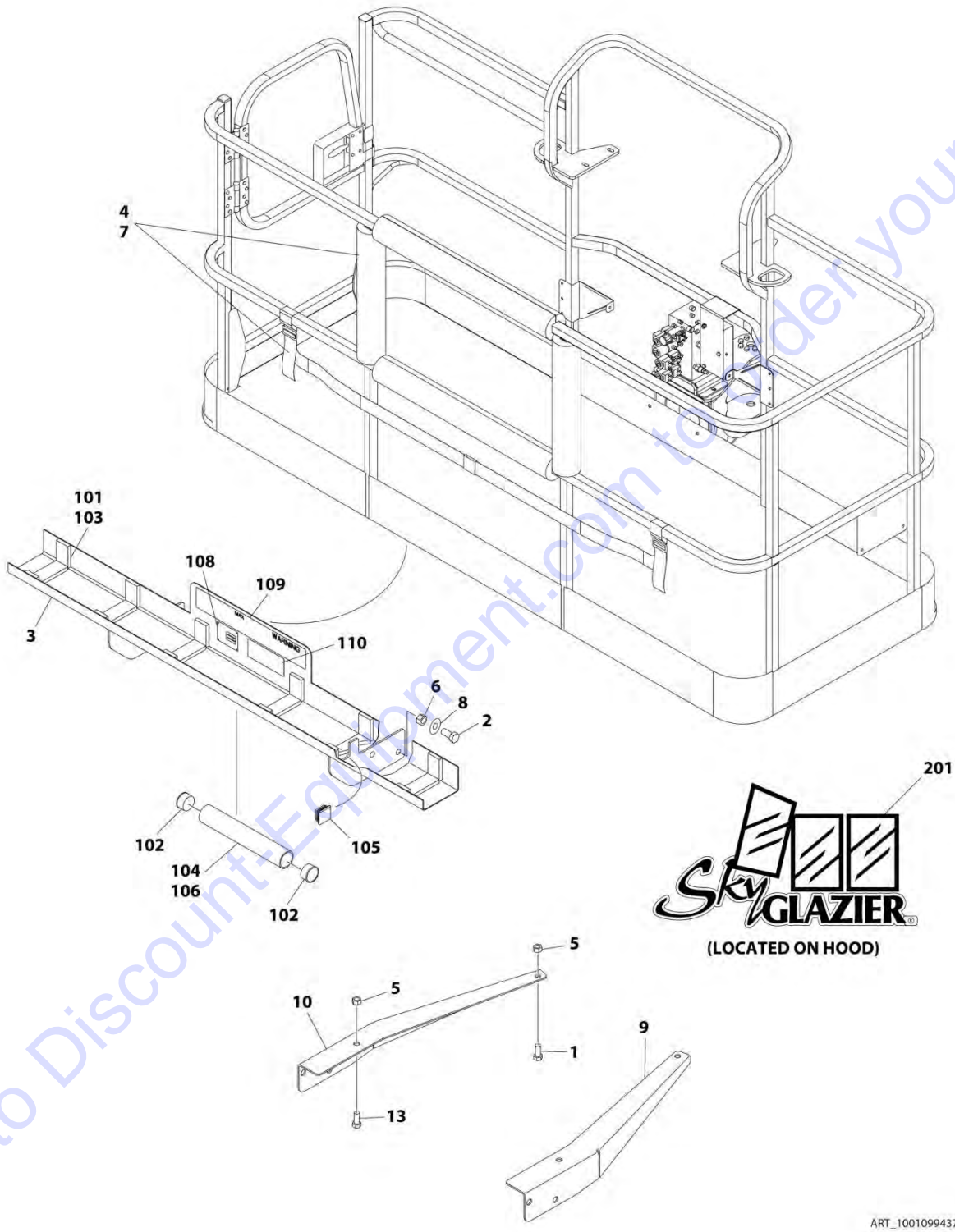
SECTION 5 - PLATFORM

FIGURE 5-43. SKYGLAZIER INSTALLATION (FRENCH SPECS) (SN 0300234290 to Present)

ITEM	PART NUMBER	QTY	DESCRIPTION	REV
	1001225250	Ref	SKYGLAZIER INSTALLATION (FRENCH SPECS) (SN 0300234290 to Present)	A
1	0272949	1	Tray Assembly (See Items 101-110 for Breakdown)	
2	0642012	2	Bolt 5/8 x 1-1/2	
3	0642212	4	Bolt 3/4 x 1-1/2	
4	2902212	1	Bumpers and Strap Kit	
4	0940102	1	Bumper Only	
4	4240149	1	Strap Only	
5	3312005	4	Nut 5/8	
6	3312205	4	Nut 3/4	
7	4420014	AR	Tape	
8	4712000	6	Washer 5/8	
9	4712200	8	Washer 3/4	
10	8310129	2	Bolt 5/8 x 2-1/2	
11	1001099366	1	Support	
12	1001099367	1	Support	
	0272949	Ref	TRAY ASSEMBLY	D
101	0100081	AR	Adhesive	
102	1120555	2	Cap, Tube	
103	3340956	1	Pad Kit	
104	3460334	1	Tube	
105	3520071	2	Plug	
106	4420066	AR	Tape, Double Sided	
108	See Note	NSS	Nameplate - Serial Number (Note: Not Available for Purchase)	
109	1001163293	2	Decal - Glazier Capacity	
110	1701509	1	Decal - Manual	
	0272418	Ref	SKYGLAZIER DECAL INSTALLATION	4
201	1705358	2	Decal - SkyGlazier	

SECTION 5 - PLATFORM

FIGURE 5-44. SKYGLAZIER INSTALLATION (GERMAN SPECS) (SN 0300201017 through 0300234289)



ART_1001099437

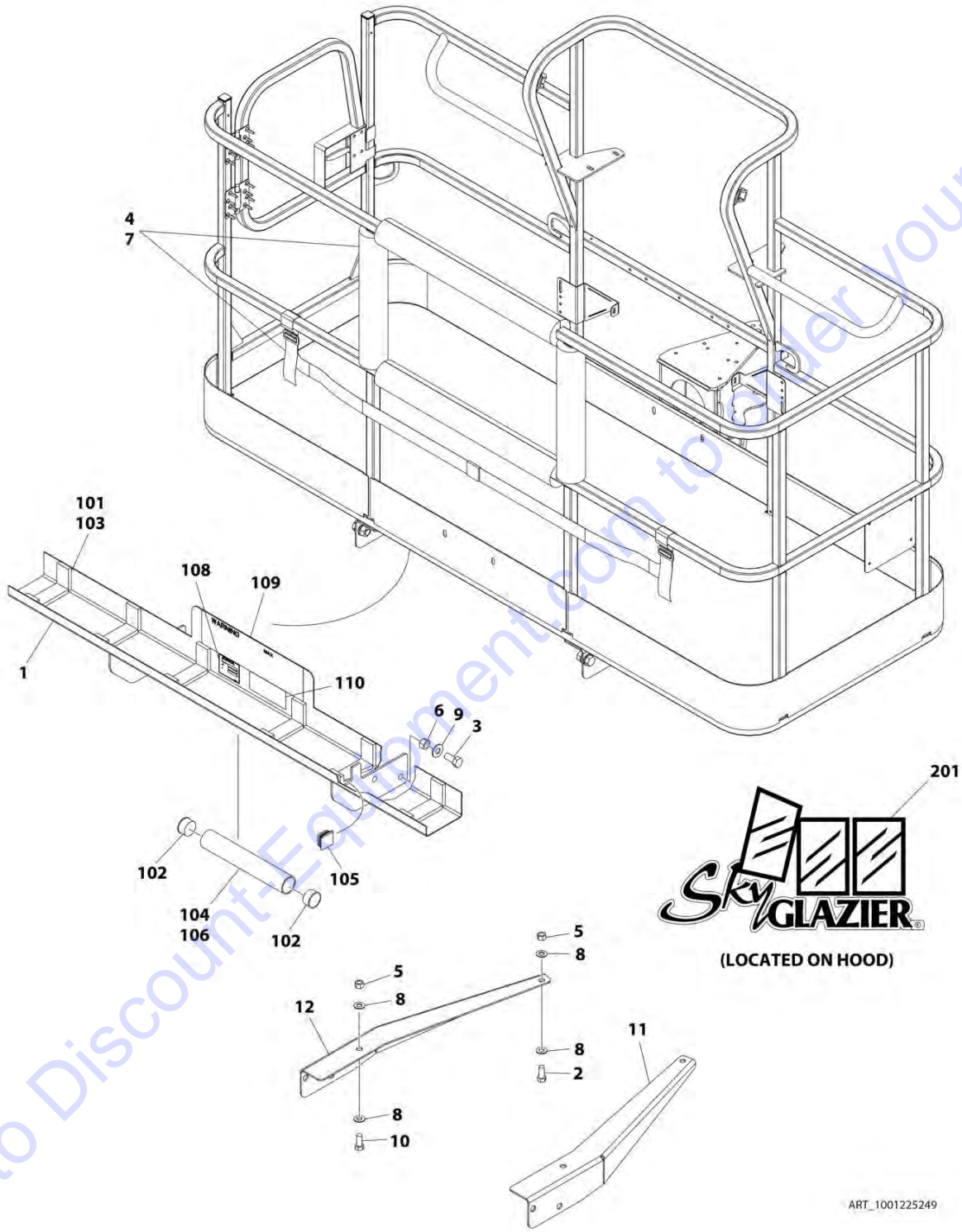
SECTION 5 - PLATFORM

FIGURE 5-44. SKYGLAZIER INSTALLATION (GERMAN SPECS) (SN 0300201017 through 0300234289)

ITEM	PART NUMBER	QTY	DESCRIPTION	REV
	1001099437	Ref	SKYGLAZIER INSTALLATION (GERMAN SPECS) (SN 0300201017 through 0300234289)	D
1	0642026	2	Bolt 5/8 x 3-1/4	
2	0642212	4	Bolt 3/4 x 1-1/2	
3	0272950	1	Tray Assembly (See Items 101-110 for Breakdown)	
4	2902212	1	Bumpers and Strap Kit	
4	0940102	1	Bumper Only	
4	4240149	1	Strap Only	
5	3312005	4	Nut 5/8	
6	3312205	4	Nut 3/4	
7	4420014	AR	Tape	
8	4712200	8	Washer 3/4	
9	1001099366	1	Support	
10	1001099367	1	Support	
13	8310230	2	Bolt 5/8 x 4	
	0272950	Ref	TRAY ASSEMBLY	D
101	0100081	AR	Adhesive	
102	1120555	2	Cap, Tube	
103	3340956	1	Pad Kit	
104	3460334	1	Tube	
105	3520071	2	Plug	
106	4420066	AR	Tape, Double Sided	
108	See Note	NSS	Nameplate - Serial Number (Note: Not Available for Purchase)	
109	1001163298	2	Decal - Glazier Capacity	
110	1701509	1	Decal - Manual	
	0272418	Ref	SKYGLAZIER DECAL INSTALLATION	4
201	1705358	2	Decal - SkyGlazier	

SECTION 5 - PLATFORM

FIGURE 5-45. SKYGLAZIER INSTALLATION (GERMAN SPECS) (SN 0300234290 to Present)



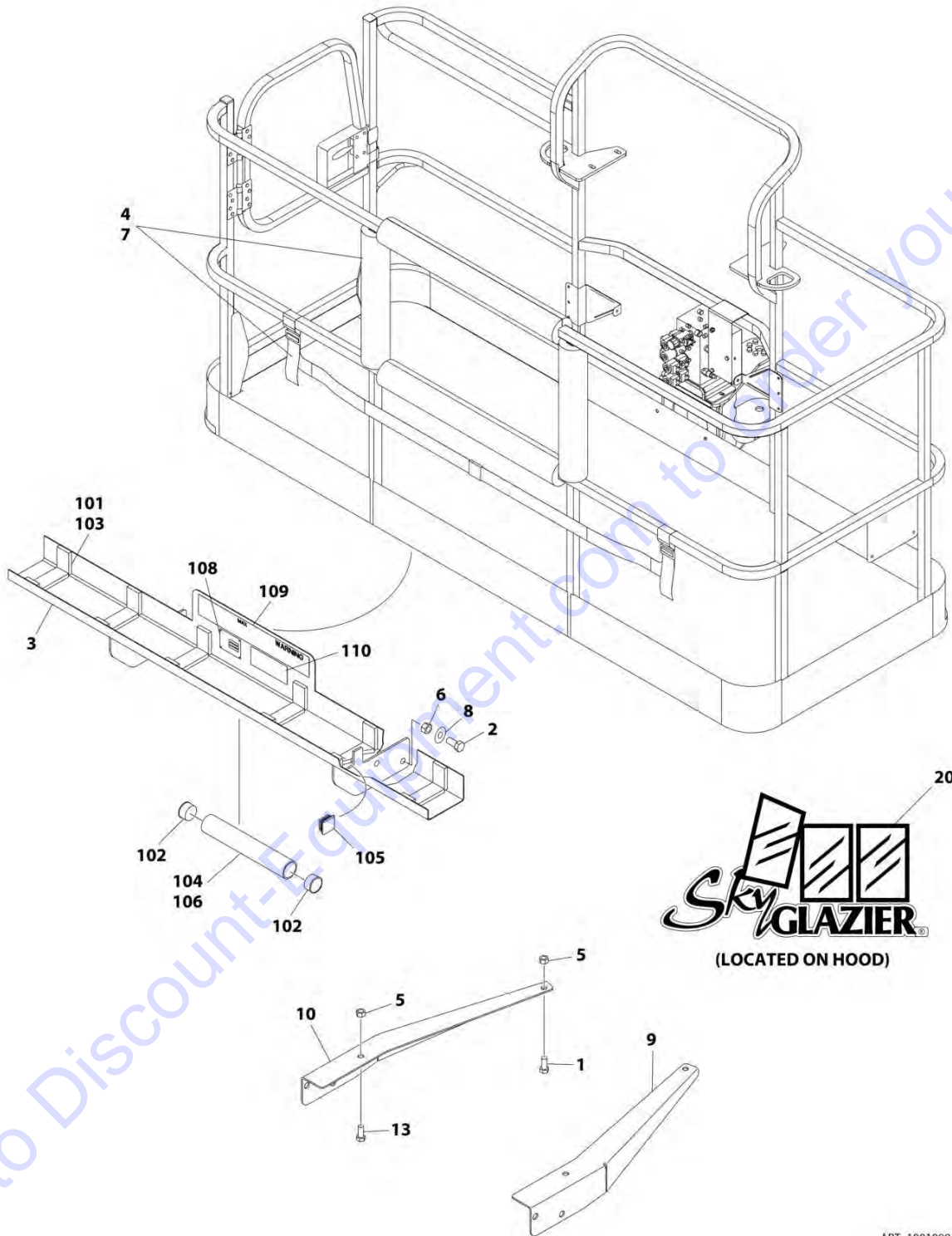
SECTION 5 - PLATFORM

FIGURE 5-45. SKYGLAZIER INSTALLATION (GERMAN SPECS) (SN 0300234290 to Present)

ITEM	PART NUMBER	QTY	DESCRIPTION	REV
	1001225249	Ref	SKYGLAZIER INSTALLATION (GERMAN SPECS) (SN 0300234290 to Present)	A
1	0272950	1	Tray Assembly (See Items 101-110 for Breakdown)	
2	0642012	2	Bolt 5/8 x 1-1/2	
3	0642212	4	Bolt 3/4 x 1-1/2	
4	2902212	1	Bumpers and Strap Kit	
4	0940102	1	Bumper Only	
4	4240149	1	Strap Only	
5	3312005	4	Nut 5/8	
6	3312205	4	Nut 3/4	
7	4420014	AR	Tape	
8	4712000	6	Washer 5/8	
9	4712200	8	Washer 3/4	
10	8310129	2	Bolt 5/8 x 2-1/2	
11	1001099366	1	Support	
12	1001099367	1	Support	
	0272950	Ref	TRAY ASSEMBLY	D
101	0100081	AR	Adhesive	
102	1120555	2	Cap, Tube	
103	3340956	1	Pad Kit	
104	3460334	1	Tube	
105	3520071	2	Plug	
106	4420066	AR	Tape, Double Sided	
108	See Note	NSS	Nameplate - Serial Number (Note: Not Available for Purchase)	
109	1001163298	2	Decal - Glazier Capacity	
110	1701509	1	Decal - Manual	
	0272418	Ref	SKYGLAZIER DECAL INSTALLATION	4
201	1705358	2	Decal - SkyGlazier	

SECTION 5 - PLATFORM

FIGURE 5-46. SKYGLAZIER INSTALLATION (ITALIAN SPECS) (SN 0300201017 through 0300234289)



ART_1001099439

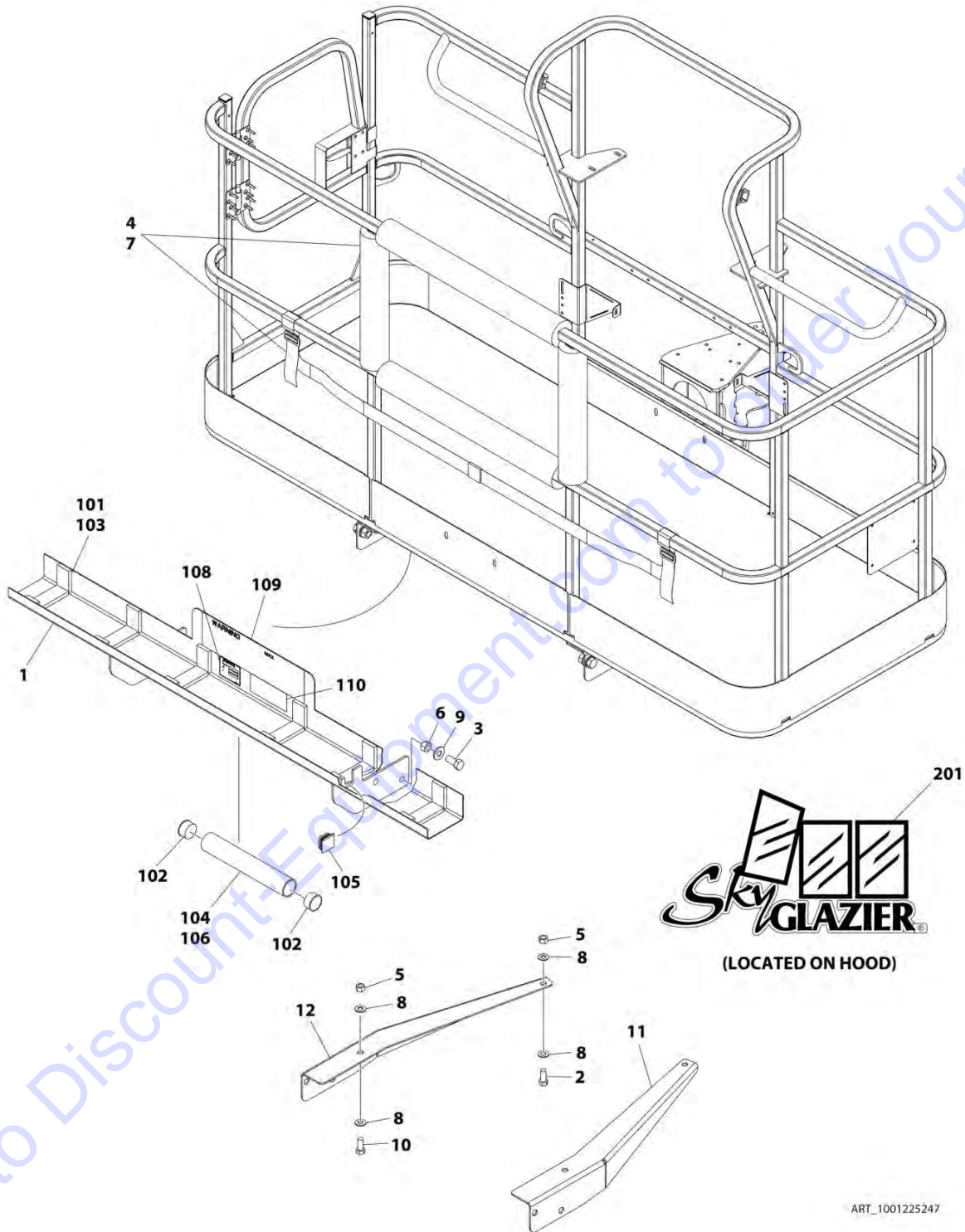
SECTION 5 - PLATFORM

FIGURE 5-46. SKYGLAZIER INSTALLATION (ITALIAN SPECS) (SN 0300201017 through 0300234289)

ITEM	PART NUMBER	QTY	DESCRIPTION	REV
	1001099439	Ref	SKYGLAZIER INSTALLATION (ITALIAN SPECS) (SN 0300201017 through 0300234289)	D
1	0642026	2	Bolt 5/8 x 3-1/4	
2	0642212	4	Bolt 3/4 x 1-1/2	
3	0272952	1	Tray Assembly (See Items 101-110 for Breakdown)	
4	2902212	1	Bumpers and Strap Kit	
4	0940102	1	Bumper Only	
4	4240149	1	Strap Only	
5	3312005	4	Nut 5/8	
6	3312205	4	Nut 3/4	
7	4420014	AR	Tape	
8	4712200	8	Washer 3/4	
9	1001099366	1	Support	
10	1001099367	1	Support	
13	8310230	2	Bolt 5/8 x 4	
	0272952	Ref	TRAY ASSEMBLY	D
101	0100081	AR	Adhesive	
102	1120555	2	Cap, Tube	
103	3340956	1	Pad Kit	
104	3460334	1	Tube	
105	3520071	2	Plug	
106	4420066	AR	Tape, Double Sided	
108	See Note	NSS	Nameplate - Serial Number (Note: Not Available for Purchase)	
109	1001163287	2	Decal - Glazier Capacity	
110	1701509	1	Decal - Manual	
	0272418	Ref	SKYGLAZIER DECAL INSTALLATION	4
201	1705358	2	Decal - SkyGlazier	

SECTION 5 - PLATFORM

FIGURE 5-47. SKYGLAZIER INSTALLATION (ITALIAN SPECS) (SN 0300234290 to Present)



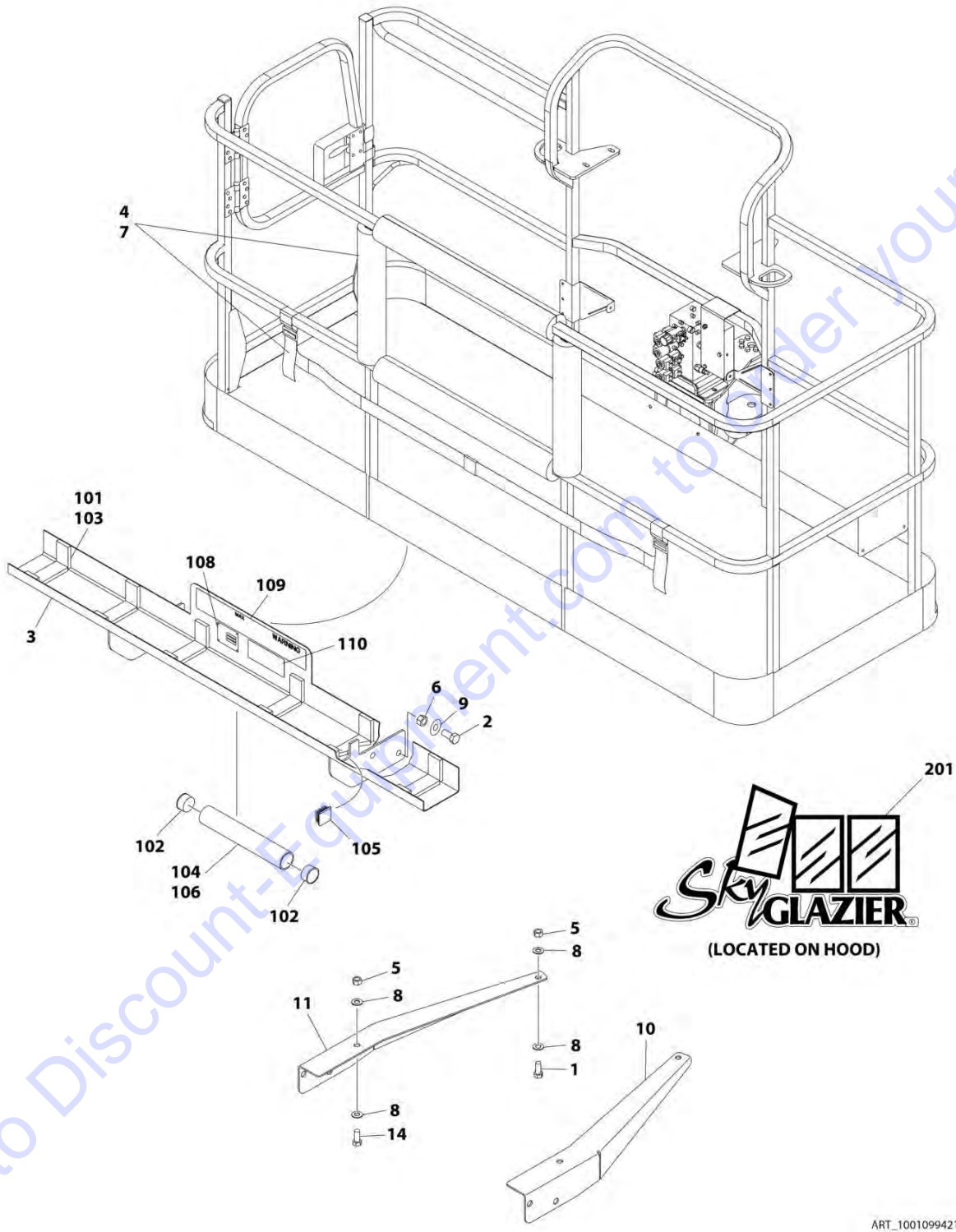
SECTION 5 - PLATFORM

FIGURE 5-47. SKYGLAZIER INSTALLATION (ITALIAN SPECS) (SN 0300234290 to Present)

ITEM	PART NUMBER	QTY	DESCRIPTION	REV
	1001225247	Ref	SKYGLAZIER INSTALLATION (ITALIAN SPECS) (SN 0300234290 to Present)	A
1	0272952	1	Tray Assembly (See Items 101-110 for Breakdown)	
2	0642012	2	Bolt 5/8 x 1-1/2	
3	0642212	4	Bolt 3/4 x 1-1/2	
4	2902212	1	Bumpers and Strap Kit	
4	0940102	1	Bumper Only	
4	4240149	1	Strap Only	
5	3312005	4	Nut 5/8	
6	3312205	4	Nut 3/4	
7	4420014	AR	Tape	
8	4712000	6	Washer 5/8	
9	4712200	8	Washer 3/4	
10	8310129	2	Bolt 5/8 x 2-1/2	
11	1001099366	1	Support	
12	1001099367	1	Support	
	0272952	Ref	TRAY ASSEMBLY	D
101	0100081	AR	Adhesive	
102	1120555	2	Cap, Tube	
103	3340956	1	Pad Kit	
104	3460334	1	Tube	
105	3520071	2	Plug	
106	4420066	AR	Tape, Double Sided	
108	See Note	NSS	Nameplate - Serial Number (Note: Not Available for Purchase)	
109	1001163287	2	Decal - Glazier Capacity	
110	1701509	1	Decal - Manual	
	0272418	Ref	SKYGLAZIER DECAL INSTALLATION	4
201	1705358	2	Decal - SkyGlazier	

SECTION 5 - PLATFORM

FIGURE 5-48. SKYGLAZIER INSTALLATION (LATIN AMERICAN SPECS)



ART_1001099421

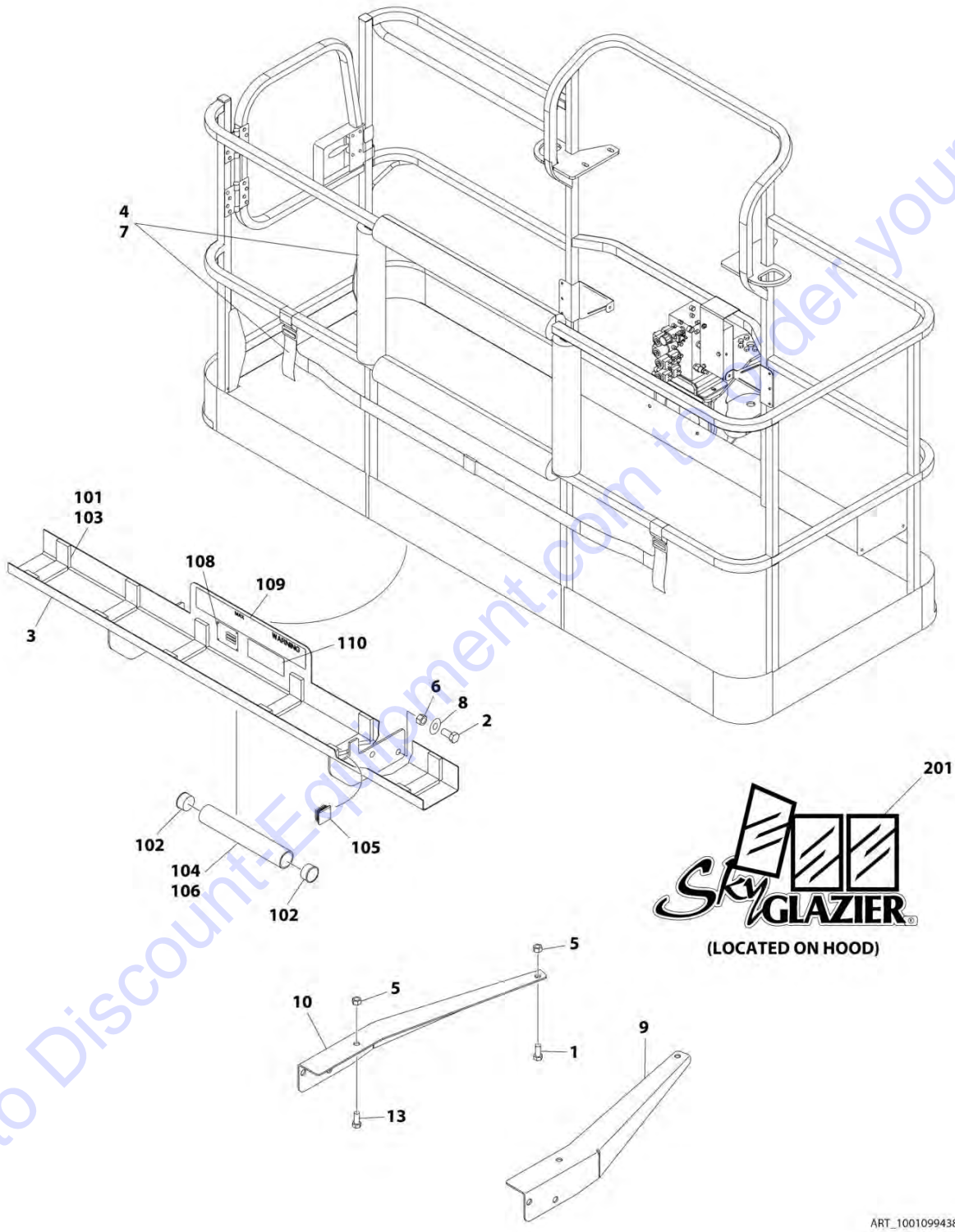
SECTION 5 - PLATFORM

FIGURE 5-48. SKYGLAZIER INSTALLATION (LATIN AMERICAN SPECS)

ITEM	PART NUMBER	QTY	DESCRIPTION	REV
	1001099421	Ref	SKYGLAZIER INSTALLATION (LATIN AMERICAN SPECS)	C
1	0642012	2	Bolt 5/8 x 1-1/2	
2	0642212	4	Bolt 3/4 x 1-1/2	
3	0272948	1	Tray Assembly (See Items 101-110 for Breakdown)	
4	2902212	1	Bumpers and Strap Kit	
4	0940102	1	Bumper Only	
4	4240149	1	Strap Only	
5	3312005	4	Nut 5/8	
6	3312205	4	Nut 3/4	
7	4420014	AR	Tape	
8	4712000	6	Washer 5/8	
9	4712200	8	Washer 3/4	
10	1001099366	1	Support	
11	1001099367	1	Support	
14	8310129	2	Bolt 5/8 x 2.5	
	0272948	Ref	TRAY ASSEMBLY	E
101	0100081	AR	Adhesive	
102	1120555	2	Cap, Tube	
103	3340956	1	Pad Kit	
104	3460334	1	Tube	
105	3520071	2	Plug	
106	4420066	AR	Tape, Double Sided	
108	See Note	NSS	Nameplate - Serial Number (Note: Not Available for Purchase)	
109	1001163296	2	Decal - Glazier Capacity	
110	1701509	1	Decal - Manual	
	0272418	Ref	SKYGLAZIER DECAL INSTALLATION	4
201	1705358	2	Decal - SkyGlazier	

SECTION 5 - PLATFORM

FIGURE 5-49. SKYGLAZIER INSTALLATION (PORTUGUESE SPECS) (SN 0300201017 through 0300234289)



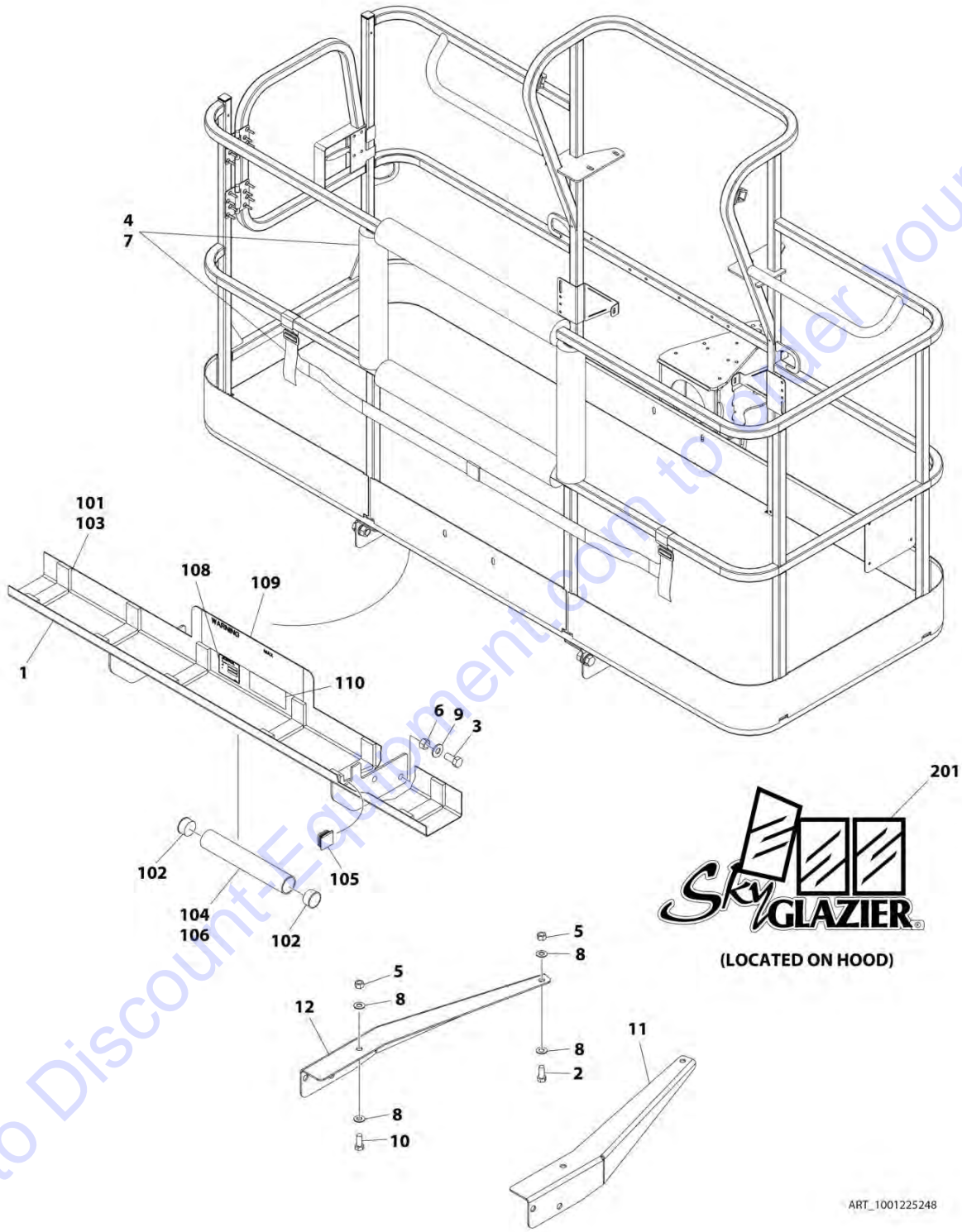
SECTION 5 - PLATFORM

FIGURE 5-49. SKYGLAZIER INSTALLATION (PORTUGUESE SPECS) (SN 0300201017 through 0300234289)

ITEM	PART NUMBER	QTY	DESCRIPTION	REV
	1001099438	Ref	SKYGLAZIER INSTALLATION (PORTUGUESE SPECS) (SN 0300201017 through 0300234289)	D
1	0642026	2	Bolt 5/8 x 3-1/4	
2	0642212	4	Bolt 3/4 x 1-1/2	
3	0273406	1	Tray Assembly (See Items 101-110 for Breakdown)	
4	2902212	1	Bumpers and Strap Kit	
4	0940102	1	Bumper Only	
4	4240149	1	Strap Only	
5	3312005	4	Nut 5/8	
6	3312205	4	Nut 3/4	
7	4420014	AR	Tape	
8	4712200	8	Washer 3/4	
9	1001099366	1	Support	
10	1001099367	1	Support	
13	8310230	2	Bolt 5/8 x 4	
	0273406	Ref	TRAY ASSEMBLY	D
101	0100081	AR	Adhesive	
102	1120555	2	Cap, Tube	
103	3340956	1	Pad Kit	
104	3460334	1	Tube	
105	3520071	2	Plug	
106	4420066	AR	Tape, Double Sided	
108	See Note	NSS	Nameplate - Serial Number (Note: Not Available for Purchase)	
109	1001163289	2	Decal - Glazier Capacity	
110	1701509	1	Decal - Manual	
	0272418	Ref	SKYGLAZIER DECAL INSTALLATION	4
201	1705358	2	Decal - SkyGlazier	

SECTION 5 - PLATFORM

FIGURE 5-50. SKYGLAZIER INSTALLATION (PORTUGUESE SPECS) (SN 0300234290 to Present)



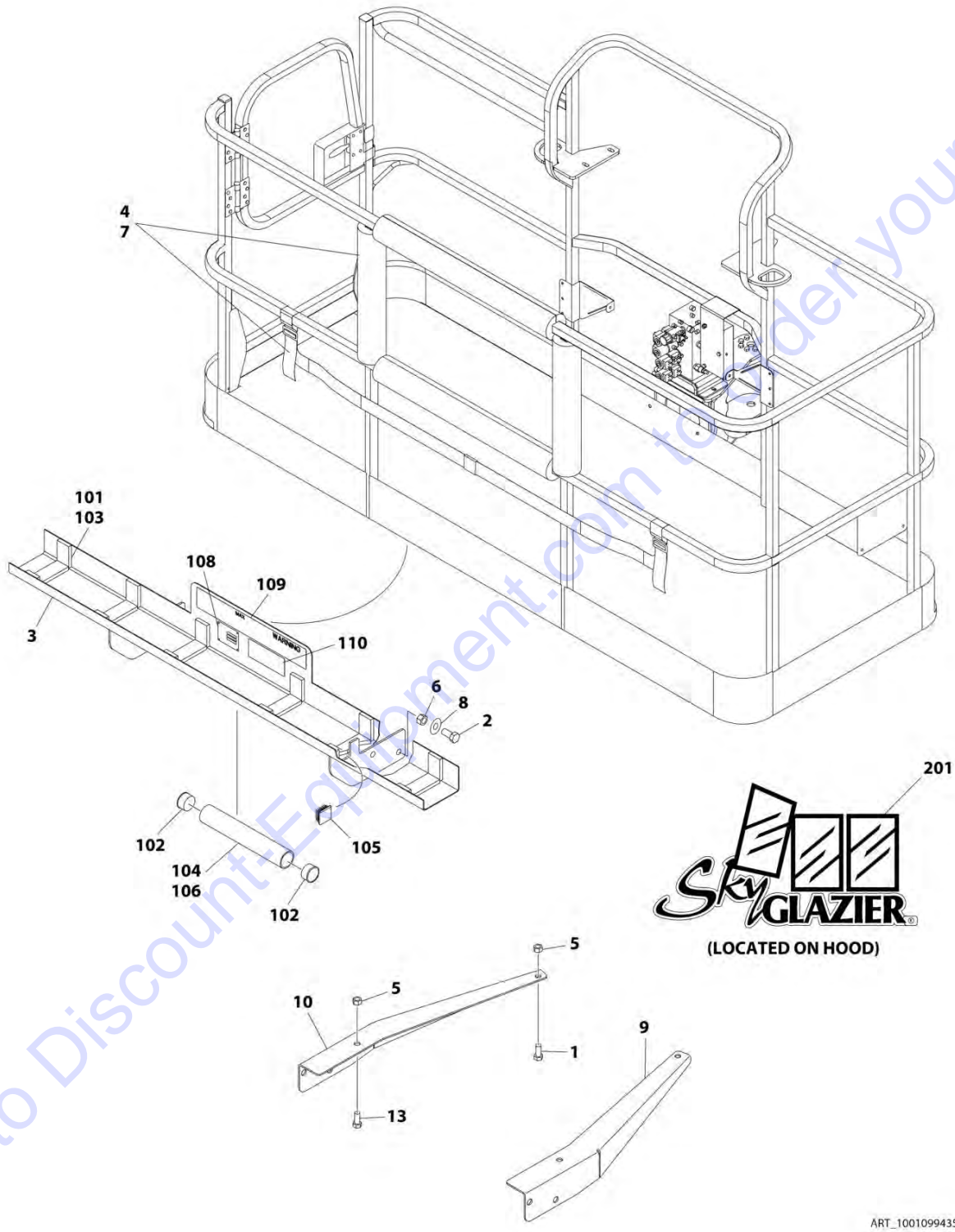
SECTION 5 - PLATFORM

FIGURE 5-50. SKYGLAZIER INSTALLATION (PORTUGUESE SPECS) (SN 0300234290 to Present)

ITEM	PART NUMBER	QTY	DESCRIPTION	REV
	1001225248	Ref	SKYGLAZIER INSTALLATION (PORTUGUESE SPECS) (SN 0300234290 to Present)	A
1	0273406	1	Tray Assembly (See Items 101-110 for Breakdown)	
2	0642012	2	Bolt 5/8 x 1-1/2	
3	0642212	4	Bolt 3/4 x 1-1/2	
4	2902212	1	Bumpers and Strap Kit	
4	0940102	1	Bumper Only	
4	4240149	1	Strap Only	
5	3312005	4	Nut 5/8	
6	3312205	4	Nut 3/4	
7	4420014	AR	Tape	
8	4712000	6	Washer 5/8	
9	4712200	8	Washer 3/4	
10	8310129	2	Bolt 5/8 x 2-1/2	
11	1001099366	1	Support	
12	1001099367	1	Support	
	0273406	Ref	TRAY ASSEMBLY	D
101	0100081	AR	Adhesive	
102	1120555	2	Cap, Tube	
103	3340956	1	Pad Kit	
104	3460334	1	Tube	
105	3520071	2	Plug	
106	4420066	AR	Tape, Double Sided	
108	See Note	NSS	Nameplate - Serial Number (Note: Not Available for Purchase)	
109	1001163289	2	Decal - Glazier Capacity	
110	1701509	1	Decal - Manual	
	0272418	Ref	SKYGLAZIER DECAL INSTALLATION	4
201	1705358	2	Decal - SkyGlazier	

SECTION 5 - PLATFORM

FIGURE 5-51. SKYGLAZIER INSTALLATION (SPANISH SPECS) (SN 0300201017 through 0300234289)



ART_1001099435

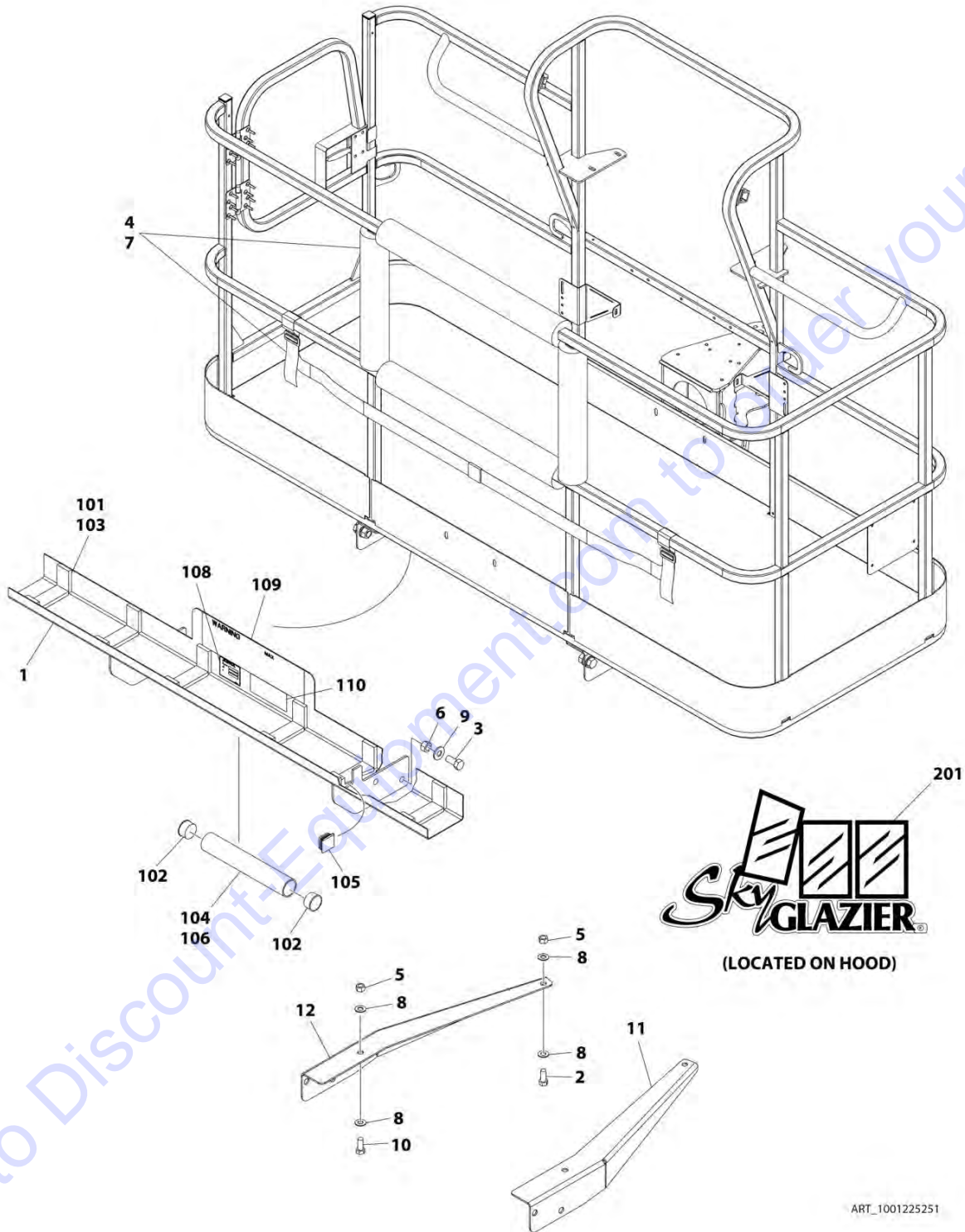
SECTION 5 - PLATFORM

FIGURE 5-51. SKYGLAZIER INSTALLATION (SPANISH SPECS) (SN 0300201017 through 0300234289)

ITEM	PART NUMBER	QTY	DESCRIPTION	REV
	1001099435	Ref	SKYGLAZIER INSTALLATION (SPANISH SPECS) (SN 0300201017 through 0300234289)	D
1	0642026	2	Bolt 5/8 x 3-1/4	
2	0642212	4	Bolt 3/4 x 1-1/2	
3	0273405	1	Tray Assembly (See Items 101-110 for Breakdown)	
4	2902212	1	Bumpers and Strap Kit	
4	0940102	1	Bumper Only	
4	4240149	1	Strap Only	
5	3312005	4	Nut 5/8	
6	3312205	4	Nut 3/4	
7	4420014	AR	Tape	
8	4712200	8	Washer 3/4	
9	1001099366	1	Support	
10	1001099367	1	Support	
13	8310230	2	Bolt 5/8 x 4	
	0273405	Ref	TRAY ASSEMBLY	D
101	0100081	AR	Adhesive	
102	1120555	2	Cap, Tube	
103	3340956	1	Pad Kit	
104	3460334	1	Tube	
105	3520071	2	Plug	
106	4420066	AR	Tape, Double Sided	
108	See Note	NSS	Nameplate - Serial Number (Note: Not Available for Purchase)	
109	1001163288	2	Decal - Glazier Capacity	
110	1701509	1	Decal - Manual	
	0272418	Ref	SKYGLAZIER DECAL INSTALLATION	4
201	1705358	2	Decal - SkyGlazier	

SECTION 5 - PLATFORM

FIGURE 5-52. SKYGLAZIER INSTALLATION (SPANISH SPECS) (SN 0300234290 to Present)



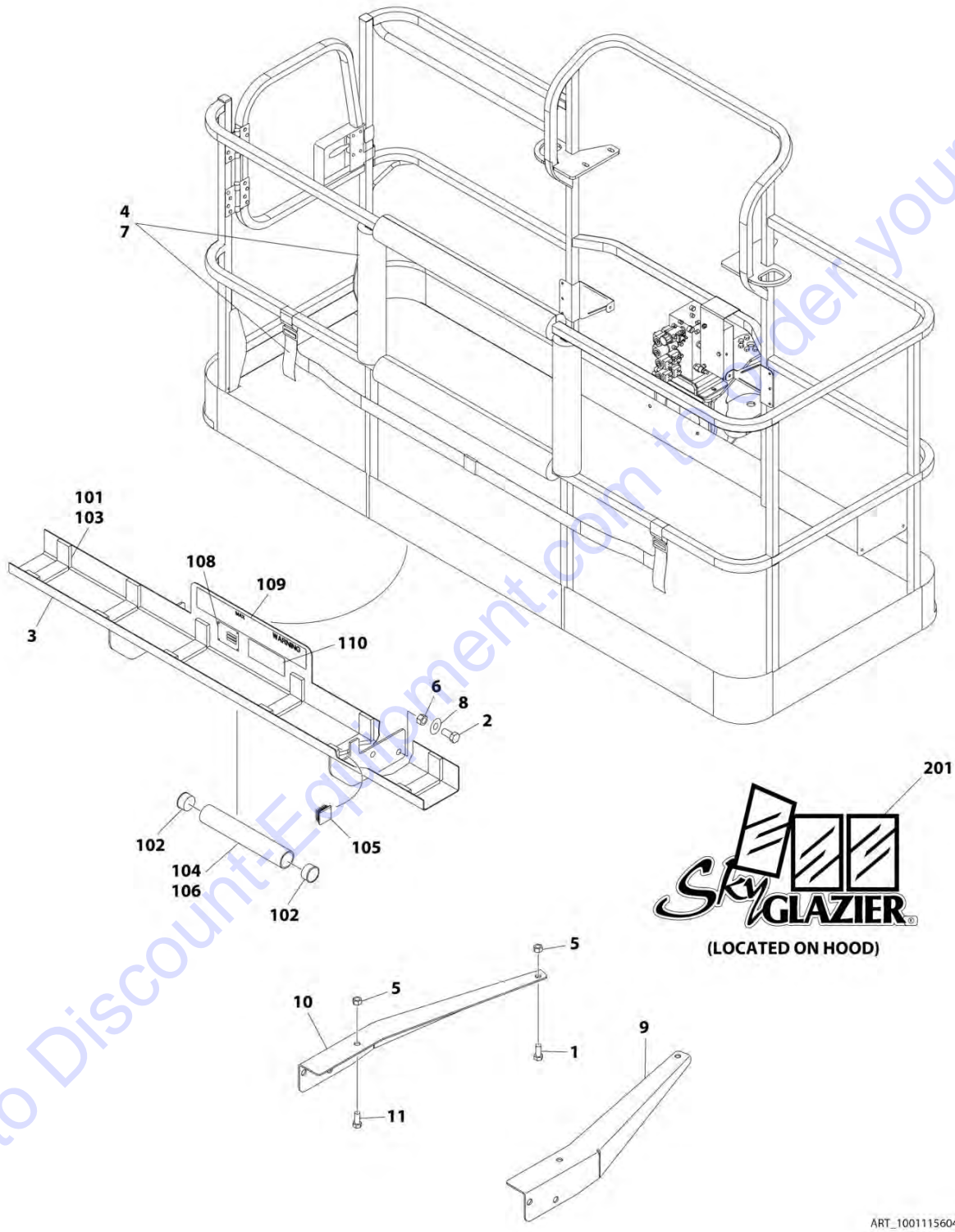
SECTION 5 - PLATFORM

FIGURE 5-52. SKYGLAZIER INSTALLATION (SPANISH SPECS) (SN 0300234290 to Present)

ITEM	PART NUMBER	QTY	DESCRIPTION	REV
	1001225251	Ref	SKYGLAZIER INSTALLATION (SPANISH SPECS) (SN 0300234290 to Present)	A
1	0273405	1	Tray Assembly (See Items 101-110 for Breakdown)	
2	0642012	2	Bolt 5/8 x 1-1/2	
3	0642212	4	Bolt 3/4 x 1-1/2	
4	2902212	1	Bumpers and Strap Kit	
4	0940102	1	Bumper Only	
4	4240149	1	Strap Only	
5	3312005	4	Nut 5/8	
6	3312205	4	Nut 3/4	
7	4420014	AR	Tape	
8	4712000	6	Washer 5/8	
9	4712200	8	Washer 3/4	
10	8310129	2	Bolt 5/8 x 2-1/2	
11	1001099366	1	Support	
12	1001099367	1	Support	
	0273405	Ref	TRAY ASSEMBLY	D
101	0100081	AR	Adhesive	
102	1120555	2	Cap, Tube	
103	3340956	1	Pad Kit	
104	3460334	1	Tube	
105	3520071	2	Plug	
106	4420066	AR	Tape, Double Sided	
108	See Note	NSS	Nameplate - Serial Number (Note: Not Available for Purchase)	
109	1001163288	2	Decal - Glazier Capacity	
110	1701509	1	Decal - Manual	
	0272418	Ref	SKYGLAZIER DECAL INSTALLATION	4
201	1705358	1	Decal - SkyGlazier	

SECTION 5 - PLATFORM

FIGURE 5-53. SKYGLAZIER INSTALLATION (SWEDISH SPECS) (SN 0300201017 through 0300234289)



ART_1001115604

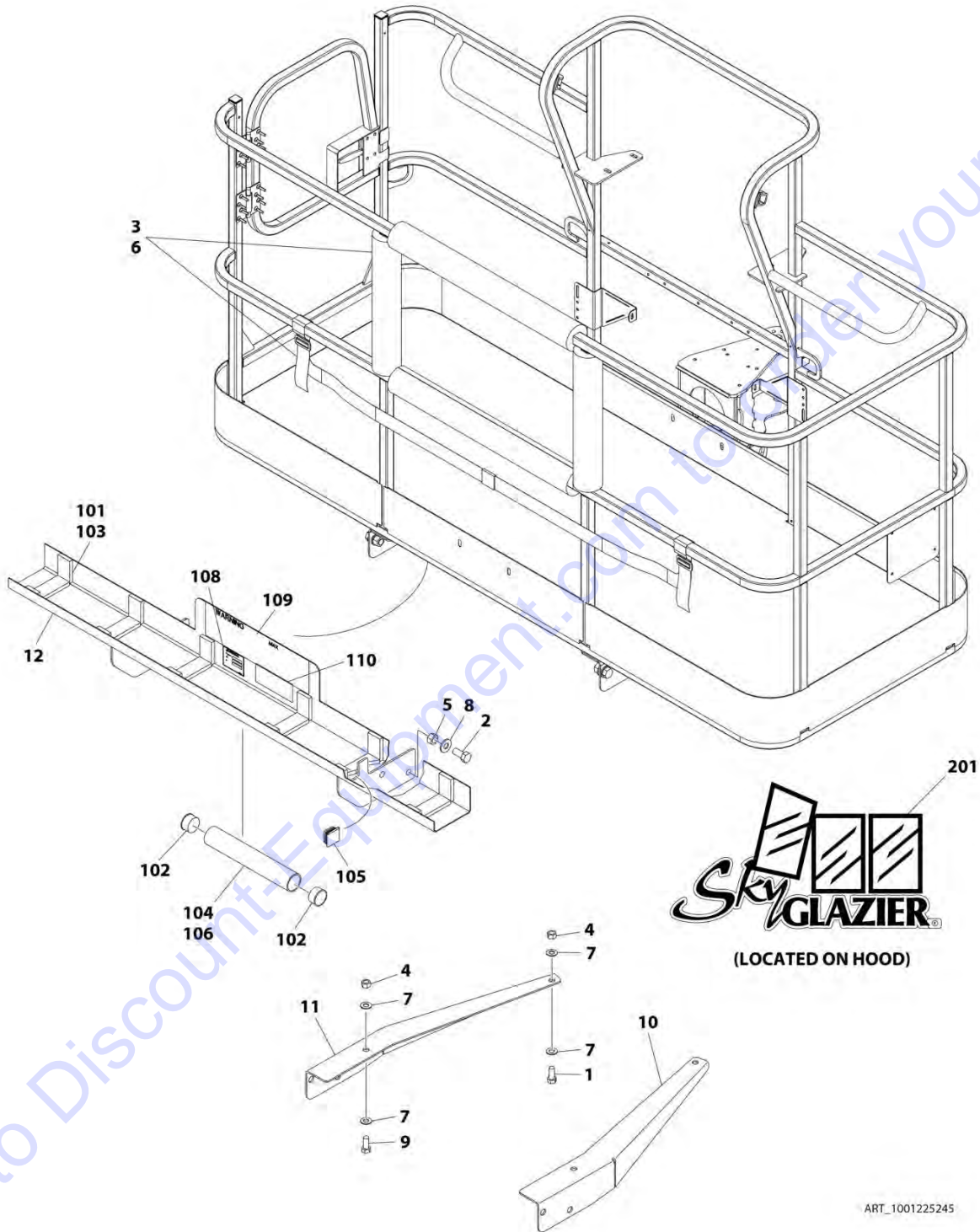
SECTION 5 - PLATFORM

FIGURE 5-53. SKYGLAZIER INSTALLATION (SWEDISH SPECS) (SN 0300201017 through 0300234289)

ITEM	PART NUMBER	QTY	DESCRIPTION	REV
	1001115604	Ref	SKYGLAZIER INSTALLATION (SWEDISH SPECS) (SN 0300201017 through 0300234289)	C
1	0642026	2	Bolt 5/8 x 3-1/4	
2	0642212	4	Bolt 3/4 x 1-1/2	
3	1001115603	1	Tray Assembly (See Items 101-110 for Breakdown)	
4	2902212	1	Bumpers and Strap Kit	
4	0940102	1	Bumper Only	
4	4240149	1	Strap Only	
5	3312005	4	Nut 5/8	
6	3312205	4	Nut 3/4	
7	4420014	AR	Tape	
8	4712200	8	Washer 3/4	
9	1001099366	1	Support	
10	1001099367	1	Support	
11	8310230	2	Bolt 5/8 x 4	
	1001115603	Ref	TRAY ASSEMBLY	C
101	0100081	AR	Adhesive	
102	1120555	2	Cap, Tube	
103	3340956	1	Pad Kit	
104	3460334	1	Tube	
105	3520071	2	Plug	
106	4420066	AR	Tape, Double Sided	
108	See Note	NSS	Nameplate - Serial Number (Note: Not Available for Purchase)	
109	1001163292	2	Decal - Glazier Capacity	
110	1701509	1	Decal - Manual	
	0272418	Ref	SKYGLAZIER DECAL INSTALLATION	4
201	1705358	2	Decal - SkyGlazier	

SECTION 5 - PLATFORM

FIGURE 5-54. SKYGLAZIER INSTALLATION (SWEDISH SPECS) (SN 0300234290 to Present)



ART_1001225245

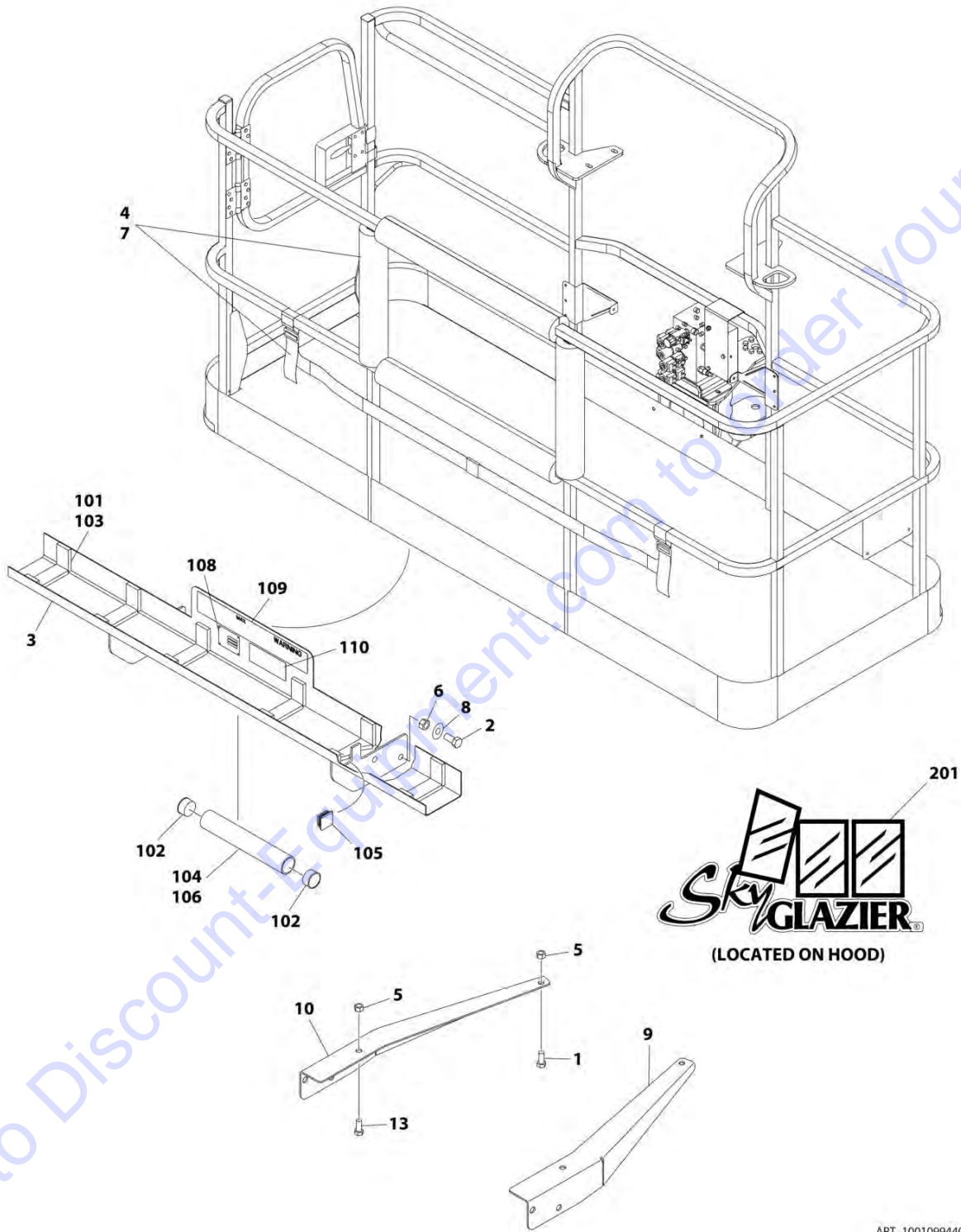
SECTION 5 - PLATFORM

FIGURE 5-54. SKYGLAZIER INSTALLATION (SWEDISH SPECS) (SN 0300234290 to Present)

ITEM	PART NUMBER	QTY	DESCRIPTION	REV
	1001225245	Ref	SKYGLAZIER INSTALLATION (SWEDISH SPECS) (SN 0300234290 to Present)	A
1	0642012	2	Bolt 5/8 x 1-1/2	
2	0642212	4	Bolt 3/4 x 1-1/2	
3	2902212	1	Bumpers and Strap Kit	
3	0940102	1	Bumper Only	
3	4240149	1	Strap Only	
4	3312005	4	Nut 5/8	
5	3312205	4	Nut 3/4	
6	4420014	AR	Tape	
7	4712000	6	Washer 5/8	
8	4712200	8	Washer 3/4	
9	8310129	2	Bolt 5/8 x 2-1/2	
10	1001099366	1	Support	
11	1001099367	1	Support	
12	1001115603	1	Tray Assembly (See Items 101-110 for Breakdown)	
	1001115603	Ref	TRAY ASSEMBLY	C
101	0100081	AR	Adhesive	
102	1120555	2	Cap, Tube	
103	3340956	1	Pad Kit	
104	3460334	1	Tube	
105	3520071	2	Plug	
106	4420066	AR	Tape, Double Sided	
108	See Note	NSS	Nameplate - Serial Number (Note: Not Available for Purchase)	
109	1001163292	2	Decal - Glazier Capacity	
110	1701509	1	Decal - Manual	
	0272418	Ref	SKYGLAZIER DECAL INSTALLATION	4
201	1705358	2	Decal - SkyGlazier	

SECTION 5 - PLATFORM

FIGURE 5-55. SKYGLAZIER INSTALLATION (UK SPECS) (SN 0300201017 through 0300234289)



ART_1001099440

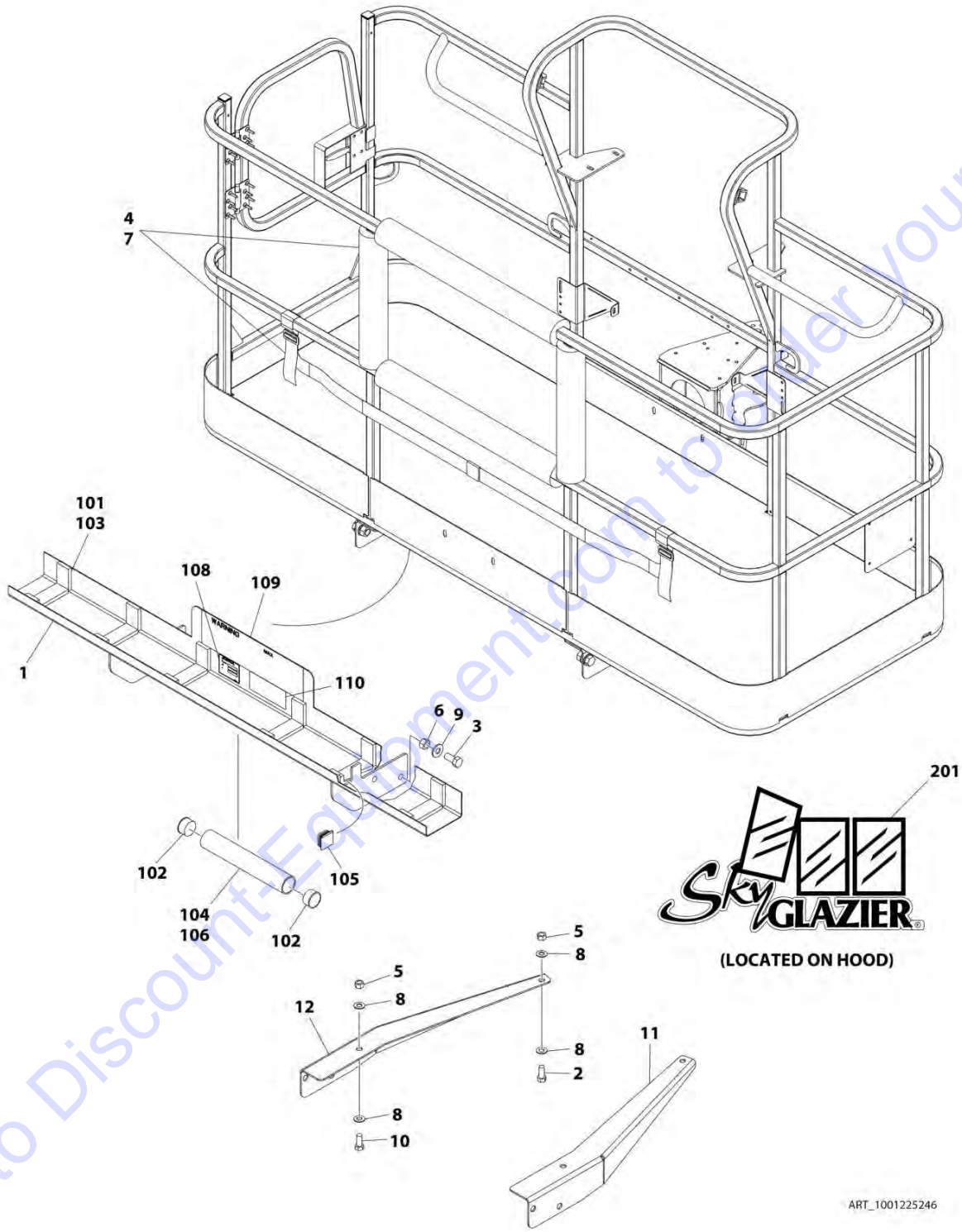
SECTION 5 - PLATFORM

FIGURE 5-55. SKYGLAZIER INSTALLATION (UK SPECS) (SN 0300201017 through 0300234289)

ITEM	PART NUMBER	QTY	DESCRIPTION	REV
	1001099440	Ref	SKYGLAZIER INSTALLATION (UK SPECS) (SN 0300201017 through 0300234289)	D
1	0642026	2	Bolt 5/8 x 3-1/4	
2	0642212	4	Bolt 3/4 x 1-1/2	
3	0273404	1	Tray Assembly (See Items 101-110 for Breakdown)	
4	2902212	1	Bumpers and Strap Kit	
4	0940102	1	Bumper Only	
4	4240149	1	Strap Only	
5	3312005	4	Nut 5/8	
6	3312205	4	Nut 3/4	
7	4420014	AR	Tape	
8	4712200	8	Washer 3/4	
9	1001099366	1	Support	
10	1001099367	1	Support	
13	8310230	2	Bolt 5/8 x 4	
	0273404	Ref	TRAY ASSEMBLY	D
101	0100081	AR	Adhesive	
102	1120555	2	Cap, Tube	
103	3340956	1	Pad Kit	
104	3460334	1	Tube	
105	3520071	2	Plug	
106	4420066	AR	Tape, Double Sided	
108	See Note	NSS	Nameplate - Serial Number (Note: Not Available for Purchase)	
109	1001163295	2	Decal - Glazier Capacity	
110	1701509	1	Decal - Manual	
	0272418	Ref	SKYGLAZIER DECAL INSTALLATION	4
201	1705358	2	Decal - SkyGlazier	

SECTION 5 - PLATFORM

FIGURE 5-56. SKYGLAZIER INSTALLATION (UK SPECS) (SN 0300234290 to Present)



ART_1001225246

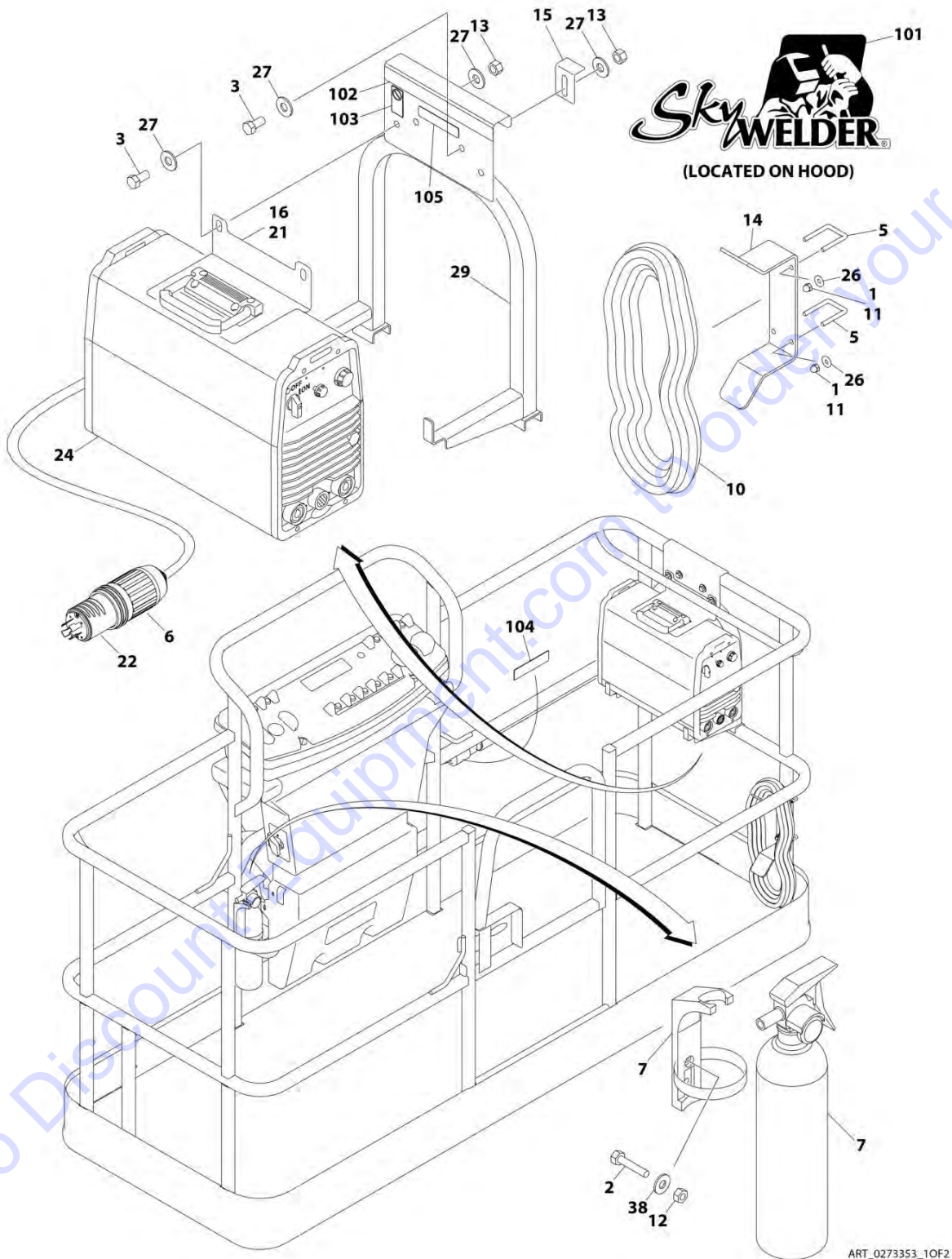
SECTION 5 - PLATFORM

FIGURE 5-56. SKYGLAZIER INSTALLATION (UK SPECS) (SN 0300234290 to Present)

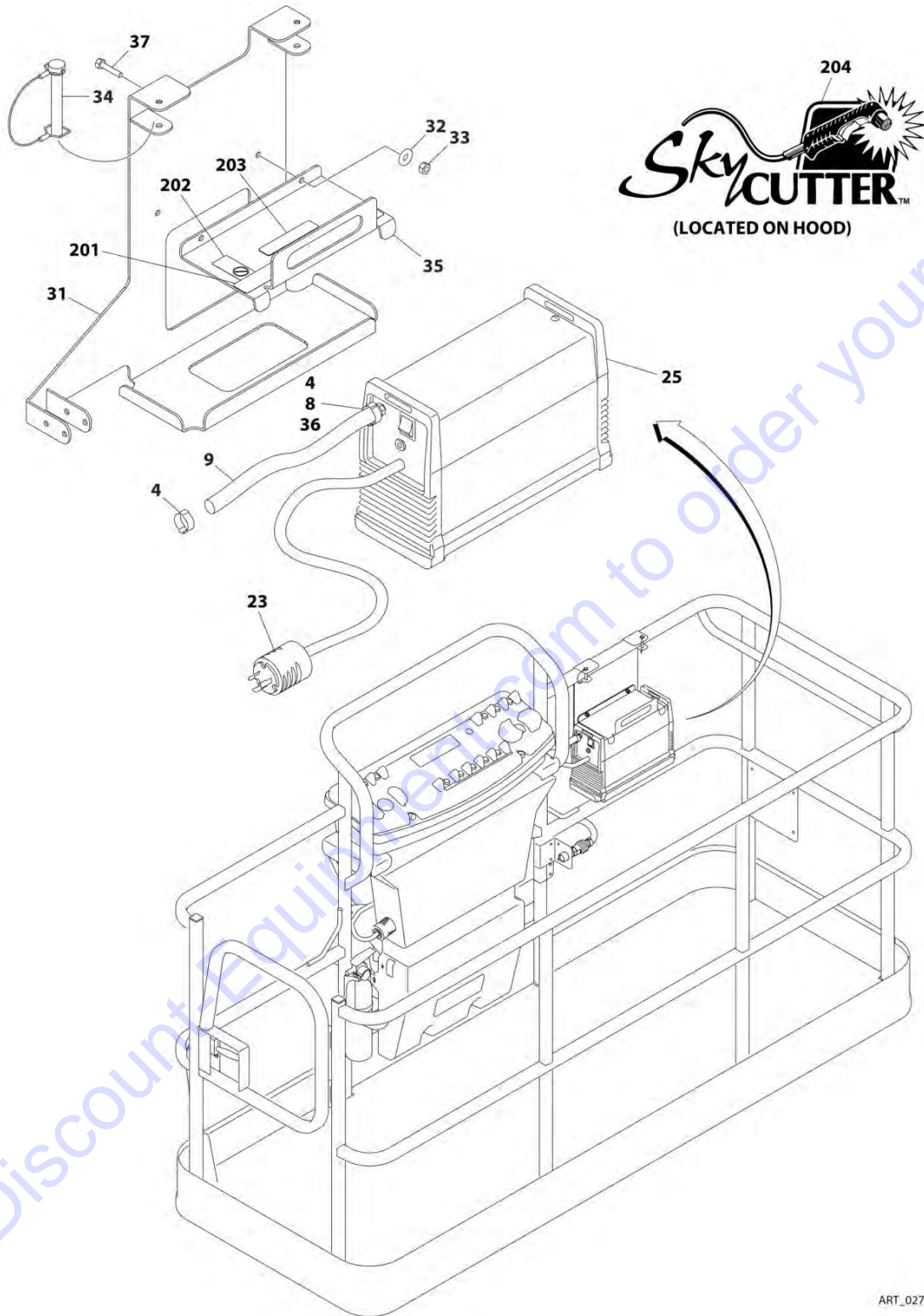
ITEM	PART NUMBER	QTY	DESCRIPTION	REV
	1001225246	Ref	SKYGLAZIER INSTALLATION (UK SPECS) (SN 0300234290 to Present)	A
1	0273404	1	Tray Assembly (See Items 101-110 for Breakdown)	
2	0642012	2	Bolt 5/8 x 1-1/2	
3	0642212	4	Bolt 3/4 x 1-1/2	
4	2902212	1	Bumpers and Strap Kit	
4	0940102	1	Bumper Only	
4	4240149	1	Strap Only	
5	3312005	4	Nut 5/8	
6	3312205	4	Nut 3/4	
7	4420014	AR	Tape	
8	4712000	6	Washer 5/8	
9	4712200	8	Washer 3/4	
10	8310129	2	Bolt 5/8 x 2-1/2	
11	1001099366	1	Support	
12	1001099367	1	Support	
	0273404	Ref	TRAY ASSEMBLY	D
101	0100081	AR	Adhesive	
102	1120555	2	Cap, Tube	
103	3340956	1	Pad Kit	
104	3460334	1	Tube	
105	3520071	2	Plug	
106	4420066	AR	Tape, Double Sided	
108	See Note	NSS	Nameplate - Serial Number (Note: Not Available for Purchase)	
109	1001163295	2	Decal - Glazier Capacity	
110	1701509	1	Decal - Manual	
	0272418	Ref	SKYGLAZIER DECAL INSTALLATION	4
201	1705358	2	Decal - SkyGlazier	

SECTION 5 - PLATFORM

FIGURE 5-57. SKYWELDER/SKYCUTTER COMBO INSTALLATION (60HZ)



SECTION 5 - PLATFORM



ART_0273353_20F2

SECTION 5 - PLATFORM

FIGURE 5-57. SKYWELDER/SKYCUTTER COMBO INSTALLATION (60HZ)

ITEM	PART NUMBER	QTY	DESCRIPTION	REV
	0273353	Ref	SKYWELDER/SKYCUTTER COMBO INSTALLATION (60HZ)	G
		Ref	Note: ANSI, ANSI Export and CSA Spec Only.	
1	0100011	AR	Compound, Locking	
2	0630518	2	Screw #10 x 3/4	
3	0641606	4	Bolt 3/8 x 3/4	
4	1320177	2	Clamp	
5	1320302	2	Clamp	
6	1671093	1	Cover, Plug	
7	2030010	1	Extinguisher, Fire	
8	2180832	1	Fitting, Barbed/NPT	
9	2720160	4.5 ft/ 1.4m	Hose	
10	2902217	1	Weld Leads Kit	
11	3300151	4	Nut 1/4	
12	3311005	2	Nut #10	
13	3311605	4	Nut 3/8	
14	3573400	1	Bracket	
15	3577121	2	Angle	
16	3573642	1	Plate	
20	4240099	AR	Tie-Strap (Not Shown)	
21	4420037	2.36 ft/ .71m	Tape	
22	4460962	1	Plug, Twist Lock	
23	4460971	1	Plug, Twist Lock	
24	4530028	1	Welder Assembly (See WELDER ASSEMBLY for Breakdown)	
25	1001098012	1	Plasma Cutter Assembly (See PLASMA CUTTER ASSEMBLY for Breakdown)	
26	4751400	4	Washer 1/4	
27	4751600	8	Washer 3/8	
29	4846627	1	Support	
31	1001145405	1	Bracket	
32	4811700	2	Washer M6	
33	3290605	2	Nut M6	
34	3421453	3	Pin	
35	3576799	1	Plate, Hold-Down	
36	0100020	1	Sealant	
37	4010608	2	Screw M6 x 16	
38	4751000	2	Washer #10	
	0272448	Ref	SKYWELDER DECAL INSTALLATION	B
101	1705355	2	Decal - SkyWelder	
102	1702868	1	Decal - No Hands	
103	1705305	1	Decal - Weld Leads	
104	1705375	1	Decal - 240V - 3 Phase - 60Hz	
105	1705466	1	Decal - Weight (SN 0300201017 through 0300233698)	
105	1001228988	1	Decal - Weight (SN 0300233699 to Present)	
	0272599	Ref	SKYCUTTER DECAL INSTALLATION	B
201	1702868	1	Decal - No Hands	
202	1705305	1	Decal - Weld Leads	
203	1705466	1	Decal - Weight (SN 0300201017 through 0300233698)	
203	1001228988	1	Decal - Weight (SN 0300233699 to Present)	

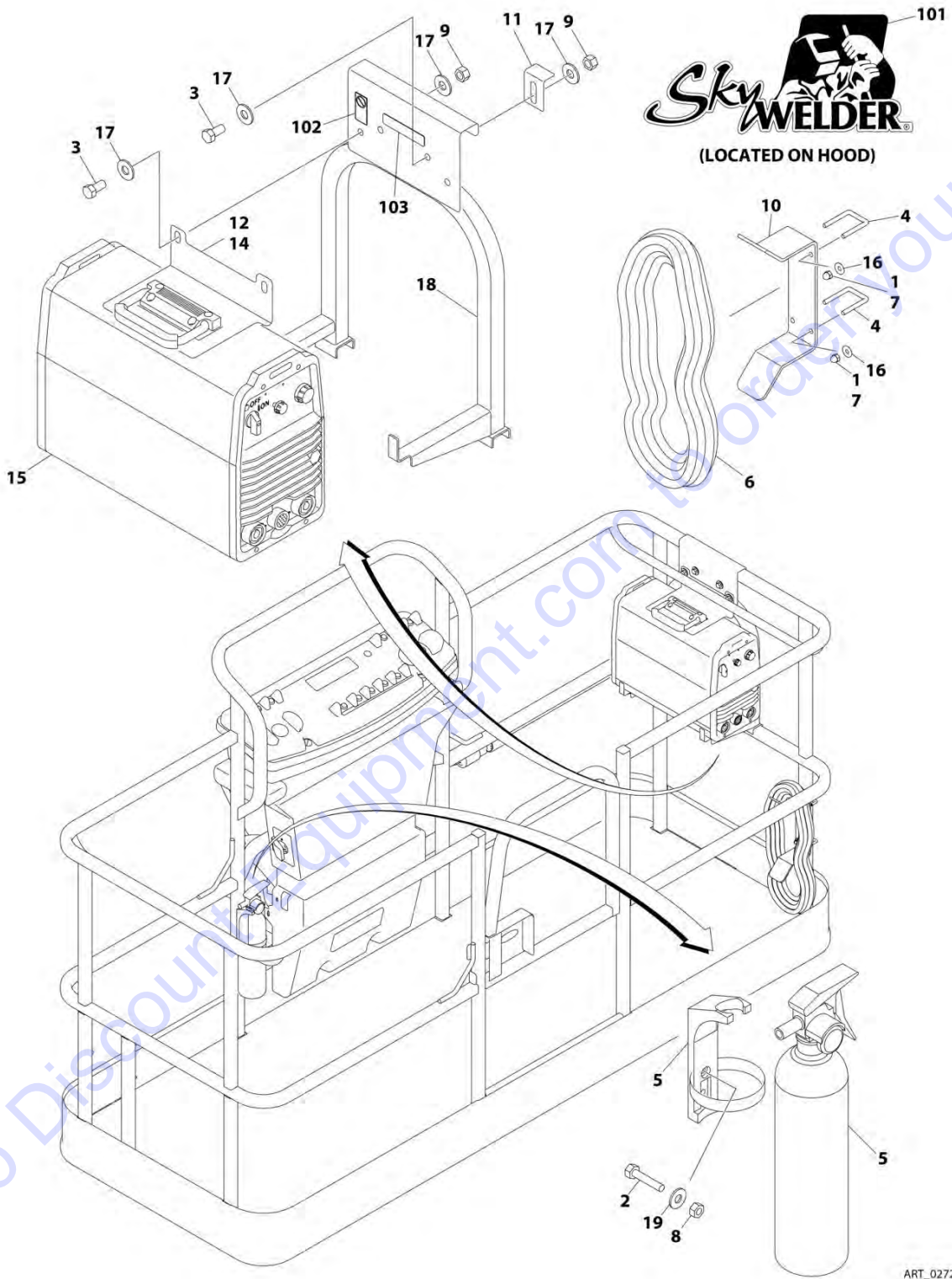
SECTION 5 - PLATFORM

ITEM	PART NUMBER	QTY	DESCRIPTION	REV
204	1705490	2	Decal - SkyCutter	

Go to Discount-Equipment.com to order your parts

SECTION 5 - PLATFORM

FIGURE 5-58. SKYWELDER INSTALLATION (50HZ)



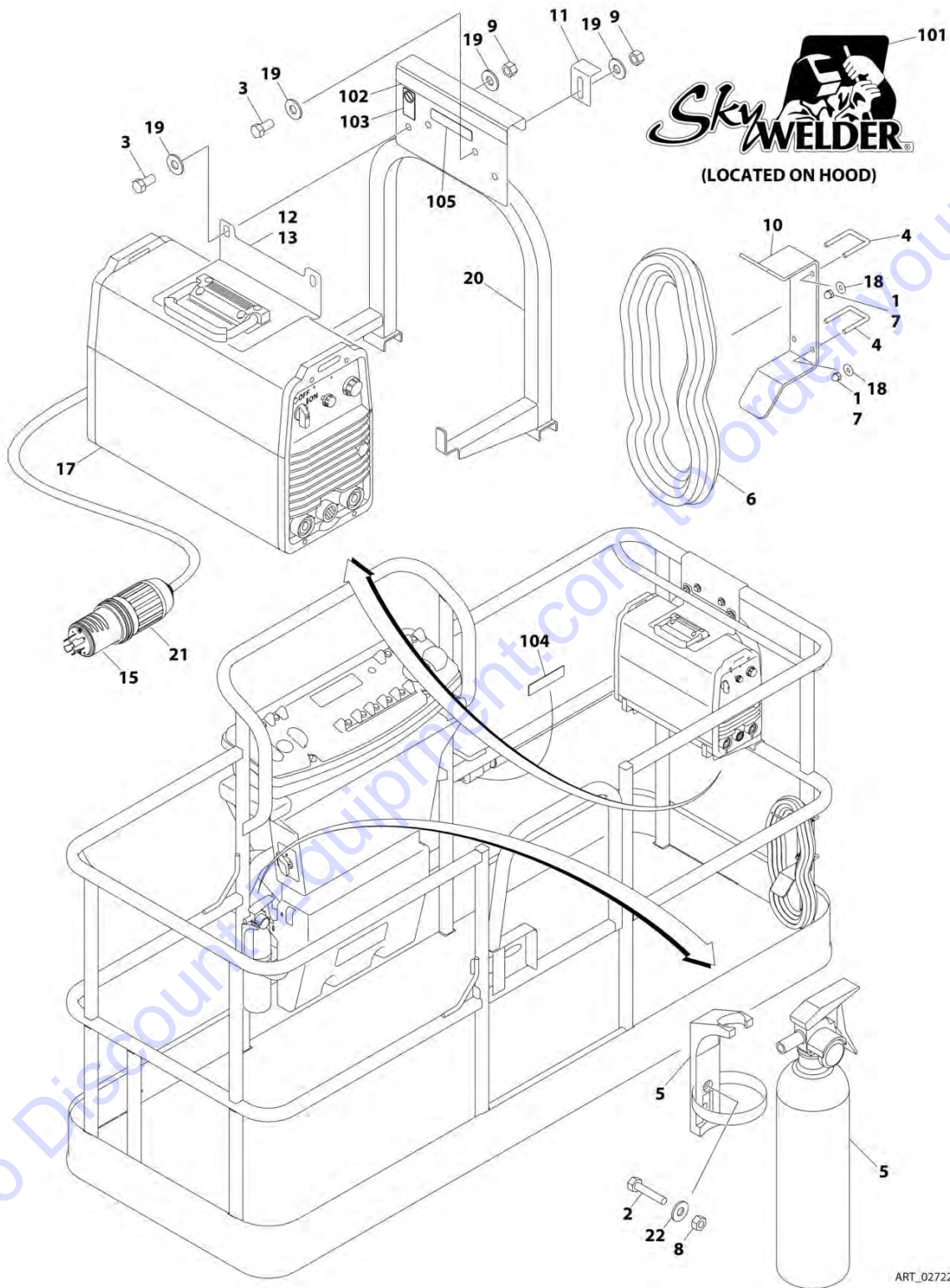
SECTION 5 - PLATFORM

FIGURE 5-58. SKYWELDER INSTALLATION (50HZ)

ITEM	PART NUMBER	QTY	DESCRIPTION	REV
	0272521	Ref	SKYWELDER INSTALLATION (50HZ)	F
		Ref	Note: Australian, CE and Japanese Specs Only.	
1	0100011	AR	Compound, Locking	
2	0630518	2	Screw #10 x 3/4	
3	0641606	4	Bolt 3/8 x 3/4	
4	1320302	2	U-Clamp	
5	2030010	1	Extinguisher, Fire	
6	2902217	1	Weld Leads Kit	
7	3300151	4	Nut 1/4	
8	3311005	2	Nut #10	
9	3311605	4	Nut 3/8	
10	3573400	1	Bracket	
11	3577121	2	Angle	
12	3573642	1	Plate	
13	4240099	AR	Tie-Strap (Not Shown)	
14	4420037	AR	Tape	
15	4530028	1	Welder Assembly (See WELDER ASSEMBLY for Breakdown)	
16	4751400	4	Washer 1/4	
17	4751600	8	Washer 3/8	
18	4846627	1	Support	
19	4751000	2	Washer #10	
	0272588	Ref	SKYWELDER DECAL INSTALLATION	B
101	1705355	2	Decal - SkyWelder	
102	1705305	1	Decal - Weld Lead	
103	1705466	1	Decal - Weight (SN 0300201017 through 0300233698)	
103	1001228988	1	Decal - Weight (SN 0300233699 to Present)	

SECTION 5 - PLATFORM

FIGURE 5-59. SKYWELDER INSTALLATION (60HZ)



ART_0272254

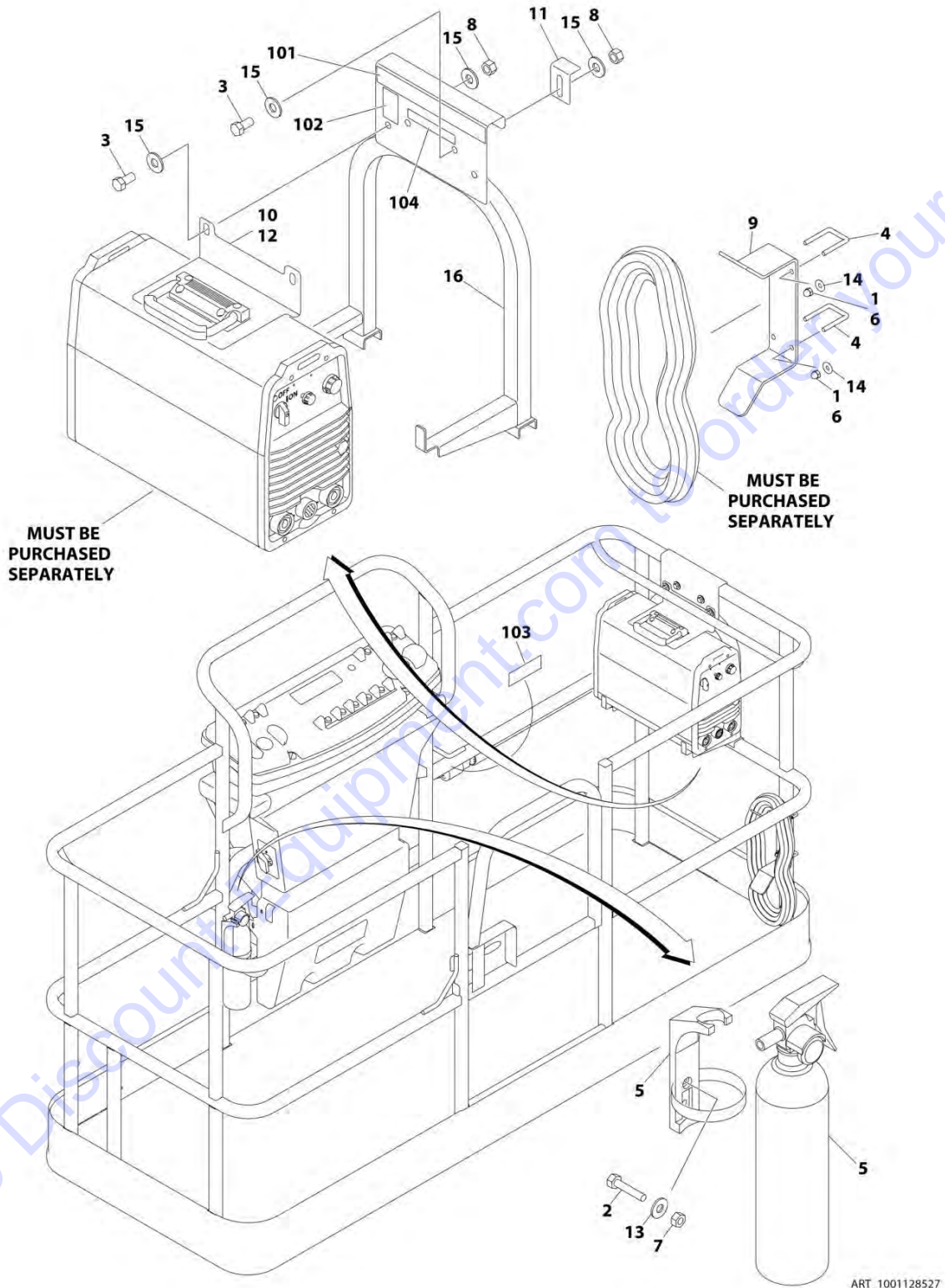
SECTION 5 - PLATFORM

FIGURE 5-59. SKYWELDER INSTALLATION (60HZ)

ITEM	PART NUMBER	QTY	DESCRIPTION	REV
	0272254	Ref	SKYWELDER INSTALLATION (60HZ)	I
		Ref	Note: ANSI, ANSI Export and CSA Specs Only.	
1	0100011	AR	Compound, Locking	
2	0630518	2	Screw #10 x 3/4	
3	0641606	4	Bolt 3/8 x 3/4	
4	1320302	2	U-Clamp	
5	2030010	1	Extinguisher, Fire	
6	2902217	1	Weld Leads Kit	
7	3300151	4	Nut 1/4	
8	3311005	2	Nut #10	
9	3311605	4	Nut 3/8	
10	3573400	1	Bracket	
11	3577121	2	Angle	
12	3573642	1	Plate	
13	4420037	AR	Tape	
14	4240099	AR	Tie-Strap (Not Shown)	
15	4460962	1	Plug, Male Twistlock	
17	4530028	1	Welder Assembly (See WELDER ASSEMBLY for Breakdown)	
18	4751400	4	Washer 1/4	
19	4751600	8	Washer 3/8	
20	4846627	1	Support	
21	1671093	1	Cover, Plug	
22	4751000	2	Washer #10	
	0272448	Ref	SKYWELDER DECAL INSTALLATION	B
101	1705355	2	Decal - SkyWelder	
102	1702868	1	Decal - No Hands	
103	1705305	1	Decal - Weld Lead	
104	1705375	1	Decal - 240V - 3 Phase - 60Hz	
105	1705466	1	Decal - Weight (SN 0300201017 through 0300233698)	
105	1001228988	1	Decal - Weight (SN 0300233699 to Present)	

SECTION 5 - PLATFORM

FIGURE 5-60. SKYWELDER PREP PACKAGE (60HZ)



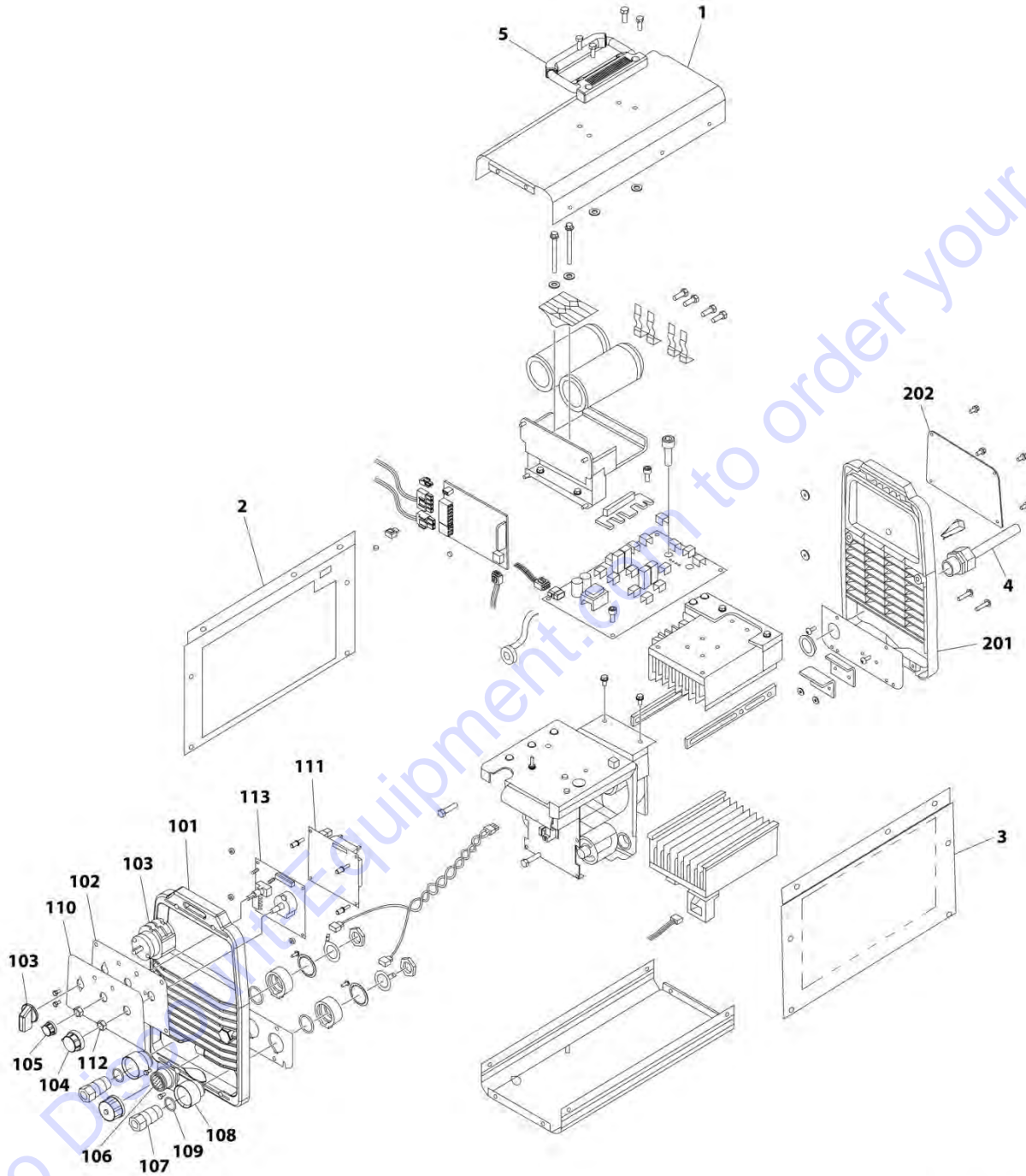
SECTION 5 - PLATFORM

FIGURE 5-60. SKYWELDER PREP PACKAGE (60HZ)

ITEM	PART NUMBER	QTY	DESCRIPTION	REV
	1001128527	Ref	SKYWELDER PREP PACKAGE (60HZ)	B
		Ref	Note: ANSI, ANSI Export and CSA Specs Only.	
1	0100011	AR	Compound, Locking	
2	0630518	2	Screw #10 x 3/4	
3	0641606	4	Bolt 3/8 x 3/4	
4	1320302	2	U-Clamp	
5	2030010	1	Extinguisher, Fire	
6	3300151	4	Nut 1/4	
7	3311005	2	Nut #10	
8	3311605	4	Nut 3/8	
9	3573400	1	Bracket	
10	3573642	1	Plate	
11	3577121	2	Angle	
12	4420037	AR	Tape	
13	4751000	2	Washer #10	
14	4751400	4	Washer 1/4	
15	4751600	8	Washer 3/8	
16	4846627	1	Support	
	1001128556	Ref	SKYWELDER DECAL INSTALLATION	B
101	1702868	1	Decal - No Hands	
102	1705305	1	Decal - Weld Lead	
103	1705375	1	Decal - 240V - 3 Phase - 60Hz	
104	1705466	1	Decal - Weight (SN 0300201017 through 0300233698)	
104	1001228988	1	Decal - Weight (SN 0300233699 to Present)	

SECTION 5 - PLATFORM

FIGURE 5-61. WELDER ASSEMBLY



ART_4530028

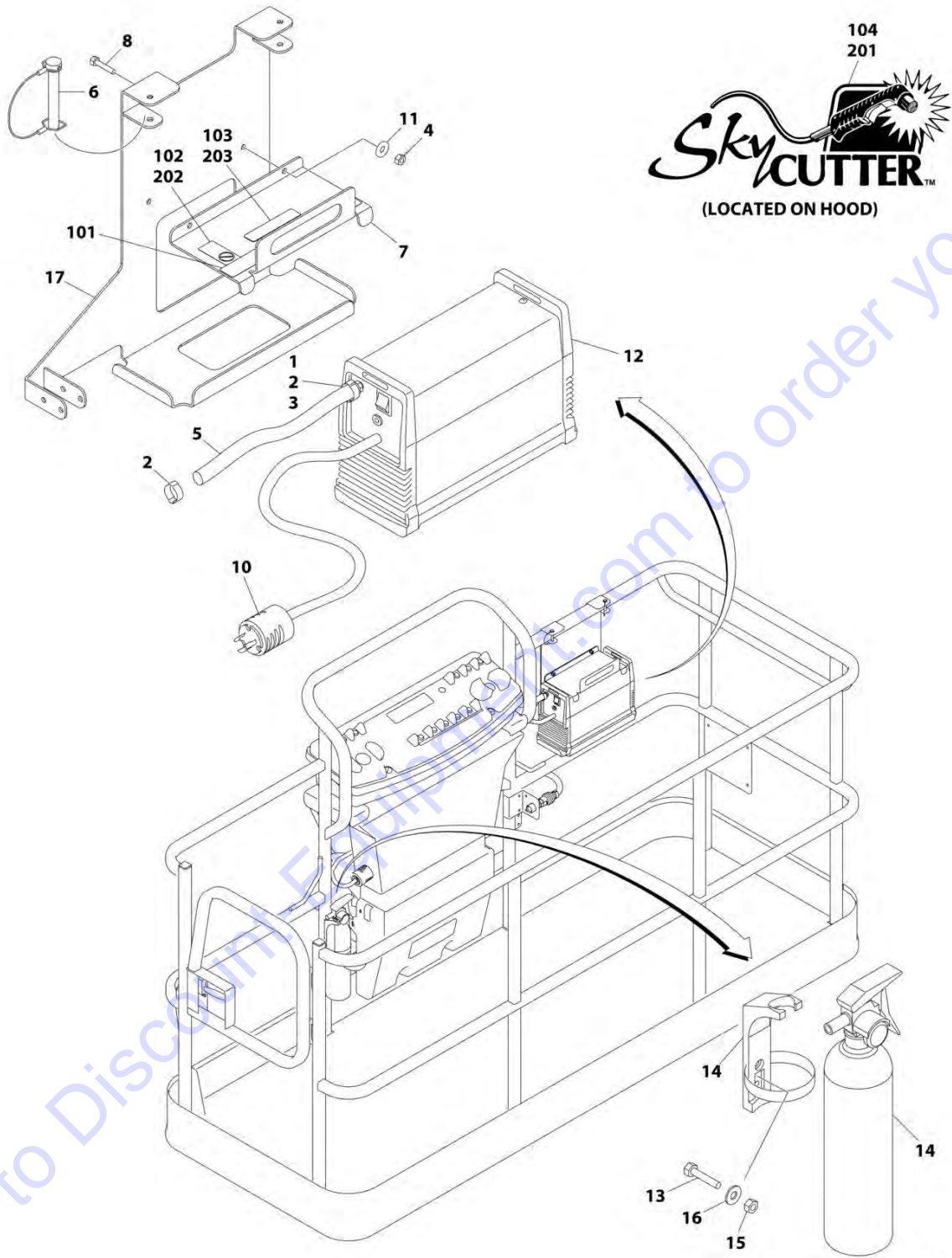
SECTION 5 - PLATFORM

FIGURE 5-61. WELDER ASSEMBLY

ITEM	PART NUMBER	QTY	DESCRIPTION	REV
	4530028	Ref	WELDER ASSEMBLY	B
		Ref	Note: For Other Components, contact your Miller Welder Dealer.	
1	7027773	1	Cover, Top	
1	7027774	1	Decal - Static Precautionary Warning	
2	See Note	NSS	Panel, LH Side (Note: Part of Item 1. Purchase Item 1)	
3	See Note	NSS	Panel, RH Side (Note: Part of Item 1. Purchase Item 1)	
4	7024467	1	Cable, Power	
4	7027775	1	Decal - Electrical Shock Warning (Not Shown)	
5	7027776	1	Handle, Carrying	
101	7024462	1	Panel, Front	
102	7024463	1	Panel, Console	
103	7024469	1	Switch with Lead	
104	7024470	1	Knob	
105	7024471	1	Knob	
106	7024472	1	Receptacle with Leads and Plugs	
107	7024473	2	Receptacle, Twistlock Female	
108	7024474	2	Insulator	
109	7024475	2	O-Ring	
110	7027777	1	Nameplate	
111	7027779	1	Circuit Card Assembly (Process Control)	
112	7024478	2	Nut	
113	7027778	1	Circuit Card Assembly (Operator Interface)	
201	7024462	1	Panel, Rear	
202	7027780	1	Panel, Cover	

SECTION 5 - PLATFORM

FIGURE 5-62. SKYCUTTER INSTALLATION



ART_1001098149

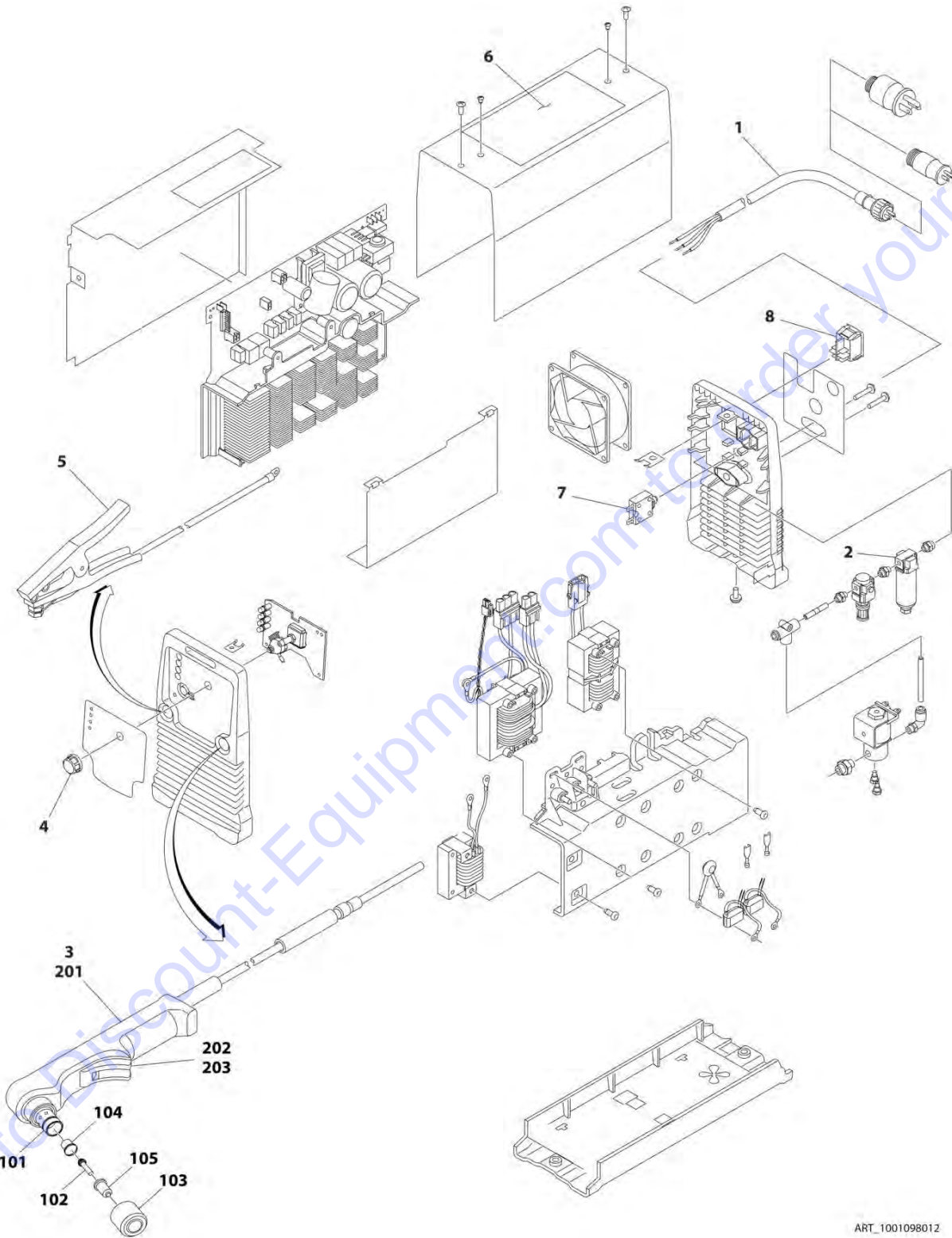
SECTION 5 - PLATFORM

FIGURE 5-62. SKYCUTTER INSTALLATION

ITEM	PART NUMBER	QTY	DESCRIPTION	REV
	1001098149	Ref	SKYCUTTER INSTALLATION	D
		Ref	Note: ANSI, ANSI Export, CSA and Japanese Specs Only.	
		Ref	Note: When replacing platform on machines with SkyCutter option, new bracket p/n 1001145405 must be purchased to accommodate SkyCutter components.	
1	0100020	AR	Sealant	
2	1320177	2	Clamp, Hose	
3	2180832	1	Fitting, NPT/Barbed	
4	3290605	2	Nut M6	
5	2720160	3 ft/.9m	Hose	
6	3421453	3	Pin	
7	3576799	1	Plate, Hold-Down	
8	4010608	2	Screw M6 x 16	
10	4460971	1	Plug, Twistlock	
11	4811700	2	Washer M6	
12	1001098012	1	Plasma Cutter Assembly (See PLASMA CUTTER ASSEMBLY for Breakdown)	
13	0630518	2	Screw #10 x 3/4	
14	2030010	1	Extinguisher, Fire	
15	3311005	2	Nut #10	
16	4751000	2	Washer #10	
17	1001145405	1	Support	
	0272599	Ref	SKYCUTTER DECAL INSTALLATION (ANSI, ANSI EXPORT AND CSA SPECS)	B
101	1702868	1	Decal - No Hands	
102	1705305	1	Decal - Weld Lead	
103	1705466	1	Decal - Weight (SN 0300201017 through 0300233698)	
103	1001228988	1	Decal - Weight (SN 0300233699 to Present)	
104	1705490	2	Decal - SkyCutter	
	0272607	Ref	SKYCUTTER DECAL INSTALLATION (JAPANESE SPECS)	B
201	1705490	2	Decal - SkyCutter	
202	1705305	1	Decal - Weld Lead	
203	1705466	1	Decal - Weight (SN 0300201017 through 0300233698)	
203	1001228988	1	Decal - Weight (SN 0300233699 to Present)	

SECTION 5 - PLATFORM

FIGURE 5-63. PLASMA CUTTER ASSEMBLY



ART_1001098012

SECTION 5 - PLATFORM

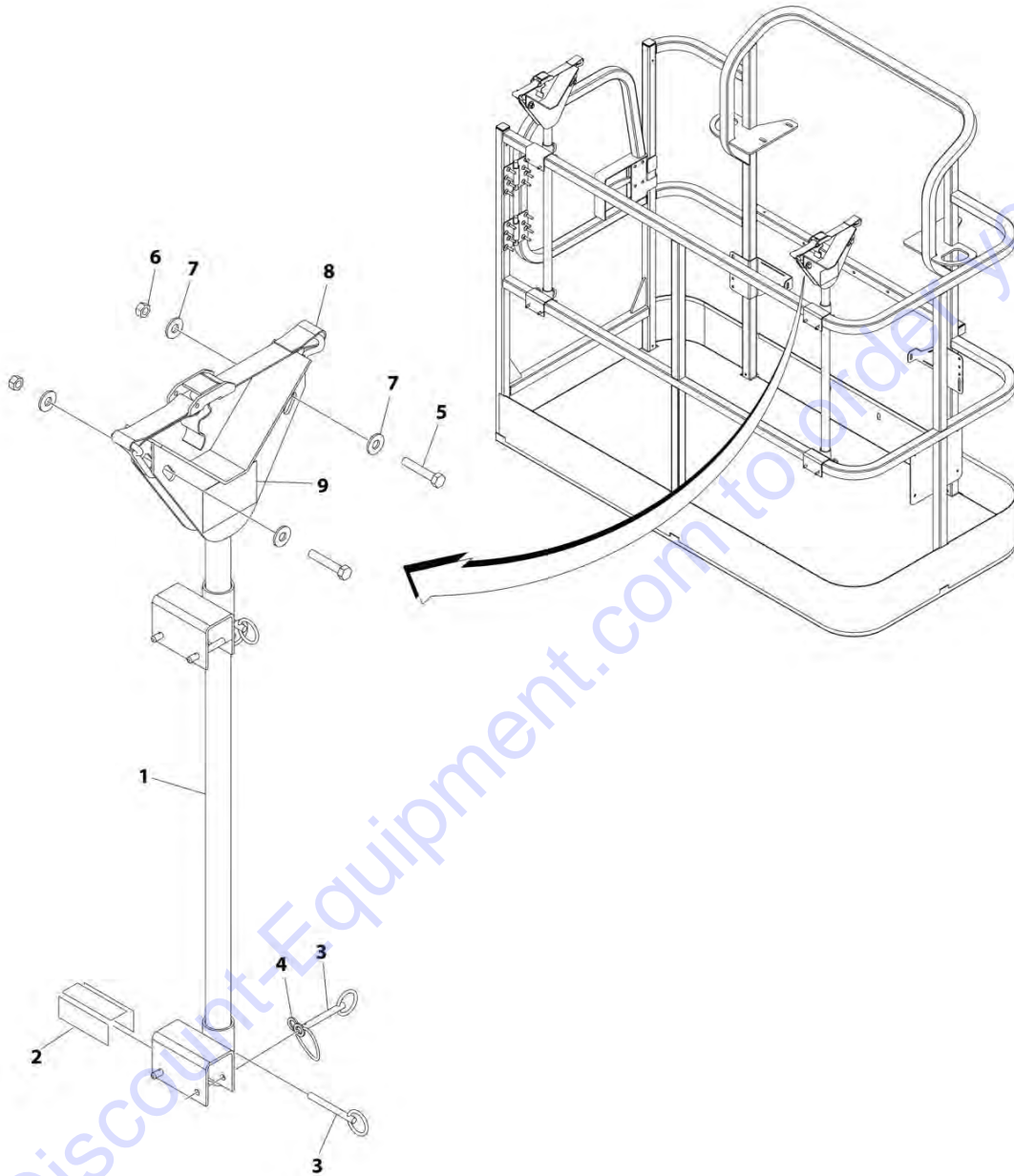
FIGURE 5-63. PLASMA CUTTER ASSEMBLY

ITEM	PART NUMBER	QTY	DESCRIPTION	REV
	1001098012	Ref	PLASMA CUTTER ASSEMBLY	A
		Ref	Note: For Other Components, contact your Miller Welder Dealer.	
1	70001424	1	Cable, Power	
1	70001425	1	Decal - Voltage Warning	
2	70001427	1	Filter, Regulator	
3	70001428	1	Torch Assembly (See Items 101-203 for Breakdown)	
4	7024471	1	Knob	
5	70001429	1	Clamp with Cable	
6	70001430	1	Decal - Caution	
7	70001431	1	Breaker, Circuit	
8	70001432	1	Switch, Rocker	
	70001428	Ref	TORCH ASSEMBLY	
101	7024530	1	O-Ring	
102	7024531	1	Electrode	
103	7024532	1	Cup, Retaining	
104	7024533	1	Swirl Ring	
105	7024534	1	Tip	
201	7024535	1	Handle, Torch	
202	7024536	1	Switch	
203	7024537	1	Trigger	

Go to Discount-Equipment.com to order your parts

SECTION 5 - PLATFORM

FIGURE 5-64. PIPE RACK INSTALLATION (ANSI SPEC)



ART_0257728

SECTION 5 - PLATFORM

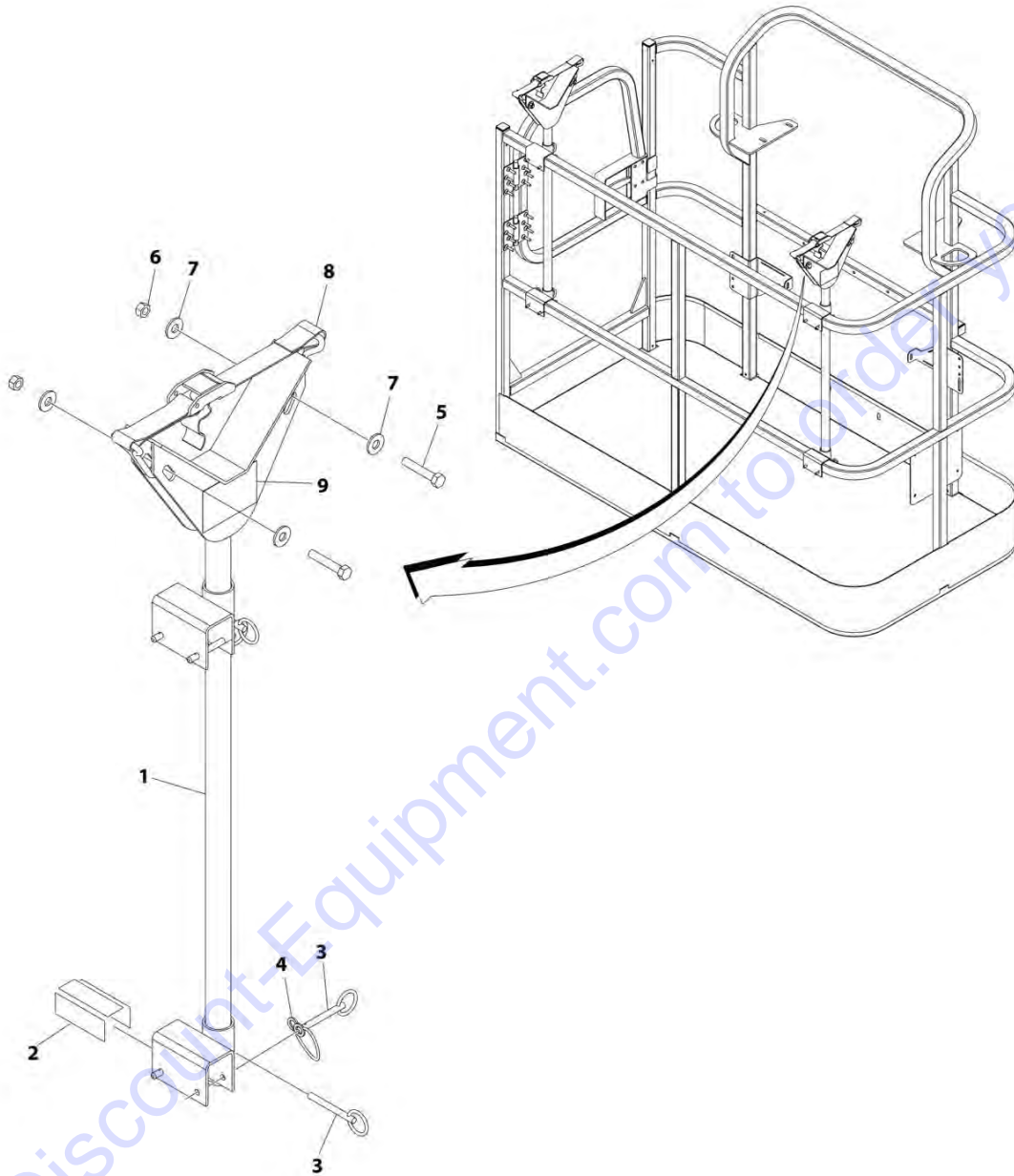
FIGURE 5-64. PIPE RACK INSTALLATION (ANSI SPEC)

ITEM	PART NUMBER	QTY	DESCRIPTION	REV
	0257728	Ref	PIPE RACK INSTALLATION (ANSI SPEC)	2/C
1	4845582	2	Rack, Pipe	
2	4420062	AR	Tape	
3	3422661	10	Pin	
4	1060379	4	Lanyard	
5	0641514	4	Bolt 5/16 x 1-3/4	
6	3311505	4	Nut 5/16	
7	4751500	8	Washer 5/16	
8	0480100	2	Tie-Down	
9	1703683	2	Decal - Capacity	

Go to Discount-Equipment.com to order your parts

SECTION 5 - PLATFORM

FIGURE 5-65. PIPE RACK INSTALLATION (AUSTRALIAN AND CE SPEC)



ART_0274661

SECTION 5 - PLATFORM

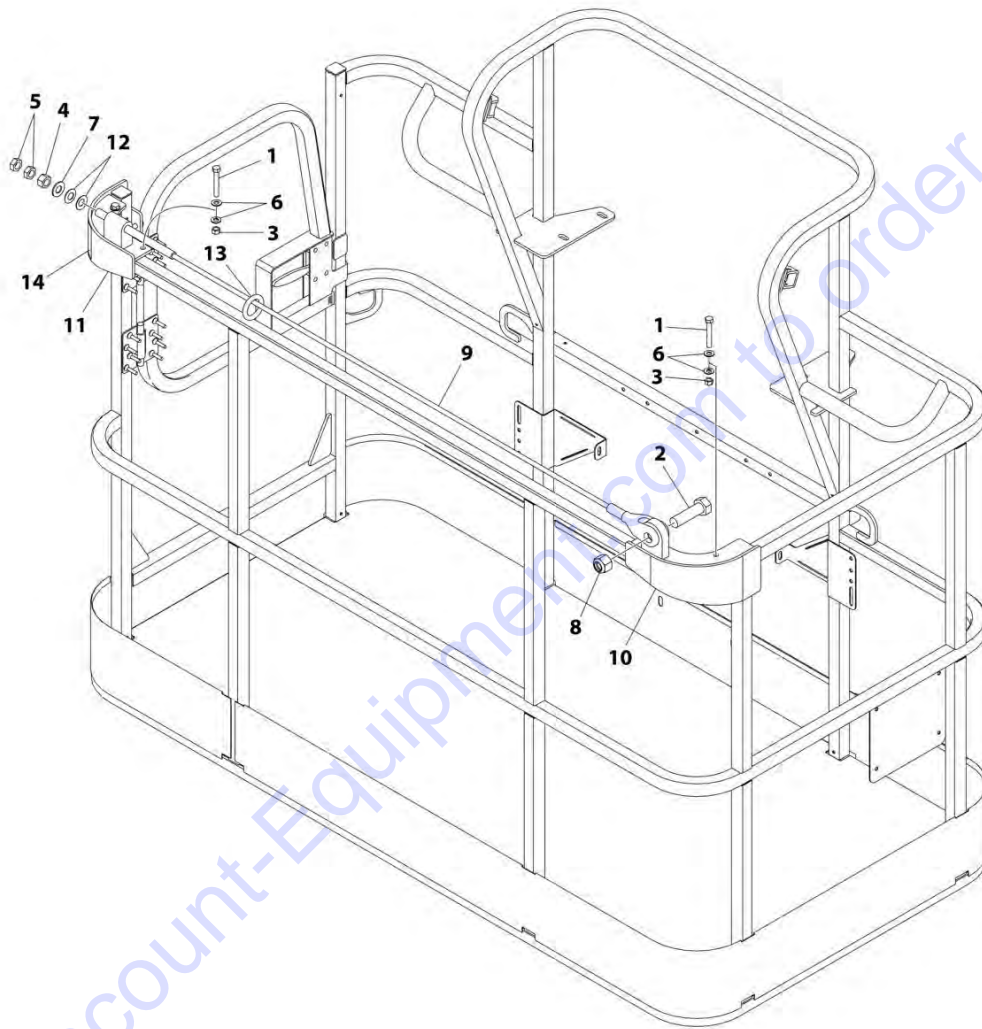
FIGURE 5-65. PIPE RACK INSTALLATION (AUSTRALIAN AND CE SPEC)

ITEM	PART NUMBER	QTY	DESCRIPTION	REV
	0274661	Ref	PIPE RACK INSTALLATION (AUSTRALIAN AND CE SPEC)	1/A
1	4845582	2	Rack, Pipe	
2	4420062	AR	Tape	
3	3422661	10	Pin	
4	1060379	4	Lanyard	
5	0641514	4	Bolt 5/16 x 1-3/4	
6	3311505	4	Nut 5/16	
7	4751500	8	Washer 5/16	
8	0480100	2	Tie-Down	
9	1706510	2	Decal - Capacity	

Go to Discount-Equipment.com to order your parts

SECTION 5 - PLATFORM

FIGURE 5-66. FALL ARREST INSTALLATION (BOLT-ON EXTERNAL) (6FT/1.82M PLATFORM)



ART_1001236747

SECTION 5 - PLATFORM

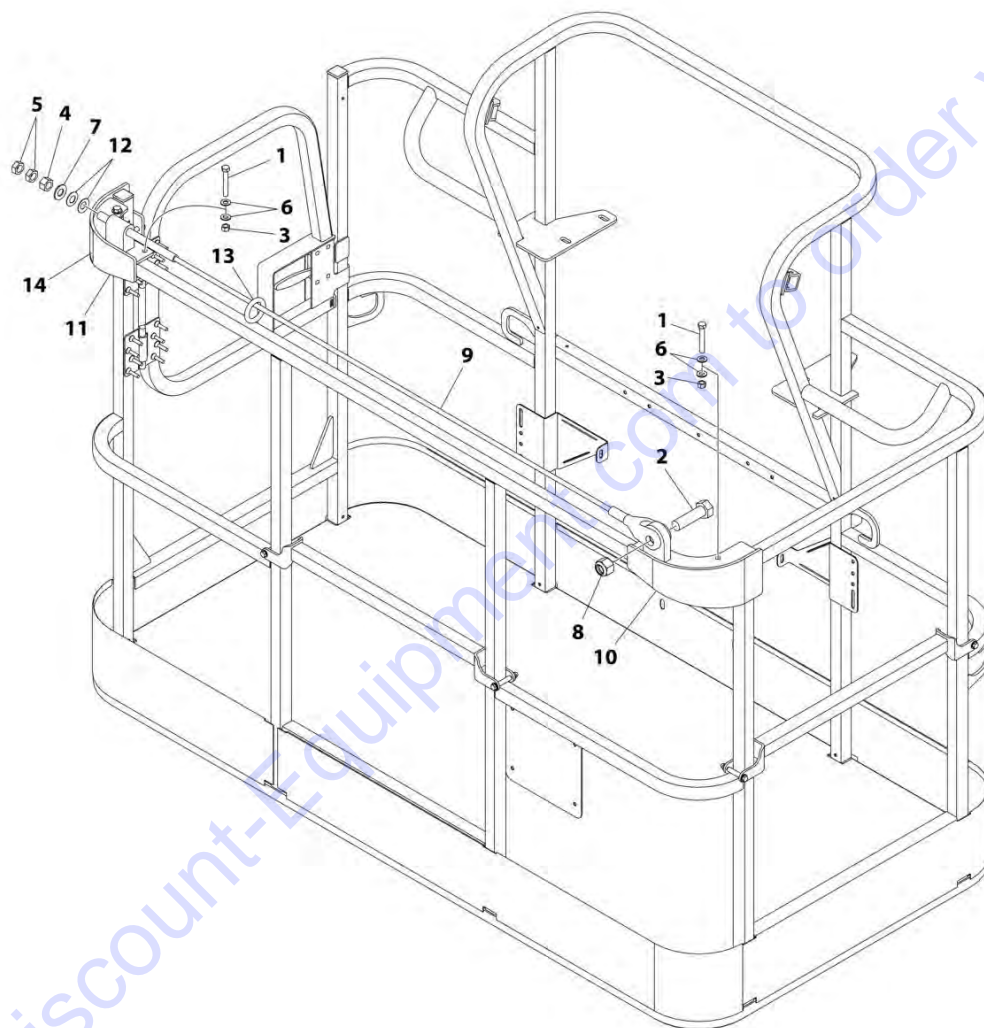
FIGURE 5-66. FALL ARREST INSTALLATION (BOLT-ON EXTERNAL) (6FT/1.82M PLATFORM)

ITEM	PART NUMBER	QTY	DESCRIPTION	REV
	1001236747	Ref	FALL ARREST INSTALLATION (BOLT - ON) 6FT/1.82M PLATFORM	A
1	0681620	6	Bolt 3/8 x 2-1/2	
2	0682424	1	Bolt 7/8 x 3	
3	3271605	6	Nut 3/8	
4	3272001	1	Nut 5/8	
5	3312002	2	Nut 5/8	
6	4711600	12	Washer 3/8	
7	4712000	1	Washer 5/8	
8	88521214	1	Nut 7/8	
9	1001231950	1	Rope	
10	1001232010	1	Bracket (RH)	
11	1001232011	1	Bracket (LH)	
12	1001236891	2	Washer	
13	1001236895	1	Ring	
14	1001238263	1	Decal - Warning Falling Hazard	

Go to Discount-Equipment.com to order your parts

SECTION 5 - PLATFORM

FIGURE 5-67. FALL ARREST INSTALLATION (BOLT-ON EXTERNAL) (6FT/1.82M TRI-ENTRY PLATFORM)



ART_1001238463

SECTION 5 - PLATFORM

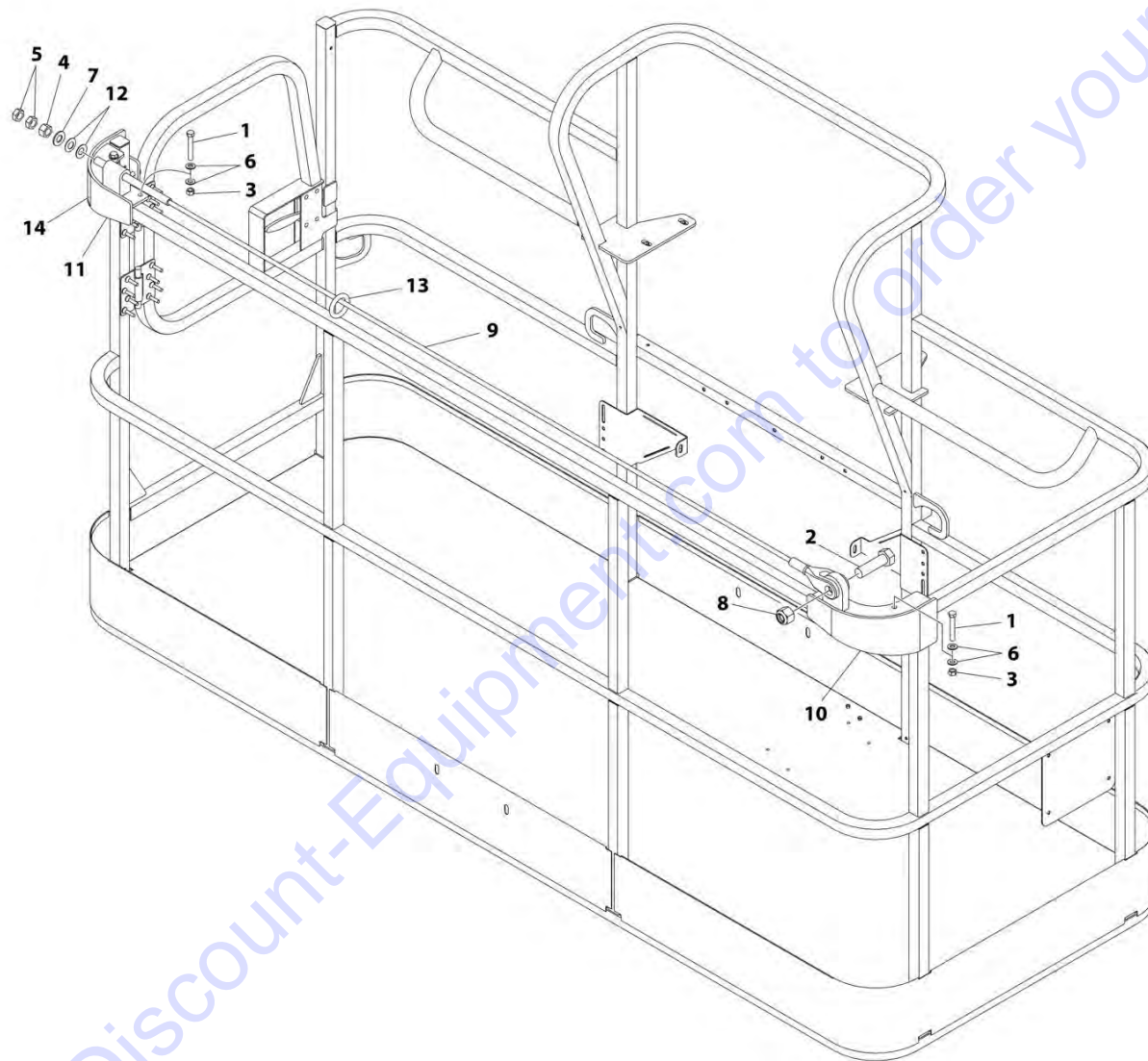
FIGURE 5-67. FALL ARREST INSTALLATION (BOLT-ON EXTERNAL) (6FT/1.82M TRI-ENTRY PLATFORM)

ITEM	PART NUMBER	QTY	DESCRIPTION	REV
	1001238463	Ref	FALL ARREST INSTALLATION (BOLT - ON) 6FT/1.82M PLATFORM	B
1	0681620	6	Bolt 3/8 x 2-1/2	
2	0682424	1	Bolt 7/8 x 3	
3	3271605	6	Nut 3/8	
4	3272001	1	Nut 5/8	
5	3312002	2	Nut 5/8	
6	4711600	12	Washer 3/8	
7	4712000	1	Washer 5/8	
8	88521214	1	Nut 7/8	
9	1001231950	1	Rope	
10	1001232010	1	Bracket (RH)	
11	1001232011	1	Bracket (LH)	
12	1001236891	2	Washer	
13	1001236895	1	Ring	
14	1001238263	1	Decal - Warning Falling Hazard	

Go to Discount-Equipment.com to order your parts

SECTION 5 - PLATFORM

FIGURE 5-68. FALL ARREST INSTALLATION (BOLT-ON EXTERNAL) (8FT/2.4M PLATFORM)



ART_1001236746

SECTION 5 - PLATFORM

FIGURE 5-68. FALL ARREST INSTALLATION (BOLT-ON EXTERNAL) (8FT/2.4M PLATFORM)

ITEM	PART NUMBER	QTY	DESCRIPTION	REV
	1001236746	Ref	FALL ARREST INSTALLATION (BOLT - ON) 8FT/2.4M PLATFORM	A
1	0681620	6	Bolt 3/8 x 2-1/2	
2	0682424	1	Bolt 7/8 x 3	
3	3271605	6	Nut 3/8	
4	3272001	1	Nut 5/8	
5	3312002	2	Nut 5/8	
6	4711600	12	Washer 3/8	
7	4712000	1	Washer 5/8	
8	88521214	1	Nut 7/8	
9	1001231949	1	Rope	
10	1001232010	1	Bracket (RH)	
11	1001232011	1	Bracket (LH)	
12	1001236891	2	Washer	
13	1001236895	1	Ring	
14	1001238263	1	Decal - Warning Falling Hazard	

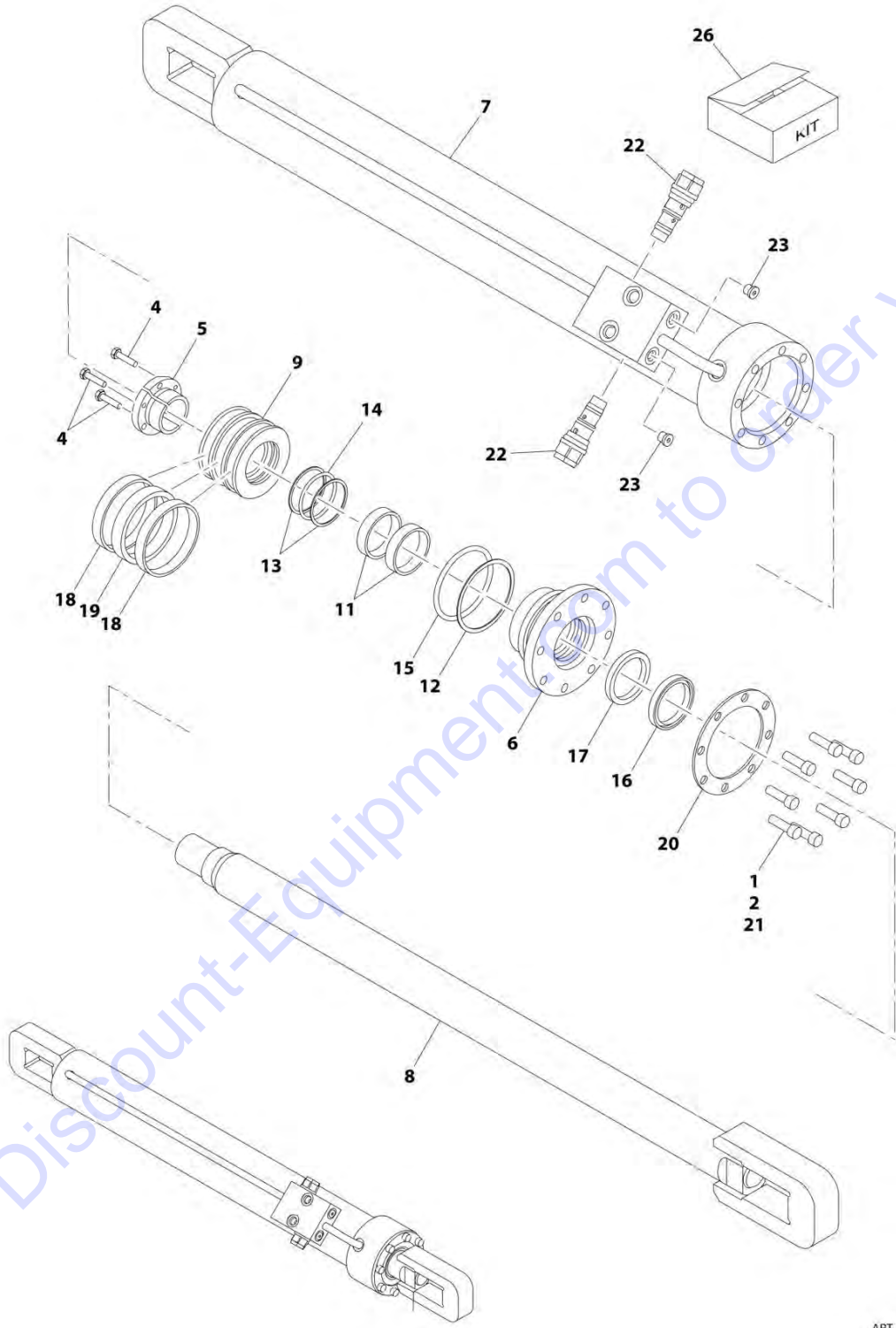
Go to Discount-Equipment.com to order your parts

SECTION 6 - CYLINDER

Go to Discount-Equipment.com to order your parts

SECTION 6 - CYLINDER

FIGURE 6-1. AXLE EXTENSION CYLINDER ASSEMBLY (SN 0300201017 through 0300238558)



ART_1684102

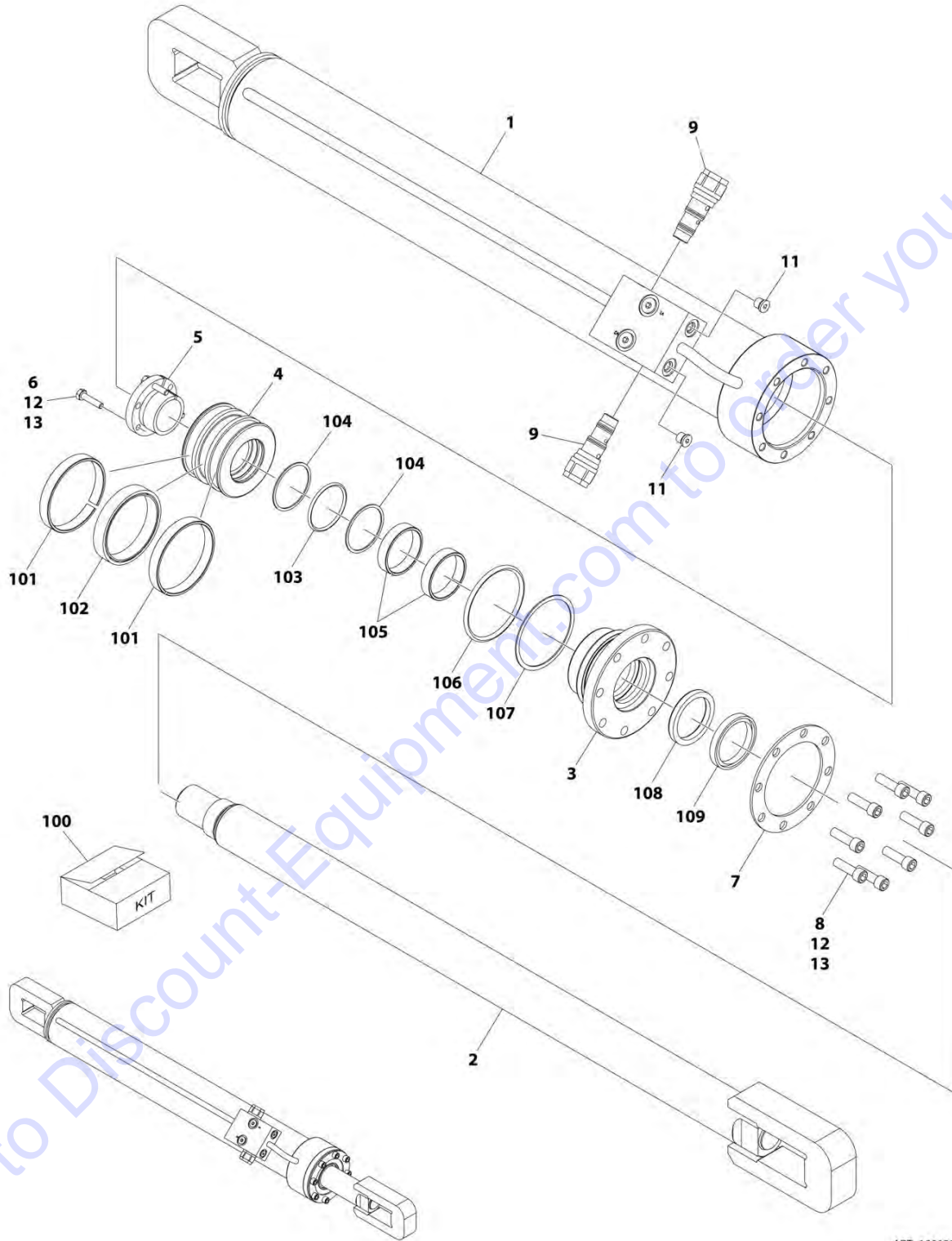
SECTION 6 - CYLINDER

FIGURE 6-1. AXLE EXTENSION CYLINDER ASSEMBLY (SN 0300201017 through 0300238558)

ITEM	PART NUMBER	QTY	DESCRIPTION	REV
	1684102	Ref	AXLE EXTENSION CYLINDER ASSEMBLY (SN 0300201017 through 0300238558)	E
1	0100011	AR	Compound, Locking	
2	0100038	AR	Primer, Locking	
4	0630535	3	Capscrew 1/4 x 1-1/8	
5	0961896	1	Bushing, Tapered	
6	1683056	1	Head	
7	1684103	1	Barrel Weldment	
8	1684105	1	Rod Weldment	
9	3480272	1	Piston	
11	See Note	NSS	Ring, Wear (Note: Use Item 26)	
12	See Note	NSS	Ring, Back-up (Note: Use Item 26)	
13	See Note	NSS	Ring, Back-up (Note: Use Item 26)	
14	See Note	NSS	O-Ring (Note: Use Item 26)	
15	See Note	NSS	O-Ring (Note: Use Item 26)	
16	See Note	NSS	Wiper, Rod (Note: Use Item 26)	
17	See Note	NSS	Seal (Note: Use Item 26)	
18	See Note	NSS	Ring, Wear (Note: Use Item 26)	
19	See Note	NSS	T-Seal (Note: Use Item 26)	
20	3760369	1	Ring, Washer	
21	3931620	8	Bolt 3/8 x 1-1/4	
22	4640509	2	Cartridge, Holding Valve	
22	2900792	2	Seal Kit - 4640509 Cartridge Valve	
23	2220883	2	Plug, O-Ring	
26	2901773	1	Seal Kit (Includes Items 11-19)	

SECTION 6 - CYLINDER

FIGURE 6-2. AXLE EXTENSION CYLINDER ASSEMBLY (SN 0300238559 to Present)



ART_1001228020

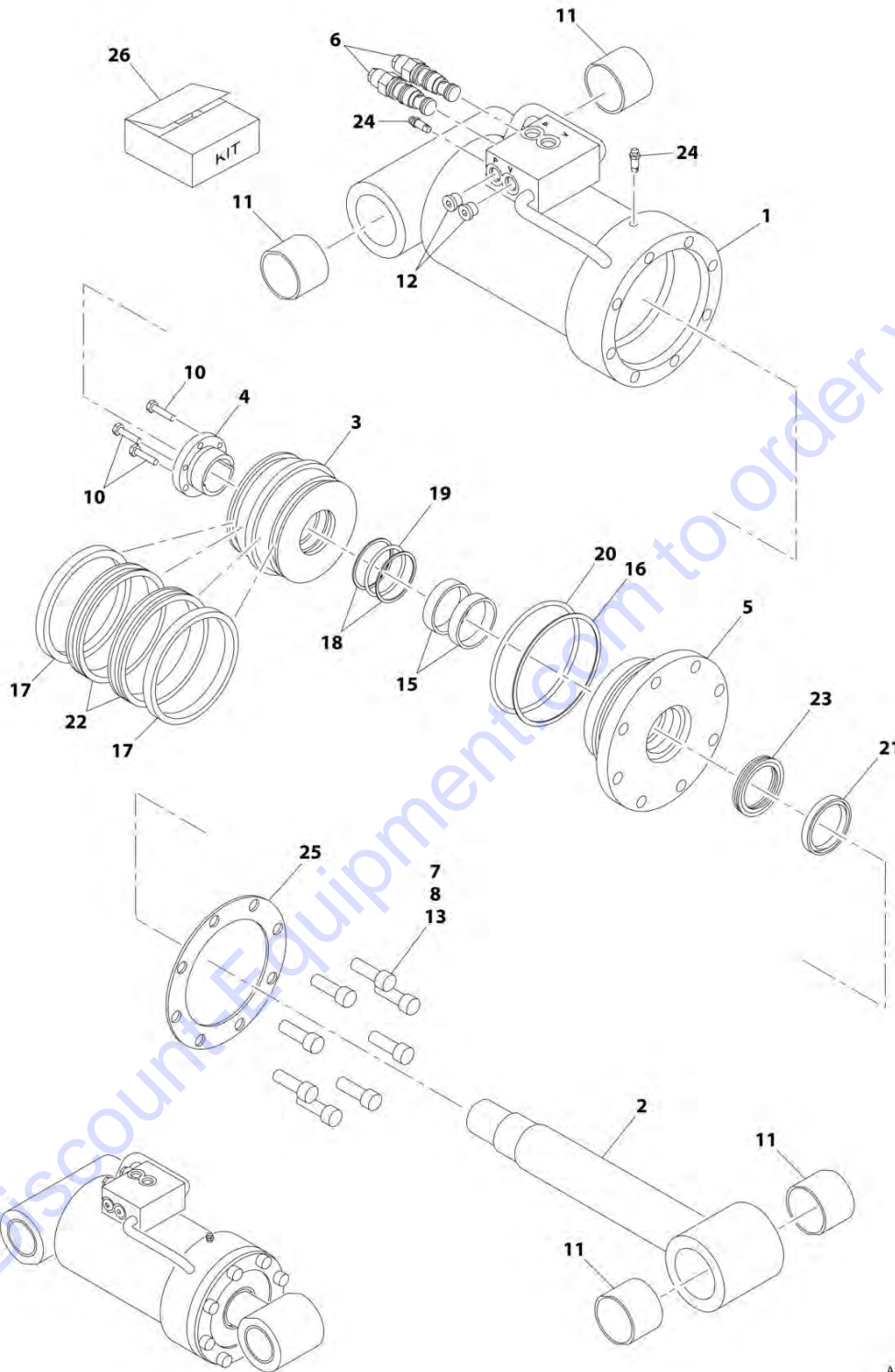
SECTION 6 - CYLINDER

FIGURE 6-2. AXLE EXTENSION CYLINDER ASSEMBLY (SN 0300238559 to Present)

ITEM	PART NUMBER	QTY	DESCRIPTION	REV
	1001228020	Ref	AXLE EXTENSION CYLINDER ASSEMBLY (SN 0300238559 to Present)	D
1	See Note	NSS	Barrel Weldment (Note: Not Available for Purchase)	
2	70006363	1	Rod Weldment	
3	70006362	1	Head	
4	70006361	1	Piston	
5	70006360	1	Bushing, Tapered	
6	0630535	3	Capscrew 1/4 x 1-1/8	
7	70006359	1	Ring, Washer	
8	3931620	8	Bolt 3/8 x 1-1/4	
9	4640509	2	Cartridge, Holding Valve	
9	2900792	2	Seal Kit - 4640509 Cartridge Valve (1 Per Valve)	
11	2220883	2	Plug, O-Ring	
12	0100011	AR	Compound, Locking	
13	0100038	AR	Primer, Locking	
100	2901773	1	Seal Kit (Includes Items 101-109)	
101	See Note	NSS	Ring, Wear (Note: Use Item 100)	
102	See Note	NSS	T-Seal (Note: Use Item 100)	
103	See Note	NSS	O-Ring (Note: Use Item 100)	
104	See Note	NSS	Ring, Back-up (Note: Use Item 100)	
105	See Note	NSS	Ring, Wear (Note: Use Item 100)	
106	See Note	NSS	O-Ring (Note: Use Item 100)	
107	See Note	NSS	Ring, Back-up (Note: Use Item 100)	
108	See Note	NSS	Seal (Note: Use Item 100)	
109	See Note	NSS	Wiper, Rod (Note: Use Item 100)	

SECTION 6 - CYLINDER

FIGURE 6-3. AXLE LOCKOUT CYLINDER ASSEMBLY (SN 0300201017 through 0300239155)



ART_1684081

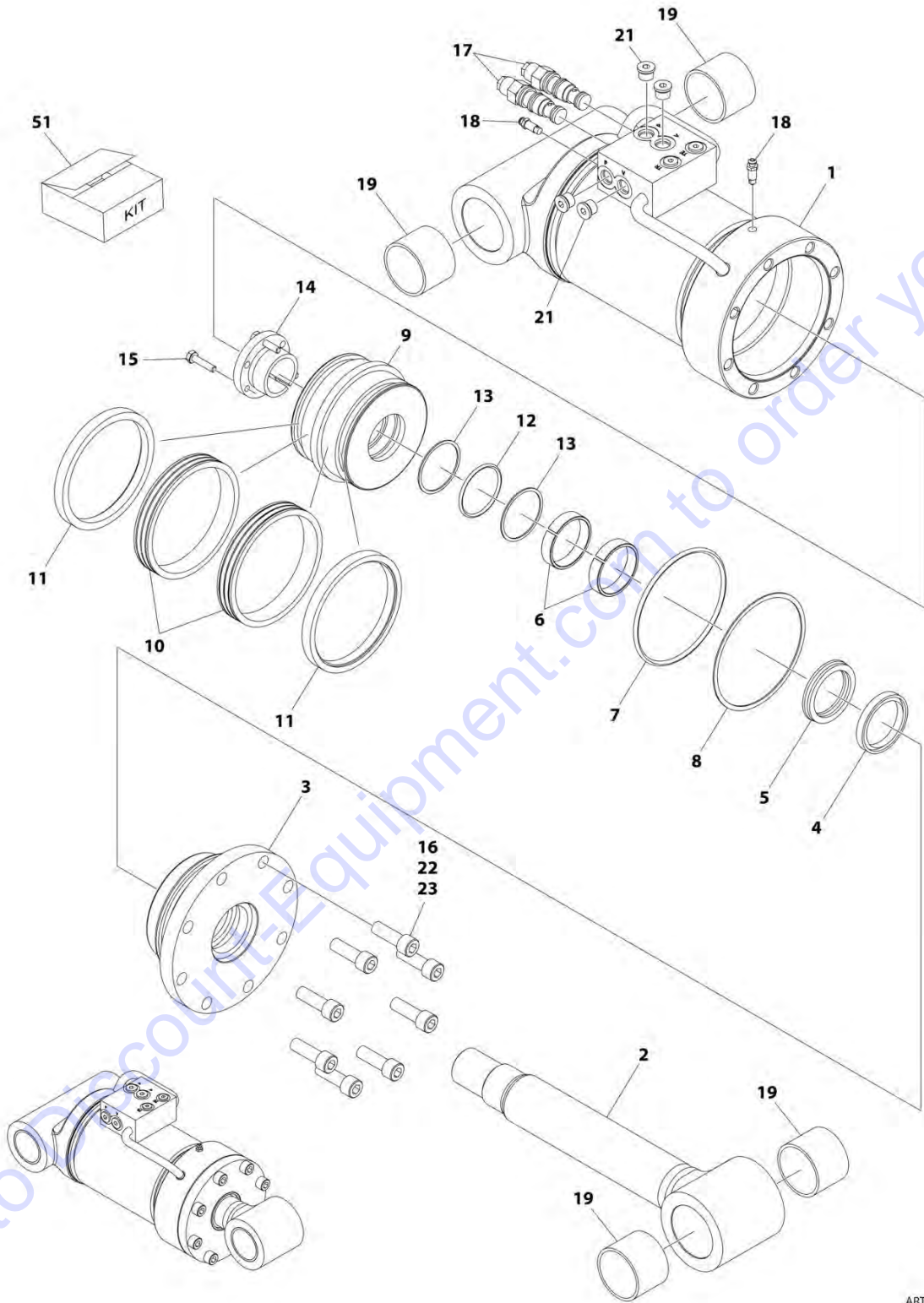
SECTION 6 - CYLINDER

FIGURE 6-3. AXLE LOCKOUT CYLINDER ASSEMBLY (SN 0300201017 through 0300239155)

ITEM	PART NUMBER	QTY	DESCRIPTION	REV
	1684081	Ref	AXLE LOCKOUT CYLINDER ASSEMBLY (SN 0300201017 through 0300239155)	F
1	1684082	1	Barrel Weldment	
2	1684083	1	Rod Weldment	
3	3480269	1	Piston	
4	0961896	1	Bushing	
5	1683062	1	Head	
6	4641276	2	Cartridge, Valve (Counterbalance)	
6	2900770	2	Seal Kit - 4641276 Valve (1 Per Assembly)	
7	0100011	AR	Compound, Locking	
8	0100038	AR	Primer, Locking	
10	0630535	3	Bolt 1/4 x 1-1/8	
11	0961950	4	Bearing	
12	2220885	2	Plug, O-Ring	
13	3931824	8	Bolt 1/2 x 1-1/2	
15	See Note	NSS	Ring, Wear (Note: Use Item 26)	
16	See Note	NSS	Ring, Back-up (Note: Use Item 26)	
17	See Note	NSS	Ring, Lock (Note: Use Item 26)	
18	See Note	NSS	Ring, Back-up (Note: Use Item 26)	
19	See Note	NSS	O-Ring (Note: Use Item 26)	
20	See Note	NSS	O-Ring (Note: Use Item 26)	
21	See Note	NSS	Wiper (Note: Use Item 26)	
22	See Note	NSS	Seal (Note: Use Item 26)	
23	See Note	NSS	Seal, Rod (Note: Use Item 26)	
24	4640858	2	Valve, Bleeder	
25	3760371	1	Ring, Washer	
26	2902087	1	Seal Kit (Includes Items 15-23)	

SECTION 6 - CYLINDER

FIGURE 6-4. AXLE LOCKOUT CYLINDER ASSEMBLY (SN 0300239156 to Present)



ART_1001228019

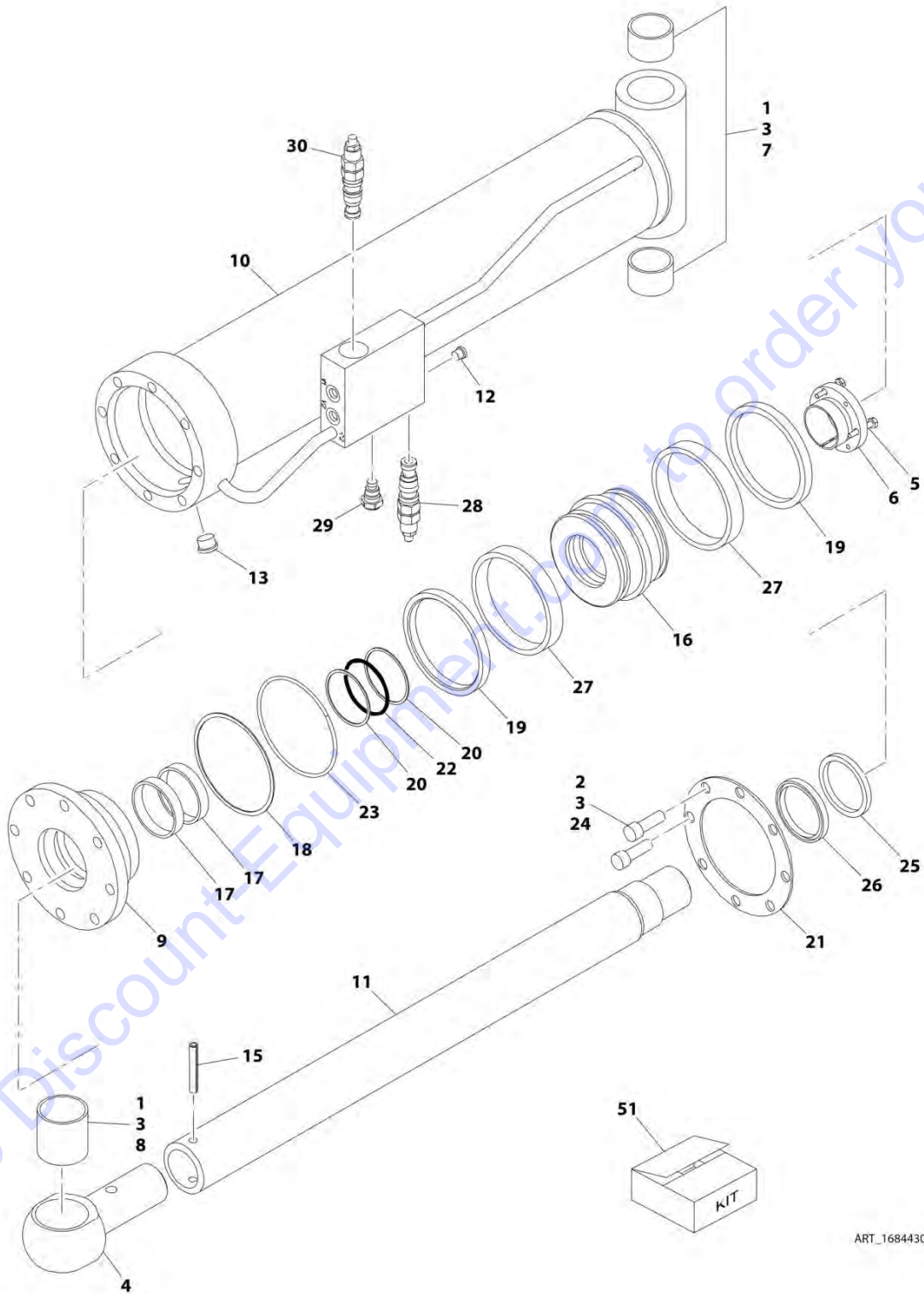
SECTION 6 - CYLINDER

FIGURE 6-4. AXLE LOCKOUT CYLINDER ASSEMBLY (SN 0300239156 to Present)

ITEM	PART NUMBER	QTY	DESCRIPTION	REV
	1001228019	Ref	AXLE LOCKOUT CYLINDER ASSEMBLY (SN 0300239156 to Present)	C
1	See Note	NSS	Barrel Weldment (Note: Not Available for Purchase)	
2	70006520	1	Rod Weldment	
3	70006474	1	Head	
4	See Note	NSS	Wiper (Note: Use Item 51)	
5	See Note	NSS	Seal, Rod (Note: Use Item 51)	
6	See Note	NSS	Ring, Wear (Note: Use Item 51)	
7	See Note	NSS	O-Ring (Note: Use Item 51)	
8	See Note	NSS	Ring, Back-up (Note: Use Item 51)	
9	70006473	1	Piston	
10	See Note	NSS	Seal (Note: Use Item 51)	
11	See Note	NSS	Ring, Lock (Note: Use Item 51)	
12	See Note	NSS	O-Ring (Note: Use Item 51)	
13	See Note	NSS	Ring, Back-up (Note: Use Item 51)	
14	0961896	1	Bushing	
15	0630535	3	Bolt 1/4 x 1-1/8	
16	3931824	8	Bolt 1/2 x 1-1/2	
17	4641276	2	Cartridge, Valve Options: (Counterbalance)	
17	2900770	2	Seal Kit - 4641276 Valve (1 Per Assembly)	
18	4640858	2	Valve, Bleeder	
19	0961950	4	Bearing	
21	2220885	4	Plug, O-Ring	
22	0100011	AR	Compound, Locking	
23	0100038	AR	Primer, Locking	
51	2902087	1	Seal Kit (Includes Items 4-8 & 10-13)	

SECTION 6 - CYLINDER

FIGURE 6-5. PLATFORM LEVEL CYLINDER ASSEMBLY - WITHOUT COLD WEATHER PLUS PACKAGE (SN 0300201017 through 0300238006)



ART_1684430

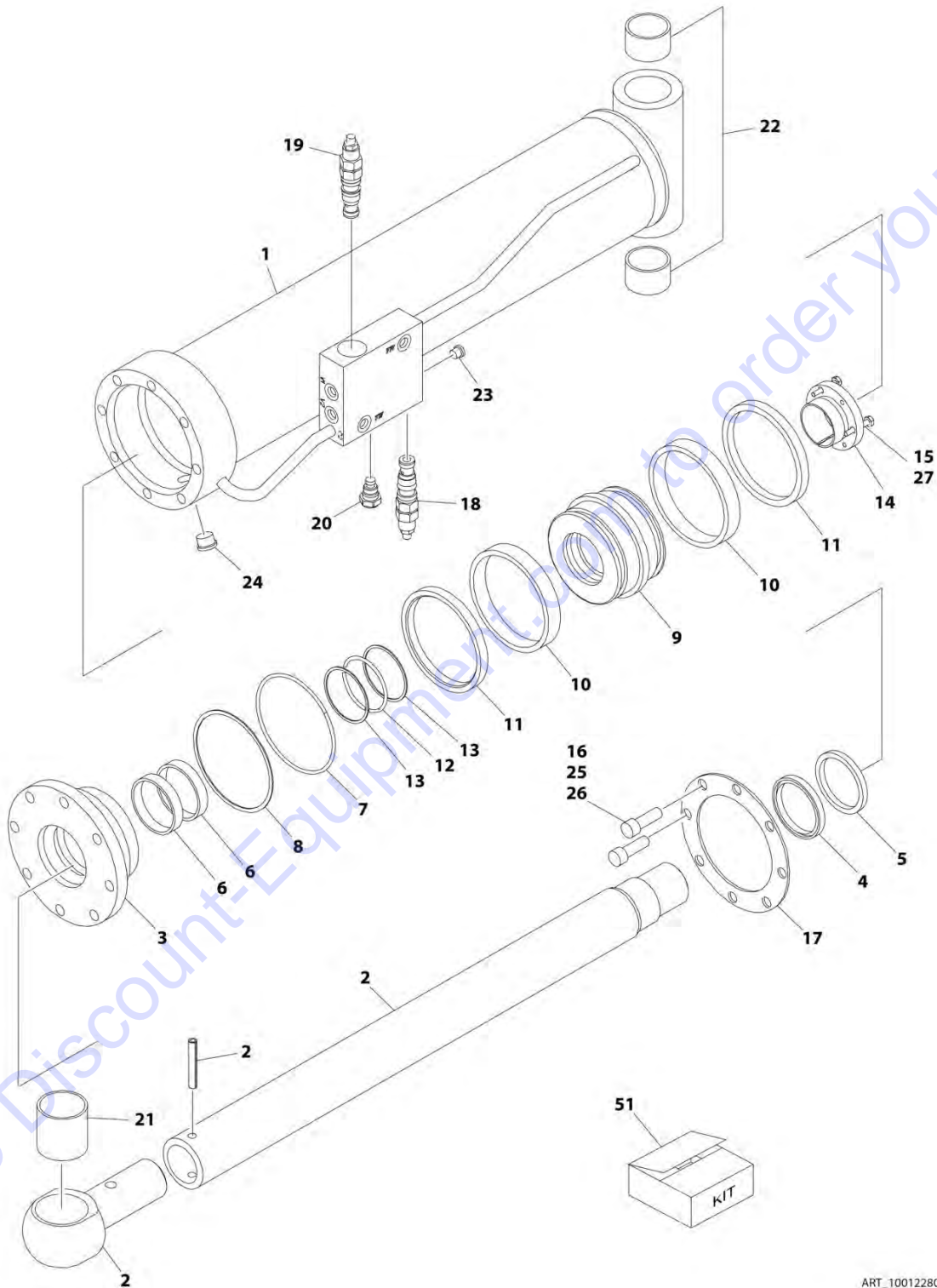
SECTION 6 - CYLINDER

FIGURE 6-5. PLATFORM LEVEL CYLINDER ASSEMBLY - WITHOUT COLD WEATHER PLUS PACKAGE (SN 0300201017 through 0300238006)

ITEM	PART NUMBER	QTY	DESCRIPTION	REV
	1684430	Ref	PLATFORM LEVEL CYLINDER ASSEMBLY - WITHOUT COLD WEATHER PLUS PACKAGE (SN 0300201017 through 0300238006)	E
1	0100011	AR	Compound, Locking	
2	0100019	AR	Compound, Locking	
3	0100038	AR	Primer, Locking	
4	0561546	1	Link, Rod	
5	0630535	3	Capscrew 1/4 x 1-1/8	
6	0961897	1	Bushing, Tapered	
7	0961949	2	Bushing	
8	0962561	1	Bushing	
9	1683063	1	Head	
10	0370025	1	Barrel Weldment	
11	1684346	1	Rod Weldment	
12	2220883	1	Plug, O-Ring	
13	2220886	1	Plug, O-Ring	
15	3441240	1	Rollpin	
16	3480282	1	Piston	
17	See Note	NSS	Ring, Wear (Note: Use Item 51)	
18	See Note	NSS	Ring, Back-up (Note: Use Item 51)	
19	See Note	NSS	Ring, Lock (Note: Use Item 51)	
20	See Note	NSS	Ring, Back-up (Note: Use Item 51)	
21	3760371	1	Ring, Washer	
22	See Note	NSS	O-Ring (Note: Use Item 51)	
23	See Note	NSS	O-Ring (Note: Use Item 51)	
24	3931824	8	Capscrew 1/2 x 1-1/2	
25	See Note	NSS	Seal, Rod (Note: Use Item 51)	
26	See Note	NSS	Wiper, Rod (Note: Use Item 51)	
27	See Note	NSS	Ring, Guide (Note: Use Item 51)	
28	4641386	1	Cartridge, Holding Valve (Vented)	
28	7011376	1	Seal Kit - 4641386 Cartridge (1 Per Cartridge)	
29	4641388	1	Cartridge, Holding Valve	
29	7011353	1	Seal Kit - 4641388 Cartridge (1 Per Cartridge)	
30	4641393	1	Cartridge, Holding Valve (Vented)	
30	7011376	1	Seal Kit - 4641393 Cartridge (1 Per Cartridge)	
51	2902285	1	Seal Kit (Includes Items 17-20, 22, 23 & 25-27)	

SECTION 6 - CYLINDER

FIGURE 6-6. PLATFORM LEVEL CYLINDER ASSEMBLY - WITHOUT COLD WEATHER PLUS PACKAGE (SN 0300238007 to Present)



ART_1001228034

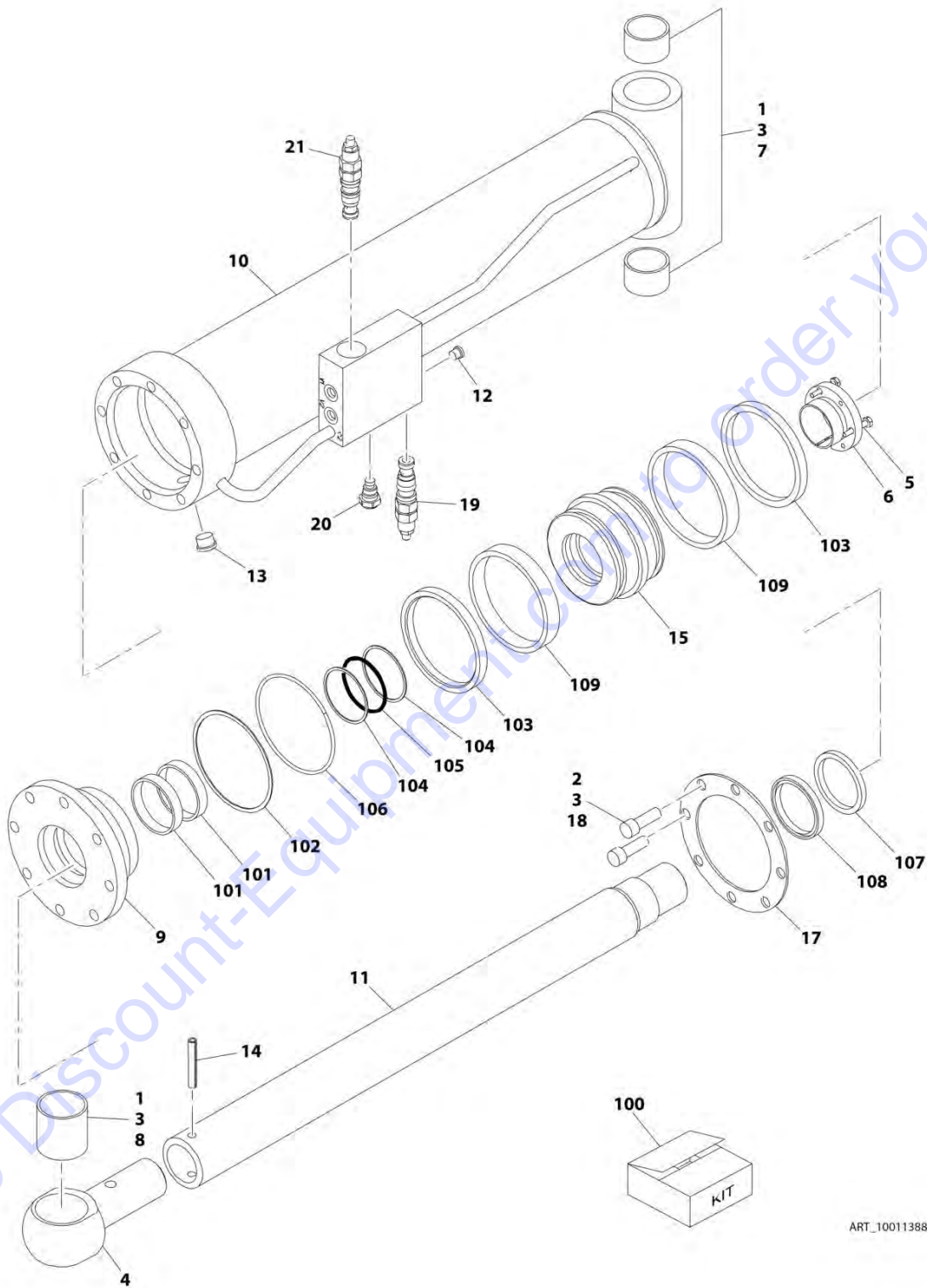
SECTION 6 - CYLINDER

FIGURE 6-6. PLATFORM LEVEL CYLINDER ASSEMBLY - WITHOUT COLD WEATHER PLUS PACKAGE (SN 0300238007 to Present)

ITEM	PART NUMBER	QTY	DESCRIPTION	REV
	1001228034	Ref	PLATFORM LEVEL CYLINDER ASSEMBLY - WITHOUT COLD WEATHER PLUS PACKAGE (SN 0300238007 to Present)	D
1	See Note	NSS	Barrel Weldment (Note: Not Available for Purchase)	
2	70006496	1	Rod Weldment	
3	70006495	1	Head	
4	See Note	NSS	Wiper, Rod (Note: Use Item 51)	
5	See Note	NSS	Seal, Rod (Note: Use Item 51)	
6	See Note	NSS	Ring, Wear (Note: Use Item 51)	
7	See Note	NSS	O-Ring (Note: Use Item 51)	
8	See Note	NSS	Ring, Back-up (Note: Use Item 51)	
9	70006494	1	Piston	
10	See Note	NSS	Ring, Guide (Note: Use Item 51)	
11	See Note	NSS	Ring, Lock (Note: Use Item 51)	
12	See Note	NSS	O-Ring (Note: Use Item 51)	
13	See Note	NSS	Ring, Back-up (Note: Use Item 51)	
14	0961897	1	Bushing, Tapered	
15	0630535	3	Capscrew 1/4 x 1-1/8	
16	3931824	8	Capscrew 1/2 x 1-1/2	
17	3760371	1	Ring, Washer	
18	4641386	1	Cartridge, Holding Valve (Vented)	
18	7011376	1	Seal Kit - 4641386 Cartridge (1 Per Cartridge)	
19	4641393	1	Cartridge, Holding Valve (Vented)	
19	7011376	1	Seal Kit - 4641393 Cartridge (1 Per Cartridge)	
20	4641388	1	Cartridge, Holding Valve	
20	7011353	1	Seal Kit - 4641388 Cartridge (1 Per Cartridge)	
21	0962561	1	Bushing	
22	0961949	2	Bushing	
23	2220883	5	Plug, O-Ring	
24	2220886	1	Plug, O-Ring	
25	0100011	AR	Compound, Locking	
26	0100038	AR	Primer, Locking	
27	0100019	AR	Compound, Locking	
51	2902285	1	Seal Kit (Includes Items 4-8 & 10-13)	

SECTION 6 - CYLINDER

FIGURE 6-7. PLATFORM LEVEL CYLINDER ASSEMBLY (SN 0300201017 through 0300239155)



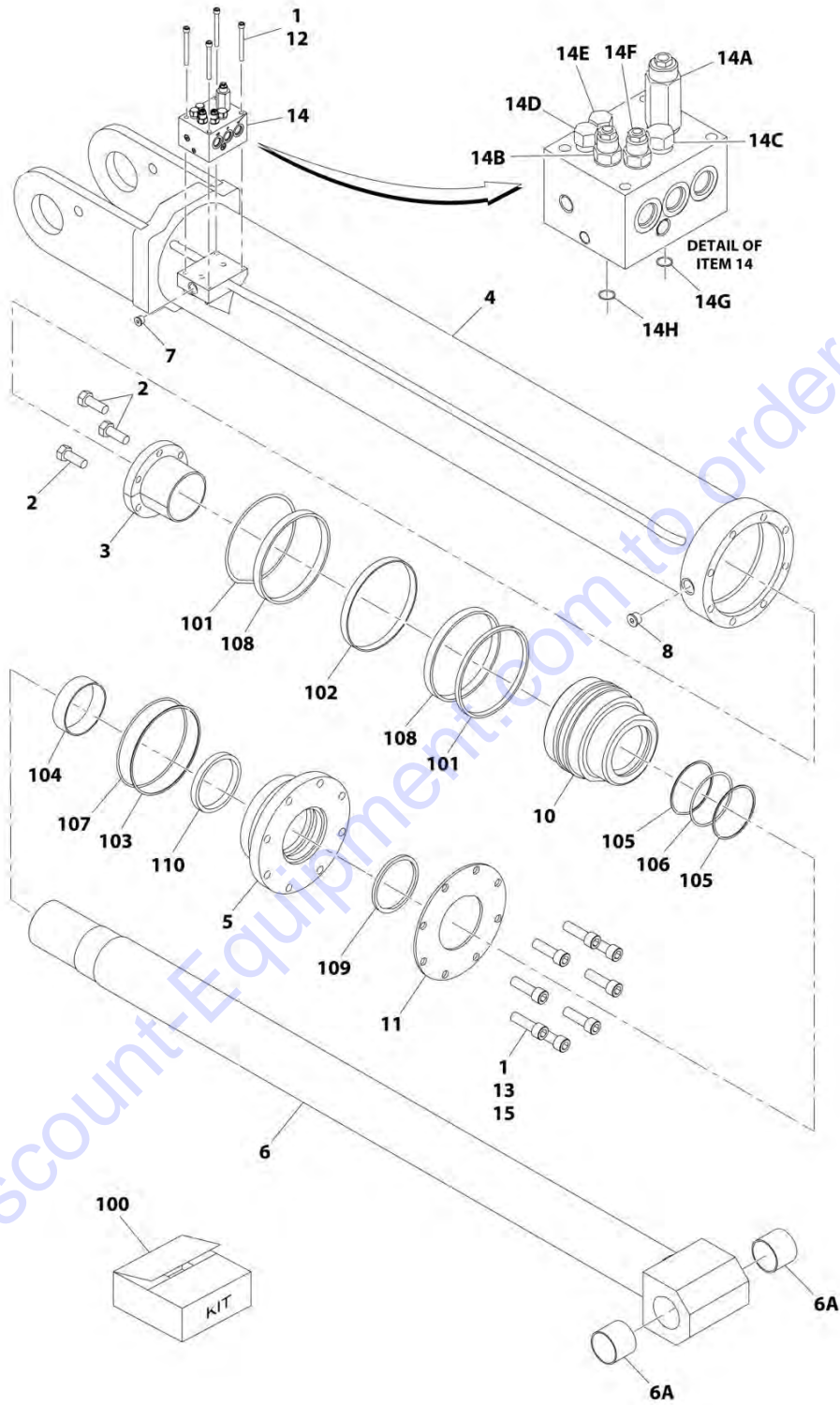
SECTION 6 - CYLINDER

FIGURE 6-7. PLATFORM LEVEL CYLINDER ASSEMBLY (SN 0300201017 through 0300239155)

ITEM	PART NUMBER	QTY	DESCRIPTION	REV
	1001138813	Ref	PLATFORM LEVEL CYLINDER ASSEMBLY (SN 0300201017 through 0300239155)	C
1	0100011	AR	Compound, Locking	
2	0100019	AR	Compound, Locking	
3	0100038	AR	Primer, Locking	
4	0561546	1	Link, Rod	
5	0630535	3	Capscrew 1/4 x 1-1/8	
6	0961897	1	Bushing, Tapered	
7	0961949	2	Bushing	
8	0962561	1	Bushing	
9	1683063	1	Head	
10	0370025	1	Barrel Weldment	
11	1684346	1	Rod Weldment	
12	2220883	1	Plug, O-Ring	
13	2220886	1	Plug, O-Ring	
14	3441240	1	Rollpin	
15	3480282	1	Piston	
17	3760371	1	Ring, Washer	
18	3931824	8	Capscrew 1/2 x 1-1/2	
19	4641386	1	Cartridge, Holding Valve (Vented)	
19	7011376	1	Seal Kit - 4641386 Cartridge (1 Per Cartridge)	
20	4641388	1	Cartridge, Holding Valve	
20	7011353	1	Seal Kit - 4641388 Cartridge (1 Per Cartridge)	
21	4641393	1	Cartridge, Holding Valve (Vented)	
21	7011376	1	Seal Kit - 4641393 Cartridge (1 Per Cartridge)	
100	1001138814	1	Seal Kit (Includes Items 101-109)	
101	See Note	NSS	Ring, Wear (Note: Use Item 100)	
102	See Note	NSS	Ring, Back-up (Note: Use Item 100)	
103	See Note	NSS	Ring, Lock (Note: Use Item 100)	
104	See Note	NSS	Ring, Back-up (Note: Use Item 100)	
105	See Note	NSS	O-Ring (Note: Use Item 100)	
106	See Note	NSS	O-Ring (Note: Use Item 100)	
107	See Note	NSS	Seal, Rod (Note: Use Item 100)	
108	See Note	NSS	Wiper, Rod (Note: Use Item 100)	
109	See Note	NSS	Ring, Guide (Note: Use Item 100)	

SECTION 6 - CYLINDER

FIGURE 6-8. LIFT CYLINDER ASSEMBLY - MAIN BOOM (SN 0300201017 through 0300211613)



ART_1684318

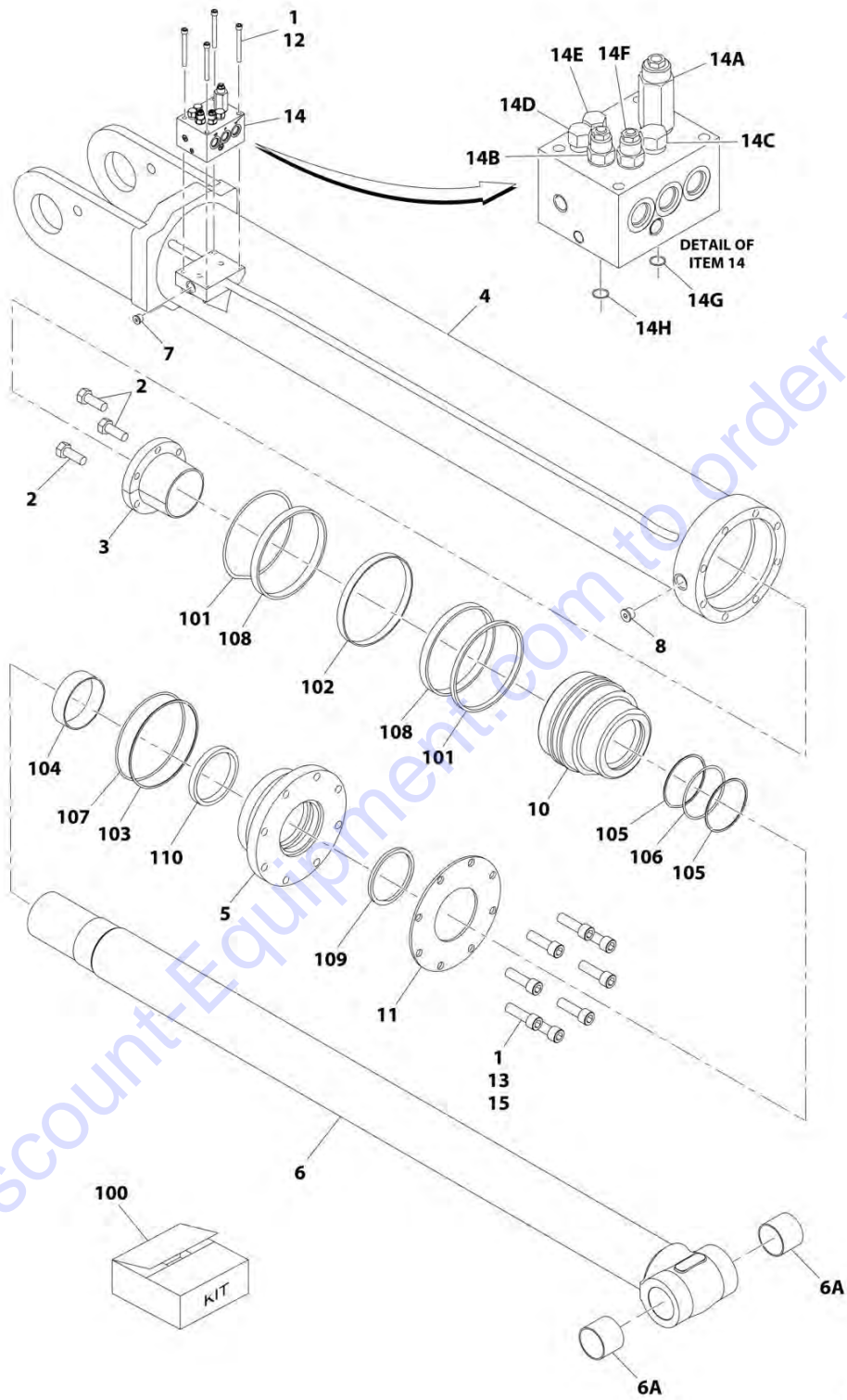
SECTION 6 - CYLINDER

FIGURE 6-8. LIFT CYLINDER ASSEMBLY - MAIN BOOM (SN 0300201017 through 0300211613)

ITEM	PART NUMBER	QTY	DESCRIPTION	REV
	1684318	Ref	LIFT CYLINDER ASSEMBLY - MAIN BOOM (SN 0300201017 through 0300211613)	G
1	0100011	AR	Compound, Locking	
2	0630573	3	Capscrew	
3	0962562	1	Bushing, Tapered	
4	1684334	1	Barrel	
5	1684336	1	Head	
6	1684337	1	Rod	
6A	0962297	2	Bushing	
7	2220886	2	Plug, O-Ring	
8	2220888	1	Plug, O-Ring	
10	3480281	1	Piston	
11	3760375	1	Ring, Washer	
12	3931660	4	Capscrew 3/8 x 3-3/4	
13	3932244	8	Capscrew 3/4 x 2-3/4	
14	4641370	1	Valve Block Assembly	A
14A	4641340	1	Cartridge, Valve	
14A	7011367	1	Seal Kit - 4641340 Cartridge Valve	
14B	4640938	1	Cartridge, Valve	
14B	2900770	1	Seal Kit - 4640938 Cartridge Valve	
14C	7011362	1	Cartridge, Valve	
14C	7011311	1	Seal Kit - 7011362 Cartridge Valve	
14D	7011365	1	Cartridge, Valve	
14D	7011346	1	Seal Kit - 7011365 Cartridge Valve	
14E	7011364	1	Cartridge, Valve	
14E	7011346	1	Seal Kit - 7011364 Cartridge Valve	
14F	7011375	1	Cartridge, Valve	
14F	2900770	1	Seal Kit - 7011375 Cartridge Valve	
14G	70000777	1	O-Ring	
14H	70000778	1	O-Ring	
15	0100038	AR	Primer, Locking	
100	1001174326	1	Seal Kit (Includes Items 101-110)	
101	See Note	NSS	Ring, Lock (Note: Use Item 100)	
102	See Note	NSS	Ring, Wear (Note: Use Item 100)	
103	See Note	NSS	Ring, Back-up (Note: Use Item 100)	
104	See Note	NSS	Ring, Wear (Note: Use Item 100)	
105	See Note	NSS	Ring, Back-up (Note: Use Item 100)	
106	See Note	NSS	O-Ring (Note: Use Item 100)	
107	See Note	NSS	O-Ring (Note: Use Item 100)	
108	See Note	NSS	Ring, Hydrolock (Note: Use Item 100)	
109	See Note	NSS	Ring, Wiper (Note: Use Item 100)	
110	See Note	NSS	Seal, Rod (Note: Use Item 100)	

SECTION 6 - CYLINDER

FIGURE 6-9. LIFT CYLINDER ASSEMBLY - MAIN BOOM (SN 0300211614 through 0300239976)



ART_1001165510

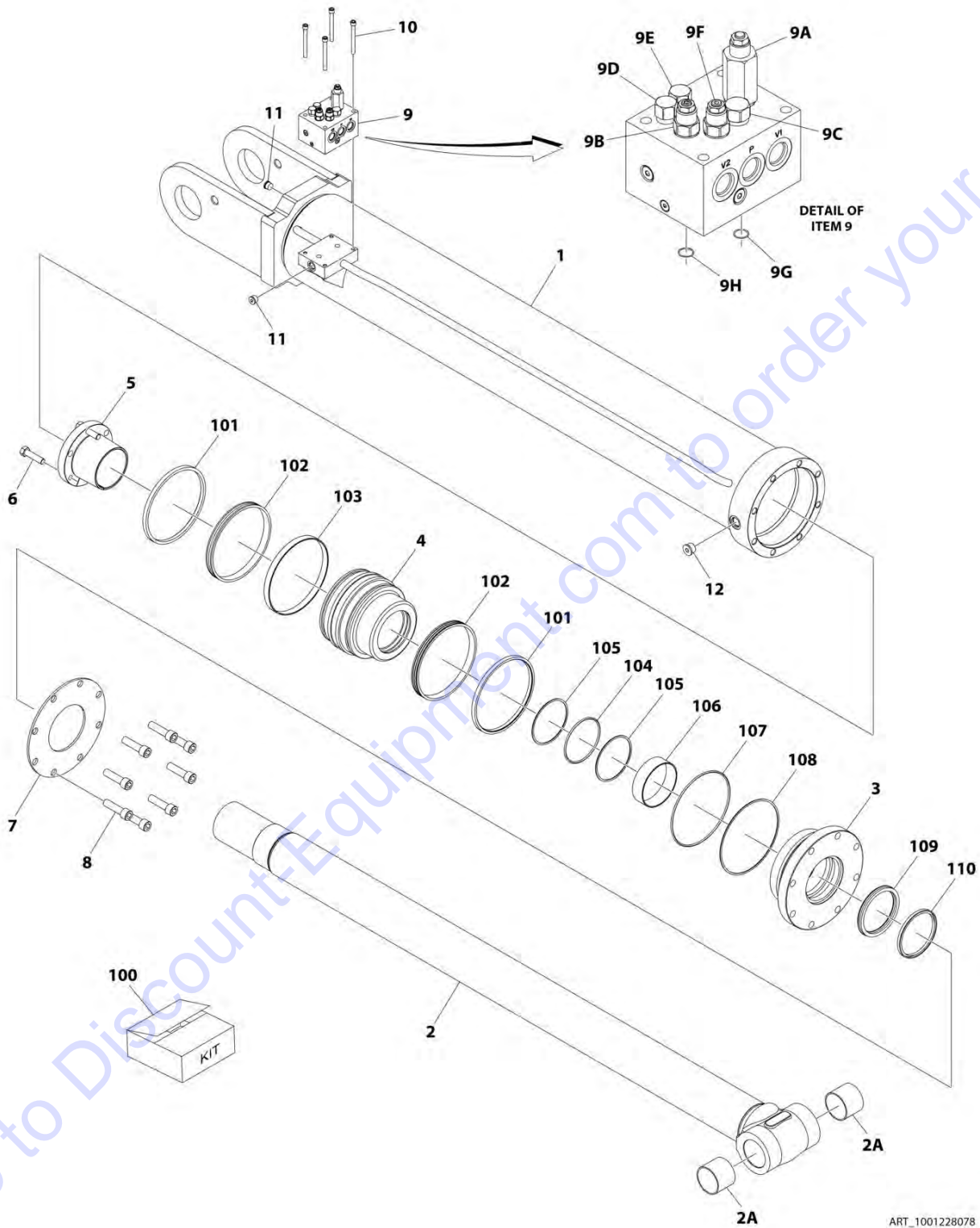
SECTION 6 - CYLINDER

FIGURE 6-9. LIFT CYLINDER ASSEMBLY - MAIN BOOM (SN 0300211614 through 0300239976)

ITEM	PART NUMBER	QTY	DESCRIPTION	REV
	1001165510	Ref	LIFT CYLINDER ASSEMBLY - MAIN BOOM (SN 0300211614 through 0300239976)	D
1	0100011	AR	Compound, Locking	
2	0630573	3	Capscrew	
3	0962562	1	Bushing, Tapered	
4	1684334	1	Barrel	
5	1684336	1	Head	
6	1001165511	1	Rod	
6A	0962297	2	Bushing	
7	2220886	2	Plug, O-Ring	
8	2220888	1	Plug, O-Ring	
10	3480281	1	Piston	
11	3760375	1	Ring, Washer	
12	3931660	4	Capscrew 3/8 x 3-3/4	
13	3932244	8	Capscrew 3/4 x 2-3/4	
14	4641370	1	Valve Block Assembly	A
14A	4641340	1	Cartridge, Valve	
14A	7011367	1	Seal Kit - 4641340 Cartridge Valve	
14B	4640938	1	Cartridge, Valve	
14B	2900770	1	Seal Kit - 4640938 Cartridge Valve	
14C	7011362	1	Cartridge, Valve	
14C	7011311	1	Seal Kit - 7011362 Cartridge Valve	
14D	7011365	1	Cartridge, Valve	
14D	7011346	1	Seal Kit - 7011365 Cartridge Valve	
14E	7011364	1	Cartridge, Valve	
14E	7011346	1	Seal Kit - 7011364 Cartridge Valve	
14F	7011375	1	Cartridge, Valve	
14F	2900770	1	Seal Kit - 7011375 Cartridge Valve	
14G	70000777	1	O-Ring	
14H	70000778	1	O-Ring	
15	0100038	AR	Primer, Locking	
100	1001174326	1	Seal Kit (Includes Items 101-110)	
101	See Note	NSS	Ring, Lock (Note: Use Item 100)	
102	See Note	NSS	Ring, Wear (Note: Use Item 100)	
103	See Note	NSS	Ring, Back-up (Note: Use Item 100)	
104	See Note	NSS	Ring, Wear (Note: Use Item 100)	
105	See Note	NSS	Ring, Back-up (Note: Use Item 100)	
106	See Note	NSS	O-Ring (Note: Use Item 100)	
107	See Note	NSS	O-Ring (Note: Use Item 100)	
108	See Note	NSS	Ring, Hydrolock (Note: Use Item 100)	
109	See Note	NSS	Ring, Wiper (Note: Use Item 100)	
110	See Note	NSS	Seal, Rod (Note: Use Item 100)	

SECTION 6 - CYLINDER

FIGURE 6-10. LIFT CYLINDER ASSEMBLY - MAIN BOOM (SN 0300239977 to Present)



ART_1001228078

PARTS FINDER

**Search Website
by Part Number**



**Search Manual
Library For Parts
Manual & Lookup Part
Numbers – Purchase
or Request Quote**

**Can't Find Part or
Manual? Request Help
by Manufacturer,
Model & Description**

Discount-Equipment.com is your online resource for quality parts & equipment.

Florida: **561-964-4949** Outside Florida TOLL FREE: **877-690-3101**

Need parts?

Click on this link: <http://www.discount-equipment.com/category/5443-parts/> and choose one of the options to help get the right parts and equipment you are looking for. Please have the machine model and serial number available in order to help us get you the correct parts. If you don't find the part on the website or on one of the online manuals, please fill out the request form and one of our experienced staff members will get back to you with a quote for the right part that your machine needs.

We sell worldwide for the brands: Genie, Terex, JLG, MultiQuip, Mikasa, Essick, Whiteman, Mayco, Toro Stone, Diamond Products, Generac Magnum, Airman, Haulotte, Barreto, Power Blanket, Nifty Lift, Atlas Copco, Chicago Pneumatic, Allmand, Miller Curber, Skyjack, Lull, Skytrak, Tsurumi, Husquvarna Target, Stow, Wacker, Sakai, Mi-T-M, Sullair, Basic, Dynapac, MBW, Weber, Bartell, Bennar Newman, Haulotte, Ditch Runner, Menegotti, Morrison, Contec, Buddy, Crown, Edco, Wyco, Bomag, Laymor, EZ Trench, Bil-Jax, F.S. Curtis, Gehl Pavers, Heli, Honda, ICS/PowerGrit, IHI, Partner, Imer, Clipper, MMD, Koshin, Rice, CH&E, General Equipment, Amida, Coleman, NAC, Gradall, Square Shooter, Kent, Stanley, Tamco, Toku, Hatz, Kohler, Robin, Wisconsin, Northrock, Oztec, Toker TK, Rol-Air, APT, Wylie, Ingersoll Rand / Doosan, Innovatech, Con X, Ammann, Mecalac, Makinex, Smith Surface Prep, Small Line, Wanco, Yanmar

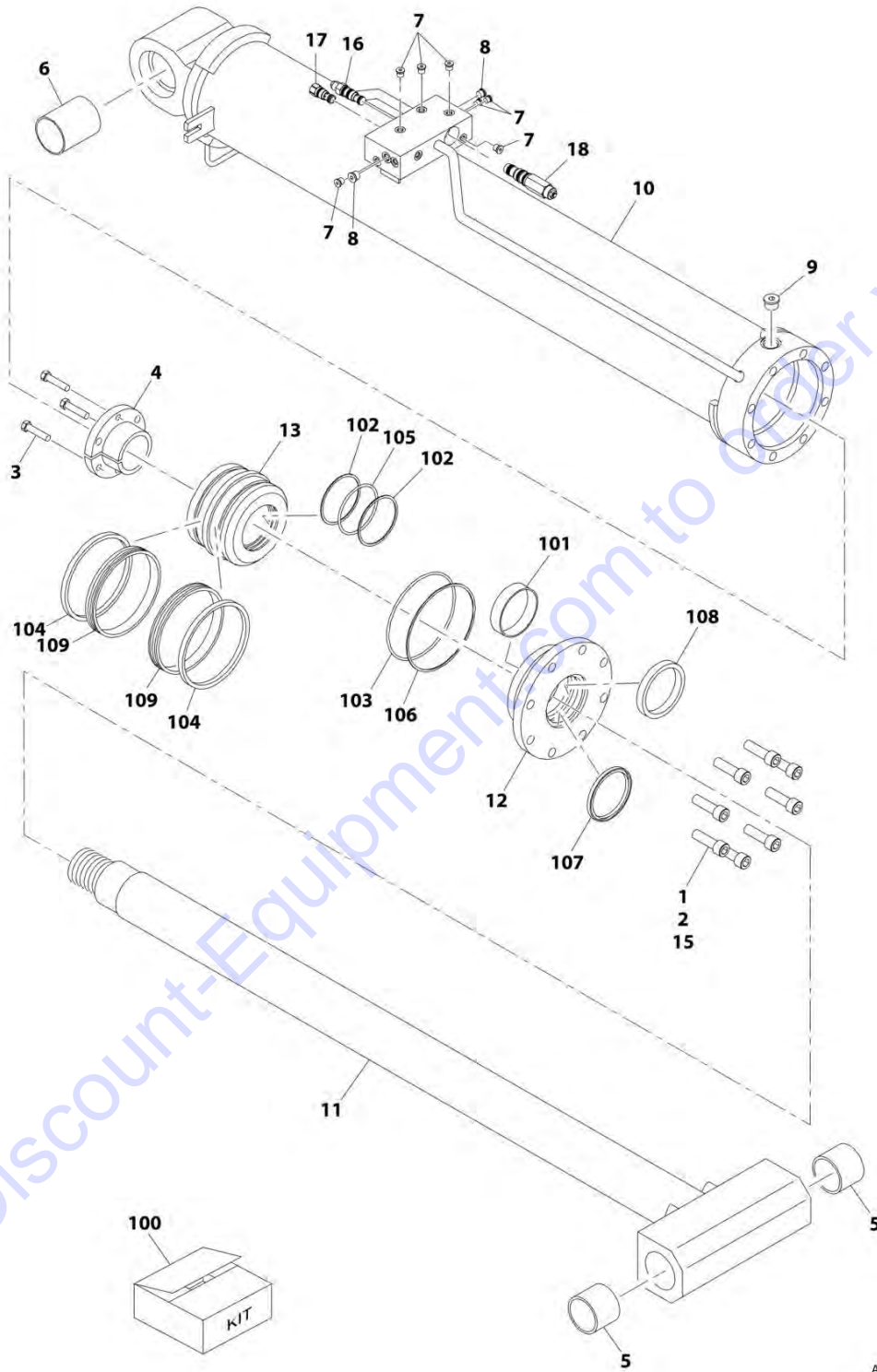
SECTION 6 - CYLINDER

FIGURE 6-10. LIFT CYLINDER ASSEMBLY - MAIN BOOM (SN 0300239977 to Present)

ITEM	PART NUMBER	QTY	DESCRIPTION	REV
	1001228078	Ref	LIFT CYLINDER ASSEMBLY - MAIN BOOM (SN 0300239977 to Present)	D
1	See Note	NSS	Barrel Weldment (Note: Not Available for Purchase)	
2	70006383	1	Rod	
2A	0962297	2	Bushing	
3	70006382	1	Head	
4	70006381	1	Piston	
5	70006365	1	Bushing, Tapered	
6	0630573	3	Capscrew	
7	70006380	1	Ring, Washer	
8	3932244	8	Capscrew 3/4 x 2-3/4	
9	4641370	1	Valve Block Assembly	A
9A	4641340	1	Cartridge, Valve	
9A	7011367	1	Seal Kit - 4641340 Cartridge Valve	
9B	4640938	1	Cartridge, Valve	
9B	2900770	1	Seal Kit - 4640938 Cartridge Valve	
9C	7011362	1	Cartridge, Valve	
9C	7011311	1	Seal Kit - 7011362 Cartridge Valve	
9D	7011365	1	Cartridge, Valve	
9D	7011346	1	Seal Kit - 7011365 Cartridge Valve	
9E	7011364	1	Cartridge, Valve	
9E	7011346	1	Seal Kit - 7011364 Cartridge Valve	
9F	7011375	1	Cartridge, Valve	
9F	2900770	1	Seal Kit - 7011375 Cartridge Valve	
9G	70000777	1	O-Ring	
9H	70000778	1	O-Ring	
10	3931660	4	Capscrew 3/8 x 3-3/4	
11	2220886	2	Plug, O-Ring	
12	2220888	1	Plug, O-Ring	
100	1001174326	1	Seal Kit (Includes Items 101-110)	
101	See Note	NSS	Ring, Lock (Note: Use Item 100)	
102	See Note	NSS	Ring, Hydrolock (Note: Use Item 100)	
103	See Note	NSS	Ring, Wear (Note: Use Item 100)	
104	See Note	NSS	O-Ring (Note: Use Item 100)	
105	See Note	NSS	Ring, Back-up (Note: Use Item 100)	
106	See Note	NSS	Ring, Wear (Note: Use Item 100)	
107	See Note	NSS	O-Ring (Note: Use Item 100)	
108	See Note	NSS	Ring, Back-up (Note: Use Item 100)	
109	See Note	NSS	Seal, Rod (Note: Use Item 100)	
110	See Note	NSS	Ring, Wiper (Note: Use Item 100)	

SECTION 6 - CYLINDER

FIGURE 6-11. LIFT CYLINDER ASSEMBLY - TOWER BOOM (SN 0300201017 through 0300211613)



ART_1001118753

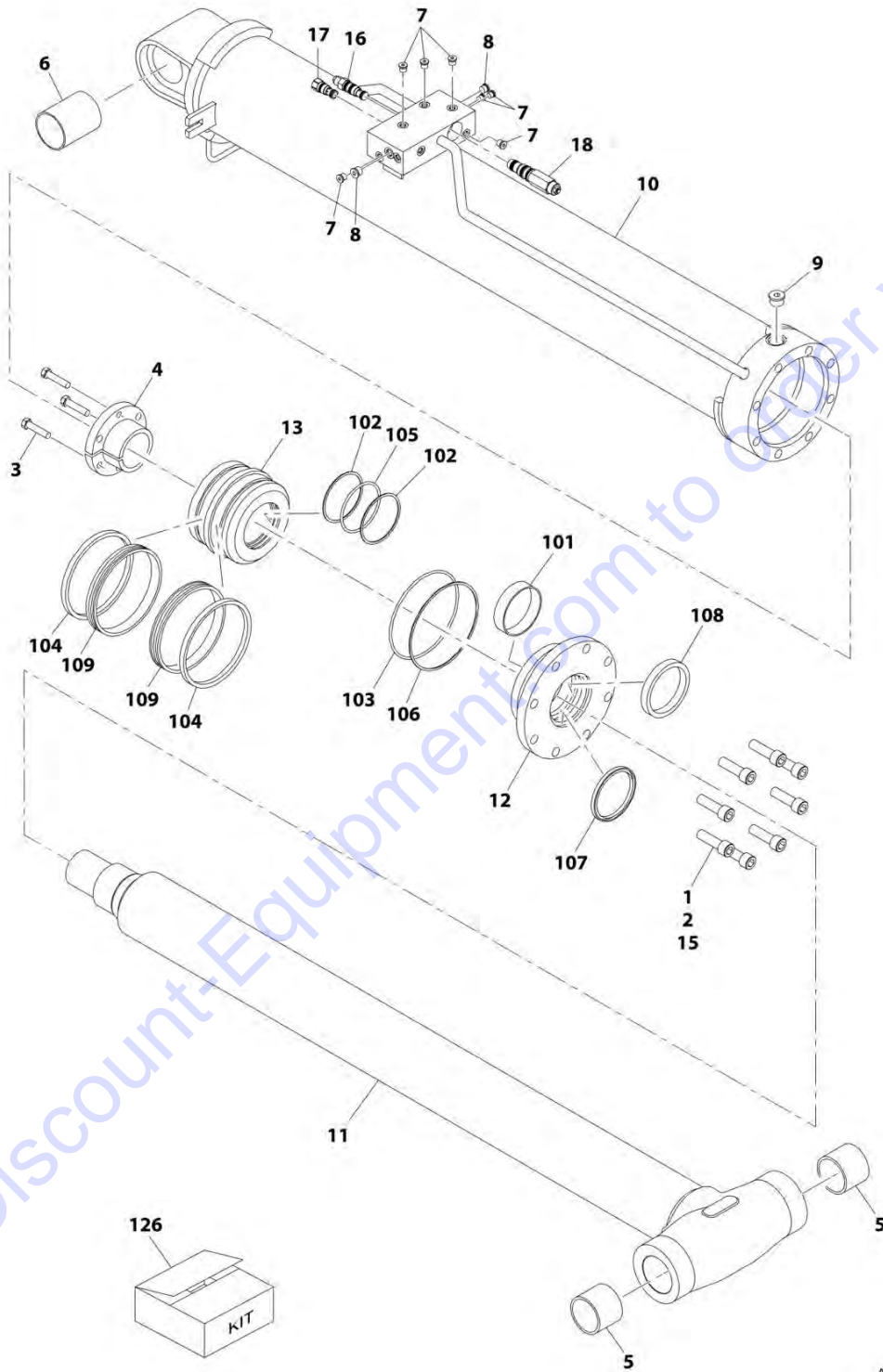
SECTION 6 - CYLINDER

FIGURE 6-11. LIFT CYLINDER ASSEMBLY - TOWER BOOM (SN 0300201017 through 0300211613)

ITEM	PART NUMBER	QTY	DESCRIPTION	REV
	1001118753	Ref	LIFT CYLINDER ASSEMBLY - TOWER BOOM (SN 0300201017 through 0300211613)	D
1	0100011	AR	Compound, Locking	
2	0100038	AR	Primer, Locking	
3	0630537	3	Capscrew	
4	0961901	1	Bushing, Tapered	
5	0962297	2	Bushing	
6	0962552	1	Bushing	
7	2220883	8	Plug, O-Ring	
8	2220885	2	Plug, O-Ring	
9	2220888	1	Plug, O-Ring	
10	1001118754	1	Barrel	
11	1001118756	1	Rod	
12	1001118761	1	Head	
13	3480280	1	Piston	
15	3932240	8	Capscrew 3/4 x 2-1/2	
16	1001120140	1	Cartridge, Valve	
16	2900770	1	Seal Kit - 1001120140 Cartridge Valve	
17	4641285	1	Cartridge, Valve	
17	7011311	1	Seal Kit - 4641285 Cartridge Valve	
18	1001120141	1	Cartridge, Valve	
18	7011367	1	Seal Kit - 1001120141 Cartridge Valve	
100	1001118762	1	Seal Kit (Includes Items 101-109)	
101	See Note	NSS	Ring, Wear (Note: Use Item 100)	
102	See Note	NSS	Ring, Back-up (Note: Use Item 100)	
103	See Note	NSS	Ring, Back-up (Note: Use Item 100)	
104	See Note	NSS	Ring, Lock (Note: Use Item 100)	
105	See Note	NSS	O-Ring (Note: Use Item 100)	
106	See Note	NSS	O-Ring (Note: Use Item 100)	
107	See Note	NSS	Ring, Wiper (Note: Use Item 100)	
108	See Note	NSS	Seal, Rod (Note: Use Item 100)	
109	See Note	NSS	Ring, Hydrolock (Note: Use Item 100)	

SECTION 6 - CYLINDER

FIGURE 6-12. LIFT CYLINDER ASSEMBLY - TOWER BOOM (SN 0300211614 through 0300238464)



ART_1001165507

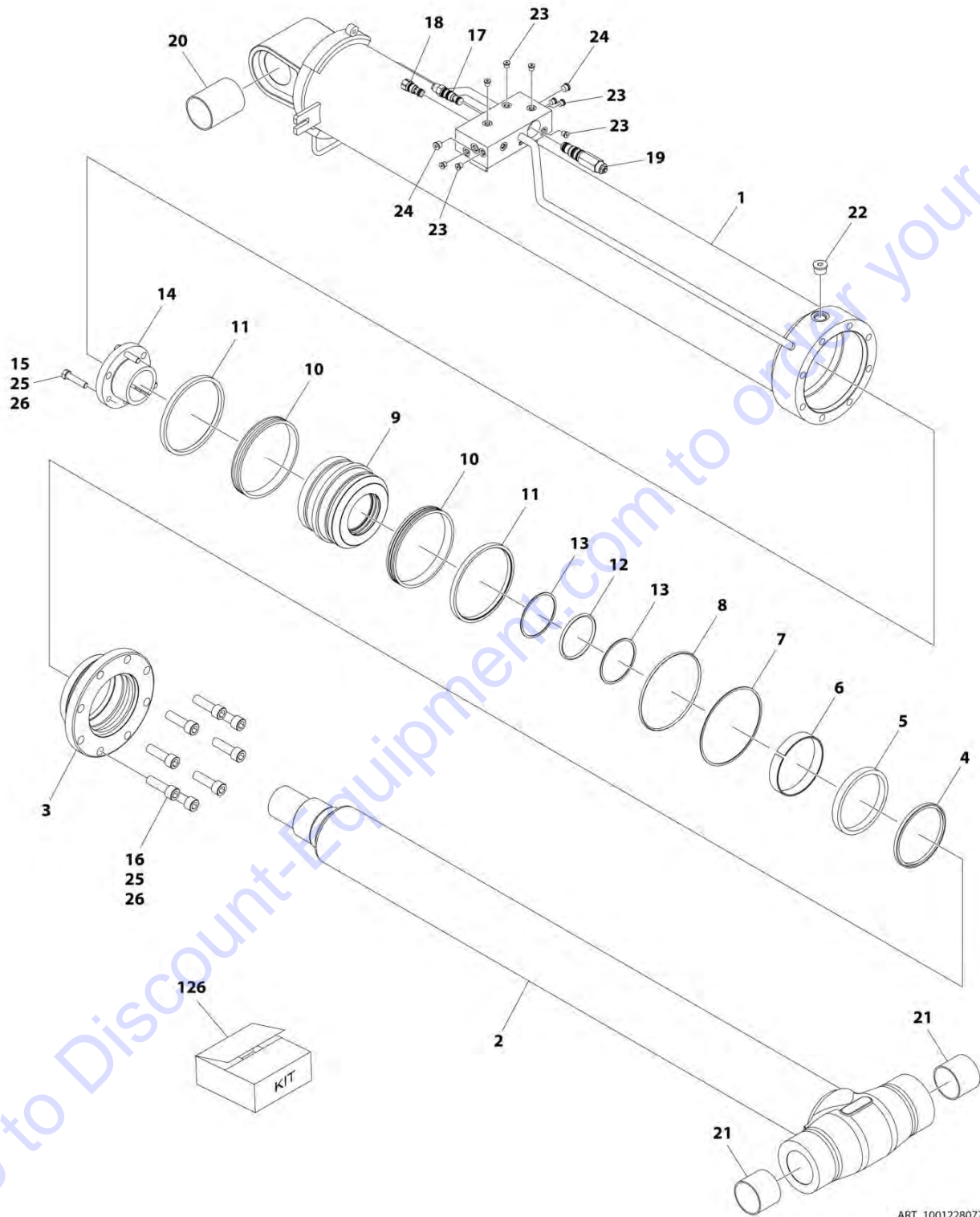
SECTION 6 - CYLINDER

FIGURE 6-12. LIFT CYLINDER ASSEMBLY - TOWER BOOM (SN 0300211614 through 0300238464)

ITEM	PART NUMBER	QTY	DESCRIPTION	REV
	1001165507	Ref	LIFT CYLINDER ASSEMBLY - TOWER BOOM (SN 0300211614 through 0300238464)	C
1	0100011	AR	Compound, Locking	
2	0100038	AR	Primer, Locking	
3	0630537	3	Capscrew	
4	0961901	1	Bushing, Tapered	
5	0962297	2	Bushing	
6	0962552	1	Bushing	
7	2220883	8	Plug, O-Ring	
8	2220885	2	Plug, O-Ring	
9	2220888	1	Plug, O-Ring	
10	1001165508	1	Barrel	
11	1001165509	1	Rod	
12	1001118761	1	Head	
13	3480280	1	Piston	
15	3932240	8	Capscrew 3/4 x 2-1/2	
16	1001120140	1	Cartridge, Valve	
16	2900770	1	Seal Kit - 1001120140 Cartridge Valve	
17	4641285	1	Cartridge, Valve	
17	7011311	1	Seal Kit - 4641285 Cartridge Valve	
18	1001120141	1	Cartridge, Valve	
18	7011367	1	Seal Kit - 1001120141 Cartridge Valve	
101	See Note	NSS	Ring, Wear (Note: Use Item 126)	
102	See Note	NSS	Ring, Back-up (Note: Use Item 126)	
103	See Note	NSS	Ring, Back-up (Note: Use Item 126)	
104	See Note	NSS	Ring, Lock (Note: Use Item 126)	
105	See Note	NSS	O-Ring (Note: Use Item 126)	
106	See Note	NSS	O-Ring (Note: Use Item 126)	
107	See Note	NSS	Ring, Wiper (Note: Use Item 126)	
108	See Note	NSS	Seal, Rod (Note: Use Item 126)	
109	See Note	NSS	Ring, Hydrolock (Note: Use Item 126)	
126	1001118762	1	Seal Kit (Includes Items 101-109)	

SECTION 6 - CYLINDER

FIGURE 6-13. LIFT CYLINDER ASSEMBLY - TOWER BOOM (SN 0300239465 to Present)



ART_1001228077

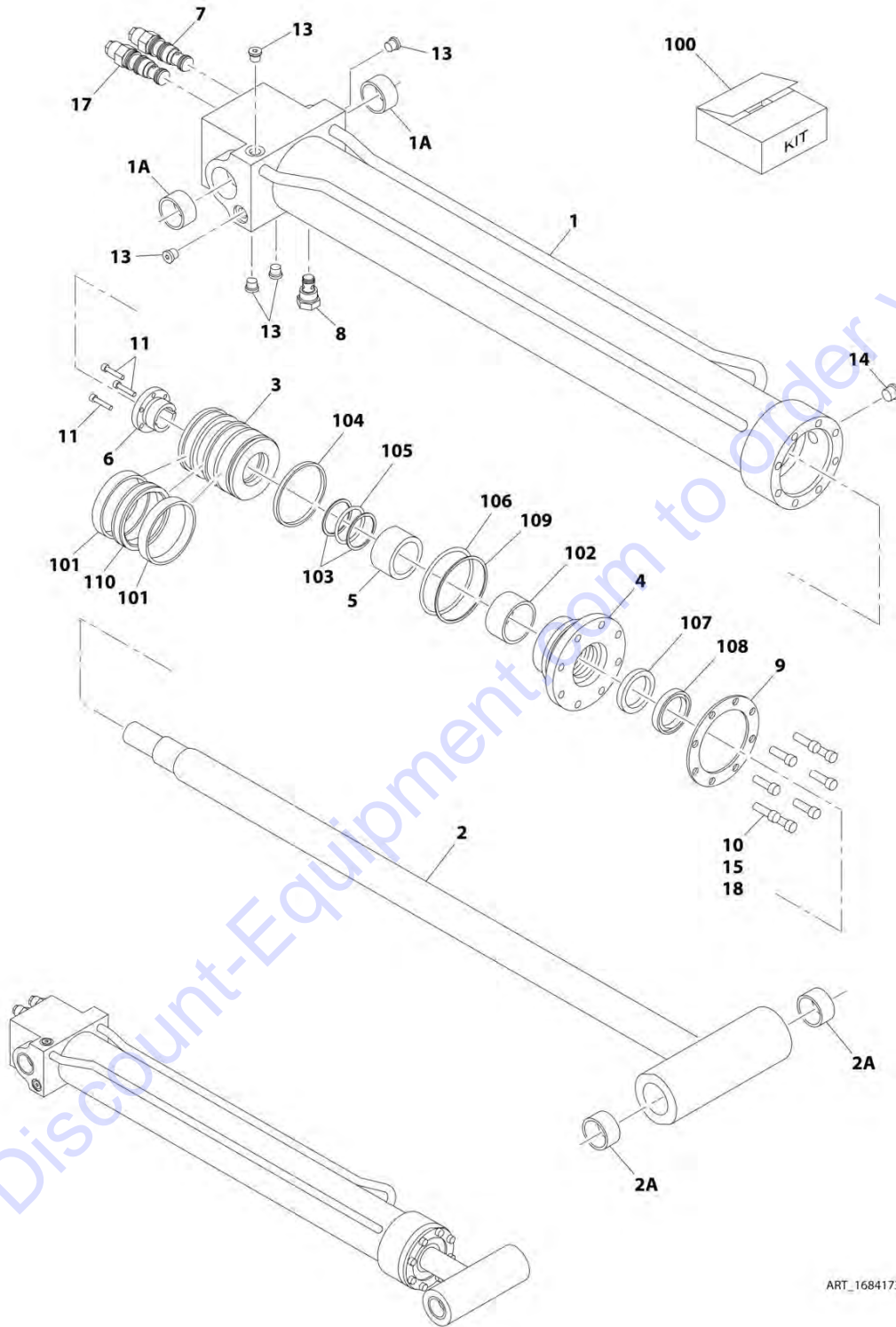
SECTION 6 - CYLINDER

FIGURE 6-13. LIFT CYLINDER ASSEMBLY - TOWER BOOM (SN 0300239465 to Present)

ITEM	PART NUMBER	QTY	DESCRIPTION	REV
	1001228077	Ref	LIFT CYLINDER ASSEMBLY - TOWER BOOM (SN 0300239465 to Present)	D
1	See Note	NSS	Barrel Weldment (Note: Not Available for Purchase)	
2	70006509	1	Rod	
3	70006508	1	Head	
4	See Note	NSS	Ring, Wiper (Note: Use Item 126)	
5	See Note	NSS	Seal, Rod (Note: Use Item 126)	
6	See Note	NSS	Ring, Wear (Note: Use Item 126)	
7	See Note	NSS	O-Ring (Note: Use Item 126)	
8	See Note	NSS	Ring, Back-up (Note: Use Item 126)	
9	70006507	1	Piston	
10	See Note	NSS	Ring, Hydrolock (Note: Use Item 126)	
11	See Note	NSS	Ring, Lock (Note: Use Item 126)	
12	See Note	NSS	O-Ring (Note: Use Item 126)	
13	See Note	NSS	Ring, Back-up (Note: Use Item 126)	
14	0961901	1	Bushing, Tapered	
15	0630537	3	Capscrew	
16	3932240	8	Capscrew 3/4 x 2-1/2	
17	1001120140	1	Cartridge, Valve	
17	2900770	1	Seal Kit - 1001120140 Cartridge Valve	
18	4641285	1	Cartridge, Valve	
18	7011311	1	Seal Kit - 4641285 Cartridge Valve	
19	1001120141	1	Cartridge, Valve	
19	7011367	1	Seal Kit - 1001120141 Cartridge Valve	
20	0962552	1	Bushing	
21	0962297	2	Bushing	
22	2220888	1	Plug, O-Ring	
23	2220883	9	Plug, O-Ring	
24	2220885	2	Plug, O-Ring	
25	0100011	AR	Compound, Locking	
26	0100038	AR	Primer, Locking	
126	1001118762	1	Seal Kit (Includes Items 4-8 & 10-13)	

SECTION 6 - CYLINDER

FIGURE 6-14. JIB CYLINDER ASSEMBLY (SN 0300201017 through 0300239155)



ART_1684173

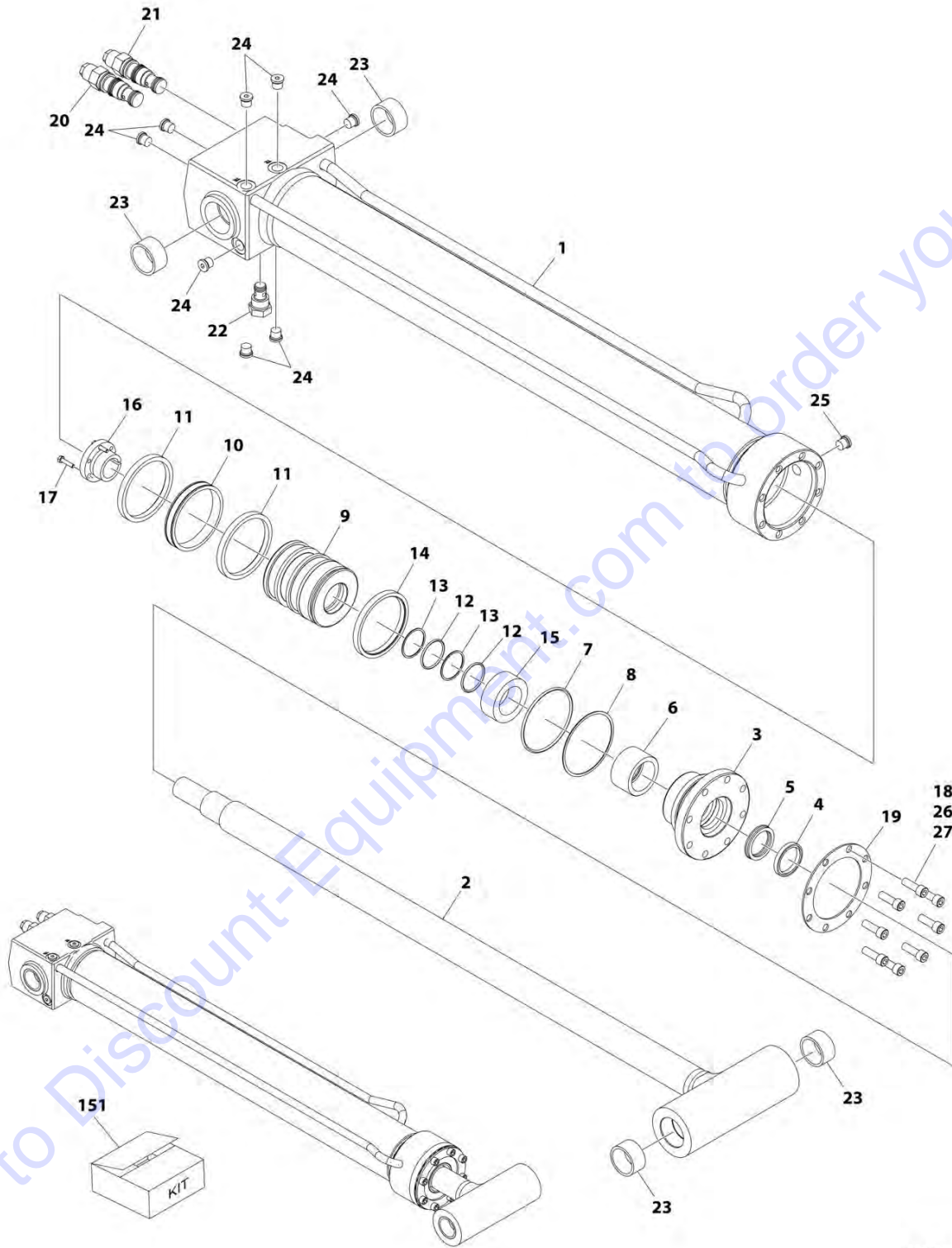
SECTION 6 - CYLINDER

FIGURE 6-14. JIB CYLINDER ASSEMBLY (SN 0300201017 through 0300239155)

ITEM	PART NUMBER	QTY	DESCRIPTION	REV
	1684173	Ref	JIB CYLINDER ASSEMBLY (SN 0300201017 through 0300239155)	H
1	1684174	1	Barrel Weldment	
1A	0962257	2	Bushing	
2	1684176	1	Rod Weldment	
2A	0962257	2	Bushing	
3	3480271	1	Piston	
4	1683053	1	Head	
5	4100100	1	Spacer	
6	0961893	1	Bushing, Tapered	
7	4640452	1	Cartridge, Counterbalance (Port above V2)	
7	2900770	1	Seal Kit - 4640452 Cartridge Valve (1 Per Valve)	
8	4641114	1	Cartridge, Restricted/Check	
8	7012967	1	Seal Kit - 4641114 Cartridge Valve (1 Per Valve)	
9	3760368	1	Ring, Washer	
10	3931516	8	Capscrew 5/16 x 1	
11	0630534	3	Capscrew #10 x 1	
13	2220883	5	Plug, O-Ring	
14	2220885	1	Plug, O-Ring	
15	0100011	AR	Compound, Locking	
17	4641260	1	Cartridge, Counterbalance (Port above V1)	
17	2900770	1	Seal Kit - 4641260 Cartridge Valve (1 Per Valve)	
18	0100038	AR	Primer, Locking	
100	2902092	1	Seal Kit (Includes Items 101-110)	
101	See Note	NSS	Ring, Wear (Note: Use Item 100)	
102	See Note	NSS	Ring, Wear (Note: Use Item 100)	
103	See Note	NSS	Ring, Back-up (Note: Use Item 100)	
104	See Note	NSS	Seal (Note: Use Item 100)	
105	See Note	NSS	O-Ring (Note: Use Item 100)	
106	See Note	NSS	O-Ring (Note: Use Item 100)	
107	See Note	NSS	Seal (Note: Use Item 100)	
108	See Note	NSS	Wiper, Rod (Note: Use Item 100)	
109	See Note	NSS	Ring, Back-up (Note: Use Item 100)	
110	See Note	NSS	Seal (Note: Use Item 100)	

SECTION 6 - CYLINDER

FIGURE 6-15. JIB CYLINDER ASSEMBLY (SN 0300239156 to Present)



ART_1001228025

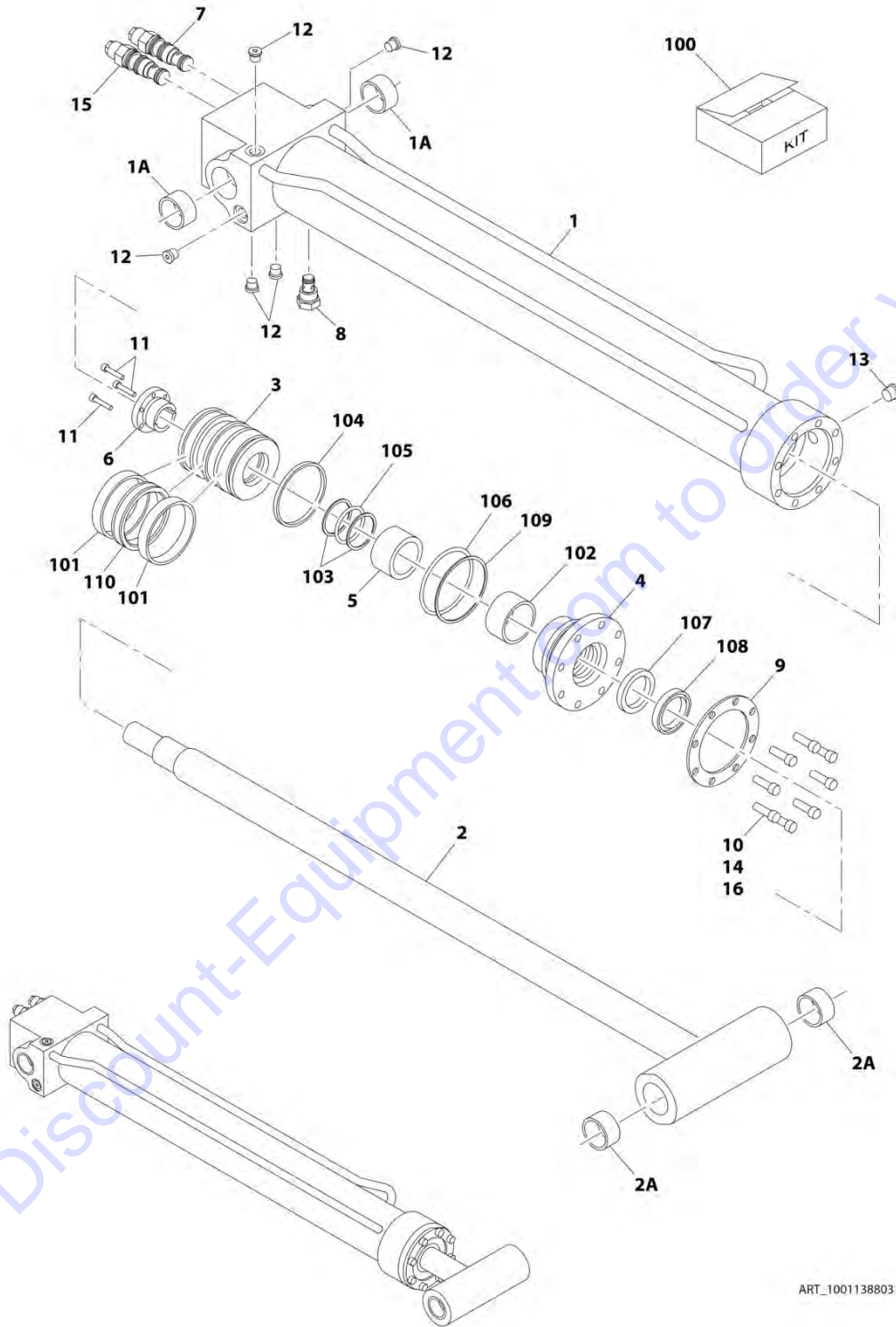
SECTION 6 - CYLINDER

FIGURE 6-15. JIB CYLINDER ASSEMBLY (SN 0300239156 to Present)

ITEM	PART NUMBER	QTY	DESCRIPTION	REV
	1001228025	Ref	JIB CYLINDER ASSEMBLY (SN 0300239156 to Present)	E
1	See Note	NSS	Barrel Weldment (Note: Not Available for Purchase)	
2	70006526	1	Rod Weldment	
3	70006525	1	Head	
4	See Note	NSS	Wiper, Rod (Note: Use Item 151)	
5	See Note	NSS	Seal (Note: Use Item 151)	
6	See Note	NSS	Ring, Wear (Note: Use Item 151)	
7	See Note	NSS	O-Ring (Note: Use Item 151)	
8	See Note	NSS	Ring, Back-up (Note: Use Item 151)	
9	70006524	1	Piston	
10	See Note	NSS	Seal (Note: Use Item 151)	
11	See Note	NSS	Ring, Wear (Note: Use Item 151)	
12	See Note	NSS	O-Ring (Note: Use Item 151)	
13	See Note	NSS	Ring, Back-up (Note: Use Item 151)	
14	See Note	NSS	Seal (Note: Use Item 151)	
15	70006523	1	Spacer	
16	0961893	1	Bushing, Tapered	
17	0630534	3	Capscrew #10 x 1	
18	3931516	8	Capscrew 5/16 x 1	
19	3760368	1	Ring, Washer	
20	4641260	1	Cartridge, Counterbalance (Port above V1)	
20	2900770	1	Seal Kit - 4641260 Cartridge Valve (1 Per Valve)	
21	4640452	1	Cartridge, Counterbalance (Port above V2)	
21	2900770	1	Seal Kit - 4640452 Cartridge Valve (1 Per Valve)	
22	4641114	1	Cartridge, Restricted/Check	
22	7012967	1	Seal Kit - 4641114 Cartridge Valve (1 Per Valve)	
23	0962257	4	Bushing	
24	2220883	8	Plug, O-Ring	
25	2220885	AR	Plug, O-Ring	
26	0100011	AR	Compound, Locking	
27	0100038	AR	Primer, Locking	
151	1001138805	1	Seal Kit Options (Includes Items 4-8 & 10-14)	

SECTION 6 - CYLINDER

FIGURE 6-16. JIB CYLINDER ASSEMBLY (SN 0300201017 through 0300239155)



ART_1001138803

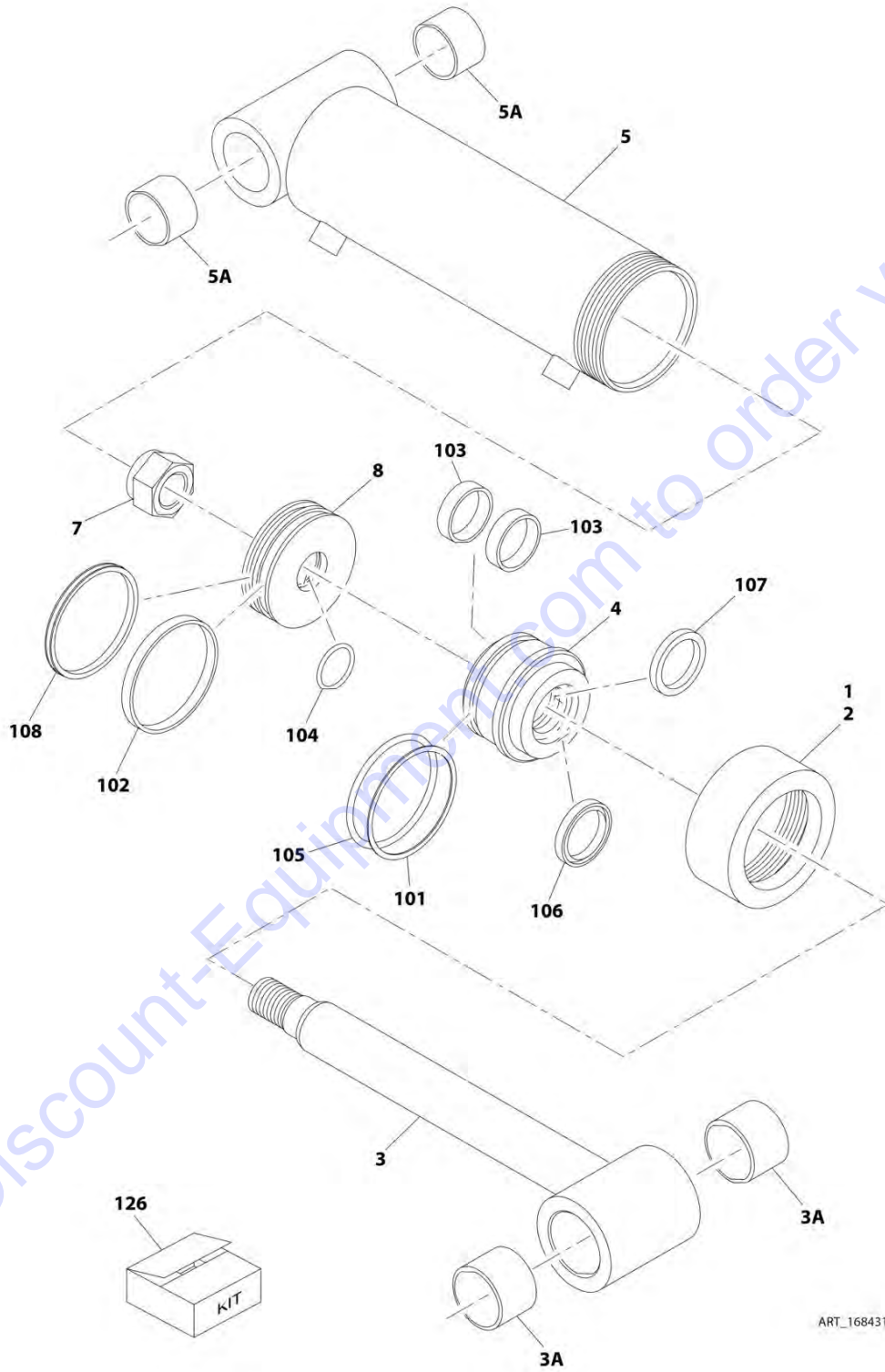
SECTION 6 - CYLINDER

FIGURE 6-16. JIB CYLINDER ASSEMBLY (SN 0300201017 through 0300239155)

ITEM	PART NUMBER	QTY	DESCRIPTION	REV
	1001138803	Ref	JIB CYLINDER ASSEMBLY (SN 0300201017 through 0300239155)	B
1	1684174	1	Barrel Weldment	
1A	0962257	2	Bushing	
2	1684176	1	Rod Weldment	
2A	0962257	2	Bushing	
3	3480271	1	Piston	
4	1683053	1	Head	
5	4100100	1	Spacer	
6	0961893	1	Bushing, Tapered	
7	4640452	1	Cartridge, Counterbalance (Port above V2)	
7	2900770	1	Seal Kit - 4640452 Cartridge Valve (1 Per Valve)	
8	4641114	1	Cartridge, Restricted/Check	
8	7012967	1	Seal Kit - 4641114 Cartridge Valve (1 Per Valve)	
9	3760368	1	Ring, Washer	
10	3931516	8	Capscrew 5/16 x 1	
11	0630534	3	Capscrew #10 x 1	
12	2220883	5	Plug, O-Ring	
13	2220885	1	Plug, O-Ring	
14	0100011	AR	Compound, Locking	
15	4641260	1	Cartridge, Counterbalance (Port above V1)	
15	2900770	1	Seal Kit - 4641260 Cartridge Valve (1 Per Valve)	
16	0100038	AR	Primer, Locking	
100	1001138805	1	Seal Kit (Includes Items 101-110)	
101	See Note	NSS	Ring, Wear (Note: Use Item 100)	
102	See Note	NSS	Ring, Wear (Note: Use Item 100)	
103	See Note	NSS	Ring, Back-up (Note: Use Item 100)	
104	See Note	NSS	Seal (Note: Use Item 100)	
105	See Note	NSS	O-Ring (Note: Use Item 100)	
106	See Note	NSS	O-Ring (Note: Use Item 100)	
107	See Note	NSS	Seal (Note: Use Item 100)	
108	See Note	NSS	Wiper, Rod (Note: Use Item 100)	
109	See Note	NSS	Ring, Back-up (Note: Use Item 100)	
110	See Note	NSS	Seal (Note: Use Item 100)	

SECTION 6 - CYLINDER

FIGURE 6-17. STEER CYLINDER ASSEMBLY (SN 0300201017 through 0300238558)



ART_1684314

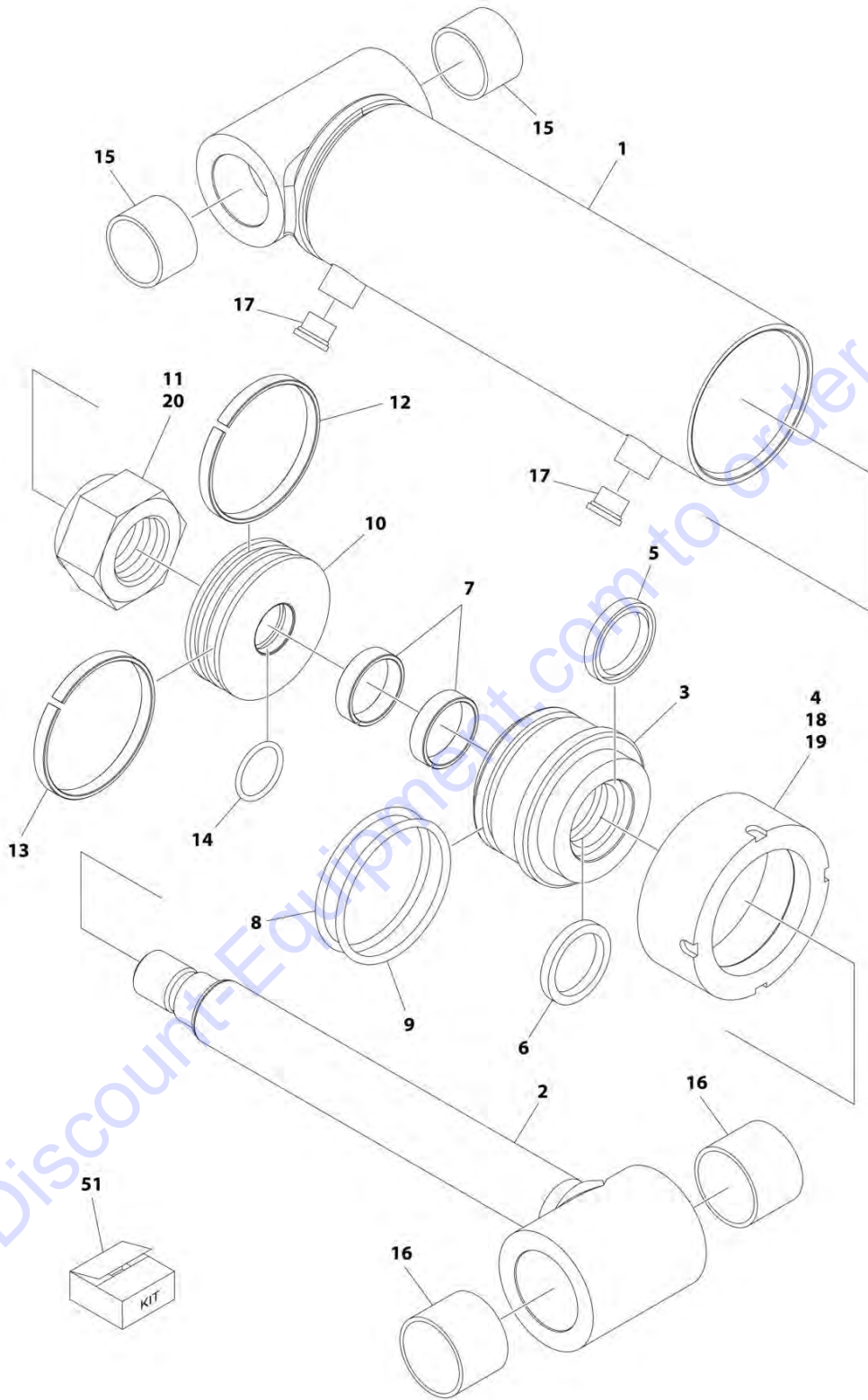
SECTION 6 - CYLINDER

FIGURE 6-17. STEER CYLINDER ASSEMBLY (SN 0300201017 through 0300238558)

ITEM	PART NUMBER	QTY	DESCRIPTION	REV
	1684314	Ref	STEER CYLINDER ASSEMBLY (SN 0300201017 through 0300238558)	F
1	0100035	AR	Compound, Locking	
2	1120094	1	Cap, Cylinder	
3	1684275	1	Rod	
3A	0961950	2	Bushing	
4	1684315	1	Head	
5	1684317	1	Barrel	
5A	0961949	2	Bushing	
7	3300465	1	Nut	
8	3480278	1	Piston	
101	See Note	NSS	Ring, Back-up (Note: Use Item 126)	
102	See Note	NSS	Ring, Wear (Note: Use Item 126)	
103	See Note	NSS	Ring, Wear (Note: Use Item 126)	
104	See Note	NSS	O-Ring (Note: Use Item 126)	
105	See Note	NSS	O-Ring (Note: Use Item 126)	
106	See Note	NSS	Wiper (Note: Use Item 126)	
107	See Note	NSS	Seal, Rod (Note: Use Item 126)	
108	See Note	NSS	Seal, Piston (Note: Use Item 126)	
126	2902257	1	Seal Kit (Includes Items 101-108)	

SECTION 6 - CYLINDER

FIGURE 6-18. STEER CYLINDER ASSEMBLY (SN 0300238559 to Present)



ART_1001228031

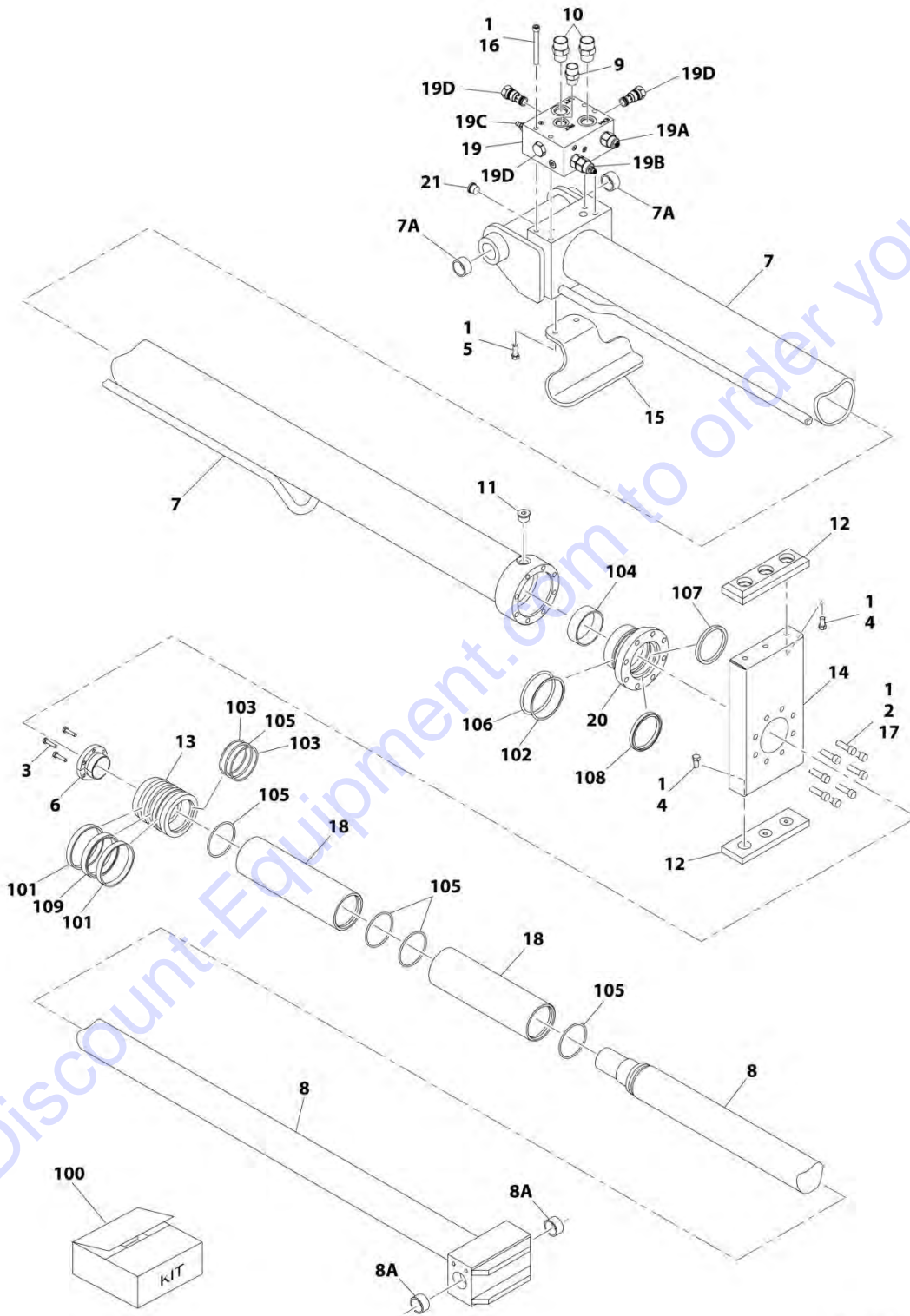
SECTION 6 - CYLINDER

FIGURE 6-18. STEER CYLINDER ASSEMBLY (SN 0300238559 to Present)

ITEM	PART NUMBER	QTY	DESCRIPTION	REV
	1001228031	Ref	STEER CYLINDER ASSEMBLY (SN 0300238559 to Present)	B
1	See Note	NSS	Barrel Weldment (Note: Not Available for Purchase)	
2	70006493	1	Rod	
3	70006492	1	Head	
4	70006491	1	Cap, Cylinder	
5	See Note	NSS	Wiper (Note: Use Item 51)	
6	See Note	NSS	Seal, Piston (Note: Use Item 51)	
7	See Note	NSS	Ring, Wear (Note: Use Item 51)	
8	See Note	NSS	O-Ring (Note: Use Item 51)	
9	See Note	NSS	Ring, Back-up (Note: Use Item 51)	
10	70006490	1	Piston	
11	3300465	1	Nut	
12	See Note	1	Seal (Note: Use Item 51)	
13	See Note	1	Ring, Wear (Note: Use Item 51)	
14	See Note	1	O-Ring (Note: Use Item 51)	
15	0961949	2	Bushing	
16	0961950	2	Bushing	
17	2220885	2	Plug (With O-Ring)	
18	0100011	AR	Compound, Locking	
19	0100038	AR	Primer, Locking	
20	0100019	AR	Compound, Locking	
51	2902257	1	Seal Kit (Includes Items 5-9 & 12-14)	

SECTION 6 - CYLINDER

FIGURE 6-19. TELESCOPE CYLINDER ASSEMBLY - MAIN BOOM (SN 0300201017 through 0300243463)



ART_1001175888

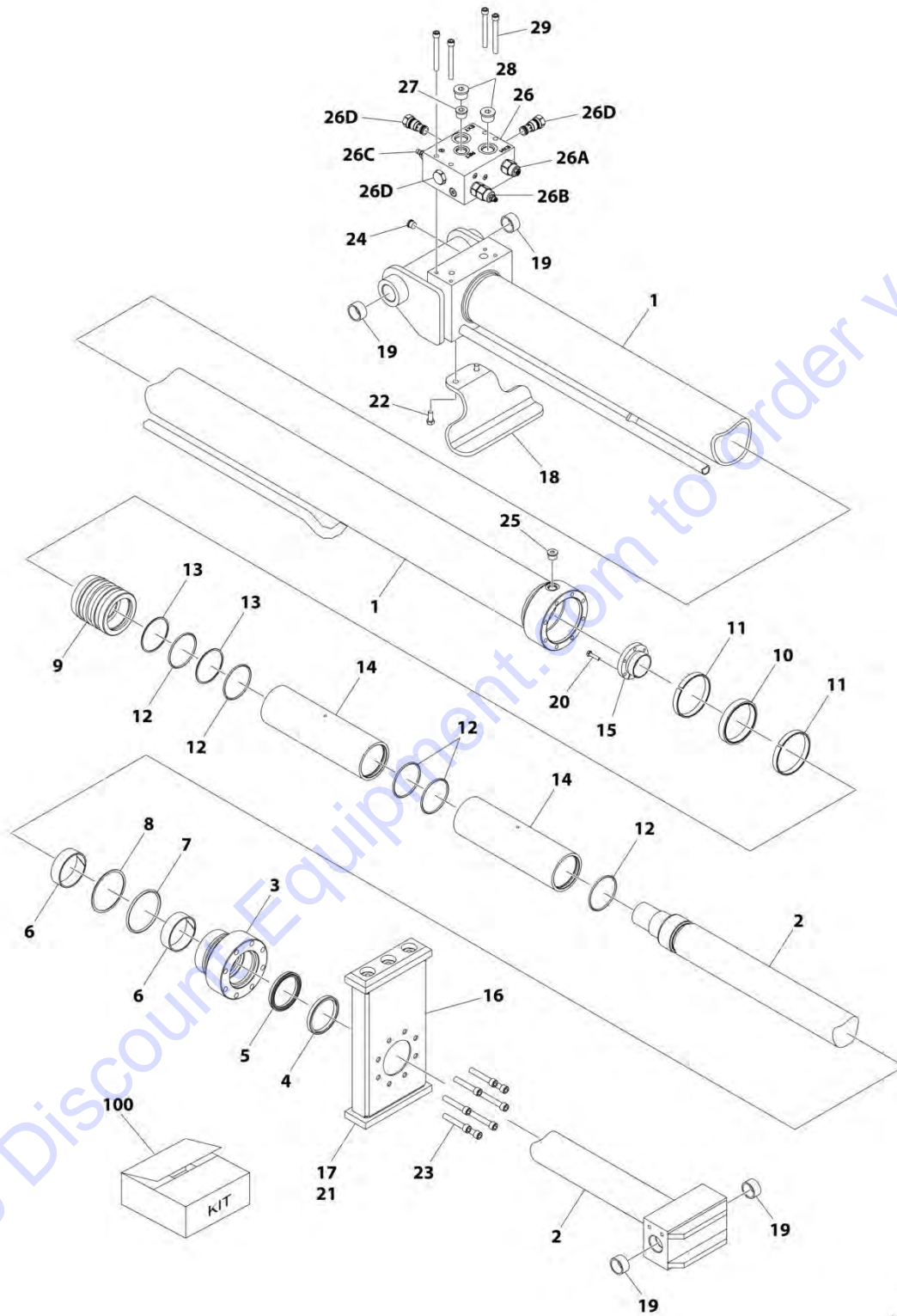
SECTION 6 - CYLINDER

FIGURE 6-19. TELESCOPE CYLINDER ASSEMBLY - MAIN BOOM (SN 0300201017 through 0300243463)

ITEM	PART NUMBER	QTY	DESCRIPTION	REV
	1001175888	Ref	TELESCOPE CYLINDER ASSEMBLY - MAIN BOOM (SN 0300201017 through 0300243463) Note: Original Cylinder May Have Been Replaced with Service Replacement. Identify PN Stamped on Cylinder Before Ordering Parts.	D
		Ref		
1	0100011	AR	Compound, Locking	
2	0100038	AR	Primer, Locking	
3	0630535	3	Capscrew	
4	0641606	6	Bolt 3/8 x 3/4	
5	0641607	2	Bolt 3/8 x 7/8	
6	0961897	1	Bushing, Tapered	
7	1684323	1	Barrel Weldment	
7A	0962257	2	Bushing	
8	1684325	1	Rod Weldment	
8A	0962257	2	Bushing	
9	2111010	1	Fitting, Straight ORFS/ORB	
10	2111212	2	Fitting, Straight ORFS/ORB	
11	2220886	1	Plug, O-Ring	
12	3340982	2	Pad, Wear	
13	3480266	1	Piston	
14	3574580	1	Plate, Wear Pad Mount	
15	3574586	1	Plate, Tele Foot	
16	3931656	4	Capscrew 3/8 x 3-1/2	
17	3931740	8	Capscrew 7/16 x 2-1/2	
18	4568808	2	Spacer	
19	4641288	1	Valve Assembly	
19A	7011372	1	Cartridge	
19A	2900789	1	Seal Kit - 7011372 Cartridge Valve	
19B	7011370	1	Cartridge	
19B	7011371	1	Seal Kit - 7011370 Cartridge Valve	
19C	7011369	1	Cartridge	
19C	7011311	1	Seal Kit - 7011369 Cartridge Valve	
19D	7011368	3	Cartridge	
19D	7011351	3	Seal Kit - 7011368 Cartridge Valve (1 Per Cartridge)	
20	1001175884	1	Head, Cylinder	
21	2220885	1	Plug, O-Ring	
100	1001175887	1	Seal Kit (Includes Items 101-109)	
101	See Note	NSS	Ring, Wear (Note: Use Item 100)	
102	See Note	NSS	Ring, Back-up (Note: Use Item 100)	
103	See Note	NSS	Ring, Back-up (Note: Use Item 100)	
104	See Note	NSS	Ring, Wear (Note: Use Item 100)	
105	See Note	NSS	O-Ring (Note: Use Item 100)	
106	See Note	NSS	O-Ring (Note: Use Item 100)	
107	See Note	NSS	Seal, Rod (Note: Use Item 100)	
108	See Note	NSS	Wiper, Rod (Note: Use Item 100)	
109	See Note	NSS	T-Seal (Note: Use Item 100)	

SECTION 6 - CYLINDER

FIGURE 6-20. TELESCOPE CYLINDER ASSEMBLY - MAIN BOOM (SN 0300243464 to Present)



ART_1001228080

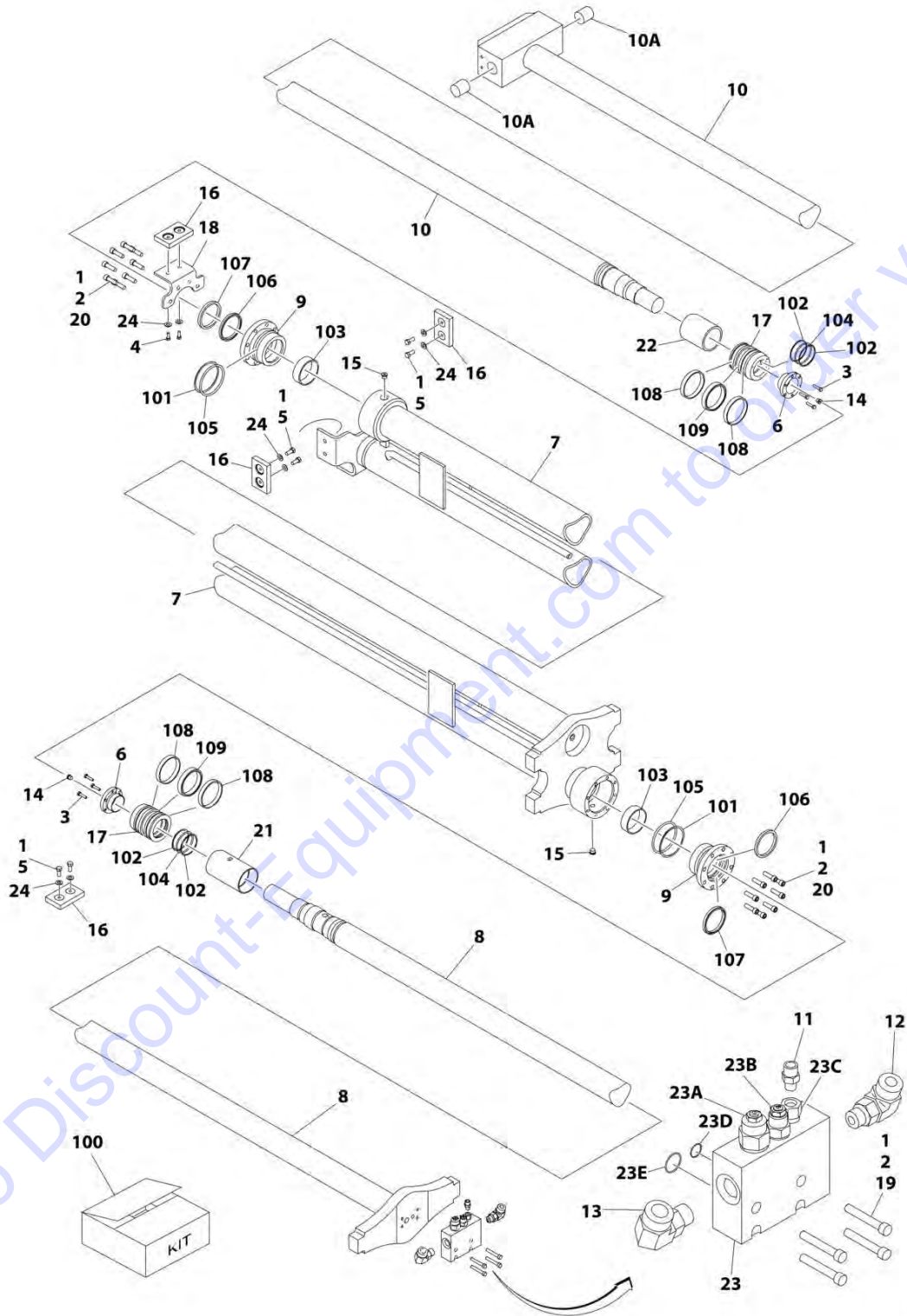
SECTION 6 - CYLINDER

FIGURE 6-20. TELESCOPE CYLINDER ASSEMBLY - MAIN BOOM (SN 0300243464 to Present)

ITEM	PART NUMBER	QTY	DESCRIPTION	REV
	1001228080	Ref	TELESCOPE CYLINDER ASSEMBLY - MAIN BOOM (SN 0300243464 to Present)	B
		Ref	Note: Original Cylinder May Have Been Replaced with Service Replacement. Identify PN Stamped on Cylinder Before Ordering Parts.	
1	See Note	NSS	Barrel (Note: Not Available for Purchase)	
2	70006693	1	Rod	
3	70006694	1	Head	
4	See Note	NSS	Wiper (Note: Use Item 100)	
5	See Note	NSS	Seal, Rod (Note: Use Item 100)	
6	See Note	NSS	Ring, Wear (Note: Use Item 100)	
7	See Note	NSS	O-Ring (Note: Use Item 100)	
8	See Note	NSS	Ring, Back-up (Note: Use Item 100)	
9	70006695	1	Piston	
10	See Note	NSS	Seal (Note: Use Item 100)	
11	See Note	NSS	Ring, Wear (Note: Use Item 100)	
12	See Note	NSS	O-Ring (Note: Use Item 100)	
13	See Note	NSS	Ring, Back-up (Note: Use Item 100)	
14	70006696	1	Spacer	
15	0961897	1	Bushing, Tapered	
16	3574580	1	Plate, Wear Pad Mount	
17	3340982	2	Pad, Wear	
18	3574586	1	Plate, Tele Foot	
19	0962257	4	Bushing	
20	0630535	3	Capscrew 1/4 x 1-1/8	
21	0641606	6	Bolt 3/8 x 3/4	
22	0641607	2	Bolt 3/8 x 7/8	
23	3931740	8	Capscrew 7/16 x 2-1/2	
24	2220885	1	Plug, O-Ring	
25	2220886	1	Plug, O-Ring	
26	4641288	1	Valve Assembly	
26A	7011372	1	Cartridge	
26A	2900789	1	Seal Kit - 7011372 Cartridge Valve	
26B	7011370	1	Cartridge	
26B	7011371	1	Seal Kit - 7011370 Cartridge Valve	
26C	7011369	1	Cartridge	
26C	7011311	1	Seal Kit - 7011369 Cartridge Valve	
26D	7011368	3	Cartridge	
26D	7011351	3	Seal Kit - 7011368 Cartridge Valve (1 Per Cartridge)	
27	2111010	1	Fitting, Straight ORFS/ORB	
28	2111212	2	Fitting, Straight ORFS/ORB	
29	3931656	4	Capscrew 3/8 x 3-1/2	
100	1001175887	1	Seal Kit (Includes Items 4-8 & 10-13)	

SECTION 6 - CYLINDER

FIGURE 6-21. TELESCOPE CYLINDER ASSEMBLY - TOWER BOOM (SN 0300201017 through 0300243458)



ART_1684320

SECTION 6 - CYLINDER

FIGURE 6-21. TELESCOPE CYLINDER ASSEMBLY - TOWER BOOM (SN 0300201017 through 0300243458)

ITEM	PART NUMBER	QTY	DESCRIPTION	REV
	1684320	Ref	TELESCOPE CYLINDER ASSEMBLY - TOWER BOOM (SN 0300201017 through 0300243458)	H
		Ref	Note: Original Cylinder May Have Been Replaced with Service Replacement. Identify PN Stamped on Cylinder Before Ordering Parts.	
1	0100011	AR	Compound, Locking	
2	0100038	AR	Primer, Locking	
3	0630535	6	Capscrew 1/4 x 1-1/8	
4	0791606	2	Screw 3/8 x 3/4	
4	0641606	2	Bolt 3/8 x 3/4	
5	0791607	6	Screw 3/8 x 7/8	
5	0641607	6	Bolt 3/8 x 7/8	
6	0961897	1	Bushing, Tapered	
7	1684328	1	Barrel Weldment	
8	1684330	1	Rod Weldment	
9	1684331	2	Head	
10	1684342	1	Rod Weldment	
10A	0961951	2	Bushing	
11	2110404	1	Fitting, Straight	
12	2131008	1	Fitting, 90	
13	2131210	1	Fitting, 90	
14	2220883	2	Plug, O-Ring	
15	2220885	2	Plug, O-Ring	
16	3340763	4	Pad, Wear	
17	3480205	2	Piston	
18	3574630	1	Bracket, Wear Pad Mounting	
19	3931532	4	Capscrew 5/16 x 2	
20	3931724	16	Capscrew 7/16 x 1-1/2	
21	4568811	1	Spacer	
22	4568819	1	Spacer	
23	4641298	1	Valve Assembly	
23A	7011359	1	Cartridge, Valve	
23A	2900789	1	Seal Kit - 7011359 Valve	
23B	4641162	1	Cartridge, Valve (was p/n 7011360)	
23B	2900770	1	Seal Kit - 7011360 & 4641162 Valve	
23C	7011361	1	Cartridge, Flow-Through Valve	
23C	7011346	1	Seal Kit - 7011361 Valve	
23D	70000778	1	O-Ring	
23E	70000777	1	O-Ring	
24	4711600	8	Washer 3/8 (SN 0300227268 to Present)	
100	2902291	2	Seal Kit (Includes Items 101-109)	
		Ref	Note: Two kits required to rebuild this double barreled cylinder - One kit required for each barrel of the cylinder.	
101	See Note	NSS	Ring, Back-up (Qty 1 per Kit) (Note: Use Item 100)	
102	See Note	NSS	Ring, Back-up (Qty 2 per Kit) (Note: Use Item 100)	
103	See Note	NSS	Ring, Wear (Qty 1 per Kit) (Note: Use Item 100)	
104	See Note	NSS	O-Ring (Qty 1 per Kit) (Note: Use Item 100)	
105	See Note	NSS	O-Ring (Qty 1 per Kit) (Note: Use Item 100)	
106	See Note	NSS	Seal (Qty 1 per Kit) (Note: Use Item 100)	
107	See Note	NSS	Wiper, Rod (Qty 1 per Kit) (Note: Use Item 100)	

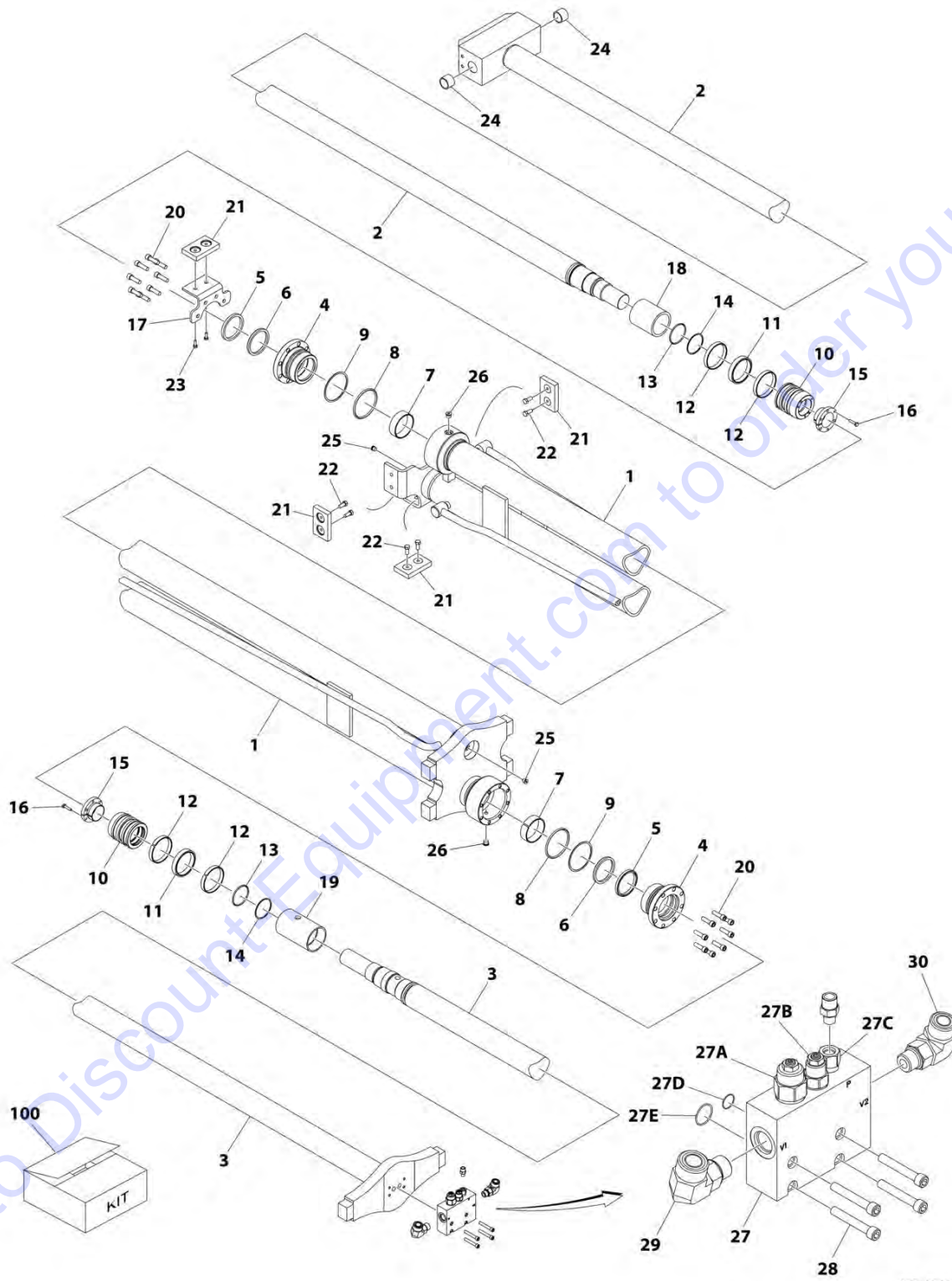
SECTION 6 - CYLINDER

ITEM	PART NUMBER	QTY	DESCRIPTION	REV
108	See Note	NSS	Ring, Wear (Qty 2 per Kit) (Note: Use Item 100)	
109	See Note	NSS	Seal (Qty 1 per Kit) (Note: Use Item 100)	

Go to Discount-Equipment.com to order your parts

SECTION 6 - CYLINDER

FIGURE 6-22. TELESCOPE CYLINDER ASSEMBLY - TOWER BOOM (SN 0300243459 to Present)



ART_1001228032

SECTION 6 - CYLINDER

FIGURE 6-22. TELESCOPE CYLINDER ASSEMBLY - TOWER BOOM (SN 0300243459 to Present)

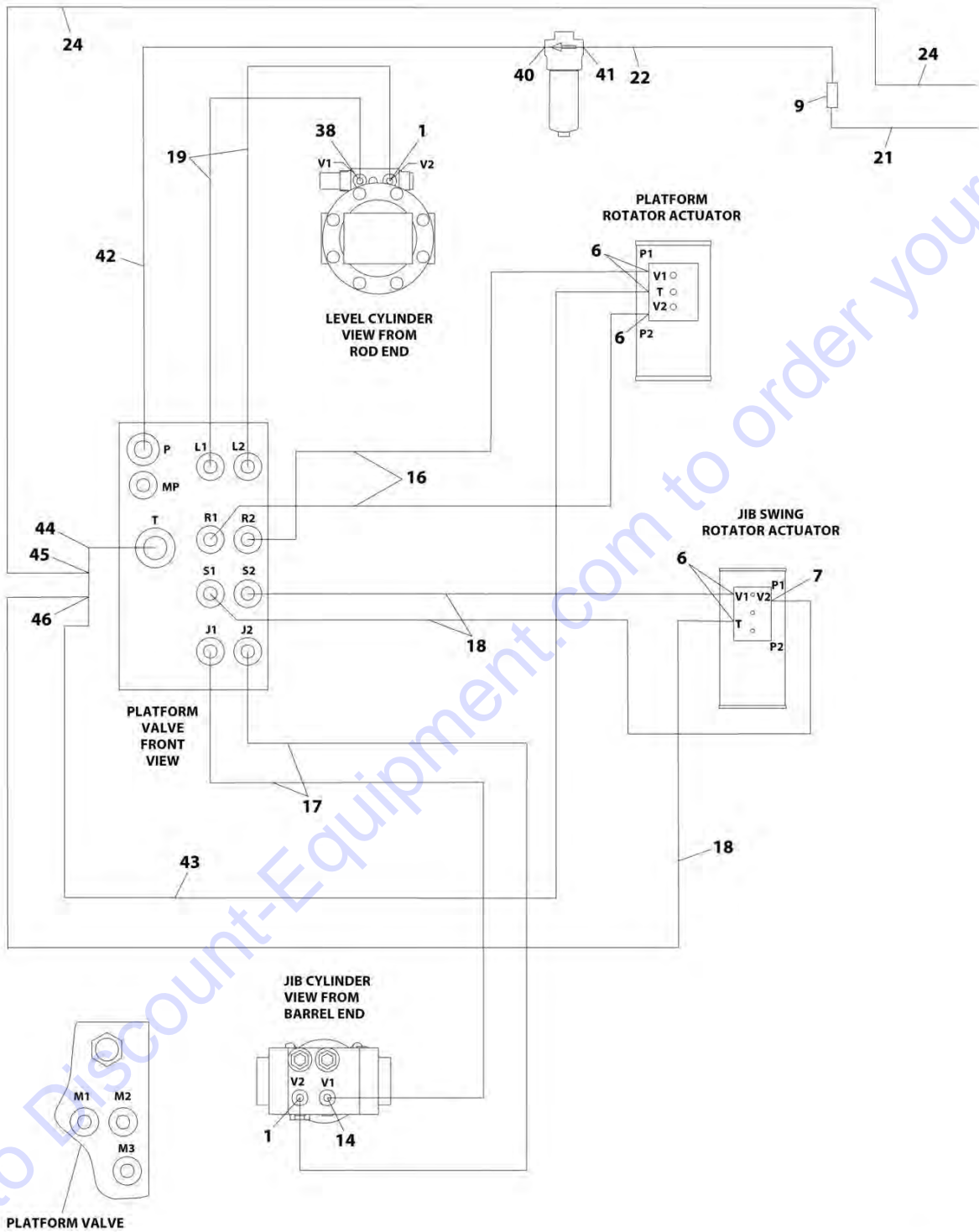
ITEM	PART NUMBER	QTY	DESCRIPTION	REV
	1001228032	Ref	TELESCOPE CYLINDER ASSEMBLY - TOWER BOOM (SN 0300243459 to Present)	A
		Ref	Note: Original Cylinder May Have Been Replaced with Service Replacement. Identify PN Stamped on Cylinder Before Ordering Parts.	
1	See Note	NSS	Barrel (Note: Not Available for Purchase)	
2	70006713	1	Rod	
3	70006714	1	Rod	
4	70006715	2	Head	
5	See Note	NSS	Wiper (Note: Use Item 100)	
6	See Note	NSS	Seal, Rod (Note: Use Item 100)	
7	See Note	NSS	Ring, Wear (Note: Use Item 100)	
8	See Note	NSS	O-Ring (Note: Use Item 100)	
9	See Note	NSS	Ring, Back-up (Note: Use Item 100)	
10	70006716	2	Piston	
11	See Note	NSS	Seal (Note: Use Item 100)	
12	See Note	NSS	Ring, Wear (Note: Use Item 100)	
13	See Note	NSS	O-Ring (Note: Use Item 100)	
14	See Note	NSS	Ring, Back-up (Note: Use Item 100)	
15	0961897	2	Bushing, Tapered	
16	0630535	6	Capscrew 1/4 x 1-1/8	
17	3574630	1	Bracket, Wear Pad Mounting	
18	70006717	1	Spacer	
19	70006718	1	Spacer	
20	3931724	16	Capscrew 7/16 x 1-1/2	
21	3340763	4	Pad, Wear	
22	0641607	6	Bolt 3/8 x 7/8	
23	0641606	2	Bolt 3/8 x 3/4	
24	0961951	2	Bushing	
25	2220883	2	Plug, O-Ring	
26	2220885	2	Plug, O-Ring	
27	4641298	1	Valve Assembly	
27A	7011359	1	Cartridge, Valve	
27A	2900789	1	Seal Kit - 7011359 Valve	
27B	4641162	1	Cartridge, Valve (was p/n 7011360)	
27B	2900770	1	Seal Kit - 7011360 & 4641162 Valve	
27C	7011361	1	Cartridge, Flow-Through Valve	
27C	7011346	1	Seal Kit - 7011361 Valve	
27D	70000778	1	O-Ring	
27E	70000777	1	O-Ring	
28	3931532	4	Capscrew 5/16 x 2	
29	2131210	1	Fitting, 90 ORFS/ORB	
30	2131008	1	Fitting, 90 ORFS/ORB	
100	2902291	2	Seal Kit (Includes Items 5-9 & 11-14)	

SECTION 7 - HYDRAULIC

Go to Discount-Equipment.com to order your parts

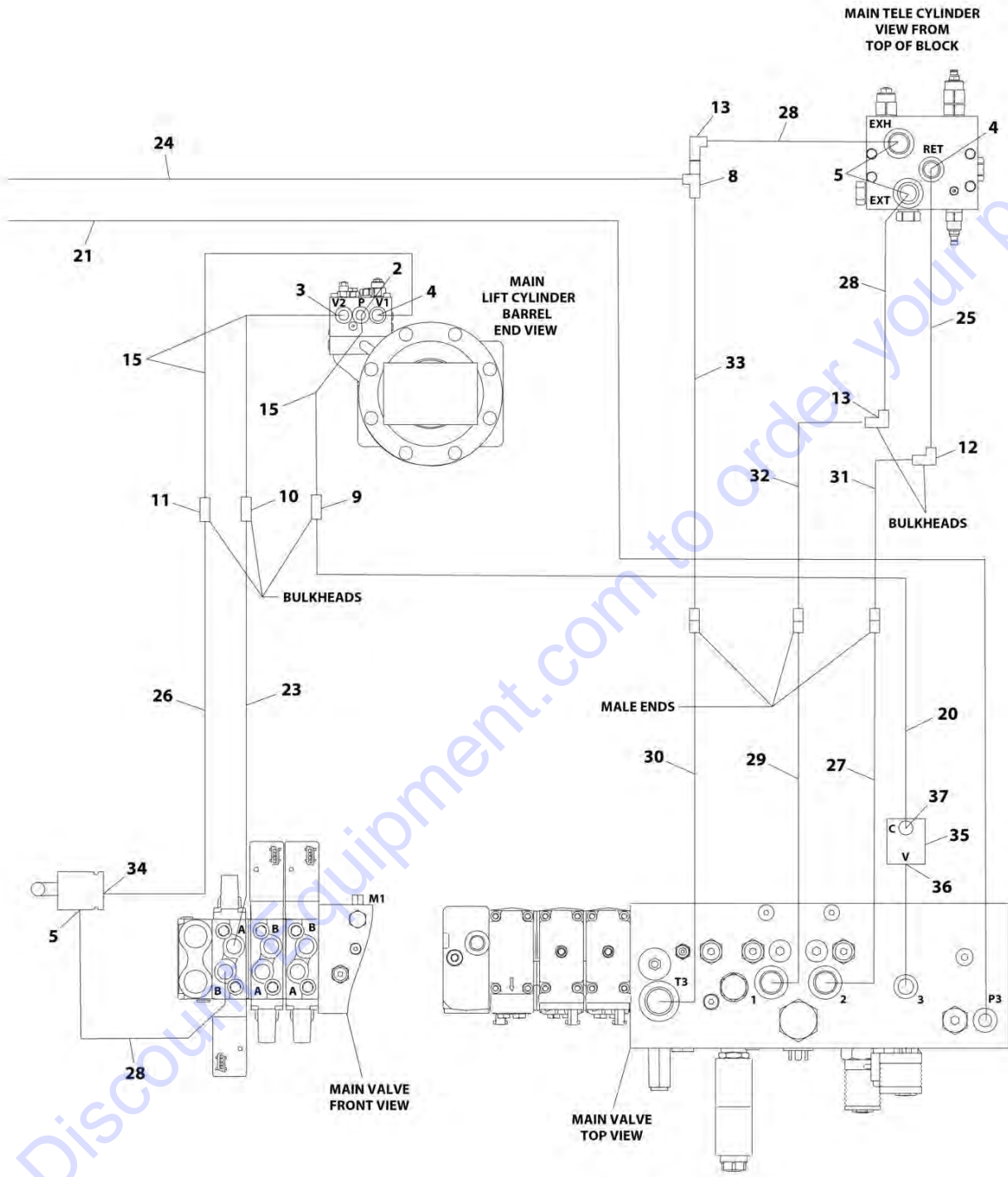
SECTION 7 - HYDRAULIC

FIGURE 7-1. HYDRAULIC DIAGRAM - BOOM (WITH REXROTH PUMPS)



ART_1283457_10F8

SECTION 7 - HYDRAULIC



ART_1283457_20F8

SECTION 7 - HYDRAULIC

FIGURE 7-1. HYDRAULIC DIAGRAM - BOOM (WITH REXROTH PUMPS)

ITEM	PART NUMBER	QTY	DESCRIPTION	REV
	1283457	Ref	HYDRAULIC DIAGRAM - BOOM (WITH REXROTH PUMPS)	L
	1001098027	Ref	Hydraulic Diagram - Tower/Upper Boom	B
1	2110404	2	Fitting, Straight ORFS/ORB	
2	2110610	1	Fitting, Straight ORFS/ORB	
3	2110810	1	Fitting, Straight ORFS/ORB	
4	2111010	1	Fitting, Straight ORFS/ORB	
5	2111212	1	Fitting, Straight ORFS/ORB	
6	2150404	5	Fitting, 45 ORFS/ORB	
7	2170204	1	Fitting, 90 ORFS/ORB	
8	2170712	1	Fitting, Tee ORFS/FSORFS/ORFS	
9	2171306	2	Fitting, 45 ORFS/ORB	
10	2171308	1	Fitting, 45 ORFS/ORB	
11	2171310	1	Fitting, 45 ORFS/ORB	
12	2171210	1	Fitting, 90 ORFS/ORB	
13	2171212	2	Fitting, 90 ORFS/ORB	
14	2180830	1	Fitting, Straight ORFS/ORB	
15	2720516	1	Hose	
16	2753545	2	Hose	
17	2753717	2	Hose	
18	2753716	3	Hose	
19	2753897	2	Hose	
20	2753978	1	Hose	
21	2754123	1	Hose	
22	2754124	1	Hose	
23	2753985	1	Hose	
24	2753986	1	Hose	
25	2753987	1	Hose	
26	2753994	1	Hose	
27	2753993	1	Hose	
28	2753998	3	Hose	
29	2754002	1	Hose	
30	2754003	1	Hose	
31	2754010	1	Hose	
32	2754011	1	Hose	
33	2753999	1	Hose	
34	2111012	1	Fitting, Straight ORFS/ORB	
35	4641372	1	Valve, Double Check	
35A	7027284	1	Cartridge	
35A	7011346	1	Seal Kit - 7027284 Cartridge	
35B	7027285	1	Cartridge	
35B	7011311	1	Seal Kit - 7027285 Cartridge	
36	2221123	1	Fitting, Straight S FSORFS/ORB	
37	2130606	1	Fitting, 90 ORFS/ORB	
38	2180830	1	Fitting, Straight ORFS/ORB	
40	2110612	1	Fitting, Straight ORFS/ORB	
41	2130612	1	Fitting, 90 ORFS/ORB	
42	2717059	1	Hose	
43	2754288	1	Hose	
44	2170708	1	Fitting, Swivel Nut Run Tee ORFS/FSORFS/ORFS	
45	1001097820	1	Fitting, Adapter ORFS/FSORFS	

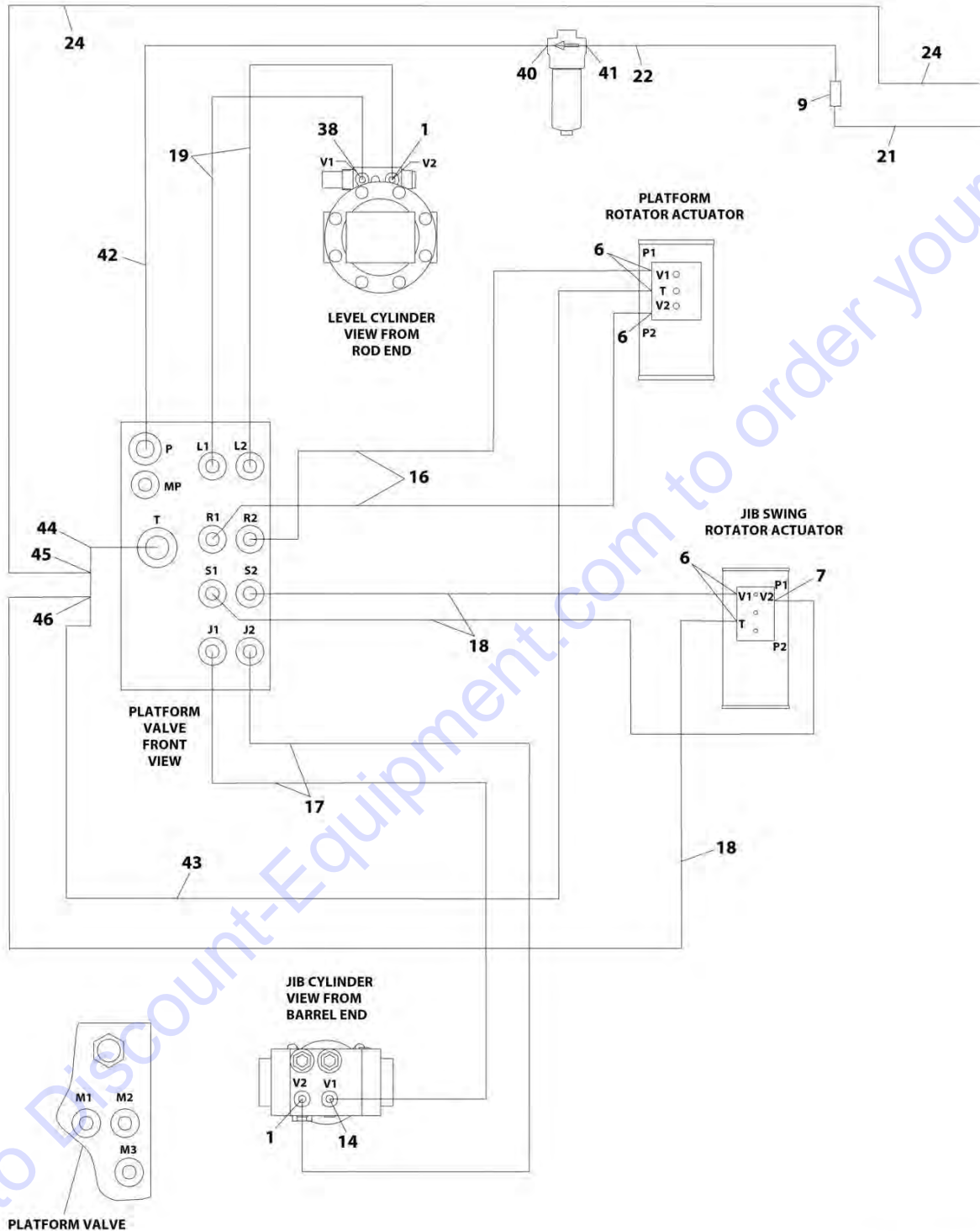
SECTION 7 - HYDRAULIC

ITEM	PART NUMBER	QTY	DESCRIPTION	REV
46	2170704	1	Fitting, Swivel Nut Run Tee ORFS/FSORFS/ORFS	

Go to Discount-Equipment.com to order your parts

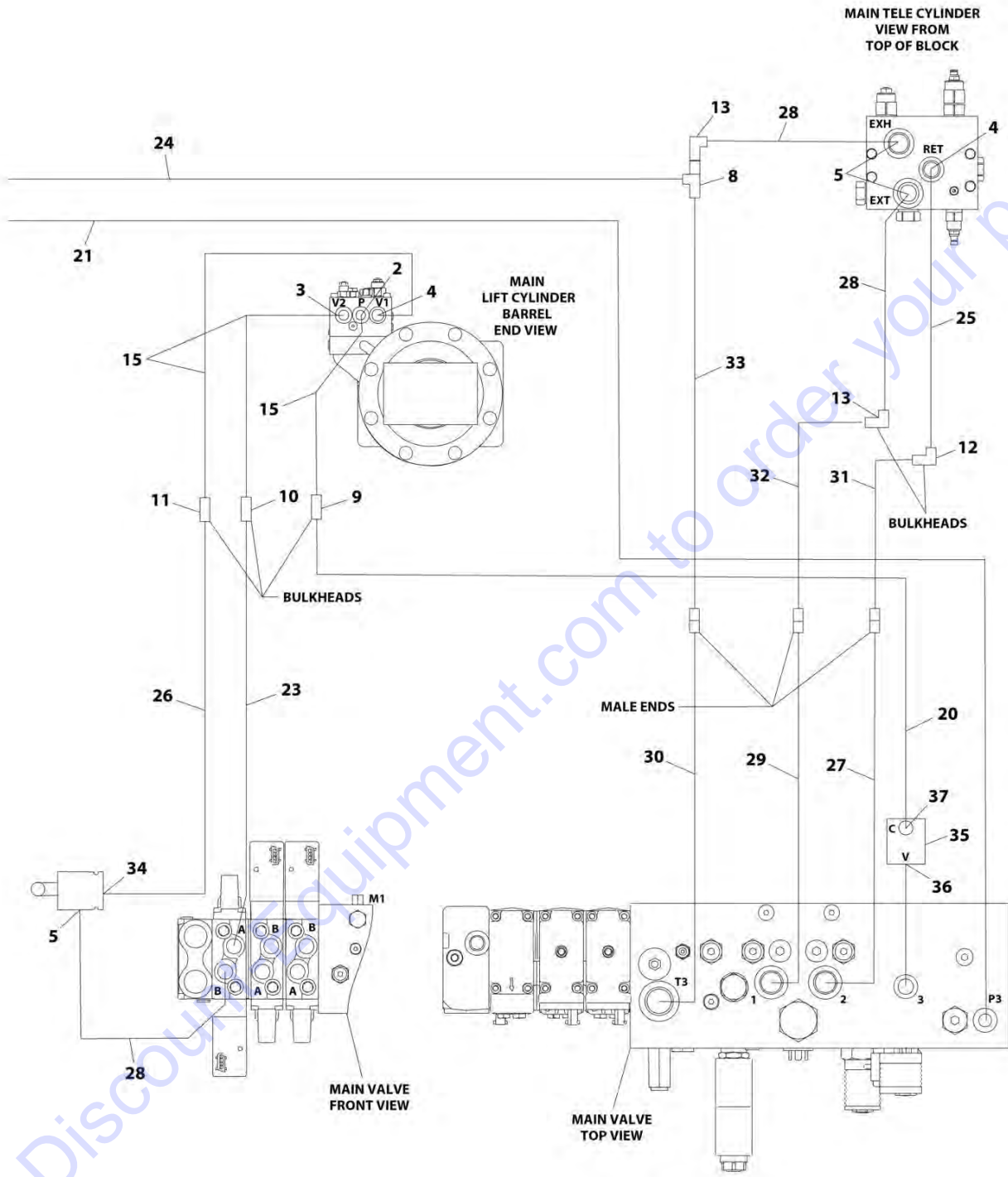
SECTION 7 - HYDRAULIC

FIGURE 7-2. HYDRAULIC DIAGRAM - BOOM (WITH SAUER PUMPS)



ART_1001110252_1OF8

SECTION 7 - HYDRAULIC



ART_1001110252_2OF8

SECTION 7 - HYDRAULIC

FIGURE 7-2. HYDRAULIC DIAGRAM - BOOM (WITH SAUER PUMPS)

ITEM	PART NUMBER	QTY	DESCRIPTION	REV
	1001110252	Ref	HYDRAULIC DIAGRAM - BOOM (WITH SAUER PUMPS)	L
	1001111084	Ref	Hydraulic Diagram - Tower/Upper Boom	B
1	2110404	2	Fitting, Straight ORFS/ORB	
2	2110610	1	Fitting, Straight ORFS/ORB	
3	2110810	1	Fitting, Straight ORFS/ORB	
4	2111010	1	Fitting, Straight ORFS/ORB	
5	2111212	1	Fitting, Straight ORFS/ORB	
6	2150404	5	Fitting, 45 ORFS/ORB	
7	2170204	1	Fitting, 90 ORFS/ORB	
8	2170712	1	Fitting, Tee ORFS/FSORFS/ORFS	
9	2171306	2	Fitting, 45 ORFS/ORB	
10	2171308	1	Fitting, 45 ORFS/ORB	
11	2171310	1	Fitting, 45 ORFS/ORB	
12	2171210	1	Fitting, 90 ORFS/ORB	
13	2171212	2	Fitting, 90 ORFS/ORB	
14	2180830	1	Fitting, Straight ORFS/ORB	
15	2720516	1	Hose	
16	2753545	2	Hose	
17	2753717	2	Hose	
18	2753716	3	Hose	
19	2753897	2	Hose	
20	2753978	1	Hose	
21	2754123	1	Hose	
22	2754124	1	Hose	
23	2753985	1	Hose	
24	2753986	1	Hose	
25	2753987	1	Hose	
26	2753994	1	Hose	
27	2753993	1	Hose	
28	2753998	3	Hose	
29	2754002	1	Hose	
30	2754003	1	Hose	
31	2754010	1	Hose	
32	2754011	1	Hose	
33	2753999	1	Hose	
34	2111012	1	Fitting, Straight ORFS/ORB	
35	4641372	1	Valve, Double Check	
35A	7027284	1	Cartridge	
35A	7011346	1	Seal Kit - 7027284 Cartridge	
35B	7027285	1	Cartridge	
35B	7011311	1	Seal Kit - 7027285 Cartridge	
36	2221123	1	Fitting, Straight S FSORFS/ORB	
37	2130606	1	Fitting, 90 ORFS/ORB	
38	2180830	1	Fitting, Straight ORFS/ORB	
40	2110612	1	Fitting, Straight ORFS/ORB	
41	2130612	1	Fitting, 90 ORFS/ORB	
42	2717059	1	Hose	
43	2754288	1	Hose	
44	2170708	1	Fitting, Swivel Nut Run Tee ORFS/FSORFS/ORFS	
45	1001097820	1	Fitting, Adapter ORFS/FSORFS	

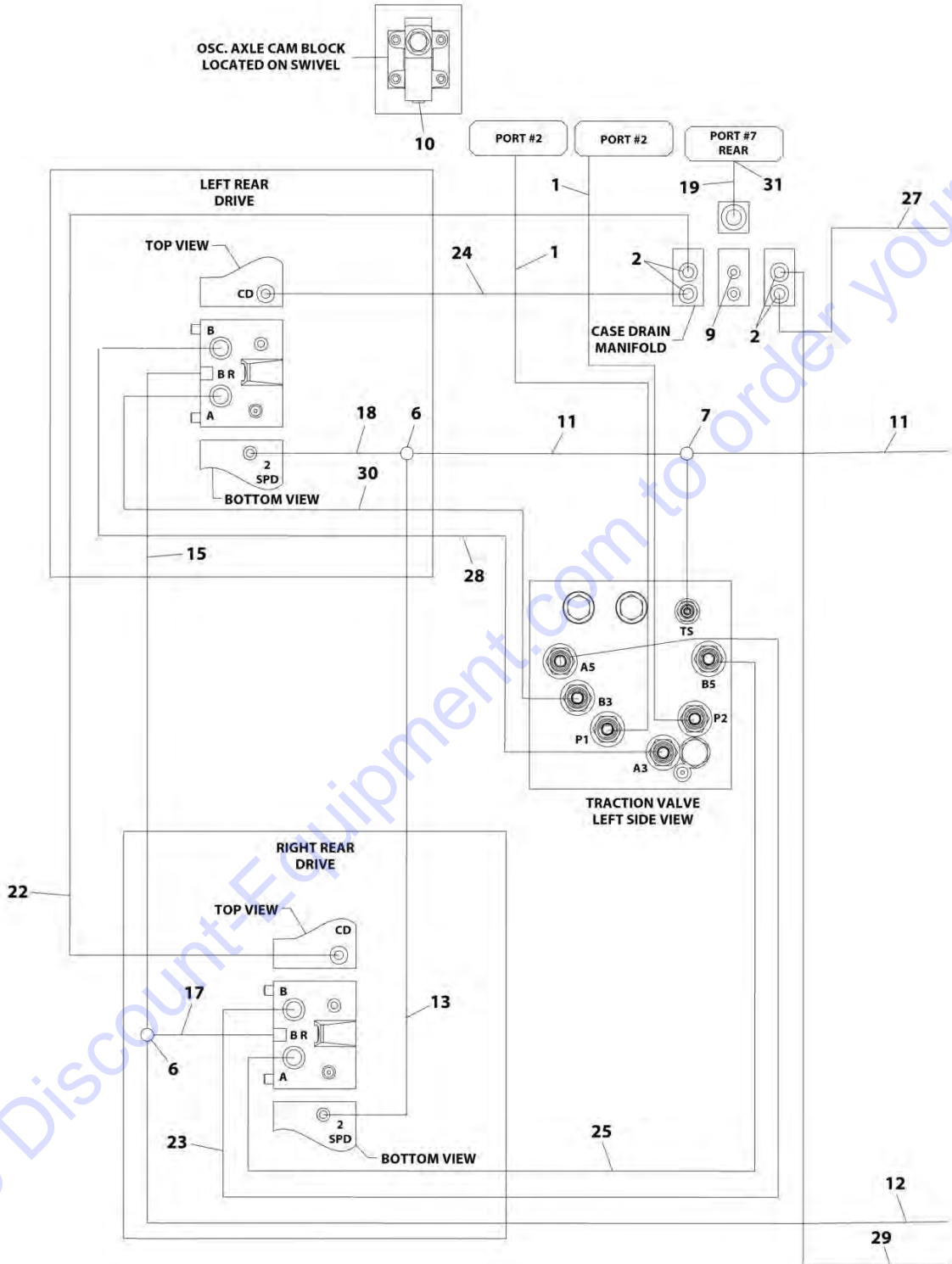
SECTION 7 - HYDRAULIC

ITEM	PART NUMBER	QTY	DESCRIPTION	REV
46	2170704	1	Fitting, Swivel Nut Run Tee ORFS/FSORFS/ORFS	

Go to Discount-Equipment.com to order your parts

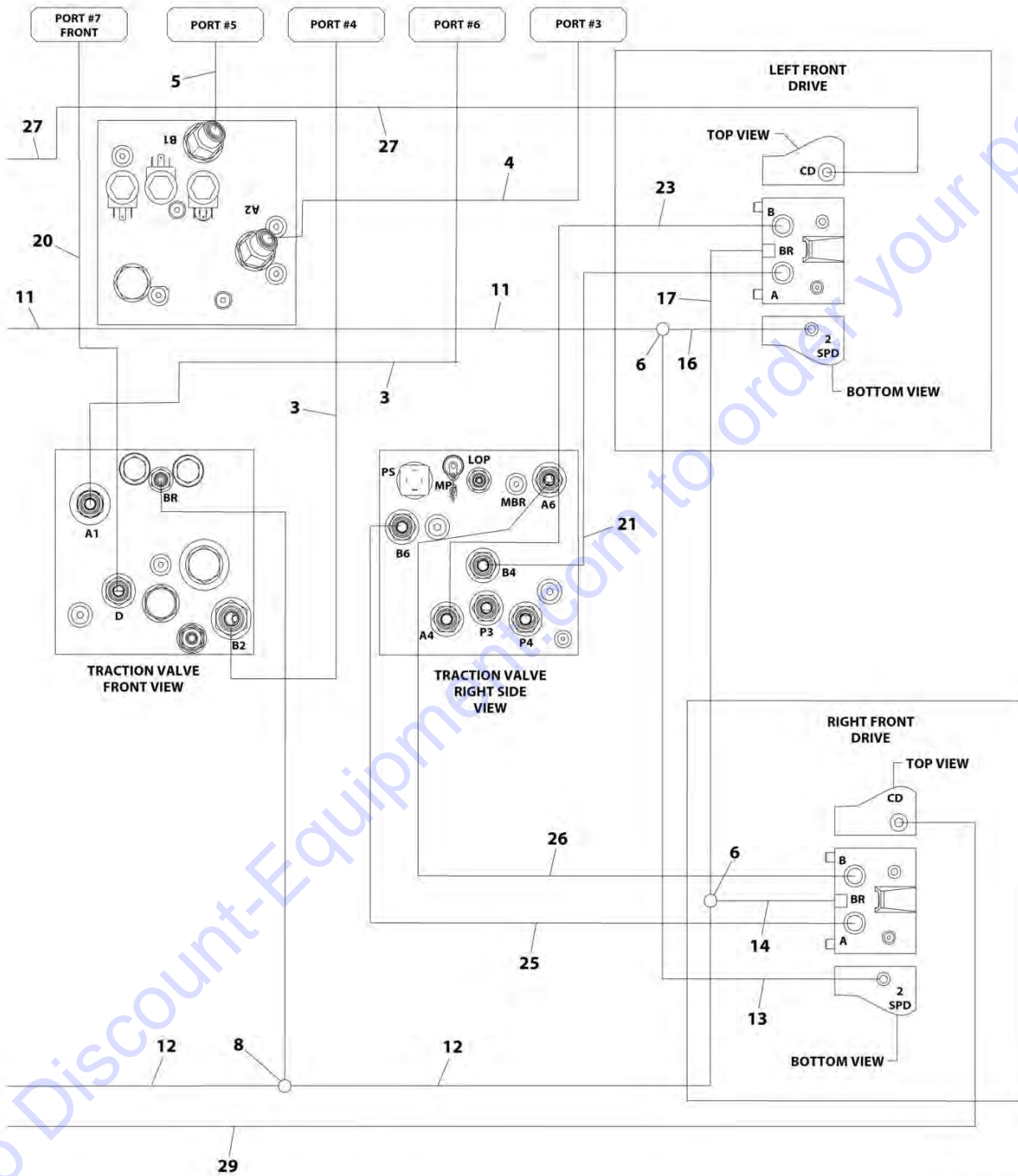
SECTION 7 - HYDRAULIC

FIGURE 7-3. HYDRAULIC DIAGRAM - DRIVE (WITH REXROTH PUMPS)



ART_1283457_30F8

SECTION 7 - HYDRAULIC



ART_1283457_4OF8

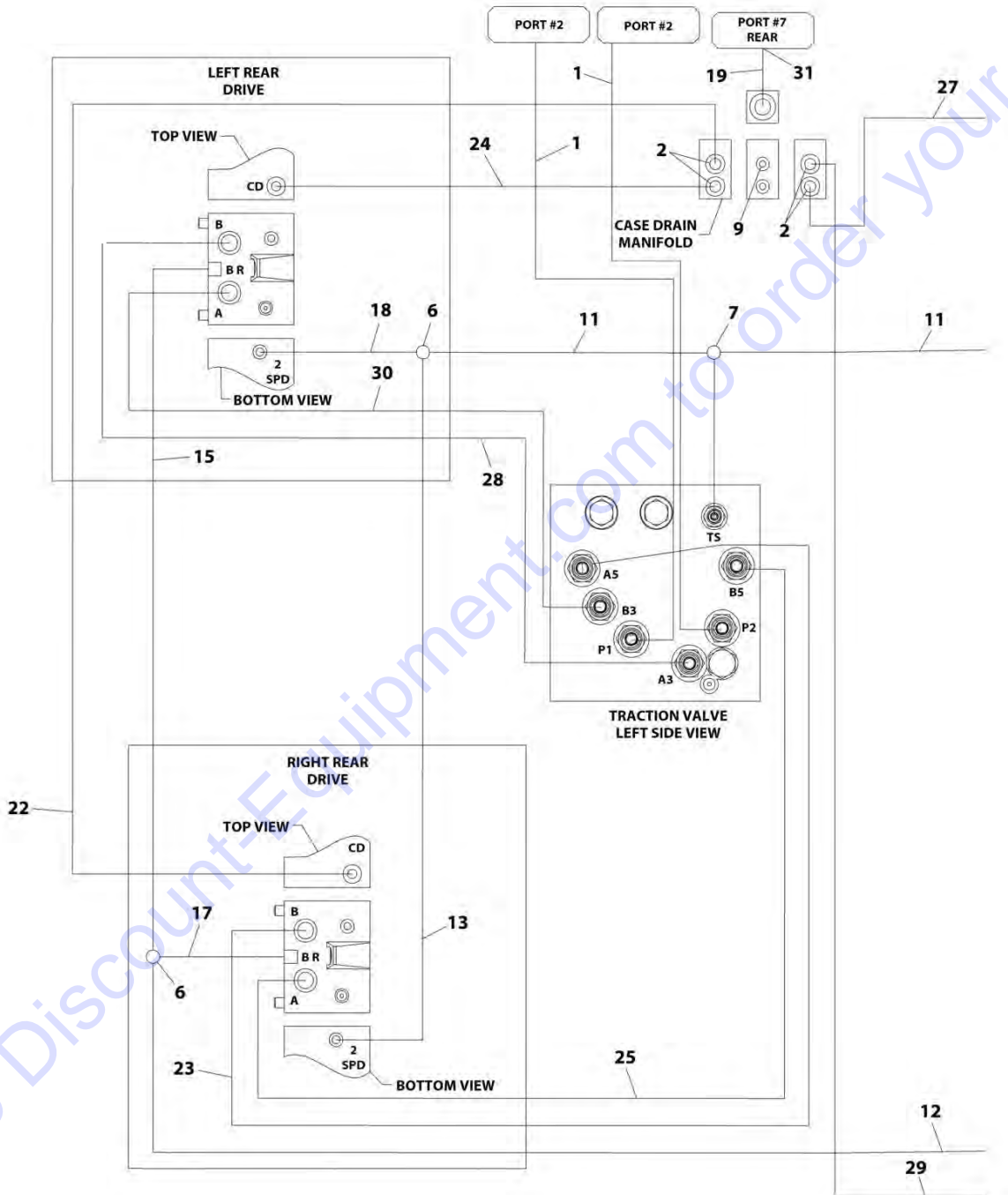
SECTION 7 - HYDRAULIC

FIGURE 7-3. HYDRAULIC DIAGRAM - DRIVE (WITH REXROTH PUMPS)

ITEM	PART NUMBER	QTY	DESCRIPTION	REV
	1283457	Ref	HYDRAULIC DIAGRAM - DRIVE (WITH REXROTH PUMPS)	L
	2792772	Ref	Hydraulic Diagram - Drive Circuit	F
1	2753685	2	Hose	
2	2110808	4	Fitting, Straight ORFS/ORB	
3	2753703	2	Hose	
4	2753764	1	Hose	
5	2753768	1	Hose	
6	2170504	4	Fitting, Tee ORFS	
7	2170704	1	Fitting, Tee ORFS/ORB/ORFS	
8	2170804	1	Fitting, Tee ORFS/ORB/ORFS	
9	2220235	1	Plug	
10	2220238	0	Plug (Not Used on 1250AJP)	
11	2753541	2	Hose	
12	2753545	2	Hose	
13	2753677	2	Hose	
14	2753714	1	Hose	
15	2753713	1	Hose	
16	2753716	1	Hose	
17	2753715	2	Hose	
18	2753552	1	Hose	
19	2753752	1	Hose	
20	2753582	1	Hose	
21	2753756	1	Hose	
22	2753747	1	Hose	
23	2753757	2	Hose	
24	2753748	1	Hose	
25	2753759	2	Hose	
26	2753760	1	Hose	
27	2753749	1	Hose	
28	2753761	1	Hose	
29	2753750	1	Hose	
30	2753762	1	Hose	
31	2110812	1	Fitting, Straight ORFS/ORB	

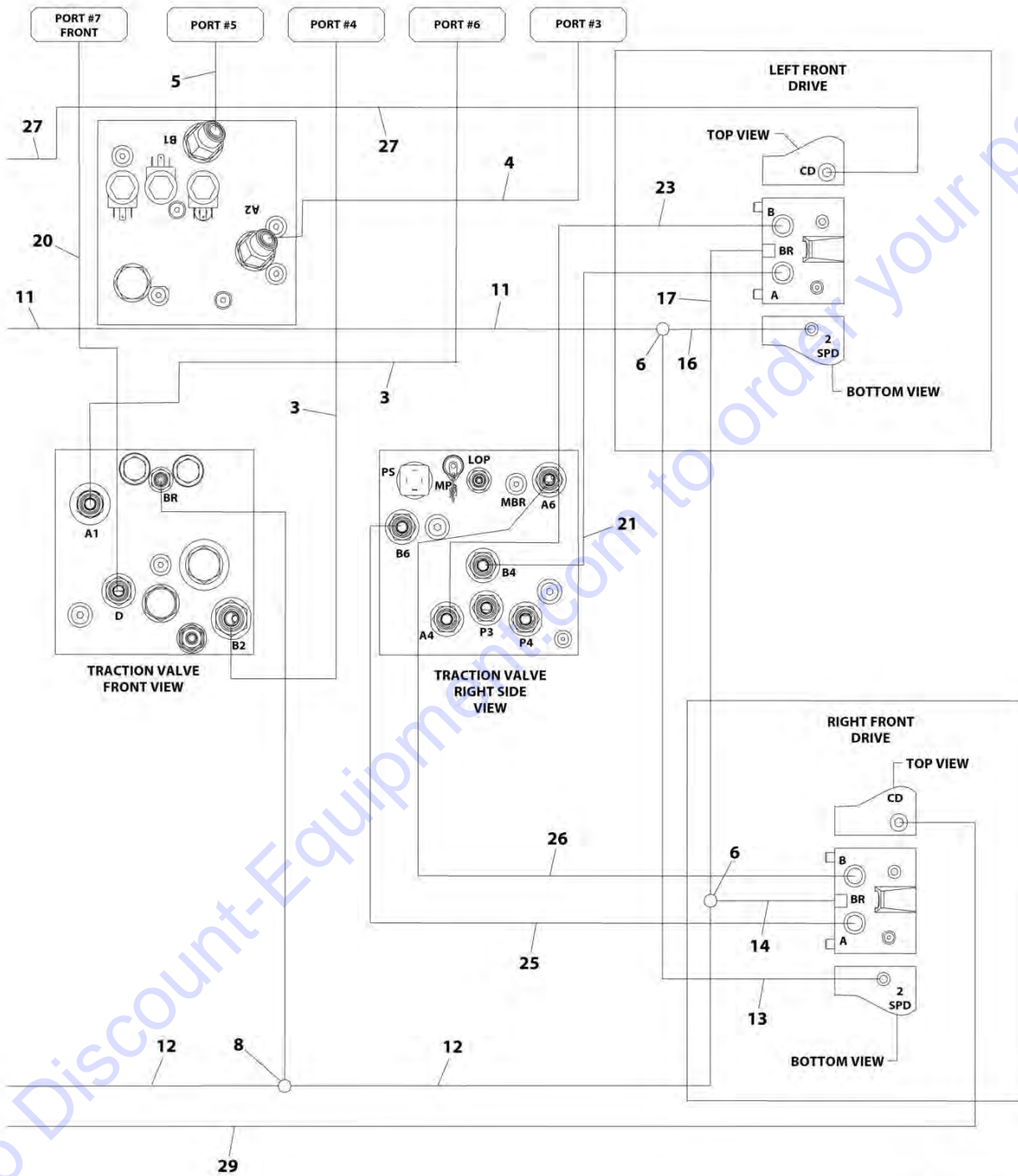
SECTION 7 - HYDRAULIC

FIGURE 7-4. HYDRAULIC DIAGRAM - DRIVE (WITH SAUER PUMPS)



ART_1001110252_30F8

SECTION 7 - HYDRAULIC



ART_1001110252_4OF8

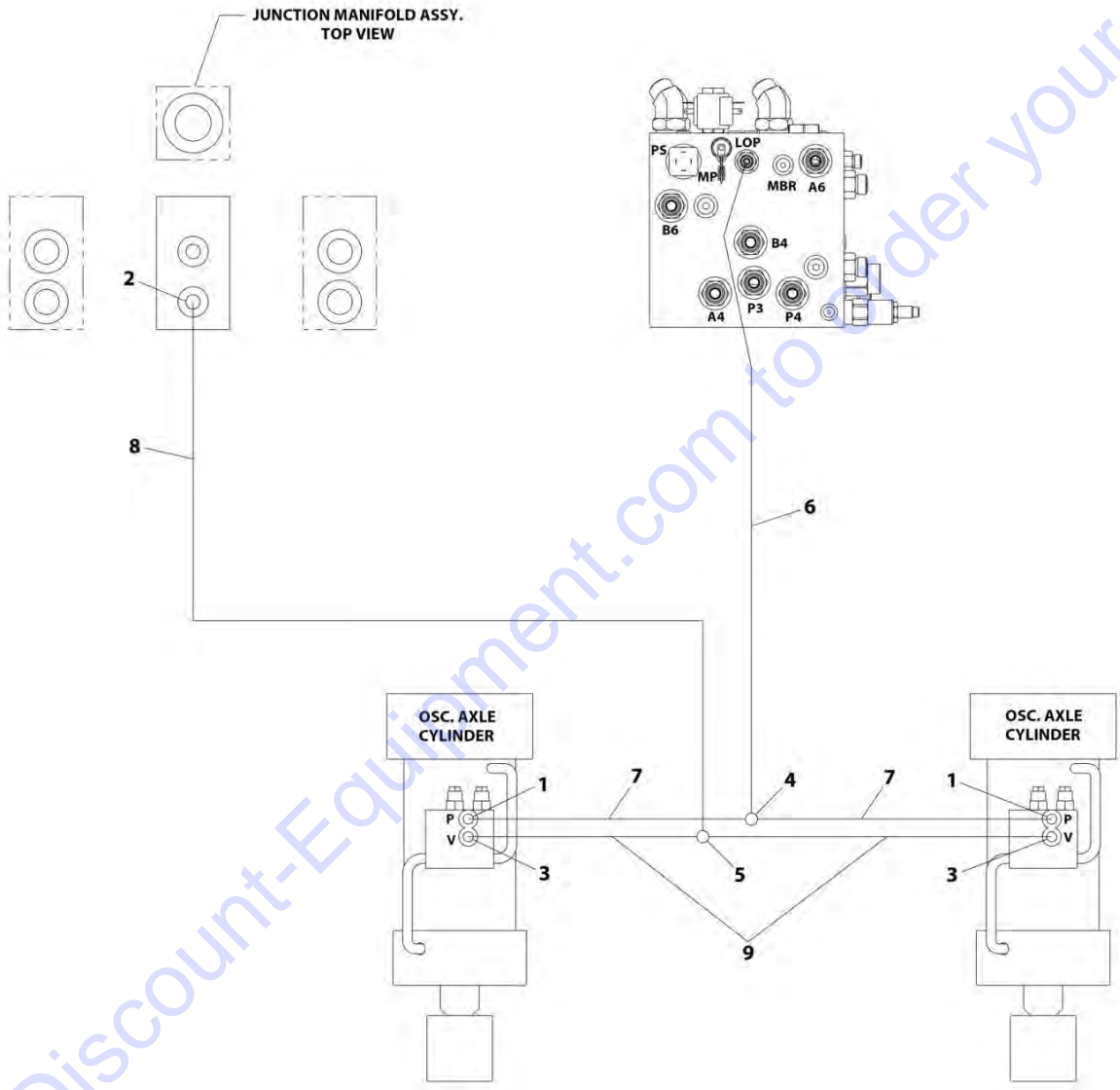
SECTION 7 - HYDRAULIC

FIGURE 7-4. HYDRAULIC DIAGRAM - DRIVE (WITH SAUER PUMPS)

ITEM	PART NUMBER	QTY	DESCRIPTION	REV
	1001110252	Ref	HYDRAULIC DIAGRAM - DRIVE (WITH SAUER PUMPS)	L
	1001111082	Ref	Hydraulic Diagram - Drive Circuit	C
1	2753685	2	Hose	
2	2110808	4	Fitting, Straight ORFS/ORB	
3	2753703	2	Hose	
4	2753764	1	Hose	
5	2753768	1	Hose	
6	2170504	4	Fitting, Tee ORFS	
7	2170704	1	Fitting, Tee ORFS/ORB/ORFS	
8	2170804	1	Fitting, Tee ORFS/ORB/ORFS	
9	2220235	1	Plug	
11	2753541	2	Hose	
12	2753545	2	Hose	
13	2753677	2	Hose	
14	2753714	1	Hose	
15	2753713	1	Hose	
16	2753716	1	Hose	
17	2753715	2	Hose	
18	2753552	1	Hose	
19	2753752	1	Hose	
20	2753582	1	Hose	
21	2753756	1	Hose	
22	2753747	1	Hose	
23	2753757	2	Hose	
24	2753748	1	Hose	
25	2753759	2	Hose	
26	2753760	1	Hose	
27	2753749	1	Hose	
28	2753761	1	Hose	
29	2753750	1	Hose	
30	2753762	1	Hose	
31	2110812	1	Fitting, Straight ORFS/ORB	

SECTION 7 - HYDRAULIC

FIGURE 7-5. HYDRAULIC DIAGRAM - OSCILLATING AXLE (WITH REXROTH PUMPS)



ART_1283457_50F8

SECTION 7 - HYDRAULIC

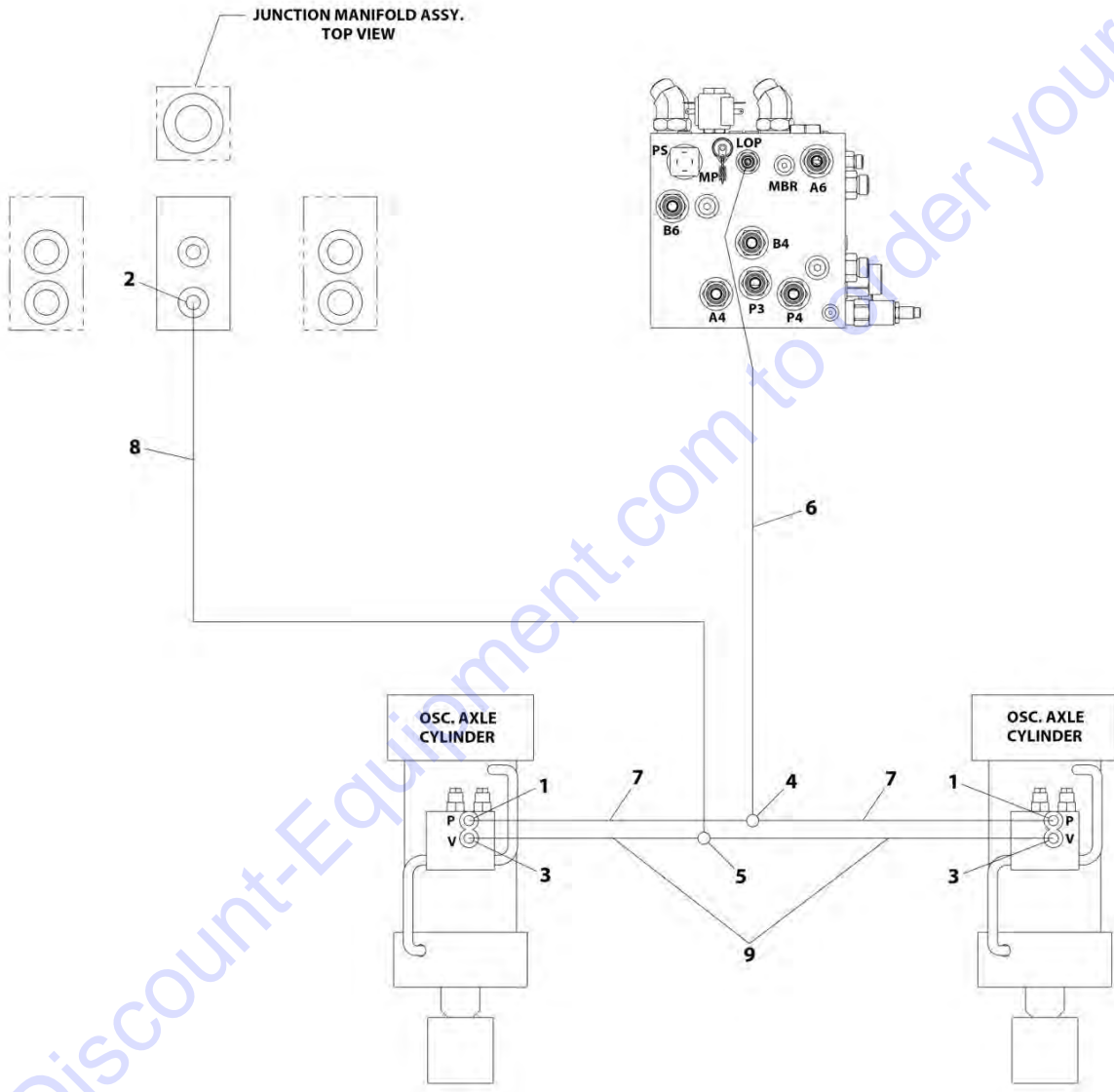
FIGURE 7-5. HYDRAULIC DIAGRAM - OSCILLATING AXLE (WITH REXROTH PUMPS)

ITEM	PART NUMBER	QTY	DESCRIPTION	REV
	1283457	Ref	HYDRAULIC DIAGRAM - OSCILLATING AXLE (WITH REXROTH PUMPS)	L
	2792647	Ref	Hydraulic Diagram - Oscillating Axle	4
1	2110406	2	Fitting, Straight ORFS/ORB	
2	2110604	1	Fitting, Straight ORFS/ORB	
3	2110606	2	Fitting, Straight ORFS/ORB	
4	2170504	1	Fitting, Tee ORFS	
5	2170506	1	Fitting, Tee ORFS	
6	2753726	1	Hose	
7	2753719	2	Hose	
8	2753727	1	Hose	
9	2753729	2	Hose	

Go to Discount-Equipment.com to order your parts

SECTION 7 - HYDRAULIC

FIGURE 7-6. HYDRAULIC DIAGRAM - OSCILLATING AXLE (WITH SAUER PUMPS)



ART_1001110252_SOF8

SECTION 7 - HYDRAULIC

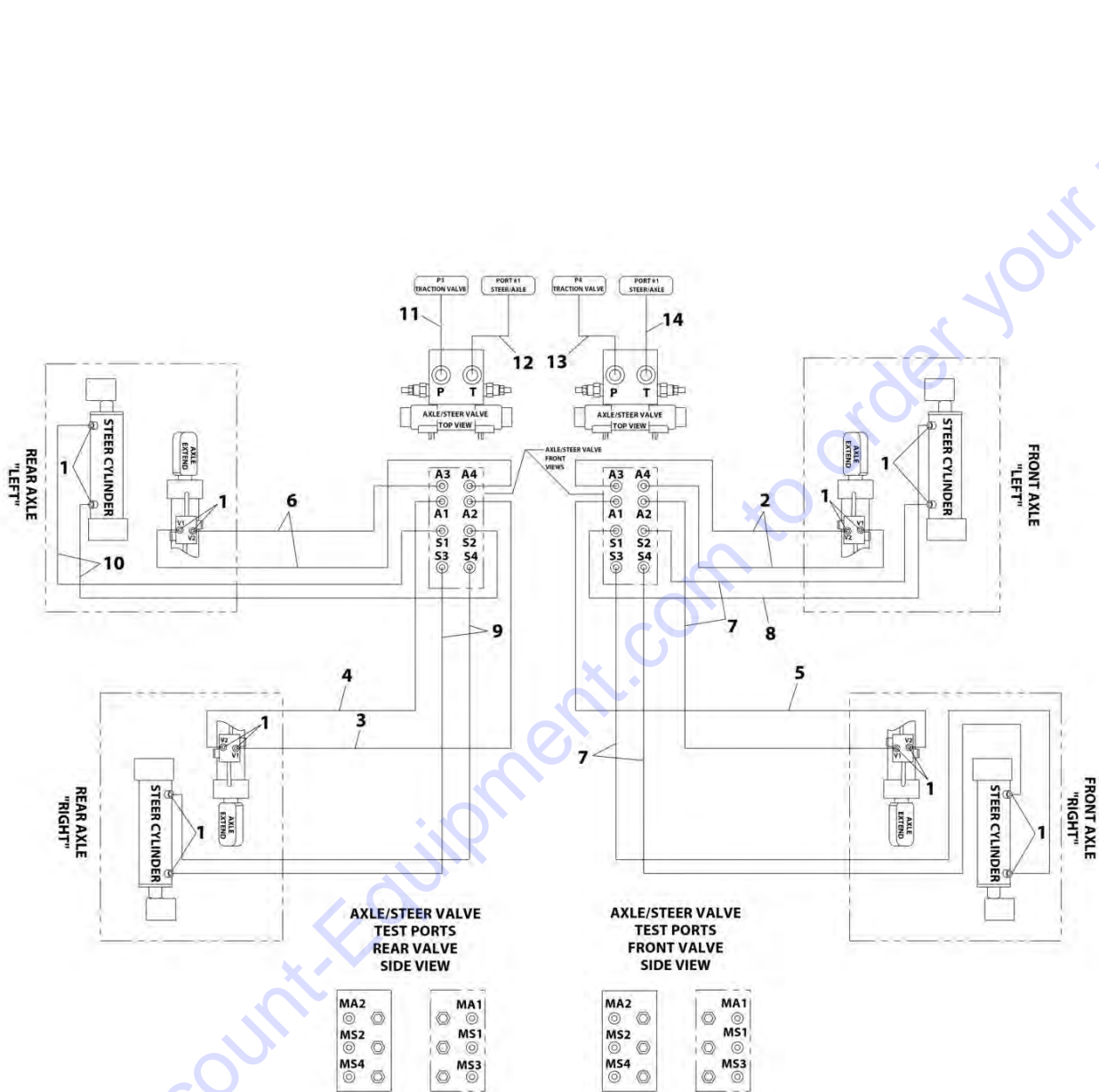
FIGURE 7-6. HYDRAULIC DIAGRAM - OSCILLATING AXLE (WITH SAUER PUMPS)

ITEM	PART NUMBER	QTY	DESCRIPTION	REV
	1001110252	Ref	HYDRAULIC DIAGRAM - OSCILLATING AXLE (WITH SAUER PUMPS)	L
	1001111081	Ref	Hydraulic Diagram - Oscillating Axle	1
1	2110406	2	Fitting, Straight ORFS/ORB	
2	2110604	1	Fitting, Straight ORFS/ORB	
3	2110606	2	Fitting, Straight ORFS/ORB	
4	2170504	1	Fitting, Tee ORFS	
5	2170506	1	Fitting, Tee ORFS	
6	2753726	1	Hose	
7	2753719	2	Hose	
8	2753727	1	Hose	
9	2753729	2	Hose	

Go to Discount-Equipment.com to order your parts

SECTION 7 - HYDRAULIC

FIGURE 7-7. HYDRAULIC DIAGRAM - STEER (WITH REXROTH PUMPS)



ART_1283457_60F8

SECTION 7 - HYDRAULIC

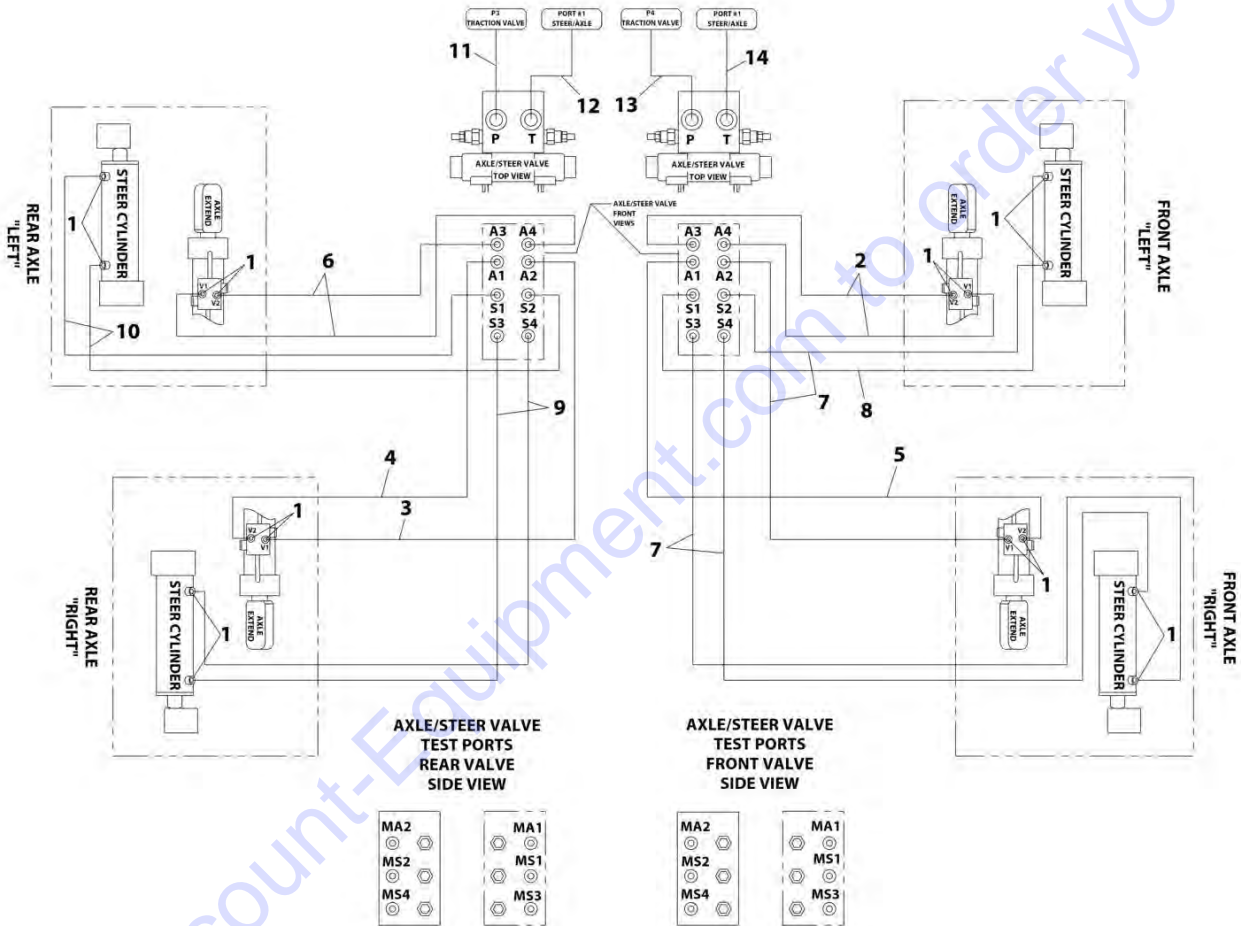
FIGURE 7-7. HYDRAULIC DIAGRAM - STEER (WITH REXROTH PUMPS)

ITEM	PART NUMBER	QTY	DESCRIPTION	REV
	1283457	Ref	HYDRAULIC DIAGRAM - STEER (WITH REXROTH PUMPS)	L
	2792773	Ref	Hydraulic Diagram - Steer	2
1	2130606	16	Fitting, 90 ORFS/ORB	
2	2753732	2	Hose	
3	2753733	1	Hose	
4	2753728	1	Hose	
5	2753734	1	Hose	
6	2753735	2	Hose	
7	2753736	4	Hose	
8	2753737	1	Hose	
9	2753738	2	Hose	
10	2753739	2	Hose	
11	2753753	1	Hose	
12	2753742	1	Hose	
13	2753754	1	Hose	
14	2753743	1	Hose	

Go to Discount-Equipment.com to order your parts

SECTION 7 - HYDRAULIC

FIGURE 7-8. HYDRAULIC DIAGRAM - STEER (WITH SAUER PUMPS)



ART_1001110252_60F8

SECTION 7 - HYDRAULIC

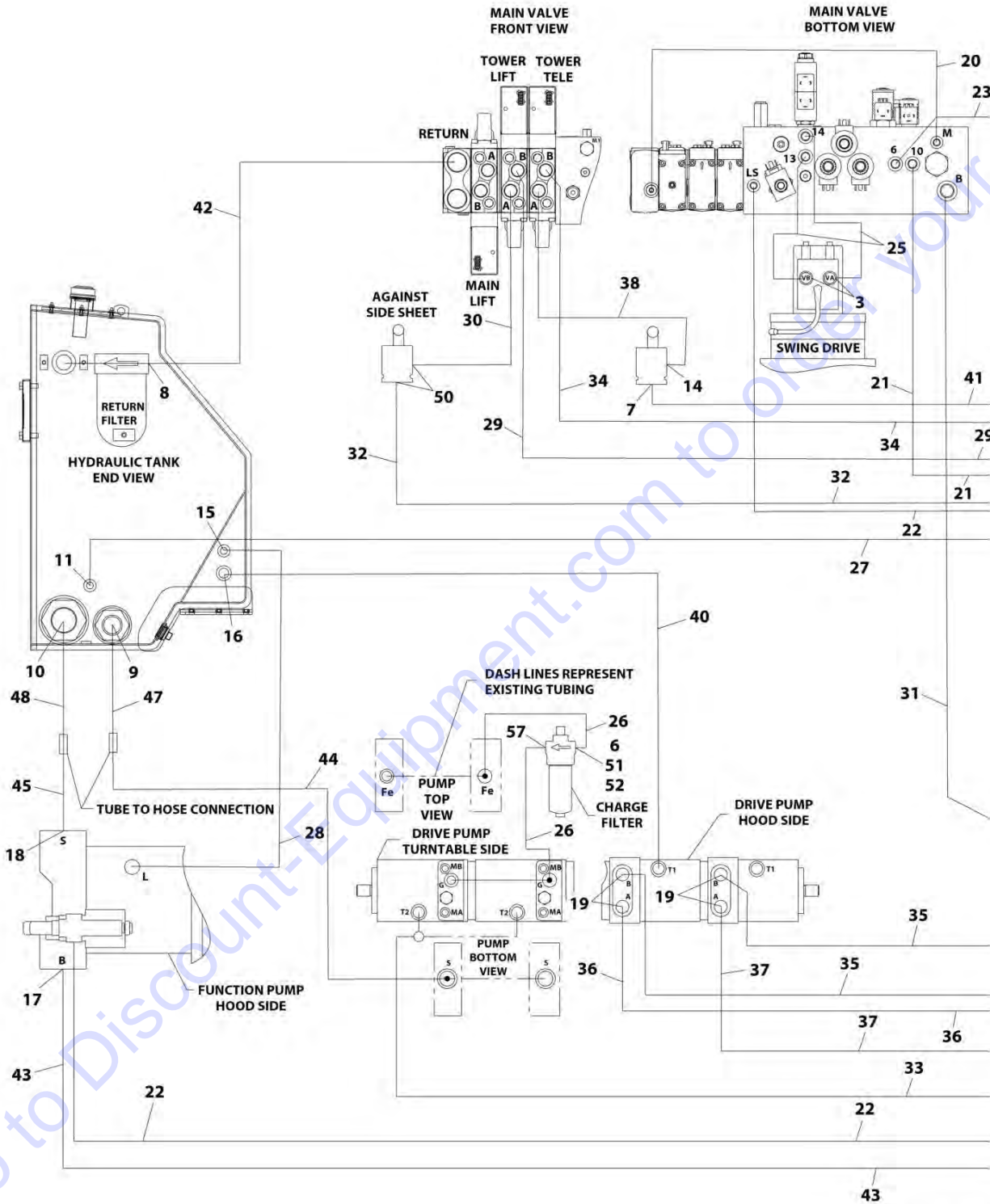
FIGURE 7-8. HYDRAULIC DIAGRAM - STEER (WITH SAUER PUMPS)

ITEM	PART NUMBER	QTY	DESCRIPTION	REV
	1001110252	Ref	HYDRAULIC DIAGRAM - STEER (WITH SAUER PUMPS)	L
	1001111083	Ref	Hydraulic Diagram - Steer	1
1	2130606	16	Fitting, 90 ORFS/ORB	
2	2753732	2	Hose	
3	2753733	1	Hose	
4	2753728	1	Hose	
5	2753734	1	Hose	
6	2753735	2	Hose	
7	2753736	4	Hose	
8	2753737	1	Hose	
9	2753738	2	Hose	
10	2753739	2	Hose	
11	2753753	1	Hose	
12	2753742	1	Hose	
13	2753754	1	Hose	
14	2753743	1	Hose	

Go to Discount-Equipment.com to order your parts

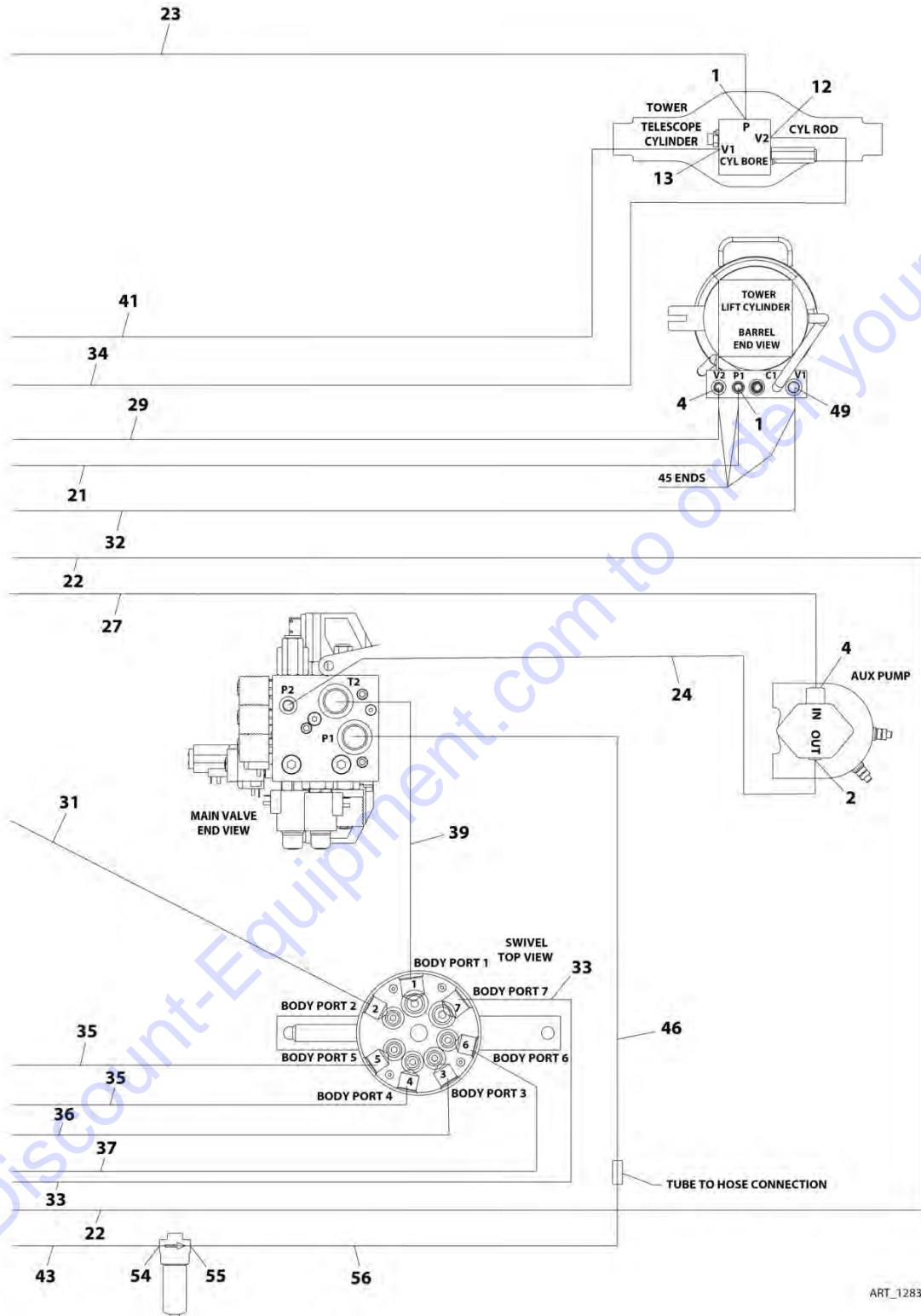
SECTION 7 - HYDRAULIC

FIGURE 7-9. HYDRAULIC DIAGRAM - TURNTABLE (DEUTZ TD2011 ENGINES WITH REXROTH PUMPS)



ART_1283457_70F8

SECTION 7 - HYDRAULIC



ART_1283457_80F8

SECTION 7 - HYDRAULIC

FIGURE 7-9. HYDRAULIC DIAGRAM - TURNTABLE (DEUTZ TD2011 ENGINES WITH REXROTH PUMPS)

ITEM	PART NUMBER	QTY	DESCRIPTION	REV
	1283457	Ref	HYDRAULIC DIAGRAM - TURNTABLE (DEUTZ TD2011 ENGINES WITH REXROTH PUMPS)	L
	1001145321	Ref	Hydraulic Diagram - Turntable	B
1	2110404	1	Fitting, Straight ORFS/ORB	
2	2110608	1	Fitting, Straight ORFS/ORB	
3	2110610	2	Fitting, Straight ORFS/ORB	
4	2110808	2	Fitting, Straight ORFS/ORB	
6	2220811	1	Fitting, Reducer ORB/ORB	
7	2111212	1	Fitting, Straight ORFS/ORB	
8	2111620	1	Fitting, Straight ORFS/ORB	
9	2112020	1	Fitting, Straight ORFS/ORB	
10	2113232	1	Fitting, Straight ORFS/ORB	
11	2130808	1	Fitting, 90 ORFS/ORB	
12	2131008	1	Fitting, 90 ORFS/ORB	
13	2131210	1	Fitting, 90 ORFS/ORB	
14	2131212	1	Fitting, 90 ORFS/ORB	
15	2150808	1	Fitting, 45 ORFS/ORB	
16	2151212	1	Fitting, 45 ORFS/ORB	
17	2220478	1	Flange Kit	
18	2220737	1	Flange Kit	
19	2221117	4	Flange Kit	
20	2753546	1	Hose	
21	2753975	1	Hose	
22	2753976	1	Hose	
23	2753977	1	Hose	
24	2753673	1	Hose	
25	2753979	2	Hose	
26	2753746	2	Hose	
27	2753590	1	Hose	
28	2753741	1	Hose	
29	2753984	1	Hose	
30	2753988	1	Hose	
31	2753989	1	Hose	
32	2753990	1	Hose	
33	2753991	1	Hose	
34	2753992	1	Hose	
35	2753995	2	Hose	
36	2753996	1	Hose	
37	2753997	1	Hose	
38	2753843	1	Hose	
39	2753999	1	Hose	
40	2754000	1	Hose	
41	2754001	1	Hose	
42	2754004	1	Hose	
43	2754870	1	Hose	
44	2754006	1	Hose	
45	2754007	1	Hose	
46	1001173889	1	Tube	
47	4568849	1	Tube	

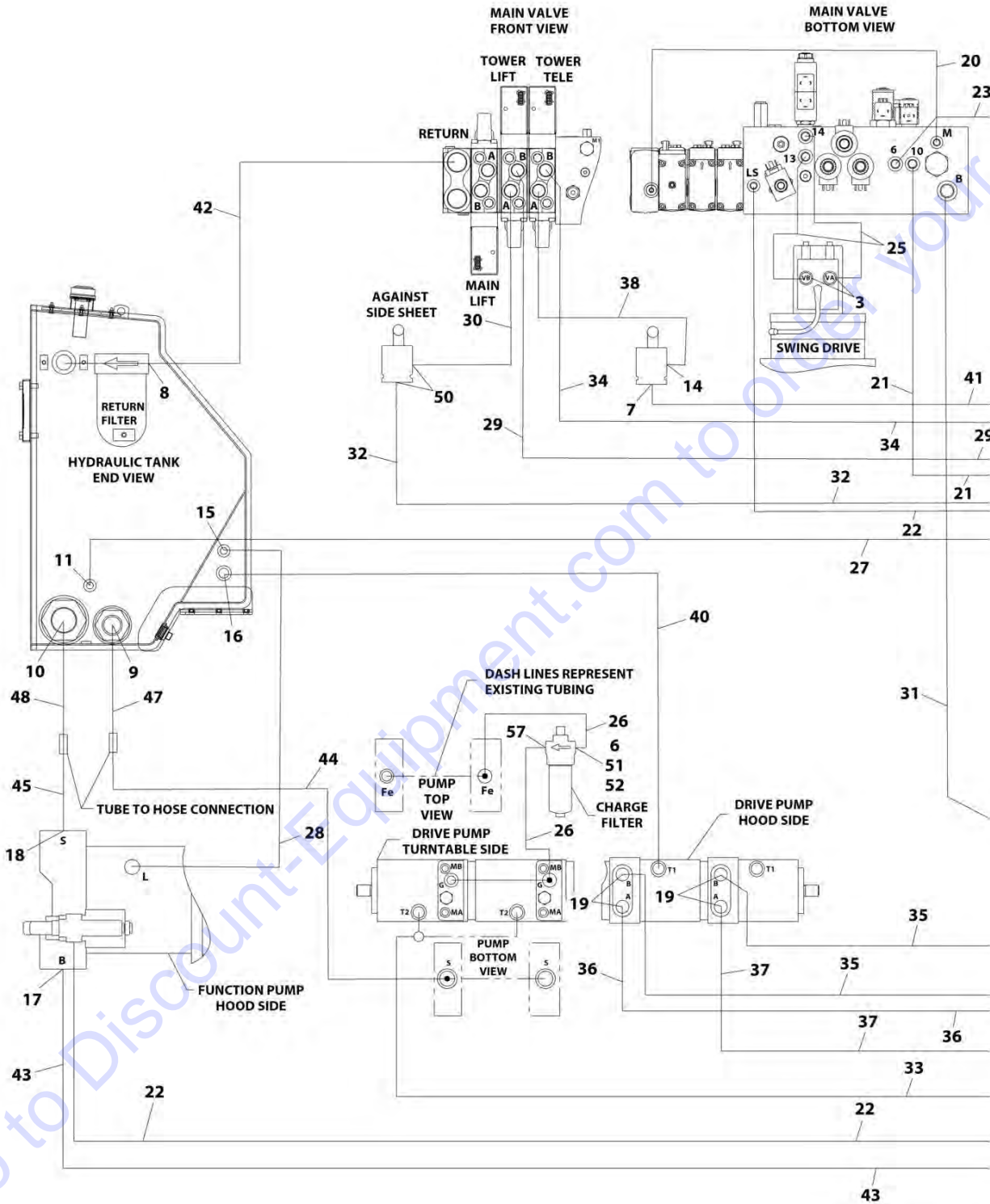
SECTION 7 - HYDRAULIC

ITEM	PART NUMBER	QTY	DESCRIPTION	REV
48	4568815	1	Tube	
49	2111010	1	Fitting, Straight ORFS/ORB	
50	2111012	AR	Fitting, Straight ORFS/ORB	
51	2170308	1	Fitting, Tee ORFS/ORFS/ORB	
52	2170908	1	Fitting, Cap ORFS	
54	2131620	1	Fitting, 90 ORFS/ORB	
55	2132020	1	Fitting, 90 ORFS/ORB	
56	1001173890	1	Hose	
57	2130812	1	Fitting, 90 ORFS/ORB	

Go to Discount-Equipment.com to order your parts

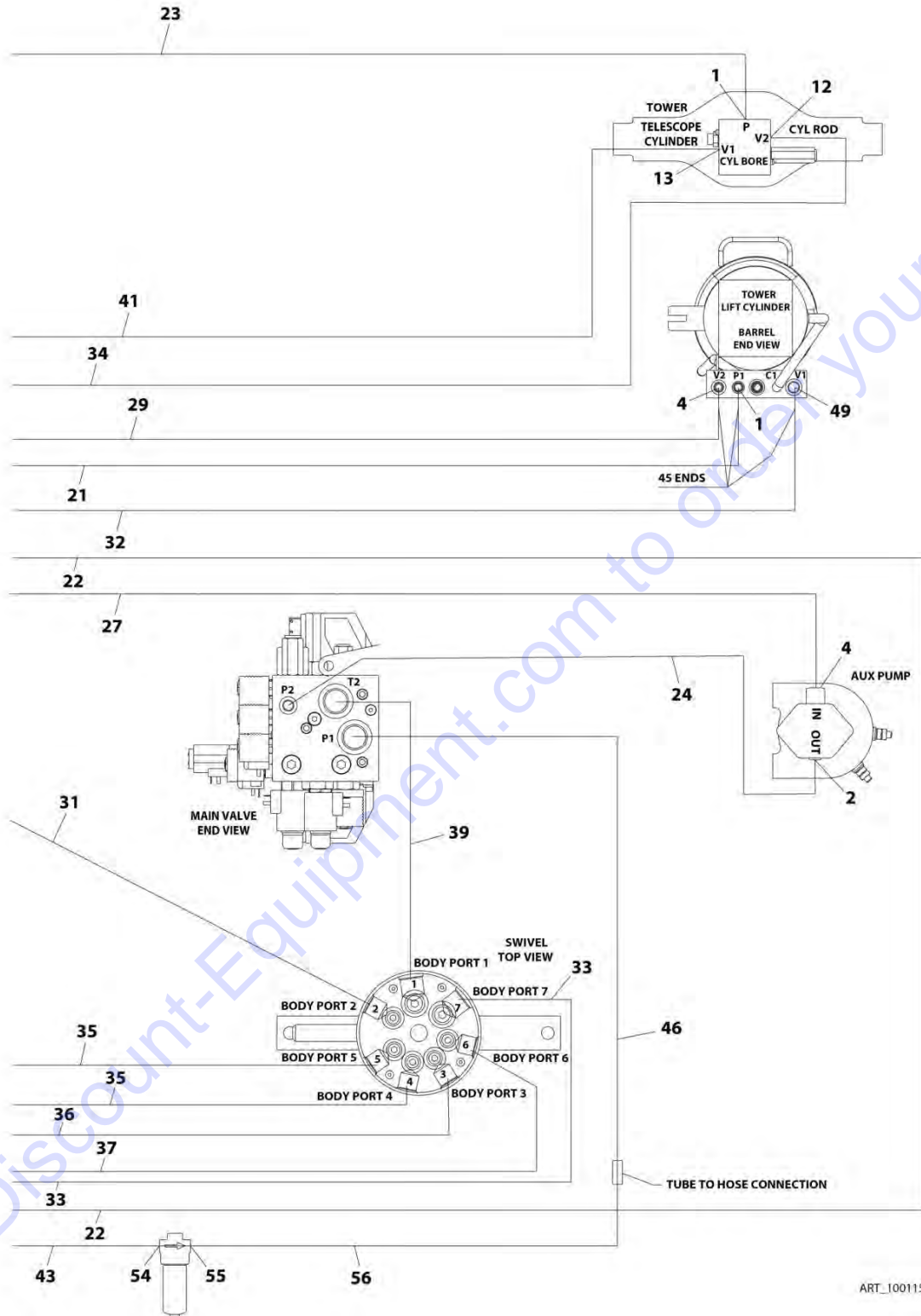
SECTION 7 - HYDRAULIC

FIGURE 7-10. HYDRAULIC DIAGRAM - TURNTABLE (DEUTZ TCD2.9L4 ENGINES AND DEUTZ TCD2.9L4 (STAGE V) ENGINES WITH REXROTH PUMPS)



ART_1001152971_10F2

SECTION 7 - HYDRAULIC



ART_1001152971_20F2

SECTION 7 - HYDRAULIC

FIGURE 7-10. HYDRAULIC DIAGRAM - TURNTABLE (DEUTZ TCD2.9L4 ENGINES AND DEUTZ TCD2.9L4 (STAGE V) ENGINES WITH REXROTH PUMPS)

ITEM	PART NUMBER	QTY	DESCRIPTION	REV
	1001152971	Ref	HYDRAULIC DIAGRAM - TURNTABLE (DEUTZ TCD2.9L4 ENGINES AND DEUTZ TCD2.9L4 (STAGE V) ENGINES WITH REXROTH PUMPS)	C
	1001153188	Ref	Hydraulic Diagram - Turntable	B
1	2110404	1	Fitting, Straight ORFS/ORB	
2	2110608	1	Fitting, Straight ORFS/ORB	
3	2110610	2	Fitting, Straight ORFS/ORB	
4	2110808	2	Fitting, Straight ORFS/ORB	
6	2220811	1	Fitting, Reducer ORB/ORB	
7	2111212	1	Fitting, Straight ORFS/ORB	
8	2111620	1	Fitting, Straight ORFS/ORB	
9	2112020	1	Fitting, Straight ORFS/ORB	
10	2113232	1	Fitting, Straight ORFS/ORB	
11	2130808	1	Fitting, 90 ORFS/ORB	
12	2131008	1	Fitting, 90 ORFS/ORB	
13	2131210	1	Fitting, 90 ORFS/ORB	
14	2131212	1	Fitting, 90 ORFS/ORB	
15	2150808	1	Fitting, 45 ORFS/ORB	
16	2151212	1	Fitting, 45 ORFS/ORB	
17	2220478	1	Flange Kit	
18	2220737	1	Flange Kit	
19	2221117	4	Flange Kit	
20	2753546	1	Hose	
21	2753975	1	Hose	
22	2753976	1	Hose	
23	2753977	1	Hose	
24	2753673	1	Hose	
25	2753979	2	Hose	
26	2753746	2	Hose	
27	2753590	1	Hose	
28	2753741	1	Hose	
29	2753984	1	Hose	
30	2753988	1	Hose	
31	2753989	1	Hose	
32	2753990	1	Hose	
33	2753991	1	Hose	
34	2753992	1	Hose	
35	2753995	2	Hose	
36	2753996	1	Hose	
37	2753997	1	Hose	
38	2753843	1	Hose	
39	2753999	1	Hose	
40	2754000	1	Hose	
41	2754001	1	Hose	
42	2754004	1	Hose	
43	2754870	1	Hose	
44	1001153186	1	Hose	
45	2754007	1	Hose	
46	1001173889	1	Tube	

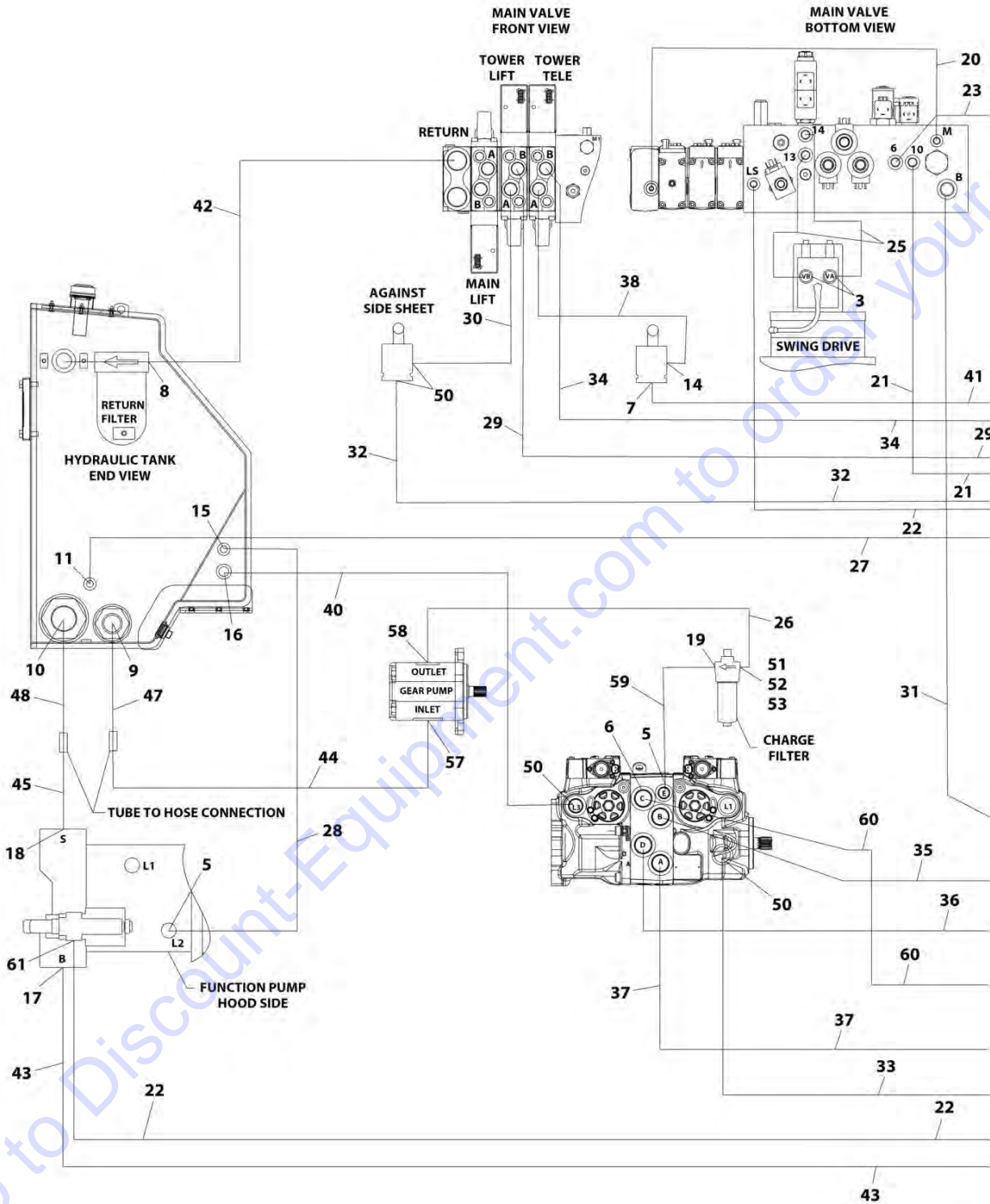
SECTION 7 - HYDRAULIC

ITEM	PART NUMBER	QTY	DESCRIPTION	REV
47	4568849	1	Tube	
48	4568815	1	Tube	
49	2111010	1	Fitting, Straight ORFS/ORB	
50	2111012	AR	Fitting, Straight ORFS/ORB	
51	2170308	1	Fitting, Tee ORFS/ORFS/ORB	
52	2170908	1	Fitting, Cap ORFS	
54	2131620	1	Fitting, 90 ORFS/ORB	
55	2132020	1	Fitting, 90 ORFS/ORB	
56	1001173890	1	Hose	
57	2130812	1	Fitting, 90 ORFS/ORB	

Go to Discount-Equipment.com to order your parts

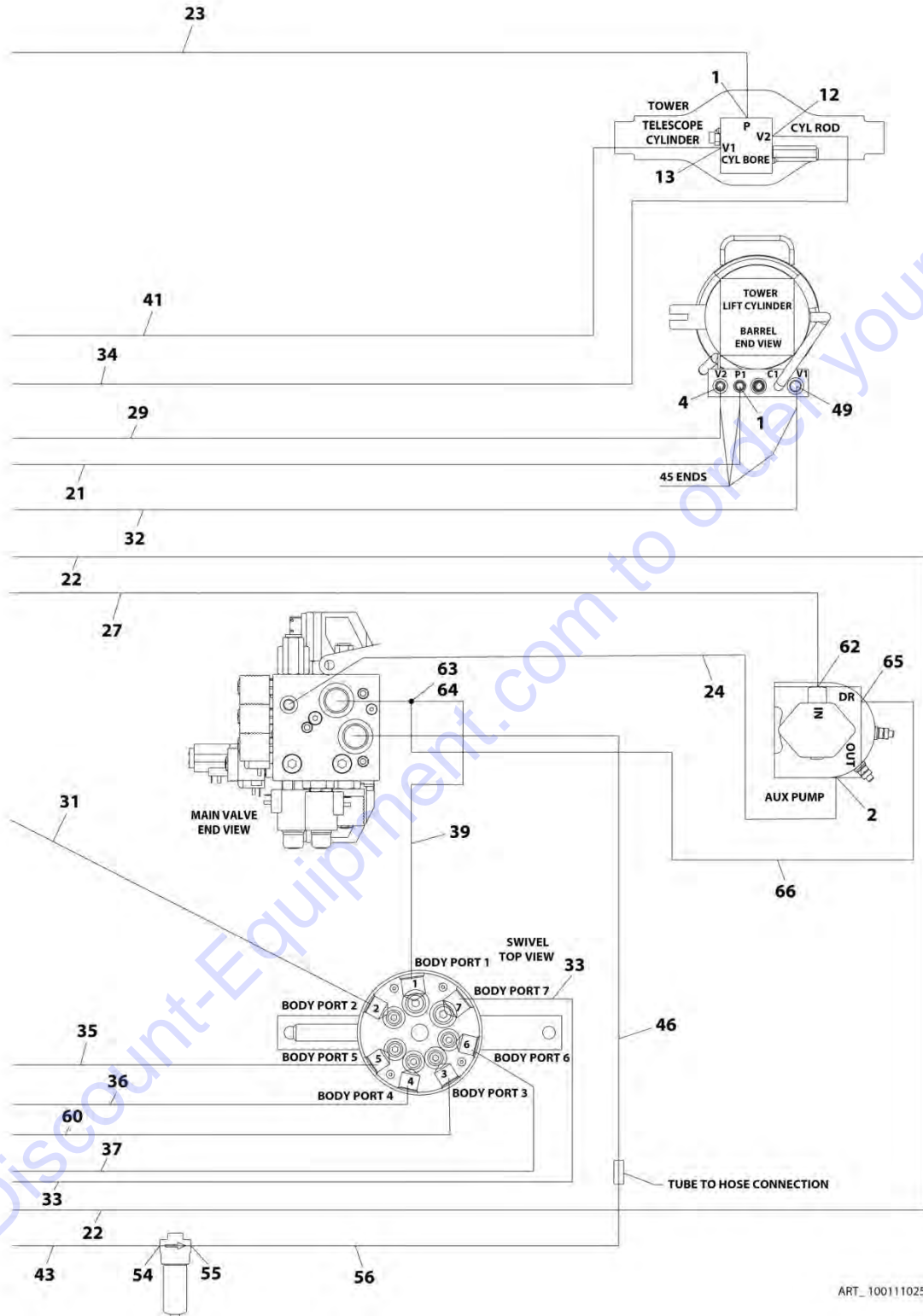
SECTION 7 - HYDRAULIC

FIGURE 7-11. HYDRAULIC DIAGRAM - TURNTABLE (WITH SAUER PUMPS)



ART_1001110252_70F8

SECTION 7 - HYDRAULIC



ART_1001110252_80F8

SECTION 7 - HYDRAULIC

FIGURE 7-11. HYDRAULIC DIAGRAM - TURNTABLE (WITH SAUER PUMPS)

ITEM	PART NUMBER	QTY	DESCRIPTION	REV
	1001110252	Ref	HYDRAULIC DIAGRAM - TURNTABLE (WITH SAUER PUMPS)	L
	1001145322	Ref	Hydraulic Diagram - Turntable	E
1	2110404	1	Fitting, Straight ORFS/ORB	
2	2110608	1	Fitting, Straight ORFS/ORB	
3	2110610	2	Fitting, Straight ORFS/ORB	
4	2110808	1	Fitting, Straight ORFS/ORB	
5	2110810	2	Fitting, Straight ORFS/ORB	
6	2111016	4	Fitting, Straight ORFS/ORB	
7	2111212	AR	Fitting, Straight ORFS/ORB	
8	2111620	1	Fitting, Straight ORFS/ORB	
9	2112020	1	Fitting, Straight ORFS/ORB	
10	2113232	1	Fitting, Straight ORFS/ORB	
11	2130808	1	Fitting, 90 ORFS/ORB	
12	2131008	1	Fitting, 90 ORFS/ORB	
13	2131210	1	Fitting, 90 ORFS/ORB	
14	2131212	1	Fitting, 90 ORFS/ORB	
15	2150808	1	Fitting, 45 ORFS/ORB	
16	2151212	1	Fitting, 45 ORFS/ORB	
17	2220478	1	Flange Kit	
18	1001110604	1	Flange Kit	
19	2130812	1	Fitting, 90 ORFS/ORB	
20	2753546	1	Hose	
21	2753975	1	Hose	
22	2753976	1	Hose	
23	2753977	1	Hose	
24	2753673	1	Hose	
25	2753979	2	Hose	
26	2753746	1	Hose	
27	2753590	1	Hose	
28	1001109439	1	Hose	
29	2753984	1	Hose	
30	2753988	1	Hose	
31	2753989	1	Hose	
32	2753990	1	Hose	
33	2753991	1	Hose	
34	2753992	1	Hose	
35	1001109468	1	Hose	
36	1001109470	1	Hose	
37	1001109471	1	Hose	
38	2753843	1	Hose	
39	2753999	1	Hose	
40	1001176982	1	Hose	
41	2754001	1	Hose	
42	2754004	1	Hose	
43	2754870	1	Hose	
44	1001109438	1	Hose	
45	1001109465	1	Hose	
46	1001173889	1	Tube	
47	4568849	1	Tube	
48	4568815	1	Tube	

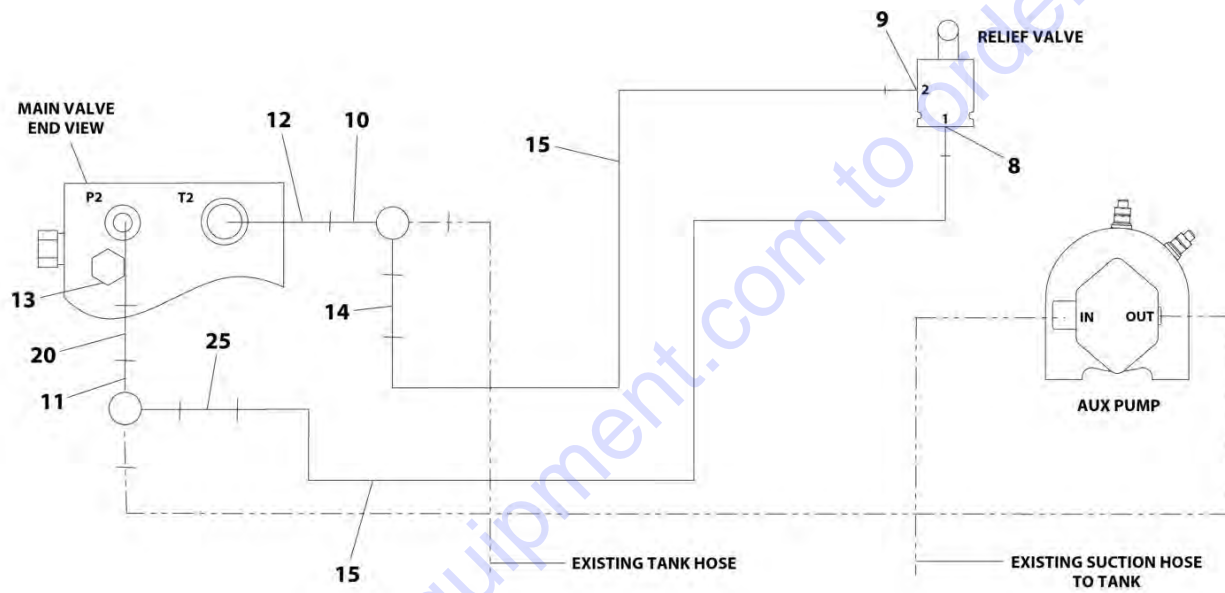
SECTION 7 - HYDRAULIC

ITEM	PART NUMBER	QTY	DESCRIPTION	REV
49	2111010	1	Fitting, Straight ORFS/ORB	
50	2111012	AR	Fitting, Straight ORFS/ORB	
51	2170308	1	Fitting, Tee ORFS/ORFS/ORB	
52	2170908	1	Fitting, Cap ORFS	
53	2220811	1	Fitting, Reducer ORB/ORB	
54	2131620	1	Fitting, 90 ORFS/ORB	
55	2132020	1	Fitting, 90 ORFS/ORB	
56	1001173890	1	Hose	
57	2111616	1	Fitting, Straight ORFS/ORB	
58	2110812	1	Fitting, Straight ORFS/ORB	
59	1001104577	1	Hose	
60	1001119296	1	Hose	
61	2130404	1	Fitting, 90 ORFS/ORB	
62	2110808	1	Fitting, Straight ORFS/ORB	
63	2170712	1	Fitting, Tee ORFS/FSORFS/ORFS	
64	2221221	1	Fitting, Straight ORFS/FSORFS	
65	2130406	1	Fitting, 90 ORFS/ORB (SN 0300201017 through 0300218840)	
65	2110406	1	Fitting, Straight ORFS/ORB (SN 0300218841 to Present)	
66	1001103977	1 in/ 2.54cm	Hose	

Go to Discount-Equipment.com to order your parts

SECTION 7 - HYDRAULIC

FIGURE 7-12. HYDRAULIC DIAGRAM - AUXILIARY POWER MOTOR



ART_1001139520_2OF2

SECTION 7 - HYDRAULIC

FIGURE 7-12. HYDRAULIC DIAGRAM - AUXILIARY POWER MOTOR

ITEM	PART NUMBER	QTY	DESCRIPTION	REV
	1001139520	Ref	HYDRAULIC DIAGRAM - AUXILIARY POWER MOTOR	A
8	2110406	1	Fitting, Straight ORFS/ORB	
9	2130406	1	Fitting, 90 ORFS/ORB	
10	2170312	1	Fitting, Tee ORFS	
11	2170506	1	Fitting, Tee ORFS/ORFS/ORFS	
12	2220550	1	Fitting, Straight SFORB/ORB	
13	2221123	1	Fitting, Straight S FSORFS/ORB	
14	2221221	1	Fitting, Straight ORFS/FSORFS	
15	2753781	2	Hose	
20	4641316	1	Valve, Check	
25	1001092764	1	Fitting, Tube End Reducer	

Go to Discount-Equipment.com to order your parts

SECTION 7 - HYDRAULIC

FIGURE 7-13. HYDRAULIC DIAGRAM LIST

ITEM	PART NUMBER	QTY	DESCRIPTION	REV
		Ref	HYDRAULIC DIAGRAM - BOOM	
	1283457	Ref	Hydraulic Diagram for Deutz TD2011 Engines Machines with Rexroth Pumps	
	1001152971	Ref	Hydraulic Diagram for Deutz TCD2.9L4 Engines Machines with Rexroth Pumps	
	1001098027	Ref	Hydraulic Diagram - Tower/Upper	
	1001110252	Ref	Hydraulic Diagram for Deutz TD2011 Engines Machines with Sauer Pumps	
	1001110252	Ref	Hydraulic Diagram for Deutz TCD2.9L4 Engines Machines with Sauer Pumps	
	1001111084	Ref	Hydraulic Diagram - Tower/Upper	
		Ref	HYDRAULIC DIAGRAM - DRIVE	
	1283457	Ref	Hydraulic Diagram for Deutz TD2011 Engines Machines with Rexroth Pumps	
	1001152971	Ref	Hydraulic Diagram for Deutz TCD2.9L4 Engines Machines with Rexroth Pumps	
	2792772	Ref	Hydraulic Diagram - Drive Circuit	
	1001110252	Ref	Hydraulic Diagram for Deutz TD2011 Engines Machines with Sauer Pumps	
	1001110252	Ref	Hydraulic Diagram for Deutz TCD2.9L4 Engines Machines with Sauer Pumps	
	1001111082	Ref	Hydraulic Diagram - Drive Circuit	
		Ref	HYDRAULIC DIAGRAM - OSCILLATING AXLE	
	1283457	Ref	Hydraulic Diagram for Deutz TD2011 Engines Machines with Rexroth Pumps	
	1001152971	Ref	Hydraulic Diagram for Deutz TCD2.9L4 Engines Machines with Rexroth Pumps	
	2792647	Ref	Hydraulic Diagram - Oscillating Axle	
	1001110252	Ref	Hydraulic Diagram for Deutz TD2011 Engines Machines with Sauer Pumps	
	1001110252	Ref	Hydraulic Diagram for Deutz TCD2.9L4 Engines Machines with Sauer Pumps	
	1001111081	Ref	Hydraulic Diagram - Oscillating Axle	
		Ref	HYDRAULIC DIAGRAM - STEER	
	1283457	Ref	Hydraulic Diagram for Deutz TD2011 Engines Machines with Rexroth Pumps	
	1001152971	Ref	Hydraulic Diagram for Deutz TCD2.9L4 Engines Machines with Rexroth Pumps	
	2792773	Ref	Hydraulic Diagram - Steer	
	1001110252	Ref	Hydraulic Diagram for Deutz TD2011 Engines Machines with Sauer Pumps	
	1001110252	Ref	Hydraulic Diagram for Deutz TCD2.9L4 Engines Machines with Sauer Pumps	
	1001111083	Ref	Hydraulic Diagram - Steer	
		Ref	HYDRAULIC DIAGRAMS - TURNTABLE	
	1283457	Ref	Hydraulic Diagram for Deutz TD2011 Engines Machines with Rexroth Pumps	
	1001152971	Ref	Hydraulic Diagram for Deutz TCD2.9L4 Engines Machines with Rexroth Pumps	
	1001145321	Ref	Hydraulic Diagram - Turntable (Deutz TD2011 Engines)	
	1001153188	Ref	Hydraulic Diagram - Turntable (Deutz LCD2.9L4 Engines)	
	1001110252	Ref	Hydraulic Diagram for Deutz TD2011 Engines Machines with	

SECTION 7 - HYDRAULIC

ITEM	PART NUMBER	QTY	DESCRIPTION	REV
	1001110252	Ref	Sauer Pumps Hydraulic Diagram for Deutz TCD2.9L4 Engines Machines with Sauer Pumps	
	1001145322	Ref	Hydraulic Diagram - Turntable	
	1001139520	Ref	HYDRAULIC DIAGRAMS - AUXILIARY POWER MOTOR (MACHINES WITH COLD WEATHER PLUS PACKAGE)	
		Ref	HYDRAULIC SCHEMATIC - OIL COOLER	
	0272080	Ref	Deutz Engines Machines with Rexroth Pumps	
	1001118957	Ref	Deutz Engines Machines with Sauer Pumps	
	1001110761	Ref	HYDRAULIC SCHEMATIC - STANDARD (Not Shown - See Service Manual)	

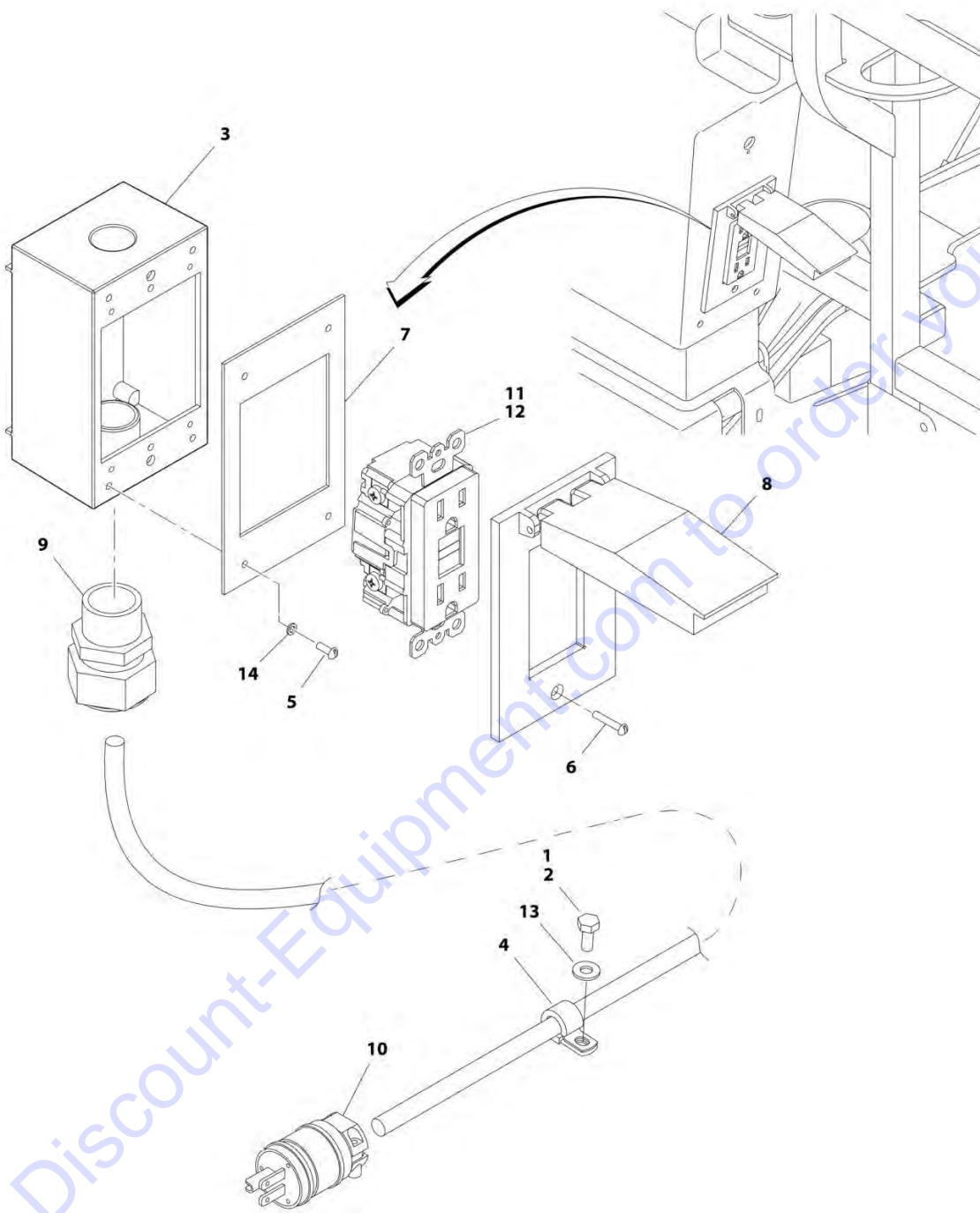
Go to Discount-Equipment.com to order your parts

SECTION 8 - ELECTRICAL

Go to Discount-Equipment.com to order your parts

SECTION 8 - ELECTRICAL

FIGURE 8-1. AC BOX AT PLATFORM - 110V GFI RECEPTACLE (ANSI SPECS)



ART_0273462

SECTION 8 - ELECTRICAL

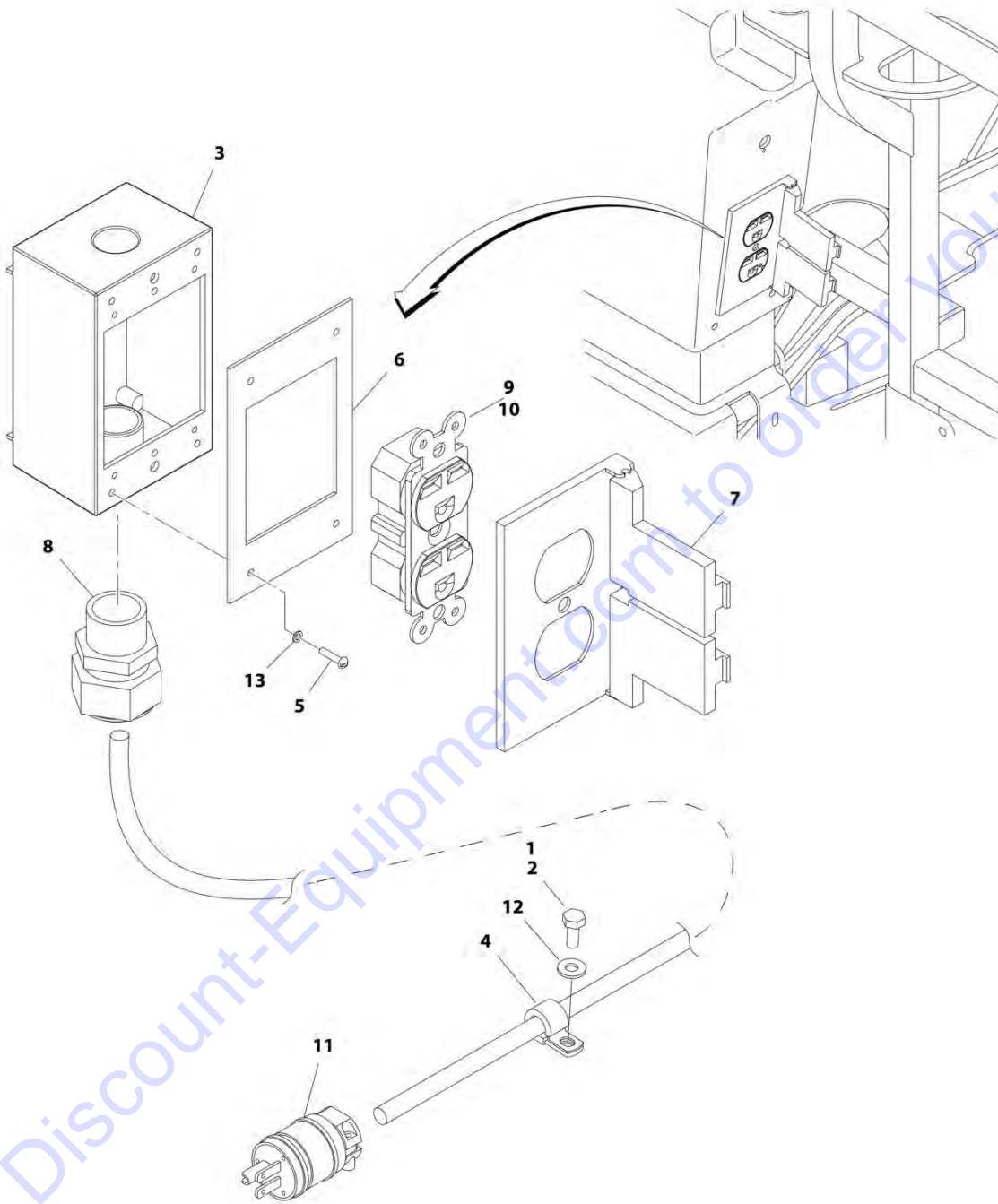
FIGURE 8-1. AC BOX AT PLATFORM - 110V GFI RECEPTACLE (ANSI SPECS)

ITEM	PART NUMBER	QTY	DESCRIPTION	REV
	0273462	Ref	AC BOX AT PLATFORM - 110V GFI RECEPTACLE (ANSI SPECS)	B
1	0100011	AR	Compound, Locking	
2	0641405	1	Bolt 1/4 x 5/8	
3	0860038	1	Box, Switch	
4	1320041	1	Clamp	
5	3910606	4	Screw #6 x 3/8	
6	3910612	2	Screw #6 x 3/4	
7	3960422	1	Gasket, AC Receptacle	
8	1001110873	1	Shield, Receptacle Cover	
9	4460051	1	Connector, Strain Relief	
10	4460205	1	Plug, Male	
11	4460315	1	Terminal, Spade	
12	4460346	1	Terminal, Receptacle	
13	4711400	1	Washer 1/4	
14	4760600	4	Washer #6	

Go to Discount-Equipment.com to order your parts

SECTION 8 - ELECTRICAL

FIGURE 8-2. AC BOX AT PLATFORM - 220V GFI RECEPTACLE (ANSI SPECS)



ART_0273463

SECTION 8 - ELECTRICAL

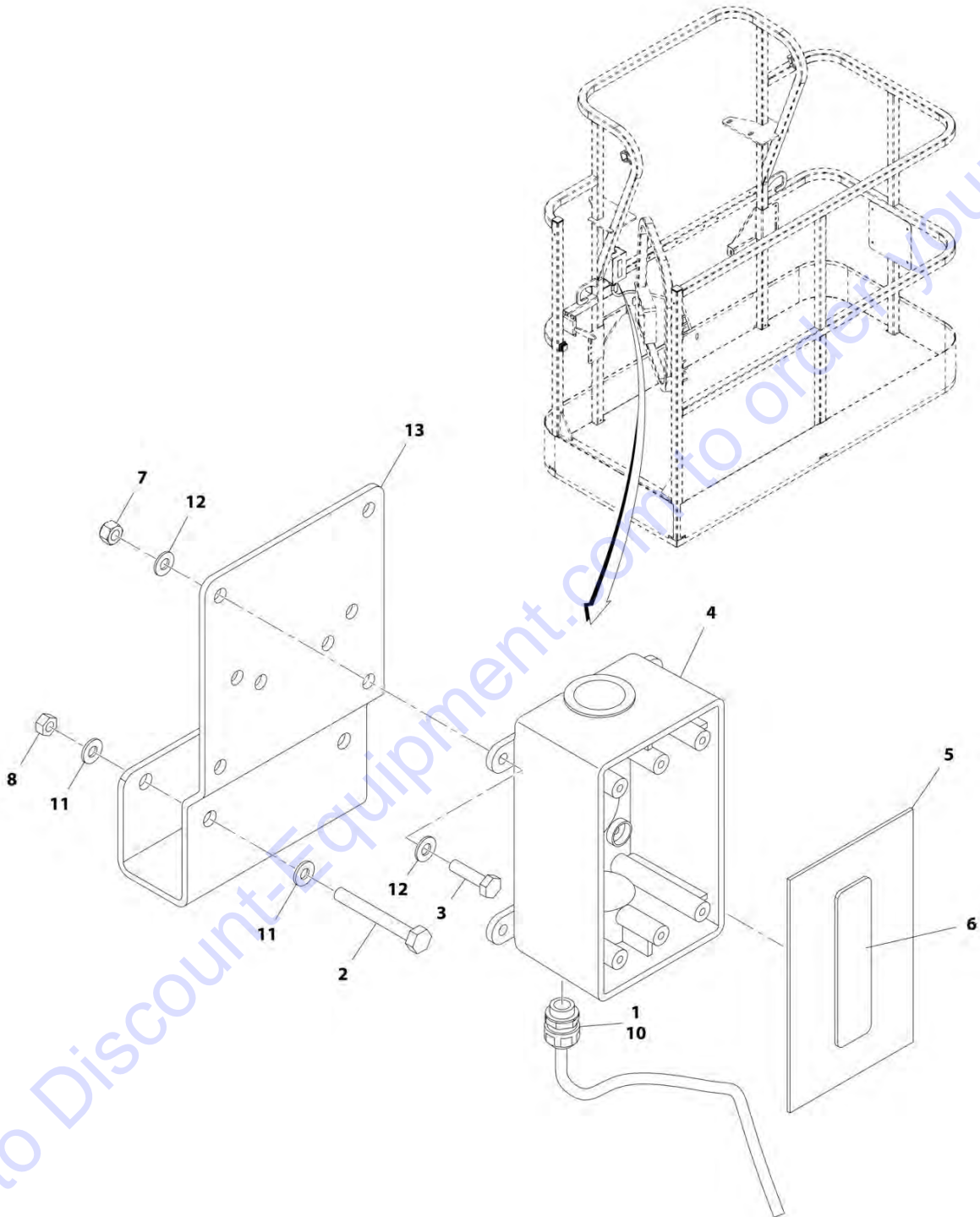
FIGURE 8-2. AC BOX AT PLATFORM - 220V GFI RECEPTACLE (ANSI SPECS)

ITEM	PART NUMBER	QTY	DESCRIPTION	REV
	0273463	Ref	AC BOX AT PLATFORM - 220V GFI RECEPTACLE (ANSI SPECS)	A
1	0100011	AR	Compound, Locking	
2	0641405	1	Bolt 1/4 x 5/8	
3	0860038	1	Box, Switch	
4	1320041	1	Clamp	
5	3910606	4	Screw #6 x 3/8	
6	3960422	1	Gasket, AC Receptacle	
7	4060092	1	Shield, Receptacle Cover	
8	4460051	1	Connector, Strain Relief	
9	4460125	1	Terminal, Receptacle	
10	4460315	1	Terminal, Spade	
11	4460709	1	Plug, Male	
12	4711400	1	Washer 1/4	
13	4760600	4	Washer #6	

Go to Discount-Equipment.com to order your parts

SECTION 8 - ELECTRICAL

FIGURE 8-3. AC BOX AT PLATFORM INSTALLATION - BOX WITH COVER (2X4 BOX) WITH 4000W GENERATOR (ANSI EXPORT SPECS) (SN 0300201017 through 0300214026)



ART_1001194365

SECTION 8 - ELECTRICAL

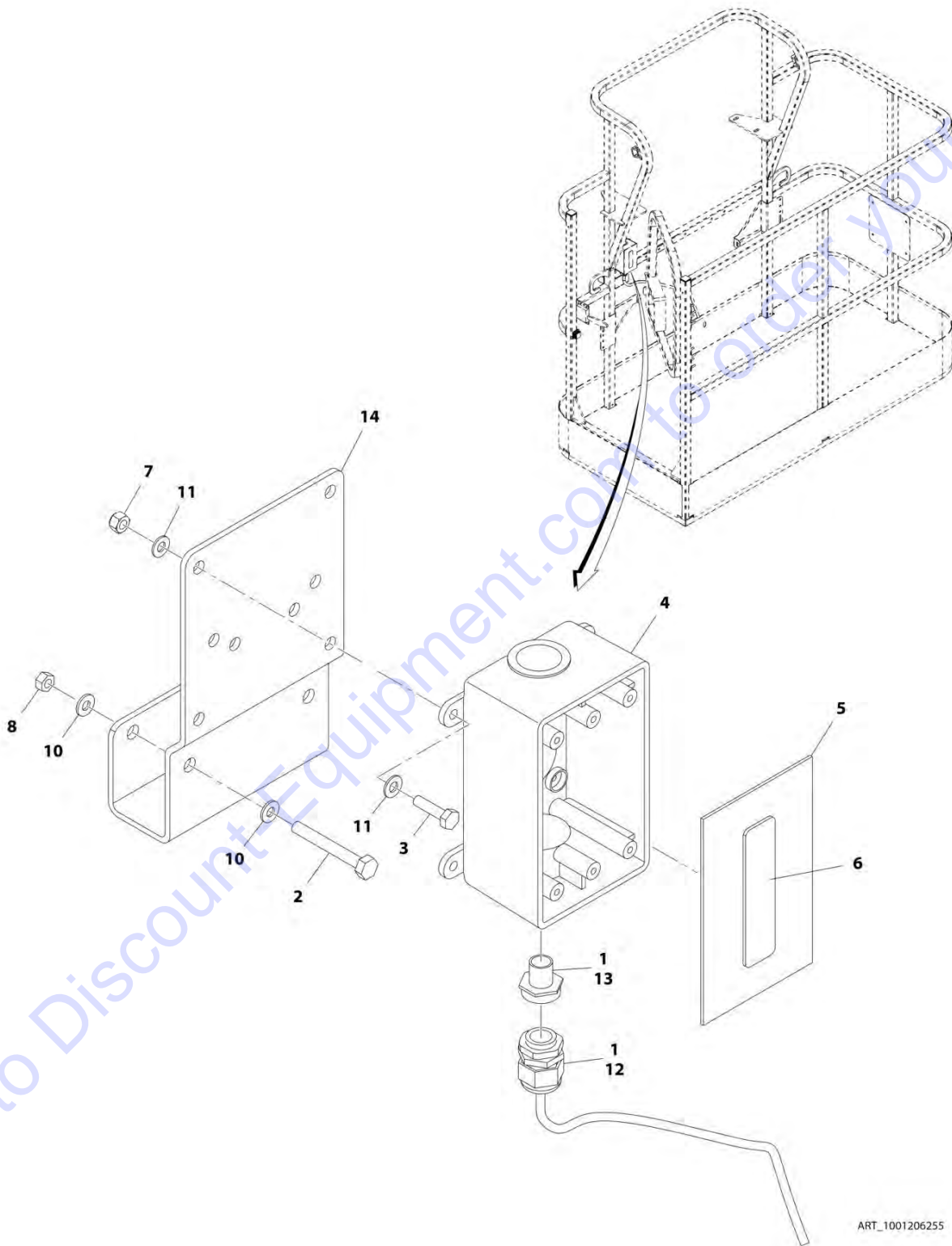
FIGURE 8-3. AC BOX AT PLATFORM INSTALLATION - BOX WITH COVER (2X4 BOX) WITH 4000W GENERATOR (ANSI EXPORT SPECS) (SN 0300201017 through 0300214026)

ITEM	PART NUMBER	QTY	DESCRIPTION	REV
	1001194365	Ref	AC BOX AT PLATFORM INSTALLATION - BOX WITH COVER (2X4 BOX) WITH 4000W GENERATOR (ANSI EXPORT SPECS) (SN 0300201017 through 0300214026)	A
1	0100020	AR	Sealant, Pipe	
2	0641416	2	Bolt 1/4 x 2	
3	0700408	4	Bolt M4 x 16	
4	0861731	1	Box, Switch	
5	1670603	1	Cover	
6	3251242	1	Decal - 240V-50Hz	
7	3290405	4	Nut M4	
8	3311405	2	Nut 1/4	
9	4460384	3	Terminal (Not Shown)	
10	4460662	1	Connector, Strain Relief	
11	4711400	4	Washer 1/4	
12	4811400	8	Washer M4	
13	1001193018	1	Bracket, AC Receptacle	

Go to Discount-Equipment.com to order your parts

SECTION 8 - ELECTRICAL

FIGURE 8-4. AC BOX AT PLATFORM INSTALLATION - BOX WITH COVER (2X4 BOX) WITH 4000W GENERATOR (ANSI EXPORT, AUSTRALIAN, CE AND JAPANESE SPECS) (SN 0300214027 to Present)



ART_1001206255

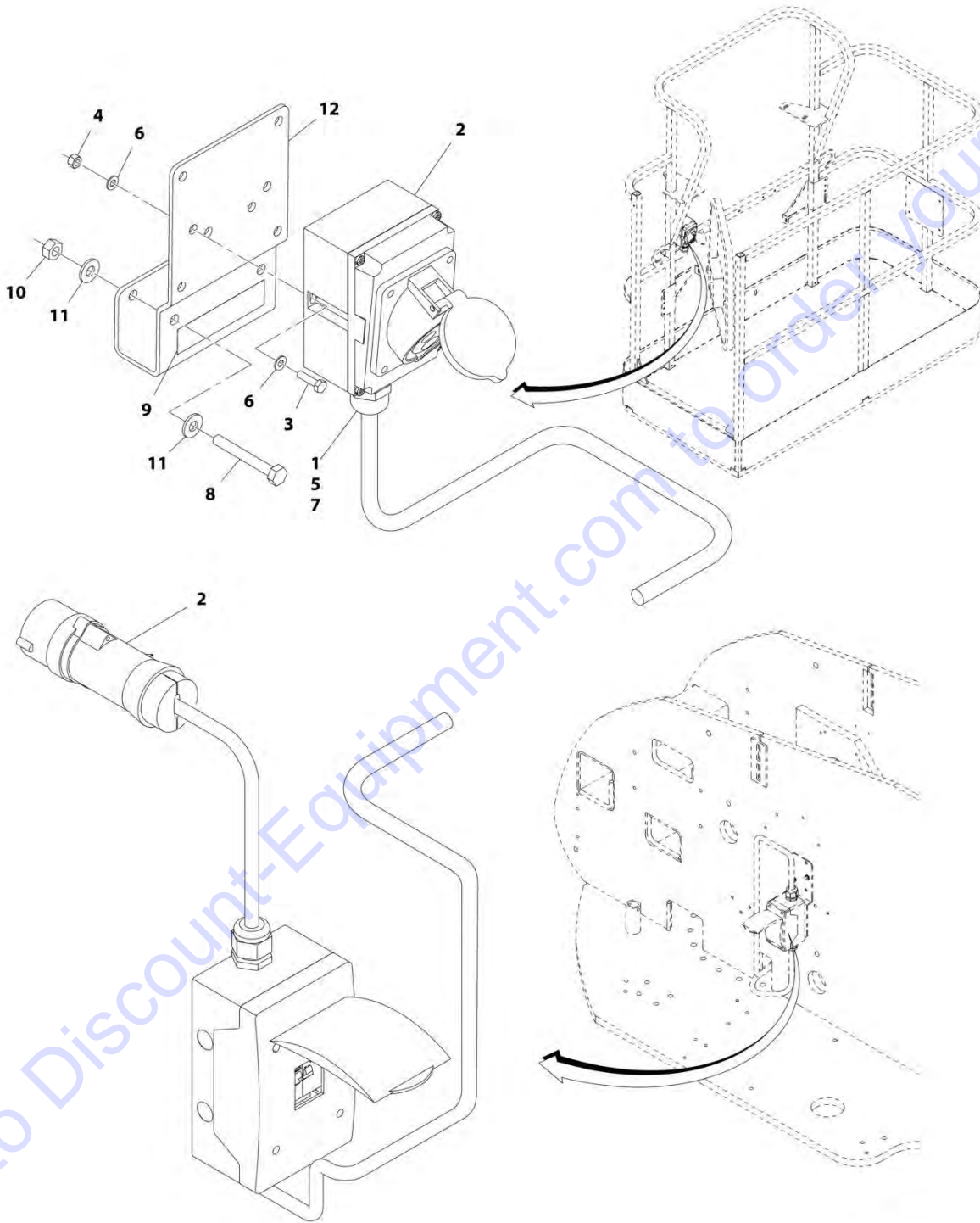
SECTION 8 - ELECTRICAL

FIGURE 8-4. AC BOX AT PLATFORM INSTALLATION - BOX WITH COVER (2X4 BOX) WITH 4000W GENERATOR (ANSI EXPORT, AUSTRALIAN, CE AND JAPANESE SPECS) (SN 0300214027 to Present)

ITEM	PART NUMBER	QTY	DESCRIPTION	REV
	1001206255	Ref	AC BOX AT PLATFORM INSTALLATION - BOX WITH COVER (2X4 BOX) WITH 4000W GENERATOR (ANSI EXPORT, AUSTRALIAN, CE AND JAPANESE SPECS) (SN 0300214027 to Present)	A
1	0100020	AR	Sealant, Pipe	
2	0641416	2	Bolt 1/4 x 2	
3	0700408	4	Bolt M4 x 16	
4	0861731	1	Box, Switch	
5	1670603	1	Cover	
6	3251242	1	Decal - 240V-50Hz	
7	3290405	4	Nut M4	
8	3311405	2	Nut 1/4	
9	4460384	3	Terminal (Not Shown)	
10	4711400	4	Washer 1/4	
11	4811400	8	Washer M4	
12	1001101191	1	Connector, Strain Relief	
13	1001101197	1	Connector, Adapter	
14	1001193018	1	Bracket, AC Receptacle	

SECTION 8 - ELECTRICAL

FIGURE 8-5. AC BOX AT PLATFORM INSTALLATION - 110V IEC 60309 YELLOW WITHOUT 2500W GENERATOR (CE SPECS)



ART_1001091969

SECTION 8 - ELECTRICAL

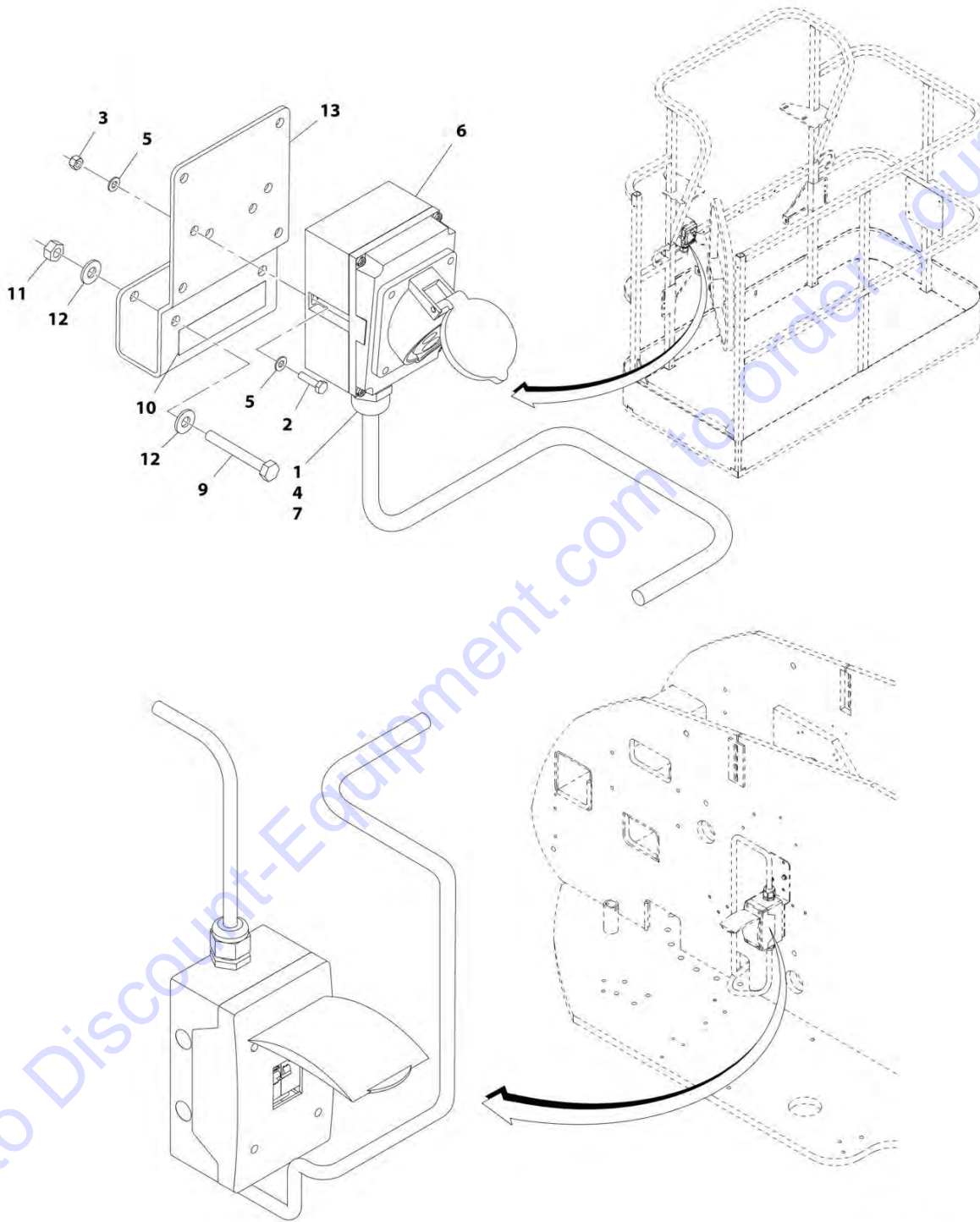
FIGURE 8-5. AC BOX AT PLATFORM INSTALLATION - 110V IEC 60309 YELLOW WITHOUT 2500W GENERATOR (CE SPECS)

ITEM	PART NUMBER	QTY	DESCRIPTION	REV
	1001091969	Ref	AC BOX AT PLATFORM INSTALLATION - 110V IEC 60309 YELLOW WITHOUT 2500W GENERATOR (CE SPECS)	C
1	0100020	AR	Sealant, Pipe	
2	0275216	1	Receptacle Box Kit (See RECEPTACLE BOX KIT - 110V IEC YELLOW WITHOUT 2500W GENERATOR (CE SPECS) for Breakdown)	
3	0700408	2	Bolt M4 x 16	
4	3290405	2	Nut M4	
5	1001101196	1	Adapter	
6	4811400	4	Washer M4	
7	1001101191	1	Connector, Strain Relief	
8	0641416	2	Bolt 1/4 x 2	
9	1705325	1	Decal - 110V	
10	3311405	2	Nut 1/4	
11	4711400	4	Washer 1/4	
12	1001193018	1	Bracket	

Go to Discount-Equipment.com to order your parts

SECTION 8 - ELECTRICAL

FIGURE 8-6. AC BOX AT PLATFORM INSTALLATION - 110V IEC 60309 YELLOW WITH 2500W GENERATOR (CE SPECS)



ART_1001100326

SECTION 8 - ELECTRICAL

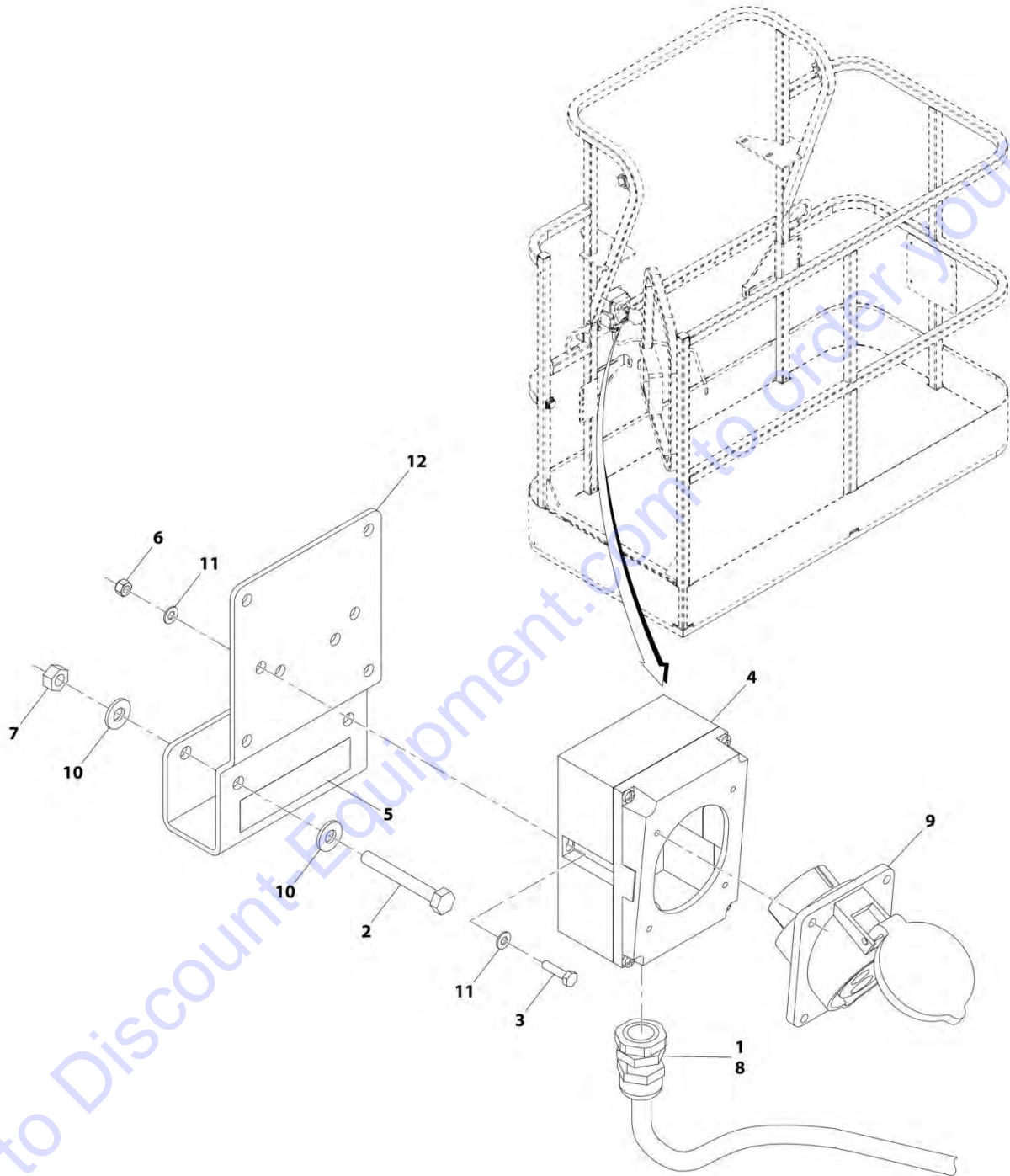
FIGURE 8-6. AC BOX AT PLATFORM INSTALLATION - 110V IEC 60309 YELLOW WITH 2500W GENERATOR (CE SPECS)

ITEM	PART NUMBER	QTY	DESCRIPTION	REV
	1001100326	Ref	AC BOX AT PLATFORM INSTALLATION - 110V IEC 60309 YELLOW WITH 2500W GENERATOR (CE SPECS)	D
1	0100020	AR	Sealant, Pipe	
2	0700408	2	Bolt M4 x 16	
3	3290405	2	Nut M4	
4	1001101196	1	Adapter	
5	4811400	4	Washer M4	
6	1001100341	1	Receptacle Box Kit (See RECEPTACLE BOX KIT - 110V IEC 60309 YELLOW WITH 2500W GENERATOR (CE SPECS) for Breakdown)	
7	1001101191	1	Connector, Strain Relief	
8	1060908	10 ft /3.05m	Cable, Electrical 12/3 (Not Shown)	
9	0641416	2	Bolt 1/4 x 2	
10	1705325	1	Decal - 110V	
11	3311405	2	Nut 1/4	
12	4711400	4	Washer 1/4	
13	1001193018	1	Bracket	

Go to Discount-Equipment.com to order your parts

SECTION 8 - ELECTRICAL

FIGURE 8-7. AC BOX AT PLATFORM INSTALLATION - 110V IEC 60309 YELLOW WITH 4000W GENERATOR (CE SPECS) (SN 0300201017 through 0300214026)



ART_1001194203

SECTION 8 - ELECTRICAL

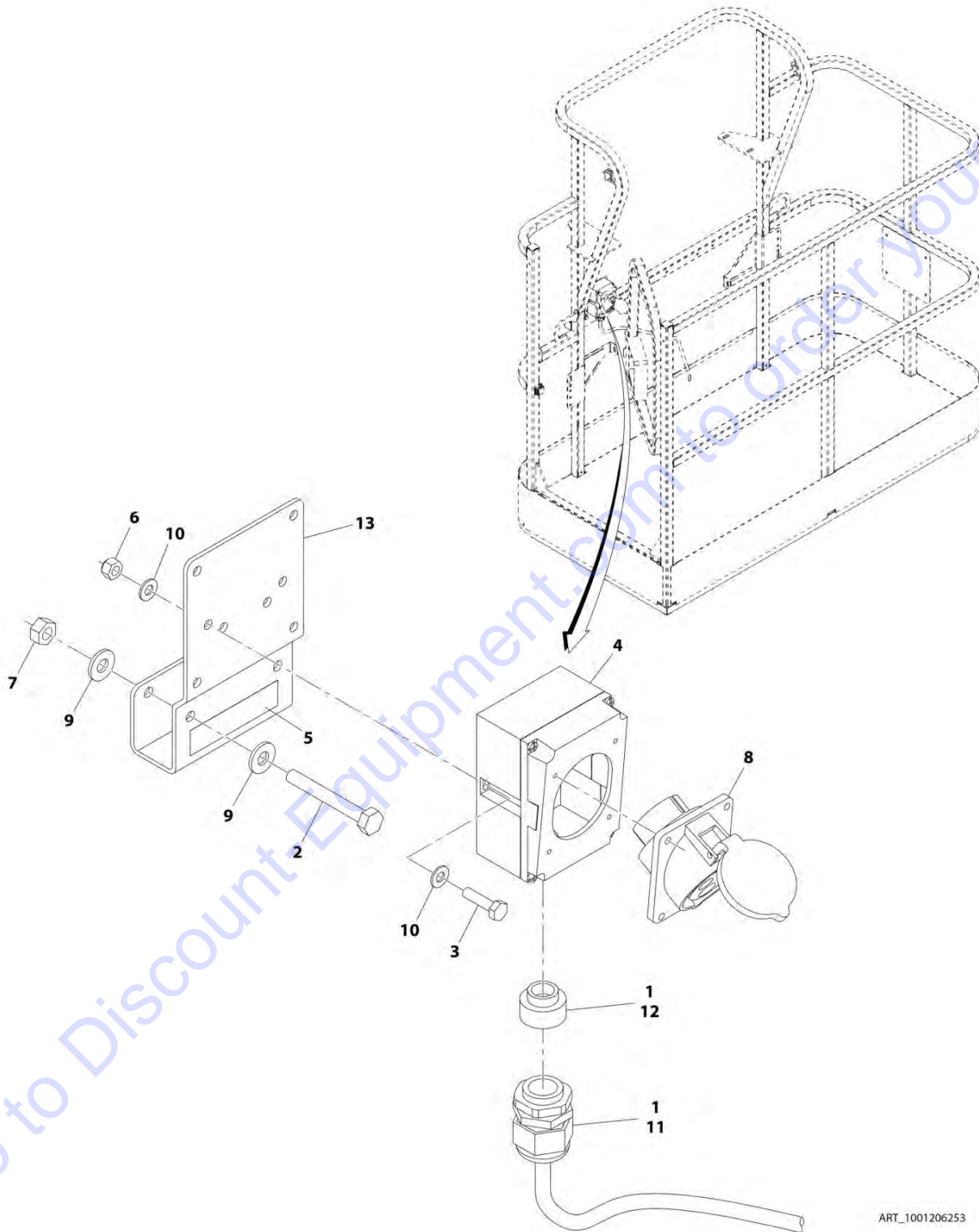
FIGURE 8-7. AC BOX AT PLATFORM INSTALLATION - 110V IEC 60309 YELLOW WITH 4000W GENERATOR (CE SPECS) (SN 0300201017 through 0300214026)

ITEM	PART NUMBER	QTY	DESCRIPTION	REV
	1001194203	Ref	AC BOX AT PLATFORM INSTALLATION - 110V IEC 60309 YELLOW WITH 4000W GENERATOR (CE SPECS) (SN 0300201017 through 0300214026)	B
1	0100020	AR	Sealant, Pipe	
2	0641416	2	Bolt 1/4 x 2	
3	0700408	2	Bolt M4 x 16	
4	0861781	1	Box, Switch	
5	1705325	1	Decal - 110V	
6	3290405	2	Nut M4	
7	3311405	2	Nut 1/4	
8	4460968	1	Connector, Strain Relief	
9	4461198	1	Receptacle	
10	4711400	4	Washer 1/4	
11	4811400	4	Washer M4	
12	1001193018	1	Bracket, AC Receptacle	

Go to Discount-Equipment.com to order your parts

SECTION 8 - ELECTRICAL

FIGURE 8-8. AC BOX AT PLATFORM INSTALLATION - 110V IEC 60309 YELLOW WITH 4000W GENERATOR (CE SPECS) (SN 0300214027 to Present)



ART_1001206253

SECTION 8 - ELECTRICAL

FIGURE 8-8. AC BOX AT PLATFORM INSTALLATION - 110V IEC 60309 YELLOW WITH 4000W GENERATOR (CE SPECS) (SN 0300214027 to Present)

ITEM	PART NUMBER	QTY	DESCRIPTION	REV
	1001206253	Ref	AC BOX AT PLATFORM INSTALLATION - 110V IEC 60309 YELLOW WITH 4000W GENERATOR (CE SPECS) (SN 0300214027 to Present)	A
1	0100020	AR	Sealant, Pipe	
2	0641416	2	Bolt 1/4 x 2	
3	0700408	2	Bolt M4 x 16	
4	0861781	1	Box, Switch	
5	1705325	1	Decal - 110V	
6	3290405	2	Nut M4	
7	3311405	2	Nut 1/4	
8	4461198	1	Receptacle	
9	4711400	4	Washer 1/4	
10	4811400	4	Washer M4	
11	1001101191	1	Connector, Strain Relief	
12	1001101196	1	Connector, Adapter	
13	1001193018	1	Bracket, AC Receptacle	

Go to Discount-Equipment.com to order your parts

SECTION 8 - ELECTRICAL

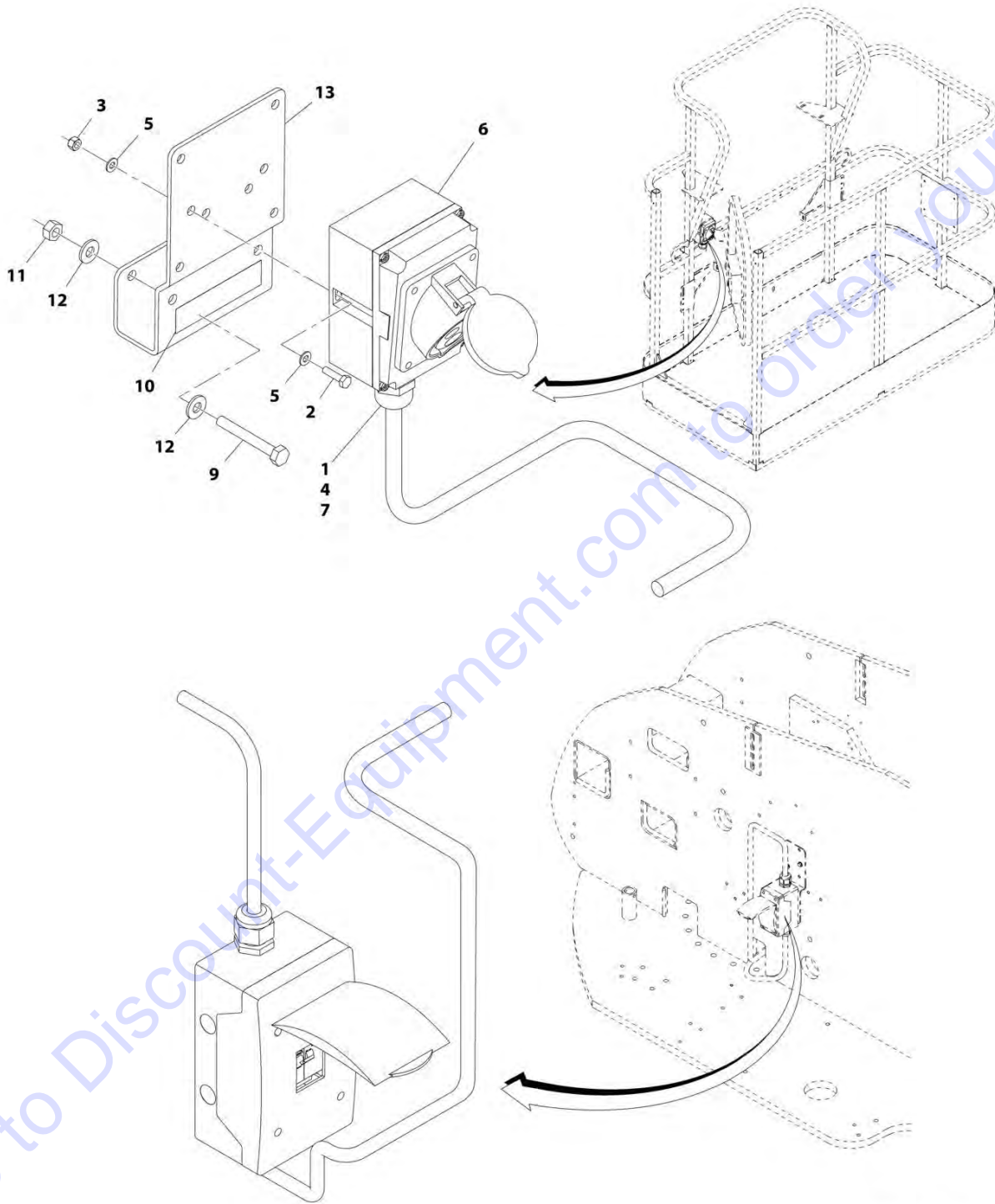
FIGURE 8-9. AC BOX AT PLATFORM INSTALLATION - 220V IEC 60309 BLUE WITHOUT 2500W GENERATOR (CE SPECS)

ITEM	PART NUMBER	QTY	DESCRIPTION	REV
	1001091970	Ref	AC BOX AT PLATFORM INSTALLATION - 220V IEC 60309 BLUE WITHOUT 2500W GENERATOR (CE SPECS)	C
1	0100020	AR	Sealant, Pipe	
2	0275217	1	Receptacle Box Kit (See RECEPTACLE BOX KIT - 220V IEC BLUE WITHOUT 2500W GENERATOR (CE SPECS) for Breakdown)	
3	0700408	2	Bolt M4 x 16	
4	3290405	2	Nut M4	
5	1001101196	1	Adapter	
6	4811400	4	Washer M4	
7	1001101191	1	Connector, Strain Relief	
8	0641416	2	Bolt 1/4 x 2	
9	3311405	2	Nut 1/4	
10	4711400	4	Washer 1/4	
11	1001193018	1	Bracket	

Go to Discount-Equipment.com to order your parts

SECTION 8 - ELECTRICAL

FIGURE 8-10. AC BOX AT PLATFORM INSTALLATION - 220V IEC 60309 BLUE WITH 2500W GENERATOR (CE SPECS)



ART_1001100327

SECTION 8 - ELECTRICAL

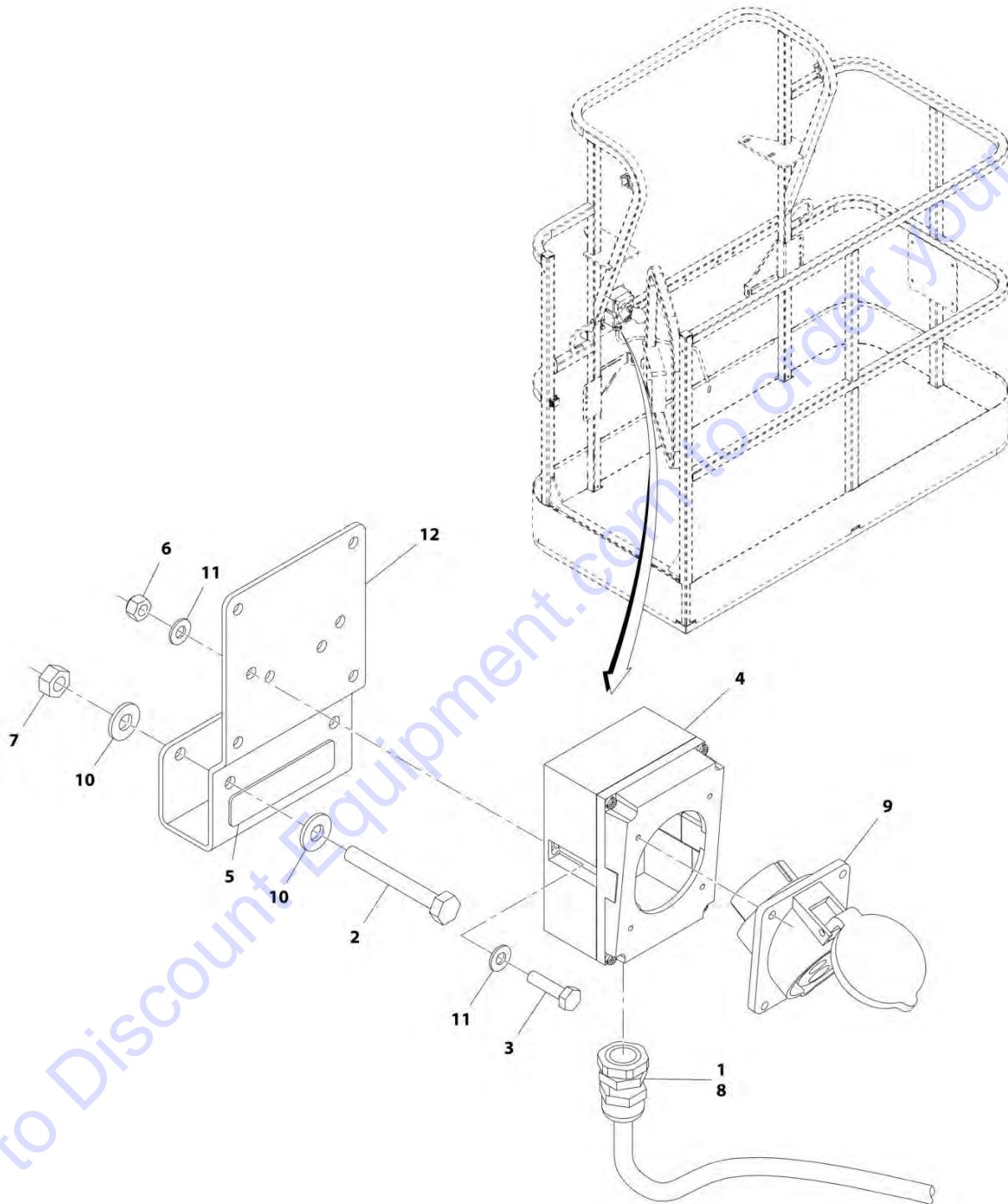
FIGURE 8-10. AC BOX AT PLATFORM INSTALLATION - 220V IEC 60309 BLUE WITH 2500W GENERATOR (CE SPECS)

ITEM	PART NUMBER	QTY	DESCRIPTION	REV
	1001100327	Ref	AC BOX AT PLATFORM INSTALLATION - 220V IEC 60309 BLUE WITH 2500W GENERATOR (CE SPECS)	D
1	0100020	AR	Sealant, Pipe	
2	0700408	2	Bolt M4 x 16	
3	3290405	2	Nut M4	
4	1001101196	1	Adapter	
5	4811400	4	Washer M4	
6	1001100342	1	Receptacle Box Kit (See RECEPTACLE BOX KIT - 220V IEC 60309 BLUE WITH 2500W GENERATOR (CE SPECS) for Breakdown)	
7	1001101191	1	Connector, Strain Relief	
8	1060908	10 ft /3.05m	Cable, Electrical 12/3 (Not Shown)	
9	0641416	2	Bolt 1/4 x 2	
10	3252507	1	Decal - 220V	
11	3311405	2	Nut 1/4	
12	4711400	4	Washer 1/4	
13	1001193018	1	Bracket	

Go to Discount-Equipment.com to order your parts

SECTION 8 - ELECTRICAL

FIGURE 8-11. AC BOX AT PLATFORM INSTALLATION - 220V IEC 60309 BLUE WITH 4000W GENERATOR (CE SPECS) (SN 0300201017 through 0300214026)



ART_1001194204

SECTION 8 - ELECTRICAL

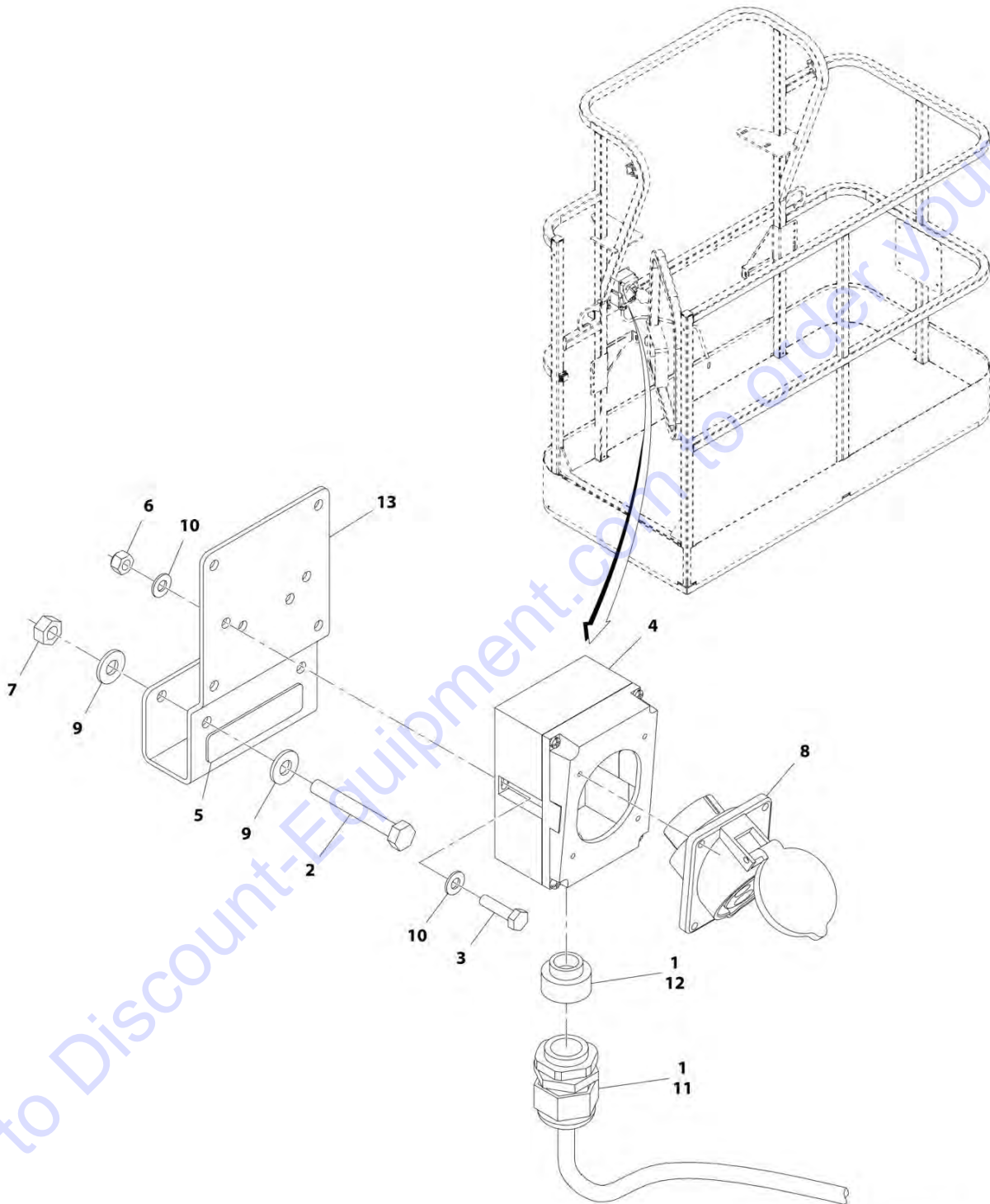
FIGURE 8-11. AC BOX AT PLATFORM INSTALLATION - 220V IEC 60309 BLUE WITH 4000W GENERATOR (CE SPECS) (SN 0300201017 through 0300214026)

ITEM	PART NUMBER	QTY	DESCRIPTION	REV
	1001194204	Ref	AC BOX AT PLATFORM INSTALLATION - 220V IEC 60309 BLUE WITH 4000W GENERATOR (CE SPECS) (SN 0300201017 through 0300214026)	B
1	0100020	AR	Sealant, Pipe	
2	0641416	2	Bolt 1/4 x 2	
3	0700408	2	Bolt M4 x 16	
4	0861781	1	Box, Switch	
5	3251242	1	Decal - 240V-50Hz	
6	3290405	2	Nut M4	
7	3311405	2	Nut 1/4	
8	4460968	1	Connector, Strain Relief	
9	4461201	1	Receptacle	
10	4711400	4	Washer 1/4	
11	4811400	4	Washer M4	
12	1001193018	1	Bracket, AC Receptacle	

Go to Discount-Equipment.com to order your parts

SECTION 8 - ELECTRICAL

FIGURE 8-12. AC BOX AT PLATFORM INSTALLATION - 220V IEC 60309 BLUE WITH 4000W GENERATOR (CE SPECS) (SN 0300214027 to Present)



ART_1001206254

SECTION 8 - ELECTRICAL

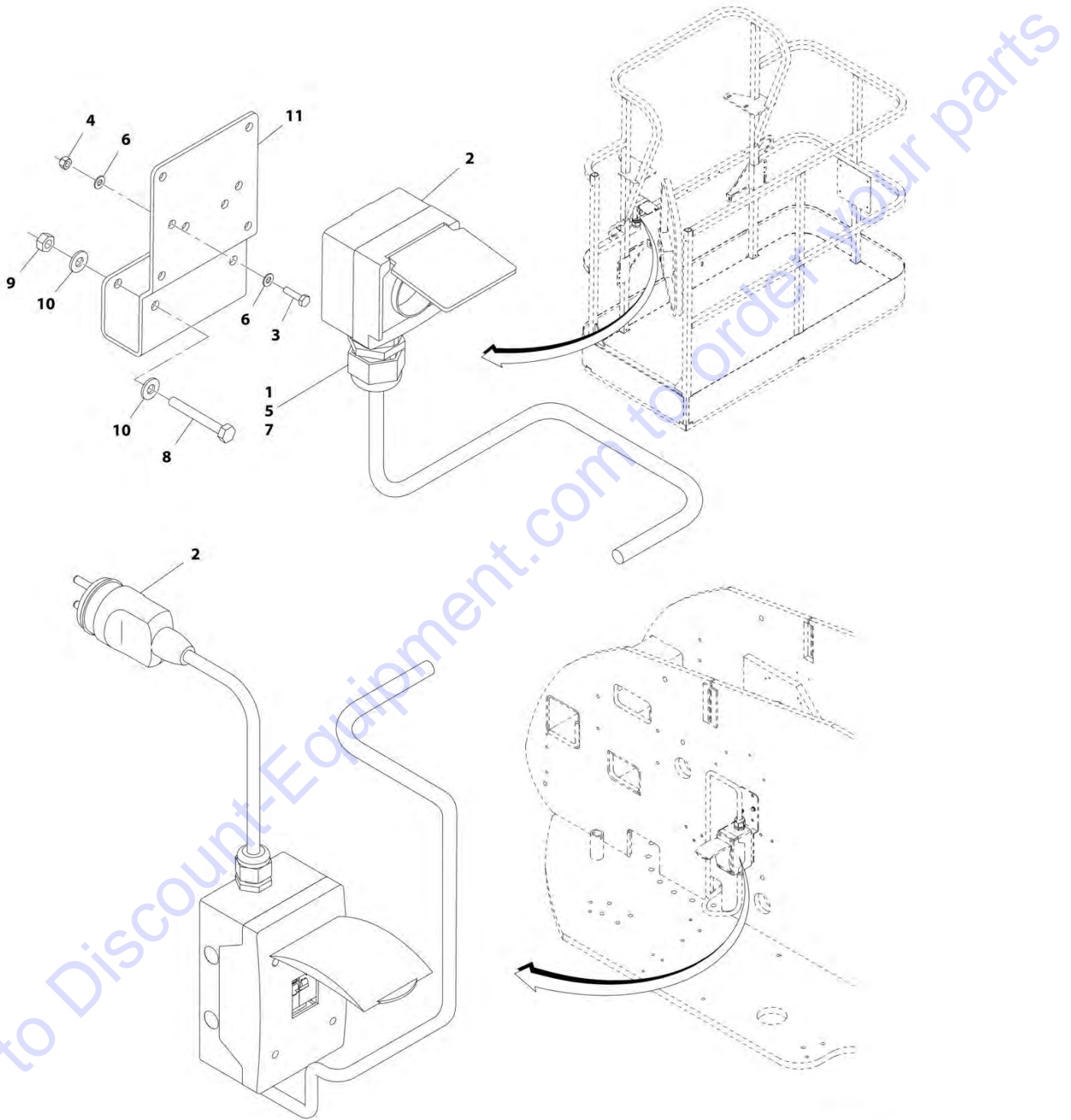
FIGURE 8-12. AC BOX AT PLATFORM INSTALLATION - 220V IEC 60309 BLUE WITH 4000W GENERATOR (CE SPECS) (SN 0300214027 to Present)

ITEM	PART NUMBER	QTY	DESCRIPTION	REV
	1001206254	Ref	AC BOX AT PLATFORM INSTALLATION - 220V IEC 60309 BLUE WITH 4000W GENERATOR (CE SPECS) (SN 0300214027 to Present)	A
1	0100020	AR	Sealant, Pipe	
2	0641416	2	Bolt 1/4 x 2	
3	0700408	2	Bolt M4 x 16	
4	0861781	1	Box, Switch	
5	3251242	1	Decal - 240V-50Hz	
6	3290405	2	Nut M4	
7	3311405	2	Nut 1/4	
8	4461201	1	Receptacle	
9	4711400	4	Washer 1/4	
10	4811400	4	Washer M4	
11	1001101191	1	Connector, Strain Relief	
12	1001101196	1	Connector, Adapter	
13	1001193018	1	Bracket, AC Receptacle	

Go to Discount-Equipment.com to order your parts

SECTION 8 - ELECTRICAL

FIGURE 8-13. AC BOX AT PLATFORM INSTALLATION - 220V CEE7 POST GROUND (70MM X 70MM BOX) WITHOUT 2500W GENERATOR (CE SPECS) (SN 0300201017 through 0300205138)



SECTION 8 - ELECTRICAL

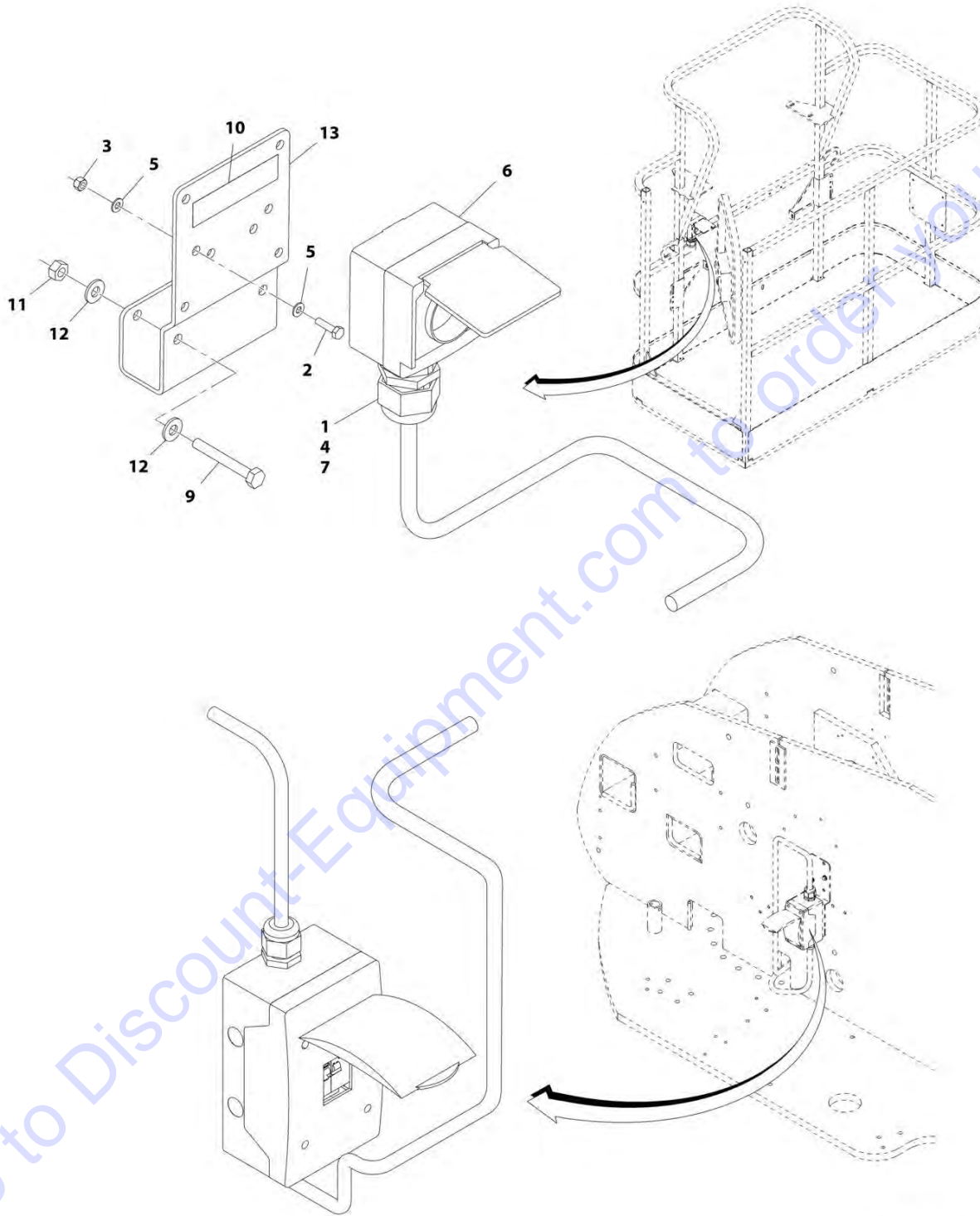
FIGURE 8-13. AC BOX AT PLATFORM INSTALLATION - 220V CEE7 POST GROUND (70MM X 70MM BOX) WITHOUT 2500W GENERATOR (CE SPECS) (SN 0300201017 through 0300205138)

ITEM	PART NUMBER	QTY	DESCRIPTION	REV
	1001091971	Ref	AC BOX AT PLATFORM INSTALLATION - 220V CEE7 POST GROUND (70MM X 70MM BOX) WITHOUT 2500W GENERATOR (CE SPECS) (SN 0300201017 through 0300205138)	C
1	0100020	AR	Sealant, Pipe	
2	0275218	1	Receptacle Box Kit (See RECEPTACLE BOX KIT - 220V CEE7 POST GROUND WITHOUT 2500W GENERATOR (70MM X 70MM BOX) (CE SPECS) for Breakdown)	
3	0700408	2	Bolt M4 x 16	
4	3290405	2	Nut M4	
5	1001101196	1	Adapter	
6	4811400	4	Washer M4	
7	1001101191	1	Connector, Strain Relief	
8	0641416	2	Bolt 1/4 x 2	
9	3311405	2	Nut 1/4	
10	4711400	4	Washer 1/4	
11	1001193018	1	Bracket	

Go to Discount-Equipment.com to order your parts

SECTION 8 - ELECTRICAL

FIGURE 8-14. AC BOX AT PLATFORM INSTALLATION - 220V CEE7 POST GROUND (70MM X 70MM BOX) WITH 2500W GENERATOR (CE SPECS) (SN 0300201017 through 0300205138)



ART_1001100328

SECTION 8 - ELECTRICAL

FIGURE 8-14. AC BOX AT PLATFORM INSTALLATION - 220V CEE7 POST GROUND (70MM X 70MM BOX) WITH 2500W GENERATOR (CE SPECS) (SN 0300201017 through 0300205138)

ITEM	PART NUMBER	QTY	DESCRIPTION	REV
	1001100328	Ref	AC BOX AT PLATFORM INSTALLATION - 220V CEE7 POST GROUND (70MM X 70MM BOX) WITH 2500W GENERATOR (CE SPECS) (SN 0300201017 through 0300205138)	D
1	0100020	AR	Sealant, Pipe	
2	0700408	2	Bolt M4 x 16	
3	3290405	2	Nut M4	
4	1001101196	1	Adapter	
5	4811400	4	Washer M4	
6	1001100343	1	Receptacle Box Kit (See RECEPTACLE BOX KIT - 220V CEE7 POST GROUND (70MM X 70MM BOX) WITH 2500W GENERATOR (CE SPECS) for Breakdown)	
7	1001101191	1	Connector, Strain Relief	
8	1060908	10 ft /3.05m	Cable, Electrical 12/3 (Not Shown)	
9	0641416	2	Bolt 1/4 x 2	
10	3252507	1	Decal - 220V	
11	3311405	2	Nut 1/4	
12	4711400	4	Washer 1/4	
13	1001193018	1	Bracket	

PARTS FINDER

**Search Website
by Part Number**



**Search Manual
Library For Parts
Manual & Lookup Part
Numbers – Purchase
or Request Quote**

**Can't Find Part or
Manual? Request Help
by Manufacturer,
Model & Description**

Discount-Equipment.com is your online resource for quality parts & equipment.

Florida: **561-964-4949** Outside Florida TOLL FREE: **877-690-3101**

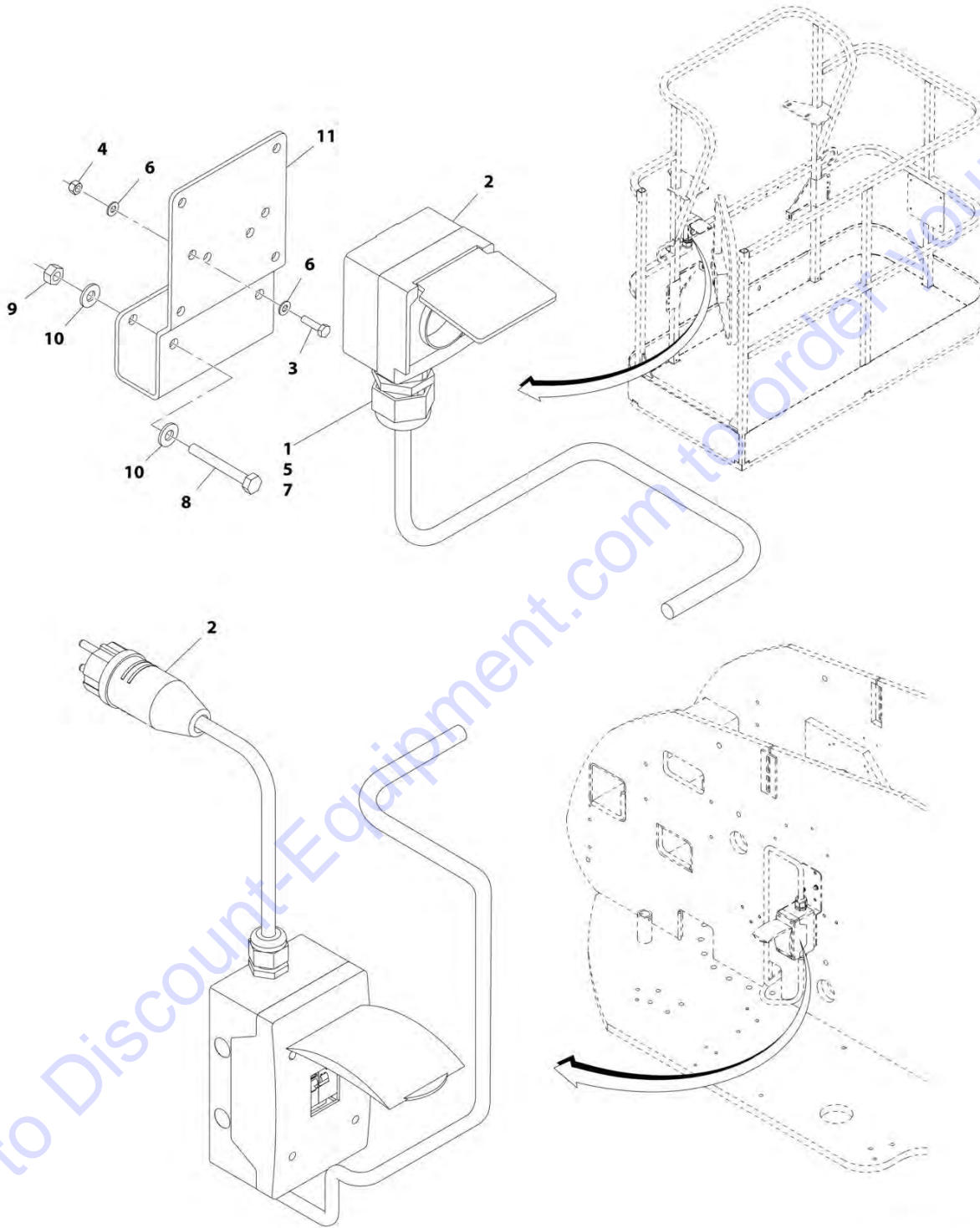
Need parts?

Click on this link: <http://www.discount-equipment.com/category/5443-parts/> and choose one of the options to help get the right parts and equipment you are looking for. Please have the machine model and serial number available in order to help us get you the correct parts. If you don't find the part on the website or on one of the online manuals, please fill out the request form and one of our experienced staff members will get back to you with a quote for the right part that your machine needs.

We sell worldwide for the brands: Genie, Terex, JLG, MultiQuip, Mikasa, Essick, Whiteman, Mayco, Toro Stone, Diamond Products, Generac Magnum, Airman, Haulotte, Barreto, Power Blanket, Nifty Lift, Atlas Copco, Chicago Pneumatic, Allmand, Miller Curber, Skyjack, Lull, Skytrak, Tsurumi, Husquvarna Target, Stow, Wacker, Sakai, Mi-T-M, Sullair, Basic, Dynapac, MBW, Weber, Bartell, Bennar Newman, Haulotte, Ditch Runner, Menegotti, Morrison, Contec, Buddy, Crown, Edco, Wyco, Bomag, Laymor, EZ Trench, Bil-Jax, F.S. Curtis, Gehl Pavers, Heli, Honda, ICS/PowerGrit, IHI, Partner, Imer, Clipper, MMD, Koshin, Rice, CH&E, General Equipment, Amida, Coleman, NAC, Gradall, Square Shooter, Kent, Stanley, Tamco, Toku, Hatz, Kohler, Robin, Wisconsin, Northrock, Oztec, Toker TK, Rol-Air, APT, Wylie, Ingersoll Rand / Doosan, Innovatech, Con X, Ammann, Mecalac, Makinex, Smith Surface Prep, Small Line, Wanco, Yanmar

SECTION 8 - ELECTRICAL

FIGURE 8-15. AC BOX AT PLATFORM INSTALLATION - 220V CEE7 SIDE GROUND (70MM X 70MM BOX) WITHOUT 2500W GENERATOR (CE SPECS) (SN 0300201017 through 0300205138)



ART_1001091972

SECTION 8 - ELECTRICAL

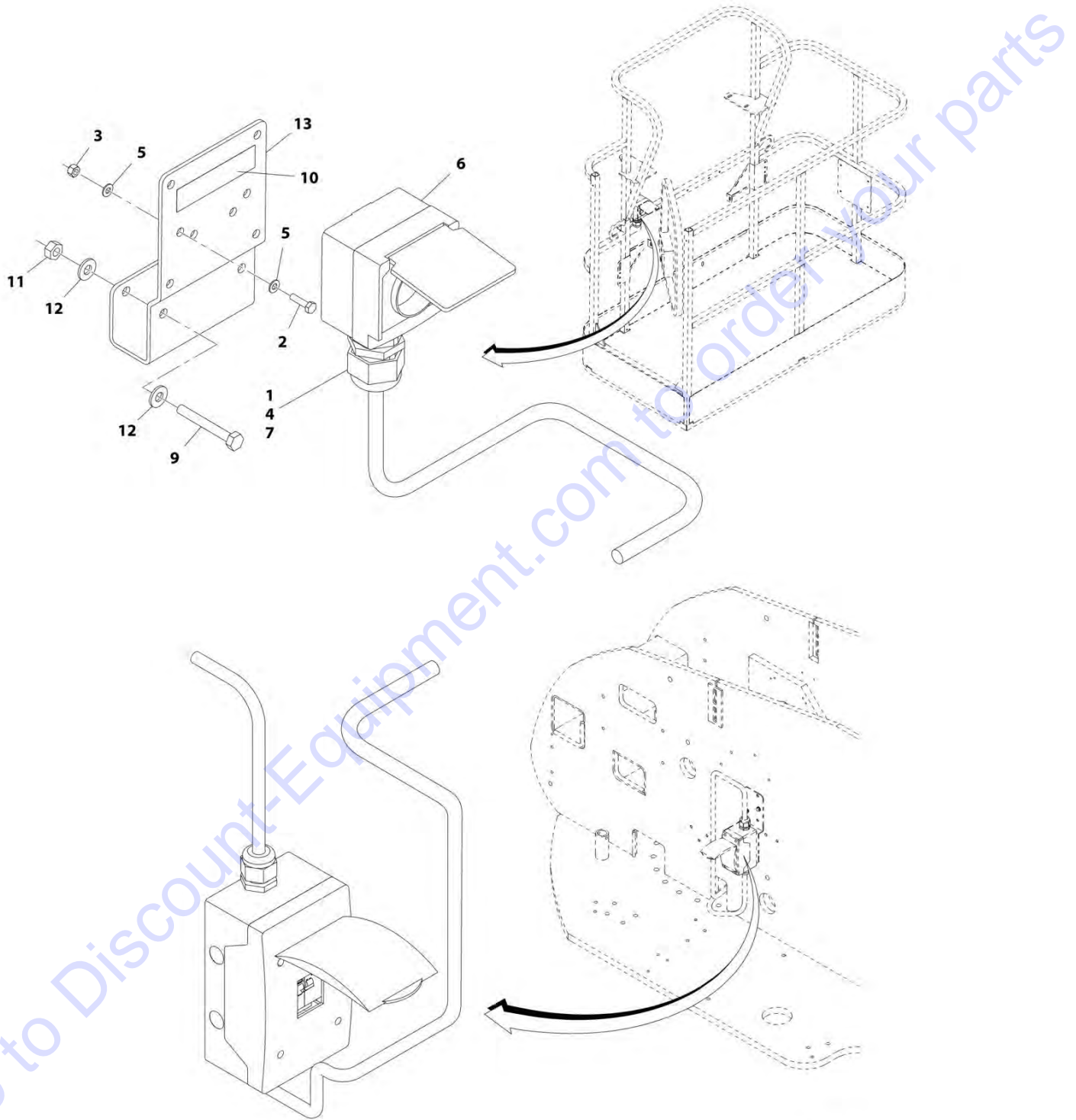
FIGURE 8-15. AC BOX AT PLATFORM INSTALLATION - 220V CEE7 SIDE GROUND (70MM X 70MM BOX) WITHOUT 2500W GENERATOR (CE SPECS) (SN 0300201017 through 0300205138)

ITEM	PART NUMBER	QTY	DESCRIPTION	REV
	1001091972	Ref	AC BOX AT PLATFORM INSTALLATION - 220V CEE7 SIDE GROUND (70MM X 70MM BOX) WITHOUT 2500W GENERATOR (CE SPECS) (SN 0300201017 through 0300205138)	C
1	0100020	AR	Sealant, Pipe	
2	0275219	1	Receptacle Box Kit (See RECEPTACLE BOX KIT - 220V CEE7 SIDE GROUND WITHOUT 2500W GENERATOR (70MM X 70MM BOX) (CE SPECS) for Breakdown)	
3	0700408	2	Bolt M4 x 16	
4	3290405	2	Nut M4	
5	1001101196	1	Adapter	
6	4811400	4	Washer M4	
7	1001101191	1	Connector, Strain Relief	
8	0641416	2	Bolt 1/4 x 2	
9	3311405	2	Nut 1/4	
10	4711400	4	Washer 1/4	
11	1001193018	1	Bracket	

Go to Discount-Equipment.com to order your parts

SECTION 8 - ELECTRICAL

FIGURE 8-16. AC BOX AT PLATFORM INSTALLATION - 220V CEE7 SIDE GROUND (70MM X 70MM BOX) WITH 2500W GENERATOR (CE SPECS) (SN 0300201017 through 0300205138)



ART_1001100329

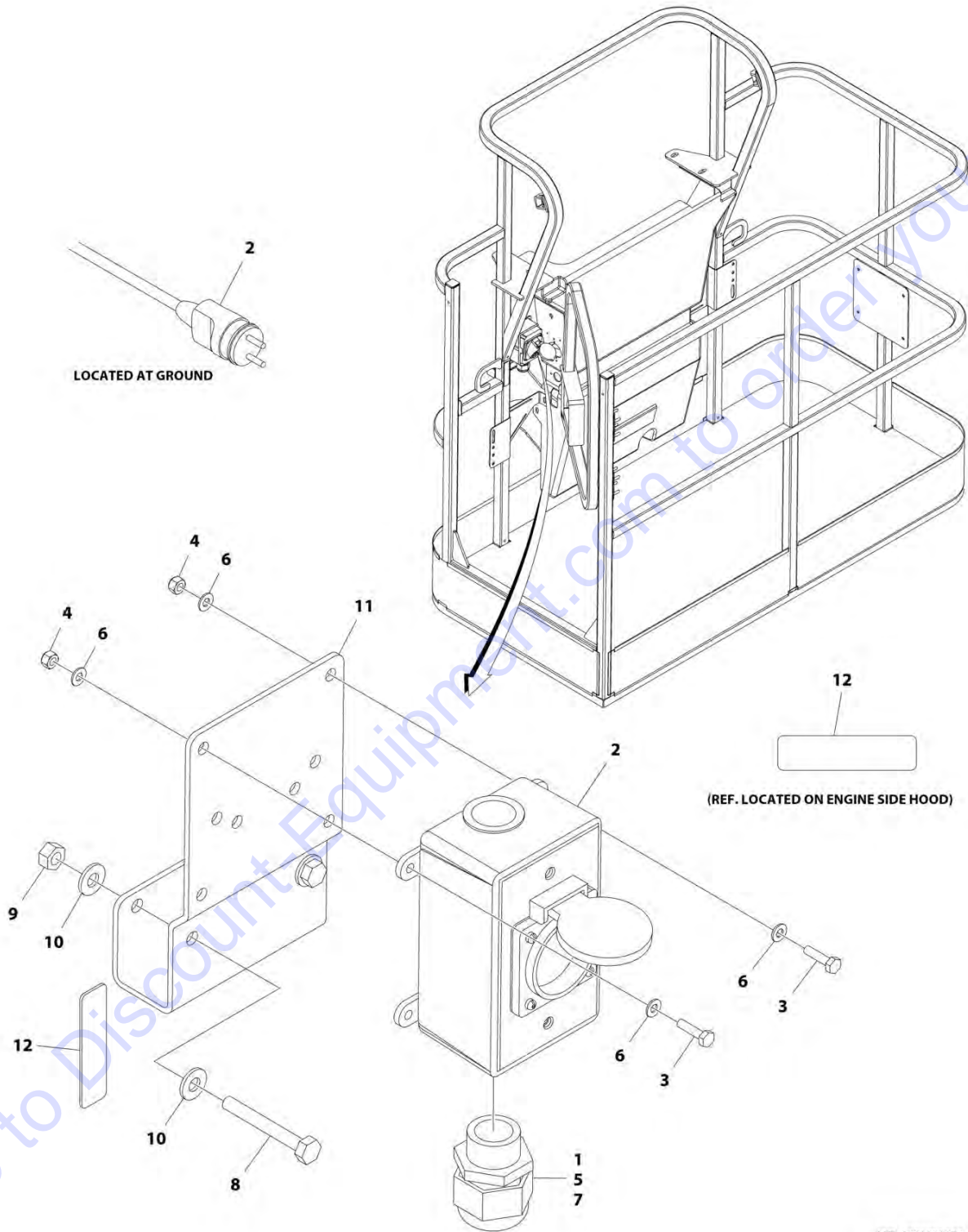
SECTION 8 - ELECTRICAL

FIGURE 8-16. AC BOX AT PLATFORM INSTALLATION - 220V CEE7 SIDE GROUND (70MM X 70MM BOX) WITH 2500W GENERATOR (CE SPECS) (SN 0300201017 through 0300205138)

ITEM	PART NUMBER	QTY	DESCRIPTION	REV
	1001100329	Ref	AC BOX AT PLATFORM INSTALLATION - 220V CEE7 SIDE GROUND (70MM X 70MM BOX) WITH 2500W GENERATOR (CE SPECS) (SN 0300201017 through 0300205138)	D
1	0100020	AR	Sealant, Pipe	
2	0700408	2	Bolt M4 x 16	
3	3290405	2	Nut M4	
4	1001101196	1	Adapter	
5	4811400	4	Washer M4	
6	1001100344	1	Receptacle Box Kit (See RECEPTACLE BOX KIT - 220V CEE7 SIDE GROUND (70MM X 70MM BOX) WITH 2500W GENERATOR (CE SPECS) for Breakdown)	
7	1001101191	1	Connector, Strain Relief	
8	1060908	10 ft /3.05m	Cable, Electrical 12/3 (Not Shown)	
9	0641416	2	Bolt 1/4 x 2	
10	3252507	1	Decal - 220V	
11	3311405	2	Nut 1/4	
12	4711400	4	Washer 1/4	
13	1001193018	1	Bracket	

SECTION 8 - ELECTRICAL

FIGURE 8-17. AC BOX AT PLATFORM INSTALLATION - 220V CEE7 POST GROUND (2X4 BOX) WITHOUT 2500W GENERATOR (CE SPECS)



ART_1001091973

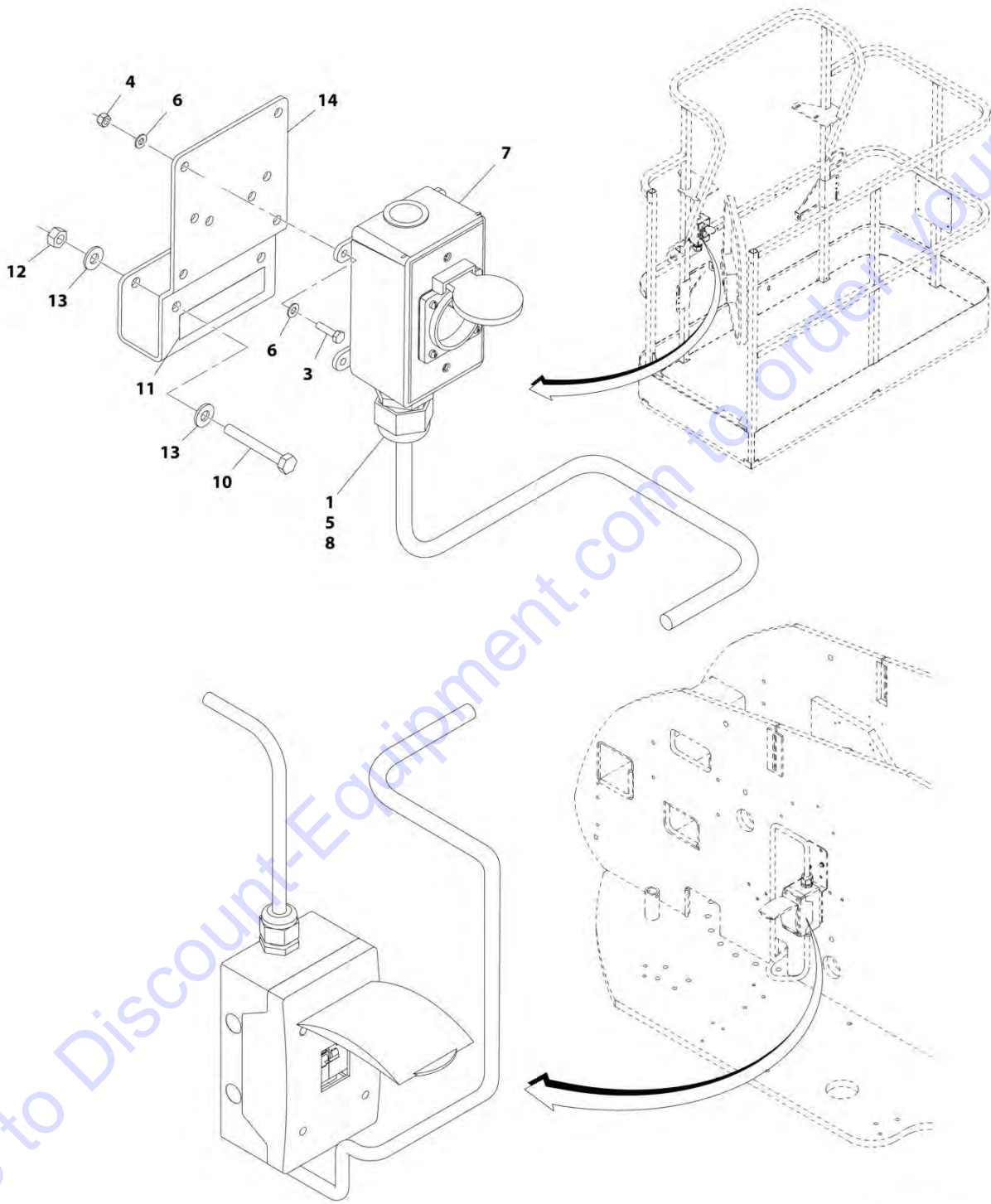
SECTION 8 - ELECTRICAL

**FIGURE 8-17. AC BOX AT PLATFORM INSTALLATION - 220V CEE7 POST GROUND (2X4 BOX)
WITHOUT 2500W GENERATOR (CE SPECS)**

ITEM	PART NUMBER	QTY	DESCRIPTION	REV
	1001091973	Ref	AC BOX AT PLATFORM INSTALLATION - 220V CEE7 POST GROUND (2X4 BOX) WITHOUT 2500W GENERATOR (CE SPECS)	F
1	0100020	AR	Sealant, Pipe	
2	0275452	1	Receptacle Box Kit (See RECEPTACLE BOX KIT - 220V CEE7 POST GROUND WITHOUT 2500W GENERATOR (2X4 BOX) (CE SPECS) for Breakdown)	
3	0700408	4	Bolt M4 x 16	
4	3290405	4	Nut M4	
5	1001101197	1	Adapter	
6	4811400	8	Washer M4	
7	1001101191	1	Connector, Strain Relief	
8	0641416	2	Bolt 1/4 x 2	
9	3311405	2	Nut 1/4	
10	4711400	4	Washer 1/4	
11	1001193018	1	Bracket	
12	3251242	2	Decal - 240V-50Hz (SN 0300190146 to Present)	
13	4460806	2	Terminal, Fork (Not Shown)	
14	1001205958	1	Terminal (Not Shown)	

SECTION 8 - ELECTRICAL

FIGURE 8-18. AC BOX AT PLATFORM INSTALLATION - 220V CEE7 POST GROUND (2X4 BOX) WITH 2500W GENERATOR (CE SPECS)



ART_1001100331

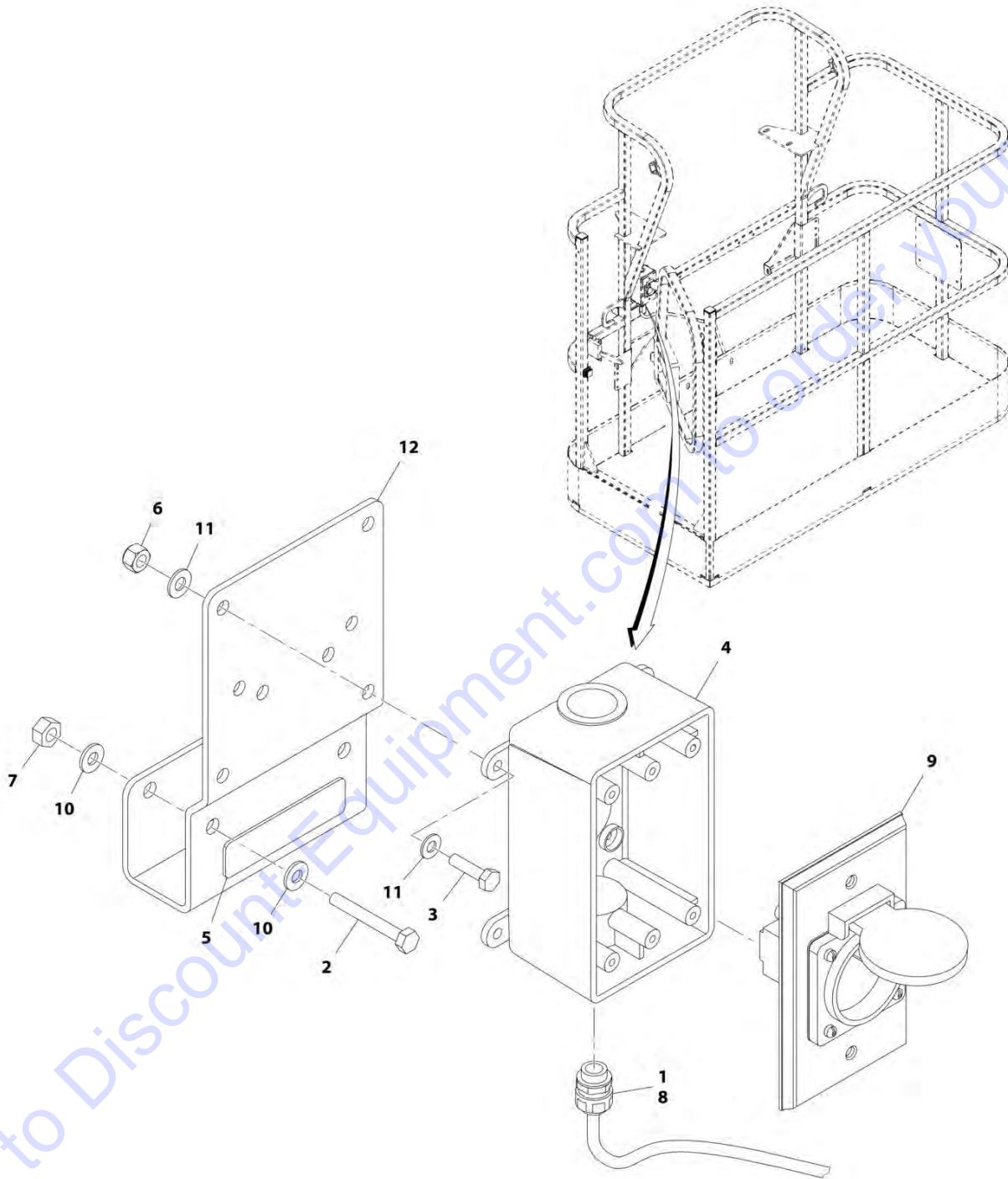
SECTION 8 - ELECTRICAL

FIGURE 8-18. AC BOX AT PLATFORM INSTALLATION - 220V CEE7 POST GROUND (2X4 BOX) WITH 2500W GENERATOR (CE SPECS)

ITEM	PART NUMBER	QTY	DESCRIPTION	REV
	1001100331	Ref	AC BOX AT PLATFORM INSTALLATION - 220V CEE7 POST GROUND (2X4 BOX) WITH 2500W GENERATOR (CE SPECS)	E
1	0100020	AR	Sealant, Pipe	
3	0700408	4	Bolt M4 x 16	
4	3290405	4	Nut M4	
5	1001101197	1	Adapter	
6	4811400	8	Washer M4	
7	1001100345	1	Receptacle Box Kit (See RECEPTACLE BOX KIT - 220V CEE7 POST GROUND WITH 2500W GENERATOR (2X4 BOX) (CE SPECS) for Breakdown)	
8	1001101191	1	Connector, Strain Relief	
9	1060908	10 ft /3.05m	Cable, Electrical 12/3 (Not Shown)	
10	0641416	2	Bolt 1/4 x 2	
11	3252507	1	Decal - 220V	
12	3311405	2	Nut 1/4	
13	4711400	4	Washer 1/4	
14	1001193018	1	Bracket	
15	4460806	2	Terminal, Fork (Not Shown)	
16	1001205958	1	Terminal (Not Shown)	

SECTION 8 - ELECTRICAL

FIGURE 8-19. AC BOX AT PLATFORM INSTALLATION - 220V CEE7 POST GROUND (2X4 BOX) WITH 4000W GENERATOR (CE SPECS) (SN 0300201017 through 0300214026)



ART_1001194197

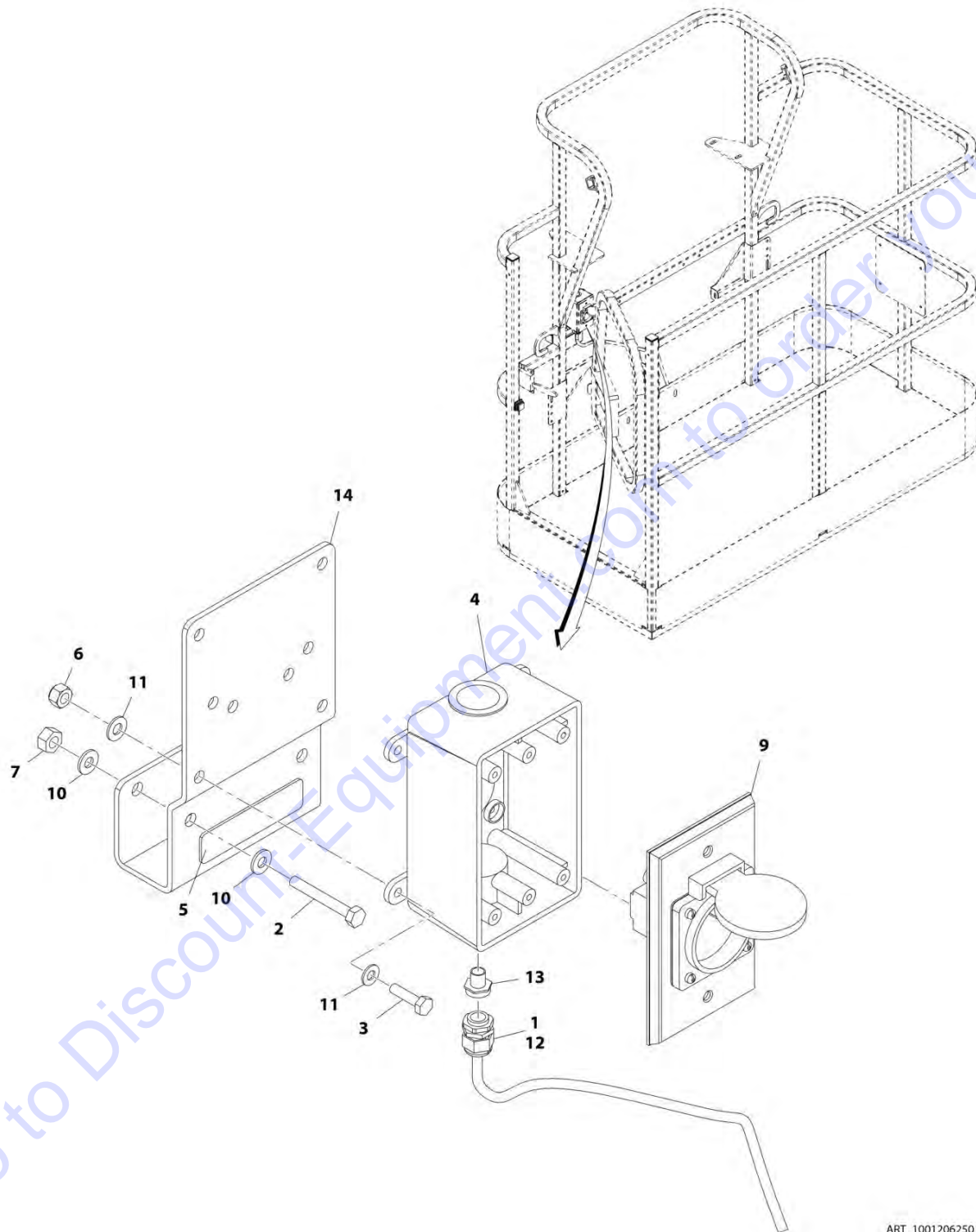
SECTION 8 - ELECTRICAL

FIGURE 8-19. AC BOX AT PLATFORM INSTALLATION - 220V CEE7 POST GROUND (2X4 BOX) WITH 4000W GENERATOR (CE SPECS) (SN 0300201017 through 0300214026)

ITEM	PART NUMBER	QTY	DESCRIPTION	REV
	1001194197	Ref	AC BOX AT PLATFORM INSTALLATION - 220V CEE7 POST GROUND (2X4 BOX) WITH 4000W GENERATOR (CE SPECS) (SN 0300201017 through 0300214026)	B
1	0100020	AR	Sealant, Pipe	
2	0641416	2	Bolt 1/4 x 2	
3	0700408	4	Bolt M4 x 16	
4	0861731	1	Box, Switch	
5	3251242	1	Decal - 240V-50Hz	
6	3290405	4	Nut M4	
7	3311405	2	Nut 1/4	
8	4460662	1	Connector, Strain Relief	
9	4461244	1	Receptacle	
10	4711400	4	Washer 1/4	
11	4811400	8	Washer M4	
12	1001193018	1	Bracket, AC Receptacle	
13	4460806	2	Terminal, Fork (Not Shown)	
14	1001205958	1	Terminal (Not Shown)	

SECTION 8 - ELECTRICAL

FIGURE 8-20. AC BOX AT PLATFORM INSTALLATION - 220V CEE7 POST GROUND (2X4 BOX) WITH 4000W GENERATOR (CE SPECS) (SN 0300214027 to Present)



ART_1001206250

SECTION 8 - ELECTRICAL

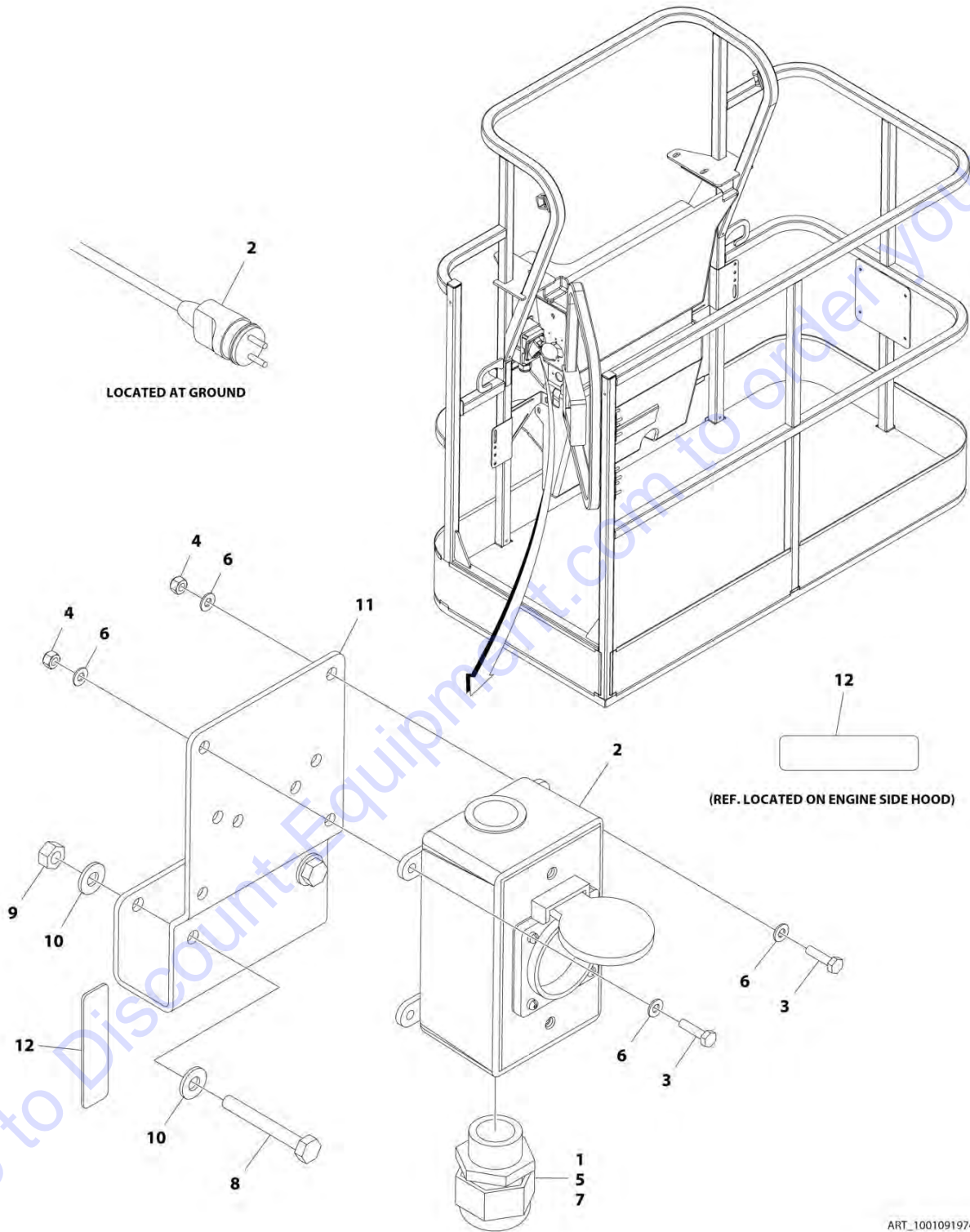
FIGURE 8-20. AC BOX AT PLATFORM INSTALLATION - 220V CEE7 POST GROUND (2X4 BOX) WITH 4000W GENERATOR (CE SPECS) (SN 0300214027 to Present)

ITEM	PART NUMBER	QTY	DESCRIPTION	REV
	1001206250	Ref	AC BOX AT PLATFORM INSTALLATION - 220V CEE7 POST GROUND (2X4 BOX) WITH 4000W GENERATOR (CE SPECS) (SN 0300214027 to Present)	A
1	0100020	AR	Sealant, Pipe	
2	0641416	2	Bolt 1/4 x 2	
3	0700408	4	Bolt M4 x 16	
4	0861731	1	Box, Switch	
5	3251242	1	Decal - 240V-50Hz	
6	3290405	4	Nut M4	
7	3311405	2	Nut 1/4	
8	4460806	2	Terminal, Fork (Not Shown)	
9	4461244	1	Receptacle	
10	4711400	4	Washer 1/4	
11	4811400	8	Washer M4	
12	1001101191	1	Connector, Strain Relief	
13	1001101197	1	Connector, Adapter	
14	1001193018	1	Bracket, AC Receptacle	
15	1001205958	1	Terminal (Not Shown)	

Go to Discount-Equipment.com to order your parts

SECTION 8 - ELECTRICAL

FIGURE 8-21. AC BOX AT PLATFORM INSTALLATION - 220V CEE7 SIDE GROUND (2X4 BOX) WITHOUT 2500W GENERATOR (CE SPECS)



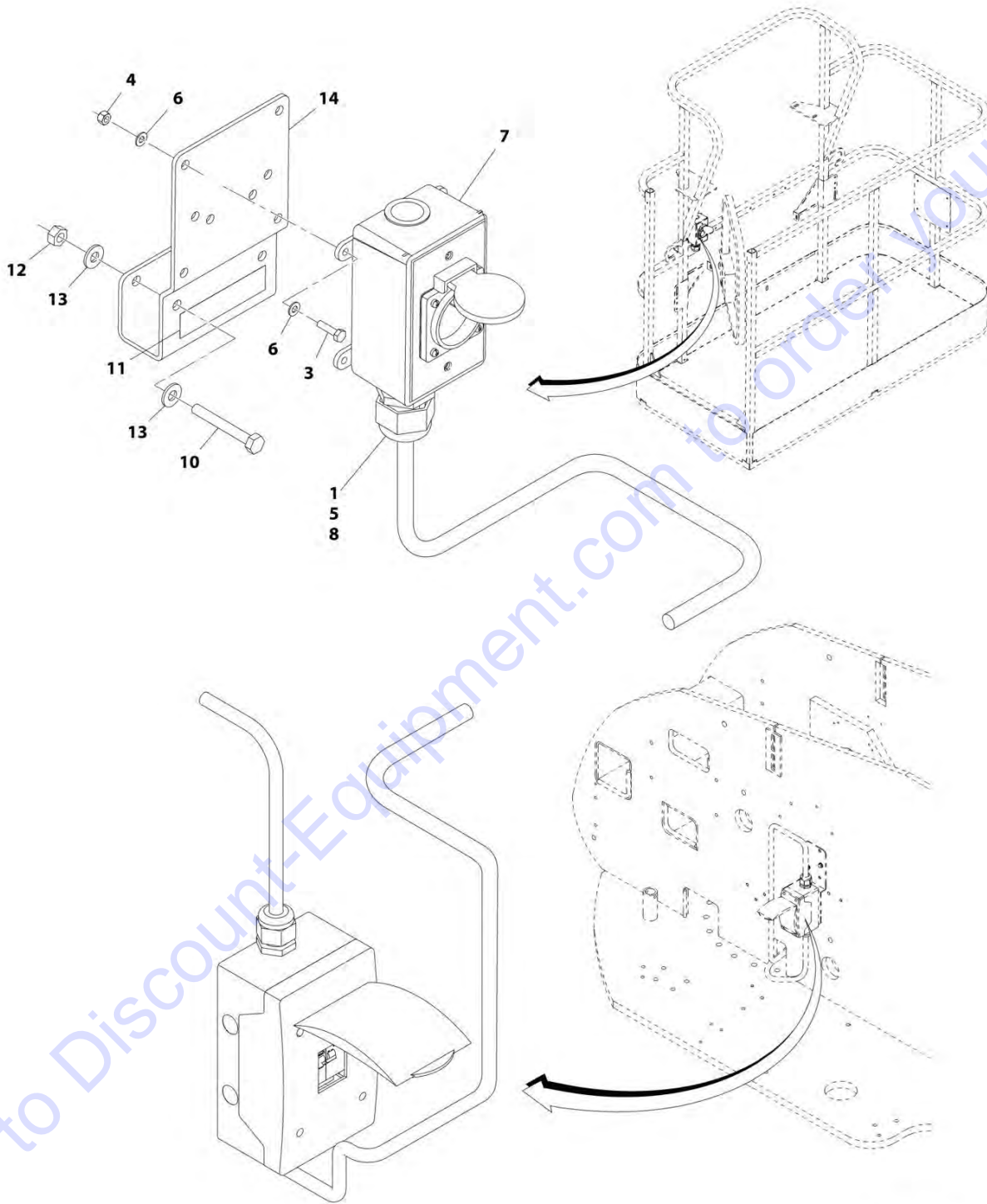
SECTION 8 - ELECTRICAL

FIGURE 8-21. AC BOX AT PLATFORM INSTALLATION - 220V CEE7 SIDE GROUND (2X4 BOX) WITHOUT 2500W GENERATOR (CE SPECS)

ITEM	PART NUMBER	QTY	DESCRIPTION	REV
	1001091974	Ref	AC BOX AT PLATFORM INSTALLATION - 220V CEE7 SIDE GROUND (2X4 BOX) WITHOUT 2500W GENERATOR (CE SPECS)	F
1	0100020	AR	Sealant, Pipe	
2	0275453	1	Receptacle Box Kit (See RECEPTACLE BOX KIT - 220V CEE7 SIDE GROUND WITHOUT 2500W GENERATOR (2X4 BOX) (CE SPECS) for Breakdown)	
3	0700408	4	Bolt M4 x 16	
4	3290405	4	Nut M4	
5	1001101197	1	Adapter	
6	4811400	8	Washer M4	
7	1001101191	1	Connector, Strain Relief	
8	0641416	2	Bolt 1/4 x 2	
9	3311405	2	Nut 1/4	
10	4711400	4	Washer 1/4	
11	1001193018	1	Bracket	
12	3251242	2	Decal - 240V-50Hz (SN 0300190146 to Present)	
13	4460806	2	Terminal, Fork (Not Shown)	
14	1001205958	1	Terminal (Not Shown)	

SECTION 8 - ELECTRICAL

FIGURE 8-22. AC BOX AT PLATFORM INSTALLATION - 220V CEE7 SIDE GROUND (2X4 BOX) WITH 2500W GENERATOR (CE SPECS)



ART_1001100333

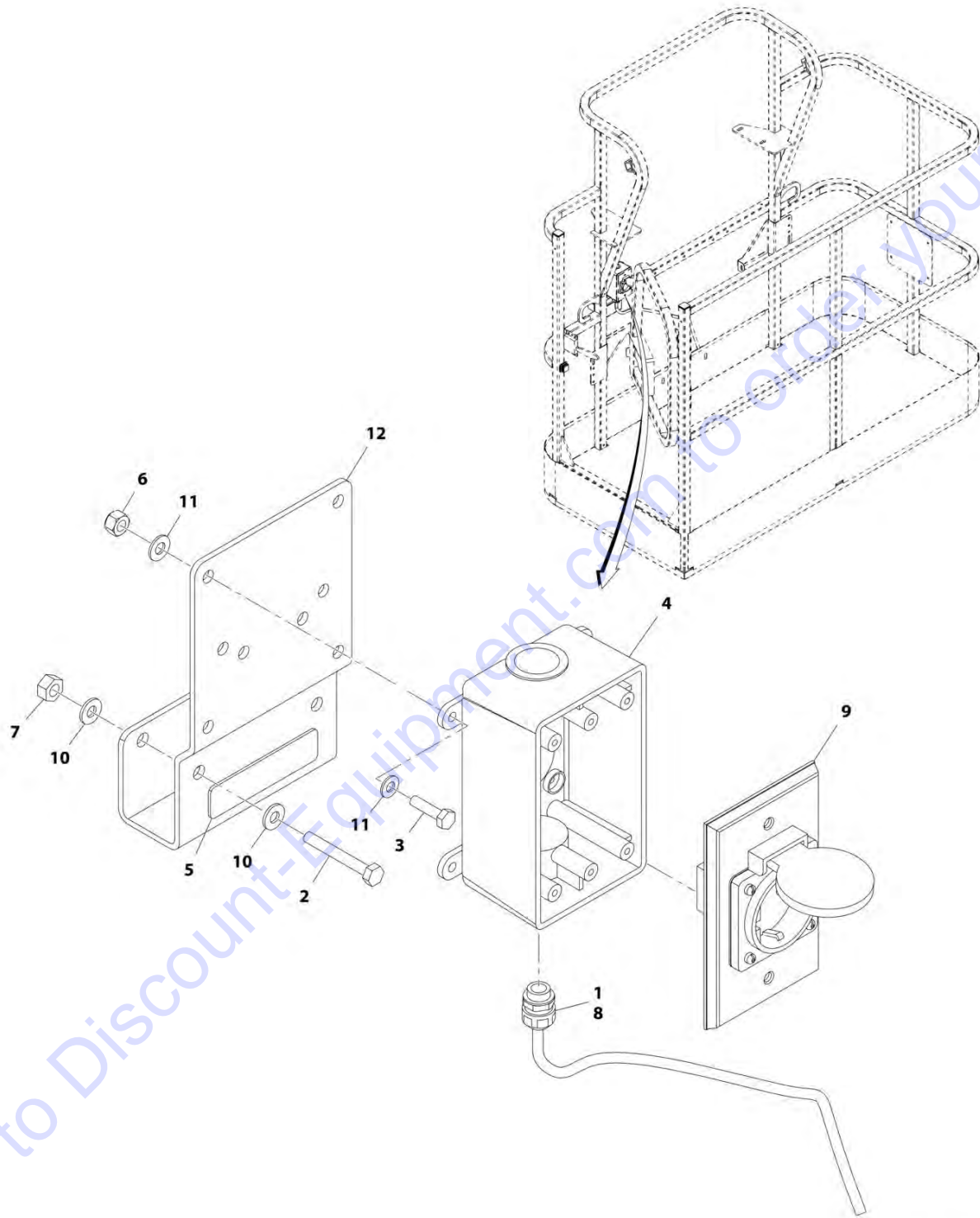
SECTION 8 - ELECTRICAL

FIGURE 8-22. AC BOX AT PLATFORM INSTALLATION - 220V CEE7 SIDE GROUND (2X4 BOX) WITH 2500W GENERATOR (CE SPECS)

ITEM	PART NUMBER	QTY	DESCRIPTION	REV
	1001100333	Ref	AC BOX AT PLATFORM INSTALLATION - 220V CEE7 SIDE GROUND (2X4 BOX) WITH 2500W GENERATOR (CE SPECS)	E
1	0100020	AR	Sealant, Pipe	
3	0700408	4	Bolt M4 x 16	
4	3290405	4	Nut M4	
5	1001101197	1	Adapter	
6	4811400	8	Washer M4	
7	1001100347	1	Receptacle Box Kit (See RECEPTACLE BOX KIT - 220V CEE7 SIDE GROUND WITH 2500W GENERATOR (2X4 BOX) (CE SPECS) for Breakdown)	
8	1001101191	1	Connector, Strain Relief	
9	1060908	10 ft /3.05m	Cable, Electrical 12/3 (Not Shown)	
10	0641416	2	Bolt 1/4 x 2	
11	3252507	1	Decal - 220V	
12	3311405	2	Nut 1/4	
13	4711400	4	Washer 1/4	
14	1001193018	1	Bracket	
15	4460806	2	Terminal, Fork (Not Shown)	
16	1001205958	1	Terminal (Not Shown)	

SECTION 8 - ELECTRICAL

FIGURE 8-23. AC BOX AT PLATFORM INSTALLATION - 220V CEE7 SIDE GROUND (2X4 BOX) WITH 4000W GENERATOR (CE SPECS) (SN 0300201017 through 0300214026)



ART_1001194198

SECTION 8 - ELECTRICAL

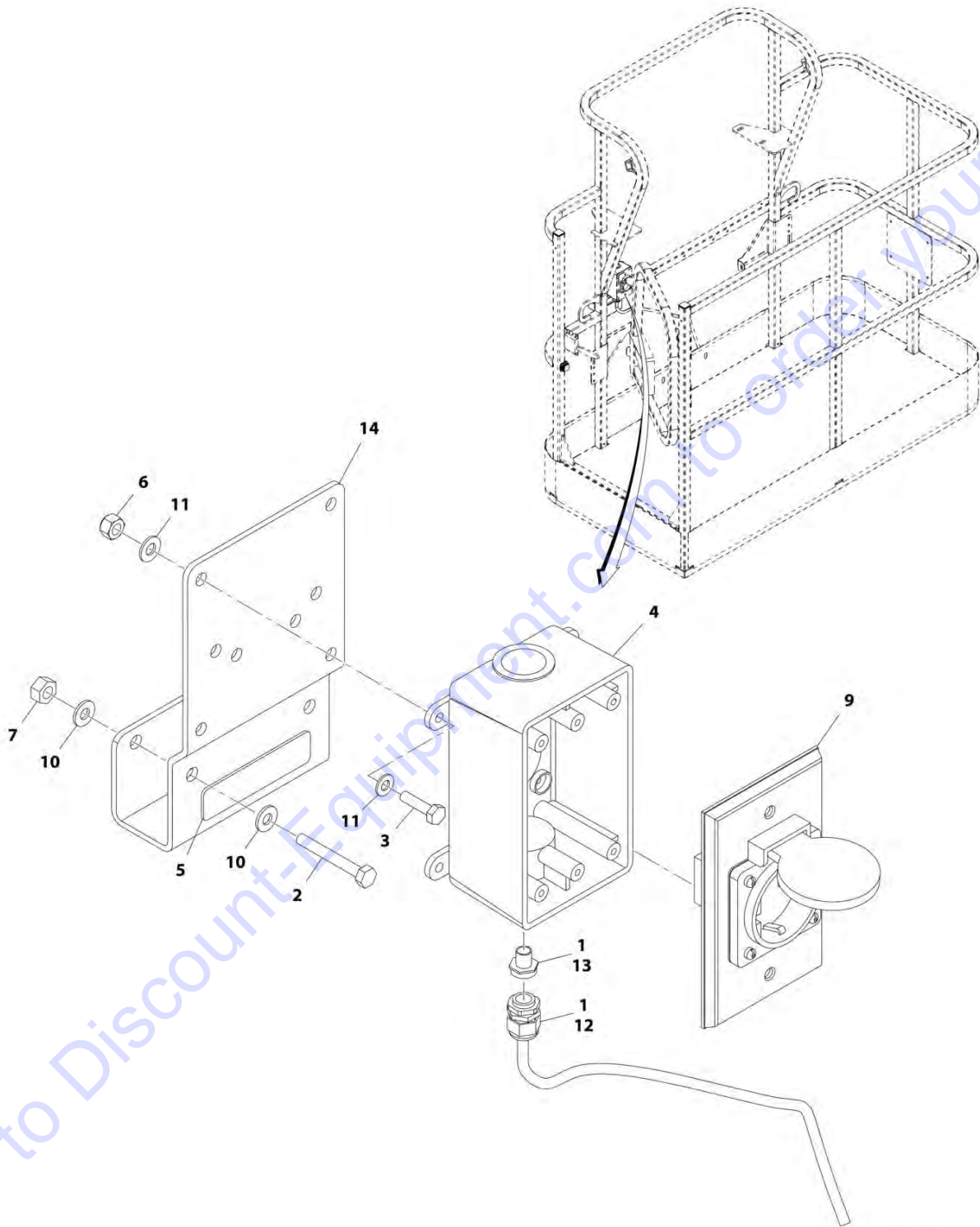
FIGURE 8-23. AC BOX AT PLATFORM INSTALLATION - 220V CEE7 SIDE GROUND (2X4 BOX) WITH 4000W GENERATOR (CE SPECS) (SN 0300201017 through 0300214026)

ITEM	PART NUMBER	QTY	DESCRIPTION	REV
	1001194198	Ref	AC BOX AT PLATFORM INSTALLATION - 220V CEE7 SIDE GROUND (2X4 BOX) WITH 4000W GENERATOR (CE SPECS) (SN 0300201017 through 0300214026)	B
1	0100020	AR	Sealant, Pipe	
2	0641416	2	Bolt 1/4 x 2	
3	0700408	4	Bolt M4 x 16	
4	0861731	1	Box, Switch	
5	3251242	1	Decal - 240V-50Hz	
6	3290405	4	Nut M4	
7	3311405	2	Nut 1/4	
8	4460662	1	Connector, Strain Relief	
9	4461245	1	Receptacle	
10	4711400	4	Washer 1/4	
11	4811400	8	Washer M4	
12	1001193018	1	Bracket, AC Receptacle	
13	4460806	2	Terminal, Fork (Not Shown)	
14	1001205958	1	Terminal (Not Shown)	

Go to Discount-Equipment.com to order your parts

SECTION 8 - ELECTRICAL

FIGURE 8-24. AC BOX AT PLATFORM INSTALLATION - 220V CEE7 SIDE GROUND (2X4 BOX) WITH 4000W GENERATOR (CE SPECS) (SN 0300214027 to Present)



ART_1001206251

SECTION 8 - ELECTRICAL

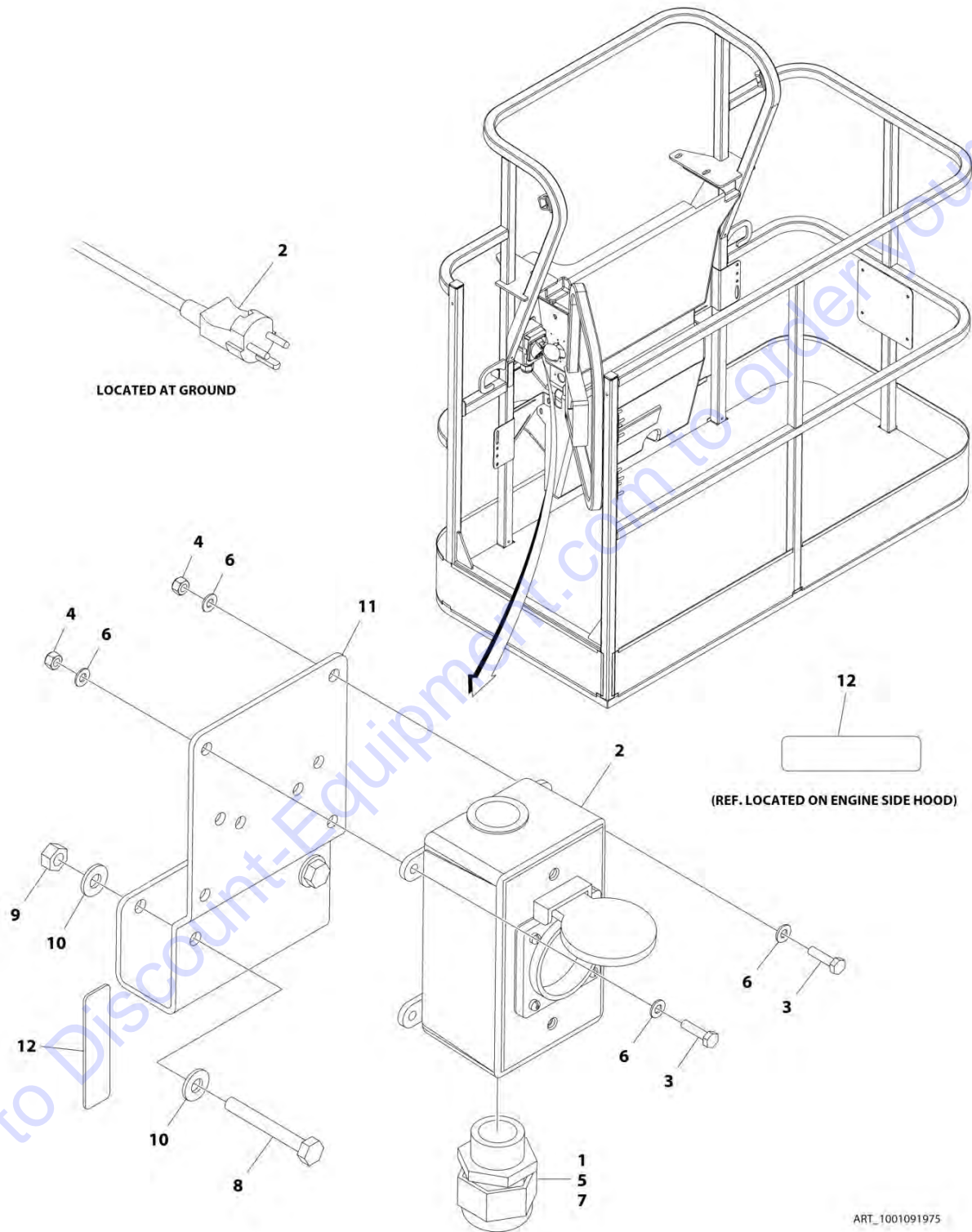
FIGURE 8-24. AC BOX AT PLATFORM INSTALLATION - 220V CEE7 SIDE GROUND (2X4 BOX) WITH 4000W GENERATOR (CE SPECS) (SN 0300214027 to Present)

ITEM	PART NUMBER	QTY	DESCRIPTION	REV
	1001206251	Ref	AC BOX AT PLATFORM INSTALLATION - 220V CEE7 SIDE GROUND (2X4 BOX) WITH 4000W GENERATOR (CE SPECS) (SN 0300214027 to Present)	A
1	0100020	AR	Sealant, Pipe	
2	0641416	2	Bolt 1/4 x 2	
3	0700408	4	Bolt M4 x 16	
4	0861731	1	Box, Switch	
5	3251242	1	Decal - 240V-50Hz	
6	3290405	4	Nut M4	
7	3311405	2	Nut 1/4	
8	4460806	2	Terminal, Fork (Not Shown)	
9	4461245	1	Receptacle	
10	4711400	4	Washer 1/4	
11	4811400	8	Washer M4	
12	1001101191	1	Connector, Strain Relief	
13	1001101197	1	Connector, Adapter	
14	1001193018	1	Bracket, AC Receptacle	
15	1001205958	1	Terminal (Not Shown)	

Go to Discount-Equipment.com to order your parts

SECTION 8 - ELECTRICAL

FIGURE 8-25. AC BOX AT PLATFORM INSTALLATION - 220V AFSINT 107 KEYED GROUND (2X4 BOX) WITHOUT 2500W GENERATOR (CE SPECS)



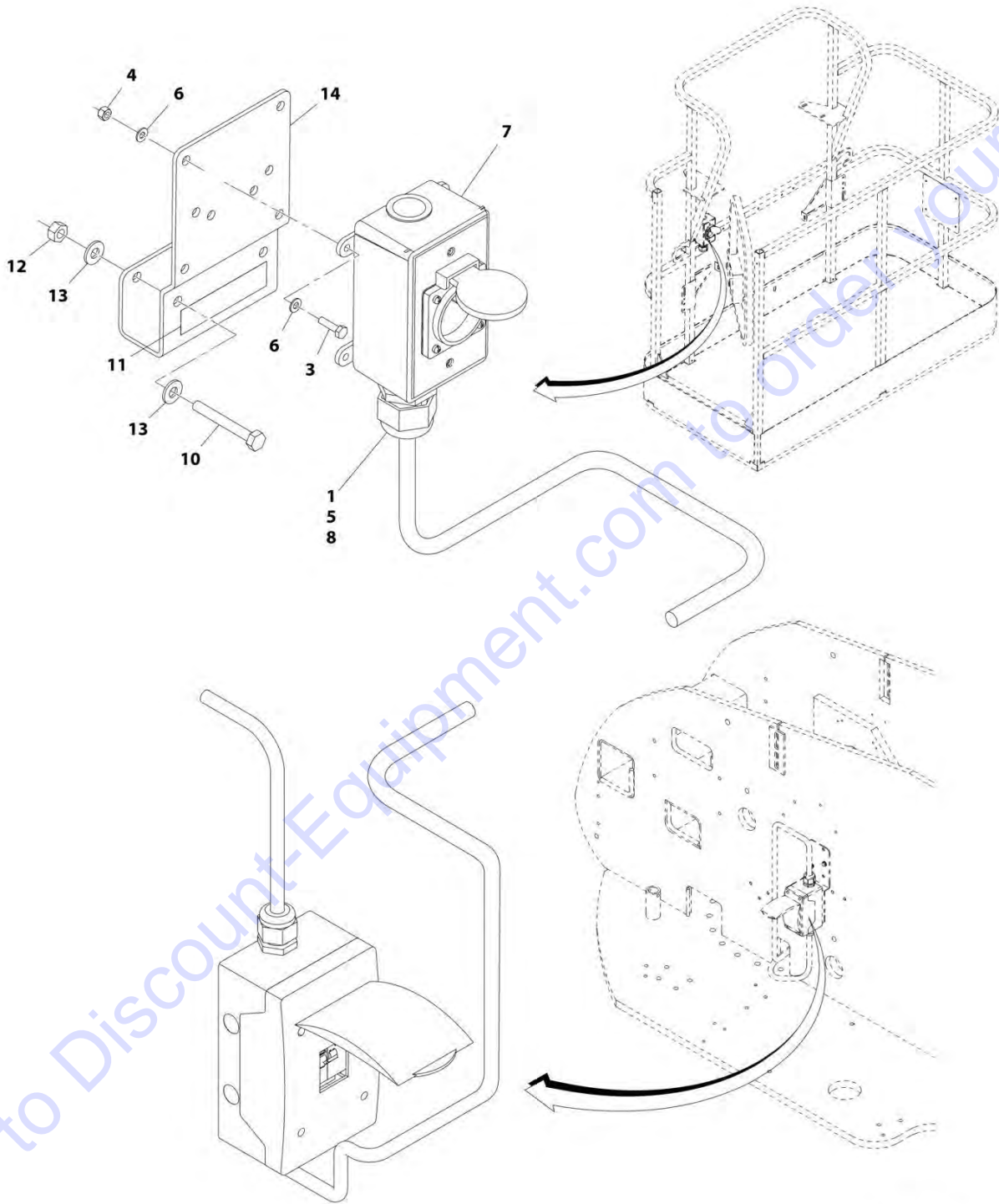
SECTION 8 - ELECTRICAL

FIGURE 8-25. AC BOX AT PLATFORM INSTALLATION - 220V AFSINT 107 KEYED GROUND (2X4 BOX) WITHOUT 2500W GENERATOR (CE SPECS)

ITEM	PART NUMBER	QTY	DESCRIPTION	REV
	1001091975	Ref	AC BOX AT PLATFORM INSTALLATION - 220V AFSINT 107 KEYED GROUND (2X4 BOX) WITHOUT 2500W GENERATOR (CE SPECS)	F
1	0100020	AR	Sealant, Pipe	
2	0275454	1	Receptacle Box Kit (See RECEPTACLE BOX KIT - 220V AFSINT 107 KEYED GROUND WITHOUT 2500W GENERATOR (2X4 BOX) (CE SPECS) for Breakdown)	
3	0700408	4	Bolt M4 x 16	
4	3290405	4	Nut M4	
5	1001101197	1	Adapter	
6	4811400	8	Washer M4	
7	1001101191	1	Connector, Strain Relief	
8	0641416	2	Bolt 1/4 x 2	
9	3311405	2	Nut 1/4	
10	4711400	4	Washer 1/4	
11	1001193018	1	Bracket	
12	3251242	2	Decal - 240V-50Hz (SN 0300190146 to Present)	
13	1001205958	3	Terminal (Not Shown)	

SECTION 8 - ELECTRICAL

FIGURE 8-26. AC BOX AT PLATFORM INSTALLATION - 220V AFSINT 107 KEYED GROUND (2X4 BOX) WITH 2500W GENERATOR (CE SPECS)



ART_1001100337

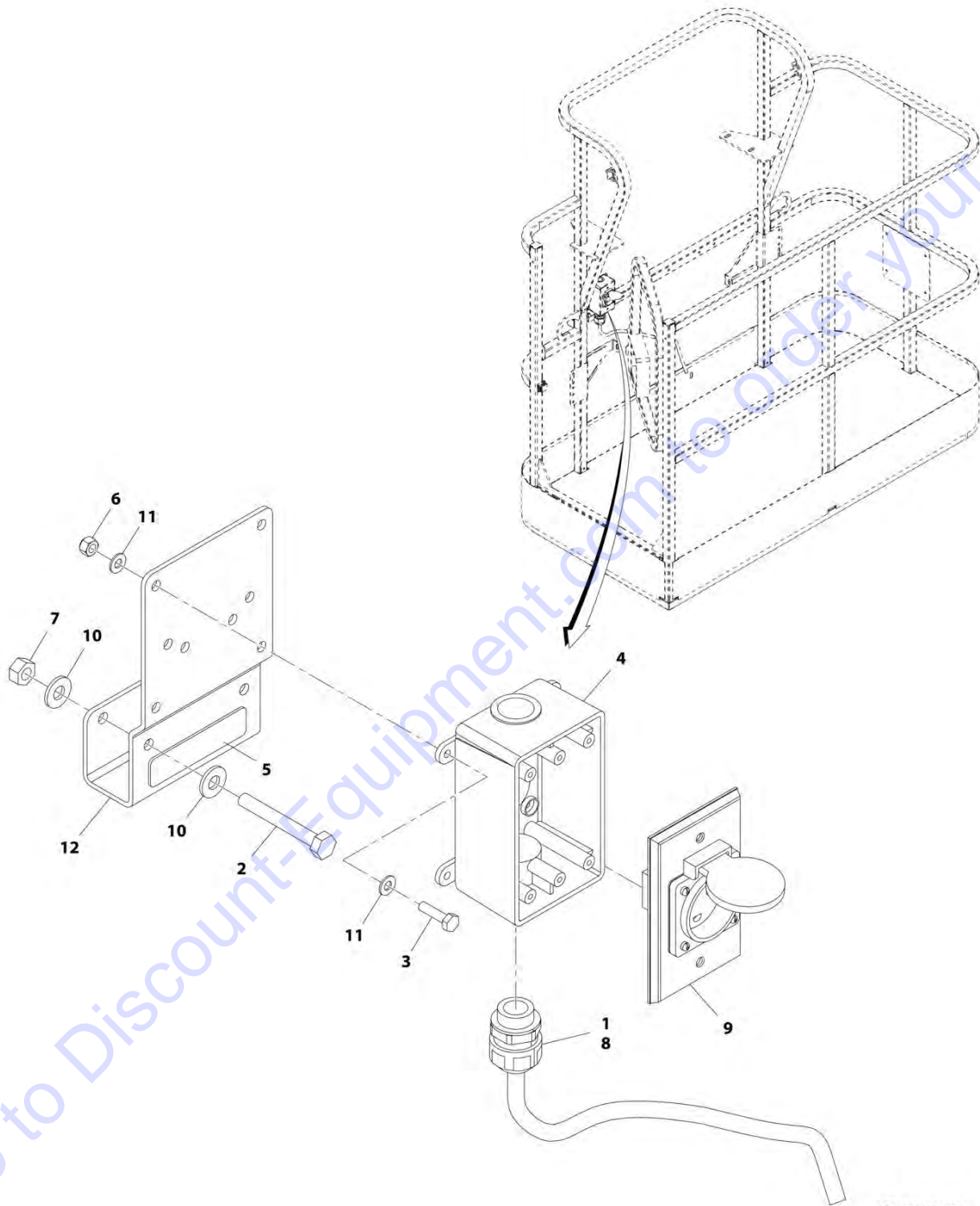
SECTION 8 - ELECTRICAL

FIGURE 8-26. AC BOX AT PLATFORM INSTALLATION - 220V AFSINT 107 KEYED GROUND (2X4 BOX) WITH 2500W GENERATOR (CE SPECS)

ITEM	PART NUMBER	QTY	DESCRIPTION	REV
	1001100337	Ref	AC BOX AT PLATFORM INSTALLATION - 220V AFSINT 107 KEYED GROUND (2X4 BOX) WITH 2500W GENERATOR (CE SPECS)	E
1	0100020	AR	Sealant, Pipe	
3	0700408	4	Bolt M4 x 16	
4	3290405	4	Nut M4	
5	1001101197	1	Adapter	
6	4811400	8	Washer M4	
7	1001100346	1	Receptacle Box Kit (See RECEPTACLE BOX KIT - 220V AFSINT 107 KEYED GROUND WITH 2500W GENERATOR (2X4 BOX) (CE SPECS) for Breakdown)	
8	1001101191	1	Connector, Strain Relief	
9	1060908	10 ft /3.05m	Cable, Electrical 12/3 (Not Shown)	
10	0641416	2	Bolt 1/4 x 2	
11	3252507	1	Decal - 220V	
12	3311405	2	Nut 1/4	
13	4711400	4	Washer 1/4	
14	1001193018	1	Bracket	
15	1001205958	3	Terminal (Not Shown)	

SECTION 8 - ELECTRICAL

FIGURE 8-27. AC BOX AT PLATFORM INSTALLATION - 220V AFSINT 107 KEYED GROUND (2X4 BOX) WITH 4000W GENERATOR (CE SPECS) (SN 0300201017 through 0300214026)



ART_1001194200

SECTION 8 - ELECTRICAL

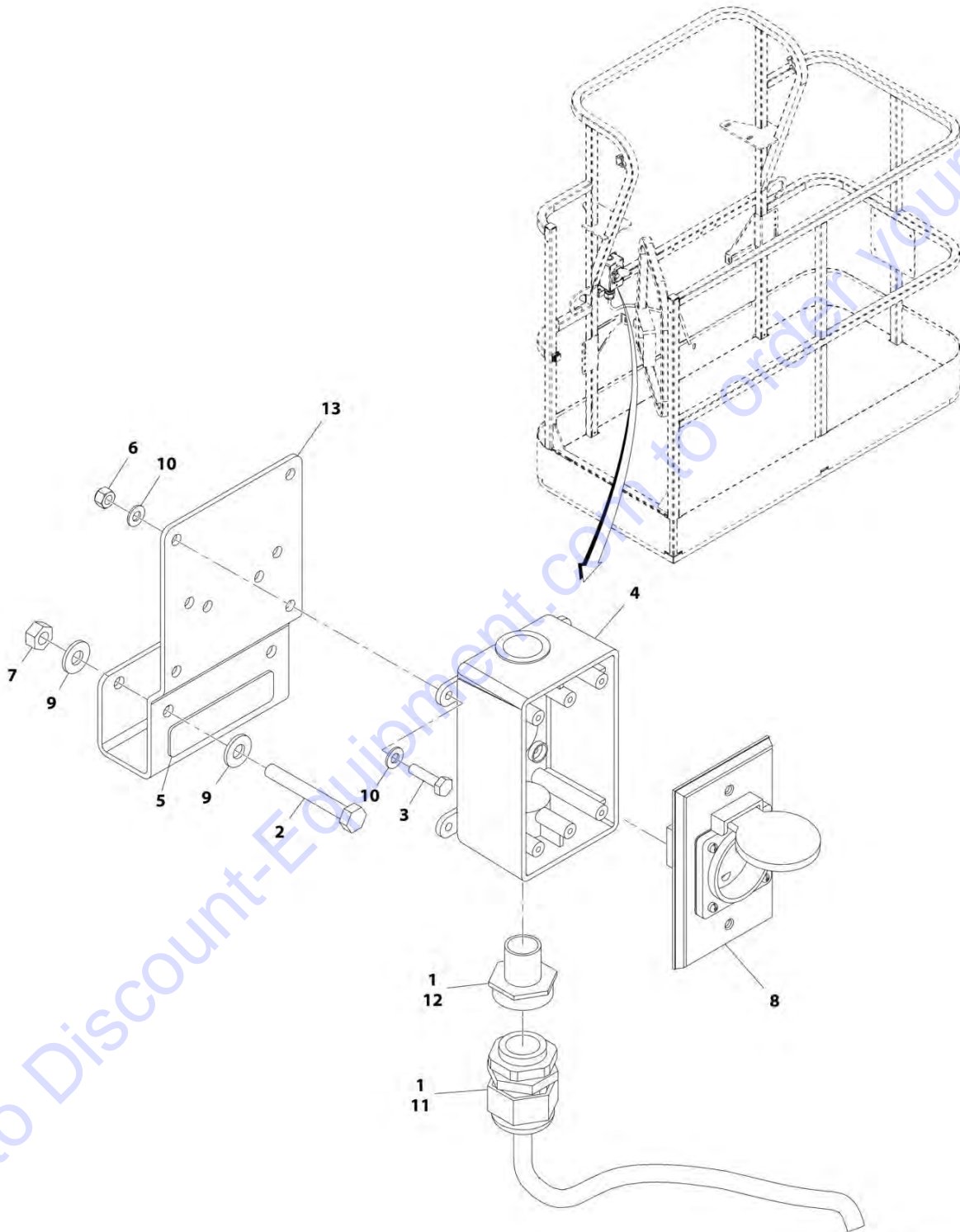
FIGURE 8-27. AC BOX AT PLATFORM INSTALLATION - 220V AFSINT 107 KEYED GROUND (2X4 BOX) WITH 4000W GENERATOR (CE SPECS) (SN 0300201017 through 0300214026)

ITEM	PART NUMBER	QTY	DESCRIPTION	REV
	1001194200	Ref	AC BOX AT PLATFORM INSTALLATION - 220V AFSINT 107 KEYED GROUND (2X4 BOX) WITH 4000W GENERATOR (CE SPECS) (SN 0300201017 through 0300214026)	B
1	0100020	AR	Sealant, Pipe	
2	0641416	2	Bolt 1/4 x 2	
3	0700408	4	Bolt M4 x 16	
4	0861731	1	Box, Switch	
5	3251242	1	Decal - 240V-50Hz	
6	3290405	4	Nut M4	
7	3311405	2	Nut 1/4	
8	4460662	1	Connector, Strain Relief	
9	4461246	1	Receptacle	
10	4711400	4	Washer 1/4	
11	4811400	8	Washer M4	
12	1001193018	1	Bracket, AC Receptacle	
13	1001205958	3	Terminal (Not Shown)	

Go to Discount-Equipment.com to order your parts

SECTION 8 - ELECTRICAL

FIGURE 8-28. AC BOX AT PLATFORM INSTALLATION - 220V AFSINT 107 KEYED GROUND (2X4 BOX) WITH 4000W GENERATOR (CE SPECS) (SN 0300214027 to Present)



ART_1001206252

SECTION 8 - ELECTRICAL

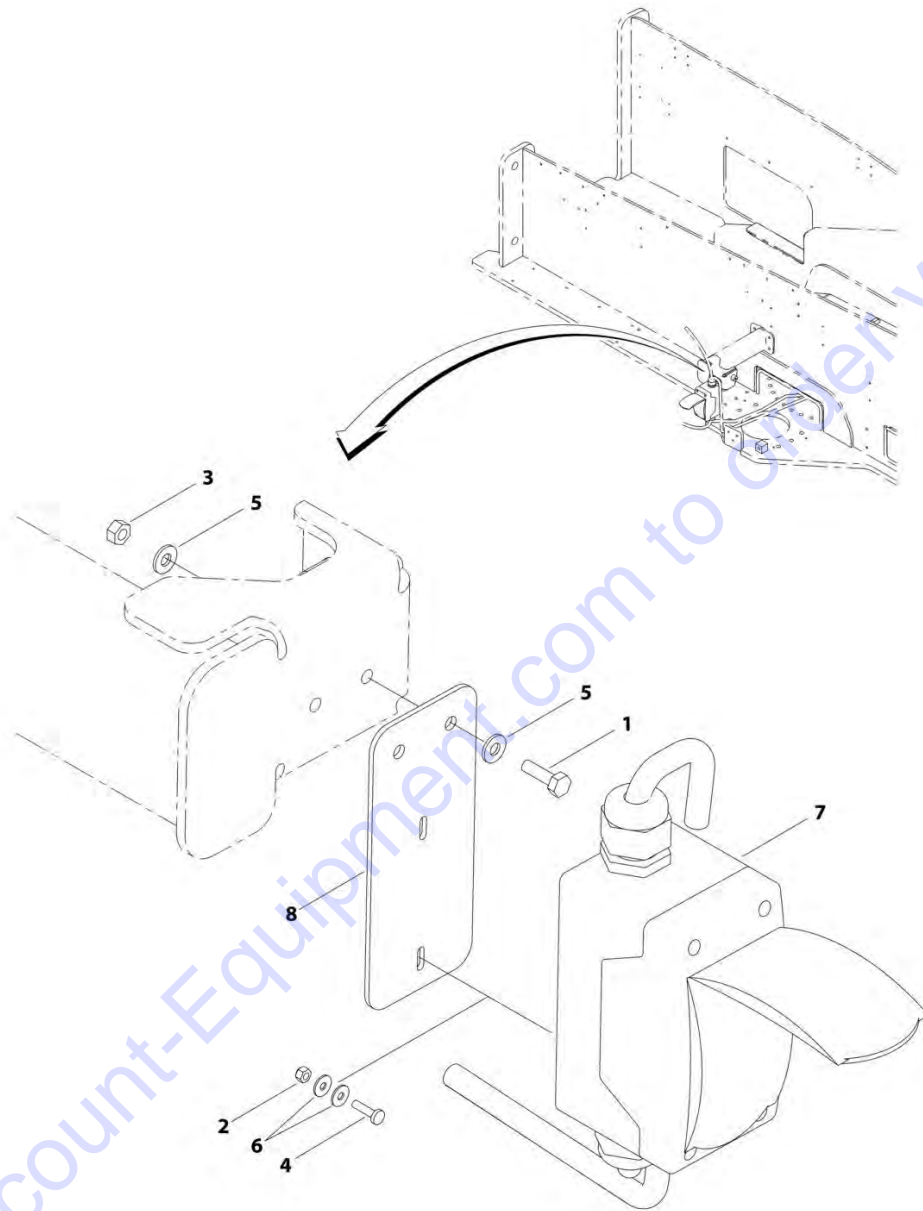
FIGURE 8-28. AC BOX AT PLATFORM INSTALLATION - 220V AFSINT 107 KEYED GROUND (2X4 BOX) WITH 4000W GENERATOR (CE SPECS) (SN 0300214027 to Present)

ITEM	PART NUMBER	QTY	DESCRIPTION	REV
	1001206252	Ref	AC BOX AT PLATFORM INSTALLATION - 220V AFSINT 107 KEYED GROUND (2X4 BOX) WITH 4000W GENERATOR (CE SPECS) (SN 0300214027 to Present)	A
1	0100020	AR	Sealant, Pipe	
2	0641416	2	Bolt 1/4 x 2	
3	0700408	4	Bolt M4 x 16	
4	0861731	1	Box, Switch	
5	3251242	1	Decal - 240V-50Hz	
6	3290405	4	Nut M4	
7	3311405	2	Nut 1/4	
8	4461246	1	Receptacle	
9	4711400	4	Washer 1/4	
10	4811400	8	Washer M4	
11	1001101191	1	Connector, Strain Relief	
12	1001101197	1	Connector, Adapter	
13	1001193018	1	Bracket, AC Receptacle	
14	1001205958	1	Terminal (Not Shown)	

Go to Discount-Equipment.com to order your parts

SECTION 8 - ELECTRICAL

FIGURE 8-29. AC CIRCUIT BREAKER INSTALLATION



ART_100118786

SECTION 8 - ELECTRICAL

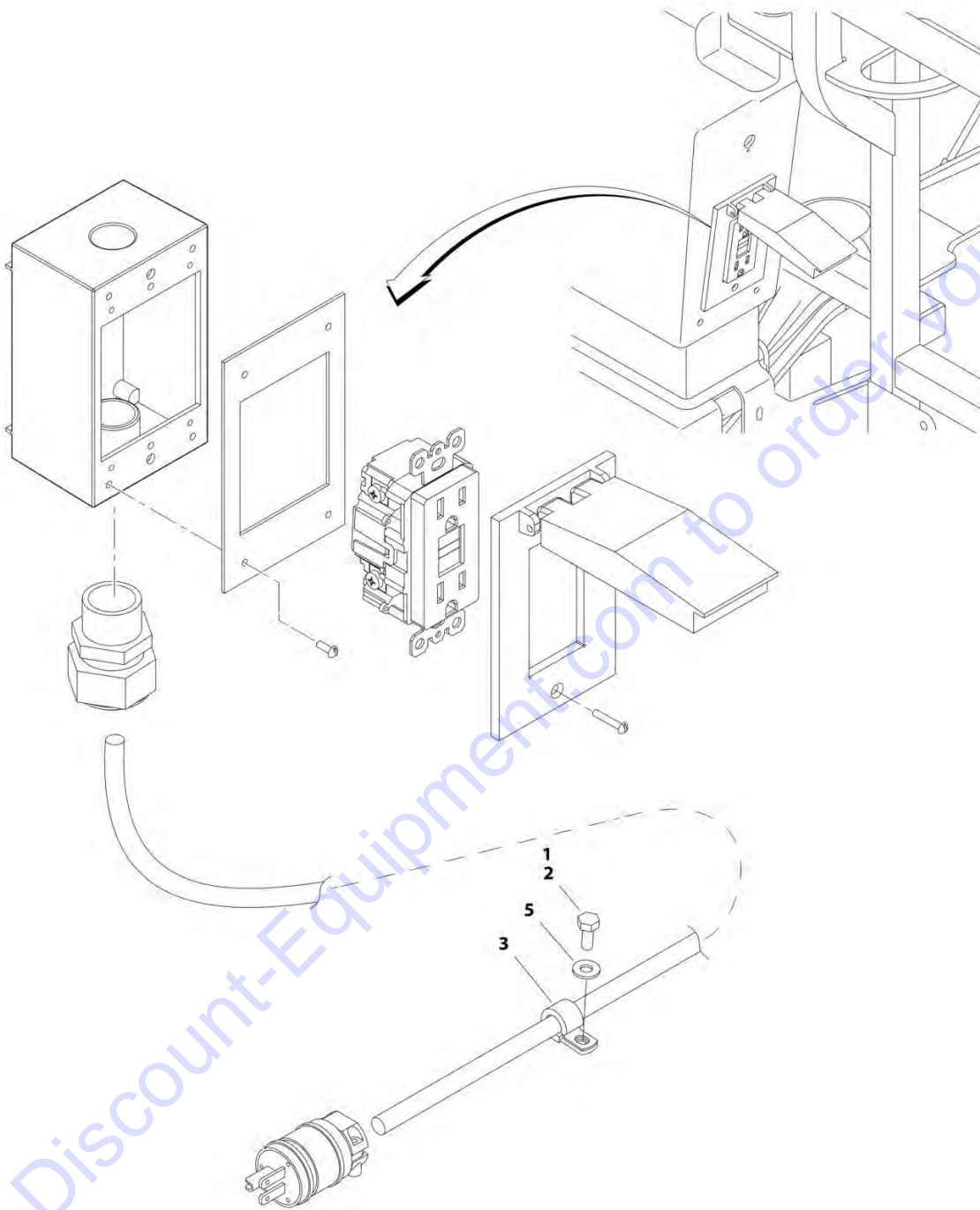
FIGURE 8-29. AC CIRCUIT BREAKER INSTALLATION

ITEM	PART NUMBER	QTY	DESCRIPTION	REV
	1001187786	Ref	AC CIRCUIT BREAKER INSTALLATION	A
1	0641407	2	Bolt 1/4 x 7/8	
2	3290405	2	Nut M4	
3	3311405	2	Nut 1/4	
4	4010408	2	Screw M4 x 16	
5	4711400	4	Washer 1/4	
6	1001091102	4	Washer M4	
7	1001096070	1	Breaker Box Kit (See BREAKER BOX KIT – 30mA/16 Amp for Breakdown)	
8	1001096172	1	Bracket	

Go to Discount-Equipment.com to order your parts

SECTION 8 - ELECTRICAL

FIGURE 8-30. AC LEAD INSTALLATION (CE SPECS)



ART_0273461

SECTION 8 - ELECTRICAL

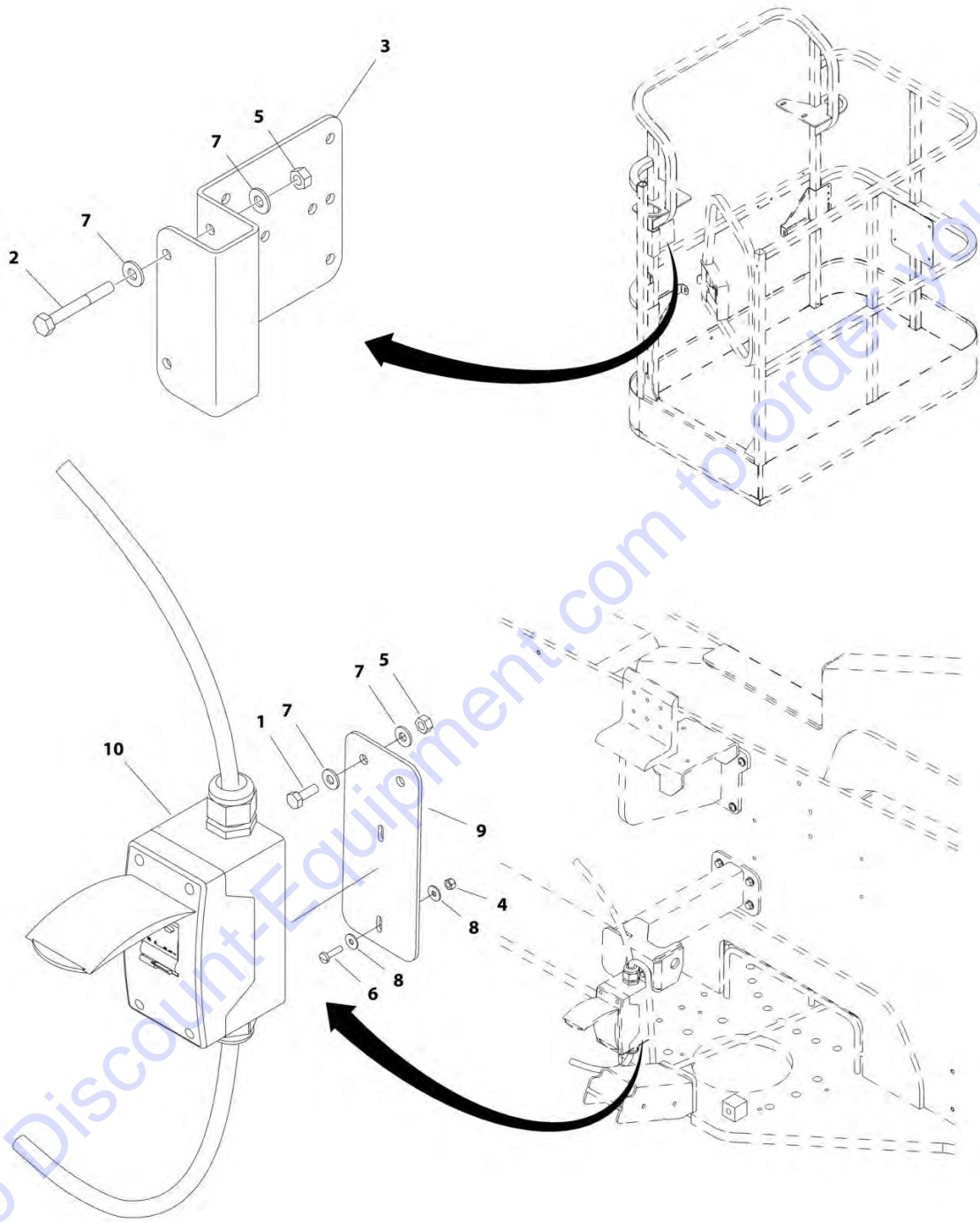
FIGURE 8-30. AC LEAD INSTALLATION (CE SPECS)

ITEM	PART NUMBER	QTY	DESCRIPTION	REV
	0273461	Ref	AC LEAD INSTALLATION (CE SPECS)	B
1	0100011	AR	Compound, Locking	
2	0641405	1	Bolt 1/4 x 5/8	
3	1320041	1	Clamp	
5	4711400	1	Washer 1/4	

Go to Discount-Equipment.com to order your parts

SECTION 8 - ELECTRICAL

FIGURE 8-31. AC 10 AMP BREAKER BOX INSTALLATION (CE SPECS)



ART_1001109557

SECTION 8 - ELECTRICAL

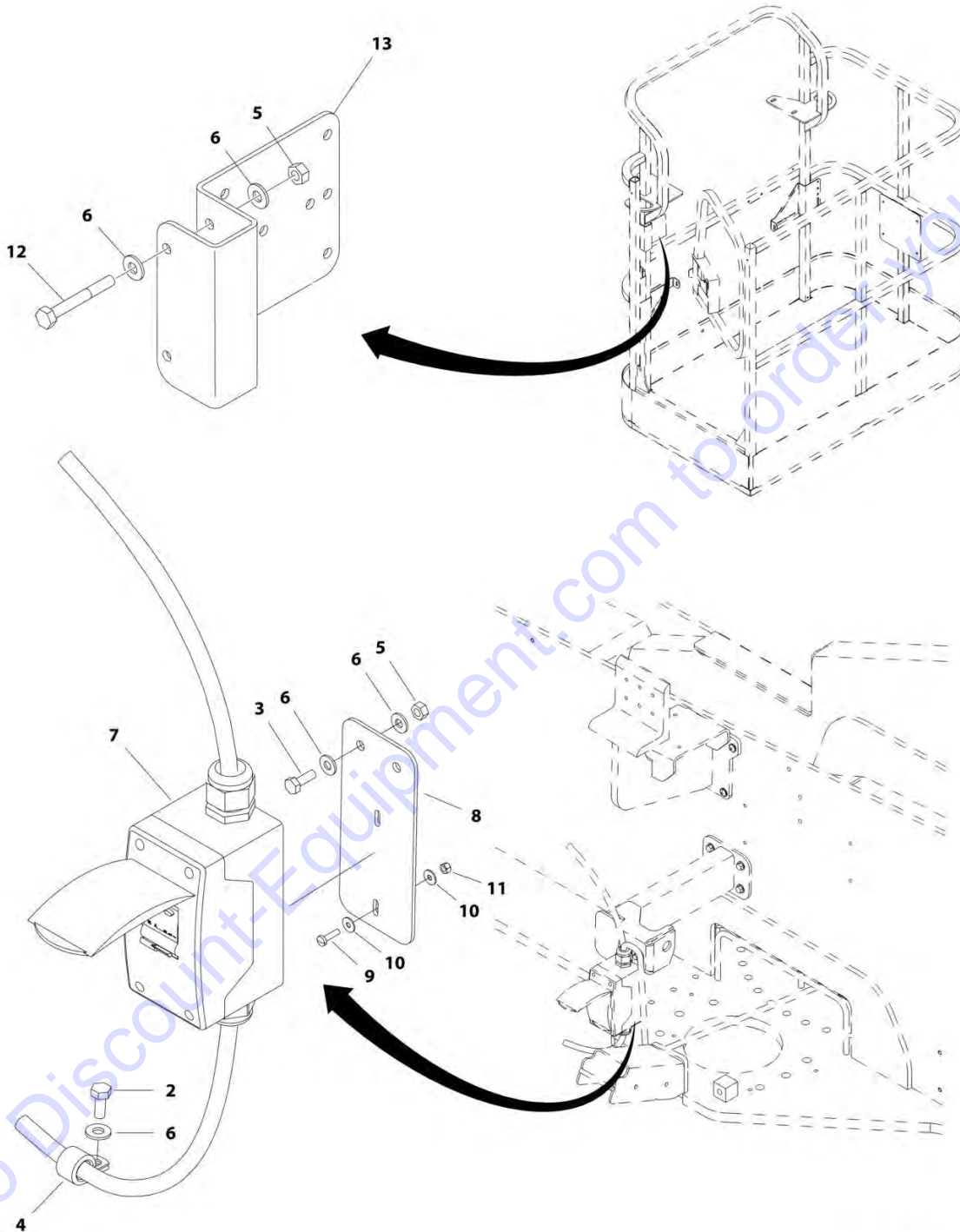
FIGURE 8-31. AC 10 AMP BREAKER BOX INSTALLATION (CE SPECS)

ITEM	PART NUMBER	QTY	DESCRIPTION	REV
	1001109557	Ref	AC 10 AMP BREAKER BOX INSTALLATION (CE SPECS)	B
1	0641406	2	Bolt 1/4 x 3/4	
2	0641416	2	Bolt 1/4 x 2 (SN 0300201017 through 0300234778)	
3	0903484	1	Bracket (SN 0300201017 through 0300234778)	
4	3290405	2	Nut M4	
5	0641405	AR	Bolt 1/4 x 5/8	
6	4010408	2	Screw M4 x 16	
7	4711400	AR	Washer 1/4	
8	1001091102	4	Washer M4	
9	1001096172	1	Bracket	
10	1001109648	1	Breaker Box Kit - 10 Amp (See BREAKER BOX KIT - 10 AMP for Breakdown)	

Go to Discount-Equipment.com to order your parts

SECTION 8 - ELECTRICAL

FIGURE 8-32. AC 16 AMP BREAKER BOX INSTALLATION (CE SPECS)



ART_1001096163

SECTION 8 - ELECTRICAL

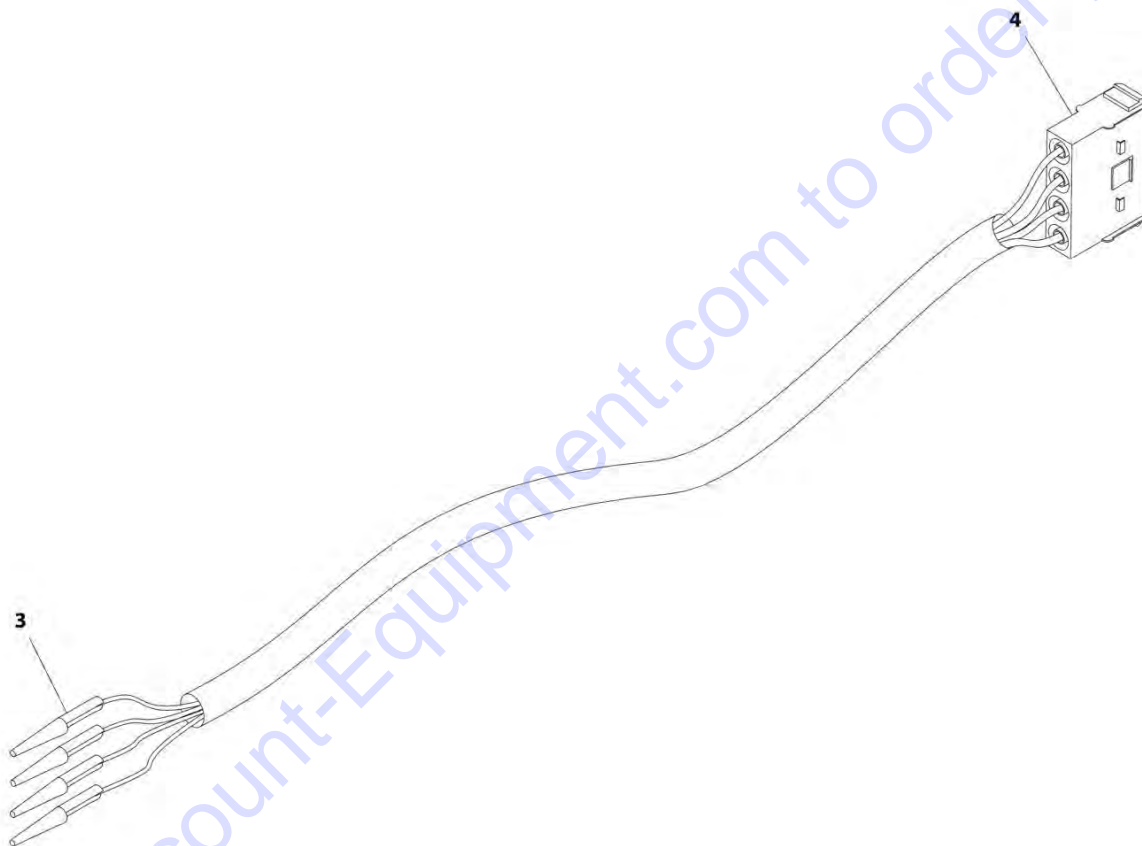
FIGURE 8-32. AC 16 AMP BREAKER BOX INSTALLATION (CE SPECS)

ITEM	PART NUMBER	QTY	DESCRIPTION	REV
	1001096163	Ref	AC 16 AMP BREAKER BOX INSTALLATION (CE SPECS)	D
1	0100011	AR	Compound, Locking	
2	0641405	1	Bolt 1/4 x 5/8	
3	0641406	2	Bolt 1/4 x 3/4	
4	1320041	1	Clamp	
5	3311405	AR	Nut 1/4	
6	4711400	AR	Washer 1/4	
7	1001109654	1	Breaker Box Kit - 16 Amp (See BREAKER BOX KIT - 16 AMP for Breakdown)	
8	1001096172	1	Bracket	
9	4010408	2	Screw M4 x 16	
10	1001091102	4	Washer M4	
11	3290405	2	Nut M4	
12	0641416	2	Bolt 1/4 x 2 (SN 0300201017 through 0300234778)	
13	0903484	1	Bracket (SN 0300201017 through 0300234778)	

Go to Discount-Equipment.com to order your parts

SECTION 8 - ELECTRICAL

FIGURE 8-33. ANALYZER CALBE HARNESS



ART_4922666

SECTION 8 - ELECTRICAL

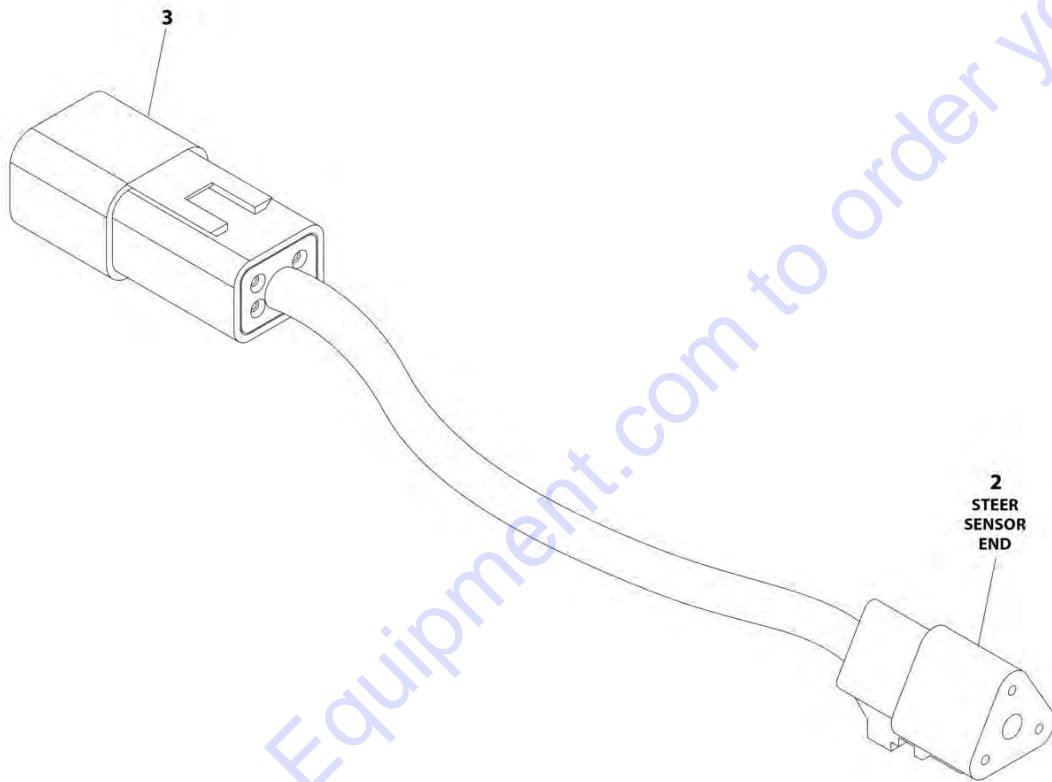
FIGURE 8-33. ANALYZER CALBE HARNESS

ITEM	PART NUMBER	QTY	DESCRIPTION	REV
	4922666	Ref	ANALYZER CALBE HARNESS	C
3	4460226	4	Socket, Female	
4	4460761	1	Connector - 4 Position	
4	4460227	4	Pin, Male	

Go to Discount-Equipment.com to order your parts

SECTION 8 - ELECTRICAL

FIGURE 8-34. AXLE POWER TRACK HARNESS ASSEMBLY



ART_4922718

SECTION 8 - ELECTRICAL

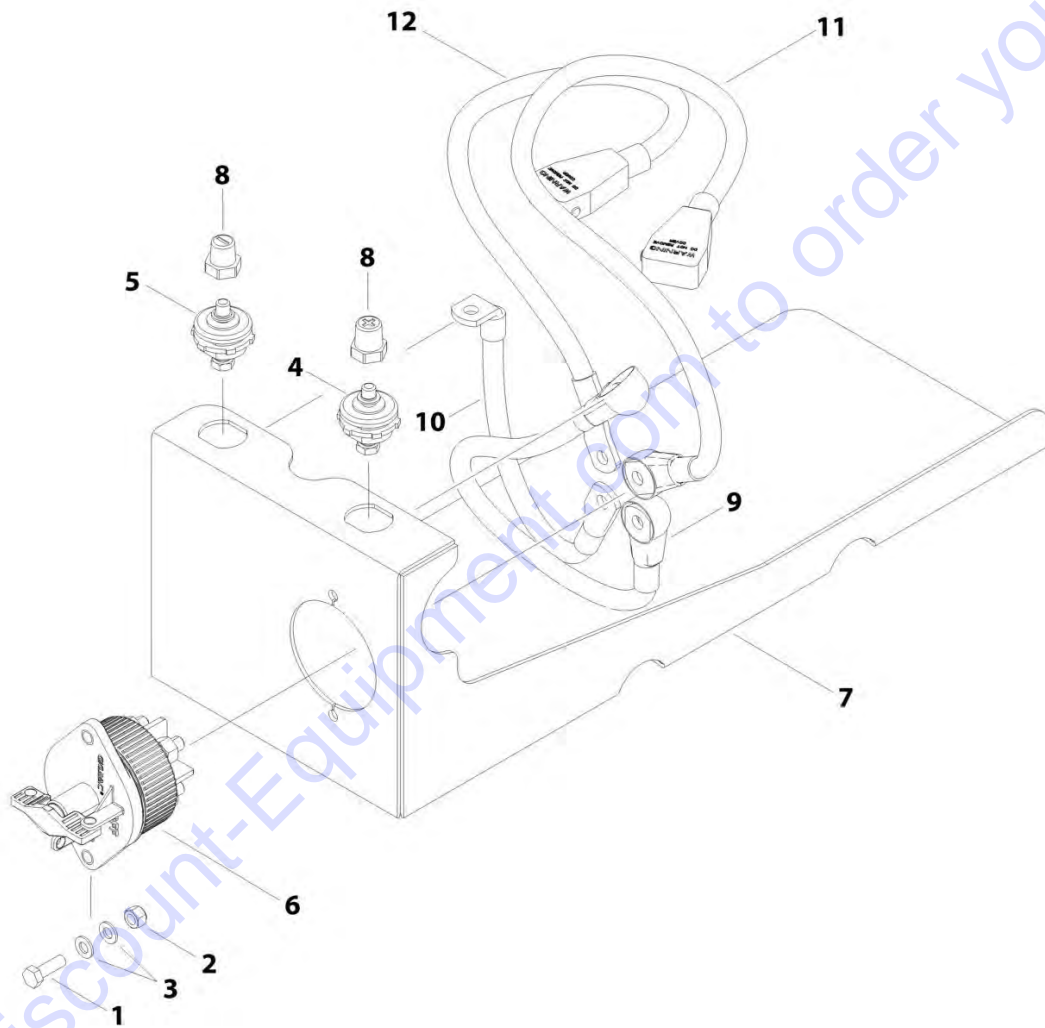
FIGURE 8-34. AXLE POWER TRACK HARNESS ASSEMBLY

ITEM	PART NUMBER	QTY	DESCRIPTION	REV
	4922718	Ref	AXLE POWER TRACK HARNESS ASSEMBLY	D
2	4460539	1	Connector - 3 Position	
2	4460944	3	Socket, Female	
3	4460932	1	Connector - 4 Position	
3	4460943	4	Pin, Male	

Go to Discount-Equipment.com to order your parts

SECTION 8 - ELECTRICAL

FIGURE 8-35. BATTERY DISCONNECT INSTALLATION



ART_1001242825

SECTION 8 - ELECTRICAL

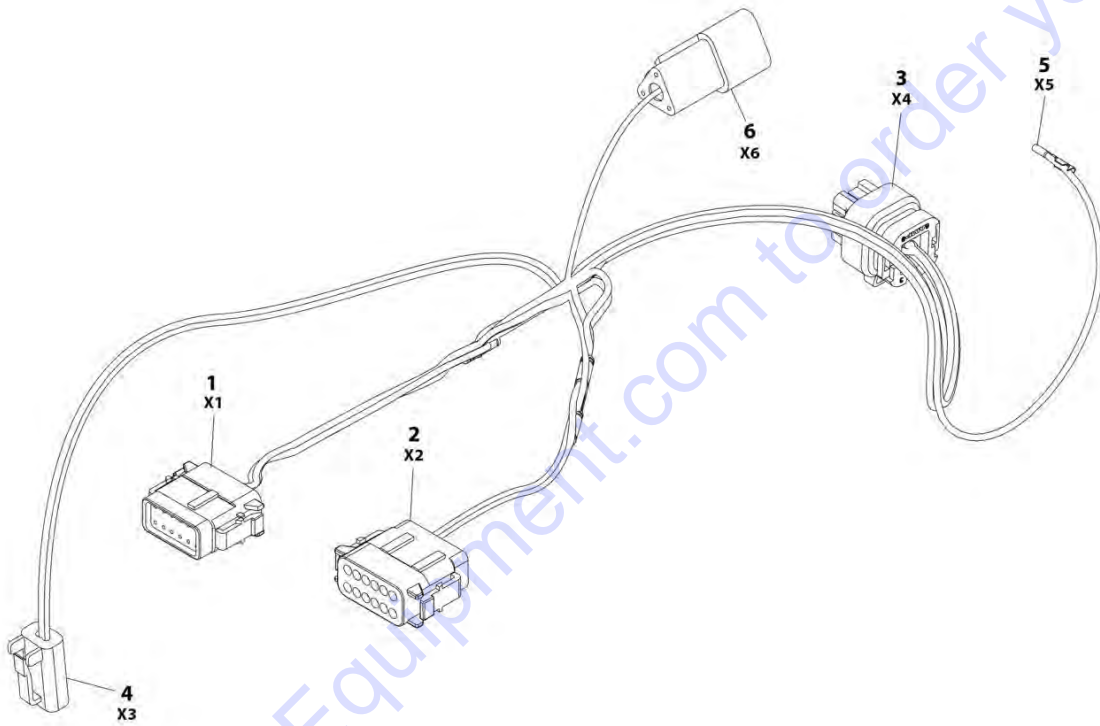
FIGURE 8-35. BATTERY DISCONNECT INSTALLATION

ITEM	PART NUMBER	QTY	DESCRIPTION	REV
	1001242825	Ref	BATTERY DISCONNECT INSTALLATION	A
1	0760812	2	Bolt M8 x 25	
2	3290805	2	Nut M8	
3	4811900	4	Washer M8	
4	1001214570	1	Connector (Red)	
5	1001214571	1	Connector (Black)	
6	1001225346	1	Switch, Disconnect	
7	1001242824	1	Mount	
8	1001206476	1	Connector	
9	1001236375	1	Cable (Positive)	
10	1001236376	1	Cable (Negative)	
11	1001236377	1	Cable (Positive)	
12	1001236378	1	Cable (Negative)	

Go to Discount-Equipment.com to order your parts

SECTION 8 - ELECTRICAL

FIGURE 8-36. BEACON CONTROL HARNESS (BLUE BEACON LIGHT ONLY)



ART_1001150944

SECTION 8 - ELECTRICAL

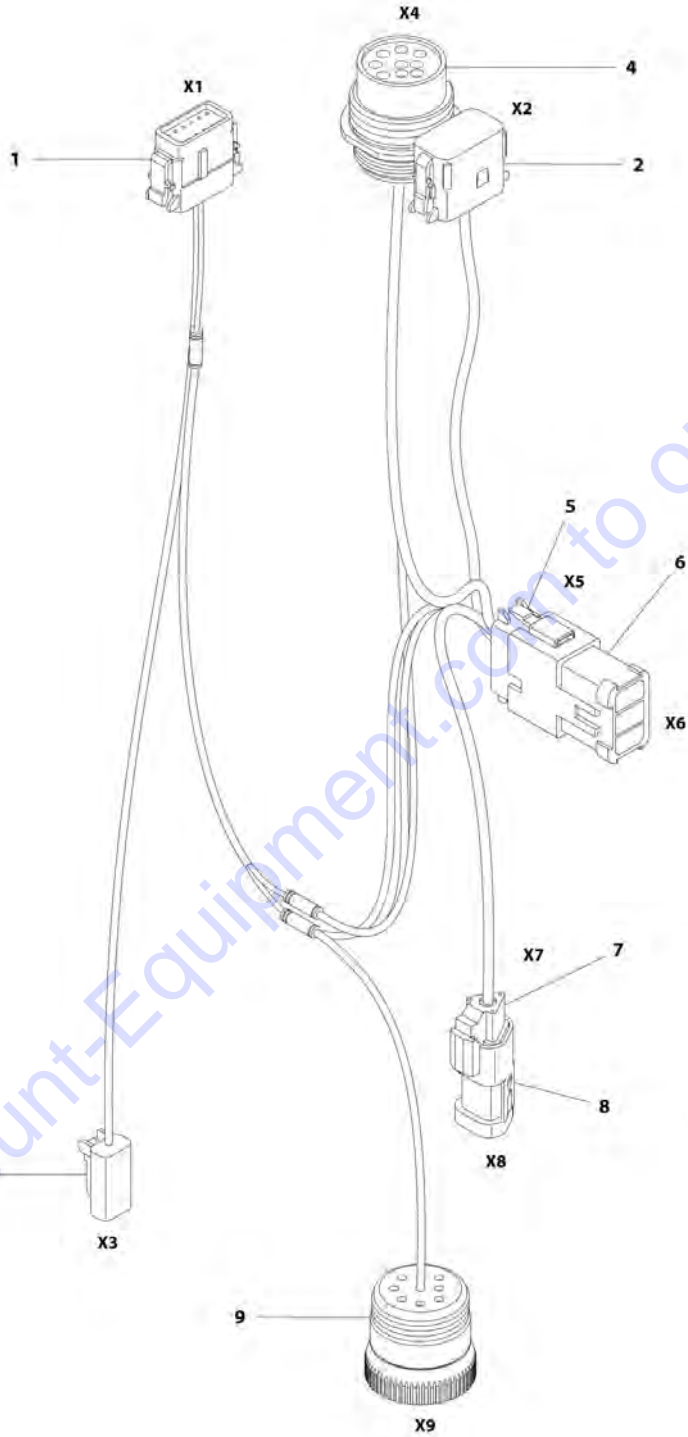
FIGURE 8-36. BEACON CONTROL HARNESS (BLUE BEACON LIGHT ONLY)

ITEM	PART NUMBER	QTY	DESCRIPTION	REV
	1001150944	Ref	BEACON CONTROL HARNESS	C
1	1001116808	1	Connector - 12 Position	
1	1001126008	3	Pin, Male	
1	4460518	9	Plug, Sealing	
2	1001116774	1	Connector - 12 Position	
2	1001116008	2	Pin, Male	
2	4460518	10	Plug, Sealing	
3	1001113961	1	Connector - 8 Position	
3	4460871	5	Socket, Female	
3	4460905	3	Plug, Sealing	
4	4460891	1	Connector - 2 Position	
4	4460465	2	Socket, Female	
5	4460871	1	Socket, Female	
6	4460536	1	Connector - 3 Position (SN 0300201017 through 0300207777)	
6	1001144147	1	Connector - 3 Position (SN 0300207778 to Present)	
6	4460464	2	Pin, Male	
6	4460466	1	Plug, Terminal	
6	1001116815	1	Connector - 3 Position	

Go to Discount-Equipment.com to order your parts

SECTION 8 - ELECTRICAL

FIGURE 8-37. BEACON LIGHT HARNESS (BLUE BEACON LIGHT ONLY)



ART_1001142736

SECTION 8 - ELECTRICAL

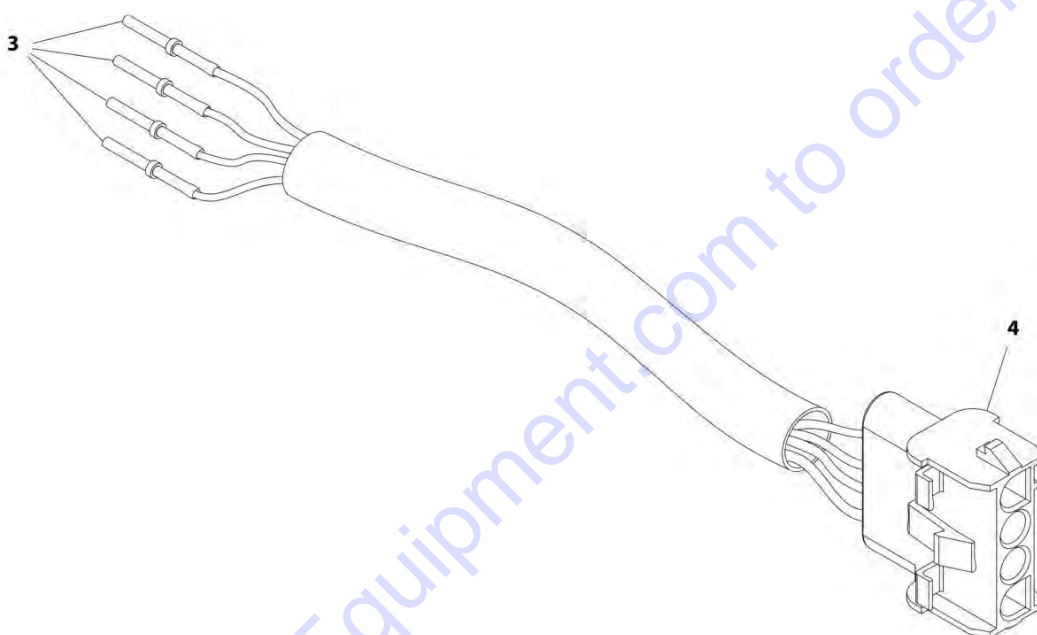
FIGURE 8-37. BEACON LIGHT HARNESS (BLUE BEACON LIGHT ONLY)

ITEM	PART NUMBER	QTY	DESCRIPTION	REV
	1001142736	Ref	BEACON LIGHT HARNESS (BLUE BEACON LIGHT ONLY)	F
1	1001116808	1	Plug, Male - 12 Position	
1	4460928	3	Socket, Female	
1	4460518	9	Plug, Terminal	
2	1001116774	1	Plug, Male - 12 Position	
2	4460928	3	Socket, Female	
2	4460518	9	Plug, Terminal	
3	4460891	1	Plug, Male - 2 Position	
3	4460465	2	Socket, Female	
4	1001112612	1	Connector - 9 Position	
4	4460464	6	Pin, Male	
4	4460466	3	Plug, Terminal	
5	4460933	1	Plug, Male - 12 Position	
5	4460465	12	Socket, Female	
6	1001119020	1	Bussbar - 12 Position	
7	4461095	1	Plug, Male - 3 Position	
7	4460465	3	Socket, Female	
8	4461070	1	Bussbar - 3 Position	
9	1001112796	1	Connector - 9 Position	
9	4460465	6	Socket, Female	
9	4460466	3	Plug, Terminal	

Go to Discount-Equipment.com to order your parts

SECTION 8 - ELECTRICAL

FIGURE 8-38. B.L.A.M. BOARD ANALYZER HARNESS



ART_4922705

SECTION 8 - ELECTRICAL

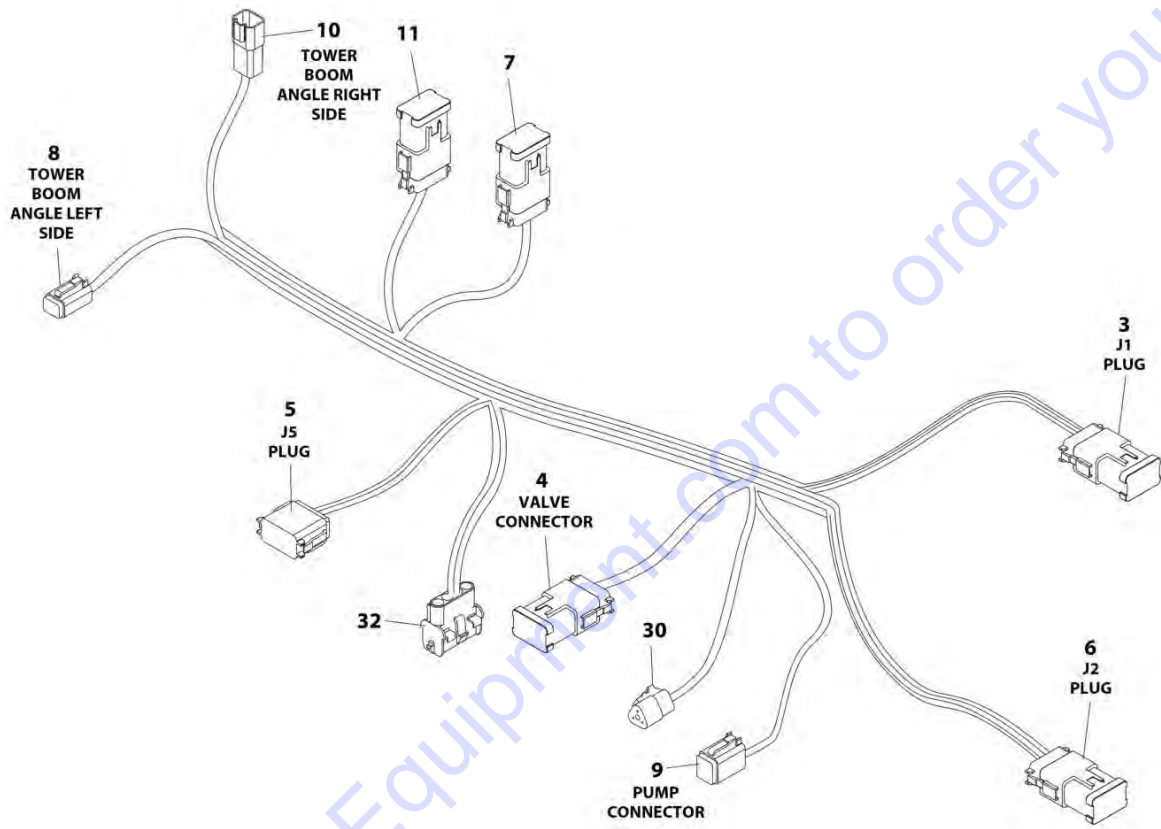
FIGURE 8-38. B.L.A.M. BOARD ANALYZER HARNESS

ITEM	PART NUMBER	QTY	DESCRIPTION	REV
	4922705	Ref	B.L.A.M. BOARD ANALYZER HARNESS	B
3	4460465	4	Socket, Female	
4	4460761	1	Connector - 4 Position	
4	4460227	4	Pin, Male	

Go to Discount-Equipment.com to order your parts

SECTION 8 - ELECTRICAL

FIGURE 8-39. B.L.A.M. HARNESS



ART_4922946

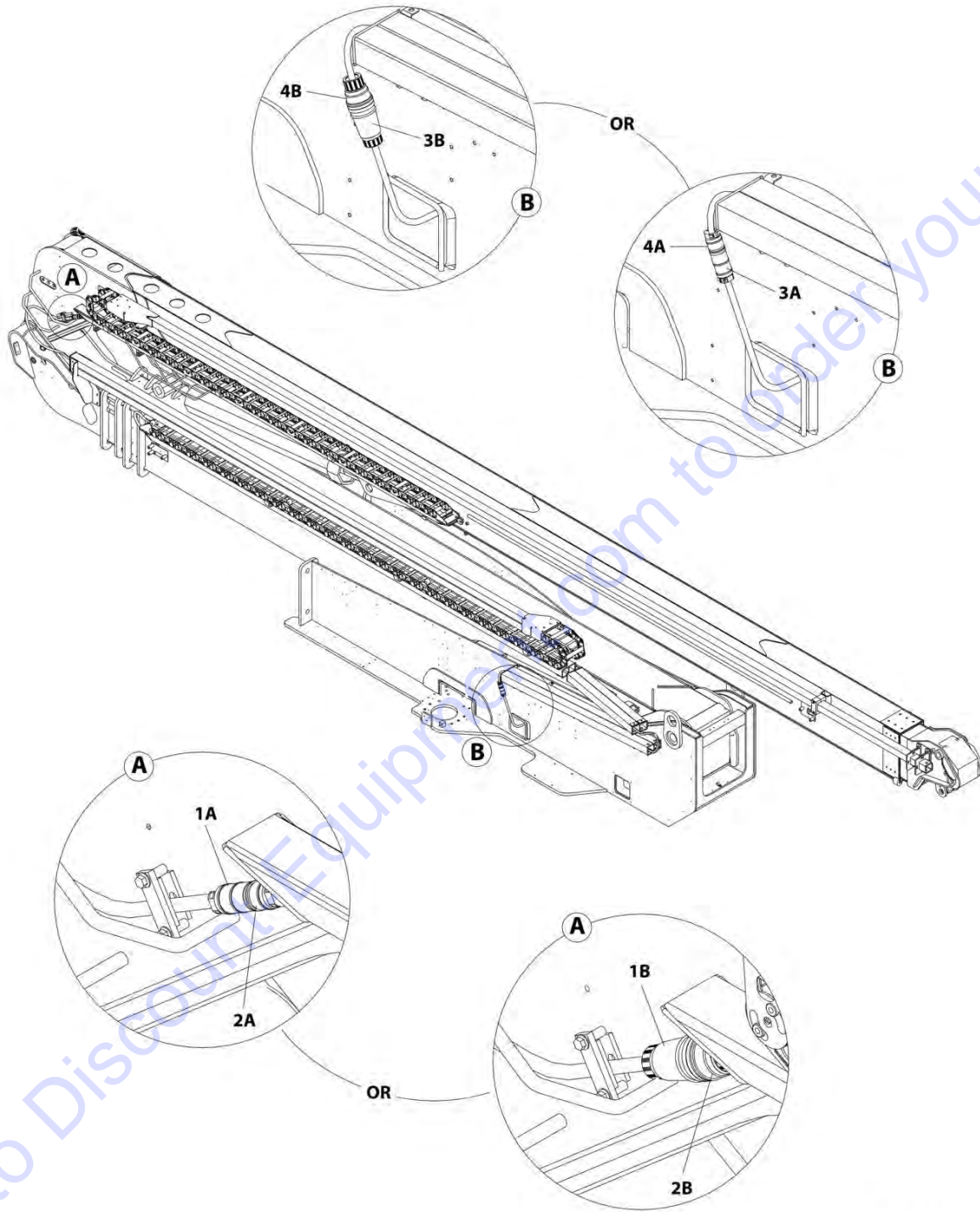
SECTION 8 - ELECTRICAL

FIGURE 8-39. B.L.A.M. HARNESS

ITEM	PART NUMBER	QTY	DESCRIPTION	REV
	4922946	Ref	B.L.A.M. HARNESS	B
3	4460933	1	Connector - 12 Position (Gray)	
3	4460466	7	Plug, Seal	
3	4460944	3	Socket, Female	
3	4460465	1	Socket, Female	
3	4460942	1	Socket, Female	
4	4460837	1	Connector - 12 Position	
4	4460943	3	Pin, Male (Gold)	
4	4460464	6	Pin, Male	
4	4460941	3	Pin, Male	
5	4460935	1	Connector - 12 Position (Green)	
5	4460466	5	Plug, Seal	
5	4460465	2	Socket, Female	
6	4460836	1	Connector - 12 Position (Black)	
6	4460466	8	Plug, Seal	
6	4460944	2	Socket, Female	
6	4460465	2	Socket, Female	
7	4460836	1	Connector - 12 Position (Black)	
7	4460466	8	Plug, Seal	
7	4460465	4	Socket, Female	
7	4460942	2	Socket, Female	
7	4460837	1	Connector - 12 Position Buss Bar	
8	4460884	1	Connector - 4 Position (Gray)	
8	4460944	4	Socket, Female	
9	4460894	1	Connector - 6 Position (Gray)	
9	4460465	5	Socket, Female	
9	4460466	2	Plug, Seal	
10	4460932	1	Connector - 4 Position (Gray)	
10	4460943	4	Pin, Male	
11	4460836	1	Plug, Male - 12 Position (Black)	
11	4460466	6	Plug, Seal	
11	4460944	5	Socket, Female	
11	4460465	1	Socket, Female	
11	4460837	1	Connector - 12 Position Buss Bar	
18	4240033	7	Tie-Strap (Not Shown)	
30	4460539	1	Connector - 3 Position	
30	4460944	3	Socket, Female	
32	4460761	1	Connector - 4 Position	
32	4460227	4	Pin, Male	

SECTION 8 - ELECTRICAL

FIGURE 8-40. BOOM CABLE INSTALLATION (ANSI SPECS)



ART_0273474

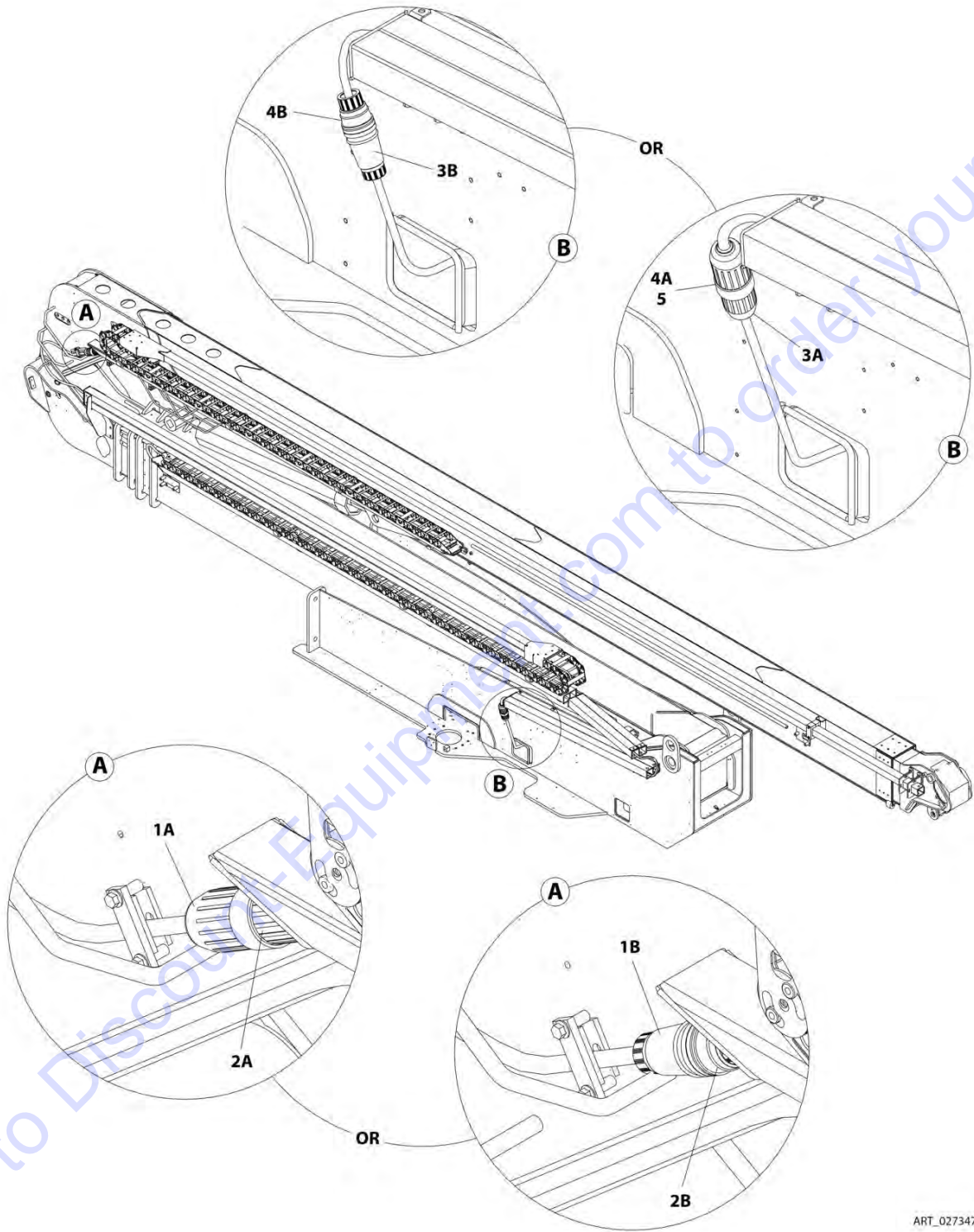
SECTION 8 - ELECTRICAL

FIGURE 8-40. BOOM CABLE INSTALLATION (ANSI SPECS)

ITEM	PART NUMBER	QTY	DESCRIPTION	REV
	0273474	Ref	BOOM CABLE INSTALLATION (ANSI SPECS)	C
1A	4923642	1	Tower Boom AC Cable Harness (SN 0300201017 through 0300237152)	
1A	4460134	1	Receptacle, Female	
1B	1001227932	1	Tower Boom AC Cable Harness (SN 0300237153 to Present)	
1B	1001213585	1	Receptacle, Female	
2A	4922981	1	Main Boom AC Cable Harness (SN 0300201017 through 0300237152)	
2A	4460205	1	Plug, Male	
2B	1001227933	1	Main Boom AC Cable Harness (SN 0300237153 to Present)	
2B	1001213584	1	Plug, Male	
3A	4923643	1	Turntable AC Cable Harness (SN 0300201017 through 0300237152)	
3A	4460134	1	Receptacle, Female	
3B	1001227934	1	Turntable AC Cable Harness (SN 0300237153 to Present)	
3B	1001213585	1	Receptacle, Female	
4A	4460205	1	Plug, Male (SN 0300201017 through 0300237152)	
4B	1001213584	1	Plug, Male (SN 0300237153 to Present)	

SECTION 8 - ELECTRICAL

FIGURE 8-41. BOOM CABLE INSTALLATION (CE SPECS)



ART_0273475

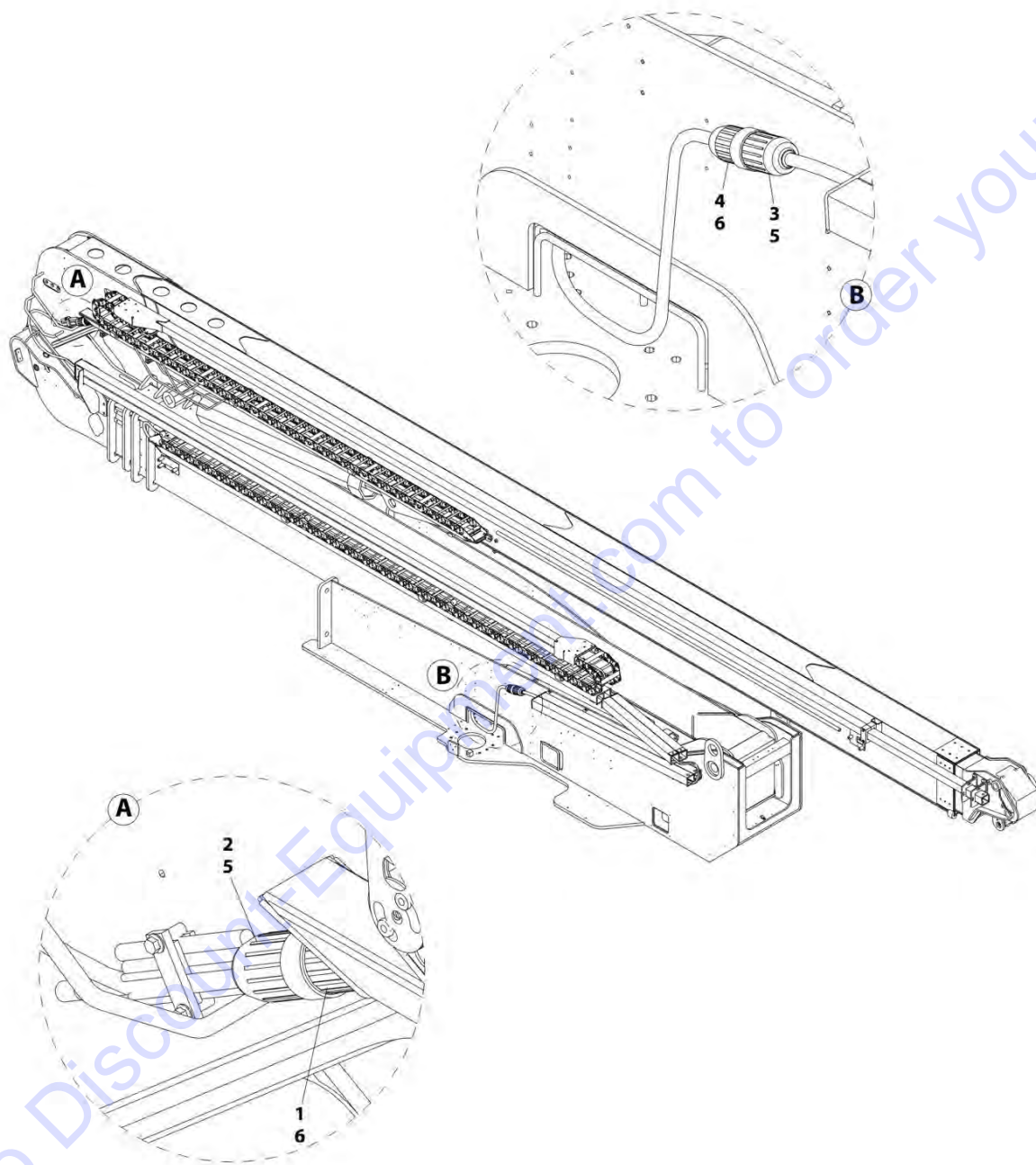
SECTION 8 - ELECTRICAL

FIGURE 8-41. BOOM CABLE INSTALLATION (CE SPECS)

ITEM	PART NUMBER	QTY	DESCRIPTION	REV
	0273475	Ref	BOOM CABLE INSTALLATION (CE SPECS)	E
1A	4923640	1	Tower Boom AC Cable Harness (SN 0300201017 through 0300237152)	
1A	4460710	1	Receptacle, Female	
1A	1671093	1	Cover, Male Connector	
1B	1001227935	1	Tower Boom AC Cable Harness (SN 0300237153 to Present)	
1B	1001213585	1	Receptacle, Female	
2A	4922983	1	Main Boom AC Cable Harness (SN 0300201017 through 0300237152)	
2A	4460709	1	Plug, Male	
2A	1671092	1	Cover, Male Connector	
2B	1001227936	1	Main Boom AC Cable Harness (SN 0300237153 to Present)	
2B	1001213584	1	Plug, Male	
3A	4923641	1	Turntable AC Cable Harness (SN 0300201017 through 0300237152)	
3A	4460710	1	Receptacle, Female	
3A	1671093	1	Cover, Female	
3B	1001227937	1	Turntable AC Cable Harness (SN 0300237153 to Present)	
3B	1001213585	1	Receptacle, Female	
4A	4460709	1	Plug, Male (SN 0300201017 through 0300237152)	
4B	1001213584	1	Plug, Male (SN 0300237153 to Present)	
5	1671092	1	Cover, Male Connector (SN 0300201017 through 0300237152)	

SECTION 8 - ELECTRICAL

FIGURE 8-42. BOOM CABLE INSTALLATION - 4000W 60HZ GENERATOR



ART_1001161049

SECTION 8 - ELECTRICAL

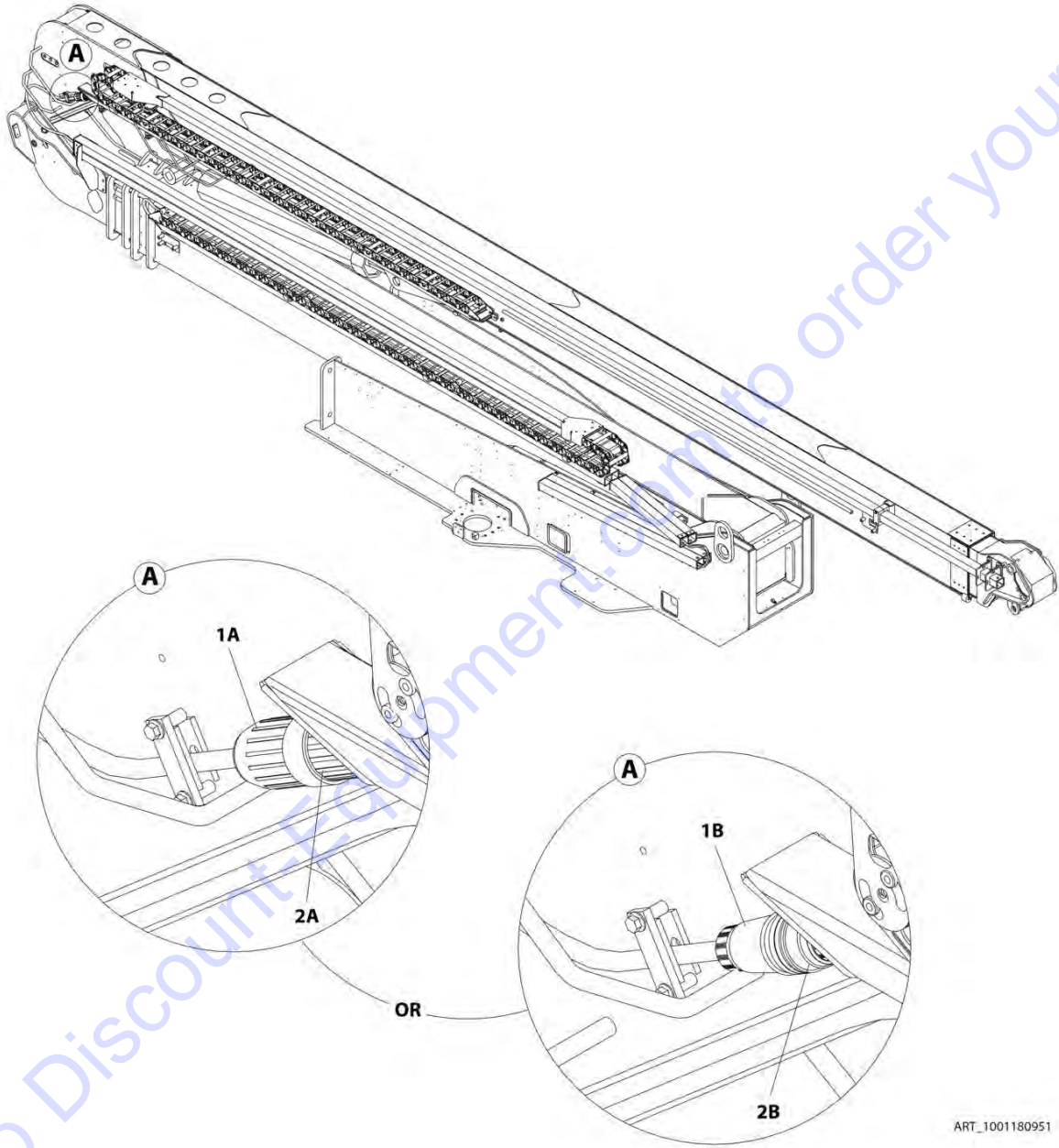
FIGURE 8-42. BOOM CABLE INSTALLATION - 4000W 60HZ GENERATOR

ITEM	PART NUMBER	QTY	DESCRIPTION	REV
	1001161049	Ref	BOOM CABLE INSTALLATION - 4000W 60HZ GENERATOR	A
1	1001161042	1	Main Boom 4000W Generator Cable Harness	
1	1001131969	85 ft /25.9m	Cable, Electrical 8/4	
1	4460962	1	Plug, Male	
2	1001161043	1	Tower Boom 4000W Generator Cable Harness	
2	1001131969	71 ft /21.6m	Cable, Electrical 8/4	
2	4460963	1	Plug, Female	
3	4460962	1	Plug, Male	
4	1001161045	1	Turntable 4000W Generator Cable Harness	
4	1001131969	14 ft /4.27m	Cable, Electrical 8/4	
4	4460963	1	Plug, Female	
5	1671092	1	Cover, Male Connector	
6	1671093	1	Cover, Female Connector	

Go to Discount-Equipment.com to order your parts

SECTION 8 - ELECTRICAL

FIGURE 8-43. BOOM CABLE INSTALLATION - 4000W 50HZ GENERATOR



SECTION 8 - ELECTRICAL

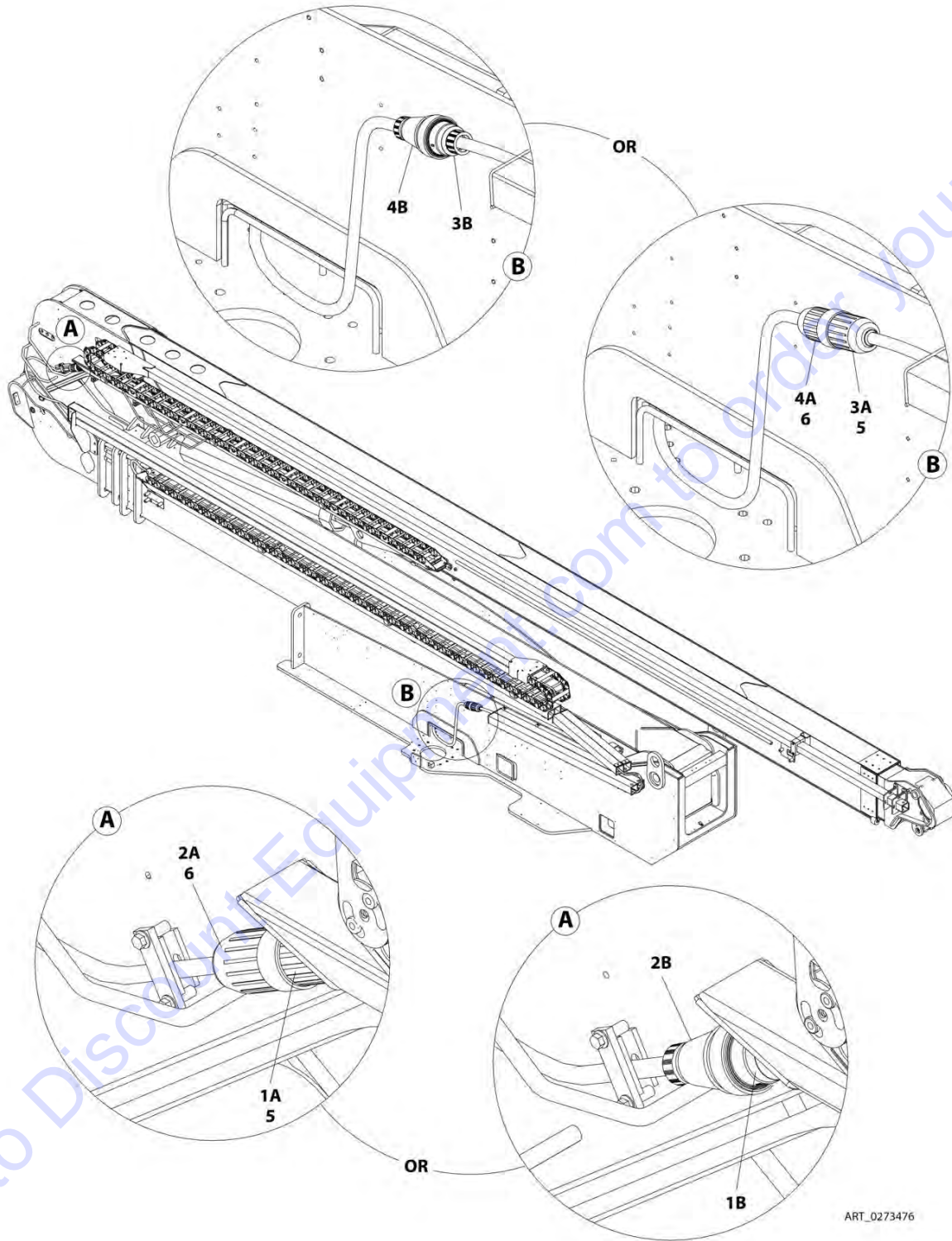
FIGURE 8-43. BOOM CABLE INSTALLATION - 4000W 50HZ GENERATOR

ITEM	PART NUMBER	QTY	DESCRIPTION	REV
	1001180951	Ref	BOOM CABLE INSTALLATION - 4000W 50HZ GENERATOR	B
1A	4923640	1	Tower Boom AC Cable Harness (SN 0300201017 through 0300237152)	
1A	4460710	1	Receptacle, Female	
1A	1671093	1	Cover, Female Connector	
1B	1001227935	1	Tower Boom AC Cable Harness (SN 0300237153 to Present)	
1B	1001213585	1	Receptacle, Female	
2A	4922983	1	Main Boom AC Cable Harness (SN 0300201017 through 0300237152)	
2A	4460709	1	Plug, Male	
2A	1671092	1	Cover, Male Connector	
2B	1001227936	1	Main Boom AC Cable Harness (SN 0300237153 to Present)	
2B	1001213584	1	Plug, Male	

Go to Discount-Equipment.com to order your parts

SECTION 8 - ELECTRICAL

FIGURE 8-44. BOOM CABLE INSTALLATION - 7500W GENERATOR



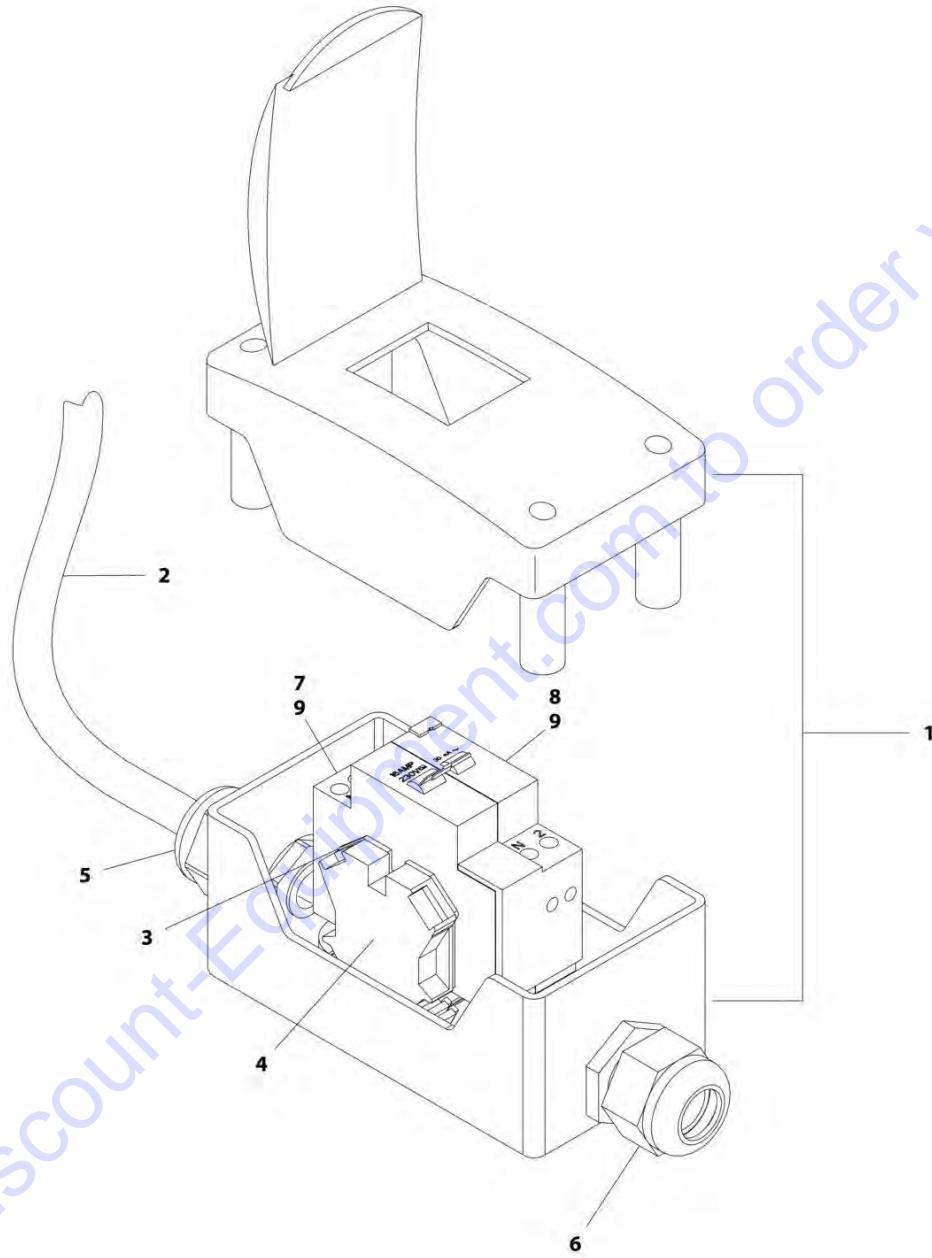
SECTION 8 - ELECTRICAL

FIGURE 8-44. BOOM CABLE INSTALLATION - 7500W GENERATOR

ITEM	PART NUMBER	QTY	DESCRIPTION	REV
	0273476	Ref	BOOM CABLE INSTALLATION - 7500W GENERATOR	D
1A	4922962	1	Main Boom SkyPower Cable Harness (SN 0300201017 through 0300237152)	
1A	4460959	1	Plug, Male	
1B	1001226294	1	Main Boom SkyPower Cable Harness (SN 0300237153 to Present)	
1B	1001218622	1	Plug, Male	
2A	4923384	1	Tower Boom SkyPower Cable Harness	
2A	4460960	1	Plug, Female	
2B	1001226293	1	Tower Boom SkyPower Cable Harness (SN 0300237153 to Present)	
2B	1001218623	1	Plug, Female	
3A	4460959	1	Plug, Male (SN 0300201017 through 0300237152)	
3B	1001218622	1	Plug, Male (SN 0300237153 to Present)	
4A	4923385	1	Turntable SkyPower Cable Harness (SN 0300201017 through 0300237152)	
4A	4460960	1	Plug, Female	
4B	1001226306	1	Turntable SkyPower Cable Harness (SN 0300237153 to Present)	
4B	1001218623	1	Plug, Female	
5	1671092	1	Cover, Male Connector (SN 0300201017 through 0300237152)	
6	1671093	1	Cover, Female Connector (SN 0300201017 through 0300237152)	

SECTION 8 - ELECTRICAL

FIGURE 8-45. BREAKER BOX KIT - 10 AMP (2500W GENERATOR)



ART_1001109648

SECTION 8 - ELECTRICAL

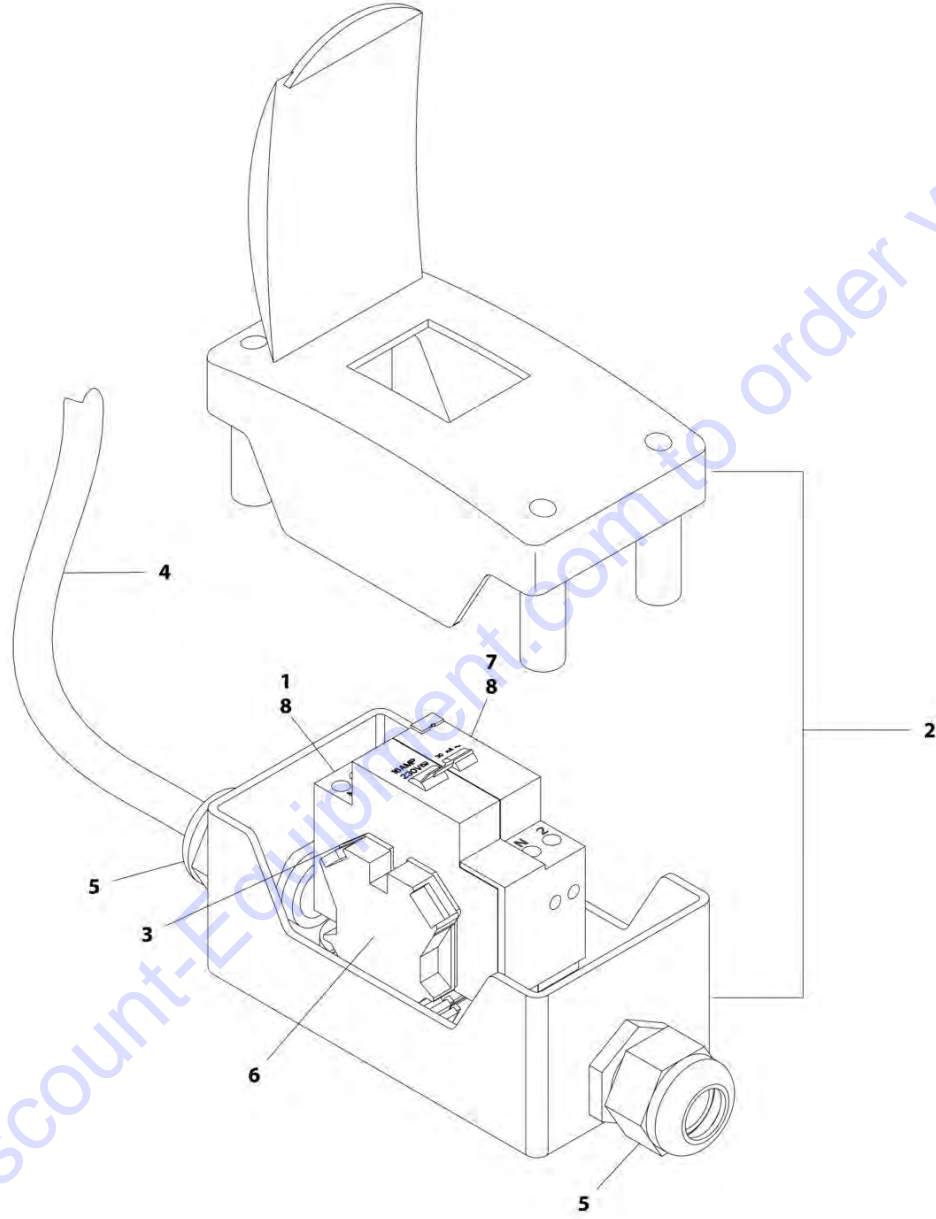
FIGURE 8-45. BREAKER BOX KIT - 10 AMP (2500W GENERATOR)

ITEM	PART NUMBER	QTY	DESCRIPTION	REV
	1001109648	Ref	BREAKER BOX KIT - 10 AMP (2500W GENERATOR)	B
1	0861880	1	Box, Breaker	
2	1060908	12 ft /3.6m	Cable, Electrical 12/3	
3	4460956	1	Barrier, Terminal Block End	
4	4460957	1	Block, Terminal	
5	1001097150	1	Connector, Strain Relief	
6	1001101191	1	Connector, Strain Relief	
7	1001109477	NLA	Breaker 10Amp (Use p/n 1001181046) (SN 0300201017 through 0300204782)	
8	1001109482	NLA	Breaker 30mA (Use p/n 1001181046) (SN 0300201017 through 0300204782)	
9	1001181046	1	Breaker 30mA/16Amp (SN 0300204783 to Present)	

Go to Discount-Equipment.com to order your parts

SECTION 8 - ELECTRICAL

FIGURE 8-46. BREAKER BOX KIT - 16 AMP (4000W GENERATOR)



ART_1001165368

SECTION 8 - ELECTRICAL

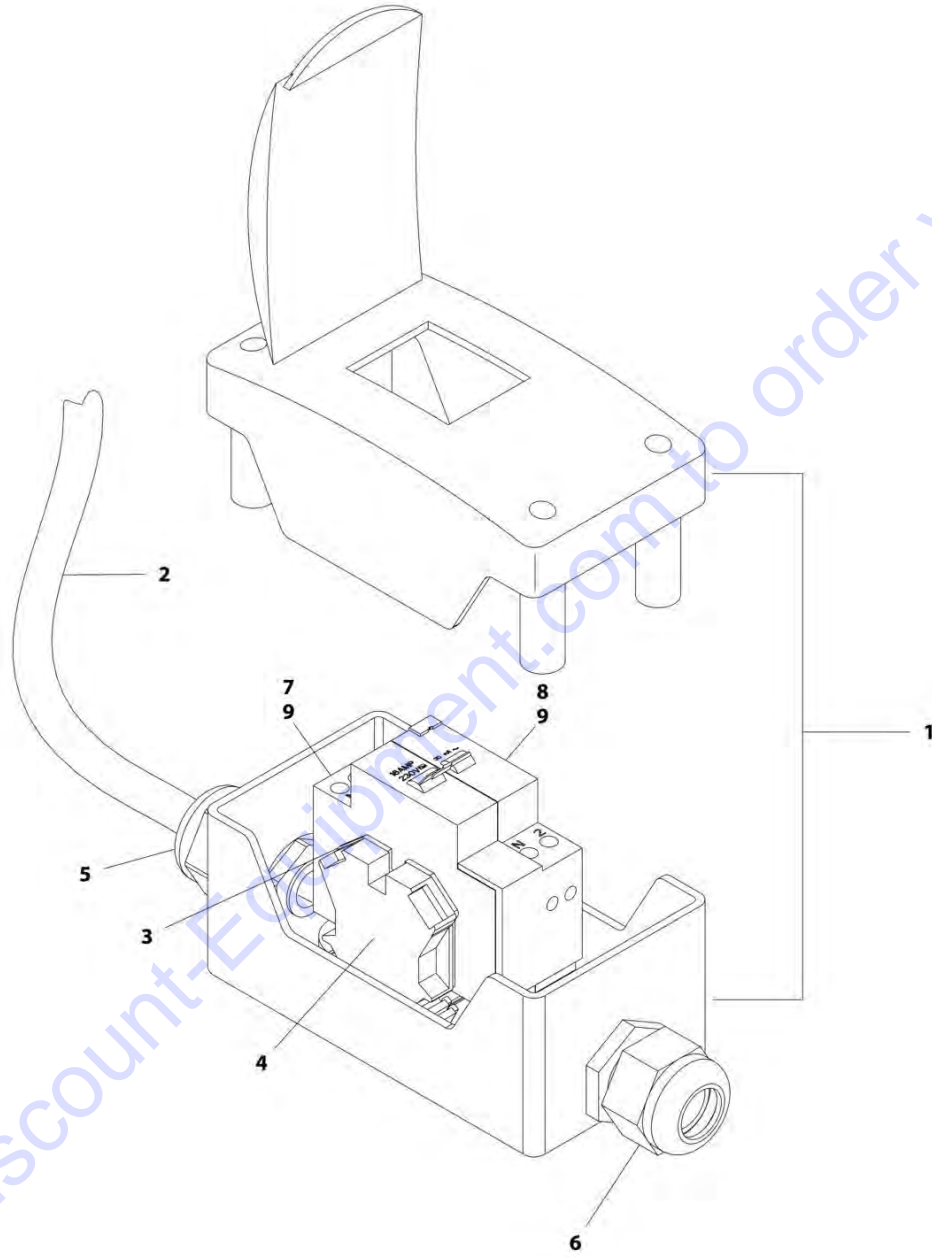
FIGURE 8-46. BREAKER BOX KIT - 16 AMP (4000W GENERATOR)

ITEM	PART NUMBER	QTY	DESCRIPTION	REV
1	1001165368	Ref	BREAKER BOX KIT - 16 AMP (4000W GENERATOR)	B
	1001109475	NLA	Breaker 16Amp (Use p/n 1001181045) (SN 0300201017 through 0300204782)	
2	0861880	1	Box, Circuit Breaker	
3	4460956	1	Barrier, Terminal Block End	
4	1060545	12 ft /3.6m	Cable, Electrical 10/3	
5	1001101191	2	Connector, Strain Relief	
6	4460957	1	Block, Terminal	
7	1001109482	NLA	Breaker 30mA (Use p/n 1001181045) (SN 0300201017 through 0300204782)	
8	1001181045	1	Breaker 30mA/16Amp (SN 0300204783 to Present)	

Go to Discount-Equipment.com to order your parts

SECTION 8 - ELECTRICAL

FIGURE 8-47. BREAKER BOX KIT - 16 AMP (2500W GENERATOR)



ART_1001109654

SECTION 8 - ELECTRICAL

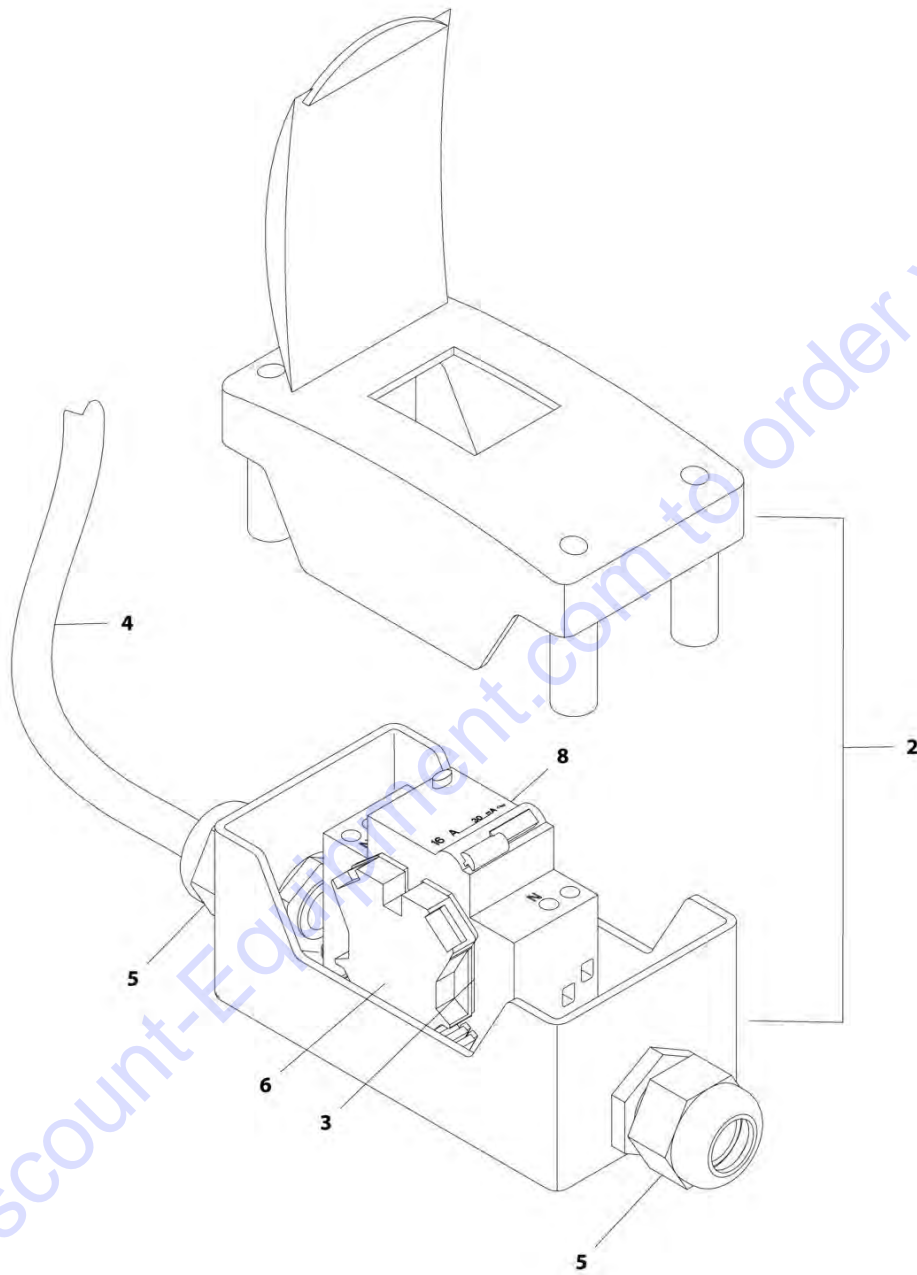
FIGURE 8-47. BREAKER BOX KIT - 16 AMP (2500W GENERATOR)

ITEM	PART NUMBER	QTY	DESCRIPTION	REV
	1001109654	Ref	BREAKER BOX KIT - 16 AMP (2500W GENERATOR)	B
1	0861880	1	Box, Breaker	
2	1060908	12 ft /3.6m	Cable, Electrical 12/3	
3	4460956	1	Barrier, Terminal Block End	
4	4460957	1	Block, Terminal	
5	1001097150	1	Connector, Strain Relief	
6	1001101191	1	Connector, Strain Relief	
7	1001109475	NLA	Breaker 16Amp (Use p/n 1001181045) (SN 0300201017 through 0300204782)	
8	1001109482	NLA	Breaker 30mA (Use p/n 1001181045) (SN 0300201017 through 0300204782)	
9	1001181045	1	Breaker, Double 30mAmp/16Amp (SN 0300204783 to Present)	

Go to Discount-Equipment.com to order your parts

SECTION 8 - ELECTRICAL

FIGURE 8-48. BREAKER BOX KIT - 30MA/16 AMP (WITHOUT GENERATOR)



ART_1001096070

SECTION 8 - ELECTRICAL

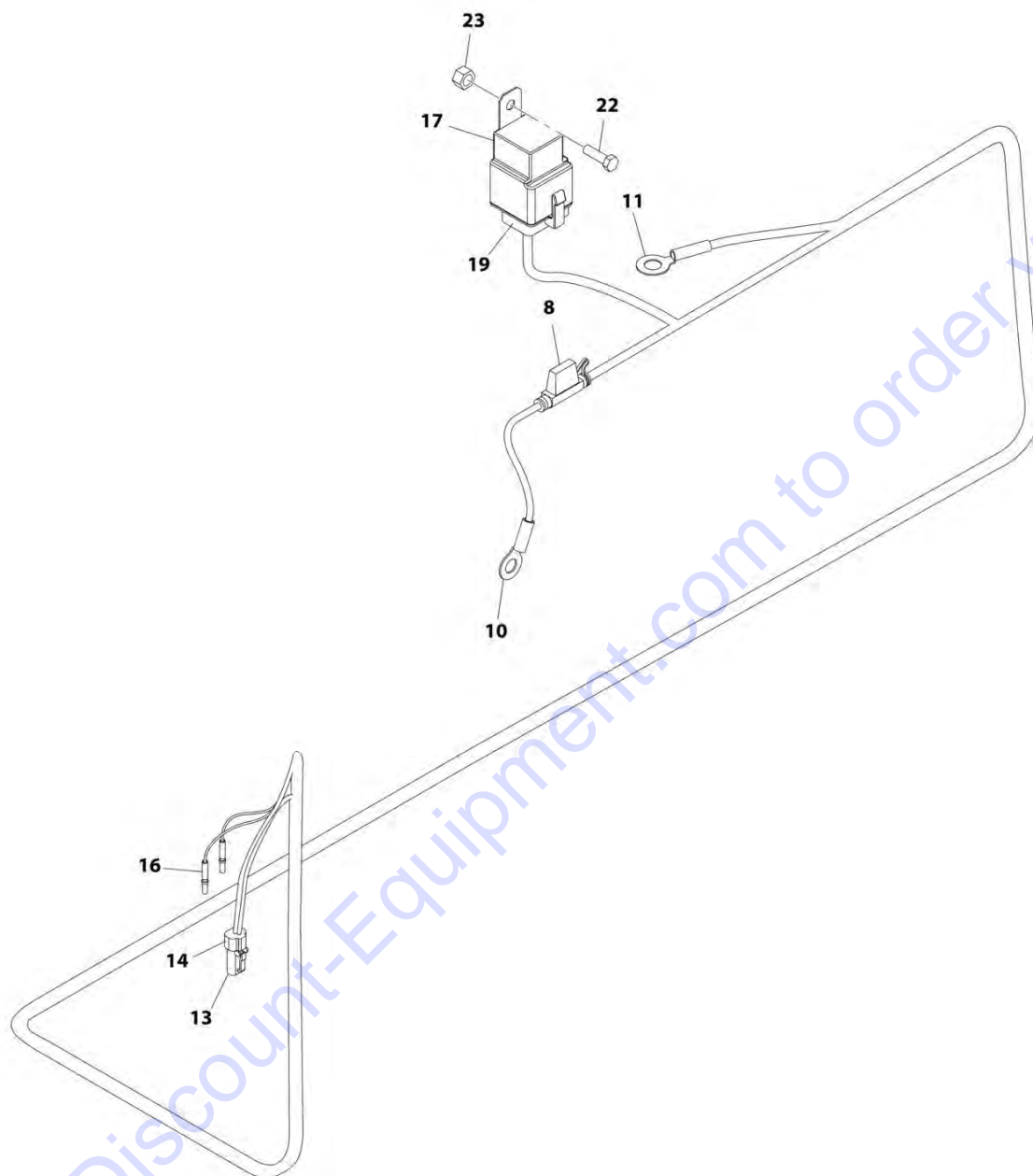
FIGURE 8-48. BREAKER BOX KIT - 30MA/16 AMP (WITHOUT GENERATOR)

ITEM	PART NUMBER	QTY	DESCRIPTION	REV
	1001096070	Ref	BREAKER BOX KIT - 30mA/16 AMP (WITHOUT GENERATOR)	E
2	0861880	1	Box, Breaker	
3	4460956	1	Barrier, Terminal Block End	
4	1060908	12 ft/3.6m	Cable, Electrical 12/3	
5	1001097150	2	Connector, Strain Relief	
6	4460957	1	Block, Terminal	
8	1001181045	1	Breaker, Double 30mA/16Amp	

Go to Discount-Equipment.com to order your parts

SECTION 8 - ELECTRICAL

FIGURE 8-49. CHASSIS POWER DISTRIBUTION HARNESS



ART_4923382

SECTION 8 - ELECTRICAL

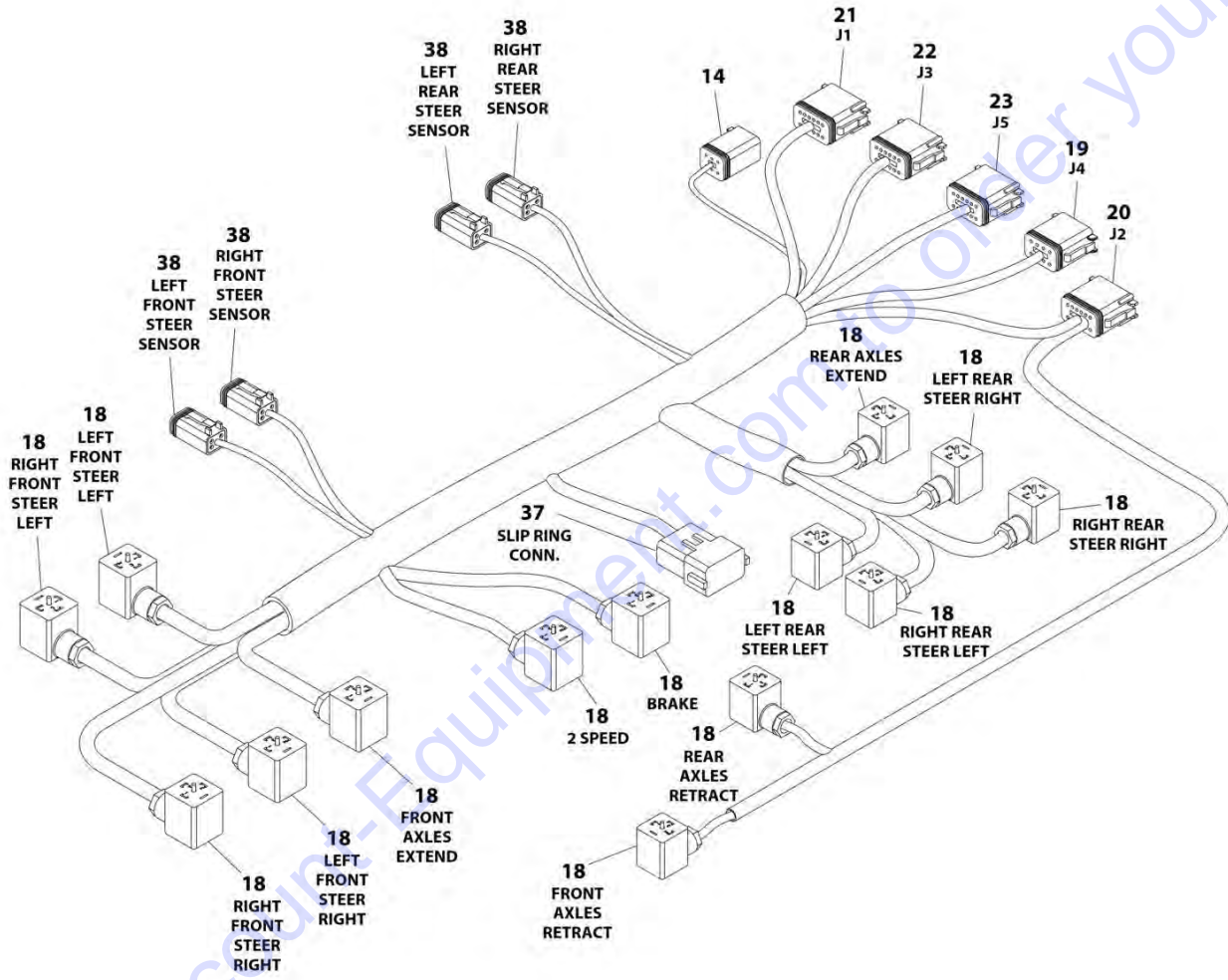
FIGURE 8-49. CHASSIS POWER DISTRIBUTION HARNESS

ITEM	PART NUMBER	QTY	DESCRIPTION	REV
	4923382	Ref	CHASSIS POWER DISTRIBUTION HARNESS	D
8	2400066	1	Fuseholder	
8	2400065	1	Fuse 30 Amp	
9	4240032	3	Tie-Strap (Not Shown)	
10	4460019	1	Terminal, Eyelet	
11	4460256	1	Terminal, Eyelet	
13	4460891	1	Connector - 2 Position (SN 0300201047 through 0300226469)	
14	4460897	1	Connector - 2 Position	
14	4460464	2	Pin, Male	
16	4460942	2	Socket, Female	
17	3740080	1	Relay	
19	4460374	1	Plug, Sealed	
19	4460375	5	Terminal	
19	0100048	AR	Lubricant, Silicone	
22	0641408	1	Bolt 1/4 x 1	
23	3311405	1	Nut 1/4	

Go to Discount-Equipment.com to order your parts

SECTION 8 - ELECTRICAL

FIGURE 8-50. CHASSIS HARNESS ASSEMBLY



ART_4922696

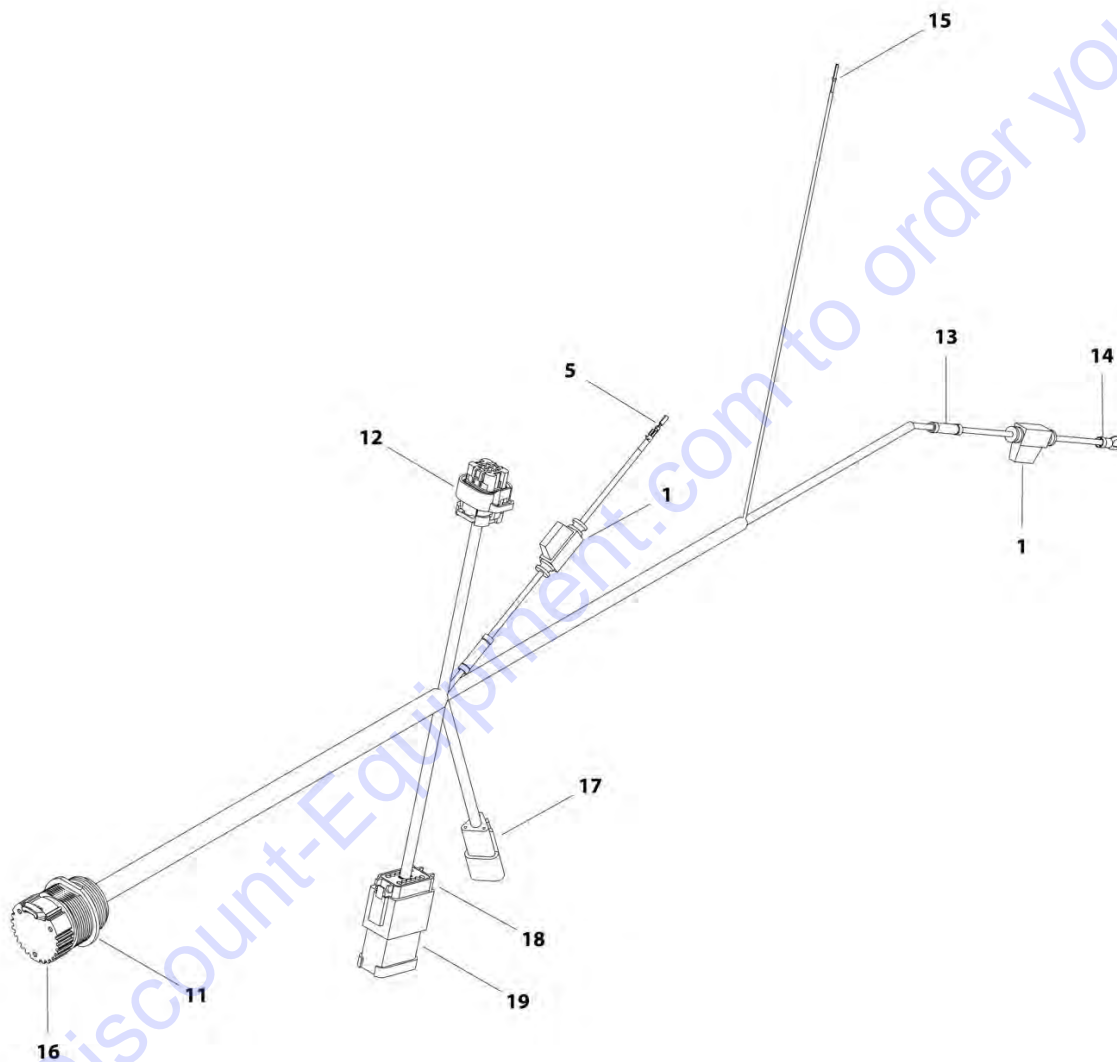
SECTION 8 - ELECTRICAL

FIGURE 8-50. CHASSIS HARNESS ASSEMBLY

ITEM	PART NUMBER	QTY	DESCRIPTION	REV
	4922696	Ref	CHASSIS HARNESS ASSEMBLY	D
14	4460894	1	Connector - 6 Position	
14	4460465	6	Socket, Female	
14	4460892	1	Connector - 6 Position Buss Bar	
17	4460894	1	Connector - 6 Position (Not Shown)	
17	4460465	6	Socket, Female	
17	4460892	1	Connector - 6 Position Buss Bar	
18	4460880	14	DIN Connector	
19	4460930	1	Connector - 8 Position (Gray)	
19	4460465	1	Socket, Female	
19	4460466	7	Plug, Terminal	
20	4460836	1	Connector - 12 Position (Black)	
20	4460465	6	Socket, Female	
20	4460466	6	Plug, Terminal	
21	4460933	1	Connector - 12 Position (Gray)	
21	4460465	8	Socket, Female	
21	4460466	4	Plug, Terminal	
22	4460934	1	Connector - 12 Position (Green)	
22	4460944	12	Socket, Female	
23	4460935	1	Connector - 12 Position (Brown)	
23	4460465	8	Socket, Female	
25	4240032	10	Tie-Strap (Not Shown)	
26	4240033	15	Tie-Strap (Not Shown)	
37	4460950	1	Connector - 12 Position	
37	4460464	6	Pin, Male	
37	4460943	3	Pin, Male	
37	4460941	2	Pin, Male	
38	4460884	4	Connector - 4 Position (Gray)	
38	4460944	16	Socket, Female	

SECTION 8 - ELECTRICAL

FIGURE 8-51. CLEARSKY READY HARNESS



ART_1001114438

SECTION 8 - ELECTRICAL

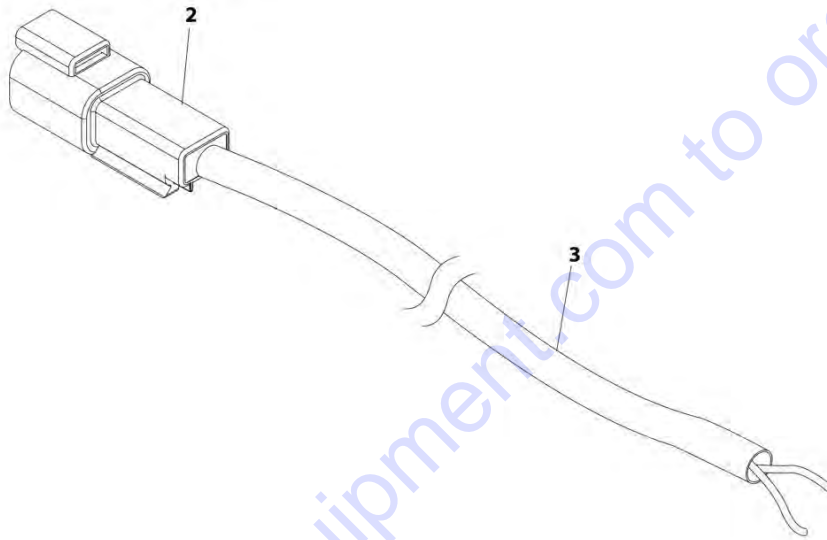
FIGURE 8-51. CLEARSKY READY HARNESS

ITEM	PART NUMBER	QTY	DESCRIPTION	REV
	1001114438	Ref	CLEARSKY READY HARNESS	A
1	2400060	2	Fuseholder with Cover	
1	2400064	2	Fuse 5Amp	
5	4460871	1	Socket, Female	
11	1001112612	1	Connector - 9 Position	
11	4460464	6	Pin, Male	
11	4460466	3	Plug, Sealing	
12	1001113961	1	Connector - 8 Position	
12	4460871	5	Socket, Female	
12	4460905	5	Plug, Sealing	
13	4460035	2	Terminal, Connector	
14	4460183	1	Terminal, Eyelet	
15	4460465	1	Socket, Female	
16	1001106736	1	Cap, Dust	
17	4460536	1	Connector - 3 Position	
17	4460464	3	Pin, Male	
18	4460933	1	Connector - 12 Position	
18	4460465	9	Socket, Female	
18	4460466	3	Plug, Sealing	
19	4460898	1	Connector Bussbar - 9 Position	

Go to Discount-Equipment.com to order your parts

SECTION 8 - ELECTRICAL

FIGURE 8-52. DUAL CAPACITY JIB POSITION SWITCH HARNESS



ART_4922785

SECTION 8 - ELECTRICAL

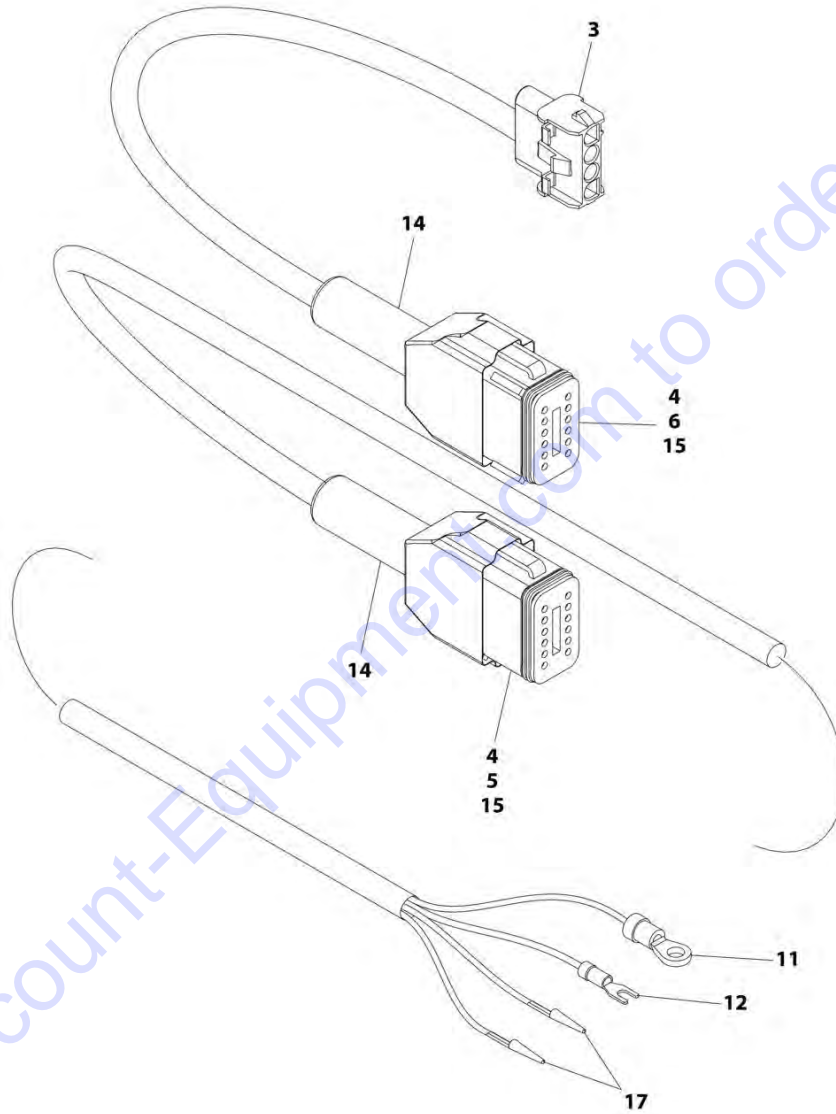
FIGURE 8-52. DUAL CAPACITY JIB POSITION SWITCH HARNESS

ITEM	PART NUMBER	QTY	DESCRIPTION	REV
	4922785	Ref	DUAL CAPACITY JIB POSITION SWITCH HARNESS	C
2	4460897	1	Connector - 2 Position	
2	4460464	2	Pin, Male	
3	1060902	15 ft/4.5m	Cable, Electrical 18/2	

Go to Discount-Equipment.com to order your parts

SECTION 8 - ELECTRICAL

FIGURE 8-53. EIM LOAD CELL HARNESS



ART_4922869

SECTION 8 - ELECTRICAL

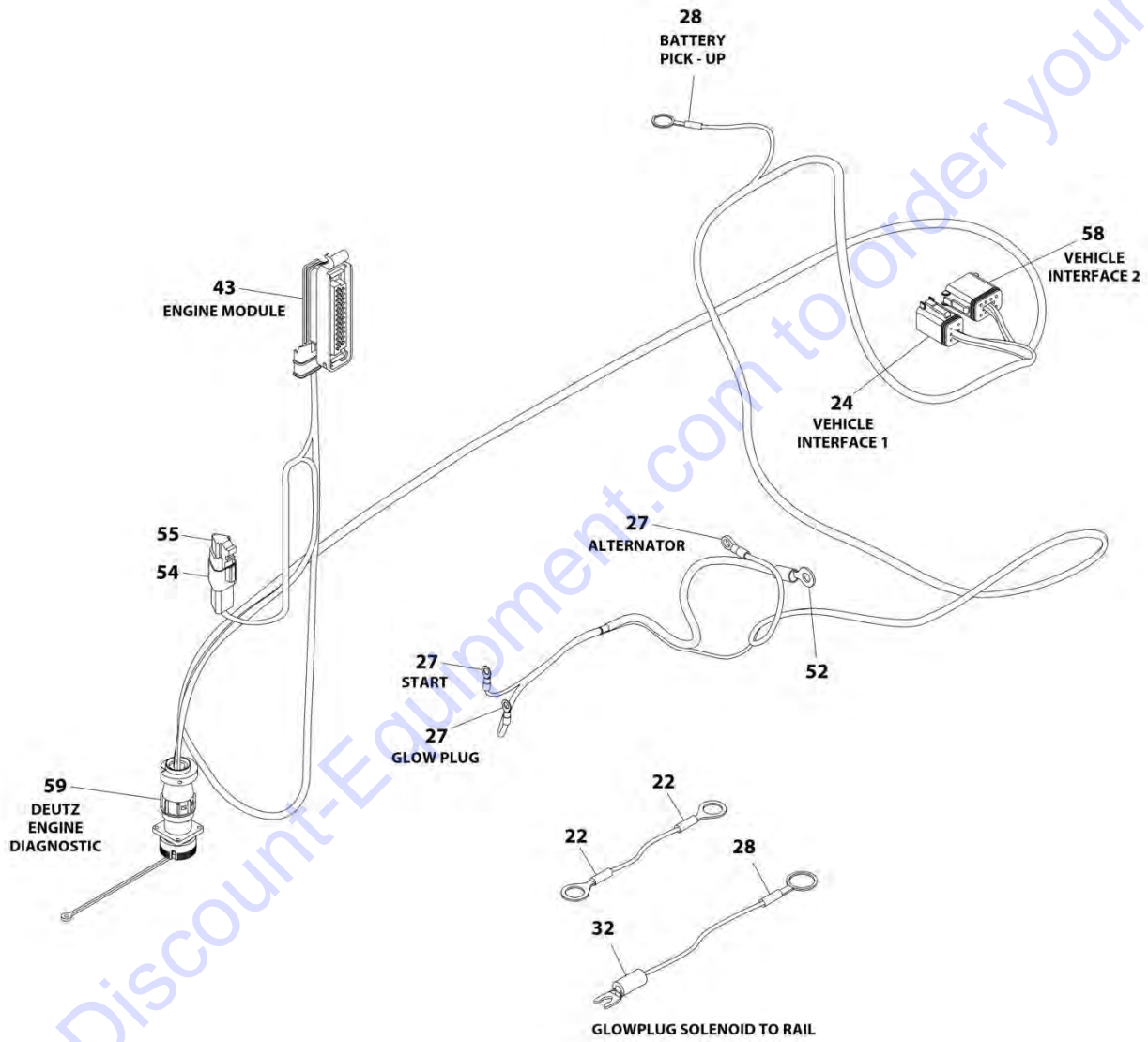
FIGURE 8-53. EIM LOAD CELL HARNESS

ITEM	PART NUMBER	QTY	DESCRIPTION	REV
	4922869	Ref	EIM LOAD CELL HARNESS	E
3	4922705	1	Analyzer Harness	
3	4460761	1	Connector, Female - 4 Position	
3	4460227	4	Pin, Male	
3	4460465	4	Socket, Female	
4	4460465	6	Socket, Female	
5	4460933	1	Connector - 12 Position (Gray)	
6	4460836	1	Plug, Male - 12 Position (Black)	
11	4460042	1	Terminal, Eyelet	
12	4460183	1	Terminal, Fork	
14	0840055	2	Boot	
15	4460466	16	Plug, Terminal	
17	4460226	2	Terminal	

Go to Discount-Equipment.com to order your parts

SECTION 8 - ELECTRICAL

FIGURE 8-54. ENGINE HARNESS - DEUTZ TD2011 ENGINES



ART_1001119470

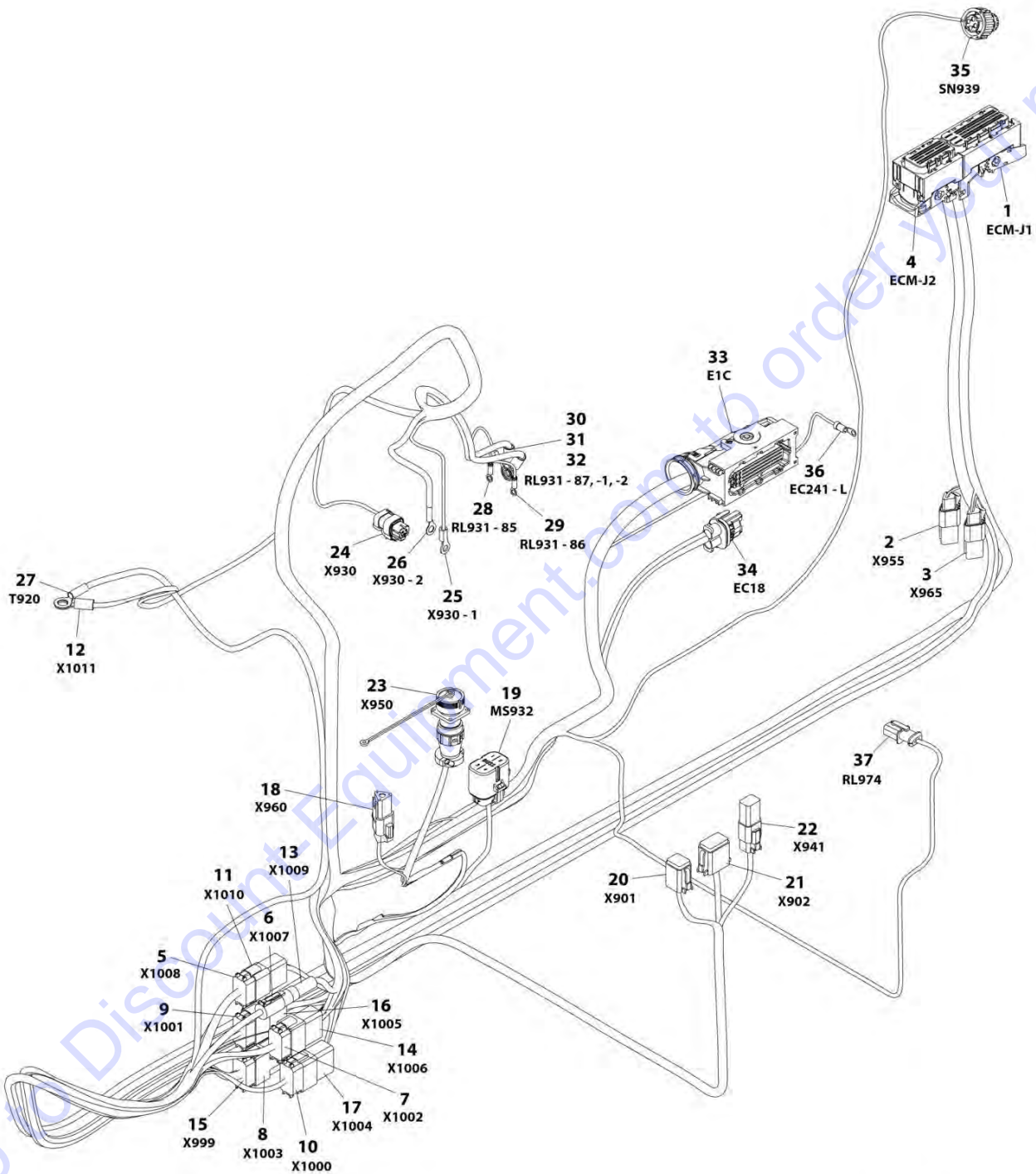
SECTION 8 - ELECTRICAL

FIGURE 8-54. ENGINE HARNESS - DEUTZ TD2011 ENGINES

ITEM	PART NUMBER	QTY	DESCRIPTION	REV
	1001119470	Ref	ENGINE HARNESS - DEUTZ TD2011 ENGINES	B
22	4460702	2	Terminal, Eyelet	
24	4460894	1	Connector - 6 Position	
24	4460465	2	Socket, Female	
24	4460466	1	Plug, Terminal	
24	4460944	3	Socket, Female	
27	4460313	3	Terminal, Eyelet	
28	4460019	2	Terminal, Eyelet	
32	4460315	1	Terminal, Fork	
43	4461052	1	Connector - 25 Position	
43	4461005	5	Terminal	
43	4461006	5	Seal	
43	4461060	2	Terminal (Tin)	
43	4461054	2	Seal, Terminal	
43	4461008	18	Plug, Hole	
43	4461053	1	Cover, Plug	
50	4240032	AR	Tie-Strap (Not Shown)	
51	4240033	AR	Tie-Strap (Not Shown)	
52	4461097	1	Terminal, Eyelet	
54	4461095	1	Connector - 3 Position	
54	4460944	3	Socket, Female	
55	4461070	1	Connector With Resistor (3 Position)	
58	4460930	1	Connector - 8 Position	
58	4460465	2	Socket, Female	
58	4460466	6	Seal, Plug	
59	2902443	1	Kit, Receptacle	
59	4461071	8	Terminal, Female (Gold)	
59	4461072	1	Connector, Flange Mount	
59	4461073	1	Connector, Dust Cap	
59	4461074	1	Connector, Shell	

SECTION 8 - ELECTRICAL

FIGURE 8-55. ENGINE HARNESS - DEUTZ TCD2.9L4 ENGINES AND DEUTZ TCD2.9L4 (STAGE V) ENGINES



ART_1001138346

SECTION 8 - ELECTRICAL

FIGURE 8-55. ENGINE HARNESS - DEUTZ TCD2.9L4 ENGINES AND DEUTZ TCD2.9L4 (STAGE V) ENGINES

ITEM	PART NUMBER	QTY	DESCRIPTION	REV
	1001138346	Ref	ENGINE HARNESS - DEUTZ TCD2.9L4 ENGINES AND DEUTZ TCD2.9L4 (STAGE V) ENGINES	G
1	1001133956	1	Connector (Includes Cover, Locks and Retention Plate)	
1	1001126352	6	Terminal	
1	1001126384	19	Terminal	
1	1001126351	1	Terminal	
1	1001126357	3	Plug, Seal	
1	1001126356	65	Plug, Seal	
2	4461070	1	Connector With Resistor (3 Position)	
2	4461095	1	Connector - 3 Position	
2	4460944	2	Socket, Female	
2	4460466	1	Seal, Plug	
3	4461070	1	Connector With Resistor (3 Position)	
3	4461095	1	Connector - 3 Position	
3	4460944	2	Socket, Female	
3	4460466	1	Seal, Plug	
4	1001133957	1	Connector (Includes Cover, Locks and Retention Plate)	
4	1001126351	13	Terminal	
4	1001126384	17	Terminal	
4	1001126356	19	Plug, Seal	
4	1001126357	11	Plug, Seal	
5	4460930	1	Connector - 8 Position	
5	4460944	5	Socket, Female (Gold)	
5	4460465	2	Socket, Female	
5	4460466	1	Seal, Plug	
6	1001116707	1	Connector - 1 Position	
6	91143340	1	Terminal	
7	4460935	1	Plug, Brown - 12 Position	
7	4460465	12	Socket, Female	
8	4460970	1	Connector - 12 Position	
8	4460941	12	Pin, Male	
9	4460934	1	Connector, Green - 12 Position	
9	4460465	10	Socket, Female	
9	4460466	2	Seal, Plug	
10	4460836	1	Connector, Black - 12 Position	
10	4460465	8	Socket, Female	
10	4460466	4	Seal, Plug	
11	4460931	1	Connector - 8 Position (Gray)	
11	4460943	5	Pin, Male (Gold)	
11	4460466	3	Plug, Socket	
12	8220164	1	Terminal, Eyelet	
13	1001116967	1	Connector - 1 Position	
13	91143339	1	Terminal	
14	4460982	1	Connector - 12 Position	
14	4460464	12	Pin, Male	
15	4460933	1	Connector, Gray - 12 Position	
15	4460942	12	Socket, Female	
16	1001152742	1	Connector - 12 Position	
16	4460464	10	Pin, Male	

SECTION 8 - ELECTRICAL

ITEM	PART NUMBER	QTY	DESCRIPTION	REV
16	4460466	2	Seal, Plug	
17	4460950	1	Connector - 12 Position	
17	4460464	8	Pin, Male	
17	4460466	4	Plug, Seal	
18	4461070	1	Connector With Resistor (3 Position)	
18	4461095	1	Connector - 3 Position	
18	4460944	2	Socket, Female	
18	4460466	1	Seal, Plug	
19	80484084	1	Connector - 8 Position	
19	8229242	1	Fuse - 5A	
19	80983191	1	Fuse - 10A	
19	1001147264	1	Cap	
19	1001116728	4	Plug	
19	4460458	4	Seal	
20	4460894	1	Connector - 6 Position	
20	4460465	3	Socket, Female	
20	4460944	2	Socket, Female	
20	4460466	1	Seal, Plug	
21	4460930	1	Connector - 8 Position	
21	4460465	1	Socket, Female	
21	4460466	7	Plug, Seal	
22	4460884	1	Connector - 4 Position (SN 0300201017 through 0300224743)	
22	1001220379	1	Connector - 4 Position (SN 0300224744 to Present)	
22	4460465	2	Socket, Female	
22	4460942	2	Socket, Female	
22	4460932	1	Connector - 4 Position (SN 0300211945 to Present)	
22	4460466	4	Seal, Plug (SN 0300211945 to Present)	
23	2902443	1	Kit, Receptacle	
23	4461071	8	Terminal, Female (Gold)	
23	4461072	1	Connector, Flange Mount	
23	4461073	1	Connector, Dust Cap	
23	4461074	1	Connector, Shell	
24	1001116952	1	Connector - 2 Position	
24	4460465	2	Socket, Female	
25	4460043	1	Terminal, Eyelet	
26	1001117106	1	Terminal, Eyelet	
27	4460019	1	Terminal, Eyelet	
28	4460247	1	Terminal, Eyelet	
29	4460247	1	Terminal, Eyelet	
30	1001117107	1	Terminal, Eyelet	
31	1001117107	1	Terminal, Eyelet	
32	4460703	1	Terminal, Eyelet	
33	1001126362	1	Connector - 62 Position	
33	1001126363	33	Terminal	
33	1001126364	33	Seal	
33	1001126391	23	Plug	
33	4461008	4	Plug, Cavity	
33	1001126365	2	Terminal	
33	4461054	2	Seal	
34	1001142938	1	Connector - 2 Position	
34	1001142940	2	Terminal, Female	

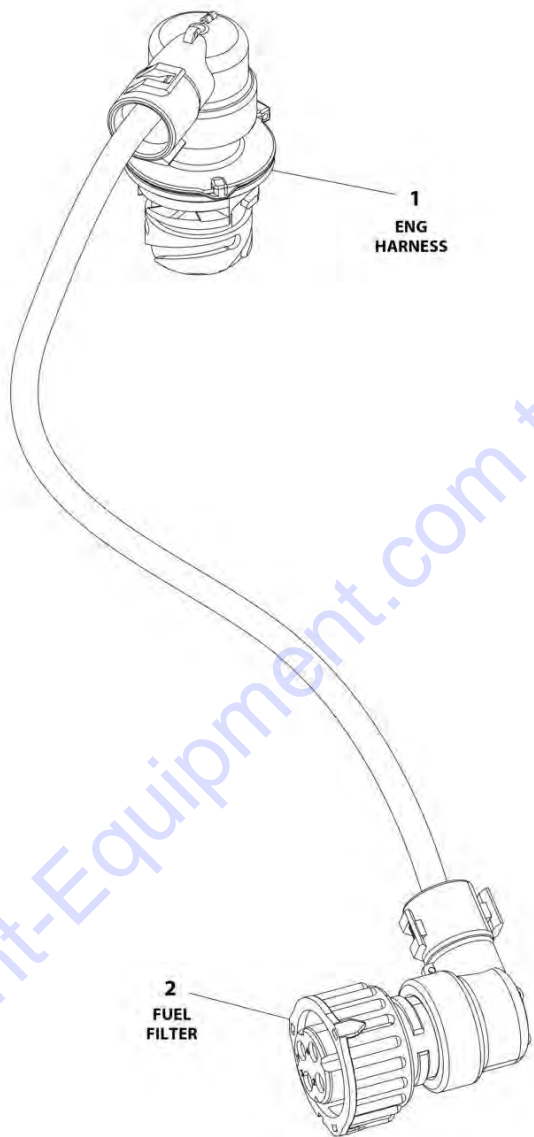
SECTION 8 - ELECTRICAL

ITEM	PART NUMBER	QTY	DESCRIPTION	REV
34	1001142941	2	Seal	
35	1001133714	1	Connector - 4 Position	
35	1001133715	3	Terminal, Female	
35	1001135650	1	Seal	
35	1001135651	1	Plug, Cavity	
36	4460042	1	Terminal, Eyelet	
37	1001138110	1	Connector - 2 Position	
37	1001138111	2	Socket, Female	
37	1001138113	2	Seal	

Go to Discount-Equipment.com to order your parts

SECTION 8 - ELECTRICAL

FIGURE 8-56. FUEL FILTER HARNESS - DEUTZ TCD2.9L4 ENGINES AND DEUTZ TCD2.9L4 (STAGE V) ENGINES



ART_1001148843

SECTION 8 - ELECTRICAL

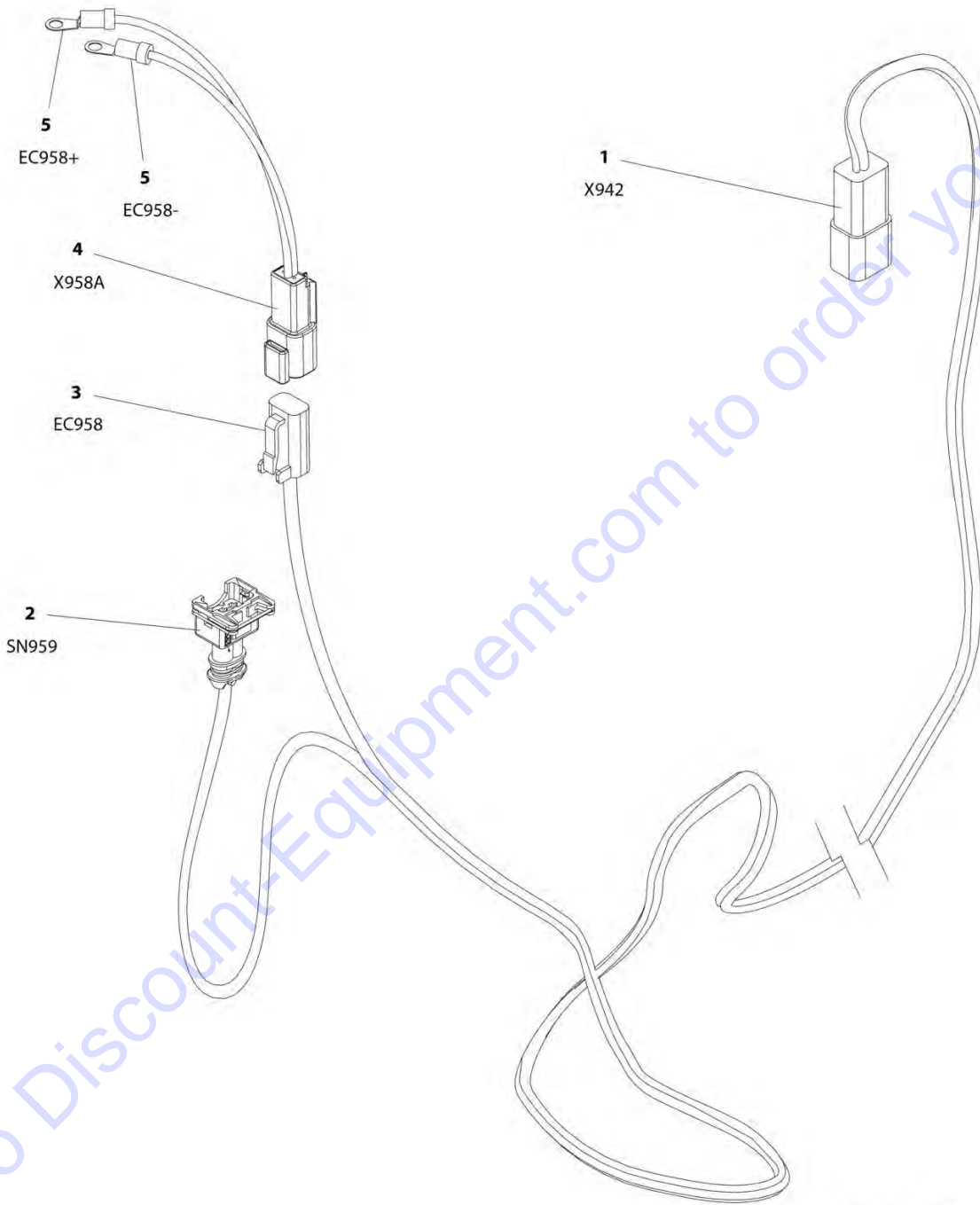
FIGURE 8-56. FUEL FILTER HARNESS - DEUTZ TCD2.9L4 ENGINES AND DEUTZ TCD2.9L4 (STAGE V) ENGINES

ITEM	PART NUMBER	QTY	DESCRIPTION	REV
	1001148843	Ref	FUEL FILTER HARNESS - DEUTZ TCD2.9L4 ENGINES AND DEUTZ TCD2.9L4 (STAGE V) ENGINES	A
1	1001148842	1	Connector - 4 Position	
1	1001148841	4	Pin, Male	
1	1001135650	4	Seal	
2	1001133714	1	Plug, Male - 4 Position	
2	1001133715	4	Socket, Female	
2	1001135650	4	Seal	

Go to Discount-Equipment.com to order your parts

SECTION 8 - ELECTRICAL

FIGURE 8-57. FUEL HARNESS - DEUTZ TCD2.9L4 ENGINES AND DEUTZ TCD2.9L4 (STAGE V) ENGINES



ART_1001138491

SECTION 8 - ELECTRICAL

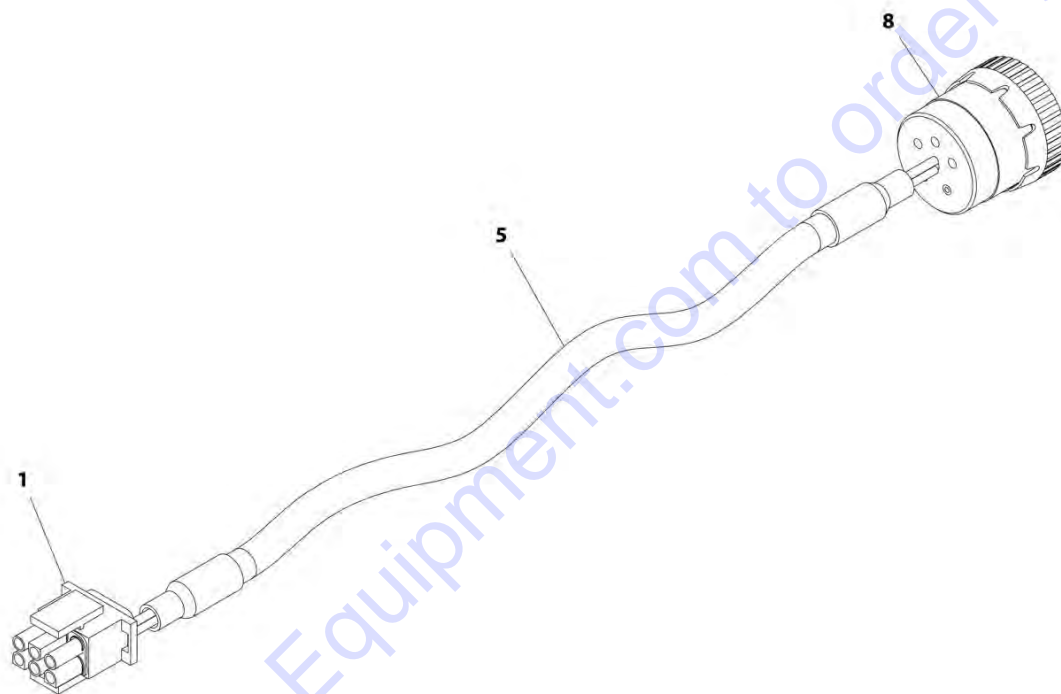
FIGURE 8-57. FUEL HARNESS - DEUTZ TCD2.9L4 ENGINES AND DEUTZ TCD2.9L4 (STAGE V) ENGINES

ITEM	PART NUMBER	QTY	DESCRIPTION	REV
	1001138491	Ref	FUEL HARNESS - DEUTZ TCD2.9L4 ENGINES AND DEUTZ TCD2.9L4 (STAGE V) ENGINES	D
1	4460932	1	Connector - 4 Position	
1	4460464	2	Pin, Male	
1	4460941	2	Pin, Male	
2	1001116983	1	Connector - 2 Position	
2	1001116710	2	Socket, Female	
2	4461054	2	Seal	
3	4460891	1	Connector - 2 Position	
3	4460942	2	Socket, Female	
4	4460897	1	Connector - 2 Position	
4	4460941	2	Pin, Male	
5	8220051	2	Terminal, Eye	

Go to Discount-Equipment.com to order your parts

SECTION 8 - ELECTRICAL

FIGURE 8-58. GENERATOR HARNESS - 4000W GENERATOR



ART_1001152533

SECTION 8 - ELECTRICAL

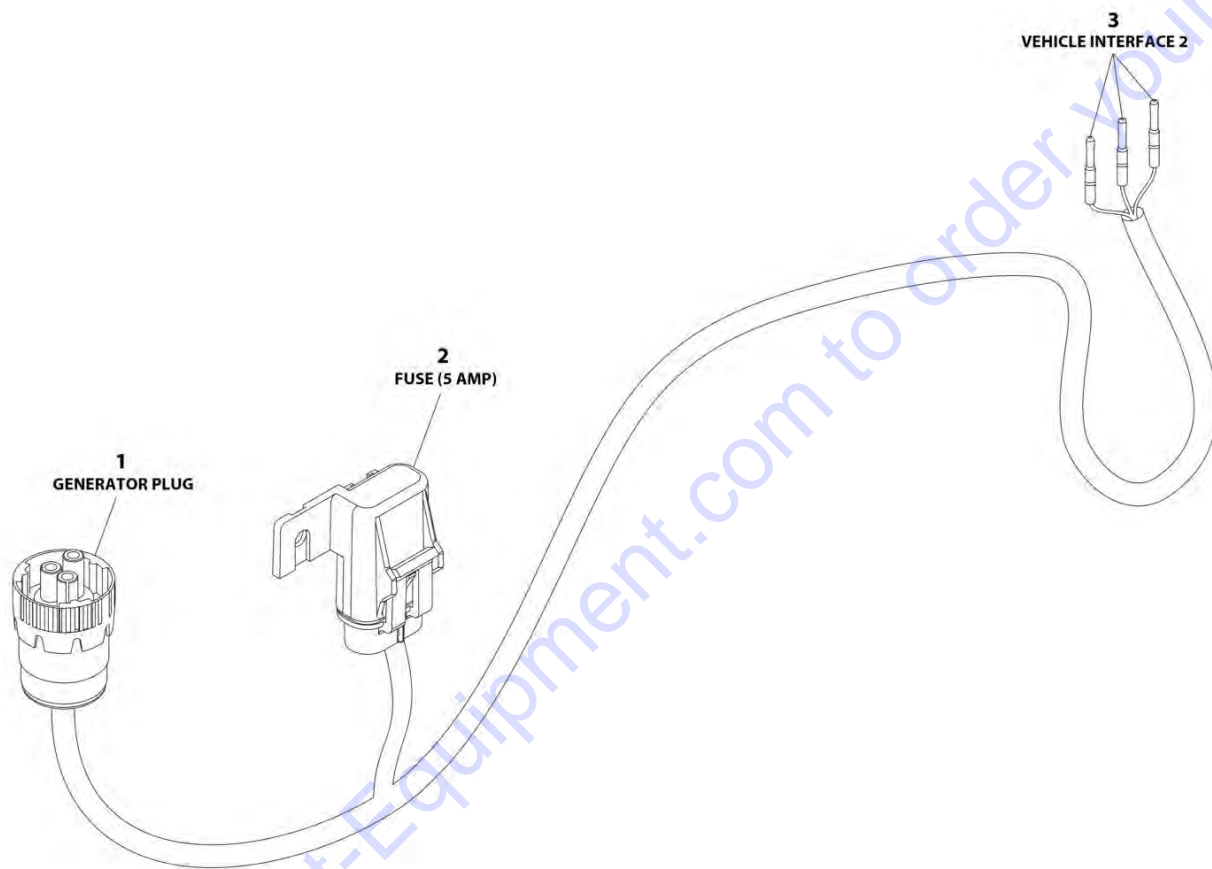
FIGURE 8-58. GENERATOR HARNESS - 4000W GENERATOR

ITEM	PART NUMBER	QTY	DESCRIPTION	REV
	1001152533	Ref	GENERATOR HARNESS - 4000W GENERATOR	A
1	4460225	1	Connector - 6 Position	
1	4460268	2	Socket, Female	
1	4460807	1	Seal, Plug	
1	4460808	1	Seal, Plug	
5	1060341	8 ft /2.44m	Cable, 16/2	
8	77363233	1	Connector - 6 Position	
8	4460465	2	Socket, Female	

Go to Discount-Equipment.com to order your parts

SECTION 8 - ELECTRICAL

FIGURE 8-59. GENERATOR HARNESS - 7500W GENERATOR



ART_100119968

SECTION 8 - ELECTRICAL

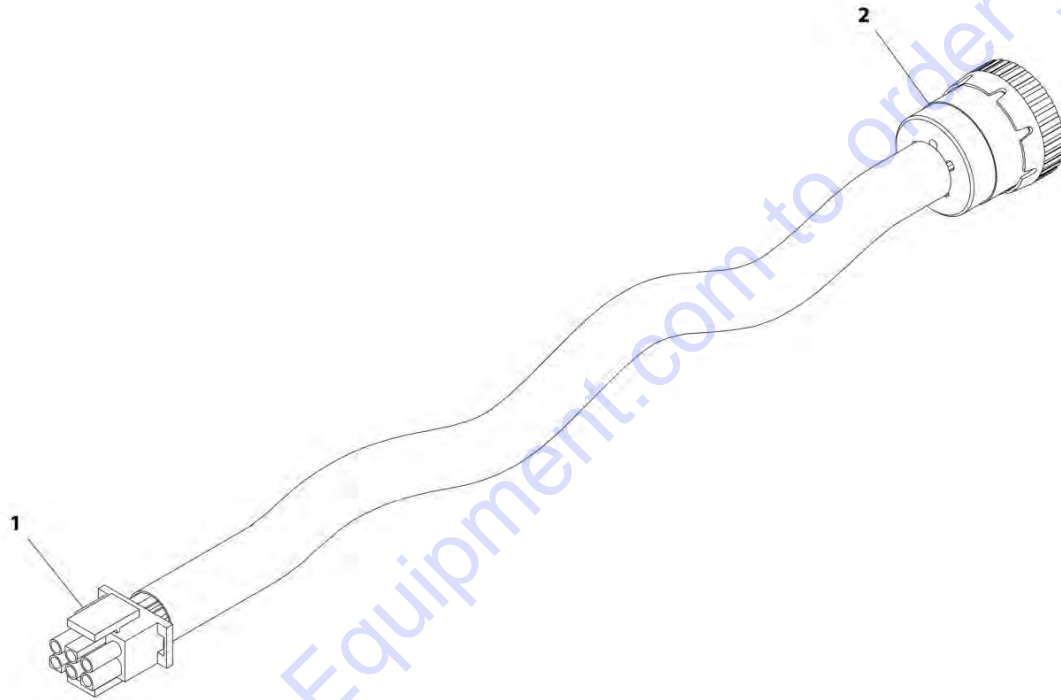
FIGURE 8-59. GENERATOR HARNESS - 7500W GENERATOR

ITEM	PART NUMBER	QTY	DESCRIPTION	REV
	1001119968	Ref	GENERATOR HARNESS - 7500W GENERATOR	C
1	4460967	1	Connector - 3 Position	
1	4460465	3	Socket, Female	
2	1001117078	1	Connector, Metri-Pack W/5Amp Fuse	
3	4460465	3	Socket, Female	

Go to Discount-Equipment.com to order your parts

SECTION 8 - ELECTRICAL

FIGURE 8-60. GENERATOR CABLE HARNESS - 7500W GENERATOR



ART_4922972

SECTION 8 - ELECTRICAL

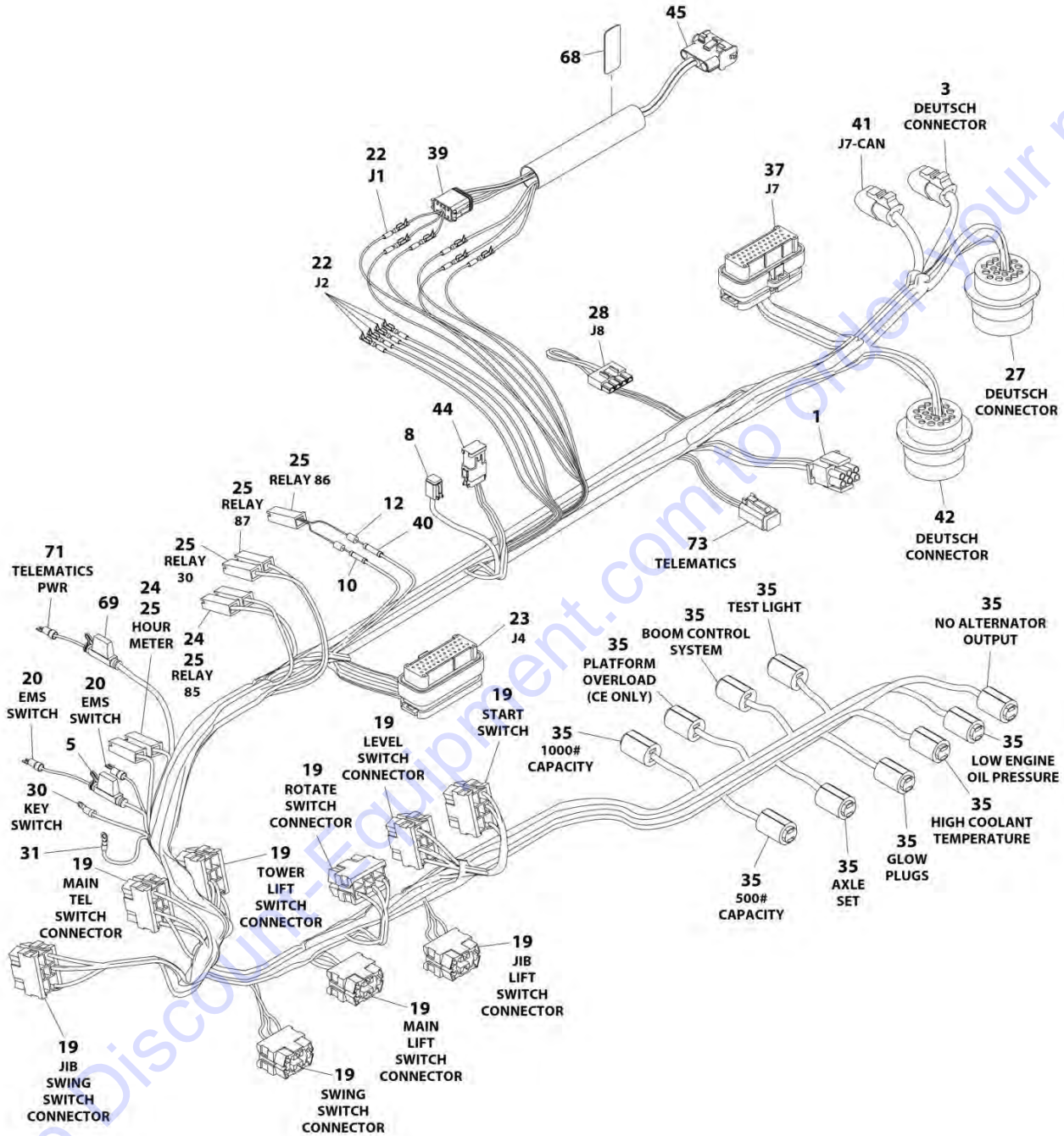
FIGURE 8-60. GENERATOR CABLE HARNESS - 7500W GENERATOR

ITEM	PART NUMBER	QTY	DESCRIPTION	REV
	4922972	Ref	GENERATOR CABLE HARNESS - 7500W GENERATOR	C
1	77363233	1	Plug, Male - 6 Position	
1	4460465	6	Socket, Female	
1	4460807	1	Seal, Plug	
1	4460808	1	Seal, Plug	
2	4460225	1	Connector - 6 Position	
2	4460226	6	Socket, Female	

Go to Discount-Equipment.com to order your parts

SECTION 8 - ELECTRICAL

FIGURE 8-61. GROUND CONTROL BOX HARNESS



ART_1001120181

SECTION 8 - ELECTRICAL

FIGURE 8-61. GROUND CONTROL BOX HARNESS

ITEM	PART NUMBER	QTY	DESCRIPTION	REV
	1001120181	Ref	GROUND CONTROL BOX HARNESS	E
1	4460225	1	Connector - 6 Position	
1	4460227	5	Pin, Male	
3	4460965	1	Connector - 3 Position (Blue Lock)	
3	4460944	3	Socket, Female	
3	4922099	AR	Cable, Can-Buss	
5	2400066	1	Fuseholder with Cover	
5	2400065	1	Fuse	
8	4460894	1	Connector - 6 Position	
8	4460465	1	Socket, Female 16-18GA	
8	4460942	1	Socket, Female 14-16 GA	
10	4460474	1	Terminal, Connector	
12	3990001	2	Diode - 3 Amp	
19	4460418	8	Connector, Female - 6 Position	
19	4460419	25	Socket, Female	
20	4460806	6	Terminal, Fork	
22	4460871	17	Socket, Female	
23	4460876	1	Connector, Blue - 35 Position	
23	4460871	33	Socket, Female	
24	4460260	3	Terminal, Housing	
24	4460259	3	Terminal	
25	4460260	3	Terminal, Housing	
25	4460297	3	Terminal	
27	4460866	1	Connector - 19 Pin	
27	4460464	10	Pin, Male	
27	4460508	3	Pin, Male	
28	4460878	1	Connector - 4 Position	
28	4460887	3	Terminal	
30	4460142	3	Terminal, Eyelet	
31	4460313	3	Terminal, Eyelet	
35	4120035	10	Base, Light	
35	4460634	10	Terminal (16 Gauge)	
35	4460635	10	Terminal (12 Gauge)	
37	4460873	1	Connector, Black - 35 Position	
37	4460871	14	Socket, Female	
39	4460930	1	Connector - 8 Position	
39	4460944	6	Socket, Female	
40	4460035	1	Terminal, Connector	
41	4460966	1	Connector - 3 Position (Green Lock)	
41	4460944	3	Socket, Female	
41	4922099	AR	Cable, Can-Buss	
42	4460613	1	Connector - 21 Pin	
42	4460464	8	Pin, Male Deutsch 16 Ga	
42	4460941	2	Pin, Male Deutsch 14 Ga	
44	4460836	1	Connector - 12 Position	
44	4460465	3	Socket, Female 16-18GA	
44	4460942	2	Socket, Female 14-16 GA	
45	4460761	1	Connector - 4 Position	
45	4460227	4	Pin, Male	
68	1001096076	1	Decal - Troubleshooting	

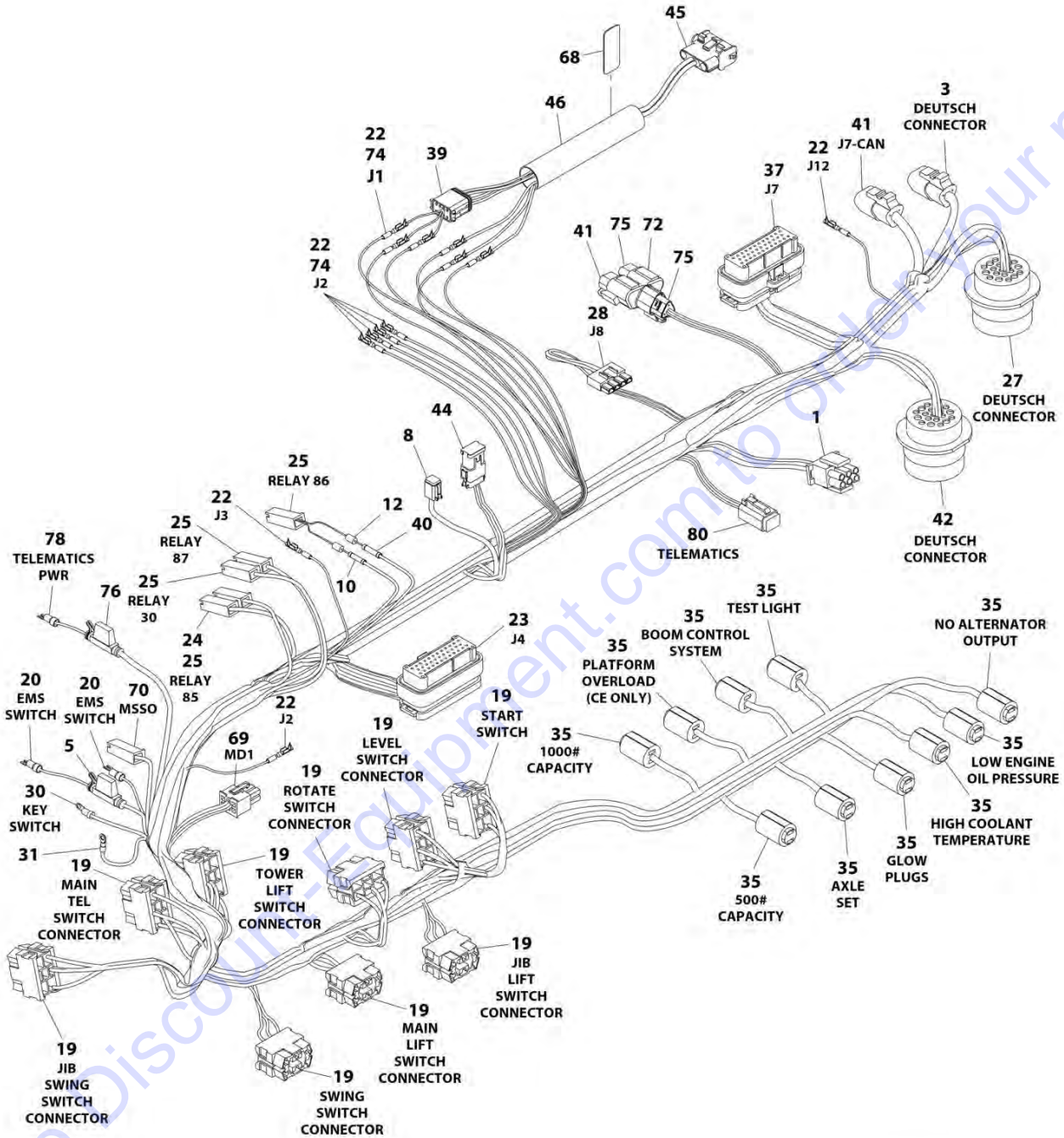
SECTION 8 - ELECTRICAL

ITEM	PART NUMBER	QTY	DESCRIPTION	REV
69	2400060	1	Fuse, Holder (SN 0300207776 to Present)	
69	8229242	1	Fuse, 5Amp (SN 0300207776 to Present)	
71	4460888	1	Terminal, Fork (SN 0300207776 to Present)	
73	4460884	1	Connector - 4 Position (SN 0300207776 to Present)	
73	4460465	4	Socket, Female (SN 0300207776 to Present)	
73	1001192401	1	Connector, Dust Cap (SN 0300207776 to Present)	

Go to Discount-Equipment.com to order your parts

SECTION 8 - ELECTRICAL

FIGURE 8-62. GROUND CONTROL BOX HARNESS - DEUTZ TCD2.9L4 ENGINES (CE SPECS)



ART_1001186468

PARTS FINDER

**Search Website
by Part Number**



**Search Manual
Library For Parts
Manual & Lookup Part
Numbers – Purchase
or Request Quote**

**Can't Find Part or
Manual? Request Help
by Manufacturer,
Model & Description**

Discount-Equipment.com is your online resource for quality parts & equipment.

Florida: **561-964-4949** Outside Florida TOLL FREE: **877-690-3101**

Need parts?

Click on this link: <http://www.discount-equipment.com/category/5443-parts/> and choose one of the options to help get the right parts and equipment you are looking for. Please have the machine model and serial number available in order to help us get you the correct parts. If you don't find the part on the website or on one of the online manuals, please fill out the request form and one of our experienced staff members will get back to you with a quote for the right part that your machine needs.

We sell worldwide for the brands: Genie, Terex, JLG, MultiQuip, Mikasa, Essick, Whiteman, Mayco, Toro Stone, Diamond Products, Generac Magnum, Airman, Haulotte, Barreto, Power Blanket, Nifty Lift, Atlas Copco, Chicago Pneumatic, Allmand, Miller Curber, Skyjack, Lull, Skytrak, Tsurumi, Husquvarna Target, Stow, Wacker, Sakai, Mi-T-M, Sullair, Basic, Dynapac, MBW, Weber, Bartell, Bennar Newman, Haulotte, Ditch Runner, Menegotti, Morrison, Contec, Buddy, Crown, Edco, Wyco, Bomag, Laymor, EZ Trench, Bil-Jax, F.S. Curtis, Gehl Pavers, Heli, Honda, ICS/PowerGrit, IHI, Partner, Imer, Clipper, MMD, Koshin, Rice, CH&E, General Equipment, Amida, Coleman, NAC, Gradall, Square Shooter, Kent, Stanley, Tamco, Toku, Hatz, Kohler, Robin, Wisconsin, Northrock, Oztec, Toker TK, Rol-Air, APT, Wylie, Ingersoll Rand / Doosan, Innovatech, Con X, Ammann, Mecalac, Makinex, Smith Surface Prep, Small Line, Wanco, Yanmar

SECTION 8 - ELECTRICAL

FIGURE 8-62. GROUND CONTROL BOX HARNESS - DEUTZ TCD2.9L4 ENGINES (CE SPECS)

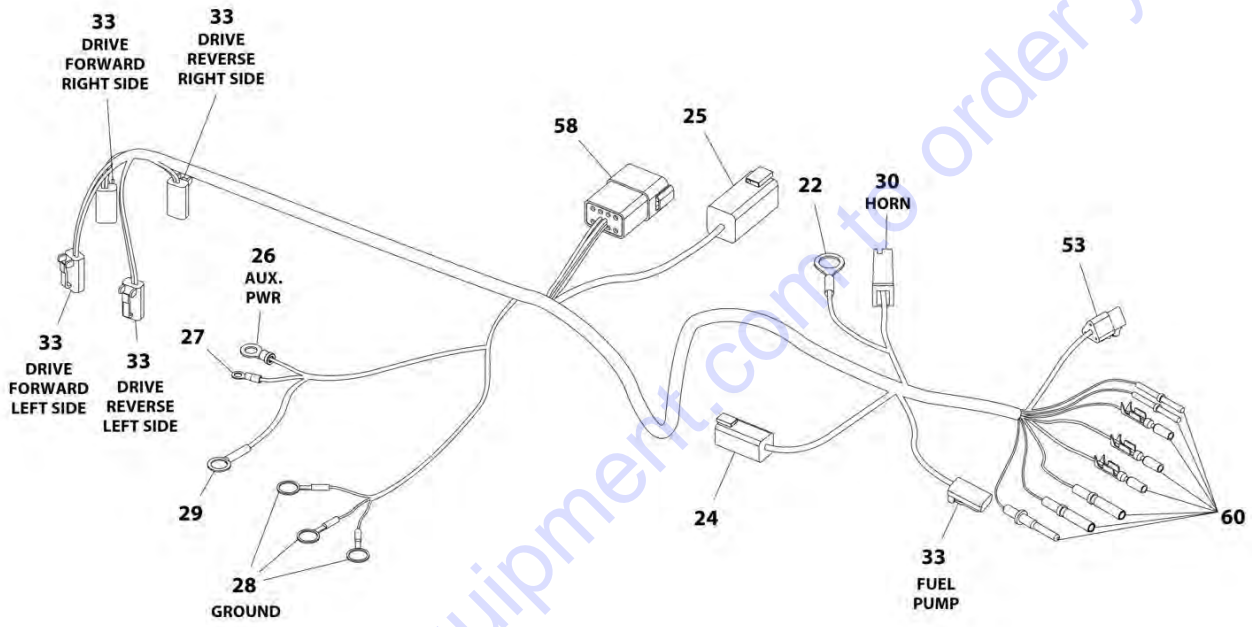
ITEM	PART NUMBER	QTY	DESCRIPTION	REV
	1001186468	Ref	GROUND CONTROL BOX HARNESS - DEUTZ TCD2.9L4 ENGINES (CE SPECS)	D
1	4460225	1	Plug, Male - 6 Position	
1	4460227	5	Pin, Male	
3	4460965	1	Plug, Male - 3 Position	
3	4460944	3	Socket, Female	
5	2400066	1	Fuseholder with Cover	
5	2400065	1	Fuse	
8	4460894	1	Connector - 6 Position	
8	4460465	1	Socket, Female	
8	4460942	1	Socket, Female	
10	4460474	1	Terminal, Connector	
12	3990010	2	Diode - 3 Amp	
17	4240032	AR	Tie-Strap (Not Shown)	
19	4460418	9	Connector - 6 Position	
19	4460419	25	Socket, Female	
20	4460806	6	Terminal, Fork	
22	4460871	20	Socket, Female	
23	4460876	1	Connector, Blue - 35 Position	
23	4460871	33	Socket, Female	
23	4460905	2	Plug, Sealing	
24	4460260	1	Terminal, Housing	
24	4460259	1	Terminal	
25	4460260	3	Terminal, Housing	
25	4460297	3	Terminal	
27	4460866	1	Connector - 19 Pin	
27	4460464	10	Pin, Male	
27	4460508	3	Pin, Male	
28	4460878	1	Connector - 4 Position	
28	4460887	4	Terminal	
30	4460142	3	Terminal, Eyelet	
31	4460313	3	Terminal, Eyelet	
35	4120035	10	Base, Light	
35	4460634	10	Terminal	
35	4460635	10	Terminal	
37	4460873	1	Connector, Black - 35 Position	
37	4460871	17	Socket, Female	
37	4460905	18	Plug, Sealing	
39	4460930	1	Connector - 8 Position	
39	4460944	6	Socket, Female	
40	4460035	1	Terminal, Connector	
41	4460966	2	Connector - 3 Position (Green Lock)	
41	4460944	3	Socket, Female	
42	4460613	1	Connector - 21 Pin	
42	4460464	8	Pin, Male	
42	4460941	2	Pin, Male	
44	4460836	1	Connector - 12 Position	
44	4460465	3	Socket, Female	
44	4460942	2	Socket, Female	
45	4460761	1	Connector - 4 Position	

SECTION 8 - ELECTRICAL

ITEM	PART NUMBER	QTY	DESCRIPTION	REV
45	4460227	4	Pin, Male	
46	1060698	AR	Cable 18/4	
68	1001096076	1	Decal - Troubleshooting	
69	4460868	1	Connector - 6 Position	
69	4460877	4	Terminal	
69	4460905	1	Plug, Sealing	
70	4460260	2	Terminal, Housing	
72	4460945	1	Connector, Female - 3 Way	
74	4460905	52	Plug, Sealing	
75	1001116812	2	Connector - 3 Position	
75	4460944	5	Socket, Female	
76	2400060	1	Fuse, Holder (SN 0300207776 to Present)	
76	8229242	1	Fuse, 5Amp (SN 0300207776 to Present)	
78	4460888	1	Terminal, Fork (SN 0300207776 to Present)	
80	4460884	1	Connector - 4 Position (SN 0300207776 to Present)	
80	4460465	4	Socket, Female (SN 0300207776 to Present)	
80	1001192401	1	Connector, Dust Cap (SN 0300207776 to Present)	

SECTION 8 - ELECTRICAL

FIGURE 8-63. GROUND CONTROLS TO ENGINE HARNESS



ART_100119529

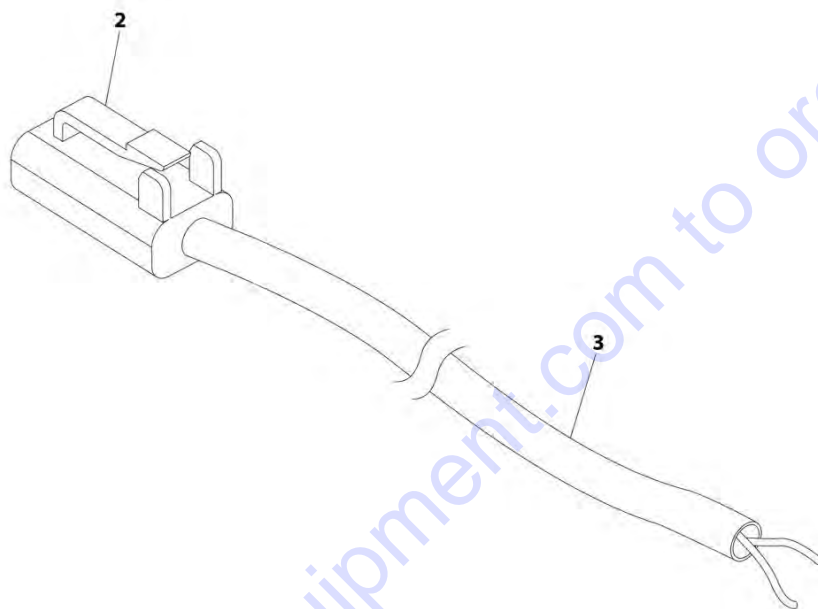
SECTION 8 - ELECTRICAL

FIGURE 8-63. GROUND CONTROLS TO ENGINE HARNESS

ITEM	PART NUMBER	QTY	DESCRIPTION	REV
	1001119529	Ref	GROUND CONTROLS TO ENGINE HARNESS	D
22	4460702	1	Terminal, Eyelet	
24	4460899	1	Connector - 6 Position	
24	4460464	5	Pin, Male	
24	4460466	1	Plug, Terminal	
25	4460899	1	Connector - 6 Position	
25	4460464	4	Pin, Male	
25	4460943	2	Pin, Male (Gold)	
26	4460312	1	Terminal, Eyelet	
27	4460313	1	Terminal, Eyelet	
28	4460019	3	Terminal, Eyelet	
29	4460256	1	Terminal, Eyelet	
30	4460260	1	Terminal, Housing	
30	4460259	1	Terminal	
33	4460891	5	Connector - 2 Position	
33	4460465	10	Socket, Female	
53	4460539	1	Connector - 3 Position	
53	4460944	3	Socket, Female	
58	4460931	1	Connector - 8 Position	
58	4460464	8	Pin, Male	
60	4460465	2	Socket, Female	
60	4460887	1	Terminal (12 Gauge)	
60	4460871	12	Socket, Female	
60	4460508	1	Pin, Male	

SECTION 8 - ELECTRICAL

FIGURE 8-64. JIB STOW SWITCH HARNESS



ART_4922784

SECTION 8 - ELECTRICAL

FIGURE 8-64. JIB STOW SWITCH HARNESS

ITEM	PART NUMBER	QTY	DESCRIPTION	REV
	4922784	Ref	JIB STOW SWITCH HARNESS	C
2	4460891	1	Connector - 2 Position	
2	4460465	2	Socket, Female	
3	1060902	15 ft/ 4.57m	Cable, Electrical 18/2	

Go to Discount-Equipment.com to order your parts

SECTION 8 - ELECTRICAL

FIGURE 8-65. LOAD SENSING PIN HARNESS



ART_4923256

SECTION 8 - ELECTRICAL

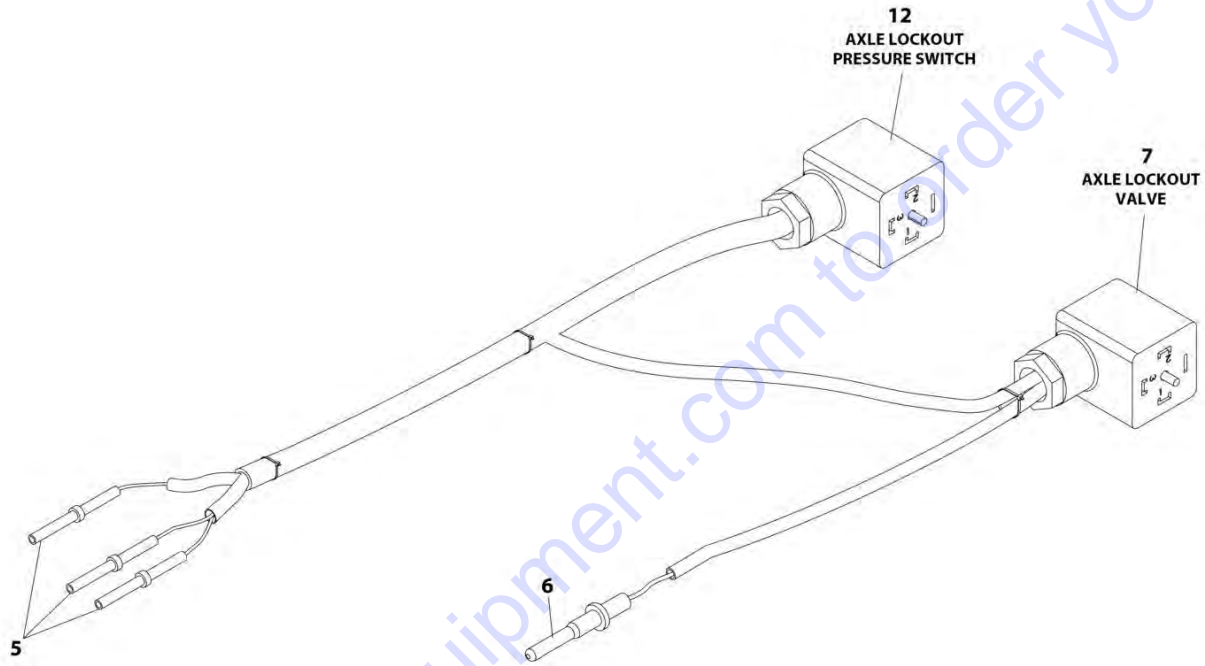
FIGURE 8-65. LOAD SENSING PIN HARNESS

ITEM	PART NUMBER	QTY	DESCRIPTION	REV
	4923256	Ref	LOAD SENSING PIN HARNESS	B
1	4460930	1	Connector - 8 Position (Gray)	
1	4460465	4	Socket, Female	
1	4460466	3	Plug, Sealing	
2	See Note	NSS	Connector - 4 Position (Note: Not Available for Purchase)	
2	See Note	NSS	Terminal (Note: Not Available for Purchase)	

Go to Discount-Equipment.com to order your parts

SECTION 8 - ELECTRICAL

FIGURE 8-66. LOCKOUT VALVE HARNESS



ART_4922767

SECTION 8 - ELECTRICAL

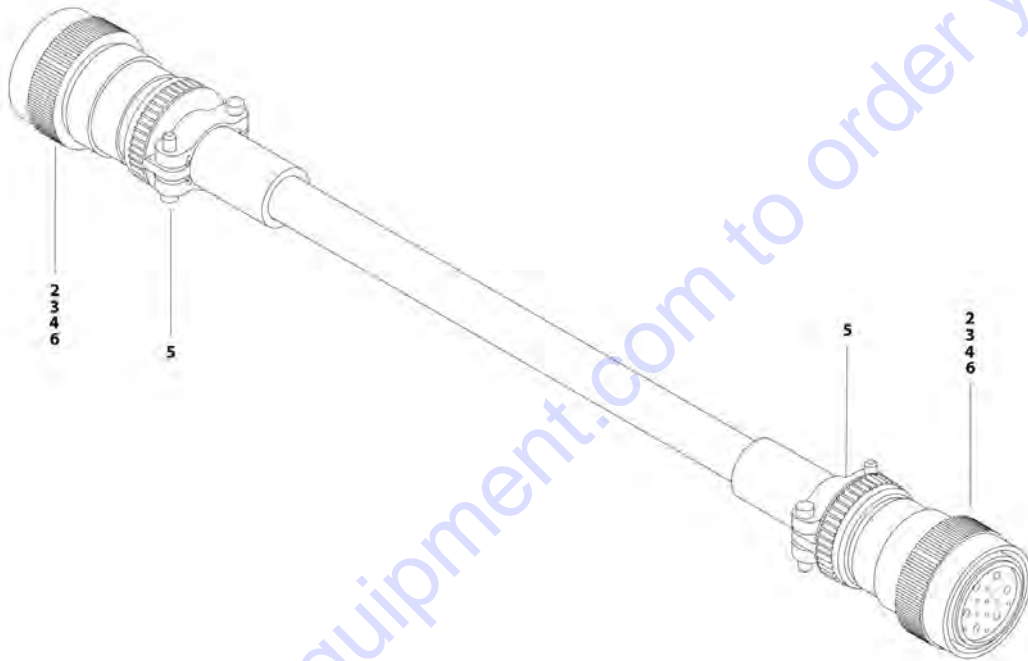
FIGURE 8-66. LOCKOUT VALVE HARNESS

ITEM	PART NUMBER	QTY	DESCRIPTION	REV
	4922767	Ref	LOCKOUT VALVE HARNESS	C
5	4460465	3	Socket, Female	
6	4460464	1	Pin, Male	
7	4460880	1	Connector, Din	
8	4240033	6	Tie-Strap (Not Shown)	
12	4460449	1	Connector, DIN	

Go to Discount-Equipment.com to order your parts

SECTION 8 - ELECTRICAL

FIGURE 8-67. MAIN BOOM CONTROL CABLE HARNESS



ART 4922955

SECTION 8 - ELECTRICAL

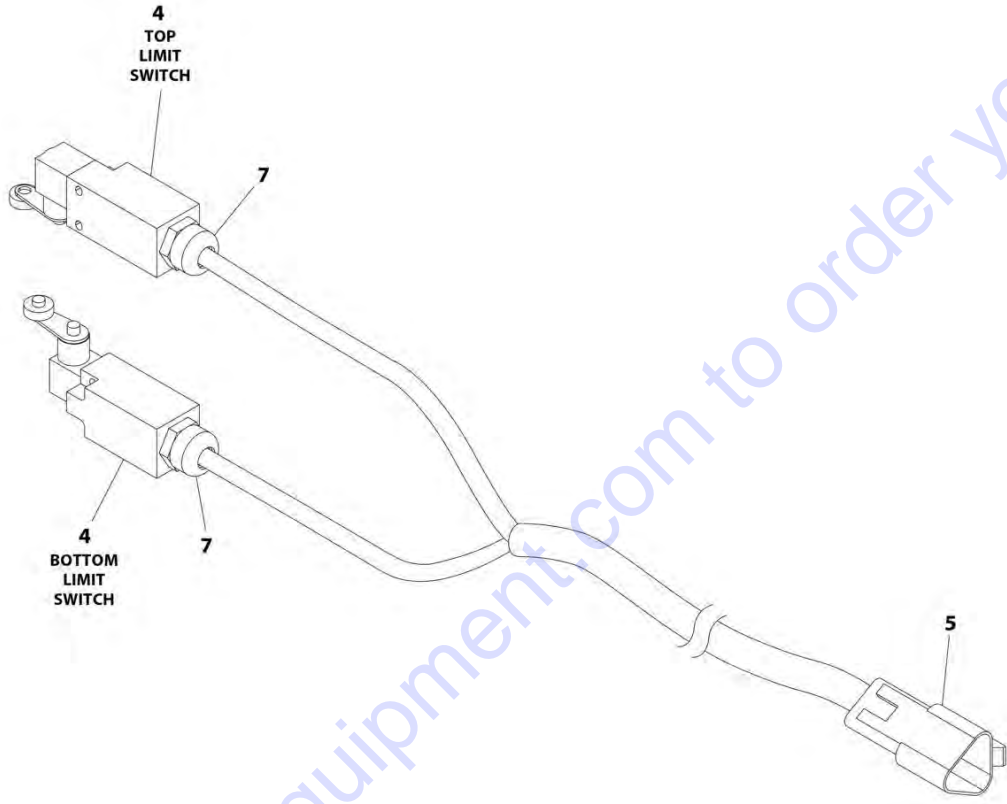
FIGURE 8-67. MAIN BOOM CONTROL CABLE HARNESS

ITEM	PART NUMBER	QTY	DESCRIPTION	REV
	4922955	Ref	MAIN BOOM CONTROL CABLE HARNESS	D
2	4460465	22	Socket, Female	
3	4460865	2	Connector - 19 Position	
4	4460509	8	Socket, Female	
5	4460473	2	Clamp	
6	4460466	8	Plug, Socket	

Go to Discount-Equipment.com to order your parts

SECTION 8 - ELECTRICAL

FIGURE 8-68. MAIN BOOM DUAL CAPACITY SWITCH HARNESS



ART_4923170

SECTION 8 - ELECTRICAL

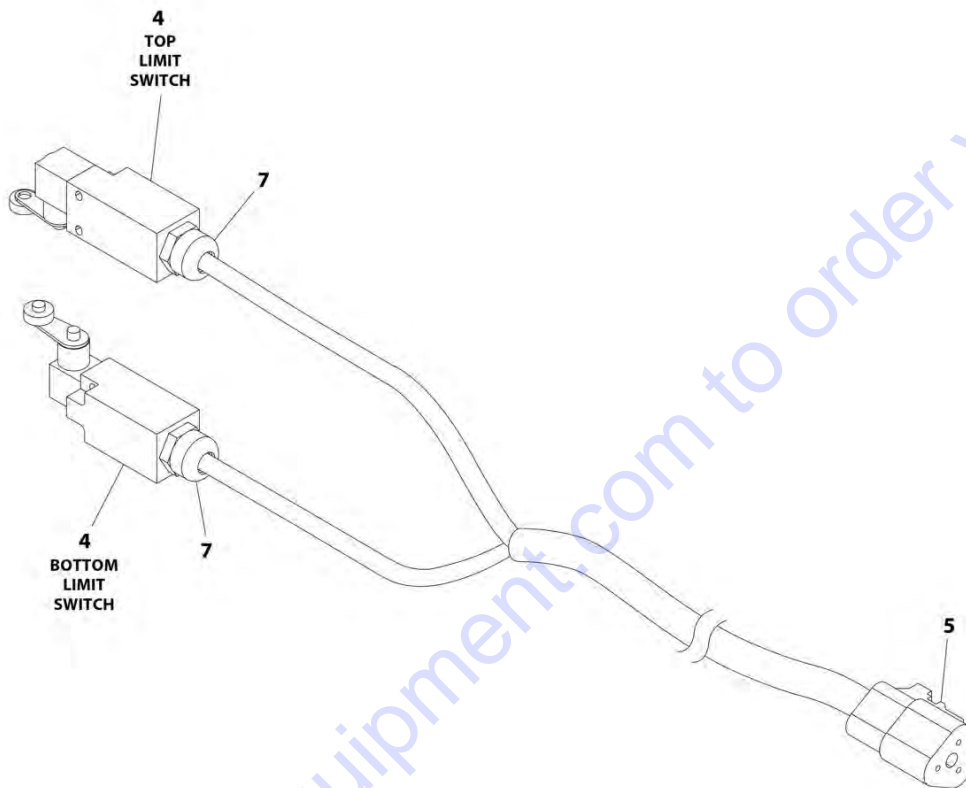
FIGURE 8-68. MAIN BOOM DUAL CAPACITY SWITCH HARNESS

ITEM	PART NUMBER	QTY	DESCRIPTION	REV
	4923170	Ref	MAIN BOOM DUAL CAPACITY SWITCH HARNESS	C
4	4360578	2	Switch, Limit	
5	4460536	1	Connector - 3 Position	
5	4460943	3	Pin, Male (Gold)	
7	4460968	2	Connector, Strain Relief	

Go to Discount-Equipment.com to order your parts

SECTION 8 - ELECTRICAL

FIGURE 8-69. MAIN BOOM TRANSPORT SWITCH HARNESS



ART_4923171

SECTION 8 - ELECTRICAL

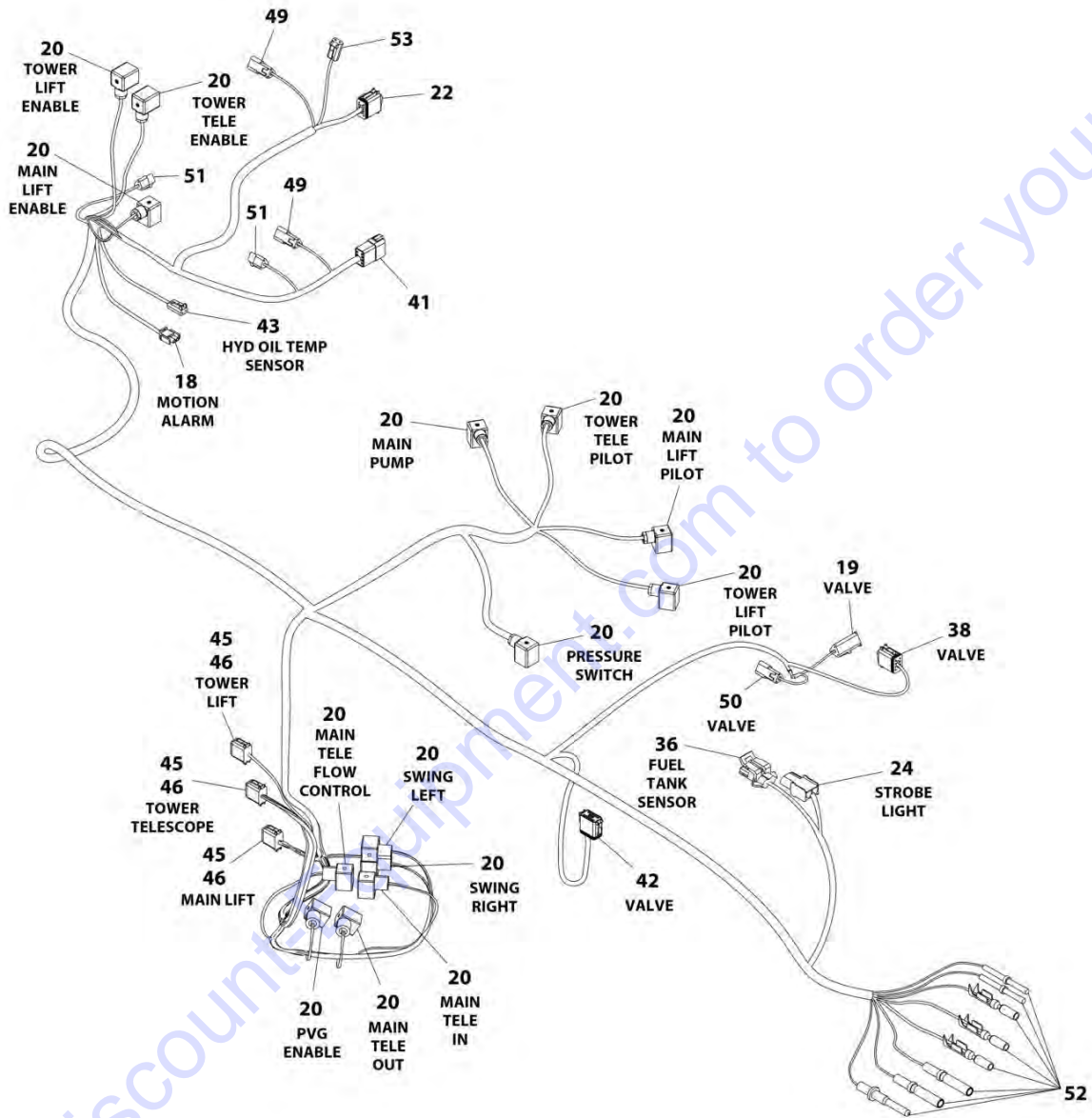
FIGURE 8-69. MAIN BOOM TRANSPORT SWITCH HARNESS

ITEM	PART NUMBER	QTY	DESCRIPTION	REV
	4923171	Ref	MAIN BOOM TRANSPORT SWITCH HARNESS	C
4	4360578	2	Switch, Limit	
5	4460539	1	Connector - 3 Position	
5	4460944	3	Socket, Female (Gold)	
7	4460968	2	Connector, Strain Relief	

Go to Discount-Equipment.com to order your parts

SECTION 8 - ELECTRICAL

FIGURE 8-70. MAIN VALVE HARNESS



ART_4923397

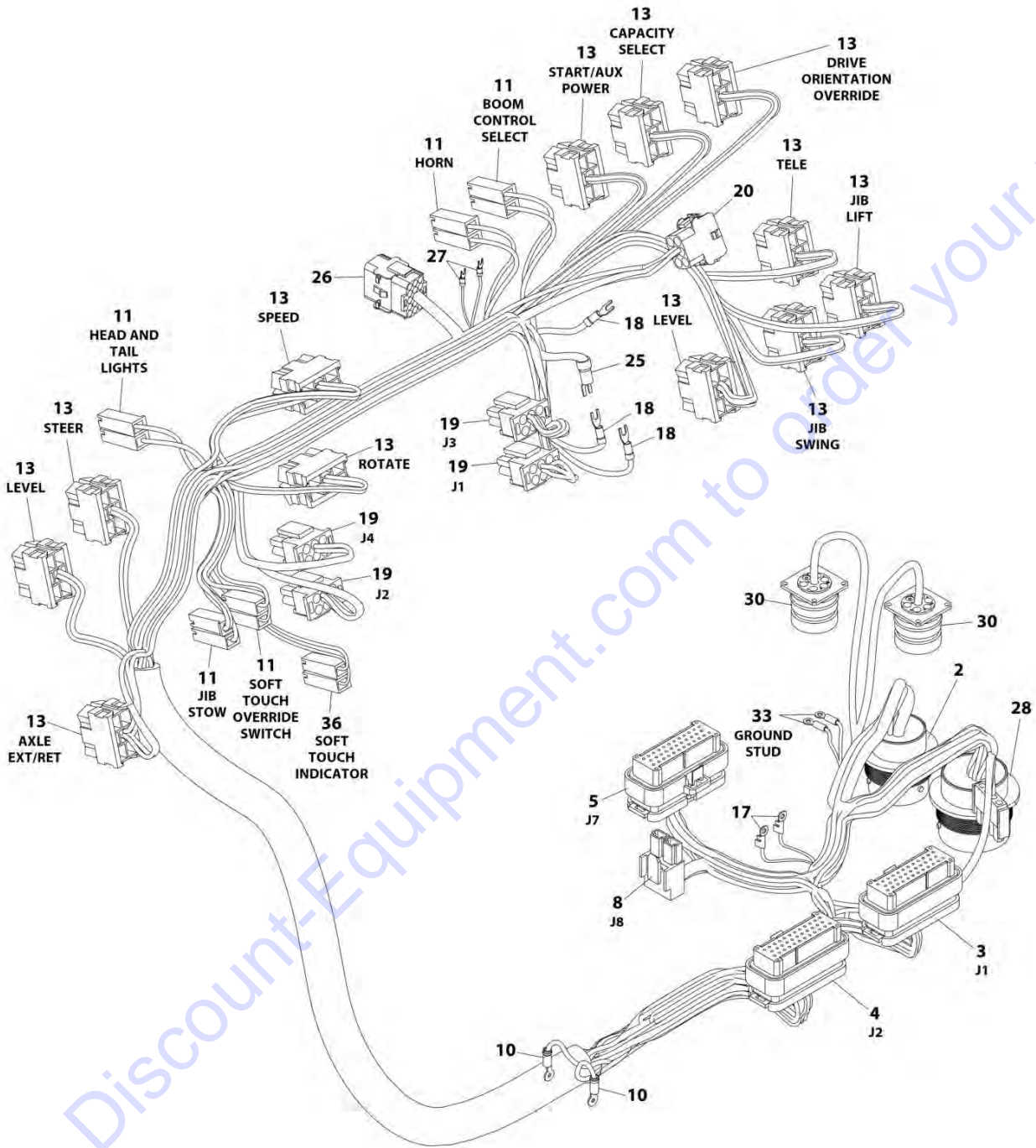
SECTION 8 - ELECTRICAL

FIGURE 8-70. MAIN VALVE HARNESS

ITEM	PART NUMBER	QTY	DESCRIPTION	REV
	4923397	Ref	MAIN VALVE HARNESS	D
18	4460320	1	Connector - 2 Position	
18	4460267	2	Pin, Male	
19	4460965	1	Connector - 3 Position	
19	4460944	3	Socket, Female	
20	4460880	14	DIN Connector	
22	4460836	1	Connector - 12 Position (Black)	
22	4460465	3	Socket, Female	
22	4460466	4	Plug, Socket	
22	4460944	3	Socket, Female 16-18 GA (Gold)	
22	4460942	2	Socket, Female 14-16 GA	
24	4460424	1	Connector - 2 Position	
24	4460268	2	Socket, Female	
36	4460843	1	Connector - 2 Position	
36	4460842	2	Socket, Female	
38	4460930	1	Connector - 8 Position	
38	4460944	5	Socket, Female (Gold)	
38	4460466	3	Plug, Socket	
38	0840062	1	Boot, Deutsch	
41	4460931	1	Connector - 8 Position (Gray)	
41	4460943	5	Pin, Male (Gold)	
41	4460466	3	Plug, Socket	
42	4460933	1	Connector - 12 Position (Gray)	
42	4460465	7	Socket, Female	
42	4460942	5	Socket, Female 14-16 GA	
43	4460891	1	Connector - 2 Position	
43	4460465	2	Socket, Female	
45	4461004	3	Connector - 4 Position (Black)	
45	4461005	12	Terminal	
45	4461006	12	Seal	
46	4461007	3	Connector - 4 Position (Gray)	
46	4461008	12	Plug, Hole	
49	4460536	2	Connector - 3 Position	
49	4460943	6	Pin, Male (Gold)	
50	4460536	1	Connector - 3 Position	
50	4460943	3	Pin, Male (Gold)	
50	1060698	AR	Cable 18/4	
51	4460539	AR	Connector - 3 Position	
51	4460944	6	Socket, Female (Gold)	
52	4460465	3	Socket, Female	
52	4460944	2	Socket, Female (Gold)	
52	4460871	29	Socket, Female	
52	4460464	1	Pin, Male	
52	4460942	3	Socket, Female	
52	4460419	2	Socket, Female	
53	4460891	1	Connector - 2 Position (SN 0300226469 to Present)	
53	4460942	2	Socket, Female (SN 0300226469 to Present)	

SECTION 8 - ELECTRICAL

FIGURE 8-71. PLATFORM CONSOLE BOX HARNESS - WITHOUT SKYGUARD



ART_4923448

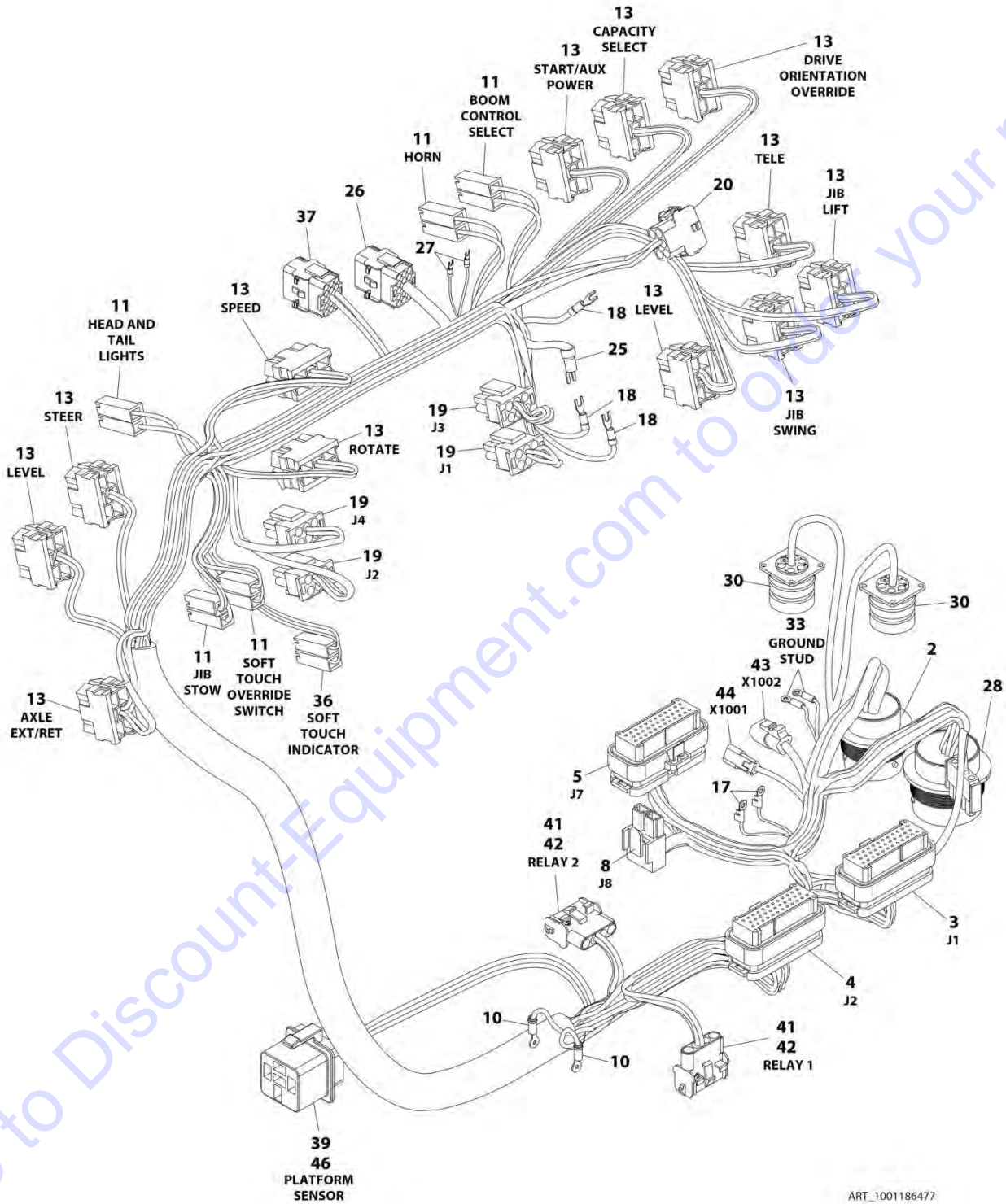
SECTION 8 - ELECTRICAL

FIGURE 8-71. PLATFORM CONSOLE BOX HARNESS - WITHOUT SKYGUARD

ITEM	PART NUMBER	QTY	DESCRIPTION	REV
	4923448	Ref	PLATFORM CONSOLE BOX HARNESS - WITHOUT SKYGUARD	C
2	4460866	1	Connector - 19 Pin	
2	4460464	7	Pin, Male	
2	4460508	4	Pin, Male	
2	4460943	3	Pin, Male 16 Ga (Gold)	
3	4460874	1	Connector - 35 Position (Natural)	
3	4460871	32	Socket, Female	
3	4460905	3	Plug	
4	4460876	1	Connector - 35 Position (Blue)	
4	4460871	34	Socket, Female	
4	4460905	1	Plug	
5	4460873	1	Connector - 35 Position (Black)	
5	4460871	23	Socket, Female	
5	4460905	12	Plug	
8	4460879	1	Connector, Male - 2 Position	
8	4460887	2	Terminal (12 Gauge)	
10	4460213	2	Terminal, Eyelet	
11	4460260	10	Terminal, Housing	
11	4460259	10	Terminal	
13	4460418	12	Connector - 6 Position	
13	4460419	36	Socket, Female	
17	1001121703	2	Terminal, Eyelet	
18	4460888	3	Terminal, Fork	
19	4460225	4	Connector - 6 Position	
19	4460226	21	Terminal (16 Gauge)	
20	4460225	1	Connector - 6 Position	
20	4460227	5	Pin, Male	
25	4460806	1	Terminal, Fork	
26	4460434	1	Connector - 15 Position	
26	4460227	14	Pin, Male	
27	4460183	13	Terminal, Fork	
28	4460925	1	Connector - 21 Pin	
28	4460929	13	Pin, Male Deutsch 16 Ga	
28	4460466	8	Plug	
30	1001121616	2	Connector - 6 Position	
30	1001121615	2	Base, Mounting	
33	4460142	2	Terminal, Eyelet	
36	4460016	2	Terminal	

SECTION 8 - ELECTRICAL

FIGURE 8-72. PLATORM CONSOLE BOX HARNESS - WITH SKYGUARD (SN 0300201017 through 0300234289)



ART_1001186477

SECTION 8 - ELECTRICAL

FIGURE 8-72. PLATRORM CONSOLE BOX HARNESS - WITH SKYGUARD (SN 0300201017 through 0300234289)

ITEM	PART NUMBER	QTY	DESCRIPTION	REV
	1001186477	Ref	PLATFORM CONSOLE BOX HARNESS - WITH SKYGUARD (SN 0300201017 through 0300234289)	D
2	4460866	1	Connector - 19 Pin	
2	4460464	7	Pin, Male Deutsch 16 Ga	
2	4460508	4	Pin, Male Deutsch 12 Ga	
2	4460943	3	Pin, Male 16 Ga (Gold)	
3	4460874	1	Connector - 35 Position (Natural)	
3	4460871	32	Socket, Female	
3	4460905	3	Plug	
4	4460876	1	Connector - 35 Position (Blue)	
4	4460871	34	Socket, Female	
4	4460905	1	Plug	
5	4460873	1	Connector - 35 Position (Black)	
5	4460871	24	Socket, Female	
5	4460905	11	Plug	
8	4460879	1	Connector - 2 Position	
8	4460887	2	Terminal	
10	4460213	2	Terminal Eyelet	
11	4460260	10	Terminal, Housing	
11	4460259	10	Terminal	
13	4460418	12	Connector, Female - 6 Position	
13	4460419	36	Socket, Female	
17	1001121703	2	Terminal, Eyelet	
18	4460888	3	Terminal, Fork	
19	4460225	4	Connector - 6 Position	
19	4460226	21	Terminal (16 Gauge)	
20	4460225	1	Connector - 6 Position	
20	4460227	5	Pin, Male	
25	4460806	1	Terminal, Fork	
26	4460434	2	Connector - 15 Position	
26	4460227	14	Pin, Male	
26	4460267	1	Pin, Male	
27	4460183	13	Terminal, Fork	
28	4460925	1	Connector - 21 Pin	
28	4460929	13	Pin, Male Deutsch 16 Ga	
28	4460466	8	Plug	
30	1001121616	2	Connector, 6 Position	
30	1001121615	2	Base, Mounting	
33	4460142	2	Terminal, Eyelet	
36	4460016	2	Terminal	
37	4460708	1	Connector - 15 Position	
37	4460226	3	Terminal (16 Gauge)	
39	4460884	1	Connector - 4 Position	
39	4460944	4	Socket, Female (Gold)	
41	1001116720	4	Terminal	
42	1001118388	4	Terminal	
43	4460539	1	Plug, Male - 3 Position	
43	4460944	3	Socket, Female (Gold)	
44	4460536	1	Connector - 3 Position	

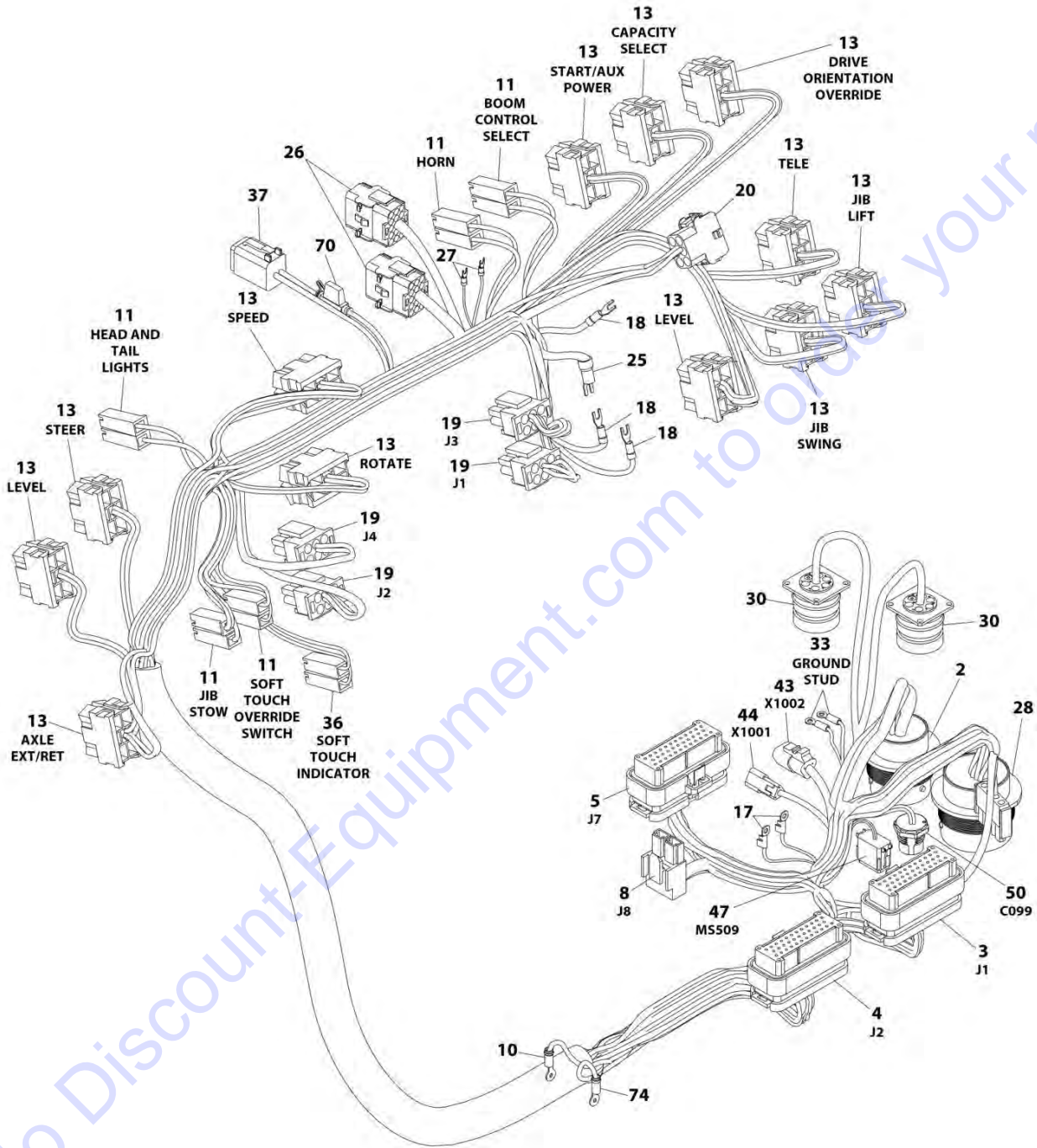
SECTION 8 - ELECTRICAL

ITEM	PART NUMBER	QTY	DESCRIPTION	REV
44	4460943	3	Pin, Male (Gold)	
46	4460932	1	Connector - 4 Position	

Go to Discount-Equipment.com to order your parts

SECTION 8 - ELECTRICAL

FIGURE 8-73. PLATFORM CONSOLE BOX HARNESS - WITH SKYGUARD (SN 0300234290 to Present)



ART_1001220866

SECTION 8 - ELECTRICAL

FIGURE 8-73. PLATFORM CONSOLE BOX HARNESS - WITH SKYGUARD (SN 0300234290 to Present)

ITEM	PART NUMBER	QTY	DESCRIPTION	REV
	1001220866	Ref	PLATFORM CONSOLE BOX HARNESS - WITH SKYGUARD (SN 0300234290 to Present)	G
2	4460866	1	Connector - 19 Pin	
2	4460464	7	Pin, Male Deutsch 16 Ga	
2	4460508	4	Pin, Male Deutsch 12 Ga	
2	4460943	3	Pin, Male 16 Ga (Gold)	
3	4460874	1	Connector - 35 Position (Natural)	
3	4460871	33	Socket, Female	
3	4460905	2	Plug	
4	4460876	1	Connector - 35 Position (Blue)	
4	4460871	34	Socket, Female	
4	4460905	1	Plug	
5	4460873	1	Connector - 35 Position (Black)	
5	4460871	AR	Socket, Female	
5	4460905	AR	Plug	
8	4460879	1	Connector - 2 Position	
8	4460887	2	Terminal	
10	4460213	1	Terminal Eyelet	
11	4460260	10	Terminal, Housing	
11	4460259	10	Terminal	
13	4460418	12	Connector, Female - 6 Position	
13	4460419	34	Socket, Female	
17	1001121703	2	Terminal, Eyelet	
18	4460888	3	Terminal, Fork	
19	4460225	4	Connector - 6 Position	
19	4460226	21	Terminal (16 Gauge)	
20	4460225	1	Connector - 6 Position	
20	4460227	5	Pin, Male	
25	4460806	1	Terminal, Fork	
26	4460434	2	Connector - 15 Position	
26	4460227	16	Pin, Male	
27	4460183	13	Terminal, Fork	
28	4460925	1	Connector - 21 Pin	
28	4460929	13	Pin, Male Deutsch 16 Ga	
28	4460466	8	Plug	
30	1001121616	2	Connector, 6 Position	
30	1001121615	2	Base, Mounting	
33	4460142	2	Terminal, Eyelet	
36	4460016	2	Terminal	
37	4460894	1	Connector - 6 Position	
37	4460465	AR	Socket, Female	
37	4460466	AR	Plug	
43	4460539	1	Plug, Male - 3 Position	
43	4460944	3	Socket, Female (Gold)	
44	4460536	1	Connector - 3 Position	
44	4460943	3	Pin, Male (Gold)	
47	4460933	1	Connector, Gray - 12 Position	
47	4460944	8	Socket, Female (Gold)	
47	4460466	4	Plug	

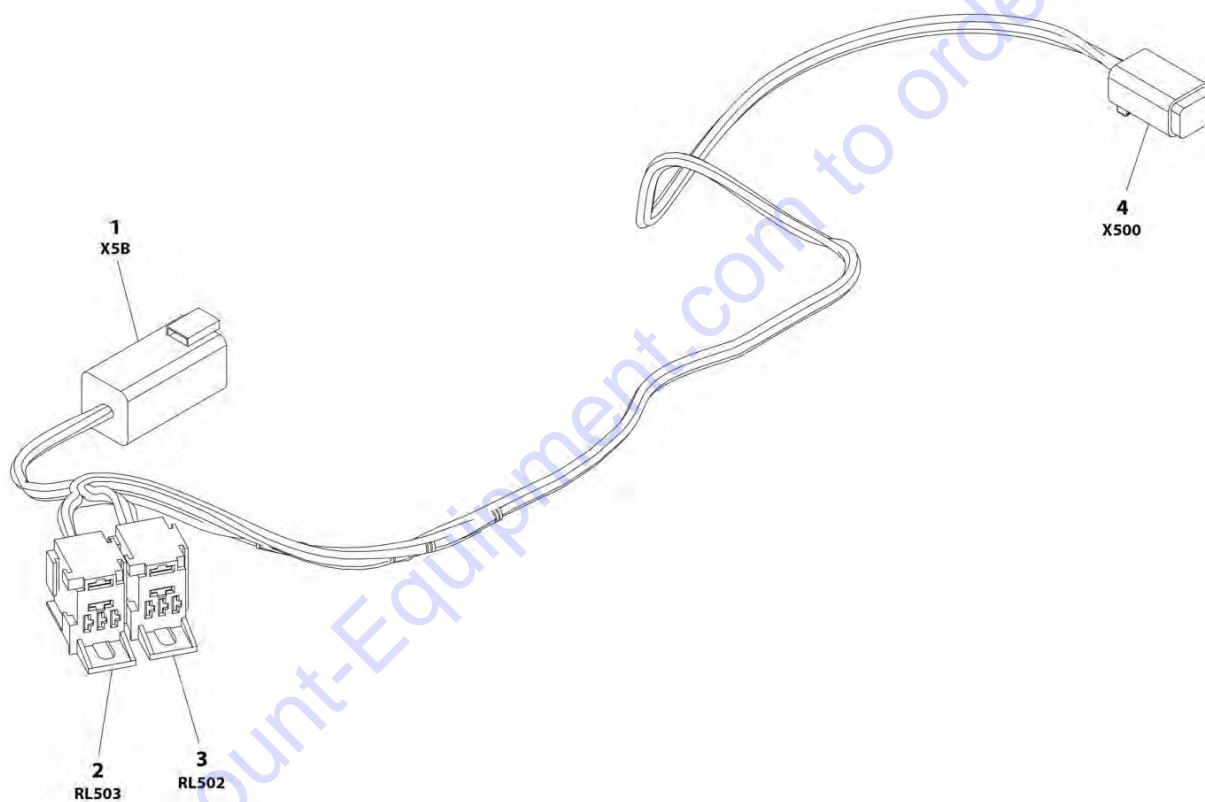
SECTION 8 - ELECTRICAL

ITEM	PART NUMBER	QTY	DESCRIPTION	REV
47	1001119020	1	Bussbar - 12 Position	
50	1001213447	1	Connector - 5 Position	
70	2400060	1	Fuse, Holder (SN 0300261086 to Present)	
70	8229242	1	Fuse, 5Amp (SN 0300261086 to Present)	
72	4460708	1	Connector - 15 Position (Not Shown) (SN 0300261086 to Present)	
72	4460226	2	Terminal (16 Gauge) (SN 0300261086 to Present)	
74	4460213	1	Terminal Eyelet (SN 0300234290 through 0300261085)	
74	1001098122	1	Terminal Eyelet (SN 0300261086 to Present)	

Go to Discount-Equipment.com to order your parts

SECTION 8 - ELECTRICAL

FIGURE 8-74. PLATFORM INTERFACE HARNESS



ART_1001225580

SECTION 8 - ELECTRICAL

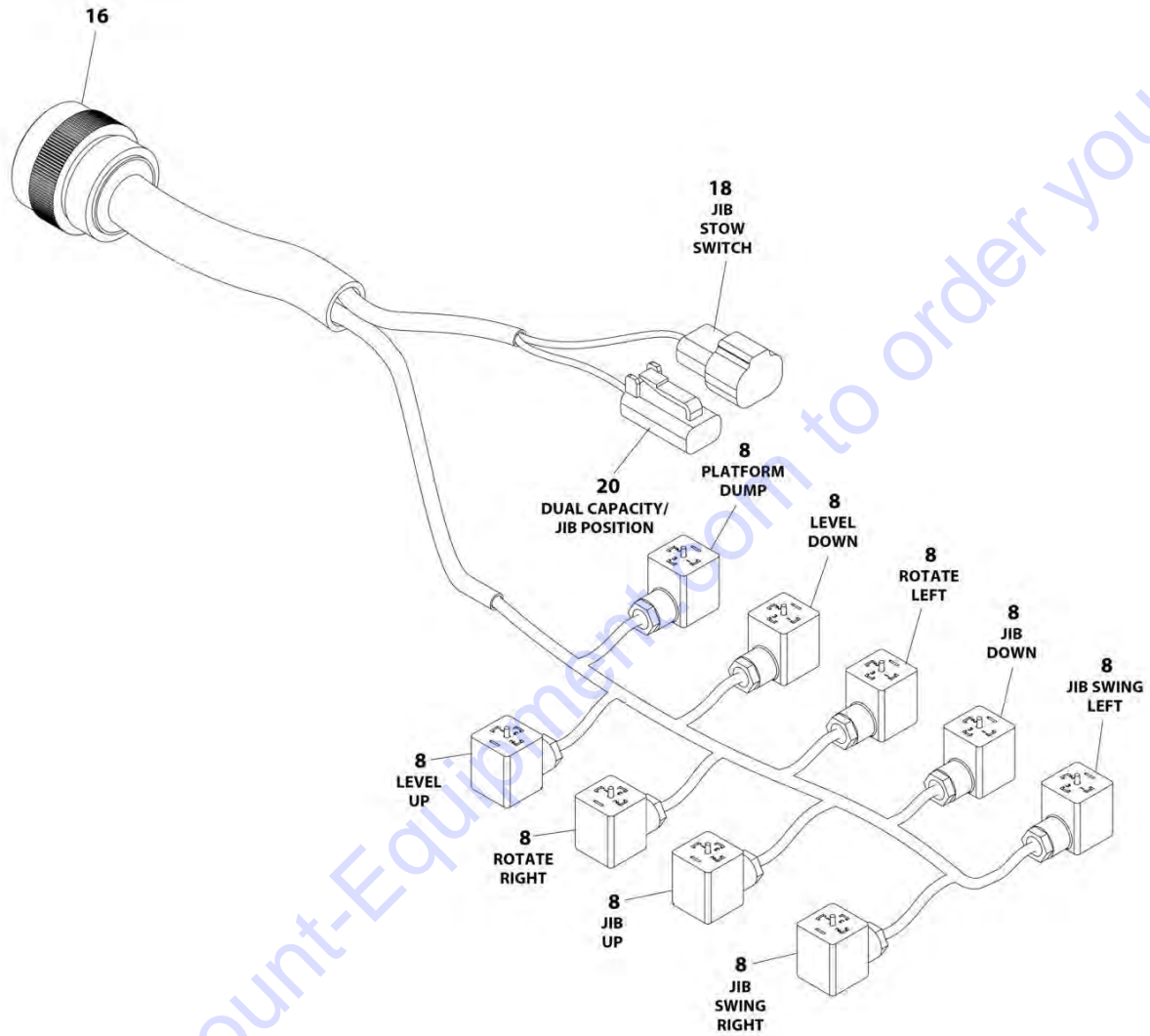
FIGURE 8-74. PLATFORM INTERFACE HARNESS

ITEM	PART NUMBER	QTY	DESCRIPTION	REV
	1001225580	Ref	PLATFORM INTERFACE HARNESS	D
1	4460899	1	Connector, Female - 6 Position	
1	4460464	4	Pin, Male	
1	4460466	2	Seal, Plug	
2	1001186432	1	Holder, Micro Relay	
2	1001116720	2	Terminal	
2	1001118388	2	Terminal	
3	1001186432	1	Holder, Micro Relay	
3	1001116720	2	Terminal	
3	1001118388	2	Terminal	
4	4460884	1	Connector - 3 Position	
4	4460465	4	Socket, Female	

Go to Discount-Equipment.com to order your parts

SECTION 8 - ELECTRICAL

FIGURE 8-75. PLATFORM VALVE HARNESS



ART_4922777

SECTION 8 - ELECTRICAL

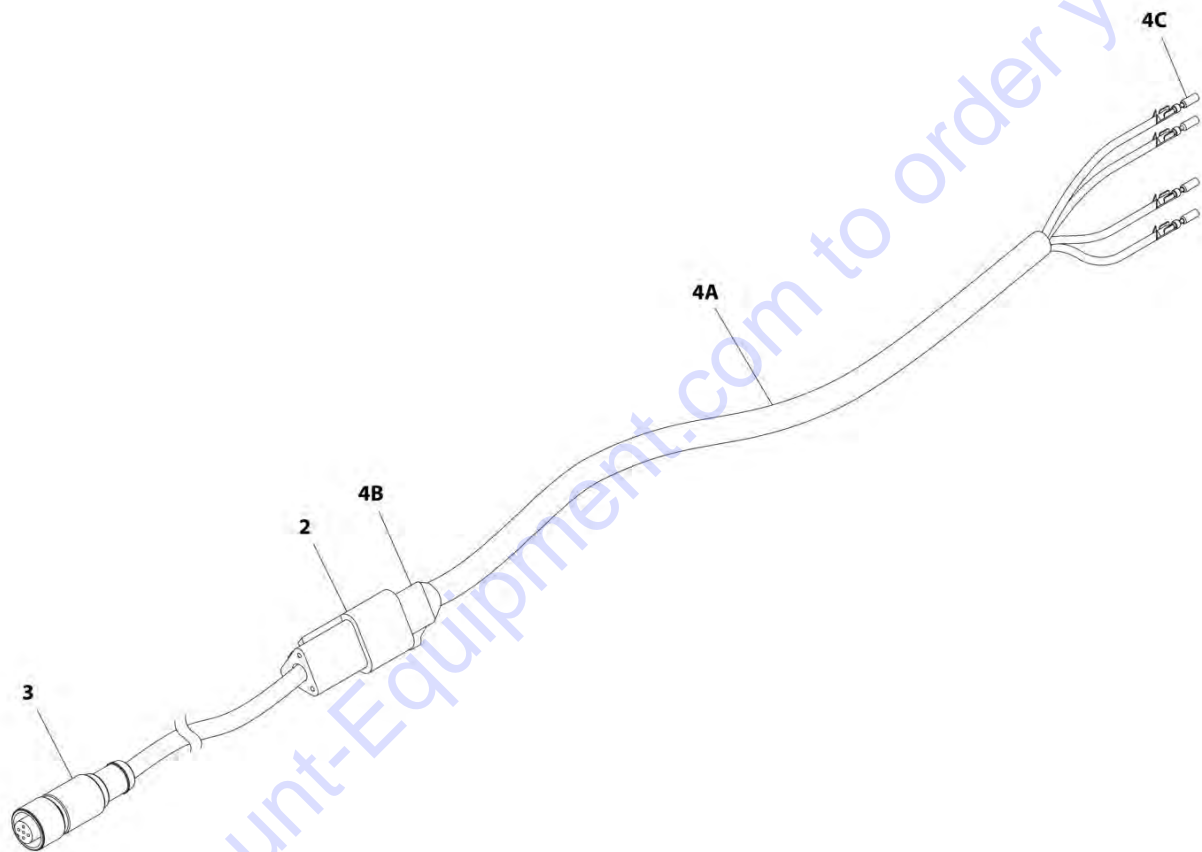
FIGURE 8-75. PLATFORM VALVE HARNESS

ITEM	PART NUMBER	QTY	DESCRIPTION	REV
	4922777	Ref	PLATFORM VALVE HARNESS	D
7	4240033	10	Tie-Strap (Not Shown)	
8	4460880	9	DIN Connector	
16	4460926	1	Connector - 21 Position	
16	4460928	13	Socket, Female	
16	4460466	8	Plug, Hole	
18	4460897	1	Connector - 2 Position	
18	4460464	2	Pin, Male	
20	4460891	1	Plug, Male - 2 Position	
20	4460465	2	Socket, Female	

Go to Discount-Equipment.com to order your parts

SECTION 8 - ELECTRICAL

FIGURE 8-76. PRESSURE TRANSDUCER HARNESS (SN 0300201017 through 0300226468)



ART_1001120161

SECTION 8 - ELECTRICAL

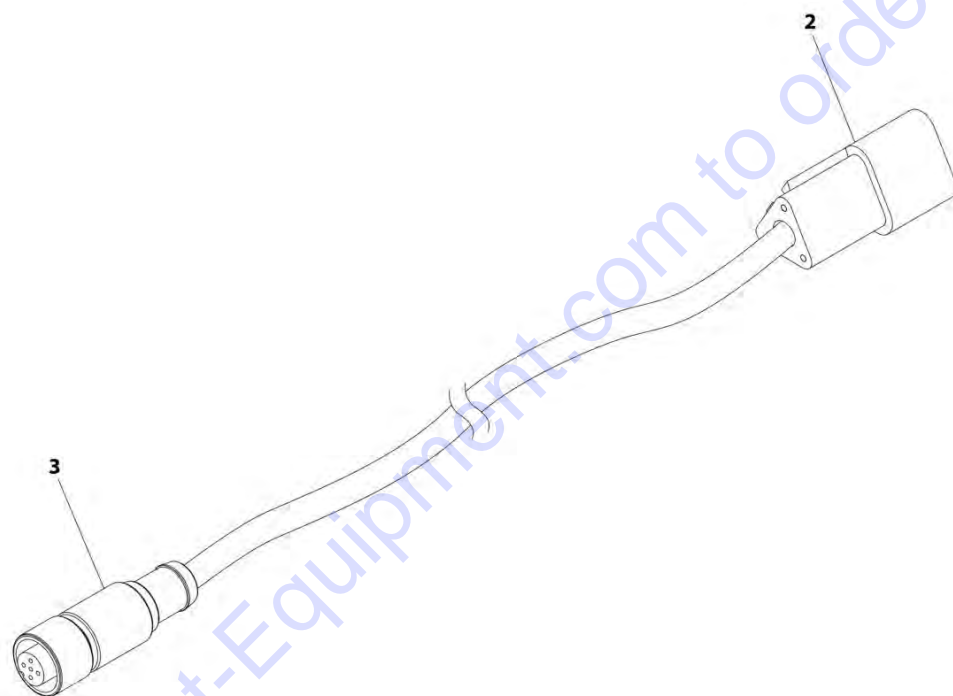
FIGURE 8-76. PRESSURE TRANSDUCER HARNESS (SN 0300201017 through 0300226468)

ITEM	PART NUMBER	QTY	DESCRIPTION	REV
	1001120161	Ref	PRESSURE TRANSDUCER HARNESS (SN 0300201017 through 0300226468)	C
2	4460536	1	Connector - 3 Position	
2	4460464	3	Pin, Male	
3	1001120634	1	Cable, Shielded M12	
4	1001120681	1	Harness, Pressure Transducer	
4A	1060981	20 ft/6.1m	Cable, Electrical 18/3	
4B	4460539	1	Connector - 3 Position	
4B	4460465	3	Socket, Female	
4C	4460871	4	Socket, Female	

Go to Discount-Equipment.com to order your parts

SECTION 8 - ELECTRICAL

FIGURE 8-77. PRESSURE TRANSDUCER HARNESS (SN 0300226469 through 0300234068)



ART_1001220898

SECTION 8 - ELECTRICAL

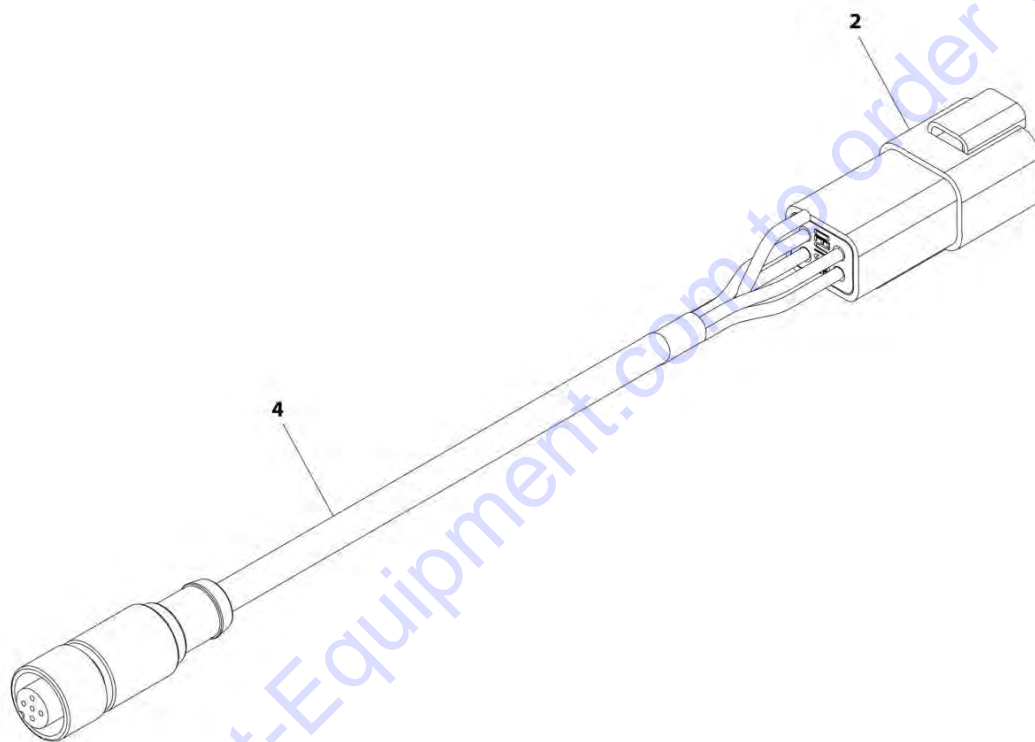
FIGURE 8-77. PRESSURE TRANSDUCER HARNESS (SN 0300226469 through 0300234068)

ITEM	PART NUMBER	QTY	DESCRIPTION	REV
	1001220898	Ref	PRESSURE TRANSDUCER HARNESS (SN 0300266469 through 0300234068)	B
2	4460536	1	Connector - 3 Position	
2	4460464	3	Pin, Male	
3	1001120634	1	Cable, Shielded M12	

Go to Discount-Equipment.com to order your parts

SECTION 8 - ELECTRICAL

FIGURE 8-78. PRESSURE TRANSDUCER HARNESS (SN 0300234069 to Present)



ART_1001228498

SECTION 8 - ELECTRICAL

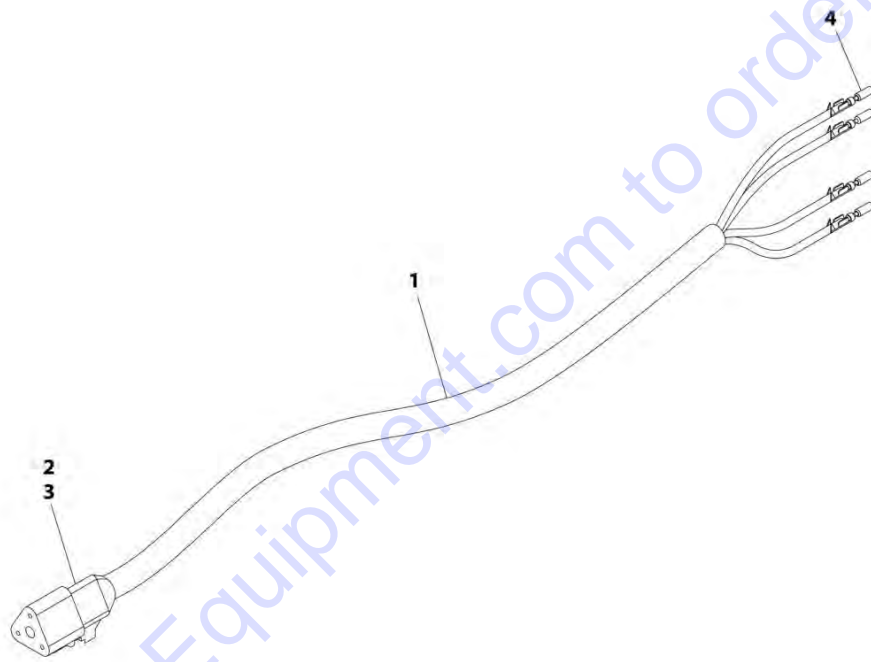
FIGURE 8-78. PRESSURE TRANSDUCER HARNESS (SN 0300234069 to Present)

ITEM	PART NUMBER	QTY	DESCRIPTION	REV
	1001228498	Ref	PRESSURE TRANSDUCER HARNESS (SN 0300234069 to Present)	A
2	4460932	1	Connector - 3 Position	
2	4460464	4	Pin, Male	
4	1001120634	1	Cable, Shielded M12	

Go to Discount-Equipment.com to order your parts

SECTION 8 - ELECTRICAL

FIGURE 8-79. PRESSURE TRANSDUCER HARNESS (SN 0300226469 through 0300234068)



ART_1001120681

SECTION 8 - ELECTRICAL

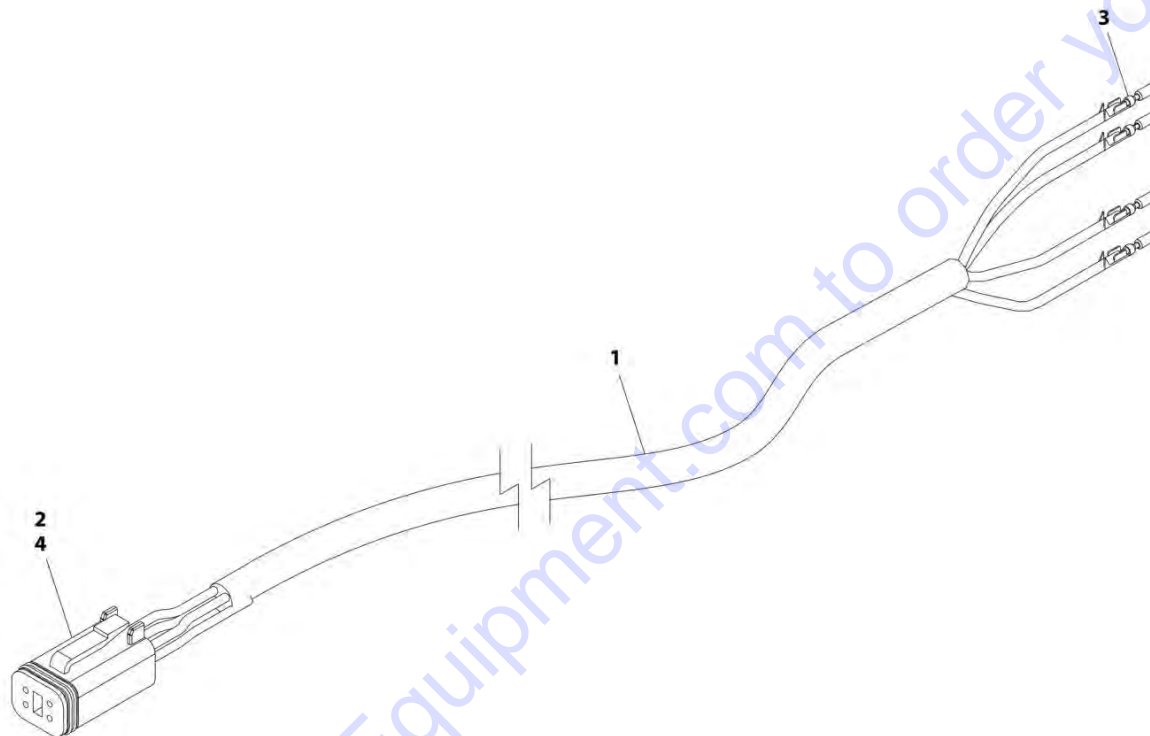
FIGURE 8-79. PRESSURE TRANSDUCER HARNESS (SN 0300226469 through 0300234068)

ITEM	PART NUMBER	QTY	DESCRIPTION	REV
	1001120681	Ref	PRESSURE TRANSDUCER HARNESS (SN 0300226469 through 0300234068)	B
1	1060981	20 ft/6.1m	Cable, Electrical 18/3	
2	4460539	1	Connector - 3 Position	
3	4460465	3	Socket, Female	
4	4460871	4	Socket, Female	

Go to Discount-Equipment.com to order your parts

SECTION 8 - ELECTRICAL

FIGURE 8-80. PRESSURE TRANSDUCER HARNESS (SN 0300234069 to Present)



ART_1001228497

SECTION 8 - ELECTRICAL

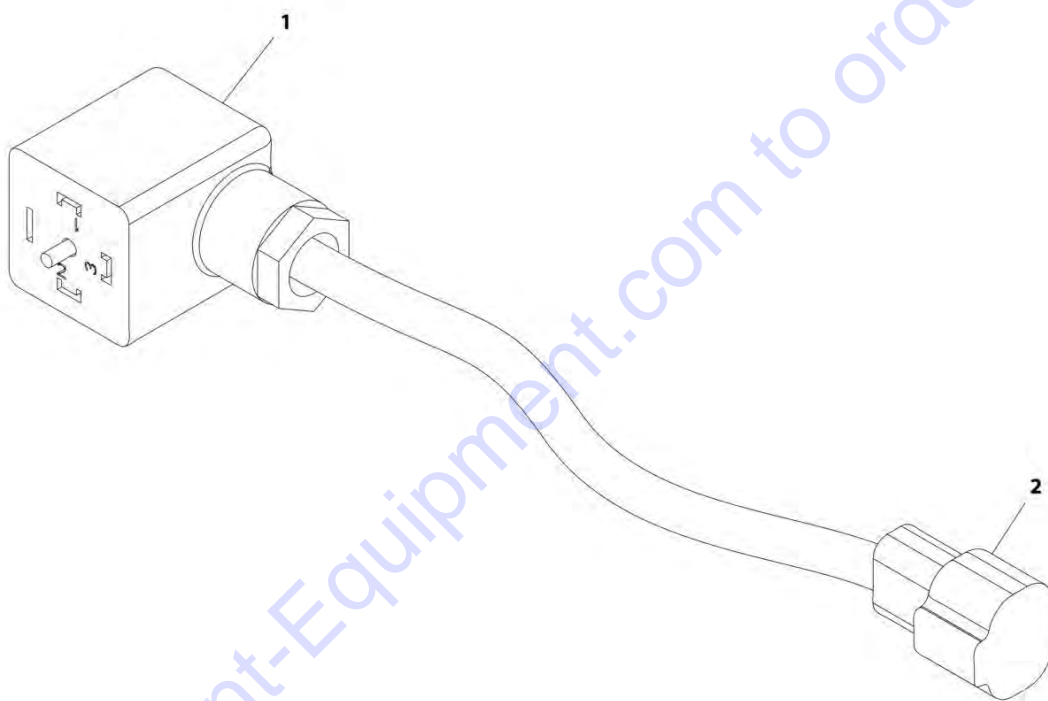
FIGURE 8-80. PRESSURE TRANSDUCER HARNESS (SN 0300234069 to Present)

ITEM	PART NUMBER	QTY	DESCRIPTION	REV
	1001228497	Ref	PRESSURE TRANSDUCER HARNESS (SN 0300234069 to Present)	A
1	1060981	11 ft/ 3.35m	Cable, Electrical 18/3	
2	4460465	4	Socket, Female	
3	4460871	4	Socket, Female	
4	4460884	1	Connector - 4 Position	

Go to Discount-Equipment.com to order your parts

SECTION 8 - ELECTRICAL

FIGURE 8-81. PUMP ADAPTER HARNESS - SAUER PUMPS



ART_1001119456

SECTION 8 - ELECTRICAL

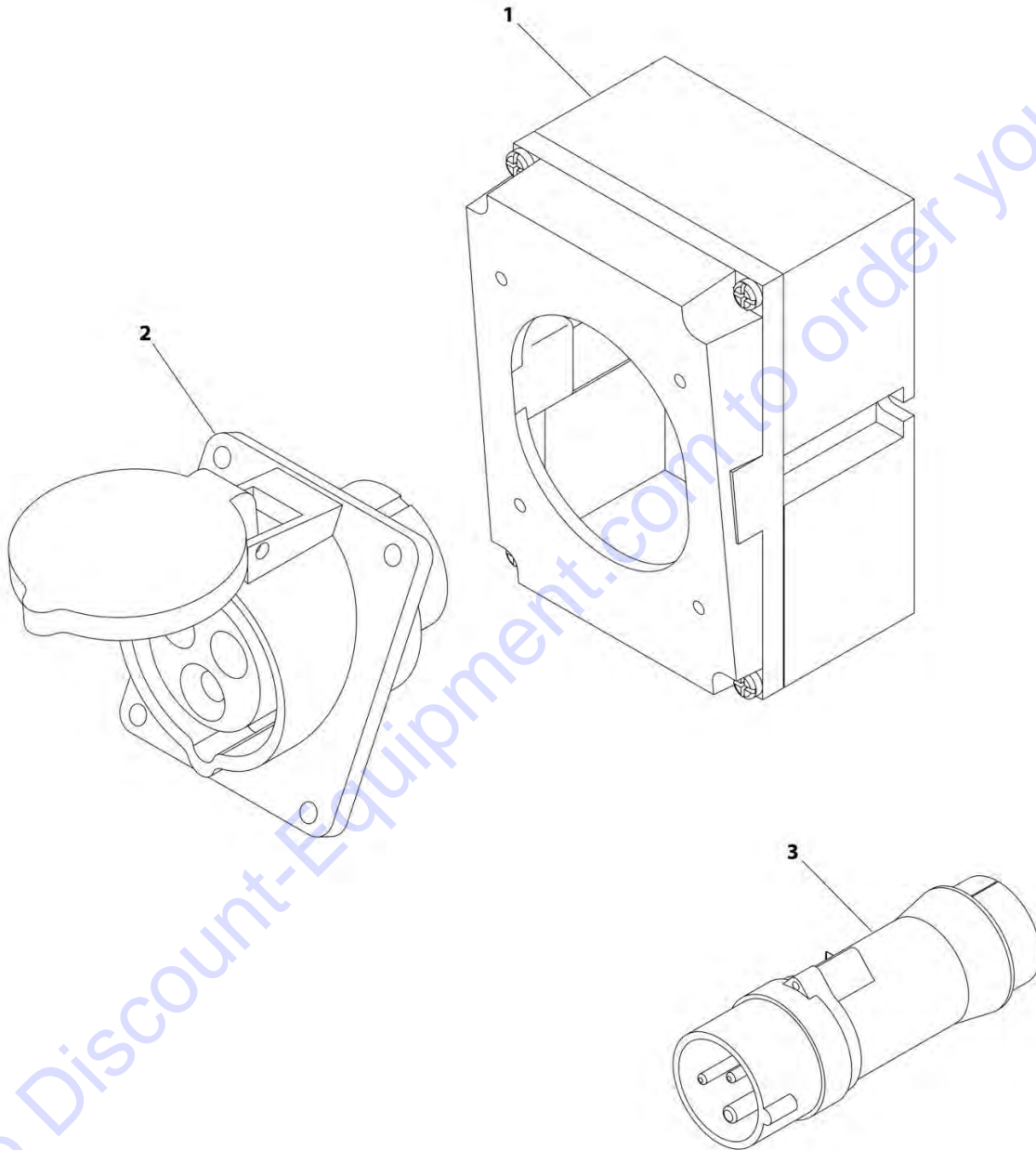
FIGURE 8-81. PUMP ADAPTER HARNESS - SAUER PUMPS

ITEM	PART NUMBER	QTY	DESCRIPTION	REV
	1001119456	Ref	PUMP ADAPTER HARNESS - SAUER PUMPS	C
1	4460880	2	DIN Connector	
2	4460897	2	Connector - 2 Position	
2	4460464	4	Pin, Male	

Go to Discount-Equipment.com to order your parts

SECTION 8 - ELECTRICAL

FIGURE 8-82. RECEPTACLE BOX KIT - 110V IEC YELLOW WITHOUT 2500W GENERATOR (CE SPECS)



ART_0275216

SECTION 8 - ELECTRICAL

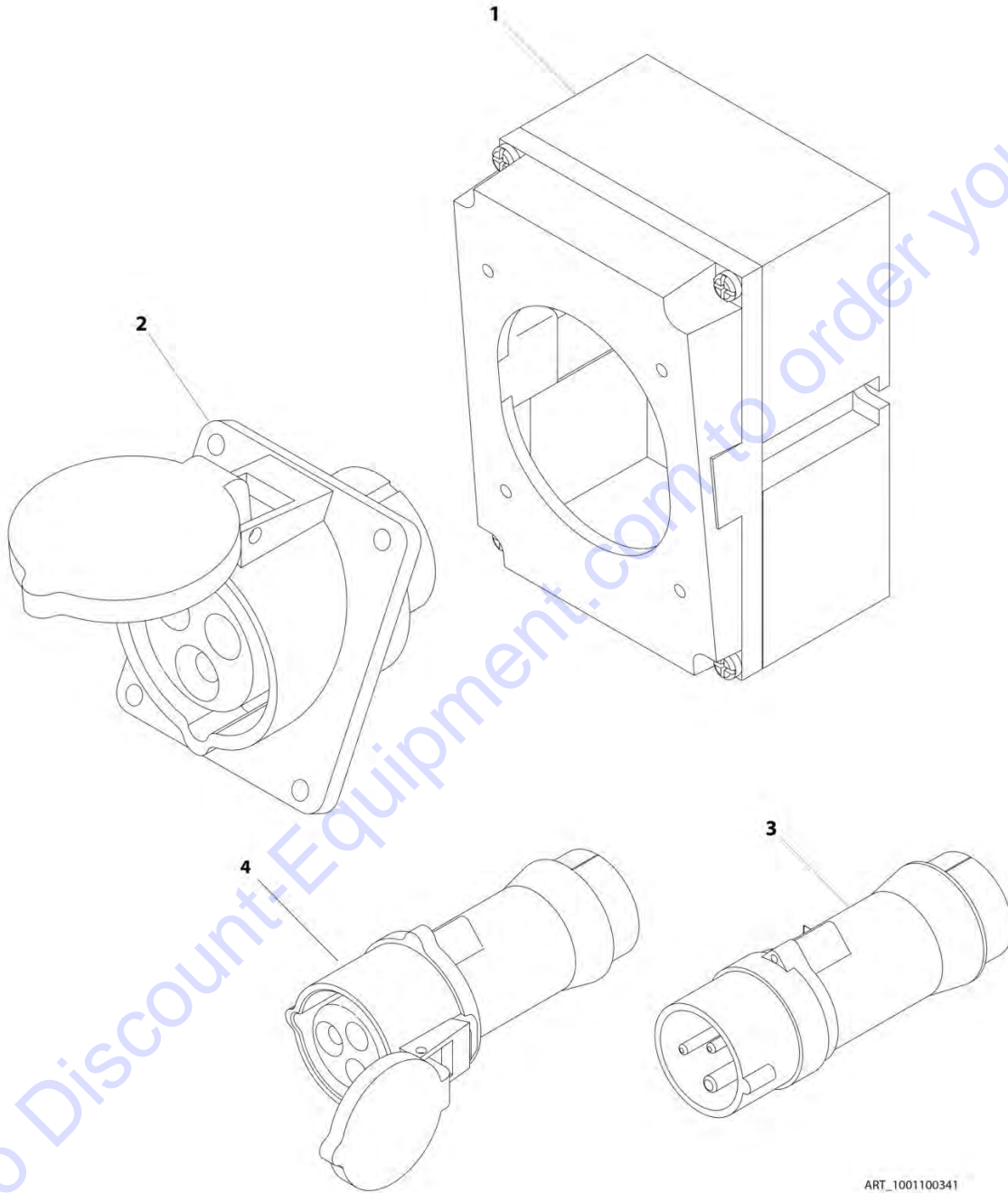
FIGURE 8-82. RECEPTACLE BOX KIT - 110V IEC YELLOW WITHOUT 2500W GENERATOR (CE SPECS)

ITEM	PART NUMBER	QTY	DESCRIPTION	REV
	0275216	Ref	RECEPTACLE BOX KIT - 110V IEC YELLOW WITHOUT 2500W GENERATOR (CE SPECS)	B
1	0861781	1	Box, Switch	
2	4461198	1	Receptacle	
3	4461196	1	Plug, Male	

Go to Discount-Equipment.com to order your parts

SECTION 8 - ELECTRICAL

FIGURE 8-83. RECEPTACLE BOX KIT - 110V IEC YELLOW WITH 2500W GENERATOR (CE SPECS)



ART_1001100341

SECTION 8 - ELECTRICAL

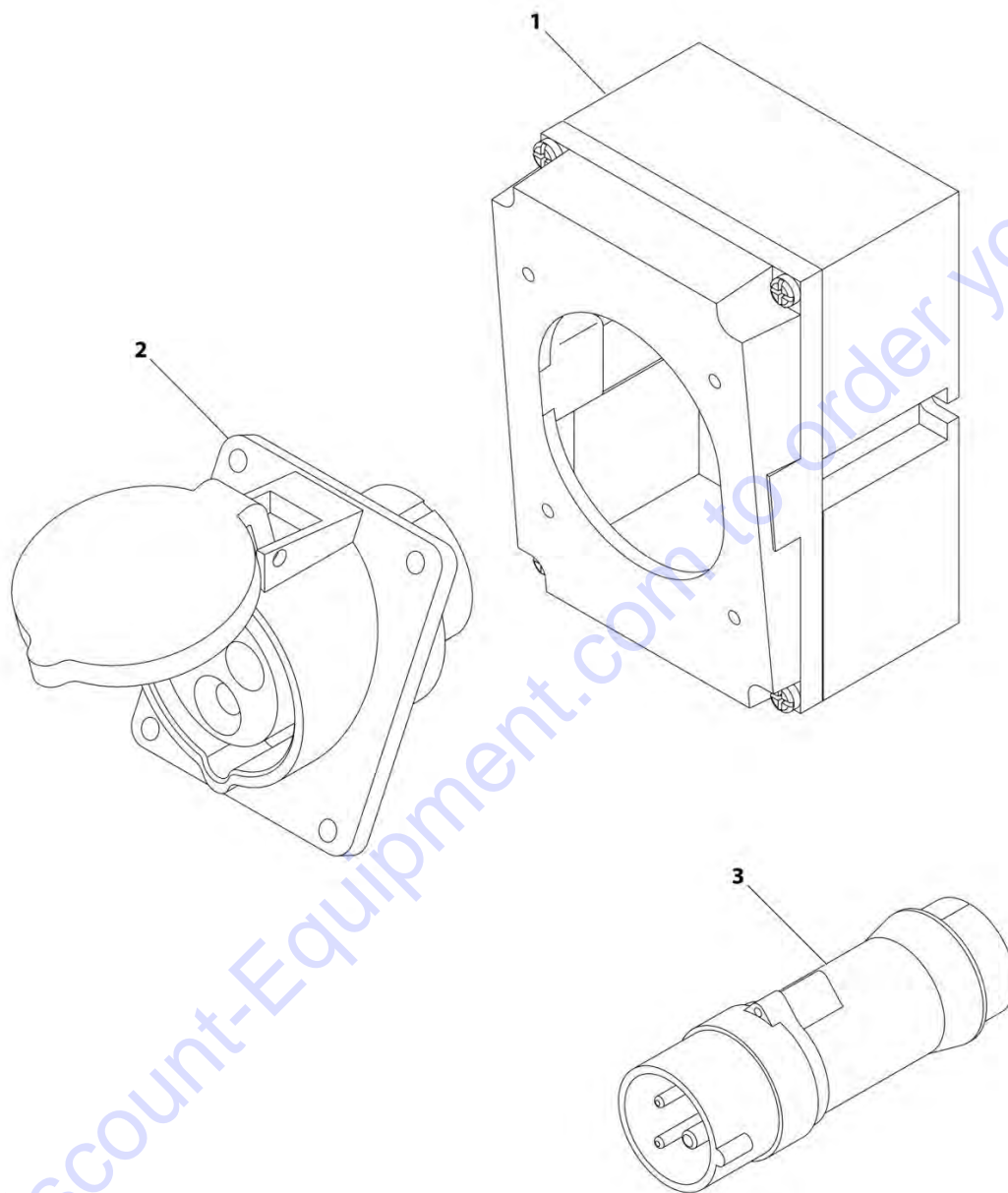
FIGURE 8-83. RECEPTACLE BOX KIT - 110V IEC YELLOW WITH 2500W GENERATOR (CE SPECS)

ITEM	PART NUMBER	QTY	DESCRIPTION	REV
	1001100341	Ref	RECEPTACLE BOX KIT - 110V IEC YELLOW WITHOUT 2500W GENERATOR (CE SPECS)	2
1	0861781	1	Box, Switch	
2	4461198	1	Receptacle	
3	4461196	1	Plug, Male	
4	4461197	1	Plug, Female	

Go to Discount-Equipment.com to order your parts

SECTION 8 - ELECTRICAL

FIGURE 8-84. RECEPTACLE BOX KIT - 220V IEC BLUE WITHOUT 2500W GENERATOR (CE SPECS)



ART_0275217

SECTION 8 - ELECTRICAL

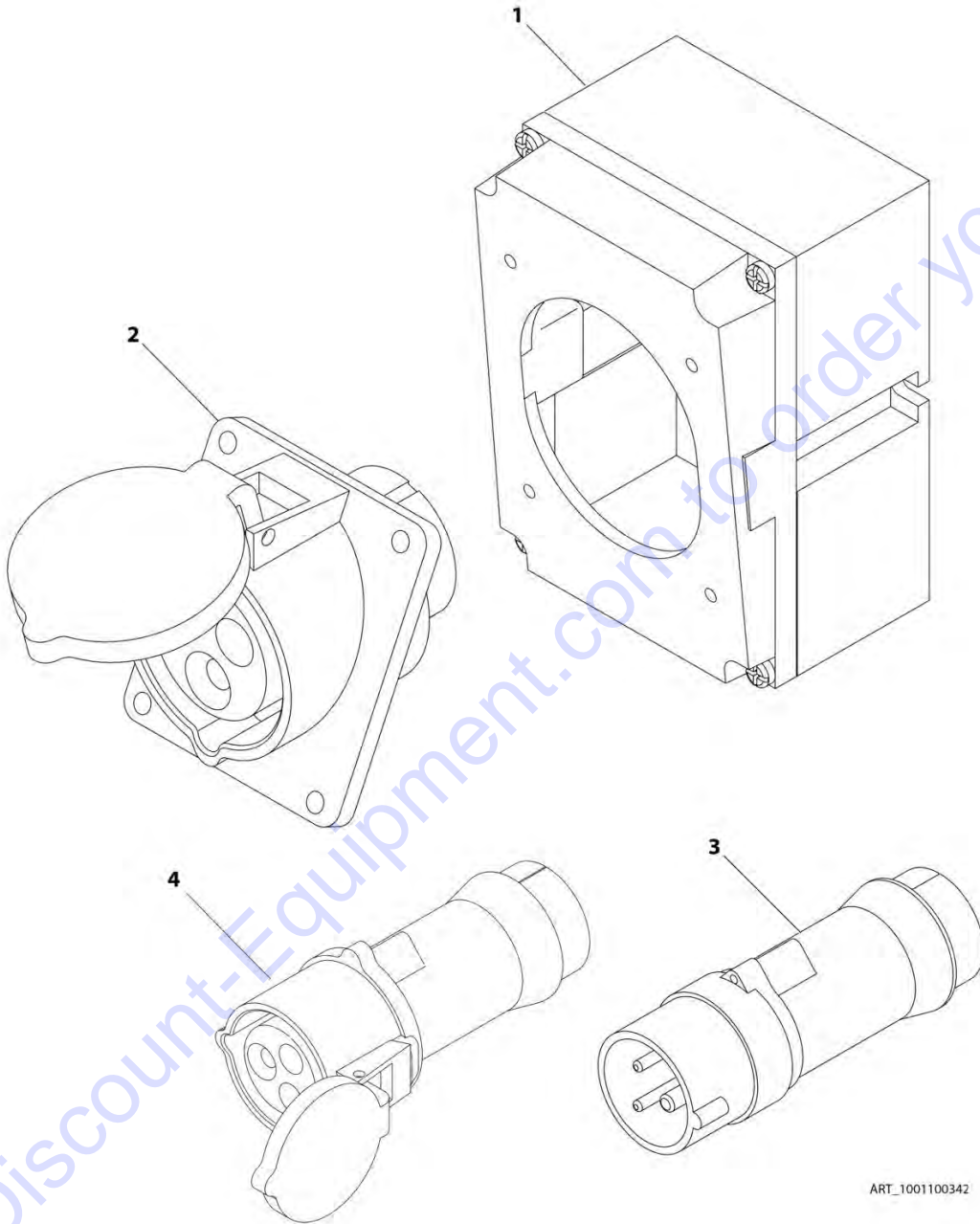
FIGURE 8-84. RECEPTACLE BOX KIT - 220V IEC BLUE WITHOUT 2500W GENERATOR (CE SPECS)

ITEM	PART NUMBER	QTY	DESCRIPTION	REV
	0275217	Ref	RECEPTACLE BOX KIT - 220V IEC BLUE WITHOUT 2500W GENERATOR (CE SPECS)	B
1	0861781	1	Box, Switch	
2	4461201	1	Receptacle	
3	4461199	1	Plug, Male	

Go to Discount-Equipment.com to order your parts

SECTION 8 - ELECTRICAL

FIGURE 8-85. RECEPTACLE BOX KIT - 220V IEC BLUE WITH 2500W GENERATOR (CE SPECS)



SECTION 8 - ELECTRICAL

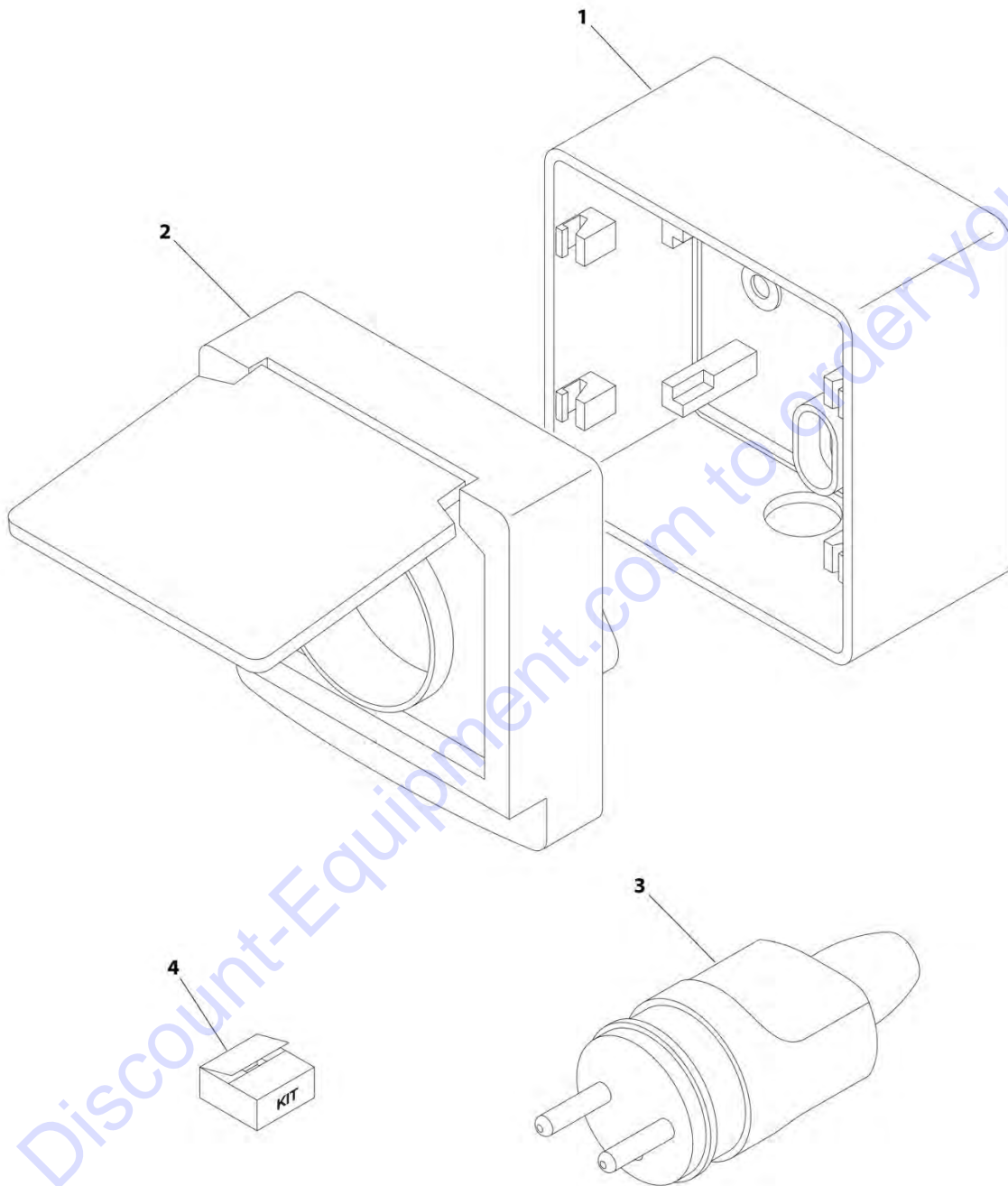
FIGURE 8-85. RECEPTACLE BOX KIT - 220V IEC BLUE WITH 2500W GENERATOR (CE SPECS)

ITEM	PART NUMBER	QTY	DESCRIPTION	REV
	1001100342	Ref	RECEPTACLE BOX KIT - 220V IEC BLUE WITH 2500W GENERATOR (CE SPECS)	2
1	0861781	1	Box, Switch	
2	4461201	1	Receptacle	
3	4461199	1	Plug, Male	
4	4461200	1	Plug, Female	

Go to Discount-Equipment.com to order your parts

SECTION 8 - ELECTRICAL

FIGURE 8-86. RECEPTACLE BOX KIT - 220V CEE7 POST GROUND WITHOUT 2500W GENERATOR
(70MM X 70MM BOX) (CE SPECS)



ART_0275218

SECTION 8 - ELECTRICAL

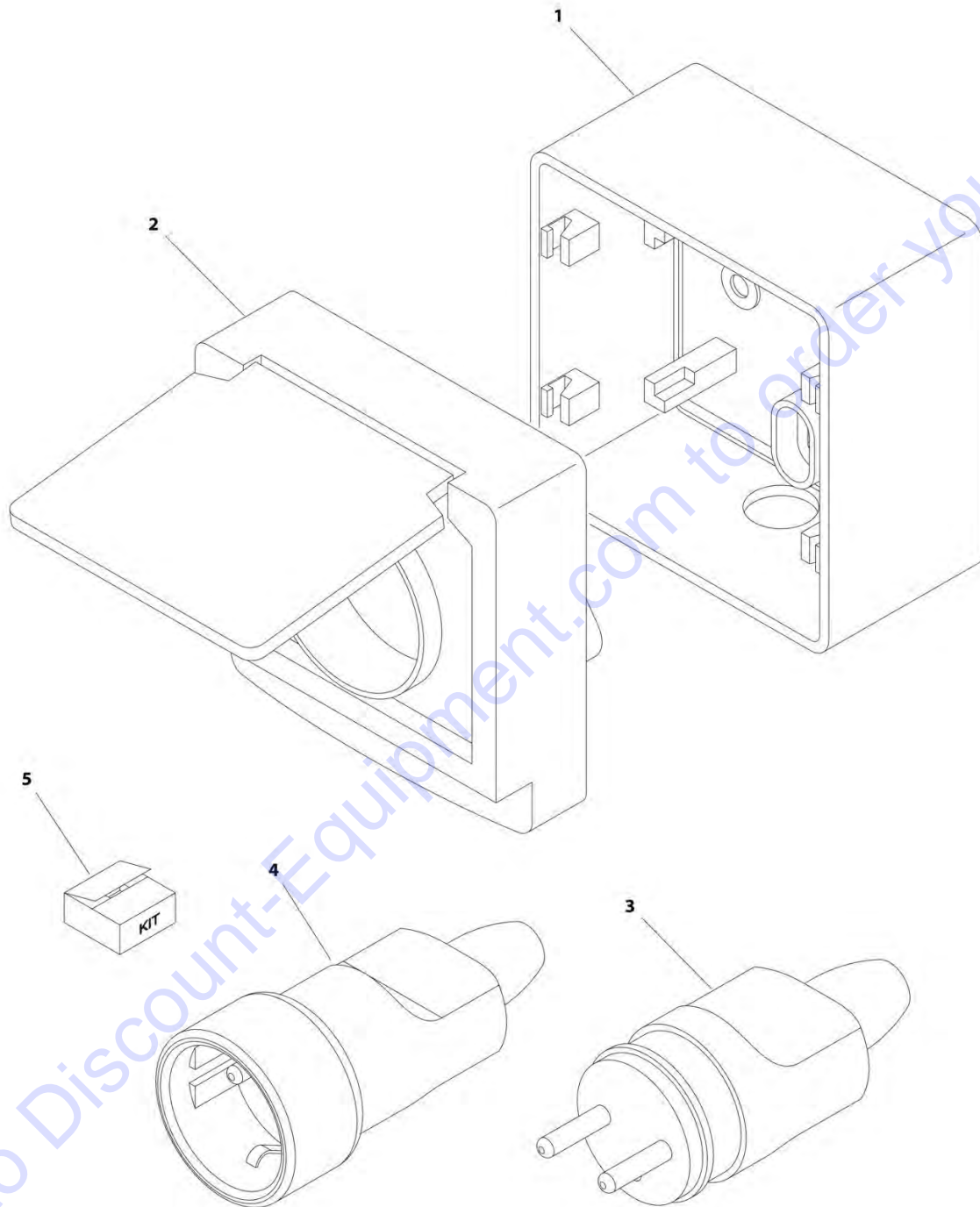
**FIGURE 8-86. RECEPTACLE BOX KIT - 220V CEE7 POST GROUND WITHOUT 2500W GENERATOR
(70MM X 70MM BOX) (CE SPECS)**

ITEM	PART NUMBER	QTY	DESCRIPTION	REV
	0275218	Ref	RECEPTACLE BOX KIT - 220V CEE7 POST GROUND WITHOUT 2500W GENERATOR (70MM X 70MM BOX) (CE SPECS)	C
1	1001141967	1	Box, Switch	
2	1001141968	1	Receptacle	
3	4461202	NLA	Plug, Male (Use p/n 4461205) (SN 0300201017 through 0300218295)	
3	4461205	1	Plug, Male (SN 0300218296 to Present)	
4	1001141971	1	Plug and Socket Kit (Includes Items 1-3 and Female Plug p/n 4461203)	

Go to Discount-Equipment.com to order your parts

SECTION 8 - ELECTRICAL

FIGURE 8-87. RECEPTACLE BOX KIT - 220V CEE7 POST GROUND WITH 2500W GENERATOR
(70MM X 70MM BOX) (CE SPECS)



ART_1001100343

SECTION 8 - ELECTRICAL

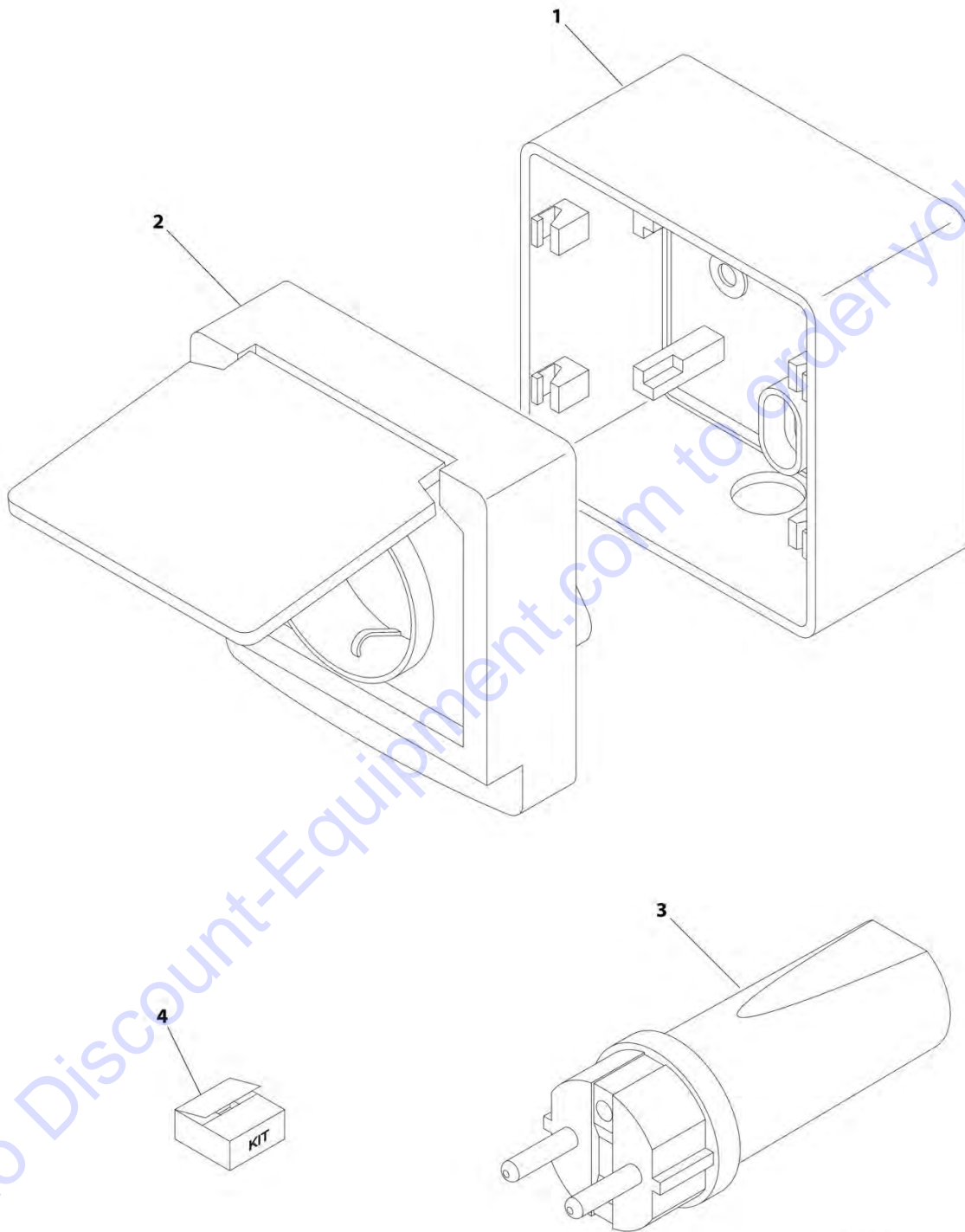
**FIGURE 8-87. RECEPTACLE BOX KIT - 220V CEE7 POST GROUND WITH 2500W GENERATOR
(70MM X 70MM BOX) (CE SPECS)**

ITEM	PART NUMBER	QTY	DESCRIPTION	REV
	1001100343	Ref	RECEPTACLE BOX KIT - 220V CEE7 POST GROUND WITH 2500W GENERATOR (70MM X 70MM BOX) (CE SPECS)	C
1	1001141967	1	Box, Switch	
2	1001141968	1	Receptacle	
3	4461202	NLA	Plug, Male (Use p/n 4461205) (SN 0300201017 through 0300218295)	
3	4461205	1	Plug, Male (SN 0300218295 to Present)	
4	4461203	1	Plug, Female	
5	1001141971	1	Plug and Socket Kit (Includes Items 1-4)	

Go to Discount-Equipment.com to order your parts

SECTION 8 - ELECTRICAL

FIGURE 8-88. RECEPTACLE BOX KIT - 220V CEE7 SIDE GROUND WITHOUT 2500W GENERATOR
(70MM X 70MM BOX) (CE SPECS)



ART_0275219

SECTION 8 - ELECTRICAL

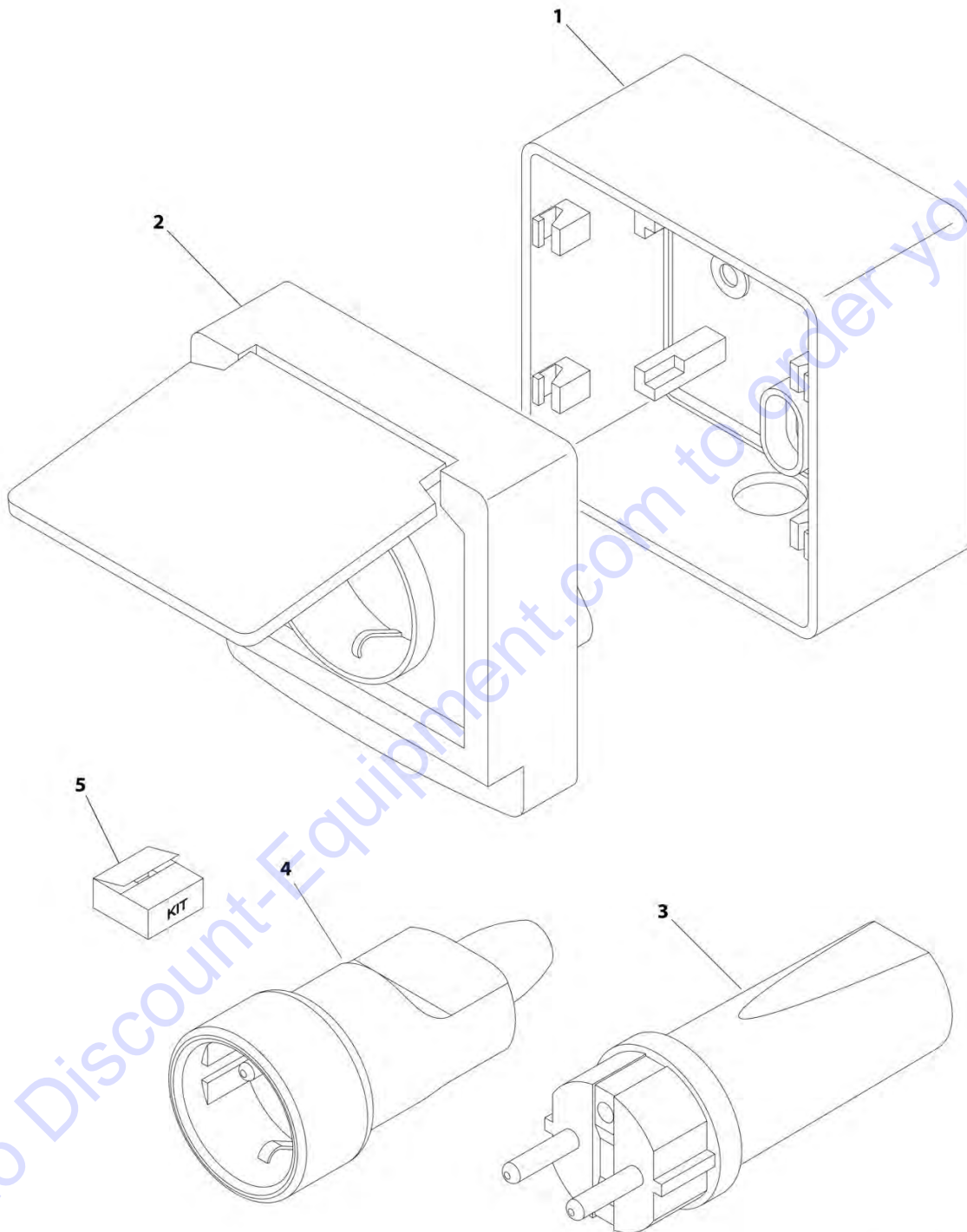
**FIGURE 8-88. RECEPTACLE BOX KIT - 220V CEE7 SIDE GROUND WITHOUT 2500W GENERATOR
(70MM X 70MM BOX) (CE SPECS)**

ITEM	PART NUMBER	QTY	DESCRIPTION	REV
	0275219	Ref	RECEPTACLE BOX KIT - 220V CEE7 SIDE GROUND 70MM X 70MM BOX (CE SPEC)	B
1	1001141967	1	Box, Switch	
2	1001141969	1	Receptacle	
3	4461205	1	Plug, Male	
4	1001141970	1	Plug and Socket Kit (Includes Items 1-3 and Female Plug p/n 4461206)	

Go to Discount-Equipment.com to order your parts

SECTION 8 - ELECTRICAL

FIGURE 8-89. RECEPTACLE BOX KIT - 220V CEE7 SIDE GROUND WITH 2500W GENERATOR (70MM X 70MM BOX) (CE SPECS)



ART_1001100344

SECTION 8 - ELECTRICAL

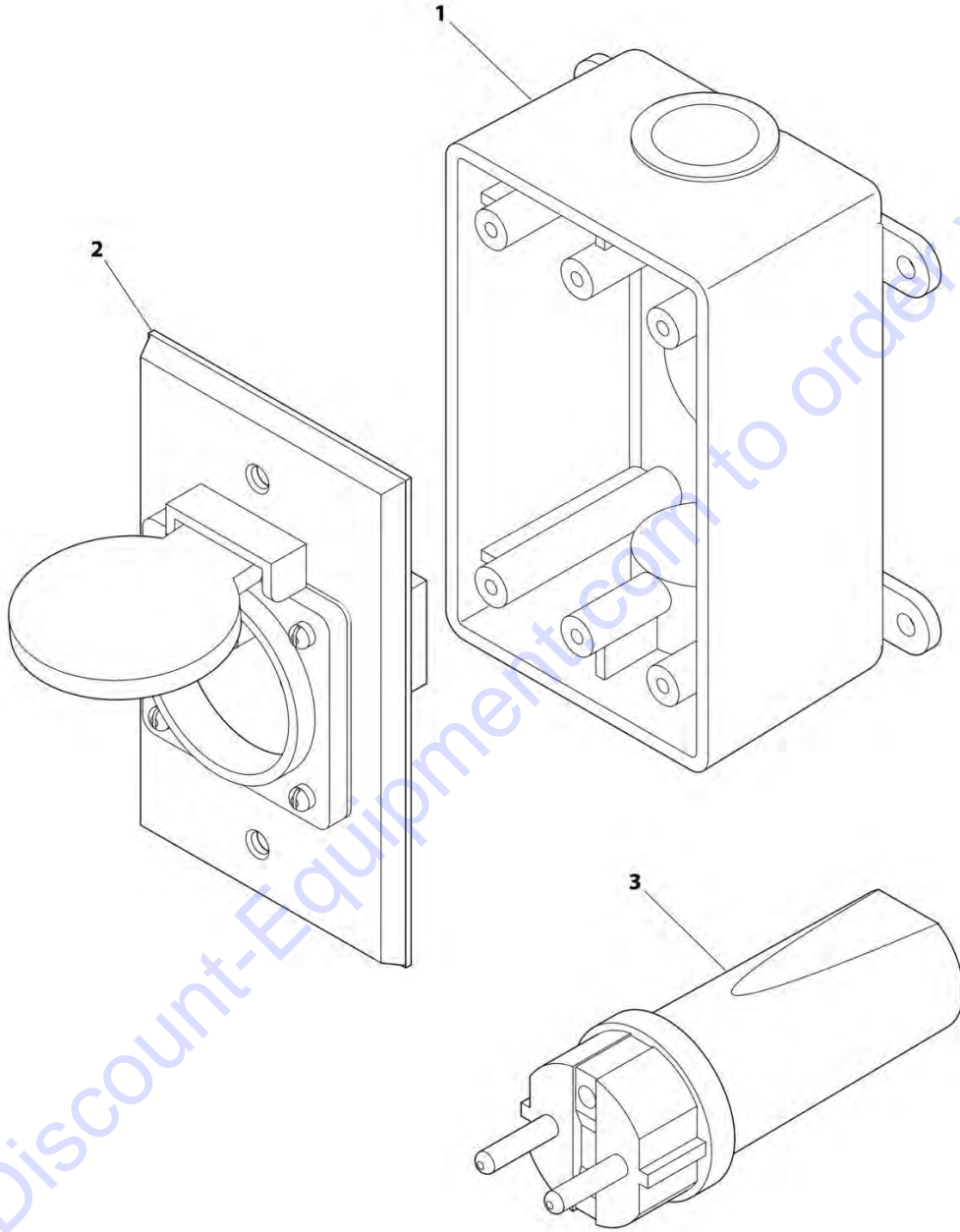
FIGURE 8-89. RECEPTACLE BOX KIT - 220V CEE7 SIDE GROUND WITH 2500W GENERATOR (70MM X 70MM BOX) (CE SPECS)

ITEM	PART NUMBER	QTY	DESCRIPTION	REV
	1001100344	Ref	RECEPTACLE BOX KIT - 220V CEE7 SIDE GROUND WITH 2500W GENERATOR (2X4 BOX) (CE SPECS)	B
1	1001141967	1	Box, Switch	
2	1001141969	1	Receptacle	
3	4461205	1	Plug, Male	
4	4461206	1	Plug, Female	

Go to Discount-Equipment.com to order your parts

SECTION 8 - ELECTRICAL

FIGURE 8-90. RECEPTACLE BOX KIT - 220V CEE7 POST GROUND WITHOUT 2500W GENERATOR
(2X4 BOX) (CE SPECS)



ART_0275452

SECTION 8 - ELECTRICAL

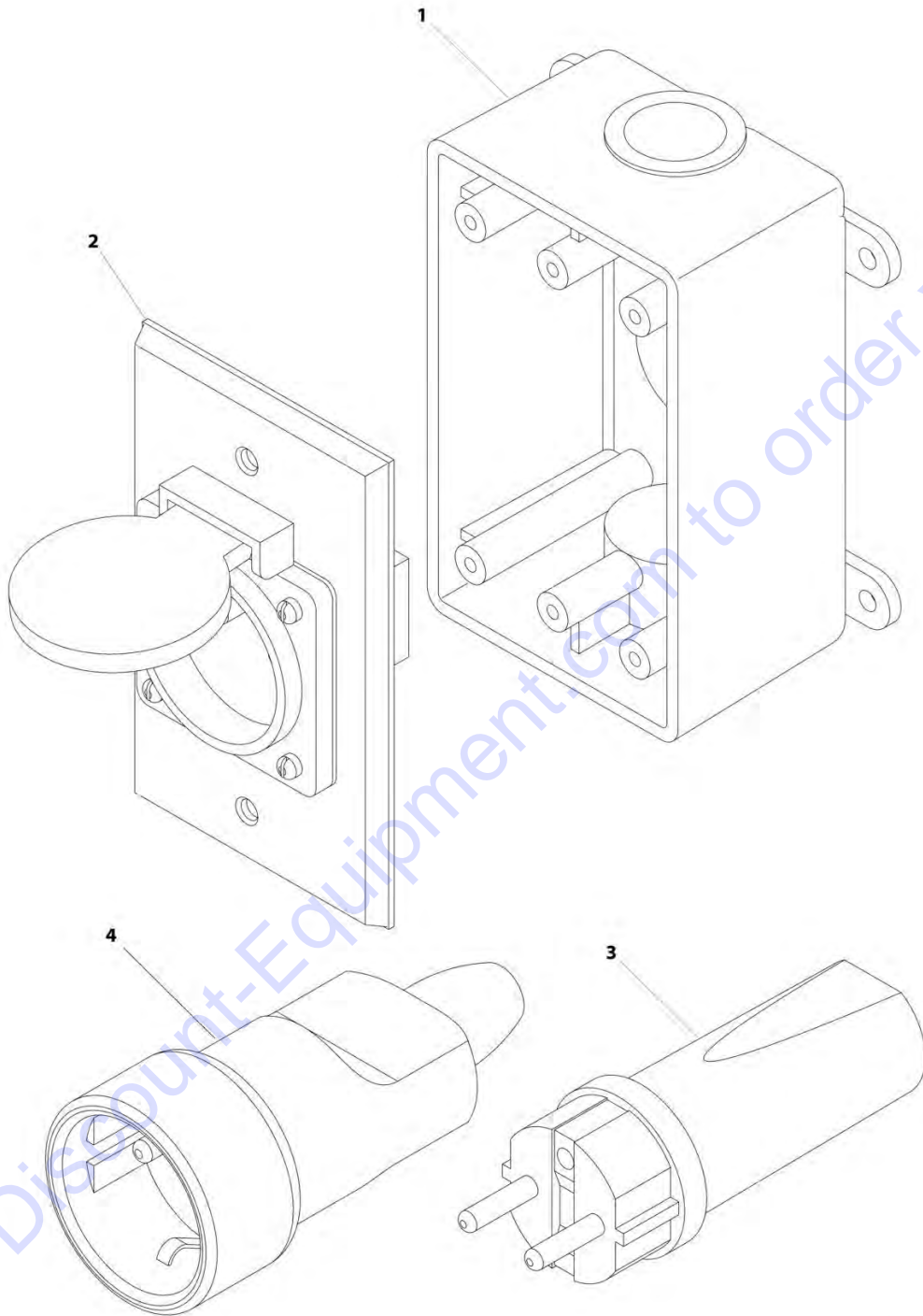
**FIGURE 8-90. RECEPTACLE BOX KIT - 220V CEE7 POST GROUND WITHOUT 2500W GENERATOR
(2X4 BOX) (CE SPECS)**

ITEM	PART NUMBER	QTY	DESCRIPTION	REV
	0275452	Ref	RECEPTACLE BOX KIT - 220V CEE7 POST GROUND 2IN X 4IN BOX (CE SPEC)	C
1	0861731	1	Box, Switch	
2	4461244	1	Receptacle	
3	4461202	NLA	Plug, Male (Use p/n 4461205) (SN 0300201017 through 0300218295)	
3	4461205	1	Plug, Male (SN 0300218296 to Present)	

Go to Discount-Equipment.com to order your parts

SECTION 8 - ELECTRICAL

FIGURE 8-91. RECEPTACLE BOX KIT - 220V CEE7 POST GROUND WITH 2500W GENERSTOR (2X4 BOX) (CE SPECS)



ART_1001100345

SECTION 8 - ELECTRICAL

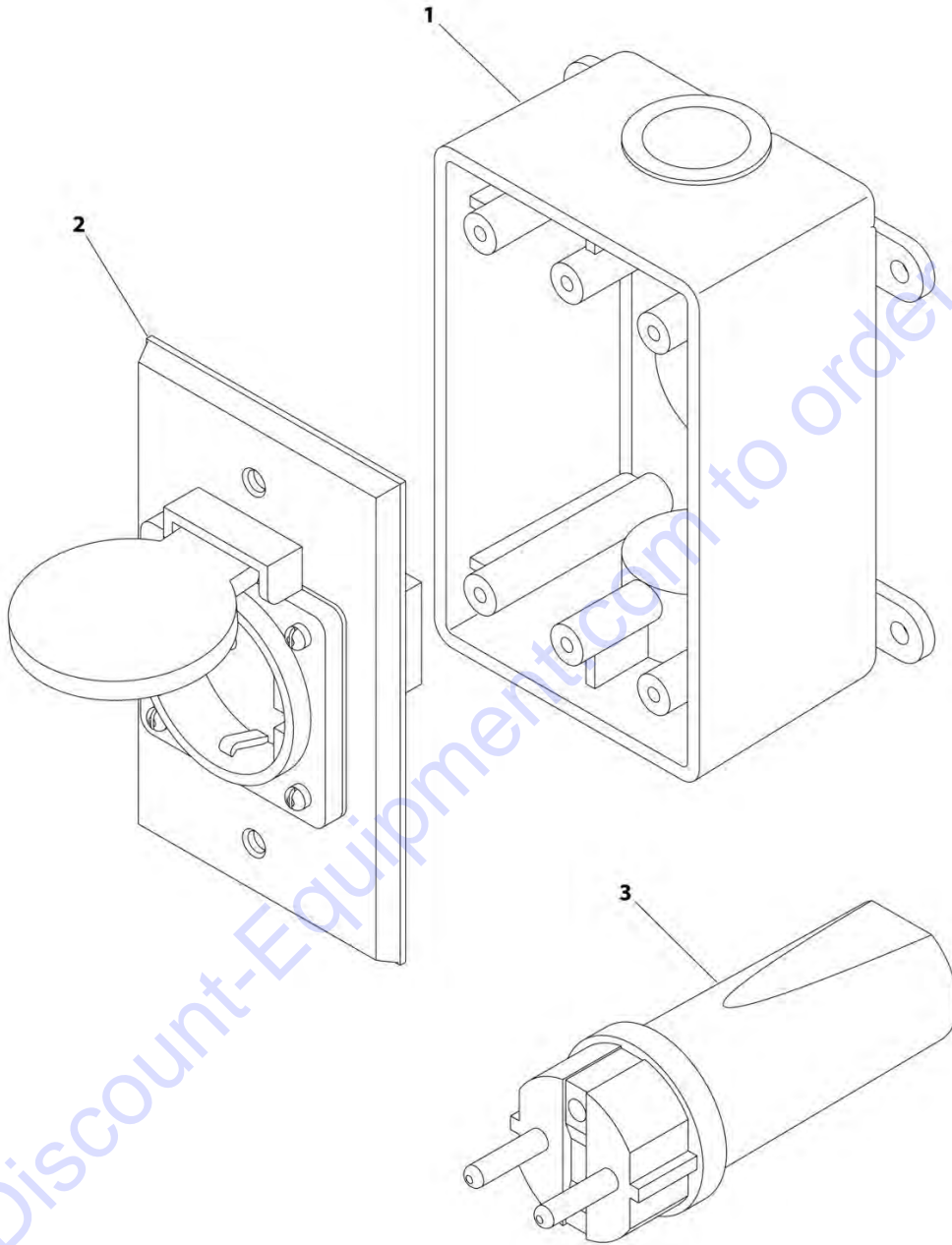
FIGURE 8-91. RECEPTACLE BOX KIT - 220V CEE7 POST GROUND WITH 2500W GENERSTOR (2X4 BOX) (CE SPECS)

ITEM	PART NUMBER	QTY	DESCRIPTION	REV
	1001100345	Ref	RECEPTACLE BOX KIT - 220V CEE7 POST GROUND WITH 2500W GENERSTOR (2X4 BOX) (CE SPECS)	2
1	0861731	1	Box, Switch	
2	4461244	1	Receptacle	
3	4461202	NLA	Plug, Male (Use p/n 4461205) (SN 0300201017 through 0300218295)	
3	4461205	1	Plug, Male (SN 0300218296 to Present)	
4	4461203	1	Plug, Female	

Go to Discount-Equipment.com to order your parts

SECTION 8 - ELECTRICAL

FIGURE 8-92. RECEPTACLE BOX KIT - 220V CEE7 SIDE GROUND WITHOUT 2500W GENERATOR
(2X4 BOX) (CE SPECS)



ART_0275453

SECTION 8 - ELECTRICAL

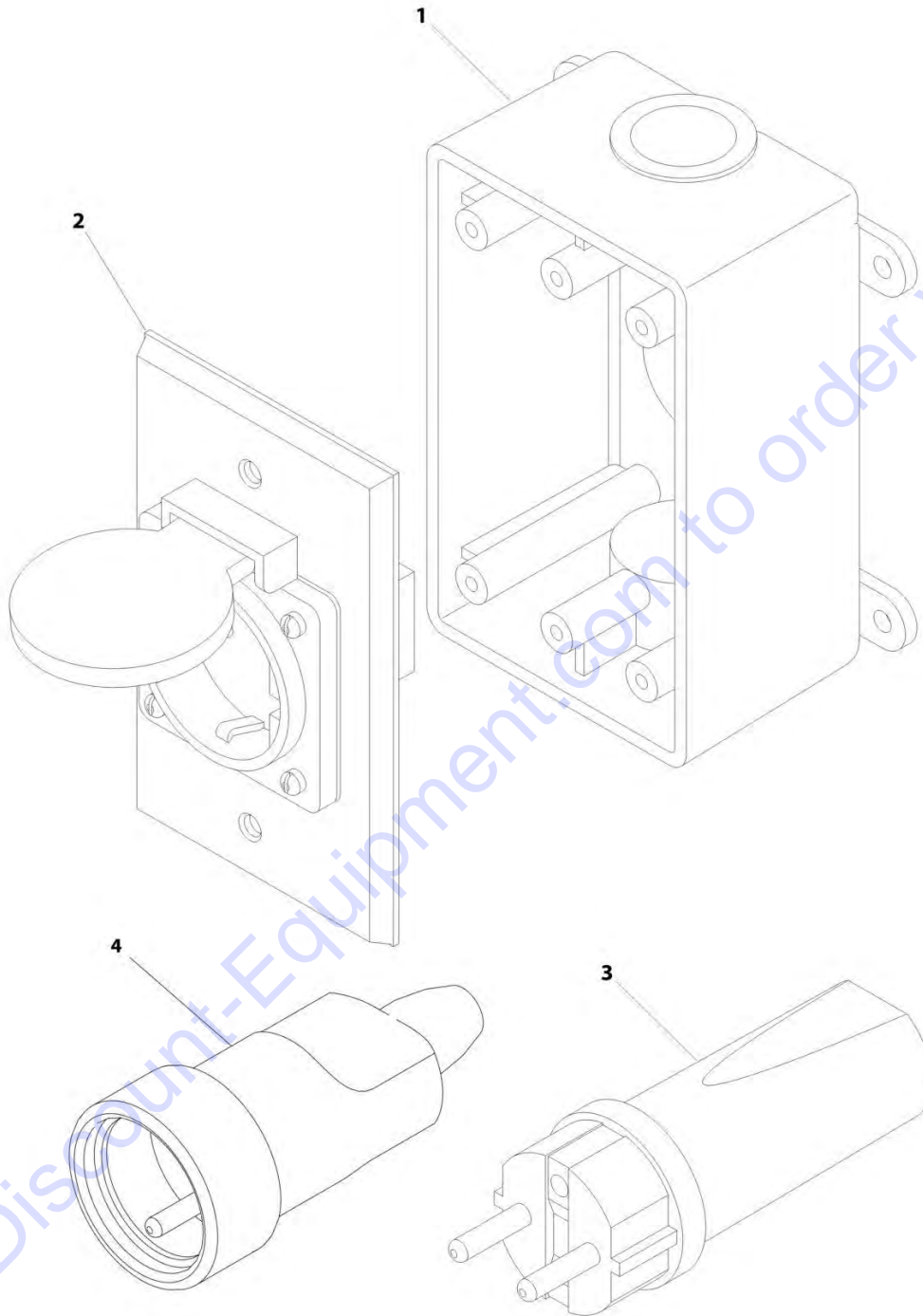
FIGURE 8-92. RECEPTACLE BOX KIT - 220V CEE7 SIDE GROUND WITHOUT 2500W GENERATOR (2X4 BOX) (CE SPECS)

ITEM	PART NUMBER	QTY	DESCRIPTION	REV
	0275453	Ref	RECEPTACLE BOX KIT - 220V CEE7 SIDE GROUND WITHOUT 2500W GENERATOR (2X4 BOX) (CE SPECS)	1
1	0861731	1	Box, Switch	
2	4461245	1	Receptacle	
3	4461205	1	Plug, Male	

Go to Discount-Equipment.com to order your parts

SECTION 8 - ELECTRICAL

FIGURE 8-93. RECEPTACLE BOX KIT - 220V CEE7 SIDE GROUND WITH 2500W GENERATOR (2X4 BOX) (CE SPECS)



ART_1001100347

SECTION 8 - ELECTRICAL

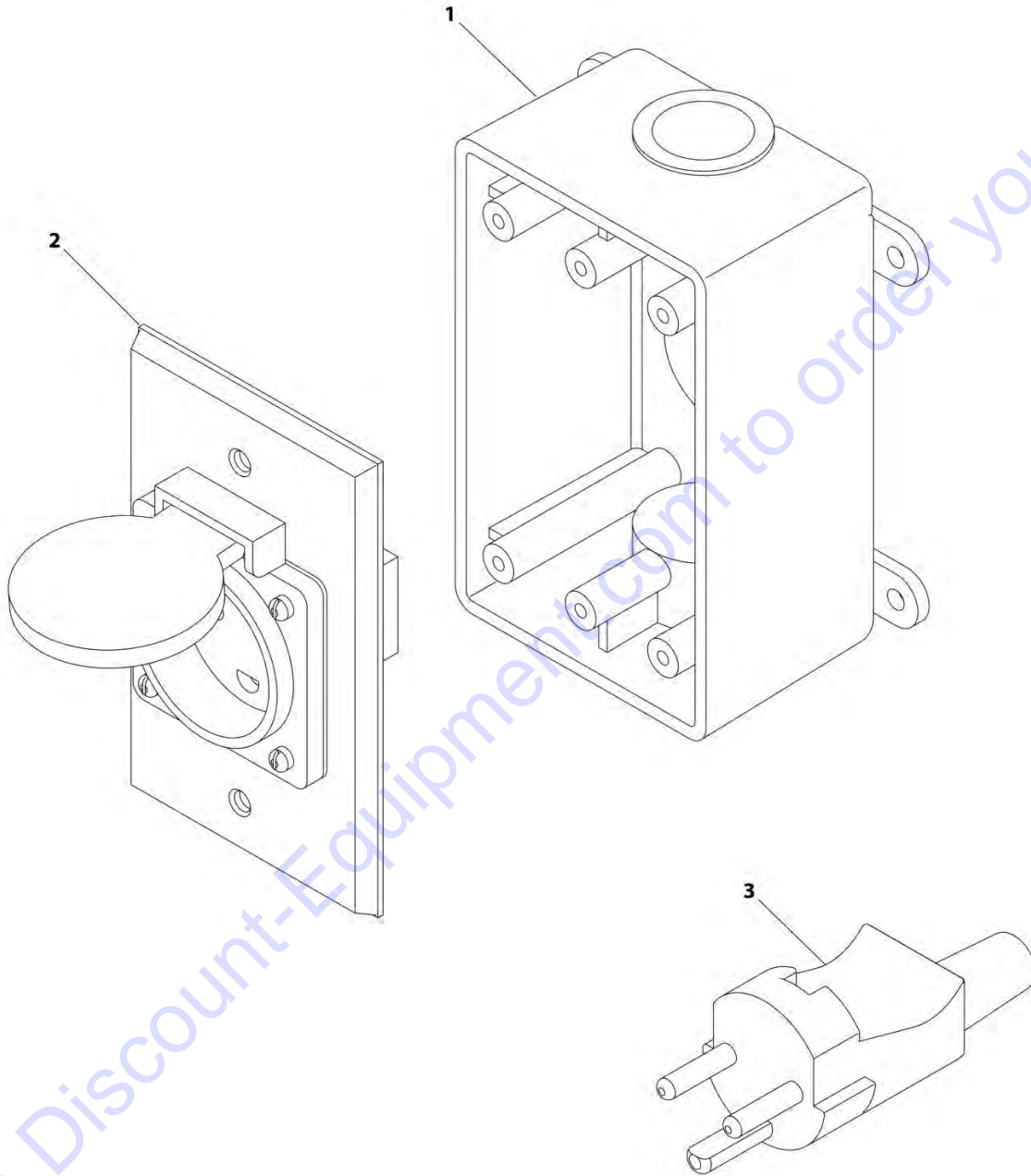
FIGURE 8-93. RECEPTACLE BOX KIT - 220V CEE7 SIDE GROUND WITH 2500W GENERATOR (2X4 BOX) (CE SPECS)

ITEM	PART NUMBER	QTY	DESCRIPTION	REV
	1001100347	Ref	RECEPTACLE BOX KIT - 220V CEE7 SIDE GROUND WITH 2500W GENERATOR (2X4 BOX) (CE SPECS)	3
1	0861731	1	Box, Switch	
2	4461245	1	Receptacle	
3	4461205	1	Plug, Male	
4	4461206	1	Plug, Female	

Go to Discount-Equipment.com to order your parts

SECTION 8 - ELECTRICAL

FIGURE 8-94. RECEPTACLE BOX KIT - 220V AFSINT 107 KEYED GROUND WITHOUT 2500W GENERATOR (2X4 BOX) (CE SPECS)



ART_0275454

SECTION 8 - ELECTRICAL

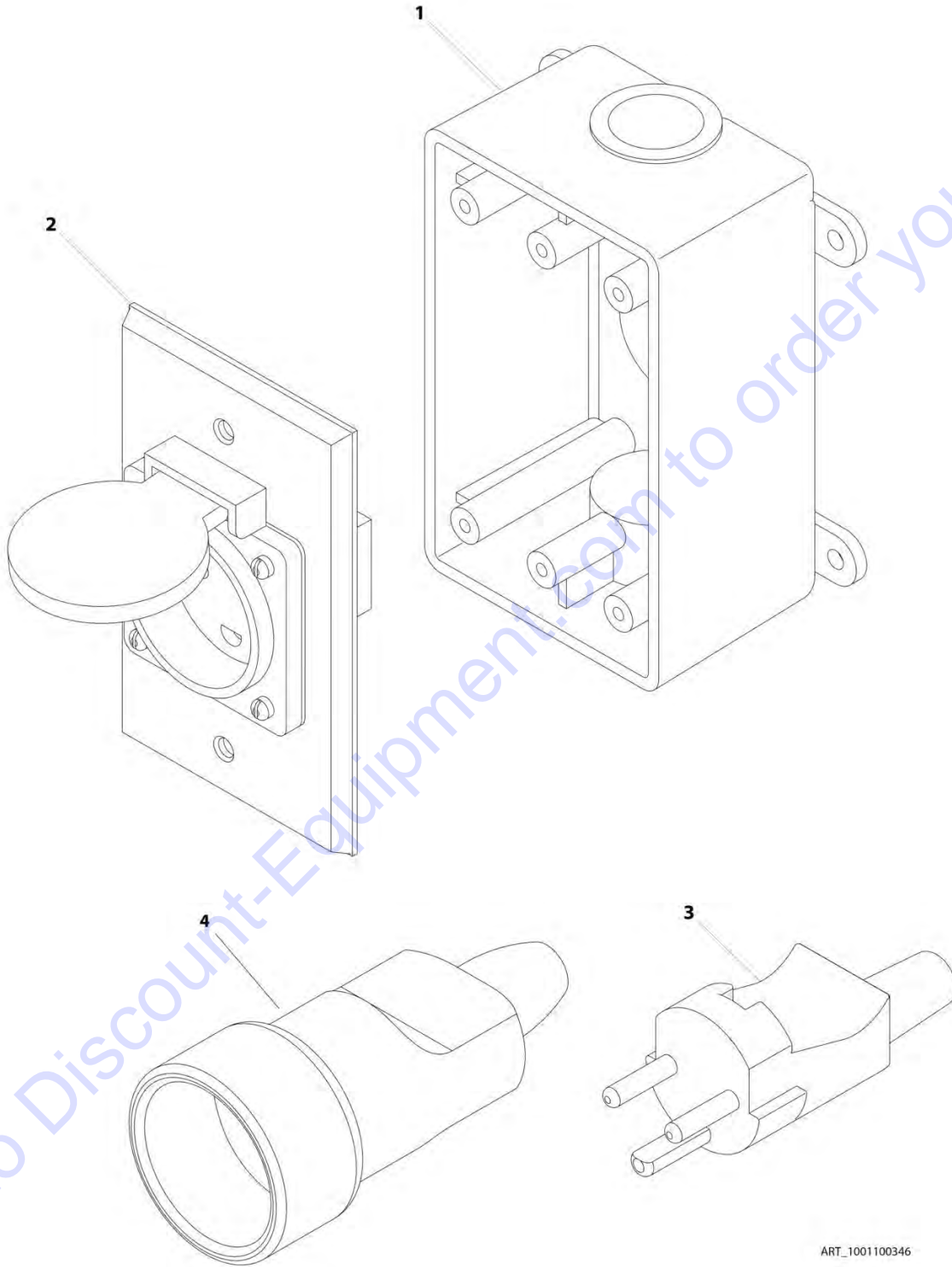
FIGURE 8-94. RECEPTACLE BOX KIT - 220V AFSINT 107 KEYED GROUND WITHOUT 2500W GENERATOR (2X4 BOX) (CE SPECS)

ITEM	PART NUMBER	QTY	DESCRIPTION	REV
	0275454	Ref	RECEPTACLE BOX KIT - 220V AFSINT 107 KEYED GROUND WITHOUT 2500W GENERATOR (2X4 BOX) (CE SPECS)	1
1	0861731	1	Box, Switch	
2	4461246	1	Receptacle	
3	4461249	1	Plug, Male	

Go to Discount-Equipment.com to order your parts

SECTION 8 - ELECTRICAL

FIGURE 8-95. RECEPTACLE BOX KIT - 220V AFSINT 107 KEYED GROUND WITH 2500W GENERATOR (2X4 BOX) (CE SPECS)



ART_1001100346

SECTION 8 - ELECTRICAL

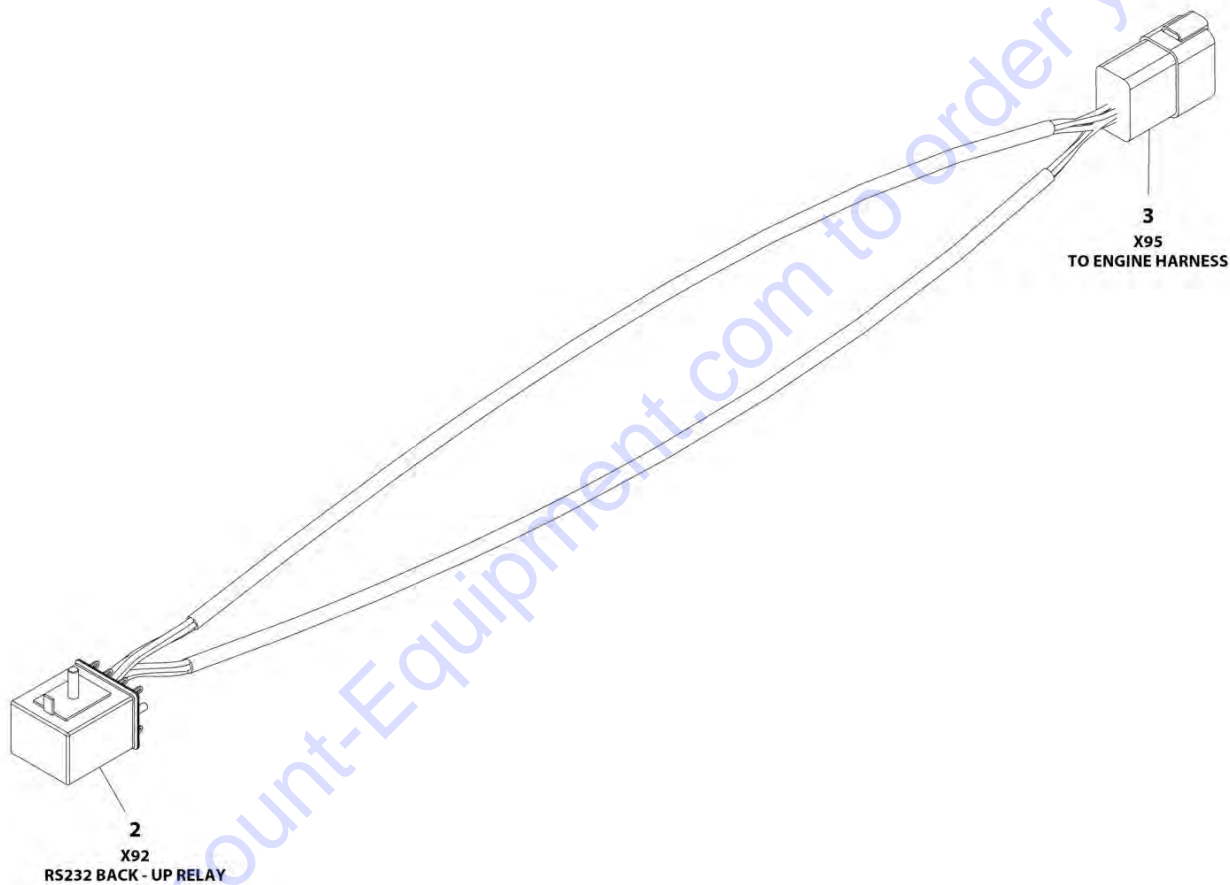
FIGURE 8-95. RECEPTACLE BOX KIT - 220V AFSINT 107 KEYED GROUND WITH 2500W GENERATOR (2X4 BOX) (CE SPECS)

ITEM	PART NUMBER	QTY	DESCRIPTION	REV
	1001100346	Ref	RECEPTACLE BOX KIT - 220V AFSINT 107 KEYED GROUND WITH 2500W GENERATOR (2X4 BOX) (CE SPECS)	2
1	0861731	1	Box, Switch	
2	4461246	1	Receptacle	
3	4461249	1	Plug, Male	
4	4461250	1	Plug, Female	

Go to Discount-Equipment.com to order your parts

SECTION 8 - ELECTRICAL

FIGURE 8-96. RELAY HARNESS



ART_4923036

SECTION 8 - ELECTRICAL

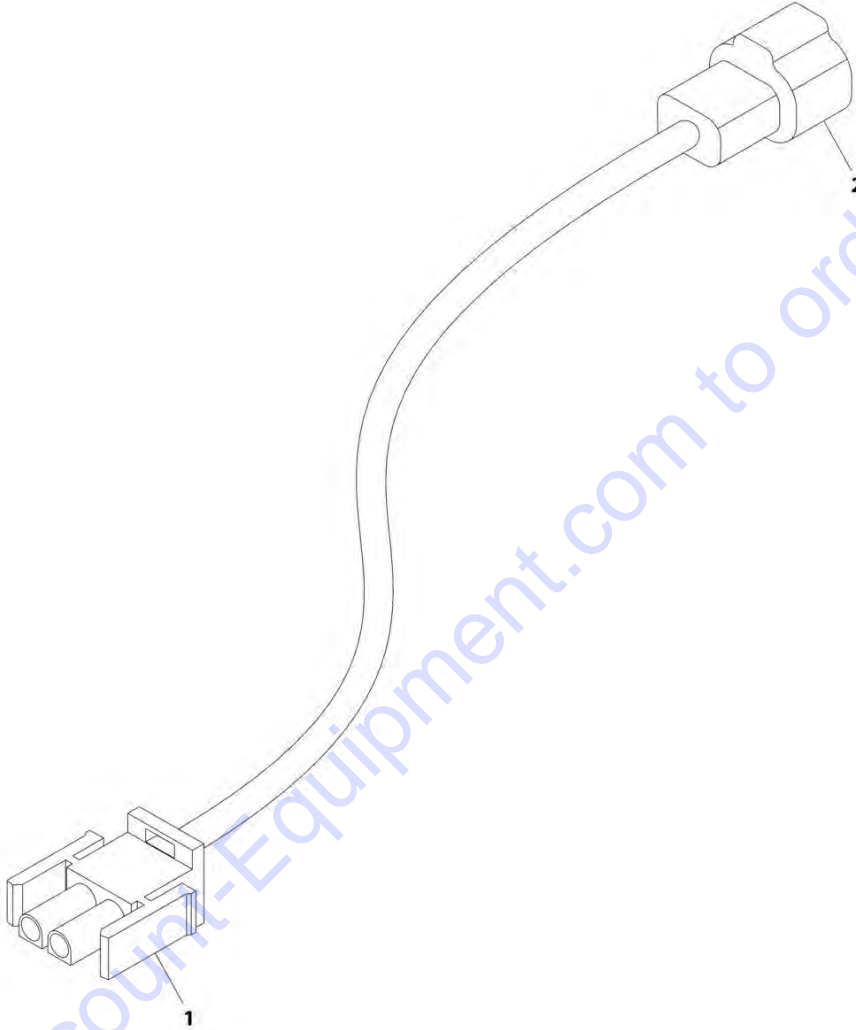
FIGURE 8-96. RELAY HARNESS

ITEM	PART NUMBER	QTY	DESCRIPTION	REV
	4923036	Ref	RELAY HARNESS	D
2	3740143	1	Relay	
3	4460931	1	Connector - 8 Position	
3	4460943	8	Pin, Male	

Go to Discount-Equipment.com to order your parts

SECTION 8 - ELECTRICAL

FIGURE 8-97. STROBE LIGHT HARNESS (AMBER)



ART_1001149818

SECTION 8 - ELECTRICAL

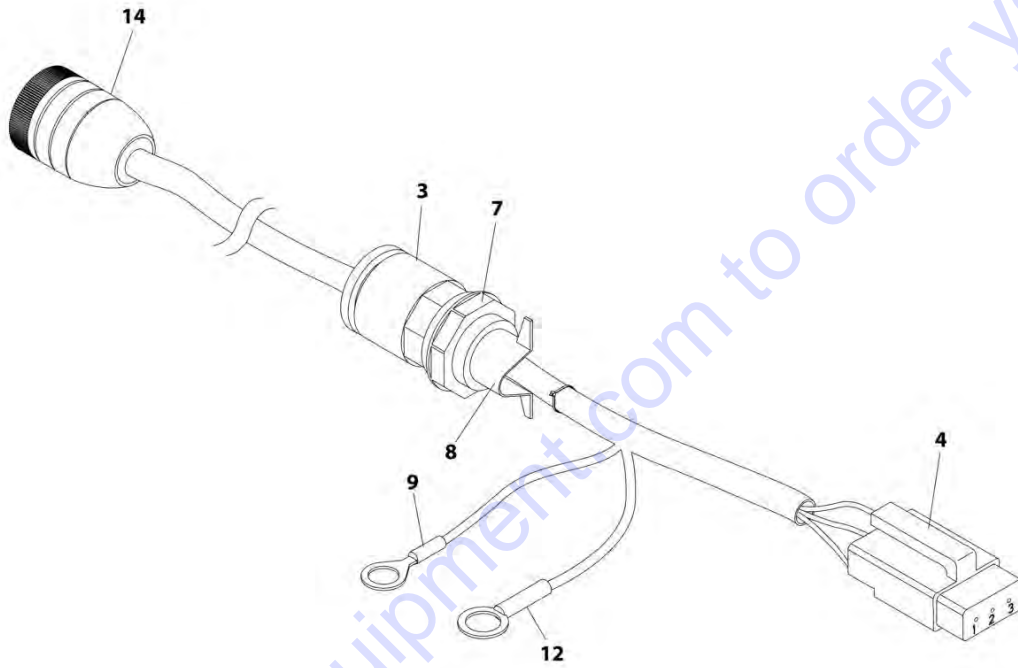
FIGURE 8-97. STROBE LIGHT HARNESS (AMBER)

ITEM	PART NUMBER	QTY	DESCRIPTION	REV
	1001149818	Ref	STROBE LIGHT HARNESS (AMBER)	D
1	4460320	1	Plug, Male - 2 Position	
1	4460267	2	Pin, Male	
2	4460897	1	Connector - 2 Position	
2	4460464	1	Pin, Male	

Go to Discount-Equipment.com to order your parts

SECTION 8 - ELECTRICAL

FIGURE 8-98. TILT SENSOR HARNESS (LEFT)



ART_4922948

SECTION 8 - ELECTRICAL

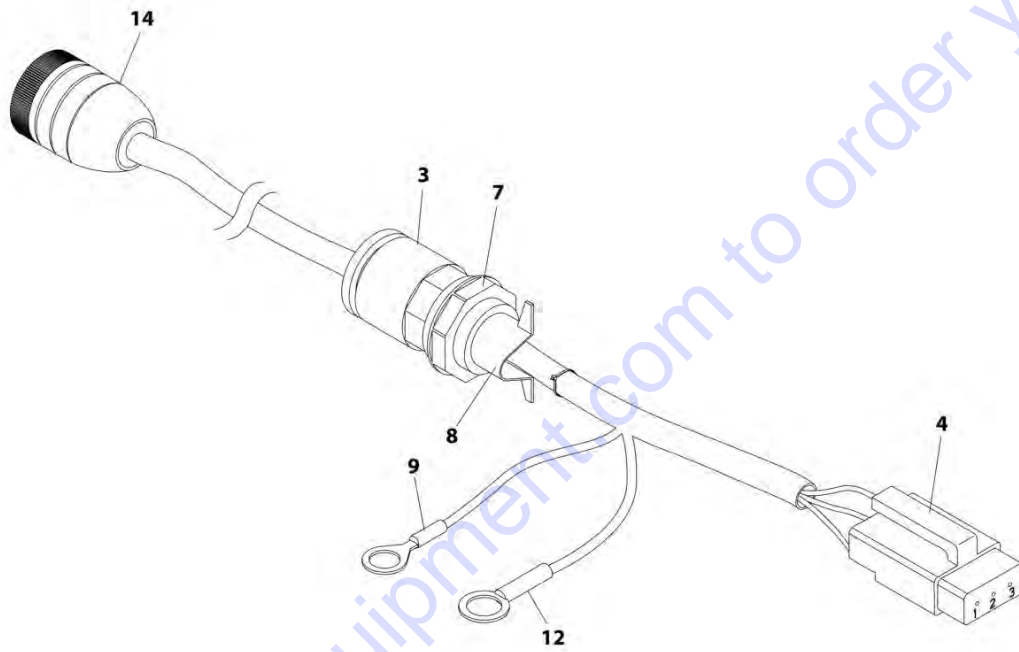
FIGURE 8-98. TILT SENSOR HARNESS (LEFT)

ITEM	PART NUMBER	QTY	DESCRIPTION	REV
	4922948	Ref	TILT SENSOR HARNESS (LEFT)	E
3	1560011	1	Connector, Conduit	
4	4460911	1	Connector - 3 Position	
4	4460912	1	Lock, Wedge	
4	4460918	3	Pin, Male	
7	1560012	1	Nut, Conduit	
8	1320309	1	Clamp, Cable	
9	4460702	1	Terminal, Eyelet	
10	4240032	2	Tie-Strap (Not Shown)	
12	4460256	1	Terminal, Eyelet	
14	4461013	1	Connector - 6 Position	

Go to Discount-Equipment.com to order your parts

SECTION 8 - ELECTRICAL

FIGURE 8-99. TILT SENSOR HARNESS (RIGHT)



ART_4922947

SECTION 8 - ELECTRICAL

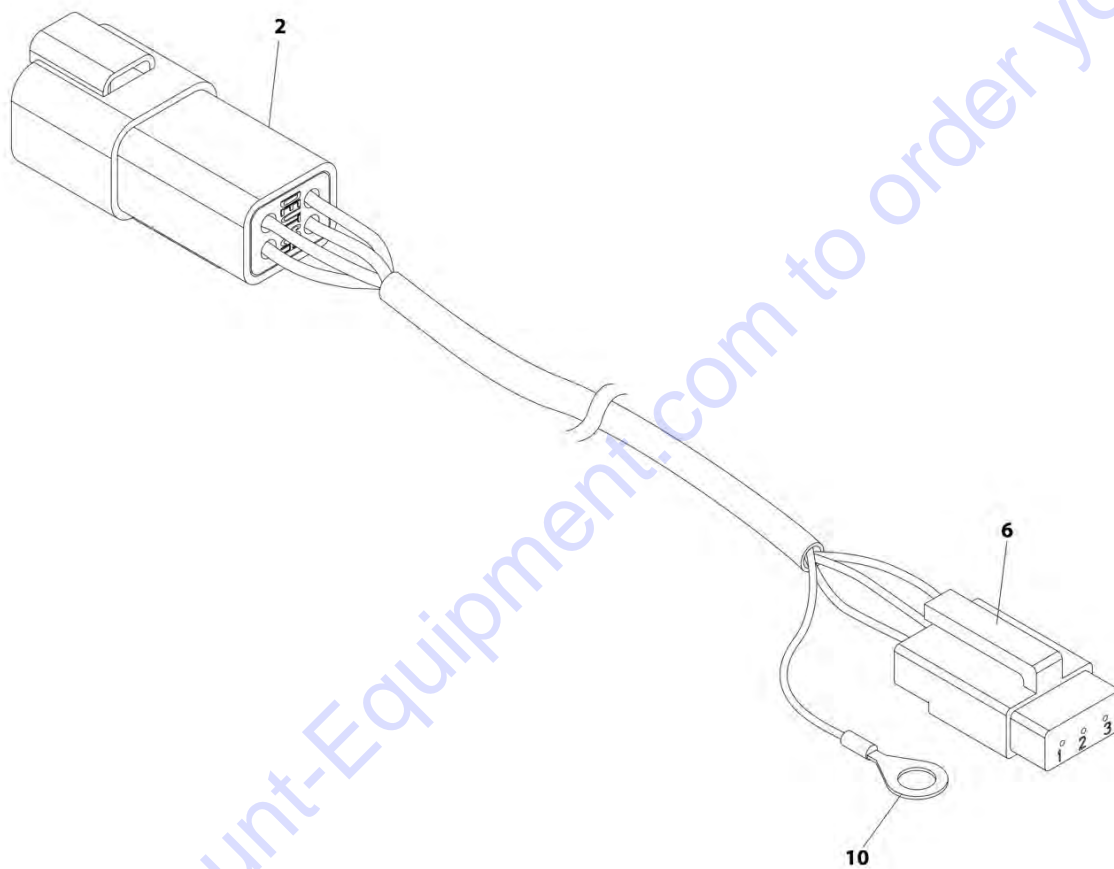
FIGURE 8-99. TILT SENSOR HARNESS (RIGHT)

ITEM	PART NUMBER	QTY	DESCRIPTION	REV
	4922947	Ref	TILT SENSOR HARNESS (RIGHT)	E
3	1560011	1	Connector, Conduit	
4	4460911	1	Connector - 3 Position	
4	4460912	1	Lock, Wedge	
4	4460918	3	Pin, Male	
7	1560012	1	Nut, Conduit	
8	1320309	1	Clamp, Cable	
9	4460702	1	Terminal, Eyelet	
10	4240032	2	Tie-Strap (Not Shown)	
12	4460256	1	Terminal, Eyelet	
14	4461013	1	Connector - 6 Position	

Go to Discount-Equipment.com to order your parts

SECTION 8 - ELECTRICAL

FIGURE 8-100. TOWER BOOM ANGLE SENSOR HARNESS (LEFT)



ART_4922951

SECTION 8 - ELECTRICAL

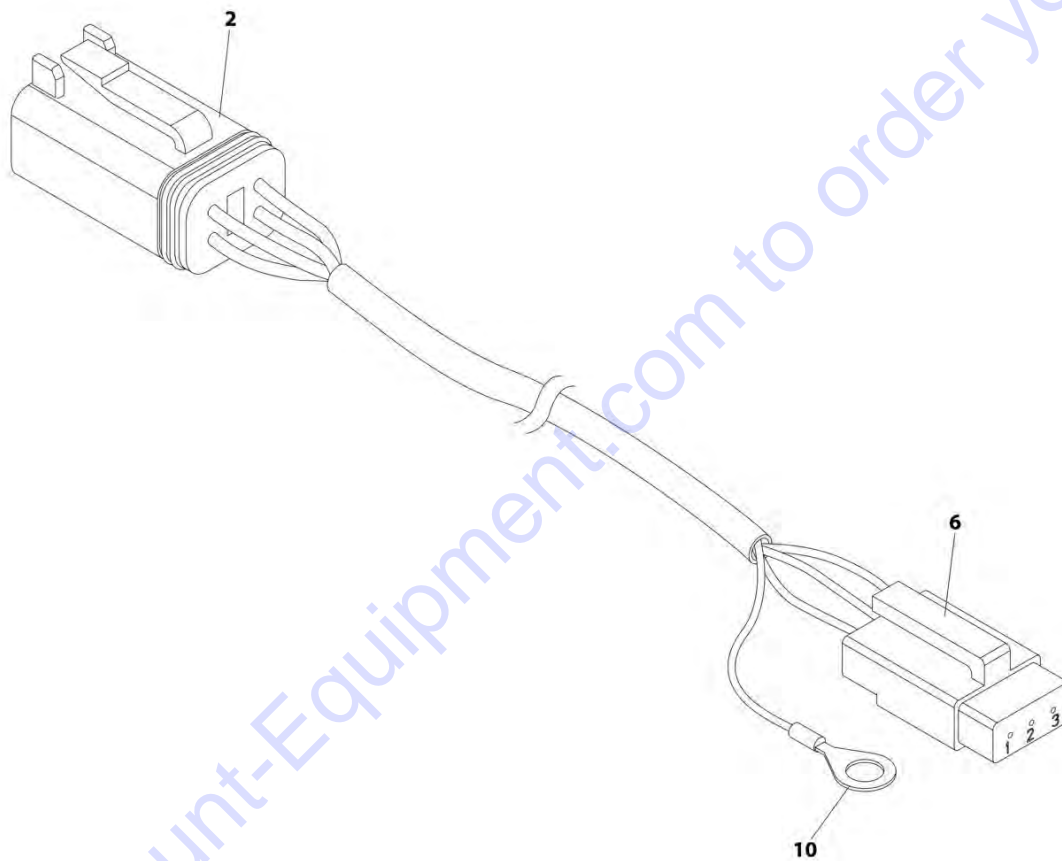
FIGURE 8-100. TOWER BOOM ANGLE SENSOR HARNESS (LEFT)

ITEM	PART NUMBER	QTY	DESCRIPTION	REV
	4922951	Ref	TOWER BOOM ANGLE SENSOR HARNESS (LEFT)	E
2	4460932	1	Connector - 4 Position	
2	4460943	4	Pin, Male (Gold)	
6	4460911	1	Connector - 3 Position	
6	4460918	3	Socket, Female	
6	4460912	1	Lock, Wedge - Position	
10	4460722	1	Terminal, Eyelet	

Go to Discount-Equipment.com to order your parts

SECTION 8 - ELECTRICAL

FIGURE 8-101. TOWER BOOM ANGLE SENSOR HARNESS (RIGHT)



ART_4922950

SECTION 8 - ELECTRICAL

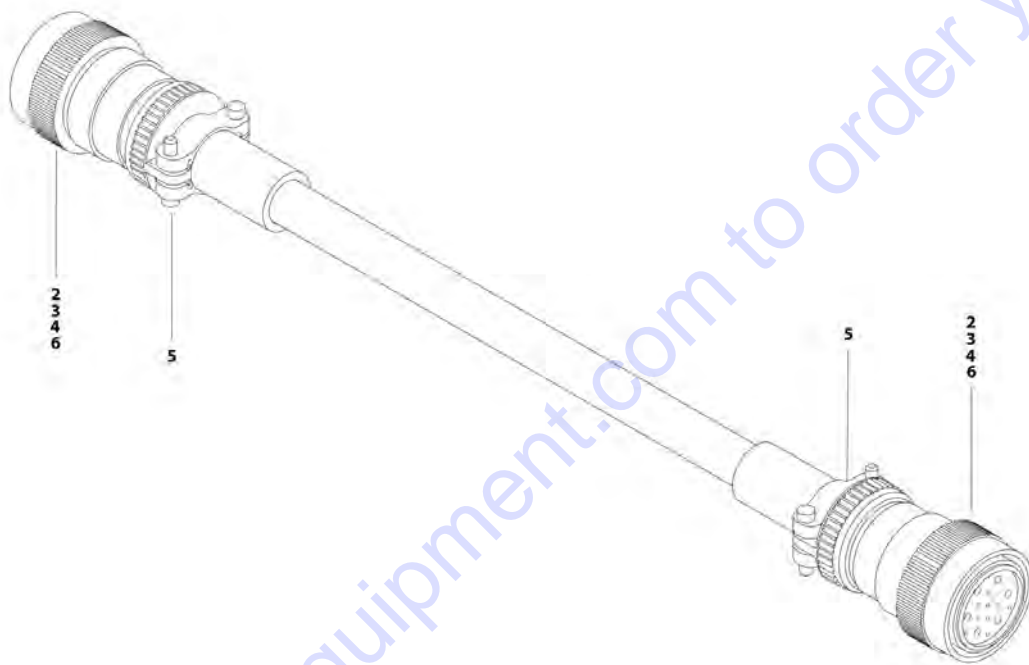
FIGURE 8-101. TOWER BOOM ANGLE SENSOR HARNESS (RIGHT)

ITEM	PART NUMBER	QTY	DESCRIPTION	REV
	4922950	Ref	TOWER BOOM ANGLE SENSOR HARNESS (RIGHT)	D
2	4460884	1	Connector - 4 Position	
2	4460944	4	Socket, Female (Gold)	
6	4460911	1	Connector - 3 Position	
6	4460918	3	Socket, Female	
6	4460912	1	Lock, Wedge - Position	
10	4460722	1	Terminal, Eyelet	

Go to Discount-Equipment.com to order your parts

SECTION 8 - ELECTRICAL

FIGURE 8-102. TOWER BOOM CONTROL CABLE HARNESS



ART 4922956

SECTION 8 - ELECTRICAL

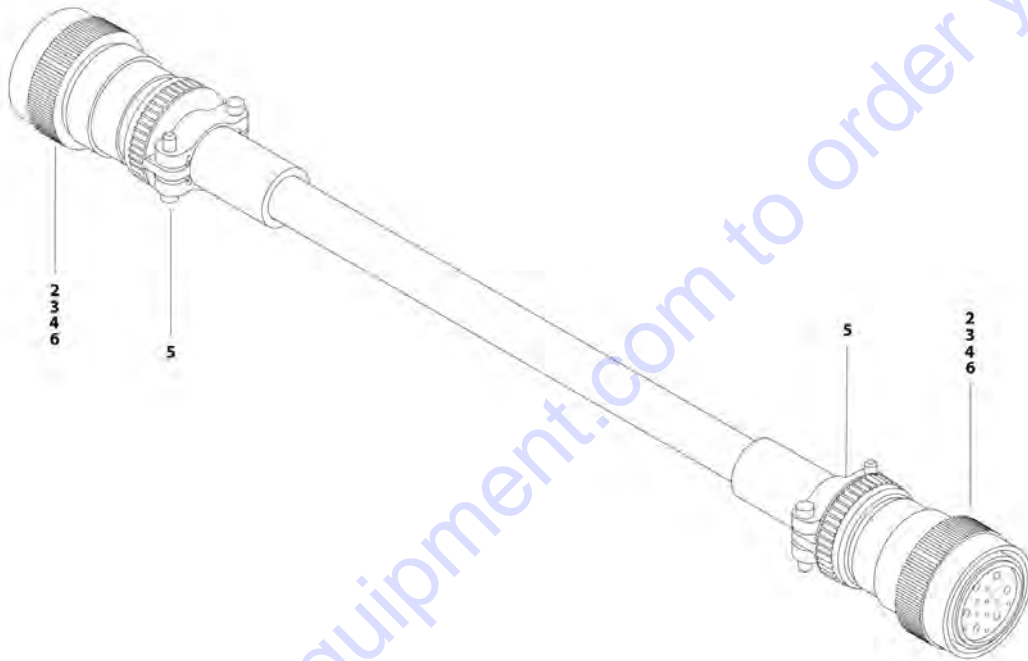
FIGURE 8-102. TOWER BOOM CONTROL CABLE HARNESS

ITEM	PART NUMBER	QTY	DESCRIPTION	REV
	4922956	Ref	TOWER BOOM CONTROL CABLE HARNESS	E
2	4460465	11	Socket, Female	
3	4460865	2	Connector - 19 Position	
4	4460509	4	Socket, Female	
5	4460473	2	Clamp	
6	4460466	4	Plug, Socket	

Go to Discount-Equipment.com to order your parts

SECTION 8 - ELECTRICAL

FIGURE 8-103. TOWER BOOM FLY TO GROUND CONTROL BOX HARNESS



ART_4922958

SECTION 8 - ELECTRICAL

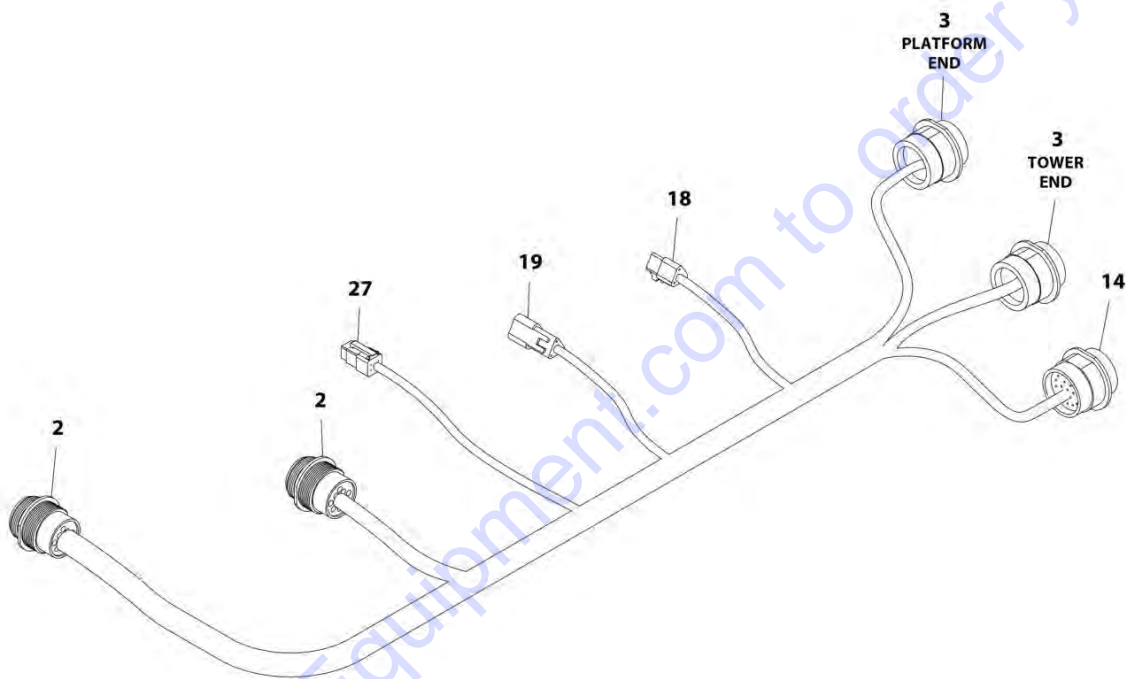
FIGURE 8-103. TOWER BOOM FLY TO GROUND CONTROL BOX HARNESS

ITEM	PART NUMBER	QTY	DESCRIPTION	REV
	4922958	Ref	TOWER BOOM FLY TO GROUND CONTROL BOX HARNESS	D
2	4460465	22	Socket, Female	
3	4461003	2	Connector - 21 Position	
4	4460509	8	Socket, Female	
5	4460473	2	Clamp, Cable	
6	4460466	12	Seal, Plug	

Go to Discount-Equipment.com to order your parts

SECTION 8 - ELECTRICAL

FIGURE 8-104. TOWER BOOM FLY TO MAIN BOOM BASE HARNESS



ART_4923373

SECTION 8 - ELECTRICAL

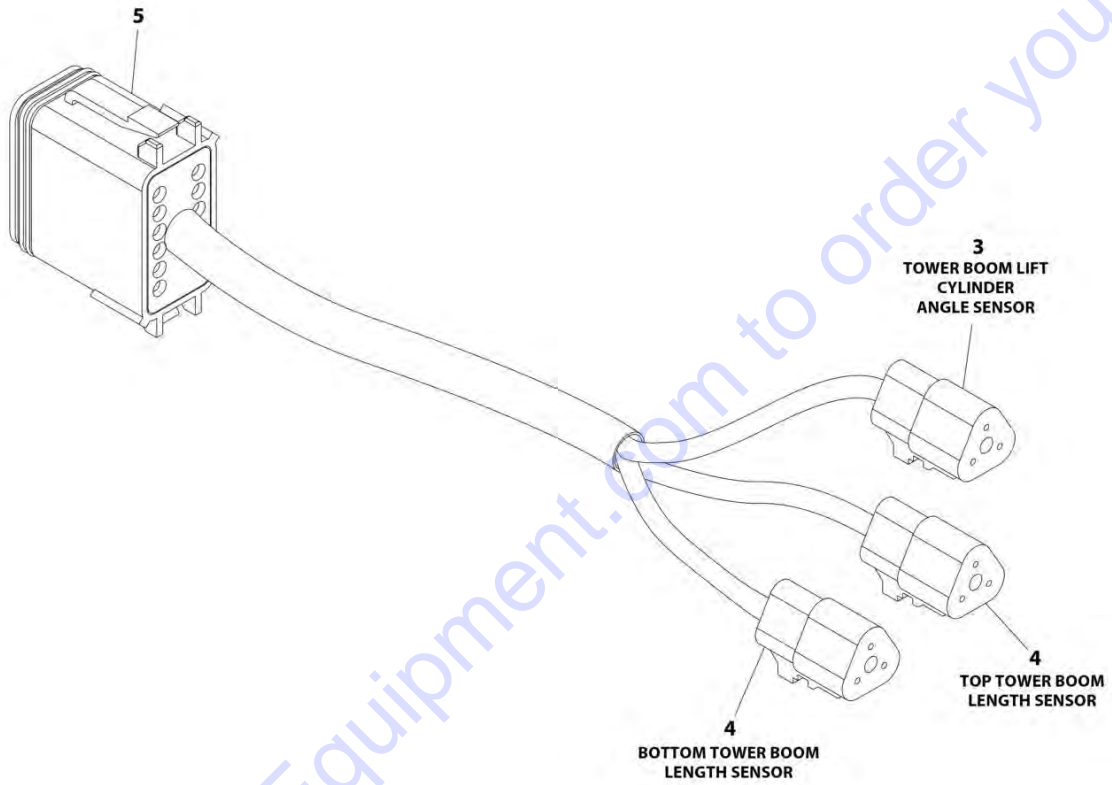
FIGURE 8-104. TOWER BOOM FLY TO MAIN BOOM BASE HARNESS

ITEM	PART NUMBER	QTY	DESCRIPTION	REV
	4923373	Ref	TOWER BOOM FLY TO MAIN BOOM BASE HARNESS	B
2	4461009	2	Connector - 5 Position	
3	4460866	2	Connector - 19 Position	
3	4460465	24	Socket, Female	
3	4460509	8	Socket, Female	
3	4460943	9	Pin, Male (Gold)	
3	4460466	17	Seal, Plug	
14	4460613	1	Connector - 21 Position	
14	4460464	8	Pin, Male	
14	4460508	5	Pin, Male	
18	4460539	1	Connector - 3 Position	
18	4460944	3	Socket, Female (Gold)	
19	4460536	1	Connector - 3 Position	
19	4460943	3	Pin, Male (Gold)	
27	4461077	1	Plug, Male	
27	4460918	4	Socket, Female (Gold)	

Go to Discount-Equipment.com to order your parts

SECTION 8 - ELECTRICAL

FIGURE 8-105. TOWER BOOM LENGTH SENSORS HARNESS



ART_4922949

SECTION 8 - ELECTRICAL

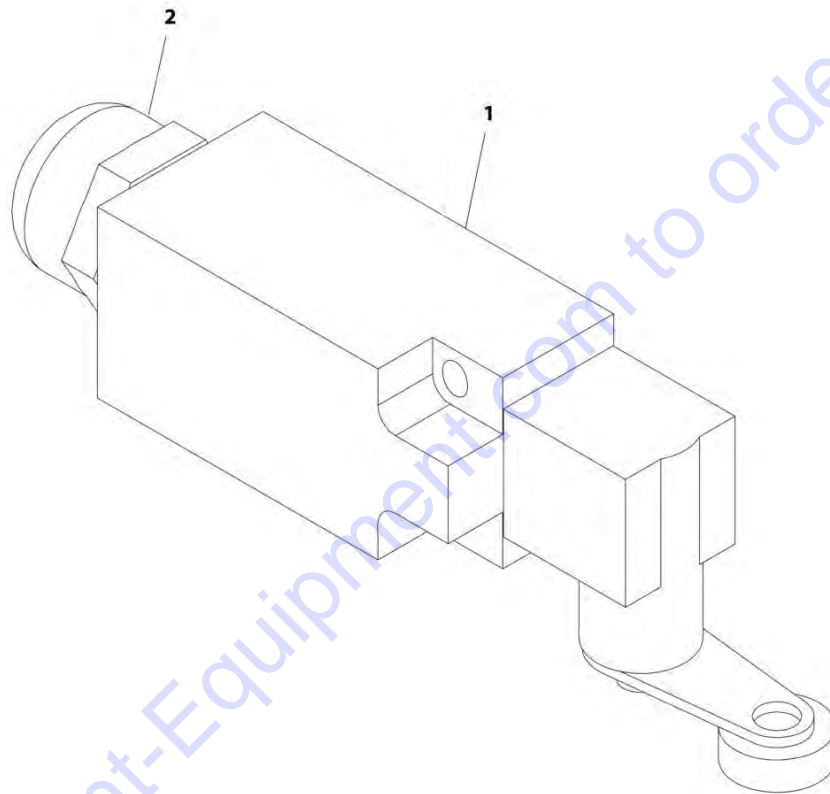
FIGURE 8-105. TOWER BOOM LENGTH SENSORS HARNESS

ITEM	PART NUMBER	QTY	DESCRIPTION	REV
	4922949	Ref	TOWER BOOM LENGTH SENSORS HARNESS	B
3	4460539	1	Connector - 3 Position	
3	4460943	3	Pin, Male (Gold)	
4	4460539	2	Connector - 3 Position	
4	4460944	6	Socket, Female (Gold)	
5	4460934	1	Connector - 12 Position	
5	4460944	11	Socket, Female (Gold)	
5	4460466	1	Plug	

Go to Discount-Equipment.com to order your parts

SECTION 8 - ELECTRICAL

FIGURE 8-106. TOWER BOOM TRANSPORT LENGTH SWITCH HARNESS



ART_4923169

SECTION 8 - ELECTRICAL

FIGURE 8-106. TOWER BOOM TRANSPORT LENGTH SWITCH HARNESS

ITEM	PART NUMBER	QTY	DESCRIPTION	REV
	4923169	Ref	TOWER BOOM TRANSPORT LENGTH SWITCH HARNESS	A
1	4360579	1	Switch, Limit	
2	4460968	1	Connector, Strain Relief	

Go to Discount-Equipment.com to order your parts

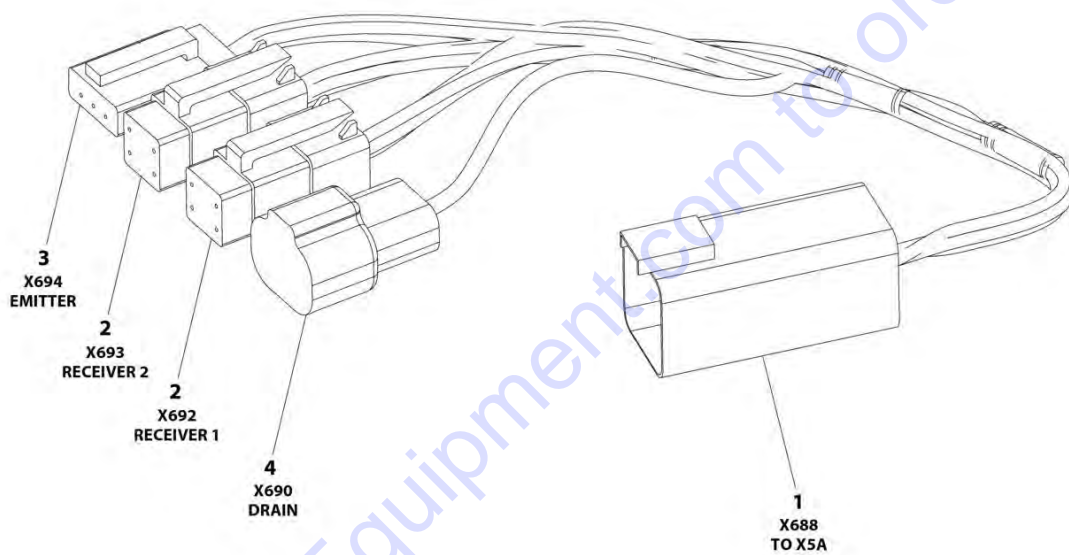
SECTION 8 - ELECTRICAL

FIGURE 8-107. ELECTRICAL DIAGRAM LIST

ITEM	PART NUMBER	QTY	DESCRIPTION	REV
		Ref	Note: Diagrams not shown are available from Discount-equipment.com. Schematics shown in the Service and Maintenance Manual.	
		Ref	ELECTRICAL DIAGRAM LIST	
	1001119861	Ref	Electrical Schematic	
	4933278	Ref	Wiring Diagram - EIM Load Cell to Platform Console Box Wiring	
	1001119567	Ref	Wiring Diagram - Ground Control Box	
	1001162901	Ref	Wiring Diagram - 4000W Generator 50Hz (ANSI Export Specs) (SN 0300201017 through 0300205137)	
	1001195793	Ref	Wiring Diagram - 4000W Generator 50Hz (ANSI Export Specs) (SN 0300205138 to Present)	
	1001162901	Ref	Wiring Diagram - 4000W Generator 50Hz (CE Specs)	
	1001162899	Ref	Wiring Diagram - 4000W Generator 50Hz (Australian Specs)	
	1001162900	Ref	Wiring Diagram - 4000W Generator 50Hz (CE Specs)	
	0274670	Ref	Wiring Harness Installation	
	4933218	Ref	Wiring Diagram - Soft Touch	

SECTION 8 - ELECTRICAL

FIGURE 8-108. SKYEYE INTERMEDIATE HARNESS



ART_1001237865

SECTION 8 - ELECTRICAL

FIGURE 8-108. SKYEYE INTERMEDIATE HARNESS

ITEM	PART NUMBER	QTY	DESCRIPTION	REV
	1001237865	Ref	SKYEYE INTERMEDIATE HARNESS	A
1	4460899	1	Connector - 6 Position	
1	4460943	4	Pin, Male	
1	4460466	2	Plug, Terminal	
2	4461077	2	Connector - 4 Position	
2	1001119619	8	Socket, Female	
3	4460911	1	Connector - 3 Position	
3	1001119619	3	Socket, Female	
4	1001187681	1	Connector - 2 Position	
4	4460941	1	Pin, Male	
4	4460466	1	Plug, Terminal	

Go to Discount-Equipment.com to order your parts

PARTS FINDER

**Search Website
by Part Number**



**Search Manual
Library For Parts
Manual & Lookup Part
Numbers – Purchase
or Request Quote**

**Can't Find Part or
Manual? Request Help
by Manufacturer,
Model & Description**

Discount-Equipment.com is your online resource for quality parts & equipment.

Florida: **561-964-4949** Outside Florida TOLL FREE: **877-690-3101**

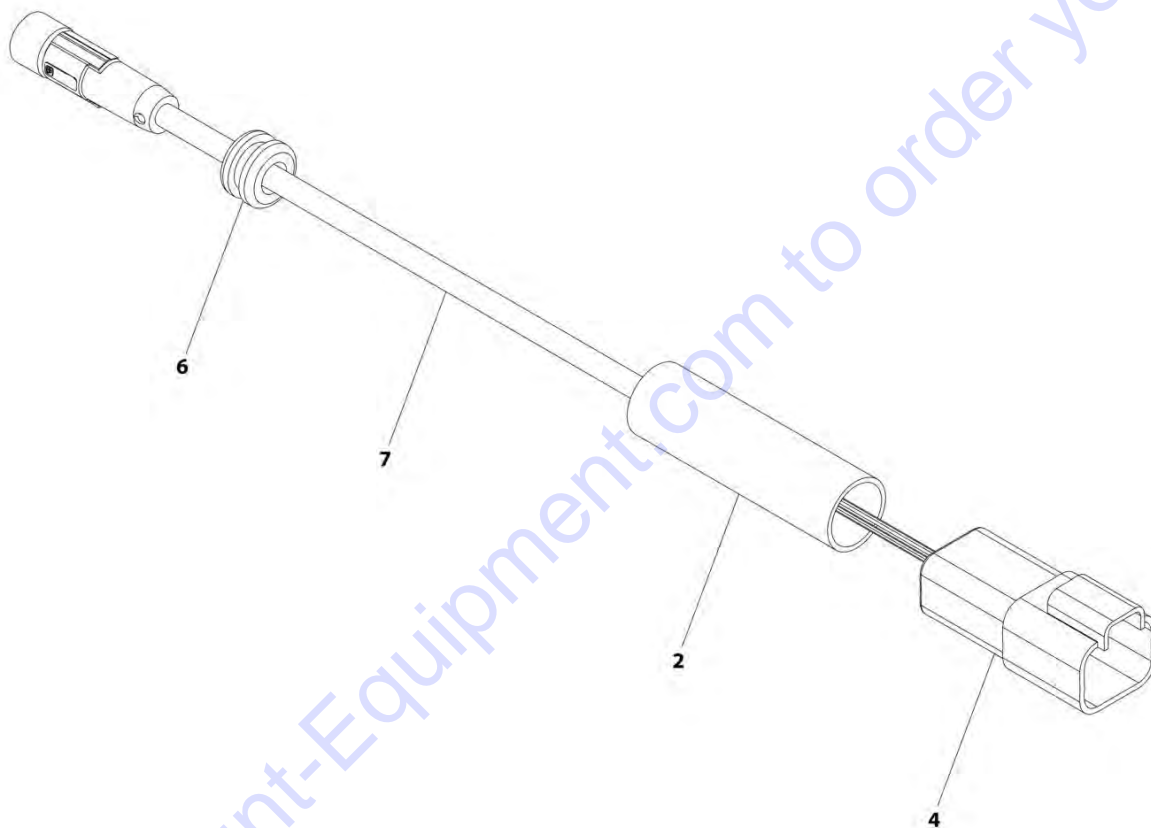
Need parts?

Click on this link: <http://www.discount-equipment.com/category/5443-parts/> and choose one of the options to help get the right parts and equipment you are looking for. Please have the machine model and serial number available in order to help us get you the correct parts. If you don't find the part on the website or on one of the online manuals, please fill out the request form and one of our experienced staff members will get back to you with a quote for the right part that your machine needs.

We sell worldwide for the brands: Genie, Terex, JLG, MultiQuip, Mikasa, Essick, Whiteman, Mayco, Toro Stone, Diamond Products, Generac Magnum, Airman, Haulotte, Barreto, Power Blanket, Nifty Lift, Atlas Copco, Chicago Pneumatic, Allmand, Miller Curber, Skyjack, Lull, Skytrak, Tsurumi, Husquvarna Target, Stow, Wacker, Sakai, Mi-T-M, Sullair, Basic, Dynapac, MBW, Weber, Bartell, Bennar Newman, Haulotte, Ditch Runner, Menegotti, Morrison, Contec, Buddy, Crown, Edco, Wyco, Bomag, Laymor, EZ Trench, Bil-Jax, F.S. Curtis, Gehl Pavers, Heli, Honda, ICS/PowerGrit, IHI, Partner, Imer, Clipper, MMD, Koshin, Rice, CH&E, General Equipment, Amida, Coleman, NAC, Gradall, Square Shooter, Kent, Stanley, Tamco, Toku, Hatz, Kohler, Robin, Wisconsin, Northrock, Oztec, Toker TK, Rol-Air, APT, Wylie, Ingersoll Rand / Doosan, Innovatech, Con X, Ammann, Mecalac, Makinex, Smith Surface Prep, Small Line, Wanco, Yanmar

SECTION 8 - ELECTRICAL

FIGURE 8-109. SKYEYE RECEIVER HARNESS



ART_1001237863

SECTION 8 - ELECTRICAL

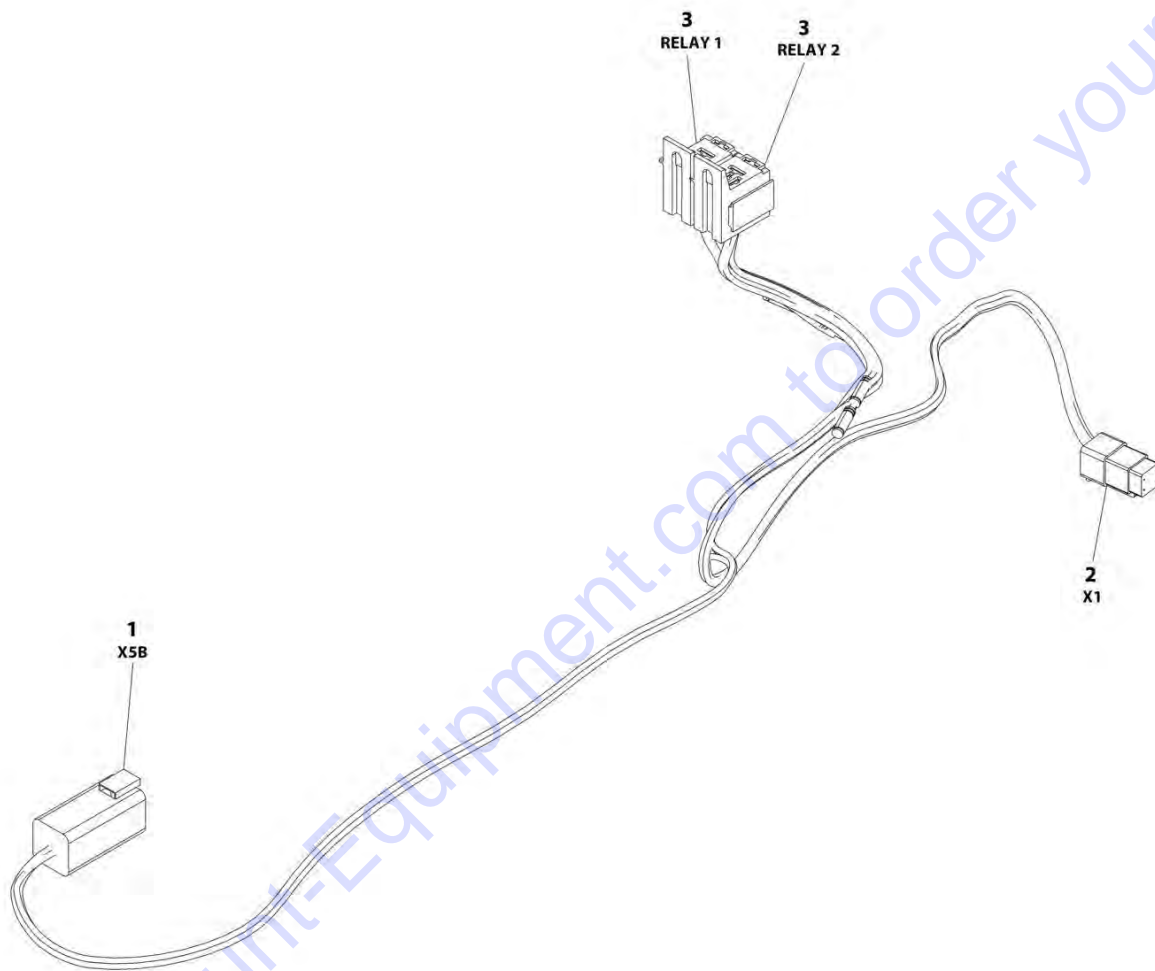
FIGURE 8-109. SKYEYE RECEIVER HARNESS

ITEM	PART NUMBER	QTY	DESCRIPTION	REV
	1001237863	Ref	SKYEYE RECEIVER HARNESS	A
2	2820247	AR	Tubing, Heat Shrink	
4	1001097051	1	Connector - 4 Position	
4	1001119620	4	Pin, Male	
6	1001227996	1	Grommet	
7	1001237862	1	Cable, M8 Female Cordset	

Go to Discount-Equipment.com to order your parts

SECTION 8 - ELECTRICAL

FIGURE 8-110. SKYLINE HARNESS



ART_1001238418

SECTION 8 - ELECTRICAL

FIGURE 8-110. SKYLINE HARNESS

ITEM	PART NUMBER	QTY	DESCRIPTION	REV
	1001238418	Ref	SKYLINE HARNESS	A
1	4460899	1	Connector - 6 Position	
1	4460464	4	Pin, Male	
1	4460466	2	Plug, Terminal	
2	4461077	1	Connector - 4 Position	
2	1001126009	4	Socket, Female	
3	1001186432	2	Plug, Relay	
3	1001118388	5	Terminal	
3	1001118384	3	Terminal	
3	3740086	2	Relay	
3	3990013	2	Diode	

Go to Discount-Equipment.com to order your parts

SECTION 9 - DECALS

Go to Discount-Equipment.com to order your parts

SECTION 9 - DECALS

FIGURE 9-1. DECAL INSTALLATION - ANSI SPEC

ITEM	PART NUMBER	QTY	DESCRIPTION	REV
	0274722	Ref	DECAL INSTALLATION - ANSI SPEC	H
2	1701499	4	Decal - No Lift	
5	1701509	1	Decal - Manual	
6	1701529	2	Decal - Arrow	
7	1703811	4	Decal - Tie Down/Lift	
8	1703814	AR	Decal - Tie Down	
9	1704277	4	Decal - Attach Lanyard Here	
10	1704412	1	Decal - Hydraulic Oil Chart	
12	1705514	1	Decal - CSA (SN 0300222912 to Present)	
13	3251243	1	Nameplate - 120V-60Hz	
15	1705337	1	Decal - Tip Over (SN 0300201017 through 0300241306)	
18	1703953	AR	Decal - Warning/Crushing	
19	1702868	2	Decal - No Hands	
20	1703797	1	Decal - Danger/Warning (Platform) (SN 0300201017 through 0300241306)	
20	1001231315	1	Decal - Danger/Warning (Platform) (SN 0300241307 to Present)	
21	1705336	1	Decal - Danger/Warning (Ground Control)	
22	1703804	AR	Decal - Warning Crushing	
23	1703805	5	Decal - Danger/Electrocution	
24	3252347	1	Decal - Footswitch	
25		Ref	Decal - USA (See DECAL INSTALLATION - OPTIONS)	
26	1705492	AR	Decal - Tip Over Hazard	
27	See Note	1	Decal - Bar Code (Note: Not Available for Purchase)	
28	1001122369	2	Decal - Capacity (Platform)	
29	1001122376	1	Decal - Capacity (Ground Control)	
30	1001131269	1	Decal - Patent	
31	1706751	1	Decal - Legend (Platform)	
32	1705868	1	Decal - Legend (Ground Control)	
33	1705351	1	Decal - Drive/Steer Instructions	
34	1701505	2	Decal - Fuel	
35	1704972	1	Decal - Warning Explosion/Fire	
36	1705511	1	Decal - Oil Level	
37	1701501	4	Decal - Arrow	
39		Ref	Decal - Tire Load (See DECAL INSTALLATION - OPTIONS)	
40		Ref	Decal - Lift Diagram (See DECAL INSTALLATION - OPTIONS)	
41		Ref	Decal - Model 1250AJP (See DECAL INSTALLATION - OPTIONS)	
42	See Note	1	Nameplate - Serial Number (Note: Not Available for Purchase)	
43		Ref	Decal - JLG Lift (See DECAL INSTALLATION - OPTIONS)	
44		Ref	Decal - JLG (See DECAL INSTALLATION - OPTIONS)	
45		Ref	Decal - JLG (See DECAL INSTALLATION - OPTIONS)	
46		Ref	Decal - JLG (See DECAL INSTALLATION - OPTIONS)	
47		Ref	Decal - Ultra Boom (See DECAL INSTALLATION - OPTIONS)	
48	1703959	2	Decal - Quikstik	
50		Ref	Decal - Warning (Proposition 65) (California Spec Only) (See DECAL INSTALLATION - OPTIONS)	
51		Ref	Decal - Lanyard Attach (GM Spec Only) (See DECAL INSTALLATION - OPTIONS)	
52	0641406	AR	Bolt 1/4 x 3/4	
54	91403230	1	Box, Manual Storage	
56	3311405	4	Nut 1/4	

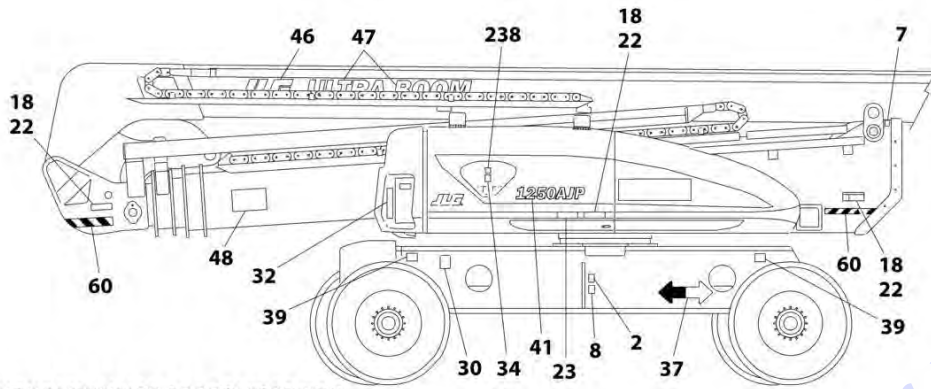
SECTION 9 - DECALS

ITEM	PART NUMBER	QTY	DESCRIPTION	REV
57	3820001	2	Rivet	
58	4751400	AR	Washer 1/4	
59	3572327	1	Plate, Decal Mount (SN 0300201017 through 0300241306)	
60		Ref	Decal - Warning Stripes (See DECAL INSTALLATION - OPTIONS)	
61	3520174	3	Plug (SN 0300241307 to Present)	
62	0100048	AR	Grease, Dielectric (SN 0300241307 to Present)	
63		Ref	Decal - Troubleshooting (See DECAL INSTALLATION - OPTIONS)	
65		Ref	Decal - MSSO (See DECAL INSTALLATION - OPTIONS) (SN 0300211945 to Present)	
67	1001223055	1	Decal - Yearly Inspection (SN 0300235503 to Present)	
68	1001223453	1	Decal - Ices (Canada) (SN 0300241341 to Present)	

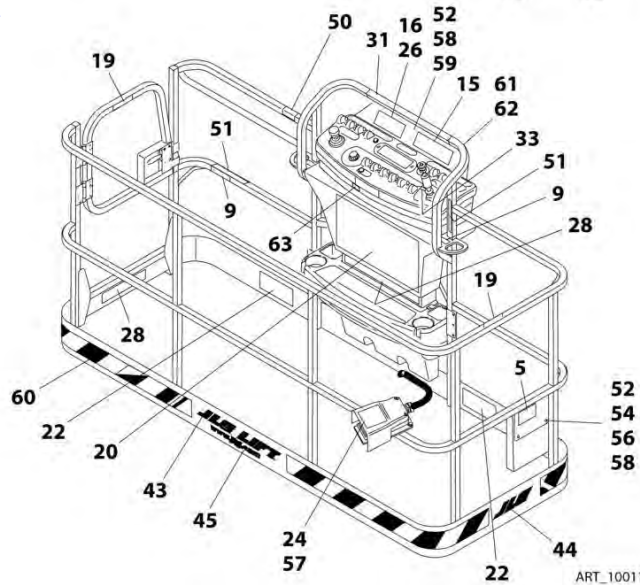
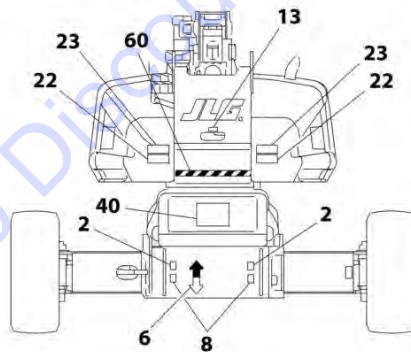
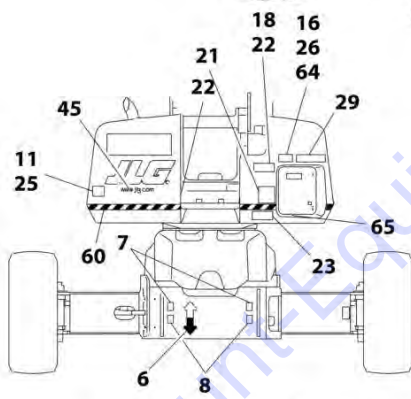
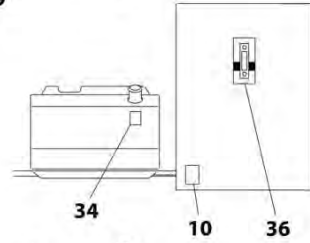
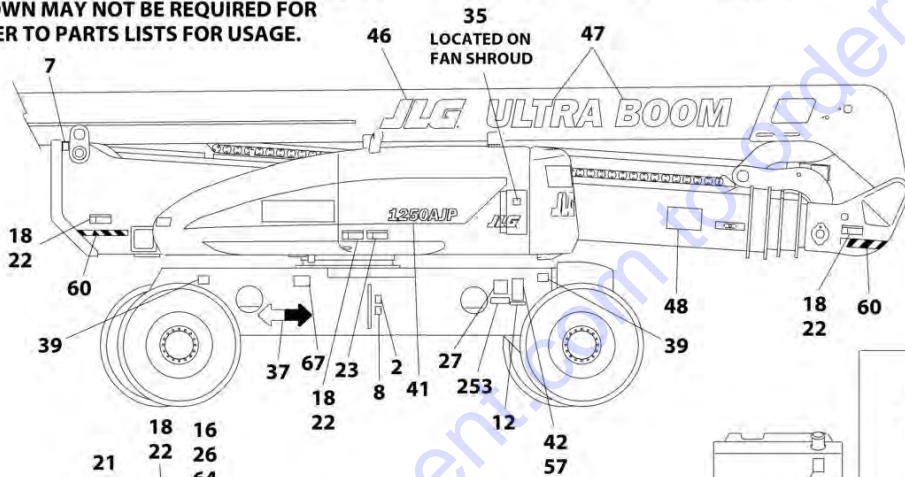
Go to Discount-Equipment.com to order your parts

SECTION 9 - DECALS

FIGURE 9-2. DECAL INSTALLATION - AUSTRALIAN SPEC



NOTE: ITEMS SHOWN MAY NOT BE REQUIRED FOR ALL SPECS. REFER TO PARTS LISTS FOR USAGE.



ART_1001114383

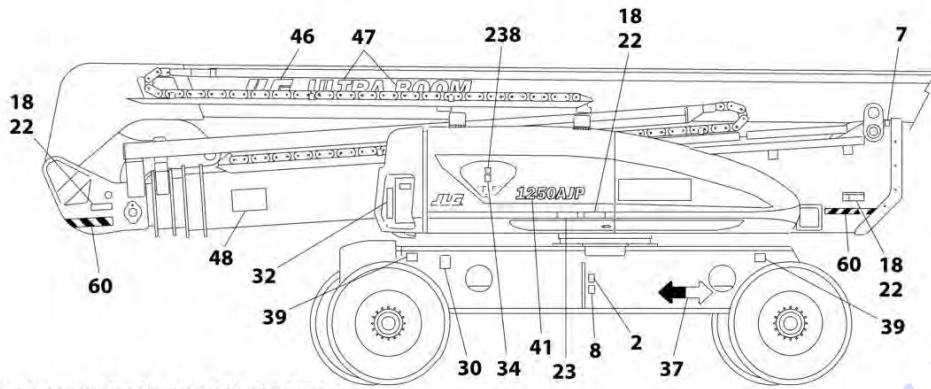
SECTION 9 - DECALS

FIGURE 9-2. DECAL INSTALLATION - AUSTRALIAN SPEC

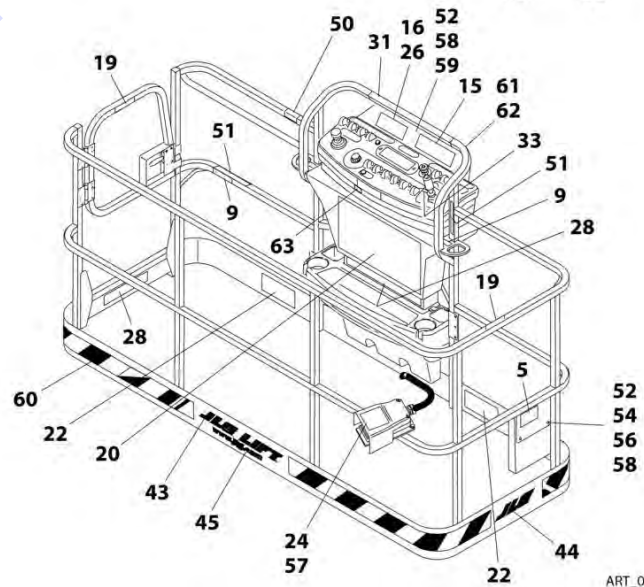
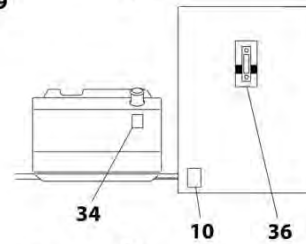
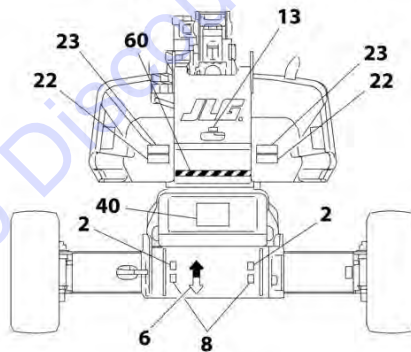
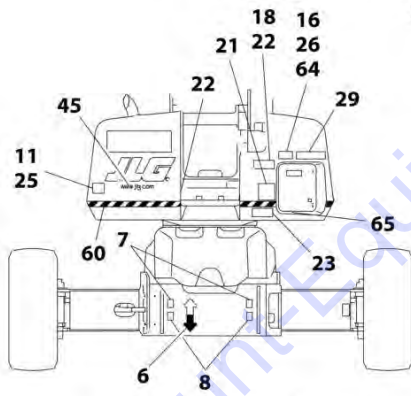
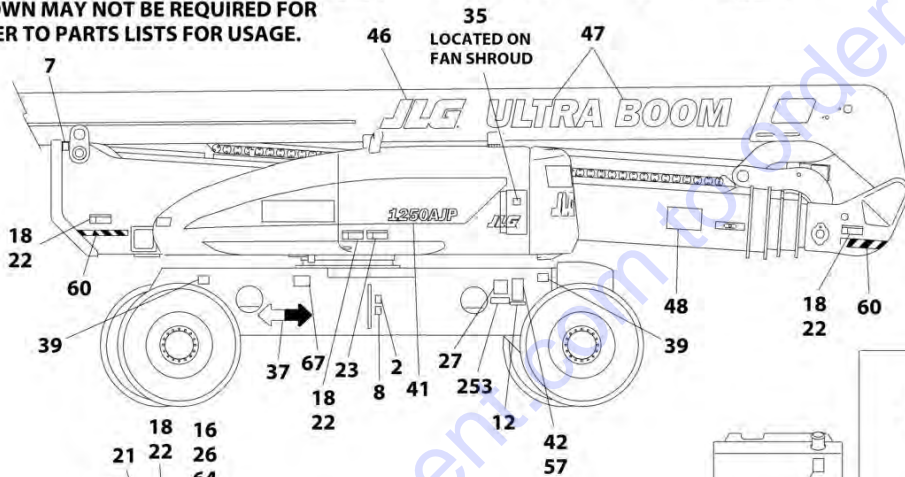
ITEM	PART NUMBER	QTY	DESCRIPTION	REV
	1001114383	Ref	DECAL INSTALLATION - AUSTRALIAN SPEC	E
2	1701499	4	Decal - No Lift	
5	1701509	1	Decal - Manual	
6	1701529	2	Decal - Arrow	
7	1703811	4	Decal - Tie Down/Lift	
8	1703814	6	Decal - Tie Down	
9	1704277	4	Decal - Attach Lanyard Here	
10	1704412	1	Decal - Hydraulic Oil Chart	
11		Ref	Decal - Sound Power Level (See DECAL INSTALLATION - OPTIONS)	
20	1705921	1	Decal - Tipping/Electrical (Platform)	
21	1705822	1	Decal - Danger/Warning (Ground Control)	
22	1701518	10	Decal - Warning Crushing	
23	1705961	5	Decal - Danger/Electrocution	
24	1705828	1	Decal - Footswitch	
27	See Note	1	Decal - Bar Code (Note: Not Available for Purchase)	
28	1706770	1	Decal - Capacity (Platform)	
29	1705468	1	Decal - Capacity (Ground Control)	
34	1701505	2	Decal - Fuel	
35	1706098	1	Decal - Warning Explosion/Fire	
36	1705511	1	Decal - Oil Level	
37	1701501	4	Decal - Arrow	
39		Ref	Decal - Tire Load (See DECAL INSTALLATION - OPTIONS)	
40		Ref	Decal - Lift Diagram (See DECAL INSTALLATION - OPTIONS)	
41		Ref	Decal - 1250AJP Model Designation (See DECAL INSTALLATION - OPTIONS)	
42	See Note	1	Nameplate - Serial Number (Note: Not Available for Purchase)	
43		Ref	Decal - JLG Lift (See DECAL INSTALLATION - OPTIONS)	
44		Ref	Decal - JLG (See DECAL INSTALLATION - OPTIONS)	
45		Ref	Decal - JLG (See DECAL INSTALLATION - OPTIONS)	
46		Ref	Decal - JLG (See DECAL INSTALLATION - OPTIONS)	
47		Ref	Decal - Ultra Boom (See DECAL INSTALLATION - OPTIONS)	
48		Ref	Decal - Quikstik (See DECAL INSTALLATION - OPTIONS)	
50		Ref	Decal - Warning (Proposition 65) (See DECAL INSTALLATION - OPTIONS)	
51		Ref	Decal - Lanyard Attach (GM Spec Only) (See DECAL INSTALLATION - OPTIONS)	
52	0641406	4	Bolt 1/4 x 3/4	
54	91403230	1	Box, Manual Storage	
56	3311405	4	Nut 1/4	
57	3820001	6	Rivet	
58	4751400	4	Washer 1/4	
60		Ref	Decal - Warning Stripes (See DECAL INSTALLATION - OPTIONS)	
61	3520174	3	Plug	
62	0100048	AR	Grease, Dielectric	
63		Ref	Decal - Troubleshooting (See DECAL INSTALLATION - OPTIONS)	
64	1001112551	1	Decal - Emergency Controls	
65		Ref	Decal - MSSO (See DECAL INSTALLATION - OPTIONS) (SN 0300211945 to Present)	

SECTION 9 - DECALS

FIGURE 9-3. DECAL INSTALLATION - BRAZIL SPEC (PORTUGUESE/ENGLISH)



NOTE: ITEMS SHOWN MAY NOT BE REQUIRED FOR ALL SPECS. REFER TO PARTS LISTS FOR USAGE.



ART_0274725

SECTION 9 - DECALS

FIGURE 9-3. DECAL INSTALLATION - BRAZIL SPEC (PORTUGUESE/ENGLISH)

ITEM	PART NUMBER	QTY	DESCRIPTION	REV
	0274725	Ref	DECAL INSTALLATION - BRAZIL SPEC (PORTUGUESE/ENGLISH)	F
2	1701499	4	Decal - No Lift	
5	1701509	1	Decal - Manual	
6	1701529	2	Decal - Arrow	
7	1703811	4	Decal - Tie Down/Lift	
8	1703814	6	Decal - Tie Down	
9	1704277	4	Decal - Attach Lanyard Here	
10	1704412	1	Decal - Hydraulic Oil Chart	
13	3251243	1	Nameplate - 120V-60Hz	
15	1705904	1	Decal - Tip Over (SN 0300201017 through 0300241306)	
16	1705906	AR	Decal - Tip Over Hazard	
18	1705903	AR	Decal - Warning/Crushing	
19	1705967	2	Decal - No Hands	
20	1705895	1	Decal - Danger/Warning (Platform) (SN 0300201017 through 0300241306)	
20	1001231319	1	Decal - Danger/Warning (Platform) (SN 0300241307 to Present)	
21	1705896	1	Decal - Danger/Warning (Ground Control)	
22	1705898	AR	Decal - Warning Crushing	
23	1705897	5	Decal - Danger/Electrocution	
24	1705902	1	Decal - Footswitch	
25		Ref	Decal - USA (See DECAL INSTALLATION - OPTIONS)	
27	See Note	1	Decal - Bar Code (Note: Not Available for Purchase)	
28	1001122372	2	Decal - Capacity (Platform)	
29	1001122379	1	Decal - Capacity (Ground Control)	
31	1706751	1	Decal - Legend (Platform)	
32	1705868	1	Decal - Legend (Ground Controls)	
33	1705905	1	Decal - Drive/Steer Instructions	
34	1701505	2	Decal - Fuel	
35	1706059	1	Decal - Warning Explosion/Fire	
36	1705511	1	Decal - Oil Level	
37	1701501	4	Decal - Arrow	
39		Ref	Decal - Tire Load (See DECAL INSTALLATION - OPTIONS)	
40		Ref	Decal - Lift Diagram (See DECAL INSTALLATION - OPTIONS)	
41		Ref	Decal - 1250AJP Model Designation (See DECAL INSTALLATION - OPTIONS)	
42	See Note	1	Nameplate - Serial Number (Note: Not Available for Purchase)	
43		Ref	Decal - JLG Lift (See DECAL INSTALLATION - OPTIONS)	
44		Ref	Decal - JLG (See DECAL INSTALLATION - OPTIONS)	
45		Ref	Decal - JLG (See DECAL INSTALLATION - OPTIONS)	
46		Ref	Decal - JLG (See DECAL INSTALLATION - OPTIONS)	
47		Ref	Decal - Ultra Boom (See DECAL INSTALLATION - OPTIONS)	
48		Ref	Decal - Quikstik (See DECAL INSTALLATION - OPTIONS)	
50		Ref	Decal - Warning (Proposition 65) (See DECAL INSTALLATION - OPTIONS)	
51		Ref	Decal - Lanyard Attach (GM Spec Only) (See DECAL INSTALLATION - OPTIONS)	
52	0641406	AR	Bolt 1/4 x 3/4	
54	91403230	1	Box, Manual Storage	
56	3311405	4	Nut 1/4	
57	3820001	2	Rivet	

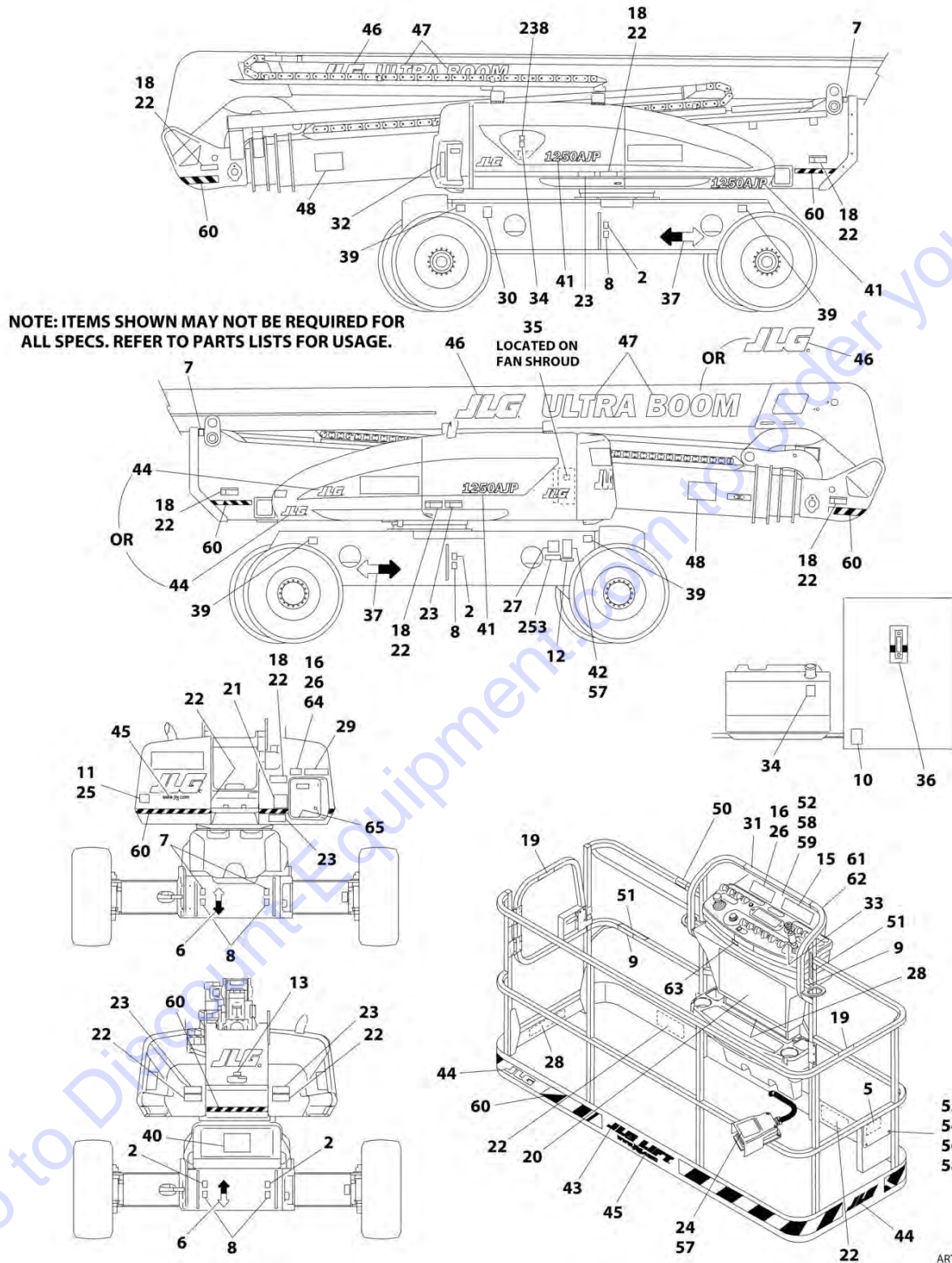
SECTION 9 - DECALS

ITEM	PART NUMBER	QTY	DESCRIPTION	REV
58	4751400	AR	Washer 1/4	
59	3572327	1	Plate, Decal Mount (SN 0300201017 through 0300241306)	
60		Ref	Decal - Warning Stripes (See DECAL INSTALLATION - OPTIONS)	
63		Ref	Decal - Troubleshooting (See DECAL INSTALLATION - OPTIONS)	
65		Ref	Decal - MSSO (See DECAL INSTALLATION - OPTIONS) (SN 0300211945 to Present)	
67	1001224052	1	Decal - Yearly Inspection (SN 0300235503 to Present)	

Go to Discount-Equipment.com to order your parts

SECTION 9 - DECALS

FIGURE 9-4. DECAL INSTALLATION - CE SPEC



SECTION 9 - DECALS

FIGURE 9-4. DECAL INSTALLATION - CE SPEC

ITEM	PART NUMBER	QTY	DESCRIPTION	REV
	1283410	Ref	STANDARD DECAL INSTALLATION - CE SPEC (SN 0300201017 through 0300218783)	Q
	1001217564	Ref	STANDARD DECAL INSTALLATION - CE SPEC (SN 0300218784 to Present)	B
	0274728	Ref	DECAL INSTALLATION - CE SPEC	G
2	1701499	4	Decal - No Lift	
5	1701509	1	Decal - Manual	
6	1701529	2	Decal - Arrow	
7	1703811	4	Decal - Tie Down/Lift	
8	1703814	6	Decal - Tie Down	
9	1704277	4	Decal - Attach Lanyard Here	
10	1704412	1	Decal - Hydraulic Oil Chart	
11		Ref	Decal - Sound Power Level (See DECAL INSTALLATION - OPTIONS)	
20	1705921	1	Decal - Tipping/Electrical (Platform)	
21	1705822	1	Decal - Danger/Warning (Ground Control)	
22	1701518	10	Decal - Warning Crushing	
23	1705961	5	Decal - Danger/Electrocution	
24	1705828	1	Decal - Footswitch	
27	See Note	1	Decal - Bar Code (Note: Not Available for Purchase)	
28	1706770	1	Decal - Capacity (Platform) (SN 0300201017 through 0300218784)	
28	1706770	1	Decal - Capacity (Platform) (SN 0300225800 to Present)	
29	1705468	1	Decal - Capacity (Ground Control)	
34	1701505	2	Decal - Fuel	
35	1706098	1	Decal - Warning Explosion/Fire	
36	1705511	1	Decal - Oil Level	
37	1701501	4	Decal - Arrow	
39		Ref	Decal - Tire Load (See DECAL INSTALLATION - OPTIONS)	
40		Ref	Decal - Lift Diagram (See DECAL INSTALLATION - OPTIONS)	
41		Ref	Decal - 1250AJP Model Designation (See DECAL INSTALLATION - OPTIONS)	
42	See Note	1	Nameplate - Serial Number (Note: Not Available for Purchase)	
43		Ref	Decal - JLG Lift (See DECAL INSTALLATION - OPTIONS)	
44	1702773	AR	Decal - JLG	
45		Ref	Decal - JLG (See DECAL INSTALLATION - OPTIONS)	
46	1705864	2	Decal - JLG	
47		Ref	Decal - Ultra Boom (See DECAL INSTALLATION - OPTIONS)	
48		Ref	Decal - Quikstik (See DECAL INSTALLATION - OPTIONS)	
50		Ref	Decal - Warning (Proposition 65) (See DECAL INSTALLATION - OPTIONS)	
51		Ref	Decal - Lanyard Attach (GM Spec Only) (See DECAL INSTALLATION - OPTIONS)	
52	0641406	4	Bolt 1/4 x 3/4	
54	91403230	1	Box, Manual Storage	
56	3311405	4	Nut 1/4	
57	3820001	6	Rivet	
58	4751400	4	Washer 1/4	
60		Ref	Decal - Warning Stripes (See DECAL INSTALLATION - OPTIONS)	
61	3520174	3	Plug	

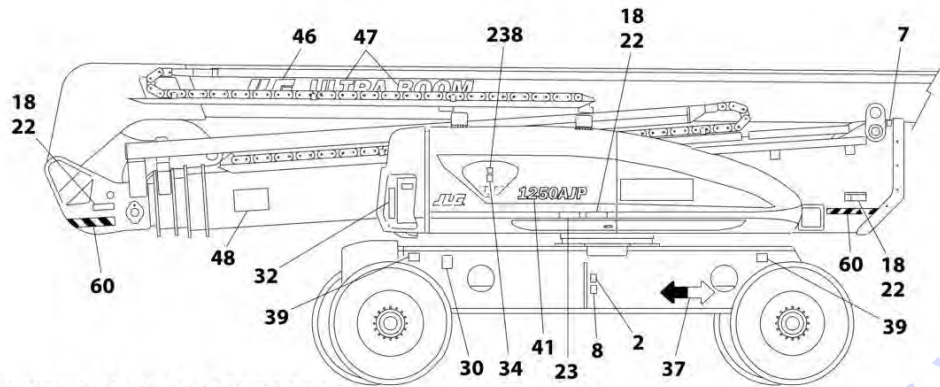
SECTION 9 - DECALS

ITEM	PART NUMBER	QTY	DESCRIPTION	REV
62	0100048	AR	Grease, Dielectric	
63		Ref	Decal - Troubleshooting (See DECAL INSTALLATION - OPTIONS)	
65		Ref	Decal - MSSO (See DECAL INSTALLATION - OPTIONS) (SN 0300211945 to Present)	

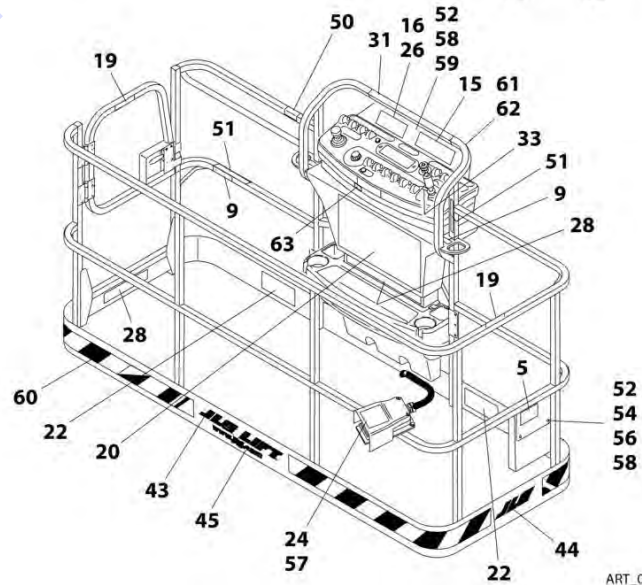
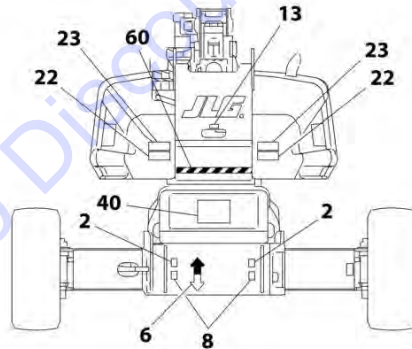
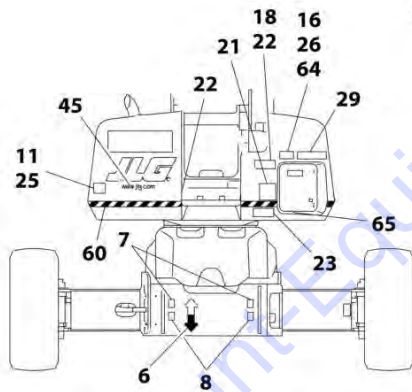
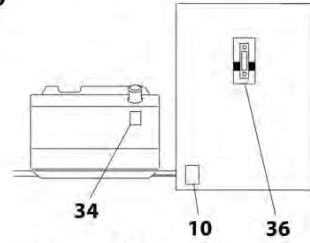
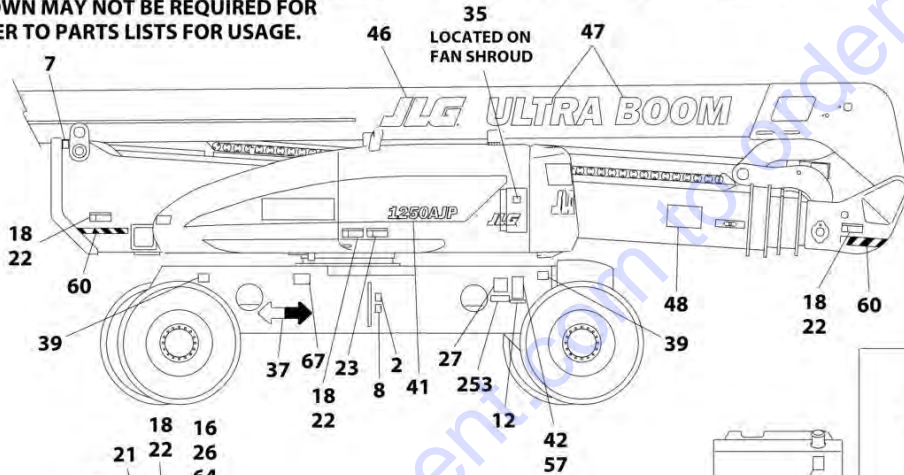
Go to Discount-Equipment.com to order your parts

SECTION 9 - DECALS

FIGURE 9-5. DECAL INSTALLATION - CHINESE SPEC (CHINESE/ENGLISH)



NOTE: ITEMS SHOWN MAY NOT BE REQUIRED FOR ALL SPECS. REFER TO PARTS LISTS FOR USAGE.



ART_0274724

SECTION 9 - DECALS

FIGURE 9-5. DECAL INSTALLATION - CHINESE SPEC (CHINESE/ENGLISH)

ITEM	PART NUMBER	QTY	DESCRIPTION	REV
	0274724	Ref	DECAL INSTALLATION - CHINESE SPEC (CHINESE/ENGLISH)	F
2	1701499	4	Decal - No Lift	
5	1701509	1	Decal - Manual	
6	1701529	2	Decal - Arrow	
7	1703811	4	Decal - Tie Down/Lift	
8	1703814	6	Decal - Tie Down	
9	1704277	4	Decal - Attach Lanyard Here	
10	1704412	1	Decal - Hydraulic Oil Chart	
13	3251243	1	Nameplate - 120V-60Hz	
15	1001117034	1	Decal - Tip Over (SN 0300201017 through 0300241306)	
16	1001117035	AR	Decal - Tip Over Hazard	
18	1703943	AR	Decal - Warning/Crushing	
19	1001116846	2	Decal - No Hands	
20	1703925	1	Decal - Danger/Warning (Platform) (SN 0300201017 through 0300241306)	
20	1001231321	1	Decal - Danger/Warning (Platform) (SN 0300241307 to Present)	
21	1001116849	1	Decal - Danger/Warning (Ground Control)	
22	1703949	AR	Decal - Warning Crushing	
23	1001116851	5	Decal - Danger/Electrocution	
24	1703982	1	Decal - Footswitch	
25		Ref	Decal - USA (See DECAL INSTALLATION - OPTIONS)	
27	See Note	1	Decal - Bar Code (Note: Not Available for Purchase)	
28	1001122371	2	Decal - Capacity (Platform)	
29	1001122378	1	Decal - Capacity (Ground Control)	
31	1706751	1	Decal - Legend (Platform)	
32	1705868	1	Decal - Legend (Ground Controls)	
33	1705430	1	Decal - Drive/Steer Instructions	
34	1701505	2	Decal - Fuel	
35	1706060	1	Decal - Warning Explosion/Fire	
36	1705511	1	Decal - Oil Level	
37	1701501	4	Decal - Arrow	
39		Ref	Decal - Tire Load (See DECAL INSTALLATION - OPTIONS)	
40		Ref	Decal - Lift Diagram (See DECAL INSTALLATION - OPTIONS)	
41		Ref	Decal - 1250AJP Model Designation (See DECAL INSTALLATION - OPTIONS)	
42	See Note	1	Nameplate - Serial Number (Note: Not Available for Purchase)	
43		Ref	Decal - JLG Lift (See DECAL INSTALLATION - OPTIONS)	
44		Ref	Decal - JLG (See DECAL INSTALLATION - OPTIONS)	
45		Ref	Decal - JLG (See DECAL INSTALLATION - OPTIONS)	
46		Ref	Decal - JLG (See DECAL INSTALLATION - OPTIONS)	
47		Ref	Decal - Ultra Boom (See DECAL INSTALLATION - OPTIONS)	
48		Ref	Decal - Quikstik (See DECAL INSTALLATION - OPTIONS)	
50		Ref	Decal - Warning (Proposition 65) (See DECAL INSTALLATION - OPTIONS)	
51		Ref	Decal - Lanyard Attach (GM Spec Only) (See DECAL INSTALLATION - OPTIONS)	
52	0641406	AR	Bolt 1/4 x 3/4	
54	91403230	1	Box, Manual Storage	
56	3311405	4	Nut 1/4	
57	3820001	2	Rivet	

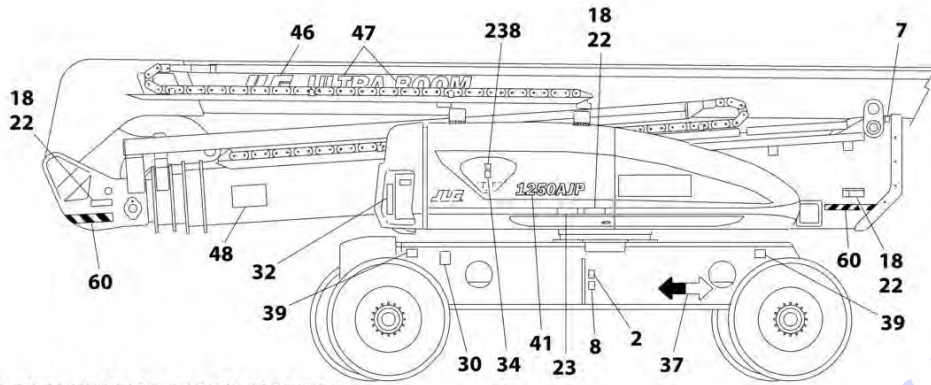
SECTION 9 - DECALS

ITEM	PART NUMBER	QTY	DESCRIPTION	REV
58	4751400	AR	Washer 1/4	
59	3572327	1	Plate, Decal Mount (SN 0300201017 through 0300241306)	
60		Ref	Decal - Warning Stripes (See DECAL INSTALLATION - OPTIONS)	
63	1001094055	1	Decal - Troubleshooting	
65		Ref	Decal - MSSO (See DECAL INSTALLATION - OPTIONS) (SN 0300211945 to Present)	
67	1001224050	1	Decal - Yearly Inspection (SN 0300235503 to Present)	

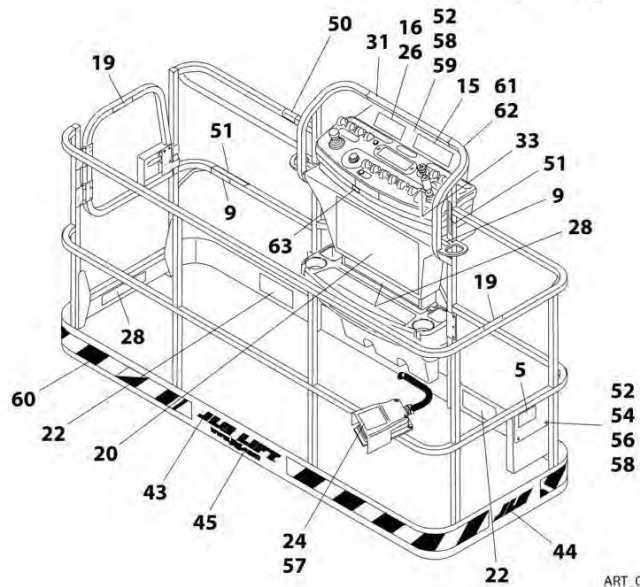
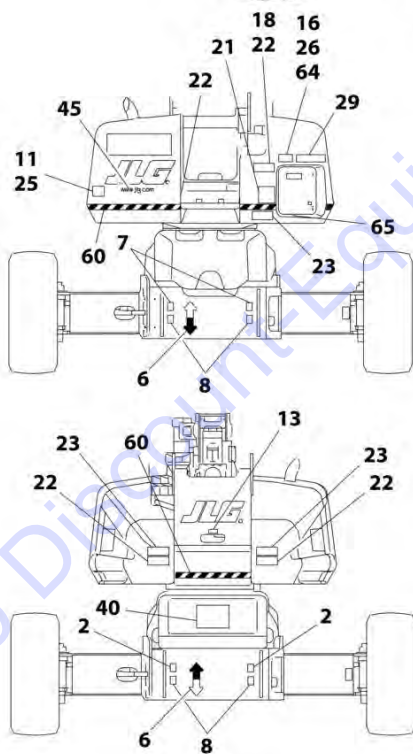
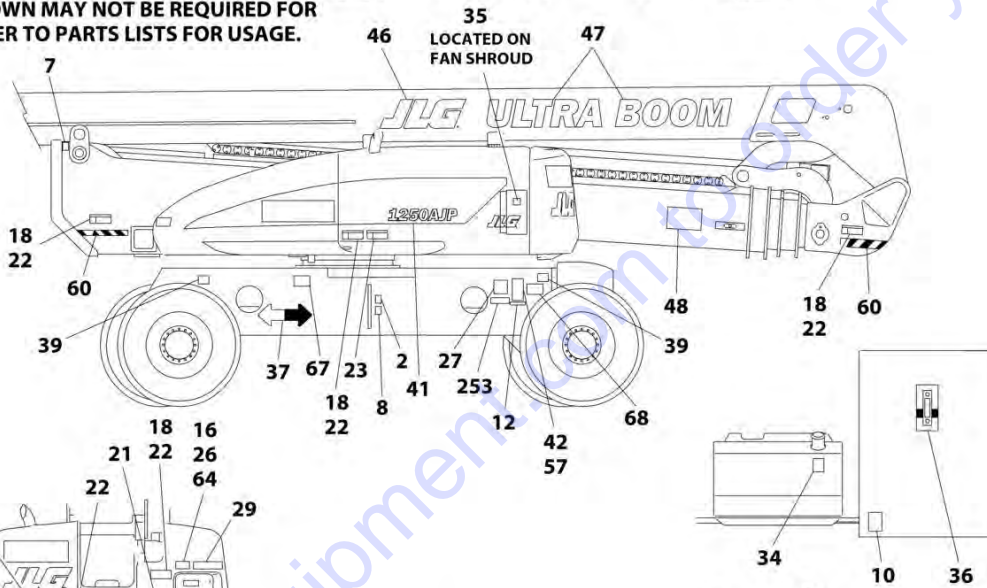
Go to Discount-Equipment.com to order your parts

SECTION 9 - DECALS

FIGURE 9-6. DECAL INSTALLATION - CSA SPEC (ENGLISH/FRENCH)



NOTE: ITEMS SHOWN MAY NOT BE REQUIRED FOR ALL SPECS. REFER TO PARTS LISTS FOR USAGE.



ART_0274727

SECTION 9 - DECALS

FIGURE 9-6. DECAL INSTALLATION - CSA SPEC (ENGLISH/FRENCH)

ITEM	PART NUMBER	QTY	DESCRIPTION	REV
	0274727	Ref	DECAL INSTALLATION - CSA SPEC (ENGLISH/FRENCH)	G
2	1701499	4	Decal - No Lift	
5	1701509	1	Decal - Manual	
6	1701529	2	Decal - Arrow	
7	1703811	4	Decal - Tie Down/Lift	
8	1703814	6	Decal - Tie Down	
9	1704277	4	Decal - Attach Lanyard Here	
10	1704412	1	Decal - Hydraulic Oil Chart	
12	1705514	1	Decal - CSA	
13	3251243	1	Nameplate - 120V-60Hz	
15	1705341	1	Decal - Tip Over (SN 0300201017 through 0300241306)	
16	1705505	AR	Decal - Tip Over Hazard	
18	1703942	AR	Decal - Warning/Crushing	
19	1704000	2	Decal - No Hands	
20	1703924	1	Decal - Danger/Warning (Platform) (SN 0300201017 through 0300241306)	
20	1001231316	1	Decal - Danger/Warning (Platform) (SN 0300241307 to Present)	
21	1705347	1	Decal - Danger/Warning (Ground Control)	
22	1703948	AR	Decal - Warning Crushing	
23	1703936	5	Decal - Danger/Electrocution	
24	1703984	1	Decal - Footswitch	
25		Ref	Decal - USA (See DECAL INSTALLATION - OPTIONS)	
27	See Note	1	Decal - Bar Code (Note: Not Available for Purchase)	
28	1001122374	2	Decal - Capacity (Platform)	
29	1001122381	1	Decal - Capacity (Ground Control)	
30	1001131269	1	Decal - Patent	
31	1706751	1	Decal - Legend (Platform)	
32	1705868	1	Decal - Legend (Ground Controls)	
33	1705429	1	Decal - Drive/Steer Instructions	
34	1701505	2	Decal - Fuel	
35	1706064	1	Decal - Warning Explosion/Fire	
36	1705511	1	Decal - Oil Level	
37	1701501	4	Decal - Arrow	
39		Ref	Decal - Tire Load (See DECAL INSTALLATION - OPTIONS)	
40		Ref	Decal - Lift Diagram (See DECAL INSTALLATION - OPTIONS)	
41		Ref	Decal - 1250AJP Model Designation (See DECAL INSTALLATION - OPTIONS)	
42	See Note	1	Nameplate - Serial Number (Note: Not Available for Purchase)	
43		Ref	Decal - JLG Lift (See DECAL INSTALLATION - OPTIONS)	
44		Ref	Decal - JLG (See DECAL INSTALLATION - OPTIONS)	
45		Ref	Decal - JLG (See DECAL INSTALLATION - OPTIONS)	
46		Ref	Decal - JLG (See DECAL INSTALLATION - OPTIONS)	
47		Ref	Decal - Ultra Boom (See DECAL INSTALLATION - OPTIONS)	
48		Ref	Decal - Quikstik (See DECAL INSTALLATION - OPTIONS)	
50		Ref	Decal - Warning (Proposition 65) (See DECAL INSTALLATION - OPTIONS)	
51		Ref	Decal - Lanyard Attach (GM Spec Only) (See DECAL INSTALLATION - OPTIONS)	
52	0641406	AR	Bolt 1/4 x 3/4	
54	91403230	1	Box, Manual Storage	

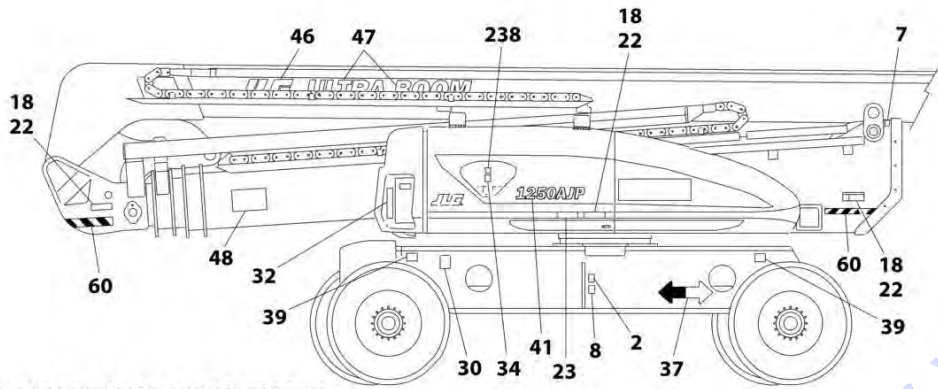
SECTION 9 - DECALS

ITEM	PART NUMBER	QTY	DESCRIPTION	REV
56	3311405	4	Nut 1/4	
57	3820001	2	Rivet	
58	4751400	AR	Washer 1/4	
59	3572327	1	Plate, Decal Mount (SN 0300201017 through 0300241306)	
60		Ref	Decal - Warning Stripes (See DECAL INSTALLATION - OPTIONS)	
63		Ref	Decal - Troubleshooting (See DECAL INSTALLATION - OPTIONS)	
65		Ref	Decal - MSSO (See DECAL INSTALLATION - OPTIONS) (SN 0300211945 to Present)	
67	1001223971	1	Decal- Yearly Inspection (SN 0300235503 to Present)	
68	1001223453	1	Decal - Ices (Canada) (SN 0300241341 to Present)	

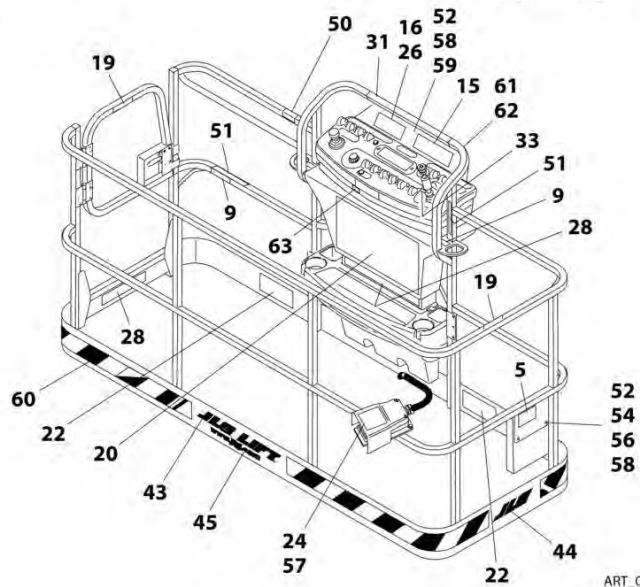
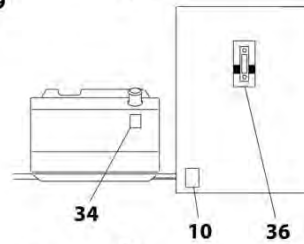
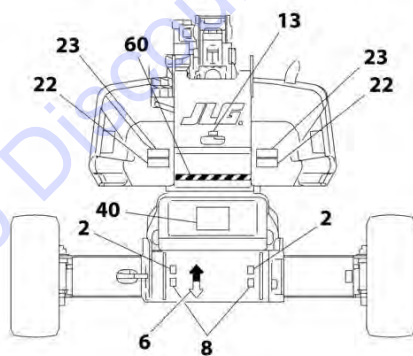
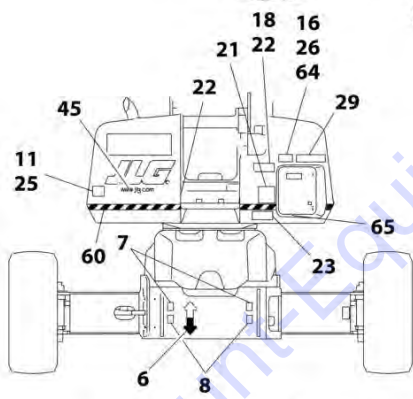
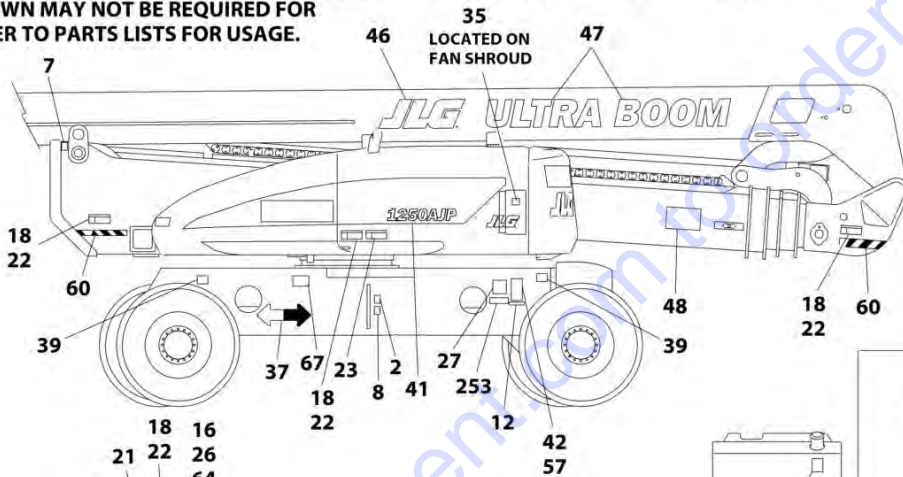
Go to Discount-Equipment.com to order your parts

SECTION 9 - DECALS

FIGURE 9-7. DECAL INSTALLATION - JAPANESE SPEC (JAPANESE/ENGLISH)



NOTE: ITEMS SHOWN MAY NOT BE REQUIRED FOR ALL SPECS. REFER TO PARTS LISTS FOR USAGE.



ART_0274729

SECTION 9 - DECALS

FIGURE 9-7. DECAL INSTALLATION - JAPANESE SPEC (JAPANESE/ENGLISH)

ITEM	PART NUMBER	QTY	DESCRIPTION	REV
	0274729	Ref	DECAL INSTALLATION - JAPANESE SPEC (JAPANESE/ENGLISH)	F
2	1701499	4	Decal - No Lift	
5	1701509	1	Decal - Manual	
6	1701529	2	Decal - Arrow	
7	1703811	4	Decal - Tie Down/Lift	
8	1703814	6	Decal - Tie Down	
9	1704277	4	Decal - Attach Lanyard Here	
10	1704412	1	Decal - Hydraulic Oil Chart	
13	3251243	1	Nameplate - 120V-60Hz	
15	1705338	1	Decal - Tip Over (SN 0300201017 through 0300241306)	
16	1705493	AR	Decal - Tip Over Hazard	
18	1703944	AR	Decal - Warning/Crushing	
20	1703926	1	Decal - Danger/Warning (Platform) (SN 0300201017 through 0300241306)	
20	1001231320	1	Decal - Danger/Warning (Platform) (SN 0300241307 to Present)	
21	1705344	1	Decal - Danger/Warning (Ground Control)	
22	1703950	AR	Decal - Warning Crushing	
23	1703938	5	Decal - Danger/Electrocution	
24	1703980	1	Decal - Footswitch	
25		Ref	Decal - USA (See DECAL INSTALLATION - OPTIONS)	
27	See Note	1	Decal - Bar Code (Note: Not Available for Purchase)	
28	1001122375	2	Decal - Capacity (Platform)	
29	1001122382	1	Decal - Capacity (Ground Control)	
31	1706751	1	Decal - Legend (Platform)	
32	1705868	1	Decal - Legend (Ground Controls)	
33	1705426	1	Decal - Drive/Steer Instructions	
34	1701505	2	Decal - Fuel	
35	1704972	1	Decal - Warning Explosion/Fire (SN 0300201017 through 0300235502)	
35	1706062	1	Decal - Warning Explosion/Fire (SN 0300235503 to Present)	
36	1705511	1	Decal - Oil Level	
37	1701501	4	Decal - Arrow	
39		Ref	Decal - Tire Load (See DECAL INSTALLATION - OPTIONS)	
40		Ref	Decal - Lift Diagram (See DECAL INSTALLATION - OPTIONS)	
41		Ref	Decal - 1250AJP Model Designation (See DECAL INSTALLATION - OPTIONS)	
42	See Note	1	Nameplate - Serial Number (Note: Not Available for Purchase)	
43		Ref	Decal - JLG Lift (See DECAL INSTALLATION - OPTIONS)	
44		Ref	Decal - JLG (See DECAL INSTALLATION - OPTIONS)	
45		Ref	Decal - JLG (See DECAL INSTALLATION - OPTIONS)	
46		Ref	Decal - JLG (See DECAL INSTALLATION - OPTIONS)	
47		Ref	Decal - Ultra Boom (See DECAL INSTALLATION - OPTIONS)	
48		Ref	Decal - Quikstik (See DECAL INSTALLATION - OPTIONS)	
50		Ref	Decal - Warning (Proposition 65) (See DECAL INSTALLATION - OPTIONS)	
51		Ref	Decal - Lanyard Attach (GM Spec Only) (See DECAL INSTALLATION - OPTIONS)	
52	0641406	AR	Bolt 1/4 x 3/4	
54	91403230	1	Box, Manual Storage	
56	3311405	4	Nut 1/4	

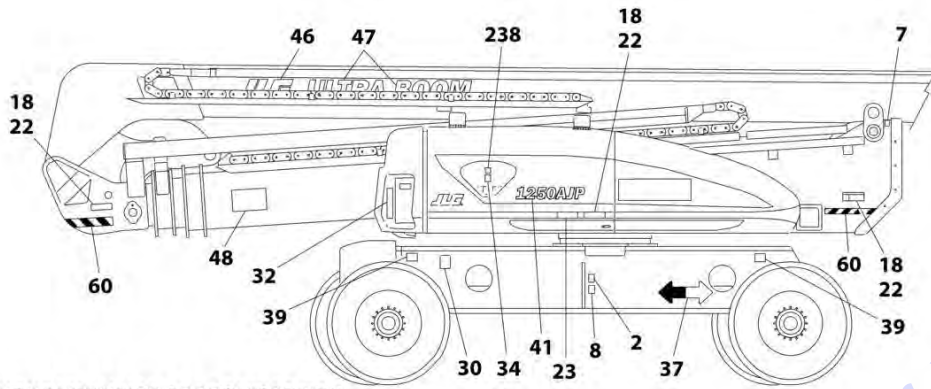
SECTION 9 - DECALS

ITEM	PART NUMBER	QTY	DESCRIPTION	REV
57	3820001	2	Rivet	
58	4751400	AR	Washer 1/4	
59	3572327	1	Plate, Decal Mount (SN 0300201017 through 0300241306)	
60		Ref	Decal - Warning Stripes (Not Shown) (See DECAL INSTALLATION - OPTIONS)	
63		Ref	Decal - Troubleshooting (Not Shown) (See DECAL INSTALLATION - OPTIONS)	
65		Ref	Decal - MSSO (See DECAL INSTALLATION - OPTIONS) (SN 0300211945 to Present)	
67	1001224053	1	Decal - Yearly Inspection (SN 0300235503 to Present)	

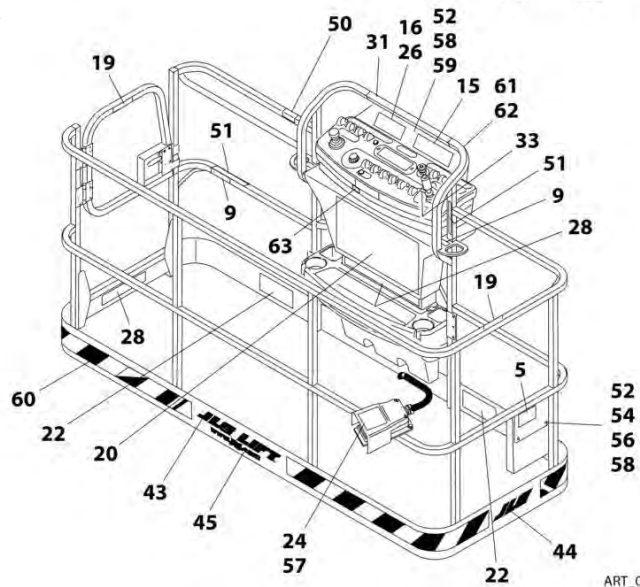
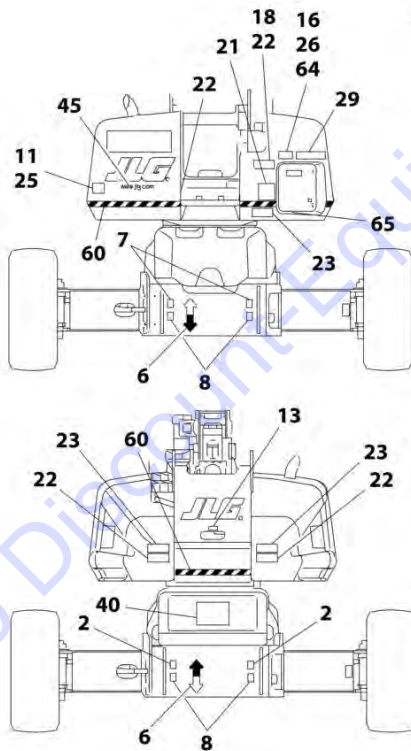
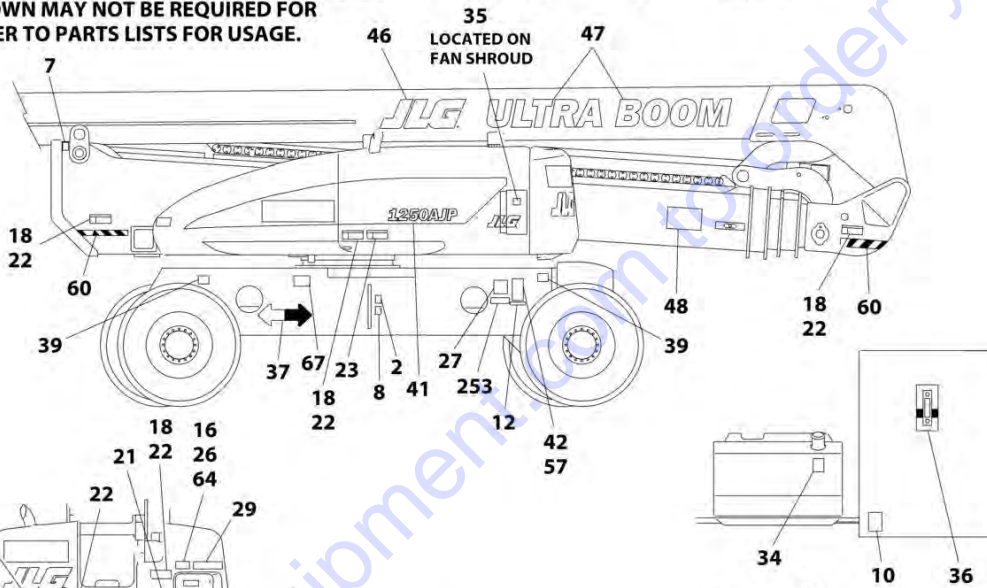
Go to Discount-Equipment.com to order your parts

SECTION 9 - DECALS

FIGURE 9-8. DECAL INSTALLATION - KOREAN SPEC (KOREAN/ENGLISH)



NOTE: ITEMS SHOWN MAY NOT BE REQUIRED FOR ALL SPECS. REFER TO PARTS LISTS FOR USAGE.



ART_0274723

SECTION 9 - DECALS

FIGURE 9-8. DECAL INSTALLATION - KOREAN SPEC (KOREAN/ENGLISH)

ITEM	PART NUMBER	QTY	DESCRIPTION	REV
	0274723	Ref	DECAL INSTALLATION - KOREAN SPEC (KOREAN/ENGLISH)	F
2	1701499	4	Decal - No Lift	
5	1701509	1	Decal - Manual	
6	1701529	2	Decal - Arrow	
7	1703811	4	Decal - Tie Down/Lift	
8	1703814	6	Decal - Tie Down	
9	1704277	4	Decal - Attach Lanyard Here	
10	1704412	1	Decal - Hydraulic Oil Chart	
13	3251243	1	Nameplate - 120V-60Hz	
15	1705339	1	Decal - Tip Over (SN 0300201017 through 0300241306)	
16	1705339	AR	Decal - Tip Over Hazard	
18	1703945	AR	Decal - Warning/Crushing	
19	1705969	2	Decal - No Hands	
20	1703927	1	Decal - Danger/Warning (Platform) (SN 0300201017 through 0300241306)	
20	1001231317	1	Decal - Danger/Warning (Platform) (SN 0300241307 to Present)	
21	1705345	1	Decal - Danger/Warning (Ground Control)	
22	1703951	AR	Decal - Warning Crushing	
23	1703939	5	Decal - Danger/Electrocution	
24	1703981	1	Decal - Footswitch	
27	See Note	1	Decal - Bar Code (Note: Not Available for Purchase)	
28	1001122370	2	Decal - Capacity (Platform)	
29	1001122377	1	Decal - Capacity (Ground Control)	
31	1706751	1	Decal - Legend (Platform)	
32	1705868	1	Decal - Legend (Ground Controls)	
33	1705427	1	Decal - Drive/Steer Instructions	
34	1701505	2	Decal - Fuel	
35	1706061	1	Decal - Warning Explosion/Fire	
36	1705511	1	Decal - Oil Level	
37	1701501	4	Decal - Arrow	
39		Ref	Decal - Tire Load (See DECAL INSTALLATION - OPTIONS)	
40		Ref	Decal - Lift Diagram (See DECAL INSTALLATION - OPTIONS)	
41		Ref	Decal - 1250AJP Model Designation (See DECAL INSTALLATION - OPTIONS)	
42	See Note	1	Nameplate - Serial Number (Note: Not Available for Purchase)	
43		Ref	Decal - JLG Lift (See DECAL INSTALLATION - OPTIONS)	
44		Ref	Decal - JLG (See DECAL INSTALLATION - OPTIONS)	
45		Ref	Decal - JLG (See DECAL INSTALLATION - OPTIONS)	
46		Ref	Decal - JLG (See DECAL INSTALLATION - OPTIONS)	
47		Ref	Decal - Ultra Boom (See DECAL INSTALLATION - OPTIONS)	
48		Ref	Decal - Quikstik (See DECAL INSTALLATION - OPTIONS)	
50		Ref	Decal - Warning (Proposition 65) (See DECAL INSTALLATION - OPTIONS)	
51		Ref	Decal - Lanyard Attach (GM Spec Only) (See DECAL INSTALLATION - OPTIONS)	
52	0641406	AR	Bolt 1/4 x 3/4	
54	91403230	1	Box, Manual Storage	
56	3311405	4	Nut 1/4	
57	3820001	2	Rivet	
58	4751400	AR	Washer 1/4	

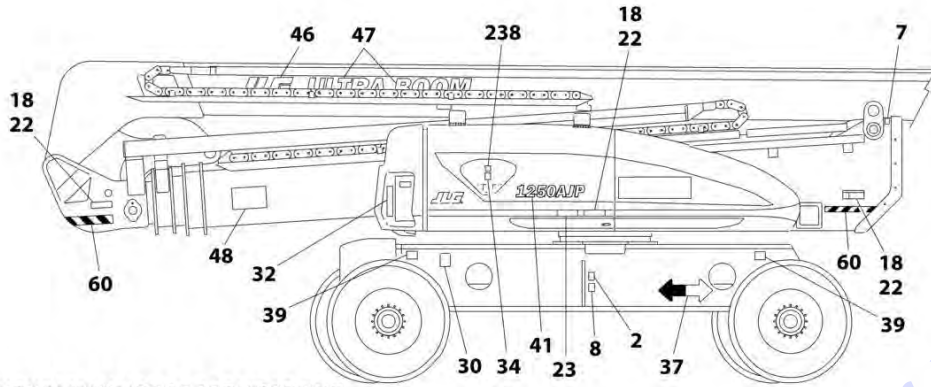
SECTION 9 - DECALS

ITEM	PART NUMBER	QTY	DESCRIPTION	REV
59	3572327	1	Plate, Decal Mount (SN 0300201017 through 0300241306)	
60		Ref	Decal - Warning Stripes (See DECAL INSTALLATION - OPTIONS)	
63		Ref	Decal - Troubleshooting (See DECAL INSTALLATION - OPTIONS)	
65		Ref	Decal - MSSO (See DECAL INSTALLATION - OPTIONS) (SN 0300211945 to Present)	
67	1001224048	1	Decal - Yearly Inspection (SN 0300235503 to Present)	

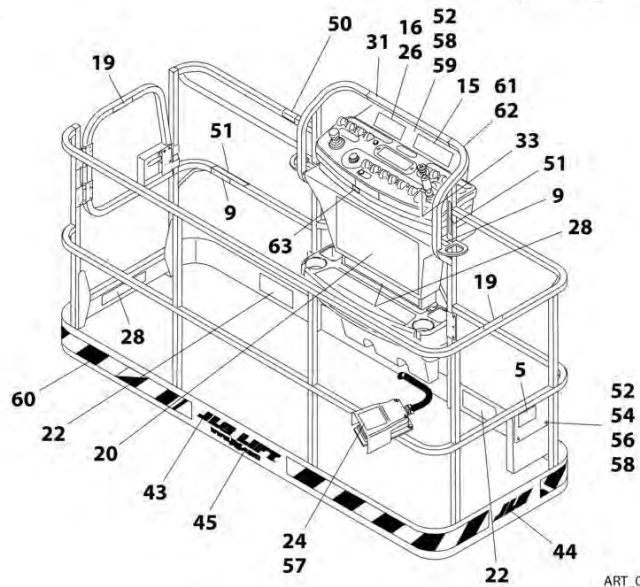
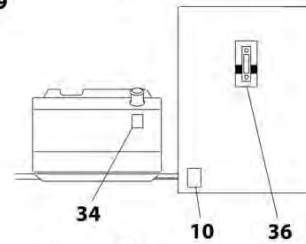
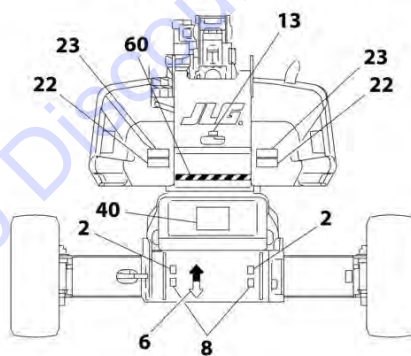
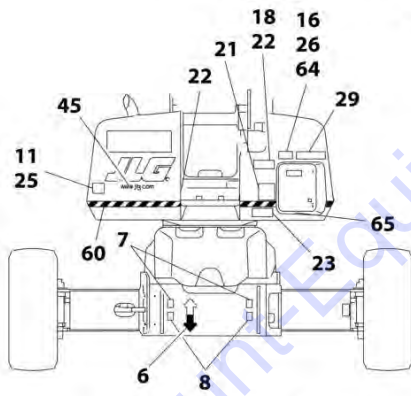
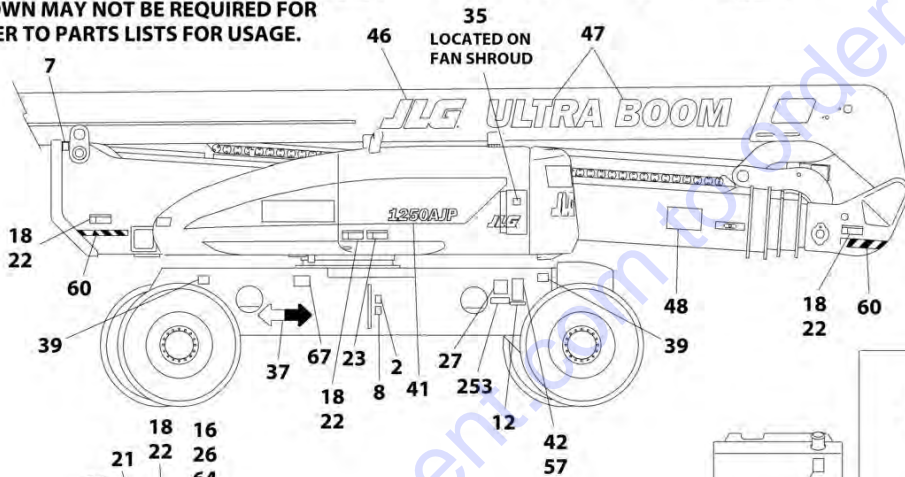
Go to Discount-Equipment.com to order your parts

SECTION 9 - DECALS

FIGURE 9-9. DECAL INSTALLATION - LATIN AMERICAN SPEC (SPANISH/ENGLISH)



NOTE: ITEMS SHOWN MAY NOT BE REQUIRED FOR ALL SPECS. REFER TO PARTS LISTS FOR USAGE.



ART_0274726

SECTION 9 - DECALS

FIGURE 9-9. DECAL INSTALLATION - LATIN AMERICAN SPEC (SPANISH/ENGLISH)

ITEM	PART NUMBER	QTY	DESCRIPTION	REV
	0274726	Ref	DECAL INSTALLATION - LATIN AMERICAN SPEC (SPANISH/ENGLISH)	F
2	1701499	4	Decal - No Lift	
5	1701509	1	Decal - Manual	
6	1701529	2	Decal - Arrow	
7	1703811	4	Decal - Tie Down/Lift	
8	1703814	6	Decal - Tie Down	
9	1704277	4	Decal - Attach Lanyard Here	
10	1704412	1	Decal - Hydraulic Oil Chart	
13	3251243	1	Nameplate - 120V-60Hz	
15	1705909	1	Decal - Tip Over (SN 0300201017 through 0300241306)	
16	1705915	AR	Decal - Tip Over Hazard	
18	1703941	AR	Decal - Warning/Crushing	
19	1704001	2	Decal - No Hands	
20	1703923	1	Decal - Danger/Warning (Platform) (SN 0300201017 through 0300241306)	
20	1001231318	1	Decal - Danger/Warning (Platform) (SN 0300241307 to Present)	
21	1705917	1	Decal - Danger/Warning (Ground Control)	
22	1703947	AR	Decal - Warning Crushing	
23	1703935	5	Decal - Danger/Electrocution	
24	1703983	1	Decal - Footswitch	
25		Ref	Decal - USA (See DECAL INSTALLATION - OPTIONS)	
27	See Note	1	Decal - Bar Code (Note: Not Available for Purchase)	
28	1001122373	2	Decal - Capacity (Platform)	
29	1001122380	1	Decal - Capacity (Ground Control)	
31	1706751	1	Decal - Legend (Platform)	
32	1705868	1	Decal - Legend (Ground Controls)	
33	1705910	1	Decal - Drive/Steer Instructions	
34	1701505	2	Decal - Fuel	
35	1705910	1	Decal - Warning Explosion/Fire	
36	1705511	1	Decal - Oil Level	
37	1701501	4	Decal - Arrow	
39		Ref	Decal - Tire Load (See DECAL INSTALLATION - OPTIONS)	
40		Ref	Decal - Lift Diagram (See DECAL INSTALLATION - OPTIONS)	
41		Ref	Decal - 1250AJP Model Designation (See DECAL INSTALLATION - OPTIONS)	
42	See Note	1	Nameplate - Serial Number (Note: Not Available for Purchase)	
43		Ref	Decal - JLG Lift (See DECAL INSTALLATION - OPTIONS)	
44		Ref	Decal - JLG (See DECAL INSTALLATION - OPTIONS)	
45		Ref	Decal - JLG (See DECAL INSTALLATION - OPTIONS)	
46		Ref	Decal - JLG (See DECAL INSTALLATION - OPTIONS)	
47		Ref	Decal - Ultra Boom (See DECAL INSTALLATION - OPTIONS)	
48		Ref	Decal - Quikstik (See DECAL INSTALLATION - OPTIONS)	
50		Ref	Decal - Warning (Proposition 65) (See DECAL INSTALLATION - OPTIONS)	
51		Ref	Decal - Lanyard Attach (GM Spec Only) (See DECAL INSTALLATION - OPTIONS)	
52	0641406	AR	Bolt 1/4 x 3/4	
54	91403230	1	Box, Manual Storage	
56	3311405	4	Nut 1/4	
57	3820001	2	Rivet	

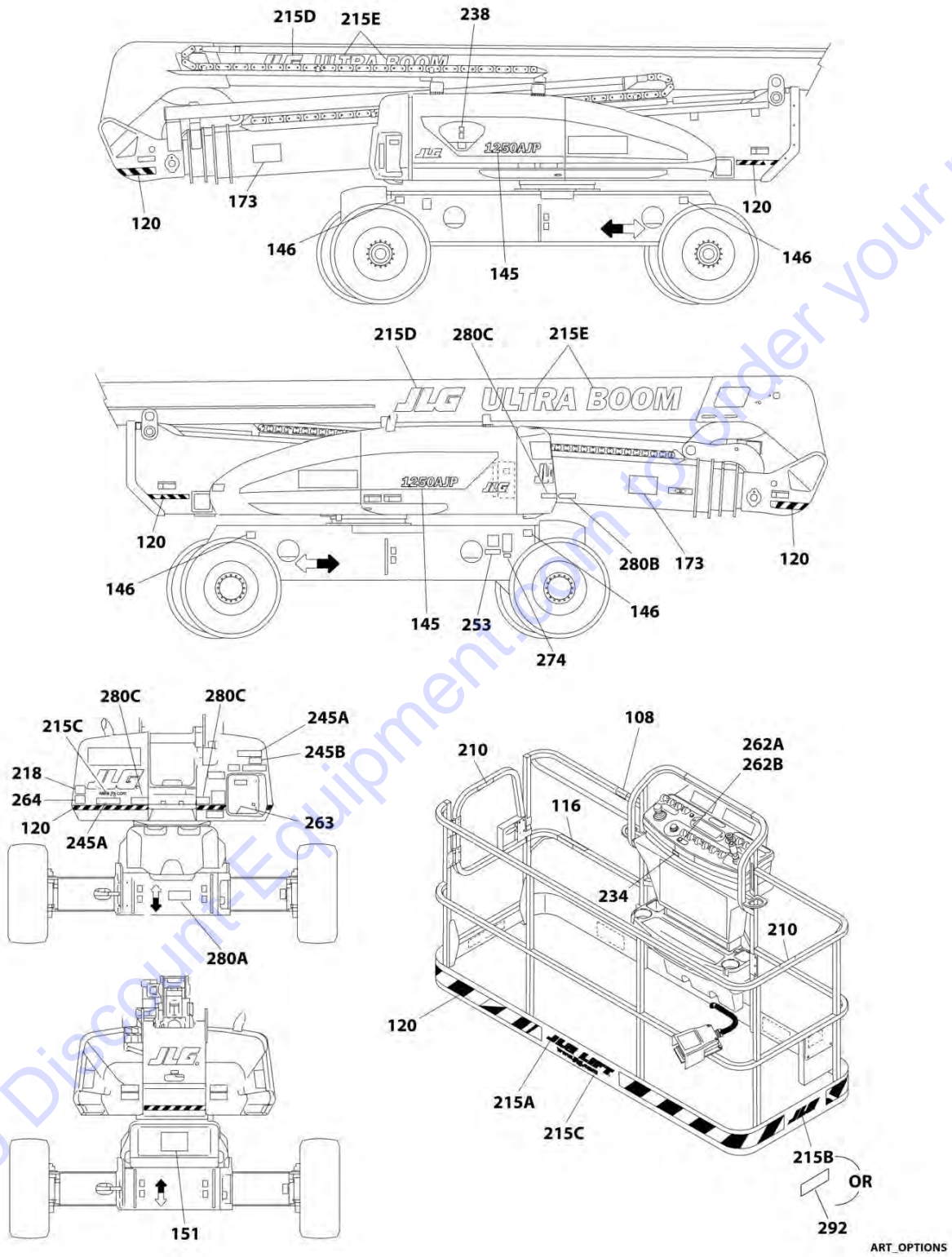
SECTION 9 - DECALS

ITEM	PART NUMBER	QTY	DESCRIPTION	REV
58	4751400	AR	Washer 1/4	
59	3572327	1	Plate, Decal Mount (SN 0300201017 through 0300241306)	
60		Ref	Decal - Warning Stripes (See DECAL INSTALLATION - OPTIONS)	
63		Ref	Decal - Troubleshooting (See DECAL INSTALLATION - OPTIONS)	
65		Ref	Decal - MSSO (See DECAL INSTALLATION - OPTIONS) (SN 0300211945 to Present)	
67	1001224049	1	Decal - Yearly Inspection (SN 0300235503 to Present)	

Go to Discount-Equipment.com to order your parts

SECTION 9 - DECALS

FIGURE 9-10. DECAL INSTALLATION - OPTIONS



SECTION 9 - DECALS

FIGURE 9-10. DECAL INSTALLATION - OPTIONS

ITEM	PART NUMBER	QTY	DESCRIPTION	REV
	1001160110	Ref	DECAL INSTALLATION - OPTIONS	AO
108	1702962	1	Decal - Warning (Proposition 65) (ANSI Spec Only) (SN 0300201017 through 030024709)	
108	1001231801	1	Decal - Warning (Proposition 65) (ANSI Spec Only) (SN 0300247510 to Present)	
116	1703175	2	Decal - Lanyard Attach (GM Spec Only)	
120	4420051	29 ft/8.8m	Decal - Warning Stripes	
145	1705840	2	Decal - Model 1250AJP	
146	1703483	4	Decal - Tire Load	
151	1705838	1	Decal - Lift Diagram	
173	1703959	2	Decal - Quikstik	
210	1702868	2	Decal - No Hands (ANSI and ANSI Export Specs)	
210	1704000	2	Decal - No Hands (CSA Specs) (French/English)	
210	1704001	2	Decal - No Hands (ANSI Export Specs) (Spanish/English)	
210	1705969	2	Decal - No Hands (ANSI Export Specs) (Korean/English)	
210	1705967	2	Decal - No Hands (ANSI Export Specs) (English/Portuguese)	
215	0274730	Ref	Decal - JLG Logo	
215A	1702774	1	Decal - JLG Lift	
215B	1702773	1	Decal - JLG	
215C	1704885	AR	Decal - JLG	
215D	1705864	2	Decal - JLG	
215E	1705865	2	Decal - Ultra Boom	
218	3251813	1	Decal - USA (ANSI, ANSI Export and CSA Specs)	
234	1001094055	1	Decal - Troubleshooting	
238	1001125387	1	Decal - Fuel Specification (Machines with Deutz TCD2.9L4 Engine Only) (ANSI and CSA Specs)	
238	1001139654	1	Decal - Fuel Specification (Machines with Deutz TCD2.9L4 Engine and Deutz TCD2.9L4 (Stage V) Engine Only) (CE and Japanese Specs)	
245	1001120995	Ref	Decal - ClearSky Telematics Installation	
245A	1001116208	2	Decal - ClearSky	
245B	1001120989	1	Decal - Radio Frequency Device	
253	1001143852	1	Decal - Emissions Compliance (ANSI Export, CE (LRC) and Australian Specs)	
262A	1001141300	1	Decal - SkyGuard Override	
262B	1001141302	1	Decal - SkyGuard/Soft Touch Override	
263	1001197408	1	Decal - MSSO	
264	1705515	1	Decal - Sound Power Level (Deutz TD2011 Engines)	
264	1001191526	1	Decal - Sound Power Level (Deutz TCD2.9L4 Engines and Deutz TCD2.9L4 (Stage V) Engines)	
274	1001214029	1	Decal Installation - EAC (Russian/CIS Specs)	
274	1001173703	1	Decal - EAC (Russian/CIS Specs)	
280	1001221278	Ref	Decal Installation – Boom Transport Position (SN 0300224236 to Present)	
280A	1001220512	1	Decal – Lower Boom	
280B	1001220510	2	Decal – Warning Arrow	
280C	1001220511	2	Decal – Warning Stripe	
292	1001122369	1	Decal - Dual Capacity (ANSI Spec)	
292	1001122372	1	Decal – Dual Capacity (Brazil Spec - Dual Language English/Portuguese)	
292	1001122371	1	Decal – Dual Capacity (Chinese Spec - Dual Language English/Chinese)	

SECTION 9 - DECALS

ITEM	PART NUMBER	QTY	DESCRIPTION	REV
292	1001122374	1	Decal – Dual Capacity (CSA Spec - Dual Language English/French)	
292	1001122370	1	Decal – Dual Capacity (Korean Spec - Dual Language English/Korean)	
292	1001122373	1	Decal – Dual Capacity (Latin American - Dual Language English/Spanish)	
292	1001122375	1	Decal – Dual Capacity (Japanese Spec - Dual Language English/Japanese)	

Go to Discount-Equipment.com to order your parts

SECTION 10 - RECOMMENDED SERVICE PARTS STOCK

SECTION 10 - RECOMMENDED SERVICE PARTS STOCK

Go to Discount-Equipment.com to order your parts

SECTION 10 - RECOMMENDED SERVICE PARTS STOCK

FIGURE 10-1. RECOMMENDED SERVICE PARTS

ITEM	PART NUMBER	QTY	DESCRIPTION	REV
		Ref	Note: The following list will service one machine (built to current production per date on the front cover) with emergency repair parts which can be installed in the fields. Parts from the list should be replaced when inventory is depleted to keep service parts stock supplied. For further information, go to Discount-equipment.com.	
		Ref	STANDARD PARTS	
	7018991	1	Coil	
	7012944	1	Coil	
	7024890	1	Coil	
	7012943	1	Coil	
	7027206	1	Coil	
	7027207	1	Coil	
	7027208	1	Coil	
	7027209	1	Coil	
	3740067	1	Relay	
	3740080	1	Relay	
	2120219	12	Element, High Pressure Filter	
	70002231	12	Element, Pressure Filter	
	2120168	12	Element, Hydraulic Oil Filter	
	7024444	12	Breather, Hydraulic Oil Tank	
	3740049	1	Relay	
	4360328	1	Switch, Toggle	
	4360475	1	Switch, Mushroom	
	4360476	1	Contact, Switch Block	
	2860030	1	Key, Replacement	
	70003919	1	Boom Powertrack Repair Kit	
	70003913	1	Boom Powertrack Repair Kit	
	7024571	1	Coil	
	70002097	12	Element, Pressure Filter	
	2940074	1	Latch, Platform	
	1001155045	1	Switch, Toggle	
	1001159256	1	Switch, Toggle	
	1001161709	1	Switch, Toggle	
	1001161710	1	Switch, Toggle	
	4360387	1	Switch, Push Button	
	1001129555	1	Controller, Lift and Swing	
	1001212415	1	Controller, Drive and Steer	
	3990001	2	Diode - 3 Amp	
	3740143	1	Relay	
		Ref	VARIABLE PARTS	
	4360578	1	Switch, Limit	
	4360505	1	Switch, Rotary Angle Sensor	
	1001112758	1	Module, Chassis	
	1001227960	1	Module, B.L.A.M.	
	7027239	1	Relay	
	7026608	1	Relay	
	1001117308	1	Relay	
	7003655	12	Element, Deutz TD2011 Air Filter	

SECTION 10 - RECOMMENDED SERVICE PARTS STOCK

ITEM	PART NUMBER	QTY	DESCRIPTION	REV
	70024190	12	Element, Deutz TCD2.9L4 Air Filter	
	7016331	12	Element, Deutz Engine Oil Filter	
	8320270	12	Element, Deutz TD2011 Engines Fuel	
	1001225430	12	Element, Deutz TCD2.9L4 Engines Fuel	
	1001202281	1	Element, Deutz TCD2.9L4 Engines Water/Fuel	
	1001119508	1	Module, Ground Control	
	4360469	1	Switch, Key (ANSI, ANSI Export and Australian Specs)	
	4360470	1	Switch, Key (CE Specs)	
	3740080	1	Relay (110V/220V Generator Options)	
	4360336	1	Switch, Toggle (Generator Options)	
	4000008	1	Sensor, Proximity	
	1001147479	1	Switch, Digital Angle Sensor	
	4360548	1	Switch, Plunger	
	4360552	1	Switch, Boom Length	
	4360622	1	Switch, Rotary Transducer	
	1001117174	1	Footswitch	
	1600343	1	Module, Platform Control	
	4360057	1	Switch, Limit	
	4360579	1	Switch, Limit	
	2400064	1	Fuse (7500W SkyPower Generator/ClearSky Telematics Options)	

SECTION 11 - SPECIAL OPTIONS

Go to Discount-Equipment.com to order your parts

SECTION 11 - SPECIAL OPTIONS

FIGURE 11-1. SPECIAL OPTIONS

ITEM	PART NUMBER	QTY	DESCRIPTION	REV
		Ref	MISCELLANEOUS SPECIAL OPTIONS	
		Ref	Note: This is to accommodate machines ordered with special equipment. Options may not be applicable to all models. For more specific parts information go to Discount-equipment.com.	
	1001108504	Ref	Additional Transport Tie Down (ANSI Specs)	
	1340067	Ref	Air Cleaner Pre-Cleaner	
	0273464	Ref	Airline Installation, 1/2 in	
	1001202697	Ref	Air Intake Shut-off Valve (Deutz TCD2.9L4 Engines)	
	1001241275	Ref	Axle Wear Pad Kit	
	0271803	Ref	Bellows, Cylinder (Fixed Axle)	
	0271804	Ref	Bellows, Cylinder (Oscillating Axle)	
	0273471	Ref	Bellows, Cylinder (Boom)	
	1001220147	Ref	Boom Cable Kit - 4kW 60Hz Generator	
	0273513	Ref	Boom Wipers Installation	
	1001233763	Ref	Breather Heater (Deutz TCD2.9L4 Engines and Deutz TCD2.9L4 (Stage V) Engines)	
	0256789	Ref	Camera Mounting Installation	
		Ref	ClearSky (Telematics) Installations (Dealer Installed)	
	1001242192	Ref	ClearSky (Telematics) Access Control Installation Kit (Dealer Installed) (ANSI, ANSI Export and CSA Specs)	
	1001243183	Ref	ClearSky (Telematics) Added-on Kit (Dealer Installed) (ANSI, ANSI Export and CSA Specs)	
	1001243184	Ref	ClearSky (Telematics) Added-on Kit (Dealer Installed) (CE Specs)	
		Ref	ClearSky (Telematics) Installations (Dealer Installed)	
	1001119938	Ref	ClearSky Telematics (Dealer Installed) (ANSI Spec)	
	1001119946	Ref	ClearSky Telematics (Dealer Installed) (CSA Spec)	
	1001234099	Ref	ClearSky Telematics Kit (Dealer Installed) (CE Specs)	
		Ref	ClearSky (Telematics) Installations (Factory Installed)	
	1001112988	Ref	ClearSky (Telematics) Installation (Factory Installed) (ANSI Specs) Note: Refer to Manual Supplement p/n 3128499 for available replacement parts.	
	1001112973	Ref	ClearSky (Telematics) Installation (Factory Installed) (CSA Specs) Note: Refer to Manual Supplement p/n 3128499 for available replacement parts.	
	1001127092	Ref	ClearSky (Telematics) Installation (Factory Installed) (ANSI Export Specs - Brazil Spec Only) Note: Refer to Manual Supplement p/n 3128499 for available replacement parts.	
	1001127092	Ref	ClearSky (Telematics) Installation (Factory Installed) (Australian Specs - New Zealand Spec Only) Note: Refer to Manual Supplement p/n 3128499 for available replacement parts.	
	1001132730	Ref	ClearSky (Telematics) Installation (Factory Installed) (Australian Specs) Note: Refer to Manual Supplement p/n 3128499 for available replacement parts.	
		Ref	ClearSky Telematics (Factory Installed)	
	1001227449	Ref	Canbus Connection (ANSI and CSA Specs)	
	1001228953	Ref	Canbus Connection (ANSI Export and CE Specs)	
	1001227452	Ref	Canbus Connection (ANSI and CSA Specs)	
	1001246138	Ref	Canbus Connection (Australian Specs)	
	1001229107	Ref	3 Wire Connection (ANSI and CSA Specs)	
	1001233237	Ref	3 Wire Connection (ANSI Export and CE Specs)	
	0273862	Ref	Cold Weather Package (110V)	

SECTION 11 - SPECIAL OPTIONS

ITEM	PART NUMBER	QTY	DESCRIPTION	REV
	1001235617	Ref	Cold Weather Package (Deutz TCD2.9L4 Engines and Deutz TCD2.9L4 (Stage V) Engines)	
	1001205035	Ref	Cold Weather Plus Package (110V)	
	0274885	Ref	Cold Weather Transformer Installation	
	0272621	Ref	Control System Analyzer Installation	
	1001233047	Ref	Crankcase Breather Heater (Deutz TCD2'9L4 Engines)	
	1001213183	Ref	Cribbing Enable Installation (ANSI Spec Only)	
	1001177348	Ref	Cylinder Head Replacement Kit for p/n 1001175884	
		Ref	Decals Installations	
	1702788	Ref	Decal - Biodegradable Hydraulic Fluid	
	0257195	Ref	Decal - Government Warranty Decal	
	1703175	Ref	Decal - Lanyard Attachment (GM K-1 Spec)	
		Ref	No Hands Decal Options (Used with Soft Touch System and Platform Mesh Installations.):	
	1702868	2	ANSI and ANSI Export Spec (English)	
	1704000	2	CSA Spec (French/English)	
	1704001	2	ANSI Export Spec (Spanish/English)	
	1705969	2	ANSI Export Spec (Korean/English)	
	1705967	2	ANSI Export Spec (Portuguese/English)	
	1001197511	Ref	Decal - Quick Reference (Dutch) (Lomax Rentals)	
	1001197513	Ref	Decal - Quick Reference (Danish) (Lomax Rentals)	
	1001180696	Ref	Decal - Quick Reference (English) (Lomax Rentals)	
	1001197510	Ref	Decal - Quick Reference (French) (Lomax Rentals)	
	1001197512	Ref	Decal - Quick Reference (German) (Lomax Rentals)	
	1001197519	Ref	Decal - Quick Reference (Norwegian) (Lomax Rentals)	
	1001197515	Ref	Decal - Quick Reference (Spanish) (Lomax Rentals)	
	1001197514	Ref	Decal - Quick Reference (Swedish) (Lomax Rentals)	
	1705307	1	Tool Location	
	4420051	Ref	Warning Stripe Decals	
		Ref	Decal Kits Options:	
	1001220864	Ref	Decal Kit – Boom Transport	
	2902307	Ref	Decal Kit - Country Spec (ANSI and ANSI Export) (SN 0300201017 through 0300241306)	
	1001232172	Ref	Decal Kit - Country Spec (ANSI and ANSI Export) (SN 0300241307 to Present)	
	2902329	Ref	Decal Kit - Country Spec (Australian and CE)	
	2902312	Ref	Decal Kit - Country Spec (Brazil) (SN 0300201017 through 0300241306)	
	1001232176	Ref	Decal Kit - Country Spec (Brazil) (SN 0300241307 to Present)	
	2902309	Ref	Decal Kit- Country Spec (Chinese) (SN 0300201017 through 0300241306)	
	1001232178	Ref	Decal Kit- Country Spec (Chinese) (SN 0300241307 to Present)	
	2902322	Ref	Decal Kit- Country Spec (CSA) (SN 0300201017 through 0300241306)	
	1001232173	Ref	Decal Kit - Country Spec (CSA) (SN 0300241307 to Present)	
	2902308	Ref	Decal Kit - Country Spec (Japanese) (SN 0300201017 through 0300241306)	
	1001232177	Ref	Decal Kit - Country Spec (Japanese) (SN 0300241307 to Present)	
	2902310	Ref	Decal Kit- Country Spec (Korean) (SN 0300201017 through 0300241306)	
	1001232174	Ref	Decal Kit- Country Spec (Korean) (SN 0300241307 to Present)	
	2902311	Ref	Decal Kit - Country Spec (Latin America) (SN 0300201017 through 0300241306)	

SECTION 11 - SPECIAL OPTIONS

ITEM	PART NUMBER	QTY	DESCRIPTION	REV
	1001232175	Ref	Decal Kit - Country Spec (Latin America) (SN 0300241307 to Present)	
	2902303	Ref	Decal Kit - Master	
	1001104650	Ref	Decal Kit - Master (Australian and CE Spec)	
	1001193642	Ref	Decal Kit - Machine	
	1001109181	Ref	Decal Kit - Platform Console Box	
	1001108708	Ref	Decal Kit - Platform	
	2902356	Ref	Decal Kit - Tire Load	
		Ref	Electrical Connector Kits	
	1001148902	Ref	Amp/Tyco Electrical Connector Kit	
	1001148903	Ref	Deutsch DT Electrical Connector Kit	
	1001148904	Ref	Deutsch HD Electrical Connector Kit	
	1001148905	Ref	Packard Electrical Connector Kit	
	1001148906	Ref	Various Electrical Connectors Kit	
	1001246867	Ref	Enhanced Detection System (EDS) Level 1 (2-Bar) Installation Kit	
	1001246860	Ref	Enhanced Detection System (EDS) Level 2 (3-Bar) Installation Kit	
	1001109621	Ref	Exhaust Raincap Installation	
	1120423	1	Raincap	
	1001109619	1	Tube, Exhaust Stack	
	1001237883	Ref	Fall Arrest Bolt on Kit (6FT x 1.83M) (ANSI, ANSI Export, China, CSA, and Japanese Specs) (Fits Platform p/ns 1001186384 & 1001228376)	
	1001237882	Ref	Fall Arrest Bolt on Kit (8FT x 2.44M) (ANSI, ANSI Export, China, CSA, and Japanese Specs) (Fits Platform p/ns 1001186383)	
	1001206794	Ref	Fan and Belt Grille Add-on Kit (Deutz D2011 Engines Only)	
	1001206796	Ref	Fan and Belt Grille Add-on Kit (Deutz TCD2.9L4 Engines Only)	
	1001202076	Ref	Fan and Belt Guard (Deutz TD2011 Engines)	
	1001202221	Ref	Fan and Belt Guard (Deutz TCD 2.9L4 Engines and Deutz TCD2.9L4 (Stage V) Engines)	
	1001145708	Ref	Fan Guard Installation (Deutz TCD2.9L4 Engines and Deutz TCD2.9L4 (Stage V) Engines Only)	
		Ref	Filter Kits	
		Ref	Deutz TD 2011 Engines	
	1001137028	1	Filter Kit (Service), Combined, Filter B-C45	
	1001137023	1	Kit (Service), Boom Hydraulic/Air Filter B-HA30	
	1001110133	1	Engine - Fuel/Engine Oil Filter	
		Ref	Deutz TCD 2.9L4 Engines	
	1001225648	1	Filter Kit (Service), Combined, Filter B-C	
	1001204046	1	Engine - Water/Fuel Filter	
	1001182242	1	Engine - Fuel/Engine Oil Filter C-FE1	
	1001139099	Ref	Fire Extinguisher Installation	
	1001237831	Ref	Fire Protection	
		Ref	Fluids	
	2300040	Ref	Conditioner, Diesel Fuel	
		Ref	Coolant, Antifreeze (TCD2.9L4 Engines)	
	2300004	Ref	Machines without Arctic Package	
	2300041	Ref	Machines with Arctic Package	
	3020008	Ref	Drive Hub Lubricant	
		Ref	Engine Oil	
	3020016	Ref	Motor Oil 15W-40	
		Ref	Hydraulic Fluids:	
	2300014	Ref	Mobil 424	
	2300029	Ref	Mobil EAL ISO 46 Bio	

SECTION 11 - SPECIAL OPTIONS

ITEM	PART NUMBER	QTY	DESCRIPTION	REV
	2300016	Ref	Mobil DTE 10 EXCEL 32	
	2300019	Ref	Quaker State Quintolubric 888-46 Fire Resistant	
	2300039	Ref	Exxon Univis Hvl 26 (Machines with Arctic Package)	
	1001117294	Ref	Foot Switch Shield (With Cold Weather Plus Package)	
	1001191395	Ref	Fuel Cap Cover, Lockable (Green)	
	1001202749	Ref	Fuel Cap Cover, Lockable (Black)	
	1001094475	Ref	Generator Hourmeter Installation (SN 0300201017 through 0300223772)	
	1001103286	Ref	Generator Hourmeter Installation (SN 0300223773 to Present)	
	1001213601	Ref	Generator Kit - 4kW 60Hz Deutz TD2011	
	1001176291	Ref	Generator Kit - 4kW 50Hz Deutz TD2011	
	1001213600	Ref	Generator Kit - 4kW 60Hz Deutz TCD2.9L4	
	1001211801	Ref	Generator Kit - 4kW 50Hz Deutz TCD2.9L4	
	0273502	Ref	Headlight and Taillights Installation	
		Ref	Hose Kits	
	1001098244	Ref	Hose Kit - Boom/Boom Valve	
	1001193806	Ref	Hose Kit - Boom Only	
	2902484	Ref	Hose Kit - Turntable (Rexroth Pumps)	
		Ref	Hose Kit - Turntable (Sauer Pumps)	
	1001241418	Ref	Hostile Environment Kit	
	0273503	Ref	Illumination Lights Installation	
	1001116352	Ref	Intercom David Clark	
	1001148971	Ref	Lanyard (Bolt-on) Installation Kit	
	1001183407	Ref	Low Temperature Cutout Installation (Russian Specs) (SN 0300201017 through 0300245504)	
	1001236951	Ref	Low Temperature Cutout Installation (Russian Specs) (SN 0300245505 to Present)	
	1001205175	1	Platform Console Cover Add-On Kit (Steel)	
	1001195304	1	Platform Console Cover Kit (Clear Polycarbonate)	
	1580013	Ref	Platform Corner Storage Tray	
		Ref	Platform Entry Kits	
	1001142504	Ref	Drop Bar (Replacing Swing Gate with Drop Bar)	
	1001142505	Ref	Swing Gate (Replacing Drop Bar with Swing Gate)	
	0273466	Ref	Platform Floodlights Installation	
	1001116420	NLA	Platform Ladder Carrier Installation (36 in Platform) (Use p/n 1001172045) (SN 0300201017 through 0300226468)	
	1001172045	Ref	Platform Ladder Carrier Installation (30in and 36 in Platform) (SN 0300226469 to Present)	
		Ref	Platform Mesh to Mid Rail Installations (ANSI, ANSI Export, Australian and CSA Specs)	
	1001138773	Ref	Mesh to Top Rail - 36in x 8ft (91.5cm x 2.44m)	
	1001138772	Ref	Mesh to Top Rail - 36in x 6ft (91.5cm x 1.83m)	
		Ref	Platform Mesh to Mid Rail Add-On Kit (ANSI, ANSI Export, Australian and CSA Specs)	
	1001214540	Ref	Mesh to Top Rail - 36in x 8ft (91.5cm x 2.44m) with Gate	
	1001214548	Ref	Mesh to Top Rail - 36in x 6ft (91.5cm x 1.83m) with Gate	
		Ref	Platform Mesh to Top Rail Installations (ANSI, ANSI Export and CSA Specs)	
	0273145	Ref	Platform Mesh to Top Rail Installations - 36in x 8ft (91.5cm x 2.44m)	
	0273149	Ref	Platform Mesh to Top Rail Installations - 36in x 6ft (91.5cm x 1.83m)	
		Ref	Platform Mesh to Top Rail Add-On Kit (ANSI, ANSI Export and CSA Specs)	

SECTION 11 - SPECIAL OPTIONS

ITEM	PART NUMBER	QTY	DESCRIPTION	REV
	1001214561	Ref	Platform Mesh to Top Rail - 36in x 8ft (91.5cm x 2.44m) with Gate	
	1001214562	Ref	Platform Mesh to Top Rail - 36in x 6ft (91.5cm x 1.83m) with Gate	
	1001149730	Ref	Platform Mid Rail Repair Kit	
		Ref	Platform Rail Extensions	
	0272733	Ref	Platform Rail Extensions - 6ft Platform	
	0272725	Ref	Platform Rail Extensions - 8ft Platform	
	1001204898	Ref	Platform Valve Hose Kit	
	0273465	Ref	Platform Worklights Installation	
	1001209059	Ref	Platform Work Surface Installation	
	1001171131	Ref	Receptacle with 240V GFI Installation - 4000W Generator	
	1001159121	Ref	Receptacle with 240V GFI Installation - 7500W Generator	
	1001247073	Ref	Skyeye Retrofit Kit	
		Ref	SkyGuard Component Options:	
	1001209481	Ref	SkyGuard Complete Add-On Kit (Blue Beacon)	
	1001208923	NLA	SkyGuard Complete Add-On Kit (Blue Beacon) (Use p/n 1001209481)	
	1001210042	Ref	SkyGuard Complete Add-On Kit (Red Beacon)	
	1001137672	Ref	SkyGuard Platform Sensor Kit	
	1001186431	2	Sensor Relay	
	1001206544	Ref	SkyGuard Strobe Light Kit (Blue Beacon)	
	1001155079	NLA	SkyGuard Strobe Light Kit (Blue Beacon) (Use p/n 1001206544)	
	1001210029	Ref	SkyGuard Strobe Light Kit (Red Beacon)	
	1001176372	Ref	SkyGuard Removal Plug Kit	
	1001232643	Ref	SkyLine Kit	
	1001231235	Ref	SkyWelder Locking Bracket	
	1001228964	Ref	Telematic Retrofit Harness Kit (Machines with UGM)	
	1001108504	Ref	Tie-Down (Additional) Kit - Frame Mounted	
		Ref	Tools For Service:	
	2901443	1	Analyzer Kit	
	3128444	1	CD, Troubleshooting	
	7002821	Ref	Crimper, Wire	
	7002823	Ref	Pin Extractor - Universal (For Electrical Connectors with Pins and Sockets)	
	4460467	1	Extractor - 16-18 Gauge (For Removal of Pin/Sockets from Deutsch Connectors)	
	4460510	1	Extractor - 12-14 Gauge (For Removal of Pin/Sockets from Deutsch Connectors)	
	7016654	Ref	Screwdriver, Magnetic	
	7002822	Ref	Screwdriver, Pontimeter	
	7004275	Ref	Seal Tool 1 in (For Cylinders)	
	7004276	Ref	Seal Tool 1-1/2 in (For Cylinders)	
	7002828	Ref	Stripper, Wire	
	7016655	1	Wire Rope Sheave Gauge	
	1001106846	1	Sleeve, Cylinder Head Installation (Tower Lift Cylinder)	
	1001106847	1	Sleeve, Cylinder Piston Installation (Tower Lift Cylinder)	
	1001106848	1	Gauge, Go - No Go (Tower Lift Cylinder)	
	1001107000	1	Sleeve, Cylinder Head Installation (Main Lift Cylinder)	
	1001107001	1	Sleeve, Cylinder Piston Installation (Main Lift Cylinder)	
	1001107002	1	Gauge, Go - No Go (Main Lift Cylinder)	
	1001107143	1	Sleeve, Cylinder Head Installation (Tower Telescope Cylinder)	
	1001107145	1	Sleeve, Cylinder Piston Installation (Tower Telescope Cylinder)	

SECTION 11 - SPECIAL OPTIONS

ITEM	PART NUMBER	QTY	DESCRIPTION	REV
	1001107146	1	Gauge, Go - No Go (Tower Telescope Cylinder)	
	1001107147	1	Gauge, Go - No Go (Tower Telescope Cylinder)	
	1001137005	1	Software Cable Kit (Service Kit)	
	70004185	1	Torque Multiplier	
	70004646	1	Puller	
	70004647	1	Seal Tool for Lifetime Seal Assembly	
	70004648	1	Puller for Brake Disassembly	
	1001119136	Ref	Wear Pad Kit (Includes Wear Pads, Shims and Hardware)	
	0273467	Ref	Weld Leads at Platform Installation	

Go to Discount-Equipment.com to order your parts

PART NUMBER INDEX

Go to Discount-Equipment.com to order your parts

PART NUMBER INDEX

0080237.....	181, 205	0100071.....	507	0273145.....	943	0440273.....	371, 375
0080244....	189, 197, 213, 221	0100079... ..	107, 177, 185, 193, 201, 209, 217, 227, 239, 251, 263, 279, 285, 327	0273149.....	943	0480100.....	565, 567
0080277.....	35, 407	0100081 17, 26, 107, 129, 133, 168, 169, 173, 399, 402, 455, 459, 463, 509, 511, 513, 515, 517, 519, 521, 523, 525, 527, 529, 531, 533, 535, 537, 539, 541, 543, 545, 547		0273349.....	105	0480127.....	333
0100009....	455, 459, 463, 467, 471, 475	0140001.....	71, 73	0273350.....	168	0480128.....	337, 353
0100011....	17, 21, 25, 29, 35, 46, 50, 59, 61, 67, 71, 73, 75, 77, 95, 105, 107, 117, 119, 121, 123, 125, 127, 130, 134, 168, 169, 172, 173, 177, 181, 185, 189, 193, 197, 201, 205, 209, 213, 217, 221, 229, 231, 236, 239, 243, 246, 251, 255, 260, 263, 267, 270, 279, 283, 285, 289, 294, 325, 333, 337, 341, 345, 349, 353, 357, 361, 365, 371, 375, 380, 384, 388, 399, 402, 406, 409, 411, 413, 415, 417, 427, 429, 431, 437, 439, 441, 443, 493, 495, 497, 499, 501, 505, 550, 553, 555, 557, 577, 579, 581, 583, 585, 587, 589, 591, 593, 597, 599, 601, 603, 605, 607, 611, 613, 617, 667, 669, 725, 729	0140011	455, 459, 463, 467, 471, 475	0273353.....	550	0480129.....	357
0100019....	17, 21, 25, 29, 33, 35, 37, 39, 87, 89, 91, 345, 349, 353, 357, 361, 365, 371, 375, 384, 388, 585, 587, 589, 611	0140032.....	145	0273360.....	399	0561380.....	371, 375
0100020....	236, 246, 260, 270, 294, 337, 345, 354, 361, 491, 550, 561, 671, 673, 675, 677, 679, 681, 683, 685, 687, 689, 691, 693, 695, 697, 699, 701, 703, 705, 707, 709, 711, 713, 715, 717, 719, 721	0200048	493, 495, 497	0273361.....	402	0561533.....	380
0100035.....	35, 149, 406, 467, 471, 475, 609	0200742.....	333	0273377.....	59, 71, 415	0561546.....	585, 589
0100038....	577, 579, 581, 583, 585, 587, 589, 591, 593, 597, 599, 601, 603, 605, 607, 611, 613, 617	0200833.....	35, 407	0273395.....	163	0561547.....	371, 375
0100048....	129, 133, 147, 337, 345, 349, 354, 358, 361, 365, 411, 455, 459, 463, 467, 471, 475, 763, 900, 903, 910	0236768.....	75, 77	0273401.....	107	0630407.....	130, 134
0100062....	236, 248, 260, 272, 294	0239842.....	93	0273404.....	545, 547	0630462.....	493, 495, 497
		0256789.....	940	0273405.....	537, 539	0630464.....	35, 129, 133, 406
		0257195.....	941	0273406.....	533, 535	0630467.....	402, 415
		0257728.....	565	0273446.....	489	0630518....	129, 133, 550, 553, 555, 557, 561
		0257887.....	145	0273447.....	145	0630534....	603, 605, 607
		0259666.....	137	0273451.....	91	0630535....	577, 579, 581, 583, 585, 587, 589, 613, 615, 617, 621
		0259667.....	139	0273461.....	725	0630537....	597, 599, 601
		0271520.....	35	0273462.....	667	0630539.....	399
		0271521.....	25	0273463.....	669	0630548.....	129, 133
		0271596.....	87	0273464.....	940	0630558.....	384, 388
		0271803.....	940	0273465.....	944	0630568....	455, 460, 464, 468, 472, 476
		0271804.....	940	0273466.....	943	0630573....	591, 593, 595
		0271852.....	55	0273467.....	945	0630593.....	399
		0271874.....	95	0273471.....	940	0641404....	77, 337, 341, 345, 349, 353, 357, 361, 365, 455, 459, 463, 467, 471, 475, 505
		0271934.....	17	0273474.....	745	0641405....	406, 411, 505, 667, 669, 725, 727, 729
		0272055.....	55	0273475.....	747	0641406 71, 73, 129, 133, 172, 181, 189, 197, 205, 213, 221, 234, 246, 258, 270, 292, 333, 349, 402, 445, 447, 449, 451, 453, 727, 729, 899, 903, 905, 909, 913, 917, 921, 925, 929	
		0272056.....	55	0273476.....	753	0641407....	147, 341, 411, 723
		0272060	182, 189, 197, 206, 213, 221	0273502.....	943	0641408..	71, 73, 75, 107, 151, 153, 155, 157, 159, 161, 168, 172, 227, 239, 251, 263, 279, 285, 447, 449, 451, 453, 763
		0272070.....	409	0273503.....	943	0641410....	177, 185, 193, 201, 209, 217, 227, 239, 251, 263, 279, 285
		0272080.....	109, 663	0273513.....	940	0641412.....	67
		0272254.....	555	0273824.....	493	0641413.....	77
		0272418	509, 511, 513, 515, 517, 519, 521, 523, 525, 527, 529, 531, 533, 535, 537, 539, 541, 543, 545, 547	0273862.....	940	0641414....	455, 459, 463, 467, 471, 475, 493, 495, 497, 499, 501, 507
		0272427.....	495	0274106.....	33	0641416....	411, 671, 673, 675, 677, 679, 681, 683, 685, 687, 689, 691, 693, 695, 697, 699, 701, 703, 705, 707, 709, 711, 713,
		0272435.....	354, 363	0274661.....	567		
		0272448.....	550, 555	0274670.....	888		
		0272521.....	553	0274722.....	899		
		0272588.....	553	0274723.....	925		
		0272589.....	358, 366	0274724.....	913		
		0272599.....	550, 561	0274725.....	905		
		0272607.....	561	0274726.....	929		
		0272621.....	941	0274727.....	917		
		0272703.....	411	0274728.....	909		
		0272725.....	944	0274729.....	921		
		0272733.....	944	0274730.....	933		
		0272948.....	531	0274885.....	941		
		0272949.....	519, 521	0275216.....	675, 839		
		0272950.....	523, 525	0275217.....	683, 843		
		0272951.....	515	0275218.....	691, 847		
		0272952.....	527, 529	0275219.....	695, 851		
		0273121.....	406	0275452.....	699, 855		
				0275453.....	707, 859		
				0275454.....	715, 863		
				0275685.....	37		
				0340003	181, 189, 197, 205, 213, 221		
				0340051	181, 189, 197, 205, 213, 221		
				0363037	17, 21, 25, 29		
				0363062.....	75, 77		
				0363076.....	17, 22		
				0363081.....	333		
				0363082.....	333		
				0363224.....	406		
				0370025.....	585, 589		
				0400020.....	75, 77		
				0440251.....	91		

PART NUMBER INDEX

715, 717, 719, 721, 727, 729	0641611 ... 17, 21, 25, 29, 251, 325	535, 537, 539, 541, 543, 545, 547	0761214 50, 236, 248, 260, 272, 294
0641418 ... 427, 429, 431, 437, 439, 441, 443	0641613 ... 17, 21, 25, 29, 371, 375	0642214 17, 21, 25, 29	0761215 46, 206, 213, 222, 255, 267, 289
0641424 59, 61	0641615 107	0642612 151, 157	0761216 409, 413
0641503 ... 236, 248, 260, 272, 294	0641616 337, 341	0642616 371, 375	0771212 ... 234, 246, 258, 270, 292
0641504 59, 61	0641618 ... 345, 349, 354, 358, 361, 365	0642624 371, 375	0771414 ... 181, 189, 197, 205, 213, 221, 234, 246, 258, 270, 292
0641505 35, 406	0641620 17, 71, 73	0642684 409, 411, 413	0791410 67
0641506 ... 105, 145, 168, 169, 173, 181, 189, 197, 205, 213, 221	0641622 380	0651606 177, 185, 193, 201, 209, 217, 228, 240, 252, 264, 280, 286	0791504 406
0641507 ... 181, 189, 197, 205, 213, 221, 417	0641624 26	0681608 409, 411, 413	0791506 406
0641508 ... 107, 234, 246, 258, 270, 292, 333	0641626 402	0681620 569, 571, 573	0791510 402
0641509 59, 61, 165, 177, 185, 193, 201, 209, 217	0641628 399	0681813 18, 21, 26, 29	0791604 67, 406
0641510 173	0641630 168, 172	0681814 18, 21, 26, 29, 433, 435	0791605 ... 168, 172, 406
0641511 35, 177, 185, 193, 201, 209, 217, 227, 239, 251, 263, 279, 285	0641636 35	0681822 433, 435	0791606 ... 384, 388, 406, 617
0641514 565, 567	0641638 71, 73, 403	0682014 385, 389	0791607 67, 617
0641516 ... 337, 341, 345, 349, 353, 357, 361, 365	0641644 402	0682016 371, 375	0791608 402, 406
0641520 ... 109, 111, 113, 115	0641652 399	0682026 91	0791610 402
0641604 107, 380	0641706 ... 234, 246, 258, 270, 292	0682028 ... 234, 246, 258, 270, 292, 384, 388	0791616 402
0641605 ... 177, 181, 185, 189, 193, 197, 201, 205, 209, 213, 217, 221, 227, 239, 251, 263, 279, 285, 402	0641708 ... 234, 246, 258, 270, 292	0682040 91	0791618 402
0641606 ... 17, 21, 25, 29, 168, 172, 177, 185, 193, 202, 210, 218, 227, 234, 239, 246, 251, 258, 263, 270, 279, 285, 292, 399, 402, 550, 553, 555, 557, 613, 615, 617, 621	0641718 333	0682048 371, 375	0791622 402
0641607 75, 77, 117, 119, 121, 123, 125, 127, 384, 388, 613, 615, 617, 621	0641806 ... 177, 185, 193, 201, 209, 217, 228, 240, 252, 264, 280, 286	0682212 384, 388	0791808 399, 402
0641608 ... 17, 21, 25, 29, 59, 61, 71, 73, 77, 95, 109, 111, 163, 165, 168, 172, 181, 189, 197, 205, 213, 221, 227, 234, 239, 246, 251, 255, 258, 263, 267, 270, 279, 285, 289, 292, 333, 371, 375	0641808 ... 17, 21, 25, 29, 59, 61, 177, 181, 185, 189, 193, 197, 201, 205, 209, 213, 217, 221, 227, 239, 251, 263, 279, 285, 384, 388	0682418 87	0791810 406
0641609 ... 17, 21, 25, 29, 181, 189, 197, 205, 213, 221	0641809 ... 380, 384, 388, 399, 402	0682422 89	0801365 380
0641610 ... 168, 172, 177, 181, 185, 189, 193, 197, 201, 205, 209, 213, 217, 221, 227, 234, 239, 246, 251, 258, 263, 270, 279, 285, 292, 327, 333, 384, 388, 447, 449, 451, 453	0641810 ... 337, 341, 345, 349, 353, 357, 361, 365, 380, 384, 388	0682424 569, 571, 573	0801366 380
	0641812 ... 105, 181, 189, 197, 231, 243, 255, 267, 283, 289, 409, 413	0700408 ... 671, 673, 675, 677, 679, 681, 683, 685, 687, 689, 691, 693, 695, 697, 699, 701, 703, 705, 707, 709, 711, 713, 715, 717, 719, 721	0801367 380
	0641813 384, 388	0700615 151, 153, 155, 157, 159, 161	0801369 384, 388
	0641814 17, 22, 205, 213, 221	0700815 ... 234, 246, 258, 270, 292	0801370 ... 371, 375, 380
	0641816 165	0701418 333	0801371 371, 384
	0641818 ... 163, 181, 189, 197, 205, 213, 221	0701617 37, 39	0801497 384, 388
	0641820 105	0701619 55, 57	0801550 385, 389
	0641822 411	0711214 ... 181, 189, 197, 205, 213, 221	0811606 ... 380, 384, 388, 402
	0641826 ... 181, 189, 197, 205, 213, 221	0711417 ... 189, 197, 213, 221	0811607 ... 380, 384, 388
	0642010 ... 177, 185, 193, 201, 209, 217, 227, 239, 251, 263, 279, 285, 384, 388	0720804 ... 455, 459, 463, 467, 471, 475	0840055 771
	0642012 ... 509, 513, 515, 517, 521, 525, 529, 531, 535, 539, 543, 547	0721003 407	0840062 811
	0642016 35	0721005 ... 493, 495, 497	0860038 ... 337, 345, 353, 361, 667, 669
	0642020 25, 29	0721006 ... 325, 455, 459, 463, 467, 471, 475	0861538 353, 361
	0642024 411	0731007 107	0861572 357, 365
	0642026 ... 511, 519, 523, 527, 533, 537, 541, 545	0741606 35	0861627 130, 134
	0642212 ... 371, 375, 509, 511, 513, 515, 517, 519, 521, 523, 525, 527, 529, 531, 533,	0741607 ... 337, 341, 345, 349, 361, 365	0861628 129, 130
		0741806 384, 388	0861630 455
		0742210 371, 375	0861731 ... 671, 673, 703, 705, 711, 713, 719, 721, 855, 857, 859, 861, 863, 865
		0760608 ... 168, 169, 173	0861781 ... 679, 681, 687, 689, 839, 841, 843, 845
		0760810 ... 236, 248, 260, 272, 294	0861880 ... 755, 757, 759, 761
		0760812 735	0902746 ... 168, 169, 173
		0761014 413	0902761 168, 173
		0761015 372, 376	0902762 169, 173
		0761210 ... 227, 239, 251, 263, 279, 285	0902763 169, 173
			0902800 71, 73
			0902813 333
			0902888 ... 337, 341, 345, 349, 353, 357, 361, 365
			0902915 105
			0902919 411
			0902920 411
			0902932 402
			0902965 403

PART NUMBER INDEX

0903154.....	168, 172	1001092856.....	182, 190, 198, 206, 214, 222	1001100346.....	717, 865	1001109482.....	755, 757, 759
0903157.....	168, 172	1001093242.....	45	1001100347.....	709, 861	1001109503.....	133
0903161.....	169, 173	1001093243.....	41, 45	1001101191.....	673, 675, 677, 681, 683, 685, 689, 691, 693, 695, 697, 699, 701, 705, 707, 709, 713, 715, 717, 721, 755, 757, 759	1001109557.....	727
0903162.....	169, 173	1001094055.....	914, 933	1001101196.....	675, 677, 681, 683, 685, 689, 691, 693, 695, 697	1001109619.....	942
0903484.....	727, 729	1001094475.....	943	1001101197.....	673, 699, 701, 705, 707, 709, 713, 715, 717, 721	1001109621.....	942
0903530.....	415	1001096070.....	723, 761	1001101421.....	509, 511, 513	1001109648.....	727, 755
0903696.....	75, 77	1001096076.....	789, 794	1001101422.....	509, 513	1001109654.....	729, 759
0940070.....	181, 189, 197, 205, 213, 221, 234, 246, 258, 270, 292	1001096163.....	729	1001101550.....	49	1001109677.....	111, 115
0940092.....	493, 495, 497	1001096172.....	341, 349, 723, 727, 729	1001102647.....	511	1001110133.....	942
0940094.....	493, 495, 497	1001097051.....	893	1001103286.....	943	1001110252.....	630, 638, 643, 647, 658, 662, 663
0940102.....	509, 511, 513, 515, 517, 519, 521, 523, 525, 527, 529, 531, 533, 535, 537, 539, 541, 543, 545, 547	1001097150.....	755, 759, 761	1001103793.....	71, 73, 83	1001110425.....	227, 239, 251, 263, 279, 285
0940103.....	495	1001097619.....	384, 388, 395	1001103977.....	659	1001110604.....	658
0940134.....	493	1001097643.....	384, 388, 391	1001104315.....	39, 43	1001110761.....	663
0940177.....	497	1001098012.....	550, 561, 563	1001104324.....	39	1001110873.....	337, 345, 354, 362, 667
0961845.....	427, 429, 431, 437, 439, 441, 443	1001098027.....	626, 662	1001104325.....	43, 49	1001111081.....	643, 662
0961893.....	603, 605, 607	1001098122.....	491, 820	1001104577.....	659	1001111082.....	638, 662
0961896.....	577, 581, 583	1001098149.....	561	1001104650.....	942	1001111083.....	647, 662
0961897.....	585, 587, 589, 613, 615, 617, 621	1001098244.....	943	1001104841.....	83	1001111084.....	630, 662
0961901.....	597, 599, 601	1001098513.....	181	1001106475.....	384, 388	1001112551.....	903
0961949.....	585, 587, 589, 609, 611	1001098518.....	185	1001106476.....	384, 388	1001112612.....	739, 767
0961950.....	581, 583, 609, 611	1001098519.....	177	1001106483.....	384, 388	1001112669.....	57
0961951.....	384, 388, 617, 621	1001098520.....	193	1001106736.....	767	1001112716.....	57
0961986.....	181, 189, 197, 205, 213, 221, 234, 246, 258, 270, 292	1001098530.....	189	1001106846.....	944	1001112757.....	71, 73
0962033.....	17, 21, 25, 29, 372, 376	1001098531.....	197	1001106847.....	944	1001112758.....	59, 61, 936
0962051.....	163, 165	1001098601.....	181, 190, 198, 205, 214, 222, 225	1001106848.....	944	1001112766.....	181, 189, 197, 205, 213, 221
0962122.....	372, 376	1001098828.....	413	1001107000.....	944	1001112796.....	739
0962224.....	385, 389	1001099366.....	509, 511, 513, 515, 517, 519, 521, 523, 525, 527, 529, 531, 533, 535, 537, 539, 541, 543, 545, 547	1001107001.....	944	1001112850.....	71, 73
0962257.....	603, 605, 607, 613, 615	1001099367.....	509, 511, 513, 515, 517, 519, 521, 523, 525, 527, 529, 531, 533, 535, 537, 539, 541, 543, 545, 547	1001107002.....	944	1001112927.....	207, 214, 222, 255, 267, 289, 321
0962270.....	433, 435	1001099421.....	531	1001107143.....	944	1001112973.....	940
0962297.....	371, 375, 380, 591, 593, 595, 597, 599, 601	1001099422.....	515	1001107145.....	944	1001112988.....	940
0962423.....	35	1001099423.....	537	1001107146.....	945	1001112989.....	411
0962450.....	411	1001099436.....	519	1001107147.....	945	1001113483.....	411
0962520.....	337, 341, 345, 349, 353, 357, 361, 365	1001099437.....	523	1001107971.....	205	1001114383.....	903
0962552.....	597, 599, 601	1001099438.....	533	1001107972.....	201	1001114438.....	129, 133, 767
0962556.....	385, 389	1001099439.....	527	1001107973.....	213	1001114487.....	117, 119, 121, 123, 125, 127
0962561.....	585, 587, 589	1001099440.....	545	1001107974.....	209	1001114495.....	235, 247, 259, 271, 293
0962562.....	591, 593	1001099632.....	35	1001107975.....	221	1001115603.....	541, 543
1001091102.....	341, 350, 723, 727, 729	1001100326.....	677	1001107976.....	217	1001115604.....	541
1001091460.....	98	1001100327.....	685	1001108256.....	497	1001115961.....	57
1001091461.....	98	1001100328.....	693	1001108504.....	940, 944	1001116008.....	737
1001091969.....	675	1001100329.....	697	1001108616.....	206, 214, 223, 255, 267, 289, 314	1001116208.....	933
1001091970.....	683	1001100331.....	701	1001108617.....	177, 185, 193, 201, 209, 217, 227, 239, 251, 263, 279, 285	1001116352.....	943
1001091971.....	691	1001100333.....	709	1001108708.....	942	1001116420.....	943
1001091972.....	695	1001100337.....	717	1001109181.....	942	1001116707.....	775
1001091973.....	699	1001100341.....	677, 841	1001109438.....	658	1001116710.....	781
1001091974.....	707	1001100342.....	685, 845	1001109439.....	658	1001116720.....	815, 823
1001091975.....	715	1001100343.....	693, 849	1001109465.....	658	1001116728.....	776
1001092764.....	661	1001100344.....	697, 853	1001109468.....	658	1001116774.....	737, 739
		1001100345.....	701, 857	1001109470.....	658	1001116792.....	227, 239, 251, 263, 279, 285
				1001109471.....	658	1001116808.....	737, 739
				1001109475.....	757, 759	1001116812.....	794
				1001109477.....	755	1001116815.....	737
						1001116846.....	913
						1001116849.....	913
						1001116851.....	913
						1001116952.....	776
						1001116967.....	775

PART NUMBER INDEX

1001116983 781	1001120681 130, 134, 827, 833	1001133633 235, 248, 259, 272, 293	1001137276 235, 247, 259, 271, 293
1001117034 913	1001120989 933	1001133634 235, 247, 259, 271, 293	1001137590 361
1001117035 913	1001120995 933	1001133714 777, 779	1001137591 365
1001117078 355, 358, 363, 367, 785	1001121615 813, 815, 819	1001133715 777, 779	1001137672 944
1001117106 776	1001121616 813, 815, 819	1001133956 775	1001137673 499, 501
1001117107 776	1001121703 813, 815, 819	1001133957 775	1001138011 345, 349, 362, 366
1001117140 173	1001121826 141, 479	1001134098 87, 98	1001138016 121
1001117172 491	1001121827 143, 481	1001134390 255	1001138110 777
1001117174 456, 460, 464, 468, 472, 476, 491, 937	1001122369 899, 933	1001134392 234, 258	1001138111 777
1001117294 943	1001122370 925, 934	1001134485 235, 247, 259, 271	1001138113 777
1001117308 235, 247, 259, 271, 293, 936	1001122371 913, 933	1001134488 234, 248, 258, 272, 292	1001138228 235, 247, 259, 271, 293
1001118384 895	1001122372 905, 933	1001135090 235, 247, 259, 271, 293	1001138248 235, 248, 259, 272, 293
1001118388 815, 823, 895	1001122373 929, 934	1001135124 113, 115	1001138253 235, 247, 259, 271, 293
1001118753 371, 375, 597	1001122374 917, 934	1001135138 235, 247, 259, 271, 293	1001138346 235, 247, 259, 271, 293, 775
1001118754 597	1001122375 921, 934	1001135497 165	1001138491 227, 239, 251, 263, 279, 285, 781
1001118756 597	1001122376 899	1001135560 235, 247, 259, 271, 293	1001138494 429, 431, 437, 439, 441, 443
1001118761 597, 599	1001122377 925	1001135562 235, 247, 259, 271, 293	1001138514 429, 431, 439, 443
1001118762 597, 599, 601	1001122378 913	1001135650 777, 779	1001138524 235, 247, 259, 271, 293
1001118957 111, 663	1001122379 905	1001135651 777	1001138559 235, 247, 259, 271, 293
1001119020 739, 820	1001122380 929	1001135679 235, 247, 259, 271, 293	1001138559 235, 247, 259, 271, 293
1001119119 107	1001122381 917	1001135680 235, 247, 259, 271, 293	1001138565 341, 342
1001119136 945	1001122382 921	1001135779 236, 248, 260, 272, 294	1001138566 337, 341, 345, 349
1001119296 659	1001122383 141	1001135901 235, 247, 259, 271, 293	1001138717 236, 248, 260, 272, 294
1001119353 119	1001122384 479	1001135903 235, 247, 259, 271, 293	1001138772 943
1001119354 117	1001122528 354, 358, 363, 366	1001135926 235, 247, 259, 271, 293	1001138773 943
1001119376 117, 119, 121, 129	1001122611 479	1001135943 235, 247, 259, 271, 293	1001138803 388, 607
1001119455 107	1001125387 933	1001135946 235, 247, 259, 271, 293	1001138805 605, 607
1001119456 117, 125, 837	1001125425 333	1001136079 236, 260, 294	1001138811 375
1001119470 117, 119, 125, 127, 773	1001125427 353	1001136172 246, 270	1001138812 375, 388
1001119508 129, 133, 937	1001125428 357	1001136292 235, 247, 259, 271, 293	1001138813 388, 589
1001119529 129, 133, 797	1001126008 737	1001136356 341	1001138814 589
1001119567 888	1001126009 895	1001136357 349, 366	1001138827 235, 247, 259, 271, 293
1001119614 372, 376	1001126351 775	1001136626 235, 247, 259, 271, 293	1001139357 337, 341
1001119619 891	1001126352 775	1001136665 235, 247, 259, 271, 293	1001139492 115
1001119620 893	1001126356 775	1001136834 235, 247, 259, 271, 293	1001139494 113
1001119861 888	1001126357 775	1001136988 361, 365	1001139520 77, 661, 663
1001119899 385, 389	1001126362 776	1001137005 945	1001139654 933
1001119938 940	1001126363 776	1001137023 942	1001139665 113, 115
1001119946 940	1001126364 776	1001137028 942	1001139666 113, 115
1001119968 355, 358, 363, 366, 785	1001126365 776		1001139930 331
1001120140 597, 599, 601	1001126384 775		1001139958 337
1001120141 597, 599, 601	1001126391 776		1001140222 325
1001120161 372, 376, 827	1001127092 940		1001140312 248, 272
1001120181 129, 789	1001128527 557		1001140344 345
1001120328 499, 501, 505	1001128556 557		1001140346 346
1001120564 109, 111	1001128947 235, 247, 259, 271, 275		1001140347 350
1001120634 827, 829, 831	1001129555 936		1001140397 349
1001120653 371	1001129858 337, 338		1001140429 427, 429, 431, 437, 439, 441, 443
	1001131269 899, 917		1001140485 172
	1001131482 165		
	1001131542 181, 189, 197, 205, 213, 221, 228, 240, 252, 264, 280, 286		
	1001131730 399		
	1001131732 403		
	1001131969 749		
	1001132055 345		
	1001132730 940		
	1001133163 77		
	1001133593 77		

PART NUMBER INDEX

1001140564.....234, 248, 258, 272, 292	1001145089..... 227, 239, 251, 263, 279, 285	1001153387..... 236, 248, 260, 272, 294	1001163296..... 531
1001141300..... 933	1001145154..... 236, 248, 260, 272, 294	1001154157..... 331	1001163297..... 515
1001141302..... 933	1001145321..... 650, 662	1001154214..... 113	1001163298..... 523, 525
1001141304..... 236, 247, 260, 271, 294	1001145322..... 658, 663	1001154405..... 227, 236, 239, 248, 251, 260, 263, 272, 279, 285, 294, 325	1001164700..... 79
1001141717..... 236, 247, 260, 271, 294	1001145323..... 75	1001155044..... 456, 460, 464, 468, 472, 476	1001165035..... 227, 236, 239, 248, 251, 260, 263, 272, 293
1001141718..... 325	1001145382..... 182, 190, 198, 206, 214, 222	1001155045..... 456, 460, 464, 468, 472, 476, 936	1001165101..... 228, 240, 252, 264, 280, 286, 325
1001141719..... 234, 247, 258, 271, 292	1001145405..... 550, 561	1001155079..... 944	1001165368..... 341, 349, 757
1001141745..... 267	1001145560..... 227, 239, 251, 263, 279, 285	1001155575..... 235, 247, 259, 271, 293	1001165507..... 371, 375, 599
1001141746..... 246, 270	1001145708..... 942	1001155813..... 342, 350	1001165508..... 599
1001141812..... 231	1001145785..... 447	1001155823..... 236, 248, 260, 272, 294	1001165509..... 599
1001141813..... 243	1001145842..... 228, 240, 252, 264, 280, 286	1001157520..... 354, 358, 363, 366	1001165510..... 371, 375, 593
1001141967..... 847, 849, 851, 853	1001146050..... 165	1001157521..... 354, 358, 363, 366	1001165511..... 593
1001141968..... 847, 849	1001146132..... 172	1001157525..... 357, 358, 365, 366	1001165820..... 236, 248, 260, 272, 294
1001141969..... 851, 853	1001146142..... 172	1001157528..... 354, 358, 363, 366	1001166393..... 235, 247, 259, 271, 293
1001141970..... 851	1001146178..... 172	1001157592..... 353, 354, 361, 362	1001166538..... 456, 460, 464, 468, 472, 476, 487
1001141971..... 847, 849	1001146183..... 172	1001158007..... 354, 358, 363, 366	1001166539..... 456, 460, 464, 468, 472, 476, 483
1001142021..... 173	1001146219..... 234, 246, 258, 270, 292	1001158008..... 338, 342, 346, 350, 354, 358, 363, 366	1001166665..... 447, 455
1001142023..... 172	1001147264..... 776	1001158363..... 338, 342, 346, 350	1001167565..... 413
1001142144..... 172	1001147479..... 406, 937	1001159121..... 944	1001167567..... 413
1001142181..... 172	1001148648..... 342, 350	1001159156..... 476	1001168402..... 413
1001142375..... 227	1001148841..... 779	1001159256..... 456, 460, 464, 468, 472, 936	1001171095..... 206, 215, 223, 255, 267, 289, 317
1001142376..... 251	1001148842..... 779	1001160110..... 933	1001171130..... 345
1001142377..... 239	1001148843..... 236, 248, 260, 272, 294, 779	1001160567..... 107	1001171131..... 944
1001142378..... 263	1001148902..... 942	1001161042..... 749	1001172045..... 943
1001142380..... 172	1001148903..... 942	1001161043..... 749	1001172663..... 413
1001142398..... 235, 247, 259, 271, 293	1001148904..... 942	1001161045..... 749	1001172760..... 456, 460, 464, 468, 472, 476
1001142501..... 236, 248, 260, 272, 294	1001148905..... 942	1001161049..... 749	1001173703..... 933
1001142504..... 943	1001148906..... 942	1001161401..... 17, 21, 25, 30	1001173889..... 650, 654, 658
1001142505..... 943	1001148971..... 943	1001161402..... 17, 21, 25, 30	1001173890..... 651, 655, 659
1001142610..... 227, 239, 251, 263, 279, 285	1001149730..... 944	1001161709..... 456, 460, 464, 468, 472, 476, 936	1001173913..... 29
1001142637..... 236, 248, 260, 272, 294	1001149818..... 149, 869	1001161710..... 456, 460, 464, 468, 472, 476, 936	1001173914..... 21
1001142645..... 345, 362	1001149955..... 149	1001162880..... 75, 79	1001174326..... 591, 593, 595
1001142683..... 151, 153, 155, 157, 159, 161	1001149994..... 149, 153, 155, 159, 161	1001162899..... 888	1001175884..... 613
1001142685..... 236, 248, 260, 272, 294	1001150406..... 149	1001162900..... 888	1001175887..... 613, 615
1001142694..... 151, 157	1001150944..... 151, 737	1001162901..... 888	1001175888..... 384, 388, 613
1001142719..... 151, 153, 155, 157, 159, 161	1001151393..... 137, 139	1001163131..... 509, 511, 513	1001176291..... 943
1001142736..... 151, 153, 155, 157, 159, 161, 739	1001152456..... 338, 342, 346, 350	1001163287..... 527, 529	1001176346..... 67
1001142938..... 776	1001152457..... 337, 345, 346	1001163288..... 537, 539	1001176372..... 944
1001142940..... 776	1001152458..... 341, 349, 350	1001163289..... 533, 535	1001176469..... 133
1001142941..... 777	1001152525..... 338, 346, 354, 358, 362, 366	1001163292..... 541, 543	1001176982..... 658
1001143087..... 113, 115	1001152530..... 338, 342, 346, 350	1001163293..... 519, 521	1001177348..... 941
1001143123..... 113, 115	1001152533..... 337, 341, 345, 349, 783	1001163295..... 545, 547	1001178247..... 384, 388, 393
1001143298..... 165	1001152566..... 173		1001178248..... 384, 388, 397
1001143390..... 236, 248, 260, 272, 294	1001152742..... 775		1001179154..... 338, 346, 354, 362
1001143431..... 151	1001152963..... 231, 243, 283, 308		1001180007..... 133
1001143852..... 933	1001152971..... 654, 662		1001180019..... 341
1001144089..... 236, 248, 260, 272, 294	1001153024..... 236, 247, 260, 271, 293		1001180219..... 349
1001144147..... 737	1001153186..... 654		
1001144433..... 464, 468, 472, 501	1001153188..... 654, 662		
1001144629..... 423, 425, 437, 441	1001153257..... 337, 345		
	1001153260..... 338, 346		

PART NUMBER INDEX

1001180696..... 941	1001194198..... 711	1001210042..... 944	1001226872..... 427
1001180951..... 751	1001194200..... 719	1001211801..... 943	1001227449..... 940
1001181045..... 757, 759, 761	1001194203..... 679	1001212223..... 361, 365	1001227452..... 940
1001181046..... 755	1001194204..... 687	1001212243..... 372, 376	1001227633..... 503
1001181895..... 248, 272	1001194365..... 671	1001212415..... 936	1001227634..... 503
1001182138..... 507	1001195304..... 943	1001213183..... 941	1001227932..... 745
1001182242..... 942	1001195793..... 888	1001213447..... 820	1001227933..... 745
1001182806..... 147	1001197017..... 493, 495, 497	1001213584..... 745, 747, 751	1001227934..... 745
1001183407..... 943	1001197067..... 157	1001213585..... 745, 747, 751	1001227935..... 747, 751
1001184934..... 173	1001197408..... 933	1001213600..... 943	1001227936..... 747, 751
1001185281..... 464, 468, 472, 476	1001197510..... 941	1001213601..... 943	1001227937..... 747
1001185296..... 134	1001197511..... 941	1001214029..... 933	1001227960..... 71, 73, 936
1001185297..... 134	1001197512..... 941	1001214540..... 943	1001227985..... 503
1001185301..... 123, 125, 127, 133	1001197513..... 941	1001214548..... 943	1001227987..... 503
1001185588..... 123	1001197514..... 941	1001214561..... 944	1001227996..... 893
1001186333..... 433	1001197515..... 941	1001214562..... 944	1001228019..... 29, 583
1001186334..... 435	1001197519..... 941	1001214570..... 735	1001228020..... 21, 29, 579
1001186379..... 429	1001198671..... 327	1001214571..... 735	1001228025..... 384, 388, 605
1001186382..... 431	1001200491..... 413	1001216630..... 409, 411, 413	1001228031..... 35, 611
1001186383..... 425	1001200494..... 413	1001217005..... 153, 155	1001228032..... 380, 621
1001186384..... 423	1001200575..... 455, 464	1001217564..... 909	1001228034..... 384, 388, 587
1001186431..... 472, 501, 944	1001200839..... 385, 389	1001218622..... 753	1001228077..... 371, 375, 601
1001186432..... 823, 895	1001200910..... 153, 155	1001218623..... 753	1001228078..... 371, 375, 595
1001186468..... 134, 793	1001201351..... 413	1001218623..... 753	1001228080..... 384, 388, 615
1001186477..... 464, 468, 815	1001201888..... 460, 468	1001219987..... 451, 471	1001228215..... 427
1001186517..... 499, 501	1001201889..... 472, 476	1001219989..... 61, 73, 417	1001228224..... 503
1001187508..... 499	1001202076..... 942	1001220147..... 940	1001228225..... 503
1001187674..... 503	1001202221..... 942	1001220379..... 776	1001228243..... 441
1001187681..... 891	1001202280..... 327	1001220510..... 933	1001228375..... 443
1001187786..... 723	1001202281..... 327, 937	1001220511..... 933	1001228376..... 437
1001188622..... 413	1001202562..... 449, 467	1001220512..... 933	1001228377..... 439
1001188844..... 413	1001202564..... 447, 459	1001220864..... 941	1001228488..... 89, 101
1001188885..... 327	1001202697..... 940	1001220866..... 472, 476, 819	1001228497..... 130, 134, 835
1001188887..... 327	1001202749..... 943	1001220898..... 372, 376, 829	1001228498..... 372, 376, 831
1001188889..... 499	1001203655..... 433	1001220929..... 472, 476	1001228617..... 89
1001189001..... 413	1001203656..... 435	1001221278..... 933	1001228953..... 940
1001189002..... 413	1001204046..... 942	1001221706..... 451	1001228964..... 944
1001189176..... 151	1001204725..... 413	1001222314..... 417	1001228988..... 550, 553, 555, 557, 561
1001190098..... 449, 463	1001204898..... 944	1001222305..... 900	1001229058..... 89
1001190106..... 464	1001205035..... 941	1001223453..... 900, 918	1001229107..... 940
1001190111..... 449	1001205175..... 943	1001223971..... 918	1001229341..... 503
1001190985..... 413	1001205401..... 153	1001224048..... 926	1001231235..... 944
1001191272..... 235, 247, 259, 271, 293	1001205958..... 699, 701, 703, 705, 707, 709, 711, 713, 715, 717, 719, 721	1001224049..... 930	1001231315..... 899
1001191395..... 943	1001206250..... 705	1001224050..... 914	1001231316..... 917
1001191526..... 933	1001206251..... 713	1001224052..... 906	1001231317..... 925
1001191541..... 22, 30	1001206252..... 721	1001224053..... 922	1001231318..... 929
1001191708..... 507	1001206253..... 681	1001225118..... 182, 190, 198, 206, 214, 222	1001231319..... 905
1001192401..... 790, 794	1001206254..... 689	1001225245..... 543	1001231320..... 921
1001193018..... 671, 673, 675, 677, 679, 681, 683, 685, 687, 689, 691, 693, 695, 697, 699, 701, 703, 705, 707, 709, 711, 713, 715, 717, 719, 721	1001206255..... 673	1001225246..... 547	1001231321..... 913
1001193642..... 942	1001206476..... 735	1001225247..... 529	1001231801..... 933
1001193674..... 22, 30	1001206544..... 944	1001225248..... 535	1001231949..... 573
1001193806..... 943	1001206794..... 942	1001225249..... 525	1001231950..... 569, 571
1001194124..... 125	1001206796..... 942	1001225250..... 521	1001232010..... 569, 571, 573
1001194125..... 127	1001207004..... 159, 161	1001225251..... 539	1001232011..... 569, 571, 573
1001194197..... 703	1001207309..... 157	1001225251..... 539	1001232164..... 503
	1001207969..... 417	1001225346..... 735	1001232165..... 503
	1001208923..... 944	1001225430..... 937	1001232172..... 941
	1001208994..... 417	1001225580..... 472, 501, 823	
	1001209059..... 944	1001225648..... 942	
	1001209481..... 944	1001226293..... 753	
	1001209664..... 499, 501	1001226294..... 753	
	1001209873..... 159	1001226306..... 753	
	1001210029..... 944		

PART NUMBER INDEX

1001232173.....	941	1001243184.....	940	1320159.....	402	1671117.....	406
1001232174.....	941	1001243461.....	453, 475	1320162 ...	109, 111, 113, 115	1671118.....	168, 172
1001232175.....	942	1001243731.....	147	1320177.....	550, 561	1671121....	177, 185, 193, 201, 209, 217, 227, 239, 251, 263, 279, 285
1001232176.....	941	1001243849.....	147	1320187 ...	177, 185, 193, 201, 209, 217, 227, 239, 251, 263, 279, 285	1671122.....	402
1001232177.....	941	1001244026.....	155	1320190 ...	177, 185, 193, 201, 209, 217, 227, 239, 251, 263, 279, 285	1671123.....	406
1001232178.....	941	1001244027.....	161	1320223 ...	181, 189, 197, 205, 213, 221	1671142.....	407
1001232642.....	505	1001246138.....	940	1320224.....	411	1671176....	455, 459, 463, 467, 471, 475
1001232643.....	944	1001246860.....	942	1320263 ...	17, 21, 25, 29, 402	1671191.....	169
1001232650.....	505	1001246867.....	942	1320277.....	402	1671192.....	168
1001232667.....	505	1001247073.....	944	1320288.....	399, 402	1671193.....	169, 173
1001233047.....	941	1060341 ...	493, 495, 497, 783	1320289.....	402	1671194....	168, 169, 172, 173
1001233237.....	940	1060343.....	354, 362	1320294.....	402	1671314....	455, 459, 463, 467, 471, 475
1001233763.....	940	1060379.....	565, 567	1320296.....	402	1683053.....	603, 607
1001234099.....	940	1060494 ...	337, 346, 354, 362	1320298.....	17, 26	1683056.....	577
1001235011.....	505	1060545.....	757	1320301.....	406	1683062.....	581
1001235013.....	505	1060698.....	794, 811	1320302 ...	550, 553, 555, 557	1683063.....	585, 589
1001235459.....	280, 286, 297	1060902.....	769, 799	1320309.....	871, 873	1684081.....	25, 29, 581
1001235476.....	285, 289	1060903 ...	493, 495, 497	1320322.....	71, 73, 107	1684082.....	581
1001235477.....	283, 289, 292	1060904.....	197, 221	1320323.....	107	1684083.....	581
1001235479.....	279, 283	1060908 ...	677, 685, 693, 697, 701, 709, 717, 755, 759, 761	1320325.....	402	1684102....	17, 21, 25, 29, 577
1001235480.....	279	1060918.....	491	1320327.....	402	1684103.....	577
1001235483.....	285	1060919.....	433	1320328.....	399	1684105.....	577
1001235617.....	941	1060981 ...	827, 833, 835	1320328.....	399	1684173.....	384, 603
1001236375.....	735	10702077 .	354, 358, 362, 366	1321385.....	403	1684174.....	603, 607
1001236376.....	735	10702082 .	354, 358, 362, 366	1340065 ...	181, 189, 197, 205, 213, 221	1684176.....	603, 607
1001236377.....	735	1100141.....	384, 388	1340067.....	940	1684275.....	609
1001236378.....	735	1120094.....	609	1380147.....	163, 165	1684314.....	35, 609
1001236552.....	505	1120423.....	942	1560011.....	871, 873	1684315.....	609
1001236746.....	573	1120549.....	35	1560012.....	871, 873	1684317.....	609
1001236747.....	569	1120550.....	35	1580012.....	445	1684318....	371, 375, 591
1001236891.....	569, 571, 573	1120555 ...	509, 511, 513, 515, 517, 519, 521, 523, 525, 527, 529, 531, 533, 535, 537, 539, 541, 543, 545, 547	1580013.....	943	1684320.....	380, 617
1001236895.....	569, 571, 573	1180358.....	17, 25	1600343 ...	455, 459, 463, 467, 471, 475, 937	1684323.....	613
1001236951.....	943	1180386.....	402	1600387.....	411	1684325.....	613
1001237705.....	517	1180387.....	399	1600443.....	225	1684328.....	617
1001237831.....	942	1180388.....	399	1660256.....	105	1684330.....	617
1001237862.....	893	1180389.....	399	1660261.....	406	1684331.....	617
1001237863.....	503, 893	1180390.....	399	1670603.....	671, 673	1684334.....	591, 593
1001237864.....	503	1260017.....	93	1670829.....	129, 133	1684336.....	591, 593
1001237865.....	503, 891	1271538.....	411	1670964.....	402, 415	1684337.....	591
1001237866.....	503, 891	1283410.....	909	1670996.....	67	1684342.....	617
1001237882.....	942	1283457 ...	626, 634, 641, 645, 650, 662	1671013.....	380	1684346.....	585, 589
1001237883.....	942	1320022 ...	177, 181, 185, 189, 193, 197, 201, 205, 209, 213, 217, 221, 228, 236, 240, 248, 252, 260, 264, 272, 280, 286, 293, 327	1671023 ...	181, 189, 197, 205, 213, 221	1684430.....	384, 585
1001237883.....	942	1320041 ...	177, 185, 193, 201, 209, 217, 667, 669, 725, 729	1671039.....	406	1701499....	899, 903, 905, 909, 913, 917, 921, 925, 929
1001238263.....	569, 571, 573	1320058 ...	181, 189, 197, 205, 213, 221	1671040.....	35, 406	1701501....	899, 903, 905, 909, 913, 917, 921, 925, 929
1001238319.....	503	1320060 ...	181, 189, 197, 205, 213, 221	1671044.....	406	1701505....	899, 903, 905, 909, 913, 917, 921, 925, 929
1001238418.....	505, 895	1320095.....	129, 133	1671045.....	67	1701509....	509, 511, 513, 515, 517, 519, 521, 523, 525, 527, 529, 531, 533, 535, 537, 539, 541, 543, 545, 547, 899, 903, 905, 909, 913, 917, 921, 925, 929
1001238423.....	517	1320136.....	411	1671046.....	67		
1001238462.....	517			1671047.....	67		
1001238463.....	571			1671048.....	67		
1001238472.....	505			1671049.....	67		
1001238477.....	505			1671092 ...	354, 362, 747, 749, 751, 753		
1001238495.....	501			1671093 ...	550, 555, 747, 749, 751, 753		
1001238559.....	505			1671109.....	168, 172		
1001238824.....	505			1671112.....	406		
1001241275.....	940			1671113.....	406		
1001241383.....	147						
1001241418.....	943						
1001241835.....	280, 286						
1001241965.....	505						
1001242192.....	940						
1001242824.....	735						
1001242825.....	735						
1001242854.....	453						
1001243183.....	940						

PART NUMBER INDEX

1701529 ... 899, 903, 905, 909, 913, 917, 921, 925, 929	1704885 933	1705896 905	2112016 83
1702565 ... 455, 459, 463, 467, 471, 475	1704972 899, 921	1705897 905	2112020 ... 650, 654, 658
1702566 ... 455, 459, 463, 467, 471, 475	1705014 433, 435	1705898 905	2113232 ... 650, 654, 658
1702773 ... 433, 435, 909, 933	1705171 ... 455, 459, 463, 467, 471, 475	1705902 905	2120167 107
1702774 933	1705174 143	1705903 905	2120168 107, 936
1702788 941	1705305 ... 550, 553, 555, 557, 561	1705904 905	2120217 415, 417
1702868 ... 550, 555, 557, 561, 899, 933, 941	1705307 941	1705905 905	2120218 ... 177, 185, 193, 201, 209, 217, 228, 240, 252, 264, 280, 286
1702938 ... 493, 495, 497	1705325 ... 675, 677, 679, 681	1705906 905	2120219 ... 177, 185, 193, 201, 209, 217, 228, 240, 252, 264, 280, 286, 936
1702942 193, 217	1705336 899	1705909 929	2130404 659
1702962 933	1705337 899	1705910 929	2130406 46, 50, 659, 661
1703162 ... 181, 189, 197, 205, 213, 221, 236, 248, 260, 272, 294	1705338 921	1705915 929	2130606 ... 626, 630, 645, 647
1703175 933, 941	1705339 925	1705917 929	2130612 626, 630
1703483 933	1705341 917	1705921 903, 909	2130808 ... 650, 654, 658
1703683 565	1705344 921	1705961 903, 909	2130810 63, 84
1703797 899	1705345 925	1705967 ... 905, 933, 941	2130812 46, 50, 651, 655, 658
1703804 899	1705347 917	1705969 ... 925, 933, 941	2131008 ... 617, 621, 650, 654, 658
1703805 899	1705351 899	1705973 481	2131010 84
1703811 ... 899, 903, 905, 909, 913, 917, 921, 925, 929	1705355 ... 550, 553, 555	1705974 481	2131210 ... 617, 621, 650, 654, 658
1703814 ... 899, 903, 905, 909, 913, 917, 921, 925, 929	1705358 ... 509, 511, 513, 515, 517, 519, 521, 523, 525, 527, 529, 531, 533, 535, 537, 539, 541, 543, 545, 547	1706059 905	2131212 ... 109, 111, 113, 115, 650, 654, 658
1703923 929	1705374 ... 337, 346, 354, 363	1706060 913	2131620 ... 651, 655, 659
1703924 917	1705375 ... 354, 363, 550, 555, 557	1706061 925	2132020 ... 651, 655, 659
1703925 913	1705387 ... 337, 346, 354, 363	1706062 921	2150404 626, 630
1703926 921	1705426 921	1706064 917	2150808 ... 650, 654, 658
1703927 925	1705427 925	1706098 903, 909	2151012 65
1703935 929	1705429 917	1706385 433, 435	2151212 ... 650, 654, 658
1703936 917	1705430 913	1706510 567	2160002 91
1703938 921	1705460 ... 354, 358, 363, 366	1706751 ... 899, 905, 913, 917, 921, 925, 929	2170204 626, 630
1703939 925	1705461 358, 366	1706770 903, 909	2170308 ... 651, 655, 659
1703941 929	1705466 ... 550, 553, 555, 557, 561	2030010 ... 550, 553, 555, 557, 561	2170312 661
1703942 917	1705468 903, 909	2060025 ... 181, 189, 197, 205, 213, 221	2170504 ... 634, 638, 641, 643
1703943 913	1705489 ... 341, 349, 358, 366	2080040 ... 423, 425, 437, 441	2170506 ... 641, 643, 661
1703944 921	1705490 551, 561	2080051 168, 172	2170704 ... 627, 631, 634, 638
1703945 925	1705492 899	2110404 ... 46, 50, 83, 84, 419, 617, 626, 630, 650, 654, 658	2170708 626, 630
1703947 929	1705493 921	2110406 65, 83, 641, 643, 659, 661	2170712 ... 109, 111, 113, 115, 626, 630, 659
1703948 917	1705505 917	2110604 641, 643	2170804 634, 638
1703949 913	1705511 ... 899, 903, 905, 909, 913, 917, 921, 925, 929	2110606 63, 83, 419, 641, 643	2170908 ... 651, 655, 659
1703950 921	1705514 899, 917	2110608 ... 650, 654, 658	2171112 113, 115
1703951 925	1705515 933	2110610 ... 626, 630, 650, 654, 658	2171210 626, 630
1703953 899	1705744 ... 455, 459, 463, 467, 471, 475	2110612 626, 630	2171212 626, 630
1703959 899, 933	1705745 ... 455, 459, 463, 467, 471, 475	2110808 46, 50, 634, 638, 650, 654, 658, 659	2171306 626, 630
1703980 921	1705799 129	2110810 65, 84, 626, 630, 658	2171308 626, 630
1703981 925	1705822 903, 909	2110812 46, 50, 634, 638, 659	2171310 626, 630
1703982 913	1705828 903, 909	2111010 83, 84, 105, 613, 615, 626, 630, 651, 655, 659	2180344 91
1703983 929	1705838 933	2111012 ... 65, 105, 626, 630, 651, 655, 659	2180348 ... 177, 185, 193, 201, 209, 217, 327
1703984 917	1705840 933	2111016 658	2180830 626, 630
1704000 ... 917, 933, 941	1705864 909, 933	2111210 83, 84	2180832 ... 227, 239, 251, 263, 279, 285, 550, 561
1704001 ... 929, 933, 941	1705865 933	2111212 ... 83, 105, 613, 615, 626, 630, 650, 654, 658	2200222 ... 178, 186, 194, 202, 210, 218, 227, 239, 251, 263
1704260 ... 455, 459, 463, 467, 471, 475	1705868 ... 899, 905, 913, 917, 921, 925, 929	2111216 83	2220001 91
1704277 ... 899, 903, 905, 909, 913, 917, 921, 925, 929	1705895 905	2111616 659	2220235 ... 22, 634, 638
1704412 ... 899, 903, 905, 909, 913, 917, 921, 925, 929		2111620 ... 650, 654, 658	2220238 634

PART NUMBER INDEX

2220313.... 177, 185, 193, 201, 209, 217, 227, 239, 251, 263, 279, 285	2717059 626, 630	2753781 661	2902092..... 603
2220451.... 181, 189, 197, 205, 213, 221	2720015 ... 235, 248, 259, 272, 293	2753843 ... 109, 650, 654, 658	2902212.... 509, 511, 513, 515, 517, 519, 521, 523, 525, 527, 529, 531, 533, 535, 537, 539, 541, 543, 545, 547
2220478..... 650, 654, 658	2720058 ... 181, 189, 197, 205, 213, 221, 327	2753897 626, 630	2902217..... 550, 553, 555
2220498.... 181, 189, 197, 205, 213, 221	2720160 550, 561	2753975 650, 654, 658	2902257..... 609, 611
2220550..... 661	2720500 ... 181, 189, 197, 205, 213, 221	2753976 650, 654, 658	2902285..... 585, 587
2220737..... 650, 654	2720516 626, 630	2753977 650, 654, 658	2902291..... 617, 621
2220811..... 650, 654, 659	2720501 ... 181, 189, 197, 205, 213, 221	2753978 626, 630	2902292.... 177, 185, 193, 201, 209, 217
2220816..... 327	2720516 626, 630	2753979 650, 654, 658	2902303..... 942
2220883..... 65, 577, 579, 585, 587, 589, 597, 599, 601, 603, 605, 607, 617, 621	2750528 91	2753984 650, 654, 658	2902307..... 941
2220885.... 581, 583, 597, 599, 601, 603, 605, 607, 611, 613, 615, 617, 621	2750532 ... 177, 181, 185, 189, 193, 197, 201, 205, 209, 215, 217, 221, 227, 239, 251, 263, 279, 285	2753985 626, 630	2902308..... 941
2220886.... 585, 587, 589, 591, 593, 595, 613, 615	2753541 634, 638	2753986 626, 630	2902309..... 941
2220887..... 83	2753545 ... 626, 630, 634, 638	2753987 626, 630	2902310..... 941
2220888..... 84, 591, 593, 595, 597, 599, 601	2753546 650, 654, 658	2753988 650, 654, 658	2902311..... 941
2220893..... 107	2753552 634, 638	2753989 650, 654, 658	2902312..... 941
2221046..... 327	2753582 634, 638	2753990 650, 654, 658	2902322..... 941
2221086.... 63, 65, 83, 84, 419	2753590 650, 654, 658	2753991 650, 654, 658	2902329..... 941
2221117..... 650, 654	2753673 650, 654, 658	2753992 650, 654, 658	2902356..... 942
2221123.... 626, 630, 661	2753677 634, 638	2753993 626, 630	2902443..... 773, 776
2221176.... 177, 185, 193, 201, 209, 217	2753685 634, 638	2753994 626, 630	2902484..... 943
2221221..... 659, 661	2753703 634, 638	2753995 650, 654	2915024... 59, 61, 71, 455, 459, 463, 467, 471, 475
2300004.... 236, 260, 294, 942	2753713 634, 638	2753996 650, 654	2915072..... 91
2300014..... 942	2753714 634, 638	2753997 650, 654	2920028.... 463, 467, 471, 475, 493, 495, 497
2300016..... 943	2753715 634, 638	2753998 626, 630	2920079.... 463, 467, 471, 475, 493, 495, 497
2300019..... 943	2753716 ... 626, 630, 634, 638	2753999 ... 111, 626, 630, 650, 654, 658	2920129..... 411
2300029..... 942	2753717 626, 630	2754000 650, 654	2920154.... 455, 459, 463, 467, 471, 475
2300039..... 943	2753719 641, 643	2754001 650, 654, 658	2920161..... 149
2300040..... 942	2753726 641, 643	2754002 626, 630	2940074.... 423, 425, 437, 441, 936
2300041.... 246, 270, 942	2753727 641, 643	2754003 626, 630	2940139..... 130, 134
2400060.... 767, 790, 794, 820	2753728 645, 647	2754004 ... 650, 654, 658	2940173..... 168, 172
2400064..... 767, 937	2753729 641, 643	2754006 650	3010133..... 371, 375
2400065.... 763, 789, 793	2753732 645, 647	2754007 650, 654	3010134..... 372, 376
2400066.... 763, 789, 793	2753733 645, 647	2754010 626, 630	3010136..... 385, 389
2410014..... 433, 435	2753734 645, 647	2754011 626, 630	3010142..... 385, 389
2420172..... 129	2753735 645, 647	2754123 626, 630	3010148..... 385, 389
2420191..... 107	2753736 645, 647	2754124 626, 630	3020008..... 46, 50, 942
2420202..... 411	2753737 645, 647	2754288 626, 630	3020016.... 181, 189, 205, 213, 942
2420203..... 333	2753738 645, 647	2754870 650, 654, 658	3020021..... 323
2460048..... 353, 357	2753739 645, 647	2760105 129, 133	3020037.... 231, 243, 255, 267, 283, 289
2460055..... 333	2753741 650, 654	2780286 37, 41	3020042..... 385, 389
2540038..... 411	2753742 645, 647	2792647 641, 662	3020044..... 198, 222
2540044..... 402	2753743 645, 647	2792772 634, 662	3128444..... 944
2560136.... 455, 459, 463, 467, 471, 475	2753744 634, 638	2792773 645, 662	3160339..... 41, 43, 53
2560187..... 169, 173	2753748 634, 638	2820031 ... 333, 337, 341, 345, 349, 353, 357, 361, 365	3200362.... 182, 190, 198, 206, 213, 222
2580062..... 197, 221	2753749 634, 638	2820035 145	3200401.... 182, 190, 198, 206, 214, 222
2600279..... 130, 134	2753750 634, 638	2820141 168	3200433..... 406
2600280..... 168, 172	2753752 634, 638	2820145 169	3200458..... 406
2600281.... 423, 425, 437, 441	2753753 645, 647	2820146 169	3220126.... 182, 190, 198, 206, 214, 222
2680496..... 169, 173	2753754 645, 647	2820247 893	3220130..... 329
2680498..... 169, 173	2753755 634, 638	2840016 163, 165	3251102.... 333, 337, 341, 345, 349, 353, 357, 361, 365
	2753757 634, 638	2860030 137, 139, 936	3251242.... 341, 349, 671, 673, 687, 689, 699,
	2753759 634, 638	2900770 ... 419, 581, 583, 591, 593, 595, 597, 599, 601, 603, 605, 607, 617, 621	
	2753760 634, 638	2900789 ... 613, 615, 617, 621	
	2753761 634, 638	2900792 577, 579	
	2753762 634, 638	2901443 944	
	2753764 634, 638	2901773 577, 579	
	2753768 634, 638	2902065 ... 181, 189, 197, 205, 213, 221, 235, 246, 259, 270, 293, 323	
	2753778 109, 111	2902087 581, 583	

PART NUMBER INDEX

703, 705, 707, 711, 713, 715, 719, 721	3311005 ... 151, 157, 333, 337, 341, 346, 349, 354, 358, 362, 366, 455, 459, 463, 467, 471, 475, 550, 553, 555, 557, 561	527, 529, 531, 533, 535, 537, 539, 541, 543, 545, 547	3423058 385, 389
3251243 ... 337, 346, 354, 363, 899, 905, 913, 917, 921, 925, 929	3311401 ... 129, 133, 493, 495, 497	3312205....509, 511, 513, 515, 517, 519, 521, 523, 525, 527, 529, 531, 533, 535, 537, 539, 541, 543, 545, 547	3423059 385, 389
3251813 933	3311402 130, 134	3312602....149, 153, 155, 159, 161, 371, 375	3423061 371, 375
3252347 899	3311405 59, 61, 147, 172, 182, 190, 198, 206, 214, 222, 227, 234, 239, 246, 251, 258, 263, 270, 279, 285, 292, 333, 341, 350, 406, 411, 447, 449, 451, 453, 505, 671, 673, 675, 677, 679, 681, 683, 685, 687, 689, 691, 693, 695, 697, 699, 701, 703, 705, 707, 709, 711, 713, 715, 717, 719, 721, 723, 727, 729	3322201.....105	3423062 371, 375
3252507 ... 685, 693, 697, 701, 709, 717	899, 903, 905, 909, 913, 918, 921, 925, 929	3340763.....617, 621	3423063 371, 375
3271605 569, 571, 573	3311501 ... 169, 173, 493, 495, 497	3340764.....402	3423064 371, 375
3271805 433, 435	3311505 .35, 59, 61, 109, 111, 113, 115, 165, 177, 182, 185, 190, 193, 198, 201, 206, 209, 214, 217, 222, 417, 565, 567	3340787402	3423065 371, 375
3272001 ... 234, 246, 258, 270, 292, 371, 375, 385, 389, 569, 571, 573	3311508 ... 337, 341, 345, 349, 353, 357, 361, 365	3340877169, 173	3423066 380
3272605 411	3311601 77, 107, 168, 172, 455, 460, 464, 468, 472, 476, 505	3340878....380, 384, 388	3423190 385, 389
3290405 ... 341, 350, 671, 673, 675, 677, 679, 681, 683, 685, 687, 689, 691, 693, 695, 697, 699, 701, 703, 705, 707, 709, 711, 713, 715, 717, 719, 721, 723, 727, 729	3311602 399	3340881.....17, 21, 25, 29	3423209 371, 375
3290601 169, 173	3311605 .59, 61, 75, 109, 111, 163, 165, 168, 172, 177, 182, 185, 190, 193, 198, 201, 206, 209, 214, 217, 222, 234, 246, 258, 270, 292, 325, 333, 384, 388, 403, 415, 417, 433, 435, 447, 449, 451, 453, 550, 553, 555, 557	3340927371, 375	3423256 35, 406
3290605 550, 561	3311608 75, 77, 399, 402, 406	3340934.....402	3430616 ... 460, 468, 472, 476
3290606 ... 429, 431, 439, 443	3311705 ... 234, 246, 258, 270, 292	3340939.....17, 26	3430816 163, 165
3290607 ... 151, 153, 155, 157, 159, 161	3311801 ... 345, 349, 361, 365	3340941.....399, 402	3441240 585, 589
3290801 ... 234, 246, 258, 270, 292	3311805 ... 105, 163, 165, 182, 190, 198, 206, 214, 222, 228, 240, 252, 264, 280, 286, 409, 411, 413	3340942.....402	3450404 163, 165
3290805 735	3312002 87, 89, 569, 571, 573	3340943.....402	3451214 35
3291001 413	3312005 25, 29, 411, 509, 511, 513, 515, 517, 519, 521, 523, 525,	3340956....509, 511, 513, 515, 517, 519, 521, 523, 525, 527, 529, 531, 533, 535, 537, 539, 541, 543, 545, 547	3460334 ... 509, 511, 513, 515, 517, 519, 521, 523, 525, 527, 529, 531, 533, 535, 537, 539, 541, 543, 545, 547
3291005 413		3340974.....384, 388	3460334 ... 509, 511, 513, 515, 517, 519, 521, 523, 525, 527, 529, 531, 533, 535, 537, 539, 541, 543, 545, 547
3291007 372, 376		3340978.....380	3470003 ... 455, 460, 464, 468, 472, 476
3291201 413		3340979.....380	3480205 617
3291205 409, 413		3340980.....380	3480266 613
3300151 ... 427, 429, 431, 437, 439, 441, 443, 550, 553, 555, 557		3340982.....613, 615	3480269 581
3300243 409, 413		3380434447, 449, 451, 453	3480271 603, 607
3300353 ... 455, 459, 463, 467, 471, 475		3380473....177, 185, 193, 201, 209, 217	3480272 577
3300364 406		3380494130	3480278 609
3300396 ... 338, 346, 354, 358, 362, 366		3380498....177, 185, 193, 201, 209, 217	3480280 597, 599
3300408 ... 129, 133, 455, 459, 463, 467, 471, 475		3380523.....71, 73	3480281 591, 593
3300430 ... 406, 499, 501, 507		3380528.....406	3480282 585, 589
3300454 71, 73, 151, 153, 155, 157, 159, 161, 182, 190, 198, 206, 214, 222		3380547372, 376	3520026 ... 455, 459, 463, 467, 471, 475
3300464 35		3380723....177, 185, 193, 201, 209, 217, 228, 240, 252, 264, 280, 286	3520027 455, 459
3300465 609, 611		3421453.....550, 561	3520030 471, 475
3300482 ... 455, 459, 463, 467, 471, 475		3421563.....93	3520035 459
3300492 399, 403		3422178384, 388	3520054 26, 29, 182, 190, 198, 206, 214, 222, 455, 459, 463, 467, 471, 475
3310401 ... 235, 246, 259, 270, 293		3422446....177, 185, 193, 201, 209, 217, 227, 239, 251, 263, 279, 285	3520071 ... 509, 511, 513, 515, 517, 519, 521, 523, 525, 527, 529, 531, 533, 535, 537, 539, 541, 543, 545, 547
3310601 ... 129, 133, 163, 165		3422532....182, 190, 198, 206, 214, 222	3520072 ... 423, 425, 427, 429, 431, 433, 435, 437, 439, 441, 443
3310805 17, 21, 25, 29		3422661.....565, 567	3520174 900, 903, 909
3311001 ... 129, 133, 325, 338, 342, 346, 350, 354, 358, 362, 366		3422833.....25, 29	3520182 507
		3422915.....25, 29	3520186 168, 172
		3422917.....35	3520189 358, 366
		3422918....17, 21, 25, 29	3520192 ... 342, 350, 358, 366
		3422920371, 375	3520198 ... 423, 425, 427, 429, 431, 437, 439, 441, 443
		3422937385, 389	3537416 ... 182, 190, 198, 206, 214, 222
		3422940.....35	3537445 163
		3422941.....35	3538758 402
		3422957385, 389	3539971 ... 182, 190, 198, 206, 214, 222
		3422958385, 389	3572327 ... 900, 906, 914, 918, 922, 926, 930
		3422960....17, 21, 25, 29	

PART NUMBER INDEX

3573142.... 182, 190, 198, 206, 214, 222	3760368 603, 605, 607	3910804 137, 139	4031914.... 234, 246, 258, 270, 292
3573144..... 130, 134	3760369 577	3911012 151, 157	4032014.... 234, 246, 258, 270, 292
3573294..... 17, 21, 25, 29	3760371 ... 581, 585, 587, 589	3930606 406	4032022.... 182, 190, 198, 206, 214, 222
3573335..... 17, 21, 25, 29	3760375 591, 593	3930816 406	4060092..... 669
3573355..... 95	3760383 35, 406	3930820 17, 21, 25, 29	4060802.... 333, 337, 341, 345, 349, 354, 358, 361, 365
3573400.... 550, 553, 555, 557	3760475 371, 375	3931008 105	4060804.... 169, 173, 182, 190, 198, 206, 214, 222
3573411.... 182, 190, 198, 206, 214, 222	3790012 ... 455, 459, 463, 467, 471, 475, 489	3931016 ... 337, 341, 345, 349, 353, 357, 361, 365	4060805.... 182, 190, 198, 206, 214, 222
3573412.... 182, 190, 198, 206, 214, 222	3790152 ... 207, 215, 223, 255, 267, 289	3931020 35, 406	4060806..... 169, 173
3573529.... 182, 190, 198, 206, 214, 222	3790155 ... 207, 215, 223, 255, 267, 289	3931408 499, 501	4060808..... 59, 61
3573642.... 550, 553, 555, 557	3790158 46, 50	3931412 35, 406	4060906..... 129, 133
3573644.... 177, 185, 193, 201, 209, 217	3811340 380	3931414 406	4061054..... 411
3573669.... 177, 185, 193, 201, 209, 217	3820001 ... 900, 903, 905, 909, 913, 918, 922, 925, 929	3931424 499	4070864.... 380, 385, 389
3573727.... 177, 185, 194, 201, 209, 217	3820020 ... 423, 425, 437, 441	3931432 ... 235, 246, 259, 270, 293	4071031..... 380, 406
3573728.... 178, 186, 194, 201, 209, 218	3841143 ... 178, 186, 194, 202, 210, 218, 227, 239, 251, 263, 279, 285, 385, 389, 413	3931508 ... 236, 248, 260, 272, 294	4071035.... 17, 21, 25, 29
3574091 495	3841203 385, 389	3931512 ... 105, 234, 246, 258, 270, 292	4071036.... 17, 21, 25, 29
3574492..... 163	3841258. 25, 29, 35, 385, 389	3931516 603, 605, 607	4071039.... 17, 21, 25, 29
3574494..... 107	3841287 ... 17, 21, 25, 29, 371, 375	3931532 617, 621	4071040.... 17, 21, 25, 29
3574533..... 168, 172	3841340 59, 61, 107	3931616 ... 117, 119, 121, 123, 125, 127	4071041..... 87, 89
3574580..... 613, 615	3841356 371, 375	3931620 577, 579	4071042.... 17, 21, 25, 29
3574586..... 613, 615	3841581 371, 375	3931624 406	4071044..... 385, 389
3574606..... 402	3890040 435	3931628 ... 234, 246, 258, 270, 292	4071045..... 385, 389
3574630..... 617, 621	3900054 433, 435	3931656 613, 615	4071048..... 168, 172
3574633.... 178, 186, 194, 202, 210, 218	3900085 ... 149, 153, 155, 159, 161	3931660 591, 593, 595	4071049..... 17, 22
3574644..... 399	3900183 ... 455, 459, 463, 467, 471, 475	3931724 617, 621	4071050..... 17, 22
3575359..... 493, 497	3900210 415, 417	3931740 613, 615	4071054.... 17, 21, 25, 29
3575782..... 169, 173	3900223 87	3931816 33	4071055.... 17, 21, 25, 29
3576799..... 550, 561	3900232 ... 107, 168, 172, 415	3931824 ... 581, 583, 585, 587, 589	4071067..... 380
3577121.... 550, 553, 555, 557	3900251 130, 134	3932024 35	4071069..... 380
3580158..... 182, 206	3900259 385, 389	3932240 597, 599, 601	4071071..... 380
3580276..... 333	3900260 402	3932244 591, 593, 595	4071072..... 402
3580317.... 337, 341, 345, 349, 354, 357, 361, 365	3900267 ... 338, 342, 346, 350	3941404 83	4071073..... 385, 389
3580318.... 337, 345, 354, 361	3900269 380	3952020 87, 89	4071074.... 455, 459, 463, 467, 471, 475
3580319.... 341, 349, 358, 365	3900270 17, 21, 25, 29	3960389 407	4071076..... 399
3580320.... 190, 198, 214, 222, 234, 246, 258, 270, 292	3900283 67, 168, 172, 399, 402, 411, 415, 417	3960418 130, 134	4071081..... 380
3600339.... 182, 190, 198, 302	3900300 ... 338, 342, 346, 350	3960422 ... 337, 345, 354, 361, 667, 669	4100063..... 403
3620034..... 109, 111	3900316 ... 168, 172, 178, 186, 194, 202, 210, 218, 228, 240, 252, 264, 280, 286, 417	3960464 169, 173	4100100..... 603, 607
3641569..... 493, 497	3900322 333	3960525 107	4100101..... 385, 389
3740049.... 129, 133, 936	3900349 ... 455, 459, 463, 467, 471, 475	3960543 ... 182, 190, 198, 206, 214, 222, 234, 246, 258, 270, 292	4120035..... 789, 793
3740067 75, 77, 182, 190, 198, 206, 214, 222, 936	3900363 169, 173	3960544 ... 182, 190, 198, 206, 214, 222, 234, 246, 258, 270, 292	4160194..... 168, 172
3740080.... 182, 190, 198, 206, 214, 222, 333, 763, 936, 937	3910408 ... 235, 246, 259, 270, 293	3960551 35	4220189..... 399
3740086..... 895	3910606... 337, 345, 354, 361, 667, 669	3960552 35	4220190..... 399
3740143..... 867, 936	3910612 667	3960571 407	4220197..... 403
3760133.... 380, 385, 389		3980006 75, 77	4220235..... 33
3760170..... 93		3990001 789, 936	4240018.... 178, 186, 194, 202, 210, 218, 337, 341, 345, 349, 354, 358, 361, 365, 406
3760217..... 385, 389		3990010 793	4240032.... 153, 155, 159, 161, 472, 763, 765, 773, 793, 871, 873
3760233..... 385, 389		3990013 895	4240033.... 178, 186, 194, 202, 210, 218, 403, 406, 411, 499, 501, 503, 505, 743, 765, 773, 803, 825
		4000008 407, 937	4240099.... 182, 190, 198, 206, 214, 222, 236, 248, 260, 272, 294,
		4010408 ... 341, 350, 723, 727, 729	
		4010608 550, 561	
		4010618 ... 429, 431, 439, 443	
		4031505 503	
		4031516 505	

PART NUMBER INDEX

493, 495, 497, 550, 553, 555	4420060 385, 389	4460375..... 763	4460539 ... 733, 743, 797, 809, 811, 815, 819, 827, 833, 883, 885
4240139 107	4420062 565, 567	4460384..... 671, 673	4460613 789, 793, 883
4240149 ... 509, 511, 513, 515, 517, 519, 521, 523, 525, 527, 529, 531, 533, 535, 537, 539, 541, 543, 545, 547	4420066 ... 509, 511, 513, 515, 517, 519, 521, 523, 525, 527, 529, 531, 533, 535, 537, 539, 541, 543, 545, 547	4460418.... 789, 793, 813, 815, 819	4460634 789, 793
4240150 169, 173	4420068 ... 493, 495, 497	4460419.... 789, 793, 811, 813, 815, 819	4460635 789, 793
4240153 402	4460007 ... 456, 459, 463, 467, 471, 475	4460424.... 145, 147, 811	4460662... 671, 703, 711, 719
4240155 21, 30, 399, 402	4460007 ... 456, 459, 463, 467, 471, 475	4460425.... 129, 133, 338, 342, 346, 350, 354, 358, 362, 366, 493, 495, 497	4460702 ... 773, 797, 871, 873
4240156 403	4460016 ... 813, 815, 819	4460426.... 338, 346, 354, 358, 362, 366	4460703 776
4300157 ... 345, 349, 361, 365	4460019 ... 763, 773, 776, 797	4460428.... 129, 133, 456, 459, 463, 467, 471, 475	4460708 ... 456, 460, 464, 468, 472, 476, 815, 820
4340810 406	4460027 333	4460434.... 813, 815, 819	4460709 669, 747, 751
4340811 406	4460035 ... 767, 789, 793	4460449..... 803	4460710 747, 751
4340832 129, 133	4460042 771, 777	4460458..... 776	4460722 875, 877
4340861 407	4460043 776	4460464.... 491, 737, 739, 743, 763, 765, 767, 769, 775, 776, 781, 789, 793, 797, 803, 811, 813, 815, 819, 823, 825, 827, 829, 831, 837, 869, 883, 895	4460761 ... 731, 741, 743, 771, 789, 793
4340959 406	4460049 ... 493, 495, 497	4460465.... 355, 358, 363, 367, 737, 739, 741, 743, 765, 767, 771, 773, 775, 776, 783, 785, 787, 789, 790, 793, 794, 797, 799, 801, 803, 805, 811, 819, 823, 825, 827, 833, 835, 879, 881, 883	4460806 ... 699, 701, 703, 705, 707, 709, 711, 713, 789, 793, 813, 815, 819
4340995 168, 172	4460051 667, 669	4460466.... 503, 737, 739, 743, 765, 767, 771, 773, 775, 776, 797, 801, 805, 811, 813, 815, 819, 823, 825, 879, 881, 883, 885, 891, 895	4460807 783, 787
4340996 168, 172	4460068 338, 346	4460470.... 129, 133, 456, 459, 463, 467, 471, 475	4460808 783, 787
4341000 168, 172	4460071 ... 337, 345, 354, 361, 491	4460471.... 129, 133, 456, 459, 463, 467, 472, 475	4460836 ... 743, 765, 771, 775, 789, 793, 811
4341001 168, 172	4460125 669	4460473.... 805, 879, 881	4460837 129, 133, 743
4341110 ... 178, 186, 194, 202, 210, 218	4460134 745	4460483..... 338, 346	4460842 811
4341158 407	4460142 ... 789, 793, 813, 815, 819	4460488.... 153, 155, 159, 161, 472	4460843 811
4341264 415	4460183 ... 767, 771, 813, 815, 819	4460496.... 117, 119, 121, 123, 125, 127, 456, 460, 464, 468, 472, 476	4460865 805, 879
4360057 ... 493, 495, 497, 937	4460190 333	4460497.... 117, 119, 121, 123, 125, 127, 456, 460, 464, 468, 472, 476	4460866 ... 789, 793, 813, 815, 819, 883
4360070 ... 338, 346, 354, 358, 362, 366	4460205 667, 745	4460508.... 503, 789, 793, 797, 813, 815, 819, 883	4460868 794
4360328 ... 129, 133, 489, 936	4460213 ... 813, 815, 819, 820	4460509.... 805, 879, 881, 883	4460871 ... 737, 767, 789, 793, 797, 811, 813, 815, 819, 827, 833, 835
4360336 ... 333, 337, 341, 345, 349, 354, 358, 361, 365, 937	4460224 350	4460510..... 944	4460873 ... 789, 793, 813, 815, 819
4360387 ... 133, 455, 459, 463, 467, 471, 475, 493, 495, 497, 936	4460225 ... 783, 787, 789, 793, 813, 815, 819	4460518..... 737, 739	4460874 ... 129, 133, 813, 815, 819
4360407 ... 455, 459, 463, 467, 471, 475	4460226 ... 484, 487, 491, 731, 771, 787, 813, 815, 819, 820	4460526..... 129, 133	4460875 129, 133
4360469 137, 937	4460227 ... 731, 741, 743, 771, 789, 793, 794, 813, 815, 819	4460536.... 737, 767, 807, 811, 815, 819, 827, 829, 883	4460876 ... 789, 793, 813, 815, 819
4360470 139, 937	4460234 ... 198, 222, 248, 272, 456, 459, 463, 467, 471, 475, 493, 495, 497	4460537..... 763, 767, 807, 811, 815, 819, 827, 829, 883	4460877 794
4360475 ... 129, 133, 455, 459, 463, 467, 471, 475, 936	4460247 776	4460538..... 763, 767, 807, 811, 815, 819, 827, 829, 883	4460878 789, 793
4360476 ... 129, 133, 455, 459, 463, 467, 471, 475, 936	4460256 ... 763, 797, 871, 873	4460539..... 763, 767, 807, 811, 815, 819, 827, 829, 883	4460879 813, 815, 819
4360505 35, 406, 936	4460259 ... 789, 793, 797, 813, 815, 819	4460540..... 944	4460880 ... 765, 803, 811, 825, 837
4360542 333	4460260 ... 789, 793, 794, 797, 813, 815, 819	4460548..... 767, 807, 811, 815, 819, 827, 829, 883	4460884 ... 743, 765, 776, 790, 794, 815, 823, 835, 877
4360548 406, 937	4460265 483, 487	4460549..... 767, 807, 811, 815, 819, 827, 829, 883	4460887 ... 789, 793, 797, 813, 815, 819
4360552 407, 937	4460267 ... 811, 815, 869	4460550..... 767, 807, 811, 815, 819, 827, 829, 883	4460888 ... 790, 794, 813, 815, 819
4360578 ... 17, 21, 25, 29, 807, 809, 936	4460268 ... 145, 147, 783, 811	4460551..... 767, 807, 811, 815, 819, 827, 829, 883	4460891 ... 737, 739, 763, 781, 797, 799, 811, 825
4360579 887, 937	4460294 350	4460552..... 129, 133	4460892 129, 133, 765
4360622 407, 937	4460297 789, 793	4460553..... 737, 767, 807, 811, 815, 819, 827, 829, 883	4460894 ... 743, 765, 773, 776, 789, 793, 819
4400462 107	4460312 797	4460554..... 767, 807, 811, 815, 819, 827, 829, 883	4460897 ... 763, 769, 781, 825, 837, 869
4420014 ... 509, 511, 513, 515, 517, 519, 521, 523, 525, 527, 529, 531, 533, 535, 537, 539, 541, 543, 545, 547	4460313 ... 773, 789, 793, 797	4460555..... 767, 807, 811, 815, 819, 827, 829, 883	4460898 767
4420037 75, 77, 550, 553, 555, 557	4460315 ... 361, 667, 669, 773	4460556..... 129, 133	4460899 ... 797, 823, 891, 895
4420038 107	4460320 811, 869	4460557..... 767, 807, 811, 815, 819, 827, 829, 883	4460905 ... 129, 133, 456, 460, 464, 468, 472,
4420051 933, 941	4460346 ... 337, 345, 354, 361, 667	4460558..... 767, 807, 811, 815, 819, 827, 829, 883	
	4460374 763		

PART NUMBER INDEX

476, 737, 767, 793, 794, 813, 815, 819	4461013 871, 873	4641298 617, 621	252, 264, 280, 286, 407, 433, 435
4460911....871, 873, 875, 877, 891	4461052 773	4641316 661	4711900.....333
4460912....871, 873, 875, 877	4461053 773	4641340 591, 593, 595	4712000 25, 30, 509, 513, 515, 517, 521, 525, 529, 531, 535, 539, 543, 547, 569, 571, 573
4460914.....35, 129, 133, 407	4461054 773, 776, 781	4641370 591, 593, 595	4712200....509, 511, 513, 515, 517, 519, 521, 523, 525, 527, 529, 531, 533, 535, 537, 539, 541, 543, 545, 547
4460918....871, 873, 875, 877, 883	4461060 773	4641386 585, 587, 589	4712600.....151, 157
4460925.....813, 815, 819	4461070 ... 739, 773, 775, 776	4641388 585, 587, 589	4740171.....243
4460926.....825	4461071 773, 776	4641393 585, 587, 589	4740181.....35
4460928.....739, 825	4461072 773, 776	4641454 59, 61, 65	4740229.....35
4460929.....813, 815, 819	4461073 773, 776	4641460 415, 417, 419	4740274....182, 190, 198, 206, 214, 222
4460930....765, 773, 775, 776, 789, 793, 801, 811	4461074 773, 776	4700014 380	4740362....447, 449, 451, 453
4460931....775, 797, 811, 867	4461077 ... 883, 891, 895	4710400 ... 235, 246, 259, 270, 293	4740397....333, 456, 460, 464, 468, 472, 476
4460932....733, 743, 776, 781, 816, 831, 875	4461095 ... 739, 773, 775, 776	4711000 ... 151, 157, 325, 338, 342, 346, 350, 354, 358, 362, 366	4740430.....67
4460933....739, 743, 765, 767, 771, 775, 811, 819	4461097 773	4711400 ... 59, 61, 71, 73, 75, 77, 147, 168, 172, 178, 186, 194, 202, 210, 218, 227, 235, 239, 246, 251, 259, 263, 270, 279, 285, 293, 337, 341, 345, 349, 354, 358, 361, 365, 402, 407, 411, 427, 429, 431, 437, 439, 441, 443, 499, 501, 505, 507, 667, 669, 671, 673, 675, 677, 679, 681, 683, 685, 687, 689, 691, 693, 695, 697, 699, 701, 703, 705, 707, 709, 711, 713, 715, 717, 719, 721, 723, 725, 727, 729	4740444.....129, 133
4460934....765, 775, 885	4461196 839, 841	4711500 . 35, 59, 61, 109, 111, 113, 115, 165, 178, 182, 186, 190, 194, 198, 202, 206, 210, 214, 218, 222, 234, 246, 258, 270, 292, 403, 407, 415, 417, 455, 464	4740461.....18, 21, 25, 30
4460935....743, 765, 775	4461197 841	4711600 ... 17, 21, 25, 30, 59, 61, 71, 73, 75, 77, 107, 163, 165, 168, 172, 178, 182, 186, 190, 194, 198, 202, 206, 210, 214, 218, 222, 227, 234, 239, 246, 251, 258, 263, 270, 279, 285, 292, 325, 327, 333, 337, 341, 345, 349, 354, 358, 361, 365, 371, 375, 399, 403, 411, 415, 417, 460, 468, 472, 476, 569, 571, 573, 617	4740492.....372, 376
4460941....743, 765, 775, 781, 789, 793, 891	4461198 ... 679, 681, 839, 841	4711700 ... 234, 246, 258, 270, 292, 327, 333	4740500.....168, 172
4460942....503, 743, 763, 775, 776, 781, 789, 793, 811	4461199 843, 845	4711800 ... 18, 21, 26, 30, 35, 59, 61, 163, 165, 182, 190, 198, 206, 214, 222, 228, 240	4740505.....35
4460943....151, 153, 155, 157, 159, 161, 733, 743, 765, 775, 797, 807, 811, 813, 815, 816, 819, 867, 875, 883, 885, 891	4461200 845		4740518....182, 190, 198, 206, 214, 222
4460944....733, 743, 765, 773, 775, 776, 789, 793, 794, 797, 809, 811, 815, 819, 877, 883, 885	4461201 ... 687, 689, 843, 845		4750600....129, 133, 163, 165
4460945.....794	4461202 ... 847, 849, 855, 857		4750800....18, 21, 26, 30, 35, 456, 460, 464, 468, 472, 476
4460950.....765, 776	4461203 849, 857		4751000....107, 129, 133, 149, 153, 155, 159, 161, 333, 337, 341, 345, 349, 354, 358, 362, 366, 407, 456, 460, 464, 468, 472, 476, 550, 553, 555, 557, 561
4460956....755, 757, 759, 761	4461205 ... 847, 849, 851, 853, 855, 857, 859, 861		4751400....129, 133, 151, 153, 155, 157, 159, 161, 182, 190, 198, 206, 214, 222, 234, 246, 258, 270, 292, 334, 411, 445, 447, 449, 451, 453, 456, 460, 464, 468, 472, 476, 493, 495, 497, 507, 550, 553, 555, 557, 900, 903, 906, 909, 914, 918, 922, 925, 930
4460957755, 757, 759, 761	4461206 853, 861		4751500....145, 169, 173, 337, 341, 345, 349, 354, 358, 361, 365, 493, 495, 497, 565, 567
4460959.....753	4461244 ... 703, 705, 855, 857		4751600....35, 67, 75, 77, 95, 107, 109, 111, 117, 119, 121, 123, 125, 127, 168, 172, 415, 417, 447, 449, 451, 453, 550, 553, 555, 557
4460960.....753	4461245 ... 711, 713, 859, 861		
4460962....550, 555, 749	4461246 ... 719, 721, 863, 865		
4460963....354, 362, 749	4461249 863, 865		
4460965....789, 793, 811	4461250 865		
4460966.....789, 793	4530028 ... 550, 553, 555, 559		
4460967....355, 358, 363, 366, 785	4562516 399, 402		
4460968....18, 21, 26, 30, 407, 679, 687, 807, 809, 887	4568293 ... 182, 190, 198, 206, 214, 222		
4460970.....775	4568426 109, 111		
4460971.....550, 561	4568427 109, 111		
4460982.....775	4568808 613		
4461003.....881	4568811 617		
4461004.....811	4568815 651, 655, 658		
4461005.....773, 811	4568819 617		
4461006.....773, 811	4568849 650, 655, 658		
4461007.....811	4630006 385, 389		
4461008....773, 776, 811	4640452 ... 603, 605, 607		
4461009.....883	4640509 577, 579		
	4640751 ... 182, 190, 198, 206, 214, 222, 236, 248, 260, 272, 294		
	4640858 581, 583		
	4640938 591, 593, 595		
	4641114 603, 605, 607		
	4641155 59, 61		
	4641162 617, 621		
	4641247 109, 113		
	4641255 419		
	4641260 ... 603, 605, 607		
	4641268 59, 61, 63		
	4641276 581, 583		
	4641285 597, 599, 601		
	4641288 613, 615		

PART NUMBER INDEX

4751700 ... 234, 246, 258, 270, 292	4891800 ... 163, 165, 182, 190, 198, 206, 214, 222, 231, 255, 267, 283, 289, 337, 341, 345, 349, 354, 358, 361, 365, 380, 385, 389, 399, 403, 409, 411, 413	70000125.....333	70000863. 353, 357, 362, 365
4751800 ... 105, 433, 435, 493, 495, 497	4892000 ... 37, 39, 55, 57, 91, 234, 247, 258, 271, 292, 334, 372, 376, 411	70000342.....391, 393	70000916..... 225
4752000 ... 178, 186, 194, 202, 210, 218, 227, 239, 251, 263, 279, 285	4892400 87, 89	70000345...225, 275, 297	70000917..... 225
4755000 35	4892600 409, 411, 413	70000619..353, 357, 361, 365	70000918..... 225
4760600 667, 669	4922099 789	70000777..591, 593, 595, 617, 621	70000919..... 225
4760800 ... 456, 460, 464, 468, 472, 476	4922641 ... 355, 358, 363, 367	70000778..591, 593, 595, 617, 621	70001017..... 329
4761400 129, 133, 445	4922666 ... 456, 460, 464, 468, 472, 476, 731	70000780.....105	70001100. 353, 357, 361, 365
4761600 77	4922696 765	70000793.....323	70001123..... 105
4770600 163, 165	4922705 741, 771	70000796.....395, 397	70001125..... 225
4791400 ... 71, 73, 75, 77, 182, 190, 198, 206, 214, 222, 234, 246, 258, 270, 292, 337, 341, 345, 349, 354, 358, 361, 365	4922718 733	70000801.....65	70001126..... 225
4811400 ... 671, 673, 675, 677, 679, 681, 683, 685, 687, 689, 691, 693, 695, 697, 699, 701, 703, 705, 707, 709, 711, 713, 715, 717, 719, 721	4922767 803	70000802.....65	70001128..... 225
4811600 35	4922777 825	70000803.....65	70001129..... 225
4811700 ... 151, 153, 155, 157, 159, 161, 429, 431, 439, 443, 550, 561	4922784 799	70000804.....65	70001130..... 225
4811900 ... 169, 173, 234, 246, 258, 270, 292, 735	4922785 769	70000805.....65	70001131..... 225
4811902 ... 234, 246, 258, 270, 292	4922869 411, 771	70000806.....65	70001135..... 225
4812000 ... 234, 246, 258, 270, 292, 372, 376, 413	4922946 743	70000810.....45	70001344. 177, 185, 193, 201, 209, 217, 228, 240, 252, 264, 280, 286
4812100 ... 227, 234, 239, 247, 251, 258, 263, 271, 279, 285, 292, 413	4922947 873	70000811.....45	70001384. 353, 357, 362, 365
4812200 ... 234, 247, 258, 271, 292	4922948 871	70000812.....45	70001421..... 84
4831900 ... 234, 247, 258, 271, 292	4922949 885	70000813.....45	70001424..... 563
4845582 565, 567	4922950 877	70000815.....45	70001425..... 563
4846383 18, 21, 26, 30	4922951 875	70000816.....45	70001427..... 563
4846482 385, 389	4922955 805	70000817.....45	70001428..... 563
4846503 168	4922956 879	70000818.....45	70001429..... 563
4846552 ... 182, 190, 198, 206, 214, 222	4922958 881	70000819.....46	70001430..... 563
4846573 409, 411	4922962 753	70000820.....45	70001431..... 563
4846627 ... 550, 553, 555, 557	4922972 ... 354, 358, 361, 365, 787	70000821.....45	70001432..... 563
4846637 18, 21, 26, 30	4922981 745	70000822.....45	70001435..... 225
4846673 495	4922983 747, 751	70000823.....45	70001639..... 391, 393
4846871 168, 172	4923036 129, 133, 867	70000824.....45	70001640..... 395, 397
4846872 168, 172	4923169 887	70000825.....45	70001696. 353, 357, 362, 366
4846920 403	4923170 807	70000826.....45	70001847..... 225
4846945 ... 190, 198, 214, 222	4923171 809	70000828.....45	70001850..... 225
4846946 ... 182, 190, 198, 206, 214, 222	4923256 801	70000829.....45	70001857..... 225
4891400 407	4923273 883	70000830.....45	70001867..... 225
4891500 334	4923382 763	70000831.....45	70001868..... 225
4891600 ... 107, 206, 214, 223, 255, 267, 289, 399, 403, 409, 411, 413	4923384 753	70000833.....45	70001870 .. 225, 275, 297
	4923385 753	70000834.....45	70001871..... 225
	4923397 129, 133, 811	70000835.....45	70001873..... 84
	4923448 ... 456, 460, 813	70000836.....45	70001939..... 63
	4923468 ... 182, 190, 198, 206, 214, 222	70000837.....45	70001952..... 302
	4923592 ... 182, 190, 206, 214	70000838.....45	70001953..... 353, 357
	4923640 747, 751	70000839.....45	70001955..... 317
	4923641 747	70000840.....45	70001956..... 317
	4923642 745	70000841.....45	70001958..... 315
	4923643 745	70000842.....45	70001966. 338, 342, 346, 350, 353, 357, 362, 366
	4933218 ... 493, 495, 497, 888	70000843.....45	70001968..... 303
	4933278 411, 888	70000844.....45	70001973. 353, 357, 362, 366
	5241200 46, 50, 409, 413	70000845.....45	70001974. 353, 357, 362, 366
	5251008 413	70000846.....45	70001976..... 63
	5251016 413	70000847.....45	70002015..... 49
	70000044 225	70000848.....45	70002016..... 49
	70000124 333	70000849.....45	70002018..... 49
		70000852.....53	70002019..... 49
		70000853.....53	70002020..... 49
		70000854.....53	70002021..... 49
		70000855.....53	70002026..... 49
		70000856.....53	70002027..... 49
		70000857.....53	70002029..... 49
		70000858.....53	
		70000859.....53	
		70000860.....53	
		70000861.....53	
		70000862.....53	

PART NUMBER INDEX

70002030.....49	70002255..... 353, 357	70003708 . 338, 342, 346,	70004682.. 338, 342, 346,
70002031.....49	70002291..... 362, 366	350, 353, 357, 362, 366	350
70002032.....49, 101	70002297 . 353, 357, 362,	70003709 . 338, 342, 346,	70004683..... 342, 350
70002033.....49	365	350, 353, 357, 362, 366	70004684..... 338
70002034.....49	7000236..... 98	70003784 . 455, 459, 463,	70004685..... 338, 346
70002035.....49	7000239..... 98	467, 471, 475	70004686..... 350
70002036.....49	70002393..... 45	70003800..... 81	70004687..... 346
70002037.....49	70002395..... 45	70003801..... 81	70004738..... 487
70002039.....49	70002396..... 45	70003802..... 81	70004739..... 487
70002040.....49	7000240..... 98	70003803..... 81	70004740..... 487
70002041.....49	70002460 . 353, 357, 362,	70003913..... 403, 936	70004741..... 487
70002044.....49	366	70003914..... 403	70004742..... 487
70002045.....49	70002569..... 304	70003916..... 403	70004743..... 487
70002046.....49	70002576..... 321	70003919..... 399, 936	70004744..... 487
70002047.....49	70002578..... 317	70003920..... 399	70004745..... 487
70002048.....49	70002580..... 317	70004092 . 338, 342, 346,	70004746..... 487
70002049.....49	70002582..... 317	350, 362, 366	70004747..... 487
70002050.....49	70002583..... 317	70004093..... 362, 365	70004748..... 487
70002052.....49	70002585..... 317	70004094..... 362, 366	70004749..... 487
70002057.....49, 101	70002586..... 317	70004095..... 362, 366	70004750..... 487
70002088..... 353, 357	70002588..... 317	70004096..... 362, 366	70004751..... 487
70002097...415, 417, 936	70002589..... 317	70004097..... 362, 366	70004752..... 483
7000213.....98	70002590..... 317	70004098 . 338, 346, 362,	70004753..... 483
70002132..... 314	70002592..... 318	366	70004754..... 483
70002133..... 314, 317	70002593..... 318	70004099 . 346, 350, 362,	70004755..... 483
70002134..... 314	70002599..... 318	366	70004756..... 483
70002135..... 314	70002600..... 314	70004169..... 353, 357	70004757..... 483
70002136..... 314	70002601..... 314	70004171 . 338, 342, 353,	70004758..... 483
70002137..... 314	70002602..... 314	357	70004759..... 483
70002138..... 314	70002604..... 315	70004185..... 945	70004760..... 483
70002139..... 314	70002605..... 315	70004275..... 275, 297	70004761..... 483
70002140..... 314	70002606..... 315	70004277..... 276, 298	70004762..... 483
70002141..... 314	70002607..... 315	70004279..... 276, 298	70004763..... 483
70002142..... 314	70002609..... 315	70004280..... 275, 297	70004764..... 483
70002143..... 314	70002610..... 315	70004282..... 276, 298	70004765..... 483
70002145..... 314	70002612..... 315	70004284..... 276, 298	70004766..... 483
70002148..... 314	70002616..... 315	70004328..... 415, 417	70004767..... 483
70002150..... 314	70002617..... 315	70004414..... 107	70004768..... 483
70002151..... 314	70002618..... 314	70004416..... 317	70004769..... 483
70002152..... 314	70002619..... 314	70004417..... 317	70004770..... 483
70002153..... 314	70002620..... 314	70004420..... 317	70004771..... 483
70002154..... 314	70002621..... 315	70004421..... 317	70004772..... 483
70002155..... 314	70002622..... 315	70004422..... 318	70004773..... 483
70002156..... 314	70002623..... 315	70004423..... 317	70004774..... 483
70002157..... 314	70002674..... 49	70004426..... 317	70004775..... 483
70002158..... 314	70002718 . 225, 275, 297	70004467..... 101	70005230..... 487
70002159..... 314	70002742..... 84	70004469..... 101	70005317..... 101
70002160..... 314	70002743..... 84	70004474..... 101	70005318..... 101
70002161..... 314	7000281..... 98	70004477..... 101	70005418..... 318
70002162..... 314	70002859..... 395, 397	70004480..... 101	70005445..... 276, 298
70002163..... 314	7000287..... 98	70004481..... 101	70005456..... 105
70002164..... 314	7000288..... 98	70004494..... 102	70005480..... 308
70002165..... 314	70002902..... 491	70004501..... 276, 298	70005481..... 308
70002168..... 315	70002903..... 491	70004502..... 276, 298	70005615..... 79
70002174..... 315	70002904..... 491	70004503..... 276, 298	70005616..... 79
70002175..... 315	70002905..... 491	70004646..... 945	70005617..... 79
70002177..... 315	70003043..... 84	70004647..... 945	70005618..... 79
70002178..... 315	70003135..... 225	70004648..... 945	70005619..... 79
70002179..... 315	70003136..... 225	70004676 . 338, 342, 346,	70006093..... 362, 365
70002231.. 177, 185, 193,	70003475..... 225	350	70006094..... 362, 366
201, 209, 217, 227,	70003523..... 98	70004677..... 342	70006095..... 362, 366
239, 251, 263, 279,	70003524..... 98, 99	70004678 . 338, 342, 346,	70006096..... 362, 366
285, 936	70003628..... 53	350	70006097..... 362, 366
7000224.....98	70003629..... 98	70004680 . 338, 342, 346,	70006137.. 177, 185, 193,
70002247.....50	70003631 . 353, 357, 362,	350	201, 209, 217, 228,
70002248.....50	365	70004681..... 342, 350	240, 252, 264, 280, 286
70002249.....50			70006315..... 83

PART NUMBER INDEX

70006359	579	70007012	102	70025149	276, 298	7010697	83
70006360	579	70007013	102	70025151	276, 298	7010795	99
70006361	579	7000731	98, 99	70025152	275, 297	7011311 ...	591, 593, 595,
70006362	579	70007439	315	70025153	275, 297	597, 599, 601, 613,	
70006363	579	7001900	98	70025154	275, 297	615, 626, 630	
70006365	595	7001902	98	70025155	276, 298	7011346	63, 419, 591,
70006380	595	7001904	98	70025156	276, 298	593, 595, 617, 621,	
70006381	595	7001906	98	70025160	276, 298	626, 630	
70006382	595	7001917	98	70025161	276, 298	7011351	613, 615
70006383	595	7001918	98	70025162	275, 297	7011353 ...	585, 587, 589
70006473	583	7001920	98	70025163	275, 297	7011355	419
70006474	583	7001921	98	70025164	276, 298	7011359	617, 621
70006490	611	7001922	98	70025171	275, 297	7011361	617, 621
70006491	611	7001923	98	70025176	275, 297	7011362 ...	591, 593, 595
70006492	611	7001924	98	70025177	276, 298	7011364 ...	591, 593, 595
70006493	611	7001926	98	70025178	276, 298	7011365 ...	591, 593, 595
70006494	587	7001927	98	70025179	276, 298	7011367 ...	591, 593, 595,
70006495	587	7001929	98	70025180	276, 298	597, 599, 601	
70006496	587	70021867	302, 308	70025181	275, 297	7011368	613, 615
70006507	601	70022286	317	70025182	276, 298	7011369	613, 615
70006508	601	70023592 .	235, 247, 259,	70025183	276, 298	7011370	613, 615
70006509	601	271, 293		70025184	276, 298	7011371	613, 615
70006520	583	70023593 .	235, 247, 259,	70025190	275, 297	7011372	613, 615
70006523	605	271, 293		70025200	276, 298	7011375 ...	591, 593, 595
70006524	605	70024190 .	235, 248, 259,	70025202	275, 297	7011376 ...	585, 587, 589
70006525	605	272, 293, 937		70025203	276, 298	70124530	276
70006526	605	70024473	276, 298	70025204	275, 297	70124538	277
70006552 .	337, 341, 345,	70024484	276, 298	70025205	275, 297	7012513	333
349		70024486	275, 297	70025206	275, 297	7012514	333
70006553 .	337, 341, 345,	70024488	275, 297	70025207	275, 297	7012558	333
349		70024504	276, 298	70025208	275, 297	7012706	302, 308
70006693	615	70024507	276, 298	70025210	276, 298	7012709	302, 308
70006694	615	70024513	275, 297	70025231	275, 297	7012715	302, 308
70006695	615	70024517	275, 297	70025235	276, 298	7012773	63
70006696	615	70024904	275, 297	70025239	275, 297	7012941	65
70006713	621	70024905	275, 297	70025477	276, 298	7012942	65
70006714	621	70024906	275, 297	70025533	276, 298	7012943	83, 936
70006715	621	70024907	275, 297	70025660	277	7012944 ...	65, 419, 936
70006716	621	70024910	276, 298	70026210	276, 298	7012955	65
70006717	621	70024912	276, 298	7002821	944	7012967 ...	65, 603, 605,
70006718	621	70024915	276, 298	7002822	944	607	
70006986	101	70024917	276, 298	7002823	944	7012998	65
70006987	101	70024918	276, 298	7002828	944	7015003 ...	181, 189, 197,
70006988	101	70024919	276, 298	7003655 ...	181, 189, 197,	205, 213, 221	
70006989	101	70024920	276, 298	205, 213, 221, 936		7015013 ...	181, 189, 197,
70006990	101	70024924	275, 297	7004035	99	205, 213, 221	
70006991	101	70024925	275, 297	7004043	99	7015014 ...	181, 189, 197,
70006992	101	70024961	275, 297	7004044	99	205, 213, 221	
70006993	101	70025076	275, 297	7004275	944	7015015 ...	181, 189, 197,
70006994	101	70025080	275, 297	7004276	944	205, 213, 221	
70006995	101	70025082	275, 297	7004453	99	7016319	149
70006996	101	70025084	276, 298	7007207	314, 317	7016322	163, 165
70006997	101	70025088	275, 297	7007415 ...	315, 317, 318	7016331 ...	225, 275, 297,
70006998	101	70025091	275, 297	7007418	314	937	
70006999	101	70025103	276, 298	7007419	314	7016372	149
70007000	101	7002511	275, 297	7007420	53	7016374	163, 165
70007001	101	70025112	276, 298	7007437	53	7016654	944
70007002	101	70025120	276, 298	7007438	53	7016655	944
70007003	101	70025135	275, 297	7007439	53	7017072	98
70007004	102	70025136	275, 297	7007446 ...	53, 314, 317	7017082	98
70007005	79, 102	70025137	275, 297	7007489	321	7017085	98
70007006	79, 102	70025140	275, 297	7007645	98	7017094	98
70007007	79, 102	70025142	276, 298	7007646	98	7017142	391, 393
70007008	102	70025143	276, 298	7007648	98	7017158	391
70007009	101	70025144	276, 298	70104570	277	7017159	391, 393
70007010	102	70025145	275, 297	7010467	98	7017162 ...	391, 393, 397
70007011	101	70025146	275, 297	7010543	65	7017163 ...	391, 393, 397

PART NUMBER INDEX

7017164..... 391, 393, 397	7024076..... 303	7024535..... 563	7026696..... 83
7017184..... 395	7024077..... 303	7024536..... 563	7026697..... 83
7017185..... 395, 397	7024080..... 303	7024537..... 563	7026698..... 83
7017187..... 395	7024081..... 303	7024565..... 225	7027008.... 177, 185, 193, 201, 209, 217
7017188..... 395	7024083..... 303	7024571..... 419, 936	7027009.... 177, 185, 193, 201, 209, 217
7017191..... 395	7024084..... 303	7024572..... 419	7027010.... 177, 185, 193, 201, 209, 217
7017195.... 391, 393, 395, 397	7024085..... 304	7024579 225, 275, 297	7027011.... 177, 185, 193, 201, 209, 217
7017402..... 419	7024087..... 304	7024584 ... 177, 185, 193, 201, 209, 217	7027012.... 177, 185, 193, 201, 209, 217
7017405..... 65	7024088..... 304	7024598 163, 165	7027013.... 177, 185, 193, 201, 209, 217
7018936..... 304	7024089..... 304	7024763..... 98	7027046.... 227, 239, 251, 263, 279, 285
7018991..... 63, 936	7024097..... 303	7024800..... 315	7027047.... 227, 239, 251, 263, 279, 285
7019680..... 333	7024135..... 98	7024865..... 53	7027048.... 227, 239, 252, 263, 279, 285
7020021..... 107	7024183..... 98	7024867..... 53	7027049.... 228, 240, 252, 264, 280, 286
7020043..... 107	7024184..... 98	7024868..... 53	7027200..... 83
7020108..... 333	7024185..... 98	7024890 71, 73, 936	7027201..... 83
7020109..... 333	7024186..... 98	7024906 303	7027202..... 83
7020110..... 333	7024188..... 98, 99	7024908 303	7027203..... 83
7020111..... 333	7024189..... 99	7024911 303	7027204..... 83
7020175.... 129, 133, 455, 459, 463, 467, 471, 475	7024190..... 99	7024913 302, 308	7027206..... 83, 936
7020176.... 129, 133, 455, 459, 463, 467, 471, 475	7024191..... 99	7024914 302, 308	7027207..... 83, 936
7020190..... 333	7024192..... 99	7024915 302, 308	7027208..... 83, 936
7020404..... 275, 297	7024193..... 99	7024916 302, 308	7027209..... 83, 936
7020414..... 225	7024194..... 99	7024917 302, 308	7027235..... 225
7020447..... 225	7024196..... 99	7024918 302, 308	7027236..... 225
7020460..... 225	7024197..... 99	7024919 302, 308	7027239..... 225, 936
7020465.... 225, 275, 297	7024365..... 17, 25	7024920 302, 308	7027240..... 225
7020468..... 225	7024366..... 17, 25	7024921 302, 308	7027276..... 225
7020471..... 225	7024379..... 99	7024922 302, 308	7027284..... 626, 630
7020479..... 225	7024380..... 99	7024927 63	7027285..... 626, 630
7020486..... 225	7024381..... 99	7026018 419	7027738..... 83
7020492..... 276, 298	7024389..... 99	7026019 419	7027740..... 53
7021249..... 53	7024390..... 99	7026020 419	7027773..... 559
7021256..... 315	7024391..... 99	7026021 419	7027774..... 559
7021265..... 315	7024392..... 99	7026022 419	7027775..... 559
7021275.... 53, 314, 317	7024393..... 99	7026023 419	7027776..... 559
7021293..... 315	7024394..... 99	7026028 63	7027777..... 559
7022300..... 315	7024395..... 99	7026029 105	7027778..... 559
7022301..... 314	7024439..... 107	7026030 105	7027779..... 559
7022311..... 53	7024440 107	7026031 105	7027780..... 559
7022314..... 53	7024441 107	7026032 105	7027790..... 225
7022321..... 53	7024443 107	7026188 353, 357	7027791..... 225
7022340..... 317	7024444 107, 936	7026597 ... 353, 357, 362, 366	7027792..... 225
7022368..... 53	7024445 107	7026599 107	7027799.... 353, 357, 362, 366
7022371..... 53	7024446 107	7026600 107	7027882..... 83
7022608..... 315	7024453..... 99	7026608 225, 936	7027887..... 333
7023881..... 303	7024462..... 559	7026626 ... 353, 357, 362, 366	7028909... 151, 153, 155, 157, 159, 161
7023922..... 419	7024463..... 559	7026665 105	77363233..... 783, 787
7023936..... 77	7024467..... 559	7026671 84	8007894..... 84
7023962..... 317	7024469..... 559	7026672 84	8007935..... 84
7023964..... 317, 318	7024470 559	7026678 84	8007939..... 84
7024005..... 303	7024471 559, 563	7026680 84	8007954..... 84
7024038..... 302, 308	7024472 559	7026683 84	80334251..... 105
7024042..... 302	7024473 559	7026684 83	80484084..... 776
7024043..... 302	7024474 559	7026685 83	80983191..... 776
7024044..... 302, 308	7024475 559	7026686 83	8220051..... 781
7024064..... 302	7024477 559	7026687 83	8220164..... 775
7024065..... 303	7024478 559	7026688 83	8229242.... 776, 790, 794, 820
7024068..... 303	7024485 ... 353, 357, 362, 366	7026689 83	8310070..... 407
7024069..... 304	7024488 ... 353, 357, 361, 365	7026690 83	
7024070..... 303	7024489 ... 353, 357, 361, 365	7026691 83	
7024071..... 303	7024530..... 563	7026692 83	
7024072..... 303	7024531..... 563	7026693 83	
7024073..... 303	7024532..... 563	7026694 83	
7024075..... 303	7024533..... 563	7026695 83	
	7024534..... 563		

PART NUMBER INDEX

8310129 ... 509, 513, 515, 517, 521, 525, 529, 531, 535, 539, 543, 547	8405201 ... 234, 247, 258, 271, 292	8410013.... 182, 190, 198, 206, 214, 222, 234, 247, 258, 271, 293	91143340 775
8310230 ... 511, 519, 523, 527, 533, 537, 541, 545	8405204 ... 234, 247, 258, 271, 292	8580420.....67	91203039 413
8320270 225, 937	8406102 ... 236, 248, 260, 272, 294	88261024.....417	91403230 . 899, 903, 905, 909, 913, 917, 921, 925, 929
8405006 ... 227, 236, 239, 248, 251, 260, 263, 272, 279, 285, 294, 325	8406112 ... 236, 248, 260, 272, 294	88521214...569, 571, 573	91563070 . 234, 247, 258, 271, 293
8405007 ... 235, 248, 259, 272, 293	8406302 ... 234, 246, 258, 270, 292	88662523.....168, 172	
		90028660..178, 186, 194, 202, 210, 218, 228, 240, 252, 264, 280, 286	
		91143339.....775	

Go to Discount-Equipment.com to order your parts

PARTS FINDER

**Search Website
by Part Number**



**Search Manual
Library For Parts
Manual & Lookup Part
Numbers – Purchase
or Request Quote**

**Can't Find Part or
Manual? Request Help
by Manufacturer,
Model & Description**

Discount-Equipment.com is your online resource for quality parts & equipment.

Florida: **561-964-4949** Outside Florida TOLL FREE: **877-690-3101**

Need parts?

Click on this link: <http://www.discount-equipment.com/category/5443-parts/> and choose one of the options to help get the right parts and equipment you are looking for. Please have the machine model and serial number available in order to help us get you the correct parts. If you don't find the part on the website or on one of the online manuals, please fill out the request form and one of our experienced staff members will get back to you with a quote for the right part that your machine needs.

We sell worldwide for the brands: Genie, Terex, JLG, MultiQuip, Mikasa, Essick, Whiteman, Mayco, Toro Stone, Diamond Products, Generac Magnum, Airman, Haulotte, Barreto, Power Blanket, Nifty Lift, Atlas Copco, Chicago Pneumatic, Allmand, Miller Curber, Skyjack, Lull, Skytrak, Tsurumi, Husquvarna Target, Stow, Wacker, Sakai, Mi-T-M, Sullair, Basic, Dynapac, MBW, Weber, Bartell, Bennar Newman, Haulotte, Ditch Runner, Menegotti, Morrison, Contec, Buddy, Crown, Edco, Wyco, Bomag, Laymor, EZ Trench, Bil-Jax, F.S. Curtis, Gehl Pavers, Heli, Honda, ICS/PowerGrit, IHI, Partner, Imer, Clipper, MMD, Koshin, Rice, CH&E, General Equipment, Amida, Coleman, NAC, Gradall, Square Shooter, Kent, Stanley, Tamco, Toku, Hatz, Kohler, Robin, Wisconsin, Northrock, Oztec, Toker TK, Rol-Air, APT, Wylie, Ingersoll Rand / Doosan, Innovatech, Con X, Ammann, Mecalac, Makinex, Smith Surface Prep, Small Line, Wanco, Yanmar