



Illustrated Parts Manual

Models
1200SJP
1350SJP

SN 0300201016 to Present
SN B300002238 to Present

P/N
3121738

December 21, 2018 - Rev K

ANSI

CE



AS/NZS



An Oshkosh Corporation Company

PARTS FINDER

**Search Website
by Part Number**



**Search Manual
Library For Parts
Manual & Lookup Part
Numbers – Purchase
or Request Quote**

A screenshot of the "Search Manuals" form. The form has a title "Search Manuals" and a subtitle "Please enter the model number or part number to search for a manual." Below the subtitle, there are several input fields: "Find" (with a dropdown menu), "Serial Number" (with a dropdown menu), "Year" (with a dropdown menu), "Serial" (text input), "Part Number" (text input), "Part Name" (text input), and "Category" (text input). At the bottom of the form, there is a "Search" button.

**Can't Find Part or
Manual? Request Help
by Manufacturer,
Model & Description**

A screenshot of the "Parts Order Form". The form has a title "Parts Order Form" and a subtitle "Please fill out the form below." Below the subtitle, there are several input fields: "Manufacturer" (text input), "Model" (text input), "Description" (text input), "Part Number" (text input), "Part Name" (text input), "Quantity" (text input), "Unit Price" (text input), "Total Price" (text input), "Customer Name" (text input), "Address" (text input), "City" (text input), "State" (text input), "Zip" (text input), and "Phone" (text input). At the bottom of the form, there is a "Submit" button.

Discount-Equipment.com is your online resource for quality parts & equipment.

Florida: **561-964-4949** Outside Florida TOLL FREE: **877-690-3101**

Need parts?

Click on this link: <http://www.discount-equipment.com/category/5443-parts/> and choose one of the options to help get the right parts and equipment you are looking for. Please have the machine model and serial number available in order to help us get you the correct parts. If you don't find the part on the website or on one of the online manuals, please fill out the request form and one of our experienced staff members will get back to you with a quote for the right part that your machine needs.

We sell worldwide for the brands: Genie, Terex, JLG, MultiQuip, Mikasa, Essick, Whiteman, Mayco, Toro Stone, Diamond Products, Generac Magnum, Airman, Haulotte, Barreto, Power Blanket, Nifty Lift, Atlas Copco, Chicago Pneumatic, Allmand, Miller Curber, Skyjack, Lull, Skytrak, Tsurumi, Husquvarna Target, Stow, Wacker, Sakai, Mi-T-M, Sullair, Basic, Dynapac, MBW, Weber, Bartell, Bennar Newman, Haulotte, Ditch Runner, Menegotti, Morrison, Contec, Buddy, Crown, Edco, Wyco, Bomag, Laymor, EZ Trench, Bil-Jax, F.S. Curtis, Gehl Pavers, Heli, Honda, ICS/PowerGrit, IHI, Partner, Imer, Clipper, MMD, Koshin, Rice, CH&E, General Equipment, Amida, Coleman, NAC, Gradall, Square Shooter, Kent, Stanley, Tamco, Toku, Hatz, Kohler, Robin, Wisconsin, Northrock, Oztec, Toker TK, Rol-Air, APT, Wylie, Ingersoll Rand / Doosan, Innovatech, Con X, Ammann, Mecalac, Makinex, Smith Surface Prep, Small Line, Wanco, Yanmar

REVISION LOG

NOTE: The 1200SJP & 1350SJP may be manufactured by JLG Industries in the following countries: USA and China. The country of manufacture may be determined by the serial number located on the serial number nameplate. Machines manufactured in the USA will have a prefix number of 03 (i.e. 03xxxxxxxx). Machines manufactured in China will have a prefix number of B3 (i.e. B3xxxxxxxx).

REVISION LOG:

- June 30, 2016 - A - Original Issue Of Manual (Edited to B/M 1001160100 Revision AJ)**
- September 15, 2016 - B - Revised Manual (Edited to B/M 1001160100 Revision AJ)**
- December 31, 2016 - C - Revised Manual (Edited to B/M 1001160100 Revision AJ)**
- March 15, 2017 - D - Revised Manual (Edited to B/M 1001160100 Revision AW)**
- June 23, 2017 - E - Revised Manual (Edited to B/M 1001160100 Revision AW)**
- September 15, 2017 - F - Revised Manual (Edited to B/M 1001160100 Revision AX and 1001220713 Revision B)**
- December 22, 2017 - G - Revised Manual (Edited to B/M 1001160100 Revision AY and 1001220713 Revision C)**
- March 16, 2018 - H - Revised Manual (Edited to B/M 1001160100 Revision BD and 1001220713 Revision C)**
- June 15, 2018 - I - Revised Manual (Edited to B/M 1001160100 Revision BK and 1001220713 Revision C) (Revision 1)**
- September 4, 2018 - J - Revised Manual (Edited to B/M 1001160100 Revision BP and 1001220713 Revision G) (Revision 2)**
- December 21, 2018 - K - Revised Manual (Edited to B/M 1001160100 Revision BX and 1001220713 Revision K) (Revision 2)**

GENERAL INFORMATION

SECTION 6 CYLINDER

FIGURE 6-3. LIFT CYLINDER ASSEMBLY

PG# Model Designation Manual #

ITEM #	PART NUMBER	QTY.	DESCRIPTION	REV.
	1001140104	Ref.	LIFT CYLINDER ASSEMBLY	B
1	0100011	AR	Compound, Locking	
2	0630535	3	Capscrew 1/4-20 x 1-1/8	
3	0791003	1	Screw #10-24 x 3/8	
4	0961897	1	Bushing, Tapered	
5	1320136	1	Clamp, Cable	
6	1663063	1	Head	
7	2220883	1	Plug, O-Ring	
8	2220885	2	Plug, O-Ring	
8	2220886	1	Plug, O-Ring	
10	3020039	AR	Lubricant	
11	3480282	1	Piston	
12	3760371	1	Ring, Washer	
13	3931420	8	Capscrew 1/4-20 x 1-1/4	
14	3931824	8	Capscrew 1/2-13 x 1-1/2	
15	3951003	1	Screw #10-24 x 3/8	
16	4100099	1	Spacer	
17	4640999	1	Cartridge, Holding Valve (Non Vented)	
17	2900792		Kit, Seal - 4640999 Cartridge Valve	
18	4641248	1	Cartridge, Countbalance Valve (Non Vented)	
18	7000186		Kit, Seal - 4641248 Cartridge Valve	
19	1001117991	1	Sensor, Cylinder Length	
20	100118070	1	Cap, Retainer	
21	100118054	1	Barrel	
21A	0961950	2	Bushing	
22	100118086	1	Rod	
22A	0961950	2	Bushing	
100	1001139996	1	Kit, Seal (Includes Items 101-109)	
101	See Note	2	Ring, Wear (Note: Use p/n 1001139996)	
102	See Note	1	Ring, Back-Up (Note: Use p/n 1001139996)	
103	See Note	2	Ring, Lock (Note: Use p/n 1001139996)	
104	See Note	2	Ring, Back-Up (Note: Use p/n 1001139996)	
105	See Note	3	O-Ring (Note: Use p/n 1001139996)	
106	See Note	1	O-Ring (Note: Use p/n 1001139996)	
107	See Note	1	Seal (Note: Use p/n 1001139996)	
108	See Note	1	Wiper, Rod (Note: Use p/n 1001139996)	
109	See Note	2	Spring (Note: Use p/n 1001139996)	
200	1001180105	1	Kit, Sensor Magnet (Includes Items 201-203)	
201	See Note	NSS	Sleeve, Spacer (Note: Use p/n 1001180105)	
202	100118066	1	Magnet, Sensor	
203	100118069	1	Spring, Internal Retaining	

Manual # Model Designation PG#

1) MACHINE IDENTIFICATION

Machines are identified by model and in some cases a combination of models, serial number (SN) or regional standard (i.e. ANSI, CE, CSA). Components may also be identified by SN or manufacturer. Common components that may be identified by these characteristics are engines and hydraulic components.

2) PARTS MANUAL ORGANIZATION

Product information in this manual is organized under section titles. Frame, Cylinder, Hydraulic and Electrical are a few examples. Each section is organized by figure and page number. The information within the Figure is then organized by item number, part number, description and corresponding illustration(s).

3) TABLE OF CONTENTS

A table of contents is found toward the beginning of the manual. Figure number, description and page number are provided for quick reference to the page containing the related information.

4) RECOMMENDED SPARE PARTS

The Recommended Spare Parts, located near the end of the manual, reference most frequently used maintenance parts.

5) PART NUMBER INDEX

A numerical index listing all part numbers and the corresponding page number(s) appears at the back of the manual.

GENERAL INFORMATION

6) NON-SERVICED PARTS

In some instances, it is necessary to display non-serviced parts, assemblies or installations. In the case of assemblies and installations there will be a Ref in the Qty column. In case of parts that are not available for service within assemblies or components, there will be a NSS (Not Sold Separately) or NLA (No Longer Available) listed in the Qty. column of the manual.

7) PARTS LIST ITEM NUMBERS

Numbers shown in the item# column correspond to numbers used in the associated illustration (s). Item numbers which are missing from the sequence in the parts list are not used on that page

8) INDENTED PARTS DESCRIPTION

An indented part description is included in the item under which it is indented.

9) ABBREVIATION AND SYMBOLS

AC.....	Alternating Current	LCD.....	Liquid Crystal Display
ADE.....	Advanced Design Electronics	LED.....	Light Emitting Diodes
ANSI.....	American National Standards Institute	LH.....	Left Hand
AR.....	As Required	LSS.....	Load Sensing System
ASSY.....	Assembly	M(m).....	Metric/Meter
AUX.....	Auxiliary	MM (mm).....	Milimeter
AWG.....	American WireGauge	mA.....	Miliamps
B/M.....	Bill of Material	NLA.....	No Longer Available
CE.....	European Conformity	NPT.....	National Pipe Threads
CCW.....	Counter Clockwise	NSS.....	Not So Id Separately
cm.....	Centimeter	OD.....	Outside Diameter
CW.....	Clockwise	ORB.....	O-Ring Boss
CSA.....	Canadian Standards Association	ORFS.....	O-Ring Face Seal
CYL.....	Cylinder	OZ (oz).....	Ounces
DIA.....	Diameter	PG.....	Page
DC.....	Direct Current	P/N.....	Part Number
EMS.....	Emergency Stop	qt.....	Quarts
ENG.....	Engine	QTY.....	Quantity
FT (ft).....	Feet	REF.....	Reference
GA (Ga).....	Gauge	REV.....	Revision Level
HYD.....	Hydraulic	RH.....	Right Hand
Hz.....	Hertz	SAE.....	Society of Automotive Engineers
ID.....	Inside Diameter	SN.....	Serial Number
in.....	inches	SPEC(S).....	Specifications
ISO.....	International Organization for Standards	T/T.....	Turntable
JIC.....	Joint Industry Council	UGM.....	Universal Ground Module
KG.....	Kilogram	V.....	Volts
L.....	Liter	W.....	Watts
LB.....	Pounds	#.....	Number

10) ILLUSTRATION REFERENCE LETTERS

When necessary, illustrations may contain reference letters that are intended to track information (i. e. hoses, harnesses) from one point to another or to track visual enlargement of components to show details that may be located in another area on the illustration.

Note: Due to continuous product improvements, JLG Industries, Inc. reserves the right to make specification changes without prior notification. Contact JLG Industries, Inc. for updated information.

TABLE OF CONTENTS

SECTION 1 - FRAME.....	15
FIGURE 1-1. AXLE INSTALLATION - FIXED (SN 0300201016 through 0300207700).....	16
FIGURE 1-2. AXLE INSTALLATION - FIXED (SN 0300207701 to Present, SN B30002238 to Present).....	20
FIGURE 1-3. AXLE INSTALLATION - OSCILLATING AXLE (SN 0300201016 through 0300207700).....	24
FIGURE 1-4. AXLE INSTALLATION - OSCILLATING (SN 0300207701 to Present, SN B300002238 to Present).....	28
FIGURE 1-5. STEER INSTALLATION.....	32
FIGURE 1-6. WHEEL DRIVE INSTALLATION - BONFIGLIOLI.....	34
FIGURE 1-7. WHEEL DRIVE INSTALLATION - REGGIANA RIDUTTORI.....	36
FIGURE 1-8. DRIVE HUB AND MOTOR ASSEMBLY - BONFIGLIOLI.....	38
FIGURE 1-9. DRIVE HUB AND MOTOR ASSEMBLY - REGGIANA RIDUTTORI.....	40
FIGURE 1-10. DRIVE HUB ASSEMBLY - BONFIGLIOLI.....	42
FIGURE 1-11. DRIVE HUB ASSEMBLY - REGGIANA RIDUTTORI.....	46
FIGURE 1-12. DRIVE MOTOR ASSEMBLY.....	50
FIGURE 1-13. TIRE AND WHEEL INSTALLATION - FOAM - FILLED.....	52
FIGURE 1-14. TIRE AND WHEEL INSTALLATION - SOLID.....	54
FIGURE 1-15. TIRE AND WHEEL INSTALLATION - SOLID NON MARKING.....	56
FIGURE 1-16. FRAME VALVES INSTALLATION - WITHOUT LSS AND WITH 4 CELL LSS.....	58
FIGURE 1-17. FRAME VALVES INSTALLATION - WITH 1 CELL LSS.....	60
FIGURE 1-18. STEER VALVE ASSEMBLY.....	62
FIGURE 1-19. TRACTION VALVE ASSEMBLY.....	64
FIGURE 1-20. FRAME COVERS INSTALLATION - ABS.....	66
FIGURE 1-21. FRAME COVERS INSTALLATION - STEEL.....	68
SECTION 2 - TURNTABLE.....	71
FIGURE 2-1. TURNTABLE VALVES INSTALLATION - WITHOUT LSS AND WITH 4 CELL LSS.....	72
FIGURE 2-2. TURNTABLE VALVES INSTALLATION - WITH 1 CELL LSS.....	74
FIGURE 2-3. BATTERY AND AUXILIARY PUMP INSTALLATION - ABS HOODS.....	76
FIGURE 2-4. BATTERY AND AUXILIARY PUMP INSTALLATION - STEEL HOODS.....	78
FIGURE 2-5. AUXILIARY PUMP ASSEMBLY.....	80
FIGURE 2-6. MAIN VALVE ASSEMBLY.....	82
FIGURE 2-7. SWING DRIVE INSTALLATION (SN 0300201016 through 0300254466, SN B300002238 through B300003825).....	86
FIGURE 2-8. SWING DRIVE INSTALLATION (SN 0300254467 to Present, SN B300003826 to Present).....	88
FIGURE 2-9. TURNTABLE BEARING AND LUBE INSTALLATION.....	90
FIGURE 2-10. TURNTABLE LOCK INSTALLATION.....	92
FIGURE 2-11. PINION SHIELD INSTALLATION.....	94
FIGURE 2-12. EXTREME HOSTILE PACKAGE INSTALLATION (OPTIONAL).....	96
FIGURE 2-13. SWING MOTOR/HUB ASSEMBLY (SN 0300201016 through 0300254466, SN B300002238 through B300003825).....	98
FIGURE 2-14. SWING MOTOR/HUB ASSEMBLY (SN 0300254467 to Present, SN B300003826 to Present).....	104
FIGURE 2-15. ROTARY COUPLING AND COLLECTOR RING INSTALLATION.....	108
FIGURE 2-16. TANK INSTALLATION - WITH ABS HOODS.....	110
FIGURE 2-17. TANK INSTALLATION - WITH STEEL HOODS.....	112
FIGURE 2-18. TANK INSTALLATION - WITH STEEL HOODS AND 52.8 GAL/200 L FUEL TANK.....	114
FIGURE 2-19. HYDRAULIC OIL TANK ASSEMBLY.....	116
FIGURE 2-20. HYDRAULIC OIL COOLER INSTALLATION - DEUTZ TD2011 ENGINES WITH REXROTH PUMPS (OPTIONAL).....	118
FIGURE 2-21. HYDRAULIC OIL COOLER INSTALLATION - DEUTZ TD2011 ENGINES WITH SAUER PUMPS (OPTIONAL).....	120
FIGURE 2-22. HYDRAULIC OIL COOLER INSTALLATION - DEUTZ TCD2.9L4 ENGINES AND DEUTZ TCD2.9L4 (STAGE V) ENGINES WITH REXROTH PUMPS (OPTIONAL).....	122
FIGURE 2-23. HYDRAULIC OIL COOLER INSTALLATION - DEUTZ TCD2.9L4 ENGINES WITH REXROTH PUMPS (OPTIONAL) (CHINA SPEC ONLY).....	124
FIGURE 2-24. HYDRAULIC OIL COOLER INSTALLATION - DEUTZ TCD2.9L4 ENGINES AND DEUTZ TCD2.9L4 (STAGE V) ENGINES WITH SAUER PUMPS (OPTIONAL).....	126
FIGURE 2-25. HYDRAULIC OIL COOLER INSTALLATION - DEUTZ TCD2.9L4 ENGINES WITH SAUER PUMPS (OPTIONAL) (CHINA SPEC ONLY).....	128
FIGURE 2-26. GROUND CONTROL BOX INSTALLATION - DEUTZ TD2011 ENGINES WITH REXROTH PUMPS (ALL SPECS EXCEPT CE SPECS).....	130
FIGURE 2-27. GROUND CONTROL BOX INSTALLATION - DEUTZ TD2011 ENGINES WITH REXROTH PUMPS (CE SPECS).....	132
FIGURE 2-28. GROUND CONTROL BOX INSTALLATION - DEUTZ TD2011 ENGINES WITH SAUER PUMPS (ALL SPECS EXCEPT CE SPECS).....	134
FIGURE 2-29. GROUND CONTROL BOX INSTALLATION - DEUTZ TD2011 ENGINES WITH SAUER PUMPS (CE SPECS).....	136
FIGURE 2-30. GROUND CONTROL BOX INSTALLATION - DEUTZ TCD2.9L4 ENGINES (ALL SPECS EXCEPT CE SPECS).....	138

TABLE OF CONTENTS

FIGURE 2-31. GROUND CONTROL BOX INSTALLATION – DEUTZ TCD2.9L4 ENGINES (CE SPECS).....	140
FIGURE 2-32. GROUND CONTROL BOX ASSEMBLY (ALL SPECS EXCEPT CE SPECS)	142
FIGURE 2-33. GROUND CONTROL BOX ASSEMBLY (CE SPECS)	146
FIGURE 2-34. KEYSWITCH INSTALLATION	150
FIGURE 2-35. KEYSWITCH INSTALLATION (SN 0300201016 through 0300205135).....	152
FIGURE 2-36. LIGHT PANEL INSTALLATION - ANSI AND ANSI EXPORT SPECS	154
FIGURE 2-37. LIGHT PANEL INSTALLATION - AUSTRALIAN AND CE SPECS	156
FIGURE 2-38. ALARMS INSTALLATION	158
FIGURE 2-39. BACKUP ALARM (WHITE NOISE) INSTALLATION	160
FIGURE 2-40. BACKUP ALARM AMBIENT (WHITE NOISE) INSTALLATION	162
FIGURE 2-41. STROBE LIGHT INSTALLATION (AMBER).....	164
FIGURE 2-42. BEACON LIGHT INSTALLATION (BLUE) (SN 0300201016 through 0300217081).....	166
FIGURE 2-43. STROBE LIGHT INSTALLATION (BLUE) (SN 0300217082 through 0300256988, SN B300002238 through B300003730).....	168
FIGURE 2-44. STROBE LIGHT INSTALLATION (BLUE) (SN 0300256989 to Present, SN B300003731 to Present)	170
FIGURE 2-45. STROBE LIGHT INSTALLATION (RED) (SN 0300216184 through 0300217081).....	172
FIGURE 2-46. STROBE LIGHT INSTALLATION (RED) (SN 0300217082 through 0300256988).....	174
FIGURE 2-47. STROBE LIGHT INSTALLATION (RED) (SN 03002589 to Present).....	176
FIGURE 2-48. ENGINE TRAY JACK INSTALLATION - DEUTZ TD2011 ENGINES	178
FIGURE 2-49. ENGINE TRAY JACK INSTALLATION - DEUTZ TD2.9L4/TCD2.9L4 ENGINES AND DEUTZ TCD2.9L4 (STAGE V) ENGINES	180
FIGURE 2-50. HOOD INSTALLATIONS - DEUTZ TD2011 ENGINES (ABS).....	182
FIGURE 2-51. HOOD INSTALLATION - DEUTZ TCD2.9L4 ENGINES (ABS)	186
FIGURE 2-52. HOOD INSTALLATION - DEUTZ TD2011/TD2.9L4 ENGINES (STEEL)	190
FIGURE 2-53. HOOD INSTALLATION - DEUTZ TCD2.9L4 ENGINES (STEEL)	194
FIGURE 2-54. CLEARSKY TELEMATICS INSTALLATION (ANSI SPECS) (OPTIONAL)	198
FIGURE 2-55. CLEARSKY TELEMATICS CONTROLLERS (ANSI EXPORT - BRAZIL AND NEW ZEALAND SPECS) (OPTIONAL).....	200
FIGURE 2-56. CLEARSKY TELEMATICS INSTALLATION (AUSTRALIAN SPECS) (OPTIONAL)	202
FIGURE 2-57. CLEARSKY TELEMATICS INSTALLATION (CSA SPECS) (OPTIONAL)	204
SECTION 3 - ENGINE	207
FIGURE 3-1. DEUTZ TD2011 DIESEL ENGINE INSTALLATION - WITH REXROTH PUMPS AND ABS HOODS (WITHOUT SKYPOWER AND WITHOUT COLD WEATHER PLUS PACKAGE).....	208
FIGURE 3-2. DEUTZ TD2011 ENGINE ASSEMBLY - WITH REXROTH PUMPS AND ABS HOODS (WITHOUT SKYPOWER AND WITHOUT COLD WEATHER PLUS PACKAGE)	212
FIGURE 3-3. DEUTZ TD2011 DIESEL ENGINE INSTALLATION - WITH REXROTH PUMPS AND ABS HOODS (WITH SKYPOWER AND WITHOUT COLD WEATHER PLUS PACKAGE).....	216
FIGURE 3-4. DEUTZ TD2011 ENGINE ASSEMBLY - WITH REXROTH PUMPS AND ABS HOODS (WITH SKYPOWER AND WITHOUT COLD WEATHER PLUS PACKAGE).....	220
FIGURE 3-5. DEUTZ TD2011 DIESEL ENGINE INSTALLATION - WITH REXROTH PUMPS AND STEEL HOOD (WITHOUT SKYPOWER AND WITHOUT COLD WEATHER PLUS PACKAGE).....	224
FIGURE 3-6. DEUTZ TD2011 ENGINE ASSEMBLY - WITH REXROTH PUMPS AND STEEL HOODS (WITHOUT SKYPOWER AND WITHOUT COLD WEATHER PLUS PACKAGE)	228
FIGURE 3-7. DEUTZ TD2011 DIESEL ENGINE INSTALLATION - WITH REXROTH PUMPS AND STEEL HOODS (WITH SKYPOWER AND WITHOUT COLD WEATHER PLUS PACKAGE).....	232
FIGURE 3-8. DEUTZ TD2011 ENGINE ASSEMBLY - WITH REXROTH PUMPS AND STEEL HOODS (WITH SKYPOWER AND WITHOUT COLD WEATHER PLUS PACKAGE).....	236
FIGURE 3-9. DEUTZ TD2011 DIESEL ENGINE INSTALLATION – WITH REXROTH PUMPS AND STEEL HOODS (WITH SKYPOWER AND WITH COLD WEATHER PLUS PACKAGE)	240
FIGURE 3-10. DEUTZ TD2011 ENGINE ASSEMBLY - WITH REXROTH PUMPS AND STEEL HOODS (WITH SKYPOWER AND WITH COLD WEATHER PLUS PACKAGE)	244
FIGURE 3-11. DEUTZ TD2011 DIESEL ENGINE INSTALLATION - WITH SAUER PUMPS AND ABS HOODS (WITHOUT SKYPOWER AND WITHOUT COLD WEATHER PLUS PACKAGE).....	248
FIGURE 3-12. DEUTZ TD2011 ENGINE ASSEMBLY - WITH SAUER PUMPS AND ABS HOODS (WITHOUT SKYPOWER AND WITHOUT COLD WEATHER PLUS PACKAGE).....	252
FIGURE 3-13. DEUTZ TD2011 DIESEL ENGINE INSTALLATION - WITH SAUER PUMPS AND ABS HOODS (WITH SKYPOWER AND WITHOUT COLD WEATHER PLUS PACKAGE).....	256
FIGURE 3-14. DEUTZ TD2011 ENGINE ASSEMBLY - WITH SAUER PUMPS AND ABS HOODS (WITH SKYPOWER AND WITHOUT COLD WEATHER PLUS PACKAGE).....	260
FIGURE 3-15. DEUTZ TD2011 DIESEL ENGINE INSTALLATION - WITH SAUER PUMPS AND STEEL HOODS (WITHOUT SKYPOWER AND WITHOUT COLD WEATHER PLUS PACKAGE).....	264
FIGURE 3-16. DEUTZ TD2011 ENGINE ASSEMBLY - WITH SAUER PUMPS AND STEEL HOODS (WITHOUT SKYPOWER AND WITHOUT COLD WEATHER PLUS PACKAGE)	268
FIGURE 3-17. DEUTZ TD2011 DIESEL ENGINE INSTALLATION - WITH SAUER PUMPS AND STEEL HOODS (WITH SKYPOWER AND WITHOUT COLD WEATHER PLUS PACKAGE).....	272

TABLE OF CONTENTS

FIGURE 3-18. DEUTZ TD2011 ENGINE ASSEMBLY - WITH SAUER PUMPS AND STEEL HOODS (WITH SKYPOWER AND WITHOUT COLD WEATHER PLUS PACKAGE)	276
FIGURE 3-19. DEUTZ TD2011 DIESEL ENGINE INSTALLATION - WITH SAUER PUMPS AND STEEL HOODS (WITH SKYPOWER AND WITH COLD WEATHER PLUS PACKAGE).....	280
FIGURE 3-20. DEUTZ TD2011 ENGINE ASSEMBLY - WITH SAUER PUMPS AND STEEL HOODS (WITH SKYPOWER AND WITH COLD WEATHER PLUS PACKAGE).....	284
FIGURE 3-21. DEUTZ TD2011 ENGINE COMPONENTS	288
FIGURE 3-22. DEUTZ TD2.9L4 DIESEL ENGINE INSTALLATION - WITH REXROTH PUMPS AND STEEL HOODS (CHINA SPEC ONLY).....	290
FIGURE 3-23. DEUTZ TD2.9L4 DIESEL ENGINE INSTALLATION - WITH SAUER PUMPS AND STEEL HOODS (CHINA SPEC ONLY).....	294
FIGURE 3-24. DEUTZ TD2.9L4 ENGINE SUB-ASSEMBLY - WITH REXROTH PUMP (CHINA SPEC ONLY).....	298
FIGURE 3-25. DEUTZ TD2.9L4 ENGINE SUB-ASSEMBLY - WITH SAUER PUMPS (CHINA SPEC ONLY).....	300
FIGURE 3-26. DEUTZ TD2.9L4 ENGINE ASSEMBLY (CHINA SPEC ONLY)	302
FIGURE 3-27. DEUTZ TD2.9L4 ENGINE COMPONENTS (CHINA SPEC ONLY)	308
FIGURE 3-28. DEUTZ TCD2.9L4 DIESEL ENGINE INSTALLATION - WITH REXROTH PUMPS AND ABS HOODS (WITHOUT COLD WEATHER PLUS PACKAGE).....	312
FIGURE 3-29. DEUTZ TCD2.9L4 DIESEL ENGINE INSTALLATION - WITH REXROTH PUMPS AND STEEL HOODS (WITHOUT COLD WEATHER PLUS PACKAGE).....	316
FIGURE 3-30. DEUTZ TCD2.9L4 DIESEL ENGINE INSTALLATION - WITH REXROTH PUMPS AND STEEL HOODS (WITH COLD WEATHER PLUS PACKAGE).....	320
FIGURE 3-31. DEUTZ TCD2.9L4 DIESEL ENGINE INSTALLATION - WITH SAUER PUMPS AND ABS HOODS (WITHOUT COLD WEATHER PLUS PACKAGE).....	324
FIGURE 3-32. DEUTZ TCD2.9L4 DIESEL ENGINE INSTALLATION - WITH SAUER PUMPS AND STEEL HOODS (WITHOUT COLD WEATHER PLUS PACKAGE).....	328
FIGURE 3-33. DEUTZ TCD2.9L4 DIESEL ENGINE INSTALLATION - WITH SAUER PUMPS AND STEEL HOODS (WITH COLD WEATHER PLUS PACKAGE).....	332
FIGURE 3-34. DEUTZ TCD2.9L4 ENGINE SUB-ASSEMBLY - WITH REXROTH PUMP (WITHOUT COLD WEATHER PLUS PACKAGE).....	336
FIGURE 3-35. DEUTZ TCD2.9L4 ENGINE SUB-ASSEMBLY - WITH REXROTH PUMP (WITH COLD WEATHER PLUS PACKAGE).....	338
FIGURE 3-36. DEUTZ TCD2.9L4 ENGINE SUB-ASSEMBLY - WITH SAUER PUMP (WITHOUT COLD WEATHER PLUS PACKAGE).....	340
FIGURE 3-37. DEUTZ TCD2.9L4 ENGINE SUB-ASSEMBLY - WITH SAUER PUMPS (WITH COLD WEATHER PLUS PACKAGE).....	342
FIGURE 3-38. DEUTZ TCD2.9L4 ENGINE ASSEMBLY (WITHOUT COLD WEATHER PLUS PACKAGE)	344
FIGURE 3-39. DEUTZ TCD2.9L4 ENGINE ASSEMBLY (WITH COLD WEATHER PLUS PACKAGE).....	350
FIGURE 3-40. DEUTZ TCD2.9L4 ENGINE COMPONENTS	356
FIGURE 3-41. DEUTZ TCD2.9L4 (STAGE V) DIESEL ENGINE INSTALLATION - WITH SAUER PUMPS AND ABS HOODS (WITHOUT COLD WEATHER PLUS PACKAGE).....	360
FIGURE 3-42. DEUTZ TCD2.9L4 (STAGE V) DIESEL ENGINE INSTALLATION - WITH REXROTH PUMPS AND ABS HOODS (WITHOUT COLD WEATHER PLUS PACKAGE).....	364
FIGURE 3-43. DEUTZ TCD2.9L4 (STAGE V) ENGINE SUB-ASSEMBLY - WITH SAUER PUMP AND ABS HOODS (WITHOUT COLD WEATHER PLUS PACKAGE).....	368
FIGURE 3-44. DEUTZ TCD2.9L4 (STAGE V) ENGINESUB-ASSEMBLY - WITH REXROTH PUMP AND ABS HOODS (WITHOUT COLD WEATHER PLUS PACKAGE).....	370
FIGURE 3-45. DEUTZ TCD2.9L4 ENGINE (STAGE V) ASSEMBLY (WITHOUT COLD WEATHER PLUS PACKAGE).....	372
FIGURE 3-46. DEUTZ TCD2.9L4 ENGINE COMPONENTS (STAGE V).....	378
FIGURE 3-47. PUMP ASSEMBLY (REXROTH) (DEUTZ TD2011 ENGINES)	382
FIGURE 3-48. PUMP ASSEMBLY (REXROTH) (DEUTZ TCD2.9L4 ENGINES).....	388
FIGURE 3-49. PUMP ASSEMBLY (SAUER TANDEM).....	394
FIGURE 3-50. PUMP ASSEMBLY (SAUER PISTON)	398
FIGURE 3-51. PUMP ASSEMBLY (SAUER GEAR).....	402
FIGURE 3-52. PUMP COUPLING KIT	404
FIGURE 3-53. WATER/FUEL SEPARATOR INSTALLATION - DEUTZ TD2011 ENGINE	406
FIGURE 3-54. FUEL PUMP/FILTER BRACKET ASSEMBLY - DEUTZ TCD2.9L4 ENGINE AND DEUTZ TCD2.9L4 (STAGE V) ENGINE.....	408
FIGURE 3-55. FUEL PUMP/FILTER BRACKET ASSEMBLY - DEUTZ TD2.9L4 ENGINE (CHINA SPECS ONLY) (SN 0300238862 to Present, SN B300002450 to Present).....	410
FIGURE 3-56. FUEL FILTER/WATER SEPARATOR INSTALLATION - DEUTZ TD2.9L4 ENGINE.....	412
FIGURE 3-57. SPARK ARRESTING CATALYTIC MUFFLER - DEUTZ TD2011 ENGINES (OPTIONAL)	414
FIGURE 3-58. SPARK ARRESTOR INSTALLATION - DEUTZ TCD2.9L4 ENGINES AND DEUTZ TCD2.9L4 (STAGE V) ENGINES (OPTIONAL).....	416
FIGURE 3-59. 2500W GENERATOR INSTALLATION - 60HZ SPEC (DEUTZ TD2011 ENGINES) (OPTIONAL)	418
FIGURE 3-60. 2500W GENERATOR INSTALLATION - 50HZ SPEC (DEUTZ TD2011 ENGINES) (OPTIONAL)	422
FIGURE 3-61. 4000W GENERATOR INSTALLATION - 60HZ SPEC (DEUTZ TD2011 ENGINES) (OPTIONAL)	426
FIGURE 3-62. 4000W GENERATOR INSTALLATION - 50HZ SPEC (DEUTZ TD2011 ENGINES) (OPTIONAL)	430

TABLE OF CONTENTS

FIGURE 3-63. 4000W GENERATOR INSTALLATION - 60HZ SPEC (DEUTZ TCD2.9L4 ENGINES) (OPTIONAL)	434
FIGURE 3-64. 4000W GENERATOR INSTALLATION - 50HZ SPEC (DEUTZ TCD2.9L4 ENGINES AND DEUTZ TCD2.9L4 (STAGE V) ENGINES) (OPTIONAL)	438
FIGURE 3-65. 7500W SKYPOWER GENERATOR INSTALLATION - 60HZ SPEC (DEUTZ TD2011 ENGINES) (OPTIONAL)	442
FIGURE 3-66. 7500W SKYPOWER GENERATOR INSTALLATION - 50HZ SPEC (DEUTZ TD2011 ENGINES) (OPTIONAL)	446
FIGURE 3-67. 7500W SKYPOWER GENERATOR INSTALLATION - 60HZ SPEC (DEUTZ TCD2.9L4 ENGINES) (OPTIONAL)	450
FIGURE 3-68. 7500W SKYPOWER GENERATOR INSTALLATION - 50HZ SPEC (DEUTZ TCD2.9L4 ENGINES) (OPTIONAL)	454
SECTION 4 - BOOM	459
FIGURE 4-1. BOOM INSTALLATION 1200SJP - WITHOUT COLD WEATHER PLUS PACKAGE	460
FIGURE 4-2. BOOM INSTALLATION 1200SJP - WITH COLD WEATHER PLUS PACKAGE	462
FIGURE 4-3. BOOM INSTALLATION 1350SJP - WITHOUT COLD WEATHER PLUS PACKAGE	464
FIGURE 4-4. BOOM INSTALLATION 1350SJP - WITH COLD WEATHER PLUS PACKAGE	466
FIGURE 4-5. BOOM ASSEMBLY 1200SJP - WITHOUT COLD WEATHER PLUS PACKAGE	468
FIGURE 4-6. BOOM ASSEMBLY 1200SJP - WITH COLD WEATHER PLUS PACKAGE	476
FIGURE 4-7. BOOM ASSEMBLY 1350SJP - WITHOUT COLD WEATHER PLUS PACKAGE	484
FIGURE 4-8. BOOM ASSEMBLY 1350SJP - WITH COLD WEATHER PLUS PACKAGE	492
FIGURE 4-9. WIRE ROPE TOOLS INSTALLATION (OPTIONAL)	500
FIGURE 4-10. PLATFORM ROTATE ASSEMBLY (SN 0300201016 through 0300201348)	502
FIGURE 4-11. PLATFORM ROTATE ASSEMBLY (SN 0300201349 to Present, SN B300002238 to Present)	504
FIGURE 4-12. JIB ROTATE ASSEMBLY (SN 0300201016 through 0300201348)	506
FIGURE 4-13. JIB ROTATE ASSEMBLY (SN 0300201349 to Present, SN B300002238 to Present)	508
FIGURE 4-14. POWER TRACK INSTALLATION - 1200SJP	510
FIGURE 4-15. POWER TRACK INSTALLATION - 1350SJP	514
FIGURE 4-16. BOOM SENSORS AND SWITCHES INSTALLATION	518
FIGURE 4-17. PLATFORM SUPPORT INSTALLATION - WITHOUT LSS	522
FIGURE 4-18. PLATFORM SUPPORT INSTALLATION - WITH 4 CELL LSS	524
FIGURE 4-19. PLATFORM SUPPORT INSTALLATION - WITH 1 CELL LSS	526
FIGURE 4-20. CONTROL VALVE INSTALLATION - WITHOUT LSS AND WITH 4 CELL LSS	528
FIGURE 4-21. CONTROL VALVE INSTALLATION - WITH 1 CELL LSS	530
FIGURE 4-22. CONTROL VALVE ASSEMBLY	532
SECTION 5 - PLATFORM	535
FIGURE 5-1. PLATFORM ASSEMBLY - 30IN X 4FT (76.2CM X 1.22M) WITH SWING GATE	536
FIGURE 5-2. PLATFORM ASSEMBLY - 36IN X 6FT (91.5CM X 1.83M) WITH SWING GATE	538
FIGURE 5-3. PLATFORM ASSEMBLY - 36IN X 8FT (91.5CM X 2.44M) WITH SWING GATE	540
FIGURE 5-4. PLATFORM ASSEMBLY - 30IN X 3FT (76CM X .91M) - WITH DROP BAR	542
FIGURE 5-5. PLATFORM ASSEMBLY - 30IN X 4FT (76.2CM X 1.22M) WITH DROP BAR	544
FIGURE 5-6. PLATFORM ASSEMBLY - 36IN X 6FT (91.5CM X 1.83M) WITH DROP BAR	546
FIGURE 5-7. PLATFORM ASSEMBLY - 36IN X 8FT (91.5CM X 2.44M) WITH DROP BAR (USA BUILT MACHINES)	548
FIGURE 5-8. PLATFORM ASSEMBLY - 36IN X 8FT (91.5CM X 2.44M) WITH DROP BAR (CHINA BUILT MACHINES)	550
FIGURE 5-9. PLATFORM ASSEMBLY - 36IN X 6FT (91.5CM X 1.83M) WITH FALL ARREST (ANSI, ANSI EXPORT AND CSA SPECS)	552
FIGURE 5-10. PLATFORM ASSEMBLY - 36IN X 8FT (91.5CM X 2.44M) WITH FALL ARREST (ANSI SPEC)	554
FIGURE 5-11. PLATFORM ASSEMBLY - 36IN X 8FT (91.5CM X 2.44M) WITH FALL ARREST (ALL SPECS EXCEPT CSA SPECS)	556
FIGURE 5-12. PLATFORM ASSEMBLY - 36IN X 6FT (91.5CM X 1.83M) TRI-ENTRY WITH SWING GATE	558
FIGURE 5-13. PLATFORM ASSEMBLY - 36IN X 6FT (91.5CM X 1.83M) TRI-ENTRY WITH DROPBAR	560
FIGURE 5-14. PLATFORM ASSEMBLY - 36IN X 8FT (91.5CM X 2.44M) TRI-ENTRY WITH DROPBAR	562
FIGURE 5-15. PLATFORM ASSEMBLY - 36IN X 8FT (91.5CM X 2.44M) TRI-ENTRY WITH DROPGATE	564
FIGURE 5-16. TRAY ASSEMBLY	566
FIGURE 5-17. PLATFORM CONTROLS INSTALLATION - WITHOUT SKYGUARD	568
FIGURE 5-18. PLATFORM CONTROLS INSTALLATION - WITH SKYGUARD (SN 0300201016 through 0300235781, SN B300002238 through B300002991)	570
FIGURE 5-19. PLATFORM CONTROLS INSTALLATION - WITH SKYGUARD (SN 0300235782 through 0300256988, SN B300002992 through B300003730)	572
FIGURE 5-20. PLATFORM CONTROLS INSTALLATION (SN 0300256989 to Present, SN B300003731 to Present)	574
FIGURE 5-21. PLATFORM CONSOLE ASSEMBLY - WITHOUT SKYGUARD (SN 0300201016 through 0300220138)	576
FIGURE 5-22. PLATFORM CONSOLE ASSEMBLY - WITHOUT SKYGUARD (SN 0300220139 to Present, SN B300002238 to Present)	580
FIGURE 5-23. PLATFORM CONSOLE ASSEMBLY - WITH SKYGUARD (SN 0300201016 through 0300220138)	584
FIGURE 5-24. PLATFORM CONSOLE ASSEMBLY - WITH SKYGUARD (SN 0300220139 through 0300235781, SN B300002238 through B300002991)	588

TABLE OF CONTENTS

FIGURE 5-25. PLATFORM CONSOLE ASSEMBLY - WITH SKYGUARD (SN 0300235782 through 0300256988, SN B300002992 through B300003730).....	592
FIGURE 5-26. PLATFORM CONSOLE ASSEMBLY (SN 03002256989 to Present, SN B300003731 to Present).....	596
FIGURE 5-27. DECAL AND LIGHT PANEL (ANSI SPECS).....	600
FIGURE 5-28. DECAL AND LIGHT PANEL (CE SPECS).....	602
FIGURE 5-29. CONTROLLER ASSEMBLY (LIFT AND SWING).....	604
FIGURE 5-30. CONTROLLER ASSEMBLY (DRIVE AND STEER).....	608
FIGURE 5-31. BOOM CONTROL SELECT SWITCH INSTALLATION.....	610
FIGURE 5-32. FOOTSWITCH ASSEMBLY.....	612
FIGURE 5-33. SOFT TOUCH SYSTEM INSTALLATION - 6FT/1.8M PLATFORMS (OPTIONAL).....	614
FIGURE 5-34. SOFT TOUCH SYSTEM INSTALLATION - 8FT/2.4M PLATFORMS (OPTIONAL).....	616
FIGURE 5-35. SOFT TOUCH INSTALLATION - 8FT (2.4M) FALL ARREST PLATFORM (OPTIONAL).....	618
FIGURE 5-36. SKYGUARD SYSTEM INSTALLATION (SN 0300201016 through 0300256988, SN B300002238 through B300003794).....	620
FIGURE 5-37. SKYGUARD BAR INSTALLATION (SN 0300256989 to Present, SN B300003795 to Present).....	622
FIGURE 5-38. CROSS RAIL INSTALLATION.....	624
FIGURE 5-39. SKYEYE INSTALLATION.....	626
FIGURE 5-40. SKYGLAZIER INSTALLATION (ANSI, CSA AND JAPANESE SPECS).....	628
FIGURE 5-41. SKYGLAZIER INSTALLATION (AUSTRALIAN SPECS).....	630
FIGURE 5-42. SKYGLAZIER INSTALLATION (BRAZIL SPECS).....	632
FIGURE 5-43. SKYGLAZIER INSTALLATION (DANISH SPECS).....	634
FIGURE 5-44. SKYGLAZIER INSTALLATION (FINNISH SPECS) (SN 0300201016 through 0300235781).....	636
FIGURE 5-45. SKYGLAZIER INSTALLATION (FINNISH SPECS) (SN 0300235782 to Present).....	638
FIGURE 5-46. SKYGLAZIER INSTALLATION (FRENCH SPECS) (SN 0300201016 through 0300235781).....	640
FIGURE 5-47. SKYGLAZIER INSTALLATION (FRENCH SPECS) (SN 0300235782 to Present).....	642
FIGURE 5-48. SKYGLAZIER INSTALLATION (GERMAN SPECS) (SN 0300201016 through 0300235781).....	644
FIGURE 5-49. SKYGLAZIER INSTALLATION (GERMAN SPECS) (SN 0300235782 to Present).....	646
FIGURE 5-50. SKYGLAZIER INSTALLATION (ITALIAN SPECS) (SN 0300201016 through 0300235781).....	648
FIGURE 5-51. SKYGLAZIER INSTALLATION (ITALIAN SPECS) (SN 0300235782 to Present).....	650
FIGURE 5-52. SKYGLAZIER INSTALLATION (LATIN AMERICAN SPECS).....	652
FIGURE 5-53. SKYGLAZIER INSTALLATION (PORTUGUESE SPECS) (SN 0300201016 through 0300235781).....	654
FIGURE 5-54. SKYGLAZIER INSTALLATION (PORTUGUESE SPECS) (SN 0300235782 to Present).....	656
FIGURE 5-55. SKYGLAZIER INSTALLATION (SPANISH SPECS) (SN 0300201016 through 0300235781).....	658
FIGURE 5-56. SKYGLAZIER INSTALLATION (SPANISH SPECS) (SN 0300235782 to Present).....	660
FIGURE 5-57. SKYGLAZIER INSTALLATION (SWEDISH SPECS) (SN 0300201016 through 0300235781).....	662
FIGURE 5-58. SKYGLAZIER INSTALLATION (SWEDISH SPECS) (SN 0300235782 to Present).....	664
FIGURE 5-59. SKYGLAZIER INSTALLATION (UK SPECS) (SN 0300201016 through 0300235781).....	666
FIGURE 5-60. SKYGLAZIER INSTALLATION (UK SPECS) (SN 0300235782 to Present).....	668
FIGURE 5-61. SKYLINE INSTALLATION.....	670
FIGURE 5-62. SKYWELDER/SKYCUTTER COMBO INSTALLATION (60HZ).....	672
FIGURE 5-63. SKYWELDER INSTALLATION (50HZ).....	676
FIGURE 5-64. SKYWELDER INSTALLATION (60HZ).....	678
FIGURE 5-65. SKYWELDER PREP PACKAGE (60HZ).....	680
FIGURE 5-66. WELDER ASSEMBLY.....	682
FIGURE 5-67. SKYCUTTER INSTALLATION.....	684
FIGURE 5-68. PLASMA CUTTER ASSEMBLY.....	686
FIGURE 5-69. PIPE RACK INSTALLATION (ANSI SPEC).....	688
FIGURE 5-70. PIPE RACK INSTALLATION (AUSTRALIAN AND CE SPECS).....	690
FIGURE 5-71. PIPE RACK INSTALLATION (KOREAN SPEC).....	692
FIGURE 5-72. FALL ARREST INSTALLATION (BOLT - ON EXTERNAL) 6FT/1.82M PLATFORM.....	694
FIGURE 5-73. FALL ARREST INSTALLATION (BOLT - ON EXTERNAL) 6FT/1.82M PLATFORM.....	696
FIGURE 5-74. FALL ARREST INSTALLATION (BOLT - ON EXTERNAL) 8FT/2.4M PLATFORM.....	698
SECTION 6 - CYLINDER.....	701
FIGURE 6-1. AXLE EXTENSION CYLINDER ASSEMBLY (SN 0300207701 through 0300238565, SN B300002238 through B300002404).....	702
FIGURE 6-2. AXLE EXTENSION CYLINDER ASSEMBLY (SN 0300238566 to Present, SN B300002405 to Present).....	704
FIGURE 6-3. AXLE LOCKOUT CYLINDER ASSEMBLY (SN 0300207701 through 0300239161, SN B300002238 through B300002449).....	706
FIGURE 6-4. AXLE LOCKOUT CYLINDER ASSEMBLY (SN 0300239162 to Present, SN B300002450 to Present).....	708
FIGURE 6-5. PLATFORM LEVEL CYLINDER ASSEMBLY - WITHOUT COLD WEATHER PLUS PACKAGE (SN 0300201016 through 0300239161, SN B300002238 through B300002449).....	710
FIGURE 6-6. PLATFORM LEVEL CYLINDER ASSEMBLY - WITHOUT COLD WEATHER PLUS PACKAGE (SN 0300239162 to Present, SN B300002450 to Present).....	712
FIGURE 6-7. PLATFORM LEVEL CYLINDER ASSEMBLY - WITH COLD WEATHER PLUS PACKAGE (SN 0300201016 through 0300239980).....	714

TABLE OF CONTENTS

FIGURE 6-8. PLATFORM LEVEL CYLINDER ASSEMBLY - WITH COLD WEATHER PLUS PACKAGE (SN 0300239981 to Present).....	716
FIGURE 6-9. LIFT CYLINDER ASSEMBLY (SN 0300201016 through 0300239470, SN B300002238 through B300002473)	718
FIGURE 6-10. LIFT CYLINDER ASSEMBLY (SN 0300239471 to Present, SN B300002474 to Present).....	720
FIGURE 6-11. JIB CYLINDER ASSEMBLY - WITHOUT COLD WEATHER PLUS PACKAGE (SN 0300201016 through 0300239161, SN B300002238 through B300002449)	722
FIGURE 6-12. JIB CYLINDER ASSEMBLY - WITH COLD WEATHER PLUS PACKAGE (SN 0300201016 through 0300239161)	724
FIGURE 6-13. JIB CYLINDER ASSEMBLY - WITH OR WITHOUT COLD WEATHER PLUS PACKAGE (SN 0300239162 to Present, SN B300002450 to Present)	726
FIGURE 6-14. STEER CYLINDER ASSEMBLY (SN 0300201016 through 0300238011, SN B300002238 through B300002376)	728
FIGURE 6-15. STEER CYLINDER ASSEMBLY (SN 0300238012 to Present, SN B300002377 to Present)	730
FIGURE 6-16. TELESCOPE CYLINDER ASSEMBLY - 1200SJP (SN 0300201016 through 0300243437, SN B300002238 through B300002718).....	732
FIGURE 6-17. TELESCOPE CYLINDER ASSEMBLY - 1200SJP (SN 0300243438 to Present, SN B300002719 to Present) ...	734
FIGURE 6-18. TELESCOPE CYLINDER ASSEMBLY - 1350SJP (SN 0300201016 through 0300243473, SN B300002238 through B300002646).....	736
FIGURE 6-19. TELESCOPE CYLINDER ASSEMBLY - 1350SJP (SN 0300243474 to Present, SN B300002647 to Present) ...	738
 SECTION 7 - HYDRAULIC	 741
FIGURE 7-1. HYDRAULIC DIAGRAM - BOOM (1200SJP)	742
FIGURE 7-2. HYDRAULIC DIAGRAM - BOOM (1350SJP)	744
FIGURE 7-3. HYDRAULIC DIAGRAM - DRIVE	746
FIGURE 7-4. HYDRAULIC DIAGRAM - OSCILLATING AXLE	750
FIGURE 7-5. HYDRAULIC DIAGRAM - STEER	752
FIGURE 7-6. HYDRAULIC DIAGRAM - TURNTABLE (DEUTZ TD2011 ENGINES WITH REXROTH PUMPS)	754
FIGURE 7-7. HYDRAULIC DIAGRAM - TURNTABLE (DEUTZ TCD2.9L4 ENGINES AND DEUTZ TCD2.9L4 (STAGE V) ENGINES WITH REXROTH PUMPS).....	758
FIGURE 7-8. HYDRAULIC DIAGRAM - TURNTABLE (WITH SAUER PUMPS)	762
FIGURE 7-9. HYDRAULIC DIAGRAM LIST.....	766
 SECTION 8 - ELECTRICAL.....	 769
FIGURE 8-1. AC BOX AT PLATFORM - 110V (ANSI SPECS).....	770
FIGURE 8-2. AC BOX AT PLATFORM - 110V GFI RECEPTACLE (ANSI SPECS).....	772
FIGURE 8-3. AC BOX AT PLATFORM - 220V GFI RECEPTACLE (ANSI SPECS).....	774
FIGURE 8-4. AC BOX AT PLATFORM INSTALLATION - BOX WITH COVER (2X4 BOX) WITH 4000W GENERATOR (ANSI EXPORT SPECS) (SN 0300205136 through 0300214024).....	776
FIGURE 8-5. AC BOX AT PLATFORM INSTALLATION - BOX WITH COVER (2X4 BOX) WITH 4000W GENERATOR (ANSI EXPORT SPECS) (SN 0300214025 to Present, SN B300002238 to Present)	778
FIGURE 8-6. AC BOX AT PLATFORM INSTALLATION - 110V IEC 60309 YELLOW WITHOUT 2500W GENERATOR (CE SPECS).....	780
FIGURE 8-7. AC BOX AT PLATFORM INSTALLATION - 110V IEC 60309 YELLOW WITHOUT 4000W GENERATOR (CE SPECS) (SN 0300205136 through 0300214024).....	782
FIGURE 8-8. AC BOX AT PLATFORM INSTALLATION - 110V IEC 60309 YELLOW WITHOUT 4000W GENERATOR (CE SPECS) (SN 0300214025 to Present, SN B300002238 to Present).....	784
FIGURE 8-9. AC BOX AT PLATFORM INSTALLATION - 220V IEC 60309 BLUE WITHOUT 2500W GENERATOR (CE SPECS)	786
FIGURE 8-10. AC BOX AT PLATFORM INSTALLATION - 220V IEC 60309 BLUE WITHOUT 4000W GENERATOR (CE SPECS) (SN 0300205136 through 0300214024)	788
FIGURE 8-11. AC BOX AT PLATFORM INSTALLATION - 220V IEC 60309 BLUE WITHOUT 4000W GENERATOR (CE SPECS) (SN 0300214025 to Present, SN B300002238 to Present)	790
FIGURE 8-12. AC BOX AT PLATFORM INSTALLATION - 220V CEE7 POST GROUND (70MM X 70MM BOX) WITHOUT 2500W GENERATOR (CE SPECS) (SN 0300201016 through 0300205136).....	792
FIGURE 8-13. AC BOX AT PLATFORM INSTALLATION - 220V CEE7 SIDE GROUND (70MM X 70MM BOX) WITHOUT 2500W GENERATOR (CE SPECS) (SN 0300201016 through 0300205136).....	794
FIGURE 8-14. AC BOX AT PLATFORM INSTALLATION - 220V CEE7 POST GROUND (2X4 BOX) WITHOUT 2500W GENERATOR (CE SPECS).....	796
FIGURE 8-15. AC BOX AT PLATFORM INSTALLATION - 220V CEE7 POST GROUND (2X4 BOX) WITHOUT 4000W GENERATOR (CE SPECS) (SN 0300205136 through 0300214024).....	798
FIGURE 8-16. AC BOX AT PLATFORM INSTALLATION - 220V CEE7 POST GROUND (2X4 BOX) WITHOUT 4000W GENERATOR (CE SPECS) (SN 0300214025 to Present).....	800
FIGURE 8-17. AC BOX AT PLATFORM INSTALLATION - 220V CEE7 SIDE GROUND (2X4 BOX) WITHOUT 2500W GENERATOR (CE SPECS).....	802

TABLE OF CONTENTS

FIGURE 8-18. AC BOX AT PLATFORM INSTALLATION - 220V CEE7 SIDE GROUND (2X4 BOX) WITHOUT 4000W GENERATOR (CE SPECS) (SN 0300205136 through 0300214024)	804
FIGURE 8-19. AC BOX AT PLATFORM INSTALLATION - 220V CEE7 SIDE GROUND (2X4 BOX) WITHOUT 4000W GENERATOR (CE SPECS) (SN 0300214025 to Present)	806
FIGURE 8-20. AC BOX AT PLATFORM INSTALLATION - 220V AFSINT 107 KEYED GROUND (2X4 BOX) WITHOUT 2500W GENERATOR (CE SPECS)	808
FIGURE 8-21. AC BOX AT PLATFORM INSTALLATION - 220V AFSINT 107 KEYED GROUND (2X4 BOX) WITHOUT 4000W GENERATOR (CE SPECS) (SN 0300205136 through 0300214024)	810
FIGURE 8-22. AC BOX AT PLATFORM INSTALLATION - 220V AFSINT 107 KEYED GROUND (2X4 BOX) WITHOUT 4000W GENERATOR (CE SPECS) (SN 0300214025 to Present)	812
FIGURE 8-23. AC 16 AMP BREAKER BOX INSTALLATION	814
FIGURE 8-24. AC 16 AMP BREAKER BOX INSTALLATION (CE SPECS)	816
FIGURE 8-25. ANALYZER CABLE HARNESS	818
FIGURE 8-26. AXLE POWER TRACK HARNESS ASSEMBLY	820
FIGURE 8-27. BATTERY DISCONNECT INSTALLATION	822
FIGURE 8-28. BEACON CONTROL HARNESS (BLUE BEACON LIGHT ONLY)	824
FIGURE 8-29. BEACON LIGHT HARNESS (BLUE BEACON LIGHT ONLY)	826
FIGURE 8-30. B.L.A.M. TO BOOM LENGTH SENSOR HARNESS	828
FIGURE 8-31. B.L.A.M. TO BOOM ANGLE SENSOR HARNESS (LEFT SIDE)	830
FIGURE 8-32. B.L.A.M. TO BOOM ANGLE SENSOR HARNESS (RIGHT SIDE)	832
FIGURE 8-33. B.L.A.M. HARNESS	834
FIGURE 8-34. BOOM CABLES INSTALLATION - 1200SJP (ANSI, ANSI EXPORT, CHINA, CSA AND JAPANESE SPECS)	836
FIGURE 8-35. BOOM CABLES INSTALLATION - 1350SJP (ANSI, ANSI EXPORT, CHINA, CSA AND JAPANESE SPECS)	838
FIGURE 8-36. BOOM CABLES INSTALLATION - 1200SJP (AUSTRALIAN AND CE SPECS)	840
FIGURE 8-37. BOOM CABLES INSTALLATION - 1350SJP (AUSTRALIAN AND CE SPECS)	842
FIGURE 8-38. BOOM CABLES INSTALLATION - 1200SJP WITH 4000W GENERATOR	844
FIGURE 8-39. BOOM CABLES INSTALLATION - 1350SJP WITH 4000W GENERATOR	846
FIGURE 8-40. BOOM CABLES INSTALLATION - 1200SJP WITH 7500W GENERATOR	848
FIGURE 8-41. BOOM CABLES INSTALLATION - 1350SJP WITH 7500W GENERATOR	850
FIGURE 8-42. BREAKER BOX KIT - 16 AMP (2500W GENERATOR)	852
FIGURE 8-43. BREAKER BOX KIT - 16 AMP (4000W GENERATOR)	854
FIGURE 8-44. CHASSIS HARNESS ASSEMBLY	856
FIGURE 8-45. CLEARSKY READY HARNESS	858
FIGURE 8-46. DUAL CAPACITY JIB POSITION SWITCH HARNESS	860
FIGURE 8-47. EIM LOAD CELL HARNESS	862
FIGURE 8-48. ENGINE HARNESS - DEUTZ TD2011 ENGINES	864
FIGURE 8-49. ENGINE HARNESS - DEUTZ TCD2.9L4 ENGINES AND DEUTZ TCD2.9L4 (STAGE V) ENGINES	866
FIGURE 8-50. FUEL FILTER HARNESS - DEUTZ TCD2.9L4 ENGINES AND UTZ TCD2.9L4 (STAGE V) ENGINES	870
FIGURE 8-51. FUEL HARNESS - DEUTZ TCD2.9L4 ENGINES AND DEUTZ TCD2.9L4 (STAGE V) ENGINES	872
FIGURE 8-52. GENERATOR HARNESS - 4000W GENERATOR	874
FIGURE 8-53. GENERATOR HARNESS - 7500W GENERATOR	876
FIGURE 8-54. GENERATOR HARNESS - 7500W GENERATOR	878
FIGURE 8-55. GROUND CONTROL BOX HARNESS	880
FIGURE 8-56. GROUND CONTROL BOX HARNESS - DEUTZ TCD2.9L4 ENGINES (CE SPECS)	882
FIGURE 8-57. GROUND CONTROLS TO ENGINE HARNESS	886
FIGURE 8-58. JIB STOW SWITCH HARNESS	888
FIGURE 8-59. LOAD SENSING PIN HARNESS	890
FIGURE 8-60. LOCKOUT VALVE HARNESS	892
FIGURE 8-61. MAIN BOOM CONTROL CABLE HARNESS - 1200SJP	894
FIGURE 8-62. MAIN BOOM CONTROL CABLE HARNESS - 1350SJP	896
FIGURE 8-63. MAIN VALVE HARNESS	898
FIGURE 8-64. PLATFORM CONSOLE BOX HARNESS - WITHOUT SKYGUARD	900
FIGURE 8-65. PLATFORM CONSOLE BOX HARNESS - WITH SKYGUARD (SN 0300201016 through 0300234290, SN B300002238 through B300002991)	902
FIGURE 8-66. PLATFORM CONSOLE BOX HARNESS - WITH SKYGUARD (SN 0300234291 to Present, SN B300002992 to Present)	906
FIGURE 8-67. PLATFORM INTERFACE HARNESS	910
FIGURE 8-68. PLATFORM VALVE HARNESS	912
FIGURE 8-69. PUMP ADAPTER HARNESS - SAUER PUMPS	914
FIGURE 8-70. RECEPTACLE BOX KIT - 110V IEC YELLOW WITHOUT 2500W GENERATOR (CE SPECS)	916
FIGURE 8-71. RECEPTACLE BOX KIT - 220V IEC BLUE WITHOUT 2500W GENERATOR (CE SPECS)	918
FIGURE 8-72. RECEPTACLE BOX KIT - 220V CEE7 POST GROUND WITHOUT 2500W GENERATOR (70MM X 70MM BOX) (CE SPECS)	920
FIGURE 8-73. RECEPTACLE BOX KIT - 220V CEE7 SIDE GROUND WITHOUT 2500W GENERATOR (70MM X 70MM BOX) (CE SPECS)	922
FIGURE 8-74. RECEPTACLE BOX KIT - 220V CEE7 POST GROUND WITHOUT 2500W GENERATOR (2X4 BOX) (CE SPECS)	924

TABLE OF CONTENTS

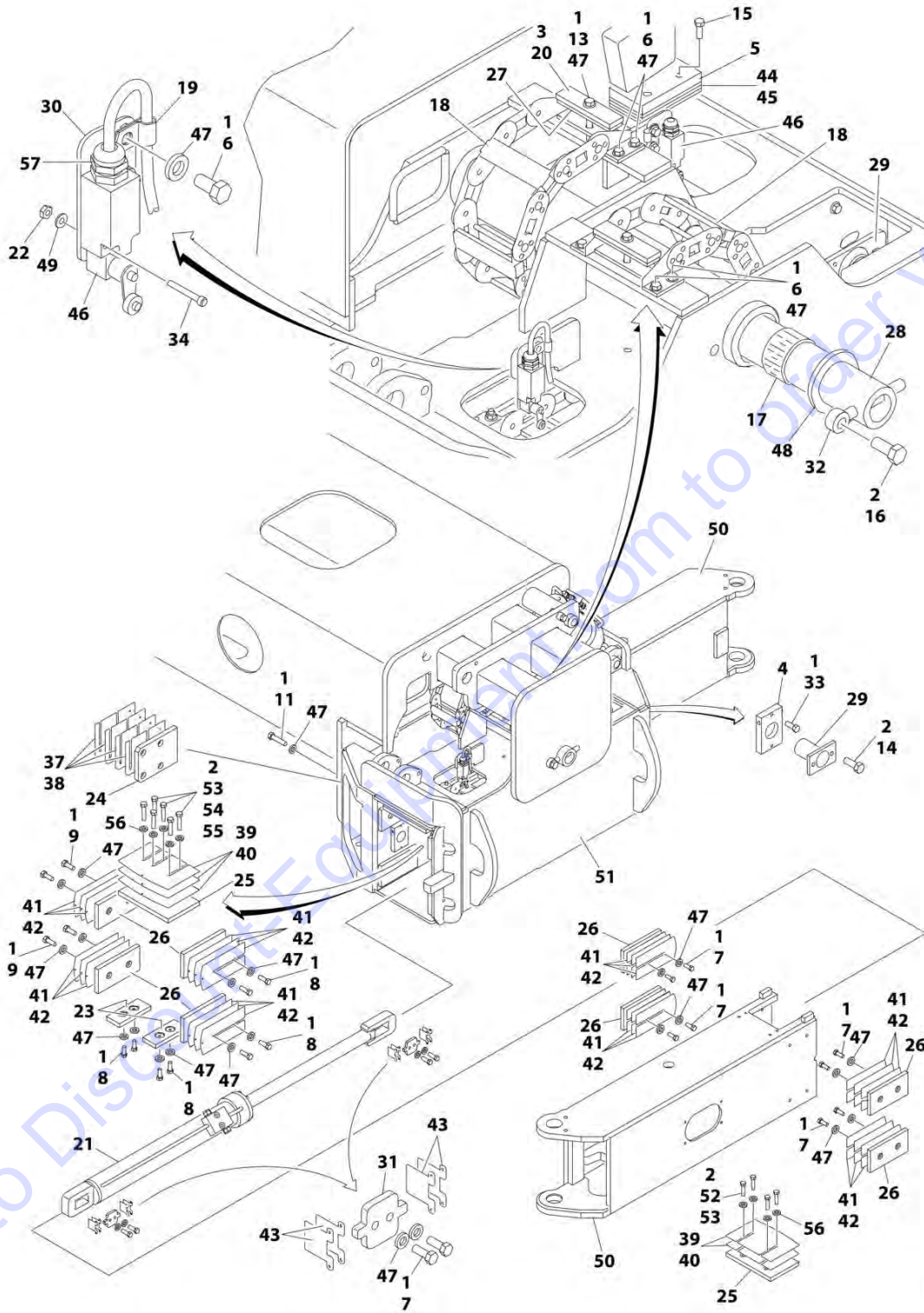
FIGURE 8-75. RECEPTACLE BOX KIT - 220V CEE7 SIDE GROUND WITHOUT 2500W GENERATOR (2X4 BOX) (CE SPECS)	926
FIGURE 8-76. RECEPTACLE BOX KIT - 220V AFSINT 107 KEYED GROUND WITHOUT 2500W GENERATOR (2X4 BOX) (CE SPECS)	928
FIGURE 8-77. SKYEYE INTERMEDIATE HARNESS	930
FIGURE 8-78. SKYEYE EMITTER HARNESS	932
FIGURE 8-79. SKYEYE RECEIVER HARNESS	934
FIGURE 8-80. SKYLINE HARNESS	936
FIGURE 8-81. STROBE LIGHT HARNESS (AMBER)	938
FIGURE 8-82. TILT SENSOR HARNESS (LEFT)	940
FIGURE 8-83. TILT SENSOR HARNESS (RIGHT)	942
FIGURE 8-84. ELECTRICAL DIAGRAM LIST	944
SECTION 9 - DECALS	945
FIGURE 9-1. DECAL INSTALLATION - ANSI SPEC	946
FIGURE 9-2. DECAL INSTALLATION - AUSTRALIAN SPEC	948
FIGURE 9-3. DECAL INSTALLATION - BRAZIL SPEC (PORTGUESE/ENGLISH)	950
FIGURE 9-4. DECAL INSTALLATION - CE SPEC	952
FIGURE 9-5. DECAL INSTALLATION - CHINESE SPEC (CHINESE/ENGLISH)	954
FIGURE 9-6. DECAL INSTALLATION - CSA SPEC (ENGLISH/FRENCH)	956
FIGURE 9-7. DECAL INSTALLATION - JAPANESE SPEC (JAPANESE/ENGLISH)	958
FIGURE 9-8. DECAL INSTALLATION - KOREAN SPEC (KOREAN/ENGLISH)	960
FIGURE 9-9. DECAL INSTALLATION - LATIN AMERICAN SPEC (SPANISH/ENGLISH)	962
FIGURE 9-10. DECAL INSTALLATION - OPTIONS	964
SECTION 10 - RECOMMENDED SERVICE PARTS STOCK	967
FIGURE 10-1. RECOMMENDED SERVICE PARTS STOCK	968
SECTION 11 - SPECIAL OPTIONS	971
FIGURE 11-1. SPECIAL OPTIONS	972
PART NUMBER INDEX	979

SECTION 1 - FRAME

Go to Discount-Equipment.com to order your parts

SECTION 1 - FRAME

FIGURE 1-1. AXLE INSTALLATION - FIXED (SN 0300201016 through 0300207700)



ART_0271934

SECTION 1 - FRAME

FIGURE 1-1. AXLE INSTALLATION - FIXED (SN 0300201016 through 0300207700)

ITEM	PART NUMBER	QTY	DESCRIPTION	REV
	0271934	Ref	AXLE INSTALLATION - FIXED (SN 0300201016 through 0300207700)	M
1	0100011	AR	Compound, Locking	
2	0100019	AR	Compound, Locking	
3	0100081	AR	Adhesive #454	
4	0363037	4	Bar, Stop	
5	0363076	2	Bar, Stop	
6	0641606	40	Bolt 3/8 x 3/4	
7	0641608	48	Bolt 3/8 x 1	
8	0641609	32	Bolt 3/8 x 1-1/8	
9	0641611	16	Bolt 3/8 x 1-3/8	
11	0641613	8	Bolt 3/8 x 1-5/8	
13	0641620	4	Bolt 3/8 x 2-1/2	
14	0641808	8	Bolt 1/2 x 1	
15	0641814	4	Bolt 1/2 x 1-3/4	
16	0642214	1	Bolt 3/4 x 1-3/4	
17	0962033	2	Bushing	
18	1180358	4	Carrier	
18	7024365	AR	Section Repair Kit (Includes Inner and Outer Links, Joining Bars and Rollers and Assembling Hardware)	
18	7024366	1	Mounting Bracket Kit (Includes Mounting Brackets for Both Ends, 1 Roller Assembly and Assembling Hardware)	
19	1320263	4	Clamp, Cable	
20	1320298	4	Clamp, Hose	
21	1684102	NLA	Axle Extension Cylinder Assembly (Use p/n 1001228020) (See Separate Breakdown in CYLINDER SECTION)	
22	3310805	8	Nut #8	
23	3340881	8	Pad, Wear	
24	1001161401	2	Pad, Axle	
25	1001161402	8	Pad, Wear	
26	1001161403	32	Pad, Wear	
27	3340939	8	Pad, Rubber	
28	3422918	1	Pin	
29	3422960	4	Pin	
30	3573294	4	Plate	
31	3573335	8	Plate	
32	3841287	1	Keeper, Pin	
33	3900270	4	Bolt 1/2 x 1-1/2	
34	3930820	8	Capscrew #8 x 1-1/4	
37	4071035	2	Shim #18 Gauge	
38	4071036	4	Shim #11 Gauge	
39	4071054	8	Shim #18 Gauge	
40	4071055	12	Shim #11 Gauge	
41	4071039	10	Shim #18 Gauge	
42	4071040	36	Shim #11 Gauge	
43	4071042	24	Shim #16 Gauge	
44	4071049	6	Shim #11 Gauge	
45	4071050	4	Shim #16 Gauge	
46	4360578	4	Switch, Limit	
47	4711600	140	Washer 3/8	

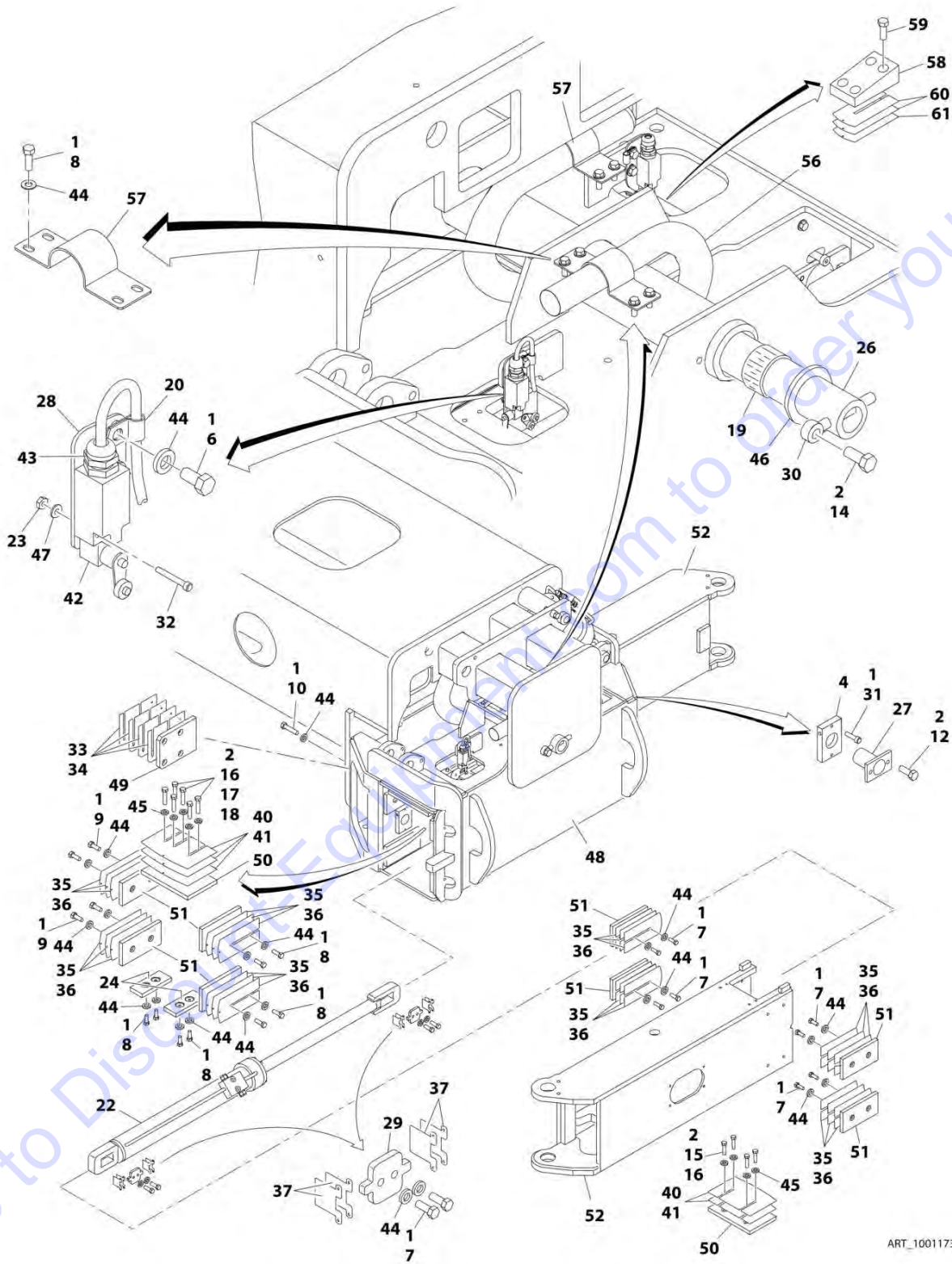
SECTION 1 - FRAME

ITEM	PART NUMBER	QTY	DESCRIPTION	REV
48	4740461	1	Thrustwasher	
49	4750800	8	Washer #8	
50	4846637	4	Extension, Axle	
51	4846383	1	Box, Axle Pivot	
52	0681813	12	Bolt 1/2 x 1-5/8 Grade 8	
53	0681814	18	Bolt 1/2 x 1-3/4 Grade 8	
54	0681815	12	Bolt 1/2 x 1-7/8 Grade 8	
55	0681816	6	Bolt 1/2 x 2 Grade 8	
56	4711800	48	Washer 1/2	
57	4460968	4	Connector, Strain Relief	

Go to Discount-Equipment.com to order your parts

SECTION 1 - FRAME

FIGURE 1-2. AXLE INSTALLATION - FIXED (SN 0300207701 to Present, SN B30002238 to Present)



ART_1001173914

SECTION 1 - FRAME

FIGURE 1-2. AXLE INSTALLATION - FIXED (SN 0300207701 to Present, SN B30002238 to Present)

ITEM	PART NUMBER	QTY	DESCRIPTION	REV
	1001173914	Ref	AXLE INSTALLATION - FIXED (SN 0300207701 to Present, SN B30002238 to Present)	I
1	0100011	AR	Compound, Locking	
2	0100019	AR	Compound, Locking	
4	0363037	4	Bar, Stop	
6	0641606	8	Bolt 3/8 x 3/4	
7	0641608	48	Bolt 3/8 x 1	
8	0641609	64	Bolt 3/8 x 1-1/8	
9	0641611	16	Bolt 3/8 x 1-3/8	
10	0641613	8	Bolt 3/8 x 1-5/8	
12	0641808	8	Bolt 1/2 x 1	
14	0642214	1	Bolt 3/4 x 1-3/4	
15	0681813	12	Bolt 1/2 x 1-5/8 Grade 8	
16	0681814	18	Bolt 1/2 x 1-3/4 Grade 8	
17	0681815	12	Bolt 1/2 x 1-7/8 Grade 8	
18	0681816	6	Bolt 1/2 x 2 Grade 8	
19	0962033	2	Bushing	
20	1320263	4	Clamp, Cable	
22	1684102	NLA	Axle Extension Cylinder Assembly (Use p/n 1001228020) (See Separate Breakdown in CYLINDER SECTION) (SN 0300207701 through 0300238565, SN B300002238 through B300002404)	
22	1001228020	4	Axle Extension Cylinder Assembly (See Separate Breakdown in CYLINDER SECTION) (SN 0300238566 to Present, SN B300002405 to Present)	
23	3310805	8	Nut #8	
24	3340881	8	Pad, Wear	
26	3422918	1	Pin	
27	3422960	4	Pin	
28	3573294	4	Plate	
29	3573335	8	Plate	
30	3841287	1	Keeper, Pin	
31	3900270	4	Bolt 1/2 x 1-1/2	
32	3930820	8	Capscrew #8 x 1-1/4	
33	4071035	2	Shim #18 Gauge	
34	4071036	4	Shim #11 Gauge	
35	4071039	10	Shim #18 Gauge	
36	4071040	36	Shim #11 Gauge	
37	4071042	24	Shim #16 Gauge	
40	4071054	8	Shim #18 Gauge	
41	4071055	12	Shim #11 Gauge	
42	4360578	4	Switch, Limit	
43	4460968	4	Connector, Strain Relief	
44	4711600	144	Washer 3/8	
45	4711800	48	Washer 1/2	
46	4740461	1	Thrustwasher	
47	4750800	8	Washer #8	
48	4846383	1	Box, Axle Pivot	
49	1001161401	2	Pad, Axle	
50	1001161402	8	Pad, Wear	
51	1001161403	32	Pad, Wear	
52	4846637	4	Extension, Axle	

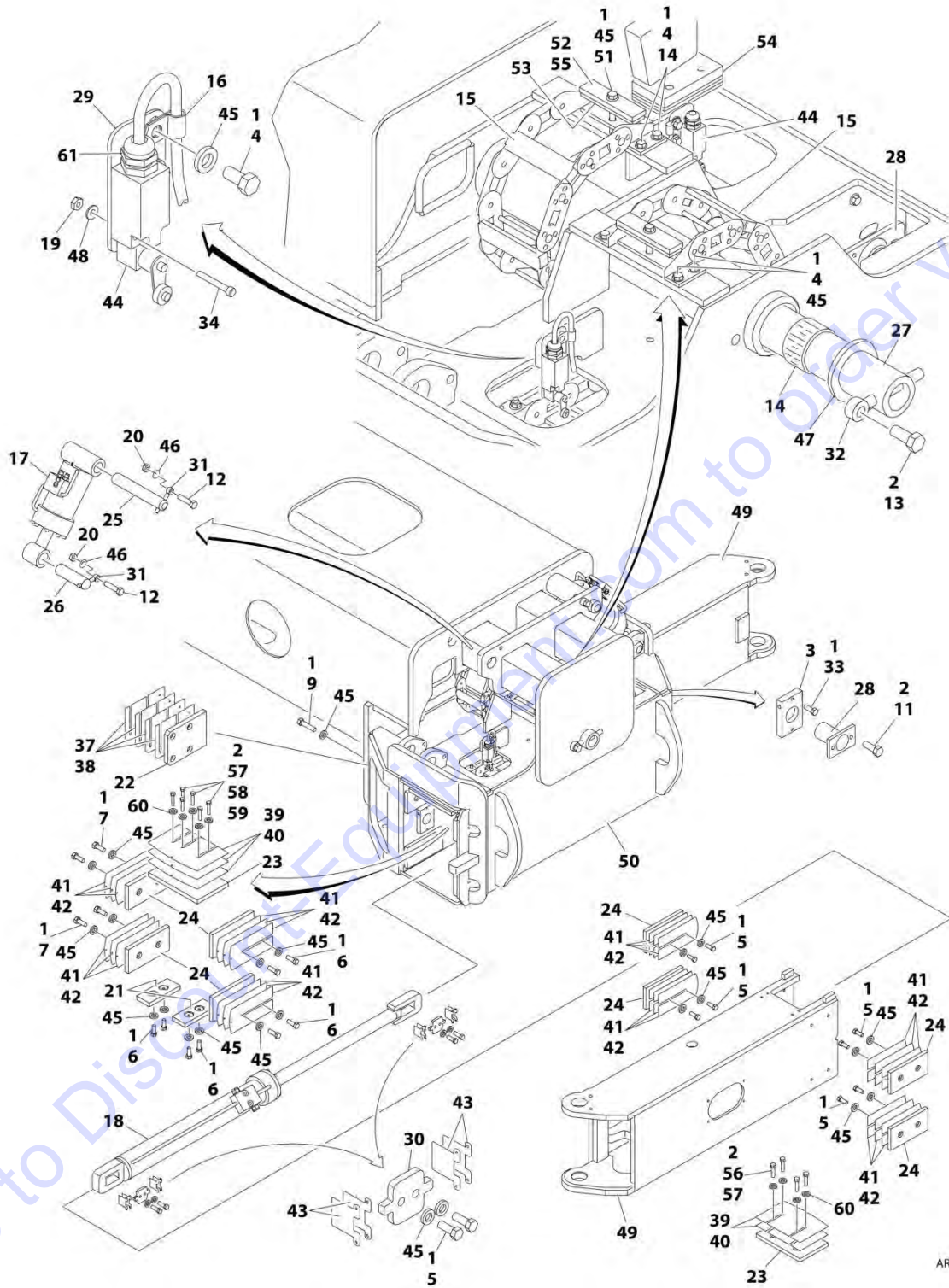
SECTION 1 - FRAME

ITEM	PART NUMBER	QTY	DESCRIPTION	REV
55	4240155	6	Strap (Not Shown)	
56	1001193674	4	Sleeve, Nylon	
57	1001191541	8	Bracket, Hose Mount	
58	0363076	2	Bar	
59	0641814	4	Bolt 1/2 x 1-3/4	
60	4071049	4	Shim #11 Gauge	
61	4071050	2	Shim #16 Gauge	
62	2220235	1	Plug (Not Shown - Located on Junction Manifold) (SN 0300218848 to Present, SN B30002238 to Present)	

Go to Discount-Equipment.com to order your parts

SECTION 1 - FRAME

FIGURE 1-3. AXLE INSTALLATION - OSCILLATING AXLE (SN 0300201016 through 0300207700)



ART_0271521

SECTION 1 - FRAME

FIGURE 1-3. AXLE INSTALLATION - OSCILLATING AXLE (SN 0300201016 through 0300207700)

ITEM	PART NUMBER	QTY	DESCRIPTION	REV
	0271521	Ref	AXLE INSTALLATION - OSCILLATING AXLE (SN 0300201016 through 0300207700)	M
1	0100011	AR	Compound, Locking	
2	0100019	AR	Compound, Locking	
3	0363037	4	Bar, Stop	
4	0641606	40	Bolt 3/8 x 3/4	
5	0641608	48	Bolt 3/8 x 1	
6	0641609	32	Bolt 3/8 x 1-1/8	
7	0641611	16	Bolt 3/8 x 1-3/8	
9	0641613	8	Bolt 3/8 x 1-5/8	
11	0641808	8	Bolt 1/2 x 1	
12	0642020	4	Bolt 5/8 x 2-1/2	
13	0642214	1	Bolt 3/4 x 1-3/4	
14	0962033	2	Bushing	
15	1180358	4	Carrier	
15	7024365	AR	Section Repair Kit (Includes Inner and Outer Links, Joining Bars and Rollers and Assembling Hardware)	
15	7024366	1	Mounting Bracket Kit (Includes Mounting Brackets for Both Ends, 1 Roller Assembly and Assembling Hardware)	
16	1320263	4	Clamp, Cable	
17	1684081	NLA	Oscillating Axle Cylinder Assembly (Use p/n 1001228019) (See Separate Breakdown in CYLINDER SECTION)	
18	1684102	NLA	Axle Extension Cylinder Assembly (Use p/n 1001228020) (See Separate Breakdown in CYLINDER SECTION)	
19	3310805	8	Nut #8	
20	3312005	4	Nut 5/8	
21	3340881	8	Pad, Wear	
22	1001161401	2	Pad, Axle	
23	1001161402	8	Pad, Wear	
24	1001161403	32	Pad, Wear	
25	3422833	2	Pin	
26	3422915	2	Pin	
27	3422918	1	Pin	
28	3422960	4	Pin	
29	3573294	4	Plate	
30	3573335	8	Plate	
31	3841258	4	Keeper, Pin	
32	3841287	1	Keeper, Pin	
33	3900270	4	Bolt 1/2 x 1-1/2	
34	3930820	8	Capscrew #8 x 1-1/4	
37	4071035	2	Shim #18 Gauge	
38	4071036	4	Shim #11 Gauge	
39	4071054	8	Shim #18 Gauge	
40	4071055	12	Shim #11 Gauge	
41	4071039	10	Shim #18 Gauge	
42	4071040	36	Shim #11 Gauge	
43	4071042	24	Shim #16 Gauge	
44	4360578	4	Switch, Limit	
45	4711600	140	Washer 3/8	
46	4712000	4	Washer 5/8	
47	4740461	1	Thrustwasher	

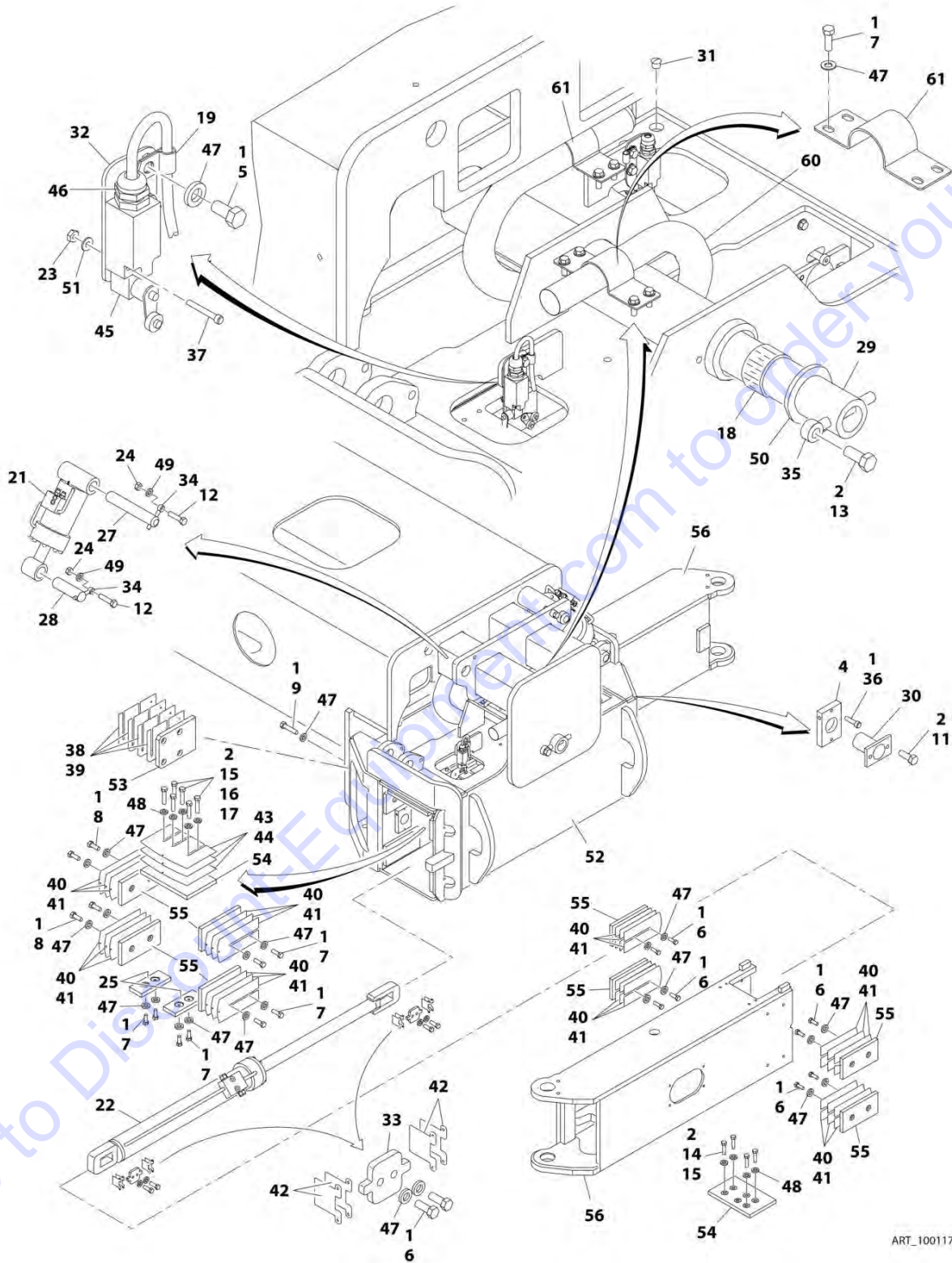
SECTION 1 - FRAME

ITEM	PART NUMBER	QTY	DESCRIPTION	REV
48	4750800	8	Washer #8	
49	4846637	4	Extension, Axle	
50	4846383	1	Box, Axle Pivot	
51	0641624	4	Bolt 3/8 x 3	
52	1320298	4	Clamp, Hose	
53	3340939	8	Pad, Rubber	
54	3520054	4	Plug	
55	0100081	AR	Adhesive #454	
56	0681813	12	Bolt 1/2 x 1-5/8 Grade 8	
57	0681814	18	Bolt 1/2 x 1-3/4 Grade 8	
58	0681815	12	Bolt 1/2 x 1-7/8 Grade 8	
59	0681816	6	Bolt 1/2 x 2 Grade 8	
60	4711800	48	Washer 1/2	
61	4460968	4	Connector, Strain Relief	

Go to Discount-Equipment.com to order your parts

SECTION 1 - FRAME

FIGURE 1-4. AXLE INSTALLATION - OSCILLATING (SN 0300207701 to Present, SN B300002238 to Present)



ART_1001173913

SECTION 1 - FRAME

FIGURE 1-4. AXLE INSTALLATION - OSCILLATING (SN 0300207701 to Present, SN B300002238 to Present)

ITEM	PART NUMBER	QTY	DESCRIPTION	REV
	1001173913	Ref	AXLE INSTALLATION - OSCILLATING (SN 0300207701 to Present, SN B300002238 to Present)	H
1	0100011	AR	Compound, Locking	
2	0100019	AR	Compound, Locking	
4	0363037	4	Bar, Stop	
5	0641606	8	Bolt 3/8 x 3/4	
6	0641608	48	Bolt 3/8 x 1	
7	0641609	64	Bolt 3/6 x 1-1/8	
8	0641611	16	Bolt 3/8 x 1-3/8	
9	0641613	8	Bolt 3/8 x 1-5/8	
11	0641808	8	Bolt 1/2 x 1	
12	0642020	4	Bolt 5/8 x 2-1/2	
13	0642214	1	Bolt 3/4 x 1-3/4	
14	0681813	12	Bolt 1/2 x 1-5/8 Grade 8	
15	0681814	18	Bolt 1/2 x 1-3/4 Grade 8	
16	0681815	12	Bolt 1/2 x 1-7/8 Grade 8	
17	0681816	6	Bolt 1/2 x 2 Grade 8	
18	0962033	2	Bushing	
19	1320263	4	Clamp, Cable	
21	1684081	NLA	Oscillating Axle Cylinder Assembly (Use p/n 1001228019) (See Separate Breakdown in CYLINDER SECTION) (SN 0300207701 through 0300239161, SN B300002238 through B300002449)	
21	1001228019	2	Oscillating Axle Cylinder Assembly (See Separate Breakdown in CYLINDER SECTION) (SN 0300239162 to Present, SN B300002450 to Present)	
22	1684102	NLA	Axle Extension Cylinder Assembly (Use p/n 1001228020) (See Separate Breakdown in CYLINDER SECTION) (SN 0300207701 through 0300238565, SN B300002238 through B300002404)	
22	1001228020	4	Axle Extension Cylinder Assembly (See Separate Breakdown in CYLINDER SECTION) (SN 0300238566 to Present, SN B300002405 to Present)	
23	3310805	8	Nut #8	
24	3312005	4	Nut 5/8	
25	3340881	8	Pad, Wear	
27	3422833	2	Pin	
28	3422915	2	Pin	
29	3422918	1	Pin	
30	3422960	4	Pin	
31	3520054	4	Plug	
32	3573294	4	Plate	
33	3573335	8	Plate	
34	3841258	4	Keeper, Pin	
35	3841287	1	Keeper, Pin	
36	3900270	4	Bolt 1/2 x 1-1/2	
37	3930820	8	Capscrew #8 x 1-1/4	
38	4071035	2	Shim #18 Gauge	
39	4071036	4	Shim #11 Gauge	
40	4071039	10	Shim #18 Gauge	
41	4071040	36	Shim #11 Gauge	
42	4071042	24	Shim #16 Gauge	
43	4071054	8	Shim #18 Gauge	

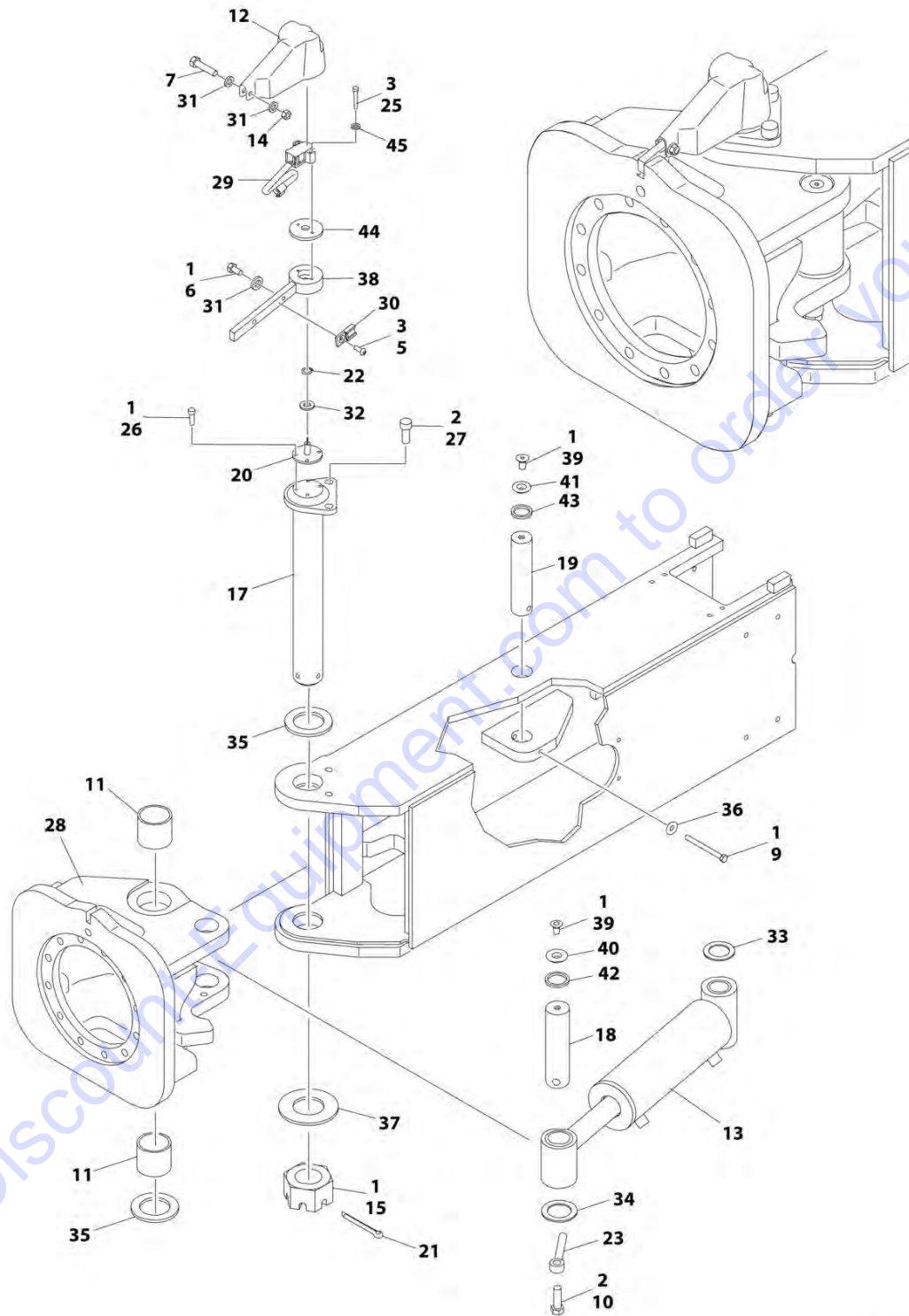
SECTION 1 - FRAME

ITEM	PART NUMBER	QTY	DESCRIPTION	REV
44	4071055	12	Shim #11 Gauge	
45	4360578	4	Switch, Limit	
46	4460968	4	Connector, Strain Relief	
47	4711600	144	Washer 3/8	
48	4711800	48	Washer 1/2	
49	4712000	4	Washer 5/8	
50	4740461	1	Thrustwasher	
51	4750800	8	Washer #8	
52	4846383	1	Box, Axle Pivot	
53	1001161401	2	Pad, Axle	
54	1001161402	8	Pad, Wear	
55	1001161403	32	Pad, Wear	
56	4846637	4	Extension, Axle	
59	4240155	6	Strap (Not Shown)	
60	1001193674	4	Sleeve, Nylon	
61	1001191541	8	Bracket, Hose Mount	

Go to Discount-Equipment.com to order your parts

SECTION 1 - FRAME

FIGURE 1-5. STEER INSTALLATION



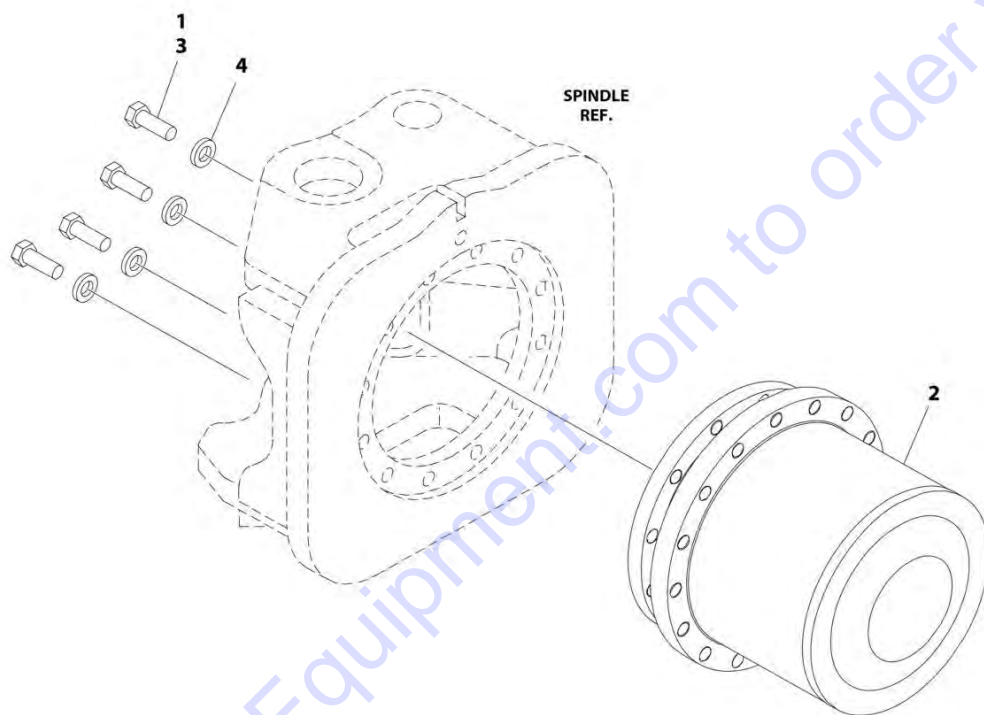
ART_0271520

FIGURE 1-5. STEER INSTALLATION

ITEM	PART NUMBER	QTY	DESCRIPTION	REV
	0271520	Ref	STEER INSTALLATION	L
1	0100011	AR	Compound, Locking	
2	0100019	AR	Compound, Locking	
3	0100035	AR	Compound, Locking	
5	0630464	4	Screw #10 x 1/2	
6	0641505	4	Bolt 5/16 x 5/8	
7	0641511	4	Bolt 5/16 x 1-3/8	
9	0641634	4	Bolt 3/8 x 4-1/4	
10	0642016	4	Bolt 5/8 x 2	
11	0962423	8	Bushing	
12	1671040	4	Cover, Sensor	
13	1684314	NLA	Steer Cylinder Assembly (Use p/n 1001228031) (See Separate Breakdown in CYLINDER SECTION) (SN 0300201016 through 0300238011, SN B300002238 through B300002376)	
13	1001228031	4	Steer Cylinder Assembly (See Separate Breakdown in CYLINDER SECTION) (SN 0300238012 to Present, SN B300002377 to Present)	
14	3311505	4	Nut 5/16	
15	3300464	4	Nut, Slotted	
17	3422917	4	Kingpin	
18	3422940	4	Pin, Steer Cylinder (Outer)	
19	3422941	4	Pin, Steer Cylinder (Inner)	
20	3423256	4	Pin, Sensor	
21	3451214	4	Pin, Cotter 3/8 x 3-1/2	
22	3760383	4	Ring, Retaining	
23	3841258	4	Keeper, Pin	
25	3931020	8	Capscrew #10 x 1-1/4	
26	3931412	16	Capscrew 1/4 x 3/4	
27	3932024	8	Capscrew 5/8 x 1-1/2	
28	1001099632	4	Spindle	
29	4360505	4	Switch, Rotary Angle Sensor (Steer)	
30	4460914	4	Terminal	
31	4711500	12	Washer 5/16	
32	4711800	4	Washer 1/2	
33	4740181	4	Thrustwasher	
34	4740229	4	Thrustwasher	
35	4740505	8	Thrustwasher	
36	4751600	4	Washer 3/8	
37	4755000	4	Washer 2-1/2	
38	0200833	4	Arm, Steer	
39	0741606	8	Screw 3/8 x 3/4	
40	1120549	4	Cap, Seal (Outer)	
41	1120550	4	Cap, Seal (Inner)	
42	3960551	4	Seal (Outer)	
43	3960552	4	Seal (Inner)	
44	0080277	4	Adapter, Angle Sensor Pilot	
45	4750800	8	Washer M8 (SN 0300201016 through 0300235781)	
45	4811600	8	Washer M5 (SN 0300235782 to Present, SN B30002238 to Present)	

SECTION 1 - FRAME

FIGURE 1-6. WHEEL DRIVE INSTALLATION - BONFIGLIOLI



ART_0275685

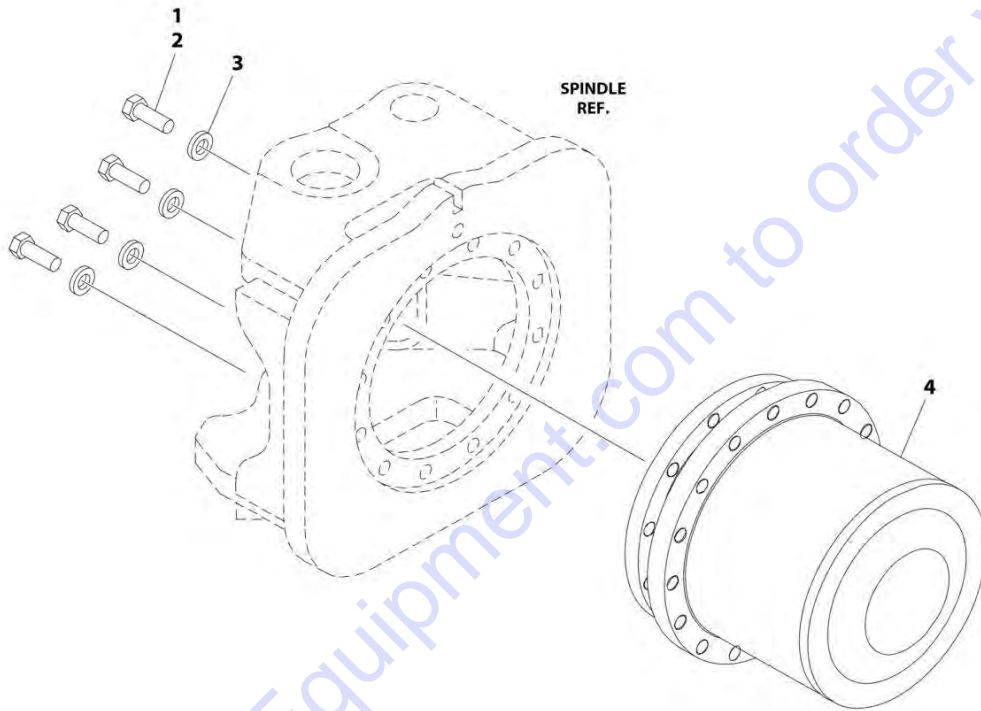
FIGURE 1-6. WHEEL DRIVE INSTALLATION - BONFIGLIOLI

ITEM	PART NUMBER	QTY	DESCRIPTION	REV
	0275685	Ref	WHEEL DRIVE INSTALLATION - BONFIGLIOLI	C
1	0100019	AR	Compound, Locking	
2	2780286	4	Drive Hub and Motor Assembly - Bonfiglioli (See Separate Breakdown in this Section)	
3	0701617	48	Bolt M16 x 45 (12 Per Wheel)	
4	4892000	48	Washer 5/8 (12 Per Wheel)	

Go to Discount-Equipment.com to order your parts

SECTION 1 - FRAME

FIGURE 1-7. WHEEL DRIVE INSTALLATION - REGGIANA RIDUTTORI



ART_1001104324

SECTION 1 - FRAME

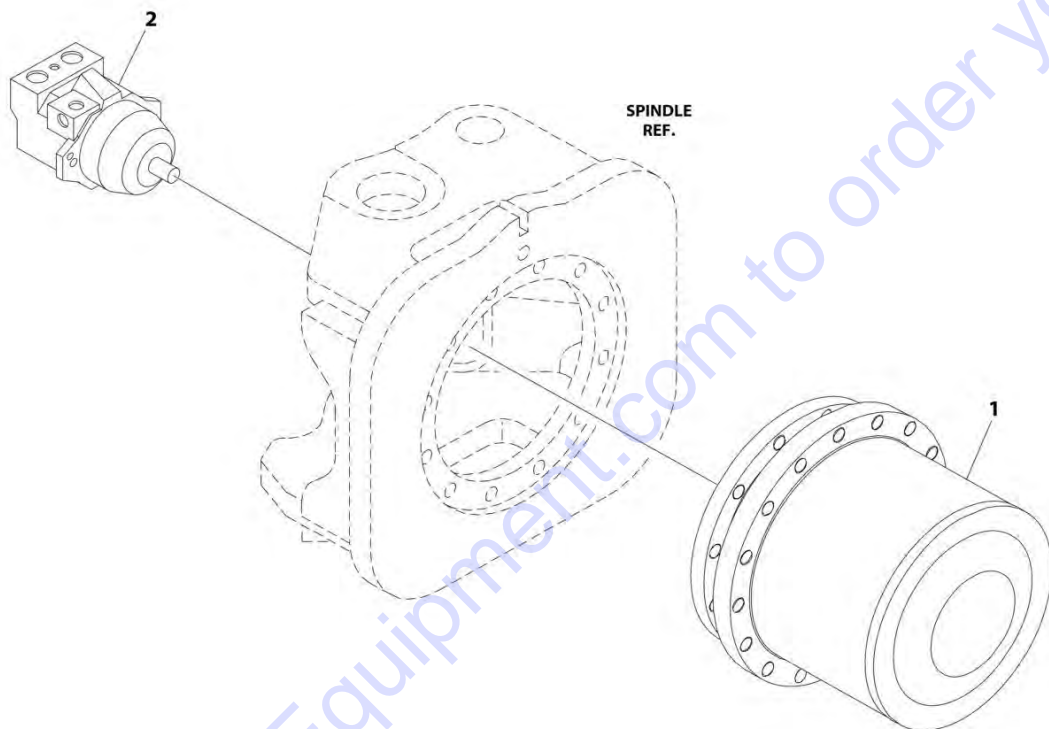
FIGURE 1-7. WHEEL DRIVE INSTALLATION - REGGIANA RIDUTTORI

ITEM	PART NUMBER	QTY	DESCRIPTION	REV
	1001104324	Ref	WHEEL DRIVE INSTALLATION - REGGIANA RIDUTTORI	B
1	0100019	AR	Compound, Locking	
2	0701617	48	Bolt M16 x 45 (12 Per Wheel)	
3	4892000	48	Washer 5/8 (12 Per Wheel)	
4	1001104315	4	Drive Hub and Motor Assembly - Reggiana Riduttori (See Separate Breakdown in this Section)	

Go to Discount-Equipment.com to order your parts

SECTION 1 - FRAME

FIGURE 1-8. DRIVE HUB AND MOTOR ASSEMBLY - BONFIGLIOLI



ART_2780286

SECTION 1 - FRAME

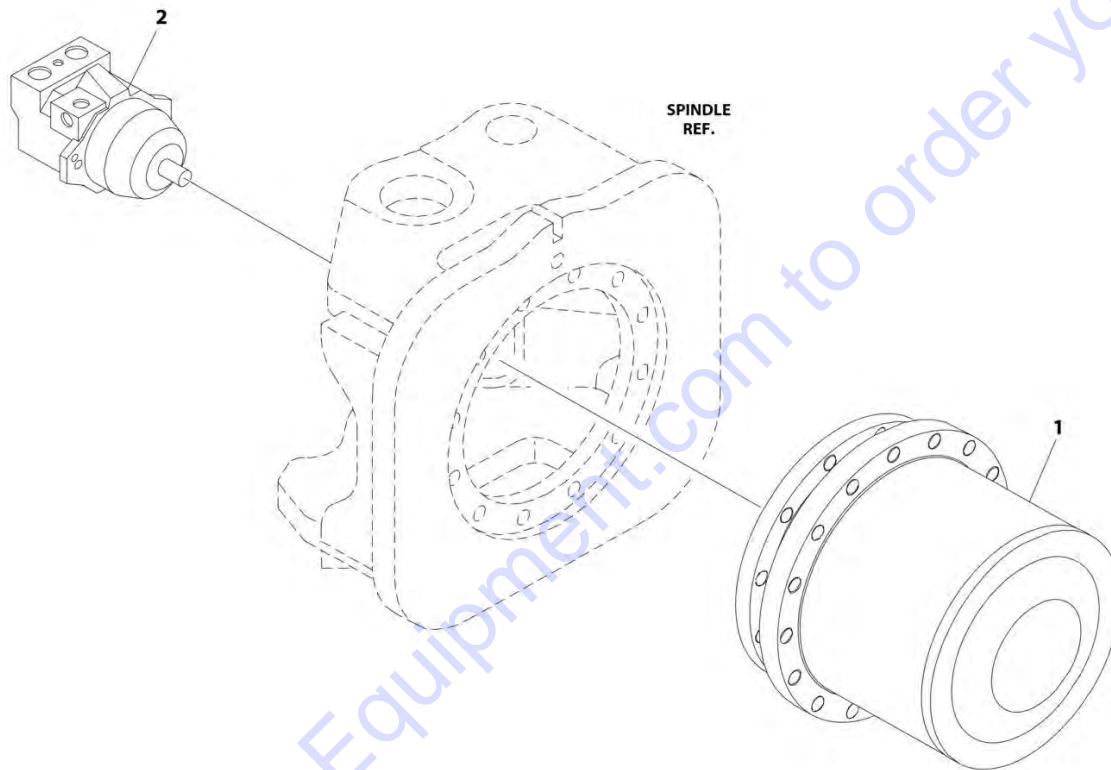
FIGURE 1-8. DRIVE HUB AND MOTOR ASSEMBLY - BONFIGLIOLI

ITEM	PART NUMBER	QTY	DESCRIPTION	REV
	2780286	Ref	DRIVE HUB AND MOTOR ASSEMBLY - BONFIGLIOLI	D
		Ref	Note: Various brands used on Machines. When replacing complete hub, note that all 4 hubs must be the same brand.	
		Ref	Note: Various brands used on Machines. Identify brand before ordering replacement parts.	
1	1001093243	4	Drive Hub Assembly - Bonfiglioli (See Separate Breakdown in this Section)	
2	3160339	4	Drive Motor Assembly (See Separate Breakdown in this Section)	

Go to Discount-Equipment.com to order your parts

SECTION 1 - FRAME

FIGURE 1-9. DRIVE HUB AND MOTOR ASSEMBLY - REGGIANA RIDUTTORI



ART_1001104315

SECTION 1 - FRAME

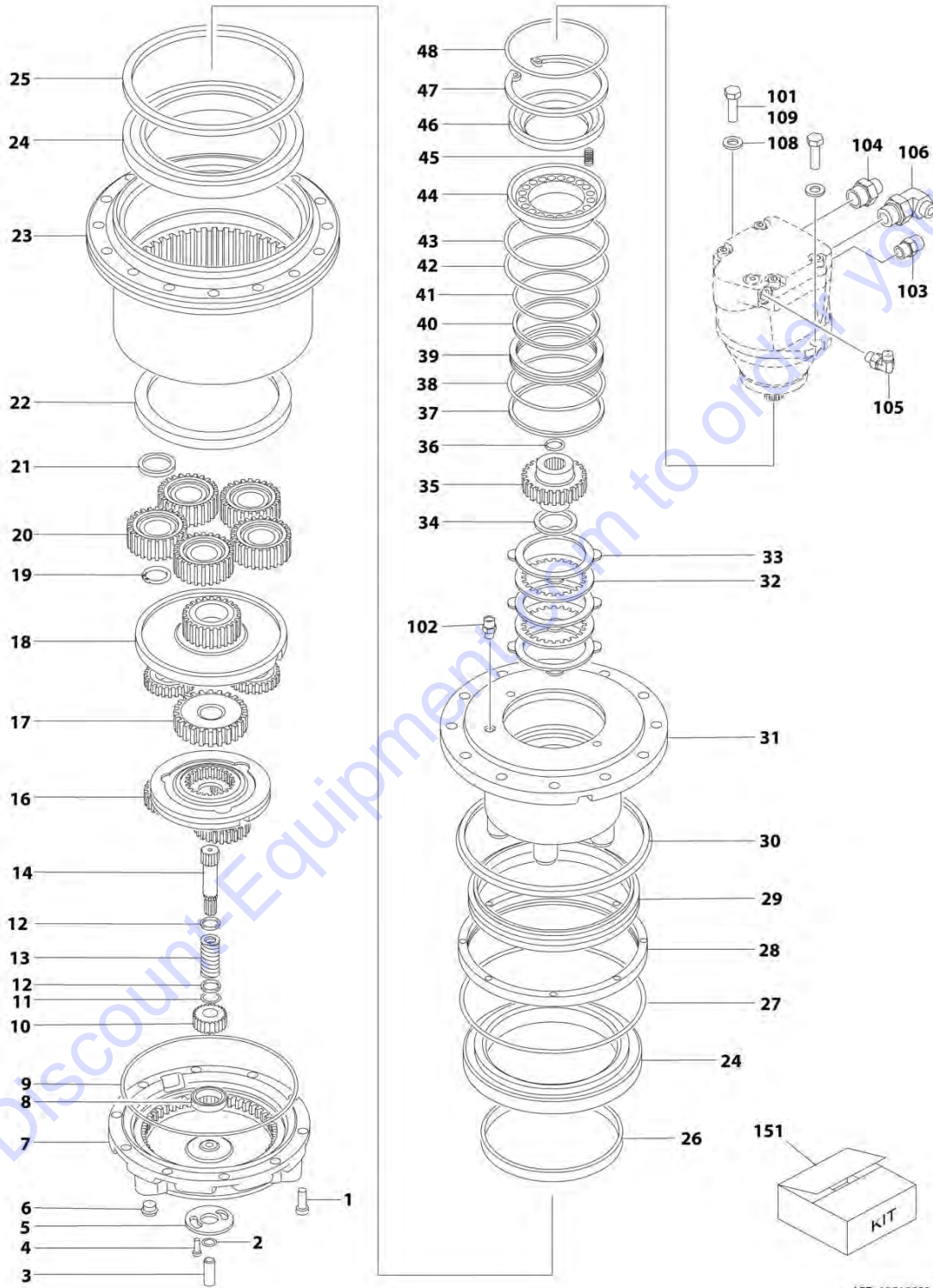
FIGURE 1-9. DRIVE HUB AND MOTOR ASSEMBLY - REGGIANA RIDUTTORI

ITEM	PART NUMBER	QTY	DESCRIPTION	REV
	1001104315	Ref	DRIVE HUB AND MOTOR ASSEMBLY - REGGIANA RIDUTTORI	B
		Ref	Note: Various brands used on Machines. When replacing complete hub, note that all 4 hubs must be the same brand.	
		Ref	Note: Various brands used on Machines. Identify brand before ordering replacement parts.	
1	1001104325	4	Drive Hub Assembly - Reggiana Riduttori (See Separate Breakdown in this Section)	
2	3160339	4	Drive Motor Assembly (See Separate Breakdown in this Section)	

Go to Discount-Equipment.com to order your parts

SECTION 1 - FRAME

FIGURE 1-10. DRIVE HUB ASSEMBLY - BONFIGLIOLI



ART_1001093243

SECTION 1 - FRAME

FIGURE 1-10. DRIVE HUB ASSEMBLY - BONFIGLIOLI

ITEM	PART NUMBER	QTY	DESCRIPTION	REV
	1001093243	Ref	DRIVE HUB ASSEMBLY - BONFIGLIOLI	D
		Ref	Note: Various brands used on Machines. Identify brand before ordering replacement parts.	
	1001093242	1	Hub, Torque - Bonfiglioli	
1	70000810	10	Bolt M10 x 25	
2	70000811	1	O-Ring	
3	70000812	1	Pin	
4	70000813	2	Bolt M8 x 16	
5	70002393	1	Cap, Disconnect	
6	See Note	2	Plug (Note: Not Available for Purchase)	
7	70000815	1	Cover Assembly (Includes Items 2-6 & 8)	
8	70000816	1	Pad	
9	70000817	1	O-Ring	
10	70000818	1	Gear, Primary Sun	
11	See Note	NSS	Ring, Neoprene (Note: Use Item 151)	
12	See Note	NSS	Washer (Note: Use Item 151)	
13	See Note	NSS	Spring (Note: Use Item 151)	
14	See Note	NSS	Shaft (Note: Use Item 151)	
16	70000820	1	Reduction Assembly, Primary	
17	70000821	1	Gear, Secondary Sun	
18	70000822	1	Reduction Assembly, Secondary	
19	70000823	5	Snap Ring	
20	70000824	5	Gear Assembly, Planetary	
21	70000825	5	Spacer	
22	70000826	1	Nut	
23	70002395	1	Housing, Hub (Includes Item 24)	
24	70002396	2	Ball Bearing	
25	70000828	1	Spacer	
26	70000829	1	Spacer	
27	70000830	1	O-Ring	
28	70000831	1	Spacer	
29	70000832	1	Seal	
30	70000833	1	Ring, Sealing	
31	See Note	NSS	Spindle (Note: Not Available - Purchase Complete Assembly)	
32	70000834	4	Disc, Steel	
33	70000835	5	Disc, Lined	
34	70000836	1	Spacer	
35	70000837	1	Shaft, Brake	
36	70000838	1	Snap Ring	
37	70000839	1	Ring, Back-up	
38	70000840	1	O-Ring	
39	70000841	1	Spacer	
40	70000842	1	Ring, Back-up	
41	70000843	1	O-Ring	
42	70000844	1	O-Ring	
43	70000845	1	Ring, Back-up	
44	70000846	1	Piston, Brake	
45	70000847	15	Spring	
46	70000848	1	Plate, Spring Retainer	
47	70000849	1	Snap Ring	

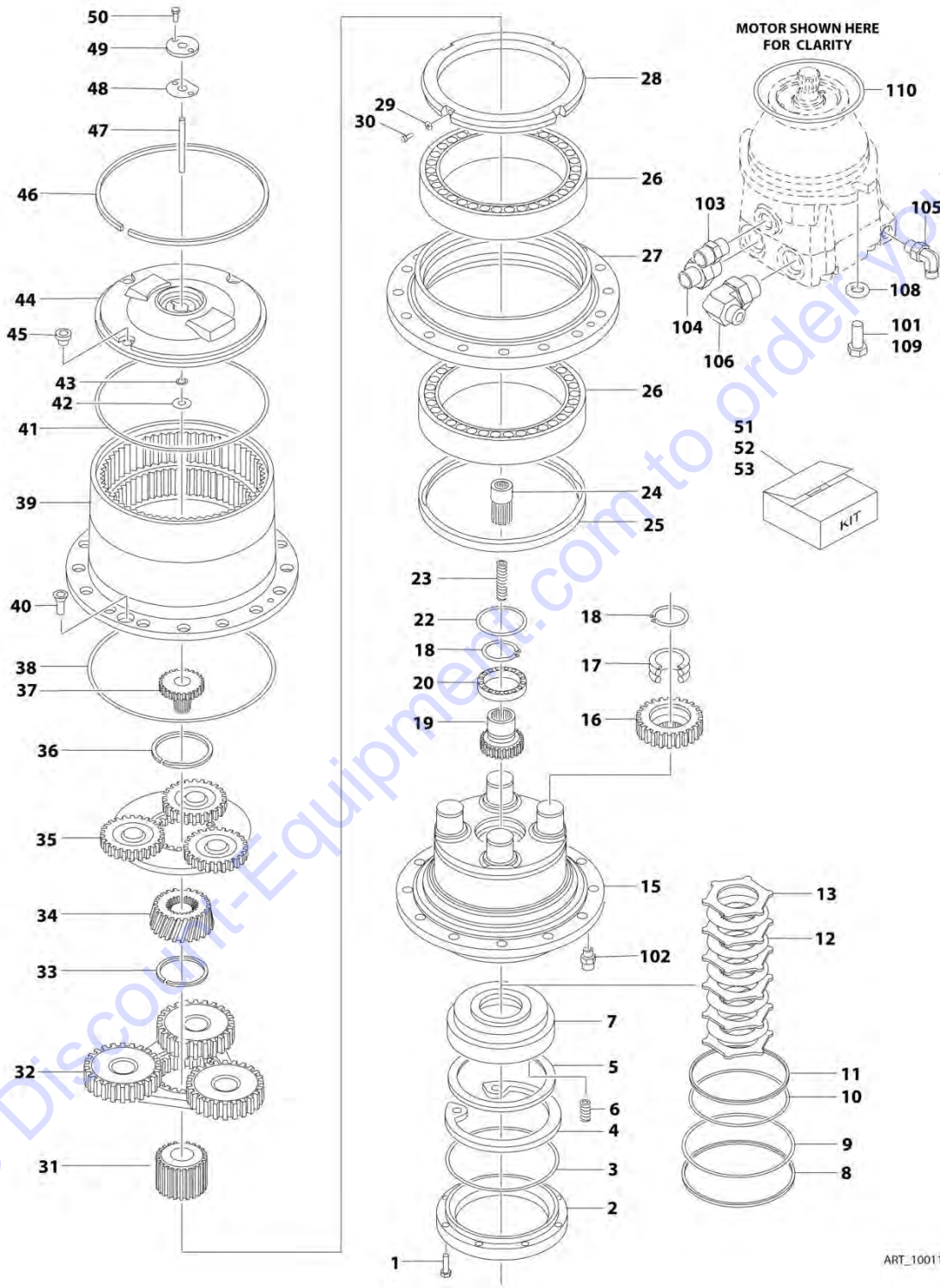
SECTION 1 - FRAME

ITEM	PART NUMBER	QTY	DESCRIPTION	REV
48	3790158	1	O-Ring	
101	0761215	2	Bolt M12 x 35	
102	2110404	1	Fitting, Adapter	
103	2110808	1	Fitting, Adapter	
104	2110812	1	Fitting, Adapter	
105	2130406	1	Fitting, 90 Adapter	
106	2130812	1	Fitting, 90 Adapter	
108	5241200	2	Washer M12	
109	0100011	AR	Compound, Locking	
110	3020008	17 oz /0.5L	Lubricant HD 80W-90 (Not Shown)	
151	70000819	1	Brake Shaft Kit (Includes Items 11-14)	

Go to Discount-Equipment.com to order your parts

SECTION 1 - FRAME

FIGURE 1-11. DRIVE HUB ASSEMBLY - REGGIANA RIDUTTORI



ART_1001104325

SECTION 1 - FRAME

FIGURE 1-11. DRIVE HUB ASSEMBLY - REGGIANA RIDUTTORI

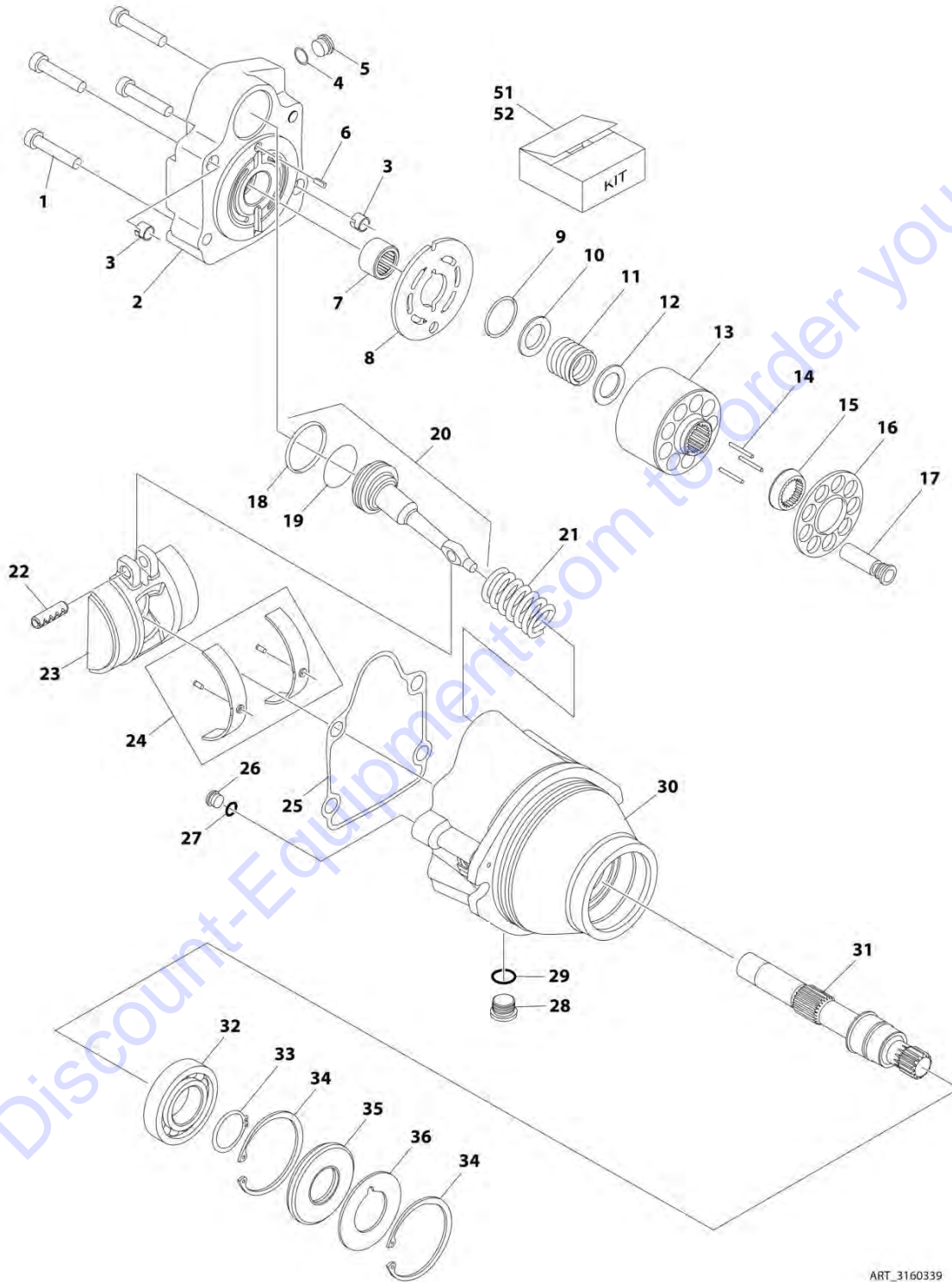
ITEM	PART NUMBER	QTY	DESCRIPTION	REV
	1001104325	Ref	DRIVE HUB ASSEMBLY - REGGIANA RIDUTTORI	E
		Ref	Note: Various brands used on Machines. Identify brand before ordering replacement parts.	
	1001101550	1	Hub, Torque	C
1	70002015	8	Bolt M8 x 25	
2	70002016	1	Ring, Motor Support	
3	See Note	NSS	O-Ring (Note: Use Item 51)	
4	70002018	1	Snap Ring	
5	70002019	1	Retainer, Spring	
6	70002020	9	Spring	
7	70002021	1	Piston	
8	See Note	NSS	Ring, Back-up (Note: Use Item 51 or 53)	
9	See Note	NSS	O-Ring (Note: Use Item 51 or 53)	
10	See Note	NSS	O-Ring (Note: Use Item 51 or 53)	
11	See Note	NSS	Ring, Back-up (Note: Use Item 51 or 53)	
12	70002026	5	Disc, Friction	
13	70002027	6	Disc, Steel	
15	70002029	1	Spindle	
16	70002030	4	Gear, Planetary	
17	70002031	4	Bearing	
18	70002032	5	Snap Ring	
19	70002033	1	Gear, Brake/Input	
20	70002034	1	Bearing	
22	70002035	1	Ring, Wear	
23	70002036	1	Spring	
24	70002037	1	Shaft, Engagement	
25	See Note	NSS	Seal (Note: Use Item 51)	
26	70002039	2	Bearing Assembly	
27	70002040	1	Support, Hub	
28	70002041	1	Nut, Retaining	
29	70002674	4	Washer	
30	70002674	4	Screw	
31	70002044	1	Gear, Planetary Sun	
32	70002045	1	Reduction Assembly, Secondary	
33	70002046	1	Snap Ring	
34	70002047	1	Gear, Secondary Input Sun	
35	70002048	1	Reduction Assembly, Primary	
36	70002049	1	Snap Ring	
37	70002050	1	Gear, Primary Input Sun	
38	See Note	NSS	O-Ring (Note: Use Item 51)	
39	See Note	NSS	Housing, Hub (Note: Not Available - Purchase Complete Assembly)	
40	70002052	2	Screw, Countersunk	
41	See Note	NSS	O-Ring (Note: Use Item 51 or 52)	
42	See Note	NSS	Thrustwasher (Note: Use Item 52)	
43	See Note	NSS	O-Ring (Note: Use Item 51 or 52)	
44	See Note	NSS	Cover, Hub (Note: Use Item 52)	
45	70002057	3	Plug	
46	See Note	NSS	Snap Ring (Note: Use Item 52)	
47	See Note	NSS	Pin, Engagement (Note: Use Item 52)	

SECTION 1 - FRAME

ITEM	PART NUMBER	QTY	DESCRIPTION	REV
48	See Note	NSS	Gasket (Note: Use Item 51 or 52)	
49	See Note	NSS	Cover, Engagement (Note: Use Item 52)	
50	See Note	NSS	Screw (Note: Use Item 52)	
51	70002248	1	Seal Kit (Includes Items 3, 8-11, 25, 38, 41, 43 & 48)	
52	70002247	1	Cover Kit (Includes Items 41-50)	
53	70002249	1	Brake Kit (Includes Items 4-13)	
101	0761214	2	Bolt M12 x 30	
102	2110404	1	Fitting, Adapter	
103	2110808	1	Fitting, Adapter	
104	2110812	1	Fitting, Adapter	
105	2130406	1	Fitting, 90 Adapter	
106	2130812	1	Fitting, 90 Adapter	
108	5241200	2	Washer M12	
109	0100011	AR	Compound, Locking	
110	3790158	1	O-Ring	
111	3020008	51 oz / 1.5L	Lubricant HD 80W-90 (Not Shown)	

SECTION 1 - FRAME

FIGURE 1-12. DRIVE MOTOR ASSEMBLY



ART_3160339

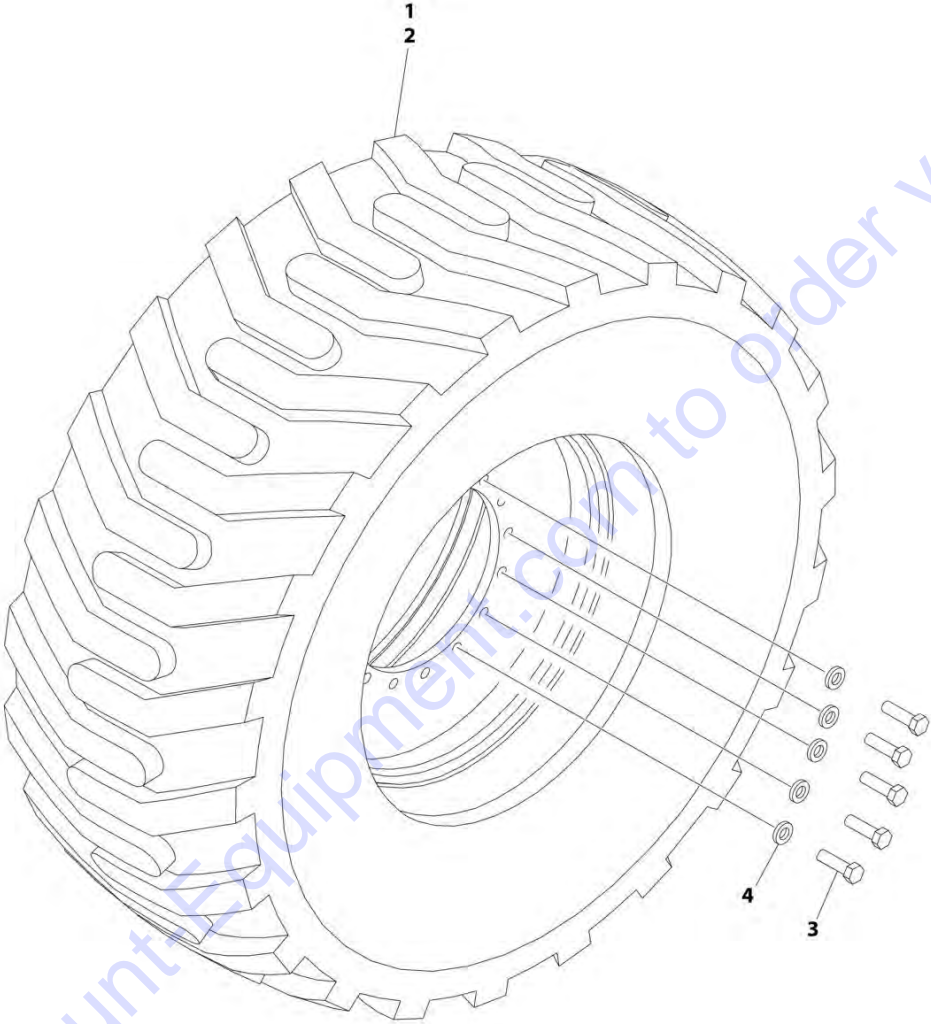
SECTION 1 - FRAME

FIGURE 1-12. DRIVE MOTOR ASSEMBLY

ITEM	PART NUMBER	QTY	DESCRIPTION	REV
	3160339	Ref	DRIVE MOTOR ASSEMBLY	D
1	7022368	4	Bolt	
2	70000859	1	End Cap, Motor	
3	70003628	2	Locating Pin	
4	See Note	NSS	O-Ring (Note: Use Item 51)	
5	7007420	1	Plug (Includes Item 4)	
6	7007446	1	Pin, Dowel	
7	7021249	1	Bearing, Needle	
8	70000854	1	Plate, Valve	
9	7022311	1	Snap Ring	
10	7022314	1	Retainer, Spring	
11	7024867	1	Spring	
12	7024868	1	Washer	
13	70000855	1	Block, Cylinder	
14	7021275	3	Pin, Slipper	
15	70000856	1	Guide	
16	70000857	1	Retainer, Slipper	
17	7024865	9	Piston, Cylinder	
18	See Note	NSS	Ring, Piston (Note: Use Item 51)	
19	See Note	NSS	O-Ring (Note: Use Item 51)	
20	70000860	1	Piston, Servo (Includes Items 18 & 19)	
21	70000861	1	Spring	
22	See Note	1	Pin (Note: Not Available for Purchase)	
23	70000853	1	Swash Plate	
24	70000852	1	Bearing Kit	
25	See Note	NSS	Gasket (Note: Use Item 51)	
26	See Note	1	Plug (Note: Not Available for Purchase)	
27	See Note	NSS	O-Ring (Note: Use Item 51)	
28	7022321	1	Plug (Includes Item 29)	
29	See Note	NSS	O-Ring (Note: Use Item 51)	
30	See Note	1	Housing (Note: Not Available - Purchase Complete Motor)	
31	70000858	1	Shaft	
32	7007437	1	Bearing	
33	7007439	1	Snap Ring	
34	7007438	2	Snap Ring	
35	See Note	NSS	Seal (Note: Use Item 51)	
36	7022371	1	Washer, Seal Support	
51	70000862	1	Kit 1 - Motor Seal Kit (Includes Items 4, 18, 19, 25, 27, 29 & 35)	
52	7027740	1	Kit 2 - Cylinder Block Kit (Includes Items 9-17)	

SECTION 1 - FRAME

FIGURE 1-13. TIRE AND WHEEL INSTALLATION - FOAM - FILLED



ART_0271852

SECTION 1 - FRAME

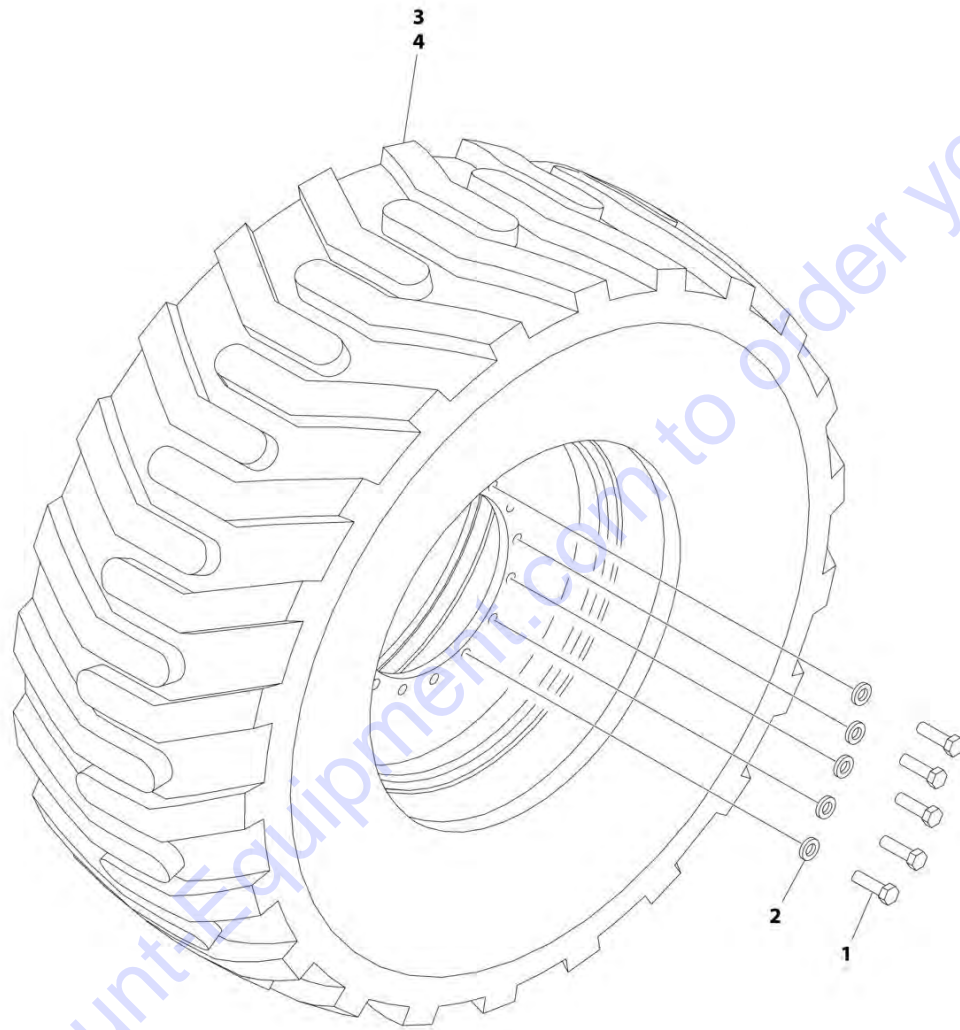
FIGURE 1-13. TIRE AND WHEEL INSTALLATION - FOAM - FILLED

ITEM	PART NUMBER	QTY	DESCRIPTION	REV
	0271852	Ref	TIRE AND WHEEL INSTALLATION - FOAM - FILLED	B
		Ref	Note: Assemblies may require ballast/foam filling to manufacturer's specifications prior to installing on a machine. Refer to Operation and Safety or Service and Maintenance Manuals. Purchase individual tire and/or rim only if able to foam fill tire and wheel assembly, otherwise, purchase complete assembly.	
1	0272055	2	Right Side Tire and Wheel Assembly - Foam - Filled	
2	0272056	2	Left Side Tire and Wheel Assembly - Foam - Filled	
3	0701619	64	Bolt M16 x 55 (16 Per Wheel)	
4	4892000	64	Washer 5/8 (16 Per Wheel)	

Go to Discount-Equipment.com to order your parts

SECTION 1 - FRAME

FIGURE 1-14. TIRE AND WHEEL INSTALLATION - SOLID



ART_1001115961

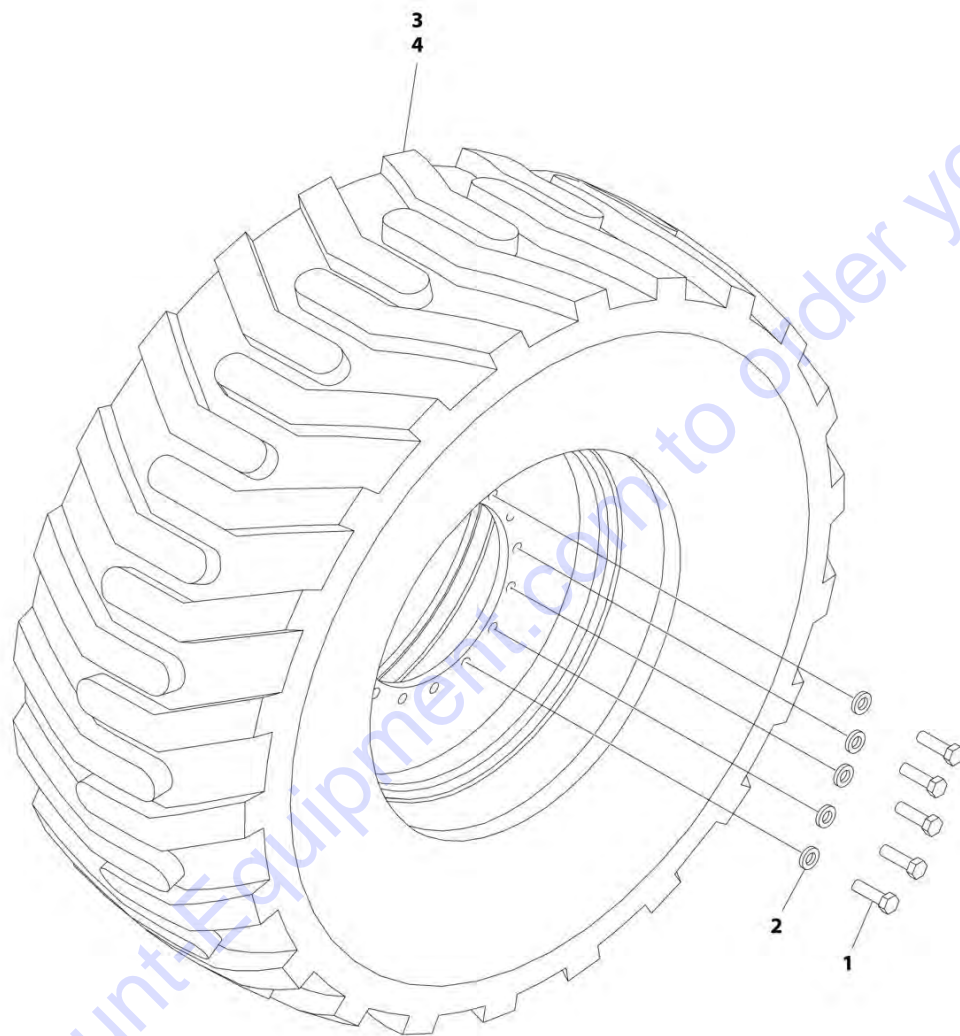
FIGURE 1-14. TIRE AND WHEEL INSTALLATION - SOLID

ITEM	PART NUMBER	QTY	DESCRIPTION	REV
	1001115961	Ref	TIRE AND WHEEL INSTALLATION - SOLID	A
1	0701619	64	Bolt M16 x 55 (16 Per Wheel)	
2	4892000	64	Washer 5/8 (16 Per Wheel)	
3	1001112716	2	Right Side Tire and Wheel Assembly - Solid	
4	1001112669	2	Left Side Tire and Wheel Assembly - Solid	

Go to Discount-Equipment.com to order your parts

SECTION 1 - FRAME

FIGURE 1-15. TIRE AND WHEEL INSTALLATION - SOLID NON MARKING



ART_1001223883

SECTION 1 - FRAME

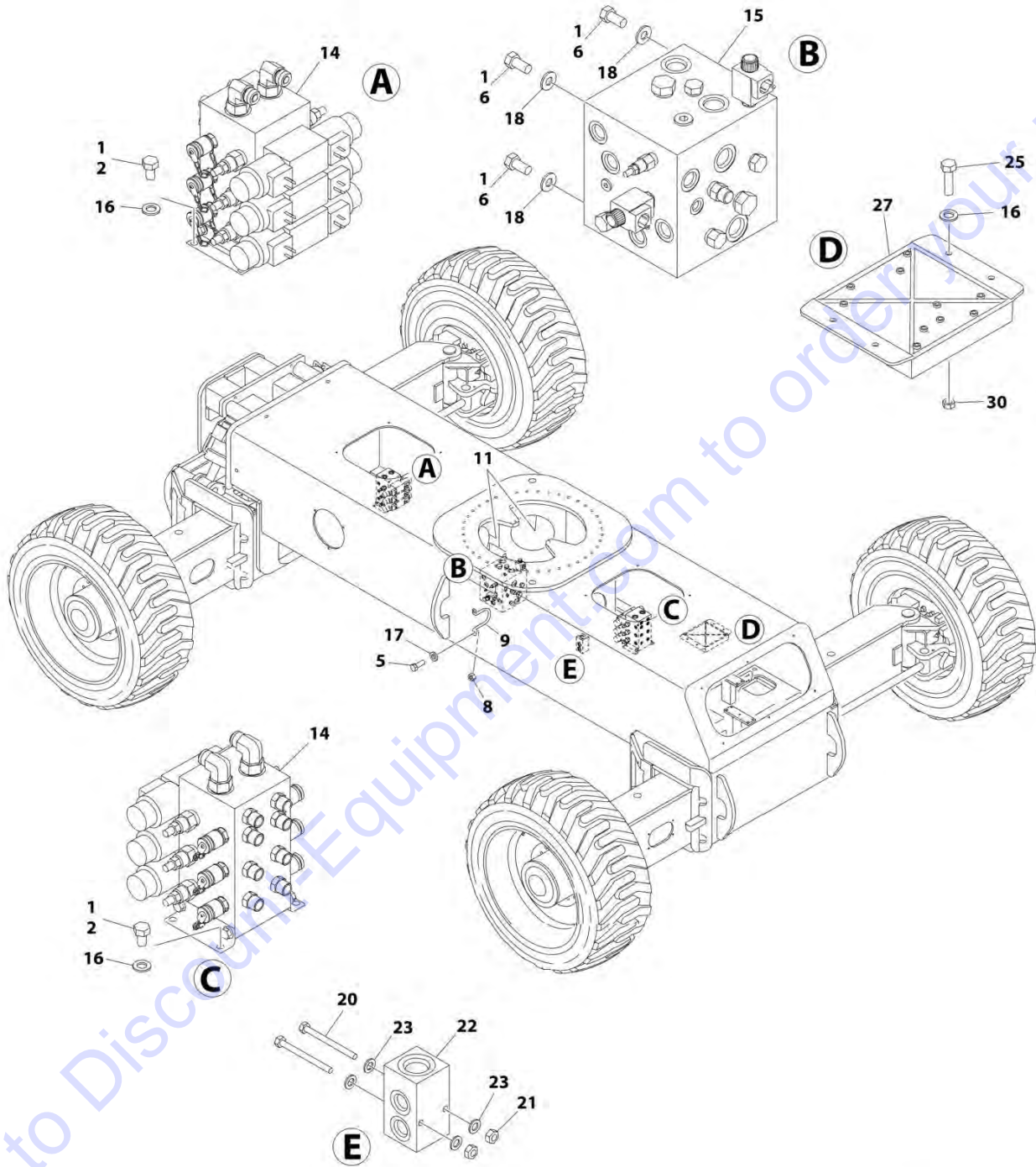
FIGURE 1-15. TIRE AND WHEEL INSTALLATION - SOLID NON MARKING

ITEM	PART NUMBER	QTY	DESCRIPTION	REV
	1001223883	Ref	TIRE AND WHEEL INSTALLATION - SOLID NON MARKING	A
1	0701619	64	Bolt M16 x 55 (16 Per Wheel)	
2	4892000	64	Washer 5/8 (16 Per Wheel)	
3	1001216876	2	Left Side Tire and Wheel Assembly - Solid	
4	1001216877	2	Right Side Tire and Wheel Assembly - Solid	

Go to Discount-Equipment.com to order your parts

SECTION 1 - FRAME

FIGURE 1-16. FRAME VALVES INSTALLATION - WITHOUT LSS AND WITH 4 CELL LSS



ART_0271802_10F3

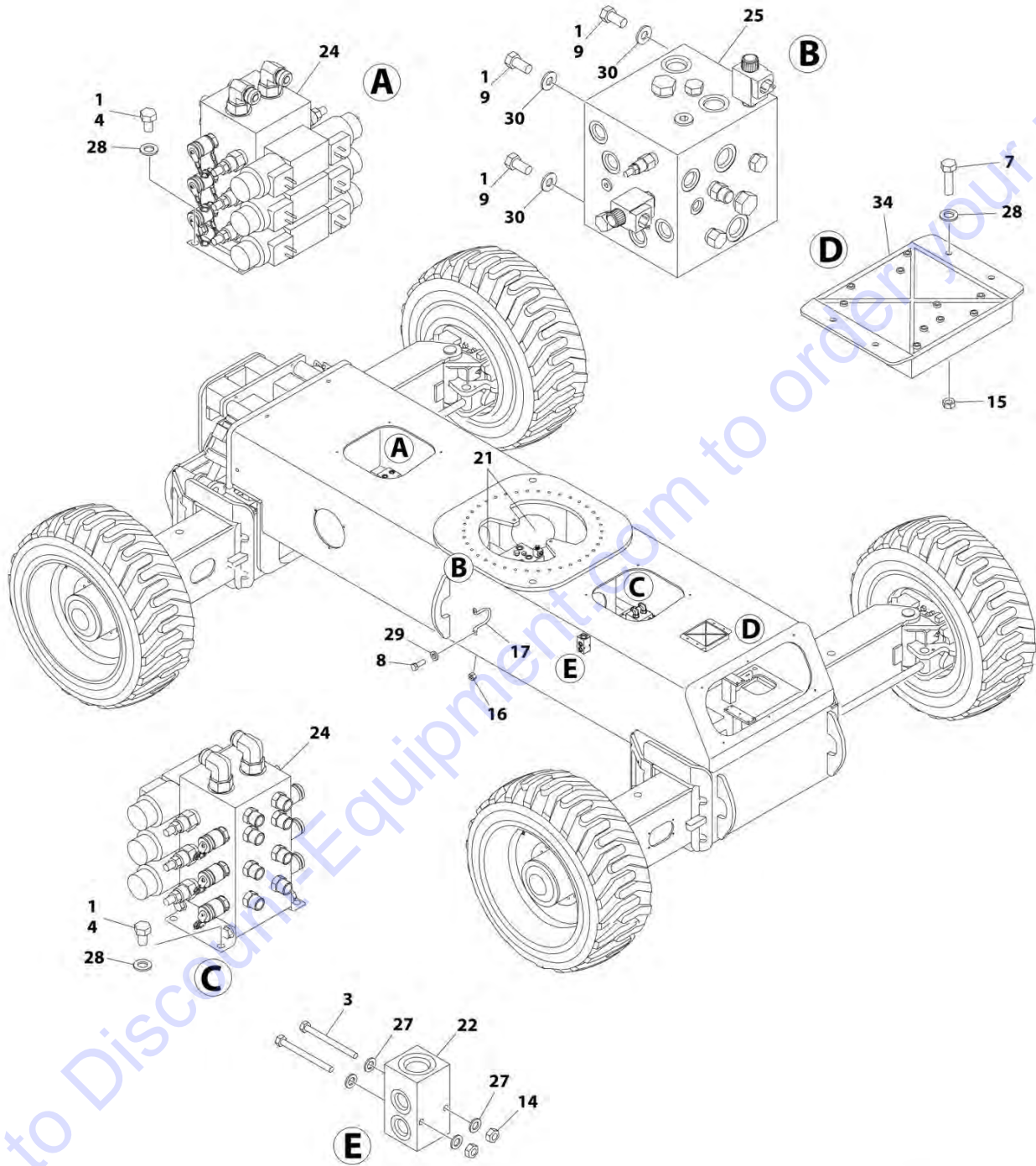
SECTION 1 - FRAME

FIGURE 1-16. FRAME VALVES INSTALLATION - WITHOUT LSS AND WITH 4 CELL LSS

ITEM	PART NUMBER	QTY	DESCRIPTION	REV
	0271802	Ref	FRAME VALVES INSTALLATION - WITHOUT LSS AND WITH 4 CELL LSS	M
1	0100011	AR	Compound, Locking	
2	0641504	8	Bolt 5/16 x 1/2	
5	0641608	4	Bolt 3/8 x 1	
6	0641808	4	Bolt 1/2 x 1	
8	3311605	4	Nut 3/8	
9	3841340	2	Loop, Hose	
11	4060808	124 in/ 3.2m	Flex-Trim	
14	4641268	2	Valve Assembly - Steer (See Separate Breakdown in this Section)	
15	4641454	1	Valve Assembly - Traction (See Separate Breakdown in this Section)	
16	4711500	16	Washer 5/16	
17	4711600	4	Washer 3/8	
18	4711800	4	Washer 1/2	
20	0641424	2	Bolt 1/4 x 3	
21	3311405	2	Nut 1/4	
22	4641155	1	Manifold, Junction	
23	4711400	4	Washer 1/4	
25	0641509	4	Bolt 5/16 x 1-1/8	
27	1001112758	1	Module (Chassis) (Note: Re-calibration Required when Replaced)	
27	2915024	1	Update Kit (Includes Cables, Programming Instructions and CD Software)	
30	3311505	4	Nut 5/16	

SECTION 1 - FRAME

FIGURE 1-17. FRAME VALVES INSTALLATION - WITH 1 CELL LSS



ART_1001219990_10F3

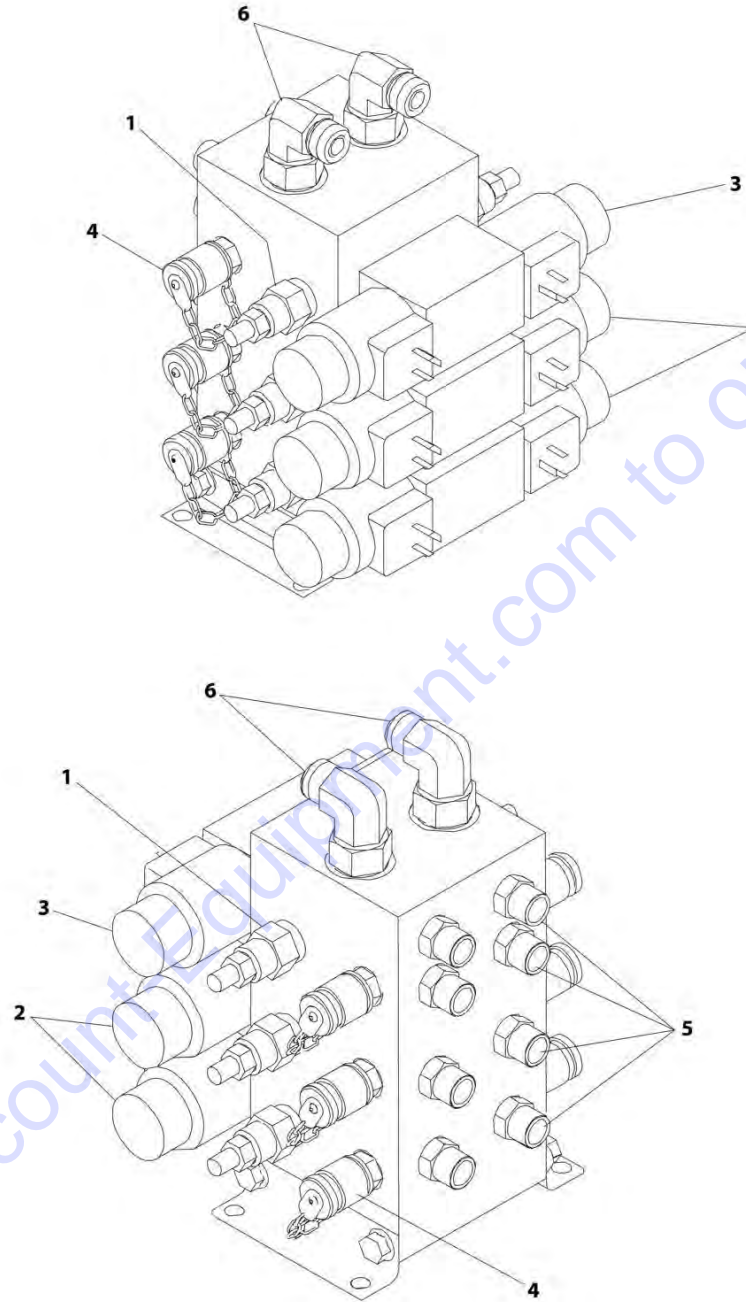
SECTION 1 - FRAME

FIGURE 1-17. FRAME VALVES INSTALLATION - WITH 1 CELL LSS

ITEM	PART NUMBER	QTY	DESCRIPTION	REV
	1001219990	Ref	FRAME VALVES INSTALLATION - WITH 1 CELL LSS	B
1	0100011	AR	Compound, Locking	
3	0641424	2	Bolt 1/4 x 3	
4	0641504	8	Bolt 5/16 x 1/2	
7	0641509	4	Bolt 5/16 x 1-1/8	
8	0641608	4	Bolt 3/8 x 1	
9	0641808	4	Bolt 1/2 x 1	
14	3311405	2	Nut 1/4	
15	3311505	4	Nut 5/16	
16	3311605	4	Nut 3/8	
17	3841340	2	Loop, Hose	
21	4060808	124 in/ 3.2m	Flex-Trim	
22	4641155	1	Manifold, Junction	
24	4641268	2	Valve Assembly - Steer (See Separate Breakdown in this Section)	
25	4641454	1	Valve Assembly - Traction (See Separate Breakdown in this Section)	
27	4711400	4	Washer 1/4	
28	4711500	16	Washer 5/16	
29	4711600	2	Washer 3/8	
30	4711800	4	Washer 1/2	
34	100112758	1	Module (Chassis) (Note: Re-calibration Required when Replaced)	

SECTION 1 - FRAME

FIGURE 1-18. STEER VALVE ASSEMBLY



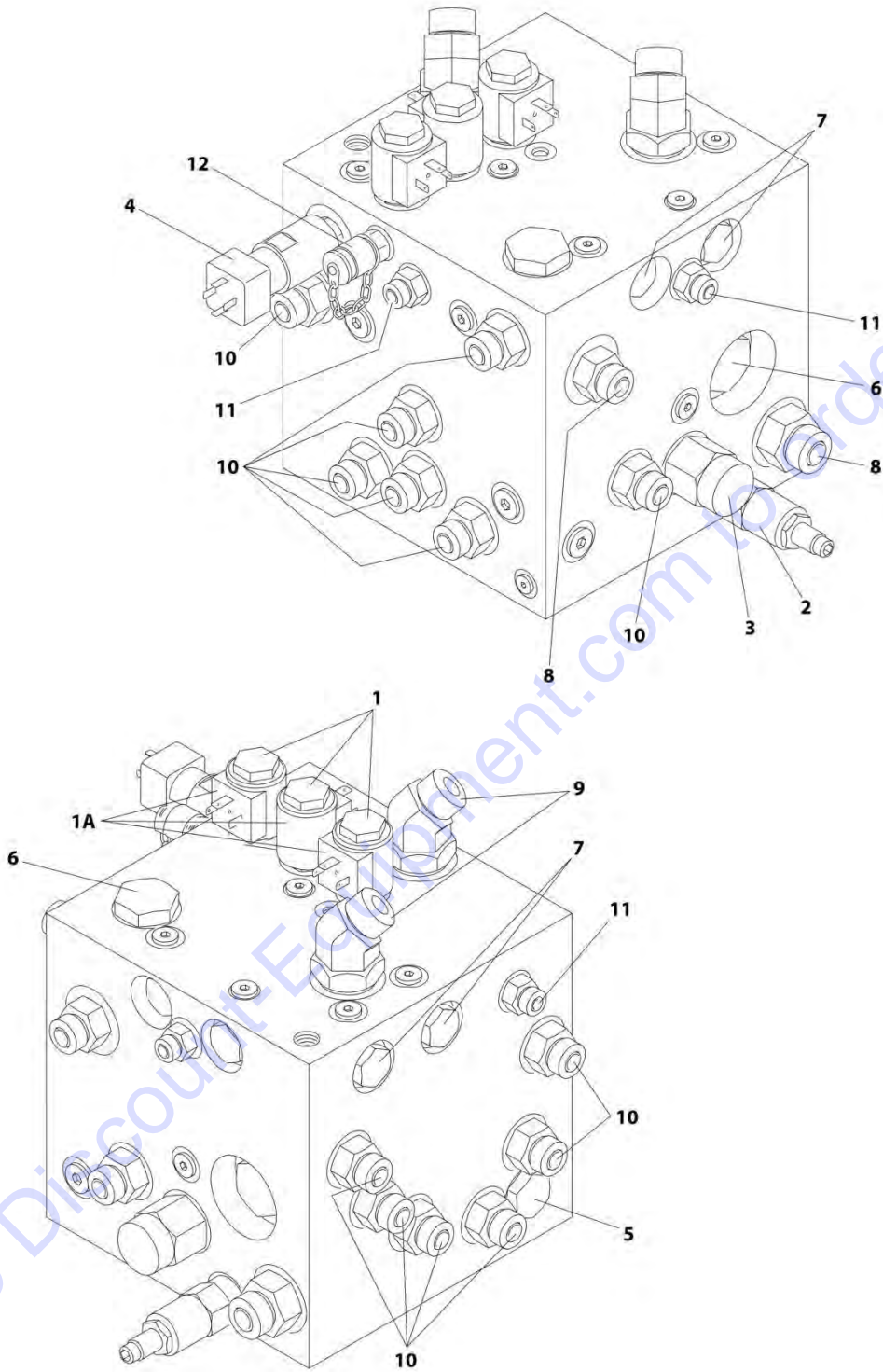
ART_4641268

FIGURE 1-18. STEER VALVE ASSEMBLY

ITEM	PART NUMBER	QTY	DESCRIPTION	REV
	4641268	Ref	STEER VALVE ASSEMBLY	B
1	7026028	12	Cartridge (6 Per Valve)	
1	7011346	12	Seal Kit - Cartridge (1 Per Cartridge)	
2	7024927	4	Valve (2 Per Valve)	
2	7012773	4	Seal Kit - Cartridge (1 Per Cartridge)	
2	7018991	8	Coil (2 Per Valve)	
3	70001976	2	Valve (1 Per Valve)	
3	7012773	2	Seal Kit - Cartridge (1 Per Cartridge)	
3	7018991	4	Coil (2 Per Valve)	
3	70001939	2	Orifice	
4	2221086	6	Check, Pressure	
5	2110606	8	Fitting, Straight	
6	2130810	2	Fitting, 90	

SECTION 1 - FRAME

FIGURE 1-19. TRACTION VALVE ASSEMBLY



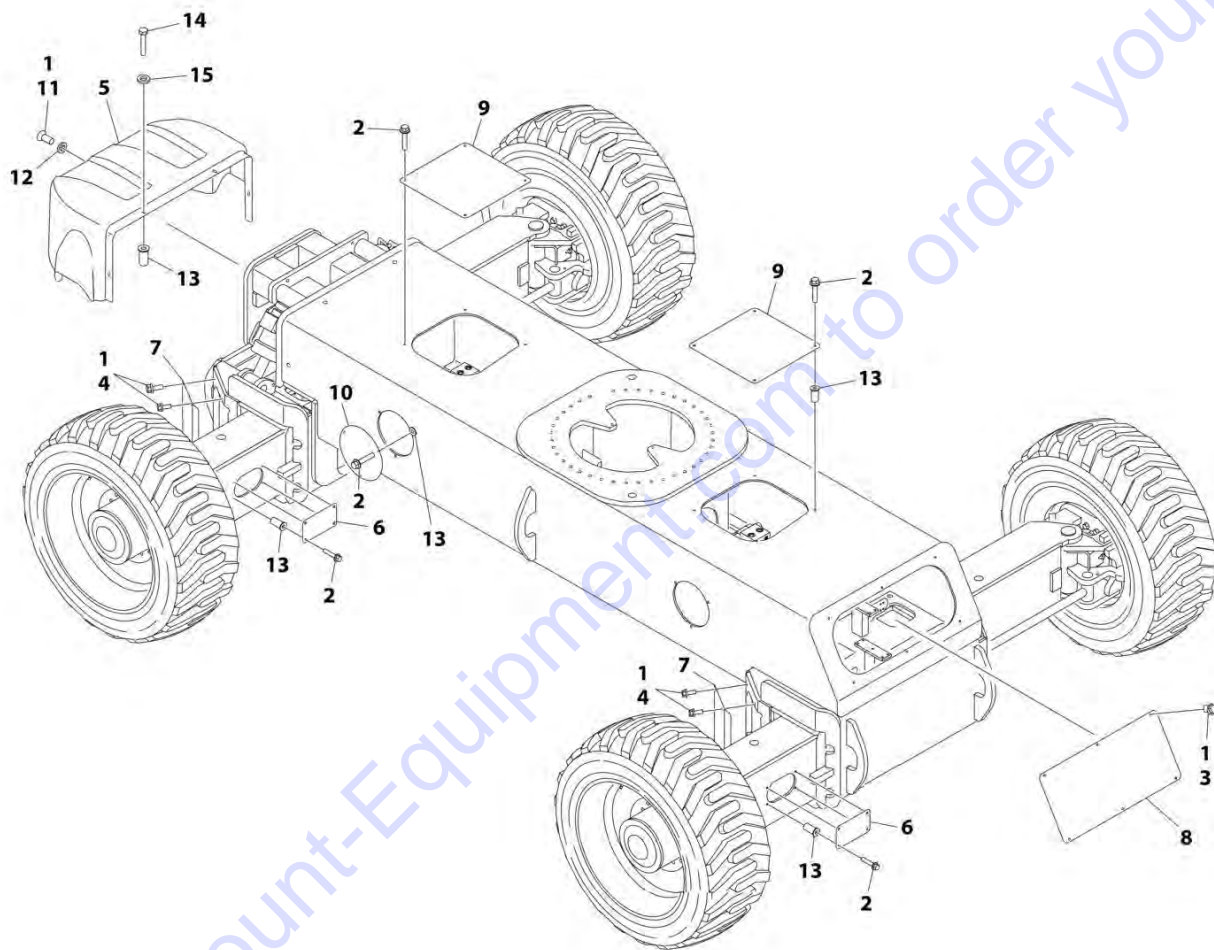
ART_4641454

FIGURE 1-19. TRACTION VALVE ASSEMBLY

ITEM	PART NUMBER	QTY	DESCRIPTION	REV
	4641454	Ref	TRACTION VALVE ASSEMBLY	E
1	7012941	3	Cartridge, Valve (Steer, Brake and Axle Lockout)	
1	7010543	3	Seal Kit - 7012941 Cartridge	
1A	7012944	2	Coil	
2	70000801	1	Cartridge, Valve (Relief)	
2	7012998	1	Seal Kit - 70000801 Cartridge	
3	70000802	1	Cartridge, Valve (Pilot)	
3	7012942	1	Seal Kit - 70000802 Cartridge	
4	70000803	1	Pressure Switch	
5	70000804	1	Cartridge, Valve (Shuttle)	
5	70000805	1	Seal Kit - 70000804 Cartridge	
6	70000806	2	Cartridge, Valve (Flow Divider)	
6	7017405	2	Seal Kit - 70000806 Cartridge	
7	7012955	4	Cartridge, Valve (Check)	
7	7012967	4	Seal Kit - 7012955 Cartridge	
8	2111012	2	Fitting, Straight	
9	2151012	2	Fitting, 45	
10	2110810	13	Fitting, Straight	
11	2110406	3	Fitting, Straight	
12	2221086	1	Check, Pressure	
13	2220883	1	Plug, #4 (Not Shown)	

SECTION 1 - FRAME

FIGURE 1-20. FRAME COVERS INSTALLATION - ABS



ART_1001176346

SECTION 1 - FRAME

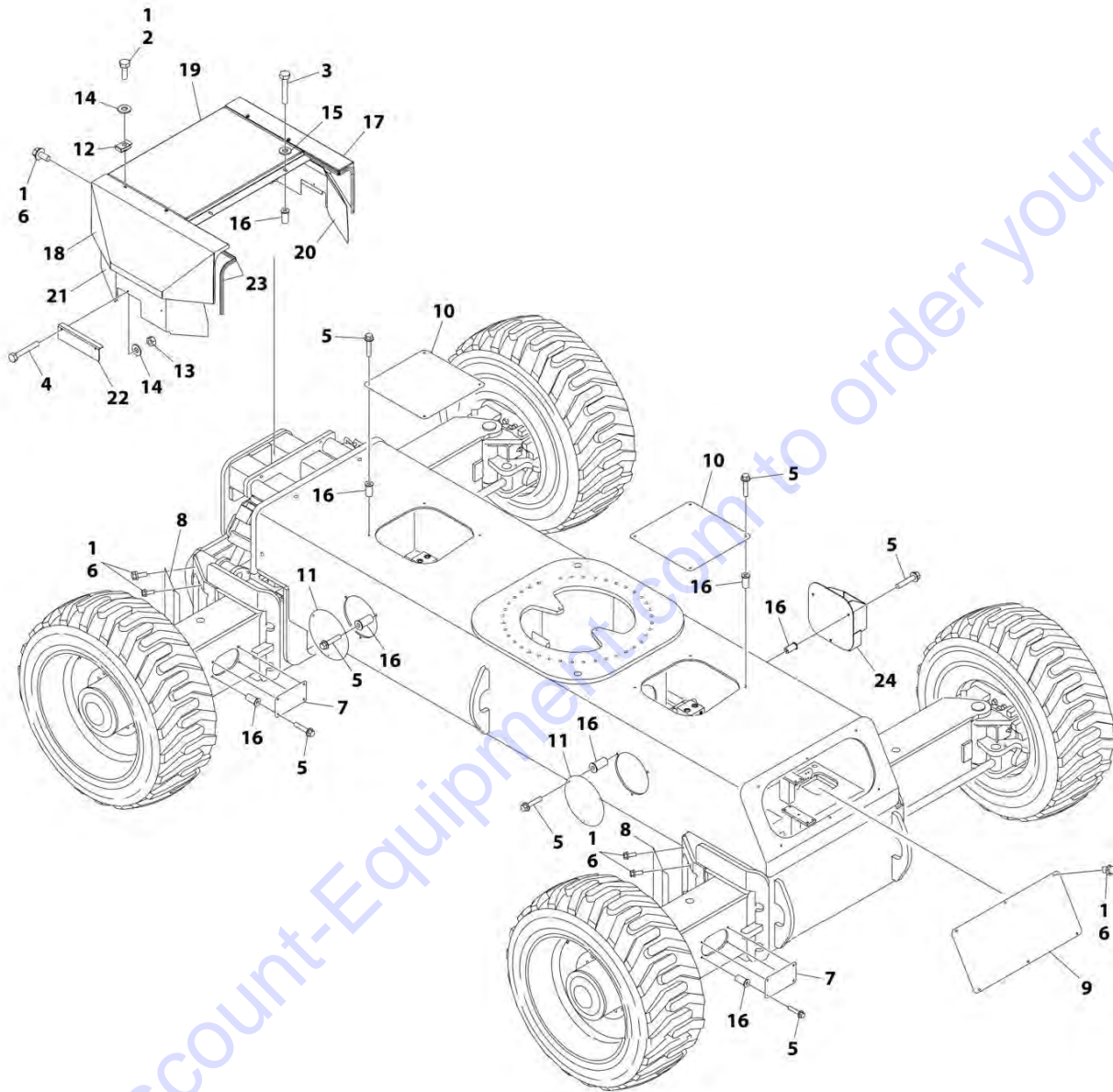
FIGURE 1-20. FRAME COVERS INSTALLATION - ABS

ITEM	PART NUMBER	QTY	DESCRIPTION	REV
	1001176346	Ref	FRAME COVERS INSTALLATION - ABS	C
1	0100011	AR	Compound, Locking	
2	0791410	36	Screw 1/4 x 1-1/4	
3	0791604	6	Screw 3/8 x 1/2	
4	0791607	16	Screw 3/8 x 7/8	
5	1670996	1	Cover, Front	
6	1671045	4	Plate, Cover (Axle Side)	
7	1671046	4	Plate, Cover (Axle Corner)	
8	1671047	1	Plate, Cover (Rear)	
9	1671048	2	Plate, Cover (Frame Top)	
10	1671049	4	Plate, Cover (Frame Side)	
11	3900283	3	Screw 3/8 x 3/4	
12	4751600	3	Washer 3/8	
13	8580420	40	Nut, Well	
14	0641412	4	Bolt 1/4 x 1-1/2	
15	4740430	4	Washer, Fender	

Go to Discount-Equipment.com to order your parts

SECTION 1 - FRAME

FIGURE 1-21. FRAME COVERS INSTALLATION - STEEL



ART_1001176347

SECTION 1 - FRAME

FIGURE 1-21. FRAME COVERS INSTALLATION - STEEL

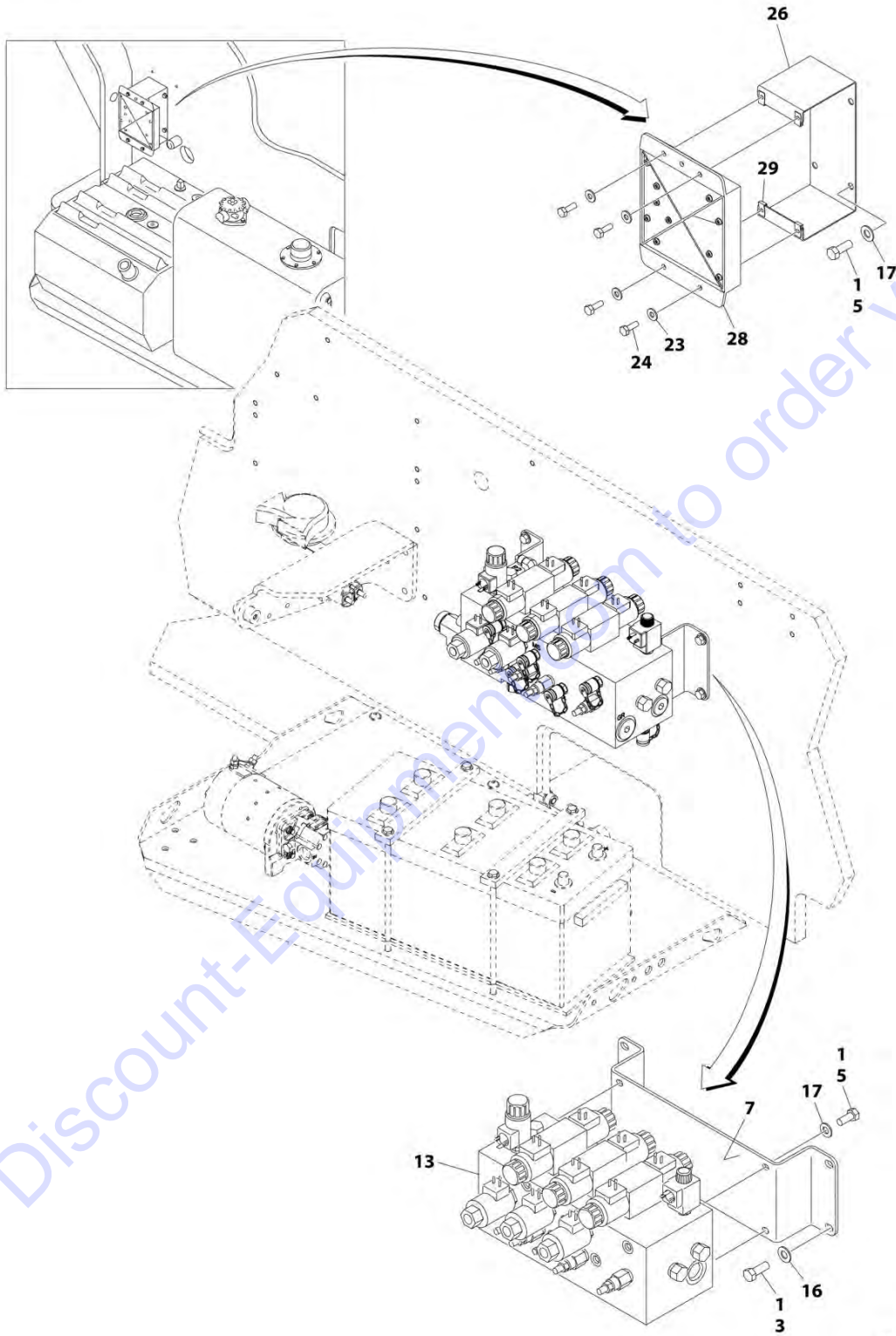
ITEM	PART NUMBER	QTY	DESCRIPTION	REV
	1001176347	Ref	FRAME COVERS INSTALLATION (STEEL)	C
		Ref	Note: Only Available on ANSI, ANSI Export and Japanese Specs.	
1	0100011	AR	Compound, Locking	
2	0641406	8	Screw 1/4 x 3/4	
3	0641412	2	Bolt 1/4 x 1-1/2	
4	0641414	4	Screw 1/4 x 1-3/4	
5	0791410	36	Screw 1/4 x 1-1/4	
6	0791604	25	Screw 3/8 x 1/2	
7	1671045	4	Plate, Cover (Axle Side)	
8	1671046	4	Plate, Cover (Axle Corner)	
9	1671047	1	Plate, Cover (Rear)	
10	1671048	2	Plate, Cover (Frame Top)	
11	1671049	3	Plate, Cover (Frame Side)	
12	3300454	8	Nut 1/4	
13	3311405	4	Nut 1/4	
14	4711400	12	Washer 1/4	
15	4740430	2	Washer, Fender	
16	8580420	38	Nut, Well	
17	1001110108	1	Cover - RH Side	
18	1001110109	1	Cover - LH Side	
19	1001110110	1	Cover - Center Side	
20	1001110111	1	Shift - RH Side	
21	1001110112	1	Shift - LH Side	
22	1001110113	2	Plate	
23	1001110513	51 in /5.5m	Seal	
24	1001110877	1	Mount, Fire Extinguisher	

SECTION 2 - TURNTABLE

Go to Discount-Equipment.com to order your parts

SECTION 2 - TURNTABLE

FIGURE 2-1. TURNTABLE VALVES INSTALLATION - WITHOUT LSS AND WITH 4 CELL LSS



ART_0271802_2OF3

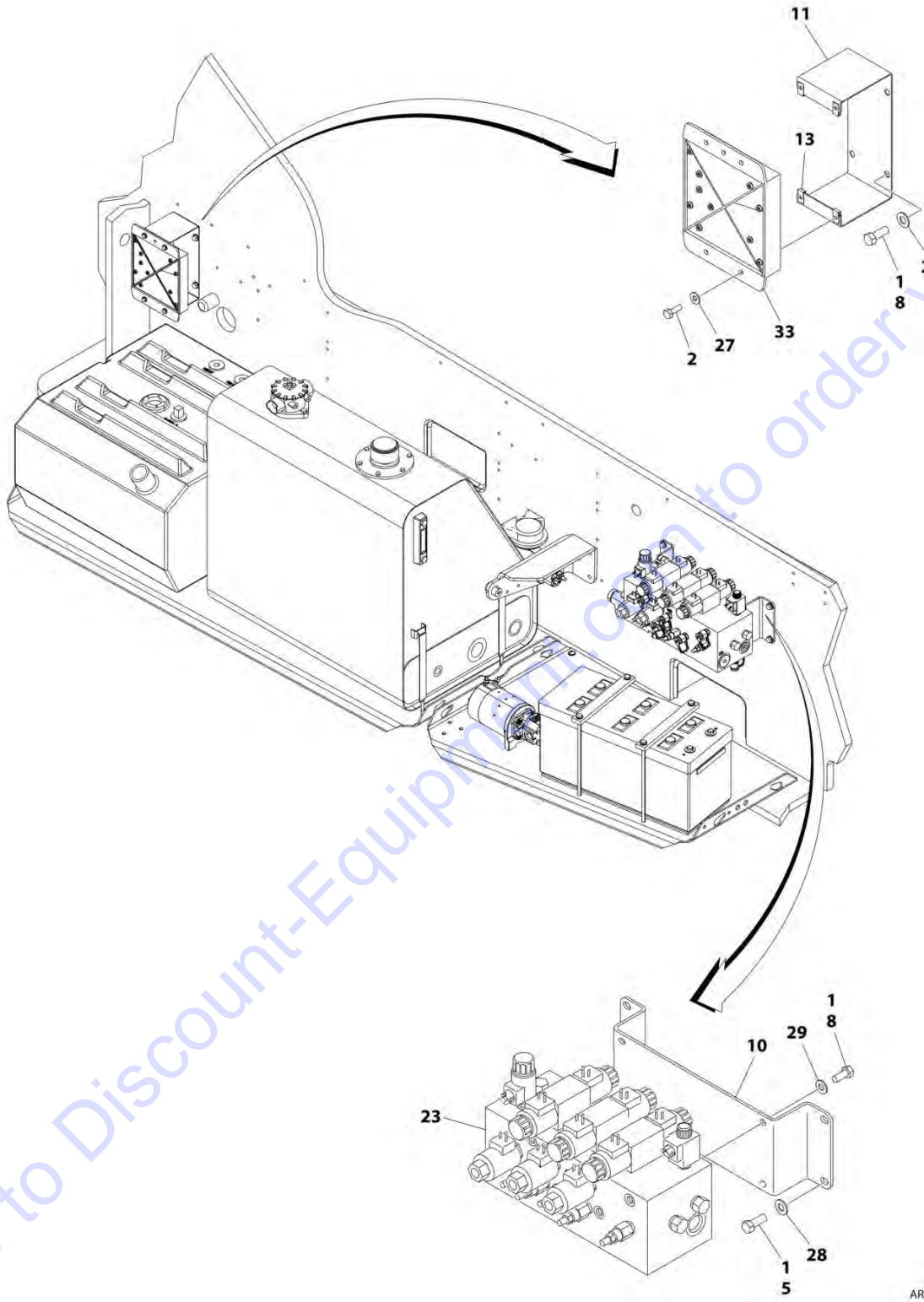
SECTION 2 - TURNTABLE

FIGURE 2-1. TURNTABLE VALVES INSTALLATION - WITHOUT LSS AND WITH 4 CELL LSS

ITEM	PART NUMBER	QTY	DESCRIPTION	REV
	0271802	Ref	TURNTABLE VALVES INSTALLATION - WITHOUT LSS AND WITH 4 CELL LSS	M
1	0100011	AR	Compound, Locking	
3	0641506	4	Bolt 5/16 x 3/4	
5	0641608	8	Bolt 3/8 x 1	
7	0902755	1	Bracket, Valve Mounting	
13	4641267	1	Main Valve Assembly (See Separate Breakdown in this Section)	
16	4711500	4	Washer 5/16	
17	4711600	8	Washer 3/8	
23	4711400	4	Washer 1/4	
24	0641406	4	Bolt 1/4 x 3/4	
26	0902800	1	Bracket, Module Mounting	
28	1001112757	NLA	Module, B.L.A.M. (Use p/n 1001227960) (Note: Control System must be recalibrated when Module is replaced) (SN 0300201016 through 0300248611)	
28	1001227960	1	Module, B.L.A.M. (Note: Control System must be recalibrated when Module is replaced) (SN 0300248612 to Present)	
28	2915024	1	Update Kit (Includes Cables, Programming Instructions and CD Software)	
29	3300454	4	Nut, Special	

SECTION 2 - TURNTABLE

FIGURE 2-2. TURNTABLE VALVES INSTALLATION - WITH 1 CELL LSS



Go to Discount-Equipment.com to order your parts

ART_1001219990_2OF3

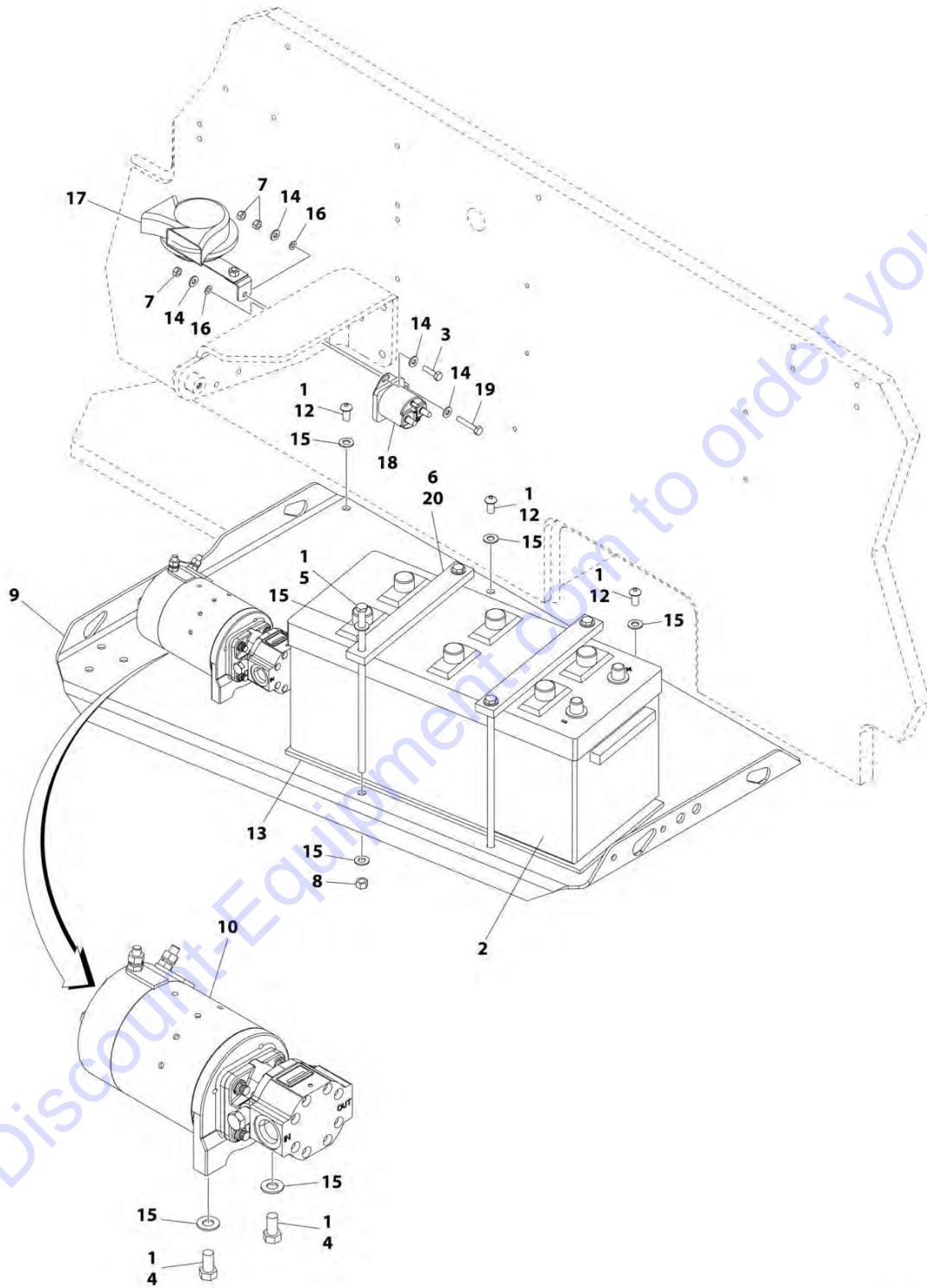
SECTION 2 - TURNTABLE

FIGURE 2-2. TURNTABLE VALVES INSTALLATION - WITH 1 CELL LSS

ITEM	PART NUMBER	QTY	DESCRIPTION	REV
	1001219990	Ref	TURNTABLE VALVES INSTALLATION - WITH 1 CELL LSS	B
1	0100011	AR	Compound, Locking	
2	0641406	4	Bolt 1/4 x 3/4	
5	0641506	4	Bolt 5/16 x 3/4	
8	0641608	8	Bolt 3/8 x 1	
10	0902755	1	Bracket, Valve Mounting	
11	0902800	1	Bracket, Module Mounting	
13	3300454	1	Nut, Special	
23	4641267	1	Main Valve Assembly (See Separate Breakdown in this Section)	
27	4711400	1	Washer 1/4	
28	4711500	1	Washer 5/16	
29	4711600	1	Washer 3/8	
33	1001112757	NLA	Module, B.L.A.M. (Use p/n 1001227960) (Note: Control System must be recalibrated when Module is replaced) (SN 0300201016 through 0300248611, SN B300002238 through B300002991)	
33	1001227960	1	Module, B.L.A.M. (Note: Control System must be Re-calibrated when Module is Replaced) (SN 0300248612 to Present, SN B300002992 to Present)	
33	2915024	1	Update Kit (Includes Cables, Programming Instructions and CD Software)	

SECTION 2 - TURNTABLE

FIGURE 2-3. BATTERY AND AUXILIARY PUMP INSTALLATION - ABS HOODS



ART_0271795

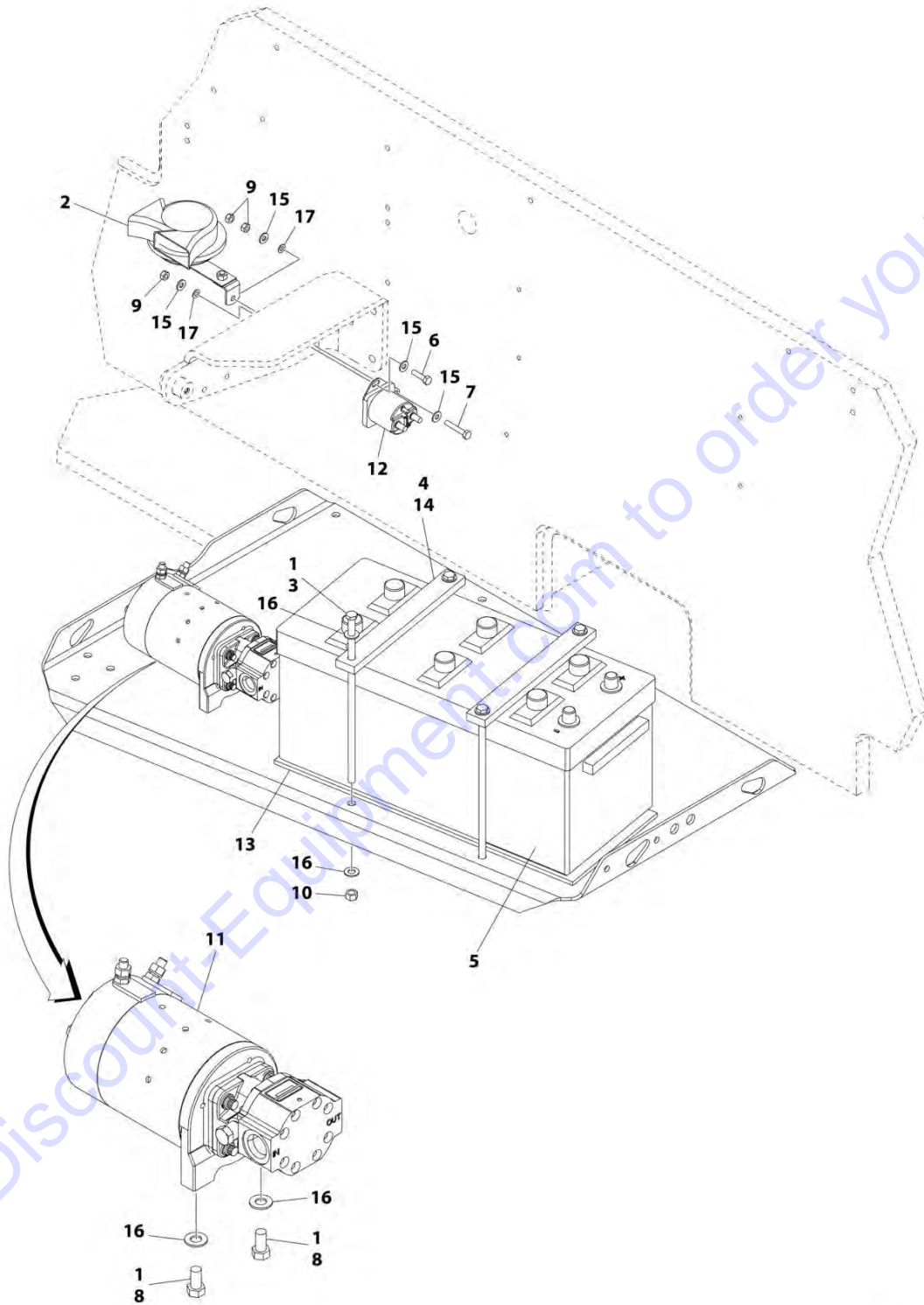
SECTION 2 - TURNTABLE

FIGURE 2-3. BATTERY AND AUXILIARY PUMP INSTALLATION - ABS HOODS

ITEM	PART NUMBER	QTY	DESCRIPTION	REV
	0271795	Ref	BATTERY AND AUXILIARY PUMP INSTALLATION - ABS HOODS	E
1	0100011	AR	Compound, Locking	
2	0400020	1	Battery	
3	0641408	1	Bolt 1/4 x 1	
4	0641606	2	Bolt 3/8 x 3/4	
5	0236768	4	Rod, Hold-down	
6	0363062	2	Bar, Battery	
7	3311405	3	Nut 1/4	
8	3311601	4	Nut 3/8	
9	3573259	1	Tray	
10	3600424	1	Auxiliary Pump Assembly (See Separate Breakdown in this Section)	
12	3900283	7	Screw 3/8 x 3/4	
13	3980006	1	Seat, Battery	
14	4711400	4	Washer 1/4	
15	4711600	17	Washer 3/8	
16	4791400	2	Starwasher 1/4	
17	0140001	1	Horn	
18	3740140	1	Relay	
19	0641412	1	Bolt 1/4 x 1-1/2	
20	4420037	17 in /43cm	Tape, Insulation	

SECTION 2 - TURNTABLE

FIGURE 2-4. BATTERY AND AUXILIARY PUMP INSTALLATION - STEEL HOODS



ART_1001110740

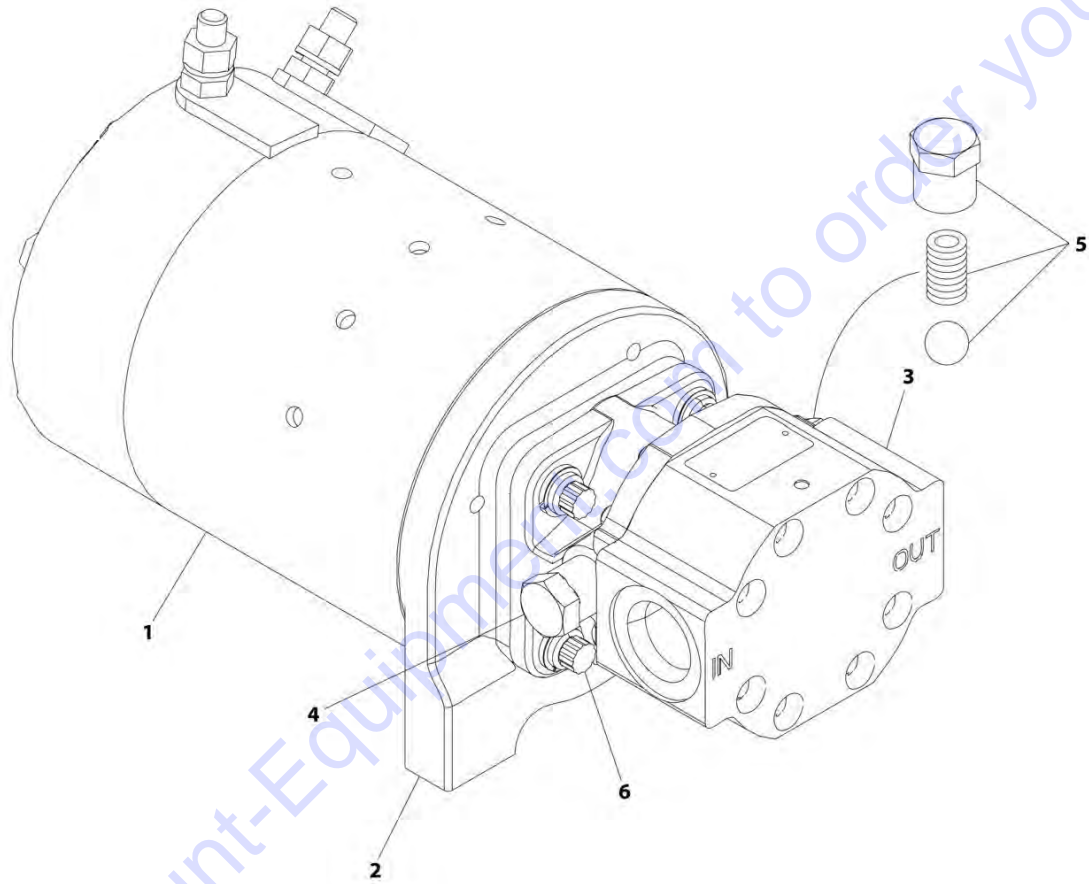
SECTION 2 - TURNTABLE

FIGURE 2-4. BATTERY AND AUXILIARY PUMP INSTALLATION - STEEL HOODS

ITEM	PART NUMBER	QTY	DESCRIPTION	REV
	1001110740	Ref	BATTERY AND AUXILIARY PUMP INSTALLATION – STEEL HOODS	A
1	0100011	AR	Compound, Locking	
2	0140001	1	Horn	
3	0236768	4	Rod, Hold-down	
4	0363062	2	Bar, Battery	
5	0400020	1	Battery	
6	0641408	1	Bolt 1/4 x 1	
7	0641412	1	Bolt 1/4 x 1-1/2	
8	0641606	2	Bolt 3/8 x 3/4	
9	3311405	3	Nut 1/4	
10	3311601	4	Nut 3/8	
11	3600424	1	Auxiliary Pump Assembly (See Separate Breakdown in this Section)	
12	3740067	1	Relay	
13	3980006	1	Seat, battery	
14	4420037	17 in /43cm	Tape, Insulation	
15	4711400	4	Washer 1/4	
16	4711600	10	Washer 3/8	
17	4791400	2	Starwasher 1/4	

SECTION 2 - TURNTABLE

FIGURE 2-5. AUXILIARY PUMP ASSEMBLY



ART_3600424

SECTION 2 - TURNTABLE

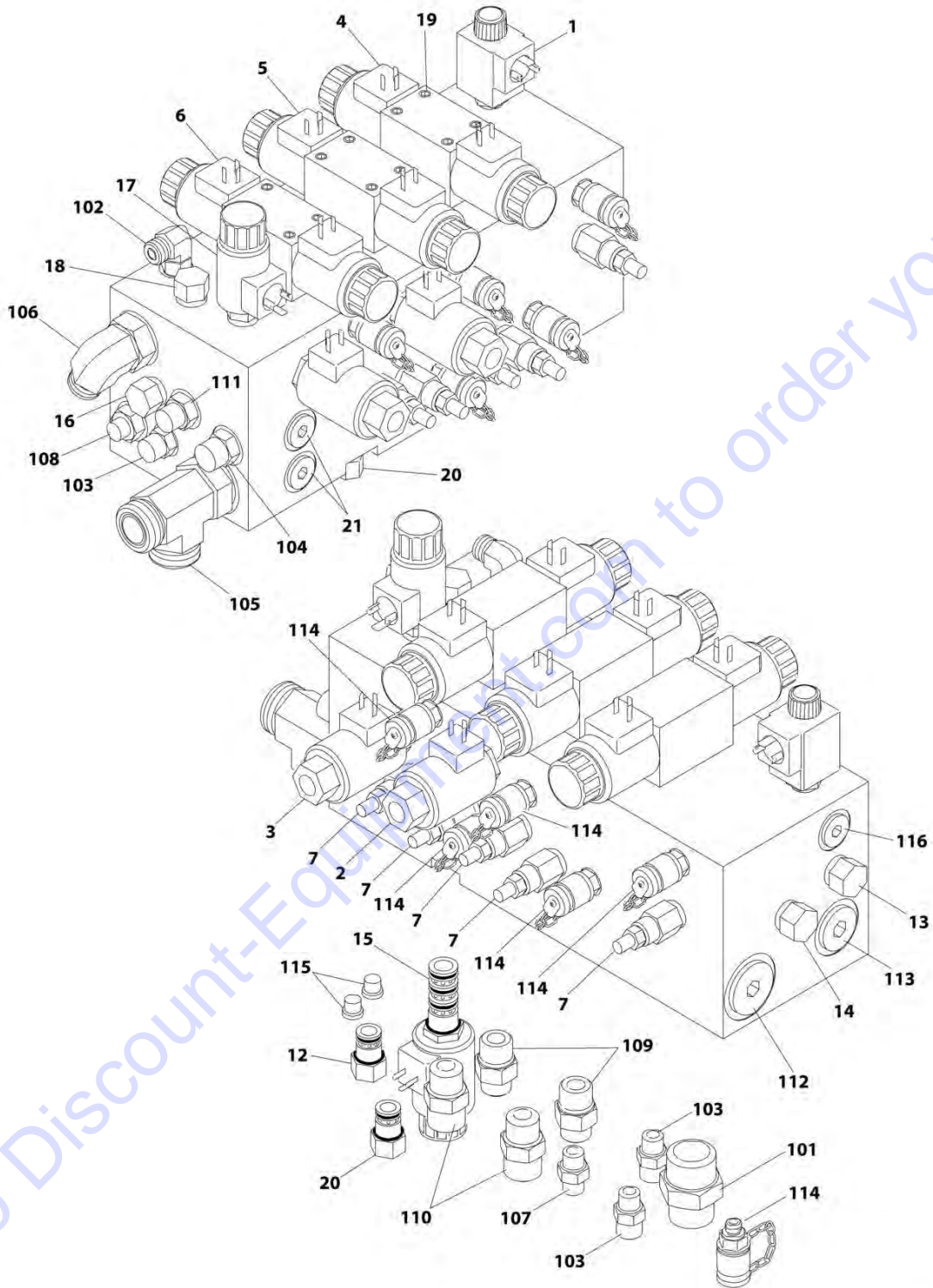
FIGURE 2-5. AUXILIARY PUMP ASSEMBLY

ITEM	PART NUMBER	QTY	DESCRIPTION	REV
	3600424	Ref	AUXILIARY PUMP ASSEMBLY	B
1	70001056	1	Motor Service Replacement Kit (Includes Motor, p/n 7011062 Adapter, p/n 7011016 Coupling and qty 2 Setscrews)	
1	See Note	1	Brush Kit (Note: Not Available For Purchase)	
2	7011062	1	Bracket, Motor/Pump (Part of Item 1)	
2	7011016	1	Coupling (Part of Items 1 & 3)	
2	7011044	1	Gasket (Part of Item 3)	
3	7029593	1	Pump Service Replacement Kit (Includes Pump, p/n 7011016 Coupling, qty 2 Gaskets and qty 4 each of Screws and Washers)	
3	See Note	1	Seal, Shaft (Note: Not Available For Purchase)	
4	7029593	1	Valve Components	
5	7029593	1	Valve Components	
6	7011048	4	Screw	
6	7011043	4	Washer	

Go to Discount-Equipment.com to order your parts

SECTION 2 - TURNTABLE

FIGURE 2-6. MAIN VALVE ASSEMBLY



ART_4641267

SECTION 2 - TURNTABLE

FIGURE 2-6. MAIN VALVE ASSEMBLY

ITEM	PART NUMBER	QTY	DESCRIPTION	REV
	4641267	Ref	MAIN VALVE ASSEMBLY	B
1	7024573	1	Cartridge, Solenoid Valve (Dump)	
1	7024574	1	Seal Kit - Cartridge	
1	7011354	1	Coil	
2	7021636	1	Cartridge, Solenoid Valve (Lift Flow)	
2	7017495	1	Seal Kit - Cartridge	
2	7017451	1	Coil	
3	7021636	1	Cartridge, Solenoid Valve (Tele Flow)	
3	7017495	1	Seal Kit - Cartridge	
3	7017451	1	Coil	
4	7024924	1	Control Valve Assembly (Swing)	
4	7012773	1	Seal Kit - Valve	
4	7018991	2	Coil	
4	7021375	2	Nut, Coil	
5	7024925	1	Control Valve Assembly (Lift)	
5	7012773	1	Seal Kit - Valve	
5	7018991	2	Coil	
5	7021375	2	Nut, Coil	
6	70001976	1	Control Valve Assembly (Tele)	
6	7012773	1	Seal Kit - Valve	
6	7018991	2	Coil	
6	7021375	2	Nut, Coil	
7	7026007	5	Cartridge, Relief Valve (Swing/Lift Up/Lift Down/Tele In/Tele Out)	
7	7024574	1	Seal Kit - Cartridge	
12	7026000	1	Cartridge, Check Valve	
12	7011311	1	Seal Kit - Cartridge	
13	7026001	1	Cartridge, Check Valve	
13	7011311	1	Seal Kit - Cartridge	
14	7026002	1	Cartridge, Shuttle Valve	
14	2900770	1	Seal Kit - Cartridge	
15	7024570	1	Cartridge, Solenoid Valve (Aux Lift Down Select)	
15	70001930	1	Seal Kit - Cartridge	
15	7024571	1	Coil	
16	7026003	1	Cartridge, Pilot Valve	
16	7026004	1	Seal Kit - Cartridge	
17	7026005	1	Cartridge, Solenoid Valve (Aux Lift Down)	
17	7026006	1	Seal Kit - Cartridge	
17	7024571	1	Coil	
18	7026008	1	Cartridge, Check Valve	
18	7011346	1	Seal Kit - Cartridge	
19	7018942	12	Capscrew #10 x 2	
20	7026016	1	Cartridge, Valve	
20	7011346	1	Seal Kit - Cartridge	
21	70002759	1	Plug with O-Ring (Valve p/n 4641222 Only)	
	4641267	Ref	Main Valve Assembly (Fitting Information)	B
101	2111216	1	Fitting, Straight	
102	2130606	1	Fitting, Elbow	
103	2110606	3	Fitting, Straight	
104	2110808	1	Fitting, Straight	
105	2170316	1	Fitting, Tee	

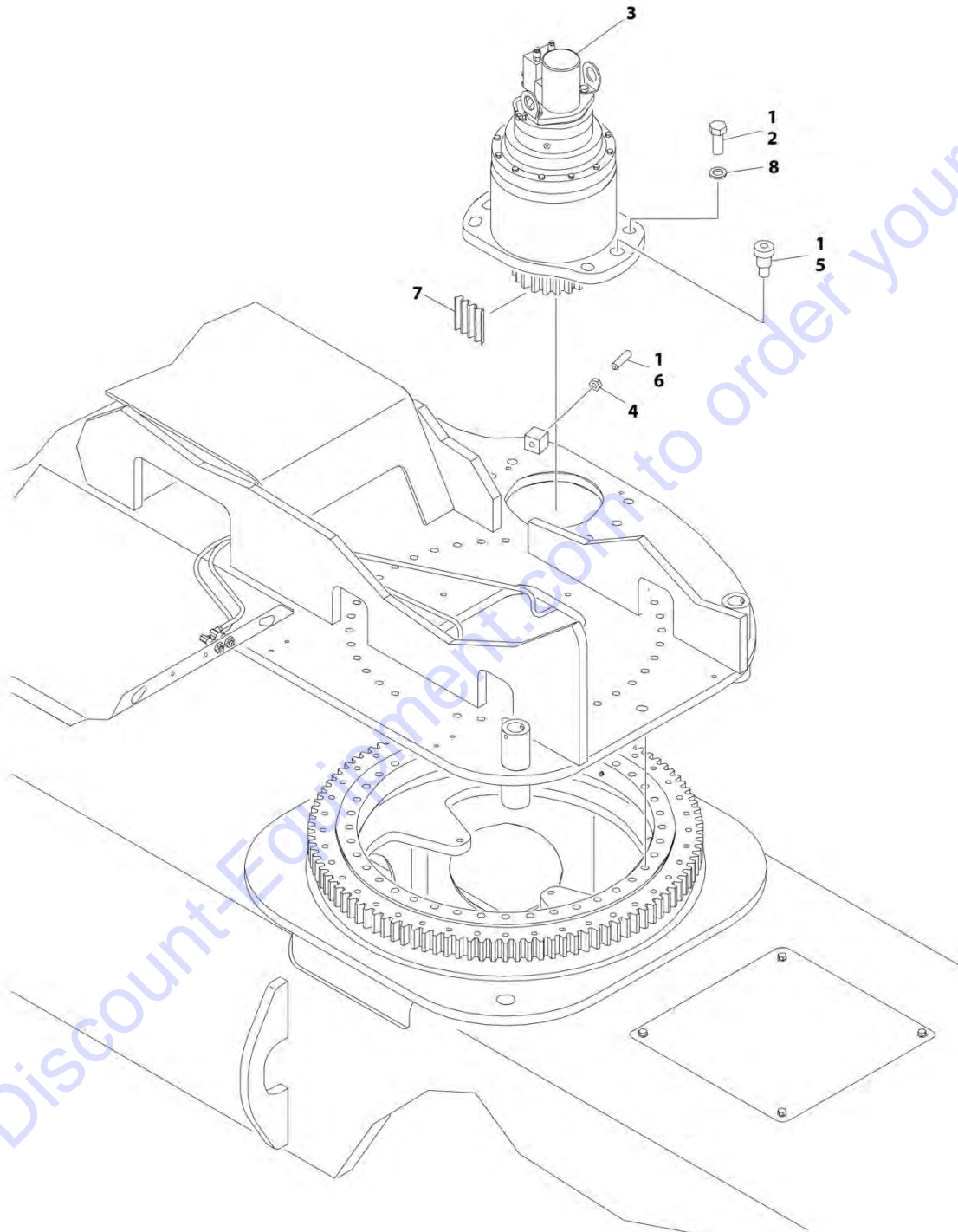
SECTION 2 - TURNTABLE

ITEM	PART NUMBER	QTY	DESCRIPTION	REV
106	2131012	1	Fitting, Elbow	
107	2110406	1	Fitting, Straight	
108	2110408	1	Fitting, Straight	
109	2110810	2	Fitting, Straight	
110	2111010	2	Fitting, Straight	
111	2110608	1	Fitting, Straight	
112	2220890	1	Plug	
113	70002760	1	Plug	
114	2221086	6	Check, Pressure	
115	70002758	2	Fitting, Plug	
116	70002759	1	Plug with O-Ring	

Go to Discount-Equipment.com to order your parts

SECTION 2 - TURNTABLE

FIGURE 2-7. SWING DRIVE INSTALLATION (SN 0300201016 through 0300254466, SN B300002238 through B300003825)



ART_0271596

SECTION 2 - TURNTABLE

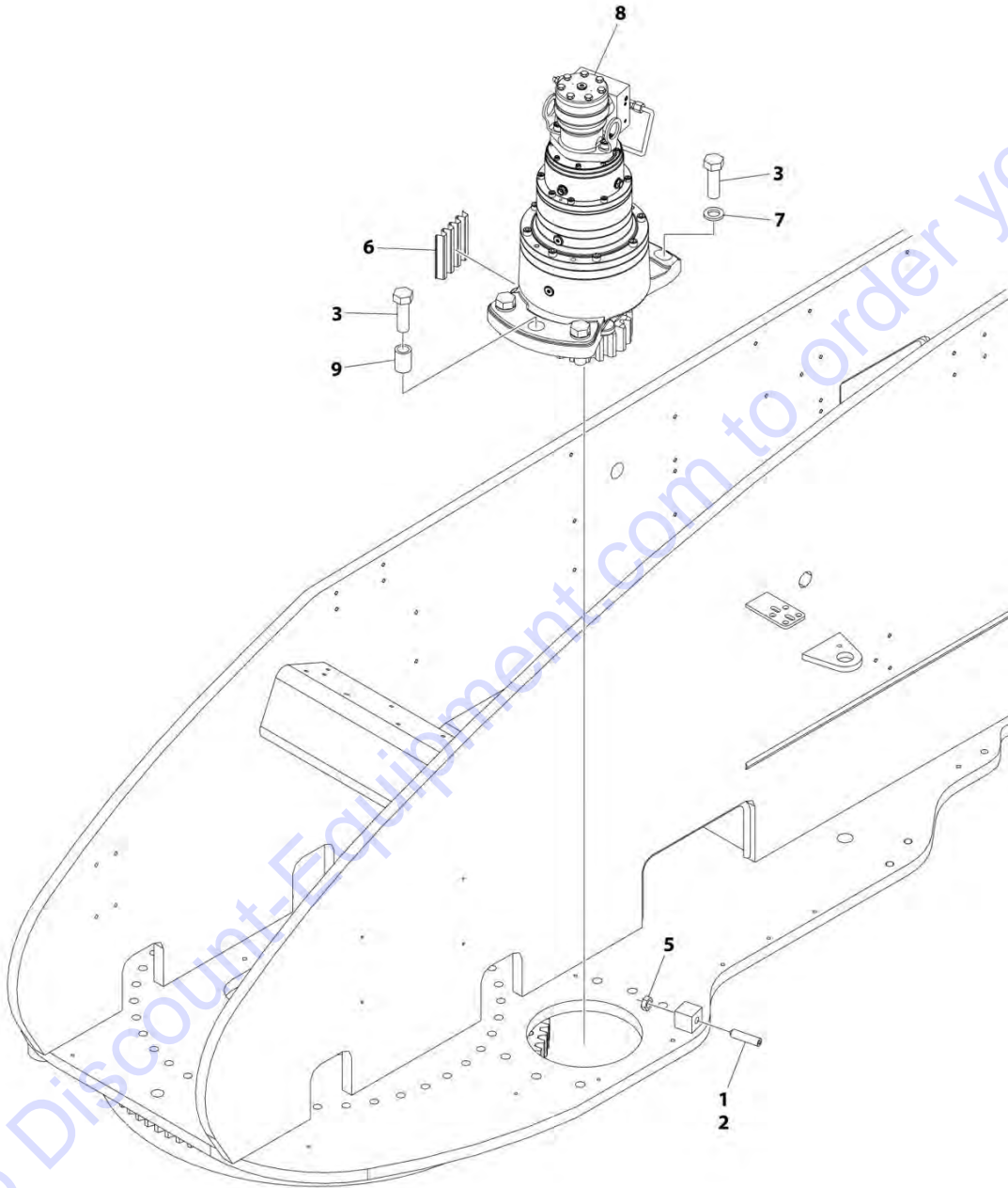
FIGURE 2-7. SWING DRIVE INSTALLATION (SN 0300201016 through 0300254466, SN B300002238 through B300003825)

ITEM	PART NUMBER	QTY	DESCRIPTION	REV
	0271596	Ref	SWING DRIVE INSTALLATION	E
1	0100019	AR	Compound, Locking	
2	0682418	5	Bolt 7/8 x 2-1/4 Grade 8	
3	1001134098	1	Swing Motor/Hub Assembly (See Separate Breakdown in this Section)	
4	3312002	1	Nut 5/8	
5	3900223	1	Screw, Shoulder	
6	3952020	1	Setscrew 5/8 x 2-1/2	
7	4071041	1	Shim	
8	4892400	5	Washer 7/8	

Go to Discount-Equipment.com to order your parts

SECTION 2 - TURNTABLE

FIGURE 2-8. SWING DRIVE INSTALLATION (SN 0300254467 to Present, SN B300003826 to Present)



ART_1001228617

SECTION 2 - TURNTABLE

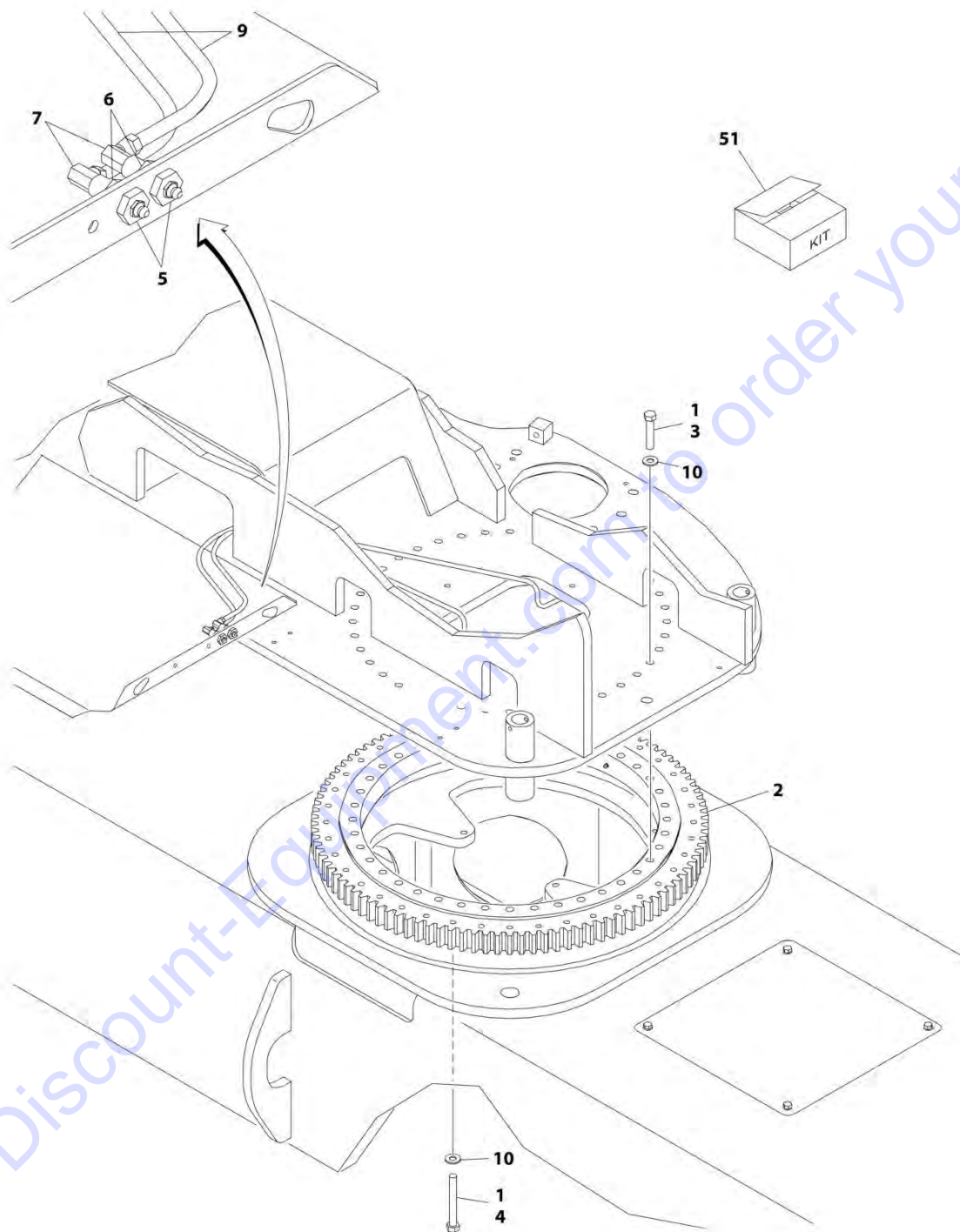
FIGURE 2-8. SWING DRIVE INSTALLATION (SN 0300254467 to Present, SN B300003826 to Present)

ITEM	PART NUMBER	QTY	DESCRIPTION	REV
	1001228617	Ref	SWING DRIVE INSTALLATION	D
1	0100019	AR	Compound, Locking	
2	3952020	1	Setscrew 5/8 x 2-1/2	
3	0682422	6	Bolt 7/8 x 2-3/4 Grade 8	
5	3312002	1	Nut 5/8	
6	4071041	1	Shim	
7	4892400	5	Washer 7/8	
8	1001228488	1	Swing Motor/Hub Assembly (See Separate Breakdown in this Section)	
9	1001229058	1	Sleeve	

Go to Discount-Equipment.com to order your parts

SECTION 2 - TURNTABLE

FIGURE 2-9. TURNTABLE BEARING AND LUBE INSTALLATION



ART_0271512

SECTION 2 - TURNTABLE

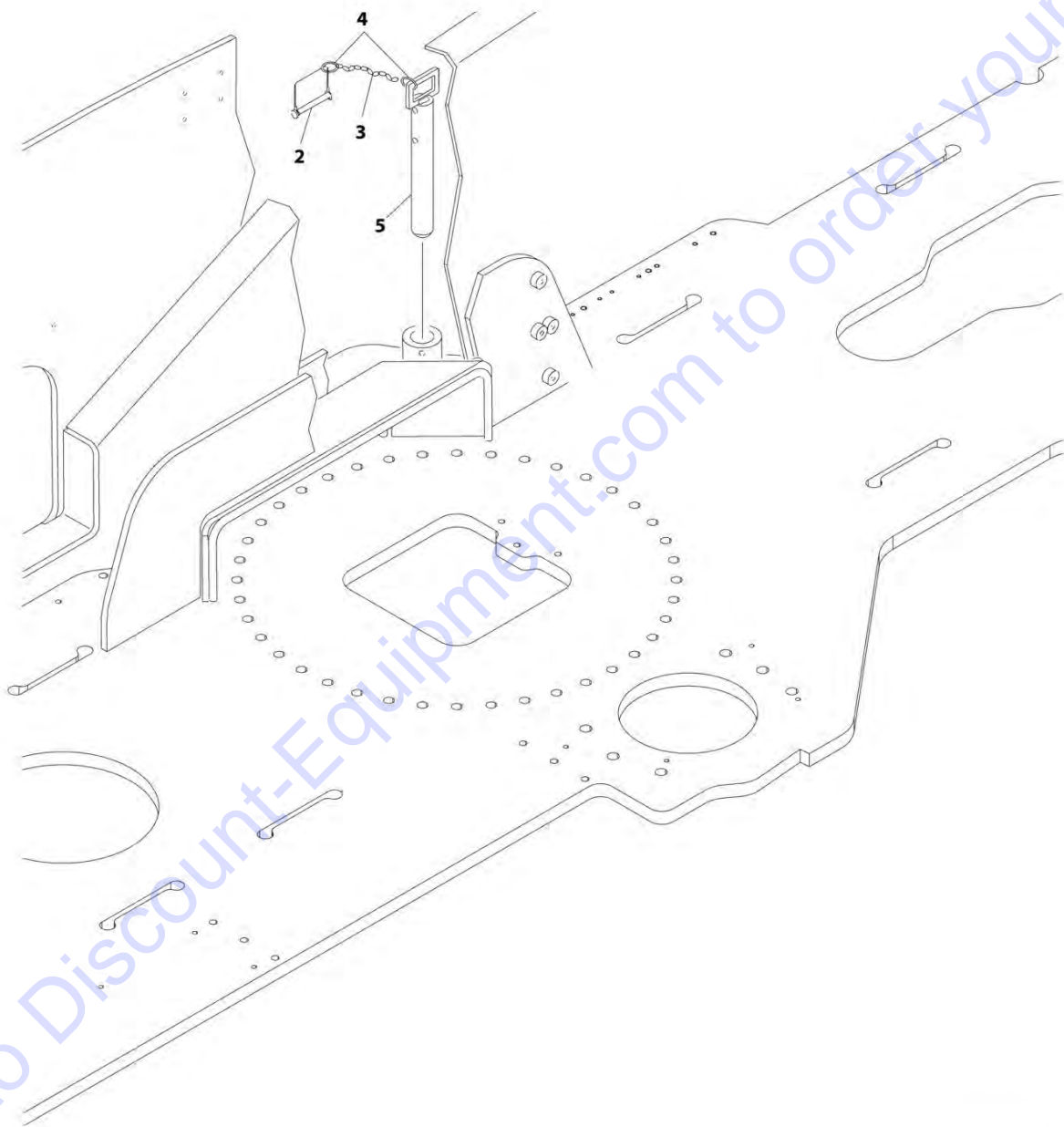
FIGURE 2-9. TURNTABLE BEARING AND LUBE INSTALLATION

ITEM	PART NUMBER	QTY	DESCRIPTION	REV
	0271512	Ref	TURNTABLE BEARING AND LUBE INSTALLATION	B
1	0100019	AR	Compound, Locking	
2	0440251	1	Bearing, Turntable	
3	0682026	40	Bolt 5/8 x 3-1/4 Grade 8	
4	0682040	40	Bolt 5/8 x 5 Grade 8	
5	2160002	2	Fitting, Grease	
6	2180344	2	Fitting, Bulkhead	
7	2220063	2	Fitting, Adapter	
9	2750528	2	Hose	
10	4892000	80	Washer 5/8	
51	2915072	1	Bearing Kit (Includes Items 2, 3, 4 & 10)	

Go to Discount-Equipment.com to order your parts

SECTION 2 - TURNTABLE

FIGURE 2-10. TURNTABLE LOCK INSTALLATION



ART_0239842

SECTION 2 - TURNTABLE

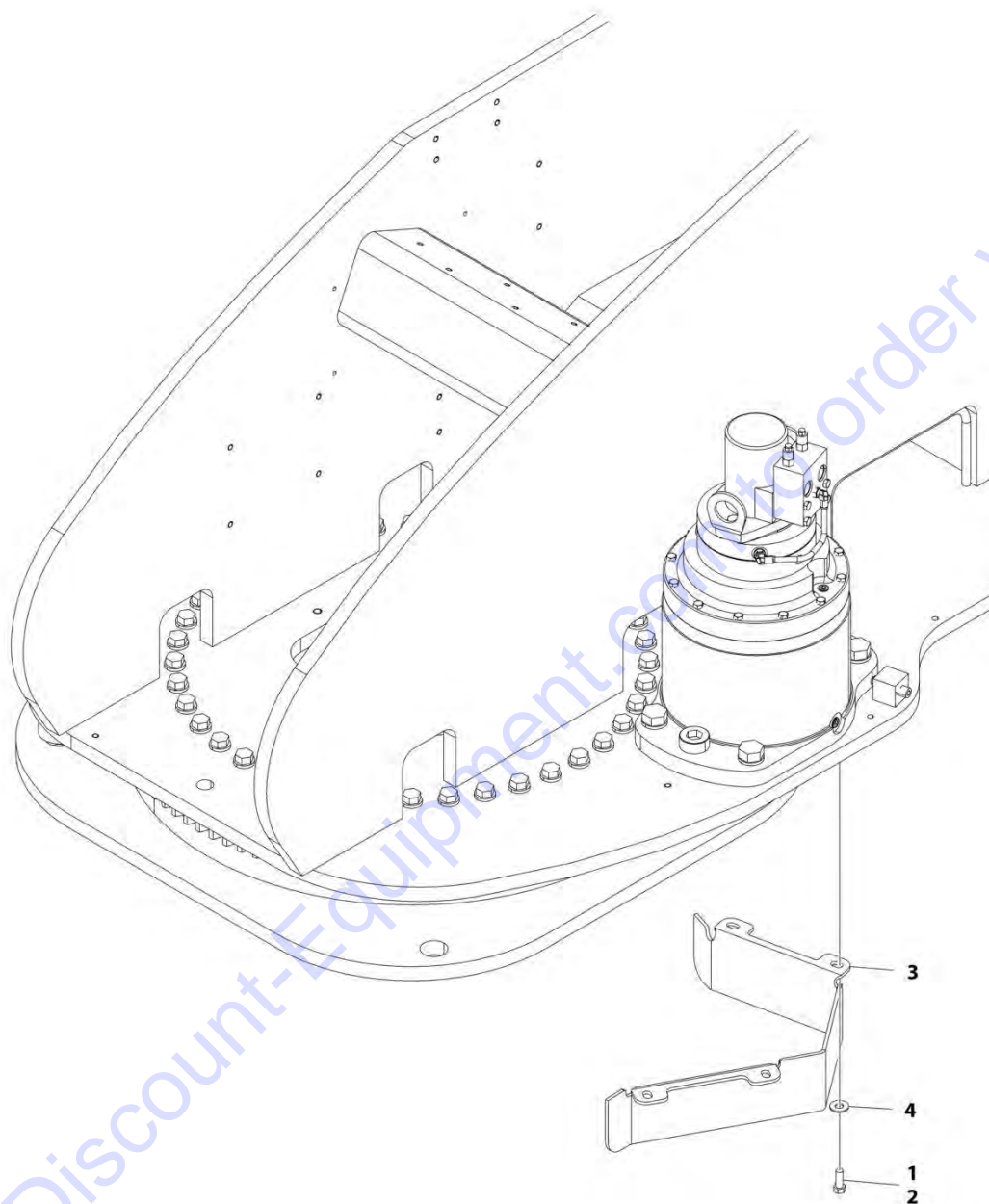
FIGURE 2-10. TURNTABLE LOCK INSTALLATION

ITEM	PART NUMBER	QTY	DESCRIPTION	REV
	0239842	Ref	TURNTABLE LOCK INSTALLATION	B
2	3421565	1	Pin, Snap	
3	1260017	9 in/23cm	Chain - #3	
4	3760170	2	Ring, Quick Release	
5	3421563	1	Pin, Turntable Lock	

Go to Discount-Equipment.com to order your parts

SECTION 2 - TURNTABLE

FIGURE 2-11. PINION SHIELD INSTALLATION



ART_0271874

SECTION 2 - TURNTABLE

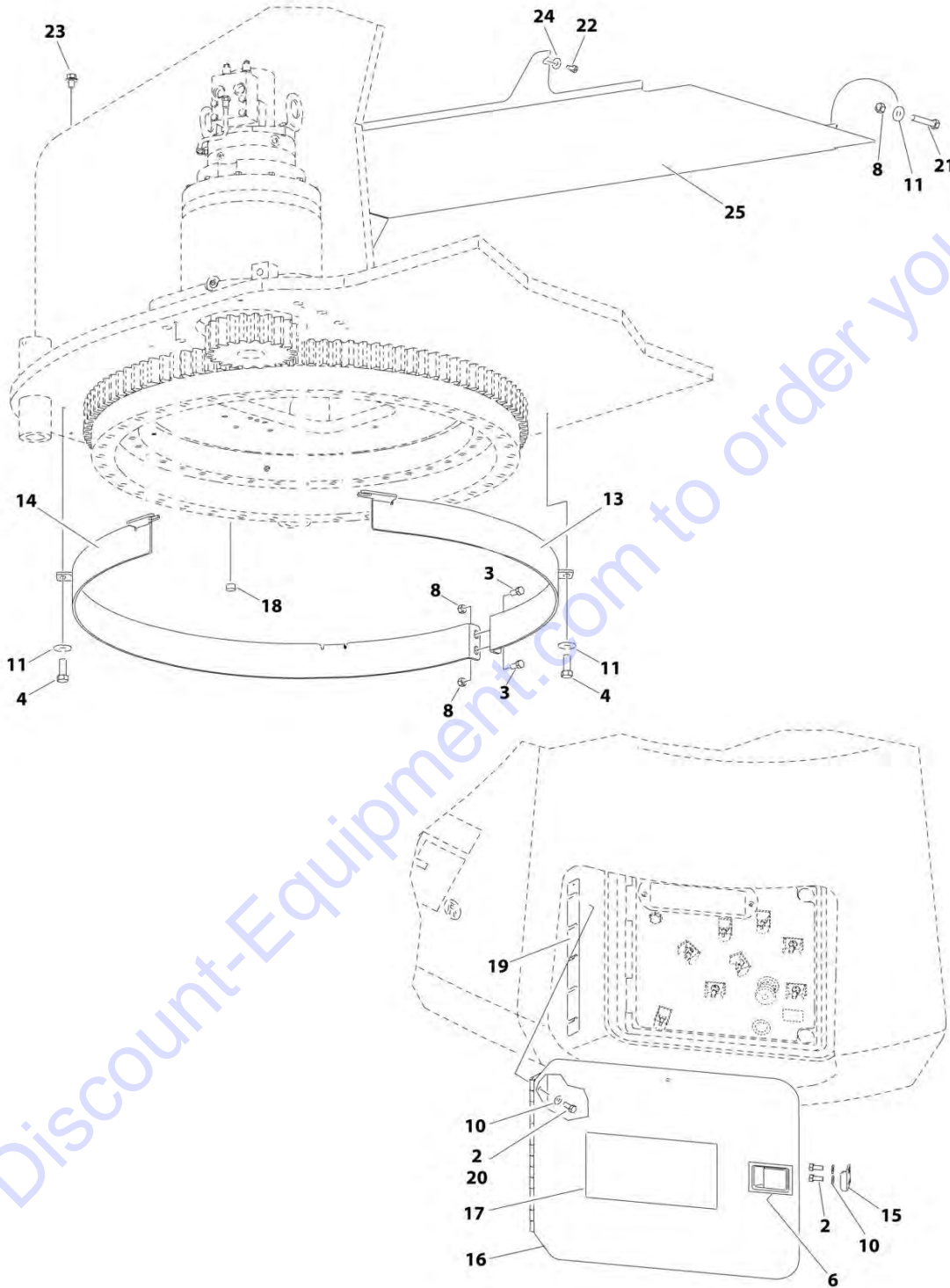
FIGURE 2-11. PINION SHIELD INSTALLATION

ITEM	PART NUMBER	QTY	DESCRIPTION	REV
	0271874	Ref	PINION SHIELD INSTALLATION	A
1	0100011	AR	Compound, Locking	
2	0641608	4	Bolt 3/8 x 1	
3	3573355	1	Plate, Pinion	
4	4751600	4	Washer 3/8	

Go to Discount-Equipment.com to order your parts

SECTION 2 - TURNTABLE

FIGURE 2-12. EXTREME HOSTILE PACKAGE INSTALLATION (OPTIONAL)



ART_1001111219

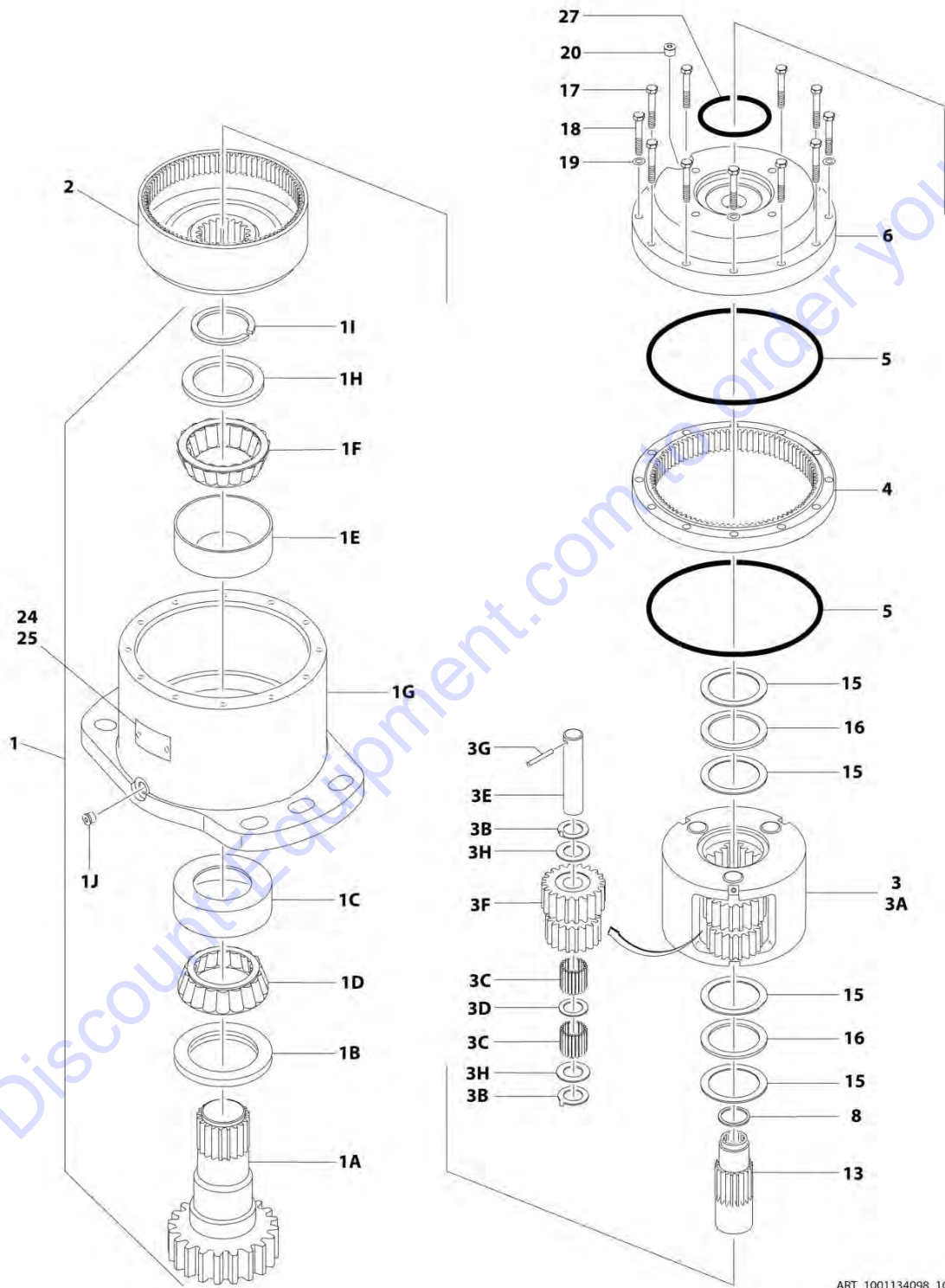
SECTION 2 - TURNTABLE

FIGURE 2-12. EXTREME HOSTILE PACKAGE INSTALLATION (OPTIONAL)

ITEM	PART NUMBER	QTY	DESCRIPTION	REV
	1001111219	Ref	EXTREME HOSTILE PACKAGE INSTALLATION (OPTIONAL)	G
2	0641506	5	Bolt 5/16 x 3/4	
3	0641606	2	Bolt 3/8 x 3/4	
4	0641608	3	Bolt 3/8 x 1	
6	2940045	1	Latch, Paddle	
8	3311605	AR	Nut 3/8	
10	4711500	7	Washer 5/16	
11	4751600	AR	Washer 3/8	
12	1001110940	1	Filter, Hydraulic Tank (Not Shown)	
13	1001111175	1	Plate, Bearing Cover	
14	1001111176	1	Plate, Bearing Cover	
15	1001112911	1	Plate, Striker	
16	1001111193	1	Door	
17	1001113173	1	Decal - Emergency Stop	
18	1001114392	1	Plug, Rubber	
19	1001115168	1	Shim	
20	0100011	AR	Compound, Locking	
21	0630511	1	Bolt 3/8 x 2	
22	0641404	1	Bolt 1/4 x 1/2	
23	0791604	2	Bolt 3/8 x 1/2	
24	4751400	1	Washer 1/4	
25	1001115440	1	Shield, Turntable	

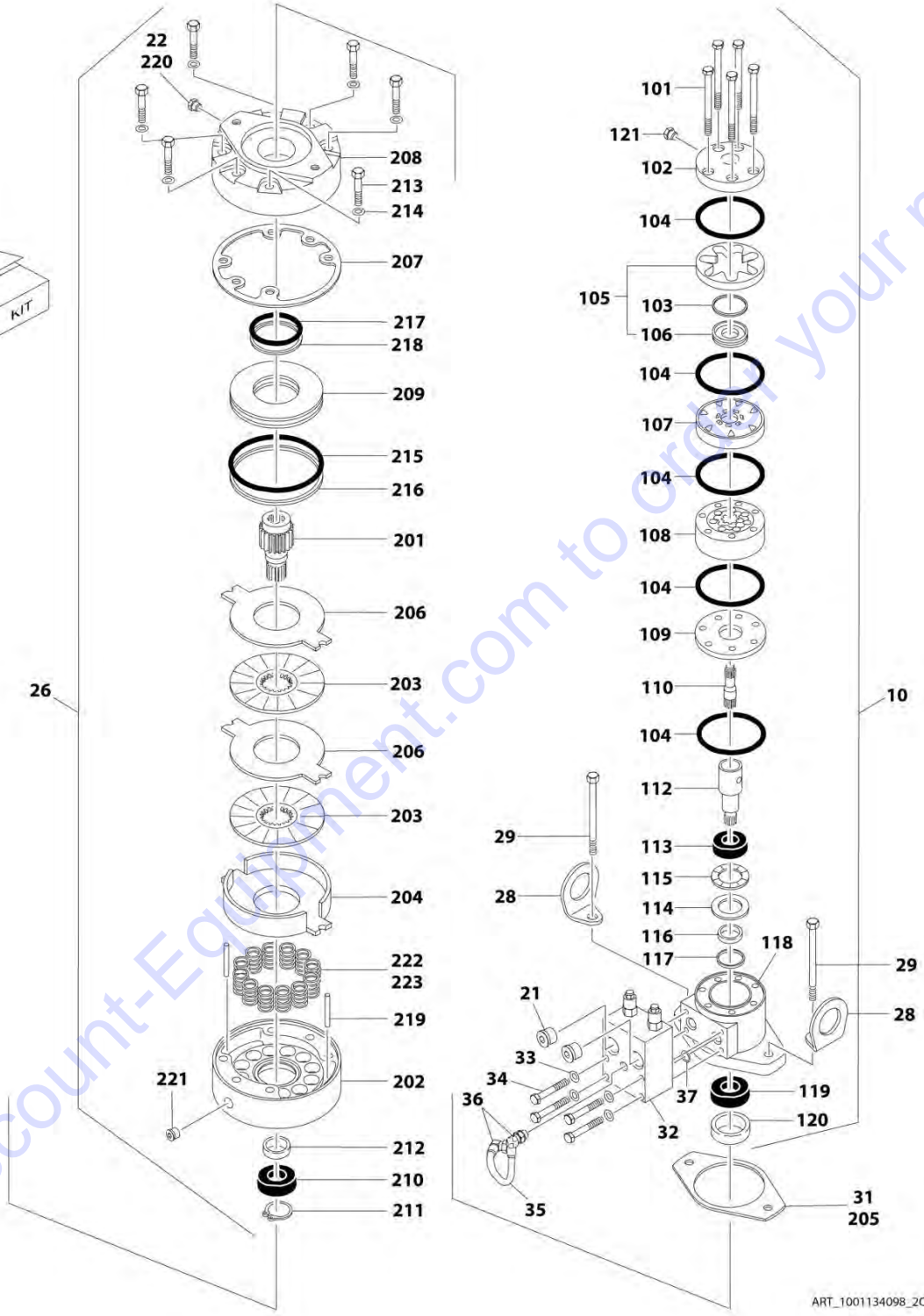
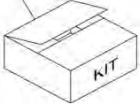
SECTION 2 - TURNTABLE

FIGURE 2-13. SWING MOTOR/HUB ASSEMBLY (SN 0300201016 through 0300254466, SN B300002238 through B300003825)



SECTION 2 - TURNTABLE

- 151
- 251
- 253
- 254
- 255



ART_1001134098_2OF2

PARTS FINDER

**Search Website
by Part Number**



**Search Manual
Library For Parts
Manual & Lookup Part
Numbers – Purchase
or Request Quote**

**Can't Find Part or
Manual? Request Help
by Manufacturer,
Model & Description**

Discount-Equipment.com is your online resource for quality parts & equipment.

Florida: **561-964-4949** Outside Florida TOLL FREE: **877-690-3101**

Need parts?

Click on this link: <http://www.discount-equipment.com/category/5443-parts/> and choose one of the options to help get the right parts and equipment you are looking for. Please have the machine model and serial number available in order to help us get you the correct parts. If you don't find the part on the website or on one of the online manuals, please fill out the request form and one of our experienced staff members will get back to you with a quote for the right part that your machine needs.

We sell worldwide for the brands: Genie, Terex, JLG, MultiQuip, Mikasa, Essick, Whiteman, Mayco, Toro Stone, Diamond Products, Generac Magnum, Airman, Haulotte, Barreto, Power Blanket, Nifty Lift, Atlas Copco, Chicago Pneumatic, Allmand, Miller Curber, Skyjack, Lull, Skytrak, Tsurumi, Husquvarna Target, Stow, Wacker, Sakai, Mi-T-M, Sullair, Basic, Dynapac, MBW, Weber, Bartell, Bennar Newman, Haulotte, Ditch Runner, Menegotti, Morrison, Contec, Buddy, Crown, Edco, Wyco, Bomag, Laymor, EZ Trench, Bil-Jax, F.S. Curtis, Gehl Pavers, Heli, Honda, ICS/PowerGrit, IHI, Partner, Imer, Clipper, MMD, Koshin, Rice, CH&E, General Equipment, Amida, Coleman, NAC, Gradall, Square Shooter, Kent, Stanley, Tamco, Toku, Hatz, Kohler, Robin, Wisconsin, Northrock, Oztec, Toker TK, Rol-Air, APT, Wylie, Ingersoll Rand / Doosan, Innovatech, Con X, Ammann, Mecalac, Makinex, Smith Surface Prep, Small Line, Wanco, Yanmar

SECTION 2 - TURNTABLE

FIGURE 2-13. SWING MOTOR/HUB ASSEMBLY (SN 0300201016 through 0300254466, SN B300002238 through B300003825)

ITEM	PART NUMBER	QTY	DESCRIPTION	REV
	1001134098	Ref	SWING MOTOR/HUB ASSEMBLY	D
1	See Note	1	Housing/Shaft Assembly (Note: Not Available - Purchase Complete Swing Motor/Hub Assembly)	
1A	7024183	1	Shaft, Output	
1B	7000236	1	Seal, Lip	
1C	1001091460	1	Cup, Bearing	
1D	1001091460	1	Cone, Bearing	
1E	1001091461	1	Cup, Bearing	
1F	1001091461	1	Cone, Bearing	
1G	7024184	1	Housing	
1H	7000239	1	Thrustwasher	
1I	7000240	1	Ring, Retaining	
1J	7017072	1	Plug, Pipe	
2	7001917	1	Gear, Internal	
3	7001918	1	Carrier Assembly	
3A	7001900	1	Carrier	
3B	7007645	6	Washer, Tanged	
3C	7001902	84	Bearing, Needle	
3D	7007646	3	Thrustwasher	
3E	7001904	3	Shaft, Planet	
3F	7001927	3	Gear, Cluster	
3G	7001906	3	Rollpin	
3H	7007648	6	Washer	
4	7010467	1	Gear, Ring	
5	7000224	2	O-Ring	
6	7001920	1	Cover, Input	
8	7001922	1	Thrustwasher	
10	7024188	1	Motor Assembly (See Items 101-121 for Breakdown)	
13	7001921	1	Gear, Sun	
15	7000287	4	Washer, Thrust	
16	7000288	2	Bearing, Thrust	
17	7001923	8	Bolt 3/8 x 3 Grade 8	
18	7001924	4	Bolt 3/8 x 2-3/4 Grade 8	
19	7001929	4	Washer, Lock (Used with Item 18 Only)	
20	7001928	1	Plug, Pipe	
21	7001926	2	Plug, Pipe	
22	7017082	1	Plug, Pipe	
24	See Note	1	Plate, ID (Note: Not Available For Purchase)	
25	7000281	2	Screw, Drive	
26	70003524	1	Brake Assembly (See Items 201-223 for Breakdown)	
27	7024763	1	O-Ring	
28	See Note	2	Lug, Lifting (Note: Not Available For Purchase)	
29	7024185	2	Bolt 1/2 x 5 Grade 8	
31	7000731	1	Gasket	
32	70003523	1	Valve	
32	70003629	2	Cartridge	
32	2900770	2	Seal Kit - 70003629 Cartridge (1 Per Cartridge)	
33	See Note	4	Washer, Lock (Note: Not Available For Purchase)	
34	7024135	4	Bolt 5/16 x 2-1/2 Grade 8	

SECTION 2 - TURNTABLE

ITEM	PART NUMBER	QTY	DESCRIPTION	REV
35	7024186	1	Tube	
36	7017085	2	Elbow	
37	7000213	2	O-Ring	
	7024188	Ref	MOTOR ASSEMBLY	
101	7024391	5	Bolt	
102	7004035	1	Cover, End	
103	7024389	1	Seal, Commutator	
104	7024389	5	Seal, Ring	
105	7024453	1	Commutator and Ring Assembly	
106	7004453	1	Ring	
107	7024379	1	Manifold	
108	7024392	1	Rotor Set	
109	7024380	1	Plate, Wear	
110	7024393	1	Link, Drive	
112	7024395	1	Shaft, Coupling	
113	7024381	1	Bushing, Bronze	
114	7004043	1	Thrustwasher	
115	7004044	1	Bearing, Thrust	
116	7024389	1	Seal, Inner	
117	7024389	1	Washer, Back-up	
118	7024394	1	Housing	
119	7024390	1	Bearing	
120	7024389	1	Seal	
121	7010795	1	Plug, O-Ring	
151	7024389	1	Seal Kit - 7024188 Motor (Includes Items 103, 104, 116, 117 & 120)	
	70003524	Ref	BRAKE ASSEMBLY	
201	7024189	1	Shaft	
202	7024182	1	Housing (Note: Not Available For Purchase)	
203	7024193	2	Plate, Friction	
204	7024193	1	Plate, Pressure	
205	7000731	1	Gasket	
206	7024193	2	Plate, Outer	
207	See Note	1	Gasket (Note: Use Item 251, 254 or 255)	
208	7024191	1	Cylinder	
209	7024192	1	Piston	
210	7024197	1	Bearing, Ball	
211	7024197	1	Ring, Retaining	
212	7024197	1	Seal, Shaft	
213	See Note	6	Capscrew (Note: Not Available For Purchase)	
214	See Note	6	Washer, Lock (Note: Not Available For Purchase)	
215	7024194	1	O-Ring	
216	7024194	1	Ring, Back-up	
217	7024194	1	O-Ring	
218	7024194	1	Ring, Back-up	
219	7024190	2	Pin, Dowel	
220	See Note	1	Plug (Note: Not Available For Purchase)	
221	See Note	1	Plug (Note: Not Available For Purchase)	
222	7024196	AR	Spring (Natural)	
223	7024196	AR	Spring, (Blue)	
251	7024194	1	Seal Kit - Brake (Includes Items 205, 207 & 215-218)	
253	7024196	1	Spring Kit - Brake (Includes 12 Natural & 2 Blue Colored Springs)	

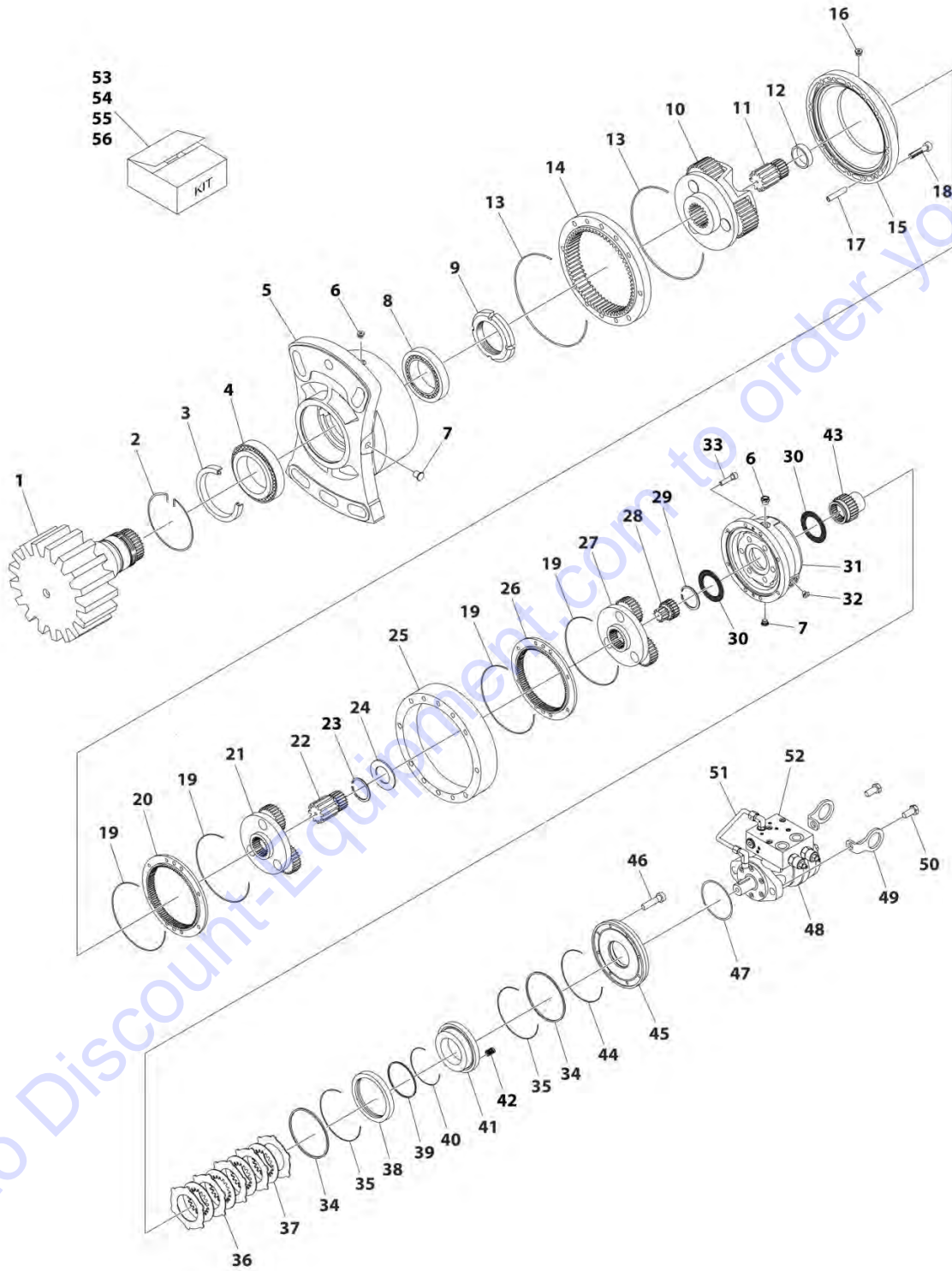
SECTION 2 - TURNTABLE

ITEM	PART NUMBER	QTY	DESCRIPTION	REV
254	7024193	1	Friction Disc Kit - Brake (Includes Items 203, 204, 206 & 207)	
255	7024197	1	Bearing Kit - Brake (Includes Items 207 & 210-212)	

Go to Discount-Equipment.com to order your parts

SECTION 2 - TURNTABLE

FIGURE 2-14. SWING MOTOR/HUB ASSEMBLY (SN 0300254467 to Present, SN B300003826 to Present)



ART_1001228488

SECTION 2 - TURNTABLE

FIGURE 2-14. SWING MOTOR/HUB ASSEMBLY (SN 0300254467 to Present, SN B300003826 to Present)

ITEM	PART NUMBER	QTY	DESCRIPTION	REV
	1001228488	Ref	SWING MOTOR/HUB ASSEMBLY	B
1	See Note	NSS	Shaft (Note: Use Item 56)	
2	70004467	1	Ring	
3	See Note	NSS	Seal, Oil (Note: Use Item 53)	
4	See Note	NSS	Bearing (Note: Use Item 55)	
5	See Note	NSS	Support, Output (Note: Not Available for Purchase)	
6	70002057	5	Plug with O-Ring	
7	70004469	2	Plug with O-Ring	
8	See Note	NSS	Bearing (Note: Use Item 55)	
9	See Note	NSS	Nut, Ring (Note: Use Item 56)	
10	70006986	1	Reduction, Gear - Complete	
11	70006987	1	Pinion	
12	70004477	1	Spacer	
13	See Note	NSS	O-Ring (Note: Use Item 53)	
14	70004474	1	Ring, Planetary	
15	70006988	1	Spacer	
16	70002057	2	Plug with O-Ring	
17	70006989	4	Pin, Spring	
18	70004480	8	Capscrew M10 x 55	
19	See Note	NSS	O-Ring (Note: Use Item 53)	
20	70006990	1	Ring, Planetary	
21	70006991	1	Reduction, Gear - Complete	
22	70006992	1	Pinion	
23	70002032	1	Ring	
24	70006993	1	Spacer	
25	70006994	1	Spacer	
26	70004481	1	Ring, Planetary	
27	70006995	1	Reduction, Gear - Complete	
28	70006996	1	Pinion	
29	70006997	1	Ring	
30	70006998	2	Washer	
31	See Note	NSS	Housing, Brake (Note: Not Available for Purchase)	
32	70006999	1	Plug	
33	70007000	8	Capscrew M8 x 90	
34	See Note	NSS	Seal (Note: Use Item 53 or 54)	
35	See Note	NSS	O-Ring (Note: Use Item 53 or 54)	
36	See Note	NSS	Disc, Steel (Note: Use Item 54)	
37	See Note	NSS	Disc (Note: Use Item 54)	
38	70005317	1	Spacer	
39	See Note	NSS	Seal (Note: Use Item 53 or 54)	
40	See Note	NSS	O-Ring (Note: Use Item 53 or 54)	
41	70005318	1	Piston, Brake	
42	See Note	NSS	Spring, Brake (Note: Use Item 54)	
43	70007001	1	Shaft, Input	
44	See Note	NSS	O-Ring (Note: Use Item 53 or 54)	
45	70007002	1	Cover	
46	70007003	8	Screw M6 x 25	
47	See Note	NSS	O-Ring (Note: Use Item 53)	
48	70007009	1	Motor	

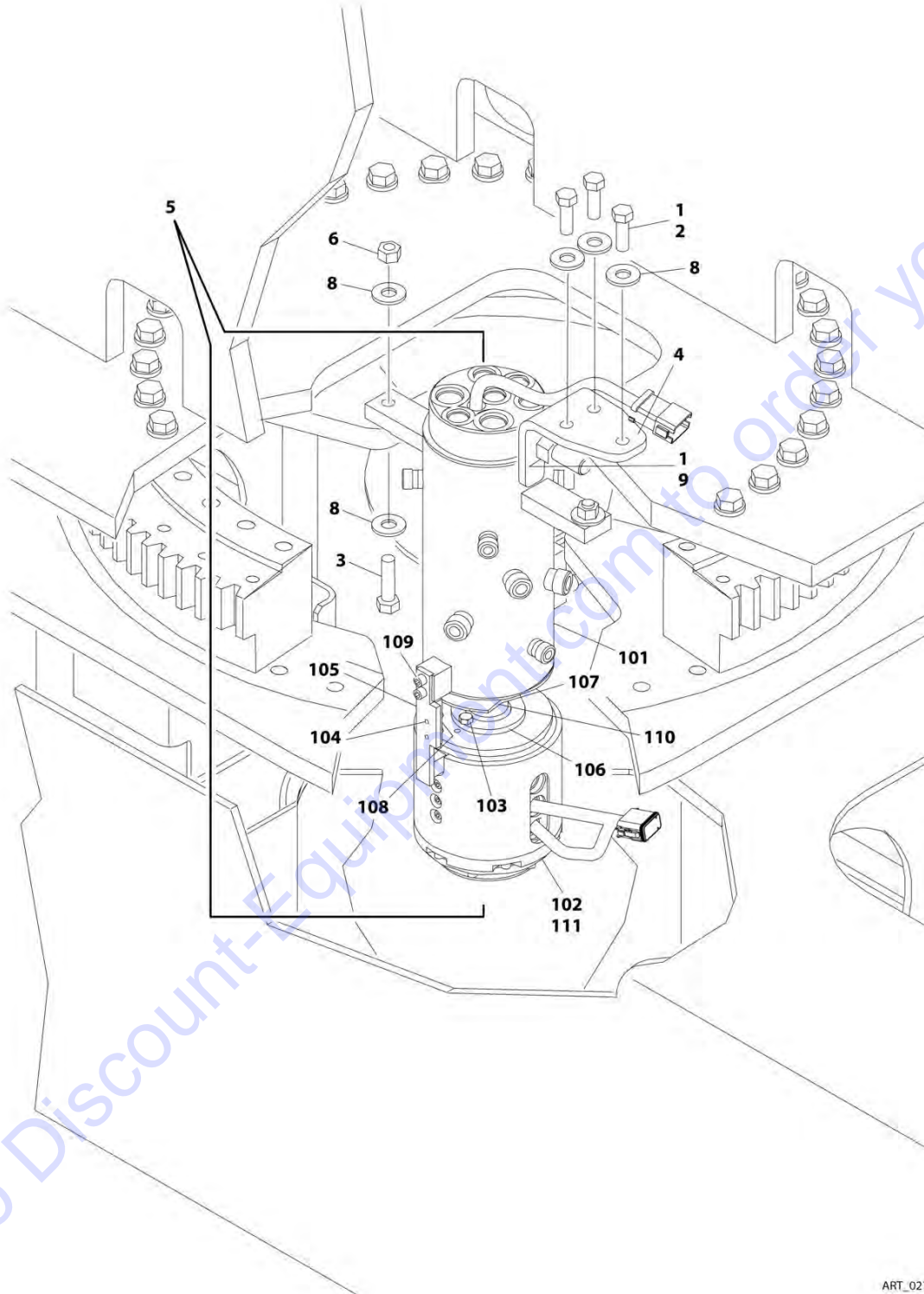
SECTION 2 - TURNTABLE

ITEM	PART NUMBER	QTY	DESCRIPTION	REV
48	70007011	1	Seal Kit	
49	See Note	NSS	Lug, Lifting (Note: Not Available for Purchase)	
50	70004494	2	Capscrew M12 x 35	
51	70007004	1	Brake, Valve Adapter	
52	70007010	1	Valve	
52	70007012	1	Seal Kit	
52	70007013	1	Hardware Kit	
53	70007005	1	Seal Kit – Brake and Hub (Includes Items 3, 13, 19, 34, 35, 39, 40, 44 & 47)	
54	70007006	1	Seal Kit – Brake (Includes Items 34-37, 39, 40, 42 & 44)	
55	70007007	1	Bearing Kit (Includes Items 4 & 8)	
56	70007008	1	Output Shaft Kit (Includes Items 1 & 9)	

Go to Discount-Equipment.com to order your parts

SECTION 2 - TURNTABLE

FIGURE 2-15. ROTARY COUPLING AND COLLECTOR RING INSTALLATION



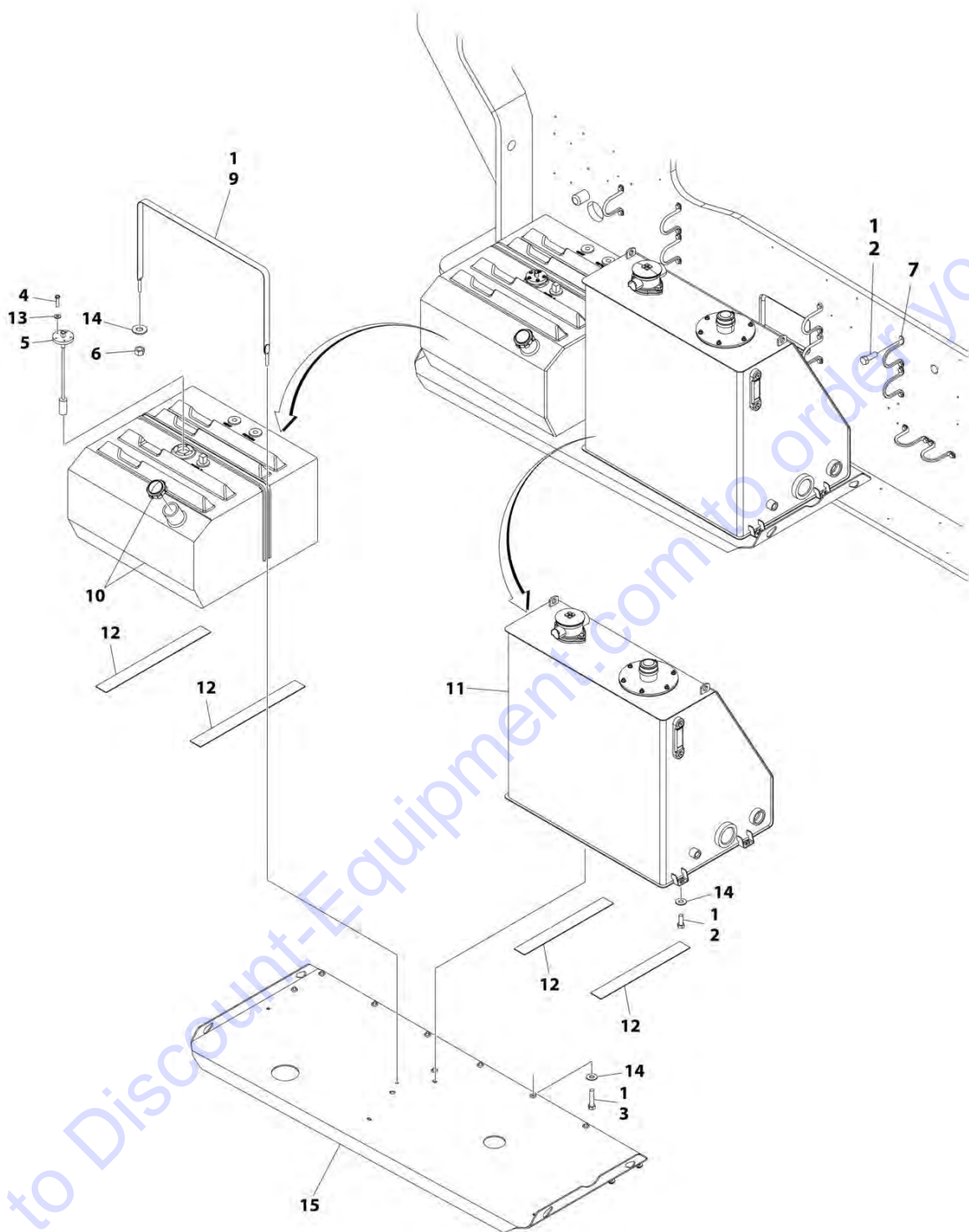
SECTION 2 - TURNTABLE

FIGURE 2-15. ROTARY COUPLING AND COLLECTOR RING INSTALLATION

ITEM	PART NUMBER	QTY	DESCRIPTION	REV
	0271688	Ref	ROTARY COUPLING AND COLLECTOR RING INSTALLATION	E
1	0100011	AR	Compound, Locking	
2	0641812	3	Bolt 1/2 x 1-1/2	
3	0641820	2	Bolt 1/2 x 2-1/2	
4	0902790	1	Bracket, Swivel (SN 0300201016 through 0300227054)	
4	0902915	1	Bracket, Swivel (SN 0300227055 to Present, SN B300002238 to Present)	
5	1660302	1	Rotary Coupling and Collector Ring Assembly (See Items 101-111 for Breakdown)	
6	3311805	2	Nut 1/2	
8	4751800	7	Washer 1/2	
9	3322201	2	Nut 3/4	
	1660302	Ref	ROTARY COUPLING AND COLLECTOR RING ASSEMBLY	C
101	70001102	1	Coupling, Rotary	
101	See Note	1	Bearing (Note: Not Available For Purchase)	
101	70001101	1	Seal Kit - Coupling	
102	7026029	1	Contactora, Rotary Circuit (Does not include connector or pins)	
103	0641506	4	Bolt 5/16 x 3/4	
104	3931512	2	Capscrew 5/16 x 3/4	
105	70000780	1	Arm, Torque	
106	80334251	1	Adapter	
107	7026030	1	Plate, Cam	
108	7026031	1	Sensor, Proximity	
109	3931008	2	Capscrew #10 x 1/2	
110	7026032	1	Pin, Dowel	
111	0100048	AR	Grease, Silicone (Apply to Contactora Connector)	

SECTION 2 - TURNTABLE

FIGURE 2-16. TANK INSTALLATION - WITH ABS HOODS



ART_0271572

SECTION 2 - TURNTABLE

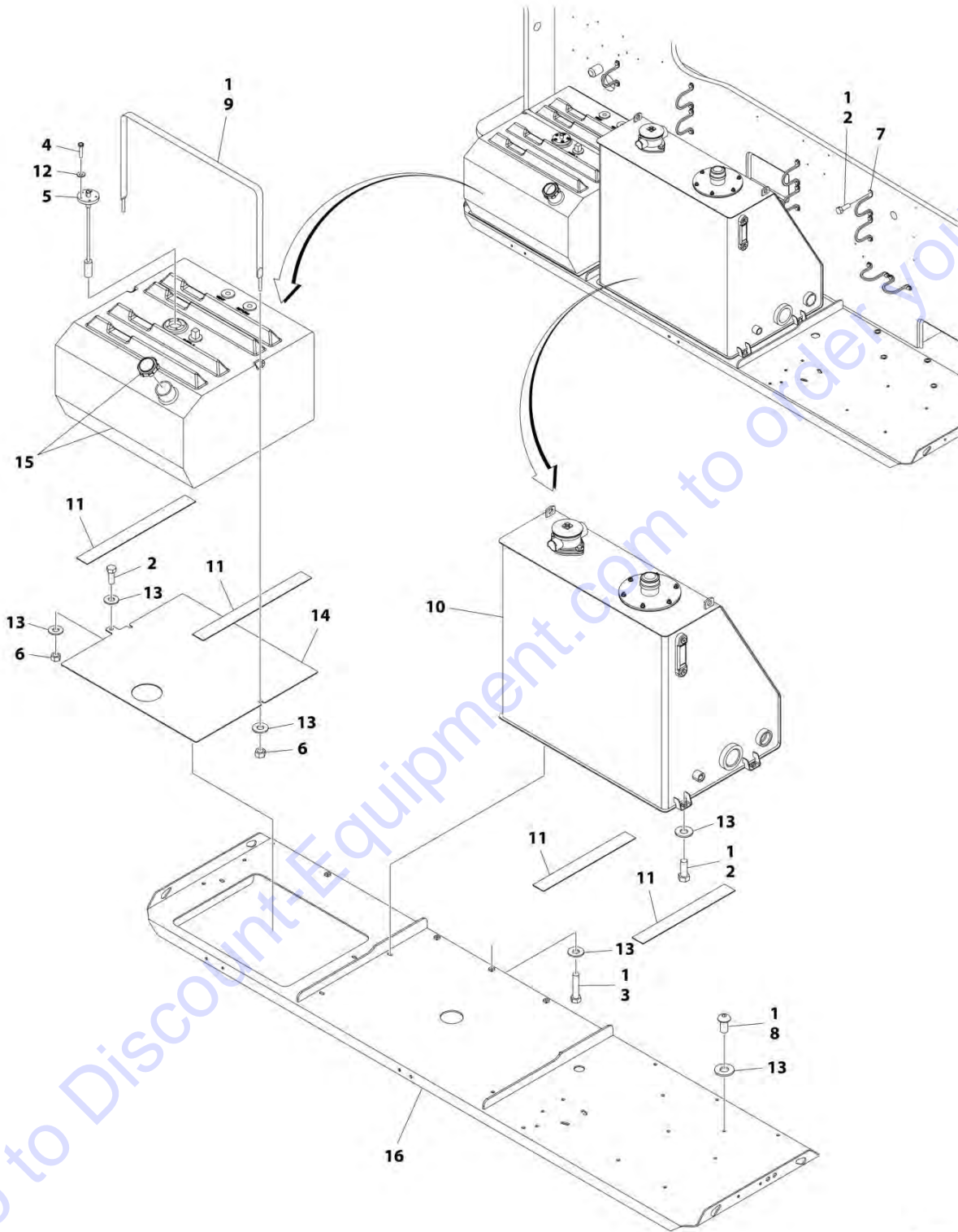
FIGURE 2-16. TANK INSTALLATION - WITH ABS HOODS

ITEM	PART NUMBER	QTY	DESCRIPTION	REV
	0271572	Ref	TANKS INSTALLATION - WITH ABS HOODS	C
1	0100011	AR	Compound, Locking	
2	0641608	22	Bolt 3/8 x 1	
3	0641614	10	Bolt 3/8 x 1-3/4	
4	0731007	5	Screw, Machine #10 x 7/8	
5	2420191	1	Gauge, Fuel	
6	3311601	2	Nut 3/8	
7	3841340	9	Loop, Hose	
9	4240139	1	Strap, Tank	
10	1001160567	1	Tank, Fuel	
10	70004414	1	Cap	
10	7020043	1	Tube, Pick up	
11	4400457	1	Tank, Hydraulic Oil (See Separate Breakdown in this Section)	
12	4420038	74 in /1.9m	Tape	
13	4751000	5	Washer #10	
14	4751600	16	Washer 3/8	
15	4846476	1	Tray	

Go to Discount-Equipment.com to order your parts

SECTION 2 - TURNTABLE

FIGURE 2-17. TANK INSTALLATION - WITH STEEL HOODS



ART_1001173915

SECTION 2 - TURNTABLE

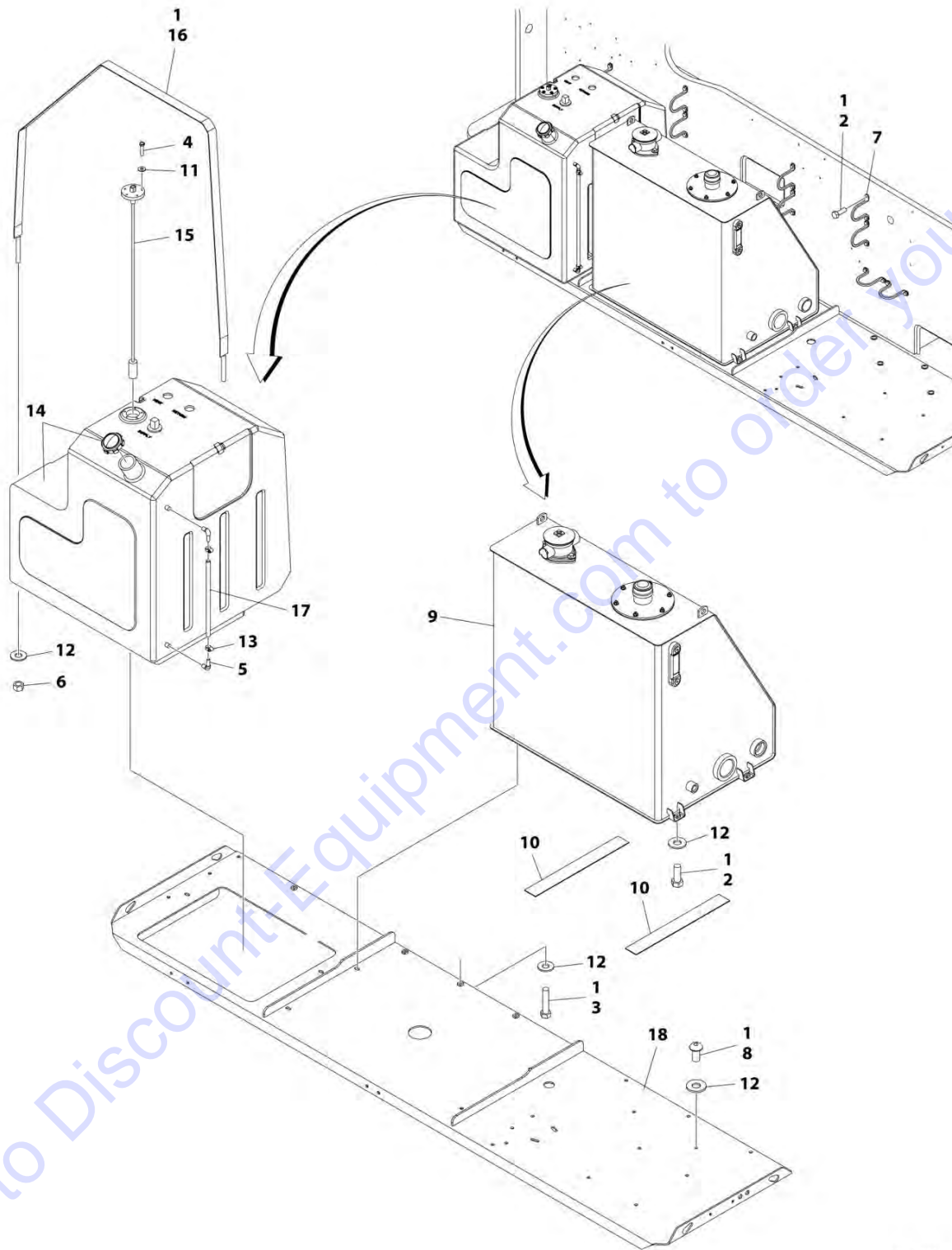
FIGURE 2-17. TANK INSTALLATION - WITH STEEL HOODS

ITEM	PART NUMBER	QTY	DESCRIPTION	REV
	1001173915	Ref	TANKS INSTALLATION - WITH STEEL HOODS	C
1	0100011	AR	Compound, Locking	
2	0641608	23	Bolt 3/8 x 1	
3	0641614	10	Bolt 3/8 x 1-3/4	
4	0731007	5	Screw, Machine #10 x 7/8	
5	2420191	1	Gauge, Fuel	
6	3311601	3	Nut 3/8	
7	3841340	9	Loop, Hose	
8	3900283	6	Screw 3/8 x 3/4	
9	4240139	1	Strap, Tank	
10	4400457	1	Tank, Hydraulic Oil (See Separate Breakdown in this Section)	
11	4420038	74 in /1.9m	Tape	
12	4751000	5	Washer #10	
13	4751600	24	Washer 3/8	
14	1001107359	1	Plate, Support	
15	1001160567	1	Tank, Fuel	
15	70004414	1	Cap	
15	7020043	1	Tube, Pick up	
16	1001173171	1	Tray	

Go to Discount-Equipment.com to order your parts

SECTION 2 - TURNTABLE

FIGURE 2-18. TANK INSTALLATION - WITH STEEL HOODS AND 52.8 GAL/200 L FUEL TANK



ART_1001173918

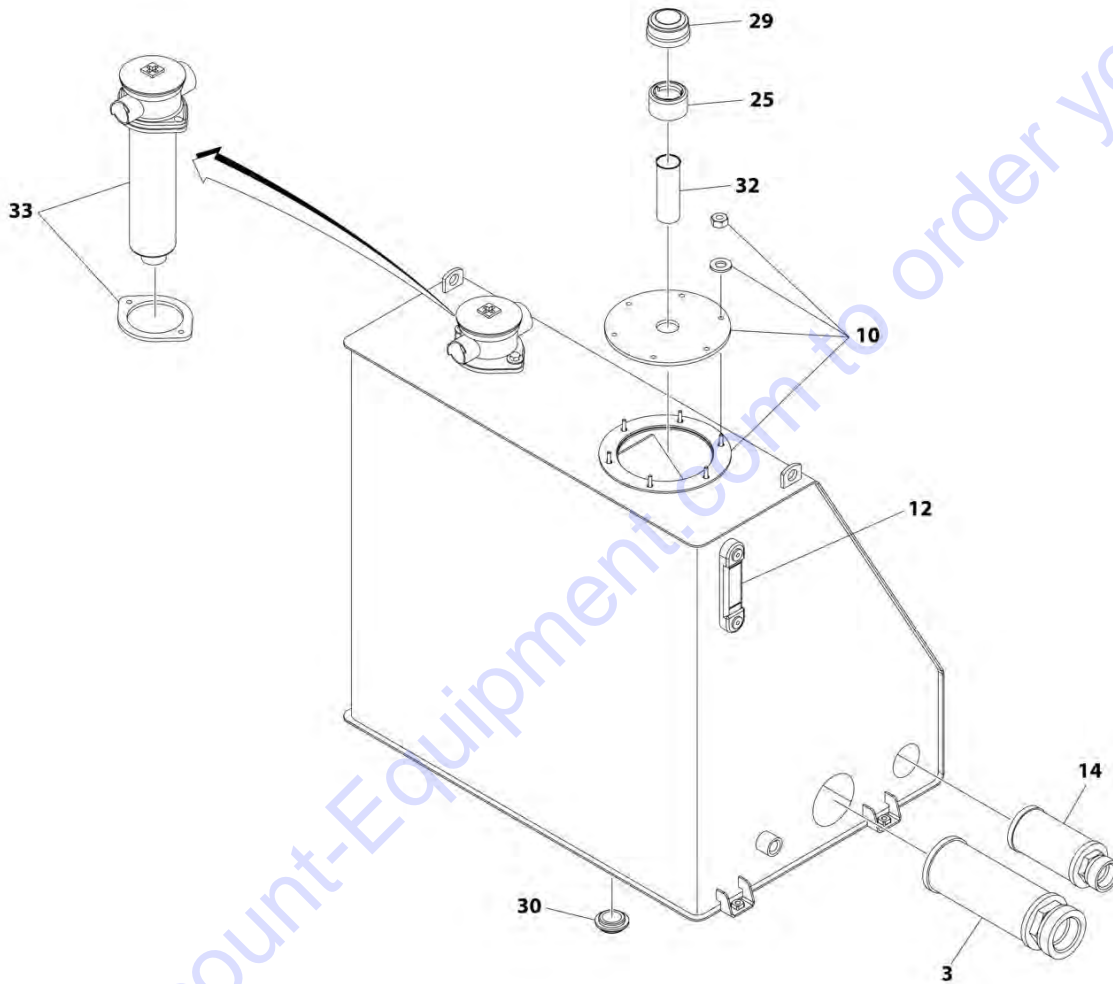
SECTION 2 - TURNTABLE

FIGURE 2-18. TANK INSTALLATION - WITH STEEL HOODS AND 52.8 GAL/200 L FUEL TANK

ITEM	PART NUMBER	QTY	DESCRIPTION	REV
	1001173918	Ref	TANKS INSTALLATION - WITH STEEL HOODS AND 52.8 GAL/200 L FUEL TANK	C
1	0100011	AR	Compound, Locking	
2	0641608	22	Bolt 3/8 x 1	
3	0641614	10	Bolt 3/8 x 1-3/4	
4	0731007	5	Screw, Machine #10 x 7/8	
5	2180467	2	Fitting, Barb	
6	3311601	2	Nut 3/8	
7	3841340	9	Loop, Hose	
8	3900283	6	Screw 3/8 x 3/4	
9	4400457	1	Tank, Hydraulic Oil (See Separate Breakdown in this Section)	
10	4420038	74 in/1.9m	Tape	
11	4751000	5	Washer #10	
12	4751600	22	Washer 3/8	
13	8405009	2	Clamp	
14	1001108579	1	Tank, Fuel	
14	7016314	1	Cap	
14	70004413	1	Tube, Pick up	
15	1001109048	1	Gauge, Fuel	
16	1001110059	1	Strap, Tank Mounting	
17	1001113103	19.5 in /0.5m	Tube, Sight	
18	1001173171	1	Tray	

SECTION 2 - TURNTABLE

FIGURE 2-19. HYDRAULIC OIL TANK ASSEMBLY



ART_4400457

SECTION 2 - TURNTABLE

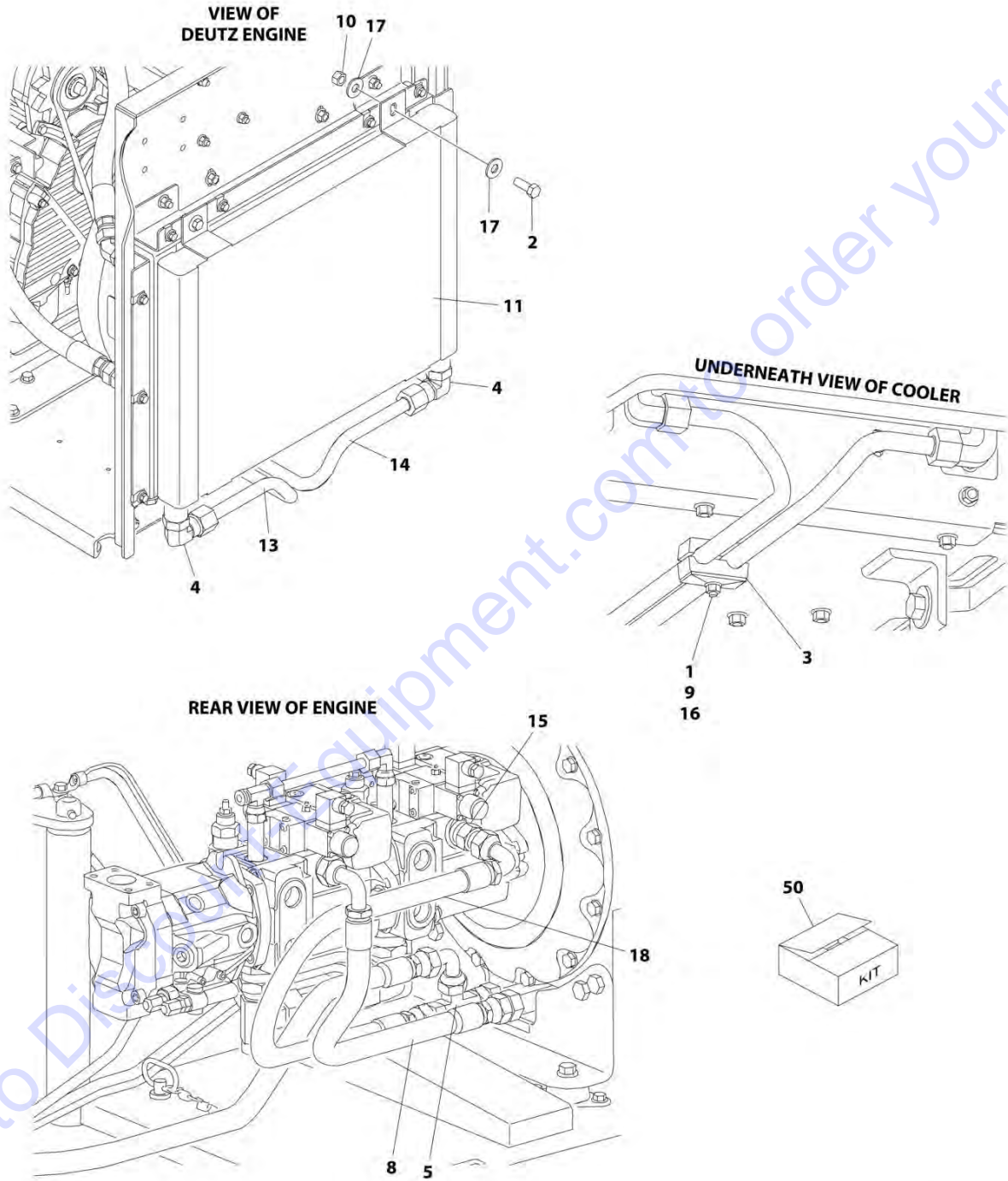
FIGURE 2-19. HYDRAULIC OIL TANK ASSEMBLY

ITEM	PART NUMBER	QTY	DESCRIPTION	REV
	4400457	Ref	HYDRAULIC OIL TANK ASSEMBLY	E
3	7026571	1	Strainer, Suction	
10	7024439	1	Cover	
10	7023306	1	Seal, Cover Plate	
10	7024440	1	Gasket	
12	7024441	1	Gauge, Sight	
14	7024442	1	Strainer	
25	7024445	1	Strainer (Filler Neck)	
29	7024444	1	Cap, Fill	
30	7024446	1	Plug, Magnetic	
32	7024443	1	Neck, Filler	
33	7024374	1	Filter, Hydraulic Oil	
33	7024375	1	Element, Filter	
33	7023347	1	Gasket, Filter Mounting Flange	

Go to Discount-Equipment.com to order your parts

SECTION 2 - TURNTABLE

FIGURE 2-20. HYDRAULIC OIL COOLER INSTALLATION - DEUTZ TD2011 ENGINES WITH REXROTH PUMPS (OPTIONAL)



ART_0272080

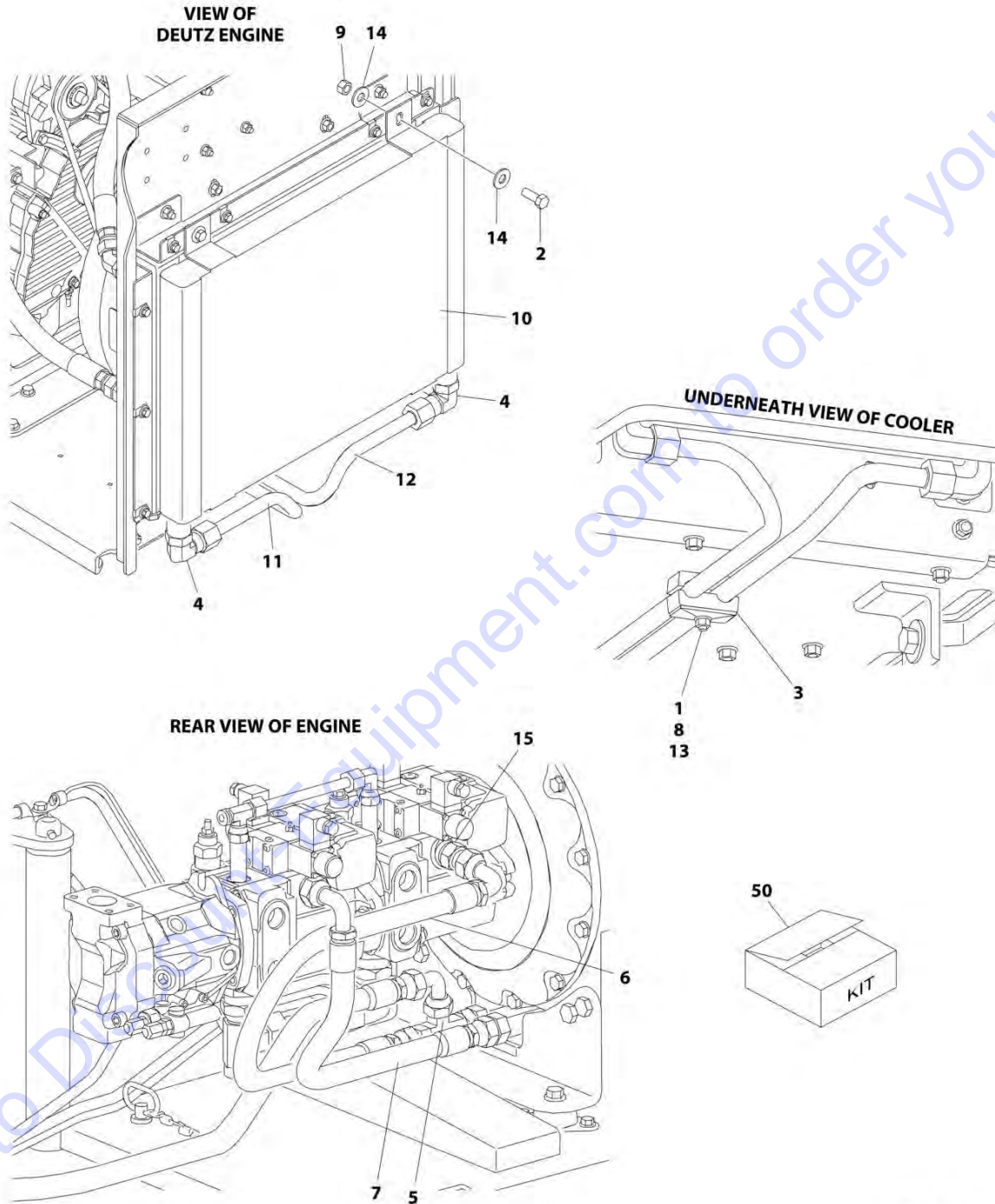
SECTION 2 - TURNTABLE

FIGURE 2-20. HYDRAULIC OIL COOLER INSTALLATION - DEUTZ TD2011 ENGINES WITH REXROTH PUMPS (OPTIONAL)

ITEM	PART NUMBER	QTY	DESCRIPTION	REV
	0272080	Ref	HYDRAULIC OIL COOLER INSTALLATION - DEUTZ TD2011 ENGINES WITH REXROTH PUMPS (OPTIONAL)	B
		Ref	Note: See Engine Installation for Engine Oil Cooler.	
1	0641520	2	Bolt 5/16 x 2-1/2	
2	0641608	4	Bolt 3/8 x 1	
3	1320162	2	Clamp, Hose	
4	2131212	2	Fitting, Elbow	
5	2170712	1	Fitting, Tee	
8	2753778	1	Hose	
9	3311505	2	Nut 5/16	
10	3311605	4	Nut 3/8	
11	3620034	1	Cooler, Hydraulic Oil	
13	4568426	1	Tube	
14	4568427	1	Tube	
15	4641247	1	Valve, Check	
16	4711500	4	Washer 5/16	
17	4751600	8	Washer 3/8	
18	2753843	1	Hose	
50	1001120564	1	Oil Cooler Add-on Kit (Includes Items 1-18)	

SECTION 2 - TURNTABLE

FIGURE 2-21. HYDRAULIC OIL COOLER INSTALLATION - DEUTZ TD2011 ENGINES WITH SAUER PUMPS (OPTIONAL)



ART_1001118957

SECTION 2 - TURNTABLE

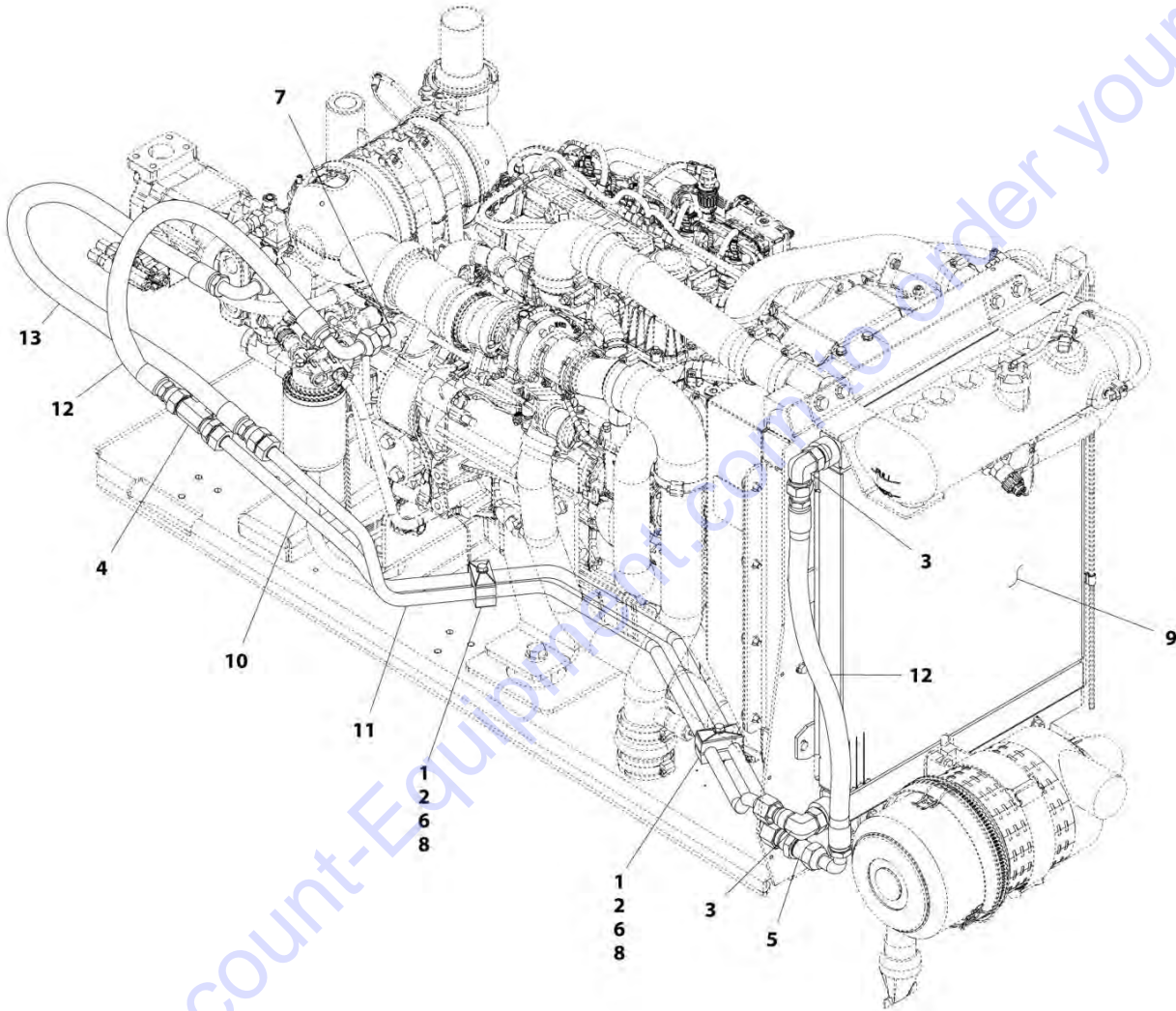
FIGURE 2-21. HYDRAULIC OIL COOLER INSTALLATION - DEUTZ TD2011 ENGINES WITH SAUER PUMPS (OPTIONAL)

ITEM	PART NUMBER	QTY	DESCRIPTION	REV
	1001118957	Ref	HYDRAULIC OIL COOLER INSTALLATION - DEUTZ TD2011 ENGINES WITH SAUER PUMPS (OPTIONAL)	B
		Ref	Note: See Engine Installation for Engine Oil Cooler.	
1	0641520	2	Bolt 5/16 x 2-1/2	
2	0641608	4	Bolt 3/8 x 1	
3	1320162	2	Clamp, Hose	
4	2131212	2	Fitting, Elbow	
5	2170712	1	Fitting, Tee	
6	2753778	1	Hose	
7	2753999	1	Hose	
8	3311505	2	Nut 5/16	
9	3311605	4	Nut 3/8	
10	3620034	1	Cooler, Hydraulic Oil	
11	4568426	1	Tube	
12	4568427	1	Tube	
13	4711500	4	Washer 5/16	
14	4751600	8	Washer 3/8	
15	1001109677	1	Valve, Check	
50	1001120564	1	Oil Cooler Add-on Kit Options (Includes Items 1-15):	

Go to Discount-Equipment.com to order your parts

SECTION 2 - TURNTABLE

FIGURE 2-22. HYDRAULIC OIL COOLER INSTALLATION - DEUTZ TCD2.9L4 ENGINES AND DEUTZ TCD2.9L4 (STAGE V) ENGINES WITH REXROTH PUMPS (OPTIONAL)



ART_1001139494

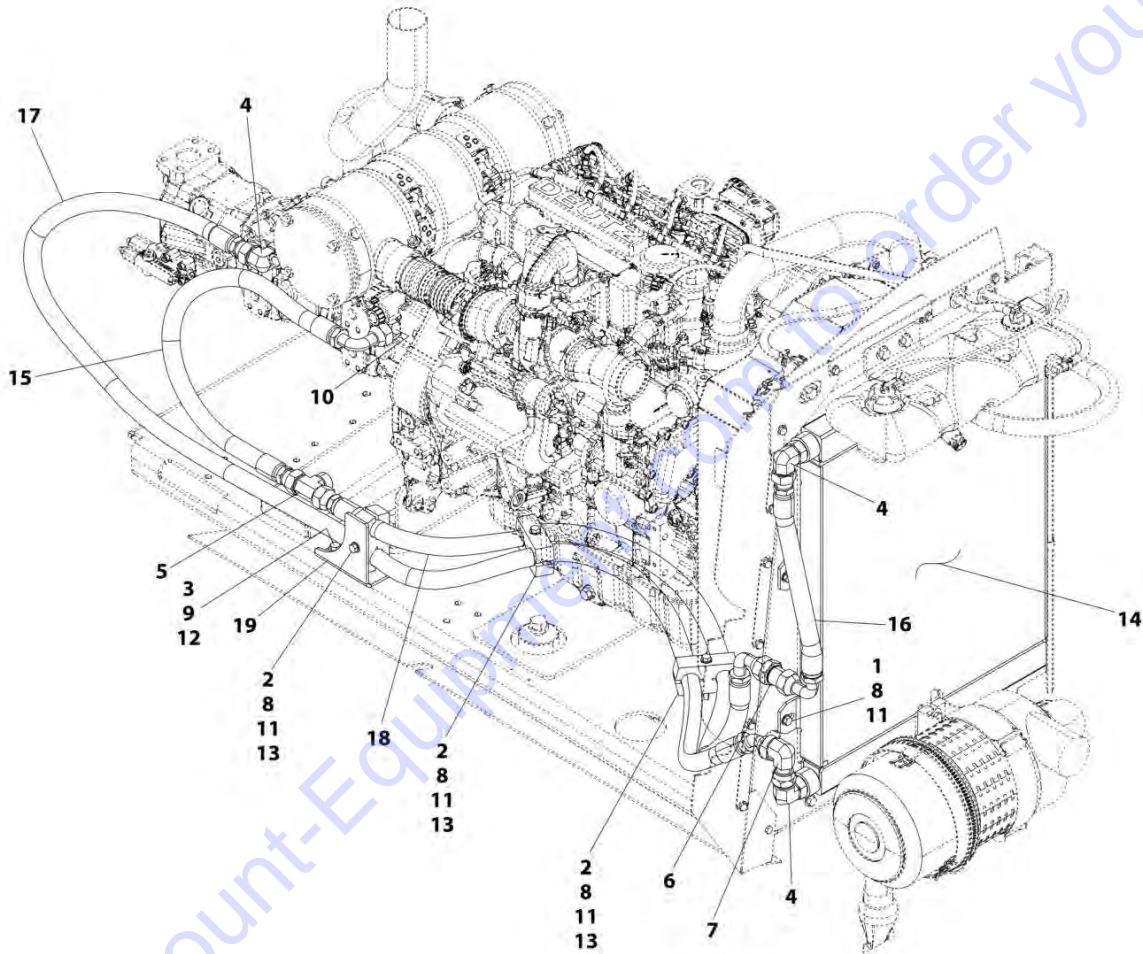
SECTION 2 - TURNTABLE

FIGURE 2-22. HYDRAULIC OIL COOLER INSTALLATION - DEUTZ TCD2.9L4 ENGINES AND DEUTZ TCD2.9L4 (STAGE V) ENGINES WITH REXROTH PUMPS (OPTIONAL)

ITEM	PART NUMBER	QTY	DESCRIPTION	REV
	1001139494	Ref	HYDRAULIC OIL COOLER INSTALLATION - DEUTZ TCD2.9L4 ENGINES AND DEUTZ TCD2.9L4 (STAGE V) ENGINES WITH REXROTH PUMPS (OPTIONAL)	E
		Ref	Note: See Engine Installation for Engine Oil Cooler.	
1	0641520	2	Bolt 5/16 x 2-1/2	
2	1320162	2	Clamp, Hose	
3	2131212	2	Fitting, 90	
4	2170712	1	Fitting, Tee	
5	2171112	1	Fitting, Straight	
6	3311505	2	Nut 5/16	
7	4641247	1	Valve	
8	4711500	4	Washer 5/16	
9	1001135124	1	Cooler, Hydraulic Oil	
10	1001154214	1	Tube (SN 0300201016 through 0300237153)	
10	1001139665	1	Tube (SN 0300237154 to Present, SN B30002238 to Present)	
11	1001139666	1	Tube	
12	1001143087	2	Hose	
13	1001143123	1	Hose	

SECTION 2 - TURNTABLE

FIGURE 2-23. HYDRAULIC OIL COOLER INSTALLATION - DEUTZ TCD2.9L4 ENGINES WITH REXROTH PUMPS (OPTIONAL) (CHINA SPEC ONLY)



ART_1001221802

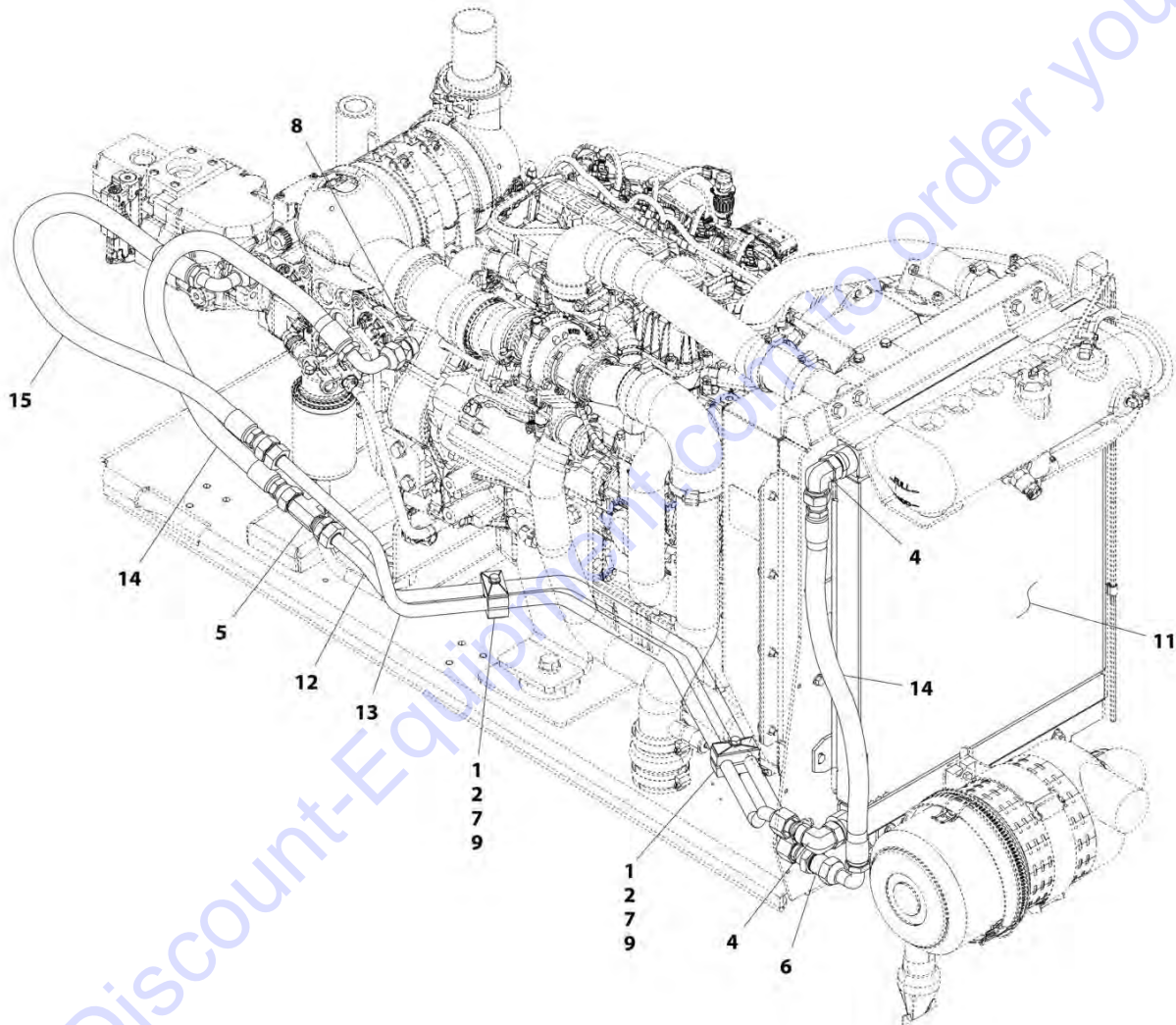
SECTION 2 - TURNTABLE

FIGURE 2-23. HYDRAULIC OIL COOLER INSTALLATION - DEUTZ TCD2.9L4 ENGINES WITH REXROTH PUMPS (OPTIONAL) (CHINA SPEC ONLY)

ITEM	PART NUMBER	QTY	DESCRIPTION	REV
	1001221802	Ref	HYDRAULIC OIL COOLER INSTALLATION - DEUTZ TCD2.9L4 ENGINES WITH REXROTH PUMPS (OPTIONAL) (CHINA SPEC ONLY)	A
1	0641508	4	Bolt 5/16 x 1	
2	0641524	3	Bolt 5/16 x 3	
3	0641609	2	Bolt 3/8 x 1-1/8	
4	2131212	3	Fitting, 90 ORFS/ORB	
5	2170512	1	Fitting, Tee ORFS/ORFS/ORFS	
6	2171112	1	Fitting, Straight ORFS/ORFS	
7	2172112	1	Fitting, 90 ORFS/FSORFS	
8	3311505	7	Nut 5/16	
9	3311605	2	Nut 3/8	
10	4641247	1	Valve	
11	4711500	14	Washer 5/16	
12	4711600	4	Washer 3/8	
13	8750024	3	Clamp	
14	1001135124	1	Cooler, Hydraulic Oil	
15	1001143087	1	Hose	
16	1001181129	1	Hose	
17	1001188376	1	Hose	
18	1001188382	1	Hose	
19	1001220560	1	Bracket	

SECTION 2 - TURNTABLE

FIGURE 2-24. HYDRAULIC OIL COOLER INSTALLATION – DEUTZ TCD2.9L4 ENGINES AND DEUTZ TCD2.9L4 (STAGE V) ENGINES WITH SAUER PUMPS (OPTIONAL)



ART_1001139492

SECTION 2 - TURNTABLE

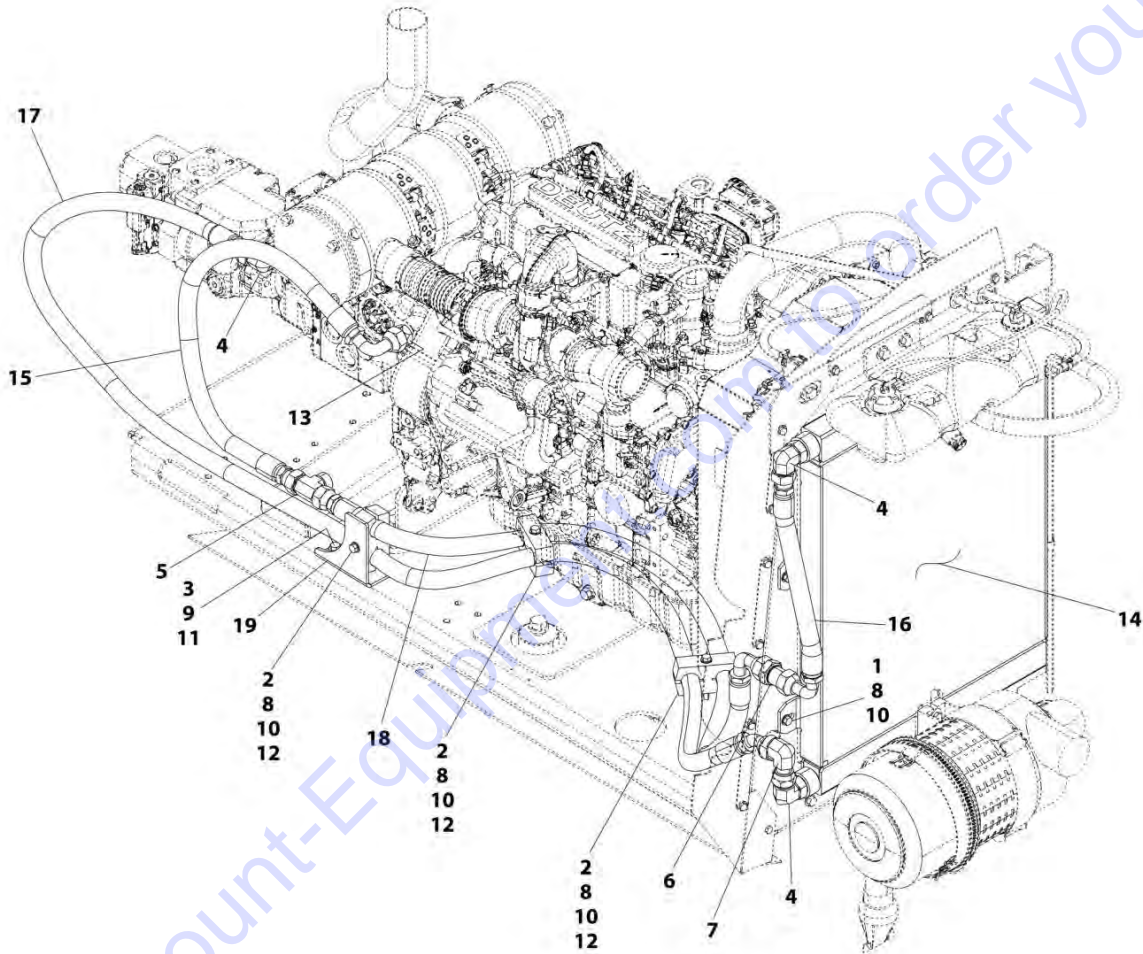
FIGURE 2-24. HYDRAULIC OIL COOLER INSTALLATION – DEUTZ TCD2.9L4 ENGINES AND DEUTZ TCD2.9L4 (STAGE V) ENGINES WITH SAUER PUMPS (OPTIONAL)

ITEM	PART NUMBER	QTY	DESCRIPTION	REV
	1001139492	Ref	HYDRAULIC OIL COOLER INSTALLATION - DEUTZ TCD2.9L4 ENGINES AND DEUTZ TCD2.9L4 (STAGE V) ENGINES WITH SAUER PUMPS (OPTIONAL)	E
		Ref	Note: See Engine Installation for Engine Oil Cooler	
1	0641520	2	Bolt 5/16 x 2-1/2	
2	1320162	2	Clamp, Hose	
4	2131212	2	Fitting, 90	
5	2170712	1	Fitting, Tee	
6	2171112	1	Fitting, Straight	
7	3311505	2	Nut 5/16	
8	1001109677	1	Valve	
9	4711500	4	Washer 5/16	
11	1001135124	1	Cooler, Hydraulic Oil	
12	1001139665	1	Tube	
13	1001139666	1	Tube	
14	1001143087	2	Hose	
15	1001143123	1	Hose	

Go to Discount-Equipment.com to order your parts

SECTION 2 - TURNTABLE

FIGURE 2-25. HYDRAULIC OIL COOLER INSTALLATION - DEUTZ TCD2.9L4 ENGINES WITH SAUER PUMPS (OPTIONAL) (CHINA SPEC ONLY)



ART_1001221666

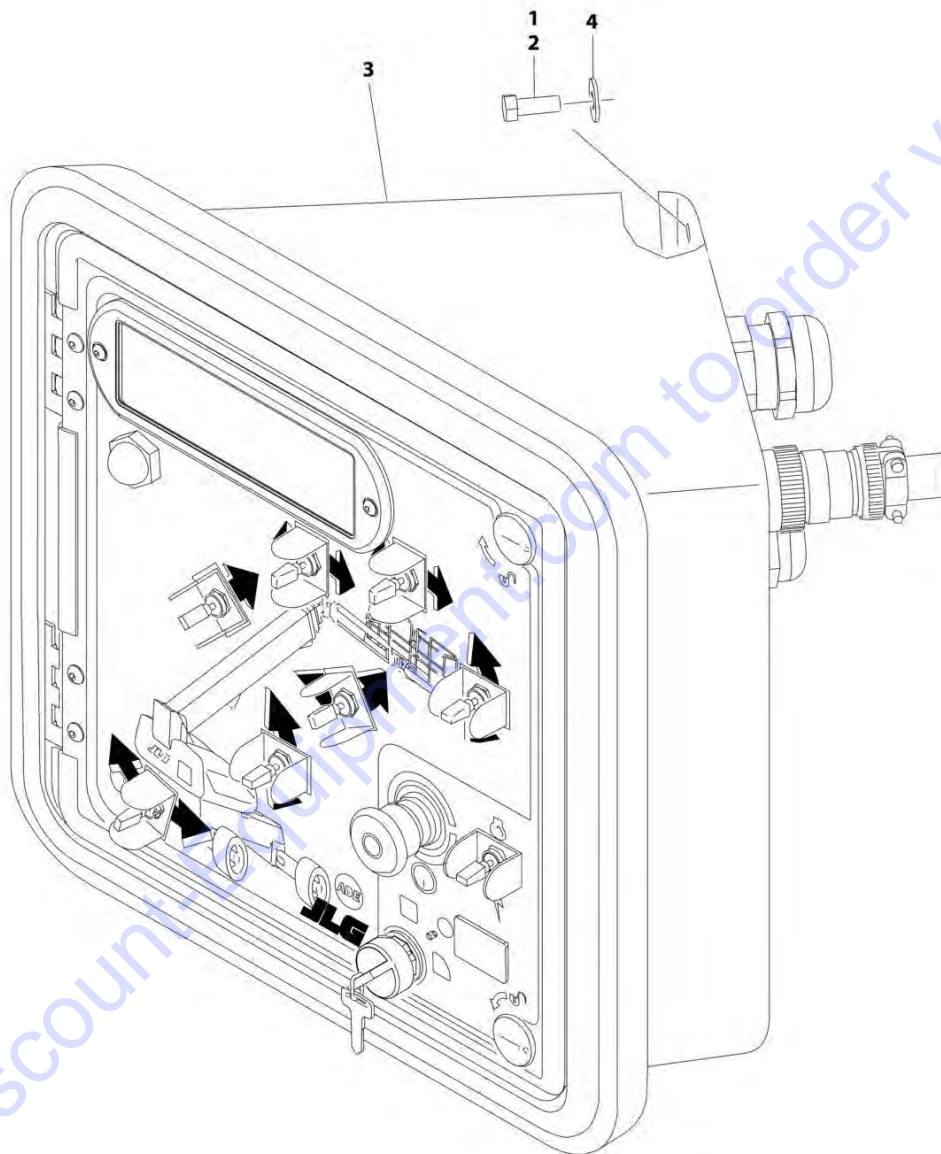
SECTION 2 - TURNTABLE

FIGURE 2-25. HYDRAULIC OIL COOLER INSTALLATION - DEUTZ TCD2.9L4 ENGINES WITH SAUER PUMPS (OPTIONAL) (CHINA SPEC ONLY)

ITEM	PART NUMBER	QTY	DESCRIPTION	REV
	1001221666	Ref	HYDRAULIC OIL COOLER INSTALLATION - DEUTZ TCD2.9L4 ENGINES WITH SAUER PUMPS (OPTIONAL) (CHINA SPEC ONLY)	A
1	0641508	4	Bolt 5/16 x 1	
2	0641524	3	Bolt 5/16 x 3	
3	0641609	2	Bolt 3/8 x 1-1/8	
4	2131212	3	Fitting, 90 ORFS/ORB	
5	2170512	1	Fitting, Tee ORFS/ORFS/ORFS	
6	2171112	1	Fitting, Straight ORFS/ORFS	
7	2172112	1	Fitting, 90 ORFS/FSORFS	
8	3311505	7	Nut 5/16	
9	3311605	2	Nut 3/8	
10	4711500	14	Washer 5/16	
11	4711600	4	Washer 3/8	
12	8750024	3	Clamp	
13	1001109677	1	Valve	
14	1001135124	1	Cooler, Hydraulic Oil	
15	1001143087	1	Hose	
16	1001181129	1	Hose	
17	1001188376	1	Hose	
18	1001188382	1	Hose	
19	1001220560	1	Bracket	

SECTION 2 - TURNTABLE

FIGURE 2-26. GROUND CONTROL BOX INSTALLATION - DEUTZ TD2011 ENGINES WITH REXROTH PUMPS (ALL SPECS EXCEPT CE SPECS)



ART_100119346

SECTION 2 - TURNTABLE

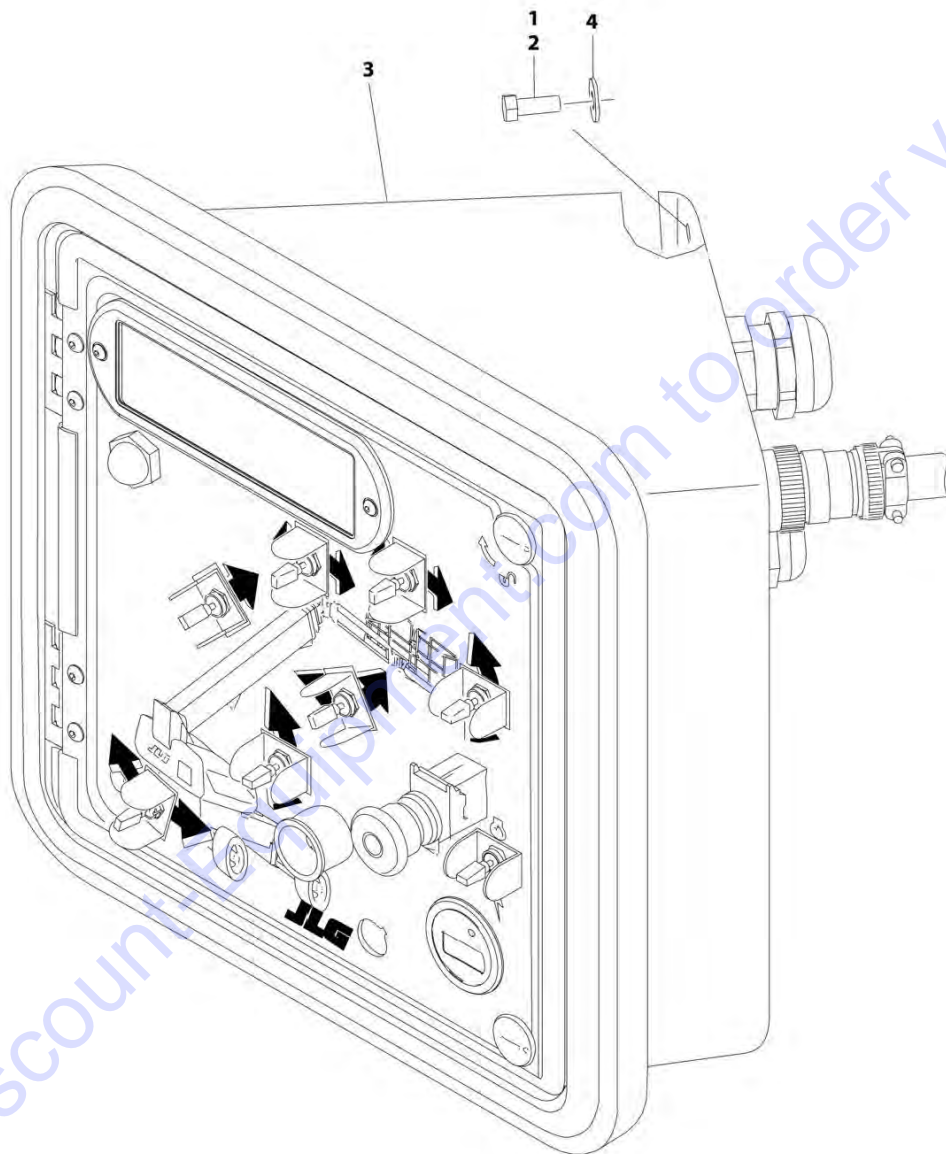
FIGURE 2-26. GROUND CONTROL BOX INSTALLATION - DEUTZ TD2011 ENGINES WITH REXROTH PUMPS (ALL SPECS EXCEPT CE SPECS)

ITEM	PART NUMBER	QTY	DESCRIPTION	REV
	1001119346	Ref	GROUND CONTROL BOX INSTALLATION - DEUTZ TD2011 ENGINES WITH REXROTH PUMPS (ALL SPECS EXCEPT CE SPECS)	B
1	0100011	AR	Compound, Locking	
2	3931616	4	Bolt 3/8 x 3/4	
3	1001119374	1	Ground Control Box Assembly (See Separate Breakdown in this Section)	
4	4751600	4	Washer 3/8	
5	1001119456	2	Harness, Pump Adapter (Not Shown) (See Separate Breakdown in ELECTRICAL SECTION)	
6	1001119470	1	Harness, Engine (Not Shown) (See Separate Breakdown in ELECTRICAL SECTION)	

Go to Discount-Equipment.com to order your parts

SECTION 2 - TURNTABLE

FIGURE 2-27. GROUND CONTROL BOX INSTALLATION – DEUTZ TD2011 ENGINES WITH REXROTH PUMPS (CE SPECS)



ART_1001194122

SECTION 2 - TURNTABLE

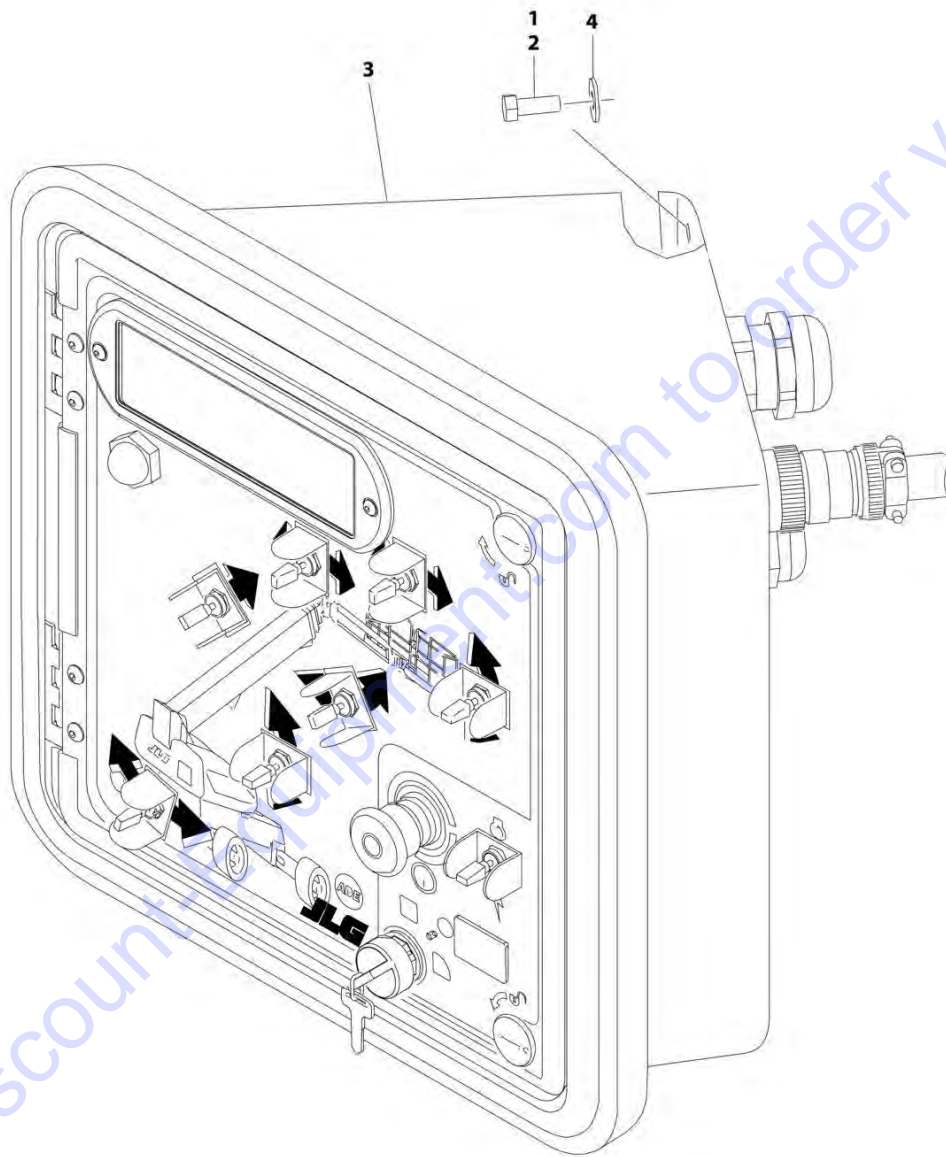
FIGURE 2-27. GROUND CONTROL BOX INSTALLATION – DEUTZ TD2011 ENGINES WITH REXROTH PUMPS (CE SPECS)

ITEM	PART NUMBER	QTY	DESCRIPTION	REV
	1001194122	Ref	GROUND CONTROL BOX INSTALLATION – DEUTZ TD2011 ENGINES WITH REXROTH PUMPS (CE SPECS)	B
1	0100011	AR	Compound, Locking	
2	3931616	4	Bolt 3/8 x 3/4	
3	1001184939	1	Ground Control Box Assembly (See Separate Breakdown in this Section)	
4	4751600	4	Washer 3/8	
5	1001119456	2	Harness, Pump Adapter (Not Shown) (See Separate Breakdown in ELECTRICAL SECTION)	
6	1001119470	1	Harness, Engine (Not Shown) (See Separate Breakdown in ELECTRICAL SECTION)	

Go to Discount-Equipment.com to order your parts

SECTION 2 - TURNTABLE

FIGURE 2-28. GROUND CONTROL BOX INSTALLATION – DEUTZ TD2011 ENGINES WITH SAUER PUMPS (ALL SPECS EXCEPT CE SPECS)



ART_100119345

SECTION 2 - TURNTABLE

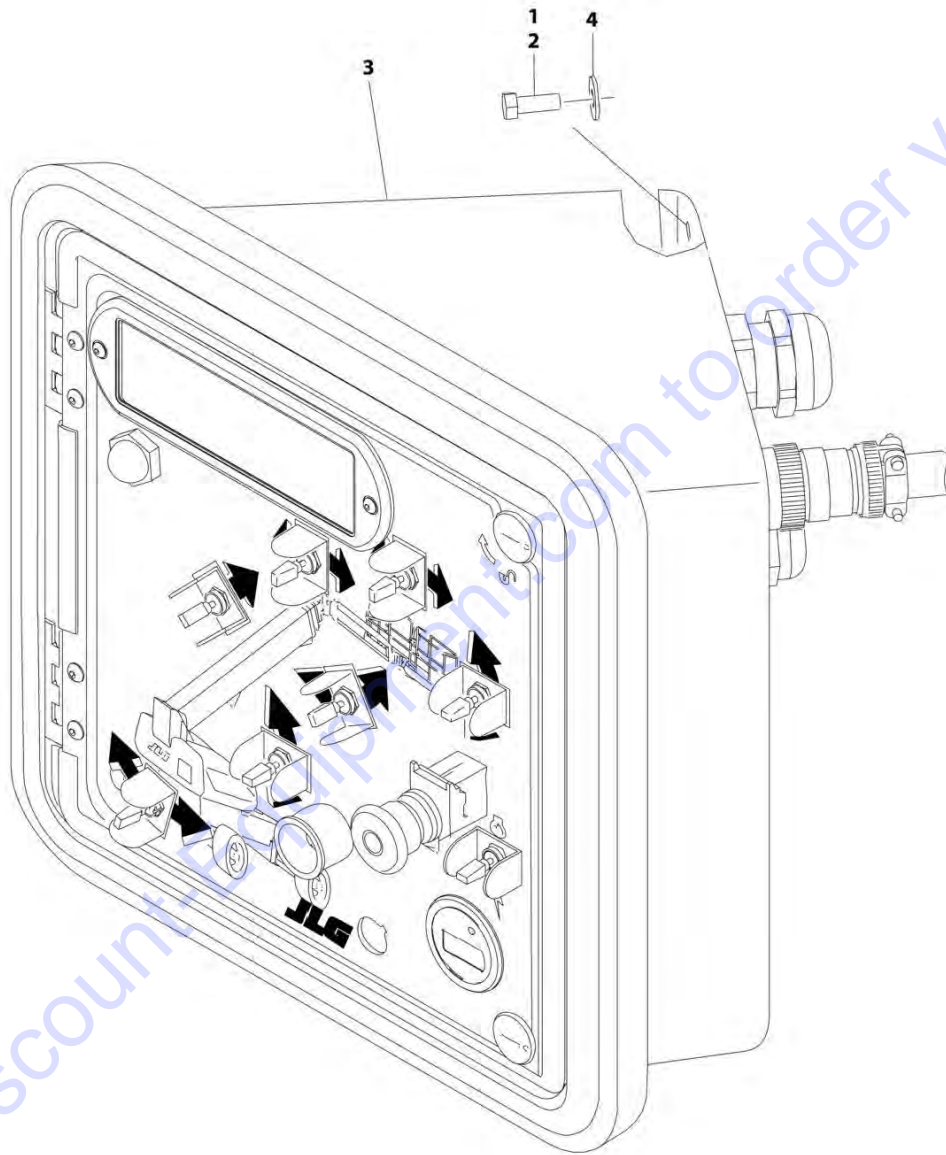
FIGURE 2-28. GROUND CONTROL BOX INSTALLATION – DEUTZ TD2011 ENGINES WITH SAUER PUMPS (ALL SPECS EXCEPT CE SPECS)

ITEM	PART NUMBER	QTY	DESCRIPTION	REV
	1001119345	Ref	GROUND CONTROL BOX INSTALLATION – DEUTZ TD2011 ENGINES WITH SAUER PUMPS (ALL SPECS EXCEPT CE SPECS)	B
1	0100011	AR	Compound, Locking	
2	3931616	4	Bolt 3/8 x 3/4	
3	1001119374	1	Ground Control Box Assembly (See Separate Breakdown in this Section)	
4	4751600	4	Washer 3/8	
6	1001119470	1	Harness, Engine (Not Shown) (See Separate Breakdown in ELECTRICAL SECTION)	

Go to Discount-Equipment.com to order your parts

SECTION 2 - TURNTABLE

FIGURE 2-29. GROUND CONTROL BOX INSTALLATION – DEUTZ TD2011 ENGINES WITH SAUER PUMPS (CE SPECS)



ART_1001194123

SECTION 2 - TURNTABLE

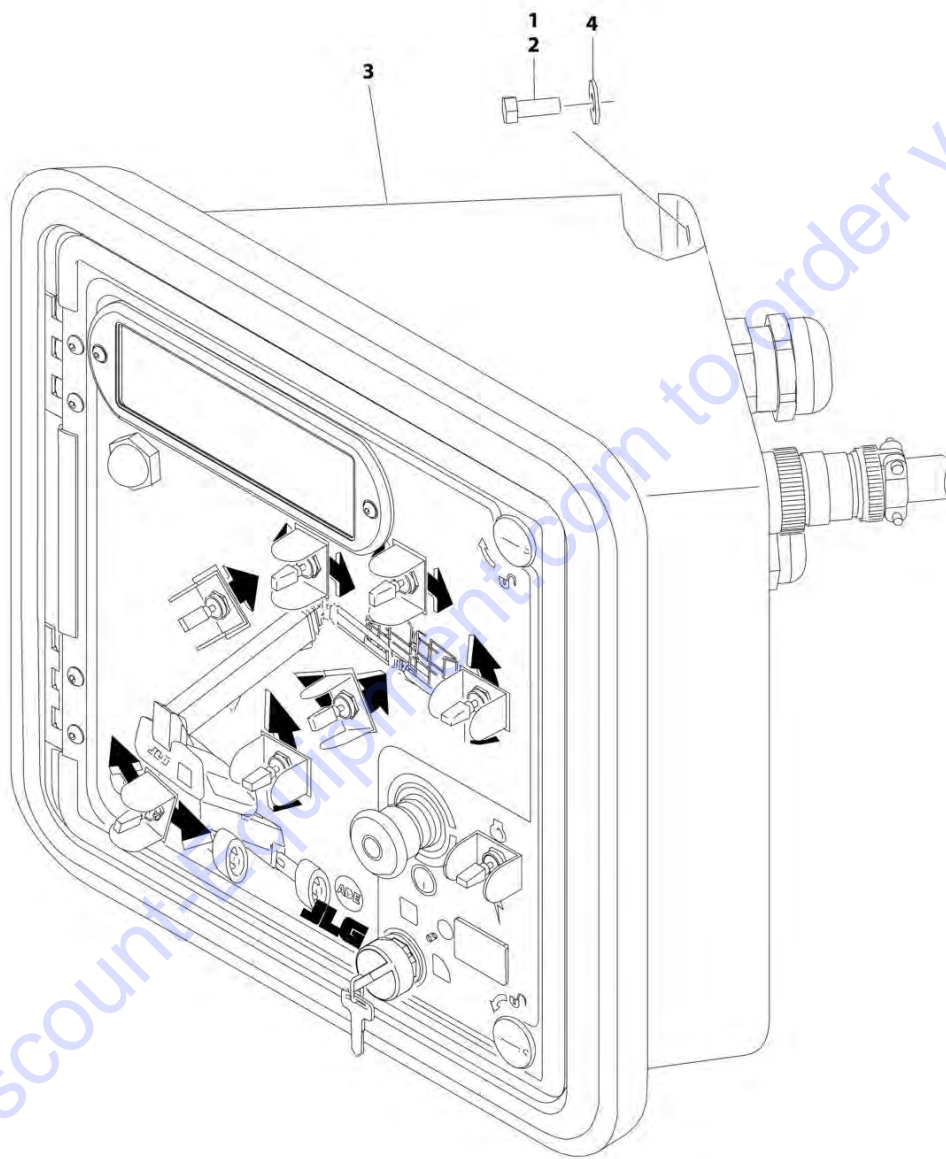
FIGURE 2-29. GROUND CONTROL BOX INSTALLATION – DEUTZ TD2011 ENGINES WITH SAUER PUMPS (CE SPECS)

ITEM	PART NUMBER	QTY	DESCRIPTION	REV
	1001194123	Ref	GROUND CONTROL BOX INSTALLATION – DEUTZ TD2011 ENGINES WITH SAUER PUMPS (CE SPECS)	B
1	0100011	AR	Compound, Locking	
2	3931616	4	Bolt 3/8-16 x 3/4	
3	1001174939	1	Ground Control Box Assembly (See Separate Breakdown in this Section)	
4	4751600	4	Washer 3/8	
6	1001119470	1	Harness, Engine (Not Shown) (See Separate Breakdown in ELECTRICAL SECTION)	

Go to Discount-Equipment.com to order your parts

SECTION 2 - TURNTABLE

FIGURE 2-30. GROUND CONTROL BOX INSTALLATION – DEUTZ TCD2.9L4 ENGINES (ALL SPECS EXCEPT CE SPECS)



ART_1001144347

SECTION 2 - TURNTABLE

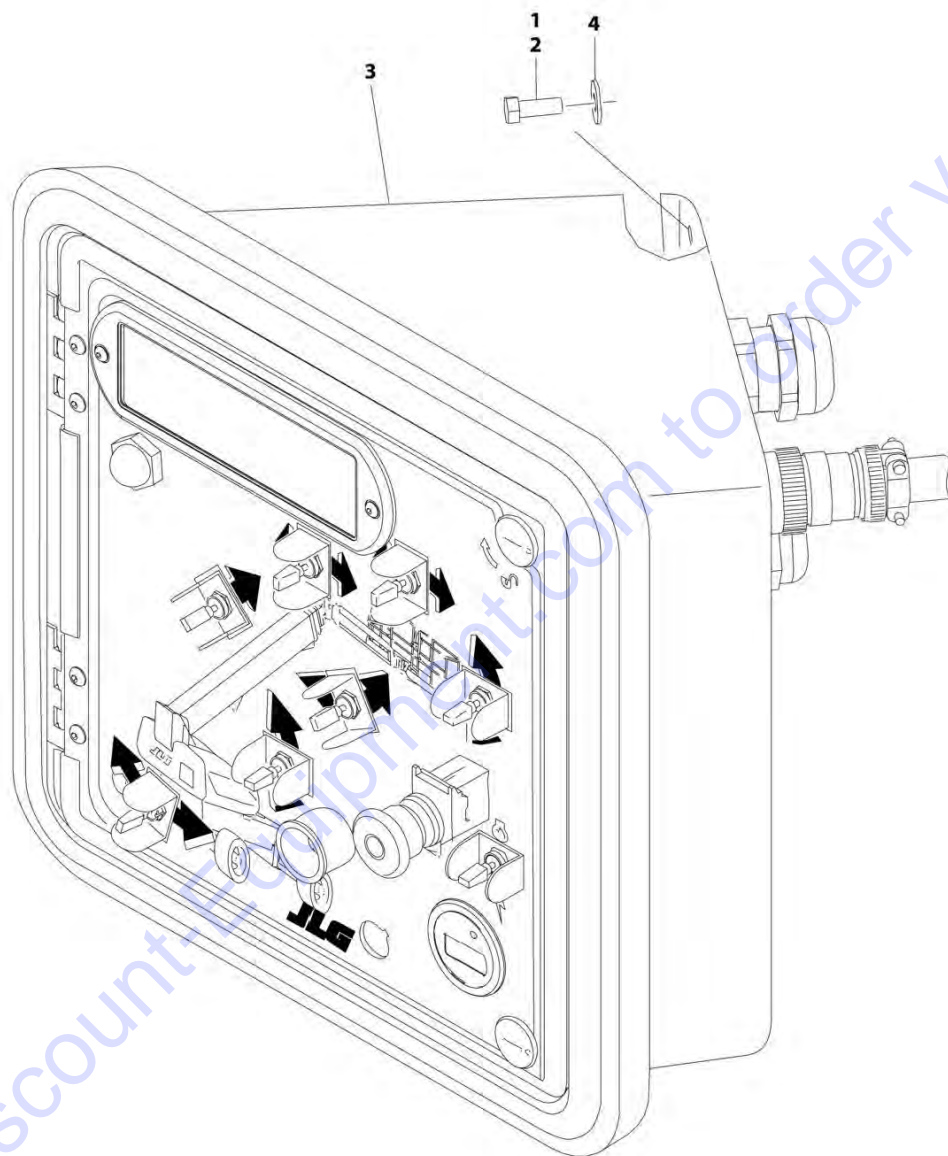
FIGURE 2-30. GROUND CONTROL BOX INSTALLATION – DEUTZ TCD2.9L4 ENGINES (ALL SPECS EXCEPT CE SPECS)

ITEM	PART NUMBER	QTY	DESCRIPTION	REV
	1001144347	Ref	GROUND CONTROL BOX INSTALLATION – DEUTZ TCD2.9L4 ENGINES (ALL SPECS EXCEPT CE SPECS)	C
1	0100011	AR	Compound, Locking	
2	3931616	4	Bolt 3/8 x 3/4	
3	1001119374	1	Ground Control Box Assembly (See Separate Breakdown in this Section)	
4	4751600	4	Washer 3/8	

Go to Discount-Equipment.com to order your parts

SECTION 2 - TURNTABLE

FIGURE 2-31. GROUND CONTROL BOX INSTALLATION – DEUTZ TCD2.9L4 ENGINES (CE SPECS)



ART_1001185284

SECTION 2 - TURNTABLE

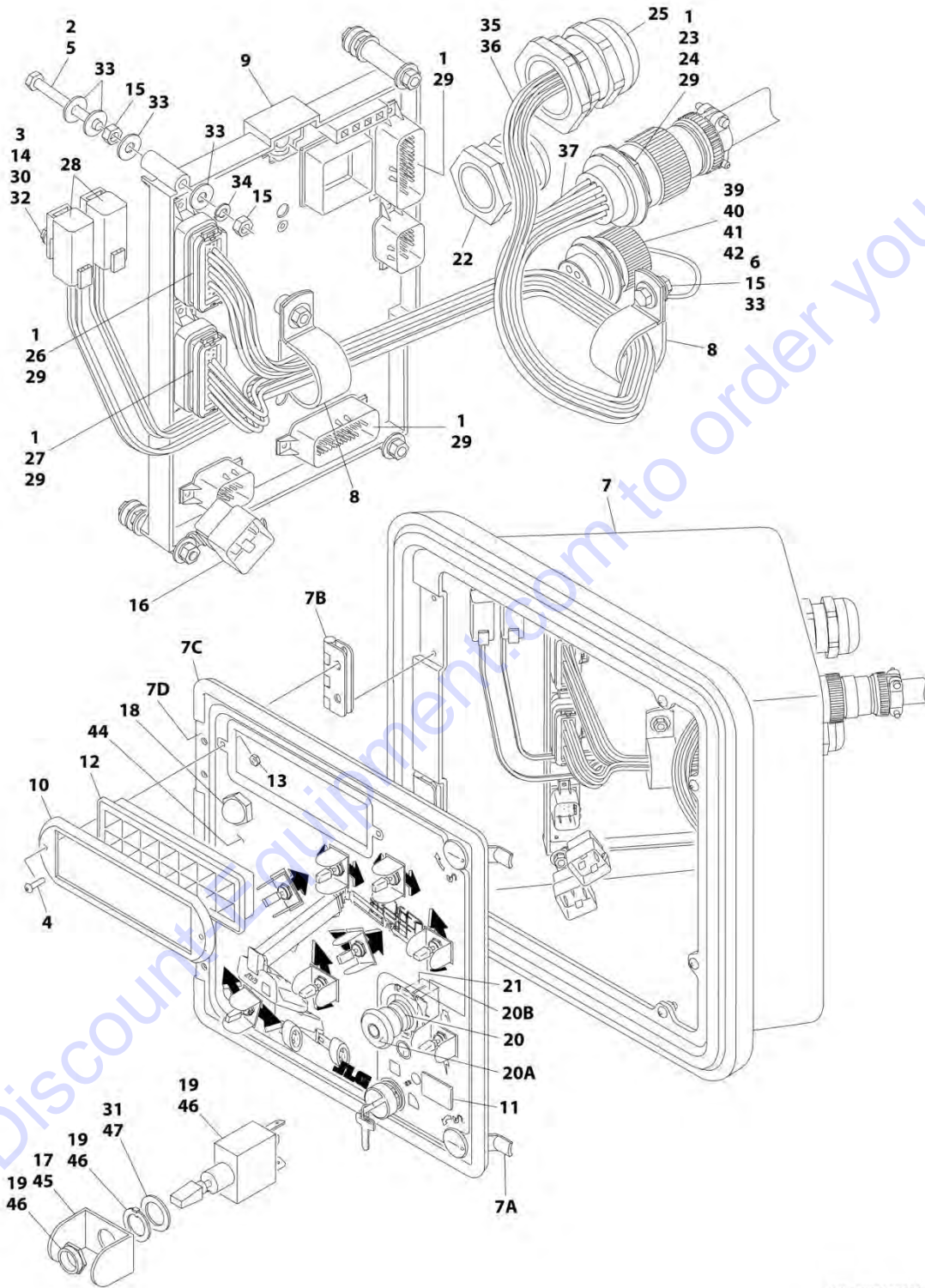
FIGURE 2-31. GROUND CONTROL BOX INSTALLATION – DEUTZ TCD2.9L4 ENGINES (CE SPECS)

ITEM	PART NUMBER	QTY	DESCRIPTION	REV
	1001185284	Ref	GROUND CONTROL BOX INSTALLATION - DEUTZ TCD2.9L4 ENGINES (CE SPECS)	B
1	0100011	AR	Compound, Locking	
2	3931616	4	Bolt 3/8 x 3/4	
3	1001184939	1	Ground Control Box Assembly (See Separate Breakdown in this Section)	
4	4751600	4	Washer 3/8	

Go to Discount-Equipment.com to order your parts

SECTION 2 - TURNTABLE

FIGURE 2-32. GROUND CONTROL BOX ASSEMBLY (ALL SPECS EXCEPT CE SPECS)



ART_1001119374

SECTION 2 - TURNTABLE

FIGURE 2-32. GROUND CONTROL BOX ASSEMBLY (ALL SPECS EXCEPT CE SPECS)

ITEM	PART NUMBER	QTY	DESCRIPTION	REV
	1001119374	Ref	GROUND CONTROL BOX SUB-ASSEMBLY (ALL SPECS EXCEPT CE SPECS)	E
	1001119363	Ref	GROUND CONTROL BOX ASSEMBLY	L
1	0100048	AR	Grease, Dielectric	
2	0100081	AR	Loctite #454	
3	0630464	2	Screw #10 x 1/2	
4	0630518	2	Screw #10 x 3/4	
5	0630548	5	Screw, Self Tapping	
6	0641406	1	Bolt 1/4 x 3/4	
7	1001110014	1	Box Assembly	
7A	2940139	2	Latch	
7B	2600279	2	Hinge	
7C	3960418	53 in /1.4m	Seal	
7D	3380465	1	Panel, Front	
8	1320095	2	Clamp	
9	1001110084	1	Module, Ground Control (Note: Control System must be recalibrated when Module is replaced)	
10	1670829	1	Bezel	
11	2420172	1	Hourmeter	
12	2760105	1	Housing, Light	
13	3300408	2	Nut, Nylon	
14	3311001	2	Nut #10	
15	3311401	11	Nut 1/4	
16	3740049	1	Relay	
17	4060906	7	Guard, Switch	
18	4360274	1	Switch, Pushbutton	
19	4360328	7	Switch, Toggle	
20	4360475	1	Switch, Push-Pull Emergency	
20A	7020175	1	Cap	
20B	7020176	1	Block, Contact	
21	4360476	1	Block, Contact	
22	4460426	1	Connector, Strain Relief	
23	4460470	1	Nut, Terminal	
24	4460471	1	Washer, Terminal	
25	4460526	1	Connector, Strain Relief	
26	4460874	1	Connector, White	
27	4460875	1	Connector, Gray	
28	4460892	2	Connector, Buss Bar - 6 Position	
29	4460905	4	Connector, Plug	
30	4460914	2	Base, Terminal	
31	4740444	7	Washer	
32	4751000	2	Washer #10	
33	4751400	22	Washer 1/4	
34	4761400	5	Washer 1/4	
35	1001119372	1	Harness, Ground Control Box (See Separate Breakdown in ELECTRICAL SECTION)	
36	1001116369	1	Harness, Valve (See Separate Breakdown in ELECTRICAL SECTION)	
37	1001120180	1	Harness, Ground Control Box (See Separate Breakdown in ELECTRICAL SECTION)	

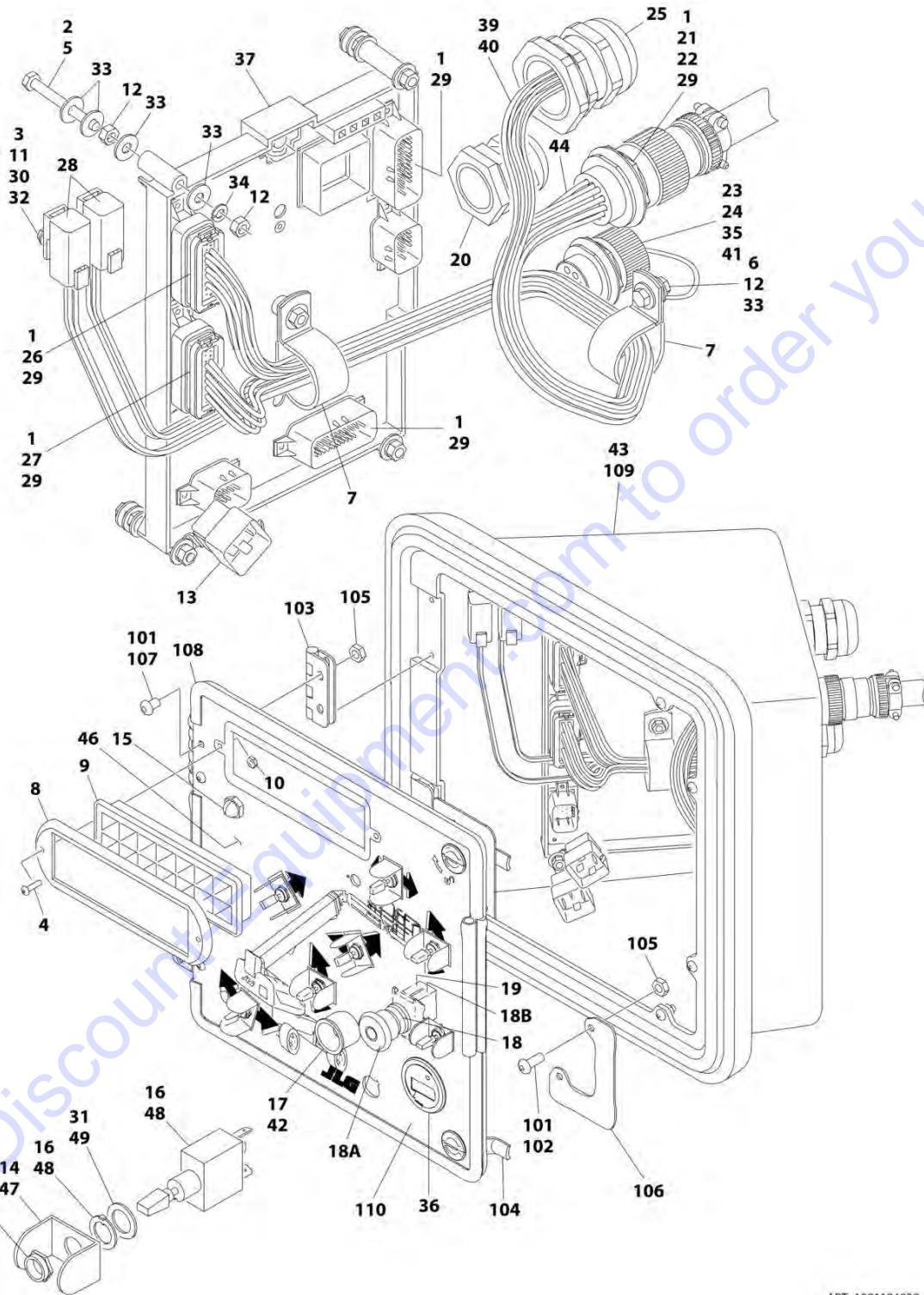
SECTION 2 - TURNTABLE

ITEM	PART NUMBER	QTY	DESCRIPTION	REV
39	4460496	1	Terminal, Washer	
40	4460497	1	Nut, Strain Relief	
41	1001120337	1	Harness, ClearSky Ready (See Separate Breakdown in ELECTRICAL SECTION)	
42	1001106736	1	Cap, Dust	
44	1706911	1	Decal - Lid	
45	4060906	1	Guard, Switch	
46	4360328	1	Switch, Toggle	
47	4740444	1	Washer	

Go to Discount-Equipment.com to order your parts

SECTION 2 - TURNTABLE

FIGURE 2-33. GROUND CONTROL BOX ASSEMBLY (CE SPECS)



ART_1001184938

SECTION 2 - TURNTABLE

FIGURE 2-33. GROUND CONTROL BOX ASSEMBLY (CE SPECS)

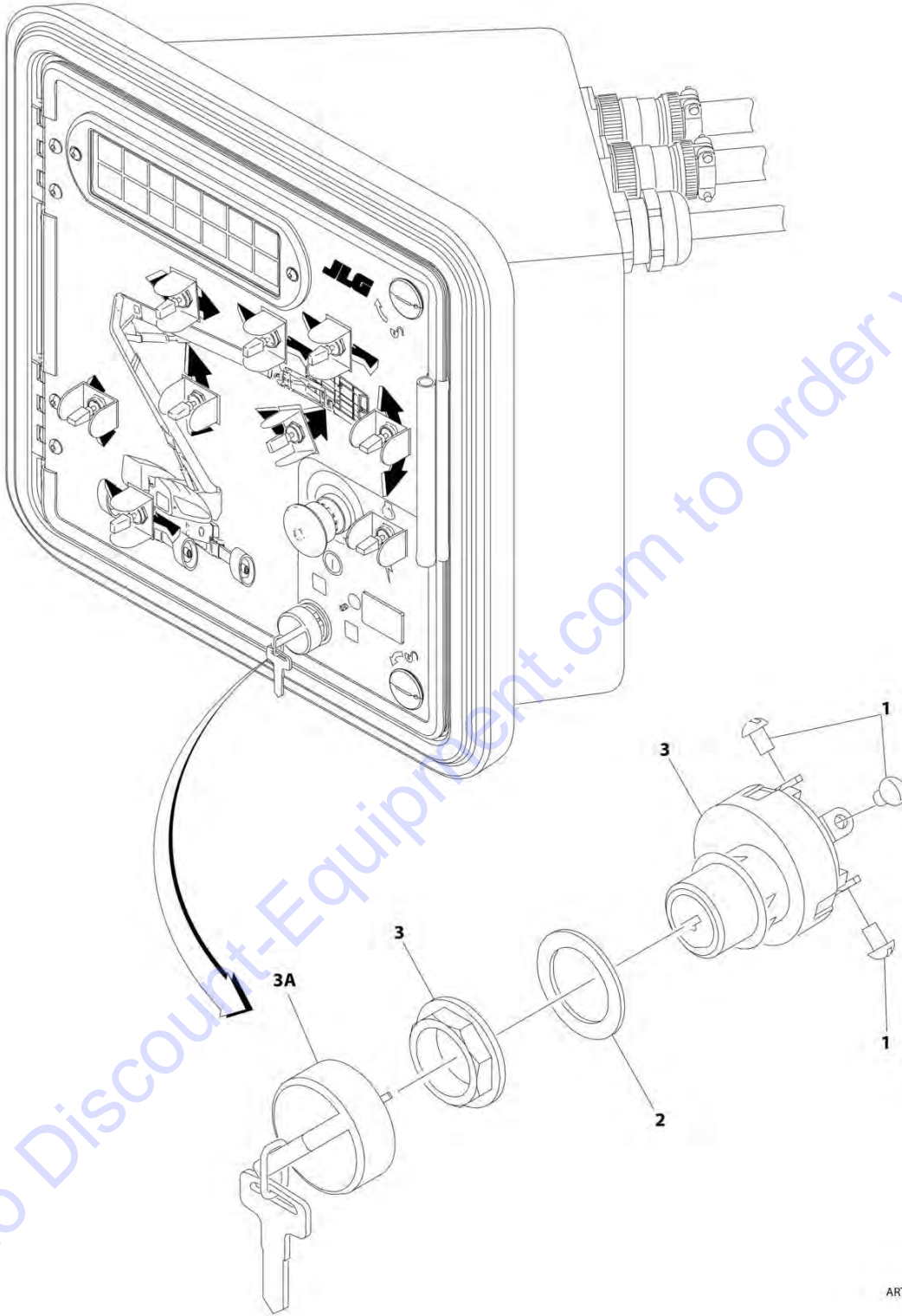
ITEM	PART NUMBER	QTY	DESCRIPTION	REV
	1001184939	Ref	GROUND CONTROL BOX SUB-ASSEMBLY	B
	1001184938	Ref	GROUND CONTROLS ASSEMBLY (CE SPECS)	B
1	0100048	AR	Grease, Dielectric	
2	0100081	AR	Loctite #454	
3	0630464	2	Screw #10 x 1/2	
4	0630518	2	Screw #10 x 3/4	
5	0630548	5	Screw, Self Tapping	
6	0641406	1	Bolt 1/4 x 3/4	
7	1320095	2	Clamp	
8	1670829	1	Bezel	
9	2760105	1	Housing, Light	
10	3300408	2	Nut, Nylon	
11	3311001	2	Nut #10	
12	3311401	11	Nut 1/4	
13	3740049	1	Relay	
14	4060906	7	Guard, Switch	
15	4360274	1	Switch, Pushbutton	
16	4360328	7	Switch, Toggle	
17	4360387	1	Switch, Push Button	
18	4360475	1	Switch, Push-Pull Emergency	
18A	7020175	1	Cap	
18B	7020176	1	Block, Contact	
19	4360476	1	Block, Contact	
20	4460426	1	Connector, Strain Relief	
21	4460470	1	Nut, Terminal	
22	4460471	1	Washer, Terminal	
23	4460496	1	Terminal, Washer	
24	4460497	1	Nut, Strain Relief	
25	4460526	1	Connector, Strain Relief	
26	4460874	1	Connector, White	
27	4460875	1	Connector, Gray	
28	4460892	2	Connector, Buss Bar - 6 Position	
29	4460905	4	Connector, Plug	
30	4460914	2	Base, Terminal	
31	4740444	7	Washer	
32	4751000	2	Washer #10	
33	4751400	22	Washer 1/4	
34	4761400	5	Washer 1/4	
35	1001106736	1	Cap, Dust	
36	1001109503	1	Gauge, Indicator	
37	1001110084	1	Module, Ground Control (Note: Control System must be recalibrated when Module is replaced)	
39	1001116369	1	Harness, Valve (See Separate Breakdown in ELECTRICAL SECTION)	
40	1001119372	1	Harness, Ground Control Box (See Separate Breakdown in ELECTRICAL SECTION)	
41	1001120337	1	Harness, ClearSky Ready (See Separate Breakdown in ELECTRICAL SECTION)	
42	1001176469	1	Shroud	
43	1001184937	1	Box Assembly (See Items 101-110 for Breakdown)	

SECTION 2 - TURNTABLE

ITEM	PART NUMBER	QTY	DESCRIPTION	REV
44	1001187386	1	Harness, Ground Control Box (See Separate Breakdown in ELECTRICAL SECTION)	A
46	1001179831	1	Decal - Lid	
47	4060906	1	Guard, Switch	
48	4360328	1	Switch, Toggle	
49	4740444	1	Washer	
	1001184937	Ref	BOX ASSEMBLY	
101	0100011	AR	Compound, Locking	
102	0630407	4	Screw 1/4 x 5/8	
103	2600279	2	Hinge	
104	2940139	2	Latch	
105	3311402	8	Nut 1/4	
106	3573144	2	Plate, Latch	
107	3900251	8	Screw 1/4 x 3/8	
108	3960418	53 in /1.4m	Seal	
109	1001110064	1	Box	
110	1001184936	1	Lid	

SECTION 2 - TURNTABLE

FIGURE 2-34. KEYSWITCH INSTALLATION



ART_0259666

SECTION 2 - TURNTABLE

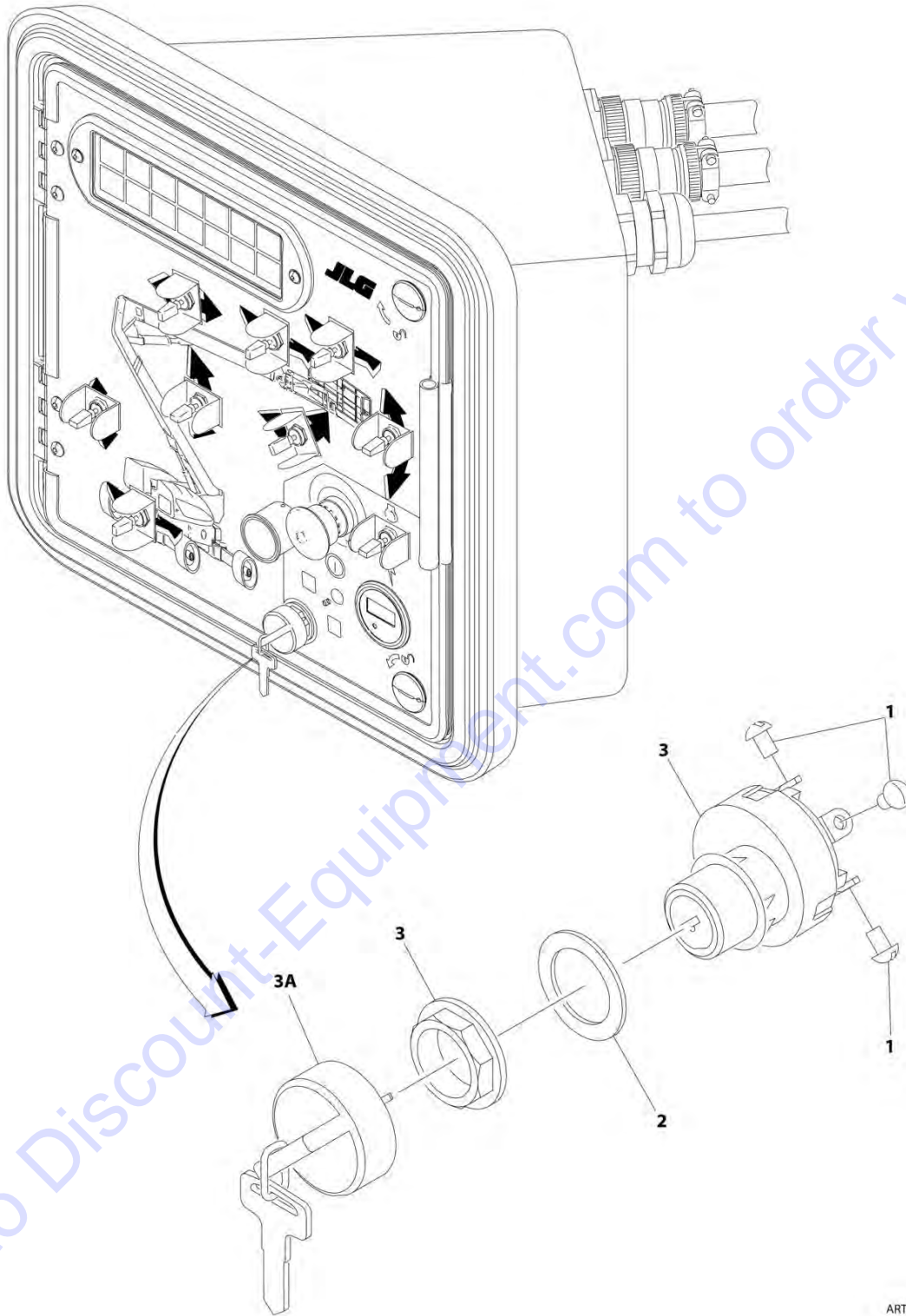
FIGURE 2-34. KEYSWITCH INSTALLATION

ITEM	PART NUMBER	QTY	DESCRIPTION	REV
		Ref	USAGE CHART:	
		Ref	- All Specs Except CE (LRC) Specs	
		Ref	- CE (LRC) Specs (SN 0300205136 to Present, SN B300002238 to Present)	
	0259666	Ref	KEYSWITCH INSTALLATION	B
1	3910804	6	Screw #8 x 1/8	
2	1001151393	1	Shim .063	
3	4360469	1	Keyswitch	
3A	2860030	1	Key, Replacement	

Go to Discount-Equipment.com to order your parts

SECTION 2 - TURNTABLE

FIGURE 2-35. KEYSWITCH INSTALLATION (SN 0300201016 through 0300205135)



ART_0259667

SECTION 2 - TURNTABLE

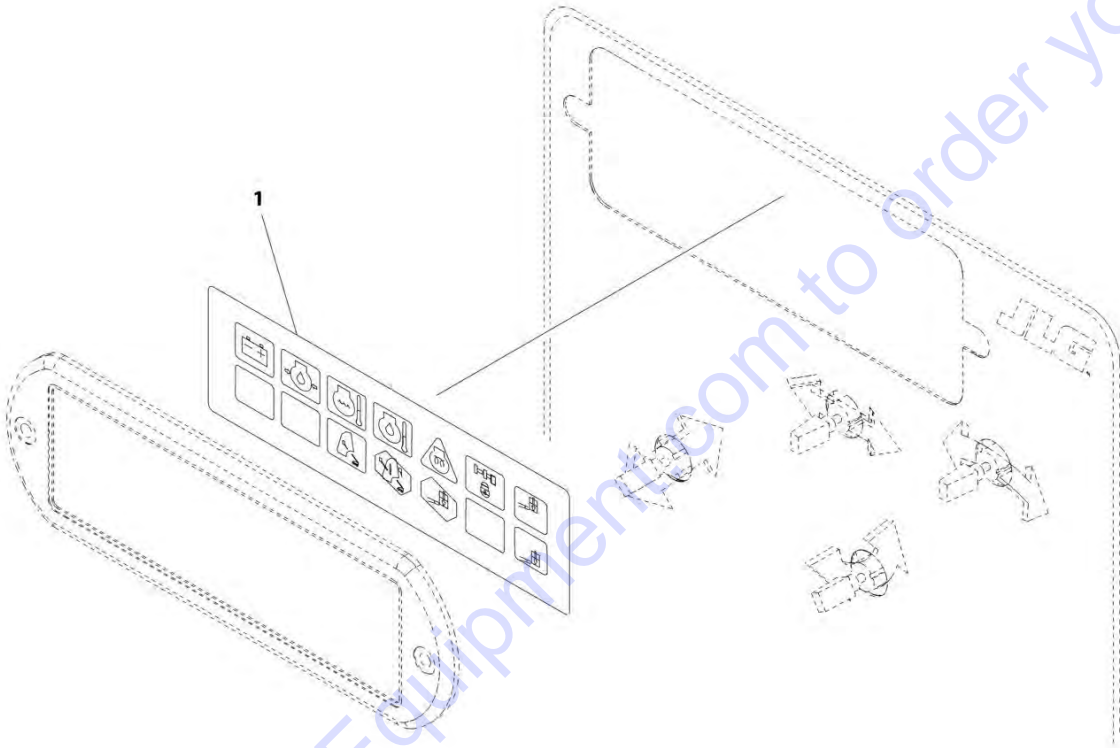
FIGURE 2-35. KEYSWITCH INSTALLATION (SN 0300201016 through 0300205135)

ITEM	PART NUMBER	QTY	DESCRIPTION	REV
		Ref	USAGE CHART:	
		Ref	- CE (LRC) Specs	
	0259667	Ref	KEYSWITCH INSTALLATION (SN 0300201016 through 0300205135)	B
1	3910804	6	Screw #8 x 1/8	
2	1001151393	1	Shim .063	
3	4360470	1	Keypad	
3A	2860030	1	Key, Replacement	

Go to Discount-Equipment.com to order your parts

SECTION 2 - TURNTABLE

FIGURE 2-36. LIGHT PANEL INSTALLATION - ANSI AND ANSI EXPORT SPECS



ART_1001121826_10F2

SECTION 2 - TURNTABLE

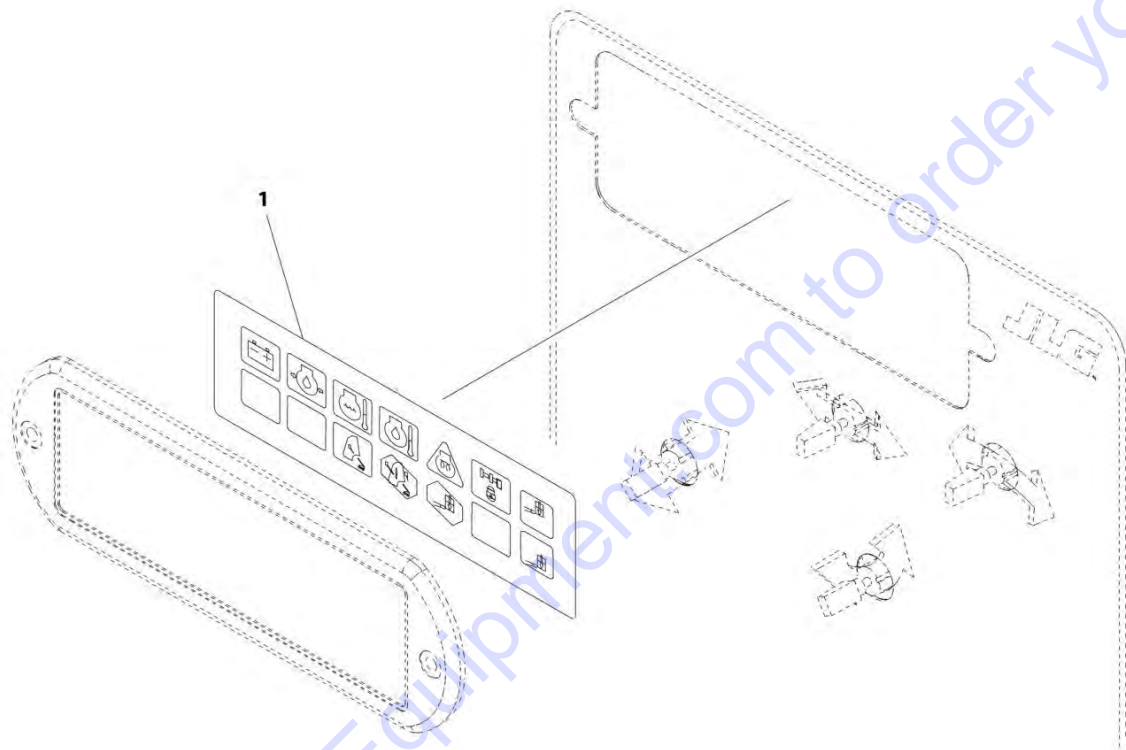
FIGURE 2-36. LIGHT PANEL INSTALLATION - ANSI AND ANSI EXPORT SPECS

ITEM	PART NUMBER	QTY	DESCRIPTION	REV
1	1001121826	Ref	LIGHT PANEL INSTALLATION - ANSI AND ANSI EXPORT SPECS	A
	1001122383	1	Decal - Light Panel	

Go to Discount-Equipment.com to order your parts

SECTION 2 - TURNTABLE

FIGURE 2-37. LIGHT PANEL INSTALLATION - AUSTRALIAN AND CE SPECS



ART_1001121827_10F2

SECTION 2 - TURNTABLE

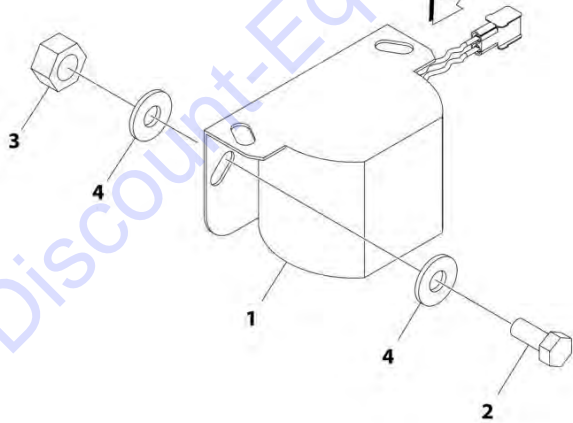
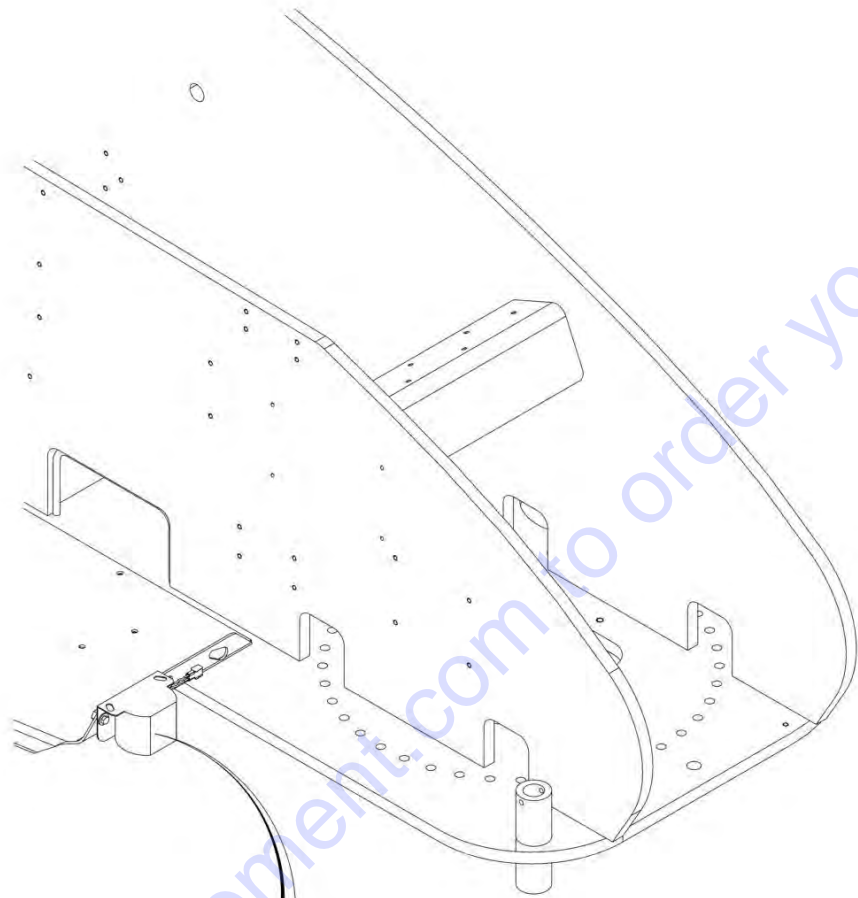
FIGURE 2-37. LIGHT PANEL INSTALLATION - AUSTRALIAN AND CE SPECS

ITEM	PART NUMBER	QTY	DESCRIPTION	REV
1	1001121827 1705974	Ref 1	LIGHT PANEL INSTALLATION - AUSTRALIAN AND CE SPECS Decal - Light Panel	A

Go to Discount-Equipment.com to order your parts

SECTION 2 - TURNTABLE

FIGURE 2-38. ALARMS INSTALLATION



ART_0271806

SECTION 2 - TURNTABLE

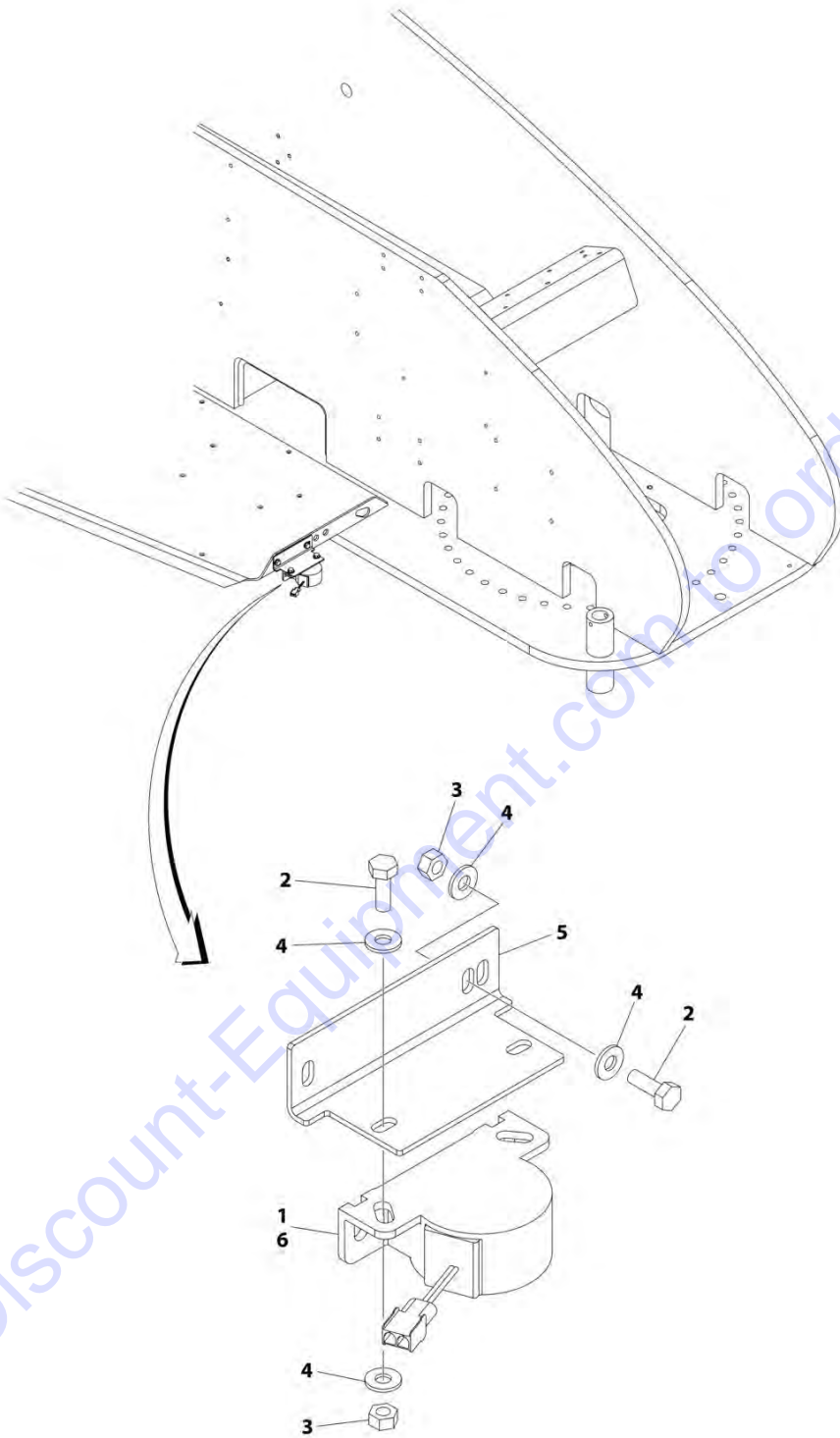
FIGURE 2-38. ALARMS INSTALLATION

ITEM	PART NUMBER	QTY	DESCRIPTION	REV
	0271806	Ref	ALARMS INSTALLATION	A
1	0257887	1	Alarm	
1	0140032	1	Alarm	
1	2820035	6 in/15cm	Loom	
1	4460424	1	Plug	
1	4460268	2	Socket, Female	
2	0641506	2	Bolt 5/16 x 3/4	
3	3311505	2	Nut 5/16	
4	4751500	4	Washer 5/16	

Go to Discount-Equipment.com to order your parts

SECTION 2 - TURNTABLE

FIGURE 2-39. BACKUP ALARM (WHITE NOISE) INSTALLATION



ART_1001239281

SECTION 2 - TURNTABLE

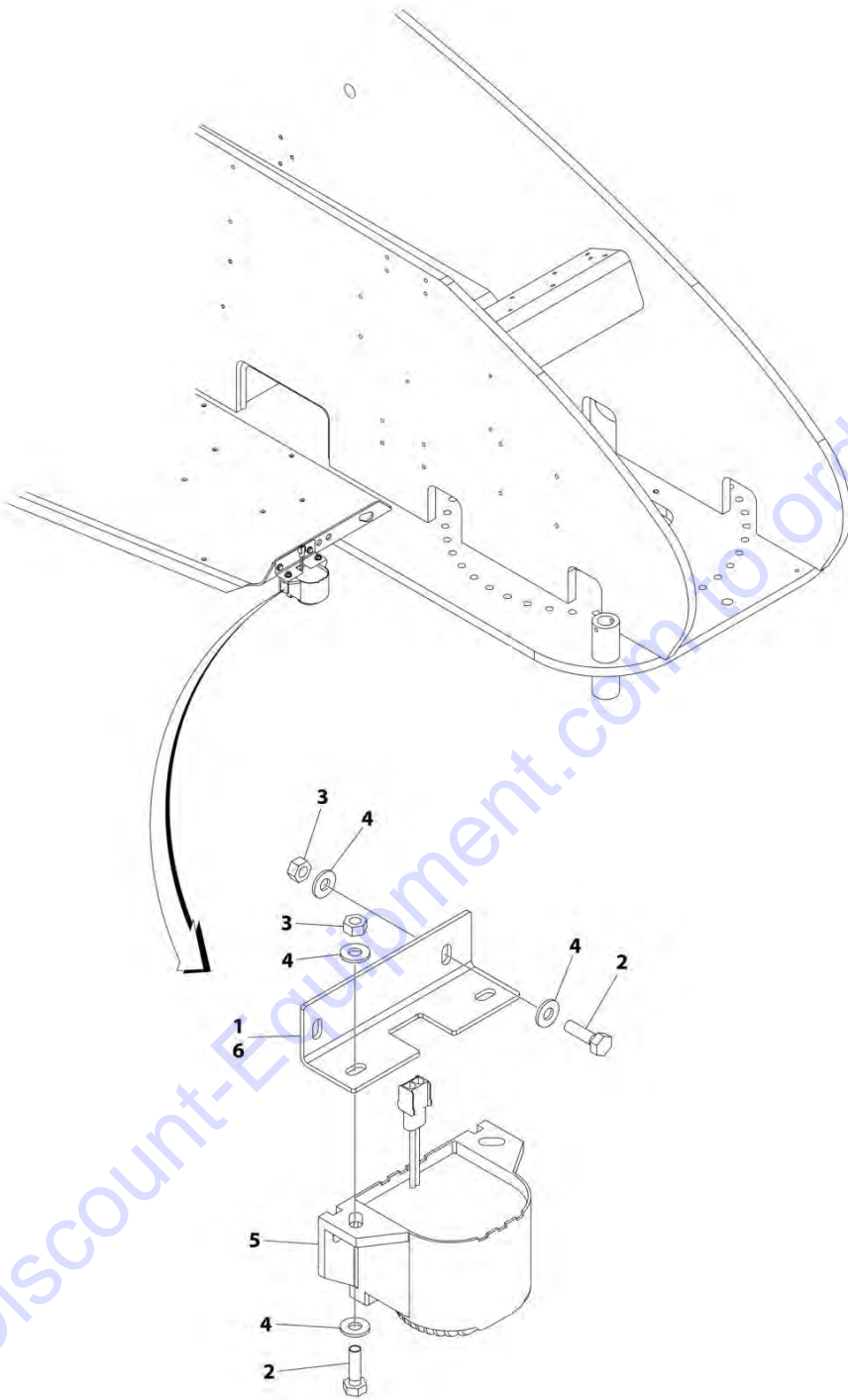
FIGURE 2-39. BACKUP ALARM (WHITE NOISE) INSTALLATION

ITEM	PART NUMBER	QTY	DESCRIPTION	REV
	1001239281	Ref	BACKUP ALARM (WHITE NOISE) INSTALLATION	A
1	0100048	AR	Grease, Dielectric	
2	0641406	4	Bolt 1/4 x 3/4	
3	3311405	4	Nut 1/4	
4	4711400	8	Washer 1/4	
5	1001231886	1	Plate	
6	1001243734	1	Alarm	
6	1001184682	1	Alarm	
6	4460424	1	Plug	
6	4460268	2	Socket, Female	

Go to Discount-Equipment.com to order your parts

SECTION 2 - TURNTABLE

FIGURE 2-40. BACKUP ALARM AMBIENT (WHITE NOISE) INSTALLATION



ART_1001241383

SECTION 2 - TURNTABLE

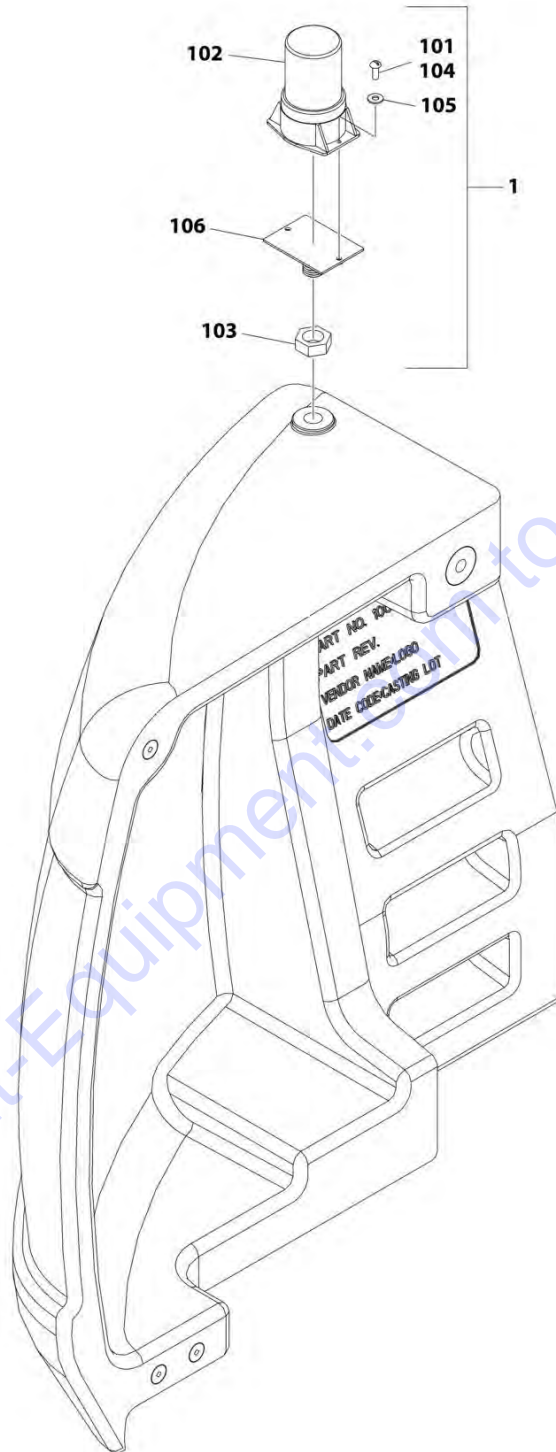
FIGURE 2-40. BACKUP ALARM AMBIENT (WHITE NOISE) INSTALLATION

ITEM	PART NUMBER	QTY	DESCRIPTION	REV
	1001241383	Ref	BACKUP ALARM AMBIENT (WHITE NOISE) INSTALLATION	A
1	0100048	AR	Grease, Dielectric	
2	0641407	4	Bolt 1/4 x 7/8	
3	3311405	4	Nut 1/4	
4	4711400	8	Washer 1/4	
5	1001243731	1	Alarm	
5	1001182806	1	Alarm	
5	4460424	1	Plug	
5	4460268	2	Socket, Female	
6	1001243849	1	Plate	

Go to Discount-Equipment.com to order your parts

SECTION 2 - TURNTABLE

FIGURE 2-41. STROBE LIGHT INSTALLATION (AMBER)



ART_1001149955

SECTION 2 - TURNTABLE

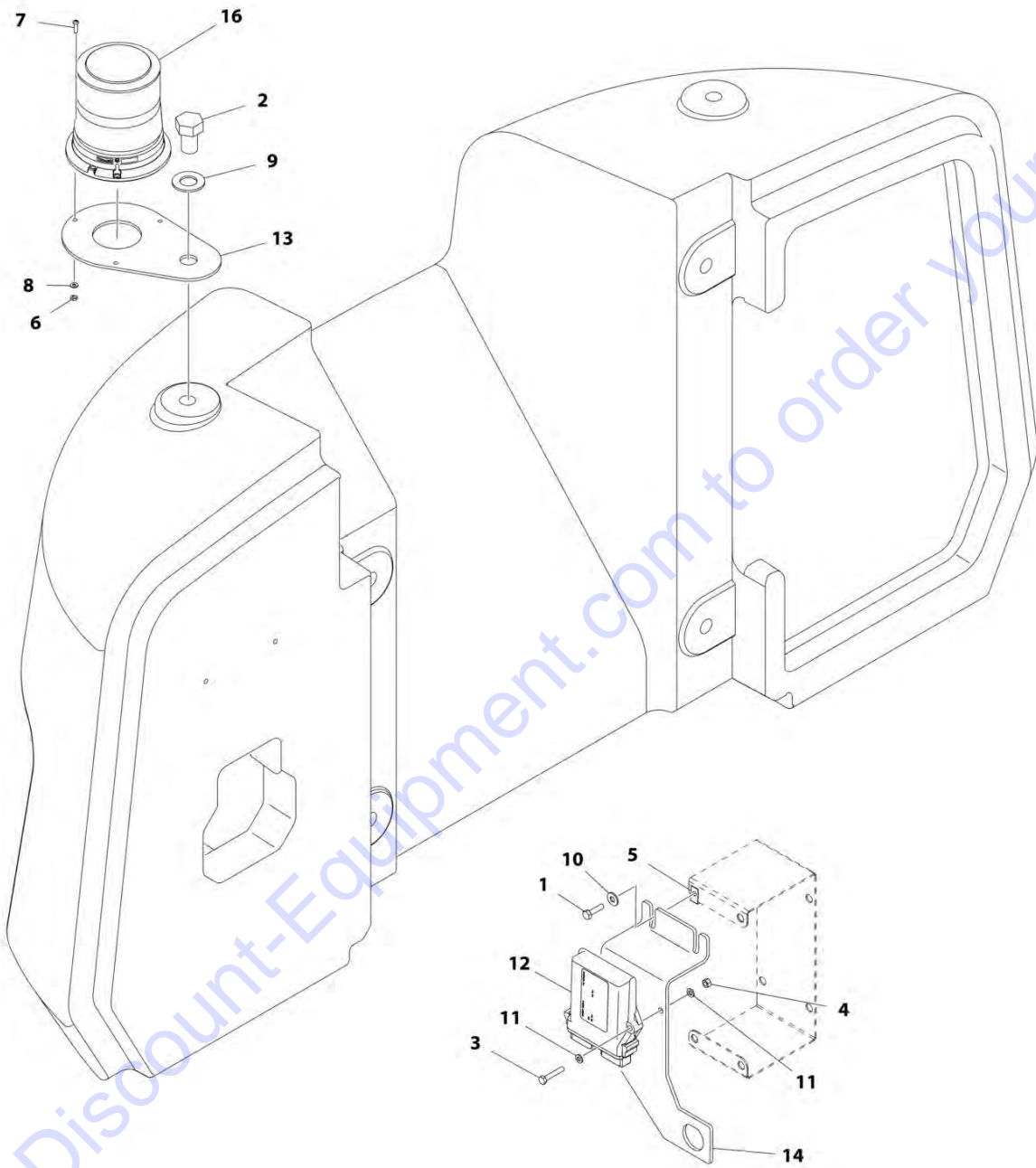
FIGURE 2-41. STROBE LIGHT INSTALLATION (AMBER)

ITEM	PART NUMBER	QTY	DESCRIPTION	REV
	1001149955	Ref	STROBE LIGHT INSTALLATION (AMBER)	B
1	1001150406	1	Strobe Light Assembly (See Items 101-106 for Breakdown)	
2	1001149818	1	Harness, Strobe Light (Not Shown) (See Separate Breakdown in ELECTRICAL SECTION)	
	1001150406	Ref	STROBE LIGHT ASSEMBLY (AMBER)	B
101	0100035	AR	Compound, Locking	
102	2920161	1	Strobe Light/Harness Assembly	
102	7016319	1	Bulb	
102	7016372	1	Lens	
103	3312602	1	Nut 1	
104	3900085	2	Screw #10 x 1/2	
105	4751000	2	Washer 1/4	
106	1001149994	1	Mount Strobe	

Go to Discount-Equipment.com to order your parts

SECTION 2 - TURNTABLE

FIGURE 2-42. BEACON LIGHT INSTALLATION (BLUE) (SN 0300201016 through 0300217081)



ART_1001189176

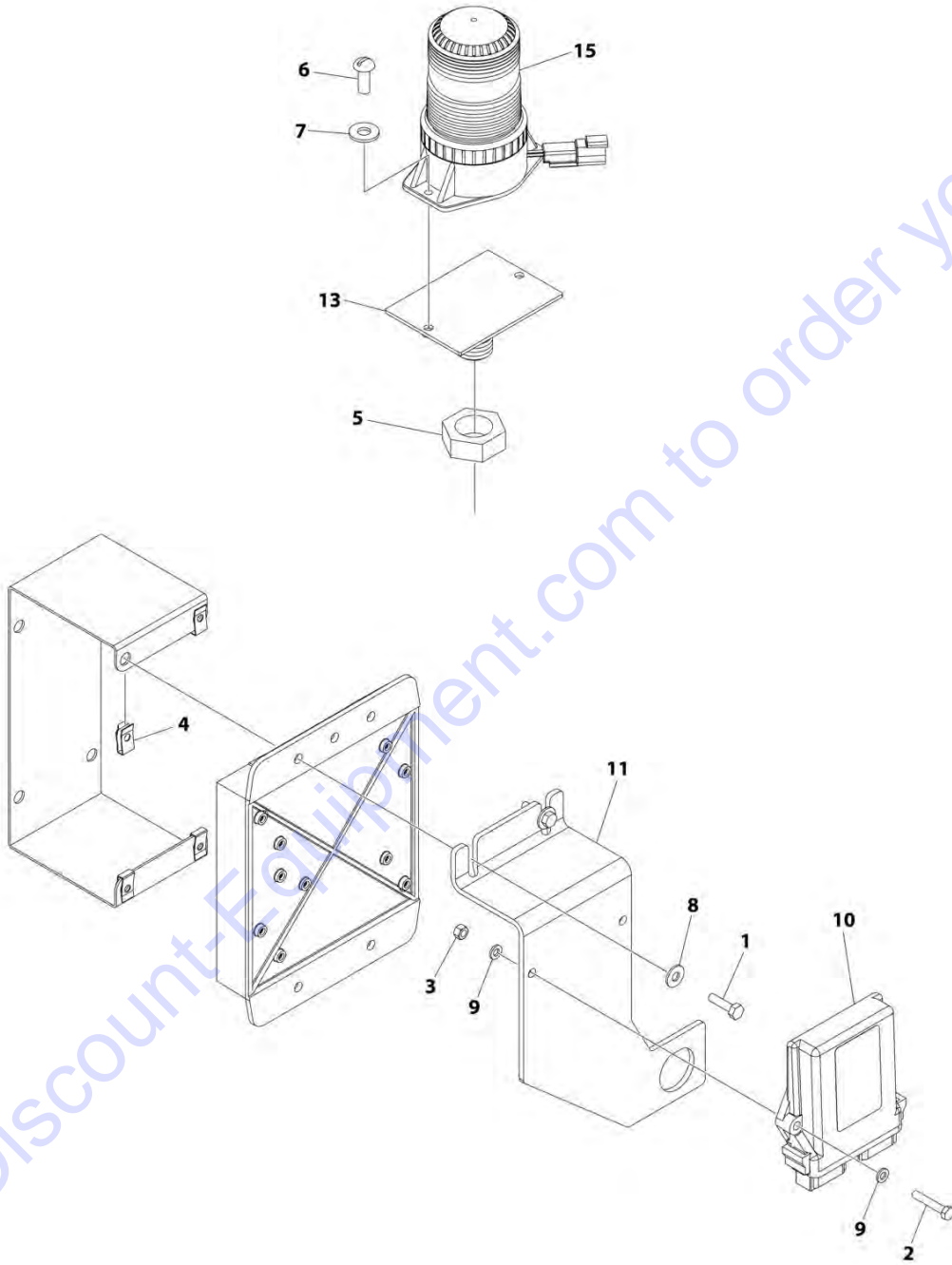
SECTION 2 - TURNTABLE

FIGURE 2-42. BEACON LIGHT INSTALLATION (BLUE) (SN 0300201016 through 0300217081)

ITEM	PART NUMBER	QTY	DESCRIPTION	REV
	1001189176	Ref	BEACON LIGHT INSTALLATION (BLUE) (SN 0300201016 through 0300217081)	B
1	0641408	2	Bolt 1/4 x 1	
2	0642612	1	Bolt 1 x 1-1/2	
3	0700615	2	Bolt M6 x 35	
4	3290607	2	Nut M6 x 1	
5	3300454	2	Nut	
6	3311005	3	Nut #10	
7	3911012	3	Screw 10 x 3/4	
8	4711000	3	Washer #10	
9	4712600	1	Washer 1	
10	4751400	2	Washer 1/4	
11	4811700	4	Washer M6	
12	1001142683	1	Control, Beacon Module	
13	1001142694	1	Bracket, Beacon Mounting	
14	1001142719	1	Bracket, Beacon Module Ultra	
15	1001142736	1	Harness, Beacon Control (Not Shown) (See Separate Breakdown in ELECTRICAL SECTION)	
16	1001143431	NLA	Lamp, Beacon (Use p/n 1001210693 & 1001200910)	
16	7028909	1	Connector - 2 Position	
16	4460943	2	Pin, Male	
17	1001150944	1	Harness, Beacon Control (Not Shown) (See Separate Breakdown in ELECTRICAL SECTION)	

SECTION 2 - TURNTABLE

FIGURE 2-43. STROBE LIGHT INSTALLATION (BLUE) (SN 0300217082 through 0300256988, SN B300002238 through B300003730)



ART_1001205401

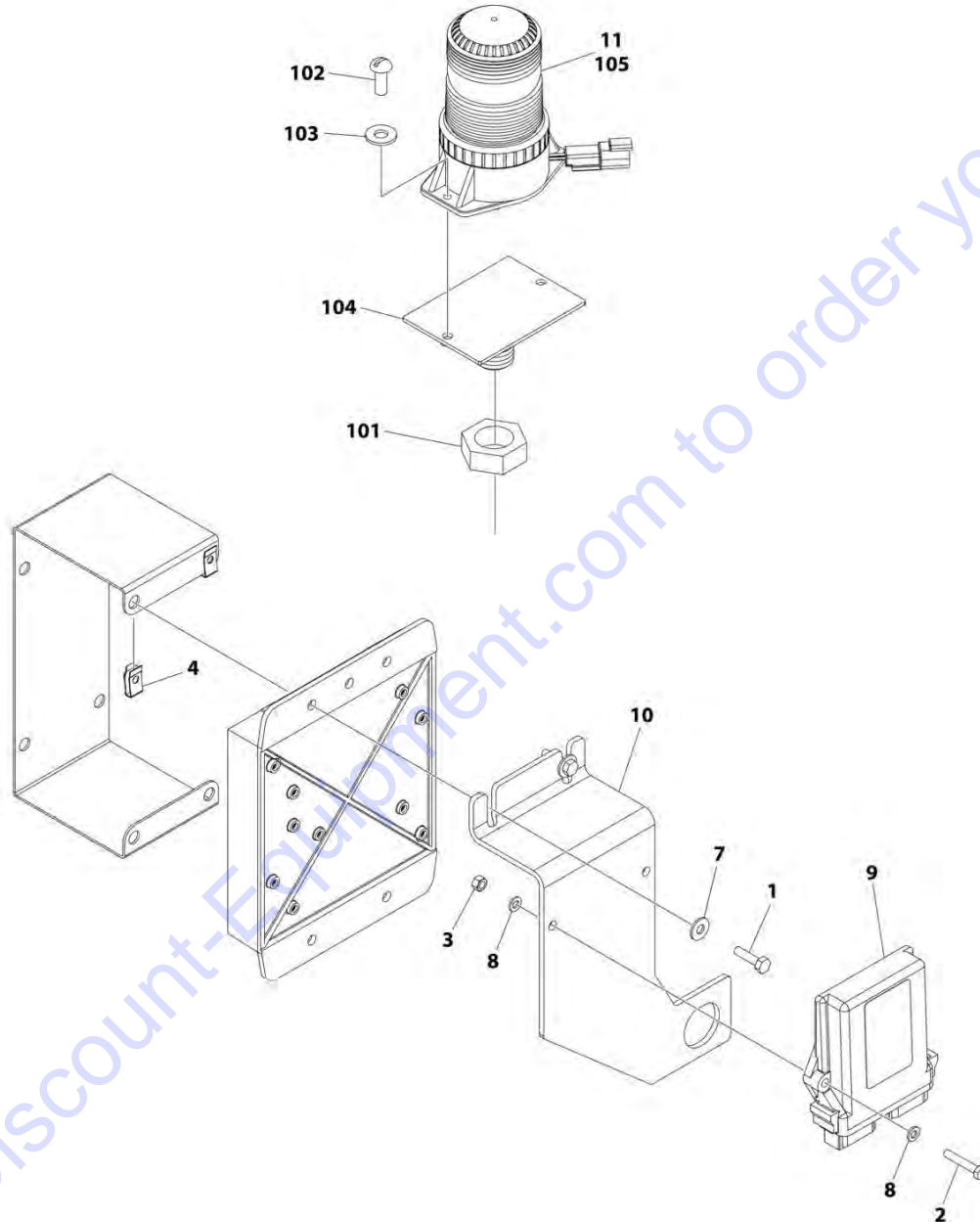
SECTION 2 - TURNTABLE

FIGURE 2-43. STROBE LIGHT INSTALLATION (BLUE) (SN 0300217082 through 0300256988, SN B300002238 through B300003730)

ITEM	PART NUMBER	QTY	DESCRIPTION	REV
	1001205401	Ref	STROBE LIGHT INSTALLATION (BLUE)	F
1	0641408	2	Bolt 1/4 x 1	
2	0700615	2	Bolt M6 x 35	
3	3290607	2	Nut M6 x 1	
4	3300454	2	Nut	
5	3312602	1	Nut 1	
6	3900085	2	Screw 10 x 1/2	
7	4751000	2	Washer #10	
8	4751400	2	Washer 1/4	
9	4811700	4	Washer M6	
10	1001142683	1	Module, Control Beacon	
11	1001142719	1	Bracket	
12	1001142736	1	Harness, Beacon Control (Not Shown) (See Separate Breakdown in ELECTRICAL SECTION)	
13	1001149994	1	Mount, Beacon	
15	1001200910	1	Light, Strobe	
15	7028909	1	Connector - 2 Position	
15	4460943	2	Pin, Male	
16	4240032	AR	Tie-Strap (Not Shown) (SN 0300237541 through 0300256988, SN B300002238 through B300003730)	
17	4460488	AR	Mount, Tie-Strap (Not Shown) (SN 0300237541 through 0300256988, SN B300002238 through B300003730)	
18	1001217005	1	Strobe Light Kit - Blue (Includes Items 5, 6, 7, 13 & 15) (Not Shown) (SN 0300237541 through 0300256988, SN B300002238 through B300003730)	

SECTION 2 - TURNTABLE

FIGURE 2-44. STROBE LIGHT INSTALLATION (BLUE) (SN 0300256989 to Present, SN B300003731 to Present)



ART_1001244026-A

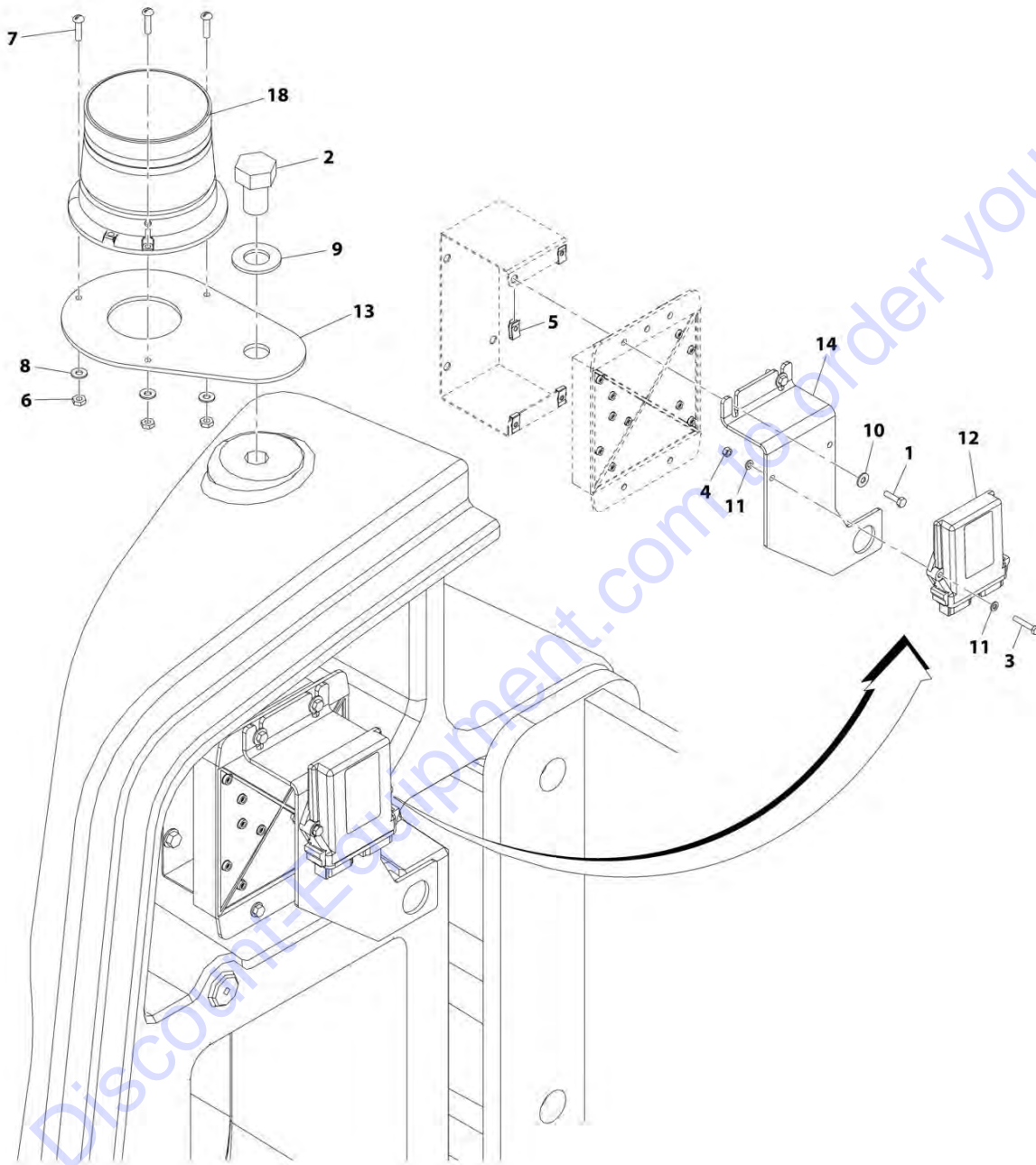
SECTION 2 - TURNTABLE

FIGURE 2-44. STROBE LIGHT INSTALLATION (BLUE) (SN 0300256989 to Present, SN B300003731 to Present)

ITEM	PART NUMBER	QTY	DESCRIPTION	REV
	1001244026	Ref	STROBE LIGHT INSTALLATION (BLUE)	A
1	0641408	2	Bolt 1/4 x 1	
2	0700615	2	Bolt M6 x 35	
3	3290607	2	Nut M6 x 1	
4	3300454	2	Nut 1/4	
5	4240032	AR	Tie-Strap (Not Shown)	
6	4460488	AR	Mounting Base (Not Shown)	
7	4751400	2	Washer 1/4	
8	4811700	4	Washer M6	
9	1001142683	1	Module, Control Beacon	
10	1001142719	1	Bracket	
11	1001217005	1	Blue Beacon Light Kit (See Items 101-105 for Breakdown)	
12	1001142736	1	Harness, Beacon Control (Not Shown) (See ELECTRICAL SECTION for Breakdown)	
101	3312602	1	Nut 1/4	
102	3900085	2	Screw 10 x 1/2	
103	4751000	2	Washer #10	
104	1001149994	1	Mount, Beacon	
105	1001200910	1	Light, Strobe	
105	7028909	1	Connector - 2 Position	
105	4460943	2	Pin, Male	

SECTION 2 - TURNTABLE

FIGURE 2-45. STROBE LIGHT INSTALLATION (RED) (SN 0300216184 through 0300217081)



ART_1001207309

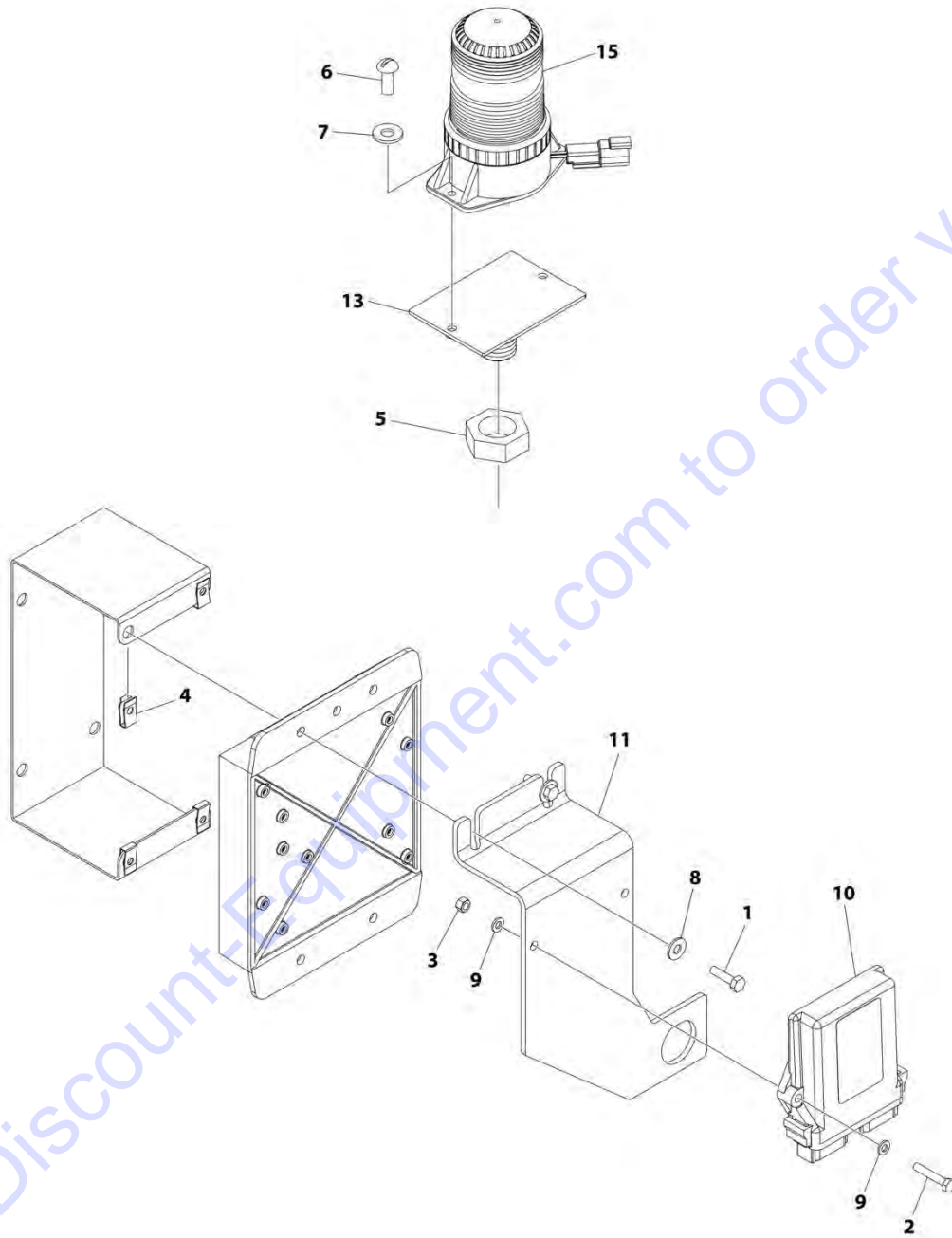
SECTION 2 - TURNTABLE

FIGURE 2-45. STROBE LIGHT INSTALLATION (RED) (SN 0300216184 through 0300217081)

ITEM	PART NUMBER	QTY	DESCRIPTION	REV
	1001207309	Ref	STROBE LIGHT INSTALLATION (RED) (SN 0300216184 through 0300217081)	B
1	0641408	2	Bolt 1/4 x 1	
2	0642612	1	Bolt 1 x 1-1/2	
3	0700615	2	Bolt M6 x 35	
4	3290607	2	Nut M6 x 1	
5	3300454	2	Nut	
6	3311005	3	Nut #10	
7	3911012	3	Screw 10 x 3/4	
8	4711000	3	Washer #10	
9	4712600	1	Washer 1	
10	4751400	2	Washer 1/4	
11	4811700	4	Washer M6	
12	1001142683	1	Module, Control Beacon	
13	1001142694	1	Bracket	
14	1001142719	1	Bracket	
15	1001142736	1	Harness, Beacon Control (Not Shown) (See Separate Breakdown in ELECTRICAL SECTION)	
18	1001197067	NLA	Light, Strobe (Use p/n 1001210693 & 1001207004)	
18	7028909	1	Connector - 2 Position	
18	4460943	2	Pin, Male	

SECTION 2 - TURNTABLE

FIGURE 2-46. STROBE LIGHT INSTALLATION (RED) (SN 0300217082 through 0300256988)



ART_1001209873

SECTION 2 - TURNTABLE

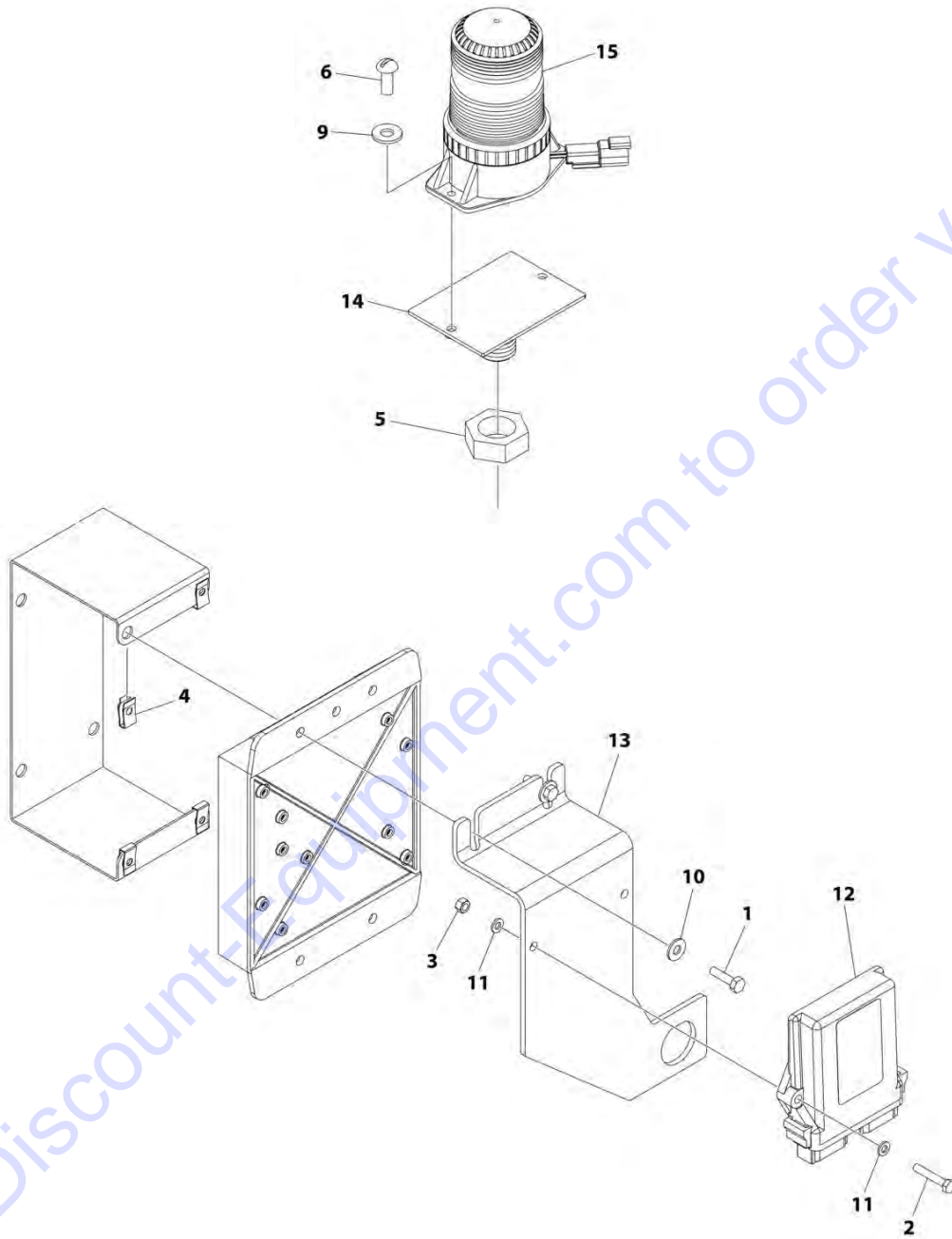
FIGURE 2-46. STROBE LIGHT INSTALLATION (RED) (SN 0300217082 through 0300256988)

ITEM	PART NUMBER	QTY	DESCRIPTION	REV
	1001209873	Ref	STROBE LIGHT INSTALLATION (RED)	E
1	0641408	2	Bolt 1/4 x 1	
2	0700615	2	Bolt M6 x 35	
3	3290607	2	Nut M6 x 1	
4	3300454	2	Nut	
5	3312602	1	Nut 1	
6	3900085	2	Screw 10 x 1/2	
7	4751000	2	Washer #10	
8	4751400	2	Washer 1/4	
9	4811700	4	Washer M6	
10	1001142683	1	Module, Control Beacon	
11	1001142719	1	Bracket	
12	1001142736	1	Harness, Beacon Control (Not Shown) (See Separate Breakdown in ELECTRICAL SECTION)	
13	1001149994	1	Mount, Beacon	
15	1001207004	1	Light, Strobe	
15	7028909	1	Connector - 2 Position	
15	4460943	2	Pin, Male	
16	4240032	AR	Tie-Strap (Not Shown) (SN 0300233745 through 0300256988)	
17	4460488	AR	Mount, Tie Strap (Not Shown) (SN 0300233745 through 0300256988)	

Go to Discount-Equipment.com to order your parts

SECTION 2 - TURNTABLE

FIGURE 2-47. STROBE LIGHT INSTALLATION (RED) (SN 03002589 to Present)



ART_1001244027

SECTION 2 - TURNTABLE

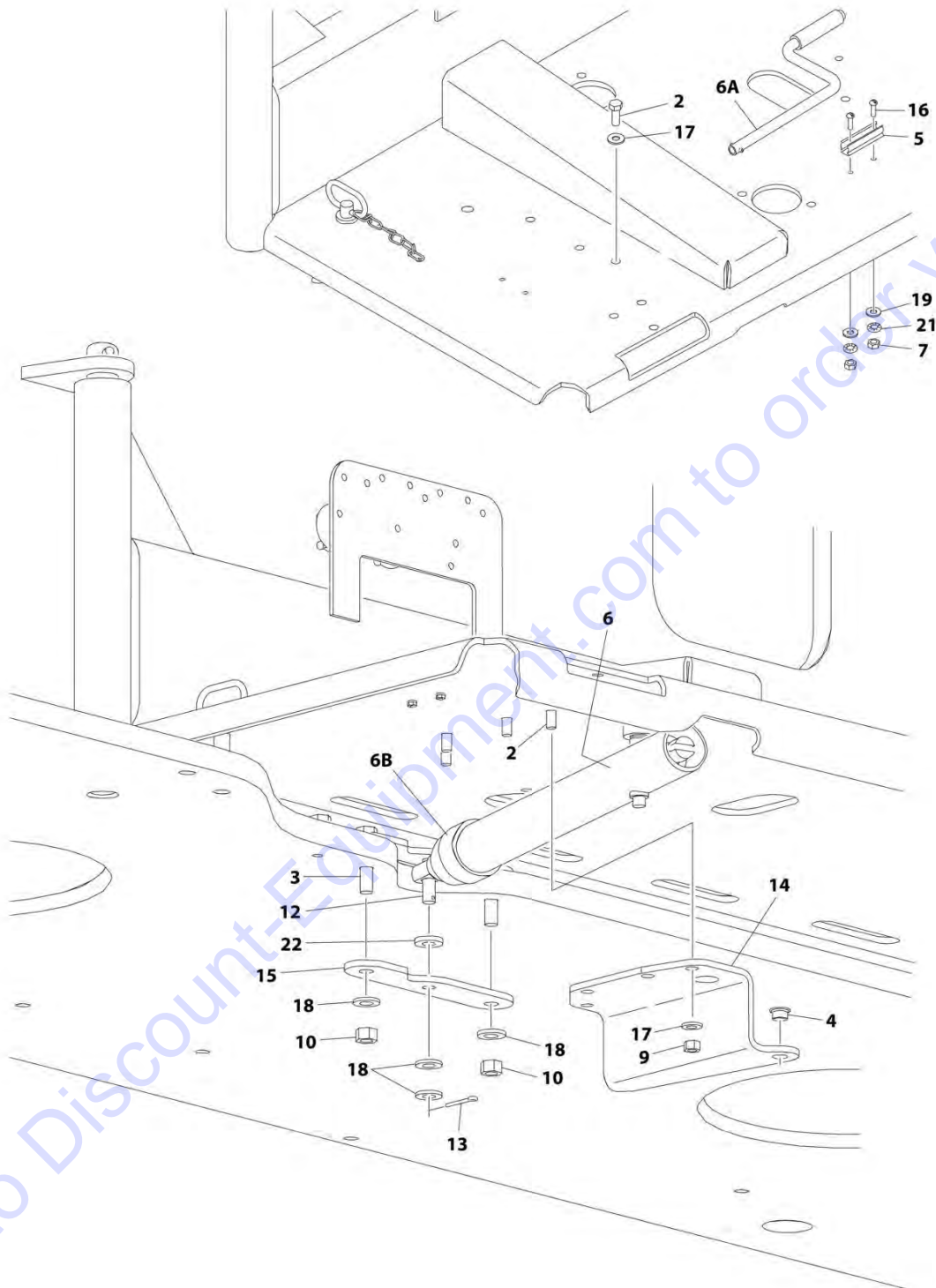
FIGURE 2-47. STROBE LIGHT INSTALLATION (RED) (SN 03002589 to Present)

ITEM	PART NUMBER	QTY	DESCRIPTION	REV
	1001244027	Ref	STROBE LIGHT INSTALLATION (RED)	A
1	0641408	2	Bolt 1/4 x 1	
2	0700615	2	Bolt M6 x 35	
3	3290607	2	Nut M6 x 1	
4	3300454	2	Nut	
5	3312602	1	Nut 1	
6	3900085	2	Screw 10 x 1/2	
7	4240032	AR	Tie-Strap (Not Shown)	
8	4460488	AR	Mounting Base (Not Shown)	
9	4751000	2	Washer #10	
10	4751400	2	Washer 1/4	
11	4811700	4	Washer M6	
12	1001142683	1	Module, Control Beacon	
13	1001142719	1	Bracket	
14	1001149994	1	Mount, Beacon	
15	1001207004	1	Light, Strobe	
15	7028909	1	Connector - 2 Position	
15	4460943	2	Pin, Male	
16	1001142736	1	Harness, Beacon Control (Not Shown) (See ELECTRICAL SECTION for Breakdown)	

Go to Discount-Equipment.com to order your parts

SECTION 2 - TURNTABLE

FIGURE 2-48. ENGINE TRAY JACK INSTALLATION - DEUTZ TD2011 ENGINES



ART_0272064

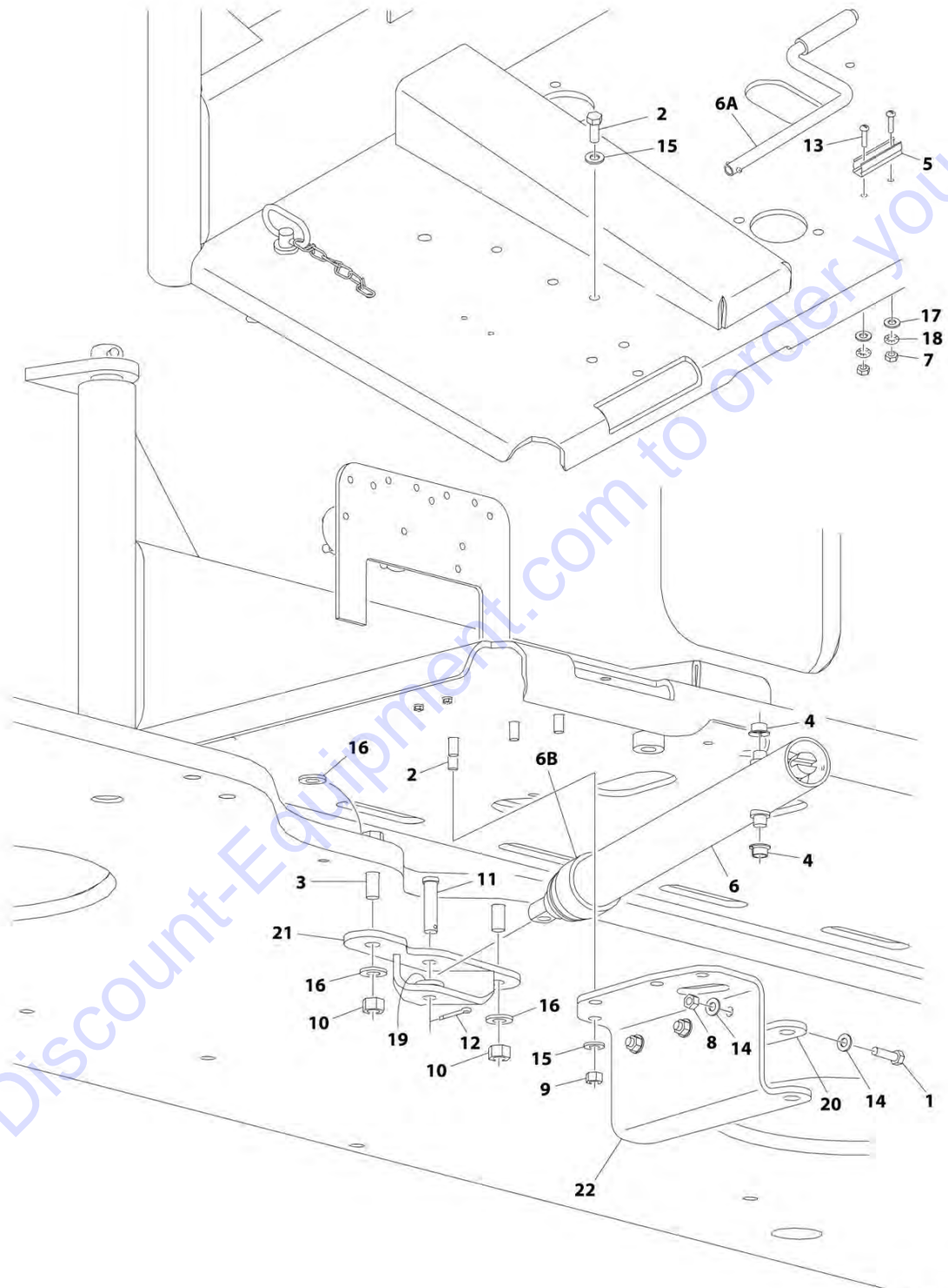
SECTION 2 - TURNTABLE

FIGURE 2-48. ENGINE TRAY JACK INSTALLATION - DEUTZ TD2011 ENGINES

ITEM	PART NUMBER	QTY	DESCRIPTION	REV
	0272064	Ref	ENGINE TRAY JACK INSTALLATION - DEUTZ TD2011 ENGINES	C
2	0641608	4	Bolt 3/8 x 1	
3	0641818	2	Bolt 1/2 x 2-1/4	
4	0962051	2	Bearing, Flanged	
5	1380147	1	Clip, Spring	
6	2840016	1	Jack and Handle Assembly	
6A		Ref	Handle Options:	
6A	7016374	1	Burr Manufacturing Brand	
6A	7024598	1	Hammerblow Corp Brand	
6B	7016322	1	Wiper (Burr Manufacturing Brand Only)	
7	3310601	2	Nut #6	
9	3311605	4	Nut 3/8	
10	3311805	2	Nut 1/2	
12	3430816	1	Pin, Clevis	
13	3450404	1	Pin, Cotter 1/8 x 1	
14	3537445	1	Bracket	
15	3573454	2	Plate	
16	3910608	2	Screw #6 x 1/2	
17	4711600	8	Washer 3/8	
18	4711800	4	Washer 1/2	
19	4750600	2	Washer #6	
21	4770600	2	Starwasher #6	
22	4891800	1	Washer 1/2	

SECTION 2 - TURNTABLE

FIGURE 2-49. ENGINE TRAY JACK INSTALLATION - DEUTZ TD2.9L4/TCD2.9L4 ENGINES AND DEUTZ TCD2.9L4 (STAGE V) ENGINES



ART_1001143294

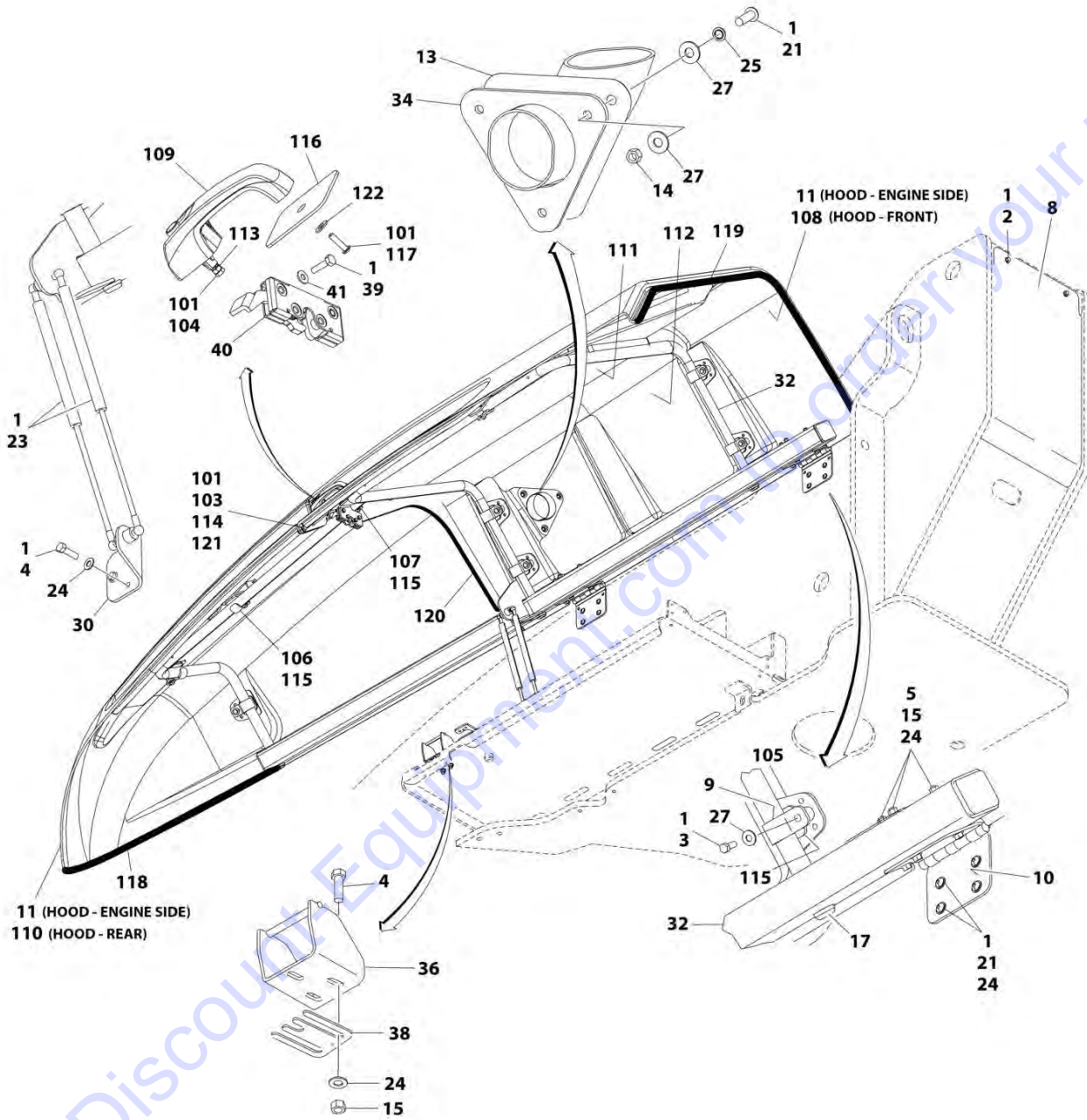
SECTION 2 - TURNTABLE

FIGURE 2-49. ENGINE TRAY JACK INSTALLATION - DEUTZ TD2.9L4/TCD2.9L4 ENGINES AND DEUTZ TCD2.9L4 (STAGE V) ENGINES

ITEM	PART NUMBER	QTY	DESCRIPTION	REV
	1001143294	Ref	ENGINE TRAY JACK INSTALLATION - DEUTZ TD2.9L4/TCD2.9L4 ENGINES AND DEUTZ TCD2.9L4 (STAGE V) ENGINES	A
1	0641509	3	Bolt 5/16 x 1-1/8	
2	0641608	4	Bolt 3/8 x 1	
3	0641816	2	Bolt 1/2 x 2	
4	0962051	2	Bearing, Flanged	
5	1380147	1	Clip, Spring	
6	2840016	1	Jack and Handle Assembly	
6A		Ref	Handle Options:	
6A	7016374	1	Burr Manufacturing Brand (Identified by 4in handle offset)	
6A	7024598	1	Hammerblow Corp Brand (Identified by 4-1/2in handle offset)	
6B	7016322	1	Wiper (Burr Manufacturing Brand Only)	
7	3310601	2	Nut #6	
8	3311505	3	Nut 5/16	
9	3311605	4	Nut 3/8	
10	3311805	2	Nut 1/2	
11	3430816	1	Pin, Clevis	
12	3450404	1	Pin, Cotter 1/8 x 1	
13	3910608	2	Screw #6 x 1/2	
14	4711500	6	Washer 5/16	
15	4711600	8	Washer 3/8	
16	4711800	4	Washer 1/2	
17	4750600	2	Washer #6	
18	4770600	2	Starwasher #6	
19	4891800	1	Washer 1/2	
20	1001131482	1	Plate, Jack Bracket	
21	1001135663	1	Support, Engine Tray Jack	
22	1001143298	1	Plate, Jack Bracket	

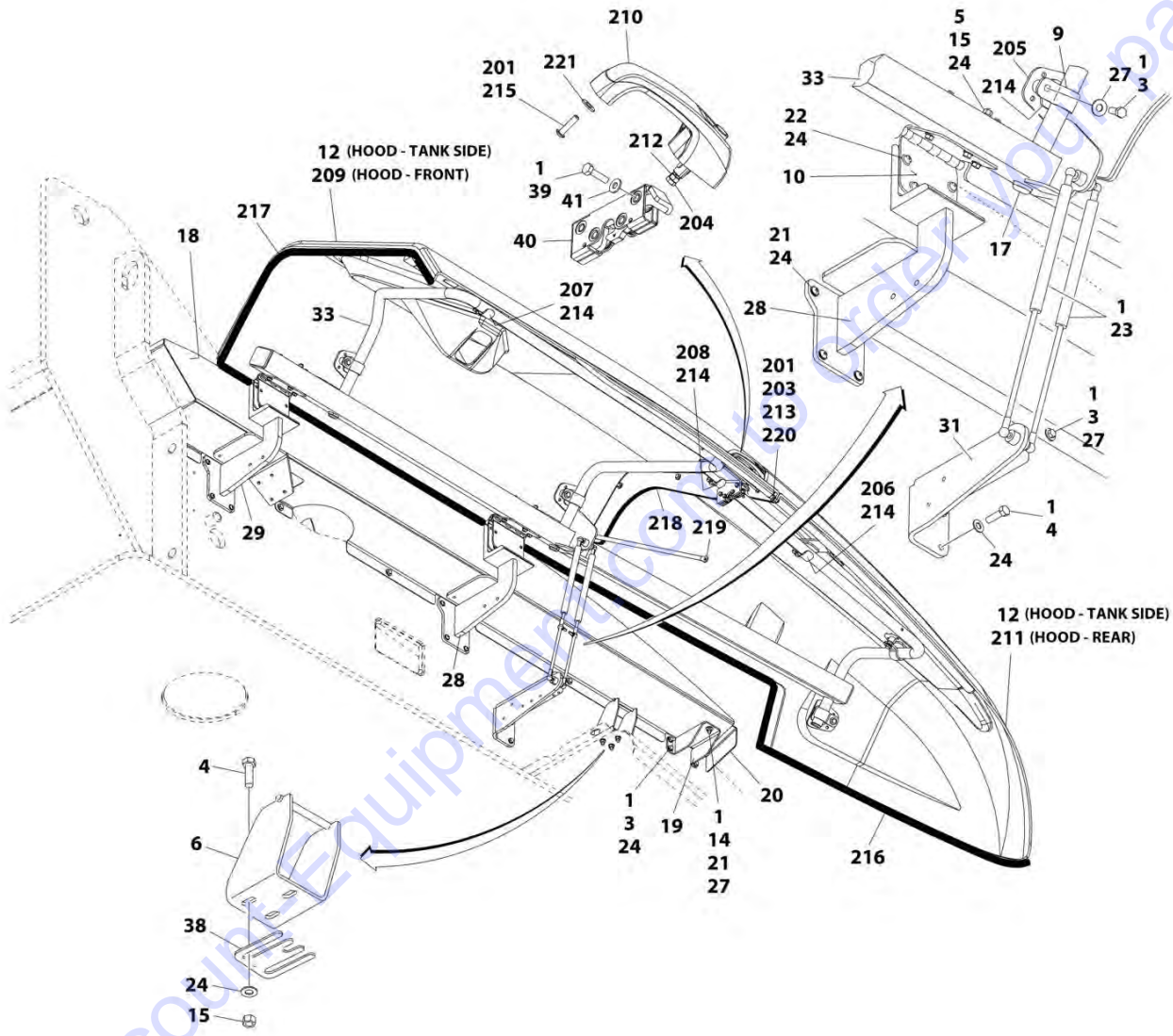
SECTION 2 - TURNTABLE

FIGURE 2-50. HOOD INSTALLATIONS - DEUTZ TD2011 ENGINES (ABS)



ART_0271595_10F2

SECTION 2 - TURNTABLE



ART_0271595_20F2

SECTION 2 - TURNTABLE

FIGURE 2-50. HOOD INSTALLATIONS - DEUTZ TD2011 ENGINES (ABS)

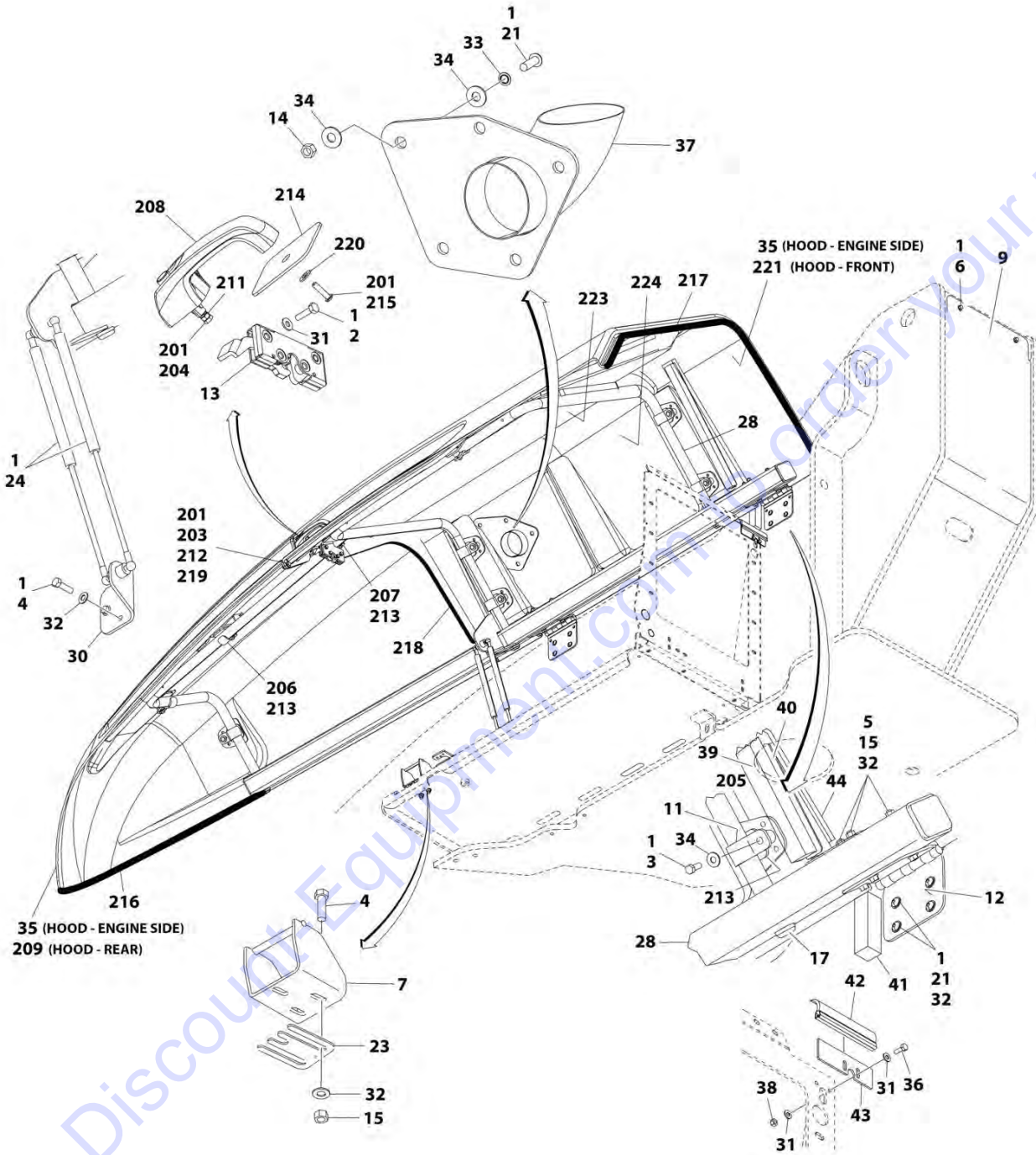
ITEM	PART NUMBER	QTY	DESCRIPTION	REV
	0271595	Ref	HOOD INSTALLATIONS - DEUTZ TD2011 ENGINES (ABS)	F
1	0100011	AR	Compound, Locking	
2	0791604	2	Screw 3/8 x 1/2	
3	0641608	24	Bolt 3/8 x 1	
4	0641610	12	Bolt 3/8 x 1-1/4	
5	0641630	12	Bolt 3/8 x 3-3/4	
6	0903156	1	Bracket	
8	1671038	1	Cover, Turntable	
9	2080051	16	Clamp	
10	2600280	4	Hinge	
11	1671192	1	Hood, Engine Side (See Items 101-123 for Breakdown)	
		Ref	Note: Replacement decals must be ordered separately - See DECAL SECTION.	
12	1671194	1	Hood, Tank Side (See Items 201-225 for Breakdown)	
		Ref	Note: Replacement decals must be ordered separately - See DECAL SECTION.	
13	2820141	1	Shield, Heat	
14	3311601	5	Nut 3/8	
15	3311605	18	Nut 3/8	
17	3520186	6	Plug	
18	3573231	1	Trough, Powertrack	
19	3573232	1	Mount, Trough	
20	3573233	1	Plate, Seal Mounting	
21	3900232	21	Screw 3/8 x 1-1/4	
22	3900283	16	Screw 3/8 x 3/4	
23	4160194	4	Spring, Gas	
24	4711600	70	Washer 3/8	
25	4740500	3	Washer, Nylon	
27	4751600	38	Washer 3/8	
28	4340923	1	Support, Rear Hood	
29	4340924	1	Support, Front Hood	
30	4341001	1	Mount, Gas Spring	
31	4340999	1	Mount, Gas Spring	
32	4340996	1	Support, Engine Side Hood	
33	4340995	1	Support, Tank Side Hood	
34	4846503	1	Stack, Exhaust	
36	0903154	1	Bracket, Latch	
37	3520034	2	Plug (Not Shown - Located in Boom Rest)	
38	4071048	2	Shim	
39	0641408	8	Bolt 1/4 x 1	
40	2940173	2	Latch, Rotary	
41	4711400	8	Washer 1/4	
	1671192	Ref	ENGINE SIDE HOOD ASSEMBLIES (ABS)	B
101	0100011	AR	Compound, Locking	
102	0100081	AR	Adhesive (Not Shown)	
103	0641506	10	Bolt 5/16 x 3/4	
104	0760608	1	Screw M6 x 16	
105	0902746	7	Bracket	
106	0902761	1	Bracket	
107	0903161	1	Bracket	

SECTION 2 - TURNTABLE

ITEM	PART NUMBER	QTY	DESCRIPTION	REV
108	1671191	1	Hood - Front	
109	2560187	1	Handle, Push Button	
110	2680496	1	Hood - Rear	
111	2820145	1	Insulation	
112	2820146	1	Insulation	
113	3290601	1	Nut M6 x 1	
114	3311501	10	Nut 5/16	
115	3340877	9	Pad	
116	3575782	1	Plate, Handle Backing	
117	3900363	2	Screw M6 x 1 x 25	
118	3960464	12 ft /3.7m	Seal, Hood	
119	4060804	61 in /1.6m	Flex-Trim	
120	4060806	49 in /1.3m	Flex-Trim	
121	4751500	20	Washer 5/16	
122	4811900	2	Washer M8	
	1671194	Ref	TANK SIDE HOOD ASSEMBLY (ABS)	A
201	0100011	AR	Compound, Locking	
202	0100081	AR	Adhesive (Not Shown)	
203	0641506	9	Bolt 5/16 x 3/4	
204	0760608	1	Screw M6 x 16	
205	0902746	4	Bracket	
206	0902762	1	Bracket	
207	0902763	1	Bracket	
208	0903162	1	Bracket	
209	1671193	1	Hood - Front	
210	2560187	1	Handle, Push Button	
211	2680498	1	Hood - Rear	
212	3290601	1	Nut M6	
213	3311501	9	Nut 5/16	
214	3340877	7	Pad	
215	3900363	2	Screw M6 x 1 x 25	
216	3960464	149 in /3.8m	Seal, Hood	
217	4060804	53 in /1.4m	Flex-Trim	
218	4060806	40 in /1.2m	Flex-Trim	
219	4240150	1	Strap, Ground	
220	4751500	18	Washer 5/16	
221	4811900	2	Washer M8	

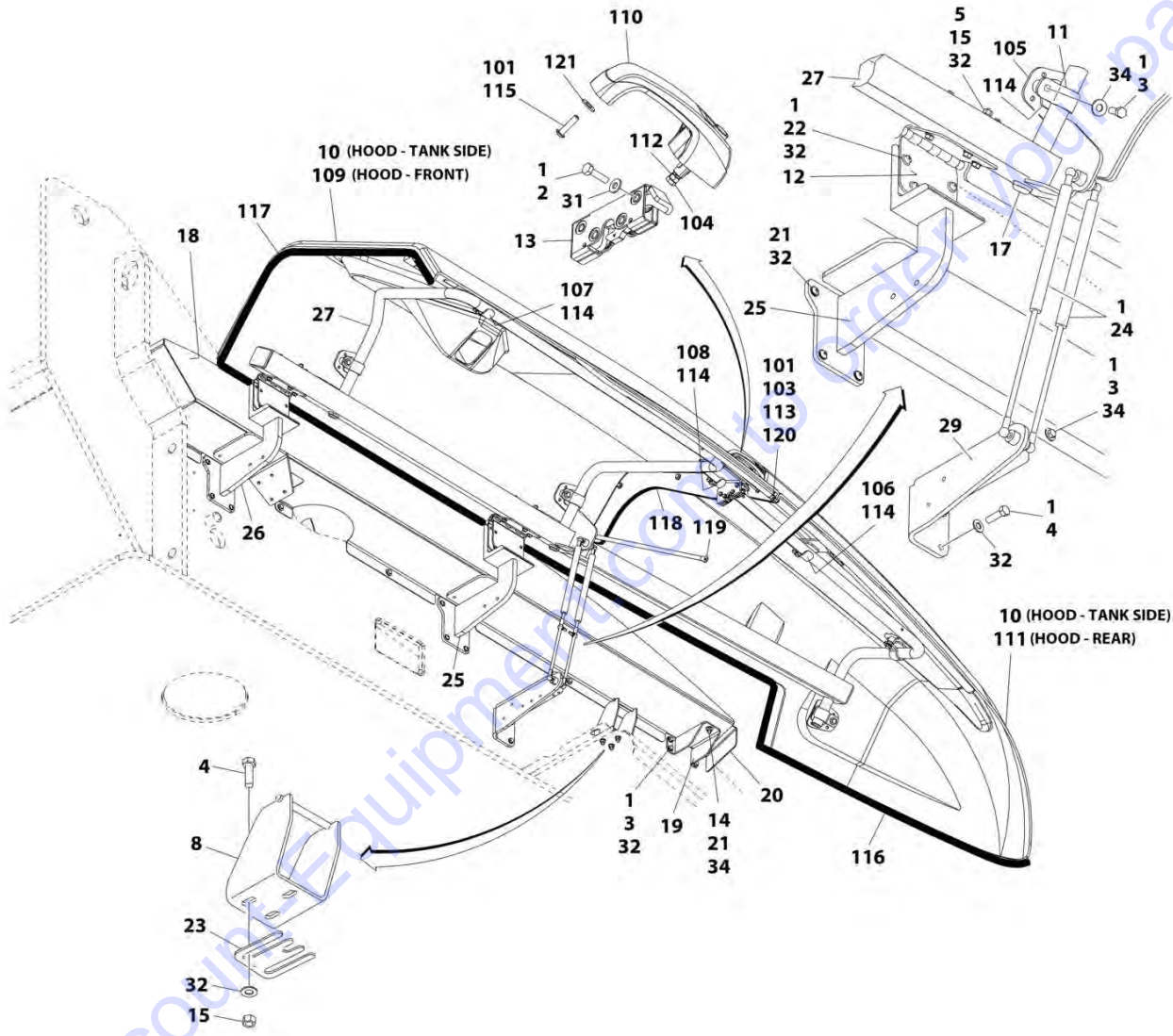
SECTION 2 - TURNTABLE

FIGURE 2-51. HOOD INSTALLATION - DEUTZ TCD2.9L4 ENGINES (ABS)



ART_1001142024_10F2

SECTION 2 - TURNTABLE



ART_1001142024_2OF2

SECTION 2 - TURNTABLE

FIGURE 2-51. HOOD INSTALLATION - DEUTZ TCD2.9L4 ENGINES (ABS)

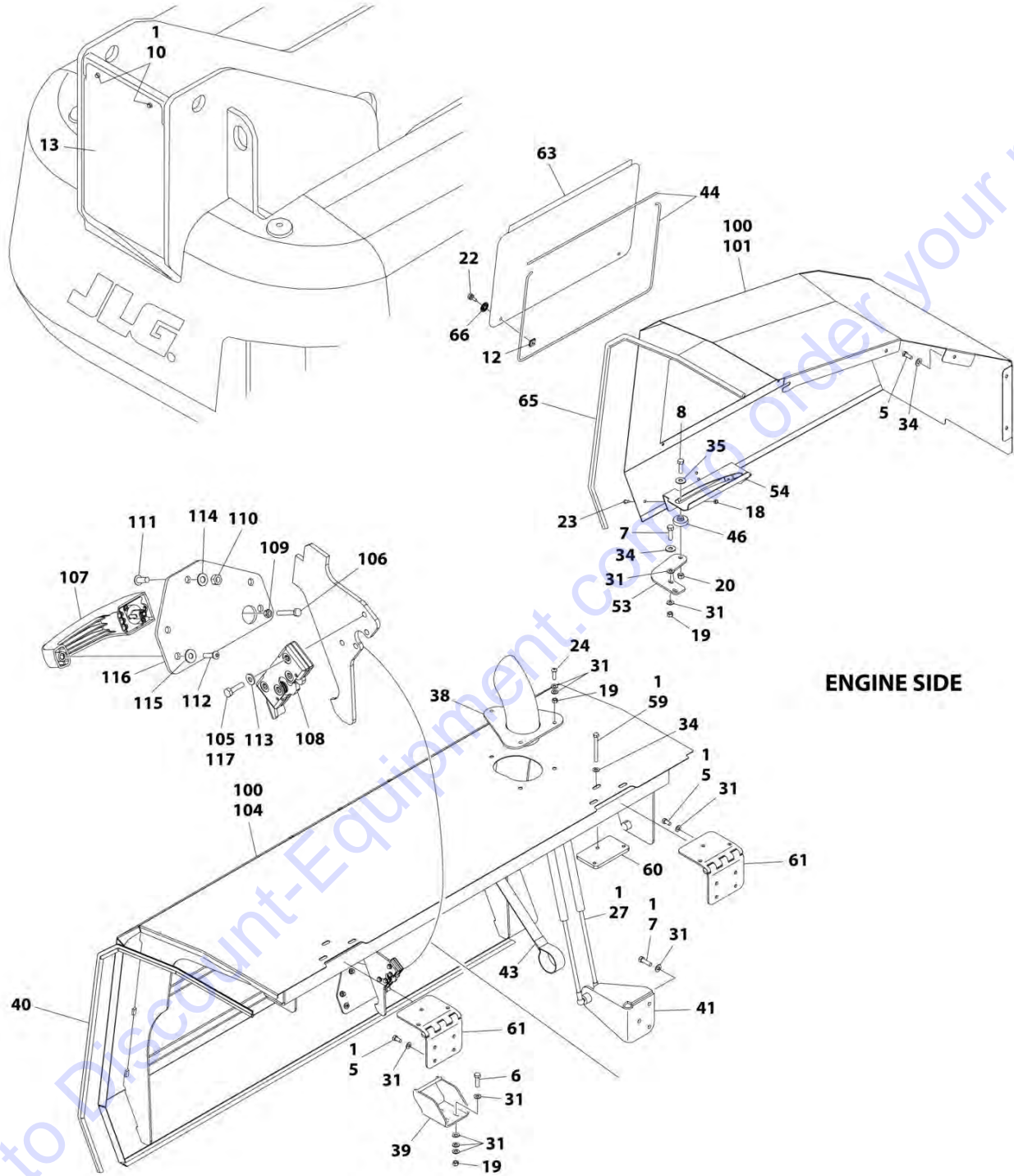
ITEM	PART NUMBER	QTY	DESCRIPTION	REV
	1001142024	Ref	HOOD INSTALLATION - DEUTZ TCD2.9L4 ENGINES (ABS)	C
1	0100011	AR	Compound, Locking	
2	0641408	8	Bolt 1/4 x 1	
3	0641608	24	Bolt 3/8 x 1	
4	0641610	12	Bolt 3/8 x 1-1/4	
5	0641630	12	Bolt 3/8 x 3-3/4	
6	0791604	2	Screw 3/8 x 1/2	
7	0903154	1	Bracket, Latch	
8	0903156	1	Bracket	
9	1671038	1	Cover, Turntable	
10	1671194	1	Hood, Tank Side (See Items 101-121 for Breakdown)	
		Ref	Note: Replacement decals must be ordered separately - See DECAL SECTION.	
11	2080051	16	Clamp	
12	2600280	4	Hinge	
13	2940173	2	Latch, Rotary	
14	3311601	7	Nut 3/8	
15	3311605	18	Nut 3/8	
16	3520034	2	Plug (Not Shown - Located in Boom Rest)	
17	3520186	6	Plug	
18	3573231	1	Trough, Powertrack	
19	3573232	1	Mount, Trough	
20	3573233	1	Plate, Seal Mounting	
21	3900232	23	Screw 3/8 x 1-1/4	
22	3900283	16	Screw 3/8 x 3/4	
23	4071048	2	Shim	
24	4160194	4	Spring, Gas	
25	4340923	1	Support, Rear Hood	
26	4340924	1	Support, Front Hood	
27	4340995	1	Support, Tank Side Hood	
28	4340996	1	Support, Engine Side Hood	
29	4340999	1	Mount, Gas Spring	
30	4341001	1	Mount, Gas Spring	
31	4711400	12	Washer 1/4	
32	4711600	70	Washer 3/8	
33	4740500	5	Washer, Nylon	
34	4751600	42	Washer 3/8	
35	1001142023	1	Hood, Engine Side (See Items 201-224 for Breakdown)	
		Ref	Note: Replacement decals must be ordered separately - See DECAL SECTION.	
36	0641406	2	Bolt 1/4 x 3/4	
37	1001142181	1	Stack, Exhaust	
38	3311405	2	Nut 1/4	
39	1001140485	1	Seal	
40	1001142144	1	Bracket	
41	1001146132	1	Seal	
42	1001146178	1	Seal	
43	1001146183	1	Plate	
44	1001146142	1	Seal	
	1671194	Ref	TANK SIDE HOOD ASSEMBLY (ABS)	A

SECTION 2 - TURNTABLE

ITEM	PART NUMBER	QTY	DESCRIPTION	REV
101	0100011	AR	Compound, Locking	
102	0100081	AR	Adhesive (Not Shown)	
103	0641506	9	Bolt 5/16 x 3/4	
104	0760608	1	Screw M6 x 16	
105	0902746	4	Bracket	
106	0902762	1	Bracket	
107	0902763	1	Bracket	
108	0903162	1	Bracket	
109	1671193	1	Hood - Front	
110	2560187	1	Handle, Push Button	
111	2680498	1	Hood - Rear	
112	3290601	1	Nut M6	
113	3311501	9	Nut 5/16	
114	3340877	7	Pad	
115	3900363	2	Screw M6 x 25	
116	3960464	12.4 ft /3.8m	Seal, Hood	
117	4060804	4.4 ft /1.4m	Flex-Trim	
118	4060806	3.3 ft /1.2m	Flex-Trim	
119	4240150	1	Strap, Ground	
120	4751500	18	Washer 5/16	
121	4811900	2	Washer M8	
	1001142023	Ref	ENGINE SIDE HOOD ASSEMBLY (ABS)	D
201	0100011	AR	Compound, Locking	
202	0100081	AR	Adhesive (Not Shown)	
203	0641510	10	Bolt 5/16 x 1-1/4	
204	0760608	1	Screw M6 x 16	
205	0902746	7	Bracket	
206	0902761	1	Bracket	
207	0903161	1	Bracket	
208	2560187	1	Handle, Push Button	
209	2680496	1	Hood - Rear	
211	3290601	1	Nut M6	
212	3311501	10	Nut 5/16	
213	3340877	9	Pad	
214	3575782	1	Plate, Handle Backing	
215	3900363	2	Screw M6 x 25	
216	3960464	12 ft /3.7m	Seal, Hood	
217	4060804	5.1 ft /1.6m	Flex-Trim	
218	4060806	4.1 ft /1.3m	Flex-Trim	
219	4751500	20	Washer 5/16	
220	4811900	2	Washer M8	
221	1001142021	1	Hood - Front	
		Ref	Note: When installing a replacement hood, heat shields (item 223) must be installed on the replacement hood before being place in service. Heat shield must be purchased separately.	
223	1001152566	AR	Insulation	
224	1001117140	AR	Tape, Aluminized	

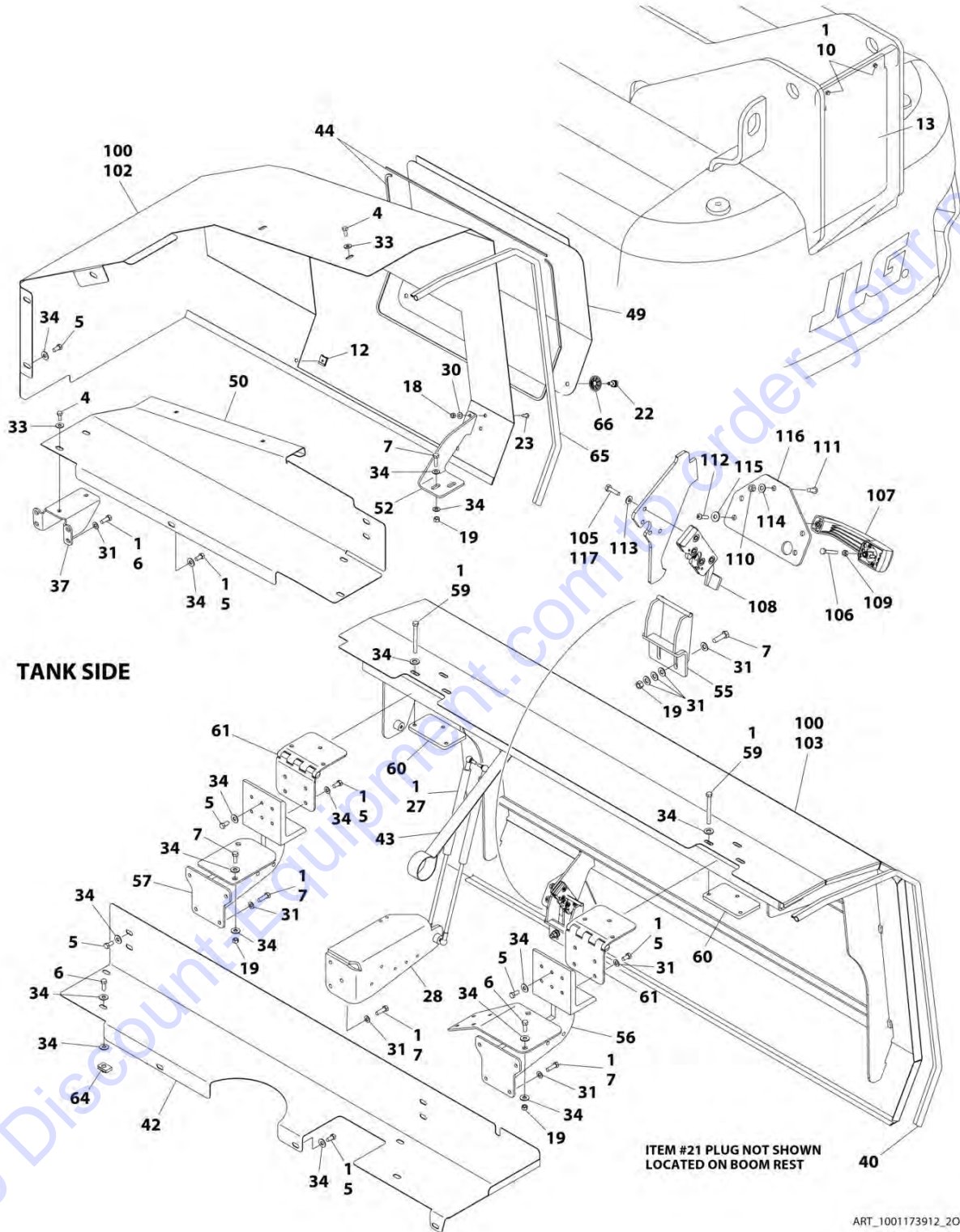
SECTION 2 - TURNTABLE

FIGURE 2-52. HOOD INSTALLATION - DEUTZ TD2011/TD2.9L4 ENGINES (STEEL)



ART_1001173912_TOF2

SECTION 2 - TURNTABLE



ART_1001173912_20F2

SECTION 2 - TURNTABLE

FIGURE 2-52. HOOD INSTALLATION - DEUTZ TD2011/TD2.9L4 ENGINES (STEEL)

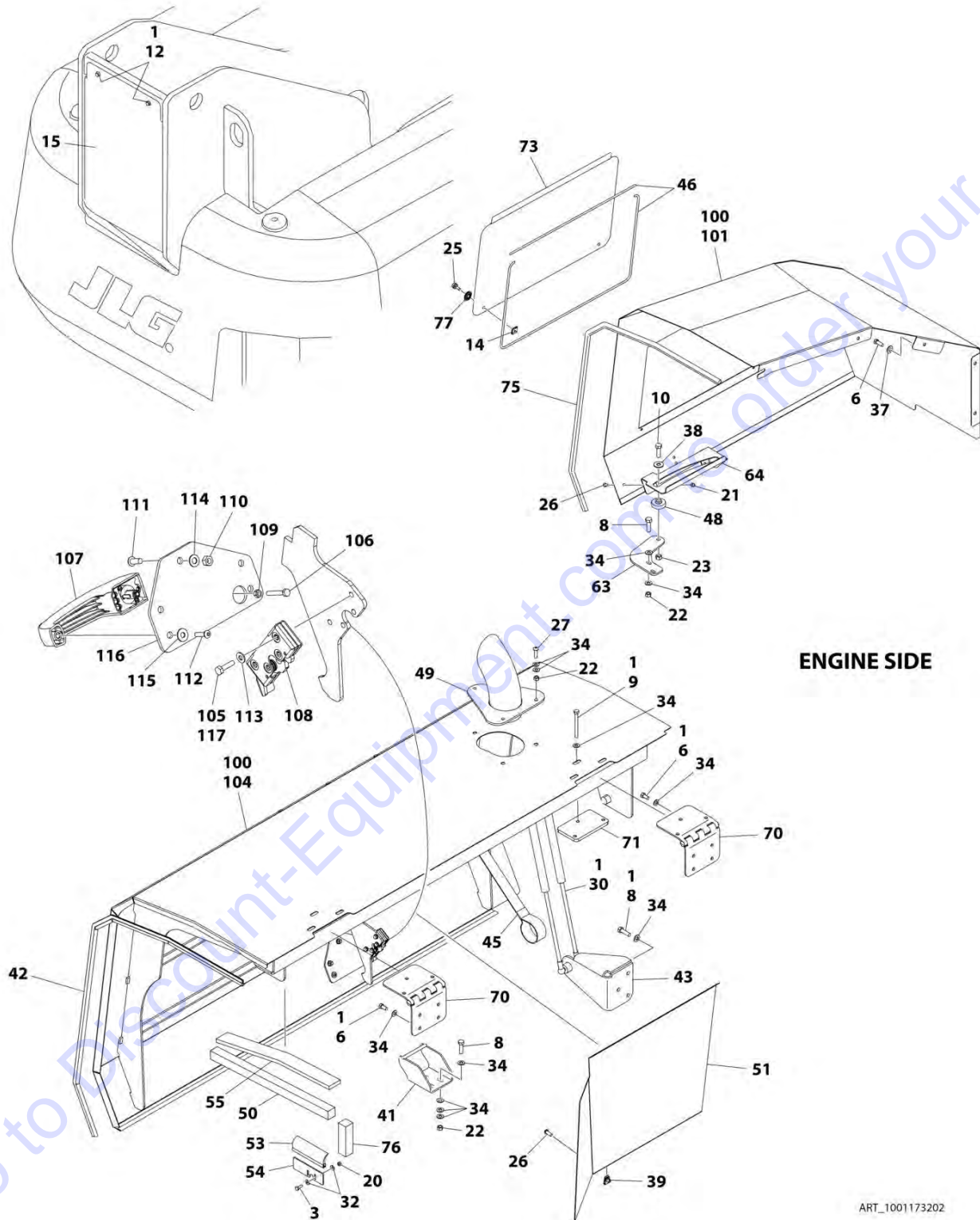
ITEM	PART NUMBER	QTY	DESCRIPTION	REV
	1001173912	Ref	HOOD INSTALLATION - DEUTZ TD2011/TD2.9L4 ENGINES (STEEL)	H
		Ref	Note: Replacement Decals Must be Ordered Separately - See DECAL SECTION.	
1	0100011	AR	Compound, Locking	
4	0641506	AR	Bolt 5/16 x 3/4	
5	0641606	32	Bolt 3/8 x 3/4	
6	0641608	8	Bolt 3/8 x 1	
7	0641610	AR	Bolt 3/8 x 1-1/4	
8	0641813	1	Bolt 1/2 x 1-5/8	
10	0791604	2	Screw 3/8 x 1/2	
12	1380169	4	Clip	
13	1671038	1	Cover	
18	3311505	5	Nut 5/16	
19	3311605	AR	Nut 3/8	
20	3311805	1	Nut 1/2	
21	3520034	2	Plug, Hole	
22	3900174	4	Screw, Thumb	
23	3900210	5	Screw 5/16 x 3/4	
24	3900232	3	Screw 3/8 x 1-1/4	
27	4160194	4	Spring, Gas	
28	4340999	1	Mount, Gas Spring	
30	4711500	2	Washer 5/16	
31	4711600	64	Washer 3/8	
33	4751500	4	Washer 5/16	
34	4751600	AR	Washer 3/8	
35	4751800	1	Washer 1/2	
37	1001109759	1	Support, Power Track Trough (SN 0300201016 through 0300225809)	
37	3573232	1	Support, Power Track Trough (SN 0300225810 to Present, SN B300002238 to Present)	
38	1001110027	1	Stack, Exhaust	
39	1001110194	1	Bracket, Striker	
40	1001110433	AR	Seal	
41	1001110486	1	Mount, Gas Spring	
42	1001175859	1	Plate, Power Track Trough	
43	1001112691	2	Strap, Hand Pull	
44	1001113047	14.5 ft/ 4.4m	Seal	
46	1001131462	1	Pad, Hood Slide	
49	1001173166	1	Cover, Access (Tank Side)	
50	1001173170	1	Plate, Power Track Trough	
52	1001173185	1	Plate, Mounting	
53	1001173186	1	Bracket, Engine Tray	
54	1001173187	1	Bracket, Engine Tray	
55	1001173188	1	Bracket, Hood Latch	
56	1001173647	1	Support, Front Hood	
57	1001173651	1	Support, Front Hood	
59	0641630	12	Bolt 3/8 x 3-3/4	
60	1001175880	4	Plate	
61	1001175879	4	Hinge, Offset Hood	

SECTION 2 - TURNTABLE

ITEM	PART NUMBER	QTY	DESCRIPTION	REV
63	1001180051	1	Cover, Access (Engine Side)	
64	88662523	4	Nut, Tinnerman	
65	3960447	10 ft/ 3.1m	Seal, Self-Gripping	
66	3760308	4	Retainer (SN 0300243050 to Present, SN B300002647 to Present)	
100	1001175250	1	Kit, Hood	D
101	1001173163	1	Hood, Engine Side - Rear	
102	1001173164	1	Hood, Tank Side - Rear	
103	1001173183	1	Hood, Tank Side - Front	
104	1001174331	1	Hood, Engine Side - Front	
105	0641408	8	Bolt 1/4 x 1	
106	0700616	2	Bolt M6 x 40	
107	2560187	2	Handle, Push Button	
108	2940173	2	Latch, Rotary	
109	3290601	2	Nut M6	
110	3311505	6	Nut 5/16	
111	3900210	6	Screw 5/16 x 3/4	
112	3900363	4	Screw M6 x 25	
113	4711400	8	Washer 1/4	
114	4711500	6	Washer 5/16	
115	4751400	4	Washer 1/4	
116	1001116290	2	Plate, Latch Mounting	
117	0100011	AR	Compound, Locking	

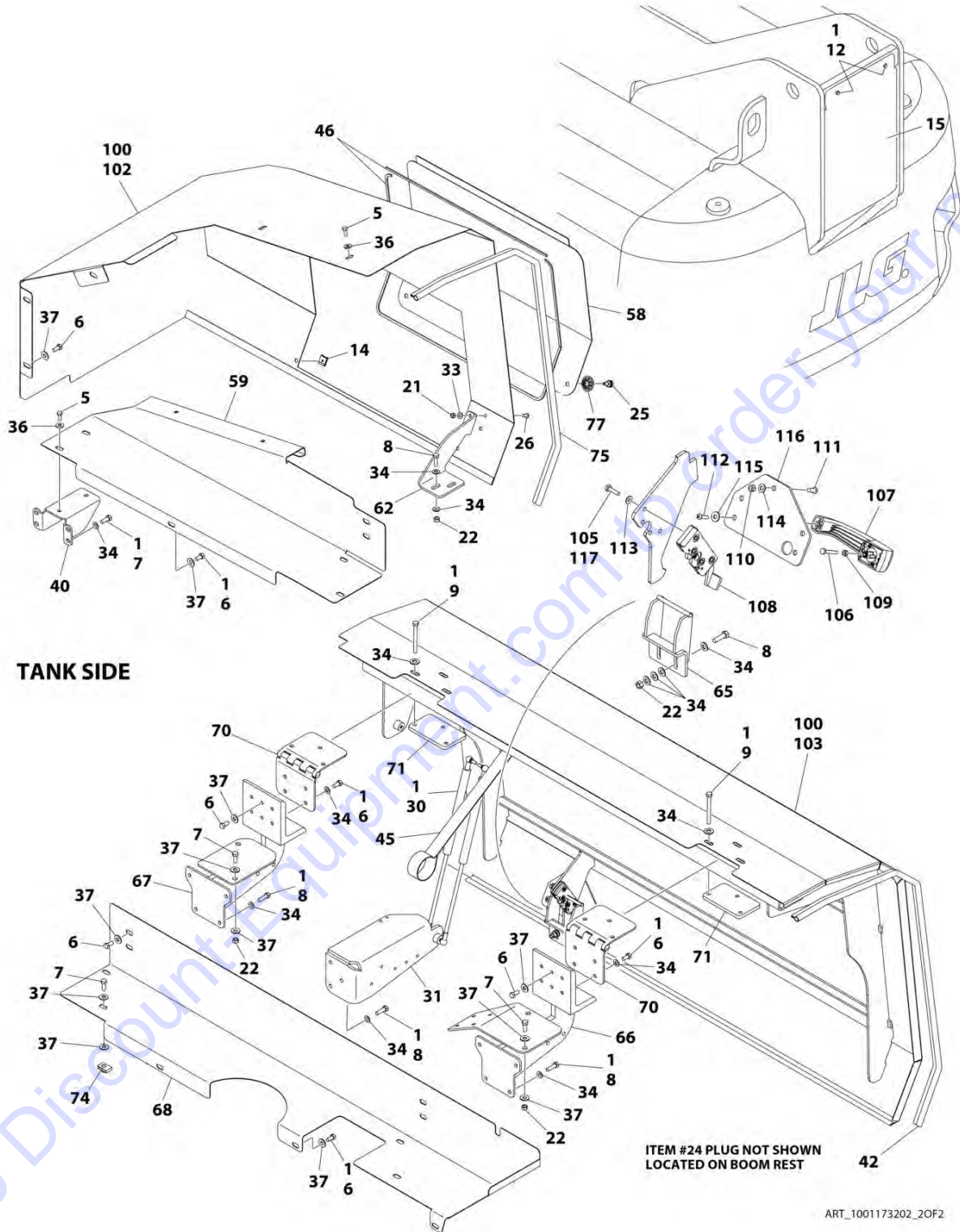
SECTION 2 - TURNTABLE

FIGURE 2-53. HOOD INSTALLATION - DEUTZ TCD2.9L4 ENGINES (STEEL)



ART_1001173202

SECTION 2 - TURNTABLE



SECTION 2 - TURNTABLE

FIGURE 2-53. HOOD INSTALLATION - DEUTZ TCD2.9L4 ENGINES (STEEL)

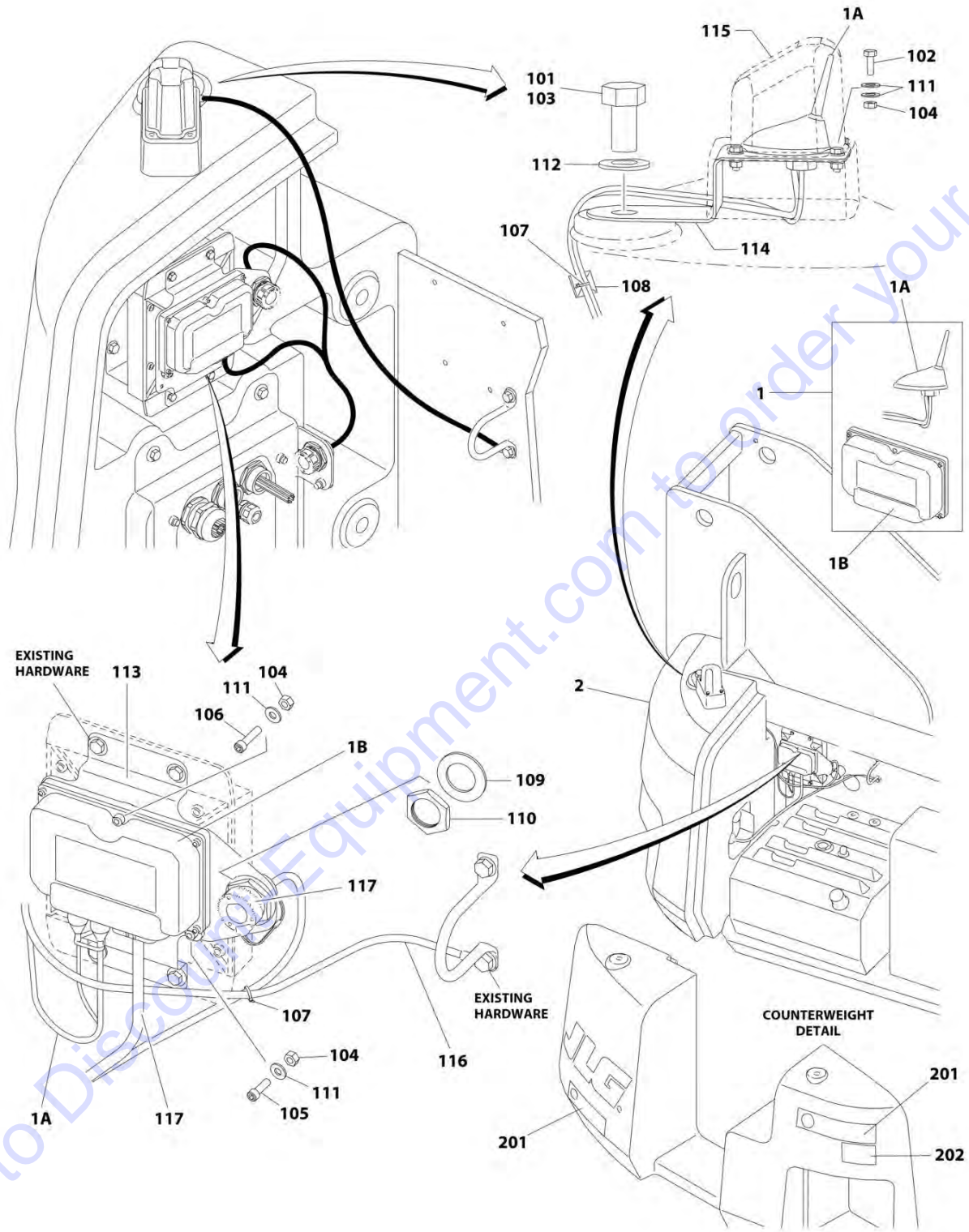
ITEM	PART NUMBER	QTY	DESCRIPTION	REV
	1001173202	Ref	HOOD INSTALLATION - DEUTZ TCD2.9L4 ENGINES (STEEL)	I
		Ref	Note: Replacement Decals Must be Ordered Separately - See DECAL SECTION.	
1	0100011	AR	Compound, Locking	
3	0641406	2	Bolt 1/4 x 3/4	
5	0641506	AR	Bolt 5/16 x 3/4	
6	0641606	32	Bolt 3/8 x 3/4	
7	0641608	8	Bolt 3/8 x 1	
8	0641610	AR	Bolt 3/8 x 1-1/4	
9	0641630	12	Bolt 3/8 x 3-3/4	
10	0641813	1	Bolt 1/2 x 1-5/8	
12	0791604	2	Screw 3/8 x 1/2	
14	1380169	4	Clip	
15	1671038	1	Cover	
20	3311405	2	Nut 1/4	
21	3311505	5	Nut 5/16	
22	3311605	AR	Nut 3/8	
23	3311805	1	Nut 1/2	
24	3520034	2	Plug, Hole	
25	3900174	4	Screw, Thumb	
26	3900210	10	Screw 5/16 x 3/4	
27	3900232	3	Screw 3/8 x 1-1/4	
30	4160194	4	Spring, Gas	
31	4340999	1	Mount, Gas Spring	
32	4711400	4	Washer 1/4	
33	4711500	2	Washer 5/16	
34	4711600	82	Washer 3/8	
36	4751500	AR	Washer 5/16	
37	4751600	AR	Washer 3/8	
38	4751800	1	Washer 1/2	
39	8310658	5	Nut .312 x 1	
40	1001109759	1	Support, Power Track Trough (SN 0300201016 through 0300225809)	
40	3573232	1	Support, Power Track Trough (SN 0300225810 to Present)	
41	1001110194	1	Bracket, Striker	
42	1001110433	AR	Seal	
43	1001110486	1	Mount, Gas Spring	
45	1001112691	2	Strap, Hand Pull	
46	1001113047	14.5 ft/ 4.2m	Seal	
48	1001131462	1	Pad, Hood Slide	
49	1001139778	1	Stack, Exhaust	
50	1001140485	1	Seal	
51	1001145162	1	Panel, Heat Deflector	
53	1001146178	1	Seal	
54	1001146183	1	Plate	
55	1001146244	1	Seal	
58	1001173166	1	Cover, Access (Tank Side)	
59	1001173170	1	Plate, Power Track Trough	
62	1001173185	1	Plate, Mounting	

SECTION 2 - TURNTABLE

ITEM	PART NUMBER	QTY	DESCRIPTION	REV
63	1001173186	1	Bracket, Engine Tray	
64	1001173187	1	Bracket, Engine Tray	
65	1001173188	1	Bracket, Hood Latch	
66	1001173647	1	Support, Front Hood	
67	1001173651	1	Support, Front Hood	
68	1001175859	1	Plate, Power Track Trough	
70	1001175879	4	Hinge, Offset Hood	
71	1001175880	4	Plate	
73	1001180051	1	Cover, Access (Engine Side)	
74	88662523	1	Nut, Tinnerman	
75	3960447	10 ft/ 3.1m	Seal, Self-Gripping	
76	1001146132	1	Seal (SN 0300219183 to Present)	
77	3760308	4	Retainer (SN 0300243050 to Present)	
100	1001175237	1	Kit, Hood	D
101	1001173163	1	Hood, Engine Side - Rear	
102	1001173164	1	Hood, Tank Side - Rear	
103	1001173183	1	Hood, Tank Side - Front	
104	1001173184	1	Hood, Engine Side - Front	
105	0641408	8	Bolt 1/4 x 1	
106	0700616	2	Bolt M6 x 40	
107	2560187	2	Handle, Push Button	
108	2940173	2	Latch, Rotary	
109	3290601	2	Nut M6	
110	3311505	6	Nut 5/16	
111	3900210	6	Screw 5/16 x 3/4	
112	3900363	4	Screw M6 x 25	
113	4711400	8	Washer 1/4	
114	4711500	6	Washer 5/16	
115	4751400	4	Washer 1/4	
116	1001116290	2	Plate, Latch Mounting	
117	0100011	1	Compound, Locking	

SECTION 2 - TURNTABLE

FIGURE 2-54. CLEARSKY TELEMATICS INSTALLATION (ANSI SPECS) (OPTIONAL)



ART_1001112988

PARTS FINDER

**Search Website
by Part Number**



**Search Manual
Library For Parts
Manual & Lookup Part
Numbers – Purchase
or Request Quote**

**Can't Find Part or
Manual? Request Help
by Manufacturer,
Model & Description**

Discount-Equipment.com is your online resource for quality parts & equipment.

Florida: **561-964-4949** Outside Florida TOLL FREE: **877-690-3101**

Need parts?

Click on this link: <http://www.discount-equipment.com/category/5443-parts/> and choose one of the options to help get the right parts and equipment you are looking for. Please have the machine model and serial number available in order to help us get you the correct parts. If you don't find the part on the website or on one of the online manuals, please fill out the request form and one of our experienced staff members will get back to you with a quote for the right part that your machine needs.

We sell worldwide for the brands: Genie, Terex, JLG, MultiQuip, Mikasa, Essick, Whiteman, Mayco, Toro Stone, Diamond Products, Generac Magnum, Airman, Haulotte, Barreto, Power Blanket, Nifty Lift, Atlas Copco, Chicago Pneumatic, Allmand, Miller Curber, Skyjack, Lull, Skytrak, Tsurumi, Husquvarna Target, Stow, Wacker, Sakai, Mi-T-M, Sullair, Basic, Dynapac, MBW, Weber, Bartell, Bennar Newman, Haulotte, Ditch Runner, Menegotti, Morrison, Contec, Buddy, Crown, Edco, Wyco, Bomag, Laymor, EZ Trench, Bil-Jax, F.S. Curtis, Gehl Pavers, Heli, Honda, ICS/PowerGrit, IHI, Partner, Imer, Clipper, MMD, Koshin, Rice, CH&E, General Equipment, Amida, Coleman, NAC, Gradall, Square Shooter, Kent, Stanley, Tamco, Toku, Hatz, Kohler, Robin, Wisconsin, Northrock, Oztec, Toker TK, Rol-Air, APT, Wylie, Ingersoll Rand / Doosan, Innovatech, Con X, Ammann, Mecalac, Makinex, Smith Surface Prep, Small Line, Wanco, Yanmar

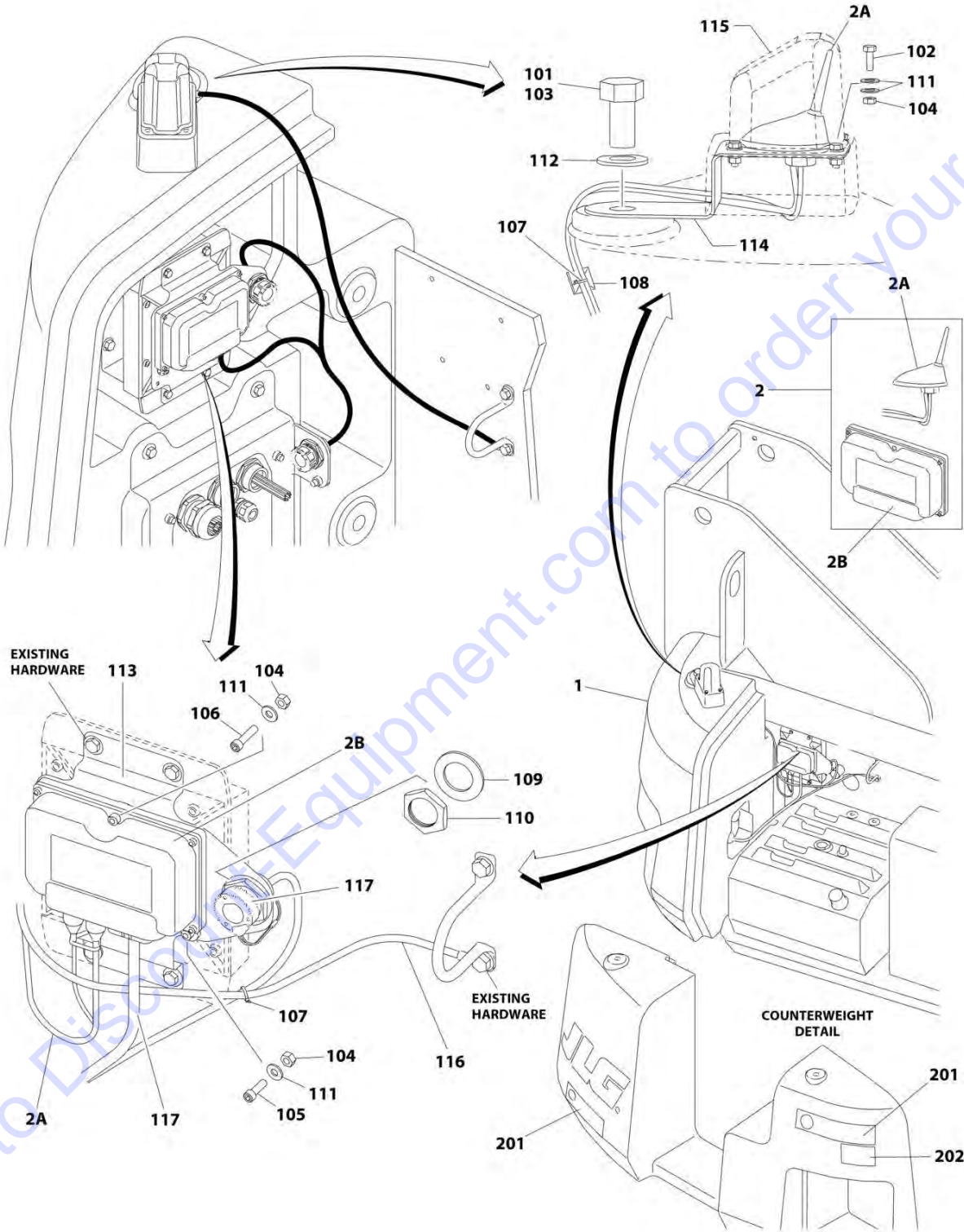
SECTION 2 - TURNTABLE

FIGURE 2-54. CLEARSKY TELEMATICS INSTALLATION (ANSI SPECS) (OPTIONAL)

ITEM	PART NUMBER	QTY	DESCRIPTION	REV
	1001112988	Ref	CLEARSKY TELEMATICS INSTALLATION (ANSI SPECS) (OPTIONAL)	A
1	1001100352	Ref	Controller, Telematics Kit (Includes Items 1A & 1B)	
1A	1001100443	1	Antenna and Harness	
1B	70002293	1	Controller, Telematics	
2	1001112987	1	ClearSky Telematics Installation (See Items 101-117 for Breakdown)	
	1001112987	Ref	CLEARSKY TELEMATICS INSTALLATION	B
101	0100011	AR	Compound, Locking	
102	0641406	4	Bolt 1/4 x 3/4	
103	0642612	1	Bolt 1 x 1-1/2	
104	3311405	7	Nut 1/4	
105	3931412	2	Capscrew 1/4 x 3/4	
106	3931416	1	Capscrew 1/4 x 1	
107	4240033	AR	Strap, Tie	
108	4460488	2	Mount, Tie Strap	
109	4460496	1	Washer, Strain Relief	
110	4460497	1	Nut, Strain Relief	
111	4711400	11	Washer 1/4	
112	4712600	1	Washer 1	
113	1001100432	1	Support, Controller	
114	1001100672	1	Mount, Antenna	
115	1001100876	1	Cover	
116	1001103356	1	Ground Wire	
117	1001111914	1	Harness, Telematics (See Separate Breakdown in ELECTRICAL SECTION)	
118	1001116208	1	Decal - ClearSky	
	1001120994	Ref	CLEARSKY TELEMATICS DECALS	A
201	1001116208	2	Decal - ClearSky	
202	1001120989	1	Decal - Radio Frequency Device	

SECTION 2 - TURNTABLE

FIGURE 2-55. CLEARSKY TELEMATICS CONTROLLERS (ANSI EXPORT - BRAZIL AND NEW ZEALAND SPECS) (OPTIONAL)



ART_1001127092

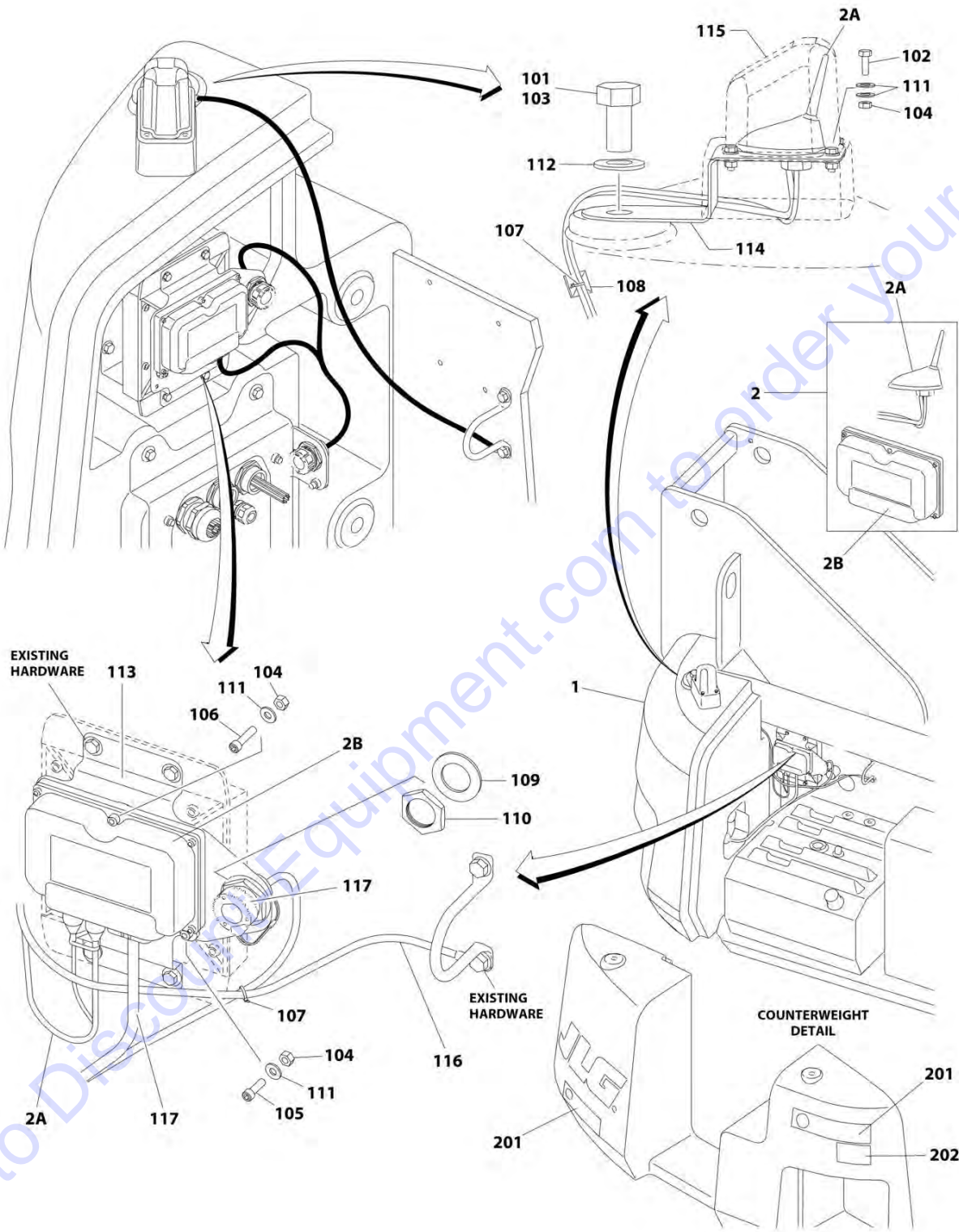
SECTION 2 - TURNTABLE

FIGURE 2-55. CLEARSKY TELEMATICS CONTROLLERS (ANSI EXPORT - BRAZIL AND NEW ZEALAND SPECS) (OPTIONAL)

ITEM	PART NUMBER	QTY	DESCRIPTION	REV
	1001127092	Ref	CLEARSKY TELEMATICS CONTROLLERS (ANSI EXPORT - BRAZIL AND NEW ZEALAND SPECS) (OPTIONAL)	A
1	1001112987	1	ClearSky Telematics Installation (See Items 101-117 for Breakdown)	
2	1001102831	Ref	Controller, Telematics Kit (Includes Items 2A & 2B)	
2A	1001100443	1	Antenna and Harness	
2B	70002295	1	Controller, Telematics	
	1001112987	Ref	CLEARSKY TELEMATICS INSTALLATION	B
101	0100011	AR	Compound, Locking	
102	0641406	4	Bolt 1/4 x 3/4	
103	0642612	1	Bolt 1 x 1-1/2	
104	3311405	7	Nut 1/4	
105	3931412	2	Capscrew 1/4 x 3/4	
106	3931416	1	Capscrew 1/4 x 1	
107	4240033	AR	Strap, Tie	
108	4460488	2	Mount, Tie Strap	
109	4460496	1	Washer, Strain Relief	
110	4460497	1	Nut, Strain Relief	
111	4711400	11	Washer 1/4	
112	4712600	1	Washer 1	
113	1001100432	1	Support, Controller	
114	1001100672	1	Mount, Antenna	
115	1001100876	1	Cover	
116	1001103356	1	Ground Wire	
117	1001111914	1	Harness, Telematics (See Separate Breakdown in ELECTRICAL SECTION)	
	1001120994	Ref	CLEARSKY TELEMATICS DECALS	A
201	1001116208	2	Decal - ClearSky	
202	1001120989	1	Decal - Radio Frequency Device	

SECTION 2 - TURNTABLE

FIGURE 2-56. CLEARSKY TELEMATICS INSTALLATION (AUSTRALIAN SPECS) (OPTIONAL)



ART_1001132730

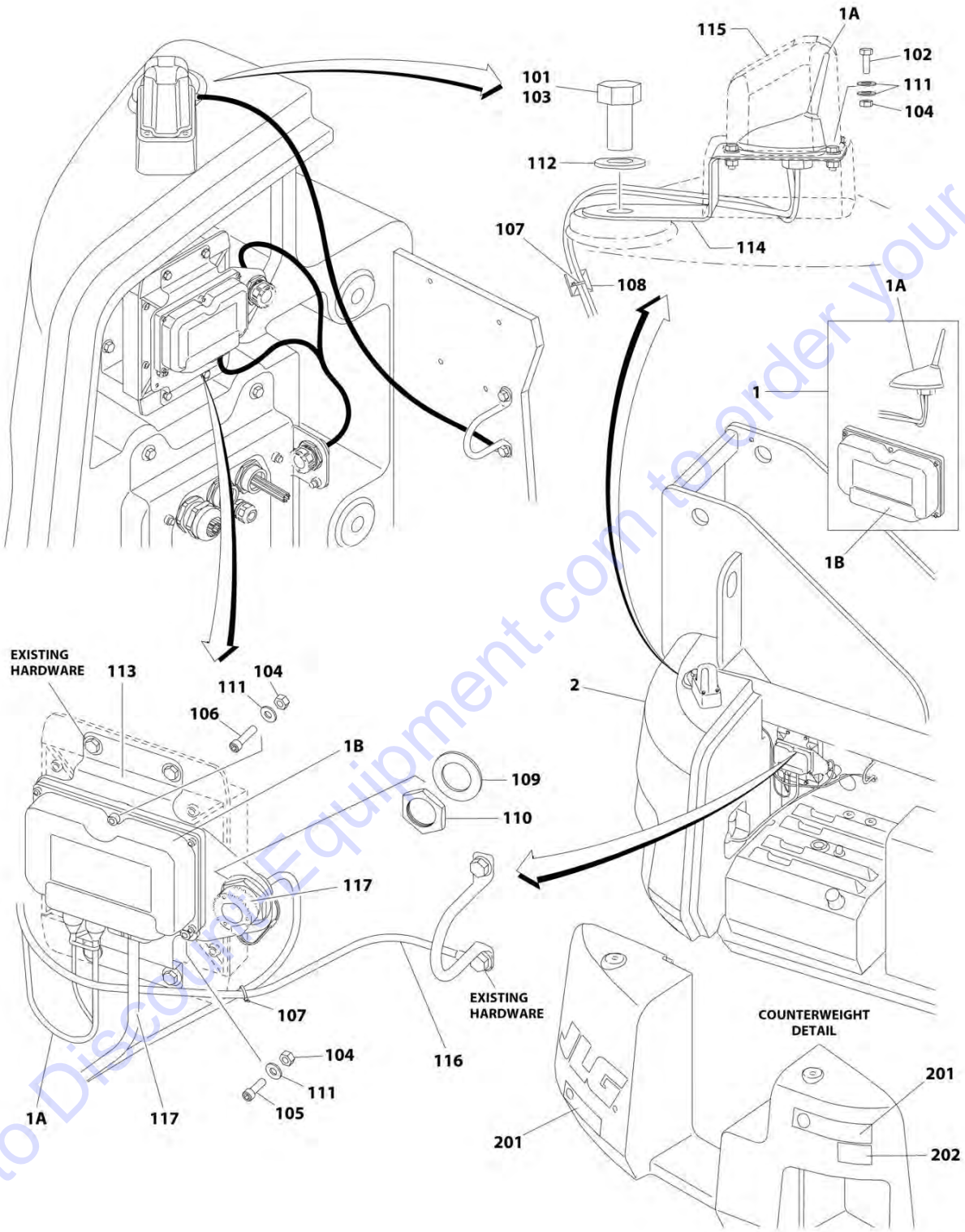
SECTION 2 - TURNTABLE

FIGURE 2-56. CLEARSKY TELEMATICS INSTALLATION (AUSTRALIAN SPECS) (OPTIONAL)

ITEM	PART NUMBER	QTY	DESCRIPTION	REV
	1001132730	Ref	CLEARSKY TELEMATICS INSTALLATION (AUSTRALIAN SPECS) (OPTIONAL)	A
1	1001112987	1	ClearSky Telematics Installation (See Items 101-117 for Breakdown)	
2	1001132733	Ref	Controller, Telematics Kit (Includes Items 2A & 2B)	
2A	1001100443	1	Antenna and Harness	
2B	70003617	1	Controller, Telematics	
	1001112987	Ref	CLEARSKY TELEMATICS INSTALLATION	B
101	0100011	AR	Compound, Locking	
102	0641406	4	Bolt 1/4 x 3/4	
103	0642612	1	Bolt 1 x 1-1/2	
104	3311405	7	Nut 1/4	
105	3931412	2	Capscrew 1/4 x 3/4	
106	3931416	1	Capscrew 1/4 x 1	
107	4240033	AR	Strap, Tie	
108	4460488	2	Mount, Tie Strap	
109	4460496	1	Washer, Strain Relief	
110	4460497	1	Nut, Strain Relief	
111	4711400	11	Washer 1/4	
112	4712600	1	Washer 1	
113	1001100432	1	Support, Controller	
114	1001100672	1	Mount, Antenna	
115	1001100876	1	Cover	
116	1001103356	1	Ground Wire	
117	1001111914	1	Harness, Telematics (See Separate Breakdown in ELECTRICAL SECTION)	
	1001120994	Ref	CLEARSKY TELEMATICS DECALS	A
201	1001116208	2	Decal - ClearSky	
202	1001120989	1	Decal - Radio Frequency Device	

SECTION 2 - TURNTABLE

FIGURE 2-57. CLEARSKY TELEMATICS INSTALLATION (CSA SPECS) (OPTIONAL)



ART_1001112973

SECTION 2 - TURNTABLE

FIGURE 2-57. CLEARSKY TELEMATICS INSTALLATION (CSA SPECS) (OPTIONAL)

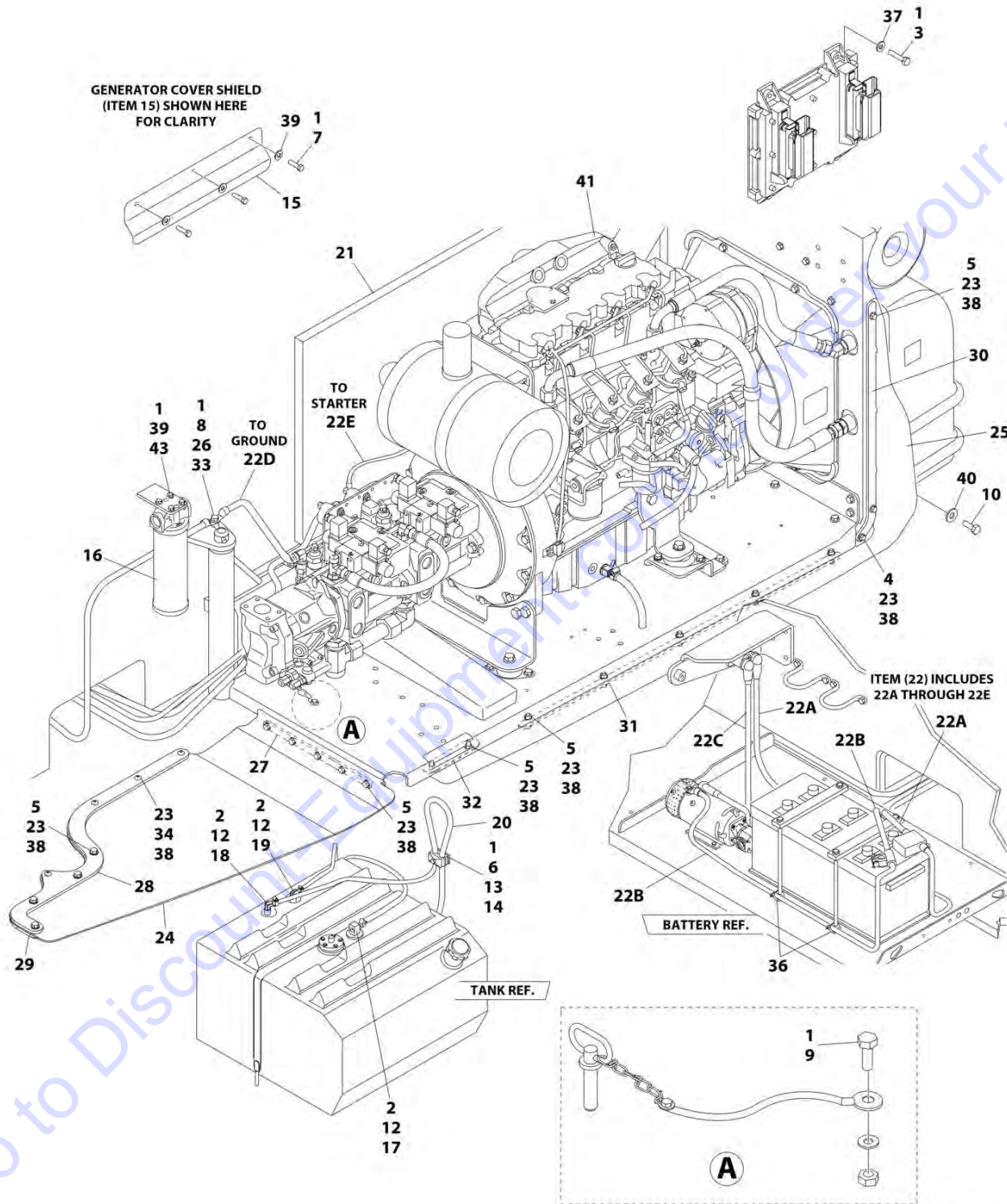
ITEM	PART NUMBER	QTY	DESCRIPTION	REV
	1001112973	Ref	CLEARSKY TELEMATICS INSTALLATION (CSA SPECS) (OPTIONAL)	A
1	1001104735	Ref	Controller, Telematics Kit (Includes Items 1A & 1B)	
1A	1001100443	1	Antenna and Harness	
1B	70002294	1	Controller, Telematics	
2	1001112987	1	ClearSky Telematics Installation (See Items 101-117 for Breakdown)	
	1001112987	Ref	CLEARSKY TELEMATICS INSTALLATION	B
101	0100011	AR	Compound, Locking	
102	0641406	4	Bolt 1/4 x 3/4	
103	0642612	1	Bolt 1 x 1-1/2	
104	3311405	7	Nut 1/4	
105	3931412	2	Capscrew 1/4 x 3/4	
106	3931416	1	Capscrew 1/4 x 1	
107	4240033	AR	Strap, Tie	
108	4460488	2	Mount, Tie Strap	
109	4460496	1	Washer, Strain Relief	
110	4460497	1	Nut, Strain Relief	
111	4711400	11	Washer 1/4	
112	4712600	1	Washer 1	
113	1001100432	1	Support, Controller	
114	1001100672	1	Mount, Antenna	
115	1001100876	1	Cover	
116	1001103356	1	Ground Wire	
117	1001111914	1	Harness, Telematics (See Separate Breakdown in ELECTRICAL SECTION)	
	1001120994	Ref	CLEARSKY TELEMATICS DECALS	A
201	1001116208	2	Decal - ClearSky	
202	1001120989	1	Decal - Radio Frequency Device	

SECTION 3 - ENGINE

Go to Discount-Equipment.com to order your parts

SECTION 3 - ENGINE

FIGURE 3-1. DEUTZ TD2011 DIESEL ENGINE INSTALLATION - WITH REXROTH PUMPS AND ABS HOODS (WITHOUT SKYPOWER AND WITHOUT COLD WEATHER PLUS PACKAGE)



ART_1001098512

SECTION 3 - ENGINE

FIGURE 3-1. DEUTZ TD2011 DIESEL ENGINE INSTALLATION - WITH REXROTH PUMPS AND ABS HOODS (WITHOUT SKYPOWER AND WITHOUT COLD WEATHER PLUS PACKAGE)

ITEM	PART NUMBER	QTY	DESCRIPTION	REV
	1001098512	Ref	DEUTZ TD2011 DIESEL ENGINE INSTALLATION - WITH REXROTH PUMPS AND ABS HOODS (WITHOUT SKYPOWER AND WITHOUT COLD WEATHER PLUS PACKAGE)	G
1	0100011	AR	Compound, Locking	
2	0100079	AR	Sealant, Pipe	
3	0641410	4	Bolt 1/4 x 1-1/4	
4	0641506	1	Bolt 5/16 x 3/4	
5	0641509	18	Bolt 5/16 x 1-1/8	
6	0641511	1	Bolt 5/16 x 1-3/8	
7	0641605	3	Bolt 3/8 x 5/8	
8	0641610	1	Bolt 3/8 x 1-1/4	
9	0641808	1	Bolt 1/2 x 1	
10	0642010	1	Bolt 5/8 x 1-1/4	
12	1320022	3	Clamp	
13	1320187	1	Clamp, Twin	
14	1320190	1	Cover, Clamp	
15	1671121	1	Cover, Generator	
16	1001108617	1	Pressure Filter	
16	70002231	1	Element, Filter	
17	2180348	1	Fitting, Barbed	
18	2220313	1	Fitting, Elbow Barbed	
19	2221176	1	Fitting, Elbow	
20	2750532	5 ft/ 1.5m	Hose	
21	2820170	1	Insulation, Sound Absorbing	
22	2902099	1	Battery Cable Kit	
22A	7024580	1	Cable, Red (To Aux Pump Relay, Battery Positive Terminal and Start Relay)	
22B	7024581	1	Cable, Black (To Aux Pump, Battery Negative Terminal and Ground at Tray Pivot)	
22C	7024582	1	Cable, Red (Aux Pump Relay to Aux Pump)	
22D	7024583	1	Cable, Black (Tray Pivot to Engine Mount)	
22E	7024584	1	Cable, Red (Start Relay to Starter)	
23	3311505	23	Nut 5/16	
24	3380472	1	Panel, Rubber	
25	3380473	1	Panel, Rubber	
26	3422446	1	Pin	
27	3573644	1	Plate, Tray Clamp	
28	3573645	1	Plate, Top Clamp	
29	3573646	1	Plate, Bottom Clamp	
30	3573669	1	Plate, Clamp	
31	3573727	1	Plate, Tray Clamp	
32	3573728	1	Plate, Tray Clamp	
33	3841143	1	Keeper, Pin	
34	3900272	4	Screw 5/16 x 1-3/4	
35	4240018	2	Strap, Tie (Not Shown)	
36	4240099	AR	Strap, Tie	
37	4711400	4	Washer 1/4	
38	4711500	42	Washer 5/16	
39	4711600	7	Washer 3/8	
40	4752000	1	Washer 5/8	

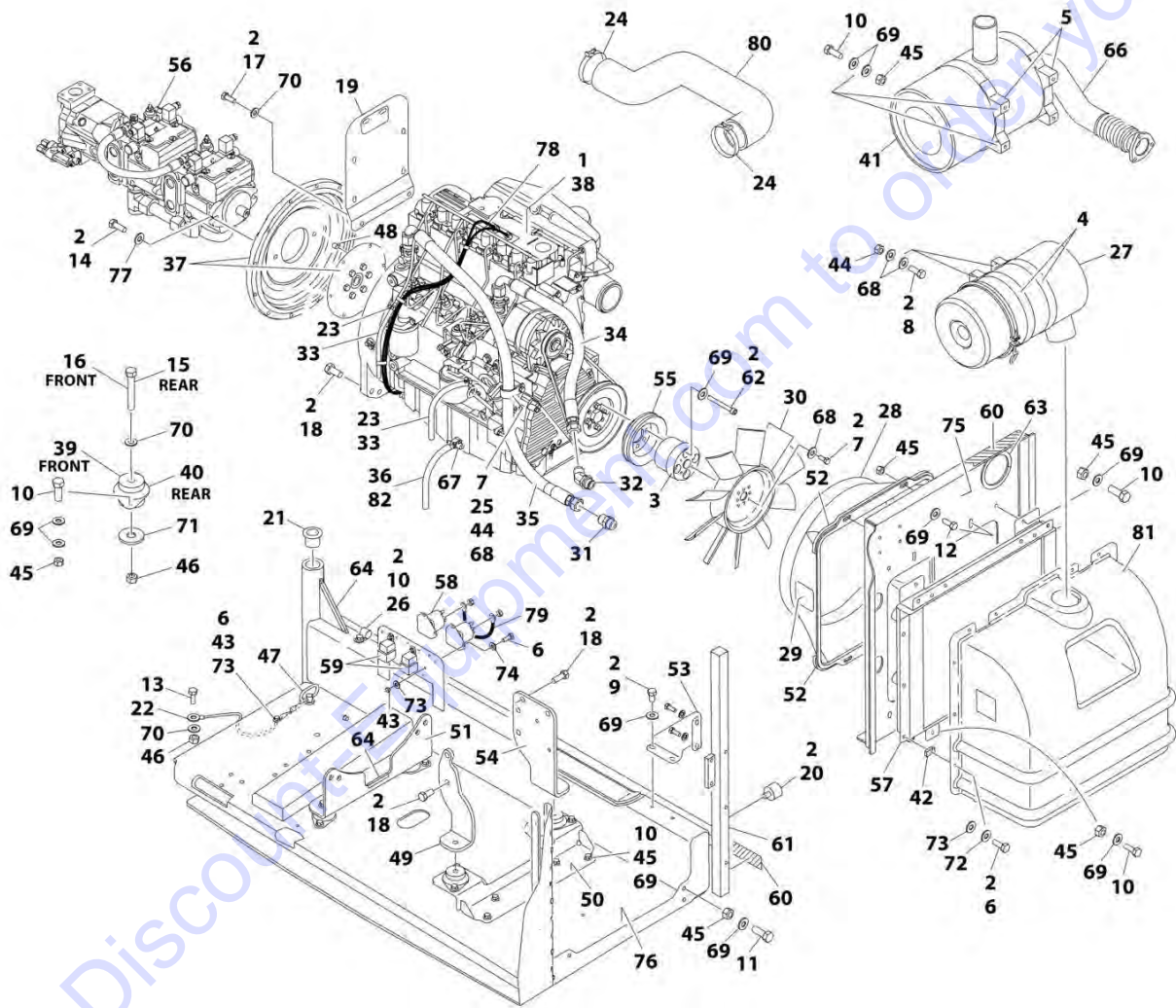
SECTION 3 - ENGINE

ITEM	PART NUMBER	QTY	DESCRIPTION	REV
41	1001098513	1	Engine Assembly with Pumps (See Separate Breakdown in this Section)	
42	2200222	1	Plug, Pipe - Used in Bottom of Fuel Tank (Not Shown) (SN 0300201016 through 0300237154)	
43	0641606	4	Bolt 3/8 x 3/4	

Go to Discount-Equipment.com to order your parts

SECTION 3 - ENGINE

FIGURE 3-2. DEUTZ TD2011 ENGINE ASSEMBLY - WITH REXROTH PUMPS AND ABS HOODS (WITHOUT SKYPOWER AND WITHOUT COLD WEATHER PLUS PACKAGE)



ART_1001098513

SECTION 3 - ENGINE

**FIGURE 3-2. DEUTZ TD2011 ENGINE ASSEMBLY - WITH REXROTH PUMPS AND ABS HOODS
(WITHOUT SKYPOWER AND WITHOUT COLD WEATHER PLUS PACKAGE)**

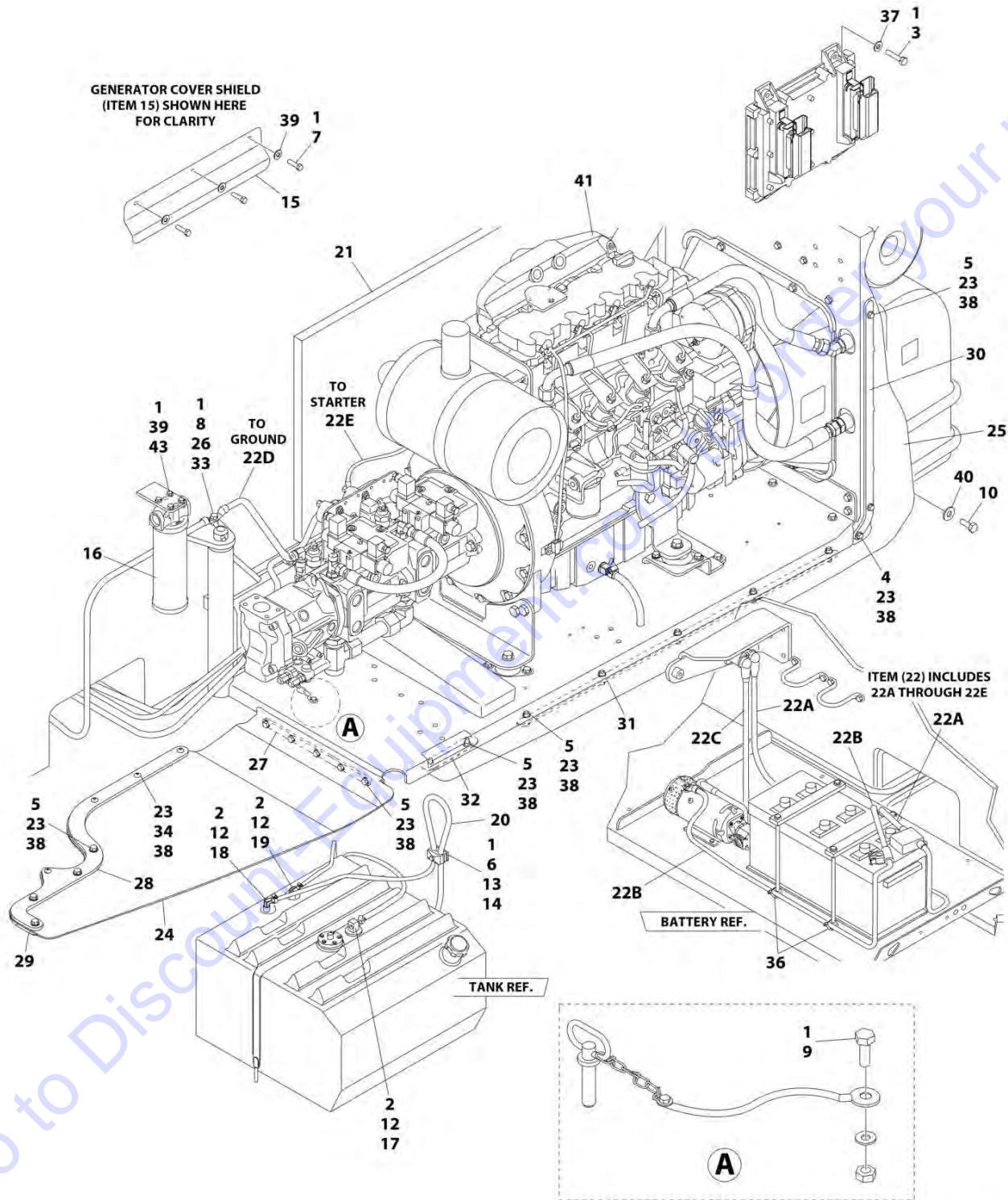
ITEM	PART NUMBER	QTY	DESCRIPTION	REV
	1001098513	Ref	DEUTZ TD2011 ENGINE ASSEMBLY - WITH REXROTH PUMPS AND ABS HOODS (WITHOUT SKYPOWER AND WITHOUT COLD WEATHER PLUS PACKAGE)	H
1	1001098601	1	Engine, Deutz TD2011 Components (See Separate Breakdown in this Section))	
2	0100011	AR	Compound, Locking	
3	0080237	1	Spacer, Fan	
4	0340003	2	Band, Air Cleaner	
5	0340051	2	Band, Muffler	
6	0641406	15	Bolt 1/4 x 3/4	
7	0641506	5	Bolt 5/16 x 3/4	
8	0641507	4	Bolt 5/16 x 7/8	
9	0641605	4	Bolt 3/8 x 5/8	
10	0641608	25	Bolt 3/8 x 1	
11	0641609	2	Bolt 3/8 x 1-1/8	
12	0641610	4	Bolt 3/8 x 1-1/4	
13	0641808	1	Bolt 1/2 x 1	
14	0641812	2	Bolt 1/2 x 1-1/2	
15	0641818	2	Bolt 1/2 x 2-1/4	
16	0641826	2	Bolt 1/2 x 3-1/4	
17	0711214	2	Bolt M12 x 30	
18	0771414	10	Bolt M14 x 30	
19	1001112766	1	Bracket, Muffler	
20	0940070	1	Bumper	
21	0961986	2	Bushing, Flanged	
22	1001131542	1	Lanyard	
23	1320022	3	Clamp	
24	1320058	2	Clamp	
25	1320060	1	Clamp	
26	1320223	1	J-Clip	
27	1340065	1	Air Cleaner Assembly	
27	7003655	1	Element, Air Cleaner	
27	7015013	1	Baffle, Rubber	
27	7015014	1	Clamp, Cap	
27	7015015	1	Cup	
27	7015003	1	Wingnut	
28	1671023	1	Shroud, Fan	
29	1703162	2	Decal - Fan Blade	
30	2060025	1	Fan	
31	2220451	1	Fitting, Straight	
32	2220498	1	Fitting, Elbow	
33	2720058	34 ft/ 10.3m	Hose	
34	2720500	1	Hose, Oil Cooler (Top)	
35	2720501	1	Hose, Oil Cooler (Bottom)	
36	2750532	9 in /23cm	Hose	
37	2902065	1	Pump Coupling Kit (See Separate Breakdown in this Section)	
38	3020016	3.3 gal/ 12.3L	Motor Oil, 15W-40	
39	3200362	2	Mount, Motor (Front)	

SECTION 3 - ENGINE

ITEM	PART NUMBER	QTY	DESCRIPTION	REV
40	3200401	2	Mount, Motor (Rear)	
41	3220126	1	Muffler	
41	70003555	1	Clamp	
42	3300454	10	Nut	
43	3311405	5	Nut 1/4	
44	3311505	5	Nut 5/16	
45	3311605	30	Nut 3/8	
46	3311805	5	Nut 1/2	
47	3422532	1	Pin, Hitch	
48	3520054	2	Plug	
49	3537416	1	Plate, Mounting (Front Right)	
50	3539971	1	Bracket, Engine Mounting (Front)	
51	3573142	1	Bracket, Engine Mounting (Rear)	
52	3573411	2	Plate, Clamp	
53	3573412	1	Gusset	
54	3573529	1	Plate, Mounting (Front Left)	
55	3580158	1	Pulley	
56	3600339	1	Pump Assembly - Rexroth (See Separate Breakdown in this Section)	
57	1001145382	1	Cooler, Engine Oil	
58	3740067	2	Relay, Start	
59	3740080	2	Relay	
60	3960543	1	Seal	
61	3960544	1	Seal	
62	4032022	4	Capscrew M10 x 90	
63	4060804	1 ft/25cm	Flex-Trim	
64	4060805	8 in/20cm	Flex-Trim	
65	4240099	AR	Tie, Wire (Not Shown)	
66	4568293	1	Pipe, Exhaust	
67	4640751	1	Valve, Oil Drain	
68	4711500	13	Washer 5/16	
69	4711600	68	Washer 3/8	
70	4711800	7	Washer 1/2	
71	4740274	4	Washer, Snubbing	
72	4740518	10	Washer, Nylon	
73	4751400	20	Washer 1/4	
74	4791400	4	Washer 1/4	
75	4846552	1	Plate, Oil Cooler Mounting	
76	4846946	1	Tray	
77	4891800	2	Washer 1/2 Hardened	
78	4923468	1	Harness, Glow Plugs	
79	4923592	1	Cable, Jumper	
80	1001092856	1	Hose, Air Intake (SN 0300201016 through 0300234290)	
80	1001225118	1	Hose, Air Intake (SN 0300243291 to Present)	
81	0272060	1	Box, Air Intake	
82	8410013	1	Clamp, Gear	

SECTION 3 - ENGINE

FIGURE 3-3. DEUTZ TD2011 DIESEL ENGINE INSTALLATION - WITH REXROTH PUMPS AND ABS HOODS (WITH SKYPOWER AND WITHOUT COLD WEATHER PLUS PACKAGE)



ART_1001098516

SECTION 3 - ENGINE

FIGURE 3-3. DEUTZ TD2011 DIESEL ENGINE INSTALLATION - WITH REXROTH PUMPS AND ABS HOODS (WITH SKYPOWER AND WITHOUT COLD WEATHER PLUS PACKAGE)

ITEM	PART NUMBER	QTY	DESCRIPTION	REV
	1001098516	Ref	DEUTZ TD2011 DIESEL ENGINE INSTALLATION - WITH REXROTH PUMPS AND ABS HOODS (WITH SKYPOWER AND WITHOUT COLD WEATHER PLUS PACKAGE)	G
1	0100011	AR	Compound, Locking	
2	0100079	AR	Sealant, Pipe	
3	0641410	4	Bolt 1/4 x 1-1/4	
4	0641506	1	Bolt 5/16 x 3/4	
5	0641509	18	Bolt 5/16 x 1-1/8	
6	0641511	1	Bolt 5/16 x 1-3/8	
7	0641605	3	Bolt 3/8 x 5/8	
8	0641610	1	Bolt 3/8 x 1-1/4	
9	0641808	1	Bolt 1/2 x 1	
10	0642010	1	Bolt 5/8 x 1-1/4	
12	1320022	3	Clamp	
13	1320187	1	Clamp, Twin	
14	1320190	1	Cover, Clamp	
15	1671121	1	Cover, Generator	
16	1001108617	1	Pressure Filter	
16	70002231	1	Element, Filter	
17	2180348	1	Fitting, Barbed	
18	2220313	1	Fitting, Elbow Barbed	
19	2221176	1	Fitting, Elbow	
20	2750532	5 ft/ 1.5m	Hose	
21	2820170	1	Insulation, Sound Absorbing	
22	2902099	1	Battery Cable Kit	
22A	7024580	1	Cable, Red (To Aux Pump Relay, Battery Positive Terminal and Start Relay)	
22B	7024581	1	Cable, Black (To Aux Pump, Battery Negative Terminal and Ground at Tray Pivot)	
22C	7024582	1	Cable, Red (Aux Pump Relay to Aux Pump)	
22D	7024583	1	Cable, Black (Tray Pivot to Engine Mount)	
22E	7024584	1	Cable, Red (Start Relay to Starter)	
23	3311505	23	Nut 5/16	
24	3380472	1	Panel, Rubber	
25	3380473	1	Panel, Rubber	
26	3422446	1	Pin	
27	3573644	1	Plate, Tray Clamp	
28	3573645	1	Plate, Top Clamp	
29	3573646	1	Plate, Bottom Clamp	
30	3573669	1	Plate, Clamp	
31	3573727	1	Plate, Tray Clamp	
32	3573728	1	Plate, Tray Clamp	
33	3841143	1	Keeper, Pin	
34	3900272	4	Screw 5/16 x 1-3/4	
35	4240018	2	Strap, Tie (Not Shown)	
36	4240099	AR	Strap, Tie	
37	4711400	4	Washer 1/4	
38	4711500	42	Washer 5/16	
39	4711600	7	Washer 3/8	
40	4752000	1	Washer 5/8	

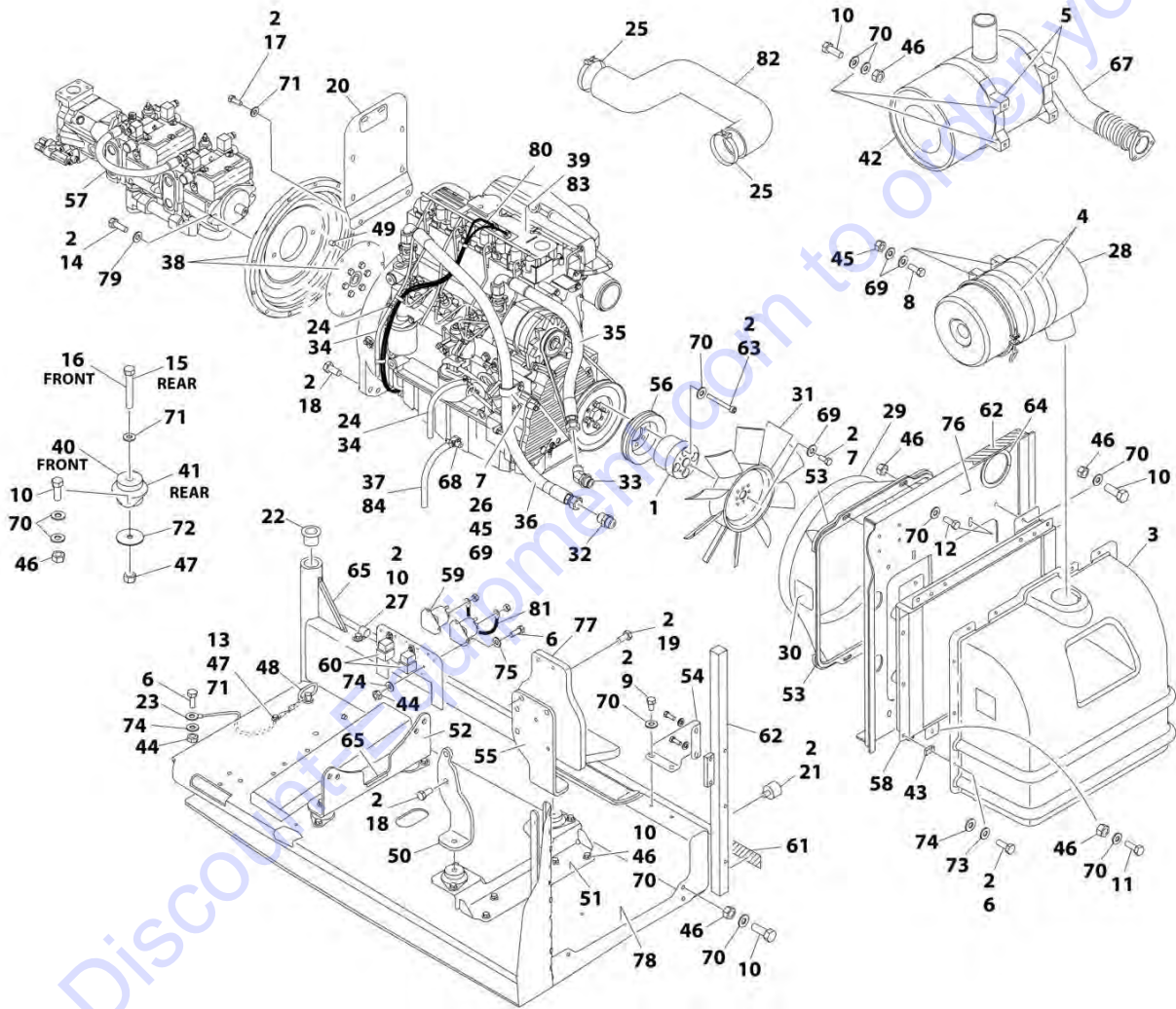
SECTION 3 - ENGINE

ITEM	PART NUMBER	QTY	DESCRIPTION	REV
41	1001098530	1	Engine Assembly with Pumps (See Separate Breakdown in this Section)	
42	2200222	1	Plug, Pipe - Used in Bottom of Fuel Tank (Not Shown) (SN 0300201016 through 0300237154)	
43	0641606	4	Bolt 3/8 x 3/4	

Go to Discount-Equipment.com to order your parts

SECTION 3 - ENGINE

FIGURE 3-4. DEUTZ TD2011 ENGINE ASSEMBLY - WITH REXROTH PUMPS AND ABS HOODS (WITH SKYPOWER AND WITHOUT COLD WEATHER PLUS PACKAGE)



ART_1001098530

SECTION 3 - ENGINE

FIGURE 3-4. DEUTZ TD2011 ENGINE ASSEMBLY - WITH REXROTH PUMPS AND ABS HOODS (WITH SKYPOWER AND WITHOUT COLD WEATHER PLUS PACKAGE)

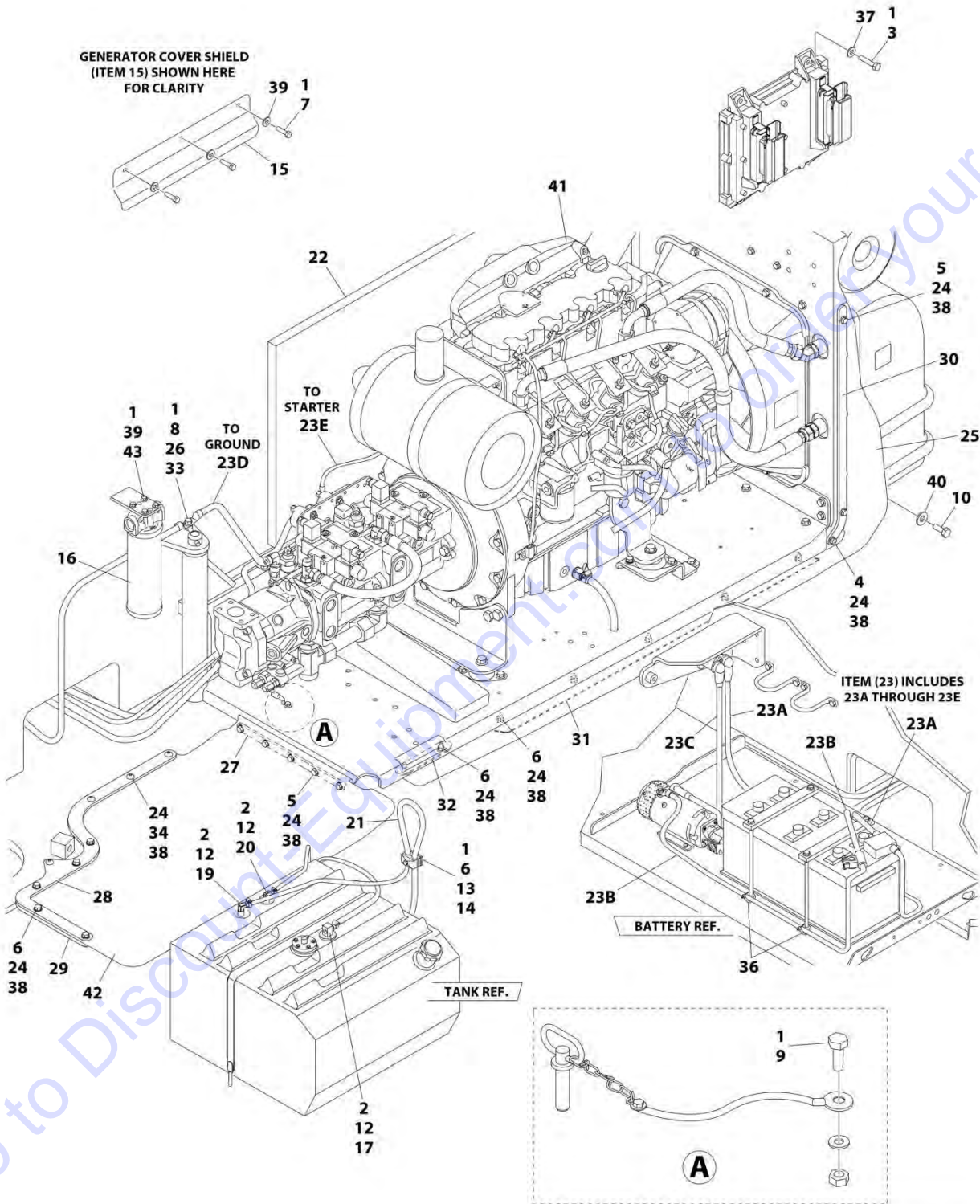
ITEM	PART NUMBER	QTY	DESCRIPTION	REV
	1001098530	Ref	DEUTZ TD2011 ENGINE ASSEMBLY - WITH REXROTH PUMPS AND ABS HOODS (WITH SKYPOWER AND WITHOUT COLD WEATHER PLUS PACKAGE)	J
1	0080244	1	Spacer, Fan	
2	0100011	AR	Compound, Locking	
3	0272060	1	Box, Air Intake	
4	0340003	2	Band, Air Cleaner	
5	0340051	2	Band, Muffler	
6	0641406	15	Bolt 1/4 x 3/4	
7	0641506	5	Bolt 5/16 x 3/4	
8	0641507	4	Bolt 5/16 x 7/8	
9	0641605	4	Bolt 3/8 x 5/8	
10	0641608	25	Bolt 3/8 x 1	
11	0641609	2	Bolt 3/8 x 1-1/8	
12	0641610	4	Bolt 3/8 x 1-1/4	
13	0641808	1	Bolt 1/2 x 1	
14	0641812	2	Bolt 1/2 x 1-1/2	
15	0641818	2	Bolt 1/2 x 2-1/4	
16	0641826	2	Bolt 1/2 x 3-1/4	
17	0711214	2	Bolt M12 x 30	
18	0771414	6	Bolt M14 x 30	
19	0711417	4	Bolt M14 x 45	
20	1001112766	1	Bracket, Muffler	
21	0940070	1	Bumper	
22	0961986	2	Bushing, Flanged	
23	1001131542	1	Lanyard	
24	1320022	2	Clamp	
25	1320058	2	Clamp	
26	1320060	1	Clamp	
27	1320223	1	J-Clip	
28	1340065	1	Air Cleaner Assembly	
28	7003655	1	Element, Air Cleaner	
28	7015013	1	Baffle, Rubber	
28	7015014	1	Clamp, Cap	
28	7015015	1	Cup	
28	7015003	1	Wingnut	
29	1671023	1	Shroud, Fan	
30	1703162	2	Decal - Fan Blade	
31	2060025	1	Fan	
32	2220451	1	Fitting, Straight	
33	2220498	1	Fitting, Elbow	
34	2720058	34 ft/ 10.3m	Hose	
35	2720500	1	Hose, Oil Cooler (Top)	
36	2720501	1	Hose, Oil Cooler (Bottom)	
37	2750532	9 in/23cm	Hose	
38	2902065	1	Pump Coupling Kit (See Separate Breakdown in this Section)	
39	3020016	3.3 gal/ 12.3L	Motor Oil, 15W-40	
40	3200362	2	Mount, Motor (Front)	

SECTION 3 - ENGINE

ITEM	PART NUMBER	QTY	DESCRIPTION	REV
41	3200401	2	Mount, Motor (Rear)	
42	3220126	1	Muffler	
42	70003555	1	Clamp	
43	3300454	10	Nut	
44	3311405	5	Nut 1/4	
45	3311505	5	Nut 5/16	
46	3311605	30	Nut 3/8	
47	3311805	5	Nut 1/2	
48	3422532	1	Pin, Hitch	
49	3520054	2	Plug	
50	3537416	1	Plate, Mounting (Front Right)	
51	3539971	1	Bracket, Engine Mounting (Front)	
52	3573142	1	Bracket, Engine Mounting (Rear)	
53	3573411	2	Plate, Clamp	
54	3573412	1	Gusset	
55	3573529	1	Plate, Mounting (Front Left)	
56	3580320	1	Pulley	
57	3600339	1	Pump Assembly - Rexroth (See Separate Breakdown in this Section)	
58	1001145382	1	Cooler, Engine Oil	
59	3740067	2	Relay, Start	
60	3740080	2	Relay	
61	3960543	1	Seal	
62	3960544	1	Seal	
63	4032022	4	Capscrew M10 x 90	
64	4060804	1 ft/25cm	Flex-Trim	
65	4060805	8 in/20cm	Flex-Trim	
66	4240099	AR	Tie, Wire (Not Shown)	
67	4568293	1	Pipe, Exhaust	
68	4640751	1	Valve, Oil Drain	
69	4711500	13	Washer 5/16	
70	4711600	68	Washer 3/8	
71	4711800	7	Washer 1/2	
72	4740274	4	Washer, Snubbing	
73	4740518	10	Washer, Nylon	
74	4751400	20	Washer 1/4	
75	4791400	4	Washer 1/4	
76	4846552	1	Plate, Oil Cooler Mounting	
77	4846945	1	Mount, Generator	
78	4846946	1	Tray	
79	4891800	2	Washer 1/2	
80	4923468	1	Harness, Glow Plugs	
81	4923592	1	Cable, Jumper	
82	1001092856	1	Hose, Air Intake (SN 0300201016 through 0300234290)	
82	1001225118	1	Hose, Air Intake (SN 0300243291 to Present)	
83	1001098601	1	Engine, Deutz TD2011 Components (See Separate Breakdown in this Section)	
84	8410013	1	Clamp, Gear	

SECTION 3 - ENGINE

FIGURE 3-5. DEUTZ TD2011 DIESEL ENGINE INSTALLATION - WITH REXROTH PUMPS AND STEEL HOOD (WITHOUT SKYPOWER AND WITHOUT COLD WEATHER PLUS PACKAGE)



ART_1001117370

SECTION 3 - ENGINE

FIGURE 3-5. DEUTZ TD2011 DIESEL ENGINE INSTALLATION - WITH REXROTH PUMPS AND STEEL HOOD (WITHOUT SKYPOWER AND WITHOUT COLD WEATHER PLUS PACKAGE)

ITEM	PART NUMBER	QTY	DESCRIPTION	REV
	1001117370	Ref	DEUTZ TD2011 DIESEL ENGINE INSTALLATION - WITH REXROTH PUMPS AND STEEL HOOD (WITHOUT SKYPOWER AND WITHOUT COLD WEATHER PLUS PACKAGE)	D
1	0100011	AR	Compound, Locking	
2	0100079	AR	Sealant, Pipe	
3	0641410	4	Bolt 1/4 x 1-1/4	
4	0641506	1	Bolt 5/16 x 3/4	
5	0641509	7	Bolt 5/16 x 1-1/8	
6	0641511	13	Bolt 5/16 x 1-3/8	
7	0641605	3	Bolt 3/8 x 5/8	
8	0641610	1	Bolt 3/8 x 1-1/4	
9	0641808	1	Bolt 1/2 x 1	
10	0642010	1	Bolt 5/8 x 1-1/4	
12	1320022	3	Clamp	
13	1320187	1	Clamp, Twin	
14	1320190	1	Cover, Clamp	
15	1671121	1	Cover, Generator	
16	1001108617	1	Pressure Filter	
16	70002231	1	Element, Filter	
17	2180348	1	Fitting, Barbed	
18	2200222	1	Plug, Pipe - Used in Bottom of Fuel Tank (Not Shown) (SN 0300201016 through 0300237154)	
19	2220313	1	Fitting, Elbow Barbed	
20	2221176	1	Fitting, Elbow	
21	2750532	5 ft/ 1.5m	Hose	
22	2820170	1	Insulation, Sound Absorbing	
23	2902099	1	Battery Cable Kit	
23A	7024580	1	Cable, Red (To Aux Pump Relay, Battery Positive Terminal and Start Relay)	
23B	7024581	1	Cable, Black (To Aux Pump, Battery Negative Terminal and Ground at Tray Pivot)	
23C	7024582	1	Cable, Red (Aux Pump Relay to Aux Pump)	
23D	7024583	1	Cable, Black (Tray Pivot to Engine Mount)	
23E	7024584	1	Cable, Red (Start Relay to Starter)	
24	3311505	24	Nut 5/16	
25	3380473	1	Panel, Rubber	
26	3422446	1	Pin	
27	3573644	1	Plate, Tray Clamp	
28	1001112878	1	Plate, Top Clamp	
29	1001112879	1	Plate, Bottom Clamp	
30	3573669	1	Plate, Clamp	
31	1001112880	1	Plate, Tray Clamp	
32	3573728	1	Plate, Tray Clamp	
33	3841143	1	Keeper, Pin	
34	3900272	4	Screw 5/16 x 1-3/4	
35	4240018	2	Strap, Tie (Not Shown)	
36	4240099	AR	Strap, Tie	
37	4711400	4	Washer 1/4	
38	4711500	44	Washer 5/16	
39	4711600	7	Washer 3/8	

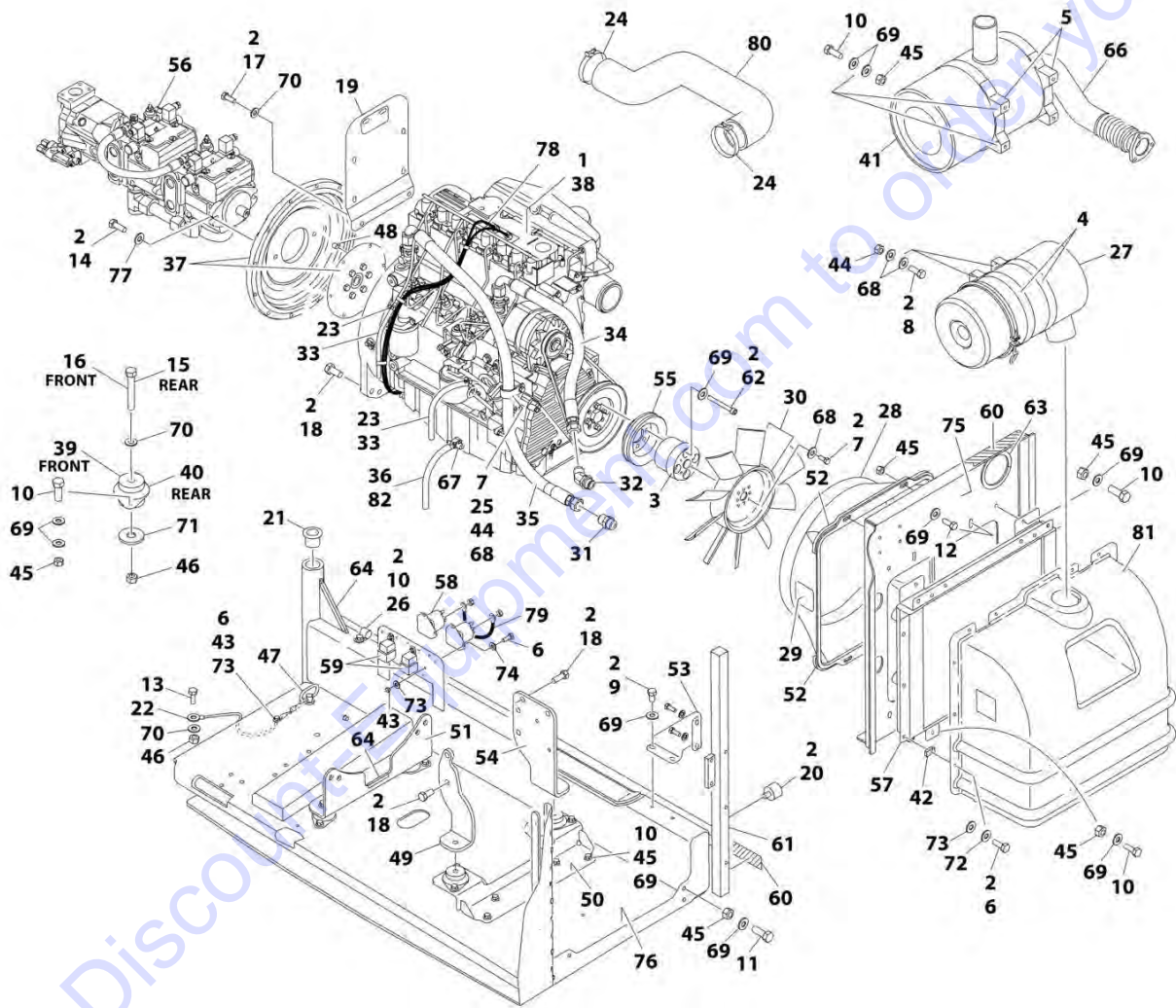
SECTION 3 - ENGINE

ITEM	PART NUMBER	QTY	DESCRIPTION	REV
40	4752000	1	Washer 5/8	
41	1001098513	1	Engine Assembly with Pumps (See Separate Breakdown in this Section)	
42	1001111132	1	Panel, Rubber	
43	0641606	4	Bolt 3/8 x 3/4	

Go to Discount-Equipment.com to order your parts

SECTION 3 - ENGINE

FIGURE 3-6. DEUTZ TD2011 ENGINE ASSEMBLY - WITH REXROTH PUMPS AND STEEL HOODS (WITHOUT SKYPOWER AND WITHOUT COLD WEATHER PLUS PACKAGE)



ART_1001098513

SECTION 3 - ENGINE

**FIGURE 3-6. DEUTZ TD2011 ENGINE ASSEMBLY - WITH REXROTH PUMPS AND STEEL HOODS
(WITHOUT SKYPOWER AND WITHOUT COLD WEATHER PLUS PACKAGE)**

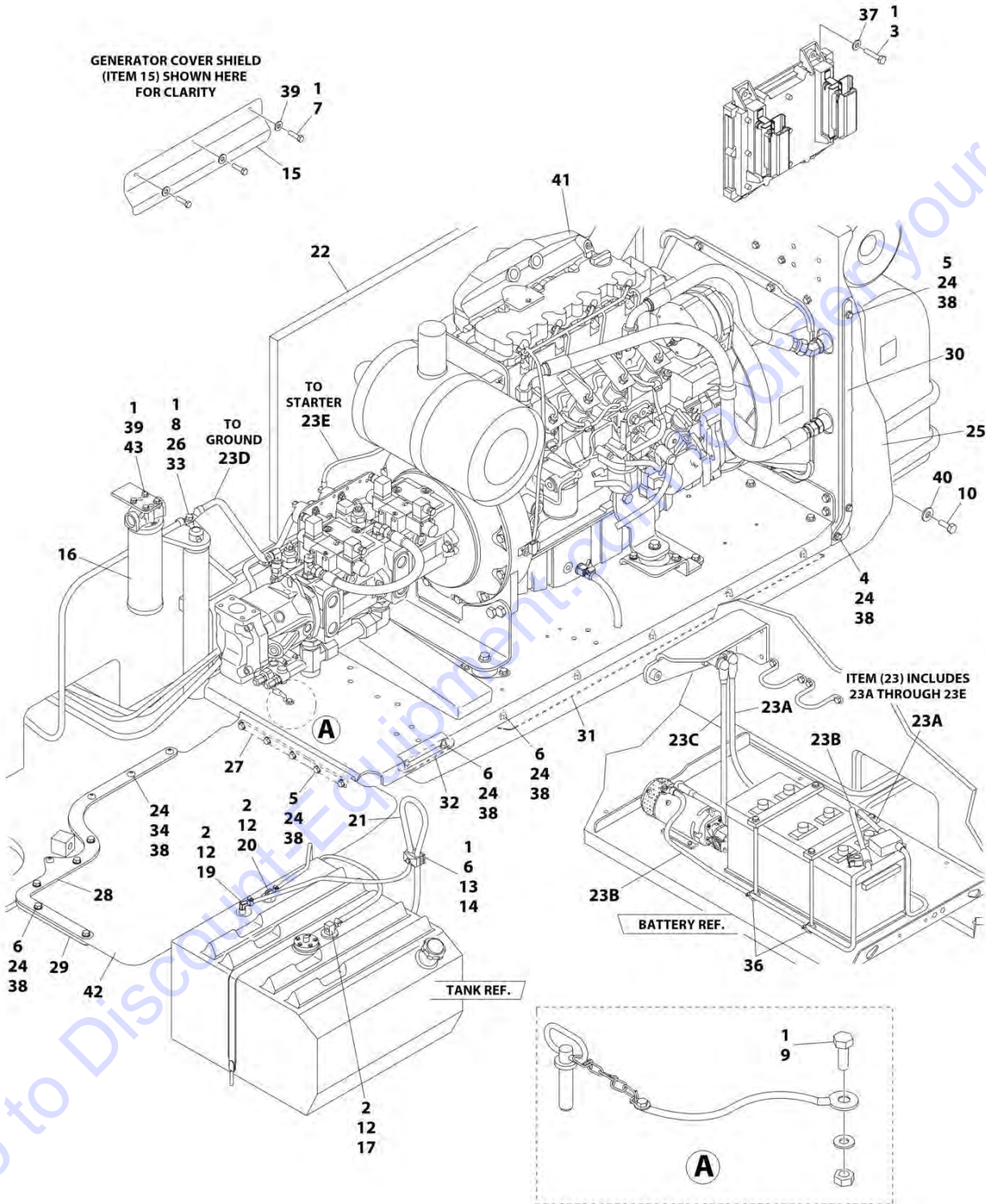
ITEM	PART NUMBER	QTY	DESCRIPTION	REV
	1001098513	Ref	DEUTZ TD2011 ENGINE ASSEMBLY - WITH REXROTH PUMPS AND STEEL HOODS (WITHOUT SKYPOWER AND WITHOUT COLD WEATHER PLUS PACKAGE)	I
1	1001098601	1	Engine, Deutz TD2011 Components (See Separate Breakdown in this Section)	
2	0100011	AR	Compound, Locking	
3	0080237	1	Spacer, Fan	
4	0340003	2	Band, Air Cleaner	
5	0340051	2	Band, Muffler	
6	0641406	15	Bolt 1/4 x 3/4	
7	0641506	5	Bolt 5/16 x 3/4	
8	0641507	4	Bolt 5/16 x 7/8	
9	0641605	4	Bolt 3/8 x 5/8	
10	0641608	25	Bolt 3/8 x 1	
11	0641609	2	Bolt 3/8 x 1-1/8	
12	0641610	4	Bolt 3/8 x 1-1/4	
13	0641808	1	Bolt 1/2 x 1	
14	0641812	2	Bolt 1/2 x 1-1/2	
15	0641818	2	Bolt 1/2 x 2-1/4	
16	0641826	2	Bolt 1/2 x 3-1/4	
17	0711214	2	Bolt M12 x 30	
18	0771414	10	Bolt M14 x 30	
19	1001112766	1	Bracket, Muffler	
20	0940070	1	Bumper	
21	0961986	2	Bushing, Flanged	
22	1001131542	1	Lanyard	
23	1320022	3	Clamp	
24	1320058	2	Clamp	
25	1320060	1	Clamp	
26	1320223	1	J-Clip	
27	1340065	1	Air Cleaner Assembly	
27	7003655	1	Element, Air Cleaner	
27	7015013	1	Baffle, Rubber	
27	7015014	1	Clamp, Cap	
27	7015015	1	Cup	
27	7015003	1	Wingnut	
28	1671023	1	Shroud, Fan	
29	1703162	2	Decal - Fan Blade	
30	2060025	1	Fan	
31	2220451	1	Fitting, Straight	
32	2220498	1	Fitting, Elbow	
33	2720058	34 ft/ 10.3m	Hose	
34	2720500	1	Hose, Oil Cooler (Top)	
35	2720501	1	Hose, Oil Cooler (Bottom)	
36	2750532	9 in/23cm	Hose	
37	2902065	1	Pump Coupling Kit (See Separate Breakdown in this Section)	
38	3020016	3.3 gal/ 12.3L	Motor Oil, 15W-40	
39	3200362	2	Mount, Motor (Front)	

SECTION 3 - ENGINE

ITEM	PART NUMBER	QTY	DESCRIPTION	REV
40	3200401	2	Mount, Motor (Rear)	
41	3220126	1	Muffler	
41	70003555	1	Clamp	
42	3300454	10	Nut	
43	3311405	5	Nut 1/4	
44	3311505	5	Nut 5/16	
45	3311605	30	Nut 3/8	
46	3311805	5	Nut 1/2	
47	3422532	1	Pin, Hitch	
48	3520054	2	Plug	
49	3537416	1	Plate, Mounting (Front Right)	
50	3539971	1	Bracket, Engine Mounting (Front)	
51	3573142	1	Bracket, Engine Mounting (Rear)	
52	3573411	2	Plate, Clamp	
53	3573412	1	Gusset	
54	3573529	1	Plate, Mounting (Front Left)	
55	3580158	1	Pulley	
56	3600339	1	Pump Assembly - Rexroth (See Separate Breakdown in this Section)	
57	1001145382	1	Cooler, Engine Oil	
58	3740067	2	Relay, Start	
59	3740080	2	Relay	
60	3960543	1	Seal	
61	3960544	1	Seal	
62	4032022	4	Capscrew M10 x 90	
63	4060804	1 ft/ 25cm	Flex-Trim	
64	4060805	8 in/ 20cm	Flex-Trim	
65	4240099	AR	Tie, Wire (Not Shown)	
66	4568293	1	Pipe, Exhaust	
67	4640751	1	Valve, Oil Drain	
68	4711500	13	Washer 5/16	
69	4711600	68	Washer 3/8	
70	4711800	7	Washer 1/2	
71	4740274	4	Washer, Snubbing	
72	4740518	10	Washer, Nylon	
73	4751400	20	Washer 1/4	
74	4791400	4	Washer 1/4	
75	4846552	1	Plate, Oil Cooler Mounting	
76	4846946	1	Tray	
77	4891800	2	Washer 1/2 Hardened	
78	4923468	1	Harness, Glow Plugs	
79	4923592	1	Cable, Jumper	
80	1001092856	1	Hose, Air Intake (SN 0300201016 through 0300234290)	
80	1001225118	1	Hose, Air Intake (SN 0300243291 to Present)	
81	0272060	1	Box, Air Intake	
82	8410013	1	Clamp, Gear	

SECTION 3 - ENGINE

FIGURE 3-7. DEUTZ TD2011 DIESEL ENGINE INSTALLATION - WITH REXROTH PUMPS AND STEEL HOODS (WITH SKYPOWER AND WITHOUT COLD WEATHER PLUS PACKAGE)



ART_1001117371

SECTION 3 - ENGINE

FIGURE 3-7. DEUTZ TD2011 DIESEL ENGINE INSTALLATION - WITH REXROTH PUMPS AND STEEL HOODS (WITH SKYPOWER AND WITHOUT COLD WEATHER PLUS PACKAGE)

ITEM	PART NUMBER	QTY	DESCRIPTION	REV
	1001117371	Ref	DEUTZ TD2011 DIESEL ENGINE INSTALLATION - WITH REXROTH PUMPS AND STEEL HOODS (WITH SKYPOWER AND WITHOUT COLD WEATHER PLUS PACKAGE)	D
1	0100011	AR	Compound, Locking	
2	0100079	AR	Sealant, Pipe	
3	0641410	4	Bolt 1/4 x 1-1/4	
4	0641506	1	Bolt 5/16 x 3/4	
5	0641509	7	Bolt 5/16 x 1-1/8	
6	0641511	13	Bolt 5/16 x 1-3/8	
7	0641605	3	Bolt 3/8 x 5/8	
8	0641610	1	Bolt 3/8 x 1-1/4	
9	0641808	1	Bolt 1/2 x 1	
10	0642010	1	Bolt 5/8 x 1-1/4	
12	1320022	3	Clamp	
13	1320187	1	Clamp, Twin	
14	1320190	1	Cover, Clamp	
15	1671121	1	Cover, Generator	
16	1001108617	1	Pressure Filter	
16	70002231	1	Element, Filter	
17	2180348	1	Fitting, Barbed	
18	2200222	1	Plug, Pipe - Used in Bottom of Fuel Tank (Not Shown) (SN 0300201016 through 0300237154)	
19	2220313	1	Fitting, Elbow Barbed	
20	2221176	1	Fitting, Elbow	
21	2750532	5 ft/ 1.5m	Hose	
22	2820170	1	Insulation, Sound Absorbing	
23	2902099	1	Battery Cable Kit	
23A	7024580	1	Cable, Red (To Aux Pump Relay, Battery Positive Terminal and Start Relay)	
23B	7024581	1	Cable, Black (To Aux Pump, Battery Negative Terminal and Ground at Tray Pivot)	
23C	7024582	1	Cable, Red (Aux Pump Relay to Aux Pump)	
23D	7024583	1	Cable, Black (Tray Pivot to Engine Mount)	
23E	7024584	1	Cable, Red (Start Relay to Starter)	
24	3311505	24	Nut 5/16	
25	3380473	1	Panel, Rubber	
26	3422446	1	Pin	
27	3573644	1	Plate, Tray Clamp	
28	1001112878	1	Plate, Top Clamp	
29	1001112879	1	Plate, Bottom Clamp	
30	3573669	1	Plate, Clamp	
31	1001112880	1	Plate, Tray Clamp	
32	3573728	1	Plate, Tray Clamp	
33	3841143	1	Keeper, Pin	
34	3900272	4	Screw 5/16 x 1-3/4	
35	4240018	2	Strap, Tie (Not Shown)	
36	4240099	AR	Strap, Tie	
37	4711400	4	Washer 1/4	
38	4711500	44	Washer 5/16	
39	4711600	7	Washer 3/8	

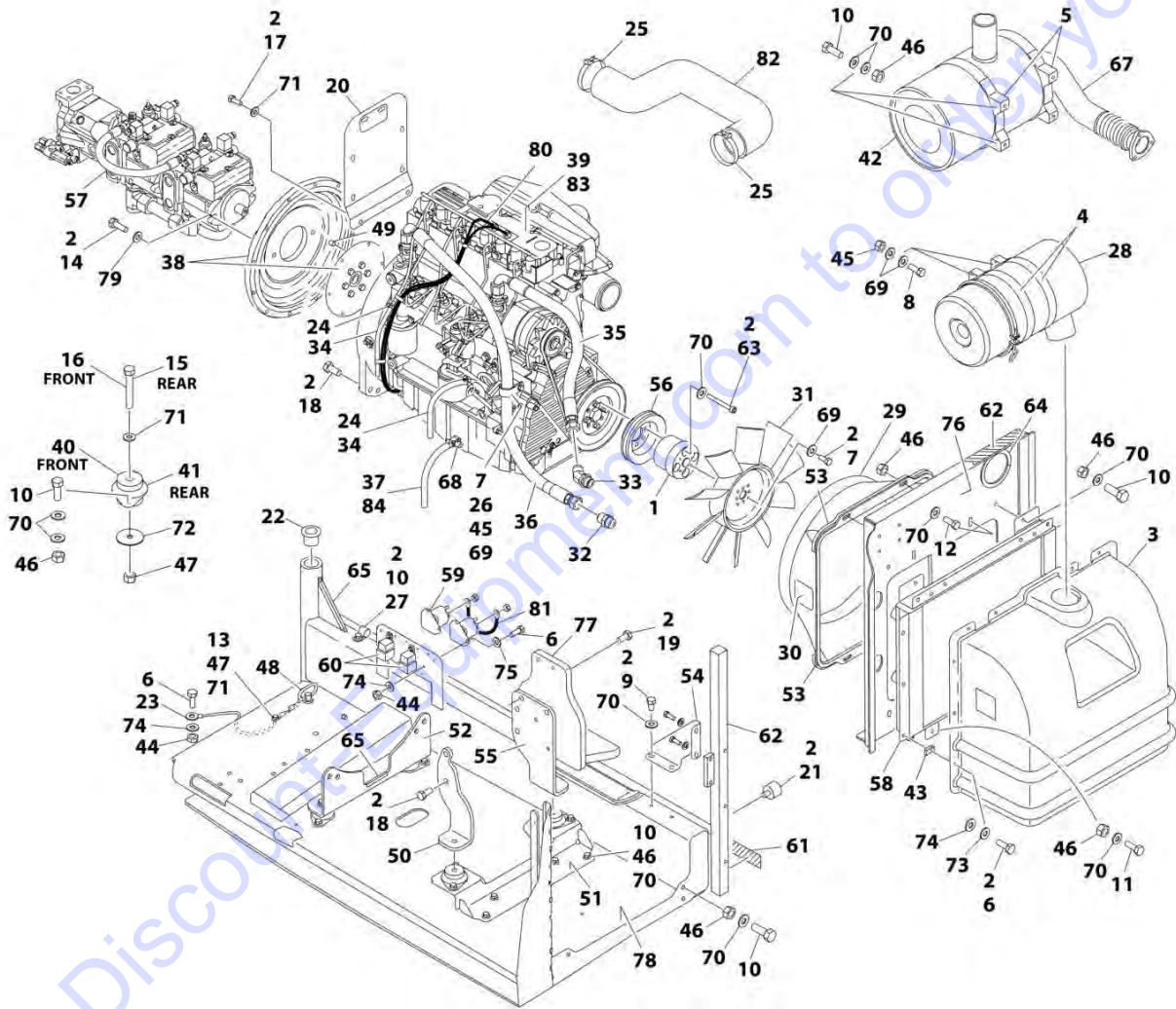
SECTION 3 - ENGINE

ITEM	PART NUMBER	QTY	DESCRIPTION	REV
40	4752000	1	Washer 5/8	
41	1001098530	1	Engine Assembly with Pumps (See Separate Breakdown in this Section)	
42	1001111132	1	Panel, Rubber	
43	0641606	4	Bolt 3/8 x 3/4	

Go to Discount-Equipment.com to order your parts

SECTION 3 - ENGINE

FIGURE 3-8. DEUTZ TD2011 ENGINE ASSEMBLY - WITH REXROTH PUMPS AND STEEL HOODS (WITH SKYPOWER AND WITHOUT COLD WEATHER PLUS PACKAGE)



ART_1001098530

SECTION 3 - ENGINE

**FIGURE 3-8. DEUTZ TD2011 ENGINE ASSEMBLY - WITH REXROTH PUMPS AND STEEL HOODS
(WITH SKYPOWER AND WITHOUT COLD WEATHER PLUS PACKAGE)**

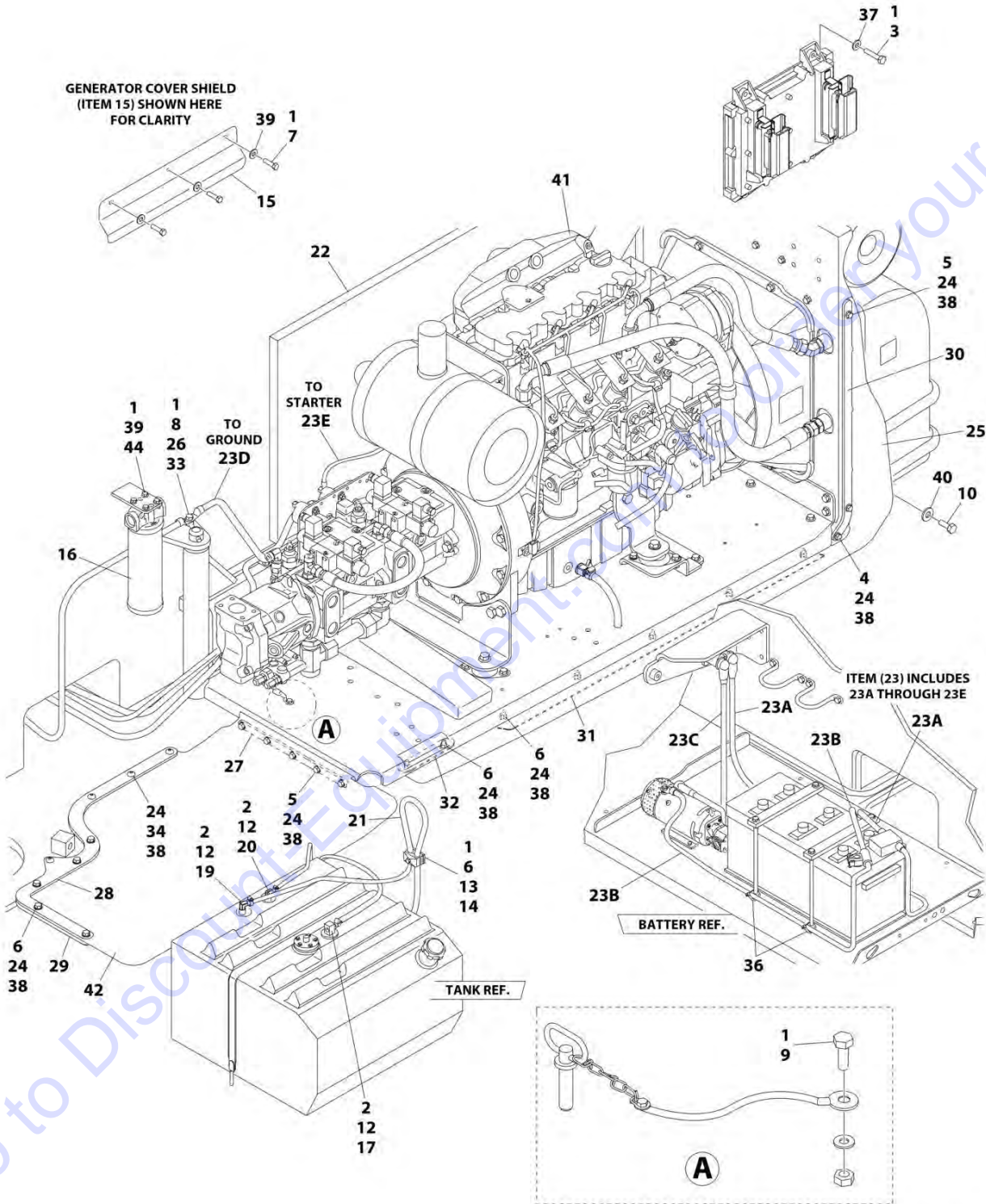
ITEM	PART NUMBER	QTY	DESCRIPTION	REV
	1001098530	Ref	DEUTZ TD2011 ENGINE ASSEMBLY - WITH REXROTH PUMPS AND STEEL HOODS (WITH SKYPOWER AND WITHOUT COLD WEATHER PLUS PACKAGE)	J
1	0080244	1	Spacer, Fan	
2	0100011	AR	Compound, Locking	
3	0272060	1	Box, Air Intake	
4	0340003	2	Band, Air Cleaner	
5	0340051	2	Band, Muffler	
6	0641406	15	Bolt 1/4 x 3/4	
7	0641506	5	Bolt 5/16 x 3/4	
8	0641507	4	Bolt 5/16 x 7/8	
9	0641605	4	Bolt 3/8 x 5/8	
10	0641608	25	Bolt 3/8 x 1	
11	0641609	2	Bolt 3/8 x 1-1/8	
12	0641610	4	Bolt 3/8 x 1-1/4	
13	0641808	1	Bolt 1/2 x 1	
14	0641812	2	Bolt 1/2 x 1-1/2	
15	0641818	2	Bolt 1/2 x 2-1/4	
16	0641826	2	Bolt 1/2 x 3-1/4	
17	0711214	2	Bolt M12 x 30	
18	0771414	6	Bolt M14 x 30	
19	0711417	4	Bolt M14 x 45	
20	1001112766	1	Bracket, Muffler	
21	0940070	1	Bumper	
22	0961986	2	Bushing, Flanged	
23	1001131542	1	Lanyard	
24	1320022	2	Clamp	
25	1320058	2	Clamp	
26	1320060	1	Clamp	
27	1320223	1	J-Clip	
28	1340065	1	Air Cleaner Assembly	
28	7003655	1	Element, Air Cleaner	
28	7015013	1	Baffle, Rubber	
28	7015014	1	Clamp, Cap	
28	7015015	1	Cup	
28	7015003	1	Wingnut	
29	1671023	1	Shroud, Fan	
30	1703162	2	Decal - Fan Blade	
31	2060025	1	Fan	
32	2220451	1	Fitting, Straight	
33	2220498	1	Fitting, Elbow	
34	2720058	34 ft/ 10.3m	Hose	
35	2720500	1	Hose, Oil Cooler (Top)	
36	2720501	1	Hose, Oil Cooler (Bottom)	
37	2750532	9 in/23cm	Hose	
38	2902065	1	Pump Coupling Kit (See Separate Breakdown in this Section)	
39	3020016	3.3 gal/ 12.3L	Motor Oil, 15W-40	
40	3200362	2	Mount, Motor (Front)	

SECTION 3 - ENGINE

ITEM	PART NUMBER	QTY	DESCRIPTION	REV
41	3200401	2	Mount, Motor (Rear)	
42	3220126	1	Muffler	
42	70003555	1	Clamp	
43	3300454	10	Nut	
44	3311405	5	Nut 1/4	
45	3311505	5	Nut 5/16	
46	3311605	30	Nut 3/8	
47	3311805	5	Nut 1/2	
48	3422532	1	Pin, Hitch	
49	3520054	2	Plug	
50	3537416	1	Plate, Mounting (Front Right)	
51	3539971	1	Bracket, Engine Mounting (Front)	
52	3573142	1	Bracket, Engine Mounting (Rear)	
53	3573411	2	Plate, Clamp	
54	3573412	1	Gusset	
55	3573529	1	Plate, Mounting (Front Left)	
56	3580320	1	Pulley	
57	3600339	1	Pump Assembly - Rexroth (See Separate Breakdown in this Section)	
58	1001145382	1	Cooler, Engine Oil	
59	3740067	2	Relay, Start	
60	3740080	2	Relay	
61	3960543	1	Seal	
62	3960544	1	Seal	
63	4032022	4	Capscrew M10 x 90	
64	4060804	1 ft/25cm	Flex-Trim	
65	4060805	8 in/20cm	Flex-Trim	
66	4240099	AR	Tie, Wire (Not Shown)	
67	4568293	1	Pipe, Exhaust	
68	4640751	1	Valve, Oil Drain	
69	4711500	13	Washer 5/16	
70	4711600	68	Washer 3/8	
71	4711800	7	Washer 1/2	
72	4740274	4	Washer, Snubbing	
73	4740518	10	Washer, Nylon	
74	4751400	20	Washer 1/4	
75	4791400	4	Washer 1/4	
76	4846552	1	Plate, Oil Cooler Mounting	
77	4846945	1	Mount, Generator	
78	4846946	1	Tray	
79	4891800	2	Washer 1/2	
80	4923468	1	Harness, Glow Plugs	
81	4923592	1	Cable, Jumper	
82	1001092856	1	Hose, Air Intake (SN 0300201016 through 0300234290)	
82	1001225118	1	Hose, Air Intake (SN 0300243291 to Present)	
83	1001098601	1	Engine, Deutz TD2011 Components (See Separate Breakdown in this Section)	
84	8410013	1	Clamp, Gear	

SECTION 3 - ENGINE

FIGURE 3-9. DEUTZ TD2011 DIESEL ENGINE INSTALLATION – WITH REXROTH PUMPS AND STEEL HOODS (WITH SKYPOWER AND WITH COLD WEATHER PLUS PACKAGE)



ART_1001116015

SECTION 3 - ENGINE

FIGURE 3-9. DEUTZ TD2011 DIESEL ENGINE INSTALLATION – WITH REXROTH PUMPS AND STEEL HOODS (WITH SKYPOWER AND WITH COLD WEATHER PLUS PACKAGE)

ITEM	PART NUMBER	QTY	DESCRIPTION	REV
	1001116015	Ref	DEUTZ TD2011 DIESEL ENGINE INSTALLATION - WITH REXROTH PUMPS AND STEEL HOODS (WITH SKYPOWER AND WITH COLD WEATHER PLUS PACKAGE)	D
1	0100011	AR	Compound, Locking	
2	0100079	AR	Sealant, Pipe	
3	0641410	4	Bolt 1/4 x 1-1/4	
4	0641506	1	Bolt 5/16 x 3/4	
5	0641509	7	Bolt 5/16 x 1-1/8	
6	0641511	13	Bolt 5/16 x 1-3/8	
7	0641605	3	Bolt 3/8 x 5/8	
8	0641610	1	Bolt 3/8 x 1-1/4	
9	0641808	1	Bolt 1/2 x 1	
10	0642010	1	Bolt 5/8 x 1-1/4	
12	1320022	3	Clamp	
13	1320187	1	Clamp, Twin	
14	1320190	1	Cover, Clamp	
15	1671121	1	Cover, Generator	
16	1001108617	1	Pressure Filter	
16	70002231	1	Element, Filter	
17	2180348	1	Fitting, Barbed	
18	2200222	1	Plug, Pipe - Used in Bottom of Fuel Tank (Not Shown) (SN 0300201016 through 0300237154)	
19	2220313	1	Fitting, Elbow Barbed	
20	2221176	1	Fitting, Elbow	
21	2750532	5 ft/ 1.5m	Hose	
22	2820170	1	Insulation, Sound Absorbing	
23	2902099	1	Battery Cable Kit	
23A	7024580	1	Cable, Red (To Aux Pump Relay, Battery Positive Terminal and Start Relay)	
23B	7024581	1	Cable, Black (To Aux Pump, Battery Negative Terminal and Ground at Tray Pivot)	
23C	7024582	1	Cable, Red (Aux Pump Relay to Aux Pump)	
23D	7024583	1	Cable, Black (Tray Pivot to Engine Mount)	
23E	7024584	1	Cable, Red (Start Relay to Starter)	
24	3311505	24	Nut 5/16	
25	3380473	1	Panel, Rubber	
26	3422446	1	Pin	
27	3573644	1	Plate, Tray Clamp	
28	1001112878	1	Plate, Top Clamp	
29	1001112879	1	Plate, Bottom Clamp	
30	3573669	1	Plate, Clamp	
31	1001112880	1	Plate, Tray Clamp	
32	3573728	1	Plate, Tray Clamp	
33	3841143	1	Keeper, Pin	
34	3900272	4	Screw, Button 5/16 x 1-3/4	
35	4240018	2	Strap, Tie (Not Shown)	
36	4240099	AR	Strap, Tie	
37	4711400	4	Washer 1/4	
38	4711500	44	Washer 5/16	
39	4711600	7	Washer 3/8	

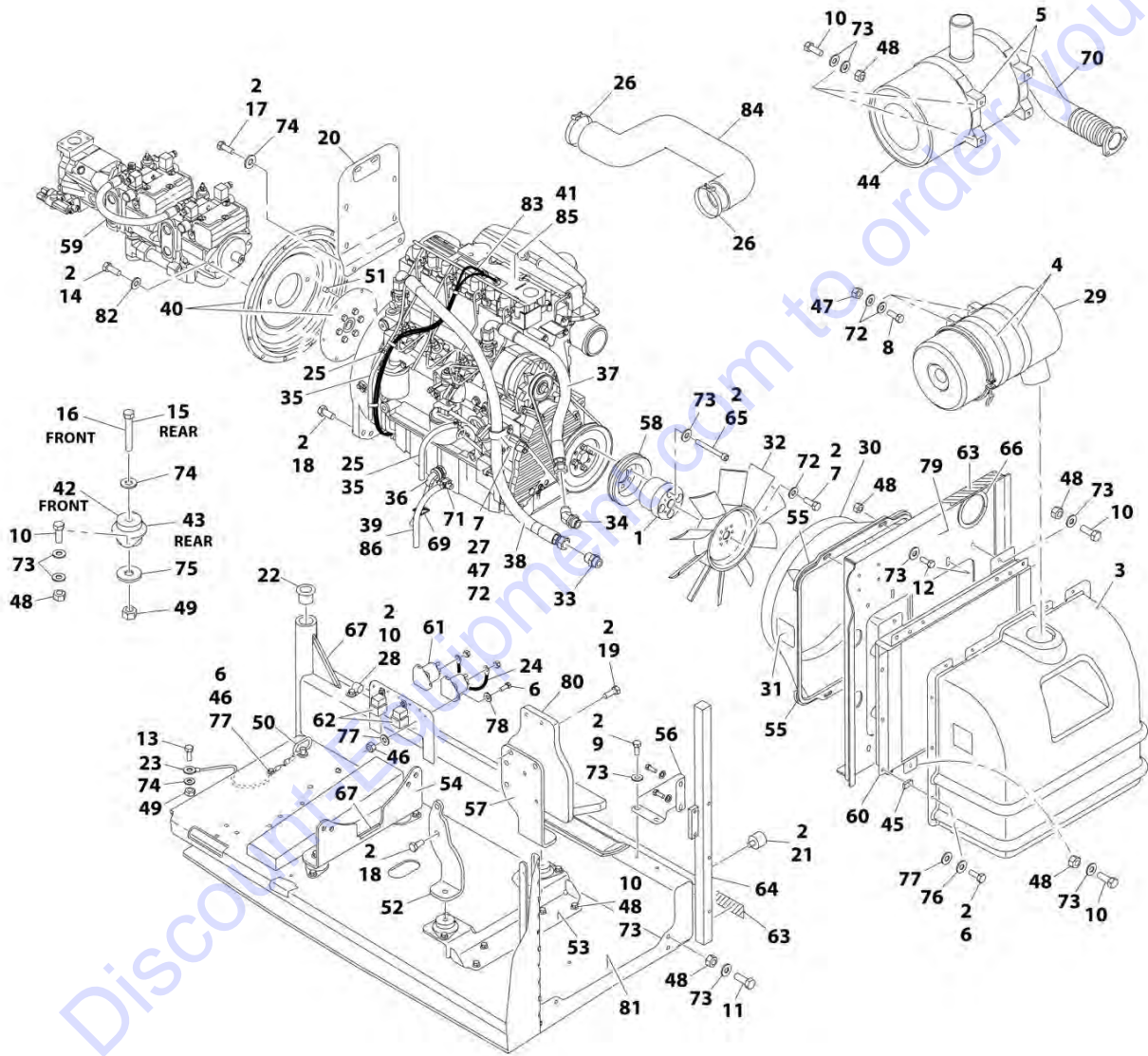
SECTION 3 - ENGINE

ITEM	PART NUMBER	QTY	DESCRIPTION	REV
40	4752000	1	Washer 5/8	
41	1001098531	1	Engine Assembly with Pumps (See Separate Breakdown in this Section)	
42	1001111132	1	Panel, Rubber	
43	1702942	1	Decal - Block Heater (Not Shown)	
44	0641606	4	Bolt 3/8 x 3/4	

Go to Discount-Equipment.com to order your parts

SECTION 3 - ENGINE

FIGURE 3-10. DEUTZ TD2011 ENGINE ASSEMBLY - WITH REXROTH PUMPS AND STEEL HOODS
(WITH SKYPOWER AND WITH COLD WEATHER PLUS PACKAGE)



ART_1001098531

SECTION 3 - ENGINE

**FIGURE 3-10. DEUTZ TD2011 ENGINE ASSEMBLY - WITH REXROTH PUMPS AND STEEL HOODS
(WITH SKYPOWER AND WITH COLD WEATHER PLUS PACKAGE)**

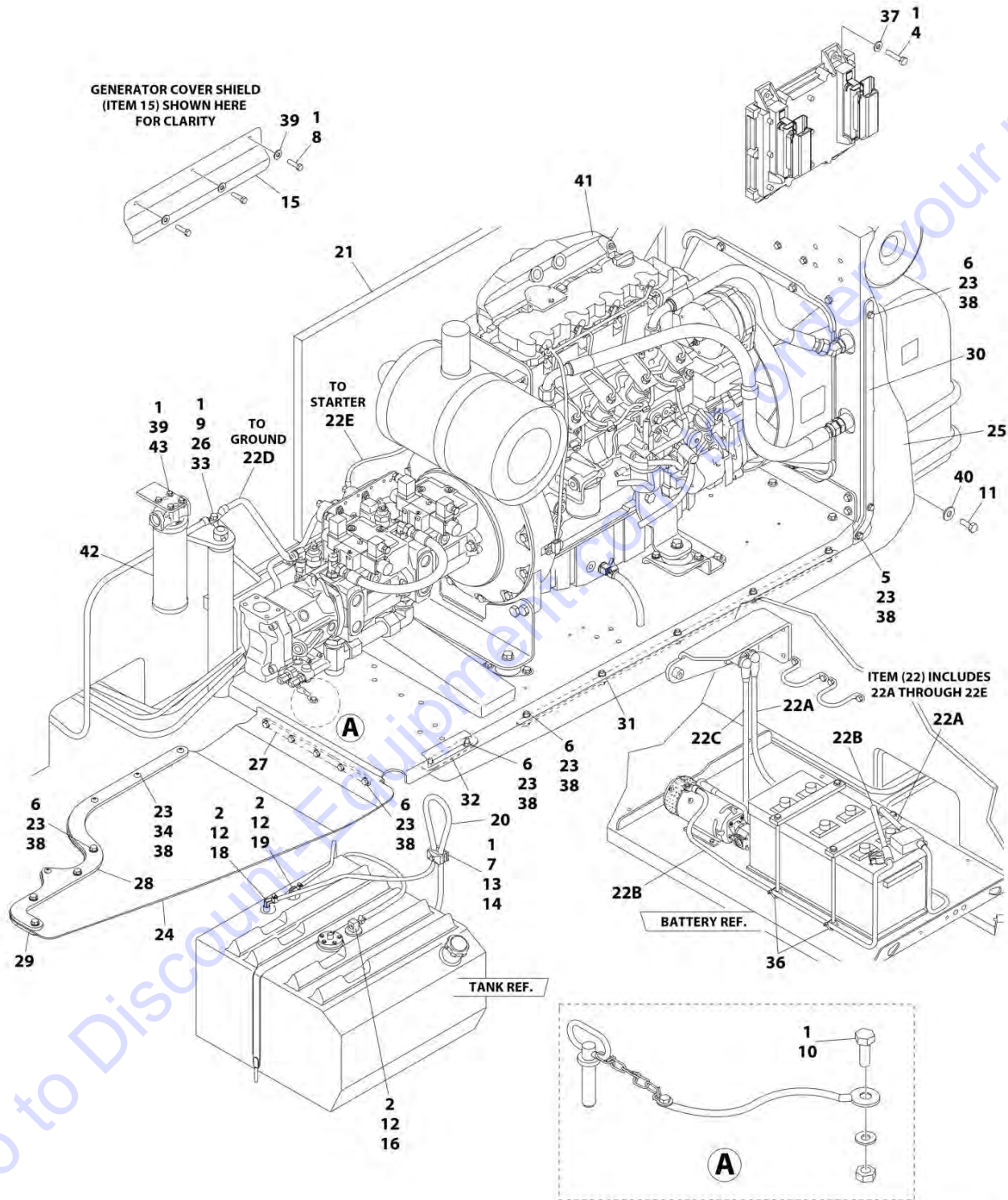
ITEM	PART NUMBER	QTY	DESCRIPTION	REV
	1001098531	Ref	DEUTZ TD2011 ENGINE ASSEMBLY - WITH REXROTH PUMPS AND STEEL HOODS (WITH SKYPOWER AND WITH COLD WEATHER PLUS PACKAGE)	J
1	0080244	1	Spacer, Fan	
2	0100011	AR	Compound, Locking	
3	0272060	1	Box, Air Intake	
4	0340003	2	Band, Air Cleaner	
5	0340051	2	Band, Muffler	
6	0641406	15	Bolt 1/4 x 3/4	
7	0641506	5	Bolt 5/16 x 3/4	
8	0641507	4	Bolt 5/16 x 7/8	
9	0641605	4	Bolt 3/8 x 5/8	
10	0641608	25	Bolt 3/8 x 1	
11	0641609	2	Bolt 3/8 x 1-1/8	
12	0641610	4	Bolt 3/8 x 1-1/4	
13	0641808	1	Bolt 1/2 x 1	
14	0641812	2	Bolt 1/2 x 1-1/2	
15	0641818	2	Bolt 1/2 x 2-1/4	
16	0641826	2	Bolt 1/2 x 3-1/4	
17	0711214	2	Bolt M12 x 30	
18	0771414	6	Bolt M14 x 30	
19	0711417	4	Bolt M14 x 45	
20	1001112766	1	Bracket, Muffler	
21	0940070	1	Bumper	
22	0961986	2	Bushing, Flanged	
23	1001131542	1	Lanyard	
24	1060904	1	Cable, Jumper	
25	1320022	2	Clamp	
26	1320058	2	Clamp	
27	1320060	1	Clamp	
28	1320223	1	J-Clip	
29	1340065	1	Air Cleaner Assembly	
29	7003655	1	Element, Air Cleaner	
29	7015013	1	Baffle, Rubber	
29	7015014	1	Clamp, Cap	
29	7015015	1	Cup	
29	7015003	1	Wingnut	
30	1671023	1	Shroud, Fan	
31	1703162	2	Decal - Fan Blade	
32	2060025	1	Fan	
33	2220451	1	Fitting, Straight	
34	2220498	1	Fitting, Elbow	
35	2720058	34 ft/ 10.3m	Hose	
36	2580062	1	Heater, Engine Block	
37	2720500	1	Hose, Oil Cooler (Top)	
38	2720501	1	Hose, Oil Cooler (Bottom)	
39	2750532	9 in/23cm	Hose	
40	2902065	1	Pump Coupling Kit (See Separate Breakdown in this Section)	

SECTION 3 - ENGINE

ITEM	PART NUMBER	QTY	DESCRIPTION	REV
41	3020044	3.3 gal/ 12.3L	Oil, Engine	
42	3200362	2	Mount, Motor (Front)	
43	3200401	2	Mount, Motor (Rear)	
44	3220126	1	Muffler	
44	70003555	1	Clamp	
45	3300454	10	Nut	
46	3311405	5	Nut 1/4	
47	3311505	5	Nut 5/16	
48	3311605	30	Nut 3/8	
49	3311805	5	Nut 1/2	
50	3422532	1	Pin, Hitch	
51	3520054	2	Plug	
52	3537416	1	Plate, Mounting (Front Right)	
53	3539971	1	Bracket, Engine Mounting (Front)	
54	3573142	1	Bracket, Engine Mounting (Rear)	
55	3573411	2	Plate, Clamp	
56	3573412	1	Gusset	
57	3573529	1	Plate, Mounting (Front Left)	
58	3580320	1	Pulley	
59	3600339	1	Pump Assembly - Rexroth (See Separate Breakdown in this Section)	
60	1001145382	1	Cooler, Engine Oil	
61	3740067	2	Relay, Start	
62	3740080	2	Relay	
63	3960543	1	Seal	
64	3960544	1	Seal	
65	4032022	4	Capscrew M10 x 90	
66	4060804	1 ft/25cm	Flex-Trim	
67	4060805	8 in/20cm	Flex-Trim	
68	4240099	AR	Tie, Wire (Not Shown)	
69	4460234	3	Mount, Wire Tie	
70	4568293	1	Pipe, Exhaust	
71	4640751	1	Valve, Oil Drain	
72	4711500	13	Washer 5/16	
73	4711600	68	Washer 3/8	
74	4711800	7	Washer 1/2	
75	4740274	4	Washer, Snubbing	
76	4740518	10	Washer, Nylon	
77	4751400	20	Washer 1/4	
78	4791400	4	Washer 1/4	
79	4846552	1	Plate, Oil Cooler Mounting	
80	4846945	1	Mount, Generator	
81	4846946	1	Tray	
82	4891800	2	Washer 1/2 Hardened	
83	4923468	1	Harness, Glow Plugs	
84	1001092856	1	Hose, Air Intake (SN 0300201016 through 0300234290)	
84	1001225118	1	Hose, Air Intake (SN 0300243291 to Present)	
85	1001098601	1	Engine, Deutz TD2011 Components (See Separate Breakdown in this Section)	
86	8410013	1	Clamp, Gear	

SECTION 3 - ENGINE

FIGURE 3-11. DEUTZ TD2011 DIESEL ENGINE INSTALLATION - WITH SAUER PUMPS AND ABS HOODS (WITHOUT SKYPOWER AND WITHOUT COLD WEATHER PLUS PACKAGE)



ART_1001098712

SECTION 3 - ENGINE

FIGURE 3-11. DEUTZ TD2011 DIESEL ENGINE INSTALLATION - WITH SAUER PUMPS AND ABS HOODS (WITHOUT SKYPOWER AND WITHOUT COLD WEATHER PLUS PACKAGE)

ITEM	PART NUMBER	QTY	DESCRIPTION	REV
	1001118712	Ref	DEUTZ TD2011 DIESEL ENGINE INSTALLATION - WITH SAUER PUMPS AND ABS HOODS (WITHOUT SKYPOWER AND WITHOUT COLD WEATHER PLUS PACKAGE)	E
1	0100011	AR	Compound, Locking	
2	0100079	AR	Sealant, Pipe	
3	0641410	4	Bolt 1/4 x 1-1/4	
4	0641506	1	Bolt 5/16 x 3/4	
5	0641509	18	Bolt 5/16 x 1-1/8	
6	0641511	1	Bolt 5/16 x 1-3/8	
7	0641605	3	Bolt 3/8 x 5/8	
8	0641610	1	Bolt 3/8 x 1-1/4	
9	0641808	1	Bolt 1/2 x 1	
10	0642010	1	Bolt 5/8 x 1-1/4	
12	1320022	3	Clamp	
13	1320187	1	Clamp, Twin	
14	1320190	1	Cover, Clamp	
15	1671121	1	Cover, Generator	
16	2180348	1	Fitting, Barbed	
17	2200222	1	Plug, Pipe - Used in Bottom of Fuel Tank (Not Shown) (SN 0300201016 through 0300237154)	
18	2220313	1	Fitting, Elbow Barbed	
19	2221176	1	Fitting, Elbow	
20	2750532	5 ft/ 1.5m	Hose	
21	2820170	1	Insulation, Sound Absorbing	
22	2902099	1	Battery Cable Kit	
22A	7024580	1	Cable, Red (To Aux Pump Relay, Battery Positive Terminal and Start Relay)	
22B	7024581	1	Cable, Black (To Aux Pump, Battery Negative Terminal and Ground at Tray Pivot)	
22C	7024582	1	Cable, Red (Aux Pump Relay to Aux Pump)	
22D	7024583	1	Cable, Black (Tray Pivot to Engine Mount)	
22E	7024584	1	Cable, Red (Start Relay to Starter)	
23	3311505	23	Nut 5/16	
24	3380472	1	Panel, Rubber	
25	3380473	1	Panel, Rubber	
26	3422446	1	Pin	
27	3573644	1	Plate, Tray Clamp	
28	3573645	1	Plate, Top Clamp	
29	3573646	1	Plate, Bottom Clamp	
30	3573669	1	Plate, Clamp	
31	3573727	1	Plate, Tray Clamp	
32	3573728	1	Plate, Tray Clamp	
33	3841143	1	Keeper, Pin	
34	3900272	4	Screw, Button 5/16 x 1-3/4	
35	4240018	2	Strap, Tie (Not Shown)	
36	4240099	AR	Strap, Tie	
37	4711400	4	Washer 1/4	
38	4711500	42	Washer 5/16	
39	4711600	7	Washer 3/8	
40	4752000	1	Washer 5/8	

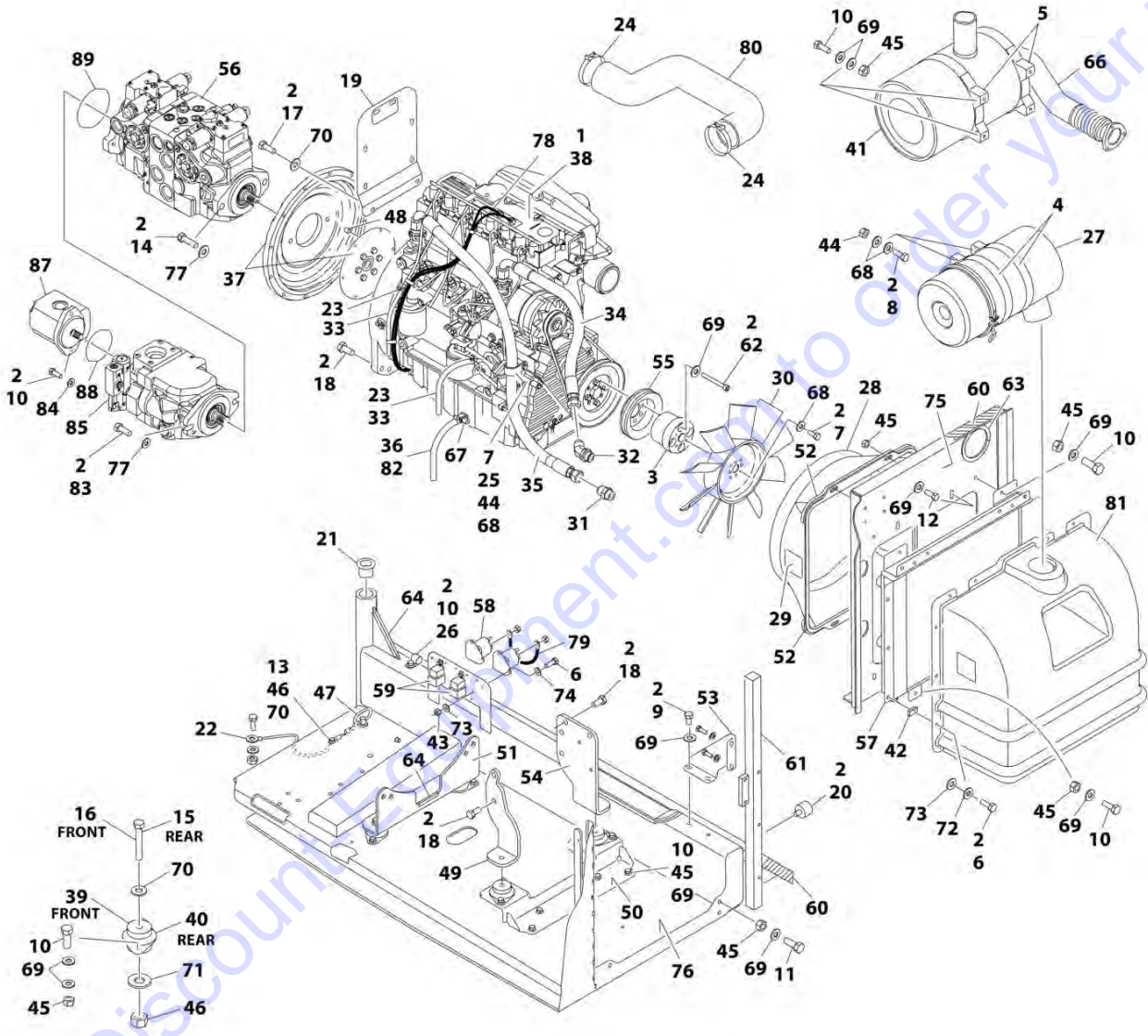
SECTION 3 - ENGINE

ITEM	PART NUMBER	QTY	DESCRIPTION	REV
41	1001107971	1	Engine Assembly with Pumps (See Separate Breakdown in this Section)	
42	1001108617	1	Pressure Filter	
42	70002231	1	Element, Filter	
43	0641606	4	Bolt 3/8 x 3/4	

Go to Discount-Equipment.com to order your parts

SECTION 3 - ENGINE

FIGURE 3-12. DEUTZ TD2011 ENGINE ASSEMBLY - WITH SAUER PUMPS AND ABS HOODS (WITHOUT SKYPOWER AND WITHOUT COLD WEATHER PLUS PACKAGE)



ART_1001107971

SECTION 3 - ENGINE

**FIGURE 3-12. DEUTZ TD2011 ENGINE ASSEMBLY - WITH SAUER PUMPS AND ABS HOODS
(WITHOUT SKYPOWER AND WITHOUT COLD WEATHER PLUS PACKAGE)**

ITEM	PART NUMBER	QTY	DESCRIPTION	REV
	1001107971	Ref	DEUTZ TD2011 ENGINE ASSEMBLY - WITH SAUER PUMPS AND ABS HOODS (WITHOUT SKYPOWER AND WITHOUT COLD WEATHER PLUS PACKAGE)	I
1	1001098601	1	Engine, Deutz TD2011 Components (See Separate Breakdown in this Section)	
2	0100011	AR	Compound, Locking	
3	0080237	1	Spacer, Fan	
4	0340003	2	Band, Air Cleaner	
5	0340051	2	Band, Muffler	
6	0641406	15	Bolt 1/4 x 3/4	
7	0641506	5	Bolt 5/16 x 3/4	
8	0641507	4	Bolt 5/16 x 7/8	
9	0641605	4	Bolt 3/8 x 5/8	
10	0641608	27	Bolt 3/8 x 1	
11	0641609	2	Bolt 3/8 x 1-1/8	
12	0641610	4	Bolt 3/8 x 1-1/4	
13	0641808	1	Bolt 1/2 x 1	
14	0641814	2	Bolt 1/2 x 1-3/4	
15	0641818	2	Bolt 1/2 x 2-1/4	
16	0641826	2	Bolt 1/2 x 3-1/4	
17	0711214	2	Bolt M12 x 30	
18	0771414	10	Bolt M14 x 30	
19	1001112766	1	Bracket, Muffler	
20	0940070	1	Bumper	
21	0961986	2	Bushing, Flanged	
22	1001131542	1	Lanyard	
23	1320022	3	Clamp	
24	1320058	2	Clamp	
25	1320060	1	Clamp	
26	1320223	1	J-Clip	
27	1340065	1	Air Cleaner Assembly	
27	7003655	1	Element, Air Cleaner	
27	7015013	1	Baffle, Rubber	
27	7015014	1	Clamp, Cap	
27	7015015	1	Cup	
27	7015003	1	Wingnut	
28	1671023	1	Shroud, Fan	
29	1703162	2	Decal - Fan Blade	
30	2060025	1	Fan	
31	2220451	1	Fitting, Straight	
32	2220498	1	Fitting, Elbow	
33	2720058	34 ft/ 10.3m	Hose	
34	2720500	1	Hose, Oil Cooler (Top)	
35	2720501	1	Hose, Oil Cooler (Bottom)	
36	2750532	9 in /23cm	Hose	
37	2902065	1	Pump Coupling Kit (See Separate Breakdown in this Section)	
38	3020016	3.3 gal/ 12.3L	Motor Oil, 15W-40	
39	3200362	2	Mount, Motor (Front)	

SECTION 3 - ENGINE

ITEM	PART NUMBER	QTY	DESCRIPTION	REV
40	3200401	2	Mount, Motor (Rear)	
41	3220126	1	Muffler	
41	70003555	1	Clamp	
42	3300454	10	Nut	
43	3311405	5	Nut 1/4	
44	3311505	5	Nut 5/16	
45	3311605	30	Nut 3/8	
46	3311805	5	Nut 1/2	
47	3422532	1	Pin, Hitch	
48	3520054	2	Plug	
49	3537416	1	Plate, Mounting (Front Right)	
50	3539971	1	Bracket, Engine Mounting (Front)	
51	3573142	1	Bracket, Engine Mounting (Rear)	
52	3573411	2	Plate, Clamp	
53	3573412	1	Gusset	
54	3573529	1	Plate, Mounting (Front Left)	
55	3580158	1	Pulley	
56	1001108616	1	Pump Assembly - Sauer (See Separate Breakdown in this Section)	
57	1001145382	1	Cooler, Engine Oil	
58	3740067	2	Relay, Start	
59	3740080	2	Relay	
60	3960543	1	Seal	
61	3960544	1	Seal	
62	4032022	4	Capscrew M10 x 90	
63	4060804	1 ft /25cm	Flex-Trim	
64	4060805	8 in /20cm	Flex-Trim	
65	4240099	AR	Tie, Wire (Not Shown)	
66	4568293	1	Pipe, Exhaust	
67	4640751	1	Valve, Oil Drain	
68	4711500	13	Washer 5/16	
69	4711600	68	Washer 3/8	
70	4711800	7	Washer 1/2	
71	4740274	4	Washer, Snubbing	
72	4740518	10	Washer, Nylon	
73	4751400	20	Washer 1/4	
74	4791400	4	Washer 1/4	
75	4846552	1	Plate, Oil Cooler Mounting	
76	4846946	1	Tray	
77	4891800	4	Washer 1/2	
78	4923468	1	Harness, Glow Plugs	
79	4923592	1	Cable, Jumper	
80	1001092856	1	Hose, Air Intake (SN 0300201016 through 0300234290)	
80	1001225118	1	Hose, Air Intake (SN 0300243291 to Present)	
81	0272060	1	Box, Air Intake	
82	8410013	1	Clamp, Gear	
83	0761215	2	Bolt M12 x 35mm	
84	4891600	2	Washer 3/8	
85	1001171095	1	Pump Assembly - Sauer Piston (See Separate Breakdown in this Section)	
87	1001112927	1	Pump Assembly - Sauer Gear (See Separate Breakdown in this Section)	
88	3790152	1	O-Ring	

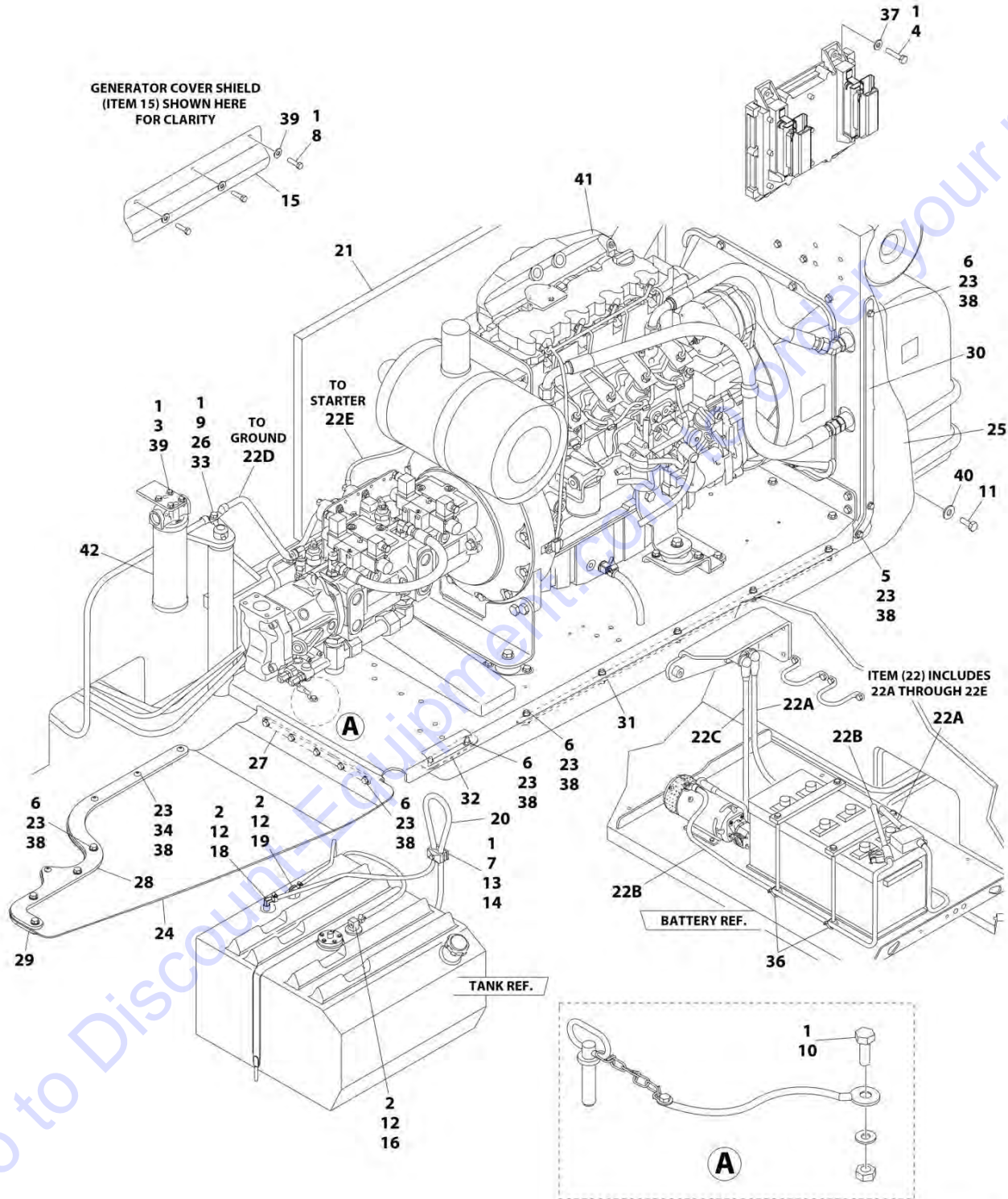
SECTION 3 - ENGINE

ITEM	PART NUMBER	QTY	DESCRIPTION	REV
89	3790155	1	O-Ring	

Go to Discount-Equipment.com to order your parts

SECTION 3 - ENGINE

FIGURE 3-13. DEUTZ TD2011 DIESEL ENGINE INSTALLATION - WITH SAUER PUMPS AND ABS HOODS (WITH SKYPOWER AND WITHOUT COLD WEATHER PLUS PACKAGE)



ART_1001098713

SECTION 3 - ENGINE

FIGURE 3-13. DEUTZ TD2011 DIESEL ENGINE INSTALLATION - WITH SAUER PUMPS AND ABS HOODS (WITH SKYPOWER AND WITHOUT COLD WEATHER PLUS PACKAGE)

ITEM	PART NUMBER	QTY	DESCRIPTION	REV
	100118713	Ref	DEUTZ TD2011 DIESEL ENGINE INSTALLATION - WITH SAUER PUMPS AND ABS HOODS (WITH SKYPOWER AND WITHOUT COLD WEATHER PLUS PACKAGE)	E
1	0100011	AR	Compound, Locking	
2	0100079	AR	Sealant, Pipe	
3	0641606	4	Bolt 3/8 x 3/4	
4	0641410	4	Bolt 1/4 x 1-1/4	
5	0641506	1	Bolt 5/16 x 3/4	
6	0641509	18	Bolt 5/16 x 1-1/8	
7	0641511	1	Bolt 5/16 x 1-3/8	
8	0641605	3	Bolt 3/8 x 5/8	
9	0641610	1	Bolt 3/8 x 1-1/4	
10	0641808	1	Bolt 1/2 x 1	
11	0642010	1	Bolt 5/8 x 1-1/4	
12	1320022	3	Clamp	
13	1320187	1	Clamp, Twin	
14	1320190	1	Cover, Clamp	
15	1671121	1	Cover, Generator	
16	2180348	1	Fitting, Barbed	
17	2200222	1	Plug, Pipe - Used in Bottom of Fuel Tank (Not Shown) (SN 0300201016 through 0300237154)	
18	2220313	1	Fitting, Elbow Barbed	
19	2221176	1	Fitting, Elbow	
20	2750532	5 ft/ 1.5m	Hose	
21	2820170	1	Insulation, Sound Absorbing	
22	2902099	1	Battery Cable Kit	
22A	7024580	1	Cable, Red (To Aux Pump Relay, Battery Positive Terminal and Start Relay)	
22B	7024581	1	Cable, Black (To Aux Pump, Battery Negative Terminal and Ground at Tray Pivot)	
22C	7024582	1	Cable, Red (Aux Pump Relay to Aux Pump)	
22D	7024583	1	Cable, Black (Tray Pivot to Engine Mount)	
22E	7024584	1	Cable, Red (Start Relay to Starter)	
23	3311505	23	Nut 5/16	
24	3380472	1	Panel, Rubber	
25	3380473	1	Panel, Rubber	
26	3422446	1	Pin	
27	3573644	1	Plate, Tray Clamp	
28	3573645	1	Plate, Top Clamp	
29	3573646	1	Plate, Bottom Clamp	
30	3573669	1	Plate, Clamp	
31	3573727	1	Plate, Tray Clamp	
32	3573728	1	Plate, Tray Clamp	
33	3841143	1	Keeper, Pin	
34	3900272	4	Screw, Button 5/16 x 1-3/4	
35	4240018	2	Strap, Tie (Not Shown)	
36	4240099	AR	Strap, Tie	
37	4711400	4	Washer 1/4	
38	4711500	42	Washer 5/16	
39	4711600	7	Washer 3/8	

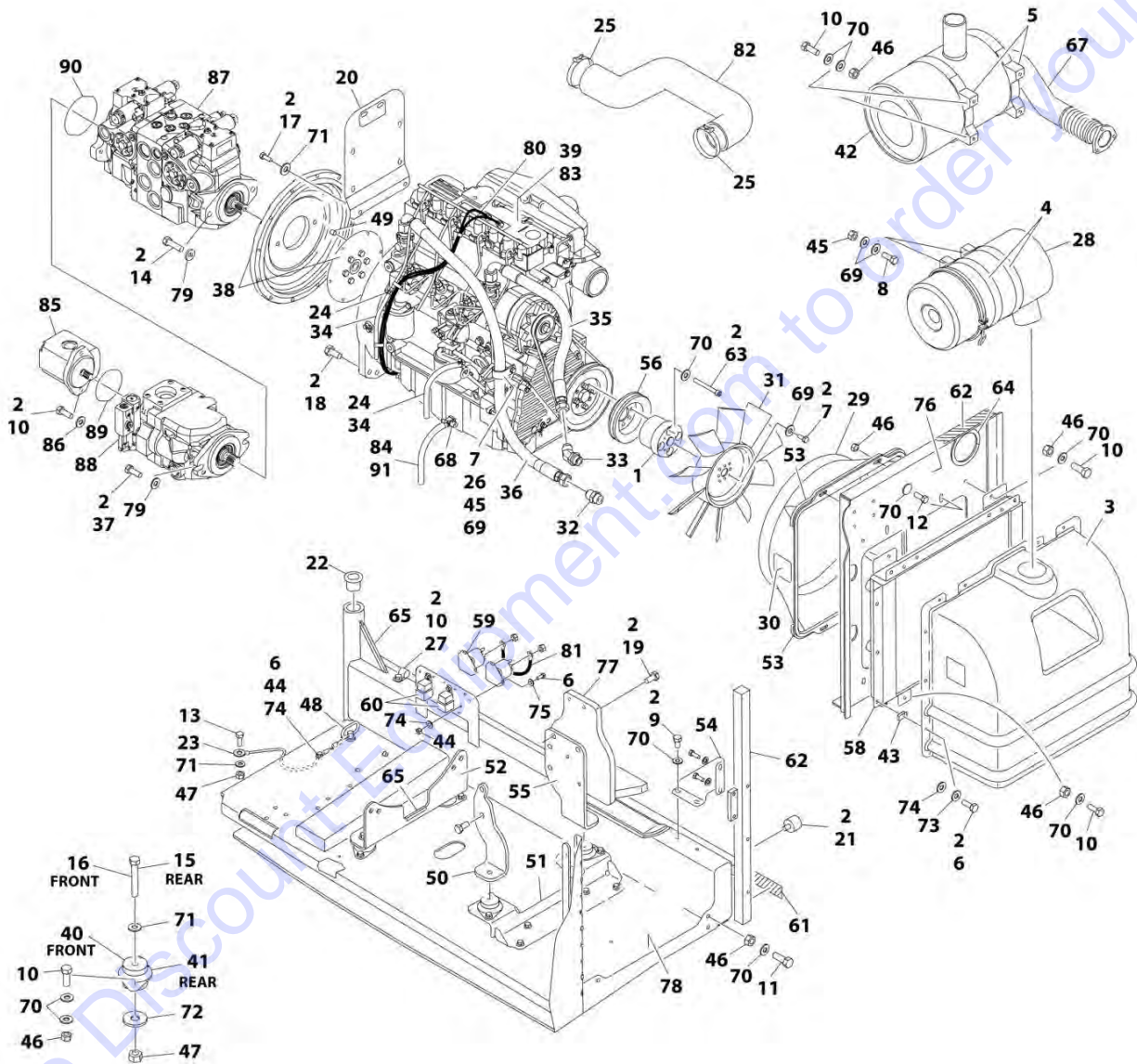
SECTION 3 - ENGINE

ITEM	PART NUMBER	QTY	DESCRIPTION	REV
40	4752000	1	Washer 5/8	
41	1001107973	1	Engine Assembly with Pumps (See Separate Breakdown in this Section)	
42	1001108617	1	Pressure Filter	
42	70002231	1	Element, Filter	

Go to Discount-Equipment.com to order your parts

SECTION 3 - ENGINE

FIGURE 3-14. DEUTZ TD2011 ENGINE ASSEMBLY - WITH SAUER PUMPS AND ABS HOODS (WITH SKYPOWER AND WITHOUT COLD WEATHER PLUS PACKAGE)



ART_1001107973

SECTION 3 - ENGINE

FIGURE 3-14. DEUTZ TD2011 ENGINE ASSEMBLY - WITH SAUER PUMPS AND ABS HOODS (WITH SKYPOWER AND WITHOUT COLD WEATHER PLUS PACKAGE)

ITEM	PART NUMBER	QTY	DESCRIPTION	REV
	1001107973	Ref	DEUTZ TD2011 ENGINE ASSEMBLY - WITH SAUER PUMPS AND ABS HOODS (WITH SKYPOWER AND WITHOUT COLD WEATHER PLUS PACKAGE)	I
1	0080244	1	Spacer, Fan	
2	0100011	AR	Compound, Locking	
3	0272060	1	Box, Air Intake	
4	0340003	2	Band, Air Cleaner	
5	0340051	2	Band, Muffler	
6	0641406	15	Bolt 1/4 x 3/4	
7	0641506	5	Bolt 5/16 x 3/4	
8	0641507	4	Bolt 5/16 x 7/8	
9	0641605	4	Bolt 3/8 x 5/8	
10	0641608	27	Bolt 3/8 x 1	
11	0641609	2	Bolt 3/8 x 1-1/8	
12	0641610	4	Bolt 3/8 x 1-1/4	
13	0641808	1	Bolt 1/2 x 1	
14	0641814	2	Bolt 1/2 x 1-3/4	
15	0641818	2	Bolt 1/2 x 2-1/4	
16	0641826	2	Bolt 1/2 x 3-1/4	
17	0711214	2	Bolt M12 x 30	
18	0771414	6	Bolt M14 x 30	
19	0711417	4	Bolt M14 x 45	
20	1001112766	1	Bracket, Muffler	
21	0940070	1	Bumper	
22	0961986	2	Bushing, Flanged	
23	1001131542	1	Lanyard	
24	1320022	2	Clamp	
25	1320058	2	Clamp	
26	1320060	1	Clamp	
27	1320223	1	J-Clip	
28	1340065	1	Air Cleaner Assembly	
28	7003655	1	Element, Air Cleaner	
28	7015013	1	Baffle, Rubber	
28	7015014	1	Clamp, Cap	
28	7015015	1	Cup	
28	7015003	1	Wingnut	
29	1671023	1	Shroud, Fan	
30	1703162	2	Decal - Fan Blade	
31	2060025	1	Fan	
32	2220451	1	Fitting, Straight	
33	2220498	1	Fitting, Elbow	
34	2720058	34 ft/ 10.3m	Hose	
35	2720500	1	Hose, Oil Cooler (Top)	
36	2720501	1	Hose, Oil Cooler (Bottom)	
37	0761215	2	Bolt M12 x 35mm	
38	2902065	1	Pump Coupling Kit (See Separate Breakdown in this Section)	
39	3020016	3.3 gal/ 12.3L	Motor Oil, 15W-40	
40	3200362	2	Mount, Motor (Front)	

SECTION 3 - ENGINE

ITEM	PART NUMBER	QTY	DESCRIPTION	REV
41	3200401	2	Mount, Motor (Rear)	
42	3220126	1	Muffler	
42	70003555	1	Clamp	
43	3300454	10	Nut	
44	3311405	5	Nut 1/4	
45	3311505	5	Nut 5/16	
46	3311605	30	Nut 3/8	
47	3311805	5	Nut 1/2	
48	3422532	1	Pin, Hitch	
49	3520054	2	Plug	
50	3537416	1	Plate, Mounting (Front Right)	
51	3539971	1	Bracket, Engine Mounting (Front)	
52	3573142	1	Bracket, Engine Mounting (Rear)	
53	3573411	2	Plate, Clamp	
54	3573412	1	Gusset	
55	3573529	1	Plate, Mounting (Front Left)	
56	3580320	1	Pulley	
58	1001145382	1	Cooler, Engine Oil	
59	3740067	2	Relay, Start	
60	3740080	2	Relay	
61	3960543	1	Seal	
62	3960544	1	Seal	
63	4032022	4	Capscrew M10 x 90	
64	4060804	1 ft /25cm	Flex-Trim	
65	4060805	8 in/20cm	Flex-Trim	
66	4240099	AR	Tie, Wire (Not Shown)	
67	4568293	1	Pipe, Exhaust	
68	4640751	1	Valve, Oil Drain	
69	4711500	13	Washer 5/16	
70	4711600	68	Washer 3/8	
71	4711800	7	Washer 1/2	
72	4740274	4	Washer, Snubbing	
73	4740518	10	Washer, Nylon	
74	4751400	20	Washer 1/4	
75	4791400	4	Washer 1/4	
76	4846552	1	Plate, Oil Cooler Mounting	
77	4846945	1	Mount, Generator	
78	4846946	1	Tray	
79	4891800	4	Washer 1/2	
80	4923468	1	Harness, Glow Plugs	
81	4923592	1	Cable, Jumper	
82	1001092856	1	Hose, Air Intake (SN 0300201016 through 0300234290)	
82	1001225118	1	Hose, Air Intake (SN 0300243291 to Present)	
83	1001098601	1	Engine, Deutz TD2011 Components (See Separate Breakdown in this Section)	
84	8410013	1	Clamp, Gear	
85	1001112927	1	Pump Assembly - Sauer Gear (See Separate Breakdown in this Section)	
86	4891600	2	Washer 3/8	
87	1001108616	1	Pump Assembly - Sauer (See Separate Breakdown in this Section)	
88	1001171095	1	Pump Assembly - Sauer Piston (See Separate Breakdown in this Section)	

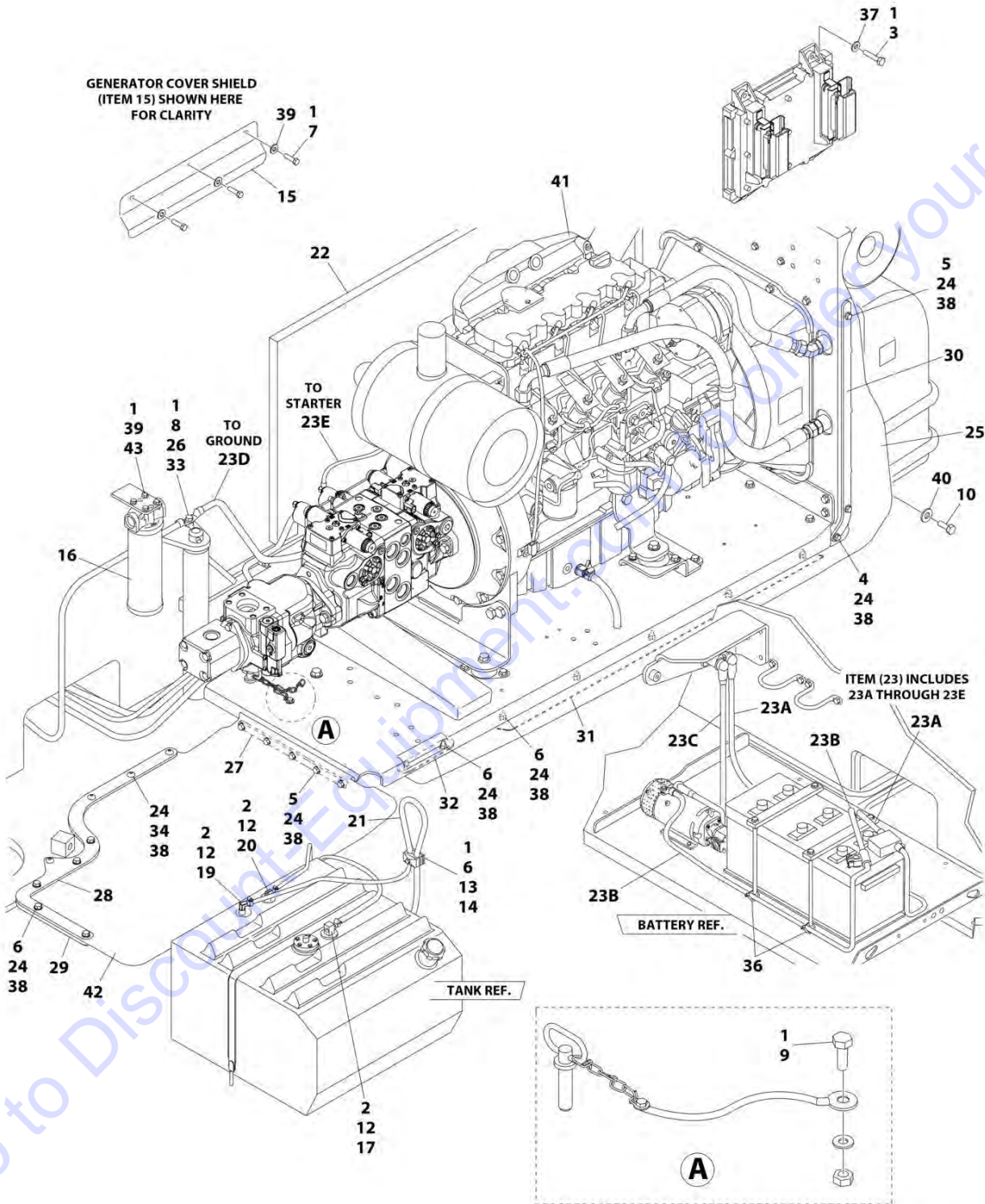
SECTION 3 - ENGINE

ITEM	PART NUMBER	QTY	DESCRIPTION	REV
89	3790152	1	O-Ring	
90	3790155	1	O-Ring	
91	2750532	0.8 ft/ 0.2m	Hose	

Go to Discount-Equipment.com to order your parts

SECTION 3 - ENGINE

FIGURE 3-15. DEUTZ TD2011 DIESEL ENGINE INSTALLATION - WITH SAUER PUMPS AND STEEL HOODS (WITHOUT SKYPOWER AND WITHOUT COLD WEATHER PLUS PACKAGE)



ART_1001119052

SECTION 3 - ENGINE

FIGURE 3-15. DEUTZ TD2011 DIESEL ENGINE INSTALLATION - WITH SAUER PUMPS AND STEEL HOODS (WITHOUT SKYPOWER AND WITHOUT COLD WEATHER PLUS PACKAGE)

ITEM	PART NUMBER	QTY	DESCRIPTION	REV
	1001119052	Ref	DEUTZ TD2011 DIESEL ENGINE INSTALLATION - WITH SAUER PUMPS AND STEEL HOODS (WITHOUT SKYPOWER AND WITHOUT COLD WEATHER PLUS PACKAGE)	D
1	0100011	AR	Compound, Locking	
2	0100079	AR	Sealant, Pipe	
3	0641410	4	Bolt 1/4 x 1-1/4	
4	0641506	1	Bolt 5/16 x 3/4	
5	0641509	7	Bolt 5/16 x 1-1/8	
6	0641511	13	Bolt 5/16 x 1-3/8	
7	0641605	3	Bolt 3/8 x 5/8	
8	0641610	1	Bolt 3/8 x 1-1/4	
9	0641808	1	Bolt 1/2 x 1	
10	0642010	1	Bolt 5/8 x 1-1/4	
12	1320022	3	Clamp	
13	1320187	1	Clamp, Twin	
14	1320190	1	Cover, Clamp	
15	1671121	1	Cover, Generator	
16	1001108617	1	Pressure Filter	
16	70002231	1	Element, Filter	
17	2180348	1	Fitting, Barbed	
18	2200222	1	Plug, Pipe - Used in Bottom of Fuel Tank (Not Shown) (SN 0300201016 through 0300237154)	
19	2220313	1	Fitting, Elbow Barbed	
20	2221176	1	Fitting, Elbow	
21	2750532	5 ft/ 1.5m	Hose	
22	2820170	1	Insulation, Sound Absorbing	
23	2902099	1	Battery Cable Kit	
23A	7024580	1	Cable, Red (To Aux Pump Relay, Battery Positive Terminal and Start Relay)	
23B	7024581	1	Cable, Black (To Aux Pump, Battery Negative Terminal and Ground at Tray Pivot)	
23C	7024582	1	Cable, Red (Aux Pump Relay to Aux Pump)	
23D	7024583	1	Cable, Black (Tray Pivot to Engine Mount)	
23E	7024584	1	Cable, Red (Start Relay to Starter)	
24	3311505	24	Nut 5/16	
25	3380473	1	Panel, Rubber	
26	3422446	1	Pin	
27	3573644	1	Plate, Tray Clamp	
28	1001112878	1	Plate, Top Clamp	
29	1001112879	1	Plate, Bottom Clamp	
30	3573669	1	Plate, Clamp	
31	1001112880	1	Plate, Tray Clamp	
32	3573728	1	Plate, Tray Clamp	
33	3841143	1	Keeper, Pin	
34	3900272	4	Screw 5/16 x 1-3/4	
35	4240018	2	Strap, Tie (Not Shown)	
36	4240099	AR	Strap, Tie	
37	4711400	4	Washer 1/4	
38	4711500	44	Washer 5/16	
39	4711600	7	Washer 3/8	

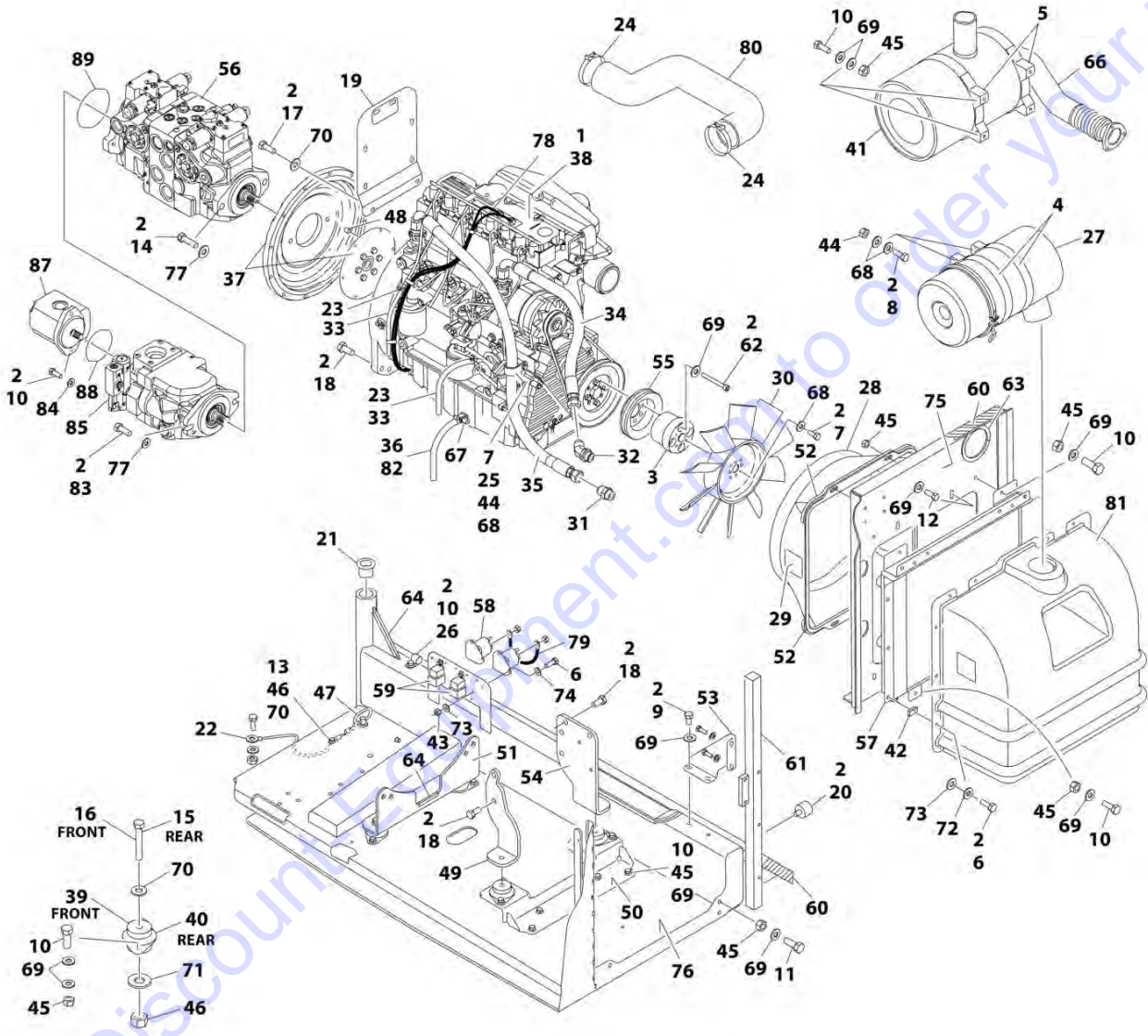
SECTION 3 - ENGINE

ITEM	PART NUMBER	QTY	DESCRIPTION	REV
40	4752000	1	Washer 5/8	
41	1001107971	1	Engine Assembly with Pumps (See Separate Breakdown in this Section)	
42	1001111132	1	Panel, Rubber	
43	0641606	4	Bolt 3/8 x 3/4	

Go to Discount-Equipment.com to order your parts

SECTION 3 - ENGINE

FIGURE 3-16. DEUTZ TD2011 ENGINE ASSEMBLY - WITH SAUER PUMPS AND STEEL HOODS (WITHOUT SKYPOWER AND WITHOUT COLD WEATHER PLUS PACKAGE)



ART_1001107971

SECTION 3 - ENGINE

**FIGURE 3-16. DEUTZ TD2011 ENGINE ASSEMBLY - WITH SAUER PUMPS AND STEEL HOODS
(WITHOUT SKYPOWER AND WITHOUT COLD WEATHER PLUS PACKAGE)**

ITEM	PART NUMBER	QTY	DESCRIPTION	REV
	1001107971	Ref	DEUTZ TD2011 ENGINE ASSEMBLY - WITH SAUER PUMPS AND STEEL HOODS (WITHOUT SKYPOWER AND WITHOUT COLD WEATHER PLUS PACKAGE)	1
1	1001098601	1	Engine, Deutz TD2011 Components (See Separate Breakdown in this Section)	
2	0100011	AR	Compound, Locking	
3	0080237	1	Spacer, Fan	
4	0340003	2	Band, Air Cleaner	
5	0340051	2	Band, Muffler	
6	0641406	15	Bolt 1/4 x 3/4	
7	0641506	5	Bolt 5/16 x 3/4	
8	0641507	4	Bolt 5/16 x 7/8	
9	0641605	4	Bolt 3/8 x 5/8	
10	0641608	27	Bolt 3/8 x 1	
11	0641609	2	Bolt 3/8 x 1-1/8	
12	0641610	4	Bolt 3/8 x 1-1/4	
13	0641808	1	Bolt 1/2 x 1	
14	0641814	2	Bolt 1/2 x 1-3/4	
15	0641818	2	Bolt 1/2 x 2-1/4	
16	0641826	2	Bolt 1/2 x 3-1/4	
17	0711214	2	Bolt M12 x 30	
18	0771414	10	Bolt M14 x 30	
19	1001112766	1	Bracket, Muffler	
20	0940070	1	Bumper	
21	0961986	2	Bushing, Flanged	
22	1001131542	1	Lanyard	
23	1320022	3	Clamp	
24	1320058	2	Clamp	
25	1320060	1	Clamp	
26	1320223	1	J-Clip	
27	1340065	1	Air Cleaner Assembly	
27	7003655	1	Element, Air Cleaner	
27	7015013	1	Baffle, Rubber	
27	7015014	1	Clamp, Cap	
27	7015015	1	Cup	
27	7015003	1	Wingnut	
28	1671023	1	Shroud, Fan	
29	1703162	2	Decal - Fan Blade	
30	2060025	1	Fan	
31	2220451	1	Fitting, Straight	
32	2220498	1	Fitting, Elbow	
33	2720058	34 ft/ 10.3m	Hose	
34	2720500	1	Hose, Oil Cooler (Top)	
35	2720501	1	Hose, Oil Cooler (Bottom)	
36	2750532	9 in/23cm	Hose	
37	2902065	1	Pump Coupling Kit (See Separate Breakdown in this Section)	
38	3020016	3.3 gal/ 12.3L	Motor Oil, 15W-40	
39	3200362	2	Mount, Motor (Front)	

SECTION 3 - ENGINE

ITEM	PART NUMBER	QTY	DESCRIPTION	REV
40	3200401	2	Mount, Motor (Rear)	
41	3220126	1	Muffler	
41	70003555	1	Clamp	
42	3300454	10	Nut	
43	3311405	5	Nut 1/4	
44	3311505	5	Nut 5/16	
45	3311605	30	Nut 3/8	
46	3311805	5	Nut 1/2	
47	3422532	1	Pin, Hitch	
48	3520054	2	Plug	
49	3537416	1	Plate, Mounting (Front Right)	
50	3539971	1	Bracket, Engine Mounting (Front)	
51	3573142	1	Bracket, Engine Mounting (Rear)	
52	3573411	2	Plate, Clamp	
53	3573412	1	Gusset	
54	3573529	1	Plate, Mounting (Front Left)	
55	3580158	1	Pulley	
56	1001108616	1	Pump Assembly - Sauer (See Separate Breakdown in this Section)	
57	1001145382	1	Cooler, Engine Oil	
58	3740067	2	Relay, Start	
59	3740080	2	Relay	
60	3960543	1	Seal	
61	3960544	1	Seal	
62	4032022	4	Capscrew M10 x 90	
63	4060804	1 ft/ 25cm	Flex-Trim	
64	4060805	8 in/20cm	Flex-Trim	
65	4240099	AR	Tie, Wire (Not Shown)	
66	4568293	1	Pipe, Exhaust	
67	4640751	1	Valve, Oil Drain	
68	4711500	13	Washer 5/16	
69	4711600	68	Washer 3/8	
70	4711800	7	Washer 1/2	
71	4740274	4	Washer, Snubbing	
72	4740518	10	Washer, Nylon	
73	4751400	20	Washer 1/4	
74	4791400	4	Washer 1/4	
75	4846552	1	Plate, Oil Cooler Mounting	
76	4846946	1	Tray	
77	4891800	4	Washer 1/2	
78	4923468	1	Harness, Glow Plugs	
79	4923592	1	Cable, Jumper	
80	1001092856	1	Hose, Air Intake (SN 0300201016 through 0300234290)	
80	1001225118	1	Hose, Air Intake (SN 0300243291 to Present)	
81	0272060	1	Box, Air Intake	
82	8410013	1	Clamp, Gear	
83	0761215	2	Bolt M12 x 35mm	
84	4891600	2	Washer 3/8	
85	1001171095	1	Pump Assembly - Sauer Piston (See Separate Breakdown in this Section)	
87	1001112927	1	Pump Assembly - Sauer Gear (See Separate Breakdown in this Section)	
88	3790152	1	O-Ring	

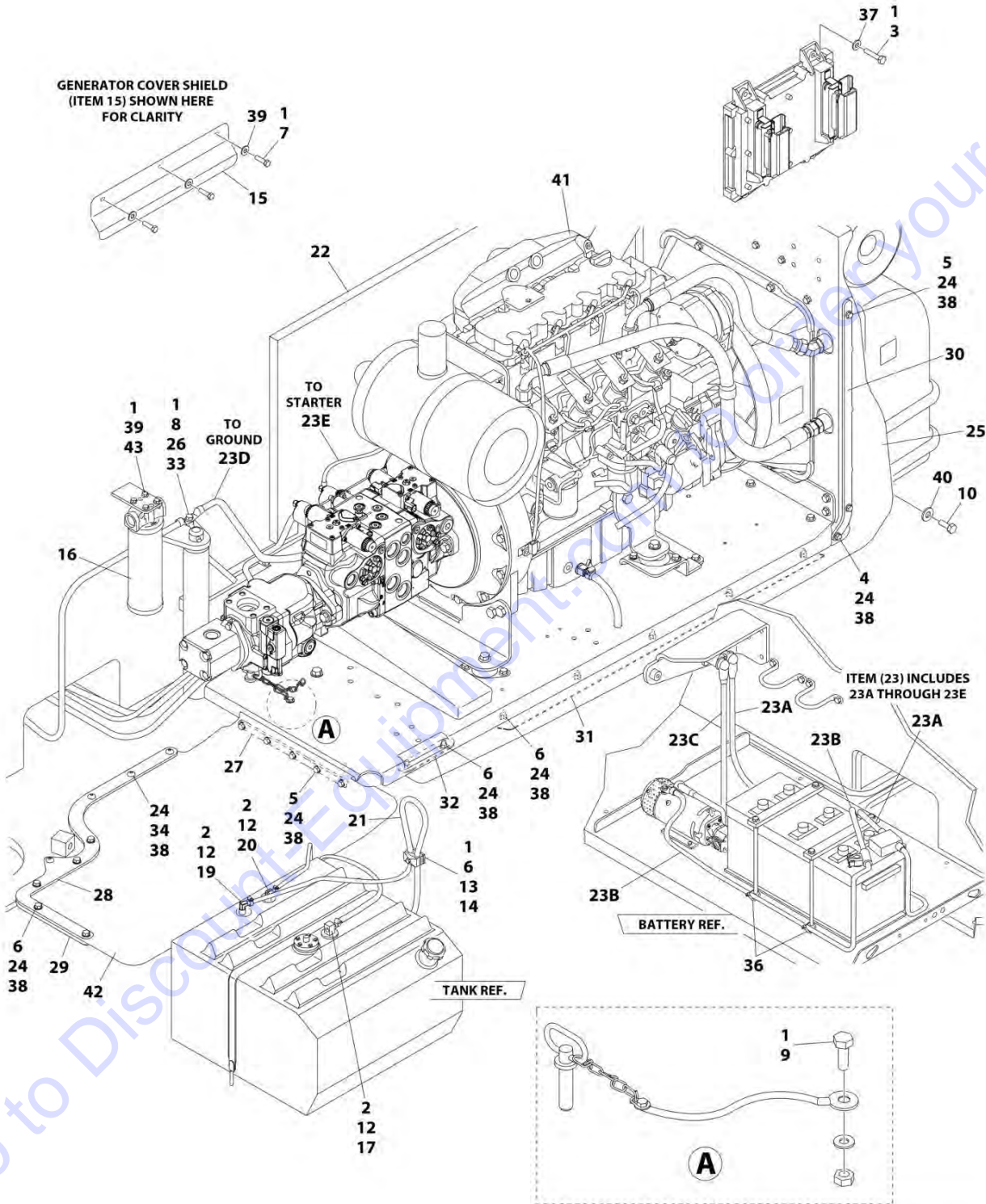
SECTION 3 - ENGINE

ITEM	PART NUMBER	QTY	DESCRIPTION	REV
89	3790155	1	O-Ring	

Go to Discount-Equipment.com to order your parts

SECTION 3 - ENGINE

FIGURE 3-17. DEUTZ TD2011 DIESEL ENGINE INSTALLATION - WITH SAUER PUMPS AND STEEL HOODS (WITH SKYPOWER AND WITHOUT COLD WEATHER PLUS PACKAGE)



ART_1001119053

SECTION 3 - ENGINE

FIGURE 3-17. DEUTZ TD2011 DIESEL ENGINE INSTALLATION - WITH SAUER PUMPS AND STEEL HOODS (WITH SKYPOWER AND WITHOUT COLD WEATHER PLUS PACKAGE)

ITEM	PART NUMBER	QTY	DESCRIPTION	REV
	1001119053	Ref	DEUTZ TD2011 DIESEL ENGINE INSTALLATION - WITH SAUER PUMPS AND STEEL HOODS (WITH SKYPOWER AND WITHOUT COLD WEATHER PLUS PACKAGE)	D
1	0100011	AR	Compound, Locking	
2	0100079	AR	Sealant, Pipe	
3	0641410	4	Bolt 1/4 x 1-1/4	
4	0641506	1	Bolt 5/16 x 3/4	
5	0641509	7	Bolt 5/16 x 1-1/8	
6	0641511	13	Bolt 5/16 x 1-3/8	
7	0641605	3	Bolt 3/8 x 5/8	
8	0641610	1	Bolt 3/8 x 1-1/4	
9	0641808	1	Bolt 1/2 x 1	
10	0642010	1	Bolt 5/8 x 1-1/4	
12	1320022	3	Clamp	
13	1320187	1	Clamp, Twin	
14	1320190	1	Cover, Clamp	
15	1671121	1	Cover, Generator	
16	1001108617	1	Pressure Filter	
16	70002231	1	Element, Filter	
17	2180348	1	Fitting, Barbed	
18	2200222	1	Plug, Pipe - Used in Bottom of Fuel Tank (Not Shown) (SN 0300201016 through 0300237154)	
19	2220313	1	Fitting, Elbow Barbed	
20	2221176	1	Fitting, Elbow	
21	2750532	5 ft/ 1.5m	Hose	
22	2820170	1	Insulation, Sound Absorbing	
23	2902099	1	Battery Cable Kit	
23A	7024580	1	Cable, Red (To Aux Pump Relay, Battery Positive Terminal and Start Relay)	
23B	7024581	1	Cable, Black (To Aux Pump, Battery Negative Terminal and Ground at Tray Pivot)	
23C	7024582	1	Cable, Red (Aux Pump Relay to Aux Pump)	
23D	7024583	1	Cable, Black (Tray Pivot to Engine Mount)	
23E	7024584	1	Cable, Red (Start Relay to Starter)	
24	3311505	24	Nut 5/16	
25	3380473	1	Panel, Rubber	
26	3422446	1	Pin	
27	3573644	1	Plate, Tray Clamp	
28	1001112878	1	Plate, Top Clamp	
29	1001112879	1	Plate, Bottom Clamp	
30	3573669	1	Plate, Clamp	
31	1001112880	1	Plate, Tray Clamp	
32	3573728	1	Plate, Tray Clamp	
33	3841143	1	Keeper, Pin	
34	3900272	4	Screw 5/16 x 1-3/4	
35	4240018	2	Strap, Tie (Not Shown)	
36	4240099	AR	Strap, Tie	
37	4711400	4	Washer 1/4	
38	4711500	44	Washer 5/16	
39	4711600	7	Washer 3/8	

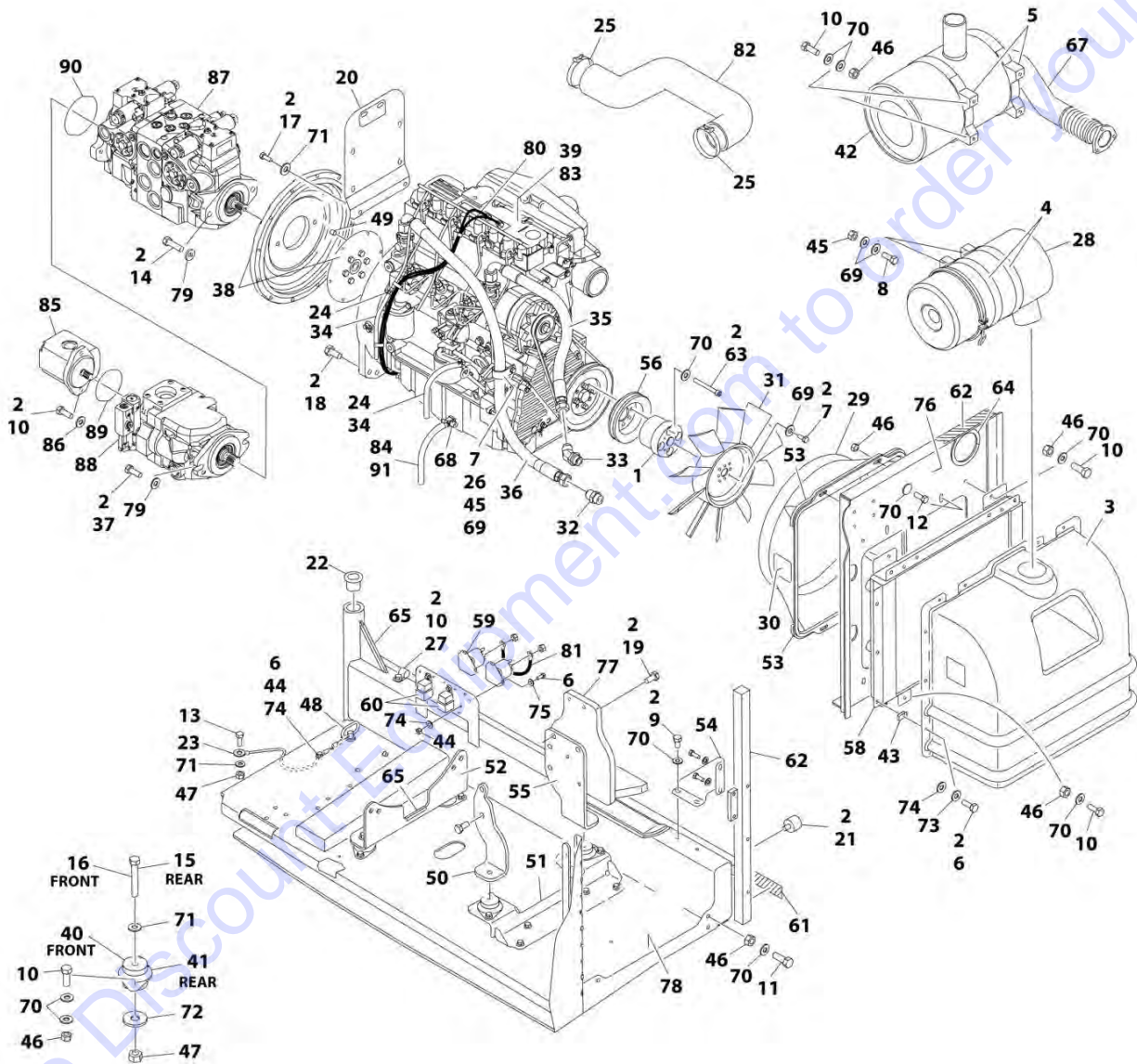
SECTION 3 - ENGINE

ITEM	PART NUMBER	QTY	DESCRIPTION	REV
40	4752000	1	Washer 5/8	
41	1001107973	1	Engine Assembly with Pumps (See DEUTZ TD2011 ENGINE ASSEMBLY - WITH SAUER PUMPS AND STEEL HOODS (WITH SKYPOWER AND WITHOUT COLD WEATHER PLUS PACKAGE) for Breakdown)	
42	1001111132	1	Panel, Rubber	
43	0641606	4	Bolt 3/8 x 3/4	

Go to Discount-Equipment.com to order your parts

SECTION 3 - ENGINE

FIGURE 3-18. DEUTZ TD2011 ENGINE ASSEMBLY - WITH SAUER PUMPS AND STEEL HOODS (WITH SKYPOWER AND WITHOUT COLD WEATHER PLUS PACKAGE)



ART_1001107973

SECTION 3 - ENGINE

**FIGURE 3-18. DEUTZ TD2011 ENGINE ASSEMBLY - WITH SAUER PUMPS AND STEEL HOODS
(WITH SKYPOWER AND WITHOUT COLD WEATHER PLUS PACKAGE)**

ITEM	PART NUMBER	QTY	DESCRIPTION	REV
	1001107973	Ref	DEUTZ TD2011 ENGINE ASSEMBLY - WITH SAUER PUMPS AND STEEL HOODS (WITH SKYPOWER AND WITHOUT COLD WEATHER PLUS PACKAGE)	I
1	0080244	1	Spacer, Fan	
2	0100011	AR	Compound, Locking	
3	0272060	1	Box, Air Intake	
4	0340003	2	Band, Air Cleaner	
5	0340051	2	Band, Muffler	
6	0641406	15	Bolt 1/4 x 3/4	
7	0641506	5	Bolt 5/16 x 3/4	
8	0641507	4	Bolt 5/16 x 7/8	
9	0641605	4	Bolt 3/8 x 5/8	
10	0641608	27	Bolt 3/8 x 1	
11	0641609	2	Bolt 3/8 x 1-1/8	
12	0641610	4	Bolt 3/8 x 1-1/4	
13	0641808	1	Bolt 1/2 x 1	
14	0641814	2	Bolt 1/2 x 1-3/4	
15	0641818	2	Bolt 1/2 x 2-1/4	
16	0641826	2	Bolt 1/2 x 3-1/4	
17	0711214	2	Bolt M12 x 30	
18	0771414	6	Bolt M14 x 30	
19	0711417	4	Bolt M14 x 45	
20	1001112766	1	Bracket, Muffler	
21	0940070	1	Bumper	
22	0961986	2	Bushing, Flanged	
23	1001131542	1	Lanyard	
24	1320022	2	Clamp	
25	1320058	2	Clamp	
26	1320060	1	Clamp	
27	1320223	1	J-Clip	
28	1340065	1	Air Cleaner Assembly	
28	7003655	1	Element, Air Cleaner	
28	7015013	1	Baffle, Rubber	
28	7015014	1	Clamp, Cap	
28	7015015	1	Cup	
28	7015003	1	Wingnut	
29	1671023	1	Shroud, Fan	
30	1703162	2	Decal - Fan Blade	
31	2060025	1	Fan	
32	2220451	1	Fitting, Straight	
33	2220498	1	Fitting, Elbow	
34	2720058	34 ft/ 10.3m	Hose	
35	2720500	1	Hose, Oil Cooler (Top)	
36	2720501	1	Hose, Oil Cooler (Bottom)	
37	0761215	2	Bolt M12 x 35mm	
38	2902065	1	Pump Coupling Kit (See Separate Breakdown in this Section)	
39	3020016	3.3 gal/ 12.3L	Motor Oil, 15W-40	
40	3200362	2	Mount, Motor (Front)	

SECTION 3 - ENGINE

ITEM	PART NUMBER	QTY	DESCRIPTION	REV
41	3200401	2	Mount, Motor (Rear)	
42	3220126	1	Muffler	
42	70003555	1	Clamp	
43	3300454	10	Nut	
44	3311405	5	Nut 1/4	
45	3311505	5	Nut 5/16	
46	3311605	30	Nut 3/8	
47	3311805	5	Nut 1/2	
48	3422532	1	Pin, Hitch	
49	3520054	2	Plug	
50	3537416	1	Plate, Mounting (Front Right)	
51	3539971	1	Bracket, Engine Mounting (Front)	
52	3573142	1	Bracket, Engine Mounting (Rear)	
53	3573411	2	Plate, Clamp	
54	3573412	1	Gusset	
55	3573529	1	Plate, Mounting (Front Left)	
56	3580320	1	Pulley	
58	1001145382	1	Cooler, Engine Oil	
59	3740067	2	Relay, Start	
60	3740080	2	Relay	
61	3960543	1	Seal	
62	3960544	1	Seal	
63	4032022	4	Capscrew M10 x 90	
64	4060804	1 ft/ 25cm	Flex-Trim	
65	4060805	8 in/20cm	Flex-Trim	
66	4240099	AR	Tie, Wire (Not Shown)	
67	4568293	1	Pipe, Exhaust	
68	4640751	1	Valve, Oil Drain	
69	4711500	13	Washer 5/16	
70	4711600	68	Washer 3/8	
71	4711800	7	Washer 1/2	
72	4740274	4	Washer, Snubbing	
73	4740518	10	Washer, Nylon	
74	4751400	20	Washer 1/4	
75	4791400	4	Washer 1/4	
76	4846552	1	Plate, Oil Cooler Mounting	
77	4846945	1	Mount, Generator	
78	4846946	1	Tray	
79	4891800	4	Washer 1/2	
80	4923468	1	Harness, Glow Plugs	
81	4923592	1	Cable, Jumper	
82	1001092856	1	Hose, Air Intake (SN 0300201016 through 0300234290)	
82	1001225118	1	Hose, Air Intake (SN 0300243291 to Present)	
83	1001098601	1	Engine, Deutz TD2011 Components (See Separate Breakdown in this Section)	
84	8410013	1	Clamp, Gear	
85	1001112927	1	Pump Assembly - Sauer Gear (See Separate Breakdown in this Section)	
86	4891600	2	Washer 3/8	
87	1001108616	1	Pump Assembly - Sauer (See Separate Breakdown in this Section)	
88	1001171095	1	Pump Assembly - Sauer Piston (See Separate Breakdown in this Section)	

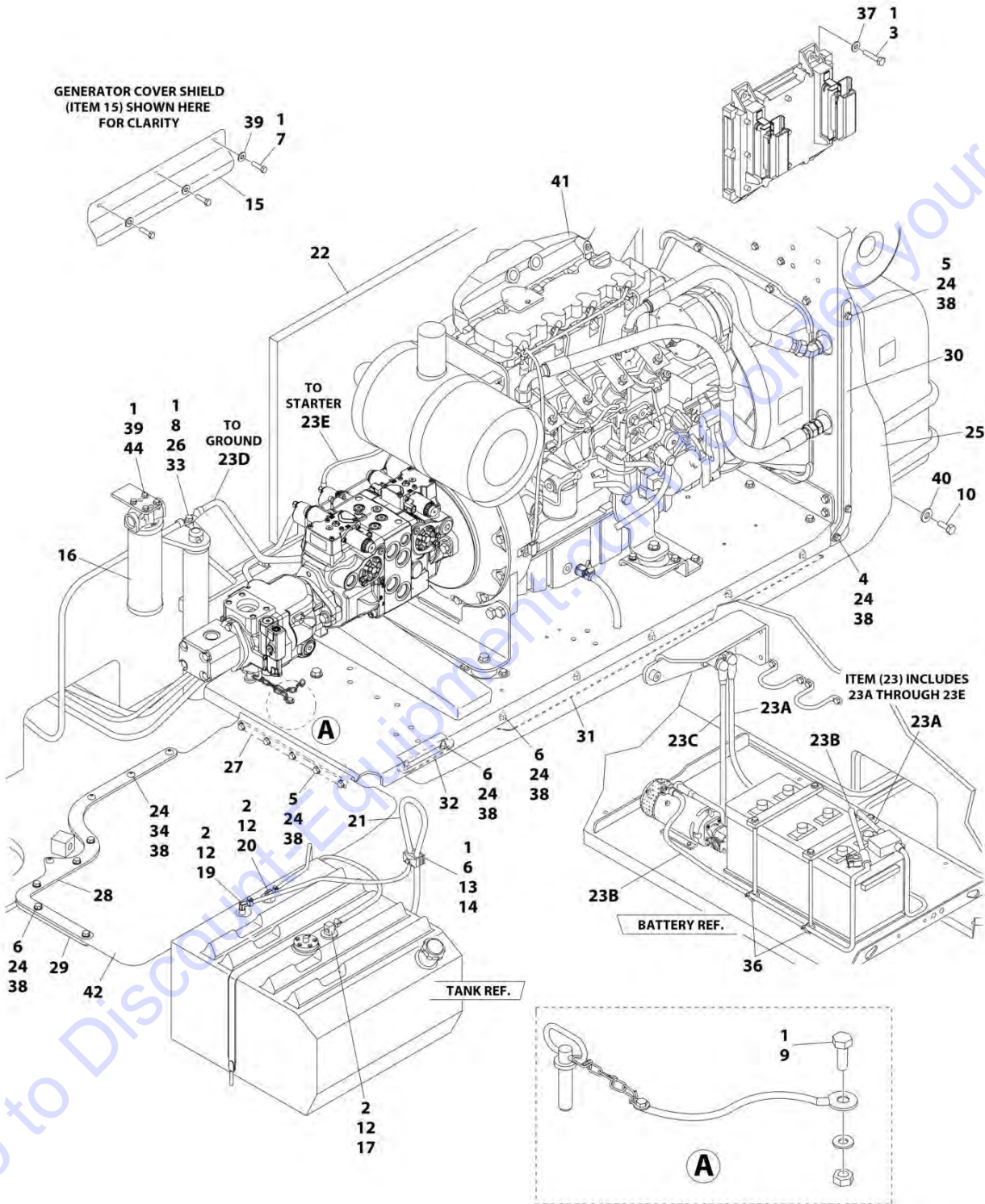
SECTION 3 - ENGINE

ITEM	PART NUMBER	QTY	DESCRIPTION	REV
89	3790152	1	O-Ring	
90	3790155	1	O-Ring	
91	2750532	0.8 ft/ 0.2m	Hose	

Go to Discount-Equipment.com to order your parts

SECTION 3 - ENGINE

FIGURE 3-19. DEUTZ TD2011 DIESEL ENGINE INSTALLATION - WITH SAUER PUMPS AND STEEL HOODS (WITH SKYPOWER AND WITH COLD WEATHER PLUS PACKAGE)



ART_1001119054

SECTION 3 - ENGINE

FIGURE 3-19. DEUTZ TD2011 DIESEL ENGINE INSTALLATION - WITH SAUER PUMPS AND STEEL HOODS (WITH SKYPOWER AND WITH COLD WEATHER PLUS PACKAGE)

ITEM	PART NUMBER	QTY	DESCRIPTION	REV
	1001119054	Ref	DEUTZ TD2011 DIESEL ENGINE INSTALLATION - WITH SAUER PUMPS AND STEEL HOODS (WITH SKYPOWER AND WITH COLD WEATHER PLUS PACKAGE)	D
1	0100011	AR	Compound, Locking	
2	0100079	AR	Sealant, Pipe	
3	0641410	4	Bolt 1/4 x 1-1/4	
4	0641506	1	Bolt 5/16 x 3/4	
5	0641509	7	Bolt 5/16 x 1-1/8	
6	0641511	13	Bolt 5/16 x 1-3/8	
7	0641605	3	Bolt 3/8 x 5/8	
8	0641610	1	Bolt 3/8 x 1-1/4	
9	0641808	1	Bolt 1/2 x 1	
10	0642010	1	Bolt 5/8 x 1-1/4	
12	1320022	3	Clamp	
13	1320187	1	Clamp, Twin	
14	1320190	1	Cover, Clamp	
15	1671121	1	Cover, Generator	
16	1001108617	1	Pressure Filter	
16	70002231	1	Element, Filter	
17	2180348	1	Fitting, Barbed	
18	2200222	1	Plug, Pipe - Used in Bottom of Fuel Tank (Not Shown) (SN 0300201016 through 0300237154)	
19	2220313	1	Fitting, Elbow Barbed	
20	2221176	1	Fitting, Elbow	
21	2750532	5 ft/ 1.5m	Hose	
22	2820170	1	Insulation, Sound Absorbing	
23	2902099	1	Battery Cable Kit	
23A	7024580	1	Cable, Red (To Aux Pump Relay, Battery Positive Terminal and Start Relay)	
23B	7024581	1	Cable, Black (To Aux Pump, Battery Negative Terminal and Ground at Tray Pivot)	
23C	7024582	1	Cable, Red (Aux Pump Relay to Aux Pump)	
23D	7024583	1	Cable, Black (Tray Pivot to Engine Mount)	
23E	7024584	1	Cable, Red (Start Relay to Starter)	
24	3311505	24	Nut 5/16	
25	3380473	1	Panel, Rubber	
26	3422446	1	Pin	
27	3573644	1	Plate, Tray Clamp	
28	1001112878	1	Plate, Top Clamp	
29	1001112879	1	Plate, Bottom Clamp	
30	3573669	1	Plate, Clamp	
31	1001112880	1	Plate, Tray Clamp	
32	3573728	1	Plate, Tray Clamp	
33	3841143	1	Keeper, Pin	
34	3900272	4	Screw 5/16 x 1-3/4	
35	4240018	2	Strap, Tie (Not Shown)	
36	4240099	AR	Strap, Tie	
37	4711400	4	Washer 1/4	
38	4711500	44	Washer 5/16	
39	4711600	7	Washer 3/8	

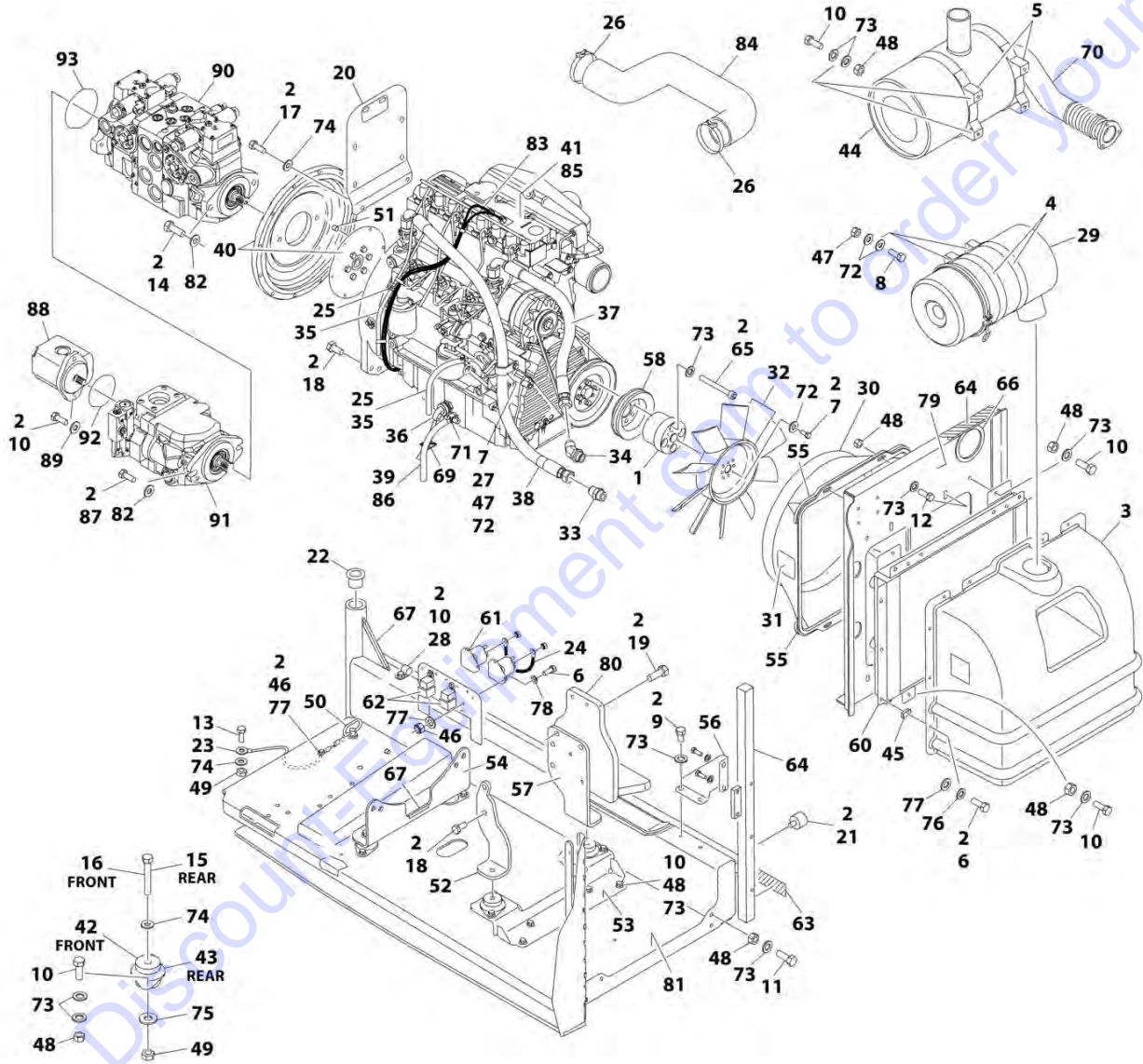
SECTION 3 - ENGINE

ITEM	PART NUMBER	QTY	DESCRIPTION	REV
40	4752000	1	Washer 5/8	
41	1001107975	1	Engine Assembly with Pumps (See Separate Breakdown in this Section)	
42	1001111132	1	Panel, Rubber	
43	1702942	1	Decal - Block Heater (Not Shown)	
44	0641606	4	Bolt 3/8 x 3/4	

Go to Discount-Equipment.com to order your parts

SECTION 3 - ENGINE

FIGURE 3-20. DEUTZ TD2011 ENGINE ASSEMBLY - WITH SAUER PUMPS AND STEEL HOODS
(WITH SKYPOWER AND WITH COLD WEATHER PLUS PACKAGE)



ART_1001107975

SECTION 3 - ENGINE

**FIGURE 3-20. DEUTZ TD2011 ENGINE ASSEMBLY - WITH SAUER PUMPS AND STEEL HOODS
(WITH SKYPOWER AND WITH COLD WEATHER PLUS PACKAGE)**

ITEM	PART NUMBER	QTY	DESCRIPTION	REV
	1001107975	Ref	DEUTZ TD2011 ENGINE ASSEMBLY - WITH SAUER PUMPS AND STEEL HOODS (WITH SKYPOWER AND WITH COLD WEATHER PLUS PACKAGE)	I
1	0080244	1	Spacer, Fan	
2	0100011	AR	Compound, Locking	
3	0272060	1	Box, Air Intake	
4	0340003	2	Band, Air Cleaner	
5	0340051	2	Band, Muffler	
6	0641406	15	Bolt 1/4 x 3/4	
7	0641506	5	Bolt 5/16 x 3/4	
8	0641507	4	Bolt 5/16 x 7/8	
9	0641605	4	Bolt 3/8 x 5/8	
10	0641608	27	Bolt 3/8 x 1	
11	0641609	2	Bolt 3/8 x 1-1/8	
12	0641610	4	Bolt 3/8 x 1-1/4	
13	0641808	1	Bolt 1/2 x 1	
14	0641814	2	Bolt 1/2 x 1-3/4	
15	0641818	2	Bolt 1/2 x 2-1/4	
16	0641826	2	Bolt 1/2 x 3-1/4	
17	0711214	2	Bolt M12 x 30	
18	0771414	6	Bolt M14 x 30	
19	0711417	4	Bolt M14 x 45	
20	1001112766	1	Bracket, Muffler	
21	0940070	1	Bumper	
22	0961986	2	Bushing, Flanged	
23	1001131542	1	Lanyard	
24	1060904	1	Cable, Jumper	
25	1320022	2	Clamp	
26	1320058	2	Clamp	
27	1320060	1	Clamp	
28	1320223	1	J-Clip	
29	1340065	1	Air Cleaner Assembly	
29	7003655	1	Element, Air Cleaner	
29	7015013	1	Baffle, Rubber	
29	7015014	1	Clamp, Cap	
29	7015015	1	Cup	
29	7015003	1	Wingnut	
30	1671023	1	Shroud, Fan	
31	1703162	2	Decal - Fan Blade	
32	2060025	1	Fan	
33	2220451	1	Fitting, Straight	
34	2220498	1	Fitting, Elbow	
35	2720058	34 ft/ 10.3m	Hose	
36	2580062	1	Heater, Engine Block	
37	2720500	1	Hose, Oil Cooler (Top)	
38	2720501	1	Hose, Oil Cooler (Bottom)	
39	2750532	9 in /23cm	Hose	
40	2902065	1	Pump Coupling Kit (See Separate Breakdown in this Section))	

SECTION 3 - ENGINE

ITEM	PART NUMBER	QTY	DESCRIPTION	REV
41	3020044	3.3 gal/ 12.3L	Oil, Engine	
42	3200362	2	Mount, Motor (Front)	
43	3200401	2	Mount, Motor (Rear)	
44	3220126	1	Muffler	
44	70003555	1	Clamp	
45	3300454	10	Nut	
46	3311405	5	Nut 1/4	
47	3311505	5	Nut 5/16	
48	3311605	30	Nut 3/8	
49	3311805	5	Nut 1/2	
50	3422532	1	Pin, Hitch	
51	3520054	2	Plug	
52	3537416	1	Plate, Mounting (Front Right)	
53	3539971	1	Bracket, Engine Mounting (Front)	
54	3573142	1	Bracket, Engine Mounting (Rear)	
55	3573411	2	Plate, Clamp	
56	3573412	1	Gusset	
57	3573529	1	Plate, Mounting (Front Left)	
58	3580320	1	Pulley	
60	1001145382	1	Cooler, Engine Oil	
61	3740067	2	Relay, Start	
62	3740080	2	Relay	
63	3960543	1	Seal	
64	3960544	1	Seal	
65	4032022	4	Capscrew M10 x 90	
66	4060804	1 ft/ 25cm	Flex-Trim	
67	4060805	8 in/20cm	Flex-Trim	
68	4240099	AR	Tie, Wire (Not Shown)	
69	4460234	3	Mount, Wire Tie	
70	4568293	1	Pipe, Exhaust	
71	4640751	1	Valve, Oil Drain	
72	4711500	13	Washer 5/16	
73	4711600	68	Washer 3/8	
74	4711800	7	Washer 1/2	
75	4740274	4	Washer, Snubbing	
76	4740518	10	Washer, Nylon	
77	4751400	20	Washer 1/4	
78	4791400	4	Washer 1/4	
79	4846552	1	Plate, Oil Cooler Mounting	
80	4846945	1	Mount, Generator	
81	4846946	1	Tray	
82	4891800	4	Washer 1/2	
83	4923468	1	Harness, Glow Plugs	
84	1001092856	1	Hose, Air Intake (SN 0300201016 through 0300234290)	
84	1001225118	1	Hose, Air Intake (SN 0300243291 to Present)	
85	1001098601	1	Engine, Deutz TD2011 Components (See Separate Breakdown in this Section)	
86	8410013	1	Clamp, Gear	
87	0761215	2	Bolt M12 x 35	
88	1001112927	1	Pump Assembly - Sauer Gear (See Separate Breakdown in this Section)	

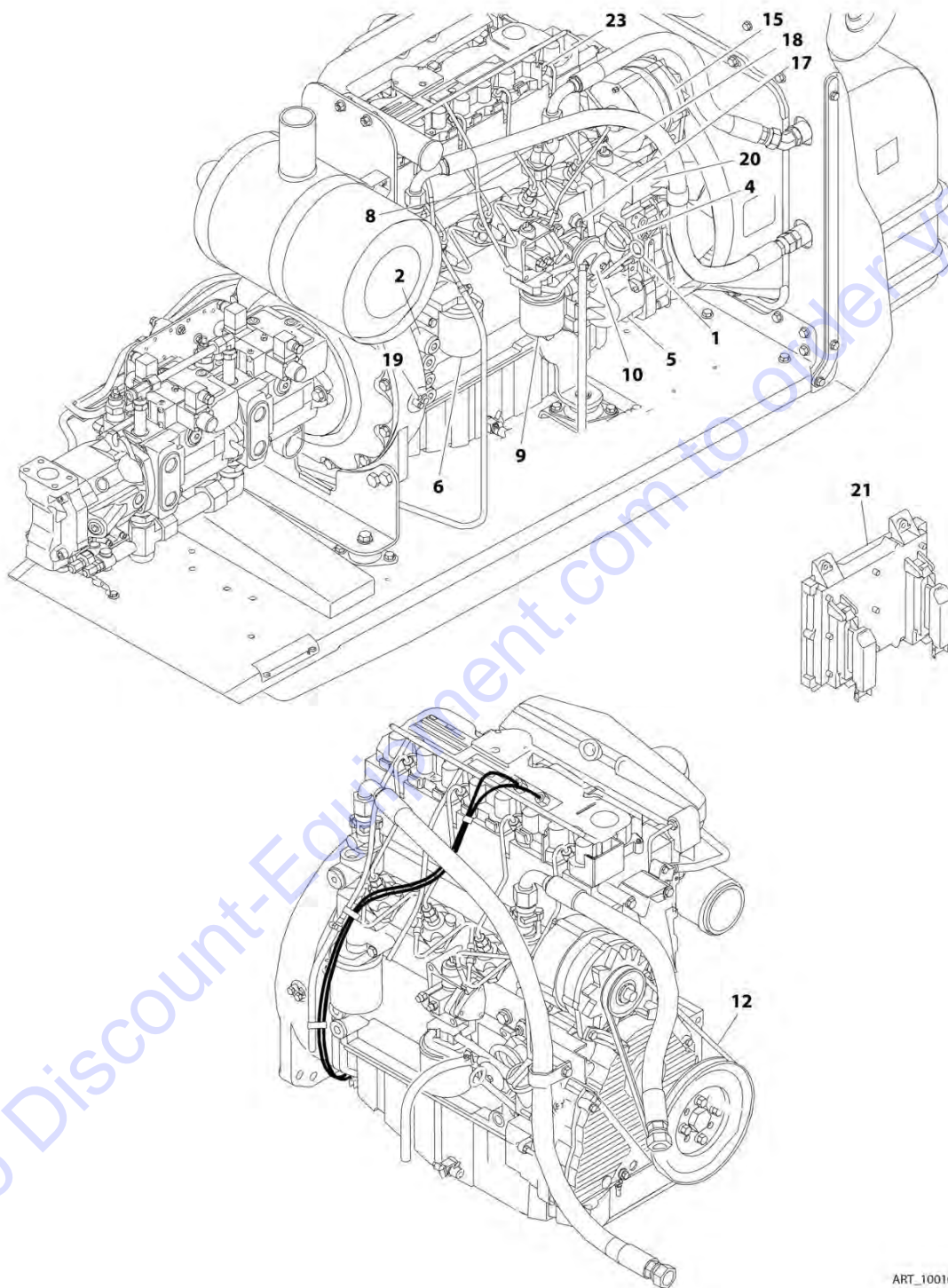
SECTION 3 - ENGINE

ITEM	PART NUMBER	QTY	DESCRIPTION	REV
89	4891600	2	Washer 3/8	
90	1001108616	1	Pump Assembly - Sauer Tandem (See Separate Breakdown in this Section)	
91	1001171095	1	Pump Assembly - Sauer Piston (See Separate Breakdown in this Section)	
92	3790152	1	O-Ring	
93	3790155	1	O-Ring	

Go to Discount-Equipment.com to order your parts

SECTION 3 - ENGINE

FIGURE 3-21. DEUTZ TD2011 ENGINE COMPONENTS



ART_1001098601

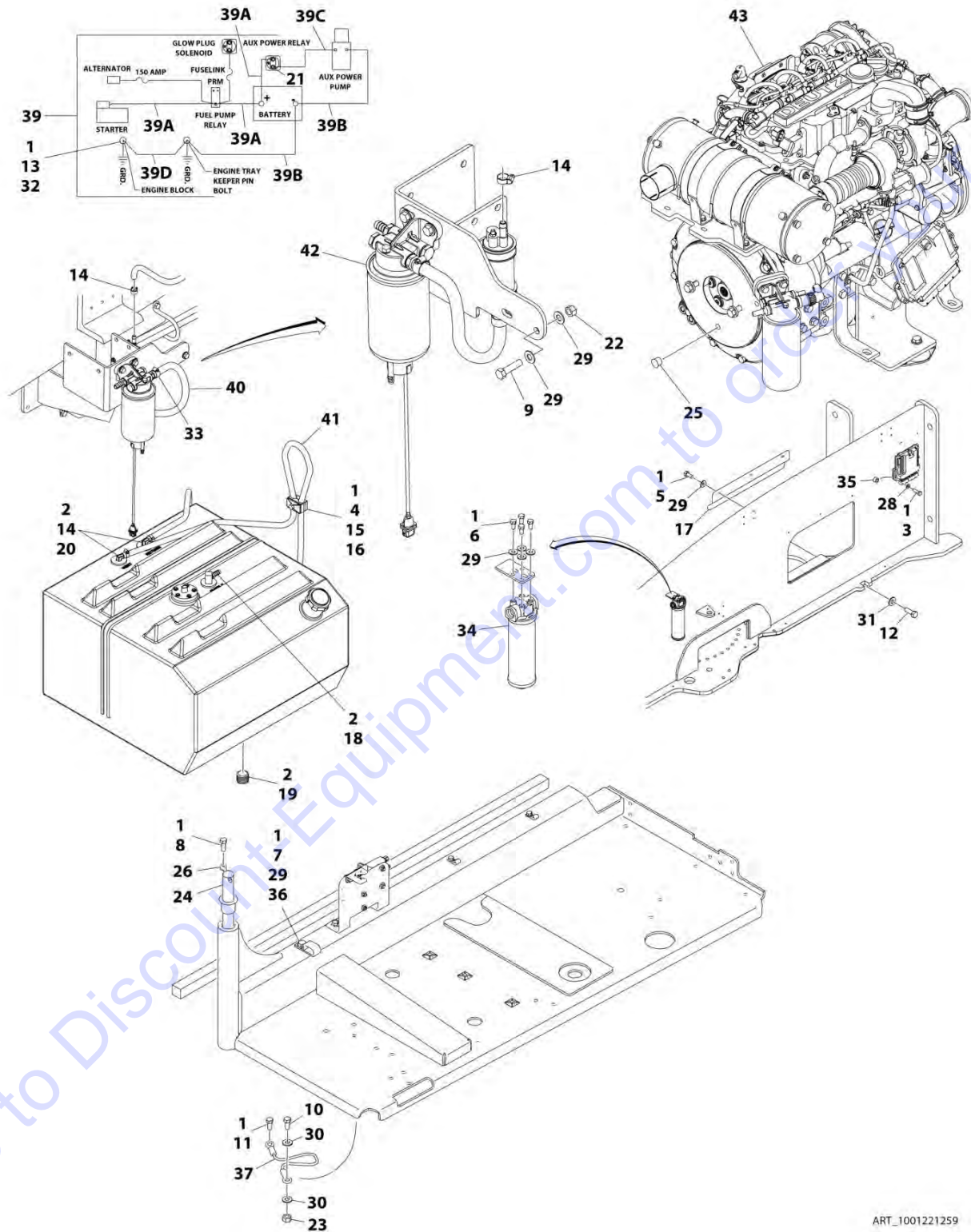
SECTION 3 - ENGINE

FIGURE 3-21. DEUTZ TD2011 ENGINE COMPONENTS

ITEM	PART NUMBER	QTY	DESCRIPTION	REV
	1001098601	Ref	DEUTZ TD2011 ENGINE COMPONENTS	C
1	7027235	1	Dipstick	
1	70000044	1	O-Ring	
2	70003475	1	Thermostat	
2	7020460	1	Compression Spring	
3	70001870	1	Flywheel (Not Shown)	
3	7024579	1	Gear, Ring (Not Shown)	
4	7020465	1	Cap, Filler	
5	70001850	1	Pump, Oil	
5	7020468	1	Seal Between Oil Pump and Engine Block (Not Shown)	
6	7016331	1	Filter, Oil	
6	7027236	1	Sender, Temperature (Located near Oil Filter)	
8		Ref	Injector Pump	
8	70001128	AR	"A" Series	
8	70001129	AR	"B" Series	
8	70001130	AR	"C" Series	
8	70001131	AR	"D" Series	
8	7020447	AR	Gasket (1 per Injector)	
9	8320270	1	Filter, Fuel	
10	70000916	1	Pump Fuel Supply	
10	70001435	1	Repair Kit	
10	70000917	1	O-Seal Between Fuel Pump and Engine Block (Not Shown)	
10	70000918	1	Sealing Ring (Not Shown)	
10	70000919	1	Pump, Hand (Not Shown)	
11	7027239	1	Solenoid, Start (Not Shown - Located near Throttle)	
12	7020414	1	V-Belt	
13	7020471	4	Gasket, Exhaust Manifold to Engine Block (Not Shown)	
13	7020486	1	Gasket, Exhaust Manifold to Exhaust Pipe (Not Shown)	
14	7027240	1	Turbocharger (Not Shown)	
14	70001857	1	Flange, Turbocharger (Not Shown)	
14	70001135	1	Gasket (Not Shown)	
15	70001867	1	Alternator	
15	70001868	1	Regulator, Voltage (Not Shown)	
16	7020479	1	Starter (Not Shown - Located on Right Side of Engine)	
16	7026608	1	Relay, Start (Not Shown)	
17	7027790	1	Sensor, Oil Pressure	
18	7027791	1	Sensor, Temperature (Not Shown)	
19	7024565	1	Sensor, Speed	
20	7027792	1	Actuator Throttle	
20	7027276	2	Spring	
21	1600443	1	Module, EMR2 Controller	
22	70002718	1	Seal, Rear Main (Not Shown)	
23	70003135	4	Injector, Fuel	
23	70003136	1	Ring, Sealing	
24	70001847	1	Valve, Breather (Located - Front Cover) (Not Shown)	
24	70001126	1	O-Ring (Not Shown)	
25	70001125	1	Cap, Breather (Located In Cylinder Head Cover) (Not Shown)	
25	70001126	1	O-Ring (Not Shown)	
26	70001871	4	Gasket, Air Intake Manifold (Not Shown)	
27	70000345	4	Plug, Glow (Not Shown)	

SECTION 3 - ENGINE

FIGURE 3-22. DEUTZ TD2.9L4 DIESEL ENGINE INSTALLATION - WITH REXROTH PUMPS AND STEEL HOODS (CHINA SPEC ONLY)



ART_1001221259

SECTION 3 - ENGINE

FIGURE 3-22. DEUTZ TD2.9L4 DIESEL ENGINE INSTALLATION - WITH REXROTH PUMPS AND STEEL HOODS (CHINA SPEC ONLY)

ITEM	PART NUMBER	QTY	DESCRIPTION	REV
	1001221259	Ref	DEUTZ TD2.9L4 DIESEL ENGINE INSTALLATION - WITH REXROTH PUMPS AND STEEL HOODS (CHINA SPEC ONLY)	C
1	0100011	AR	Compound, Locking	
2	0100079	AR	Sealant, Pipe	
3	0641410	4	Bolt 1/4 x 1-1/4	
4	0641511	1	Bolt 5/16 x 1-3/8	
5	0641605	3	Bolt 3/8 x 5/8	
6	0641606	4	Bolt 3/8 x 3/4	
7	0641608	1	Bolt 3/8 x 1	
8	0641610	1	Bolt 3/8 x 1-1/4	
9	0641612	2	Bolt 3/8 x 1-1/2	
10	0641708	1	Bolt 7/16 x 1	
11	0641808	1	Bolt 1/2 x 1	
12	0642010	1	Bolt 5/8 x 1-1/4	
13	0761210	1	Bolt M12 x 20	
14	1320022	3	Clamp	
15	1320187	1	Clamp	
16	1320190	1	Cover, Clamp	
17	1671121	1	Cover	
18	2180832	1	Fitting, Barbed	
19	2200222	1	Plug, Pipe (SN 0300201016 through 0300238861)	
20	2220313	2	Fitting, Elbow Barbed	
21	3300220	2	Nut 5/16	
22	3311605	2	Nut 3/8	
23	3311705	1	Nut 7/16	
24	3422446	1	Pin, Pivot	
25	3520054	1	Plug	
26	3841143	1	Pin, Keeper	
27	4240018	2	Strap, Tie (Not Shown)	
28	4711400	4	Washer 1/4	
29	4711600	12	Washer 3/8	
30	4711700	2	Washer 7/16	
31	4752000	1	Washer 5/8	
32	4812100	1	Washer M12	
33	8405006	2	Clamp (SN 0300201016 through 0300238861)	
34	1001108617	1	Filter	
34	70002231	1	Element, Filter	
35	1001110425	4	Spacer	
36	1001116792	1	Clamp	
37	1001131542	1	Lanyard	
38	1001138491	NLA	Harness, Fuel (Use p/n 1001222665) (Not Shown - See Separate Breakdown in ELECTRICAL SECTION)	
39	1001141225	1	Battery Cable Kit	E
39A	7027042	1	Cable, Battery (Red) (Battery + to Relays and Starter)	
39B	7027043	1	Cable, Battery (Black) (Battery - to Tray Pivot Grd and Aux Pump)	
39C	7027044	1	Cable (Red) (Aux Relay to Aux Pump)	
39D	7027045	1	Cable, Battery (Black) (Engine to Tray Pivot Grd)	
40	1001154405	2 ft/ 0.6m	Hose (SN 0300201016 through 0300238861)	

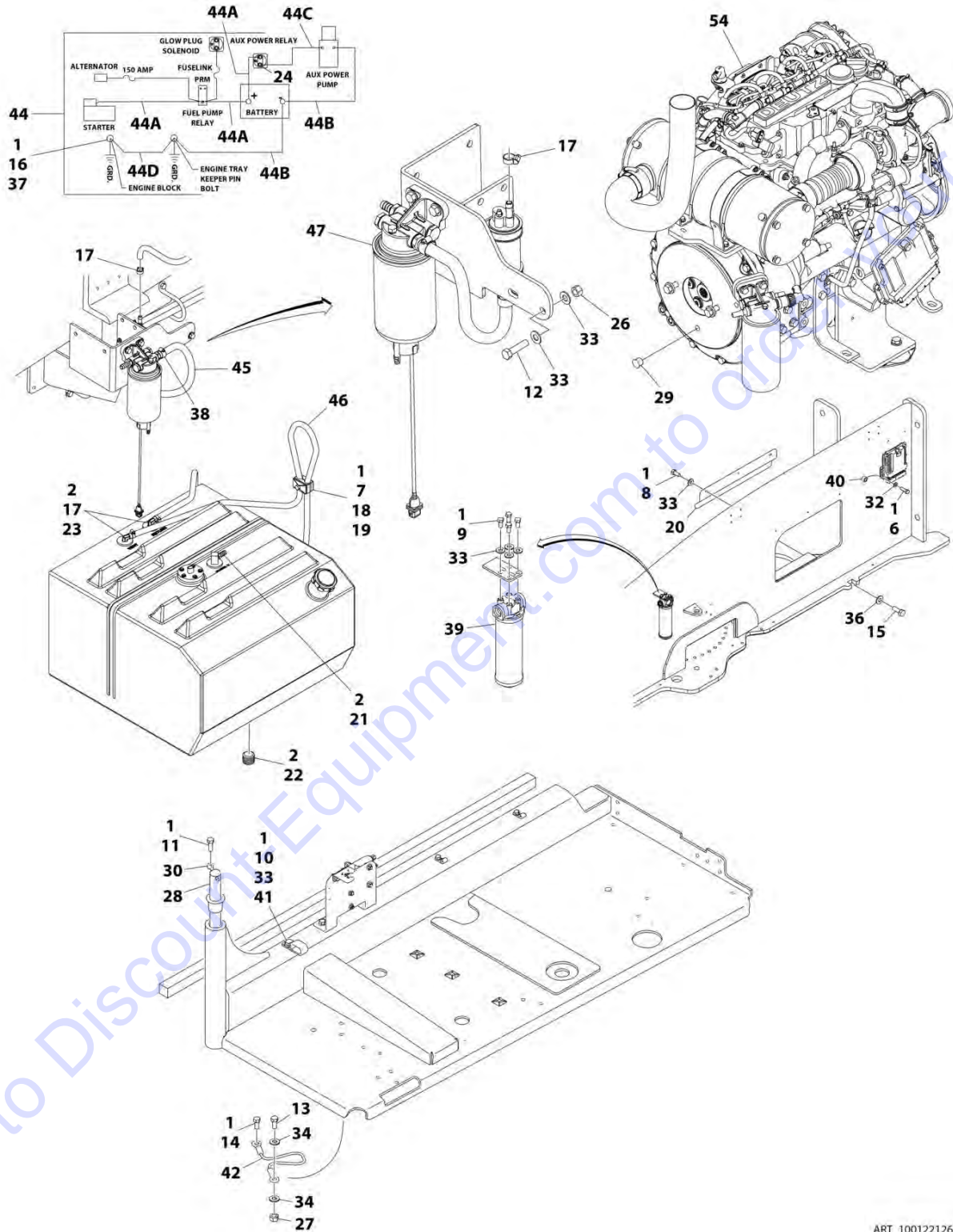
SECTION 3 - ENGINE

ITEM	PART NUMBER	QTY	DESCRIPTION	REV
41	1001165035	5 ft/ 1.5m	Hose (SN 0300201016 through 0300238861)	
41	2750532	5 ft/ 1.5m	Hose (SN 0300238862 to Present)	
42	1001165101	1	Bracket, Fuel Pump Filter Assembly (See Separate Breakdown in this Section) (SN 0300201016 through 0300238861)	
42	1001227606	1	Bracket, Fuel Pump Filter Assembly (See Separate Breakdown in this Section) (SN 0300238862 to Present)	
43	1001221263	1	Engine Sub-Assembly (See Separate Breakdown in this Section)	

Go to Discount-Equipment.com to order your parts

SECTION 3 - ENGINE

FIGURE 3-23. DEUTZ TD2.9L4 DIESEL ENGINE INSTALLATION - WITH SAUER PUMPS AND STEEL HOODS (CHINA SPEC ONLY)



ART_1001221261

SECTION 3 - ENGINE

FIGURE 3-23. DEUTZ TD2.9L4 DIESEL ENGINE INSTALLATION - WITH SAUER PUMPS AND STEEL HOODS (CHINA SPEC ONLY)

ITEM	PART NUMBER	QTY	DESCRIPTION	REV
	1001221261	Ref	DEUTZ TD2.9L4 DIESEL ENGINE INSTALLATION - WITH SAUER PUMPS AND STEEL HOODS (CHINA SPEC ONLY)	D
1	0100011	AR	Compound, Locking	
2	0100079	AR	Sealant, Pipe	
6	0641410	4	Bolt 1/4 x 1-1/4	
7	0641511	1	Bolt 5/16 x 1-3/8	
8	0641605	3	Bolt 3/8 x 5/8	
9	0641606	4	Bolt 3/8 x 3/4	
10	0641608	1	Bolt 3/8 x 1	
11	0641610	1	Bolt 3/8 x 1-1/4	
12	0641612	2	Bolt 3/8 x 1-1/2	
13	0641708	1	Bolt 7/16 x 1	
14	0641808	1	Bolt 1/2 x 1	
15	0642010	1	Bolt 5/8 x 1-1/4	
16	0761210	1	Bolt M12 x 20	
17	1320022	3	Clamp	
18	1320187	1	Clamp	
19	1320190	1	Cover, Clamp	
20	1671121	1	Cover	
21	2180832	1	Fitting, Barbed	
22	2200222	1	Plug, Pipe (SN 0300201016 through 0300238861, SN B300002238 through B300002449)	
23	2220313	2	Fitting, Elbow Barbed	
24	3300220	2	Nut 5/16	
26	3311605	2	Nut 3/8	
27	3311705	1	Nut 7/16	
28	3422446	1	Pin, Pivot	
29	3520054	1	Plug	
30	3841143	1	Pin, Keeper	
31	4240018	2	Strap, Tie (Not Shown)	
32	4711400	4	Washer 1/4	
33	4711600	12	Washer 3/8	
34	4711700	2	Washer 7/16	
36	4752000	1	Washer 5/8	
37	4812100	1	Washer M12	
38	8405006	2	Clamp (SN 0300201016 through 0300238861, SN B300002238 through B300002449)	
39	1001108617	1	Filter	
39	70002231	1	Element, Filter	
40	1001110425	4	Spacer	
41	1001116792	1	Clamp	
42	1001131542	1	Lanyard	
43	1001138491	NLA	Harness, Fuel (Use p/n 1001222665) (Not Shown - See Separate Breakdown in ELECTRICAL SECTION)	
44	1001141225	1	Battery Cable Kit	E
44A	7027042	1	Cable, Battery (Red) (Battery + to Relays and Starter)	
44B	7027043	1	Cable, Battery (Black) (Battery - to Tray Pivot Grd and Aux Pump)	
44C	7027044	1	Cable (Red) (Aux Relay to Aux Pump)	
44D	7027045	1	Cable, Battery (Black) (Engine to Tray Pivot Grd)	

SECTION 3 - ENGINE

ITEM	PART NUMBER	QTY	DESCRIPTION	REV
45	1001154405	2 ft/ 0.6m	Hose (SN 0300201016 through 0300238861, SN B300002238 through B300002449)	
46	1001165035	5 ft/ 1.5m	Hose (SN 0300201016 through 0300238861, SN B300002238 through B300002449)	
46	2750532	5 ft/ 1.5m	Hose (SN 0300238862 to Present, SN B300002450 to Present)	
47	1001165101	1	Bracket, Fuel Pump Filter Assembly (See Separate Breakdown in this Section) (SN 0300201016 through 0300238861, SN B300002238 through B300002449)	
47	1001227606	1	Bracket, Fuel Pump Filter Assembly (See Separate Breakdown in this Section) (SN 0300238862 to Present, SN B300002450 to Present)	
54	1001221265	1	Engine Sub-Assembly (See Separate Breakdown in this Section)	

PARTS FINDER

**Search Website
by Part Number**



**Search Manual
Library For Parts
Manual & Lookup Part
Numbers – Purchase
or Request Quote**

**Can't Find Part or
Manual? Request Help
by Manufacturer,
Model & Description**

Discount-Equipment.com is your online resource for quality parts & equipment.

Florida: **561-964-4949** Outside Florida TOLL FREE: **877-690-3101**

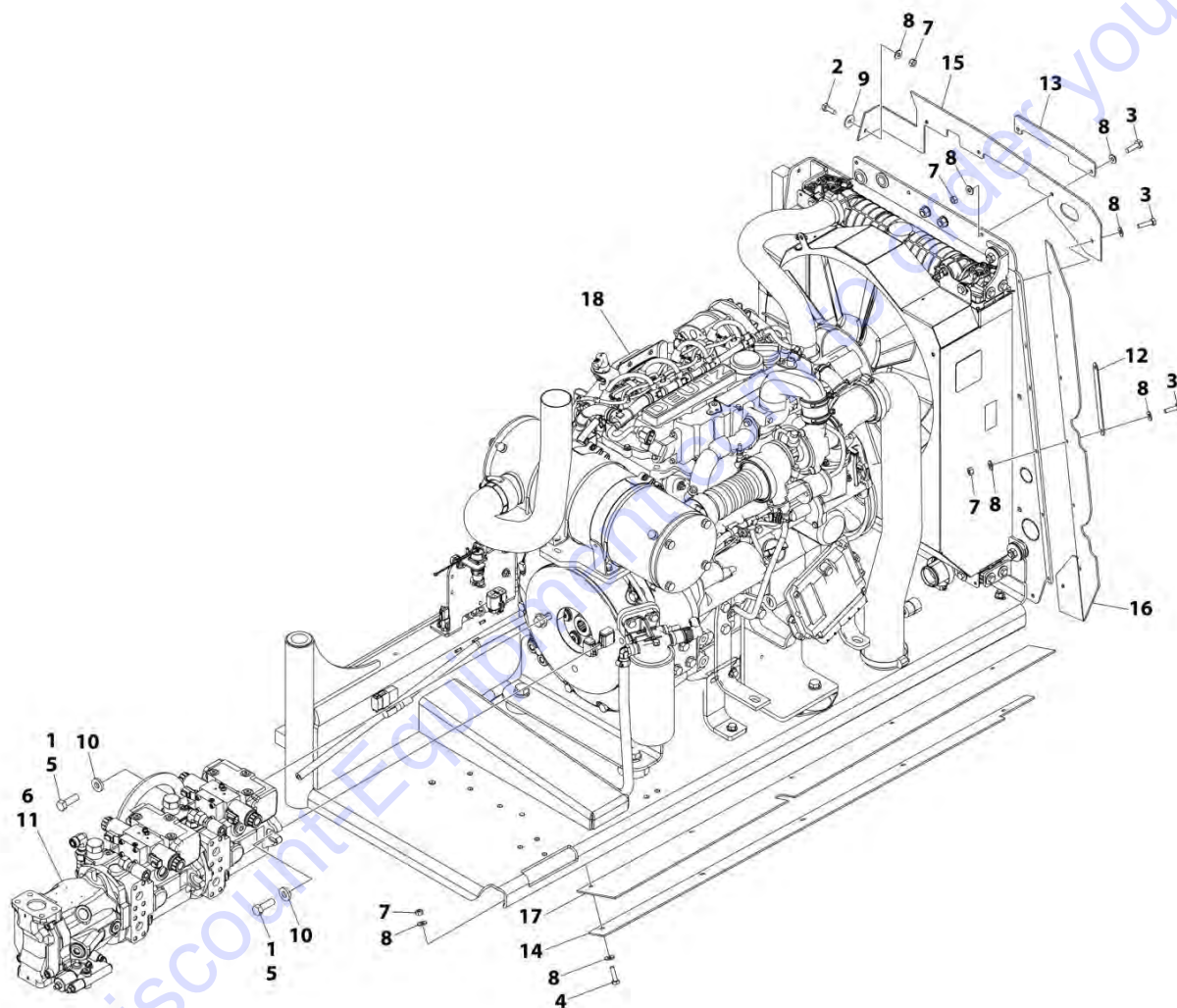
Need parts?

Click on this link: <http://www.discount-equipment.com/category/5443-parts/> and choose one of the options to help get the right parts and equipment you are looking for. Please have the machine model and serial number available in order to help us get you the correct parts. If you don't find the part on the website or on one of the online manuals, please fill out the request form and one of our experienced staff members will get back to you with a quote for the right part that your machine needs.

We sell worldwide for the brands: Genie, Terex, JLG, MultiQuip, Mikasa, Essick, Whiteman, Mayco, Toro Stone, Diamond Products, Generac Magnum, Airman, Haulotte, Barreto, Power Blanket, Nifty Lift, Atlas Copco, Chicago Pneumatic, Allmand, Miller Curber, Skyjack, Lull, Skytrak, Tsurumi, Husquvarna Target, Stow, Wacker, Sakai, Mi-T-M, Sullair, Basic, Dynapac, MBW, Weber, Bartell, Bennar Newman, Haulotte, Ditch Runner, Menegotti, Morrison, Contec, Buddy, Crown, Edco, Wyco, Bomag, Laymor, EZ Trench, Bil-Jax, F.S. Curtis, Gehl Pavers, Heli, Honda, ICS/PowerGrit, IHI, Partner, Imer, Clipper, MMD, Koshin, Rice, CH&E, General Equipment, Amida, Coleman, NAC, Gradall, Square Shooter, Kent, Stanley, Tamco, Toku, Hatz, Kohler, Robin, Wisconsin, Northrock, Oztec, Toker TK, Rol-Air, APT, Wylie, Ingersoll Rand / Doosan, Innovatech, Con X, Ammann, Mecalac, Makinex, Smith Surface Prep, Small Line, Wanco, Yanmar

SECTION 3 - ENGINE

FIGURE 3-24. DEUTZ TD2.9L4 ENGINE SUB-ASSEMBLY - WITH REXROTH PUMP (CHINA SPEC ONLY)



ART_1001221263

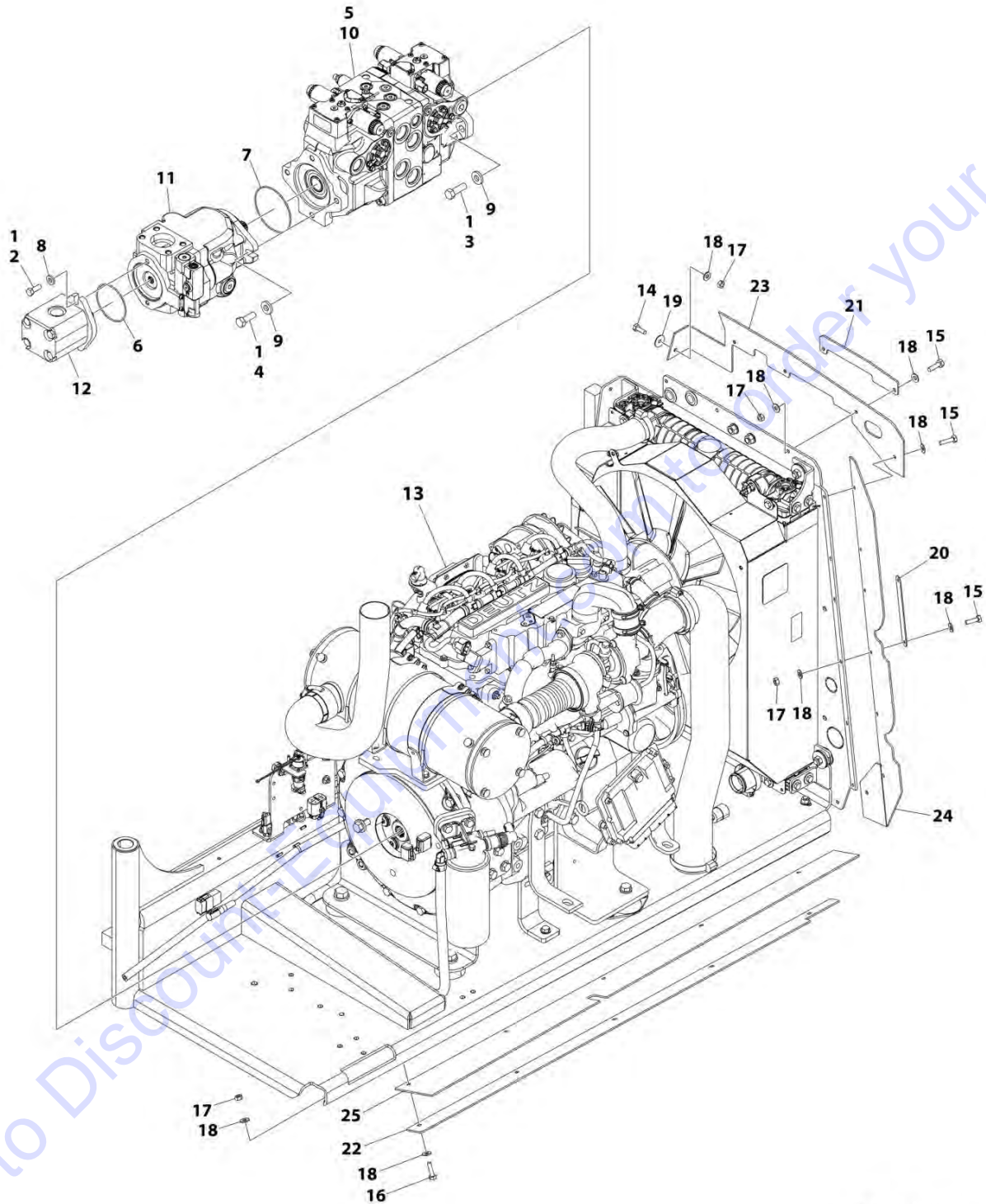
SECTION 3 - ENGINE

FIGURE 3-24. DEUTZ TD2.9L4 ENGINE SUB-ASSEMBLY - WITH REXROTH PUMP (CHINA SPEC ONLY)

ITEM	PART NUMBER	QTY	DESCRIPTION	REV
	1001221263	Ref	DEUTZ TD2.9L4 ENGINE SUB-ASSEMBLY - WITH REXROTH PUMP (CHINA SPEC ONLY)	I
1	0100011	AR	Compound, Locking	
2	0641406	AR	Bolt 1/4 x 3/4	
3	0641407	8	Bolt 1/4 x 7/8	
4	0641408	AR	Bolt 1/4 x 1	
5	0641812	2	Bolt 1/2 x 1-1/2	
6	3020037	AR	Grease, Pump Coupling (SN 0300201016 through 0300238861)	
7	3311405	16	Nut 1/4	
8	4711400	AR	Washer 1/4	
9	4740430	AR	Washer, Fender	
10	4891800	2	Washer 1/2	
11	1001152963	1	Pump Assembly - Rexroth (See Separate Breakdown in this Section)	
12	1001167164	3	Plate, Support	
13	1001177945	1	Bracket	
14	1001177946	1	Bracket	
15	1001177957	1	Seal, Rubber Baffle	
16	1001177958	1	Seal, Rubber Baffle	
17	1001177959	1	Seal, Rubber Baffle	
18	1001220735	1	Deutz TD2.9L4 Engine Assembly (See Separate Breakdown in this Section)	

SECTION 3 - ENGINE

FIGURE 3-25. DEUTZ TD2.9L4 ENGINE SUB-ASSEMBLY - WITH SAUER PUMPS (CHINA SPEC ONLY)



ART_1001221265

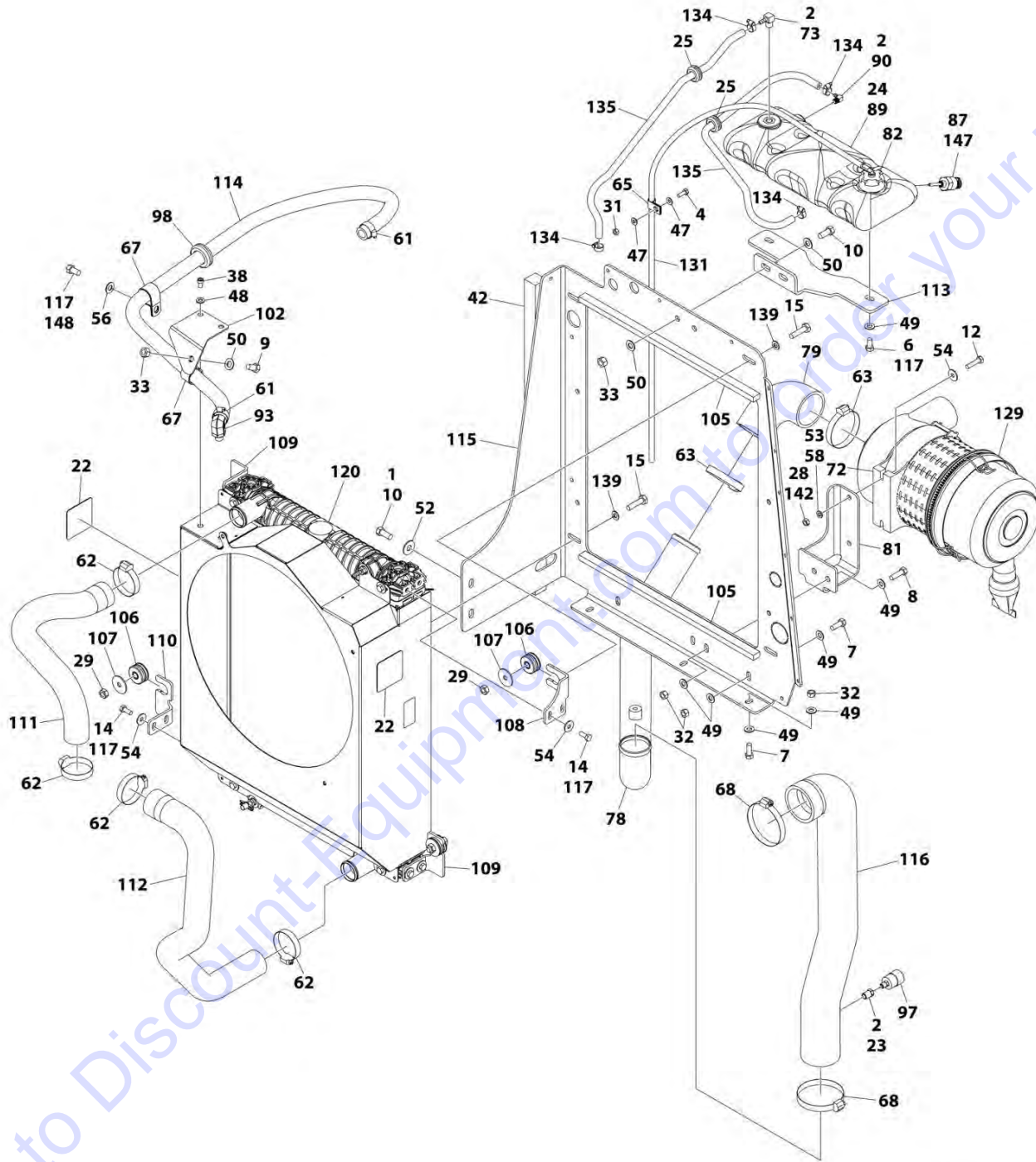
SECTION 3 - ENGINE

FIGURE 3-25. DEUTZ TD2.9L4 ENGINE SUB-ASSEMBLY - WITH SAUER PUMPS (CHINA SPEC ONLY)

ITEM	PART NUMBER	QTY	DESCRIPTION	REV
	1001221265	Ref	DEUTZ TD2.9L4 ENGINE SUB-ASSEMBLY - WITH SAUER PUMPS (CHINA SPEC ONLY)	J
1	0100011	AR	Compound, Locking	
2	0641608	2	Bolt 3/8 x 1	
3	0641812	2	Bolt 1/2 x 1-1/2	
4	0761215	2	Bolt M12 x 35	
5	3020037	AR	Grease, Pump Coupling (SN 0300201016 through 0300238861, SN B300002238 through B300002449)	
6	3790152	1	O-Ring	
7	3790155	1	O-Ring	
8	4891600	2	Washer 3/8	
9	4891800	4	Washer 1/2	
10	1001108616	1	Pump Assembly (Sauer Tandem) (See Separate Breakdown in this Section)	
11	1001171095	1	Pump Assembly (Sauer Piston) (See Separate Breakdown in this Section)	
12	1001112927	1	Pump Assembly (Sauer Gear) (See Separate Breakdown in this Section)	
13	1001220735	1	Deutz TD2.9L4 Engine Assembly (See Separate Breakdown in this Section)	
14	0641406	AR	Bolt 1/4 x 3/4	
15	0641407	8	Bolt 1/4 x 7/8	
16	0641408	AR	Bolt 1/4 x 1	
16	0641407	AR	Bolt 1/4 x 7/8	
17	3311405	16	Nut 1/4	
18	4711400	AR	Washer 1/4	
19	4740430	AR	Washer, Fender	
20	1001167164	3	Plate, Support	
21	1001177945	1	Bracket	
22	1001177946	1	Bracket	
23	1001177957	1	Seal, Rubber Baffle	
24	1001177958	1	Seal, Rubber Baffle	
25	1001177959	1	Seal, Rubber Baffle	

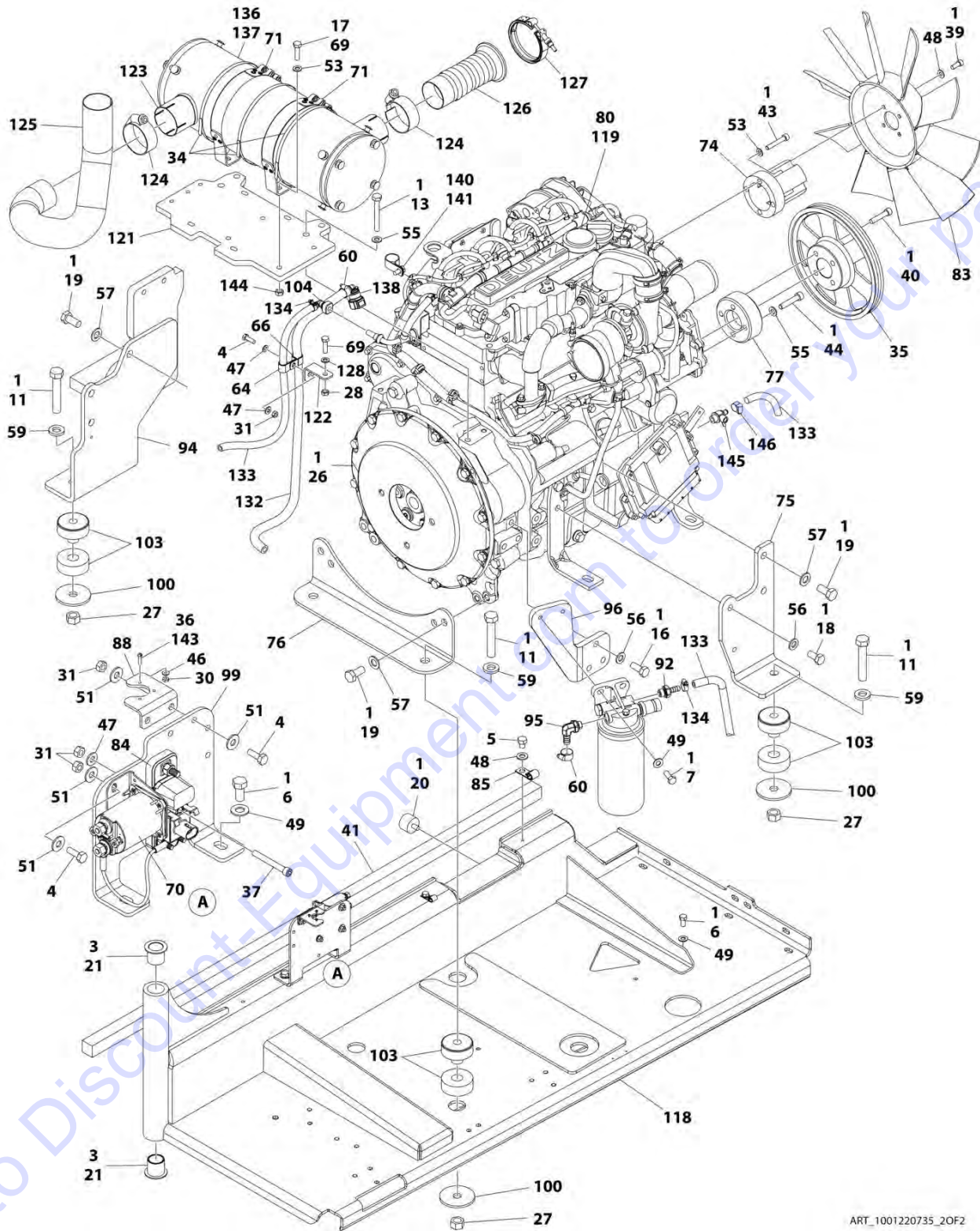
SECTION 3 - ENGINE

FIGURE 3-26. DEUTZ TD2.9L4 ENGINE ASSEMBLY (CHINA SPEC ONLY)



ART_1001220735_10F2

SECTION 3 - ENGINE



ART_1001220735_20F2

SECTION 3 - ENGINE

FIGURE 3-26. DEUTZ TD2.9L4 ENGINE ASSEMBLY (CHINA SPEC ONLY)

ITEM	PART NUMBER	QTY	DESCRIPTION	REV
	1001220735	Ref	DEUTZ TD2.9L4 ENGINE ASSEMBLY (CHINA SPEC ONLY)	J
1	0100011	AR	Compound, Locking	
2	0100020	AR	Sealant	
3	0100062	AR	Adhesive, Loctite #680	
4	0641406	7	Bolt 1/4 x 3/4	
5	0641503	2	Bolt 5/16 x 3/8	
6	0641606	5	Bolt 3/8 x 3/4	
7	0641608	7	Bolt 3/8 x 1	
8	0641610	2	Bolt 3/8 x 1-1/4	
9	0641706	AR	Bolt 7/16 x 3/4	
10	0641708	4	Bolt 7/16 x 1	
11	0682028	4	Bolt 5/8 x 3-1/2 Grade 8	
12	0700815	2	Bolt M8 x 35	
13	0701024	4	Bolt M10 x 80	
14	0760810	8	Bolt M8 x 20	
15	0761016	4	Bolt M10 x 40	
16	0761214	3	Bolt M12 x 30	
17	0770814	4	Bolt M8 x 30 (SN 0300201016 through 0300227054)	
18	0771212	1	Bolt M12 x 25 Grade 10.9	
19	0771414	9	Bolt M14 x 30 Grade 10.9	
20	0940070	1	Bumper	
21	0961986	2	Bushing, Flanged	
22	1703162	2	Decal - Fan	
23	2220273	1	Fitting, Straight NPTF/FNPTF	
24	2300004	3.2 gal/ 12.1L	Anti-freeze	
25	2540038	2	Grommet	
26	2902065	1	Pump Coupling Kit (See Separate Breakdown in this Section)	
27	3272001	4	Nut 5/8 Grade 8	
28	3290801	AR	Nut M8	
29	3291001	4	Nut M10	
29	3291007	4	Nut M10	
30	3310401	3	Nut #4	
31	3311405	8	Nut 1/4	
32	3311605	7	Nut 3/8	
33	3311705	3	Nut 7/16	
34	1001137336	AR	Strap	
35	3580320	1	Pulley	
36	3910408	3	Screw #4 x 1/2	
37	3931432	1	Capscrew 1/4 x 2	
38	3931508	2	Capscrew 5/16 x 1/2	
38	4031907	2	Capscrew M8 x 16	
39	3931512	4	Capscrew 5/16 x 3/4	
40	3931628	4	Capscrew 3/8 x 1-3/4	
41	3960543	1	Seal	
42	3960544	1	Seal	
43	4031914	4	Bolt M8 x 50	
44	4032014	4	Bolt M10 x 50	
45	4240099	AR	Tie-Strap (Not Shown)	
46	4710400	3	Washer #4	

SECTION 3 - ENGINE

ITEM	PART NUMBER	QTY	DESCRIPTION	REV
47	4711400	7	Washer 1/4	
48	4711500	AR	Washer 5/16	
49	4711600	21	Washer 3/8	
50	4711700	6	Washer 7/16	
51	4751400	8	Washer 1/4	
52	4751700	2	Washer 7/16	
53	4811900	AR	Washer M8	
54	4811902	10	Washer M8	
55	4812000	AR	Washer M10	
56	4812100	AR	Washer M12	
57	4812200	9	Washer M14	
58	4831900	2	Washer M8 (SN 0300201016 through 0300227054)	
59	4892000	4	Washer 5/8	
60	8405006	2	Clamp	
61	8405007	2	Clamp	
62	8405201	4	Clamp	
63	8405204	2	Clamp	
64	8406102	1	Clip	
65	8406110	2	Clip (SN 0300201016 through 0300227054)	
65	8406109	2	Clip (SN 0300227055 to Present, SN B300002238 to Present)	
66	8406112	1	Clip	
67	8406302	2	Clamp	
68	8410011	2	Clamp	
69	0760814001	1	Bolt M8 x 30	
69	0760814	5	Bolt M8 x 30	
70	1001117308	1	Relay	
71	1001119727	2	Clamp	
72	1001133634	1	Clamp	
73	1001134488	1	Fitting, 90 Barbed	
74	1001135138	1	Spacer, Fan	
75	1001135560	1	Support, Engine	
76	1001135562	1	Support, Engine - Rear	
77	1001135679	1	Spacer, Pulley	
78	1001135903	1	Pipe, Air Intake	
79	1001135946	1	Elbow, Rubber	
80	1001136079	2.4 gal /9L	Oil, Motor	
80	1001136172	2.4 gal /9L	Oil, Motor	
81	1001136665	1	Bracket	
82	1001136834	1	Cap, Tank	
83	1001137276	1	Fan	
84	1001138228	1	Module, Power	
84	70023592	1	Fuse 20Amp (Switched Output)	
84	70023593	1	Fuse 30Amp (Battery Output)	
85	1001138253	2	Clamp	
86	1001138346	1	Harness, Engine (Not Shown - See Separate Breakdown in ELECTRICAL SECTION)	
87	1001138827	1	Sensor, Coolant Level	
88	1001139240	1	Bracket	
89	1001140535	1	Tank, Surge (SN 0300201016 through 0300238861, SN B30002238 through B300002449)	
89	1001166393	1	Tank, Surge (SN 0300238862 to Present, SN B300002450 to Present)	

SECTION 3 - ENGINE

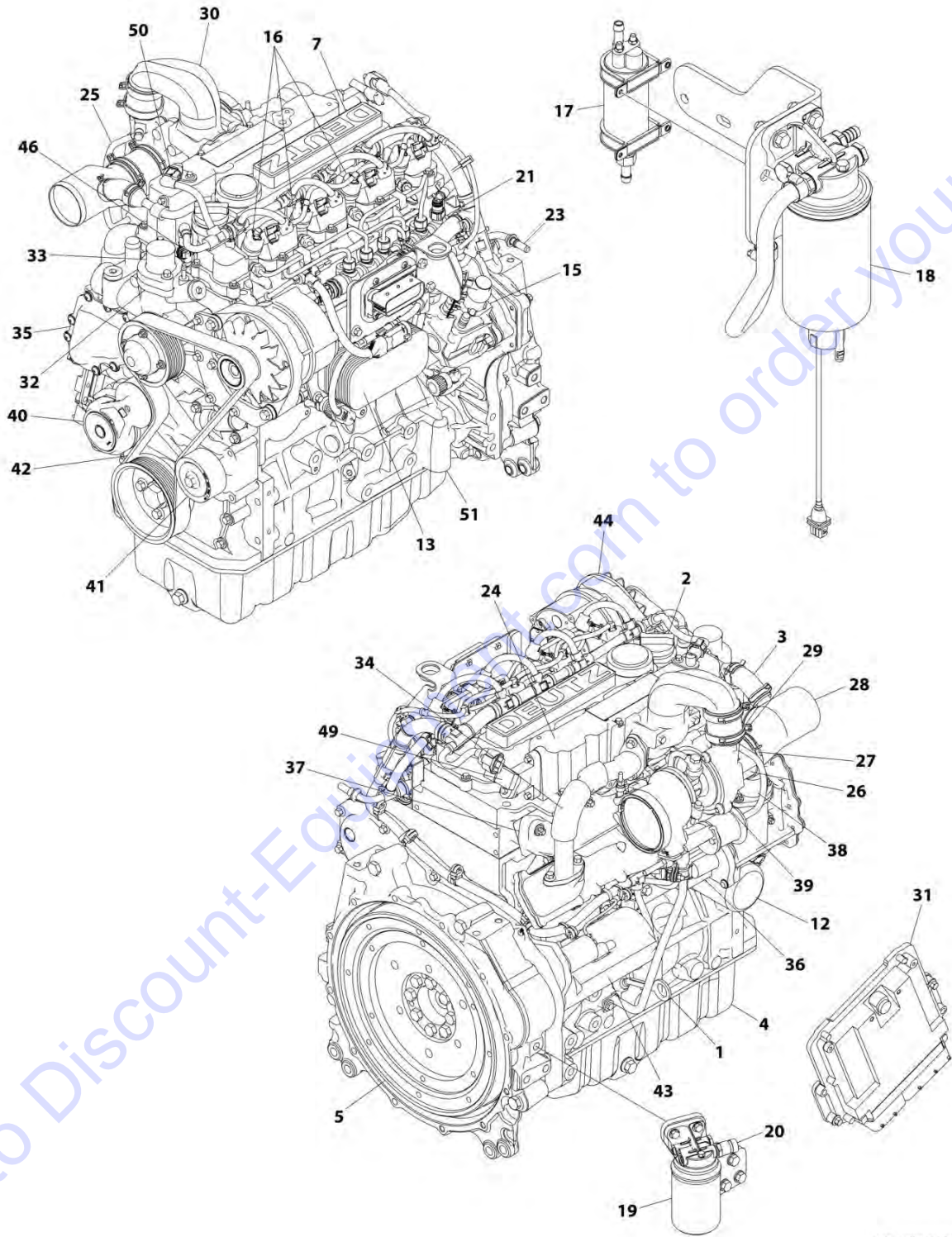
ITEM	PART NUMBER	QTY	DESCRIPTION	REV
90	1001140564	1	Fitting, 90 Barbed	
91	1001141304	1	Wire, Glow Plug (Not Shown)	
92	1001141717	1	Fitting, Straight	
93	1001141719	1	Fitting, 90 Barbed	
94	1001142398	1	Support, Engine	
95	1001142501	1	Fitting, 90 Barbed	
96	1001142685	1	Bracket	
97	1001143390	1	Indicator, Air Filter Service	
98	1001144089	1	Grommet	
99	1001145154	1	Plate, Mounting	
100	1001146219	4	Washer Special	
101	1001148843	1	Harness, Fuel Filter (Not Shown - See Separate Breakdown in ELECTRICAL SECTION)	
102	1001153387	1	Plate (SN 0300201016 through 0300238861, SN B30002238 through B300002449)	
102	1001229600	1	Plate (SN 0300238862 to Present, SN B300002450 to Present)	
103	1001155575	4	Mount, Motor	
104	1001155823	1	Coupling	
105	1001168166	2	Seal	
106	1001169054	4	Isolator	
107	1001169138	4	Pad	
108	1001170035	1	Bracket	
109	1001176329	2	Bracket	
110	1001176330	1	Bracket	
111	1001176415	1	Hose, Radiator (Upper)	
112	1001176416	1	Hose, Radiator (Lower)	
113	1001176940	1	Bracket (SN 0300201016 through 0300238861, SN B30002238 through B300002449)	
113	1001229599	1	Bracket (SN 0300238862 to Present, SN B300002450 to Present)	
114	1001177094	1	Hose (SN 0300201016 through 0300238861, SN B30002238 through B300002449)	
114	1001138524	1	Hose (SN 0300238862 to Present, SN B300002450 to Present)	
115	1001178236	1	Support, Radiator	
116	1001178894	1	Hose, Air Intake	
117	1001180620	AR	Adhesive	
118	1001187011	1	Tray	
119	1001219642	1	Engine, Deutz TD2.9L4 (See Separate Breakdown in this Section)	
120	1001220770	1	Radiator	
121	1001221203	1	Muffler Bracket Assembly	
122	1001221205	1	Bracket	
123	1001221207	1	Muffler	
124	1001221212	2	Clamp	
125	1001221213	1	Pipe, Exhaust	
126	1001221217	1	Pipe, Flex Assembly	
127	1001221219	1	Clamp	
128	4811900001	1	Washer M8 (SN 0300201016 through 0300227054)	
129	1001133633	1	Air Cleaner Assembly	
129	70024190	1	Element, Air Filter	
130	1001135779	1	Cable, Alternator Positive (Not Shown)	
131	1001138248	4 ft/ 1.2m	Tubing	
132	1001154405	5 ft/ 1.5m	Hose	

SECTION 3 - ENGINE

ITEM	PART NUMBER	QTY	DESCRIPTION	REV
133	1001165035	30.5 ft/ 9.3m	Hose	
134	1320022	2	Clamp	
135	2720015	5 ft/ 1.52m	Hose	
136	1001221427	1	Muffler-Wrap Assembly	
137	4920385	AR	Wire, Safety (SN 0300227055 to Present, SN B300002238 to Present)	
138	1001170982	1	Adapter (SN 0300227055 to Present, SN B300002238 to Present)	
139	4812002	4	Washer M10 (SN 0300227055 to Present, SN B300002238 to Present)	
140	1320130	1	Clamp (SN 0300227055 to Present, SN B300002238 to Present)	
141	5250808	1	Bolt M8 x 16 (SN 0300227055 to Present, SN B300002238 to Present)	
142	3290805	2	Nut, M10 (Not Shown) (SN 0300227055 to Present, SN B300002238 to Present)	
143	0100035	AR	Compound, Locking (SN 0300227055 to Present, SN B300002238 to Present)	
144	3290807	4	Nut M8 (SN 0300238862 to Present, SN B300002450 to Present)	
145	4640751	1	Valve, Oil Drain (SN 0300238862 to Present, SN B300002450 to Present)	
146	8410013	1	Clamp, Gear (SN 0300238862 to Present, SN B300002450 to Present)	
147	1001182997	AR	Adhesive (SN 0300238862 to Present, SN B300002450 to Present)	
148	0761210	1	Bolt M12 x 20 (SN 0300238862 to Present, SN B300002450 to Present)	
149	1001138559	1	Fitting, 90 (SN 0300238862 to Present, SN B300002450 to Present)	

SECTION 3 - ENGINE

FIGURE 3-27. DEUTZ TD2.9L4 ENGINE COMPONENTS (CHINA SPEC ONLY)



ART_1001219642

SECTION 3 - ENGINE

FIGURE 3-27. DEUTZ TD2.9L4 ENGINE COMPONENTS (CHINA SPEC ONLY)

ITEM	PART NUMBER	QTY	DESCRIPTION	REV
	1001219642	Ref	DEUTZ TD2.9L4 ENGINE COMPONENTS (CHINA SPEC ONLY)	C
1	70006127	1	Dipstick	
1	70024905	1	O-Ring	
2	7020465	2	Cap, Filler	
3	70005920	1	Hose	
3	70025111	2	Clamp	
4	70025162	1	Pan, Oil	
4	70005941	2	Plug	
4	70005942	2	Washer, Sealing	
5	70001870	1	Flywheel	
5	7024579	1	Gear, Ring	
6	70024906	1	Gasket, Head (Not Shown)	
7	70005921	1	Cover, Valve	
7	70025205	1	Gasket	
7	70005171	1	Gasket	
8	70025076	1	Valve (Not Shown - Located on Right Side of Front Engine Cover)	
8	70025176	1	Spring	
8	70025082	1	Ring, Sealing	
8	70025091	1	Plug	
9	70004280	1	Seal, Shaft - Front (Not Shown)	
10	70002718	1	Seal, Shaft - Rear (Not Shown)	
11	70005172	1	Pump, Oil Lube (Not Shown)	
11	70025135	1	O-Ring	
11	70005173	1	Gasket	
12	7016331	1	Filter, Oil	
12	70025137	1	Bushing	
13	70024494	1	Cooler, Engine Oil (Not Shown - Located on Right Side)	
13	70024925	1	Gasket	
14	70025171	1	Oil Suction Pump (Not Shown - Located Inside of Engine Oil Pan)	
15	70024924	1	Pump, Fuel	
15	70025152	1	O-Ring	
15	70025080	1	Washer	
15	70024488	1	Spacer	
15	70024517	1	O-Ring	
16	70025181	4	Injector, Fuel (Not Shown - Located on Right Side)	
16	70025140	4	Washer, Sealing	
16	70025146	4	Clamp (Top of Injector)	
16	70025145	4	O-Ring	
16	70025154	4	Shoe, Clamping	
16	70000345	1	Plug, Glow (Not Shown)	
16	70025231	1	Harness, Glow Plug (Not Shown)	
17	70005174	NLA	Pump, Fuel (Use p/n 1001226098)	
17	70025144	2	Clamp	
18	70024961	1	Fuel Filter Assembly	
18	70025153	NLA	Filter, Fuel (Use p/n 1001225430)	
18	70024513	1	Cable, Sensor	
18	70025239	1	Ring, Sealing	
19	70004511	1	Filter with Head	
19	70004512	NLA	Filter, Fuel (Use p/n 1001225432)	
20	70024504	1	Sensor, Pressure	

SECTION 3 - ENGINE

ITEM	PART NUMBER	QTY	DESCRIPTION	REV
20	70024920	1	O-Ring	
21	70025151	1	Rail, Fuel	
21	70025235	1	Repair Kit	
21	70025240	1	O-Ring	
22	70025182	1	Fuel Line - High Pressure (Cylinder 1 & 2) (Not Shown)	
22	70025183	1	Fuel Line - High Pressure (Cylinder 3 & 4) (Not Shown)	
22	70025184	1	Fuel Line - High Pressure (Supply) (Not Shown)	
23	70025158	1	Manifold, Fuel	
23	70025109	2	Clamp	
23	70025115	1	Clamp	
23	70025133	1	Hose	
23	70024502	1	Pipe	
23	70025185	1	Hose	
23	70025101	2	Clamp	
24	70005923	1	Charge Air Pipe	
24	70005924	1	O-Ring	
24	70005177	1	Gasket	
25	70005925	1	Breather Line	
25	70005181	1	O-Ring	
26	70004501	1	Sleeve, Rubber	
27	70025112	2	Clamp	
28	70005926	1	Elbow Connector	
29	70005927	1	Sleeve, Rubber	
29	70025107	2	Clamp	
30	70005928	1	Charge Air Elbow	
31	70025210	1	ECU (Engine Control Unit)	
32	70024910	1	Pump, Water	
32	70025200	1	Ring, Sealing	
32	70025084	2	Plug	
32	7020492	2	Ring, Sealing	
33	70005929	1	Thermostat	
33	70005184	1	O-Ring	
33	70025142	1	Cover, Thermostat	
33	70025931	1	Gasket	
34	70025178	1	Pipe	
34	70025768	1	Valve, Shuttle	
34	70025179	2	Gasket	
34	70025180	1	Gasket	
35	70025203	1	Module, EGR (Includes Item 36)	
35	70025155	1	Plug	
36	70005188	1	Control Valve	
36	70005189	1	Seal	
37	70004282	1	Manifold, Exhaust	
37	70025164	1	Gasket, Exhaust Manifold to Head	
38	70026995	1	Pipe (Not Shown - Located on Left Side)	
38	70021895	2	Gasket	
39	70004276	1	Turbocharger	
39	70024912	1	Gasket, Exhaust Manifold	
39	70024509	1	Gasket, Return Line	
40	70025477	1	Tensioner, Belt	
41	70024484	1	Idler Roller	

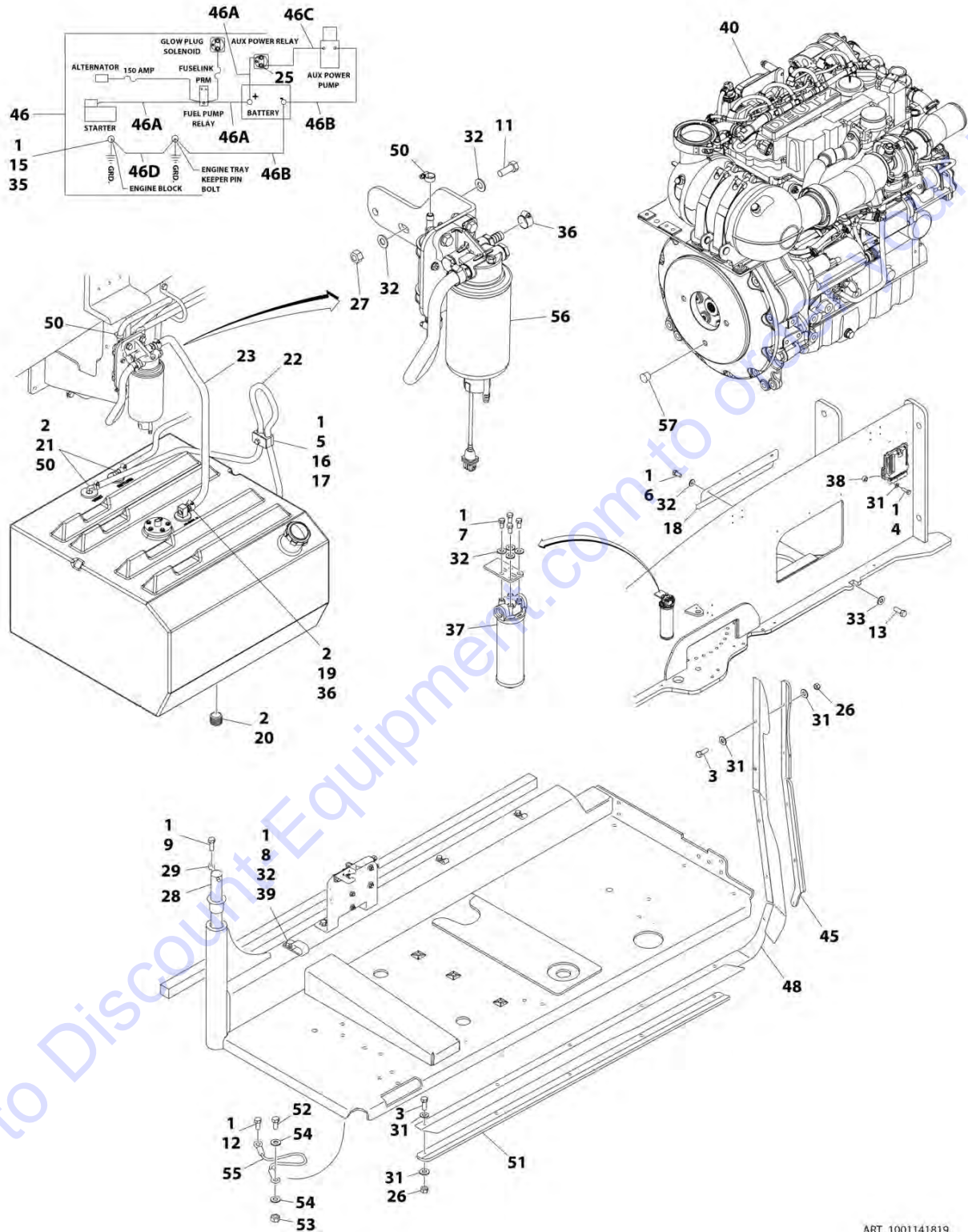
SECTION 3 - ENGINE

ITEM	PART NUMBER	QTY	DESCRIPTION	REV
42	70004277	1	Belt, Drive	
43	70024915	1	Starter	
43	70005647	1	Switch, Solenoid	
43	70005648	1	Relay	
44	70025533	1	Generator	
44	70025149	1	Regulator, Voltage	
45	70025077	1	Harness, Engine (Not Shown)	
46	70024918	1	Sender, Temperature	
47	70024504	1	Sensor, Pressure (Not Shown - Located on Right Side)	
47	70024920	1	O-Ring	
48	70026210	2	Sensor, Speed (Not Shown - Located Left Side Front and Flywheel Housing)	
48	70005191	2	O-Ring	
49	70024507	1	Sensor, Pressure (Not Shown - Located Top Rear)	
49	70025120	1	O-Ring	
50	70024922	1	Temperature, Transmitter	
50	70035212	1	O-Ring	
51	70025660	1	Screw	

Go to Discount-Equipment.com to order your parts

SECTION 3 - ENGINE

FIGURE 3-28. DEUTZ TCD2.9L4 DIESEL ENGINE INSTALLATION - WITH REXROTH PUMPS AND ABS HOODS (WITHOUT COLD WEATHER PLUS PACKAGE)



ART_1001141819

SECTION 3 - ENGINE

FIGURE 3-28. DEUTZ TCD2.9L4 DIESEL ENGINE INSTALLATION - WITH REXROTH PUMPS AND ABS HOODS (WITHOUT COLD WEATHER PLUS PACKAGE)

ITEM	PART NUMBER	QTY	DESCRIPTION	REV
	1001141819	Ref	DEUTZ TCD2.9L4 DIESEL ENGINE INSTALLATION - WITH REXROTH PUMPS AND ABS HOODS (WITHOUT COLD WEATHER PLUS PACKAGE)	J
1	0100011	AR	Compound, Locking	
2	0100079	AR	Sealant, Pipe	
3	0641408	10	Bolt 1/4 x 1	
4	0641410	4	Bolt 1/4 x 1-1/4	
5	0641511	1	Bolt 5/16 x 1-3/8	
6	0641605	3	Bolt 3/8 x 5/8	
7	0641606	4	Bolt 3/8 x 3/4	
8	0641608	1	Bolt 3/8 x 1	
9	0641610	1	Bolt 3/8 x 1-1/4	
11	0641612	2	Bolt 3/8 x 1-1/2	
12	0641808	1	Bolt 1/2 x 1	
13	0642010	1	Bolt 5/8 x 1-1/4	
15	0761210	1	Bolt M12 x 20	
16	1320187	1	Clamp	
17	1320190	1	Cover, Clamp	
18	1671121	1	Cover	
19	2180832	1	Fitting, Barbed	
20	2200222	1	Plug, Pipe (SN 0300201016 through 0300237154)	
21	2220313	2	Fitting, Elbow Barbed	
22	1001165035	5 ft/ 1.5m	Hose (SN 0300201016 through 0300217382)	
22	2750532	5 ft/ 1.5m	Hose (SN 0300217383 to Present)	
23	1001154405	2 ft/ 0.6m	Hose	
25	3300220	2	Nut 5/16	
26	3311405	10	Nut 1/4	
27	3311605	2	Nut 3/8	
28	3422446	1	Pin, Pivot	
29	3841143	1	Pin, Keeper	
30	4240018	2	Strap, Tie (Not Shown)	
31	4711400	24	Washer 1/4	
32	4711600	12	Washer 3/8	
33	4752000	1	Washer 5/8	
35	4812100	1	Washer M12	
36	8405006	2	Clamp	
37	1001108617	1	Filter	
37	70002231	1	Element, Filter	
38	1001110425	4	Spacer	
39	1001116792	1	Clamp	
40	1001141812	1	Engine Sub-Assembly (See Separate Breakdown in this Section)	
42	1001138491	NLA	Harness, Fuel (Use p/n 1001222665) (Not Shown - See Separate Breakdown in ELECTRICAL SECTION)	
45	1001145089	1	Clamp	
46	1001141225	1	Battery Cable Kit	
46A	7027042	1	Cable, Battery (Red) (Battery + to Relays and Starter)	
46B	7027043	1	Cable, Battery (Black) (Battery - to Tray Pivot Grd and Aux Pump)	
46C	7027044	1	Cable (Red) (Aux Relay to Aux Pump)	
46D	7027045	1	Cable, Battery (Black) (Engine to Tray Pivot Grd)	

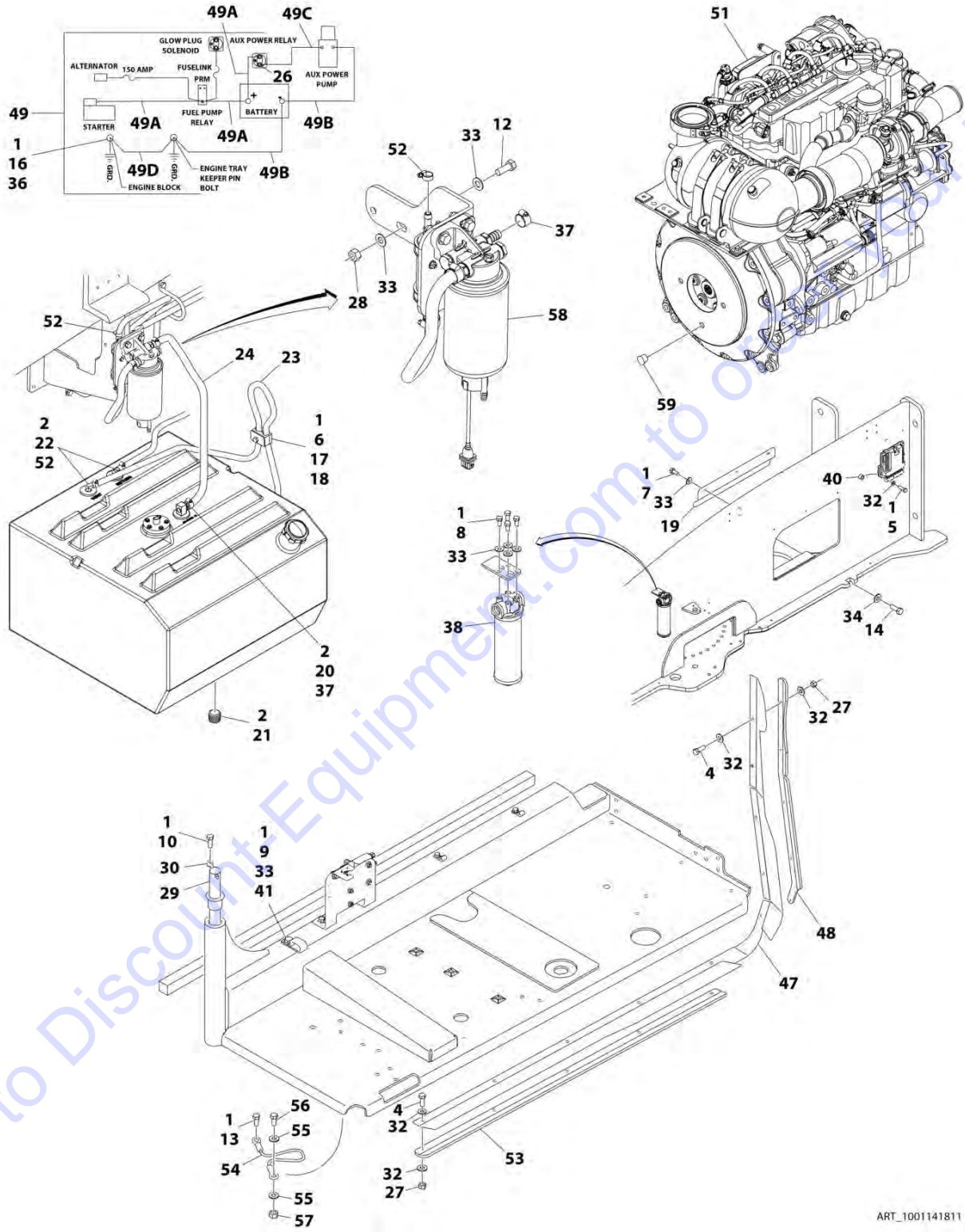
SECTION 3 - ENGINE

ITEM	PART NUMBER	QTY	DESCRIPTION	REV
48	1001145560	1	Panel, Rubber	
50	1320022	3	Clamp	
51	1001145842	1	Plate, Clamping	
52	0641708	1	Bolt 7/16 x 1	
53	3311705	1	Nut 7/16	
54	4711700	2	Washer 7/16	
55	1001131542	1	Lanyard	
56	1001165101	1	Bracket, Fuel Pump Filter Assembly (See Separate Breakdown in this Section)	
57	3520054	1	Plug	

Go to Discount-Equipment.com to order your parts

SECTION 3 - ENGINE

FIGURE 3-29. DEUTZ TCD2.9L4 DIESEL ENGINE INSTALLATION - WITH REXROTH PUMPS AND STEEL HOODS (WITHOUT COLD WEATHER PLUS PACKAGE)



ART_1001141811

SECTION 3 - ENGINE

FIGURE 3-29. DEUTZ TCD2.9L4 DIESEL ENGINE INSTALLATION - WITH REXROTH PUMPS AND STEEL HOODS (WITHOUT COLD WEATHER PLUS PACKAGE)

ITEM	PART NUMBER	QTY	DESCRIPTION	REV
	1001141811	Ref	DEUTZ TCD2.9L4 DIESEL ENGINE INSTALLATION - WITH REXROTH PUMPS AND STEEL HOODS (WITHOUT COLD WEATHER PLUS PACKAGE)	J
1	0100011	AR	Compound, Locking	
2	0100079	AR	Sealant, Pipe	
4	0641408	10	Bolt 1/4 x 1	
5	0641410	4	Bolt 1/4 x 1-1/4	
6	0641511	1	Bolt 5/16 x 1-3/8	
7	0641605	3	Bolt 3/8 x 5/8	
8	0641606	4	Bolt 3/8 x 3/4	
9	0641608	1	Bolt 3/8 x 1	
10	0641610	1	Bolt 3/8 x 1-1/4	
12	0641612	2	Bolt 3/8 x 1-1/2	
13	0641808	1	Bolt 1/2 x 1	
14	0642010	1	Bolt 5/8 x 1-1/4	
16	0761210	1	Bolt M12 x 20	
17	1320187	1	Clamp	
18	1320190	1	Cover, Clamp	
19	1671121	1	Cover	
20	2180832	1	Fitting, Barbed	
21	2200222	1	Plug, Pipe (SN 0300201016 through 0300237154)	
22	2220313	2	Fitting, Elbow Barbed	
23	1001165035	5 ft/ 1.5m	Hose (SN 0300201016 through 0300217382)	
23	2750532	5 ft/ 1.5m	Hose (SN 0300217383 to Present)	
24	1001154405	2 ft/ 0.6m	Hose	
26	3300220	2	Nut 5/16	
27	3311405	10	Nut 1/4	
28	3311605	2	Nut 3/8	
29	3422446	1	Pin, Pivot	
30	3841143	1	Pin, Keeper	
31	4240018	2	Strap, Tie (Not Shown)	
32	4711400	24	Washer 1/4	
33	4711600	12	Washer 3/8	
34	4752000	1	Washer 5/8	
36	4812100	1	Washer M12	
37	8405006	2	Clamp	
38	1001108617	1	Filter	
38	70002231	1	Element, Filter	
40	1001110425	4	Spacer	
41	1001116792	1	Clamp	
43	1001138491	NLA	Harness, Fuel (Use p/n 1001222665) (Not Shown - See Separate Breakdown in ELECTRICAL SECTION)	
47	1001140604	1	Panel, Rubber	
48	1001145089	1	Clamp	
49	1001141225	1	Battery Cable Kit	E
49A	7027042	1	Cable, Battery (Red) (Battery + to Relays and Starter)	
49B	7027043	1	Cable, Battery (Black) (Battery - to Tray Pivot Grd and Aux Pump)	
49C	7027044	1	Cable (Red) (Aux Relay to Aux Pump)	
49D	7027045	1	Cable, Battery (Black) (Engine to Tray Pivot Grd)	

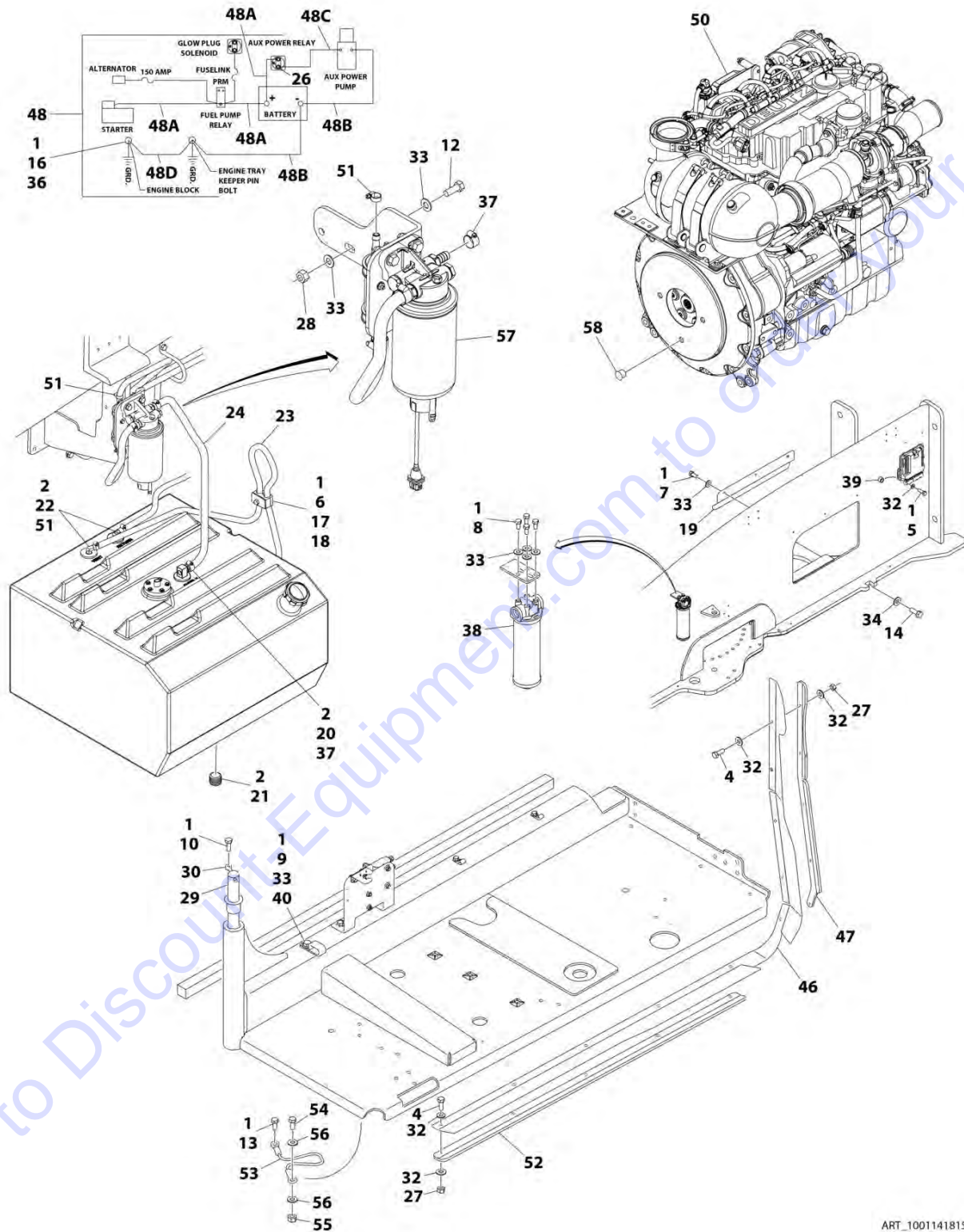
SECTION 3 - ENGINE

ITEM	PART NUMBER	QTY	DESCRIPTION	REV
51	1001141812	1	Engine Sub-Assembly (See Separate Breakdown in this Section)	
52	1320022	3	Clamp	
53	1001145842	1	Plate, Clamping	
54	1001131542	1	Lanyard	
55	4711700	2	Washer 7/16	
56	0641708	1	Bolt 7/16 x 1	
57	3311705	1	Nut 7/16	
58	1001165101	1	Bracket, Fuel Pump Filter Assembly (See Separate Breakdown in this Section)	
59	3520054	1	Plug	

Go to Discount-Equipment.com to order your parts

SECTION 3 - ENGINE

FIGURE 3-30. DEUTZ TCD2.9L4 DIESEL ENGINE INSTALLATION - WITH REXROTH PUMPS AND STEEL HOODS (WITH COLD WEATHER PLUS PACKAGE)



ART_1001141815

SECTION 3 - ENGINE

FIGURE 3-30. DEUTZ TCD2.9L4 DIESEL ENGINE INSTALLATION - WITH REXROTH PUMPS AND STEEL HOODS (WITH COLD WEATHER PLUS PACKAGE)

ITEM	PART NUMBER	QTY	DESCRIPTION	REV
	1001141815	Ref	DEUTZ TCD2.9L4 DIESEL ENGINE INSTALLATION - WITH REXROTH PUMPS AND STEEL HOODS (WITH COLD WEATHER PLUS PACKAGE)	L
1	0100011	AR	Compound, Locking	
2	0100079	AR	Sealant, Pipe	
4	0641408	10	Bolt 1/4 x 1	
5	0641410	4	Bolt 1/4 x 1-1/4	
6	0641511	1	Bolt 5/16 x 1-3/8	
7	0641605	3	Bolt 3/8 x 5/8	
8	0641606	4	Bolt 3/8 x 3/4	
9	0641608	1	Bolt 3/8 x 1	
10	0641610	1	Bolt 3/8 x 1-1/4	
12	0641612	2	Bolt 3/8 x 1-1/2	
13	0641808	1	Bolt 1/2 x 1	
14	0642010	1	Bolt 5/8 x 1-1/4	
16	0761210	1	Bolt M12 x 20	
17	1320187	1	Clamp	
18	1320190	1	Cover, Clamp	
19	1671121	1	Cover	
20	2180832	1	Fitting, Barbed	
21	2200222	1	Plug, Pipe (SN 0300201016 through 0300237154)	
22	2220313	2	Fitting, Elbow Barbed	
23	1001165035	5 ft/ 1.5m	Hose (SN 0300201016 through 0300217382)	
23	2750532	5 ft/ 1.5m	Hose (SN 0300217383 to Present)	
24	1001154405	2 ft/ 0.6m	Hose	
26	3300220	2	Nut 5/16	
27	3311405	10	Nut 1/4	
28	3311605	2	Nut 3/8	
29	3422446	1	Pin, Pivot	
30	3841143	1	Pin, Keeper	
31	4240018	2	Strap, Tie (Not Shown)	
32	4711400	24	Washer 1/4	
33	4711600	12	Washer 3/8	
34	4752000	1	Washer 5/8	
36	4812100	1	Washer M12	
37	8405006	2	Clamp	
38	1001108617	1	Filter	
38	70002231	1	Element, Filter	
39	1001110425	4	Spacer	
40	1001116792	1	Clamp	
42	1001138491	NLA	Harness, Fuel (Use p/n 1001222665) (Not Shown - See Separate Breakdown in ELECTRICAL SECTION)	
46	1001140604	1	Panel, Rubber	
47	1001145089	1	Clamp	
48	1001141225	1	Battery Cable Kit	E
48A	7027042	1	Cable, Battery (Red) (Battery + to Relays and Starter)	
48B	7027043	1	Cable, Battery (Black) (Battery - to Tray Pivot Grd and Aux Pump)	
48C	7027044	1	Cable (Red) (Aux Relay to Aux Pump)	
48D	7027045	1	Cable, Battery (Black) (Engine to Tray Pivot Grd)	

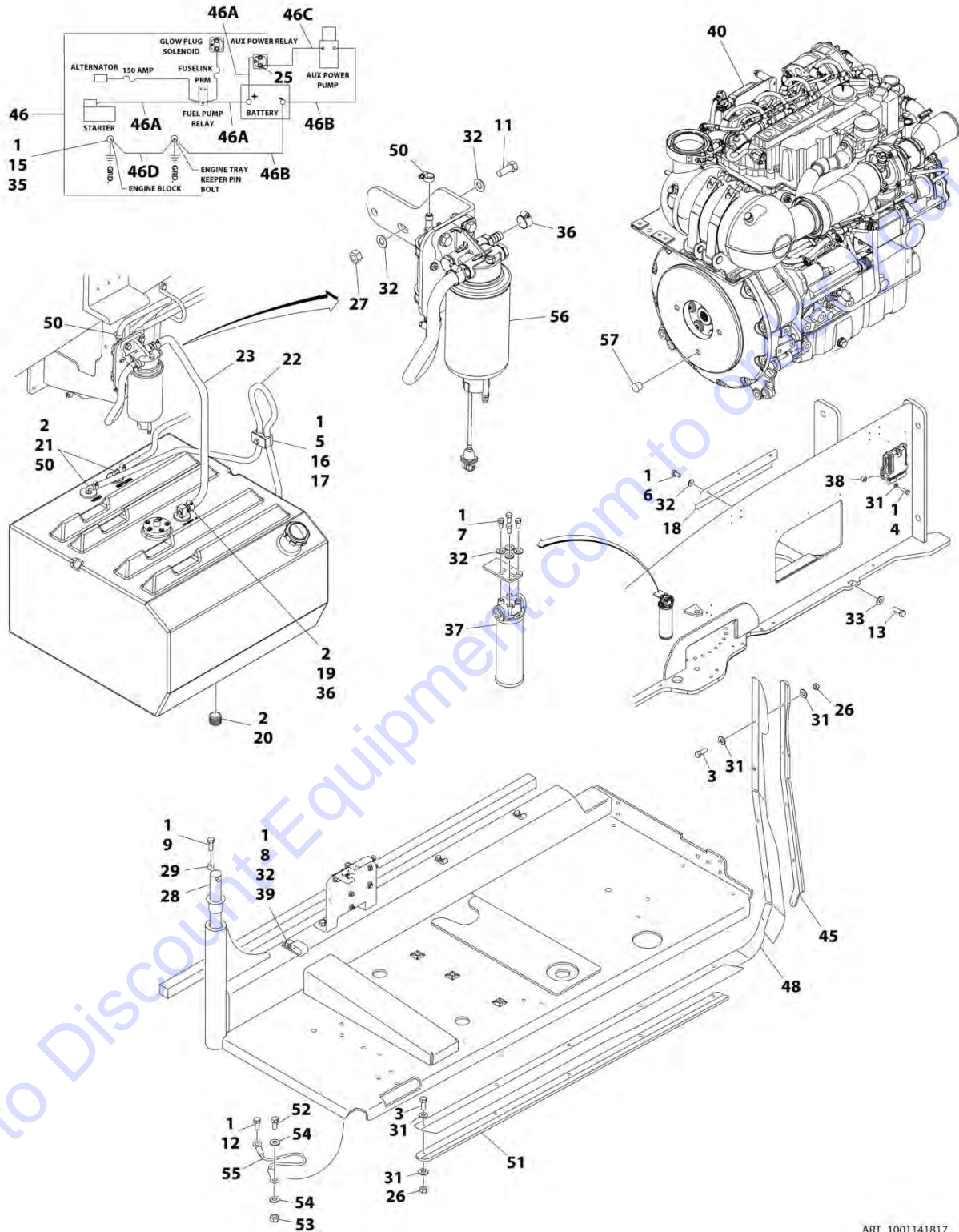
SECTION 3 - ENGINE

ITEM	PART NUMBER	QTY	DESCRIPTION	REV
50	1001141813	1	Engine Sub-Assembly (See Separate Breakdown in this Section)	
51	1320022	3	Clamp	
52	1001145842	1	Plate, Clamping	
53	1001131542	1	Lanyard	
54	0641708	1	Bolt 7/16 x 1	
55	3311705	1	Nut 7/16	
56	4711700	2	Washer 7/16	
57	1001165101	1	Bracket, Fuel Pump Filter Assembly (See Separate Breakdown in this Section)	
58	3520054	1	Plug	

Go to Discount-Equipment.com to order your parts

SECTION 3 - ENGINE

FIGURE 3-31. DEUTZ TCD2.9L4 DIESEL ENGINE INSTALLATION - WITH SAUER PUMPS AND ABS HOODS (WITHOUT COLD WEATHER PLUS PACKAGE)



ART_1001141817

SECTION 3 - ENGINE

FIGURE 3-31. DEUTZ TCD2.9L4 DIESEL ENGINE INSTALLATION - WITH SAUER PUMPS AND ABS HOODS (WITHOUT COLD WEATHER PLUS PACKAGE)

ITEM	PART NUMBER	QTY	DESCRIPTION	REV
	1001141817	Ref	DEUTZ TCD2.9L4 DIESEL ENGINE INSTALLATION - WITH SAUER PUMPS AND ABS HOODS (WITHOUT COLD WEATHER PLUS PACKAGE)	J
1	0100011	AR	Compound, Locking	
2	0100079	AR	Sealant, Pipe	
3	0641408	10	Bolt 1/4 x 1	
4	0641410	4	Bolt 1/4 x 1-1/4	
5	0641511	1	Bolt 5/16 x 1-3/8	
6	0641605	3	Bolt 3/8 x 5/8	
7	0641606	4	Bolt 3/8 x 3/4	
8	0641608	1	Bolt 3/8 x 1	
9	0641610	1	Bolt 3/8 x 1-1/4	
11	0641612	2	Bolt 3/8 x 1-1/2	
12	0641808	1	Bolt 1/2 x 1	
13	0642010	1	Bolt 5/8 x 1-1/4	
15	0761210	1	Bolt M12 x 20	
16	1320187	1	Clamp	
17	1320190	1	Cover, Clamp	
18	1671121	1	Cover	
19	2180832	1	Fitting, Barbed	
20	2200222	1	Plug, Pipe (SN 0300201016 through 0300237154)	
21	2220313	2	Fitting, Elbow Barbed	
22	1001165035	5 ft/ 1.5m	Hose (SN 0300201016 through 0300217382)	
22	2750532	5 ft/ 1.5m	Hose (SN 0300217383 to Present)	
23	1001154405	2 ft/ 0.6m	Hose	
25	3300220	2	Nut 5/16	
26	3311405	10	Nut 1/4	
27	3311605	2	Nut 3/8	
28	3422446	1	Pin, Pivot	
29	3841143	1	Pin, Keeper	
30	4240018	2	Strap, Tie (Not Shown)	
31	4711400	24	Washer 1/4	
32	4711600	12	Washer 3/8	
33	4752000	1	Washer 5/8	
35	4812100	1	Washer M12	
36	8405006	2	Clamp	
37	1001108617	1	Filter	
37	70002231	1	Element, Filter	
38	1001110425	4	Spacer	
39	1001116792	1	Clamp	
40	1001134390	1	Engine Sub-Assembly (See Separate Breakdown in this Section)	
42	1001138491	NLA	Harness, Fuel (Use p/n 1001222665) (Not Shown - See Separate Breakdown in ELECTRICAL SECTION)	
45	1001145089	1	Clamp	
46	1001141225	1	Battery Cable Kit	E
46A	7027042	1	Cable, Battery (Red) (Battery + to Relays and Starter)	
46B	7027043	1	Cable, Battery (Black) (Battery - to Tray Pivot Grd and Aux Pump)	
46C	7027044	1	Cable (Red) (Aux Relay to Aux Pump)	
46D	7027045	1	Cable, Battery (Black) (Engine to Tray Pivot Grd)	

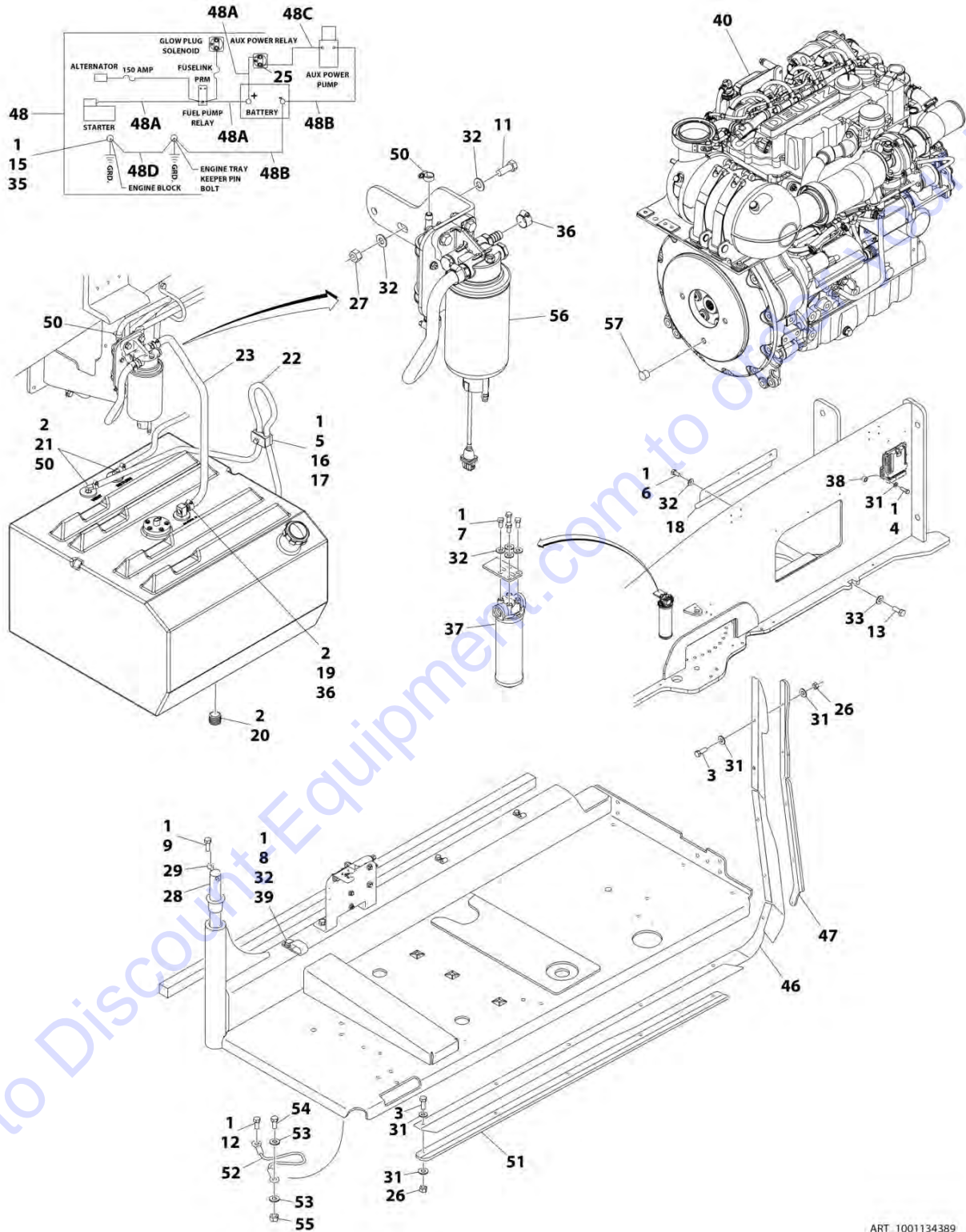
SECTION 3 - ENGINE

ITEM	PART NUMBER	QTY	DESCRIPTION	REV
48	1001145560	1	Panel, Rubber	
50	1320022	3	Clamp	
51	1001145842	1	Plate, Clamping	
52	0641708	1	Bolt 7/16 x 1	
53	3311705	1	Nut 7/16	
54	4711700	2	Washer 7/16	
55	1001131542	1	Lanyard	
56	1001165101	1	Bracket, Fuel Pump Filter Assembly (See Separate Breakdown in this Section)	
57	3520054	1	Plug	

Go to Discount-Equipment.com to order your parts

SECTION 3 - ENGINE

FIGURE 3-32. DEUTZ TCD2.9L4 DIESEL ENGINE INSTALLATION - WITH SAUER PUMPS AND STEEL HOODS (WITHOUT COLD WEATHER PLUS PACKAGE)



ART_1001134389

SECTION 3 - ENGINE

FIGURE 3-32. DEUTZ TCD2.9L4 DIESEL ENGINE INSTALLATION - WITH SAUER PUMPS AND STEEL HOODS (WITHOUT COLD WEATHER PLUS PACKAGE)

ITEM	PART NUMBER	QTY	DESCRIPTION	REV
	1001134389	Ref	DEUTZ TCD2.9L4 DIESEL ENGINE INSTALLATION - WITH SAUER PUMPS AND STEEL HOODS (WITHOUT COLD WEATHER PLUS PACKAGE)	J
1	0100011	AR	Compound, Locking	
2	0100079	AR	Sealant, Pipe	
3	0641408	10	Bolt 1/4 x 1	
4	0641410	4	Bolt 1/4 x 1-1/4	
5	0641511	1	Bolt 5/16 x 1-3/8	
6	0641605	3	Bolt 3/8 x 5/8	
7	0641606	4	Bolt 3/8 x 3/4	
8	0641608	1	Bolt 3/8 x 1	
9	0641610	1	Bolt 3/8 x 1-1/4	
11	0641612	2	Bolt 3/8 x 1-1/2	
12	0641808	1	Bolt 1/2 x 1	
13	0642010	1	Bolt 5/8 x 1-1/4	
15	0761210	1	Bolt M12 x 20	
16	1320187	1	Clamp	
17	1320190	1	Cover, Clamp	
18	1671121	1	Cover	
19	2180832	1	Fitting, Barbed	
20	2200222	1	Plug, Pipe (SN 0300201016 through 0300237154)	
21	2220313	2	Fitting, Elbow Barbed	
22	1001165035	5 ft/ 1.5m	Hose (SN 0300201016 through 0300217382)	
22	2750532	5 ft/ 1.5m	Hose (SN 0300217383 to Present)	
23	1001154405	2 ft/ 0.6m	Hose	
25	3300220	2	Nut 5/16	
26	3311405	10	Nut 1/4	
27	3311605	2	Nut 3/8	
28	3422446	1	Pin, Pivot	
29	3841143	1	Pin, Keeper	
30	4240018	2	Strap, Tie (Not Shown)	
31	4711400	24	Washer 1/4	
32	4711600	12	Washer 3/8	
33	4752000	1	Washer 5/8	
35	4812100	1	Washer M12	
36	8405006	2	Clamp	
37	1001108617	1	Filter	
37	70002231	1	Element, Filter	
38	1001110425	4	Spacer	
39	1001116792	1	Clamp	
40	1001134390	1	Engine Sub-Assembly (See Separate Breakdown in this Section)	
42	1001138491	NLA	Harness, Fuel (Use p/n 1001222665) (Not Shown - See Separate Breakdown in ELECTRICAL SECTION)	
46	1001140604	1	Panel, Rubber	
47	1001145089	1	Clamp	
48	1001141225	1	Battery Cable Kit	E
48A	7027042	1	Cable, Battery (Red) (Battery + to Relays and Starter)	
48B	7027043	1	Cable, Battery (Black) (Battery - to Tray Pivot Grd and Aux Pump)	
48C	7027044	1	Cable (Red) (Aux Relay to Aux Pump)	

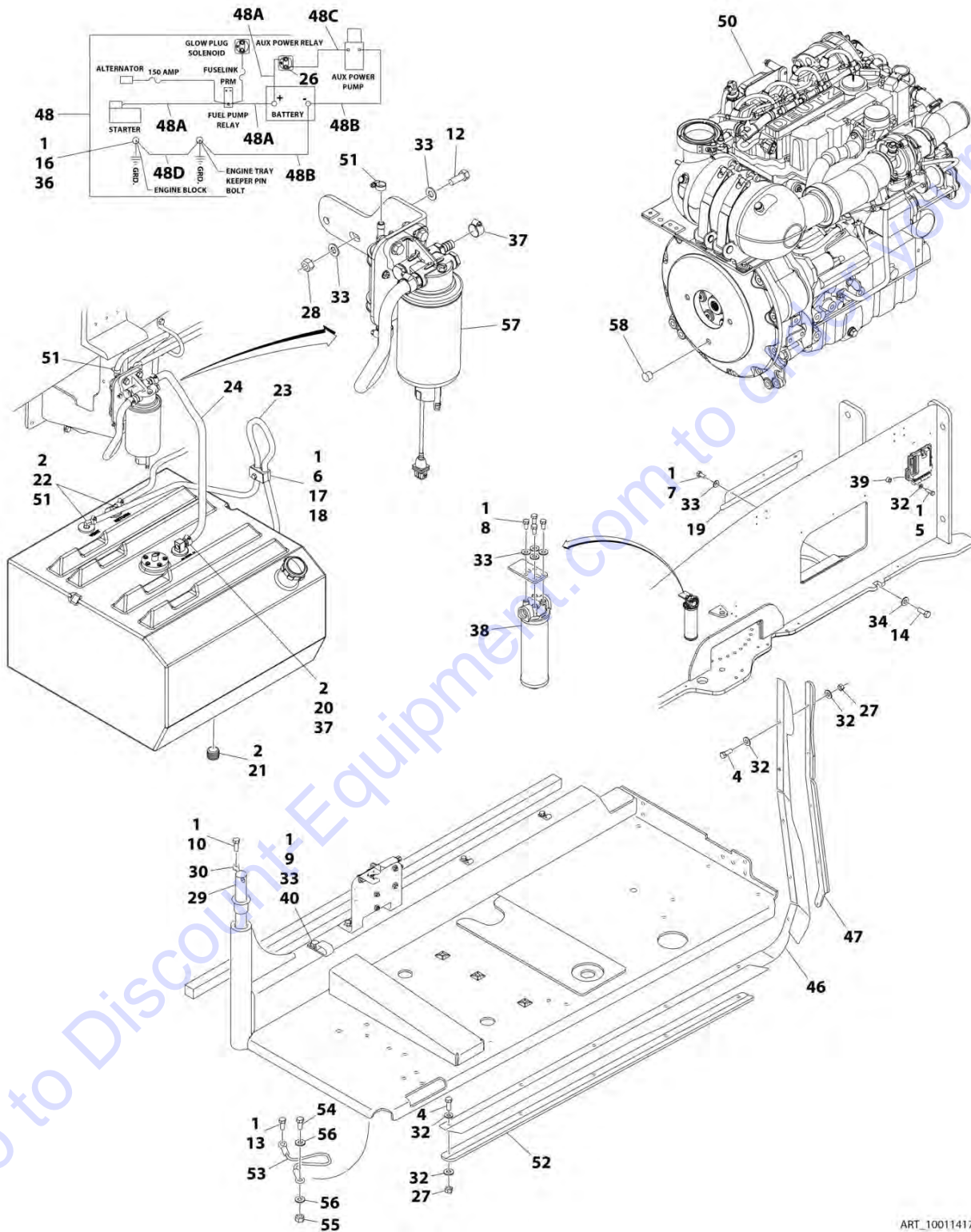
SECTION 3 - ENGINE

ITEM	PART NUMBER	QTY	DESCRIPTION	REV
48D	7027045	1	Cable, Battery (Black) (Engine to Tray Pivot Grd)	
50	1320022	3	Clamp	
51	1001145842	1	Plate, Clamping	
52	1001131542	1	Lanyard	
53	4711700	2	Washer 7/16	
54	0641708	1	Bolt 7/16 x 1	
55	3311705	1	Nut 7/16	
56	1001165101	1	Bracket, Fuel Pump Filter Assembly (See Separate Breakdown in this Section)	
57	3520054	1	Plug	

Go to Discount-Equipment.com to order your parts

SECTION 3 - ENGINE

FIGURE 3-33. DEUTZ TCD2.9L4 DIESEL ENGINE INSTALLATION - WITH SAUER PUMPS AND STEEL HOODS (WITH COLD WEATHER PLUS PACKAGE)



ART_1001141744

SECTION 3 - ENGINE

FIGURE 3-33. DEUTZ TCD2.9L4 DIESEL ENGINE INSTALLATION - WITH SAUER PUMPS AND STEEL HOODS (WITH COLD WEATHER PLUS PACKAGE)

ITEM	PART NUMBER	QTY	DESCRIPTION	REV
	1001141744	Ref	DEUTZ TCD2.9L4 DIESEL ENGINE INSTALLATION - WITH SAUER PUMPS AND STEEL HOODS (WITH COLD WEATHER PLUS PACKAGE)	L
1	0100011	AR	Compound, Locking	
2	0100079	AR	Sealant, Pipe	
4	0641408	10	Bolt 1/4 x 1	
5	0641410	4	Bolt 1/4 x 1-1/4	
6	0641511	1	Bolt 5/16 x 1-3/8	
7	0641605	3	Bolt 3/8 x 5/8	
8	0641606	4	Bolt 3/8 x 3/4	
9	0641608	1	Bolt 3/8 x 1	
10	0641610	1	Bolt 3/8 x 1-1/4	
12	0641612	2	Bolt 3/8 x 1-1/2	
13	0641808	1	Bolt 1/2 x 1	
14	0642010	1	Bolt 5/8 x 1-1/4	
16	0761210	1	Bolt M12 x 20	
17	1320187	1	Clamp	
18	1320190	1	Cover, Clamp	
19	1671121	1	Cover	
20	2180832	1	Fitting, Barbed	
21	2200222	1	Plug, Pipe (SN 0300201016 through 0300237154)	
22	2220313	2	Fitting, Elbow Barbed	
23	1001165035	5 ft/ 1.5m	Hose (SN 0300201016 through 0300217382)	
23	2750532	5 ft/ 1.5m	Hose (SN 0300217383 to Present)	
24	1001154405	2 ft/ 0.6m	Hose	
26	3300220	2	Nut 5/16	
27	3311405	10	Nut 1/4	
28	3311605	2	Nut 3/8	
29	3422446	1	Pin, Pivot	
30	3841143	1	Pin, Keeper	
31	4240018	2	Strap, Tie (Not Shown)	
32	4711400	24	Washer 1/4	
33	4711600	12	Washer 3/8	
34	4752000	1	Washer 5/8	
36	4812100	1	Washer M12	
37	8405006	2	Clamp	
38	1001108617	1	Filter	
38	70002231	1	Element, Filter	
39	1001110425	4	Spacer	
40	1001116792	1	Clamp	
42	1001138491	NLA	Harness, Fuel (Use p/n 1001222665) (Not Shown - See Separate Breakdown in ELECTRICAL SECTION)	
46	1001140604	1	Panel, Rubber	
47	1001145089	1	Clamp	
48	1001141225	1	Battery Cable Kit	E
48A	7027042	1	Cable, Battery (Red) (Battery + to Relays and Starter)	
48B	7027043	1	Cable, Battery (Black) (Battery - to Tray Pivot Grd and Aux Pump)	
48C	7027044	1	Cable (Red) (Aux Relay to Aux Pump)	
48D	7027045	1	Cable, Battery (Black) (Engine to Tray Pivot Grd)	

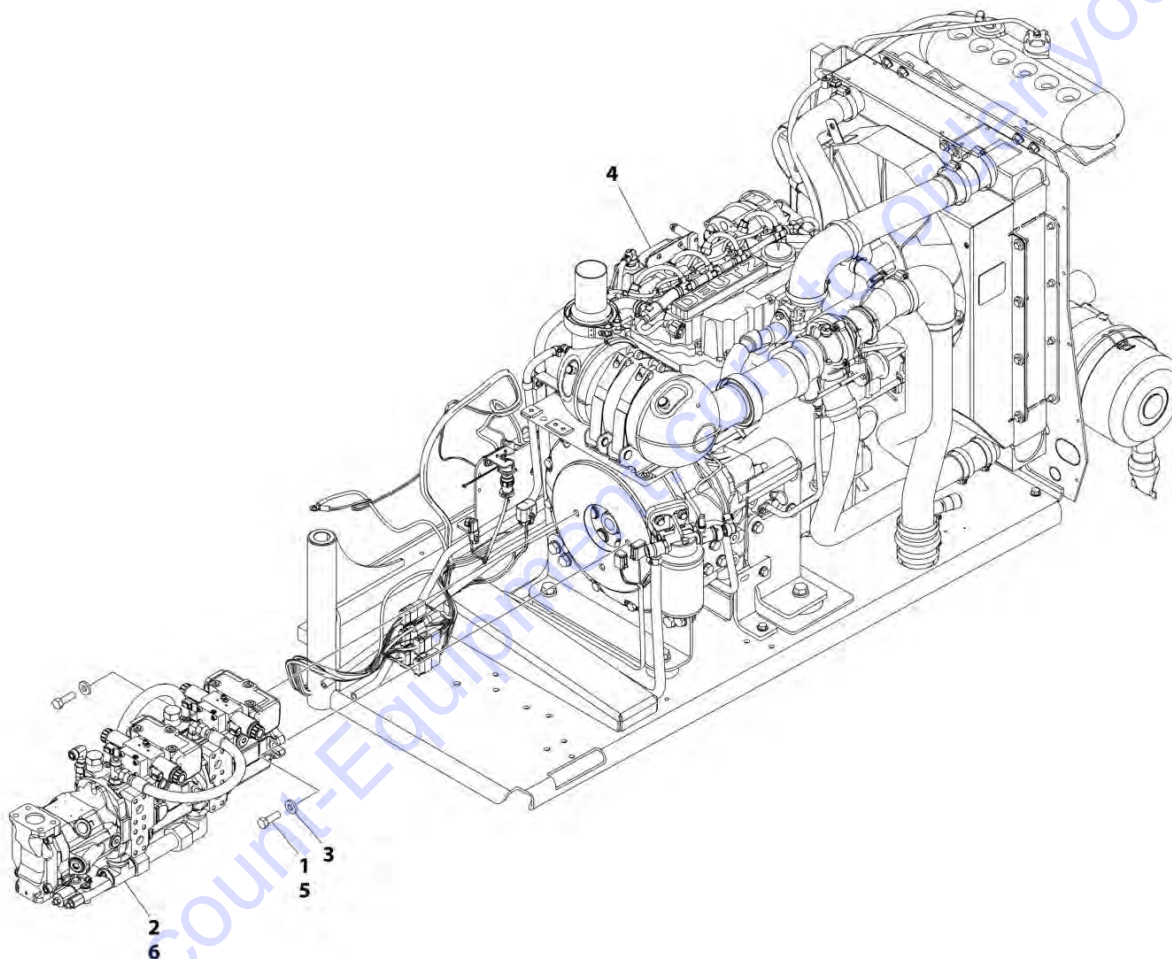
SECTION 3 - ENGINE

ITEM	PART NUMBER	QTY	DESCRIPTION	REV
50	1001141745	1	Engine Sub-Assembly (See Separate Breakdown in this Section)	
51	1320022	3	Clamp	
52	1001145842	1	Plate, Clamping	
53	1001131542	1	Lanyard	
54	0641708	1	Bolt 7/16 x 1	
55	3311705	1	Nut 7/16	
56	4711700	2	Washer 7/16	
57	1001165101	1	Bracket, Fuel Pump Filter Assembly (See Separate Breakdown in this Section)	
58	3520054	1	Plug	

Go to Discount-Equipment.com to order your parts

SECTION 3 - ENGINE

FIGURE 3-34. DEUTZ TCD2.9L4 ENGINE SUB-ASSEMBLY - WITH REXROTH PUMP (WITHOUT COLD WEATHER PLUS PACKAGE)



ART_1001141812

SECTION 3 - ENGINE

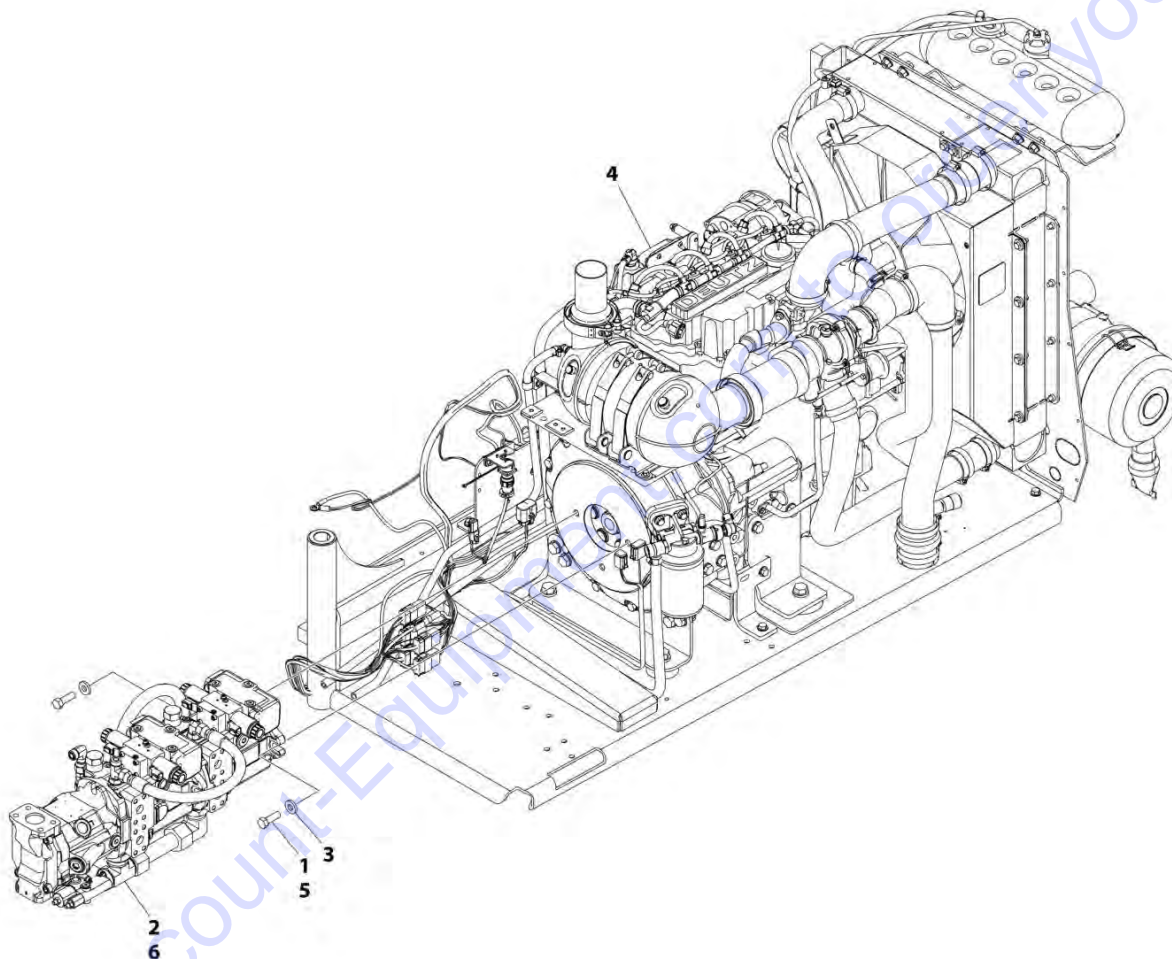
FIGURE 3-34. DEUTZ TCD2.9L4 ENGINE SUB-ASSEMBLY - WITH REXROTH PUMP (WITHOUT COLD WEATHER PLUS PACKAGE)

ITEM	PART NUMBER	QTY	DESCRIPTION	REV
	1001141812	Ref	DEUTZ TCD2.9L4 ENGINE SUB-ASSEMBLY - WITH REXROTH PUMP (WITHOUT COLD WEATHER PLUS PACKAGE)	Z
1	0641812	2	Bolt 1/2 x 1-1/2	
2	3020037	AR	Grease, Pump Coupling	
3	4891800	2	Washer 1/2	
4	1001134392	1	Engine Assembly (See Separate Breakdown in this Section)	
5	0100011	AR	Compound, Locking	
6	1001152963	1	Pump Assembly - Rexroth (See Separate Breakdown in this Section)	

Go to Discount-Equipment.com to order your parts

SECTION 3 - ENGINE

FIGURE 3-35. DEUTZ TCD2.9L4 ENGINE SUB-ASSEMBLY - WITH REXROTH PUMP (WITH COLD WEATHER PLUS PACKAGE)



ART_1001141813

SECTION 3 - ENGINE

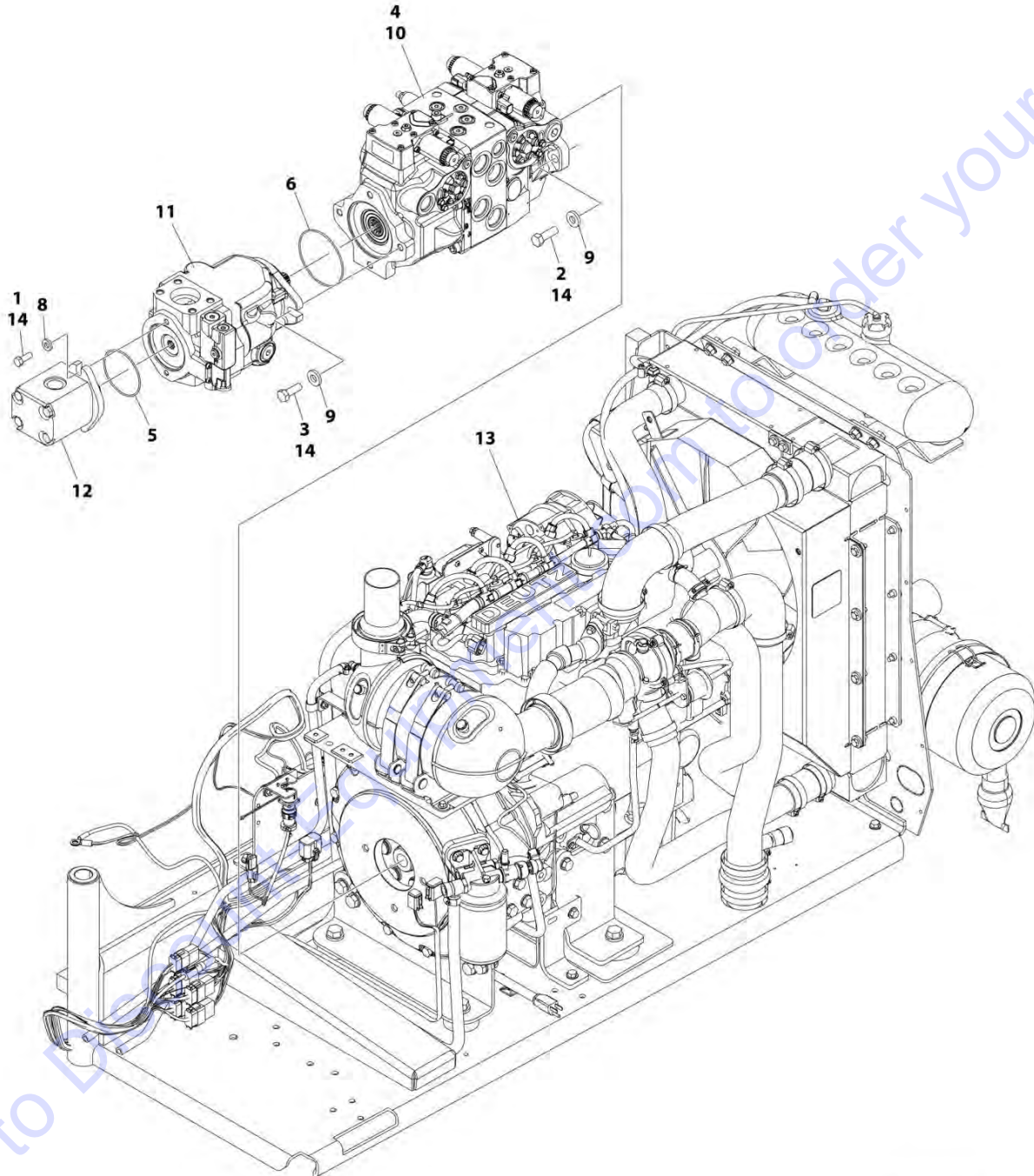
FIGURE 3-35. DEUTZ TCD2.9L4 ENGINE SUB-ASSEMBLY - WITH REXROTH PUMP (WITH COLD WEATHER PLUS PACKAGE)

ITEM	PART NUMBER	QTY	DESCRIPTION	REV
	1001141813	Ref	DEUTZ TCD2.9L4 ENGINE SUB-ASSEMBLY - WITH REXROTH PUMP (WITH COLD WEATHER PLUS PACKAGE)	AB
1	0641812	2	Bolt 1/2 x 1-1/2	
2	3020037	AR	Grease, Pump Coupling	
3	4740171	2	Washer 1/2	
4	1001134392	1	Engine Assembly (See Separate Breakdown in this Section)	
5	0100011	AR	Compound, Locking	
6	1001152963	1	Pump Assembly - Rexroth (See Separate Breakdown in this Section)	

Go to Discount-Equipment.com to order your parts

SECTION 3 - ENGINE

FIGURE 3-36. DEUTZ TCD2.9L4 ENGINE SUB-ASSEMBLY - WITH SAUER PUMP (WITHOUT COLD WEATHER PLUS PACKAGE)



ART_1001134390

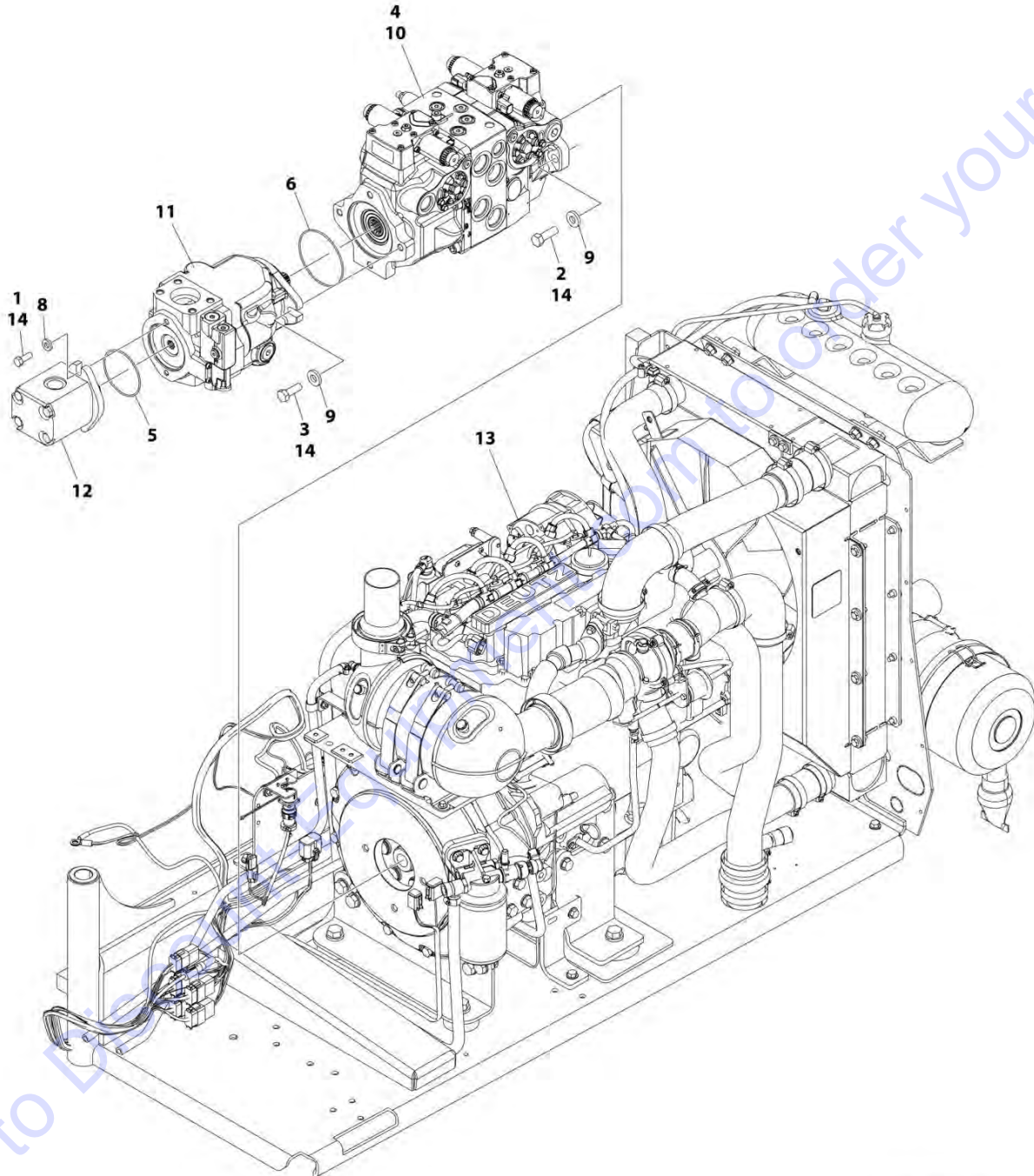
SECTION 3 - ENGINE

FIGURE 3-36. DEUTZ TCD2.9L4 ENGINE SUB-ASSEMBLY - WITH SAUER PUMP (WITHOUT COLD WEATHER PLUS PACKAGE)

ITEM	PART NUMBER	QTY	DESCRIPTION	REV
	1001134390	Ref	DEUTZ TCD2.9L4 ENGINE SUB-ASSEMBLY - WITH SAUER PUMP (WITHOUT COLD WEATHER PLUS PACKAGE)	Y
1	0641608	2	Bolt 3/8 x 1	
2	0641812	2	Bolt 1/2 x 1-1/2	
3	0761215	2	Bolt M12 x 35	
4	3020037	AR	Grease, Pump Coupling	
5	3790152	1	O-Ring	
6	3790155	1	O-Ring	
8	4891600	2	Washer 3/8	
9	4891800	4	Washer 1/2	
10	1001108616	1	Pump Assembly - Sauer Tandem (See Separate Breakdown in this Section)	
11	1001171095	1	Pump Assembly - Sauer Piston (See Separate Breakdown in this Section)	
12	1001112927	1	Pump Assembly - Sauer Gear (See Separate Breakdown in this Section)	
13	1001134392	1	Engine Assembly (See Separate Breakdown in this Section)	
14	0100011	AR	Compound, Locking	

SECTION 3 - ENGINE

FIGURE 3-37. DEUTZ TCD2.9L4 ENGINE SUB-ASSEMBLY - WITH SAUER PUMPS (WITH COLD WEATHER PLUS PACKAGE)



ART_1001141745

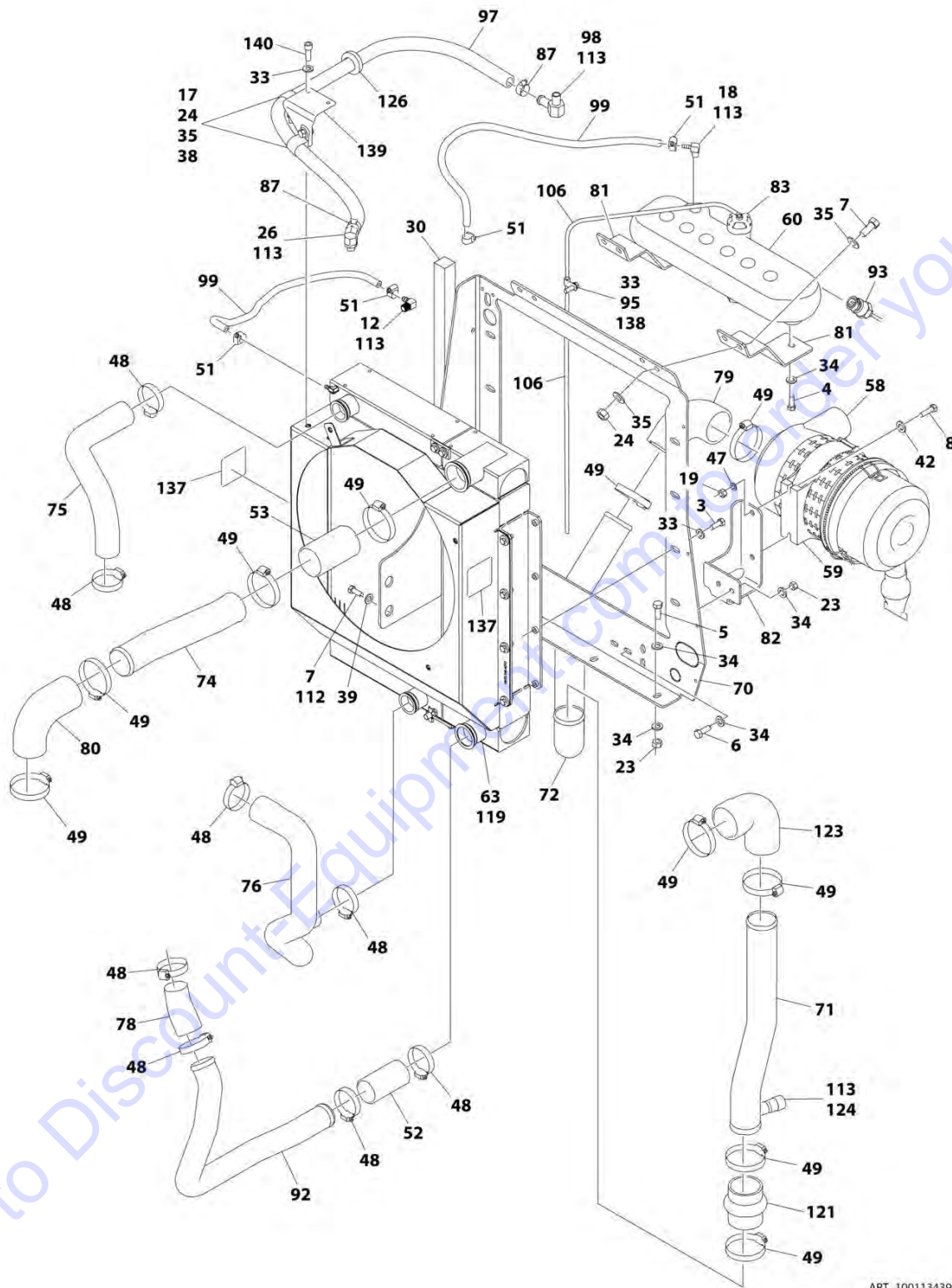
SECTION 3 - ENGINE

FIGURE 3-37. DEUTZ TCD2.9L4 ENGINE SUB-ASSEMBLY - WITH SAUER PUMPS (WITH COLD WEATHER PLUS PACKAGE)

ITEM	PART NUMBER	QTY	DESCRIPTION	REV
	1001141745	Ref	DEUTZ TCD2.9L4 ENGINE SUB-ASSEMBLY - WITH SAUER PUMPS (WITH COLD WEATHER PLUS PACKAGE)	Y
1	0641608	2	Bolt 3/8 x 1	
2	0641812	2	Bolt 1/2 x 1-1/2	
3	0761215	2	Bolt M12 x 35	
4	3020037	AR	Grease, Pump Coupling	
5	3790152	1	O-Ring	
6	3790155	1	O-Ring	
8	4891600	2	Washer 3/8	
9	4891800	4	Washer 1/2	
10	1001108616	1	Pump Assembly - Sauer Tandem (See Separate Breakdown in this Section)	
11	1001171095	1	Pump Assembly - Sauer Piston (See Separate Breakdown in this Section)	
12	1001112927	1	Pump Assembly - Sauer Gear (See Separate Breakdown in this Section)	
13	1001141746	1	Engine Assembly (See Separate Breakdown in this Section)	
14	0100011	AR	Compound, Locking	

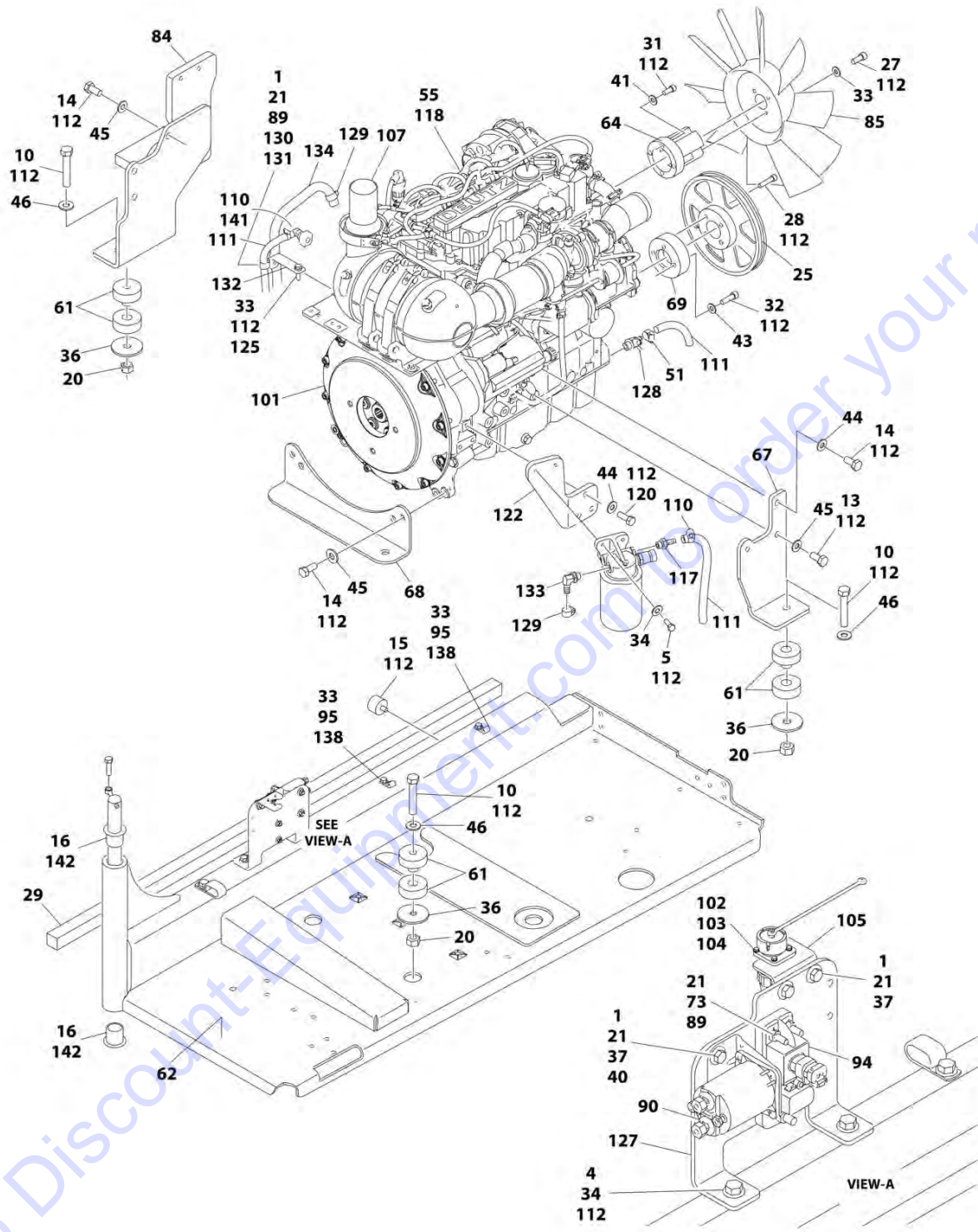
SECTION 3 - ENGINE

FIGURE 3-38. DEUTZ TCD2.9L4 ENGINE ASSEMBLY (WITHOUT COLD WEATHER PLUS PACKAGE)



ART_1001134392_10F2

SECTION 3 - ENGINE



ART_1001134392_20F2

SECTION 3 - ENGINE

FIGURE 3-38. DEUTZ TCD2.9L4 ENGINE ASSEMBLY (WITHOUT COLD WEATHER PLUS PACKAGE)

ITEM	PART NUMBER	QTY	DESCRIPTION	REV
	1001134392	Ref	DEUTZ TCD2.9L4 ENGINE ASSEMBLY (WITHOUT COLD WEATHER PLUS PACKAGE)	AI
1	0641406	5	Bolt 1/4 x 3/4	
3	0641508	8	Bolt 5/16 x 1	
4	0641606	5	Bolt 3/8 x 3/4	
5	0641608	9	Bolt 3/8 x 1	
6	0641610	2	Bolt 3/8 x 1-1/4	
7	0641708	6	Bolt 7/16 x 1	
8	0700815	2	Bolt M8 x 35	
10	0682028	4	Bolt 5/8 x 3-1/2 Grade 8	
12	1001140564	1	Fitting, 90 Barbed	
13	0771212	1	Bolt M12 x 25 Grade 10.9	
14	0771414	9	Bolt M14 x 30 Grade 10.9	
15	0940070	1	Bumper	
16	0961986	2	Bushing, Flanged	
17	0641706	2	Bolt 7/16 x 3/4	
18	1001134488	1	Fitting, 90 Barbed	
19	3290801	2	Nut M8	
20	3272001	4	Nut 5/8 Grade 8	
21	3311405	6	Nut 1/4	
23	3311605	9	Nut 3/8	
24	3311705	5	Nut 7/16	
25	3580320	1	Pulley	
26	1001141719	1	Fitting, 90 Barbed	
27	3931512	4	Capscrew 5/16 x 3/4	
28	3931628	4	Capscrew 3/8 x 1-3/4	
29	3960543	1	Seal	
30	3960544	1	Seal	
31	4031914	4	Bolt M8 x 50	
32	4032014	4	Bolt M10 x 50	
33	4711500	19	Washer 5/16	
34	4711600	25	Washer 3/8	
35	4711700	10	Washer 7/16	
36	1001146219	4	Washer Special	
37	4751400	8	Washer 1/4	
38	8406302	2	Clamp	
39	4751700	2	Washer 7/16	
40	4791400	2	Starwasher 1/4	
41	4811900	4	Washer M8	
42	4811902	2	Washer M8	
43	4812000	4	Washer M10	
44	4812100	4	Washer M12	
45	4812200	9	Washer M14	
46	4892000	4	Washer 5/8	
47	4831900	2	Washer M8	
48	8405201	8	Clamp	
49	8405204	10	Clamp	
51	8410013	5	Clamp	
52	91563070	1	Coupling, Rubber	
53	1001114495	1	Hose	

SECTION 3 - ENGINE

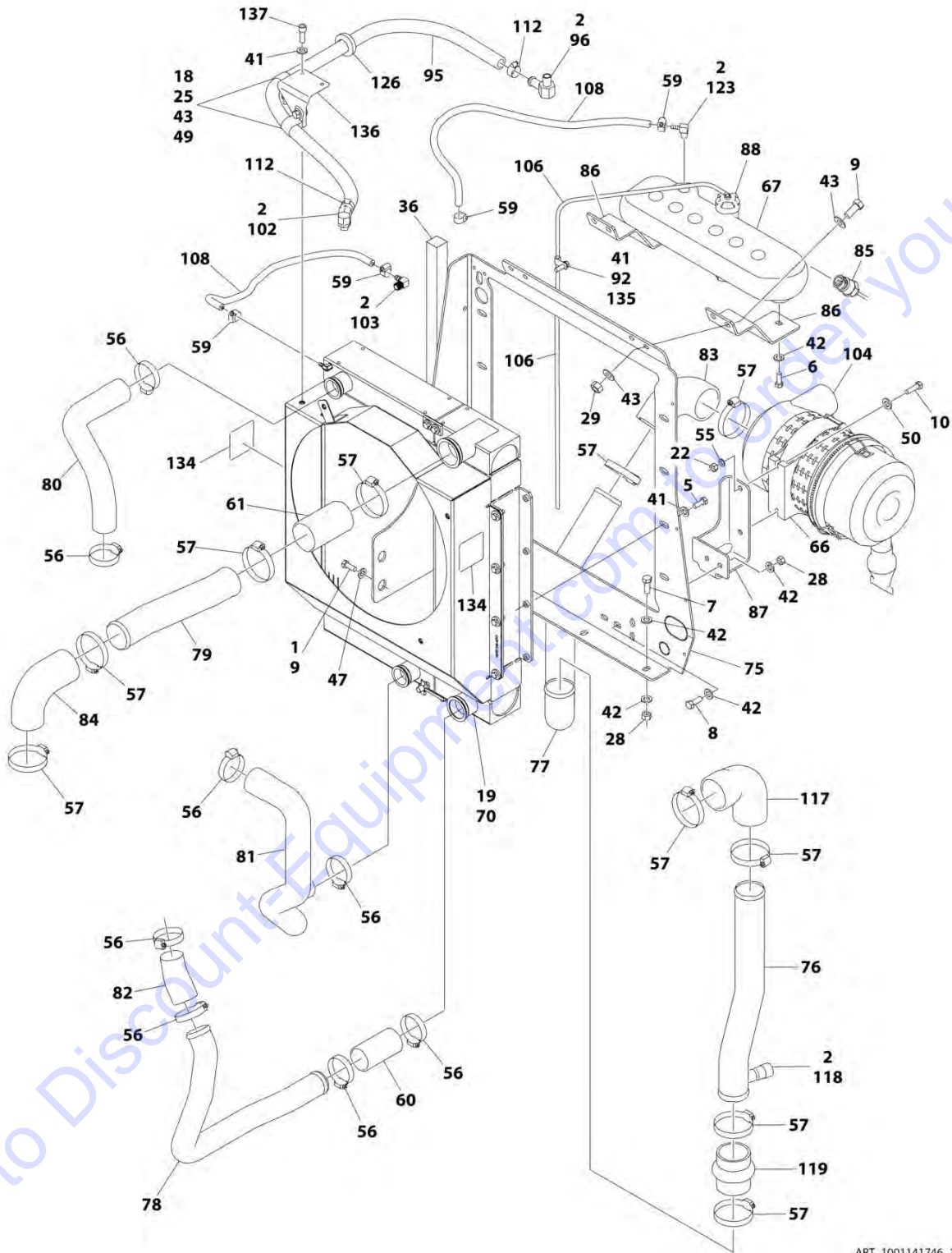
ITEM	PART NUMBER	QTY	DESCRIPTION	REV
55	1001128947	1	Engine, Deutz TCD2.9L4 (See Separate Breakdown in this Section)	
58	1001133633	1	Air Cleaner Assembly	
58	70024190	1	Element, Air Filter	
59	1001133634	1	Clamp	
60	1001166393	1	Tank, Surge	
61	1001155575	4	Mount, Motor	
62	1001134485	NLA	Tray (Use p/n 1001191272) (SN 0300201016 through 0300230056)	
62	1001191272	1	Tray (SN 0300230057 to Present, SN B300002238 to Present)	
63	1001135090	1	Radiator	
64	1001135138	1	Spacer, Fan	
67	1001135560	1	Support, Engine	
68	1001135562	1	Support, Engine - Rear	
69	1001135679	1	Spacer, Pulley	
70	1001135680	1	Support, Radiator	
71	1001135901	1	Pipe, Air Intake	
72	1001135903	1	Pipe, Air Intake	
73	3931432	1	Capscrew 1/4 x 2	
74	1001135914	1	Pipe, Air Cleaner to Intake	
75	1001135924	1	Hose, Radiator (Upper)	
76	1001135926	1	Hose, Radiator (Lower)	
78	1001135943	1	Coupling, Rubber	
79	1001135946	1	Elbow, Rubber	
80	1001136292	1	Pipe, 90	
81	1001136626	2	Bracket	
82	1001136665	1	Bracket	
83	1001136834	1	Cap, Tank	
84	1001142398	1	Support, Engine	
85	1001137276	1	Fan	
87	8405007	2	Clamp	
89	4711400	3	Washer 1/4	
90	1001117308	1	Relay	
92	1001135913	1	Pipe, Turbo to Air Cleaner	
93	1001138827	1	Sensor, Coolant Level	
94	1001138228	1	Module, Power	
94	70023592	1	Fuse 20Amp (Switched Output)	
94	70023593	1	Fuse 30Amp (Battery Output)	
95	1001138253	5	Clamp	
96	1001138346	1	Harness, Engine (Not Shown - See Separate Breakdown in ELECTRICAL SECTION)	
97	1001138524	1	Hose	
98	1001138559	1	Fitting, 90	
99	2720015	4.5 ft/ 1.4m	Hose	
101	2902065	1	Pump Coupling Kit (See Separate Breakdown in this Section)	
102	3310401	3	Nut #4	
103	3910408	3	Screw #4 x 1/2	
104	4710400	3	Washer #4	
105	1001139240	1	Bracket	
106	1001138248	4 ft/ 1.2m	Tubing	
107	1001153024	1	Pipe, Exhaust	

SECTION 3 - ENGINE

ITEM	PART NUMBER	QTY	DESCRIPTION	REV
110	1320022	2	Clamp	
111	1001165035	30.5 ft/ 9.3m	Hose	
112	0100011	AR	Compound, Locking	
113	0100020	AR	Sealant	
114	1001141304	1	Wire, Glow Plug (Not Shown)	
115	1001135779	1	Cable, Alternator Positive (Not Shown)	
117	1001141717	1	Fitting, Straight	
118	1001136079	2.4 gal /9L	Oil, Motor	
119	2300004	3.2 gal/ 12.1L	Anti-freeze	
120	0761214	3	Bolt M12 x 30	
121	1001142637	1	Hose, Hump	
122	1001142685	1	Bracket	
123	1001165820	1	Pipe, Elbow	
124	1001143390	1	Indicator, Air Filter Service	
125	0760810	2	Bolt M8 x 20	
126	1001144089	1	Grommet	
127	1001145154	1	Plate, Mounting	
128	4640751	1	Valve, Oil Drain	
129	8405006	2	Clamp	
130	8406102	AR	Clip	
131	8406112	1	Clip	
132	1001138717	1	Bracket	
133	1001142501	1	Fitting, 90 Barbed	
134	1001154405	5 ft/ 1.5m	Hose	
135	1001148843	1	Harness, Fuel Filter (Not Shown - See Separate Breakdown in ELECTRICAL SECTION)	
137	1703162	2	Decal - Fan	
138	0641503	3	Bolt 5/16 x 3/8	
139	1001153387	1	Plate	
140	3931508	2	Capscrew 5/16 x 1/2	
141	1001155823	1	Coupling	
142	0100062	AR	Adhesive, Loctite #680	
143	4240099	AR	Tie-Strap (Not Shown)	

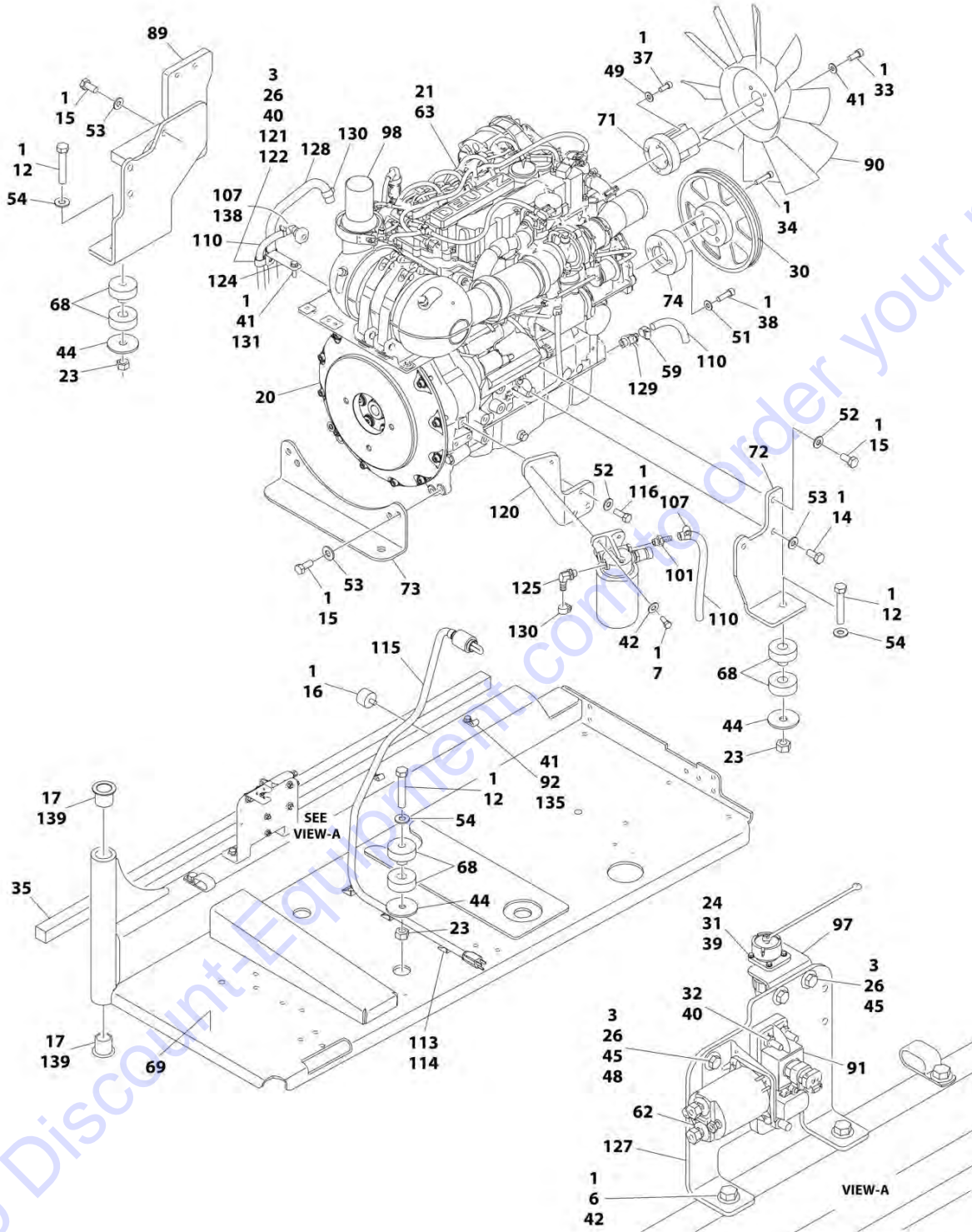
SECTION 3 - ENGINE

FIGURE 3-39. DEUTZ TCD2.9L4 ENGINE ASSEMBLY (WITH COLD WEATHER PLUS PACKAGE)



ART_1001141746_10F2

SECTION 3 - ENGINE



ART_1001141746_20F2

SECTION 3 - ENGINE

FIGURE 3-39. DEUTZ TCD2.9L4 ENGINE ASSEMBLY (WITH COLD WEATHER PLUS PACKAGE)

ITEM	PART NUMBER	QTY	DESCRIPTION	REV
	1001141746	Ref	DEUTZ TCD2.9L4 ENGINE ASSEMBLY (WITH COLD WEATHER PLUS PACKAGE)	AG
1	0100011	AR	Compound, Locking	
2	0100020	AR	Sealant	
3	0641406	5	Bolt 1/4 x 3/4	
5	0641508	8	Bolt 5/16 x 1	
6	0641606	5	Bolt 3/8 x 3/4	
7	0641608	9	Bolt 3/8 x 1	
8	0641610	2	Bolt 3/8 x 1-1/4	
9	0641708	6	Bolt 7/16 x 1	
10	0700815	2	Bolt M8 x 35	
12	0682028	4	Bolt 5/8 x 3-1/2 Grade 8	
14	0771212	1	Bolt M12 x 25 Grade 10.9	
15	0771414	9	Bolt M14 x 30 Grade 10.9	
16	0940070	1	Bumper	
17	0961986	2	Bushing, Flanged	
18	0641706	2	Bolt 7/16 x 3/4	
19	2300041	3.2 gal/ 12.1L	Anti-freeze	
20	2902065	1	Pump Coupling Kit (See Separate Breakdown in this Section)	
21	1001136172	2.4 gal /9L	Oil, Motor	
22	3290801	2	Nut M8	
23	3272001	4	Nut 5/8 Grade 8	
24	3310401	3	Nut #4	
25	8406302	2	Clamp	
26	3311405	6	Nut 1/4	
28	3311605	9	Nut 3/8	
29	3311705	5	Nut 7/16	
30	3580320	1	Pulley	
31	3910408	3	Screw #4 x 1/2	
32	3931432	1	Capscrew 1/4 x 2	
33	3931512	4	Capscrew 5/16 x 3/4	
34	3931628	4	Capscrew 3/8 x 1-3/4	
35	3960543	1	Seal	
36	3960544	1	Seal	
37	4031914	4	Bolt M8 x 50	
38	4032014	4	Bolt M10 x 50	
39	4710400	3	Washer #4	
40	4711400	3	Washer 1/4	
41	4711500	19	Washer 5/16	
42	4711600	25	Washer 3/8	
43	4711700	10	Washer 7/16	
44	1001146219	4	Washer Special	
45	4751400	8	Washer 1/4	
47	4751700	2	Washer 7/16	
48	4791400	2	Starwasher 1/4	
49	4811900	4	Washer M8	
50	4811902	2	Washer M8	
51	4812000	4	Washer M10	
52	4812100	4	Washer M12	

SECTION 3 - ENGINE

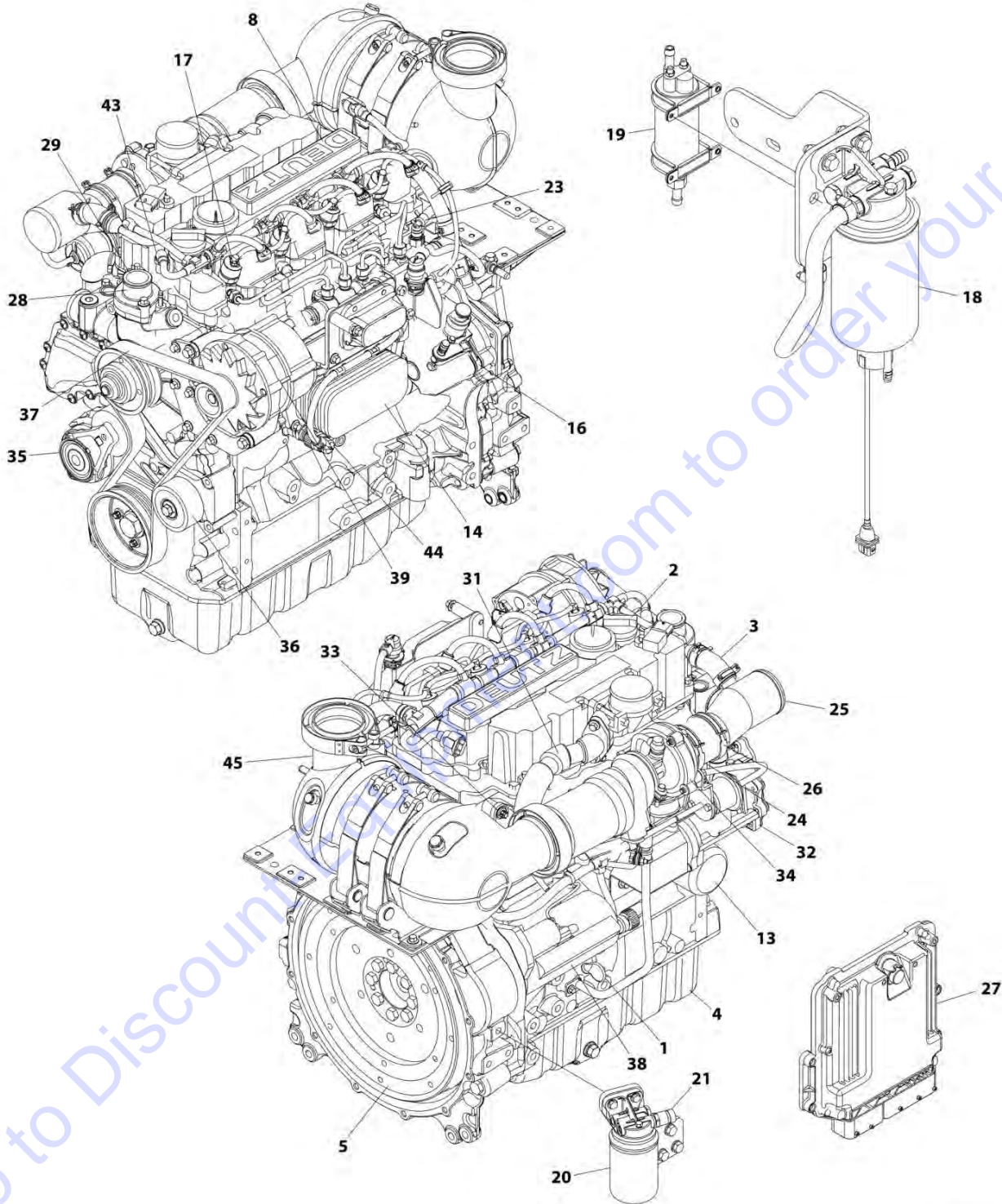
ITEM	PART NUMBER	QTY	DESCRIPTION	REV
53	4812200	9	Washer M14	
54	4892000	4	Washer 5/8	
55	4831900	2	Washer M8	
56	8405201	8	Clamp	
57	8405204	10	Clamp	
59	8410013	5	Clamp	
60	91563070	1	Coupling, Rubber	
61	1001114495	1	Hose	
62	1001117308	1	Relay	
63	1001128947	1	Engine, Deutz TCD2.9L4 (See Separate Breakdown in this Section)	
66	1001133634	1	Clamp	
67	1001166393	1	Tank, Surge	
68	1001155575	4	Mount, Motor	
69	1001134485	NLA	Tray (Use p/n 1001191272) (SN 0300201016 through 0300230056)	
69	1001191272	1	Tray (SN 0300230057 to Present)	
70	1001135090	1	Radiator	
71	1001135138	1	Spacer, Fan	
72	1001135560	1	Support, Engine	
73	1001135562	1	Support, Engine - Rear	
74	1001135679	1	Spacer, Pulley	
75	1001135680	1	Support, Radiator	
76	1001135901	1	Pipe, Air Intake	
77	1001135903	1	Pipe, Air Intake	
78	1001135913	1	Pipe, Turbo to Air Cleaner	
79	1001135914	1	Pipe, Air Cleaner to Intake	
80	1001135924	1	Hose, Radiator (Upper)	
81	1001135926	1	Hose, Radiator (Lower)	
82	1001135943	1	Coupling, Rubber	
83	1001135946	1	Elbow, Rubber	
84	1001136292	1	Pipe, 90	
85	1001138827	1	Sensor, Coolant Level	
86	1001136626	2	Bracket	
87	1001136665	1	Bracket	
88	1001136834	1	Cap, Tank	
89	1001142398	1	Support, Engine	
90	1001137276	1	Fan	
91	1001138228	1	Module, Power	
91	70023592	1	Fuse 20Amp (Switched Output)	
91	70023593	1	Fuse 30Amp (Battery Output)	
92	1001138253	5	Clamp	
94	1001138346	1	Harness, Engine (Not Shown - See Separate Breakdown in ELECTRICAL SECTION)	
95	1001138524	1	Hose	
96	1001138559	1	Fitting, 90	
97	1001139240	1	Bracket	
98	1001153024	1	Pipe, Exhaust	
100	1001141304	1	Wire, Glow Plug (Not Shown)	
101	1001141717	1	Fitting, Straight	
102	1001141719	1	Fitting, 90 Barbed	
103	1001140564	1	Fitting, 90 Barbed	

SECTION 3 - ENGINE

ITEM	PART NUMBER	QTY	DESCRIPTION	REV
104	1001133633	1	Air Cleaner Assembly	
104	70024190	1	Element, Air Filter	
105	1001135779	1	Cable, Alternator Positive (Not Shown)	
106	1001138248	4 ft/ 1.2m	Tubing	
107	1320022	2	Clamp	
108	2720015	4.5 ft/ 1.4m	Hose	
110	1001165035	30.5 ft/ 9.3m	Hose	
112	8405007	2	Clamp	
113	4240099	AR	Tie-Strap (Used to Secure Block Heater Cord)	
114	4460234	3	Mount, Wire Tie (Used to Secure Block Heater Cord)	
115	1001140312	1	Heater, Block	
116	0761214	3	Bolt M12 x 30	
117	1001165820	1	Pipe, Elbow	
118	1001143390	1	Indicator, Air Filter Service	
119	1001142637	1	Hose, Hump	
120	1001142685	1	Bracket	
121	8406102	AR	Clip	
122	8406112	1	Clip	
123	1001134488	1	Fitting, 90 Barbed	
124	1001138717	1	Bracket	
125	1001142501	1	Fitting, 90 Barbed	
126	1001144089	1	Grommet	
127	1001145154	1	Plate, Mounting	
128	1001154405	5 ft/ 1.5m	Hose	
129	4640751	1	Valve, Oil Drain	
130	8405006	2	Clamp	
131	0760810	AR	Bolt M8 x 20	
132	1001148843	1	Harness, Fuel Filter (Not Shown - See Separate Breakdown in ELECTRICAL SECTION)	
134	1703162	2	Decal - Fan	
135	0641503	3	Bolt 5/16 x 3/8	
136	1001153387	1	Plate	
137	3931508	2	Capscrew 5/16 x 1/2	
138	1001155823	1	Coupling	
139	0100062	AR	Adhesive, Loctite #680	
140	1001181895	AR	Adhesive, Loctite #640 (Not Shown - Apply to Block Heater)	

SECTION 3 - ENGINE

FIGURE 3-40. DEUTZ TCD2.9L4 ENGINE COMPONENTS



ART_1001128947

SECTION 3 - ENGINE

FIGURE 3-40. DEUTZ TCD2.9L4 ENGINE COMPONENTS

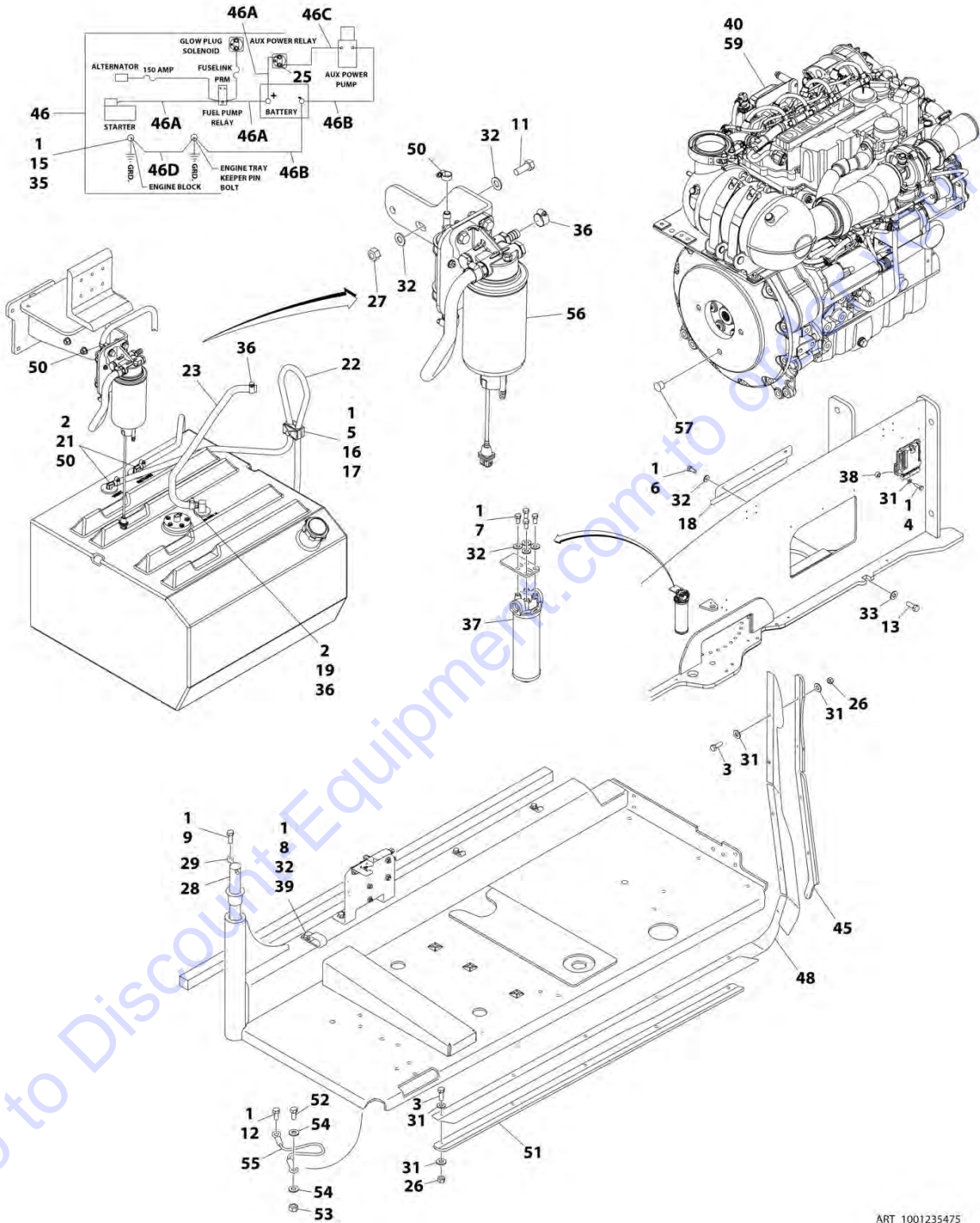
ITEM	PART NUMBER	QTY	DESCRIPTION	REV
	1001128947	Ref	DEUTZ TCD2.9L4 ENGINE COMPONENTS	K
1	70024904	1	Dipstick	
1	70024905	1	O-Ring	
2	7020465	2	Cap, Filler	
3	7002511	2	Clamp	
4	70025162	1	Pan, Oil	
4	70025088	2	Plug	
4	7020404	2	Washer, Sealing	
5	70001870	1	Flywheel	
5	7024579	1	Gear, Ring	
6	70024906	1	Gasket, Head (Not Shown)	
7	70025204	1	Shield, Heat (Not Shown)	
8	70025163	1	Cover, Valve	
8	70025205	1	Gasket	
8	70025206	1	Gasket, Small Valve Cover	
8	70025207	1	Gasket, Large Valve Cover	
8	70025208	1	Gasket	
9	70025076	1	Valve (Not Shown - Located on Right Side of Front Engine Cover)	
9	70025176	1	Spring	
9	70025082	1	Ring, Sealing	
9	70025091	1	Plug	
10	70025190	1	Cover, Front (Not Shown - Located on Front of Engine)	
10	70024907	1	Gasket, Front Cover	
10	70004280	1	Seal, Shaft - Front	
11	70002718	1	Seal, Shaft - Rear (Not Shown)	
12	70025202	1	Pump, Oil Lube (Not Shown)	
12	70025135	1	O-Ring	
12	70025136	1	Gasket	
13	7016331	1	Filter, Oil	
13	70025137	1	Bushing	
14	70004275	1	Cooler, Engine Oil	
14	70024925	1	Gasket	
15	70025171	1	Oil Suction Pump (Not Shown - Located Inside of Engine Oil Pan)	
16	70024924	1	Pump, Fuel	
16	70025152	1	O-Ring	
16	70025080	1	Washer	
16	70024488	1	Spacer	
16	70024517	1	O-Ring	
17	70025181	4	Injector, Fuel	
17	70025140	4	Washer, Sealing	
17	70025146	4	Clamp (Top of Injector)	
17	70025145	4	O-Ring	
17	70025154	4	Shoe, Clamping	
17	70000345	1	Plug, Glow (Not Shown)	
17	70025231	1	Harness, Glow Plug (Not Shown)	
18	70024961	1	Fuel Filter Assembly	
18	70025153	NLA	Filter, Fuel (Use p/n 1001225430)	
18	70024513	1	Cable, Sensor	
18	70025239	1	Ring, Sealing	
19	70024486	2	Pump, Fuel	

SECTION 3 - ENGINE

ITEM	PART NUMBER	QTY	DESCRIPTION	REV
19	70025144	1	Clamp	
20	70025160	1	Filter with Head	
20	70025161	NLA	Filter, Fuel (Use p/n 1001225431)	
21	70024504	1	Sensor, Pressure	
21	70024920	1	O-Ring	
21	70025103	1	Retainer	
22	70025151	1	Rail, Fuel (Not Shown)	
22	70025235	1	Repair Kit (Not Shown)	
23	70025182	1	Fuel Line - High Pressure (Cylinder 1 & 2)	
23	70025183	1	Fuel Line - High Pressure (Cylinder 3 & 4)	
23	70025184	1	Fuel Line - High Pressure (Supply)	
24	70004501	1	Sleeve, Rubber	
25	70004502	1	Pipe, Intake	
26	70025112	2	Clamp	
27	70025210	1	ECU (Engine Control Unit)	
28	70024910	1	Pump, Water	
28	70025200	1	Ring, Sealing	
28	70025084	2	Plug	
28	7020492	2	Ring, Sealing	
29	70024473	1	Thermostat	
29	70025143	1	O-Ring	
29	70025142	1	Cover, Thermostat	
30	70025177	1	Pipe (Not Shown - Located on Left Side)	
30	70025179	2	Gasket (Not Shown)	
31	70025178	1	Pipe	
31	70025156	1	Valve, Shuttle	
31	70025179	2	Gasket	
31	70025180	1	Gasket	
32	70025203	1	Module, EGR	
32	70025155	1	Plug	
33	70004282	1	Manifold, Exhaust	
33	70025164	1	Gasket, Exhaust Manifold to Head	
34	70004503	1	Turbocharger	
34	70024912	1	Gasket, Exhaust Manifold	
35	70025477	1	Tensioner, Belt	
36	70024484	1	Idler Roller	
37	70004277	1	Belt, Drive	
38	70024915	1	Starter	
39	70025533	1	Generator	
39	70025149	1	Regulator, Voltage	
40	70004284	1	Harness, Engine (Not Shown)	
41	70024507	1	Sensor, Pressure (Not Shown - Located Top Rear)	
41	70025120	1	O-Ring	
42	70026210	1	Sensor (Not Shown - Located Left Side Front and Flywheel Housing)	
42	70024917	1	O-Ring	
43	70024918	1	Sender, Temperature	
44	70024919	1	Sensor, Pressure	
44	70024920	1	O-Ring	
45	70005445	1	Outlet, Muffler	
46	70004279	1	Gasket Kit (Not Shown)	

SECTION 3 - ENGINE

FIGURE 3-41. DEUTZ TCD2.9L4 (STAGE V) DIESEL ENGINE INSTALLATION - WITH SAUER PUMPS AND ABS HOODS (WITHOUT COLD WEATHER PLUS PACKAGE)



ART_1001235475

SECTION 3 - ENGINE

FIGURE 3-41. DEUTZ TCD2.9L4 (STAGE V) DIESEL ENGINE INSTALLATION - WITH SAUER PUMPS AND ABS HOODS (WITHOUT COLD WEATHER PLUS PACKAGE)

ITEM	PART NUMBER	QTY	DESCRIPTION	REV
	1001235475	Ref	DEUTZ TCD2.9L4 (Stage V) DIESEL ENGINE INSTALLATION - WITH SAUER PUMPS AND ABS HOODS (WITHOUT COLD WEATHER PLUS PACKAGE)	C
1	0100011	AR	Compound, Locking	
2	0100079	AR	Sealant, Pipe	
3	0641408	10	Bolt 1/4 x 1	
4	0641410	4	Bolt 1/4 x 1-1/4	
5	0641511	1	Bolt 5/16 x 1-3/8	
6	0641605	3	Bolt 3/8 x 5/8	
7	0641606	4	Bolt 3/8 x 3/4	
8	0641608	1	Bolt 3/8 x 1	
9	0641610	1	Bolt 3/8 x 1-1/4	
11	0641612	2	Bolt 3/8 x 1-1/2	
12	0641808	1	Bolt 1/2 x 1	
13	0642010	1	Bolt 5/8 x 1-1/4	
15	0761210	1	Bolt M12 x 20	
16	1320187	1	Clamp	
17	1320190	1	Cover, Clamp	
18	1671121	1	Cover	
19	2180832	1	Fitting, Barbed	
21	2220313	2	Fitting, Elbow Barbed	
22	2750532	5 ft/ 1.5m	Hose	
23	1001154405	2 ft/ 0.6m	Hose	
25	3300220	2	Nut 5/16	
26	3311405	10	Nut 1/4	
27	3311605	2	Nut 3/8	
28	3422446	1	Pin, Pivot	
29	3841143	1	Pin, Keeper	
30	4240018	2	Strap, Tie (Not Shown)	
31	4711400	24	Washer 1/4	
32	4711600	12	Washer 3/8	
33	4752000	1	Washer 5/8	
35	4812100	1	Washer M12	
36	8405006	2	Clamp	
37	1001108617	1	Filter	
37	70002231	1	Element, Filter	
38	1001110425	4	Spacer	
39	1001116792	1	Clamp	
40	1001235476	1	Engine Sub-Assembly (See Separate Breakdown in this Section)	
42	1001138491	NLA	Harness, Fuel (Use p/n 1001222665) (Not Shown - See Separate Breakdown in ELECTRICAL SECTION)	
45	1001145089	1	Clamp	
46	1001141225	1	Battery Cable Kit	E
46A	7027042	1	Cable, Battery (Red) (Battery + to Relays and Starter)	
46B	7027043	1	Cable, Battery (Black) (Battery - to Tray Pivot Grd and Aux Pump)	
46C	7027044	1	Cable (Red) (Aux Relay to Aux Pump)	
46D	7027045	1	Cable, Battery (Black) (Engine to Tray Pivot Grd)	
48	1001145560	1	Panel, Rubber	
50	1320022	3	Clamp	

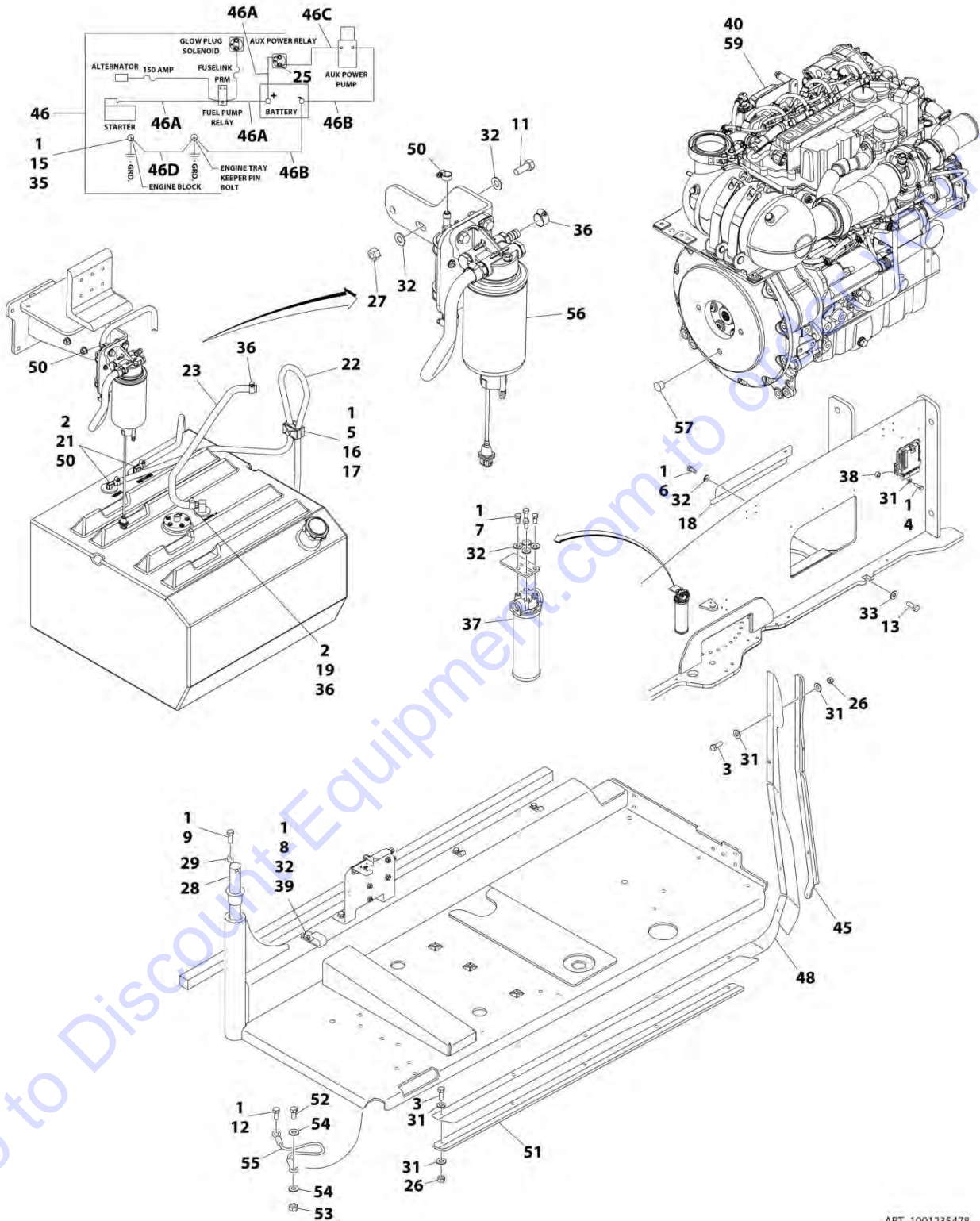
SECTION 3 - ENGINE

ITEM	PART NUMBER	QTY	DESCRIPTION	REV
51	1001145842	1	Plate, Clamping	
52	0641708	1	Bolt 7/16 x 1	
53	3311705	1	Nut 7/16	
54	4711700	2	Washer 7/16	
55	1001131542	1	Lanyard	
56	1001165101	1	Bracket, Fuel Pump Filter Assembly (See Separate Breakdown in this Section)	
57	3520054	1	Plug	
58	1001241835	1 l	Fluid, Diesel Fuel Additive (Not Shown)	
59	1001235459	1	Engine, Deutz TCD2.9L4 (See Separate Breakdown in this Section)	

Go to Discount-Equipment.com to order your parts

SECTION 3 - ENGINE

FIGURE 3-42. DEUTZ TCD2.9L4 (STAGE V) DIESEL ENGINE INSTALLATION - WITH REXROTH PUMPS AND ABS HOODS (WITHOUT COLD WEATHER PLUS PACKAGE)



ART_1001235478

SECTION 3 - ENGINE

FIGURE 3-42. DEUTZ TCD2.9L4 (STAGE V) DIESEL ENGINE INSTALLATION - WITH REXROTH PUMPS AND ABS HOODS (WITHOUT COLD WEATHER PLUS PACKAGE)

ITEM	PART NUMBER	QTY	DESCRIPTION	REV
	1001235478	Ref	DEUTZ TCD2.9L4 (STAGE V) DIESEL ENGINE INSTALLATION - WITH REXROTH PUMPS AND ABS HOODS (WITHOUT COLD WEATHER PLUS PACKAGE)	C
1	0100011	AR	Compound, Locking	
2	0100079	AR	Sealant, Pipe	
3	0641408	10	Bolt 1/4 x 1	
4	0641410	4	Bolt 1/4 x 1-1/4	
5	0641511	1	Bolt 5/16 x 1-3/8	
6	0641605	3	Bolt 3/8 x 5/8	
7	0641606	4	Bolt 3/8 x 3/4	
8	0641608	1	Bolt 3/8 x 1	
9	0641610	1	Bolt 3/8 x 1-1/4	
11	0641612	2	Bolt 3/8 x 1-1/2	
12	0641808	1	Bolt 1/2 x 1	
13	0642010	1	Bolt 5/8 x 1-1/4	
15	0761210	1	Bolt M12 x 20	
16	1320187	1	Clamp	
17	1320190	1	Cover, Clamp	
18	1671121	1	Cover	
19	2180832	1	Fitting, Barbed	
21	2220313	2	Fitting, Elbow Barbed	
22	2750532	5 ft/ 1.5m	Hose	
23	1001154405	2 ft/ 0.6m	Hose	
25	3300220	2	Nut 5/16	
26	3311405	10	Nut 1/4	
27	3311605	2	Nut 3/8	
28	3422446	1	Pin, Pivot	
29	3841143	1	Pin, Keeper	
30	4240018	2	Strap, Tie (Not Shown)	
31	4711400	24	Washer 1/4	
32	4711600	12	Washer 3/8	
33	4752000	1	Washer 5/8	
35	4812100	1	Washer M12	
36	8405006	2	Clamp	
37	1001108617	1	Filter	
37	70002231	1	Element, Filter	
38	1001110425	4	Spacer	
39	1001116792	1	Clamp	
40	1001235479	1	Engine Sub-Assembly (See Separate Breakdown in this Section)	
42	1001138491	NLA	Harness, Fuel (Use p/n 1001222665) (Not Shown - See Separate Breakdown in ELECTRICAL SECTION)	
45	1001145089	1	Clamp	
46	1001141225	1	Battery Cable Kit	
46A	7027042	1	Cable, Battery (Red) (Battery + to Relays and Starter)	
46B	7027043	1	Cable, Battery (Black) (Battery - to Tray Pivot Grd and Aux Pump)	
46C	7027044	1	Cable (Red) (Aux Relay to Aux Pump)	
46D	7027045	1	Cable, Battery (Black) (Engine to Tray Pivot Grd)	
48	1001145560	1	Panel, Rubber	
50	1320022	3	Clamp	

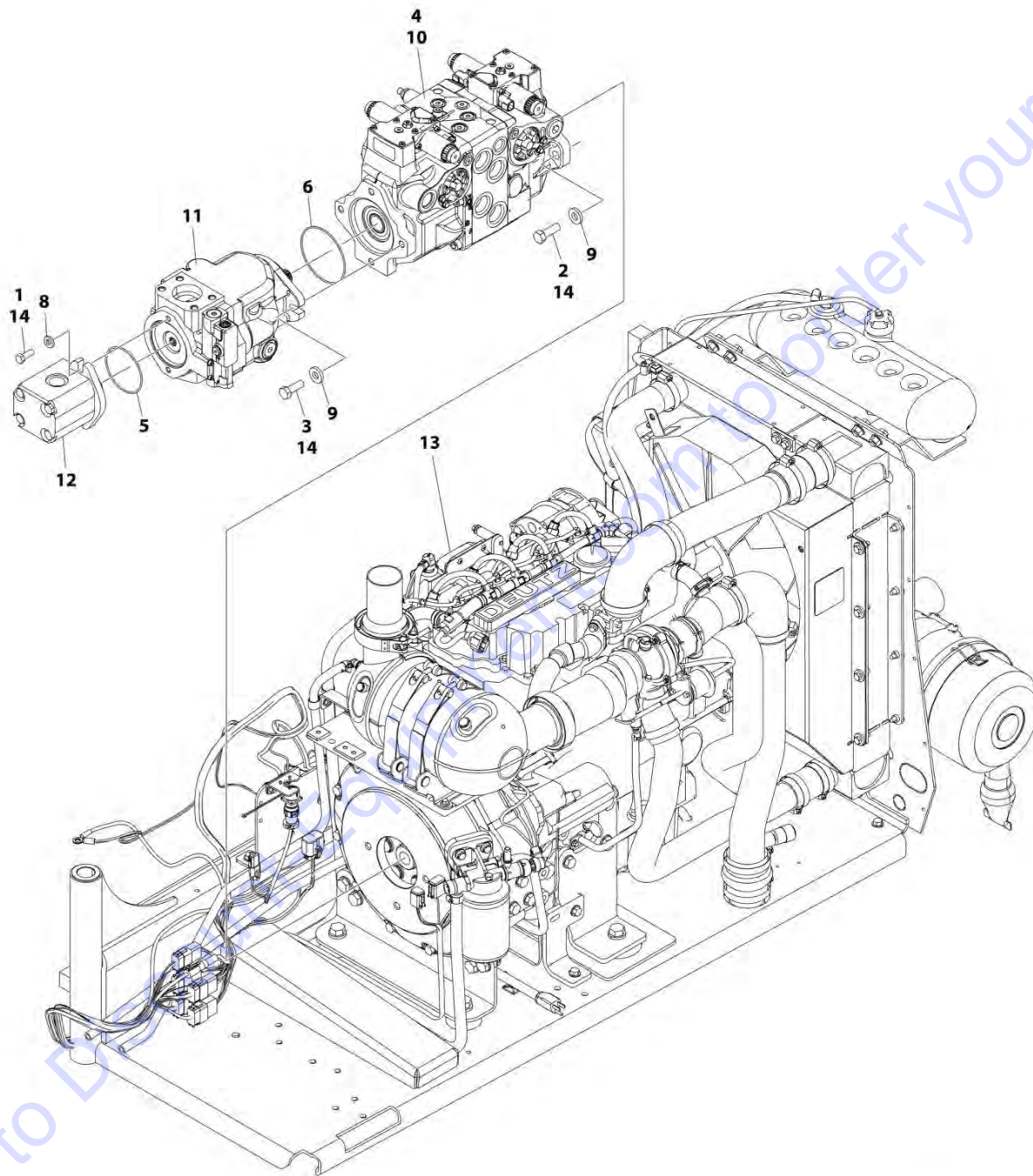
SECTION 3 - ENGINE

ITEM	PART NUMBER	QTY	DESCRIPTION	REV
51	1001145842	1	Plate, Clamping	
52	0641708	1	Bolt 7/16 x 1	
53	3311705	1	Nut 7/16	
54	4711700	2	Washer 7/16	
55	1001131542	1	Lanyard	
56	1001165101	1	Bracket, Fuel Pump Filter Assembly (See Separate Breakdown in this Section)	
57	3520054	1	Plug	
58	1001241835	1 l	Fluid, Diesel Fuel Additive (Not Shown)	
59	1001235459	1	Engine, Deutz TCD2.9L4 (See Separate Breakdown in this Section)	

Go to Discount-Equipment.com to order your parts

SECTION 3 - ENGINE

FIGURE 3-43. DEUTZ TCD2.9L4 (STAGE V) ENGINE SUB-ASSEMBLY - WITH SAUER PUMP AND ABS HOODS (WITHOUT COLD WEATHER PLUS PACKAGE)



ART_1001235476

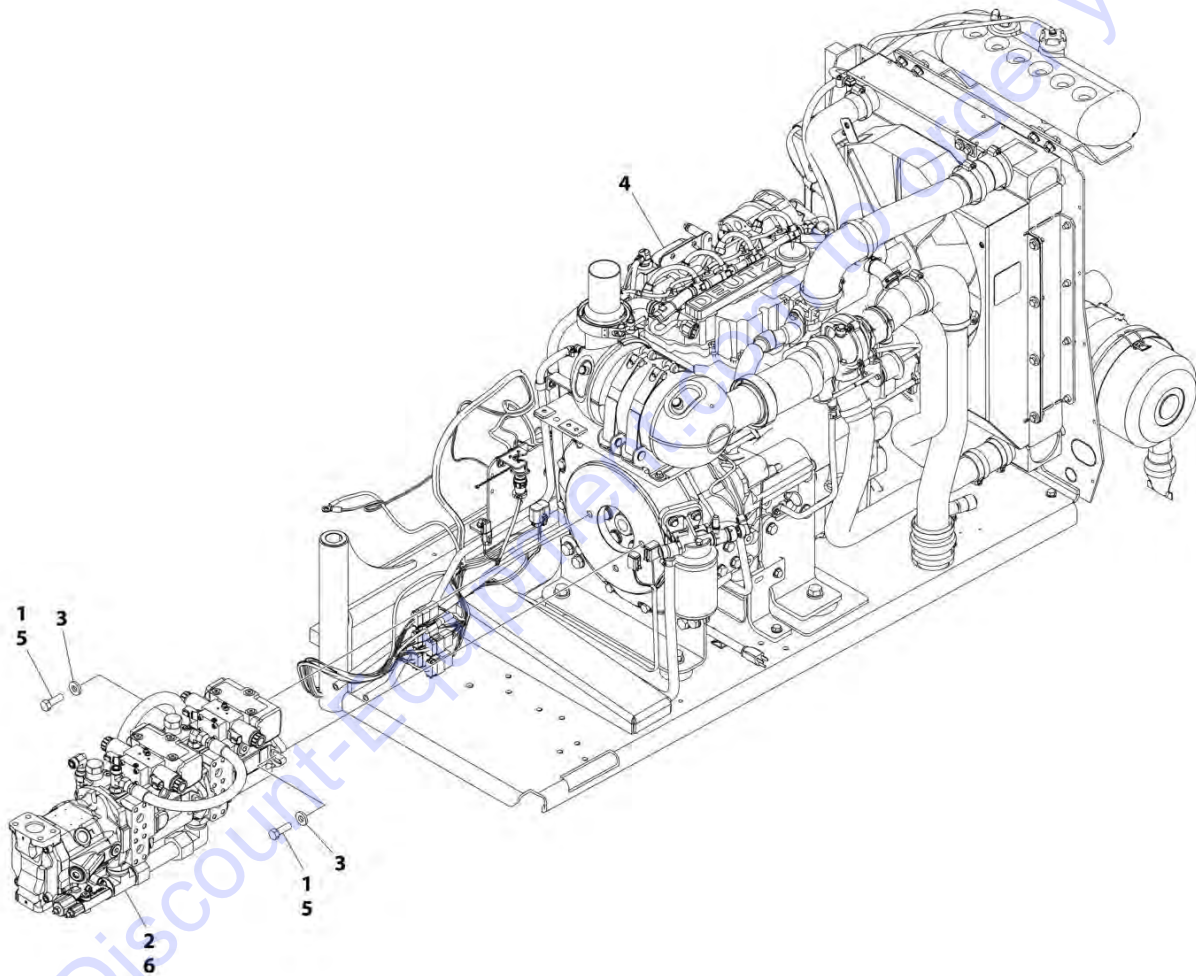
SECTION 3 - ENGINE

FIGURE 3-43. DEUTZ TCD2.9L4 (STAGE V) ENGINE SUB-ASSEMBLY - WITH SAUER PUMP AND ABS HOODS (WITHOUT COLD WEATHER PLUS PACKAGE)

ITEM	PART NUMBER	QTY	DESCRIPTION	REV
	1001235476	Ref	DEUTZ TCD2.9L4 (STAGE V) ENGINE SUB-ASSEMBLY - WITH SAUER PUMP (WITHOUT COLD WEATHER PLUS PACKAGE)	D
1	0641608	2	Bolt 3/8 x 1	
2	0641812	2	Bolt 1/2 x 1-1/2	
3	0761215	2	Bolt M12 x 35	
4	3020037	AR	Grease, Pump Coupling	
5	3790152	1	O-Ring	
6	3790155	1	O-Ring	
8	4891600	2	Washer 3/8	
9	4891800	4	Washer 1/2	
10	1001108616	1	Pump Assembly - Sauer Tandem (See Separate Breakdown in this Section)	
11	1001171095	1	Pump Assembly - Sauer Piston (See Separate Breakdown in this Section)	
12	1001112927	1	Pump Assembly - Sauer Gear (See Separate Breakdown in this Section)	
13	1001235477	1	Engine Assembly (See Separate Breakdown in this Section)	
14	0100011	AR	Compound, Locking	

SECTION 3 - ENGINE

FIGURE 3-44. DEUTZ TCD2.9L4 (STAGE V) ENGINESUB-ASSEMBLY - WITH REXROTH PUMP AND ABS HOODS (WITHOUT COLD WEATHER PLUS PACKAGE)



ART_1001235479

SECTION 3 - ENGINE

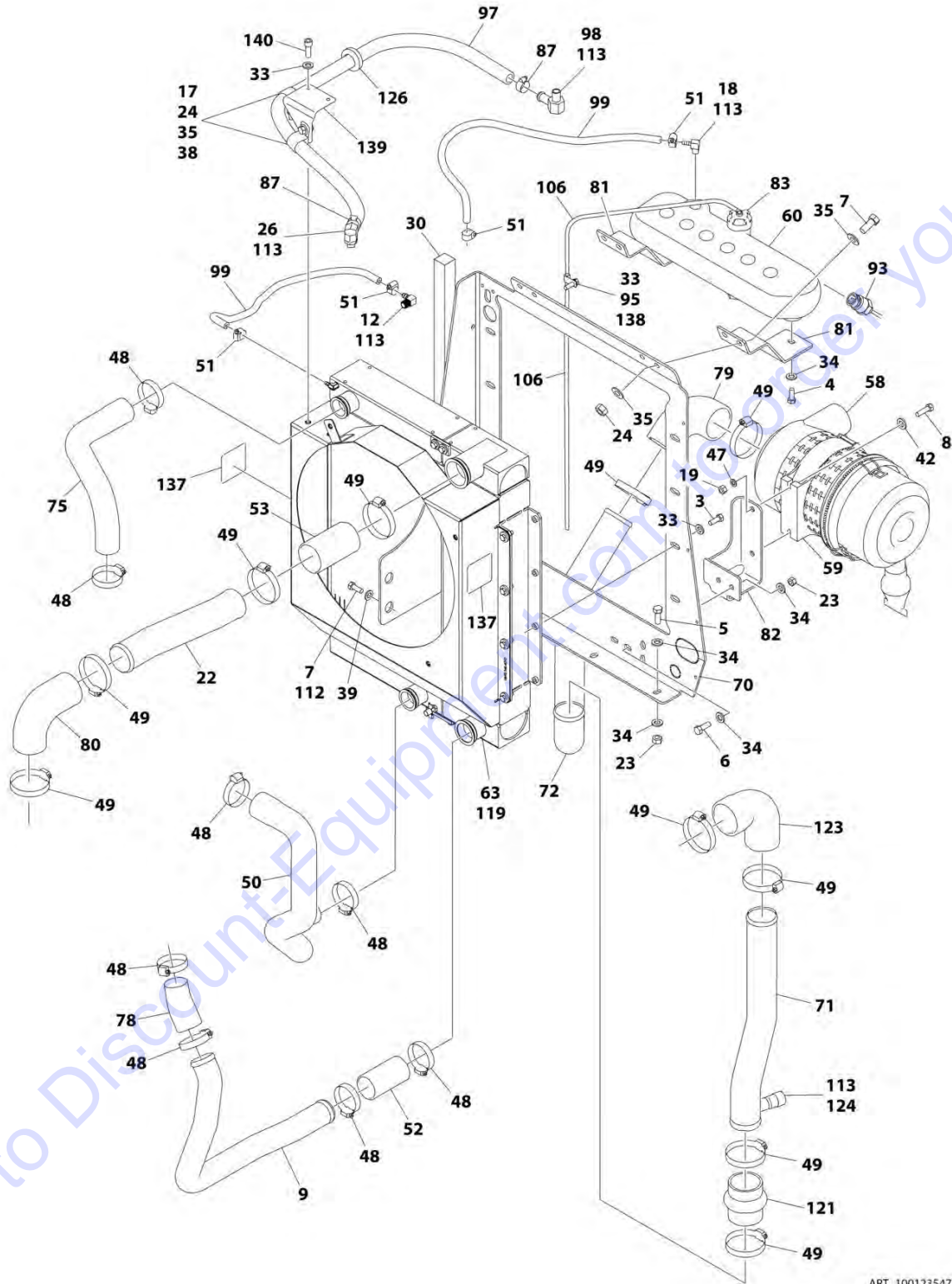
FIGURE 3-44. DEUTZ TCD2.9L4 (STAGE V) ENGINE SUB-ASSEMBLY - WITH REXROTH PUMP AND ABS HOODS (WITHOUT COLD WEATHER PLUS PACKAGE)

ITEM	PART NUMBER	QTY	DESCRIPTION	REV
	1001235479	Ref	DEUTZ TCD2.9L4 (STAGE V) ENGINE SUB-ASSEMBLY - WITH REXROTH PUMP (WITHOUT COLD WEATHER PLUS PACKAGE)	D
1	0641812	2	Bolt 1/2 x 1-1/2	
2	3020037	AR	Grease, Pump Coupling	
3	4891800	2	Washer 1/2	
4	1001235477	1	Engine Assembly (See Separate Breakdown in this Section)	
5	0100011	AR	Compound, Locking	
6	1001152963	1	Pump Assembly - Rexroth (See Separate Breakdown in this Section)	

Go to Discount-Equipment.com to order your parts

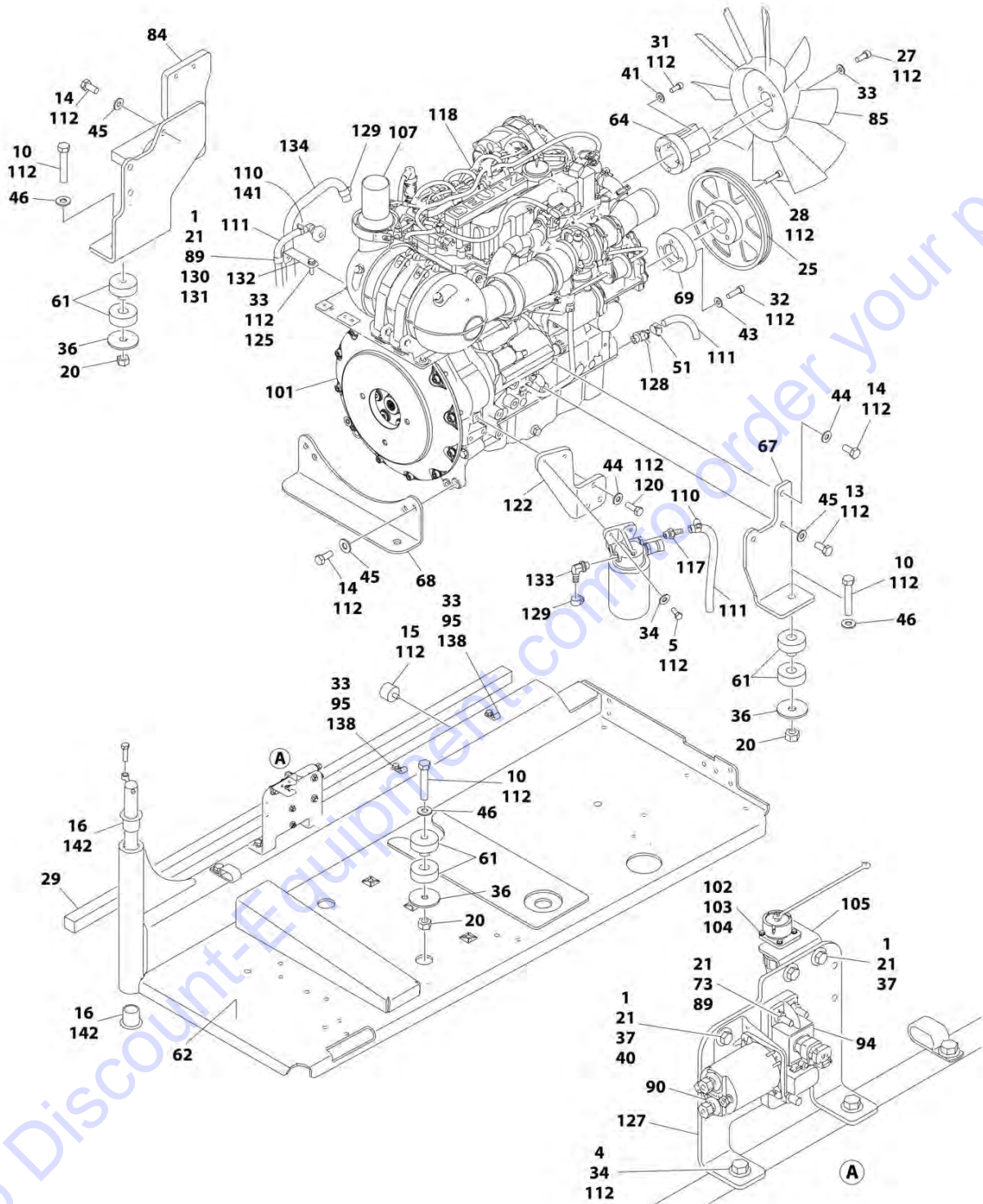
SECTION 3 - ENGINE

FIGURE 3-45. DEUTZ TCD2.9L4 ENGINE (STAGE V) ASSEMBLY (WITHOUT COLD WEATHER PLUS PACKAGE)



ART_1001235477_10F2

SECTION 3 - ENGINE



ART_1001235477_20F2

SECTION 3 - ENGINE

FIGURE 3-45. DEUTZ TCD2.9L4 (STAGE V) ENGINE ASSEMBLY (WITHOUT COLD WEATHER PLUS PACKAGE)

ITEM	PART NUMBER	QTY	DESCRIPTION	REV
	1001235477	Ref	DEUTZ TCD2.9L4 (STAGE V) ENGINE ASSEMBLY (WITHOUT COLD WEATHER PLUS PACKAGE)	D
1	0641406	5	Bolt 1/4 x 3/4	
3	0641508	8	Bolt 5/16 x 1	
4	0641606	5	Bolt 3/8 x 3/4	
5	0641608	9	Bolt 3/8 x 1	
6	0641610	2	Bolt 3/8 x 1-1/4	
7	0641708	6	Bolt 7/16 x 1	
8	0700815	2	Bolt M8 x 35	
9	1001135913	1	Pipe, Turbo to Air Cleaner	
10	0682028	4	Bolt 5/8 x 3-1/2 Grade 8	
12	1001140564	1	Fitting, 90 Barbed	
13	0771212	1	Bolt M12 x 25 Grade 10.9	
14	0771414	9	Bolt M14 x 30 Grade 10.9	
15	0940070	1	Bumper	
16	0961986	2	Bushing, Flanged	
17	0641706	2	Bolt 7/16 x 3/4	
18	1001134488	1	Fitting, 90 Barbed	
19	3290801	2	Nut M8	
20	3272001	4	Nut 5/8 Grade 8	
21	3311405	6	Nut 1/4	
22	1001135914	1	Pipe, Air Cleaner to Intake	
23	3311605	9	Nut 3/8	
24	3311705	5	Nut 7/16	
25	3580320	1	Pulley	
26	1001141719	1	Fitting, 90 Barbed	
27	3931512	4	Capscrew 5/16 x 3/4	
28	3931628	4	Capscrew 3/8 x 1-3/4	
29	3960543	1	Seal	
30	3960544	1	Seal	
31	4031914	4	Bolt M8 x 50	
32	4032014	4	Bolt M10 x 50	
33	4711500	19	Washer 5/16	
34	4711600	25	Washer 3/8	
35	4711700	10	Washer 7/16	
36	1001146219	4	Washer Special	
37	4751400	8	Washer 1/4	
38	8406302	2	Clamp	
39	4751700	2	Washer 7/16	
40	4791400	2	Starwasher 1/4	
41	4811900	4	Washer M8	
42	4811902	2	Washer M8	
43	4812000	4	Washer M10	
44	4812100	4	Washer M12	
45	4812200	9	Washer M14	
46	4892000	4	Washer 5/8	
47	4831900	2	Washer M8	
48	8405201	8	Clamp	
49	8405204	10	Clamp	

SECTION 3 - ENGINE

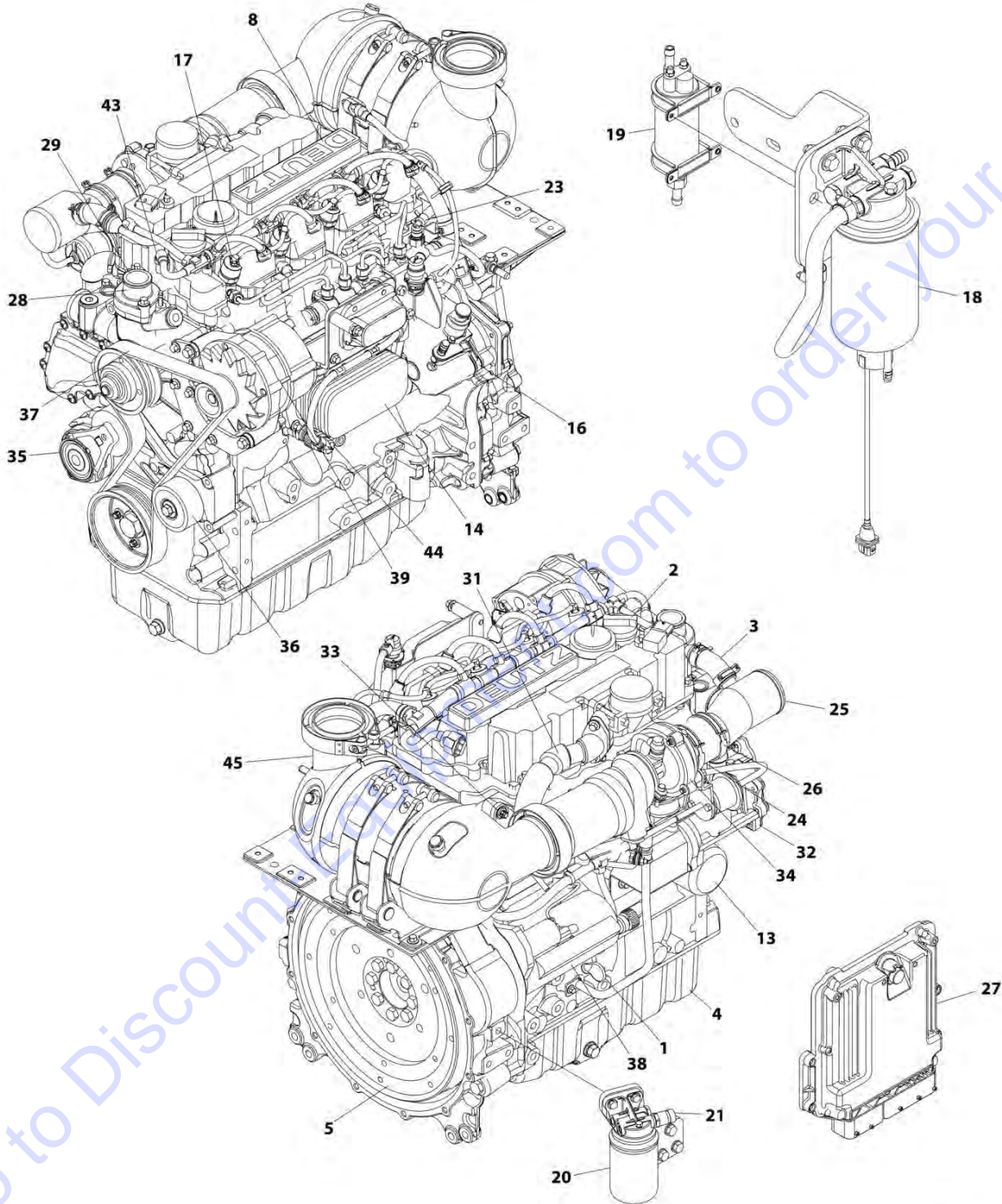
ITEM	PART NUMBER	QTY	DESCRIPTION	REV
50	1001135926	1	Pipe, Radiator (Lower)	
51	8410013	5	Clamp	
52	91563070	1	Coupling, Rubber	
53	1001114495	1	Hose	
58	1001133633	1	Air Cleaner Assembly	
58	70024190	1	Element, Air Filter	
59	1001133634	1	Clamp	
60	1001166393	1	Tank, Surge	
61	1001155575	4	Mount, Motor	
62	1001191272	1	Tray	
63	1001135090	1	Radiator	
64	1001135138	1	Spacer, Fan	
67	1001135560	1	Support, Engine	
68	1001135562	1	Support, Engine - Rear	
69	1001135679	1	Spacer, Pulley	
70	1001135680	1	Support, Radiator	
71	1001135901	1	Pipe, Air Intake	
72	1001135903	1	Pipe, Air Intake	
73	3931432	1	Capscrew 1/4 x 2	
75	1001135924	1	Hose, Radiator (Upper)	
78	1001135943	1	Coupling, Rubber	
79	1001135946	1	Elbow, Rubber	
80	1001136292	1	Pipe, 90	
81	1001136626	2	Bracket	
82	1001136665	1	Bracket	
83	1001136834	1	Cap, Tank	
84	1001142398	1	Support, Engine	
85	1001137276	1	Fan	
87	8405007	2	Clamp	
89	4711400	3	Washer 1/4	
90	1001117308	1	Relay	
93	1001138827	1	Sensor, Coolant Level	
94	1001138228	1	Module, Power	
94	70023592	1	Fuse 20Amp (Switched Output)	
94	70023593	1	Fuse 30Amp (Battery Output)	
95	1001138253	5	Clamp	
96	1001138346	1	Harness, Engine (Not Shown - See Separate Breakdown in ELECTRICAL SECTION)	
97	1001138524	1	Hose	
98	1001138559	1	Fitting, 90	
99	2720015	4.5 ft/ 1.4m	Hose	
101	2902065	1	Pump Coupling Kit (See Separate Breakdown in this Section)	
102	3310401	3	Nut #4	
103	3910408	3	Screw #4 x 1/2	
104	4710400	3	Washer #4	
105	1001139240	1	Bracket	
106	1001138248	4 ft/ 1.2m	Tubing	
107	1001153024	1	Pipe, Exhaust	
110	1320022	2	Clamp	
111	1001165035	30.5 ft/ 9.3m	Hose	

SECTION 3 - ENGINE

ITEM	PART NUMBER	QTY	DESCRIPTION	REV
112	0100011	AR	Compound, Locking	
113	0100020	AR	Sealant	
114	1001141304	1	Wire, Glow Plug (Not Shown)	
115	1001135779	1	Cable, Alternator Positive (Not Shown)	
117	1001141717	1	Fitting, Straight	
118	1001136079	2.4 gal/ 9L	Oil, Motor	
119	2300004	3.2 gal/ 12.1L	Anti-freeze	
120	0761214	3	Bolt M12 x 30	
121	1001142637	1	Hose, Hump	
122	1001142685	1	Bracket	
123	1001165820	1	Pipe, Elbow	
124	1001143390	1	Indicator, Air Filter Service	
125	0760810	2	Bolt M8 x 20	
126	1001144089	1	Grommet	
127	1001145154	1	Plate, Mounting	
128	4640751	1	Valve, Oil Drain	
129	8405006	2	Clamp	
130	8406102	AR	Clip	
131	8406112	1	Clip	
132	1001138717	1	Bracket	
133	1001142501	1	Fitting, 90 Barbed	
134	1001154405	5 ft/ 1.5m	Hose	
135	1001148843	1	Harness, Fuel Filter (Not Shown - See Separate Breakdown in ELECTRICAL SECTION)	
137	1703162	2	Decal - Fan	
138	0641503	3	Bolt 5/16 x 3/8	
139	1001153387	1	Plate	
140	3931508	2	Capscrew 5/16 x 1/2	
141	1001155823	1	Coupling	
142	0100062	AR	Adhesive, Loctite #680	
143	4240099	AR	Tie-Strap (Not Shown)	

SECTION 3 - ENGINE

FIGURE 3-46. DEUTZ TCD2.9L4 ENGINE COMPONENTS (STAGE V)



ART_1001128947

SECTION 3 - ENGINE

FIGURE 3-46. DEUTZ TCD2.9L4 ENGINE COMPONENTS (STAGE V)

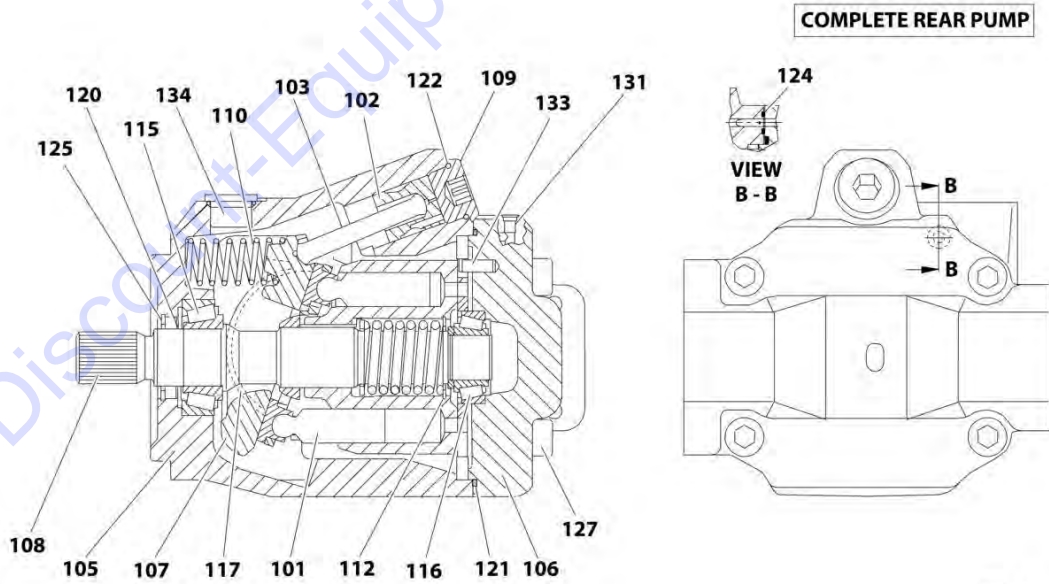
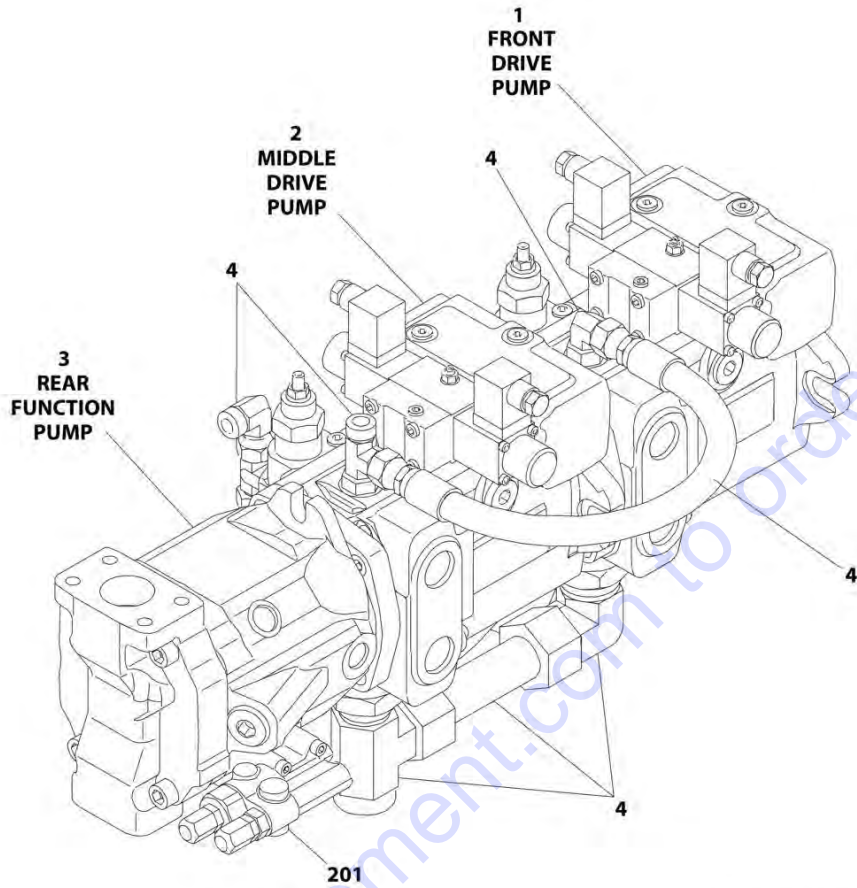
ITEM	PART NUMBER	QTY	DESCRIPTION	REV
	1001235459	Ref	DEUTZ TCD2.9L4 (STAGE V) ENGINE COMPONENTS	B
1	70024904	1	Dipstick	
1	70024905	1	O-Ring	
2	7020465	2	Cap, Filler	
3	7002511	2	Clamp	
4	70025162	1	Pan, Oil	
4	70025088	2	Plug	
4	7020404	2	Washer, Sealing	
5	70001870	1	Flywheel	
5	7024579	1	Gear, Ring	
6	70024906	1	Gasket, Head (Not Shown)	
7	70025204	1	Shield, Heat (Not Shown)	
8	70025163	1	Cover, Valve	
8	70025205	1	Gasket	
8	70025206	1	Gasket, Small Valve Cover	
8	70025207	1	Gasket, Large Valve Cover	
8	70025208	1	Gasket	
9	70025076	1	Valve (Not Shown - Located on Right Side of Front Engine Cover)	
9	70025176	1	Spring	
9	70025082	1	Ring, Sealing	
9	70025091	1	Plug	
10	70025190	1	Cover, Front (Not Shown - Located on Front of Engine)	
10	70024907	1	Gasket, Front Cover	
10	70004280	1	Seal, Shaft - Front	
11	70002718	1	Seal, Shaft - Rear (Not Shown)	
12	70025202	1	Pump, Oil Lube (Not Shown)	
12	70025135	1	O-Ring	
12	70025136	1	Gasket	
13	7016331	1	Filter, Oil	
13	70025137	1	Bushing	
14	70004275	1	Cooler, Engine Oil	
14	70024925	1	Gasket	
15	70025171	1	Oil Suction Pump (Not Shown - Located Inside of Engine Oil Pan)	
16	70024924	1	Pump, Fuel	
16	70025152	1	O-Ring	
16	70025080	1	Washer	
16	70024488	1	Spacer	
16	70024517	1	O-Ring	
17	70025181	4	Injector, Fuel	
17	70025140	4	Washer, Sealing	
17	70025146	4	Clamp (Top of Injector)	
17	70025145	4	O-Ring	
17	70025154	4	Shoe, Clamping	
17	70000345	1	Plug, Glow (Not Shown)	
17	70025231	1	Harness, Glow Plug (Not Shown)	
18	70024961	1	Fuel Filter Assembly	
18	70025153	NLA	Filter, Fuel (Use p/n 1001225430)	
18	70024513	1	Cable, Sensor	
18	70025239	1	Ring, Sealing	
19	70024486	2	Pump, Fuel	

SECTION 3 - ENGINE

ITEM	PART NUMBER	QTY	DESCRIPTION	REV
19	70025144	1	Clamp	
20	70025160	1	Filter with Head	
20	70025161	NLA	Filter, Fuel (Use p/n 1001225431)	
21	70024504	1	Sensor, Pressure	
21	70024920	1	O-Ring	
21	70025103	1	Retainer	
22	70025151	1	Rail, Fuel (Not Shown)	
22	70025235	1	Repair Kit (Not Shown)	
23	70025182	1	Fuel Line - High Pressure (Cylinder 1 & 2)	
23	70025183	1	Fuel Line - High Pressure (Cylinder 3 & 4)	
23	70025184	1	Fuel Line - High Pressure (Supply)	
24	70004501	1	Sleeve, Rubber	
25	70004502	1	Pipe, Intake	
26	70025112	2	Clamp	
27	70025210	1	ECU (Engine Control Unit)	
28	70024910	1	Pump, Water	
28	70025200	1	Ring, Sealing	
28	70025084	2	Plug	
28	7020492	2	Ring, Sealing	
29	70024473	1	Thermostat	
29	70025143	1	O-Ring	
29	70025142	1	Cover, Thermostat	
30	70025177	1	Pipe (Not Shown - Located on Left Side)	
30	70025179	2	Gasket (Not Shown)	
31	70025178	1	Pipe	
31	70025156	1	Valve, Shuttle	
31	70025179	2	Gasket	
31	70025180	1	Gasket	
32	70025203	1	Module, EGR	
32	70025155	1	Plug	
33	70004282	1	Manifold, Exhaust	
33	70025164	1	Gasket, Exhaust Manifold to Head	
34	70004503	1	Turbocharger	
34	70024912	1	Gasket, Exhaust Manifold	
35	70025477	1	Tensioner, Belt	
36	70024484	1	Idler Roller	
37	70004277	1	Belt, Drive	
38	70024915	1	Starter	
39	70025533	1	Generator	
39	70025149	1	Regulator, Voltage	
40	70004284	1	Harness, Engine (Not Shown)	
41	70024507	1	Sensor, Pressure (Not Shown - Located Top Rear)	
41	70025120	1	O-Ring	
42	70026210	1	Sensor (Not Shown - Located Left Side Front and Flywheel Housing)	
42	70024917	1	O-Ring	
43	70024918	1	Sender, Temperature	
44	70024919	1	Sensor, Pressure	
44	70024920	1	O-Ring	
45	70005445	1	Outlet, Muffler	
46	70004279	1	Gasket Kit (Not Shown)	

SECTION 3 - ENGINE

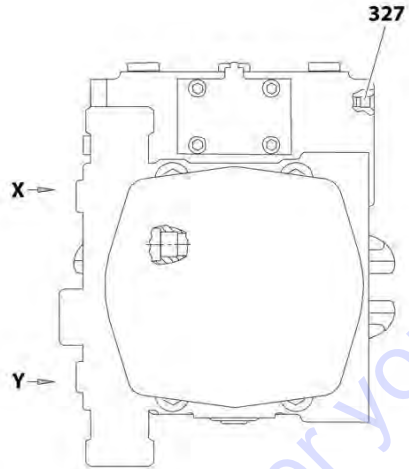
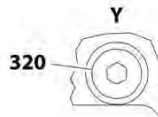
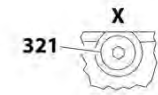
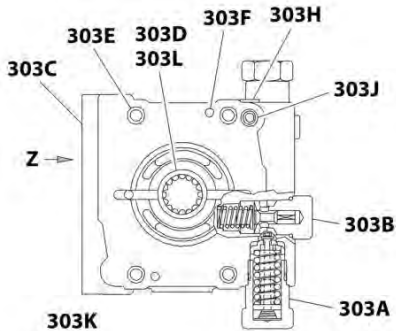
FIGURE 3-47. PUMP ASSEMBLY (REXROTH) (DEUTZ TD2011 ENGINES)



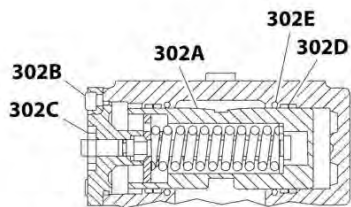
ART_3600339_10F2

SECTION 3 - ENGINE

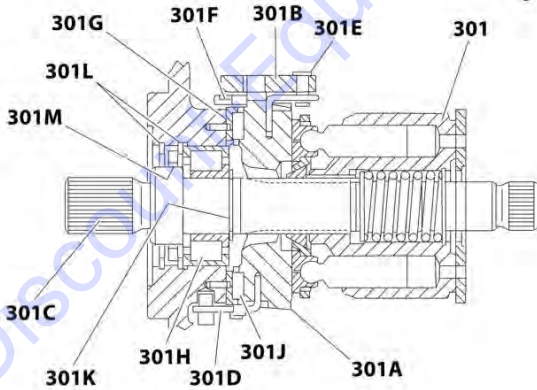
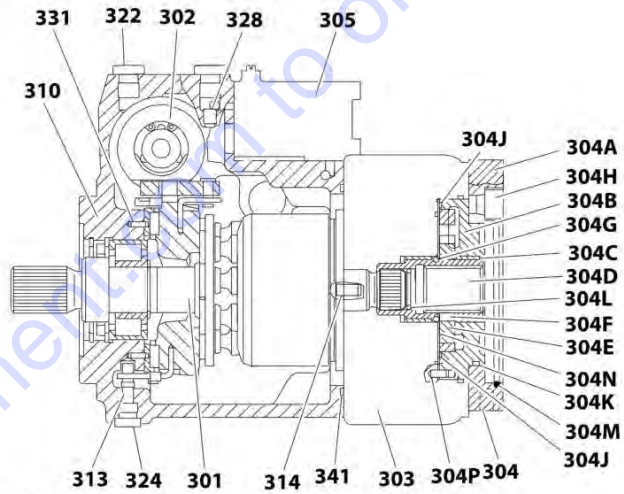
COMPLETE FRONT AND PUMPS



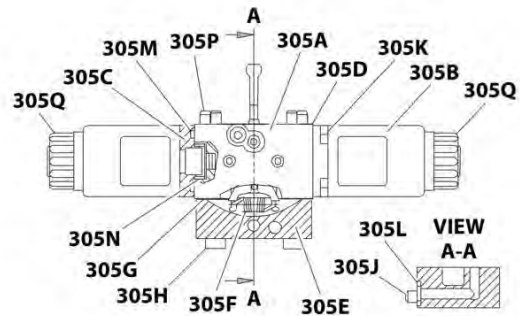
PORT PLATE SECTION FRONT AND MID PUMPS (DETAIL OF ITEM 303)



HYD. CONTROL FRONT AND MID PUMPS (DETAIL OF ITEM 302)



ROTARY GROUP FRONT AND MID PUMPS (DETAIL OF ITEM 301)



CONTROL MODULE FRONT AND MID PUMPS (DETAIL OF ITEM 305)

ART_3600339_20F2

SECTION 3 - ENGINE

FIGURE 3-47. PUMP ASSEMBLY (REXROTH) (DEUTZ TD2011 ENGINES)

ITEM	PART NUMBER	QTY	DESCRIPTION	REV
	3600339	Ref	PUMP ASSEMBLY (REXROTH) (DEUTZ TD2011 ENGINES)	D
1	7024042	1	Front Drive Pump Assembly (Includes Items 301-341)	
2	7024043	1	Middle Drive Pump Assembly (Includes Items 301-341)	
3	7024044	1	Rear Function Pump Assembly (Includes Items 101-201)	
4	70001952	1	Hydraulic Kit (Includes all Rexroth Supplied Hydraulic Fittings, Hoses and Tubes)	
	7024044	Ref	REAR FUNCTION PUMP ASSEMBLY	
101	7024914	1	Rotary Section	
102	See Note	1	Piston, Control (Note: Not Available - Purchase Complete Assembly)	
103	See Note	1	Rod, Piston (Note: Not Available - Purchase Complete Assembly)	
105	See Note	1	Housing, Pump (Note: Not Available - Purchase Complete Assembly)	
106	See Note	1	Plate, Port (Note: Not Available - Purchase Complete Assembly)	
107	7024915	1	Plate, Swash	
108	7024916	1	Driveshaft	
109	See Note	1	Plug (Note: Not Available for Purchase)	
110	See Note	1	Spring (Note: Not Available for Purchase)	
112	7012709	1	Shim	
115	7024038	1	Bearing, Roller	
116	7012706	1	Bearing, Roller	
117	7024917	2	Shell, Cradle	
120	7024918	1	Seal, Shaft	
121	7024919	1	O-Ring	
122	7024920	1	O-Ring	
124	7024921	1	Seal	
125	7012715	1	V-Ring	
127	See Note	4	Capscrew M12 x 45 Grade 10.9 (Note: Not Available for Purchase)	
131	See Note	1	Plug (Note: Not Available for Purchase)	
133	See Note	1	Pin, Dowel (Note: Not Available for Purchase)	
134	See Note	1	Plug (Note: Not Available for Purchase)	
201	7024913	Ref	Pilot Valve Assembly	
		Ref	Note: Two mounting designs of p/n 7024913 pilot valve exist. Early design uses qty. 3 O-rings. Late design uses qty 1 sealing plate. Seal designs cannot be interchanged. Verify seal design before ordering.	
201	7024922	3	O-Ring (Seals between Pilot Valve and Rear Pump)	
201	70021867	1	Plate, Sealing (Seals between Pilot Valve and Rear Pump)	
		Ref	FRONT DRIVE PUMP ASSEMBLIES	
	7024042	Ref	Front Drive Pump Assembly	
	7024043	Ref	Middle Drive Pump Assembly	
301	7024064	1	Rotary Group	
301A	See Note	NSS	Cradle (Note: Use Item 301)	
301B	See Note	NSS	Ring, Slide (Note: Use Item 301)	
301C	See Note	NSS	Driveshaft (Note: Use Item 301)	
301D	See Note	NSS	Wire (Note: Use Item 301)	
301E	See Note	NSS	Pin, Joint (Note: Use Item 301)	
301F	See Note	NSS	Wire (Note: Use Item 301)	
301G	See Note	NSS	Liner, Bearing (Note: Use Item 301)	
301H	See Note	NSS	Bearing, Roller (Note: Use Item 301)	
301J	See Note	NSS	Cradle Bearing Assembly (Note: Use Item 301)	

SECTION 3 - ENGINE

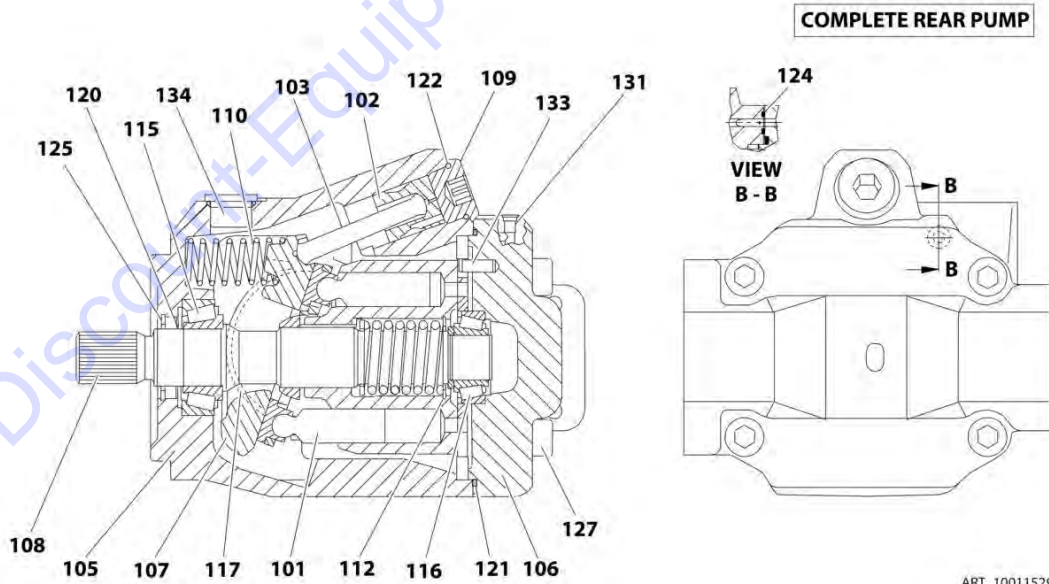
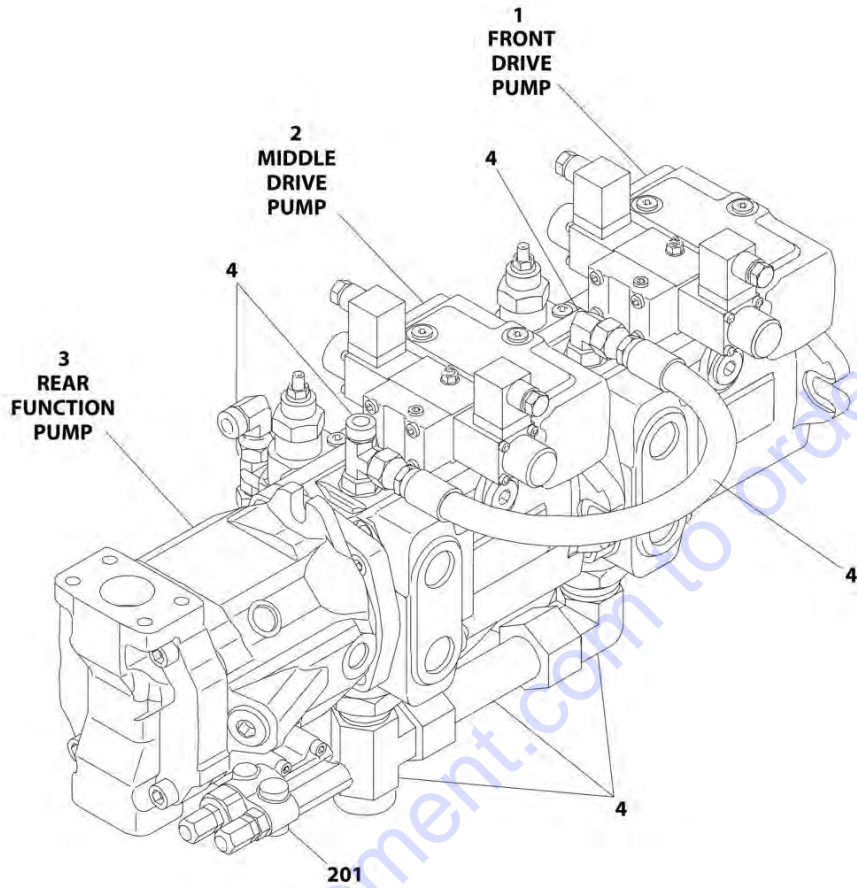
ITEM	PART NUMBER	QTY	DESCRIPTION	REV
301K	See Note	NSS	Ring, Retaining (Note: Use Item 301)	
301L	70001968	2	Ring, Retaining	
301M	7024070	1	Seal, Shaft Ring	
302	7024065	1	Control Group - Hydraulic	
302A	See Note	NSS	Piston, Positioning - Complete (Note: Use Item 302)	
302A	7024071	1	O-Ring, Outer Seal	
302A	7024072	1	O-Ring, Stem	
302B	See Note	4	Capscrew M6 x 12 (Note: Not Available - Purchase Locally)	
302C	See Note	NSS	Nut (Note: Use Item 302)	
302D	See Note	NSS	Ring, Guide (Note: Use Item 302)	
302E	See Note	NSS	Seal, O-Ring (Note: Use Item 302)	
303	7024911	1	Port Plate Group	
303A	7024073	2	Cartridge, Relief Valve (High Pressure)	
303A	7024075	1	O-Ring	
303A	7024076	1	Ring, Back-up	
303B		Ref	Cartridge Options:	
303B	7024097	1	Front Pump Cartridge (Lock Valve with Orifice) Note: Sold as an Assembly except Outer Seal.	
303B	7024075	1	O-Ring	
303B	7023881	1	Middle Pump Cartridge (Pressure Relief Valve) Note: Sold as an Assembly except Outer Seal.	
303B	7024077	1	O-Ring	
303C	See Note	NSS	Plate, Port (Note: Use Item 303)	
303D	See Note	NSS	Bushing, Bearing (Note: Use Item 303)	
303E	See Note	4	Capscrew M12 x 70 Grade10.9 (Note: Not Available - Purchase Locally)	
303F	See Note	NSS	Pin, Dowel (Note: Use Item 303)	
303G	See Note	NSS	Pin, Break-Off (Note: Use Item 303)	
303H	See Note	1	Screw, Locking M10 x 1 (Note: Not Available - Purchase Locally)	
303J	7024908	2	O-Ring	
303K	See Note	2	Screw, Locking 7/16 (Note: Not Available - Purchase Locally)	
303L	See Note	NSS	Bearing, Roller (Note: Use Item 303)	
304	7024906	1	Internal Gear Pump	
304A	See Note	NSS	Flange, Intermediate (Note: Use Item 304)	
304B	See Note	NSS	IZP-Housing (Note: Use Item 304)	
304C	See Note	NSS	Bushing, Bearing (Note: Use Item 304)	
304D	See Note	NSS	Coupling, Driveshaft Through (Note: Use Item 304)	
304E	See Note	NSS	Gear Set (Note: Use Item 304)	
304F	See Note	NSS	Key, Driveshaft (Note: Use Item 304)	
304G	See Note	NSS	Ring, Retaining (Note: Use Item 304)	
304H	See Note	4	Capscrew M10 x 20 (Note: Not Available - Purchase Locally)	
304J	7024080	2	Seal	
304K	7024081	1	O-Ring	
304L	See Note	NSS	Ring, Retaining (Note: Use Item 304)	
304M	See Note	NSS	O-Ring (Note: Use Item 304)	
304N	7024005	1	Plate, Wear	
304P	See Note	NSS	Pin, Cylinder (Note: Use Item 304)	
305	7024068	1	Control Module	
305A	7024084	1	Valve Body, Lever and Internal Components	
305B	7024083	2	Coil, Solenoid	
305C	See Note	NSS	Spacer, Coil (Note: Use Item 305)	

SECTION 3 - ENGINE

ITEM	PART NUMBER	QTY	DESCRIPTION	REV
305D	7024085	1	Gasket	
305E	See Note	NSS	Cover (Note: Use Item 305)	
305F	See Note	NSS	Spring, Draw (Note: Use Item 305)	
305G	See Note	NSS	Gasket (Note: Use Item 305)	
305H	See Note	4	Capscrew M6 x 65 (Note: Not Available - Purchase Locally)	
305J	See Note	1	Capscrew M6 x 45 (Note: Not Available - Purchase Locally)	
305K	See Note	8	Capscrew M5 x 10 (Note: Not Available - Purchase Locally)	
305L	7024087	1	O-Ring	
305M	7024088	2	O-Ring	
305N	7024089	2	Cup, Spring	
305P	See Note	NSS	Pin, Cylinder (Note: Use Item 305)	
305Q	70002569	2	Nut, Coil	
310	See Note	1	Housing (Note: Not Available for Purchase)	
313	See Note	2	Pin, Dowel (Note: Not Available for Purchase)	
314	See Note	1	Pin, Cylinder (Note: Not Available for Purchase)	
320	See Note	1	Screw 7/8 (Front Drive Pump Only) (Note: Not Available - Purchase Locally)	
321	See Note	1	Screw 9/16 (Note: Not Available - Purchase Locally)	
322	See Note	1	Screw 7/16 (Note: Not Available - Purchase Locally)	
324	See Note	1	Screw M10 x 1 (Note: Not Available - Purchase Locally)	
327	See Note	1	Pin, Double Break-Off (Note: Not Available for Purchase)	
328	7018936	2	Orifice	
331	See Note	2	Pin, Clamping (Note: Not Available for Purchase)	
341	7024069	1	O-Ring	

SECTION 3 - ENGINE

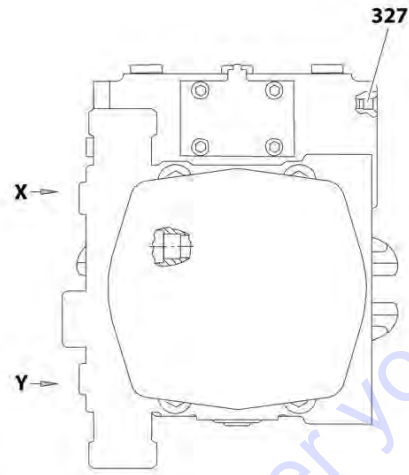
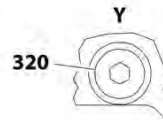
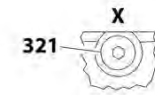
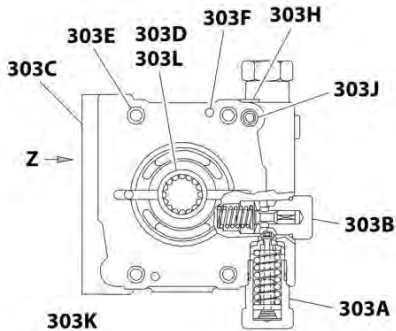
FIGURE 3-48. PUMP ASSEMBLY (REXROTH) (DEUTZ TCD2.9L4 ENGINES)



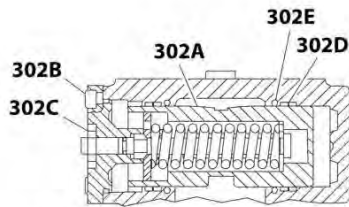
ART_1001152963_10F2

SECTION 3 - ENGINE

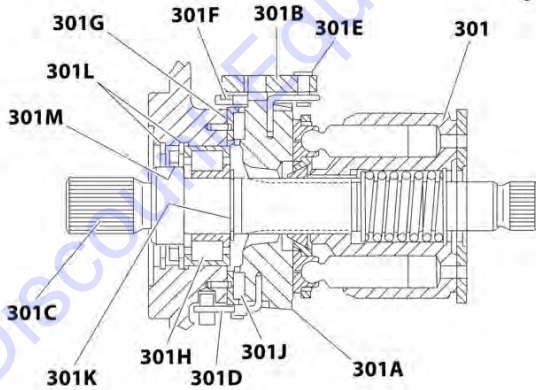
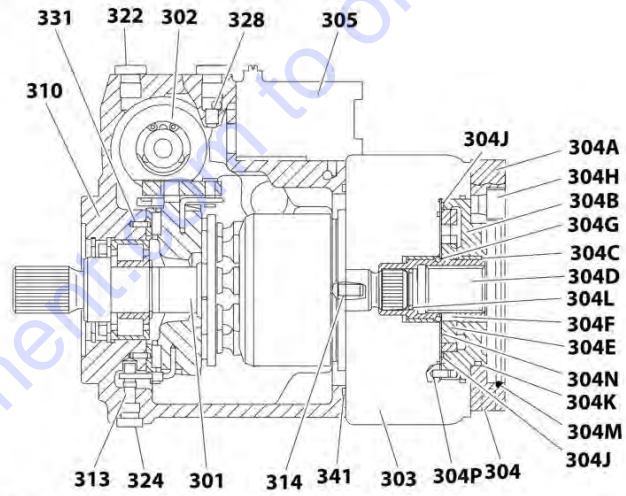
COMPLETE FRONT AND PUMPS



PORT PLATE SECTION FRONT AND MID PUMPS (DETAIL OF ITEM 303)



HYD. CONTROL FRONT AND MID PUMPS (DETAIL OF ITEM 302)



ROTARY GROUP FRONT AND MID PUMPS (DETAIL OF ITEM 301)



ART_1001152963_20F2

SECTION 3 - ENGINE

FIGURE 3-48. PUMP ASSEMBLY (REXROTH) (DEUTZ TCD2.9L4 ENGINES)

ITEM	PART NUMBER	QTY	DESCRIPTION	REV
	1001152963	Ref	PUMP ASSEMBLY (REXROTH) (DEUTZ TCD2.9L4 ENGINES)	C
1	70005480	1	Front Drive Pump Assembly Options (Includes Items 301-341)	
2	70005481	1	Middle Drive Pump Assembly (Includes Items 301-341)	
3	7024044	1	Rear Function Pump Assembly (Includes Items 101-201)	
4	See Note	NSS	Hydraulic Kit (Includes all Rexroth Supplied Hydraulic Fittings, Hoses and Tubes) (Note: Not Available for Purchase)	
	7024044	Ref	REAR FUNCTION PUMP ASSEMBLY	
101	7024914	1	Rotary Section	
102	See Note	1	Piston Control (Note: Not Available - Purchase Complete Assembly)	
103	See Note	1	Rod, Piston (Note: Not Available - Purchase Complete Assembly)	
105	See Note	1	Housing, Pump (Note: Not Available - Purchase Complete Assembly)	
106	See Note	1	Plate, Port (Note: Not Available - Purchase Complete Assembly)	
107	7024915	1	Plate, Swash	
108	7024916	1	Driveshaft	
109	See Note	1	Plug (Note: Not Available for Purchase)	
110	See Note	1	Spring (Note: Not Available for Purchase)	
112	7012709	1	Shim	
115	7024038	1	Bearing, Roller	
116	7012706	1	Bearing, Roller	
117	7024917	2	Shell, Cradle	
120	7024918	1	Seal, Shaft	
121	7024919	1	O-Ring	
122	7024920	1	O-Ring	
124	7024921	1	Seal	
125	7012715	1	V-Ring	
127	See Note	4	Capscrew M12 x 45 Grade 10.9 (Note: Not Available for Purchase)	
131	See Note	1	Plug (Note: Not Available for Purchase)	
133	See Note	1	Pin, Dowel (Note: Not Available for Purchase)	
134	See Note	1	Plug (Note: Not Available for Purchase)	
201	7024913	Ref	Pilot Valve Assembly	
		Ref	Note: Two mounting designs of p/n 7024913 pilot valve exist. Early design uses qty. 3 o-rings. Late design uses qty. 1 sealing plate. Seal designs cannot be interchanged. Verify seal design before ordering.	
201	7024922	3	O-Ring (Seals between Pilot Valve and Rear Pump)	
201	70021867	1	Plate, Sealing (Seals between Pilot Valve and Rear Pump)	
		Ref	FRONT DRIVE PUMP ASSEMBLIES	
	70005480	Ref	Front Drive Pump Assembly	
	70005481	Ref	Middle Drive Pump Assembly	
		Ref	Note: Service Parts not available at time of printing, call-out number on illustration for ref only.	
301	See Note	NSS	Rotary Group (Use p/n 70005480 or 70005481)	
301A	See Note	NSS	Cradle (Note: Use Item 301)	
301B	See Note	NSS	Ring, Slide (Note: Use Item 301)	
301C	See Note	NSS	Driveshaft (Note: Use Item 301)	
301D	See Note	NSS	Wire (Note: Use Item 301)	
301E	See Note	NSS	Pin, Joint (Note: Use Item 301)	
301F	See Note	NSS	Wire (Note: Use Item 301)	
301G	See Note	NSS	Liner, Bearing (Note: Use Item 301)	

SECTION 3 - ENGINE

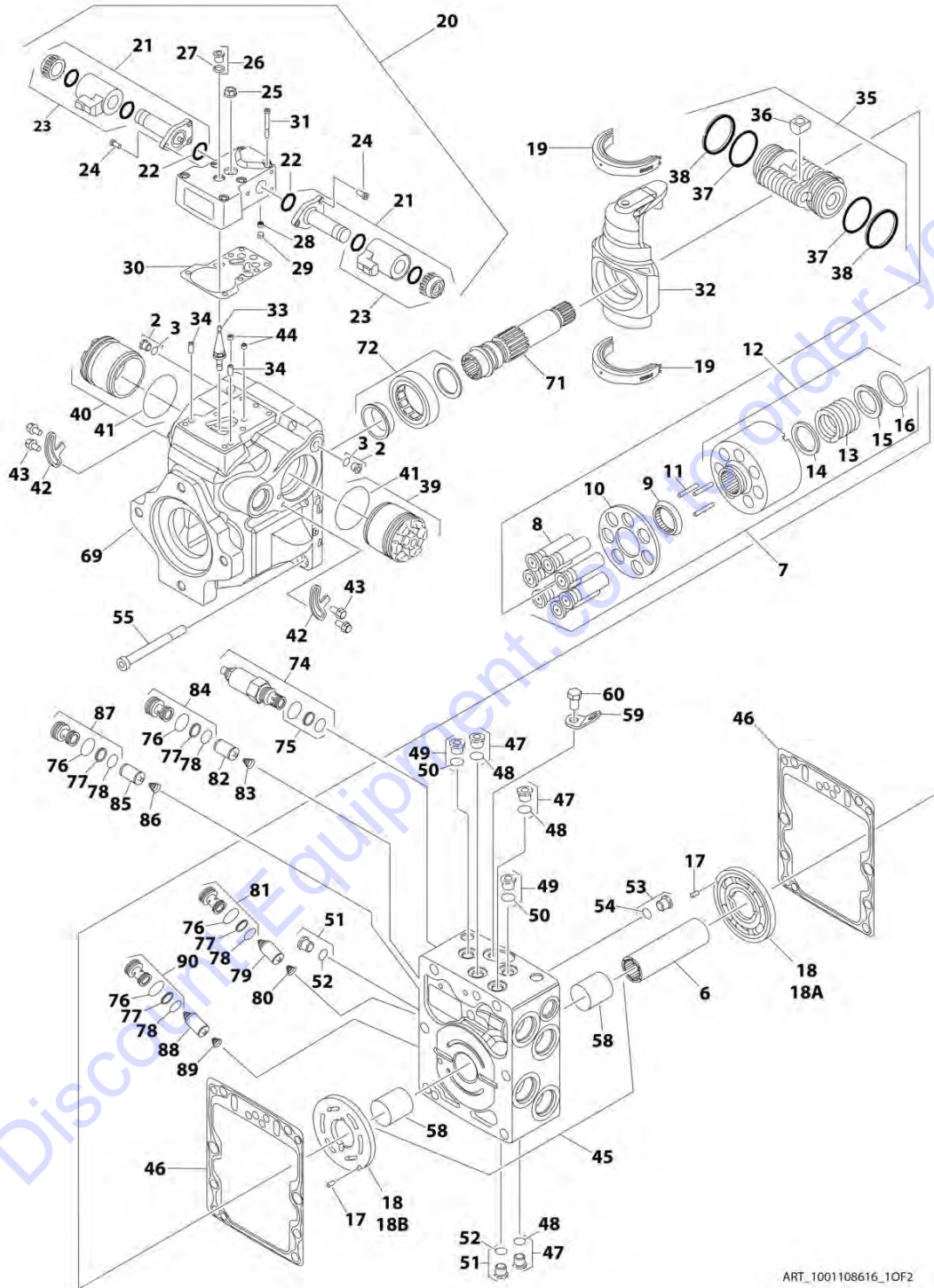
ITEM	PART NUMBER	QTY	DESCRIPTION	REV
301H	See Note	NSS	Bearing, Roller (Note: Use Item 301)	
301J	See Note	NSS	Cradle Bearing Assembly (Note: Use Item 301)	
301K	See Note	NSS	Ring, Retaining (Note: Use Item 301)	
301L	See Note	NSS	Ring, Retaining (Note: Not Available for Purchase)	
301M	See Note	NSS	Seal, Shaft Ring	
302	See Note	NSS	Control Group - Hydraulic (Use p/n 70005480 or 70005481)	
302A	See Note	NSS	Piston, Positioning - Complete (Note: Use Item 302)	
302A	See Note	NSS	O-Ring, Outer Seal (Note: Not Available for Purchase)	
302A	See Note	NSS	O-Ring, Stem (Note: Not Available for Purchase)	
302B	See Note	4	Capscrew M6 x 12 (Note: Not Available - Purchase Locally)	
302C	See Note	NSS	Nut (Note: Use Item 302)	
302D	See Note	NSS	Ring, Guide (Note: Use Item 302)	
302E	See Note	NSS	Seal, O-Ring (Note: Use Item 302)	
303	See Note	NSS	Port Plate Group (Use p/n 70005480 or 70005481)	
303A	See Note	NSS	Cartridge, Relief Valve (High Pressure) (Note: Not Available for Purchase)	
303A	See Note	NSS	O-Ring (Note: Not Available for Purchase)	
303A	See Note	NSS	Ring, Back-up (Note: Not Available for Purchase)	
303B		Ref	Cartridge Options:	
303B	See Note	NSS	Front Pump Cartridge (Lock Valve with Orifice) Note: Sold as an Assembly except Outer Seal. (Note: Not Available for Purchase)	
303B	See Note	NSS	O-Ring (Note: Not Available for Purchase)	
303B	See Note	NSS	Middle Pump Cartridge (Pressure Relief valve) Note: Sold as an Assembly except Outer Seal. (Note: Not Available for Purchase)	
303B	See Note	NSS	O-Ring	
303C	See Note	NSS	Plate, Port (Note: Use Item 303)	
303D	See Note	NSS	Bushing, Bearing (Note: Use Item 303)	
303E	See Note	4	Capscrew M12 x 70 Grade 10.9 (Note: Not Available - Purchase Locally)	
303F	See Note	NSS	Pin, Dowel (Note: Use Item 303)	
303G	See Note	NSS	Pin, Break-Off (Note: Use Item 303)	
303H	See Note	1	Screw, Locking M10 x 1 (Note: Not Available - Purchase Locally)	
303J	See Note	NSS	O-Ring (Note: Not Available for Purchase)	
303K	See Note	2	Screw, Locking 7/16 (Note: Not Available - Purchase Locally)	
303L	See Note	NSS	Bearing, Roller (Note: Use Item 303)	
304	See Note	NSS	Internal Gear Pump (Use p/n 70005480 or 70005481)	
304A	See Note	NSS	Flange, Intermediate (Note: Use Item 304)	
304B	See Note	NSS	IZP-Housing (Note: Use Item 304)	
304C	See Note	NSS	Bushing, Bearing (Note: Use Item 304)	
304D	See Note	NSS	Coupling, Driveshaft Through (Note: Use Item 304)	
304E	See Note	NSS	Gear Set (Note: Use Item 304)	
304F	See Note	NSS	Key, Driveshaft (Note: Use Item 304)	
304G	See Note	NSS	Ring, Retaining (Note: Use Item 304)	
304H	See Note	4	Capscrew M10 x 20 (Note: Not Available - Purchase Locally)	
304J	See Note	NSS	Seal (Note: Not Available for Purchase)	
304K	See Note	NSS	O-Ring (Note: Not Available for Purchase)	
304L	See Note	NSS	Ring, Retaining (Note: Use Item 304)	
304M	See Note	NSS	O-Ring (Note: Use Item 304)	
304N	See Note	NSS	Plate, Wear (Note: Not Available for Purchase)	
304P	See Note	NSS	Pin, Cylinder (Note: Use Item 304)	

SECTION 3 - ENGINE

ITEM	PART NUMBER	QTY	DESCRIPTION	REV
305	See Note	NSS	Control Module (Use p/n 70005480 or 70005481)	
305	See Note	NSS	Coil, Solenoid (Note: Not Available for Purchase)	
305A	See Note	NSS	Seal Kit (Note: Not Available for Purchase)	
310	See Note	1	Housing (Note: Not Available for Purchase)	
313	See Note	2	Pin, Dowel (Note: Not Available for Purchase)	
314	See Note	1	Pin, Cylinder (Note: Not Available for Purchase)	
320	See Note	1	Screw 7/8 (Front Drive Pump Only) (Note: Not Available - Purchase Locally)	
321	See Note	1	Screw 9/16 (Note: Not Available - Purchase Locally)	
322	See Note	1	Screw 7/16 (Note: Not Available - Purchase Locally)	
324	See Note	1	Screw M10 x 1 (Note: Not Available - Purchase Locally)	
327	See Note	1	Pin, Double Break-Off (Note: Not Available - Purchase Locally)	
328	See Note	NSS	Orifice (Note: Not Available for Purchase)	
331	See Note	2	Pin, Clamping (Note: Not Available for Purchase)	
341	See Note	NSS	O-Ring (Note: Not Available for Purchase)	

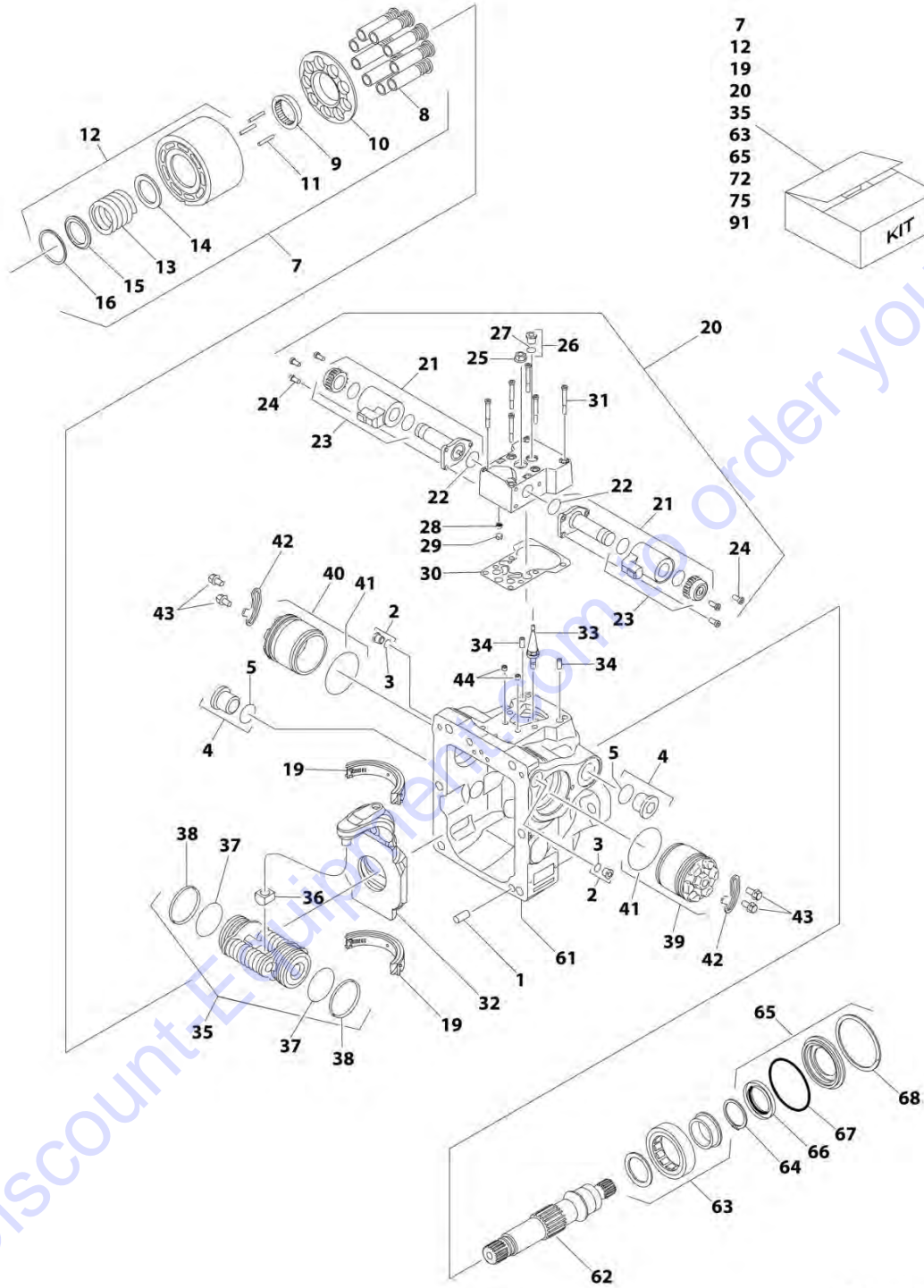
SECTION 3 - ENGINE

FIGURE 3-49. PUMP ASSEMBLY (SAUER TANDEM)



ART_1001108616_10F2

SECTION 3 - ENGINE



ART_1001108616_20F2

SECTION 3 - ENGINE

FIGURE 3-49. PUMP ASSEMBLY (SAUER TANDEM)

ITEM	PART NUMBER	QTY	DESCRIPTION	REV
	1001108616	Ref	PUMP ASSEMBLY (SAUER TANDEM)	D
1	70002132	4	Pin	
2	70002133	4	Plug Assembly (Includes Item 3)	
3	7007207	4	O-Ring (Part of Item 2)	
4	7007419	2	Plug Assembly (Includes Item 5)	
5	7007418	2	O-Ring (Part of Item 4)	
6	70002600	1	Coupling	
7	70002135	2	Cylinder Block Kit (Each Kit Includes Qty 1 of Items 8-10 & 12-16 & Qty 3 of Item 11)	
8	70002136	2	Piston Assembly Kit (Includes Qty 9 Piston Assemblies) (Part of Item 7)	
9	70002137	2	Guide, Slipper Retainer (Part of Item 7)	
10	70002138	2	Retainer, Slipper (Part of Item 7)	
11	7021275	6	Pin, Slipper Retainer Holddown (Part of Item 7)	
12	70002135	2	Cylinder Block Assembly (Includes Qty 1 of Item 13-16) (Part of Item 7)	
13	70002139	2	Spring (Part of Item 12)	
14	70002140	2	Washer (Part of Item 12)	
15	70002141	2	Washer (Part of Item 12)	
16	70002142	2	Ring, Retaining (Part of Item 12)	
17	7007446	2	Pin	
18		Ref	Plate, Valve Options:	
18A	70002601	1	Plate, CW Valve	
18B	70002602	1	Plate, CCW Valve	
19	70002145	2	Swash Plate Bearing Kit (Includes Qty 2 Bearings)	
20	70002618	2	EDC Kit (Includes Items 21-31)	
21	70002619	4	Solenoid Valve Assembly (Includes Items 22 & 23) (Part of Item 20)	
22	70002148	4	O-Ring (2 Per EDC Assembly) (Part of Item 21)	
23	70002620	4	Coil, Nut and Seals Kit (2 Per EDC Assembly) (Part of Item 21)	
24	70002150	12	Screw (Part of Item 20)	
25	7022301	2	Nut, Seal (Part of Item 20)	
26	70002151	2	Plug Assembly (Part of Item 20) (Includes Item 27)	
27	7007207	2	O-Ring (Part of Item 26)	
28	70002134	2	Screen (Part of Item 20)	
29	70002153	2	Ring, Locking (Part of Item 20)	
30	70002154	2	Gasket, Control (Part of Item 20)	
31	70002156	12	Capscrew (Part of Item 20)	
32	70002152	2	Swash Plate	
33	70002155	2	Link, Swash Plate	
34	70002157	4	Pin, Dowel	
35	70002158	2	Servo Piston Assembly (Includes Items 36-38)	
36	70002159	2	Block, Slider (Part of Item 35)	
37	70002160	2	O-Ring (Part of Item 35)	
38	70002161	2	Ring, Piston (Part of Item 35)	
39	70002162	2	Cylinder, Servo	
40	70002162	2	Cylinder, Servo	
41	70002163	4	O-Ring	
42	70002164	4	Plate, Locking	
43	70002165	8	Screw	

PARTS FINDER

**Search Website
by Part Number**



**Search Manual
Library For Parts
Manual & Lookup Part
Numbers – Purchase
or Request Quote**

**Can't Find Part or
Manual? Request Help
by Manufacturer,
Model & Description**

Discount-Equipment.com is your online resource for quality parts & equipment.

Florida: **561-964-4949** Outside Florida TOLL FREE: **877-690-3101**

Need parts?

Click on this link: <http://www.discount-equipment.com/category/5443-parts/> and choose one of the options to help get the right parts and equipment you are looking for. Please have the machine model and serial number available in order to help us get you the correct parts. If you don't find the part on the website or on one of the online manuals, please fill out the request form and one of our experienced staff members will get back to you with a quote for the right part that your machine needs.

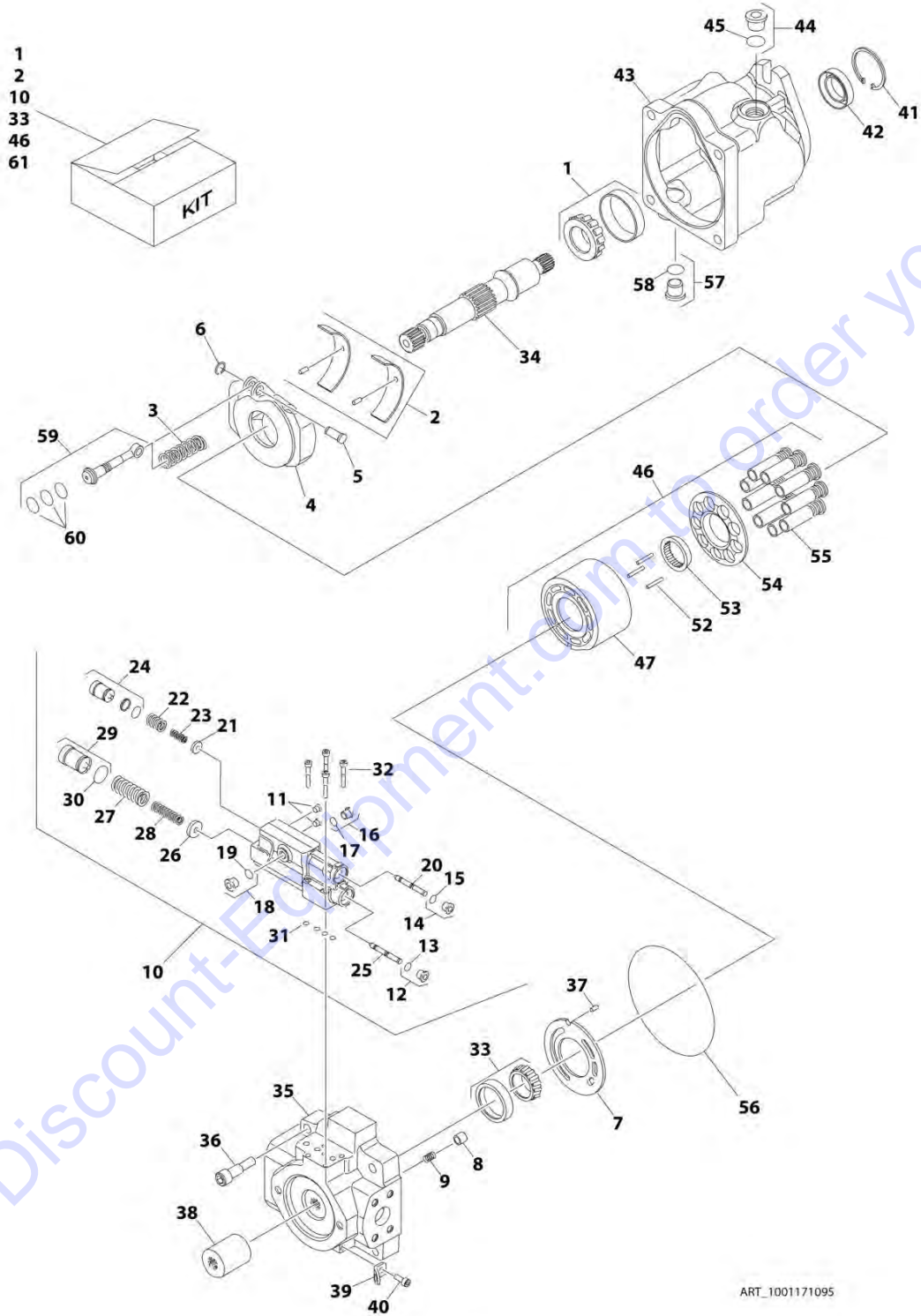
We sell worldwide for the brands: Genie, Terex, JLG, MultiQuip, Mikasa, Essick, Whiteman, Mayco, Toro Stone, Diamond Products, Generac Magnum, Airman, Haulotte, Barreto, Power Blanket, Nifty Lift, Atlas Copco, Chicago Pneumatic, Allmand, Miller Curber, Skyjack, Lull, Skytrak, Tsurumi, Husquvarna Target, Stow, Wacker, Sakai, Mi-T-M, Sullair, Basic, Dynapac, MBW, Weber, Bartell, Bennar Newman, Haulotte, Ditch Runner, Menegotti, Morrison, Contec, Buddy, Crown, Edco, Wyco, Bomag, Laymor, EZ Trench, Bil-Jax, F.S. Curtis, Gehl Pavers, Heli, Honda, ICS/PowerGrit, IHI, Partner, Imer, Clipper, MMD, Koshin, Rice, CH&E, General Equipment, Amida, Coleman, NAC, Gradall, Square Shooter, Kent, Stanley, Tamco, Toku, Hatz, Kohler, Robin, Wisconsin, Northrock, Oztec, Toker TK, Rol-Air, APT, Wylie, Ingersoll Rand / Doosan, Innovatech, Con X, Ammann, Mecalac, Makinex, Smith Surface Prep, Small Line, Wanco, Yanmar

SECTION 3 - ENGINE

ITEM	PART NUMBER	QTY	DESCRIPTION	REV
44	70002604	4	Orifice	
45	70002605	1	Center Section Assembly (Includes Item 58)	
46	70002168	2	Gasket, End Cap	
47	70001958	2	Plug Assembly (Includes Item 48)	
48	7021256	2	O-Ring (Part of Item 47)	
49	70001958	2	Plug Assembly (Includes Item 50)	
50	7021256	2	O-Ring (Part of Item 49)	
51	70001958	2	Plug Assembly (Includes Item 52)	
52	7021256	2	O-Ring (Part of Item 51)	
53	70001958	2	Plug Assembly (Includes Item 54)	
54	7021256	2	O-Ring (Part of Item 53)	
55	70002606	4	Capscrew	
58	70002607	2	Bearing, Journal (Part of Item 45)	
59	70002608	1	Bracket, Lifting	
60	70002609	1	Screw	
61	See Note	1	Housing (Note: Not Available for Purchase)	
62	70002175	1	Shaft	
63	70002610	1	Ball Bearing Kit	
64	70007439	1	Ring, Retaining	
65	70002174	1	Shaft Seal Kit (Includes Items 66-68) (Note: This is a universal kit and will contain extra pieces that are not used on this pump assembly)	
66	70002177	1	Seal, Lip	
67	70002178	1	O-Ring	
68	70002179	1	Ring, Retaining	
69	See Note	1	Housing (Note: Not Available for Purchase)	
71	70002612	1	Shaft	
72	70002610	1	Ball Bearing Kit	
74	70002621	1	High Pressure Relief Valve Cartridge Assembly (Includes Item 75)	
75	70002622	1	Seal Kit - 70002621 Valve (Part of Item 74)	
76	7007415	1	O-Ring (Part of Items 81, 84, 87 & 90)	
77	7021293	1	Ring, Back-up (Part of Items 81, 84, 87 & 90)	
78	7022300	1	O-Ring (Part of Items 81, 84, 87 & 90)	
79	70002616	1	SCR Valve Assembly	
80	7024800	1	Spring	
81	7021265	1	Plug Assembly (Includes Qty 1 of Items 76-78)	
82	70002616	1	SCR Valve Assembly	
83	7024800	1	Spring	
84	7021265	1	Plug Assembly (Includes Qty 1 of Item 76-78)	
85	70002616	1	SCR Valve Assembly	
86	7024800	1	Spring	
87	70002617	1	Plug Assembly (Includes Qty 1 of Item 76-78)	
88	70002616	1	SCR Valve Assembly	
89	7024800	1	Spring	
90	7021265	1	Plug Assembly (Includes Qty 1 of Items 76-78)	
91	70002623	1	Overhaul Seal Kit (Includes Items 3, 5, 22, 27, 30, 37, 38, 41, 46, 48, 50, 52, 54, 66, 67, 75, 76, 77 & 78)	

SECTION 3 - ENGINE

FIGURE 3-50. PUMP ASSEMBLY (SAUER PISTON)



ART_1001171095

SECTION 3 - ENGINE

FIGURE 3-50. PUMP ASSEMBLY (SAUER PISTON)

ITEM	PART NUMBER	QTY	DESCRIPTION	REV
	1001171095	Ref	PUMP ASSEMBLY (SAUER PISTON)	B
1	70002578	1	Bearing Kit - Front (Includes Cup and Cone)	
2	70004426	1	Swash Plate Bearing Kit (Includes Qty 2 Bearings and Retainer Pins)	
3	70002580	1	Spring, Bias	
4	70004416	1	Swash Plate Assembly	
5	70002582	1	Shaft	
6	70002583	1	Ring, Retaining	
7	70004417	1	Plate, Valve	
8	70001956	1	Poppet, Check Valve	
9	70001955	1	Spring	
10	70022286	1	Control Kit (Includes Items 11-32)	
11	See Note	NSS	Setscrew (Note: Use Item 10)	
12	70002133	1	Plug Assembly (Includes Item 13)	
13	7007207	1	O-Ring (Part of Item 12)	
14	70002133	1	Plug Assembly (Part of Item 15)	
15	7007207	1	O-Ring (Part of Item 14)	
16	70002133	1	Plug Assembly (Includes Item 17)	
17	7007207	1	O-Ring (Part of Item 16)	
18	70002133	1	Plug Assembly (Includes Item 19)	
19	7007207	1	O-Ring (Part of Item 18)	
20	See Note	NSS	Spool (Note: Use Item 10)	
21	See Note	NSS	Guide, Spring LS (Note: Use Item 10)	
22	See Note	NSS	Spring, Outer LS (Note: Use Item 10)	
23	See Note	NSS	Spring, Inner LS (Note: Use Item 10)	
24	See Note	NSS	Plug, Adjusting LS (Note: Use Item 10 or 61)	
25	See Note	NSS	Spool, Control (Note: Use Item 10)	
26	See Note	NSS	Guide, Spring PC (Note: Use Item 10)	
27	See Note	NSS	Spring, Outer PC (Note: Use Item 10)	
28	See Note	NSS	Spring, Inner PC (Note: Use Item 10)	
29	See Note	NSS	Plug, Adjusting PC (Note: Use Item 10)	
30	See Note	NSS	O-Ring (Note: Use Item 10 or 61)	
31	See Note	NSS	Ring, Seal (Note: Use Item 10 or 61)	
32	See Note	NSS	Capscrew (Note: Use Item 10)	
33	70002585	1	Bearing Kit - Rear (Includes Cup and Cone)	
34	70002586	1	Shaft	
35	70004420	1	Cap, End	
36	70002588	4	Capscrew	
37	7007446	1	Pin, Slotted	
38	70002589	1	Coupling	
39	7022340	1	Bracket, Lifting	
40	70002590	1	Capscrew	
41	7023962	1	Ring, Retaining	
42	See Note	NSS	Seal, Lip (Note: Use Item 61)	
43	See Note	NSS	Housing (Note: Not Available for Purchase)	
44	7023964	1	Plug Assembly (Includes Item 45)	
45	7007415	1	O-Ring (Part of Item 44)	
46	70004423	1	Cylinder Block Kit (Includes Items 47-55)	
47	70004421	1	Cylinder	
52	7021275	3	Pin, Hold-down	

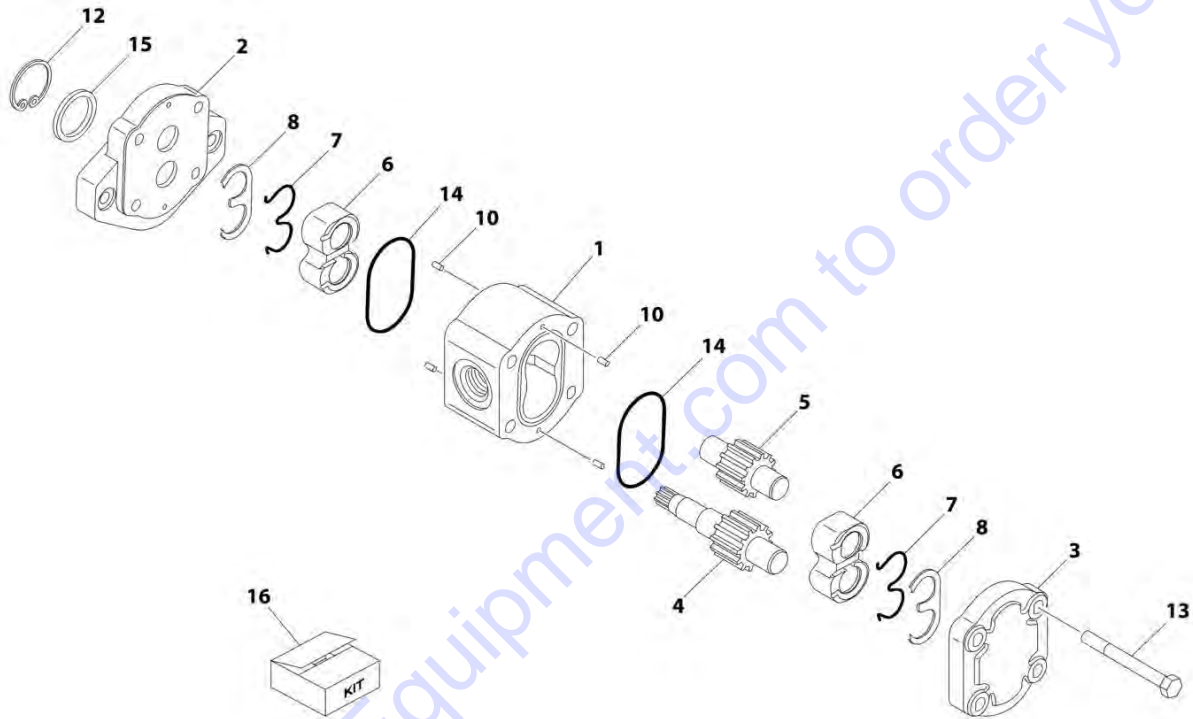
SECTION 3 - ENGINE

ITEM	PART NUMBER	QTY	DESCRIPTION	REV
53	70002592	1	Guide, Slipper Retainer	
54	70002593	1	Retainer, Slipper	
55	70004422	1	Piston Assembly	
56	See Note	NSS	Seal, End Cap (Note: Use Item 61)	
57	7023964	1	Plug, O-Ring (Includes Item 58)	
58	7007415	1	O-Ring (Part of Item 57)	
59	70005418	1	Servo Piston Assembly (Includes Item 60)	
60	See Note	NSS	Ring, Piston (Part of Item 59) (Note: Use Item 61)	
61	70002599	1	Complete Seal Kit (Includes Items 13, 15, 17, 19, 24, 30, 31, 42, 45, 56, 58 & 60)	

Go to Discount-Equipment.com to order your parts

SECTION 3 - ENGINE

FIGURE 3-51. PUMP ASSEMBLY (SAUER GEAR)



ART_1001112927

SECTION 3 - ENGINE

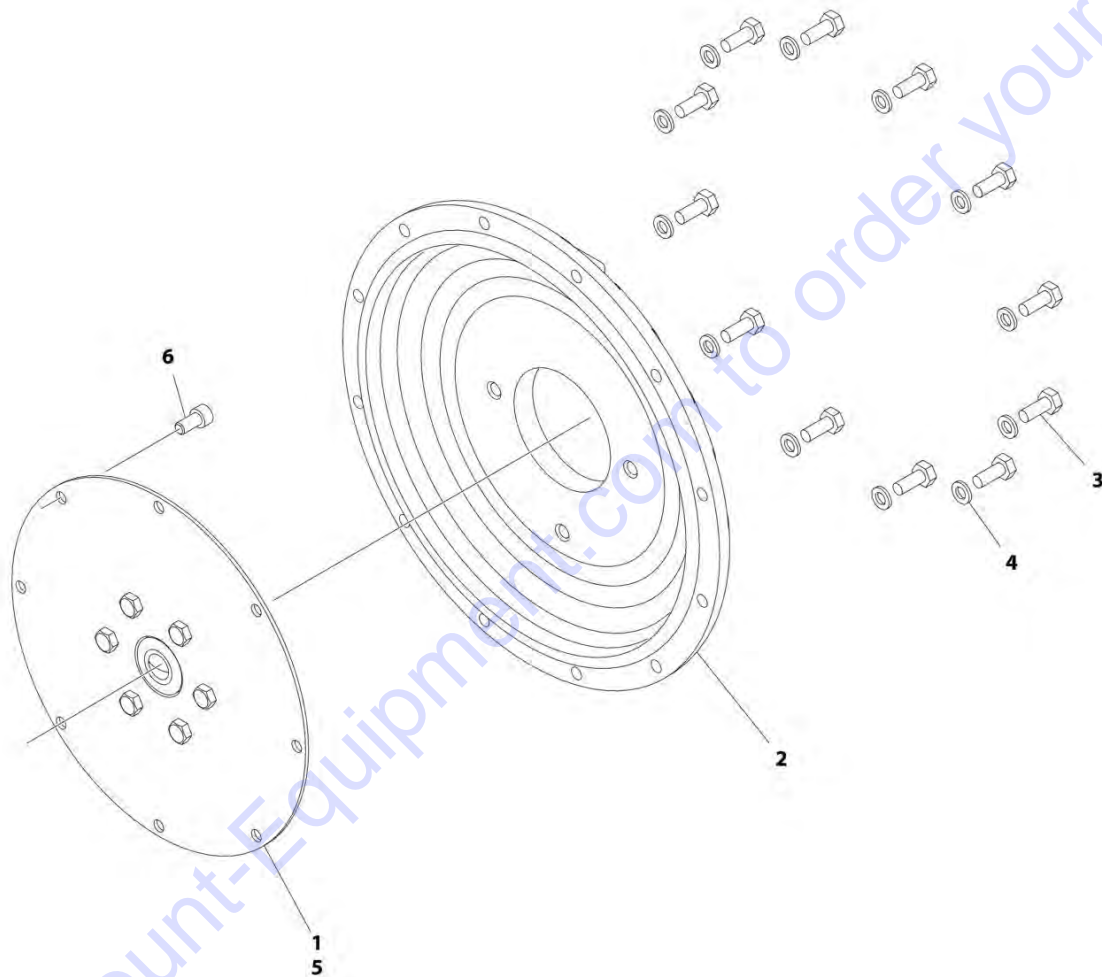
FIGURE 3-51. PUMP ASSEMBLY (SAUER GEAR)

ITEM	PART NUMBER	QTY	DESCRIPTION	REV
	1001112927	Ref	PUMP ASSEMBLY (SAUER GEAR)	A
1	See Note	NSS	Body (Note: Use p/n 1001112927)	
2	See Note	NSS	Cover, Front (Note: Use p/n 1001112927)	
3	See Note	NSS	Cover, Rear (Note: Use p/n 1001112927)	
4	See Note	NSS	Shaft, Gear (Note: Use p/n 1001112927)	
5	See Note	NSS	Gear, Idler (Note: Use p/n 1001112927)	
6	See Note	NSS	Block, Bearing (Note: Use p/n 1001112927)	
7	7007489	2	Ring, Anti-Extrusion	
8	7007489	2	Ring, Seal	
10	See Note	NSS	Pin, Dowel (Note: Use p/n 1001112927)	
12	70002576	1	Ring, Retaining	
13	See Note	NSS	Capscrew (Note: Use p/n 1001112927)	
14	7007489	2	O-Ring	
15	7007489	1	Seal, Lip	
16	7007489	1	Seal Kit - 1001112927 Pump (Includes Items 7, 8, 14 & 15)	

Go to Discount-Equipment.com to order your parts

SECTION 3 - ENGINE

FIGURE 3-52. PUMP COUPLING KIT



ART_2902065

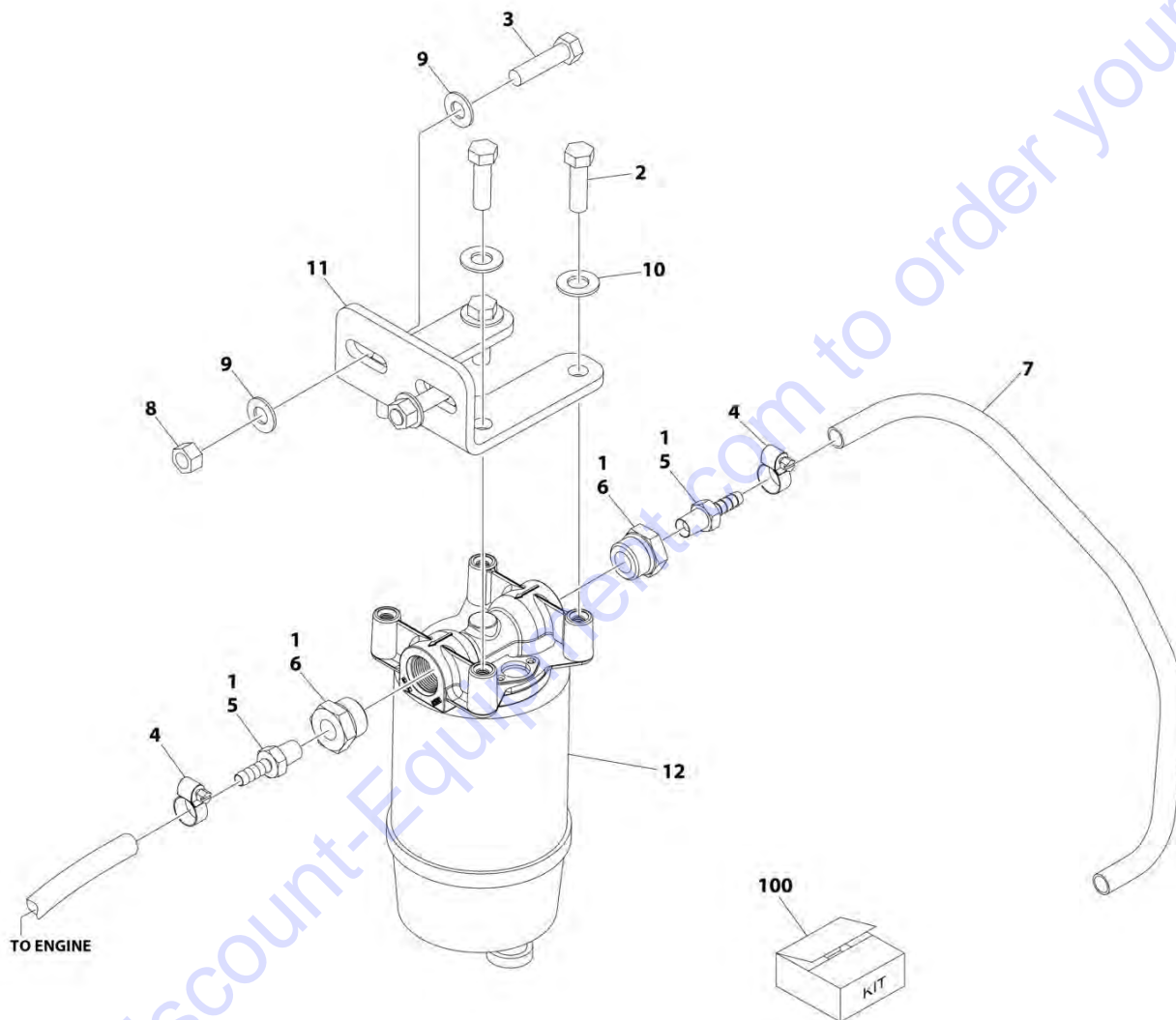
FIGURE 3-52. PUMP COUPLING KIT

ITEM	PART NUMBER	QTY	DESCRIPTION	REV
	2902065	Ref	PUMP COUPLING KIT	K
1	70000793	1	Coupling, Hayes	
2	See Note	NSS	Plate, Pump Adapter (Note: Use p/n 2902065)	
3	See Note	NSS	Bolt M10 x 30 Grade 10.9 (Note: Use p/n 2902065)	
4	See Note	NSS	Washer M10 (Note: Use p/n 2902065)	
5	3020021	AR	Grease, Coupling	
6	See Note	NSS	Bolt M10 x 20 Grade 10.9 (Note: Use p/n 2902065)	

Go to Discount-Equipment.com to order your parts

SECTION 3 - ENGINE

FIGURE 3-53. WATER/FUEL SEPARATOR INSTALLATION - DEUTZ TD2011 ENGINE



ART_1001195214

SECTION 3 - ENGINE

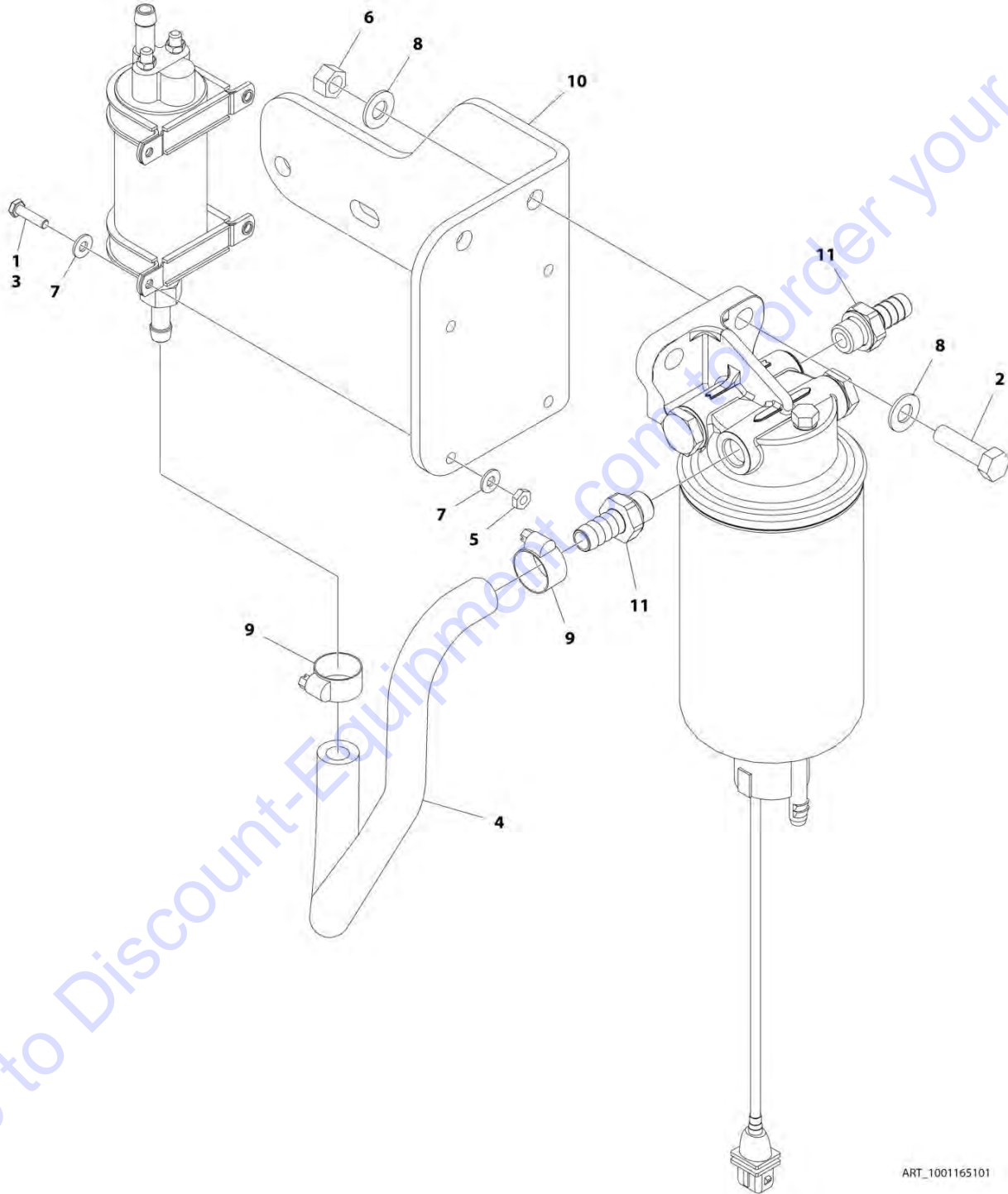
FIGURE 3-53. WATER/FUEL SEPARATOR INSTALLATION - DEUTZ TD2011 ENGINE

ITEM	PART NUMBER	QTY	DESCRIPTION	REV
	1001195214	Ref	WATER/FUEL SEPARATOR INSTALLATION - DEUTZ TD2011 ENGINE	A
1	0100079	AR	Sealant, Pipe	
2	0641610	4	Bolt 3/8 x 1-1/4	
3	0641612	2	Bolt 3/8 x 1-1/2	
4	1320022	2	Clamp	
5	2180348	1	Fitting, Barbed	
6	2220816	2	Fitting, Adapter FNPTF/ORB	
7	2720058	3.5 ft /1.1m	Hose	
8	3271601	2	Nut 3/8	
9	4711600	4	Washer 3/8	
10	4711700	4	Washer 7/16	
11	1001188884	1	Bracket, Water/Fuel	
12	1001188887	1	Filter Water/Fuel	
12	1001202280	1	Filter, Head	
12	1001202281	1	Filter, Element	
100	1001204159	1	Water/Separator Add-on Kit	

Go to Discount-Equipment.com to order your parts

SECTION 3 - ENGINE

FIGURE 3-54. FUEL PUMP/FILTER BRACKET ASSEMBLY - DEUTZ TCD2.9L4 ENGINE AND DEUTZ TCD2.9L4 (STAGE V) ENGINE



SECTION 3 - ENGINE

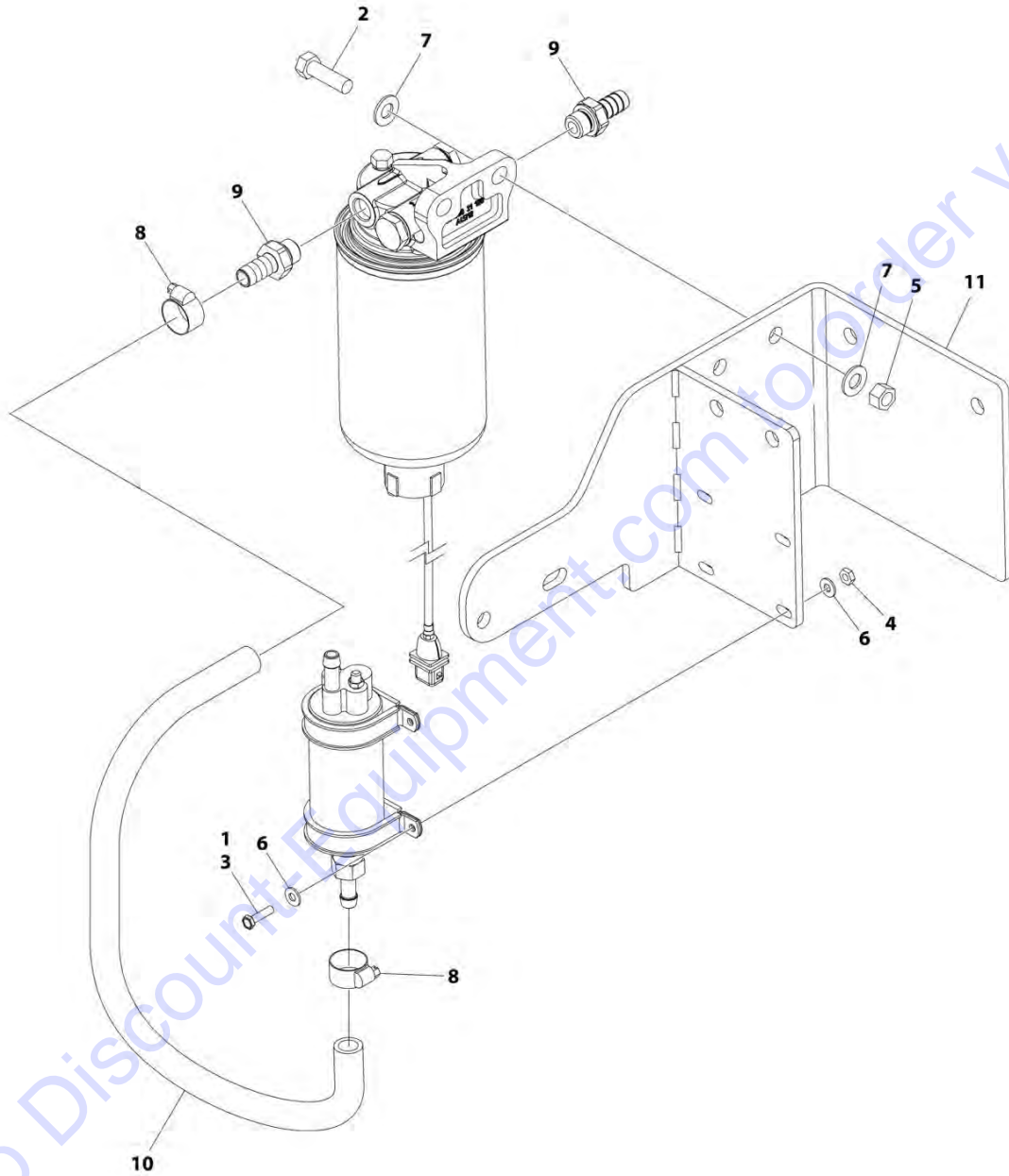
FIGURE 3-54. FUEL PUMP/FILTER BRACKET ASSEMBLY - DEUTZ TCD2.9L4 ENGINE AND DEUTZ TCD2.9L4 (STAGE V) ENGINE

ITEM	PART NUMBER	QTY	DESCRIPTION	REV
	1001165101	Ref	FUEL PUMP/FILTER BRACKET ASSEMBLY - DEUTZ TCD2.9L4 ENGINE AND DEUTZ TCD2.9L4 (STAGE V) ENGINE	C
1	0100011	AR	Compound, Locking	
2	0641611	2	Bolt 3/8 x 1-3/8	
3	0721006	4	Bolt #10 x 3/4	
4	1001154405	1.5 ft /0.4m	Hose	
5	3311001	4	Nut #10	
6	3311605	2	Nut 3/8	
7	4711000	8	Washer #10	
8	4711600	4	Washer 3/8	
9	8405006	2	Clamp	
10	1001140222	1	Bracket, Fuel Pump Mounting	
11	1001141718	1	Fitting, Barbed	

Go to Discount-Equipment.com to order your parts

SECTION 3 - ENGINE

FIGURE 3-55. FUEL PUMP/FILTER BRACKET ASSEMBLY - DEUTZ TD2.9L4 ENGINE (CHINA SPECS ONLY) (SN 0300238862 to Present, SN B300002450 to Present)



ART_1001227606

SECTION 3 - ENGINE

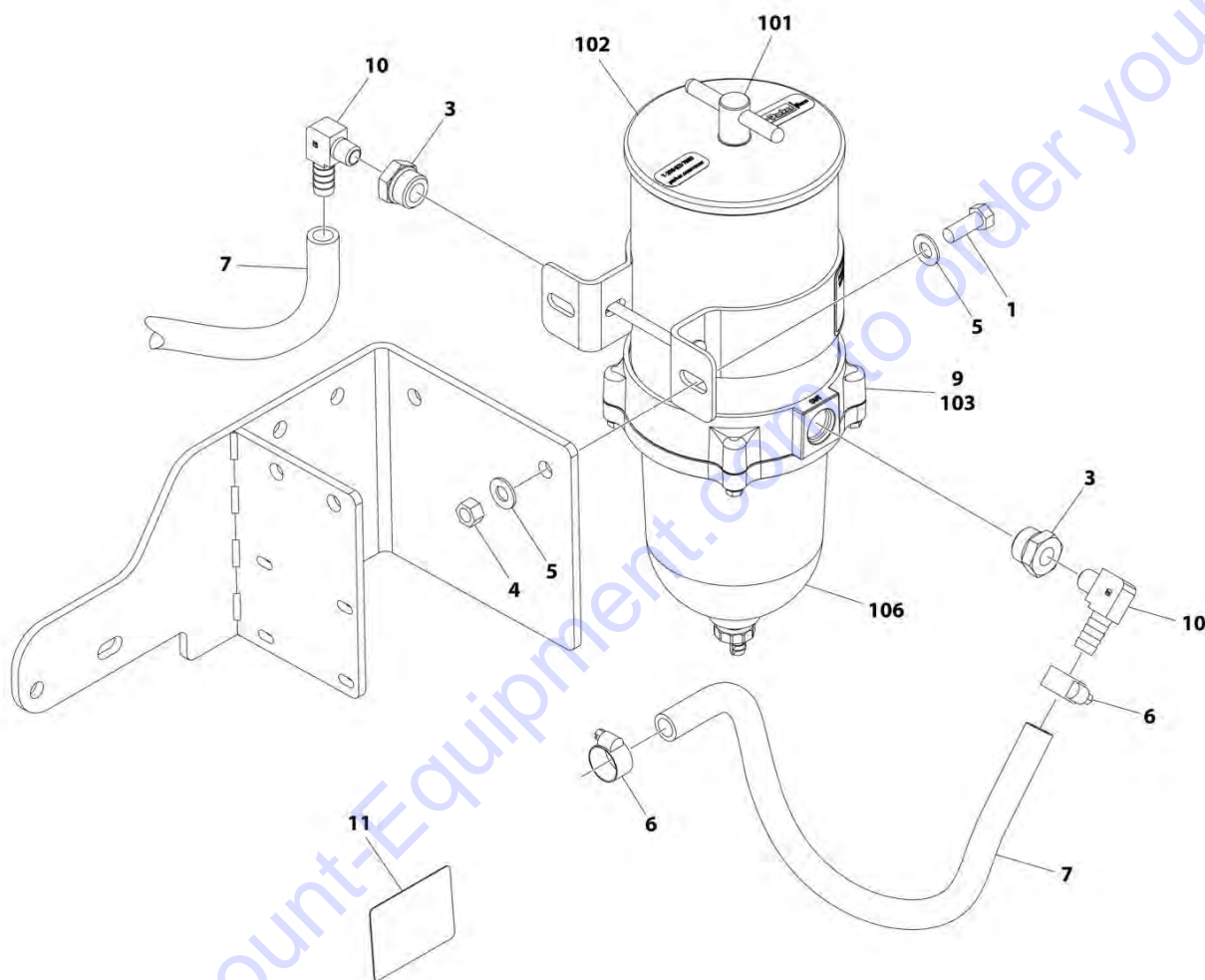
FIGURE 3-55. FUEL PUMP/FILTER BRACKET ASSEMBLY - DEUTZ TD2.9L4 ENGINE (CHINA SPECS ONLY) (SN 0300238862 to Present, SN B300002450 to Present)

ITEM	PART NUMBER	QTY	DESCRIPTION	REV
	1001227606	Ref	FUEL PUMP/FILTER BRACKET ASSEMBLY - DEUTZ TD2.9L4 ENGINE (CHINA SPECS ONLY) (SN 0300238862 to Present, SN B300002450 to Present)	A
1	0100011	AR	Compound, Locking	
2	0641610	2	Bolt 3/8 x 1-1/4	
3	0721006	4	Bolt #10 x 3/4	
4	3311001	4	Nut #10	
5	3311605	2	Nut 3/8	
6	4711000	8	Washer #10	
7	4711600	4	Washer 3/8	
8	8405006	2	Clamp	
9	1001141718	2	Fitting, Barbed	
10	1001154405	1.5 ft/ 0.4m	Hose	
11	1001222773	1	Bracket, Fuel Pump Mounting	

Go to Discount-Equipment.com to order your parts

SECTION 3 - ENGINE

FIGURE 3-56. FUEL FILTER/WATER SEPARATOR INSTALLATION - DEUTZ TD2.9L4 ENGINE



NOTE: LOCATED ON HOOD

ART_1001223068

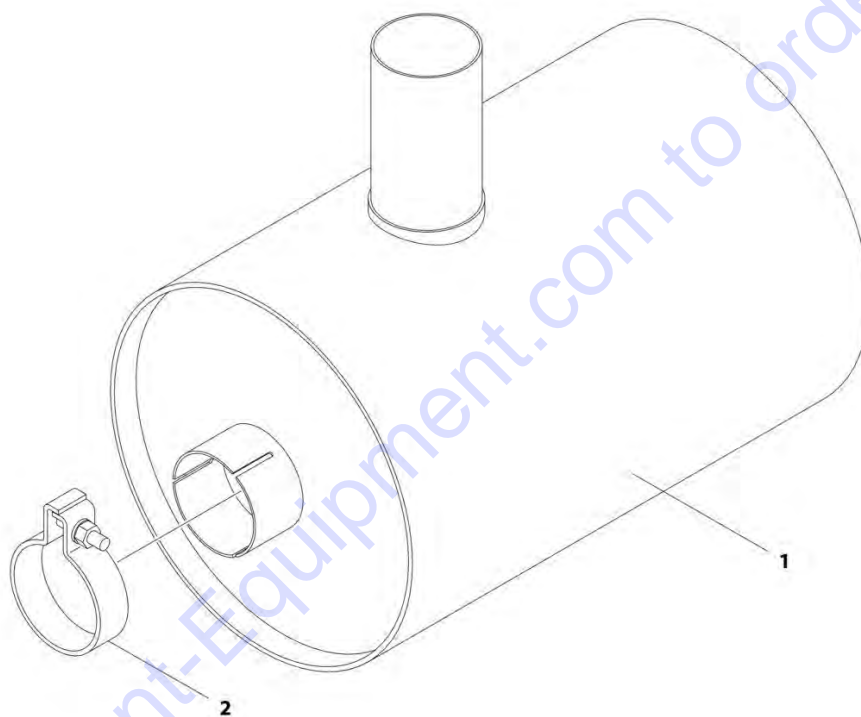
SECTION 3 - ENGINE

FIGURE 3-56. FUEL FILTER/WATER SEPARATOR INSTALLATION - DEUTZ TD2.9L4 ENGINE

ITEM	PART NUMBER	QTY	DESCRIPTION	REV
	1001223068	Ref	FUEL FILTER/WATER SEPARATOR INSTALLATION - DEUTZ TD2.9L4 ENGINE	C
1	0641608	2	Bolt 3/8 x 1	
3	2220816	2	Fitting, Adapter FNPTF/ORB	
4	3311605	2	Nut 3/8	
5	4711600	4	Washer 3/8	
6	8405006	4	Clamp	
7	1001154405	4 ft/ 1.22m	Hose	
9	1001222817	1	Fuel Filter Assembly (See Items 101-107 for Breakdown)	
10	1001178797	2	Fitting, 90	
11	1001226923	1	Decal - Fuel Water Separator	
	1001222817	Ref	FUEL FILTER ASSEMBLY	
101	70006403	1	T-Handle Kit (Includes O-Ring)	
102	70006404	1	Lid Kit (Includes Gasket)	
103	70006405	1	Element	
104	70006406	1	Checkball & Gasket Kit (Not Shown)	
105	70006407	1	Centrifuge and Baffle Kit (Not Shown)	
106	70006409	1	Bowl Kit (Includes Gasket, O-Ring and Drain)	
106	70006408	1	Gasket, Bowl	
107	70006410	1	Bowl Ring Kit (Includes Gasket & Hardware) (Not Shown)	

SECTION 3 - ENGINE

FIGURE 3-57. SPARK ARRESTING CATALYTIC MUFFLER - DEUTZ TD2011 ENGINES (OPTIONAL)



ART_3220130

SECTION 3 - ENGINE

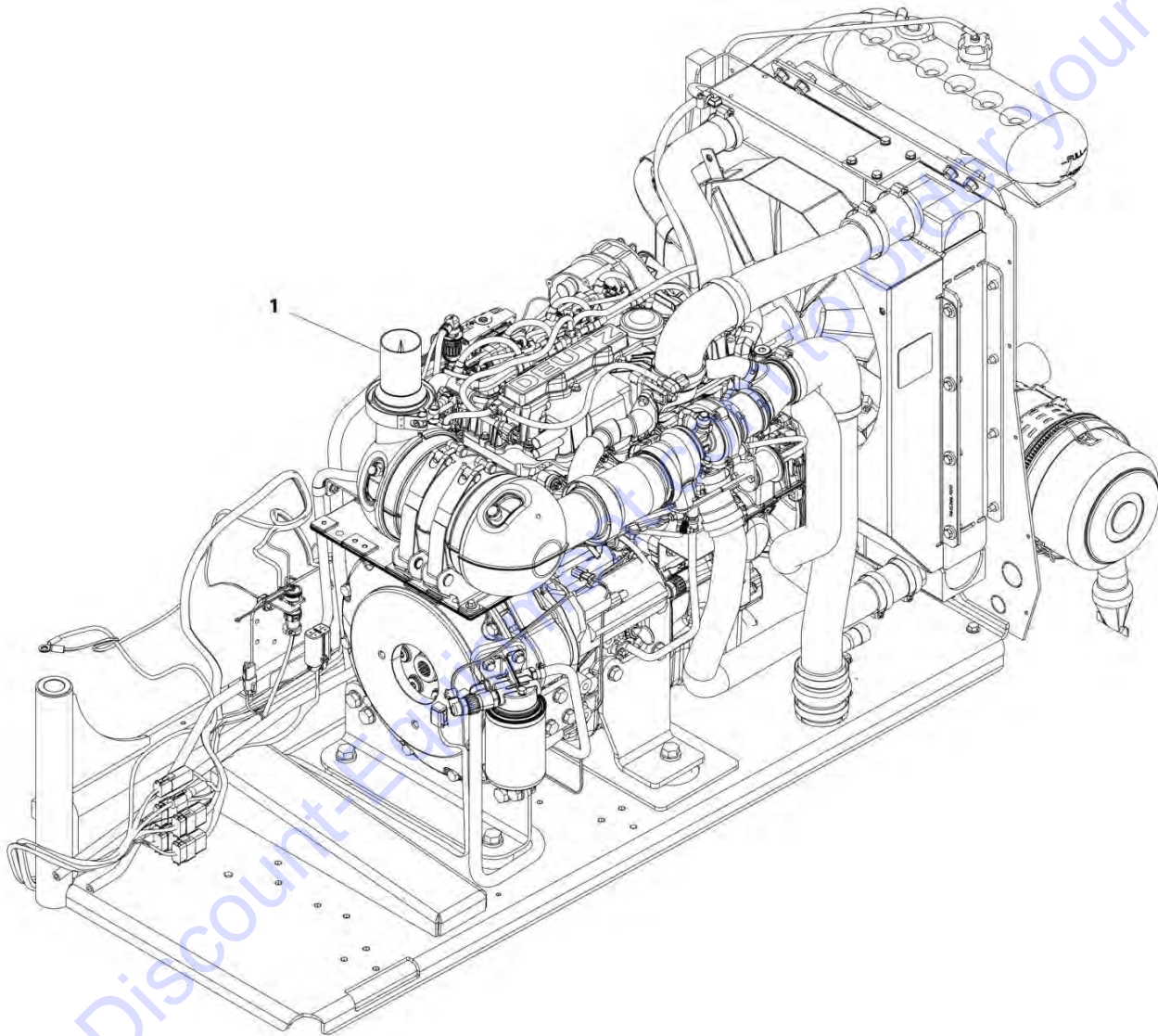
FIGURE 3-57. SPARK ARRESTING CATALYTIC MUFFLER - DEUTZ TD2011 ENGINES (OPTIONAL)

ITEM	PART NUMBER	QTY	DESCRIPTION	REV
	3220130	Ref	SPARK ARRESTING CATALYTIC MUFFLER - DEUTZ TD2011 ENGINES (OPTIONAL)	A
1	See Note	NSS	Muffler (Note: Use p/n 3220130)	
2	70001017	1	Clamp	

Go to Discount-Equipment.com to order your parts

SECTION 3 - ENGINE

FIGURE 3-58. SPARK ARRESTOR INSTALLATION - DEUTZ TCD2.9L4 ENGINES AND DEUTZ TCD2.9L4 (STAGE V) ENGINES (OPTIONAL)



ART_1001139930

SECTION 3 - ENGINE

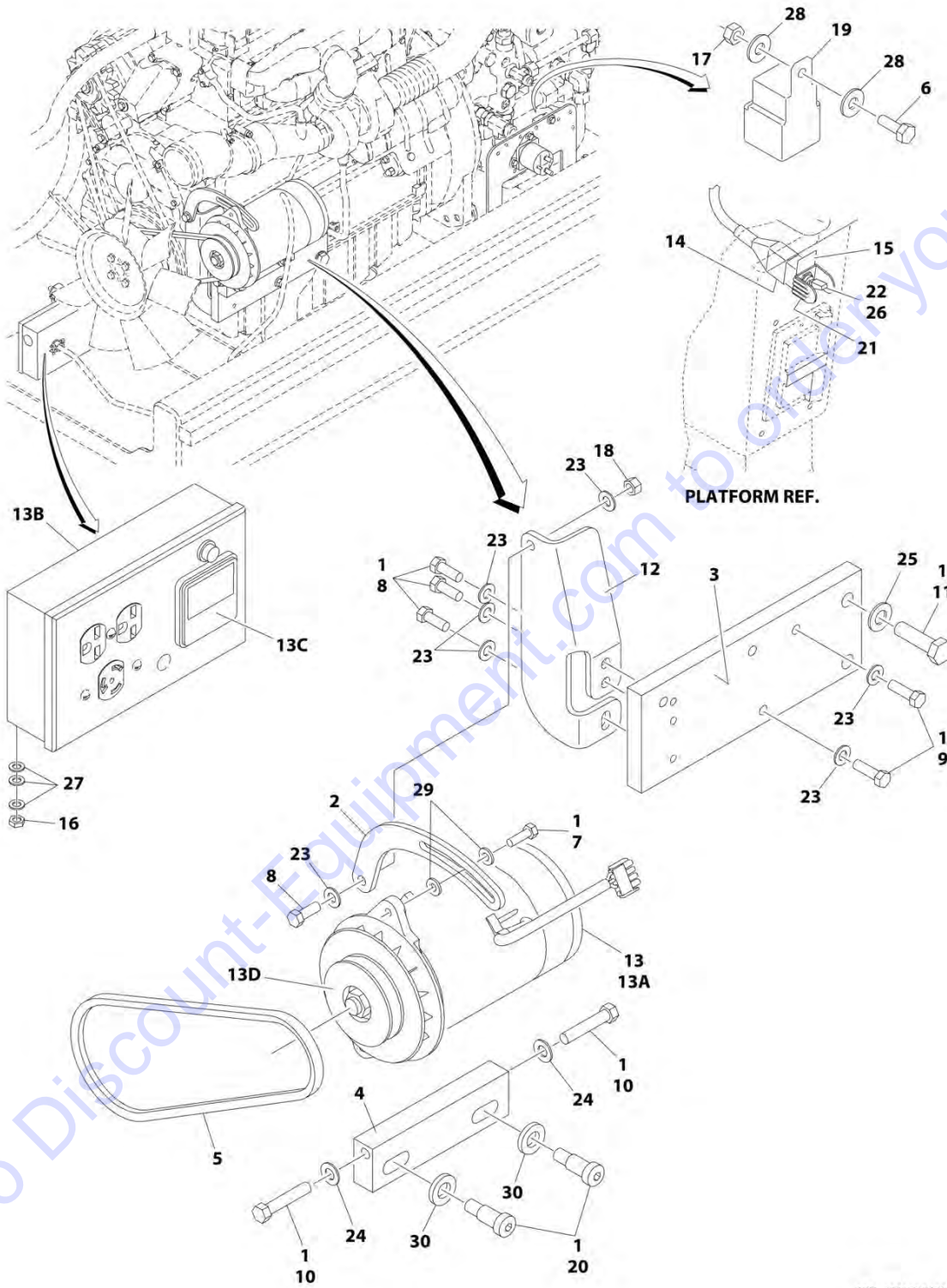
FIGURE 3-58. SPARK ARRESTOR INSTALLATION - DEUTZ TCD2.9L4 ENGINES AND DEUTZ TCD2.9L4 (STAGE V) ENGINES (OPTIONAL)

ITEM	PART NUMBER	QTY	DESCRIPTION	REV
	1001139930	Ref	SPARK ARRESTOR INSTALLATION - DEUTZ TCD2.9L4 ENGINES AND DEUTZ TCD2.9L4 (STAGE V) ENGINES (OPTIONAL)	C
1	1001154157	1	Arrestor, Spark	

Go to Discount-Equipment.com to order your parts

SECTION 3 - ENGINE

FIGURE 3-59. 2500W GENERATOR INSTALLATION - 60HZ SPEC (DEUTZ TD2011 ENGINES) (OPTIONAL)



ART_1001125425

SECTION 3 - ENGINE

**FIGURE 3-59. 2500W GENERATOR INSTALLATION - 60HZ SPEC (DEUTZ TD2011 ENGINES)
(OPTIONAL)**

ITEM	PART NUMBER	QTY	DESCRIPTION	REV
	1001125425	Ref	2500W GENERATOR INSTALLATION - 60HZ SPEC (DEUTZ TD2011 ENGINES) (OPTIONAL)	A
1	0100011	AR	Compound, Locking	
2	0200742	1	Arm, Adjusting	
3	0363081	1	Bar, Mounting	
4	0363082	1	Bar, Adjusting	
5	0480127	1	Belt	
6	0641406	1	Bolt 1/4 x 3/4	
7	0641508	1	Bolt 5/16 x 1	
8	0641608	4	Bolt 3/8 x 1	
9	0641610	2	Bolt 3/8 x 1-1/4	
10	0641718	2	Bolt 7/16 x 2-1/14	
11	0701418	2	Bolt M14 x 50	
12	0902813	1	Bracket, Arm Mounting	
13	2460055	1	Generator, 110V/60Hz	
13A	7012558	1	Generator 110V/60Hz	
		Ref	Note: Replacement generators come standard with p/n 3580134 pulley. This pulley may not be correct for all applications. Refer to pulley options below for correct pulley.	
13A	7012513	4	Cap, Brush Holder	
13A	7020108	4	Brush	
13A	7020109	4	Holder, Brush	
13A	7012514	1	Fan	
13A	7020190	2	Bearing	
13A	7020110	1	End Bell, Front	
13A	7020111	1	End Bell, Rear	
13B	7019680	1	Box Control	
13B	4360542	1	Breaker, Circuit	
13B	4460190	AR	Receptacle, Double (110V)	
13B	4460027	AR	Receptacle, Double Twist Lock (110V)	
13B	70000124	1	Receptacle, Double (220V)	
13B	70000125	1	Receptacle, Single Twist Lock (220V)	
13C	2420203	1	Voltmeter	
13D	3580276	1	Pulley	
13D	7027887	1	Key, Woodruff	
14	2820031	AR	Heat Shrink	
15	3251102	1	Nameplate - Generator	
16	3311005	2	Nut #10	
17	3311405	1	Nut 1/4	
18	3311605	1	Nut 3/8	
19	3740080	1	Relay	
20	3900322	2	Screw, Socket Head Shoulder	
21	4060802	1	Guard, Switch	
22	4360336	1	Switch, Toggle	
23	4711600	7	Washer 3/8	
24	4711700	2	Washer 7/16	
25	4711900	2	Washer 9/16	
26	4740397	1	Spacer	
27	4751000	6	Washer #10	

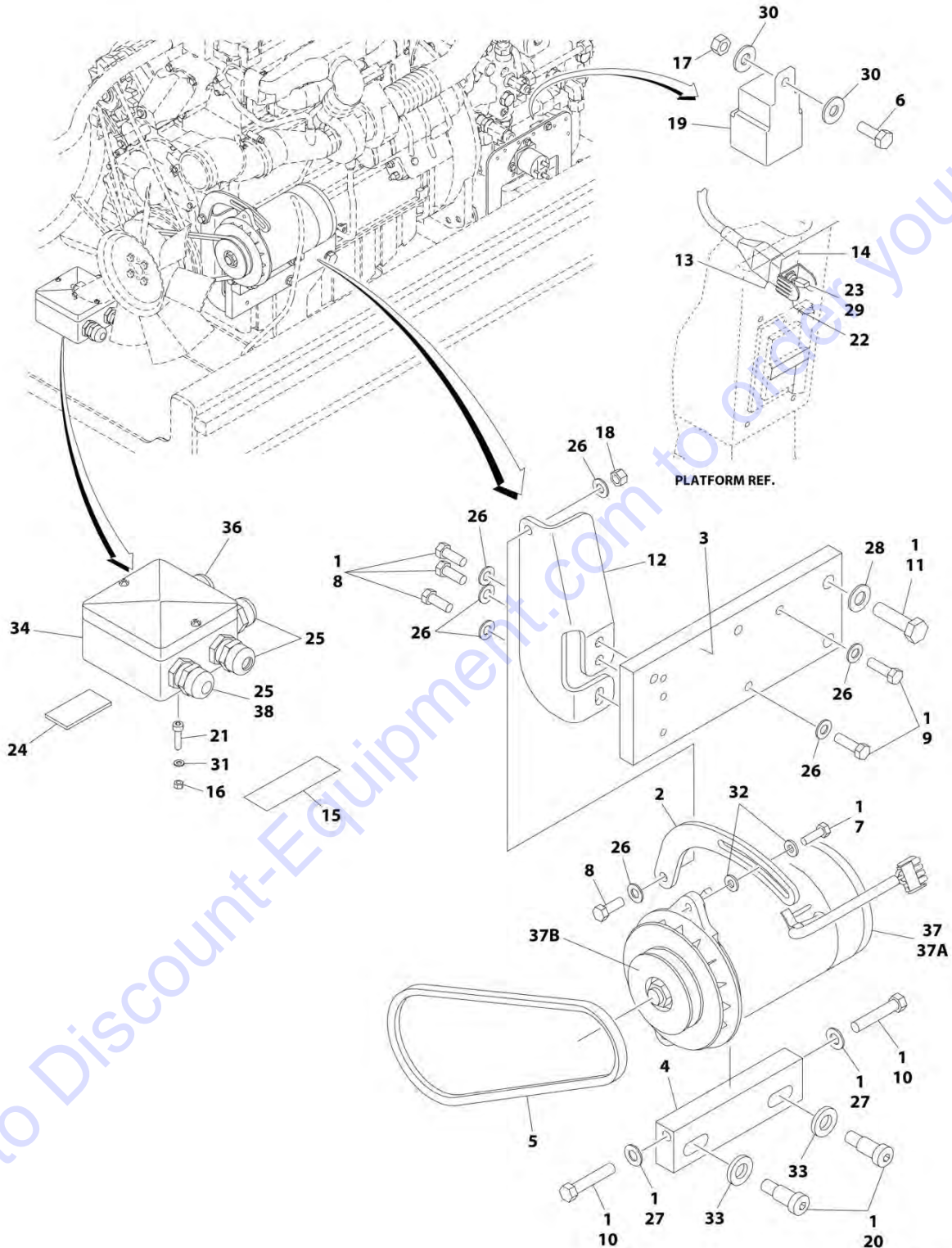
SECTION 3 - ENGINE

ITEM	PART NUMBER	QTY	DESCRIPTION	REV
28	4751400	2	Washer 1/4	
29	4891500	2	Washer 5/16	
30	4892000	2	Washer 5/8	

Go to Discount-Equipment.com to order your parts

SECTION 3 - ENGINE

FIGURE 3-60. 2500W GENERATOR INSTALLATION - 50HZ SPEC (DEUTZ TD2011 ENGINES) (OPTIONAL)



ART_1001125426

SECTION 3 - ENGINE

**FIGURE 3-60. 2500W GENERATOR INSTALLATION - 50HZ SPEC (DEUTZ TD2011 ENGINES)
(OPTIONAL)**

ITEM	PART NUMBER	QTY	DESCRIPTION	REV
	1001125426	Ref	2500W GENERATOR INSTALLATION - 50HZ SPEC (DEUTZ TD2011 ENGINES) (OPTIONAL)	A
1	0100011	AR	Compound, Locking	
2	0200742	1	Arm, Adjusting	
3	0363081	1	Bar, Mounting	
4	0363082	1	Bar, Adjusting	
5	0480122	1	Belt	
6	0641406	1	Bolt 1/4 x 3/4	
7	0641508	1	Bolt 5/16 x 1	
8	0641608	4	Bolt 3/8 x 1	
9	0641610	2	Bolt 3/8 x 1-1/4	
10	0641718	2	Bolt 7/16 x 2-1/4	
11	0701418	2	Bolt M14 x 50	
12	0902813	1	Bracket, Arm Mounting	
13	2820031	AR	Heat Shrink	
14	3251102	1	Nameplate - Generator	
15	3252507	1	Decal, Voltage	
16	3290505	1	Nut M5	
17	3311405	1	Nut 1/4	
18	3311605	1	Nut 3/8	
19	3740080	1	Relay	
20	3900322	2	Screw, Socket Head Shoulder	
21	4031608	1	Screw M5 x 20	
22	4060802	1	Guard, Switch	
23	4360336	1	Switch, Toggle	
24	4420060	AR	Tape, Double-Sided	
25	4460968	3	Relief, Strain	
26	4711600	7	Washer 3/8	
27	4711700	2	Washer 7/16	
28	4711900	2	Washer 9/16	
29	4740397	1	Spacer	
30	4751400	2	Washer 1/4	
31	4811600	1	Washer M5	
32	4891500	2	Washer 5/16	
33	4892000	2	Washer 5/8	
34	1001099869	1	Box, Junction	
35	1001120382	1	Wiring Diagram (Not Shown - See Separate Breakdown in ELECTRICAL SECTION)	
36	1001100233	1	Light, Red	
37	1001100321	1	Generator Assembly	
		Ref	Note: Replacement generators come standard with p/n 3580134 pulley. This pulley may not be correct for all applications. Refer to pulley options below for correct pulley.	
37A	7012513	4	Cap, Brush Holder	
37A	7020108	4	Brush	
37A	7020109	4	Holder, Brush	
37A	7012514	1	Fan	
37A	7020190	2	Bearing	
37A	7020110	1	End Bell, Front	
37A	7020111	1	End Bell, Rear	

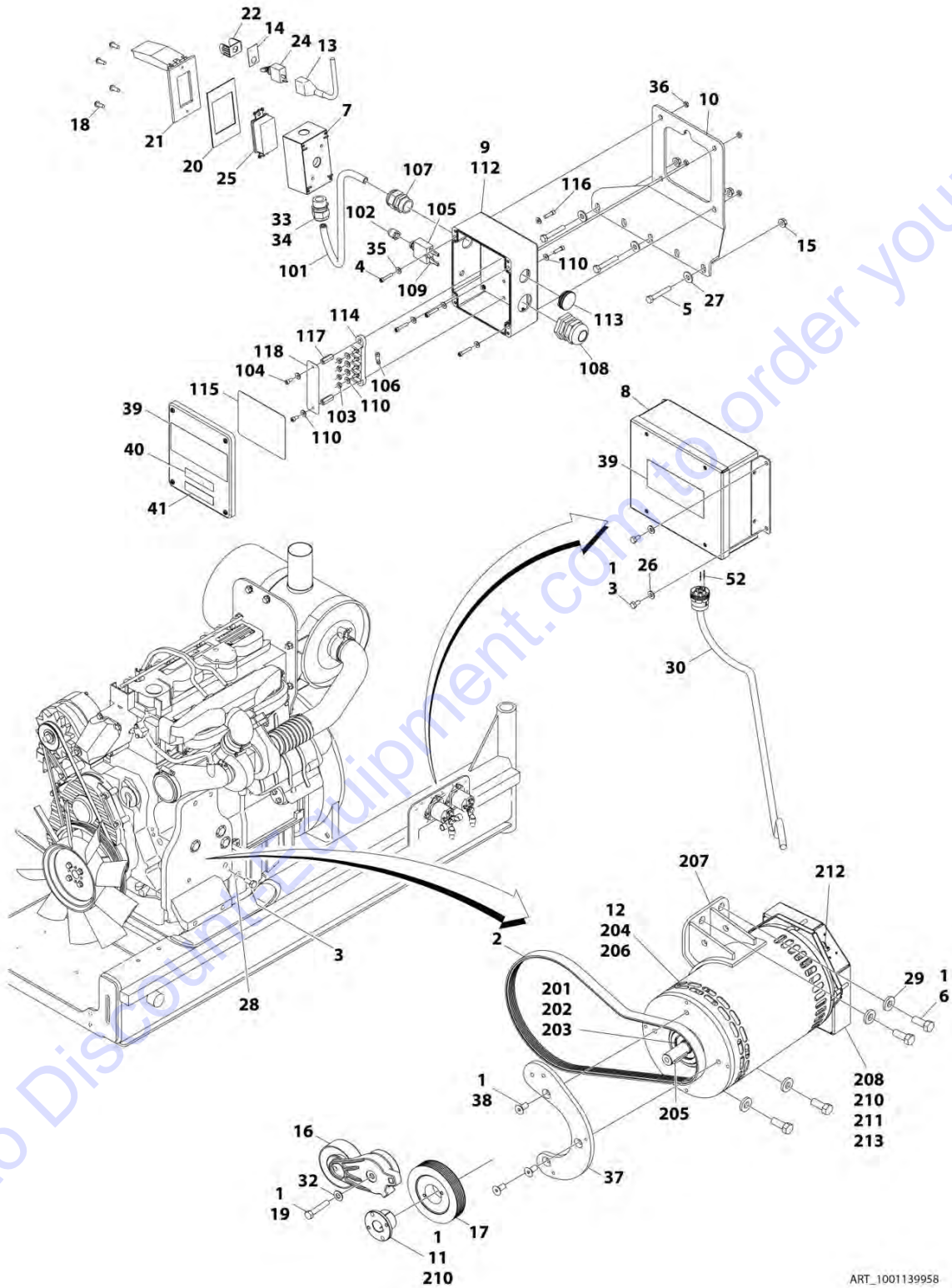
SECTION 3 - ENGINE

ITEM	PART NUMBER	QTY	DESCRIPTION	REV
37B	7027887	1	Key, Woodruff	
38	0962449	1	Bushing, Silicone	

Go to Discount-Equipment.com to order your parts

SECTION 3 - ENGINE

FIGURE 3-61. 4000W GENERATOR INSTALLATION - 60HZ SPEC (DEUTZ TD2011 ENGINES) (OPTIONAL)



ART_1001139958

SECTION 3 - ENGINE

**FIGURE 3-61. 4000W GENERATOR INSTALLATION - 60HZ SPEC (DEUTZ TD2011 ENGINES)
(OPTIONAL)**

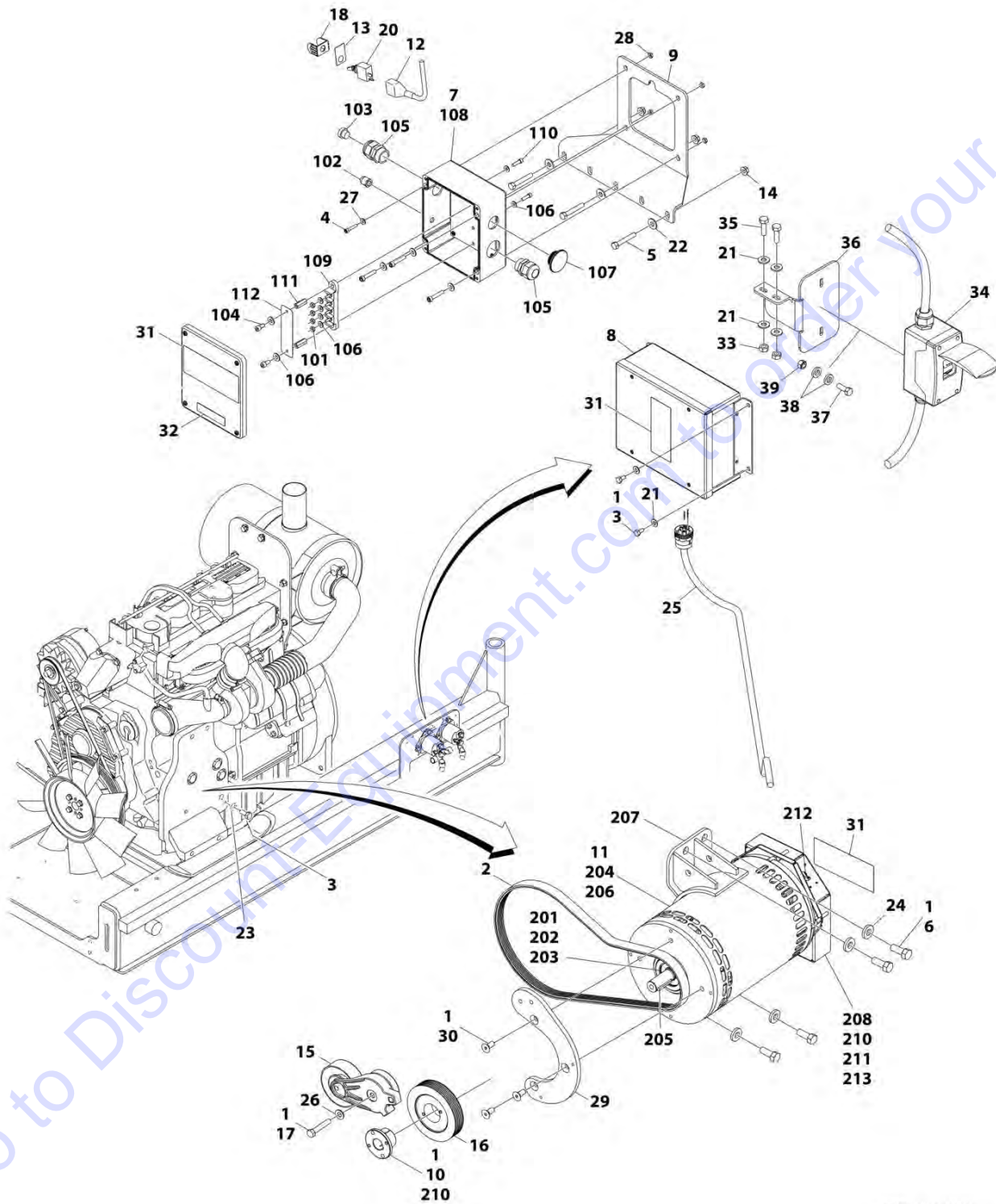
ITEM	PART NUMBER	QTY	DESCRIPTION	REV
	1001139958	Ref	4000W GENERATOR INSTALLATION - 60HZ SPEC (DEUTZ TD2011 ENGINES) (OPTIONAL)	B
		Ref	Note: See ELECTRICAL SECTION for Boom Cable Installation.	
1	0100011	AR	Compound, Locking	
2	0480128	1	Belt, Generator	
3	0641404	5	Bolt 1/4 x 1/2	
4	3931016	4	Screw 1/4 x 1	
5	0641516	3	Bolt 5/16 x 2	
6	0641810	4	Bolt 1/2 x 1-1/4	
7	0860038	1	Box, Switch-Weatherhead	
8	1001138566	1	Box, Generator Control	
8	70006552	1	Capacitor	
8	70006553	1	Relay	
9	1001152457	1	Box, Junction Assembly (See Items 101-118 for Breakdown)	
10	0902888	1	Bracket, Generator Junction Box	
11	0962520	1	Bushing, Taper	
12	1001129858	1	Generator, 4000W Assembly (See Items 200-213 for Breakdown)	
13	2820031	AR	Insulator, Heat Shrink	
14	3251102	1	Nameplate, Generator	
15	3311508	3	Nut 5/16	
16	3580317	1	Pulley, Belt Tensioner	
17	3580318	1	Pulley, Generator	
18	3910606	4	Screw 6 x 3/8	
19	0641616	AR	Bolt 3/8 x 2	
20	3960422	1	Gasket, AC Receptacle	
21	1001110873	1	Cover, Gang Vertical Receptacle GFCI	
22	4060802	1	Guard, Switch	
23	4240018	AR	Strap, Tie (Not Shown)	
24	4360336	1	Switch, Toggle	
25	4460346	1	Terminal, Receptacle	
26	4711400	4	Washer 1/4	
27	4751500	3	Washer 5/16	
28	4791400	2	Starwasher 1/4	
29	4891800	4	Washer 1/2	
30	1001152533	1	Harness, Generator Cable (See Separate Breakdown in ELECTRICAL SECTION)	
31	1001153257	1	Diagram, Generator Wiring (Not Shown)	
32	4711600	1	Washer 3/8	
33	0100020	AR	Sealant, Pipe	
34	4460071	1	Connector, Strain Relief	
35	4751000	4	Washer #10	
36	3311005	4	Nut #10	
37	1001139357	1	Mount, Generator Tensioner	
38	0741607	3	Screw 3/8 x 0.88	
39	1705387	3	Decal - Hazardous Voltage	
40	3251243	1	Decal - 120V-60Hz	
41	1705374	1	Decal - 240V-60Hz	
52	0100048	AR	Grease, Dielectric	
	1001152457	Ref	JUNCTION BOX ASSEMBLY	B

SECTION 3 - ENGINE

ITEM	PART NUMBER	QTY	DESCRIPTION	REV
101	1060494	2 ft/ 0.6m	Cable, 12/3 (SN 0300201016 through 0300205503)	
101	1001179154	2.5 ft/ 0.8m	Cable, 12/3 (SN 0300205504 to Present, SN B300002238 to Present)	
102	3300396	1	Cover, Fuse	
103	3311001	4	Nut #10 Grade 2	
104	3900300	2	Screw, Spec, Cap	
105	4360070	1	Circuit Breaker, 15Amp	
106	4460068	3	Terminal, Ring	
107	4460425	1	Terminal, Strain Relief	
108	4460426	1	Connector, Strain Relief	
109	4460483	2	Terminal	
110	4711000	8	Washer #10	
112	1001152456	1	Box, Junction	
113	1001152525	1	Plug, Hole Pluggit	
114	1001152530	1	Terminal, Block, 4 Pole	
115	1001153260	1	Decal - Wiring 4000W Generator	
116	3900267	2	Screw, Spec, Cap	
117	1001158008	2	Stand-Off, Female, Threaded	
118	1001158363	1	Plate, Cover, PVC	
	1001129858	Ref	4000W GENERATOR ASSEMBLY	
201	70003709	1	Ring, Retaining	
202	70003708	1	Ring, Retaining	
203	70001966	1	Bearing, Ball	
204	70004092	1	Endbell	
205	70004171	1	Key	
206	70004676	1	Rotor Assembly	
207	70004684	1	Stator, Generator 4000W	
208	70004678	1	Endbell	
210	70004680	1	Enclosure	
211	70004685	1	Cover, Enclosure	
212	70004682	1	Protector, Supplementary, Manual Reset	
213	70004098	1	Bushing, Strain Relief	

SECTION 3 - ENGINE

FIGURE 3-62. 4000W GENERATOR INSTALLATION - 50HZ SPEC (DEUTZ TD2011 ENGINES) (OPTIONAL)



ART_1001139959

SECTION 3 - ENGINE

**FIGURE 3-62. 4000W GENERATOR INSTALLATION - 50HZ SPEC (DEUTZ TD2011 ENGINES)
(OPTIONAL)**

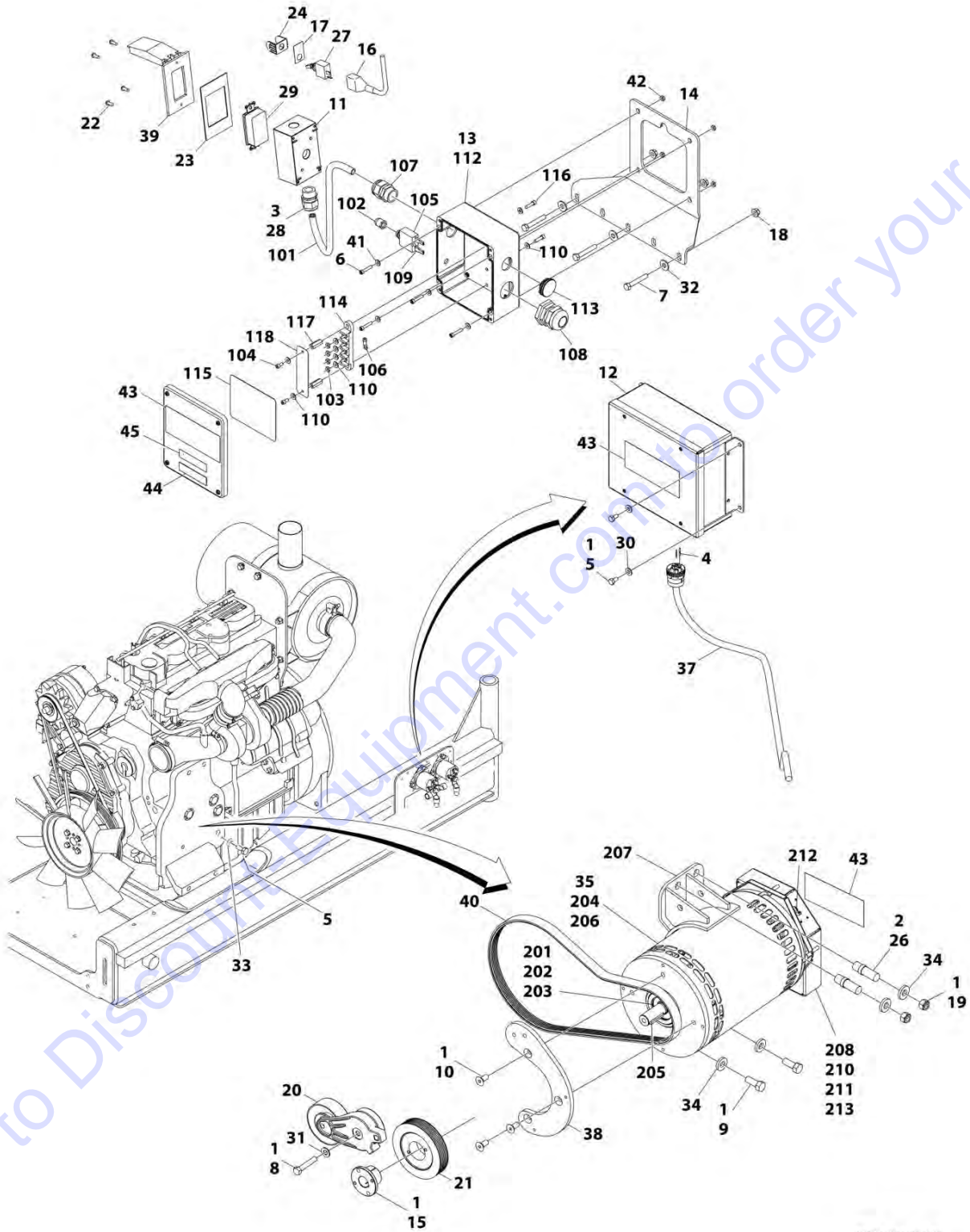
ITEM	PART NUMBER	QTY	DESCRIPTION	REV
	1001139959	Ref	4000W GENERATOR INSTALLATION - 50HZ SPEC (DEUTZ TD2011 ENGINES) (OPTIONAL)	D
		Ref	Note: See ELECTRICAL SECTION for Boom Cable Installation.	
1	0100011	AR	Compound, Locking	
2	1001136356	1	Belt, Generator	
3	0641404	5	Bolt 1/4 x 1/2	
4	3931016	4	Screw 1/4 x 1 (SN 0300201016 through 0300203454)	
5	0641516	3	Bolt 5/16 x 2 (SN 0300201016 through 0300203454)	
6	0641810	4	Bolt 1/2 x 1-1/4	
7	1001152458	1	Box, Junction Assembly (50Hz Spec Only) (See items 101-112 for Breakdown) (SN 0300201016 through 0300203454)	
8	1001138566	1	Box, Generator Control	
8	70006552	1	Capacitor	
8	70006553	1	Relay	
9	0902888	1	Bracket, Generator Junction Box (SN 0300201016 through 0300203454)	
10	0962520	1	Bushing, Taper	
11	1001138565	1	Generator, 4000W Assembly Options: (See items 200-213 for Breakdown)	
12	2820031	AR	Insulator, Heat Shrink (Not Shown)	
13	3251102	1	Nameplate, Generator	
14	3311508	3	Nut 5/16 (SN 0300201016 through 0300203454)	
15	3580317	1	Pulley, Belt Tensioner	
16	3580319	1	Pulley, Generator	
17	0641616	1	Bolt 3/8 x 2	
18	4060802	1	Guard, Switch	
19	4240018	AR	Strap, Tie (Not Shown)	
20	4360336	1	Switch, Toggle	
21	4711400	8	Washer 1/4	
22	4751500	3	Washer 5/16 (SN 0300201016 through 0300203454)	
23	4791400	2	Washer 1/4	
24	4891800	4	Washer 1/2	
25	1001152533	1	Harness, Generator Cable (See Separate Breakdown in ELECTRICAL SECTION)	
26	4711600	1	Washer 3/8	
27	4751000	4	Washer #10 (SN 0300201016 through 0300203454)	
28	3311005	4	Nut #10 (SN 0300201016 through 0300203454)	
29	1001139357	1	Mount, Generator Tensioner	
30	0741607	3	Screw, Flat head, 3/8 x .88	
31	1705489	AR	Decal - Hazardous Voltage	
32	3251242	1	Decal - 240V-50Hz (SN 0300201016 through 0300203454)	
33	3311405	2	Nut 1/4	
34	1001165368	1	Kit, Box and Breaker (See Separate Breakdown in ELECTRICAL SECTION)	
35	0641407	2	Bolt 1/4 x 7/8	
36	1001094915	1	Bracket, AC Breaker Box	
37	4010408	2	Screw M4 x 16	
38	1001091102	4	Washer M4	
39	3290405	2	Nut M4	
	1001152458	Ref	JUNCTION BOX ASSEMBLY (SN 0300201016 through	B

SECTION 3 - ENGINE

ITEM	PART NUMBER	QTY	DESCRIPTION	REV
			0300203454)	
101	3311001	3	Nut #10	
102	1001155813	1	Plug, Hole Pluggit	
103	3520192	1	Plug, Hole	
104	3900300	2	Screw, Spec, Cap	
105	4460425	1	Terminal, Strain Relief	
106	4711000	7	Washer #10	
107	1001148648	1	Plug, Hole Pluggit	
108	1001152456	1	Box, Junction	
109	1001152530	1	Terminal, Block, 4 pole	
110	3900267	2	Screw, Spec, Cap	
111	1001158008	2	Standoff, female, threaded	
112	1001158363	1	Plate, Cover, PVC	
	1001138565	Ref	4000W GENERATOR ASSEMBLY	
201	70003709	1	Ring, Retaining	
202	70003708	1	Ring, Retaining	
203	70001966	1	Bearing, Ball	
204	70004092	1	Endbell	
205	70004171	1	Key	
206	70004676	1	Rotor Assembly	
207	70004677	1	Stator, Generator 4000W	
208	70004678	1	Endbell	
210	70004680	1	Enclosure	
211	70004681	1	Cover, Enclosure	
212	70004682	1	Protector, Supplementary, Manual Reset	
213	70004683	1	Bushing, Strain Relief	

SECTION 3 - ENGINE

FIGURE 3-63. 4000W GENERATOR INSTALLATION - 60HZ SPEC (DEUTZ TCD2.9L4 ENGINES)
(OPTIONAL)



ART_1001171130

SECTION 3 - ENGINE

**FIGURE 3-63. 4000W GENERATOR INSTALLATION - 60HZ SPEC (DEUTZ TCD2.9L4 ENGINES)
(OPTIONAL)**

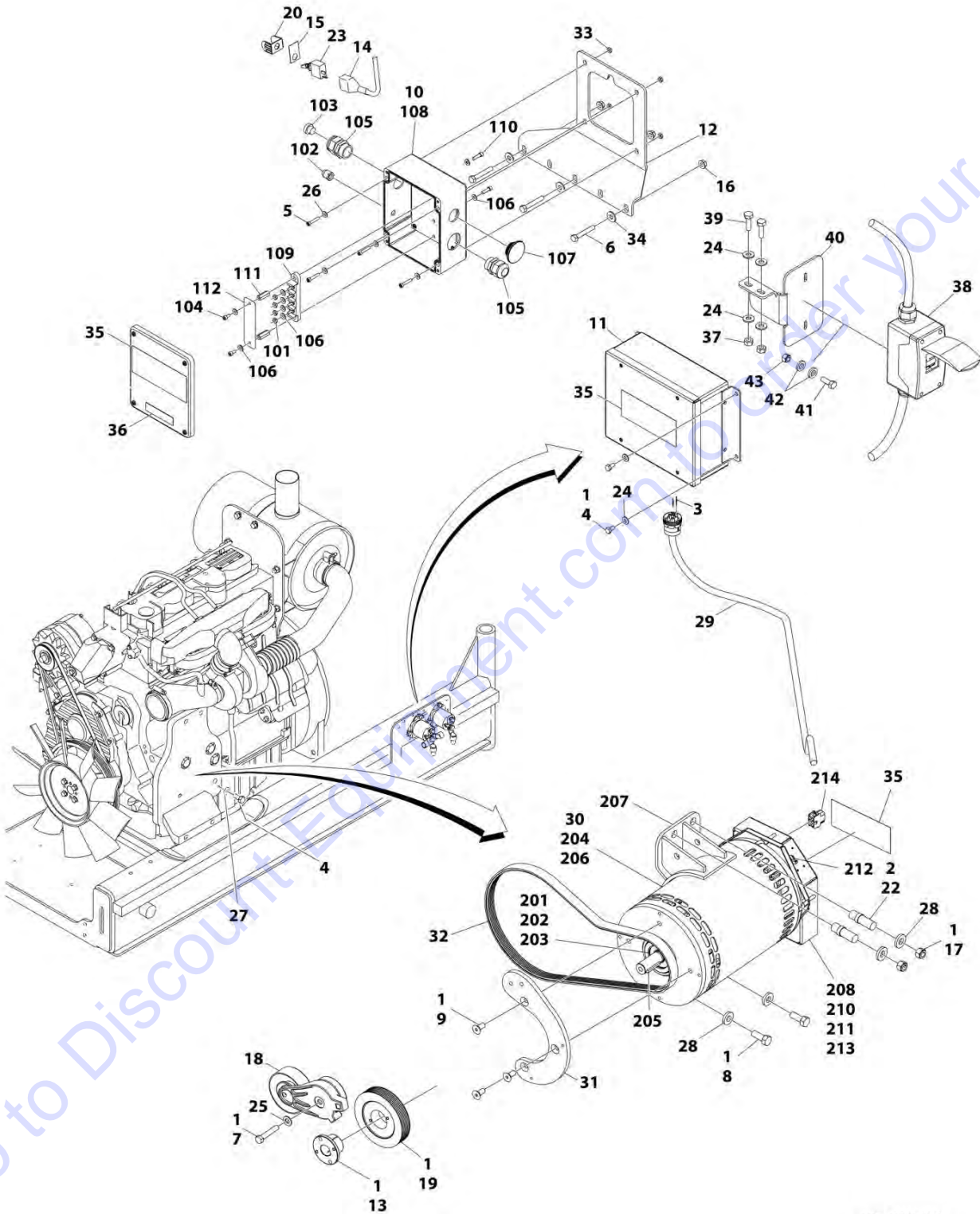
ITEM	PART NUMBER	QTY	DESCRIPTION	REV
	1001171130	Ref	4000W GENERATOR INSTALLATION - 60HZ SPEC (DEUTZ TCD2.9L4 ENGINES) (OPTIONAL)	B
		Ref	Note: See ELECTRICAL SECTION for Boom Cable Installation.	
1	0100011	AR	Compound, Locking	
2	0100019	AR	Compound, Locking	
3	0100020	AR	Sealant, Pipe	
4	0100048	AR	Grease, Dielectric	
5	0641404	5	Bolt 1/4 x 1/2	
6	3931016	4	Screw 1/4 x 1	
7	0641516	3	Bolt 5/16 x 2	
8	0641618	1	Bolt 3/8 x 2-1/4	
9	0641810	2	Bolt 1/2 x 1-1/4	
10	0741607	3	Screw 3/8 x 0.88	
11	0860038	1	Box, Switch-Weatherhead	
12	1001138566	1	Box, Generator Control	
12	70006552	1	Capacitor	
12	70006553	1	Relay	
13	1001152457	1	Box, Junction Assembly (See Items 101-118 for Breakdown)	
14	0902888	1	Bracket, Generator Junction Box	
15	0962520	1	Bushing, Taper	
16	2820031	AR	Insulator, Heat Shrink	
17	3251102	1	Nameplate, Generator	
18	3311508	3	Nut 5/16	
19	3311801	2	Nut 1/2	
20	3580317	1	Pulley, Belt Tensioner	
21	3580318	1	Pulley, Generator	
22	3910606	4	Screw 6 x 3/8	
23	3960422	1	Gasket, AC Receptacle	
24	4060802	1	Guard, Switch	
25	4240018	AR	Strap, Tie (Not Shown)	
26	4300157	2	Stud	
27	4360336	1	Switch, Toggle	
28	4460071	1	Connector, Strain Relief	
29	4460346	1	Terminal, Receptacle	
30	4711400	4	Washer 1/4	
31	4711600	1	Washer 3/8	
32	4751500	3	Washer 5/16	
33	4791400	2	Starwasher 1/4	
34	4891800	4	Washer 1/2	
35	1001140344	1	Generator, 4000W Assembly (See Items 200-213 for Breakdown)	
36	1001132055	1	Diagram, Generator Wiring (Not Shown) (SN 0300201017 through 0300213727)	
36	1001153257	1	Diagram, Generator Wiring (Not Shown) (SN 0300213728 to Present, SN B300002238 to Present)	
37	1001152533	1	Harness, Generator Cable (See ELECTRICAL SECTION for Breakdown)	
38	1001138011	1	Mount, Generator Tensioner	
39	1001110873	1	Cover, Gang Vertical Receptacle GFCI	
40	1001142645	1	Belt, Generator	
41	4751000	4	Washer #10	

SECTION 3 - ENGINE

ITEM	PART NUMBER	QTY	DESCRIPTION	REV
42	3311005	4	Nut 10	
43	1705387	3	Decal - Hazardous Voltage	
44	1705374	1	Decal - 240V-60Hz	
45	3251243	1	Decal - 120V-60Hz	
	1001152457	Ref	JUNCTION BOX ASSEMBLY	B
101	1060494	2 ft/0.7m	Cable, Electrical 12/3 (SN 0300201016 through 0300205503)	
101	1001179154	2.5 ft/ 0.8m	Cable, Electrical 12/3 (SN 0300205504 to Present, SN B300002238 to Present)	
102	3300396	1	Cover, Fuse	
103	3311001	4	Nut 10 Grade 2	
104	3900300	2	Screw, Spec, Cap	
105	4360070	1	Circuit Breaker, 15Amp	
106	4460068	3	Terminal, Ring	
107	4460425	1	Terminal, Strain Relief	
108	4460426	1	Connector, Strain Relief	
109	4460483	2	Terminal	
110	4711000	AR	Washer #10	
112	1001152456	1	Box, Junction	
113	1001152525	1	Plug, Hole Pluggit	
114	1001152530	1	Terminal, Block, 4 Pole	
115	1001153260	1	Decal - Wiring 4000W Generator	
116	3900267	2	Screw, Spec, Cap	
117	1001158008	2	Stand-Off, Female, Threaded	
118	1001158363	1	Plate, Cover, PVC	
	1001140346	Ref	4000W GENERATOR ASSEMBLY	
201	70003709	1	Ring, Retaining	
202	70003708	1	Ring, Retaining	
203	70001966	1	Bearing, Ball	
204	70004092	1	Endbell	
205	70004099	1	Key	
206	70004676	1	Rotor Assembly	
207	70004687	1	Stator, Generator 4000W	
208	70004678	1	Endbell	
210	70004680	1	Enclosure	
211	70004685	1	Cover, Enclosure	
212	70004682	1	Protector, Supplementary, Manual Reset	
213	70004098	1	Bushing, Strain Relief	

SECTION 3 - ENGINE

FIGURE 3-64. 4000W GENERATOR INSTALLATION - 50HZ SPEC (DEUTZ TCD2.9L4 ENGINES AND DEUTZ TCD2.9L4 (STAGE V) ENGINES) (OPTIONAL)



ART_1001171273

SECTION 3 - ENGINE

FIGURE 3-64. 4000W GENERATOR INSTALLATION - 50HZ SPEC (DEUTZ TCD2.9L4 ENGINES AND DEUTZ TCD2.9L4 (STAGE V) ENGINES) (OPTIONAL)

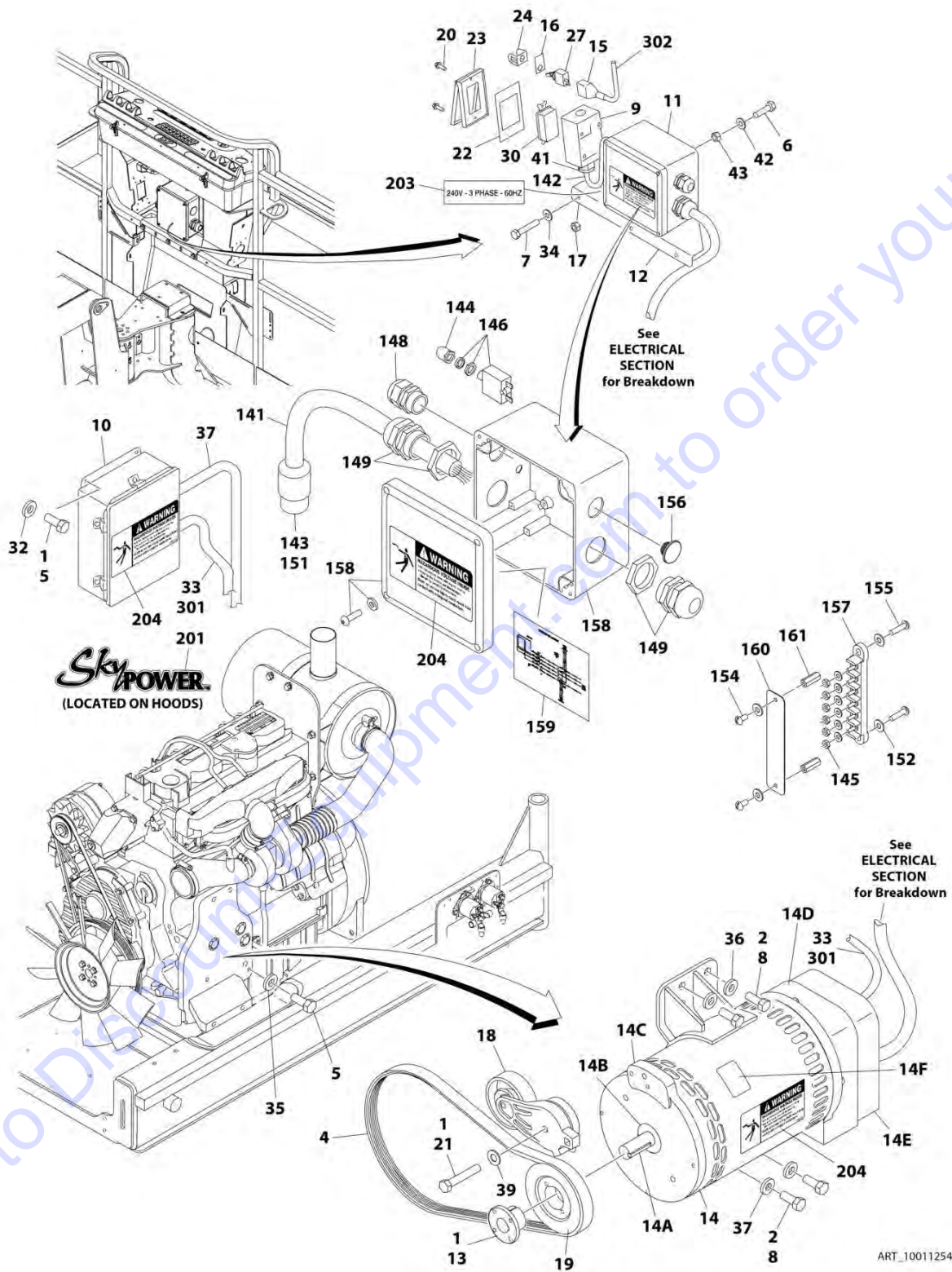
ITEM	PART NUMBER	QTY	DESCRIPTION	REV
	1001171273	Ref	4000W GENERATOR INSTALLATION - 50HZ SPEC (DEUTZ TCD2.9L4 ENGINES AND DEUTZ TCD2.9L4 (STAGE V) ENGINES) (OPTIONAL)	C
		Ref	Note: See ELECTRICAL SECTION for Boom Cable Installation.	
1	0100011	AR	Compound, Locking	
2	0100019	AR	Compound, Locking	
3	0100048	AR	Grease, Dielectric	
4	0641404	5	Bolt 1/4 x 1/2	
5	3931016	4	Screw 1/4 x 1 (SN 0300201016 through 0300205136)	
6	0641516	3	Bolt 5/16 x 2 (SN 0300201016 through 0300205136)	
7	0641618	1	Bolt 3/8 x 2-1/4	
8	0641810	2	Bolt 1/2 x 1-1/4	
9	0741607	3	Screw 3/8 x 0.88	
10	1001152458	1	Box, Junction Assembly (See Items 101-113 for Breakdown) (SN 0300201016 through 0300205136)	
11	1001138566	1	Box, Generator Control	
11	70006552	1	Capacitor	
11	70006553	1	Relay	
12	0902888	1	Bracket, Generator Junction Box (SN 0300201016 through 0300205136)	
13	0962520	1	Bushing, Taper	
14	2820031	AR	Insulator, Heat Shrink	
15	3251102	1	Nameplate, Generator	
16	3311508	3	Nut 5/16 (SN 0300201016 through 0300205136)	
17	3311801	2	Nut 1/2	
18	3580317	1	Pulley, Belt Tensioner	
19	3580319	1	Pulley, Generator	
20	4060802	1	Guard, Switch	
21	4240018	AR	Strap, Tie (Not Shown)	
22	4300157	2	Stud	
23	4360336	1	Switch, Toggle	
24	4711400	8	Washer 1/4	
25	4711600	1	Washer 3/8	
26	4751000	AR	Washer #10 (SN 0300201016 through 0300205136)	
27	4791400	2	Starwasher 1/4	
28	4891800	4	Washer 1/2	
29	1001152533	1	Harness, Generator Cable (See Separate Breakdown in ELECTRICAL SECTION)	
30	1001140347	1	Generator, 4000W Assembly (See Items 200-213 for Breakdown)	
31	1001138011	1	Mount, Generator Tensioner	
32	1001136357	1	Belt, Generator	
33	3311005	4	Nut #10 (SN 0300201016 through 0300205136)	
34	4751500	3	Washer 5/16 (SN 0300201016 through 0300205136)	
35	1705489	AR	Decal - Hazardous Voltage	
36	3251242	1	Decal - 240V-50Hz (SN 0300201016 through 0300205136)	
37	3311405	2	Nut 1/4	
38	1001165368	1	Kit, Box and Breaker (See Separate Breakdown in ELECTRICAL SECTION)	
39	0641407	2	Bolt 1/4 x 7/8	
40	1001094915	1	Bracket	

SECTION 3 - ENGINE

ITEM	PART NUMBER	QTY	DESCRIPTION	REV
41	4010408	2	Screw M4 x 16	
42	1001091102	4	Washer M4	
43	3290405	2	Nut M4	
	1001152458	Ref	JUNCTION BOX ASSEMBLY (SN 0300201016 through 0300205136)	B
101	3311001	3	Nut #10	
102	1001155813	1	Plug, Hole Pluggit	
103	3520192	1	Plug	
104	3900300	2	Screw, Spec, Cap	
105	4460425	2	Terminal, Strain Relief	
106	4711000	7	Washer #10	
107	1001148648	1	Plug	
108	1001152456	1	Box, Junction	
109	1001152530	1	Terminal, Block, 4 Pole	
110	3900267	2	Screw, Spec, Cap	
111	1001158008	2	Stand-Off, Female, Threaded	
112	1001158363	1	Plate, Cover, PVC	
	1001140347	Ref	4000W GENERATOR ASSEMBLY	
201	70003709	1	Ring, Retaining	
202	70003708	1	Ring, Retaining	
203	70001966	1	Bearing, Ball	
204	70004092	1	Endbell	
205	70004099	1	Key	
206	70004676	1	Rotor Assembly	
207	70004686	1	Stator, Generator 4000W	
208	70004678	1	Endbell	
210	70004680	1	Enclosure	
211	70004681	1	Cover, Enclosure	
212	70004682	1	Protector, Supplementary, Manual Reset	
213	70004683	1	Bushing, Strain Relief	
214	4460224	1	Connector - 6 Position (50Hz) (Located on Enclosure Cover)	
214	4460294	2	Pin, Male (50Hz) (Located on Enclosure Cover)	

SECTION 3 - ENGINE

FIGURE 3-65. 7500W SKYPOWER GENERATOR INSTALLATION - 60HZ SPEC (DEUTZ TD2011 ENGINES) (OPTIONAL)



SECTION 3 - ENGINE

FIGURE 3-65. 7500W SKYPOWER GENERATOR INSTALLATION - 60HZ SPEC (DEUTZ TD2011 ENGINES) (OPTIONAL)

ITEM	PART NUMBER	QTY	DESCRIPTION	REV
	1001125427	Ref	7500W SKYPOWER GENERATOR INSTALLATION - 60HZ SPEC (DEUTZ TD2011 ENGINES) (OPTIONAL)	D
		Ref	Note: See ELECTRICAL SECTION for Boom Cable Installation.	
1	0100011	AR	Compound, Locking	
2	0100019	AR	Compound, Locking	
4	0480128	1	Belt, Generator	
5	0641404	6	Bolt 1/4 x 1/2	
6	3931016	AR	Bolt 10 x 1	
7	0641516	3	Bolt 5/16 x 2	
8	0641810	4	Bolt 1/2 x 1-1/4	
9	0860038	1	Box, Switch	
10	0861538	1	Box, Generator Control	
10	7024488	1	Card, Circuit - Generator Power (Not Shown)	
10	See Note	1	Fuse (Note: Not Available - Purchase Locally)	
10	7024489	1	Card, Circuit - Control (Not Shown)	
		Ref	Note: When replacing card, rocker switch on card must be set for required application.	
10	70000619	1	Harness, Circuit Card	
11	1001157592	1	Junction Box Assembly Options (See Items 141-161 for Breakdown)	
12	0902888	1	Bracket, Generator Junction Box	
13	0962520	1	Bushing, Taper	
14	2460048	1	Generator, 7500W	
14	70001100	1	Rotor (Includes p/n 70001384 & 70000863) (Not Shown)	
14	70001384	1	Bearing, Shaft (Rear) (Not Shown)	
14	70000863	1	Fan, Generator (Not Shown)	
14	70002088	1	Stator (Not Shown)	
14	70002297	2	Stud 1/4 x 12-7/8 (Not Shown)	
14	70003631	1	Brushholder Assembly (Not Shown) (was p/n 7024484)	
14A	70004171	1	Key	
14B	70001966	1	Bearing, Ball Radial (Located in Belt Tensioner Endbell)	
14B	70003709	1	Ring, Retaining (Small)	
14B	70003708	1	Ring, Retaining (Large)	
14C	70001953	1	Endbell, Belt Tensioner	
14D	70004169	1	Kit, Endbell (Includes Endbell, Brush Block and Shroud Assembly)	
14E	7027799	1	Block, Connector 6 Position (Not Shown)	
14E	70002460	6	Nut, Brass (Attaches p/n 7027799 to Cover) (Not Shown)	
14E	7024485	1	Breaker, Circuit 30Amp (Not Shown)	
14E	70001696	1	Boot, Breaker (Not Shown)	
14E	7026597	1	Connector with Leads (Not Shown)	
14E	7026626	1	Connector with Pins (Not Shown)	
14E	7026188	1	Clamp, Cable (Not Shown)	
14E	70002255	1	Plate, End Panel (Not Shown)	
14E	See Note	NSS	Insulator, End Panel (Note: Not Available for Purchase)	
14E	70001974	1	Decal - Terminal Connections (Not Shown)	
14F	70001973	1	Decal - Warning Moving Parts	
15	2820031	AR	Insulator, Heat Shrink	
16	3251102	1	Nameplate, Generator	
17	3311508	3	Nut 5/16	

SECTION 3 - ENGINE

ITEM	PART NUMBER	QTY	DESCRIPTION	REV
18	3580317	1	Pulley, Belt Tensioner	
19	3580318	1	Pulley, Generator	
20	3910606	4	Screw #6 x 3/8	
21	0641618	1	Bolt 3/8 x 2	
22	3960422	1	Gasket, AC Receptacle	
23	1001110873	1	Shield, Receptacle Cover	
24	4060802	1	Guard, Switch	
26	4240018	AR	Strap, Tie (Not Shown)	
27	4360336	1	Switch, Toggle	
30	4460346	1	Terminal, Receptacle	
32	4711400	4	Washer 1/4	
33	0100048	AR	Grease, Dielectric	
34	4751500	3	Washer 5/16	
35	4791400	2	Starwasher 1/4	
36	4891800	4	Washer 1/2	
37	4922972	1	Harness, Generator Cable (See Separate Breakdown in ELECTRICAL SECTION)	
39	4711600	1	Washer 3/8	
40	0100020	AR	Sealant, Pipe (Not Shown)	
41	4460071	1	Connector, Strain Relief	
42	4751000	4	Washer #10	
43	3311005	4	Nut #10	
	1001157592	Ref	JUNCTION BOX ASSEMBLY	C
141	1060343	1.5 ft/ 0.5m	Cable, Electrical 10/4	
142	1060494	2 ft/ 0.7m	Cable, 12/3 (SN 0300201016 through 0300205503)	
142	1001179154	2.5 ft/ 0.8m	Cable, 12/3 (SN 0300205504 to Present, SN B300002238 to Present)	
143	1671092	1	Cover	
144	3300396	1	Cover, Fuse	
145	3311001	6	Nut #10	
146	4360070	1	Circuit Breaker - 15Amp	
148	4460425	1	Strain Relief, Terminal	
149	4460426	2	Connector, Strain Relief	
151	4460963	1	Connector	
152	4711000	10	Washer #10	
154	10702077	2	Screw #10 x 3/8	
155	10702082	2	Screw #10 x 3/4	
156	1001152525	1	Plug	
157	1001157520	1	Block, Terminal	
158	1001157521	1	Box, Junction	
159	1001157528	1	Decal - Wiring Schematic	
160	1001158007	1	Decal - PVC	
161	1001158008	2	Stand-Off	
	0272435	Ref	DECAL INSTALLATION	D
201	1705460	2	Decal - SkyPower	
202	3251243	1	Decal - 120V - 60Hz (Located at Platform Receptacle) (SN 0300222664 to Present, SN B300002238 to Present)	
203	1705375	1	Decal - 240V - 3 Phase	
204	1705387	3	Decal - Hazardous Voltage	
	1001122528	Ref	ELECTRICAL DIAGRAM COMPONENTS	B
301	1001119968	1	Generator Harness (See ELECTRICAL SECTION for Breakdown)	B

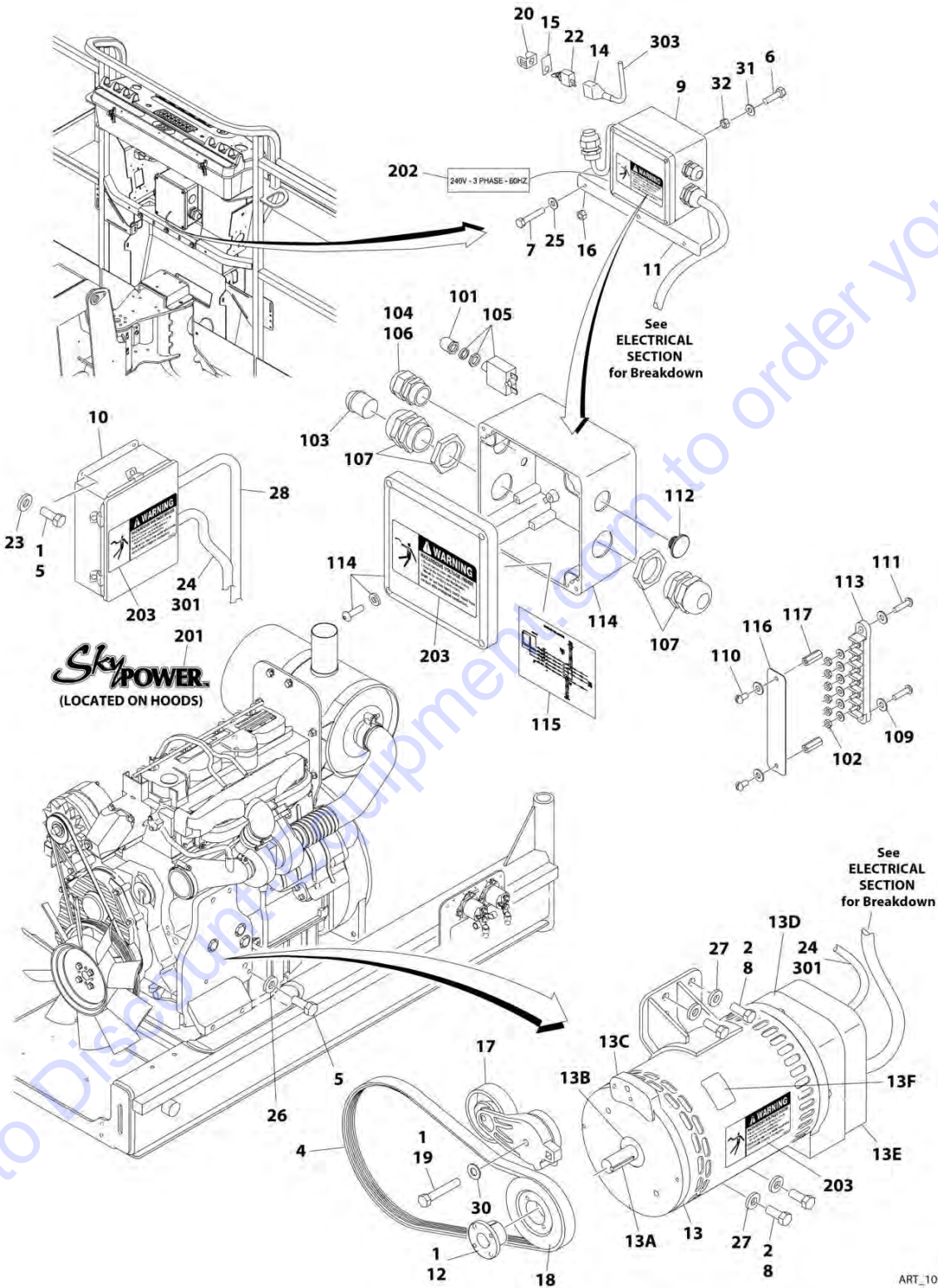
SECTION 3 - ENGINE

ITEM	PART NUMBER	QTY	DESCRIPTION	REV
301A	4460967	1	Plug, Male - 3 Position (Not Shown)	
301A	4460465	6	Socket, Female	
301B	1001117078	1	Fuseholder with Fuse (Not Shown)	
302	4922641	1	Switch, Harness	

Go to Discount-Equipment.com to order your parts

SECTION 3 - ENGINE

FIGURE 3-66. 7500W SKYPOWER GENERATOR INSTALLATION - 50HZ SPEC (DEUTZ TD2011 ENGINES) (OPTIONAL)



ART_1001125428

SECTION 3 - ENGINE

FIGURE 3-66. 7500W SKYPOWER GENERATOR INSTALLATION - 50HZ SPEC (DEUTZ TD2011 ENGINES) (OPTIONAL)

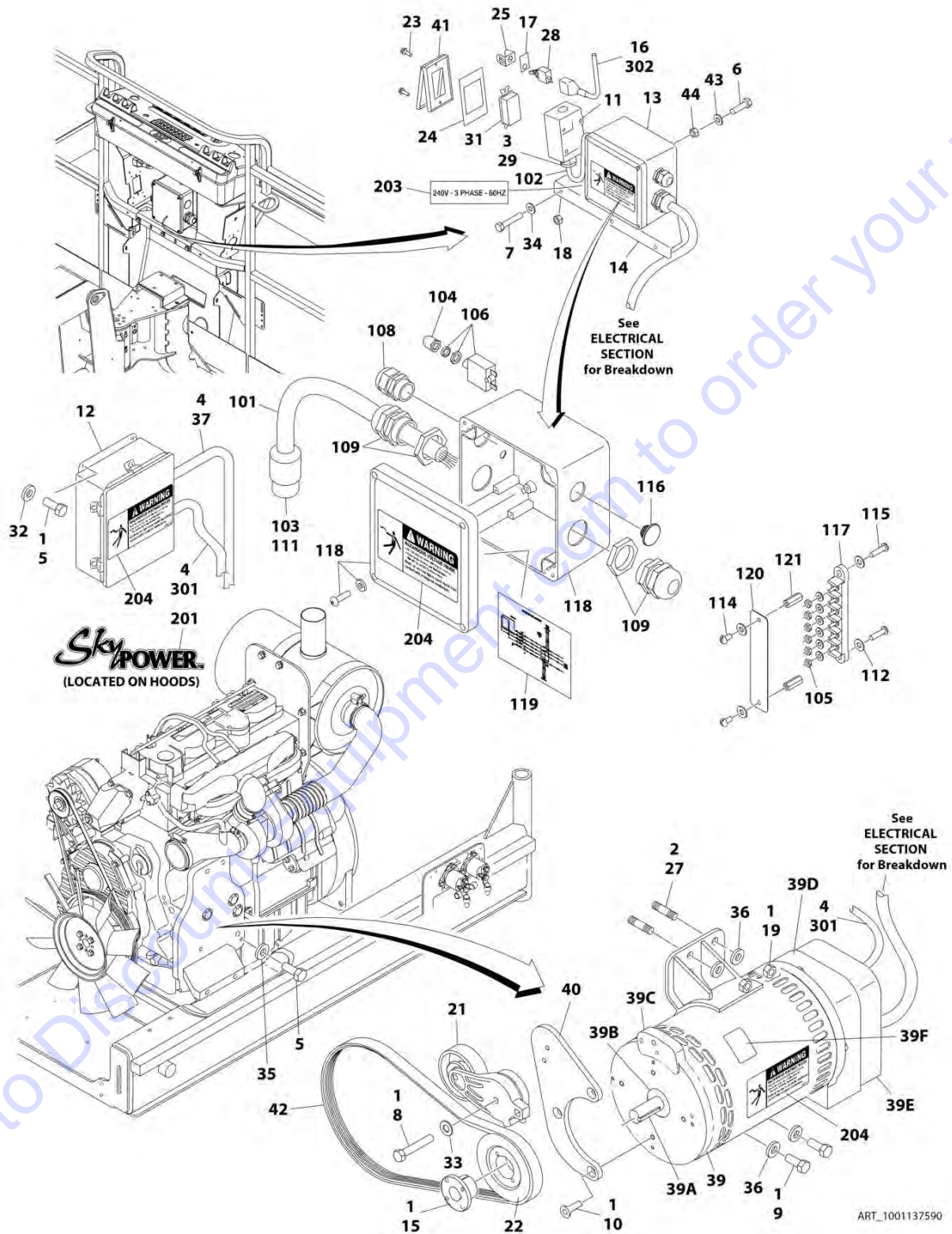
ITEM	PART NUMBER	QTY	DESCRIPTION	REV
	1001125428	Ref	7500W SKYPOWER GENERATOR INSTALLATION - 50HZ SPEC (DEUTZ TD2011 ENGINES) (OPTIONAL)	C
		Ref	Note: See ELECTRICAL SECTION for Boom Cable Installation.	
1	0100011	AR	Compound, Locking	
2	0100019	AR	Compound, Locking	
4	0480129	1	Belt, Generator	
5	0641404	5	Bolt 1/4 x 1/2	
6	3931016	4	Bolt 10 x 1	
7	0641516	3	Bolt 5/16 x 2	
8	0641810	4	Bolt 1/2 x 1-1/4	
9	1001157525	1	Junction Box Assembly (See Items 101-117 for Breakdown)	
10	0861572	1	Box, Generator Control	
10	7024488	1	Card, Circuit - Generator Power (Not Shown)	
10	See Note	1	Fuse (Note: Not Available - Purchase Locally)	
10	7024489	1	Card, Circuit - Control (Not Shown)	
		Ref	Note: When replacing card, rocker switch on card must be set for required application.	
10	70000619	1	Harness, Circuit Card	
11	0902888	1	Bracket, Generator Junction Box	
12	0962520	1	Bushing, Taper	
13	2460048	1	Generator, 7500W	
13	70001100	1	Rotor (Includes p/n 70001384 & 70000863) (Not Shown)	
13	70001384	1	Bearing, Shaft (Rear) (Not Shown)	
13	70000863	1	Fan, Generator (Not Shown)	
13	70002088	1	Stator (Not Shown)	
13	70002297	2	Stud 1/4 x 12-7/8	
13	70003631	1	Brushholder Assembly (Not Shown)	
13A	70004171	1	Key	
13B	70001966	1	Bearing, Ball Radial (Located in Belt Tensioner Endbell)	
13B	70003709	1	Ring, Retaining (Small)	
13B	70003708	1	Ring, Retaining (Large)	
13C	70001953	1	Endbell, Belt Tensioner	
13D	70004169	1	Kit, Endbell (Includes Endbell, Brush Block and Shroud Assembly)	
13E	7027799	1	Block, Connector 6 Position (Not Shown)	
13E	70002460	6	Nut, Brass (Attaches p/n 7027799 to Cover) (Not Shown)	
13E	7024485	1	Breaker, Circuit 30Amp (Not Shown)	
13E	70001696	1	Boot, Breaker (Not Shown)	
13E	7026597	1	Connector with Lead (Not Shown)	
13E	7026626	1	Connector with Pins (Not Shown)	
13E	7026188	1	Clamp, Cable (Not Shown)	
13E	70002255	1	Plate, End Panel (Not Shown)	
13E	See Note	1	Insulator, End Panel (Not Shown) (Note: Not Available for Purchase)	
13E	70001974	1	Decal - Terminal Connections (Not Shown)	
13F	70001973	1	Decal - Warning Moving Parts	
14	2820031	AR	Insulator, Heat Shrink	
15	3251102	1	Nameplate, Generator	
16	3311508	3	Nut 5/16	
17	3580317	1	Pulley, Belt Tensioner	

SECTION 3 - ENGINE

ITEM	PART NUMBER	QTY	DESCRIPTION	REV
18	3580319	1	Pulley, Generator	
19	0641618	1	Bolt 3/8 x 2	
20	4060802	1	Guard, Switch	
21	4240018	AR	Strap, Tie (Not Shown)	
22	4360336	1	Switch, Toggle	
23	4711400	4	Washer 1/4	
24	0100048	AR	Grease, Dielectric	
25	4751500	3	Washer 5/16	
26	4791400	2	Starwasher 1/4	
27	4891800	4	Washer 1/2	
28	4922972	1	Harness, Generator Cable (See Separate Breakdown in ELECTRICAL SECTION)	
30	4711600	1	Washer 3/8	
31	4751000	4	Washer #10	
32	3311005	4	Nut #10	
	1001157525	Ref	JUNCTION BOX ASSEMBLY	B
101	3300396	1	Cover, Fuse	
102	3311001	6	Nut #10	
103	3520189	1	Plug	
104	3520192	1	Plug	
105	4360070	1	Circuit Breaker - 15Amp	
106	4460425	1	Strain Relief, Terminal	
107	4460426	2	Connector, Strain Relief	
109	4711000	10	Washer #10	
110	10702077	2	Screw #10 x 3/8	
111	10702082	2	Screw #10 x 3/4	
112	1001152525	1	Plug	
113	1001157520	1	Block, Terminal	
114	1001157521	1	Box, Junction	
115	1001157528	1	Decal - Wiring Schematic	
116	1001158007	1	Cover, PVC	
117	1001158008	2	Stand-Off	
	0272589	Ref	DECAL INSTALLATION	A
201	1705460	2	Decal - SkyPower	
202	1705461	1	Decal - 240V - 3 Phase	
203	1705489	3	Decal - Hazardous Voltage	
	1001122528	Ref	ELECTRICAL DIAGRAM COMPONENTS	B
301	1001119968	1	Generator Harness	B
301A	4460967	1	Plug, Male - 3 Position (Not Shown)	
301A	4460465	6	Socket, Female	
301B	1001117078	1	Fuseholder with Fuse (Not Shown)	
303	4922641	1	Switch Harness	

SECTION 3 - ENGINE

FIGURE 3-67. 7500W SKYPOWER GENERATOR INSTALLATION - 60HZ SPEC (DEUTZ TCD2.9L4 ENGINES) (OPTIONAL)



SECTION 3 - ENGINE

FIGURE 3-67. 7500W SKYPOWER GENERATOR INSTALLATION - 60HZ SPEC (DEUTZ TCD2.9L4 ENGINES) (OPTIONAL)

ITEM	PART NUMBER	QTY	DESCRIPTION	REV
	1001137590	Ref	7500W SKYPOWER GENERATOR INSTALLATION - 60HZ SPEC (DEUTZ TCD2.9L4 ENGINES) (OPTIONAL)	G
		Ref	Note: See ELECTRICAL SECTION for Boom Cable Installation.	
1	0100011	AR	Compound, Locking	
2	0100019	AR	Compound, Locking	
3	0100020	AR	Sealant, Pipe	
4	0100048	AR	Grease, Dielectric	
5	0641404	5	Bolt 1/4 x 1/2	
6	3931016	4	Bolt 10 x 1	
7	0641516	3	Bolt 5/16 x 2	
8	0641618	1	Bolt 3/8 x 2	
9	0641810	2	Bolt 1/2 x 1-1/4	
10	0741607	3	Screw 3/8 x 7/8	
11	0860038	1	Box, Switch	
12	0861538	1	Box, Generator Control	
12	7024488	1	Card, Circuit - Generator Power (Not Shown)	
12	See Note	1	Fuse (Note: Not Available Purchase Locally)	
12	7024489	1	Card, Circuit - Control (Not Shown)	
		Ref	Note: When replacing card, rocker switch on card must be set for required application.	
12	70000619	1	Harness, Circuit Card	
13	1001157592	1	Junction Box Assembly (See Items 101-121 for Breakdown)	
14	0902888	1	Bracket, Generator Junction Box	
15	0962520	1	Bushing, Taper	
16	2820031	AR	Insulator, Heat Shrink	
17	3251102	1	Nameplate, Generator	
18	3311508	3	Nut 5/16	
19	3311801	2	Nut 1/2	
21	3580317	1	Pulley, Belt Tensioner	
22	3580318	1	Pulley, Generator	
23	3910606	AR	Screw #6 x 3/8	
24	3960422	1	Gasket, AC Receptacle	
25	4060802	1	Guard, Switch	
26	4240018	AR	Strap, Tie (Not Shown)	
27	4300157	2	Stud 1/2	
28	4360336	1	Switch, Toggle	
29	4460071	1	Connector, Strain Relief	
31	4460346	1	Terminal, Receptacle	
32	4711400	4	Washer 1/4	
33	4711600	1	Washer 3/8	
34	4751500	3	Washer 5/16	
35	4791400	2	Starwasher 1/4	
36	4891800	4	Washer 1/2	
37	4922972	1	Harness, Generator Cable (See Separate Breakdown in ELECTRICAL SECTION)	
39	1001136988	NLA	Generator, 7500W (Use p/n 1001212223) (SN 0300201016 through 0300226418)	
39	1001212223	1	Generator, 7500W (SN 0300226419 to Present, SN B300002238 to Present)	
39	70001100	1	Rotor (Includes p/n 70001384 & 70000863) (Not Shown)	

SECTION 3 - ENGINE

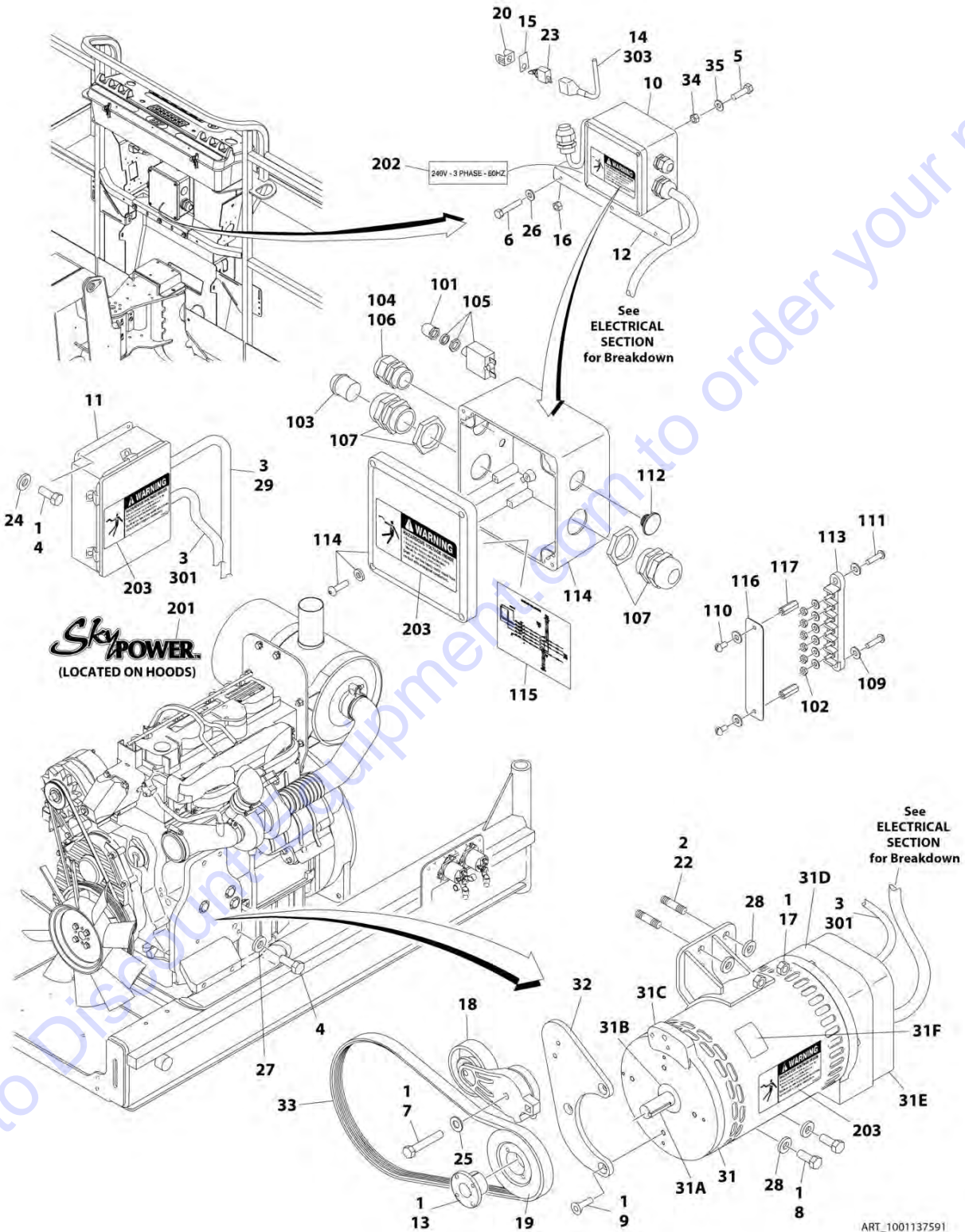
ITEM	PART NUMBER	QTY	DESCRIPTION	REV
39	70001384	1	Bearing, Shaft (Rear) (Not Shown)	
39	70000863	1	Fan, Generator (Not Shown)	
39	70004093	1	Stator - 1001136988 Generator (Not Shown)	
39	70006093	1	Stator - 1001212223 Generator (Not Shown)	
39	70002297	2	Stud 1/4 x 12-7/8 - 1001136988 Generator (Not Shown)	
39	70003631	1	Brushholder Assembly (Not Shown) (was p/n 7024484)	
39A	70004099	NLA	Key (Use p/n 70004171)	
39B	70001966	1	Bearing, Ball Radial (Located in Belt Tensioner Endbell)	
39B	70003709	1	Ring, Retaining (Small)	
39B	70003708	1	Ring, Retaining (Large)	
39C	70004092	1	Endbell, Belt Tensioner	
39D	70004094	1	Endbell, Brush Block	
39E	70004096	1	Shroud Assembly - 1001136988 Generator	
39E	70006094	1	Shroud Assembly - 1001212223 Generator	
39E	7027799	1	Block, Connector - 6 Position (Not Shown)	
39E	70002460	6	Nut, Brass (Attaches p/n 7027799 to Cover) (Not Shown)	
39E	7024485	1	Breaker, Circuit 30Amp - 1001136988 Generator (Not Shown)	
39E	70006095	1	Breaker, Circuit 30Amp - 1001212223 Generator (Not Shown)	
39E	70001696	1	Boot, Breaker - 1001136988 Generator (Not Shown)	
39E	70006096	1	Boot, Breaker - 1001212223 Generator (Not Shown)	
39E	7026597	1	Connector with Leads (Not Shown)	
39E	7026626	1	Connector with Pins (Not Shown)	
39E	70004098	1	Clamp, Cable (Not Shown)	
39E	70004095	1	Plate, End Panel - 1001136988 Generator (Not Shown)	
39E	70006097	1	Plate, End Panel - 1001212223 Generator (Not Shown)	
39E	70004097	1	Insulator, End Panel - 1001136988 Generator (Not Shown)	
39E	70002291	1	Insulator, End Panel - 1001212223 Generator (Not Shown)	
39E	70001974	1	Decal - Terminal Connections (Not Shown)	
39F	70001973	1	Decal - Warning Moving Parts	
40	1001138011	1	Bracket	
41	1001110873	1	Shield, Receptacle Cover	
42	1001142645	1	Belt, Generator	
43	4751000	4	Washer #10	
44	3311005	4	Nut #10	
	1001157592	Ref	JUNCTION BOX ASSEMBLY	C
101	1060343	1.5 ft/ 0.5m	Cable, Electrical 10/4	
102	1060494	2 ft/ 0.7m	Cable, 12/3 (SN 0300201016 through 0300205503)	
102	1001179154	2.5 ft/ 0.8m	Cable, Electrical 12/3 (SN 0300205504 to Present, SN B300002238 to Present)	
103	1671092	1	Cover	
104	3300396	1	Cover, Fuse	
105	3311001	6	Nut #10	
106	4360070	1	Circuit Breaker - 15Amp	
108	4460425	1	Strain Relief, Terminal	
109	4460426	2	Connector, Strain Relief	
111	4460963	1	Connector	
112	4711000	10	Washer #10	
114	10702077	2	Screw #10 x 3/8	
115	10702082	2	Screw #10 x 3/4	
116	1001152525	1	Plug	
117	1001157520	1	Block, Terminal	

SECTION 3 - ENGINE

ITEM	PART NUMBER	QTY	DESCRIPTION	REV
118	1001157521	1	Box, Junction	
119	1001157528	1	Decal - Wiring Schematic	
120	1001158007	1	Cover, PVC	
121	1001158008	2	Stand-Off	
	0272435	Ref	DECAL INSTALLATION	D
201	1705460	2	Decal - SkyPower	
202	3251243	1	Decal - 120V - 60Hz (Not Shown - Located at Platform Receptacle) (SN 0300222664 to Present, SN B300002238 to Present)	
203	1705375	1	Decal - 240V - 3 Phase	
204	1705387	3	Decal - Hazardous Voltage	
	1001122528	Ref	ELECTRICAL DIAGRAM COMPONENTS	B
301	1001119968	1	Generator Harness	B
301A	4460967	1	Plug, Male - 3 Position (Not Shown)	
301A	4460465	6	Socket, Female	
301B	1001117078	1	Fuseholder with Fuse (Not Shown)	
302	4922641	1	Switch Harness	

SECTION 3 - ENGINE

FIGURE 3-68. 7500W SKYPOWER GENERATOR INSTALLATION - 50HZ SPEC (DEUTZ TCD2.9L4 ENGINES) (OPTIONAL)



SECTION 3 - ENGINE

FIGURE 3-68. 7500W SKYPOWER GENERATOR INSTALLATION - 50HZ SPEC (DEUTZ TCD2.9L4 ENGINES) (OPTIONAL)

ITEM	PART NUMBER	QTY	DESCRIPTION	REV
	1001137591	Ref	7500W SKYPOWER GENERATOR INSTALLATION - 50HZ SPEC (DEUTZ TCD2.9L4 ENGINES) (OPTIONAL)	D
		Ref	Note: See ELECTRICAL SECTION for Boom Cable Installation.	
1	0100011	AR	Compound, Locking	
2	0100019	AR	Compound, Locking	
3	0100048	AR	Grease, Dielectric	
4	0641404	5	Bolt 1/4 x 1/2	
5	3931016	4	Bolt 10 x 1	
6	0641516	3	Bolt 5/16 x 2	
7	0641618	1	Bolt 3/8 x 2	
8	0641810	2	Bolt 1/2 x 1-1/4	
9	0741607	3	Screw 3/8 x 7/8	
10	1001157525	1	Junction Box Assembly (See Items 101-117 for Breakdown)	
11	0861572	1	Box, Generator Control	
11	7024488	1	Card, Circuit - Generator Power (Not Shown)	
11	See Note	1	Fuse (Note: Not Available - Purchase Locally)	
11	7024489	1	Card, Circuit - Control (Not Shown)	
		Ref	Note: When replacing card, rocker switch on card must be set for required application.	
11	70000619	1	Harness, Circuit Card	
12	0902888	1	Bracket, Generator Junction Box	
13	0962520	1	Bushing, Taper	
14	2820031	AR	Insulator, Heat Shrink	
15	3251102	1	Nameplate, Generator	
16	3311508	3	Nut 5/16	
17	3311801	2	Nut 1/2	
18	3580317	1	Pulley, Belt Tensioner	
19	3580319	1	Pulley, Generator	
20	4060802	1	Guard, Switch	
21	4240018	AR	Strap, Tie (Not Shown)	
22	4300157	2	Stud 1/2	
23	4360336	1	Switch, Toggle	
24	4711400	4	Washer 1/4	
25	4711600	1	Washer 3/8	
26	4751500	3	Washer 5/16	
27	4791400	2	Starwasher 1/4	
28	4891800	4	Washer 1/2	
29	4922972	1	Harness, Generator Cable (See Separate Breakdown in ELECTRICAL SECTION)	
31	1001136988	NLA	Generator, 7500W (Use p/n 1001212223) (SN 0300201016 through 0300226418)	
31	1001212223	1	Generator, 7500W (SN 0300226419 to Present, SN B300002238 to Present)	
31	70001100	1	Rotor (Includes p/n 70001384 & 70000863) (Not Shown)	
31	70001384	1	Bearing, Shaft (Rear) (Not Shown)	
31	70000863	1	Fan, Generator (Not Shown)	
31	70004093	1	Stator - 1001136988 Generator (Not Shown)	
31	70006093	1	Stator - 1001212223 Generator (Not Shown)	
31	70002297	2	Stud 1/4 x 12-7/8 - 1001136988 Generator (Not Shown)	
31	70003631	1	Brushholder Assembly (Not Shown)	

SECTION 3 - ENGINE

ITEM	PART NUMBER	QTY	DESCRIPTION	REV
31A	70004099	NLA	Key (Use p/n 70004171)	
31B	70001966	1	Bearing, Ball Radial (Located in Belt Tensioner Endbell)	
31B	70003709	1	Ring, Retaining (Small)	
31B	70003708	1	Ring, Retaining (Large)	
31C	70004092	1	Endbell, Belt Tensioner	
31D	70004094	1	Endbell, Brush Block	
31E	70004096	1	Shroud Assembly - 1001136988 Generator	
31E	70006094	1	Shroud Assembly - 1001212223 Generator	
31E	7027799	1	Block, Connector - 6 Position (Not Shown)	
31E	70002460	6	Nut, Brass (Attaches p/n 7027799 to Cover) (Not Shown)	
31E	7024485	1	Breaker, Circuit 30Amp - 1001136988 Generator (Not Shown)	
31E	70006095	1	Breaker, Circuit 30Amp - 1001212223 Generator (Not Shown)	
31E	70001696	1	Boot, Breaker - 1001136988 Generator (Not Shown)	
31E	70006096	1	Boot, Breaker - 1001212223 Generator (Not Shown)	
31E	7026597	1	Connector with Leads (Not Shown)	
31E	7026626	1	Connector with Pins (Not Shown)	
31E	70004098	1	Clamp, Cable (Not Shown)	
31E	70004095	1	Plate, End Panel - 1001136988 Generator (Not Shown)	
31E	70006097	1	Plate, End Panel - 1001212223 Generator (Not Shown)	
31E	70004097	1	Insulator, End Panel - 1001136988 Generator (Not Shown)	
31E	70002291	1	Insulator, End Panel - 1001212223 Generator (Not Shown)	
31E	70001974	1	Decal - Terminal Connections (Not Shown)	
31F	70001973	1	Decal - Warning Moving Parts	
32	1001138011	1	Bracket	
33	1001136357	1	Belt, Generator	
34	3311005	4	Nut #10	
35	4751000	4	Washer #10	
	1001157525	Ref	JUNCTION BOX ASSEMBLY	B
101	3300396	1	Cover, Fuse	
102	3311001	6	Nut #10	
103	3520189	1	Plug (50Hz Spec Only)	
104	3520192	1	Plug	
105	4360070	1	Circuit Breaker - 15Amp	
106	4460425	1	Strain Relief, Terminal	
107	4460426	2	Connector, Strain Relief	
109	4711000	10	Washer #10	
110	10702077	2	Screw #10 x 3/8	
111	10702082	2	Screw #10 x 3/4	
112	1001152525	1	Plug	
113	1001157520	1	Block, Terminal	
114	1001157521	1	Box, Junction	
115	1001157528	1	Decal - Wiring Schematic	
116	1001158007	1	Cover, PVC	
117	1001158008	2	Stand-Off	
	0272589	Ref	DECAL INSTALLATION	A
201	1705460	2	Decal - SkyPower	
202	1705461	1	Decal - 240V - 3 Phase	
203	1705489	3	Decal - Hazardous Voltage	
	1001122528	Ref	ELECTRICAL DIAGRAM COMPONENTS	B
301	1001119968	1	Generator Harness (With UGM)	B
301A	4460967	1	Plug, Male - 3 Position (Not Shown)	

SECTION 3 - ENGINE

ITEM	PART NUMBER	QTY	DESCRIPTION	REV
301A	4460465	6	Socket, Female	
301B	1001117078	1	Fuseholder with Fuse (Not Shown)	
303	4922641	1	Switch Harness	

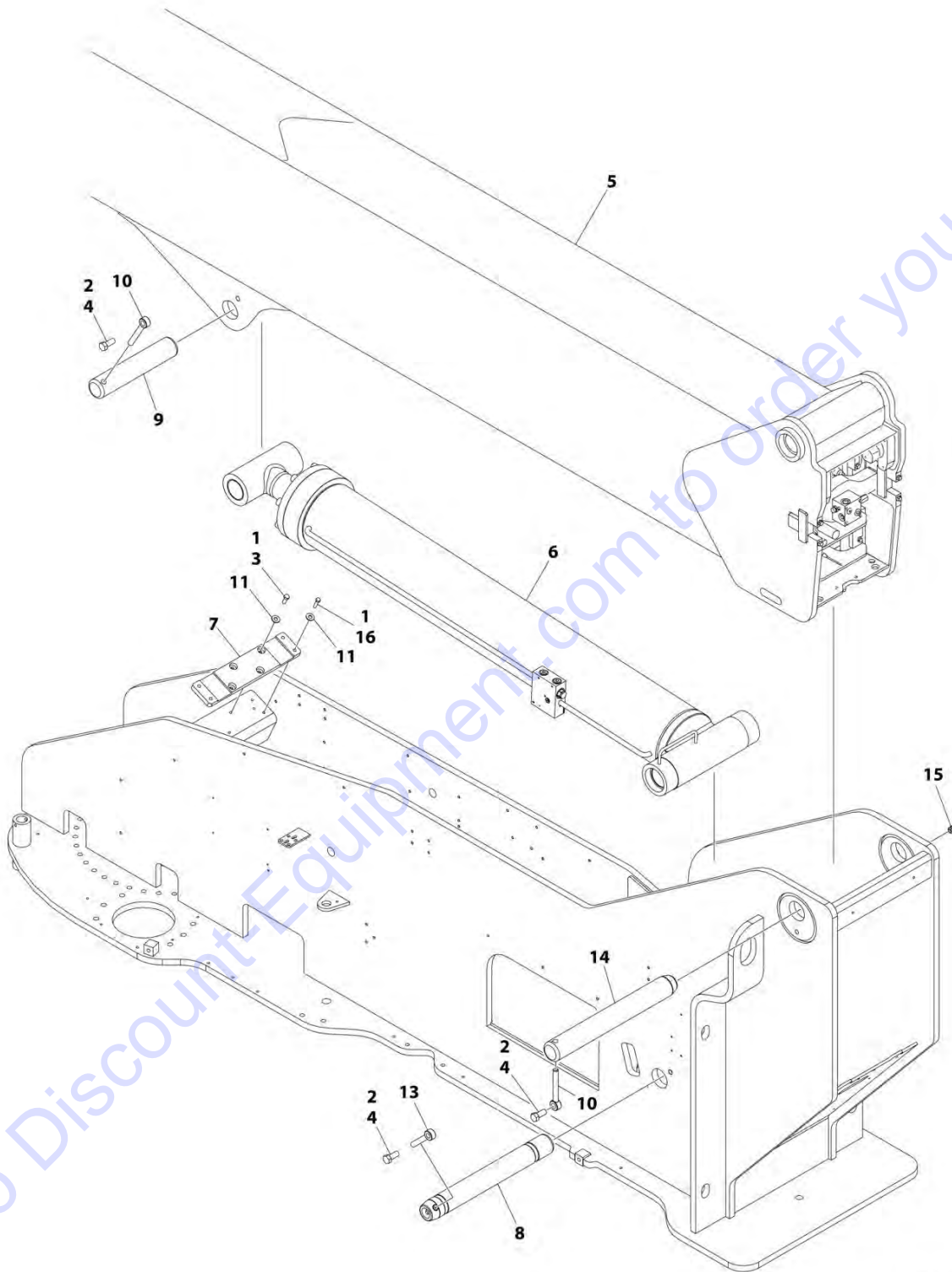
Go to Discount-Equipment.com to order your parts

SECTION 4 - BOOM

Go to Discount-Equipment.com to order your parts

SECTION 4 - BOOM

FIGURE 4-1. BOOM INSTALLATION 1200SJP - WITHOUT COLD WEATHER PLUS PACKAGE



ART_0271799

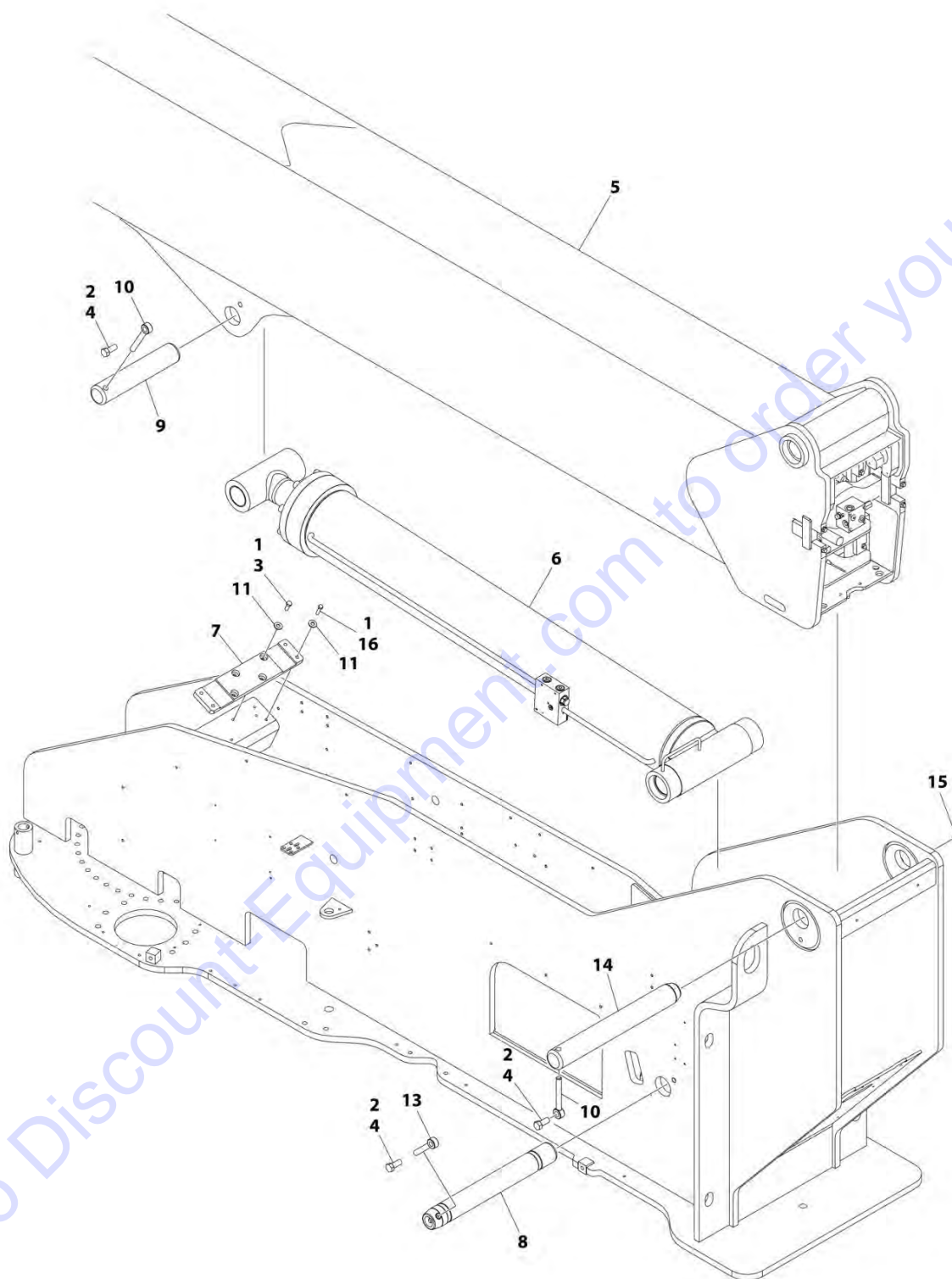
SECTION 4 - BOOM

FIGURE 4-1. BOOM INSTALLATION 1200SJP - WITHOUT COLD WEATHER PLUS PACKAGE

ITEM	PART NUMBER	QTY	DESCRIPTION	REV
	0271799	Ref	BOOM INSTALLATION 1200SJP - WITHOUT COLD WEATHER PLUS PACKAGE	I
1	0100011	AR	Compound, Locking	
2	0100019	AR	Compound, Locking	
3	0641608	4	Bolt 3/8 x 1	
4	0642214	3	Bolt 3/4 x 1-3/4	
5	0801320	1	Boom Assembly (See Separate Breakdown in this Section)	
6	1684162	NLA	Lift Cylinder Assembly (Use p/n 1001228024) (See Separate Breakdown in CYLINDER SECTION) (SN 0300201016 through 0300239470, SN B300002238 through B300002473)	
6	1001228024	1	Lift Cylinder Assembly (See Separate Breakdown in CYLINDER SECTION) (SN 0300239471 to Present, SN B300002474 to Present)	
7	3340927	1	Pad (SN 0300201016 through 0300251445, SN B300002238 through B300003452)	
7	1001237755	1	Pad (SN 0300251446 to Present, SN B300003453 to Present)	
8	3423208	1	Pin, Load Sensing	
9	3422955	1	Pin	
10	3841287	2	Keeper, Pin	
11	4751600	AR	Washer 3/8	
13	3841581	1	Keeper, Pin	
14	3422988	1	Pin	
15	1001213705	1	Plug (SN 0300216184 to Present, SN B300002238 to Present)	
16	0641612	4	Bolt 3/8 x 1-1/2	

SECTION 4 - BOOM

FIGURE 4-2. BOOM INSTALLATION 1200SJP - WITH COLD WEATHER PLUS PACKAGE



ART_1001138800

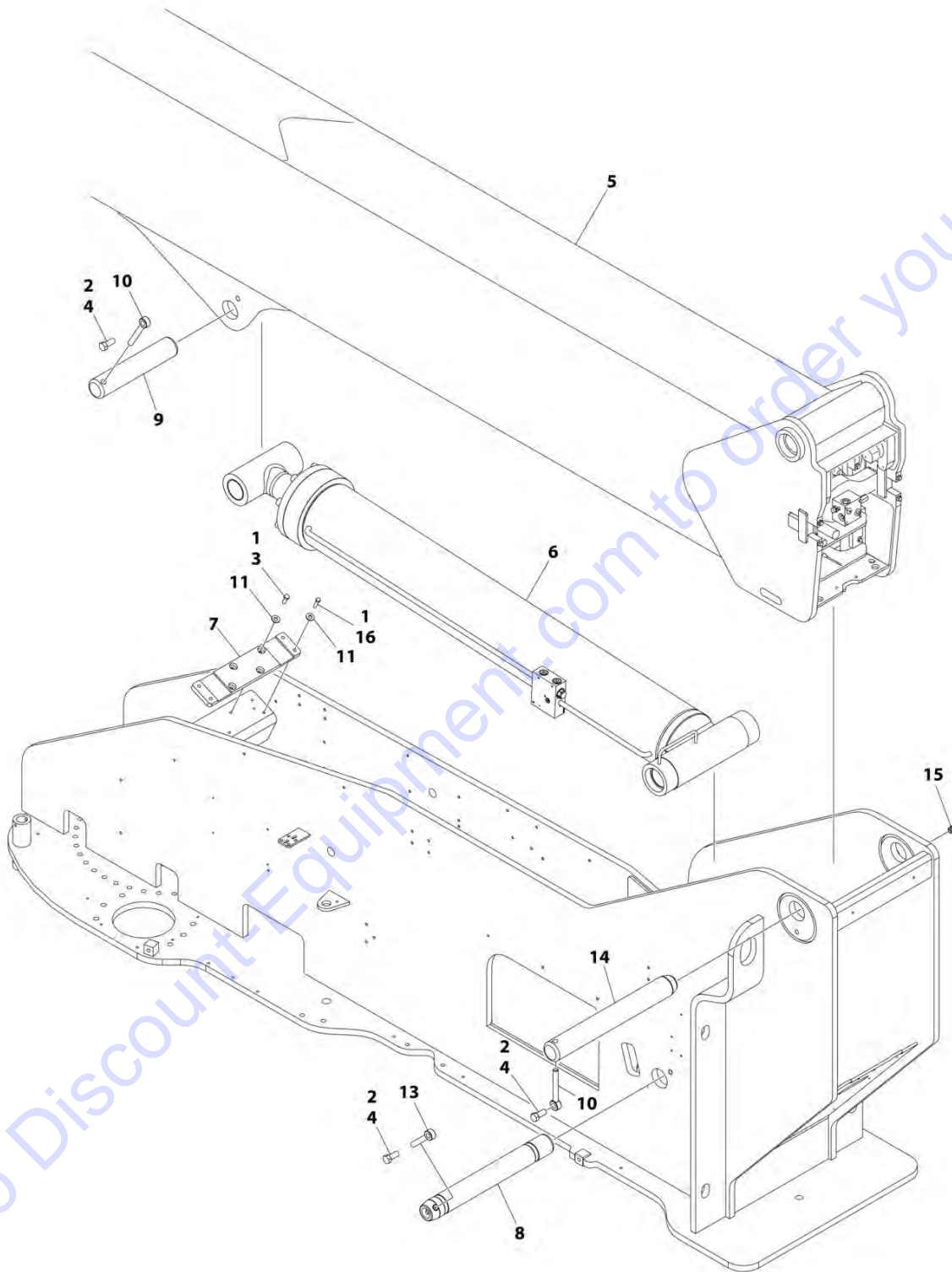
SECTION 4 - BOOM

FIGURE 4-2. BOOM INSTALLATION 1200SJP - WITH COLD WEATHER PLUS PACKAGE

ITEM	PART NUMBER	QTY	DESCRIPTION	REV
	1001138800	Ref	BOOM INSTALLATION 1200SJP - WITH COLD WEATHER PLUS PACKAGE	D
1	0100011	AR	Compound, Locking	
2	0100019	AR	Compound, Locking	
3	0641608	4	Bolt 3/8 x 1	
4	0642214	3	Bolt 3/4 x 1-3/4	
5	1001138801	1	Boom Assembly (See Separate Breakdown in this Section)	
6	1684162	NLA	Lift Cylinder Assembly (Use p/n 1001228024) (See Separate Breakdown in CYLINDER SECTION) (SN 0300201016 through 0300239470)	
6	1001228024	1	Lift Cylinder Assembly (See Separate Breakdown in CYLINDER SECTION) (SN 0300239471 to Present)	
7	3340927	1	Pad (SN 0300201016 through 0300251445)	
7	1001237755	1	Pad (SN 0300251446 to Present)	
8	3423208	1	Pin, Load Sensing	
9	3422955	1	Pin	
10	3841287	2	Keeper, Pin	
11	4751600	AR	Washer 3/8	
13	3841581	1	Keeper, Pin	
14	3422988	1	Pin	
15	1001213705	1	Plug (SN 0300216184 to Present)	
16	0641611	4	Bolt 3/8 x 1-3/8	

SECTION 4 - BOOM

FIGURE 4-3. BOOM INSTALLATION 1350SJP - WITHOUT COLD WEATHER PLUS PACKAGE



ART_0271530

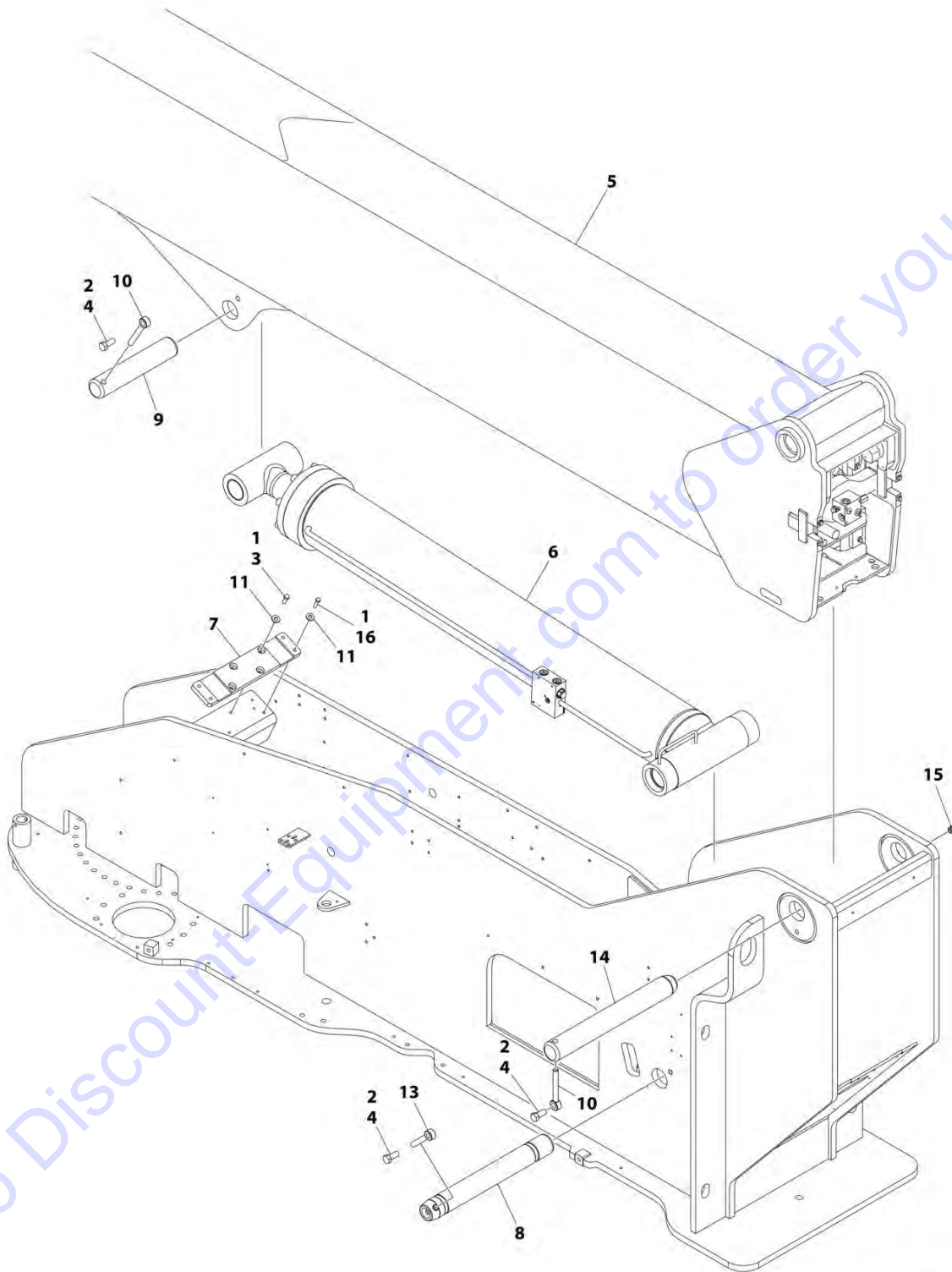
SECTION 4 - BOOM

FIGURE 4-3. BOOM INSTALLATION 1350SJP - WITHOUT COLD WEATHER PLUS PACKAGE

ITEM	PART NUMBER	QTY	DESCRIPTION	REV
	0271530	Ref	BOOM INSTALLATION 1350SJP - WITHOUT COLD WEATHER PLUS PACKAGE	I
1	0100011	AR	Compound, Locking	
2	0100019	AR	Compound, Locking	
3	0641608	4	Bolt 3/8 x 1	
4	0642214	3	Bolt 3/4 x 1-3/4	
5	0801315	1	Boom Assembly (See Separate Breakdown in this Section)	
6	1684162	NLA	Lift Cylinder Assembly (Use p/n 1001228024) (See Separate Breakdown in CYLINDER SECTION) (SN 0300201016 through 0300239470, SN B300002238 through B300002473)	
6	1001228024	1	Lift Cylinder Assembly (See Separate Breakdown in CYLINDER SECTION) (SN 0300239471 to Present, SN B300002474 to Present)	
7	3340927	1	Pad (SN 0300201016 through 0300251445, SN B300002238 through B300003452)	
7	1001237755	1	Pad (SN 0300251446 to Present, SN B300003453 to Present)	
8	3423208	1	Pin, Load Sensing	
9	3422955	1	Pin	
10	3841287	2	Keeper, Pin	
11	4751600	AR	Washer 3/8	
13	3841581	1	Keeper, Pin	
14	3422988	1	Pin	
15	1001213705	1	Plug (SN 0300216184 to Present, SN B300002238 to Present)	
16	0641612	4	Bolt 3/8 x 1-1/2	

SECTION 4 - BOOM

FIGURE 4-4. BOOM INSTALLATION 1350SJP - WITH COLD WEATHER PLUS PACKAGE



ART_1001139516

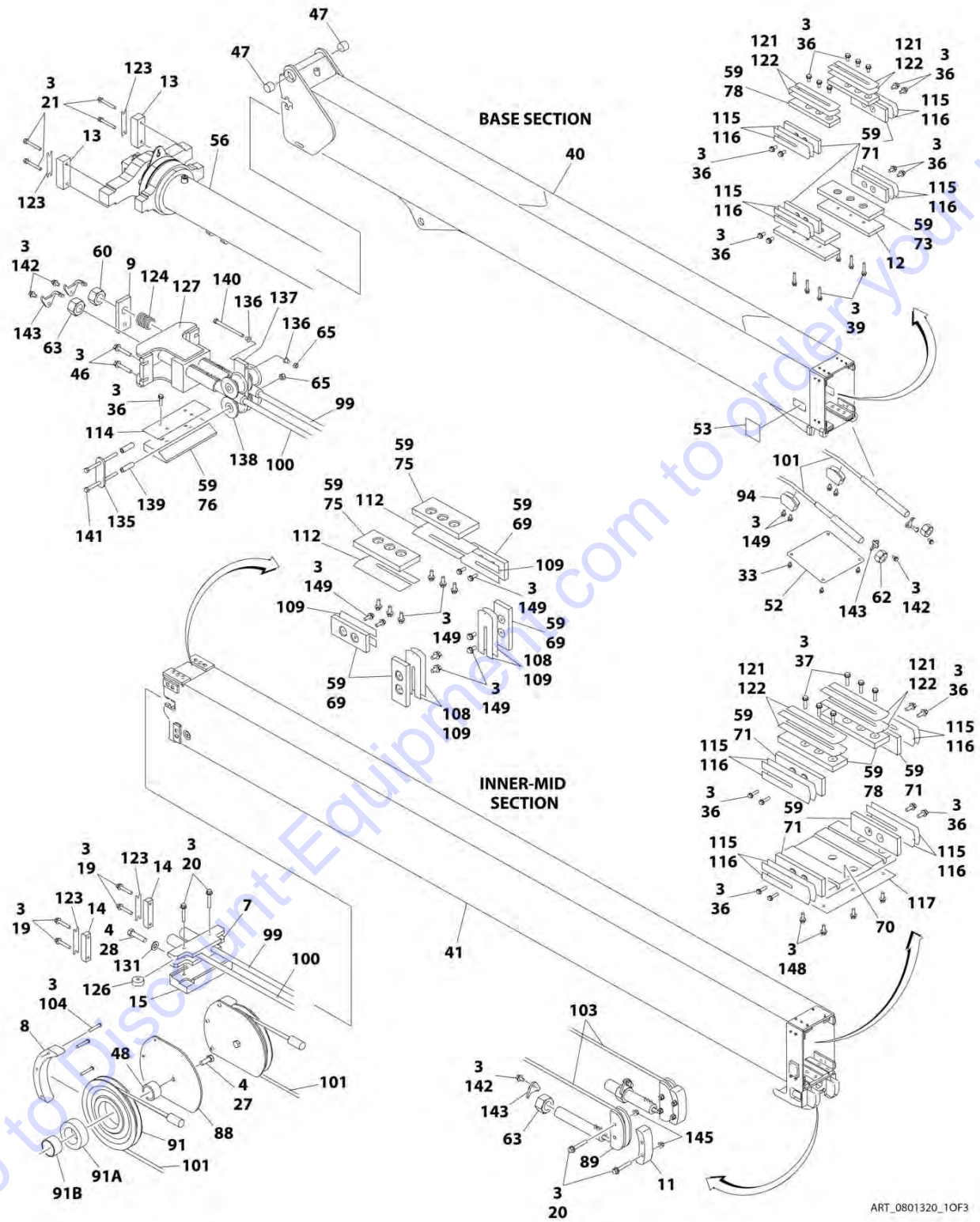
SECTION 4 - BOOM

FIGURE 4-4. BOOM INSTALLATION 1350SJP - WITH COLD WEATHER PLUS PACKAGE

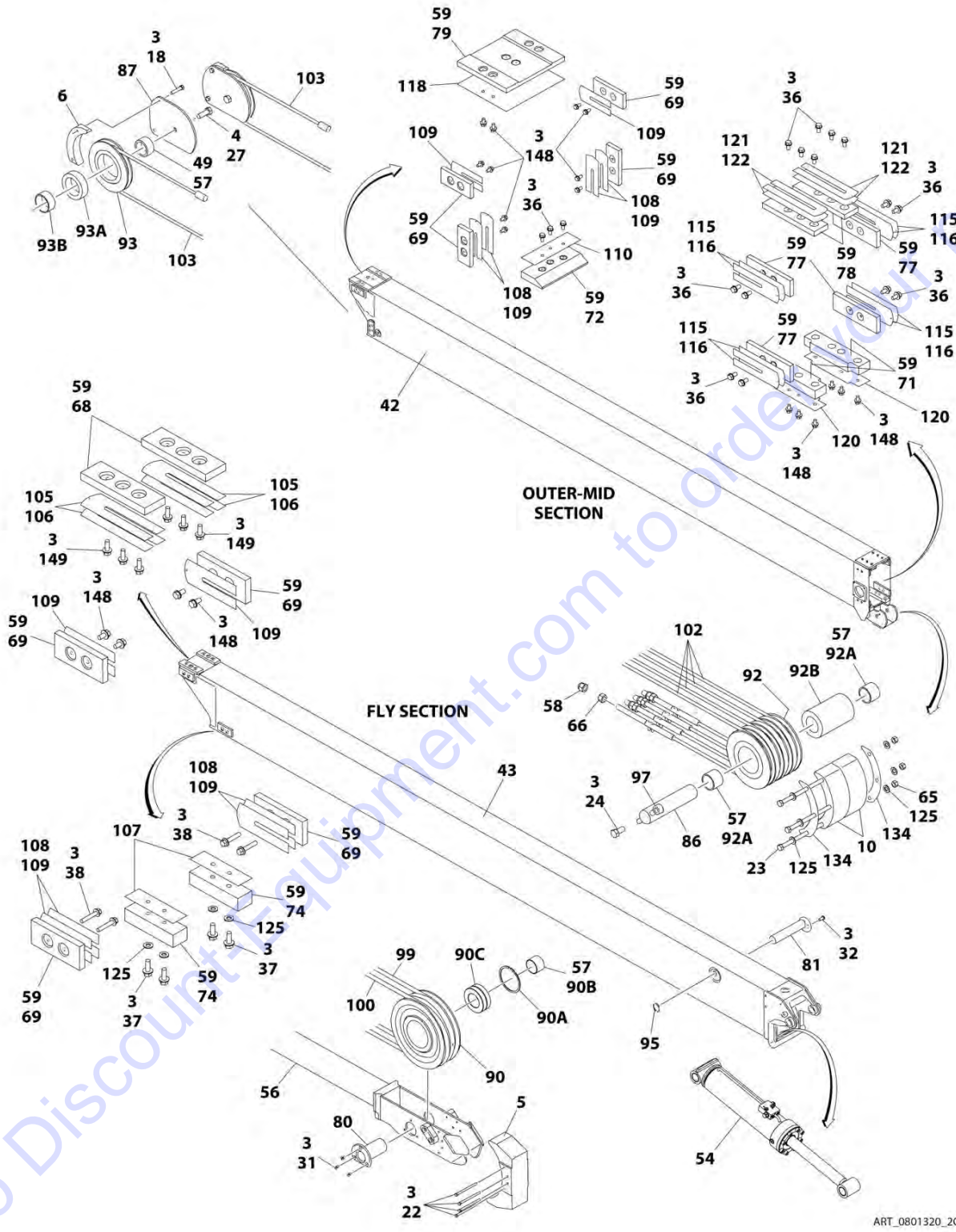
ITEM	PART NUMBER	QTY	DESCRIPTION	REV
	1001139516	Ref	BOOM INSTALLATION 1350SJP - WITH COLD WEATHER PLUS PACKAGE	D
1	0100011	AR	Compound, Locking	
2	0100019	AR	Compound, Locking	
3	0641608	4	Bolt 3/8 x 1	
4	0642214	3	Bolt 3/4 x 1-3/4	
5	1001139517	1	Boom Assembly (See Separate Breakdown in this Section)	
6	1684162	NLA	Lift Cylinder Assembly (Use p/n 1001228024) (See Separate Breakdown in CYLINDER SECTION) (SN 0300201016 through 0300239470)	
6	1001228024	1	Lift Cylinder Assembly (See Separate Breakdown in CYLINDER SECTION) (SN 0300239471 to Present)	
7	3340927	1	Pad (SN 0300201016 through 0300251445)	
7	1001237755	1	Pad (SN 0300251446 to Present)	
8	3423208	1	Pin, Load Sensing	
9	3422955	1	Pin	
10	3841287	2	Keeper, Pin	
11	4751600	AR	Washer 3/8	
13	3841581	1	Keeper, Pin	
14	3422988	1	Pin	
15	1001213705	1	Plug (SN 0300216184 to Present)	
16	0641611	4	Bolt 3/8 x 1-3/8	

SECTION 4 - BOOM

FIGURE 4-5. BOOM ASSEMBLY 1200SJP - WITHOUT COLD WEATHER PLUS PACKAGE

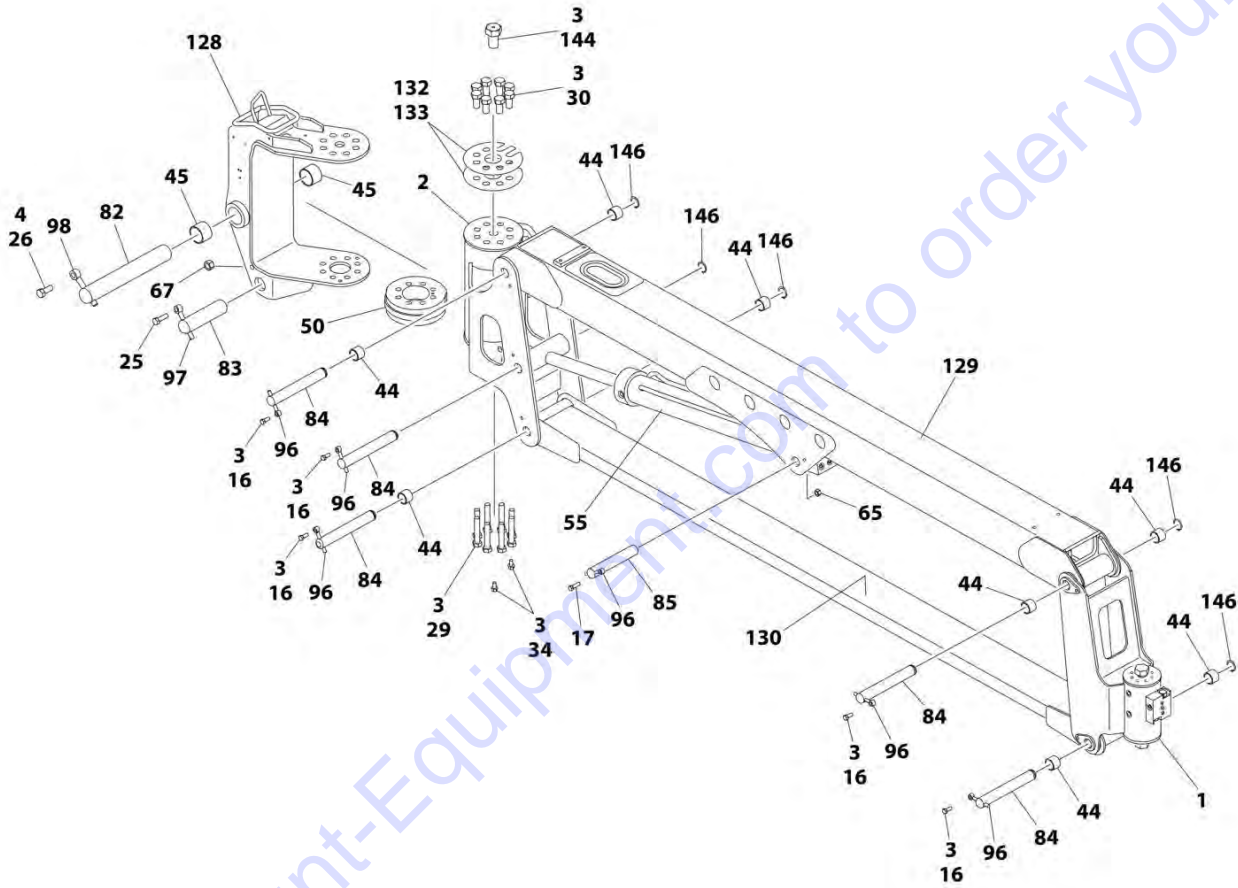


SECTION 4 - BOOM



ART_0801320_20F3

SECTION 4 - BOOM



ART_0801320_3OF3

SECTION 4 - BOOM

FIGURE 4-5. BOOM ASSEMBLY 1200SJP - WITHOUT COLD WEATHER PLUS PACKAGE

ITEM	PART NUMBER	QTY	DESCRIPTION	REV
	0801320	Ref	BOOM ASSEMBLY 1200SJP - WITHOUT COLD WEATHER PLUS PACKAGE	W
1	1001097643	NLA	Actuator Assembly (Platform Rotate) (See Separate Breakdown in this Section) (SN 0300201016 through 0300201349)	
1	1001178247	1	Actuator Assembly (Platform Rotate) (See Separate Breakdown in this Section) (SN 0300201350 to Present, SN B300002238 to Present)	
2	1001097619	NLA	Actuator Assembly (Jib Rotate) (See Separate Breakdown in this Section) (SN 0300201016 through 0300201349)	
2	1001178248	1	Actuator Assembly (Jib Rotate) (See Separate Breakdown in this Section) (SN 0300201350 to Present, SN B300002238 to Present)	
3	0100011	AR	Compound, Locking	
4	0100019	AR	Compound, Locking	
5	0561431	1	Block, Rope Retainer	
6	0561437	2	Block, Rope Retainer	
7	0561439	1	Block, Outer Mid Extend	
8	0561444	2	Block, Cable Retainer	
9	0561454	1	Block, Switch Adjuster	
10	0561457	2	Block, Cable Retainer	
11	0561458	2	Block, Cable Retainer	
12	0561471	2	Block, Spacer	
13	0561500	2	Block, Trunnion Keeper	
14	0561482	2	Block, Trunnion Keeper	
15	3340955	1	Pad	
16	0641607	5	Bolt 3/8 x 7/8	
17	0641610	1	Bolt 3/8 x 1-1/4	
18	0641615	4	Bolt 3/8 x 1-7/8	
19	0791618	4	Screw 3/8 x 2-1/4	
20	0791620	10	Screw 3/8 x 2-1/2	
21	0791624	4	Screw 3/8 x 3	
22	0641646	4	Bolt 3/8 x 5-3/4	
23	0641652	3	Bolt 3/8 x 6-1/2	
24	0641808	1	Bolt 1/2 x 1	
25	0641813	1	Bolt 1/2 x 1-5/8	
26	0642012	1	Bolt 5/8 x 1-1/2	
27	0642014	4	Bolt 5/8 x 1-3/4	
28	0642022	2	Bolt 5/8 x 2-3/4	
29	0682028	8	Bolt 5/8 x 3-1/2 Grade 8	
30	0682212	8	Bolt 3/4 x 1-1/2 Grade 8	
31	0741606	3	Screw 3/8 x 3/4	
32	0741806	1	Screw 1/2 x 3/4	
33	0791604	4	Screw 3/8 x 1/2	
34	0791606	2	Screw 3/8 x 3/4	
36	0811608	43	Screw 3/8 x 1	
37	0811610	10	Screw 3/8 x 1-1/4	
38	0811614	4	Screw 3/8 x 1-3/4	
39	0811616	6	Screw 3/8 x 2	
40	0801316	1	Base, Boom	
41	0801317	1	Mid, Inner	
42	0801318	1	Mid, Outer	

SECTION 4 - BOOM

ITEM	PART NUMBER	QTY	DESCRIPTION	REV
43	0801319	1	Fly, Boom	
44	0961951	8	Bushing	
45	0962224	2	Bearing	
46	0791612	4	Screw 3/8 x 1-1/2	
47	0962297	2	Bushing	
48	0962409	2	Bushing	
49	0962410	2	Bushing	
50	1100131	1	Cam	
52	1671032	1	Cover	
53	1671033	1	Cover	
54	1684149	NLA	Platform Level Cylinder Assembly (Use p/n 1001228023) (See Separate Breakdown in CYLINDER SECTION)	
54	1001228023	1	Platform Level Cylinder Assembly (See Separate Breakdown in CYLINDER SECTION)	
55	1684173	NLA	Jib Cylinder Assembly (Use p/n 1001228025) (See Separate Breakdown in CYLINDER SECTION) (SN 0300201016 through 0300239161, SN B300002238 through B300002449)	
55	1001228025	1	Jib Cylinder Assembly (See Separate Breakdown in CYLINDER SECTION) (SN 0300239162 to Present, SN B300002450 to Present)	
56	1684178	NLA	Telescope Cylinder Assembly (Use p/n 1001228026) (See Separate Breakdown in CYLINDER SECTION) (SN 0300201016 through 0300243437, SN B300002238 through B300002719)	
56	1001228026	1	Telescope Cylinder Assembly (See Separate Breakdown in CYLINDER SECTION) (SN 0300243438 to Present, SN B300002719 to Present)	
57	3020039	AR	Lubricant, Moly	
58	3300239	4	Nut, Nylon Insert	
59	3020042	AR	Lubricant with PTFE	
60	3300458	1	Nut 1	
62	3300460	2	Nut 1-1/4	
63	3300461	3	Nut 1-3/8	
65	3311605	7	Nut 3/8	
66	3311801	4	Nut 1/2	
67	3311805	1	Nut 1/2	
68	3340871	2	Pad, Wear	
69	3340881	12	Pad, Wear	
70	3340910	1	Pad, Wear	
71	3340912	2	Pad, Wear	
72	4700039	1	Pad, Wear	
73	3340916	2	Pad, Wear	
74	3340917	2	Pad, Wear	
75	3340918	2	Pad, Wear	
76	4700038	1	Pad, Wear	
77	3340921	12	Pad, Wear	
78	3340922	6	Pad, Wear	
79	3340926	1	Pad, Wear	
80	3422926	1	Pin	
81	3422937	1	Pin	
82	1001119899	1	Pin	
83	3422956	1	Pin	
84	3422957	5	Pin	
85	3422958	1	Pin	
86	3422959	1	Pin	

SECTION 4 - BOOM

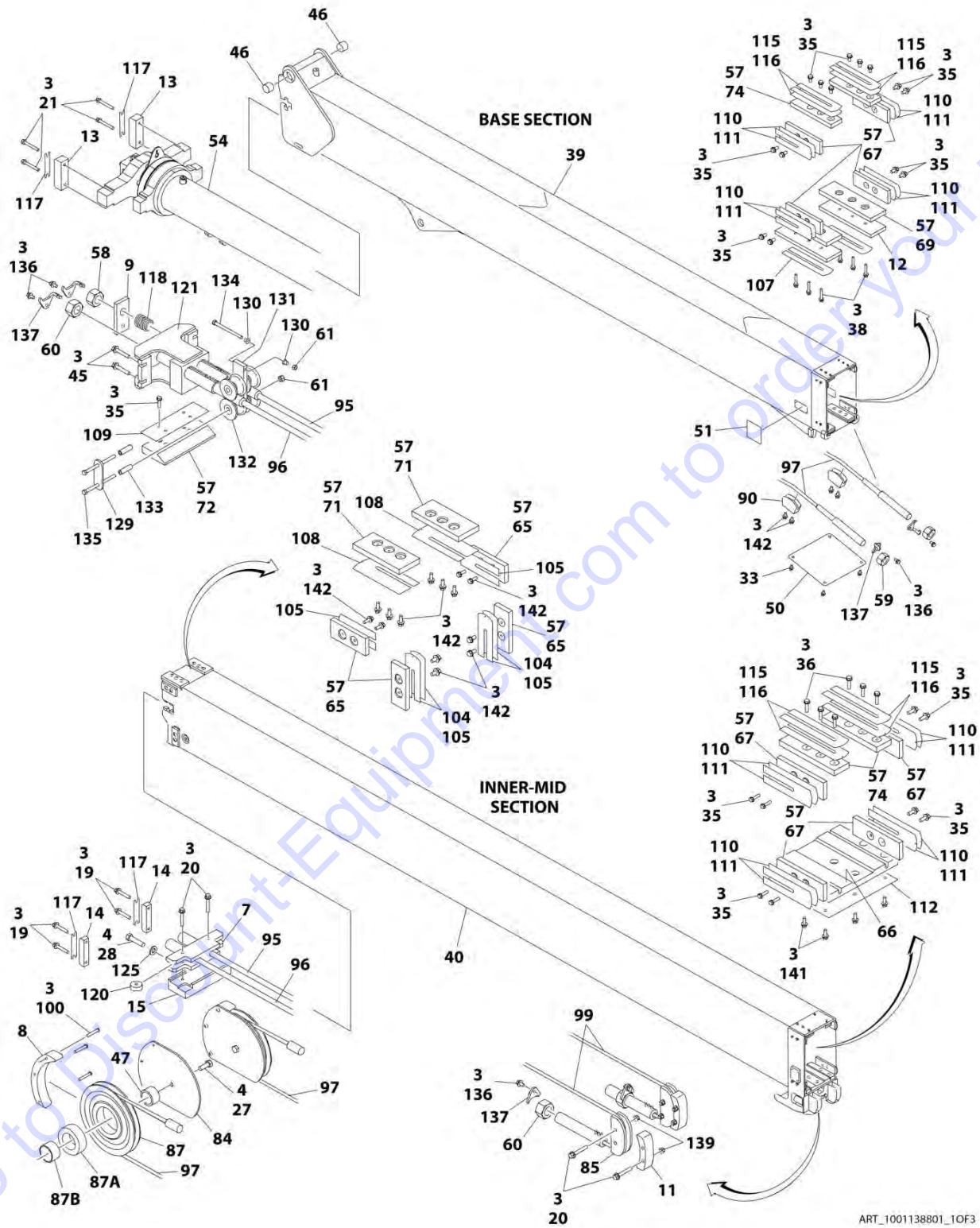
ITEM	PART NUMBER	QTY	DESCRIPTION	REV
87	3572950	2	Plate, Cable Retract Retainer	
88	3572951	2	Plate, Cable Retract Retainer	
89	3580342	2	Sheave	
90	1001154260	2	Sheave	
90A	1001154294	1	Ring, Snap	
90B	1001154304	1	Bushing (Inner)	
90C	1001154306	1	Bushing (Outer)	
91	3580298	2	Sheave	
91A	0962402	1	Bushing (Outer)	
91B	0962406	1	Bushing (Inner)	
92	3580300	1	Sheave	
92A	1001139972	1	Sleeve, Bushing (Inner)	
92B	0962403	1	Bushing (Outer)	
93	3580302	2	Sheave	
93A	0962404	1	Bushing (Outer)	
93B	0962411	1	Bushing (Inner)	
94	3580341	2	Sheave	
95	3760233	1	Ring, Retaining	
96	3841143	6	Keeper, Pin	
97	3841203	2	Keeper, Pin	
98	3841258	1	Keeper, Pin	
99	3890034	1	Cable, Outer Mid Extend	
100	3890035	1	Cable, Outer Mid Extend	
101	3890036	2	Cable, Outer Mid Retract	
102	3890037	4	Cable, Fly Extend	
103	3890038	2	Cable, Fly Retract	
104	0641618	6	Screw 3/8 x 2-1/4	
105	4070863	2	Shim #11 Gauge	
106	4070864	2	Shim #18 Gauge	
107	4070895	2	Shim #16 Gauge	
108	4070897	6	Shim #18 Gauge	
109	4070898	12	Shim #11 Gauge	
110	4071012	1	Shim #16 Gauge	
112	4071015	2	Shim #16 Gauge	
114	4071017	1	Shim #16 Gauge	
115	4071018	8	Shim #16 Gauge	
116	4071019	12	Shim #11 Gauge	
117	4071024	1	Shim #16 Gauge	
118	4071025	1	Shim #16 Gauge	
120	4071027	2	Shim #16 Gauge	
121	4071028	6	Shim #16 Gauge	
122	4071029	6	Shim #11 Gauge	
123	4071031	4	Shim #16 Gauge	
124	4160197	1	Spring	
125	4711600	10	Washer 3/8	
126	4740509	2	Spacer	
127	4846453	1	Plate, Mounting	
128	4846462	1	Pivot	
129	4846482	1	Link, Jib (Upper)	
130	0801550	1	Link, Jib (Lower)	
131	4892000	2	Washer 5/8	

SECTION 4 - BOOM

ITEM	PART NUMBER	QTY	DESCRIPTION	REV
132	4071044	1	Shim #18 Gauge	
133	4071045	1	Shim #11 Gauge	
134	4071046	2	Shim #16 Gauge	
135	0363066	2	Bar, Stabilizer	
136	0962447	2	Bearing, Flanged	
137	3573437	1	Plate, Pulley Adjustment	
138	3580306	4	Pulley	
139	4568423	4	Tube, Spacer	
140	0641640	1	Bolt 3/8 x 5	
141	0641644	2	Bolt 3/8 x 5-1/2	
142	0791605	6	Screw 3/8 x 5/8	
143	3573444	6	Plate, Lock	
144	0630558	1	Bolt 1 x 2	
145	3311608	8	Nut 3/8	
146	3760133	5	Ring, Retaining	
148	0811606	30	Screw 3/8 x 3/4	
149	0811607	24	Screw 3/8 x 7/8	

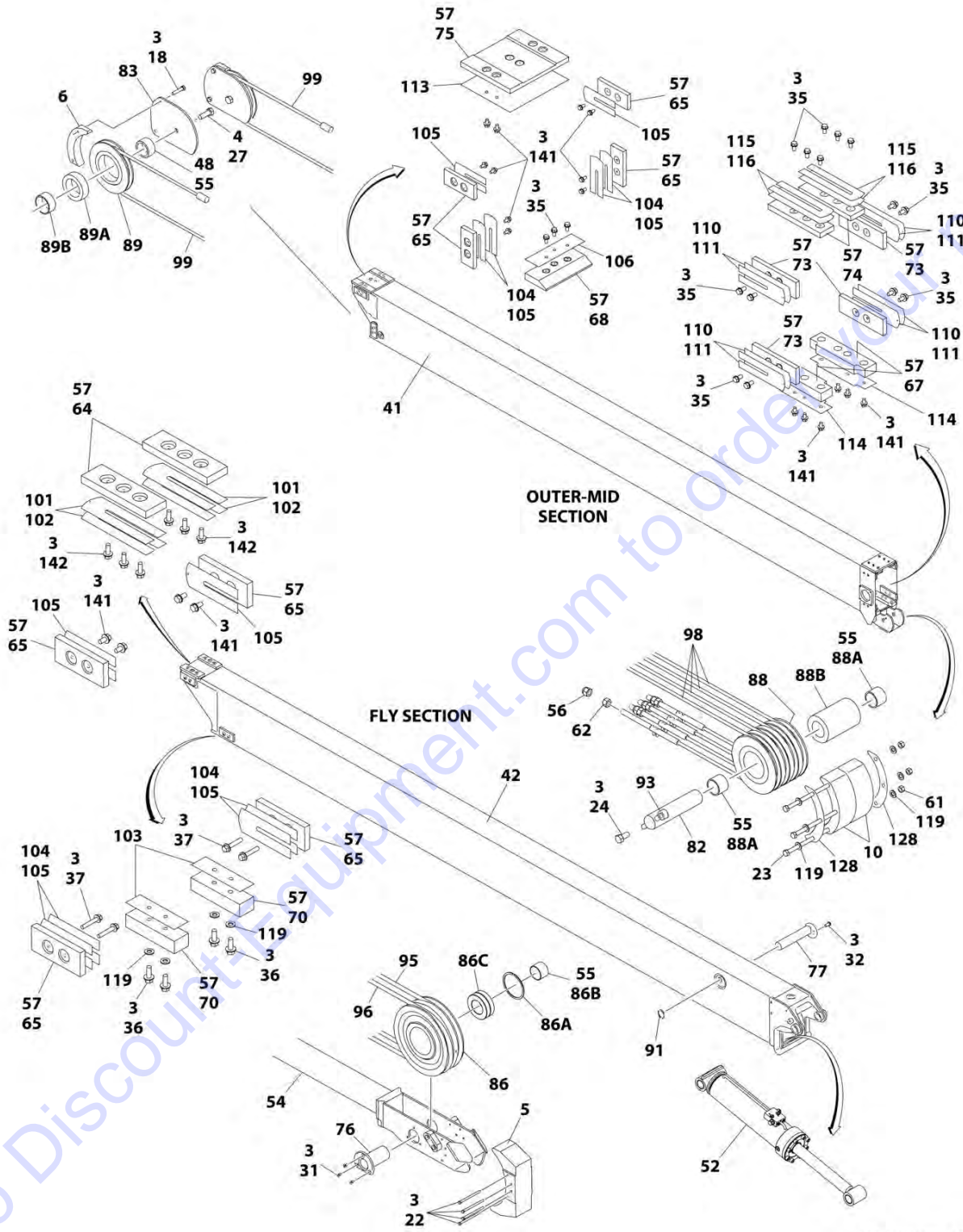
SECTION 4 - BOOM

FIGURE 4-6. BOOM ASSEMBLY 1200SJP - WITH COLD WEATHER PLUS PACKAGE



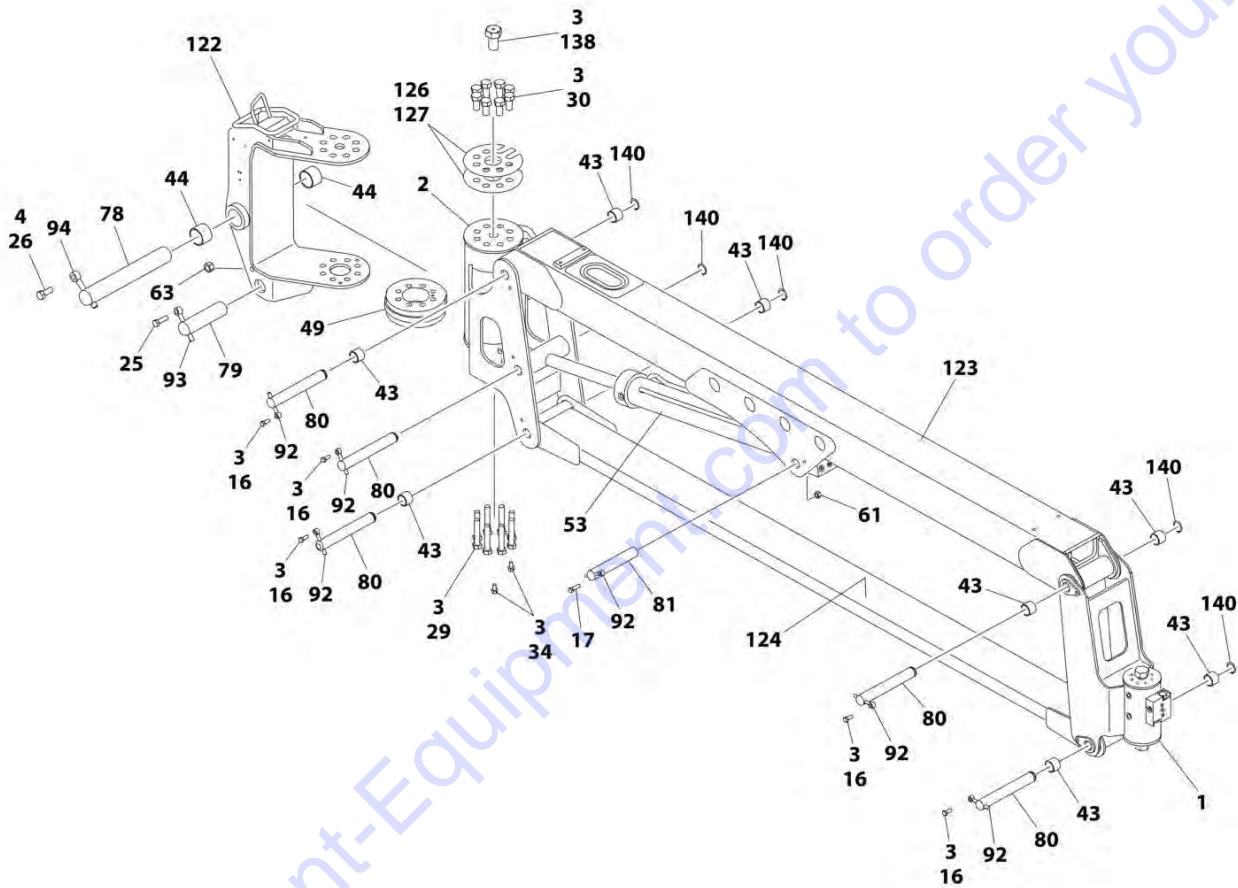
ART_1001138801_10F3

SECTION 4 - BOOM



ART_1001138801_20F3

SECTION 4 - BOOM



ART_1001138801_3OF3

SECTION 4 - BOOM

FIGURE 4-6. BOOM ASSEMBLY 1200SJP - WITH COLD WEATHER PLUS PACKAGE

ITEM	PART NUMBER	QTY	DESCRIPTION	REV
	1001138801	Ref	BOOM ASSEMBLY 1200SJP - WITH COLD WEATHER PLUS PACKAGE	F
1	1001097643	NLA	Actuator Assembly (Platform Rotate) (See Separate Breakdown in this Section) (SN 0300201016 through 0300201349)	
1	1001178247	1	Actuator Assembly (Platform Rotate) (See Separate Breakdown in this Section) (SN 0300201350 to Present)	
2	1001097619	NLA	Actuator Assembly (Jib Rotate) (See Separate Breakdown in this Section) (SN 0300201016 through 0300201349)	
2	1001178248	1	Actuator Assembly (Jib Rotate) (See Separate Breakdown in this Section) (SN 0300201350 to Present)	
3	0100011	AR	Compound, Locking	
4	0100019	AR	Compound, Locking	
5	0561431	1	Block, Rope Retainer	
6	0561437	2	Block, Rope Retainer	
7	0561439	1	Block, Outer Mid Extend	
8	0561444	2	Block, Cable Retainer	
9	0561454	1	Block, Switch Adjuster	
10	0561457	2	Block, Cable Retainer	
11	0561458	2	Block, Cable Retainer	
12	0561471	2	Block, Spacer	
13	0561500	2	Block, Trunnion Keeper	
14	0561482	2	Block, Trunnion Keeper	
15	3340955	1	Pad	
16	0641607	5	Bolt 3/8 x 7/8	
17	0641610	1	Bolt 3/8 x 1-1/4	
18	0641615	4	Bolt 3/8 x 1-7/8	
19	0791618	4	Screw 3/8 x 2-1/4	
20	0791620	10	Screw 3/8 x 2-1/2	
21	0791624	4	Screw 3/8 x 3	
22	0641646	4	Bolt 3/8 x 5-3/4	
23	0641652	3	Bolt 3/8 x 6-1/2	
24	0641808	1	Bolt 1/2 x 1	
25	0641813	1	Bolt 1/2 x 1-5/8	
26	0642012	1	Bolt 5/8 x 1-1/2	
27	0642014	4	Bolt 5/8 x 1-3/4	
28	0642022	2	Bolt 5/8 x 2-3/4	
29	0682028	8	Bolt 5/8 x 3-1/2 Grade 8	
30	0682212	8	Bolt 3/4 x 1-1/2 Grade 8	
31	0741606	3	Screw 3/8 x 3/4	
32	0741806	1	Screw 1/2 x 3/4	
33	0791604	4	Screw 3/8 x 1/2	
34	0791606	2	Screw 3/8 x 3/4	
35	0811608	43	Screw 3/8 x 1	
36	0811610	10	Screw 3/8 x 1-1/4	
37	0811614	4	Screw 3/8 x 1-3/4	
38	0811616	6	Screw 3/8 x 2	
39	0801316	1	Base, Boom	
40	0801317	1	Mid, Inner	
41	0801318	1	Mid, Outer	
42	0801319	1	Fly, Boom	
43	0961951	8	Bushing	

SECTION 4 - BOOM

ITEM	PART NUMBER	QTY	DESCRIPTION	REV
44	0962224	2	Bearing	
45	0791612	4	Screw 3/8 x 1-1/2	
46	0962297	2	Bushing	
47	0962409	2	Bushing	
48	0962410	2	Bushing	
49	1100131	1	Cam	
50	1671032	1	Cover	
51	1671033	1	Cover	
52	1001138802	NLA	Platform Level Cylinder Assembly (Use p/n 1001228053) (See Separate Breakdown in CYLINDER SECTION) (SN 0300201016 through 0300239980)	
52	1001228053	1	Platform Level Cylinder Assembly (See Separate Breakdown in CYLINDER SECTION) (SN 0300239981 to Present)	
53	1001138803	NLA	Jib Cylinder Assembly (Use p/n 1001228025) (See Separate Breakdown in CYLINDER SECTION) (SN 0300201016 through 0300239161)	
53	1001228025	1	Jib Cylinder Assembly (See Separate Breakdown in CYLINDER SECTION) (SN 0300239162 to Present)	
54	1684178	NLA	Telescope Cylinder Assembly (Use p/n 1001228026) (See Separate Breakdown in CYLINDER SECTION) (SN 0300201016 through 0300243437)	
54	1001228026	1	Telescope Cylinder Assembly (See Separate Breakdown in CYLINDER SECTION) (SN 0300243438 to Present)	
55	3020039	AR	Lubricant, Moly	
56	3300239	4	Nut, Nylon Insert	
57	3020042	AR	Lubricant with PTFE	
58	3300458	1	Nut 1	
59	3300460	2	Nut 1-1/4	
60	3300461	3	Nut 1-3/8	
61	3311605	7	Nut 3/8	
62	3311801	4	Nut 1/2	
63	3311805	1	Nut 1/2	
64	3340871	2	Pad, Wear	
65	3340881	12	Pad, Wear	
66	3340910	1	Pad, Wear	
67	3340912	2	Pad, Wear	
68	4700039	1	Pad, Wear	
69	3340916	2	Pad, Wear	
70	3340917	2	Pad, Wear	
71	3340918	2	Pad, Wear	
72	4700038	1	Pad, Wear	
73	3340921	12	Pad, Wear	
74	3340922	6	Pad, Wear	
75	3340926	1	Pad, Wear	
76	3422926	1	Pin	
77	3422937	1	Pin	
78	1001119899	1	Pin	
79	3422956	1	Pin	
80	3422957	5	Pin	
81	3422958	1	Pin	
82	3422959	1	Pin	
83	3572950	2	Plate, Cable Retract Retainer	
84	3572951	2	Plate, Cable Retract Retainer	

SECTION 4 - BOOM

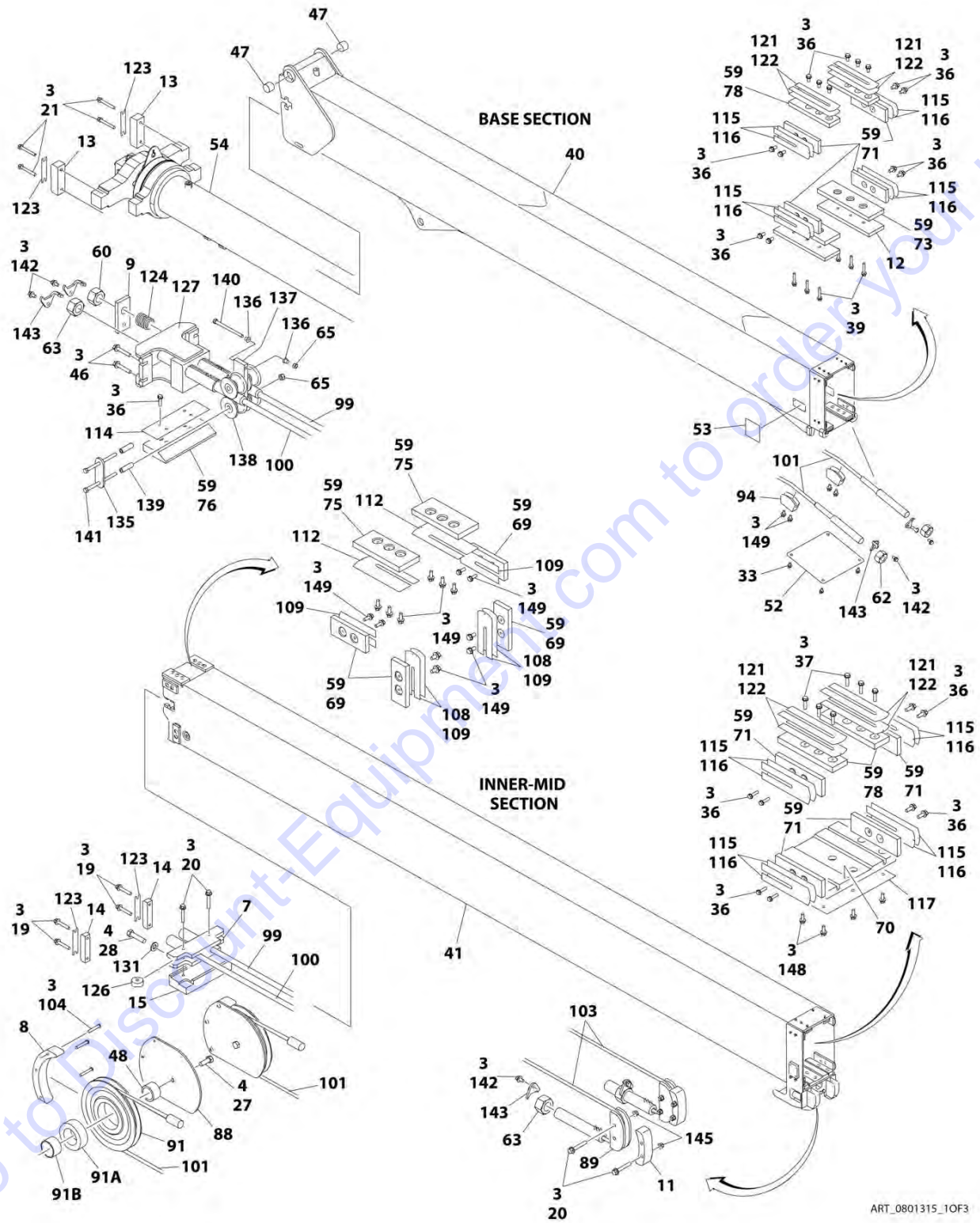
ITEM	PART NUMBER	QTY	DESCRIPTION	REV
85	3580342	2	Sheave	
86	1001154260	2	Sheave	
86A	1001154294	1	Ring, Snap	
86B	1001154304	1	Bushing (Inner)	
86C	1001154306	1	Bushing (Outer)	
87	3580298	2	Sheave	
87A	0962402	1	Bushing (Outer)	
87B	0962406	1	Bushing (Inner)	
88	3580300	1	Sheave	
88A	1001139972	1	Sleeve, Bushing (Inner)	
88B	0962403	1	Bushing (Outer)	
89	3580302	2	Sheave	
89A	0962404	1	Bushing (Outer)	
89B	0962411	1	Bushing (Inner)	
90	3580341	2	Sheave	
91	3760233	1	Ring, Retaining	
92	3841143	6	Keeper, Pin	
93	3841203	2	Keeper, Pin	
94	3841258	1	Keeper, Pin	
95	3890034	1	Cable, Outer Mid Extend	
96	3890035	1	Cable, Outer Mid Extend	
97	3890036	2	Cable, Outer Mid Retract	
98	3890037	4	Cable, Fly Extend	
99	3890038	2	Cable, Fly Retract	
100	0641618	6	Screw 3/8 x 2-1/4	
101	4070863	2	Shim #11 Gauge	
102	4070864	2	Shim #18 Gauge	
103	4070895	2	Shim #16 Gauge	
104	4070897	6	Shim #18 Gauge	
105	4070898	12	Shim #11 Gauge	
106	4071012	1	Shim #16 Gauge	
107	4071013	2	Shim #16 Gauge	
108	4071015	2	Shim #16 Gauge	
109	4071017	1	Shim #16 Gauge	
110	4071018	8	Shim #16 Gauge	
111	4071019	12	Shim #11 Gauge	
112	4071024	1	Shim #16 Gauge	
113	4071025	1	Shim #16 Gauge	
114	4071027	2	Shim #16 Gauge	
115	4071028	6	Shim #16 Gauge	
116	4071029	6	Shim #11 Gauge	
117	4071031	4	Shim #16 Gauge	
118	4160197	1	Spring	
119	4711600	10	Washer 3/8	
120	4740509	2	Spacer	
121	4846453	1	Plate, Mounting	
122	4846462	1	Pivot	
123	4846482	1	Link, Jib (Upper)	
124	0801550	1	Link, Jib (Lower)	
125	4892000	2	Washer 5/8	
126	4071044	1	Shim #18 Gauge	

SECTION 4 - BOOM

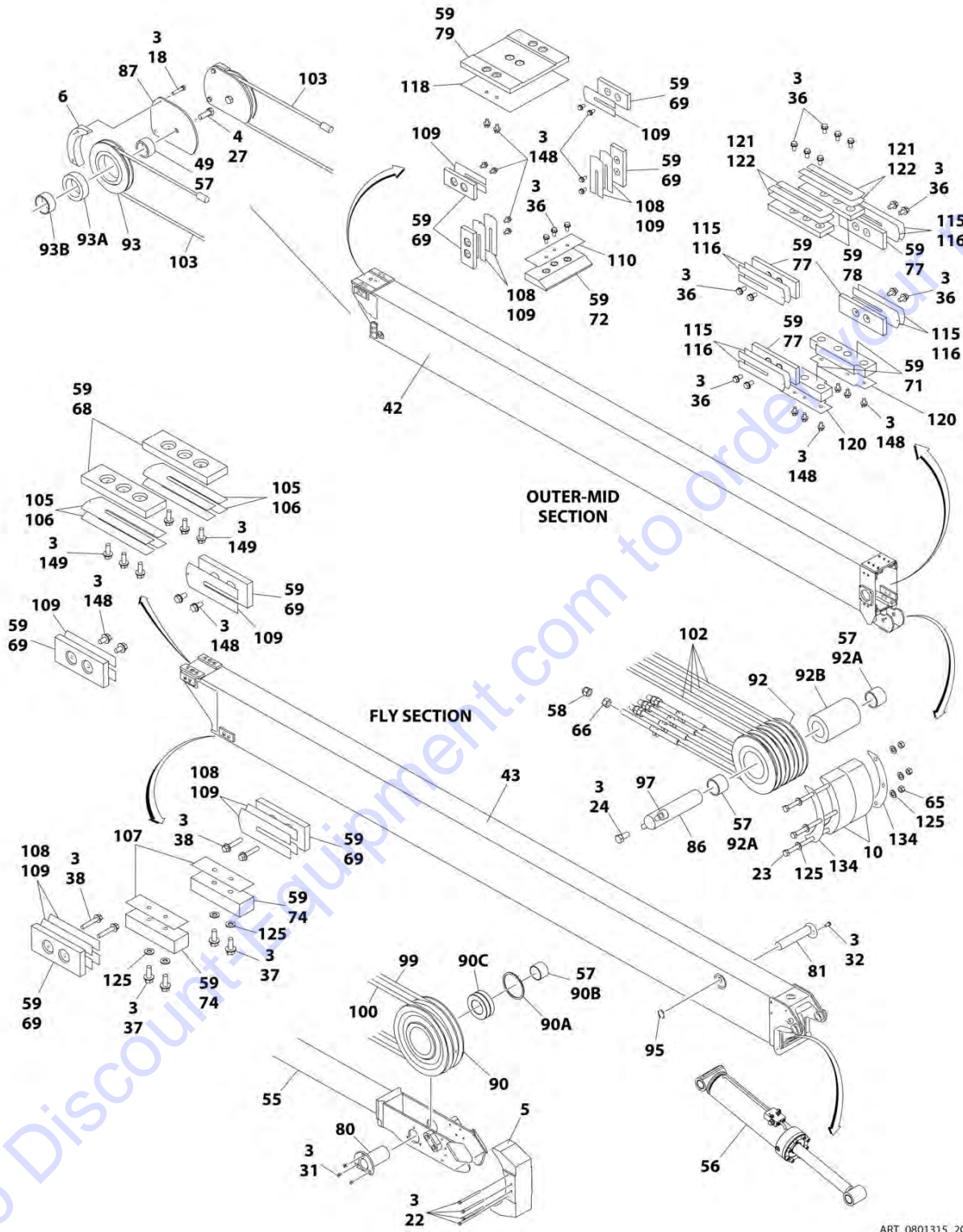
ITEM	PART NUMBER	QTY	DESCRIPTION	REV
127	4071045	1	Shim #11 Gauge	
128	4071046	2	Shim #16 Gauge	
129	0363066	2	Bar, Stabilizer	
130	0962447	2	Bearing, Flanged	
131	3573437	1	Plate, Pulley Adjustment	
132	3580306	4	Pulley	
133	4568423	4	Tube, Spacer	
134	0641640	1	Bolt 3/8 x 5	
135	0641644	2	Bolt 3/8 x 5-1/2	
136	0791605	6	Screw 3/8 x 5/8	
137	3573444	6	Plate, Lock	
138	0630558	1	Bolt 1 x 2	
139	3311608	8	Nut 3/8	
140	3760133	5	Ring, Retaining	
141	0811606	30	Screw 3/8 x 3/4	
142	0811607	24	Screw 3/8 x 7/8	

SECTION 4 - BOOM

FIGURE 4-7. BOOM ASSEMBLY 1350SJP - WITHOUT COLD WEATHER PLUS PACKAGE

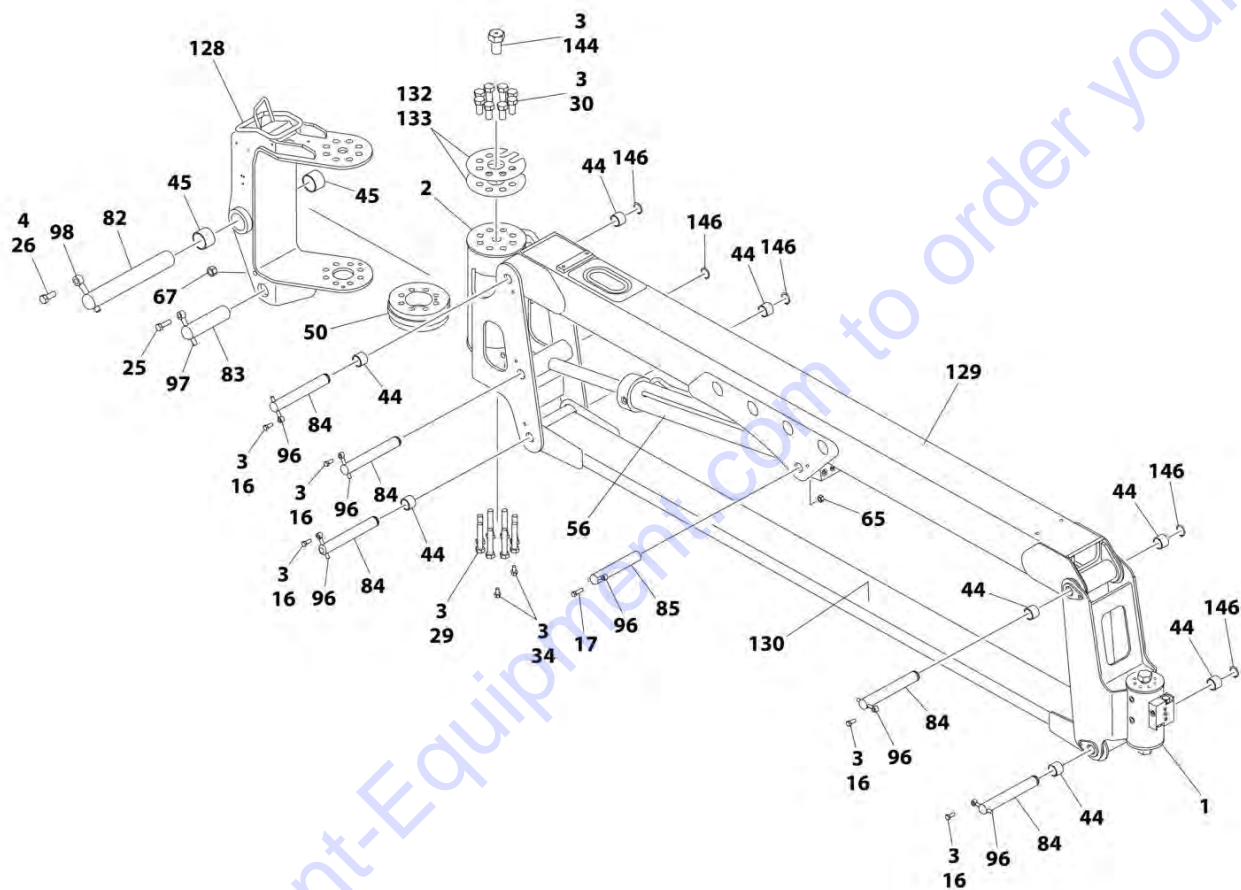


SECTION 4 - BOOM



ART_0801315_20F3

SECTION 4 - BOOM



ART_0801315_3OF3

SECTION 4 - BOOM

FIGURE 4-7. BOOM ASSEMBLY 1350SJP - WITHOUT COLD WEATHER PLUS PACKAGE

ITEM	PART NUMBER	QTY	DESCRIPTION	REV
	0801315	Ref	BOOM ASSEMBLY 1350SJP - WITHOUT COLD WEATHER PLUS PACKAGE	U
1	1001097643	NLA	Actuator Assembly (Platform Rotate) (See Separate Breakdown in this Section) (SN 0300201016 through 0300201349)	
1	1001178247	1	Actuator Assembly (Platform Rotate) (See Separate Breakdown in this Section) (SN 0300201350 to Present, SN B300002238 to Present)	
2	1001097619	NLA	Actuator Assembly (Jib Rotate) (See Separate Breakdown in this Section) (SN 0300201016 through 0300201349)	
2	1001178248	1	Actuator Assembly (Jib Rotate) (See Separate Breakdown in this Section) (SN 0300201350 to Present, SN B300002238 to Present)	
3	0100011	AR	Compound, Locking	
4	0100019	AR	Compound, Locking	
5	0561431	1	Block, Rope Retainer	
6	0561437	2	Block, Rope Retainer	
7	0561439	1	Block, Outer Mid Extend	
8	0561444	2	Block, Cable Retainer	
9	0561454	1	Block, Switch Adjuster	
10	0561457	2	Block, Cable Retainer	
11	0561458	2	Block, Cable Retainer	
12	0561471	2	Block, Spacer	
13	0561500	2	Block, Trunnion Keeper	
14	0561482	2	Block, Trunnion Keeper	
15	3340955	1	Pad	
16	0641607	5	Bolt 3/8 x 7/8	
17	0641610	1	Bolt 3/8 x 1-1/4	
18	0641615	4	Bolt 3/8 x 1-7/8	
19	0791618	4	Screw 3/8 x 2-1/4	
20	0791620	10	Screw 3/8 x 2-1/2	
21	0791624	4	Screw 3/8 x 3	
22	0641646	4	Bolt 3/8 x 5-3/4	
23	0641652	3	Bolt 3/8 x 6-1/2	
24	0641808	1	Bolt 1/2 x 1	
25	0641813	1	Bolt 1/2 x 1-5/8	
26	0642012	1	Bolt 5/8 x 1-1/2	
27	0642014	4	Bolt 5/8 x 1-3/4	
28	0642022	2	Bolt 5/8 x 2-3/4	
29	0682028	8	Bolt 5/8 x 3-1/2 Grade 8	
30	0682212	8	Bolt 3/4 x 1-1/2 Grade 8	
31	0741606	3	Screw 3/8 x 3/4	
32	0741806	1	Screw 1/2 x 3/4	
33	0791604	4	Screw 3/8 x 1/2	
34	0791606	2	Screw 3/8 x 3/4	
36	0811608	43	Screw 3/8 x 1	
37	0811610	10	Screw 3/8 x 1-1/4	
38	0811614	4	Screw 3/8 x 1-3/4	
39	0811616	6	Screw 3/8 x 2	
40	0801301	1	Base, Boom	
41	0801302	1	Mid, Inner	
42	0801303	1	Mid, Outer	

SECTION 4 - BOOM

ITEM	PART NUMBER	QTY	DESCRIPTION	REV
43	0801304	1	Fly, Boom	
44	0961951	8	Bushing	
45	0962224	2	Bearing	
46	0791612	4	Screw 3/8 x 1-1/2	
47	0962297	2	Bushing	
48	0962409	2	Bushing	
49	0962410	2	Bushing	
50	1100131	1	Cam	
52	1671032	1	Cover	
53	1671033	1	Cover	
54	1684108	NLA	Telescope Cylinder Assembly (Use p/n 1001228021) (See Separate Breakdown in CYLINDER SECTION) (SN 0300201016 through 0300243473, SN B300002238 through B300002646)	
54	1001228021	1	Telescope Cylinder Assembly (See Separate Breakdown in CYLINDER SECTION) (SN 0300243474 to Present, SN B300002647 to Present)	
55	1684149	NLA	Platform Level Cylinder Assembly (Use p/n 1001228023) (See Separate Breakdown in CYLINDER SECTION) (SN 0300201016 through 0300239980, SN B300002238 through B300002570)	
55	1001228023	1	Platform Level Cylinder Assembly (See Separate Breakdown in CYLINDER SECTION) (SN 0300239981 to Present, SN B300002571 to Present)	
56	1684173	NLA	Jib Cylinder Assembly (Use p/n 1001228025) (See Separate Breakdown in CYLINDER SECTION) (SN 0300201016 through 0300239161, SN B300002238 through B300002449)	
56	1001228025	1	Jib Cylinder Assembly (See Separate Breakdown in CYLINDER SECTION) (SN 0300239162 to Present, SN B300002450 to Present)	
57	3020039	AR	Lubricant, Moly	
58	3300239	4	Nut, Nylon Insert	
59	3020042	AR	Lubricant with PTFE	
60	3300458	1	Nut 1	
62	3300460	2	Nut 1-1/4	
63	3300461	3	Nut 1-3/8	
65	3311605	7	Nut 3/8	
66	3311801	4	Nut 1/2	
67	3311805	1	Nut 1/2	
68	3340871	2	Pad, Wear	
69	3340881	12	Pad, Wear	
70	3340910	1	Pad, Wear	
71	3340912	2	Pad, Wear	
72	4700039	1	Pad, Wear	
73	3340916	2	Pad, Wear	
74	3340917	2	Pad, Wear	
75	3340918	2	Pad, Wear	
76	4700038	1	Pad, Wear	
77	3340921	12	Pad, Wear	
78	3340922	6	Pad, Wear	
79	3340926	1	Pad, Wear	
80	3422926	1	Pin	
81	3422937	1	Pin	
82	1001119899	1	Pin	
83	3422956	1	Pin	
84	3422957	5	Pin	

SECTION 4 - BOOM

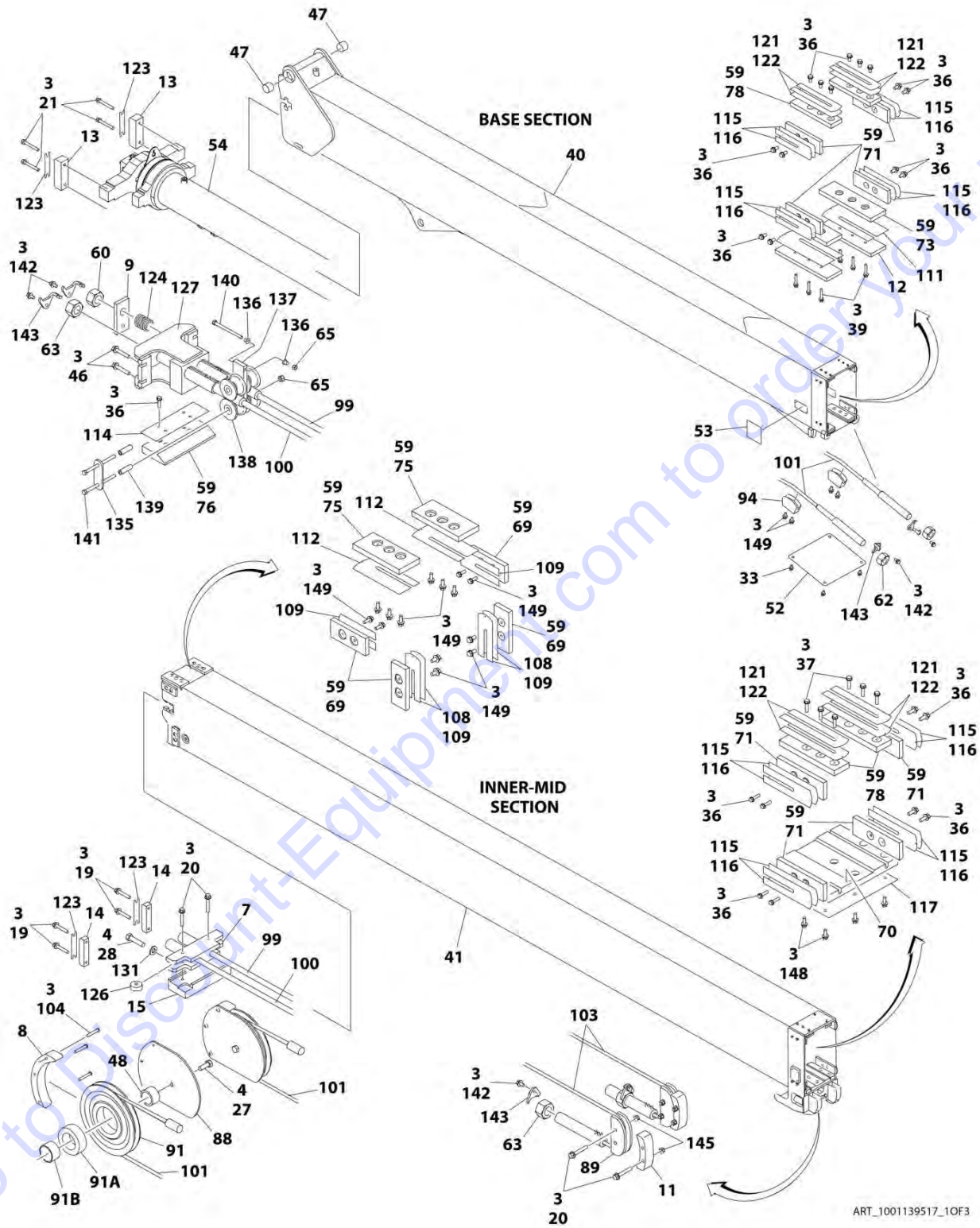
ITEM	PART NUMBER	QTY	DESCRIPTION	REV
85	3422958	1	Pin	
86	3422959	1	Pin	
87	3572950	2	Plate, Cable Retract Retainer	
88	3572951	2	Plate, Cable Retract Retainer	
89	3580342	2	Sheave	
90	1001154260	2	Sheave	
90A	1001154294	1	Ring, Snap	
90B	1001154304	1	Bushing (Inner)	
90C	1001154306	1	Bushing (Outer)	
91	3580298	2	Sheave	
91A	0962402	1	Bushing (Outer)	
91B	0962406	1	Bushing (Inner)	
92	3580300	1	Sheave	
92A	1001139972	1	Bushing (Inner)	
92B	0962403	1	Bushing (Outer)	
93	3580302	1	Sheave	
93A	0962404	1	Bushing (Outer)	
93B	0962411	1	Bushing (Inner)	
94	3580341	2	Sheave	
95	3760233	1	Ring, Retaining	
96	3841143	6	Keeper, Pin	
97	3841203	2	Keeper, Pin	
98	3841258	1	Keeper, Pin	
99	3890029	1	Cable, Outer Mid Extend	
100	3890030	1	Cable, Outer Mid Extend	
101	3890031	2	Cable, Outer Mid Retract	
102	3890032	4	Cable, Fly Extend	
103	3890033	2	Cable, Fly Retract	
104	0641618	6	Screw 3/8 x 2-1/4	
105	4070863	2	Shim #11 Gauge	
106	4070864	2	Shim #18 Gauge	
107	4070895	2	Shim #16 Gauge	
108	4070897	6	Shim #18 Gauge	
109	4070898	12	Shim #11 Gauge	
110	4071012	1	Shim #16 Gauge	
112	4071015	2	Shim #16 Gauge	
114	4071017	1	Shim #16 Gauge	
115	4071018	8	Shim #16 Gauge	
116	4071019	12	Shim #11 Gauge	
117	4071024	1	Shim #16 Gauge	
118	4071025	1	Shim #16 Gauge	
120	4071027	2	Shim #16 Gauge	
121	4071028	6	Shim #16 Gauge	
122	4071029	6	Shim #11 Gauge	
123	4071031	4	Shim #16 Gauge	
124	4160197	1	Spring	
125	4711600	10	Washer 3/8	
126	4740509	2	Spacer	
127	4846453	1	Plate, Mounting	
128	4846462	1	Pivot	
129	4846482	1	Link, Jib (Upper)	

SECTION 4 - BOOM

ITEM	PART NUMBER	QTY	DESCRIPTION	REV
130	0801550	1	Link, Jib (Lower)	
131	4892000	2	Washer 5/8	
132	4071044	1	Shim #18 Gauge	
133	4071045	1	Shim #11 Gauge	
134	4071046	2	Shim #16 Gauge	
135	0363066	2	Bar, Stabilizer	
136	0962447	2	Bearing, Flanged	
137	3573437	1	Plate, Pulley Adjustment	
138	3580306	4	Pulley	
139	4568423	4	Tube, Spacer	
140	0641640	1	Bolt 3/8 x 5	
141	0641644	2	Bolt 3/8 x 5-1/2	
142	0791605	6	Screw 3/8 x 5/8	
143	3573444	6	Plate, Lock	
144	0630558	1	Bolt 1-1/8 x 2	
145	3311608	8	Nut 3/8	
146	3760133	5	Ring, Retaining	
148	0811606	30	Screw 3/8 x 3/4	
149	0811607	24	Screw 3/8 x 7/8	

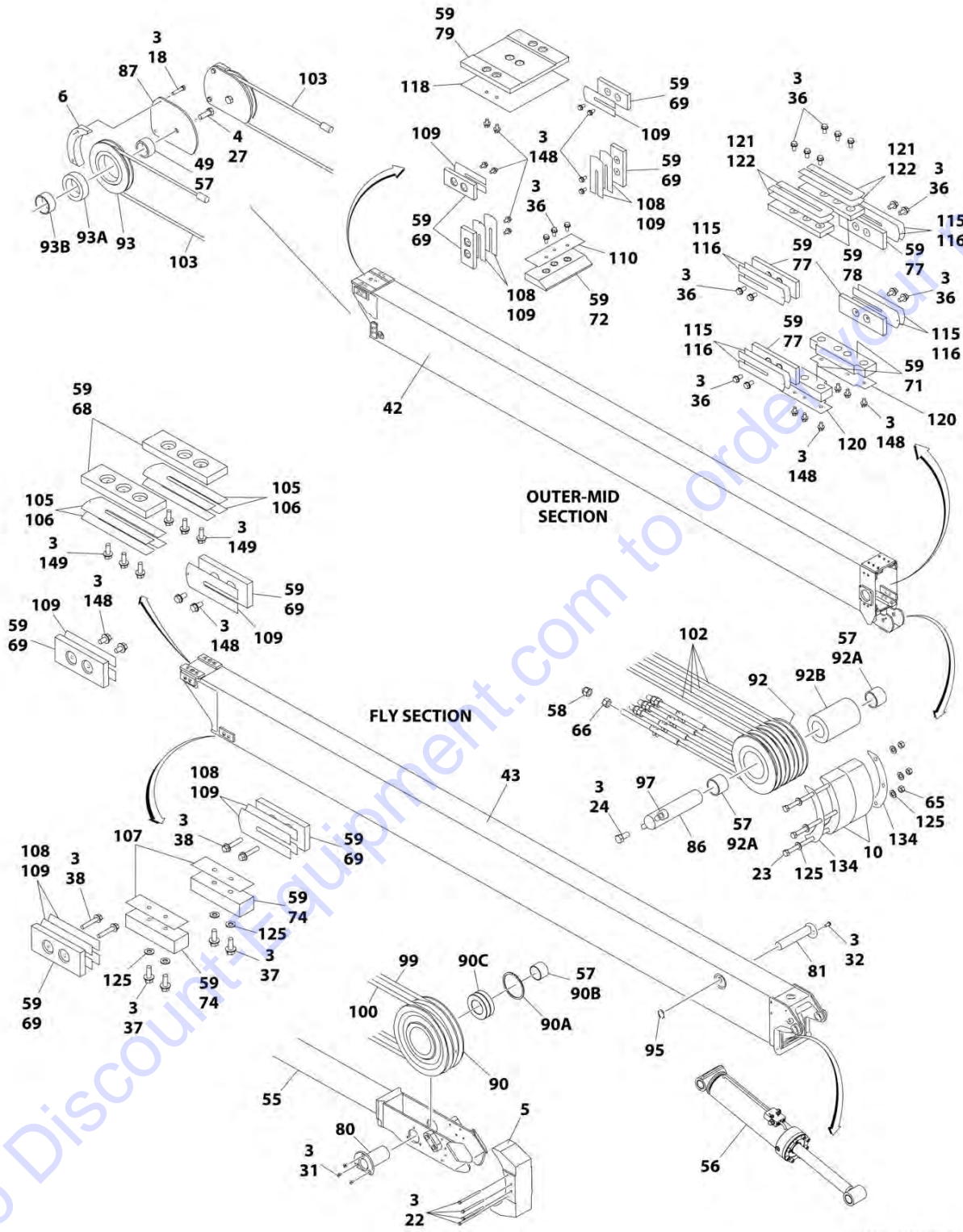
SECTION 4 - BOOM

FIGURE 4-8. BOOM ASSEMBLY 1350SJP - WITH COLD WEATHER PLUS PACKAGE



ART_1001139517_10F3

SECTION 4 - BOOM



ART_1001139517_20F3

SECTION 4 - BOOM

FIGURE 4-8. BOOM ASSEMBLY 1350SJP - WITH COLD WEATHER PLUS PACKAGE

ITEM	PART NUMBER	QTY	DESCRIPTION	REV
	1001139517	Ref	BOOM ASSEMBLY 1350SJP - WITH COLD WEATHER PLUS PACKAGE	F
1	1001097643	NLA	Actuator Assembly (Platform Rotate) (See Separate Breakdown in this Section) (SN 0300201016 through 0300201349)	
1	1001178247	1	Actuator Assembly (Platform Rotate) (See Separate Breakdown in this Section) (SN 0300201350 to Present)	
2	1001097619	NLA	Actuator Assembly (Jib Rotate) (See Separate Breakdown in this Section) (SN 0300201016 through 0300201349)	
2	1001178248	1	Actuator Assembly (Jib Rotate) (See Separate Breakdown in this Section) (SN 0300201350 to Present)	
3	0100011	AR	Compound, Locking	
4	0100019	AR	Compound, Locking	
5	0561431	1	Block, Rope Retainer	
6	0561437	2	Block, Rope Retainer	
7	0561439	1	Block, Outer Mid Extend	
8	0561444	2	Block, Cable Retainer	
9	0561454	1	Block, Switch Adjuster	
10	0561457	2	Block, Cable Retainer	
11	0561458	2	Block, Cable Retainer	
12	0561471	2	Block, Spacer	
13	0561500	2	Block, Trunnion Keeper	
14	0561482	2	Block, Trunnion Keeper	
15	3340955	1	Pad	
16	0641607	5	Bolt 3/8 x 7/8	
17	0641610	1	Bolt 3/8 x 1-1/4	
18	0641615	4	Bolt 3/8 x 1-7/8	
19	0791618	4	Screw 3/8 x 2-1/4	
20	0791620	10	Screw 3/8 x 2-1/2	
21	0791624	4	Screw 3/8 x 3	
22	0641646	4	Bolt 3/8 x 5-3/4	
23	0641652	3	Bolt 3/8 x 6-1/2	
24	0641808	1	Bolt 1/2 x 1	
25	0641813	1	Bolt 1/2 x 1-5/8	
26	0642012	1	Bolt 5/8 x 1-1/2	
27	0642014	4	Bolt 5/8 x 1-3/4	
28	0642022	2	Bolt 5/8 x 2-3/4	
29	0682028	8	Bolt 5/8 x 3-1/2 Grade 8	
30	0682212	8	Bolt 3/4 x 1-1/2 Grade 8	
31	0741606	3	Screw 3/8 x 3/4	
32	0741806	1	Screw 1/2 x 3/4	
33	0791604	4	Screw 3/8 x 1/2	
34	0791606	2	Screw 3/8 x 3/4	
36	0811608	43	Screw 3/8 x 1	
37	0811610	10	Screw 3/8 x 1-1/4	
38	0811614	4	Screw 3/8 x 1-3/4	
39	0811616	6	Screw 3/8 x 2	
40	0801301	1	Base, Boom	
41	0801302	1	Mid, Inner	
42	0801303	1	Mid, Outer	
43	0801304	1	Fly, Boom	
44	0961951	8	Bushing	

PARTS FINDER

**Search Website
by Part Number**



**Search Manual
Library For Parts
Manual & Lookup Part
Numbers – Purchase
or Request Quote**

**Can't Find Part or
Manual? Request Help
by Manufacturer,
Model & Description**

Discount-Equipment.com is your online resource for quality parts & equipment.

Florida: **561-964-4949** Outside Florida TOLL FREE: **877-690-3101**

Need parts?

Click on this link: <http://www.discount-equipment.com/category/5443-parts/> and choose one of the options to help get the right parts and equipment you are looking for. Please have the machine model and serial number available in order to help us get you the correct parts. If you don't find the part on the website or on one of the online manuals, please fill out the request form and one of our experienced staff members will get back to you with a quote for the right part that your machine needs.

We sell worldwide for the brands: Genie, Terex, JLG, MultiQuip, Mikasa, Essick, Whiteman, Mayco, Toro Stone, Diamond Products, Generac Magnum, Airman, Haulotte, Barreto, Power Blanket, Nifty Lift, Atlas Copco, Chicago Pneumatic, Allmand, Miller Curber, Skyjack, Lull, Skytrak, Tsurumi, Husquvarna Target, Stow, Wacker, Sakai, Mi-T-M, Sullair, Basic, Dynapac, MBW, Weber, Bartell, Bennar Newman, Haulotte, Ditch Runner, Menegotti, Morrison, Contec, Buddy, Crown, Edco, Wyco, Bomag, Laymor, EZ Trench, Bil-Jax, F.S. Curtis, Gehl Pavers, Heli, Honda, ICS/PowerGrit, IHI, Partner, Imer, Clipper, MMD, Koshin, Rice, CH&E, General Equipment, Amida, Coleman, NAC, Gradall, Square Shooter, Kent, Stanley, Tamco, Toku, Hatz, Kohler, Robin, Wisconsin, Northrock, Oztec, Toker TK, Rol-Air, APT, Wylie, Ingersoll Rand / Doosan, Innovatech, Con X, Ammann, Mecalac, Makinex, Smith Surface Prep, Small Line, Wanco, Yanmar

SECTION 4 - BOOM

ITEM	PART NUMBER	QTY	DESCRIPTION	REV
45	0962224	2	Bearing	
46	0791612	4	Screw 3/8 x 1-1/2	
47	0962297	2	Bushing	
48	0962409	2	Bushing	
49	0962410	2	Bushing	
50	1100131	1	Cam	
52	1671032	1	Cover	
53	1671033	1	Cover	
54	1684108	NLA	Telescope Cylinder Assembly (Use p/n 1001228021) (See Separate Breakdown in CYLINDER SECTION) (SN 0300201016 through 0300243476)	
54	1001228021	1	Telescope Cylinder Assembly (See Separate Breakdown in CYLINDER SECTION) (SN 0300243474 to Present)	
55	1001138802	NLA	Platform Level Cylinder Assembly (Use p/n 1001228053) (See Separate Breakdown in CYLINDER SECTION) (SN 0300201016 through 0300239980)	
55	1001228053	1	Platform Level Cylinder Assembly (See Separate Breakdown in CYLINDER SECTION) (SN 0300239981 to Present)	
56	1001138803	NLA	Jib Cylinder Assembly (Use p/n 1001228025) (See Separate Breakdown in CYLINDER SECTION) (SN 0300201016 through 0300239161)	
56	1001228025	1	Jib Cylinder Assembly (See Separate Breakdown in CYLINDER SECTION) (SN 0300239162 to Present)	
57	3020039	AR	Lubricant, Moly	
58	3300239	4	Nut, Nylon Insert	
59	3020042	AR	Lubricant with PTFE	
60	3300458	1	Nut 1	
62	3300460	2	Nut 1-1/4	
63	3300461	3	Nut 1-3/8	
65	3311605	7	Nut 3/8	
66	3311801	4	Nut 1/2	
67	3311805	1	Nut 1/2	
68	3340871	2	Pad, Wear	
69	3340881	12	Pad, Wear	
70	3340910	1	Pad, Wear	
71	3340912	2	Pad, Wear	
72	4700039	1	Pad, Wear	
73	3340916	2	Pad, Wear	
74	3340917	2	Pad, Wear	
75	3340918	2	Pad, Wear	
76	4700038	1	Pad, Wear	
77	3340921	12	Pad, Wear	
78	3340922	6	Pad, Wear	
79	3340926	1	Pad, Wear	
80	3422926	1	Pin	
81	3422937	1	Pin	
82	1001119899	1	Pin	
83	3422956	1	Pin	
84	3422957	5	Pin	
85	3422958	1	Pin	
86	3422959	1	Pin	
87	3572950	2	Plate, Cable Retract Retainer	
88	3572951	2	Plate, Cable Retract Retainer	

SECTION 4 - BOOM

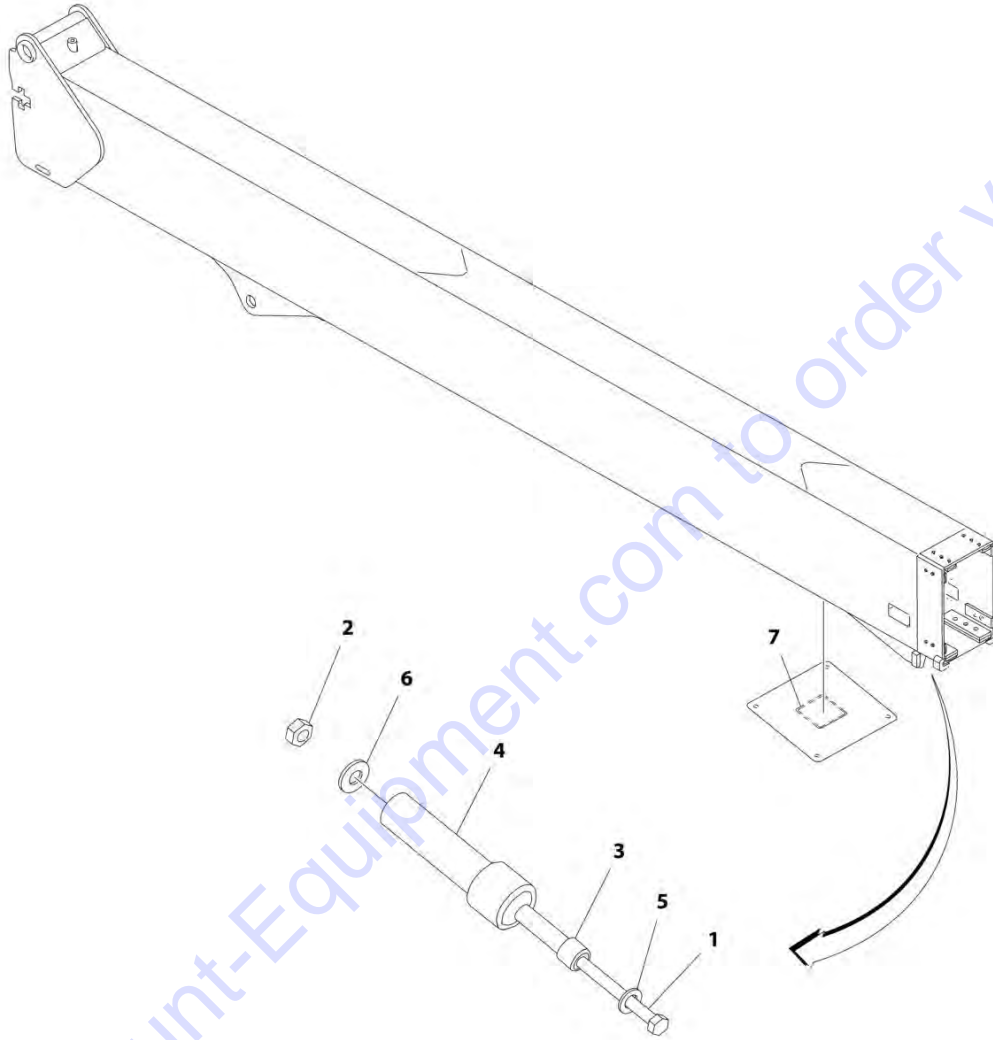
ITEM	PART NUMBER	QTY	DESCRIPTION	REV
89	3580342	2	Sheave	
90	1001154260	2	Sheave	
90A	1001154294	1	Ring, Snap	
90B	1001154304	1	Bushing (Inner)	
90C	1001154306	1	Bushing (Outer)	
91	3580298	2	Sheave	
91A	0962402	1	Bushing (Outer)	
91B	0962406	1	Bushing (Inner)	
92	3580300	1	Sheave	
92A	1001139972	1	Sleeve, Bushing (Inner)	
92B	0962403	1	Bushing (Outer)	
93	3580302	2	Sheave	
93A	0962404	1	Bushing (Outer)	
93B	0962411	1	Bushing (Inner)	
94	3580341	2	Sheave	
95	3760233	1	Ring, Retaining	
96	3841143	6	Keeper, Pin	
97	3841203	2	Keeper, Pin	
98	3841258	1	Keeper, Pin	
99	3890029	1	Cable, Outer Mid Extend	
100	3890030	1	Cable, Outer Mid Extend	
101	3890031	2	Cable, Outer Mid Retract	
102	3890032	4	Cable, Fly Extend	
103	3890033	2	Cable, Fly Retract	
104	0641618	6	Screw 3/8 x 2-1/4	
105	4070863	2	Shim #11 Gauge	
106	4070864	2	Shim #18 Gauge	
107	4070895	2	Shim #16 Gauge	
108	4070897	6	Shim #18 Gauge	
109	4070898	12	Shim #11 Gauge	
110	4071012	1	Shim #16 Gauge	
111	4071013	2	Shim #16 Gauge	
112	4071015	2	Shim #16 Gauge	
114	4071017	1	Shim #16 Gauge	
115	4071018	8	Shim #16 Gauge	
116	4071019	12	Shim #11 Gauge	
117	4071024	1	Shim #16 Gauge	
118	4071025	1	Shim #16 Gauge	
120	4071027	2	Shim #16 Gauge	
121	4071028	6	Shim #16 Gauge	
122	4071029	6	Shim #11 Gauge	
123	4071031	4	Shim #16 Gauge	
124	4160197	1	Spring	
125	4711600	10	Washer 3/8	
126	4740509	2	Spacer	
127	4846453	1	Plate, Mounting	
128	4846462	1	Pivot	
129	4846482	1	Link, Jib (Upper)	
130	0801550	1	Link, Jib (Lower)	
131	4892000	2	Washer 5/8	
132	4071044	1	Shim #18 Gauge	

SECTION 4 - BOOM

ITEM	PART NUMBER	QTY	DESCRIPTION	REV
133	4071045	1	Shim #11 Gauge	
134	4071046	2	Shim #16 Gauge	
135	0363066	2	Bar, Stabilizer	
136	0962447	2	Bearing, Flanged	
137	3573437	1	Plate, Pulley Adjustment	
138	3580306	4	Pulley	
139	4568423	4	Tube, Spacer	
140	0641640	1	Bolt 3/8 x 5	
141	0641644	2	Bolt 3/8 x 5-1/2	
142	0791605	6	Screw 3/8 x 5/8	
143	3573444	6	Plate, Lock	
144	0630558	1	Bolt 1 x 2	
145	3311608	8	Nut 3/8	
146	3760133	5	Ring, Retaining	
148	0811606	30	Screw 3/8 x 3/4	
149	0811607	24	Screw 3/8 x 7/8	

SECTION 4 - BOOM

FIGURE 4-9. WIRE ROPE TOOLS INSTALLATION (OPTIONAL)



ART_0272048

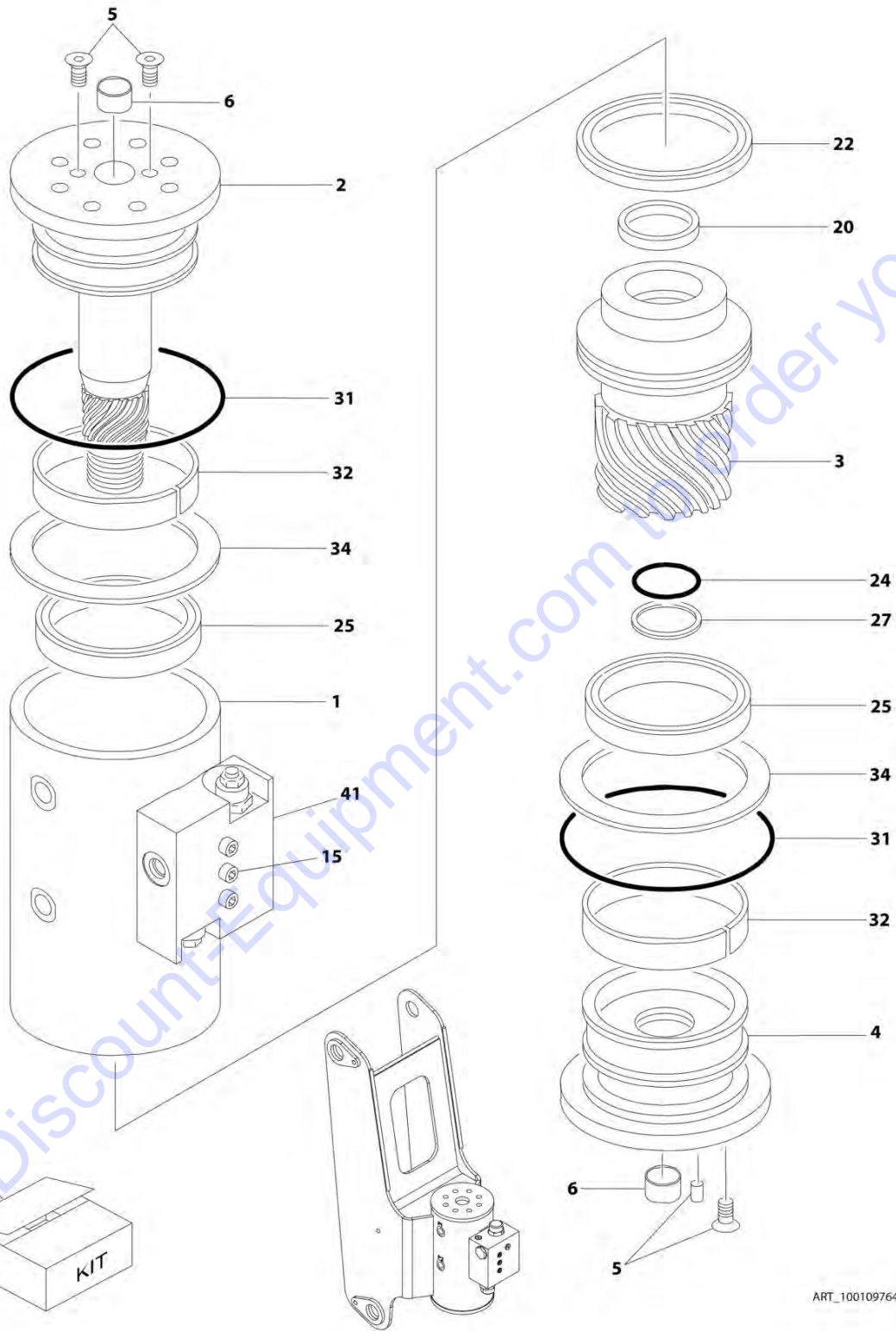
FIGURE 4-9. WIRE ROPE TOOLS INSTALLATION (OPTIONAL)

ITEM	PART NUMBER	QTY	DESCRIPTION	REV
	0272048	Ref	WIRE ROPE TOOLS INSTALLATION (OPTIONAL)	B
1	0641676	1	Bolt 3/8 x 9-1/2	
2	3311605	1	Nut 3/8	
3	4120040	1	Socket 3/4	
4	4120043	1	Socket 2	
5	4711600	1	Washer 3/8	
6	4891600	1	Washer 3/8	
7	1705307	1	Decal - Tool Location	

Go to Discount-Equipment.com to order your parts

SECTION 4 - BOOM

FIGURE 4-10. PLATFORM ROTATE ASSEMBLY (SN 0300201016 through 0300201348)



ART_1001097643

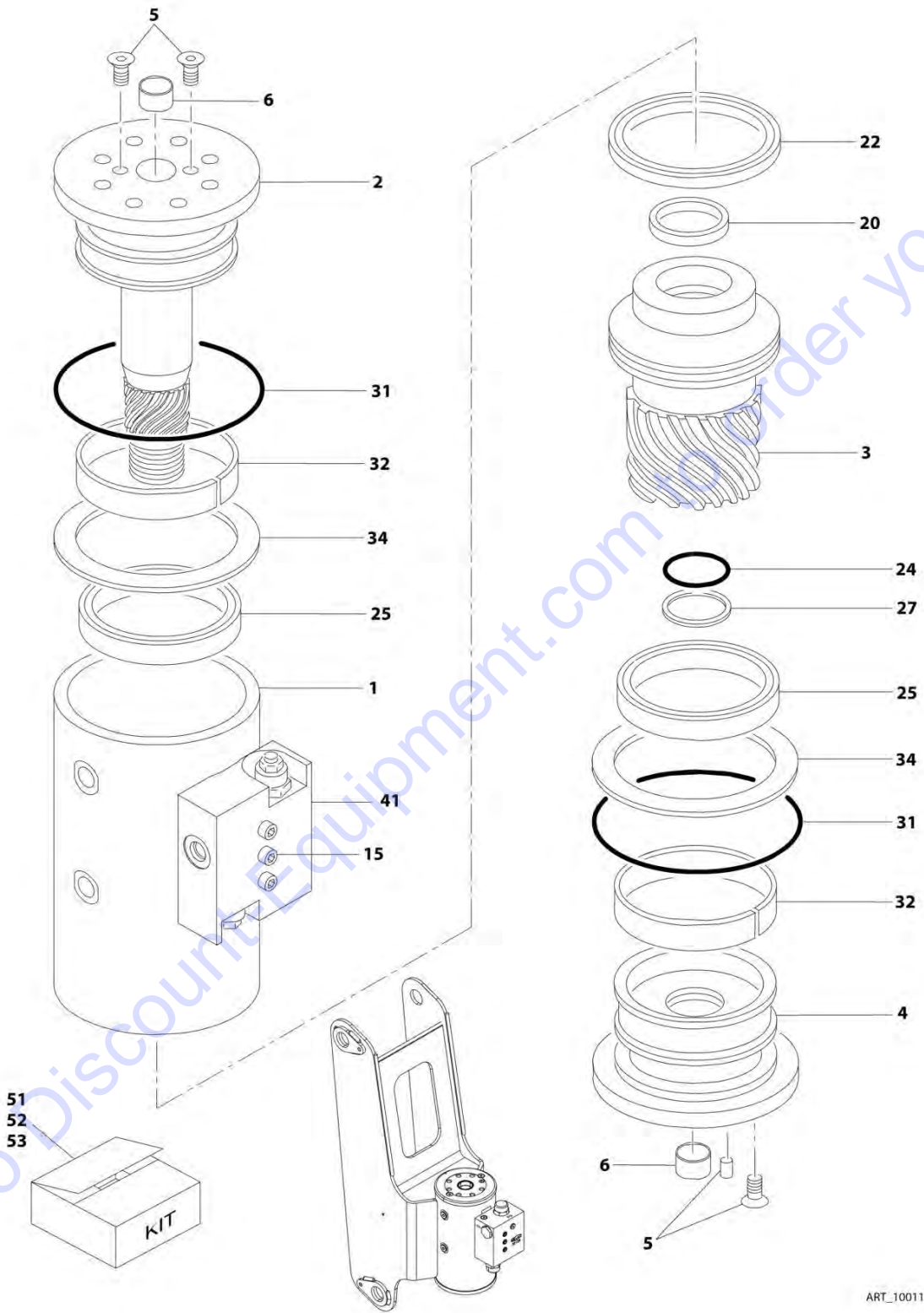
SECTION 4 - BOOM

FIGURE 4-10. PLATFORM ROTATE ASSEMBLY (SN 0300201016 through 0300201348)

ITEM	PART NUMBER	QTY	DESCRIPTION	REV
	1001097643	Ref	PLATFORM ROTATE ASSEMBLY (SN 0300201016 through 0300201348)	B
1	See Note	1	Case/Bracket Weldment (Note: Not Available - Purchase Complete Assembly)	
2	7017162	1	Shaft	
3	7017163	1	Sleeve, Piston	
4	7017164	1	Cap, End	
5	See Note	AR	Screw (Note: See Item 53 for Replacement)	
5	See Note	AR	Dowel Pin (Note: See Item 53 for Replacement)	
6	7017195	2	Bushing	
15	See Note	NSS	Capscrew 1/4 x 1-1/2 (Grade 8) (Note: Not Available for Purchase)	
20	See Note	1	Seal, Rod (Note: See Item 51 for Replacement Options)	
22	See Note	1	Seal, Piston (Note: See Item 51 for Replacement Options)	
24	See Note	1	Seal, Cap (Note: See Item 51 for Replacement Options)	
25	See Note	2	Packing, Bearing (Note: See Item 51 for Replacement Options)	
27	See Note	1	Ring, Cap Back-up (Note: See Item 51 for Replacement Options)	
31	See Note	2	Seal (Note: See Item 51 for Replacement Options)	
32	See Note	2	Bearing, Shaft (Note: See Item 52 for Replacement)	
34	See Note	2	Thrustwasher (Note: See Item 52 for Replacement)	
41	70001639	1	Motion Control Valve Assembly (Cartridges not serviced separately)	
51		Ref	Seal Kit Options: (Includes Items 20, 22, 24, 25, 27 & 31)	
51	7017158	1	Standard	
51	70000342	1	Cold Climate	
52	7017159	1	Bearing Kit (Includes Items 32 & 34)	
53	7017142	1	Hardware Kit (Includes Item 5 and Plugs)	

SECTION 4 - BOOM

FIGURE 4-11. PLATFORM ROTATE ASSEMBLY (SN 0300201349 to Present, SN B300002238 to Present)



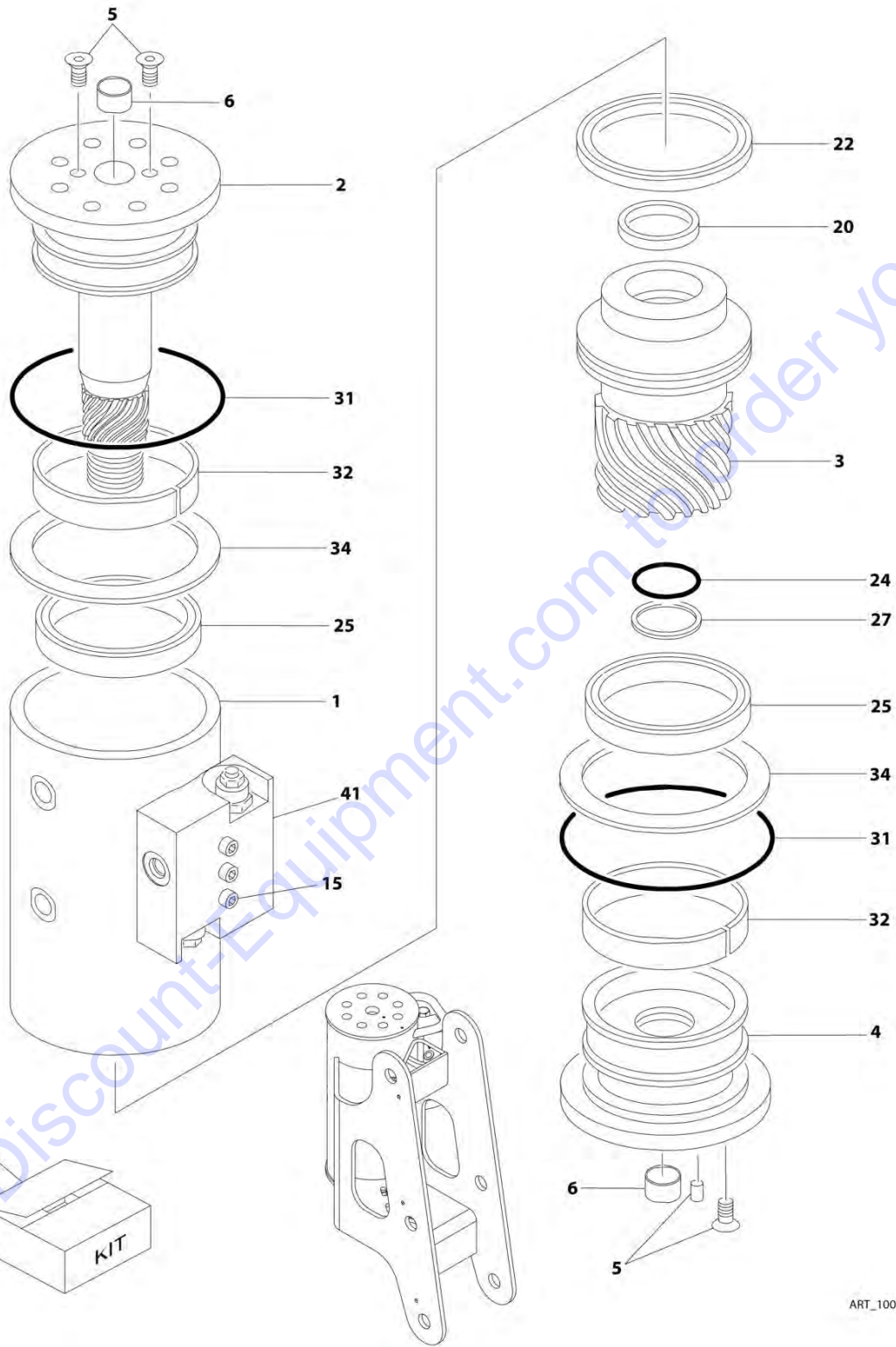
SECTION 4 - BOOM

FIGURE 4-11. PLATFORM ROTATE ASSEMBLY (SN 0300201349 to Present, SN B300002238 to Present)

ITEM	PART NUMBER	QTY	DESCRIPTION	REV
	1001178247	Ref	PLATFORM ROTATE ASSEMBLY (SN 0300201349 to Present, SN B300002238 to Present)	A
1	See Note	NSS	Case/Bracket Weldment (Note: Not Available - Purchase Complete Assembly)	
2	7017162	1	Shaft	
3	7017163	1	Sleeve, Piston	
4	7017164	1	Cap, End	
5	See Note	AR	Screw (Note: See Item 53 for Replacement)	
5	See Note	AR	Dowel Pin (Note: See Item 53 for Replacement)	
6	7017195	2	Bushing	
15	See Note	NSS	Capscrew 1/4 x 1-1/2 Grade 8 (Note: Not Available for Purchase)	
20	See Note	1	Seal, Rod (Note: See Item 51 for Replacement Options)	
22	See Note	1	Seal, Piston (Note: See Item 51 for Replacement Options)	
24	See Note	1	Seal, Cap (Note: See Item 51 for Replacement Options)	
25	See Note	2	Packing, Bearing (Note: See Item 51 for Replacement Options)	
27	See Note	1	Ring, Cap Back-up (Note: See Item 51 for Replacement Options)	
31	See Note	2	Seal (Note: See Item 51 for Replacement Options)	
32	See Note	2	Bearing, Shaft (Note: See Item 52 for Replacement)	
34	See Note	2	Thrustwasher (Note: See Item 52 for Replacement)	
41	70001639	1	Motion Control Valve Assembly (Cartridges not serviced separately)	
51	70000342	1	Seal Kit (Includes Items 20, 22, 24, 25, 27 & 31)	
52	7017159	1	Bearing Kit (Includes Items 32 & 34)	
53	7017142	1	Hardware Kit (Includes Item 5 and Plugs)	

SECTION 4 - BOOM

FIGURE 4-12. JIB ROTATE ASSEMBLY (SN 0300201016 through 0300201348)



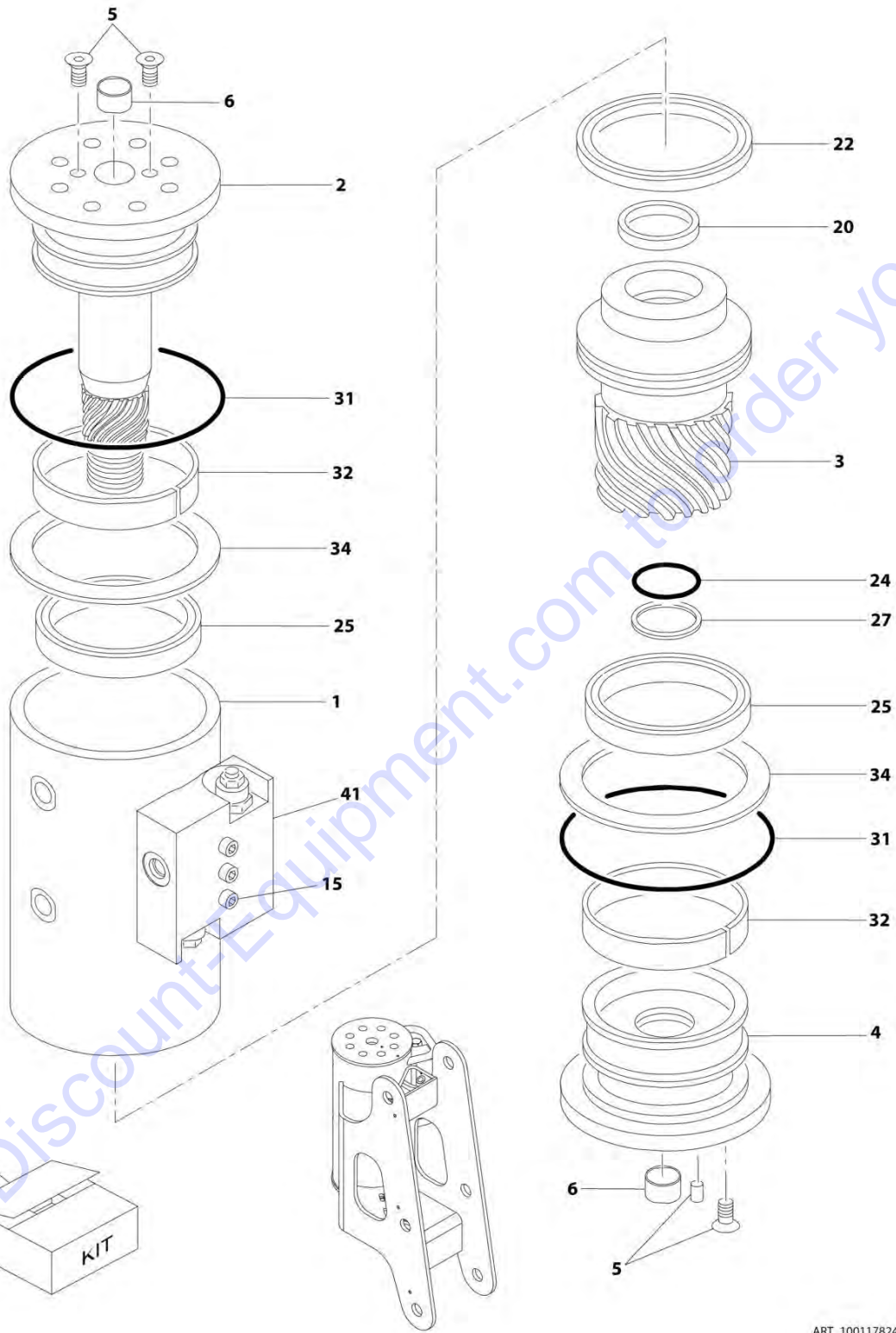
SECTION 4 - BOOM

FIGURE 4-12. JIB ROTATE ASSEMBLY (SN 0300201016 through 0300201348)

ITEM	PART NUMBER	QTY	DESCRIPTION	REV
	1001097619	Ref	JIB ROTATE ASSEMBLY (SN 0300201016 through 0300201348)	B
1	See Note	1	Case/Bracket Weldment (Note: Not Available - Purchase Complete Assembly)	
2	7017191	1	Shaft	
3	7017187	1	Sleeve, Piston	
4	7017188	1	Cap, End	
5	See Note	AR	Screw (Note: See Item 53 for Replacement)	
5	See Note	AR	Dowel Pin (Note: See Item 53 for Replacement)	
6	7017195	2	Bushing	
15	See Note	NSS	Capscrew 1/4 x 1-1/2 (Grade 8) (Note: Not Available for Purchase)	
20	See Note	1	Seal, Rod (Note: See Item 51 for Replacement Options)	
22	See Note	1	Seal, Piston (Note: See Item 51 for Replacement Options)	
24	See Note	1	Seal, Cap (Note: See Item 51 for Replacement Options)	
25	See Note	2	Packing, Bearing (Note: See Item 51 for Replacement Options)	
27	See Note	1	Ring, Cap Back-up (Note: See Item 51 for Replacement Options)	
31	See Note	2	Seal (Note: See Item 51 for Replacement Options)	
32	See Note	2	Bearing, Shaft (Note: See Item 52 for Replacement)	
34	See Note	2	Thrustwasher (Note: See Item 52 for Replacement)	
41	70002859	1	Motion Control Valve Assembly (Cartridges not serviced separately)	
51		Ref	Seal Kit Options: (Includes Items 20, 22, 24, 25, 27 & 31)	
51	7017184	1	Standard	
51	70000796	1	Cold Climate	
52	7017185	1	Bearing Kit (Includes Items 32 & 34)	
53	70001640	1	Hardware Kit (Includes Item 5 and Plugs)	

SECTION 4 - BOOM

FIGURE 4-13. JIB ROTATE ASSEMBLY (SN 0300201349 to Present, SN B300002238 to Present)



ART_1001178248

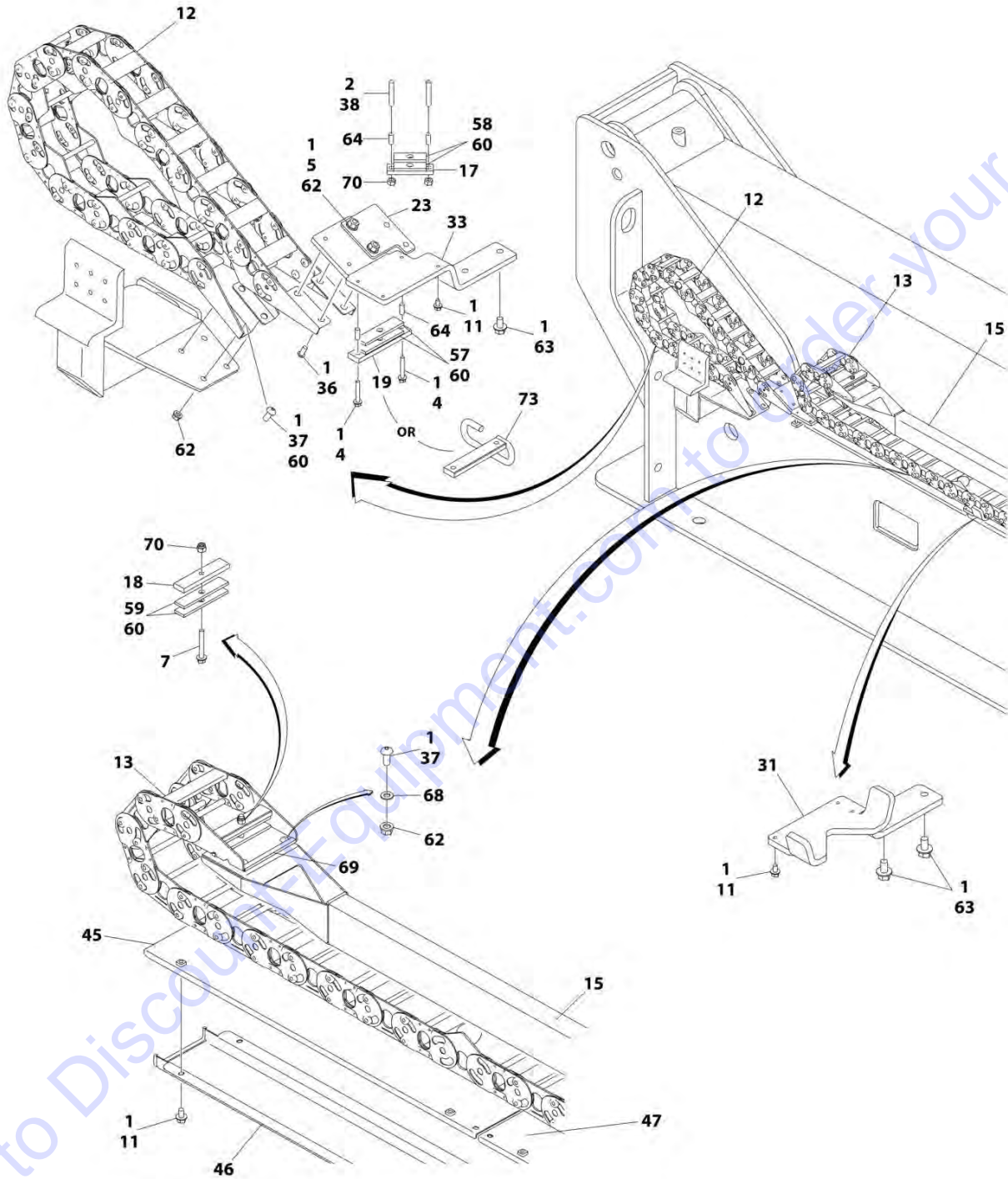
SECTION 4 - BOOM

FIGURE 4-13. JIB ROTATE ASSEMBLY (SN 0300201349 to Present, SN B300002238 to Present)

ITEM	PART NUMBER	QTY	DESCRIPTION	REV
	1001178248	Ref	JIB ROTATE ASSEMBLY (SN 0300201349 to Present, SN B300002238 to Present)	A
1	See Note	NSS	Case/Bracket Weldment (Note: Not Available - Purchase Complete Assembly)	
2	7017162	1	Shaft	
3	7017163	1	Sleeve, Piston	
4	7017164	1	Cap, End	
5	See Note	AR	Screw (Note: See Item 53 for Replacement)	
5	See Note	AR	Dowel Pin (Note: See Item 53 for Replacement)	
6	7017195	2	Bushing	
15	See Note	NSS	Capscrew 1/4 x 1-1/2 Grade 8 (Note: Not Available for Purchase)	
20	See Note	1	Seal, Rod (Note: See Item 51 for Replacement Options)	
22	See Note	1	Seal, Piston (Note: See Item 51 for Replacement Options)	
24	See Note	1	Seal, Cap (Note: See Item 51 for Replacement Options)	
25	See Note	2	Packing, Bearing (Note: See Item 51 for Replacement Options)	
27	See Note	1	Ring, Cap Back-up (Note: See Item 51 for Replacement Options)	
31	See Note	2	Seal (Note: See Item 51 for Replacement Options)	
32	See Note	2	Bearing, Shaft (Note: See Item 52 for Replacement)	
34	See Note	2	Thrustwasher (Note: See Item 52 for Replacement)	
41	70002859	1	Motion Control Valve Assembly (Cartridges not serviced separately)	
51	70000796	1	Seal Kit (Includes Items 20, 22, 24, 25, 27 & 31)	
52	7017185	1	Bearing Kit (Includes Items 32 & 34)	
53	70001640	1	Hardware Kit (Includes Item 5 and Plugs)	

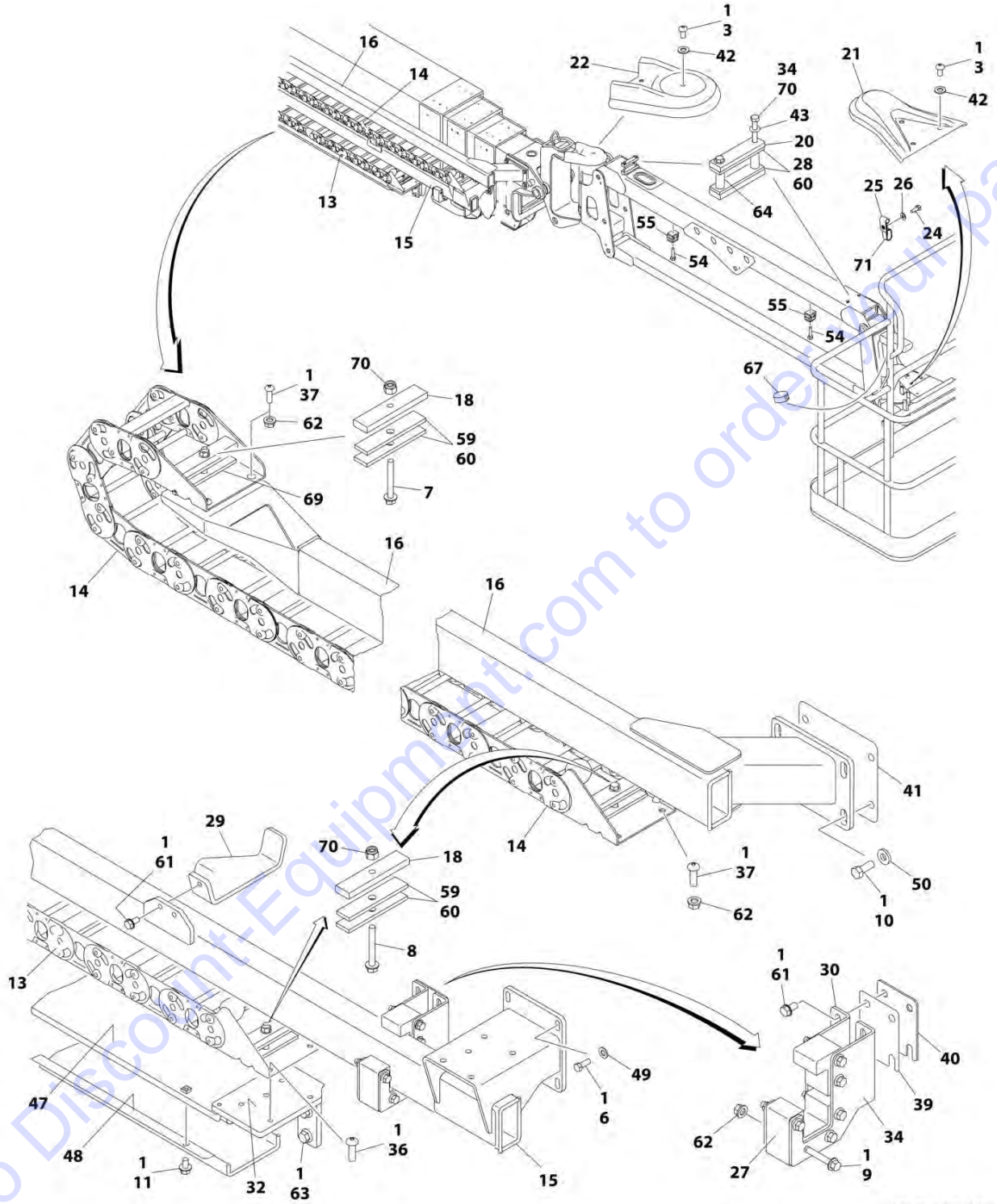
SECTION 4 - BOOM

FIGURE 4-14. POWER TRACK INSTALLATION - 1200SJP



ART_0271800_10F2

SECTION 4 - BOOM



ART_0271800_2OF2

SECTION 4 - BOOM

FIGURE 4-14. POWER TRACK INSTALLATION - 1200SJP

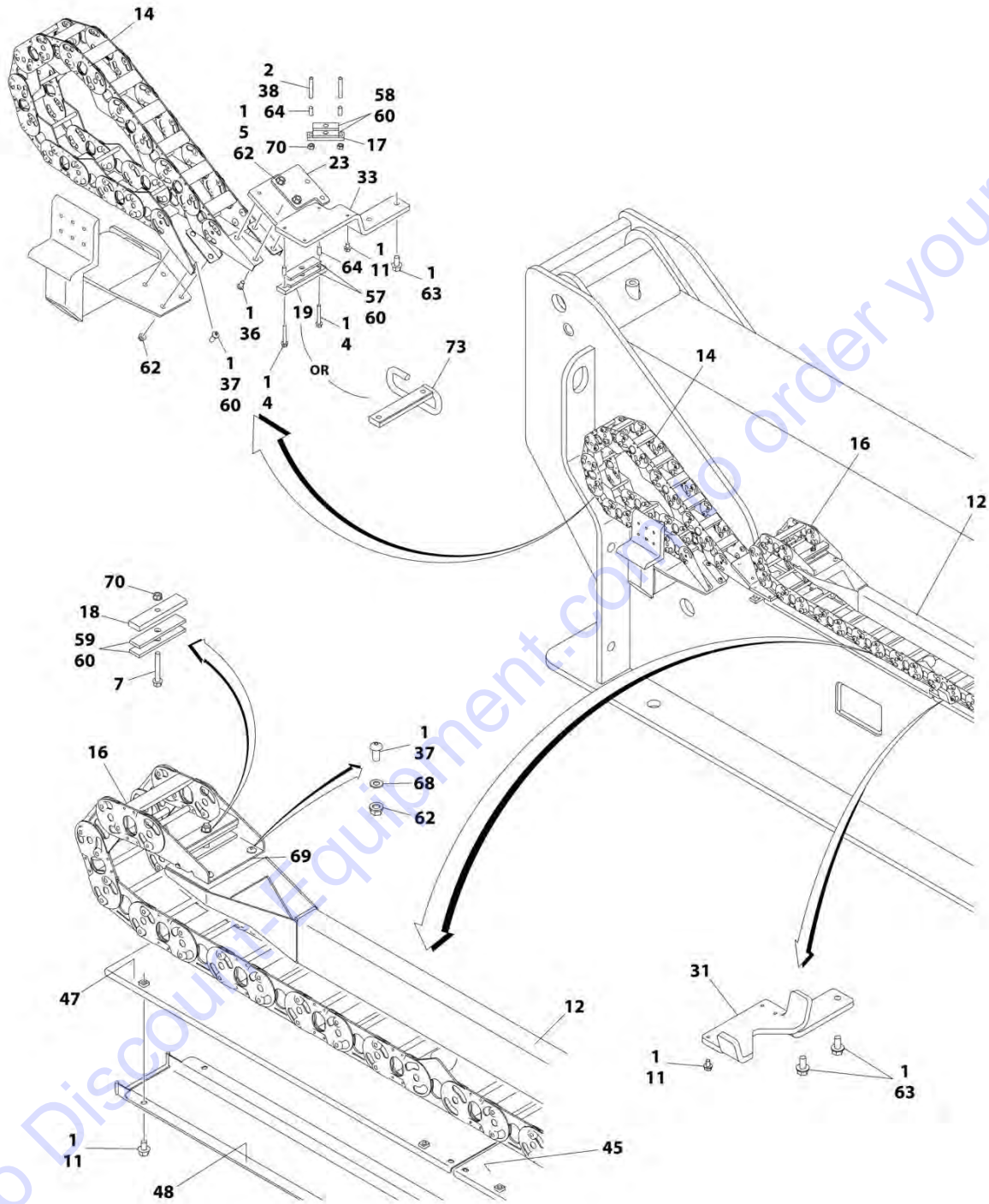
ITEM	PART NUMBER	QTY	DESCRIPTION	REV
	0271800	Ref	POWER TRACK INSTALLATION - 1200SJP	Q
1	0100011	AR	Compound, Locking	
2	0100019	AR	Compound, Locking	
3	0630467	AR	Screw 5/16 x 1/2	
4	0791518	2	Screw 5/16 x 2-1/4	
5	3900232	AR	Screw 3/8 x 1-1/4	
6	0641608	4	Bolt 3/8 x 1	
7	0791620	2	Screw 3/8 x 2-1/2	
8	0791622	2	Screw 3/8 x 2-3/4	
9	0791624	6	Screw 3/8 x 3	
10	0641810	4	Bolt 1/2 x 1-1/4	
11	0791504	48	Screw 5/16 x 1/2	
12	1001131620	Ref	Carrier (T/T to Boom)	
12	70003917	AR	Section Repair Kit (Includes Inner and Outer Links, Joining Bars and Rollers and Assembling Hardware)	
12	70003918	1	Mounting Bracket Kit (Includes Mounting Brackets for Both Ends, 1 Roller Assembly and Assembling Hardware)	
13	1001131734	1	Carrier (Lower)	
13	70003913	AR	Section Repair Kit (Includes Inner and Outer Links, Joining Bars and Rollers and Assembling Hardware)	
13	70003915	1	Mounting Bracket Kit (Includes Mounting Brackets for Both Ends, 1 Roller Assembly and Assembling Hardware)	
13	70003914	AR	Center Bracket Kit (Includes 1 Flat Bar, 1 Round Bar, 1 Roller and Assembling Hardware)	
14	1001131729	1	Carrier (Upper)	
14	70003913	AR	Section Repair (Includes Inner and Outer Links, Joining Bars and Rollers and Assembling Hardware)	
14	70003915	1	Mounting Bracket Kit (Includes Mounting Brackets for Both Ends, 1 Roller Assembly and Assembling Hardware)	
14	70003914	AR	Center Bracket Kit (Includes 1 Flat Bar, 1 Round Bar, 1 Roller and Assembling Hardware)	
15	1180369	1	Tube, Push (Lower)	
16	1180370	1	Tube, Push (Upper)	
17	1320277	1	Clamp, Hose	
18	1320294	4	Clamp, Bar	
19	1320295	1	Clamp, Bar (SN 0300201016 through 0300247517, SN B300002238 through B300002942)	
20	1320296	3	Clamp, Bar	
21	1670964	1	Cover, Support/Rotator (SN 0300201016 through 0300224860)	
22	1671043	1	Cover, Jib Pivot	
23	4846753	1	Shield, Hose Protection (SN 0300201016 through 0300247517, SN B300002238 through B300002942)	
24	0641406	1	Screw 1/4 x 3/4	
25	1320263	1	Clamp, Cable	
26	4711400	1	Washer 1/4	
27	3340925	1	Pad	
28	3340934	4	Pad, Clamp	
29	3573016	3	Support, Track	
30	3573179	2	Plate, Mounting	
31	3573181	4	Support, Track	
32	3573194	1	Plate, Track Mounting	
33	3573210	1	Plate, Track Mounting	

SECTION 4 - BOOM

ITEM	PART NUMBER	QTY	DESCRIPTION	REV
34	3900260	4	Capscrew 3/8 x 4	
36	3900283	6	Screw 3/8 x 3/4	
37	3900316	16	Screw 3/8 x 1	
38	3951620	2	Setscrew 3/8 x 2-1/2	
39	4071021	1	Shim, Adjusting 16Ga	
40	4071022	1	Shim, Adjusting 11Ga	
41	4071023	1	Shim, Adjusting 11Ga	
42	4711500	AR	Washer 5/16	
43	4711600	4	Washer 3/8	
45	4846431	1	Cover, Cable (Front)	
46	4846485	1	Support, Cable (Front)	
47	4846515	4	Cover, Cable (Rear)	
48	4846516	4	Support, Cable (Rear)	
49	4891600	4	Washer 3/8	
50	4891800	4	Washer 1/2	
54	0641510	2	Bolt 5/16 x 1-1/4	
55	1320159	2	Clamp	
56	4240018	10	Tie-Strap (Not Shown)	
57	3340940	2	Pad, Rubber	
58	3340941	2	Pad, Rubber	
59	3340942	8	Pad, Rubber	
60	0100081	AR	Adhesive #454	
61	0791607	10	Screw 3/8 x 7/8	
62	3311608	24	Nut 3/8	
63	0791808	12	Screw 1/2 x 1	
64	4562516	AR	Tubing, Poly	
66	4240155	4	Strap, 8 Cinch (Not Shown)	
67	4240156	1	Strap, 12 Cinch	
68	4751500	4	Washer 5/16	
69	4060804	11 in /28cm	Shield, Flex Trim 3/16	
70	3300492	8	Nut, Nylon Insert	
71	1321385	1	Clamp, Hose	
72	4240153	1	Strap, 4 Cinch (Not Shown)	
73	1001212790	1	Clamp (SN 0300247518 to Present, SN B300002943 to Present)	

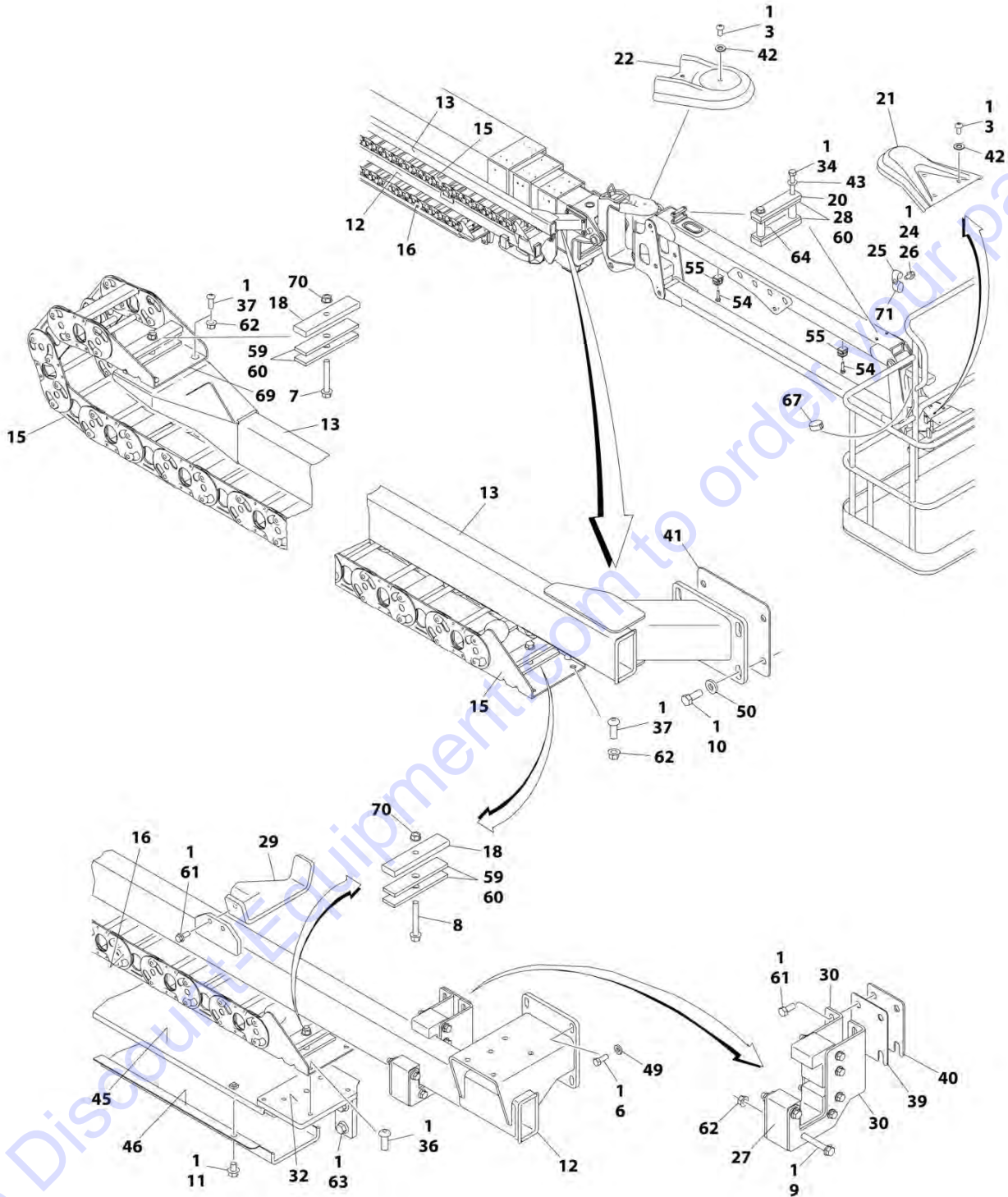
SECTION 4 - BOOM

FIGURE 4-15. POWER TRACK INSTALLATION - 1350SJP



ART_0271570_10F2

SECTION 4 - BOOM



ART_0271570_20F2

SECTION 4 - BOOM

FIGURE 4-15. POWER TRACK INSTALLATION - 1350SJP

ITEM	PART NUMBER	QTY	DESCRIPTION	REV
	0271570	Ref	POWER TRACK INSTALLATION - 1350SJP	R
1	0100011	AR	Compound, Locking	
2	0100019	AR	Compound, Locking	
3	0630467	AR	Screw 5/16 x 1/2	
4	0791518	2	Screw 5/16 x 2-1/4	
5	3900232	AR	Screw 3/8 x 1-1/4	
6	0641608	4	Bolt 3/8 x 1	
7	0791620	2	Screw 3/8 x 2-1/2	
8	0791622	2	Screw 3/8 x 2-3/4	
9	0791624	6	Screw 3/8 x 3	
10	0641810	4	Bolt 1/2 x 1-1/4	
11	0791504	58	Screw 5/16 x 1/2	
12	1180362	1	Tube, Push (Lower)	
13	1180363	1	Tube, Push (Upper)	
14	1001131620	1	Carrier (T/T to Boom)	
14	70003917	AR	Section Repair Kit (Includes Inner and Outer Links, Joining Bars and Rollers and Assembling Hardware)	
14	70003918	1	Mounting Bracket Kit (Includes Mounting Brackets for Both Ends, 1 Roller Assembly and Assembling Hardware)	
15	1001131728	1	Carrier (Upper)	
15	70003913	AR	Section Repair Kit (Includes Inner and Outer Links, Joining Bars and Rollers and Assembling Hardware)	
15	70003915	1	Mounting Bracket Kit (Includes Mounting Brackets for Both Ends, 1 Roller Assembly and Assembling Hardware)	
15	70003914	AR	Center Bracket Kit (Includes 1 Flat Bar, 1 Round Bar, 1 Roller and Assembling Hardware)	
16	1001131733	1	Carrier (Lower)	
16	70003913	AR	Section Repair Kit (Includes Inner and Outer Links, Joining Bars and Rollers and Assembling Hardware)	
16	70003915	1	Mounting Bracket Kit (Includes Mounting Brackets for Both Ends, 1 Roller Assembly and Assembling Hardware)	
16	70003914	AR	Center Bracket Kit (Includes 1 Flat Bar, 1 Round Bar, 1 Roller and Assembling Hardware)	
17	1320277	1	Clamp, Hose	
18	1320294	4	Clamp, Bar	
19	1320295	1	Clamp, Bar (SN 0300201016 through 0300247528, SN B300002238 through B300002833)	
20	1320296	3	Clamp, Bar	
21	1670964	1	Cover, Support/Rotator (SN 0300201016 through 0300224860)	
22	1671043	1	Cover, Jib Pivot	
23	4846753	1	Shield, Hose Protection (SN 0300201016 through 0300247528, SN B300002238 through B300002833)	
24	0641406	1	Screw 1/4 x 3/4	
25	1320263	1	Clamp, Cable	
26	4711400	1	Washer 1/4	
27	3340925	1	Pad	
28	3340934	4	Pad, Clamp	
29	3573016	3	Support, Track	
30	3573179	2	Plate, Mounting	
31	3573181	5	Support, Track	
32	3573194	1	Plate, Track Mounting	
33	3573210	1	Plate, Track Mounting	

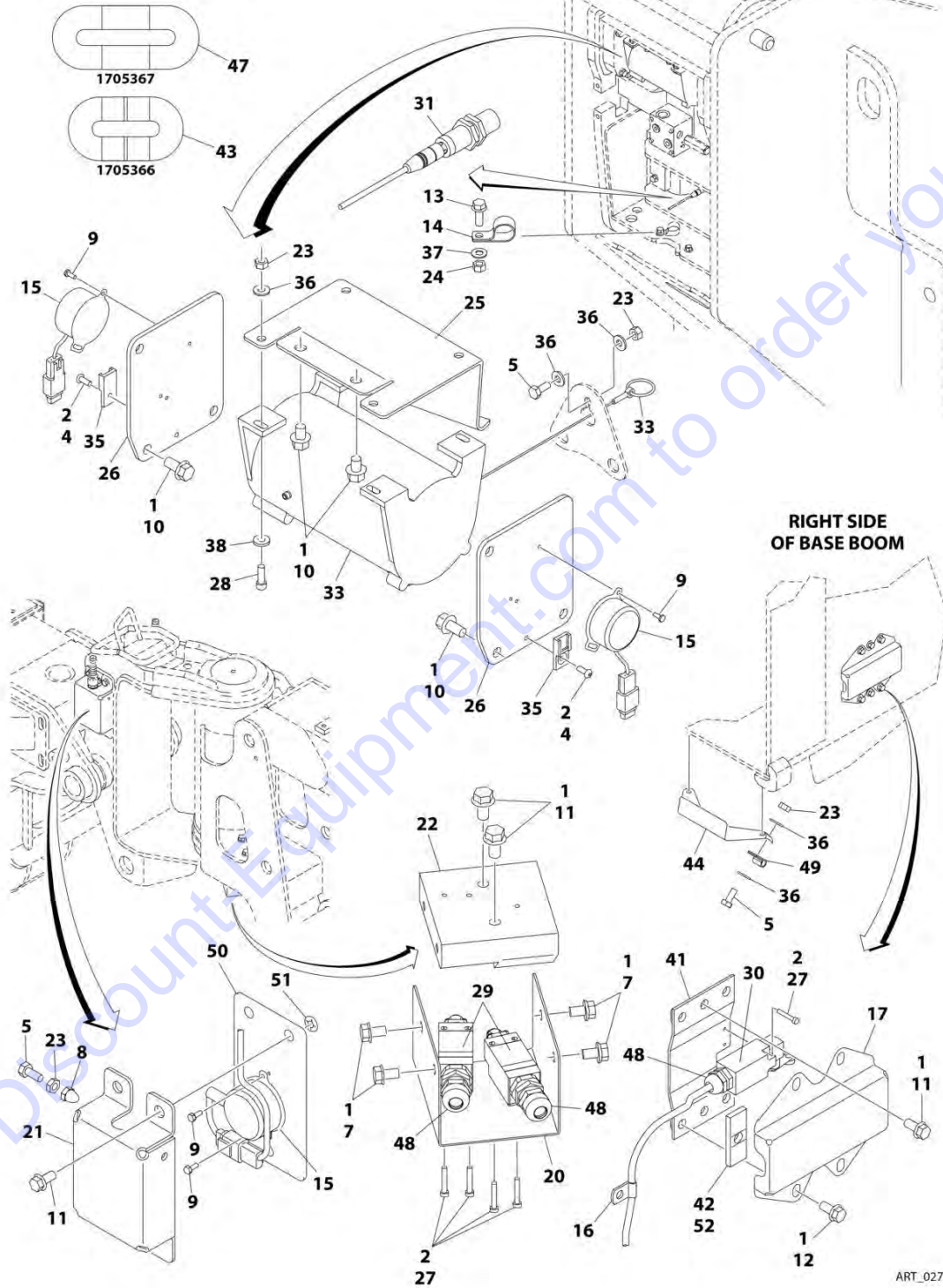
SECTION 4 - BOOM

ITEM	PART NUMBER	QTY	DESCRIPTION	REV
34	3900260	4	Capscrew 3/8 x 4	
36	3900283	AR	Screw 3/8 x 3/4	
37	3900316	16	Screw 3/8 x 1	
38	3951620	2	Setscrew 3/8 x 2-1/2	
39	4071021	1	Shim, Adjusting 16Ga	
40	4071022	1	Shim, Adjusting 11Ga	
41	4071023	1	Shim, Adjusting 11Ga	
42	4711500	AR	Washer 5/16	
43	4711600	4	Washer 3/8	
45	4846423	5	Cover, Cable (Rear)	
46	4846429	5	Support, Cable (Rear)	
47	4846431	1	Cover, Cable (Front)	
48	4846485	1	Support, Cable (Front)	
49	4891600	4	Washer 3/8	
50	4891800	4	Washer 1/2	
54	0641510	2	Bolt 5/16 x 1-1/4	
55	1320159	2	Clamp	
56	4240018	10	Tie-Strap (Not Shown)	
57	3340940	2	Pad, Rubber	
58	3340941	2	Pad, Rubber	
59	3340942	8	Pad, Rubber	
60	0100081	AR	Adhesive #454	
61	0791607	10	Screw 3/8 x 7/8	
62	3311608	AR	Nut 3/8	
63	0791808	14	Screw 1/2 x 1	
64	4562516	AR	Tubing, Poly	
66	4240155	4	Strap, 8 Cinch (Not Shown)	
67	4240156	1	Strap, 12 Cinch	
68	4751500	4	Washer 5/16	
69	4060804	11 in /28cm	Shield, Flex Trim 3/16	
70	3300492	8	Nut, Nylon Insert	
71	1321385	1	Clamp, Hose	
72	4240153	1	Strap, 4 Cinch (Not Shown)	
73	1001212790	1	Clamp (SN 0300247529 to Present, SN B300002833 to Present)	

SECTION 4 - BOOM

FIGURE 4-16. BOOM SENSORS AND SWITCHES INSTALLATION

WITNESS DECALS LOCATED ON
BOTTOM OF INNER MID BOOM



RIGHT SIDE
OF BASE BOOM

ART_0273696

SECTION 4 - BOOM

FIGURE 4-16. BOOM SENSORS AND SWITCHES INSTALLATION

ITEM	PART NUMBER	QTY	DESCRIPTION	REV
	0273696	Ref	BOOM SENSORS AND SWITCHES INSTALLATION	H
1	0100011	AR	Compound, Locking	
2	0100035	AR	Compound, Locking	
3	0100048	AR	Grease, Dielectric	
4	0630464	2	Screw #10 x 1/2	
5	0641405	5	Bolt 1/4 x 5/8	
7	0791504	4	Screw 5/16 x 1/2	
8	3300430	2	Nut 1/4	
9	3930606	12	Screw, Machine #6 x 3/8	
10	0791604	8	Screw 3/8 x 1/2	
11	0791605	12	Screw 3/8 x 5/8	
12	0791606	4	Screw 3/8 x 3/4	
13	0791608	4	Screw 3/8 x 1	
14	1320130	2	Clamp, Hose	
15	1001147479	4	Sensor, Angle Indicator (Note: Control System must be recalibrated when Sensor is replaced)	
15	4460910	2	Connector, Female Deutsch - 3 Position	
15	4460917	6	Pin, Male	
15	4460913	1	Lock, Wedge	
16	1320301	1	Clamp, Cable	
17	1671031	1	Cover, Limit Switch	
20	1671039	1	Cover, Jib Switch	
21	1671044	2	Cover, Level Sensor	
22	3200433	1	Mount, Jib Switch	
23	3311405	9	Nut 1/4	
24	3311605	2	Nut 3/8	
25	3574431	1	Plate, Switch Mounting	
26	3573301	2	Plate, Sensor Mounting	
27	3930816	6	Capscrew #8 x 1	
28	3931414	4	Capscrew 1/4 x 7/8	
29	4360548	2	Switch, Jib Limit (Note: Control System must be recalibrated when Switch is replaced)	
30	4360578	1	Switch, Limit (Note: Control System must be recalibrated when Switch is replaced)	
31	4360527	1	Switch, Cable Break Proximity (Note: Control System must be recalibrated when Switch is replaced)	
33	4360543	1	Sensor, Boom Length (Note: Control System must be recalibrated when Sensor is replaced)	
35	4460914	2	Terminal, Base	
36	4711400	10	Washer 1/4	
37	4711600	2	Washer 3/8	
38	4891400	4	Washer 1/4	
41	4846484	1	Mount, Switch	
42	3340941	1	Pad, Rubber	
43	1705366	1	Decal - Boom Length (500LB Cap)	
44	3574616	1	Plate, Boom Length	
47	1705367	1	Decal - Boom Length (1000LB Cap)	
48	4460968	3	Connector, Strain Relief (Not Shown)	
49	1320136	2	Clamp, Cable (Not Shown)	
50	4341158	2	Plate, Mounting Sensor	
51	8310070	6	Pushnut 3/8	

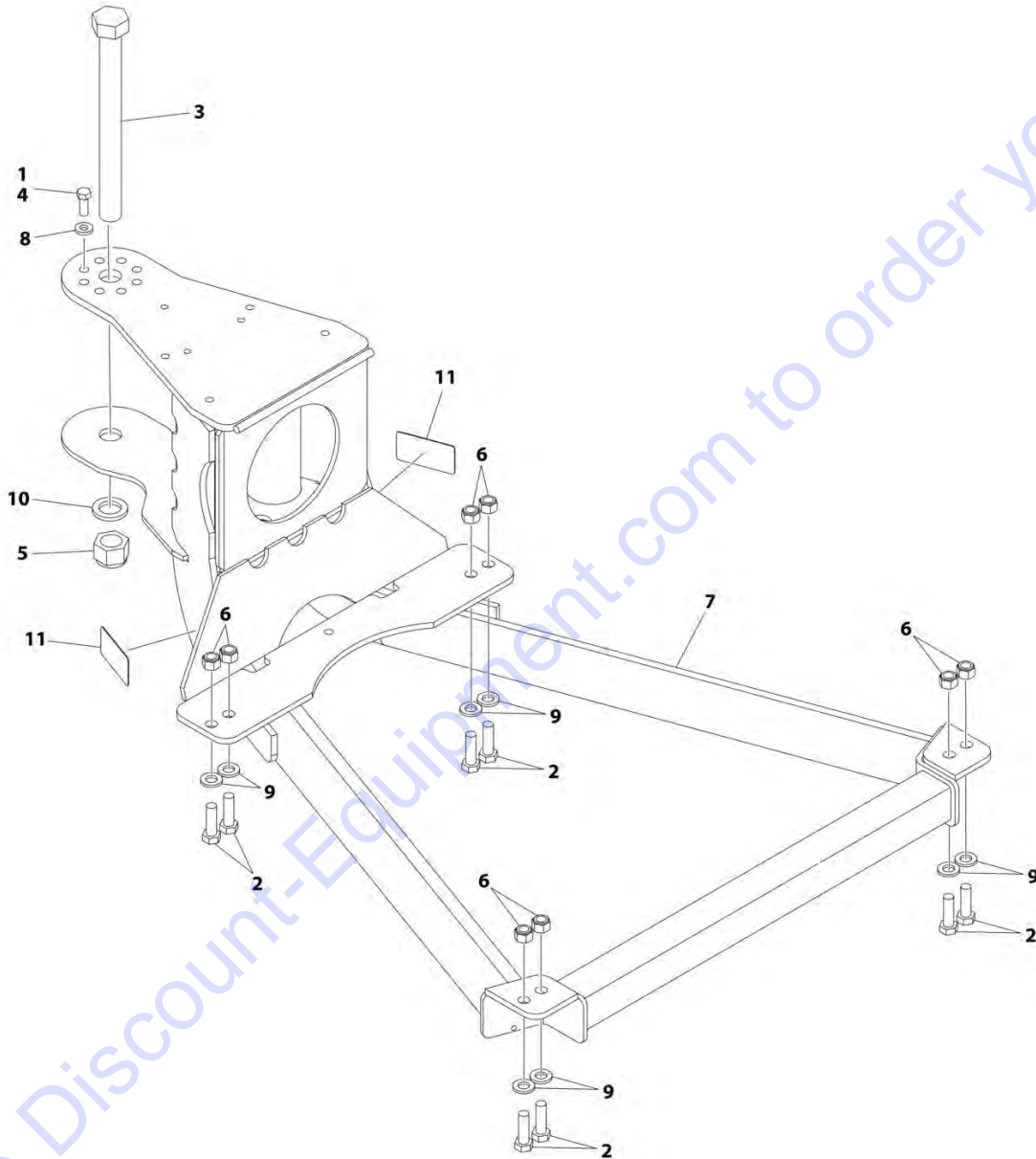
SECTION 4 - BOOM

ITEM	PART NUMBER	QTY	DESCRIPTION	REV
52	0100081	AR	Adhesive	

Go to Discount-Equipment.com to order your parts

SECTION 4 - BOOM

FIGURE 4-17. PLATFORM SUPPORT INSTALLATION - WITHOUT LSS



ART_0272070

SECTION 4 - BOOM

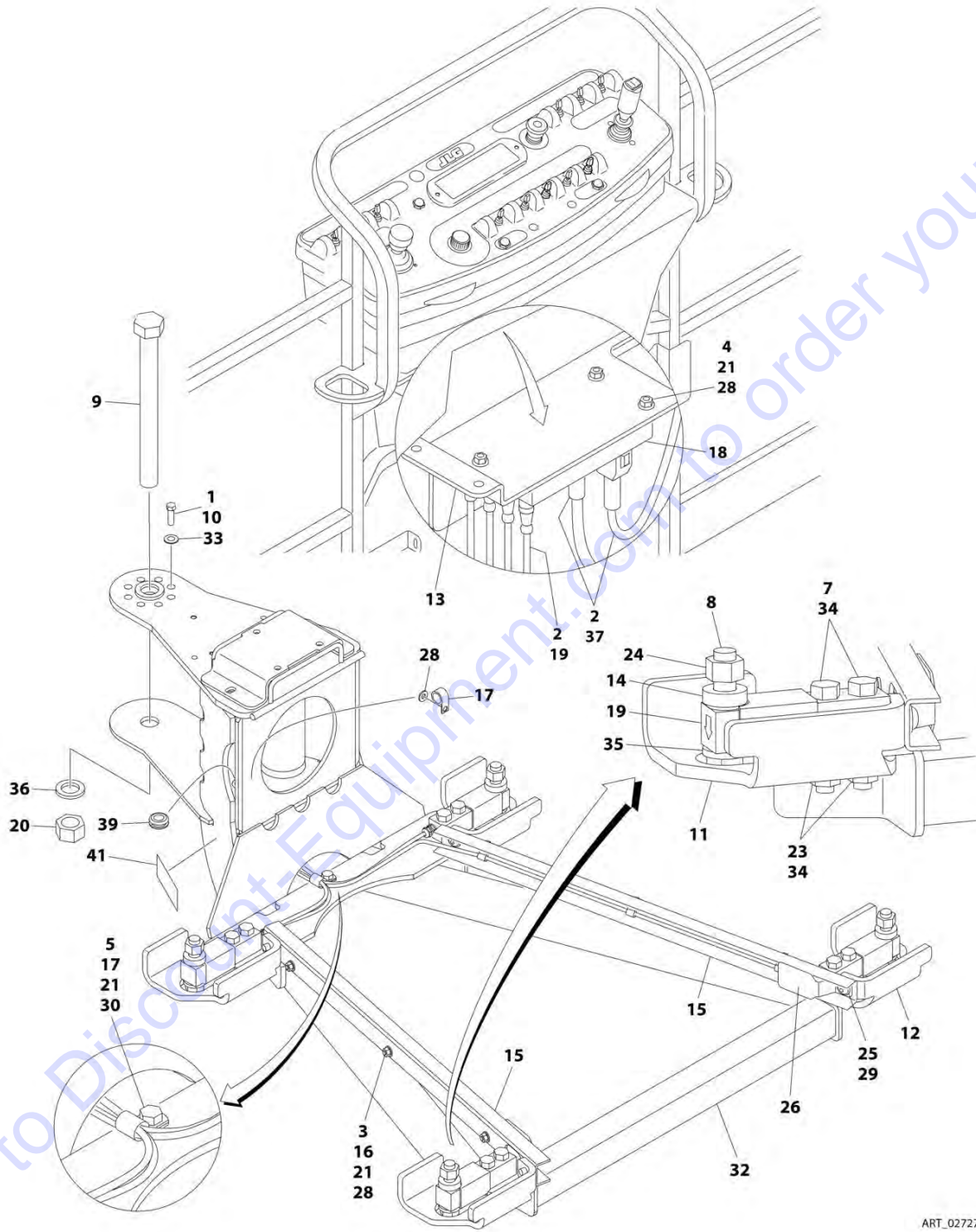
FIGURE 4-17. PLATFORM SUPPORT INSTALLATION - WITHOUT LSS

ITEM	PART NUMBER	QTY	DESCRIPTION	REV
	0272070	Ref	PLATFORM SUPPORT INSTALLATION - WITHOUT LSS	I
1	0100011	AR	Compound, Locking	
2	0641812	8	Bolt 1/2 x 1-1/2	
2	0761216	8	Bolt M12 x 40	
3	0642684	1	Bolt 1 x 10-1/2	
4	0681608	8	Bolt 3/8 x 1 Grade 8	
5	3300243	1	Nut 1	
6	3311805	8	Nut 1/2	
6	3291205	8	Nut M12	
7	4846573	1	Support	
8	4891600	8	Washer 3/8	
9	4891800	8	Washer 1/2	
9	5241200	8	Washer M12	
10	4892600	1	Washer 1	
11	1001216630	2	Decal - Tie Down/No Lift (SN 0300224749 to Present)	

Go to Discount-Equipment.com to order your parts

SECTION 4 - BOOM

FIGURE 4-18. PLATFORM SUPPORT INSTALLATION - WITH 4 CELL LSS



ART_0272703

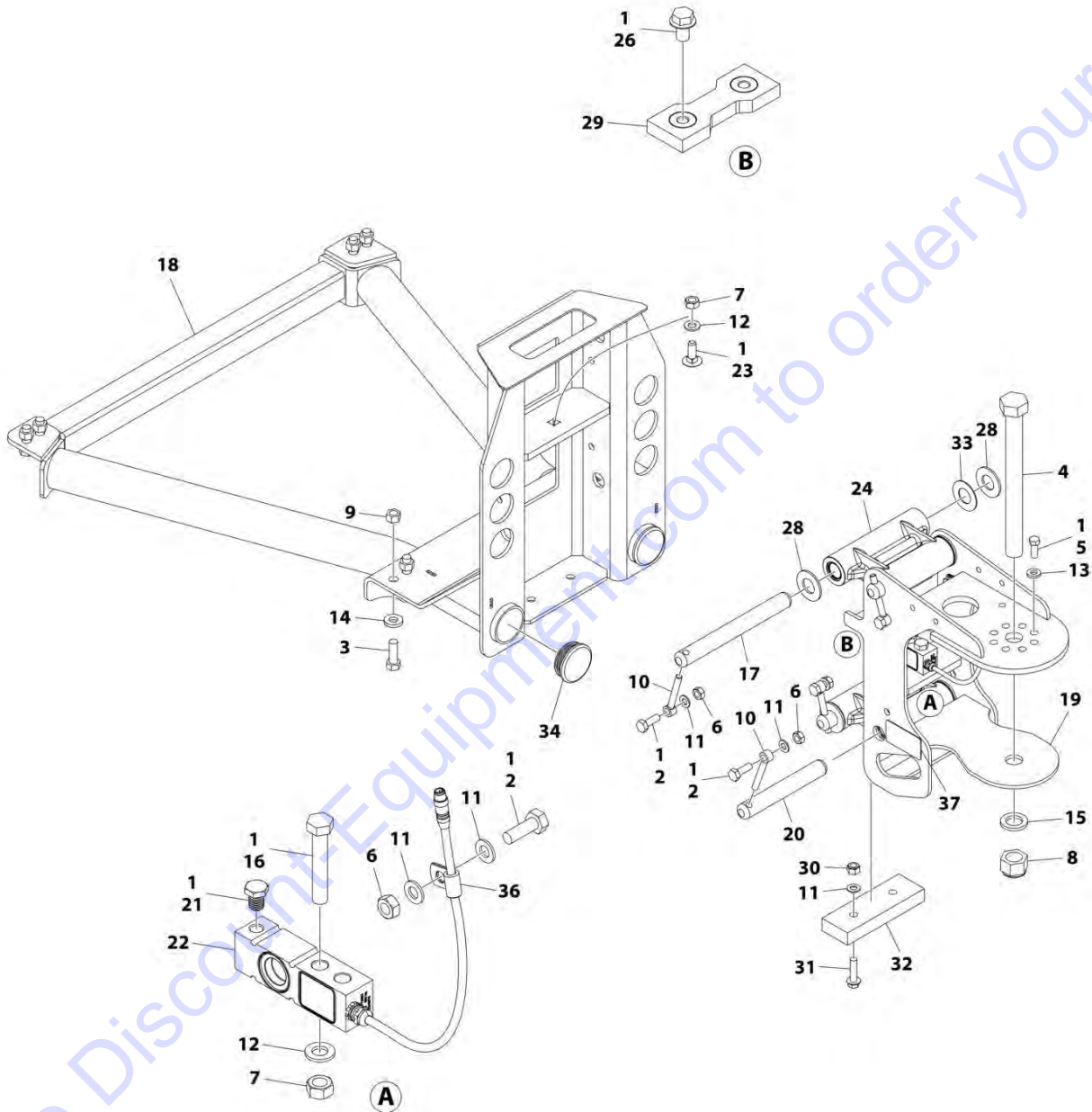
SECTION 4 - BOOM

FIGURE 4-18. PLATFORM SUPPORT INSTALLATION - WITH 4 CELL LSS

ITEM	PART NUMBER	QTY	DESCRIPTION	REV
	0272703	Ref	PLATFORM SUPPORT INSTALLATION - WITH 4 CELL LSS	Q
1	0100011	AR	Compound, Locking	
2	0100048	AR	Grease, Dielectric	
3	0641405	6	Bolt 1/4 x 5/8	
4	0641416	3	Bolt 1/4 x 2	
5	0641407	1	Bolt 1/4 x 7/8	
7	0641822	8	Bolt 1/2 x 2-3/4	
8	0642024	4	Bolt 5/8 x 3	
9	0642684	1	Bolt 1 x 10-1/2	
10	0681608	8	Bolt 3/8 x 1	
11	0902919	2	Bracket, Cell Guard	
12	0902920	2	Bracket, Cell Guard	
13	1001113483	1	Bracket, Module Mount	
14	0962450	4	Bushing, Spacer	
15	1271538	2	Channel	
16	1320136	6	Clamp	
17	1320224	2	Clamp	
18	1600387	1	Electronic Interface Module	
19	2420202	4	Load Cell Assembly	
20	3272605	1	Nut 1	
21	3311405	10	Nut 1/4	
23	3311805	8	Nut 1/2	
24	3312005	4	Nut 5/8	
25	3900283	4	Screw 3/8 x 3/4	
26	4061054	2	Shield	
27	4240033	AR	Tie-Strap (Not Shown)	
28	4711400	13	Washer 1/4	
29	4711600	4	Washer 3/8	
30	4751400	1	Washer 1/4	
32	4846573	1	Platform Support	
33	4891600	8	Washer 3/8	
34	4891800	8	Washer 1/2	
35	4892000	4	Washer 5/8	
36	4892600	1	Washer 1	
37	4922869	1	EIM Load Cell Harness (See Separate Breakdown in ELECTRICAL SECTION)	
38	4933278	1	EIM Load Cell to Platform Console Box Wiring (See Separate Breakdown in ELECTRICAL SECTION)	
39	2540038	1	Grommet	
40	2920129	1	Bulb (Not Shown - Located in Ground Control Box)	
41	1001216630	2	Decal - Tie Down/No Lift	

SECTION 4 - BOOM

FIGURE 4-19. PLATFORM SUPPORT INSTALLATION - WITH 1 CELL LSS



ART_1001167596

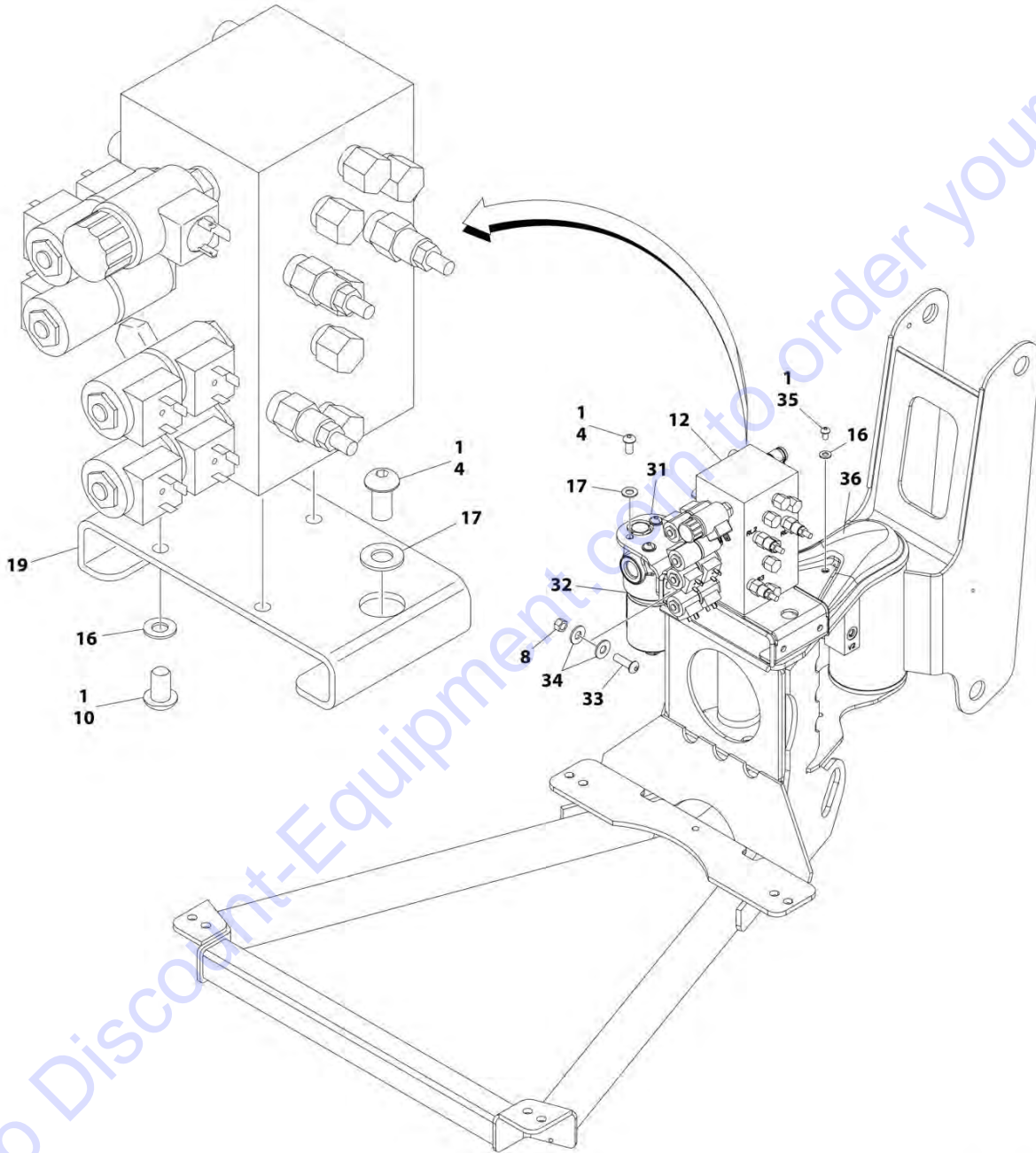
SECTION 4 - BOOM

FIGURE 4-19. PLATFORM SUPPORT INSTALLATION - WITH 1 CELL LSS

ITEM	PART NUMBER	QTY	DESCRIPTION	REV
	1001167596	Ref	PLATFORM SUPPORT INSTALLATION - WITH LSS	J
1	0100011	AR	Compound, Locking	
2	0761014	5	Bolt M10 x 30	
3	0641812	8	Bolt 1/2 x 1-1/2	
3	0761216	8	Bolt M12 x 40	
4	0642684	1	Bolt 1 x 10-1/2	
5	0681608	8	Bolt 3/8 x 1	
6	3291001	5	Nut M10	
7	3291201	3	Nut M12	
8	3300243	1	Nut 1	
9	3311805	8	Nut 1/2	
9	3291205	8	Nut M12	
10	3841143	4	Keeper, Pin	
11	4812000	8	Washer M10	
12	4812100	3	Washer M12	
13	4891600	8	Washer 3/8	
14	4891800	8	Washer 1/2	
14	5241200	8	Washer M12	
15	4892600	1	Washer 1	
16	1001098828	2	Bolt M12 x 70 Grade 10.9	
17	1001167565	2	Pin	
18	1001200494	1	Support, Platform	
19	1001167567	1	Support, Rotator	
20	1001168402	2	Pin	
21	1001188622	1	Screw	
22	1001172663	1	Gauge, Load Sensing	
23	1001188844	1	Bolt M12 x 35	
24	1001201351	2	Link	
26	5251008	2	Bolt M10 x 16	
28	1001189002	8	Bearing	
29	1001190985	1	Pad, Wear	
30	3291005	2	Nut M10	
31	5251016	2	Bolt M10 x 40	
32	1001200491	1	Pad, Wear	
33	1001189001	4	Bearing	
34	1001204725	2	Plug	
36	91203039	1	Clamp	
37	1001216630	2	Decal - Tie Down/No Lift	

SECTION 4 - BOOM

FIGURE 4-20. CONTROL VALVE INSTALLATION - WITHOUT LSS AND WITH 4 CELL LSS



ART_0271802_30F3

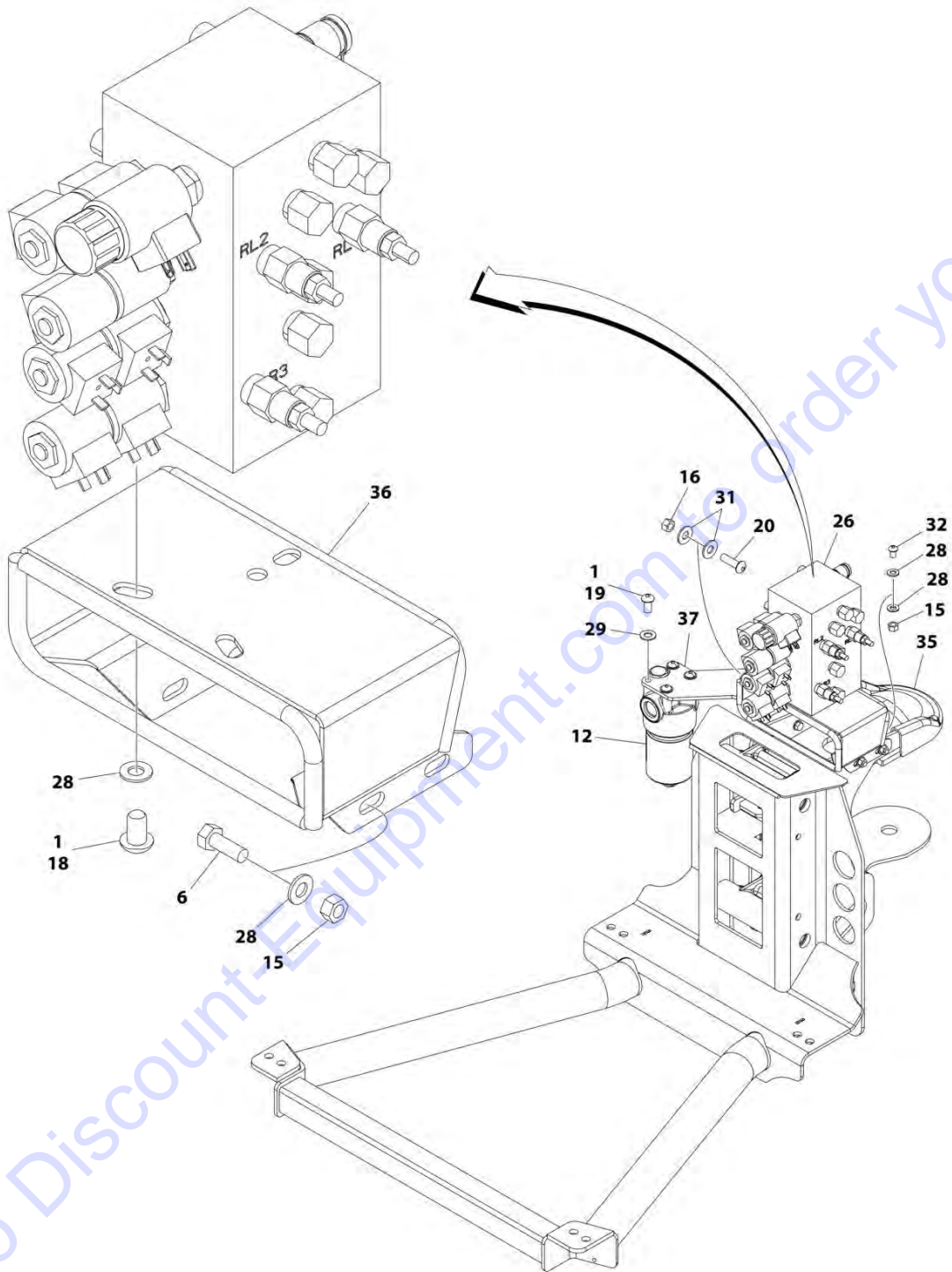
SECTION 4 - BOOM

FIGURE 4-20. CONTROL VALVE INSTALLATION - WITHOUT LSS AND WITH 4 CELL LSS

ITEM	PART NUMBER	QTY	DESCRIPTION	REV
	0271802	Ref	CONTROL VALVE INSTALLATION - WITHOUT LSS AND WITH 4 CELL LSS	M
1	0100011	AR	Compound, Locking	
4	3900283	6	Screw 3/8 x 3/4	
8	3311605	2	Nut 3/8	
10	3900210	3	Screw 5/16 x 3/4	
12	4641460	1	Platform Valve (See Separate Breakdown in this Section)	
16	4711500	AR	Washer 5/16	
17	4711600	6	Washer 3/8	
19	4341264	1	Plate, Valve Mounting	
31	0903530	1	Bracket, Filter Mounting	
32	2120217	1	Filter, Pressure	
32	70002097	1	Element	
32	70004328	1	Plug, Indicator	
33	3900232	2	Screw 3/8 x 1-1/4	
34	4751600	4	Washer 3/8	
35	0630467	3	Screw 5/16 x 1/2 (SN 0300224861 to Present)	
36	1670964	1	Cover, Support/Rotator (SN 0300224861 to Present)	

SECTION 4 - BOOM

FIGURE 4-21. CONTROL VALVE INSTALLATION - WITH 1 CELL LSS



ART_1001219990_3OF3

SECTION 4 - BOOM

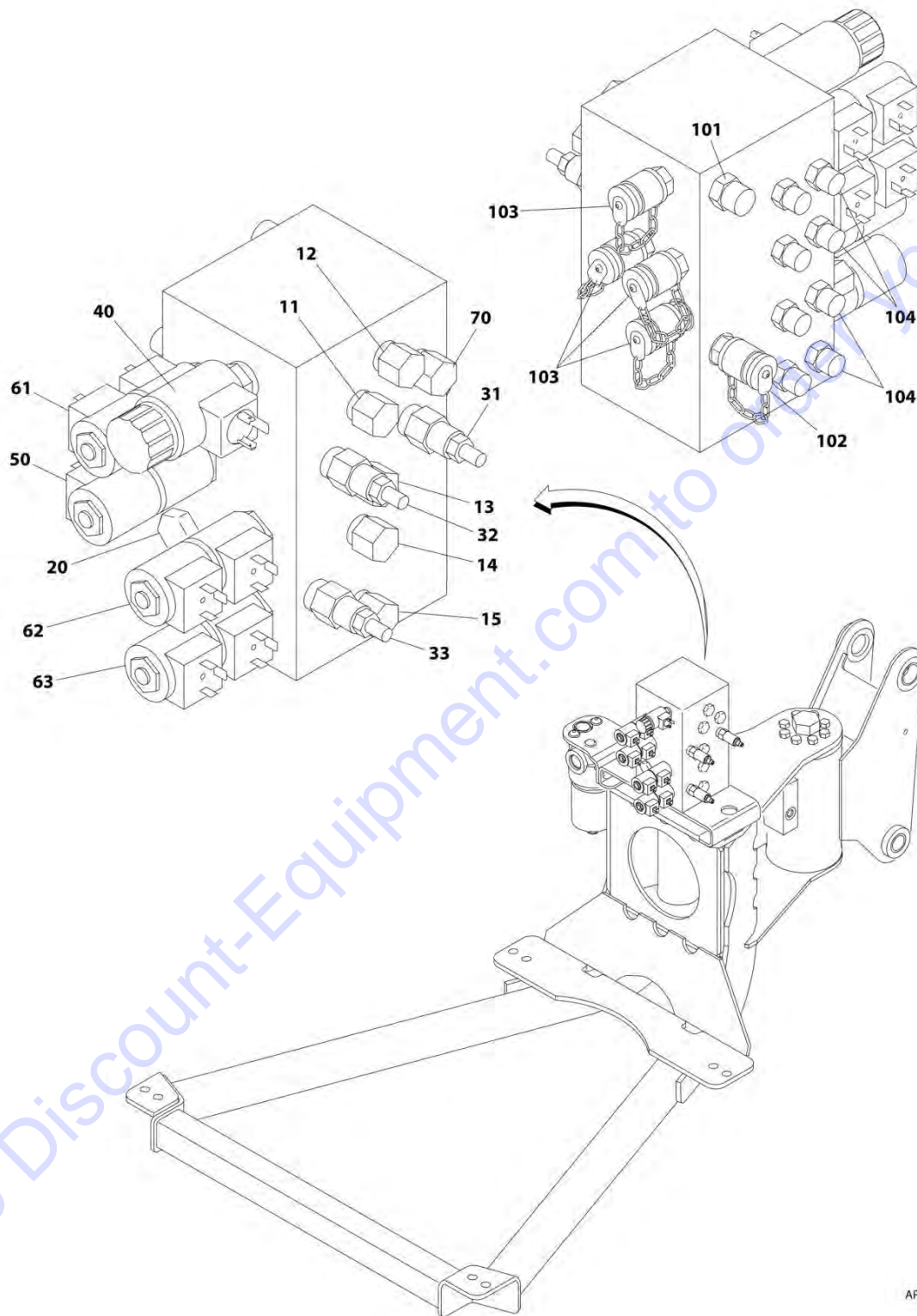
FIGURE 4-21. CONTROL VALVE INSTALLATION - WITH 1 CELL LSS

ITEM	PART NUMBER	QTY	DESCRIPTION	REV
	1001219990	Ref	CONTROL VALVE INSTALLATION - WITH 1 CELL LSS	B
1	0100011	AR	Compound, Locking	
6	0641507	4	Bolt 5/16 x 7/8	
12	2120217	1	Filter, Pressure	
12	70002097	1	Element	
12	70004328	1	Plug, Indicator	
15	3311505	6	Nut 5/16	
16	3311605	2	Nut 3/8	
18	3900210	3	Screw 5/16 x 3/4	
19	3900283	4	Screw 3/8 x 3/4	
20	3900316	2	Screw 3/8 x 1	
26	4641460	1	Platform Valve (See Separate Breakdown in this Section)	
28	4711500	15	Washer 5/16	
29	4711600	4	Washer 3/8	
31	4751600	4	Washer 3/8	
32	88261024	2	Bolt 5/16 x 1	
35	1001207969	1	Cover, Support/Rotator	
36	1001208994	1	Plate, Valve Mounting	
37	1001222314	1	Bracket, Filter Mounting	

Go to Discount-Equipment.com to order your parts

SECTION 4 - BOOM

FIGURE 4-22. CONTROL VALVE ASSEMBLY



ART_4641460

FIGURE 4-22. CONTROL VALVE ASSEMBLY

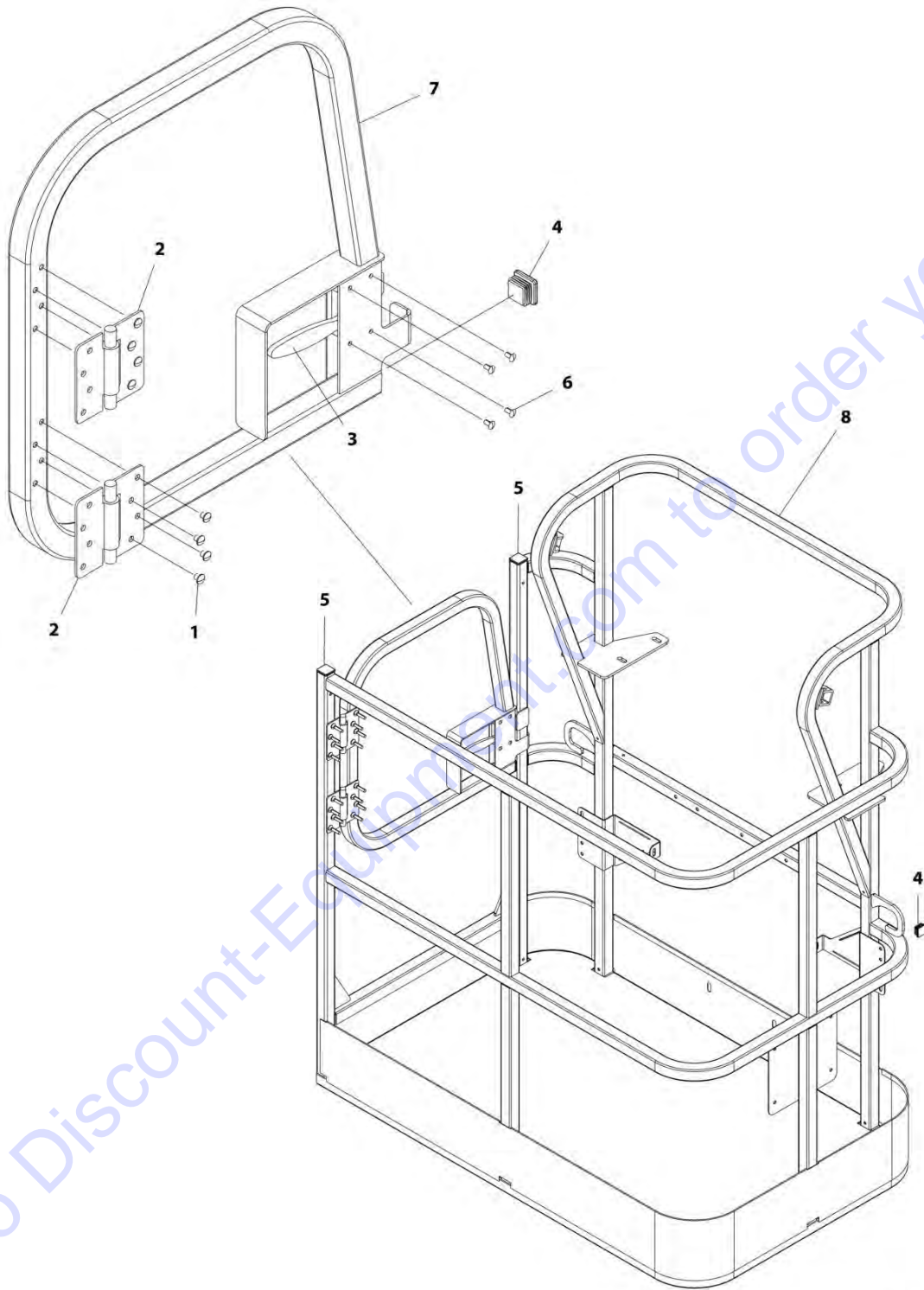
ITEM	PART NUMBER	QTY	DESCRIPTION	REV
	4641460	Ref	PLATFORM VALVE ASSEMBLY	C
11	7026018	1	Valve, Cartridge	
11	7011346	1	Seal Kit - Valve	
12	7026019	1	Valve, Cartridge (Flow Control)	
12	7011346	1	Seal Kit - Valve	
13	7026020	1	Valve, Cartridge (Rotate)	
13	7011346	1	Seal Kit - Valve	
14	7026021	1	Valve, Cartridge (Jib Swing)	
14	7011346	1	Seal Kit - Valve	
15	7026019	1	Valve, Cartridge (Jib Lift)	
15	7011346	1	Seal Kit - Valve	
20	7011355	1	Valve, Cartridge (Jib)	
20	2900770	1	Seal Kit - Valve	
31	7024572	1	Valve, Relief Cartridge (Platform Level Up)	
31	7011346	1	Seal Kit - Valve	
32	7024572	1	Valve, Relief Cartridge (Platform Level Down)	
32	7011346	1	Seal Kit - Valve	
33	7024572	1	Valve, Relief Cartridge (Jib Up/Down)	
33	7011346	1	Seal Kit - Valve	
40	7026022	1	Valve, Cartridge (Dump)	
40	2900770	1	Seal Kit - Valve	
40	7024571	1	Coil	
50	7023922	1	Valve, Cartridge (Platform Rotate)	
50	7017402	1	Seal Kit - Valve	
50	7012944	2	Coil	
61	7023922	1	Valve, Cartridge (Platform Level)	
61	7017402	1	Seal Kit - Valve	
61	7012944	2	Coil	
62	7023922	1	Valve, Cartridge (Jib Swing)	
62	7017402	1	Seal Kit - Valve	
62	7012944	2	Coil	
63	7023922	1	Valve, Cartridge (Jib Lift)	
63	7017402	1	Seal Kit - Valve	
63	7012944	2	Coil	
70	7026023	1	Valve, Cartridge (Check)	
70	7011346	1	Seal Kit - Valve	
	4641460	Ref	Platform Valve Assembly (Fitting Information)	C
101	2110606	1	Fitting, Straight	
102	4641255	1	Fitting (Check Valve)	
103	2221086	4	Check, Pressure	
104	2110404	8	Fitting, Straight	

SECTION 5 - PLATFORM

Go to Discount-Equipment.com to order your parts

SECTION 5 - PLATFORM

FIGURE 5-1. PLATFORM ASSEMBLY - 30IN X 4FT (76.2CM X 1.22M) WITH SWING GATE



ART_1001186387

SECTION 5 - PLATFORM

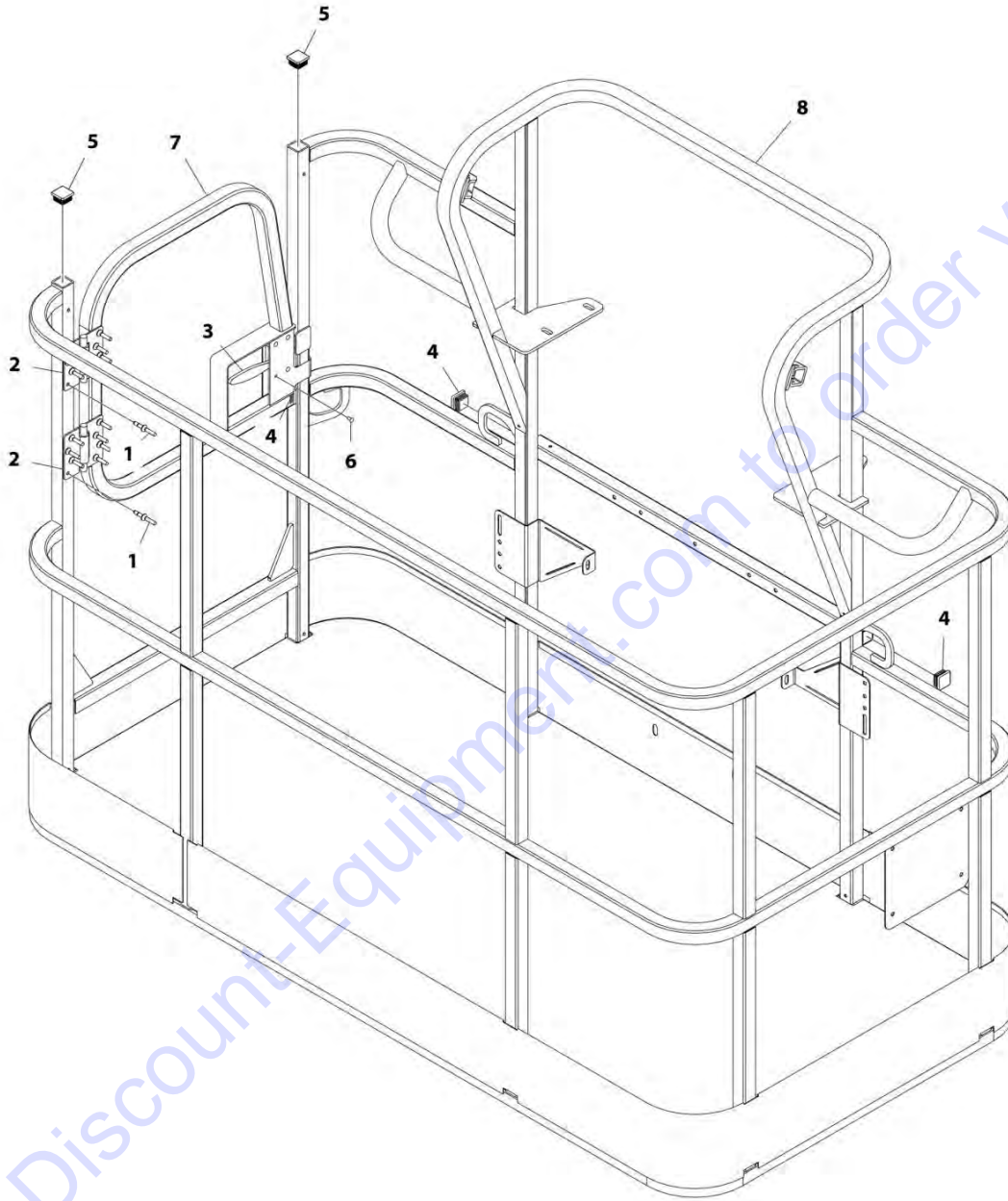
FIGURE 5-1. PLATFORM ASSEMBLY - 30IN X 4FT (76.2CM X 1.22M) WITH SWING GATE

ITEM	PART NUMBER	QTY	DESCRIPTION	REV
	1001186387	Ref	PLATFORM ASSEMBLY - 30IN X 4FT (76.2CM X 1.22M) WITH SWING GATE	C
		Ref	Note: Platform and Mesh must be ordered separately for Platforms with Mesh. See SPECIAL OPTIONS SECTION for Mesh Installations.	
		Ref	Note: Replacement Decals Must be Ordered Separately - See DECALS SECTION.	
1	2080040	16	Fastener, Huck	
2	2600281	2	Hinge, Self-Closing	
3	2940074	1	Latch	
4	3520072	3	Plug, Cap	
5	3520198	2	Plug, Cap	
6	3820020	4	Rivet	
7	1001144629	1	Gate	
8	See Note	1	Platform (Note: Not Available - Purchase Platform Assembly)	

Go to Discount-Equipment.com to order your parts

SECTION 5 - PLATFORM

FIGURE 5-2. PLATFORM ASSEMBLY - 36IN X 6FT (91.5CM X 1.83M) WITH SWING GATE



ART_1001186384

SECTION 5 - PLATFORM

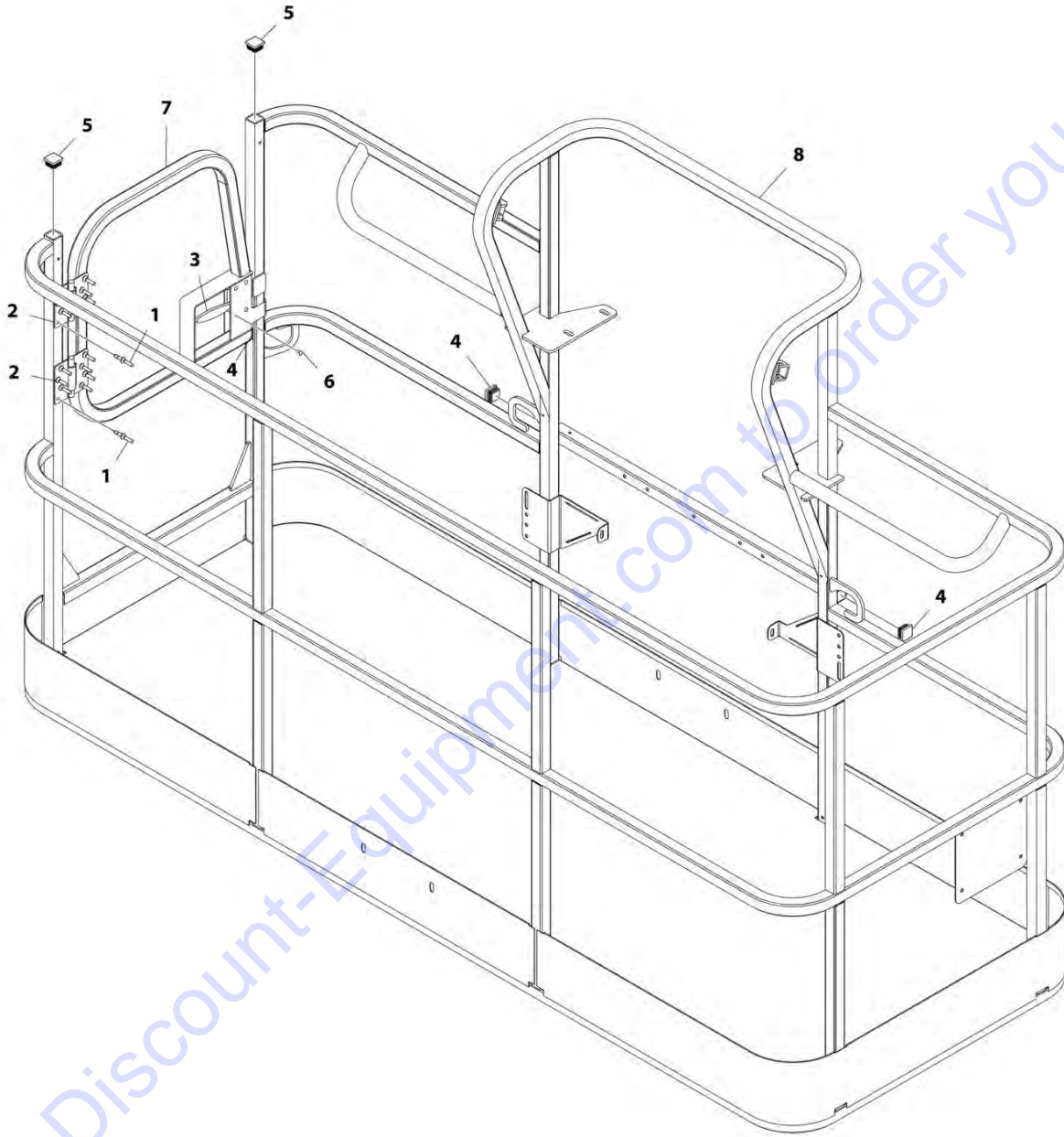
FIGURE 5-2. PLATFORM ASSEMBLY - 36IN X 6FT (91.5CM X 1.83M) WITH SWING GATE

ITEM	PART NUMBER	QTY	DESCRIPTION	REV
	1001186384	Ref	PLATFORM ASSEMBLY - 36IN X 6FT (91.5CM X 1.83M) WITH SWING GATE	C
	See Note	Ref	Note: Platform and Mesh must be ordered separately for Platforms with Mesh. See SPECIAL OPTIONS SECTION for Mesh Installations.	
	See Note	Ref	Note: Replacement Decals Must be Ordered Separately - See DECALS SECTION.	
1	2080040	16	Fastener, Huck	
2	2600281	2	Hinge, Self-Closing	
3	2940074	1	Latch	
4	3520072	3	Cap, Plug	
5	3520198	2	Cap, Plug	
6	3820020	4	Rivet	
7	1001144629	1	Gate, Weldment	
8	See Note	1	Platform, Weldment (Note: Not Available - Purchase Platform Assembly)	

Go to Discount-Equipment.com to order your parts

SECTION 5 - PLATFORM

FIGURE 5-3. PLATFORM ASSEMBLY - 36IN X 8FT (91.5CM X 2.44M) WITH SWING GATE



ART_1001186383

SECTION 5 - PLATFORM

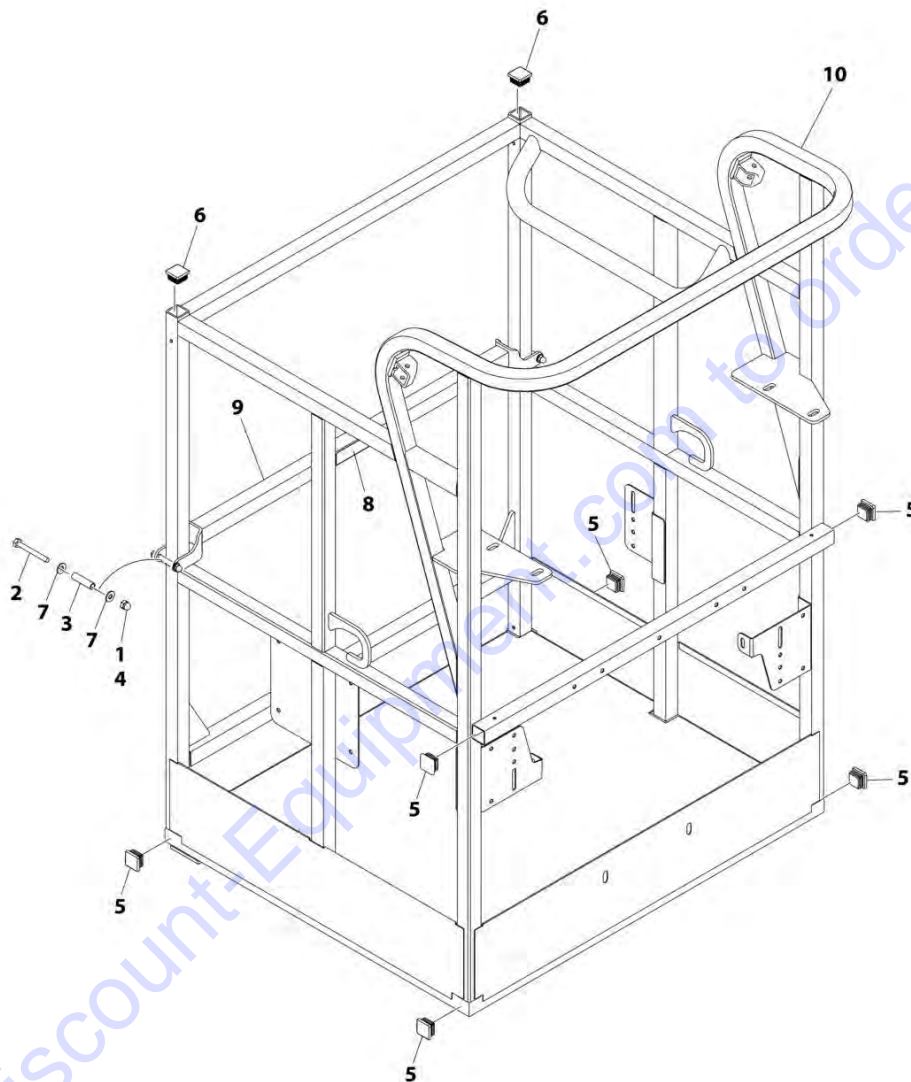
FIGURE 5-3. PLATFORM ASSEMBLY - 36IN X 8FT (91.5CM X 2.44M) WITH SWING GATE

ITEM	PART NUMBER	QTY	DESCRIPTION	REV
	1001186383	Ref	PLATFORM ASSEMBLY - 36IN X 8FT (91.5CM X 2.44M) WITH SWING GATE	D
	See Note	Ref	Note: Platform and Mesh must be ordered separately for Platforms with Mesh. See SPECIAL OPTIONS SECTION for Mesh Installations.	
	See Note	Ref	Note: Replacement Decals Must be Ordered Separately - See DECALS SECTION.	
1	2080040	16	Fastener, Huck	
2	2600281	2	Hinge, Self-Closing	
3	2940074	1	Latch	
4	3520072	3	Cap, Plug	
5	3520198	2	Cap, Plug	
6	3820020	4	Rivet	
7	1001144629	1	Gate, Weldment	
8	See Note	1	Platform, Weldment (Note: Not Available - Purchase Platform Assembly)	

Go to Discount-Equipment.com to order your parts

SECTION 5 - PLATFORM

FIGURE 5-4. PLATFORM ASSEMBLY - 30IN X 3FT (76CM X .91M) - WITH DROP BAR



ART_1001228215

SECTION 5 - PLATFORM

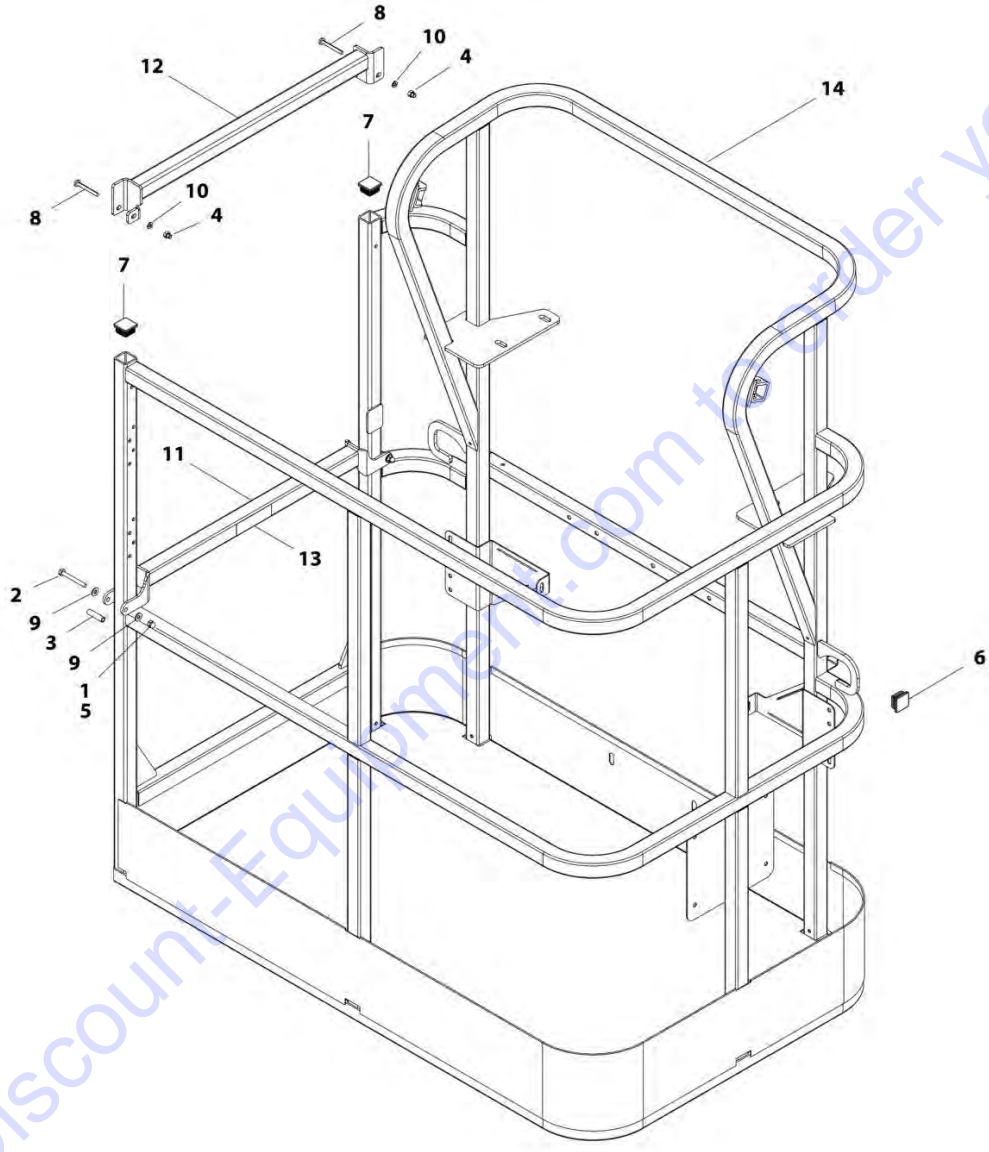
FIGURE 5-4. PLATFORM ASSEMBLY - 30IN X 3FT (76CM X .91M) - WITH DROP BAR

ITEM	PART NUMBER	QTY	DESCRIPTION	REV
	1001228215	Ref	PLATFORM ASSEMBLY - 30IN X 3FT (76CM X .91M) - DROP BAR ENTRY	A
	See Note	Ref	Note: Platform and Mesh must be ordered separately for Platforms with Mesh. See SPECIAL OPTIONS SECTION for Mesh Installations.	
	See Note	Ref	Note: Replacement Decals Must be Ordered Separately - See DECAL SECTION.	
1	0100011	AR	Compound, Locking	
2	0641418	2	Bolt 1/4 x 2-1/4	
3	0961845	2	Bushing	
4	3300151	2	Nut 1/4	
5	3520072	6	Cap, Plug	
6	3520198	2	Cap, Plug	
7	4711400	4	Washer 1/4	
8	1001140429	1	Decal - Drop Bar	
9	1001226872	1	Bar, Drop	
10	See Note	NSS	Platform, Weldment (Note: Not Available - Purchase Platform Assembly)	

Go to Discount-Equipment.com to order your parts

SECTION 5 - PLATFORM

FIGURE 5-5. PLATFORM ASSEMBLY - 30IN X 4FT (76.2CM X 1.22M) WITH DROP BAR



ART_1001186375

SECTION 5 - PLATFORM

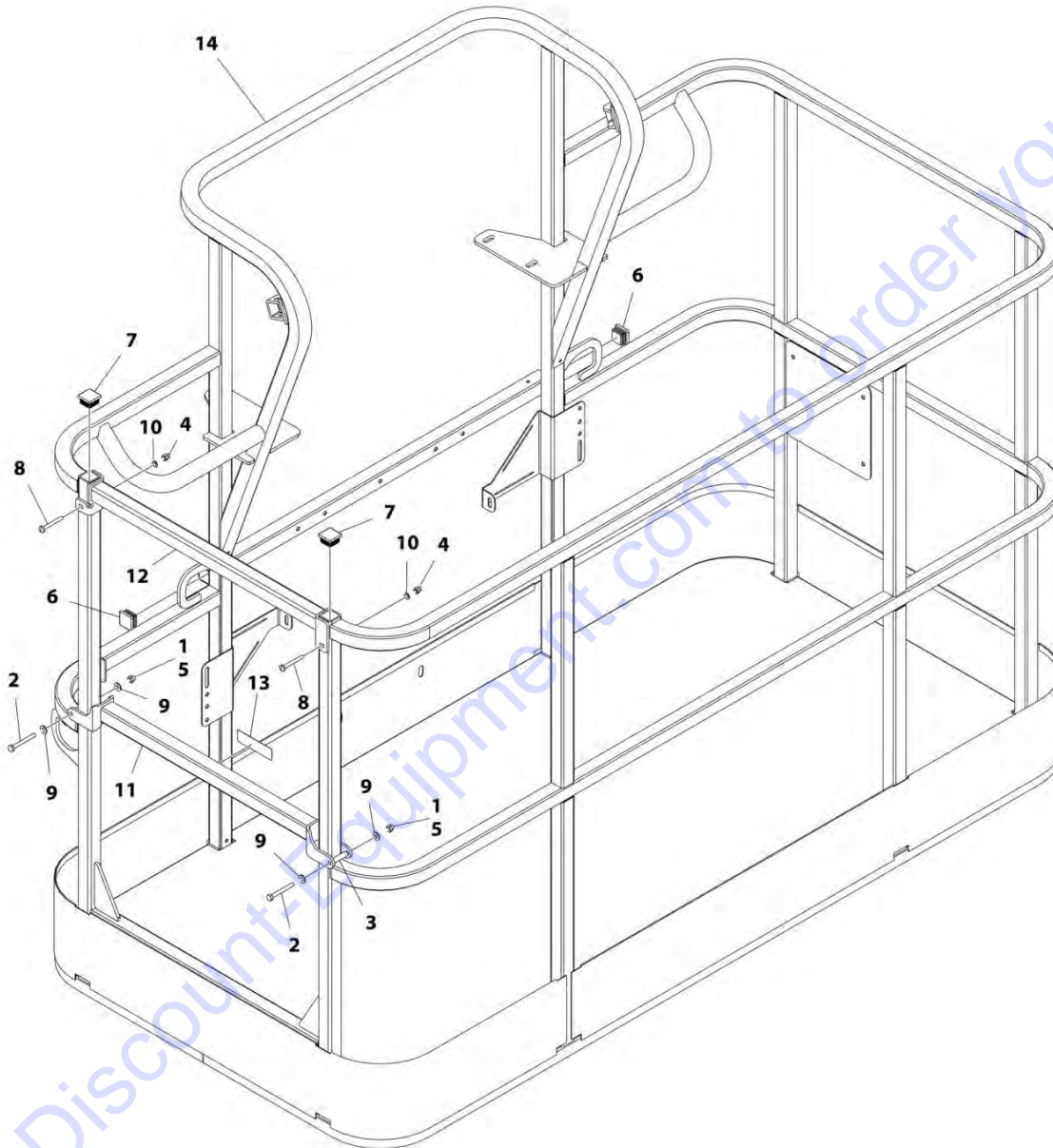
FIGURE 5-5. PLATFORM ASSEMBLY - 30IN X 4FT (76.2CM X 1.22M) WITH DROP BAR

ITEM	PART NUMBER	QTY	DESCRIPTION	REV
	1001186375	Ref	PLATFORM ASSEMBLY - 30IN X 4FT (76.2CM x 1.22M) WITH DROP BAR	B
		Ref	Note: Replacement Decals Must be Ordered Separately - See DECALS SECTION.	
1	0100011	AR	Compound, Locking	
2	0641418	2	Bolt 1/4 x 2-1/4	
3	0961845	2	Bushing	
4	3290606	2	Nut M6	
5	3300151	2	Nut 1/4	
6	3520072	2	Plug, Cap	
7	3520198	2	Plug, Cap	
8	4010618	2	Screw M6 x 50	
9	4711400	4	Washer 1/4	
10	4811700	2	Washer M6	
11	1001138494	1	Bar, Drop	
12	1001138514	1	Rail - Top	
13	1001140429	1	Decal - Drop Bar	
14	See Note	1	Platform (Note: Not Available - Purchase Platform Assembly)	

Go to Discount-Equipment.com to order your parts

SECTION 5 - PLATFORM

FIGURE 5-6. PLATFORM ASSEMBLY - 36IN X 6FT (91.5CM X 1.83M) WITH DROP BAR



ART_1001186379

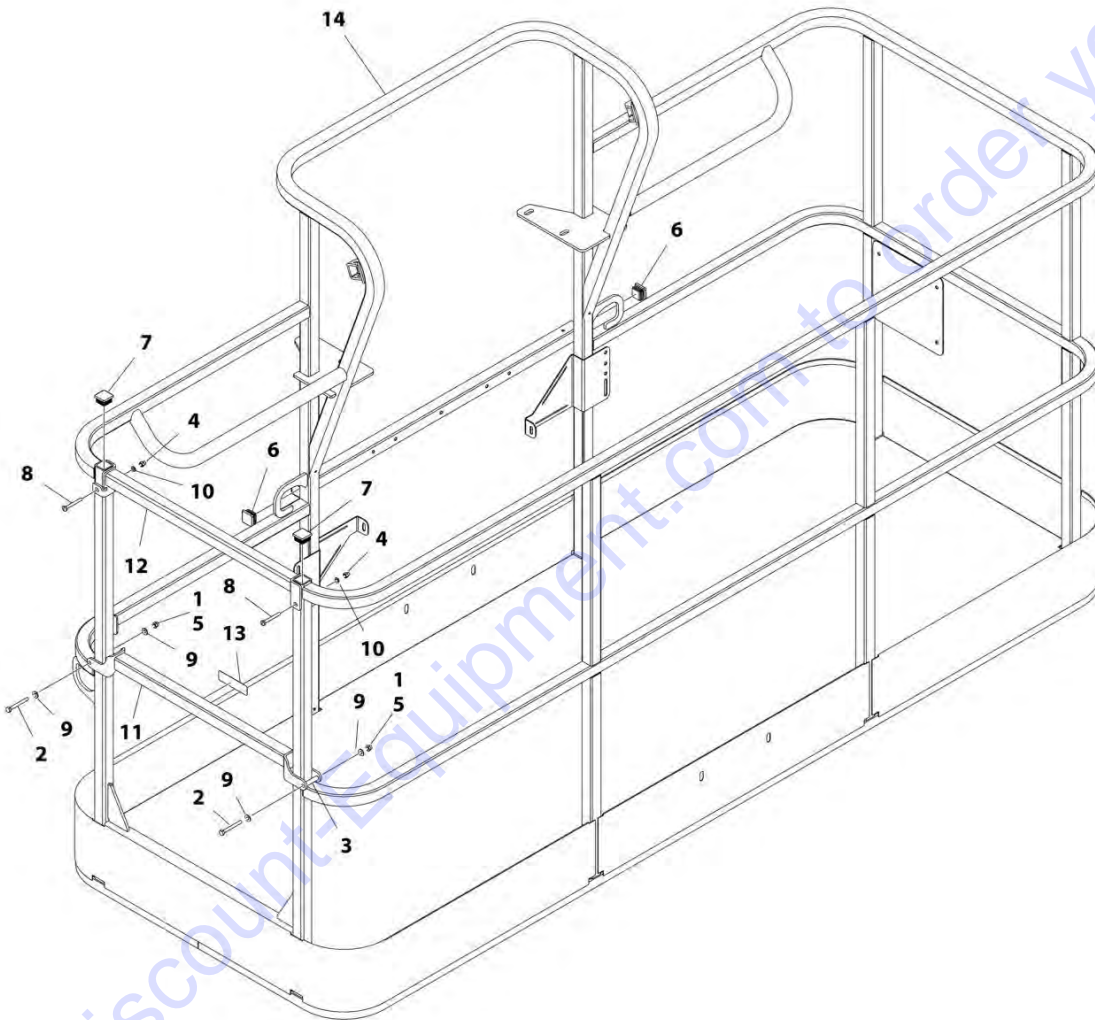
SECTION 5 - PLATFORM

FIGURE 5-6. PLATFORM ASSEMBLY - 36IN X 6FT (91.5CM X 1.83M) WITH DROP BAR

ITEM	PART NUMBER	QTY	DESCRIPTION	REV
	1001186379	Ref	PLATFORM ASSEMBLY - 36IN X 6FT (91.5CM X 1.83M) WITH DROP BAR	B
	See Note	Ref	Note: Platform and Mesh must be ordered separately for Platforms with Mesh. See SPECIAL OPTIONS SECTION for Mesh Installations.	
	See Note	Ref	Note: Replacement Decals Must be Ordered Separately - See DECALS SECTION.	
1	0100011	AR	Compound, Locking	
2	0641418	2	Bolt 1/4 x 2-1/4	
3	0961845	2	Bushing	
4	3290606	2	Nut M6 x 1	
5	3300151	2	Nut 1/4	
6	3520072	2	Cap, Plug	
7	3520198	2	Cap, Plug	
8	4010618	2	Screw M6 x 50	
9	4711400	4	Washer 1/4	
10	4811700	2	Washer M6	
11	1001138494	1	Bar, Drop	
12	1001138514	1	Rail (Top)	
13	1001140429	1	Decal - Drop Bar	
14	See Note	1	Platform (Note: Not Available - Purchase Platform Assembly)	

SECTION 5 - PLATFORM

FIGURE 5-7. PLATFORM ASSEMBLY - 36IN X 8FT (91.5CM X 2.44M) WITH DROP BAR (USA BUILT MACHINES)



ART_1001186382

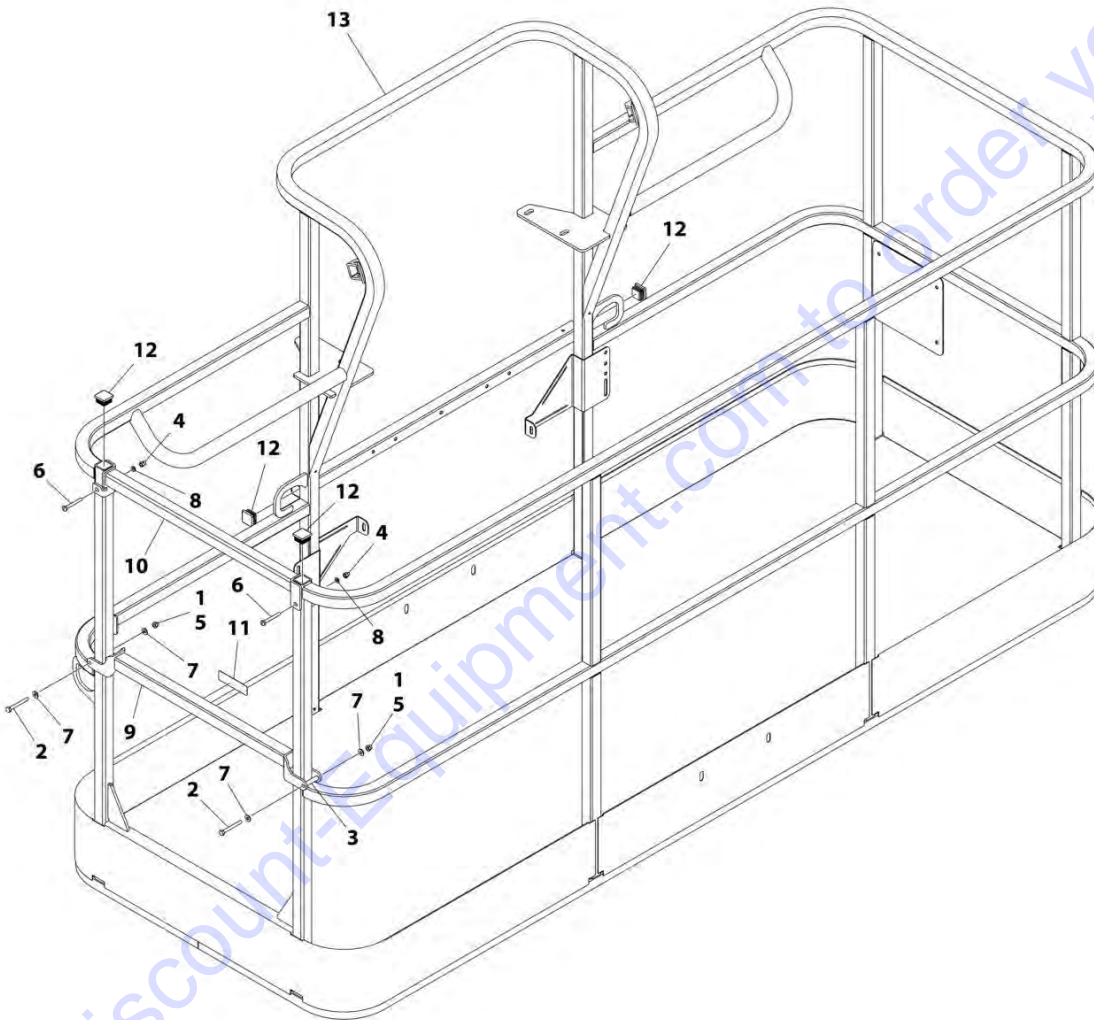
SECTION 5 - PLATFORM

FIGURE 5-7. PLATFORM ASSEMBLY - 36IN X 8FT (91.5CM X 2.44M) WITH DROP BAR (USA BUILT MACHINES)

ITEM	PART NUMBER	QTY	DESCRIPTION	REV
	1001186382	Ref	PLATFORM ASSEMBLY - 36IN X 8FT (91.5CM X 2.44M) WITH DROP BAR (USA BUILT MACHINES)	C
	See Note	Ref	Note: Platform and Mesh must be ordered separately for Platforms with Mesh. See SPECIAL OPTIONS SECTION for Mesh Installations.	
	See Note	Ref	Note: Replacement Decals Must be Ordered Separately - See DECALS SECTION.	
1	0100011	AR	Compound, Locking	
2	0641418	2	Bolt 1/4 x 2-1/4	
3	0961845	2	Bushing	
4	3290606	2	Nut M6 x 1	
5	3300151	2	Nut 1/4	
6	3520072	2	Cap, Plug	
7	3520198	2	Cap, Plug	
8	4010618	2	Screw M6 x 50	
9	4711400	4	Washer 1/4	
10	4811700	2	Washer M6	
11	1001138494	1	Bar, Drop	
12	1001138514	1	Rail (Top)	
13	1001140429	1	Decal - Drop Bar	
14	See Note	NSS	Platform (Note: Not Available - Purchase Platform Assembly)	

SECTION 5 - PLATFORM

FIGURE 5-8. PLATFORM ASSEMBLY - 36IN X 8FT (91.5CM X 2.44M) WITH DROP BAR (CHINA BUILT MACHINES)



ART_1001188309

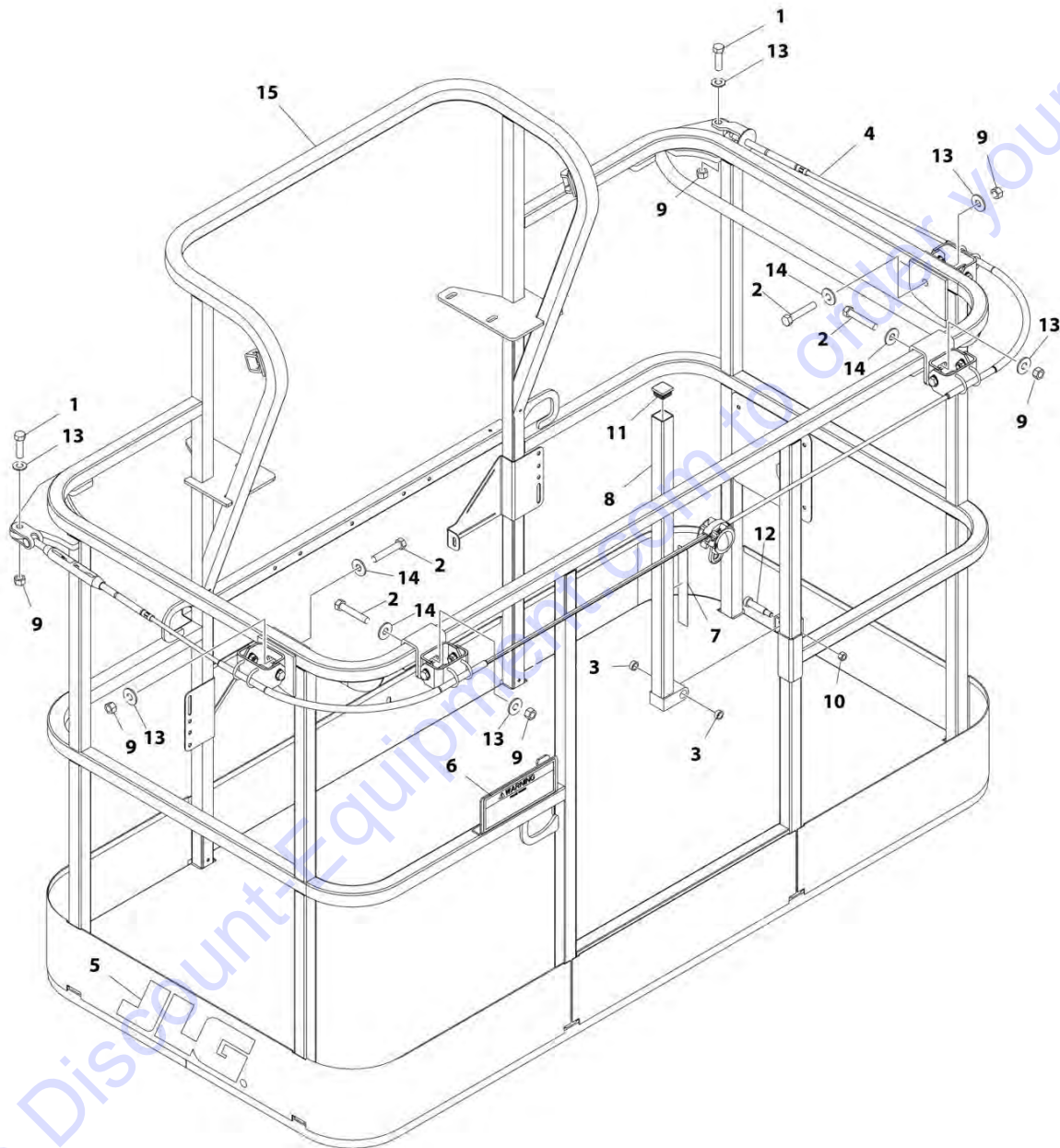
SECTION 5 - PLATFORM

FIGURE 5-8. PLATFORM ASSEMBLY - 36IN X 8FT (91.5CM X 2.44M) WITH DROP BAR (CHINA BUILT MACHINES)

ITEM	PART NUMBER	QTY	DESCRIPTION	REV
	1001188309	Ref	PLATFORM ASSEMBLY - 36IN X 8FT (91.5CM X 2.44M) WITH DROP BAR (CHINA BUILT MACHINES)	B
	See Note	Ref	Note: Platform and Mesh must be ordered separately for Platforms with Mesh. See SPECIAL OPTIONS SECTION for Mesh Installations.	
	See Note	Ref	Note: Replacement Decals Must be Ordered Separately - See DECALS SECTION	
1	0100011	AR	Compound, Locking	
2	0641418	2	Bolt 1/4 x 2-1/4	
3	0961845	2	Bushing	
4	3290606	2	Nut M6 x 1	
5	3300151	2	Nut 1/4	
6	4010618	2	Screw M6 x 50	
7	4711400	4	Washer 1/4	
8	4811700	2	Washer M6	
9	1001138494	1	Bar, Drop	
10	1001138514	1	Rail (Top)	
11	1001140429	1	Decal - Drop Bar	
12	1001145781	4	Cap, Plug	
13	See Note	NSS	Platform (Note: Not Available - Purchase Platform Assembly)	

SECTION 5 - PLATFORM

FIGURE 5-9. PLATFORM ASSEMBLY - 36IN X 6FT (91.5CM X 1.83M) WITH FALL ARREST (ANSI, ANSI EXPORT AND CSA SPECS)



ART_1001186333

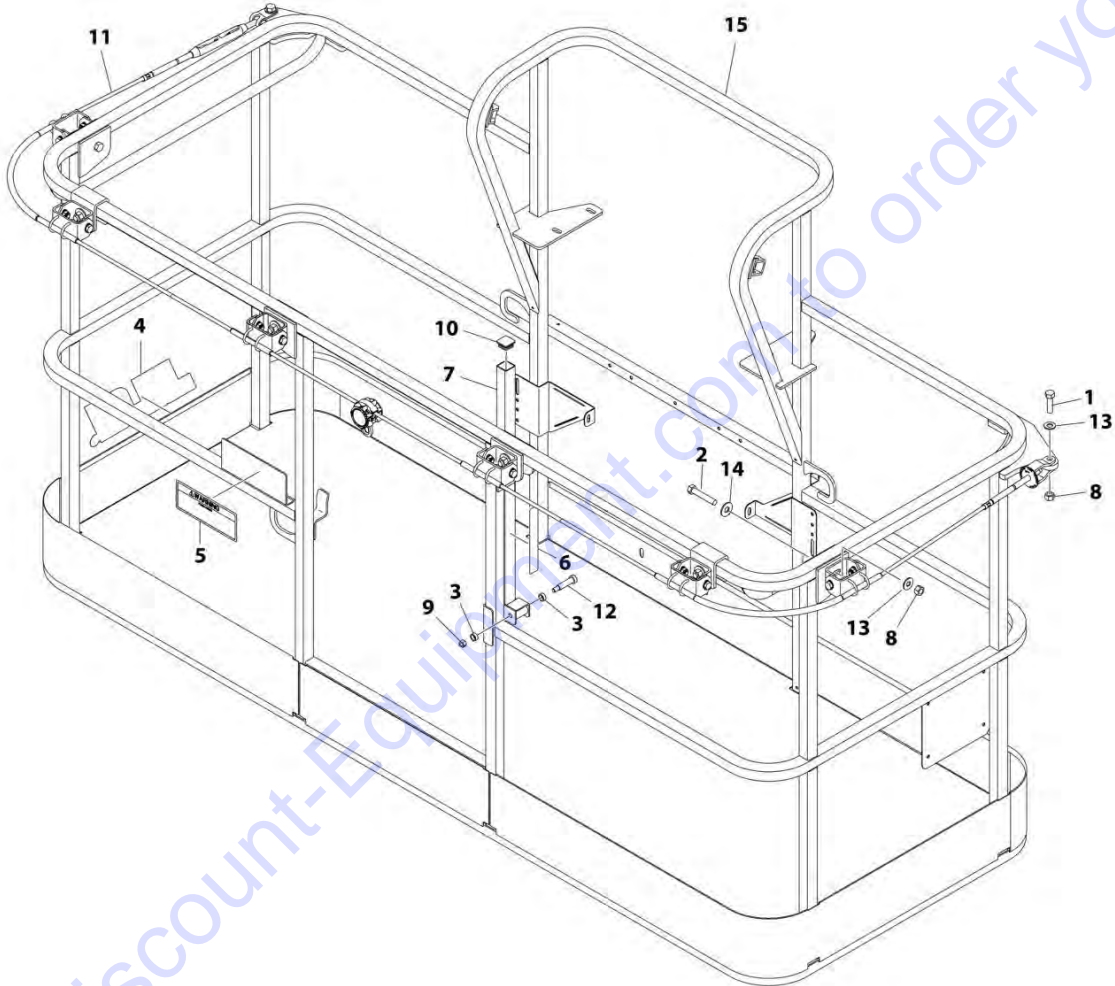
SECTION 5 - PLATFORM

FIGURE 5-9. PLATFORM ASSEMBLY - 36IN X 6FT (91.5CM X 1.83M) WITH FALL ARREST (ANSI, ANSI EXPORT AND CSA SPECS)

ITEM	PART NUMBER	QTY	DESCRIPTION	REV
	1001186333	Ref	PLATFORM ASSEMBLY - 36IN X 6FT (91.5CM X 1.83M) WITH FALL ARREST (ANSI, ANSI EXPORT AND CSA SPECS)	C
	See Note	Ref	Note: Fall Arrest Not Available on CE Spec Platform Assembly.	
	See Note	Ref	Note: Replacement Decals Must be Ordered Separately - See DECALS SECTION.	
1	0681814	2	Bolt 1/2 x 1-3/4 Grade 8	
2	0681822	4	Bolt 1/2 x 2-3/4 Grade 8	
3	0962270	2	Bearing	
4	1060919	NLA	Cable (Use p/n 1001203655) (SN 0300201016 through 0300214283)	
4	1001203655	1	Cable (SN 0300214284 to Present)	
5	1702773	1	Decal - JLG	
6	1705014	1	Decal - Safety	
7	1706385	1	Decal - Drop Bar	
8	2410014	1	Bar, Drop	
9	3271805	6	Nut 1/2 Grade 8	
10	3311605	1	Nut 3/8	
11	3520072	1	Cap, Plug	
12	3900054	1	Bolt 1/2 x 1-3/4	
13	4711800	8	Washer 1/2	
14	4751800	4	Washer 1/2	
15	See Note	1	Platform (Note: Not Available - Purchase Platform Assembly)	

SECTION 5 - PLATFORM

FIGURE 5-10. PLATFORM ASSEMBLY - 36IN X 8FT (91.5CM X 2.44M) WITH FALL ARREST (ANSI SPEC)



ART_1001186334

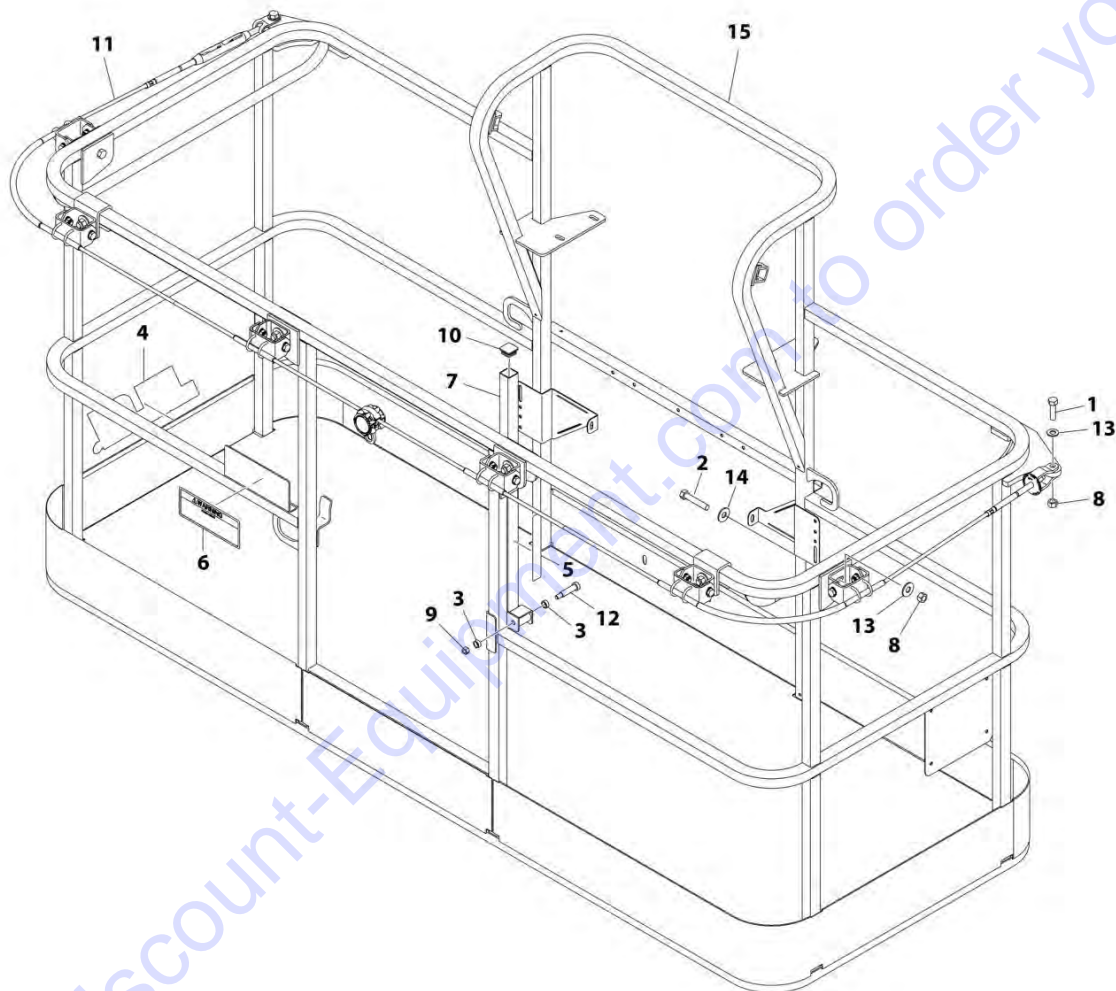
SECTION 5 - PLATFORM

FIGURE 5-10. PLATFORM ASSEMBLY - 36IN X 8FT (91.5CM X 2.44M) WITH FALL ARREST (ANSI SPEC)

ITEM	PART NUMBER	QTY	DESCRIPTION	REV
	1001186334	Ref	PLATFORM ASSEMBLY - 36IN X 8FT (91.5CM X 2.44M) WITH FALL ARREST (ANSI SPEC)	D
		Ref	Note: Replacement Decals Must be Ordered Separately - See DECALS SECTION.	
1	0681814	2	Bolt 1/2 x 1-3/4 Grade 8	
2	0681822	6	Bolt 1/2 x 2-3/4 Grade 8	
3	0962270	2	Bearing	
4	1702773	1	Decal - JLG	
5	1705014	1	Decal - Safety	
6	1706385	1	Decal - Drop Bar	
7	2410014	1	Bar, Drop	
8	3271805	8	Nut 1/2 Grade 8	
9	3311605	1	Nut 3/8	
10	3520072	1	Plug	
11	3890040	NLA	Cable (Use p/n 1001203656) (SN 0300201016 through 0300214283)	
11	1001203656	1	Cable (SN 0300214284 to Present)	
12	3900054	1	Bolt 1/2 x 1-3/4	
13	4711800	10	Washer 1/2	
14	4751800	6	Washer 1/2	
15	See Note	NSS	Platform (Note: Purchase Platform Assembly)	

SECTION 5 - PLATFORM

FIGURE 5-11. PLATFORM ASSEMBLY - 36IN X 8FT (91.5CM X 2.44M) WITH FALL ARREST (ALL SPECS EXCEPT CSA SPECS)



ART_1001186389

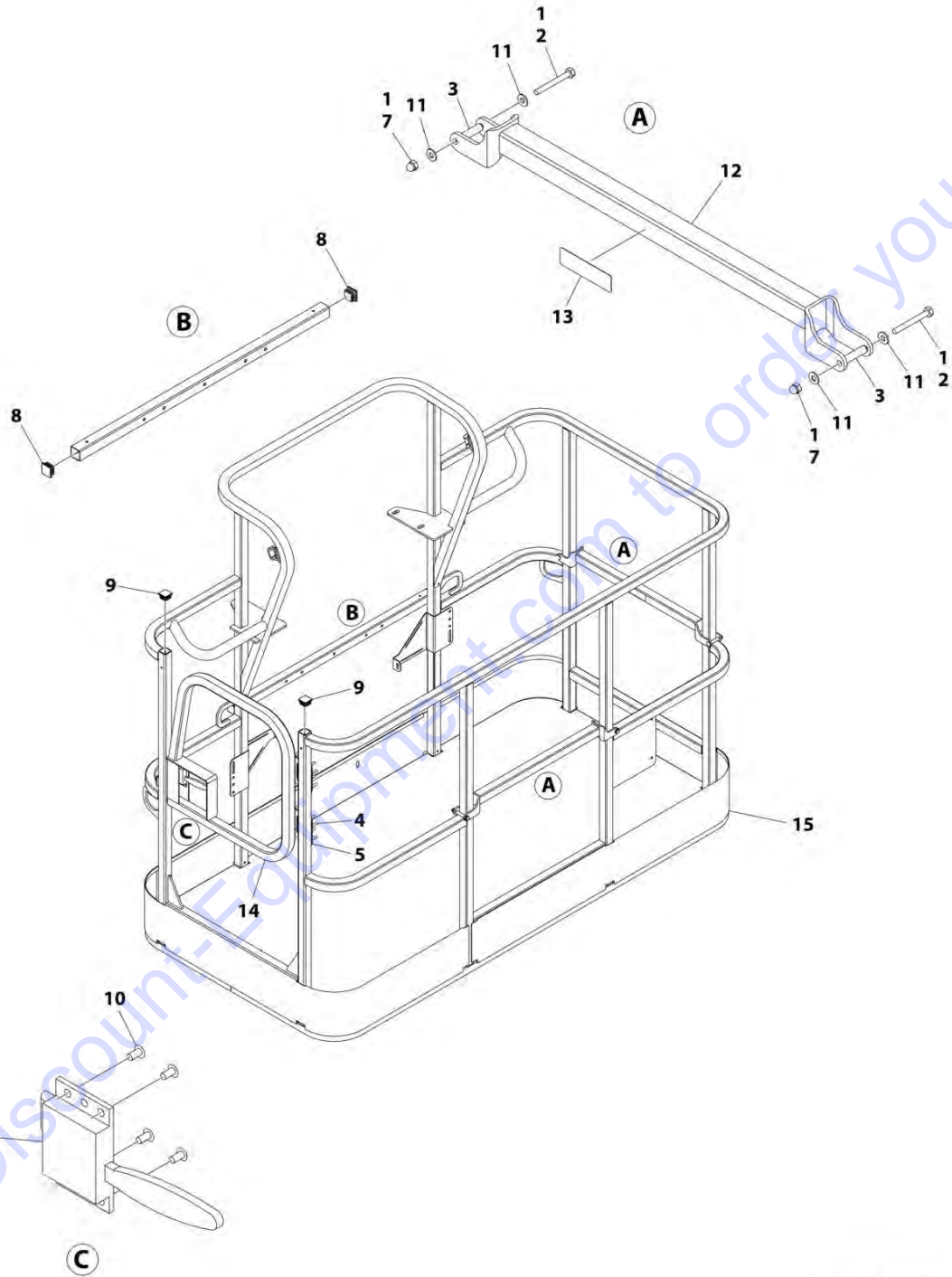
SECTION 5 - PLATFORM

FIGURE 5-11. PLATFORM ASSEMBLY - 36IN X 8FT (91.5CM X 2.44M) WITH FALL ARREST (ALL SPECS EXCEPT CSA SPECS)

ITEM	PART NUMBER	QTY	DESCRIPTION	REV
	1001186389	Ref	PLATFORM ASSEMBLY - 36IN X 8FT (91.5CM X 2.44M) WITH FALL ARREST (ALL SPECS EXCEPT CSA SPECS)	D
		Ref	Note: Standard decals must be ordered separately - See DECAL SECTION.	
1	0681814	2	Bolt 1/2 x 1-3/4 Grade 8	
2	0681822	6	Bolt 1/2 x 2-3/4 Grade 8	
3	0962270	2	Bearing	
4	1702773	1	Decal - JLG	
5	1706493	1	Decal - Drop Bar	
6	1706501	1	Decal - Safety	
7	2410014	1	Gate	
8	3271805	8	Nut 1/2 Grade 8	
9	3311605	1	Nut 3/8	
10	3520072	1	Plug	
11	3890040	NLA	Cable (Use p/n 1001203656) (SN 0300201016 through 0300214283)	
11	1001203656	1	Cable (SN 0300214284 to Present)	
12	3900054	1	Bolt 1/2 x 1-3/4	
13	4711800	8	Washer 1/2	
14	4751800	6	Washer 1/2	
15	1001186318	NSS	Platform (Note: Not Available - Purchase Platform Assembly)	

SECTION 5 - PLATFORM

FIGURE 5-12. PLATFORM ASSEMBLY - 36IN X 6FT (91.5CM X 1.83M) TRI-ENTRY WITH SWING GATE



ART_1001228376

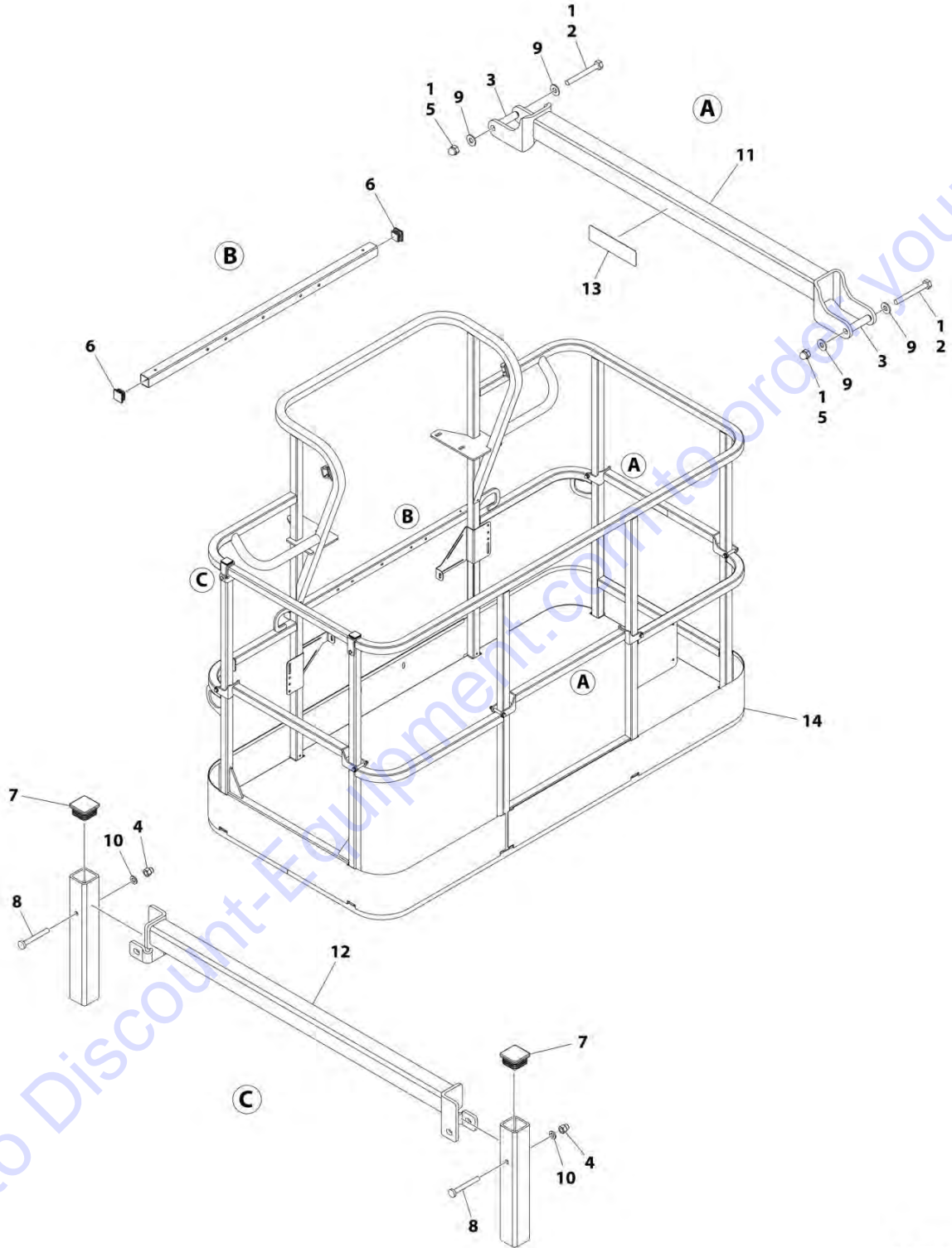
SECTION 5 - PLATFORM

FIGURE 5-12. PLATFORM ASSEMBLY - 36IN X 6FT (91.5CM X 1.83M) TRI-ENTRY WITH SWING GATE

ITEM	PART NUMBER	QTY	DESCRIPTION	REV
	1001228376	Ref	PLATFORM ASSEMBLY - 36IN x 6FT (91.5CM x 1.83M)	A
		Ref	Note: Platform and Mesh must be ordered separately for Platforms with Mesh. See SPECIAL OPTIONS SECTION for Mesh Installations.	
		Ref	Note: Replacement Decals Must be Ordered Separately - See DECAL SECTION.	
1	0100011	AR	Compound, Locking	
2	0641418	4	Bolt 1/4 x 2-1/4	
3	0961845	4	Bushing	
4	2080040	16	Fastener	
5	2600281	2	Hinge	
6	2940074	1	Latch	
7	3300151	4	Nut 1/4	
8	3520072	3	Plug	
9	3520198	2	Plug	
10	3820020	4	Rivet	
11	4711400	8	Washer 1/4	
12	1001138494	2	Bar, Drop	
13	1001140429	2	Decal - Drop Bar	
14	1001144629	1	Gate	
15	See Note	NSS	Platform (Note: Not Available - Purchase Platform Assembly)	

SECTION 5 - PLATFORM

FIGURE 5-13. PLATFORM ASSEMBLY - 36IN X 6FT (91.5CM X 1.83M) TRI-ENTRY WITH DROPBAR



ART_1001228377

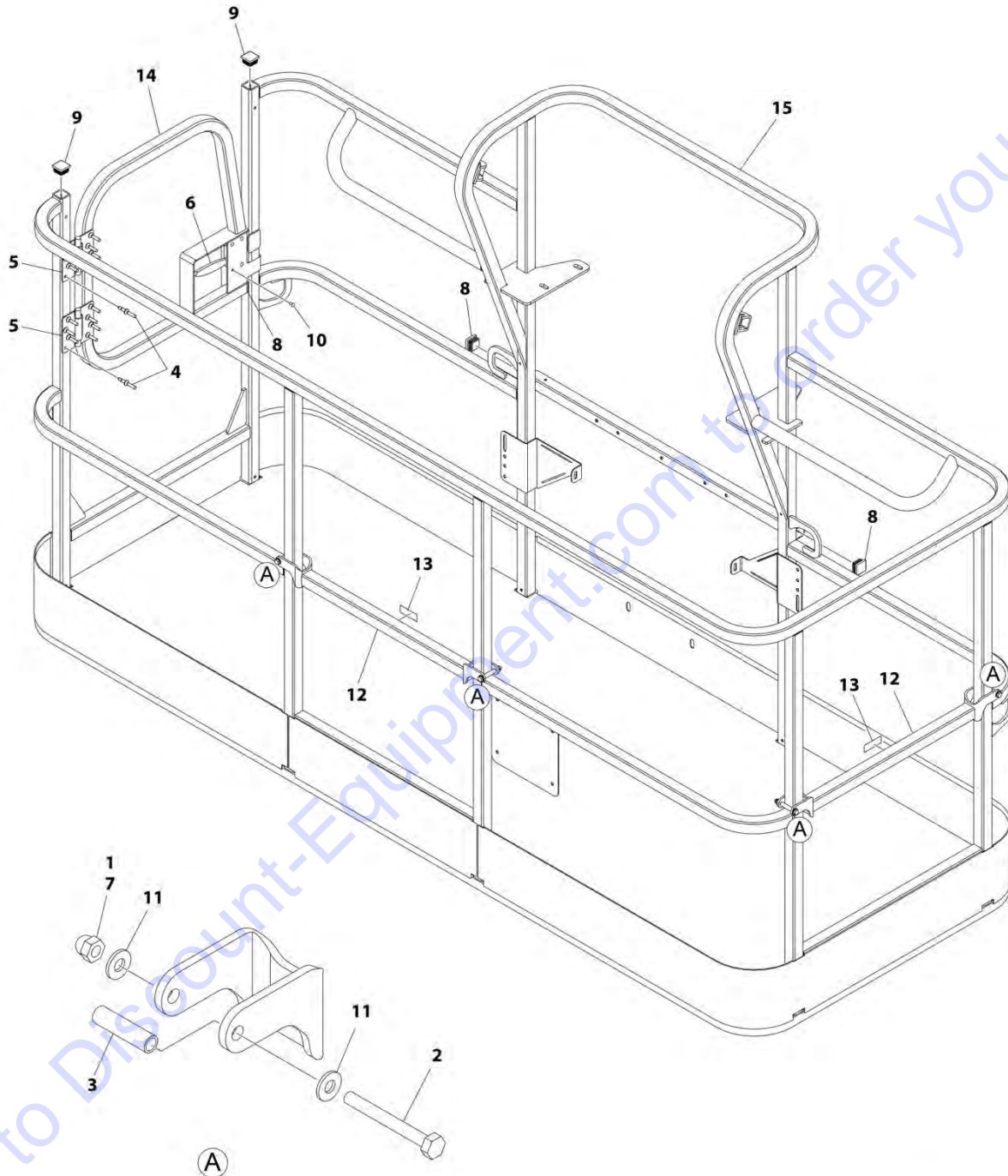
SECTION 5 - PLATFORM

FIGURE 5-13. PLATFORM ASSEMBLY - 36IN X 6FT (91.5CM X 1.83M) TRI-ENTRY WITH DROPBAR

ITEM	PART NUMBER	QTY	DESCRIPTION	REV
	1001228377	Ref	PLATFORM ASSEMBLY - 36IN x 6FT (91.5CM x 1.83M)	A
		Ref	Note: Platform and Mesh must be ordered separately for Platforms with Mesh. See SPECIAL OPTIONS SECTION for Mesh Installations.	
		Ref	Note: Replacement Decals Must be Ordered Separately - See DECAL SECTION.	
1	0100011	1	Compound, Locking	
2	0641418	6	Bolt 1/4 x 2-1/4	
3	0961845	6	Bushing	
4	3290606	2	Nut M6	
5	3300151	6	Nut 1/4	
6	3520072	2	Plug	
7	3520198	2	Plug	
8	4010618	2	Screw M6 x 50	
9	4711400	12	Washer 1/4	
10	4811700	2	Washer M6	
11	1001138494	3	Bar, Drop	
12	1001138514	1	Rail (Top)	
13	1001140429	3	Decal - Drop Bar	
14	See Note	NSS	Platform, Weldment (Note: Not Available - Purchase Platform Assembly)	

SECTION 5 - PLATFORM

FIGURE 5-14. PLATFORM ASSEMBLY - 36IN X 8FT (91.5CM X 2.44M) TRI-ENTRY WITH DROPBAR



ART_1001228243

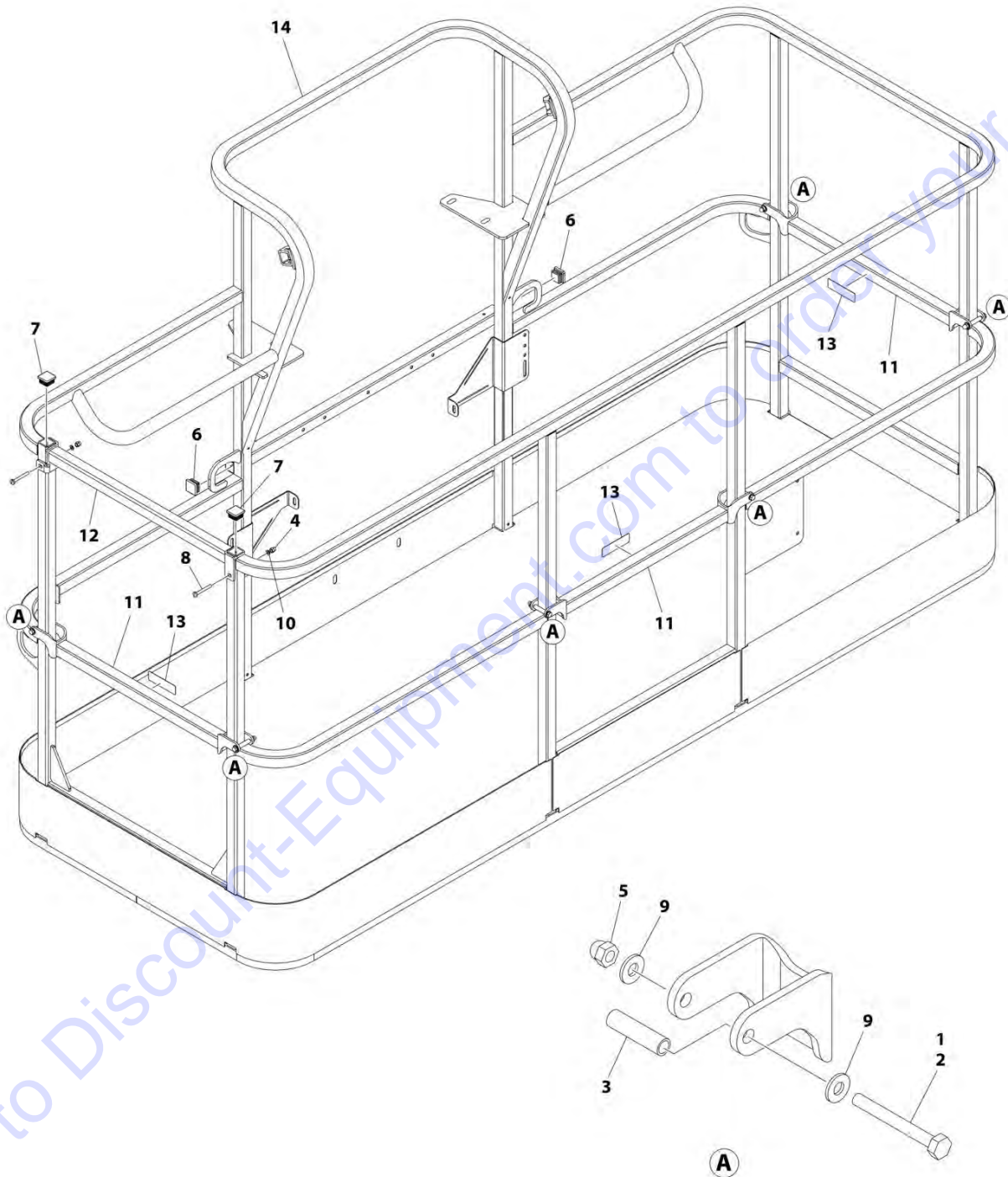
SECTION 5 - PLATFORM

FIGURE 5-14. PLATFORM ASSEMBLY - 36IN X 8FT (91.5CM X 2.44M) TRI-ENTRY WITH DROPBAR

ITEM	PART NUMBER	QTY	DESCRIPTION	REV
	1001228243	Ref	PLATFORM ASSEMBLY - 36IN x 8FT (91.5CM x 2.44M) TRI-ENTRY WITH DROPBAR	A
		Ref	Note: Platform and Mesh must be ordered separately for Platforms with Mesh. See SPECIAL OPTIONS SECTION for Mesh Installations.	
1	0100011	AR	Compound, Locking	
2	0641418	4	Bolt 1/4 x 2-1/4	
3	0961845	4	Bushing	
4	2080040	16	Fastener, Huck	
5	2600281	2	Hinge, Self-Closing	
6	2940074	1	Latch	
7	3300151	4	Nut 1/4	
8	3520072	3	Cap, Plug	
9	3520198	2	Cap, Plug	
10	3820020	4	Rivet	
11	4711400	8	Washer 1/4	
12	1001138494	2	Bar, Drop	
13	1001140429	2	Decal - Drop Bar	
14	1001144629	1	Gate, Weldment	
15	See Note	1	Platform (Note: Not Available - Purchase Platform Assembly)	

SECTION 5 - PLATFORM

FIGURE 5-15. PLATFORM ASSEMBLY - 36IN X 8FT (91.5CM X 2.44M) TRI-ENTRY WITH DROPGATE



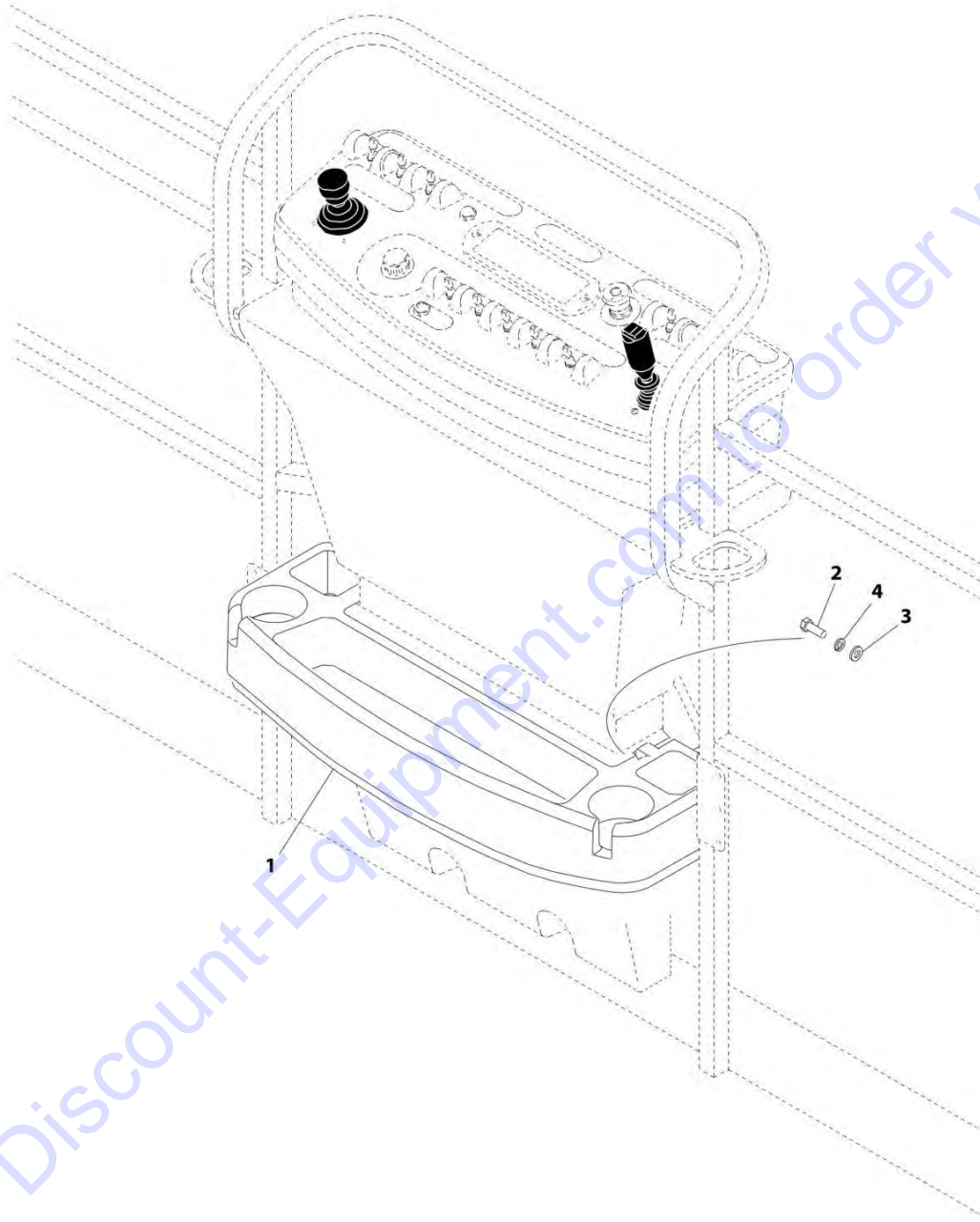
SECTION 5 - PLATFORM

FIGURE 5-15. PLATFORM ASSEMBLY - 36IN X 8FT (91.5CM X 2.44M) TRI-ENTRY WITH DROPGATE

ITEM	PART NUMBER	QTY	DESCRIPTION	REV
	1001228375	Ref	PLATFORM ASSEMBLY - 36IN x 8FT (91.5CM x 2.44M) TRI-ENTRY WITH DROPGATE	A
		Ref	Note: Platform and Mesh must be ordered separately for Platforms with Mesh. See SPECIAL OPTIONS SECTION for Mesh Installations.	
		Ref	Note: Replacement Decals Must be Ordered Separately - See DECAL SECTION.	
1	0100011	AR	Compound, Locking	
2	0641418	6	Bolt 1/4 x 2-1/4	
3	0961845	6	Bushing	
4	3290606	2	Nut M6 x 1	
5	3300151	6	Nut 1/4	
6	3520072	2	Cap, Plug	
7	3520198	2	Cap, Plug	
8	4010618	2	Screw M6 x 50	
9	4711400	12	Washer 1/4	
10	4811700	2	Washer M6	
11	1001138494	3	Bar, Drop	
12	1001138514	1	Rail (Top)	
13	1001140429	3	Decal - Drop Bar	
14	See Note	1	Platform (Note: Not Available - Purchase Platform Assembly)	

SECTION 5 - PLATFORM

FIGURE 5-16. TRAY ASSEMBLY



ART_1580012

SECTION 5 - PLATFORM

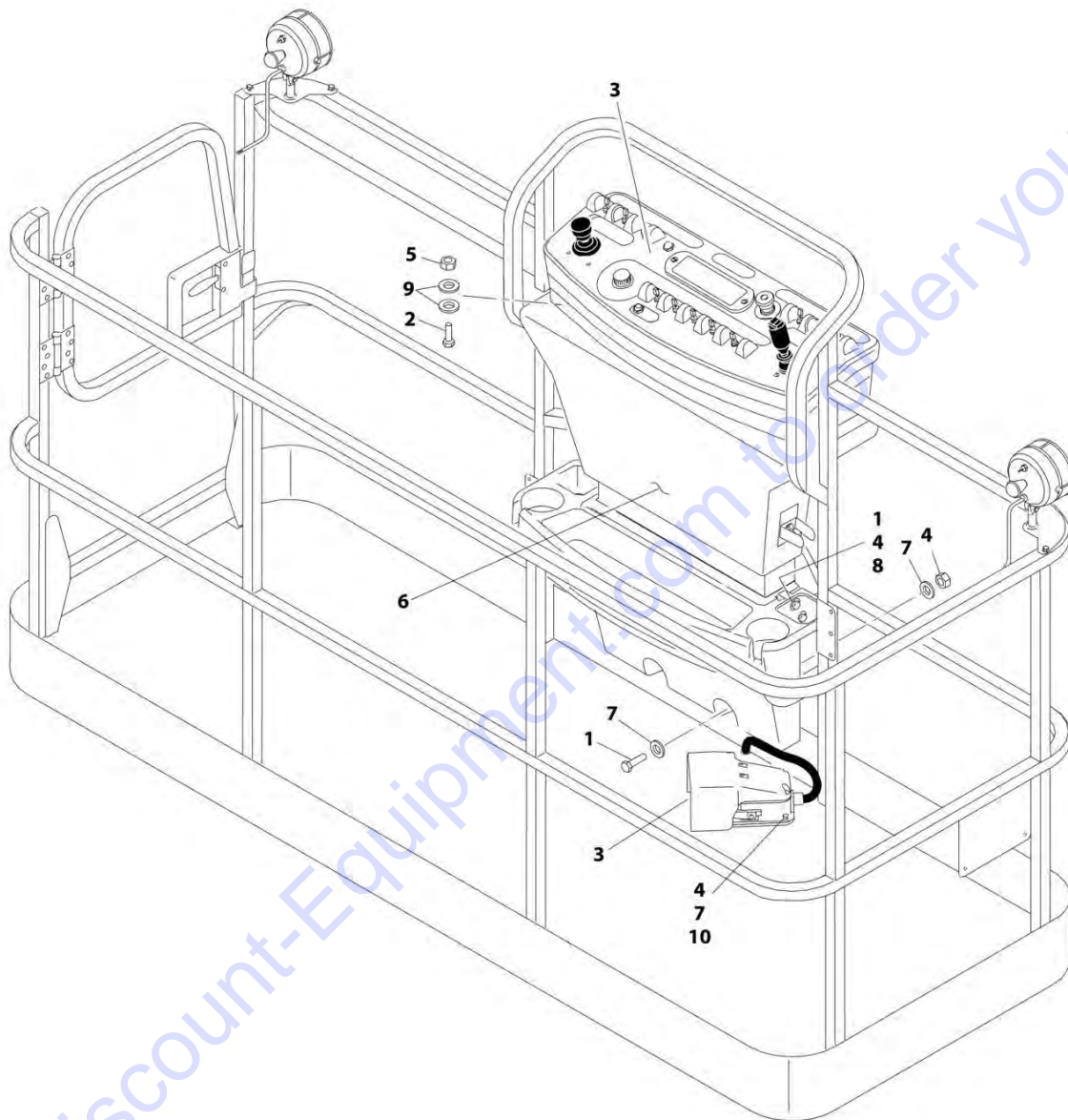
FIGURE 5-16. TRAY ASSEMBLY

ITEM	PART NUMBER	QTY	DESCRIPTION	REV
	1580012	Ref	TRAY ASSEMBLY	C
1	See Note	1	Tray, Storage (Center) (Note: Purchase p/n 1580012)	
2	0641406	2	Bolt 1/4 x 3/4	
3	4751400	2	Washer 1/4	
4	4761400	2	Washer 1/4	

Go to Discount-Equipment.com to order your parts

SECTION 5 - PLATFORM

FIGURE 5-17. PLATFORM CONTROLS INSTALLATION - WITHOUT SKYGUARD



ART_1001145785

SECTION 5 - PLATFORM

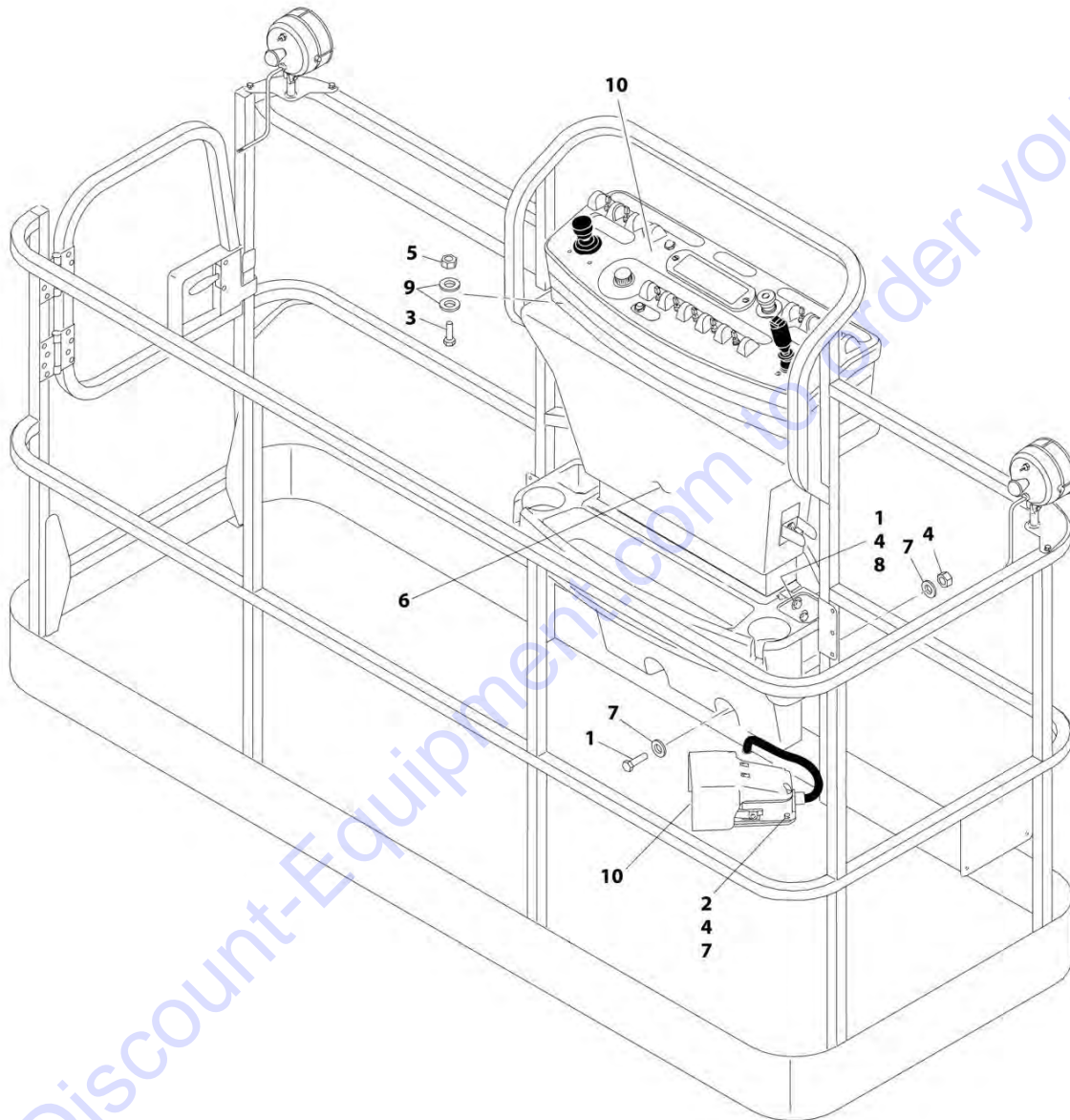
FIGURE 5-17. PLATFORM CONTROLS INSTALLATION - WITHOUT SKYGUARD

ITEM	PART NUMBER	QTY	DESCRIPTION	REV
	1001145785	Ref	PLATFORM CONTROLS INSTALLATION - WITHOUT SKYGUARD	C
1	0641406	4	Bolt 1/4 x 3/4	
2	0641610	4	Bolt 3/8 x 1-1/4	
3	1001166665	1	Platform Console Box Assembly (See Separate Breakdown in this Section) (SN 0300201016 through 0300220138)	
3	1001202564	1	Platform Console Box Assembly (See Separate Breakdown in this Section) (SN 0300220139 to Present)	
4	3311405	7	Nut 1/4	
5	3311605	4	Nut 3/8	
6	3380434	1	Panel, Molded	
7	4740362	7	Washer, Fender	
8	4751400	4	Washer 1/4	
9	4751600	8	Washer 3/8	
10	0641408	3	Bolt 1/4 x 1	

Go to Discount-Equipment.com to order your parts

SECTION 5 - PLATFORM

FIGURE 5-18. PLATFORM CONTROLS INSTALLATION - WITH SKYGUARD (SN 0300201016 through 0300235781, SN B300002238 through B300002991)



ART_1001190111

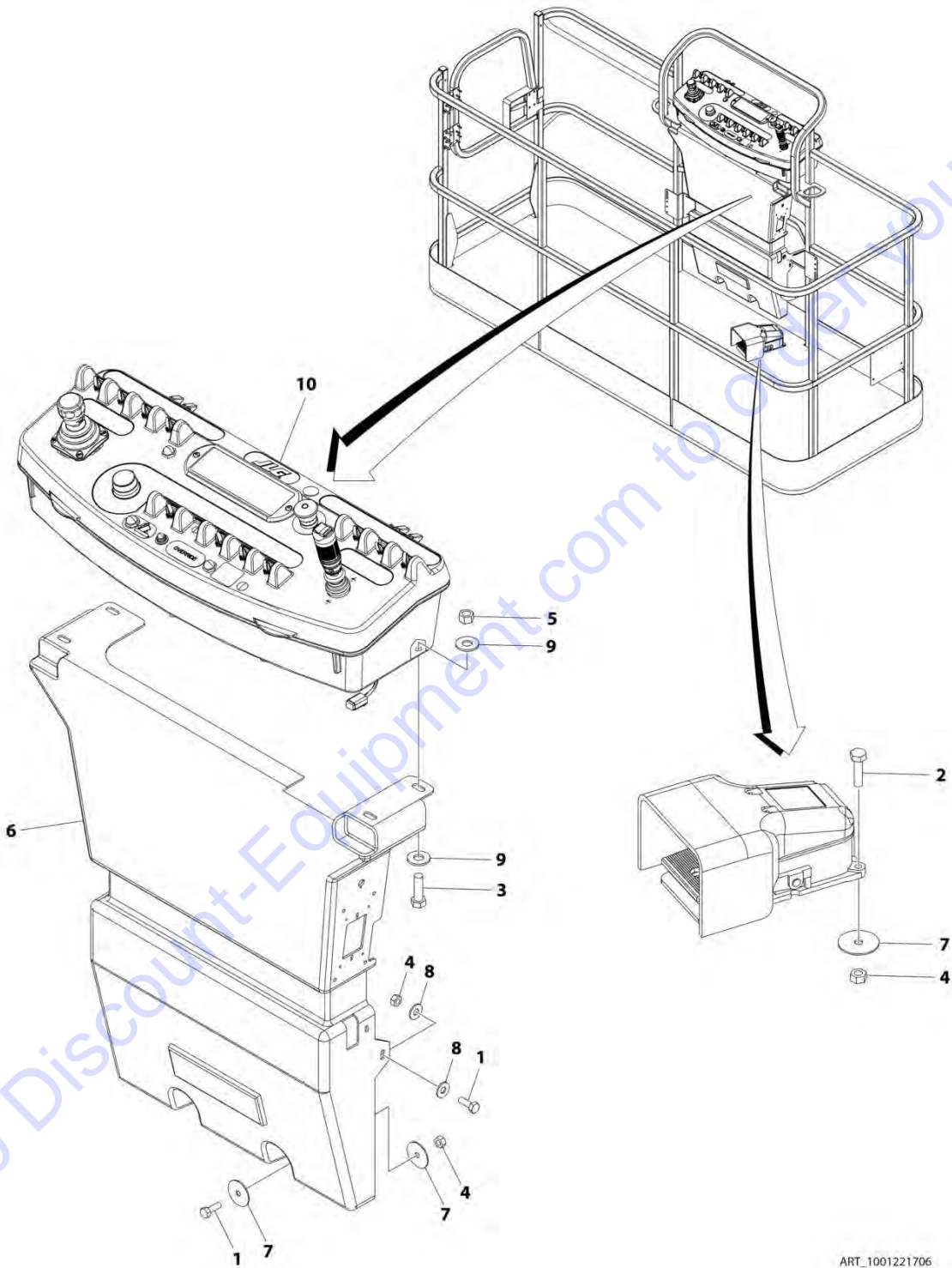
SECTION 5 - PLATFORM

FIGURE 5-18. PLATFORM CONTROLS INSTALLATION - WITH SKYGUARD (SN 0300201016 through 0300235781, SN B300002238 through B300002991)

ITEM	PART NUMBER	QTY	DESCRIPTION	REV
	1001190111	Ref	PLATFORM CONTROLS INSTALLATION - WITH SKYGUARD (SN 0300201016 through 0300235781, SN B300002238 through B300002991)	C
1	0641406	4	Bolt 1/4 x 3/4	
2	0641408	3	Bolt 1/4 x 1	
3	0641610	4	Bolt 3/8 x 1-1/4	
4	3311405	7	Nut 1/4	
5	3311605	4	Nut 3/8	
6	3380434	1	Panel, Molded	
7	4740362	7	Washer, Fender	
8	4751400	4	Washer 1/4	
9	4751600	8	Washer 3/8	
10	1001190098	1	Platform Console Box Assembly (See Separate Breakdown in this Section) (SN 0300201016 through 0300200138)	
10	1001202562	1	Platform Console Box Assembly (See Separate Breakdown in this Section) (SN 0300200139 through 0300235781, SN B300002238 through B300002991)	

SECTION 5 - PLATFORM

FIGURE 5-19. PLATFORM CONTROLS INSTALLATION - WITH SKYGUARD (SN 0300235782 through 0300256988, SN B300002992 through B300003730)



ART_1001221706

SECTION 5 - PLATFORM

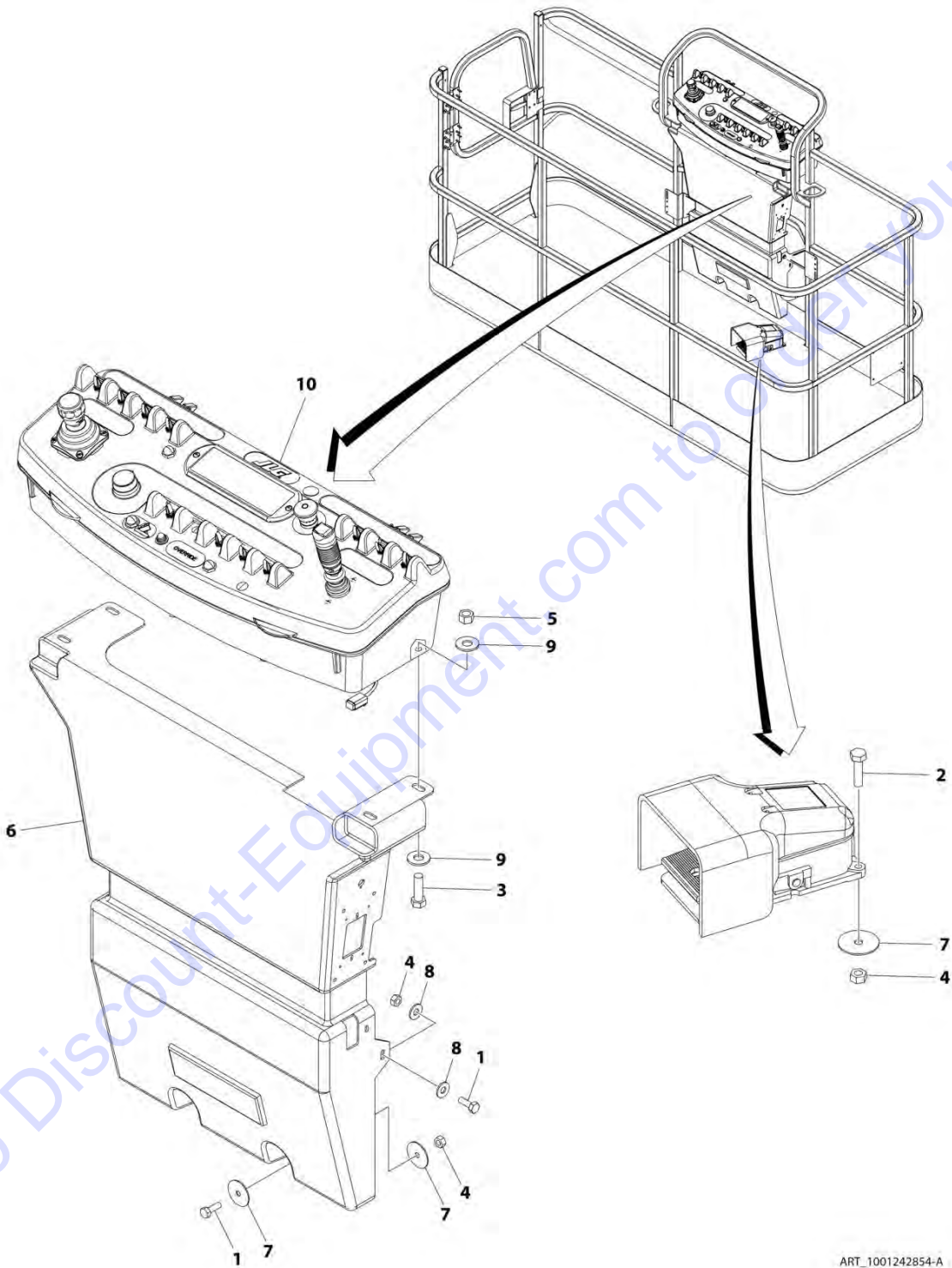
FIGURE 5-19. PLATFORM CONTROLS INSTALLATION - WITH SKYGUARD (SN 0300235782 through 0300256988, SN B300002992 through B300003730)

ITEM	PART NUMBER	QTY	DESCRIPTION	REV
	1001221706	Ref	PLATFORM CONTROLS INSTALLATION - WITH SKYGUARD	B
1	0641406	4	Bolt 1/4 x 3/4	
2	0641408	3	Bolt 1/4 x 1	
3	0641610	4	Bolt 3/8 x 1-1/4	
4	3311405	7	Nut 1/4	
5	3311605	4	Nut 3/8	
6	3380434	1	Panel, Molded	
7	4740362	7	Washer, Fender	
8	4751400	4	Washer 1/4	
9	4751600	8	Washer 3/8	
10	1001219987	NLA	Platform Console Box Assembly (Use p/n 1001243461) (See Separate Breakdown in this Section)	

Go to Discount-Equipment.com to order your parts

SECTION 5 - PLATFORM

FIGURE 5-20. PLATFORM CONTROLS INSTALLATION (SN 0300256989 to Present, SN B300003731 to Present)



ART_1001242854-A

SECTION 5 - PLATFORM

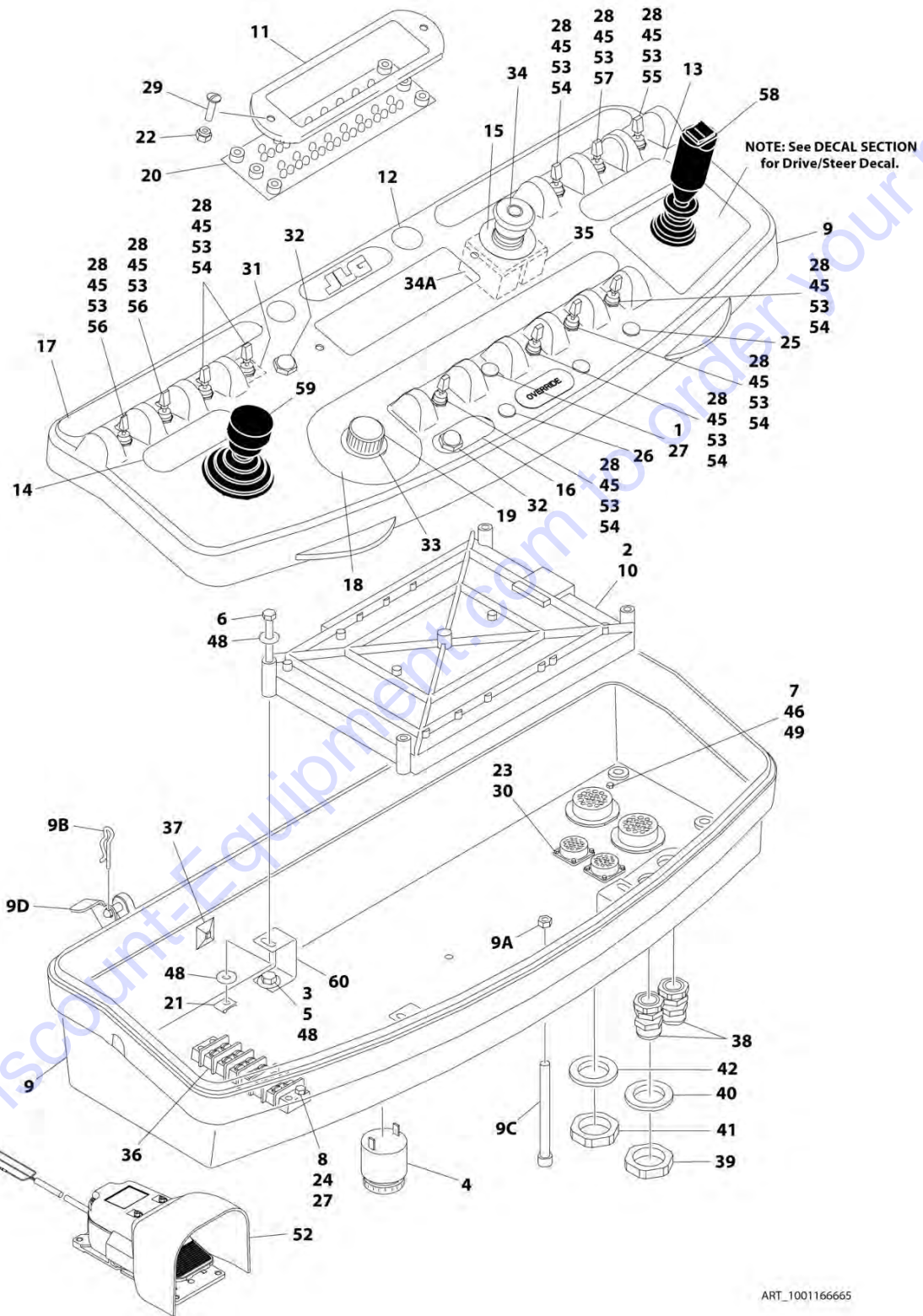
FIGURE 5-20. PLATFORM CONTROLS INSTALLATION (SN 0300256989 to Present, SN B300003731 to Present)

ITEM	PART NUMBER	QTY	DESCRIPTION	REV
	1001242854	Ref	PLATFORM CONTROLS INSTALLATION	A
1	0641406	4	Bolt 1/4 x 3/4	
2	0641408	3	Bolt 1/4 x 1	
3	0641610	4	Bolt 3/8 x 1-1/4	
4	3311405	7	Nut 1/4	
5	3311605	4	Nut 3/8	
6	3380434	1	Panel, Molded	
7	4740362	7	Washer, Fender	
8	4751400	4	Washer 1/4	
9	4751600	8	Washer 3/8	
10	1001243461	1	Platform Console Assembly	

Go to Discount-Equipment.com to order your parts

SECTION 5 - PLATFORM

FIGURE 5-21. PLATFORM CONSOLE ASSEMBLY - WITHOUT SKYGUARD (SN 0300201016 through 0300220138)



ART_1001166665

SECTION 5 - PLATFORM

FIGURE 5-21. PLATFORM CONSOLE ASSEMBLY - WITHOUT SKYGUARD (SN 0300201016 through 0300220138)

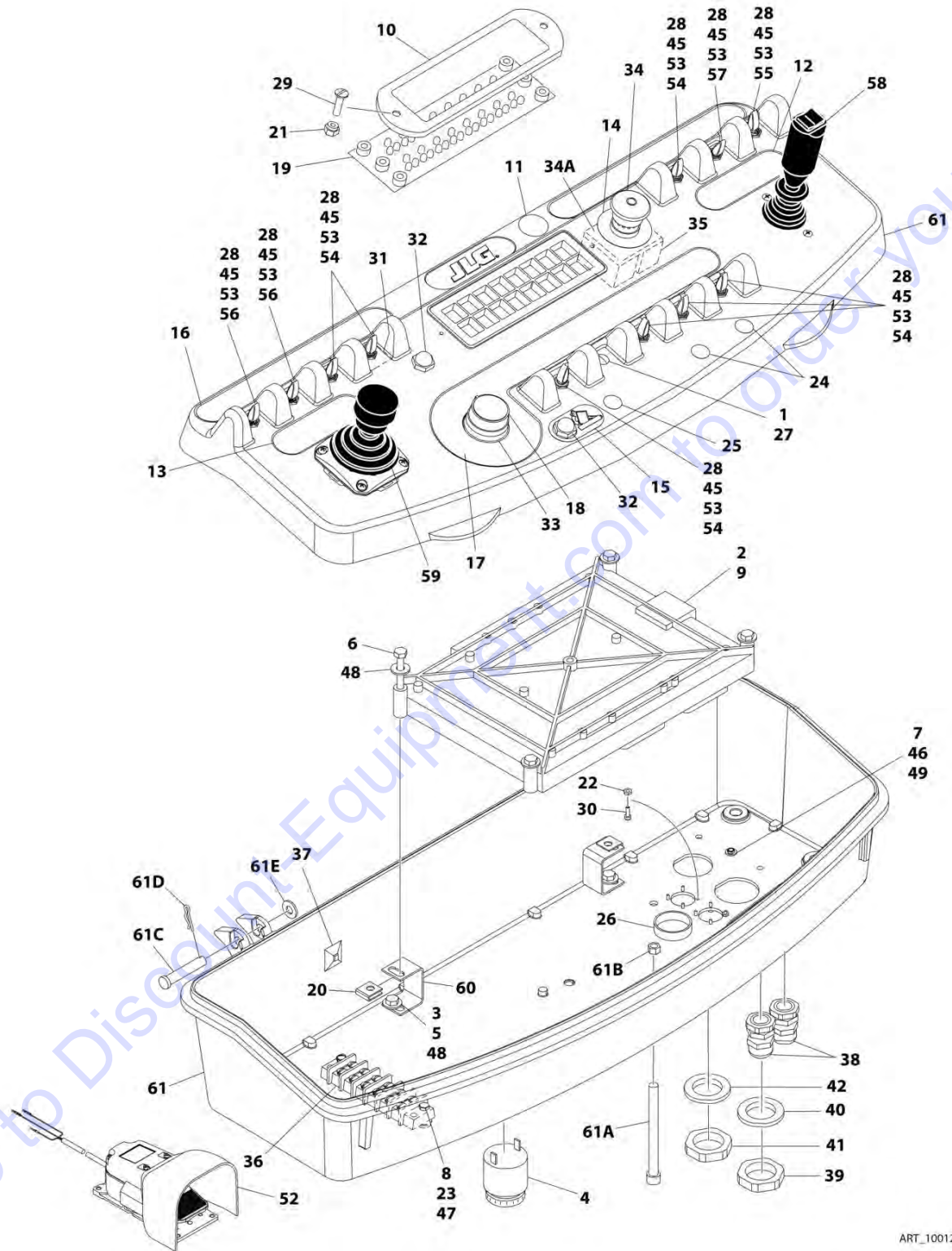
ITEM	PART NUMBER	QTY	DESCRIPTION	REV
	1001166665	Ref	PLATFORM CONSOLE ASSEMBLY - WITHOUT SKYGUARD (SN 0300201016 through 0300220138)	C
1	0100009	AR	Sealant	
2	0100048	AR	Grease, Dielectric	
3	0100081	AR	Loctite 454	
4	0140011	1	Alarm	
5	0641404	4	Bolt 1/4 x 1/2	
6	0641414	4	Bolt 1/4 x 1-3/4	
7	0720804	1	Screw #8 x 1/2	
8	0721006	2	Bolt #10 x 3/4	
9	0861630	1	Box, Console	I
9A	3311601	1	Nut 3/8	
9B	3470003	2	Pin	
9C	0630568	1	Screw 3/8 x 4-1/2	
9D	4711500	2	Washer 5/16 (SN 0300201016 through 0300210408)	
9D	1001200575	2	Bracket, Stop (SN 0300210409 through 0300220138)	
10	1600343	1	Module, Platform Control (Note: Re-calibration Required when Replaced)	
10	2915024	1	Update Kit (Includes Cables, Programming Instructions and CD Software)	
11	1671176	1	Bezel	
12	1671314	1	Cover, Hole	
13	1702565	1	Decal - Drive and Steer	
14	1702566	1	Decal - Lift and Swing	
15	1704260	1	Decal - EMS	
16	1705171	1	Decal - Jib Stow	
17	1705744	1	Decal - Horn	
18	1705745	1	Decal - Function Speed	
19	2560136	1	Handle, Knob	
20	2920154	1	Panel, LED Light	
21	3300353	4	Nut, Tinnerman	
22	3300408	2	Insert, Nylon	
23	3300482	2	Nut M2.5	
24	3311005	2	Nut #10	
25	3520026	2	Plug, Hole	
26	3520027	1	Plug, Hole	
27	3520054	1	Plug, Hole	
28	3790012	11	O-Ring	
29	3900183	2	Screw #10 x 1-1/4	
30	3900349	8	Capscrew M2.5	
31	4071074	1	Shim	
32	4360387	2	Switch, Pushbutton	
33	4360407	1	Controller, Speed	
	See Note	1	Gasket "Top Hat" (Included with Switch) (Note: Not Available - Purchase Complete Controller)	
33	70003784	1	Seal	
34	4360475	1	Switch, Emergency Stop	
34	7020175	1	Cap, Red	
34A	7020176	1	Block, Contact	
35	4360476	1	Block, Contact	

SECTION 5 - PLATFORM

ITEM	PART NUMBER	QTY	DESCRIPTION	REV
36	4460007	1	Bar, Buss	
37	4460234	3	Tie-Strap	
38	4460428	2	Connector, Strain Relief	
39	4460470	1	Nut, Terminal	
40	4460471	1	Washer, Terminal	
41	4460496	1	Nut, Terminal	
42	4460497	1	Washer, Terminal	
43	4460708	2	Connector, Female - 15 Position (Not Shown - See ELECTRICAL SECTION for Location)	
44	4460905	AR	Plug, Seal (Not Shown - See ELECTRICAL SECTION for Location)	
45	4740397	11	Spacer	
46	4750800	1	Washer #8	
47	4751000	2	Washer #10	
48	4751400	8	Washer 1/4	
49	4760800	1	Washer #8	
50	4922666	1	Harness, Analyzer Cable (Not Shown - See Separate Breakdown in ELECTRICAL SECTION)	
51	4923448	1	Harness, Console Box (Not Shown - See Separate Breakdown in ELECTRICAL SECTION)	
52	1001117174	1	Footswitch Assembly (See Separate Breakdown in this Section)	
53	1001155044	11	Nut	
54	1001155045	7	Switch, Toggle	
55	1001159256	1	Switch, Toggle	
56	1001161709	2	Switch, Toggle	
57	1001161710	1	Switch, Toggle	
58	1001166538	NLA	Controller Assembly (Drive and Steer) (Use p/n 1001212415) (See Separate Breakdown in this Section)	
59	1001166539	NLA	Controller Assembly (Lift and Swing) (Use p/n 1001129555) (See Separate Breakdown in this Section)	
60	1001172760	4	Bracket, Support	

SECTION 5 - PLATFORM

FIGURE 5-22. PLATFORM CONSOLE ASSEMBLY - WITHOUT SKYGUARD (SN 0300220139 to Present, SN B300002238 to Present)



ART_1001202564

SECTION 5 - PLATFORM

FIGURE 5-22. PLATFORM CONSOLE ASSEMBLY - WITHOUT SKYGUARD (SN 0300220139 to Present, SN B300002238 to Present)

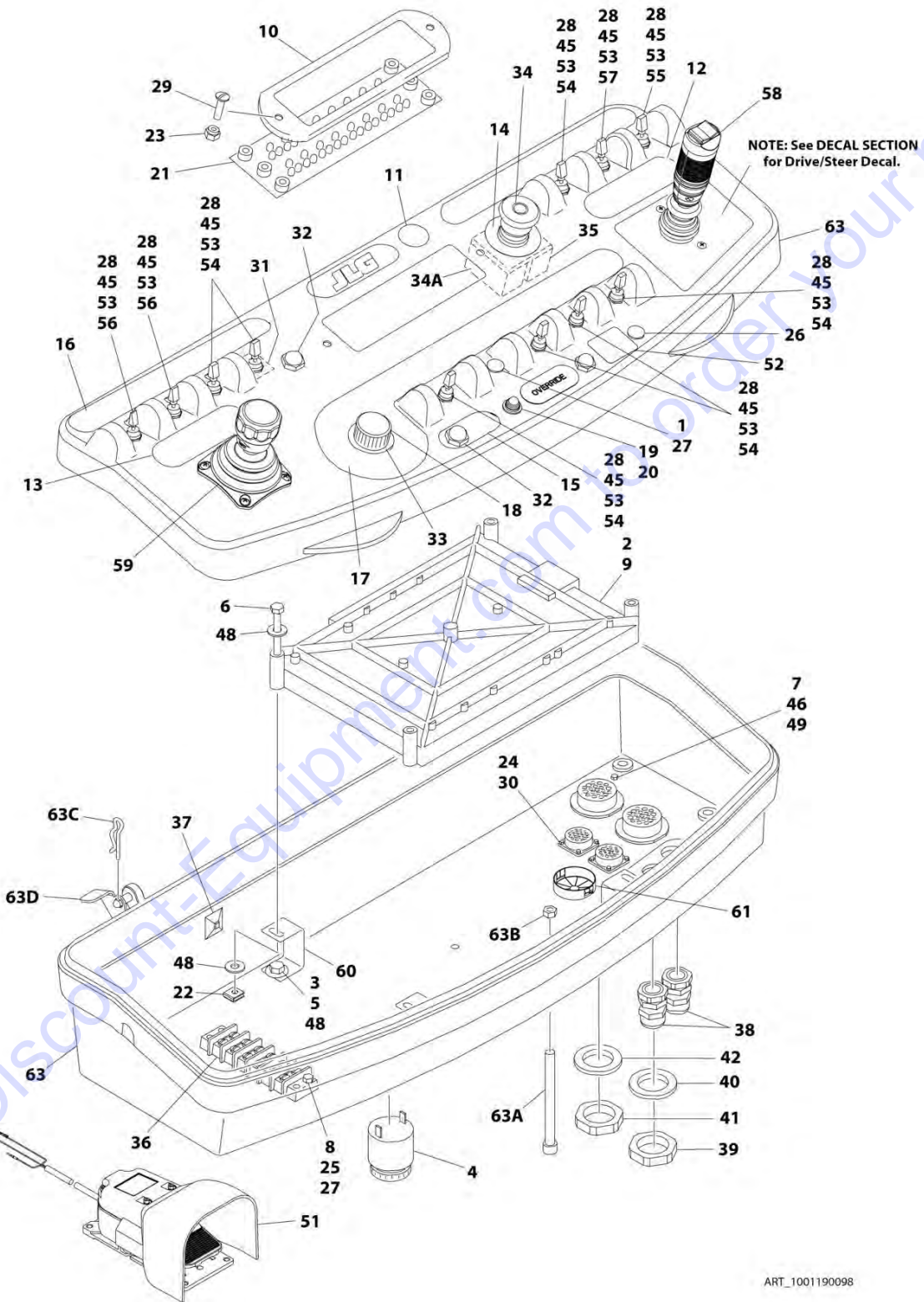
ITEM	PART NUMBER	QTY	DESCRIPTION	REV
	1001202564	Ref	PLATFORM CONSOLE ASSEMBLY - WITHOUT SKYGUARD (SN 0300220139 to Present, SN B300002238 to Present)	B
1	0100009	AR	Sealant	
2	0100048	AR	Grease, Dielectric	
3	0100081	AR	Loctite 454	
4	0140011	1	Alarm	
5	0641404	4	Bolt 1/4 x 1/2	
6	0641414	4	Bolt 1/4 x 1-3/4	
7	0720804	1	Screw #8 x 1/2	
8	0721006	2	Bolt #10 x 3/4	
9	1600343	1	Module, Platform Control (Note: Re-calibration Required when Replaced)	
9	2915024	1	Update Kit (Includes Cables, Programming Instructions and CD Software)	
10	1671176	1	Bezel	
11	1671314	1	Cover, Hole	
12	1702565	1	Decal - Drive and Steer	
13	1702566	1	Decal - Lift and Swing	
14	1704260	1	Decal - EMS	
15	1705171	1	Decal - Jib Stow	
16	1705744	1	Decal - Horn	
17	1705745	1	Decal - Function Speed	
18	2560136	1	Handle, Knob	
19	2920154	1	Panel, LED Light	
20	3300353	4	Nut, Tinnerman	
21	3300408	2	Insert, Nylon	
22	3300482	2	Nut M2.5	
23	3311005	2	Nut #10	
24	3520026	2	Plug, Hole	
25	3520027	1	Plug, Hole	
26	3520035	1	Plug, Cap	
27	3520054	1	Plug, Hole	
28	3790012	11	O-Ring	
29	3900183	2	Screw #10 x 1-1/4	
30	3900349	8	Capscrew M2.5	
31	4071074	1	Shim	
32	4360387	2	Switch, Pushbutton	
33	4360407	1	Controller, Speed	
	See Note	1	Gasket "Top Hat" (Included with Switch) (Note: Not Available - Purchase Complete Controller)	
33	70003784	1	Seal	
34	4360475	1	Switch, Emergency Stop	
34	7020175	1	Cap, Red	
34A	7020176	1	Block, Contact	
35	4360476	1	Block, Contact	
36	4460007	1	Bar, Buss	
37	4460234	3	Tie-Strap	
38	4460428	2	Connector, Strain Relief	
39	4460470	1	Nut, Terminal	
40	4460471	1	Washer, Terminal	

SECTION 5 - PLATFORM

ITEM	PART NUMBER	QTY	DESCRIPTION	REV
41	4460496	1	Nut, Terminal	
42	4460497	1	Washer, Terminal	
43	4460708	2	Connector, Female - 15 Position (Not Shown)	
44	4460905	AR	Plug, Seal (Not Shown)	
45	4740397	11	Spacer	
46	4750800	1	Washer #8	
47	4751000	2	Washer #10	
48	4751400	8	Washer 1/4	
49	4760800	1	Washer #8	
50	4922666	1	Harness, Analyzer Cable (Not Shown - See Separate Breakdown in ELECTRICAL SECTION)	
51	4923448	1	Harness, Console Box (Not Shown - See Separate Breakdown in ELECTRICAL SECTION)	
52	1001117174	1	Footswitch Assembly (See Separate Breakdown in this Section)	
53	1001155044	11	Nut	
54	1001155045	7	Switch, Toggle	
55	1001159256	1	Switch, Toggle	
56	1001161709	2	Switch, Toggle	
57	1001161710	1	Switch, Toggle	
58	1001166538	NLA	Controller Assembly (Drive and Steer) (Use p/n 1001212415) (See Separate Breakdown in this Section)	
59	1001166539	NLA	Controller Assembly (Lift and Swing) (Use p/n 1001129555) (See Separate Breakdown in this Section)	
60	1001172760	4	Bracket, Support	
61	1001201888	1	Box, Console	B
61A	0630568	1	Screw 3/8 x 4-1/2	
61B	3311601	1	Nut 3/8	
61C	3430616	2	Clevis	
61D	3470003	2	Pin	
61E	4711600	2	Washer 3/8	

SECTION 5 - PLATFORM

FIGURE 5-23. PLATFORM CONSOLE ASSEMBLY - WITH SKYGUARD (SN 0300201016 through 0300220138)



ART_1001190098

SECTION 5 - PLATFORM

FIGURE 5-23. PLATFORM CONSOLE ASSEMBLY - WITH SKYGUARD (SN 0300201016 through 0300220138)

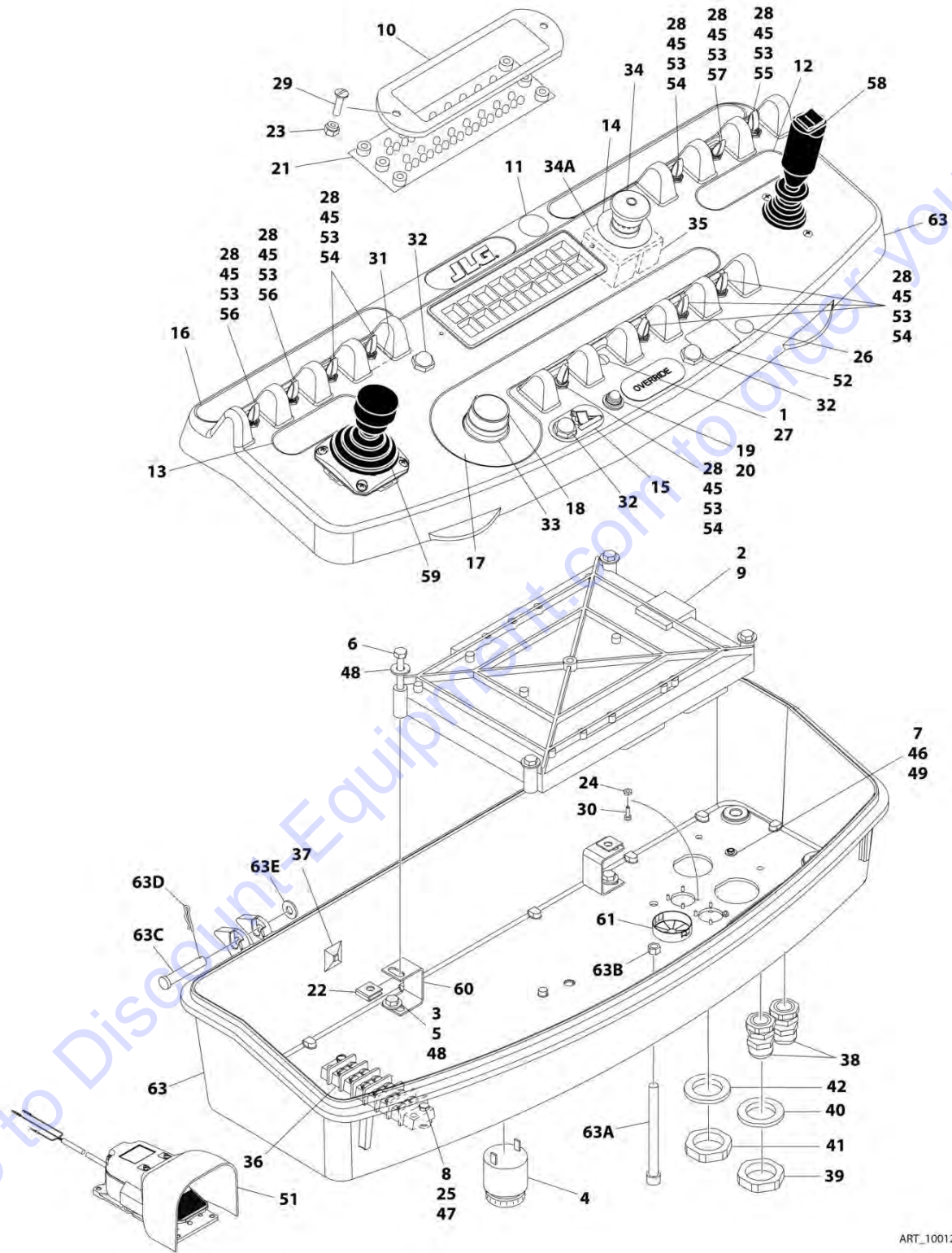
ITEM	PART NUMBER	QTY	DESCRIPTION	REV
	1001190098	Ref	PLATFORM CONSOLE ASSEMBLY - WITH SKYGUARD (SN 0300201016 through 0300220138)	C
1	0100009	AR	Sealant	
2	0100048	AR	Grease, Dielectric	
3	0100081	AR	Loctite 454	
4	0140011	1	Alarm	
5	0641404	4	Bolt 1/4 x 1/2	
6	0641414	4	Bolt 1/4 x 1-3/4	
7	0720804	1	Screw #8 x 1/2	
8	0721006	2	Bolt #10 x 3/4	
9	1600343	1	Module, Platform Control (Note: Re-calibration Required when Replaced)	
9	2915024	1	Update Kit (Includes Cables, Programming Instructions and CD Software)	
10	1671176	1	Bezel	
11	1671314	1	Cover, Hole	
12	1702565	1	Decal - Drive and Steer	
13	1702566	1	Decal - Lift and Swing	
14	1704260	1	Decal - EMS	
15	1705171	1	Decal - Jib Stow	
16	1705744	1	Decal - Horn	
17	1705745	1	Decal - Function Speed	
18	2560136	1	Handle, Knob	
19	2920028	1	Light, Indicator	
20	2920029	1	Bulb	
21	2920154	1	Panel, LED Light	
22	3300353	4	Nut, Tinnerman	
23	3300408	2	Insert, Nylon	
24	3300482	2	Nut M2.5	
25	3311005	2	Nut #10	
26	3520026	1	Plug, Hole	
27	3520054	1	Plug, Hole	
28	3790012	11	O-Ring	
29	3900183	2	Screw #10 x 1-1/4	
30	3900349	8	Capscrew M2.5	
31	4071074	1	Shim	
32	4360387	3	Switch, Pushbutton	
33	4360407	1	Controller, Speed	
	See Note	1	Gasket "Top Hat" (Included with Switch) (Note: Not Available - Purchase Complete Controller)	
33	70003784	1	Seal	
34	4360475	1	Switch, Emergency Stop	
34	7020175	1	Cap, Red	
34A	7020176	1	Block, Contact	
35	4360476	1	Block, Contact	
36	4460007	1	Bar, Buss	
37	4460234	3	Tie-Strap	
38	4460428	2	Connector, Strain Relief	
39	4460470	1	Nut, Terminal	
40	4460471	1	Washer, Terminal	

SECTION 5 - PLATFORM

ITEM	PART NUMBER	QTY	DESCRIPTION	REV
41	4460496	1	Nut, Terminal	
42	4460497	1	Washer, Terminal	
43	4460708	2	Connector, Female - 15 Position (Not Shown - See ELECTRICAL SECTION for Location)	
44	4460905	AR	Plug, Seal (Not Shown - See ELECTRICAL SECTION for Location)	
45	4740397	11	Spacer	
46	4750800	1	Washer #8	
47	4751000	2	Washer #10	
48	4751400	8	Washer 1/4	
49	4760800	1	Washer #8	
50	4922666	1	Harness, Analyzer Cable (Not Shown - See Separate Breakdown in ELECTRICAL SECTION)	
51	1001117174	1	Footswitch Assembly (See Separate Breakdown in this Section)	
52	1001144433	1	Decal - No Weight SkyGuard	
53	1001155044	11	Nut	
54	1001155045	7	Switch, Toggle	
55	1001159256	1	Switch, Toggle	
56	1001161709	2	Switch, Toggle	
57	1001161710	1	Switch, Toggle	
58	1001166538	NLA	Controller Assembly (Drive and Steer) (Use p/n 1001212415) (See Separate Breakdown in this Section)	
59	1001166539	NLA	Controller Assembly (Lift and Swing) (Use p/n 1001129555) (See Separate Breakdown in this Section)	
60	1001172760	4	Bracket, Support	
61	1001185281	1	Plug	
62	1001186477	1	Harness, Console Box (Not Shown - See Separate Breakdown in ELECTRICAL SECTION)	
63	1001190106	1	Box, Console	C
63A	0630568	1	Capscrew 3/8 X 4-1/2	
63B	3311601	1	Nut 3/8	
63C	3470003	2	Pin, Hair	
63D	4711500	2	Washer 5/16 (SN 0300201016 through 0300210408)	
63D	1001200575	2	Bracket, Stop (SN 0300210409 through 0300220138)	

SECTION 5 - PLATFORM

FIGURE 5-24. PLATFORM CONSOLE ASSEMBLY - WITH SKYGUARD (SN 0300220139 through 0300235781, SN B300002238 through B300002991)



ART_1001202562

SECTION 5 - PLATFORM

FIGURE 5-24. PLATFORM CONSOLE ASSEMBLY - WITH SKYGUARD (SN 0300220139 through 0300235781, SN B300002238 through B300002991)

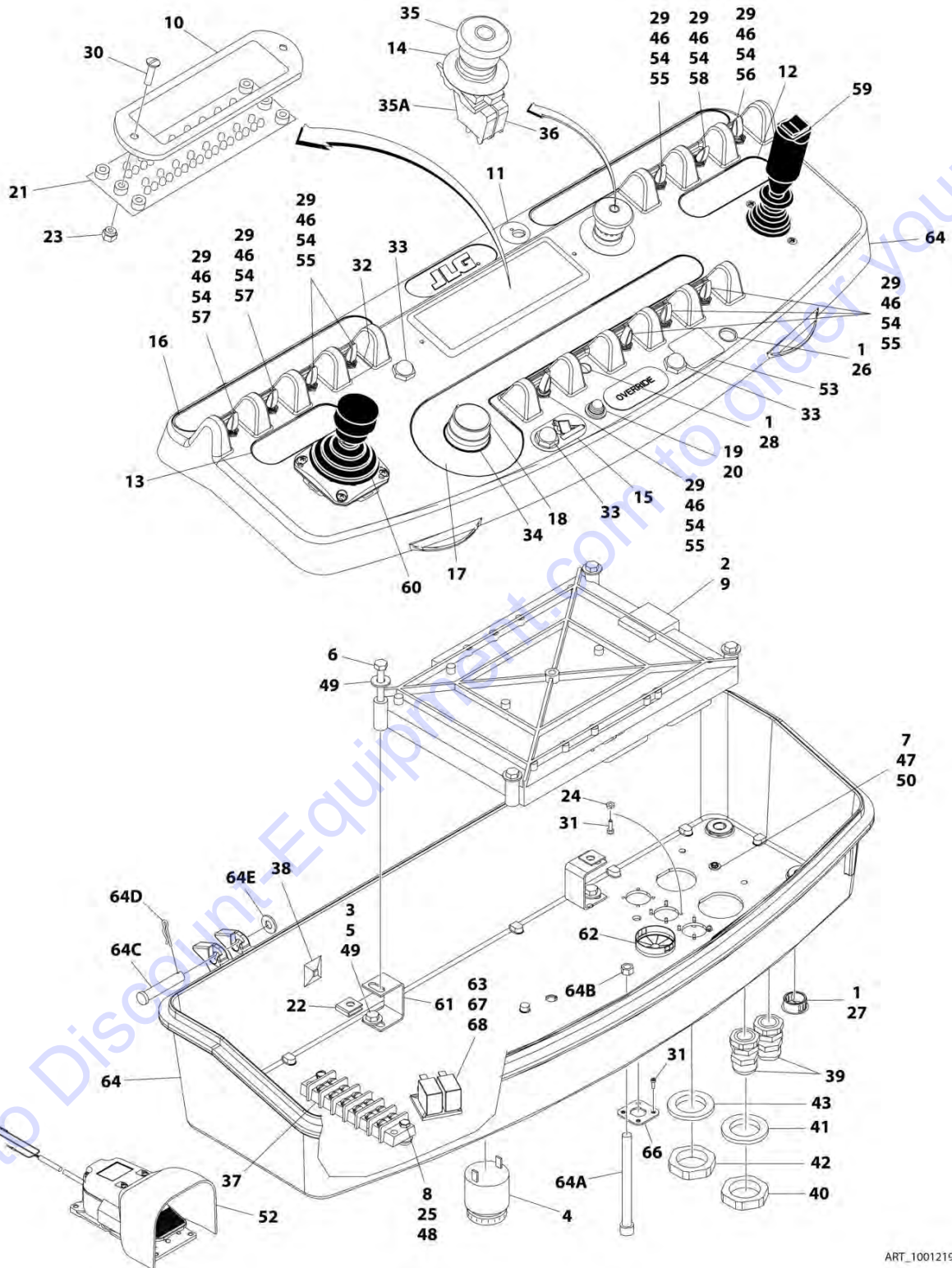
ITEM	PART NUMBER	QTY	DESCRIPTION	REV
	1001202562	Ref	PLATFORM CONSOLE ASSEMBLY - WITH SKYGUARD (SN 0300220139 through 0300235781, SN B300002238 through B300002991)	D
1	0100009	AR	Sealant	
2	0100048	AR	Grease, Dielectric	
3	0100035	AR	Compound, Locking	
4	0140011	1	Alarm	
5	0641404	4	Bolt 1/4 x 1/2	
6	0641414	4	Bolt 1/4 x 1-3/4	
7	0720804	1	Screw #8 x 1/2	
8	0721006	2	Bolt #10 x 3/4	
9	1600343	1	Module, Platform Control (Note: Re-calibration Required when Replaced)	
9	2915024	1	Update Kit (Includes Cables, Programming Instructions and CD Software)	
10	1671176	1	Bezel	
11	1671314	1	Cover, Hole	
12	1702565	1	Decal - Drive and Steer	
13	1702566	1	Decal - Lift and Swing	
14	1704260	1	Decal - EMS	
15	1705171	1	Decal - Jib Stow	
16	1705744	1	Decal - Horn	
17	1705745	1	Decal - Function Speed	
18	2560136	1	Handle, Knob	
19	2920028	1	Light, Indicator	
20	2920029	1	Bulb	
21	2920154	1	Panel, LED Light	
22	3300353	4	Nut, Tinnerman	
23	3300408	2	Insert, Nylon	
24	3300482	2	Nut M2.5	
25	3311005	2	Nut #10	
26	3520026	2	Plug, Hole	
27	3520054	1	Plug, Hole	
28	3790012	11	O-Ring	
29	3900183	2	Screw #10 x 1-1/4	
30	3900349	8	Capscrew M2.5	
31	4071074	1	Shim	
32	4360387	2	Switch, Pushbutton	
33	4360407	1	Controller, Speed	
	See Note	1	Gasket "Top Hat" (Included with Switch) (Note: Not Available - Purchase Complete Controller)	
33	70003784	1	Seal	
34	4360475	1	Switch, Emergency Stop	
34	7020175	1	Cap, Red	
34A	7020176	1	Block, Contact	
35	4360476	1	Block, Contact	
36	4460007	1	Bar, Buss	
37	4460234	3	Tie-Strap	
38	4460428	2	Connector, Strain Relief	
39	4460470	1	Nut, Terminal	

SECTION 5 - PLATFORM

ITEM	PART NUMBER	QTY	DESCRIPTION	REV
40	4460471	1	Washer, Terminal	
41	4460496	1	Nut, Terminal	
42	4460497	1	Washer, Terminal	
43	4460708	2	Connector, Female - 15 Position (Not Shown)	
44	4460905	AR	Plug, Seal (Not Shown)	
45	4740397	11	Spacer	
46	4750800	1	Washer #8	
47	4751000	2	Washer #10	
48	4751400	8	Washer 1/4	
49	4760800	1	Washer #8	
50	4922666	1	Harness, Analyzer Cable (Not Shown - See Separate Breakdown in ELECTRICAL SECTION)	
51	1001117174	1	Footswitch Assembly (See Separate Breakdown in this Section)	
52	1001144433	1	Decal - No Weight SkyGuard	
53	1001155044	11	Nut	
54	1001155045	7	Switch, Toggle	
55	1001159256	1	Switch, Toggle	
56	1001161709	2	Switch, Toggle	
57	1001161710	1	Switch, Toggle	
58	1001166538	NLA	Controller Assembly (Drive and Steer) (Use p/n 1001212415) (See Separate Breakdown in this Section)	
59	1001166539	NLA	Controller Assembly (Lift and Swing) (Use p/n 1001129555) (See Separate Breakdown in this Section)	
60	1001172760	4	Bracket, Support	
61	1001185281	1	Plug	
62	1001186477	1	Harness, Console Box (Not Shown - See Separate Breakdown in ELECTRICAL SECTION)	
63	1001201888	1	Box, Console	B
63A	0630568	1	Screw 3/8 x 4-1/2	
63B	3311601	1	Nut 3/8	
63C	3430616	2	Clevis	
63D	3470003	2	Pin	
63E	4711600	2	Washer 3/8	

SECTION 5 - PLATFORM

FIGURE 5-25. PLATFORM CONSOLE ASSEMBLY - WITH SKYGUARD (SN 0300235782 through 0300256988, SN B300002992 through B300003730)



ART_1001219987

SECTION 5 - PLATFORM

FIGURE 5-25. PLATFORM CONSOLE ASSEMBLY - WITH SKYGUARD (SN 0300235782 through 0300256988, SN B30002992 through B300003730)

ITEM	PART NUMBER	QTY	DESCRIPTION	REV
	1001219987	Ref	PLATFORM CONSOLE ASSEMBLY - WITH SKYGUARD	C
1	0100009	AR	Sealant	
2	0100048	AR	Grease, Dielectric	
3	0100035	AR	Compound, Locking	
4	0140011	1	Alarm	
5	0641404	4	Bolt 1/4 x 1/2	
6	0641414	4	Bolt 1/4 x 1-3/4	
7	0720804	1	Screw #8 x 1/2	
8	0721006	2	Bolt #10 x 3/4	
9	1600343	1	Module, Platform Control (Note: Re-calibration Required when Replaced)	
9	2915024	1	Update Kit (Includes Cables, Programming Instructions and CD Software)	
10	1671176	1	Bezel	
11	1671314	1	Cover, Hole	
12	1702565	1	Decal - Drive and Steer	
13	1702566	1	Decal - Lift and Swing	
14	1704260	1	Decal - EMS	
15	1705171	1	Decal - Jib Stow	
16	1705744	1	Decal - Horn	
17	1705745	1	Decal - Function Speed	
18	2560136	1	Handle, Knob	
19	2920028	1	Light, Indicator	
20	2920029	1	Bulb	
21	2920154	1	Panel, LED Light	
22	3300353	4	Nut, Tinnerman	
23	3300408	2	Insert, Nylon	
24	3300482	2	Nut M2.5	
25	3311005	2	Nut #10	
26	3520026	2	Plug, Hole	
27	3520030	1	Plug, Hole	
28	3520054	1	Plug, Hole	
29	3790012	11	O-Ring	
30	3900183	2	Screw #10 x 1-1/4	
31	3900349	12	Capscrew M2.5	
32	4071074	1	Shim	
33	4360387	3	Switch, Pushbutton	
34	4360407	1	Controller, Speed	
	See Note	NSS	Gasket "Top Hat" (Included with Switch) (Note: Not Available - Purchase Complete Controller)	
34	70003784	1	Seal	
35	4360475	1	Switch, Emergency Stop	
35	7020175	1	Cap, Red	
35A	7020176	1	Block, Contact	
36	4360476	1	Block, Contact	
37	4460007	1	Bar, Buss	
38	4460234	3	Tie-Strap	
39	4460428	2	Connector, Strain Relief	
40	4460470	1	Nut, Terminal	

SECTION 5 - PLATFORM

ITEM	PART NUMBER	QTY	DESCRIPTION	REV
41	4460471	1	Washer, Terminal	
42	4460496	1	Nut, Terminal	
43	4460497	1	Washer, Terminal	
44	4460708	2	Connector, Female - 15 Position (Not Shown)	
45	4460905	AR	Plug, Seal (Not Shown)	
46	4740397	11	Spacer	
47	4750800	1	Washer #8	
48	4751000	2	Washer #10	
49	4751400	8	Washer 1/4	
50	4760800	1	Washer #8	
51	4922666	1	Harness, Analyzer Cable (Not Shown - See Separate Breakdown in ELECTRICAL SECTION)	
52	1001117174	1	Footswitch Assembly (See Separate Breakdown in this Section)	
53	1001144433	1	Decal - No Weight SkyGuard	
54	1001155044	11	Nut	
55	1001155045	7	Switch, Toggle	
56	1001159256	1	Switch, Toggle	
57	1001161709	2	Switch, Toggle	
58	1001161710	1	Switch, Toggle	
59	1001166538	NLA	Controller Assembly (Drive and Steer) (Use p/n 1001212415) (See Separate Breakdown in this Section)	
60	1001166539	NLA	Controller Assembly (Lift and Swing) (Use p/n 1001129555) (See Separate Breakdown in this Section)	
61	1001172760	4	Bracket, Support	
62	1001185281	1	Plug	
63	1001186431	2	Relay	
64	1001201889	1	Box, Console	C
64A	0630568	1	Screw 3/8 x 4-1/2	
64B	3311601	1	Nut 3/8	
64C	3430616	2	Clevis	
64D	3470003	2	Pin	
64E	4711600	2	Washer 3/8	
65	1001220866	1	Harness, Console Box (Not Shown - See Separate Breakdown in ELECTRICAL SECTION)	
66	1001220929	1	Mount	
67	4240032	1	Tie-Strap	
68	4460488	1	Mount, Tie-Strap	
69	1001225580	1	Harness, Interface (Not Shown - See Separate Breakdown in ELECTRICAL SECTION)	

PARTS FINDER

**Search Website
by Part Number**



**Search Manual
Library For Parts
Manual & Lookup Part
Numbers – Purchase
or Request Quote**

**Can't Find Part or
Manual? Request Help
by Manufacturer,
Model & Description**

Discount-Equipment.com is your online resource for quality parts & equipment.

Florida: **561-964-4949** Outside Florida TOLL FREE: **877-690-3101**

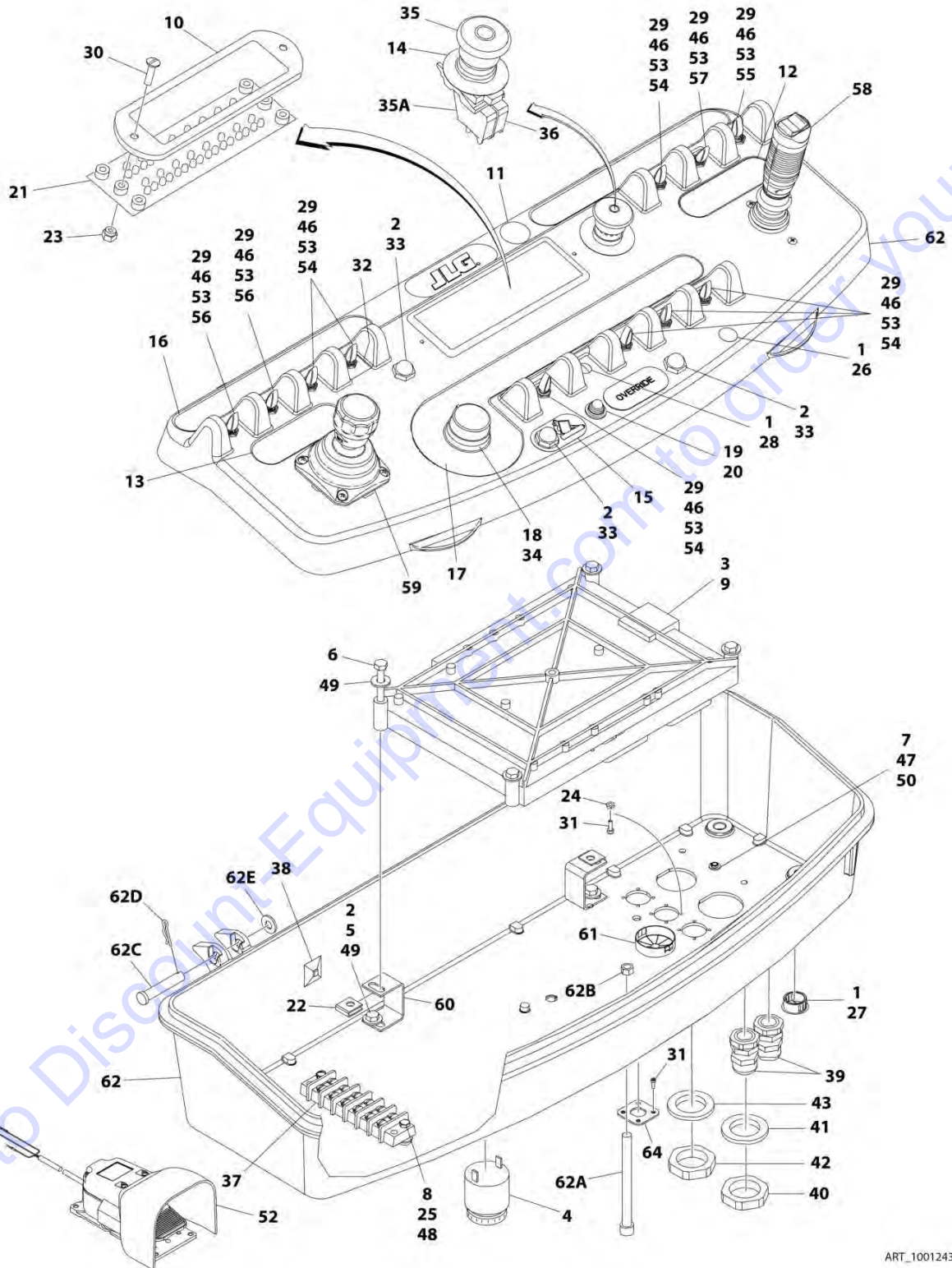
Need parts?

Click on this link: <http://www.discount-equipment.com/category/5443-parts/> and choose one of the options to help get the right parts and equipment you are looking for. Please have the machine model and serial number available in order to help us get you the correct parts. If you don't find the part on the website or on one of the online manuals, please fill out the request form and one of our experienced staff members will get back to you with a quote for the right part that your machine needs.

We sell worldwide for the brands: Genie, Terex, JLG, MultiQuip, Mikasa, Essick, Whiteman, Mayco, Toro Stone, Diamond Products, Generac Magnum, Airman, Haulotte, Barreto, Power Blanket, Nifty Lift, Atlas Copco, Chicago Pneumatic, Allmand, Miller Curber, Skyjack, Lull, Skytrak, Tsurumi, Husquvarna Target, Stow, Wacker, Sakai, Mi-T-M, Sullair, Basic, Dynapac, MBW, Weber, Bartell, Bennar Newman, Haulotte, Ditch Runner, Menegotti, Morrison, Contec, Buddy, Crown, Edco, Wyco, Bomag, Laymor, EZ Trench, Bil-Jax, F.S. Curtis, Gehl Pavers, Heli, Honda, ICS/PowerGrit, IHI, Partner, Imer, Clipper, MMD, Koshin, Rice, CH&E, General Equipment, Amida, Coleman, NAC, Gradall, Square Shooter, Kent, Stanley, Tamco, Toku, Hatz, Kohler, Robin, Wisconsin, Northrock, Oztec, Toker TK, Rol-Air, APT, Wylie, Ingersoll Rand / Doosan, Innovatech, Con X, Ammann, Mecalac, Makinex, Smith Surface Prep, Small Line, Wanco, Yanmar

SECTION 5 - PLATFORM

FIGURE 5-26. PLATFORM CONSOLE ASSEMBLY (SN 03002256989 to Present, SN B300003731 to Present)



ART_1001243461-A

SECTION 5 - PLATFORM

FIGURE 5-26. PLATFORM CONSOLE ASSEMBLY (SN 03002256989 to Present, SN B300003731 to Present)

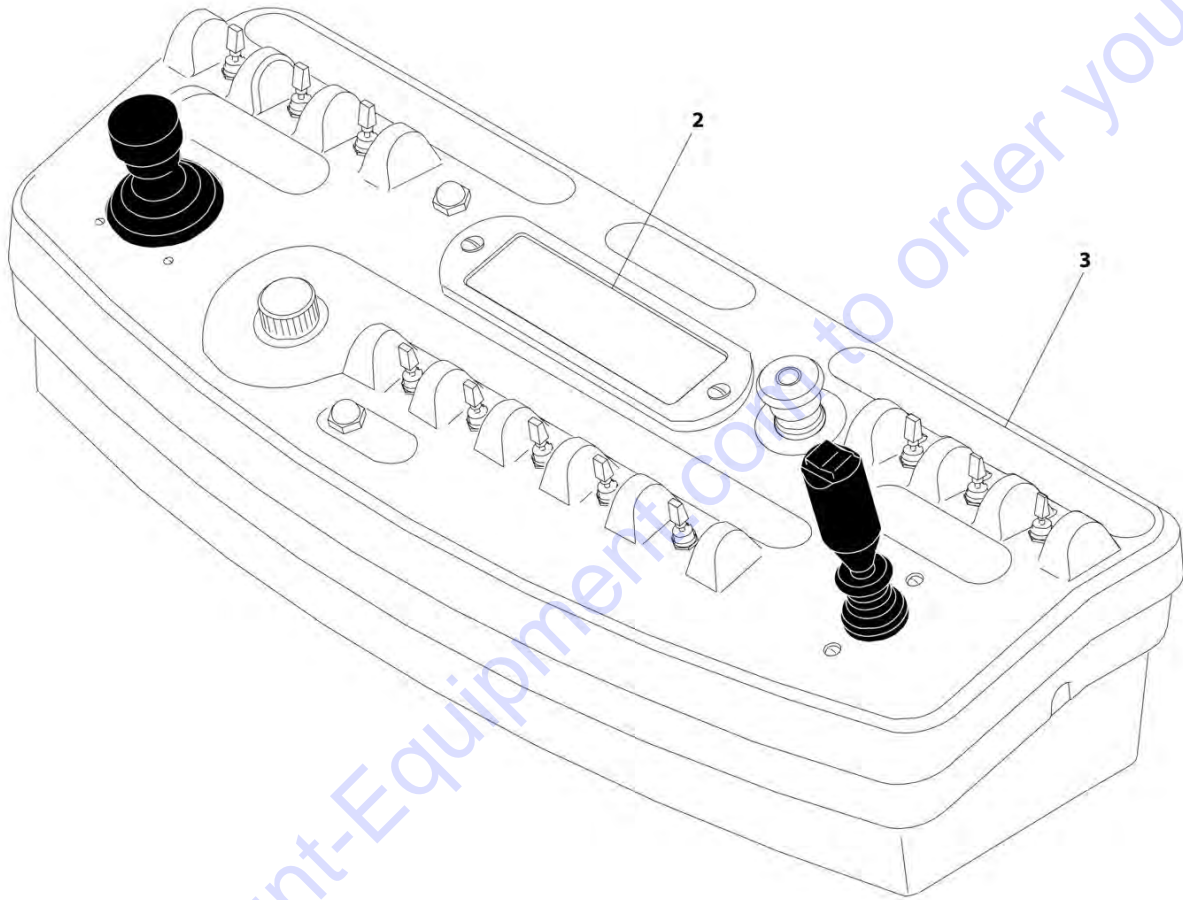
ITEM	PART NUMBER	QTY	DESCRIPTION	REV
	1001243461	Ref	PLATFORM CONSOLE ASSEMBLY	A
1	0100009	AR	Sealant	
2	0100035	AR	Compound, Locking	
3	0100048	AR	Grease, Dielectric	
4	0140011	1	Alarm	
5	0641404	4	Bolt 1/4 x 1/2	
6	0641414	4	Bolt 1/4 x 1-3/4	
7	0720804	1	Screw #8 x 1/2	
8	0721006	2	Bolt #10 x 3/4	
9	1600343	1	Module, Platform Control (Note: Re-calibration Required when Replaced)	
9	2915024	1	Update Kit (Includes Cables, Programming Instructions and CD Software)	
10	1671176	1	Bezel	
11	1671314	1	Cover, Hole	
12	1702565	1	Decal - Drive and Steer	
13	1702566	1	Decal - Lift and Swing	
14	1704260	1	Decal - EMS	
15	1705171	1	Decal - Jib Stow	
16	1705744	1	Decal - Horn	
17	1705745	1	Decal - Function Speed	
18	2560136	1	Handle, Knob	
19	2920028	1	Light, Indicator	
20	2920029	1	Bulb	
21	2920154	1	Panel, LED Light	
22	3300353	4	Nut, Tinnerman	
23	3300408	2	Insert, Nylon	
24	3300482	2	Nut M2.5	
25	3311005	2	Nut #10	
26	3520026	1	Plug, Hole	
27	3520030	1	Plug, Hole	
28	3520054	1	Plug, Hole	
29	3790012	11	O-Ring	
30	3900183	2	Screw #10 x 1-1/4	
31	3900349	12	Capscrew M2.5	
32	4071074	1	Shim	
33	4360387	3	Switch, Pushbutton	
34	4360407	1	Controller, Speed	
	See Note	NSS	Gasket "Top Hat" (Included with Switch) (Note: Not Available - Purchase Complete Controller)	
34	70003784	1	Seal	
35	4360475	1	Switch, Emergency Stop	
35	7020175	1	Cap	
35A	7020176	1	Block, Contact	
36	4360476	1	Block, Contact	
37	4460007	1	Bar, Buss	
38	4460234	3	Tie-Strap	
39	4460428	2	Connector, Strain Relief	
40	4460470	1	Nut, Terminal	

SECTION 5 - PLATFORM

ITEM	PART NUMBER	QTY	DESCRIPTION	REV
41	4460471	1	Washer, Terminal	
42	4460496	1	Nut, Terminal	
43	4460497	1	Washer, Terminal	
44	4460708	2	Connector, Female - 15 Position (Not Shown)	
45	4460905	AR	Plug, Seal (Not Shown)	
46	4740397	11	Spacer	
47	4750800	1	Washer #8	
48	4751000	2	Washer #10	
49	4751400	8	Washer 1/4	
50	4760800	1	Washer	
51	4922666	1	Harness, Analyzer Cable (Not Shown - See Separate Breakdown in ELECTRICAL SECTION)	
52	1001117174	1	Footswitch Assembly (See Separate Breakdown in this Section)	
53	1001155044	11	Nut 15/32-32	
54	1001155045	7	Switch, Toggle	
55	1001159156	1	Switch, Toggle	
56	1001161709	2	Switch, Toggle	
57	1001161710	1	Switch, Toggle	
58	1001166538	NLA	Controller Assembly - Drive and Steer (See CONTROLLER ASSEMBLY - DRIVE AND STEER for Breakdown)	
59	1001166539	NLA	Controller Assembly - Lift and Swing (See CONTROLLER ASSEMBLY - LIFT AND SWING for Breakdown)	
60	1001172760	4	Bracket, Support	
61	1001185281	1	Plug	
62	1001201889	1	Box, Console	C
62A	0630568	1	Screw 3/8 x 4-1/2	
62B	3311601	1	Nut 3/8	
62C	3430616	2	Clevis	
62D	3470003	2	Pin	
62E	4711600	2	Washer 3/8	
63	1001220866	1	Harness, Console Box (Not Shown - See Separate Breakdown in ELECTRICAL SECTION)	
64	1001220929	1	Mount, Connector	

SECTION 5 - PLATFORM

FIGURE 5-27. DECAL AND LIGHT PANEL (ANSI SPECS)



ART_1001121826_20F2

SECTION 5 - PLATFORM

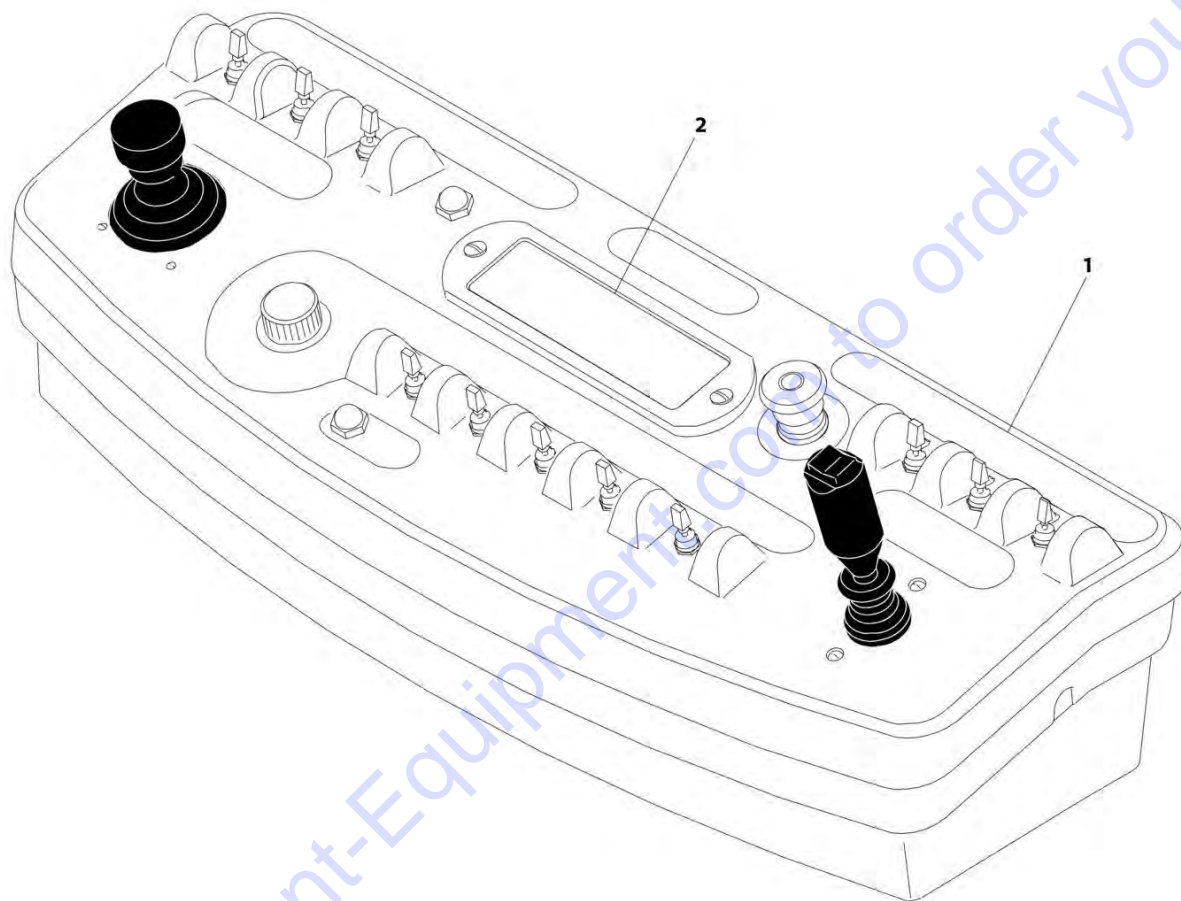
FIGURE 5-27. DECAL AND LIGHT PANEL (ANSI SPECS)

ITEM	PART NUMBER	QTY	DESCRIPTION	REV
	1001121826	Ref	DECAL AND LIGHT PANEL (ANSI SPECS)	A
2	1001122384	1	Decal - Display	
3	1001122611	1	Decal - Stop	

Go to Discount-Equipment.com to order your parts

SECTION 5 - PLATFORM

FIGURE 5-28. DECAL AND LIGHT PANEL (CE SPECS)



ART_1001121827_2OF2

SECTION 5 - PLATFORM

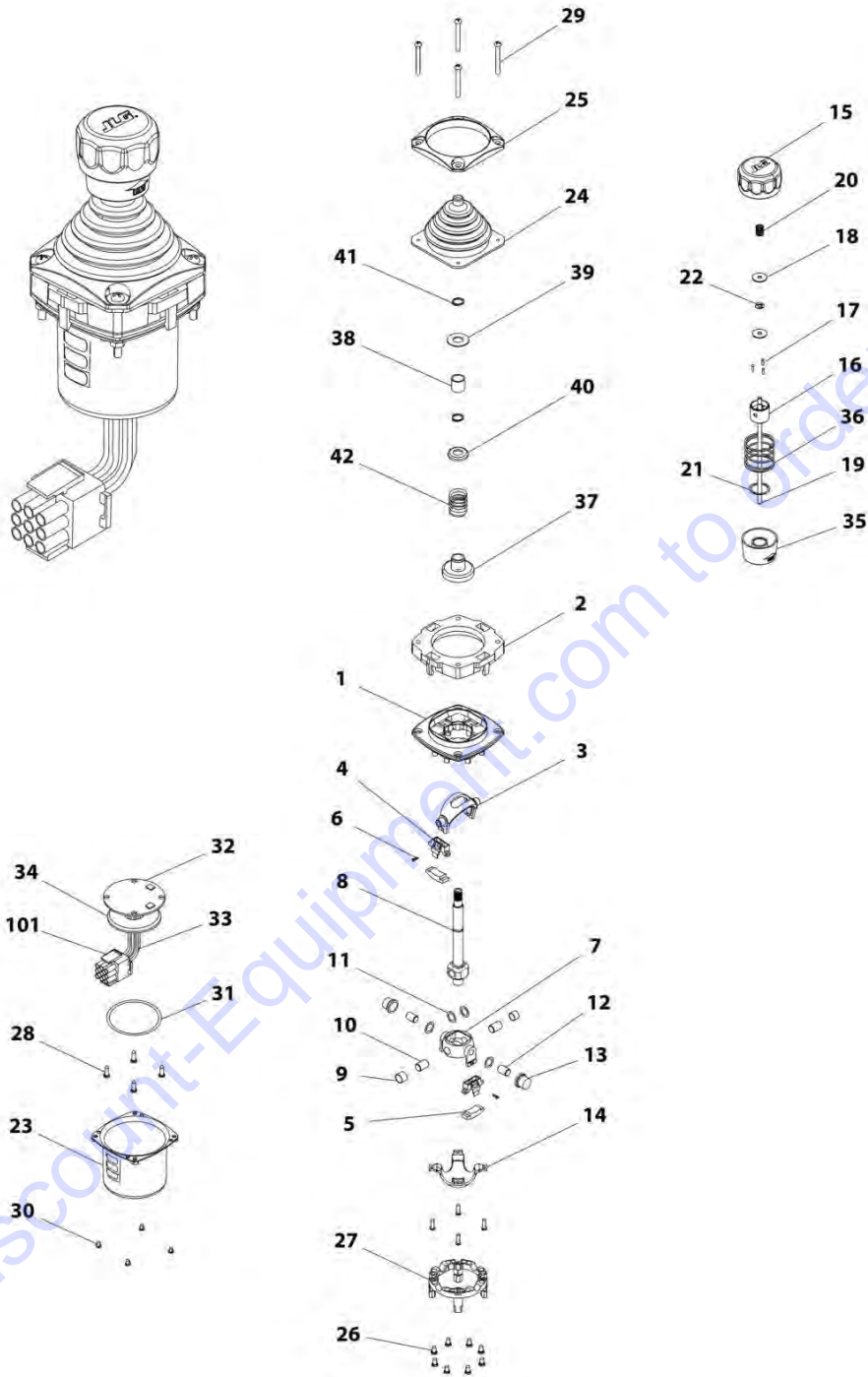
FIGURE 5-28. DECAL AND LIGHT PANEL (CE SPECS)

ITEM	PART NUMBER	QTY	DESCRIPTION	REV
	1001121827	Ref	DECAL AND LIGHT PANEL (CE SPECS)	A
1	1705174	1	Decal - Stop	
2	1705973	1	Decal - Display	

Go to Discount-Equipment.com to order your parts

SECTION 5 - PLATFORM

FIGURE 5-29. CONTROLLER ASSEMBLY (LIFT AND SWING)



ART_1001166539

SECTION 5 - PLATFORM

FIGURE 5-29. CONTROLLER ASSEMBLY (LIFT AND SWING)

ITEM	PART NUMBER	QTY	DESCRIPTION	REV
	1001166539	Ref	CONTROLLER ASSEMBLY (LIFT AND SWING)	D
		Ref	Note: Use p/n 1001129555 as replacement.	
1	See Note	1	Main Cast Body (Note: Not Available - Purchase Complete Assembly)	
2	70004752	1	Adapter	
3	See Note	1	Pivot Arm, Plastic (Note: Not Available - Purchase Complete Assembly)	
4	See Note	2	Holder, Magnet (Note: Not Available - Purchase Complete Assembly)	
5	See Note	2	Arc, Magnet (Note: Not Available - Purchase Complete Assembly)	
6	See Note	2	Screw (Note: Not Available for Purchase)	
7	See Note	1	Pivot Arm, Cast (Note: Not Available - Purchase Complete Assembly)	
8	See Note	1	Shaft, Main (Note: Not Available - Purchase Complete Assembly)	
9	See Note	2	Bearing (Note: Not Available - Purchase Complete Assembly)	
10	See Note	2	Pin (Note: Not Available - Purchase Complete Assembly)	
11	See Note	4	Shim (Note: Not Available - Purchase Complete Assembly)	
12	See Note	2	Pin (Note: Not Available - Purchase Complete Assembly)	
13	See Note	2	Bearing (Note: Not Available - Purchase Complete Assembly)	
14	See Note	1	Dome, Centering (Note: Not Available - Purchase Complete Assembly)	
15	70004753	1	Cap	
16	70004754	1	Insert, Cap	
17	70004755	3	Pin	
18	70004756	2	Washer	
19	70004757	1	Pin, Centering	
20	70004758	1	Spring	
21	70004759	1	Ring, Retaining	
22	70004760	1	E-Ring	
23	70004761	1	Can, Enclosure	
24	70004762	1	Boot	
25	70004763	1	Bezel	
26	See Note	8	Screw (Note: Not Available for Purchase)	
27	See Note	1	Base, Mounting (Note: Not Available - Purchase Complete Assembly)	
28	See Note	4	Screw (Note: Not Available for Purchase)	
29	70004764	4	Screw	
30	70004765	4	Screw	
31	70004766	1	O-Ring	
32	See Note	1	Plate (Note: Not Available - Purchase Complete Assembly)	
33	See Note	1	Harness (Note: Not Available - Purchase Complete Assembly)	
34	70004767	1	Grommet, Rubber	
35	70004768	1	Housing	
36	70004769	1	Spring	
37	70004770	1	Stopper	
38	70004771	1	Spacer	
39	70004772	1	Washer	
40	70004773	1	Disc	
41	70004774	2	Ring, Retaining	
42	70004775	1	Spring	
101	4460265	1	Connector - 9 Position	

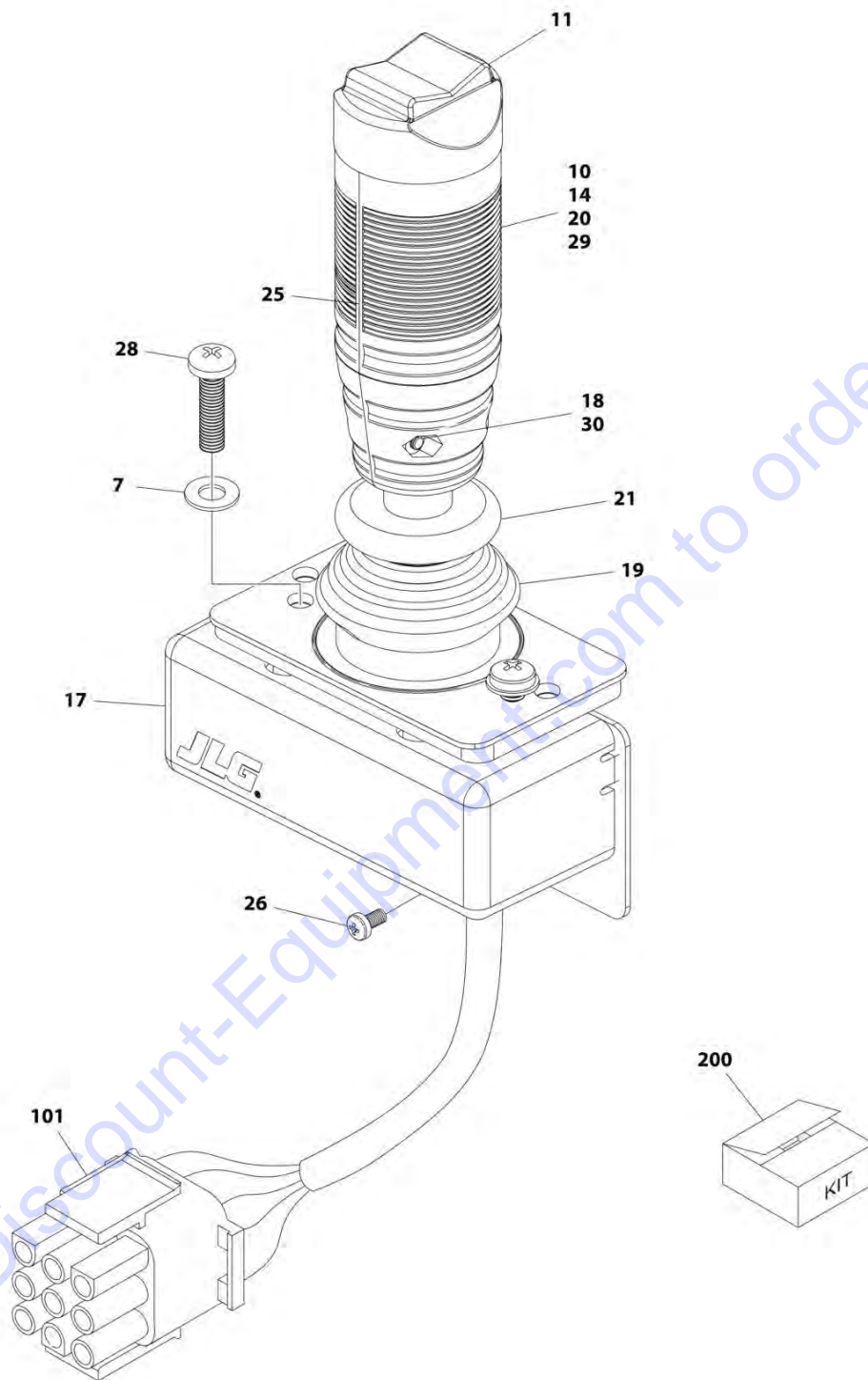
SECTION 5 - PLATFORM

ITEM	PART NUMBER	QTY	DESCRIPTION	REV
101	4460226	6	Socket, Female	

Go to Discount-Equipment.com to order your parts

SECTION 5 - PLATFORM

FIGURE 5-30. CONTROLLER ASSEMBLY (DRIVE AND STEER)



ART_1001166538

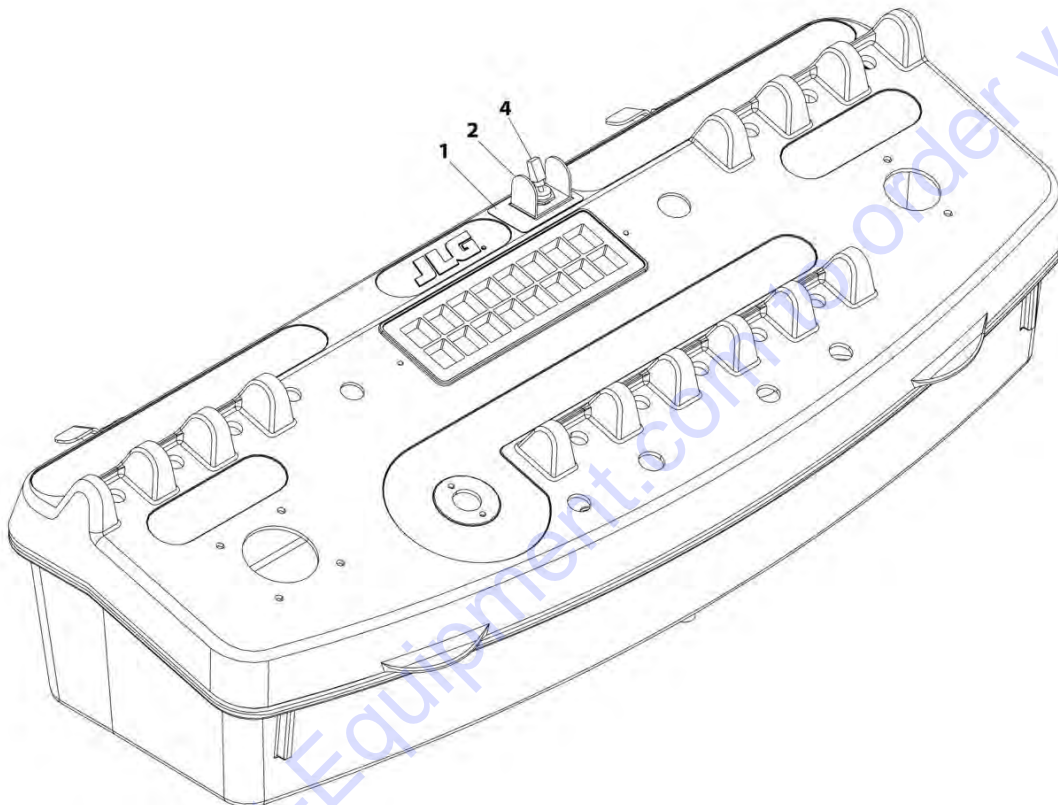
SECTION 5 - PLATFORM

FIGURE 5-30. CONTROLLER ASSEMBLY (DRIVE AND STEER)

ITEM	PART NUMBER	QTY	DESCRIPTION	REV
	1001166538	Ref	CONTROLLER ASSEMBLY (DRIVE AND STEER)	G
		Ref	Note: Use p/n 1001212415 Kit as Replacement.	
7	70004738	2	Washer	
10	70004739	1	Roller	
11	70004740	1	Boot, Switch	
14	70004741	2	Half, Handle	
17	70004742	1	Enclosure	
18	70004743	4	Nut	
19	70004744	NLA	Boot, Controller (Use Item 200)	
20	70004745	NLA	Tube, Locking (Use Item 200)	
21	70004746	NLA	Disc, Locking (Use Item 200)	
25	70004747	2	Seal, Rope	
26	70004748	1	Screw M3 x 6	
28	70004749	2	Screw M5 x 20	
29	70004750	1	Pin, Dowel	
30	70004751	4	Screw M3 x 16	
101	4460265	1	Connector - 9 Position	
101	4460226	7	Socket, Female	
200	70005230	1	Boot Kit (Includes Items 19-21)	

SECTION 5 - PLATFORM

FIGURE 5-31. BOOM CONTROL SELECT SWITCH INSTALLATION



ART_0275098

SECTION 5 - PLATFORM

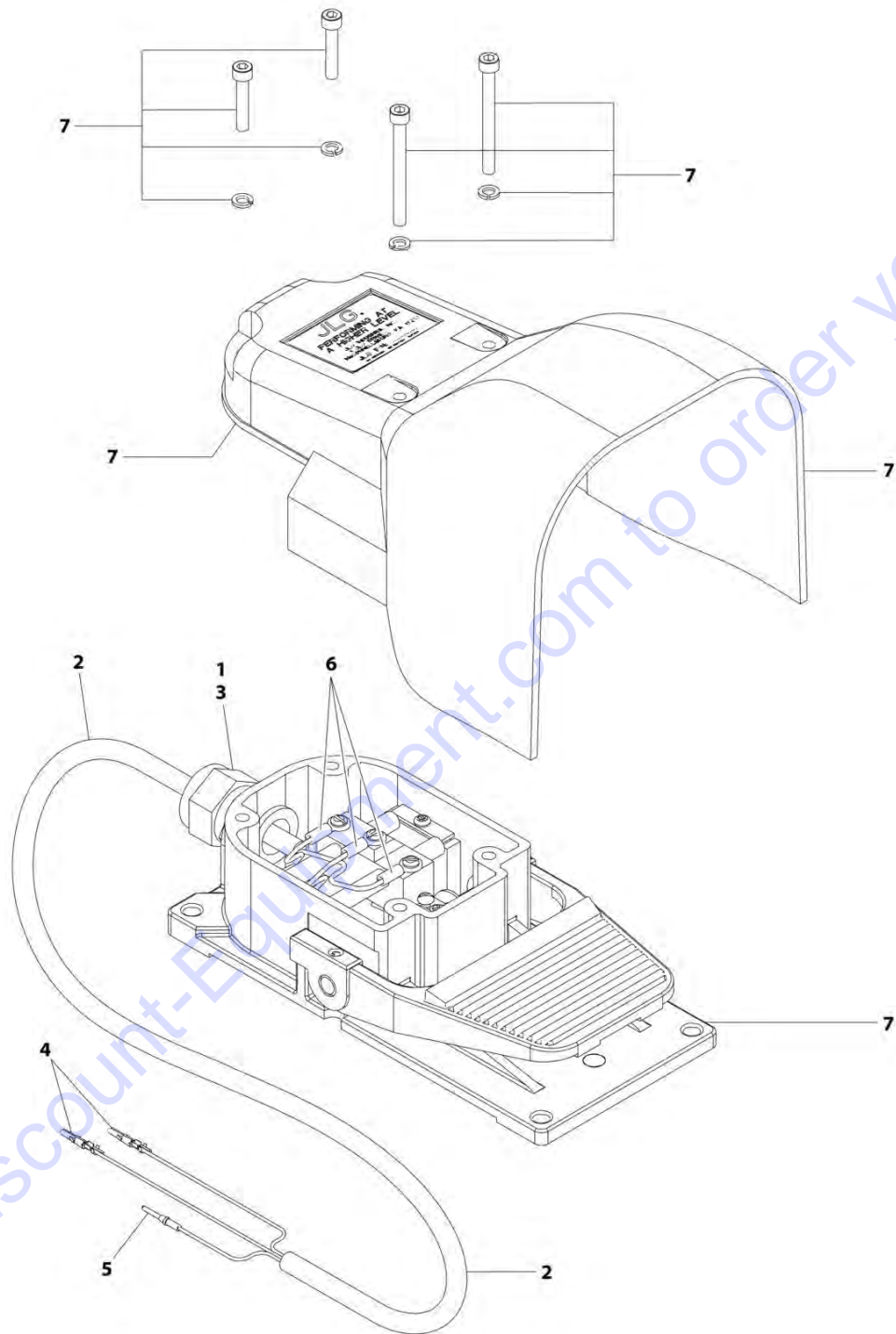
FIGURE 5-31. BOOM CONTROL SELECT SWITCH INSTALLATION

ITEM	PART NUMBER	QTY	DESCRIPTION	REV
	0275098	Ref	BOOM CONTROL SELECT SWITCH INSTALLATION	B
1	1706741	1	Decal - Boom Control Select	
2	4060906	1	Guard	
4	4360336	1	Switch, Toggle	

Go to Discount-Equipment.com to order your parts

SECTION 5 - PLATFORM

FIGURE 5-32. FOOTSWITCH ASSEMBLY



ART_1001117174

SECTION 5 - PLATFORM

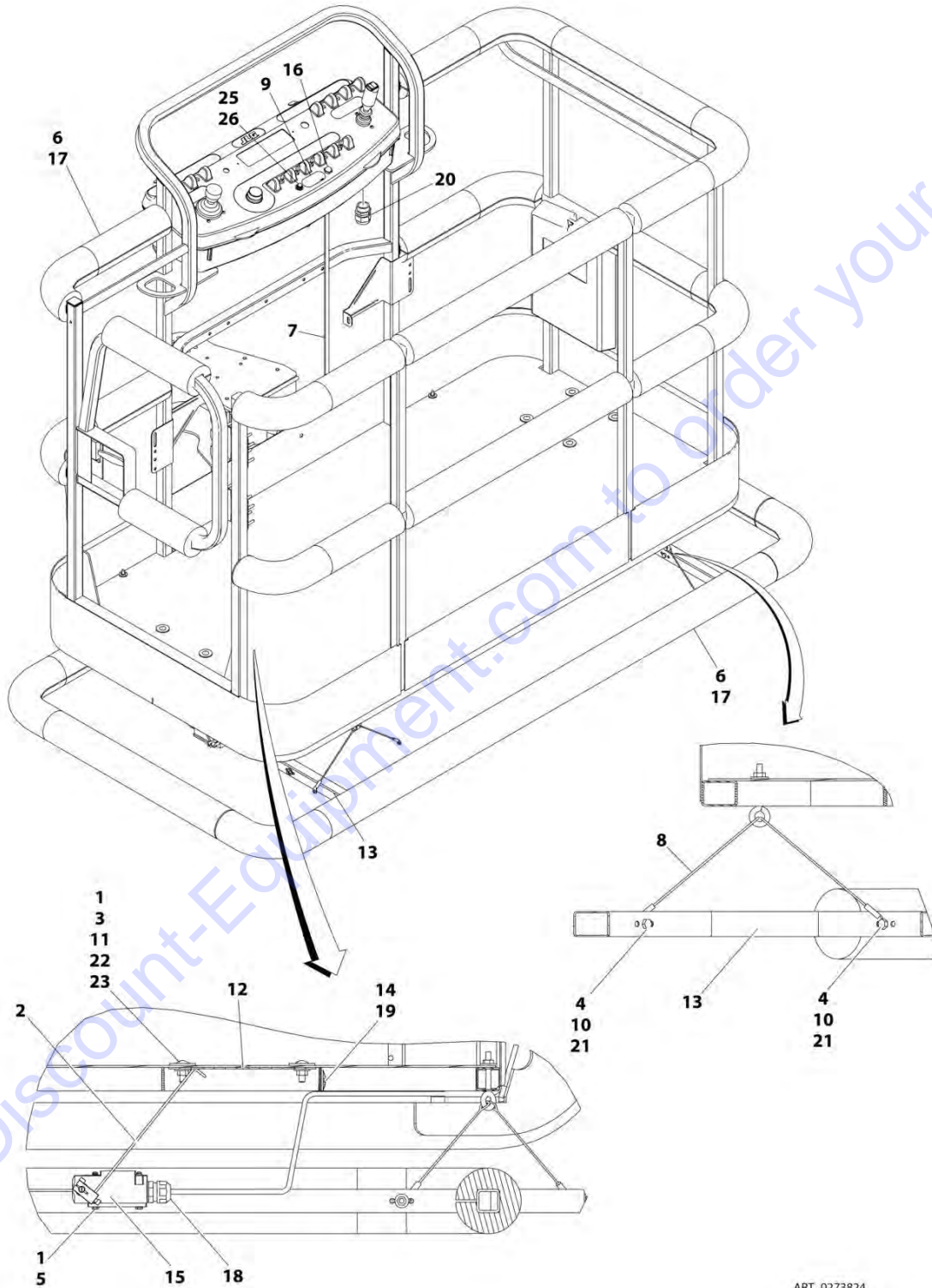
FIGURE 5-32. FOOTSWITCH ASSEMBLY

ITEM	PART NUMBER	QTY	DESCRIPTION	REV
	1001117174	Ref	FOOTSWITCH ASSEMBLY	B
1	0100020	AR	Sealant	
2	1060918	7.5 ft /2.3m	Cable, Electrical - 18/3	
3	4460071	1	Connector, Strain Relief	
4	4460226	2	Socket, Female	
5	4460464	1	Pin, Male	
6	1001098122	3	Terminal	
7	1001117172	1	Footswitch	
7	70002902	1	Switch, 20A	
7	70002903	1	Gasket	
7	70002904	1	Kit, Replacement Bolt	
7	70002905	1	Cover	

Go to Discount-Equipment.com to order your parts

SECTION 5 - PLATFORM

FIGURE 5-33. SOFT TOUCH SYSTEM INSTALLATION - 6FT/1.8M PLATFORMS (OPTIONAL)



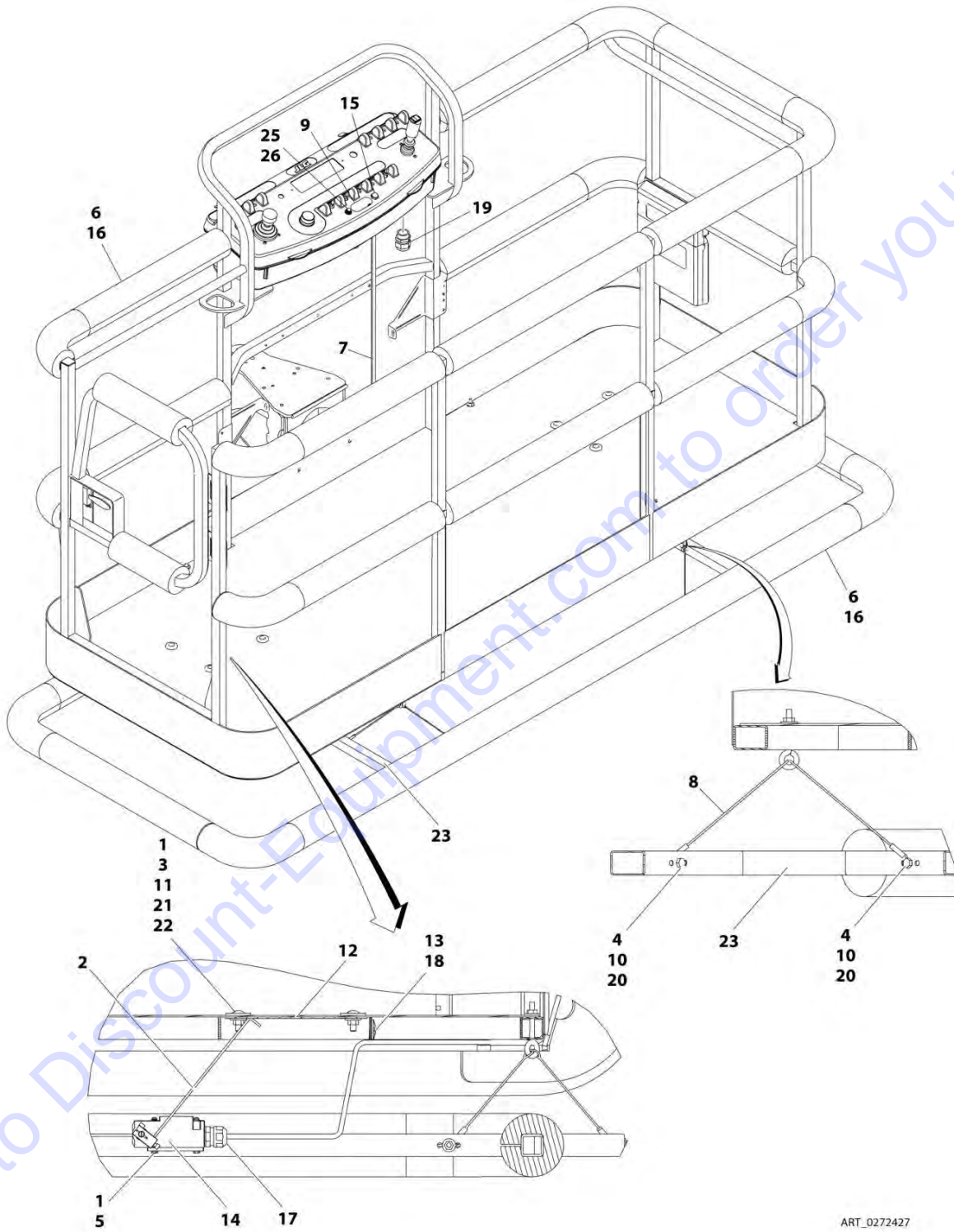
SECTION 5 - PLATFORM

FIGURE 5-33. SOFT TOUCH SYSTEM INSTALLATION - 6FT/1.8M PLATFORMS (OPTIONAL)

ITEM	PART NUMBER	QTY	DESCRIPTION	REV
	0273824	Ref	SOFT TOUCH SYSTEM INSTALLATION - 6FT/1.8M PLATFORMS (OPTIONAL)	D
1	0100011	AR	Compound, Locking	
2	0200048	2	Arm, Switch	
3	0630462	8	Bolt, Carriage	
4	0641414	8	Bolt 1/4 x 1-3/4	
5	0721005	4	Bolt #10 x 5/8	
6	0940134	1	Bumper Kit	
6	0940092	AR	Bumper (Corner)	
6	0940094	AR	Bumper (12ft Length)	
7	1060341	23 ft/ 7m	Cable, Electrical - 16/2	
8	1060903	4	Wire Rope and Eyebolt Assembly	
9	1702938	1	Decal - Soft Touch Override	
10	3311401	8	Nut 1/4	
11	3311501	8	Nut 5/16	
12	3575359	2	Plate, Switch Strike	
13	3641569	1	Rail, Soft Touch	
14	4240099	7	Tie-Strap	
15	4360057	2	Switch, Limit	
16	4360387	1	Switch, Push Button	
17	4420068	AR	Tape, Adhesive	
17	1001197017	AR	Tie-Strap	
18	4460049	2	Connector, Strain Relief	
19	4460234	7	Mount, Tie-Strap	
20	4460425	1	Connector, Strain Relief	
21	4751400	8	Washer 1/4	
22	4751500	12	Washer 5/16	
23	4751800	8	Washer 1/2	
24	4933218	1	Wiring Diagram (Not Shown - See Separate Breakdown in ELECTRICAL SECTION)	
25	2920028	1	Light, Indicator	
26	2920029	1	Bulb	

SECTION 5 - PLATFORM

FIGURE 5-34. SOFT TOUCH SYSTEM INSTALLATION - 8FT/2.4M PLATFORMS (OPTIONAL)



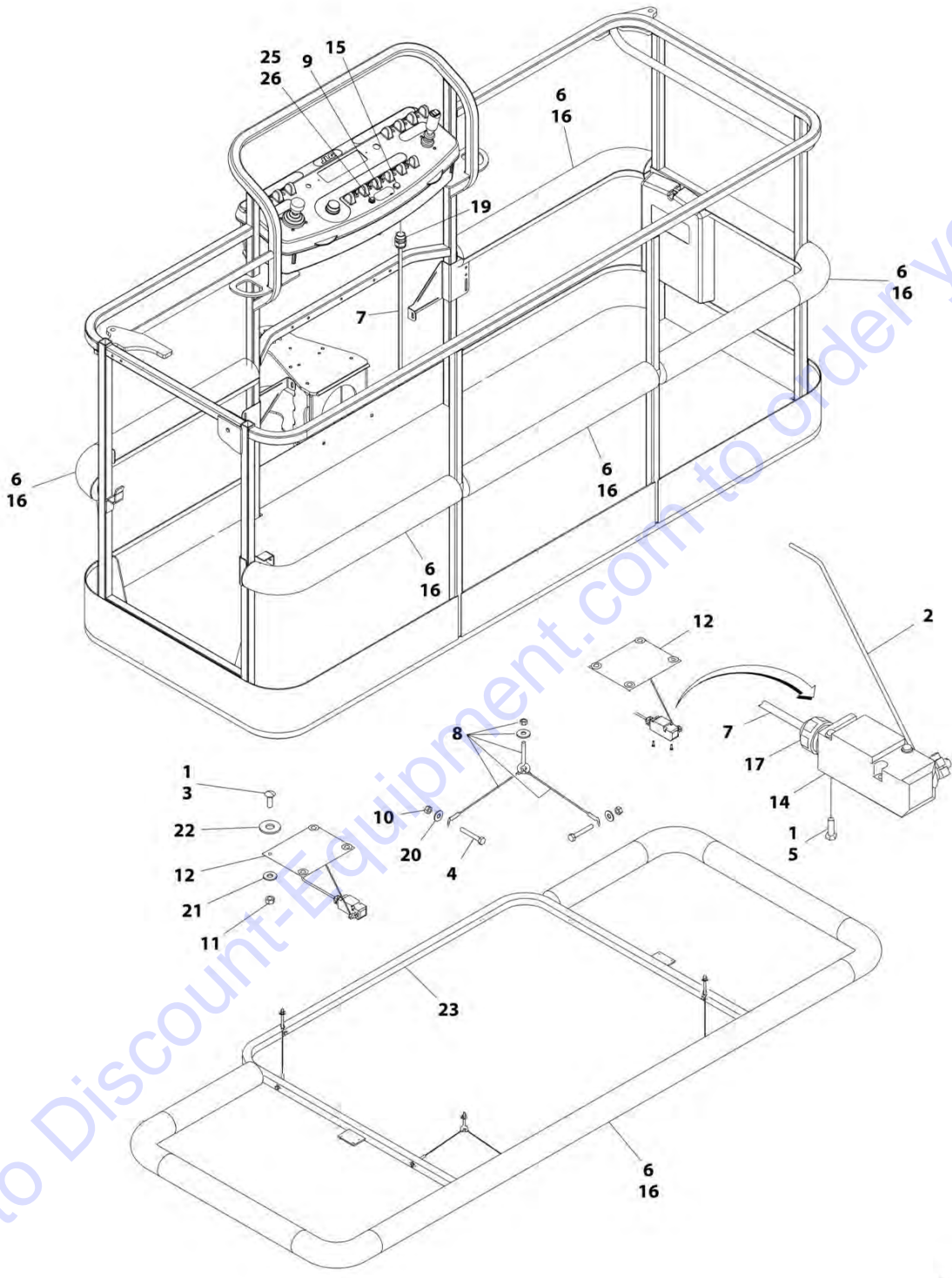
SECTION 5 - PLATFORM

FIGURE 5-34. SOFT TOUCH SYSTEM INSTALLATION - 8FT/2.4M PLATFORMS (OPTIONAL)

ITEM	PART NUMBER	QTY	DESCRIPTION	REV
	0272427	Ref	SOFT TOUCH SYSTEM INSTALLATION - 8FT/2.4M PLATFORMS (OPTIONAL)	G
1	0100011	AR	Compound, Locking	
2	0200048	2	Arm, Switch	
3	0630462	8	Bolt, Carriage	
4	0641414	8	Bolt 1/4 x 1-3/4	
5	0721005	4	Bolt #10 x 5/8	
6	0940103	1	Bumper Kit	
6	0940092	AR	Bumper (Corner)	
6	0940094	AR	Bumper (12ft Length)	
7	1060341	23 ft/ 7m	Cable, Electrical - 16/2	
8	1060903	4	Wire Rope and Eyebolt Assembly	
9	1702938	1	Decal - Soft Touch Override	
10	3311401	8	Nut 1/4	
11	3311501	8	Nut 5/16	
12	3574091	2	Plate, Switch Strike	
13	4240099	7	Tie-Strap	
14	4360057	2	Switch, Limit	
15	4360387	1	Switch, Push Button	
16	4420068	AR	Tape, Adhesive	
16	1001197017	AR	Tie-Strap	
17	4460049	2	Connector, Strain Relief	
18	4460234	7	Mount, Tie-Strap	
19	4460425	1	Connector, Strain Relief	
20	4751400	8	Washer 1/4	
21	4751500	12	Washer 5/16	
22	4751800	8	Washer 1/2	
23	4846673	1	Rail, Soft Touch	
24	4933218	1	Wiring Diagram (Not Shown - See Separate Breakdown in ELECTRICAL SECTION)	
25	2920028	1	Light, Indicator	
26	2920029	1	Bulb	

SECTION 5 - PLATFORM

FIGURE 5-35. SOFT TOUCH INSTALLATION - 8FT (2.4M) FALL ARREST PLATFORM (OPTIONAL)



ART_0273706

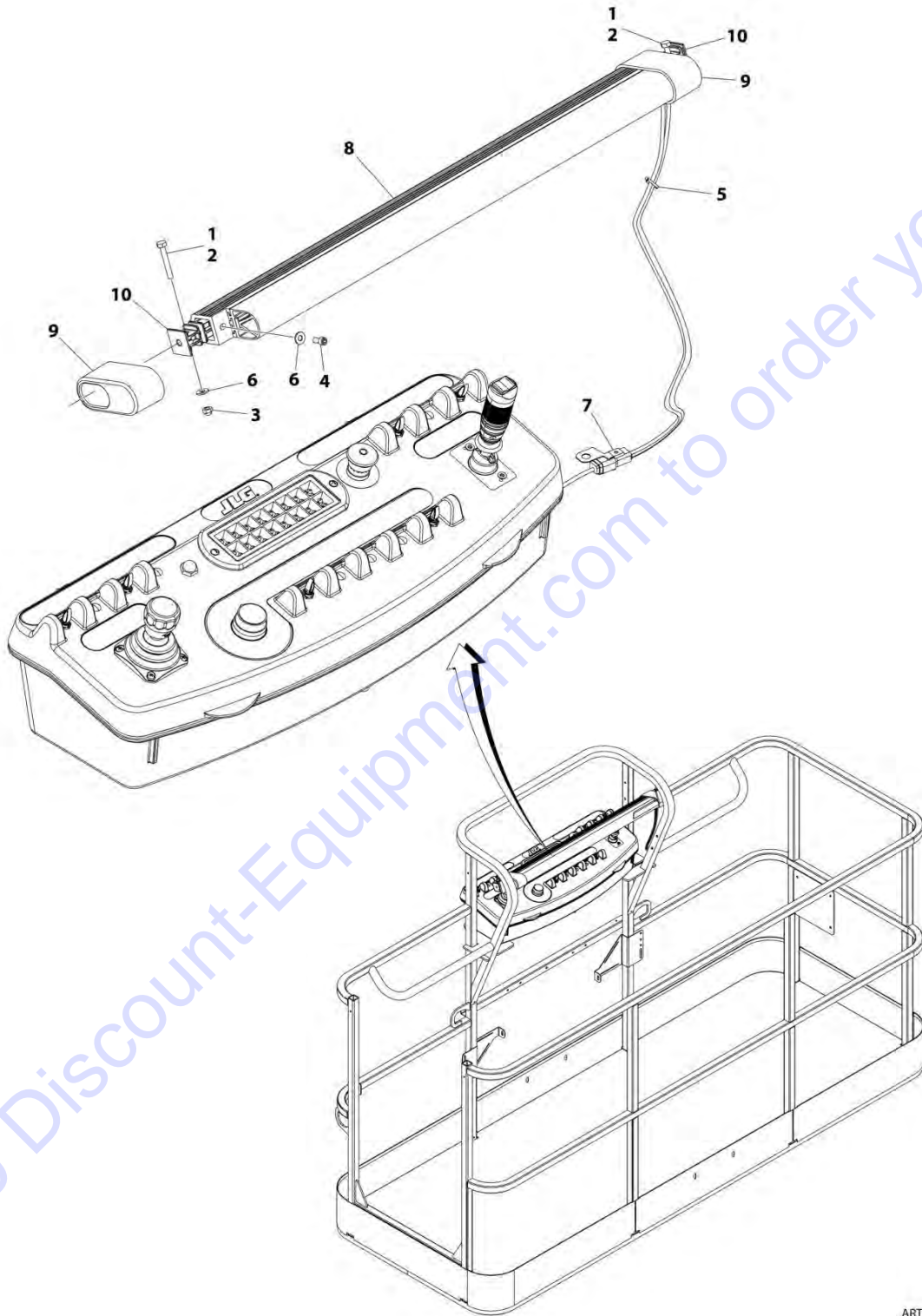
SECTION 5 - PLATFORM

FIGURE 5-35. SOFT TOUCH INSTALLATION - 8FT (2.4M) FALL ARREST PLATFORM (OPTIONAL)

ITEM	PART NUMBER	QTY	DESCRIPTION	REV
	0273706	Ref	SOFT TOUCH INSTALLATION - 8FT (2.4M) FALL ARREST PLATFORM (OPTIONAL)	D
1	0100011	AR	Compound, Locking	
2	0200048	2	Arm, Switch	
3	0630462	8	Bolt	
4	0641414	8	Bolt 1/4 x 1-3/4	
5	0721005	4	Bolt #10 x 5/8	
6	0940133	1	Bumper Kit (Includes Corners and Enough Straight Material for One Platform)	
6	0940092	8	Bumper (Corner)	
6	0940094	AR	Bumper (12ft Length)	
7	1060341	23 ft/ 7m	Cable, Electrical - 16/2	
8	1060903	4	Wire Rope and Eyebolt Assembly	
9	1702938	1	Decal - Soft Touch Override	
10	3311401	8	Nut 1/4	
11	3311501	8	Nut 5/16	
12	3574091	2	Plate, Switch Strike	
13	4240099	7	Tie-Strap (Not Shown)	
14	4360057	2	Switch, Limit	
15	4360387	1	Switch, Push Button	
16	4420068	AR	Tape, Adhesive	
16	1001197017	AR	Tie-Strap	
17	4460049	2	Connector, Strain Relief	
18	4460234	7	Tie-Strap (Not Shown)	
19	4460425	1	Connector, Strain Relief	
20	4751400	8	Washer 1/4	
21	4751500	12	Washer 5/16	
22	4751800	8	Washer 1/2	
23	4846673	1	Rail, Soft Touch	
24	4933218	1	Wiring Diagram (See Separate Breakdown in ELECTRICAL SECTION) (Not Shown)	
25	2920028	1	Light, Indicator	
26	2920029	1	Bulb, Light	

SECTION 5 - PLATFORM

FIGURE 5-36. SKYGUARD SYSTEM INSTALLATION (SN 0300201016 through 0300256988, SN B300002238 through B300003794)



ART_1001187508

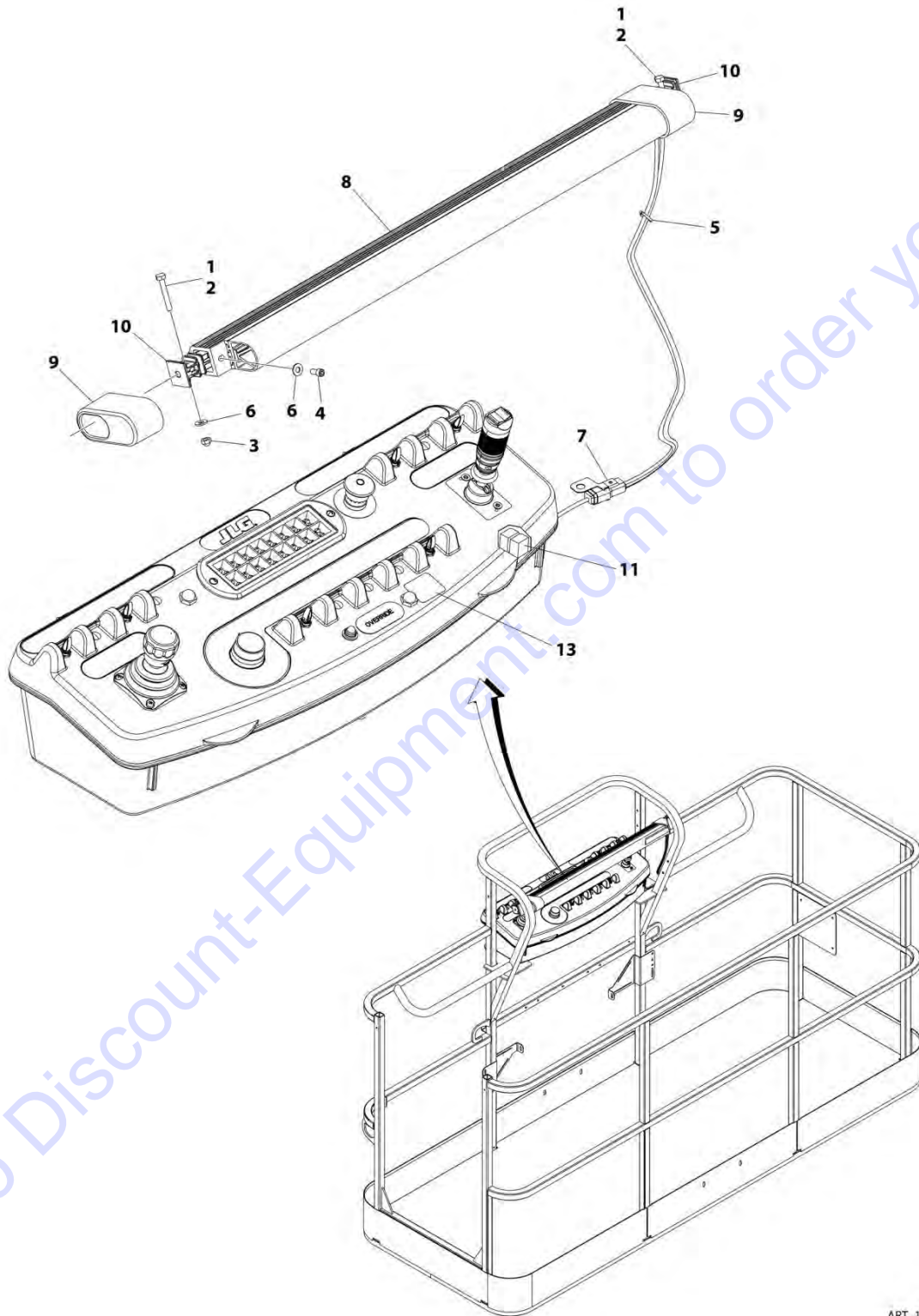
SECTION 5 - PLATFORM

FIGURE 5-36. SKYGUARD SYSTEM INSTALLATION (SN 0300201016 through 0300256988, SN B300002238 through B300003794)

ITEM	PART NUMBER	QTY	DESCRIPTION	REV
	1001187508	Ref	SKYGUARD SYSTEM INSTALLATION	C
1	0100011	AR	Compound, Locking	
2	0641414	2	Bolt 1/4 x 1-3/4	
3	3300430	2	Nut 1/4	
4	3931424	2	Capscrew 1/4 x 1-1/2	
5	4240033	AR	Tie-Strap	
6	4711400	AR	Washer 1/4	
7	1001120328	1	Mount	
8	1001137673	1	Switch, SkyGuard Assembly	
9	1001186517	2	Cover, Platform Sensor	
10	1001188889	NLA	Support, Block (Use p/n 1001209664) (SN 0300201016 through 0300245526, SN B300002238 through B300002888)	
10	1001209664	2	Support, Block (SN 0300245527 through 0300256988, SN B300002889 through B300003794)	

SECTION 5 - PLATFORM

FIGURE 5-37. SKYGUARD BAR INSTALLATION (SN 0300256989 to Present, SN B300003795 to Present)



ART_1001238495

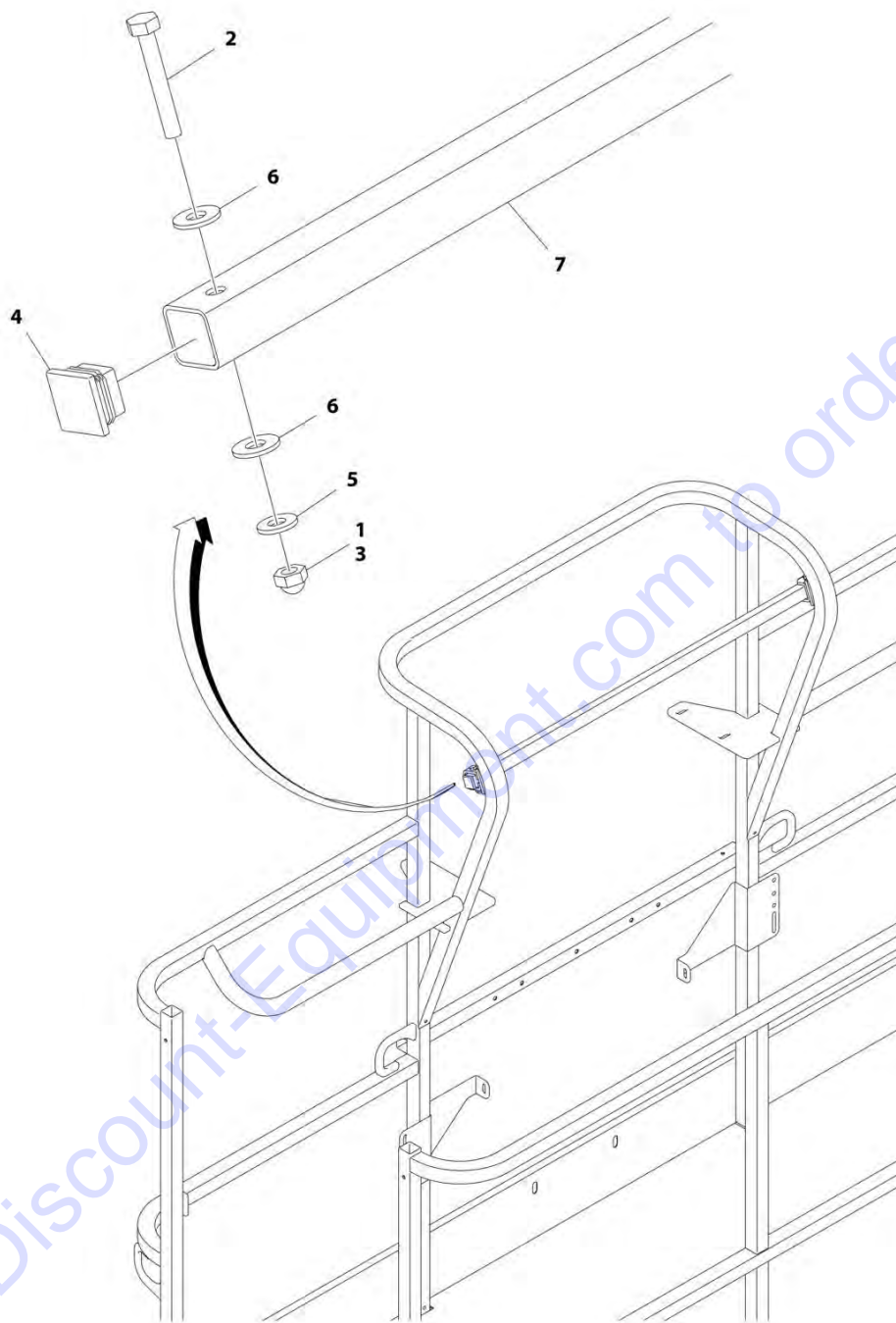
SECTION 5 - PLATFORM

FIGURE 5-37. SKYGUARD BAR INSTALLATION (SN 0300256989 to Present, SN B300003795 to Present)

ITEM	PART NUMBER	QTY	DESCRIPTION	REV
	1001238495	Ref	SKYGUARD BAR INSTALLATION	A
1	0100011	AR	Compound, Locking	
2	0641414	2	Bolt 1/4 x 1-3/4	
3	3300430	2	Nut 1/4	
4	3931408	2	Capscrew 1/4 x 1/2	
5	4240033	8	Tie-Strap	
6	4711400	6	Washer 1/4	
7	1001120328	1	Mount	
8	1001137673	1	SkyGuard Switch Assembly	
9	1001186517	2	Cover, Platform Sensor	
10	1001209664	2	Support, Block	
11	1001186431	2	Relay	
12	1001225580	1	Interface Harness Assembly (Not Shown - Located Inside Console Box) (See Separate Breakdown in ELECTRICAL SECTION)	
13	1001144433	1	Decal - No Weight SkyGuard	

SECTION 5 - PLATFORM

FIGURE 5-38. CROSS RAIL INSTALLATION



ART_1001182138

SECTION 5 - PLATFORM

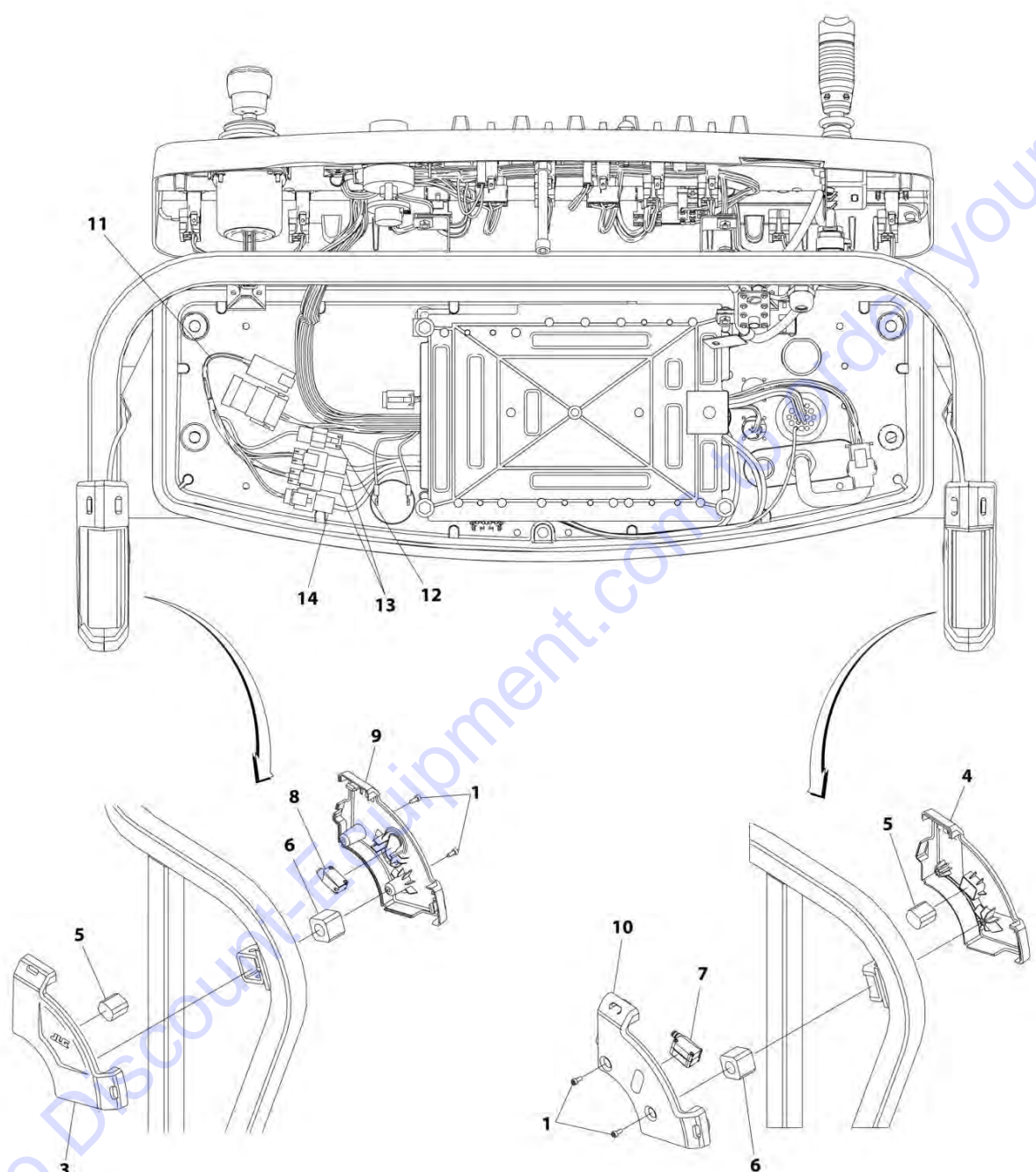
FIGURE 5-38. CROSS RAIL INSTALLATION

ITEM	PART NUMBER	QTY	DESCRIPTION	REV
	1001182138	Ref	CROSS RAIL INSTALLATION	A
1	0100071	AR	Compound, Locking	
2	0641414	2	Bolt 1/4 x 1-3/4	
3	3300430	2	Nut 1/4	
4	3520182	2	Plug	
5	4711400	2	Washer 1/4	
6	4751400	4	Washer 1/4	
7	1001191708	1	Bar	

Go to Discount-Equipment.com to order your parts

SECTION 5 - PLATFORM

FIGURE 5-39. SKYEYE INSTALLATION



ART_1001229341

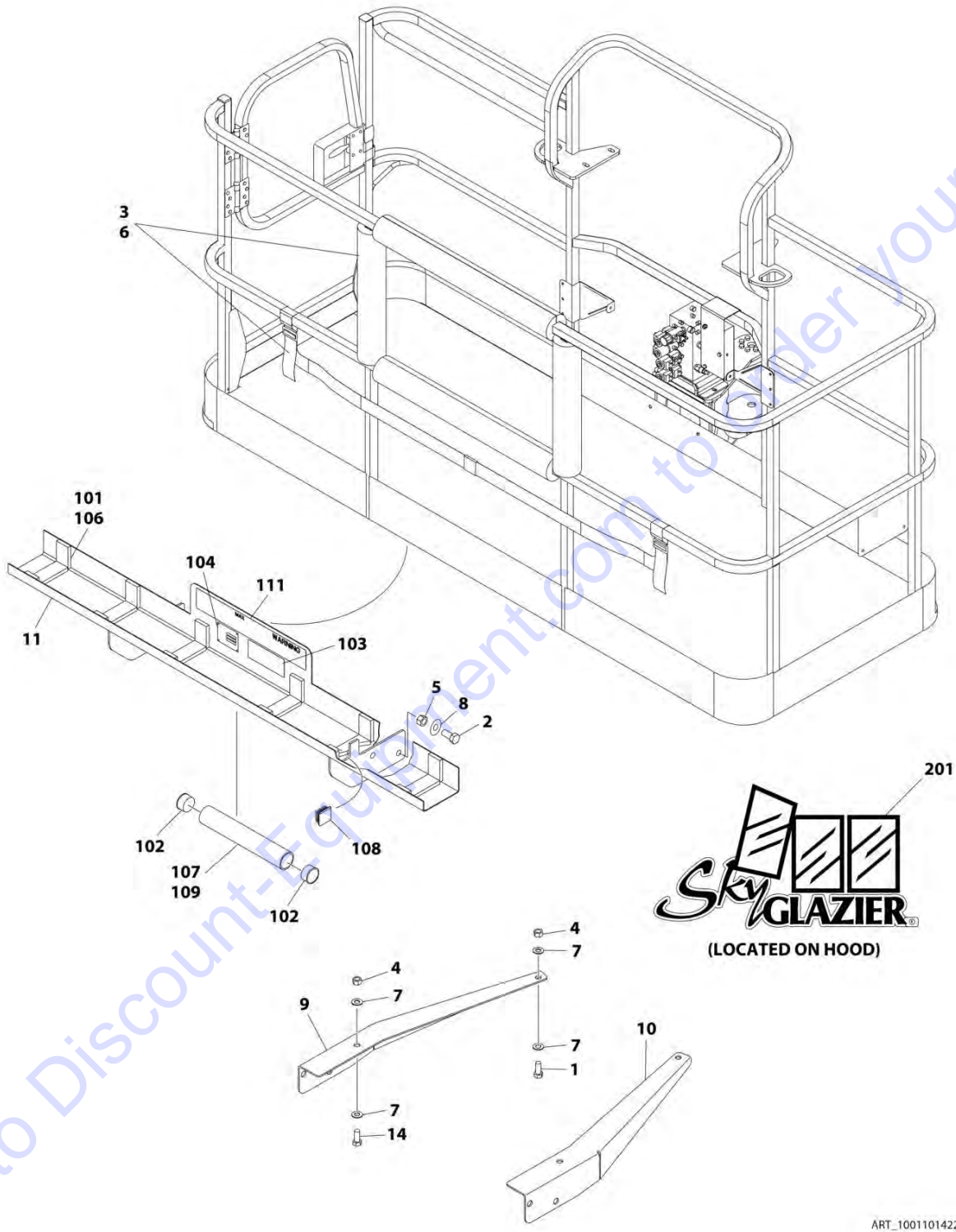
SECTION 5 - PLATFORM

FIGURE 5-39. SKYEYE INSTALLATION

ITEM	PART NUMBER	QTY	DESCRIPTION	REV
	1001229341	Ref	SKYEYE INSTALLATION	A
1	4031505	4	Bolt M4 x 10	
2	4240033	AR	Tie-Strap (Not Shown)	
3	1001227633	1	Housing, LH Outer	
4	1001227634	1	Housing, RH Outer	
5	1001227985	2	Shim	
6	1001227987	2	Shim	
7	1001228224	2	Sensor, Receiver	
8	1001228225	1	Sensor, Emitter	
9	1001232164	1	Housing, LH Inner	
10	1001232165	1	Housing, RH Inner	
11	1001237865	1	Harness, Skyeye Intermediate (See Separate Breakdown in ELECTRICAL SECTION)	
12	1001238319	1	Harness, Skyeye Drain Jumper	
12	1001187674	1	Plug, Male - 2 Position	
12	4460942	1	Terminal	
12	4460466	1	Plug, Terminal	
12	4460508	1	Pin, Male	
13	1001237863	2	Harness, Skyeye Receiver (See Separate Breakdown in ELECTRICAL SECTION)	
14	1001237864	1	Harness, Skyeye Emitter (See Separate Breakdown in ELECTRICAL SECTION)	

SECTION 5 - PLATFORM

FIGURE 5-40. SKYGLAZIER INSTALLATION (ANSI, CSA AND JAPANESE SPECS)



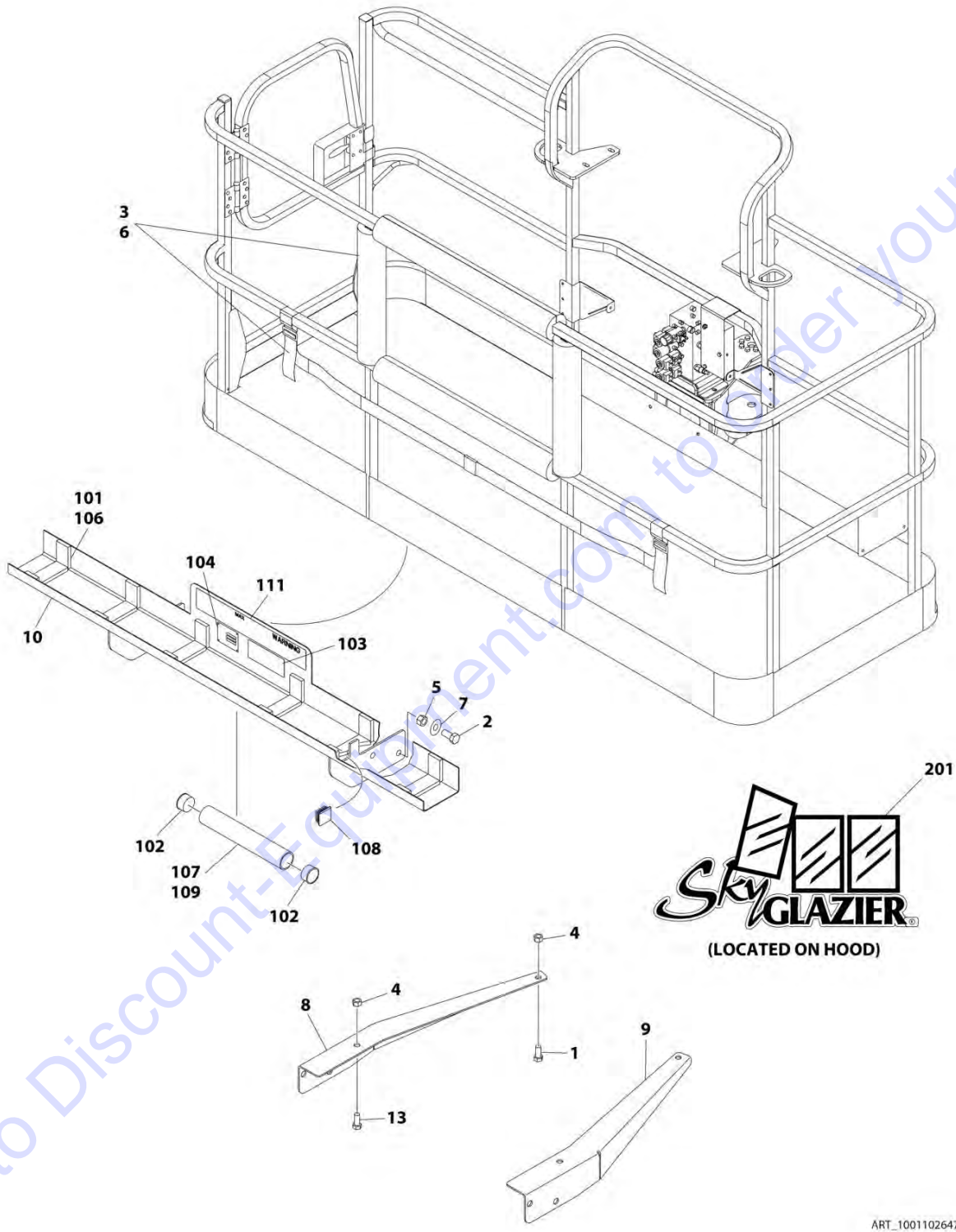
SECTION 5 - PLATFORM

FIGURE 5-40. SKYGLAZIER INSTALLATION (ANSI, CSA AND JAPANESE SPECS)

ITEM	PART NUMBER	QTY	DESCRIPTION	REV
	1001101422	Ref	SKYGLAZIER INSTALLATION (ANSI, CSA AND JAPANESE SPECS)	C
1	0642012	2	Bolt 5/8 x 1-1/2	
2	0642212	4	Bolt 3/4 x 1-1/2	
3	2902212	1	Bumpers and Strap Kit	
3	0940102	1	Bumper Only	
3	4240149	1	Strap Only	
4	3312005	4	Nut 5/8	
5	3312205	4	Nut 3/4	
6	4420014	AR	Tape	
7	4712000	6	Washer 5/8	
8	4712200	8	Washer 3/4	
9	1001099366	1	Support	
10	1001099367	1	Support	
11	1001101421	1	Tray Assembly (See Items 101-111 for Breakdown)	
14	8310129	2	Bolt 3/4 x 2-1/2	
	1001101421	Ref	TRAY ASSEMBLY	E
101	0100081	AR	Adhesive	
102	1120555	2	Cap, Tube	
103	1701509	1	Decal - Manual	
104	See Note	NSS	Nameplate - Serial Number (Note: Not Available for Purchase)	
106	3340956	1	Pad Kit	
107	3460334	1	Tube	
108	3520071	2	Plug	
109	4420066	AR	Tape, Double Sided	
111	1001163131	2	Decal - Glazier Capacity	
	0272418	Ref	SKYGLAZIER DECAL INSTALLATION	4
201	1705358	2	Decal - SkyGlazier	

SECTION 5 - PLATFORM

FIGURE 5-41. SKYGLAZIER INSTALLATION (AUSTRALIAN SPECS)



Go to Discount-Equipment.com to order your parts

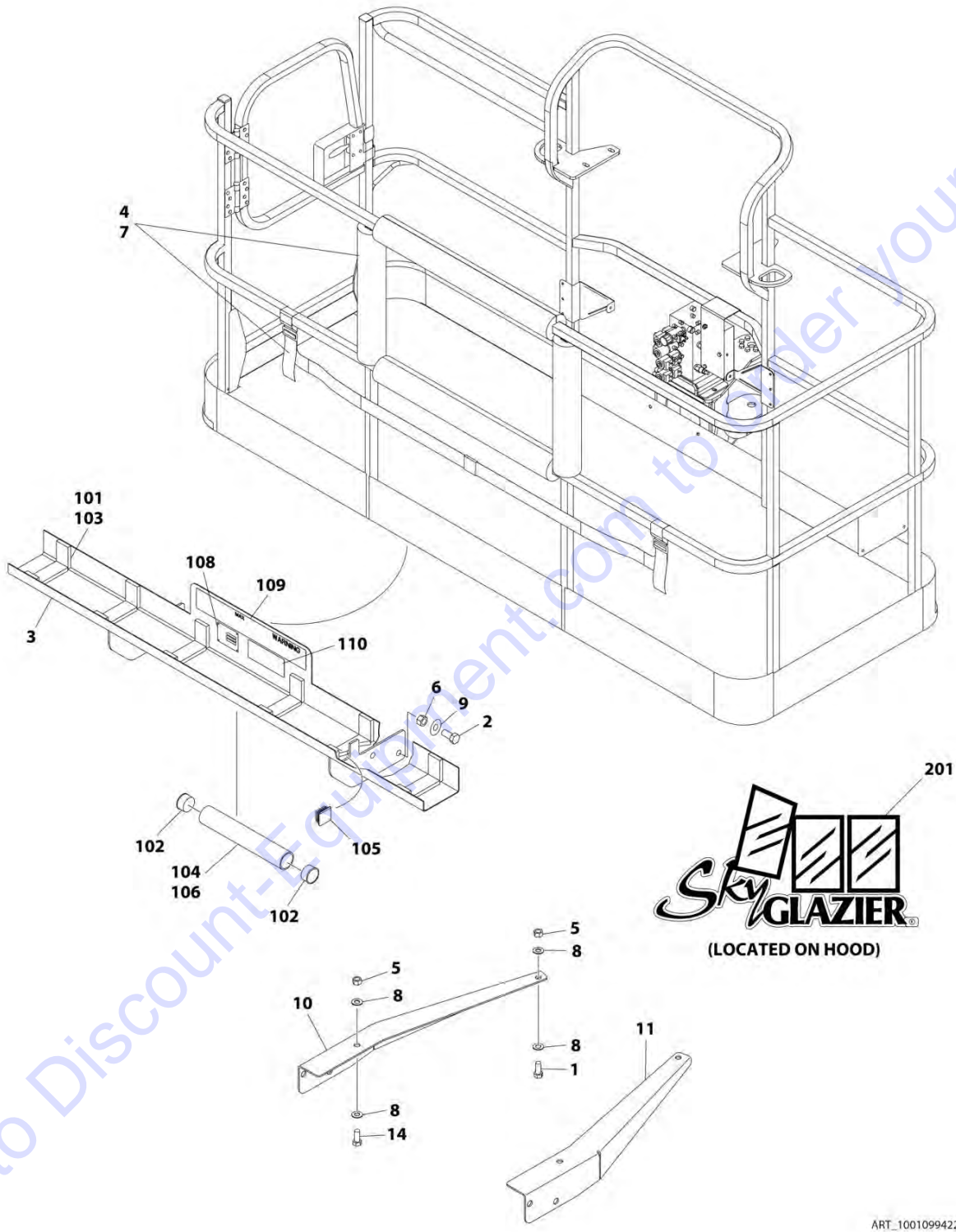
SECTION 5 - PLATFORM

FIGURE 5-41. SKYGLAZIER INSTALLATION (AUSTRALIAN SPECS)

ITEM	PART NUMBER	QTY	DESCRIPTION	REV
	1001102647	Ref	SKYGLAZIER INSTALLATION (AUSTRALIAN SPECS)	C
1	0642026	2	Bolt 5/8 x 3-1/4	
2	0642212	4	Bolt 3/4 x 1-1/2	
3	2902212	1	Bumpers and Strap Kit	
3	0940102	1	Bumper Only	
3	4240149	1	Strap Only	
4	3312005	4	Nut 5/8	
5	3312205	4	Nut 3/4	
6	4420014	AR	Tape	
7	4712200	8	Washer 3/4	
8	1001099366	1	Support	
9	1001099367	1	Support	
10	1001101421	1	Tray Assembly (See Items 101-111 for Breakdown)	
13	8310230	2	Bolt 5/8 x 4	
	1001101421	Ref	TRAY ASSEMBLY	E
101	0100081	AR	Adhesive	
102	1120555	2	Cap, Tube	
103	1701509	1	Decal - Manual	
104	See Note	NSS	Nameplate - Serial Number (Note: Not Available for Purchase)	
106	3340956	1	Pad Kit	
107	3460334	1	Tube	
108	3520071	2	Plug	
109	4420066	AR	Tape, Double Sided	
111	1001163131	2	Decal - Glazier Capacity	
	0272418	Ref	SKYGLAZIER DECAL INSTALLATION	4
201	1705358	2	Decal - SkyGlazier	

SECTION 5 - PLATFORM

FIGURE 5-42. SKYGLAZIER INSTALLATION (BRAZIL SPECS)



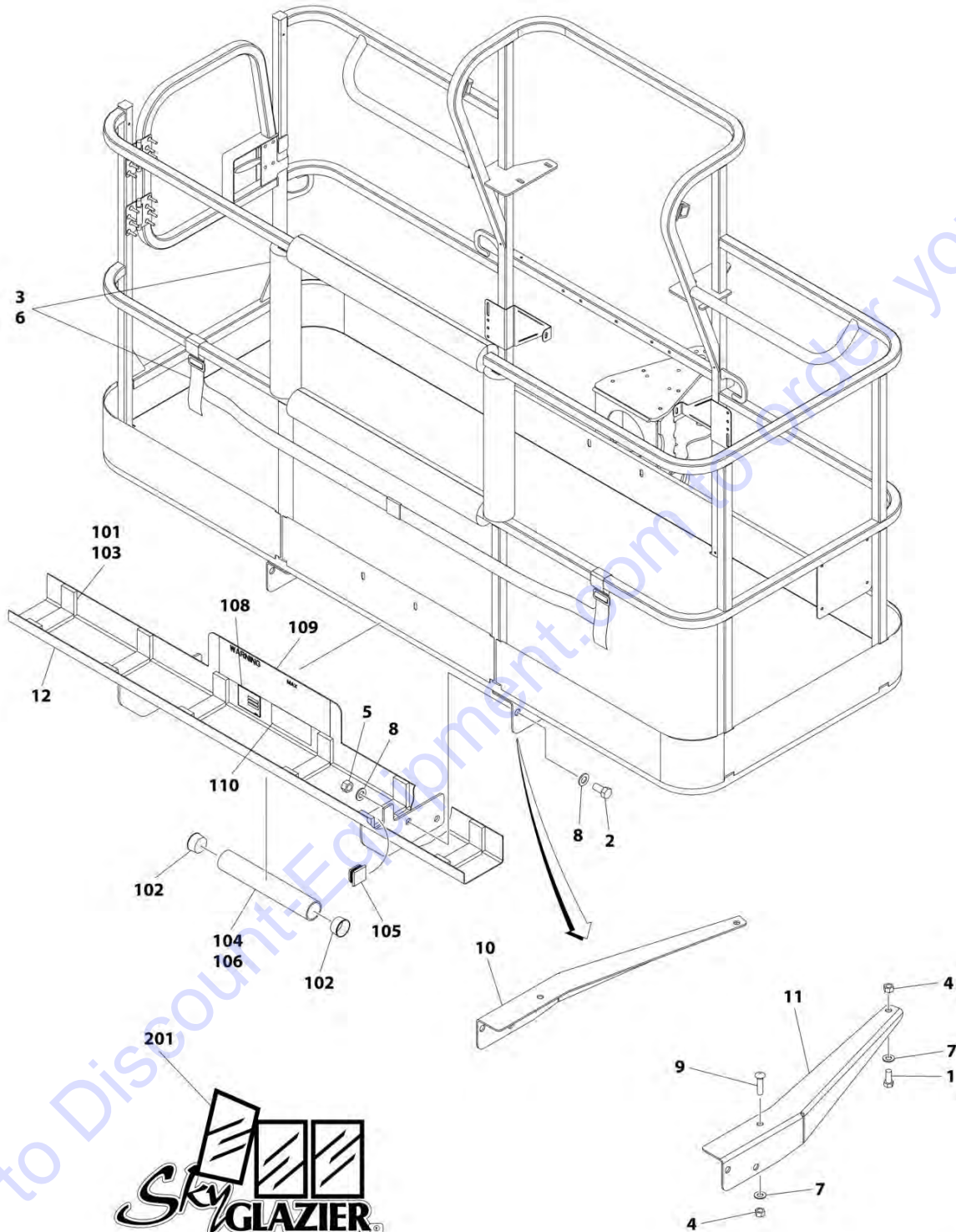
SECTION 5 - PLATFORM

FIGURE 5-42. SKYGLAZIER INSTALLATION (BRAZIL SPECS)

ITEM	PART NUMBER	QTY	DESCRIPTION	REV
	1001099422	Ref	SKYGLAZIER INSTALLATION (BRAZIL SPECS)	C
1	0642012	2	Bolt 5/8 x 1-1/2	
2	0642212	4	Bolt 3/4 x 1-1/2	
3	0272951	1	Tray Assembly (See Items 101-110 for Breakdown)	
4	2902212	1	Bumpers and Strap Kit	
4	0940102	1	Bumper Only	
4	4240149	1	Strap Only	
5	3312005	4	Nut 5/8	
6	3312205	4	Nut 3/4	
7	4420014	AR	Tape	
8	4712000	6	Washer 5/8	
9	4712200	8	Washer 3/4	
10	1001099366	1	Support	
11	1001099367	1	Support	
14	8310129	2	Bolt 5/8 x 2-1/2	
	0272951	Ref	TRAY ASSEMBLY	E
101	0100081	AR	Adhesive	
102	1120555	2	Cap, Tube	
103	3340956	1	Pad Kit	
104	3460334	1	Tube	
105	3520071	2	Plug	
106	4420066	AR	Tape, Double Sided	
108	See Note	NSS	Nameplate - Serial Number (Note: Not Available for Purchase)	
109	1001163297	2	Decal - Glazier Capacity	
110	1701509	1	Decal - Manual	
	0272418	Ref	SKYGLAZIER DECAL INSTALLATION	4
201	1705358	2	Decal - SkyGlazier	

SECTION 5 - PLATFORM

FIGURE 5-43. SKYGLAZIER INSTALLATION (DANISH SPECS)



ART_1001238462

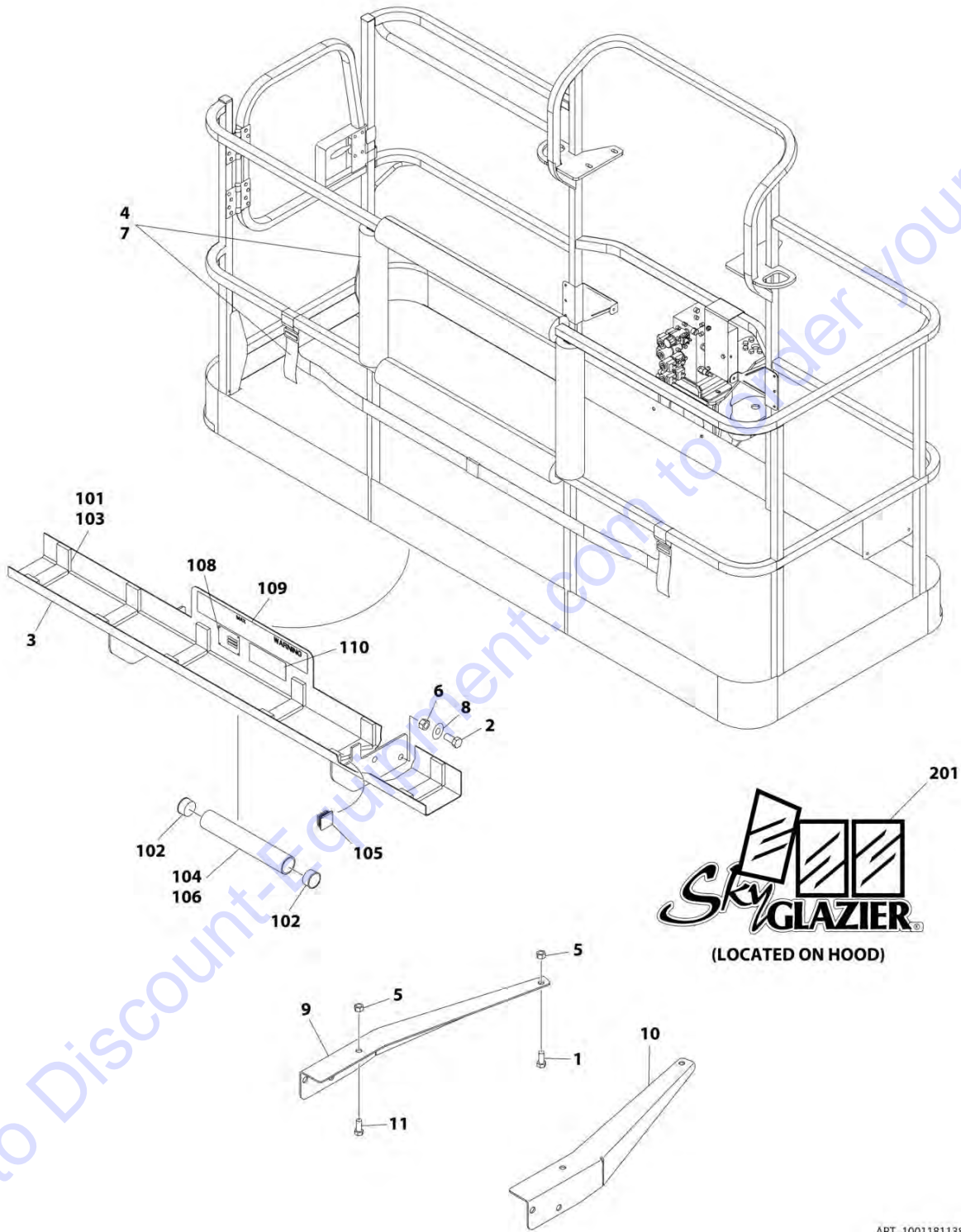
SECTION 5 - PLATFORM

FIGURE 5-43. SKYGLAZIER INSTALLATION (DANISH SPECS)

ITEM	PART NUMBER	QTY	DESCRIPTION	REV
	1001238462	Ref	SKYGLAZIER INSTALLATION	A
1	0642012	2	Bolt 5/8 x 1-1/2	
2	0642212	4	Bolt 3/4 x 1-1/2	
3	2902212	1	Bumpers and Strap Kit	
3	0940102	1	Bumper Only	
3	4240149	1	Strap Only	
4	3312005	4	Nut 5/8	
5	3312205	4	Nut 3/4	
6	4420014	AR	Tape	
7	4712000	6	Washer 5/8	
8	4712200	8	Washer 3/4	
9	8310129	2	Bolt 5/8 x 2-1/2	
10	1001099366	1	Support	
11	1001099367	1	Support	
12	1001238423	1	Tray Assembly (See Items 101-110 for Breakdown)	
	1001238423	Ref	TRAY ASSEMBLY	A
101	0100081	AR	Adhesive	
102	1120555	2	Cap, Tube	
103	3340956	1	Pad Kit	
104	3460334	1	Tube	
105	3520071	2	Plug	
106	4420066	AR	Tape, Double Sided	
108	See Note	NSS	Nameplate - Serial Number (Note: Not Available for Purchase)	
109	1001237705	2	Decal - Glazier Capacity	
110	1701509	1	Decal - Manual	
	0272418	Ref	SKYGLAZIER DECAL INSTALLATION	4
201	1705358	2	Decal - SkyGlazier	

SECTION 5 - PLATFORM

FIGURE 5-44. SKYGLAZIER INSTALLATION (FINNISH SPECS) (SN 0300201016 through 0300235781)



ART_1001181138

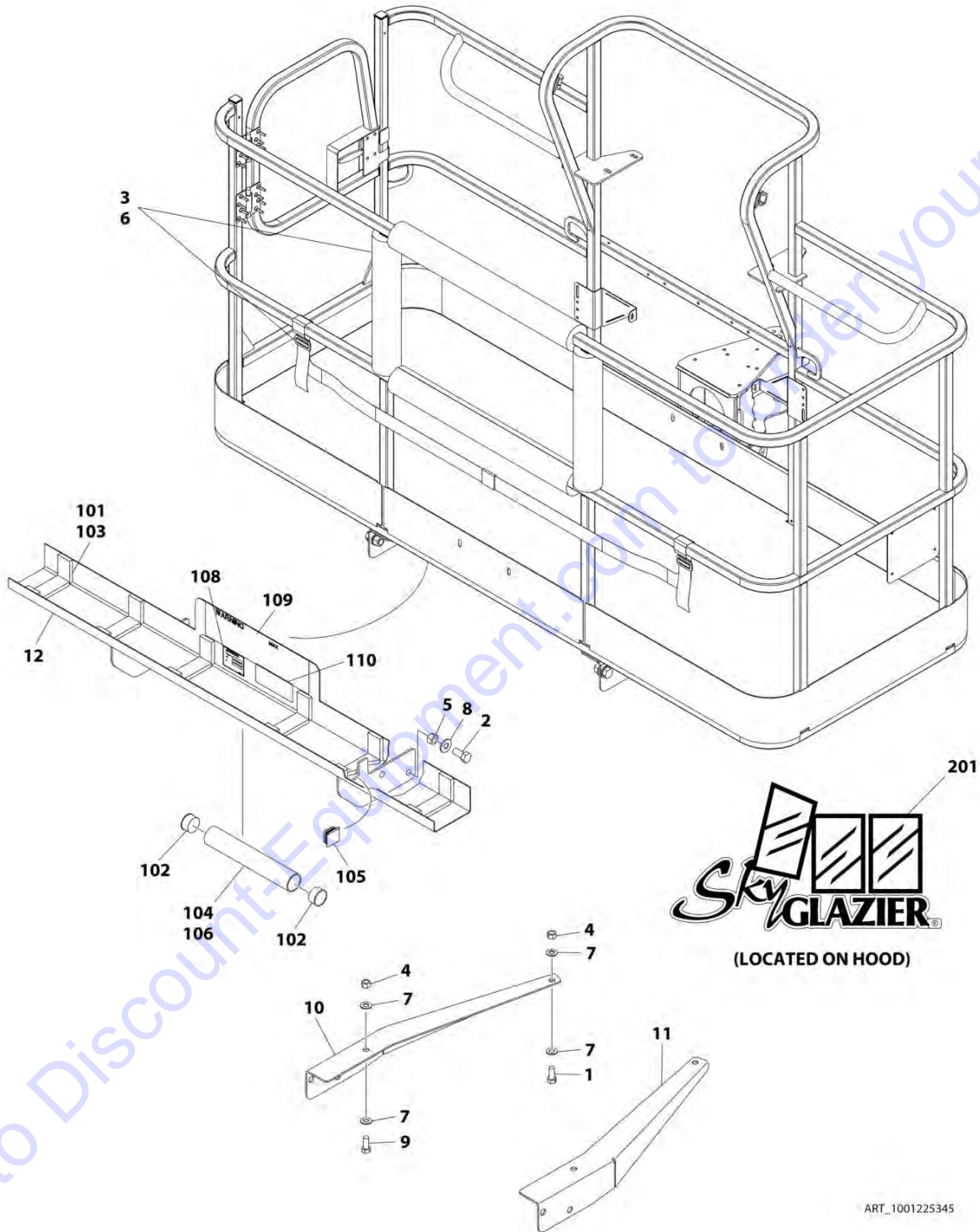
SECTION 5 - PLATFORM

FIGURE 5-44. SKYGLAZIER INSTALLATION (FINNISH SPECS) (SN 0300201016 through 0300235781)

ITEM	PART NUMBER	QTY	DESCRIPTION	REV
	1001181138	Ref	SKYGLAZIER INSTALLATION (FINNISH SPECS) (SN 0300201016 through 0300235781)	C
1	0642026	2	Bolt 5/8 x 3-1/4	
2	0642212	4	Bolt 3/4 x 1-1/2	
3	1001181142	1	Tray Assembly (See Items 101-110 for Breakdown)	
4	2902212	1	Bumpers and Strap Kit	
4	0940102	1	Bumper Only	
4	4240149	1	Strap Only	
5	3312005	4	Nut 5/8	
6	3312205	4	Nut 3/4	
7	4420014	AR	Tape	
8	4712200	8	Washer 3/4	
9	1001099366	1	Support	
10	1001099367	1	Support	
11	8310230	2	Bolt 5/8 x 2-1/2	
	1001181142	Ref	TRAY ASSEMBLY	A
101	0100081	AR	Adhesive	
102	1120555	2	Cap, Tube	
103	3340956	1	Pad Kit	
104	3460334	1	Tube	
105	3520071	2	Plug	
106	4420066	AR	Tape, Double Sided	
108	See Note	NSS	Nameplate - Serial Number (Note: Not Available for Purchase)	
109	1001181134	2	Decal - Glazier Capacity	
110	1701509	1	Decal - Manual	
	0272418	Ref	SKYGLAZIER DECAL INSTALLATION	4
201	1705358	2	Decal - SkyGlazier	

SECTION 5 - PLATFORM

FIGURE 5-45. SKYGLAZIER INSTALLATION (FINNISH SPECS) (SN 0300235782 to Present)



ART_1001225345

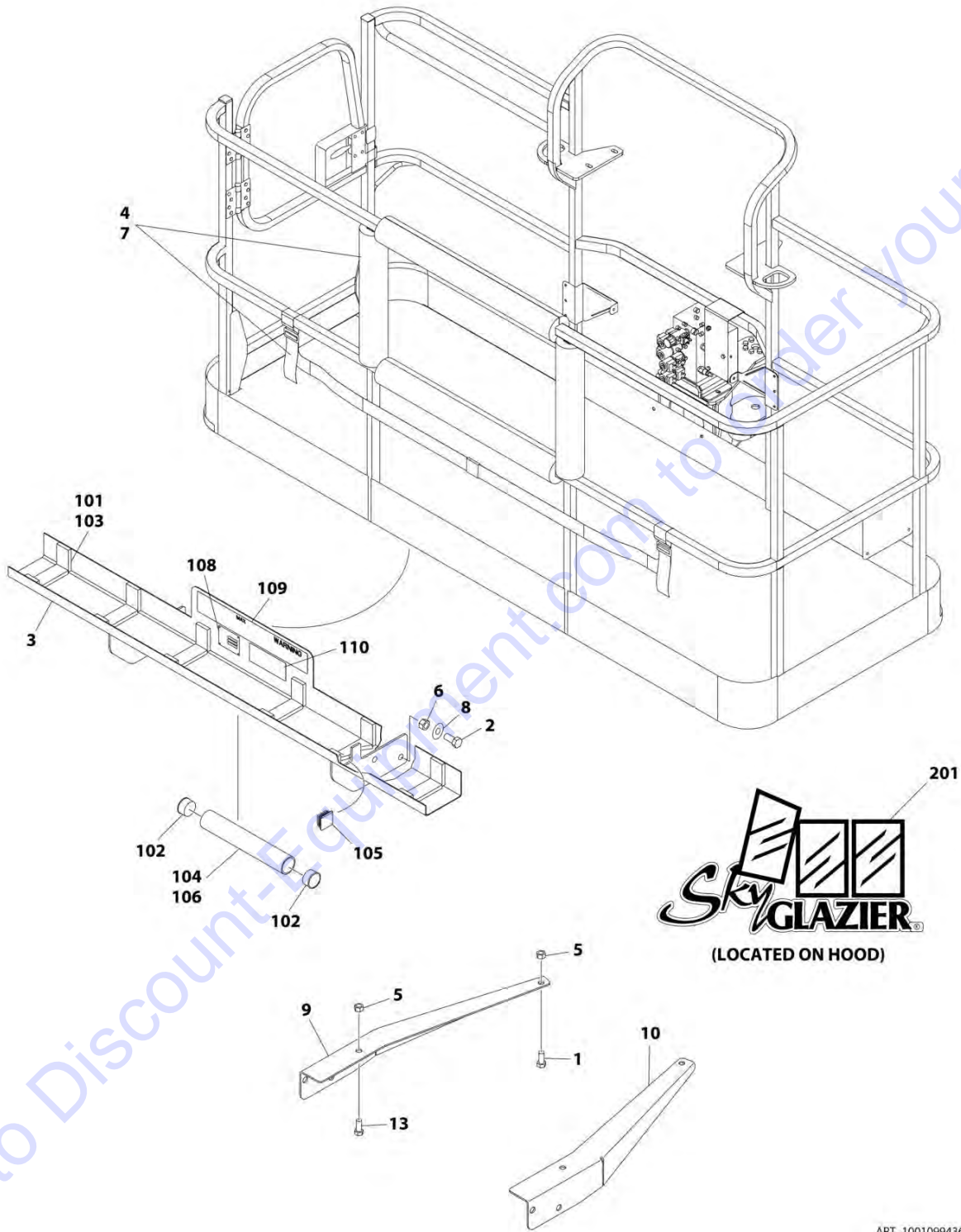
SECTION 5 - PLATFORM

FIGURE 5-45. SKYGLAZIER INSTALLATION (FINNISH SPECS) (SN 0300235782 to Present)

ITEM	PART NUMBER	QTY	DESCRIPTION	REV
	1001225345	Ref	SKYGLAZIER INSTALLATION (FINNISH SPECS) (SN 0300235782 to Present)	A
1	0642012	2	Bolt 5/8 x 1-1/2	
2	0642212	4	Bolt 3/4 x 1-1/2	
3	2902212	1	Bumpers and Strap Kit	
3	0940102	1	Bumper Only	
3	4240149	1	Strap Only	
4	3312005	4	Nut 5/8	
5	3312205	4	Nut 3/4	
6	4420014	AR	Tape	
7	4712000	6	Washer 5/8	
8	4712200	8	Washer 3/4	
9	8310129	2	Bolt 5/8 x 2-1/2	
10	1001099366	1	Support	
11	1001099367	1	Support	
12	1001181142	1	Tray Assembly (See Items 101-110 for Breakdown)	
	1001181142	Ref	TRAY ASSEMBLY	A
101	0100081	AR	Adhesive	
102	1120555	2	Cap, Tube	
103	3340956	1	Pad Kit	
104	3460334	1	Tube	
105	3520071	2	Plug	
106	4420066	AR	Tape, Double Sided	
108	See Note	NSS	Nameplate - Serial Number (Note: Not Available for Purchase)	
109	1001181134	2	Decal - Glazier Capacity	
110	1701509	1	Decal - Manual	
	0272418	Ref	SKYGLAZIER DECAL INSTALLATION	4
201	1705358	2	Decal - SkyGlazier	

SECTION 5 - PLATFORM

FIGURE 5-46. SKYGLAZIER INSTALLATION (FRENCH SPECS) (SN 0300201016 through 0300235781)



ART_1001099436

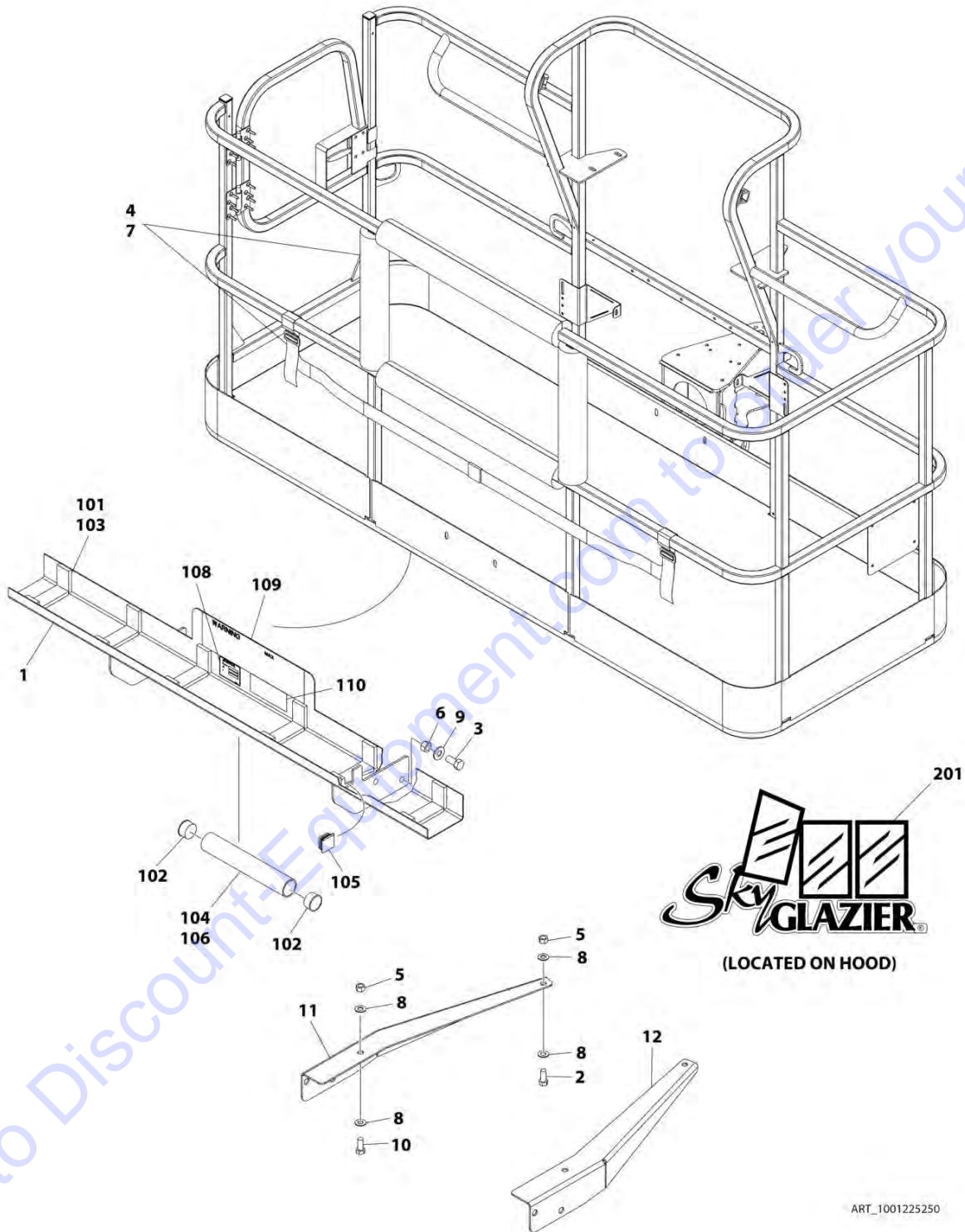
SECTION 5 - PLATFORM

FIGURE 5-46. SKYGLAZIER INSTALLATION (FRENCH SPECS) (SN 0300201016 through 0300235781)

ITEM	PART NUMBER	QTY	DESCRIPTION	REV
	1001099436	Ref	SKYGLAZIER INSTALLATION (FRENCH SPECS) (SN 0300201016 through 0300235781)	D
1	0642026	2	Bolt 5/8 x 3-1/4	
2	0642212	4	Bolt 3/4 x 1-1/2	
3	0272949	1	Tray Assembly (See Items 101-110 for Breakdown)	
4	2902212	1	Bumpers and Strap Kit	
4	0940102	1	Bumper Only	
4	4240149	1	Strap Only	
5	3312005	4	Nut 5/8	
6	3312205	4	Nut 3/4	
7	4420014	AR	Tape	
8	4712200	8	Washer 3/4	
9	1001099366	1	Support	
10	1001099367	1	Support	
13	8310230	2	Bolt 5/8 x 4	
	0272949	Ref	TRAY ASSEMBLY	D
101	0100081	AR	Adhesive	
102	1120555	2	Cap, Tube	
103	3340956	1	Pad Kit	
104	3460334	1	Tube	
105	3520071	2	Plug	
106	4420066	AR	Tape, Double Sided	
108	See Note	NSS	Nameplate - Serial Number (Note: Not Available for Purchase)	
109	1001163293	2	Decal - Glazier Capacity	
110	1701509	1	Decal - Manual	
	0272418	Ref	SKYGLAZIER DECAL INSTALLATION	4
201	1705358	2	Decal - SkyGlazier	

SECTION 5 - PLATFORM

FIGURE 5-47. SKYGLAZIER INSTALLATION (FRENCH SPECS) (SN 0300235782 to Present)



ART_1001225250

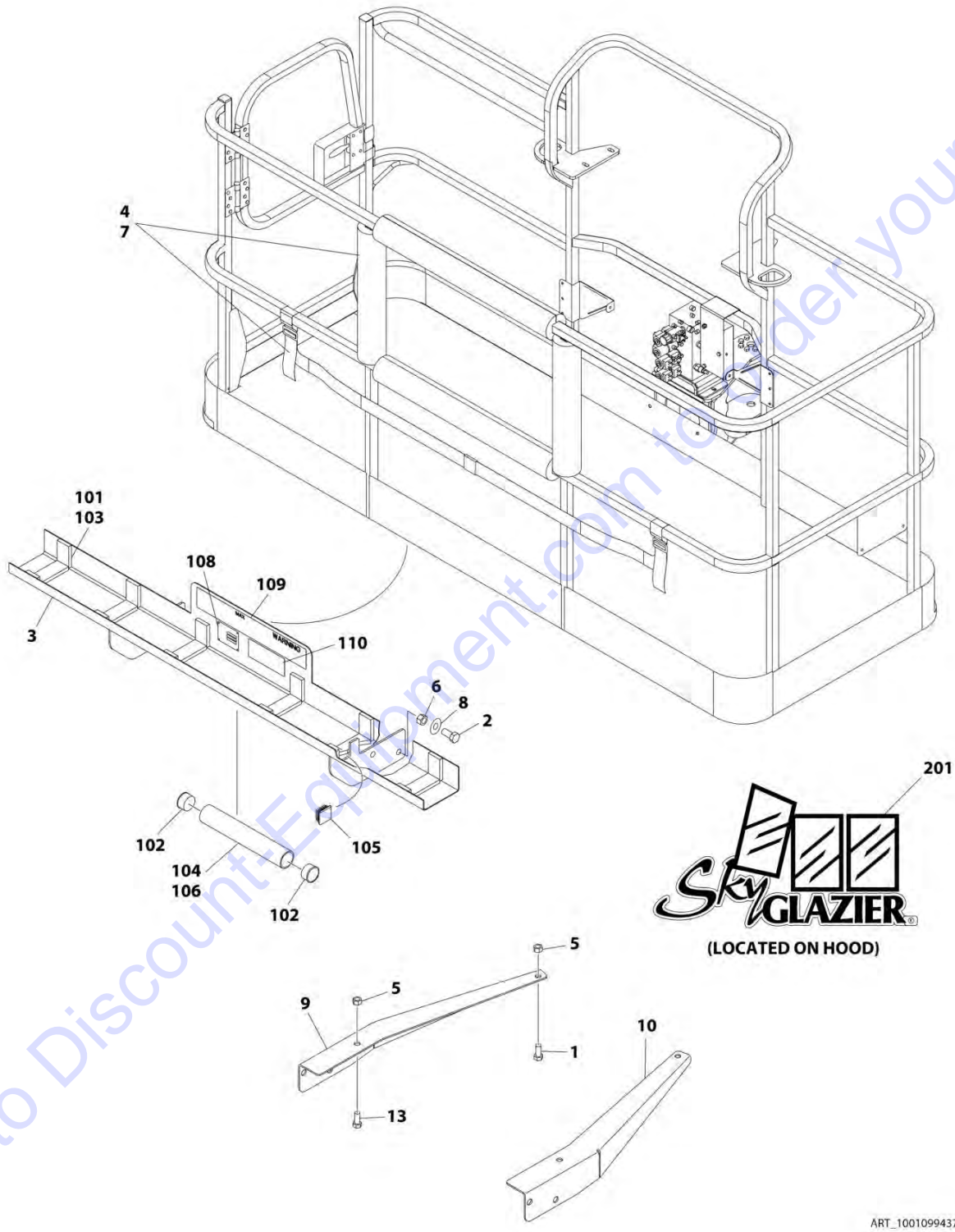
SECTION 5 - PLATFORM

FIGURE 5-47. SKYGLAZIER INSTALLATION (FRENCH SPECS) (SN 0300235782 to Present)

ITEM	PART NUMBER	QTY	DESCRIPTION	REV
	1001225250	Ref	SKYGLAZIER INSTALLATION (FRENCH SPECS) (SN 0300235782 to Present)	A
1	0272949	1	Tray Assembly (See Items 101-110 for Breakdown)	
2	0642012	2	Bolt 5/8 x 1-1/2	
3	0642212	4	Bolt 3/4 x 1-1/2	
4	2902212	1	Bumpers and Strap Kit	
4	0940102	1	Bumper Only	
4	4240149	1	Strap Only	
5	3312005	4	Nut 5/8	
6	3312205	4	Nut 3/4	
7	4420014	AR	Tape	
8	4712000	6	Washer 5/8	
9	4712200	8	Washer 3/4	
10	8310129	2	Bolt 5/8 x 2-1/2	
11	1001099366	1	Support	
12	1001099367	1	Support	
	0272949	Ref	TRAY ASSEMBLY	D
101	0100081	AR	Adhesive	
102	1120555	2	Cap, Tube	
103	3340956	1	Pad Kit	
104	3460334	1	Tube	
105	3520071	2	Plug	
106	4420066	AR	Tape, Double Sided	
108	See Note	NSS	Nameplate - Serial Number (Note: Not Available for Purchase)	
109	1001163293	2	Decal - Glazier Capacity	
110	1701509	1	Decal - Manual	
	0272418	Ref	SKYGLAZIER DECAL INSTALLATION	4
201	1705358	2	Decal - SkyGlazier	

SECTION 5 - PLATFORM

FIGURE 5-48. SKYGLAZIER INSTALLATION (GERMAN SPECS) (SN 0300201016 through 0300235781)



ART_1001099437

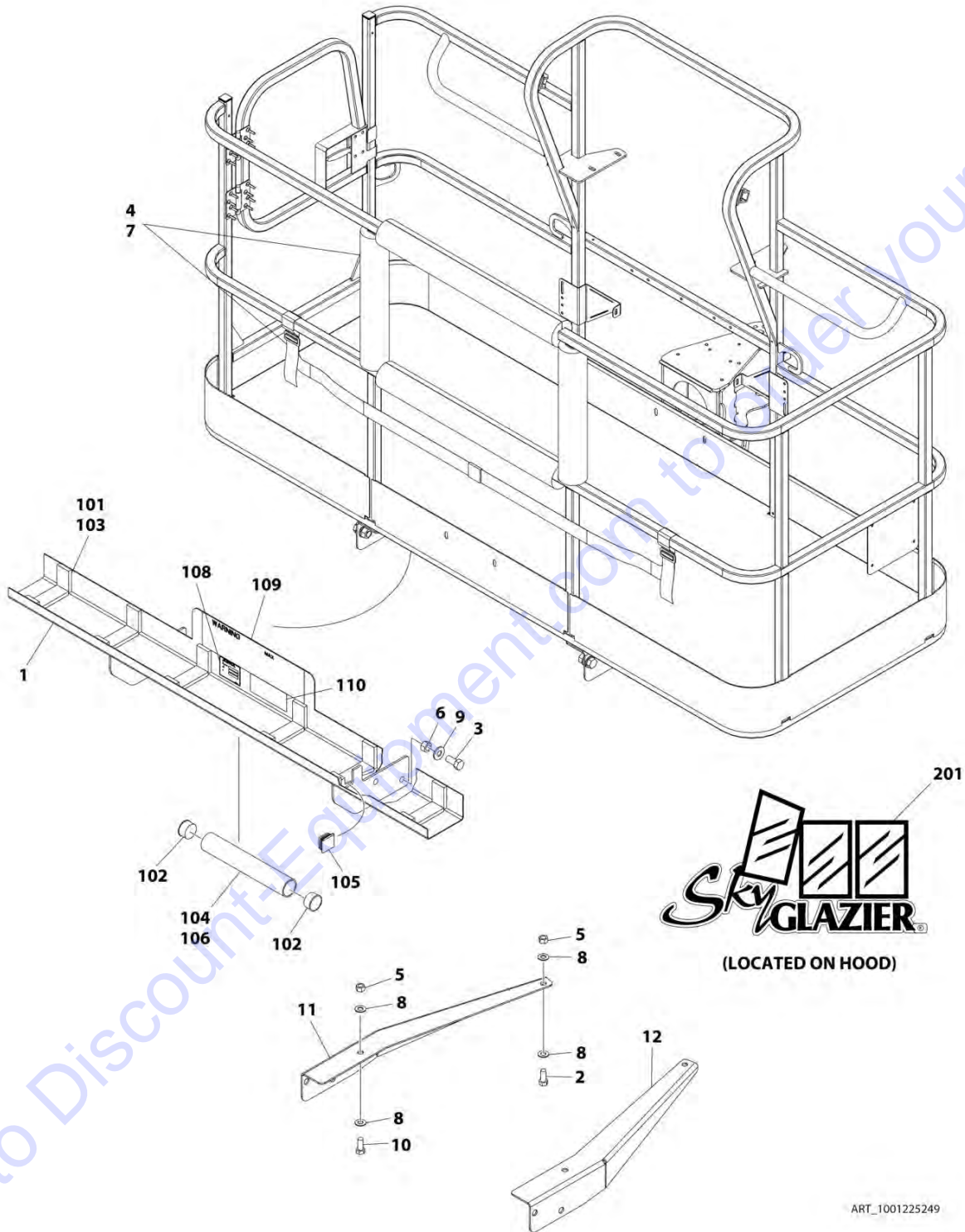
SECTION 5 - PLATFORM

FIGURE 5-48. SKYGLAZIER INSTALLATION (GERMAN SPECS) (SN 0300201016 through 0300235781)

ITEM	PART NUMBER	QTY	DESCRIPTION	REV
	1001099437	Ref	SKYGLAZIER INSTALLATION (GERMAN SPECS) (SN 0300201016 through 0300235781)	D
1	0642026	2	Bolt 5/8 x 3-1/4	
2	0642212	4	Bolt 3/4 x 1-1/2	
3	0272950	1	Tray Assembly (See Items 101-110 for Breakdown)	
4	2902212	1	Bumpers and Strap Kit	
4	0940102	1	Bumper Only	
4	4240149	1	Strap Only	
5	3312005	4	Nut 5/8	
6	3312205	4	Nut 3/4	
7	4420014	AR	Tape	
8	4712200	8	Washer 3/4	
9	1001099366	1	Support	
10	1001099367	1	Support	
13	8310230	2	Bolt 5/8 x 4	
	0272950	Ref	TRAY ASSEMBLY	D
101	0100081	AR	Adhesive	
102	1120555	2	Cap, Tube	
103	3340956	1	Pad Kit	
104	3460334	1	Tube	
105	3520071	2	Plug	
106	4420066	AR	Tape, Double Sided	
108	See Note	NSS	Nameplate - Serial Number (Note: Not Available for Purchase)	
109	1001163298	2	Decal - Glazier Capacity	
110	1701509	1	Decal - Manual	
	0272418	Ref	SKYGLAZIER DECAL INSTALLATION	4
201	1705358	2	Decal - SkyGlazier	

SECTION 5 - PLATFORM

FIGURE 5-49. SKYGLAZIER INSTALLATION (GERMAN SPECS) (SN 0300235782 to Present)



ART_1001225249

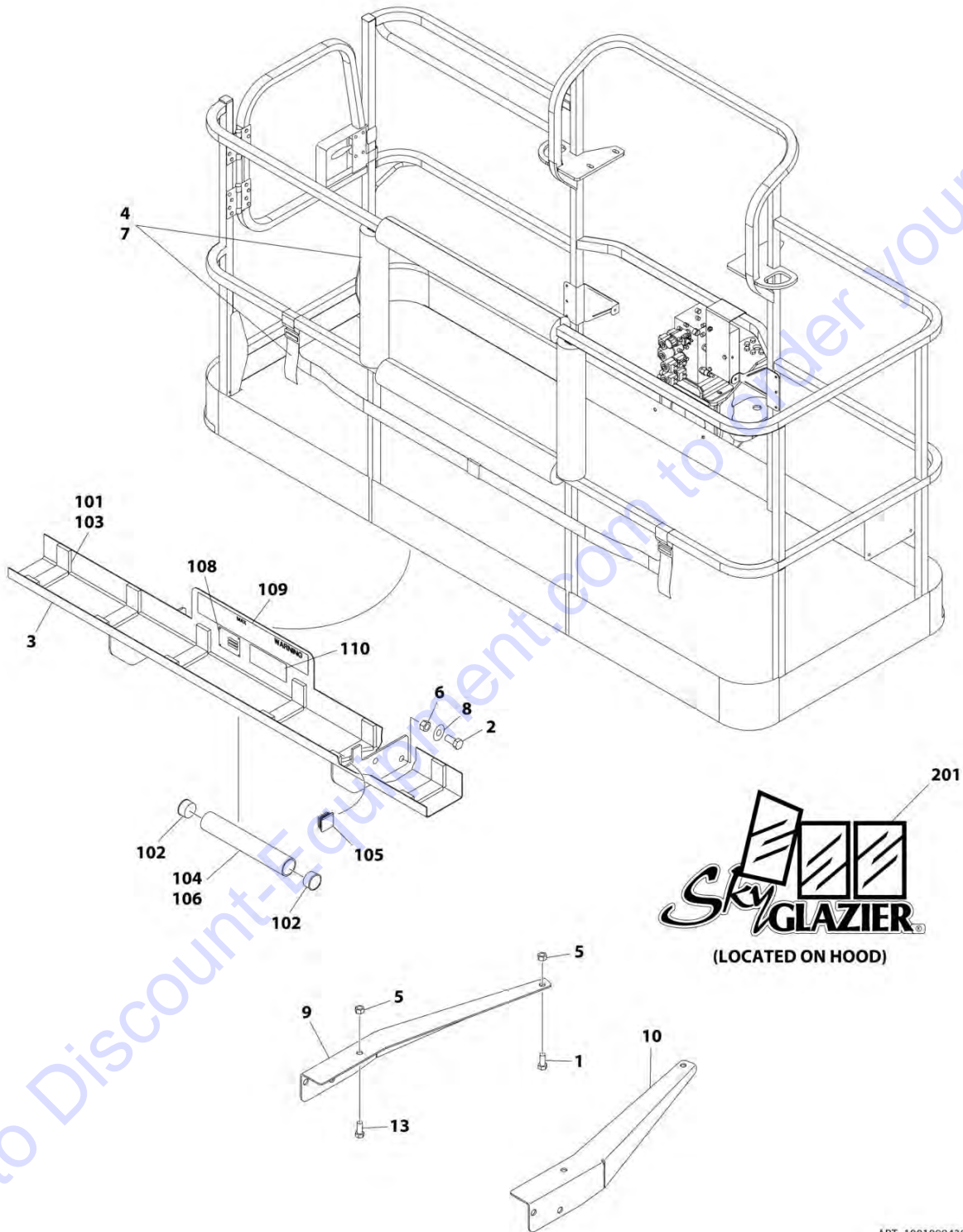
SECTION 5 - PLATFORM

FIGURE 5-49. SKYGLAZIER INSTALLATION (GERMAN SPECS) (SN 0300235782 to Present)

ITEM	PART NUMBER	QTY	DESCRIPTION	REV
	1001225249	Ref	SKYGLAZIER INSTALLATION (GERMAN SPECS) (SN 0300235782 to Present)	A
1	0272950	1	Tray Assembly (See Items 101-110 for Breakdown)	
2	0642012	2	Bolt 5/8 x 1-1/2	
3	0642212	4	Bolt 3/4 x 1-1/2	
4	2902212	1	Bumpers and Strap Kit	
4	0940102	1	Bumper Only	
4	4240149	1	Strap Only	
5	3312005	4	Nut 5/8	
6	3312205	4	Nut 3/4	
7	4420014	AR	Tape	
8	4712000	6	Washer 5/8	
9	4712200	8	Washer 3/4	
10	8310129	2	Bolt 5/8 x 2-1/2	
11	1001099366	1	Support	
12	1001099367	1	Support	
	0272950	Ref	TRAY ASSEMBLY	D
101	0100081	AR	Adhesive	
102	1120555	2	Cap, Tube	
103	3340956	1	Pad Kit	
104	3460334	1	Tube	
105	3520071	2	Plug	
106	4420066	AR	Tape, Double Sided	
108	See Note	NSS	Nameplate - Serial Number (Note: Not Available for Purchase)	
109	1001163298	2	Decal - Glazier Capacity	
110	1701509	1	Decal - Manual	
	0272418	Ref	SKYGLAZIER DECAL INSTALLATION	4
201	1705358	2	Decal - SkyGlazier	

SECTION 5 - PLATFORM

FIGURE 5-50. SKYGLAZIER INSTALLATION (ITALIAN SPECS) (SN 0300201016 through 0300235781)



ART_1001099439

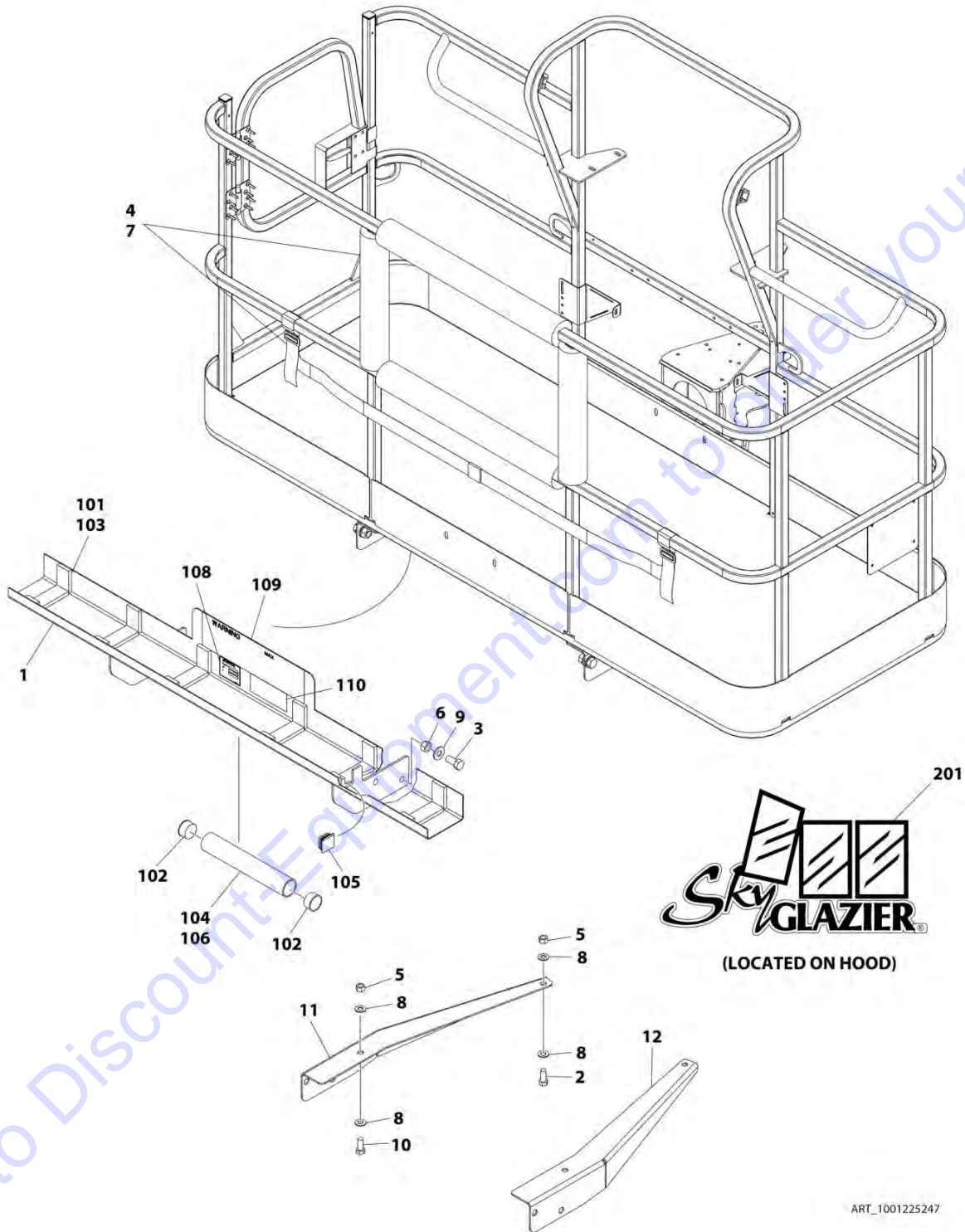
SECTION 5 - PLATFORM

FIGURE 5-50. SKYGLAZIER INSTALLATION (ITALIAN SPECS) (SN 0300201016 through 0300235781)

ITEM	PART NUMBER	QTY	DESCRIPTION	REV
	1001099439	Ref	SKYGLAZIER INSTALLATION (ITALIAN SPECS) (SN 0300201016 through 0300235781)	D
1	0642026	2	Bolt 5/8 x 3-1/4	
2	0642212	4	Bolt 3/4 x 1-1/2	
3	0272952	1	Tray Assembly (See Items 101-110 for Breakdown)	
4	2902212	1	Bumpers and Strap Kit	
4	0940102	1	Bumper Only	
4	4240149	1	Strap Only	
5	3312005	4	Nut 5/8	
6	3312205	4	Nut 3/4	
7	4420014	AR	Tape	
8	4712200	8	Washer 3/4	
9	1001099366	1	Support	
10	1001099367	1	Support	
13	8310230	2	Bolt 5/8 x 4	
	0272952	Ref	TRAY ASSEMBLY	D
101	0100081	AR	Adhesive	
102	1120555	2	Cap, Tube	
103	3340956	1	Pad Kit	
104	3460334	1	Tube	
105	3520071	2	Plug	
106	4420066	AR	Tape, Double Sided	
108	See Note	NSS	Nameplate - Serial Number (Note: Not Available for Purchase)	
109	1001163287	2	Decal - Glazier Capacity	
110	1701509	1	Decal - Manual	
	0272418	Ref	SKYGLAZIER DECAL INSTALLATION	4
201	1705358	2	Decal - SkyGlazier	

SECTION 5 - PLATFORM

FIGURE 5-51. SKYGLAZIER INSTALLATION (ITALIAN SPECS) (SN 0300235782 to Present)



ART_1001225247

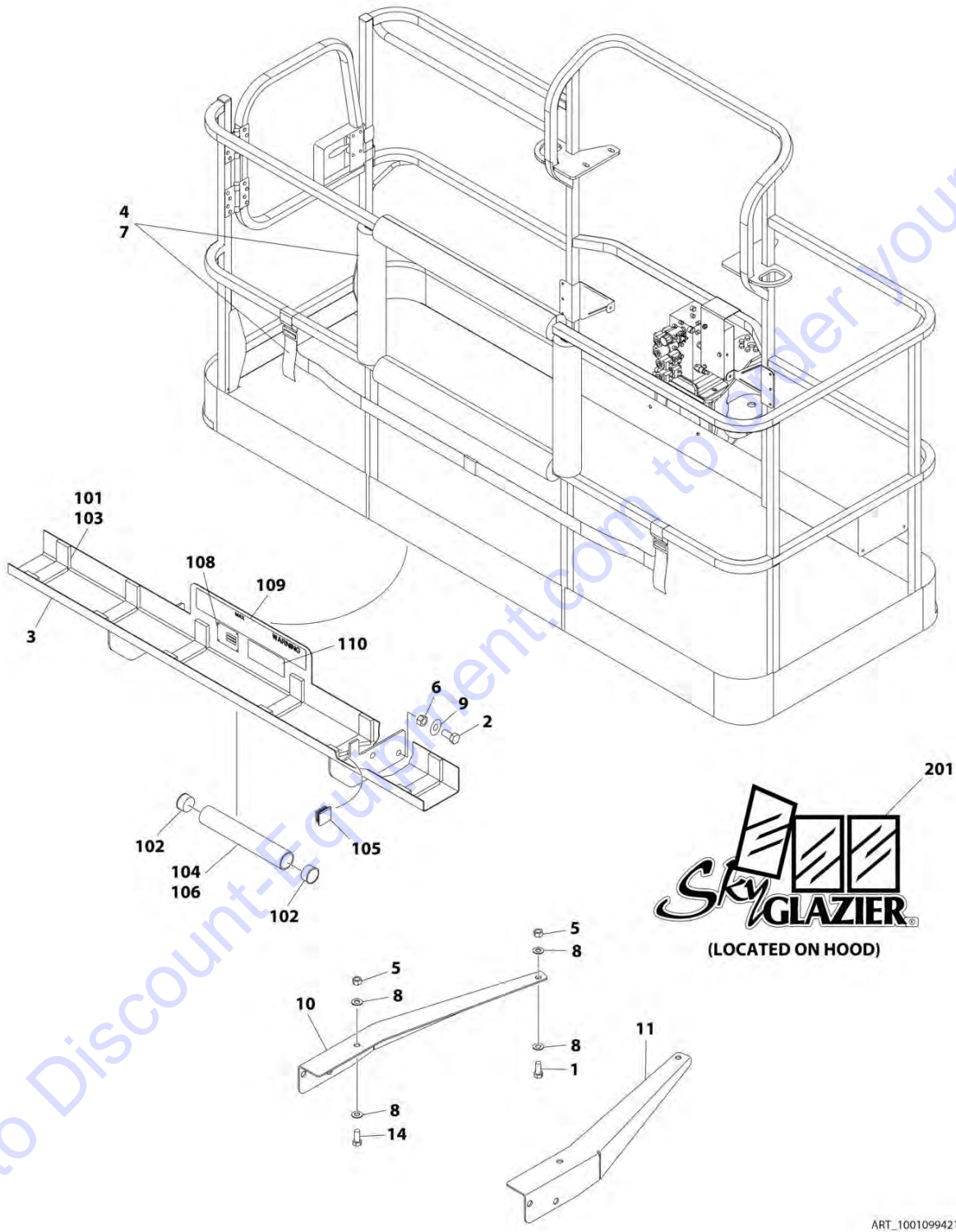
SECTION 5 - PLATFORM

FIGURE 5-51. SKYGLAZIER INSTALLATION (ITALIAN SPECS) (SN 0300235782 to Present)

ITEM	PART NUMBER	QTY	DESCRIPTION	REV
	1001225247	Ref	SKYGLAZIER INSTALLATION (ITALIAN SPECS) (SN 0300235782 to Present)	A
1	0272952	1	Tray Assembly (See Items 101-110 for Breakdown)	
2	0642012	2	Bolt 5/8 x 1-1/2	
3	0642212	4	Bolt 3/4 x 1-1/2	
4	2902212	1	Bumpers and Strap Kit	
4	0940102	1	Bumper Only	
4	4240149	1	Strap Only	
5	3312005	4	Nut 5/8	
6	3312205	4	Nut 3/4	
7	4420014	AR	Tape	
8	4712000	6	Washer 5/8	
9	4712200	8	Washer 3/4	
10	8310129	2	Bolt 5/8 x 2-1/2	
11	1001099366	1	Support	
12	1001099367	1	Support	
	0272952	Ref	TRAY ASSEMBLY	D
101	0100081	AR	Adhesive	
102	1120555	2	Cap, Tube	
103	3340956	1	Pad Kit	
104	3460334	1	Tube	
105	3520071	2	Plug	
106	4420066	AR	Tape, Double Sided	
108	See Note	NSS	Nameplate - Serial Number (Note: Not Available for Purchase)	
109	1001163287	2	Decal - Glazier Capacity	
110	1701509	1	Decal - Manual	
	0272418	Ref	SKYGLAZIER DECAL INSTALLATION	4
201	1705358	2	Decal - SkyGlazier	

SECTION 5 - PLATFORM

FIGURE 5-52. SKYGLAZIER INSTALLATION (LATIN AMERICAN SPECS)



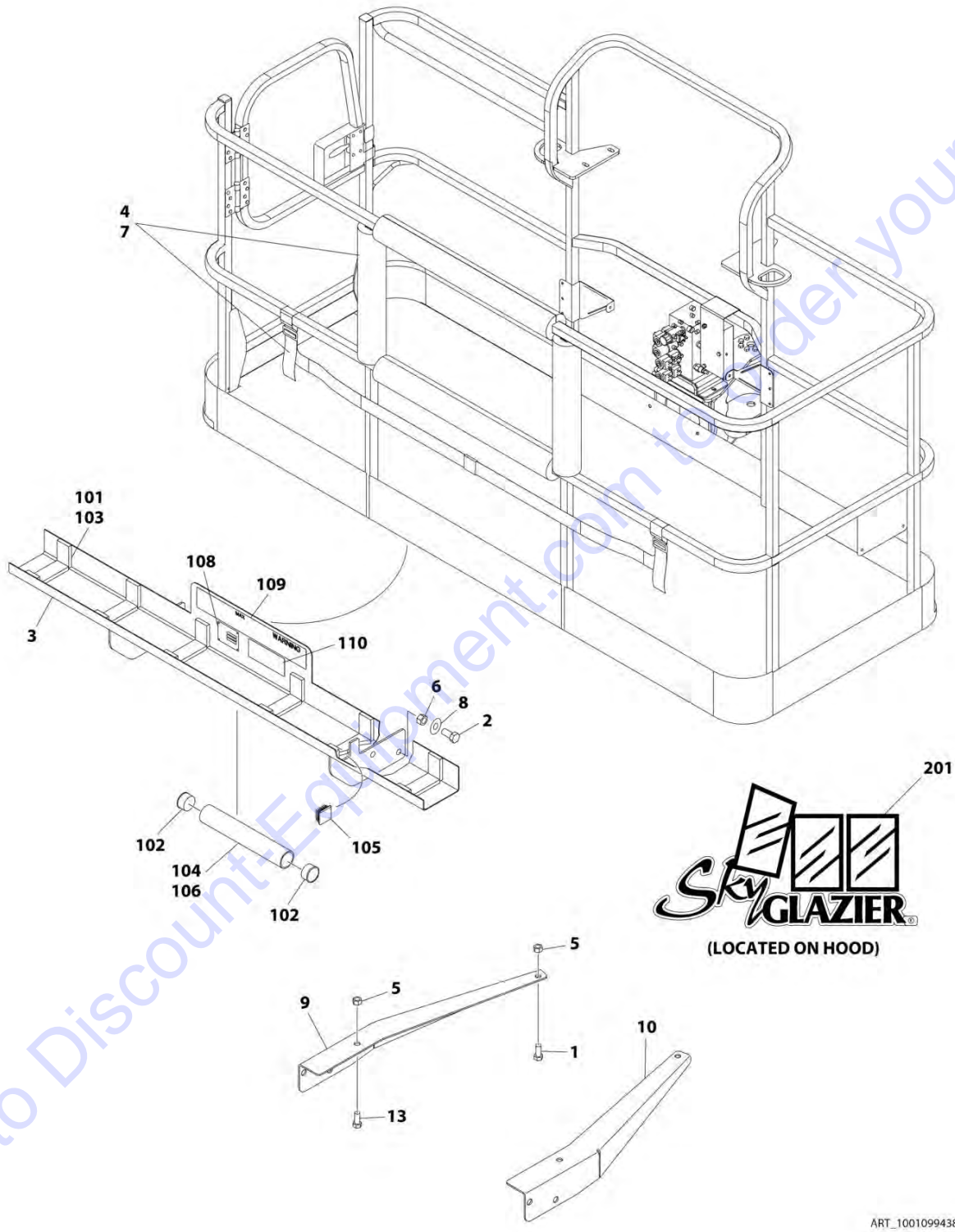
SECTION 5 - PLATFORM

FIGURE 5-52. SKYGLAZIER INSTALLATION (LATIN AMERICAN SPECS)

ITEM	PART NUMBER	QTY	DESCRIPTION	REV
	1001099421	Ref	SKYGLAZIER INSTALLATION (LATIN AMERICAN SPECS)	C
1	0642012	2	Bolt 5/8 x 1-1/2	
2	0642212	4	Bolt 3/4 x 1-1/2	
3	0272948	1	Tray Assembly (See Items 101-110 for Breakdown)	
4	2902212	1	Bumpers and Strap Kit	
4	0940102	1	Bumper Only	
4	4240149	1	Strap Only	
5	3312005	4	Nut 5/8	
6	3312205	4	Nut 3/4	
7	4420014	AR	Tape	
8	4712000	6	Washer 5/8	
9	4712200	8	Washer 3/4	
10	1001099366	1	Support	
11	1001099367	1	Support	
14	8310129	2	Bolt 5/8 x 2.5	
	0272948	Ref	TRAY ASSEMBLY	E
101	0100081	AR	Adhesive	
102	1120555	2	Cap, Tube	
103	3340956	1	Pad Kit	
104	3460334	1	Tube	
105	3520071	2	Plug	
106	4420066	AR	Tape, Double Sided	
108	See Note	NSS	Nameplate - Serial Number (Note: Not Available for Purchase)	
109	1001163296	2	Decal - Glazier Capacity	
110	1701509	1	Decal - Manual	
	0272418	Ref	SKYGLAZIER DECAL INSTALLATION	4
201	1705358	2	Decal - SkyGlazier	

SECTION 5 - PLATFORM

FIGURE 5-53. SKYGLAZIER INSTALLATION (PORTUGUESE SPECS) (SN 0300201016 through 0300235781)



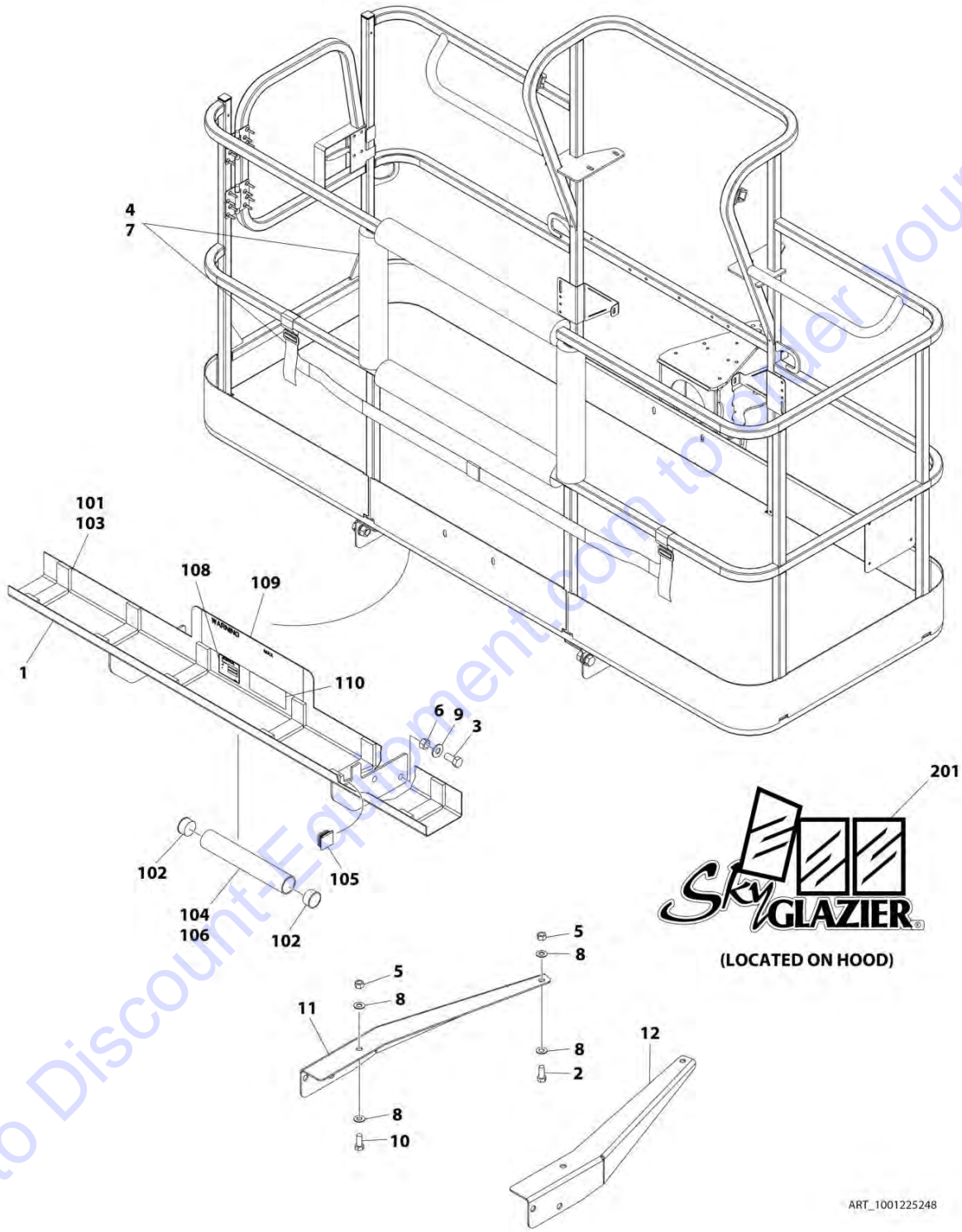
SECTION 5 - PLATFORM

FIGURE 5-53. SKYGLAZIER INSTALLATION (PORTUGUESE SPECS) (SN 0300201016 through 0300235781)

ITEM	PART NUMBER	QTY	DESCRIPTION	REV
	1001099438	Ref	SKYGLAZIER INSTALLATION (PORTUGUESE SPECS) (SN 0300201016 through 0300235781)	D
1	0642026	2	Bolt 5/8 x 3-1/4	
2	0642212	4	Bolt 3/4 x 1-1/2	
3	0273406	1	Tray Assembly (See Items 101-110 for Breakdown)	
4	2902212	1	Bumpers and Strap Kit	
4	0940102	1	Bumper Only	
4	4240149	1	Strap Only	
5	3312005	4	Nut 5/8	
6	3312205	4	Nut 3/4	
7	4420014	AR	Tape	
8	4712200	8	Washer 3/4	
9	1001099366	1	Support	
10	1001099367	1	Support	
13	8310230	2	Bolt 5/8 x 4	
	0273406	Ref	TRAY ASSEMBLY	D
101	0100081	AR	Adhesive	
102	1120555	2	Cap, Tube	
103	3340956	1	Pad Kit	
104	3460334	1	Tube	
105	3520071	2	Plug	
106	4420066	AR	Tape, Double Sided	
108	See Note	NSS	Nameplate - Serial Number (Note: Not Available for Purchase)	
109	1001163289	2	Decal - Glazier Capacity	
110	1701509	1	Decal - Manual	
	0272418	Ref	SKYGLAZIER DECAL INSTALLATION	4
201	1705358	2	Decal - SkyGlazier	

SECTION 5 - PLATFORM

FIGURE 5-54. SKYGLAZIER INSTALLATION (PORTUGUESE SPECS) (SN 0300235782 to Present)



ART_1001225248

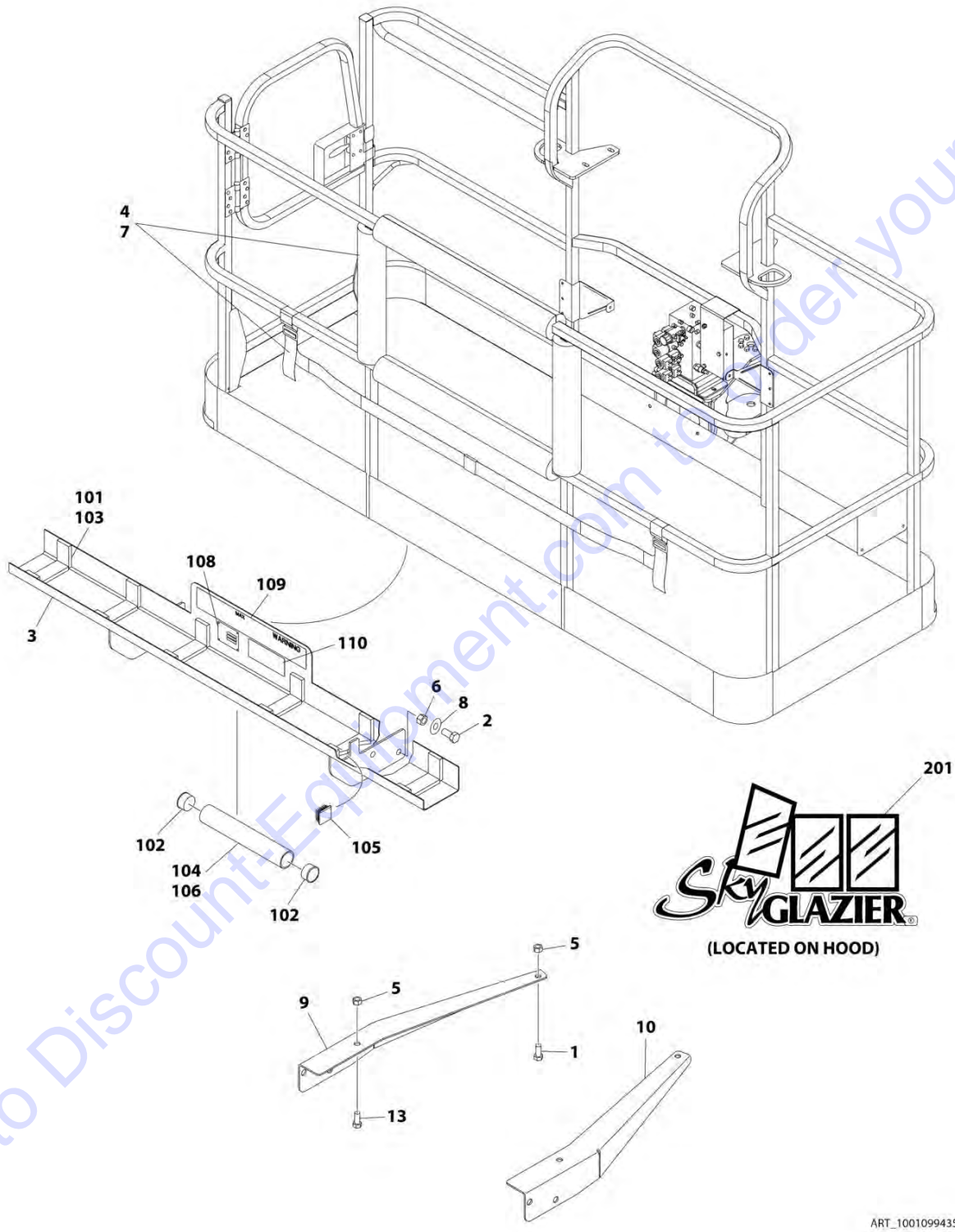
SECTION 5 - PLATFORM

FIGURE 5-54. SKYGLAZIER INSTALLATION (PORTUGUESE SPECS) (SN 0300235782 to Present)

ITEM	PART NUMBER	QTY	DESCRIPTION	REV
	1001225248	Ref	SKYGLAZIER INSTALLATION (PORTUGUESE SPECS) (SN 0300235782 to Present)	A
1	0273406	1	Tray Assembly (See Items 101-110 for Breakdown)	
2	0642012	2	Bolt 5/8 x 1-1/2	
3	0642212	4	Bolt 3/4 x 1-1/2	
4	2902212	1	Bumpers and Strap Kit	
4	0940102	1	Bumper Only	
4	4240149	1	Strap Only	
5	3312005	4	Nut 5/8	
6	3312205	4	Nut 3/4	
7	4420014	AR	Tape	
8	4712000	6	Washer 5/8	
9	4712200	8	Washer 3/4	
10	8310129	2	Bolt 5/8 x 2-1/2	
11	1001099366	1	Support	
12	1001099367	1	Support	
	0273406	Ref	TRAY ASSEMBLY	D
101	0100081	AR	Adhesive	
102	1120555	2	Cap, Tube	
103	3340956	1	Pad Kit	
104	3460334	1	Tube	
105	3520071	2	Plug	
106	4420066	AR	Tape, Double Sided	
108	See Note	NSS	Nameplate - Serial Number (Note: Not Available for Purchase)	
109	1001163289	2	Decal - Glazier Capacity	
110	1701509	1	Decal - Manual	
	0272418	Ref	SKYGLAZIER DECAL INSTALLATION	4
201	1705358	2	Decal - SkyGlazier	

SECTION 5 - PLATFORM

FIGURE 5-55. SKYGLAZIER INSTALLATION (SPANISH SPECS) (SN 0300201016 through 0300235781)



ART_1001099435

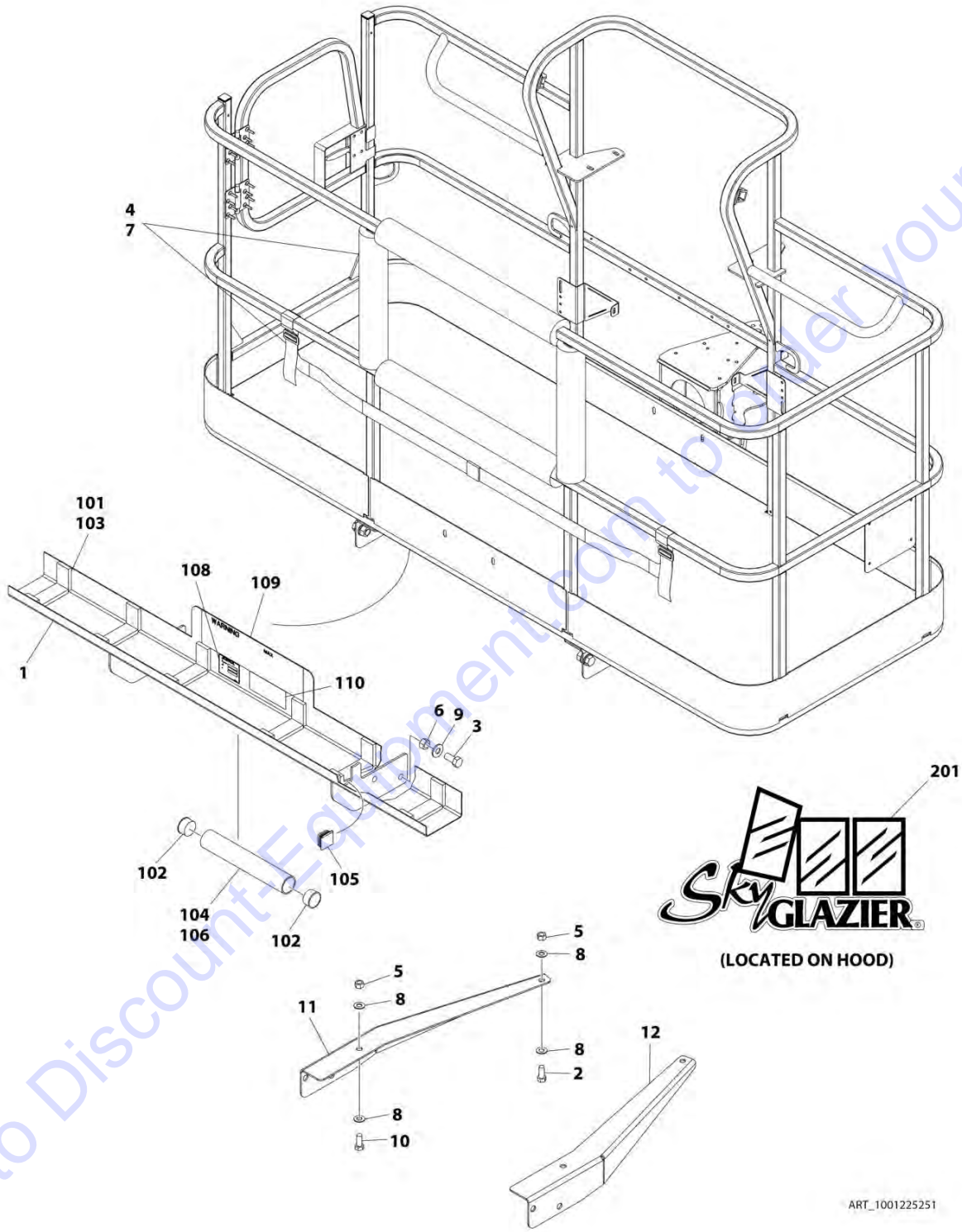
SECTION 5 - PLATFORM

FIGURE 5-55. SKYGLAZIER INSTALLATION (SPANISH SPECS) (SN 0300201016 through 0300235781)

ITEM	PART NUMBER	QTY	DESCRIPTION	REV
	1001099435	Ref	SKYGLAZIER INSTALLATION (SPANISH SPECS) (SN 0300201016 through 0300235781)	D
1	0642026	2	Bolt 5/8 x 3-1/4	
2	0642212	4	Bolt 3/4 x 1-1/2	
3	0273405	1	Tray Assembly (See Items 101-110 for Breakdown)	
4	2902212	1	Bumpers and Strap Kit	
4	0940102	1	Bumper Only	
4	4240149	1	Strap Only	
5	3312005	4	Nut 5/8	
6	3312205	4	Nut 3/4	
7	4420014	AR	Tape	
8	4712200	8	Washer 3/4	
9	1001099366	1	Support	
10	1001099367	1	Support	
13	8310230	2	Bolt 5/8 x 4	
	0273405	Ref	TRAY ASSEMBLY	D
101	0100081	AR	Adhesive	
102	1120555	2	Cap, Tube	
103	3340956	1	Pad Kit	
104	3460334	1	Tube	
105	3520071	2	Plug	
106	4420066	AR	Tape, Double Sided	
108	See Note	NSS	Nameplate - Serial Number (Note: Not Available for Purchase)	
109	1001163288	2	Decal - Glazier Capacity	
110	1701509	1	Decal - Manual	
	0272418	Ref	SKYGLAZIER DECAL INSTALLATION	4
201	1705358	2	Decal - SkyGlazier	

SECTION 5 - PLATFORM

FIGURE 5-56. SKYGLAZIER INSTALLATION (SPANISH SPECS) (SN 0300235782 to Present)



Go to DiscountEquipment.com to order your parts

ART_1001225251

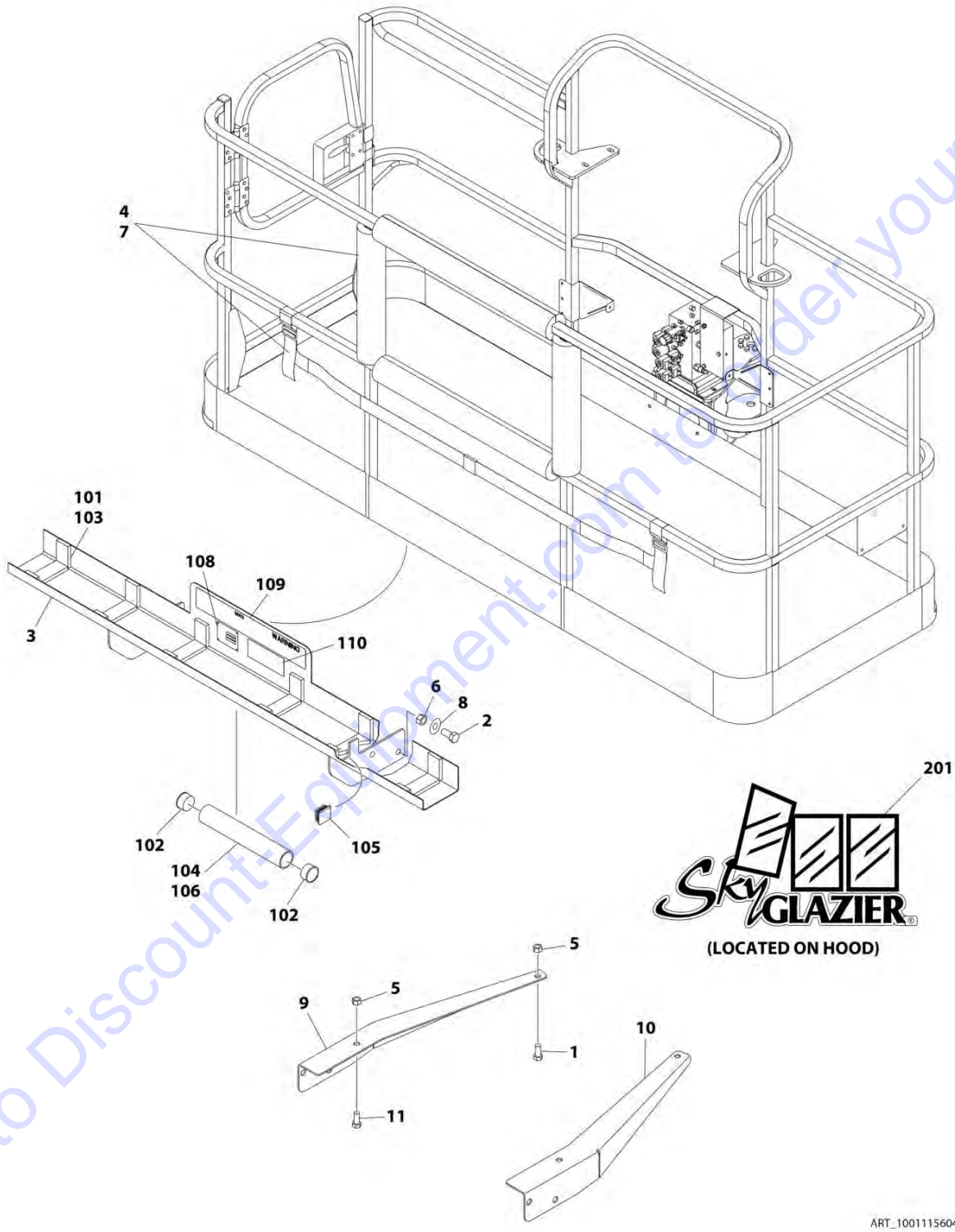
SECTION 5 - PLATFORM

FIGURE 5-56. SKYGLAZIER INSTALLATION (SPANISH SPECS) (SN 0300235782 to Present)

ITEM	PART NUMBER	QTY	DESCRIPTION	REV
	1001225251	Ref	SKYGLAZIER INSTALLATION (SPANISH SPECS) (SN 0300235782 to Present)	A
1	0273405	1	Tray Assembly (See Items 101-110 for Breakdown)	
2	0642012	2	Bolt 5/8 x 1-1/2	
3	0642212	4	Bolt 3/4 x 1-1/2	
4	2902212	1	Bumpers and Strap Kit	
4	0940102	1	Bumper Only	
4	4240149	1	Strap Only	
5	3312005	4	Nut 5/8	
6	3312205	4	Nut 3/4	
7	4420014	AR	Tape	
8	4712000	6	Washer 5/8	
9	4712200	8	Washer 3/4	
10	8310129	2	Bolt 5/8 x 2-1/2	
11	1001099366	1	Support	
12	1001099367	1	Support	
	0273405	Ref	TRAY ASSEMBLY	D
101	0100081	AR	Adhesive	
102	1120555	2	Cap, Tube	
103	3340956	1	Pad Kit	
104	3460334	1	Tube	
105	3520071	2	Plug	
106	4420066	AR	Tape, Double Sided	
108	See Note	NSS	Nameplate - Serial Number (Note: Not Available for Purchase)	
109	1001163288	2	Decal - Glazier Capacity	
110	1701509	1	Decal - Manual	
	0272418	Ref	SKYGLAZIER DECAL INSTALLATION	4
201	1705358	2	Decal - SkyGlazier	

SECTION 5 - PLATFORM

FIGURE 5-57. SKYGLAZIER INSTALLATION (SWEDISH SPECS) (SN 0300201016 through 0300235781)



ART_1001115604

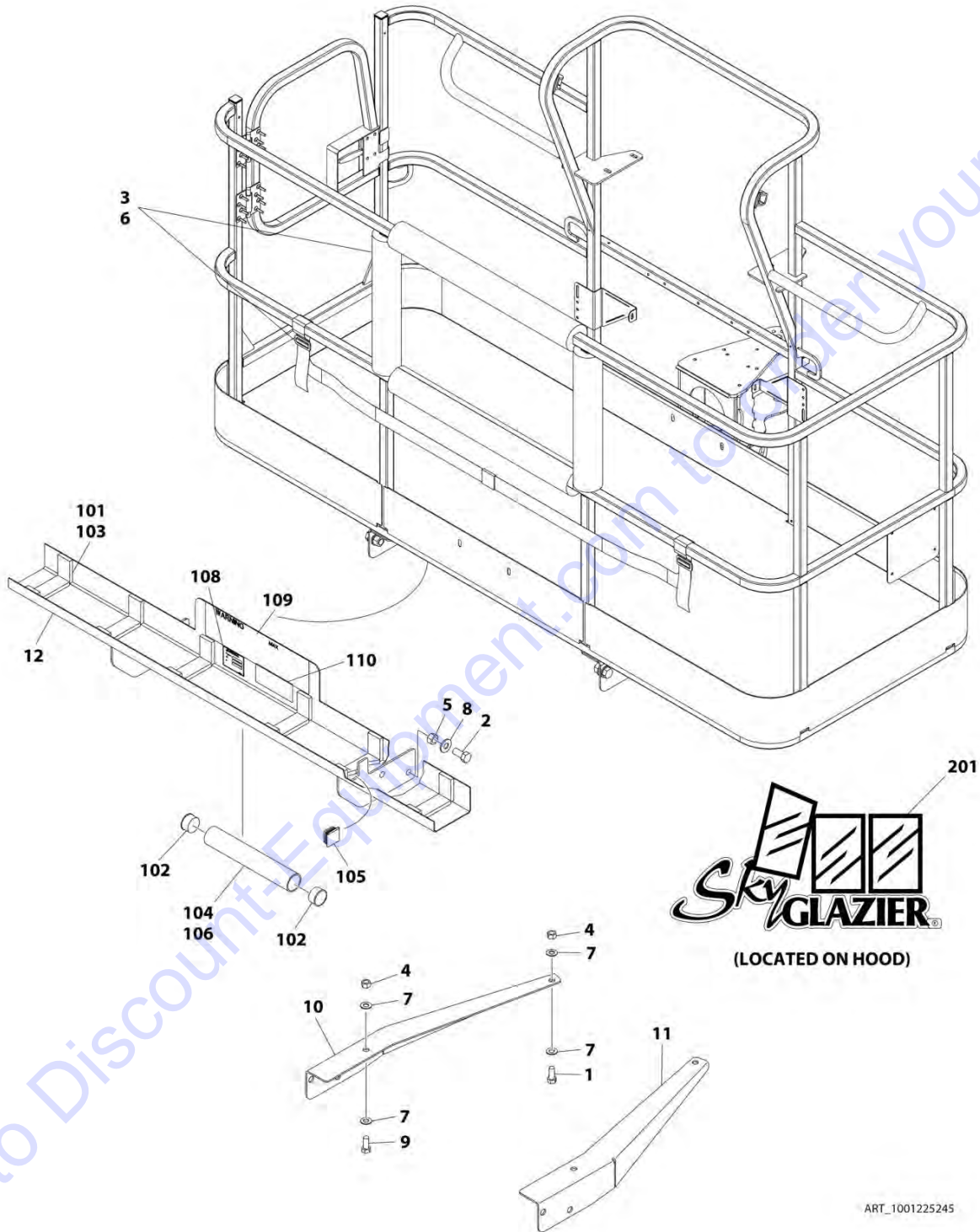
SECTION 5 - PLATFORM

FIGURE 5-57. SKYGLAZIER INSTALLATION (SWEDISH SPECS) (SN 0300201016 through 0300235781)

ITEM	PART NUMBER	QTY	DESCRIPTION	REV
	1001115604	Ref	SKYGLAZIER INSTALLATION (SWEDISH SPECS) (SN 0300201016 through 0300235781)	C
1	0642026	2	Bolt 5/8 x 3-1/4	
2	0642212	4	Bolt 3/4 x 1-1/2	
3	1001115603	1	Tray Assembly (See Items 101-110 for Breakdown)	
4	2902212	1	Bumpers and Strap Kit	
4	0940102	1	Bumper Only	
4	4240149	1	Strap Only	
5	3312005	4	Nut 5/8	
6	3312205	4	Nut 3/4	
7	4420014	AR	Tape	
8	4712200	8	Washer 3/4	
9	1001099366	1	Support	
10	1001099367	1	Support	
11	8310230	2	Bolt 5/8 x 4	
	1001115603	Ref	TRAY ASSEMBLY	C
101	0100081	AR	Adhesive	
102	1120555	2	Cap, Tube	
103	3340956	1	Pad Kit	
104	3460334	1	Tube	
105	3520071	2	Plug	
106	4420066	AR	Tape, Double Sided	
108	See Note	NSS	Nameplate - Serial Number (Note: Not Available for Purchase)	
109	1001163292	2	Decal - Glazier Capacity	
110	1701509	1	Decal - Manual	
	0272418	Ref	SKYGLAZIER DECAL INSTALLATION	4
201	1705358	2	Decal - SkyGlazier	

SECTION 5 - PLATFORM

FIGURE 5-58. SKYGLAZIER INSTALLATION (SWEDISH SPECS) (SN 0300235782 to Present)



ART_1001225245

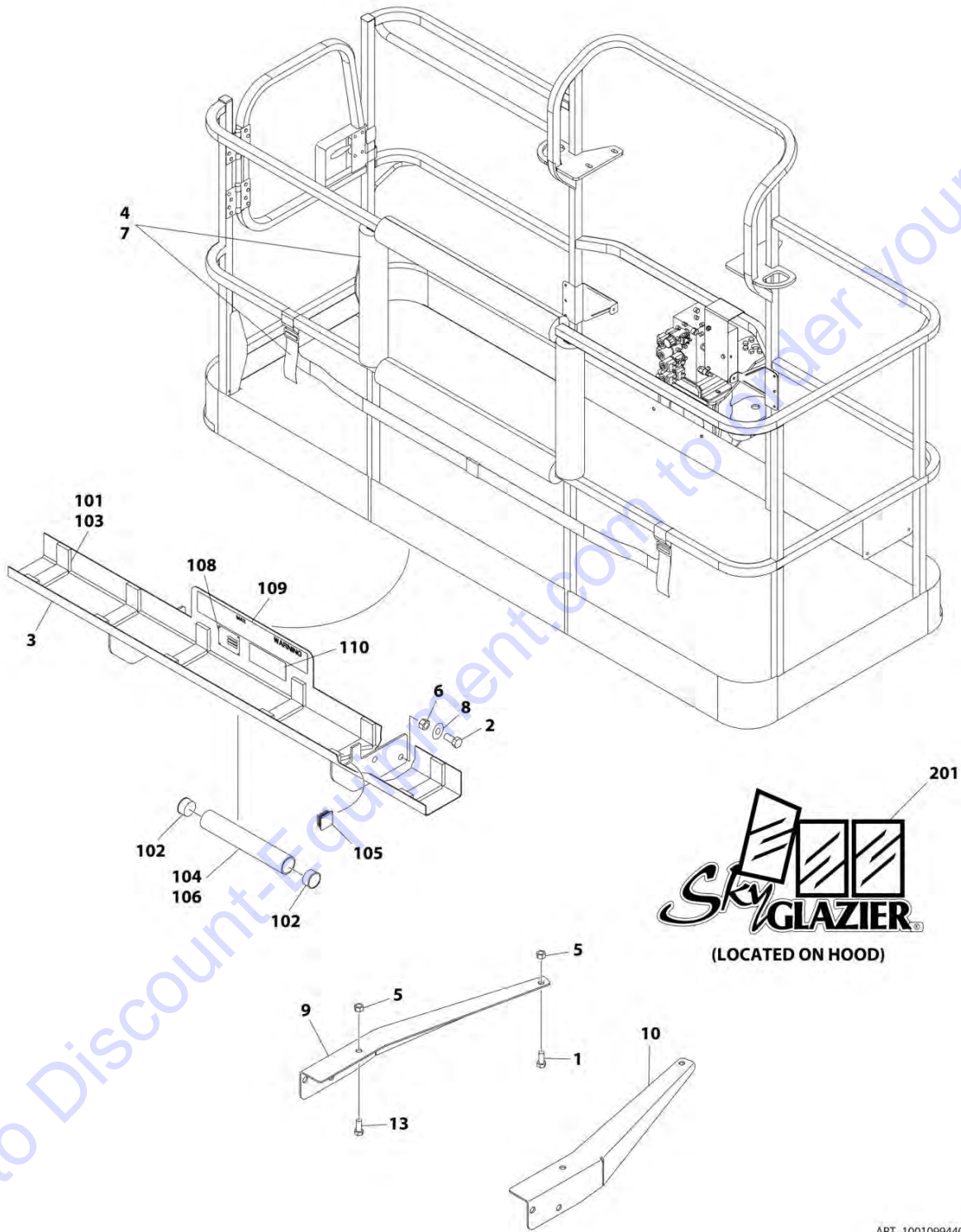
SECTION 5 - PLATFORM

FIGURE 5-58. SKYGLAZIER INSTALLATION (SWEDISH SPECS) (SN 0300235782 to Present)

ITEM	PART NUMBER	QTY	DESCRIPTION	REV
	1001225245	Ref	SKYGLAZIER INSTALLATION (SWEDISH SPECS) (SN 0300235782 to Present)	B
1	0642012	2	Bolt 5/8 x 1-1/2	
2	0642212	4	Bolt 3/4 x 1-1/2	
3	2902212	1	Bumpers and Strap Kit	
3	0940102	1	Bumper Only	
3	4240149	1	Strap Only	
4	3312005	4	Nut 5/8	
5	3312205	4	Nut 3/4	
6	4420014	AR	Tape	
7	4712000	6	Washer 5/8	
8	4712200	8	Washer 3/4	
9	8310129	2	Bolt 5/8 x 2-1/2	
10	1001099366	1	Support	
11	1001099367	1	Support	
12	1001115603	1	Tray Assembly (See Items 101-110 for Breakdown)	
	1001115603	Ref	TRAY ASSEMBLY	C
101	0100081	AR	Adhesive	
102	1120555	2	Cap, Tube	
103	3340956	1	Pad Kit	
104	3460334	1	Tube	
105	3520071	2	Plug	
106	4420066	AR	Tape, Double Sided	
108	See Note	NSS	Nameplate - Serial Number (Note: Not Available for Purchase)	
109	1001163292	2	Decal - Glazier Capacity	
110	1701509	1	Decal - Manual	
	0272418	Ref	SKYGLAZIER DECAL INSTALLATION	4
201	1705358	2	Decal - SkyGlazier	

SECTION 5 - PLATFORM

FIGURE 5-59. SKYGLAZIER INSTALLATION (UK SPECS) (SN 0300201016 through 0300235781)



ART_1001099440

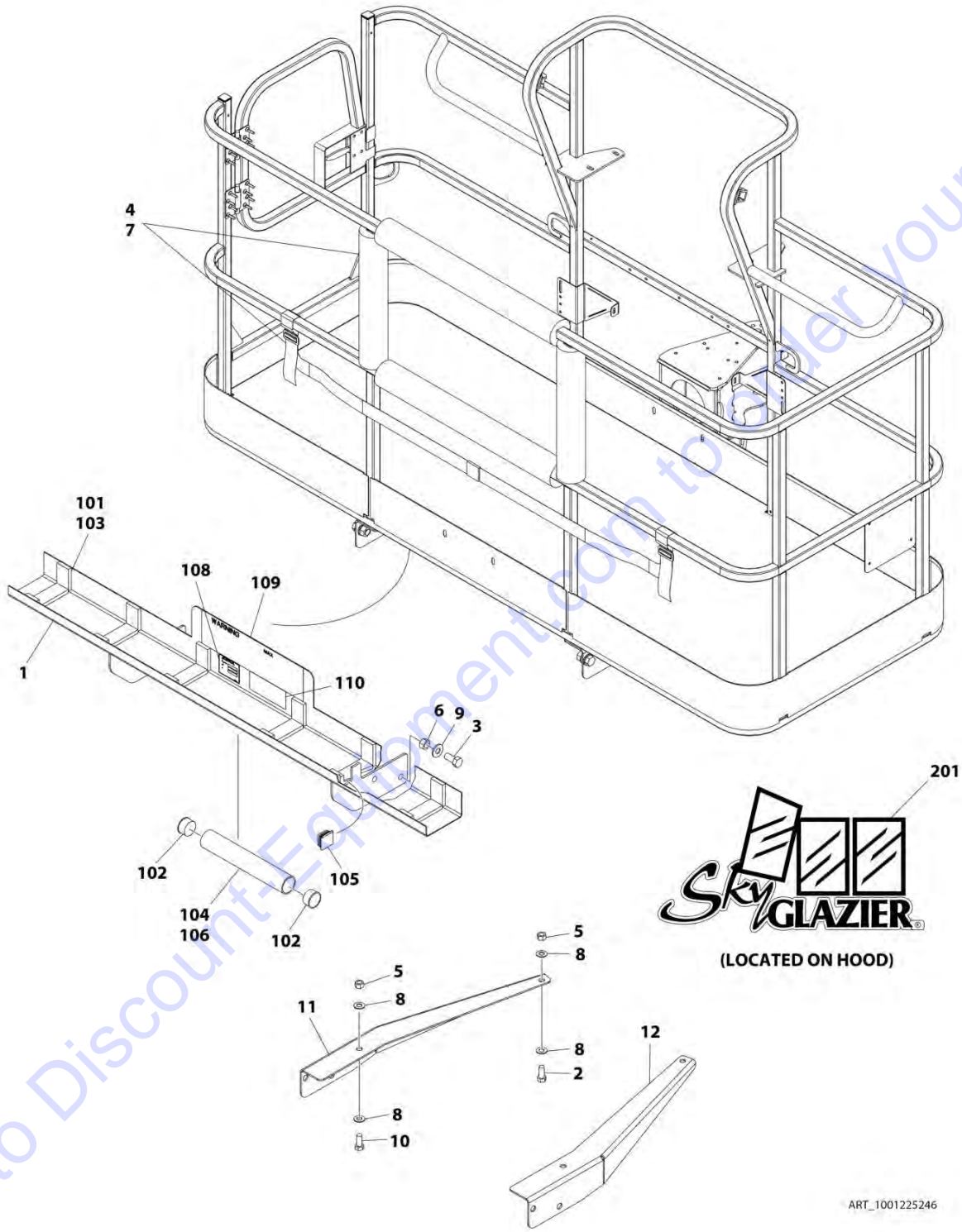
SECTION 5 - PLATFORM

FIGURE 5-59. SKYGLAZIER INSTALLATION (UK SPECS) (SN 0300201016 through 0300235781)

ITEM	PART NUMBER	QTY	DESCRIPTION	REV
	1001099440	Ref	SKYGLAZIER INSTALLATION (UK SPECS) (SN 0300201016 through 0300235781)	D
1	0642026	2	Bolt 5/8 x 3-1/4	
2	0642212	4	Bolt 3/4 x 1-1/2	
3	0273404	1	Tray Assembly (See Items 101-110 for Breakdown)	
4	2902212	1	Bumpers and Strap Kit	
4	0940102	1	Bumper Only	
4	4240149	1	Strap Only	
5	3312005	4	Nut 5/8	
6	3312205	4	Nut 3/4	
7	4420014	AR	Tape	
8	4712200	8	Washer 3/4	
9	1001099366	1	Support	
10	1001099367	1	Support	
13	8310230	2	Bolt 5/8 x 4	
	0273404	Ref	TRAY ASSEMBLY	D
101	0100081	AR	Adhesive	
102	1120555	2	Cap, Tube	
103	3340956	1	Pad Kit	
104	3460334	1	Tube	
105	3520071	2	Plug	
106	4420066	AR	Tape, Double Sided	
108	See Note	NSS	Nameplate - Serial Number (Note: Not Available for Purchase)	
109	1001163295	2	Decal - Glazier Capacity	
110	1701509	1	Decal - Manual	
	0272418	Ref	SKYGLAZIER DECAL INSTALLATION	4
201	1705358	2	Decal - SkyGlazier	

SECTION 5 - PLATFORM

FIGURE 5-60. SKYGLAZIER INSTALLATION (UK SPECS) (SN 0300235782 to Present)



ART_1001225246

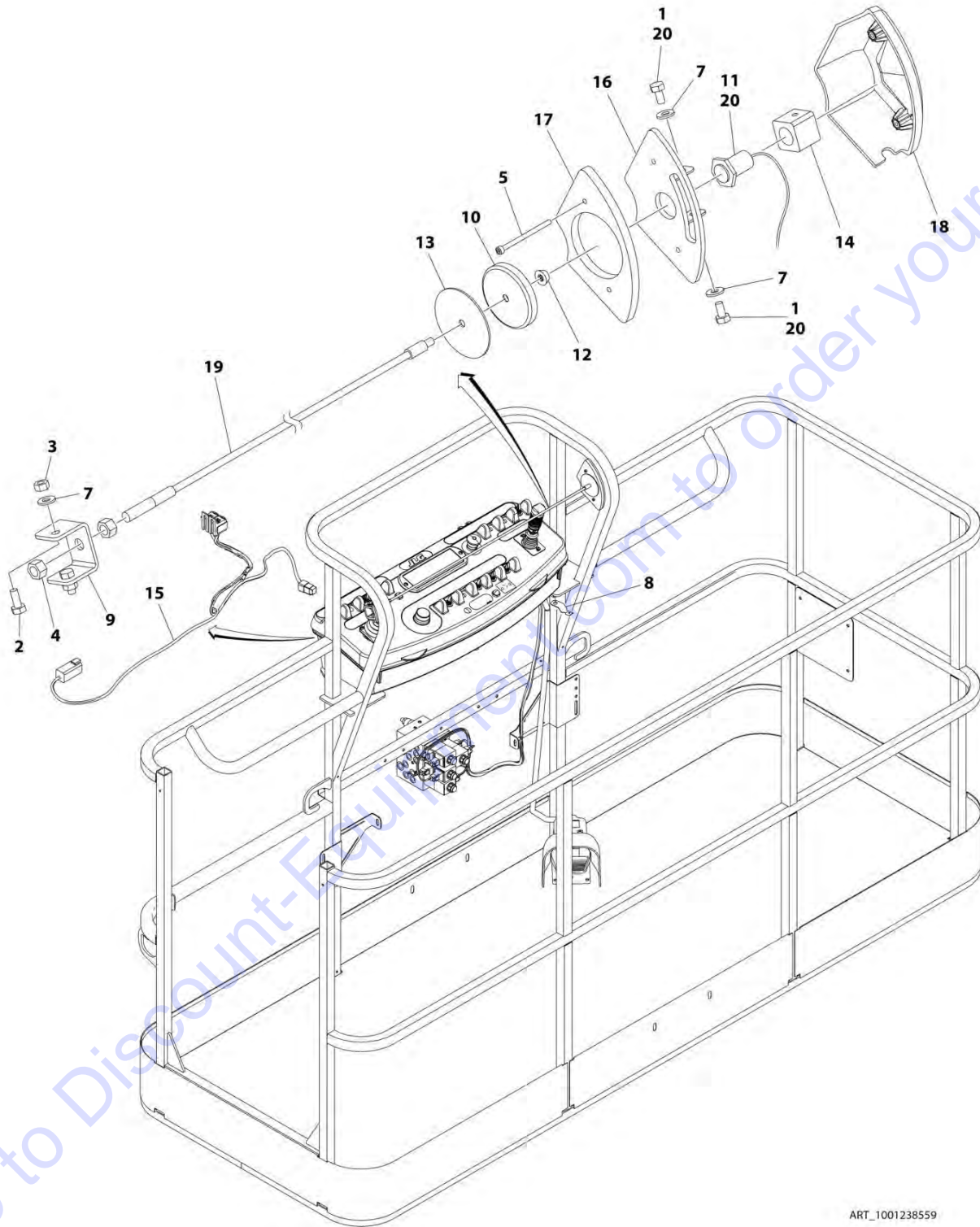
SECTION 5 - PLATFORM

FIGURE 5-60. SKYGLAZIER INSTALLATION (UK SPECS) (SN 0300235782 to Present)

ITEM	PART NUMBER	QTY	DESCRIPTION	REV
	1001225246	Ref	SKYGLAZIER INSTALLATION (UK SPECS) (SN 0300235782 to Present)	A
1	0273404	1	Tray Assembly (See Items 101-110 for Breakdown)	
2	0642012	2	Bolt 5/8 x 1-1/2	
3	0642212	4	Bolt 3/4 x 1-1/2	
4	2902212	1	Bumpers and Strap Kit	
4	0940102	1	Bumper Only	
4	4240149	1	Strap Only	
5	3312005	4	Nut 5/8	
6	3312205	4	Nut 3/4	
7	4420014	AR	Tape	
8	4712000	6	Washer 5/8	
9	4712200	8	Washer 3/4	
10	8310129	2	Bolt 5/8 x 2-1/2	
11	1001099366	1	Support	
12	1001099367	1	Support	
	0273404	Ref	TRAY ASSEMBLY	D
101	0100081	AR	Adhesive	
102	1120555	2	Cap, Tube	
103	3340956	1	Pad Kit	
104	3460334	1	Tube	
105	3520071	2	Plug	
106	4420066	AR	Tape, Double Sided	
108	See Note	NSS	Nameplate - Serial Number (Note: Not Available for Purchase)	
109	1001163295	2	Decal - Glazier Capacity	
110	1701509	1	Decal - Manual	
	0272418	Ref	SKYGLAZIER DECAL INSTALLATION	4
201	1705358	2	Decal - SkyGlazier	

SECTION 5 - PLATFORM

FIGURE 5-61. SKYLINE INSTALLATION



ART_1001238559

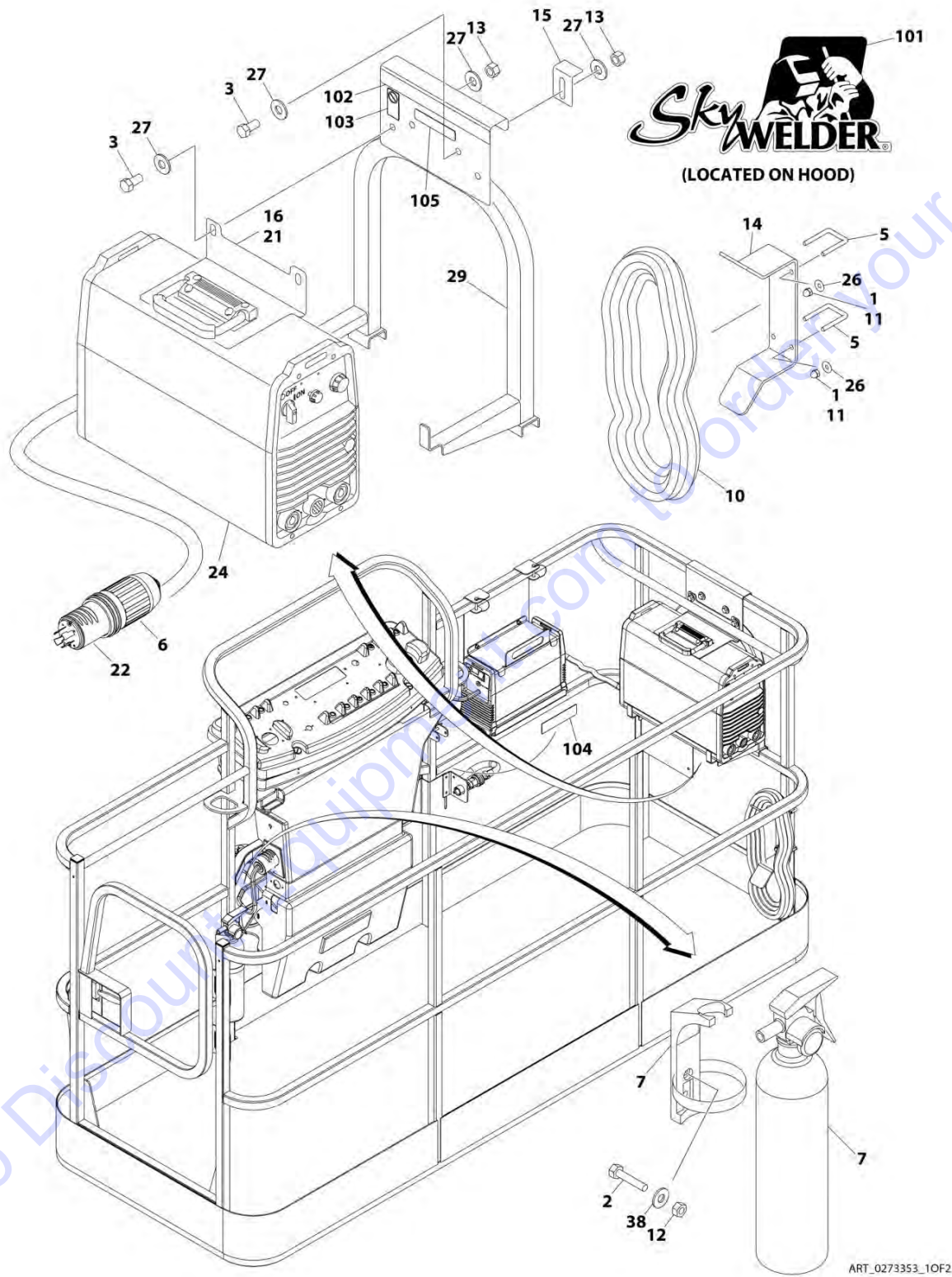
SECTION 5 - PLATFORM

FIGURE 5-61. SKYLINE INSTALLATION

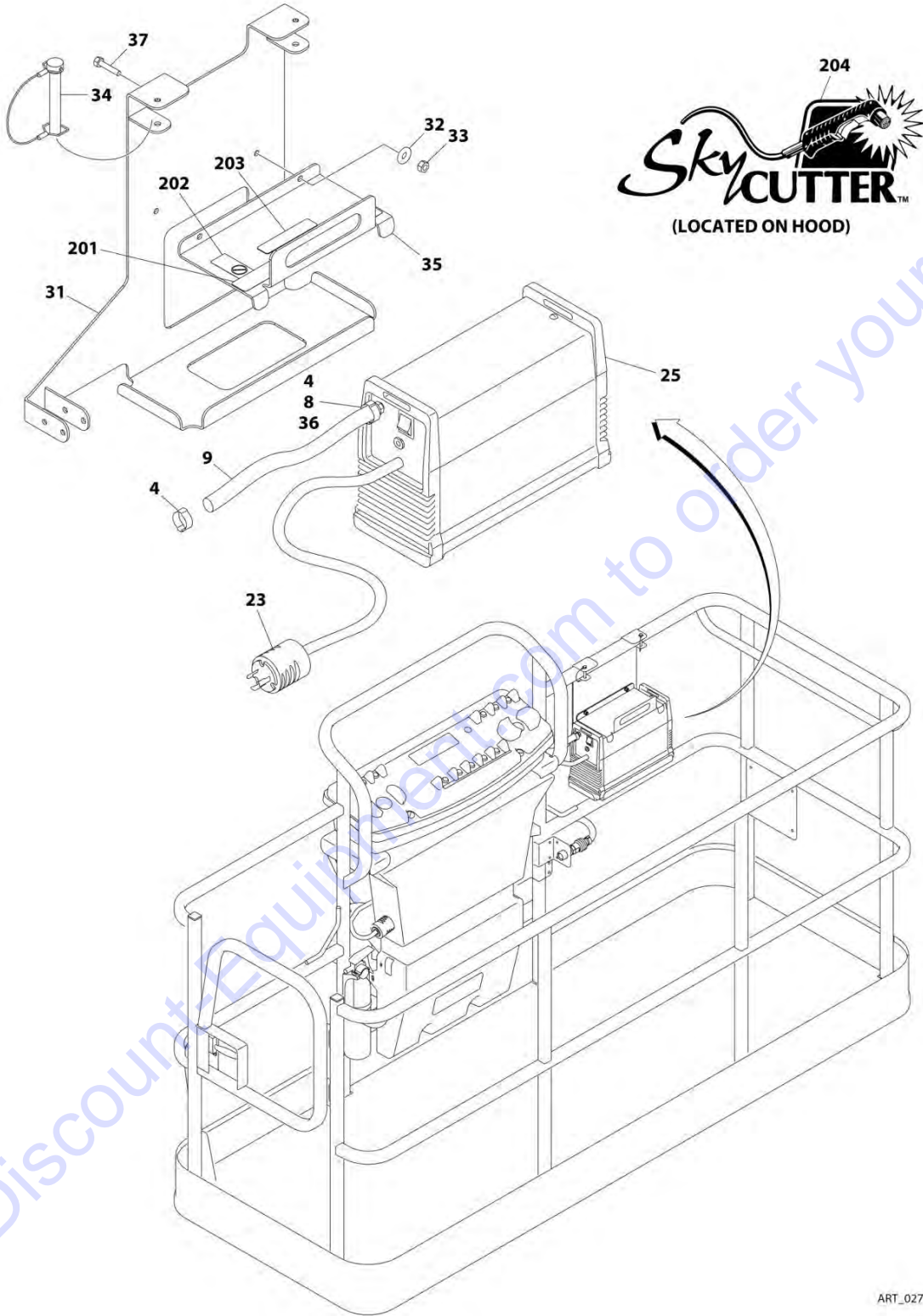
ITEM	PART NUMBER	QTY	DESCRIPTION	REV
	1001238559	Ref	SKYLINE INSTALLATION	B
1	0641404	2	Bolt 1/4 x 1/2	
2	0641405	2	Bolt 1/4 x 5/8	
3	3311405	2	Nut 1/4	
4	3311601	2	Nut 3/8	
5	4031516	2	Capscrew M4 x 60	
6	4240033	AR	Tie-Strap (Not Shown)	
7	4711400	4	Washer 1/4	
8	1001120328	1	Mount	
9	1001232642	1	Bracket	
10	1001232650	1	Magnet	
11	1001232667	1	Sensor, Proximity	
12	1001235011	1	Nut	
13	1001235013	1	Washer	
14	1001236552	1	Block	
15	1001238418	1	Harness, Skyline (See Separate Breakdown in ELECTRICAL SECTION)	
16	1001238472	1	Mount	
17	1001238477	1	Housing, LH	
18	1001241965	1	Housing, RH	
19	1001238824	1	Rope	
20	0100011	AR	Compound, Locking	

SECTION 5 - PLATFORM

FIGURE 5-62. SKYWELDER/SKYCUTTER COMBO INSTALLATION (60HZ)



SECTION 5 - PLATFORM



ART_0273353_20F2

SECTION 5 - PLATFORM

FIGURE 5-62. SKYWELDER/SKYCUTTER COMBO INSTALLATION (60HZ)

ITEM	PART NUMBER	QTY	DESCRIPTION	REV
	0273353	Ref	SKYWELDER/SKYCUTTER COMBO INSTALLATION (60HZ)	G
		Ref	Note: ANSI, ANSI Export, China, CSA and Japanese Spec Only.	
1	0100011	AR	Compound, Locking	
2	0630518	2	Screw #10 x 3/4	
3	0641606	4	Bolt 3/8 x 3/4	
4	1320177	2	Clamp	
5	1320302	2	Clamp	
6	1671093	1	Cover, Plug	
7	2030010	1	Extinguisher, Fire	
8	2180832	1	Fitting, Barbed/NPT	
9	2720160	4.5 ft/ 1.4m	Hose	
10	2902217	1	Weld Leads Kit	
11	3300151	4	Nut 1/4	
12	3311005	2	Nut #10	
13	3311605	4	Nut 3/8	
14	3573400	1	Bracket	
15	3577121	2	Angle	
16	3573642	1	Plate	
20	4240099	AR	Tie-Strap (Not Shown)	
21	4420037	2.4 ft/ 0.7m	Tape	
22	4460962	1	Plug, Twist Lock	
23	4460971	1	Plug, Twist Lock	
24	4530028	1	Welder Assembly (See Separate Breakdown in this Section)	
25	1001098012	1	Plasma Cutter Assembly (See Separate Breakdown in this Section)	
26	4751400	4	Washer 1/4	
27	4751600	8	Washer 3/8	
29	4846627	1	Support	
31	1001145405	1	Bracket	
32	4811700	2	Washer M6	
33	3290605	2	Nut M6	
34	3421453	3	Pin	
35	3576799	1	Plate, Hold-Down	
36	0100020	1	Sealant	
37	4010608	2	Screw M6 x 16	
38	4751000	2	Washer #10	
	0272448	Ref	SKYWELDER DECAL INSTALLATION	B
101	1705355	2	Decal - SkyWelder	
102	1702868	1	Decal - No Hands	
103	1705305	1	Decal - Weld Leads	
104	1705375	1	Decal - 240V - 3 Phase - 60Hz	
105	1705466	1	Decal - Weight (SN 0300201016 through 0300233704)	
105	1001228988	1	Decal - Weight (SN 0300233705 to Present, SN B300000100 to Present)	
	0272599	Ref	SKYCUTTER DECAL INSTALLATION	B
201	1702868	1	Decal - No Hands	
202	1705305	1	Decal - Weld Leads	
203	1705466	1	Decal - Weight (SN 0300201016 through 0300233704)	

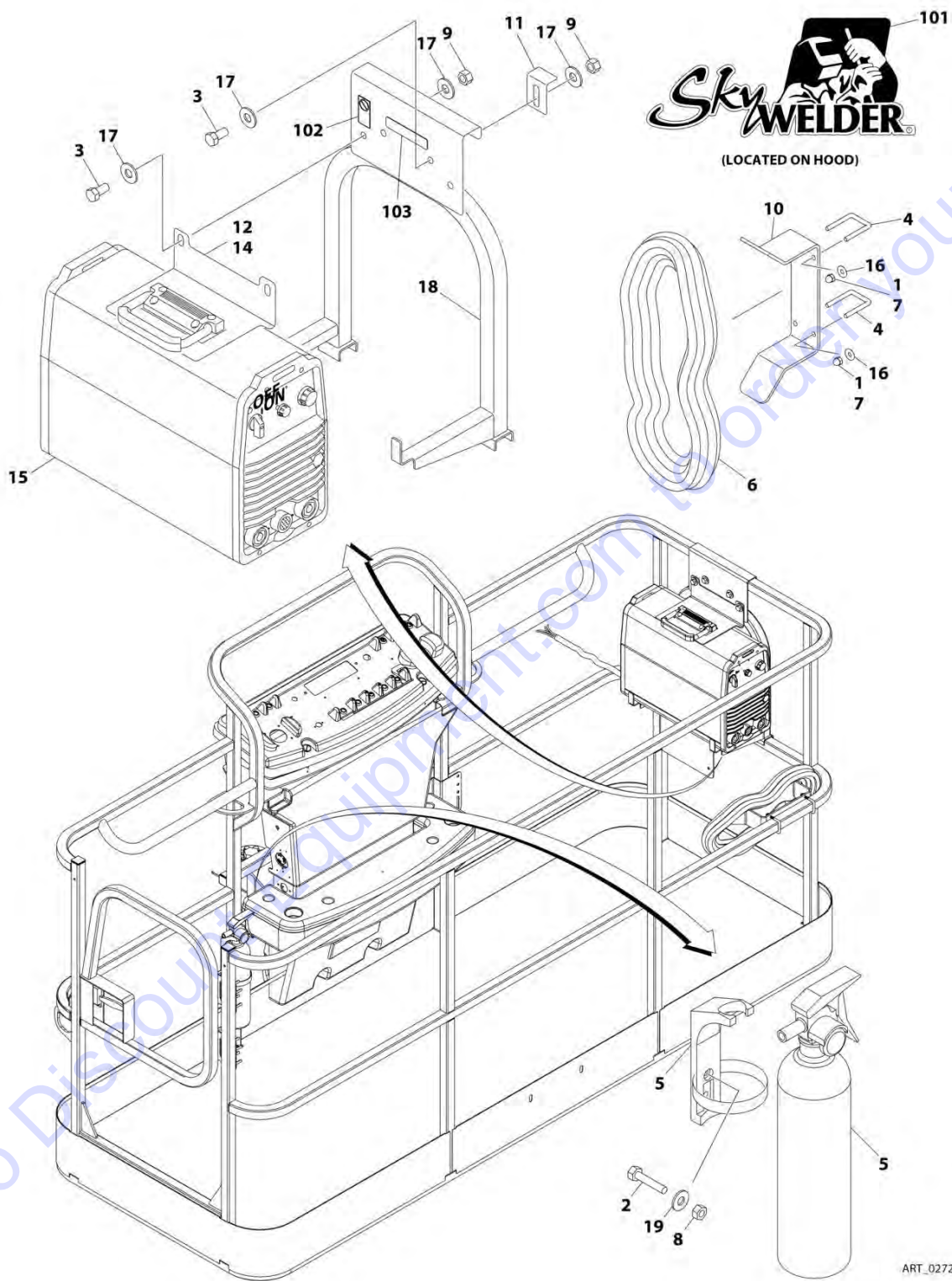
SECTION 5 - PLATFORM

ITEM	PART NUMBER	QTY	DESCRIPTION	REV
203	1001228988	1	Decal - Weight (SN 0300233705 to Present, SN B300000100 to Present)	
204	1705490	2	Decal - SkyCutter	

Go to Discount-Equipment.com to order your parts

SECTION 5 - PLATFORM

FIGURE 5-63. SKYWELDER INSTALLATION (50HZ)



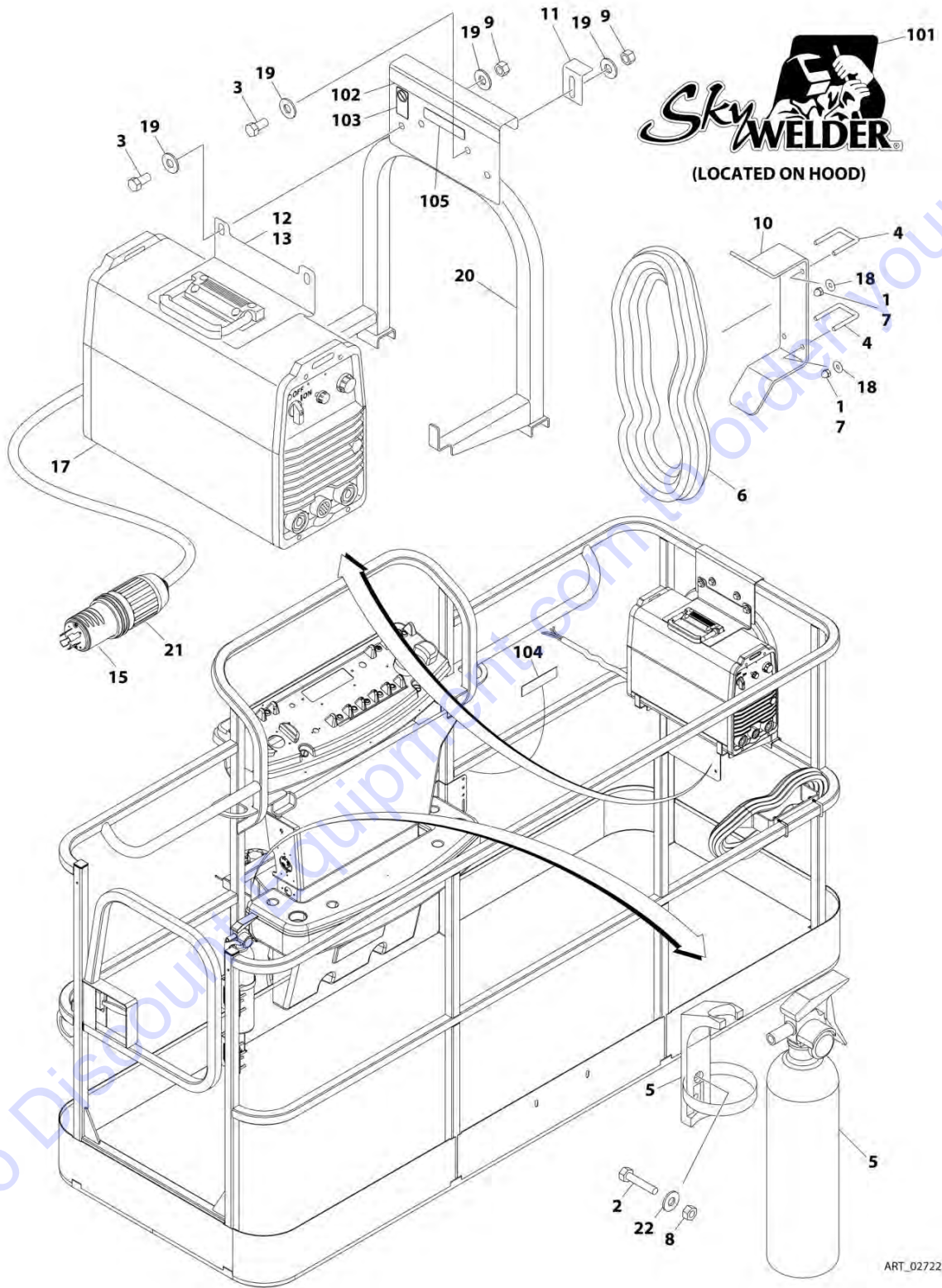
SECTION 5 - PLATFORM

FIGURE 5-63. SKYWELDER INSTALLATION (50HZ)

ITEM	PART NUMBER	QTY	DESCRIPTION	REV
	0272521	Ref	SKYWELDER INSTALLATION (50HZ)	F
		Ref	Note: ANSI Export, Australian, CE, Chinese and Japanese Specs Only.	
1	0100011	AR	Compound, Locking	
2	0630518	2	Screw #10 x 3/4	
3	0641606	4	Bolt 3/8 x 3/4	
4	1320302	2	U-Clamp	
5	2030010	1	Extinguisher, Fire	
6	2902217	1	Weld Leads Kit	
7	3300151	4	Nut 1/4	
8	3311005	2	Nut #10	
9	3311605	4	Nut 3/8	
10	3573400	1	Bracket	
11	3577121	2	Angle	
12	3573642	1	Plate	
13	4240099	AR	Tie-Strap (Not Shown)	
14	4420037	AR	Tape	
15	4530028	1	Welder Assembly (See Separate Breakdown in this Section)	
16	4751400	4	Washer 1/4	
17	4751600	8	Washer 3/8	
18	4846627	1	Support	
19	4751000	2	Washer #10	
	0272588	Ref	SKYWELDER DECAL INSTALLATION	B
101	1705355	2	Decal - SkyWelder	
102	1705305	1	Decal - Weld Lead	
103	1705466	1	Decal - Weight (SN 0300201016 through 0300233704)	
103	1001228988	1	Decal - Weight (SN 0300233705 to Present, SN B300000100 to Present)	

SECTION 5 - PLATFORM

FIGURE 5-64. SKYWELDER INSTALLATION (60HZ)



ART_0272254

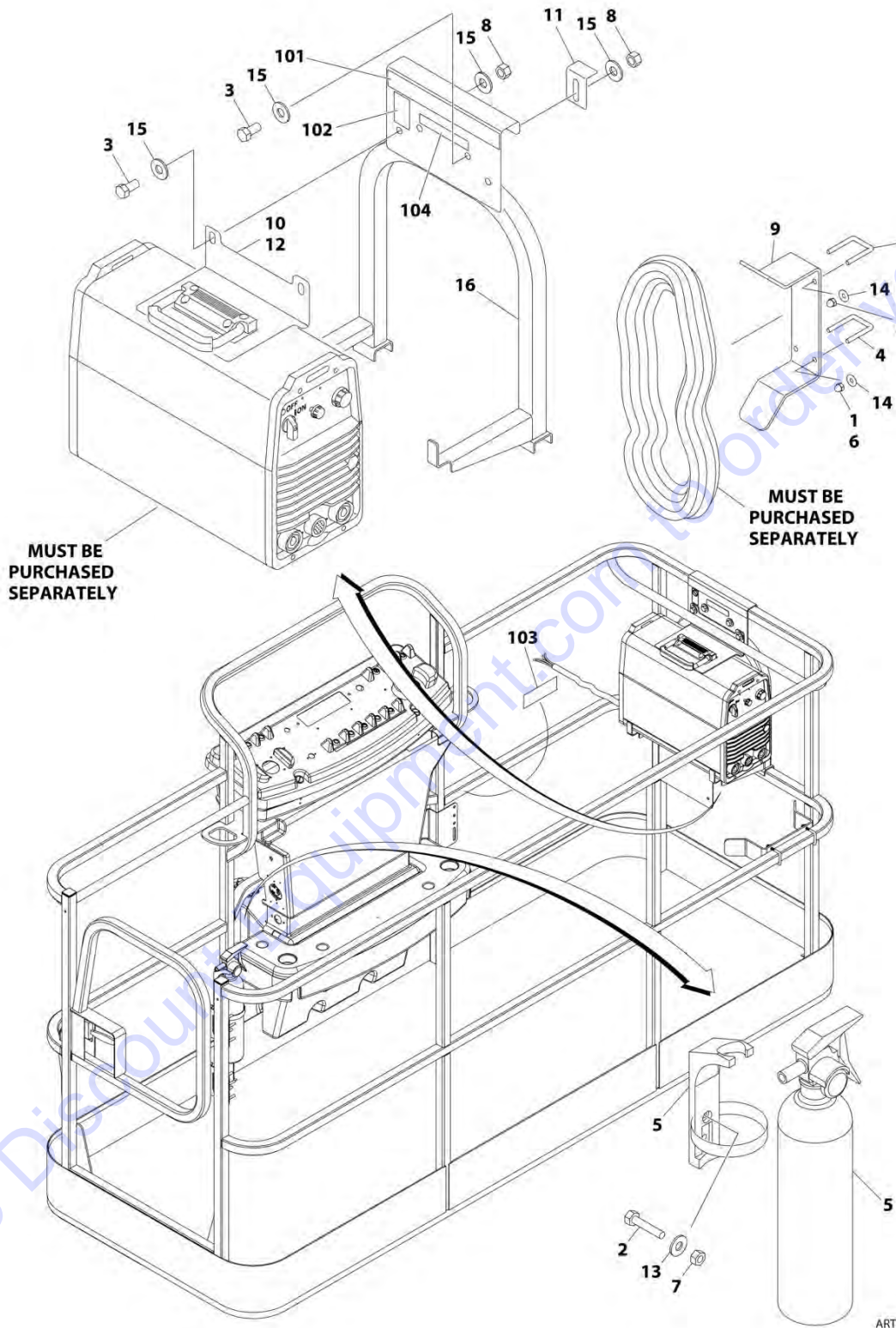
SECTION 5 - PLATFORM

FIGURE 5-64. SKYWELDER INSTALLATION (60HZ)

ITEM	PART NUMBER	QTY	DESCRIPTION	REV
	0272254	Ref	SKYWELDER INSTALLATION (60HZ)	I
		Ref	Note: ANSI, ANSI Export, CSA and Japanese Specs Only.	
1	0100011	AR	Compound, Locking	
2	0630518	2	Screw #10 x 3/4	
3	0641606	4	Bolt 3/8 x 3/4	
4	1320302	2	U-Clamp	
5	2030010	1	Extinguisher, Fire	
6	2902217	1	Weld Leads Kit	
7	3300151	4	Nut 1/4	
8	3311005	2	Nut #10	
9	3311605	4	Nut 3/8	
10	3573400	1	Bracket	
11	3577121	2	Angle	
12	3573642	1	Plate	
13	4420037	AR	Tape	
14	4240099	AR	Tie-Strap (Not Shown)	
15	4460962	1	Plug, Male Twistlock	
17	4530028	1	Welder Assembly (See Separate Breakdown in this Section)	
18	4751400	4	Washer 1/4	
19	4751600	8	Washer 3/8	
20	4846627	1	Support	
21	1671093	1	Cover, Plug	
22	4751000	2	Washer #10	
	0272448	Ref	SKYWELDER DECAL INSTALLATION	B
101	1705355	2	Decal - SkyWelder	
102	1702868	1	Decal - No Hands	
103	1705305	1	Decal - Weld Lead	
104	1705375	1	Decal - 240V - 3 Phase - 60Hz	
105	1705466	1	Decal - Weight (SN 0300201016 through 0300233704)	
105	1001228988	1	Decal - Weight (SN 0300233705 to Present, SN B300000100 to Present)	

SECTION 5 - PLATFORM

FIGURE 5-65. SKYWELDER PREP PACKAGE (60HZ)



ART_1001128527

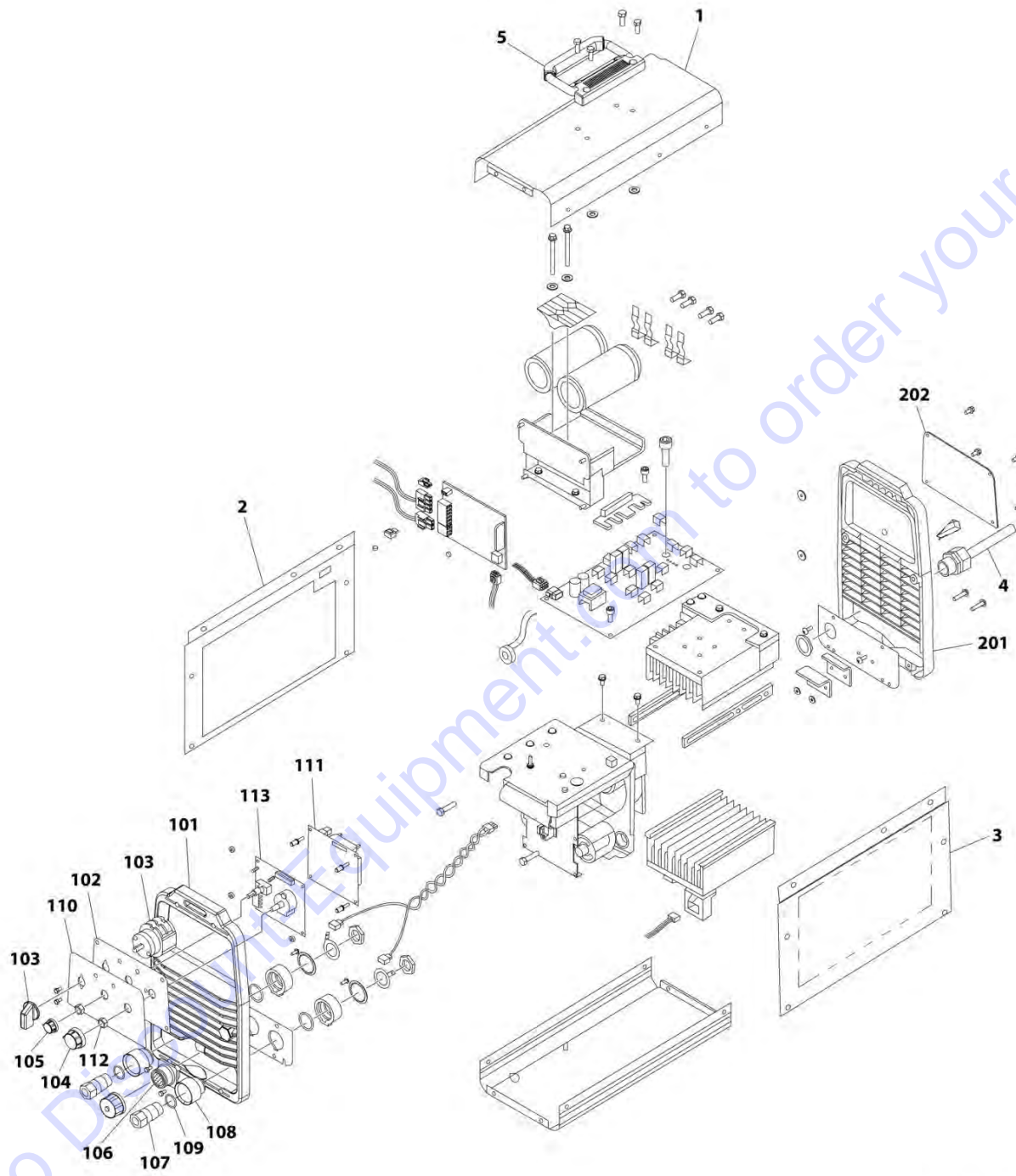
SECTION 5 - PLATFORM

FIGURE 5-65. SKYWELDER PREP PACKAGE (60HZ)

ITEM	PART NUMBER	QTY	DESCRIPTION	REV
	1001128527	Ref	SKYWELDER PREP PACKAGE (60HZ)	B
		Ref	Note: ANSI, ANSI Export and CSA Specs Only.	
1	0100011	AR	Compound, Locking	
2	0630518	2	Screw #10 x 3/4	
3	0641606	4	Bolt 3/8 x 3/4	
4	1320302	2	U-Clamp	
5	2030010	1	Extinguisher, Fire	
6	3300151	4	Nut 1/4	
7	3311005	2	Nut #10	
8	3311605	4	Nut 3/8	
9	3573400	1	Bracket	
10	3573642	1	Plate	
11	3577121	2	Angle	
12	4420037	AR	Tape	
13	4751000	2	Washer #10	
14	4751400	4	Washer 1/4	
15	4751600	8	Washer 3/8	
16	4846627	1	Support	
	1001128556	Ref	SKYWELDER DECAL INSTALLATION	B
101	1702868	1	Decal - No Hands	
102	1705305	1	Decal - Weld Lead	
103	1705375	1	Decal - 240V - 3 Phase - 60Hz	
104	1705466	1	Decal - Weight (SN 0300201016 through 0300233704)	
104	1001228988	1	Decal - Weight (SN 0300233705 to Present, SN B300000100 to Present)	

SECTION 5 - PLATFORM

FIGURE 5-66. WELDER ASSEMBLY



ART_4530028

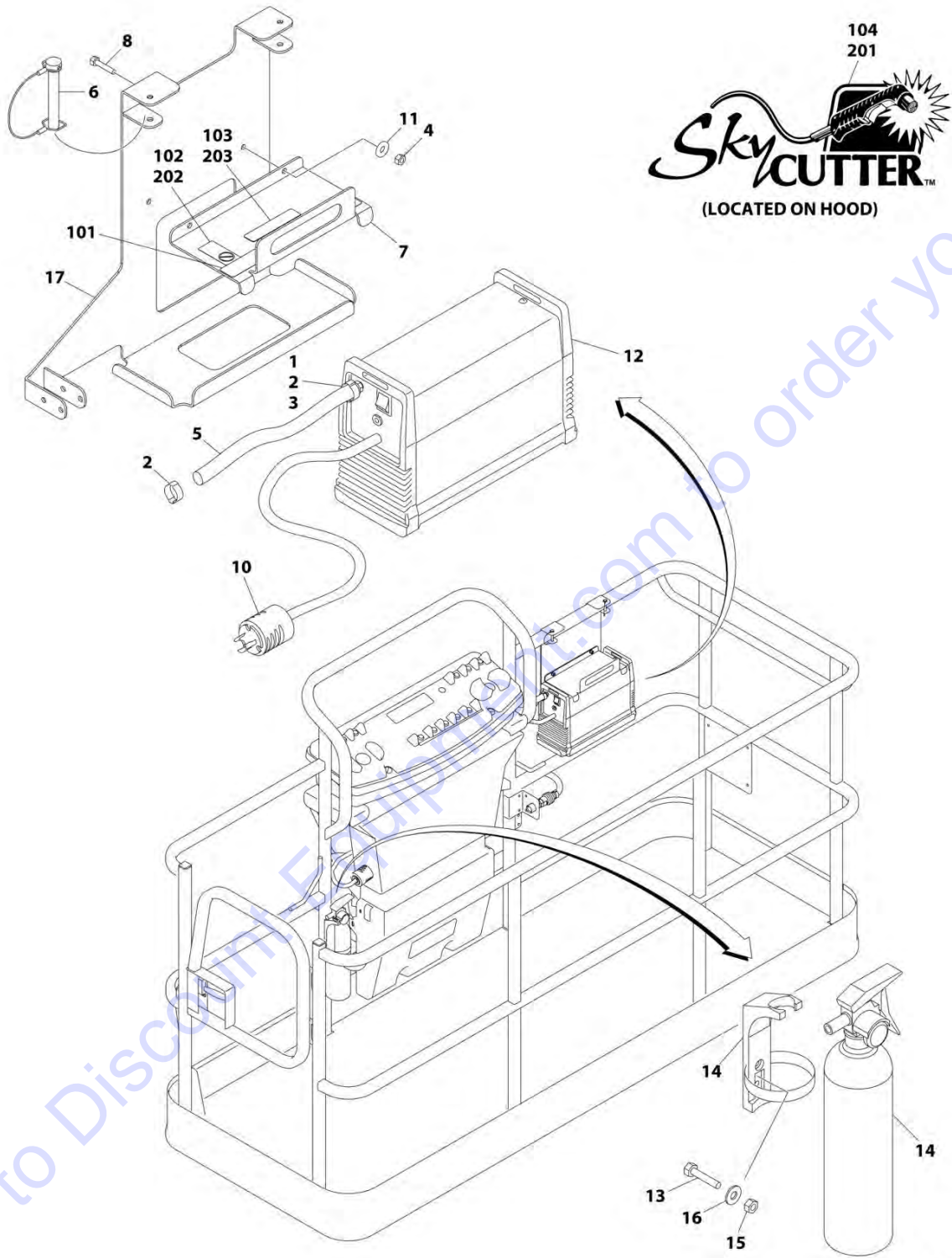
SECTION 5 - PLATFORM

FIGURE 5-66. WELDER ASSEMBLY

ITEM	PART NUMBER	QTY	DESCRIPTION	REV
	4530028	Ref	WELDER ASSEMBLY	B
		Ref	Note: For Other Components, contact your Miller Welder Dealer.	
1	7027773	1	Cover, Top	
1	7027774	1	Decal - Static Precautionary Warning	
2	See Note	NSS	Panel, LH Side (Note: Part of Item 1. Purchase Item 1)	
3	See Note	NSS	Panel, RH Side (Note: Part of Item 1. Purchase Item 1)	
4	7024467	1	Cable, Power	
4	7027775	1	Decal - Electrical Shock Warning (Not Shown)	
5	7027776	1	Handle, Carrying	
101	7024462	1	Panel, Front	
102	7024463	1	Panel, Console	
103	7024469	1	Switch with Lead	
104	7024470	1	Knob	
105	7024471	1	Knob	
106	7024472	1	Receptacle with Leads and Plugs	
107	7024473	2	Receptacle, Twistlock Female	
108	7024474	2	Insulator	
109	7024475	2	O-Ring	
110	7027777	1	Nameplate	
111	7027779	1	Circuit Card Assembly (Process Control)	
112	7024478	2	Nut	
113	7027778	1	Circuit Card Assembly (Operator Interface)	
201	7024462	1	Panel, Rear	
202	7027780	1	Panel, Cover	

SECTION 5 - PLATFORM

FIGURE 5-67. SKYCUTTER INSTALLATION



ART_1001098149

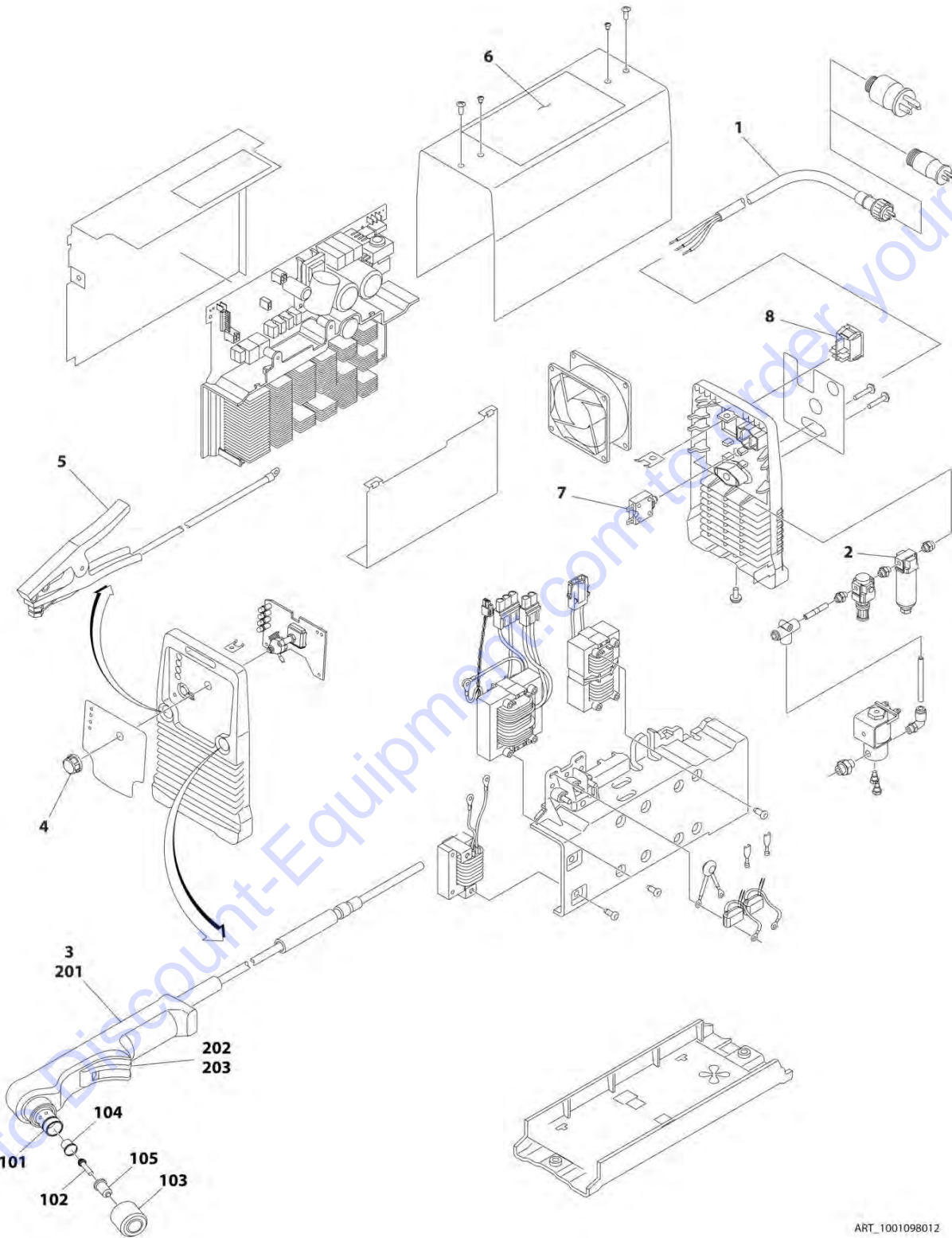
SECTION 5 - PLATFORM

FIGURE 5-67. SKYCUTTER INSTALLATION

ITEM	PART NUMBER	QTY	DESCRIPTION	REV
	1001098149	Ref	SKYCUTTER INSTALLATION	D
		Ref	Note: ANSI, ANSI Export, China, CSA and Japanese Specs Only.	
		Ref	Note: When replacing platform on machines with SkyCutter option, new bracket p/n 1001145405 must be purchased to accommodate SkyCutter components.	
1	0100020	AR	Sealant	
2	1320177	2	Clamp, Hose	
3	2180832	1	Fitting, NPT/Barbed	
4	3290605	2	Nut M6	
5	2720160	3 ft/.9m	Hose	
6	3421453	3	Pin	
7	3576799	1	Plate, Hold-Down	
8	4010608	2	Screw M6 x 16	
10	4460971	1	Plug, Twistlock	
11	4811700	2	Washer M6	
12	1001098012	1	Plasma Cutter Assembly (See Separate Breakdown in this Section)	
13	0630518	2	Screw #10 x 3/4	
14	2030010	1	Extinguisher, Fire	
15	3311005	2	Nut #10	
16	4751000	2	Washer #10	
17	1001145405	1	Support	
	0272599	Ref	SKYCUTTER DECAL INSTALLATION (ANSI, ANSI EXPORT AND CSA SPECS)	B
101	1702868	1	Decal - No Hands	
102	1705305	1	Decal - Weld Lead	
103	1705466	1	Decal - Weight (SN 0300201016 through 0300233704)	
103	1001228988	1	Decal - Weight (SN 0300233705 to Present, SN B300000100 to Present)	
104	1705490	2	Decal - SkyCutter	
	0272607	Ref	SKYCUTTER DECAL INSTALLATION (JAPANESE SPECS)	B
201	1705490	2	Decal - SkyCutter	
202	1705305	1	Decal - Weld Lead	
203	1705466	1	Decal - Weight (SN 0300201016 through 0300233704)	
203	1001228988	1	Decal - Weight (SN 0300233705 to Present, SN B300000100 to Present)	

SECTION 5 - PLATFORM

FIGURE 5-68. PLASMA CUTTER ASSEMBLY



ART_1001098012

SECTION 5 - PLATFORM

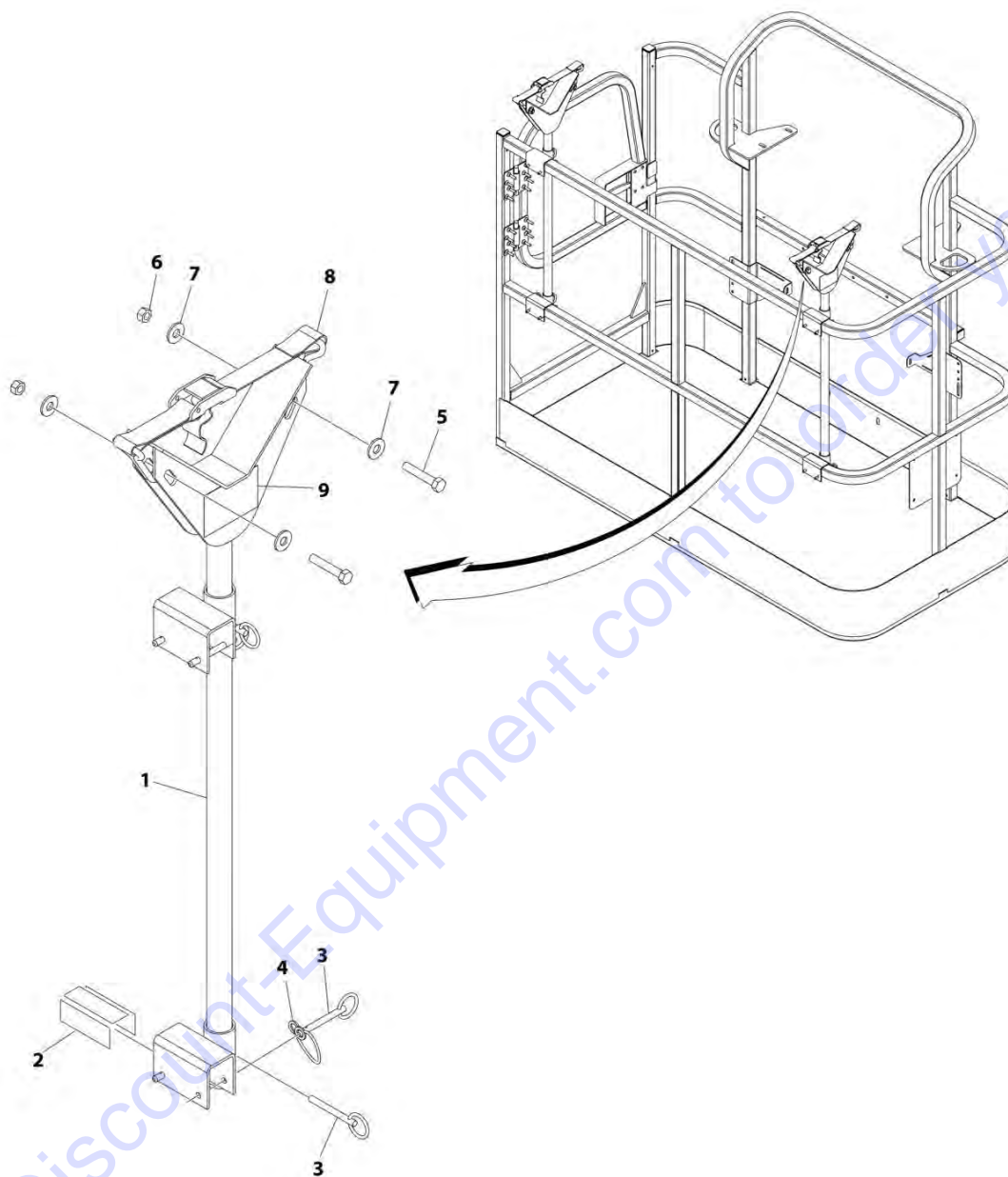
FIGURE 5-68. PLASMA CUTTER ASSEMBLY

ITEM	PART NUMBER	QTY	DESCRIPTION	REV
	1001098012	Ref	PLASMA CUTTER ASSEMBLY	A
		Ref	Note: For Other Components, contact your Miller Welder Dealer.	
1	70001424	1	Cable, Power	
1	70001425	1	Decal - Voltage Warning	
2	70001427	1	Filter, Regulator	
3	70001428	1	Torch Assembly (See Items 101-203 for Breakdown)	
4	7024471	1	Knob	
5	70001429	1	Clamp with Cable	
6	70001430	1	Decal - Caution	
7	70001431	1	Breaker, Circuit	
8	70001432	1	Switch, Rocker	
	70001428	Ref	TORCH ASSEMBLY	
101	7024530	1	O-Ring	
102	7024531	1	Electrode	
103	7024532	1	Cup, Retaining	
104	7024533	1	Swirl Ring	
105	7024534	1	Tip	
201	7024535	1	Handle, Torch	
202	7024536	1	Switch	
203	7024537	1	Trigger	

Go to Discount-Equipment.com to order your parts

SECTION 5 - PLATFORM

FIGURE 5-69. PIPE RACK INSTALLATION (ANSI SPEC)



ART_0257728

SECTION 5 - PLATFORM

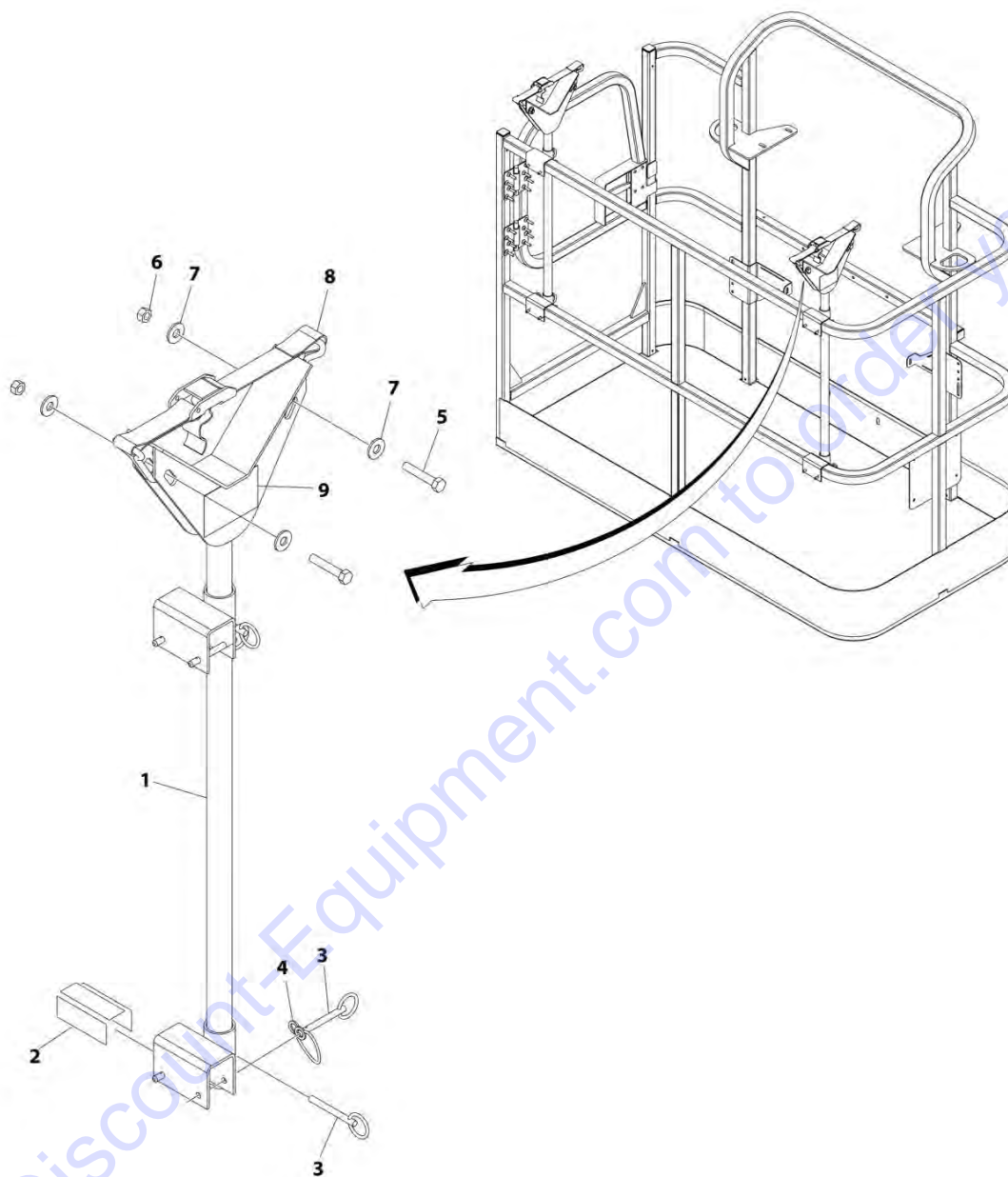
FIGURE 5-69. PIPE RACK INSTALLATION (ANSI SPEC)

ITEM	PART NUMBER	QTY	DESCRIPTION	REV
	0257728	Ref	PIPE RACK INSTALLATION (ANSI SPEC)	2/C
1	4845582	2	Rack, Pipe	
2	4420062	AR	Tape	
3	3422661	10	Pin	
4	1060379	4	Lanyard	
5	0641514	4	Bolt 5/16 x 1-3/4	
6	3311505	4	Nut 5/16	
7	4751500	8	Washer 5/16	
8	0480100	2	Tie-Down	
9	1703683	2	Decal - Capacity	

Go to Discount-Equipment.com to order your parts

SECTION 5 - PLATFORM

FIGURE 5-70. PIPE RACK INSTALLATION (AUSTRALIAN AND CE SPECS)



ART_0274661

SECTION 5 - PLATFORM

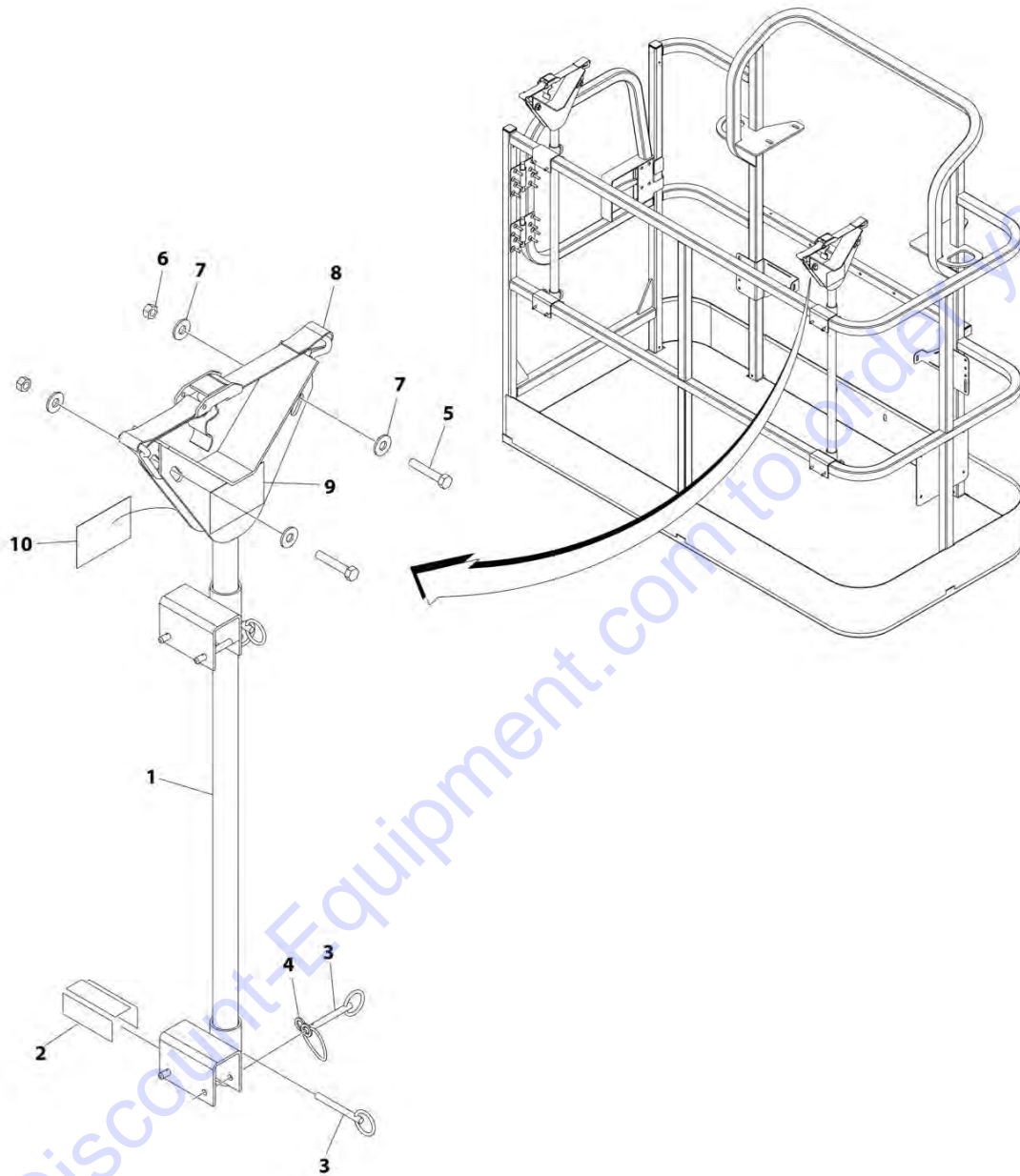
FIGURE 5-70. PIPE RACK INSTALLATION (AUSTRALIAN AND CE SPECS)

ITEM	PART NUMBER	QTY	DESCRIPTION	REV
	0274661	Ref	PIPE RACK INSTALLATION (AUSTRALIAN AND CE SPECS)	1/A
1	4845582	2	Rack, Pipe	
2	4420062	AR	Tape	
3	3422661	10	Pin	
4	1060379	4	Lanyard	
5	0641514	4	Bolt 5/16 x 1-3/4	
6	3311505	4	Nut 5/16	
7	4751500	8	Washer 5/16	
8	0480100	2	Tie-Down	
9	1706510	2	Decal - Capacity	

Go to Discount-Equipment.com to order your parts

SECTION 5 - PLATFORM

FIGURE 5-71. PIPE RACK INSTALLATION (KOREAN SPEC)



ART_1001178978

SECTION 5 - PLATFORM

FIGURE 5-71. PIPE RACK INSTALLATION (KOREAN SPEC)

ITEM	PART NUMBER	QTY	DESCRIPTION	REV
	1001178978	Ref	PIPE RACK INSTALLATION (KOREAN SPEC)	1/A
1	4845582	2	Rack, Pipe	
2	4420062	AR	Tape	
3	3422661	10	Pin	
4	1060379	4	Lanyard	
5	0641514	4	Bolt 5/16 x 1-3/4	
6	3311505	4	Nut 5/16	
7	4751500	8	Washer 5/16	
8	0480100	2	Tie-Down	
9	1703683	2	Decal - Capacity	
10	1001178266	2	Decal - Capacity	

Go to Discount-Equipment.com to order your parts

PARTS FINDER

**Search Website
by Part Number**



**Search Manual
Library For Parts
Manual & Lookup Part
Numbers – Purchase
or Request Quote**

A screenshot of the "Search Manuals" form. The form has a title "Search Manuals" and a subtitle "Please enter the model number or serial number of the machine you are looking for." Below the subtitle are several input fields: "Find" (with a dropdown menu), "Serial Number" (with a dropdown menu), "Year" (with a dropdown menu), "Make" (with a dropdown menu), "Part Number" (with a dropdown menu), "Part Name" (with a dropdown menu), and "Category" (with a dropdown menu). There is a "Search" button at the bottom of the form.

**Can't Find Part or
Manual? Request Help
by Manufacturer,
Model & Description**

A screenshot of the "Parts Order Form". The form has a title "Parts Order Form" and a subtitle "Please fill out the form below." Below the subtitle are several input fields: "Manufacturer" (with a dropdown menu), "Model" (with a dropdown menu), "Description" (with a dropdown menu), "Part Number" (with a dropdown menu), "Part Name" (with a dropdown menu), "Quantity" (with a dropdown menu), "Price" (with a dropdown menu), "Date" (with a dropdown menu), and "Comments" (with a text area). There is a "Submit" button at the bottom of the form.

Discount-Equipment.com is your online resource for quality parts & equipment.

Florida: **561-964-4949** Outside Florida TOLL FREE: **877-690-3101**

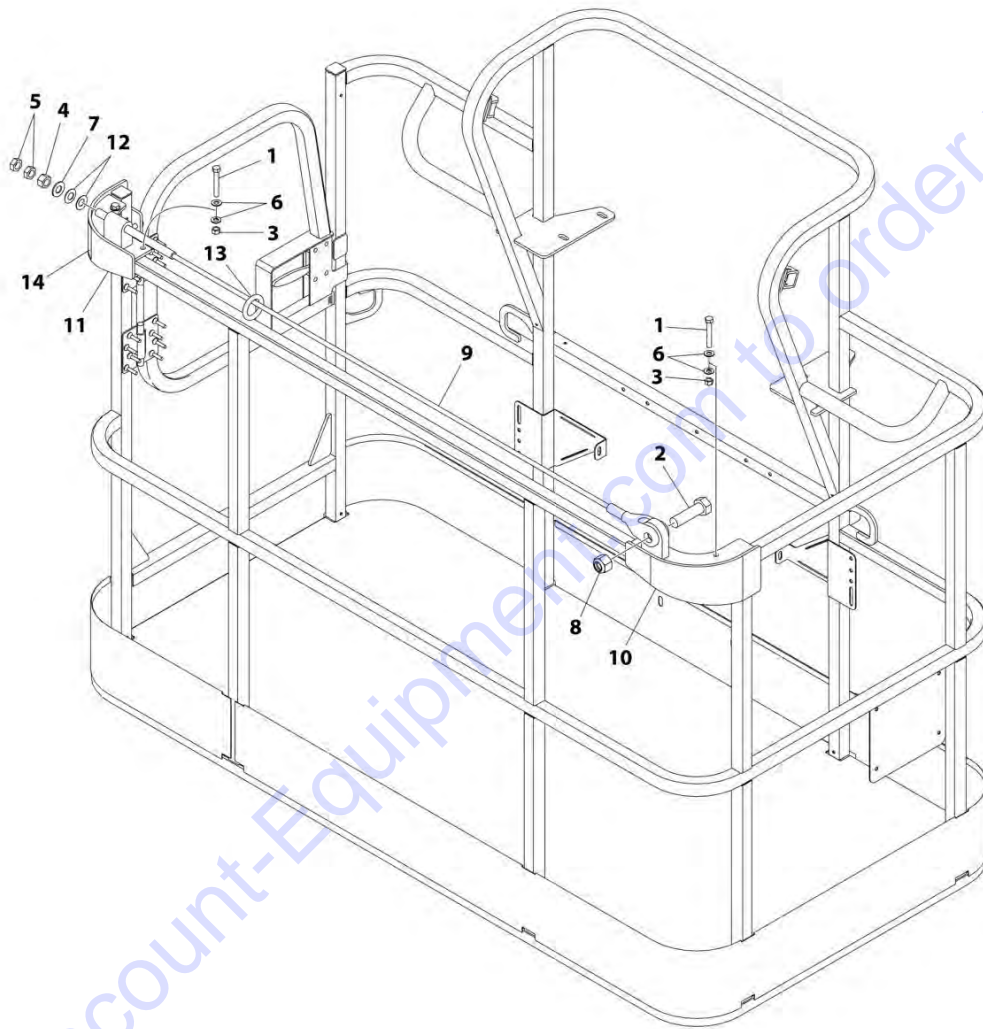
Need parts?

Click on this link: <http://www.discount-equipment.com/category/5443-parts/> and choose one of the options to help get the right parts and equipment you are looking for. Please have the machine model and serial number available in order to help us get you the correct parts. If you don't find the part on the website or on one of the online manuals, please fill out the request form and one of our experienced staff members will get back to you with a quote for the right part that your machine needs.

We sell worldwide for the brands: Genie, Terex, JLG, MultiQuip, Mikasa, Essick, Whiteman, Mayco, Toro Stone, Diamond Products, Generac Magnum, Airman, Haulotte, Barreto, Power Blanket, Nifty Lift, Atlas Copco, Chicago Pneumatic, Allmand, Miller Curber, Skyjack, Lull, Skytrak, Tsurumi, Husquvarna Target, Stow, Wacker, Sakai, Mi-T-M, Sullair, Basic, Dynapac, MBW, Weber, Bartell, Bennar Newman, Haulotte, Ditch Runner, Menegotti, Morrison, Contec, Buddy, Crown, Edco, Wyco, Bomag, Laymor, EZ Trench, Bil-Jax, F.S. Curtis, Gehl Pavers, Heli, Honda, ICS/PowerGrit, IHI, Partner, Imer, Clipper, MMD, Koshin, Rice, CH&E, General Equipment, Amida, Coleman, NAC, Gradall, Square Shooter, Kent, Stanley, Tamco, Toku, Hatz, Kohler, Robin, Wisconsin, Northrock, Oztec, Toker TK, Rol-Air, APT, Wylie, Ingersoll Rand / Doosan, Innovatech, Con X, Ammann, Mecalac, Makinex, Smith Surface Prep, Small Line, Wanco, Yanmar

SECTION 5 - PLATFORM

FIGURE 5-72. FALL ARREST INSTALLATION (BOLT - ON EXTERNAL) 6FT/1.82M PLATFORM



ART_1001236747

SECTION 5 - PLATFORM

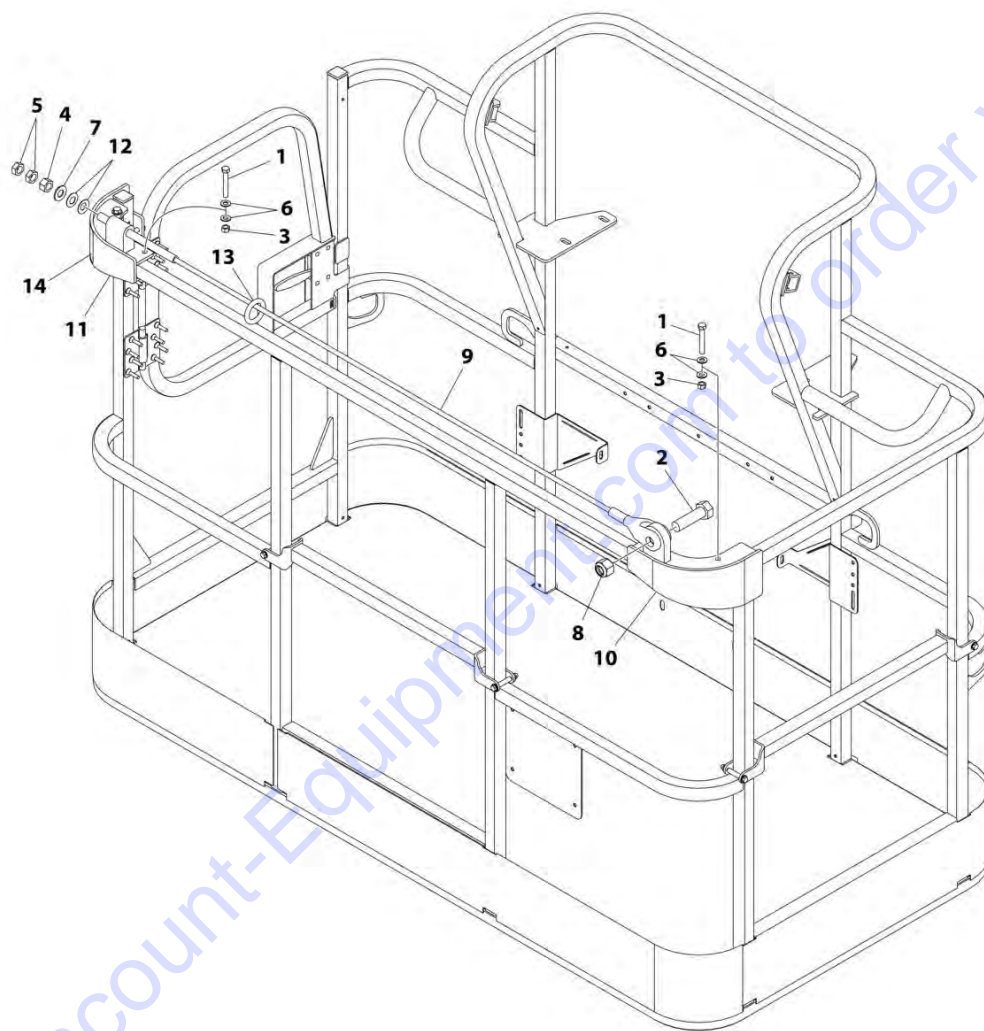
FIGURE 5-72. FALL ARREST INSTALLATION (BOLT - ON EXTERNAL) 6FT/1.82M PLATFORM

ITEM	PART NUMBER	QTY	DESCRIPTION	REV
	1001236747	Ref	FALL ARREST INSTALLATION (BOLT - ON) 6FT/1.82M PLATFORM	A
1	0681620	6	Bolt 3/8 x 2-1/2	
2	0682424	1	Bolt 7/8 x 3	
3	3271605	6	Nut 3/8	
4	3272001	1	Nut 5/8	
5	3312002	2	Nut 5/8	
6	4711600	12	Washer 3/8	
7	4712000	1	Washer 5/8	
8	88521214	1	Nut 7/8	
9	1001231950	1	Rope	
10	1001232010	1	Bracket (RH)	
11	1001232011	1	Bracket (LH)	
12	1001236891	2	Washer	
13	1001236895	1	Ring	
14	1001238263	1	Decal - Warning Falling Hazard	

Go to Discount-Equipment.com to order your parts

SECTION 5 - PLATFORM

FIGURE 5-73. FALL ARREST INSTALLATION (BOLT - ON EXTERNAL) 6FT/1.82M PLATFORM



ART_1001238463

SECTION 5 - PLATFORM

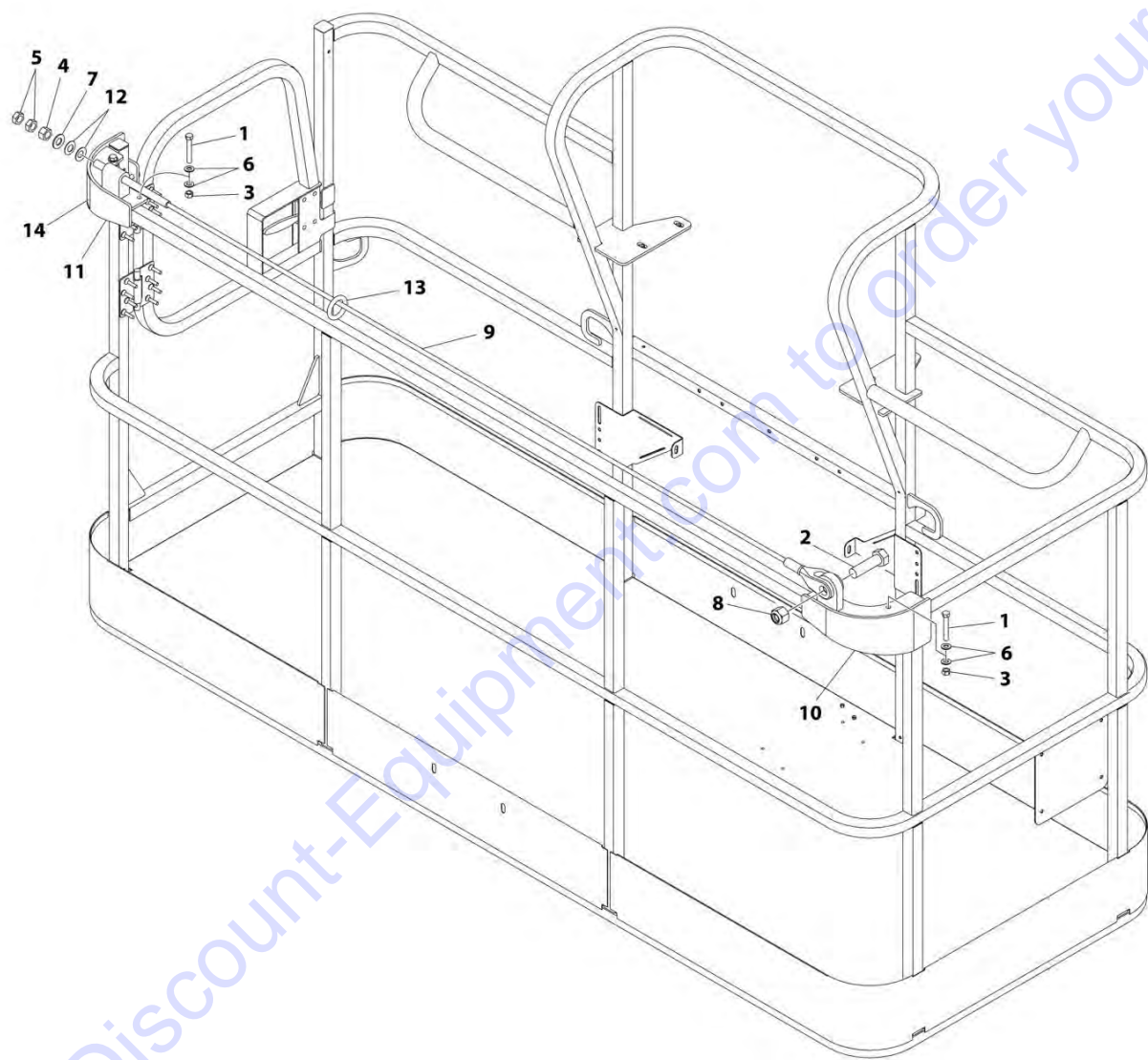
FIGURE 5-73. FALL ARREST INSTALLATION (BOLT - ON EXTERNAL) 6FT/1.82M PLATFORM

ITEM	PART NUMBER	QTY	DESCRIPTION	REV
	1001238463	Ref	FALL ARREST INSTALLATION (BOLT - ON) 6FT/1.82M PLATFORM	B
1	0681620	6	Bolt 3/8 x 2-1/2	
2	0682424	1	Bolt 7/8 x 3	
3	3271605	6	Nut 3/8	
4	3272001	1	Nut 5/8	
5	3312002	2	Nut 5/8	
6	4711600	12	Washer 3/8	
7	4712000	1	Washer 5/8	
8	88521214	1	Nut 7/8	
9	1001231950	1	Rope	
10	1001232010	1	Bracket (RH)	
11	1001232011	1	Bracket (LH)	
12	1001236891	2	Washer	
13	1001236895	1	Ring	
14	1001238263	1	Decal - Warning Falling Hazard	

Go to Discount-Equipment.com to order your parts

SECTION 5 - PLATFORM

FIGURE 5-74. FALL ARREST INSTALLATION (BOLT - ON EXTERNAL) 8FT/2.4M PLATFORM



ART_1001236746

SECTION 5 - PLATFORM

FIGURE 5-74. FALL ARREST INSTALLATION (BOLT - ON EXTERNAL) 8FT/2.4M PLATFORM

ITEM	PART NUMBER	QTY	DESCRIPTION	REV
	1001236746	Ref	FALL ARREST INSTALLATION (BOLT - ON) 8FT/2.4M PLATFORM	A
1	0681620	6	Bolt 3/8 x 2-1/2	
2	0682424	1	Bolt 7/8 x 3	
3	3271605	6	Nut 3/8	
4	3272001	1	Nut 5/8	
5	3312002	2	Nut 5/8	
6	4711600	12	Washer 3/8	
7	4712000	1	Washer 5/8	
8	88521214	1	Nut 7/8	
9	1001231949	1	Rope	
10	1001232010	1	Bracket (RH)	
11	1001232011	1	Bracket (LH)	
12	1001236891	2	Washer	
13	1001236895	1	Ring	
14	1001238263	1	Decal - Warning Falling Hazard	

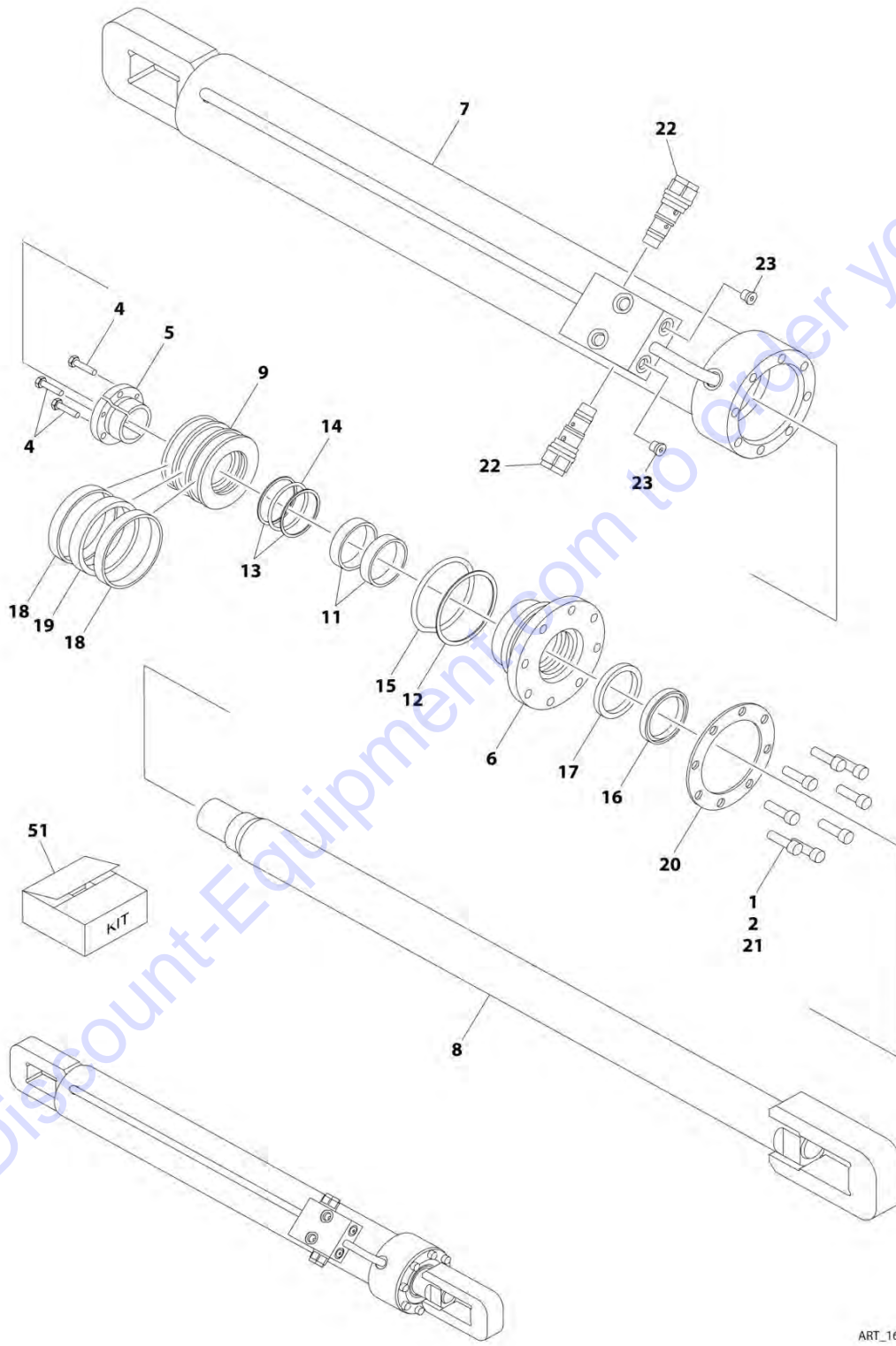
Go to Discount-Equipment.com to order your parts

SECTION 6 - CYLINDER

Go to Discount-Equipment.com to order your parts

SECTION 6 - CYLINDER

FIGURE 6-1. AXLE EXTENSION CYLINDER ASSEMBLY (SN 0300207701 through 0300238565, SN B300002238 through B300002404)



ART_1684102

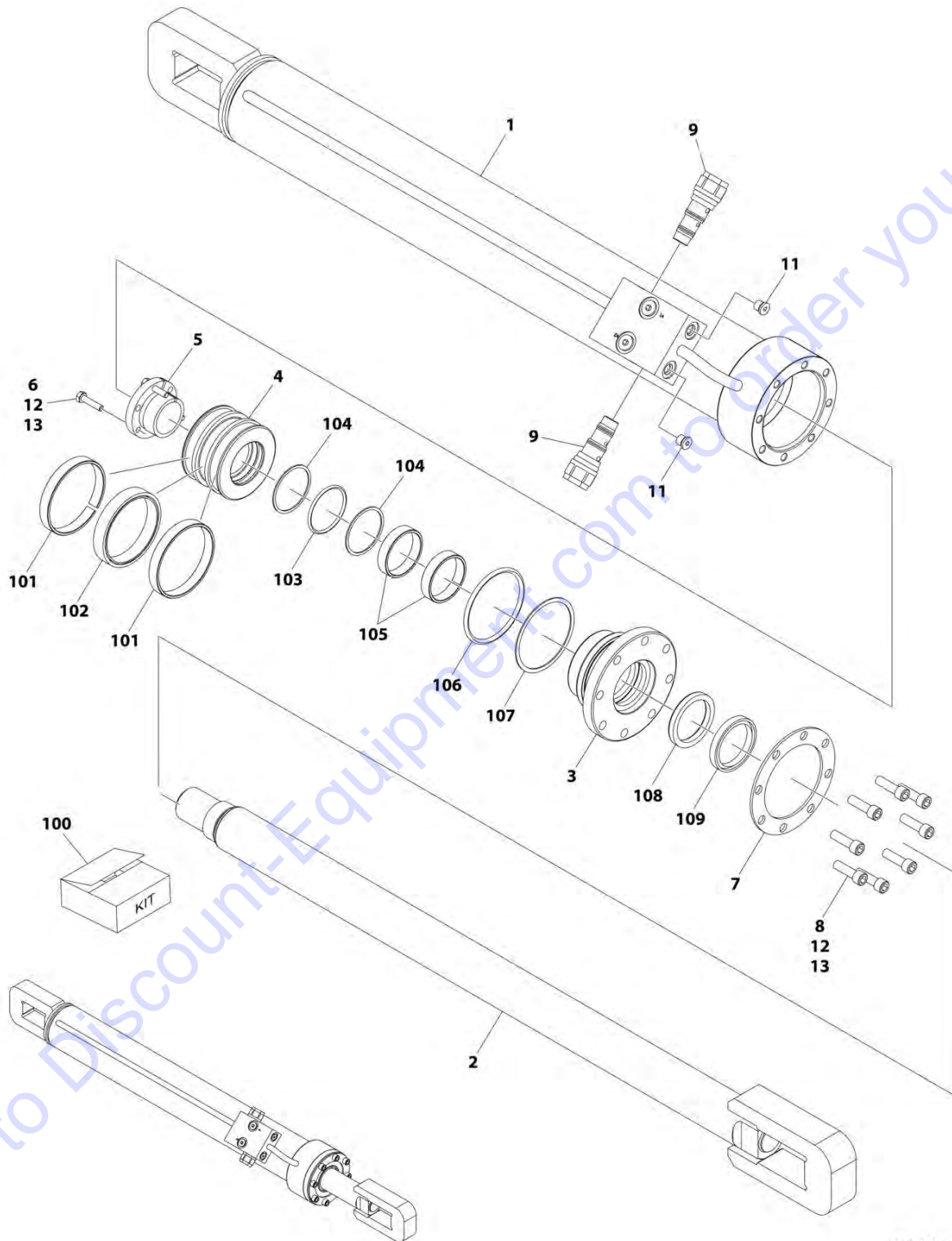
SECTION 6 - CYLINDER

FIGURE 6-1. AXLE EXTENSION CYLINDER ASSEMBLY (SN 0300207701 through 0300238565, SN B300002238 through B300002404)

ITEM	PART NUMBER	QTY	DESCRIPTION	REV
	1684102	Ref	AXLE EXTENSION CYLINDER ASSEMBLY (SN 0300207701 through 0300238565, SN B300002238 through B300002404)	E
		Ref	Note: Original Cylinder May Have Been Replaced with Service Replacement. Identify PN Stamped on Cylinder Before Ordering Parts.	
1	0100011	AR	Compound, Locking	
2	0100038	AR	Primer, Locking	
4	0630535	3	Capscrew 1/4 x 1-1/8	
5	0961896	1	Bushing, Tapered	
6	1683056	1	Head	
7	1684103	1	Barrel Weldment	
8	1684105	1	Rod Weldment	
9	3480272	1	Piston	
11	See Note	NSS	Ring, Wear (Note: Use Item 51)	
12	See Note	NSS	Ring, Back-up (Note: Use Item 51)	
13	See Note	NSS	Ring, Back-up (Note: Use Item 51)	
14	See Note	NSS	O-Ring (Note: Use Item 51)	
15	See Note	NSS	O-Ring (Note: Use Item 51)	
16	See Note	NSS	Wiper, Rod (Note: Use Item 51)	
17	See Note	NSS	Seal (Note: Use Item 51)	
18	See Note	NSS	Ring, Wear (Note: Use Item 51)	
19	See Note	NSS	T-Seal (Note: Use Item 51)	
20	3760369	1	Ring, Washer	
21	3931620	8	Bolt 3/8 x 1-1/4	
22	4640509	2	Cartridge, Holding Valve	
22	2900792	2	Seal Kit - 4640509 Cartridge Valve (1 Per Valve)	
23	2220883	2	Plug, O-Ring	
51	2901773	1	Seal Kit (Includes Items 11-19)	

SECTION 6 - CYLINDER

FIGURE 6-2. AXLE EXTENSION CYLINDER ASSEMBLY (SN 0300238566 to Present, SN B300002405 to Present)



ART_1001228020

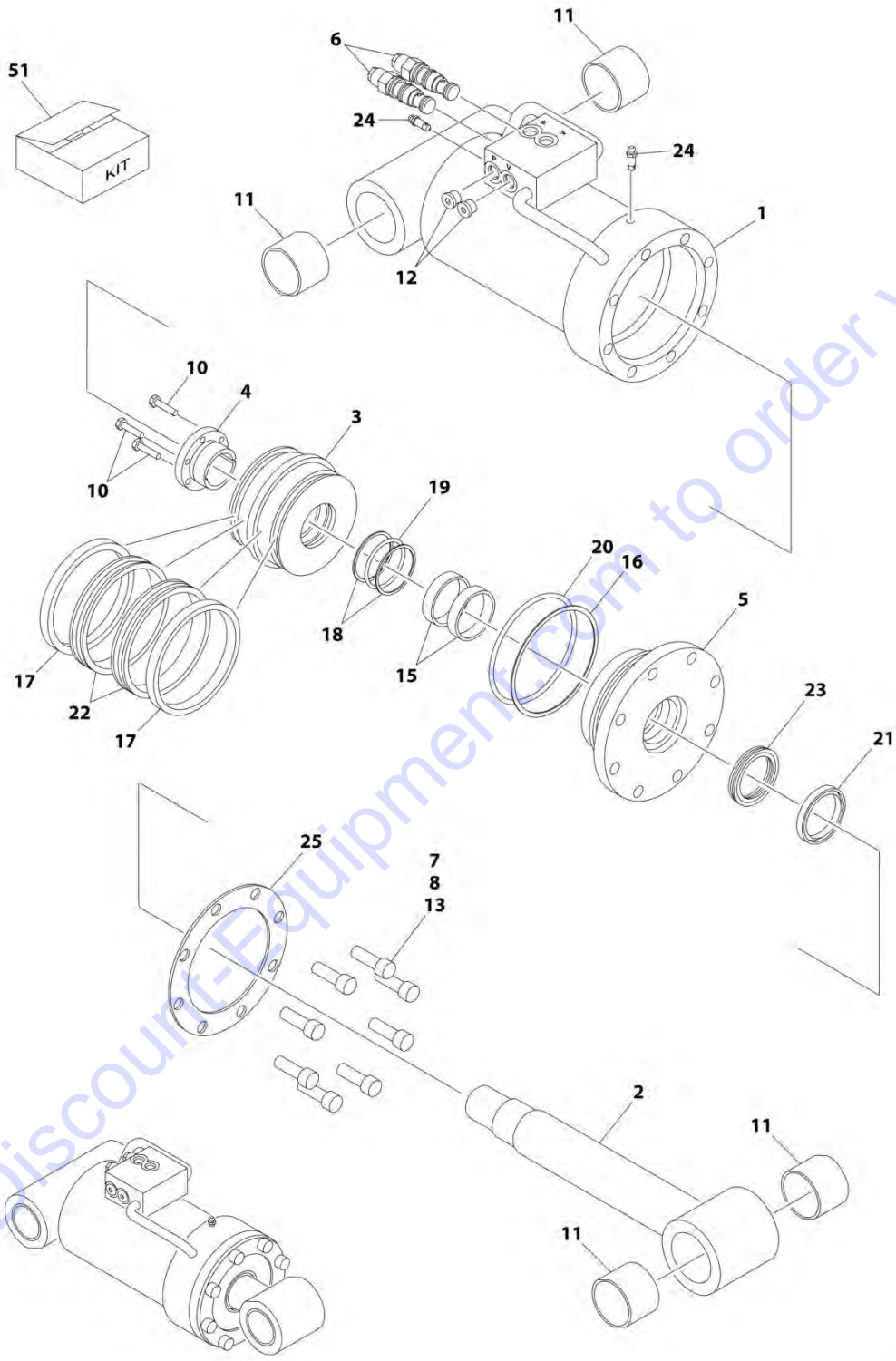
SECTION 6 - CYLINDER

FIGURE 6-2. AXLE EXTENSION CYLINDER ASSEMBLY (SN 0300238566 to Present, SN B300002405 to Present)

ITEM	PART NUMBER	QTY	DESCRIPTION	REV
	1001228020	Ref	AXLE EXTENSION CYLINDER ASSEMBLY	D
		Ref	Note: Original Cylinder May Have Been Replaced with Service Replacement. Identify PN Stamped on Cylinder Before Ordering Parts.	
1	See Note	NSS	Barrel Weldment (Note: Not Available for Purchase)	
2	70006363	1	Rod Weldment	
3	70006362	1	Head	
4	70006361	1	Piston	
5	70006360	1	Bushing, Tapered	
6	0630535	3	Capscrew 1/4 x 1-1/8	
7	70006359	1	Ring, Washer	
8	3931620	8	Bolt 3/8 x 1-1/4	
9	4640509	2	Cartridge, Holding Valve	
9	2900792	2	Seal Kit - 4640509 Cartridge Valve (1 Per Valve)	
11	2220883	2	Plug, O-Ring	
12	0100011	AR	Compound, Locking	
13	0100038	AR	Primer, Locking	
100	2901773	1	Seal Kit (Includes Items 101-109)	
101	See Note	NSS	Ring, Wear (Note: Use Item 100)	
102	See Note	NSS	T-Seal (Note: Use Item 100)	
103	See Note	NSS	O-Ring (Note: Use Item 100)	
104	See Note	NSS	Ring, Back-up (Note: Use Item 100)	
105	See Note	NSS	Ring, Wear (Note: Use Item 100)	
106	See Note	NSS	O-Ring (Note: Use Item 100)	
107	See Note	NSS	Ring, Back-up (Note: Use Item 100)	
108	See Note	NSS	Seal (Note: Use Item 100)	
109	See Note	NSS	Wiper, Rod (Note: Use Item 100)	

SECTION 6 - CYLINDER

FIGURE 6-3. AXLE LOCKOUT CYLINDER ASSEMBLY (SN 0300207701 through 0300239161, SN B300002238 through B300002449)



ART_1684081

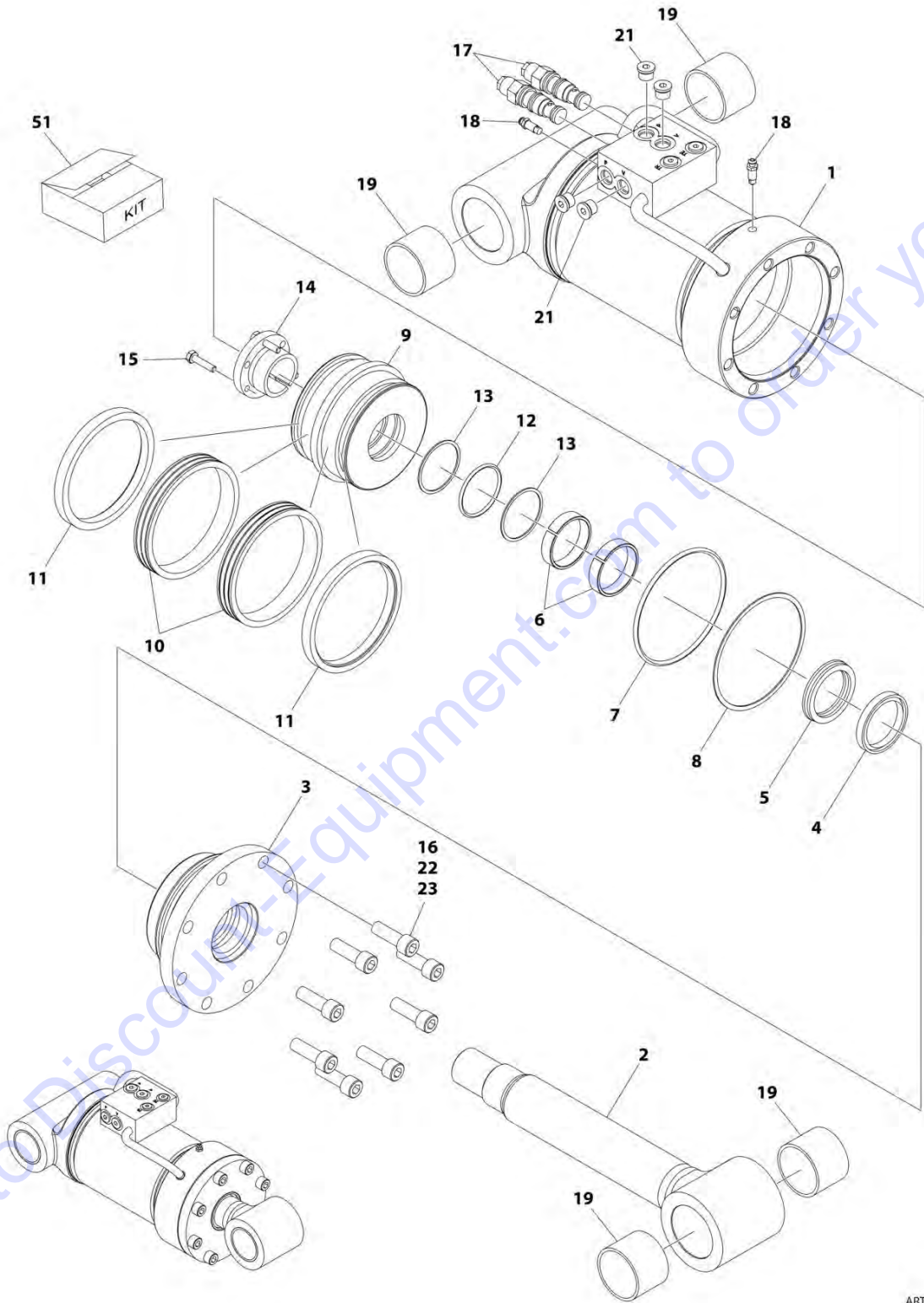
SECTION 6 - CYLINDER

FIGURE 6-3. AXLE LOCKOUT CYLINDER ASSEMBLY (SN 0300207701 through 0300239161, SN B300002238 through B300002449)

ITEM	PART NUMBER	QTY	DESCRIPTION	REV
	1684081	Ref	AXLE LOCKOUT CYLINDER ASSEMBLY (SN 0300207701 through 0300239161, SN B300002238 through B300002449)	F
		Ref	Note: Original Cylinder May Have Been Replaced with Service Replacement. Identify PN Stamped on Cylinder Before Ordering Parts.	
1	1684082	1	Barrel Weldment	
2	1684083	1	Rod Weldment	
3	3480269	1	Piston	
4	0961896	1	Bushing	
5	1683062	1	Head	
6	4641276	2	Cartridge, Valve Options: (Counterbalance)	
6	2900770	2	Seal Kit - 4641276 Valve (1 Per Assembly)	
7	0100011	AR	Compound, Locking	
8	0100038	AR	Primer, Locking	
10	0630535	3	Bolt 1/4 x 1-1/8	
11	0961950	4	Bearing	
12	2220885	2	Plug, O-Ring	
13	3931824	8	Bolt 1/2 x 1-1/2	
15	See Note	NSS	Ring, Wear (Note: Use Item 51)	
16	See Note	NSS	Ring, Back-up (Note: Use Item 51)	
17	See Note	NSS	Ring, Lock (Note: Use Item 51)	
18	See Note	NSS	Ring, Back-up (Note: Use Item 51)	
19	See Note	NSS	O-Ring (Note: Use Item 51)	
20	See Note	NSS	O-Ring (Note: Use Item 51)	
21	See Note	NSS	Wiper (Note: Use Item 51)	
22	See Note	NSS	Seal (Note: Use Item 51)	
23	See Note	NSS	Seal, Rod (Note: Use Item 51)	
24	4640858	2	Valve, Bleeder	
25	3760371	1	Ring, Washer	
51	2902087	1	Seal Kit (Includes Items 15-23)	

SECTION 6 - CYLINDER

FIGURE 6-4. AXLE LOCKOUT CYLINDER ASSEMBLY (SN 0300239162 to Present, SN B300002450 to Present)



ART_1001228019

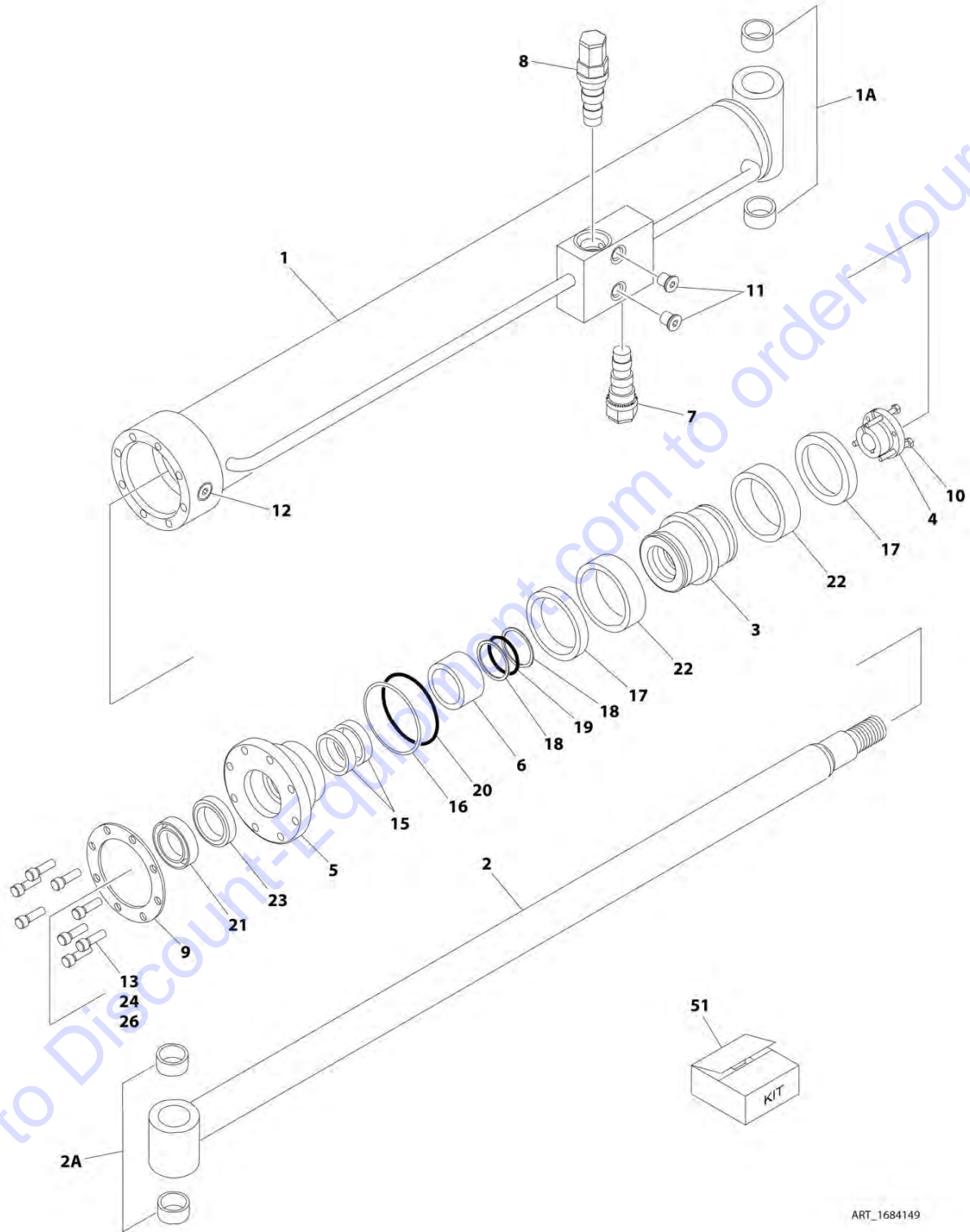
SECTION 6 - CYLINDER

FIGURE 6-4. AXLE LOCKOUT CYLINDER ASSEMBLY (SN 0300239162 to Present, SN B300002450 to Present)

ITEM	PART NUMBER	QTY	DESCRIPTION	REV
	1001228019	Ref	AXLE LOCKOUT CYLINDER ASSEMBLY	C
		Ref	Note: Original Cylinder May Have Been Replaced with Service Replacement. Identify PN Stamped on Cylinder Before Ordering Parts.	
1	See Note	NSS	Barrel Weldment (Note: Not Available for Purchase)	
2	70006520	1	Rod Weldment	
3	70006474	1	Head	
4	See Note	NSS	Wiper (Note: Use Item 51)	
5	See Note	NSS	Seal, Rod (Note: Use Item 51)	
6	See Note	NSS	Ring, Wear (Note: Use Item 51)	
7	See Note	NSS	O-Ring (Note: Use Item 51)	
8	See Note	NSS	Ring, Back-up (Note: Use Item 51)	
9	70006473	1	Piston	
10	See Note	NSS	Seal (Note: Use Item 51)	
11	See Note	NSS	Ring, Lock (Note: Use Item 51)	
12	See Note	NSS	O-Ring (Note: Use Item 51)	
13	See Note	NSS	Ring, Back-up (Note: Use Item 51)	
14	0961896	1	Bushing	
15	0630535	3	Bolt 1/4 x 1-1/8	
16	3931824	8	Bolt 1/2 x 1-1/2	
17	4641276	2	Cartridge, Valve Options: (Counterbalance)	
17	2900770	2	Seal Kit - 4641276 Valve (1 Per Assembly)	
18	4640858	2	Valve, Bleeder	
19	0961950	4	Bearing	
21	2220885	4	Plug, O-Ring	
22	0100011	AR	Compound, Locking	
23	0100038	AR	Primer, Locking	
51	2902087	1	Seal Kit (Includes Items 4-8 & 10-13)	

SECTION 6 - CYLINDER

FIGURE 6-5. PLATFORM LEVEL CYLINDER ASSEMBLY - WITHOUT COLD WEATHER PLUS PACKAGE (SN 0300201016 through 0300239161, SN B300002238 through B300002449)



ART_1684149

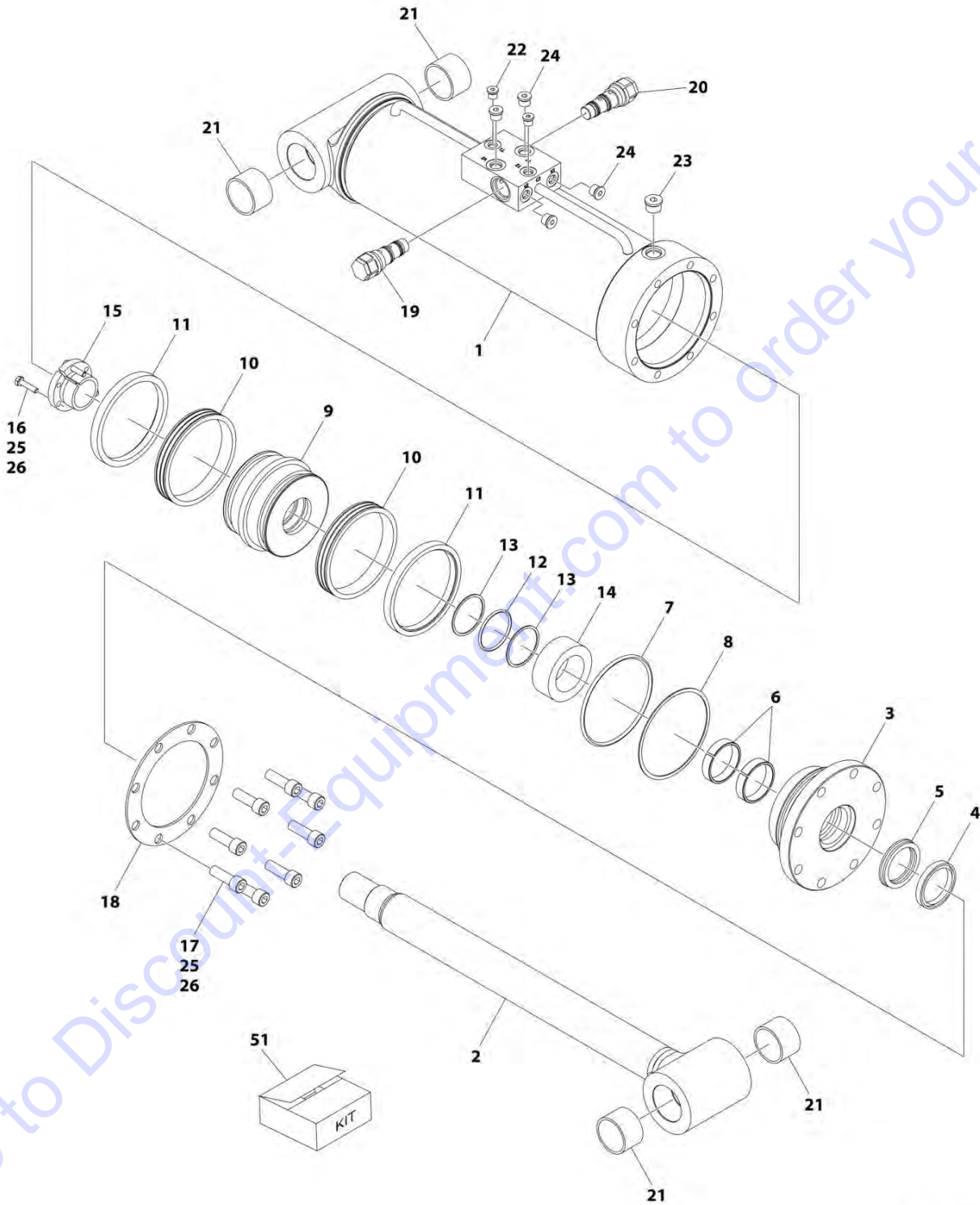
SECTION 6 - CYLINDER

FIGURE 6-5. PLATFORM LEVEL CYLINDER ASSEMBLY - WITHOUT COLD WEATHER PLUS PACKAGE (SN 0300201016 through 0300239161, SN B300002238 through B300002449)

ITEM	PART NUMBER	QTY	DESCRIPTION	REV
	1684149	Ref	PLATFORM LEVEL CYLINDER ASSEMBLY - WITHOUT COLD WEATHER PLUS PACKAGE (SN 0300201016 through 0300239161, SN B300002238 through B300002449)	G
		Ref	Note: Original Cylinder May Have Been Replaced with Service Replacement. Identify PN Stamped on Cylinder Before Ordering Parts.	
1	1684150	1	Barrel Weldment	
1A	0961949	2	Bushing	
2	1684306	1	Rod Weldment	
2A	0961949	2	Bushing	
3	3480269	1	Piston	
4	0961896	1	Bushing, Tapered	
5	1683062	1	Head	
6	4568345	1	Spacer	
7	4640509	1	Cartridge, Holding Valve (Non-Vented)	
7	2900792	1	Seal Kit - 4640509 Cartridge Valve	
8	4641248	1	Cartridge, Counterbalance Valve (Non-Vented)	
8	See Note	NSS	Seal Kit - 4641248 Cartridge Valve (Note: Use p/n 4641248)	
9	3760371	1	Ring, Washer	
10	0630535	3	Capscrew 1/4 x 1-1/8	
11	2220885	2	Plug, O-Ring	
12	2220886	1	Plug, O-Ring	
13	3931824	8	Capscrew 1/2 x 1-1/2	
15	See Note	NSS	Ring, Wear (Note: Use Item 51)	
16	See Note	NSS	Ring, Back-up (Note: Use Item 51)	
17	See Note	NSS	Ring, Lock (Note: Use Item 51)	
18	See Note	NSS	Ring, Back-up (Note: Use Item 51)	
19	See Note	NSS	O-Ring (Note: Use Item 51)	
20	See Note	NSS	O-Ring (Note: Use Item 51)	
21	See Note	NSS	Wiper, Rod (Note: Use Item 51)	
22	See Note	NSS	Ring, Guide (Note: Use Item 51)	
23	See Note	NSS	Seal, Rod (Note: Use Item 51)	
24	0100011	AR	Compound, Locking	
26	0100038	AR	Primer, Locking	
51	2902087	1	Seal Kit Options (Includes Items 15-23)	

SECTION 6 - CYLINDER

FIGURE 6-6. PLATFORM LEVEL CYLINDER ASSEMBLY - WITHOUT COLD WEATHER PLUS PACKAGE (SN 0300239162 to Present, SN B300002450 to Present)



ART_1001228023

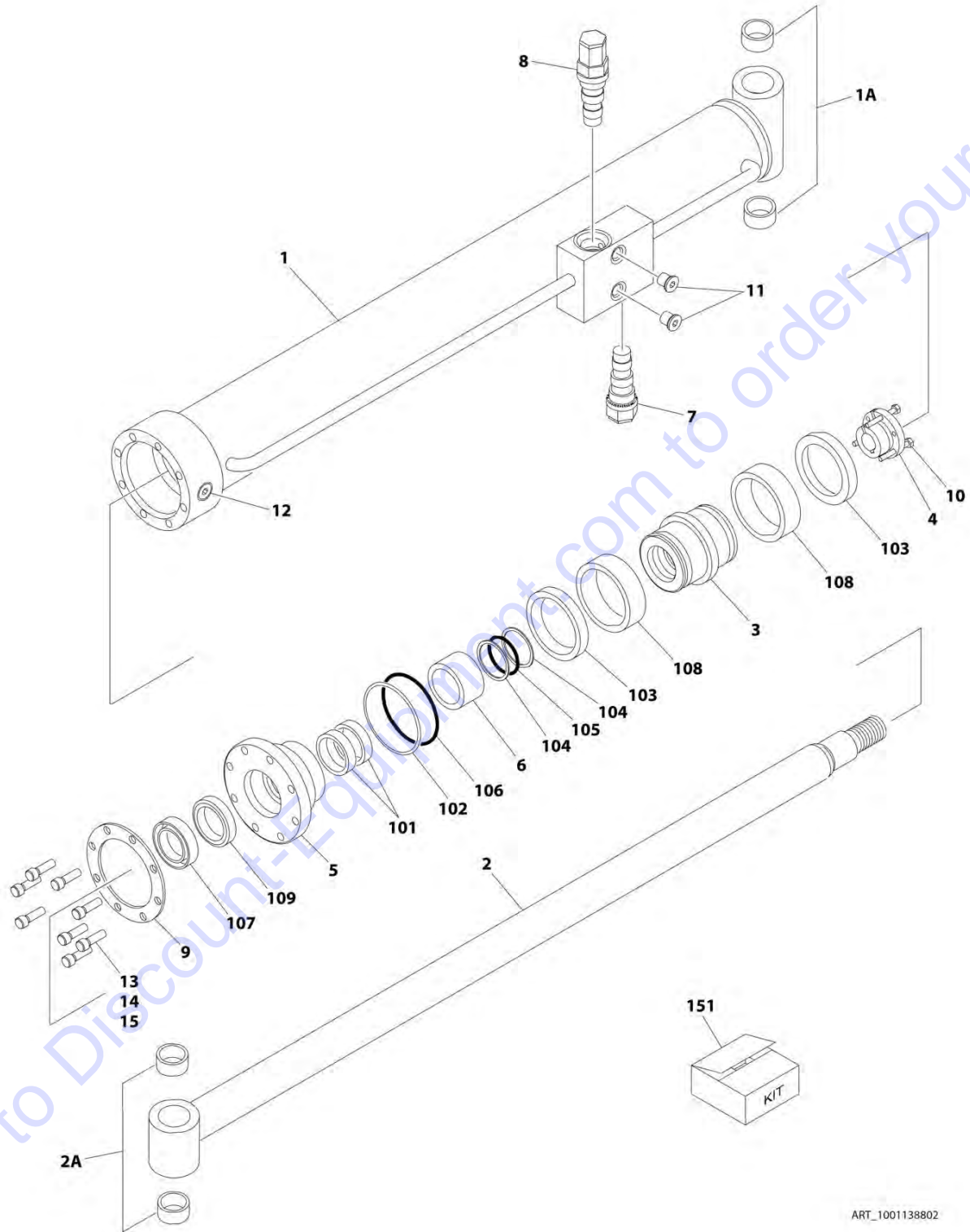
SECTION 6 - CYLINDER

FIGURE 6-6. PLATFORM LEVEL CYLINDER ASSEMBLY - WITHOUT COLD WEATHER PLUS PACKAGE (SN 0300239162 to Present, SN B300002450 to Present)

ITEM	PART NUMBER	QTY	DESCRIPTION	REV
	1001228023	Ref	PLATFORM LEVEL CYLINDER ASSEMBLY - WITHOUT COLD WEATHER PLUS PACKAGE	C
		Ref	Note: Original Cylinder May Have Been Replaced with Service Replacement. Identify PN Stamped on Cylinder Before Ordering Parts.	
1	See Note	NSS	Barrel Weldment (Note: Not Available for Purchase)	
2	70006550	NLA	Rod Weldment (Use p/n 70007059)	
3	70006549	1	Head	
4	See Note	NSS	Wiper, Rod (Note: Use Item 51)	
5	See Note	NSS	Seal, Rod (Note: Use Item 51)	
6	See Note	NSS	Ring, Wear (Note: Use Item 51)	
7	See Note	NSS	O-Ring (Note: Use Item 51)	
8	See Note	NSS	Ring, Back-up (Note: Use Item 51)	
9	70006548	1	Piston	
10	See Note	NSS	Ring, Guide (Note: Use Item 51)	
11	See Note	NSS	Ring, Lock (Note: Use Item 51)	
12	See Note	NSS	O-Ring (Note: Use Item 51)	
13	See Note	NSS	Ring, Back-up (Note: Use Item 51)	
14	70006547	1	Spacer	
15	0961896	1	Bushing, Tapered	
16	0630535	3	Capscrew 1/4 x 1-1/8	
17	3931824	8	Capscrew 1/2 x 1-1/2	
18	3760371	1	Ring, Washer	
18	70007049	2	Ring, Washer	
19	4641248	1	Cartridge, Counterbalance Valve (Non-Vented)	
19	See Note	NSS	Seal Kit - 4641248 Cartridge Valve (Note: Use p/n 4641248)	
20	4640509	1	Cartridge, Holding Valve (Non-Vented)	
20	2900792	1	Seal Kit - 4640509 Cartridge Valve	
21	0961949	4	Bushing	
22	2220883	4	Plug, O-Ring	
23	2220886	AR	Plug, O-Ring	
24	2220885	2	Plug, O-Ring	
25	0100011	AR	Compound, Locking	
26	0100038	AR	Primer, Locking	
51	2902087	1	Seal Kit Options (Includes Items 4-8 & 10-13)	

SECTION 6 - CYLINDER

FIGURE 6-7. PLATFORM LEVEL CYLINDER ASSEMBLY - WITH COLD WEATHER PLUS PACKAGE
(SN 0300201016 through 0300239980)



ART_1001138802

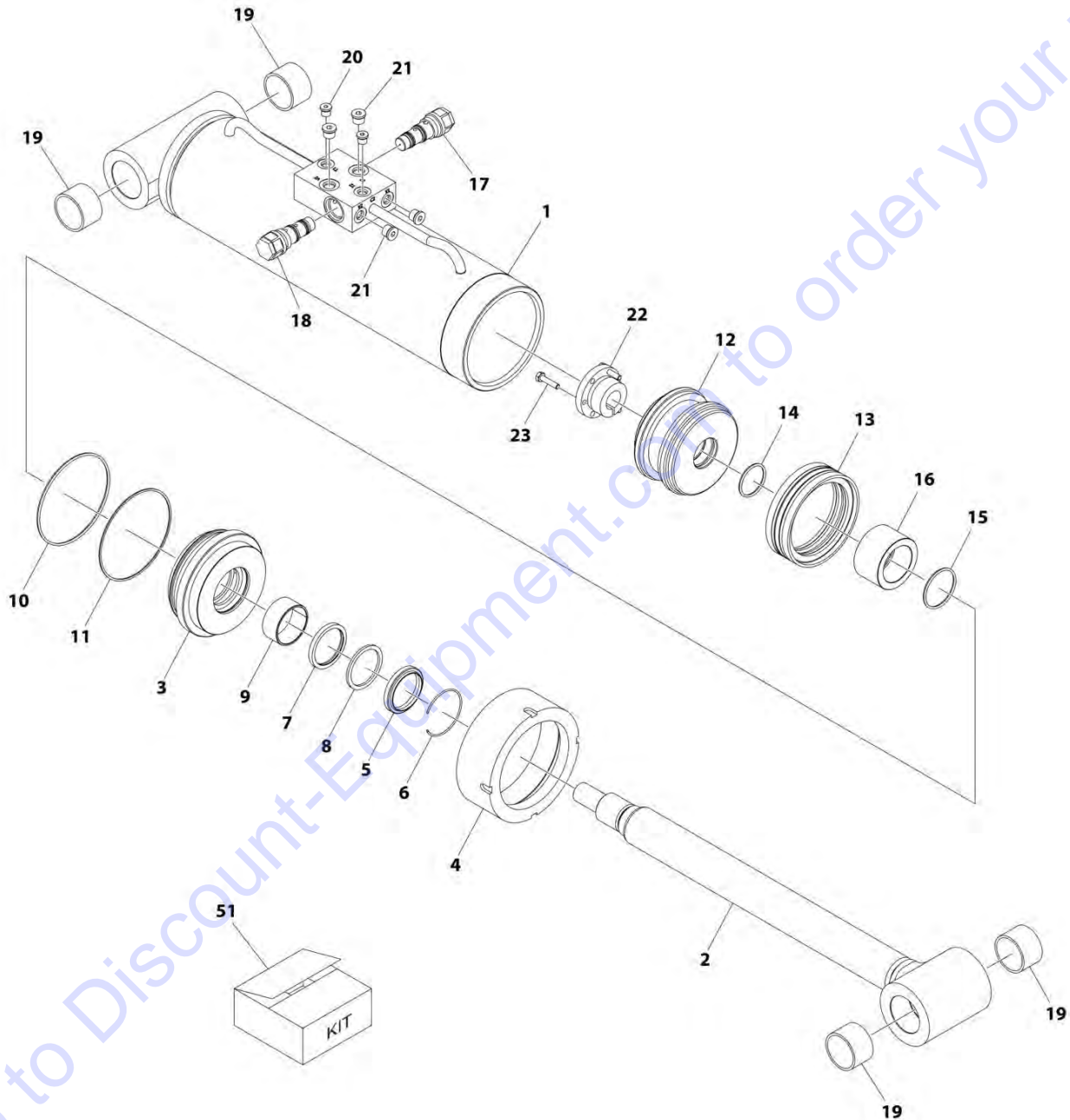
SECTION 6 - CYLINDER

**FIGURE 6-7. PLATFORM LEVEL CYLINDER ASSEMBLY - WITH COLD WEATHER PLUS PACKAGE
(SN 0300201016 through 0300239980)**

ITEM	PART NUMBER	QTY	DESCRIPTION	REV
	1001138802	Ref	PLATFORM LEVEL CYLINDER ASSEMBLY - WITH COLD WEATHER PLUS PACKAGE (SN 0300201016 through 0300239980)	B
		Ref	Note: Original Cylinder May Have Been Replaced with Service Replacement. Identify PN Stamped on Cylinder Before Ordering Parts.	
1	1684150	1	Barrel Weldment	
1A	0961949	2	Bushing	
2	1684306	1	Rod Weldment	
2A	0961949	2	Bushing	
3	3480269	1	Piston	
4	0961896	1	Bushing, Tapered	
5	1683062	1	Head	
6	4568345	1	Spacer	
7	4640509	1	Cartridge, Holding Valve (Non-Vented)	
7	2900792	1	Seal Kit - 4640509 Cartridge Valve	
8	4641248	1	Cartridge, Counterbalance Valve (Non-Vented)	
8	See Note	NSS	Seal Kit - 4641248 Cartridge Valve (Note: Use p/n 4641248)	
9	3760371	1	Ring, Washer	
10	0630535	3	Capscrew 1/4 x 1-1/8	
11	2220885	2	Plug, O-Ring	
12	2220886	1	Plug, O-Ring	
13	3931824	8	Capscrew 1/2 x 1-1/2	
14	0100011	AR	Compound, Locking	
15	0100038	AR	Primer, Locking	
101	See Note	NSS	Ring, Wear (Note: Use Item 151)	
102	See Note	NSS	Ring, Back-up (Note: Use Item 151)	
103	See Note	NSS	Ring, Lock (Note: Use Item 151)	
104	See Note	NSS	Ring, Back-up (Note: Use Item 151)	
105	See Note	NSS	O-Ring (Note: Use Item 151)	
106	See Note	NSS	O-Ring (Note: Use Item 151)	
107	See Note	NSS	Wiper, Rod (Note: Use Item 151)	
108	See Note	NSS	Ring, Guide (Note: Use Item 151)	
109	See Note	NSS	Seal, Rod (Note: Use Item 151)	
151	1001138804	1	Seal Kit Options (Includes Items 101-109)	

SECTION 6 - CYLINDER

FIGURE 6-8. PLATFORM LEVEL CYLINDER ASSEMBLY - WITH COLD WEATHER PLUS PACKAGE
(SN 0300239981 to Present)



ART_1001228053

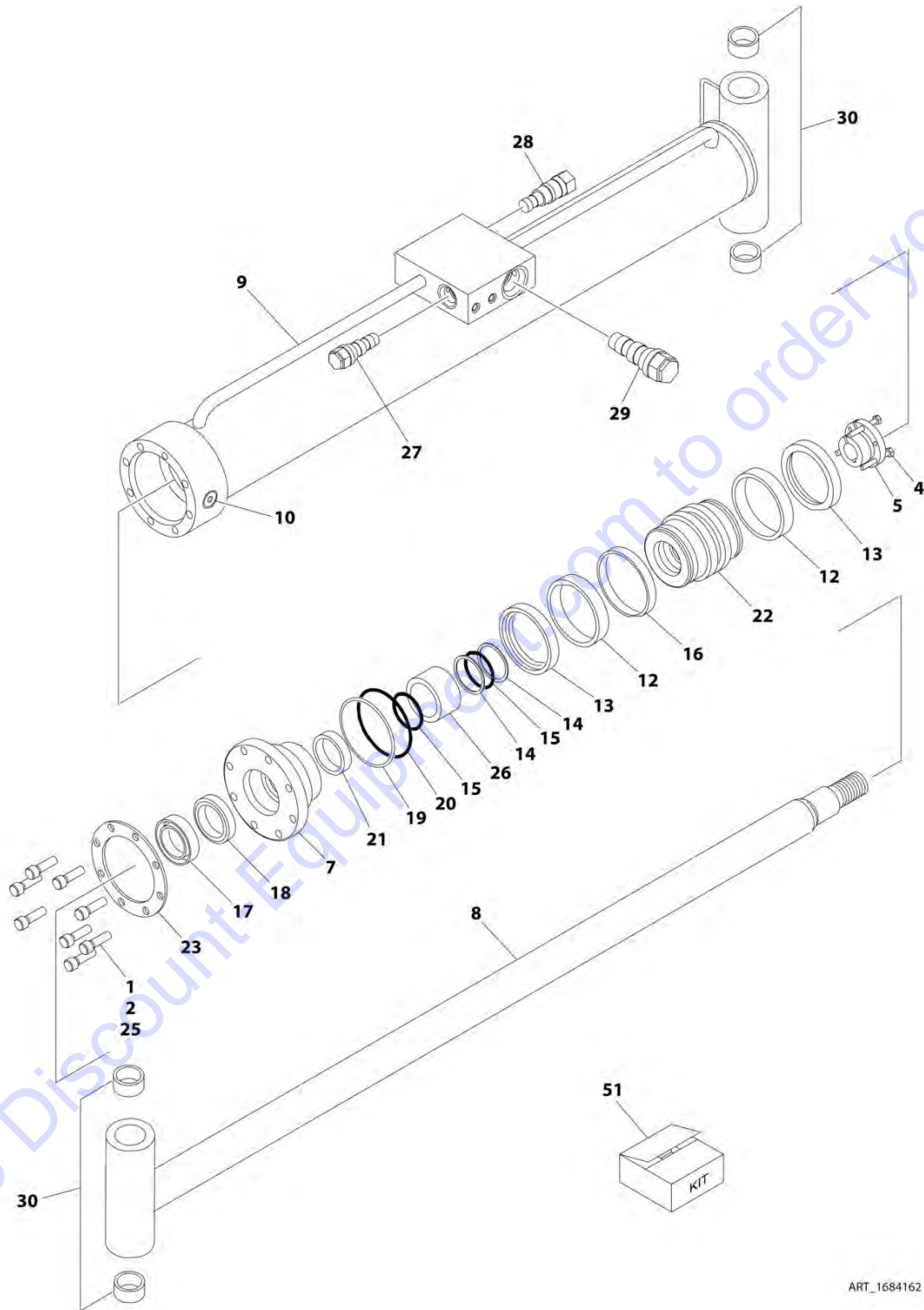
SECTION 6 - CYLINDER

**FIGURE 6-8. PLATFORM LEVEL CYLINDER ASSEMBLY - WITH COLD WEATHER PLUS PACKAGE
(SN 0300239981 to Present)**

ITEM	PART NUMBER	QTY	DESCRIPTION	REV
	1001228053	Ref	PLATFORM LEVEL CYLINDER ASSEMBLY - WITH COLD WEATHER PLUS PACKAGE	B
		Ref	Note: Original Cylinder May Have Been Replaced with Service Replacement. Identify PN Stamped on Cylinder Before Ordering Parts.	
1	See Note	NSS	Barrel Weldment (Note: Not Available for Purchase)	
2	70007015	1	Rod Weldment	
3	70007016	1	Head	
4	70007017	1	Cap, Cylinder	
5	See Note	NSS	Wiper, Rod (Note: Use Item 51)	
6	70002412	1	Retainer	
7	See Note	NSS	Seal, Rod (Note: Use Item 51)	
8	See Note	NSS	Ring, Back-up (Note: Use Item 51)	
9	70005153	1	Ring, Wear	
10	See Note	NSS	O-Ring (Note: Use Item 51)	
11	See Note	NSS	Ring, Back-up (Note: Use Item 51)	
12	70007018	1	Piston	
13	See Note	NSS	Seal, Piston (Note: Use Item 51)	
14	See Note	NSS	O-Ring (Note: Use Item 51)	
15	See Note	NSS	O-Ring (Note: Use Item 51)	
16	70007019	1	Spacer	
17	4640509	1	Cartridge, Holding Valve (Non-Vented)	
17	2900792	1	Seal Kit - 4640509 Cartridge Valve	
18	4641248	1	Cartridge, Counterbalance Valve (Non-Vented)	
18	70004186	1	Seal Kit - 4641248 Cartridge Valve	
19	0961949	4	Bushing	
20	2220883	2	Plug, O-Ring	
21	2220885	4	Plug, O-Ring	
22	0961894	1	Bushing, Tapered	
23	0630535	3	Capscrew 1/4 x 1-1/8	
51	70007020	1	Seal Kit Options (Includes Items 5, 7, 8, 10, 11 & 13-15)	

SECTION 6 - CYLINDER

FIGURE 6-9. LIFT CYLINDER ASSEMBLY (SN 0300201016 through 0300239470, SN B300002238 through B300002473)



ART_1684162

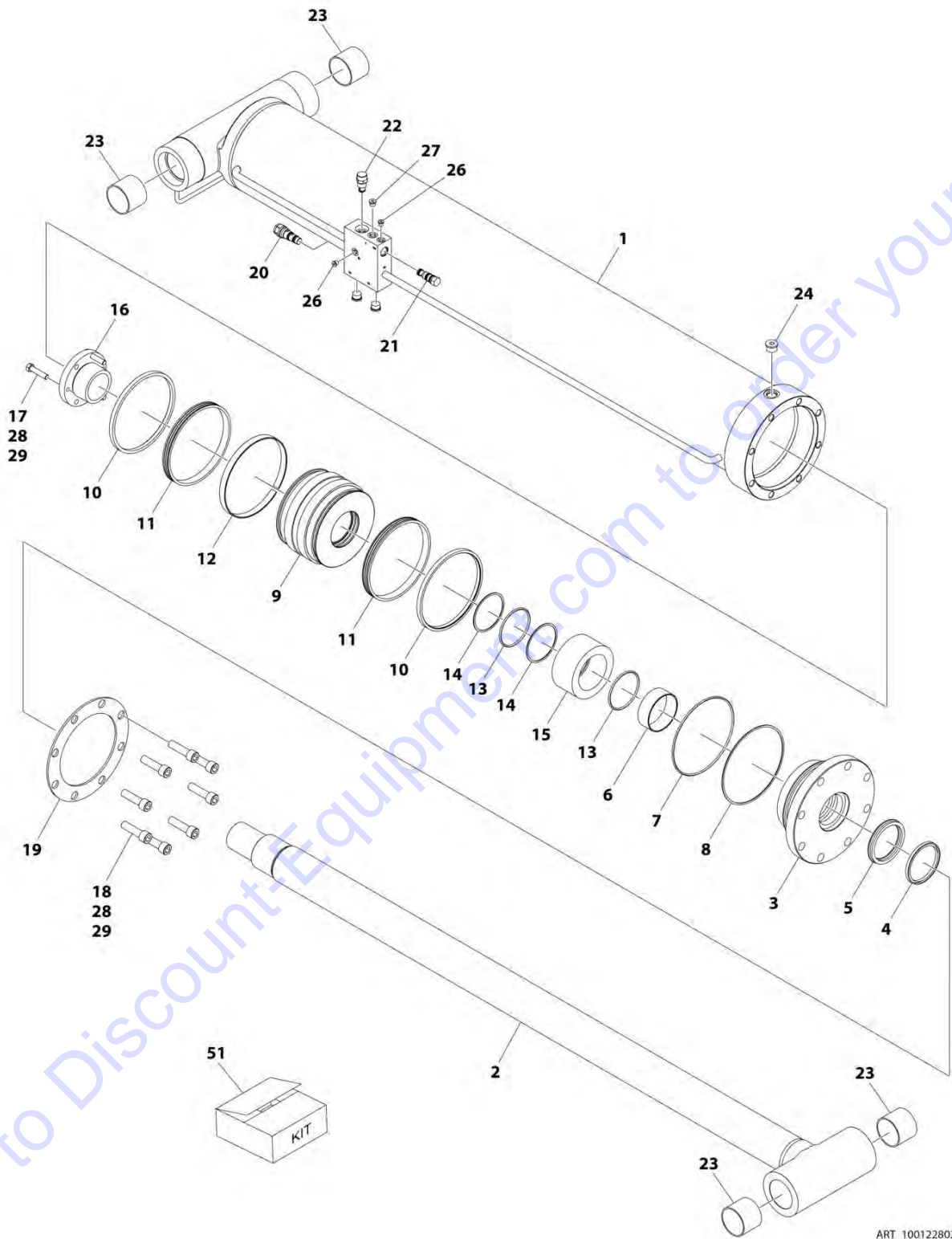
SECTION 6 - CYLINDER

FIGURE 6-9. LIFT CYLINDER ASSEMBLY (SN 0300201016 through 0300239470, SN B300002238 through B300002473)

ITEM	PART NUMBER	QTY	DESCRIPTION	REV
	1684162	Ref	LIFT CYLINDER ASSEMBLY (SN 0300201016 through 0300239470, SN B300002238 through B300002473)	J
		Ref	Note: Original Cylinder May Have Been Replaced with Service Replacement. Identify PN Stamped on Cylinder Before Ordering Parts.	
1	0100011	AR	Compound, Locking	
2	0100038	AR	Primer, Locking	
4	0630537	3	Capscrew	
5	0961901	1	Bushing, Tapered	
7	1683072	1	Head	
8	1684159	1	Rod	
9	1684249	1	Barrel	
10	2220888	1	Plug, O-Ring	
12	See Note	NSS	Ring, Guide (Note: Use Item 51)	
13	See Note	NSS	Ring, Lock (Note: Use Item 51)	
14	See Note	NSS	Ring, Back-up (Note: Use Item 51)	
15	See Note	NSS	O-Ring (Note: Use Item 51)	
16	See Note	NSS	Ring, Wear (Note: Use Item 51)	
17	See Note	NSS	Wiper, Rod (Note: Use Item 51)	
18	See Note	NSS	Seal, Rod (Note: Use Item 51)	
19	See Note	NSS	Ring, Back-up (Note: Use Item 51)	
20	See Note	NSS	O-Ring (Note: Use Item 51)	
21	See Note	NSS	Ring, Wear (Note: Use Item 51)	
22	3480270	1	Piston	
23	3760375	1	Ring, Washer	
25	3932244	8	Capscrew 3/4 x 2-3/4	
26	4568319	1	Spacer	
27	4640438	1	Cartridge, Check Valve	
27	2900770	1	Seal Kit - 4640438 Cartridge Valve	
28	4640509	1	Cartridge, Holding Valve (Non-Vented)	
28	2900792	1	Seal Kit - 4640509 Cartridge Valve	
29	4641210	1	Cartridge, Pressure Regulator Valve	
29	7010545	1	Seal Kit - 4641210 Cartridge Valve	
30	0962297	4	Bushing	
51	1001174325	1	Seal Kit (Includes Items 12-21)	

SECTION 6 - CYLINDER

FIGURE 6-10. LIFT CYLINDER ASSEMBLY (SN 0300239471 to Present, SN B300002474 to Present)



ART_1001228024

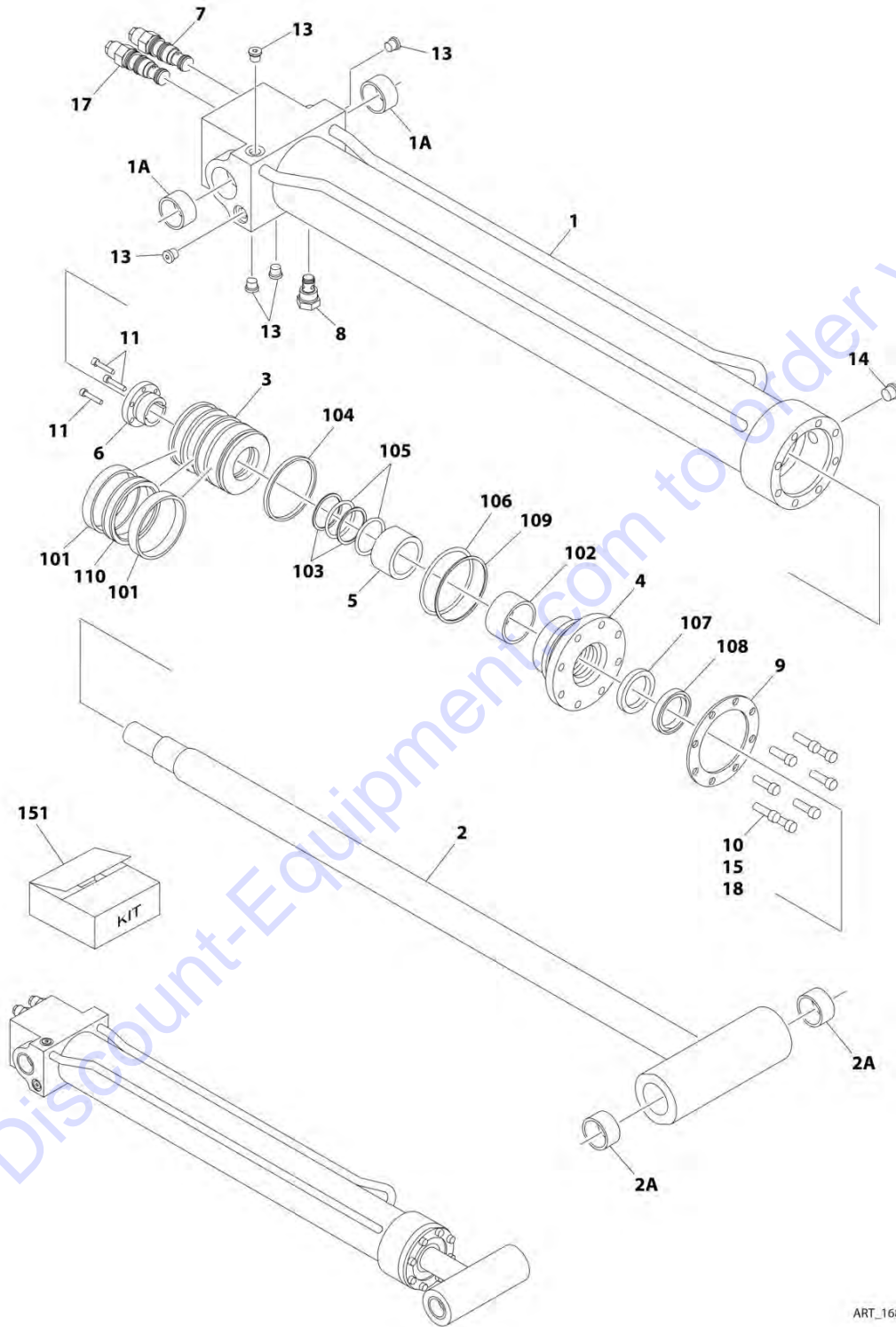
SECTION 6 - CYLINDER

FIGURE 6-10. LIFT CYLINDER ASSEMBLY (SN 0300239471 to Present, SN B300002474 to Present)

ITEM	PART NUMBER	QTY	DESCRIPTION	REV
	1001228024	Ref	LIFT CYLINDER ASSEMBLY	D
		Ref	Note: Original Cylinder May Have Been Replaced with Service Replacement. Identify PN Stamped on Cylinder Before Ordering Parts.	
1	See Note	NSS	Barrel Weldment (Note: Not Available for Purchase)	
2	70006530	1	Rod	
3	70006529	1	Head	
4	See Note	NSS	Wiper, Rod (Note: Use Item 51)	
5	See Note	NSS	Seal, Rod (Note: Use Item 51)	
6	See Note	NSS	Ring, Wear (Note: Use Item 51)	
7	See Note	NSS	O-Ring (Note: Use Item 51)	
8	See Note	NSS	Ring, Back-up (Note: Use Item 51)	
9	70006528	1	Piston	
10	See Note	NSS	Ring, Lock (Note: Use Item 51)	
11	See Note	NSS	Ring, Guide (Note: Use Item 51)	
12	See Note	NSS	Ring, Wear (Note: Use Item 51)	
13	See Note	NSS	O-Ring (Note: Use Item 51)	
14	See Note	NSS	Ring, Back-up (Note: Use Item 51)	
15	70006527	1	Spacer	
16	0961901	1	Bushing, Tapered	
17	0630537	3	Capscrew	
18	3932244	8	Capscrew 3/4 x 2-3/4	
19	3760375	1	Ring, Washer	
20	4640509	1	Cartridge, Holding Valve (Non-Vented)	
20	2900792	1	Seal Kit - 4640509 Cartridge Valve	
21	4640438	1	Cartridge, Check Valve	
21	2900770	1	Seal Kit - 4640438 Cartridge Valve	
22	4641210	1	Cartridge, Pressure Regulator Valve	
22	7010545	1	Seal Kit - 4641210 Cartridge Valve	
23	0962297	4	Bushing	
24	2220888	AR	Plug, O-Ring	
26	2220883	2	Plug, O-Ring	
27	2220885	1	Plug, O-Ring	
28	0100011	AR	Compound, Locking	
29	0100038	AR	Primer, Locking	
51	1001174325	1	Seal Kit (Includes Items 4-8 & 10-14)	

SECTION 6 - CYLINDER

FIGURE 6-11. JIB CYLINDER ASSEMBLY - WITHOUT COLD WEATHER PLUS PACKAGE (SN 0300201016 through 0300239161, SN B300002238 through B300002449)



ART_1684173

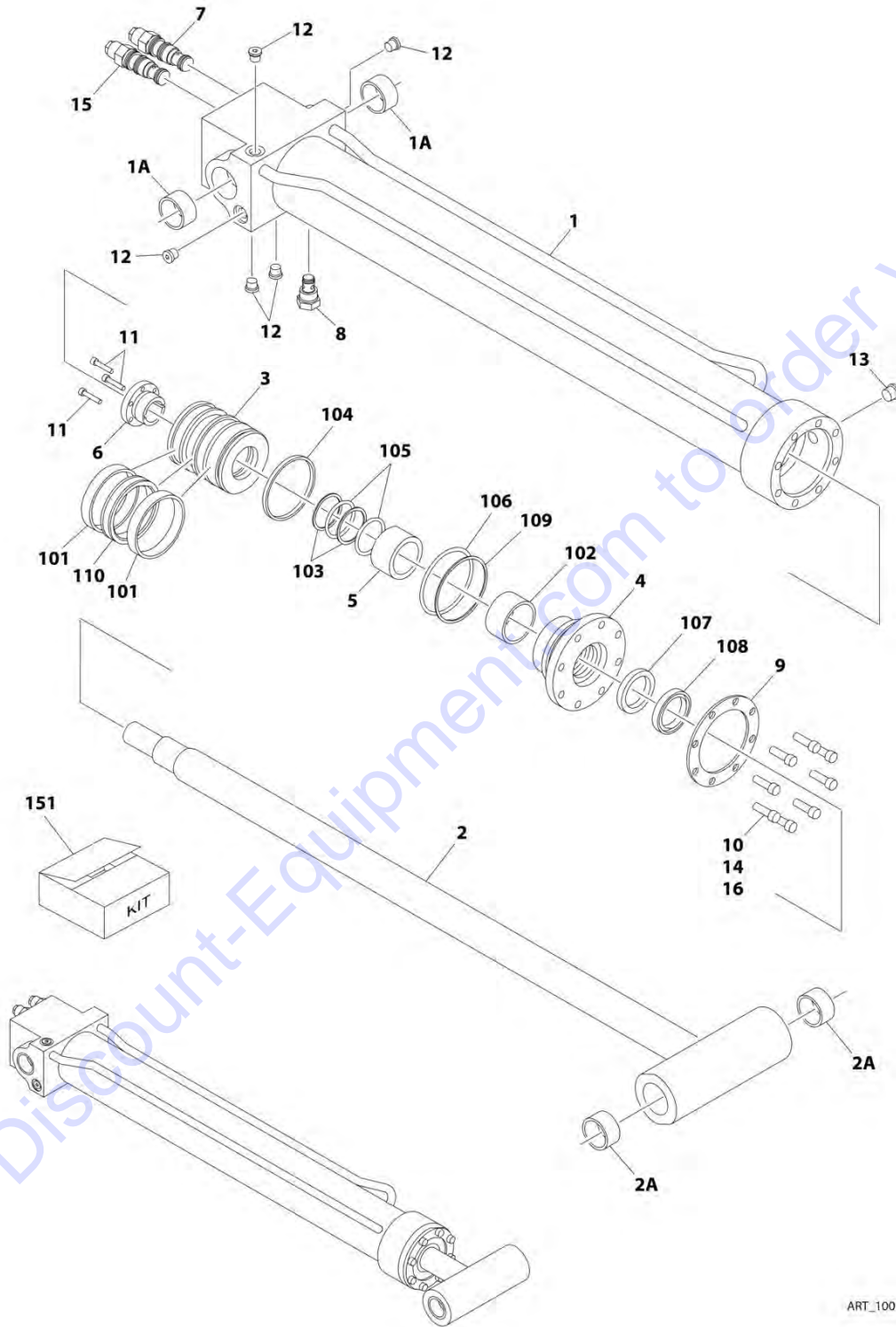
SECTION 6 - CYLINDER

FIGURE 6-11. JIB CYLINDER ASSEMBLY - WITHOUT COLD WEATHER PLUS PACKAGE (SN 0300201016 through 0300239161, SN B300002238 through B300002449)

ITEM	PART NUMBER	QTY	DESCRIPTION	REV
	1684173	Ref	JIB CYLINDER ASSEMBLY- WITHOUT COLD WEATHER PLUS PACKAGE (SN 0300201016 through 0300239161, SN B300002238 through B300002449)	H
		Ref	Note: Original Cylinder May Have Been Replaced with Service Replacement. Identify PN Stamped on Cylinder Before Ordering Parts.	
1	1684174	1	Barrel Weldment	
1A	0962257	2	Bushing	
2	1684176	1	Rod Weldment	
2A	0962257	2	Bushing	
3	3480271	1	Piston	
4	1683053	1	Head	
5	4100100	1	Spacer	
6	0961893	1	Bushing, Tapered	
7	4640452	1	Cartridge, Counterbalance (Port above V2)	
7	2900770	1	Seal Kit - 4640452 Cartridge Valve (1 Per Valve)	
8	4641114	1	Cartridge, Restricted/Check	
8	7012967	1	Seal Kit - 4641114 Cartridge Valve (1 Per Valve)	
9	3760368	1	Ring, Washer	
10	3931516	8	Capscrew 5/16 x 1	
11	0630534	3	Capscrew #10 x 1	
13	2220883	5	Plug, O-Ring	
14	2220885	1	Plug, O-Ring	
15	0100011	AR	Compound, Locking	
17	4641260	1	Cartridge, Counterbalance (Port above V1)	
17	2900770	1	Seal Kit - 4641260 Cartridge Valve (1 Per Valve)	
18	0100038	AR	Primer, Locking	
101	See Note	NSS	Ring, Wear (Note: Use Item 151)	
102	See Note	NSS	Ring, Wear (Note: Use Item 151)	
103	See Note	NSS	Ring, Back-up (Note: Use Item 151)	
104	See Note	NSS	Seal (Note: Use Item 151)	
105	See Note	NSS	O-Ring (Note: Use Item 151)	
106	See Note	NSS	O-Ring (Note: Use Item 151)	
107	See Note	NSS	Seal (Note: Use Item 151)	
108	See Note	NSS	Wiper, Rod (Note: Use Item 151)	
109	See Note	NSS	Ring, Back-up (Note: Use Item 151)	
110	See Note	NSS	Seal (Note: Use Item 151)	
151	2902092	1	Seal Kit Options (Includes Items 101-110)	

SECTION 6 - CYLINDER

FIGURE 6-12. JIB CYLINDER ASSEMBLY - WITH COLD WEATHER PLUS PACKAGE (SN 0300201016 through 0300239161)



ART_1001138803

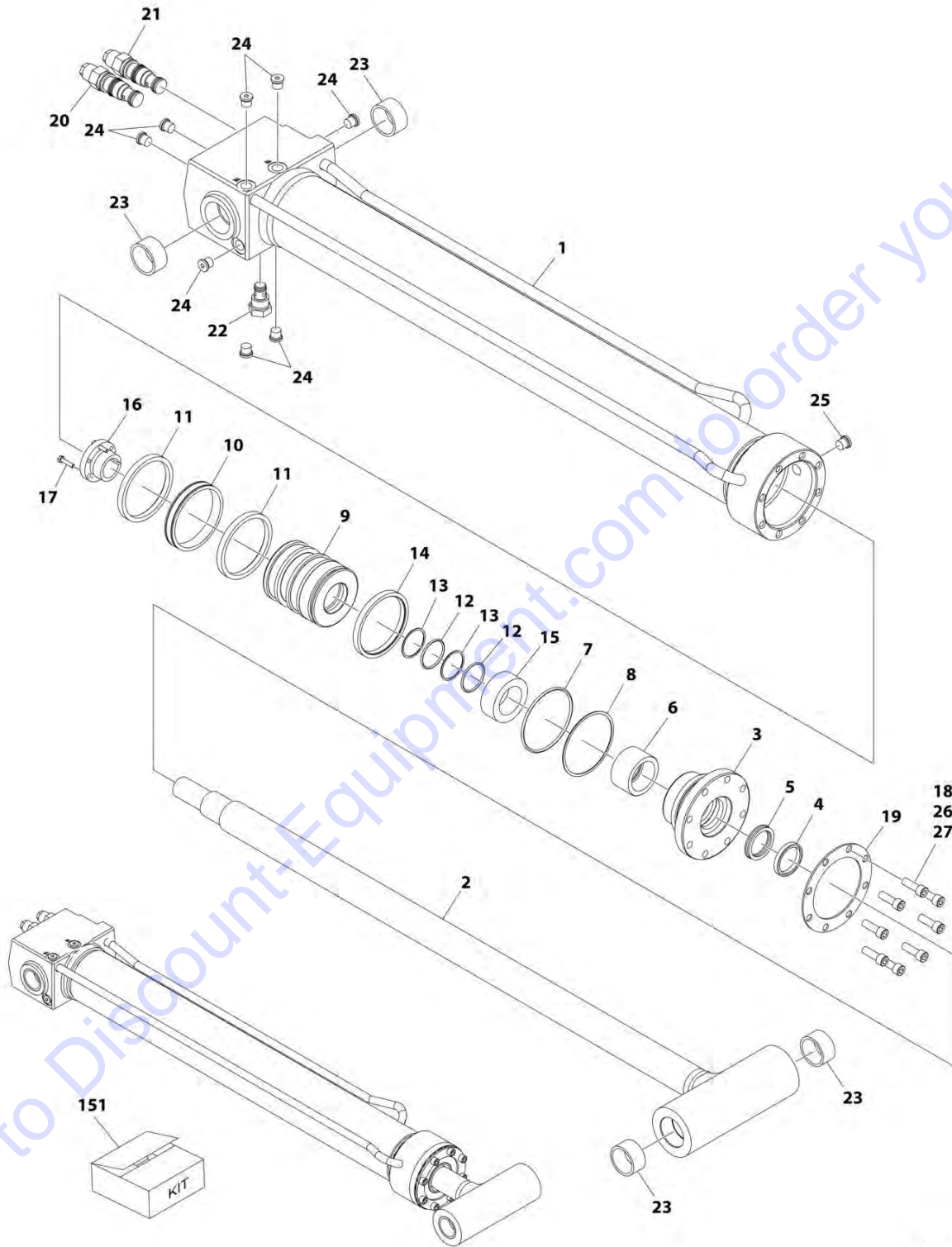
SECTION 6 - CYLINDER

FIGURE 6-12. JIB CYLINDER ASSEMBLY - WITH COLD WEATHER PLUS PACKAGE (SN 0300201016 through 0300239161)

ITEM	PART NUMBER	QTY	DESCRIPTION	REV
	1001138803	Ref	JIB CYLINDER ASSEMBLY - WITH COLD WEATHER PLUS PACKAGE (SN 0300201016 through 0300239161)	B
		Ref	Note: Original Cylinder May Have Been Replaced with Service Replacement. Identify PN Stamped on Cylinder Before Ordering Parts.	
1	1684174	1	Barrel Weldment	
1A	0962257	2	Bushing	
2	1684176	1	Rod Weldment	
2A	0962257	2	Bushing	
3	3480271	1	Piston	
4	1683053	1	Head	
5	4100100	1	Spacer	
6	0961893	1	Bushing, Tapered	
7	4640452	1	Cartridge, Counterbalance (Port above V2)	
7	2900770	1	Seal Kit - 4640452 Cartridge Valve (1 Per Valve)	
8	4641114	1	Cartridge, Restricted/Check	
8	7012967	1	Seal Kit - 4641114 Cartridge Valve (1 Per Valve)	
9	3760368	1	Ring, Washer	
10	3931516	8	Capscrew 5/16 x 1	
11	0630534	3	Capscrew # 10 x 1	
12	2220883	5	Plug, O-Ring	
13	2220885	1	Plug, O-Ring	
14	0100011	AR	Compound, Locking	
15	4641260	1	Cartridge, Counterbalance (Port above V1)	
15	2900770	1	Seal Kit - 4641260 Cartridge Valve	
16	0100038	AR	Primer, Locking	
101	See Note	NSS	Ring, Wear (Note: Use Item 151)	
102	See Note	NSS	Ring, Wear (Note: Use Item 151)	
103	See Note	NSS	Ring, Back-up (Note: Use Item 151)	
104	See Note	NSS	Seal (Note: Use Item 151)	
105	See Note	NSS	O-Ring (Note: Use Item 151)	
106	See Note	NSS	O-Ring (Note: Use Item 151)	
107	See Note	NSS	Seal (Note: Use Item 151)	
108	See Note	NSS	Wiper, Rod (Note: Use Item 151)	
109	See Note	NSS	Ring, Back-up (Note: Use Item 151)	
110	See Note	NSS	Seal (Note: Use Item 151)	
151	1001138805	1	Seal Kit Options (Includes Items 101-110)	

SECTION 6 - CYLINDER

FIGURE 6-13. JIB CYLINDER ASSEMBLY - WITH OR WITHOUT COLD WEATHER PLUS PACKAGE
(SN 0300239162 to Present, SN B30002450 to Present)



ART_1001228025

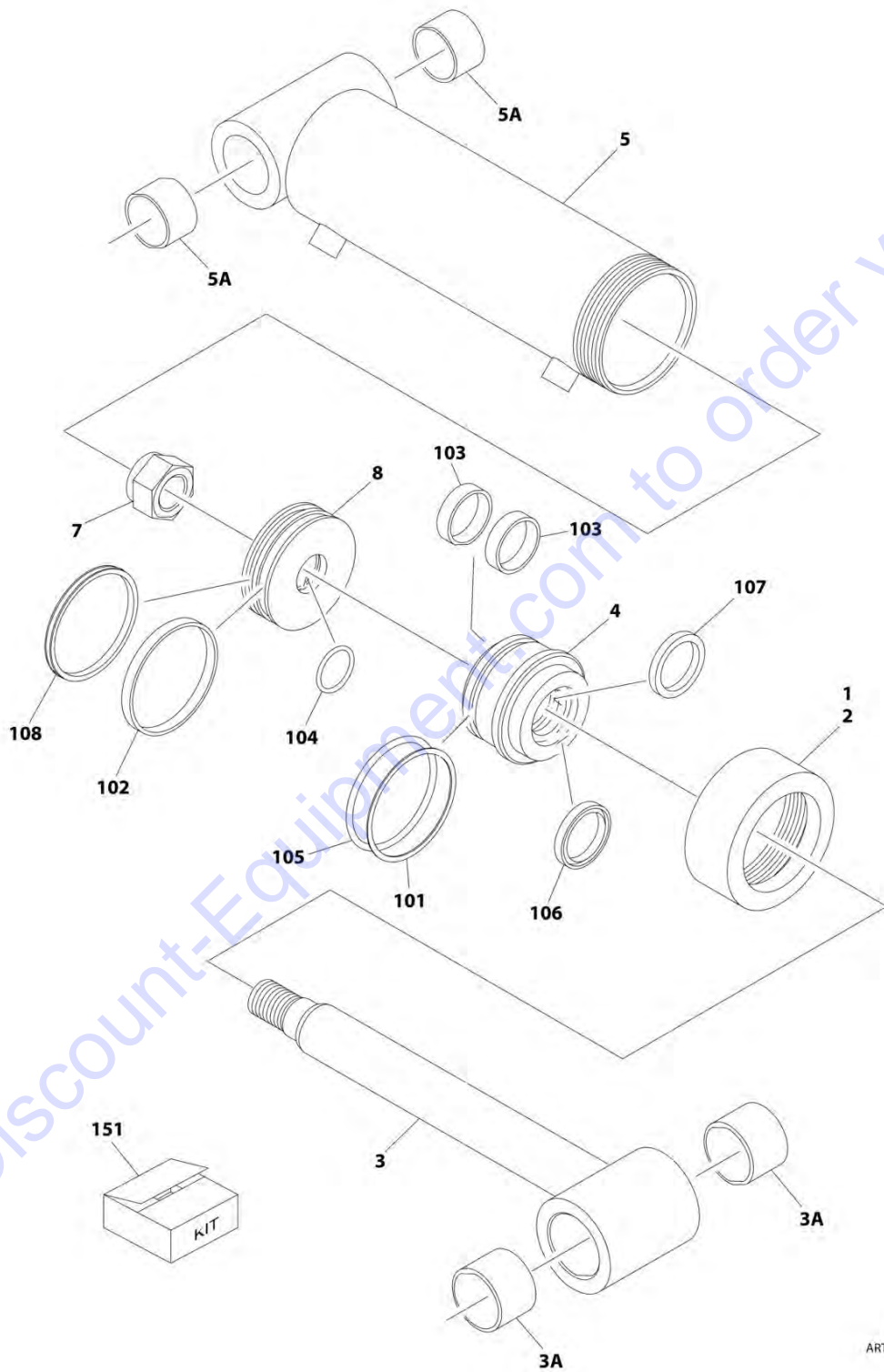
SECTION 6 - CYLINDER

**FIGURE 6-13. JIB CYLINDER ASSEMBLY - WITH OR WITHOUT COLD WEATHER PLUS PACKAGE
(SN 0300239162 to Present, SN B30002450 to Present)**

ITEM	PART NUMBER	QTY	DESCRIPTION	REV
	1001228025	Ref	JIB CYLINDER ASSEMBLY	E
		Ref	Note: Original Cylinder May Have Been Replaced with Service Replacement. Identify PN Stamped on Cylinder Before Ordering Parts.	
1	See Note	NSS	Barrel Weldment (Note: Not Available for Purchase)	
2	70006526	1	Rod Weldment	
3	70006525	1	Head	
4	See Note	NSS	Wiper, Rod (Note: Use Item 151)	
5	See Note	NSS	Seal (Note: Use Item 151)	
6	See Note	NSS	Ring, Wear (Note: Use Item 151)	
7	See Note	NSS	O-Ring (Note: Use Item 151)	
8	See Note	NSS	Ring, Back-up (Note: Use Item 151)	
9	70006524	1	Piston	
10	See Note	NSS	Seal (Note: Use Item 151)	
11	See Note	NSS	Ring, Wear (Note: Use Item 151)	
12	See Note	NSS	O-Ring (Note: Use Item 151)	
13	See Note	NSS	Ring, Back-up (Note: Use Item 151)	
14	See Note	NSS	Seal (Note: Use Item 151)	
15	70006523	1	Spacer	
16	0961893	1	Bushing, Tapered	
17	0630534	3	Capscrew #10 x 1	
18	3931516	8	Capscrew 5/16 x 1	
19	3760368	1	Ring, Washer	
20	4641260	1	Cartridge, Counterbalance (Port above V1)	
20	2900770	1	Seal Kit - 4641260 Cartridge Valve (1 Per Valve)	
21	4640452	1	Cartridge, Counterbalance (Port above V2)	
21	2900770	1	Seal Kit - 4640452 Cartridge Valve (1 Per Valve)	
22	4641114	1	Cartridge, Restricted/Check	
22	7012967	1	Seal Kit - 4641114 Cartridge Valve (1 Per Valve)	
23	0962257	4	Bushing	
24	2220883	8	Plug, O-Ring	
25	2220885	AR	Plug, O-Ring	
26	0100011	AR	Compound, Locking	
27	0100038	AR	Primer, Locking	
151	1001138805	1	Seal Kit Options (Includes Items 4-8 & 10-14)	

SECTION 6 - CYLINDER

FIGURE 6-14. STEER CYLINDER ASSEMBLY (SN 0300201016 through 0300238011, SN B300002238 through B300002376)



ART_1684314

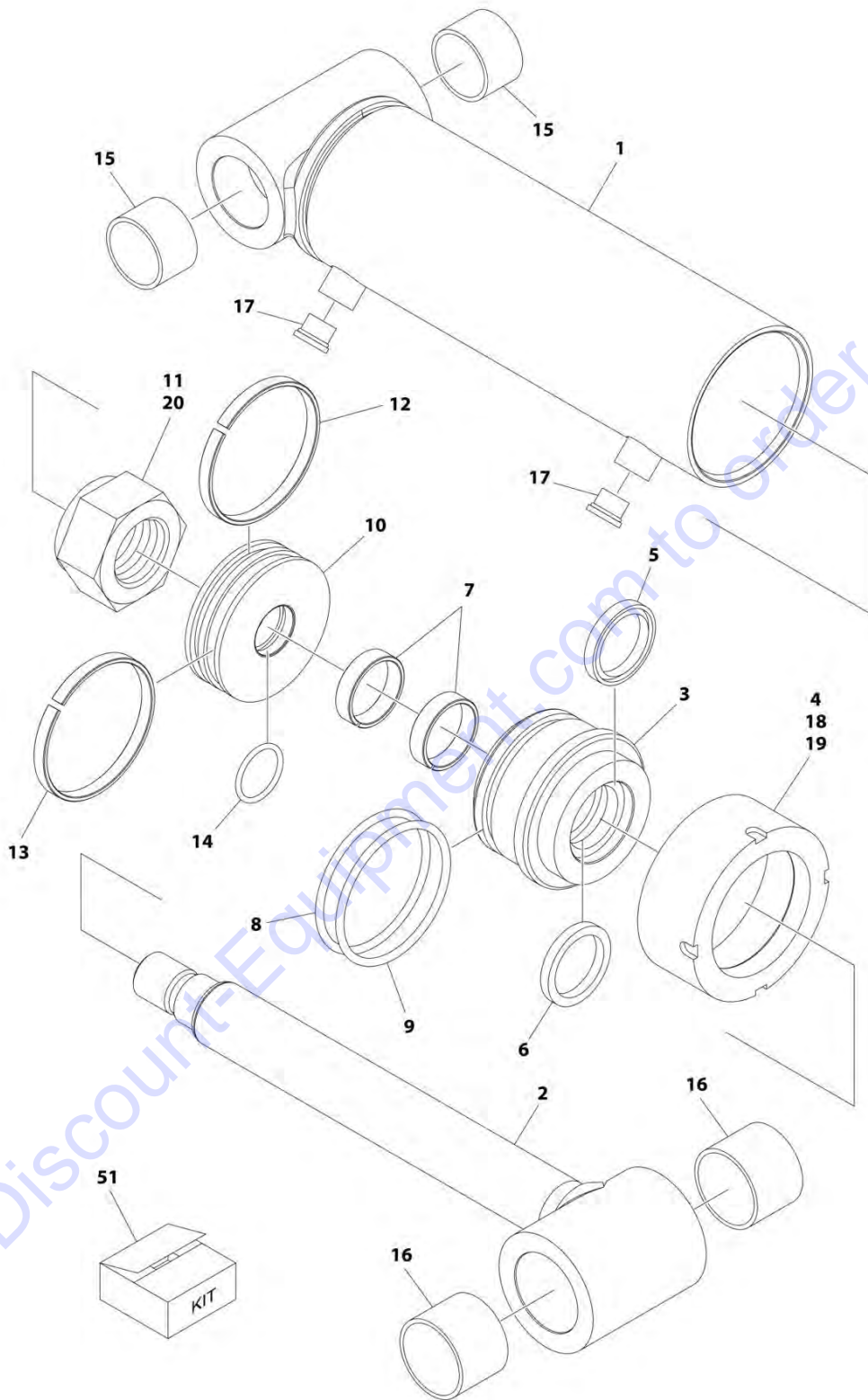
SECTION 6 - CYLINDER

FIGURE 6-14. STEER CYLINDER ASSEMBLY (SN 0300201016 through 0300238011, SN B300002238 through B300002376)

ITEM	PART NUMBER	QTY	DESCRIPTION	REV
	1684314	Ref	STEER CYLINDER ASSEMBLY (SN 0300201016 through 0300238011, SN B300002238 through B300002376) Note: Original Cylinder May Have Been Replaced with Service Replacement. Identify PN Stamped on Cylinder Before Ordering Parts.	F
		Ref		
1	0100035	AR	Compound, Locking	
2	1120094	1	Cap, Cylinder	
3	1684275	1	Rod	
3A	0961950	2	Bushing	
4	1684315	1	Head	
5	1684317	1	Barrel	
5A	0961949	2	Bushing	
7	3300465	1	Nut	
8	3480278	1	Piston	
101	See Note	NSS	Ring, Back-up (Note: Use Item 151)	
102	See Note	NSS	Ring, Wear (Note: Use Item 151)	
103	See Note	NSS	Ring, Wear (Note: Use Item 151)	
104	See Note	NSS	O-Ring (Note: Use Item 151)	
105	See Note	NSS	O-Ring (Note: Use Item 151)	
106	See Note	NSS	Wiper (Note: Use Item 151)	
107	See Note	NSS	Seal, Piston (Note: Use Item 151)	
108	See Note	NSS	Seal (Note: Use Item 151)	
151	2902257	1	Seal Kit (Includes Items 101-108)	

SECTION 6 - CYLINDER

FIGURE 6-15. STEER CYLINDER ASSEMBLY (SN 0300238012 to Present, SN B300002377 to Present)



ART_1001228031

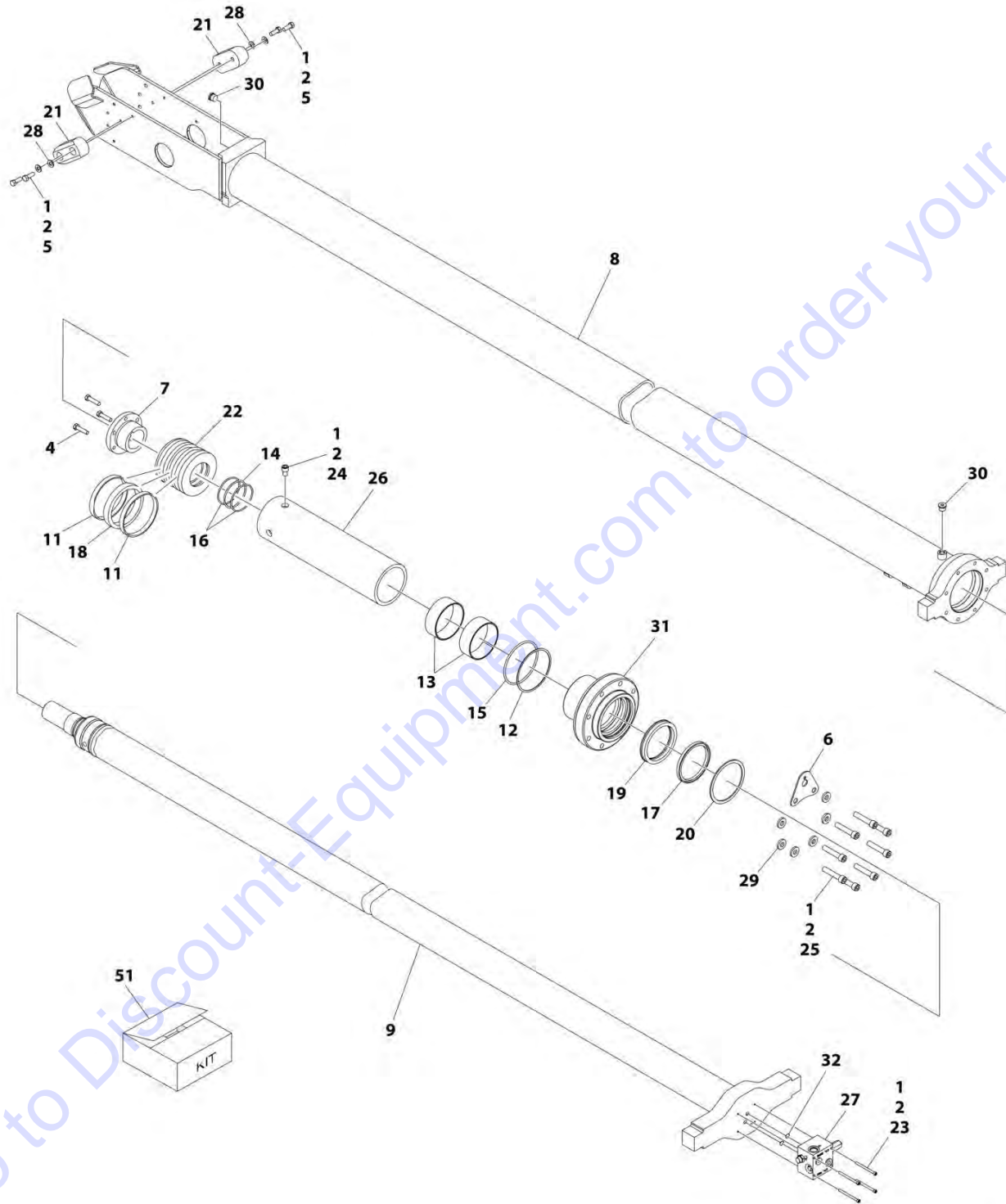
SECTION 6 - CYLINDER

FIGURE 6-15. STEER CYLINDER ASSEMBLY (SN 0300238012 to Present, SN B300002377 to Present)

ITEM	PART NUMBER	QTY	DESCRIPTION	REV
	1001228031	Ref	STEER CYLINDER ASSEMBLY	B
		Ref	Note: Original Cylinder May Have Been Replaced with Service Replacement. Identify PN Stamped on Cylinder Before Ordering Parts.	
1	See Note	NSS	Barrel Weldment (Note: Not Available for Purchase)	
2	70006493	1	Rod	
3	70006492	1	Head	
4	70006491	1	Cap, Cylinder	
5	See Note	NSS	Wiper (Note: Use Item 51)	
6	See Note	NSS	Seal, Piston (Note: Use Item 51)	
7	See Note	NSS	Ring, Wear (Note: Use Item 51)	
8	See Note	NSS	O-Ring (Note: Use Item 51)	
9	See Note	NSS	Ring, Back-up (Note: Use Item 51)	
10	70006490	1	Piston	
11	3300465	1	Nut	
12	See Note	NSS	Seal (Note: Use Item 51)	
13	See Note	NSS	Ring, Wear (Note: Use Item 51)	
14	See Note	NSS	O-Ring (Note: Use Item 51)	
15	0961949	2	Bushing	
16	0961950	2	Bushing	
17	2220885	2	Plug (With O-Ring)	
18	0100011	AR	Compound, Locking	
19	0100038	AR	Primer, Locking	
20	0100019	AR	Compound, Locking	
51	2902257	1	Seal Kit (Includes Items 5-9 & 12-14)	

SECTION 6 - CYLINDER

FIGURE 6-16. TELESCOPE CYLINDER ASSEMBLY - 1200SJP (SN 0300201016 through 0300243437, SN B300002238 through B300002718)



ART_1684178

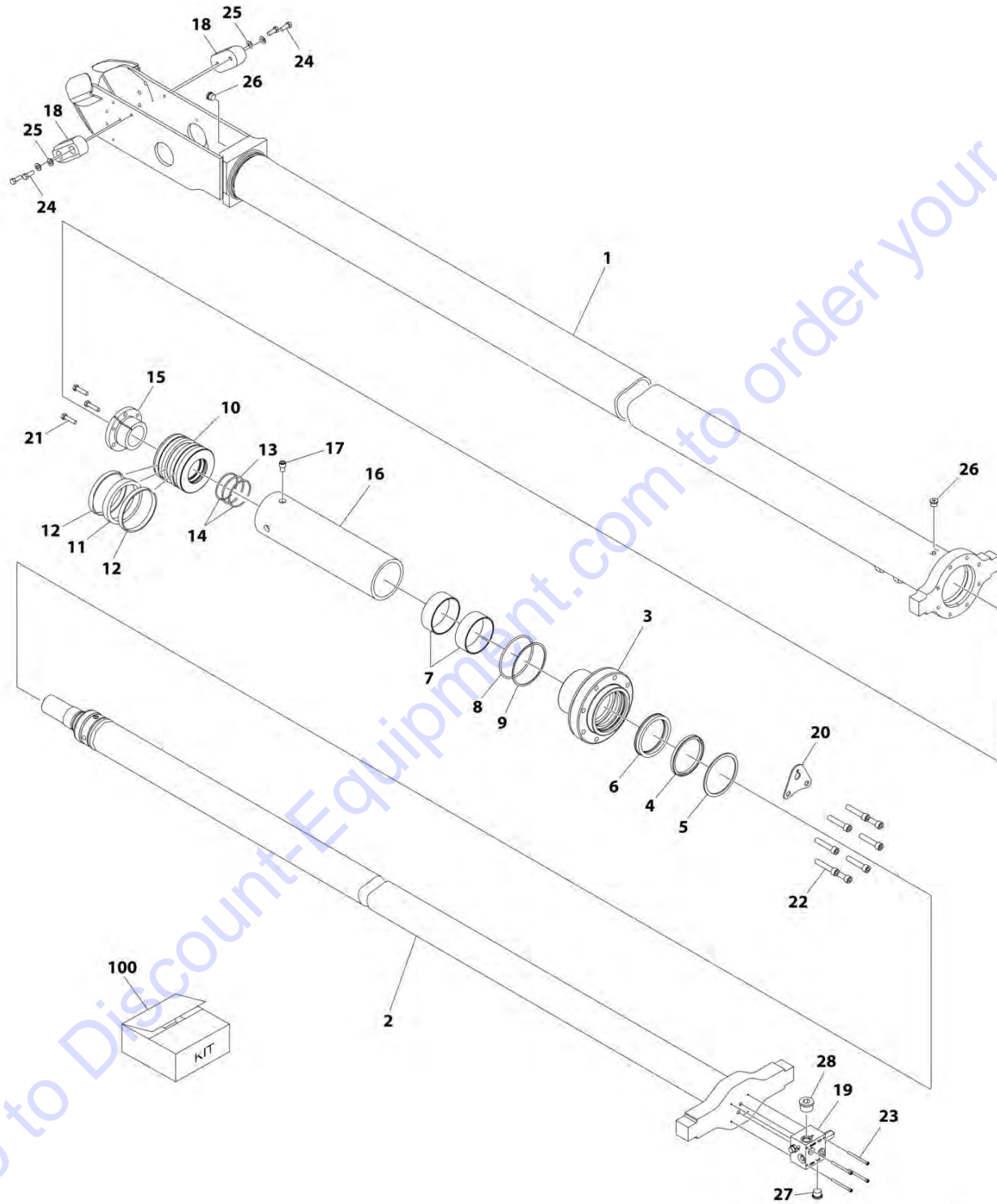
SECTION 6 - CYLINDER

FIGURE 6-16. TELESCOPE CYLINDER ASSEMBLY - 1200SJP (SN 0300201016 through 0300243437, SN B300002238 through B300002718)

ITEM	PART NUMBER	QTY	DESCRIPTION	REV
	1684178	Ref	TELESCOPE CYLINDER ASSEMBLY - 1200SJP (SN 0300201016 through 0300243437, SN B300002238 through B300002718)	K
		Ref	Note: Original Cylinder May Have Been Replaced with Service Replacement. Identify PN Stamped on Cylinder Before Ordering Parts.	
1	0100011	AR	Compound, Locking	
2	0100038	AR	Primer, Locking	
4	0630536	3	Capscrew	
5	0641608	4	Bolt 3/8 x 1	
6	0902743	1	Bracket	
7	0961903	1	Bushing, Tapered	
8	1684179	1	Barrel Weldment	
9	1001105016	1	Rod Weldment	
11	See Note	NSS	Ring, Wear (Note: Use Item 51)	
12	See Note	NSS	Ring, Back-up (Note: Use Item 51)	
13	See Note	NSS	Ring, Wear (Note: Use Item 51)	
14	See Note	NSS	O-Ring (Note: Use Item 51)	
15	See Note	NSS	O-Ring (Note: Use Item 51)	
16	See Note	NSS	Ring, Back-up (Note: Use Item 51)	
17	See Note	NSS	Wiper, Rod (Note: Use Item 51)	
18	See Note	NSS	T-Seal (Note: Use Item 51)	
19	See Note	NSS	Seal, Rod (Note: Use Item 51)	
20	See Note	NSS	Ring, Retaining (Note: Use Item 51)	
21	3340963	2	Pad, Wear	
22	3480268	1	Piston	
23	3931448	4	Capscrew 1/4 x 3	
24	3931608	1	Capscrew 3/8 x 1	
25	3931840	8	Capscrew 1/2 x 2-1/2	
26	1001105014	1	Spacer	
27	4641256	1	Valve Assembly	
27	2220884	1	Plug, SAE #5 (With O-Ring)	
27	2220885	1	Plug, SAE #6 (With O-Ring)	
28	4711600	4	Washer 3/8	
29	4891800	6	Washer 1/2	
30	2220885	2	Plug, O-Ring	
31	1684141	1	Head	
32	3790112	2	O-Ring	
51	2902081	1	Seal Kit (Includes Items 11-20)	

SECTION 6 - CYLINDER

FIGURE 6-17. TELESCOPE CYLINDER ASSEMBLY - 1200SJP (SN 0300243438 to Present, SN B300002719 to Present)



ART_1001228026

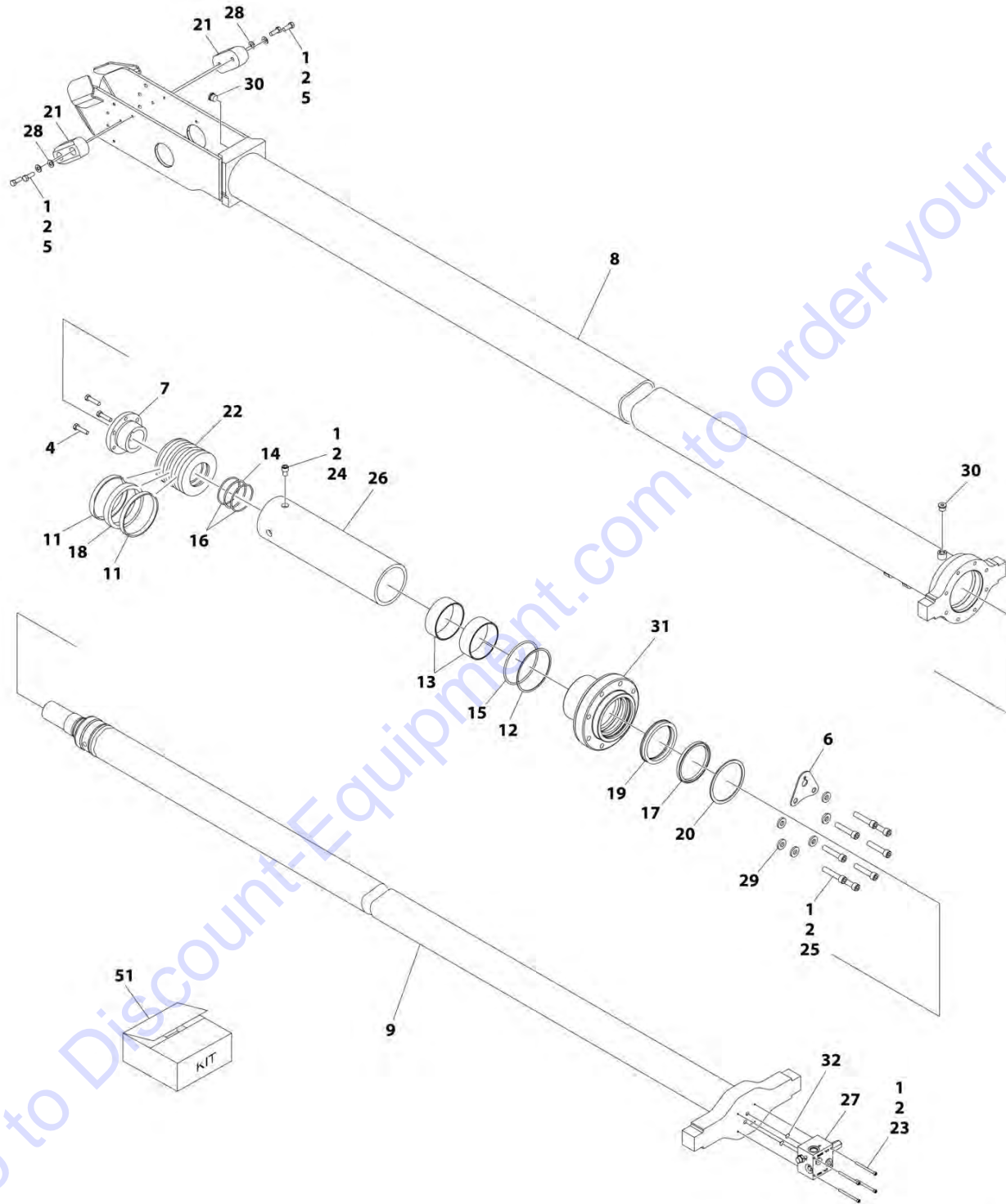
SECTION 6 - CYLINDER

FIGURE 6-17. TELESCOPE CYLINDER ASSEMBLY - 1200SJP (SN 0300243438 to Present, SN B300002719 to Present)

ITEM	PART NUMBER	QTY	DESCRIPTION	REV
	1001228026	Ref	TELESCOPE CYLINDER ASSEMBLY - 1200SJP (SN 0300243438 to Present, SN B300002719 to Present)	B
		Ref	Note: Original Cylinder May Have Been Replaced with Service Replacement. Identify PN Stamped on Cylinder Before Ordering Parts.	
1	See Note	NSS	Barrel (Note: Not Available for Purchase)	
2	70006656	1	Rod	
3	70006657	1	Head	
4	See Note	NSS	Wiper (Note: Use Item 100)	
5	See Note	NSS	Ring, Retaining (Note: Use Item 100)	
6	See Note	NSS	Seal, Rod (Note: Use Item 100)	
7	See Note	NSS	Ring, Wear (Note: Use Item 100)	
8	See Note	NSS	O-Ring (Note: Use Item 100)	
9	See Note	NSS	Ring, Back-up (Note: Use Item 100)	
10	70006658	1	Piston	
11	See Note	NSS	Seal (Note: Use Item 100)	
12	See Note	NSS	Ring, Wear (Note: Use Item 100)	
13	See Note	NSS	O-Ring (Note: Use Item 100)	
14	See Note	NSS	Ring, Back-up (Note: Use Item 100)	
15	0961903	1	Bushing, Tapered	
16	70006659	1	Spacer	
17	3931608	1	Capscrew 3/8 x 1	
18	3340963	2	Pad, Wear	
19	4641256	1	Valve Assembly	
19	2220884	1	Plug, SAE #5 (With O-Ring)	
19	2220885	1	Plug, SAE #6 (With O-Ring)	
20	0902743	1	Bracket	
21	0630536	3	Capscrew	
22	3931840	8	Capscrew 1/2 x 2-1/2	
23	3931448	4	Capscrew 1/4 x 3	
24	0641608	4	Bolt 3/8 x 1	
25	4711600	4	Washer 3/8	
26	2220885	2	Plug, O-Ring	
27	2220886	1	Plug, O-Ring	
28	70005433	1	Plug, O-Ring	
100	2902081	1	Seal Kit (Includes Items 4-9 & 11-14)	

SECTION 6 - CYLINDER

FIGURE 6-18. TELESCOPE CYLINDER ASSEMBLY - 1350SJP (SN 0300201016 through 0300243473, SN B300002238 through B300002646)



ART_1684108

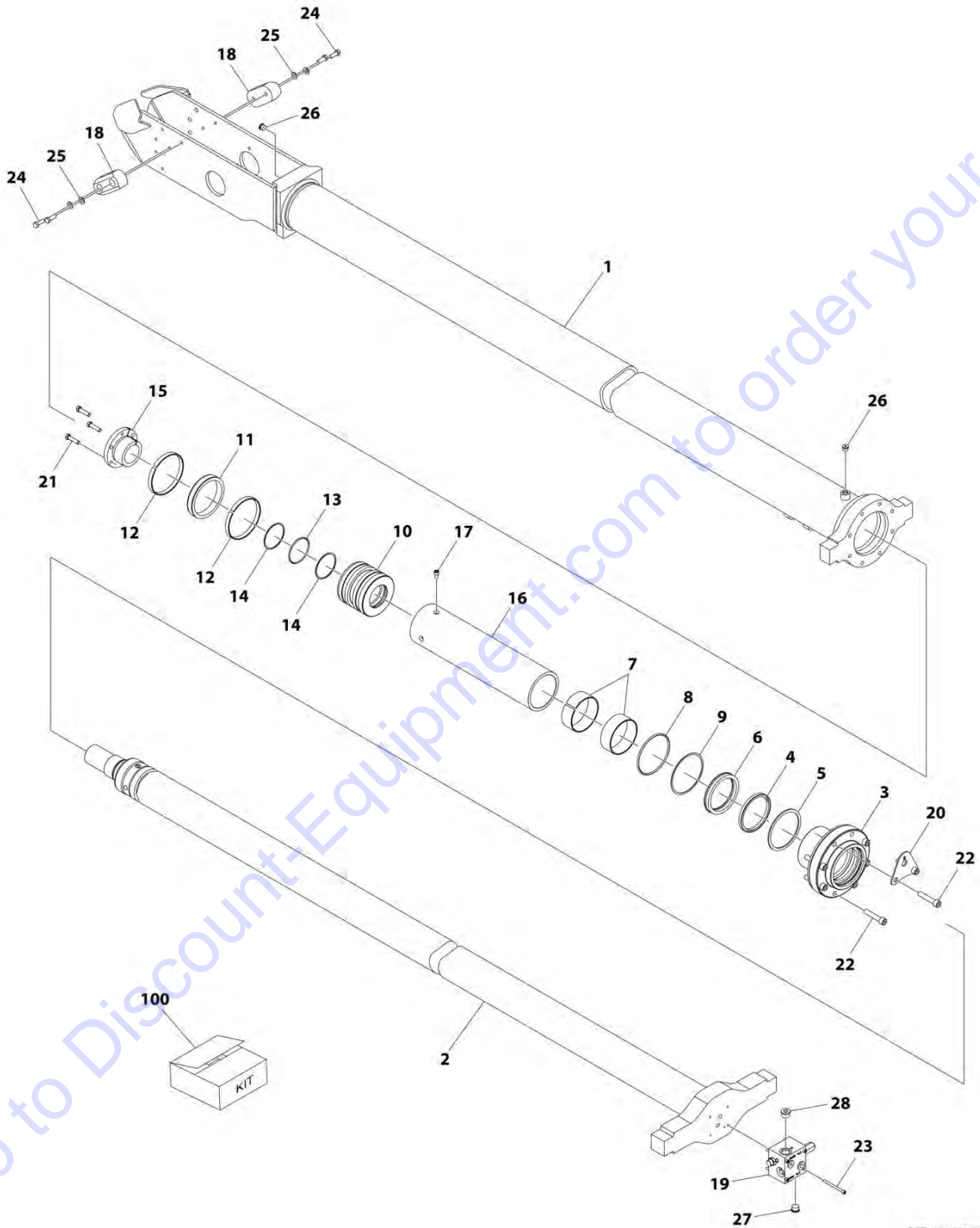
SECTION 6 - CYLINDER

FIGURE 6-18. TELESCOPE CYLINDER ASSEMBLY - 1350SJP (SN 0300201016 through 0300243473, SN B300002238 through B300002646)

ITEM	PART NUMBER	QTY	DESCRIPTION	REV
	1684108	Ref	TELESCOPE CYLINDER ASSEMBLY - 1350SJP	M
		Ref	Note: Original Cylinder May Have Been Replaced with Service Replacement. Identify PN Stamped on Cylinder Before Ordering Parts.	
1	0100011	AR	Compound, Locking	
2	0100038	AR	Primer, Locking	
4	0630536	3	Capscrew	
5	0641608	4	Bolt 3/8 x 1	
6	0902743	1	Bracket	
7	0961903	1	Bushing, Tapered	
8	1684109	1	Barrel Weldment	
9	1001104923	1	Rod Weldment	
11	See Note	NSS	Ring, Wear (Note: Use Item 51)	
12	See Note	NSS	Ring, Back-up (Note: Use Item 51)	
13	See Note	NSS	Ring, Wear (Note: Use Item 51)	
14	See Note	NSS	O-Ring (Note: Use Item 51)	
15	See Note	NSS	O-Ring (Note: Use Item 51)	
16	See Note	NSS	Ring, Back-up (Note: Use Item 51)	
17	See Note	NSS	Wiper, Rod (Note: Use Item 51)	
18	See Note	NSS	T-Seal (Note: Use Item 51)	
19	See Note	NSS	Seal, Rod (Note: Use Item 51)	
20	See Note	NSS	Ring, Retaining (Note: Use Item 51)	
21	3340963	2	Pad, Wear	
22	3480268	1	Piston	
23	3931448	4	Capscrew 1/4 x 3	
24	3931608	1	Capscrew 3/8 x 1	
25	3931840	8	Capscrew 1/2 x 2-1/2	
26	1001104922	1	Spacer	
27	4641256	1	Valve Assembly	
27	2220884	1	Plug, SAE #5 (With O-Ring)	
27	2220885	1	Plug, SAE #6 (With O-Ring)	
28	4711600	4	Washer 3/8	
29	4891800	6	Washer 1/2	
30	2220885	2	Plug, O-Ring	
31	1684141	1	Head	
32	3790112	2	O-Ring	
51	2902081	1	Seal Kit (Includes Items 11-20)	

SECTION 6 - CYLINDER

FIGURE 6-19. TELESCOPE CYLINDER ASSEMBLY - 1350SJP (SN 0300243474 to Present, SN B300002647 to Present)



ART_1001228021

SECTION 6 - CYLINDER

FIGURE 6-19. TELESCOPE CYLINDER ASSEMBLY - 1350SJP (SN 0300243474 to Present, SN B300002647 to Present)

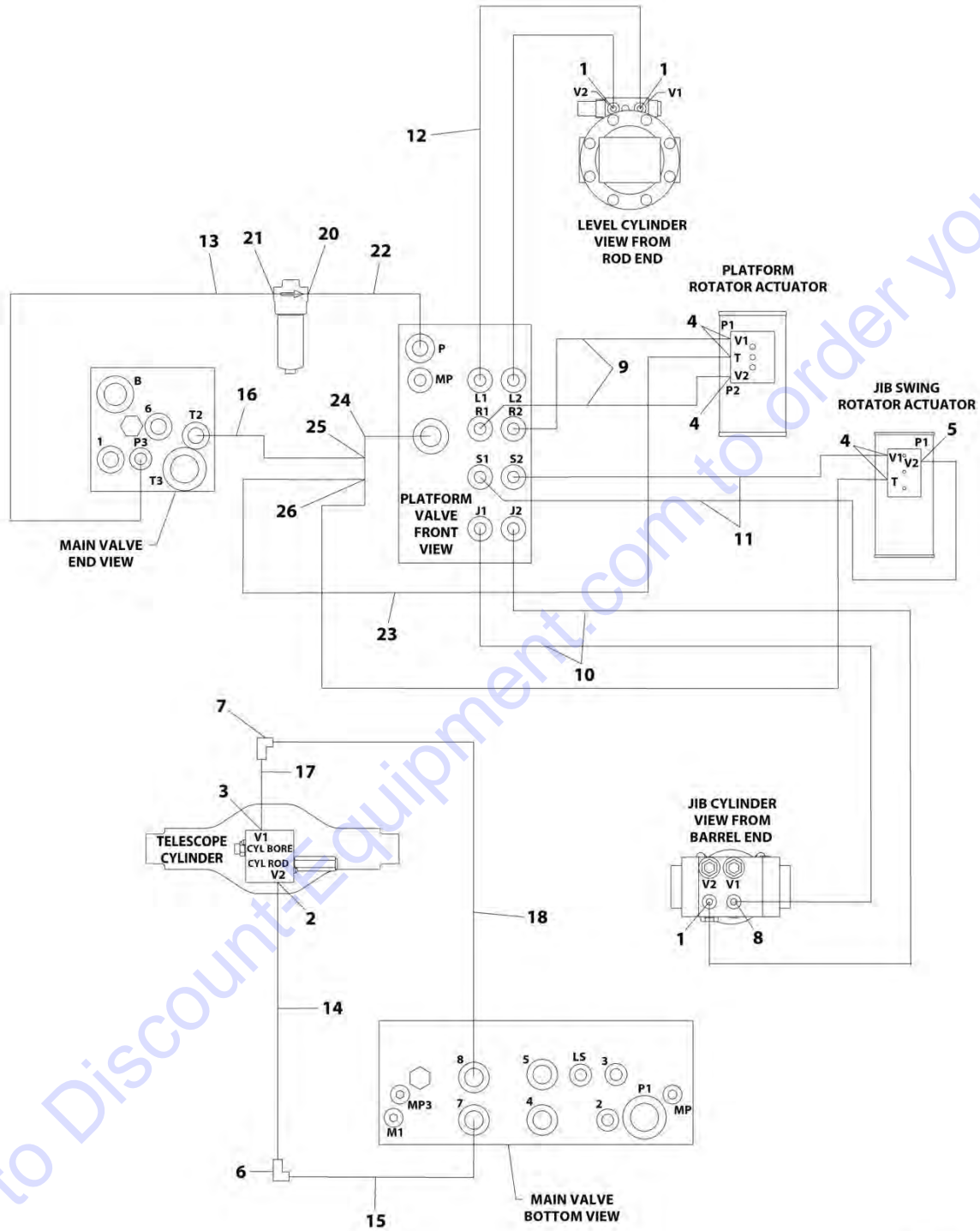
ITEM	PART NUMBER	QTY	DESCRIPTION	REV
	1001228021	Ref	TELESCOPE CYLINDER ASSEMBLY - 1350SJP (SN 0300243474 to Present, SN B300002647 to Present)	C
		Ref	Note: Original Cylinder May Have Been Replaced with Service Replacement. Identify PN Stamped on Cylinder Before Ordering Parts.	
1	See Note	NSS	Barrel (Note: Not Available for Purchase)	
2	70006697	1	Rod	
3	70006657	1	Head	
4	See Note	NSS	Wiper (Note: Use Item 100)	
5	See Note	NSS	Ring, Retaining (Note: Use Item 100)	
6	See Note	NSS	Seal, Rod (Note: Use Item 100)	
7	See Note	NSS	Ring, Wear (Note: Use Item 100)	
8	See Note	NSS	O-Ring (Note: Use Item 100)	
9	See Note	NSS	Ring, Back-up (Note: Use Item 100)	
10	70006658	1	Piston	
11	See Note	NSS	Seal (Note: Use Item 100)	
12	See Note	NSS	Ring, Wear (Note: Use Item 100)	
13	See Note	NSS	O-Ring (Note: Use Item 100)	
14	See Note	NSS	Ring, Back-up (Note: Use Item 100)	
15	0961903	1	Bushing, Tapered	
16	70006698	1	Spacer	
17	70006631	1	Capscrew M8 x 16	
18	3340963	2	Pad, Wear	
19	4641256	1	Valve Assembly	
19	2220884	1	Plug, SAE #5 (With O-Ring)	
19	2220885	1	Plug, SAE #6 (With O-Ring)	
20	0902743	1	Bracket	
21	0630536	3	Capscrew	
22	3931840	8	Capscrew 1/2 x 2-1/2	
23	3931448	4	Capscrew 1/4 x 3	
24	0641608	4	Bolt 3/8 x 1	
25	4711600	4	Washer 3/8	
26	2220885	2	Plug, O-Ring	
27	2220886	1	Plug, O-Ring	
28	70005433	1	Plug, O-Ring	
100	2902081	1	Seal Kit (Includes Items 4-9 & 11-14)	

SECTION 7 - HYDRAULIC

Go to Discount-Equipment.com to order your parts

SECTION 7 - HYDRAULIC

FIGURE 7-1. HYDRAULIC DIAGRAM - BOOM (1200SJP)



ART_1283457_TOF7

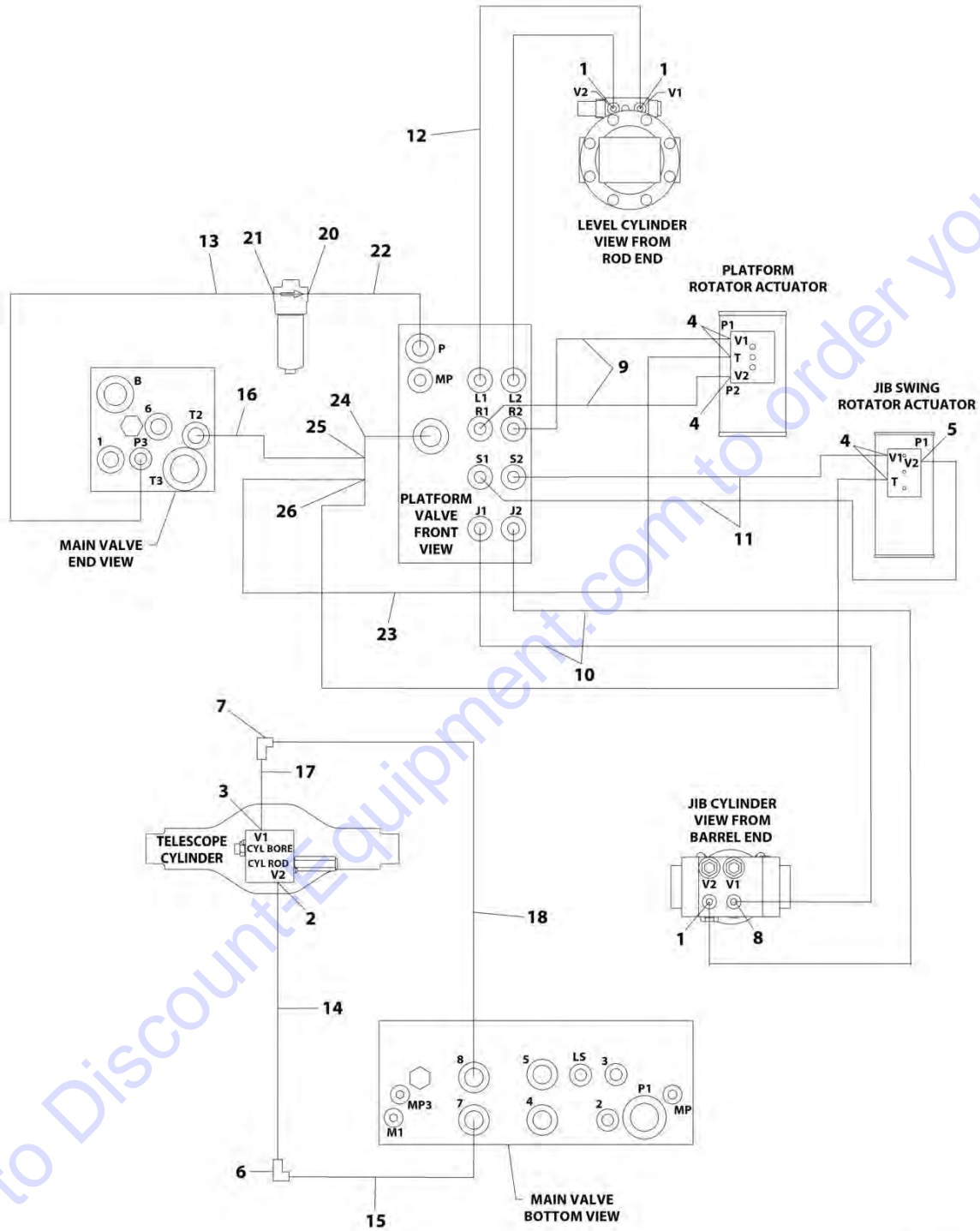
SECTION 7 - HYDRAULIC

FIGURE 7-1. HYDRAULIC DIAGRAM - BOOM (1200SJP)

ITEM	PART NUMBER	QTY	DESCRIPTION	REV
	1283457	Ref	HYDRAULIC DIAGRAM - BOOM (1200SJP)	L
	1001098025	Ref	Hydraulic Diagram - Upper Boom	3
1	2110404	3	Fitting, Straight ORFS/ORB	
2	2110808	1	Fitting, Straight ORFS/ORB	
3	2111010	1	Fitting, Straight ORFS/ORB	
4	2150404	5	Fitting, 45 ORFS/ORB	
5	2170204	1	Fitting, 90 ORFS/ORB	
6	2171208	1	Fitting, Elbow	
7	2171210	1	Fitting, Elbow	
8	2180830	1	Fitting, Orifice	
9	2753545	2	Hose	
10	2753717	2	Hose	
11	2753716	3	Hose	
12	2753552	2	Hose	
13	2753810	1	Hose	
14	2753745	1	Hose	
15	2753755	1	Hose	
16	2753811	1	Hose	
17	2753763	1	Hose	
18	2753767	1	Hose	
20	2110612	1	Fitting, Straight ORFS/ORB	
21	2130612	1	Fitting, 90 ORFS/ORB	
22	2717059	1	Hose	
23	2754288	1	Hose	
24	2170708	1	Fitting, Swivel Nut Run Tee ORFS/FSORFS/ORFS	
25	1001097820	1	Fitting, Adapter ORFS/FSORFS	
26	2170704	1	Fitting, Swivel Nut Run Tee ORFS/FSORFS/ORFS	

SECTION 7 - HYDRAULIC

FIGURE 7-2. HYDRAULIC DIAGRAM - BOOM (1350SJP)



ART_1283457_TOF7

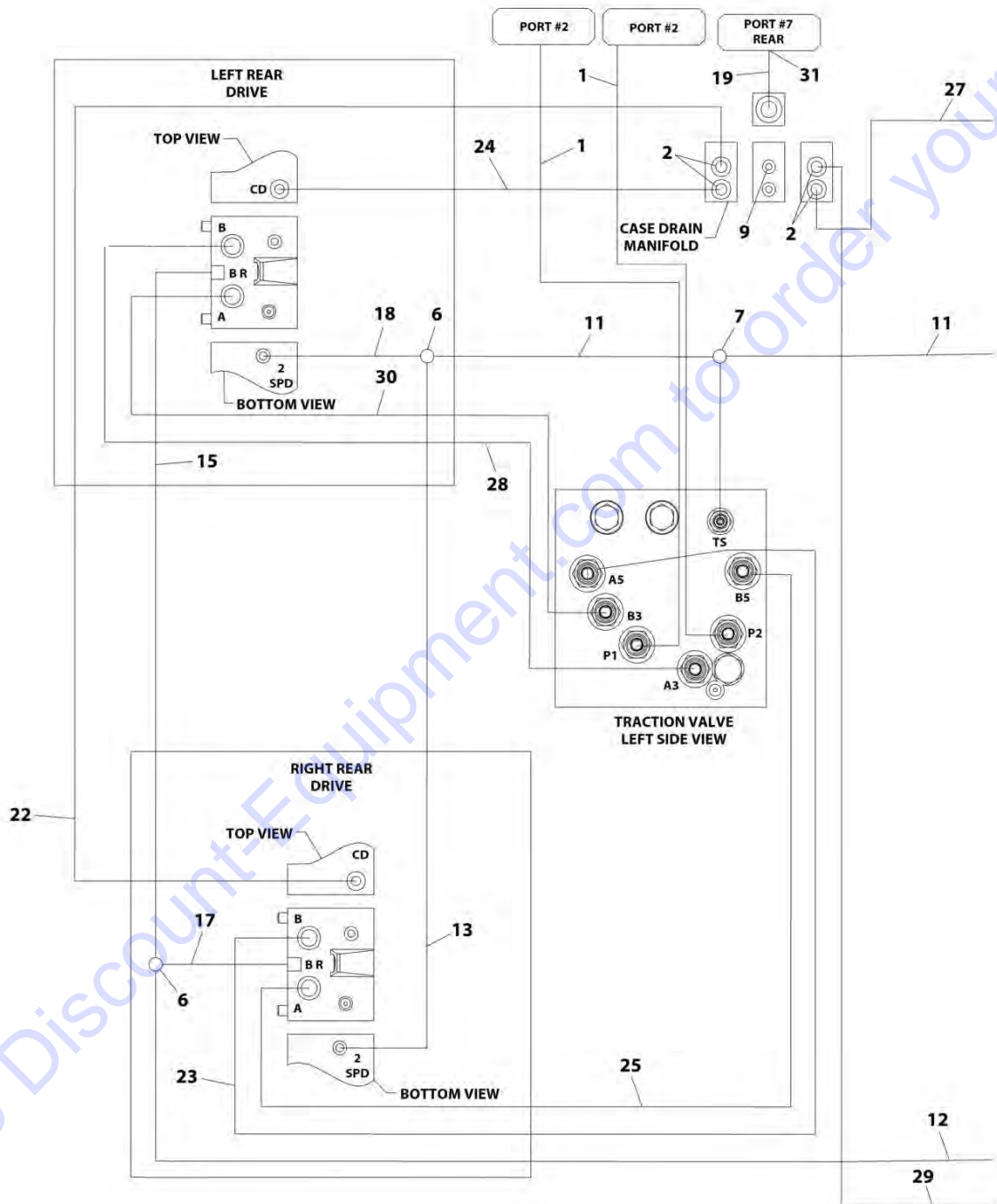
SECTION 7 - HYDRAULIC

FIGURE 7-2. HYDRAULIC DIAGRAM - BOOM (1350SJP)

ITEM	PART NUMBER	QTY	DESCRIPTION	REV
	1283457	Ref	HYDRAULIC DIAGRAM - BOOM (1350SJP)	L
	1001098026	Ref	Hydraulic Diagram - Upper Boom	3
1	2110404	3	Fitting, Straight ORFS/ORB	
2	2110808	1	Fitting, Straight ORFS/ORB	
3	2111010	1	Fitting, Straight ORFS/ORB	
4	2150404	5	Fitting, 45 ORFS/ORB	
5	2170204	1	Fitting, 90 ORFS/ORB	
6	2171208	1	Fitting, Elbow	
7	2171210	1	Fitting, Elbow	
8	2180830	1	Fitting, Orifice	
9	2753545	2	Hose	
10	2753717	2	Hose	
11	2753716	3	Hose	
12	2753552	2	Hose	
13	2753740	1	Hose	
14	2753745	1	Hose	
15	2753755	1	Hose	
16	2753751	1	Hose	
17	2753763	1	Hose	
18	2753767	1	Hose	
20	2110612	1	Fitting, Straight ORFS/ORB	
21	2130612	1	Fitting, 90 ORFS/ORB	
22	2717059	1	Hose	
23	2754288	1	Hose	
24	2170708	1	Fitting, Swivel Nut Run Tee ORFS/FSORFS/ORFS	
25	1001097820	1	Fitting, Adapter ORFS/FSORFS	
26	2170704	1	Fitting, Swivel Nut Run Tee ORFS/FSORFS/ORFS	

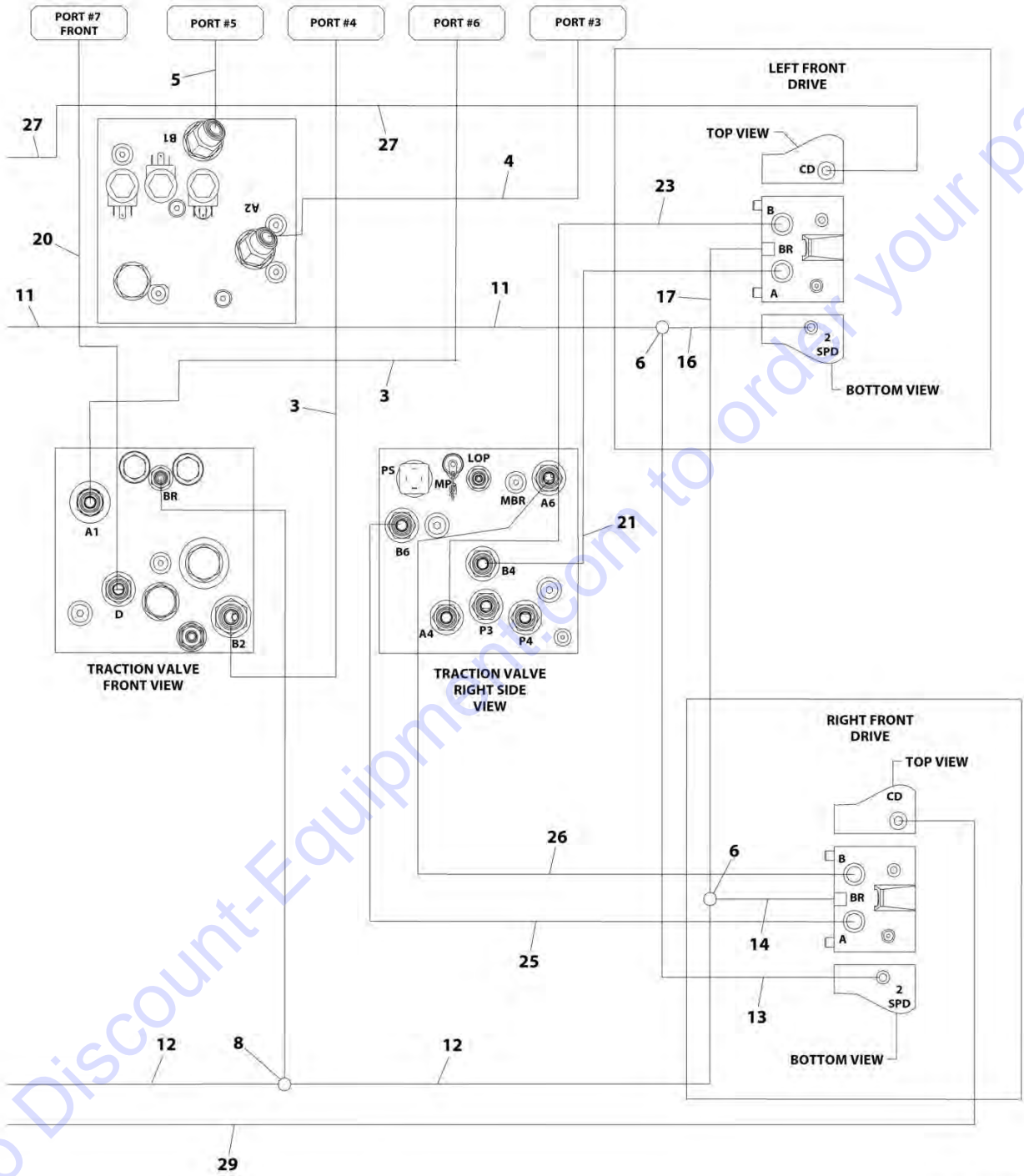
SECTION 7 - HYDRAULIC

FIGURE 7-3. HYDRAULIC DIAGRAM - DRIVE



ART_1283457_20F7

SECTION 7 - HYDRAULIC



ART_1283457_3OF7

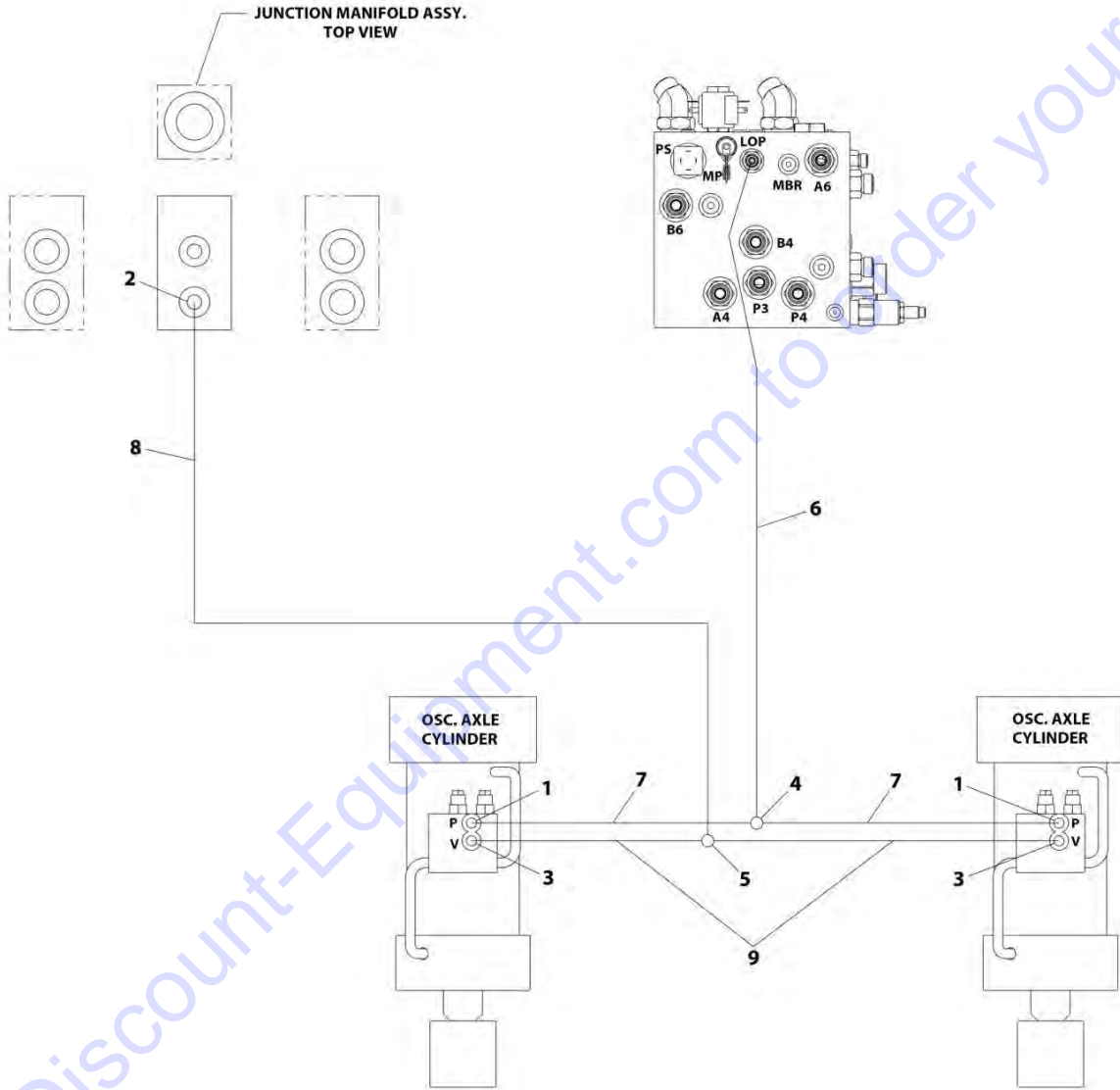
SECTION 7 - HYDRAULIC

FIGURE 7-3. HYDRAULIC DIAGRAM - DRIVE

ITEM	PART NUMBER	QTY	DESCRIPTION	REV
	1283457	Ref	HYDRAULIC DIAGRAM - DRIVE	L
	2792772	Ref	Hydraulic Diagram - Drive Circuit	F
1	2753685	2	Hose	
2	2110808	4	Fitting, Straight ORFS/ORB	
3	2753703	2	Hose	
4	2753764	1	Hose	
5	2753768	1	Hose	
6	2170504	4	Fitting, Tee ORFS	
7	2170704	1	Fitting, Tee ORFS/ORB/ORFS	
8	2170804	1	Fitting, Tee ORFS/ORB/ORFS	
9	2220235	1	Plug	
11	2753541	2	Hose	
12	2753545	2	Hose	
13	2753677	2	Hose	
14	2753714	1	Hose	
15	2753713	1	Hose	
16	2753716	1	Hose	
17	2753715	2	Hose	
18	2753552	1	Hose	
19	2753752	1	Hose	
20	2753582	1	Hose	
21	2753756	1	Hose	
22	2753747	1	Hose	
23	2753757	2	Hose	
24	2753748	1	Hose	
25	2753759	2	Hose	
26	2753760	1	Hose	
27	2753749	1	Hose	
28	2753761	1	Hose	
29	2753750	1	Hose	
30	2753762	1	Hose	
31	2110812	1	Fitting, Straight ORFS/ORB	

SECTION 7 - HYDRAULIC

FIGURE 7-4. HYDRAULIC DIAGRAM - OSCILLATING AXLE



ART_1283457_40F7

SECTION 7 - HYDRAULIC

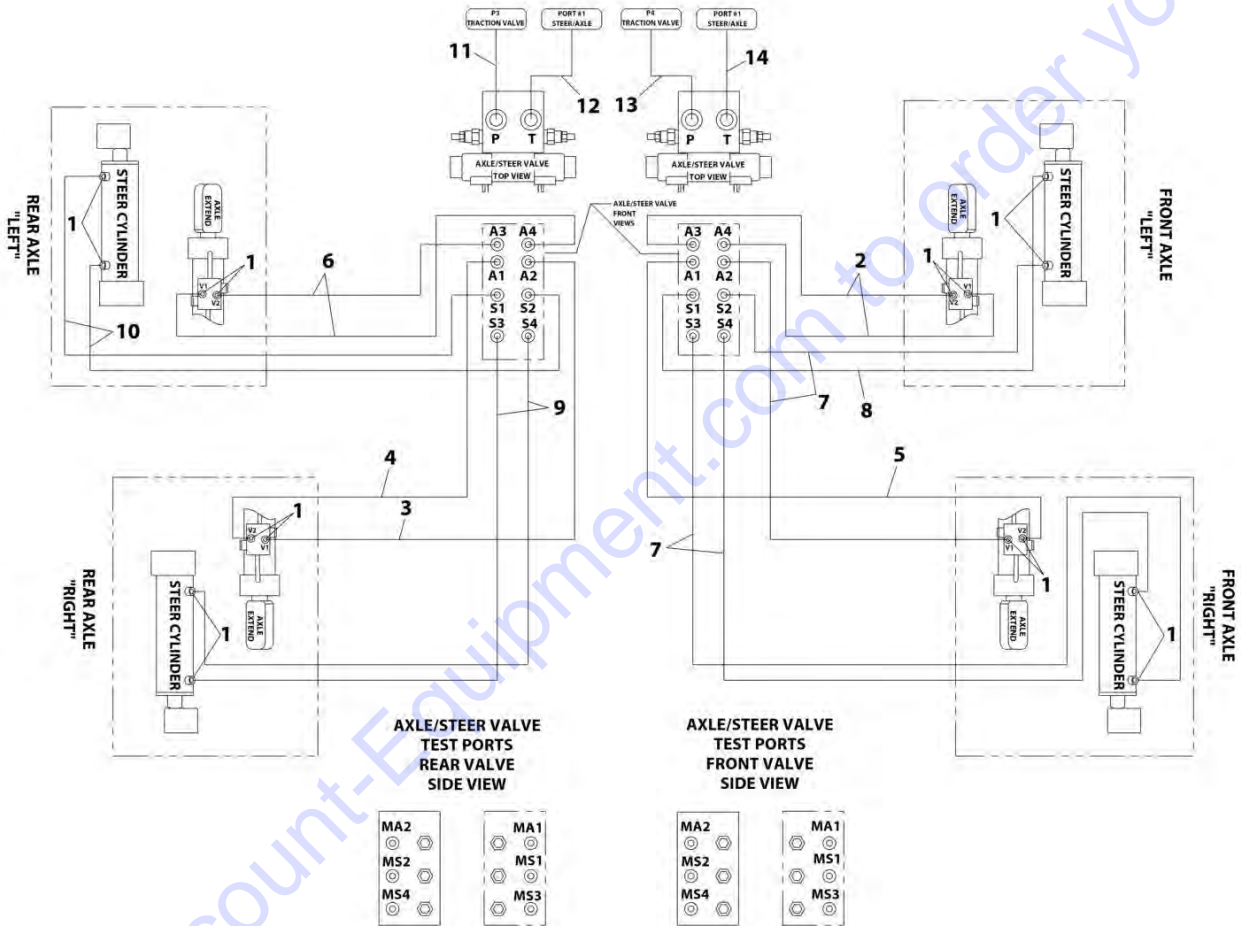
FIGURE 7-4. HYDRAULIC DIAGRAM - OSCILLATING AXLE

ITEM	PART NUMBER	QTY	DESCRIPTION	REV
	1283457	Ref	HYDRAULIC DIAGRAM - OSCILLATING AXLE	L
	2792647	Ref	Hydraulic Diagram - Oscillating Axle	4
1	2110406	2	Fitting, Straight ORFS/ORB	
2	2110604	1	Fitting, Straight ORFS/ORB	
3	2110606	2	Fitting, Straight ORFS/ORB	
4	2170504	1	Fitting, Tee ORFS	
5	2170506	1	Fitting, Tee ORFS	
6	2753726	1	Hose	
7	2753719	2	Hose	
8	2753727	1	Hose	
9	2753729	2	Hose	

Go to Discount-Equipment.com to order your parts

SECTION 7 - HYDRAULIC

FIGURE 7-5. HYDRAULIC DIAGRAM - STEER



ART_1283457_50F7

SECTION 7 - HYDRAULIC

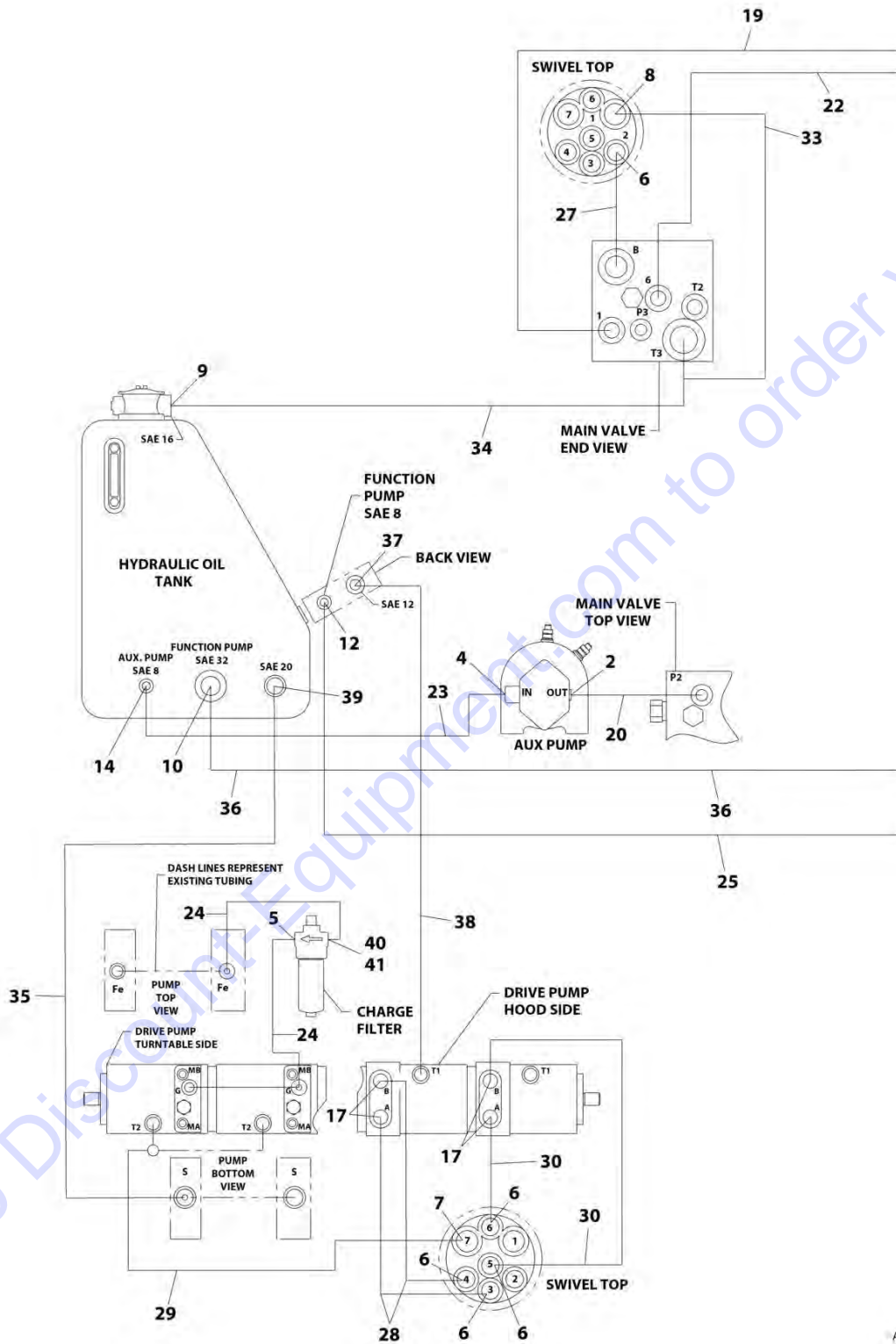
FIGURE 7-5. HYDRAULIC DIAGRAM - STEER

ITEM	PART NUMBER	QTY	DESCRIPTION	REV
	1283457	Ref	HYDRAULIC DIAGRAM - STEER	L
	2792773	Ref	Hydraulic Diagram - Steer	2
1	2130606	16	Fitting, 90 ORFS/ORB	
2	2753732	2	Hose	
3	2753733	1	Hose	
4	2753728	1	Hose	
5	2753734	1	Hose	
6	2753735	2	Hose	
7	2753736	4	Hose	
8	2753737	1	Hose	
9	2753738	2	Hose	
10	2753739	2	Hose	
11	2753753	1	Hose	
12	2753742	1	Hose	
13	2753754	1	Hose	
14	2753743	1	Hose	

Go to Discount-Equipment.com to order your parts

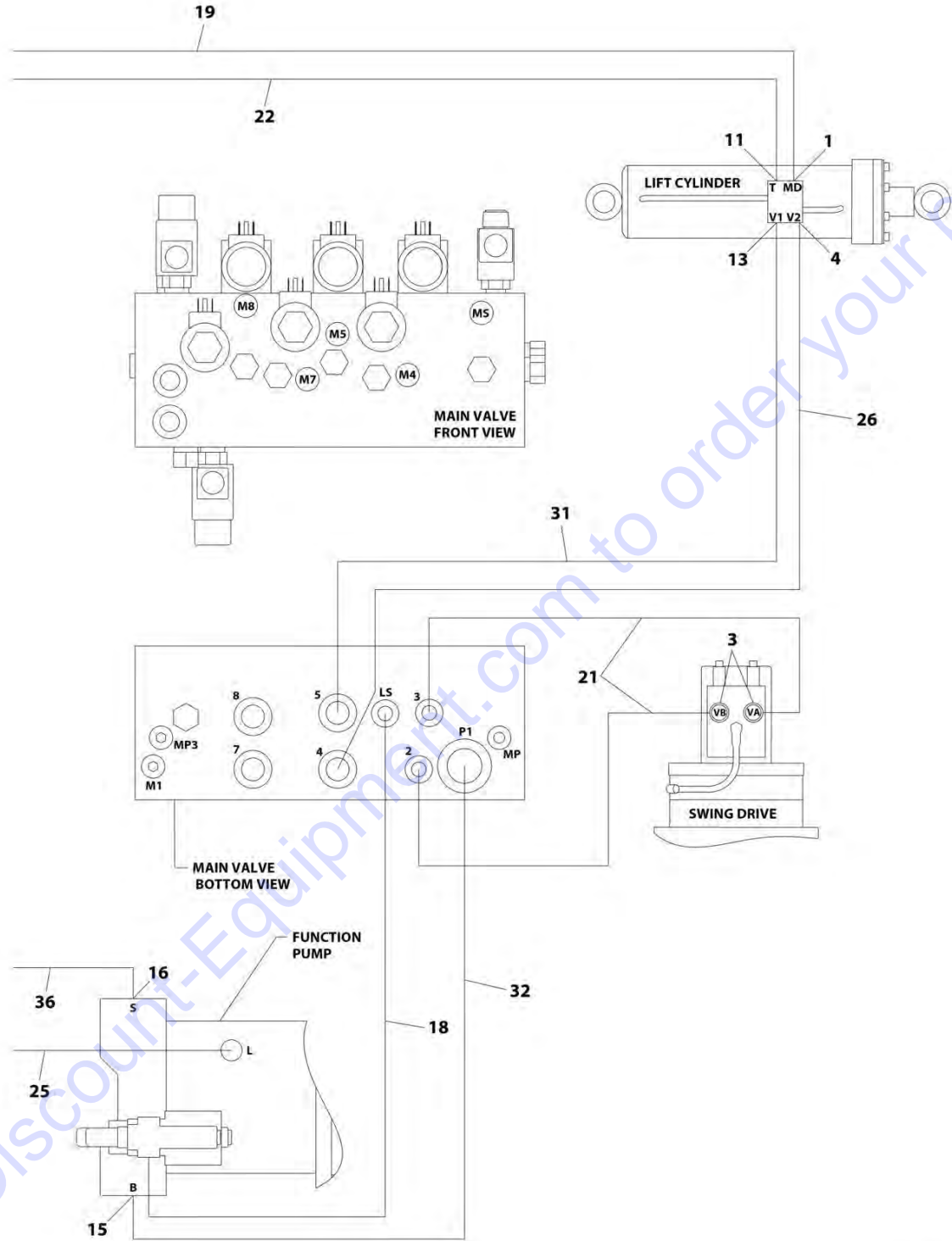
SECTION 7 - HYDRAULIC

FIGURE 7-6. HYDRAULIC DIAGRAM - TURNTABLE (DEUTZ TD2011 ENGINES WITH REXROTH PUMPS)



ART_1283457_60F7

SECTION 7 - HYDRAULIC



ART_1283457_70F7

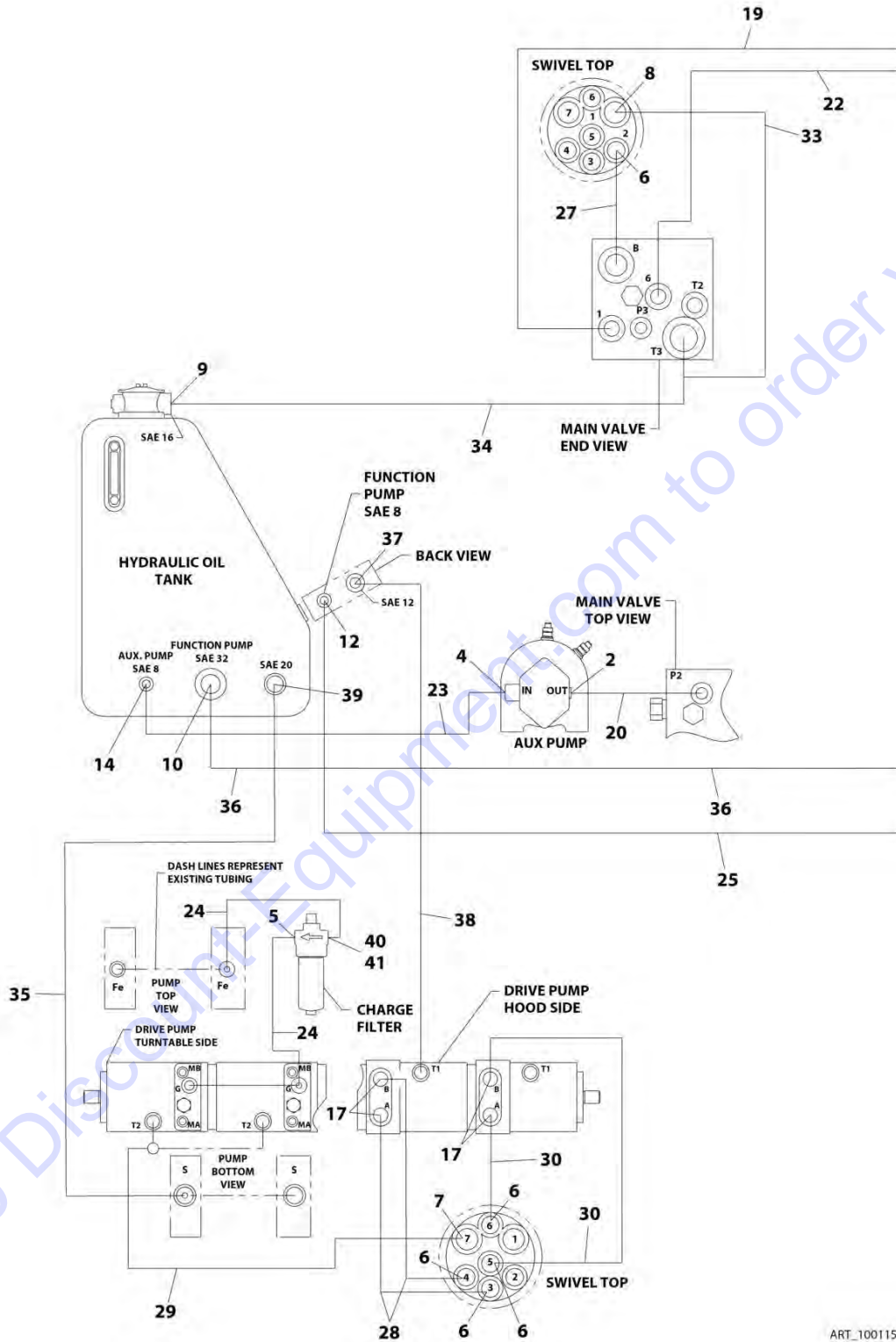
SECTION 7 - HYDRAULIC

FIGURE 7-6. HYDRAULIC DIAGRAM - TURNTABLE (DEUTZ TD2011 ENGINES WITH REXROTH PUMPS)

ITEM	PART NUMBER	QTY	DESCRIPTION	REV
	1283457	Ref	HYDRAULIC DIAGRAM - TURNTABLE (DEUTZ TD2011 ENGINES WITH REXROTH PUMPS)	L
	1001114620	Ref	Hydraulic Diagram - Turntable	B
1	2110404	1	Fitting, Straight ORFS/ORB	
2	2110608	1	Fitting, Straight ORFS/ORB	
3	2110610	2	Fitting, Straight ORFS/ORB	
4	2110810	2	Fitting, Straight ORFS/ORB	
5	2110812	1	Fitting, Straight ORFS/ORB	
6	2111010	5	Fitting, Straight ORFS/ORB	
7	2111012	1	Fitting, Straight ORFS/ORB	
8	2111212	1	Fitting, Straight ORFS/ORB	
9	2111616	1	Fitting, Straight ORFS/ORB	
10	2113232	1	Fitting, Straight ORFS/ORB	
11	2130606	1	Fitting, 90 ORFS/ORB	
12	2130808	1	Fitting, 90 ORFS/ORB	
13	2131010	1	Fitting, 90 ORFS/ORB	
14	2150808	1	Fitting, 45 ORFS/ORB	
15	2220478	1	Flange Kit	
16	2220737	1	Flange Kit	
17	2221117	4	Flange Kit	
18	2753622	1	Hose (SN 0300201016 through 0300217081)	
18	1001213385	1	Hose (SN 0300217082 to Present, SN B300002238 to Present)	
19	2753718	1	Hose	
20	2753730	1	Hose	
21	2753731	2	Hose	
22	2753734	1	Hose	
23	2753758	1	Hose	
24	2753746	2	Hose	
25	2753741	1	Hose	
26	2753744	1	Hose	
27	2753766	1	Hose	
28	2753769	2	Hose	
29	2753708	1	Hose	
30	2753770	2	Hose	
31	2753765	1	Hose	
32	2753771	1	Hose	
33	2753772	1	Hose	
34	2753774	1	Hose	
35	2753775	1	Hose	
36	2753776	1	Hose	
37	2131212	1	Fitting, 90 ORFS/ORB	
38	2753773	1	Hose	
39	2112020	1	Fitting, Straight ORFS/ORB	
40	2221084	1	Fitting, Tee ORFS/ORFS/ORB	
41	2170908	1	Fitting, Cap ORFS	

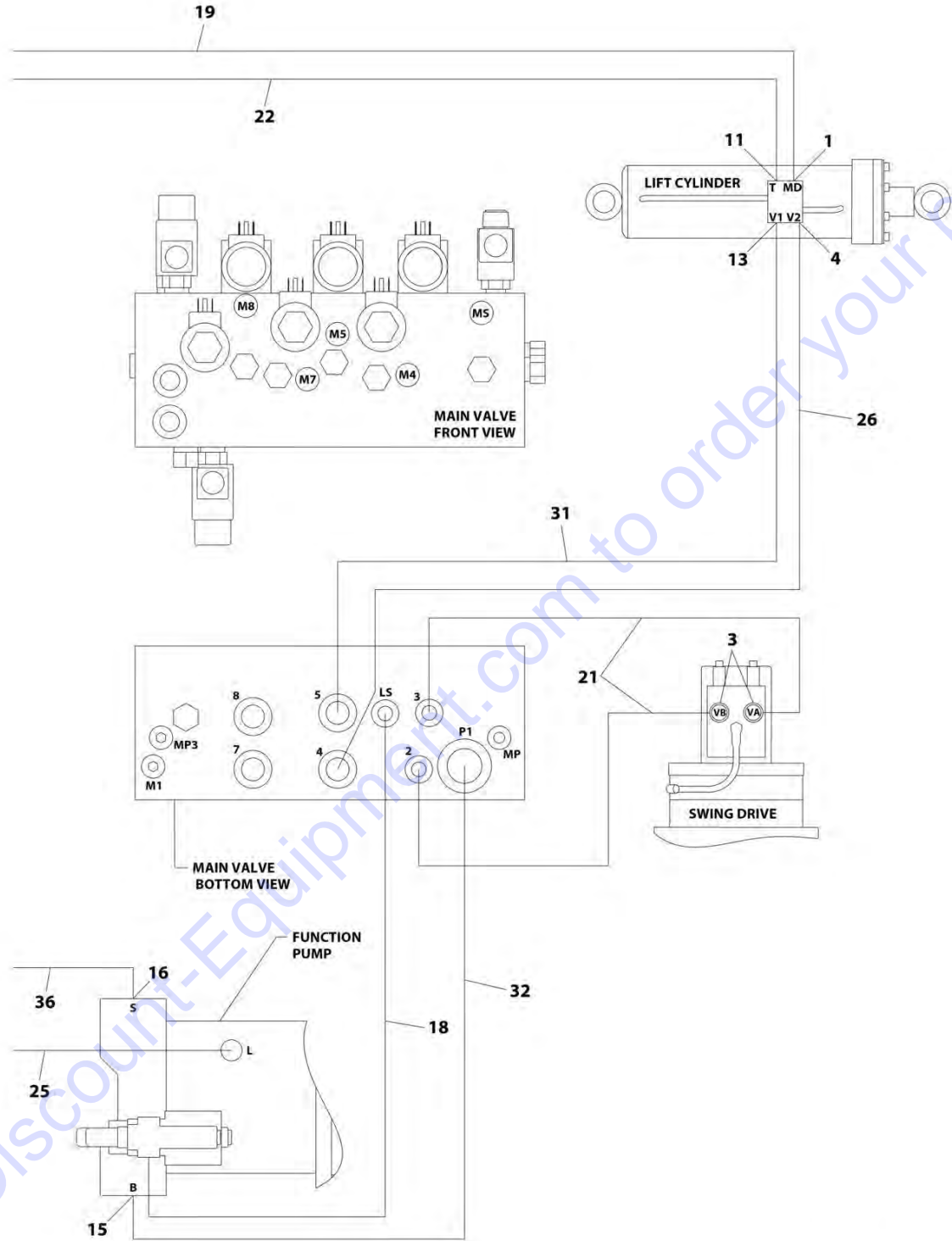
SECTION 7 - HYDRAULIC

FIGURE 7-7. HYDRAULIC DIAGRAM - TURNTABLE (DEUTZ TCD2.9L4 ENGINES AND DEUTZ TCD2.9L4 (STAGE V) ENGINES WITH REXROTH PUMPS)



ART_1001152971_10F2

SECTION 7 - HYDRAULIC



ART_1001152971_20F2

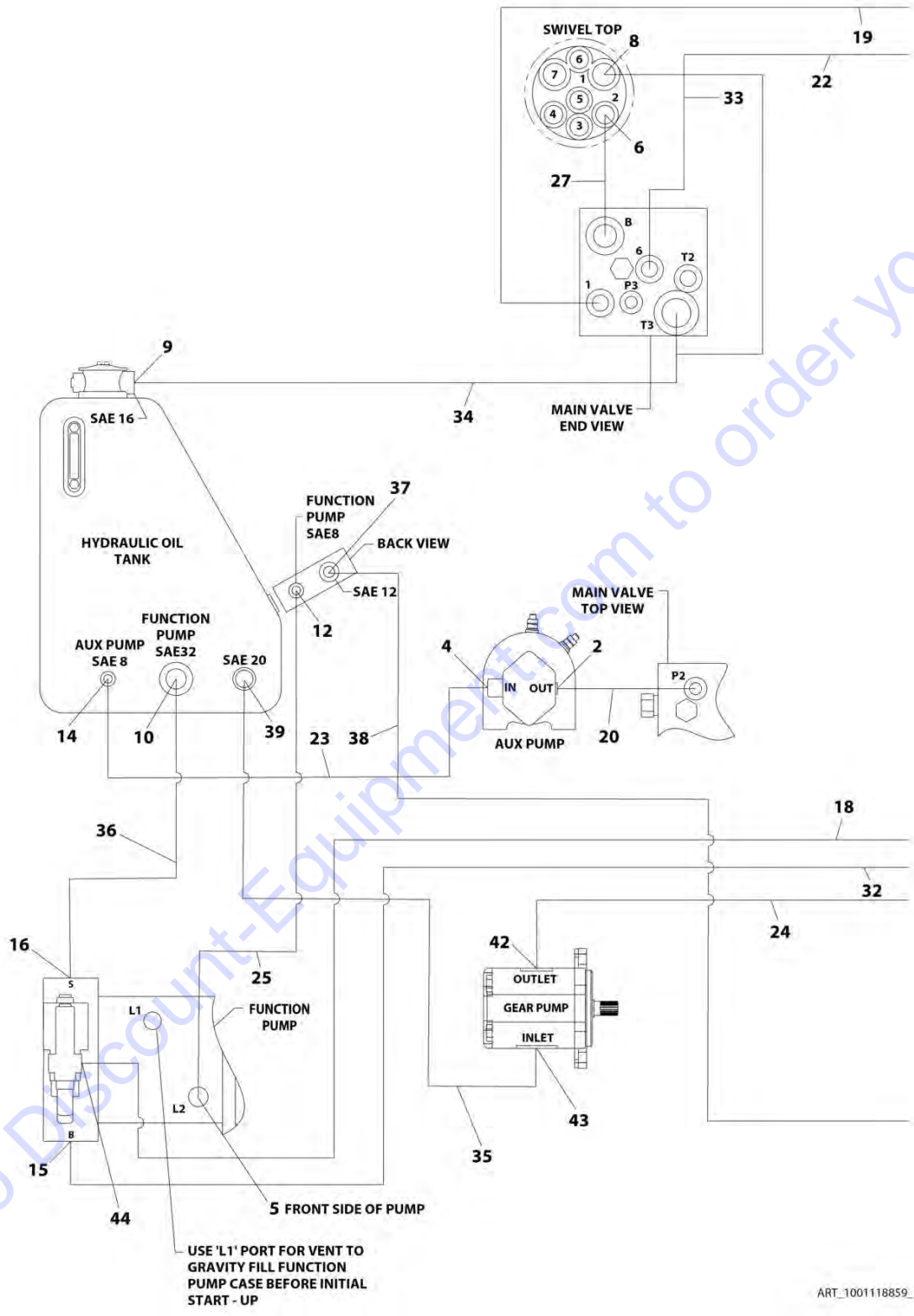
SECTION 7 - HYDRAULIC

FIGURE 7-7. HYDRAULIC DIAGRAM - TURNTABLE (DEUTZ TCD2.9L4 ENGINES AND DEUTZ TCD2.9L4 (STAGE V) ENGINES WITH REXROTH PUMPS)

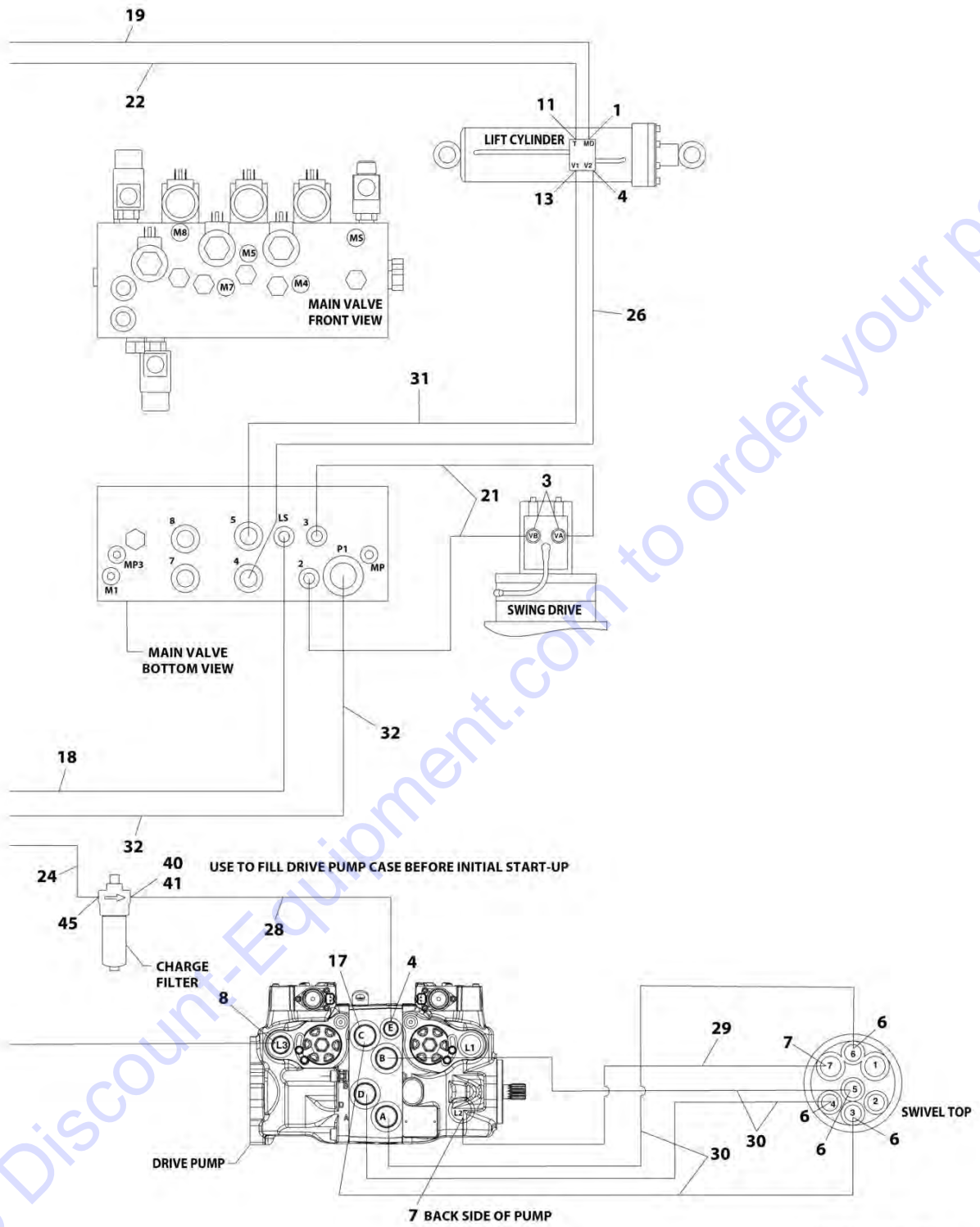
ITEM	PART NUMBER	QTY	DESCRIPTION	REV
	1001152971	Ref	HYDRAULIC DIAGRAM - TURNTABLE (DEUTZ TCD2.9L4 ENGINES AND DEUTZ TCD2.9L4 (STAGE V) ENGINES WITH REXROTH PUMPS)	C
	1001152968	Ref	Hydraulic Diagram - Turntable	B
1	2110404	1	Fitting, Straight ORFS/ORB	
2	2110608	1	Fitting, Straight ORFS/ORB	
3	2110610	2	Fitting, Straight ORFS/ORB	
4	2110810	2	Fitting, Straight ORFS/ORB	
5	2110812	1	Fitting, Straight ORFS/ORB	
6	2111010	5	Fitting, Straight ORFS/ORB	
7	2111012	1	Fitting, Straight ORFS/ORB	
8	2111212	1	Fitting, Straight ORFS/ORB	
9	2111616	1	Fitting, Straight ORFS/ORB	
10	2113232	1	Fitting, Straight ORFS/ORB	
11	2130606	1	Fitting, 90 ORFS/ORB	
12	2130808	1	Fitting, 90 ORFS/ORB	
13	2131010	1	Fitting, 90 ORFS/ORB	
14	2150808	1	Fitting, 45 ORFS/ORB	
15	2220478	1	Flange Kit	
16	2220737	1	Flange Kit	
17	2221117	4	Flange Kit	
18	2753622	1	Hose (SN 0300201016 through 0300217081)	
18	1001213385	1	Hose (SN 0300217082 to Present, SN B300002238 to Present)	
19	2753718	1	Hose	
20	2753730	1	Hose	
21	2753731	2	Hose	
22	2753734	1	Hose	
23	2753758	1	Hose	
24	2753746	2	Hose	
25	2753741	1	Hose	
26	2753744	1	Hose	
27	2753766	1	Hose	
28	2753769	2	Hose	
29	2753708	1	Hose	
30	2753770	2	Hose	
31	2753765	1	Hose	
32	2753771	1	Hose	
33	2753772	1	Hose	
34	2753774	1	Hose	
35	1001152966	1	Hose	
36	2753776	1	Hose	
37	2131212	1	Fitting, 90 ORFS/ORB	
38	2753773	1	Hose	
39	2112020	1	Fitting, Straight ORFS/ORB	
40	2221084	1	Fitting, Tee ORFS/ORFS/ORB	
41	2170908	1	Fitting, Cap ORFS	

SECTION 7 - HYDRAULIC

FIGURE 7-8. HYDRAULIC DIAGRAM - TURNTABLE (WITH SAUER PUMPS)



SECTION 7 - HYDRAULIC



ART_1001118859_2OF2

SECTION 7 - HYDRAULIC

FIGURE 7-8. HYDRAULIC DIAGRAM - TURNTABLE (WITH SAUER PUMPS)

ITEM	PART NUMBER	QTY	DESCRIPTION	REV
	1001118859	Ref	HYDRAULIC DIAGRAM - TURNTABLE (WITH SAUER PUMPS)	D
	1001118869	Ref	Hydraulic Diagram - Turntable	B
1	2110404	1	Fitting, Straight ORFS/ORB	
2	2110608	1	Fitting, Straight ORFS/ORB	
3	2110610	2	Fitting, Straight ORFS/ORB	
4	2110810	3	Fitting, Straight ORFS/ORB	
5	2130810	1	Fitting, 90 ORFS/ORB	
6	2111010	5	Fitting, Straight ORFS/ORB	
7	2111012	2	Fitting, Straight ORFS/ORB	
8	2111212	2	Fitting, Straight ORFS/ORB	
9	2111616	1	Fitting, Straight ORFS/ORB	
10	2113232	1	Fitting, Straight ORFS/ORB	
11	2130606	1	Fitting, 90 ORFS/ORB	
12	2130808	1	Fitting, 90 ORFS/ORB	
13	2131010	1	Fitting, 90 ORFS/ORB	
14	2150808	1	Fitting, 45 ORFS/ORB	
15	2220478	1	Flange Kit	
16	1001110604	1	Flange Kit	
17	2111016	4	Fitting, Straight ORFS/ORB	
18	1001118932	1	Hose (SN 0300201016 through 0300217081)	
18	1001213385	1	Hose (SN 0300217082 to Present, SN B300002238 to Present)	
19	2753718	1	Hose	
20	2753730	1	Hose	
21	2753731	2	Hose	
22	2753734	1	Hose	
23	2753758	1	Hose	
24	2753746	1	Hose	
25	1001118934	1	Hose	
26	2753744	1	Hose	
27	2753766	1	Hose	
28	1001118933	1	Hose	
29	2753708	1	Hose	
30	1001109468	4	Hose	
31	2753765	1	Hose	
32	2753771	1	Hose	
33	2753772	1	Hose	
34	2753774	1	Hose	
35	1001119817	1	Hose	
36	1001118935	1	Hose	
37	2131612	1	Fitting, 90 ORFS/ORB	
38	1001119138	1	Hose	
39	2112020	1	Fitting, Straight ORFS/ORB	
40	2221084	1	Fitting, Tee ORFS/ORFS/ORB	
41	2170908	1	Fitting, Cap ORFS	
42	2110812	1	Fitting, Straight ORFS/ORB	
43	2112016	1	Fitting, Straight ORFS/ORB	
44	2130404	1	Fitting, 90 ORFS/ORB	
45	2130812	1	Fitting, 90 ORFS/ORB	

SECTION 7 - HYDRAULIC

FIGURE 7-9. HYDRAULIC DIAGRAM LIST

ITEM	PART NUMBER	QTY	DESCRIPTION	REV
		Ref	HYDRAULIC DIAGRAM - BOOM (1200SJP) Options:	
	1283457	Ref	Hydraulic Diagram for Deutz TD2011 Engine Machines with Rexroth Pumps	
	1001152971	Ref	Hydraulic Diagram for Deutz TCD2.9L4 Engine Machines with Rexroth Pumps	
	1001098025	Ref	Hydraulic Diagram - Boom	
	1001118859	Ref	Hydraulic Diagram (Sauer Pumps)	
	1001098025	Ref	Hydraulic Diagram - Boom	
		Ref	Hydraulic Diagram - Boom (1350SJP) Options:	
	1283457	Ref	Hydraulic Diagram for Deutz TD2011 Engine Machines with Rexroth Pumps	
	1001152971	Ref	Hydraulic Diagram for Deutz TCD2.9L4 Engine Machines with Rexroth Pumps	
	1001098026	Ref	Hydraulic Diagram - Boom	
	1001118859	Ref	Hydraulic Diagram (Sauer Pumps) (Deutz TD2011 and TCD2.9L4 Engine Machines)	
	1001098026	Ref	Hydraulic Diagram - Boom	
		Ref	Hydraulic Diagram - Drive Options:	
	1283457	Ref	Hydraulic Diagram for Deutz TD2011 Engine Machines with Rexroth Pumps	
	1001152971	Ref	Hydraulic Diagram for Deutz TCD2.9L4 Engine Machines with Rexroth Pumps	
	2792772	Ref	Hydraulic Diagram - Drive	
	1001118859	Ref	Hydraulic Diagram for Machines with Sauer Pumps	
	2792772	Ref	Hydraulic Diagram - Drive	
		Ref	Hydraulic Diagram - Oscillating Axle Options:	
	1283457	Ref	Hydraulic Diagram for Deutz TD2011 Engine Machines with Rexroth Pumps	
	1001152971	Ref	Hydraulic Diagram for Deutz TCD2.9L4 Engine Machines with Rexroth Pumps	
	2792647	Ref	Hydraulic Diagram - Oscillating Axle	
	1001118859	Ref	Hydraulic Diagram for Machines with Sauer Pumps	
	2792647	Ref	Hydraulic Diagram - Oscillating Axle	
		Ref	Hydraulic Diagram - Steer Options:	
	1283457	Ref	Hydraulic Diagram for Deutz TD2011 Engine Machines with Rexroth Pumps	
	1001152971	Ref	Hydraulic Diagram for Deutz TCD2.9L4 Engine Machines with Rexroth Pumps	
	2792773	Ref	Hydraulic Diagram - Steer	
	1001118859	Ref	Hydraulic Diagram for Machines with Sauer Pumps	
	2792773	Ref	Hydraulic Diagram - Steer	
		Ref	Hydraulic Diagram - Turntable Options:	
	1283457	Ref	Hydraulic Diagram for Deutz TD2011 Engine Machines with Rexroth Pumps	
	1001152971	Ref	Hydraulic Diagram for Deutz TCD2.9L4 Engine Machines with Rexroth Pumps	
	1001114620	Ref	Hydraulic Diagram - Turntable (Deutz BF4M2011 & TD2011 Engines)	
	1001152968	Ref	Hydraulic Diagram - Turntable (Deutz TCD2.9L4 Engines)	
	1001118859	Ref	Hydraulic Diagram for Machines with Sauer Pumps	
	1001118869	Ref	Hydraulic Diagram - Turntable	

SECTION 7 - HYDRAULIC

ITEM	PART NUMBER	QTY	DESCRIPTION	REV
		Ref	Hydraulic Schematic - Oil Cooler Options:	
	0272080	Ref	Deutz TD2011 Engine Machines with Rexroth Pumps	
	1001139494	Ref	Deutz TCD2.9L4 Engine and Deutz TCD2.9L4 (Stage V) Engine Machines with Rexroth Pumps	
	1001221802	Ref	Deutz TD2.9L4 Engine Machines with Rexroth Pumps (China Spec Only)	
	1001118957	Ref	Deutz Machines with Sauer Pumps	
	1001221666	Ref	Deutz TD2.9L4 Engine Machines with Sauer Pumps (China Spec Only)	
	1001110749	Ref	Hydraulic Schematic - Standard	

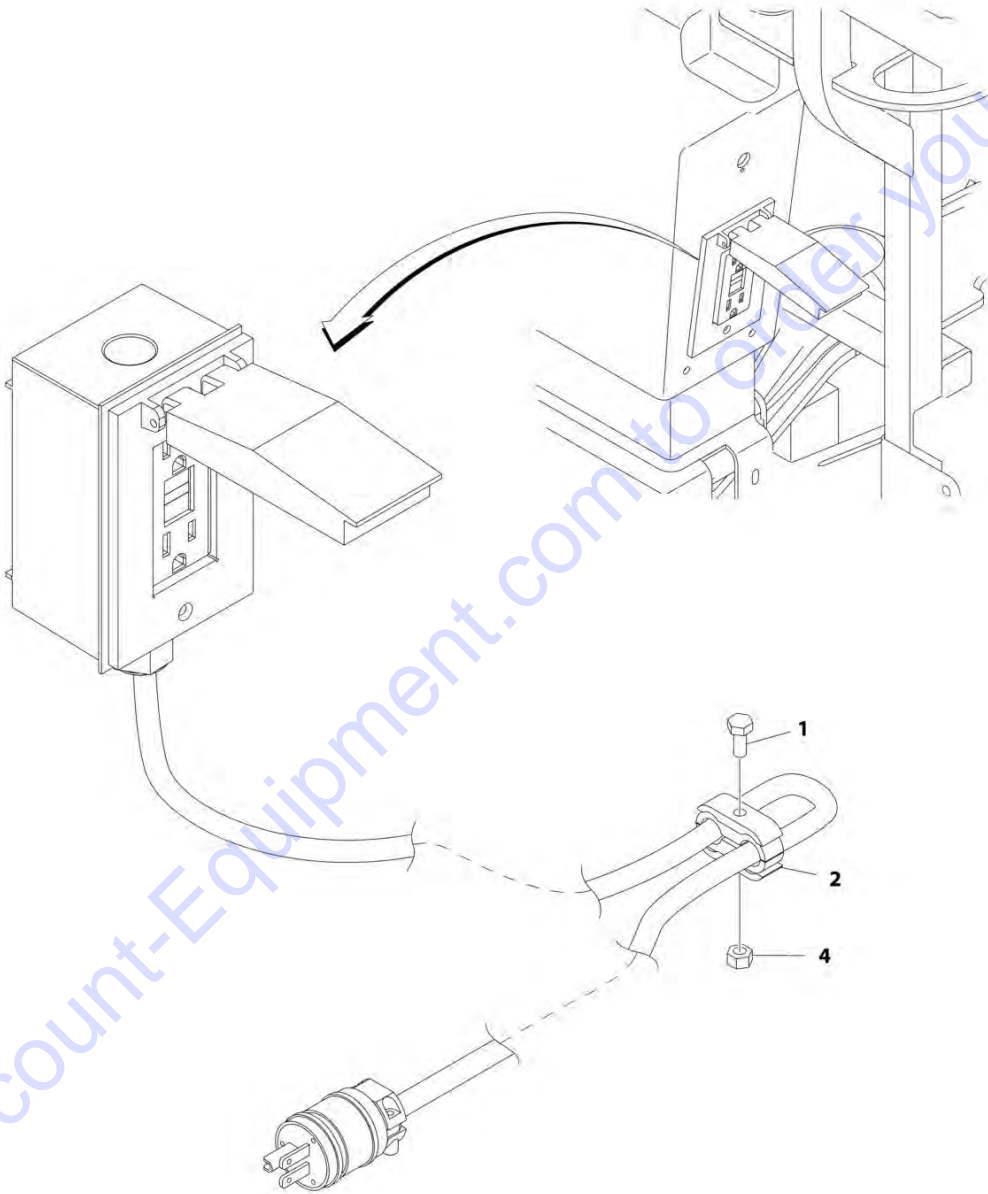
Go to Discount-Equipment.com to order your parts

SECTION 8 - ELECTRICAL

Go to Discount-Equipment.com to order your parts

SECTION 8 - ELECTRICAL

FIGURE 8-1. AC BOX AT PLATFORM - 110V (ANSI SPECS)



ART_0271955

SECTION 8 - ELECTRICAL

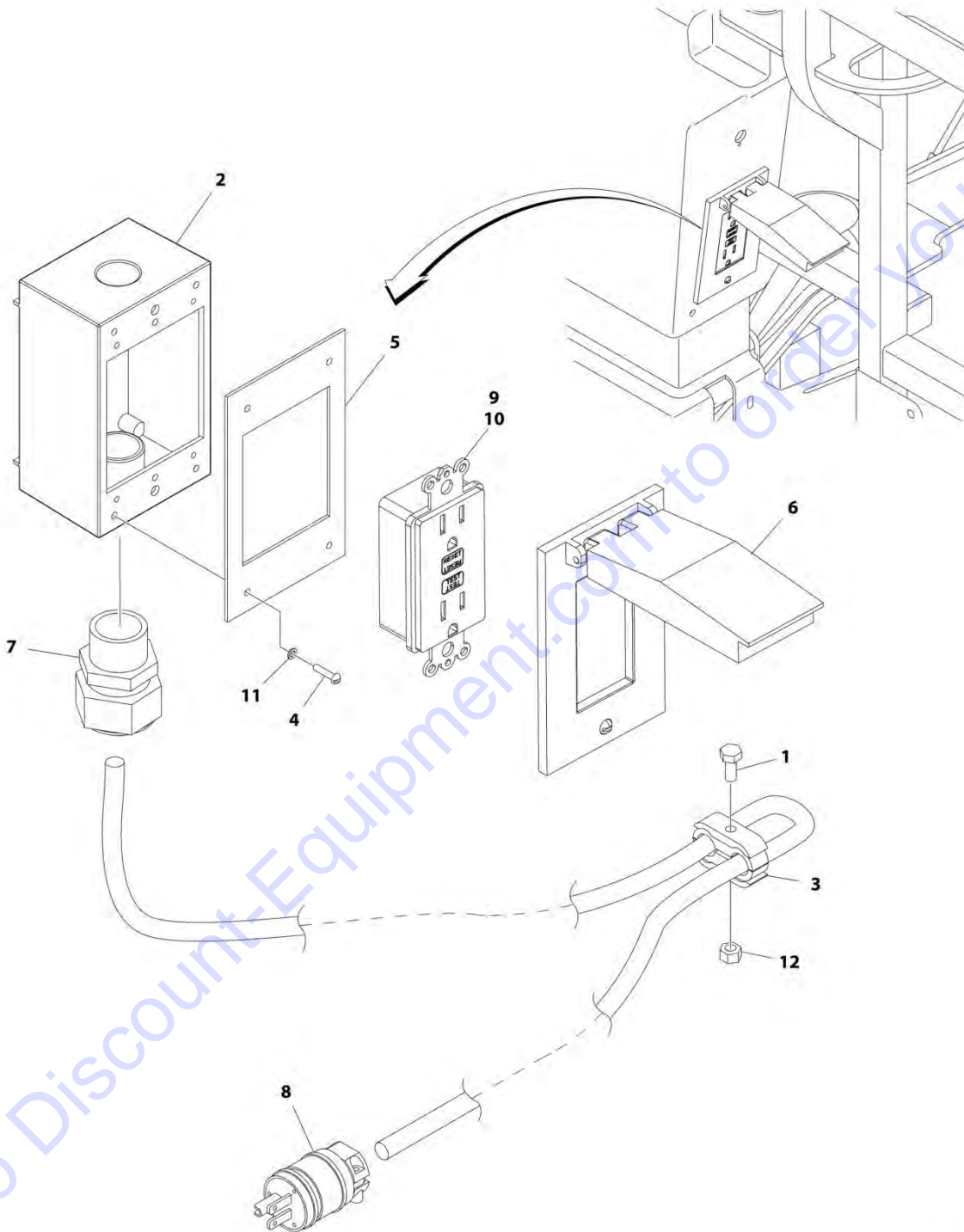
FIGURE 8-1. AC BOX AT PLATFORM - 110V (ANSI SPECS)

ITEM	PART NUMBER	QTY	DESCRIPTION	REV
	0271955	Ref	AC BOX AT PLATFORM - 110V (ANSI SPECS)	C
1	0641416	1	Bolt 1/4 x 2	
2	1320146	1	Clamp	
4	3311405	1	Nut 1/4	

Go to Discount-Equipment.com to order your parts

SECTION 8 - ELECTRICAL

FIGURE 8-2. AC BOX AT PLATFORM - 110V GFI RECEPTACLE (ANSI SPECS)



ART_0271953

SECTION 8 - ELECTRICAL

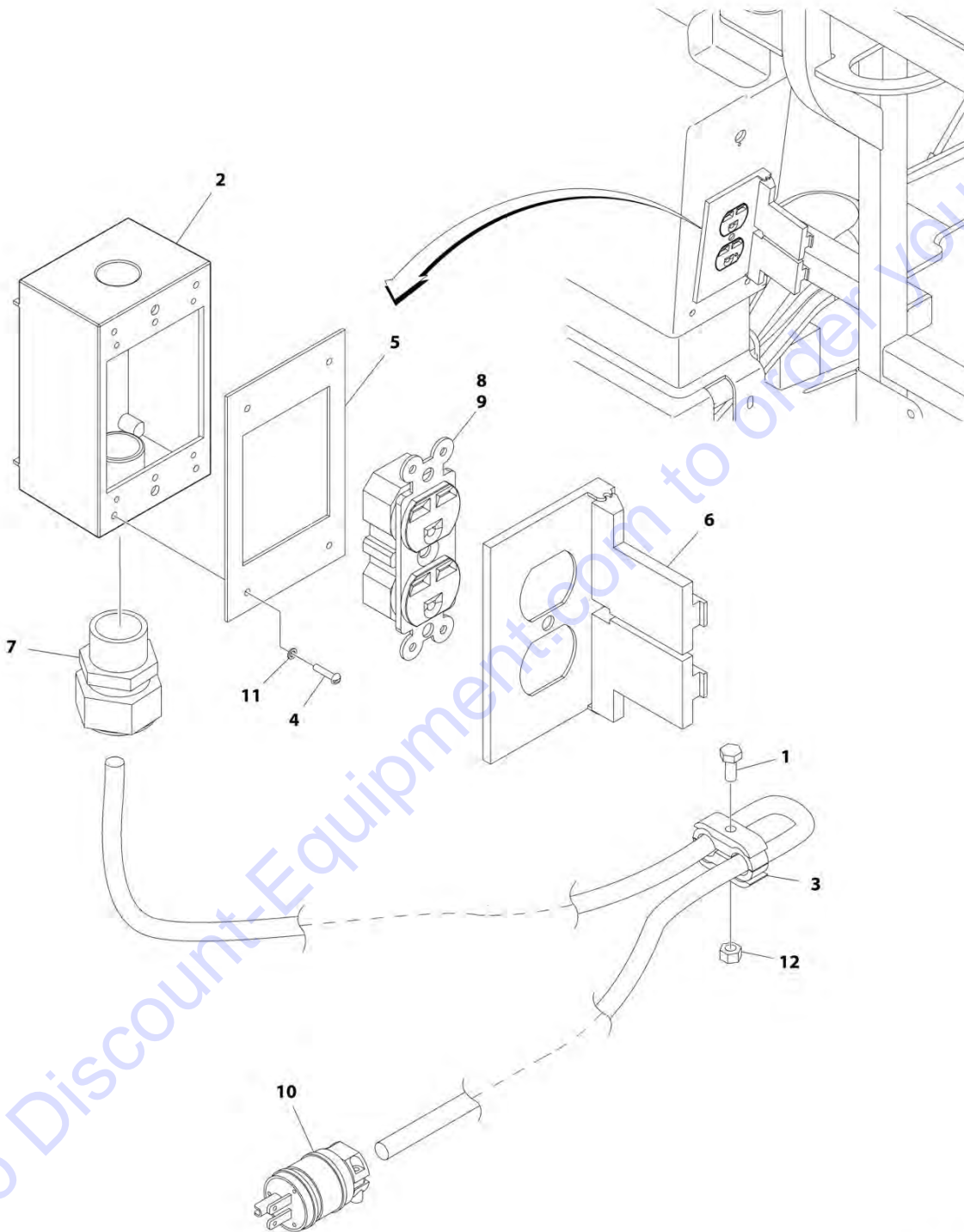
FIGURE 8-2. AC BOX AT PLATFORM - 110V GFI RECEPTACLE (ANSI SPECS)

ITEM	PART NUMBER	QTY	DESCRIPTION	REV
	0271953	Ref	AC BOX AT PLATFORM - 110V GFI RECEPTACLE (ANSI SPECS)	D
1	0641416	1	Bolt 1/4 x 2	
2	0860038	1	Box, Switch	
3	1320146	1	Clamp	
4	3910606	4	Screw #6 x 3/8	
5	3960422	1	Gasket, AC Receptacle	
6	1001110873	1	Shield, Receptacle Cover	
7	4460051	1	Connector, Strain Relief	
8	4460205	1	Plug, Male	
9	4460315	1	Terminal, Spade	
10	4460346	1	Terminal, Receptacle	
11	4760600	4	Washer #6	
12	3311405	1	Nut 1/4	

Go to Discount-Equipment.com to order your parts

SECTION 8 - ELECTRICAL

FIGURE 8-3. AC BOX AT PLATFORM - 220V GFI RECEPTACLE (ANSI SPECS)



ART_0271954

SECTION 8 - ELECTRICAL

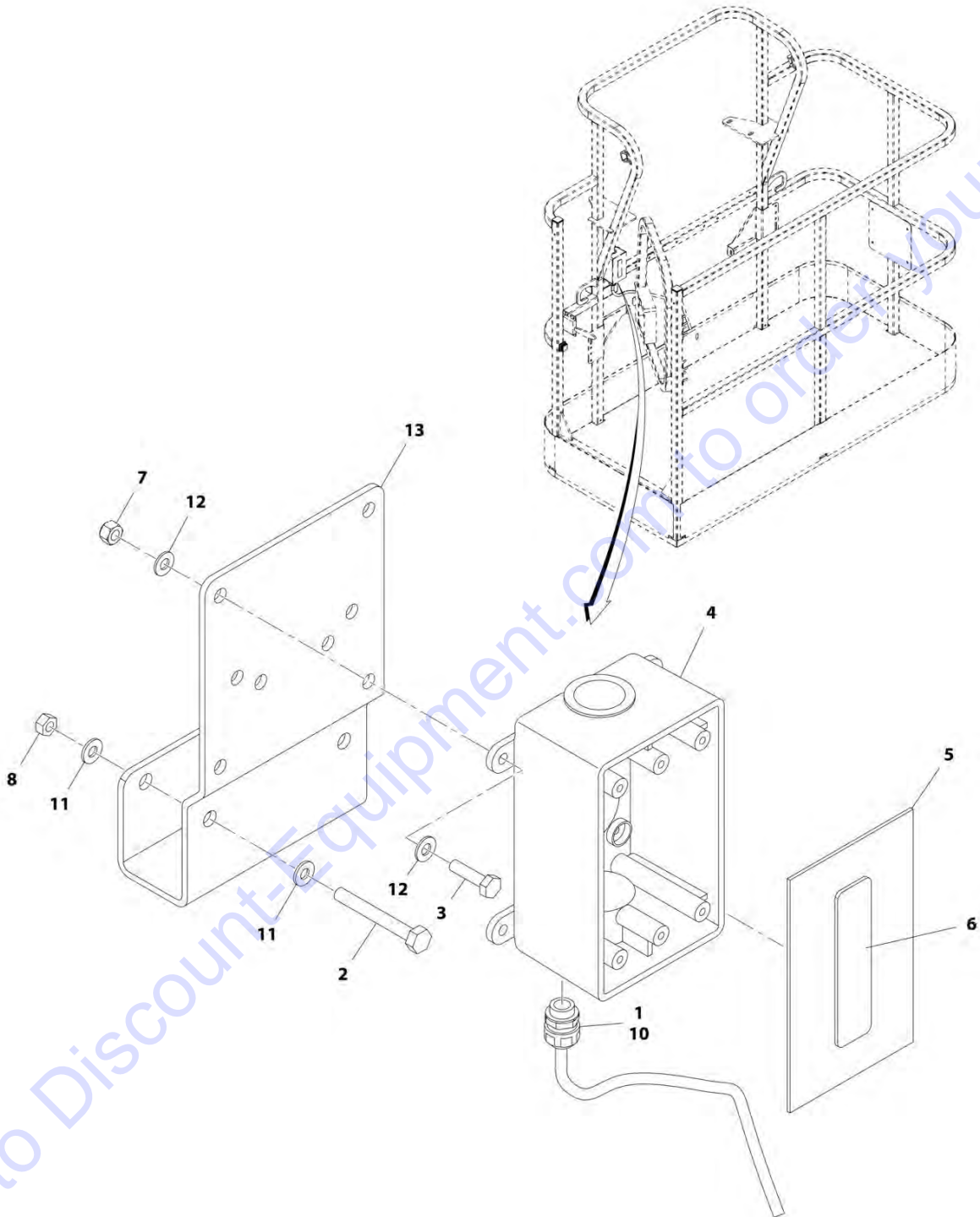
FIGURE 8-3. AC BOX AT PLATFORM - 220V GFI RECEPTACLE (ANSI SPECS)

ITEM	PART NUMBER	QTY	DESCRIPTION	REV
	0271954	Ref	AC BOX AT PLATFORM - 220V GFI RECEPTACLE (ANSI SPECS)	C
1	0641416	1	Bolt 1/4 x 2	
2	0860038	1	Box, Switch	
3	1320146	1	Clamp	
4	3910606	4	Screw #6 x 3/8	
5	3960422	1	Gasket, AC Receptacle	
6	4060092	1	Shield, Receptacle Cover	
7	4460051	1	Connector, Strain Relief	
8	4460125	1	Terminal, Receptacle	
9	4460315	1	Terminal, Spade	
10	4460709	1	Plug, Male	
11	4760600	4	Washer #6	
12	3311405	1	Nut 1/4	

Go to Discount-Equipment.com to order your parts

SECTION 8 - ELECTRICAL

FIGURE 8-4. AC BOX AT PLATFORM INSTALLATION - BOX WITH COVER (2X4 BOX) WITH 4000W GENERATOR (ANSI EXPORT SPECS) (SN 0300205136 through 0300214024)



ART_1001194365

SECTION 8 - ELECTRICAL

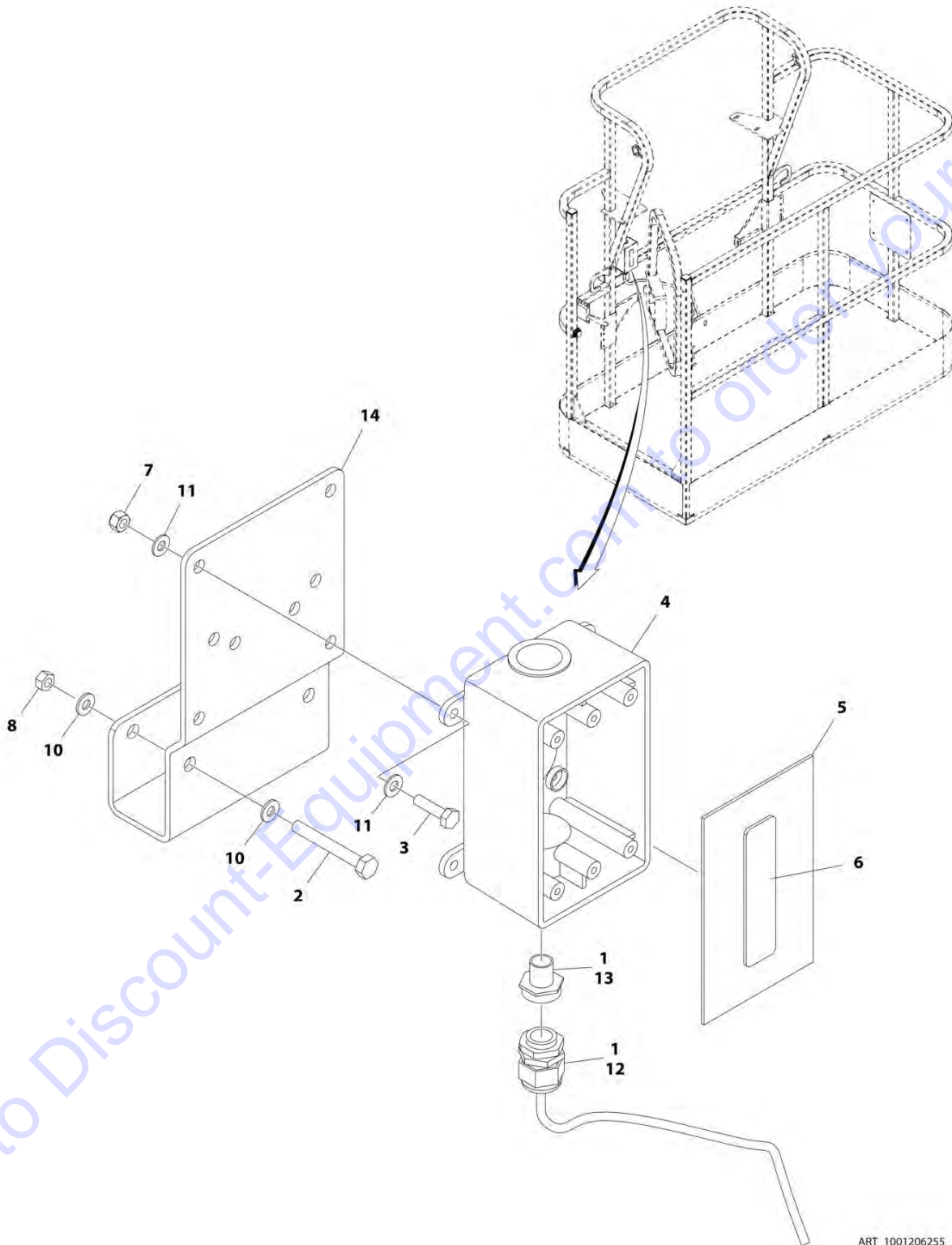
FIGURE 8-4. AC BOX AT PLATFORM INSTALLATION - BOX WITH COVER (2X4 BOX) WITH 4000W GENERATOR (ANSI EXPORT SPECS) (SN 0300205136 through 0300214024)

ITEM	PART NUMBER	QTY	DESCRIPTION	REV
	1001194365	Ref	AC BOX AT PLATFORM INSTALLATION - BOX WITH COVER (2X4 BOX) WITH 4000W GENERATOR (ANSI EXPORT SPECS) (SN 0300205136 through 0300214024)	A
1	0100020	AR	Sealant, Pipe	
2	0641416	2	Bolt 1/4 x 2	
3	0700408	4	Bolt M4 x 16	
4	0861731	1	Box, Switch	
5	1670603	1	Cover	
6	3251242	1	Decal - 240V-50Hz	
7	3290405	4	Nut M4	
8	3311405	2	Nut 1/4	
9	4460384	3	Terminal (Not Shown)	
10	4460662	1	Connector, Strain Relief	
11	4711400	4	Washer 1/4	
12	4811400	8	Washer M4	
13	1001193018	1	Bracket, AC Receptacle	

Go to Discount-Equipment.com to order your parts

SECTION 8 - ELECTRICAL

FIGURE 8-5. AC BOX AT PLATFORM INSTALLATION - BOX WITH COVER (2X4 BOX) WITH 4000W GENERATOR (ANSI EXPORT SPECS) (SN 0300214025 to Present, SN B300002238 to Present)



SECTION 8 - ELECTRICAL

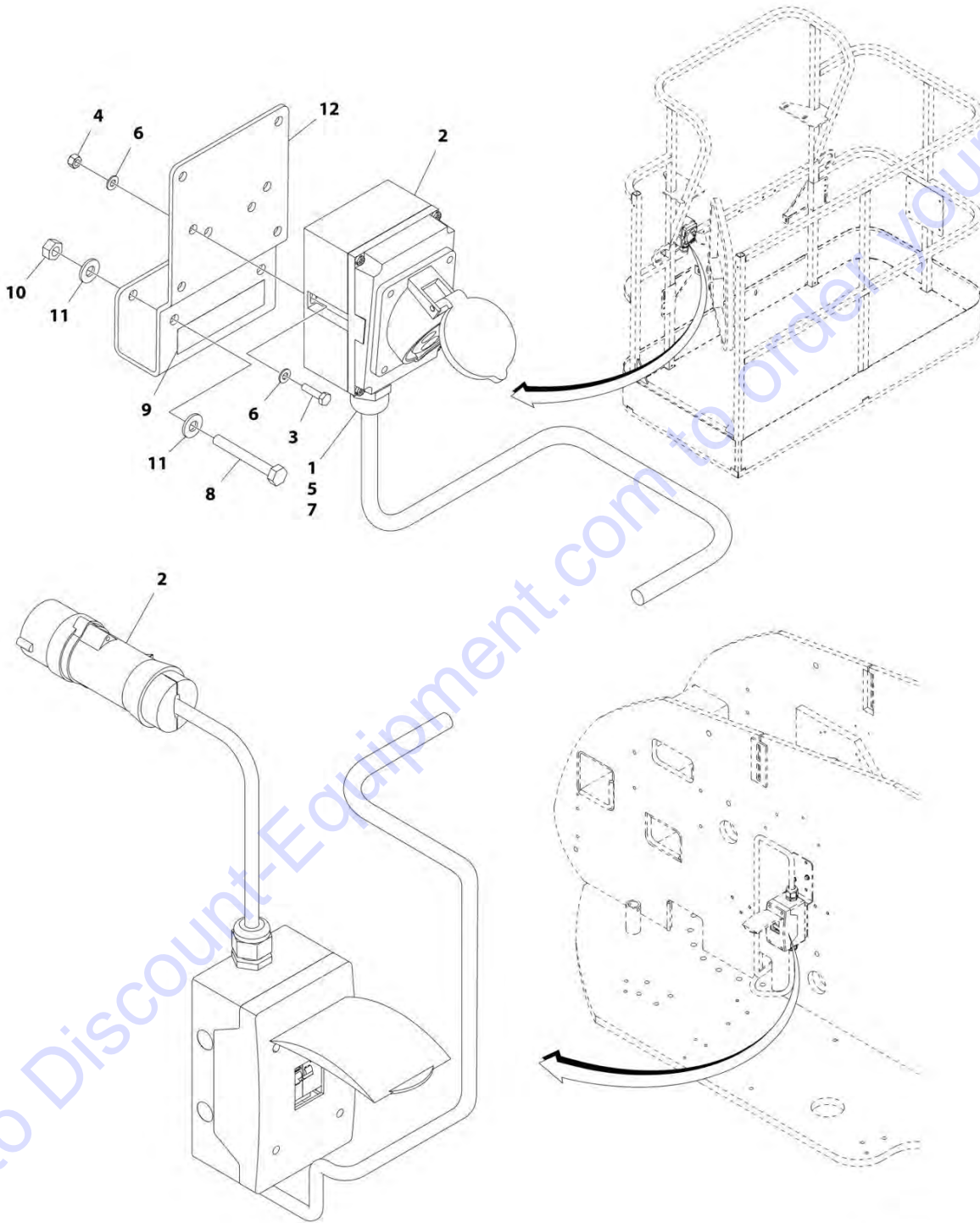
FIGURE 8-5. AC BOX AT PLATFORM INSTALLATION - BOX WITH COVER (2X4 BOX) WITH 4000W GENERATOR (ANSI EXPORT SPECS) (SN 0300214025 to Present, SN B300002238 to Present)

ITEM	PART NUMBER	QTY	DESCRIPTION	REV
	1001206255	Ref	AC BOX AT PLATFORM INSTALLATION - BOX WITH COVER (2X4 BOX) WITH 4000W GENERATOR (ANSI EXPORT SPECS) (SN 0300214025 to Present, SN B300002238 to Present)	A
1	0100020	AR	Sealant, Pipe	
2	0641416	2	Bolt 1/4 x 2	
3	0700408	4	Bolt M4 x 16	
4	0861731	1	Box, Switch	
5	1670603	1	Cover	
6	3251242	1	Decal - 240V-50Hz	
7	3290405	4	Nut M4	
8	3311405	2	Nut 1/4	
10	4711400	4	Washer 1/4	
11	4811400	8	Washer M4	
12	1001101191	1	Connector, Strain Relief	
13	1001101197	1	Adapter	
14	1001193018	1	Bracket, AC Receptacle	

Go to Discount-Equipment.com to order your parts

SECTION 8 - ELECTRICAL

FIGURE 8-6. AC BOX AT PLATFORM INSTALLATION - 110V IEC 60309 YELLOW WITHOUT 2500W GENERATOR (CE SPECS)



ART_1001091969

SECTION 8 - ELECTRICAL

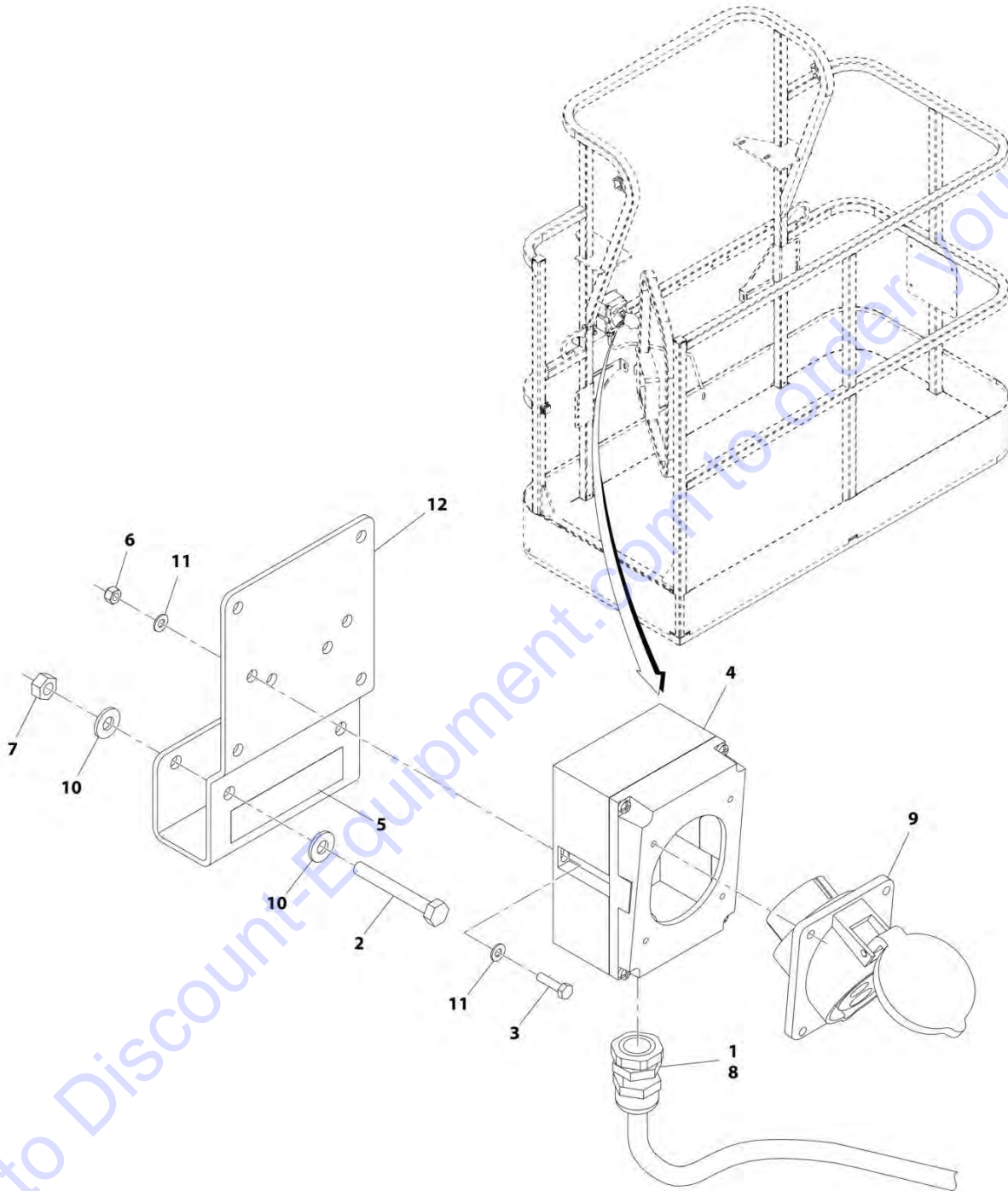
FIGURE 8-6. AC BOX AT PLATFORM INSTALLATION - 110V IEC 60309 YELLOW WITHOUT 2500W GENERATOR (CE SPECS)

ITEM	PART NUMBER	QTY	DESCRIPTION	REV
	1001091969	Ref	AC BOX AT PLATFORM INSTALLATION - 110V IEC 60309 YELLOW WITHOUT 2500W GENERATOR (CE SPECS)	C
1	0100020	AR	Sealant, Pipe	
2	0275216	1	Receptacle Box Kit (See Separate Breakdown in this Section)	
3	0700408	2	Bolt M4 x 16	
4	3290405	2	Nut M4	
5	1001101196	1	Adapter	
6	4811400	4	Washer M4	
7	1001101191	1	Connector, Strain Relief	
8	0641416	2	Bolt 1/4 x 2	
9	1705325	1	Decal - 110V	
10	3311405	2	Nut 1/4	
11	4711400	4	Washer 1/4	
12	1001193018	1	Bracket	

Go to Discount-Equipment.com to order your parts

SECTION 8 - ELECTRICAL

FIGURE 8-7. AC BOX AT PLATFORM INSTALLATION - 110V IEC 60309 YELLOW WITHOUT 4000W GENERATOR (CE SPECS) (SN 0300205136 through 0300214024)



ART_1001194203

SECTION 8 - ELECTRICAL

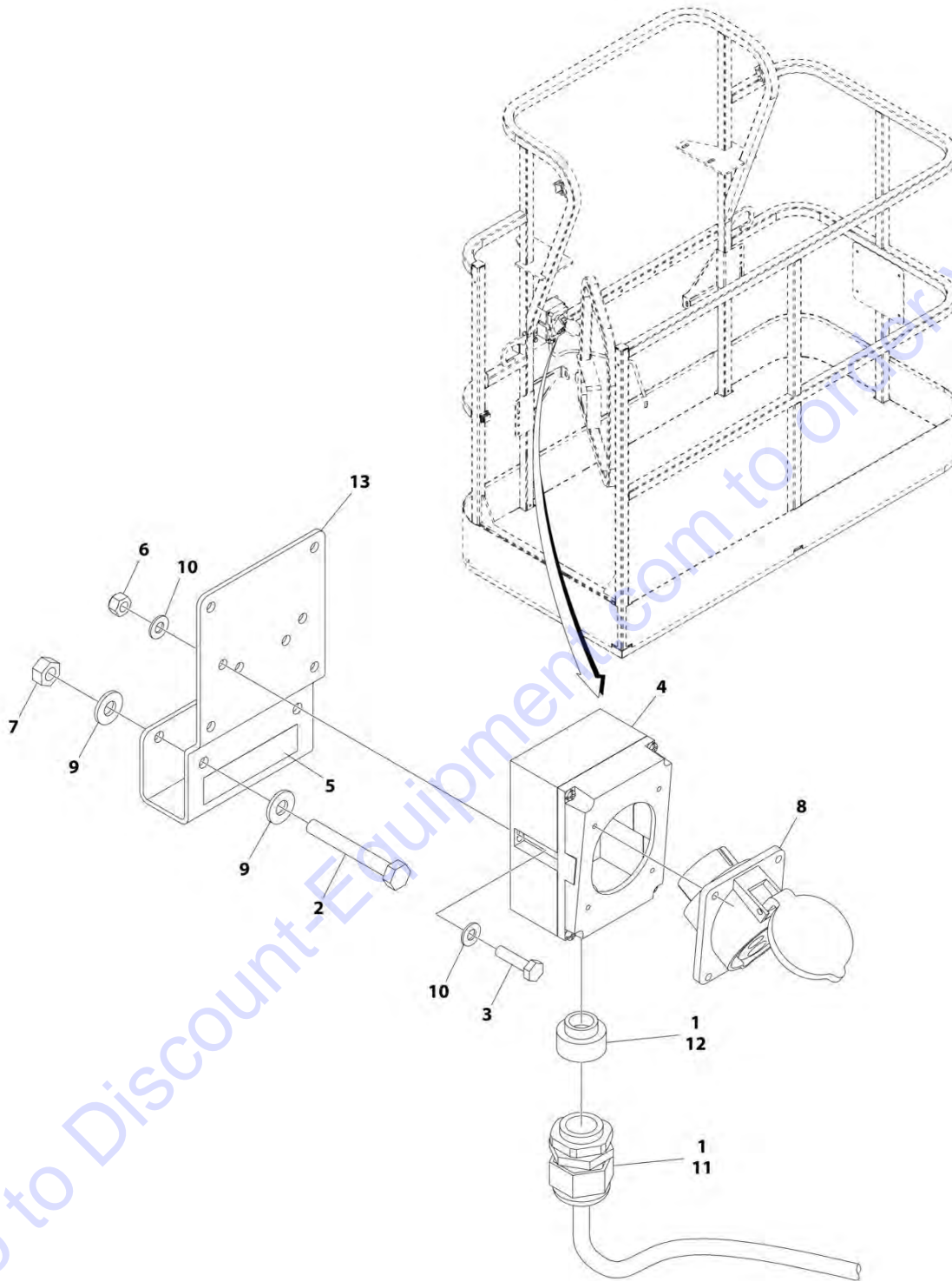
FIGURE 8-7. AC BOX AT PLATFORM INSTALLATION - 110V IEC 60309 YELLOW WITHOUT 4000W GENERATOR (CE SPECS) (SN 0300205136 through 0300214024)

ITEM	PART NUMBER	QTY	DESCRIPTION	REV
	1001194203	Ref	AC BOX AT PLATFORM INSTALLATION - 110V IEC 60309 YELLOW WITHOUT 4000W GENERATOR (CE SPECS) (SN 0300205136 through 0300214024)	B
1	0100020	AR	Sealant, Pipe	
2	0641416	2	Bolt 1/4 x 2	
3	0700408	2	Bolt M4 x 16	
4	0861781	1	Box, Switch	
5	1705325	1	Decal - 110V	
6	3290405	2	Nut M4	
7	3311405	2	Nut 1/4	
8	4460968	1	Connector, Strain Relief	
9	4461198	1	Receptacle	
10	4711400	4	Washer 1/4	
11	4811400	4	Washer M4	
12	1001193018	1	Bracket, AC Receptacle	

Go to Discount-Equipment.com to order your parts

SECTION 8 - ELECTRICAL

FIGURE 8-8. AC BOX AT PLATFORM INSTALLATION - 110V IEC 60309 YELLOW WITHOUT 4000W GENERATOR (CE SPECS) (SN 0300214025 to Present, SN B300002238 to Present)



ART_1001206253

SECTION 8 - ELECTRICAL

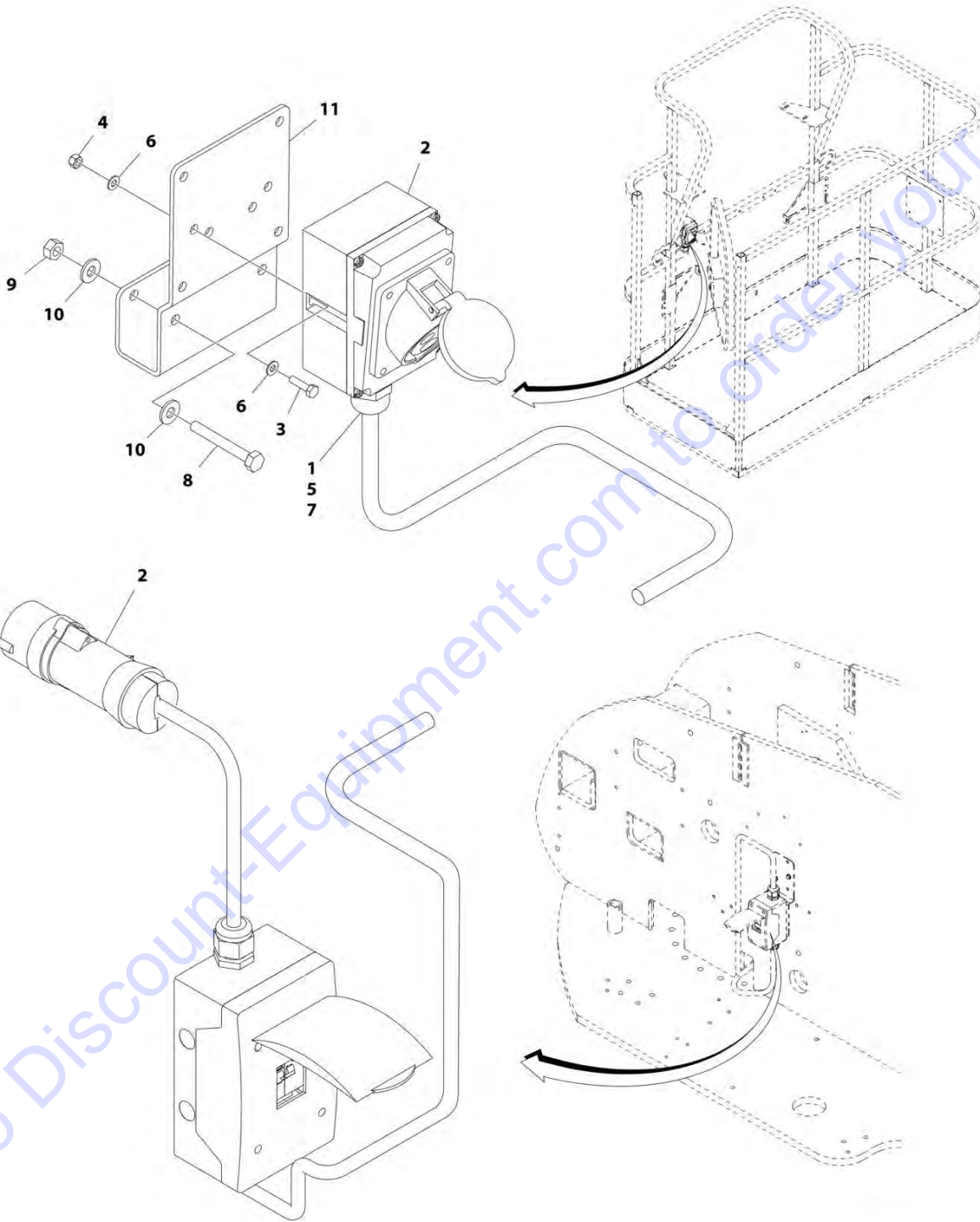
FIGURE 8-8. AC BOX AT PLATFORM INSTALLATION - 110V IEC 60309 YELLOW WITHOUT 4000W GENERATOR (CE SPECS) (SN 0300214025 to Present, SN B300002238 to Present)

ITEM	PART NUMBER	QTY	DESCRIPTION	REV
	1001206253	Ref	AC BOX AT PLATFORM INSTALLATION - 110V IEC 60309 YELLOW WITHOUT 4000W GENERATOR (CE SPECS) (SN 0300214025 to Present, SN B300002238 to Present)	A
1	0100020	AR	Sealant, Pipe	
2	0641416	2	Bolt 1/4 x 2	
3	0700408	2	Bolt M4 x 16	
4	0861781	1	Box, Switch	
5	1705325	1	Decal - 110V	
6	3290405	2	Nut M4	
7	3311405	2	Nut 1/4	
8	4461198	1	Receptacle	
9	4711400	4	Washer 1/4	
10	4811400	4	Washer M4	
11	1001101191	1	Connector, Strain Relief	
12	1001101196	1	Adapter	
13	1001193018	1	Bracket, AC Receptacle	

Go to Discount-Equipment.com to order your parts

SECTION 8 - ELECTRICAL

FIGURE 8-9. AC BOX AT PLATFORM INSTALLATION - 220V IEC 60309 BLUE WITHOUT 2500W GENERATOR (CE SPECS)



ART_1001091970

SECTION 8 - ELECTRICAL

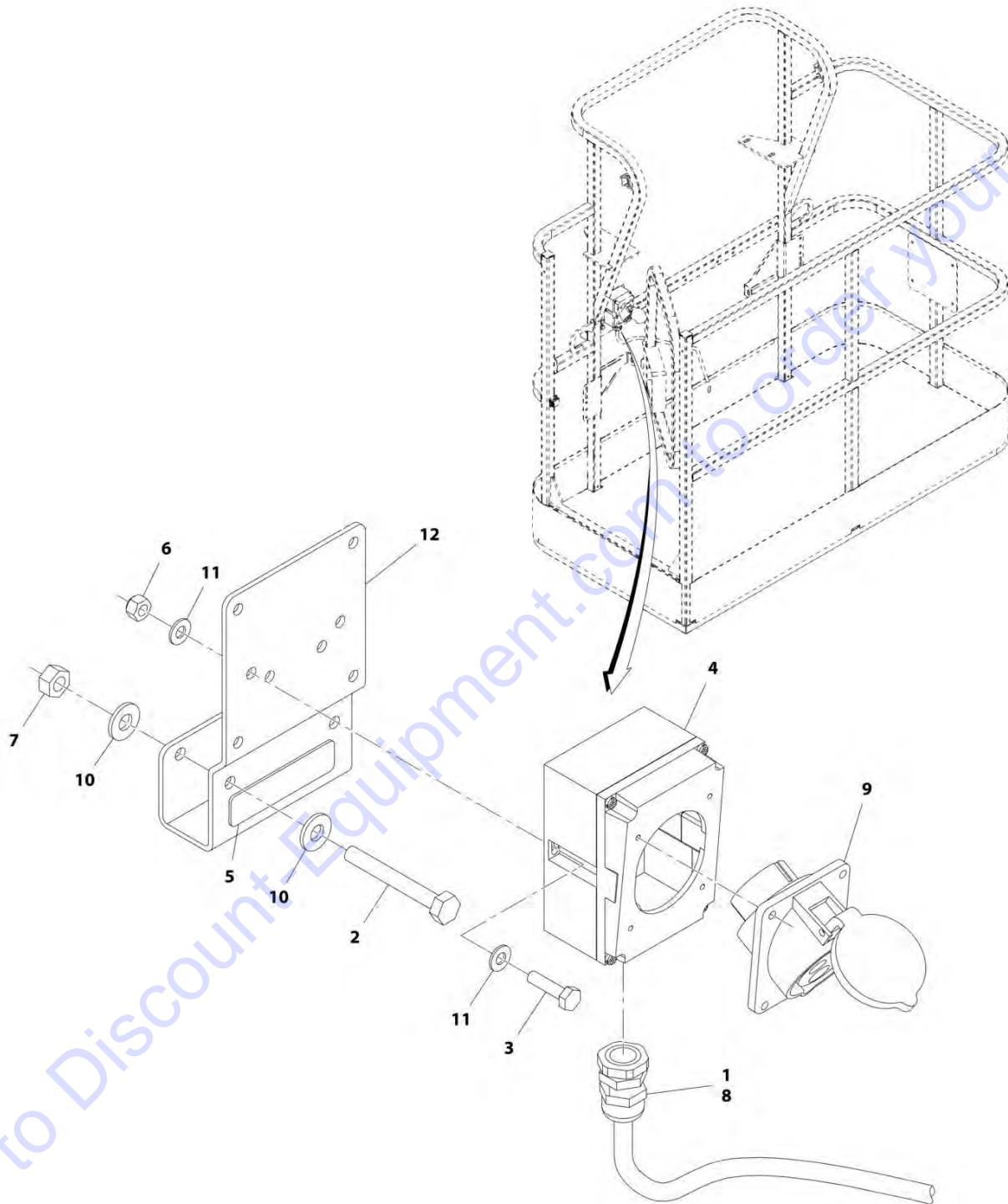
FIGURE 8-9. AC BOX AT PLATFORM INSTALLATION - 220V IEC 60309 BLUE WITHOUT 2500W GENERATOR (CE SPECS)

ITEM	PART NUMBER	QTY	DESCRIPTION	REV
	1001091970	Ref	AC BOX AT PLATFORM INSTALLATION - 220V IEC 60309 BLUE WITHOUT 2500W GENERATOR (CE SPECS)	C
1	0100020	AR	Sealant, Pipe	
2	0275217	1	Receptacle Box Kit (See Separate Breakdown in this Section)	
3	0700408	2	Bolt M4 x 16	
4	3290405	2	Nut M4	
5	1001101196	1	Adapter	
6	4811400	4	Washer M4	
7	1001101191	1	Connector, Strain Relief	
8	0641416	2	Bolt 1/4 x 2	
9	3311405	2	Nut 1/4	
10	4711400	4	Washer 1/4	
11	1001193018	1	Bracket	

Go to Discount-Equipment.com to order your parts

SECTION 8 - ELECTRICAL

FIGURE 8-10. AC BOX AT PLATFORM INSTALLATION - 220V IEC 60309 BLUE WITHOUT 4000W GENERATOR (CE SPECS) (SN 0300205136 through 0300214024)



ART_1001194204

SECTION 8 - ELECTRICAL

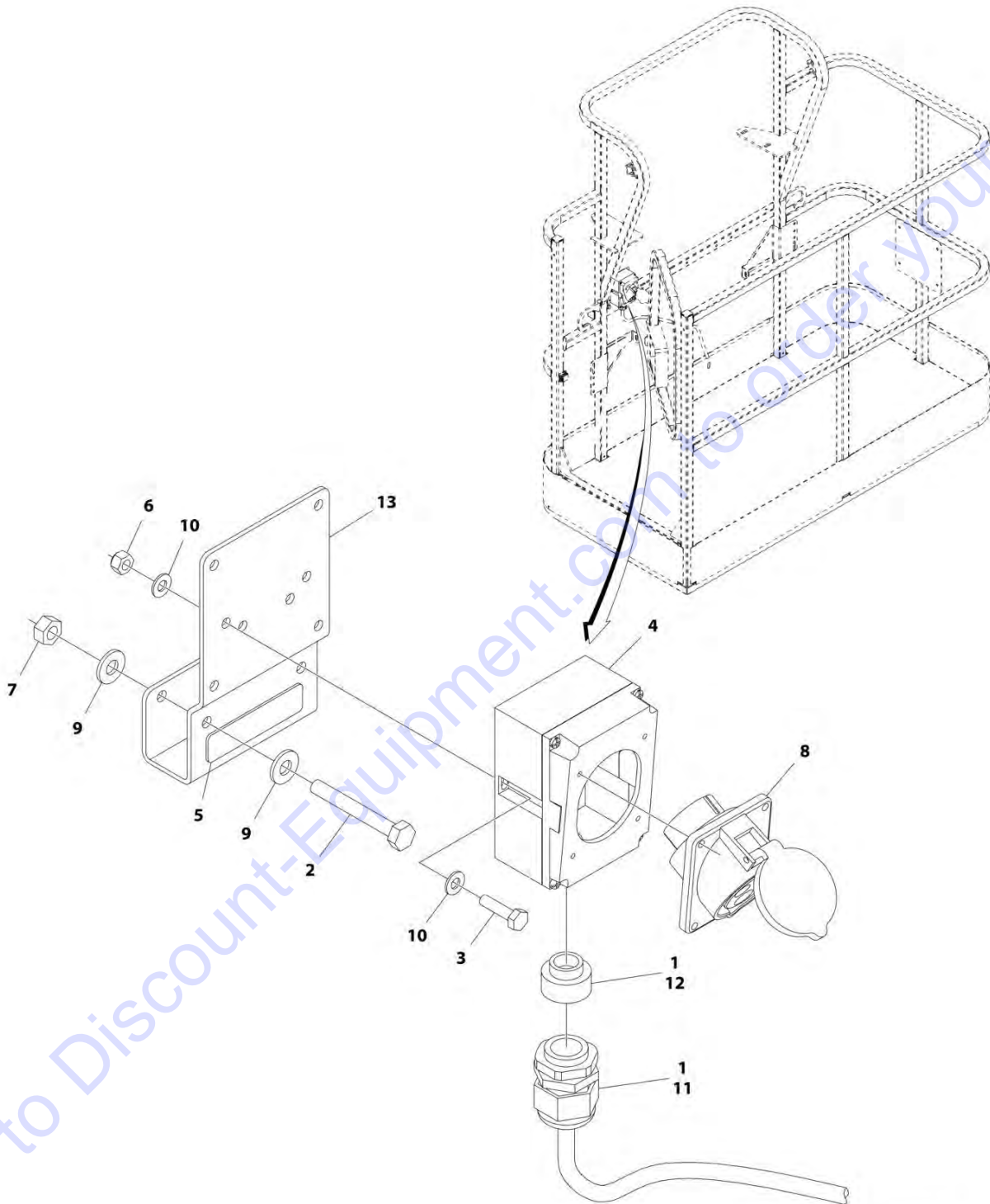
FIGURE 8-10. AC BOX AT PLATFORM INSTALLATION - 220V IEC 60309 BLUE WITHOUT 4000W GENERATOR (CE SPECS) (SN 0300205136 through 0300214024)

ITEM	PART NUMBER	QTY	DESCRIPTION	REV
	1001194204	Ref	AC BOX AT PLATFORM INSTALLATION - 220V IEC 60309 BLUE WITHOUT 4000W GENERATOR (CE SPECS) (SN 0300205136 through 0300214024)	B
1	0100020	AR	Sealant, Pipe	
2	0641416	2	Bolt 1/4 x 2	
3	0700408	2	Bolt M4 x 16	
4	0861781	1	Box, Switch	
5	3251242	1	Decal - 240V-50Hz	
6	3290405	2	Nut M4	
7	3311405	2	Nut 1/4	
8	4460968	1	Connector, Strain Relief	
9	4461201	1	Receptacle	
10	4711400	4	Washer 1/4	
11	4811400	4	Washer M4	
12	1001193018	1	Bracket, AC Receptacle	

Go to Discount-Equipment.com to order your parts

SECTION 8 - ELECTRICAL

FIGURE 8-11. AC BOX AT PLATFORM INSTALLATION - 220V IEC 60309 BLUE WITHOUT 4000W GENERATOR (CE SPECS) (SN 0300214025 to Present, SN B300002238 to Present)



ART_1001206254

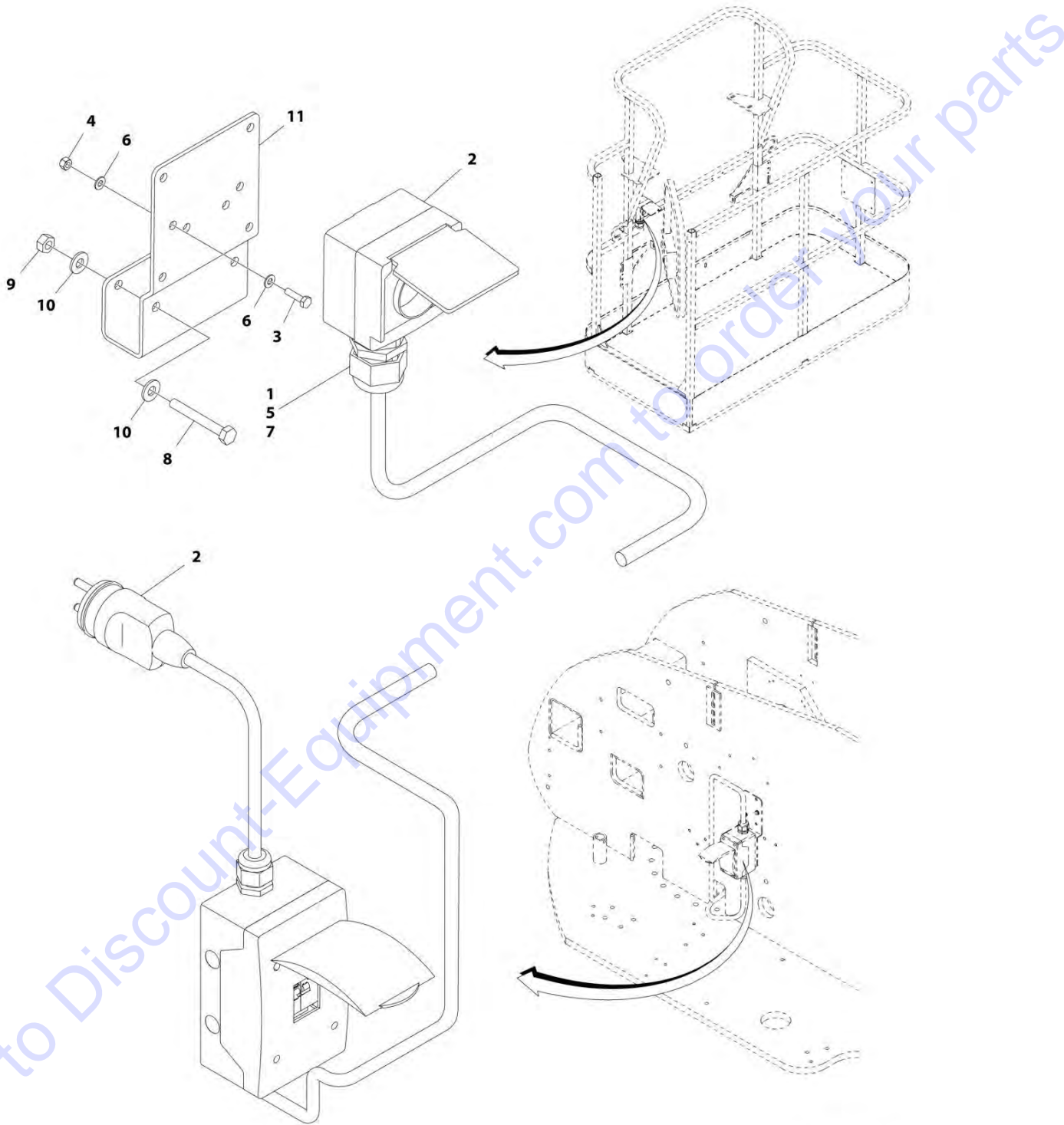
SECTION 8 - ELECTRICAL

FIGURE 8-11. AC BOX AT PLATFORM INSTALLATION - 220V IEC 60309 BLUE WITHOUT 4000W GENERATOR (CE SPECS) (SN 0300214025 to Present, SN B300002238 to Present)

ITEM	PART NUMBER	QTY	DESCRIPTION	REV
	1001206254	Ref	AC BOX AT PLATFORM INSTALLATION - 220V IEC 60309 BLUE WITHOUT 4000W GENERATOR (CE SPECS) (SN 0300214025 to Present, SN B300002238 to Present)	A
1	0100020	AR	Sealant, Pipe	
2	0641416	2	Bolt 1/4 x 2	
3	0700408	2	Bolt M4 x 16	
4	0861781	1	Box, Switch	
5	3251242	1	Decal - 240V-50Hz	
6	3290405	2	Nut M4	
7	3311405	2	Nut 1/4	
8	4461201	1	Receptacle	
9	4711400	4	Washer 1/4	
10	4811400	4	Washer M4	
11	1001101191	1	Connector, Strain Relief	
12	1001101196	1	Adapter	
13	1001193018	1	Bracket, AC Receptacle	

SECTION 8 - ELECTRICAL

FIGURE 8-12. AC BOX AT PLATFORM INSTALLATION - 220V CEE7 POST GROUND (70MM X 70MM BOX) WITHOUT 2500W GENERATOR (CE SPECS) (SN 0300201016 through 0300205136)



ART_1001091971

PARTS FINDER

**Search Website
by Part Number**



**Search Manual
Library For Parts
Manual & Lookup Part
Numbers – Purchase
or Request Quote**

A screenshot of the "Search Manuals" form. It includes a "Search Manuals" title, a "Find" dropdown menu, a "Serial Number" input field, a "Year" dropdown menu, a "Make" dropdown menu, a "Part Number" input field, a "Part Name" input field, and a "Submit" button at the bottom.

**Can't Find Part or
Manual? Request Help
by Manufacturer,
Model & Description**

A screenshot of the "Parts Order Form". It has a title "Parts Order Form" and a "Form" section with several input fields for "Manufacturer", "Model", "Description", "Part Number", "Quantity", "Price", "Part Name", "Part Description", "Part Location", "Part Condition", "Part Status", "Part Color", "Part Material", "Part Weight", and "Part Dimensions".

Discount-Equipment.com is your online resource for quality parts & equipment.

Florida: **561-964-4949** Outside Florida TOLL FREE: **877-690-3101**

Need parts?

Click on this link: <http://www.discount-equipment.com/category/5443-parts/> and choose one of the options to help get the right parts and equipment you are looking for. Please have the machine model and serial number available in order to help us get you the correct parts. If you don't find the part on the website or on one of the online manuals, please fill out the request form and one of our experienced staff members will get back to you with a quote for the right part that your machine needs.

We sell worldwide for the brands: Genie, Terex, JLG, MultiQuip, Mikasa, Essick, Whiteman, Mayco, Toro Stone, Diamond Products, Generac Magnum, Airman, Haulotte, Barreto, Power Blanket, Nifty Lift, Atlas Copco, Chicago Pneumatic, Allmand, Miller Curber, Skyjack, Lull, Skytrak, Tsurumi, Husquvarna Target, Stow, Wacker, Sakai, Mi-T-M, Sullair, Basic, Dynapac, MBW, Weber, Bartell, Bennar Newman, Haulotte, Ditch Runner, Menegotti, Morrison, Contec, Buddy, Crown, Edco, Wyco, Bomag, Laymor, EZ Trench, Bil-Jax, F.S. Curtis, Gehl Pavers, Heli, Honda, ICS/PowerGrit, IHI, Partner, Imer, Clipper, MMD, Koshin, Rice, CH&E, General Equipment, Amida, Coleman, NAC, Gradall, Square Shooter, Kent, Stanley, Tamco, Toku, Hatz, Kohler, Robin, Wisconsin, Northrock, Oztec, Toker TK, Rol-Air, APT, Wylie, Ingersoll Rand / Doosan, Innovatech, Con X, Ammann, Mecalac, Makinex, Smith Surface Prep, Small Line, Wanco, Yanmar

SECTION 8 - ELECTRICAL

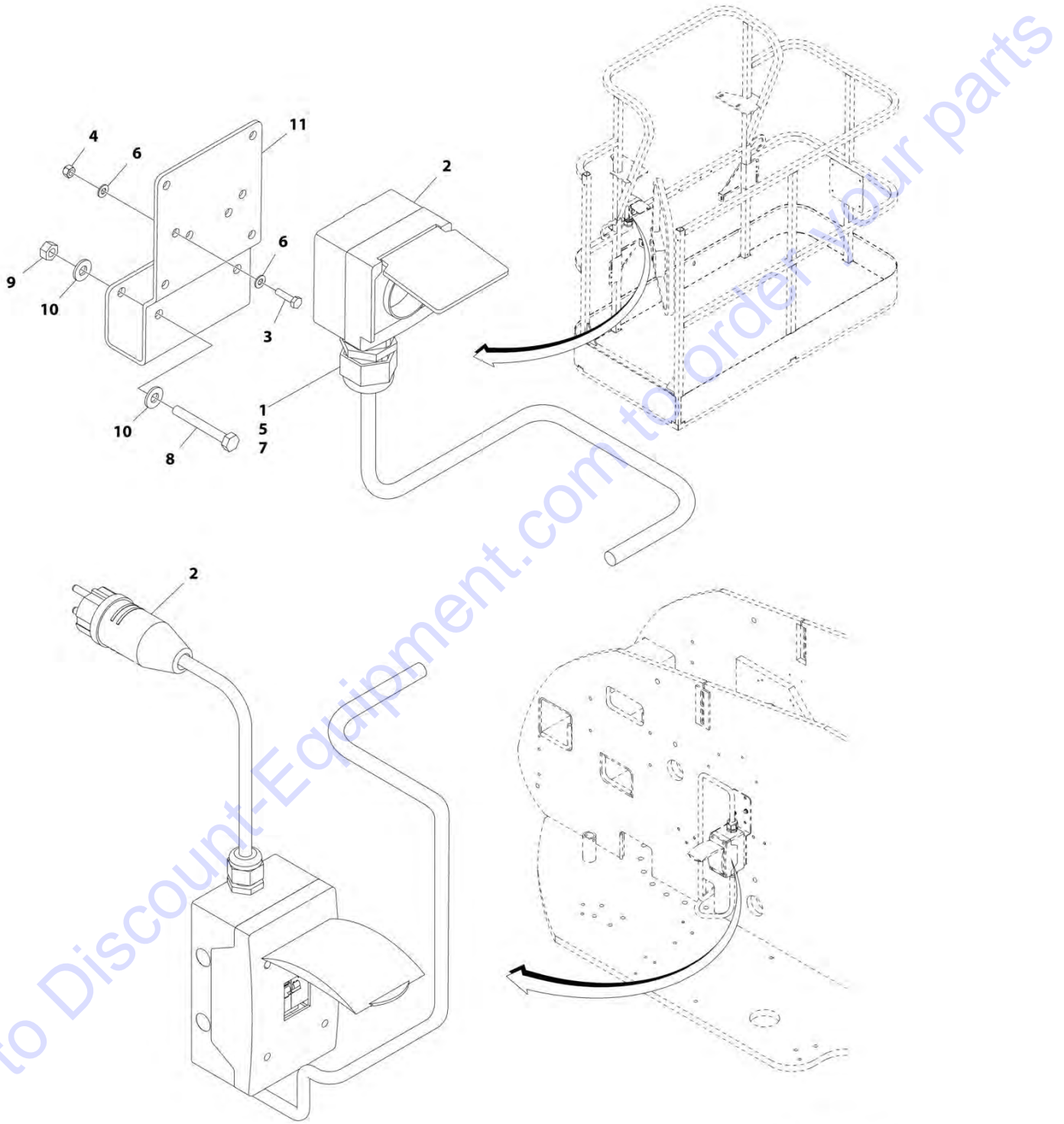
FIGURE 8-12. AC BOX AT PLATFORM INSTALLATION - 220V CEE7 POST GROUND (70MM X 70MM BOX) WITHOUT 2500W GENERATOR (CE SPECS) (SN 0300201016 through 0300205136)

ITEM	PART NUMBER	QTY	DESCRIPTION	REV
	1001091971	Ref	AC BOX AT PLATFORM INSTALLATION - 220V CEE7 POST GROUND (70MM X 70MM BOX) WITHOUT 2500W GENERATOR (CE SPECS) (SN 0300201016 through 0300205136)	C
1	0100020	AR	Sealant, Pipe	
2	0275218	1	Receptacle Box Kit (See Separate Breakdown in this Section)	
3	0700408	2	Bolt M4 x 16	
4	3290405	2	Nut M4	
5	1001101196	1	Adapter	
6	4811400	4	Washer M4	
7	1001101191	1	Connector, Strain Relief	
8	0641416	2	Bolt 1/4 x 2	
9	3311405	2	Nut 1/4	
10	4711400	4	Washer 1/4	
11	1001193018	1	Bracket	

Go to Discount-Equipment.com to order your parts

SECTION 8 - ELECTRICAL

FIGURE 8-13. AC BOX AT PLATFORM INSTALLATION - 220V CEE7 SIDE GROUND (70MM X 70MM BOX) WITHOUT 2500W GENERATOR (CE SPECS) (SN 0300201016 through 0300205136)



ART_1001091972

SECTION 8 - ELECTRICAL

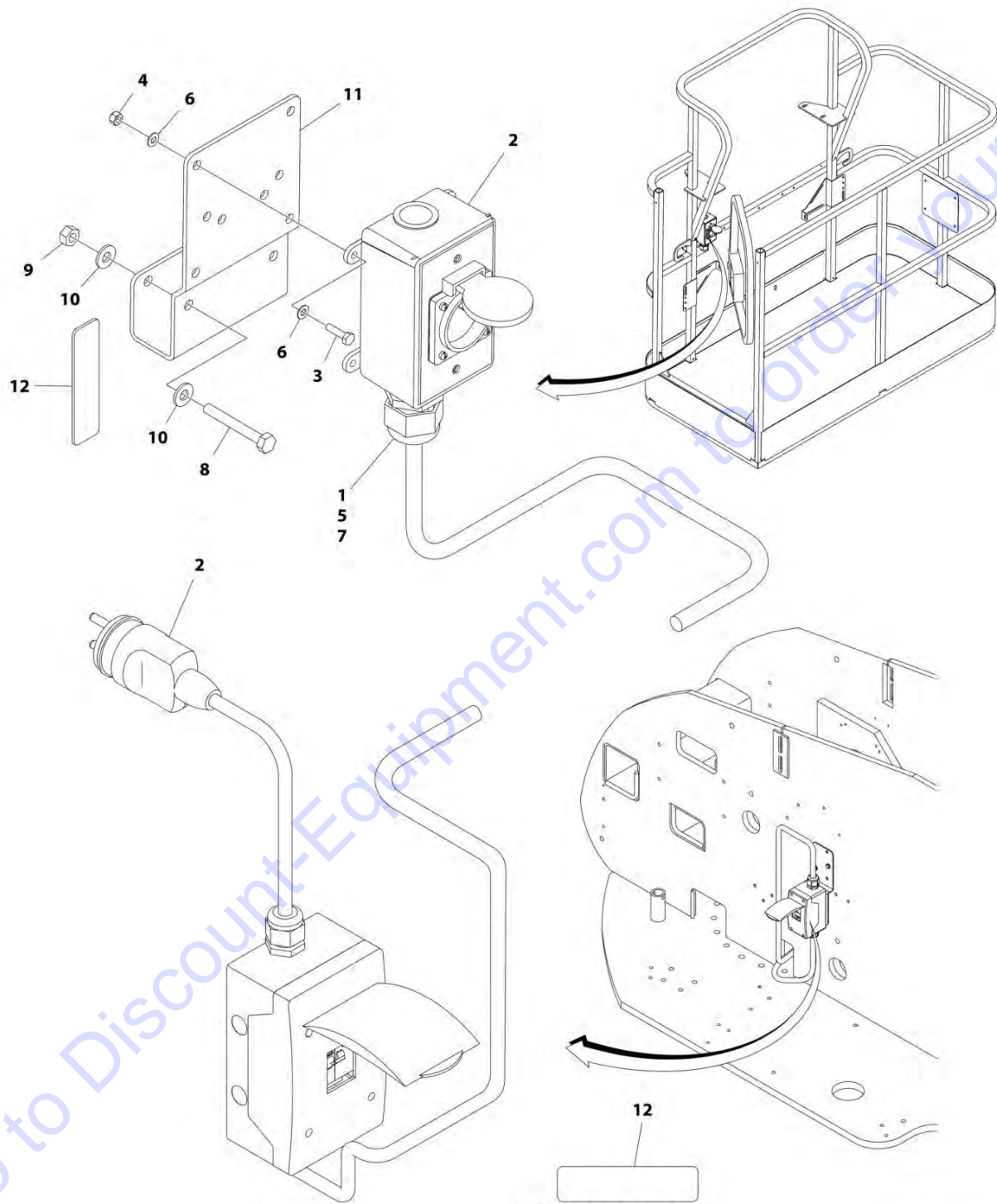
FIGURE 8-13. AC BOX AT PLATFORM INSTALLATION - 220V CEE7 SIDE GROUND (70MM X 70MM BOX) WITHOUT 2500W GENERATOR (CE SPECS) (SN 0300201016 through 0300205136)

ITEM	PART NUMBER	QTY	DESCRIPTION	REV
	1001091972	Ref	AC BOX AT PLATFORM INSTALLATION - 220V CEE7 SIDE GROUND (70MM X 70MM BOX) WITHOUT 2500W GENERATOR (CE SPECS) (SN 0300201016 through 0300205136)	C
1	0100020	AR	Sealant, Pipe	
2	0275219	1	Receptacle Box Kit (See Separate Breakdown in this Section)	
3	0700408	2	Bolt M4 x 16	
4	3290405	2	Nut M4	
5	1001101196	1	Adapter	
6	4811400	4	Washer M4	
7	1001101191	1	Connector, Strain Relief	
8	0641416	2	Bolt 1/4 x 2	
9	3311405	2	Nut 1/4	
10	4711400	4	Washer 1/4	
11	1001193018	1	Bracket	

Go to Discount-Equipment.com to order your parts

SECTION 8 - ELECTRICAL

FIGURE 8-14. AC BOX AT PLATFORM INSTALLATION - 220V CEE7 POST GROUND (2X4 BOX) WITHOUT 2500W GENERATOR (CE SPECS)



(REF. LOCATED ON ENGINE SIDE HOOD)

ART_1001091973

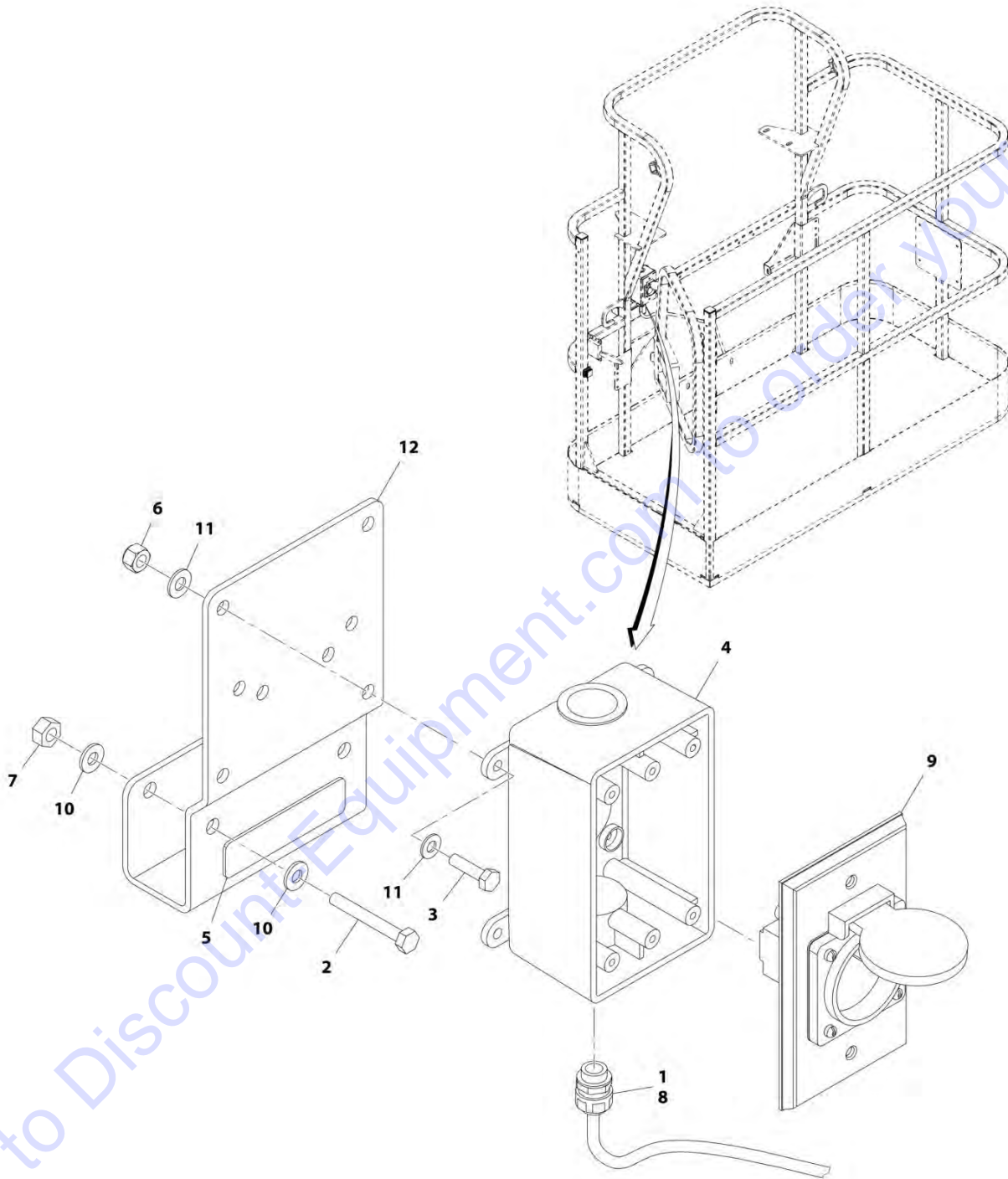
SECTION 8 - ELECTRICAL

**FIGURE 8-14. AC BOX AT PLATFORM INSTALLATION - 220V CEE7 POST GROUND (2X4 BOX)
WITHOUT 2500W GENERATOR (CE SPECS)**

ITEM	PART NUMBER	QTY	DESCRIPTION	REV
	1001091973	Ref	AC BOX AT PLATFORM INSTALLATION - 220V CEE7 POST GROUND (2X4 BOX) WITHOUT 2500W GENERATOR (CE SPECS)	F
1	0100020	AR	Sealant, Pipe	
2	0275452	1	Receptacle Box Kit (See Separate Breakdown in this Section)	
3	0700408	4	Bolt M4 x 16	
4	3290405	4	Nut M4	
5	1001101197	1	Adapter	
6	4811400	8	Washer M4	
7	1001101191	1	Connector, Strain Relief	
8	0641416	2	Bolt 1/4 x 2	
9	3311405	2	Nut 1/4	
10	4711400	4	Washer 1/4	
11	1001193018	1	Bracket	
12	3251242	2	Decal - 240V-50Hz (SN 0300190452 to Present)	
13	4460806	2	Terminal, Fork (Not Shown)	
14	1001205958	1	Terminal (Not Shown)	

SECTION 8 - ELECTRICAL

FIGURE 8-15. AC BOX AT PLATFORM INSTALLATION - 220V CEE7 POST GROUND (2X4 BOX)
WITHOUT 4000W GENERATOR (CE SPECS) (SN 0300205136 through 0300214024)



ART_1001194197

SECTION 8 - ELECTRICAL

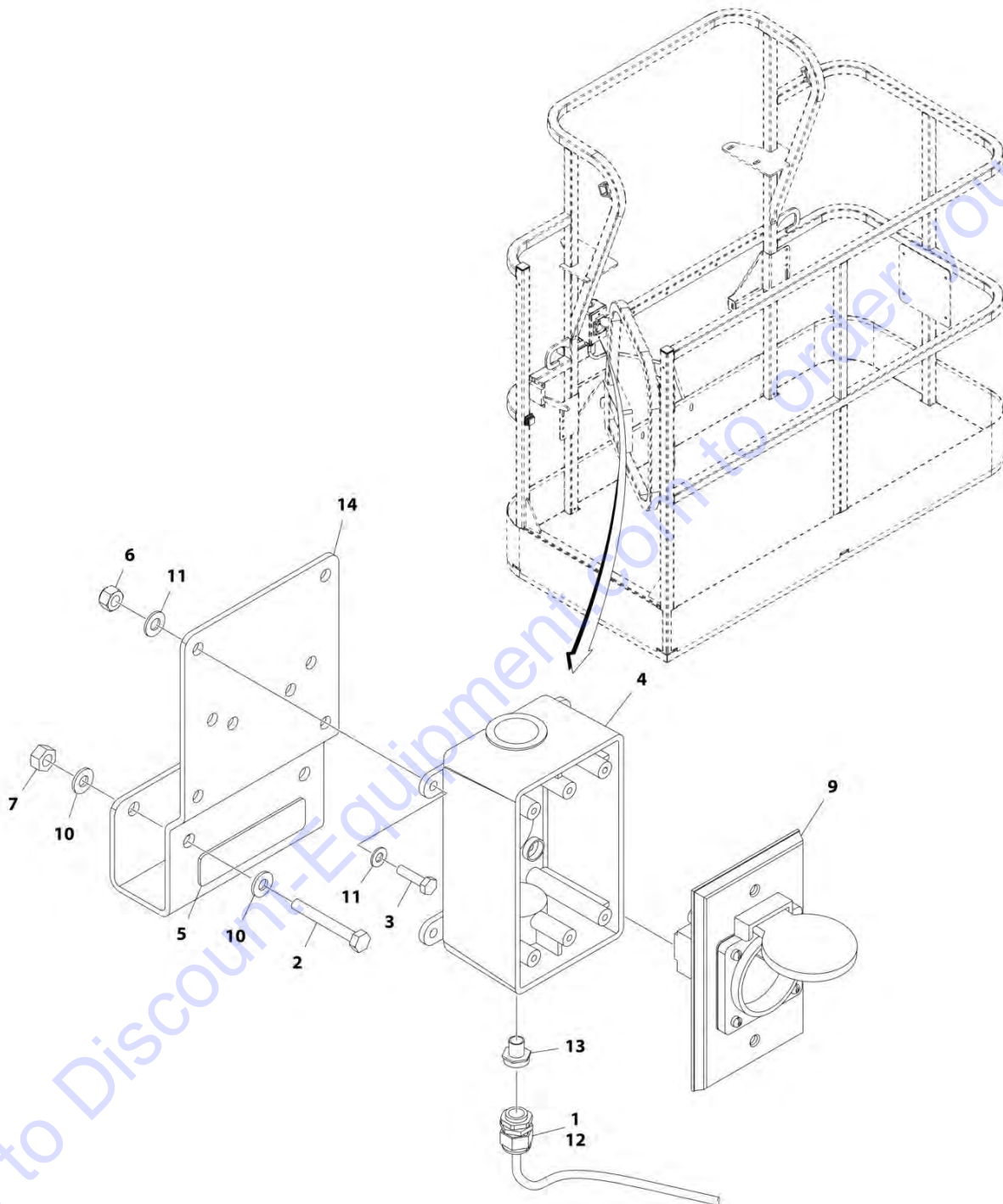
**FIGURE 8-15. AC BOX AT PLATFORM INSTALLATION - 220V CEE7 POST GROUND (2X4 BOX)
WITHOUT 4000W GENERATOR (CE SPECS) (SN 0300205136 through 0300214024)**

ITEM	PART NUMBER	QTY	DESCRIPTION	REV
	1001194197	Ref	AC BOX AT PLATFORM INSTALLATION - 220V CEE7 POST GROUND (2X4 BOX) WITHOUT 4000W GENERATOR (CE SPECS) (SN 0300205136 through 0300214024)	B
1	0100020	AR	Sealant, Pipe	
2	0641416	2	Bolt 1/4 x 2	
3	0700408	4	Bolt M4 x 16	
4	0861731	1	Box, Switch	
5	3251242	1	Decal - 240V-50Hz	
6	3290405	4	Nut M4	
7	3311405	2	Nut 1/4	
8	4460662	1	Connector, Strain Relief	
9	4461244	1	Receptacle	
10	4711400	4	Washer 1/4	
11	4811400	8	Washer M4	
12	1001193018	1	Bracket, AC Receptacle	
13	4460806	2	Terminal, Fork	
14	1001205958	1	Terminal	

Go to Discount-Equipment.com to order your parts

SECTION 8 - ELECTRICAL

FIGURE 8-16. AC BOX AT PLATFORM INSTALLATION - 220V CEE7 POST GROUND (2X4 BOX)
WITHOUT 4000W GENERATOR (CE SPECS) (SN 0300214025 to Present)



ART_1001206250

SECTION 8 - ELECTRICAL

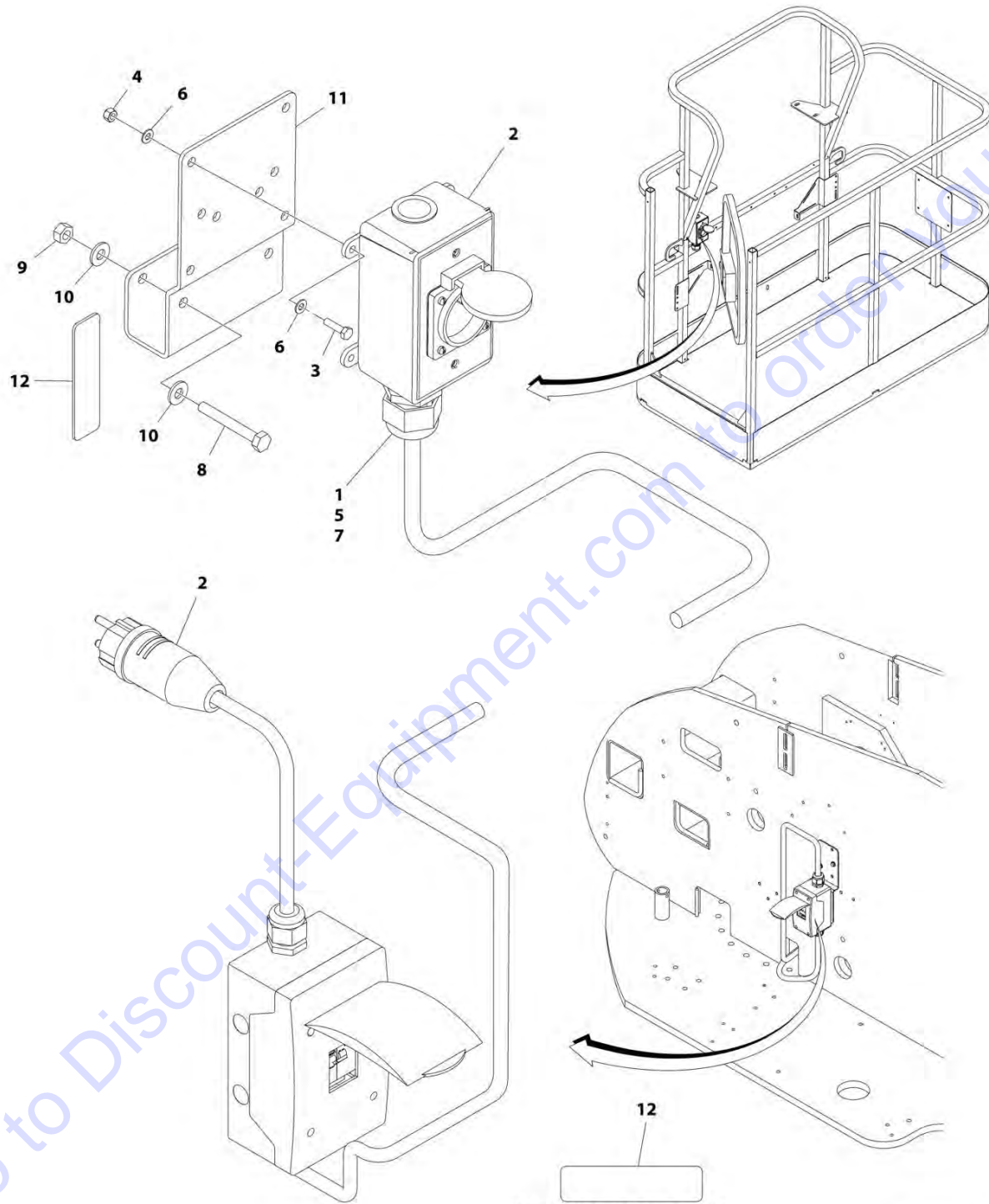
**FIGURE 8-16. AC BOX AT PLATFORM INSTALLATION - 220V CEE7 POST GROUND (2X4 BOX)
WITHOUT 4000W GENERATOR (CE SPECS) (SN 0300214025 to Present)**

ITEM	PART NUMBER	QTY	DESCRIPTION	REV
	1001206250	Ref	AC BOX AT PLATFORM INSTALLATION - 220V CEE7 POST GROUND (2X4 BOX) WITHOUT 4000W GENERATOR (CE SPECS) (SN 0300214025 to Present)	A
1	0100020	AR	Sealant, Pipe	
2	0641416	2	Bolt 1/4 x 2	
3	0700408	4	Bolt M4 x 16	
4	0861731	1	Box, Switch	
5	3251242	1	Decal - 240V-50Hz	
6	3290405	4	Nut M4	
7	3311405	2	Nut 1/4	
8	4460806	2	Terminal, Fork	
9	4461244	1	Receptacle	
10	4711400	4	Washer 1/4	
11	4811400	8	Washer M4	
12	1001101191	1	Connector, Strain Relief	
13	1001101197	1	Adapter	
14	1001193018	1	Bracket, AC Receptacle	
15	1001205958	1	Terminal	

Go to Discount-Equipment.com to order your parts

SECTION 8 - ELECTRICAL

FIGURE 8-17. AC BOX AT PLATFORM INSTALLATION - 220V CEE7 SIDE GROUND (2X4 BOX)
WITHOUT 2500W GENERATOR (CE SPECS)



(REF. LOCATED ON ENGINE
SIDE HOOD)

ART_1001091974

SECTION 8 - ELECTRICAL

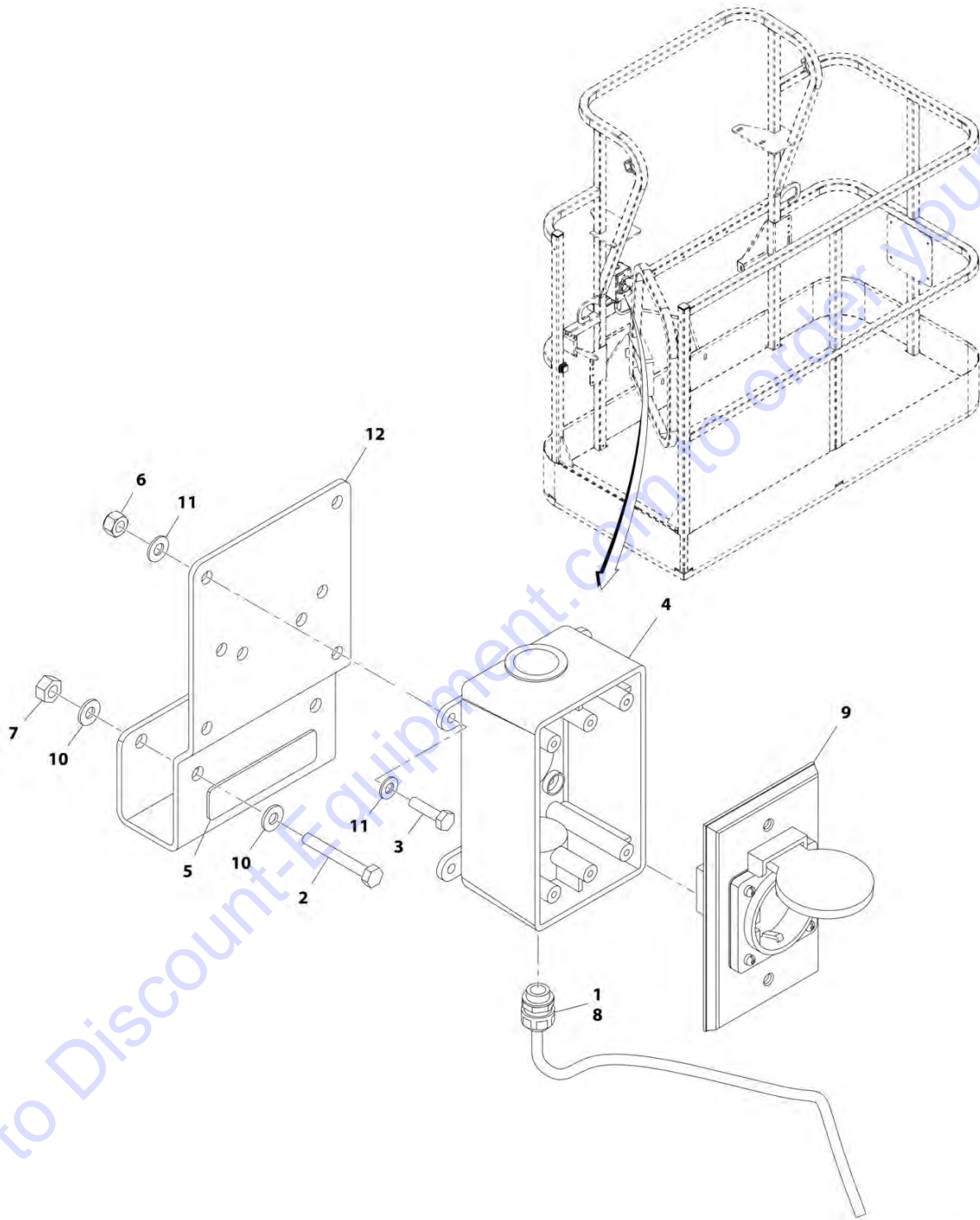
**FIGURE 8-17. AC BOX AT PLATFORM INSTALLATION - 220V CEE7 SIDE GROUND (2X4 BOX)
WITHOUT 2500W GENERATOR (CE SPECS)**

ITEM	PART NUMBER	QTY	DESCRIPTION	REV
	1001091974	Ref	AC BOX AT PLATFORM INSTALLATION - 220V CEE7 SIDE GROUND (2X4 BOX) WITHOUT 2500W GENERATOR (CE SPECS)	F
1	0100020	AR	Sealant, Pipe	
2	0275453	1	Receptacle Box Kit (See Separate Breakdown in this Section)	
3	0700408	4	Bolt M4 x 16	
4	3290405	4	Nut M4	
5	1001101197	1	Adapter	
6	4811400	8	Washer M4	
7	1001101191	1	Connector, Strain Relief	
8	0641416	2	Bolt 1/4 x 2	
9	3311405	2	Nut 1/4	
10	4711400	4	Washer 1/4	
11	1001193018	1	Bracket	
12	3251242	2	Decal - 240V-50Hz (SN 0300190452 to Present)	
13	4460806	2	Terminal, Fork (Not Shown)	
14	1001205958	1	Terminal (Not Shown)	

Go to Discount-Equipment.com to order your parts

SECTION 8 - ELECTRICAL

FIGURE 8-18. AC BOX AT PLATFORM INSTALLATION - 220V CEE7 SIDE GROUND (2X4 BOX)
WITHOUT 4000W GENERATOR (CE SPECS) (SN 0300205136 through 0300214024)



ART_1001194198

SECTION 8 - ELECTRICAL

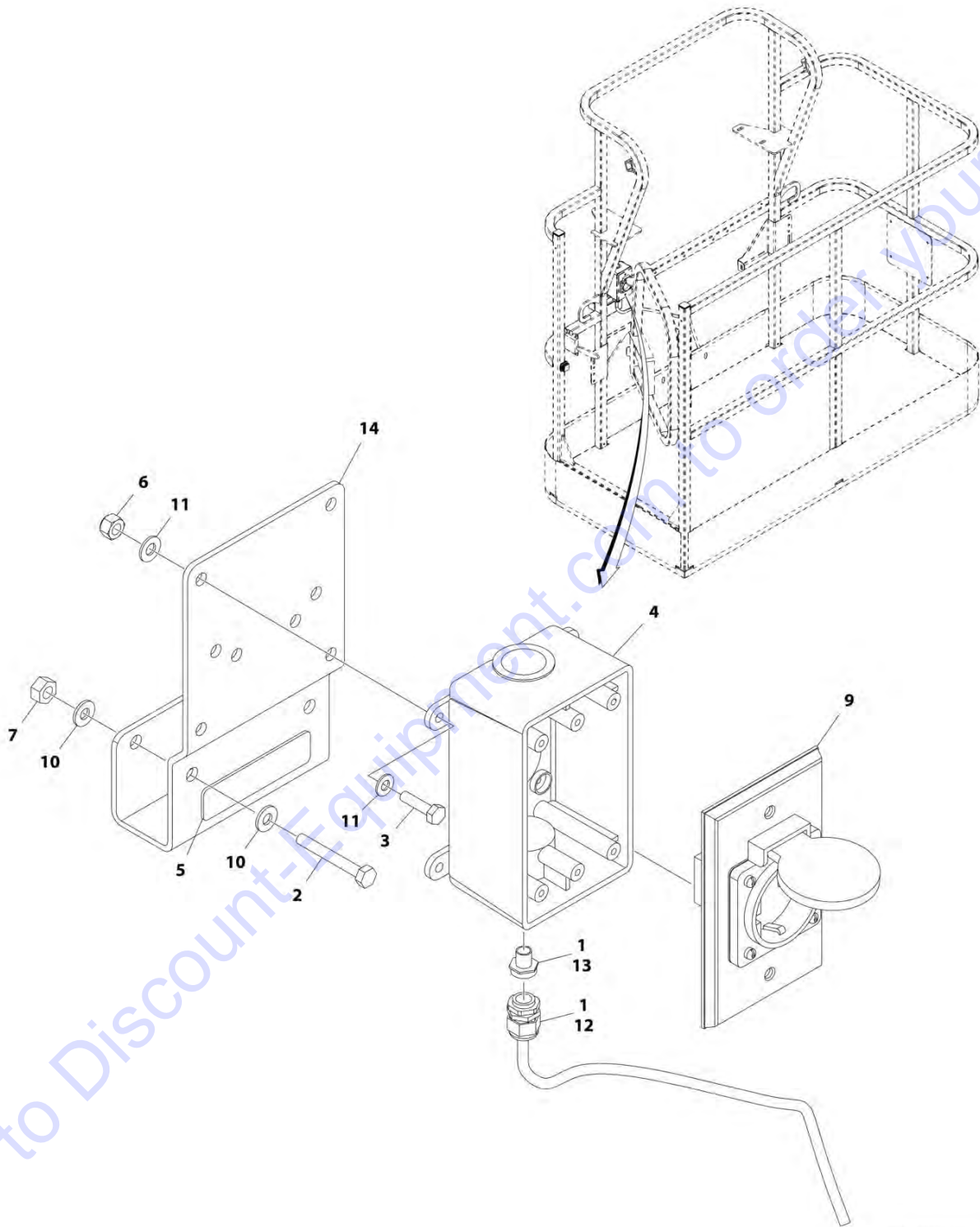
**FIGURE 8-18. AC BOX AT PLATFORM INSTALLATION - 220V CEE7 SIDE GROUND (2X4 BOX)
WITHOUT 4000W GENERATOR (CE SPECS) (SN 0300205136 through 0300214024)**

ITEM	PART NUMBER	QTY	DESCRIPTION	REV
	1001194198	Ref	AC BOX AT PLATFORM INSTALLATION - 220V CEE7 SIDE GROUND (2X4 BOX) WITHOUT 4000W GENERATOR (CE SPECS) (SN 0300205136 through 0300214024)	B
1	0100020	AR	Sealant, Pipe	
2	0641416	2	Bolt 1/4 x 2	
3	0700408	4	Bolt M4 x 16	
4	0861731	1	Box, Switch	
5	3251242	1	Decal - 240V-50Hz	
6	3290405	4	Nut M4	
7	3311405	2	Nut 1/4	
8	4460662	1	Connector, Strain Relief	
9	4461245	1	Receptacle	
10	4711400	4	Washer 1/4	
11	4811400	8	Washer M4	
12	1001193018	1	Bracket, AC Receptacle	
13	4460806	2	Terminal, Fork	
14	1001205958	1	Terminal	

Go to Discount-Equipment.com to order your parts

SECTION 8 - ELECTRICAL

FIGURE 8-19. AC BOX AT PLATFORM INSTALLATION - 220V CEE7 SIDE GROUND (2X4 BOX)
WITHOUT 4000W GENERATOR (CE SPECS) (SN 0300214025 to Present)



ART_1001206251

SECTION 8 - ELECTRICAL

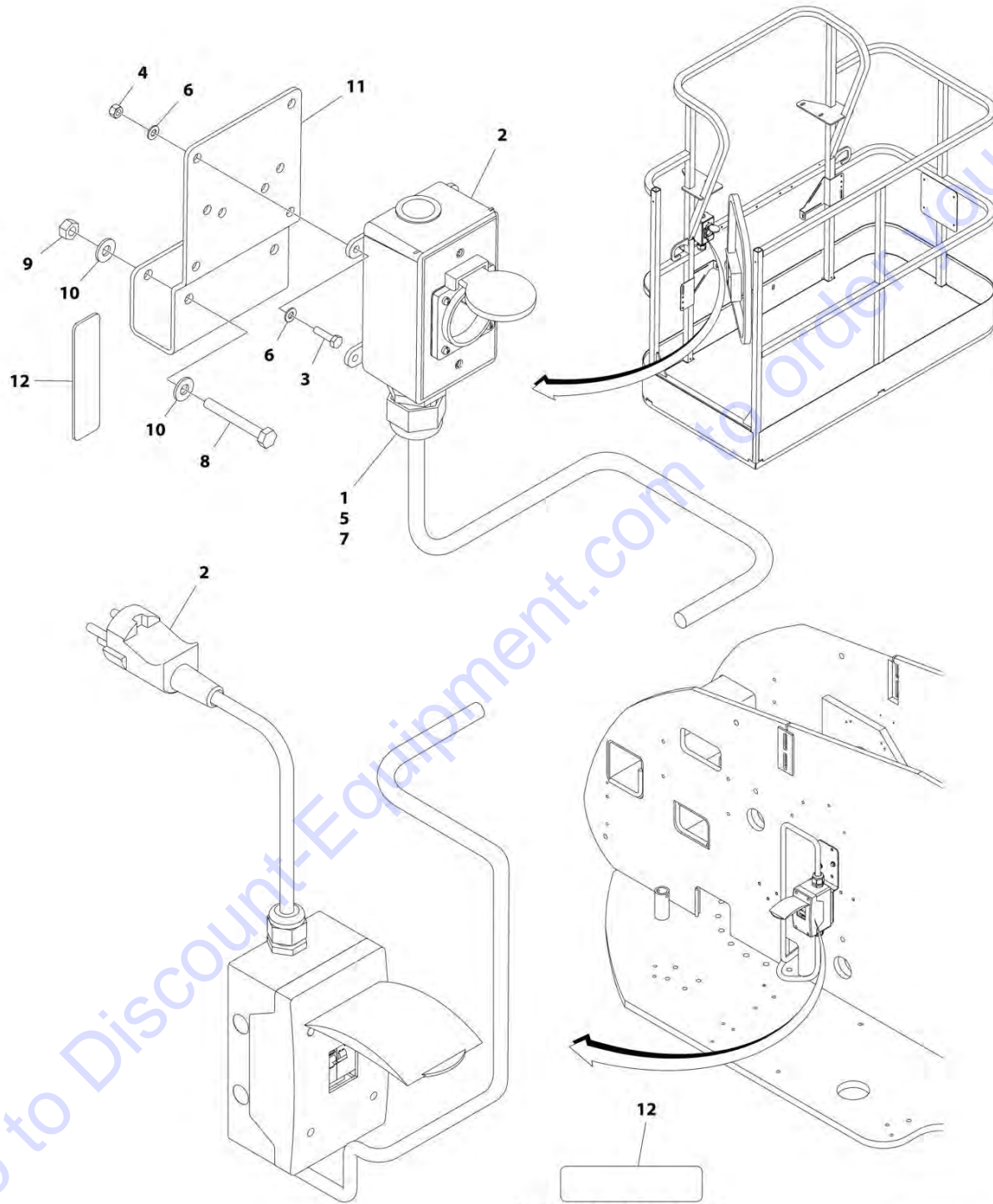
FIGURE 8-19. AC BOX AT PLATFORM INSTALLATION - 220V CEE7 SIDE GROUND (2X4 BOX) WITHOUT 4000W GENERATOR (CE SPECS) (SN 0300214025 to Present)

ITEM	PART NUMBER	QTY	DESCRIPTION	REV
	1001206251	Ref	AC BOX AT PLATFORM INSTALLATION - 220V CEE7 SIDE GROUND (2X4 BOX) WITHOUT 4000W GENERATOR (CE SPECS) (SN 0300214025 to Present)	A
1	0100020	AR	Sealant, Pipe	
2	0641416	2	Bolt 1/4 x 2	
3	0700408	4	Bolt M4 x 16	
4	0861731	1	Box, Switch	
5	3251242	1	Decal - 240V-50Hz	
6	3290405	4	Nut M4	
7	3311405	2	Nut 1/4	
8	4460806	2	Terminal, Fork	
9	4461245	1	Receptacle	
10	4711400	4	Washer 1/4	
11	4811400	8	Washer M4	
12	1001101191	1	Connector, Strain Relief	
13	1001101197	1	Adapter	
14	1001193018	1	Bracket, AC Receptacle	
15	1001205958	1	Terminal	

Go to Discount-Equipment.com to order your parts

SECTION 8 - ELECTRICAL

FIGURE 8-20. AC BOX AT PLATFORM INSTALLATION - 220V AFSINT 107 KEYED GROUND (2X4 BOX) WITHOUT 2500W GENERATOR (CE SPECS)



(REF. LOCATED ON ENGINE SIDE HOOD)

ART_1001091975

SECTION 8 - ELECTRICAL

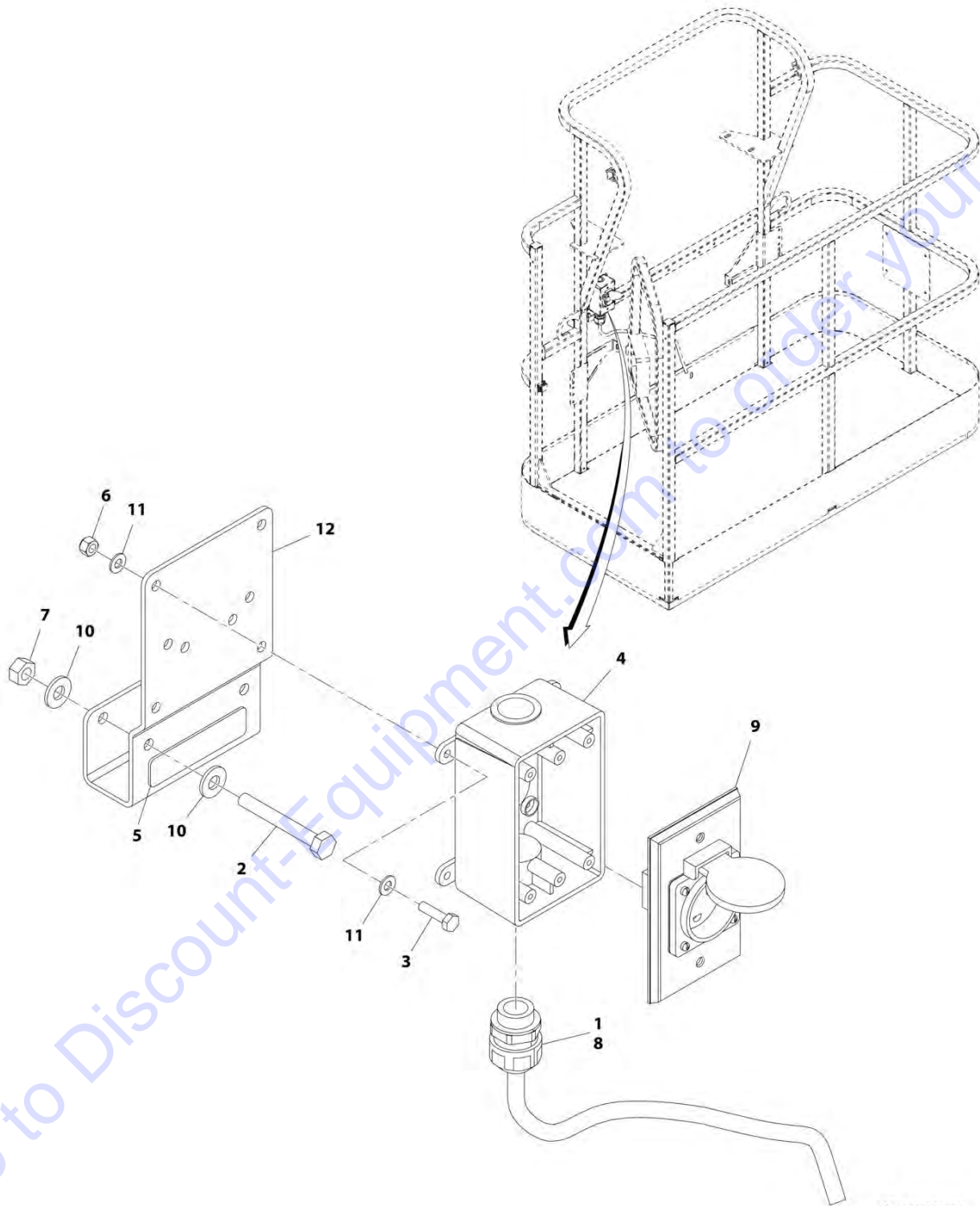
FIGURE 8-20. AC BOX AT PLATFORM INSTALLATION - 220V AFSINT 107 KEYED GROUND (2X4 BOX) WITHOUT 2500W GENERATOR (CE SPECS)

ITEM	PART NUMBER	QTY	DESCRIPTION	REV
	1001091975	Ref	AC BOX AT PLATFORM INSTALLATION - 220V AFSINT 107 KEYED GROUND (2X4 BOX) WITHOUT 2500W GENERATOR (CE SPECS)	F
1	0100020	AR	Sealant, Pipe	
2	0275454	1	Receptacle Box Kit (See Separate Breakdown in this Section)	
3	0700408	4	Bolt M4 x 16	
4	3290405	4	Nut M4	
5	1001101197	1	Adapter	
6	4811400	8	Washer M4	
7	1001101191	1	Connector, Strain Relief	
8	0641416	2	Bolt 1/4 x 2	
9	3311405	2	Nut 1/4	
10	4711400	4	Washer 1/4	
11	1001193018	1	Bracket	
12	3251242	2	Decal - 240V-50Hz (SN 0300190452 to Present)	
13	1001205958	3	Terminal (Not Shown)	

Go to Discount-Equipment.com to order your parts

SECTION 8 - ELECTRICAL

FIGURE 8-21. AC BOX AT PLATFORM INSTALLATION - 220V AFSINT 107 KEYED GROUND (2X4 BOX) WITHOUT 4000W GENERATOR (CE SPECS) (SN 0300205136 through 0300214024)



ART_1001194200

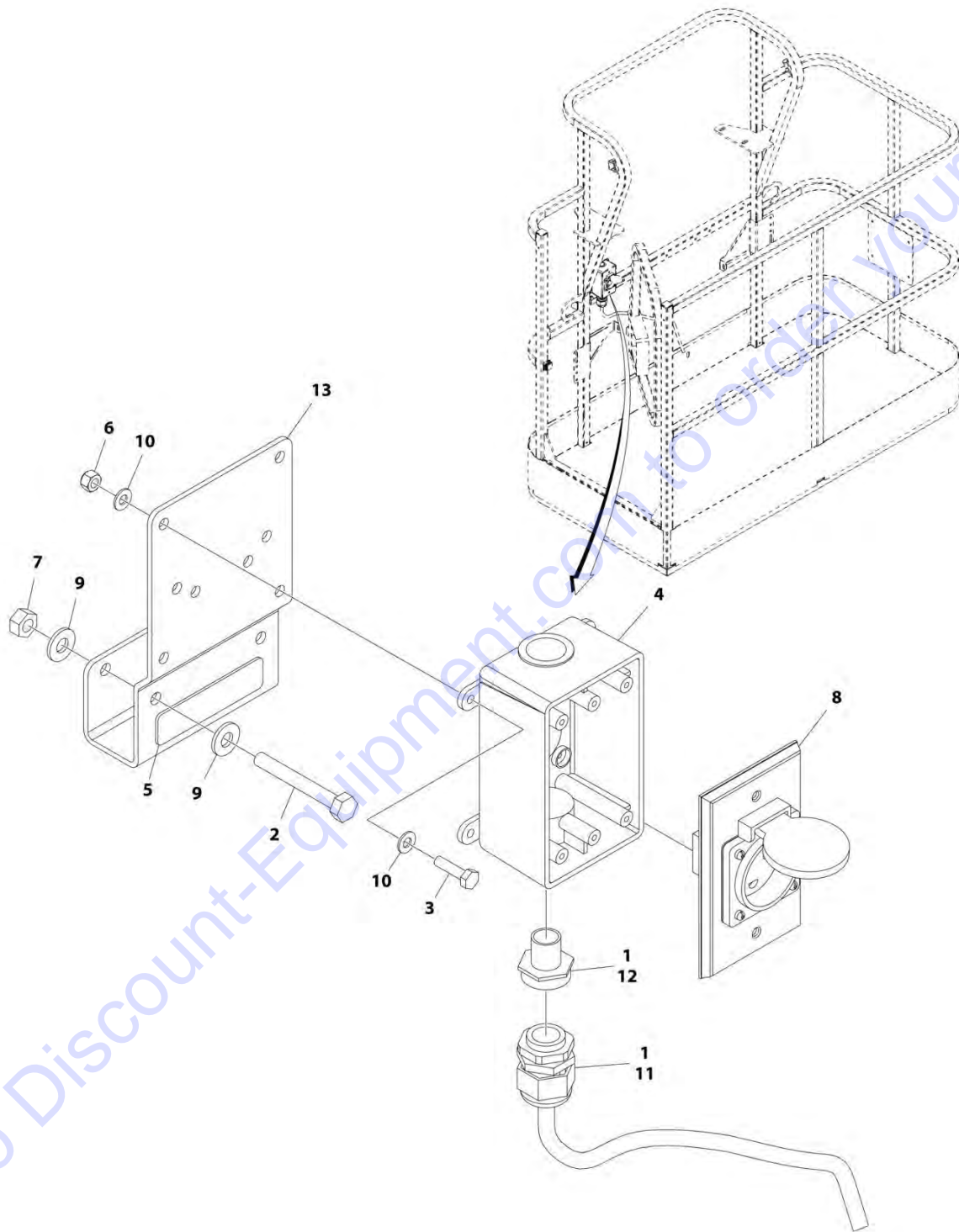
SECTION 8 - ELECTRICAL

FIGURE 8-21. AC BOX AT PLATFORM INSTALLATION - 220V AFSINT 107 KEYED GROUND (2X4 BOX) WITHOUT 4000W GENERATOR (CE SPECS) (SN 0300205136 through 0300214024)

ITEM	PART NUMBER	QTY	DESCRIPTION	REV
	1001194200	Ref	AC BOX AT PLATFORM INSTALLATION - 220V AFSINT 107 KEYED GROUND (2X4 BOX) WITHOUT 4000W GENERATOR (CE SPECS) (SN 0300205136 through 0300214024)	B
1	0100020	AR	Sealant, Pipe	
2	0641416	2	Bolt 1/4 x 2	
3	0700408	4	Bolt M4 x 16	
4	0861731	1	Box, Switch	
5	3251242	1	Decal - 240V-50Hz	
6	3290405	4	Nut M4	
7	3311405	2	Nut 1/4	
8	4460662	1	Connector, Strain Relief	
9	4461246	1	Receptacle	
10	4711400	4	Washer 1/4	
11	4811400	8	Washer M4	
12	1001193018	1	Bracket, AC Receptacle	
13	1001205958	3	Terminal	

SECTION 8 - ELECTRICAL

FIGURE 8-22. AC BOX AT PLATFORM INSTALLATION - 220V AFSINT 107 KEYED GROUND (2X4 BOX) WITHOUT 4000W GENERATOR (CE SPECS) (SN 0300214025 to Present)



ART_1001206252

SECTION 8 - ELECTRICAL

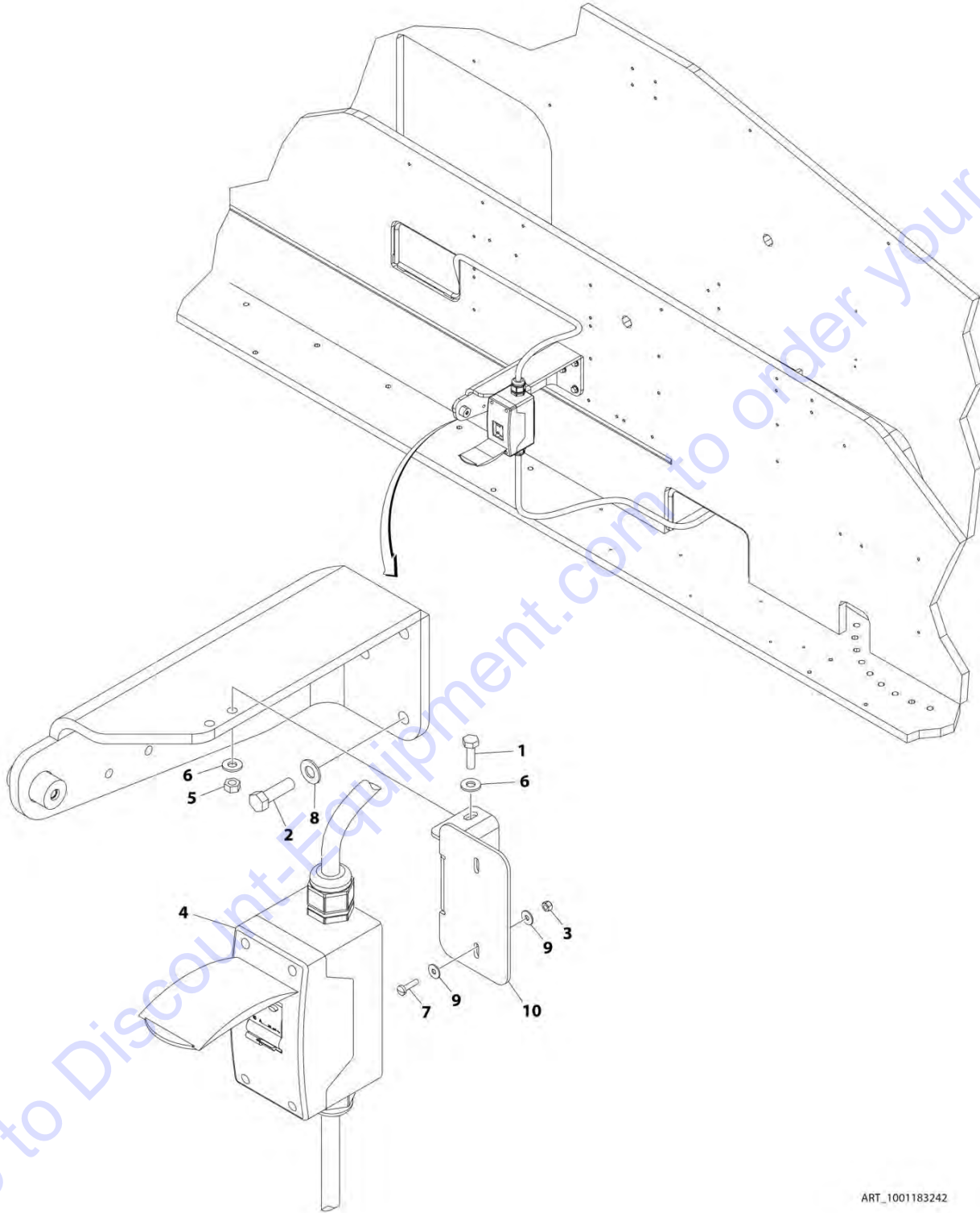
FIGURE 8-22. AC BOX AT PLATFORM INSTALLATION - 220V AFSINT 107 KEYED GROUND (2X4 BOX) WITHOUT 4000W GENERATOR (CE SPECS) (SN 0300214025 to Present)

ITEM	PART NUMBER	QTY	DESCRIPTION	REV
	1001206252	Ref	AC BOX AT PLATFORM INSTALLATION - 220V AFSINT 107 KEYED GROUND (2X4 BOX) WITHOUT 4000W GENERATOR (CE SPECS) (SN 0300214025 to Present)	A
1	0100020	AR	Sealant, Pipe	
2	0641416	2	Bolt 1/4 x 2	
3	0700408	4	Bolt M4 x 16	
4	0861731	1	Box, Switch	
5	3251242	1	Decal - 240V-50Hz	
6	3290405	4	Nut M4	
7	3311405	2	Nut 1/4	
8	4461246	1	Receptacle	
9	4711400	4	Washer 1/4	
10	4811400	8	Washer M4	
11	1001101191	1	Connector, Strain Relief	
12	1001101197	1	Adapter	
13	1001193018	1	Bracket, AC Receptacle	
14	1001205958	3	Terminal	

Go to Discount-Equipment.com to order your parts

SECTION 8 - ELECTRICAL

FIGURE 8-23. AC 16 AMP BREAKER BOX INSTALLATION



ART_1001183242

SECTION 8 - ELECTRICAL

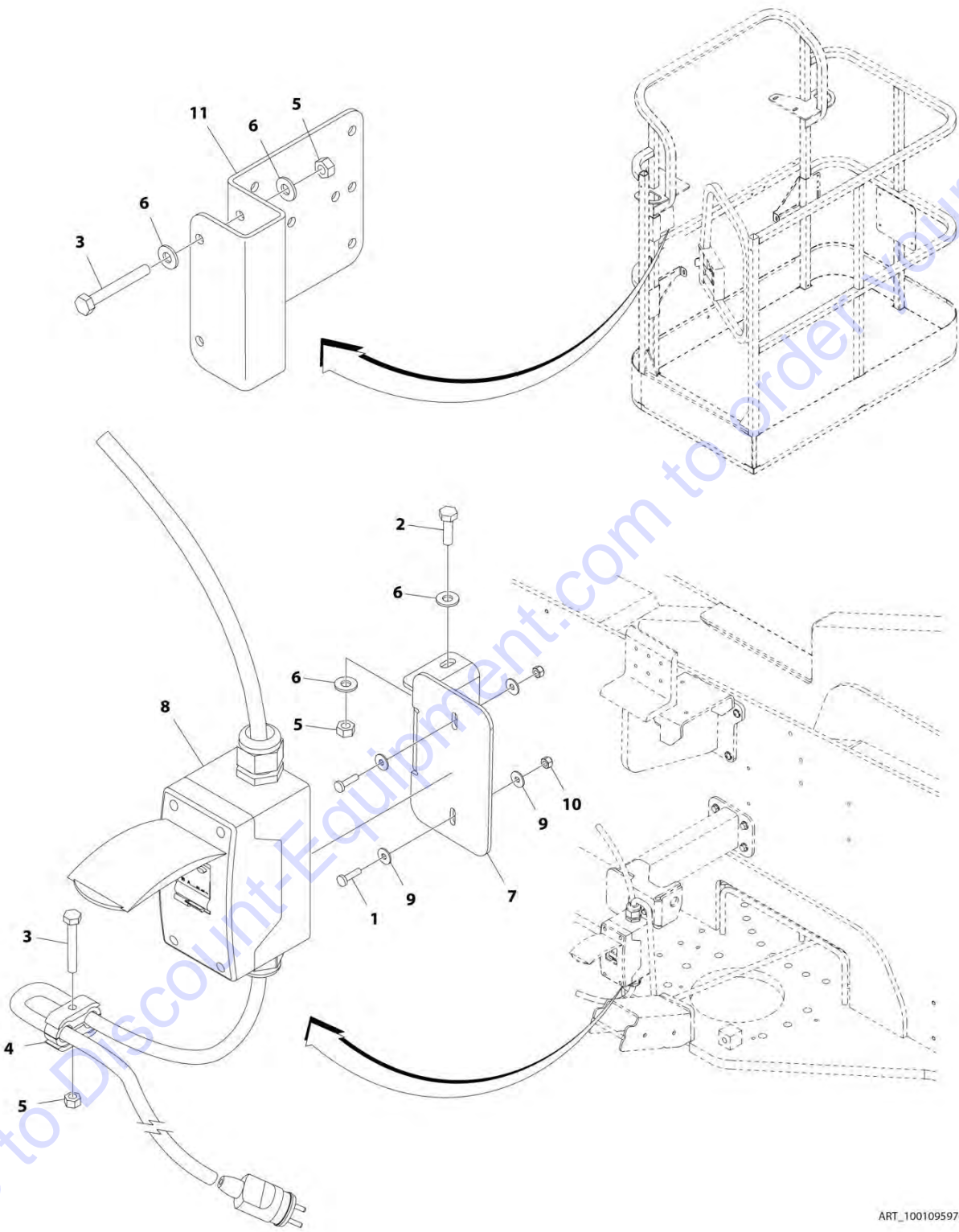
FIGURE 8-23. AC 16 AMP BREAKER BOX INSTALLATION

ITEM	PART NUMBER	QTY	DESCRIPTION	REV
	1001183242	Ref	AC 16 AMP BREAKER BOX INSTALLATION	A
1	0641407	2	Bolt 1/4 x 7/8	
2	0641610	3	Bolt 3/8 x 1-1/4	
3	3290405	2	Nut M4	
4	1001109654	1	Breaker Box Kit - 16 Amp (See Separate Breakdown in this Section)	
5	3311405	2	Nut 1/4	
6	4711400	4	Washer 1/4	
7	4010408	2	Screw M4 x 16	
8	4711600	3	Washer 3/8	
9	1001091102	4	Washer M4	
10	1001094915	1	Bracket	

Go to Discount-Equipment.com to order your parts

SECTION 8 - ELECTRICAL

FIGURE 8-24. AC 16 AMP BREAKER BOX INSTALLATION (CE SPECS)



ART_1001095976

SECTION 8 - ELECTRICAL

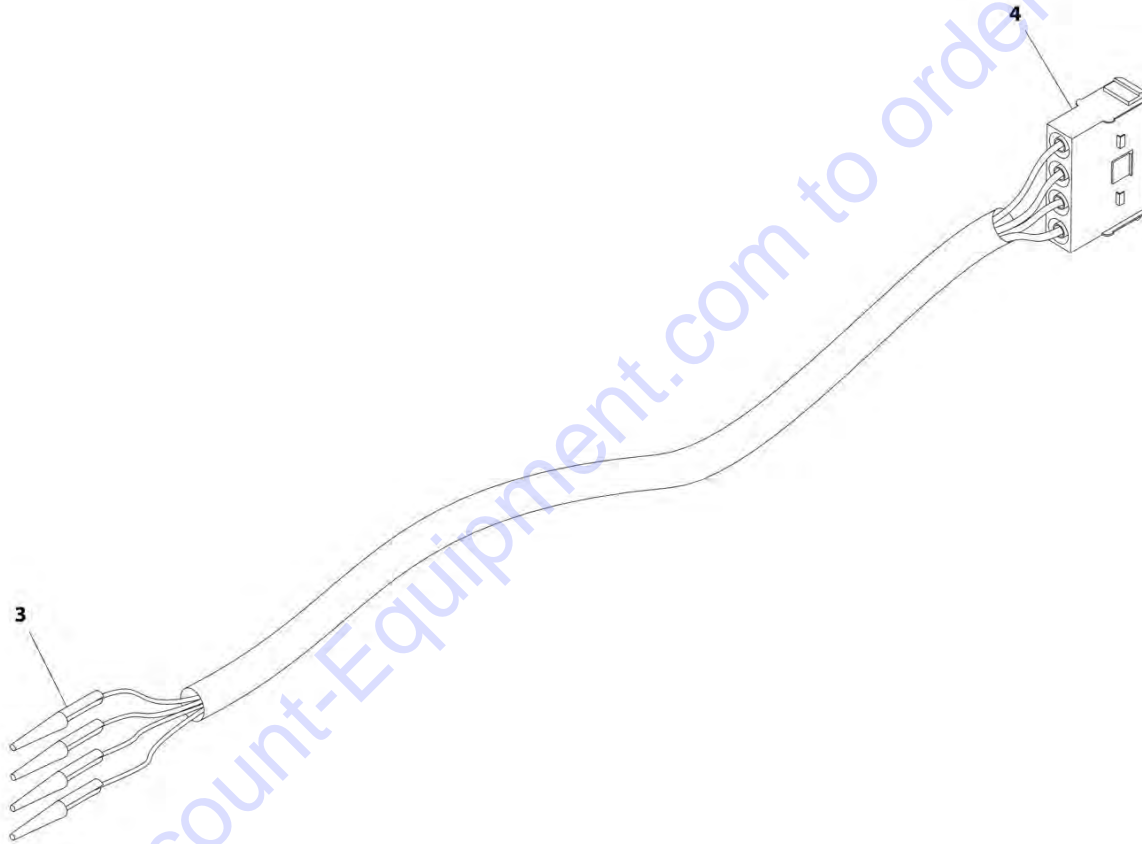
FIGURE 8-24. AC 16 AMP BREAKER BOX INSTALLATION (CE SPECS)

ITEM	PART NUMBER	QTY	DESCRIPTION	REV
	1001095976	Ref	AC 16 AMP BREAKER BOX INSTALLATION (CE SPECS)	D
1	4010408	2	Screw M4 x 16	
2	0641407	2	Bolt 1/4 x 7/8	
3	0641416	AR	Bolt 1/4 x 2	
4	1320146	1	Clamp	
5	3311405	AR	Nut 1/4	
6	4711400	AR	Washer 1/4	
7	1001094915	1	Bracket	
8	1001109654	1	Breaker Box Kit - 16 Amp (See Separate Breakdown in this Section)	
9	1001091102	4	Washer M4	
10	3290405	2	Nut M4	
11	0903484	1	Bracket (SN 0300201016 through 0300234780)	

Go to Discount-Equipment.com to order your parts

SECTION 8 - ELECTRICAL

FIGURE 8-25. ANALYZER CABLE HARNESS



ART_4922666

SECTION 8 - ELECTRICAL

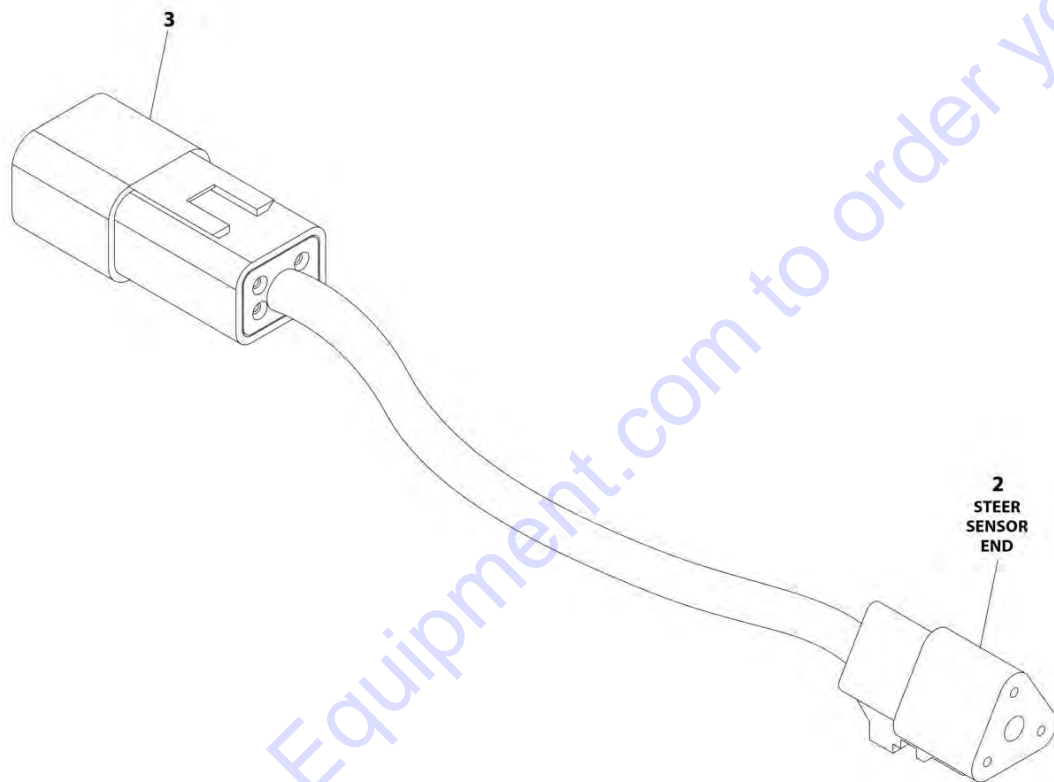
FIGURE 8-25. ANALYZER CABLE HARNESS

ITEM	PART NUMBER	QTY	DESCRIPTION	REV
	4922666	Ref	ANALYZER CABLE HARNESS	C
3	4460226	4	Socket, Female	
4	4460761	1	Connector - 4 Position	
4	4460227	4	Pin, Male	

Go to Discount-Equipment.com to order your parts

SECTION 8 - ELECTRICAL

FIGURE 8-26. AXLE POWER TRACK HARNESS ASSEMBLY



ART_4922718

SECTION 8 - ELECTRICAL

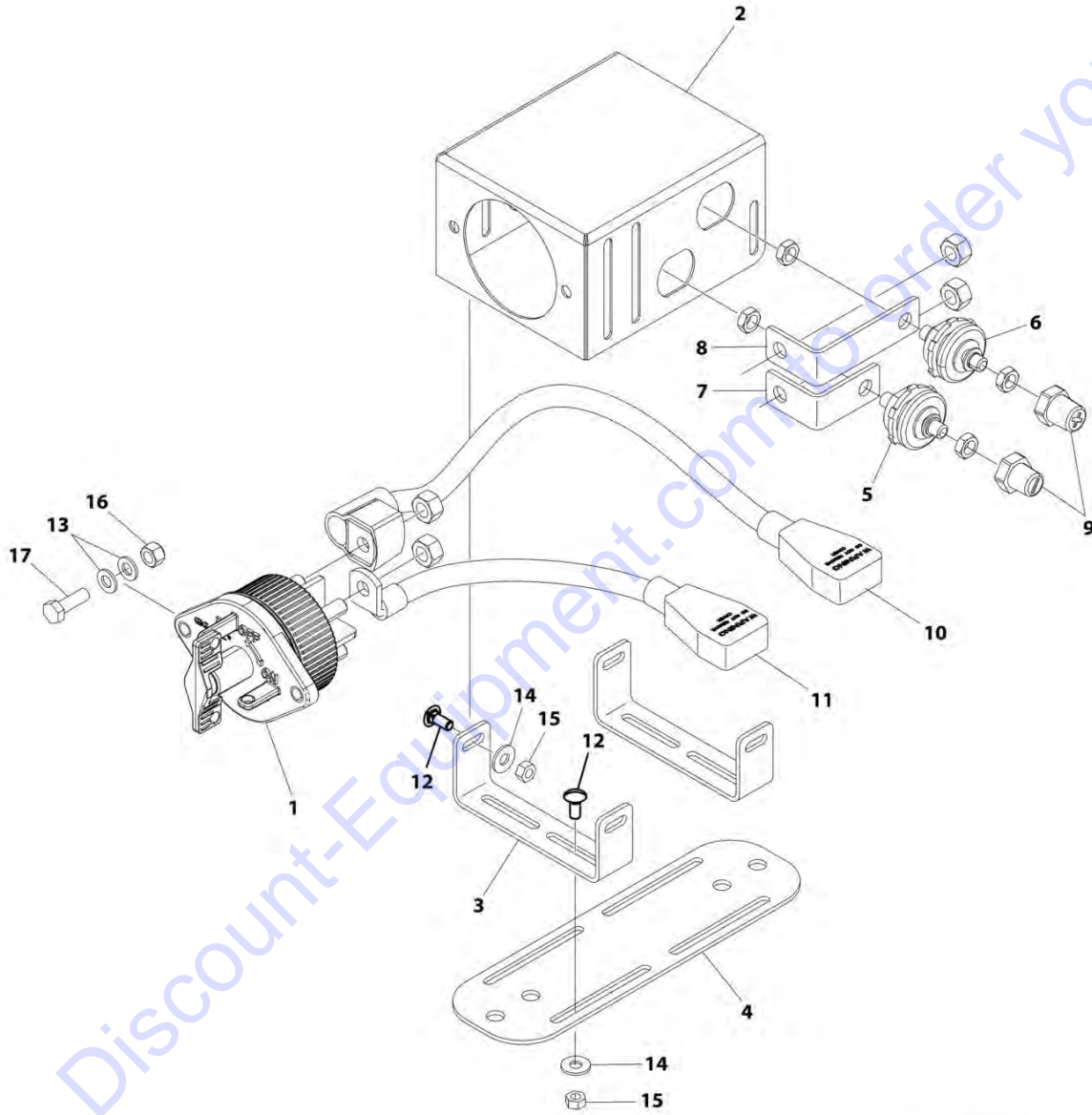
FIGURE 8-26. AXLE POWER TRACK HARNESS ASSEMBLY

ITEM	PART NUMBER	QTY	DESCRIPTION	REV
	4922718	Ref	AXLE POWER TRACK HARNESS ASSEMBLY	D
2	4460539	1	Connector - 3 Position	
2	4460944	3	Socket, Female	
3	4460932	1	Connector - 4 Position	
3	4460943	4	Pin, Male	

Go to Discount-Equipment.com to order your parts

SECTION 8 - ELECTRICAL

FIGURE 8-27. BATTERY DISCONNECT INSTALLATION



ART_1001241630

SECTION 8 - ELECTRICAL

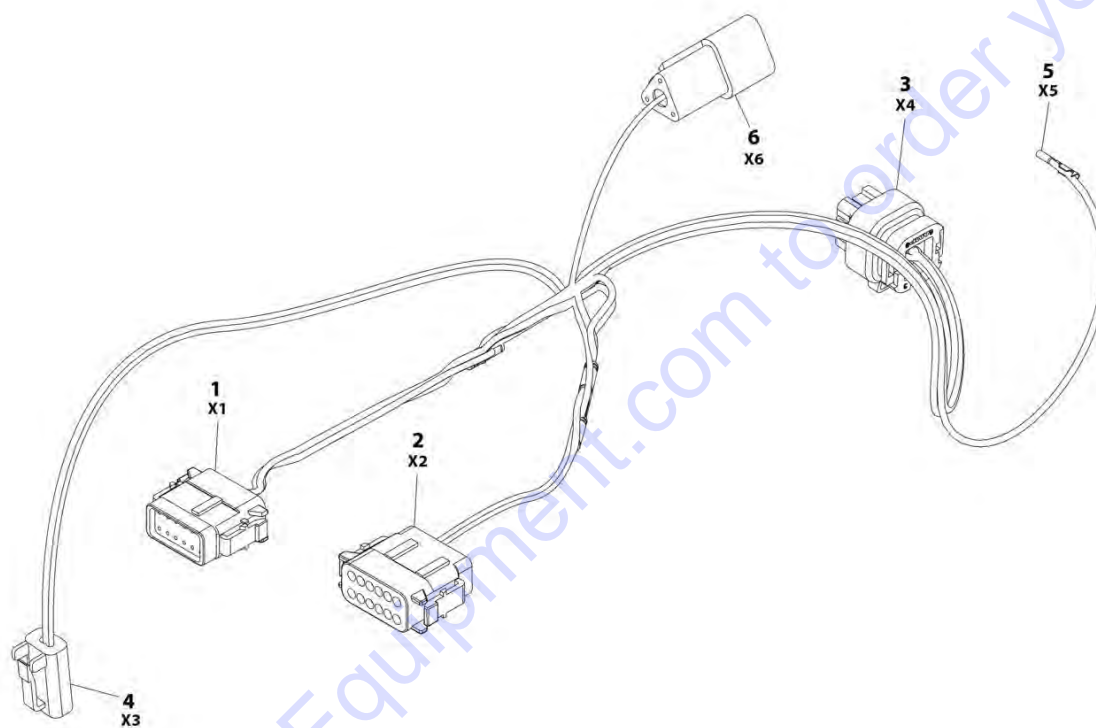
FIGURE 8-27. BATTERY DISCONNECT INSTALLATION

ITEM	PART NUMBER	QTY	DESCRIPTION	REV
	1001241630	Ref	BATTERY DISCONNECT INSTALLATION	A
1	1001225346	1	Switch, Disconnect	
2	1001226531	1	Mount	
3	1001239805	2	Mount	
4	1001241585	1	Plate	
5	1001214571	1	Connector (Black)	
6	1001214570	1	Connector (Red)	
7	1001209474	1	Buss bar	
8	1001209432	1	Buss bar	
9	1001206476	1	Connector	
10	1001236504	1	Cable (Positive)	
11	1001236505	1	Cable (Negative)	
12	88411013	8	Bolt 1/4 x 3/4	
13	4811900	4	Washer M8	
14	4751400	8	Washer 1/4	
15	3311405	8	Nut 1/4	
16	3290805	2	Nut M8	
17	0760812	2	Bolt M8 x 25	

Go to Discount-Equipment.com to order your parts

SECTION 8 - ELECTRICAL

FIGURE 8-28. BEACON CONTROL HARNESS (BLUE BEACON LIGHT ONLY)



ART_1001150944

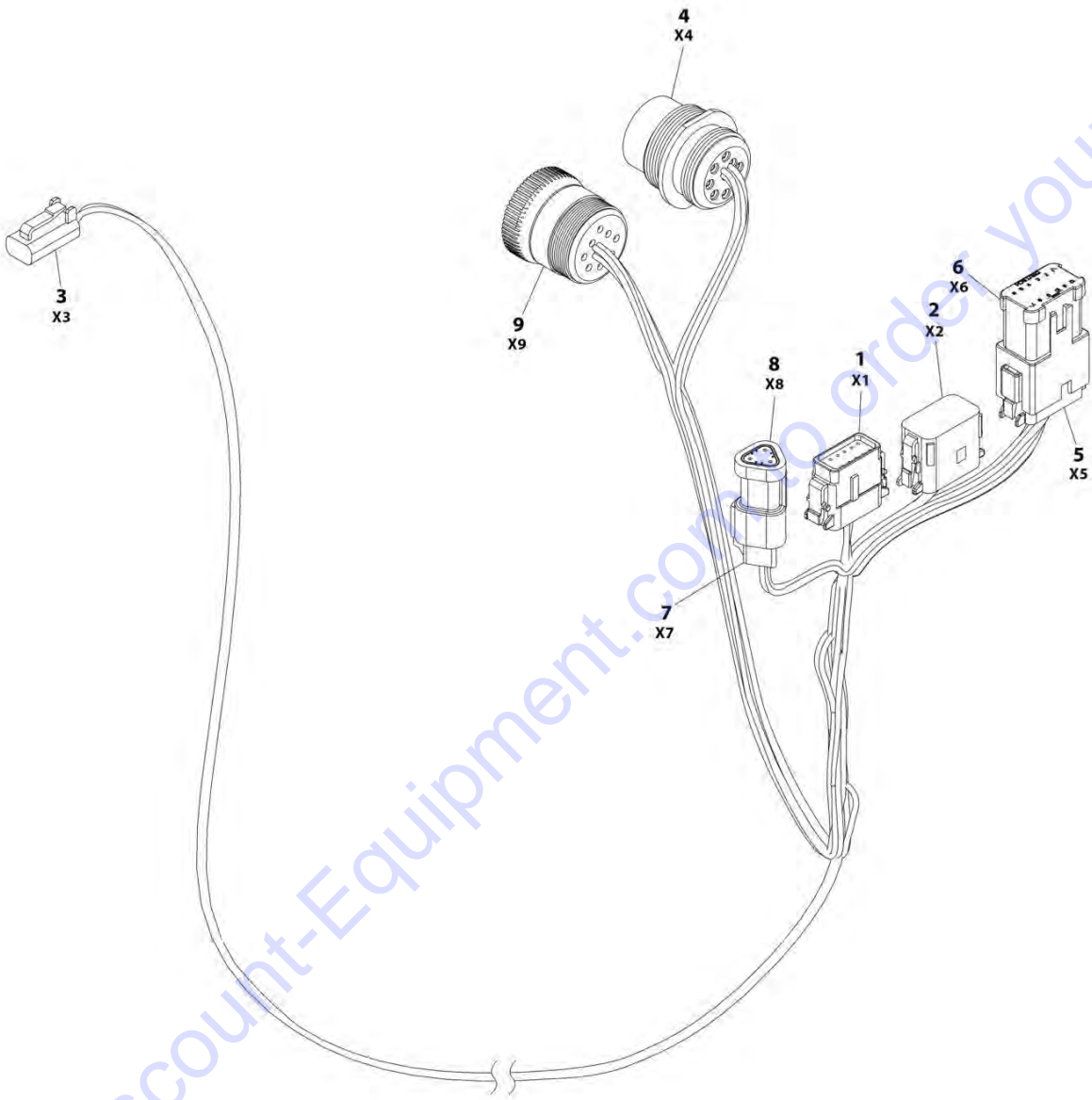
SECTION 8 - ELECTRICAL

FIGURE 8-28. BEACON CONTROL HARNESS (BLUE BEACON LIGHT ONLY)

ITEM	PART NUMBER	QTY	DESCRIPTION	REV
	1001150944	Ref	BEACON CONTROL HARNESS (BLUE BEACON LIGHT ONLY)	C
1	1001116808	1	Connector - 12 Position	
1	1001126008	3	Pin, Male	
1	4460518	9	Plug, Sealing	
2	1001116774	1	Connector - 12 Position	
2	1001116008	2	Pin, Male	
2	4460518	10	Plug, Sealing	
3	1001113961	1	Connector - 8 Position	
3	4460871	5	Socket, Female	
3	4460905	3	Plug, Sealing	
4	4460891	1	Connector - 2 Position	
4	4460465	2	Socket, Female	
5	4460871	1	Socket, Female	
6	4460536	1	Connector - 3 Position (SN 0300201016 through 0300207775)	
6	1001144147	1	Connector - 3 Position (SN 0300207776 to Present)	
6	4460464	2	Pin, Male	
6	4460466	1	Plug, Terminal	
6	1001116815	1	Connector - 3 Position	

SECTION 8 - ELECTRICAL

FIGURE 8-29. BEACON LIGHT HARNESS (BLUE BEACON LIGHT ONLY)



ART_1001142736

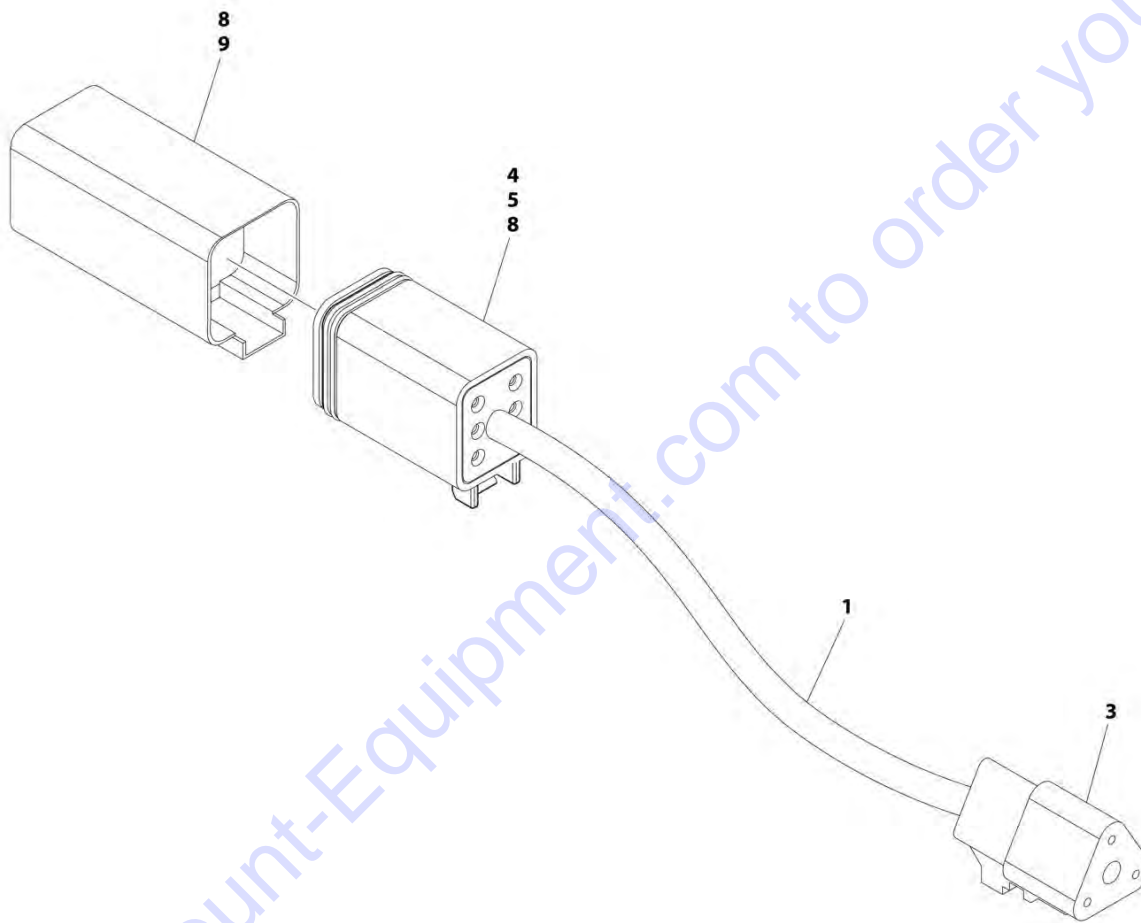
SECTION 8 - ELECTRICAL

FIGURE 8-29. BEACON LIGHT HARNESS (BLUE BEACON LIGHT ONLY)

ITEM	PART NUMBER	QTY	DESCRIPTION	REV
	1001142736	Ref	BEACON LIGHT HARNESS (BLUE BEACON LIGHT ONLY)	F
1	1001116808	1	Plug, Male - 12 Position	
1	4460928	3	Socket, Female	
1	4460518	9	Plug, Terminal	
2	1001116774	1	Plug, Male - 12 Position	
2	4460928	3	Socket, Female	
2	4460518	9	Plug, Terminal	
3	4460891	1	Plug, Male - 2 Position	
3	4460465	2	Socket, Female	
4	1001112612	1	Connector - 9 Position	
4	4460464	6	Pin, Male	
4	4460466	3	Plug, Terminal	
5	4460933	1	Plug, Male - 12 Position	
5	4460465	12	Socket, Female	
6	1001119020	1	Bussbar - 12 Position	
7	4461095	1	Plug, Male - 3 Position	
7	4460465	3	Socket, Female	
8	4461070	1	Bussbar - 3 Position	
9	1001112796	1	Connector - 9 Position	
9	4460465	6	Socket, Female	
9	4460466	3	Plug, Terminal	

SECTION 8 - ELECTRICAL

FIGURE 8-30. B.L.A.M. TO BOOM LENGTH SENSOR HARNESS



ART_4922716

SECTION 8 - ELECTRICAL

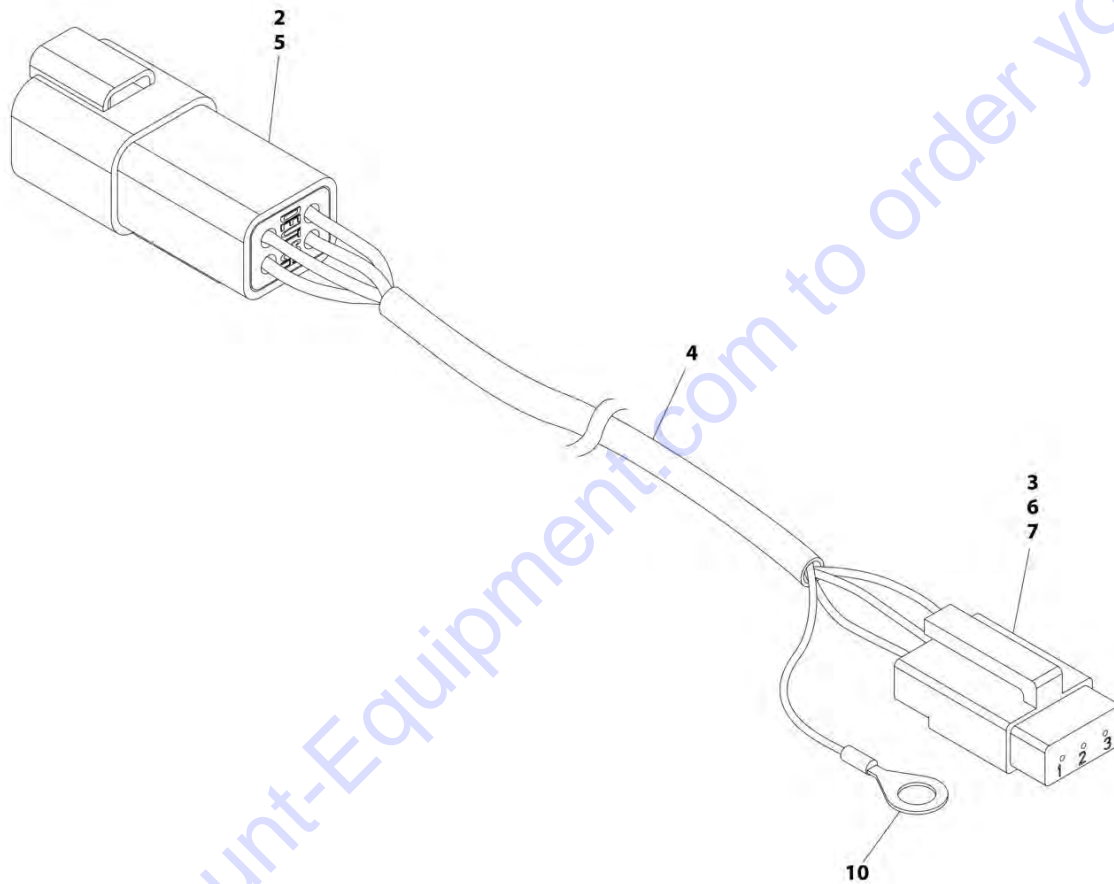
FIGURE 8-30. B.L.A.M. TO BOOM LENGTH SENSOR HARNESS

ITEM	PART NUMBER	QTY	DESCRIPTION	REV
	4922716	Ref	B.L.A.M. TO BOOM LENGTH SENSOR HARNESS	G
1	1060981	14 ft/ 4.3m	Cable, Electrical 18/3	
3	4460539	1	Connector - 3 Position	
4	4460944	7	Socket, Female (Gold)	
5	4460894	1	Plug, Male - 6 Position	
8	4460466	AR	Plug, Terminal	
9	4460899	1	Connector, Female - 6 Position (SN 0300235239 to Present, SN B300002238 to Present)	

Go to Discount-Equipment.com to order your parts

SECTION 8 - ELECTRICAL

FIGURE 8-31. B.L.A.M. TO BOOM ANGLE SENSOR HARNESS (LEFT SIDE)



ART_4922781

SECTION 8 - ELECTRICAL

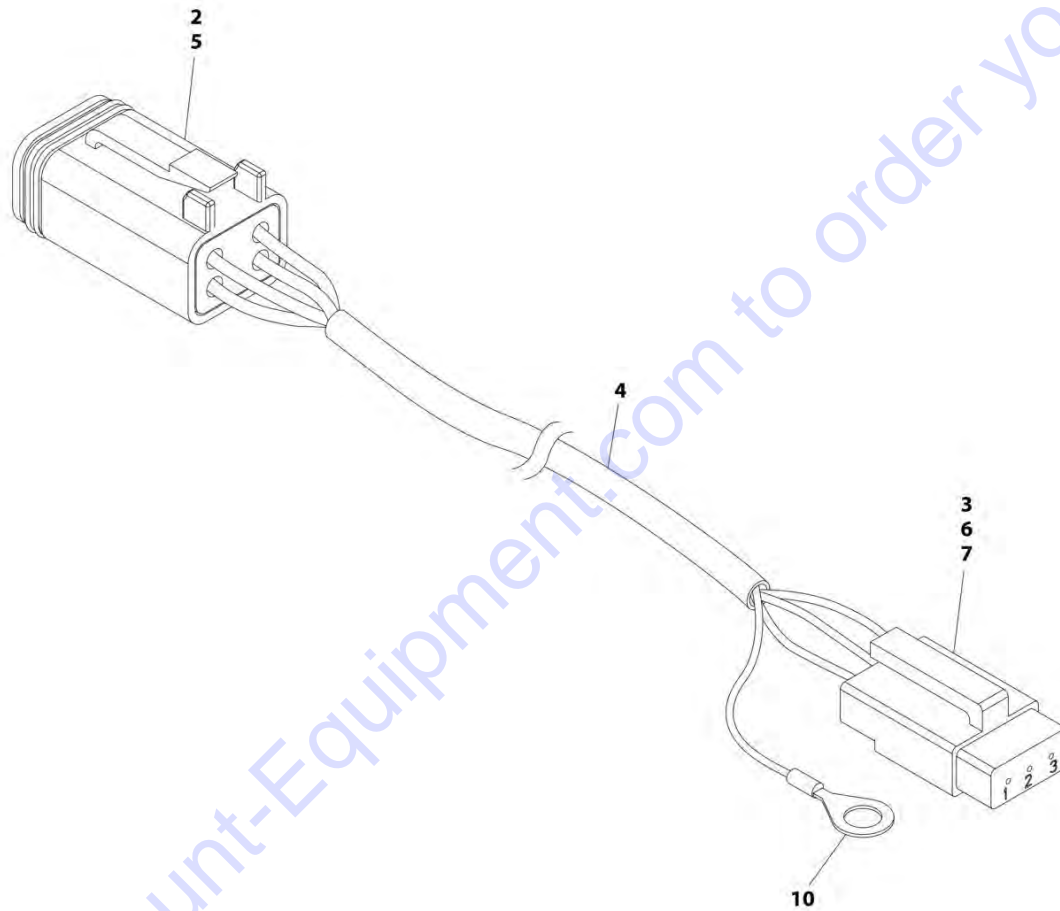
FIGURE 8-31. B.L.A.M. TO BOOM ANGLE SENSOR HARNESS (LEFT SIDE)

ITEM	PART NUMBER	QTY	DESCRIPTION	REV
	4922781	Ref	B.L.A.M. TO BOOM ANGLE SENSOR HARNESS (LEFT SIDE)	F
2	4460932	1	Connector, Female - 4 Position	
3	4460912	1	Lock, Wedge - Position	
4	1060982	16.2 ft/ 4.9m	Cable, Electrical 18/3	
5	4460943	4	Pin, Male 16 Ga	
6	4460911	1	Plug, Male - 3 Position	
7	4460918	3	Socket, Female (Gold)	
10	4460722	1	Terminal, Ring	

Go to Discount-Equipment.com to order your parts

SECTION 8 - ELECTRICAL

FIGURE 8-32. B.L.A.M. TO BOOM ANGLE SENSOR HARNESS (RIGHT SIDE)



ART_4922780

SECTION 8 - ELECTRICAL

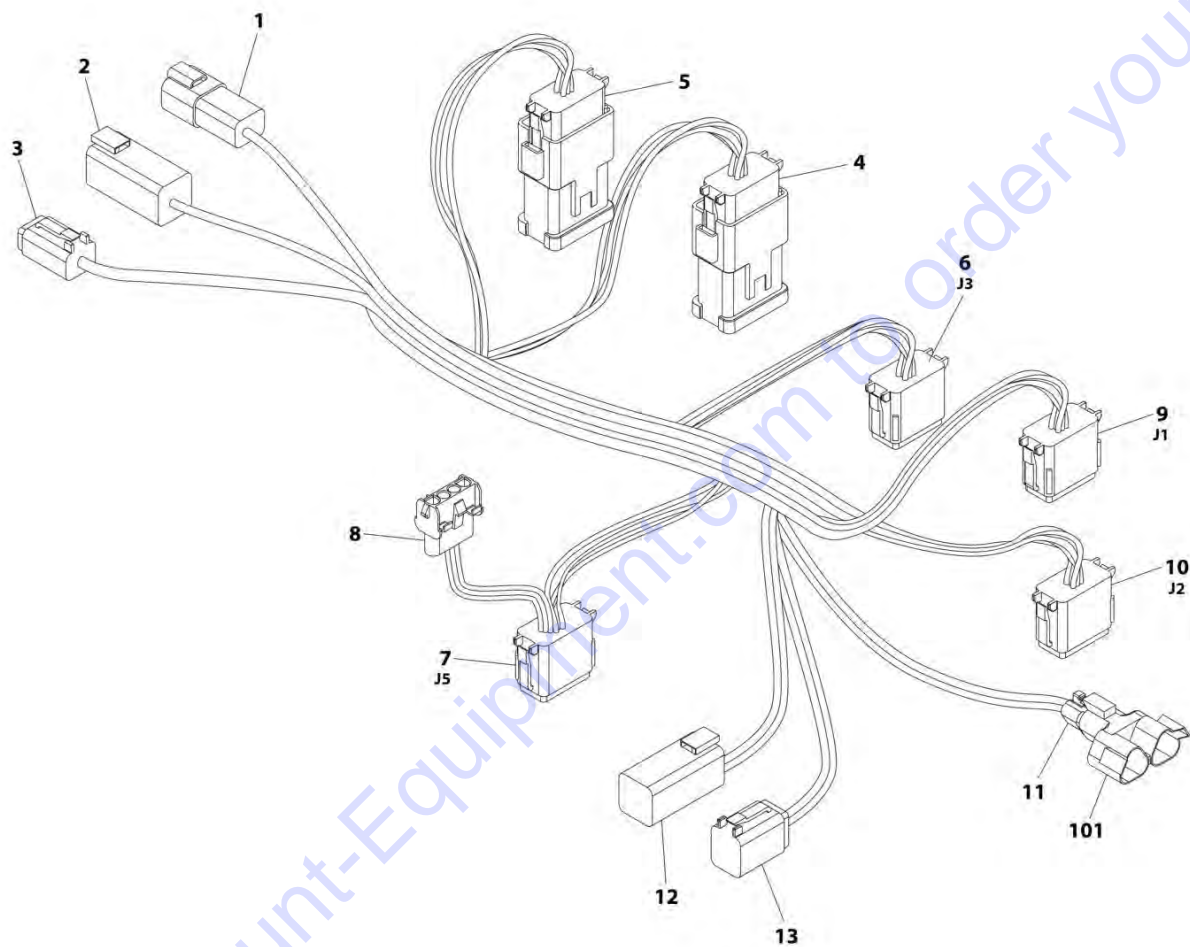
FIGURE 8-32. B.L.A.M. TO BOOM ANGLE SENSOR HARNESS (RIGHT SIDE)

ITEM	PART NUMBER	QTY	DESCRIPTION	REV
	4922780	Ref	B.L.A.M. TO BOOM ANGLE SENSOR HARNESS (RIGHT SIDE)	E
2	4460884	1	Connector, Gray - 4 Position	
3	4460912	1	Lock, Wedge - Position	
4	1060981	16.2 ft/ 4.9m	Cable, Electrical 18/3	
5	4460944	4	Socket, Female (Gold)	
6	4460911	1	Plug, Male - 3 Position	
7	4460918	3	Socket, Female (Gold)	
10	4460722	1	Terminal, Ring	

Go to Discount-Equipment.com to order your parts

SECTION 8 - ELECTRICAL

FIGURE 8-33. B.L.A.M. HARNESS



ART_4922786

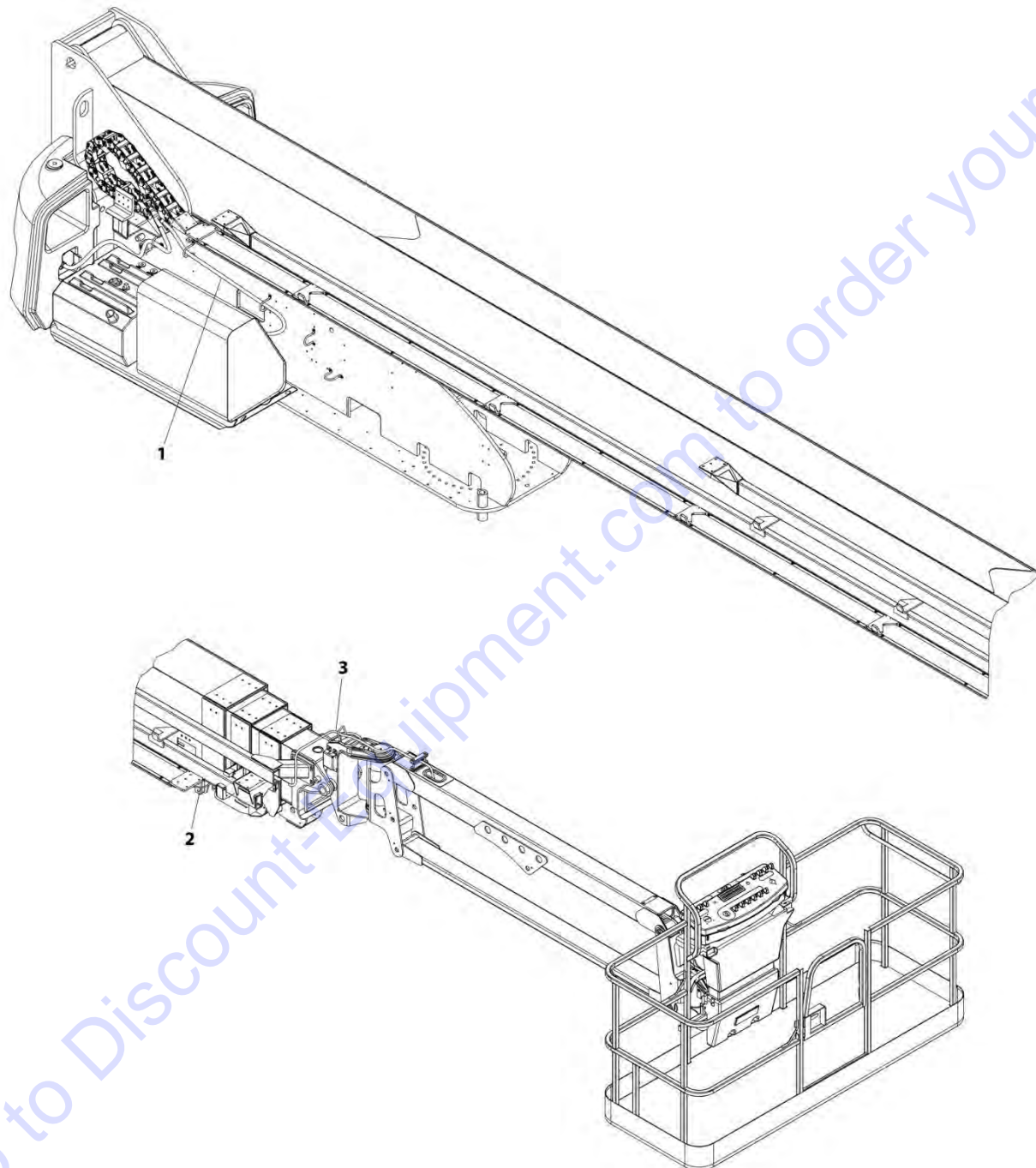
SECTION 8 - ELECTRICAL

FIGURE 8-33. B.L.A.M. HARNESS

ITEM	PART NUMBER	QTY	DESCRIPTION	REV
	4922786	Ref	B.L.A.M. HARNESS	C/4
1	4460932	1	Connector - 4 Position (Gray)	
1	4460943	4	Pin, Male	
2	4460899	1	Connector, Female - 6 Position	
2	4460943	4	Pin, Male (Gold)	
2	4460466	2	Plug, Seal	
3	4460884	1	Connector - 4 Position (Gray)	
3	4460944	4	Socket, Female	
4	4460836	1	Connector - 12 Position (Black)	
4	4460466	8	Plug, Seal	
4	4460465	4	Socket, Female	
4	4460942	2	Socket, Female	
4	4460837	1	Connector - 12 Position Buss Bar	
5	4460836	1	Plug, Male - 12 Position (Black)	
5	4460466	6	Plug, Seal	
5	4460944	5	Socket, Female	
5	4460465	1	Socket, Female	
5	4460837	1	Connector - 12 Position Buss Bar	
6	4460934	1	Connector, Green - 12 Position	
6	4460466	7	Plug, Seal	
6	4460944	3	Socket, Female	
6	4460465	2	Socket, Female	
7	4460935	1	Connector - 12 Position (Green)	
7	4460466	5	Plug, Seal	
7	4460465	2	Socket, Female	
8	4922705	1	Analyzer Harness	
8	4460761	1	Connector, Female - 4 Position	
8	4460227	4	Pin, Male	
8	4460465	4	Socket, Female	
9	4460933	1	Connector - 12 Position (Gray)	
9	4460466	7	Plug, Seal	
9	4460944	3	Socket, Female	
9	4460465	1	Socket, Female	
9	4460942	1	Socket, Female	
10	4460836	1	Connector - 12 Position (Black)	
10	4460466	8	Plug, Seal	
10	4460944	2	Socket, Female	
10	4460465	2	Socket, Female	
11	4460966	1	Plug, Male - 3 Position (Green Lock)	
11	4460944	3	Socket, Female	
12	4460899	1	Connector, Female - 6 Position	
12	4460465	3	Socket, Female	
12	4460464	3	Plug, Seal	
13	4460894	1	Connector - 6 Position (Gray)	
13	4460465	4	Socket, Female	
13	4460466	2	Plug, Seal	
14	4240033	AR	Tie-Strap (Not Shown)	
101	4460945	1	Connector, Female - 3 Way	

SECTION 8 - ELECTRICAL

FIGURE 8-34. BOOM CABLES INSTALLATION - 1200SJP (ANSI, ANSI EXPORT, CHINA, CSA AND JAPANESE SPECS)



ART_0271932

SECTION 8 - ELECTRICAL

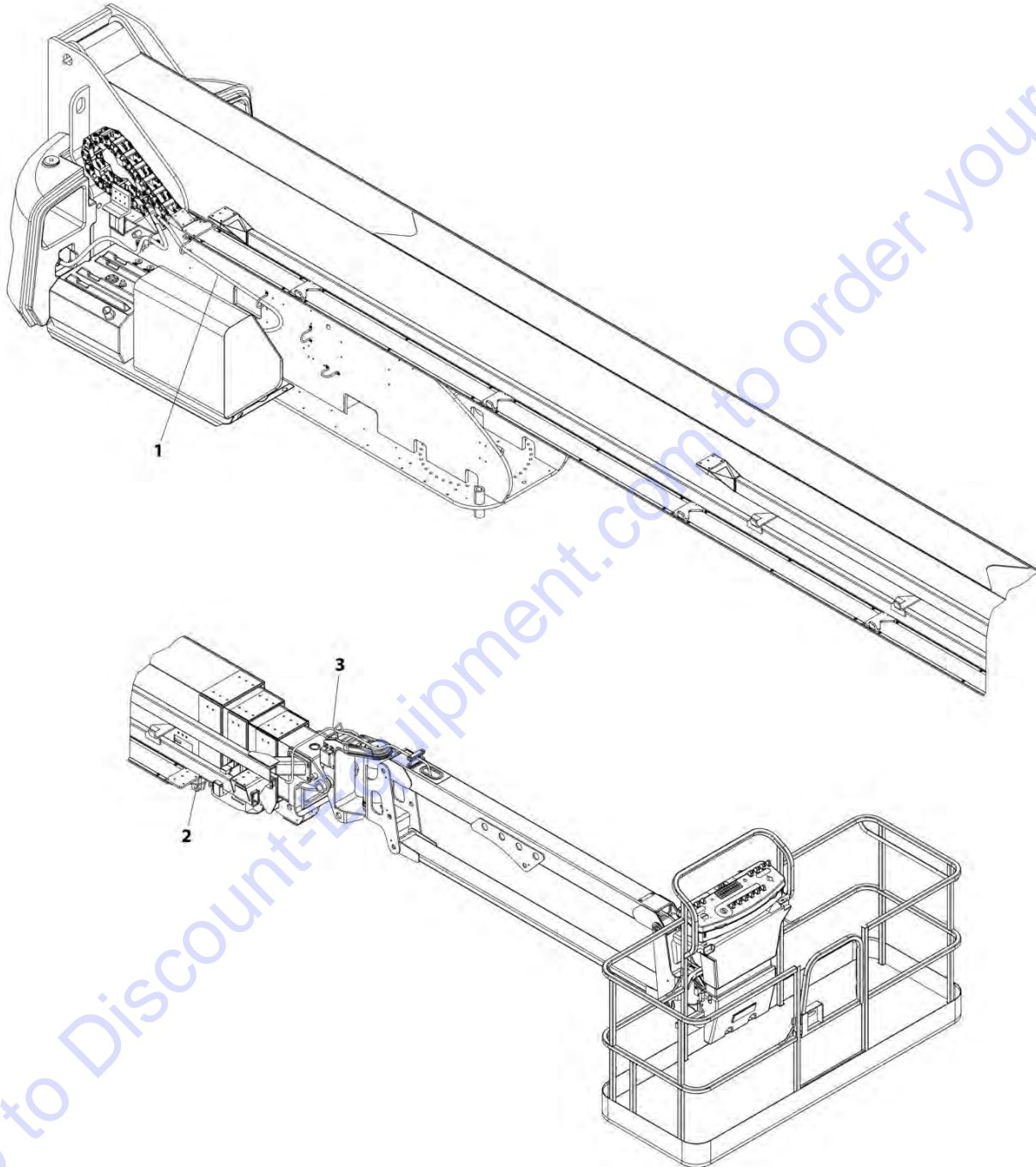
FIGURE 8-34. BOOM CABLES INSTALLATION - 1200SJP (ANSI, ANSI EXPORT, CHINA, CSA AND JAPANESE SPECS)

ITEM	PART NUMBER	QTY	DESCRIPTION	REV
	0271932	Ref	BOOM CABLES INSTALLATION - 1200SJP (ANSI, ANSI EXPORT, CHINA, CSA AND JAPANESE SPECS)	D
1	4922759	1	Harness, 10/3 AC	
2	4922763	1	Harness, 18/3 Transport Switch	
3	4922672	1	Harness, Main Boom Control (See Separate Breakdown in this Section)	

Go to Discount-Equipment.com to order your parts

SECTION 8 - ELECTRICAL

FIGURE 8-35. BOOM CABLES INSTALLATION - 1350SJP (ANSI, ANSI EXPORT, CHINA, CSA AND JAPANESE SPECS)



ART_0271951

SECTION 8 - ELECTRICAL

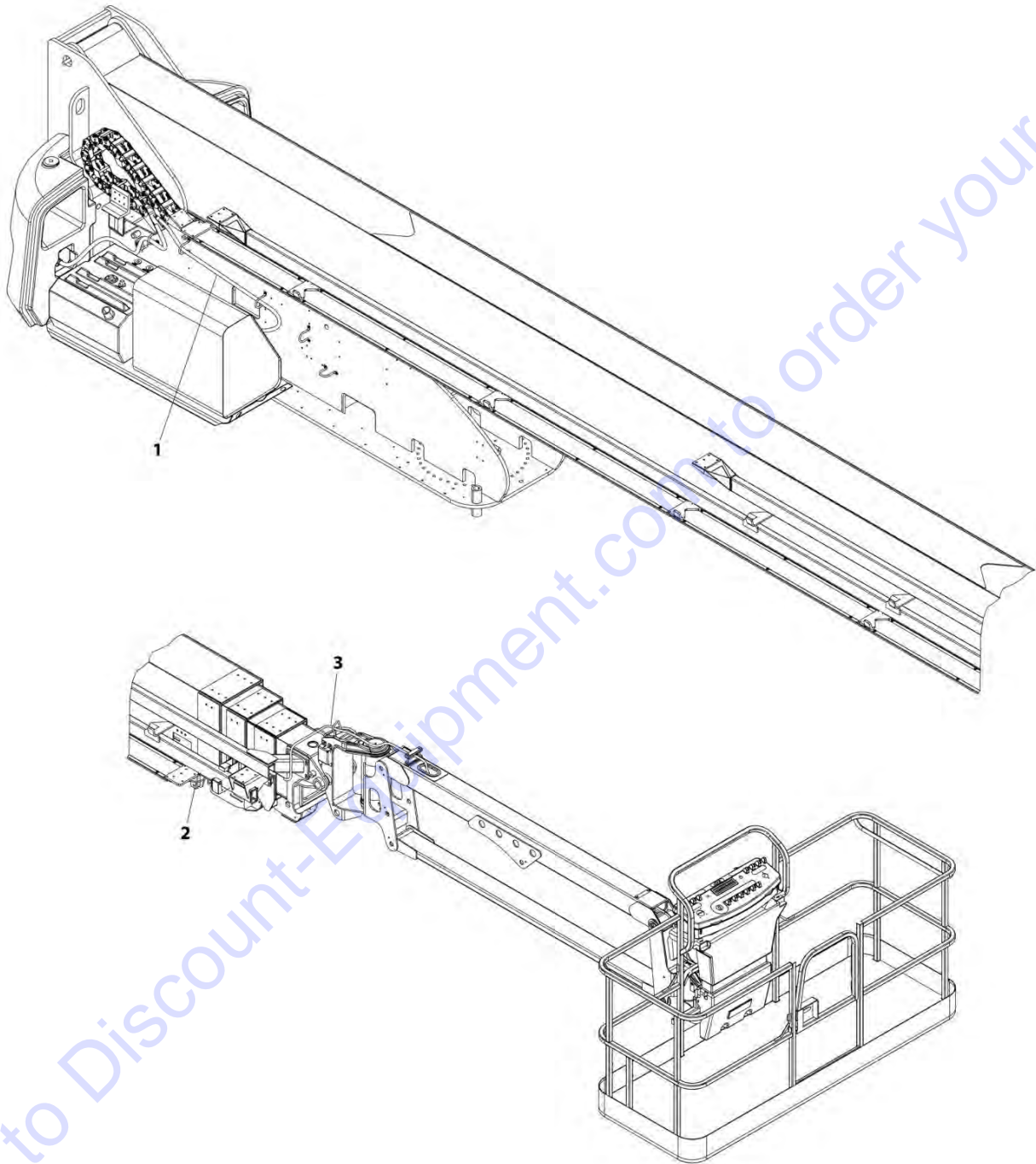
FIGURE 8-35. BOOM CABLES INSTALLATION - 1350SJP (ANSI, ANSI EXPORT, CHINA, CSA AND JAPANESE SPECS)

ITEM	PART NUMBER	QTY	DESCRIPTION	REV
	0271951	Ref	BOOM CABLES INSTALLATION - 1350SJP (ANSI, ANSI EXPORT, CHINA, CSA AND JAPANESE SPECS)	D
1	4922758	1	Harness, 10/3 AC	
2	4922762	1	Harness, 18/3 Transport Switch	
3	4922673	1	Harness, Main Boom Control (See Separate Breakdown in this Section)	

Go to Discount-Equipment.com to order your parts

SECTION 8 - ELECTRICAL

FIGURE 8-36. BOOM CABLES INSTALLATION - 1200SJP (AUSTRALIAN AND CE SPECS)



ART_0271950

SECTION 8 - ELECTRICAL

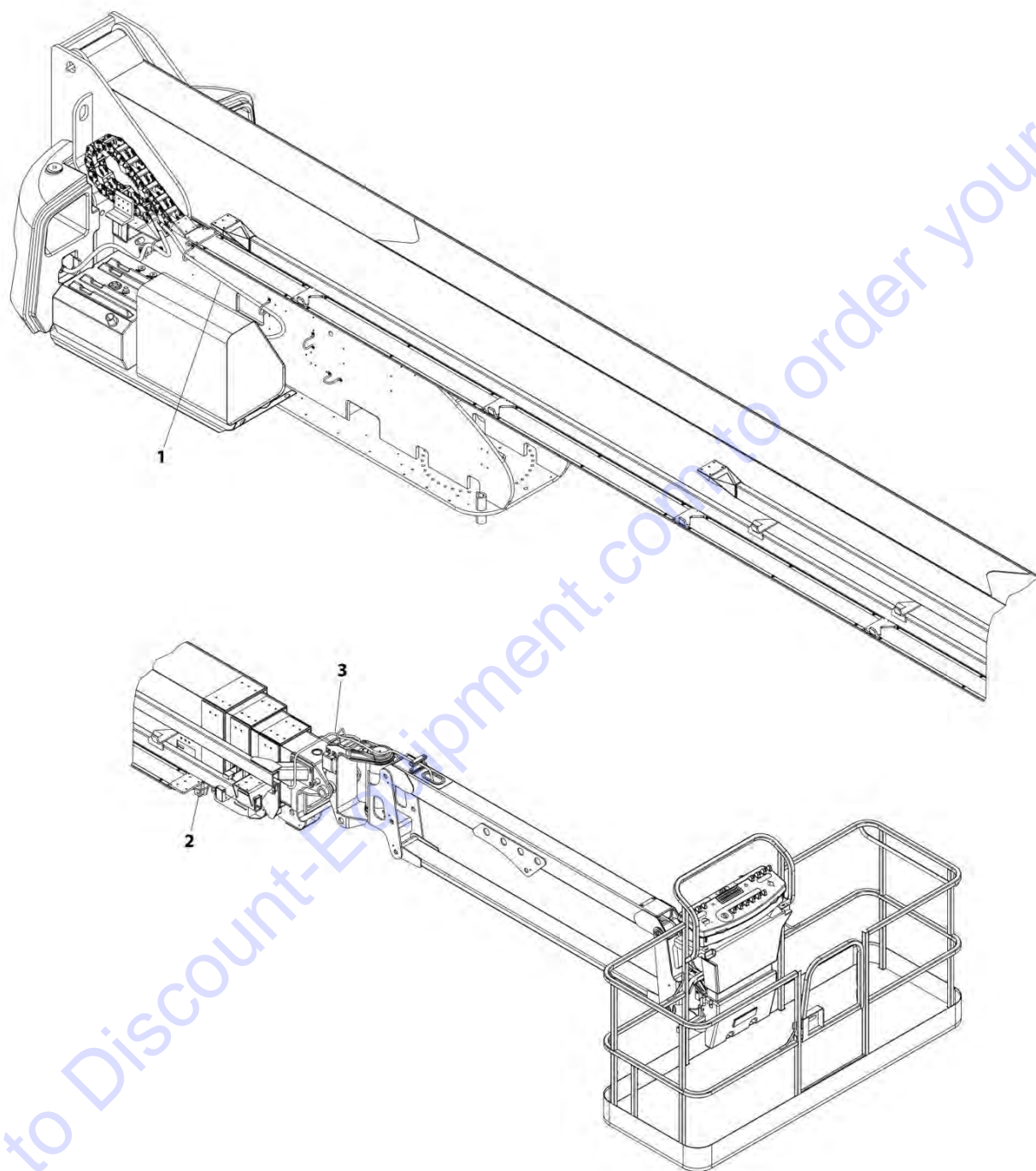
FIGURE 8-36. BOOM CABLES INSTALLATION - 1200SJP (AUSTRALIAN AND CE SPECS)

ITEM	PART NUMBER	QTY	DESCRIPTION	REV
	0271950	Ref	BOOM CABLES INSTALLATION - 1200SJP (AUSTRALIAN AND CE SPECS)	D
1	4922761	1	Harness, 10/3 AC	
2	4922763	1	Harness, 18/3 Transport Switch	
3	4922672	1	Harness, Main Boom Control (See Separate Breakdown in this Section)	

Go to Discount-Equipment.com to order your parts

SECTION 8 - ELECTRICAL

FIGURE 8-37. BOOM CABLES INSTALLATION - 1350SJP (AUSTRALIAN AND CE SPECS)



ART_0271952

SECTION 8 - ELECTRICAL

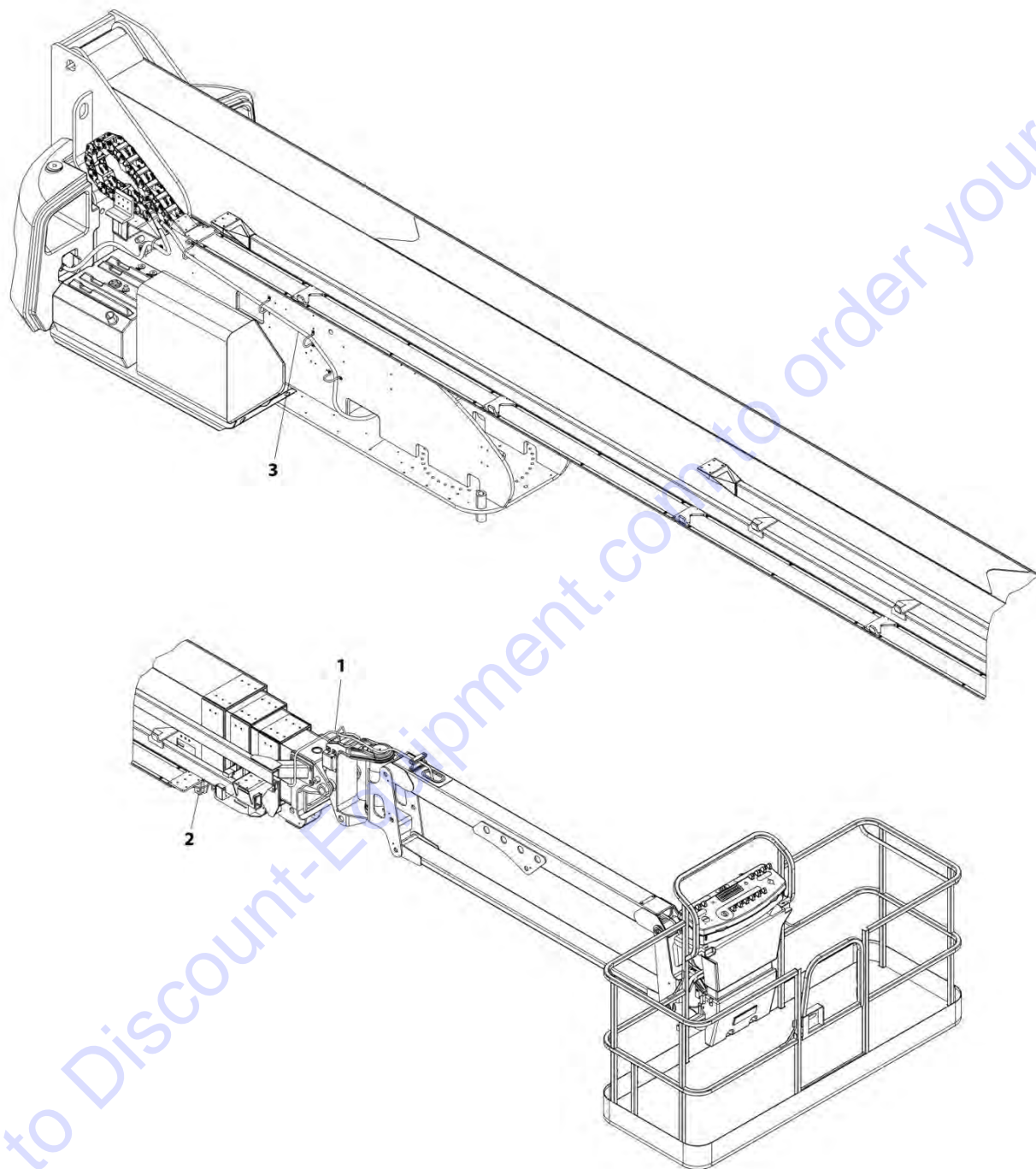
FIGURE 8-37. BOOM CABLES INSTALLATION - 1350SJP (AUSTRALIAN AND CE SPECS)

ITEM	PART NUMBER	QTY	DESCRIPTION	REV
	0271952	Ref	BOOM CABLES INSTALLATION - 1350SJP (AUSTRALIAN AND CE SPECS)	D
1	4922760	1	Harness, 10/3 AC	
2	4922762	1	Harness, 18/3 Transport Switch	
3	4922673	1	Harness, Main Boom Control (See Separate Breakdown in this Section)	

Go to Discount-Equipment.com to order your parts

SECTION 8 - ELECTRICAL

FIGURE 8-38. BOOM CABLES INSTALLATION - 1200SJP WITH 4000W GENERATOR



ART_1001161048

SECTION 8 - ELECTRICAL

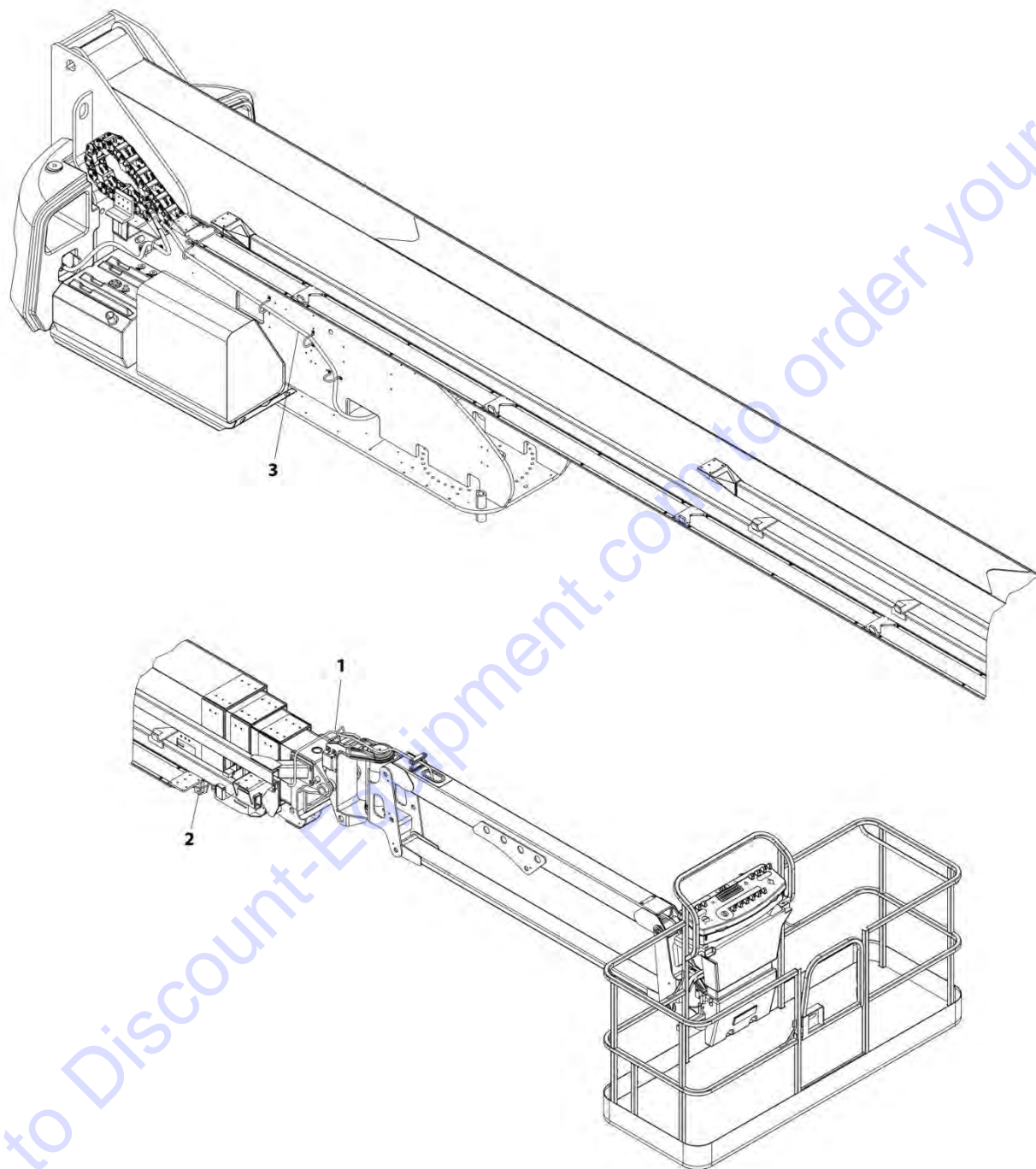
FIGURE 8-38. BOOM CABLES INSTALLATION - 1200SJP WITH 4000W GENERATOR

ITEM	PART NUMBER	QTY	DESCRIPTION	REV
	1001161048	Ref	BOOM CABLES INSTALLATION - 1200SJP WITH 4000W GENERATOR	A
1	4922673	1	Harness, Main Boom Control (See Separate Breakdown in this Section)	
2	4922762	1	Harness, 18/3 Transport Switch	
3	1001161041	1	Harness, 8/4 Generator	
3	1001131969	152 ft /46.3m	Cable, Electrical 8/4	

Go to Discount-Equipment.com to order your parts

SECTION 8 - ELECTRICAL

FIGURE 8-39. BOOM CABLES INSTALLATION – 1350SJP WITH 4000W GENERATOR



ART_1001161050

SECTION 8 - ELECTRICAL

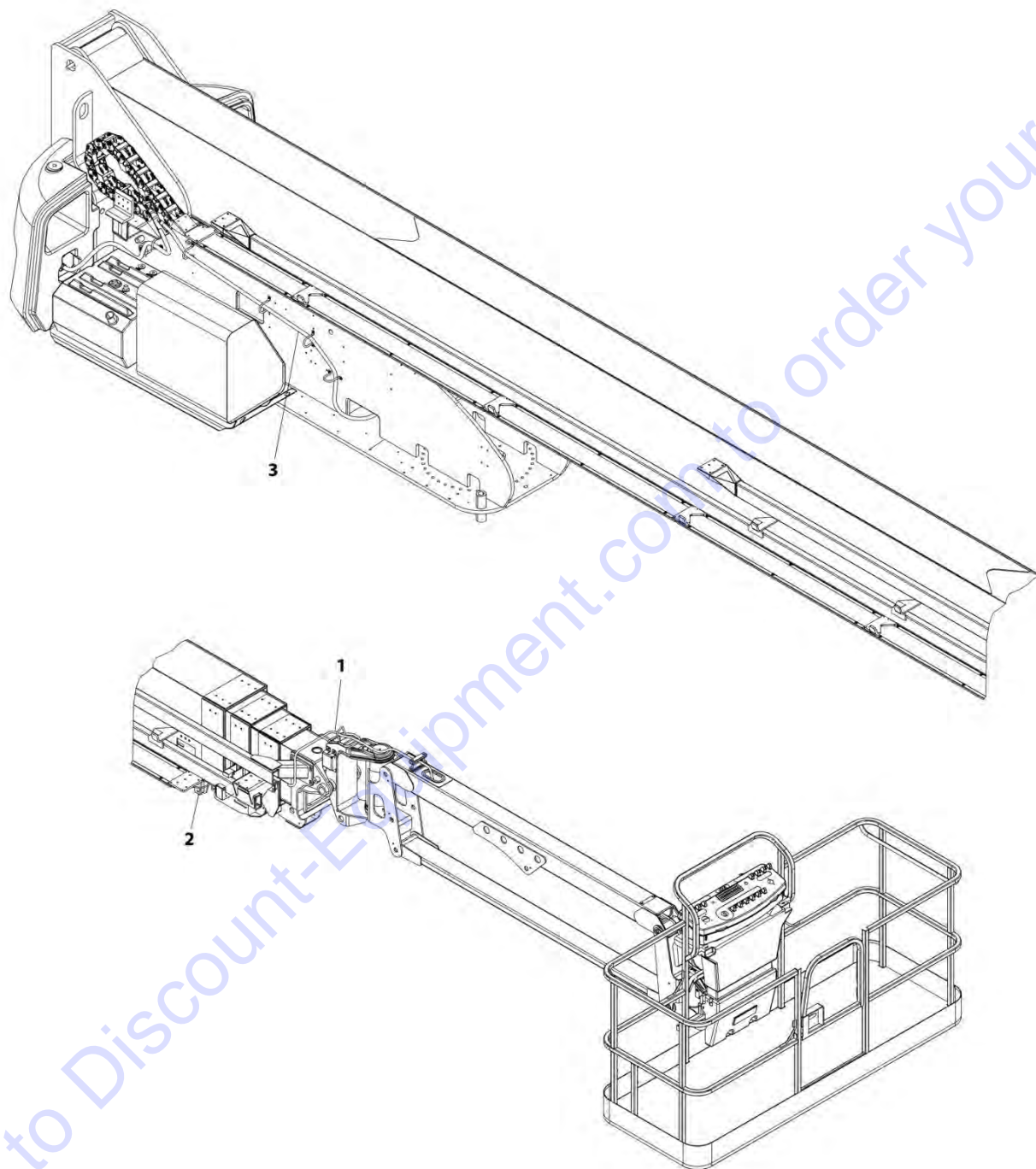
FIGURE 8-39. BOOM CABLES INSTALLATION – 1350SJP WITH 4000W GENERATOR

ITEM	PART NUMBER	QTY	DESCRIPTION	REV
	1001161050	Ref	BOOM CABLES INSTALLATION – 1350SJP WITH 4000W GENERATOR	A
1	4922673	1	Harness, Main Boom Control (See Separate Breakdown in this Section)	
2	4922762	1	Harness, 18/3 Transport Switch	
3	1001161044	1	Harness, Generator	
3	1001131969	168 ft /51.2m	Cable, Electrical 8/4	

Go to Discount-Equipment.com to order your parts

SECTION 8 - ELECTRICAL

FIGURE 8-40. BOOM CABLES INSTALLATION - 1200SJP WITH 7500W GENERATOR



ART_0273854

SECTION 8 - ELECTRICAL

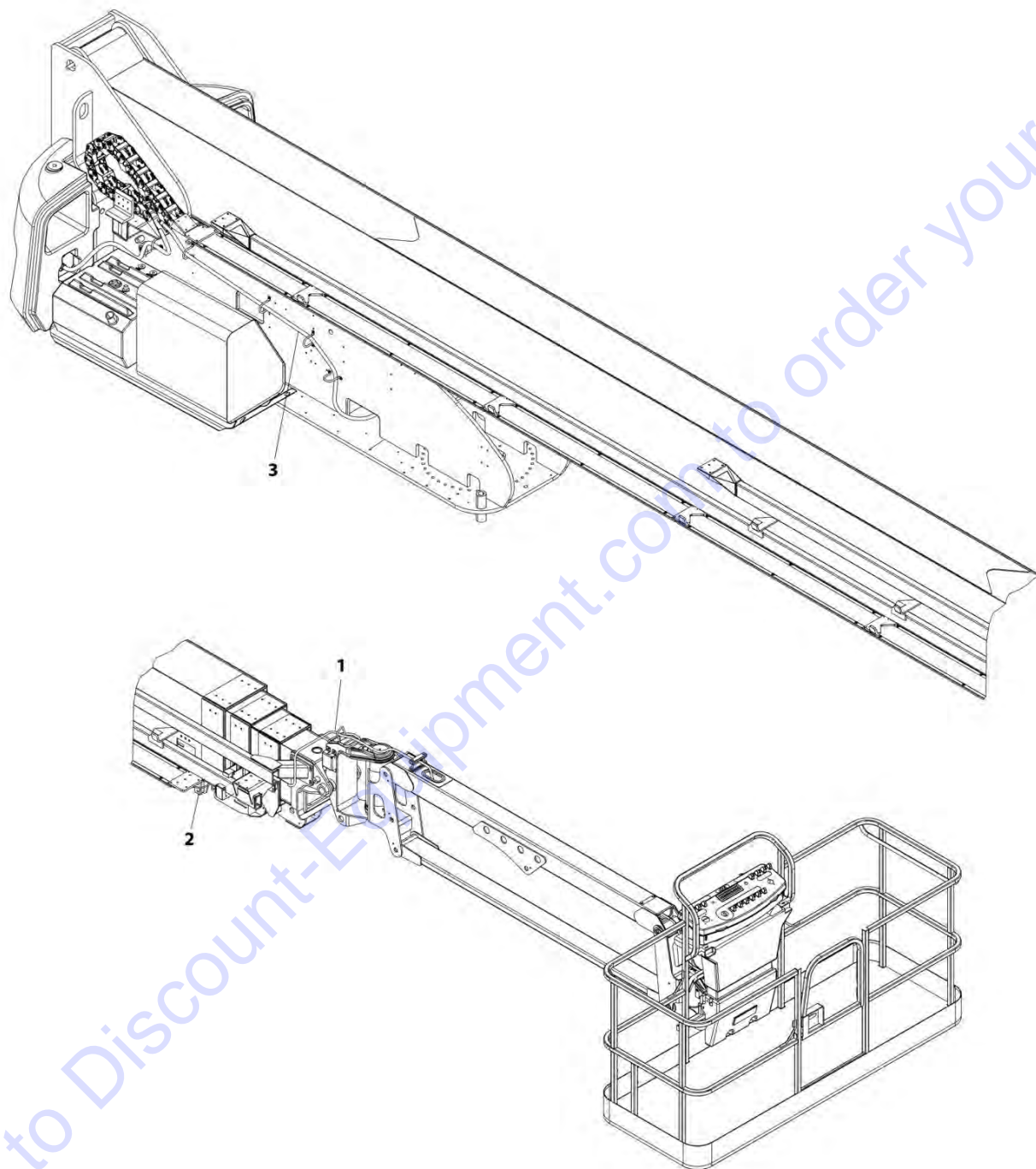
FIGURE 8-40. BOOM CABLES INSTALLATION - 1200SJP WITH 7500W GENERATOR

ITEM	PART NUMBER	QTY	DESCRIPTION	REV
	0273854	Ref	BOOM CABLES INSTALLATION - 1200SJP WITH 7500W GENERATOR	A
1	4922672	1	Harness, Main Boom Control (See Separate Breakdown in this Section)	
2	4922763	1	Harness, 18/3 Transport Switch	
3	4922796	1	Harness, Generator	

Go to Discount-Equipment.com to order your parts

SECTION 8 - ELECTRICAL

FIGURE 8-41. BOOM CABLES INSTALLATION - 1350SJP WITH 7500W GENERATOR



ART_0273855

SECTION 8 - ELECTRICAL

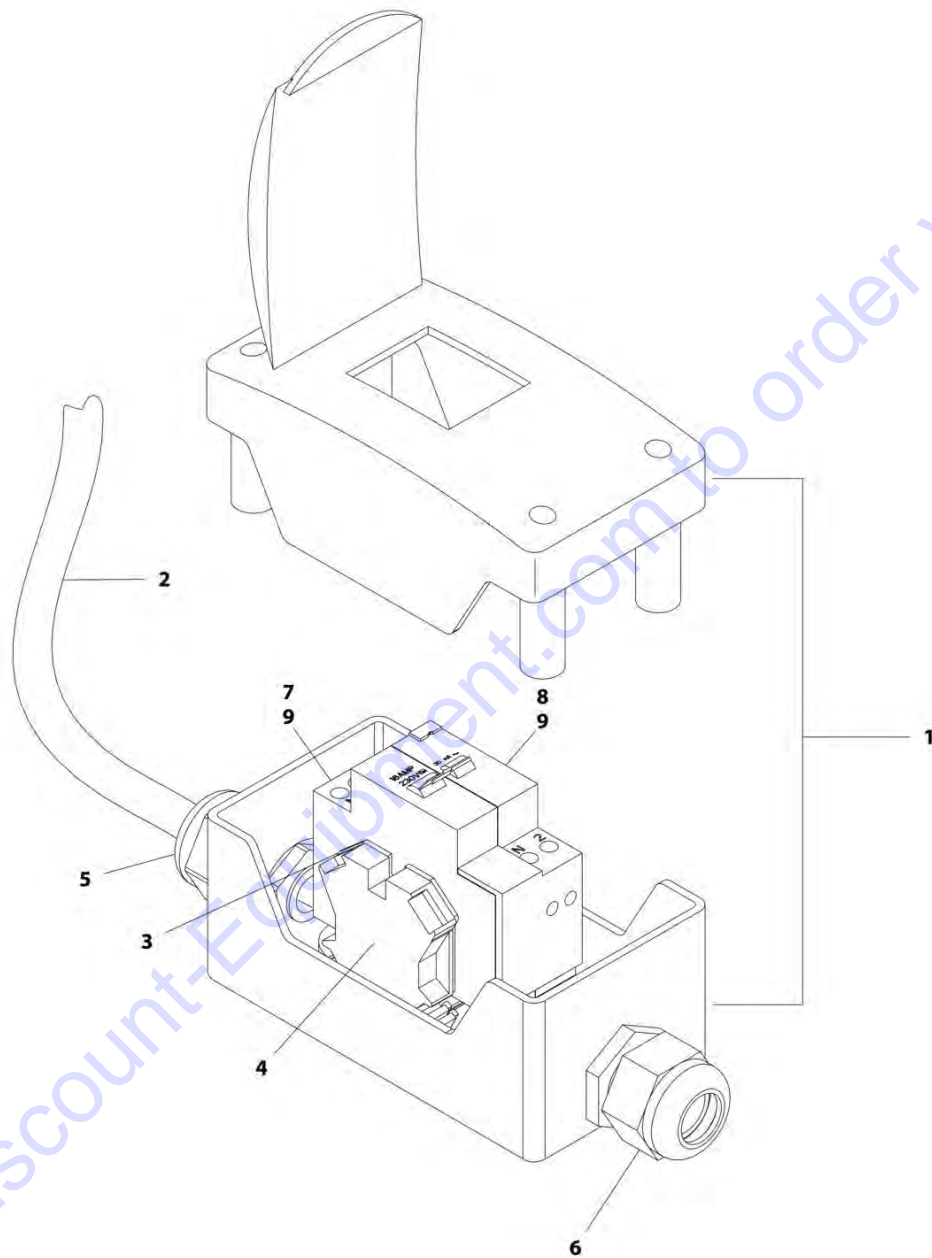
FIGURE 8-41. BOOM CABLES INSTALLATION - 1350SJP WITH 7500W GENERATOR

ITEM	PART NUMBER	QTY	DESCRIPTION	REV
	0273855	Ref	BOOM CABLES INSTALLATION - 1350SJP WITH 7500W GENERATOR	A
1	4922673	1	Harness, Main Boom Control (See Separate Breakdown in this Section)	
2	4922762	1	Harness, 18/3 Transport Switch	
3	4922795	1	Harness, Generator	

Go to Discount-Equipment.com to order your parts

SECTION 8 - ELECTRICAL

FIGURE 8-42. BREAKER BOX KIT - 16 AMP (2500W GENERATOR)



ART_1001109654

SECTION 8 - ELECTRICAL

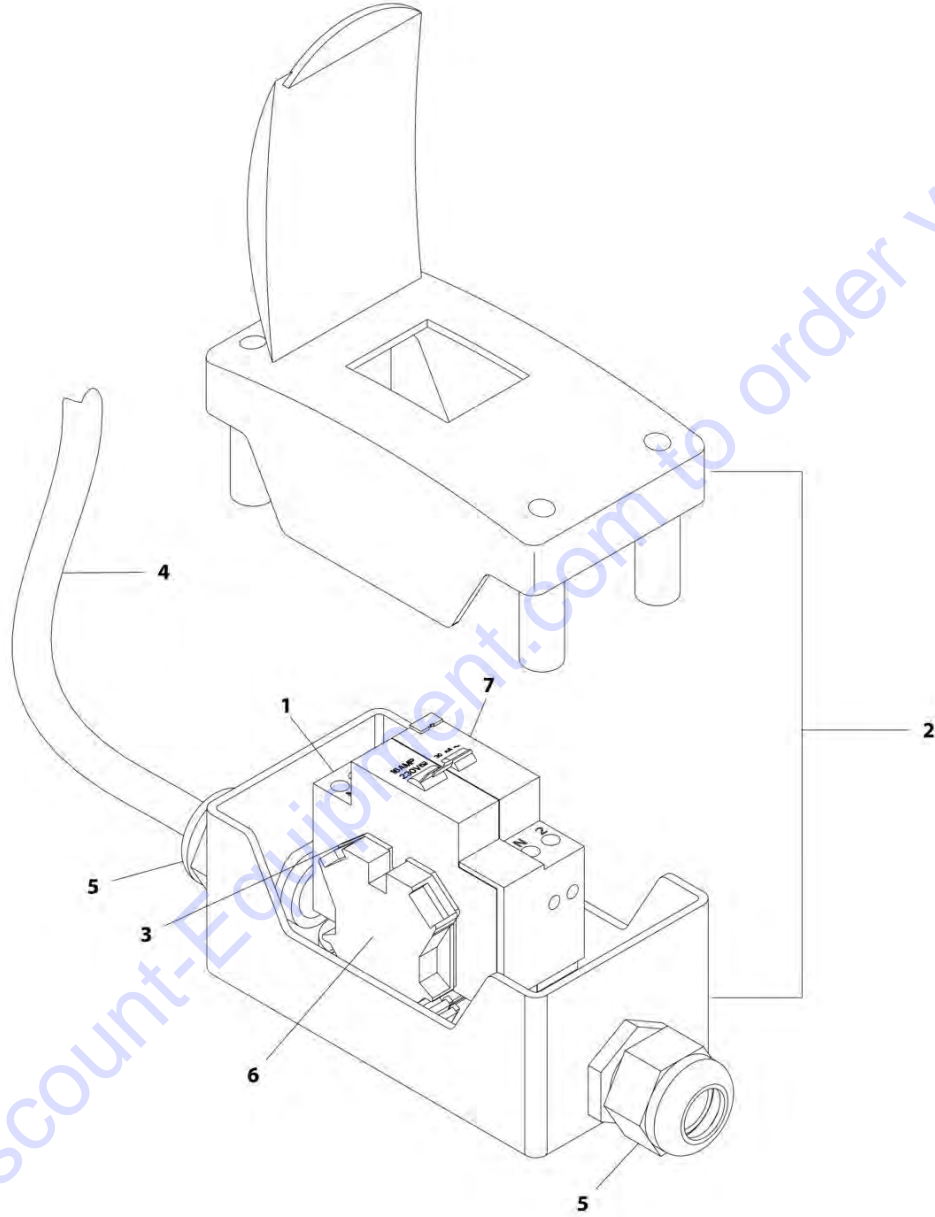
FIGURE 8-42. BREAKER BOX KIT - 16 AMP (2500W GENERATOR)

ITEM	PART NUMBER	QTY	DESCRIPTION	REV
	1001109654	Ref	BREAKER BOX KIT - 16 AMP (2500W GENERATOR)	B
1	0861880	1	Box, Breaker	
2	1060908	12 ft /3.6m	Cable, Electrical 12/3	
3	4460956	1	Barrier, Terminal Block End	
4	4460957	1	Block, Terminal	
5	1001097150	1	Connector, Strain Relief	
6	1001101191	1	Connector, Strain Relief	
7	1001109475	NLA	Breaker 16Amp (Use p/n 1001181045) (SN 0300201016 through 0300204777)	
8	1001109482	NLA	Breaker 30mA (Use p/n 1001181045) (SN 0300201016 through 0300204777)	
9	1001181045	1	Breaker, Double 30mAmp/16Amp (SN 0300204778 to Present)	

Go to Discount-Equipment.com to order your parts

SECTION 8 - ELECTRICAL

FIGURE 8-43. BREAKER BOX KIT - 16 AMP (4000W GENERATOR)



ART_1001165368

SECTION 8 - ELECTRICAL

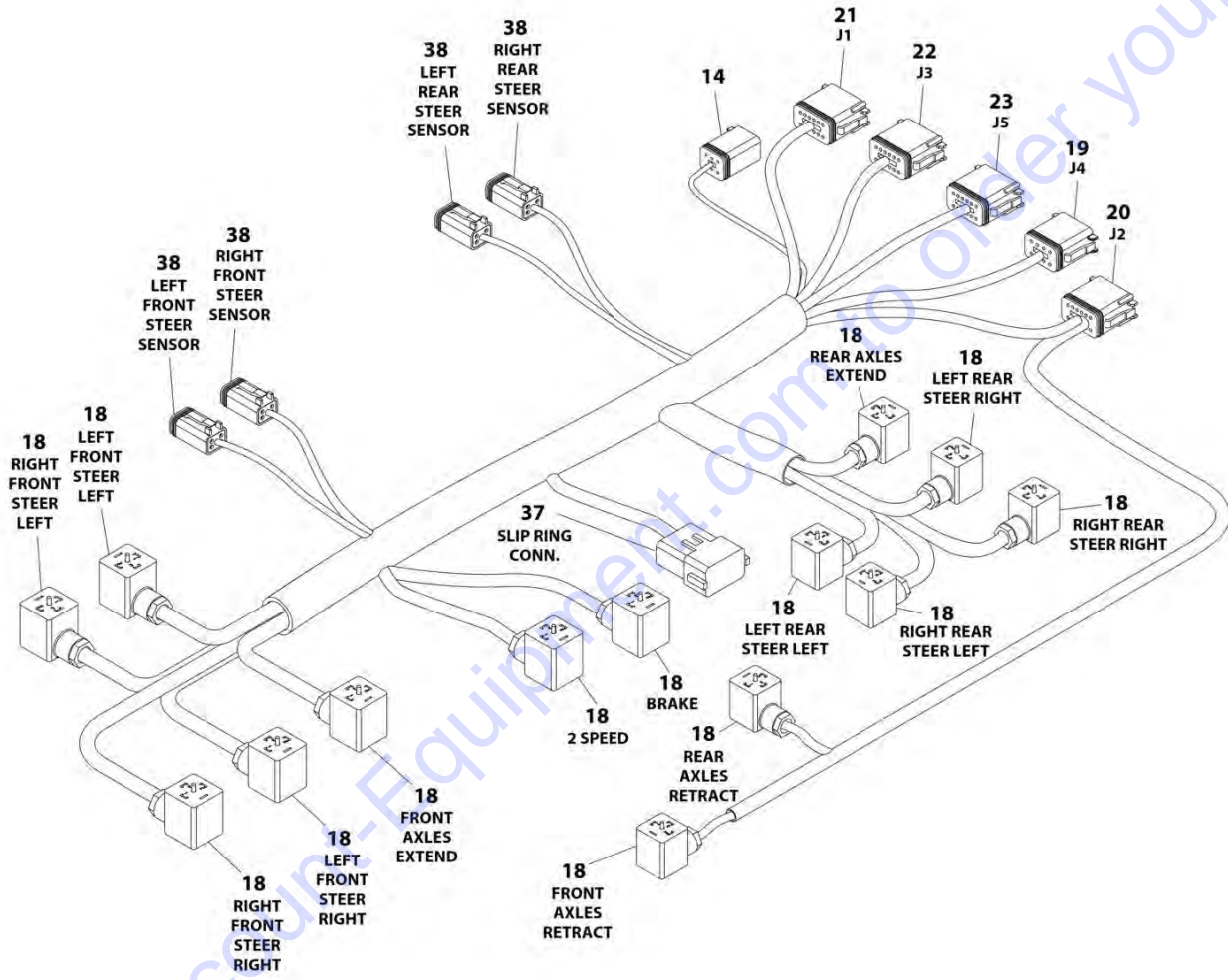
FIGURE 8-43. BREAKER BOX KIT - 16 AMP (4000W GENERATOR)

ITEM	PART NUMBER	QTY	DESCRIPTION	REV
1	1001165368	Ref	BREAKER BOX KIT - 16 AMP (4000W GENERATOR)	B
	1001109475	NLA	Breaker 16Amp (Use p/n 1001181045) (SN 0300201016 through 0300204777)	
2	0861880	1	Box, Circuit Breaker	
3	4460956	1	Barrier, Terminal Block End	
4	1060545	12 ft /3.6m	Cable, Electrical 10/3	
5	1001101191	2	Connector, Strain Relief	
6	4460957	1	Block, Terminal	
7	1001109482	NLA	Breaker 30mA (Use p/n 1001181045) (SN 0300201016 through 0300204777)	
8	1001181045	1	Breaker 30mA/16Amp (SN 0300204778 to Present)	

Go to Discount-Equipment.com to order your parts

SECTION 8 - ELECTRICAL

FIGURE 8-44. CHASSIS HARNESS ASSEMBLY



ART_4922696

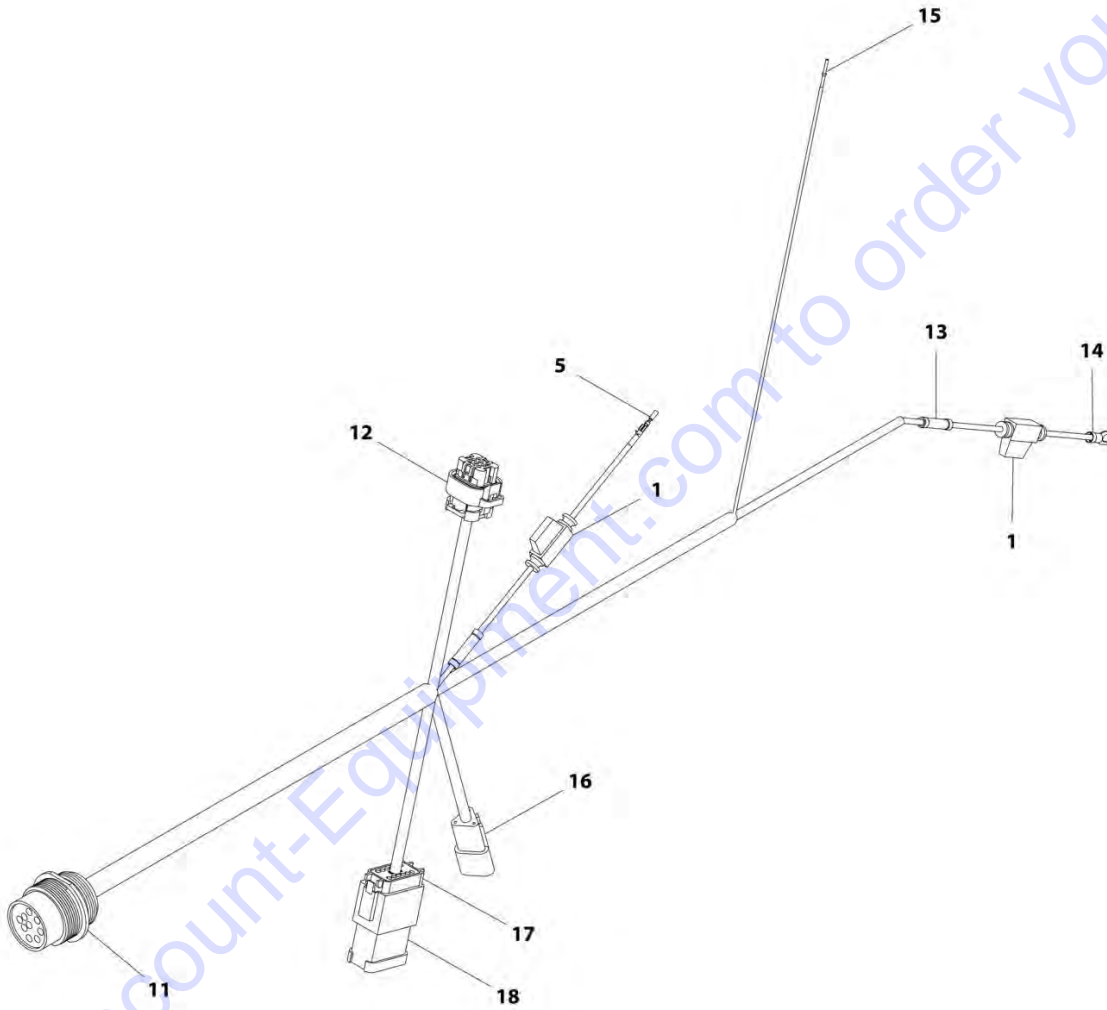
SECTION 8 - ELECTRICAL

FIGURE 8-44. CHASSIS HARNESS ASSEMBLY

ITEM	PART NUMBER	QTY	DESCRIPTION	REV
	4922696	Ref	CHASSIS HARNESS ASSEMBLY	D
14	4460894	1	Connector - 6 Position	
14	4460465	6	Socket, Female	
14	4460892	1	Connector - 6 Position Buss Bar	
17	4460894	1	Connector - 6 Position (Not Shown)	
17	4460465	6	Socket, Female	
17	4460892	1	Connector - 6 Position Buss Bar	
18	4460880	14	DIN Connector	
19	4460930	1	Connector - 8 Position (Gray)	
19	4460465	1	Socket, Female	
19	4460466	7	Plug, Terminal	
20	4460836	1	Connector - 12 Position (Black)	
20	4460465	6	Socket, Female	
20	4460466	6	Plug, Terminal	
21	4460933	1	Connector - 12 Position (Gray)	
21	4460465	8	Socket, Female	
21	4460466	4	Plug, Terminal	
22	4460934	1	Connector - 12 Position (Green)	
22	4460944	12	Socket, Female	
23	4460935	1	Connector - 12 Position (Brown)	
23	4460465	8	Socket, Female	
25	4240032	10	Tie-Strap (Not Shown)	
26	4240033	15	Tie-Strap (Not Shown)	
37	4460950	1	Connector - 12 Position	
37	4460464	6	Pin, Male	
37	4460943	3	Pin, Male	
37	4460941	2	Pin, Male	
38	4460884	4	Connector - 4 Position (Gray)	
38	4460944	16	Socket, Female	

SECTION 8 - ELECTRICAL

FIGURE 8-45. CLEARSKY READY HARNESS



ART_1001120337

SECTION 8 - ELECTRICAL

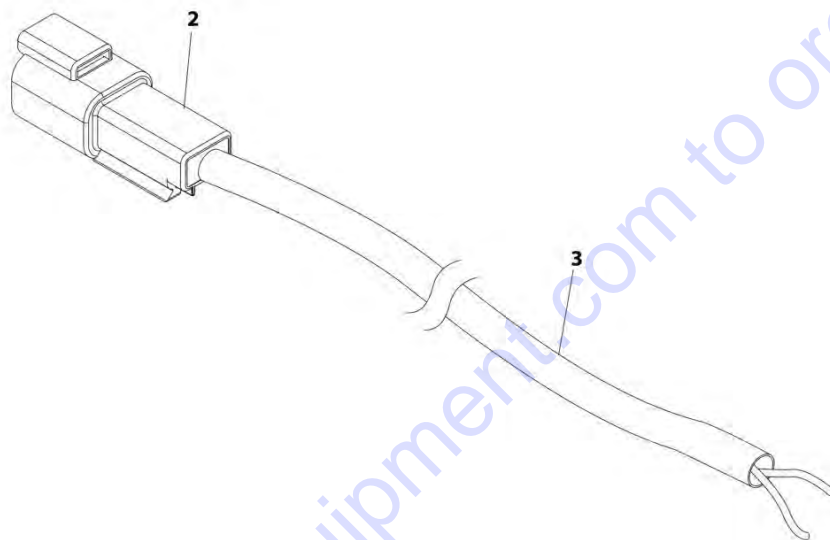
FIGURE 8-45. CLEARSKY READY HARNESS

ITEM	PART NUMBER	QTY	DESCRIPTION	REV
	1001120337	Ref	CLEARSKY READY HARNESS	A
1	2400060	2	Fuseholder with Cover	
1	2400064	2	Fuse 5Amp	
5	4460871	1	Socket, Female	
11	1001112612	1	Connector - 9 Position	
11	4460464	9	Pin, Male	
11	4460466	3	Plug, Sealing	
12	1001113961	1	Connector - 8 Position	
12	4460871	5	Socket, Female	
12	4460905	5	Plug, Sealing	
13	4460035	2	Terminal, Connector	
14	4460183	1	Terminal, Eyelet	
15	4460465	1	Socket, Female	
16	4460536	1	Connector - 3 Position	
16	4460464	3	Pin, Male	
17	4460933	1	Connector - 12 Position	
17	4460465	9	Socket, Female	
17	4460466	3	Plug, Sealing	
18	4460898	1	Connector Bussbar - 9 Position	

Go to Discount-Equipment.com to order your parts

SECTION 8 - ELECTRICAL

FIGURE 8-46. DUAL CAPACITY JIB POSITION SWITCH HARNESS



ART_4922785

SECTION 8 - ELECTRICAL

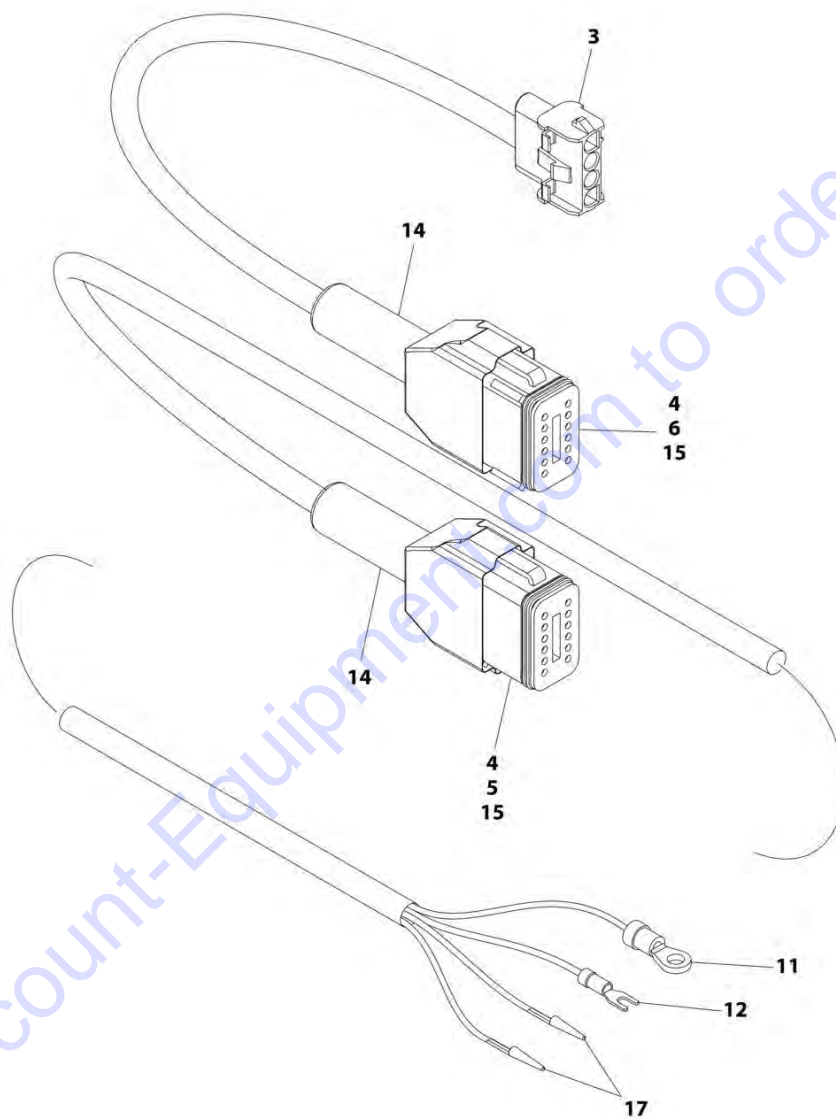
FIGURE 8-46. DUAL CAPACITY JIB POSITION SWITCH HARNESS

ITEM	PART NUMBER	QTY	DESCRIPTION	REV
	4922785	Ref	DUAL CAPACITY JIB POSITION SWITCH HARNESS	C
2	4460897	1	Connector - 2 Position	
2	4460464	2	Pin, Male	
3	1060902	15 ft/ 4.5m	Cable, Electrical 18/2	

Go to Discount-Equipment.com to order your parts

SECTION 8 - ELECTRICAL

FIGURE 8-47. EIM LOAD CELL HARNESS



ART_4922869

SECTION 8 - ELECTRICAL

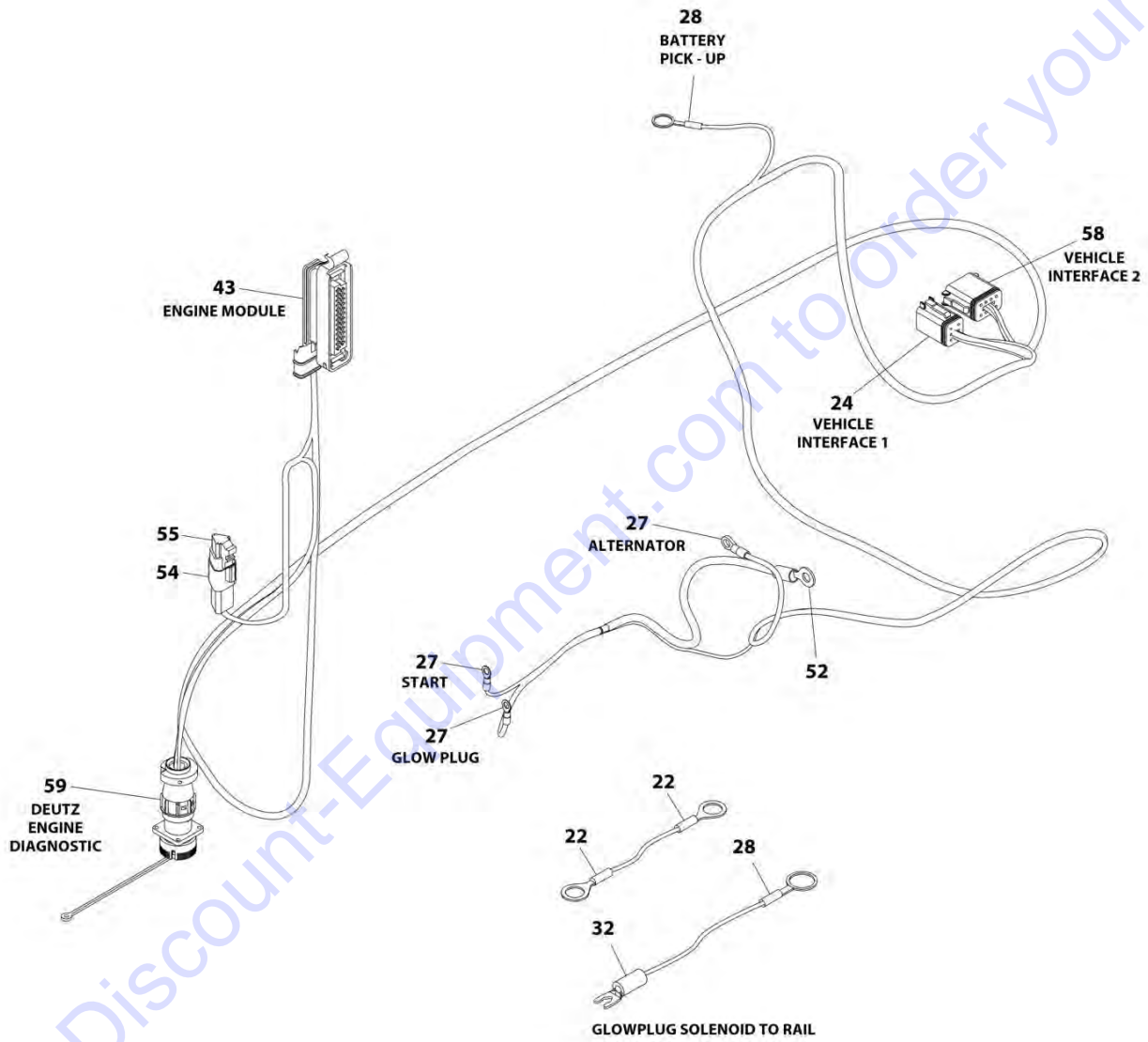
FIGURE 8-47. EIM LOAD CELL HARNESS

ITEM	PART NUMBER	QTY	DESCRIPTION	REV
	4922869	Ref	EIM LOAD CELL HARNESS	E
3	4922705	1	Analyzer Harness	
3	4460761	1	Connector, Female - 4 Position	
3	4460227	4	Pin, Male	
3	4460465	4	Socket, Female	
4	4460465	6	Socket, Female	
5	4460933	1	Connector - 12 Position (Gray)	
6	4460836	1	Plug, Male - 12 Position (Black)	
11	4460042	1	Terminal, Eyelet	
12	4460183	1	Terminal, Fork	
14	0840055	2	Boot	
15	4460466	16	Plug, Terminal	
17	4460226	2	Terminal	

Go to Discount-Equipment.com to order your parts

SECTION 8 - ELECTRICAL

FIGURE 8-48. ENGINE HARNESS - DEUTZ TD2011 ENGINES



ART_1001119470

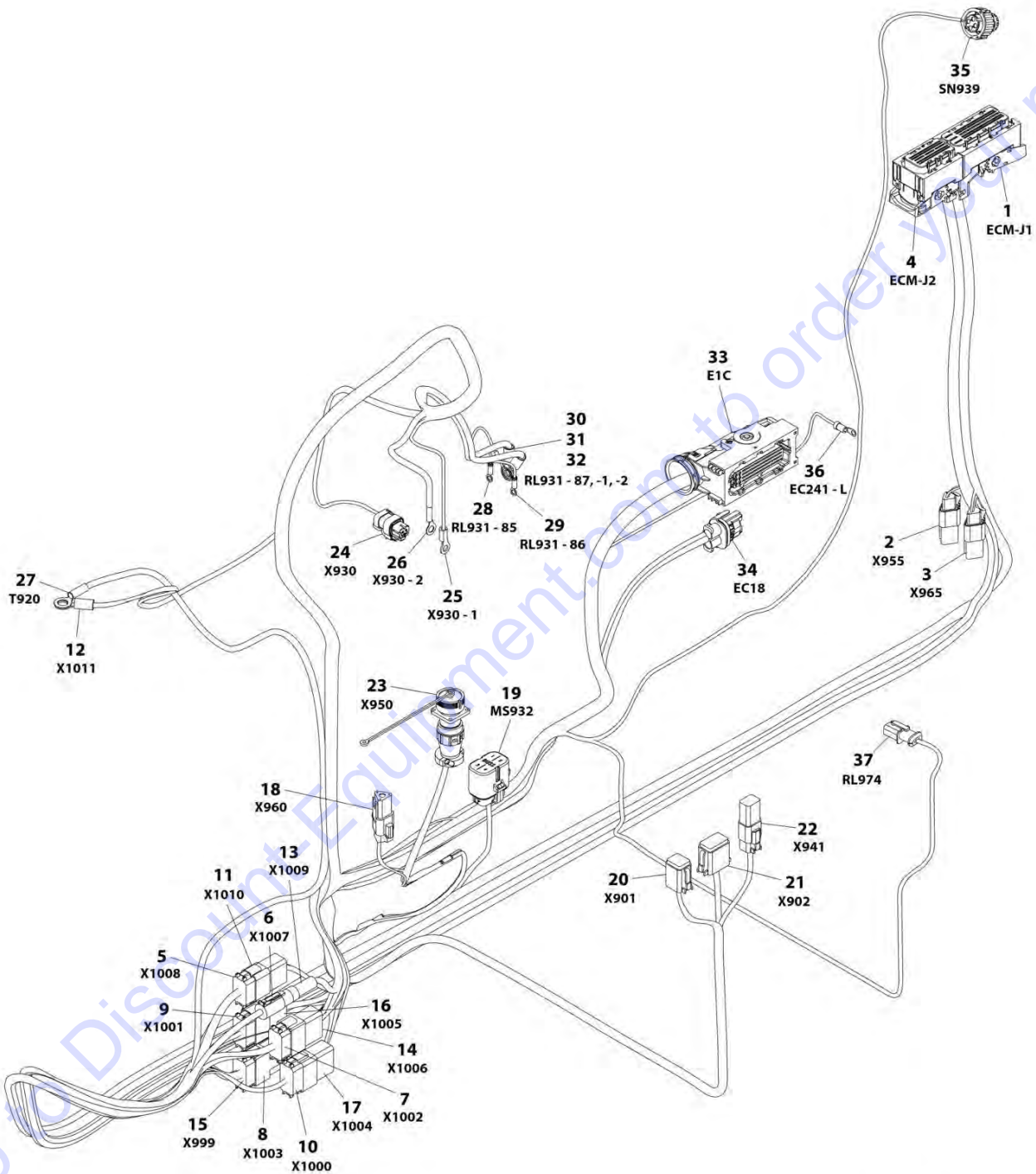
SECTION 8 - ELECTRICAL

FIGURE 8-48. ENGINE HARNESS - DEUTZ TD2011 ENGINES

ITEM	PART NUMBER	QTY	DESCRIPTION	REV
	1001119470	Ref	ENGINE HARNESS - DEUTZ TD2011 ENGINES	B
22	4460702	2	Terminal, Eyelet	
24	4460894	1	Connector - 6 Position	
24	4460465	2	Socket, Female	
24	4460466	1	Plug, Terminal	
24	4460944	3	Socket, Female	
27	4460313	3	Terminal, Eyelet	
28	4460019	2	Terminal, Eyelet	
32	4460315	1	Terminal, Fork	
43	4461052	1	Connector - 25 Position	
43	4461005	5	Terminal	
43	4461006	5	Seal	
43	4461060	2	Terminal (Tin)	
43	4461054	2	Seal, Terminal	
43	4461008	18	Plug, Hole	
43	4461053	1	Cover, Plug	
50	4240032	AR	Tie-Strap (Not Shown)	
51	4240033	AR	Tie-Strap (Not Shown)	
52	4461097	1	Terminal, Eyelet	
54	4461095	1	Connector - 3 Position	
54	4460944	3	Socket, Female	
55	4461070	1	Connector with Resistor (3 Position)	
58	4460930	1	Connector - 8 Position	
58	4460465	2	Socket, Female	
58	4460466	6	Seal, Plug	
59	2902443	1	Kit, Receptacle	
59	4461071	8	Terminal, Female (Gold)	
59	4461072	1	Connector, Flange Mount	
59	4461073	1	Connector, Dust Cap	
59	4461074	1	Connector, Shell	

SECTION 8 - ELECTRICAL

FIGURE 8-49. ENGINE HARNESS - DEUTZ TCD2.9L4 ENGINES AND DEUTZ TCD2.9L4 (STAGE V) ENGINES



ART_1001138346

SECTION 8 - ELECTRICAL

FIGURE 8-49. ENGINE HARNESS - DEUTZ TCD2.9L4 ENGINES AND DEUTZ TCD2.9L4 (STAGE V) ENGINES

ITEM	PART NUMBER	QTY	DESCRIPTION	REV
	1001138346	Ref	ENGINE HARNESS - DEUTZ TCD2.9L4 ENGINES AND DEUTZ TCD2.9L4 (STAGE V) ENGINES	G
1	1001133956	1	Connector (Includes Cover, Locks and Retention Plate)	
1	1001126352	6	Terminal	
1	1001126384	19	Terminal	
1	1001126351	1	Terminal	
1	1001126357	3	Plug, Seal	
1	1001126356	65	Plug, Seal	
2	4461070	1	Connector with Resistor (3 Position)	
2	4461095	1	Connector - 3 Position	
2	4460944	2	Socket, Female	
2	4460466	1	Seal, Plug	
3	4461070	1	Connector with Resistor (3 Position)	
3	4461095	1	Connector - 3 Position	
3	4460944	2	Socket, Female	
3	4460466	1	Seal, Plug	
4	1001133957	1	Connector (Includes Cover, Locks and Retention Plate)	
4	1001126351	13	Terminal	
4	1001126384	17	Terminal	
4	1001126356	19	Plug, Seal	
4	1001126357	11	Plug, Seal	
5	4460930	1	Connector - 8 Position	
5	4460944	5	Socket, Female (Gold)	
5	4460465	2	Socket, Female	
5	4460466	1	Seal, Plug	
6	1001116707	1	Connector - 1 Position	
6	91143340	1	Terminal	
7	4460935	1	Plug, Brown - 12 Position	
7	4460465	12	Socket, Female	
8	4460970	1	Connector - 12 Position	
8	4460941	12	Pin, Male	
9	4460934	1	Connector, Green - 12 Position	
9	4460465	10	Socket, Female	
9	4460466	2	Seal, Plug	
10	4460836	1	Connector, Black - 12 Position	
10	4460465	8	Socket, Female	
10	4460466	4	Seal, Plug	
11	4460931	1	Connector - 8 Position (Gray)	
11	4460943	5	Pin, Male (Gold)	
11	4460466	3	Plug, Socket	
12	8220164	1	Terminal, Eyelet	
13	1001116967	1	Connector - 1 Position	
13	91143339	1	Terminal	
14	4460982	1	Connector - 12 Position	
14	4460464	12	Pin, Male	
15	4460933	1	Connector, Gray - 12 Position	
15	4460942	12	Socket, Female	
16	1001152742	1	Connector - 12 Position	
16	4460464	10	Pin, Male	

SECTION 8 - ELECTRICAL

ITEM	PART NUMBER	QTY	DESCRIPTION	REV
16	4460466	2	Seal, Plug	
17	4460950	1	Connector - 12 Position	
17	4460464	8	Pin, Male	
17	4460466	4	Plug, Seal	
18	4461070	1	Connector with Resistor (3 Position)	
18	4461095	1	Connector - 3 Position	
18	4460944	2	Socket, Female	
18	4460466	1	Seal, Plug	
19	80484084	1	Connector - 8 Position	
19	8229242	1	Fuse - 5A	
19	80983191	1	Fuse - 10A	
19	1001147264	1	Cap	
19	1001116728	4	Plug	
19	4460458	4	Seal	
20	4460894	1	Connector - 6 Position	
20	4460465	3	Socket, Female	
20	4460944	2	Socket, Female	
20	4460466	1	Seal, Plug	
21	4460930	1	Connector - 8 Position	
21	4460465	1	Socket, Female	
21	4460466	7	Plug, Seal	
22	4460884	1	Connector - 4 Position (SN 0300201016 through 0300224478)	
22	1001220379	1	Connector - 4 Position (SN 0300224479 to Present)	
22	4460465	2	Socket, Female	
22	4460942	2	Socket, Female	
22	4460932	1	Connector - 4 Position (SN 0300211938 to Present)	
22	4460466	4	Seal, Plug (SN 0300211938 to Present)	
23	2902443	1	Kit, Receptacle	
23	4461071	8	Terminal, Female (Gold)	
23	4461072	1	Connector, Flange Mount	
23	4461073	1	Connector, Dust Cap	
23	4461074	1	Connector, Shell	
24	1001116952	1	Connector - 2 Position	
24	4460465	2	Socket, Female	
25	4460043	1	Terminal, Eyelet	
26	1001117106	1	Terminal, Eyelet	
27	4460019	1	Terminal, Eyelet	
28	4460247	1	Terminal, Eyelet	
29	4460247	1	Terminal, Eyelet	
30	1001117107	1	Terminal, Eyelet	
31	1001117107	1	Terminal, Eyelet	
32	4460703	1	Terminal, Eyelet	
33	1001126362	1	Connector - 62 Position	
33	1001126363	33	Terminal	
33	1001126364	33	Seal	
33	1001126391	23	Plug	
33	4461008	4	Plug, Cavity	
33	1001126365	2	Terminal	
33	4461054	2	Seal	
34	1001142938	1	Connector - 2 Position	
34	1001142940	2	Terminal, Female	

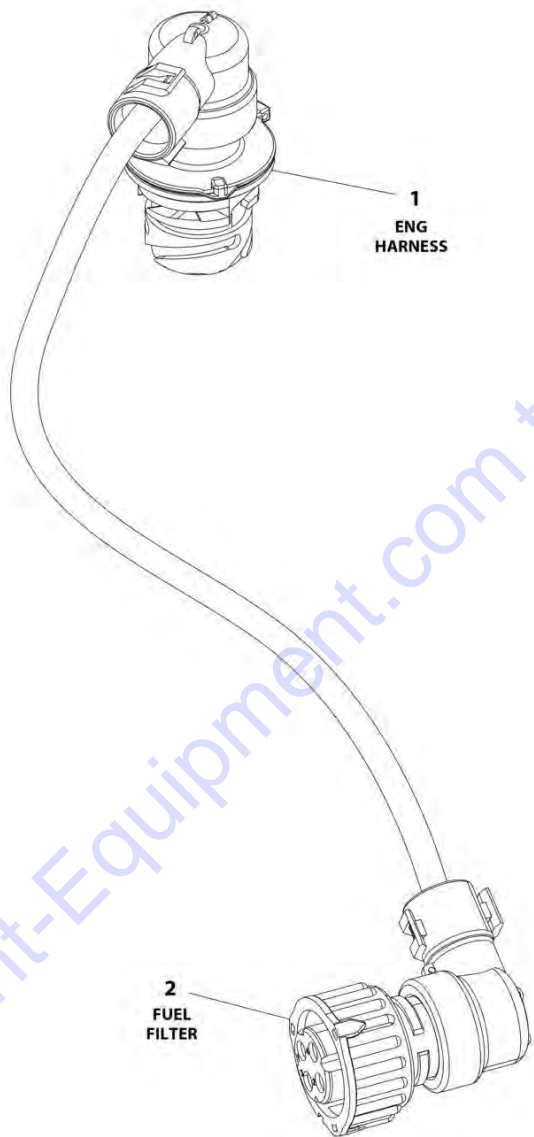
SECTION 8 - ELECTRICAL

ITEM	PART NUMBER	QTY	DESCRIPTION	REV
34	1001142941	2	Seal	
35	1001133714	1	Connector - 4 Position	
35	1001133715	3	Terminal, Female	
35	1001135650	1	Seal	
35	1001135651	1	Plug, Cavity	
36	4460042	1	Terminal, Eyelet	
37	1001138110	1	Connector - 2 Position	
37	1001138111	2	Socket, Female	
37	1001138113	2	Seal	

Go to Discount-Equipment.com to order your parts

SECTION 8 - ELECTRICAL

FIGURE 8-50. FUEL FILTER HARNESS - DEUTZ TCD2.9L4 ENGINES AND UTZ TCD2.9L4 (STAGE V) ENGINES



ART_1001148843

SECTION 8 - ELECTRICAL

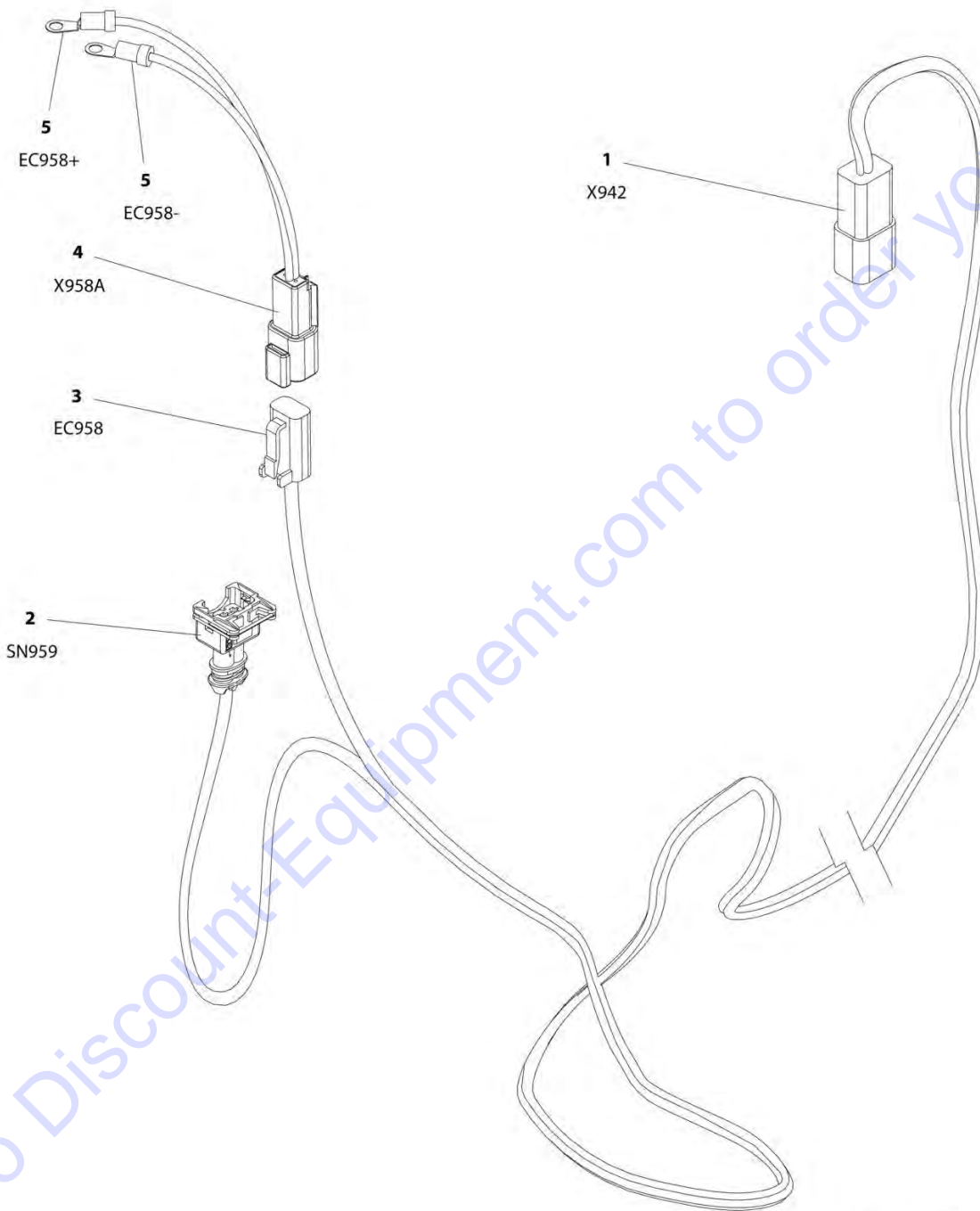
FIGURE 8-50. FUEL FILTER HARNESS - DEUTZ TCD2.9L4 ENGINES AND UTZ TCD2.9L4 (STAGE V) ENGINES

ITEM	PART NUMBER	QTY	DESCRIPTION	REV
	1001148843	Ref	FUEL FILTER HARNESS - DEUTZ TCD2.9L4 ENGINES AND UTZ TCD2.9L4 (STAGE V) ENGINES	A
1	1001148842	1	Connector - 4 Position	
1	1001148841	4	Pin, Male	
1	1001135650	4	Seal	
2	1001133714	1	Plug, Male - 4 Position	
2	1001133715	4	Socket, Female	
2	1001135650	4	Seal	

Go to Discount-Equipment.com to order your parts

SECTION 8 - ELECTRICAL

FIGURE 8-51. FUEL HARNESS - DEUTZ TCD2.9L4 ENGINES AND DEUTZ TCD2.9L4 (STAGE V) ENGINES



ART_1001138491

SECTION 8 - ELECTRICAL

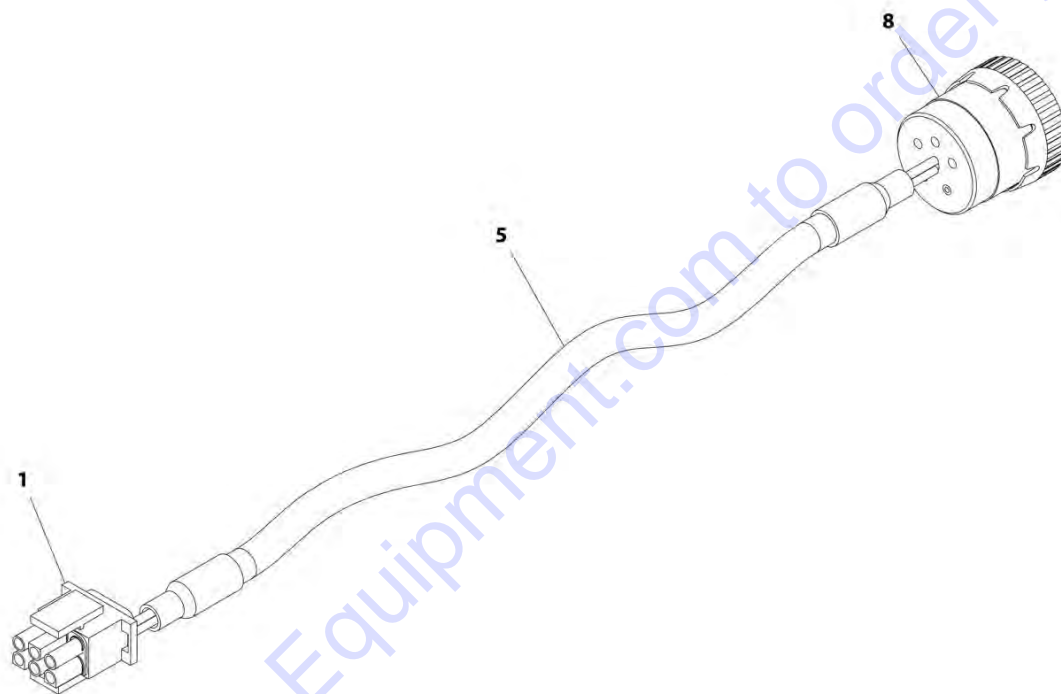
FIGURE 8-51. FUEL HARNESS - DEUTZ TCD2.9L4 ENGINES AND DEUTZ TCD2.9L4 (STAGE V) ENGINES

ITEM	PART NUMBER	QTY	DESCRIPTION	REV
	1001138491	Ref	FUEL HARNESS - DEUTZ TCD2.9L4 ENGINES AND DEUTZ TCD2.9L4 (STAGE V) ENGINES	D
1	4460932	1	Connector - 4 Position	
1	4460464	2	Pin, Male	
1	4460941	2	Pin, Male	
2	1001116983	1	Connector - 2 Position	
2	1001116710	2	Socket, Female	
2	4461054	2	Seal	
3	4460891	1	Connector - 2 Position	
3	4460942	2	Socket, Female	
4	4460897	1	Connector - 2 Position	
4	4460941	2	Pin, Male	
5	4460042	2	Terminal, Eye	
5	8220051	2	Terminal, Coupler	

Go to Discount-Equipment.com to order your parts

SECTION 8 - ELECTRICAL

FIGURE 8-52. GENERATOR HARNESS - 4000W GENERATOR



ART_1001152533

SECTION 8 - ELECTRICAL

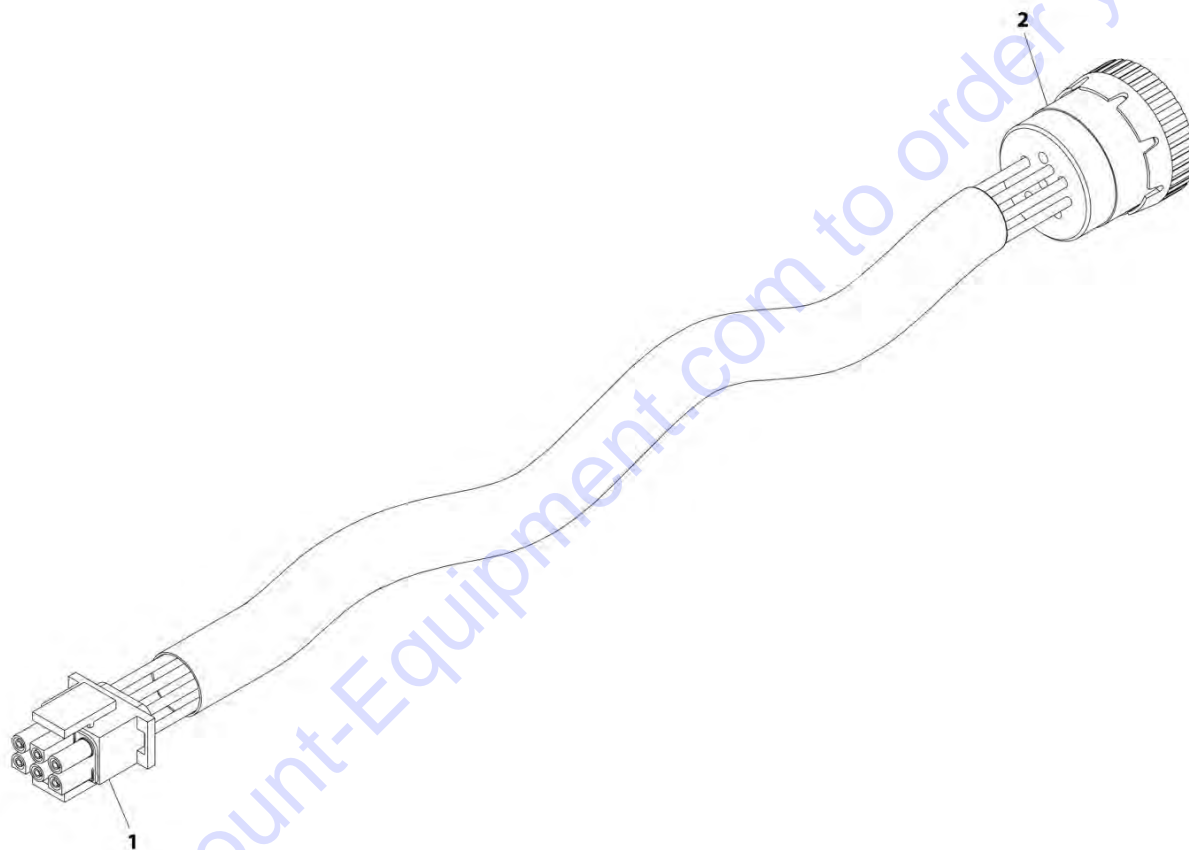
FIGURE 8-52. GENERATOR HARNESS - 4000W GENERATOR

ITEM	PART NUMBER	QTY	DESCRIPTION	REV
	1001152533	Ref	GENERATOR HARNESS - 4000W GENERATOR	A
1	4460225	1	Connector - 6 Position	
1	4460268	2	Socket, Female	
1	4460807	1	Seal, Plug	
1	4460808	1	Seal, Plug	
5	1060341	8 ft /2.4m	Cable, 16/2	
8	77363233	1	Connector - 6 Position	
8	4460465	2	Socket, Female	

Go to Discount-Equipment.com to order your parts

SECTION 8 - ELECTRICAL

FIGURE 8-53. GENERATOR HARNESS - 7500W GENERATOR



ART_4922972

SECTION 8 - ELECTRICAL

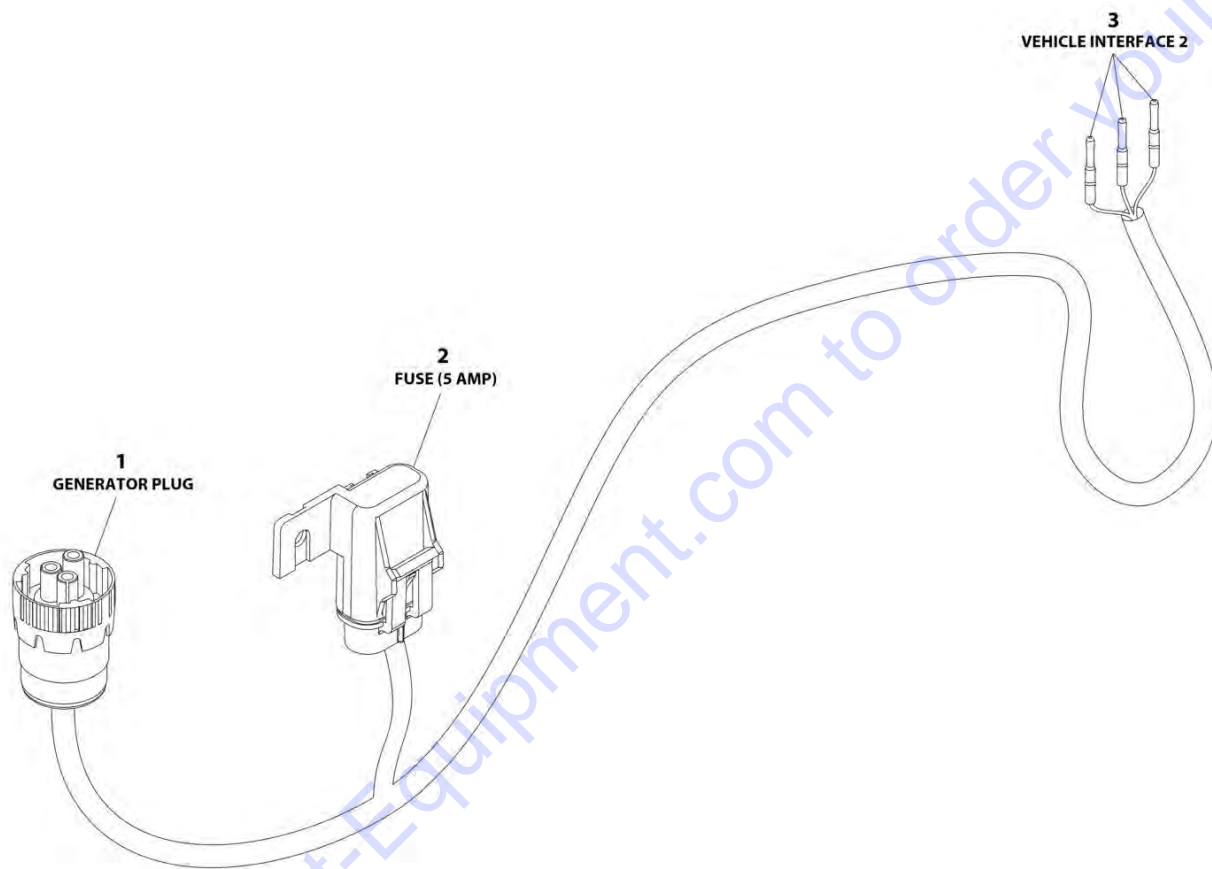
FIGURE 8-53. GENERATOR HARNESS - 7500W GENERATOR

ITEM	PART NUMBER	QTY	DESCRIPTION	REV
	4922972	Ref	GENERATOR HARNESS - 7500W GENERATOR	C
1	4460225	1	Connector - 6 Position	
1	4460268	6	Socket, Female	
1	4460807	1	Seal, Plug	
1	4460808	1	Seal, Plug	
2	77363233	1	Connector - 6 Position	
2	4460465	6	Socket, Female	

Go to Discount-Equipment.com to order your parts

SECTION 8 - ELECTRICAL

FIGURE 8-54. GENERATOR HARNESS - 7500W GENERATOR



ART_100119968

SECTION 8 - ELECTRICAL

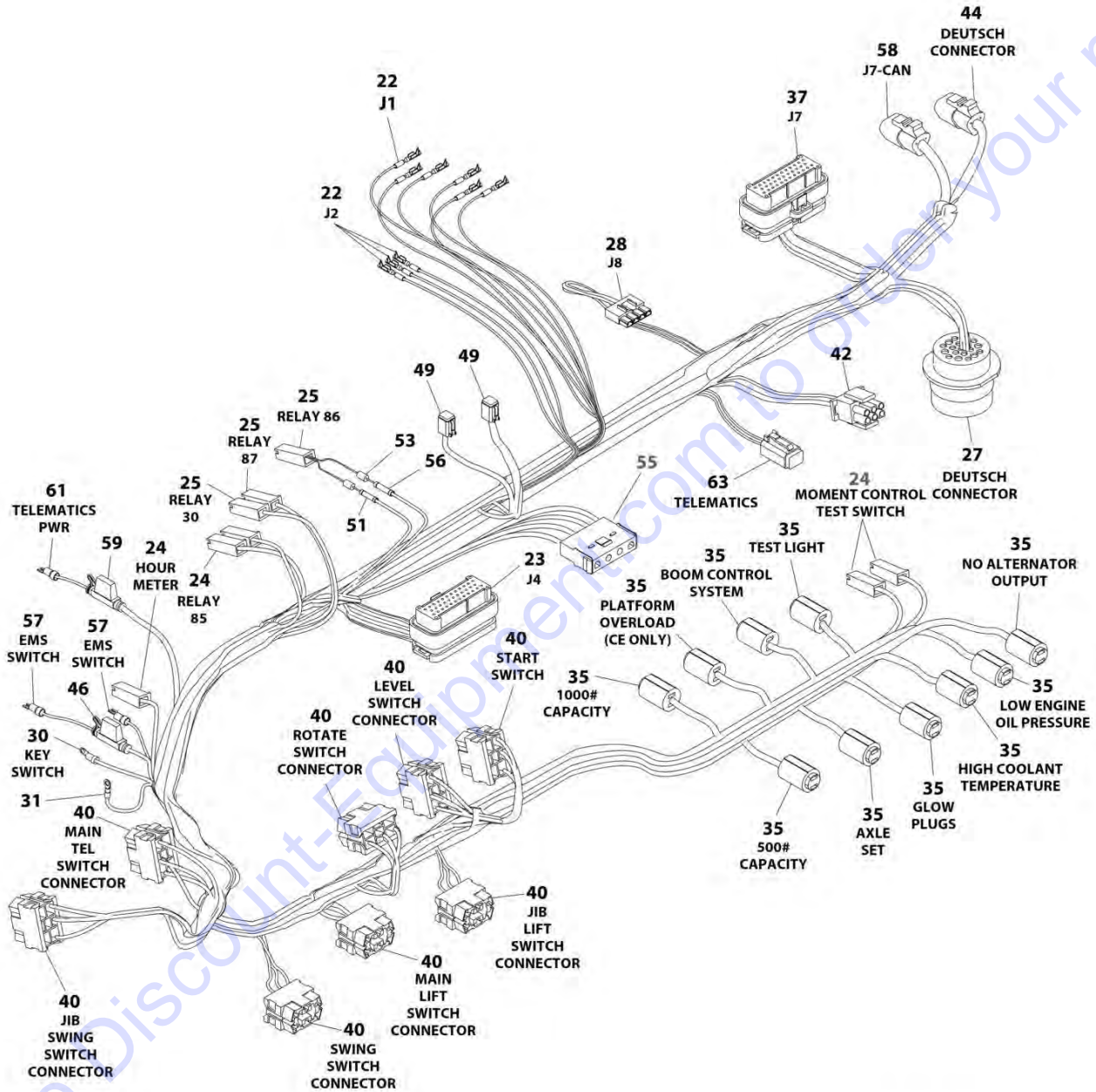
FIGURE 8-54. GENERATOR HARNESS - 7500W GENERATOR

ITEM	PART NUMBER	QTY	DESCRIPTION	REV
	1001119968	Ref	GENERATOR HARNESS - 7500W GENERATOR	C
1	4460967	1	Connector - 3 Position	
1	4460465	3	Socket, Female	
2	1001117078	1	Connector, Metri-Pack with 5Amp Fuse	
3	4460465	3	Socket, Female	

Go to Discount-Equipment.com to order your parts

SECTION 8 - ELECTRICAL

FIGURE 8-55. GROUND CONTROL BOX HARNESS



ART_1001120180

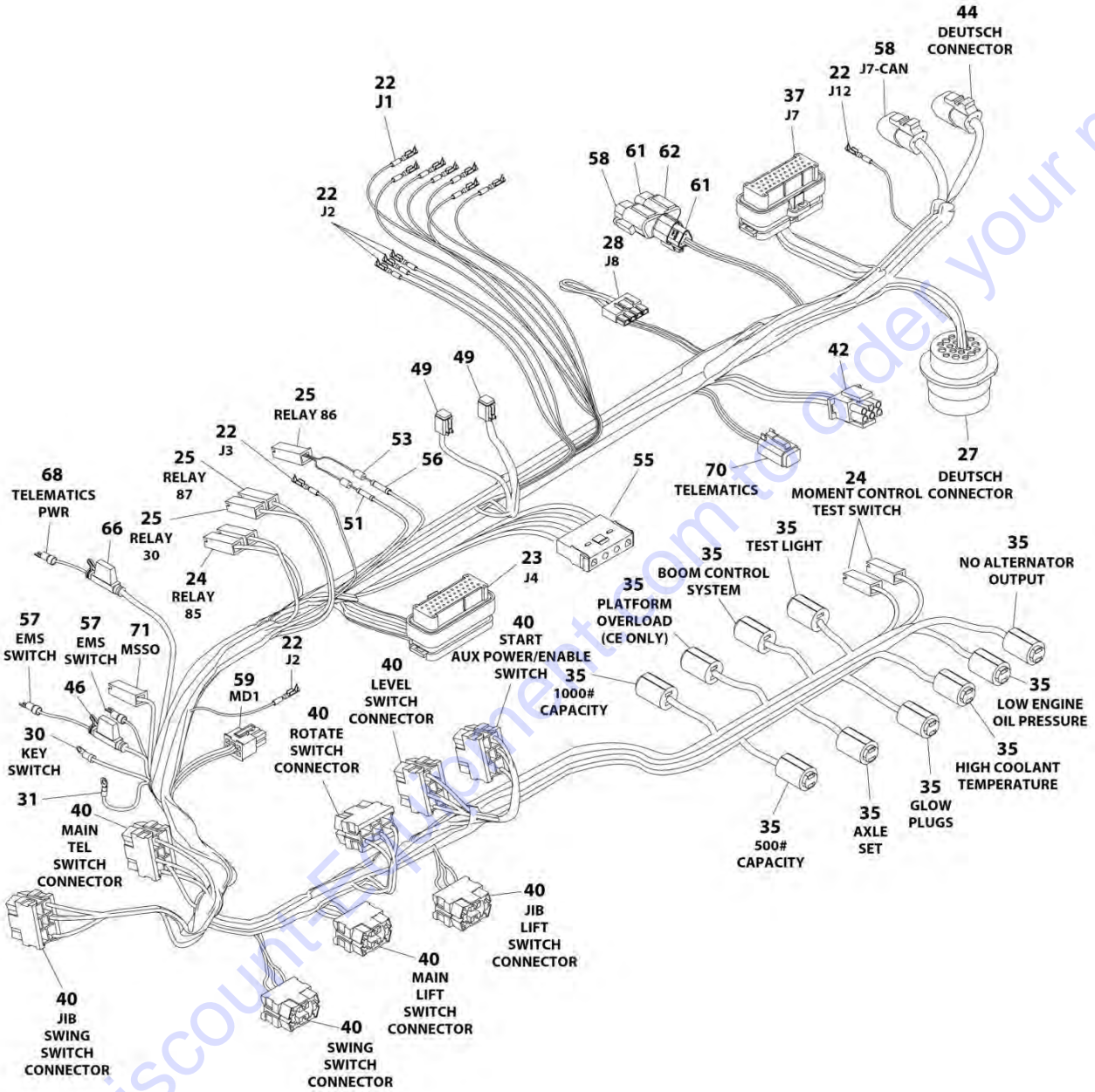
SECTION 8 - ELECTRICAL

FIGURE 8-55. GROUND CONTROL BOX HARNESS

ITEM	PART NUMBER	QTY	DESCRIPTION	REV
	1001120180	Ref	GROUND CONTROL BOX HARNESS	C
22	4460871	9	Socket, Female	
23	4460876	1	Connector, Blue - 35 Position	
23	4460871	29	Socket, Female	
23	4460905	6	Plug, Sealing	
24	4460260	5	Terminal, Housing	
24	4460259	5	Terminal	
25	4460260	3	Terminal, Housing	
25	4460297	3	Terminal	
27	4460866	1	Connector - 19 Pin	
27	4460464	10	Pin, Male	
27	4460508	3	Pin, Male	
28	4460878	1	Connector - 4 Position	
28	4460887	3	Terminal	
30	4460142	3	Terminal, Eyelet	
31	4460313	3	Terminal, Eyelet	
35	4120035	10	Base, Light	
35	4460634	10	Terminal	
35	4460635	10	Terminal	
37	4460873	1	Connector, Black - 35 Position	
37	4460871	16	Socket, Female	
37	4460905	19	Plug, Sealing	
39	4240032	AR	Tie-Strap (Not Shown)	
40	4460418	8	Connector - 6 Position	
40	4460419	24	Socket, Female	
42	4460225	1	Plug, Male - 6 Position	
42	4460227	6	Pin, Male	
44	4460965	1	Plug, Male - 3 Position	
44	4460944	3	Socket, Female	
46	2400066	1	Fuseholder with Cover	
46	2400065	1	Fuse	
49	4460894	2	Connector - 6 Position	
49	4460465	3	Socket, Female	
49	4460942	2	Socket, Female	
51	4460474	1	Terminal, Connector	
53	3990010	2	Diode - 3 Amp	
55	4460761	1	Connector - 4 Position	
55	4460227	4	Pin, Male	
56	4460035	1	Terminal, Connector	
57	4460806	6	Terminal, Fork	
58	4460966	2	Connector - 3 Position (Green Lock)	
58	4460944	3	Socket, Female	
59	2400060	1	Fuse, Holder (SN 0300210074 to Present)	
59	8229242	1	Fuse, 5Amp (SN 0300210074 to Present)	
61	4460888	1	Terminal, Fork (SN 0300210074 to Present)	
63	4460884	1	Connector - 4 Position (SN 0300210074 to Present)	
63	4460465	4	Socket, Female (SN 0300210074 to Present)	
63	1001192401	1	Connector, Dust Cap (SN 0300210074 to Present)	

SECTION 8 - ELECTRICAL

FIGURE 8-56. GROUND CONTROL BOX HARNESS - DEUTZ TCD2.9L4 ENGINES (CE SPECS)



ART_1001187386

SECTION 8 - ELECTRICAL

FIGURE 8-56. GROUND CONTROL BOX HARNESS - DEUTZ TCD2.9L4 ENGINES (CE SPECS)

ITEM	PART NUMBER	QTY	DESCRIPTION	REV
	1001187386	Ref	GROUND CONTROL BOX HARNESS - DEUTZ TCD2.9L4 ENGINES (CE SPECS)	B
22	4460871	12	Socket, Female	
23	4460876	1	Connector, Blue - 35 Position	
23	4460871	29	Socket, Female	
23	4460905	6	Plug, Sealing	
24	4460260	3	Terminal, Housing	
24	4460259	3	Terminal	
25	4460260	3	Terminal, Housing	
25	4460297	3	Terminal	
27	4460866	1	Connector - 19 Pin	
27	4460464	10	Pin, Male	
27	4460508	3	Pin, Male	
27	4460466	9	Plug, Terminal	
28	4460878	1	Connector - 4 Position	
28	4460887	3	Terminal	
30	4460142	3	Terminal, Eyelet	
31	4460313	3	Terminal, Eyelet	
35	4120035	10	Base, Light	
35	4460634	10	Terminal	
35	4460635	10	Terminal	
37	4460873	1	Connector, Black - 35 Position	
37	4460871	17	Socket, Female	
37	4460905	18	Plug, Sealing	
39	4240032	AR	Tie-Strap (Not Shown)	
40	4460418	8	Connector - 6 Position	
40	4460419	24	Socket, Female	
42	4460225	1	Plug, Male - 6 Position	
42	4460227	6	Pin, Male	
44	4460965	1	Plug, Male - 3 Position	
44	4460944	3	Socket, Female	
46	2400066	1	Fuseholder with Cover	
46	2400065	1	Fuse	
49	4460894	2	Connector - 6 Position	
49	4460465	2	Socket, Female	
49	4460942	2	Socket, Female	
51	4460474	1	Terminal, Connector	
53	3990010	2	Diode - 3 Amp	
55	4460761	1	Connector - 4 Position	
55	4460227	4	Pin, Male	
56	4460035	1	Terminal, Connector	
57	4460806	6	Terminal, Fork	
58	4460966	2	Connector - 3 Position (Green Lock)	
58	4460944	6	Socket, Female	
59	4460868	1	Connector - 6 Position	
59	4460877	4	Terminal	
61	1001116812	2	Connector - 3 Position	
61	4460944	5	Socket, Female	
62	4460945	1	Connector, Female - 3 Way	
66	2400060	1	Fuse, Holder (SN 0300210074 to Present)	

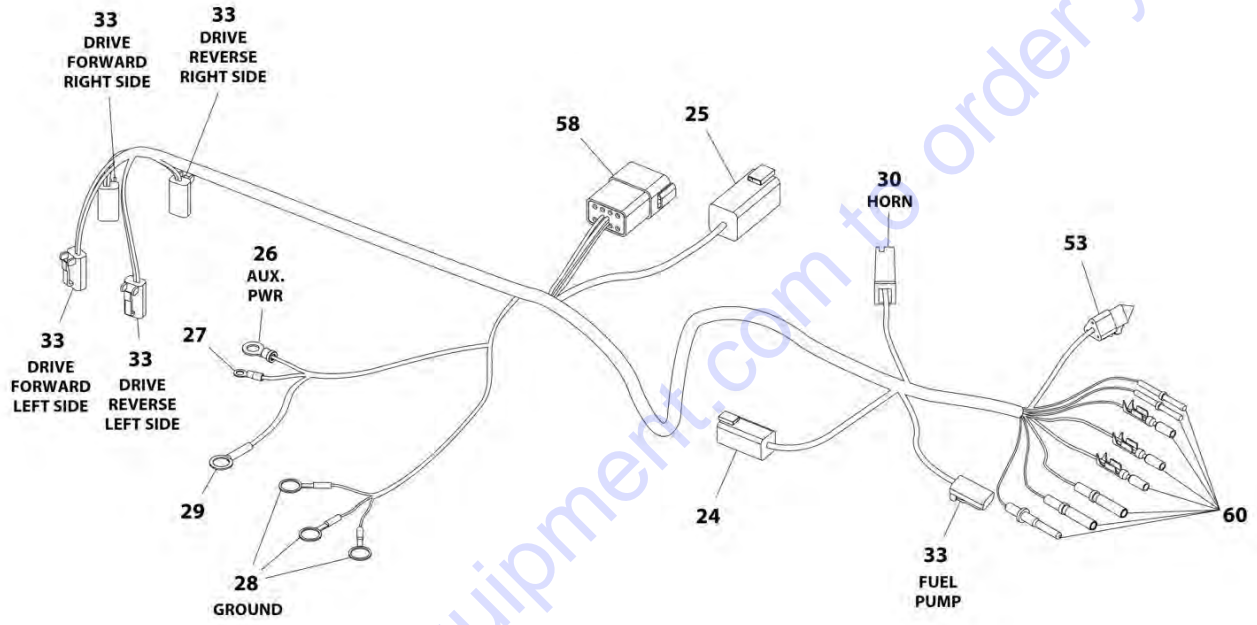
SECTION 8 - ELECTRICAL

ITEM	PART NUMBER	QTY	DESCRIPTION	REV
66	8229242	1	Fuse, 5Amp (SN 0300210074 to Present)	
68	4460888	1	Terminal, Fork (SN 0300210074 to Present)	
70	4460884	1	Connector - 4 Position (SN 0300210074 to Present)	
70	4460465	4	Socket, Female (SN 0300210074 to Present)	
70	1001192401	1	Connector, Dust Cap (SN 0300210074 to Present)	
71	4460260	2	Terminal, Housing (SN 0300210074 to Present)	

Go to Discount-Equipment.com to order your parts

SECTION 8 - ELECTRICAL

FIGURE 8-57. GROUND CONTROLS TO ENGINE HARNESS



ART_100119372

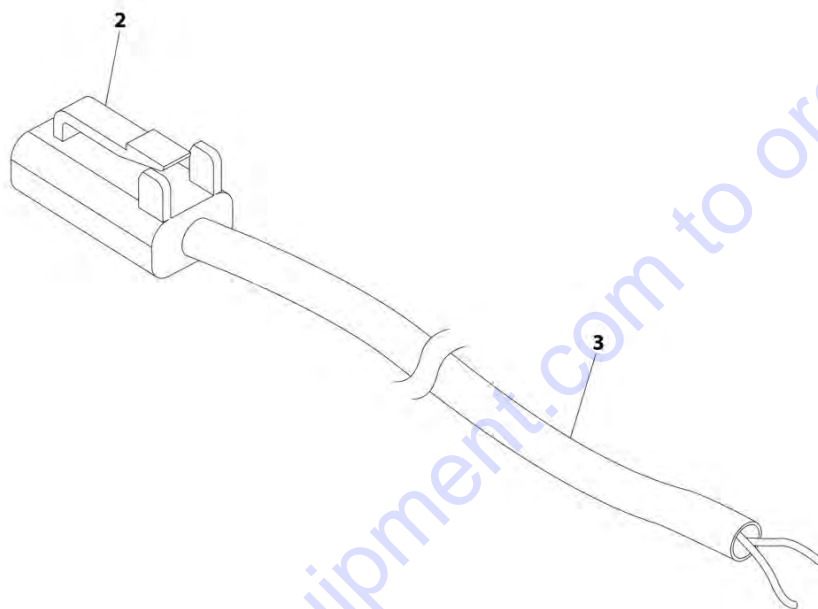
SECTION 8 - ELECTRICAL

FIGURE 8-57. GROUND CONTROLS TO ENGINE HARNESS

ITEM	PART NUMBER	QTY	DESCRIPTION	REV
	1001119372	Ref	GROUND CONTROLS TO ENGINE HARNESS	C
24	4460899	1	Connector - 6 Position	
24	4460464	5	Pin, Male	
24	4460466	1	Plug, Terminal	
25	4460899	1	Connector - 6 Position	
25	4460464	4	Pin, Male	
25	4460943	2	Pin, Male (Gold)	
26	4460312	1	Terminal, Eyelet	
27	4460313	1	Terminal, Eyelet	
28	4460019	3	Terminal, Eyelet	
29	4460256	1	Terminal, Eyelet	
30	4460260	1	Terminal, Housing	
30	4460259	1	Terminal	
33	4460891	5	Connector - 2 Position	
33	4460465	10	Socket, Female	
53	4460539	1	Connector - 3 Position	
53	4460944	3	Socket, Female	
58	4460931	1	Connector - 8 Position	
58	4460464	8	Pin, Male	
60	4460465	2	Socket, Female	
60	4460887	1	Terminal (12 Gauge)	
60	4460871	11	Socket, Female	
60	4460508	1	Pin, Male	

SECTION 8 - ELECTRICAL

FIGURE 8-58. JIB STOW SWITCH HARNESS



ART_4922784

SECTION 8 - ELECTRICAL

FIGURE 8-58. JIB STOW SWITCH HARNESS

ITEM	PART NUMBER	QTY	DESCRIPTION	REV
	4922784	Ref	JIB STOW SWITCH HARNESS	C
2	4460891	1	Connector - 2 Position	
2	4460465	2	Socket, Female	
3	1060902	15 ft/ 4.6m	Cable, Electrical 18/2	

Go to Discount-Equipment.com to order your parts

SECTION 8 - ELECTRICAL

FIGURE 8-59. LOAD SENSING PIN HARNESS



ART_4923256

SECTION 8 - ELECTRICAL

FIGURE 8-59. LOAD SENSING PIN HARNESS

ITEM	PART NUMBER	QTY	DESCRIPTION	REV
	4923256	Ref	LOAD SENSING PIN HARNESS	B
1	4460930	1	Connector - 8 Position (Gray)	
1	4460465	4	Socket, Female	
1	4460466	3	Plug, Sealing	
2	See Note	NSS	Connector - 4 Position (Note: Not Available for Purchase)	
2	See Note	NSS	Terminal (Note: Not Available for Purchase)	

Go to Discount-Equipment.com to order your parts

PARTS FINDER

**Search Website
by Part Number**



**Search Manual
Library For Parts
Manual & Lookup Part
Numbers – Purchase
or Request Quote**

A screenshot of the "Search Manuals" form. It includes a search bar, a "Search" button, and several dropdown menus for selecting criteria like "Brand", "Model", and "Serial". There are also checkboxes for "Purchase" and "Request Quote".

**Can't Find Part or
Manual? Request Help
by Manufacturer,
Model & Description**

A screenshot of the "Parts Order Form". It is a structured form with multiple rows and columns for entering details such as manufacturer, model, and part description. The form is titled "Parts Order Form" in red text at the top.

Discount-Equipment.com is your online resource for quality parts & equipment.

Florida: **561-964-4949** Outside Florida TOLL FREE: **877-690-3101**

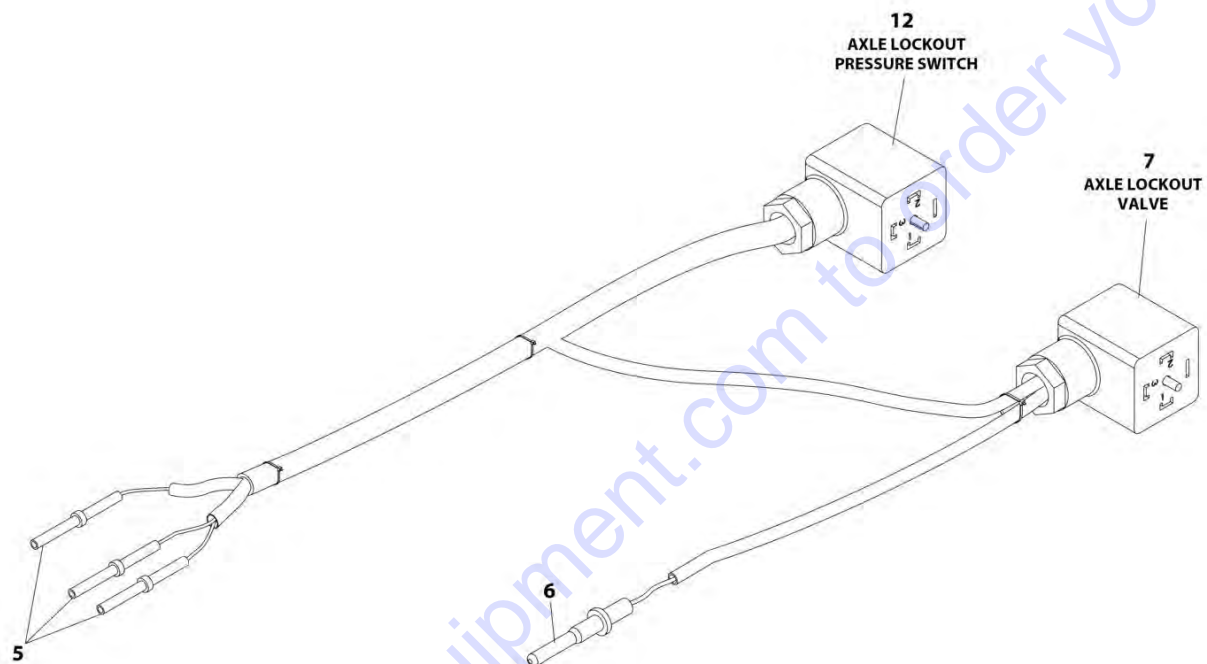
Need parts?

Click on this link: <http://www.discount-equipment.com/category/5443-parts/> and choose one of the options to help get the right parts and equipment you are looking for. Please have the machine model and serial number available in order to help us get you the correct parts. If you don't find the part on the website or on one of the online manuals, please fill out the request form and one of our experienced staff members will get back to you with a quote for the right part that your machine needs.

We sell worldwide for the brands: Genie, Terex, JLG, MultiQuip, Mikasa, Essick, Whiteman, Mayco, Toro Stone, Diamond Products, Generac Magnum, Airman, Haulotte, Barreto, Power Blanket, Nifty Lift, Atlas Copco, Chicago Pneumatic, Allmand, Miller Curber, Skyjack, Lull, Skytrak, Tsurumi, Husquvarna Target, Stow, Wacker, Sakai, Mi-T-M, Sullair, Basic, Dynapac, MBW, Weber, Bartell, Bennar Newman, Haulotte, Ditch Runner, Menegotti, Morrison, Contec, Buddy, Crown, Edco, Wyco, Bomag, Laymor, EZ Trench, Bil-Jax, F.S. Curtis, Gehl Pavers, Heli, Honda, ICS/PowerGrit, IHI, Partner, Imer, Clipper, MMD, Koshin, Rice, CH&E, General Equipment, Amida, Coleman, NAC, Gradall, Square Shooter, Kent, Stanley, Tamco, Toku, Hatz, Kohler, Robin, Wisconsin, Northrock, Oztec, Toker TK, Rol-Air, APT, Wylie, Ingersoll Rand / Doosan, Innovatech, Con X, Ammann, Mecalac, Makinex, Smith Surface Prep, Small Line, Wanco, Yanmar

SECTION 8 - ELECTRICAL

FIGURE 8-60. LOCKOUT VALVE HARNESS



ART_4922767

SECTION 8 - ELECTRICAL

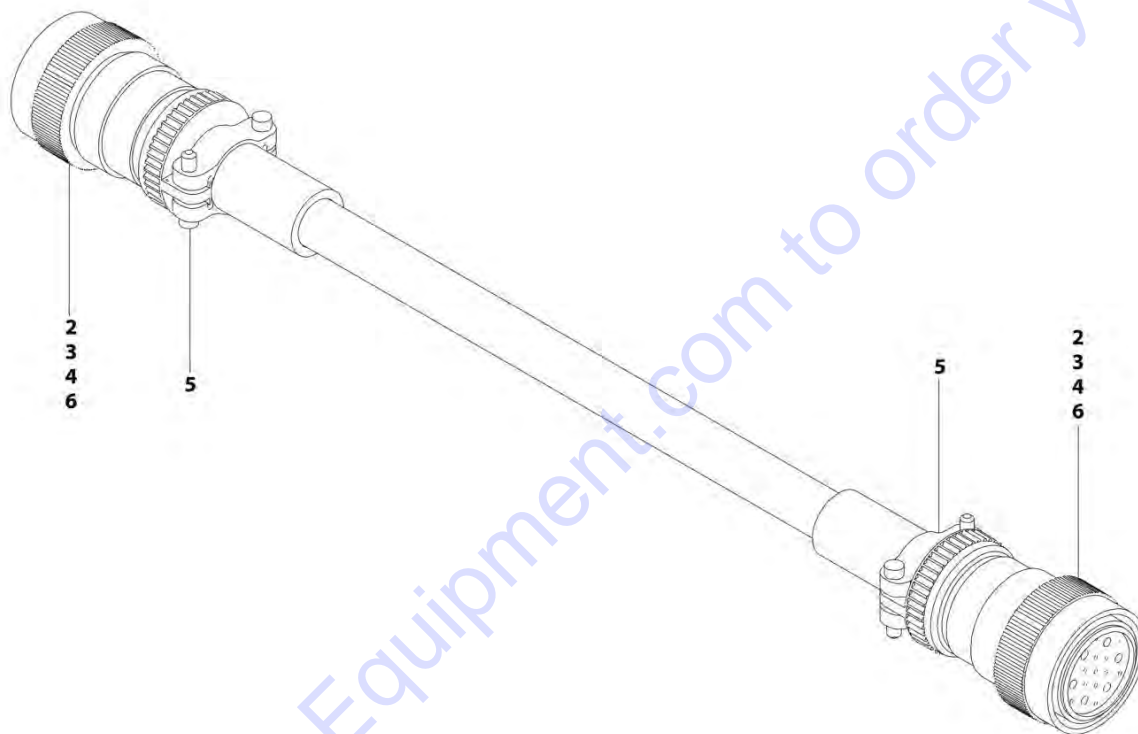
FIGURE 8-60. LOCKOUT VALVE HARNESS

ITEM	PART NUMBER	QTY	DESCRIPTION	REV
	4922767	Ref	LOCKOUT VALVE HARNESS	C
5	4460465	3	Socket, Female	
6	4460464	1	Pin, Male	
7	4460880	1	Connector, Din	
8	4240033	6	Tie-Strap (Not Shown)	
12	4460449	1	Connector, DIN	

Go to Discount-Equipment.com to order your parts

SECTION 8 - ELECTRICAL

FIGURE 8-61. MAIN BOOM CONTROL CABLE HARNESS - 1200SJP



ART_4922672

SECTION 8 - ELECTRICAL

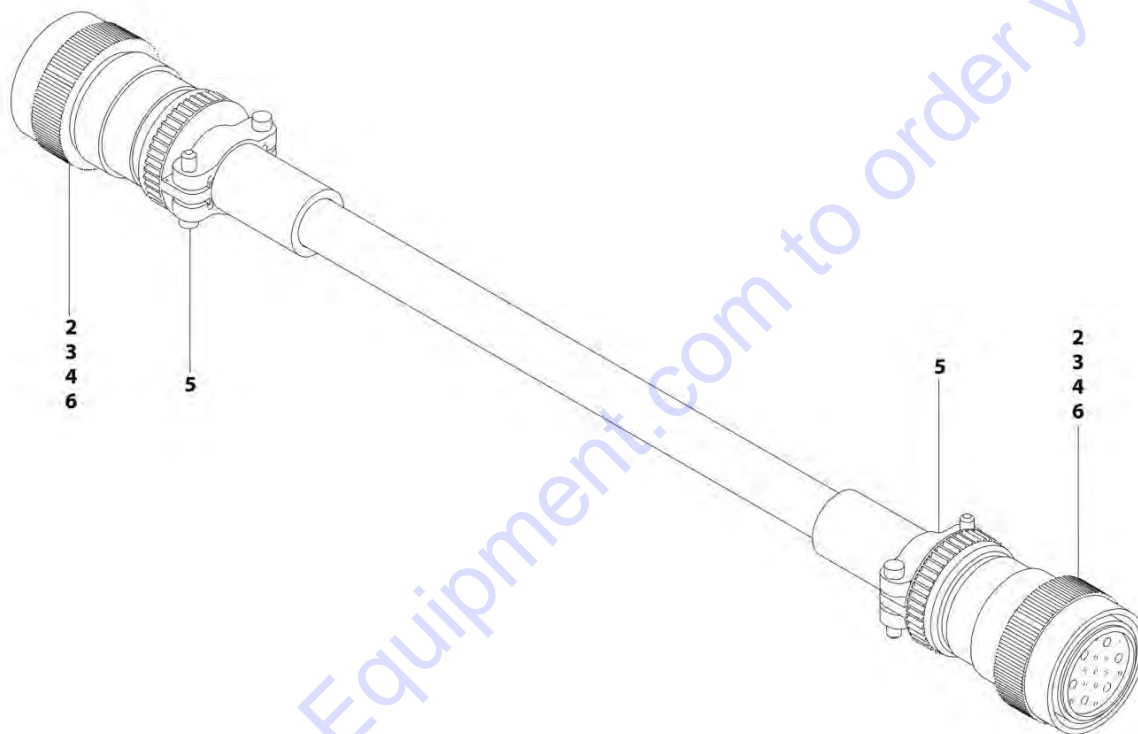
FIGURE 8-61. MAIN BOOM CONTROL CABLE HARNESS - 1200SJP

ITEM	PART NUMBER	QTY	DESCRIPTION	REV
	4922672	Ref	MAIN BOOM CONTROL CABLE HARNESS - 1200SJP	C
2	4460465	22	Socket, Female	
3	4460865	2	Connector - 19 Position	
4	4460509	8	Socket, Female	
5	4460473	2	Clamp	
6	4460466	8	Plug, Socket	

Go to Discount-Equipment.com to order your parts

SECTION 8 - ELECTRICAL

FIGURE 8-62. MAIN BOOM CONTROL CABLE HARNESS - 1350SJP



ART_4922673

SECTION 8 - ELECTRICAL

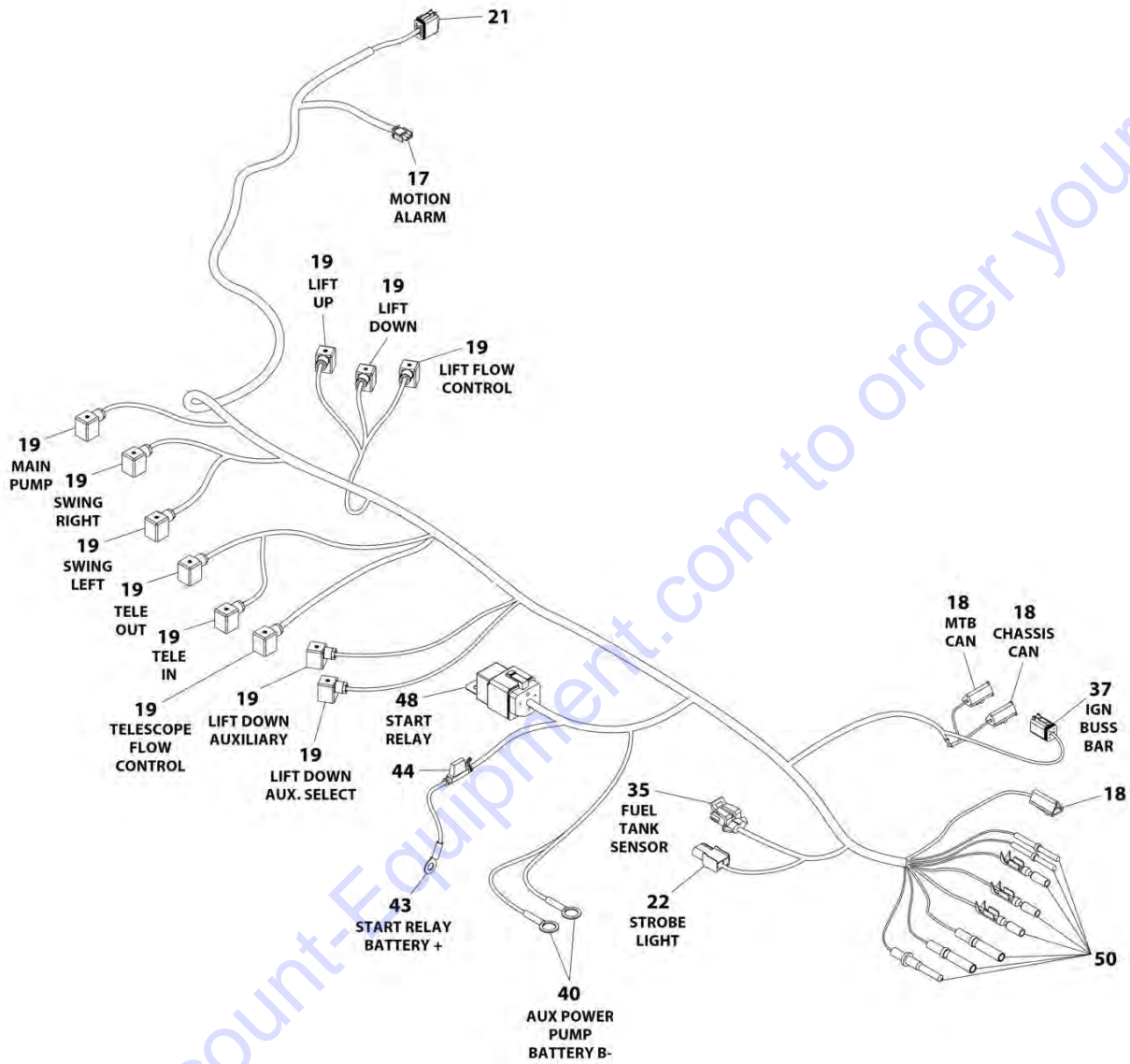
FIGURE 8-62. MAIN BOOM CONTROL CABLE HARNESS - 1350SJP

ITEM	PART NUMBER	QTY	DESCRIPTION	REV
	4922673	Ref	MAIN BOOM CONTROL CABLE HARNESS - 1350SJP	D
2	4460465	22	Socket, Female	
3	4460865	2	Connector - 19 Position	
4	4460509	8	Socket, Female	
5	4460473	2	Clamp	
6	4460466	8	Plug, Socket	

Go to Discount-Equipment.com to order your parts

SECTION 8 - ELECTRICAL

FIGURE 8-63. MAIN VALVE HARNESS



ART_1001116369

SECTION 8 - ELECTRICAL

FIGURE 8-63. MAIN VALVE HARNESS

ITEM	PART NUMBER	QTY	DESCRIPTION	REV
	1001116369	Ref	MAIN VALVE HARNESS	F
17	4460320	1	Connector - 2 Position	
17	4460267	2	Pin, Male	
18	4460965	3	Connector - 3 Position	
18	4460944	9	Socket, Female	
19	4460880	11	DIN Connector	
21	4460836	1	Connector - 12 Position (Black)	
21	4460465	3	Socket, Female	
21	4460466	4	Plug, Socket	
21	4460944	3	Socket, Female 16-18 GA (Gold)	
21	4460942	2	Socket, Female 14-16 GA	
22	4460424	1	Connector - 2 Position	
22	4460268	2	Socket, Female	
35	4460843	1	Connector - 2 Position	
35	4460842	2	Socket, Female	
37	4460894	1	Connector - 6 Position	
37	4460465	3	Socket, Female	
37	4460942	3	Socket, Female 14-16 GA	
40	4460256	2	Terminal, Eyelet	
43	4460019	1	Terminal, Eyelet	
44	2400066	1	Holder, Fuse	
44	2400065	1	Fuse	
48	3740080	1	Relay	
48	4460374	1	Plug, Seal	
48	4460375	5	Terminal	
48	0100048	AR	Grease, Dielectric	
50	4460465	2	Socket, Female	
50	4460944	1	Socket, Female (Gold)	
50	4460871	16	Socket, Female	
50	4460464	1	Pin, Male	
50	4460942	3	Socket, Female	

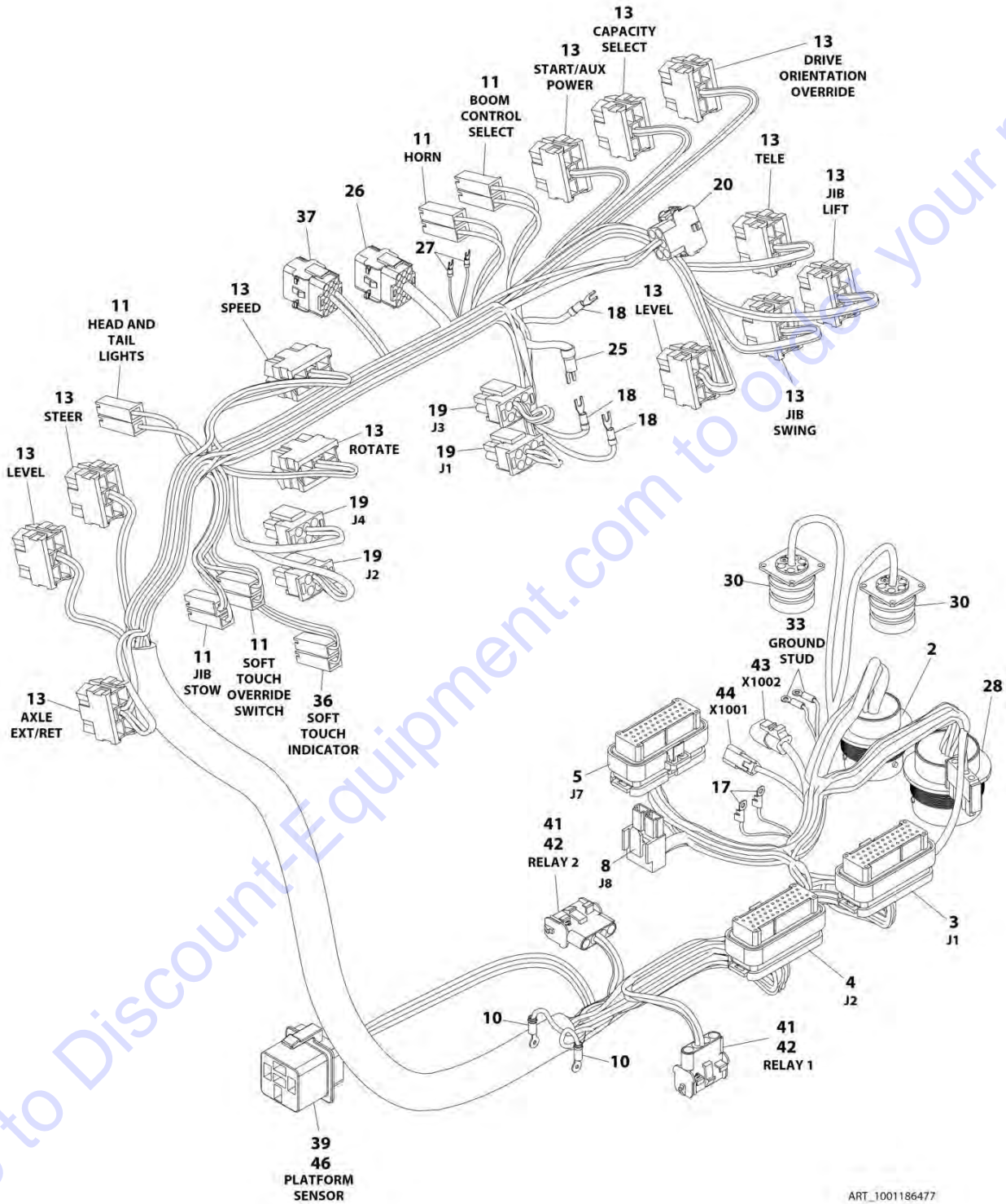
SECTION 8 - ELECTRICAL

FIGURE 8-64. PLATFORM CONSOLE BOX HARNESS - WITHOUT SKYGUARD

ITEM	PART NUMBER	QTY	DESCRIPTION	REV
	4923448	Ref	PLATFORM CONSOLE BOX HARNESS - WITHOUT SKYGUARD	C
2	4460866	1	Connector - 19 Pin	
2	4460464	7	Pin, Male	
2	4460508	4	Pin, Male	
2	4460943	3	Pin, Male 16 Ga (Gold)	
3	4460874	1	Connector - 35 Position (Natural)	
3	4460871	32	Socket, Female	
3	4460905	3	Plug	
4	4460876	1	Connector - 35 Position (Blue)	
4	4460871	34	Socket, Female	
4	4460905	1	Plug	
5	4460873	1	Connector - 35 Position (Black)	
5	4460871	23	Socket, Female	
5	4460905	12	Plug	
8	4460879	1	Connector, Male - 2 Position	
8	4460887	2	Terminal (12 Gauge)	
10	4460213	2	Terminal, Eyelet	
11	4460260	10	Terminal, Housing	
11	4460259	10	Terminal	
13	4460418	12	Connector - 6 Position	
13	4460419	36	Socket, Female	
17	1001121703	2	Terminal, Eyelet	
18	4460888	3	Terminal, Fork	
19	4460225	4	Connector - 6 Position	
19	4460226	21	Terminal (16 Gauge)	
20	4460225	1	Connector - 6 Position	
20	4460227	5	Pin, Male	
25	4460806	1	Terminal, Fork	
26	4460434	1	Connector - 15 Position	
26	4460227	14	Pin, Male	
27	4460183	13	Terminal, Fork	
28	4460925	1	Connector - 21 Pin	
28	4460929	13	Pin, Male Deutsch 16 Ga	
28	4460466	8	Plug	
30	1001121616	2	Connector - 6 Position	
30	1001121615	2	Base, Mounting	
33	4460142	2	Terminal, Eyelet	
36	4460016	2	Terminal	

SECTION 8 - ELECTRICAL

FIGURE 8-65. PLATFORM CONSOLE BOX HARNESS - WITH SKYGUARD (SN 0300201016 through 0300234290, SN B300002238 through B300002991)



ART_1001186477

SECTION 8 - ELECTRICAL

FIGURE 8-65. PLATFORM CONSOLE BOX HARNESS - WITH SKYGUARD (SN 0300201016 through 0300234290, SN B300002238 through B300002991)

ITEM	PART NUMBER	QTY	DESCRIPTION	REV
	1001186477	Ref	PLATFORM CONSOLE BOX HARNESS - WITH SKYGUARD (SN 0300201016 through 0300234290, SN B300002238 through B300002991)	D
2	4460866	1	Connector - 19 Pin	
2	4460464	7	Pin, Male Deutsch 16 Ga	
2	4460508	4	Pin, Male Deutsch 12 Ga	
2	4460943	3	Pin, Male 16 Ga (Gold)	
3	4460874	1	Connector - 35 Position (Natural)	
3	4460871	32	Socket, Female	
3	4460905	3	Plug	
4	4460876	1	Connector - 35 Position (Blue)	
4	4460871	34	Socket, Female	
4	4460905	1	Plug	
5	4460873	1	Connector - 35 Position (Black)	
5	4460871	24	Socket, Female	
5	4460905	11	Plug	
8	4460879	1	Connector - 2 Position	
8	4460887	2	Terminal	
10	4460213	2	Terminal Eyelet	
11	4460260	10	Terminal, Housing	
11	4460259	10	Terminal	
13	4460418	12	Connector, Female - 6 Position	
13	4460419	36	Socket, Female	
17	1001121703	2	Terminal, Eyelet	
18	4460888	3	Terminal, Fork	
19	4460225	4	Connector - 6 Position	
19	4460226	21	Terminal (16 Gauge)	
20	4460225	1	Connector - 6 Position	
20	4460227	5	Pin, Male	
25	4460806	1	Terminal, Fork	
26	4460434	2	Connector - 15 Position	
26	4460227	14	Pin, Male	
26	4460267	1	Pin, Male	
27	4460183	13	Terminal, Fork	
28	4460925	1	Connector - 21 Pin	
28	4460929	13	Pin, Male Deutsch 16 Ga	
28	4460466	8	Plug	
30	1001121616	2	Connector, 6 Position	
30	1001121615	2	Base, Mounting	
33	4460142	2	Terminal, Eyelet	
36	4460016	2	Terminal	
37	4460708	1	Connector - 15 Position	
37	4460226	3	Terminal (16 Gauge)	
39	4460884	1	Connector - 4 Position	
39	4460944	4	Socket, Female (Gold)	
41	1001116720	4	Terminal	
42	1001118388	4	Terminal	
43	4460539	1	Plug, Male - 3 Position	
43	4460944	3	Socket, Female (Gold)	

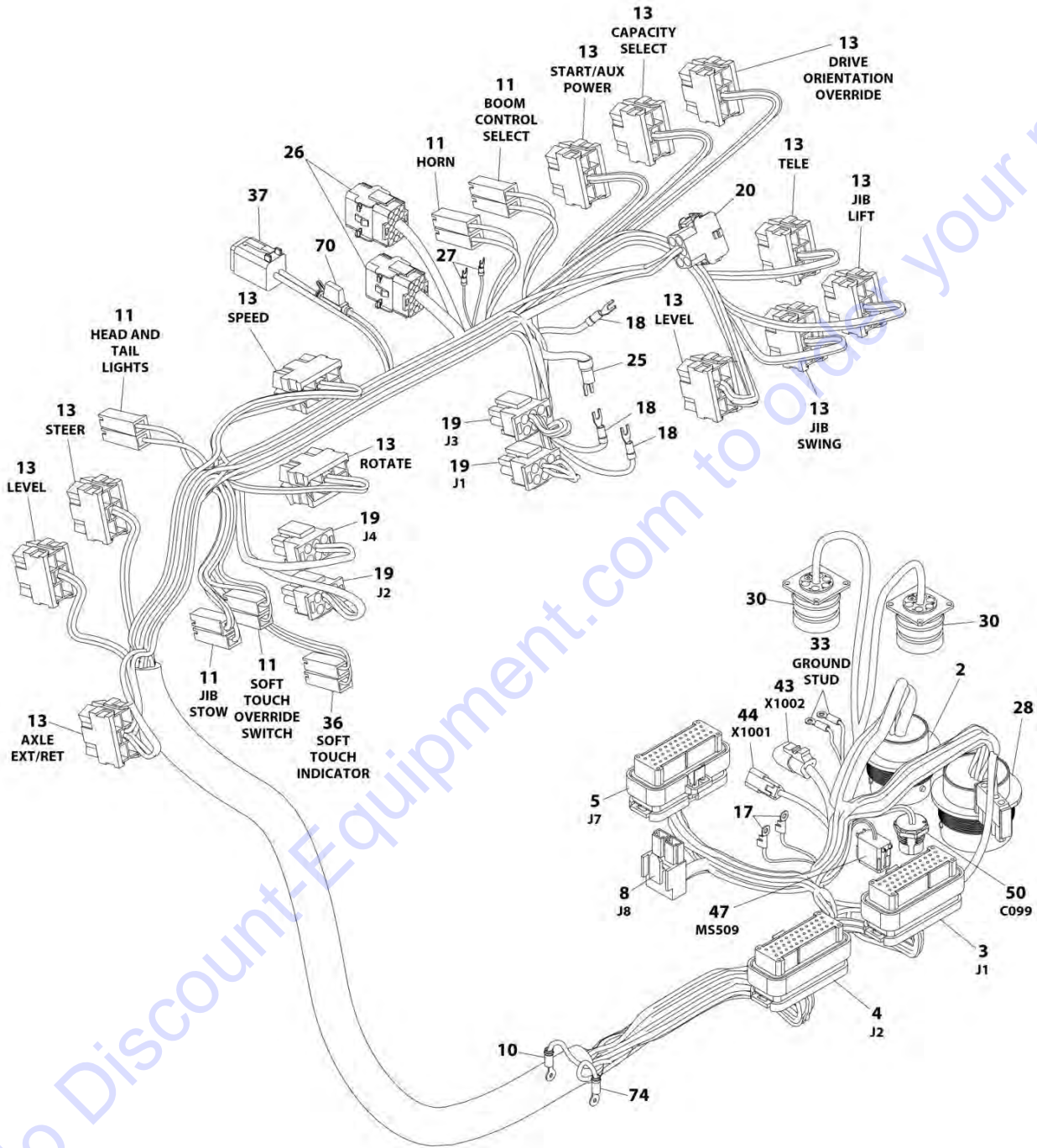
SECTION 8 - ELECTRICAL

ITEM	PART NUMBER	QTY	DESCRIPTION	REV
44	4460536	1	Connector - 3 Position	
44	4460943	3	Pin, Male (Gold)	
46	4460932	1	Connector - 4 Position	

Go to Discount-Equipment.com to order your parts

SECTION 8 - ELECTRICAL

FIGURE 8-66. PLATFORM CONSOLE BOX HARNESS - WITH SKYGUARD (SN 0300234291 to Present, SN B300002992 to Present)



ART_1001220866

SECTION 8 - ELECTRICAL

FIGURE 8-66. PLATFORM CONSOLE BOX HARNESS - WITH SKYGUARD (SN 0300234291 to Present, SN B300002992 to Present)

ITEM	PART NUMBER	QTY	DESCRIPTION	REV
	1001220866	Ref	PLATFORM CONSOLE BOX HARNESS - WITH SKYGUARD (SN 0300234291 to Present, SN B300002992 to Present)	G
2	4460866	1	Connector - 19 Pin	
2	4460464	7	Pin, Male Deutsch 16 Ga	
2	4460508	4	Pin, Male Deutsch 12 Ga	
2	4460943	3	Pin, Male 16 Ga (Gold)	
3	4460874	1	Connector - 35 Position (Natural)	
3	4460871	33	Socket, Female	
3	4460905	2	Plug	
4	4460876	1	Connector - 35 Position (Blue)	
4	4460871	34	Socket, Female	
4	4460905	1	Plug	
5	4460873	1	Connector - 35 Position (Black)	
5	4460871	AR	Socket, Female	
5	4460905	AR	Plug	
8	4460879	1	Connector - 2 Position	
8	4460887	2	Terminal	
10	4460213	1	Terminal Eyelet	
11	4460260	10	Terminal, Housing	
11	4460259	10	Terminal	
13	4460418	12	Connector, Female - 6 Position	
13	4460419	34	Socket, Female	
17	1001121703	2	Terminal, Eyelet	
18	4460888	3	Terminal, Fork	
19	4460225	4	Connector - 6 Position	
19	4460226	21	Terminal (16 Gauge)	
20	4460225	1	Connector - 6 Position	
20	4460227	5	Pin, Male	
25	4460806	1	Terminal, Fork	
26	4460434	2	Connector - 15 Position	
26	4460227	16	Pin, Male	
27	4460183	13	Terminal, Fork	
28	4460925	1	Connector - 21 Pin	
28	4460929	13	Pin, Male Deutsch 16 Ga	
28	4460466	8	Plug	
30	1001121616	2	Connector - 6 Position	
30	1001121615	2	Base, Mounting	
33	4460142	2	Terminal, Eyelet	
36	4460016	2	Terminal	
37	4460894	1	Connector - 6 Position	
37	4460465	AR	Socket, Female	
37	4460466	AR	Plug	
43	4460539	1	Plug, Male - 3 Position	
43	4460944	3	Socket, Female (Gold)	
44	4460536	1	Connector - 3 Position	
44	4460943	3	Pin, Male (Gold)	
47	4460933	1	Connector, Gray - 12 Position	
47	4460944	8	Socket, Female (Gold)	
47	4460466	4	Plug	

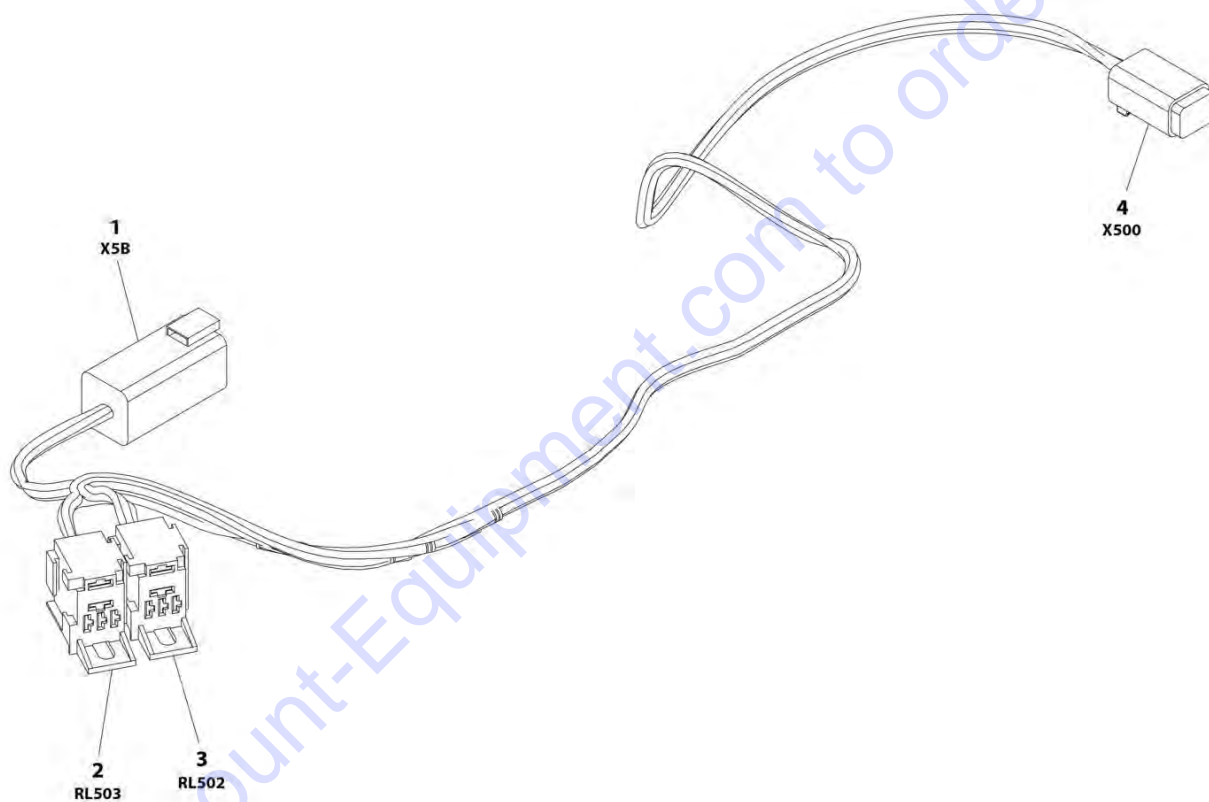
SECTION 8 - ELECTRICAL

ITEM	PART NUMBER	QTY	DESCRIPTION	REV
47	1001119020	1	Bussbar - 12 Position	
50	1001213447	1	Connector - 5 Position	
70	2400060	1	Fuse, Holder (SN 0300259330 to Present, SN B300004191 to Present)	
70	8229242	1	Fuse, 5Amp (SN 0300259330 to Present, SN B300004191 to Present)	
72	4460708	1	Connector - 15 Position (Not Shown) (SN 0300259330 to Present, SN B300004191 to Present)	
72	4460226	2	Terminal (16 Gauge) (SN 0300259330 to Present, SN B300004191 to Present)	
74	4460213	1	Terminal Eyelet (SN 0300234291 through 0300259329, SN B300002992 through B300004190)	
74	1001098122	1	Terminal Eyelet (SN 0300259330 to Present, SN B300004191 to Present)	

Go to Discount-Equipment.com to order your parts

SECTION 8 - ELECTRICAL

FIGURE 8-67. PLATFORM INTERFACE HARNESS



ART_1001225580

SECTION 8 - ELECTRICAL

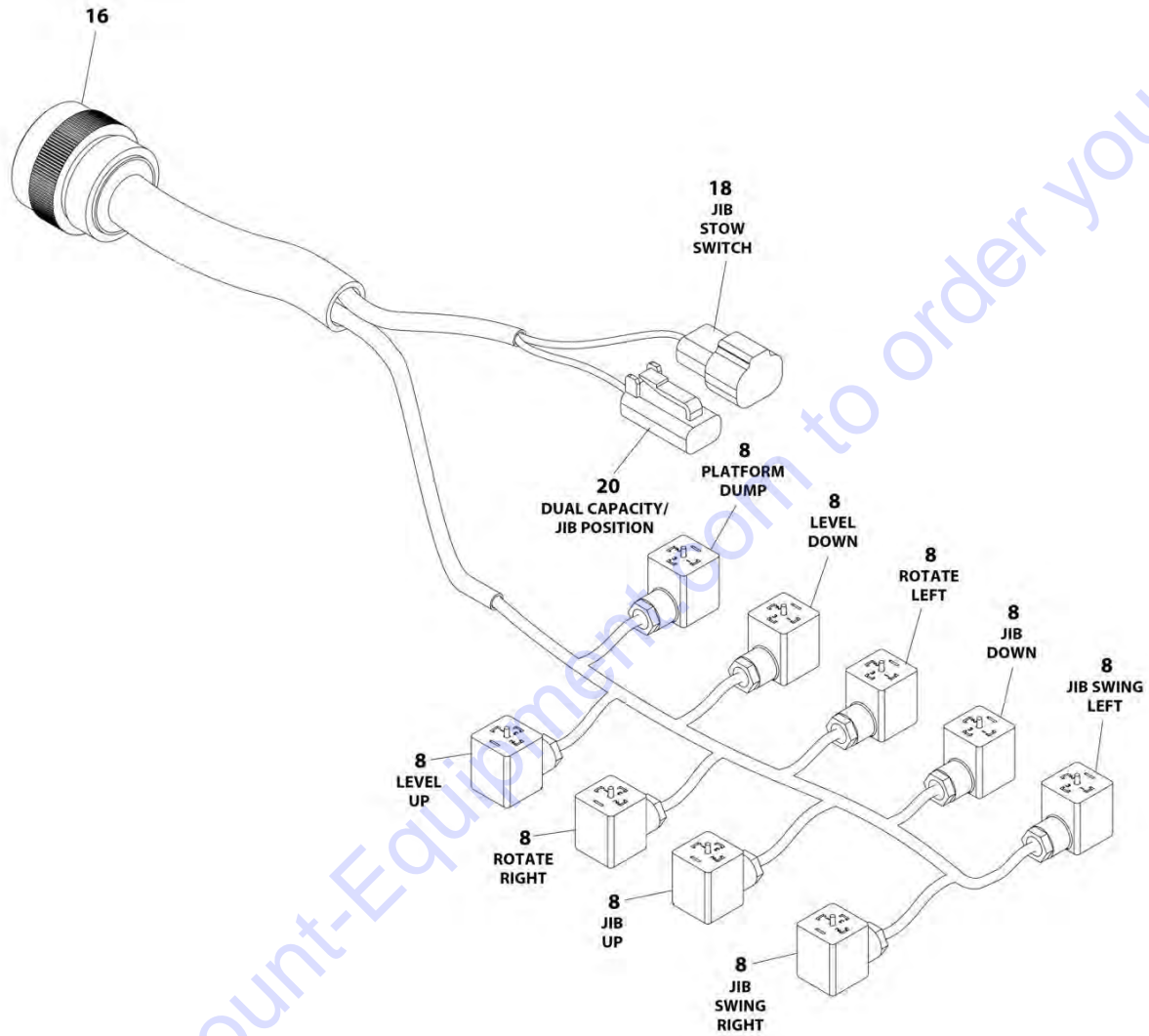
FIGURE 8-67. PLATFORM INTERFACE HARNESS

ITEM	PART NUMBER	QTY	DESCRIPTION	REV
	1001225580	Ref	PLATFORM INTERFACE HARNESS	D
1	4460899	1	Connector, Female - 6 Position	
1	4460464	4	Pin, Male	
1	4460466	2	Seal, Plug	
2	1001186432	1	Holder, Micro Relay	
2	1001116720	2	Terminal	
2	1001118388	2	Terminal	
3	1001186432	1	Holder, Micro Relay	
3	1001116720	2	Terminal	
3	1001118388	2	Terminal	
4	4460884	1	Connector - 3 Position	
4	4460465	4	Socket, Female	

Go to Discount-Equipment.com to order your parts

SECTION 8 - ELECTRICAL

FIGURE 8-68. PLATFORM VALVE HARNESS



ART_4922777

SECTION 8 - ELECTRICAL

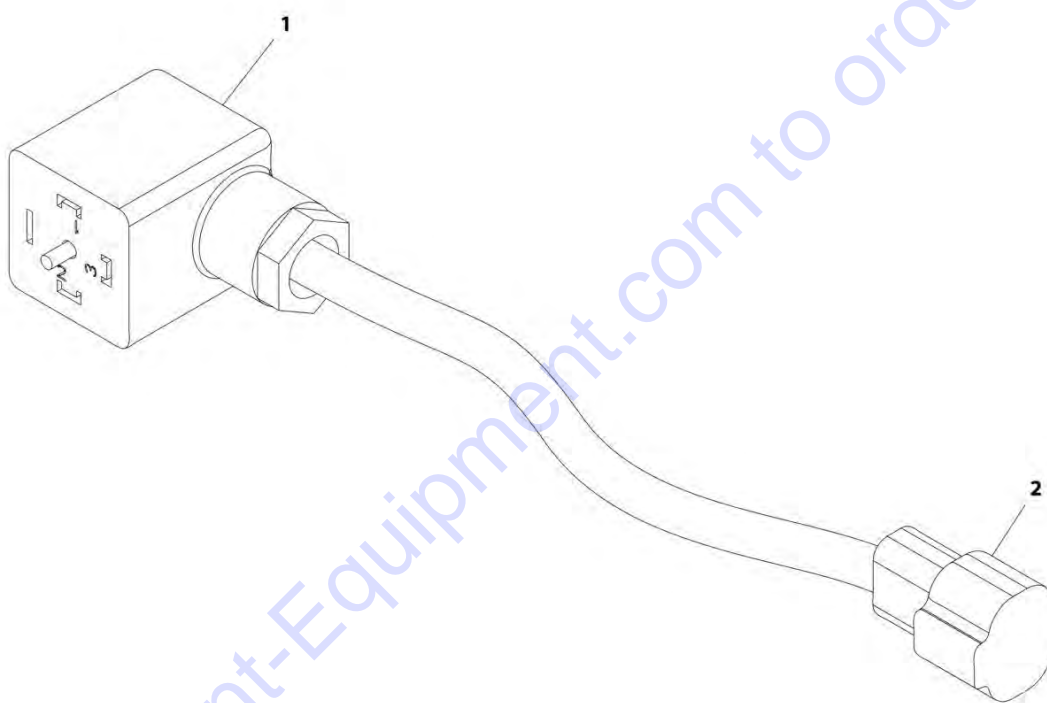
FIGURE 8-68. PLATFORM VALVE HARNESS

ITEM	PART NUMBER	QTY	DESCRIPTION	REV
	4922777	Ref	PLATFORM VALVE HARNESS	D
7	4240033	10	Tie-Strap (Not Shown)	
8	4460880	9	DIN Connector	
16	4460926	1	Connector - 21 Position	
16	4460928	13	Socket, Female	
16	4460466	8	Plug, Hole	
18	4460897	1	Connector - 2 Position	
18	4460464	2	Pin, Male	
20	4460891	1	Plug, Male - 2 Position	
20	4460465	2	Socket, Female	

Go to Discount-Equipment.com to order your parts

SECTION 8 - ELECTRICAL

FIGURE 8-69. PUMP ADAPTER HARNESS - SAUER PUMPS



ART_1001119456

SECTION 8 - ELECTRICAL

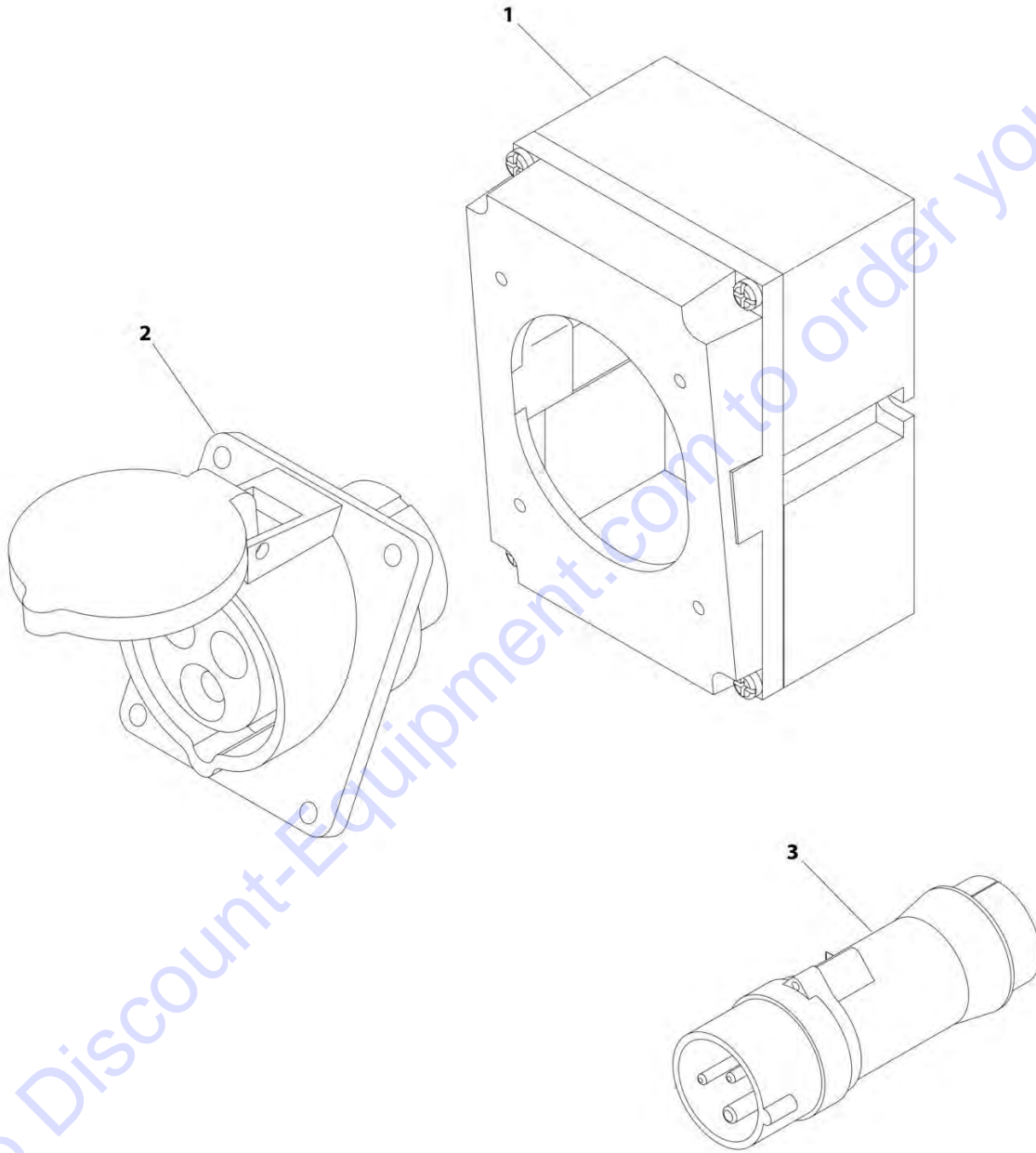
FIGURE 8-69. PUMP ADAPTER HARNESS - SAUER PUMPS

ITEM	PART NUMBER	QTY	DESCRIPTION	REV
	1001119456	Ref	PUMP ADAPTER HARNESS - SAUER PUMPS	C
1	4460880	2	DIN Connector	
2	4460897	2	Connector - 2 Position	
2	4460464	4	Pin, Male	

Go to Discount-Equipment.com to order your parts

SECTION 8 - ELECTRICAL

FIGURE 8-70. RECEPTACLE BOX KIT - 110V IEC YELLOW WITHOUT 2500W GENERATOR (CE SPECS)



ART_0275216

SECTION 8 - ELECTRICAL

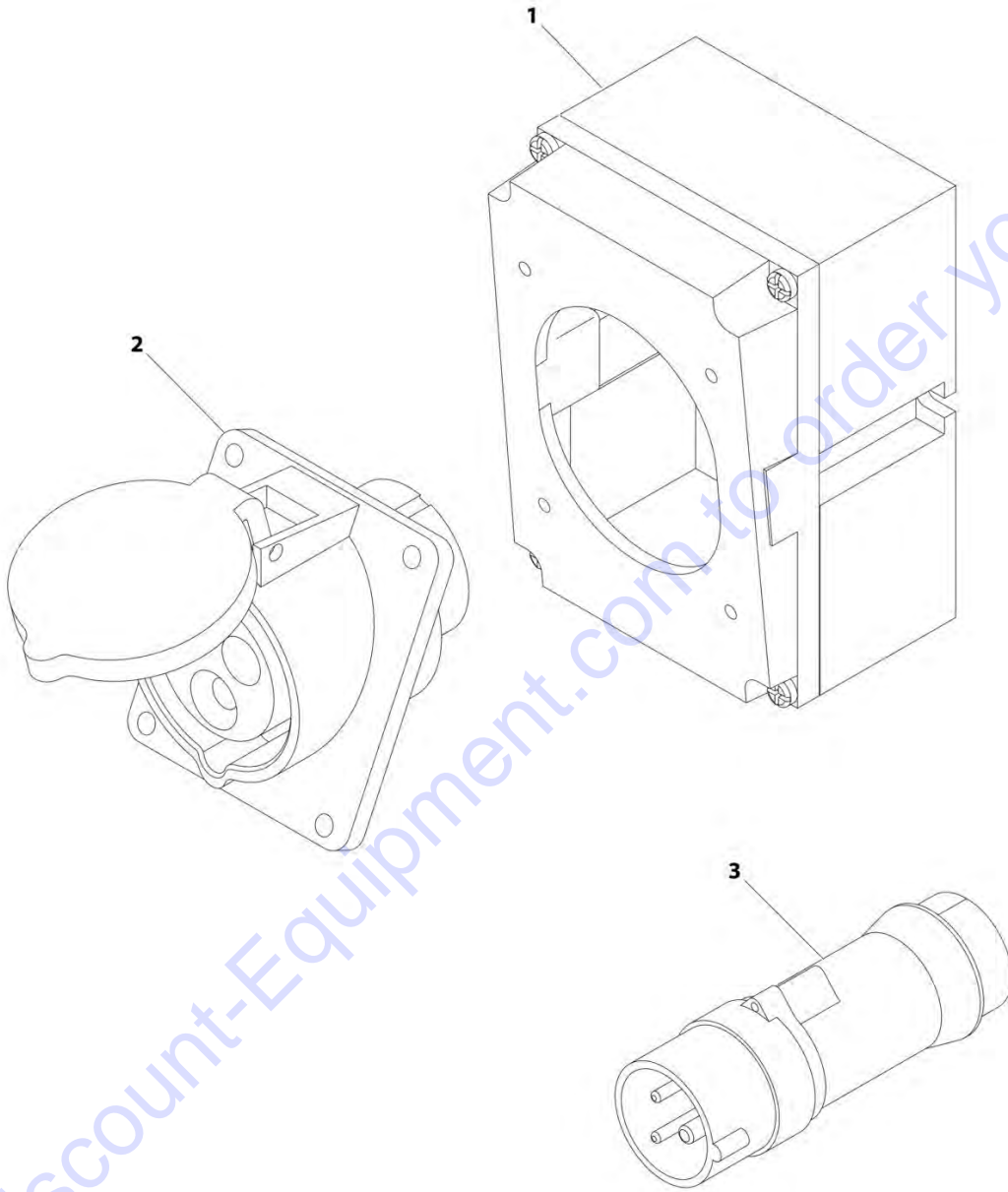
FIGURE 8-70. RECEPTACLE BOX KIT - 110V IEC YELLOW WITHOUT 2500W GENERATOR (CE SPECS)

ITEM	PART NUMBER	QTY	DESCRIPTION	REV
	0275216	Ref	RECEPTACLE BOX KIT - 110V IEC YELLOW WITHOUT 2500W GENERATOR (CE SPECS)	B
1	0861781	1	Box, Switch	
2	4461198	1	Receptacle	
3	4461196	1	Plug, Male	

Go to Discount-Equipment.com to order your parts

SECTION 8 - ELECTRICAL

FIGURE 8-71. RECEPTACLE BOX KIT - 220V IEC BLUE WITHOUT 2500W GENERATOR (CE SPECS)



ART_0275217

SECTION 8 - ELECTRICAL

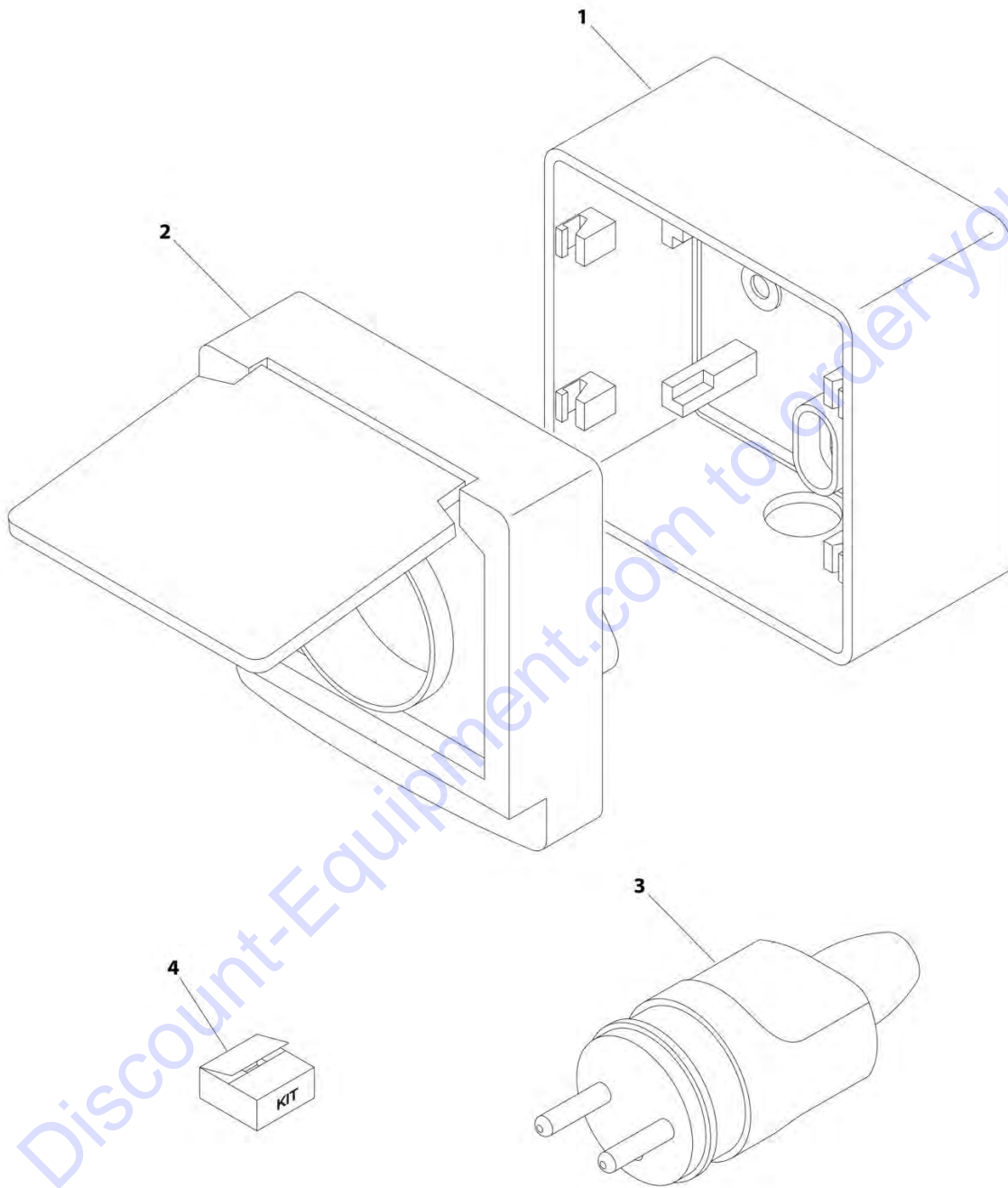
FIGURE 8-71. RECEPTACLE BOX KIT - 220V IEC BLUE WITHOUT 2500W GENERATOR (CE SPECS)

ITEM	PART NUMBER	QTY	DESCRIPTION	REV
	0275217	Ref	RECEPTACLE BOX KIT - 220V IEC BLUE WITHOUT 2500W GENERATOR (CE SPECS)	B
1	0861781	1	Box, Switch	
2	4461201	1	Receptacle	
3	4461199	1	Plug, Male	

Go to Discount-Equipment.com to order your parts

SECTION 8 - ELECTRICAL

FIGURE 8-72. RECEPTACLE BOX KIT - 220V CEE7 POST GROUND WITHOUT 2500W GENERATOR
(70MM X 70MM BOX) (CE SPECS)



ART_0275218

SECTION 8 - ELECTRICAL

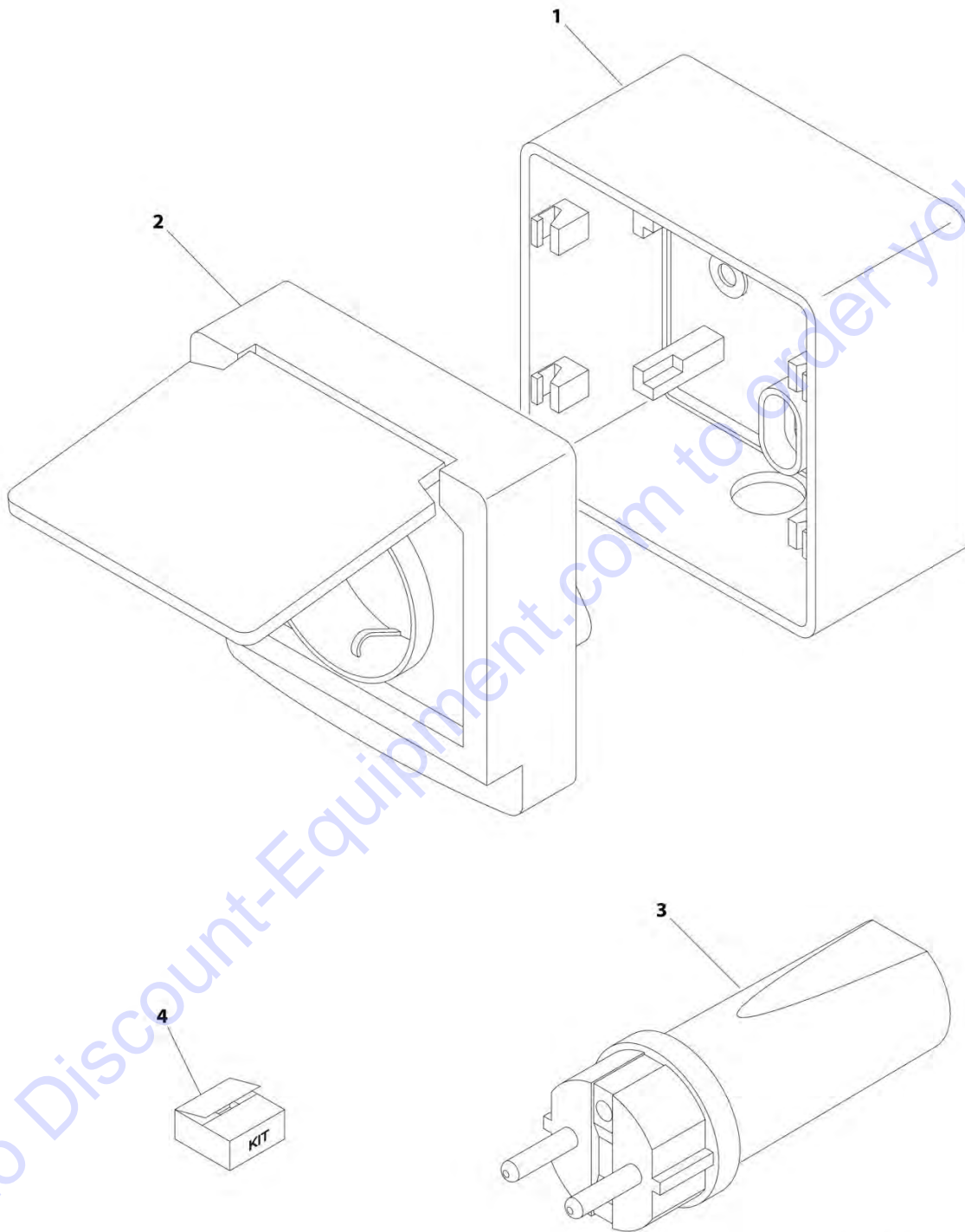
**FIGURE 8-72. RECEPTACLE BOX KIT - 220V CEE7 POST GROUND WITHOUT 2500W GENERATOR
(70MM X 70MM BOX) (CE SPECS)**

ITEM	PART NUMBER	QTY	DESCRIPTION	REV
	0275218	Ref	RECEPTACLE BOX KIT - 220V CEE7 POST GROUND WITHOUT 2500W GENERATOR (70MM X 70MM BOX) (CE SPECS)	C
1	1001141967	1	Box, Switch	
2	1001141968	1	Receptacle	
3	4461202	NLA	Plug, Male (Use p/n 4461205) (SN 0300201017 through 0300218299)	
3	4461205	1	Plug, Male (SN 0300218300 to Present)	
4	1001141971	1	Plug and Socket Kit (Includes Items 1-3 and Female Plug p/n 4461203)	

Go to Discount-Equipment.com to order your parts

SECTION 8 - ELECTRICAL

FIGURE 8-73. RECEPTACLE BOX KIT - 220V CEE7 SIDE GROUND WITHOUT 2500W GENERATOR
(70MM X 70MM BOX) (CE SPECS)



ART_0275219

SECTION 8 - ELECTRICAL

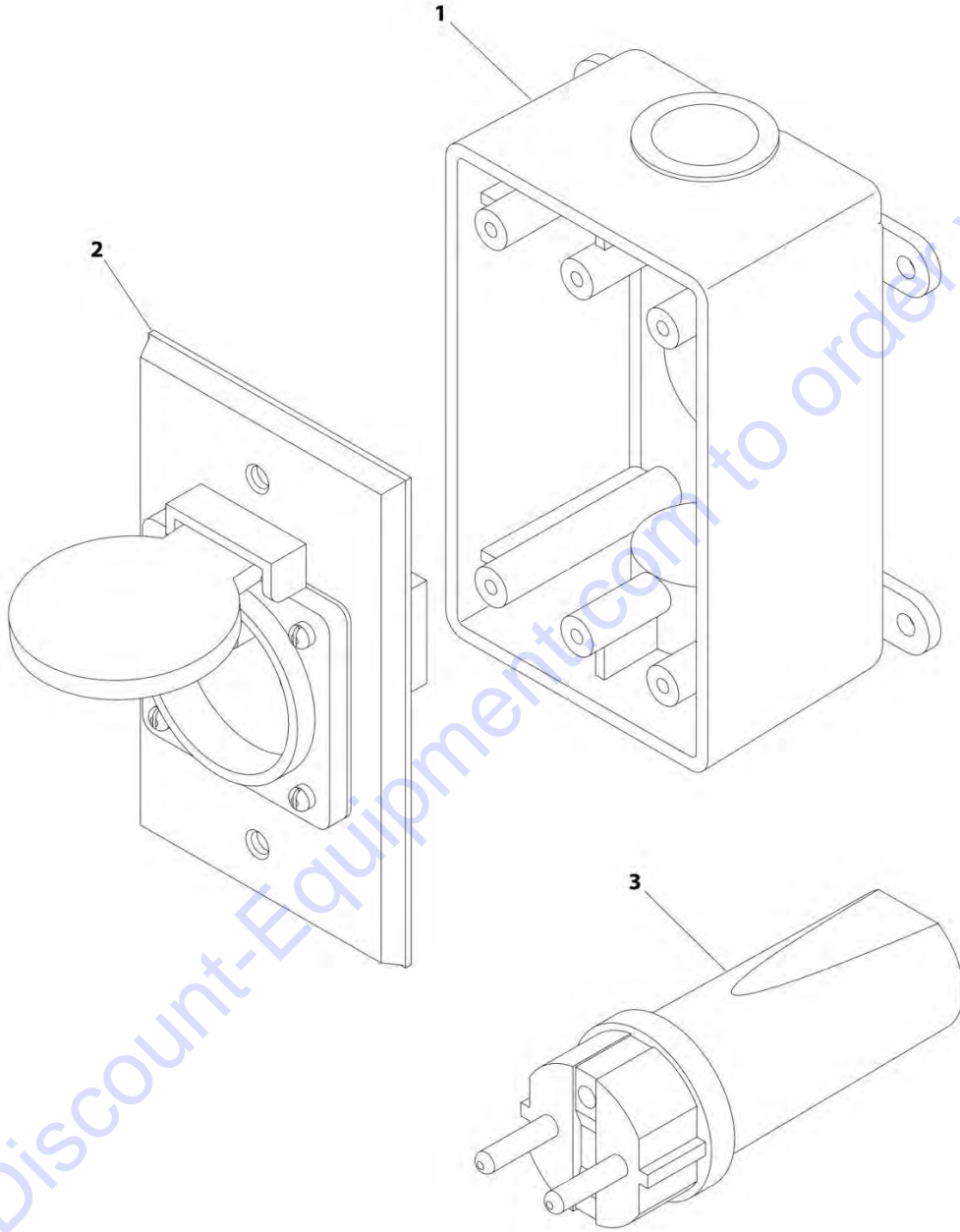
**FIGURE 8-73. RECEPTACLE BOX KIT - 220V CEE7 SIDE GROUND WITHOUT 2500W GENERATOR
(70MM X 70MM BOX) (CE SPECS)**

ITEM	PART NUMBER	QTY	DESCRIPTION	REV
	0275219	Ref	RECEPTACLE BOX KIT - 220V CEE7 SIDE GROUND WITHOUT 2500W GENERATOR (70MM X 70MM BOX) (CE SPECS)	B
1	1001141967	1	Box, Switch	
2	1001141969	1	Receptacle	
3	4461205	1	Plug, Male	
4	1001141970	1	Plug and Socket Kit (Includes Items 1-3 and Female Plug p/n 4461206)	

Go to Discount-Equipment.com to order your parts

SECTION 8 - ELECTRICAL

FIGURE 8-74. RECEPTACLE BOX KIT - 220V CEE7 POST GROUND WITHOUT 2500W GENERATOR
(2X4 BOX) (CE SPECS)



ART_0275452

SECTION 8 - ELECTRICAL

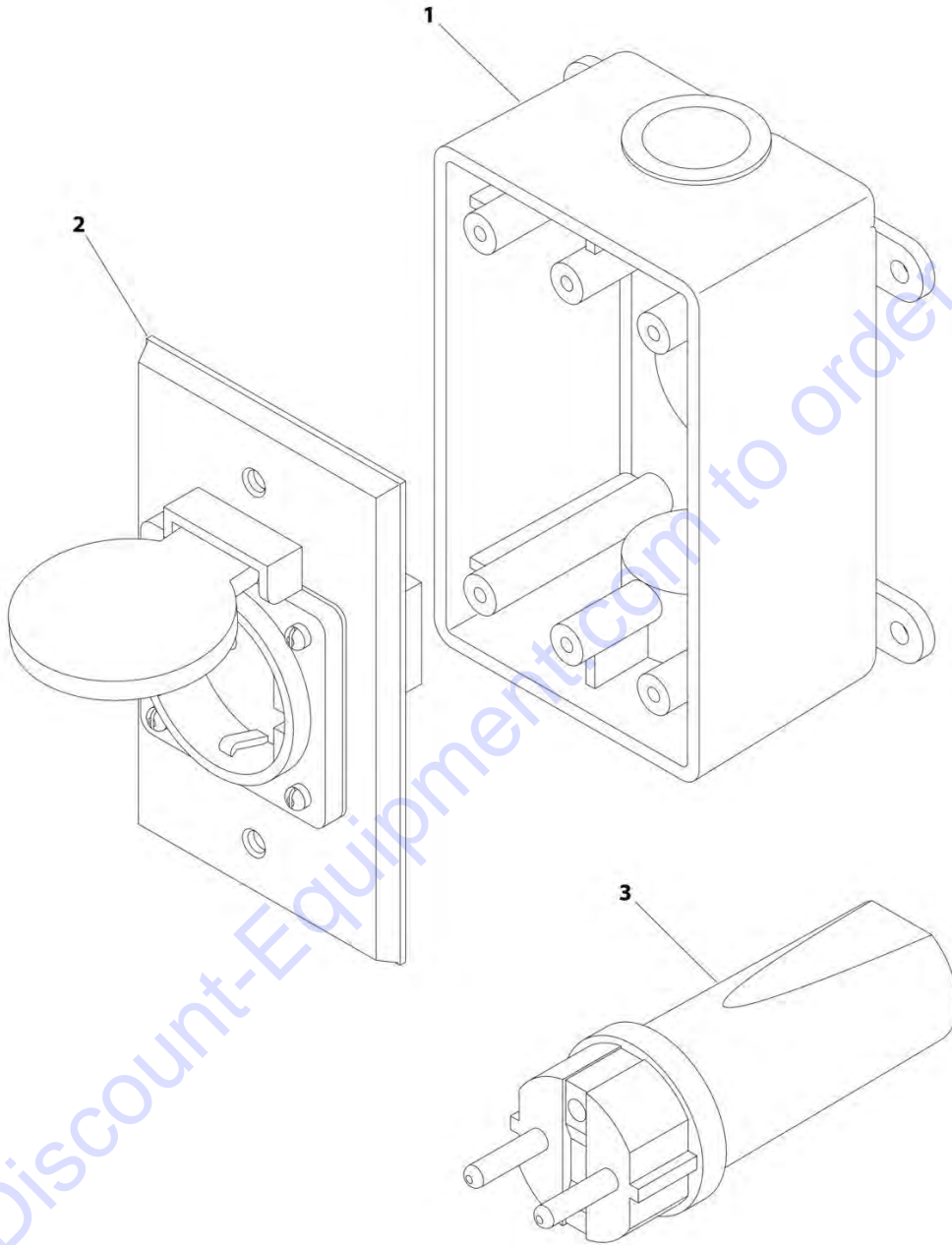
FIGURE 8-74. RECEPTACLE BOX KIT - 220V CEE7 POST GROUND WITHOUT 2500W GENERATOR (2X4 BOX) (CE SPECS)

ITEM	PART NUMBER	QTY	DESCRIPTION	REV
	0275452	Ref	RECEPTACLE BOX KIT - 220V CEE7 POST GROUND WITHOUT 2500W GENERATOR (2X4 BOX) (CE SPECS)	C
1	0861731	1	Box, Switch	
2	4461244	1	Receptacle	
3	4461202	NLA	Plug, Male (Use p/n 4461205) (SN 0300201016 through 0300218299)	
3	4461205	1	Plug, Male (SN 0300218300 to Present)	

Go to Discount-Equipment.com to order your parts

SECTION 8 - ELECTRICAL

FIGURE 8-75. RECEPTACLE BOX KIT - 220V CEE7 SIDE GROUND WITHOUT 2500W GENERATOR
(2X4 BOX) (CE SPECS)



ART_0275453

SECTION 8 - ELECTRICAL

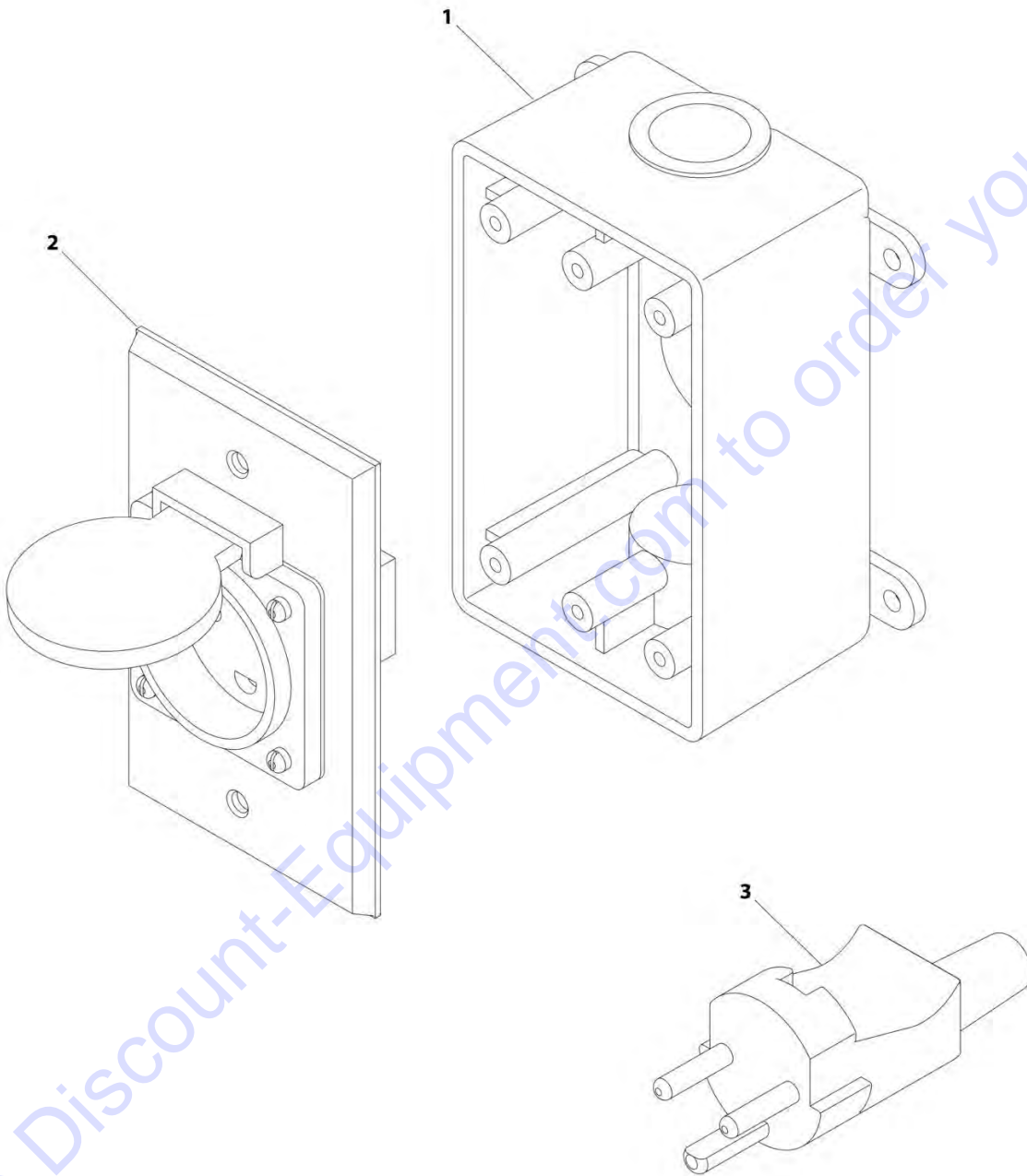
FIGURE 8-75. RECEPTACLE BOX KIT - 220V CEE7 SIDE GROUND WITHOUT 2500W GENERATOR (2X4 BOX) (CE SPECS)

ITEM	PART NUMBER	QTY	DESCRIPTION	REV
	0275453	Ref	RECEPTACLE BOX KIT - 220V CEE7 SIDE GROUND WITHOUT 2500W GENERATOR (2X4 BOX) (CE SPECS)	1
1	0861731	1	Box, Switch	
2	4461245	1	Receptacle	
3	4461205	1	Plug, Male	

Go to Discount-Equipment.com to order your parts

SECTION 8 - ELECTRICAL

FIGURE 8-76. RECEPTACLE BOX KIT - 220V AFSINT 107 KEYED GROUND WITHOUT 2500W GENERATOR (2X4 BOX) (CE SPECS)



ART_0275454

SECTION 8 - ELECTRICAL

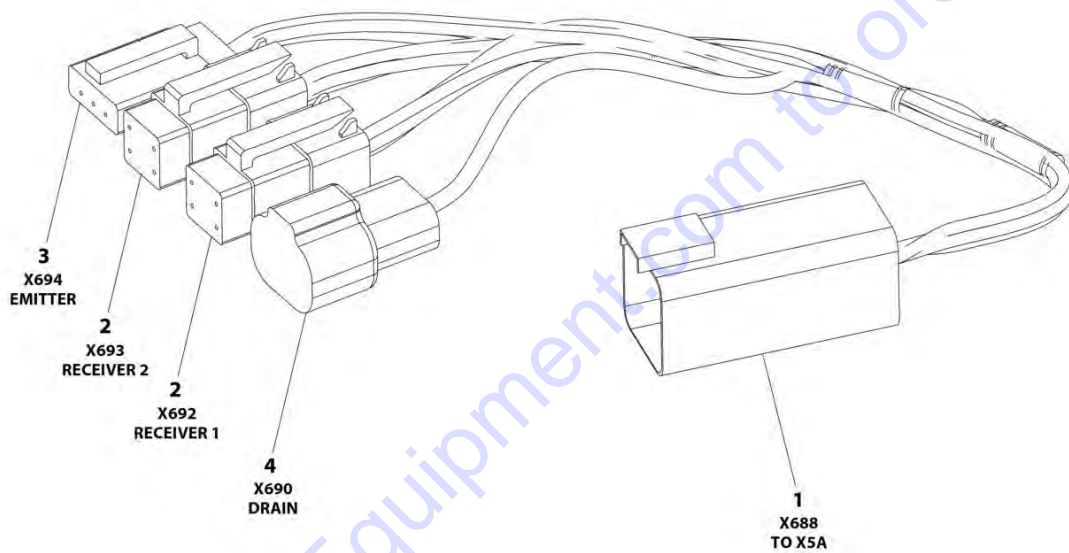
FIGURE 8-76. RECEPTACLE BOX KIT - 220V AFSINT 107 KEYED GROUND WITHOUT 2500W GENERATOR (2X4 BOX) (CE SPECS)

ITEM	PART NUMBER	QTY	DESCRIPTION	REV
	0275454	Ref	RECEPTACLE BOX KIT - 220V AFSINT 107 KEYED GROUND WITHOUT 2500W GENERATOR (2X4 BOX) (CE SPECS)	1
1	0861731	1	Box, Switch	
2	4461246	1	Receptacle	
3	4461249	1	Plug, Male	

Go to Discount-Equipment.com to order your parts

SECTION 8 - ELECTRICAL

FIGURE 8-77. SKYEYE INTERMEDIATE HARNESS



ART_1001237865

SECTION 8 - ELECTRICAL

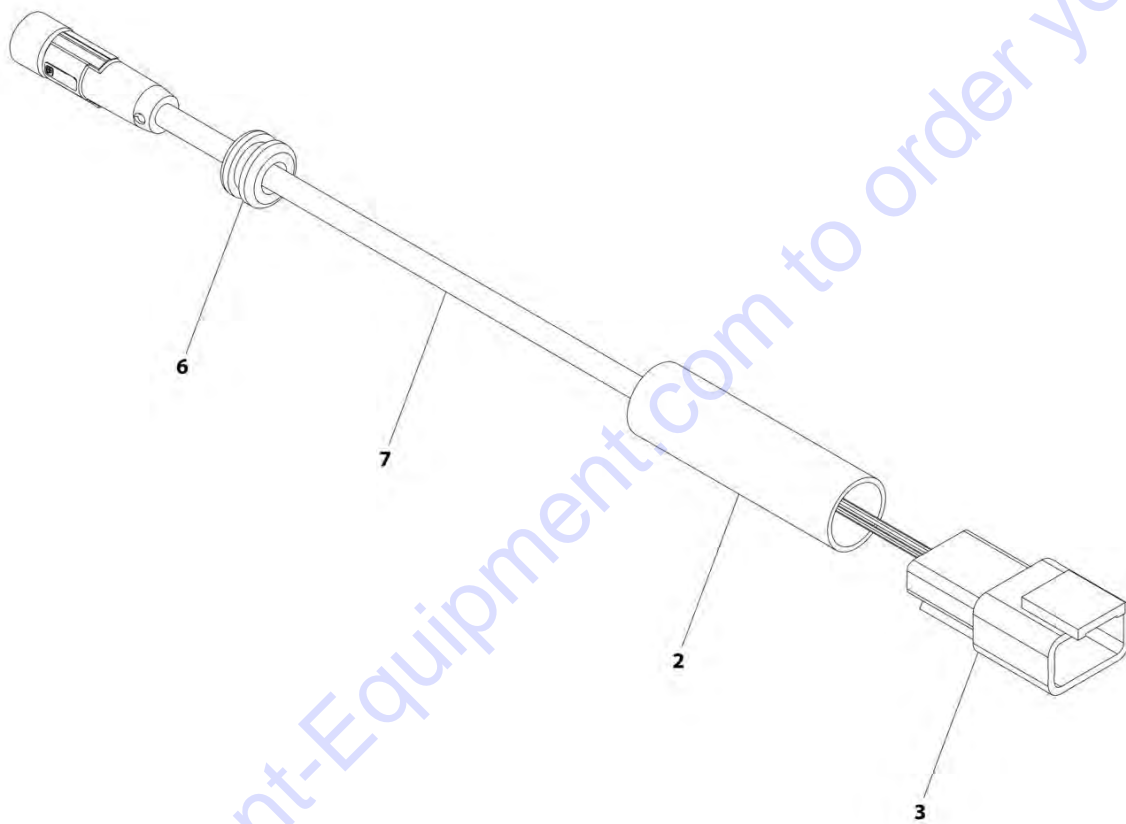
FIGURE 8-77. SKYEYE INTERMEDIATE HARNESS

ITEM	PART NUMBER	QTY	DESCRIPTION	REV
	1001237865	Ref	SKYEYE INTERMEDIATE HARNESS	A
1	4460899	1	Connector - 6 Position	
1	4460943	4	Pin, Male	
1	4460466	2	Plug, Terminal	
2	4461077	2	Connector - 4 Position	
2	1001119619	8	Socket, Female	
3	4460911	1	Connector - 3 Position	
3	1001119619	3	Socket, Female	
4	1001187681	1	Connector - 2 Position	
4	4460941	1	Pin, Male	
4	4460466	1	Plug, Terminal	

Go to Discount-Equipment.com to order your parts

SECTION 8 - ELECTRICAL

FIGURE 8-78. SKYEYE EMITTER HARNESS



ART_1001237864

SECTION 8 - ELECTRICAL

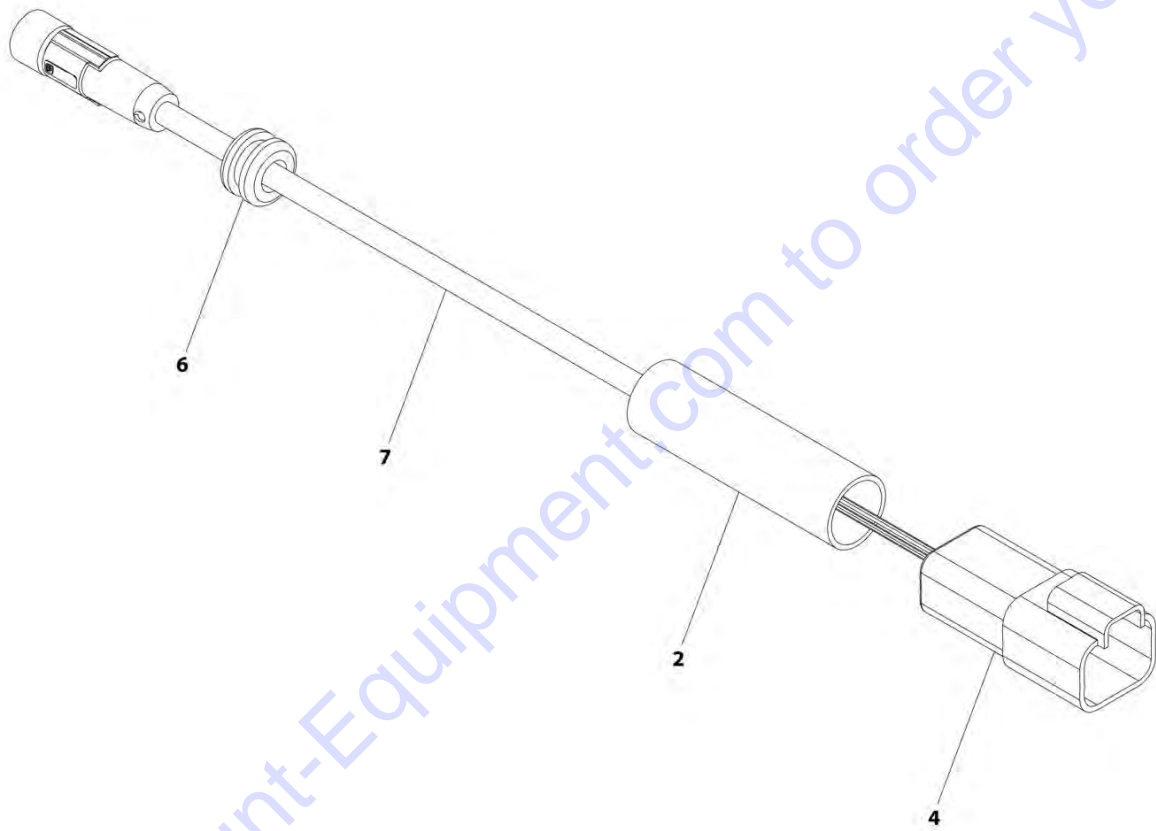
FIGURE 8-78. SKYEYE EMITTER HARNESS

ITEM	PART NUMBER	QTY	DESCRIPTION	REV
	1001237864	Ref	SKYEYE EMITTER HARNESS	A
2	2820247	AR	Tubing, Heat Shrink	
3	4460910	1	Connector - 3 Position	
3	1001119620	3	Pin, Male	
6	1001227996	1	Grommet	
7	1001237862	1	Cable, M8 Female Cordset	

Go to Discount-Equipment.com to order your parts

SECTION 8 - ELECTRICAL

FIGURE 8-79. SKYEYE RECEIVER HARNESS



ART_1001237863

SECTION 8 - ELECTRICAL

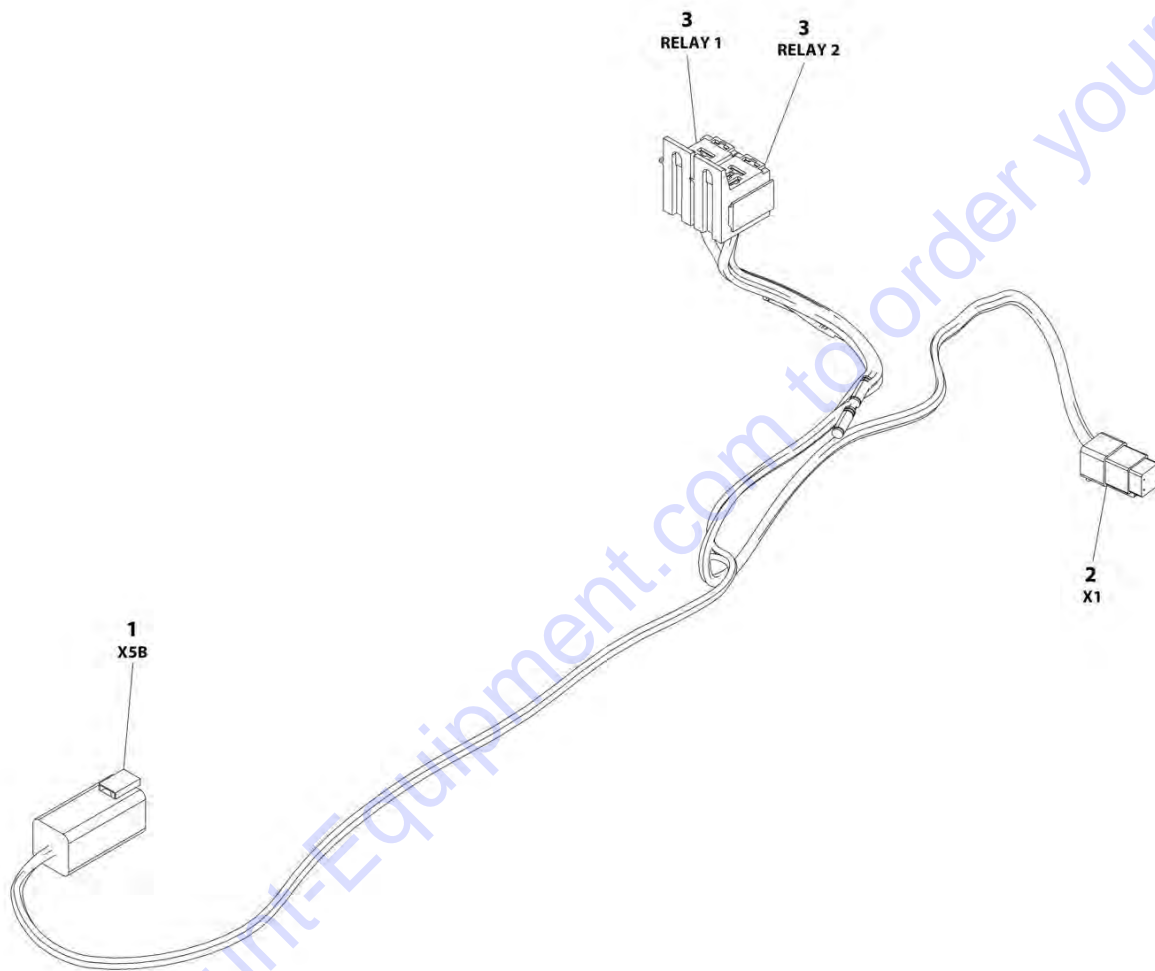
FIGURE 8-79. SKYEYE RECEIVER HARNESS

ITEM	PART NUMBER	QTY	DESCRIPTION	REV
	1001237863	Ref	SKYEYE RECEIVER HARNESS	A
2	2820247	AR	Tubing, Heat Shrink	
4	1001097051	1	Connector - 4 Position	
4	1001119620	4	Pin, Male	
6	1001227996	1	Grommet	
7	1001237862	1	Cable, M8 Female Cordset	

Go to Discount-Equipment.com to order your parts

SECTION 8 - ELECTRICAL

FIGURE 8-80. SKYLINE HARNESS



ART_1001238418

SECTION 8 - ELECTRICAL

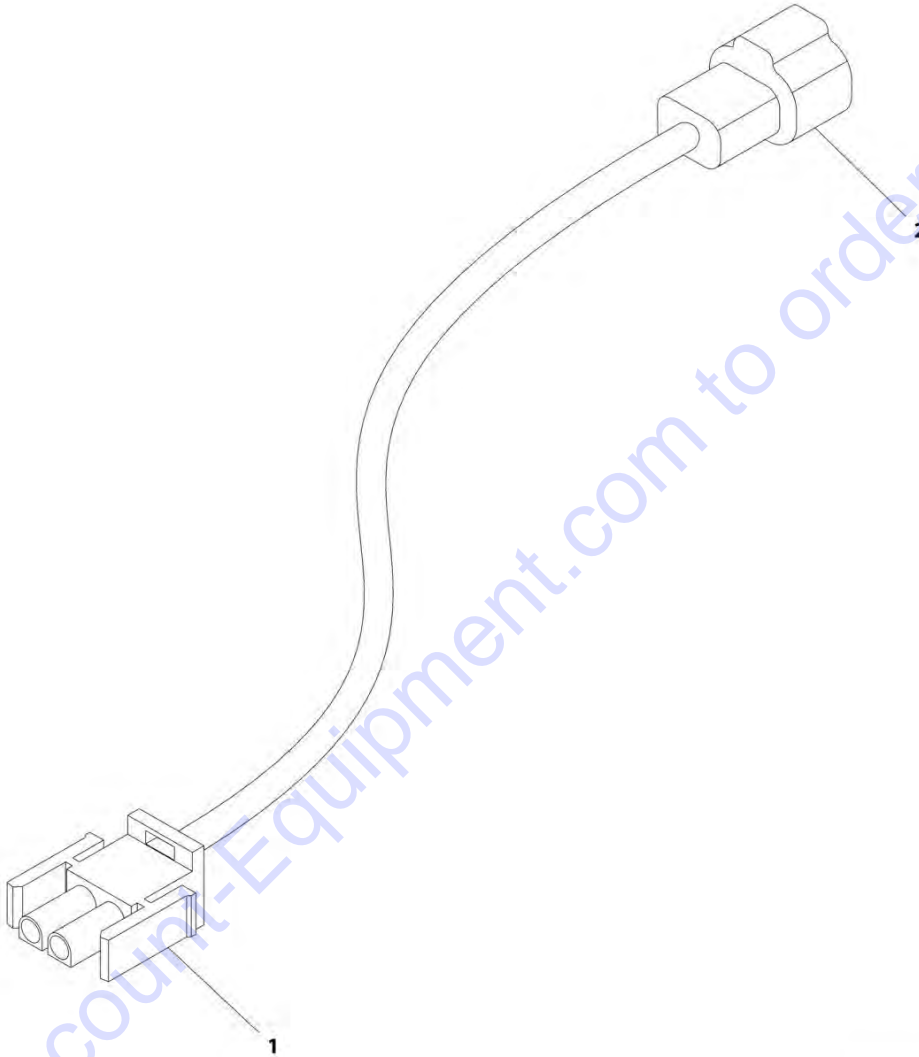
FIGURE 8-80. SKYLINE HARNESS

ITEM	PART NUMBER	QTY	DESCRIPTION	REV
	1001238418	Ref	SKYLINE HARNESS	A
1	4460899	1	Connector - 6 Position	
1	4460464	4	Pin, Male	
1	4460466	2	Plug, Terminal	
2	4461077	1	Connector - 4 Position	
2	1001126009	4	Socket, Female	
3	1001186432	2	Plug, Relay	
3	1001118388	5	Terminal	
3	1001118384	3	Terminal	
3	3740086	2	Relay	
3	3990013	2	Diode	

Go to Discount-Equipment.com to order your parts

SECTION 8 - ELECTRICAL

FIGURE 8-81. STROBE LIGHT HARNESS (AMBER)



ART_1001149818

SECTION 8 - ELECTRICAL

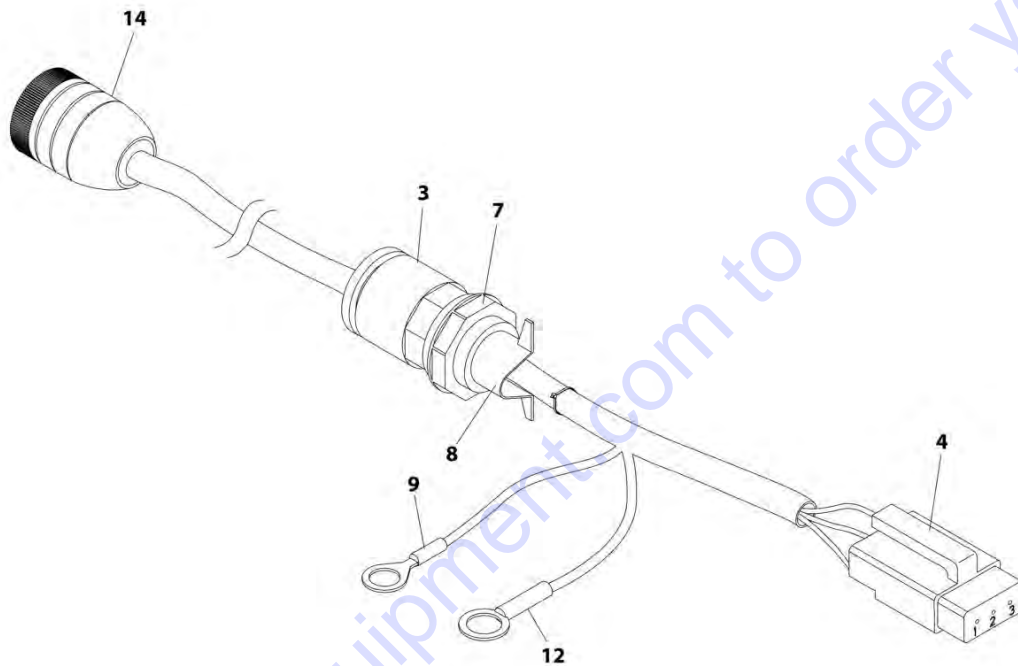
FIGURE 8-81. STROBE LIGHT HARNESS (AMBER)

ITEM	PART NUMBER	QTY	DESCRIPTION	REV
	1001149818	Ref	STROBE LIGHT HARNESS (AMBER)	D
1	4460320	1	Plug, Male - 2 Position	
1	4460267	2	Pin, Male	
2	4460897	1	Connector - 2 Position	
2	4460464	2	Pin, Male	

Go to Discount-Equipment.com to order your parts

SECTION 8 - ELECTRICAL

FIGURE 8-82. TILT SENSOR HARNESS (LEFT)



ART_4922948

SECTION 8 - ELECTRICAL

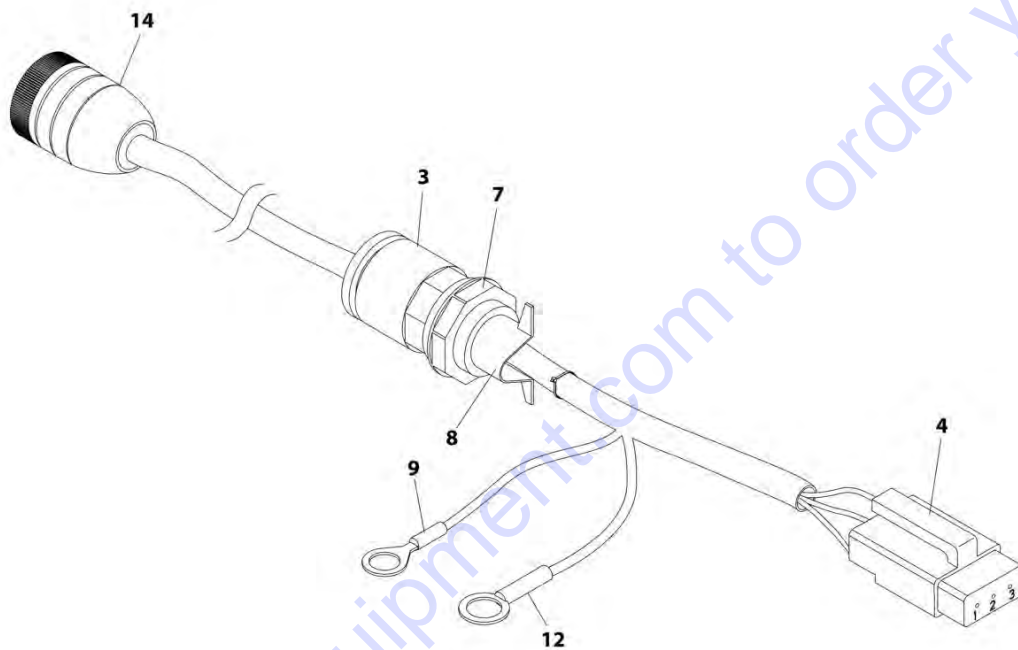
FIGURE 8-82. TILT SENSOR HARNESS (LEFT)

ITEM	PART NUMBER	QTY	DESCRIPTION	REV
	4922948	Ref	TILT SENSOR HARNESS (LEFT)	E
3	1560011	1	Connector, Conduit	
4	4460911	1	Connector - 3 Position	
4	4460912	1	Lock, Wedge	
4	4460918	3	Pin, Male	
7	1560012	1	Nut, Conduit	
8	1320309	1	Clamp, Cable	
9	4460702	1	Terminal, Eyelet	
10	4240032	2	Tie-Strap (Not Shown)	
12	4460256	1	Terminal, Eyelet	
14	4461013	1	Connector - 6 Position	

Go to Discount-Equipment.com to order your parts

SECTION 8 - ELECTRICAL

FIGURE 8-83. TILT SENSOR HARNESS (RIGHT)



ART_4922947

SECTION 8 - ELECTRICAL

FIGURE 8-83. TILT SENSOR HARNESS (RIGHT)

ITEM	PART NUMBER	QTY	DESCRIPTION	REV
	4922947	Ref	TILT SENSOR HARNESS (RIGHT)	E
3	1560011	1	Connector, Conduit	
4	4460911	1	Connector - 3 Position	
4	4460912	1	Lock, Wedge	
4	4460918	3	Pin, Male	
7	1560012	1	Nut, Conduit	
8	1320309	1	Clamp, Cable	
9	4460702	1	Terminal, Eyelet	
10	4240032	2	Tie-Strap (Not Shown)	
12	4460256	1	Terminal, Eyelet	
14	4461013	1	Connector - 6 Position	

Go to Discount-Equipment.com to order your parts

SECTION 8 - ELECTRICAL

FIGURE 8-84. ELECTRICAL DIAGRAM LIST

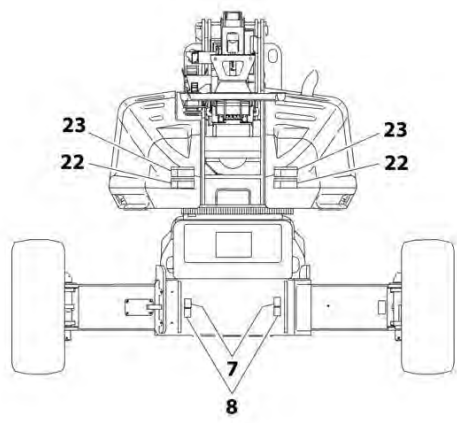
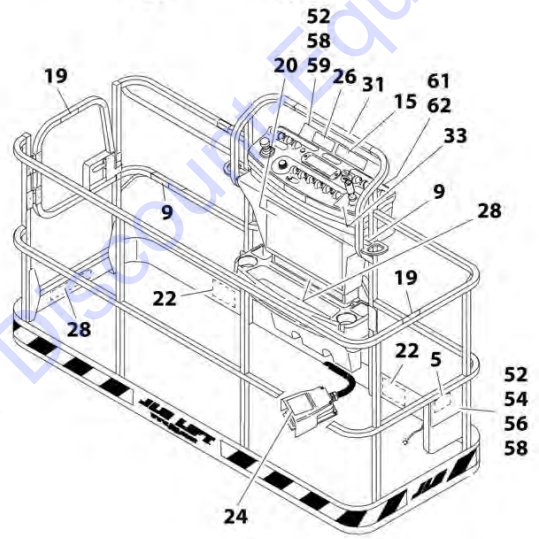
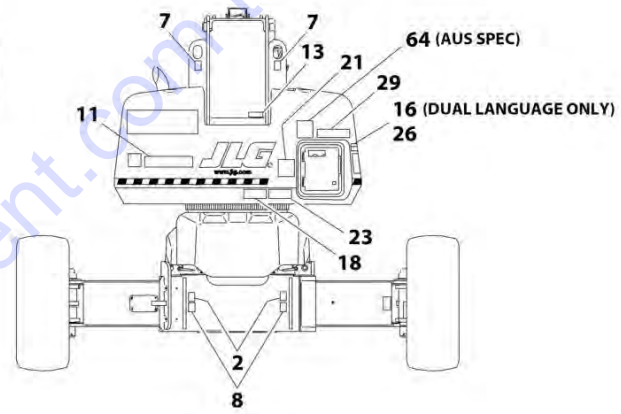
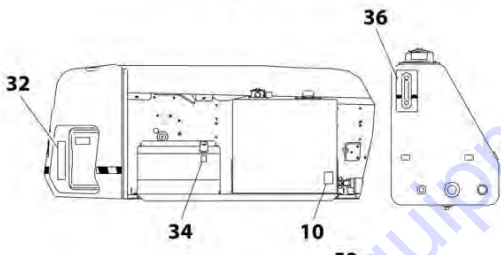
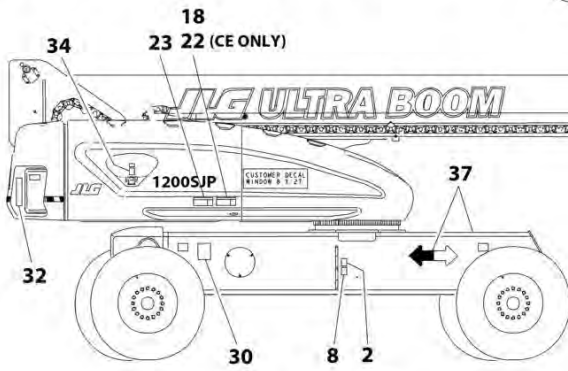
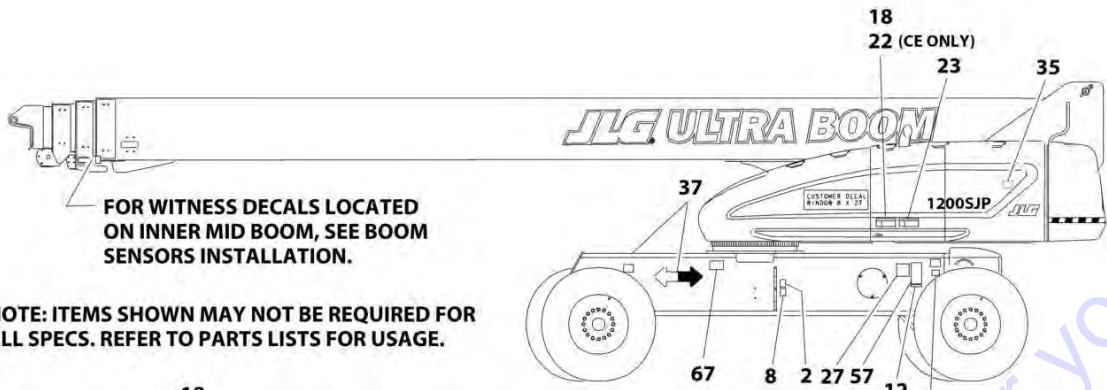
ITEM	PART NUMBER	QTY	DESCRIPTION	REV
		Ref	Note: Diagrams not shown are available from the JLG Service Department. Schematics shown in the Service and Maintenance Manual.	
		Ref	ELECTRICAL DIAGRAM LIST	
	1001119860	Ref	Electrical Schematic	
	4933278	Ref	Wiring Diagram - EIM Load Cell to Platform Console Box Wiring	
	1001116206	Ref	Wiring Diagram - Ground Control Box	
	1001120381	Ref	Wiring Diagram - 2500W Generator 50Hz (ANSI Export Specs)	
	1001120382	Ref	Wiring Diagram - 2500W Generator 50Hz (CE Specs)	
	1001153257	Ref	Wiring Diagram - 4000W Generator 60Hz	
	1001162901	Ref	Wiring Diagram - 4000W Generator 50Hz (CE Specs)	
	1001162899	Ref	Wiring Diagram - 4000W Generator 50Hz (Australian Specs)	
	1001162900	Ref	Wiring Diagram - 4000W Generator 50Hz (CE Specs)	
	1001195793	Ref	Wiring Diagram - 4000W Generator 50Hz (ANSI Export and Japanese Specs)	
	1001157770	Ref	Wiring Diagram - 7500W Generator	
	0274660	Ref	Wiring Harness Installation	
	4933218	Ref	Wiring Diagram - Soft Touch	

SECTION 9 - DECALS

Go to Discount-Equipment.com to order your parts

SECTION 9 - DECALS

FIGURE 9-1. DECAL INSTALLATION - ANSI SPEC



ART_0274722

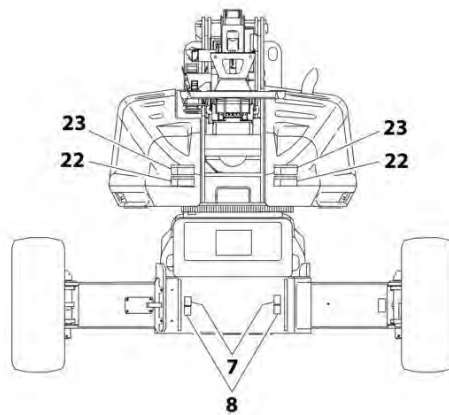
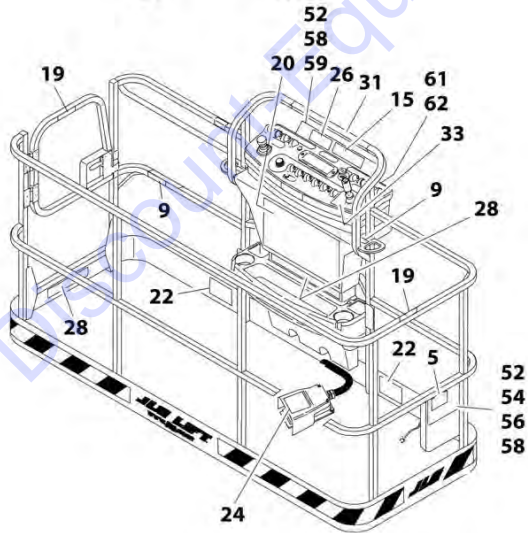
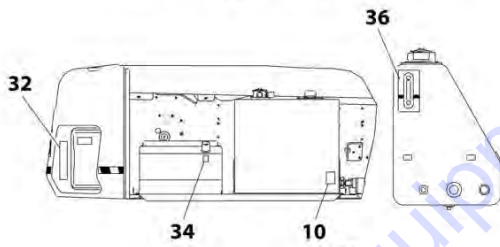
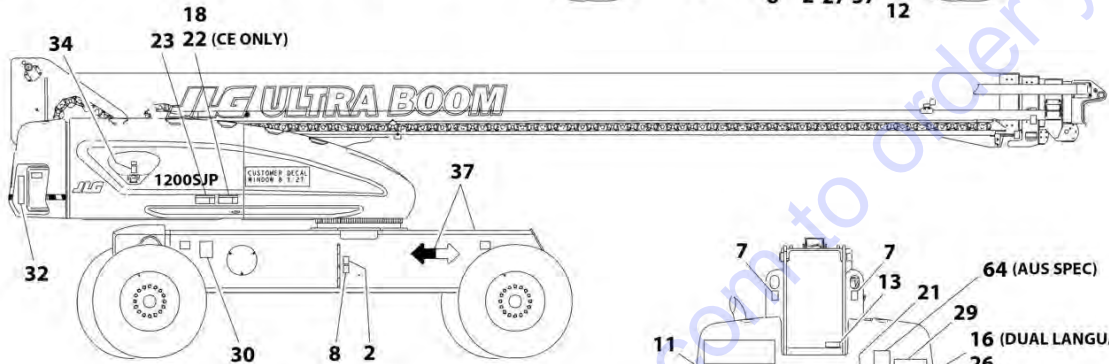
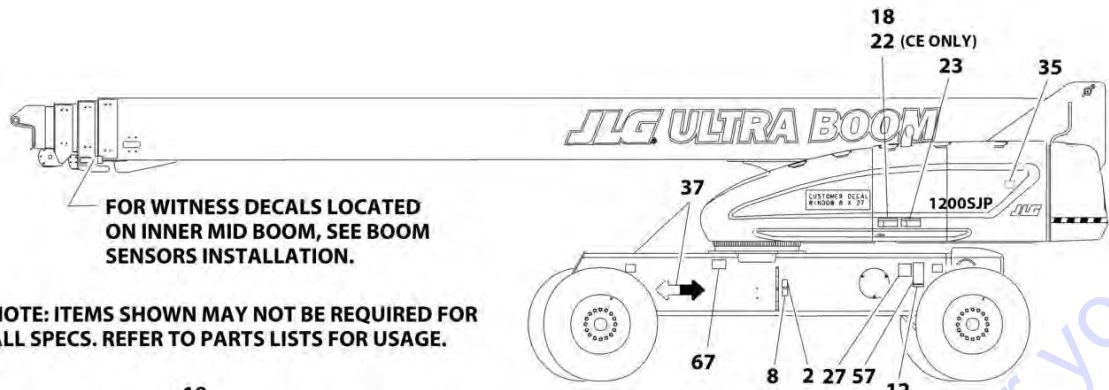
SECTION 9 - DECALS

FIGURE 9-1. DECAL INSTALLATION - ANSI SPEC

ITEM	PART NUMBER	QTY	DESCRIPTION	REV
	1283409	Ref	DECAL INSTALLATION - REFERENCE CHART	AA
	0274722	Ref	DECAL INSTALLATION - ANSI SPEC	H
2	1701499	4	Decal - No Lift	
5	1701509	1	Decal - Manual	
7	1703811	4	Decal - Tie Down/Lift	
8	1703814	6	Decal - Tie Down	
9	1704277	4	Decal - Attach Lanyard Here	
10	1704412	1	Decal - Hydraulic Oil Chart	
12	1705514	1	Decal - CSA (SN 0300222914 to Present)	
13	3251243	1	Nameplate - 120V-60Hz	
15	1705337	1	Decal - Tip Over (SN 0300201016 through 0300241317)	
18	1703953	7	Decal - Warning/Crushing	
19	1702868	2	Decal - No Hands	
20	1703797	1	Decal - Danger/Warning (Platform) (SN 0300201016 through 0300241317)	
20	1001231315	1	Decal - Danger/Warning (Platform) (SN 0300241318 to Present)	
21	1705336	1	Decal - Danger/Warning (Ground Control)	
22	1703804	5	Decal - Warning Crushing	
23	1703805	5	Decal - Danger/Electrocution	
24	3252347	1	Decal - Footswitch	
26	1705492	AR	Decal - Tip Over Hazard	
27	See Note	1	Decal - Bar Code (Note: Not Available For Purchase)	
28	1001122369	2	Decal - Capacity (Platform)	
29	1001122376	1	Decal - Capacity (Ground Control)	
30	1001131269	1	Decal - Patent	
31	1706751	1	Decal - Legend (Platform)	
32	1705868	1	Decal - Legend (Ground Control)	
33	1705351	1	Decal - Drive/Steer Instructions	
34	1701505	2	Decal - Fuel	
35	1704972	1	Decal - Warning Explosion/Fire	
36	1705511	1	Decal - Oil Level	
37	1701501	4	Decal - Arrow	
52	0641406	AR	Bolt 1/4 x 3/4	
54	91403230	1	Box, Manual Storage	
56	3311405	4	Nut 1/4	
57	3820001	2	Rivet	
58	4751400	AR	Washer 1/4	
59	3380474	1	Plate, Decal Mount (SN 0300201016 through 0300241317)	
61	3520174	3	Plug (SN 0300241318 to Present)	
62	0100048	AR	Grease, Dielectric (SN 0300241318 to Present)	
67	1001223055	1	Decal - Yearly Inspection (SN 0300235507 to Present)	
68	1001223453	1	Decal - Ices (Canada) (SN 0300241610 to Present)	

SECTION 9 - DECALS

FIGURE 9-2. DECAL INSTALLATION - AUSTRALIAN SPEC



ART_1001114382

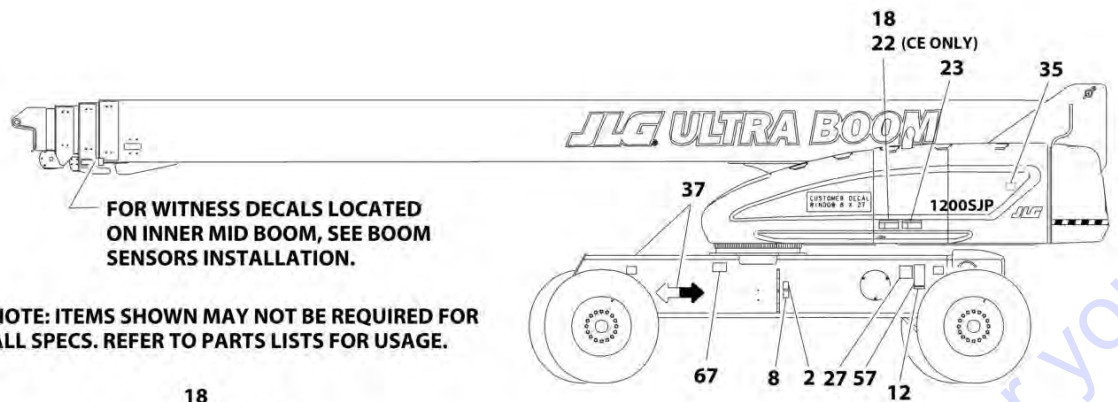
SECTION 9 - DECALS

FIGURE 9-2. DECAL INSTALLATION - AUSTRALIAN SPEC

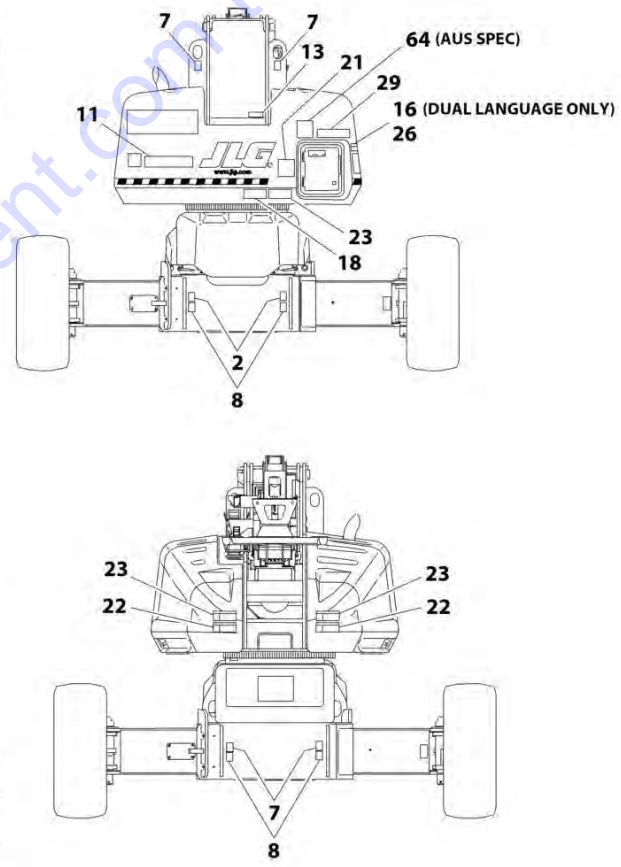
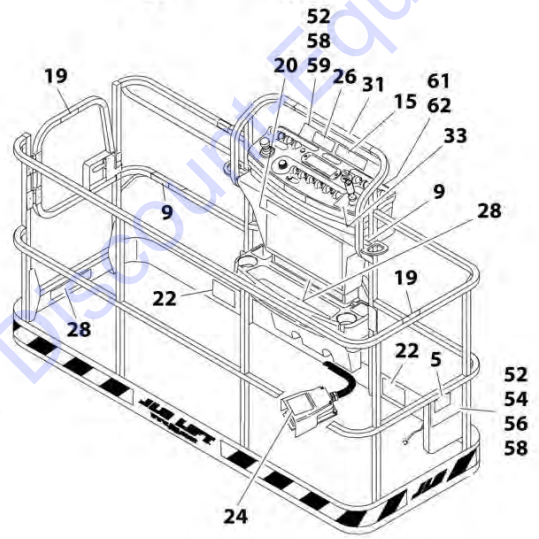
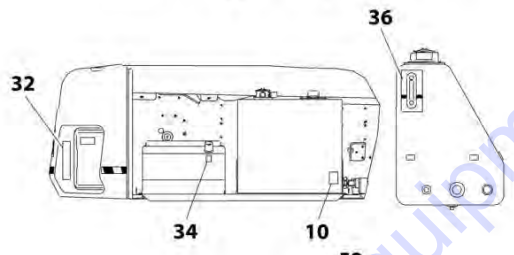
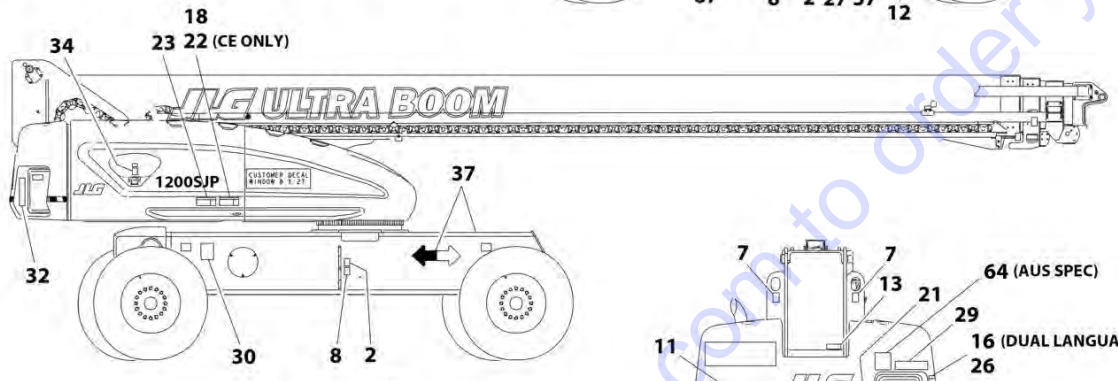
ITEM	PART NUMBER	QTY	DESCRIPTION	REV
	1283409	Ref	DECAL INSTALLATION - REFERENCE CHART	AA
	1001114382	Ref	DECAL INSTALLATION - AUSTRALIAN SPEC	E
2	1701499	4	Decal - No Lift	
5	1701509	1	Decal - Manual	
7	1703811	4	Decal - Tie Down/Lift	
8	1703814	6	Decal - Tie Down	
9	1704277	4	Decal - Attach Lanyard Here	
10	1704412	1	Decal - Hydraulic Oil Chart	
20	1705921	1	Decal - Tipping/Electrical (Platform)	
21	1705822	1	Decal - Electrical/Safety (Ground Control)	
22	1701518	10	Decal - Warning Crushing	
23	1705961	5	Decal - Danger Electrocution	
24	1705828	1	Decal - Footswitch	
27	See Note	1	Decal - Bar Code (Note: Not Available For Purchase)	
28	1706770	1	Decal - Capacity (Platform)	
29	1705468	1	Decal - Capacity (Ground Control)	
34	1701505	2	Decal - Fuel	
35	1706098	1	Decal - Warning Explosion/Fire	
36	1705511	1	Decal - Oil Level	
37	1701501	4	Decal - Arrow	
52	0641406	4	Bolt 1/4 x 3/4	
54	91403230	1	Box, Manual Storage	
56	3311405	4	Nut 1/4	
57	3820001	6	Rivet	
58	4751400	4	Washer 1/4	
61	3520174	3	Plug 3/16	
62	0100048	AR	Grease, Dielectric	
64	1001112551	1	Decal - Emergency Controls (Australian Spec)	

SECTION 9 - DECALS

FIGURE 9-3. DECAL INSTALLATION - BRAZIL SPEC (PORTGUESE/ENGLISH)



NOTE: ITEMS SHOWN MAY NOT BE REQUIRED FOR ALL SPECS. REFER TO PARTS LISTS FOR USAGE.



ART_0274725

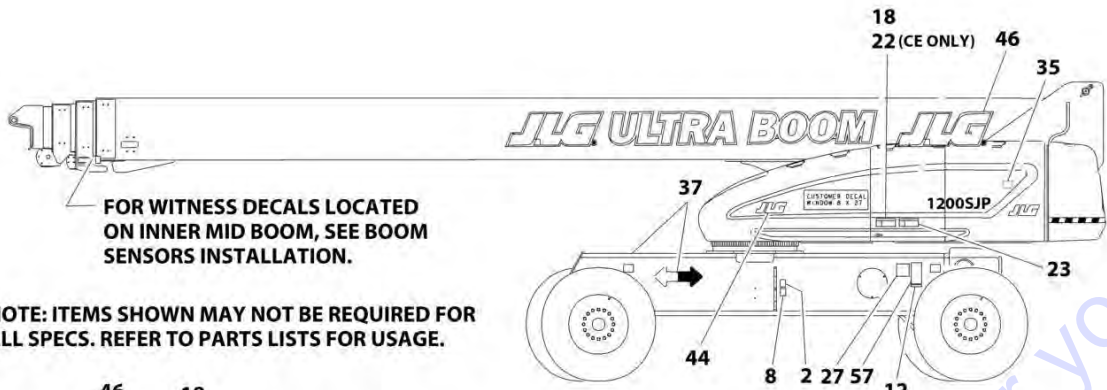
SECTION 9 - DECALS

FIGURE 9-3. DECAL INSTALLATION - BRAZIL SPEC (PORTGUESE/ENGLISH)

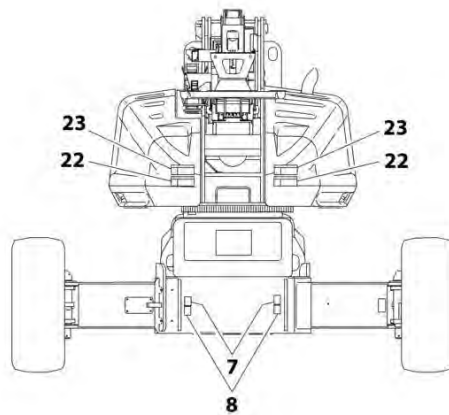
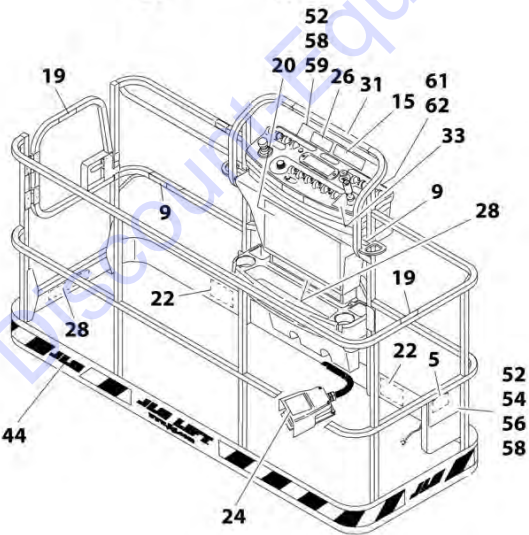
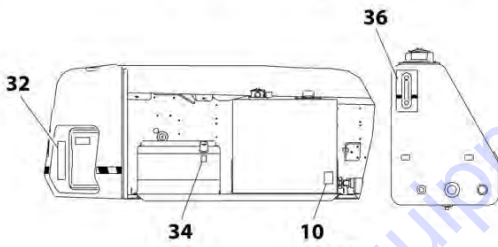
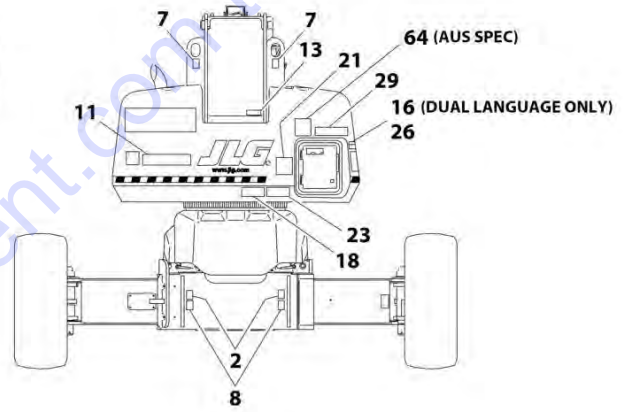
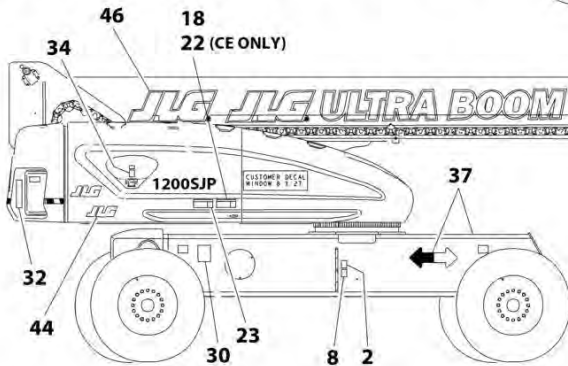
ITEM	PART NUMBER	QTY	DESCRIPTION	REV
	1283409	Ref	DECAL INSTALLATION - REFERENCE CHART	AA
	0274725	Ref	DECAL INSTALLATION - BRAZIL SPEC (PORTGUESE/ENGLISH)	F
2	1701499	2	Decal - No Lift	
5	1701509	1	Decal - Manual	
7	1703811	2	Decal - Tie Down/Lift	
8	1703814	6	Decal - Tie Down	
9	1704277	3	Decal - Attach Lanyard Here	
10	1704412	1	Decal - Hydraulic Oil Chart	
13	3251243	1	Nameplate - 120V-60Hz	
15	1705904	1	Decal - Tip Over (SN 0300201016 through 0300241317)	
16	1705906	AR	Decal - Tip Over Hazard	
18	1705903	7	Decal - Warning/Crushing	
19	1705967	2	Decal - No Hands	
20	1705895	1	Decal - Danger/Warning (Platform) (SN 0300201016 through 0300241317)	
20	1001231319	1	Decal - Danger/Warning (Platform) (SN 0300241318 to Present)	
21	1705896	1	Decal - Danger/Warning (Ground Control)	
22	1705898	5	Decal - Warning Crushing	
23	1705897	5	Decal - Danger/Electrocution	
24	1705902	1	Decal - Footswitch	
27	See Note	1	Decal - Bar Code (Note: Not Available for Purchase)	
28	1001122372	2	Decal - Capacity (Platform)	
29	1001122379	1	Decal - Capacity (Ground Control)	
31	1706751	1	Decal - Legend (Platform)	
32	1705868	1	Decal - Legend (Ground Controls)	
33	1705905	1	Decal - Drive/Steer Instructions	
34	1701505	2	Decal - Fuel	
35	1706059	1	Decal - Warning Explosion/Fire	
36	1705511	1	Decal - Oil Level	
37	1701501	4	Decal - Arrow	
52	0641406	AR	Bolt 1/4 x 3/4	
54	91403230	1	Box, Manual Storage	
56	3311405	4	Nut 1/4	
57	3820001	2	Rivet	
58	4751400	AR	Washer 1/4	
59	3572327	1	Plate, Decal Mount (SN 0300201016 through 0300241317)	
67	1001224052	1	Decal - Yearly Inspection (SN 0300235507 to Present)	

SECTION 9 - DECALS

FIGURE 9-4. DECAL INSTALLATION - CE SPEC



NOTE: ITEMS SHOWN MAY NOT BE REQUIRED FOR ALL SPECS. REFER TO PARTS LISTS FOR USAGE.



ART_1001104652

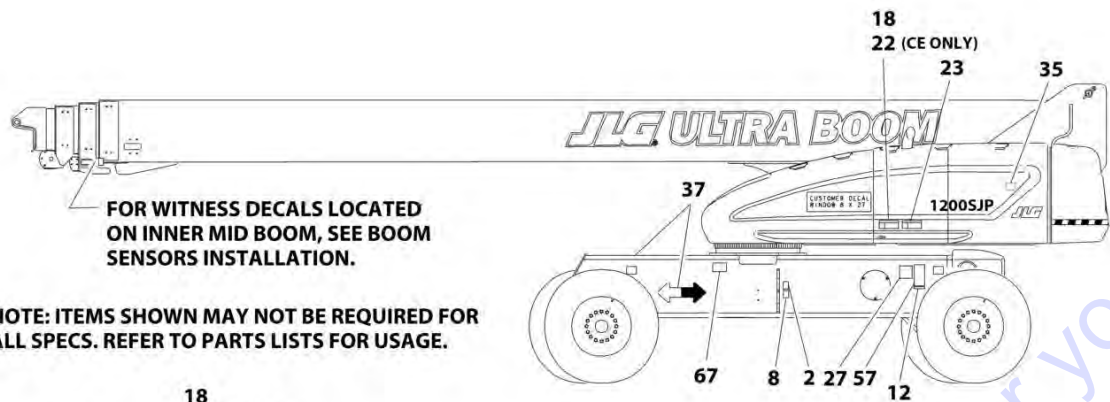
SECTION 9 - DECALS

FIGURE 9-4. DECAL INSTALLATION - CE SPEC

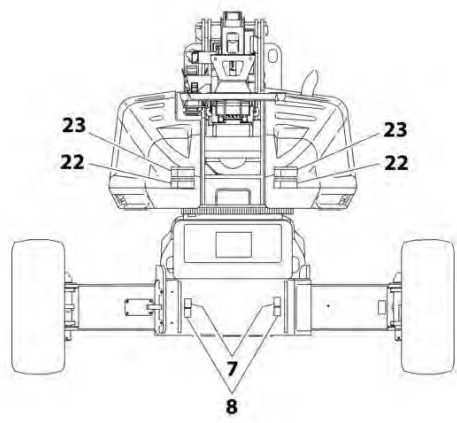
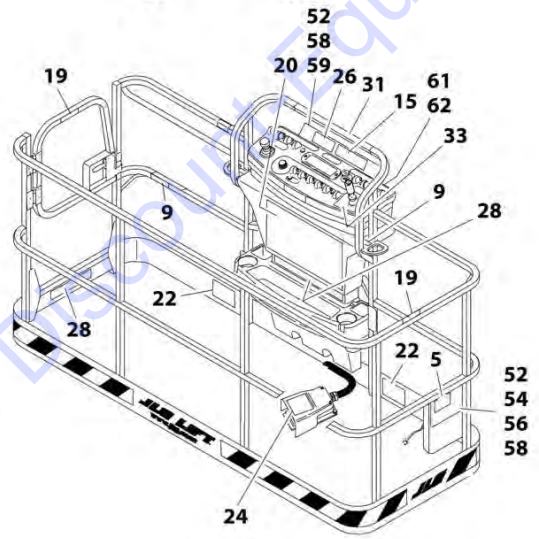
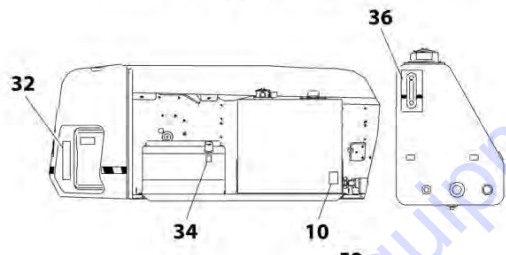
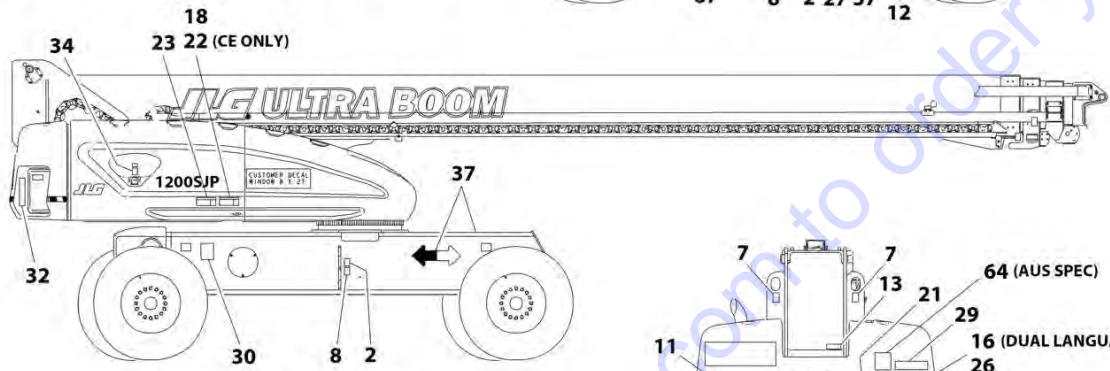
ITEM	PART NUMBER	QTY	DESCRIPTION	REV
	1283409	Ref	DECAL INSTALLATION - REFERENCE CHART (SN 0300201016 through 0300220748)	Y
	1001217597	Ref	DECAL INSTALLATION - REFERENCE CHART (SN 0300220749 to Present)	B
	1001104652	Ref	DECAL INSTALLATION - CE SPEC	F
2	1701499	4	Decal - No Lift	
5	1701509	1	Decal - Manual	
7	1703811	4	Decal - Tie Down/Lift	
8	1703814	6	Decal - Tie Down	
9	1704277	AR	Decal - Attach Lanyard Here	
10	1704412	1	Decal - Hydraulic Oil Chart	
20	1705921	1	Decal - Tipping/Electrical (Platform)	
21	1705822	1	Decal - Electrical/Safety (Ground Control)	
22	1701518	AR	Decal - Warning Crushing	
23	1705961	5	Decal - Danger Electrocution	
24	1705828	1	Decal - Footswitch	
28	1706770	1	Decal - Capacity (Platform)	
29	1705468	1	Decal - Capacity (Ground Control)	
34	1701505	2	Decal - Fuel	
35	1706098	1	Decal - Warning Explosion/Fire	
36	1705511	1	Decal - Oil Level	
37	1701501	4	Decal - Arrow	
44	1702773	3	Decal - JLG (SN 0300220749 to Present)	
46	1705864	2	Decal - JLG (SN 0300220749 to Present)	
52	0641406	4	Bolt 1/4 x 3/4	
54	0860520	1	Box, Manual Storage	
56	3311405	4	Nut 1/4	
57	3820001	6	Rivet	
58	4751400	4	Washer 1/4	
61	3520174	3	Plug 3/16	
62	0100048	AR	Grease, Dielectric	

SECTION 9 - DECALS

FIGURE 9-5. DECAL INSTALLATION - CHINESE SPEC (CHINESE/ENGLISH)



NOTE: ITEMS SHOWN MAY NOT BE REQUIRED FOR ALL SPECS. REFER TO PARTS LISTS FOR USAGE.



ART_0274724

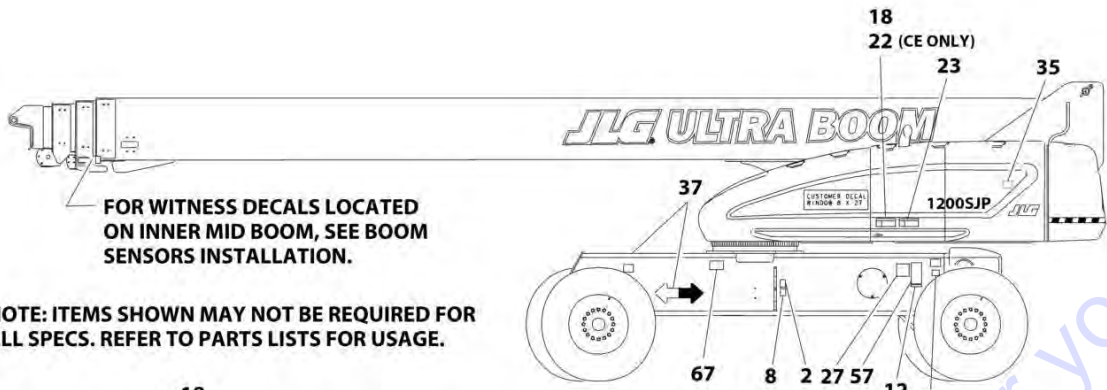
SECTION 9 - DECALS

FIGURE 9-5. DECAL INSTALLATION - CHINESE SPEC (CHINESE/ENGLISH)

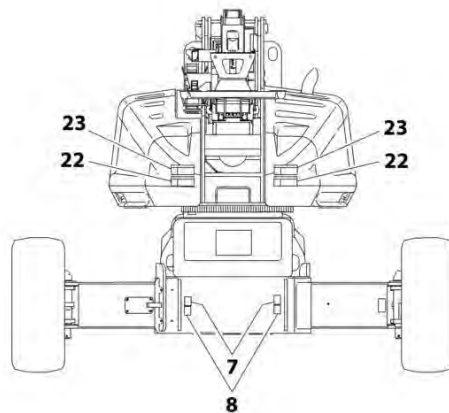
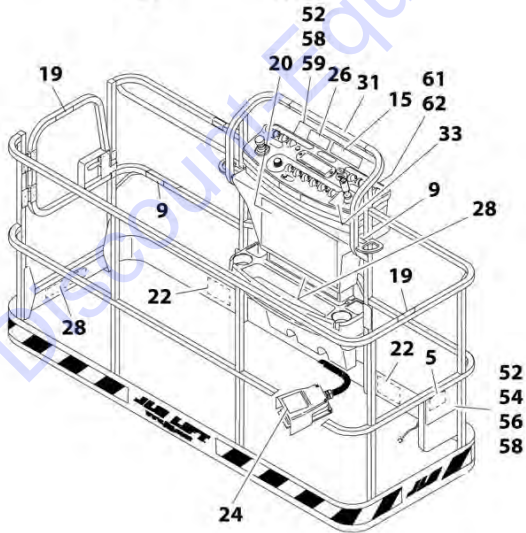
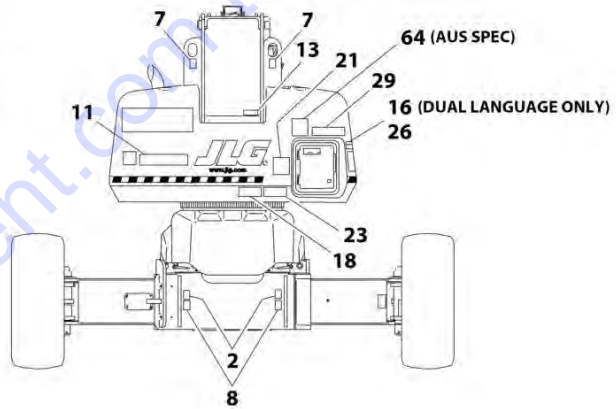
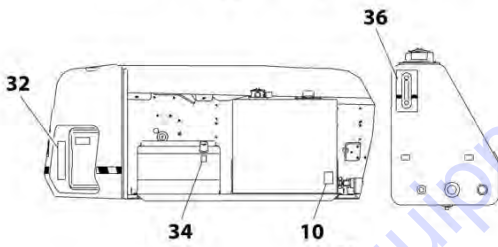
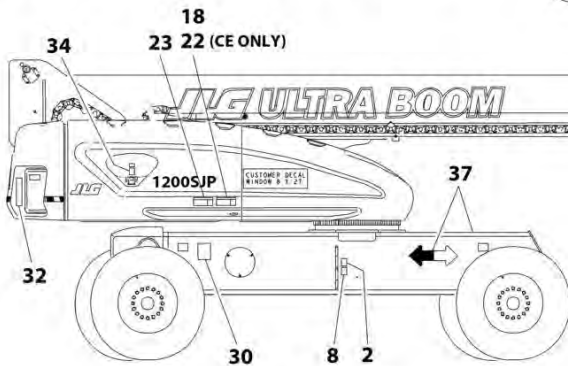
ITEM	PART NUMBER	QTY	DESCRIPTION	REV
	1283409	Ref	DECAL INSTALLATION - REFERENCE CHART	AA
	0274724	Ref	DECAL INSTALLATION - CHINESE SPEC (CHINESE/ENGLISH)	F
2	1701499	2	Decal - No Lift	
5	1701509	1	Decal - Manual	
7	1703811	2	Decal - Tie Down/Lift	
8	1703814	6	Decal - Tie Down	
9	1704277	3	Decal - Attach Lanyard Here	
10	1704412	1	Decal - Hydraulic Oil Chart	
13	3251243	1	Nameplate - 120V-60Hz	
15	1001117034	1	Decal - Tip Over (SN 0300201016 through 0300241317, SN B300002238 through B300002646)	
16	1001117035	AR	Decal - Tip Over Hazard	
18	1703943	7	Decal - Warning/Crushing	
19	1001116846	2	Decal - No Hands	
20	1703925	1	Decal - Danger/Warning (Platform) (SN 0300201016 through 0300241317, SN B300002238 through B300002646)	
20	1001231321	1	Decal - Danger/Warning (Platform) (SN 0300241318 to Present, SN B300002647 to Present)	
21	1001116849	1	Decal - Danger/Warning (Ground Control)	
22	1703949	5	Decal - Warning Crushing	
23	1001116851	5	Decal - Danger/Electrocution	
24	1703982	1	Decal - Footswitch	
27	See Note	1	Decal - Bar Code (Note: Not Available for Purchase)	
28	1001122371	2	Decal - Capacity (Platform)	
29	1001122378	1	Decal - Capacity (Ground Control)	
31	1706751	1	Decal - Legend (Platform)	
32	1705868	1	Decal - Legend (Ground Controls)	
33	1705430	1	Decal - Drive/Steer Instructions	
34	1701505	2	Decal - Fuel	
35	1706060	1	Decal - Warning Explosion/Fire	
36	1705511	1	Decal - Oil Level	
37	1701501	4	Decal - Arrow	
52	0641406	AR	Bolt 1/4 x 3/4	
54	91403230	1	Box, Manual Storage	
56	3311405	4	Nut 1/4	
57	3820001	2	Rivet	
58	4751400	AR	Washer 1/4	
59	3572327	1	Plate, Decal Mount (SN 0300201016 through 0300241317, SN B300002238 through B300002646)	
67	1001224050	1	Decal - Yearly Inspection (SN 0300235507 to Present, SN B300002238 to Present)	

SECTION 9 - DECALS

FIGURE 9-6. DECAL INSTALLATION - CSA SPEC (ENGLISH/FRENCH)



NOTE: ITEMS SHOWN MAY NOT BE REQUIRED FOR ALL SPECS. REFER TO PARTS LISTS FOR USAGE.



ART_0274727

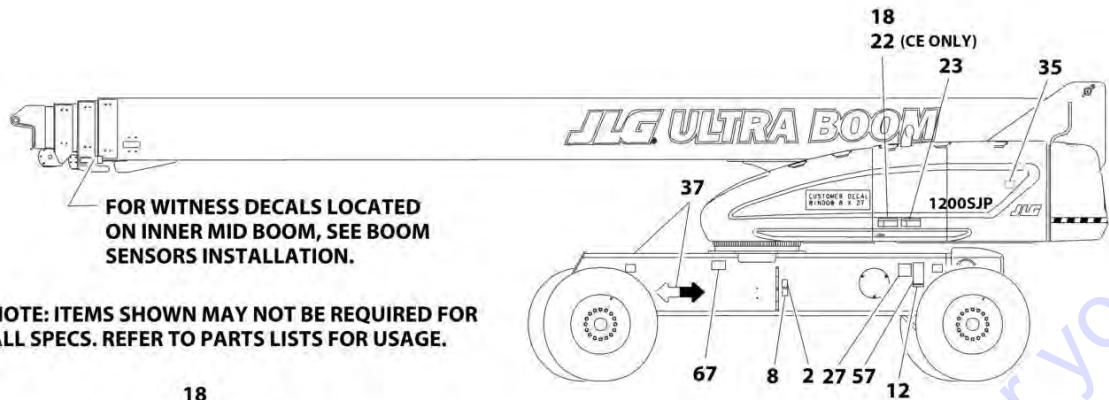
SECTION 9 - DECALS

FIGURE 9-6. DECAL INSTALLATION - CSA SPEC (ENGLISH/FRENCH)

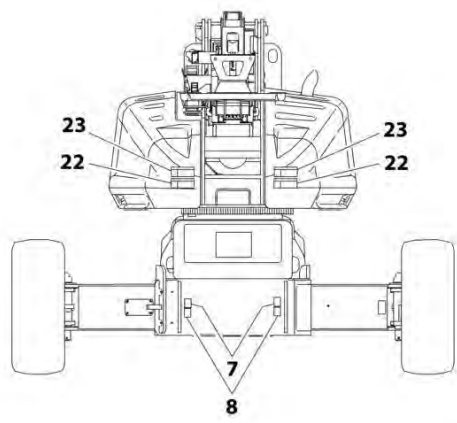
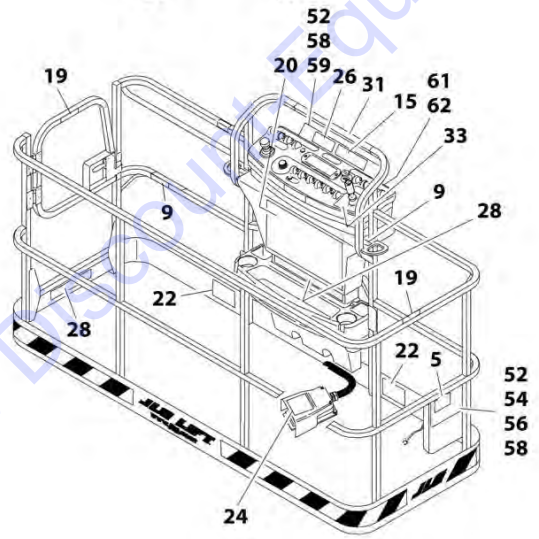
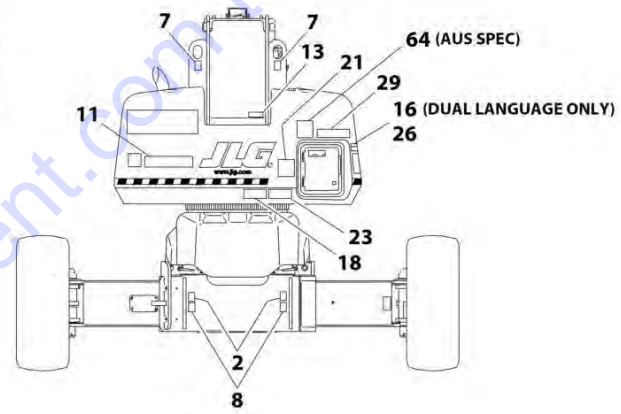
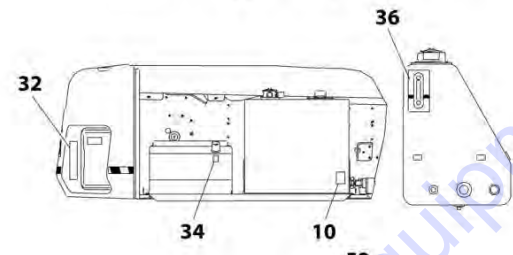
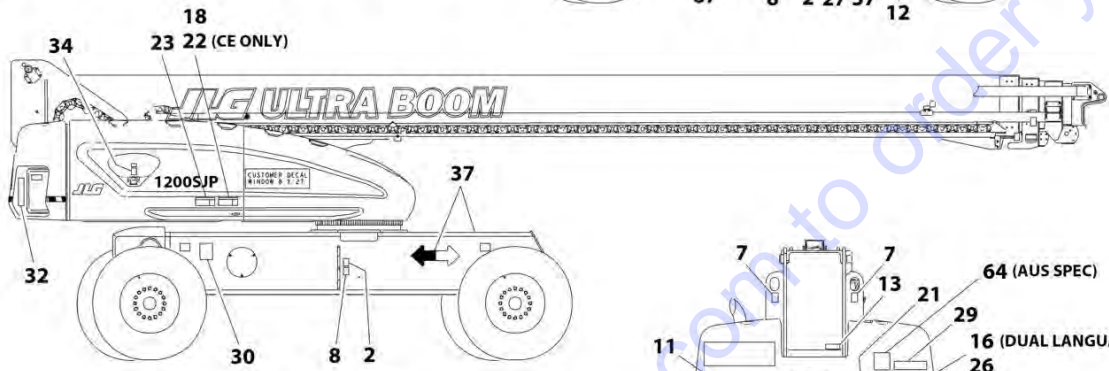
ITEM	PART NUMBER	QTY	DESCRIPTION	REV
	1283409	Ref	DECAL INSTALLATION - REFERENCE CHART	AA
	0274727	Ref	DECAL INSTALLATION - CSA SPEC (ENGLISH/FRENCH)	G
2	1701499	2	Decal - No Lift	
5	1701509	1	Decal - Manual	
7	1703811	2	Decal - Tie Down/Lift	
8	1703814	6	Decal - Tie Down	
9	1704277	3	Decal - Attach Lanyard Here	
10	1704412	1	Decal - Hydraulic Oil Chart	
12	1705514	1	Decal - CSA	
13	3251243	1	Nameplate - 120V-60Hz	
15	1705341	1	Decal - Tip Over (SN 0300201016 through 0300241317)	
16	1705505	AR	Decal - Tip Over Hazard	
18	1703942	7	Decal - Warning/Crushing	
19	1704000	2	Decal - No Hands	
20	1703924	1	Decal - Danger/Warning (Platform) (SN 0300201016 through 0300241317)	
20	1001231316	1	Decal - Danger/Warning (Platform) (SN 0300241318 to Present)	
21	1705347	1	Decal - Danger/Warning (Ground Control)	
22	1703948	5	Decal - Warning Crushing	
23	1703936	5	Decal - Danger/Electrocution	
24	1703984	1	Decal - Footswitch	
27	See Note	1	Decal - Bar Code (Note: Not Available for Purchase)	
28	1001122374	2	Decal - Capacity (Platform)	
29	1001122381	1	Decal - Capacity (Ground Control)	
30	1001131269	1	Decal - Patent	
31	1706751	1	Decal - Legend (Platform)	
32	1705868	1	Decal - Legend (Ground Controls)	
33	1705429	1	Decal - Drive/Steer Instructions	
34	1701505	2	Decal - Fuel	
35	1706064	1	Decal - Warning Explosion/Fire	
36	1705511	1	Decal - Oil Level	
37	1701501	4	Decal - Arrow	
52	0641406	AR	Bolt 1/4 x 3/4	
54	91403230	1	Box, Manual Storage	
56	3311405	4	Nut 1/4	
57	3820001	2	Rivet	
58	4751400	AR	Washer 1/4	
59	3572327	1	Plate, Decal Mount (SN 0300201016 through 0300241317)	
67	1001223971	1	Decal - Yearly Inspection (SN 0300235507 to Present)	
68	1001223453	1	Decal - Ices (Canada) (SN 0300241610 to Present)	

SECTION 9 - DECALS

FIGURE 9-7. DECAL INSTALLATION - JAPANESE SPEC (JAPANESE/ENGLISH)



NOTE: ITEMS SHOWN MAY NOT BE REQUIRED FOR ALL SPECS. REFER TO PARTS LISTS FOR USAGE.



ART_0274729

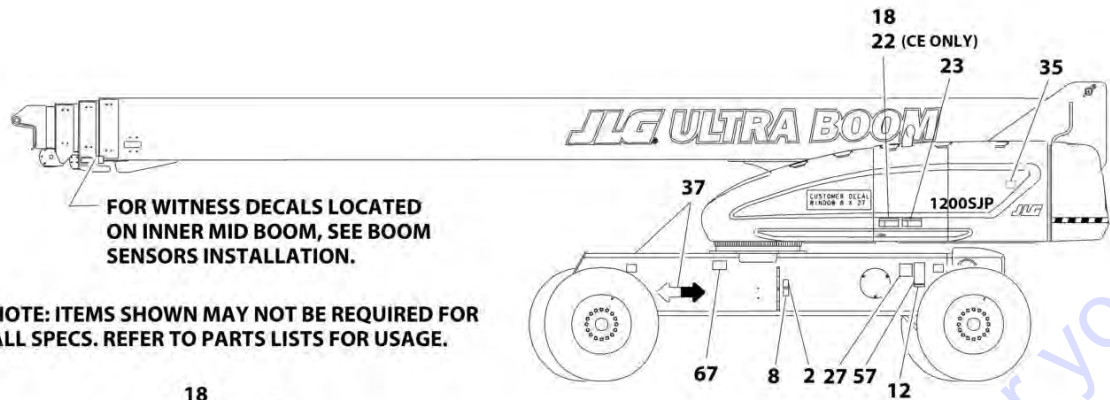
SECTION 9 - DECALS

FIGURE 9-7. DECAL INSTALLATION - JAPANESE SPEC (JAPANESE/ENGLISH)

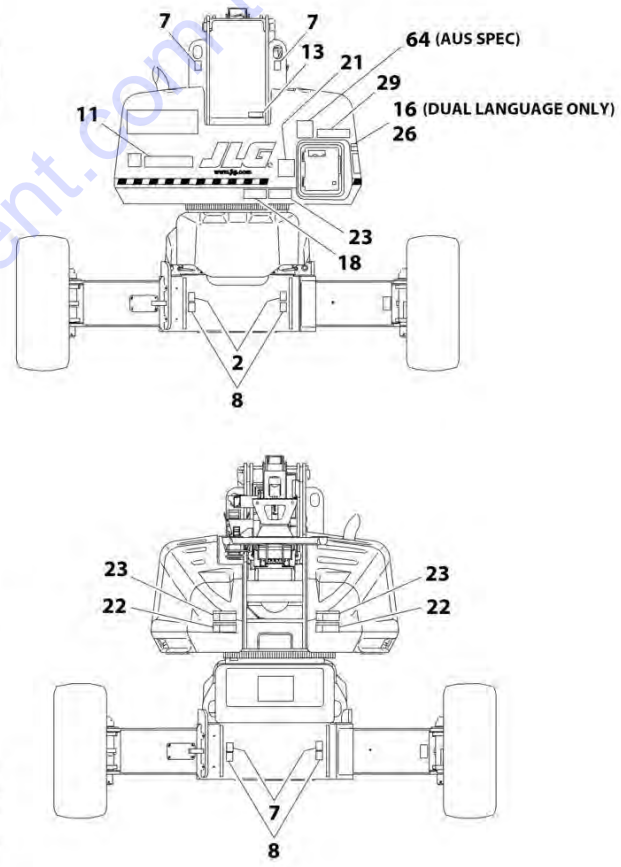
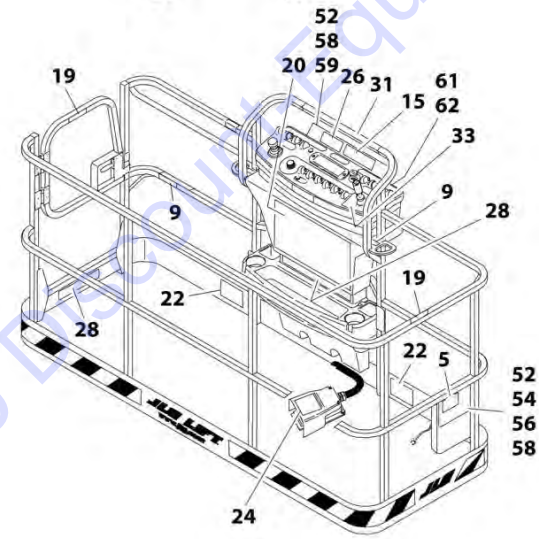
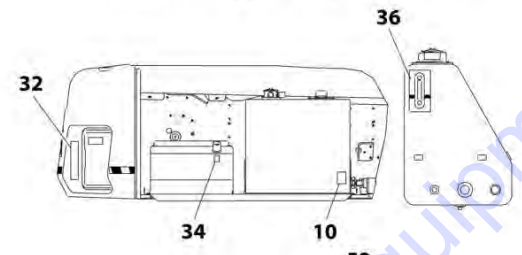
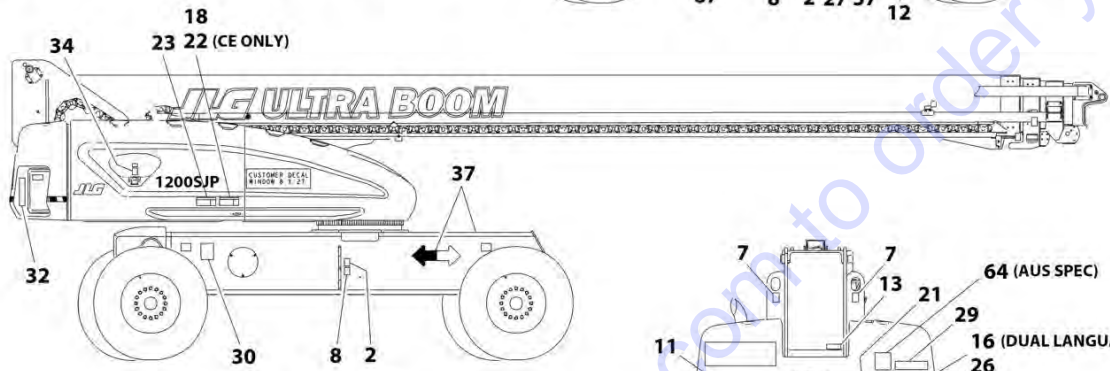
ITEM	PART NUMBER	QTY	DESCRIPTION	REV
	1283409	Ref	DECAL INSTALLATION - REFERENCE CHART	AA
	0274729	Ref	DECAL INSTALLATION - JAPANESE SPEC (JAPANESE/ENGLISH)	F
2	1701499	2	Decal - No Lift	
5	1701509	1	Decal - Manual	
7	1703811	2	Decal - Tie Down/Lift	
8	1703814	6	Decal - Tie Down	
9	1704277	3	Decal - Attach Lanyard Here	
10	1704412	1	Decal - Hydraulic Oil Chart	
13	3251243	1	Nameplate - 120V-60Hz	
15	1705338	1	Decal - Tip Over (SN 0300201016 through 0300241317)	
16	1705493	AR	Decal - Tip Over Hazard	
18	1703944	7	Decal - Warning/Crushing	
20	1703926	1	Decal - Danger/Warning (Platform) (SN 0300201016 through 0300241317)	
20	1001231320	1	Decal - Danger/Warning (Platform) (SN 0300241318 to Present)	
21	1705344	1	Decal - Danger/Warning (Ground Control)	
22	1703950	5	Decal - Warning Crushing	
23	1703938	5	Decal - Danger/Electrocution	
24	1703980	1	Decal - Footswitch	
27	See Note	1	Decal - Bar Code (Note: Not Available for Purchase)	
28	1001122375	2	Decal - Capacity (Platform)	
29	1001122382	1	Decal - Capacity (Ground Control)	
31	1706751	1	Decal - Legend (Platform)	
32	1705868	1	Decal - Legend (Ground Controls)	
33	1705426	1	Decal - Drive/Steer Instructions	
34	1701505	2	Decal - Fuel	
35	1704972	1	Decal - Warning Explosion/Fire (SN 0300201016 through 0300235506)	
35	1706062	1	Decal - Warning Explosion/Fire (SN 0300235507 to Present)	
36	1705511	1	Decal - Oil Level	
37	1701501	4	Decal - Arrow	
52	0641406	AR	Bolt 1/4 x 3/4	
54	91403230	1	Box, Manual Storage	
56	3311405	4	Nut 1/4	
57	3820001	2	Rivet	
58	4751400	AR	Washer 1/4	
59	3572327	1	Plate, Decal Mount (SN 0300201016 through 0300241317)	
67	1001224053	1	Decal- Yearly Inspection (SN 0300235507 to Present)	

SECTION 9 - DECALS

FIGURE 9-8. DECAL INSTALLATION - KOREAN SPEC (KOREAN/ENGLISH)



NOTE: ITEMS SHOWN MAY NOT BE REQUIRED FOR ALL SPECS. REFER TO PARTS LISTS FOR USAGE.



ART_0274723

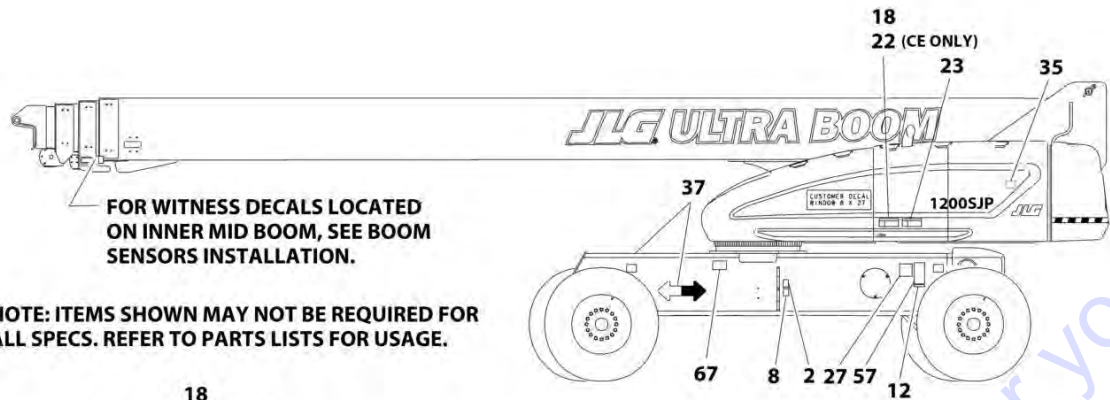
SECTION 9 - DECALS

FIGURE 9-8. DECAL INSTALLATION - KOREAN SPEC (KOREAN/ENGLISH)

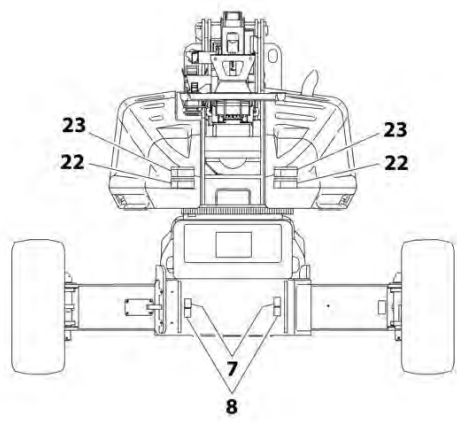
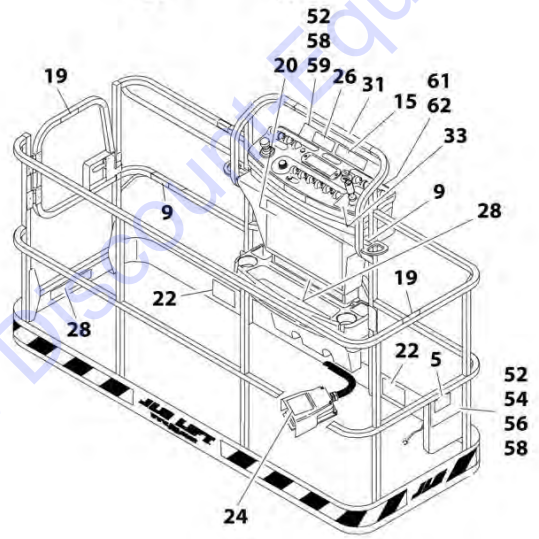
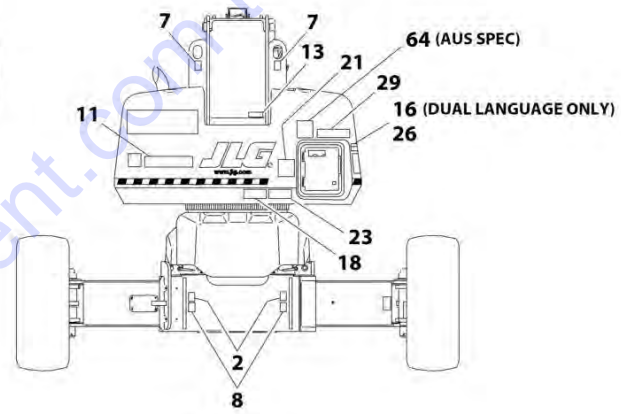
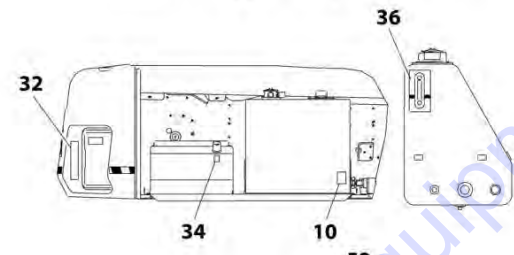
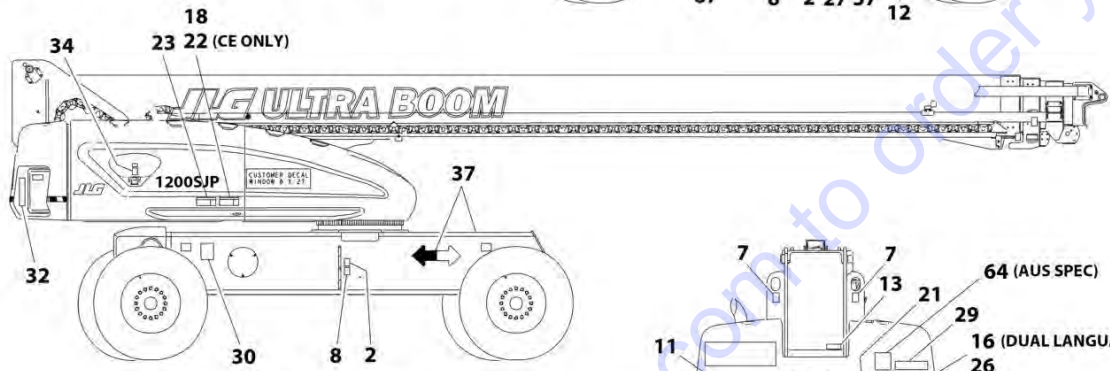
ITEM	PART NUMBER	QTY	DESCRIPTION	REV
	1283409	Ref	DECAL INSTALLATION - REFERENCE CHART	AA
	0274723	Ref	DECAL INSTALLATION - KOREAN SPEC (KOREAN/ENGLISH)	F
2	1701499	2	Decal - No Lift	
5	1701509	1	Decal - Manual	
7	1703811	2	Decal - Tie Down/Lift	
8	1703814	6	Decal - Tie Down	
9	1704277	3	Decal - Attach Lanyard Here	
10	1704412	1	Decal - Hydraulic Oil Chart	
13	3251243	1	Nameplate - 120V-60Hz	
15	1705339	1	Decal - Tip Over (SN 0300201016 through 0300241317)	
16	1705503	AR	Decal - Tip Over Hazard	
18	1703945	7	Decal - Warning/Crushing	
19	1705969	2	Decal - No Hands	
20	1703927	1	Decal - Danger/Warning (Platform) (SN 0300201016 through 0300241317)	
20	1001231317	1	Decal - Danger/Warning (Platform) (SN 0300241318 to Present)	
21	1705345	1	Decal - Danger/Warning (Ground Control)	
22	1703951	5	Decal - Warning Crushing	
23	1703939	5	Decal - Danger/Electrocution	
24	1703981	1	Decal - Footswitch	
27	See Note	1	Decal - Bar Code (Note: Not Available for Purchase)	
28	1001122370	2	Decal - Capacity (Platform)	
29	1001122377	1	Decal - Capacity (Ground Control)	
31	1706751	1	Decal - Legend (Platform)	
32	1705868	1	Decal - Legend (Ground Controls)	
33	1705427	1	Decal - Drive/Steer Instructions	
34	1701505	2	Decal - Fuel	
35	1706061	1	Decal - Warning Explosion/Fire	
36	1705511	1	Decal - Oil Level	
37	1701501	4	Decal - Arrow	
52	0641406	AR	Bolt 1/4 x 3/4	
54	91403230	1	Box, Manual Storage	
56	3311405	4	Nut 1/4	
57	3820001	2	Rivet	
58	4751400	AR	Washer 1/4	
59	3572327	1	Plate, Decal Mount (SN 0300201016 through 0300241317)	
67	1001224048	1	Decal - Yearly Inspection (SN 0300235507 to Present)	

SECTION 9 - DECALS

FIGURE 9-9. DECAL INSTALLATION - LATIN AMERICAN SPEC (SPANISH/ENGLISH)



NOTE: ITEMS SHOWN MAY NOT BE REQUIRED FOR ALL SPECS. REFER TO PARTS LISTS FOR USAGE.



ART_0274726

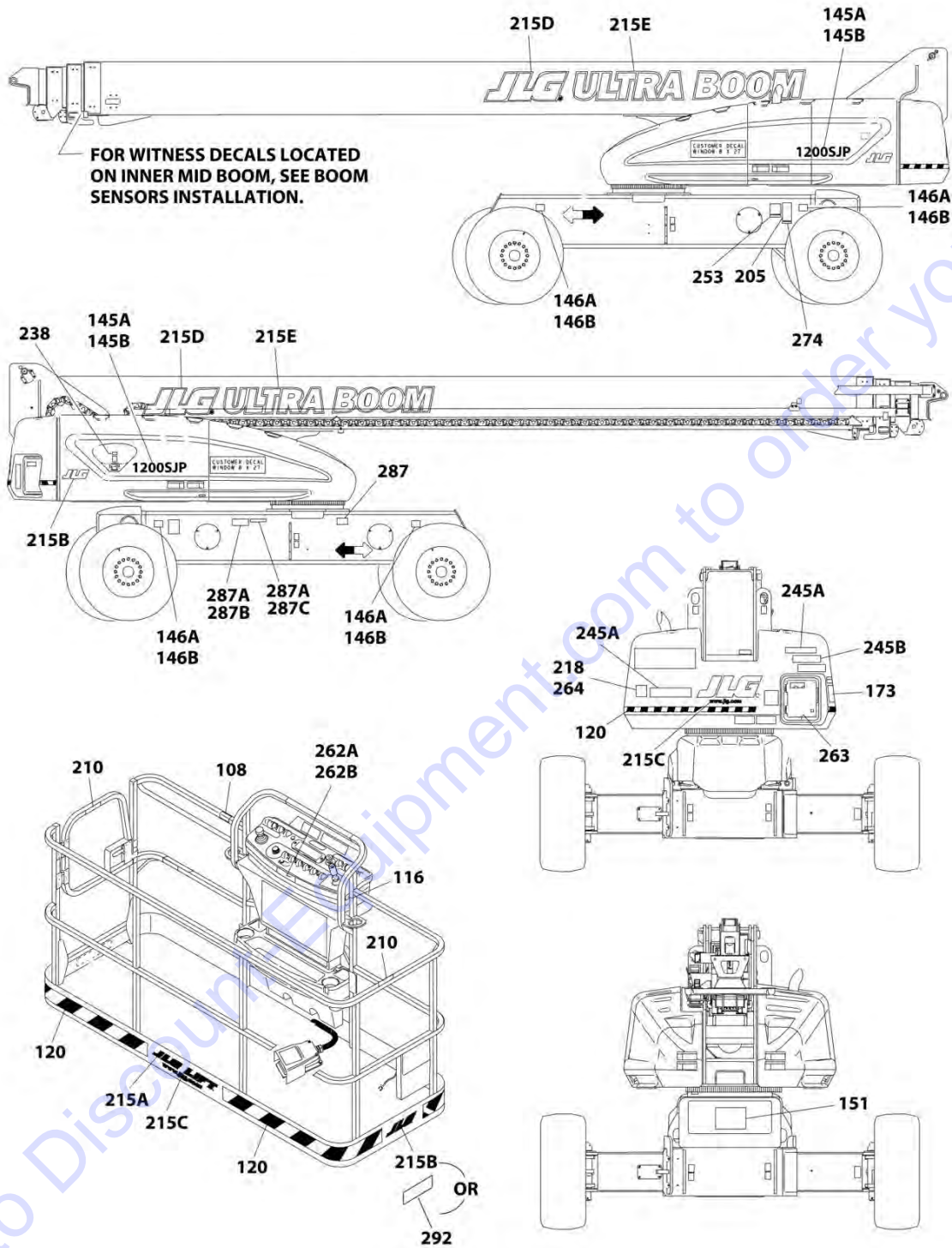
SECTION 9 - DECALS

FIGURE 9-9. DECAL INSTALLATION - LATIN AMERICAN SPEC (SPANISH/ENGLISH)

ITEM	PART NUMBER	QTY	DESCRIPTION	REV
	1283409	Ref	DECAL INSTALLATION - REFERENCE CHART	AA
	0274726	Ref	DECAL INSTALLATION - LATIN AMERICAN SPEC (SPANISH/ENGLISH)	F
2	1701499	2	Decal - No Lift	
5	1701509	1	Decal - Manual	
7	1703811	2	Decal - Tie Down/Lift	
8	1703814	6	Decal - Tie Down	
9	1704277	3	Decal - Attach Lanyard Here	
10	1704412	1	Decal - Hydraulic Oil Chart	
13	3251243	1	Nameplate - 120V-60Hz	
15	1705909	1	Decal - Tip Over (SN 0300201016 through 0300241317)	
16	1705915	AR	Decal - Tip Over Hazard	
18	1703941	7	Decal - Warning/Crushing	
19	1704001	2	Decal - No Hands	
20	1703923	1	Decal - Danger/Warning (Platform) (SN 0300201016 through 0300241317)	
20	1001231318	1	Decal - Danger/Warning (Platform) (SN 0300241318 to Present)	
21	1705917	1	Decal - Danger/Warning (Ground Control)	
22	1703947	5	Decal - Warning Crushing	
23	1703935	5	Decal - Danger/Electrocution	
24	1703983	1	Decal - Footswitch	
27	See Note	1	Decal - Bar Code (Note: Not Available for Purchase)	
28	1001122373	2	Decal - Capacity (Platform)	
29	1001122380	1	Decal - Capacity (Ground Control) Options:	
31	1706751	1	Decal - Legend (Platform)	
32	1705868	1	Decal - Legend (Ground Controls)	
33	1705910	1	Decal - Drive/Steer Instructions	
34	1701505	2	Decal - Fuel	
35	1706063	1	Decal - Warning Explosion/Fire	
36	1705511	1	Decal - Oil Level	
37	1701501	4	Decal - Arrow	
52	0641406	AR	Bolt 1/4 x 3/4	
54	91403230	1	Box, Manual Storage	
56	3311405	4	Nut 1/4	
57	3820001	2	Rivet	
58	4751400	AR	Washer 1/4	
59	3572327	1	Plate, Decal Mount (SN 0300201016 through 0300241317)	
67	1001224049	1	Decal - Yearly Inspection (SN 0300235507 to Present)	

SECTION 9 - DECALS

FIGURE 9-10. DECAL INSTALLATION - OPTIONS



ART_DECAL OPTIONS

SECTION 9 - DECALS

FIGURE 9-10. DECAL INSTALLATION - OPTIONS

ITEM	PART NUMBER	QTY	DESCRIPTION	REV
	1283409	Ref	DECAL INSTALLATION - REFERENCE CHART	AA
	1001160100	Ref	DECAL INSTALLATION - OPTIONS (USA Built Machines)	BX
	1001220713	Ref	DECAL INSTALLATION - OPTIONS (China Built Machines)	G
108	1702962	1	Decal - Warning (Proposition 65) (ANSI Spec Only) (SN 0300201016 through 0300247517)	
108	1001231801	1	Decal - Warning (Proposition 65) (ANSI Spec Only) (SN 0300247518 to Present)	
116	1703175	1	Lanyard Attachment Decal (GM K-1 Spec) (ANSI and CSA Specs Only)	
120	4420051	21.9 ft/ 6.7m	Decal - Warning Stripes	
145	0272523	1	Decal - Model Designation Installation - 1200SJP	2
145	0272522	1	Decal - Model Designation Installation - 1350SJP	2
145A	1705057	2	Decal - 1200SJP	
145B	1705095	2	Decal - 1350SJP	
146	2902355	1	Decal - Max Tire Load Kit - 1200SJP	2
146	2902357	1	Decal - Max Tire Load Kit - 1350SJP	2
146A	1705178	4	Decal - Max Tire Load - 1200SJP	
146B	1705167	4	Decal - Max Tire Load - 1350SJP	
151	1705096	1	Decal - Lift Diagram	
173	1705365	1	Decal - Daily Check List - ANSI Spec	
173	1705365	1	Decal - Daily Check List - Australian Spec	
173	1705452	1	Decal - Daily Check List - Chinese Spec (Chinese/English)	
173	1705451	1	Decal - Daily Check List - CSA Spec (English/French)	
173	1705552	1	Decal - Daily Check List - Danish Spec	
173	1705444	1	Decal - Daily Check List - Dutch Spec	
173	1705454	1	Decal - Daily Check List - Finnish Spec	
173	1705445	1	Decal - Daily Check List - French Spec	
173	1001172766	1	Decal - Daily Check List - German Spec (German/English)	
173	1705446	1	Decal - Daily Check List - Italian Spec	
173	1705449	1	Decal - Daily Check List - Japanese Spec (Japanese/English)	
173	1705448	1	Decal - Daily Check List - Korean Spec (Korean/English)	
173	1706904	1	Decal - Daily Check List - Latin American Spec (Spanish/English)	
173	1001219085	1	Decal - Daily Check List - Latvian Spec (Latvian/English)	
173	1001177533	1	Decal - Daily Check List - Norwegian Spec (Norwegian/English)	
173	1705554	1	Decal - Daily Check List - Polish Spec	
173	1705456	1	Decal - Daily Check List - Portuguese Spec	
173	1001221738	1	Decal - Daily Check List - Russian Spec	
173	1705447	1	Decal - Daily Check List - Spanish Spec	
173	1705455	1	Decal - Daily Check List - Swedish Spec	
173	1705365	1	Decal - Daily Check List - UK English Spec	
205	See Note	1	Decal - Nameplate (Note: Not Available for Purchase)	
210	1702868	2	Decal - No Hands - ANSI Spec	
210	1704000	2	Decal - No Hands - CSA Spec (French/English)	
210	1705969	2	Decal - No Hands - Korean Spec (Korean/English)	
215	0274730	1	Decal - JLG Decal Installation (ABS Hood)	D
215	1001116025	1	Decal - JLG Decal Installation (Steel Hood)	D
215A	1702774	1	Decal - JLG Lift	
215B	1702773	AR	Decal - JLG	
215C	1704885	1	Decal - Website	

SECTION 9 - DECALS

ITEM	PART NUMBER	QTY	DESCRIPTION	REV
215D	1705864	2	Decal - JLG	
215E	1705865	2	Decal - Ultra Boom	
218	3251813	1	Decal - USA (ANSI, ANSI Export and CSA Specs)	
238	1001125387	1	Decal - Ultra Low Sulfur Fuel (Deutz TCD2.9L4 Engines) (ANSI and CSA Specs)	
238	1001139654	1	Decal - Ultra Low Sulfur Fuel (Deutz TCD2.9L4 Engines and Deutz TCD2.9L4 (Stage V) Engines) (ANSI Export (HRC), CE and Japanese Specs)	
245	1001120994	1	Decal - ClearSky Telematics Decal Installation	A
245A	1001116208	2	Decal - ClearSky	
245B	1001120989	1	Decal - Radio Frequency Device	
253	1001143852	1	Decal - EPA (ANSI Export and Australian Specs)	
262A	1001141300	1	Decal - SkyGuard Override	
262B	1001141302	1	Decal - SkyGuard/Soft Touch Override	
263	1001189882	NLA	Decal - MSSO (CE Specs Only) (Use p/n 1001197408) (SN 0300201016 through 0300207775)	
263	1001197408	1	Decal - MSSO (CE Specs Only) (SN 0300207776 to Present)	
264	1705980	1	Decal - Sound Power (Deutz TD2011 Engines)	
264	1001191526	1	Decal - Sound Power (Deutz TCD2.9L4 Engines and Deutz TCD2.9L4 (Stage V) Engines)	
274	1001214029	1	Decal Installation - EAC (Russian/CIS Specs)	
274	1001173703	1	Decal - EAC (Russian/CIS Specs)	
287	1001236398	1	Decal Installation - ECO Label (China)	
287A	3820001	8	Rivet	
287B	See Note	1	Decal - Nameplate (Note: Not Available for Purchase) (China Specs Only)	
287C	See Note	1	Decal - Mein Code (Note: Not Available for Purchase) (China Specs Only)	
292	1001122369	1	Decal - Dual Capacity (ANSI Spec)	
292	1001122372	1	Decal - Dual Capacity (Brazil Spec - Dual Language English/Portuguese)	
292	1001122371	1	Decal - Dual Capacity (Chinese Spec - Dual Language English/Chinese)	
292	1001122374	1	Decal - Dual Capacity (CSA Spec - Dual Language English/French)	
292	1001122370	1	Decal - Dual Capacity (Korean Spec - Dual Language English/Korean)	
292	1001122373	1	Decal - Dual Capacity (Latin American - Dual Language English/Spanish)	
292	1001222375	1	Decal - Dual Capacity (Japanese Spec - Dual Language English/Japanese)	

SECTION 10 - RECOMMENDED SERVICE PARTS STOCK

SECTION 10 - RECOMMENDED SERVICE PARTS STOCK

Go to Discount-Equipment.com to order your parts

SECTION 10 - RECOMMENDED SERVICE PARTS STOCK

FIGURE 10-1. RECOMMENDED SERVICE PARTS STOCK

ITEM	PART NUMBER	QTY	DESCRIPTION	REV
		Ref	Note: The following list will service one machine (built to current production per date on the front cover) with emergency repair parts which can be installed in the field. Parts from the list should be replaced when inventory is depleted to keep service parts stock supplied.	
		Ref	STANDARD PARTS	
	7024365	1	Axle Powertrack Repair Kit	
	7024444	12	Breather, Hydraulic Oil Tank	
	70003917	1	Boom Powertrack Repair Section	
	70003913	1	Boom Powertrack Repair Section	
	7018991	1	Coil	
	7012944	1	Coil	
	7011354	1	Coil	
	7017451	1	Coil	
	7024571	1	Coil	
	4360476	1	Contact, Switch Block	
	1001129555	1	Controller, Lift and Swing	
	1001212415	1	Controller, Drive and Steer	
	4360407	1	Controller, Speed	
	3990010	2	Diode - 3Amp	
	7024375	12	Element, Hydraulic Oil Filter	
	70002097	12	Element, Pressure Filter	
	70002231	12	Element, Pressure Filter	
	2400065	2	Fuse	
	8229242	1	Fuse - 5Amp	
	80983191	1	Fuse - 10Amp	
	2860030	1	Key, Replacement	
	2940074	1	Latch, Platform	
	3740067	1	Relay	
	3740080	1	Relay	
	3740049	1	Relay	
	4360505	1	Switch	
	4360328	1	Switch, Toggle	
	4360475	1	Switch, Mushroom	
	4360274	1	Switch, Push Button	
	4360387	1	Switch, Push Button	
	1001155045	1	Switch, Toggle	
	1001159256	1	Switch, Toggle	
	1001161709	1	Switch, Toggle	
	1001161710	1	Switch, Toggle	
	4360336	1	Switch, Toggle	
	4360387	1	Switch, Push Button	
		Ref	VARIABLE PARTS	
	4360070	1	Circuit Breaker 15Amp (Machines with 7500W Generator)	
	7003655	12	Element, Deutz TD2011 Engine Air Filter	
	7016331	12	Element, Deutz TD2011 Engine Oil Filter	
	8320270	12	Element, Deutz TD2011 Engine Fuel	
	70024190	12	Element, Deutz TD2.9L4/TCD2.9L4 Engine Air Filter	

SECTION 10 - RECOMMENDED SERVICE PARTS STOCK

ITEM	PART NUMBER	QTY	DESCRIPTION	REV
	7016331	12	Element, Deutz TD2.9L4/TCD2.9L4 Engine Oil Filter	
	1001117174	1	Footswitch Kit	
	1001227960	1	Module, B.L.A.M.	
	1001112758	1	Module (Chassis)	
	1600443	1	Module, Deutz TD2011 Engine	
	70025210	1	Module, Deutz TD2.9L4/TCD2.9L4 Engine	
	1001110084	1	Module, Ground Control	
	1600343	1	Module, Platform Control	
	3740080	1	Relay (110V/220V Generator Options)	
	1001147479	1	Sensor, Angle Indicator	
	4360543	1	Sensor, Boom Length	
	7026031	1	Sensor, Proximity	
	4360527	1	Switch, Cable Break	
	4360548	1	Switch, Jib Limit	
	4360469	1	Switch, Key (ANSI, ANSI Export and Australian Specs)	
	4360470	1	Switch, Key (CE Spec)	
	4360578	1	Switch, Limit	
	4360057	1	Switch, Limit (Soft Touch System Option)	
	4360387	1	Switch, Push Button (Soft Touch System Option)	
	4360336	1	Switch, Toggle (Generator Options)	

SECTION 11 - SPECIAL OPTIONS

Go to Discount-Equipment.com to order your parts

SECTION 11 - SPECIAL OPTIONS

FIGURE 11-1. SPECIAL OPTIONS

ITEM	PART NUMBER	QTY	DESCRIPTION	REV
		Ref	Note: This list is to accommodate machines ordered with special equipment. Options may not be applicable to all models.	
		Ref	MISCELLANEOUS SPECIAL OPTIONS	
	0272078	Ref	Accessory Counterweight (Required with SkyWelder and Fall Arrest Platform Options)	
	1340067	Ref	Air Cleaner Pre-Cleaner	
	0271956	Ref	Airline Installation, 1/2in (1200SJP)	
	0271933	Ref	Airline Installation, 1/2in (1350SJP)	
	1001202697	Ref	Air Intake Shut-off Valve (Deutz TCD2.9L4 Engines)	
	1001241275	Ref	Axle Wear Pad Kit	
	0271803	Ref	Bellows, Cylinder (Fixed Axle)	
	0271804	Ref	Bellows, Cylinder (Oscillating Axle)	
	0271805	Ref	Bellows, Cylinder (Boom)	
	0271875	Ref	Boom Wipers Installation	
	1001233763	Ref	Breather Heater (Deutz TCD2.9L4 Engines and Deutz TCD2.9L4 (Stage V Engines)	
	1001220775	Ref	China Ultra Master Kit Installations (China Built Machines)	
	1001220745	Ref	Booms and Cylinder Kit - 1200SJP	
	1001220747	Ref	Booms and Cylinder Kit - 1350SJP	
	1001220041	Ref	China Parts Kit - 1200SJP (With 1 Cell LSS and Sauer Pump)	
	1001220743	Ref	China Parts Kit - 1350SJP (With 1 Cell LSS and Sauer Pump)	
	1001220045	Ref	Console and Footswitch Kit (With SkyGuard)	
	1001220039	Ref	Frame Kit	
	1001220044	Ref	Jib Kit - 1200SJP	
	1001220746	Ref	Jib Kit - 1350SJP	
	1001220042	Ref	Turntable Kit - 1200SJP	
	1001220744	Ref	Turntable Kit - 1350SJP	
		Ref	ClearSky (Telematics) Installations (Dealer Installed)	
	1001242192	Ref	ClearSky (Telematics) Access Control Installation Kit (Dealer Installed) (ANSI, ANSI Export and CSA Specs)	
	1001243183	Ref	ClearSky (Telematics) Added-on Kit (Dealer Installed) (ANSI, ANSI Export and CSA Specs)	
	1001243184	Ref	ClearSky (Telematics) Added-on Kit (Dealer Installed) (CE Specs)	
	1001119938	Ref	ClearSky Telematics (Dealer Installed) (ANSI Spec)	
	1001119946	Ref	ClearSky Telematics (Dealer Installed) (CSA Spec)	
	1001234099	Ref	ClearSky Telematics Kit (Dealer Installed) (CE Specs)	
		Ref	ClearSky Telematics (Factory Installed)	
	1001227449	Ref	Canbus Connection (ANSI and CSA Specs)	
	1001228951	Ref	Canbus Connection (ANSI Export and CE Specs)	
	1001246136	Ref	Canbus Connection (Australian Specs)	
	1001246137	Ref	Canbus Connection (China Specs)	
	1001229107	Ref	3 Wire Connection (ANSI and CSA Specs)	
	1001233237	Ref	3 Wire Connection (ANSI Export and CE Specs)	
	0273862	Ref	Cold Weather Package (Deutz TD2011 Engines) (110V)	
	1001235617	Ref	Cold Weather Package (Deutz TCD2.9L4 Engines and Deutz TCD2.9L4 (Stage V Engines)	
	1001205034	Ref	Cold Weather Plus Package (Add-on Kit)	
	0272621	Ref	Control System Analyzer Installation	

SECTION 11 - SPECIAL OPTIONS

ITEM	PART NUMBER	QTY	DESCRIPTION	REV
	1001233047	Ref	Crankcase Breather Heater (Deutz TCD2'9L4 Engines)	
	1001213183	Ref	Cribbing Enable Installation	
		Ref	Decals Installations	
	0257195	Ref	Government Warranty Decal	
		Ref	Decal Kits	
	2902303	Ref	Decal Kit - Master (All Specs Except Australian and CE Specs)	
	1001104651	Ref	Decal Kit - Master (Australian and CE Specs)	
	2902307	Ref	Decal Kit - Country Spec (ANSI Spec) (SN 0300201016 through 0300241317)	
	1001232172	Ref	Decal Kit - Country Spec (ANSI Spec) (SN 0300241318 to Present)	
	2902329	Ref	Decal Kit - Country Spec (Australian and CE Specs)	
	2902312	Ref	Decal Kit - Country Spec (Brazilian Spec) (SN 0300201016 through 0300241317)	
	1001232176	Ref	Decal Kit - Country Spec (Brazilian Spec) (SN 0300241318 to Present)	
	2902309	Ref	Decal Kit - Country Spec (Chinese Spec) (SN 0300201016 through 0300241317, SN B300002238 through B300002646)	
	1001232178	Ref	Decal Kit - Country Spec (Chinese Spec) (SN 0300241318 to Present, SN B300002647 to Present)	
	2902322	Ref	Decal Kit - Country Spec (CSA Spec) (SN 0300201016 through 0300241317)	
	1001232173	Ref	Decal Kit - Country Spec (CSA Spec) (SN 0300241318 to Present)	
	2902308	Ref	Decal Kit - Country Spec (Japanese Spec) (SN 0300201016 through 0300241317)	
	1001232177	Ref	Decal Kit - Country Spec (Japanese Spec) (SN 0300241318 to Present)	
	2902310	Ref	Decal Kit - Country Spec (Korean Spec) (SN 0300201016 through 0300241317)	
	1001235174	Ref	Decal Kit - Country Spec (Korean Spec) (SN 0300241318 to Present)	
	2902311	Ref	Decal Kit - Country Spec (Latin American Spec) (SN 0300201016 through 0300241317)	
	1001232175	Ref	Decal Kit - Country Spec (Latin American Spec) (SN 0300241318 to Present)	
	1001193645	Ref	Decal Kit - Machine	
	1001108708	Ref	Decal Kit - Platform	
	1001109181	Ref	Decal Kit - Platform Console Box	
	1001197529	1	Decal - Quick Reference (Dutch) (Lomax Rentals)	
	1001197531	1	Decal - Quick Reference (Danish) (Lomax Rentals)	
	1001180690	1	Decal - Quick Reference (English) (Lomax Rentals)	
	1001197528	1	Decal - Quick Reference (French) (Lomax Rentals)	
	1001197530	1	Decal - Quick Reference (German) (Lomax Rentals)	
	1001197537	1	Decal - Quick Reference (Norwegian) (Lomax Rentals)	
	1001197533	1	Decal - Quick Reference (Spanish) (Lomax Rentals)	
	1001197532	1	Decal - Quick Reference (Swedish) (Lomax Rentals)	
		Ref	Electrical Connector Kits	
	1001148902	Ref	Amp/Tyco Electrical Connector Kit	
	1001148903	Ref	Deutsch DT Electrical Connector Kit	
	1001148904	Ref	Deutsch HD Electrical Connector Kit	
	1001148905	Ref	Packard Electrical Connector Kit	
	1001148906	Ref	Various Electrical Connectors Kit	
	1001246867	Ref	Enhanced Detection System (EDS) Level 1 (2-Bar) Installation Kit	

SECTION 11 - SPECIAL OPTIONS

ITEM	PART NUMBER	QTY	DESCRIPTION	REV
	1001246860	Ref	Enhanced Detection System (EDS) Level 2 (3-Bar) Installation Kit	
	1001237883	Ref	Fall Arrest (Bolt-on) Add-on Kit (6ft/1.82m Platform (ANSI, ANSI Export, China, CSA & Japanese Specs Only) (Fits Platform p/ns 1001186384 & 1001228376)	
	1001237882	Ref	Fall Arrest (Bolt-on) Add-on Kit (8ft/2.4m Platform (ANSI, ANSI Export, China, CSA & Japanese Specs Only) (Fits Platform p/ns 1001186383)	
	1001206794	Ref	Fan & Belt Grille Add-on Kit (Deutz D2011 Engines Only)	
	1001206797	Ref	Fan & Belt Grille Add-on Kit (Deutz TCD2.9L4 Engines Only)	
	1001203564	Ref	Fan & Belt Grille Installation (Deutz TD2011 Engines and Deutz TCD2.9L4 (Stage V) Engines Only)	
	1001202221	Ref	Fan & Belt Grille Installation (Deutz TCD2.9L4 Engines Only)	
	1001182600	Ref	Fan Guard Installation (Deutz TD2011 Engines Only) (Factory Installed)	
	1001185079	Ref	Fan Guard Installation (Deutz TD2011 Engines Only) (Dealer Installed)	
	1001145708	Ref	Fan Guard Installation (Deutz TCD2.9L4 Engines and Deutz TCD2.9L4 (Stage V) Engines Only)	
		Ref	Filter Kits:	
		Ref	Combined Filter Kit Options (Hydraulic/Air and Fuel/Engine Oil):	
		Ref	Deutz Engine Machines:	
	1001137027	1	Deutz TD2011 Engine Only	
	1001181151	1	Deutz TCD2.9L4 Engines Only	
		Ref	Hydraulic/Air Filter Options:	
	1001137022	1	Hydraulic/Air Filter (Deutz TD2011 Engine Only)	
	1001182241	1	Hydraulic/Air Filter (Deutz TCD2.9L4 Engines Only)	
		Ref	Engine - Fuel/Engine Oil Filter	
	1001110133	1	Deutz TD2011 Engine Only	
	1001182242	1	Deutz TCD2.9L4 Engines Only	
	1001139099	Ref	Fire Extinguisher Installation	
		Ref	Fluids	
	3020008	Ref	Drive Hub Lubricant	
		Ref	Hydraulic Fluid	
	2300014	Ref	Mobil 424	
	2300029	Ref	Mobil EAL ISO 46 Bio	
	2300016	Ref	Mobil DTE 10 EXCEL 32	
	2300021	Ref	Union Carbide Ucon HP5046 Fire Resistant	
	2300039	Ref	Exxon Univid (Arctic Package)	
	1001191395	Ref	Fuel Cap Cover (Lockable) (Green)	
	1001202749	Ref	Fuel Cap Cover (Lockable) (Black)	
	1001220148	Ref	Generator Cable Kit - 4000W 60Hz	
	1001176291	Ref	Generator Kit - 4000W 50Hz (Deutz TD2011 Engines)	
	1001211801	Ref	Generator Kit - 4000W 50Hz (Deutz TCD2.9L4 Engines)	
	1001213601	Ref	Generator Kit - 4000W 60Hz (Deutz TD2011 Engines)	
	1001213600	Ref	Generator Kit - 4000W 60Hz (Deutz TCD2.9L4 Engines)	
	1001142966	Ref	Hood Bracket Kit (Eliminates bending of the hood when cranking engine tray open)	
	1001103286	1	Generator Hourmeter Installation	
	0271769	Ref	Headlight and Taillights Installation	
	1001178043	Ref	Hood Kit (Replacing ABS Hood with Steel) (Deutz TD2011 Engines)	
		Ref	Hose Kits	
	1001098242	Ref	Hose Kit - Upper Boom (1200SJP)	

SECTION 11 - SPECIAL OPTIONS

ITEM	PART NUMBER	QTY	DESCRIPTION	REV
	1001098243	Ref	Hose Kit - Upper Boom (1350SJP)	
	1001111396	Ref	Hose/Cable Protection - 1200SJP/1350SJP (Platform) (SN 0300201016 through 0300248611)	
	1001233533	Ref	Hose/Cable Protection - 1200SJP/1350SJP (Platform) (Without LSS) (SN 0300248612 to Present)	
	1001233534	Ref	Hose/Cable Protection - 1200SJP/1350SJP (Platform) (With LSS) (SN 0300248612 to Present)	
	1001112741	Ref	Hose/Cable Protection - 1200SJP (Boom)	
	1001228431	Ref	Hose/Cable Protection - 1350SJP (Boom)	
	0271808	Ref	Illumination Lights Installation	
	1001204930	Ref	Hostile Environment - With Oscillating Axle (Add-on Kit)	
	1001241417	Ref	Hostile Environment - Fixed Axle (Add-on Kit)	
	1001148971	Ref	Lanyard (Bolt-on) Installation Kit	
		Ref	Lights Installations	
	0272093	Ref	Flood Lights (1200SJP)	
	0272092	Ref	Flood Lights (1350SJP)	
	0272097	Ref	Work Lights (1200SJP)	
	0272096	Ref	Work Lights (1350SJP)	
	2915046	Ref	Load Pin Harness Kit	
	1001183407	Ref	Low Temperature Cutout Installation (Russian Specs) (SN 0300201016 through 0300245504)	
	1001236951	Ref	Low Temperature Cutout Installation (Russian Specs) (SN 0300245505 to Present)	
	1001117294	Ref	Panel, Foot Switch	
		Ref	Platform Cable Carrier Installation Options:	
	1001116419	Ref	30in Platform (SN 0300201016 through 0300224748)	
	1001116420	Ref	36in Platform (SN 0300201016 through 0300224748)	
	1001172045	Ref	Platform Cable Carrier Installation (SN 0300224749 to Present)	
	1001205175	Ref	Platform Console Cover Kit (Clear Polycarbonate Cover) (All Specs)	
	1001195304	Ref	Platform Console Cover Installation (Clear Polycarbonate Cover) (All Specs)	
	1001110974	Ref	Platform Console Cover Installation (Steel Cover) (ANSI, ANSI Export, CSA and Japanese Specs)	
	1580013	Ref	Platform Corner Storage Tray	
		Ref	Platform Entry Kits	
	1001142505	Ref	Drop Bar (Replacing Swing Gate with Drop Bar)	
	1001142504	Ref	Swing Gate (Replacing Drop Bar with Swing Gate)	
		Ref	Platform Mesh to Top Rail Installations	
	0273145	Ref	36in x 8ft (91.5cm x 2.44m) (ANSI Spec)	
	0273149	Ref	36in x 6ft (91.5cm x 1.83m) (ANSI and ANSI Export Specs)	
		Ref	Platform Mesh to Top Rail Add-on Kit (ANSI and ANSI Export Specs)	
	1001214562	Ref	Platform Mesh to Top Rail - 36in x 8ft (91.5cm x 2.44m) with Gate	
	1001214561	Ref	Platform Mesh to Top Rail - 36in x 6ft (91.5cm x 1.83m) with Gate	
		Ref	Platform Mesh to Mid Rail Installations	
	1001138773	Ref	36in x 8ft (91.5cm x 2.44m) (ANSI, ANSI Export, Australian and China Specs)	
	1001138772	Ref	36in x 6ft (91.5cm x 1.83m) (ANSI, ANSI Export, Australian and China Specs)	
	1001140318	Ref	30in x 4ft (76.2cm x 1.22m) (ANSI, ANSI Export, Australian and China Specs)	

SECTION 11 - SPECIAL OPTIONS

ITEM	PART NUMBER	QTY	DESCRIPTION	REV
		Ref	Platform Mesh to Mid Rail Add-on Kit (ANSI, ANSI Export and Australian Specs)	
	1001214548	Ref	Mesh to Mid Rail - 36in x 8ft (91.5cm x 2.44m) with Gate	
	1001214540	Ref	Mesh to Mid Rail - 36in x 6ft (91.5cm x 1.83m) with Gate	
	1001214478	Ref	Mesh to Mid Rail - 30in x 4ft (76.2cm x 1.22m) with Gate	
	1001149730	Ref	Platform Mid Rail Repair Kit	
		Ref	Platform Rail Extensions	
	0272733	Ref	6ft Platform	
	0272725	Ref	8ft Platform	
	1001209059	Ref	Platform Work Surface Installation	
	1001099466	Ref	Programmable Security Lock Installation (1200SJP - CE Spec Only)	
	1001171131	Ref	Receptacle (240V GFCI) Installation (4000W Generator Only)	
	1001159121	Ref	Receptacle (240V GFCI) Installation (7500W Generator Only)	
	1001247073	Ref	SkyEye Retrofit Kit	
		Ref	SkyGuard Component Options:	
	1001208923	NLA	SkyGuard Complete Add-on Kit (Blue Beacon) (Use p/n 1001209481)	
	1001210043	Ref	SkyGuard Complete Add-on Kit (Red Beacon)	
	1001209481	Ref	SkyGuard Complete Add-on Kit (Blue Beacon)	
	1001210042	Ref	SkyGuard Complete Add-on Kit (Red Beacon)	
	1001137672	Ref	SkyGuard Platform Sensor Kit	
	1001137440	Ref	Harness - Platform Sensor	
	1001186431	2	Relay	
	1001155079	NLA	SkyGuard Strobe Light Kit (Blue Beacon) (Use p/n 1001206544)	
	1001206544	Ref	SkyGuard Strobe Light Kit (Blue Beacon)	
	1001210028	Ref	SkyGuard Strobe Light Kit (Red Beacon)	
	1001176372	Ref	SkyGuard Removal Plug Kit	
	1001232643	Ref	SkyLine Kit	
	1001231235	Ref	SkyWelder Locking Bracket	
	1001228964	Ref	Telematics Retrofit Harness Kit (Machines with UGM)	
	1001228926	Ref	Turntable Bearing Cover Installation	
		Ref	Tools For Service:	
	2901443	1	Analyzer Kit	
	0272048	Ref	Boom Cable Tools Installation	
	4120040	1	Socket 3/4in	
	4120043	1	Socket 2in	
	1705307	1	Decal - Tool Location	
	7002821	Ref	Crimper, Wire	
		Ref	Drive Hub Assembly Tools	
	70004646	1	Puller	
	70004647	1	Seal, Tool	
	70004648	1	Puller (Brake Assembly)	
	70004185	1	Torque Multiplier	
	7002823	Ref	Pin Extractor - Universal (For Electrical Connectors with Pins and Sockets)	
	4460467	1	Extractor - 16-18 Gauge (For Removal of Pin/Sockets from Deutsch Connectors)	
	4460510	1	Extractor - 12-14 Gauge (For Removal of Pin/Sockets from Deutsch Connectors)	
	7016654	Ref	Screwdriver, Magnetic	
	7002822	Ref	Screwdriver, Potentiometer	

SECTION 11 - SPECIAL OPTIONS

ITEM	PART NUMBER	QTY	DESCRIPTION	REV
	7004275	Ref	Seal Tool 1in (For Cylinders)	
	7004276	Ref	Seal Tool 1-1/2in (For Cylinders)	
	7002828	Ref	Stripper, Wire	
	4921850	1	Throttle Service Harness	
	70004185	1	Torque Multiplier	
	7016655	1	Wire Rope Sheave Gauge	
	1001137005	1	Cable Service Kit	
	1001173352	NLA	UGM Retrofit Kit - With SkyGuard (Use p/n 1001209395)	
	1001209395	Ref	UGM Retrofit Kit - With SkyGuard	
	1001232183	Ref	Ultra CKD Packaging Kit	
	1001232182	Ref	Ultra CKD Strapping Kit	
	2910890	Ref	Wear Pad Kit (Includes Wear Pads, Shims and Hardware)	
		Ref	Weld Leads at Platform Installation	
	0271983	Ref	Weld Leads at Platform Installation 1200SJP	
	0271820	Ref	Weld Leads at Platform Installation 1350SJP	
	2910894	Ref	Wire Rope Kit - 1200SJP (Includes Cables, Sheaves, Sheave Pins and Hardware)	
	2910895	Ref	Wire Rope Kit - 1350SJP (Includes Cables, Sheaves, Sheave Pins and Hardware)	

PART NUMBER INDEX

Go to Discount-Equipment.com to order your parts

PART NUMBER INDEX

0080237 213, 229, 253, 269	581, 585, 589, 593, 597, 899, 947, 949, 953	0271956 972	0275217 787, 919
0080244 221, 237, 245, 261, 277, 285	0100062 ... 304, 348, 354, 376	0271983 977	0275218 793, 921
0080277 33	0100071 625	0272048 501, 976	0275219 795, 923
0100009 577, 581, 585, 589, 593, 597	0100079 ... 209, 217, 225, 233, 241, 249, 257, 265, 273, 281, 291, 295, 313, 317, 321, 325, 329, 333, 361, 365, 407	0272055 53	0275452 797, 925
0100011 17, 21, 25, 29, 33, 44, 48, 59, 61, 67, 69, 73, 75, 77, 79, 95, 97, 109, 111, 113, 115, 131, 133, 135, 137, 139, 141, 148, 184, 185, 188, 189, 192, 193, 196, 197, 199, 201, 203, 205, 209, 213, 217, 221, 225, 229, 233, 237, 241, 245, 249, 253, 257, 261, 265, 269, 273, 277, 281, 285, 291, 295, 299, 301, 304, 313, 317, 321, 325, 329, 333, 337, 339, 341, 343, 348, 352, 361, 365, 369, 371, 376, 409, 411, 419, 423, 427, 431, 435, 439, 443, 447, 451, 455, 461, 463, 465, 467, 471, 479, 487, 495, 512, 516, 519, 523, 525, 527, 529, 531, 543, 545, 547, 549, 551, 559, 561, 563, 565, 615, 617, 619, 621, 623, 671, 674, 677, 679, 681, 703, 705, 707, 709, 711, 713, 715, 719, 721, 723, 725, 727, 731, 733, 737	0100081 17, 26, 143, 147, 184, 185, 189, 513, 517, 520, 577, 581, 585, 629, 631, 633, 635, 637, 639, 641, 643, 645, 647, 649, 651, 653, 655, 657, 659, 661, 663, 665, 667, 669	0272056 53	0275453 803, 927
0100019 17, 21, 25, 29, 33, 35, 37, 87, 89, 91, 435, 439, 443, 447, 451, 455, 461, 463, 465, 467, 471, 479, 487, 495, 512, 516, 731	0140001 77, 79	0272060 ... 214, 221, 230, 237, 245, 254, 261, 270, 277, 285	0275454 809, 929
0100020 304, 348, 352, 376, 427, 435, 444, 451, 613, 674, 685, 777, 779, 781, 783, 785, 787, 789, 791, 793, 795, 797, 799, 801, 803, 805, 807, 809, 811, 813	0140011 ... 577, 581, 585, 589, 593, 597	0272064 179	0275685 35
0100035 33, 165, 307, 519, 589, 593, 597, 729	0140032 159	0272070 523	0340003 213, 221, 229, 237, 245, 253, 261, 269, 277, 285
0100038 703, 705, 707, 709, 711, 713, 715, 719, 721, 723, 725, 727, 731, 733, 737	0200048 ... 615, 617, 619	0272078 972	0340051 213, 221, 229, 237, 245, 253, 261, 269, 277, 285
0100048 109, 143, 147, 161, 163, 427, 435, 439, 444, 448, 451, 455, 519, 525, 577,	0200742 419, 423	0272080 119, 767	0363037 17, 21, 25, 29
	0200833 33	0272092 975	0363062 77, 79
	0236768 77, 79	0272093 975	0363066 474, 482, 490, 498
	0239842 93	0272096 975	0363076 17, 22
	0257195 973	0272097 975	0363081 419, 423
	0257728 689	0272254 679	0363082 419, 423
	0257887 159	0272418 ... 629, 631, 633, 635, 637, 639, 641, 643, 645, 647, 649, 651, 653, 655, 657, 659, 661, 663, 665, 667, 669	0400020 77, 79
	0259666 151	0272427 617	0400251 91
	0259667 153	0272435 444, 453	0480100 689, 691, 693
	0271512 91	0272448 674, 679	0480122 423
	0271520 33	0272521 677	0480127 419
	0271521 25	0272522 965	0480128 427, 443
	0271530 465	0272523 965	0480129 447
	0271570 516	0272588 677	0561431 471, 479, 487, 495
	0271572 111	0272589 448, 456	0561437 471, 479, 487, 495
	0271595 184	0272599 674, 685	0561439 471, 479, 487, 495
	0271596 87	0272607 685	0561444 471, 479, 487, 495
	0271688 109	0272621 972	0561454 471, 479, 487, 495
	0271769 974	0272703 525	0561457 471, 479, 487, 495
	0271795 77	0272725 976	0561458 471, 479, 487, 495
	0271799 461	0272733 976	0561471 471, 479, 487, 495
	0271800 512	0272948 653	0561482 471, 479, 487, 495
	0271802 59, 73, 529	0272949 641, 643	0561500 471, 479, 487, 495
	0271803 972	0272950 645, 647	0630407 148
	0271804 972	0272951 633	0630462 615, 617, 619
	0271805 972	0272952 649, 651	0630464 33, 143, 147, 519
	0271806 159	0273145 975	0630467 512, 516, 529
	0271808 975	0273149 975	0630511 97
	0271820 977	0273353 674	0630518 143, 147, 674, 677, 679, 681, 685
	0271852 53	0273404 667, 669	0630534 723, 725, 727
	0271874 95	0273405 659, 661	0630535 703, 705, 707, 709, 711, 713, 715, 717
	0271875 972	0273406 655, 657	0630536 733, 735, 737, 739
	0271932 837	0273696 519	0630537 719, 721
	0271933 972	0273706 619	0630548 143, 147
	0271934 17	0273824 615	0630558 474, 482, 490, 498
	0271950 841	0273854 849	0630568 577, 582, 586, 590, 594, 598
	0271951 839	0273855 851	
	0271952 843	0273862 972	
	0271953 773	0274660 944	
	0271954 775	0274661 691	
	0271955 771	0274722 947	
		0274723 961	
		0274724 955	
		0274725 951	
		0274726 963	
		0274727 957	
		0274729 959	
		0274730 965	
		0275098 611	
		0275216 781, 917	

PART NUMBER INDEX

0641404 97, 427, 431, 435, 439, 443, 447, 451, 455, 577, 581, 585, 589, 593, 597, 671	0641511 33, 209, 217, 225, 233, 241, 249, 257, 265, 273, 281, 291, 295, 313, 317, 321, 325, 329, 333, 361, 365	333, 361, 365, 407, 461, 465	0642012 ... 471, 479, 487, 495, 629, 633, 635, 639, 643, 647, 651, 653, 657, 661, 665, 669
0641405 519, 525, 671	0641514 689, 691, 693	0641613 17, 21, 25, 29	0642014 ... 471, 479, 487, 495
0641406 . 69, 73, 75, 143, 147, 161, 188, 196, 199, 201, 203, 205, 213, 221, 229, 237, 245, 253, 261, 269, 277, 285, 299, 301, 304, 346, 352, 374, 419, 423, 512, 516, 567, 569, 571, 573, 575, 947, 949, 951, 953, 955, 957, 959, 961, 963	0641516 ... 427, 431, 435, 439, 443, 447, 451, 455	0641614 111, 113, 115	0642016 33
0641407 ... 163, 299, 301, 431, 439, 525, 815, 817	0641520 ... 119, 121, 123, 127	0641615 471, 479, 487, 495	0642020 25, 29
0641408 77, 79, 167, 169, 171, 173, 175, 177, 184, 188, 193, 197, 299, 301, 313, 317, 321, 325, 329, 333, 361, 365, 569, 571, 573, 575	0641524 125, 129	0641616 427, 431	0642022 ... 471, 479, 487, 495
0641410 ... 209, 217, 225, 233, 241, 249, 257, 265, 273, 281, 291, 295, 313, 317, 321, 325, 329, 333, 361, 365	0641605 ... 209, 213, 217, 221, 225, 229, 233, 237, 241, 245, 249, 253, 257, 261, 265, 269, 273, 277, 281, 285, 291, 295, 313, 317, 321, 325, 329, 333, 361, 365	0641620 17	0642024 525
0641412 67, 69, 77, 79	0641606 ... 17, 21, 25, 29, 77, 79, 97, 192, 196, 210, 218, 226, 234, 242, 250, 257, 266, 274, 282, 291, 295, 304, 313, 317, 321, 325, 329, 333, 346, 352, 361, 365, 374, 674, 677, 679, 681	0641624 26	0642026 ... 631, 637, 641, 645, 649, 655, 659, 663, 667
0641414 69, 577, 581, 585, 589, 593, 597, 615, 617, 619, 621, 623, 625	0641607 ... 471, 479, 487, 495	0641630 184, 188, 192, 196	0642212 ... 629, 631, 633, 635, 637, 639, 641, 643, 645, 647, 649, 651, 653, 655, 657, 659, 661, 663, 665, 667, 669
0641416 ... 525, 771, 773, 775, 777, 779, 781, 783, 785, 787, 789, 791, 793, 795, 797, 799, 801, 803, 805, 807, 809, 811, 813, 817	0641608 ... 17, 21, 25, 29, 59, 61, 73, 75, 95, 97, 111, 113, 115, 119, 121, 179, 181, 184, 188, 192, 196, 213, 221, 229, 237, 245, 253, 261, 269, 277, 285, 291, 295, 301, 304, 313, 317, 321, 325, 329, 333, 341, 343, 346, 352, 361, 365, 369, 374, 413, 419, 423, 461, 463, 465, 467, 512, 516, 733, 735, 737, 739	0641634 33	0642214 ... 17, 21, 25, 29, 461, 463, 465, 467
0641418 ... 543, 545, 547, 549, 551, 559, 561, 563, 565	0641609 ... 17, 21, 25, 29, 125, 129, 213, 221, 229, 237, 245, 253, 261, 269, 277, 285	0641640 474, 482, 490, 498	0642612 ... 167, 173, 199, 201, 203, 205
0641424 59, 61	0641610 ... 184, 188, 192, 196, 209, 213, 217, 221, 225, 229, 233, 237, 241, 245, 249, 253, 257, 261, 265, 269, 273, 277, 281, 285, 291, 295, 304, 313, 317, 321, 325, 329, 333, 346, 352, 361, 365, 374, 407, 411, 419, 423, 471, 479, 487, 495, 569, 571, 573, 575, 815	0641706 304, 346, 352, 374	0642684 523, 525, 527
0641503 ... 304, 348, 354, 376	0641611 ... 17, 21, 25, 29, 409, 463, 467	0641708 291, 295, 304, 314, 318, 322, 326, 330, 334, 346, 352, 362, 366, 374	0681608 523, 525, 527
0641504 59, 61	0641612 ... 291, 295, 313, 317, 321, 325, 329,	0641718 419, 423	0681620 695, 697, 699
0641505 33		0641808 17, 21, 25, 29, 59, 61, 209, 213, 217, 221, 225, 229, 233, 237, 241, 245, 249, 253, 257, 261, 265, 269, 273, 277, 281, 285, 291, 295, 313, 317, 321, 325, 329, 333, 361, 365, 471, 479, 487, 495	0681813 18, 21, 26, 29
0641506 . 73, 75, 97, 109, 159, 184, 185, 189, 192, 196, 209, 213, 217, 221, 225, 229, 233, 237, 241, 245, 249, 253, 257, 261, 265, 269, 273, 277, 281, 285		0641810 427, 431, 435, 439, 443, 447, 451, 455, 512, 516	0681814 ... 18, 21, 26, 29, 553, 555, 557
0641507 ... 213, 221, 229, 237, 245, 253, 261, 269, 277, 285, 531		0641812 109, 213, 221, 229, 237, 245, 299, 301, 337, 339, 341, 343, 369, 371, 523, 527	0681815 ... 18, 21, 26, 29
0641508 ... 125, 129, 346, 352, 374, 419, 423		0641813 192, 196, 471, 479, 487, 495	0681816 18, 21, 26, 29
0641509 59, 61, 181, 209, 217, 225, 233, 241, 249, 257, 265, 273, 281		0641814 17, 22, 253, 261, 269, 277, 285	0681822 553, 555, 557
0641510 189, 513, 517		0641816 181	0682026 91
		0641818 179, 213, 221, 229, 237, 245, 253, 261, 269, 277, 285	0682028 ... 304, 346, 352, 374, 471, 479, 487, 495
		0641820 109	0682040 91
		0641822 525	0682212 ... 471, 479, 487, 495
		0641826 213, 221, 229, 237, 245, 253, 261, 269, 277, 285	0682418 87
		0642010 209, 217, 225, 233, 241, 249, 257, 265, 273, 281, 291, 295, 313, 317, 321, 325, 329, 333, 361, 365	0682422 89
			0682424 695, 697, 699
			0700408 ... 777, 779, 781, 783, 785, 787, 789, 791, 793, 795, 797, 799, 801, 803, 805, 807, 809, 811, 813
			0700615 ... 167, 169, 171, 173, 175, 177
			0700616 193, 197
			0700815 ... 304, 346, 352, 374
			0701024 304
			0701418 419, 423
			0701617 35, 37
			0701619 53, 55, 57
			0711214 ... 213, 221, 229, 237, 245, 253, 261, 269, 277, 285
			0711417 ... 221, 237, 245, 261, 277, 285
			0720804 ... 577, 581, 585, 589, 593, 597
			0721005 615, 617, 619
			0721006 ... 409, 411, 577, 581, 585, 589, 593, 597
			0731007 111, 113, 115

PART NUMBER INDEX

0741606.....33, 471, 479, 487, 495	0811607 ... 474, 482, 490, 498	0961903 ... 733, 735, 737, 739	1001098012.....674, 685, 687
0741607....427, 431, 435, 439, 451, 455	0811608 ... 471, 479, 487, 495	0961949 ... 711, 713, 715, 717, 729, 731	1001098025.....743, 766
0741806....471, 479, 487, 495	0811610 ... 471, 479, 487, 495	0961950 ... 707, 709, 729, 731	1001098026.....745, 766
0760608.....184, 185, 189	0811614 ... 471, 479, 487, 495	0961951 ... 472, 479, 488, 495	1001098122.....613, 908
0760810....304, 348, 354, 376	0811616 ... 471, 479, 487, 495	0961986 ... 213, 221, 229, 237, 245, 253, 261, 269, 277, 285, 304, 346, 352, 374	1001098149.....685
0760812.....823	0840055 863	0962033 17, 21, 25, 29	1001098242.....974
0760814.....305	0860038 ... 427, 435, 443, 451, 773, 775	0962051 179, 181	1001098243.....975
0760814001.....305	0860520 953	0962224 ... 472, 480, 488, 496	1001098512.....209
0761014.....527	0861538 443, 451	0962257 723, 725, 727	1001098513.....210, 213, 226, 229
0761016.....304	0861572 447, 455	0962270 553, 555, 557	1001098516.....217
0761210....291, 295, 307, 313, 317, 321, 325, 329, 333, 361, 365	0861630 577	0962297 ... 472, 480, 488, 496, 719, 721	1001098530.....218, 221, 234, 237
0761214.....48, 304, 348, 354, 376	0861731 ... 777, 779, 799, 801, 805, 807, 811, 813, 925, 927, 929	0962402 ... 473, 481, 489, 497	1001098531.....242, 245
0761215.....44, 254, 261, 270, 277, 286, 301, 341, 343, 369	0861781 ... 783, 785, 789, 791, 917, 919	0962403 ... 473, 481, 489, 497	1001098601.....213, 222, 229, 238, 246, 253, 262, 269, 278, 286, 289
0761216.....523, 527	0861880 853, 855	0962404 ... 473, 481, 489, 497	1001098828.....527
0770814.....304	0902743 ... 733, 735, 737, 739	0962406 ... 473, 481, 489, 497	1001099366.....629, 631, 633, 635, 637, 639, 641, 643, 645, 647, 649, 651, 653, 655, 657, 659, 661, 663, 665, 667, 669
0771212....304, 346, 352, 374	0902746 184, 185, 189	0962409 ... 472, 480, 488, 496	1001099367.....629, 631, 633, 635, 637, 639, 641, 643, 645, 647, 649, 651, 653, 655, 657, 659, 661, 663, 665, 667, 669
0771414....213, 221, 229, 237, 245, 253, 261, 269, 277, 285, 304, 346, 352, 374	0902755 73, 75	0962410 ... 472, 480, 488, 496	1001099421.....653
0791410.....67, 69	0902761 184, 189	0962411 ... 473, 481, 489, 497	1001099422.....633
0791504.....512, 516, 519	0902762 185, 189	0962423 33	1001099425.....659
0791518.....512, 516	0902763 185, 189	0962447 ... 474, 482, 490, 498	1001099436.....641
0791604...67, 69, 97, 184, 188, 192, 196, 471, 479, 487, 495, 519	0902790 109	0962449 424	1001099437.....645
0791605....474, 482, 490, 498, 519	0902800 73, 75	0962450 525	1001099438.....655
0791606....471, 479, 487, 495, 519	0902813 419, 423	0962520 ... 427, 431, 435, 439, 443, 447, 451, 455	1001099439.....649
0791607.....67, 513, 517	0902888 ... 427, 431, 435, 439, 443, 447, 451, 455	1001091102 431, 440, 815, 817	1001099440.....667
0791608.....519	0902915 109	1001091460 100	1001099466.....976
0791612....472, 480, 488, 496	0902919 525	1001091461 100	1001099632.....33
0791618....471, 479, 487, 495	0902920 525	1001091969 781	1001099869.....423
0791620....471, 479, 487, 495, 512, 516	0903154 184, 188	1001091970 787	1001100233.....423
0791622.....512, 516	0903156 184, 188	1001091971 793	1001100321.....423
0791624....471, 479, 487, 495, 512, 516	0903161 184, 189	1001091972 795	1001100352.....199
0791808.....513, 517	0903162 185, 189	1001091973 797	1001100432.....199, 201, 203, 205
0801301.....487, 495	0903484 817	1001091974 803	1001100443.....199, 201, 203, 205
0801302.....487, 495	0903530 529	1001091975 809	1001100876.....199, 201, 203, 205
0801303.....487, 495	0940070 ... 213, 221, 229, 237, 245, 253, 261, 269, 277, 285, 304, 346, 352, 374	1001092856 214, 222, 230, 238, 246, 254, 262, 270, 278, 286	1001101191.....779, 781, 785, 787, 791, 793, 795, 797, 801, 803, 807, 809, 813, 853, 855
0801304.....488, 495	0940092 615, 617, 619	1001093242 43	1001101196.....781, 785, 787, 791, 793, 795
0801315.....465, 487	0940094 615, 617, 619	1001093243 39, 43	1001101197.....779, 797, 801, 803, 807, 809, 813
0801316.....471, 479	0940102 ... 629, 631, 633, 635, 637, 639, 641, 643, 645, 647, 649, 651, 653, 655, 657, 659, 661, 663, 665, 667, 669	1001094915 431, 439, 815, 817	1001101421.....629, 631
0801317.....471, 479	0940103 617	1001097619 471, 479, 487, 495, 507	1001101422.....629
0801318.....471, 479	0940133 619	1001097643 471, 479, 487, 495, 503	1001101550.....47
0801319.....472, 479	0940134 615	1001097820 743, 745	1001102647.....631
0801320.....461, 471	0961845 ... 543, 545, 547, 549, 551, 559, 561, 563, 565		1001102831.....201
0801550....473, 481, 490, 497	0961893 723, 725, 727		1001103286.....974
0811606....474, 482, 490, 498	0961894 717		
	0961896 ... 703, 707, 709, 711, 713, 715		
	0961901 719, 721		

PART NUMBER INDEX

1001103356 199, 201, 203, 205	1001110940..... 97	1001116774..... 825, 827	1001119968..... 444, 448, 453, 456, 879
1001104315 37, 41	1001110974..... 975	1001116792..... 291, 295, 313, 317, 321, 325, 329, 333, 361, 365	1001120180 143, 881
1001104324 37	1001111132..... 226, 234, 242, 266, 274, 282	1001116808..... 825, 827	1001120328 621, 623, 671
1001104325 41, 47	1001111175..... 97	1001116812..... 883	1001120337 144, 147, 859
1001104651 973	1001111176..... 97	1001116815..... 825	1001120381 944
1001104652 953	1001111193..... 97	1001116846..... 955	1001120382 423, 944
1001104735 205	1001111219..... 97	1001116849..... 955	1001120564 119, 121
1001104922 737	1001111396..... 975	1001116851..... 955	1001120989 199, 201, 203, 205, 966
1001104923 737	1001111914..... 199, 201, 203, 205	1001116952..... 868	1001120994 199, 201, 203, 205, 966
1001105014 733	1001112551..... 949	1001116967..... 867	1001121615 901, 903, 907
1001105016 733	1001112612..... 827, 859	1001116983..... 873	1001121616 901, 903, 907
1001106736 144, 147	1001112669..... 55	1001117034..... 955	1001121703 901, 903, 907
1001107359 113	1001112691..... 192, 196	1001117035..... 955	1001121826 155, 601
1001107971 250, 253, 266, 269	1001112716..... 55	1001117078..... 445, 448, 453, 457, 879	1001121827 157, 603
1001107973 258, 261, 274, 277	1001112741..... 975	1001117106..... 868	1001122369 947, 966
1001107975 282, 285	1001112757..... 73, 75	1001117107..... 868	1001122370 961, 966
1001108579 115	1001112758... 59, 61, 969	1001117140..... 189	1001122371 955, 966
1001108616 254, 262, 270, 278, 287, 301, 341, 343, 369, 396	1001112766..... 213, 221, 229, 237, 245, 253, 261, 269, 277, 285	1001117172..... 613	1001122372 951, 966
1001108617 209, 217, 225, 233, 241, 250, 258, 265, 273, 281, 291, 295, 313, 317, 321, 325, 329, 333, 361, 365	1001112796..... 827	1001117174..... 578, 582, 586, 590, 594, 598, 613, 969	1001122373 963, 966
1001108708 973	1001112878..... 225, 233, 241, 265, 273, 281	1001117294..... 975	1001122374 957, 966
1001109048 115	1001112879..... 225, 233, 241, 265, 273, 281	1001117308..... 305, 347, 353, 375	1001122375 959
1001109181 973	1001112880..... 225, 233, 241, 265, 273, 281	1001117370..... 225	1001122376 947
1001109468 764	1001112911..... 97	1001117371..... 233	1001122377 961
1001109475 853, 855	1001112927..... 254, 262, 270, 278, 286, 301, 341, 343, 369, 403	1001118384..... 937	1001122378 955
1001109482 853, 855	1001112973..... 205	1001118388..... 903, 911, 937	1001122379 951
1001109482 853, 855	1001112987..... 199, 201, 203, 205	1001118712..... 249	1001122380 963
1001109503 147	1001112988..... 199	1001118713..... 257	1001122381 957
1001109654 815, 817, 853	1001113047..... 192, 196	1001118859..... 764, 766	1001122382 959
1001109677 121, 127, 129	1001113103..... 115	1001118869..... 764, 766	1001122383 155
1001109759 192, 196	1001113173..... 97	1001118932..... 764	1001122384 601
1001110014 143	1001113483..... 525	1001118933..... 764	1001122528 444, 448, 453, 456
1001110027 192	1001113961..... 825, 859	1001118934..... 764	1001122611 601
1001110059 115	1001114382..... 949	1001118935..... 764	1001125387 966
1001110064 148	1001114392..... 97	1001118957..... 121, 767	1001125425 419
1001110084 143, 147, 969	1001114495..... 346, 353, 375	1001119020..... 827, 908	1001125426 423
1001110108 69	1001114620..... 756, 766	1001119052..... 265	1001125427 443
1001110109 69	1001115168..... 97	1001119053..... 273	1001125428 447
1001110110 69	1001115440..... 97	1001119054..... 281	1001126008 825
1001110111 69	1001115603..... 663, 665	1001119138..... 764	1001126009 937
1001110112 69	1001115604..... 663	1001119345..... 135	1001126351 867
1001110113 69	1001115604..... 663	1001119346..... 131	1001126352 867
1001110133 974	1001115961..... 55	1001119363..... 143	1001126356 867
1001110194 192, 196	1001116008..... 825	1001119372..... 143, 147, 887	1001126357 867
1001110425 291, 295, 313, 317, 321, 325, 329, 333, 361, 365	1001116015..... 241	1001119374..... 131, 135, 139, 143	1001126362 868
1001110433 192, 196	1001116025..... 965	1001119456..... 131, 133, 915	1001126363 868
1001110486 192, 196	1001116206..... 944	1001119470..... 131, 133, 135, 137, 865	1001126364 868
1001110513 69	1001116208..... 199, 201, 203, 205, 966	1001119619..... 931	1001126365 868
1001110604 764	1001116290..... 193, 197	1001119620..... 933, 935	1001126384 867
1001110740 79	1001116369..... 143, 147, 899	1001119727..... 305	1001126391 868
1001110749 767	1001116419..... 975	1001119817..... 764	1001127092 201
1001110873 427, 435, 444, 452, 773	1001116420..... 975	1001119860..... 944	1001128527 681
1001110877 69	1001116707..... 867	1001119899..... 472, 480, 488, 496	1001128556 681
	1001116710..... 873	1001119938..... 972	1001128947 347, 353, 357
	1001116720..... 903, 911	1001119946..... 972	1001129555 968
	1001116728..... 868		1001129858 427, 428
			1001131269 947, 957
			1001131462 192, 196

PART NUMBER INDEX

1001131482.....181	1001135946.....305, 347, 353, 375	1001138827.....305, 347, 353, 375	1001142398.....306, 347, 353, 375
1001131542.....213, 221, 229, 237, 245, 253, 261, 269, 277, 285, 291, 295, 314, 318, 322, 326, 330, 334, 362, 366	1001136079.....305, 348, 376	1001139099.....974	1001142501.....306, 348, 354, 376
1001131620.....512, 516	1001136172.....305, 352	1001139240.....305, 347, 353, 375	1001142504.....975
1001131728.....516	1001136292.....347, 353, 375	1001139357.....427, 431	1001142505.....975
1001131729.....512	1001136356.....431	1001139492.....127	1001142637.....348, 354, 376
1001131733.....516	1001136357.....439, 456	1001139494.....123, 767	1001142645.....435, 452
1001131734.....512	1001136626.....347, 353, 375	1001139516.....467	1001142683.....167, 169, 171, 173, 175, 177
1001131969.....845, 847	1001136665.....305, 347, 353, 375	1001139517.....467, 495	1001142685.....306, 348, 354, 376
1001132055.....435	1001136834.....305, 347, 353, 375	1001139654.....966	1001142694.....167, 173
1001132730.....203	1001136988.....451, 455	1001139665.....123, 127	1001142719.....167, 169, 171, 173, 175, 177
1001132733.....203	1001137005.....977	1001139666.....123, 127	1001142736.....167, 169, 171, 173, 175, 177, 827
1001133633.....306, 347, 354, 375	1001137022.....974	1001139778.....196	1001142938.....868
1001133634.....305, 347, 353, 375	1001137027.....974	1001139930.....417	1001142940.....868
1001133714.....869, 871	1001137276.....305, 347, 353, 375	1001139958.....427	1001142941.....869
1001133715.....869, 871	1001137336.....304	1001139959.....431	1001142966.....974
1001133956.....867	1001137440.....976	1001139972.....473, 481, 489, 497	1001143087.....123, 125, 127, 129
1001133957.....867	1001137590.....451	1001140222.....409	1001143123.....123, 127
1001134098.....87, 100	1001137591.....455	1001140312.....354	1001143294.....181
1001134389.....329	1001137672.....976	1001140318.....975	1001143298.....181
1001134390.....325, 329, 341	1001137673.....621, 623	1001140344.....435	1001143390.....306, 348, 354, 376
1001134392.....337, 339, 341, 346	1001138011.....435, 439, 452, 456	1001140346.....436	1001143431.....167
1001134485.....347, 353	1001138110.....869	1001140347.....439, 440	1001143852.....966
1001134488.....305, 346, 354, 374	1001138111.....869	1001140429.....543, 545, 547, 549, 551, 559, 561, 563, 565	1001144089.....306, 348, 354, 376
1001135090.....347, 353, 375	1001138113.....869	1001140485.....188, 196	1001144147.....825
1001135124.....123, 125, 127, 129	1001138228.....305, 347, 353, 375	1001140535.....305	1001144347.....139
1001135138.....305, 347, 353, 375	1001138228.....305, 347, 353, 375	1001140564.....306, 346, 353, 374	1001144433.....586, 590, 594, 623
1001135560.....305, 347, 353, 375	1001138248.....306, 347, 354, 375	1001140604.....317, 321, 329, 333	1001144629.....537, 539, 541, 559, 563
1001135562.....305, 347, 353, 375	1001138253.....305, 347, 353, 375	1001141225.....291, 295, 313, 317, 321, 325, 329, 333, 361, 365	1001145089.....313, 317, 321, 325, 329, 333, 361, 365
1001135650.....869, 871	1001138346.....305, 347, 353, 375, 867	1001141300.....966	1001145154.....306, 348, 354, 376
1001135651.....869	1001138491.....291, 295, 313, 317, 321, 325, 329, 333, 361, 365, 873	1001141302.....966	1001145162.....196
1001135663.....181	1001138494.....545, 547, 549, 551, 559, 561, 563, 565	1001141304.....306, 348, 353, 376	1001145382.....214, 222, 230, 238, 246, 254, 262, 270, 278, 286
1001135679.....305, 347, 353, 375	1001138514.....545, 547, 549, 551, 561, 565	1001141717.....306, 348, 353, 376	1001145405.....674, 685
1001135680.....347, 353, 375	1001138524.....306, 347, 353, 375	1001141718.....409, 411	1001145560.....314, 326, 361, 365
1001135779.....306, 348, 354, 376	1001138559.....307, 347, 353, 375	1001141719.....306, 346, 353, 374	1001145708.....974
1001135901.....347, 353, 375	1001138565.....431, 432	1001141744.....333	1001145781.....551
1001135903.....305, 347, 353, 375	1001138566.....427, 431, 435, 439	1001141745.....334, 343	1001145785.....569
1001135913.....347, 353, 374	1001138717.....348, 354, 376	1001141746.....343, 352	1001145842.....314, 318, 322, 326, 330, 334, 362, 366
1001135914.....347, 353, 374	1001138772.....975	1001141811.....317	1001146132.....188, 197
1001135924.....347, 353, 375	1001138773.....975	1001141812.....313, 318, 337	1001146142.....188
1001135926.....347, 353, 375	1001138800.....463	1001141813.....322, 339	1001146178.....188, 196
1001135943.....347, 353, 375	1001138801.....463, 479	1001141815.....321	1001146219.....306, 346, 352, 374
	1001138802.....480, 496, 715	1001141817.....325	1001146244.....196
	1001138803.....480, 496, 725	1001141819.....313	1001147264.....868
	1001138804.....715	1001141967.....921, 923	1001147479.....519, 969
	1001138805.....725, 727	1001141968.....921	1001148648.....432, 440
		1001141969.....923	
		1001141970.....923	
		1001141971.....921	
		1001142021.....189	
		1001142023.....188, 189	
		1001142024.....188	
		1001142144.....188	
		1001142181.....188	

PART NUMBER INDEX

1001148841 871	1001155823..... 306, 348, 354, 376	1001166538.....578, 582, 586, 590, 594, 598, 609	1001177945 299, 301
1001148842 871	1001157520.....444, 448, 452, 456	1001166539.....578, 582, 586, 590, 594, 598, 605	1001177946 299, 301
1001148843 306, 348, 354, 376, 871	1001157521.....444, 448, 453, 456	1001166665.....569, 577	1001177957 299, 301
1001148902 973	1001157525.....447, 448, 455, 456	1001167164.....299, 301	1001177958 299, 301
1001148903 973	1001157528.....444, 448, 453, 456	1001167565.....527	1001177959 299, 301
1001148904 973	1001157592.....443, 444, 451, 452	1001167567.....527	1001178043 974
1001148905 973	1001157770.....944	1001167596.....527	1001178236 306
1001148906 973	1001158007.....444, 448, 453, 456	1001168166.....306	1001178247 471, 479, 487, 495, 505
1001148971 975	1001158008.....428, 432, 436, 440, 444, 448, 453, 456	1001168402.....527	1001178248 471, 479, 487, 495, 509
1001149730 976	1001158363.....428, 432, 436, 440	1001169054.....306	1001178266 693
1001149818 165, 939	1001159121.....976	1001169138.....306	1001178797 413
1001149955 165	1001159156.....598	1001170035.....306	1001178894 306
1001149994 165, 169, 171, 175, 177	1001159256.....578, 582, 586, 590, 594, 968	1001170982.....307	1001178978 693
1001150406 165	1001160100.....965	1001171095.....254, 262, 270, 278, 287, 301, 341, 343, 369, 399	1001179154 428, 436, 444, 452
1001150944 167, 825	1001160567.....111, 113	1001171130.....435	1001179831 148
1001151393 151, 153	1001161041.....845	1001171131.....976	1001180051 193, 197
1001152456 428, 432, 436, 440	1001161044.....847	1001171273.....439	1001180620 306
1001152457 427, 435, 436	1001161048.....845	1001172045.....975	1001180690 973
1001152458 431, 439, 440	1001161050.....847	1001172663.....527	1001181045 853, 855
1001152525 428, 436, 444, 448, 452, 456	1001161401.....17, 21, 25, 30	1001172760.....578, 582, 586, 590, 594, 598	1001181129 125, 129
1001152530 428, 432, 436, 440	1001161402.....17, 21, 25, 30	1001172766.....965	1001181134 637, 639
1001152533 427, 431, 435, 439, 875	1001161403.....17, 21, 25, 30	1001173163.....193, 197	1001181138 637
1001152566 189	1001161709.....578, 582, 586, 590, 594, 598, 968	1001173164.....193, 197	1001181142 637, 639
1001152742 867	1001161710.....578, 582, 586, 590, 594, 598, 968	1001173166.....192, 196	1001181151 974
1001152963 299, 337, 339, 371, 390	1001162899.....944	1001173170.....192, 196	1001181895 354
1001152966 760	1001162900.....944	1001173171.....113, 115	1001182138 625
1001152968 760, 766	1001162901.....944	1001173183.....193, 197	1001182241 974
1001152971 760, 766	1001163131.....629, 631	1001173184.....197	1001182242 974
1001153024 347, 353, 375	1001163287.....649, 651	1001173185.....192, 196	1001182600 974
1001153257 427, 435, 944	1001163288.....659, 661	1001173186.....192, 197	1001182806 163
1001153260 428, 436	1001163289.....655, 657	1001173187.....192, 197	1001182997 307
1001153387 306, 348, 354, 376	1001163292.....663, 665	1001173188.....192, 197	1001183242 815
1001154157 417	1001163293.....641, 643	1001173202.....196	1001183407 975
1001154214 123	1001163295.....667, 669	1001173352.....977	1001184682 161
1001154260 473, 481, 489, 497	1001163296.....653	1001173352.....977	1001184936 148
1001154294 473, 481, 489, 497	1001163297.....633	1001173647.....192, 197	1001184937 147, 148
1001154304 473, 481, 489, 497	1001163298.....645, 647	1001173651.....192, 197	1001184938 147
1001154306 473, 481, 489, 497	1001165035.....292, 296, 307, 313, 317, 321, 325, 329, 333, 348, 354, 375	1001173703.....966	1001184939 133, 141, 147
1001154405 291, 296, 306, 313, 317, 321, 325, 329, 333, 348, 354, 361, 365, 376, 409, 411, 413	1001165101.....292, 296, 314, 318, 322, 326, 330, 334, 362, 366, 409	1001173912.....192	1001185079 974
1001155044 578, 582, 586, 590, 594, 598	1001165368.....431, 439, 855	1001173913.....29	1001185281 586, 590, 594, 598
1001155045 578, 582, 586, 590, 594, 598, 968	1001165820.....348, 354, 376	1001173914.....21	1001185284 141
1001155079 976	1001166393.....305, 347, 353, 375	1001173915.....113	1001186318 557
1001155575 306, 347, 353, 375		1001173918.....115	1001186333 553
1001155813 432, 440		1001174325.....719, 721	1001186334 555
		1001174331.....193	1001186375 545
		1001174939.....137	1001186379 547
		1001175237.....197	1001186382 549
		1001175250.....193	1001186383 541
		1001175859.....192, 197	1001186384 539
		1001175879.....192, 197	1001186387 537
		1001175880.....192, 197	1001186389 557
		1001176291.....974	1001186431 594, 623, 976
		1001176329.....306	1001186432 911, 937
		1001176330.....306	1001186477 586, 590, 903
		1001176346.....67	1001186517 621, 623
		1001176347.....69	1001187011 306
		1001176372.....976	1001187386 148, 883
		1001176415.....306	1001187508 621
		1001176416.....306	1001187674 627
		1001176469.....147	1001187681 931
		1001176940.....306	
		1001177094.....306	
		1001177533.....965	

PART NUMBER INDEX

1001188309.....551	1001203655.....553	1001220041.....972	1001227449.....972
1001188376.....125, 129	1001203656.....555, 557	1001220042.....972	1001227606.....292, 296, 411
1001188382.....125, 129	1001204159.....407	1001220044.....972	1001227633.....627
1001188622.....527	1001204725.....527	1001220045.....972	1001227634.....627
1001188844.....527	1001204930.....975	1001220148.....974	1001227960...73, 75, 969
1001188884.....407	1001205034.....972	1001220379.....868	1001227985.....627
1001188887.....407	1001205175.....975	1001220560.....125, 129	1001227987.....627
1001188889.....621	1001205401.....169	1001220713.....965	1001227996.....933, 935
1001189001.....527	1001205958.....797, 799, 801, 803, 805, 807, 809, 811, 813	1001220735.....299, 301, 304	1001228019.....29, 709
1001189002.....527		1001220743.....972	1001228020...21, 29, 705
1001189176.....167		1001220744.....972	1001228021.....488, 496, 739
1001189882.....966	1001206250.....801	1001220745.....972	1001228023.....472, 488, 713
1001190098.....571, 585	1001206251.....807	1001220746.....972	1001228024.....461, 463, 465, 467, 721
1001190106.....586	1001206252.....813	1001220747.....972	1001228025.....472, 480, 488, 496, 727
1001190111.....571	1001206253.....785	1001220770.....306	1001228026.....472, 480, 735
1001190985.....527	1001206254.....791	1001220775.....972	1001228031.....33, 731
1001191272.....347, 353, 375	1001206255.....779	1001220866.....594, 598, 907	1001228053.....480, 496, 717
1001191395.....974	1001206476.....823	1001220929.....594, 598	1001228215.....543
1001191526.....966	1001206544.....976	1001221203.....306	1001228224.....627
1001191541.....22, 30	1001206794.....974	1001221205.....306	1001228225.....627
1001191708.....625	1001206797.....974	1001221207.....306	1001228243.....563
1001192401.....881, 884	1001207004.....175, 177	1001221212.....306	1001228375.....565
1001193018.....777, 779, 781, 783, 785, 787, 789, 791, 793, 795, 797, 799, 801, 803, 805, 807, 809, 811, 813	1001207309.....173	1001221213.....306	1001228376.....559
1001193645.....973	1001207969.....531	1001221217.....306	1001228377.....561
1001193674.....22, 30	1001208923.....976	1001221219.....306	1001228431.....975
1001194122.....133	1001208994.....531	1001221259.....291	1001228488.....89, 105
1001194123.....137	1001209059.....976	1001221261.....295	1001228617.....89
1001194197.....799	1001209395.....977	1001221263.....292, 299	1001228926.....976
1001194198.....805	1001209432.....823	1001221265.....296, 301	1001228951.....972
1001194200.....811	1001209474.....823	1001221427.....307	1001228964.....976
1001194203.....783	1001209664.....621, 623	1001221666.....129, 767	1001228988.....674, 675, 677, 679, 681, 685
1001194204.....789	1001209873.....175	1001221706.....573	1001229058.....89
1001194365.....777	1001210028.....976	1001221738.....965	1001229107.....972
1001195214.....407	1001210042.....976	1001221802.....125, 767	1001229341.....627
1001195304.....975	1001210043.....976	1001222314.....531	1001229599.....306
1001195793.....944	1001211801.....974	1001222375.....966	1001229600.....306
1001197017.....615, 617, 619	1001212223.....451, 455	1001222773.....411	1001231235.....976
1001197067.....173	1001212415.....968	1001222817.....413	1001231315.....947
1001197408.....966	1001212790.....513, 517	1001223055.....947	1001231316.....957
1001197528.....973	1001213183.....973	1001223068.....413	1001231317.....961
1001197529.....973	1001213385.....756, 760, 764	1001223453.....947, 957	1001231318.....963
1001197530.....973	1001213447.....908	1001223883.....57	1001231319.....951
1001197531.....973	1001213600.....974	1001223971.....957	1001231320.....959
1001197532.....973	1001213601.....974	1001224048.....961	1001231321.....955
1001197533.....973	1001213705.....461, 463, 465, 467	1001224049.....963	1001231801.....965
1001197537.....973	1001214029.....966	1001224050.....955	1001231886.....161
1001200491.....527	1001214078.....976	1001224052.....951	1001231949.....699
1001200494.....527	1001214478.....976	1001224053.....959	1001231950.....695, 697
1001200575.....577, 586	1001214540.....976	1001225118.....214, 222, 230, 238, 246, 254, 262, 270, 278, 286	1001232010.....695, 697, 699
1001200910.....169, 171	1001214548.....976	1001225245.....665	1001232011.....695, 697, 699
1001201351.....527	1001214548.....976	1001225246.....669	1001232164.....627
1001201888.....582, 590	1001214561.....975	1001225247.....651	1001232165.....627
1001201889.....594, 598	1001214562.....975	1001225248.....657	1001232172.....973
1001202221.....974	1001214570.....823	1001225249.....647	1001232173.....973
1001202280.....407	1001214571.....823	1001225250.....643	1001232175.....973
1001202281.....407	1001216630.....523, 525, 527	1001225251.....661	1001232176.....973
1001202562.....571, 589	1001216876.....57	1001225345.....639	1001232177.....973
1001202564.....569, 581	1001216877.....57	1001225346.....823	
1001202697.....972	1001217005.....169, 171	1001225580.....594, 623, 911	
1001202749.....974	1001217597.....953	1001226531.....823	
1001203564.....974	1001219085.....965	1001226872.....543	
	1001219642.....306, 309	1001226923.....413	
	1001219987.....573, 593		
	1001219990.....61, 75, 531		
	1001220039.....972		

PART NUMBER INDEX

1001232178 973	1001242854..... 575	1320058.....213, 221, 229, 237, 245, 253, 261, 269, 277, 285	1671033 ... 472, 480, 488, 496
1001232182 977	1001243183..... 972	1320060.....213, 221, 229, 237, 245, 253, 261, 269, 277, 285	1671038 ... 184, 188, 192, 196
1001232183 977	1001243184..... 972	1320095..... 143, 147	1671039 519
1001232642 671	1001243461..... 575, 597	1320130..... 307, 519	1671040 33
1001232643 976	1001243731..... 163	1320136..... 519, 525	1671043 512, 516
1001232650 671	1001243734..... 161	1320146.....771, 773, 775, 817	1671044 519
1001232667 671	1001243849..... 163	1320159..... 513, 517	1671045 67, 69
1001233047 973	1001244026..... 171	1320162..... 119, 121, 123, 127	1671046 67, 69
1001233237 972	1001246136..... 972	1320177 674, 685	1671047 67, 69
1001233533 975	1001246137..... 972	1320187 209, 217, 225, 233, 241, 249, 257, 265, 273, 281, 291, 295, 313, 317, 321, 325, 329, 333, 361, 365	1671048 67, 69
1001233534 975	1001246860..... 974	1320223 213, 221, 229, 237, 245, 253, 261, 269, 277, 285	1671049 67, 69
1001233763 972	1001246867..... 973	1320224 525	1671092 444, 452
1001234099 972	1001247073..... 976	1320263 17, 21, 25, 29, 512, 516	1671093 674, 679
1001235011 671	1060341 ... 615, 617, 619, 875	1320277 512, 516	1671121 ... 209, 217, 225, 233, 241, 249, 257, 265, 273, 281, 291, 295, 313, 317, 321, 325, 329, 333, 361, 365
1001235013 671	1060343 444, 452	1320294 512, 516	1671176 ... 577, 581, 585, 589, 593, 597
1001235174 973	1060379 ... 689, 691, 693	1320295 512, 516	1671191 185
1001235459 362, 366, 379	1060494 ... 428, 436, 444, 452	1320296 512, 516	1671192 184
1001235475 361	1060545 855	1320298 17, 26	1671193 185, 189
1001235476 361, 369	1060902 861, 889	1320301 519	1671194 ... 184, 185, 188
1001235477 369, 371, 374	1060903 ... 615, 617, 619	1320302 674, 677, 679, 681	1671314 ... 577, 581, 585, 589, 593, 597
1001235478 365	1060904 245, 285	1320309 941, 943	1683053 723, 725
1001235479 365, 371	1060908 853	1321385 513, 517	1683056 703
1001235617 972	1060918 613	1340065.....213, 221, 229, 237, 245, 253, 261, 269, 277, 285	1683062 ... 707, 711, 715
1001236398 966	1060919 553	1320067 972	1683072 719
1001236504 823	1060981 829, 833	1380147 179, 181	1684081 25, 29, 707
1001236505 823	1060982 831	1380169 192, 196	1684082 707
1001236552 671	10702077 . 444, 448, 452, 456	1560011 941, 943	1684083 707
1001236746 699	10702082 . 444, 448, 452, 456	1560012 941, 943	1684102 ... 17, 21, 25, 29, 703
1001236747 695	1100131 ... 472, 480, 488, 496	1580012 567	1684103 703
1001236891 695, 697, 699	1120094 729	1580013 975	1684105 703
1001236895 695, 697, 699	1120549 33	1600343 577, 581, 585, 589, 593, 597, 969	1684108 ... 488, 496, 737
1001236951 975	1120550 33	1600387 525	1684109 737
1001237705 635	1120555 ... 629, 631, 633, 635, 637, 639, 641, 643, 645, 647, 649, 651, 653, 655, 657, 659, 661, 663, 665, 667, 669	1600443 289, 969	1684141 733, 737
1001237755 461, 463, 465, 467	1180358 17, 25	1660302 109	1684149 ... 472, 488, 711
1001237862 933, 935	1180362 516	1670603 777, 779	1684150 711, 715
1001237863 627, 935	1180363 516	1670829 143, 147	1684159 719
1001237864 627, 933	1180369 512	1670964 512, 516, 529	1684162 ... 461, 463, 465, 467, 719
1001237865 627, 931	1180370 512	1671023 ... 213, 221, 229, 237, 245, 253, 261, 269, 277, 285	1684173 ... 472, 488, 723
1001237882 974	1260017 93	1671031 519	1684174 723, 725
1001237883 974	1271538 525	1671032 472, 480, 488, 496	1684176 723, 725
1001238263 695, 697, 699	1283409 ... 947, 949, 951, 953, 955, 957, 959, 961, 963, 965		1684178 ... 472, 480, 733
1001238319 627	1283457 ... 743, 745, 748, 751, 753, 756, 766		1684179 733
1001238418 671, 937	1320022 ... 209, 213, 217, 221, 225, 229, 233, 237, 241, 245, 249, 253, 257, 261, 265, 269, 273, 277, 281, 285, 291, 295, 307, 314, 318, 322, 326, 330, 334, 348, 354, 361, 365, 375, 407		1684249 719
1001238423 635			1684275 729
1001238462 635			1684306 711, 715
1001238463 697			1684314 33, 729
1001238472 671			1684315 729
1001238477 671			1684317 729
1001238495 623			1701499 ... 947, 949, 951, 953, 955, 957, 959, 961, 963
1001238559 671			1701501 ... 947, 949, 951, 953, 955, 957, 959, 961, 963
1001238824 671			1701505 ... 947, 949, 951, 953, 955, 957, 959, 961, 963
1001239281 161			
1001239805 823			
1001241275 972			
1001241383 163			
1001241417 975			
1001241585 823			
1001241630 823			
1001241835 362, 366			
1001241965 671			
1001242192 972			

PART NUMBER INDEX

1701509....629, 631, 633, 635, 637, 639, 641, 643, 645, 647, 649, 651, 653, 655, 657, 659, 661, 663, 665, 667, 669, 947, 949, 951, 953, 955, 957, 959, 961, 963	1704277 ... 947, 949, 951, 953, 955, 957, 959, 961, 963	1705489 ... 431, 439, 448, 456	2080051.....184, 188
1701518.....949, 953	1704412 ... 947, 949, 951, 953, 955, 957, 959, 961, 963	1705490 675, 685	2110404 44, 48, 533, 743, 745, 756, 760, 764
1702565....577, 581, 585, 589, 593, 597	1704885 965	1705492 947	2110406.....65, 84, 751
1702566....577, 581, 585, 589, 593, 597	1704972 947, 959	1705493 959	2110408.....84
1702773....553, 555, 557, 953, 965	1705014 553, 555	1705503 961	2110604.....751
1702774.....965	1705057 965	1705505 957	2110606.63, 83, 533, 751
1702868....674, 679, 681, 685, 947, 965	1705095 965	1705511 ... 947, 949, 951, 953, 955, 957, 959, 961, 963	2110608.....84, 756, 760, 764
1702938....615, 617, 619	1705096 965	1705514 947, 957	2110610.....756, 760, 764
1702942.....242, 282	1705167 965	1705552 965	2110612.....743, 745
1702962.....965	1705171 ... 577, 581, 585, 589, 593, 597	1705554 965	2110808..44, 48, 83, 743, 745, 748
1703162....213, 221, 229, 237, 245, 253, 261, 269, 277, 285, 304, 348, 354, 376	1705174 603	1705744 ... 577, 581, 585, 589, 593, 597	2110810 65, 84, 756, 760, 764
1703175.....965	1705178 965	1705745 ... 577, 581, 585, 589, 593, 597	2110812 44, 48, 748, 756, 760, 764
1703683.....689, 693	1705305 ... 674, 677, 679, 681, 685	1705822 949, 953	2111010.....84, 743, 745, 756, 760, 764
1703797.....947	1705307 501, 976	1705828 949, 953	2111012.....65, 756, 760, 764
1703804.....947	1705325 781, 783, 785	1705864 953, 966	2111016.....764
1703805.....947	1705336 947	1705865 966	2111212....756, 760, 764
1703811....947, 949, 951, 953, 955, 957, 959, 961, 963	1705337 947	1705868 ... 947, 951, 955, 957, 959, 961, 963	2111216.....83
1703814....947, 949, 951, 953, 955, 957, 959, 961, 963	1705338 959	1705895 951	2111616....756, 760, 764
1703923.....963	1705339 961	1705896 951	2112016.....764
1703924.....957	1705341 957	1705897 951	2112020....756, 760, 764
1703925.....955	1705344 959	1705898 951	2113232....756, 760, 764
1703926.....959	1705345 961	1705902 951	2120217.....529, 531
1703927.....961	1705347 957	1705903 951	2130404.....764
1703935.....963	1705351 947	1705905 951	2130406.....44, 48
1703936.....957	1705355 ... 674, 677, 679	1705906 951	2130606.....83, 753, 756, 760, 764
1703938.....959	1705358 ... 629, 631, 633, 635, 637, 639, 641, 643, 645, 647, 649, 651, 653, 655, 657, 659, 661, 663, 665, 667, 669	1705909 963	2130612.....743, 745
1703939.....961	1705365 965	1705910 963	2130808....756, 760, 764
1703941.....963	1705366 519	1705915 963	2130810.....63, 764
1703942.....957	1705367 519	1705917 963	2130812.....44, 48, 764
1703943.....955	1705374 427, 436	1705921 949, 953	2131010....756, 760, 764
1703944.....959	1705375 ... 444, 453, 674, 679, 681	1705961 949, 953	2131012.....84
1703945.....961	1705387 ... 427, 436, 444, 453	1705967 951	2131212....119, 121, 123, 125, 127, 129, 756, 760
1703947.....963	1705426 959	1705969 961, 965	2131612.....764
1703948.....957	1705427 961	1705973 603	2150404.....743, 745
1703949.....955	1705429 957	1705974 157	2150808....756, 760, 764
1703950.....959	1705430 955	1705980 966	2151012.....65
1703951.....961	1705444 965	1706059 951	2160002.....91
1703953.....947	1705445 965	1706060 955	2170204.....743, 745
1703980.....959	1705446 965	1706061 961	2170316.....83
1703981.....961	1705447 965	1706062 959	2170504.....748, 751
1703982.....955	1705448 965	1706063 963	2170506.....751
1703983.....963	1705449 965	1706064 957	2170512.....125, 129
1703984.....957	1705451 965	1706066 949, 953	2170704....743, 745, 748
1704000.....957, 965	1705452 965	1706068 949, 953	2170708.....743, 745
1704001.....963	1705454 965	1706098 949, 953	2170712....119, 121, 123, 127
1704260....577, 581, 585, 589, 593, 597	1705455 965	1706385 553, 555	2170804.....748
	1705456 965	1706493 557	2170908....756, 760, 764
	1705460 ... 444, 448, 453, 456	1706501 557	2171112....123, 125, 127, 129
	1705461 448, 456	1706510 691	2171208.....743, 745
	1705466 ... 674, 677, 679, 681, 685	1706741 611	2171210.....743, 745
	1705468 949, 953	1706751 ... 947, 951, 955, 957, 959, 961, 963	2172112.....125, 129
		1706770 949, 953	2180344.....91
		1706904 965	2180348....209, 217, 225, 233, 241, 249, 257, 265, 273, 281, 407
		1706911 144	2180467.....115
		2030010 ... 674, 677, 679, 681, 685	
		2060025 ... 213, 221, 229, 237, 245, 253, 261, 269, 277, 285	
		2080040 ... 537, 539, 541, 559, 563	

PART NUMBER INDEX

2180830 743, 745	2560136 ... 577, 581, 585, 589, 593, 597	2753743 753	269, 277, 285, 304, 347, 352, 375, 405
2180832 ... 291, 295, 313, 317, 321, 325, 329, 333, 361, 365, 674, 685	2560187 ... 185, 189, 193, 197	2753744 756, 760, 764	2902081 ... 733, 735, 737, 739
2200222 ... 210, 218, 225, 233, 241, 249, 257, 265, 273, 281, 291, 295, 313, 317, 321, 325, 329, 333	2580062 245, 285	2753745 743, 745	2902087 ... 707, 709, 711, 713
2220063 91	2600279 143, 148	2753746 756, 760, 764	2902092 723
2220235 22, 748	2600280 184, 188	2753747 748	2902099 ... 209, 217, 225, 233, 241, 249, 257, 265, 273, 281
2220273 304	2600281 ... 537, 539, 541, 559, 563	2753748 748	2902212 ... 629, 631, 633, 635, 637, 639, 641, 643, 645, 647, 649, 651, 653, 655, 657, 659, 661, 663, 665, 667, 669
2220313 ... 209, 217, 225, 233, 241, 249, 257, 265, 273, 281, 291, 295, 313, 317, 321, 325, 329, 333, 361, 365	2680496 185, 189	2753749 748	2902217 674, 677, 679
2220451 ... 213, 221, 229, 237, 245, 253, 261, 269, 277, 285	2680498 185, 189	2753750 748	2902257 729, 731
2220478 756, 760, 764	2717059 743, 745	2753751 745	2902303 973
2220498 ... 213, 221, 229, 237, 245, 253, 261, 269, 277, 285	2720015 ... 307, 347, 354, 375	2753752 748	2902307 973
2220737 756, 760	2720058 ... 213, 221, 229, 237, 245, 253, 261, 269, 277, 285, 407	2753753 753	2902308 973
2220816 407, 413	2720160 674, 685	2753754 753	2902309 973
2220883 65, 703, 705, 713, 717, 721, 723, 725, 727	2720500 ... 213, 221, 229, 237, 245, 253, 261, 269, 277, 285	2753755 743, 745	2902310 973
2220884 ... 733, 735, 737, 739	2720501 ... 213, 221, 229, 237, 245, 253, 261, 269, 277, 285	2753756 748	2902311 973
2220885 ... 707, 709, 711, 713, 715, 717, 721, 723, 725, 727, 731, 733, 735, 737, 739	2750528 91	2753757 748	2902312 973
2220886 ... 711, 713, 715, 735, 739	2750532 ... 209, 213, 217, 221, 225, 229, 233, 237, 241, 245, 249, 253, 257, 263, 265, 269, 273, 279, 281, 285, 292, 296, 313, 317, 321, 325, 329, 333, 361, 365	2753758 756, 760, 764	2902322 973
2220888 719, 721	2753541 748	2753759 748	2902329 973
2220890 84	2753545 743, 745, 748	2753760 748	2902355 965
2221084 756, 760, 764	2753552 743, 745, 748	2753761 748	2902357 965
2221086 .. 63, 65, 84, 533	2753582 748	2753762 748	2902443 865, 868
2221117 756, 760	2753622 756, 760	2753763 743, 745	2902310 973
2221176 ... 209, 217, 225, 233, 241, 249, 257, 265, 273, 281	2753677 748	2753764 748	2902311 973
2300004 304, 348, 376	2753685 748	2753765 756, 760, 764	2902312 973
2300014 974	2753703 748	2753766 756, 760, 764	2902322 973
2300016 974	2753708 756, 760, 764	2753767 743, 745	2902329 973
2300021 974	2753713 748	2753768 748	2902355 965
2300029 974	2753714 748	2753769 756, 760	2902357 965
2300039 974	2753715 748	2753770 756, 760	2902443 865, 868
2300041 352	2753716 743, 745, 748	2753771 756, 760, 764	2910890 977
2400060 ... 859, 881, 883, 908	2753717 743, 745	2753772 756, 760, 764	2910894 977
2400064 859	2753718 756, 760, 764	2753773 756, 760	2910895 977
2400065 ... 881, 883, 899, 968	2753719 751	2753774 756, 760, 764	2915024 .. 59, 73, 75, 577, 581, 585, 589, 593, 597
2400066 881, 883, 899	2753726 751	2753775 756	2915046 975
2410014 553, 555, 557	2753727 751	2753776 756, 760	2915072 91
2420172 143	2753728 753	2753777 756, 760	2920028 ... 585, 589, 593, 597, 615, 617, 619
2420191 111, 113	2753729 751	2753778 119, 121	2920029 ... 585, 589, 593, 597, 615, 617, 619
2420202 525	2753730 756, 760, 764	2753810 743	2920129 525
2420203 419	2753731 756, 760, 764	2753811 743	2920154 ... 577, 581, 585, 589, 593, 597
2460048 443, 447	2753732 753	2753843 119	2920161 165
2460055 419	2753733 753	2753999 121	2940045 97
2540038 304, 525	2753734 ... 753, 756, 760, 764	2754288 743, 745	2940074 ... 537, 539, 541, 559, 563, 968
	2753735 753	2760105 143, 147	2940139 143, 148
	2753736 753	2780286 35, 39	2940173 ... 184, 188, 193, 197
	2753737 753	2792647 751, 766	3020008 44, 48, 974
	2753738 753	2792772 748, 766	3020016 ... 213, 221, 229, 237, 253, 261, 269, 277
	2753739 753	2792773 753, 766	3020021 405
	2753740 745	2820031 ... 419, 423, 427, 431, 435, 439, 443, 447, 451, 455	3020037 ... 299, 301, 337, 339, 341, 343, 369, 371
	2753741 756, 760	2820035 159	3020039 ... 472, 480, 488, 496
	2753742 753	2820141 184	3020042 ... 472, 480, 488, 496
		2820145 185	3020044 246, 286
		2820170 ... 209, 217, 225, 233, 241, 249, 257, 265, 273, 281	3160339 39, 41, 51
		2820247 933, 935	3200362 ... 213, 221, 229, 237, 246, 253, 261, 269, 277, 286
		2840016 179, 181	
		2860030 151, 153, 968	
		2900770 83, 100, 533, 707, 709, 719, 721, 723, 725, 727	
		2900792 ... 703, 705, 711, 713, 715, 717, 719, 721	
		2901443 976	
		2901773 703, 705	
		2902065 ... 213, 221, 229, 237, 245, 253, 261,	

PART NUMBER INDEX

3200401....214, 222, 230, 238, 246, 254, 262, 270, 278, 286	3300430 ... 519, 621, 623, 625	3311508 ... 427, 431, 435, 439, 443, 447, 451, 455	3340921.... 472, 480, 488, 496
3200433.....519	3300454 .69, 73, 75, 167, 169, 171, 173, 175, 177, 214, 222, 230, 238, 246, 254, 262, 270, 278, 286	331160177, 79, 111, 113, 115, 184, 188, 577, 582, 586, 590, 594, 598, 671	3340922....472, 480, 488, 496
3220126....214, 222, 230, 238, 246, 254, 262, 270, 278, 286	3300458 ... 472, 480, 488, 496	3311605 .59, 61, 97, 119, 121, 125, 129, 179, 181, 184, 188, 192, 196, 214, 222, 230, 238, 246, 254, 262, 270, 278, 286, 291, 295, 304, 313, 317, 321, 325, 329, 333, 346, 352, 361, 365, 374, 409, 411, 413, 419, 423, 472, 480, 488, 496, 501, 519, 529, 531, 553, 555, 557, 569, 571, 573, 575, 674, 677, 679, 681	3340925.....512, 516
3220130.....415	3300460 ... 472, 480, 488, 496	3311608 ... 474, 482, 490, 498, 513, 517	3340926....472, 480, 488, 496
3251102....419, 423, 427, 431, 435, 439, 443, 447, 451, 455	3300461 ... 472, 480, 488, 496	3311705 ... 291, 295, 304, 314, 318, 322, 326, 330, 334, 346, 352, 362, 366, 374	3340927.... 461, 463, 465, 467
3251242....431, 439, 777, 779, 789, 791, 797, 799, 801, 803, 805, 807, 809, 811, 813	3300464 33	3311801 ... 435, 439, 451, 455, 472, 480, 488, 496	3340934.....512, 516
3251243....427, 436, 444, 453, 947, 951, 955, 957, 959, 961, 963	3300465 729, 731	3311805 ... 109, 179, 181, 192, 196, 214, 222, 230, 238, 246, 254, 262, 270, 278, 286, 472, 480, 488, 496, 523, 525, 527	3340939..... 17, 26
3251813.....966	3300482 ... 577, 581, 585, 589, 593, 597	331200287, 89, 695, 697, 699	3340940.....513, 517
3252347.....947	3300492 513, 517	331200525, 29, 525, 629, 631, 633, 635, 637, 639, 641, 643, 645, 647, 649, 651, 653, 655, 657, 659, 661, 663, 665, 667, 669	3340941..... 513, 517, 519
3252507.....423	3310401 ... 304, 347, 352, 375	3312205 ... 629, 631, 633, 635, 637, 639, 641, 643, 645, 647, 649, 651, 653, 655, 657, 659, 661, 663, 665, 667, 669	3340942.....513, 517
3271601.....407	3310601 179, 181	3312297 ... 472, 480, 488, 496	3340955.... 471, 479, 487, 495
3271605....695, 697, 699	3310805 17, 21, 25, 29	3312298 ... 472, 480, 488, 496	3340956....629, 631, 633, 635, 637, 639, 641, 643, 645, 647, 649, 651, 653, 655, 657, 659, 661, 663, 665, 667, 669
3271805....553, 555, 557	3311001 ... 143, 147, 409, 411, 428, 432, 436, 440, 444, 448, 452, 456	3312299 ... 472, 480, 488, 496	3340963.... 733, 735, 737, 739
3272001....304, 346, 352, 374, 695, 697, 699	3311005 ... 167, 173, 419, 427, 431, 436, 439, 444, 448, 452, 456, 577, 581, 585, 589, 593, 597, 674, 677, 679, 681, 685	3312301 109	3380434....569, 571, 573, 575
3272605.....525	3311401 ... 143, 147, 615, 617, 619	3312302 93	3380465.....143
3290405....431, 440, 777, 779, 781, 783, 785, 787, 789, 791, 793, 795, 797, 799, 801, 803, 805, 807, 809, 811, 813, 815, 817	3311402 148	3312303 93	3380472....209, 217, 249, 257
3290505.....423	3311405 ... 59, 61, 69, 77, 79, 161, 163, 188, 196, 199, 201, 203, 205, 214, 222, 230, 238, 246, 254, 262, 270, 278, 286, 299, 301, 304, 313, 317, 321, 325, 329, 333, 346, 352, 361, 365, 374, 419, 423, 431, 439, 519, 525, 569, 571, 573, 575, 671, 771, 773, 775, 777, 779, 781, 783, 785, 787, 789, 791, 793, 795, 797, 799, 801, 803, 805, 807, 809, 811, 813, 815, 817, 823, 947, 949, 951, 953, 955, 957, 959, 961, 963	3312304 93	3380473....209, 217, 225, 233, 241, 249, 257, 265, 273, 281
3290601....185, 189, 193, 197	3311501 ... 185, 189, 615, 617, 619	3312305 93	3380474.....947
3290605.....674, 685	3311505 .33, 59, 61, 119, 121, 123, 125, 127, 129, 159, 181, 192, 193, 196, 197, 209, 214, 217, 222, 225, 230, 233, 238, 241, 246, 249, 254, 257, 262, 265, 270, 273, 278, 281, 286, 531, 689, 691, 693	3312306 93	3421453.....674, 685
3290606....545, 547, 549, 551, 561, 565		3312307 93	3421563.....93
3290607....167, 169, 171, 173, 175, 177		3312308 93	3421565.....93
3290607....167, 169, 171, 173, 175, 177		3312309 93	3422446....209, 217, 225, 233, 241, 249, 257, 265, 273, 281, 291, 295, 313, 317, 321, 325, 329, 333, 361, 365
3290801....304, 346, 352, 374		3312310 93	3422532....214, 222, 230, 238, 246, 254, 262, 270, 278, 286
3290805.....307, 823		3312311 93	3422661....689, 691, 693
3290807.....307		3312312 93	3422833.....25, 29
3291001.....304, 527		3312313 93	3422915.....25, 29
3291005.....527		3312314 93	3422917.....33
3291007.....304		3312315 93	3422918.... 17, 21, 25, 29
3291201.....527		3312316 93	3422926....472, 480, 488, 496
3291205.....523, 527		3312317 93	3422937.... 472, 480, 488, 496
3300151....543, 545, 547, 549, 551, 559, 561, 563, 565, 674, 677, 679, 681		3312318 93	3422940.....33
3300220....291, 295, 313, 317, 321, 325, 329, 333, 361, 365		3312319 93	3422941.....33
3300239....472, 480, 488, 496		3312320 93	3422955....461, 463, 465, 467
3300243.....523, 527		3312321 93	3422956....472, 480, 488, 496
3300353....577, 581, 585, 589, 593, 597		3312322 93	3422957....472, 480, 488, 496
3300396....428, 436, 444, 448, 452, 456		3312323 93	3422958....472, 480, 489, 496
3300408....143, 147, 577, 581, 585, 589, 593, 597		3312324 93	3422959....472, 480, 489, 496
		3312325 93	3422960.... 17, 21, 25, 29

PART NUMBER INDEX

3422988 ... 461, 463, 465, 467	3572950 ... 473, 480, 489, 496	3580298....473, 481, 489, 497	325, 329, 333, 361, 365, 473, 481, 489, 497, 527
3423208 ... 461, 463, 465, 467	3572951 ... 473, 480, 489, 496	3580300....473, 481, 489, 497	3841203... 473, 481, 489, 497
3423256 33	3573016 512, 516	3580302....473, 481, 489, 497	3841258 . 25, 29, 33, 473, 481, 489, 497
3430616 ... 582, 590, 594, 598	3573142 ... 214, 222, 230, 238, 246, 254, 262, 270, 278, 286	3580306....474, 482, 490, 498	3841287 ... 17, 21, 25, 29, 461, 463, 465, 467
3430816 179, 181	3573144 148	3580317427, 431, 435, 439, 444, 447, 451, 455	3841340 59, 61, 111, 113, 115
3450404 179, 181	3573179 512, 516	3580318....427, 435, 444, 451	3841581 ... 461, 463, 465, 467
3451214 33	3573181 512, 516	3580319....431, 439, 448, 455	3890029 489, 497
3460334 ... 629, 631, 633, 635, 637, 639, 641, 643, 645, 647, 649, 651, 653, 655, 657, 659, 661, 663, 665, 667, 669	3573210 512, 516	3580320....222, 238, 246, 262, 278, 286, 304, 346, 352, 374	3890030 489, 497
3470003 ... 577, 582, 586, 590, 594, 598	3573231 184, 188	3580341....473, 481, 489, 497	3890031 489, 497
3480268 733, 737	3573232 ... 184, 188, 192, 196	3580342....473, 481, 489, 497	3890032 489, 497
3480269 707, 711, 715	3573233 184, 188	3580343....473, 481, 489, 497	3890033 489, 497
3480270 719	3573259 77	3580344....473, 481, 489, 497	3890034 473, 481
3480271 723, 725	3573294 17, 21, 25, 29	3580345....214, 222, 230, 238, 246, 384	3890035 473, 481
3480272 703	3573301 519	3600339....214, 222, 230, 238, 246, 384	3890036 473, 481
3480278 729	3573335 17, 21, 25, 29	3600424 77, 79, 81	3890037 473, 481
3520026 ... 577, 581, 585, 589, 593, 597	3573355 95	3620034 119, 121	3890038 473, 481
3520027 577, 581	3573400 ... 674, 677, 679, 681	3641569 615	3890040 555, 557
3520030 593, 597	3573411 ... 214, 222, 230, 238, 246, 254, 262, 270, 278, 286	3740049 143, 147, 968	3900054 553, 555, 557
3520034 ... 184, 188, 192, 196	3573412 ... 214, 222, 230, 238, 246, 254, 262, 270, 278, 286	3740067 79, 214, 222, 230, 238, 246, 254, 262, 270, 278, 286, 968	3900085 ... 165, 169, 171, 175, 177
3520035 581	3573437 ... 474, 482, 490, 498	3740080214, 222, 230, 238, 246, 254, 262, 270, 278, 286, 419, 423, 899, 968, 969	3900174 192, 196
3520054 26, 29, 214, 222, 230, 238, 246, 254, 262, 270, 278, 286, 291, 295, 314, 318, 322, 326, 330, 334, 362, 366, 577, 581, 585, 589, 593, 597	3573444 ... 474, 482, 490, 498	3740086 937	3900183 ... 577, 581, 585, 589, 593, 597
3520071 ... 629, 631, 633, 635, 637, 639, 641, 643, 645, 647, 649, 651, 653, 655, 657, 659, 661, 663, 665, 667, 669	3573454 179	3740140 77	3900210 ... 192, 193, 196, 197, 529, 531
3520072 ... 537, 539, 541, 543, 545, 547, 549, 553, 555, 557, 559, 561, 563, 565	3573529 ... 214, 222, 230, 238, 246, 254, 262, 270, 278, 286	3760133....474, 482, 490, 498	3900223 87
3520174 947, 949, 953	3573642 ... 674, 677, 679, 681	3760170 93	3900232 ... 184, 188, 192, 196, 512, 516, 529
3520182 625	3573644 ... 209, 217, 225, 233, 241, 249, 257, 265, 273, 281	3760233....473, 481, 489, 497	3900251 148
3520186 184, 188	3573645 ... 209, 217, 249, 257	3760308 193, 197	3900260 513, 517
3520189 448, 456	3573646 ... 209, 217, 249, 257	3760368 723, 725, 727	3900267 ... 428, 432, 436, 440
3520192 ... 432, 440, 448, 456	3573669 ... 209, 217, 225, 233, 241, 249, 257, 265, 273, 281	3760369 703	3900270 17, 21, 25, 29
3520198 ... 537, 539, 541, 543, 545, 547, 549, 559, 561, 563, 565	3573727 ... 209, 217, 249, 257	3760371 707, 711, 713, 715	3900272 ... 209, 217, 225, 233, 241, 249, 257, 265, 273, 281
3537416 ... 214, 222, 230, 238, 246, 254, 262, 270, 278, 286	3573728 ... 209, 217, 225, 233, 241, 249, 257, 265, 273, 281	3760375 719, 721	3900283 67, 77, 113, 115, 184, 188, 513, 517, 525, 529, 531
3537445 179	3574091 617, 619	3760383 33	3900300 ... 428, 432, 436, 440
3539971 ... 214, 222, 230, 238, 246, 254, 262, 270, 278, 286	3574431 519	3790012....577, 581, 585, 589, 593, 597	3900316 513, 517, 531
3572327 ... 951, 955, 957, 959, 961, 963	3574616 519	3790112 733, 737	3900322 419, 423
	3575359 615	3790152254, 263, 270, 279, 287, 301, 341, 343, 369	3900349 ... 577, 581, 585, 589, 593, 597
	3575782 185, 189	3790155255, 263, 271, 279, 287, 301, 341, 343, 369	3900363 ... 185, 189, 193, 197
	3576799 674, 685	3790158 44, 48	3910408 ... 304, 347, 352, 375
	3577121 ... 674, 677, 679, 681	3820001947, 949, 951, 953, 955, 957, 959, 961, 963, 966	3910606 ... 427, 435, 444, 451, 773, 775
	3580158 ... 214, 230, 254, 270	3820020537, 539, 541, 559, 563	3910608 179, 181
	3580276 419	3841143209, 217, 225, 233, 241, 249, 257, 265, 273, 281, 291, 295, 313, 317, 321,	3910804 151, 153
			3911012 167, 173
			3930606 519
			3930816 519
			3930820 17, 21, 25, 29
			3931008 109
			3931016 ... 427, 431, 435, 439, 443, 447, 451, 455

PART NUMBER INDEX

3931020.....33	4060802 ... 419, 423, 427, 431, 435, 439, 444, 448, 451, 455	4071055 17, 21, 25, 30	4360387.... 147, 577, 581, 585, 589, 593, 597, 615, 617, 619, 968, 969
3931408.....623	4060804 ... 185, 189, 214, 222, 230, 238, 246, 254, 262, 270, 278, 286, 513, 517	4071074 ... 577, 581, 585, 589, 593, 597	4360407.... 577, 581, 585, 589, 593, 597, 968
3931412.....33, 199, 201, 203, 205	4060805 ... 214, 222, 230, 238, 246, 254, 262, 270, 278, 286	4100100 723, 725	4360469..... 151, 969
3931414.....519	4060806 185, 189	4120035 881, 883	4360470..... 153, 969
3931416.... 199, 201, 203, 205	4060808 59, 61	4120040 501, 976	4360475.... 143, 147, 577, 581, 585, 589, 593, 597, 968
3931424.....621	4060906... 143, 144, 147, 148, 611	4120043 501, 976	4360476.... 143, 147, 577, 581, 585, 589, 593, 597, 968
3931432.... 304, 347, 352, 375	4061054 525	4160194 ... 184, 188, 192, 196	4360505..... 33, 968
3931448.... 733, 735, 737, 739	4070863 ... 473, 481, 489, 497	4160197 ... 473, 481, 489, 497	4360527..... 519, 969
3931508.... 304, 348, 354, 376	4070864 ... 473, 481, 489, 497	4240018 ... 209, 217, 225, 233, 241, 249, 257, 265, 273, 281, 291, 295, 313, 317, 321, 325, 329, 333, 361, 365, 427, 431, 435, 439, 444, 448, 451, 455, 513, 517	4360542..... 419
3931512.... 109, 304, 346, 352, 374	4070895 ... 473, 481, 489, 497	4240032 ... 169, 171, 175, 177, 594, 857, 865, 881, 883, 941, 943	4360543..... 519, 969
3931516.... 723, 725, 727	4070897 ... 473, 481, 489, 497	4240033 ... 199, 201, 203, 205, 525, 621, 623, 627, 671, 835, 857, 865, 893, 913	4360548..... 519, 969
3931608.... 733, 735, 737	4070898 ... 473, 481, 489, 497	4240099 ... 209, 214, 217, 222, 225, 230, 233, 238, 241, 246, 249, 254, 257, 262, 265, 270, 273, 278, 281, 286, 304, 348, 354, 376, 615, 617, 619, 674, 677, 679	4360578.... 17, 21, 25, 30, 519, 969
3931616.... 131, 133, 135, 137, 139, 141	4071012 ... 473, 481, 489, 497	4240139 111, 113	4400457.... 111, 113, 115, 117
3931620..... 703, 705	4071013 481, 497	4240149 ... 629, 631, 633, 635, 637, 639, 641, 643, 645, 647, 649, 651, 653, 655, 657, 659, 661, 663, 665, 667, 669	4420014.... 629, 631, 633, 635, 637, 639, 641, 643, 645, 647, 649, 651, 653, 655, 657, 659, 661, 663, 665, 667, 669
3931628.... 304, 346, 352, 374	4071015 ... 473, 481, 489, 497	4240150 185, 189	4420037 77, 79, 674, 677, 679, 681
3931824.... 707, 709, 711, 713, 715	4071017 ... 473, 481, 489, 497	4240153 513, 517	4420038.... 111, 113, 115
3931840.... 733, 735, 737, 739	4071018 ... 473, 481, 489, 497	4240155 22, 30, 513, 517	4420051..... 965
3932024.....33	4071019 ... 473, 481, 489, 497	4240156 513, 517	4420060..... 423
3932244..... 719, 721	4071021 513, 517	4300157 ... 435, 439, 451, 455	4420062.... 689, 691, 693
3951620..... 513, 517	4071022 513, 517	4340923 184, 188	4420066.... 629, 631, 633, 635, 637, 639, 641, 643, 645, 647, 649, 651, 653, 655, 657, 659, 661, 663, 665, 667, 669
3952020..... 87, 89	4071023 513, 517	4340924 184, 188	4420068.... 615, 617, 619
3960418..... 143, 148	4071024 ... 473, 481, 489, 497	4340995 184, 188	4460007.... 578, 581, 585, 589, 593, 597
3960422.... 427, 435, 444, 451, 773, 775	4071025 ... 473, 481, 489, 497	4340996 184, 188	4460016.... 901, 903, 907
3960447 193, 197	4071027 ... 473, 481, 489, 497	4340999 ... 184, 188, 192, 196	4460019.... 865, 868, 887, 899
3960464 185, 189	4071028 ... 473, 481, 489, 497	4341001 184, 188	4460027..... 419
3960543.... 214, 222, 230, 238, 246, 254, 262, 270, 278, 286, 304, 346, 352, 374	4071029 ... 473, 481, 489, 497	4341158 519	4460035.... 859, 881, 883
3960544.... 214, 222, 230, 238, 246, 254, 262, 270, 278, 286, 304, 346, 352, 374	4071031 ... 473, 481, 489, 497	4341264 529	4460042.... 863, 869, 873
3960551.....33	4071035 17, 21, 25, 29	4360057 ... 615, 617, 619, 969	4460043..... 868
3960552.....33	4071036 17, 21, 25, 29	4360070 ... 428, 436, 444, 448, 452, 456, 968	4460049.... 615, 617, 619
3980006..... 77, 79	4071039 17, 21, 25, 29	4360274 143, 147, 968	4460051..... 773, 775
3990010.... 881, 883, 968	4071040 17, 21, 25, 29	4360328 ... 143, 144, 147, 148, 968	4460068..... 428, 436
3990013..... 937	4071041 87, 89	4360336 ... 419, 423, 427, 431, 435, 439, 444, 448, 451, 455, 611, 968, 969	4460071.... 427, 435, 444, 451, 613
4010408.... 431, 440, 815, 817	4071042 17, 21, 25, 29		4460125..... 775
4010608..... 674, 685	4071044 ... 474, 481, 490, 497		4460142.... 881, 883, 901, 903, 907
4010618.... 545, 547, 549, 551, 561, 565	4071045 ... 474, 482, 490, 498		4460183.... 859, 863, 901, 903, 907
4031505..... 627	4071046 ... 474, 482, 490, 498		4460190..... 419
4031516..... 671	4071048 184, 188		4460205..... 773
4031608..... 423	4071049 17, 22		4460213.... 901, 903, 907, 908
4031907..... 304	4071050 17, 22		4460224..... 440
4031914.... 304, 346, 352, 374	4071054 17, 21, 25, 29		4460225.... 875, 877, 881, 883, 901, 903, 907
4032014.... 304, 346, 352, 374			
4032022.... 214, 222, 230, 238, 246, 254, 262, 270, 278, 286			
4060092..... 775			

PART NUMBER INDEX

4460226 ... 606, 609, 613, 819, 863, 901, 903, 907, 908	4460467 976	4460880.... 857, 893, 899, 913, 915	4460966 835, 881, 883
4460227 ... 819, 835, 863, 881, 883, 901, 903, 907	4460470 ... 143, 147, 578, 581, 585, 589, 593, 597	4460884.... 833, 835, 857, 868, 881, 884, 903, 911	4460967 ... 445, 448, 453, 456, 879
4460234 ... 246, 286, 354, 578, 581, 585, 589, 593, 597, 615, 617, 619	4460471 ... 143, 147, 578, 581, 585, 590, 594, 598	4460887.... 881, 883, 887, 901, 903, 907	4460968 ... 18, 21, 26, 30, 423, 519, 783, 789
4460247 868	4460473 895, 897	4460888.... 881, 884, 901, 903, 907	4460970 867
4460256 ... 887, 899, 941, 943	4460474 881, 883	4460891.... 825, 827, 873, 887, 889, 913	4460971 674, 685
4460259 ... 881, 883, 887, 901, 903, 907	4460483 428, 436	4460892.... 143, 147, 857	4460982 867
4460260 ... 881, 883, 884, 887, 901, 903, 907	4460488 ... 169, 171, 175, 177, 199, 201, 203, 205, 594	4460894.... 829, 835, 857, 865, 868, 881, 883, 899, 907	4461005 865
4460265 605, 609	4460496 ... 144, 147, 199, 201, 203, 205, 578, 582, 586, 590, 594, 598	4460897.... 861, 873, 913, 915, 939	4461006 865
4460267 ... 899, 903, 939	4460497 ... 144, 147, 199, 201, 203, 205, 578, 582, 586, 590, 594, 598	4460898..... 859	4461008 865, 868
4460268 ... 159, 161, 163, 875, 877, 899	4460508 ... 627, 881, 883, 887, 901, 903, 907	4460899.... 829, 835, 887, 911, 931, 937	4461013 941, 943
4460294 440	4460509 895, 897	4460905.... 143, 147, 578, 582, 586, 590, 594, 598, 825, 859, 881, 883, 901, 903, 907	4461052 865
4460297 881, 883	4460510 976	4460910..... 519, 933	4461053 865
4460312 887	4460518 825, 827	4460911.... 831, 833, 931, 941, 943	4461054 865, 868, 873
4460313 ... 865, 881, 883, 887	4460526 143, 147	4460912.... 831, 833, 941, 943	4461060 865
4460315 773, 775, 865	4460536 ... 825, 859, 904, 907	4460913..... 519	4461070 ... 827, 865, 867, 868
4460320 899, 939	4460539 ... 821, 829, 887, 903, 907	4460914..... 33, 143, 147, 519	4461071 865, 868
4460346 ... 427, 435, 444, 451, 773	4460634 881, 883	4460917..... 519	4461072 865, 868
4460374 899	4460635 881, 883	4460918.... 831, 833, 941, 943	4461073 865, 868
4460375 899	4460662 ... 777, 799, 805, 811	4460925..... 901, 903, 907	4461074 865, 868
4460384 777	4460702 ... 865, 941, 943	4460926..... 913	4461077 931, 937
4460418 ... 881, 883, 901, 903, 907	4460703 868	4460928..... 827, 913	4461095 ... 827, 865, 867, 868
4460419 ... 881, 883, 901, 903, 907	4460708 ... 578, 582, 586, 590, 594, 598, 903, 908	4460929..... 901, 903, 907	4461097 865
4460424 ... 159, 161, 163, 899	4460709 775	4460930.... 857, 865, 867, 868, 891	4461196 917
4460425 ... 428, 432, 436, 440, 444, 448, 452, 456, 615, 617, 619	4460722 831, 833	4460931..... 867, 887	4461198 783, 785, 917
4460426 ... 143, 147, 428, 436, 444, 448, 452, 456	4460761 ... 819, 835, 863, 881, 883	4460932.... 821, 831, 835, 868, 873, 904	4461199 919
4460428 ... 578, 581, 585, 589, 593, 597	4460806 ... 797, 799, 801, 803, 805, 807, 881, 883, 901, 903, 907	4460933.... 827, 835, 857, 859, 863, 867, 907	4461201 789, 791, 919
4460434 901, 903, 907	4460807 875, 877	4460934.... 835, 857, 867	4461202 921, 925
4460449 893	4460808 875, 877	4460935.... 835, 857, 867	4461205 ... 921, 923, 925, 927
4460458 868	4460836 ... 835, 857, 863, 867, 899	4460941.... 857, 867, 873, 931	4461244 799, 801, 925
4460464 ... 613, 825, 827, 835, 857, 859, 861, 867, 868, 873, 881, 883, 887, 893, 899, 901, 903, 907, 911, 913, 915, 937, 939	4460837 835	4460942.... 627, 835, 867, 868, 873, 881, 883, 899	4461245 805, 807, 927
4460465 ... 445, 448, 453, 457, 825, 827, 835, 857, 859, 863, 865, 867, 868, 875, 877, 879, 881, 883, 884, 887, 889, 891, 893, 895, 897, 899, 907, 911, 913	4460842 899	4460943.... 167, 169, 171, 173, 175, 177, 821, 831, 835, 857, 867, 887, 901, 903, 904, 907, 931	4461246 811, 813, 929
4460466 ... 627, 825, 827, 829, 835, 857, 859, 863, 865, 867, 868, 883, 887, 891, 895, 897, 899, 901, 903, 907, 911, 913, 931, 937	4460843 899	4460944.... 821, 829, 833, 835, 857, 865, 867, 868, 881, 883, 887, 899, 903, 907	4461249 929
	4460865 895, 897	4460945..... 835, 883	4530028 ... 674, 677, 679, 683
	4460866 ... 881, 883, 901, 903, 907	4460950..... 857, 868	4562516 513, 517
	4460868 883	4460956..... 853, 855	4568293 ... 214, 222, 230, 238, 246, 254, 262, 270, 278, 286
	4460871 ... 825, 859, 881, 883, 887, 899, 901, 903, 907	4460957..... 853, 855	4568319 719
	4460873 ... 881, 883, 901, 903, 907	4460962..... 674, 679	4568345 711, 715
	4460874 ... 143, 147, 901, 903, 907	4460963..... 444, 452	4568423 ... 474, 482, 490, 498
	4460875 143, 147	4460965..... 881, 883, 899	4568426 119, 121
	4460876 ... 881, 883, 901, 903, 907		4568427 119, 121
	4460877 883		4640438 719, 721
	4460878 881, 883		4640452 723, 725, 727
	4460879 ... 901, 903, 907		4640509 ... 703, 705, 711, 713, 715, 717, 719, 721
			4640751 ... 214, 222, 230, 238, 246, 254, 262, 270, 278, 286, 307, 348, 354, 376
			4640858 707, 709
			4641114 723, 725, 727
			4641155 59, 61
			4641210 719, 721
			4641247 119, 123, 125
			4641248 ... 711, 713, 715, 717
			4641255 533
			4641256 ... 733, 735, 737, 739

PART NUMBER INDEX

4641260.....723, 725, 727	525, 529, 531, 582,	525, 567, 569, 571,	4812200....305, 346, 353,
4641267.....73, 75, 83	590, 594, 598, 695,	573, 575, 578, 582,	374
4641268.....59, 61, 63	697, 699, 733, 735,	586, 590, 594, 598,	4831900....305, 346, 353,
4641276.....707, 709	737, 739, 815	615, 617, 619, 625,	374
4641454.....59, 61, 65	4711700 ... 291, 295, 305,	674, 677, 679, 681,	4845582.....689, 691, 693
4641460.....529, 531, 533	314, 318, 322, 326,	823, 947, 949, 951,	4846383....18, 21, 26, 30
4700038....472, 480, 488,	330, 334, 346, 352,	953, 955, 957, 959,	4846423.....517
496	362, 366, 374, 407,	961, 963	4846429.....517
4700039....472, 480, 488,	419, 423	4751500 ... 159, 185, 189,	4846431.....513, 517
496	4711800 ... 18, 21, 26, 30,	192, 196, 427, 431,	4846453....473, 481, 489,
4710400....304, 347, 352,	33, 59, 61, 179, 181,	435, 439, 444, 448,	497
375	214, 222, 230, 238,	451, 455, 513, 517,	4846462....473, 481, 489,
4711000....167, 173, 409,	246, 254, 262, 270,	615, 617, 619, 689,	497
411, 428, 432, 436,	278, 286, 553, 555, 557	691, 693	4846476.....111
440, 444, 448, 452, 456	4711900 419, 423	4751600 ... 33, 67, 95, 97,	4846482....473, 481, 489,
4711400....59, 61, 69, 73,	471200025, 30, 629, 633,	111, 113, 115, 119,	497
75, 77, 79, 161, 163,	635, 639, 643, 647,	121, 131, 133, 135,	4846484.....519
184, 188, 193, 196,	651, 653, 657, 661,	137, 139, 141, 184,	4846485.....513, 517
197, 199, 201, 203,	665, 669, 695, 697, 699	188, 192, 196, 461,	4846503.....184
205, 209, 217, 225,	4712200 ... 629, 631, 633,	463, 465, 467, 529,	4846515.....513
233, 241, 249, 257,	635, 637, 639, 641,	531, 569, 571, 573,	4846516.....513
265, 273, 281, 291,	643, 645, 647, 649,	575, 674, 677, 679, 681	4846552....214, 222, 230,
295, 299, 301, 305,	651, 653, 655, 657,	4751700 ... 305, 346, 352,	238, 246, 254, 262,
313, 317, 321, 325,	659, 661, 663, 665,	374	270, 278, 286
329, 333, 347, 352,	667, 669	4751800 ... 109, 192, 196,	4846573.....523, 525
361, 365, 375, 427,	4712600 ... 167, 173, 199,	553, 555, 557, 615,	4846627....674, 677, 679,
431, 435, 439, 444,	201, 203, 205	617, 619	681
448, 451, 455, 512,	4740171 339	4752000 ... 209, 217, 226,	4846637....18, 21, 26, 30
516, 519, 525, 543,	4740181 33	234, 242, 249, 258,	4846673.....617, 619
545, 547, 549, 551,	4740229 33	266, 274, 282, 291,	4846753.....512, 516
559, 561, 563, 565,	4740274 ... 214, 222, 230,	295, 313, 317, 321,	4846945....222, 238, 246,
621, 623, 625, 671,	238, 246, 254, 262,	325, 329, 333, 361, 365	262, 278, 286
777, 779, 781, 783,	270, 278, 286	4755000 33	4846946....214, 222, 230,
785, 787, 789, 791,	4740362 ... 569, 571, 573,	4760600 773, 775	238, 246, 254, 262,
793, 795, 797, 799,	575	4760800 ... 578, 582, 586,	270, 278, 286
801, 803, 805, 807,	4740397 ... 419, 423, 578,	590, 594, 598	4891400.....519
809, 811, 813, 815, 817	582, 586, 590, 594, 598	4761400 143, 147, 567	4891500.....420, 423
4711500....33, 59, 61, 73,	4740430 .67, 69, 299, 301	4770600 179, 181	4891600....254, 262, 270,
75, 97, 119, 121, 123,	4740444 ... 143, 144, 147,	479140077, 79, 214, 222,	278, 287, 301, 341,
125, 127, 129, 181,	148	230, 238, 246, 254,	343, 369, 501, 513,
192, 193, 196, 197,	4740461 18, 21, 25, 30	262, 270, 278, 286,	517, 523, 525, 527
209, 214, 217, 222,	4740500 184, 188	346, 352, 374, 427,	4891800....179, 181, 214,
225, 230, 233, 238,	4740505 33	431, 435, 439, 444,	222, 230, 238, 246,
241, 246, 249, 254,	4740509 ... 473, 481, 489,	448, 451, 455	254, 262, 270, 278,
257, 262, 265, 270,	497	4811400 ... 777, 779, 781,	286, 299, 301, 337,
273, 278, 281, 286,	4740518 ... 214, 222, 230,	783, 785, 787, 789,	341, 343, 369, 371,
305, 346, 352, 374,	238, 246, 254, 262,	791, 793, 795, 797,	427, 431, 435, 439,
513, 517, 529, 531,	270, 278, 286	799, 801, 803, 805,	444, 448, 451, 455,
577, 586	4750600 179, 181	807, 809, 811, 813	513, 517, 523, 525,
4711600....17, 21, 25, 30,	4750800 ... 18, 21, 26, 30,	4811600 33, 423	527, 733, 737
59, 61, 73, 75, 77, 79,	33, 578, 582, 586, 590,	4811700 ... 167, 169, 171,	4892000....35, 37, 53, 55,
125, 129, 179, 181,	594, 598	173, 175, 177, 545,	57, 91, 305, 346, 353,
184, 188, 192, 196,	4751000 ... 111, 113, 115,	547, 549, 551, 561,	374, 420, 423, 473,
209, 214, 217, 222,	143, 147, 165, 169,	565, 674, 685	481, 490, 497, 525
225, 230, 233, 238,	171, 175, 177, 419,	4811900 ... 185, 189, 305,	4892400.....87, 89
241, 246, 249, 254,	427, 431, 435, 439,	346, 352, 374, 823	4892600....523, 525, 527
257, 262, 265, 270,	444, 448, 452, 456,	4811900001 306	4920385.....307
273, 278, 281, 286,	578, 582, 586, 590,	4811902 ... 305, 346, 352,	4921850.....977
291, 295, 305, 313,	594, 598, 674, 677,	374	4922641....445, 448, 453,
317, 321, 325, 329,	679, 681, 685	4812000 ... 305, 346, 352,	457
333, 346, 352, 361,	4751400 97, 143, 147,	374, 527	4922666....578, 582, 586,
365, 374, 407, 409,	167, 169, 171, 173,	4812002 307	590, 594, 598, 819
411, 413, 419, 423,	175, 177, 193, 197,	4812100 ... 291, 295, 305,	4922672....837, 841, 849,
427, 431, 435, 439,	214, 222, 230, 238,	313, 317, 321, 325,	895
444, 448, 451, 455,	246, 254, 262, 270,	329, 333, 346, 352,	4922673....839, 843, 845,
473, 481, 489, 497,	278, 286, 305, 346,	361, 365, 374, 527	847, 851, 897
501, 513, 517, 519,	352, 374, 420, 423,		4922696.....857

PART NUMBER INDEX

4922705	835, 863	70000823	43	70001639	503, 505	70002140	396
4922716	829	70000824	43	70001640	507, 509	70002141	396
4922718	821	70000825	43	70001696	443, 447, 452, 456	70002142	396
4922758	839	70000826	43	70001847	289	70002145	396
4922759	837	70000828	43	70001850	289	70002148	396
4922760	843	70000829	43	70001857	289	70002150	396
4922761	841	70000830	43	70001867	289	70002151	396
4922762 ...	839, 843, 845, 847, 851	70000831	43	70001868	289	70002152	396
4922763 ...	837, 841, 849	70000832	43	70001870	289, 309, 357, 379	70002153	396
4922767	893	70000833	43	70001871	289	70002154	396
4922777	913	70000834	43	70001930	83	70002155	396
4922780	833	70000835	43	70001939	63	70002156	396
4922781	831	70000836	43	70001952	384	70002157	396
4922784	889	70000837	43	70001953	443, 447	70002158	396
4922785	861	70000838	43	70001955	399	70002159	396
4922786	835	70000839	43	70001956	399	70002160	396
4922795	851	70000840	43	70001958	397	70002161	396
4922796	849	70000841	43	70001966	428, 432, 436, 440, 443, 447, 452, 456	70002162	396
4922869	525, 863	70000842	43	70001968	385	70002163	396
4922947	943	70000843	43	70001973	443, 447, 452, 456	70002164	396
4922948	941	70000844	43	70001974	443, 447, 452, 456	70002165	396
4922972 ...	444, 448, 451, 455, 877	70000845	43	70001976	63, 83	70002168	397
4923256	891	70000846	43	70002015	47	70002174	397
4923448 ...	578, 582, 901	70000847	43	70002016	47	70002175	397
4923468 ...	214, 222, 230, 238, 246, 254, 262, 270, 278, 286	70000848	43	70002018	47	70002177	397
4923592 ...	214, 222, 230, 238, 254, 262, 270, 278	70000849	43	70002019	47	70002178	397
4933218 ...	615, 617, 619, 944	70000852	51	70002020	47	70002179	397
4933278	525, 944	70000853	51	70002021	47	70002231	209, 217, 225, 233, 241, 250, 258, 265, 273, 281, 291, 295, 313, 317, 321, 325, 329, 333, 361, 365, 968
5241200	44, 48, 523, 527	70000854	51	70002026	47	7000224	100
5250808	307	70000855	51	70002027	47	70002247	48
5251008	527	70000856	51	70002029	47	70002248	48
5251016	527	70000857	51	70002030	47	70002249	48
70000044	289	70000858	51	70002031	47	70002255	443, 447
70000124	419	70000859	51	70002032	47, 105	70002291	452, 456
70000125	419	70000860	51	70002033	47	70002293	199
70000342	503, 505	70000861	51	70002034	47	70002294	205
70000345	289, 309, 357, 379	70000862	51	70002035	47	70002295	201
70000619	443, 447, 451, 455	70000863	443, 447, 452, 455	70002036	47	70002297	443, 447, 452, 455
70000780	109	70000916	289	70002037	47	7000236	100
70000793	405	70000917	289	70002039	47	7000239	100
70000796	507, 509	70000918	289	70002040	47	70002393	43
70000801	65	70000919	289	70002041	47	70002395	43
70000802	65	70001017	415	70002044	47	70002396	43
70000803	65	70001056	81	70002045	47	7000240	100
70000804	65	70001100	443, 447, 451, 455	70002046	47	70002412	717
70000805	65	70001101	109	70002047	47	70002460	443, 447, 452, 456
70000806	65	70001102	109	70002047	47	70002569	386
70000810	43	70001125	289	70002048	47	70002576	403
70000811	43	70001126	289	70002049	47	70002578	399
70000812	43	70001128	289	70002050	47	70002580	399
70000813	43	70001129	289	70002052	47	70002582	399
70000815	43	70001130	289	70002057	47, 105	70002583	399
70000816	43	70001131	289	70002058	443, 447	70002585	399
70000817	43	70001135	289	70002088	443, 447	70002586	399
70000818	43	70001384	443, 447, 452, 455	70002097 ...	529, 531, 968	70002588	399
70000819	44	70001424	687	7000213	101	70002589	399
70000820	43	70001425	687	70002132	396	70002590	399
70000821	43	70001427	687	70002133	396, 399	70002592	400
70000822	43	70001428	687	70002134	396	70002593	400
		70001429	687	70002135	396	70002599	400
		70001430	687	70002136	396		
		70001431	687	70002137	396		
		70001432	687	70002138	396		
		70001435	289	70002139	396		

PART NUMBER INDEX

70002600.....396	70004099 . 436, 440, 452, 456	70004751 609	70006363.....705
70002601.....396	70004169 443, 447	70004752 605	70006403.....413
70002602.....396	70004171 . 428, 432, 443, 447	70004753 605	70006404.....413
70002604.....397	70004185 976, 977	70004754 605	70006405.....413
70002605.....397	70004186 717	70004755 605	70006406.....413
70002606.....397	70004275 357, 379	70004756 605	70006407.....413
70002607.....397	70004276 310	70004757 605	70006408.....413
70002608.....397	70004277 .. 311, 358, 380	70004758 605	70006409.....413
70002609.....397	70004279 358, 380	70004759 605	70006410.....413
70002610.....397	70004280 .. 309, 357, 379	70004760 605	70006473.....709
70002612.....397	70004282 .. 310, 358, 380	70004761 605	70006474.....709
70002616.....397	70004284 358, 380	70004762 605	70006490.....731
70002617.....397	70004328 529, 531	70004763 605	70006491.....731
70002618.....396	70004413 115	70004764 605	70006492.....731
70002619.....396	70004414 111, 113	70004765 605	70006493.....731
70002620.....396	70004416 399	70004766 605	70006520.....709
70002621.....397	70004417 399	70004767 605	70006523.....727
70002622.....397	70004420 399	70004768 605	70006524.....727
70002623.....397	70004421 399	70004769 605	70006525.....727
70002674.....47	70004422 400	70004770 605	70006526.....727
70002718..289, 309, 357, 379	70004423 399	70004771 605	70006527.....721
70002758.....84	70004426 399	70004772 605	70006528.....721
70002759.....83, 84	70004467 105	70004773 605	70006529.....721
70002760.....84	70004469 105	70004774 605	70006530.....721
7000281.....100	70004474 105	70004775 605	70006547.....713
70002859.....507, 509	70004477 105	70005153 717	70006548.....713
7000287.....100	70004480 105	70005171 309	70006549.....713
7000288.....100	70004481 105	70005172 309	70006550.....713
70002902.....613	70004484 106	70005173 309	70006552..427, 431, 435, 439
70002903.....613	70004494 106	70005174 309	70006553..427, 431, 435, 439
70002904.....613	70004501 .. 310, 358, 380	70005177 310	70006631.....739
70002905.....613	70004502 358, 380	70005181 310	70006656.....735
70003135.....289	70004503 358, 380	70005184 310	70006657.....735, 739
70003136.....289	70004511 309	70005188 310	70006658.....735, 739
70003475.....289	70004512 309	70005189 310	70006659.....735
70003523.....100	70004646 976	70005191 311	70006697.....739
70003524.....100, 101	70004647 976	70005230 609	70006698.....739
70003555..214, 222, 230, 238, 246, 254, 262, 270, 278, 286	70004648 976	70005317 105	70006986.....105
70003617.....203	70004676 . 428, 432, 436, 440	70005318 105	70006987.....105
70003628.....51	70004677 432	70005418 400	70006988.....105
70003629.....100	70004678 . 428, 432, 436, 440	70005433 735, 739	70006989.....105
70003631..443, 447, 452, 455	70004680 . 428, 432, 436, 440	70005445 358, 380	70006990.....105
70003708..428, 432, 436, 440, 443, 447, 452, 456	70004681 432, 440	70005480 390	70006991.....105
70003709..428, 432, 436, 440, 443, 447, 452, 456	70004682 . 428, 432, 436, 440	70005481 390	70006992.....105
70003784..577, 581, 585, 589, 593, 597	70004683 432, 440	70005647 311	70006993.....105
70003913...512, 516, 968	70004684 428	70005648 311	70006994.....105
70003914.....512, 516	70004685 428, 436	70005920 309	70006995.....105
70003915.....512, 516	70004686 440	70005921 309	70006996.....105
70003917...512, 516, 968	70004687 436	70005923 310	70006997.....105
70003918.....512, 516	70004688 440	70005924 310	70006998.....105
70004092..428, 432, 436, 440, 452, 456	70004738 609	70005925 310	70006999.....105
70004093.....452, 455	70004739 609	70005926 310	70007000.....105
70004094.....452, 456	70004740 609	70005927 310	70007001.....105
70004095.....452, 456	70004741 609	70005928 310	70007002.....105
70004096.....452, 456	70004742 609	70005929 310	70007003.....105
70004097.....452, 456	70004743 609	70005941 309	70007004.....106
70004098..428, 436, 452, 456	70004744 609	70005942 309	70007005.....106
	70004745 609	70006093 452, 455	70007006.....106
	70004746 609	70006094 452, 456	70007007.....106
	70004747 609	70006095 452, 456	70007008.....106
	70004748 609	70006096 452, 456	70007009.....105
	70004749 609	70006097 452, 456	70007010.....106
	70004750 609	70006127 309	70007011.....106
		70006359 705	70007012.....106
		70006360 705	70007013.....106
		70006362 705	

PART NUMBER INDEX

70007015 717	70025091 .. 309, 357, 379	7002822.....976	7016322 179, 181
70007016 717	70025101310	7002823.....976	7016331... 289, 309, 357,
70007017 717	70025103 358, 380	7002828.....977	379, 968, 969
70007018 717	70025107 310	70035212.....311	7016372 165
70007019 717	70025109 310	7003655....213, 221, 229,	7016374 179, 181
70007020 717	70025111 357, 379	237, 245, 253, 261,	7016654 976
70007049 713	70025112 .. 310, 358, 380	269, 277, 285, 968	7016655 977
7000731 100, 101	70025115 310	7004035.....101	7017072 100
70007439 397	70025120 .. 311, 358, 380	7004043.....101	7017082 100
7001900 100	70025133 310	7004044.....101	7017085 101
7001902 100	70025135 .. 309, 357, 379	7004275.....977	7017142 503, 505
7001904 100	70025136 357, 379	7004276.....977	7017158 503
7001906 100	70025137 .. 309, 357, 379	7004453.....101	7017159 503, 505
7001917 100	70025140 .. 309, 357, 379	7007207 396, 399	7017162 503, 505, 509
7001918 100	70025142 .. 310, 358, 380	7007415 397, 399, 400	7017163 503, 505, 509
7001920 100	70025143 358, 380	7007418 396	7017164 503, 505, 509
7001921 100	70025144 .. 309, 358, 380	7007419 396	7017184 507
7001922 100	70025145 .. 309, 357, 379	7007420 51	7017185 507, 509
7001923 100	70025146 .. 309, 357, 379	7007437 51	7017187 507
7001924 100	70025149 .. 311, 358, 380	7007438 51	7017188 507
7001926 100	70025151 .. 310, 358, 380	7007439 51	7017191 507
7001927 100	70025152 .. 309, 357, 379	7007446 51, 396, 399	7017195... 503, 505, 507,
7001928 100	70025153 .. 309, 357, 379	7007489 403	509
7001929 100	70025154 .. 309, 357, 379	7007645 100	7017402 533
70021867 384, 390	70025155 .. 310, 358, 380	7007646 100	7017405 65
70021895 310	70025156 358, 380	7007648 100	7017451 83, 968
70022286 399	70025158 310	7010467 100	7017495 83
70023592 . 305, 347, 353,	70025160 358, 380	7010543 65	7018936 386
375	70025161 358, 380	7010545 719, 721	7018942 83
70023593 . 305, 347, 353,	70025162 .. 309, 357, 379	7010795 101	7018991 63, 83, 968
375	70025163 357, 379	7011016 81	7019680 419
70024190 . 306, 347, 354,	70025164 .. 310, 358, 380	7011043 81	7020043 111, 113
375, 968	70025171 .. 309, 357, 379	7011044 81	7020108 419, 423
70024473 358, 380	70025176 .. 309, 357, 379	7011048 81	7020109 419, 423
70024484 .. 310, 358, 380	70025177 358, 380	7011062 81	7020110 419, 423
70024486 357, 379	70025178 .. 310, 358, 380	7011311 83	7020111 419, 423
70024488 .. 309, 357, 379	70025179 .. 310, 358, 380	7011346 63, 83, 533	7020175 ... 143, 147, 577,
70024494 309	70025180 .. 310, 358, 380	7011354 83, 968	581, 585, 589, 593, 597
70024502 310	70025181 .. 309, 357, 379	7011355 533	7020176 ... 143, 147, 577,
70024504 . 309, 311, 358,	70025182 .. 310, 358, 380	7012513 419, 423	581, 585, 589, 593, 597
380	70025183 .. 310, 358, 380	7012514 419, 423	7020190 419, 423
70024507 .. 311, 358, 380	70025184 .. 310, 358, 380	7012558 419	7020404 357, 379
70024509 310	70025185 310	7012706 384, 390	7020414 289
70024513 .. 309, 357, 379	70025190 357, 379	7012709 384, 390	7020447 289
70024517 .. 309, 357, 379	70025200 .. 310, 358, 380	7012715 384, 390	7020460 289
70024904 357, 379	70025202 357, 379	7012773 63, 83	7020465 ... 289, 309, 357,
70024905 .. 309, 357, 379	70025203 .. 310, 358, 380	7012941 65	379
70024906 .. 309, 357, 379	70025204 357, 379	7012942 65	7020468 289
70024907 357, 379	70025205 .. 309, 357, 379	7012944 65, 533, 968	7020471 289
70024910 .. 310, 358, 380	70025206 357, 379	7012955 65	7020479 289
70024912 .. 310, 358, 380	70025207 357, 379	7012967 65, 723, 725,	7020486 289
70024915 .. 311, 358, 380	70025208 357, 379	727	7020492 310, 358, 380
70024917 358, 380	70025210 . 310, 358, 380,	7012998 65	7021249 51
70024918 .. 311, 358, 380	969	7015003 213, 221, 229,	7021256 397
70024919 358, 380	70025231 .. 309, 357, 379	237, 245, 253, 261,	7021265 397
70024920 . 310, 311, 358,	70025235 .. 310, 358, 380	269, 277, 285	7021275 51, 396, 399
380	70025239 .. 309, 357, 379	7015013 213, 221, 229,	7021293 397
70024922 311	70025240 310	237, 245, 253, 261,	7021375 83
70024924 .. 309, 357, 379	70025477 .. 310, 358, 380	269, 277, 285	7021636 83
70024925 .. 309, 357, 379	70025533 .. 311, 358, 380	7015014 213, 221, 229,	7022300 397
70024961 .. 309, 357, 379	70025660 311	237, 245, 253, 261,	7022301 396
70025076 .. 309, 357, 379	70025768 310	269, 277, 285	7022311 51
70025077 311	70025931 310	7015015 213, 221, 229,	7022314 51
70025080 .. 309, 357, 379	70026210 .. 311, 358, 380	237, 245, 253, 261,	7022321 51
70025082 .. 309, 357, 379	70026995 310	269, 277, 285	7022340 399
70025084 .. 310, 358, 380	7002821 976	7016314 115	7022368 51
70025088 357, 379		7016319 165	7022371 51

PART NUMBER INDEX

7023306.....	117	7024443.....	117	7024915.....	384, 390	7027780.....	683
7023347.....	117	7024444.....	117, 968	7024916.....	384, 390	7027790.....	289
7023881.....	385	7024445.....	117	7024917.....	384, 390	7027791.....	289
7023922.....	533	7024446.....	117	7024918.....	384, 390	7027792.....	289
7023962.....	399	7024453.....	101	7024919.....	384, 390	7027799....	443, 447, 452, 456
7023964.....	399, 400	7024462.....	683	7024920.....	384, 390	7027887.....	419, 424
7024005.....	385	7024463.....	683	7024921.....	384, 390	7028909....	167, 169, 171, 173, 175, 177
7024038.....	384, 390	7024467.....	683	7024922.....	384, 390	7029593.....	81
7024042.....	384	7024469.....	683	7024924.....	83	77363233....	875, 877
7024043.....	384	7024470.....	683	7024925.....	83	80334251....	109
7024044.....	384, 390	7024471.....	683, 687	7024927.....	63	80484084....	868
7024064.....	384	7024472.....	683	7026000.....	83	80983191....	868, 968
7024065.....	385	7024473.....	683	7026001.....	83	8220051....	873
7024068.....	385	7024474.....	683	7026002.....	83	8220164....	867
7024069.....	386	7024475.....	683	7026003.....	83	8229242....	868, 881, 884, 908, 968
7024070.....	385	7024478.....	683	7026004.....	83	8310070.....	519
7024071.....	385	7024485 ...	443, 447, 452, 456	7026005.....	83	8310129....	629, 633, 635, 639, 643, 647, 651, 653, 657, 661, 665, 669
7024072.....	385	7024488 ...	443, 447, 451, 455	7026006.....	83	8310230....	631, 637, 641, 645, 649, 655, 659, 663, 667
7024073.....	385	7024489 ...	443, 447, 451, 455	7026007.....	83	8310658.....	196
7024075.....	385	7024530.....	687	7026008.....	83	8320270.....	289, 968
7024076.....	385	7024531.....	687	7026016.....	83	8405006....	291, 295, 305, 313, 317, 321, 325, 329, 333, 348, 354, 361, 365, 376, 409, 411, 413
7024077.....	385	7024532.....	687	7026018.....	533	8405007....	305, 347, 354, 375
7024080.....	385	7024533.....	687	7026019.....	533	8405009.....	115
7024081.....	385	7024534.....	687	7026020.....	533	8405201....	305, 346, 353, 374
7024083.....	385	7024535.....	687	7026021.....	533	8405204....	305, 346, 353, 374
7024084.....	385	7024536.....	687	7026022.....	533	8406102....	305, 348, 354, 376
7024085.....	386	7024537.....	687	7026023.....	533	8406109.....	305
7024087.....	386	7024565.....	289	7026028.....	63	8406110.....	305
7024088.....	386	7024570.....	83	7026029.....	109	8406112....	305, 348, 354, 376
7024089.....	386	7024571.....	83, 533, 968	7026030.....	109	8406302....	305, 346, 352, 374
7024097.....	385	7024572.....	533	7026031.....	109, 969	8410011.....	305
7024135.....	100	7024573.....	83	7026032.....	109	8410013....	214, 222, 230, 238, 246, 254, 262, 270, 278, 286, 307, 346, 353, 375
7024182.....	101	7024574.....	83	7026188.....	443, 447	8580420.....	67, 69
7024183.....	100	7024579 ...	289, 309, 357, 379	7026571.....	117	8750024.....	125, 129
7024184.....	100	7024580 ...	209, 217, 225, 233, 241, 249, 257, 265, 273, 281	7026597 ...	443, 447, 452, 456	88261024....	531
7024185.....	100	7024581 ...	209, 217, 225, 233, 241, 249, 257, 265, 273, 281	7026608.....	289	88411013....	823
7024186.....	101	7024582 ...	209, 217, 225, 233, 241, 249, 257, 265, 273, 281	7026626 ...	443, 447, 452, 456	88521214... 695, 697, 699	
7024188.....	100, 101	7024583 ...	209, 217, 225, 233, 241, 249, 257, 265, 273, 281	7027042 ...	291, 295, 313, 317, 321, 325, 329, 333, 361, 365	88662523....	193, 197
7024189.....	101	7024584 ...	209, 217, 225, 233, 241, 249, 257, 265, 273, 281	7027043 ...	291, 295, 313, 317, 321, 325, 329, 333, 361, 365	91143339....	867
7024190.....	101	7024598.....	179, 181	7027044 ...	291, 295, 313, 317, 321, 325, 329, 333, 361, 365	91143340....	867
7024191.....	101	7024763.....	100	7027045 ...	291, 295, 313, 317, 321, 325, 330, 333, 361, 365	91203039....	527
7024192.....	101	7024800.....	397	7027235.....	289	91403230..	947, 949, 951, 955, 957, 959, 961, 963
7024193.....	101, 102	7024865.....	51	7027236.....	289	91563070... 346, 353, 375	
7024194.....	101	7024867.....	51	7027239.....	289		
7024196.....	101	7024868.....	51	7027240.....	289		
7024197.....	101, 102	7024906.....	385	7027276.....	289		
7024365.....	17, 25, 968	7024908.....	385	7027740.....	51		
7024366.....	17, 25	7024911.....	385	7027773.....	683		
7024374.....	117	7024913.....	384, 390	7027774.....	683		
7024375.....	117, 968	7024914.....	384, 390	7027775.....	683		
7024379.....	101			7027776.....	683		
7024380.....	101			7027777.....	683		
7024381.....	101			7027778.....	683		
7024389.....	101			7027779.....	683		
7024390.....	101						
7024391.....	101						
7024392.....	101						
7024393.....	101						
7024394.....	101						
7024395.....	101						
7024439.....	117						
7024440.....	117						
7024441.....	117						
7024442.....	117						

