



Illustrated Parts Manual

Models
1200SJP
1350SJP

Prior to SN 0300201016

3121208

October 31, 2018 - Rev AB

ANSI



AS/NZS



An Oshkosh Corporation Company

PARTS FINDER

**Search Website
by Part Number**



**Search Manual
Library For Parts
Manual & Lookup Part
Numbers – Purchase
or Request Quote**

**Can't Find Part or
Manual? Request Help
by Manufacturer,
Model & Description**

Discount-Equipment.com is your online resource for quality parts & equipment.

Florida: **561-964-4949** Outside Florida TOLL FREE: **877-690-3101**

Need parts?

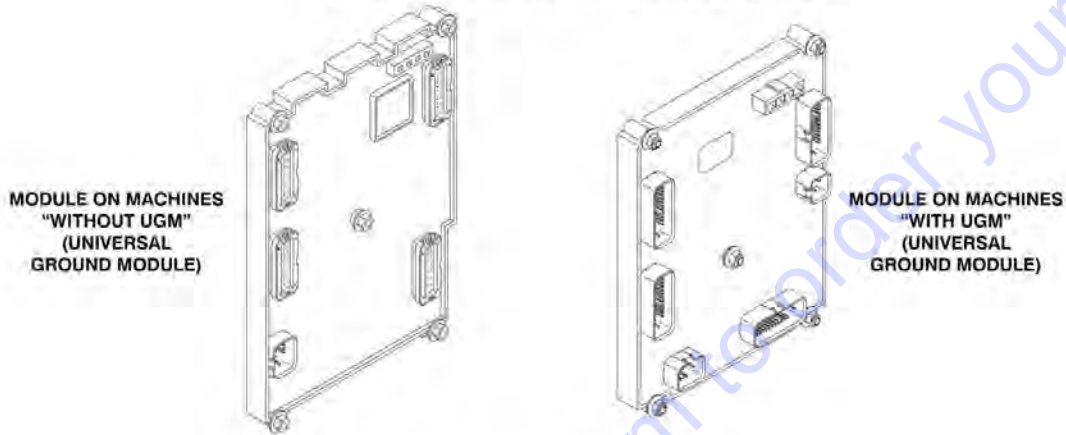
Click on this link: <http://www.discount-equipment.com/category/5443-parts/> and choose one of the options to help get the right parts and equipment you are looking for. Please have the machine model and serial number available in order to help us get you the correct parts. If you don't find the part on the website or on one of the online manuals, please fill out the request form and one of our experienced staff members will get back to you with a quote for the right part that your machine needs.

We sell worldwide for the brands: Genie, Terex, JLG, MultiQuip, Mikasa, Essick, Whiteman, Mayco, Toro Stone, Diamond Products, Generac Magnum, Airman, Haulotte, Barreto, Power Blanket, Nifty Lift, Atlas Copco, Chicago Pneumatic, Allmand, Miller Curber, Skyjack, Lull, Skytrak, Tsurumi, Husquvarna Target, Stow, Wacker, Sakai, Mi-T-M, Sullair, Basic, Dynapac, MBW, Weber, Bartell, Bennar Newman, Haulotte, Ditch Runner, Menegotti, Morrison, Contec, Buddy, Crown, Edco, Wyco, Bomag, Laymor, EZ Trench, Bil-Jax, F.S. Curtis, Gehl Pavers, Heli, Honda, ICS/PowerGrit, IHI, Partner, Imer, Clipper, MMD, Koshin, Rice, CH&E, General Equipment, Amida, Coleman, NAC, Gradall, Square Shooter, Kent, Stanley, Tamco, Toku, Hatz, Kohler, Robin, Wisconsin, Northrock, Oztec, Toker TK, Rol-Air, APT, Wylie, Ingersoll Rand / Doosan, Innovatech, Con X, Ammann, Mecalac, Makinex, Smith Surface Prep, Small Line, Wanco, Yanmar

REVISION LOG

NOTE: 1200SJP /1350SJP Global Illustrated Parts Manual P/N 3121208 replaces both ANSI Illustrated Parts Manual P/N 3121143 and CE Illustrated Parts Manual P/N 3121845. Use P/N 3121208 as a replacement as it includes all past history.

GROUND MODULE MODULE IDENTIFICATION



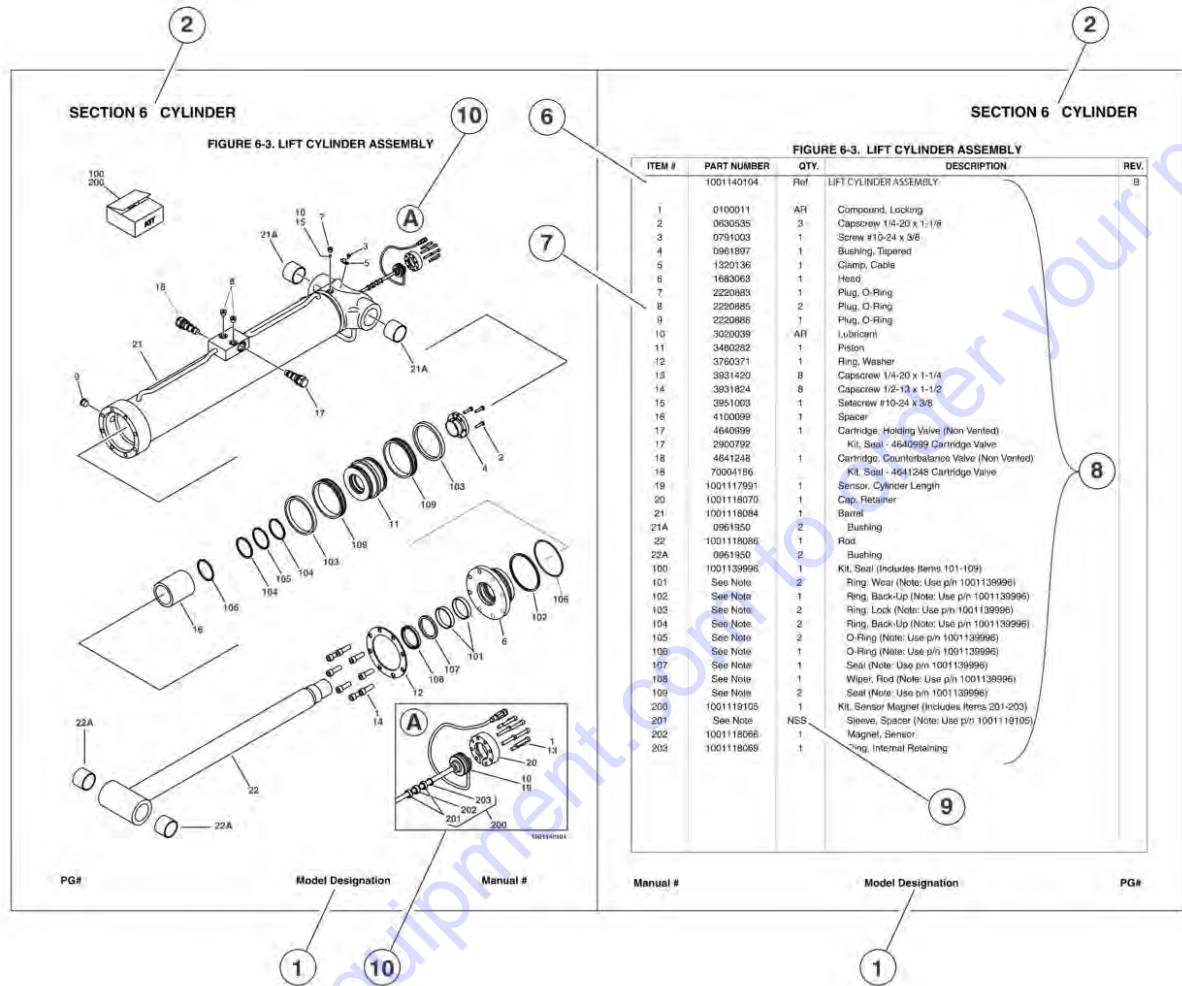
- May 1, 2005 - A - Original Issue of Manual (Edited to B/M 0010582 Revision 24)
- January 16, 2006 - B - Revised Manual (Edited to B/M 0010582 Revision 34)
- May 15, 2006 - C - Revised Manual (Edited to B/M 0010582 Revision 37)
- August 31, 2006 - D - Revised Manual (Edited to B/M 0010582 Revision 38)
- December 31, 2006 - E - Revised Manual (Edited to B/M 0010582 Revision 39)
- April 15, 2007 - F - Revised Manual (Edited to B/M 0010582 Revision 44)
- August 15, 2007 - G - Revised Manual (Edited to B/M 0010582 Revision 47)
- December 15, 2007 - H - Revised Manual (Edited to B/M 0010582 Revision 49)
- June 15, 2008 - I - Revised Manual (Edited to B/M 0010582 Revision 53)
- January 15, 2009 - J - Revised Manual (Edited to B/M 0010582 Revision 68)
- May 15, 2009 - K - Revised Manual (Edited to B/M 0010582 Revision 68)
- December 15, 2009 - L - Revised Manual (Edited to B/M 0010582 Revision 68)
- June 15, 2010 - M - Revised Manual (Edited to B/M 0010582 Revision 71)
- March 11, 2011 - N - Revised Manual (Edited to B/M 0010582 Revision 90)
- June 8, 2011 - O - Revised Manual (Edited to B/M 0010582 Revision 91)
- September 20, 2011 - P - Revised Manual (Edited to B/M 0010582 Revision 96)
- January 20, 2012 - Q - Revised Manual (Edited to B/M 0010582 Revision C)
- June 20, 2012 - R - Revised Manual (Edited to B/M 0010582 Revision C)
- August 15, 2012 - S - Revised Manual (Edited to B/M 0010582 Revision C)
- December 15, 2012 - T - Revised Manual (Edited to B/M 0010582 Revision C)
- April 10, 2013 - U - Revised Manual (Edited to B/M 0010582 Revision C)

REVISION LOG

July 10, 2013 - V - Revised Manual (Edited to B/M 0010582 Revision C)
October 7, 2013 - W - Revised Manual (Edited to B/M 0010582 Revision C)
January 14, 2014 - X - Revised Manual (Edited to B/M 0010582 Revision AF & 1001160100 Revision D)
November 1, 2014 - Y - Revised Manual (Edited to B/M 1001160100 Rev E)
February 15, 2016 - Z - Revised Manual (Edited to B/M 1001160100 Rev T)
June 30, 2016 - AA - Revised Manual (Edited to B/M 1001160100 Rev T)
October 31, 2018 - AB - Revised Manual

Go to Discount-Equipment.com to order your parts

GENERAL INFORMATION



1) MACHINE IDENTIFICATION

Machines are identified by model and in some cases a combination of models, serial number (SN) or regional standard (i.e ANSI, CE, CSA). Components may also be identified by SN or manufacturer. Common components that may be identified by these characteristics are engines and hydraulic components.

2) PARTS MANUAL ORGANIZATION

Product information in this manual is organized under section titles. Frame, Cylinder, Hydraulic and Electrical are a few examples. Each section is organized by figure and page number. The information within the Figure is then organized by item number, part number, description and corresponding illustration (s).

3) TABLE OF CONTENTS

A table of contents is found toward the beginning of the manual. Figure number, description and page number are provided for quick reference to the page containing the related information.

4) RECOMMENDED SPARE PARTS

The Recommended Spare Parts, located near the end of the manual, reference most frequently used maintenance parts.

5) PART NUMBER INDEX

A numerical index listing all part numbers and the corresponding page number(s) appears at the back of the manual.

GENERAL INFORMATION

6) NON-SERVICED PARTS

In some instances, it is necessary to display non-serviced parts, assemblies or installations. In the case of assemblies and installations there will be a Ref in the Qty column. In case of parts that are not available for service within assemblies or components, there will be a NSS (Not Sold Separately) or NLA (No Longer Available) listed in the Qty. column of the manual.

7) PARTS LIST ITEM NUMBERS

Numbers shown in the item# column correspond to numbers used in the associated illustration (s). Item numbers which are missing from the sequence in the parts list are not used on that page

8) INDENTED PARTS DESCRIPTION

An indented part description is included in the item under which it is indented.

9) ABB REVIATION AND SYMBOLS

| | | | |
|--------------|--|--------------|-----------------------------------|
| AC..... | .. Alternating Current | LCD..... | Liquid Crystal Display |
| ADE..... | ..Advanced Design Electronics | LED..... | Light Emitting Diodes |
| ANSI..... | ..American National Standards Institute | LH..... | Left Hand |
| AR..... | ..As Required | LSS..... | ..Load Sensing System |
| ASSY..... | ..Assembly | M(m)..... | ..Metric/Meter |
| AUX..... | ..A uxiliary | MM (mm)..... | ..Milimeter |
| AWG..... | ..American Wire Gauge | mA..... | ..Miliamps |
| B/M..... | ..Bill of Material | NLA..... | ..No Longer Available |
| CE..... | ..European Conformity | NPT..... | ..National Pipe Threads |
| CCW..... | ..Counter Clockwise | NSS..... | ..Not Sold Separately |
| cm..... | ..Centimeter | OD..... | ..Outside Diameter |
| CW..... | ..Clockwise | ORB..... | ..O-Ring Boss |
| CSA..... | ..Canadian Standards Association | ORFS..... | ..O-Ring Face Seal |
| CYL..... | ..Cylinder | OZ (oz)..... | ..Ounces |
| DIA..... | ..Diameter | PG..... | ..Page |
| DC..... | ..Direct Current | P/N..... | ..Part Number |
| EMS..... | ..Emergency Stop | qt..... | ..Quarts |
| ENG..... | ..Engine | QTY..... | ..Quantity |
| FT (ft)..... | ..Feet | REF..... | ..Reference |
| GA (Ga)..... | ..G auge | REV..... | ..Revision Level |
| HYD..... | ..Hydraulic | RH..... | ..Right Hand |
| HZ..... | ..Her tz | SAE..... | ..Society of Automotive Engineers |
| ID..... | ..Inside Diameter | SN..... | ..Serial Number |
| in..... | ..inches | SPEC(S)..... | ..Specifications |
| ISO..... | ..International Organization for Standards | T/T..... | ..Turntable |
| JIC..... | ..Joint Industry Council | UGM..... | ..Univ ersal G round Module |
| KG..... | ..Kilogram | V..... | ..Volts |
| L..... | ..Liter | W..... | ..Watts |
| LB..... | ..P ounds | #..... | ..Number |

10) ILLUSTRATION REFERENCE LETTERS

When necessary, illustrations may contain reference letters that are intended to track information (i. e. hoses, harnesses) from one point to another or to track visual enlargement of components to show details that may be located in another area on the illustration.

Note: Due to continuous product improvements, JLG Industries, Inc. reserves the right to make specification changes without prior notification.

TABLE OF CONTENTS

| | |
|---|-----|
| SECTION 1 - FRAME..... | 11 |
| FIGURE 1-1. AXLE INSTALLATIONS..... | 12 |
| FIGURE 1-2. STEER INSTALLATION..... | 16 |
| FIGURE 1-3. TIRE AND WHEEL DRIVE INSTALLATION..... | 20 |
| FIGURE 1-4. DRIVE HUB ASSEMBLY (Prior to SN 0300079596)..... | 24 |
| FIGURE 1-5. DRIVE MOTOR ASSEMBLY (Prior to SN 0300079596)..... | 28 |
| FIGURE 1-6. DRIVE HUB AND MOTOR ASSEMBLY (SN 0300079596 through 0300083552)..... | 30 |
| FIGURE 1-7. DRIVE HUB AND MOTOR ASSEMBLY (SN 0300083552 through 0300100131)..... | 36 |
| FIGURE 1-8. DRIVE HUB ASSEMBLY - BONFIGLIOLI (SN 0300100131 through 0300201016)..... | 42 |
| FIGURE 1-9. DRIVE HUB ASSEMBLY - REGGIANA RIDUTTORI (SN 0300100131 through 0300201016)..... | 46 |
| FIGURE 1-10. DRIVE MOTOR ASSEMBLY (SN 0300100131 through 0300201016)..... | 50 |
| FIGURE 1-11. FRAME VALVES AND COVERS INSTALLATION..... | 52 |
| FIGURE 1-12. TRACTION VALVE ASSEMBLY (Prior to SN 0300072337)..... | 56 |
| FIGURE 1-13. TRACTION VALVE ASSEMBLY (SN 0300072337 through 0300100130)..... | 58 |
| FIGURE 1-14. TRACTION VALVE ASSEMBLY (SN 0300100131 through 0300201016)..... | 60 |
| SECTION 2 - TURNTABLE..... | 63 |
| FIGURE 2-1. VALVE, BATTERY, HORN AND AUXILIARY PUMP INSTALLATIONS..... | 64 |
| FIGURE 2-2. MAIN VALVE ASSEMBLY..... | 68 |
| FIGURE 2-3. TURNTABLE SWING DRIVE AND BEARING INSTALLATION..... | 72 |
| FIGURE 2-4. SWING MOTOR/HUB ASSEMBLY..... | 74 |
| FIGURE 2-5. CATERPILLAR DIESEL ENGINE INSTALLATION..... | 80 |
| FIGURE 2-6. DEUTZ BF4M2011 TIER I, TIER II AND TD2011TIER III ENGINE INSTALLATION..... | 88 |
| FIGURE 2-7. DEUTZ TD2011 TIER IVI-FLEX AND TIER IVI-PRE ENGINE INSTALLATION..... | 98 |
| FIGURE 2-8. DEUTZ TCD2.9L4 ENGINE INSTALLATION..... | 106 |
| FIGURE 2-9. PUMP ASSEMBLY (REXROTH) (CATERPILLAR ENGINE MACHINES)..... | 118 |
| FIGURE 2-10. PUMP ASSEMBLY (REXROTH) (DEUTZ ENGINE MACHINES)..... | 124 |
| FIGURE 2-11. PUMP ASSEMBLY (SAUER TANDEM)..... | 130 |
| FIGURE 2-12. PUMP ASSEMBLY (SAUER PISTON) (Prior to SN 0300200352)..... | 134 |
| FIGURE 2-13. PUMP ASSEMBLY (SAUER PISTON) (SN 0300200352 through 0300201016)..... | 138 |
| FIGURE 2-14. PUMP ASSEMBLY (SAUER GEAR)..... | 142 |
| FIGURE 2-15. TANK INSTALLATION..... | 144 |
| FIGURE 2-16. ROTARY COUPLING AND COLLECTOR RING INSTALLATION..... | 148 |
| FIGURE 2-17. HYDRAULIC OIL COOLER INSTALLATION - CATERPILLAR AND DEUTZ BF4M2011 AND TD2011 ENGINES (OPTIONAL)..... | 152 |
| FIGURE 2-18. HYDRAULIC OIL COOLER INSTALLATION - DEUTZ TCD2.9L4 ENGINES (OPTIONAL)..... | 154 |
| FIGURE 2-19. GROUND CONTROLS INSTALLATION (WITHOUT UGM)..... | 156 |
| FIGURE 2-20. GROUND CONTROLS INSTALLATION (WITH UGM)..... | 160 |
| FIGURE 2-21. ACCESSORIES INSTALLATION..... | 164 |
| FIGURE 2-22. ENGINE TRAY JACK INSTALLATION..... | 168 |
| FIGURE 2-23. HOOD INSTALLATION (ABS)..... | 172 |
| FIGURE 2-24. HOOD INSTALLATION (Prior to SN 0300195072)..... | 178 |
| FIGURE 2-25. HOOD INSTALLATION (SN 0300195072 through 0300201016)..... | 184 |
| FIGURE 2-26. 2500W GENERATOR INSTALLATION - CATERPILLAR MACHINES (OPTIONAL)..... | 188 |
| FIGURE 2-27. 2500W GENERATOR INSTALLATION - DEUTZ MACHINES (OPTIONAL)..... | 192 |
| FIGURE 2-28. 4000W GENERATOR INSTALLATION - DEUTZ MACHINES..... | 196 |
| FIGURE 2-29. 7500W SKYPOWER GENERATOR INSTALLATION - CATERPILLAR MACHINES..... | 200 |
| FIGURE 2-30. 7500W SKYPOWER GENERATOR INSTALLATION - DEUTZ MACHINES (HYDRAULICALLY DRIVEN) (Prior to SN 0300080338)..... | 206 |
| FIGURE 2-31. 7500W SKYPOWER GENERATOR INSTALLATION - DEUTZ MACHINES (BELT DRIVEN) (SN 0300080338 through 0300201016)..... | 212 |
| FIGURE 2-32. CLEARSKY TELEMATICS INSTALLATION (WITHOUT UGM) (OPTIONAL)..... | 220 |
| FIGURE 2-33. CLEARSKY TELEMATICS INSTALLATION (WITH UGM) (OPTIONAL)..... | 224 |
| SECTION 3 - BOOM..... | 227 |
| FIGURE 3-1. BOOM INSTALLATION..... | 228 |
| FIGURE 3-2. BOOM ASSEMBLY..... | 230 |
| FIGURE 3-3. ACTUATOR ASSEMBLIES..... | 240 |
| FIGURE 3-4. POWER TRACK INSTALLATION..... | 244 |
| FIGURE 3-5. BOOM SENSORS AND SWITCHES INSTALLATION..... | 250 |
| FIGURE 3-6. PLATFORM SUPPORT AND CONTROL VALVES INSTALLATIONS..... | 254 |
| SECTION 4 - PLATFORM..... | 257 |

TABLE OF CONTENTS

| | |
|--|-----|
| FIGURE 4-1. PLATFORM COMPONENTS INSTALLATION | 258 |
| FIGURE 4-2. PLATFORM COMPONENTS INSTALLATION (FALL ARREST PLATFORM) | 262 |
| FIGURE 4-3. PLATFORM CONSOLE ASSEMBLY | 264 |
| FIGURE 4-4. CONTROLLER ASSEMBLY (LIFT AND SWING) | 270 |
| FIGURE 4-5. CONTROLLER ASSEMBLY (LIFT AND SWING) (SN 0300188513 through 0300201016) | 274 |
| FIGURE 4-6. CONTROLLER ASSEMBLY (DRIVE AND STEER) | 278 |
| FIGURE 4-7. CONTROLLER ASSEMBLY (DRIVE AND STEER) (SN 0300188513 through 0300201016) | 282 |
| FIGURE 4-8. SKYCUTTER INSTALLATION | 284 |
| FIGURE 4-9. SKYGLAZIER INSTALLATION (ANSI AND CSA SPECS) | 286 |
| FIGURE 4-10. SKYGLAZIER INSTALLATION (AUSTRALIAN SPECS) | 288 |
| FIGURE 4-11. SKYGLAZIER INSTALLATION (BRAZIL SPECS) | 290 |
| FIGURE 4-12. SKYGLAZIER INSTALLATION (FINNISH SPECS) | 292 |
| FIGURE 4-13. SKYGLAZIER INSTALLATION (FRENCH SPECS) | 294 |
| FIGURE 4-14. SKYGLAZIER INSTALLATION (GERMAN SPECS) | 296 |
| FIGURE 4-15. SKYGLAZIER INSTALLATION (ITALIAN SPECS) | 298 |
| FIGURE 4-16. SKYGLAZIER INSTALLATION (LATIN AMERICAN SPECS) | 300 |
| FIGURE 4-17. SKYGLAZIER INSTALLATION (PORTUGUESE SPECS) | 302 |
| FIGURE 4-18. SKYGLAZIER INSTALLATION (SPANISH SPECS) | 304 |
| FIGURE 4-19. SKYGLAZIER INSTALLATION (SWEDISH SPECS) | 306 |
| FIGURE 4-20. SKYGLAZIER INSTALLATION (UK SPECS) | 308 |
| FIGURE 4-21. SKYWELDER/SKYCUTTER COMBO INSTALLATION (60HZ) | 310 |
| FIGURE 4-22. SKYWELDER INSTALLATION (50HZ) | 314 |
| FIGURE 4-23. SKYWELDER INSTALLATION (60HZ) | 316 |
| FIGURE 4-24. SKYWELDER PREP PACKAGE (60HZ) | 318 |
| FIGURE 4-25. WELDER ASSEMBLY | 320 |
| FIGURE 4-26. SOFT TOUCH SYSTEM INSTALLATION (OPTIONAL) | 322 |
| | |
| SECTION 5 - CYLINDER | 325 |
| | |
| FIGURE 5-1. AXLE EXTENSION CYLINDER ASSEMBLY (ORIGINAL EQUIPMENT) | 326 |
| FIGURE 5-2. AXLE EXTENSION CYLINDER ASSEMBLY (SERVICE REPLACEMENT) | 328 |
| FIGURE 5-3. AXLE LOCKOUT CYLINDER ASSEMBLY (ORIGINAL EQUIPMENT) | 330 |
| FIGURE 5-4. AXLE LOCKOUT CYLINDER ASSEMBLY (SERVICE REPLACEMENT) | 332 |
| FIGURE 5-5. PLATFORM LEVEL CYLINDER ASSEMBLY (ORIGINAL EQUIPMENT) | 334 |
| FIGURE 5-6. PLATFORM LEVEL CYLINDER ASSEMBLY - WITHOUT COLD WEATHER PLUS PACKAGE (SERVICE REPLACEMENT) | 336 |
| FIGURE 5-7. PLATFORM LEVEL CYLINDER ASSEMBLY - WITH COLD WEATHER PLUS PACKAGE (SERVICE REPLACEMENT) | 338 |
| FIGURE 5-8. LIFT CYLINDER ASSEMBLY (ORIGINAL EQUIPMENT) | 340 |
| FIGURE 5-9. LIFT CYLINDER ASSEMBLY (SERVICE REPLACEMENT) | 342 |
| FIGURE 5-10. JIB CYLINDER ASSEMBLY (ORIGINAL EQUIPMENT) | 344 |
| FIGURE 5-11. JIB CYLINDER ASSEMBLY (SERVICE REPLACEMENT) | 346 |
| FIGURE 5-12. STEER CYLINDER ASSEMBLY (ORIGINAL EQUIPMENT) (Prior to SN 0300073367) | 348 |
| FIGURE 5-13. STEER CYLINDER ASSEMBLY (SERVICE REPLACEMENT) (SN 0300073367 through 0300201016) | 350 |
| FIGURE 5-14. STEER CYLINDER ASSEMBLY (SERVICE REPLACEMENT) | 352 |
| FIGURE 5-15. TELESCOPE CYLINDER ASSEMBLY (ORIGINAL EQUIPMENT) | 354 |
| FIGURE 5-16. TELESCOPE CYLINDER ASSEMBLY - 1200SJP (SERVICE REPLACEMENT) | 358 |
| FIGURE 5-17. TELESCOPE CYLINDER ASSEMBLY - 1350SJP (SERVICE REPLACEMENT) | 360 |
| | |
| SECTION 6 - HYDRAULIC | 363 |
| | |
| FIGURE 6-1. HYDRAULIC DIAGRAM - DRIVE | 364 |
| FIGURE 6-2. HYDRAULIC DIAGRAM - OSCILLATING AXLE | 368 |
| FIGURE 6-3. HYDRAULIC DIAGRAM - STEER | 370 |
| FIGURE 6-4. HYDRAULIC DIAGRAM - TURNTABLE | 372 |
| FIGURE 6-5. HYDRAULIC DIAGRAM - BOOM | 376 |
| FIGURE 6-6. HYDRAULIC DIAGRAM - 7500W GENERATOR (Prior to SN 0300080338) | 380 |
| FIGURE 6-7. HYDRAULIC DIAGRAM LIST | 382 |
| | |
| SECTION 7 - ELECTRICAL | 387 |
| | |
| FIGURE 7-1. ELECTRICAL DIAGRAM LIST | 388 |
| FIGURE 7-2. HARNESS COMPONENTS INSTALLATION (WITHOUT UGM) (Prior to SN 0300087579) | 390 |
| FIGURE 7-3. HARNESS COMPONENTS INSTALLATION (WITHOUT UGM) (SN 0300087579 through 0300201016) | 406 |
| FIGURE 7-4. HARNESS COMPONENTS INSTALLATION (WITH UGM) | 426 |
| FIGURE 7-5. HARNESS COMPONENTS INSTALLATION (WITH UGM) | 446 |

TABLE OF CONTENTS

| | |
|---|-----|
| SECTION 8 - DECALS | 465 |
| FIGURE 8-1. DECAL INSTALLATION (ANSI SPEC) (Prior to SN 0300089981) | 466 |
| FIGURE 8-2. DECAL INSTALLATION (ANSI SPEC) (SN 0300089981 through 0300201016) | 470 |
| FIGURE 8-3. DECAL INSTALLATION (ANSI EXPORT SPECS) (Prior to SN 0300089981) | 474 |
| FIGURE 8-4. DECAL INSTALLATION (ANSI EXPORT SPECS) (SN 0300089981 through 0300201016) | 478 |
| FIGURE 8-5. DECAL INSTALLATION (AUSTRALIAN AND CE SPECS) (Prior to SN 0300089981) | 484 |
| FIGURE 8-6. DECAL INSTALLATION (AUSTRALIAN AND CE SPECS) (SN 0300089981 through 0300201016) | 490 |
| SECTION 9 - RECOMMENDED SERVICE PARTS STOCK | 493 |
| FIGURE 9-1. MODEL 1200SJP/1350SJP STANDARD PARTS | 494 |
| FIGURE 9-2. MODEL 1200SJP/1350SJP VARIABLE PARTS | 496 |
| SECTION 10 - SPECIAL OPTIONS | 497 |
| FIGURE 10-1. SPECIAL OPTIONS | 498 |
| PART NUMBER INDEX | 503 |

Go to Discount-Equipment.com to order your parts

SECTION 1 - FRAME

Go to Discount-Equipment.com to order your parts

SECTION 1 - FRAME

FIGURE 1-1. AXLE INSTALLATIONS

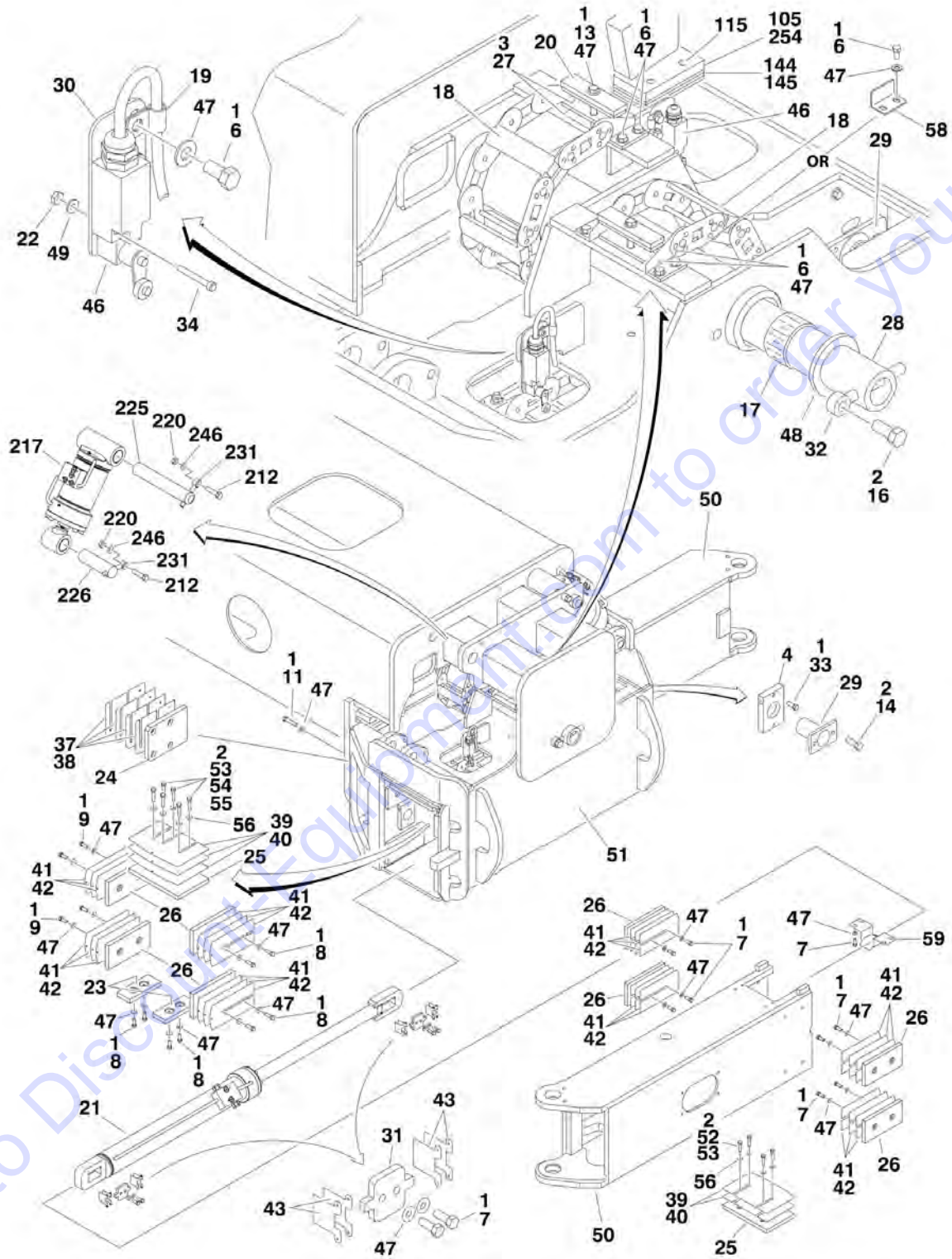


FIGURE 1-1. AXLE INSTALLATIONS

| ITEM | PART NUMBER | QTY | DESCRIPTION | REV |
|------|-------------|-----|--|-----|
| | | Ref | AXLE INSTALLATIONS - COMMON PARTS | |
| | 0271934 | Ref | Fixed Axle (Prior to SN 0300195072) | L |
| | 1001173914 | Ref | Fixed Axle (SN 0300195072 through 0300196321) | D |
| | 0271934 | Ref | Fixed Axle (SN 0300196322 through 0300201016) | L |
| | 0271521 | Ref | Oscillating Axle (Prior to SN 0300195072) | L |
| | 1001173913 | Ref | Oscillating Axle (SN 0300195072 through 0300196321) | D |
| | 0271521 | Ref | Oscillating Axle (SN 0300196322 through 0300201016) | L |
| 1 | 0100011 | AR | Compound, Locking | |
| 2 | 0100019 | AR | Compound, Locking | |
| 3 | 0100081 | AR | Adhesive #454 | |
| 4 | 0363037 | 4 | Bar, Stop | |
| 6 | 0641606 | AR | Bolt 3/8in-16NC x 3/4in | |
| 7 | 0641608 | 48 | Bolt 3/8in-16NC x 1in | |
| 8 | 0641609 | 32 | Bolt 3/8in-16NC x 1-1/8in | |
| 9 | 0641611 | 16 | Bolt 3/8in-16NC x 1-3/8in | |
| 11 | 0641613 | 8 | Bolt 3/8in-16NC x 1-5/8in | |
| 13 | 0641624 | 4 | Bolt 3/8in-16NC x 3in | |
| 13 | 0641620 | 4 | Bolt 3/8in-16NC x 2-1/2in | |
| 14 | 0641808 | 8 | Bolt 1/2in-13NC x 1in | |
| 16 | 0642214 | 1 | Bolt 3/4in-10NC x 1-3/4in | |
| 17 | 0962033 | 2 | Bushing | |
| 18 | 1180358 | 4 | Carrier (Prior to SN 0300195072, SN 0300196322 through 0300201016) | |
| 18 | 7024365 | AR | Section Repair Kit (Includes Inner and Outer Links, Joining Bars and Rollers, and Assembling Hardware) (Prior to SN 0300195072, SN 0300196322 through 0300201016) | |
| 18 | 7024366 | 1 | Mounting Bracket Kit (Includes Mounting Brackets for Both Ends, 1 Roller Assembly and Assembling Hardware) (Prior to SN 0300195072, SN 0300196322 through 0300201016) | |
| 19 | 1320263 | 4 | Clamp, Cable | |
| 20 | 1320298 | 4 | Clamp, Hose | |
| 21 | 1684102 | NLA | Axle Extension Cylinder Assembly (Use p/n 1001228020) (See CYLINDER SECTION for Breakdown) (Original Equipment) | |
| 21 | 1001228020 | 4 | Axle Extension Cylinder Assembly (See Separate Breakdown in CYLINDER SECTION) (Service Replacement) | |
| 22 | 3310805 | 8 | Locknut #8-32NC | |
| 23 | 3340881 | 8 | Pad, Wear | |
| 24 | 3340907 | 2 | Pad, Axle (Use p/n 1001161401) | |
| 25 | 3340946 | 8 | Pad, Wear (Use p/n 1001161402) | |
| 26 | 3340932 | 32 | Pad, Wear (Use p/n 1001161403) | |
| 27 | 3340939 | 8 | Pad, Rubber | |
| 28 | 3422918 | 1 | Pin | |
| 29 | 3422960 | 4 | Pin | |
| 30 | 3573294 | 4 | Plate | |
| 31 | 3573335 | 8 | Plate | |
| 32 | 3841287 | 1 | Keeper, Pin | |
| 33 | 3900270 | 4 | Bolt, Shoulder 1/2in -13NC x 1-1/2in | |
| 34 | 3930820 | 8 | Capscrew #8-32NC x 1-1/4in | |
| 37 | 4071035 | 2 | Shim #18 Gauge | |
| 38 | 4071036 | 4 | Shim #11 Gauge | |
| 39 | 4071054 | 8 | Shim #18 Gauge | |

SECTION 1 - FRAME

| ITEM | PART NUMBER | QTY | DESCRIPTION | REV |
|------|-------------|-----|---|-----|
| 40 | 4071055 | 12 | Shim #11 Gauge | |
| 41 | 4071039 | AR | Shim #18 Gauge | |
| 42 | 4071040 | 36 | Shim #11 Gauge | |
| 43 | 4071042 | 24 | Shim #16 Gauge | |
| 46 | | Ref | Switch, Limit Options: | |
| 46 | 4360322 | 4 | Switch, Limit (Use p/n 4360578) (Prior to SN 0300074420) | |
| 46 | 4360549 | 4 | Switch, Limit (Use p/n 4360578) (SN 0300074420 through 0300080868) | |
| 46 | 4360578 | 4 | Switch, Limit (Note: P/N 4360578 does not include #57 Connector - Purchase Separately) (SN 0300080869 through 0300201016) | |
| 47 | 4711600 | 140 | Flatwasher 3/8in Thin | |
| 48 | 4740461 | 1 | Thrustwasher | |
| 49 | 4750800 | 8 | Flatwasher #8 Regular | |
| 50 | 4846637 | 4 | Extension, Axle | |
| 51 | 4846383 | 1 | Box, Axle Pivot | |
| 52 | 0681813 | 12 | Bolt 1/2in-13NC x 1-5/8in (Grade 8) | |
| 53 | 0681814 | 18 | Bolt 1/2in-13NC x 1-3/4in (Grade 8) | |
| 54 | 0681815 | 12 | Bolt 1/2in-13NC x 1-7/8in (Grade 8) | |
| 55 | 0681816 | 6 | Bolt 1/2in-13NC x 2in (Grade 8) | |
| 56 | 4711800 | 48 | Flatwasher 1/2in Thin | |
| 57 | 4460968 | 4 | Connector, Strain Relief (Not Shown) | |
| 58 | 1001172319 | 8 | Plate (SN 0300195072 through 0300196321) | |
| 59 | 1001175069 | 4 | Bracket, Hose Mount (SN 0300195072 through 0300196321) | |
| 60 | 4240155 | AR | Tie-Strap (Not Shown) (SN 0300195072 through 0300196321) | |
| | | Ref | AXLE INSTALLATION - OPTIONAL PARTS | |
| | 0271934 | Ref | Fixed Axle (Prior to SN 0300195072) | L |
| | 1001173914 | Ref | Fixed Axle (SN 0300195072 through 0300196321) | D |
| | 0271934 | Ref | Fixed Axle (SN 0300196322 through 0300201016) | L |
| 105 | 0363076 | 2 | Bar, Stop | |
| 115 | 0641814 | 4 | Bolt 1/2in-13NC x 1-3/4in | |
| 144 | 4071049 | 6 | Shim 11 Gauge | |
| 145 | 4071050 | 4 | Shim 16 Gauge | |
| | 0271521 | Ref | Oscillating Axle (Prior to SN 0300195072) | L |
| | 1001173913 | Ref | Oscillating Axle (SN 0300195072 through 0300196321) | D |
| | 0271521 | Ref | Oscillating Axle (SN 0300196322 through 0300201016) | L |
| 212 | 0642020 | 4 | Bolt 5/8in-11NC x 2-1/2in | |
| 217 | 1684081 | NLA | Oscillating Axle Cylinder Assembly (Use p/n 1001228019) (See CYLINDER SECTION for Breakdown) (Original Equipment) | |
| 217 | 1001228019 | 2 | Oscillating Axle Cylinder Assembly (See Separate Breakdown in CYLINDER SECTION) (Service Replacement) | |
| 220 | 3312005 | 4 | Locknut 5/8in-11NC | |
| 225 | 3422833 | 2 | Pin | |
| 226 | 3422915 | 2 | Pin | |
| 231 | 3841258 | 4 | Keeper, Pin | |
| 246 | 4712000 | 4 | Flatwasher 5/8in Thin | |
| 254 | 3520054 | 4 | Plug | |

SECTION 1 - FRAME

FIGURE 1-2. STEER INSTALLATION

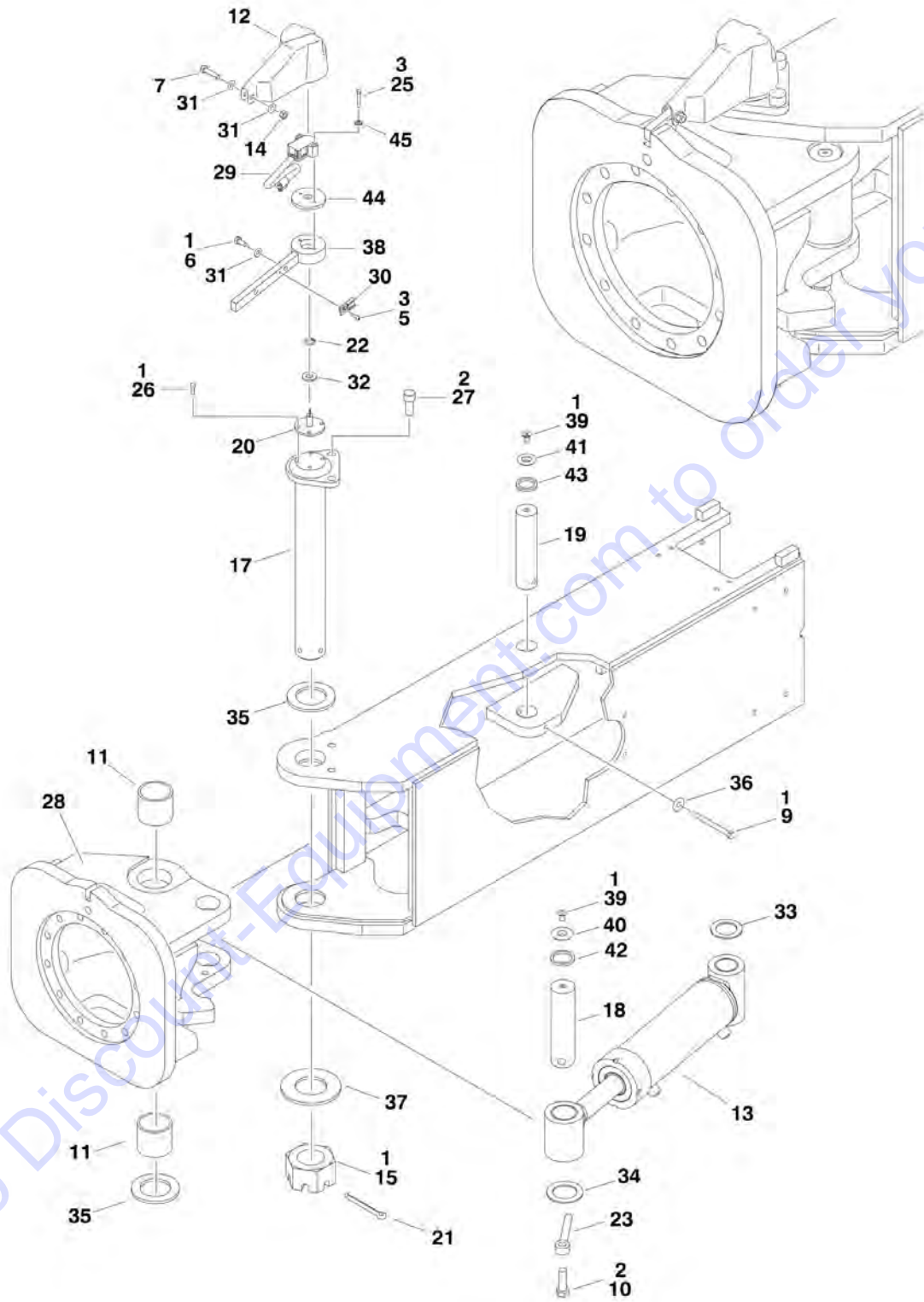


FIGURE 1-2. STEER INSTALLATION

| ITEM | PART NUMBER | QTY | DESCRIPTION | REV |
|------|-------------|-----|--|-----|
| | 0271520 | Ref | STEER INSTALLATION | J |
| 1 | 0100011 | AR | Compound, Locking | |
| 2 | 0100019 | AR | Compound, Locking | |
| 3 | 0100035 | AR | Compound, Locking | |
| 5 | 0630464 | 4 | Screw, Button Head #10-24NC x 1/2in | |
| 6 | 0641505 | 4 | Bolt 5/16in-18NC x 5/8in | |
| 7 | 0641511 | 4 | Bolt 5/16in-18NC x 1-3/8in | |
| 9 | 0641634 | 4 | Bolt 3/8in-16NC x 4-1/4in | |
| 10 | 0642016 | 4 | Bolt 5/8in-11NC x 2in | |
| 11 | 0962423 | 8 | Bushing | |
| 12 | 1671040 | 4 | Cover, Sensor | |
| 13 | | Ref | Steer Cylinder Assembly Options (See CYLINDER SECTION for Breakdown): | |
| 13 | 0000168 | NLA | Steer Cylinder Assembly (Use p/n 1001228026) (Original Equipment) (Prior to SN 0300073367) | |
| 13 | 1684314 | NLA | Steer Cylinder Assembly (Use p/n 1001228026) (Service Replacement) (SN 0300073367 through 0300201016) | |
| 13 | 1001228026 | 4 | Steer Cylinder Assembly (Service Replacement) | |
| 14 | 3311505 | 4 | Locknut 5/16in-18NC | |
| 15 | 3300464 | 4 | Nut, Slotted | |
| 17 | 3422917 | 4 | Kingpin | |
| 18 | 3422940 | 4 | Pin, Steer Cylinder (Outer) | |
| 19 | 3422941 | 4 | Pin, Steer Cylinder (Inner) | |
| 20 | | Ref | Pin, Sensor Options: | |
| 20 | 3422942 | 4 | Pin, Sensor (Prior to SN 0300090782) | |
| 20 | 3423256 | 4 | Pin, Sensor (SN 0300090782 through 0300201016) | |
| 21 | 3451214 | 4 | Pin, Cotter 3/8in x 3-1/2in | |
| 22 | 3760383 | 4 | Ring, Retaining | |
| 23 | 3841258 | 4 | Keeper, Pin | |
| 25 | 3931020 | 8 | Capscrew #10-24NC x 1-1/4in | |
| 26 | 3931412 | 16 | Capscrew 1/4in-20NC x 3/4in | |
| 27 | 3932024 | 8 | Capscrew 5/8in-11NC x 1-1/2in | |
| 28 | | Ref | Spindle Options: | |
| 28 | 4130387 | 4 | Spindle (Use p/n 1001099632) (Prior to SN 0300100131) | |
| 28 | 4130416 | 4 | Spindle (Use p/n 1001099632) (SN 0300100131 through 0300201016) | |
| 29 | 4360505 | 4 | Switch, Rotary Angle Sensor (Steer) | |
| 30 | 4460914 | 4 | Terminal | |
| 31 | 4711500 | 12 | Flatwasher 5/16in Thin | |
| 32 | 4711800 | 4 | Flatwasher 1/2in Thin | |
| 33 | 4740181 | 4 | Thrustwasher | |
| 34 | 4740229 | 4 | Thrustwasher | |
| 35 | 4740505 | 8 | Thrustwasher | |
| 36 | 4751600 | 4 | Flatwasher 3/8in Regular | |
| 37 | 4755000 | 4 | Flatwasher 2-1/2in Regular | |
| 38 | | Ref | Arm, Steer Options: | |
| 38 | 4846494 | 4 | Arm, Steer (Prior to SN 0300090782) | |
| 38 | 0200833 | 4 | Arm, Steer (SN 0300090782 through 0300201016) | |
| 39 | 0741606 | 8 | Screw, Countersunk 3/8in-16NC x 3/4in | |
| 40 | 1120549 | 4 | Cap, Seal (Outer) | |

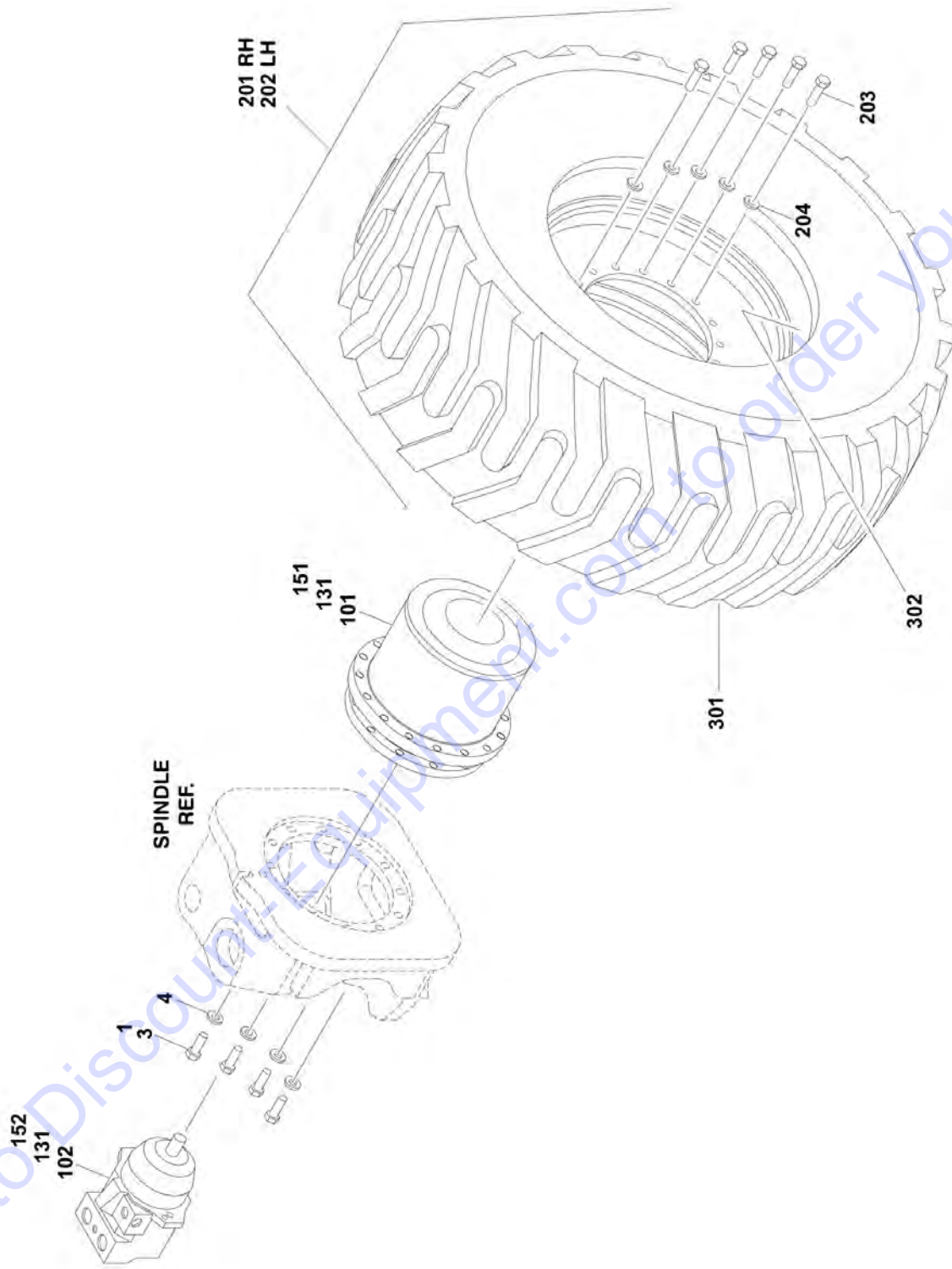
SECTION 1 - FRAME

| ITEM | PART NUMBER | QTY | DESCRIPTION | REV |
|------|-------------|-----|--|-----|
| 41 | 1120550 | 4 | Cap, Seal (Inner) | |
| 42 | 3960551 | 4 | Seal (Outer) | |
| 43 | 3960552 | 4 | Seal (Inner) | |
| 44 | 0080277 | 4 | Adapter, Angle Sensor Pilot (SN 0300090782 through 0300201016) | |
| 45 | 4750800 | 8 | Flatwasher M8 | |

Go to Discount-Equipment.com to order your parts

SECTION 1 - FRAME

FIGURE 1-3. TIRE AND WHEEL DRIVE INSTALLATION



Go to DiscoverEquipment.com to order your parts

SECTION 1 - FRAME

FIGURE 1-3. TIRE AND WHEEL DRIVE INSTALLATION

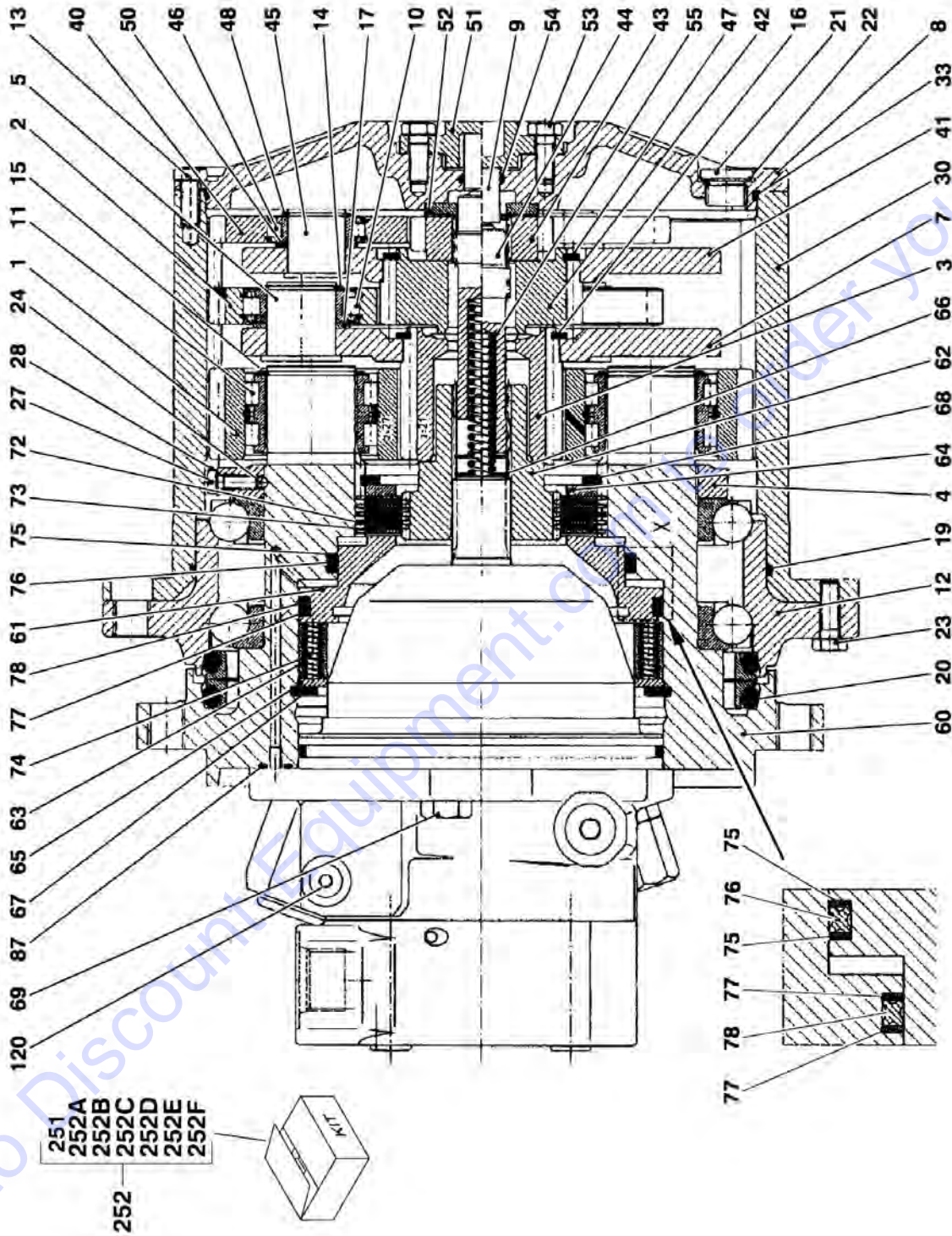
| ITEM | PART NUMBER | QTY | DESCRIPTION | REV |
|------|-------------|-----|--|-----|
| | | Ref | WHEEL DRIVE INSTALLATION | |
| | 0271522 | Ref | Wheel Drive Installation (Prior to SN 0300100131) | E |
| | | Ref | Wheel Drive Installation (SN 0300100131 through 0300201016) | |
| | 0275685 | Ref | With Bonfiglioli Drive Hub | B |
| | 1001104324 | Ref | With Reggiana Riduttori Drive Hub | A |
| 1 | 0100019 | AR | Compound, Locking | |
| 3 | 0701617 | 48 | Bolt M16 x 45mm (12 Per Wheel) | |
| 4 | 4892000 | 48 | Washer Hardened 5/8in (12 Per Wheel) | |
| | 0272258 | Ref | HUB AND MOTOR ASSEMBLY (Prior to SN 0300079596) | B |
| | | Ref | Note: Original Equipment hub may have been replaced with Service Replacement. Refer to tag on hub for identification before ordering parts. | |
| 101 | 2780248 | 4 | Drive Hub Assembly (Use p/n 2780283 - See DRIVE HUB ASSEMBLY for Breakdown. See DRIVE HUB AND MOTOR ASSEMBLY for replacement components for Service Replacement p/n 2780283.) | |
| 102 | 3160291 | 4 | Drive Motor Assembly (See DRIVE MOTOR ASSEMBLY for Breakdown) | |
| 131 | | Ref | HUB AND MOTOR ASSEMBLY (SN 0300079596 through 0300100130) | |
| | | Ref | Note: For Machines Built SN 0300079596 to SN 0300083552, Original Equipment may have been replaced with Service Replacement. Refer to tag on hub for identification before ordering parts. | |
| 131 | 2780279 | 4 | Hub and Motor Assembly (Use p/n 2780284 - See DRIVE HUB AND MOTOR ASSEMBLY for Breakdown. See DRIVE HUB AND MOTOR ASSEMBLY for replacement components for Service Replacement p/n 2780284.) (SN 0300079596 through 0300083551) | |
| 131 | 2780284 | 4 | Hub and Motor Assembly (See DRIVE HUB AND MOTOR ASSEMBLY for Breakdown) (SN 0300083552 through 0300100131) | |
| | | Ref | HUB AND MOTOR ASSEMBLY (SN 0300100131 through 0300201016) | |
| | 2780286 | Ref | With Bonfiglioli Drive Hub | C |
| | 1001104315 | Ref | With Reggiana Riduttori Drive Hub | A |
| 151 | | Ref | Drive Hub Assembly Options: | |
| | | Ref | Note: Various brands used on Machines Built SN 0300100131 through 0300201016. When replacing complete hub, note that all 4 hubs must be the same brand. | |
| | | Ref | Note: Various brands used on Machines Built SN 0300100131 through 0300201016. Identify brand before ordering replacement parts. | |
| 151 | 2780290 | 4 | Bonfiglioli Hub (Use p/n 1001093243) (See DRIVE HUB ASSEMBLY - BONFIGLIOLI for Breakdown) | |
| 151 | 1001104325 | 4 | Reggiana Riduttori Hub (See DRIVE HUB ASSEMBLY - REGGIANA RIDUTTORI for Breakdown) | |
| 152 | 3160339 | 4 | Drive Motor Assembly (See DRIVE MOTOR ASSEMBLY for Breakdown) | |
| | | Ref | TIRE AND WHEEL INSTALLATIONS | |
| | 0271852 | Ref | Foam-Filled Tires | B |
| | 1001115961 | Ref | Solid Tires | A |
| | | Ref | Note: Assemblies may require ballast/foam filling to manufacturer's specifications prior to installing on a machine. Refer to Operation and Safety or Service and Maintenance | |

SECTION 1 - FRAME

| ITEM | PART NUMBER | QTY | DESCRIPTION | REV |
|------|-------------|-----|---|-----|
| | | | Manuals. Purchase individual tire and/or rim only if able to foam fill tire and wheel assembly, otherwise, purchase complete assembly. | |
| 201 | | Ref | Right Side Tire and Wheel Assembly Options (See Items 301-302 for Breakdown): | |
| 201 | 0272055 | 2 | Foam-Filled Tire and Wheel Assembly | |
| 201 | 1001112716 | 2 | Solid Tire and Wheel Assembly | |
| 202 | | Ref | Left Side Tire and Wheel Assembly Options (See Items 301-302 for Breakdown): | |
| 202 | 0272056 | 2 | Foam-Filled Tire and Wheel Assembly | |
| 202 | 1001112669 | 2 | Solid Tire and Wheel Assembly | |
| 203 | 0701619 | 64 | Bolt M16 x 55mm (16 Per Wheel) | |
| 204 | 4892000 | 64 | Washer Hardened 5/8in (16 Per Wheel) | |
| | | Ref | TIRE AND WHEEL ASSEMBLY COMPONENTS | |
| 301 | | Ref | Tire Only Options: | |
| 301 | 4520261 | 4 | Tire 445/50D710 (For Foam Filling) | |
| 301 | See Note | 4 | Tire 445/65-24 (Solid) (Note: Not Available - Purchase Items 201 or 202) | |
| 302 | | Ref | Rim Only Options: | |
| 302 | 4860236 | 4 | Rim, Wheel (Foam-Filled Tires) | |
| 302 | See Note | 4 | Rim (Solid Tires) (Note: Not Available - Purchase Items 201 or 202) | |

SECTION 1 - FRAME

FIGURE 1-4. DRIVE HUB ASSEMBLY (Prior to SN 0300079596)



SECTION 1 - FRAME

FIGURE 1-4. DRIVE HUB ASSEMBLY (Prior to SN 0300079596)

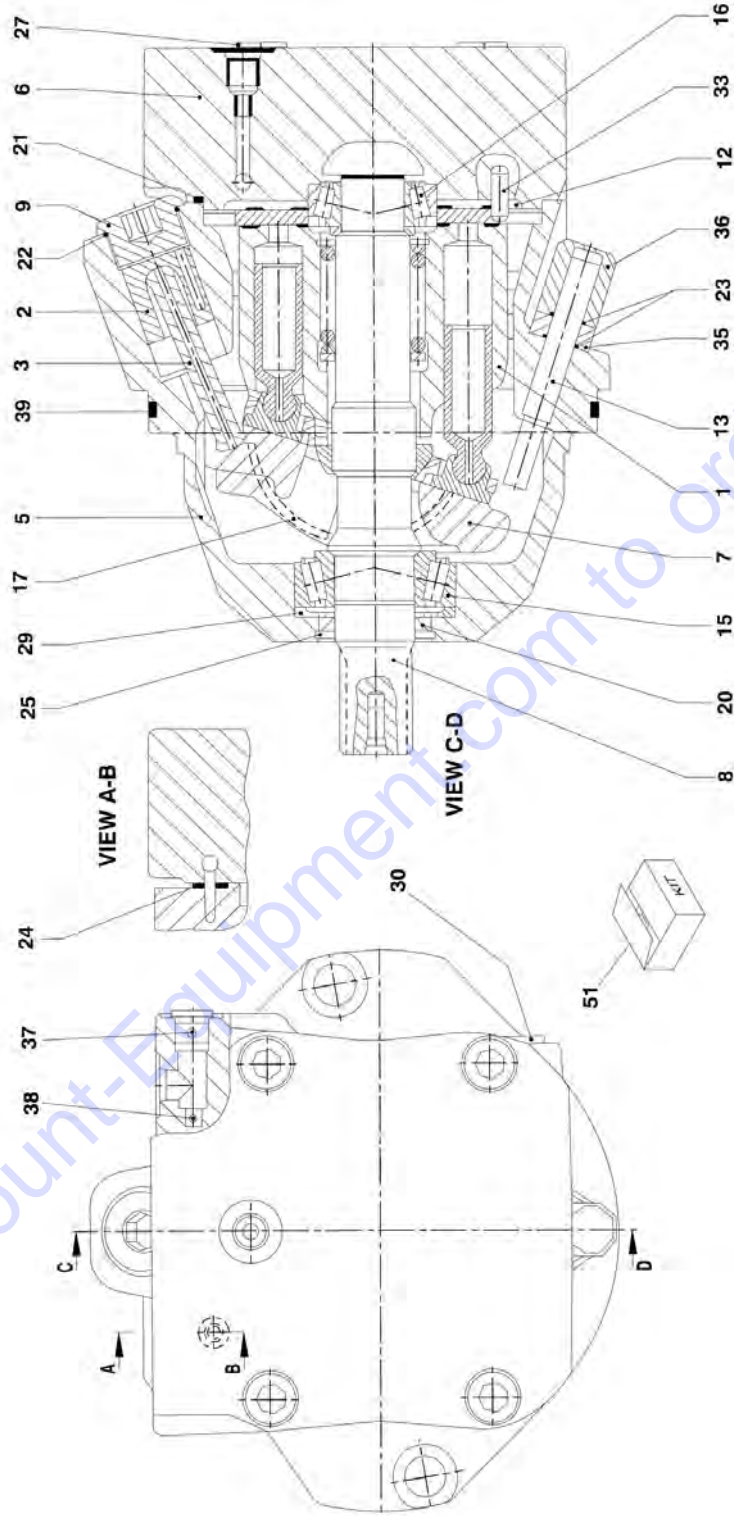
| ITEM | PART NUMBER | QTY | DESCRIPTION | REV |
|------|-------------|-----|--|-----|
| | 2780248 | Ref | DRIVE HUB ASSEMBLY Note: Original Equipment p/n 2780248 hub may have been replaced with Service Replacement p/n 2780283. - See DRIVE HUB AND MOTOR ASSEMBLY for Breakdown. Refer to tag on hub for identification before ordering parts. Note: Unless there is capability to torque shaft (item 4) to 626 ft/lbs (850Nm) Repair beyond this level is not advised. | B |
| | | Ref | | |
| | | Ref | | |
| 1 | 7024028 | 4 | Gear, Planet | |
| 2 | 7024029 | 3 | Gear, Planet | |
| 3 | 7022535 | 1 | Gear, Sun | |
| 4 | 7022536 | 1 | Nut, Shaft | |
| 5 | 7021388 | 3 | Pin, Planet | |
| 7 | 7022537 | 1 | Carrier, Planet | |
| 8 | 7022538 | 1 | Cover | |
| 9 | 7024967 | 1 | Button, Thrust | |
| 10 | 7024029 | 3 | Bearing, Roller | |
| 11 | 7024028 | 4 | Bearing, Roller | |
| 12 | 7022536 | 1 | Bearing, Ball | |
| 13 | 7022540 | 2 | Bolt, Hex | |
| 14 | 7024029 | 3 | Ring, Retaining | |
| 15 | 7024028 | 4 | Ring, Retaining | |
| 16 | 7022546 | 1 | Ring, Retaining | |
| 17 | 7024029 | 3 | Ring, Stay | |
| 19 | 7024966 | 1 | O-Ring | |
| 20 | 7024968 | 1 | Seal, Face | |
| 21 | 7022550 | 2 | Plug | |
| 22 | 7022540 | 2 | Seal, Ring | |
| 23 | 7022536 | 2 | Bolt | |
| 24 | See Note | 2 | Ball (Note: Not Available For Purchase) | |
| 27 | See Note | 2 | Bolt (Note: Not Available For Purchase) | |
| 28 | See Note | 2 | Washer (Note: Not Available For Purchase) | |
| 30 | 7022556 | 1 | Gear, Ring | |
| 33 | 7022540 | 1 | O-Ring | |
| 40 | 7024030 | 3 | Gear, Planet | |
| 41 | 7022559 | 1 | Carrier, Planet | |
| 42 | 7022560 | 1 | Gear, Sun | |
| 43 | 7022540 | 1 | Gear, Sun | |
| 44 | 7022540 | 1 | Shaft, Input | |
| 45 | 7011326 | 3 | Pin, Planet | |
| 46 | 7024030 | 3 | Bearing, Roller | |
| 47 | 7022564 | 1 | Ring, Retaining | |
| 48 | 7024030 | 3 | Ring, Retaining | |
| 50 | 7024030 | 3 | Ring, Stay | |
| 51 | 7022567 | 1 | Cover | |
| 52 | 7022568 | 1 | Washer Thrust | |
| 53 | 7022536 | 2 | Bolt | |
| 54 | 7022540 | 1 | O-Ring | |
| 55 | 7022540 | 1 | Spring, Pressure | |
| 60 | 7022572 | 1 | Spindle | |
| 61 | 7022573 | 1 | Piston | |

SECTION 1 - FRAME

| ITEM | PART NUMBER | QTY | DESCRIPTION | REV |
|------|-------------|-----|--|-----|
| 62 | 7022574 | 1 | Coupler | |
| 63 | 7022575 | 1 | Ring, Locator | |
| 64 | 7021354 | 1 | Plate, Back-up | |
| 65 | 7022576 | 1 | Plate, Back-up | |
| 66 | 7022577 | 1 | Ring, Retaining | |
| 67 | 7022578 | 1 | Ring, Retaining | |
| 68 | 7022509 | 1 | Ring, Retaining | |
| 69 | 7022579 | 2 | Bolt | |
| 72 | 7022580 | 4 | Disc, Brake | |
| 73 | 7022580 | 5 | Disc, Brake | |
| 74 | 7022580 | 16 | Spring | |
| 75 | 7022581 | 2 | Ring, Back-up | |
| 76 | 7022581 | 1 | Seal | |
| 77 | 7022581 | 2 | Ring, Back-up | |
| 78 | 7022581 | 1 | Seal | |
| 87 | 7024032 | 1 | O-Ring | |
| 120 | See Note | 1 | Motor Assembly (Note: See Tire and Wheel Drive Installation) | |
| 121 | 7024031 | 1 | O-Ring (Not Shown) | |
| 224 | 7024969 | 2 | Pin, Slotted (Not Shown) | |
| 251 | 7022581 | 1 | Brake Seal Kit (Includes Items 75-78) | |
| 252 | | Ref | Repair Kit Options: | |
| 252A | 7022580 | 1 | Brake Disc Kit (Includes Items 72-74) | |
| 252B | 7022536 | 1 | Bearing Kit (Includes Items 4, 12, 23 & 53) | |
| 252C | 7024030 | 1 | Planet Gear and Bearing Kit (Includes Items 40, 46, 48 & 50) | |
| 252D | 7024029 | 1 | Planet Gear and Bearing Kit (Includes Items 2, 10, 14 & 17) | |
| 252E | 7024028 | 1 | Planet Gear and Bearing Kit (Includes Items 1, 11 & 15) | |
| 252F | 7022540 | 1 | Mechanical Disconnect Kit (Includes Items 13, 22, 33, 43, 44, 54 & 55) | |

SECTION 1 - FRAME

FIGURE 1-5. DRIVE MOTOR ASSEMBLY (Prior to SN 0300079596)



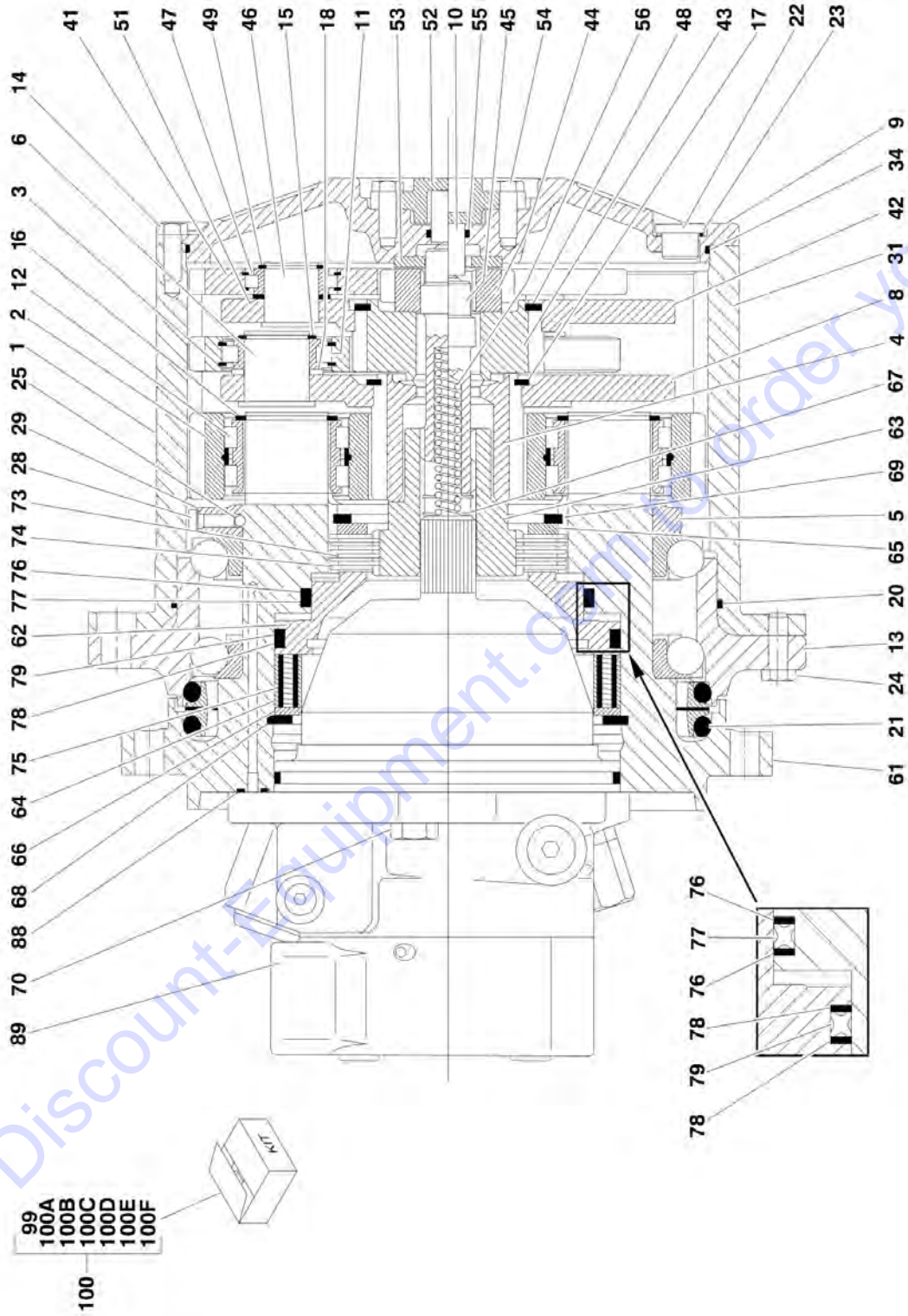
SECTION 1 - FRAME

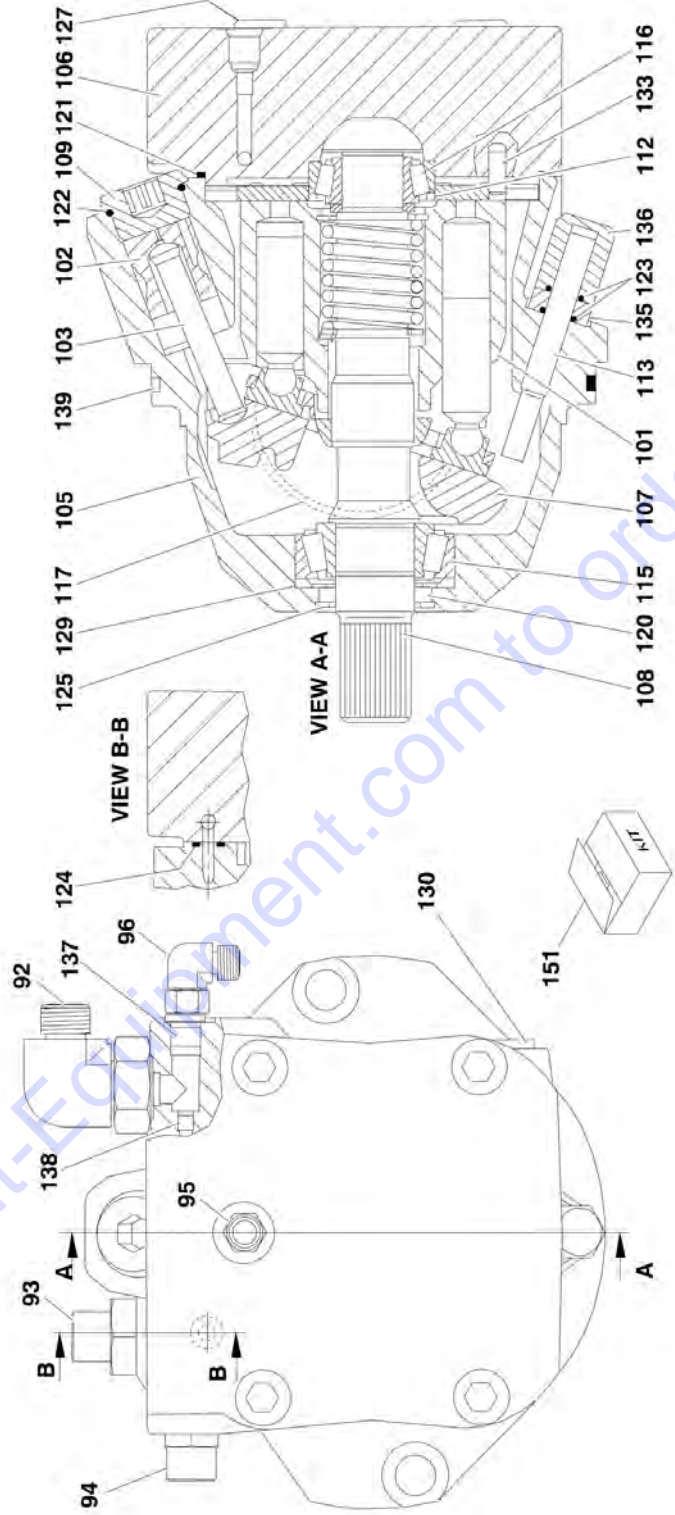
FIGURE 1-5. DRIVE MOTOR ASSEMBLY (Prior to SN 0300079596)

| ITEM | PART NUMBER | QTY | DESCRIPTION | REV |
|------|-------------|-----|--|-----|
| | 3160291 | Ref | DRIVE MOTOR ASSEMBLY | A |
| 1 | 7012716 | 1 | Rotary Group Assembly | |
| 2 | See Note | 1 | Piston, Control (Note: Not Available For Purchase) | |
| 3 | See Note | 1 | Rod, Piston (Note: Not Available For Purchase) | |
| 5 | See Note | 1 | Housing (Note: Not Available - Purchase Complete Drive Motor Assembly) | |
| 6 | See Note | 1 | Plate, Port (Note: Not Available For Purchase) | |
| 7 | 7024036 | 1 | Plate, Swash | |
| 8 | 7024037 | 1 | Driveshaft | |
| 9 | See Note | 1 | Plug, Screw (Note: Not Available For Purchase) | |
| 12 | 7012704 | 1 | Shim | |
| 13 | See Note | 1 | Stop Screw (Note: Not Available For Purchase) | |
| 15 | 7024038 | 1 | Bearing | |
| 16 | 7012706 | 1 | Bearing | |
| 17 | 7024039 | 2 | Shell, Cradle | |
| 20 | 7024034 | 1 | Seal, Shaft | |
| 21 | 7024034 | 1 | O-Ring | |
| 22 | 7024034 | 1 | O-Ring | |
| 23 | 7024034 | 2 | O-Ring | |
| 24 | 7024034 | 1 | Seal | |
| 25 | 7012715 | 1 | V-Ring | |
| 27 | 7024040 | 4 | Screw, Sockethead M12 x 60 | |
| 29 | See Note | 1 | Ring, Stop (Note: Not Available For Purchase) | |
| 30 | See Note | 1 | Plug (Note: Not Available For Purchase) | |
| 33 | See Note | 1 | Pin, Dowel (Note: Not Available For Purchase) | |
| 35 | See Note | 1 | Nut M10 (Note: Not Available For Purchase) | |
| 36 | See Note | 1 | Nut, Cap M10 (Note: Not Available For Purchase) | |
| 37 | 7024034 | 1 | Plug | |
| 38 | 7024041 | 1 | Orifice | |
| 39 | 7024034 | 1 | O-Ring | |
| 51 | 7024034 | 1 | Seal Kit (Includes Items 20-24, 37 & 39) | |

SECTION 1 - FRAME

FIGURE 1-6. DRIVE HUB AND MOTOR ASSEMBLY (SN 0300079596 through 0300083552)





SECTION 1 - FRAME

FIGURE 1-6. DRIVE HUB AND MOTOR ASSEMBLY (SN 0300079596 through 0300083551)

| ITEM | PART NUMBER | QTY | DESCRIPTION | REV |
|------|-------------|-----|--|-----|
| | 2780279 | Ref | DRIVE HUB AND MOTOR ASSEMBLY | A |
| | | Ref | Note: For Machines Built SN 0300079596 to SN 0300083552, Original Equipment p/n 2780279 may have been replaced with Service Replacement p/n 2780284 - See DRIVE HUB AND MOTOR ASSEMBLY for Breakdown. Refer to tag on hub for identification before ordering parts. | |
| | | Ref | Note: Unless there is capability to torque shaft (item 4) to 626 ft/lbs (850Nm) Repair beyond this level is NOT advised. | |
| 1 | 2780248 | 1 | Hub, Torque | |
| 2 | 7024028 | 4 | Gear, Planet | |
| 3 | 7024029 | 3 | Gear, Planet | |
| 4 | 7022535 | 1 | Gear, Sun | |
| 5 | 7022536 | 1 | Nut, Shaft | |
| 6 | 7021388 | 3 | Pin, Planet | |
| 8 | 7022537 | 1 | Carrier, Planet | |
| 9 | 7022538 | 1 | Cover | |
| 10 | 7024967 | 1 | Button, Thrust | |
| 11 | 7024029 | 3 | Bearing, Roller | |
| 12 | 7024028 | 4 | Bearing, Roller | |
| 13 | 7022536 | 1 | Bearing, Ball | |
| 14 | 7022540 | 2 | Bolt, Hex | |
| 15 | 7024029 | 3 | Ring, Retaining | |
| 16 | 7024028 | 4 | Ring, Retaining | |
| 17 | 7022546 | 1 | Ring, Retaining | |
| 18 | 7024029 | 3 | Ring, Stay | |
| 20 | 7024966 | 1 | O-Ring | |
| 21 | 7024968 | 1 | Seal, Face | |
| 22 | 7022550 | 2 | Plug | |
| 23 | 7022540 | 2 | Seal, Ring | |
| 24 | 7022536 | 2 | Bolt | |
| 25 | See Note | 2 | Ball (Note: Not Available For Purchase) | |
| 28 | See Note | 2 | Bolt (Note: Not Available For Purchase) | |
| 29 | See Note | 2 | Washer (Note: Not Available For Purchase) | |
| 31 | 7022556 | 1 | Gear, Ring | |
| 34 | 7022540 | 1 | O-Ring | |
| 41 | 7024030 | 3 | Gear, Planet | |
| 42 | 7022559 | 1 | Carrier, Planet | |
| 43 | 7022560 | 1 | Gear, Sun | |
| 44 | 7022540 | 1 | Gear, Sun | |
| 45 | 7022540 | 1 | Shaft, Input | |
| 46 | 7011326 | 3 | Pin, Planet | |
| 47 | 7024030 | 3 | Bearing, Roller | |
| 48 | 7022564 | 1 | Ring, Retaining | |
| 49 | 7024030 | 3 | Ring, Retaining | |
| 51 | 7024030 | 3 | Ring, Stay | |
| 52 | 7022567 | 1 | Cover | |
| 53 | 7022568 | 1 | Washer Thrust | |
| 54 | 7022536 | 2 | Bolt | |
| 55 | 7022540 | 1 | O-Ring | |
| 56 | 7022540 | 1 | Spring, Pressure | |
| 61 | 7022572 | 1 | Spindle | |

SECTION 1 - FRAME

| ITEM | PART NUMBER | QTY | DESCRIPTION | REV |
|------|-------------|-----|--|-----|
| 62 | 7022573 | 1 | Piston | |
| 63 | 7022574 | 1 | Coupler | |
| 64 | 7022575 | 1 | Ring, Locator | |
| 65 | 7021354 | 1 | Plate, Back-up | |
| 66 | 7022576 | 1 | Plate, Back-up | |
| 67 | 7022577 | 1 | Ring, Retaining | |
| 68 | 7022578 | 1 | Ring, Retaining | |
| 69 | 7022509 | 1 | Ring, Retaining | |
| 70 | 7022579 | 2 | Bolt | |
| 73 | 7022580 | 4 | Disc, Brake | |
| 74 | 7022580 | 5 | Disc, Brake | |
| 75 | 7022580 | 16 | Spring | |
| 76 | 7022581 | 2 | Ring, Back-up | |
| 77 | 7022581 | 1 | Seal | |
| 78 | 7022581 | 2 | Ring, Back-up | |
| 79 | 7022581 | 1 | Seal | |
| 88 | 7024032 | 1 | O-Ring | |
| 89 | 3160291 | 1 | Motor Assembly (Note: See Items 101 to 139 for Breakdown) | |
| 90 | 7024031 | 1 | O-Ring (Not Shown) | |
| 91 | 7024969 | 2 | Pin, Slotted (Not Shown) | |
| 92 | 2130812 | 1 | Fitting, Elbow | |
| 93 | 2110812 | 1 | Fitting, Straight | |
| 94 | 2110808 | 1 | Fitting, Straight | |
| 95 | 2110404 | 1 | Fitting, Straight | |
| 96 | 2130404 | 1 | Fitting, Elbow | |
| 99 | 7022581 | 1 | Brake Seal Kit (Includes Items 76-79) | |
| 100 | | Ref | Repair Kit Options: | |
| 100A | 7022580 | 1 | Brake Disc Kit (Includes Items 73-75) | |
| 100B | 7022536 | 1 | Bearing Kit (Includes Items 5, 13, 24 & 54) | |
| 100C | 7024030 | 1 | Planet Gear and Bearing Kit (Includes Items 41, 47, 49 & 51) | |
| 100D | 7024029 | 1 | Planet Gear and Bearing Kit (Includes Items 3, 11, 15 & 18) | |
| 100E | 7024028 | 1 | Planet Gear and Bearing Kit (Includes Items 2, 12 & 16) | |
| 100F | 7022540 | 1 | Mechanical Disconnect Kit (Includes Items 14, 23, 34, 44, 45, 55 & 56) | |
| | 3160291 | Ref | DRIVE MOTOR ASSEMBLY | A |
| 101 | 7012716 | 1 | Rotary Group Assembly | |
| 102 | See Note | 1 | Piston, Control (Note: Not Available For Purchase) | |
| 103 | See Note | 1 | Rod, Piston (Note: Not Available For Purchase) | |
| 105 | See Note | 1 | Housing (Note: Not Available - Purchase Complete Drive Motor Assembly) | |
| 106 | See Note | 1 | Plate, Port (Note: Not Available - Purchase Complete Drive Motor Assembly) | |
| 107 | 7024036 | 1 | Plate, Swash | |
| 108 | 7024037 | 1 | Driveshaft | |
| 109 | See Note | 1 | Plug, Screw (Note: Not Available For Purchase) | |
| 112 | 7012704 | 1 | Shim | |
| 113 | See Note | 1 | Stop Screw (Note: Not Available For Purchase) | |
| 115 | 7024038 | 1 | Bearing | |
| 116 | 7012706 | 1 | Bearing | |
| 117 | 7024039 | 2 | Shell, Cradle | |
| 120 | 7024034 | 1 | Seal, Shaft | |
| 121 | 7024034 | 1 | O-Ring | |

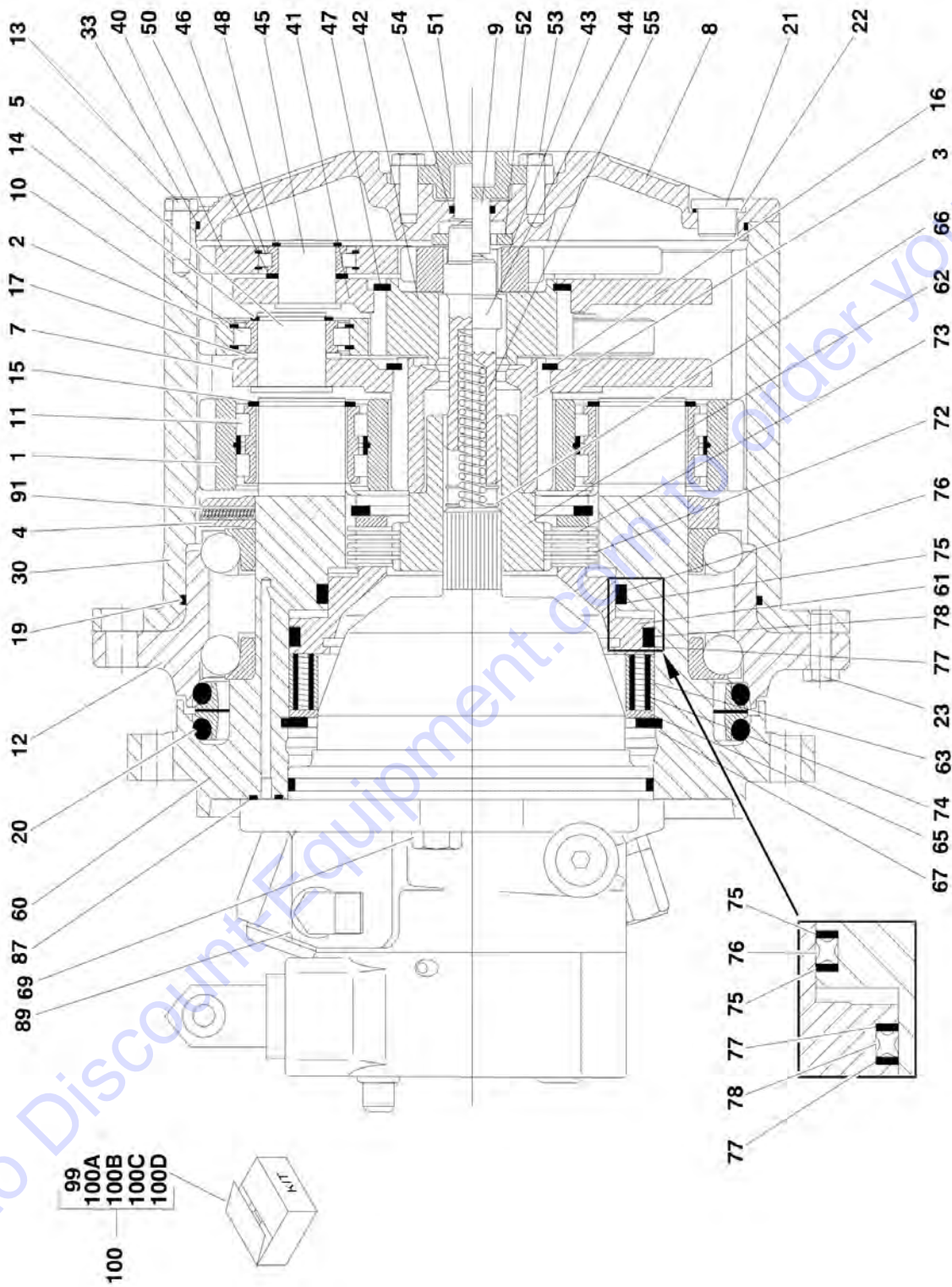
SECTION 1 - FRAME

| ITEM | PART NUMBER | QTY | DESCRIPTION | REV |
|------|-------------|-----|---|-----|
| 122 | 7024034 | 1 | O-Ring | |
| 123 | 7024034 | 2 | O-Ring | |
| 124 | 7024034 | 1 | Seal | |
| 125 | 7012715 | 1 | V-Ring | |
| 127 | 7024040 | 4 | Screw, Socket head M12 x 60 | |
| 129 | See Note | 1 | Ring, Stop (Note: Not Available For Purchase) | |
| 130 | See Note | 1 | Plug (Note: Not Available For Purchase) | |
| 133 | See Note | 1 | Pin, Dowel (Note: Not Available For Purchase) | |
| 135 | See Note | 1 | Nut M10 (Note: Not Available For Purchase) | |
| 136 | See Note | 1 | Nut, Cap M10 (Note: Not Available For Purchase) | |
| 137 | 7024034 | 1 | Plug | |
| 138 | 7024041 | 1 | Orifice | |
| 139 | 7024034 | 1 | O-Ring | |
| 151 | 7024034 | 1 | Seal Kit (Includes Items 120-124, 137 & 139) | |

Go to Discount-Equipment.com to order your parts

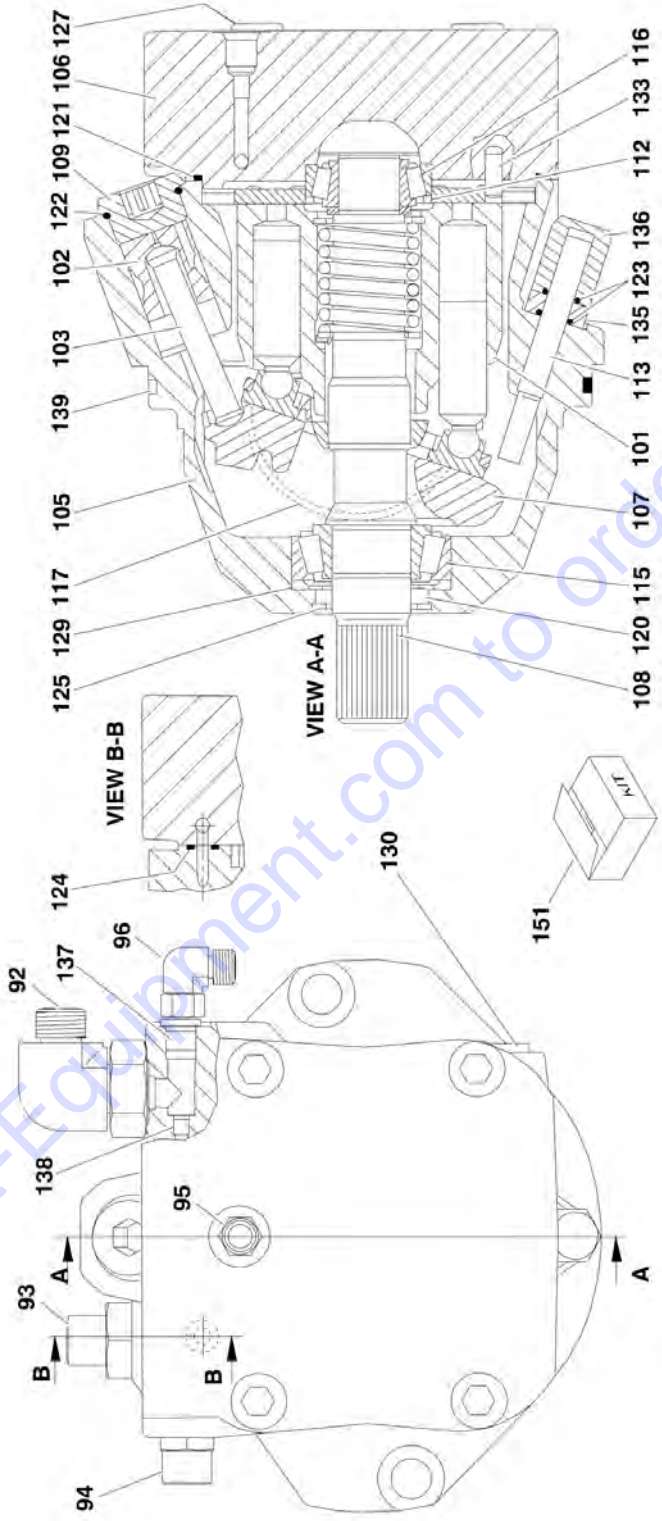
SECTION 1 - FRAME

FIGURE 1-7. DRIVE HUB AND MOTOR ASSEMBLY (SN 0300083552 through 0300100131)



Go to Discount Equipment. Call to order your parts

SECTION 1 - FRAME



SECTION 1 - FRAME

FIGURE 1-7. DRIVE HUB AND MOTOR ASSEMBLY (SN 0300083552 through 0300100130)

| ITEM | PART NUMBER | QTY | DESCRIPTION | REV |
|------|-------------|-----|---|-----|
| | 2780284 | Ref | DRIVE HUB AND MOTOR ASSEMBLY | A |
| | | Ref | Note: Unless there is capability to torque shaft (item 4) to 626 ft/lbs (850Nm) Repair beyond this level is NOT advised. | |
| | 2780283 | 1 | Hub, Torque | |
| 1 | 7024028 | 4 | Gear, Planet | |
| 2 | 7024029 | 3 | Gear, Planet | |
| 3 | 7022535 | 1 | Gear, Sun | |
| 4 | 7024970 | 1 | Nut, Shaft | |
| 5 | 7021388 | 3 | Pin, Planet | |
| 7 | 7022537 | 1 | Carrier, Planet | |
| 8 | 7022538 | 1 | Cover, End | |
| 9 | 7024967 | 1 | Button, Thrust | |
| 10 | 7024029 | 3 | Bearing, Cylindrical Roller | |
| 11 | 7024028 | 4 | Bearing, Cylindrical Roller | |
| 12 | 7024971 | 1 | Bearing, Ball | |
| 13 | See Note | 12 | Bolt (Note: Not Available For Purchase) | |
| 14 | 7024029 | 3 | Ring, Snap | |
| 15 | 7024028 | 4 | Ring, Snap | |
| 16 | 7022546 | 1 | Ring, Snap | |
| 17 | 7024029 | 3 | Ring, Stay | |
| 19 | 7024966 | 1 | O-Ring | |
| 20 | 7024968 | 1 | Seal, Face | |
| 21 | 7022550 | 2 | Plug, Screw | |
| 22 | 7024048 | 2 | Ring, Seal | |
| 23 | See Note | 2 | Bolt (Note: Not Available For Purchase) | |
| 30 | 7022556 | 1 | Gear, Ring | |
| 33 | 7024972 | 1 | O-Ring | |
| 40 | 7024030 | 3 | Gear, Planet | |
| 41 | 7022559 | 1 | Carrier, Planet | |
| 42 | 7022560 | 1 | Gear, Sun | |
| 43 | 7022561 | 1 | Gear, Sun | |
| 44 | 7024973 | 1 | Shaft, Input | |
| 45 | 7021326 | 3 | Pin, Planet | |
| 46 | 7024030 | 3 | Bearing, Cylindrical Roller | |
| 47 | 7022564 | 1 | Ring, Snap | |
| 48 | 7024030 | 3 | Ring, Snap | |
| 50 | 7024030 | 3 | Ring, Stay | |
| 51 | 7022567 | 1 | Cover | |
| 52 | 7022568 | 1 | Thrustwasher | |
| 53 | See Note | 2 | Bolt (Note: Not Available For Purchase) | |
| 54 | 7024974 | 1 | O-Ring | |
| 55 | 7024975 | 1 | Spring | |
| 60 | See Note | 1 | Spindle (Note: Not Available - Purchase Complete Drive Hub Assembly) | |
| 61 | 7022573 | 1 | Piston, Brake | |
| 62 | 7022574 | 1 | Coupler | |
| 63 | 7024976 | 1 | Ring, Spacer | |
| 65 | 7024976 | 1 | Plate, Back Up | |
| 66 | 7022577 | 1 | Ring, Snap | |
| 67 | 7022578 | 1 | Ring, Snap | |

SECTION 1 - FRAME

| ITEM | PART NUMBER | QTY | DESCRIPTION | REV |
|------|-------------|-----|--|-----|
| 69 | 7022579 | 2 | Bolt | |
| 72 | 7024976 | 4 | Disk, Inner (Brake) | |
| 73 | 7024976 | 5 | Disk, Outer (Brake) | |
| 74 | 7024976 | 16 | Spring | |
| 75 | 7022581 | 2 | Ring, Back Up | |
| 76 | 7022581 | 1 | Seal, Piston | |
| 77 | 7022581 | 2 | Ring, Back Up | |
| 78 | 7022581 | 1 | Seal, Piston | |
| 87 | 7024976 | 1 | O-Ring | |
| 89 | 3160291 | 1 | Motor Assembly (Note: See Items 101 to 139 for Breakdown) | |
| 90 | 7024031 | 1 | O-Ring (Not Shown) | |
| 91 | 7024969 | 2 | Pin, Slotted (Not Shown) | |
| 92 | 2130812 | 1 | Fitting, Elbow | |
| 93 | 2110812 | 1 | Fitting, Straight | |
| 94 | 2110808 | 1 | Fitting, Straight | |
| 95 | 2110404 | 1 | Fitting, Straight | |
| 96 | 2130404 | 1 | Fitting, Elbow | |
| 99 | 7022581 | 1 | Brake Seal Kit (Includes Items 75-78) | |
| 100 | | Ref | Repair Kit Options: | |
| 100A | 7024976 | 1 | Brake Disc Kit (Includes Items 63, 65, 72-74, 87) | |
| 100B | 7024030 | 1 | Planet Gear and Bearing Kit (Includes Items 40, 46, 48 & 50) | |
| 100C | 7024029 | 1 | Planet Gear and Bearing Kit (Includes Items 2, 10, 14 & 17) | |
| 100D | 7024028 | 1 | Planet Gear and Bearing Kit (Includes Items 1, 11 & 15) | |
| | 3160291 | Ref | DRIVE MOTOR ASSEMBLY | D |
| 101 | 7012716 | 1 | Rotary Group Assembly | |
| 102 | See Note | 1 | Piston, Control (Note: Not Available For Purchase) | |
| 103 | See Note | 1 | Rod, Piston (Note: Not Available For Purchase) | |
| 105 | See Note | 1 | Housing (Note: Not Available - Purchase Complete Drive Motor Assembly) | |
| 106 | See Note | 1 | Plate, Port (Note: Not Available - Purchase Complete Drive Motor Assembly) | |
| 107 | 7024036 | 1 | Plate, Swash | |
| 108 | 7024037 | 1 | Driveshaft | |
| 109 | See Note | 1 | Plug, Screw (Note: Not Available For Purchase) | |
| 112 | 7012704 | 1 | Shim | |
| 113 | See Note | 1 | Stop Screw (Note: Not Available For Purchase) | |
| 115 | 7024038 | 1 | Bearing | |
| 116 | 7012706 | 1 | Bearing | |
| 117 | 7024039 | 2 | Shell, Cradle | |
| 120 | 7024034 | 1 | Seal, Shaft | |
| 121 | 7024034 | 1 | O-Ring | |
| 122 | 7024034 | 1 | O-Ring | |
| 123 | 7024034 | 2 | O-Ring | |
| 124 | 7024034 | 1 | Seal | |
| 125 | 7012715 | 1 | V-Ring | |
| 127 | 7024040 | 4 | Screw, Socket head M12 x 60 | |
| 129 | See Note | 1 | Ring, Stop (Note: Not Available For Purchase) | |
| 130 | See Note | 1 | Plug (Note: Not Available For Purchase) | |
| 133 | See Note | 1 | Pin, Dowel (Note: Not Available For Purchase) | |
| 135 | See Note | 1 | Nut M10 (Note: Not Available For Purchase) | |
| 136 | See Note | 1 | Nut, Cap M10 (Note: Not Available For Purchase) | |
| 137 | 7024034 | 1 | Plug | |

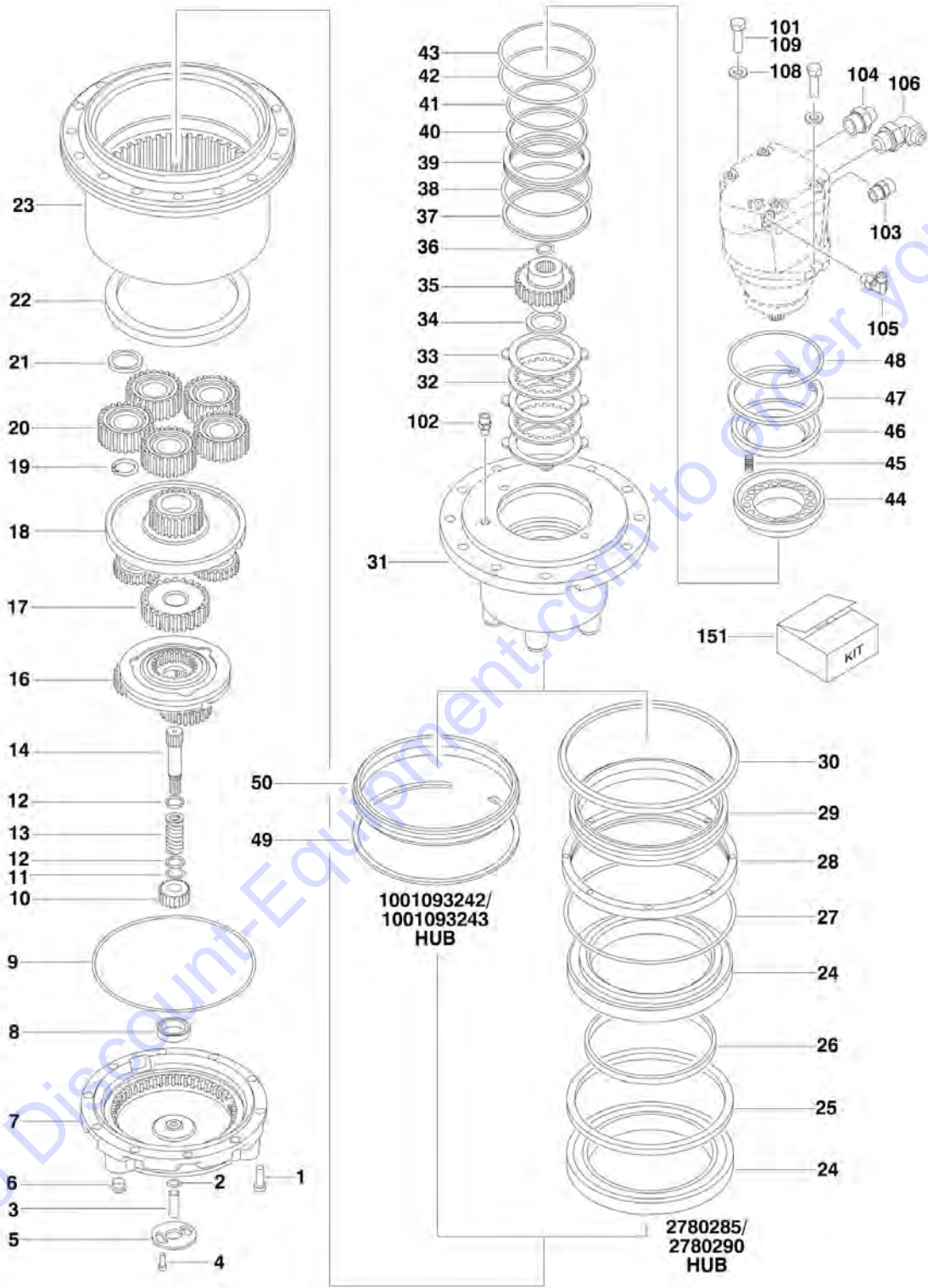
SECTION 1 - FRAME

| ITEM | PART NUMBER | QTY | DESCRIPTION | REV |
|------|-------------|-----|--|-----|
| 138 | 7024041 | 1 | Orifice | |
| 139 | 7024034 | 1 | O-Ring | |
| 151 | 7024034 | 1 | Seal Kit (Includes Items 120-124, 137 & 139) | |

Go to Discount-Equipment.com to order your parts

SECTION 1 - FRAME

FIGURE 1-8. DRIVE HUB ASSEMBLY - BONFIGLIOLI (SN 0300100131 through 0300201016)



SECTION 1 - FRAME

FIGURE 1-8. DRIVE HUB ASSEMBLY - BONFIGLIOLI (SN 0300100131 through 0300201016)

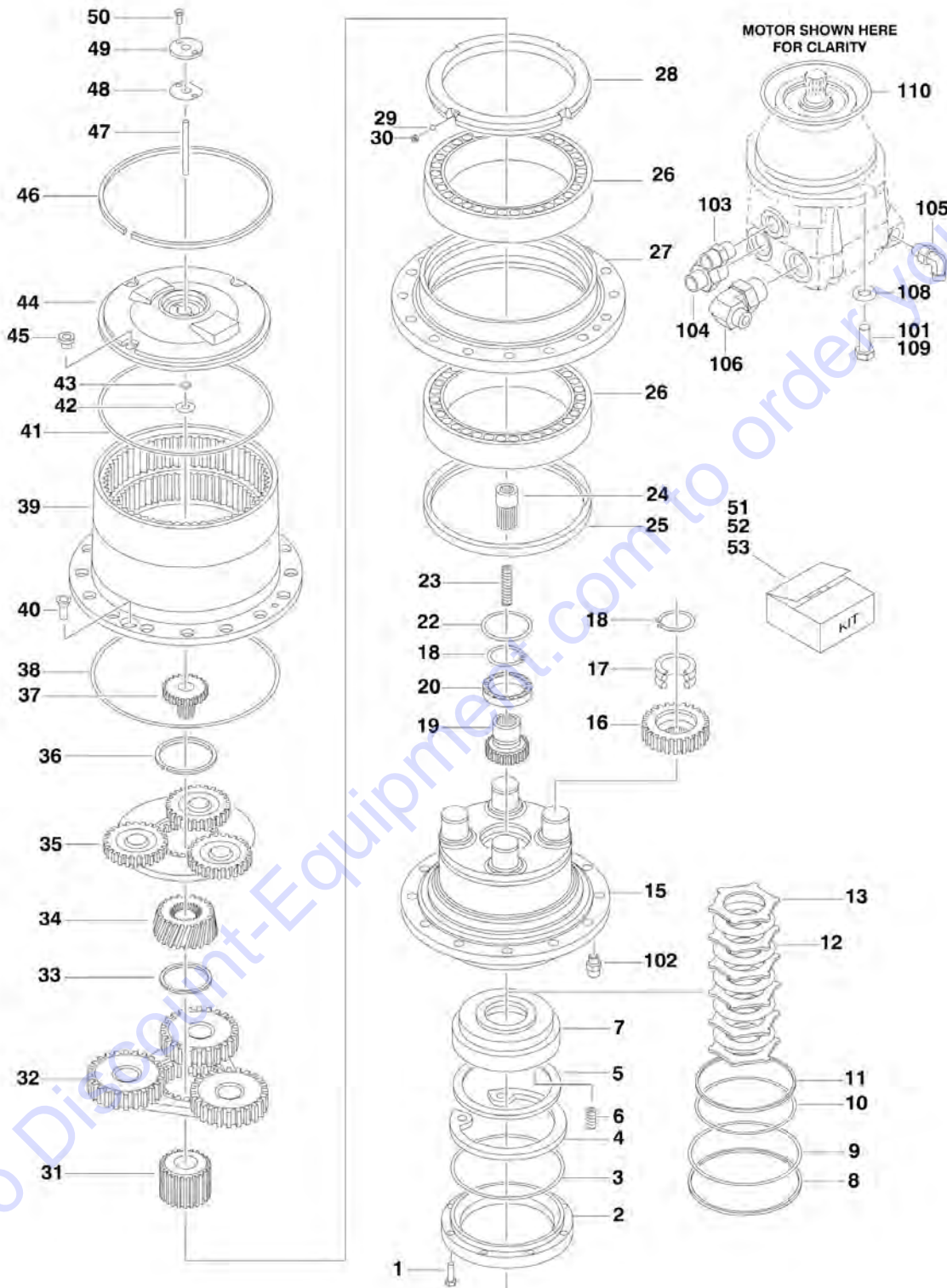
| ITEM | PART NUMBER | QTY | DESCRIPTION | REV |
|------|-------------|-----|--|-----|
| | | Ref | DRIVE HUB ASSEMBLY WITH FITTINGS AND HARDWARE | |
| | 2780290 | Ref | Drive Hub Assembly With Fittings and Hardware (Use p/n 1001093243) (SN 0300100131 through 0300130179) | B |
| | 1001093243 | Ref | Drive Hub Assembly With Fittings and Hardware (SN 0300130180 through 0300201016) | C |
| | | Ref | Note: Various brands used on Machines Built SN 0300100131 through 0300201016. Identify brand before ordering replacement parts. | |
| | | Ref | Hub, Torque Less Fittings Options: | |
| | 2780285 | 1 | Hub, Torque Less Fittings (Use p/n 1001093242) (SN 0300100131 through 0300130179) | |
| | 1001093242 | 1 | Hub, Torque Less Fittings (SN 0300130180 through 0300201016) | |
| 1 | 70000810 | 10 | Bolt M10 x 25 | |
| 2 | 70000811 | 1 | O-Ring | |
| 3 | 70000812 | 1 | Pin | |
| 4 | 70000813 | 2 | Bolt M8 x 16 | |
| 5 | | Ref | Cap, Disconnect Options: | |
| 5 | 70000814 | 1 | Cap (2780285 Hub) | |
| 5 | 70002393 | 1 | Cap (1001093242 Hub) | |
| 6 | See Note | 2 | Plug (Note: Not Available For Purchase) | |
| 7 | | Ref | Cover Assembly (Includes Items 2-6 & 8) | |
| 7 | 70000815 | 1 | Cover (2780285 Hub) | |
| 7 | 70002394 | 1 | Cover (1001093242 Hub) | |
| 8 | 70000816 | 1 | Pad | |
| 9 | 70000817 | 1 | O-Ring | |
| 10 | 70000818 | 1 | Gear, Primary Sun | |
| 11 | 70000819 | 1 | Ring, Neoprene | |
| 12 | 70000819 | 2 | Washer | |
| 13 | 70000819 | 1 | Spring | |
| 14 | 70000819 | 1 | Shaft | |
| 16 | 70000820 | 1 | Reduction Assembly, Primary | |
| 17 | 70000821 | 1 | Gear, Secondary Sun | |
| 18 | 70000822 | 1 | Reduction Assembly, Secondary | |
| 19 | 70000823 | 5 | Snap Ring | |
| 20 | 70000824 | 5 | Gear Assembly, Planetary | |
| 21 | 70000825 | 5 | Spacer | |
| 22 | 70000826 | 1 | Nut | |
| 23 | | Ref | Housing, Hub Options: | |
| 23 | See Note | 1 | Housing (2780285 Hub) (Note: Not Available - Purchase Complete Drive Hub Assembly) | |
| 23 | 70002395 | 1 | Housing (1001093242 Hub) (Includes Bearing) | |
| 24 | | Ref | Bearing Options: | |
| 24 | 70000827 | 2 | Bearing (2780285 Hub) | |
| 24 | See Note | 2 | Bearing (1001093242 Hub) (Note: Not Available - Purchase Item 23) | |
| 25 | 70000828 | 1 | Spacer (2780285 Hub Only) | |
| 26 | 70000829 | 1 | Spacer (2780285 Hub Only) | |
| 27 | 70000830 | 1 | O-Ring (2780285 Hub Only) | |
| 28 | 70000831 | 1 | Spacer (2780285 Hub Only) | |
| 29 | 70000832 | 1 | Seal (2780285 Hub Only) | |

SECTION 1 - FRAME

| ITEM | PART NUMBER | QTY | DESCRIPTION | REV |
|------|-------------|-----|--|-----|
| 30 | 7000833 | 1 | Ring, Sealing (2780285 Hub Only) | |
| 31 | See Note | 1 | Spindle (Note: Not Available - Purchase Complete Drive Hub Assembly) | |
| 32 | 7000834 | 4 | Disc, Steel | |
| 33 | 7000835 | 5 | Disc, Lined | |
| 34 | 7000836 | 1 | Spacer | |
| 35 | | Ref | Shaft, Brake Options: | |
| 35 | 7000837 | 1 | Shaft (2780285 Hub) | |
| 35 | 70002398 | 1 | Shaft (1001093242 Hub) | |
| 36 | 7000838 | 1 | Snap Ring | |
| 37 | 7000839 | 1 | Ring, Backup | |
| 38 | 7000840 | 1 | O-Ring | |
| 39 | 7000841 | 1 | Spacer | |
| 40 | 7000842 | 1 | Ring, Backup | |
| 41 | 7000843 | 1 | O-Ring | |
| 42 | 7000844 | 1 | O-Ring | |
| 43 | 7000845 | 1 | Ring, Backup | |
| 44 | 7000846 | 1 | Piston, Brake | |
| 45 | 7000847 | 15 | Spring | |
| 46 | 7000848 | 1 | Plate, Spring Retainer | |
| 47 | 7000849 | 1 | Snap Ring | |
| 48 | | Ref | O-Ring Options: | |
| 48 | 7000850 | 1 | O-Ring (2780285 Hub) | |
| 48 | 3790158 | 1 | O-Ring (1001093242 Hub) (was p/n 70002399) | |
| 49 | 70002396 | 1 | Circlip (1001093242 Hub Only) | |
| 50 | 70002397 | 1 | Seal (1001093242 Hub Only) | |
| 101 | 0761215 | 2 | Bolt M12 x 35mm | |
| 102 | 2110404 | 1 | Fitting, Adapter | |
| 103 | 2110808 | 1 | Fitting, Adapter | |
| 104 | 2110812 | 1 | Fitting, Adapter | |
| 105 | 2130406 | 1 | Fitting, Elbow Adapter | |
| 106 | 2130812 | 1 | Fitting, Elbow Adapter | |
| 108 | 5241200 | 2 | Washer, 12mm Hardened | |
| 109 | 0100011 | AR | Compound, Locking | |
| 151 | 7000819 | 1 | Brake Shaft Kit (Includes Items 11-14) | |

SECTION 1 - FRAME

FIGURE 1-9. DRIVE HUB ASSEMBLY - REGGIANA RIDUTTORI (SN 0300100131 through 0300201016)



SECTION 1 - FRAME

FIGURE 1-9. DRIVE HUB ASSEMBLY - REGGIANA RIDUTTORI (SN 0300100131 through 0300201016)

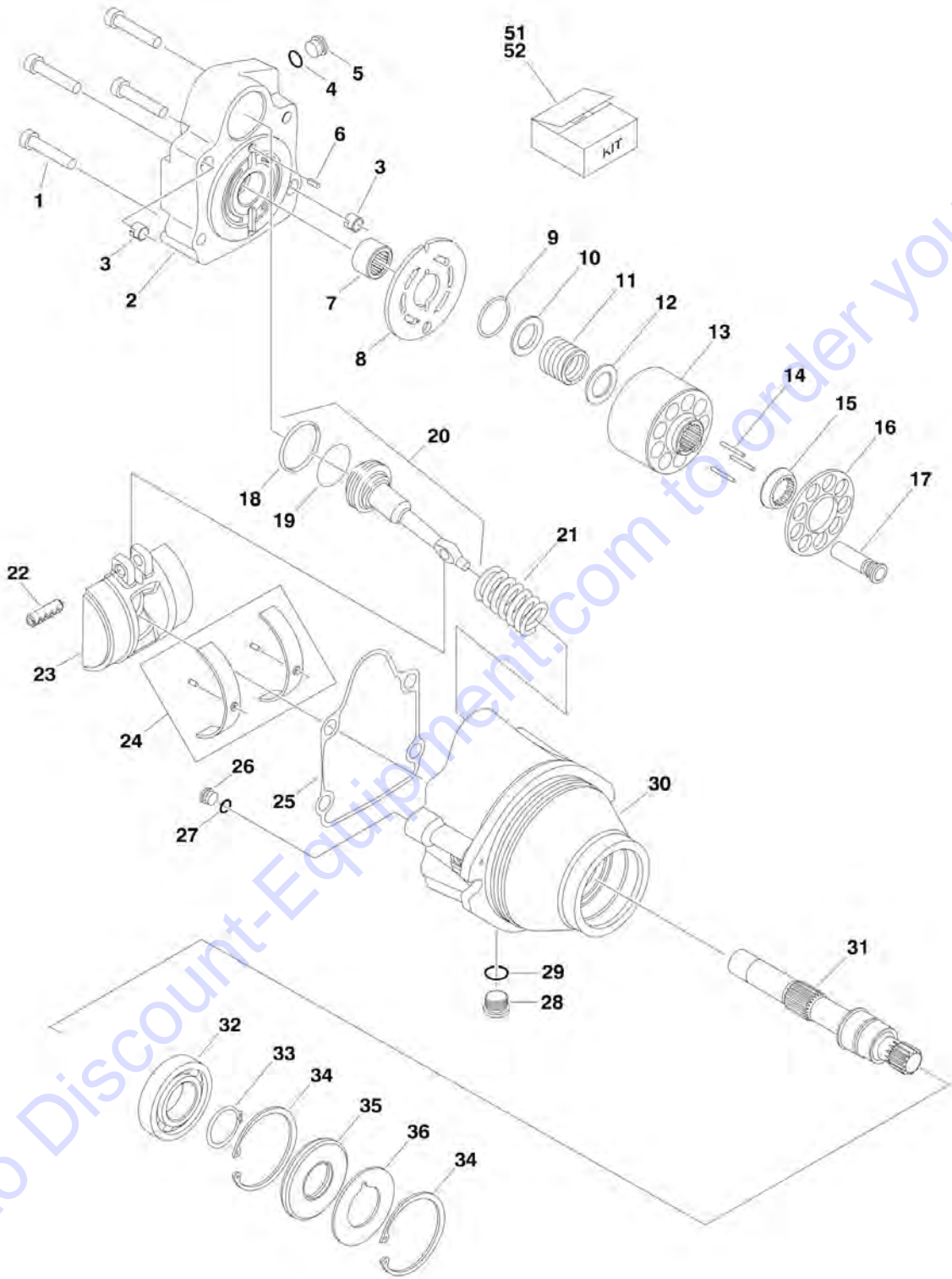
| ITEM | PART NUMBER | QTY | DESCRIPTION | REV |
|------|-------------|-----|--|-----|
| | 1001104325 | Ref | DRIVE HUB ASSEMBLY WITH FITTINGS AND HARDWARE | C |
| | | Ref | | |
| | | | Note: Various brands used on Machines Built SN 0300100131 through 0300201016. Identify brand before ordering replacement parts. | |
| | 1001101550 | 1 | Hub, Torque Less Fittings | |
| 1 | 70002015 | 8 | Bolt M8 x 25 | |
| 2 | 70002016 | 1 | Ring, Motor Support | |
| 3 | 70002248 | 1 | O-Ring | |
| 4 | 70002018 | 1 | Snap Ring | |
| 5 | 70002019 | 1 | Retainer, Spring | |
| 6 | 70002020 | 9 | Spring | |
| 7 | 70002249 | 1 | Piston (was p/n 70002021) | |
| 8 | See Note | 1 | Ring, Backup (Note: Use Item 51 or 53.) | |
| 9 | See Note | 1 | O-Ring (Note: Use Item 51 or 53.) | |
| 10 | See Note | 1 | O-Ring (Note: Use Item 51 or 53.) | |
| 11 | See Note | 1 | Ring, Backup (Note: Use Item 51 or 53.) | |
| 12 | 70002026 | 5 | Disc, Friction | |
| 13 | 70002027 | 6 | Disc, Steel | |
| 15 | 70002029 | 1 | Spindle | |
| 16 | 70002030 | 4 | Gear, Planetary | |
| 17 | 70002031 | 4 | Bearing | |
| 18 | 70002032 | 5 | Snap Ring | |
| 19 | 70002033 | 1 | Gear, Brake/Input | |
| 20 | 70002034 | 1 | Bearing | |
| 22 | 70002035 | 1 | Ring, Wear | |
| 23 | 70002036 | 1 | Spring | |
| 24 | 70002037 | 1 | Shaft, Engagement | |
| 25 | 70002248 | 1 | Seal | |
| 26 | 70002039 | 2 | Bearing Assembly | |
| 27 | 70002040 | 1 | Support, Hub | |
| 28 | 70002041 | 1 | Nut, Retaining | |
| 29 | 70002674 | 4 | Washer (was p/n 70002042) | |
| 30 | 70002674 | 4 | Screw (was p/n 70002043) | |
| 31 | 70002044 | 1 | Gear, Planetary Sun | |
| 32 | 70002045 | 1 | Reduction Assembly, Secondary | |
| 33 | 70002046 | 1 | Snap Ring | |
| 34 | 70002047 | 1 | Gear, Secondary Input Sun | |
| 35 | 70002048 | 1 | Reduction Assembly, Primary | |
| 36 | 70002049 | 1 | Snap Ring | |
| 37 | 70002050 | 1 | Gear, Primary Input Sun | |
| 38 | 70002248 | 1 | O-Ring | |
| 39 | See Note | 1 | Housing, Hub (Note: Not Available - Purchase Complete Drive Hub Assembly) | |
| 40 | 70002052 | 2 | Screw, Countersunk | |
| 41 | See Note | 1 | O-Ring (Note: Use Item 51 or 52.) | |
| 42 | 70002247 | 1 | Thrustwasher | |
| 43 | See Note | 1 | O-Ring (Note: Use Item 51 or 52.) | |
| 44 | 70002247 | 1 | Cover, Hub | |
| 45 | 70002057 | 3 | Plug | |
| 46 | 70002247 | 1 | Snap Ring | |

SECTION 1 - FRAME

| ITEM | PART NUMBER | QTY | DESCRIPTION | REV |
|------|-------------|-----|--|-----|
| 47 | 70002247 | 1 | Pin, Engagement | |
| 48 | See Note | 1 | Gasket (Note: Use Item 51 or 52.) | |
| 49 | 70002247 | 1 | Cover, Engagement | |
| 50 | 70002247 | 2 | Screw | |
| 51 | 70002248 | 1 | Seal Kit (Includes Items 3, 8-11, 25, 38, 41, 43 & 48) | |
| 52 | 70002247 | 1 | Cover Kit (Includes Items 41-50) | |
| 53 | 70002249 | 1 | Brake Kit (Includes Items 4-13) | |
| 101 | 0761214 | 2 | Bolt M12 x 30mm | |
| 102 | 2110404 | 1 | Fitting, Adapter | |
| 103 | 2110808 | 1 | Fitting, Adapter | |
| 104 | 2110812 | 1 | Fitting, Adapter | |
| 105 | 2130406 | 1 | Fitting, Elbow Adapter | |
| 106 | 2130812 | 1 | Fitting, Elbow Adapter | |
| 108 | 5241200 | 2 | Washer, 12mm Hardened | |
| 109 | 0100011 | AR | Compound, Locking | |
| 110 | 3790158 | 1 | O-Ring | |

SECTION 1 - FRAME

FIGURE 1-10. DRIVE MOTOR ASSEMBLY (SN 0300100131 through 0300201016)



Go to Discount-Equipment.com to order your parts

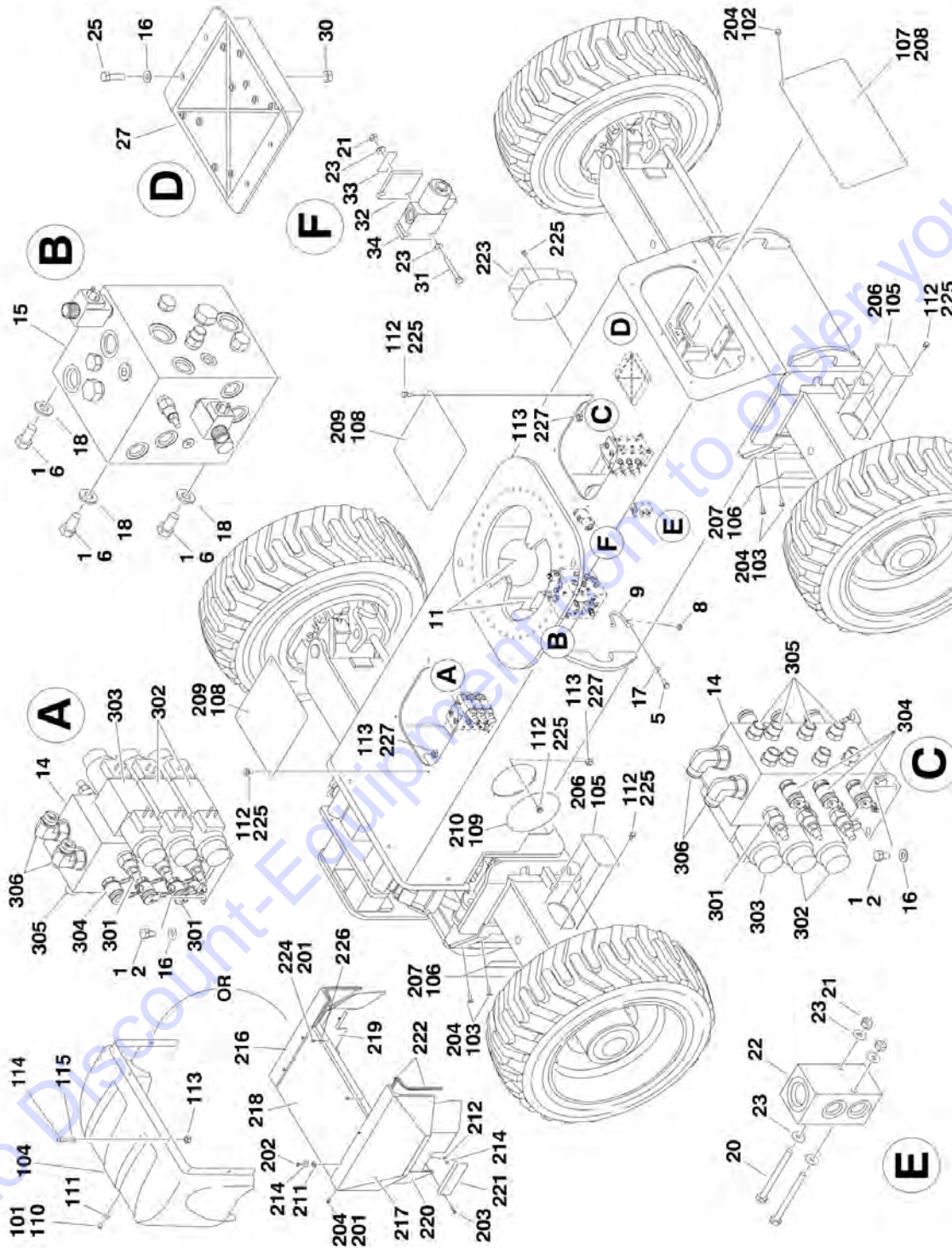
SECTION 1 - FRAME

FIGURE 1-10. DRIVE MOTOR ASSEMBLY (SN 0300100131 through 0300201016)

| ITEM | PART NUMBER | QTY | DESCRIPTION | REV |
|------|-------------|-----|--|-----|
| | 3160339 | Ref | DRIVE MOTOR ASSEMBLY | B |
| 1 | 7022368 | 4 | Bolt | |
| 2 | 70000859 | 1 | End Cap, Motor | |
| 3 | 70003628 | 2 | Locating Pin | |
| 4 | 70000862 | 1 | O-Ring | |
| 5 | 7007420 | 1 | Plug (Includes Item 4) | |
| 6 | 7007446 | 1 | Pin, Dowel | |
| 7 | 7021249 | 1 | Bearing, Needle | |
| 8 | 70000854 | 1 | Plate, Valve | |
| 9 | 7022311 | 1 | Snap Ring | |
| 10 | 7022314 | 1 | Retainer, Spring | |
| 11 | 7024867 | 1 | Spring | |
| 12 | 7024868 | 1 | Washer (was p/n 7022313) | |
| 13 | 70000855 | 1 | Block, Cylinder | |
| 14 | 7021275 | 3 | Pin, Slipper | |
| 15 | 70000856 | 1 | Guide | |
| 16 | 70000857 | 1 | Retainer, Slipper | |
| 17 | 7024865 | 9 | Piston, Cylinder | |
| 18 | 70000862 | 1 | Ring, Piston | |
| 19 | 70000862 | 1 | O-Ring | |
| 20 | 70000860 | 1 | Piston, Servo (Includes Items 18 & 19) | |
| 21 | 70000861 | 1 | Spring | |
| 22 | See Note | 1 | Pin (Note: Not Available For Purchase) | |
| 23 | 70000853 | 1 | Swashplate | |
| 24 | 70000852 | 1 | Bearing Kit | |
| 25 | 70000862 | 1 | Gasket | |
| 26 | See Note | 1 | Plug (Note: Not Available For Purchase) | |
| 27 | 70000862 | 1 | O-Ring | |
| 28 | 7022321 | 1 | Plug (Includes Item 29) | |
| 29 | 70000862 | 1 | O-Ring | |
| 30 | See Note | 1 | Housing (Note: Not Available - Purchase Complete Drive Motor Assembly) | |
| 31 | 70000858 | 1 | Shaft | |
| 32 | 7007437 | 1 | Bearing | |
| 33 | 7007439 | 1 | Snap Ring | |
| 34 | 7007438 | 2 | Snap Ring | |
| 35 | 70000862 | 1 | Seal | |
| 36 | 7022371 | 1 | Washer, Seal Support | |
| 51 | 70000862 | | Motor Seal Kit (Includes Items 4, 18, 19, 25, 27, 29 & 35) | |
| 52 | 7027740 | | Cylinder Block Kit (Includes Items 9 - 17) | |

SECTION 1 - FRAME

FIGURE 1-11. FRAME VALVES AND COVERS INSTALLATION



SECTION 1 - FRAME

FIGURE 1-11. FRAME VALVES AND COVERS INSTALLATION

| ITEM | PART NUMBER | QTY | DESCRIPTION | REV |
|------|-------------|----------------|---|-----|
| | 0271802 | Ref | FRAME VALVES INSTALLATION | K |
| 1 | 0100011 | AR | Compound, Locking | |
| 2 | 0641504 | 8 | Bolt 5/16in-18NC x 1/2in | |
| 5 | 0641608 | 12 | Bolt 3/8in-16NC x 1in | |
| 6 | 0641808 | 4 | Bolt 1/2in-13NC x 1in | |
| 8 | 3311605 | 4 | Locknut 3/8in-16NC | |
| 9 | 3841340 | 2 | Loop, Hose | |
| 11 | 4060808 | 124 in/3.2m | Flex-Trim | |
| 14 | | Ref | Valve Assembly - Steer Options (See Items 301-306): | |
| 14 | 4641223 | 2 | Valve Assembly - Steer (Use p/n 4641268) (Prior to SN 0300072337) | |
| 14 | 4641257 | 2 | Valve Assembly - Steer (Use p/n 4641268) (Prior to SN 0300072337) | |
| 14 | 4641268 | 2 | Valve Assembly - Steer (SN 0300072337 through 0300201016) | |
| 15 | | Ref | Valve Assembly - Traction Options: | |
| 15 | 4641224 | 1 | Valve Assembly - Traction (Use p/n 4641269 - See TRACTION VALVE ASSEMBLY for Breakdown) (Prior to SN 0300072337) | |
| 15 | 4641269 | 1 | Valve Assembly - Traction (See TRACTION VALVE ASSEMBLY for Breakdown) (SN 0300072337 through 0300100130) | |
| 15 | 4641454 | 1 | Valve Assembly - Traction (See TRACTION VALVE ASSEMBLY for Breakdown) (SN 0300100131 through 0300201016) | |
| 16 | 4711500 | 23 | Flatwasher 5/16in Thin | |
| 17 | 4711600 | AR | Flatwasher 3/8in Thin | |
| 18 | 4711800 | 4 | Flatwasher 1/2in Thin | |
| 20 | 0641424 | 2 | Bolt 1/4in-20NC x 3in | |
| 21 | 3311405 | AR | Locknut 1/4in-20NC | |
| 22 | 4641155 | 1 | Manifold, Junction | |
| 23 | 4711400 | AR | Flatwasher 1/4in Thin | |
| 25 | 0641509 | 4 | Bolt 5/16in-18NC x1-1/8in | |
| 27 | 1600331 | 1 | Module (Chassis) (Note: Control System must be recalibrated when Module is replaced) (Use p/n 1001112758) (Prior to SN 0300141586) | |
| 27 | 2915024 | 1 | Update Kit (Includes Cables, Programming Instructions and CD Software) | |
| 30 | 3311505 | 4 | Locknut 5/16in-18NC | |
| 31 | 0641420 | 2 | Bolt 1/4in-20NC x 2 1/2in (Prior to SN 0300072337) | |
| 32 | 3570979 | 1 | Plate, Spacer (Prior to SN 0300072337) | |
| 33 | 4420060 | 2 in/26cm | Tape, Double Sided (Prior to SN 0300072337) | |
| 34 | 4640907 | 1 | Valve Assembly (Prior to SN 0300072337) | |
| 34 | 7012941 | 1 | Cartridge without Coil | |
| 34 | 7012907 | 1 | Seal Kit - 7012941 Cartridge | |
| 34 | 7012944 | 1 | Coil | |
| | | Ref | FRAME COVERS INSTALLATION (MACHINES WITH ABS COVERS) | |
| | 0271523 | Ref | Frame Covers Installation (Plastic) (Prior to SN 0300195072) | D |
| | 1001176346 | Ref | Frame Covers Installation (Plastic) (SN 0300195072 through 0300201016) | C |
| 101 | 0100011 | AR | Compound, Locking | |
| 102 | 0791604 | AR | Screw 3/8in-16NC x 1/2in | |
| 103 | 0791607 | 16 | Screw 3/8in-16NC x 7/8in | |
| 104 | 1670996 | 1 | Cover, Front | |

SECTION 1 - FRAME

| ITEM | PART NUMBER | QTY | DESCRIPTION | REV |
|------|-------------|------------|--|-----|
| 105 | 1671045 | 4 | Plate, Cover (Axle Side) | |
| 106 | 1671046 | 4 | Plate, Cover (Axle Corner) | |
| 107 | 1671047 | 1 | Plate, Cover (Rear) | |
| 108 | 1671048 | 2 | Plate, Cover (Frame Top) | |
| 109 | 1671049 | 4 | Plate, Cover (Frame Side) | |
| 110 | 3900283 | AR | Screw, Button Head 3/8in-16NC x 3/4in | |
| 111 | 4751600 | AR | Flatwasher 3/8in Regular | |
| 112 | 0791604 | AR | Screw 3/8-16 x 1/2 (Prior to SN 0300195072) | |
| 112 | 0791410 | AR | Screw, 1/4-20 x 1-1/4 (SN 0300195072 through 0300201016) | |
| 113 | 8580420 | AR | Nut, Well (SN 0300195072 through 0300201016) | |
| 114 | 0641412 | AR | Bolt, 1/4-20 x 1-1/2 (SN 0300195072 through 0300201016) | |
| 115 | 4740430 | AR | Washer, Fender (SN 0300195072 through 0300201016) | |
| | | Ref | FRAME COVERS INSTALLATION (MACHINES WITH STEEL COVERS) | |
| | 1001110114 | Ref | Frame Covers Installation (Steel) (Prior to SN 0300195072) | D |
| | 1001176347 | Ref | Frame Covers Installation (SN 0300195072 through 0300201016) | C |
| | | Ref | Note: Only Available on ANSI, ANSI Export and Japanese Specs. | |
| 201 | 0100011 | AR | Compound, Locking | |
| 202 | 0641406 | 8 | Screw 1/4in-20NC x 3/4in | |
| 203 | 0641414 | 4 | Screw 1/4in-20NC x 1-3/4in | |
| 204 | 0791604 | AR | Screw 3/8in-16NC x 1/2in | |
| 206 | 1671045 | 4 | Plate, Cover (Axle Side) | |
| 207 | 1671046 | 4 | Plate, Cover (Axle Corner) | |
| 208 | 1671047 | 1 | Plate, Cover (Rear) | |
| 209 | 1671048 | 2 | Plate, Cover (Frame Top) | |
| 210 | 1671049 | 3 | Plate, Cover (Frame Side) | |
| 211 | 3300454 | 8 | Nut, Retainer 1/4in-20NC | |
| 212 | 3311405 | 4 | Locknut 1/4in-20NC | |
| 214 | 4711400 | 12 | Flatwasher 1/4in Thin | |
| 216 | 1001110108 | 1 | Cover - RH Side | |
| 217 | 1001110109 | 1 | Cover - LH Side | |
| 218 | 1001110110 | 1 | Cover - Center Side | |
| 219 | 1001110111 | 1 | Shift - RH Side | |
| 220 | 1001110112 | 1 | Shift - LH Side | |
| 221 | 1001110113 | 2 | Plate | |
| 222 | 1001110513 | 51 in/5.5m | Seal | |
| 223 | 1001110877 | 1 | Mount, Fire Extinguisher | |
| 224 | 0641412 | AR | Bolt, 1/4-20 x 1-1/2 (SN 0300195072 through 0300201016) | |
| 225 | 0791604 | AR | Screw 3/8-16 x 1/2 (Prior to SN 0300195072) | |
| 225 | 0791410 | AR | Screw, 1/4-20 x 1-1/4 (SN 0300195072 through 0300201016) | |
| 226 | 4740430 | AR | Washer, Fender (SN 0300195072 through 0300201016) | |
| 227 | 8580420 | AR | Nut, Well (SN 0300195072 through 0300201016) | |
| | | Ref | STEER VALVE ASSEMBLY | |
| | 4641223 | Ref | Steer Valve Assembly (Use p/n 4641268) (Prior to SN 0300072337) | |
| | 4641257 | Ref | Steer Valve Assembly (Use p/n 4641268) (Prior to SN 0300072337) | |
| | 4641268 | Ref | Steer Valve Assembly (SN 0300072337 through 0300201016) | |
| 301 | 7026028 | 12 | Cartridge (6 Per Valve) | |
| 301 | 7011346 | 12 | Seal Kit - Cartridge (1 Per Cartridge) | |

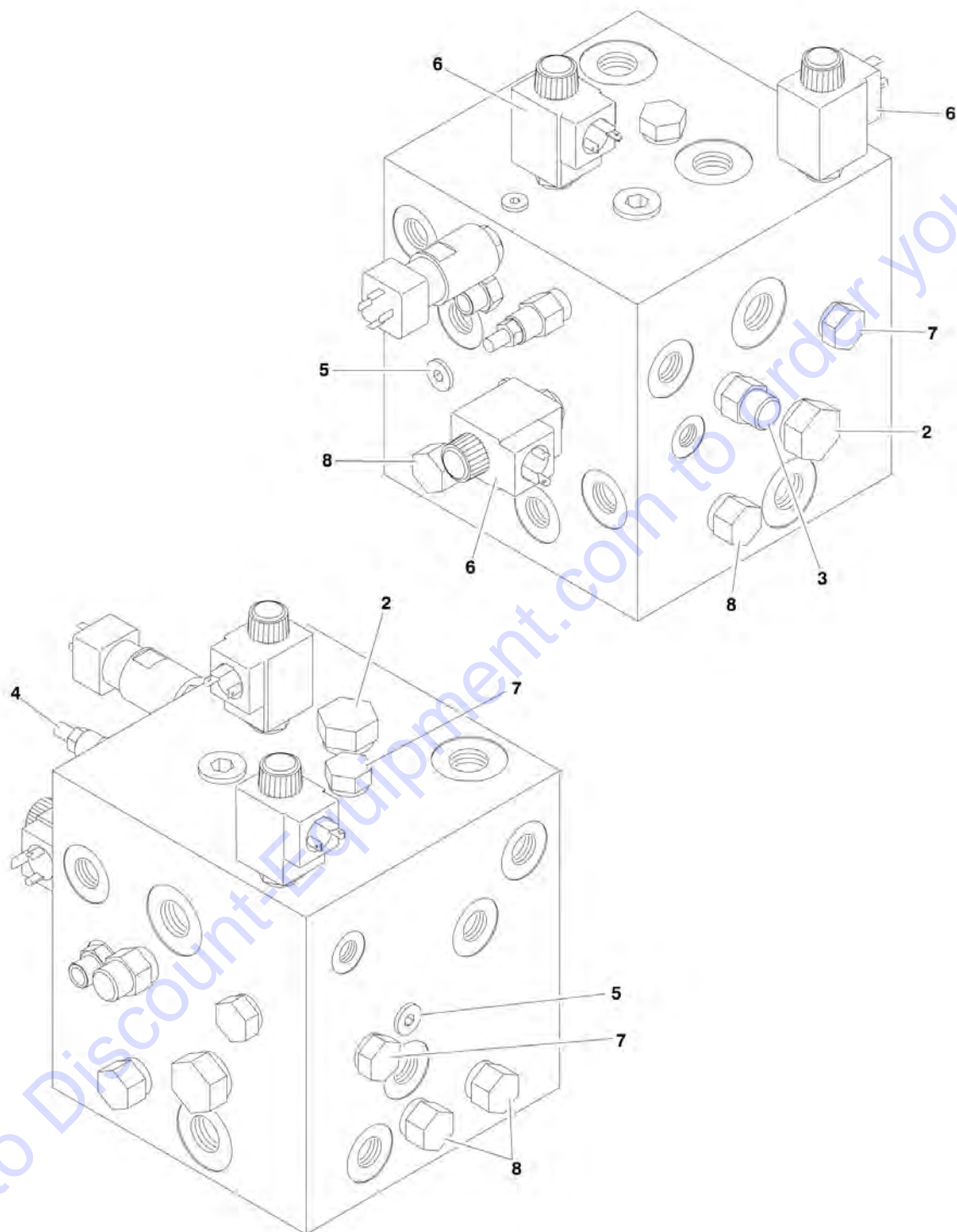
SECTION 1 - FRAME

| ITEM | PART NUMBER | QTY | DESCRIPTION | REV |
|-------------|--------------------|------------|--|------------|
| 302 | 7024927 | 4 | Valve (2 Per Valve) | |
| 302 | 7012773 | 4 | Seal Kit - Cartridge (1 Per Cartridge) | |
| 302 | 7018991 | 8 | Coil (2 Per Valve) | |
| 303 | 70001976 | 2 | Valve (1 Per Valve) (was p/n 7012770) | |
| 303 | 7012773 | 2 | Seal Kit - Cartridge (1 Per Cartridge) | |
| 303 | 7018991 | 4 | Coil (2 Per Valve) | |
| 303 | 70001939 | 1 | Orifice | |
| 304 | 2221086 | 6 | Check, Pressure | |
| 305 | 2110606 | 8 | Fitting, Straight | |
| 306 | 2130810 | 2 | Fitting, Elbow | |

Go to Discount-Equipment.com to order your parts

SECTION 1 - FRAME

FIGURE 1-12. TRACTION VALVE ASSEMBLY (Prior to SN 0300072337)



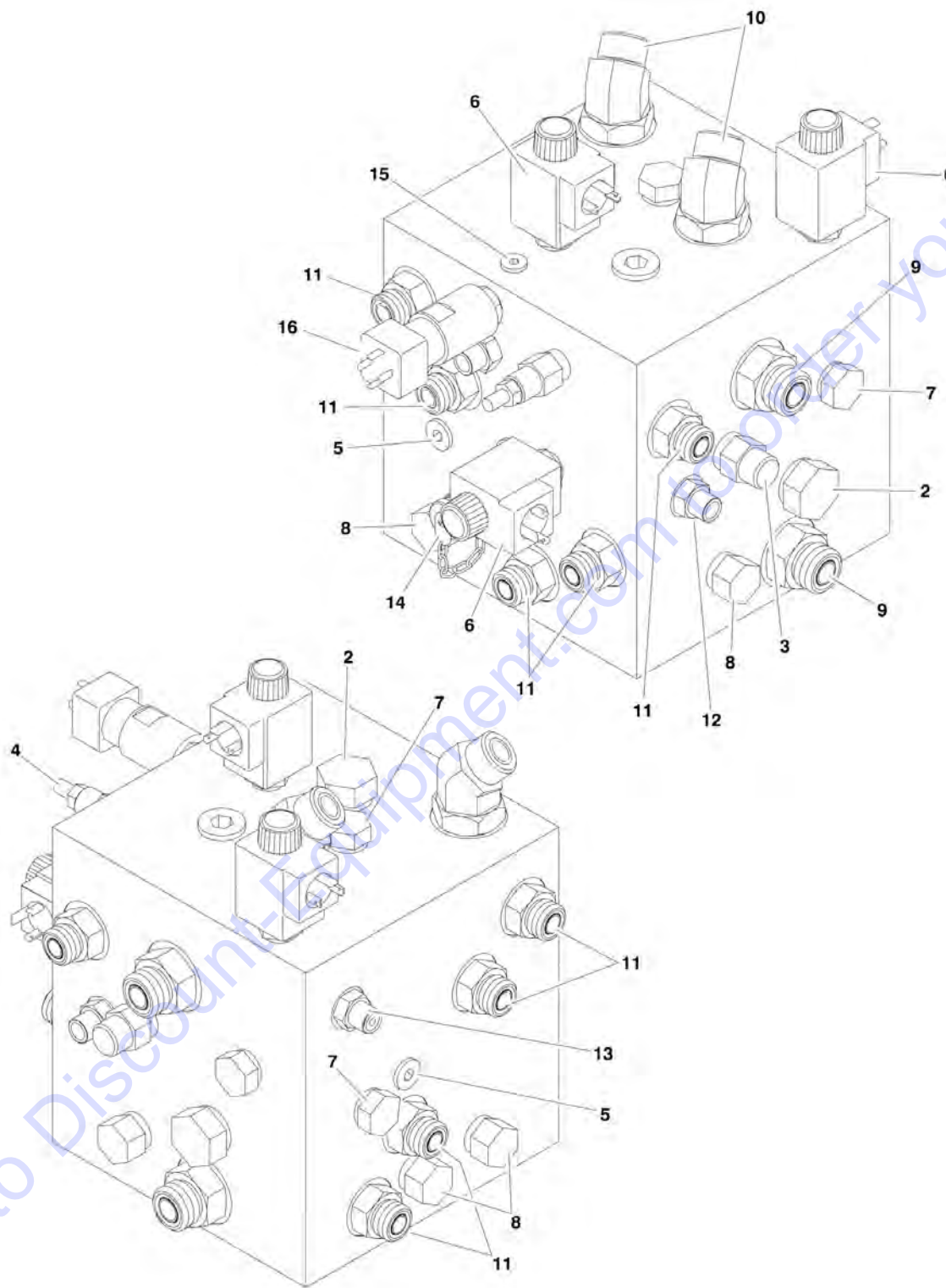
SECTION 1 - FRAME

FIGURE 1-12. TRACTION VALVE ASSEMBLY (Prior to SN 0300072337)

| ITEM | PART NUMBER | QTY | DESCRIPTION | REV |
|------|-------------|-----|---|-----|
| | | Ref | TRACTION VALVE ASSEMBLY | |
| | 4641224 | Ref | Traction Valve Assembly (Prior to SN 0300072337) | |
| | 4641269 | Ref | Traction Valve Assembly (SN 0300072337 through 0300100131) | |
| | | Ref | Note: See ELECTRICAL SECTION for Pressure Switch | |
| 2 | 7026025 | 2 | Cartridge, Valve (Flow Divider) | |
| 2 | 70002519 | 2 | Seal Kit - 7026025 Cartridge | |
| 3 | 7026026 | 1 | Cartridge, Valve (Shuttle) | |
| 3 | 70002519 | 1 | Seal Kit - 7026026 Cartridge | |
| 4 | 7026027 | 1 | Cartridge, Valve (Relief) | |
| 4 | 7011346 | 1 | Seal Kit - 7026027 Cartridge | |
| 5 | 7018900 | 2 | Orifice 1.2mm | |
| 6 | 7024570 | 3 | Cartridge, Solenoid Valve (Steer, Brake and Axle Lockout) | |
| 6 | 70001930 | 3 | Seal Kit - 7024570 Cartridge (was p/n 2900770) | |
| 6 | 7024571 | 3 | Coil | |
| 7 | 7011355 | 3 | Cartridge, Valve (Shuttle) | |
| 7 | 2900770 | 3 | Seal Kit - 7011355 Cartridge | |
| 8 | 7026012 | 4 | Cartridge, Valve (Check) | |
| 8 | 7011346 | 4 | Seal Kit - 7026012 Cartridge | |

SECTION 1 - FRAME

FIGURE 1-13. TRACTION VALVE ASSEMBLY (SN 0300072337 through 0300100130)



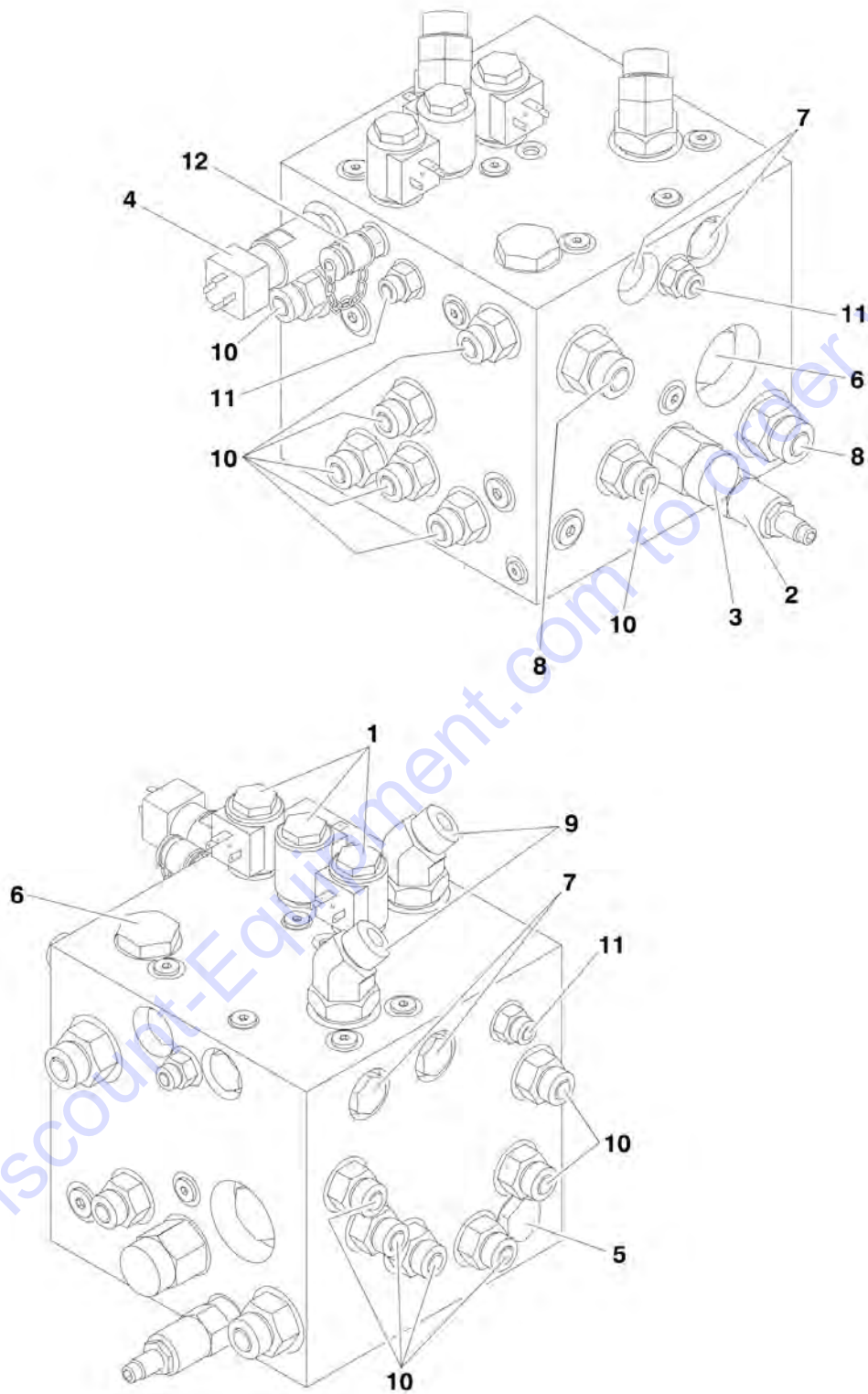
SECTION 1 - FRAME

FIGURE 1-13. TRACTION VALVE ASSEMBLY (SN 0300072337 through 0300100130)

| ITEM | PART NUMBER | QTY | DESCRIPTION | REV |
|------|-------------|-----|---|-----|
| | 4641269 | Ref | TRACTION VALVE ASSEMBLY | C |
| 2 | 7026025 | 2 | Cartridge, Valve (Flow Divider) | |
| 2 | 70002519 | 2 | Seal Kit - 7026025 Cartridge | |
| 3 | 7026026 | 1 | Cartridge, Valve (Shuttle) | |
| 3 | 70002519 | 1 | Seal Kit - 7026026 Cartridge | |
| 4 | 7026027 | 1 | Cartridge, Valve (Relief) | |
| 4 | 7011346 | 1 | Seal Kit - 7026027 Cartridge | |
| 5 | 7018900 | 2 | Orifice 1.2mm | |
| 6 | 7024570 | 3 | Cartridge, Solenoid Valve (Steer, Brake and Axle Lockout) | |
| 6 | 70001930 | 3 | Seal Kit - 7024570 Cartridge (was p/n 2900770) | |
| 6 | 7024571 | 3 | Coil | |
| 7 | 7011355 | 3 | Cartridge, Valve (Shuttle) | |
| 7 | 2900770 | 3 | Seal Kit - 7011355 Cartridge | |
| 8 | 7026012 | 4 | Cartridge, Valve (Check) | |
| 8 | 7011346 | 4 | Seal Kit - 7026012 Cartridge | |
| 9 | 2111012 | 2 | Fitting, Straight | |
| 10 | 2151012 | 2 | Fitting, Elbow | |
| 11 | 2110810 | 9 | Fitting, Straight | |
| 12 | 2110406 | 1 | Fitting, Straight | |
| 13 | 2180831 | 1 | Fitting, Orifice | |
| 14 | 2221086 | 1 | Check, Pressure | |
| 15 | 2220883 | 1 | Fitting, Plug | |
| 16 | 7024932 | 1 | Switch, Pressure | |

SECTION 1 - FRAME

FIGURE 1-14. TRACTION VALVE ASSEMBLY (SN 0300100131 through 0300201016)



SECTION 1 - FRAME

FIGURE 1-14. TRACTION VALVE ASSEMBLY (SN 0300100131 through 0300201016)

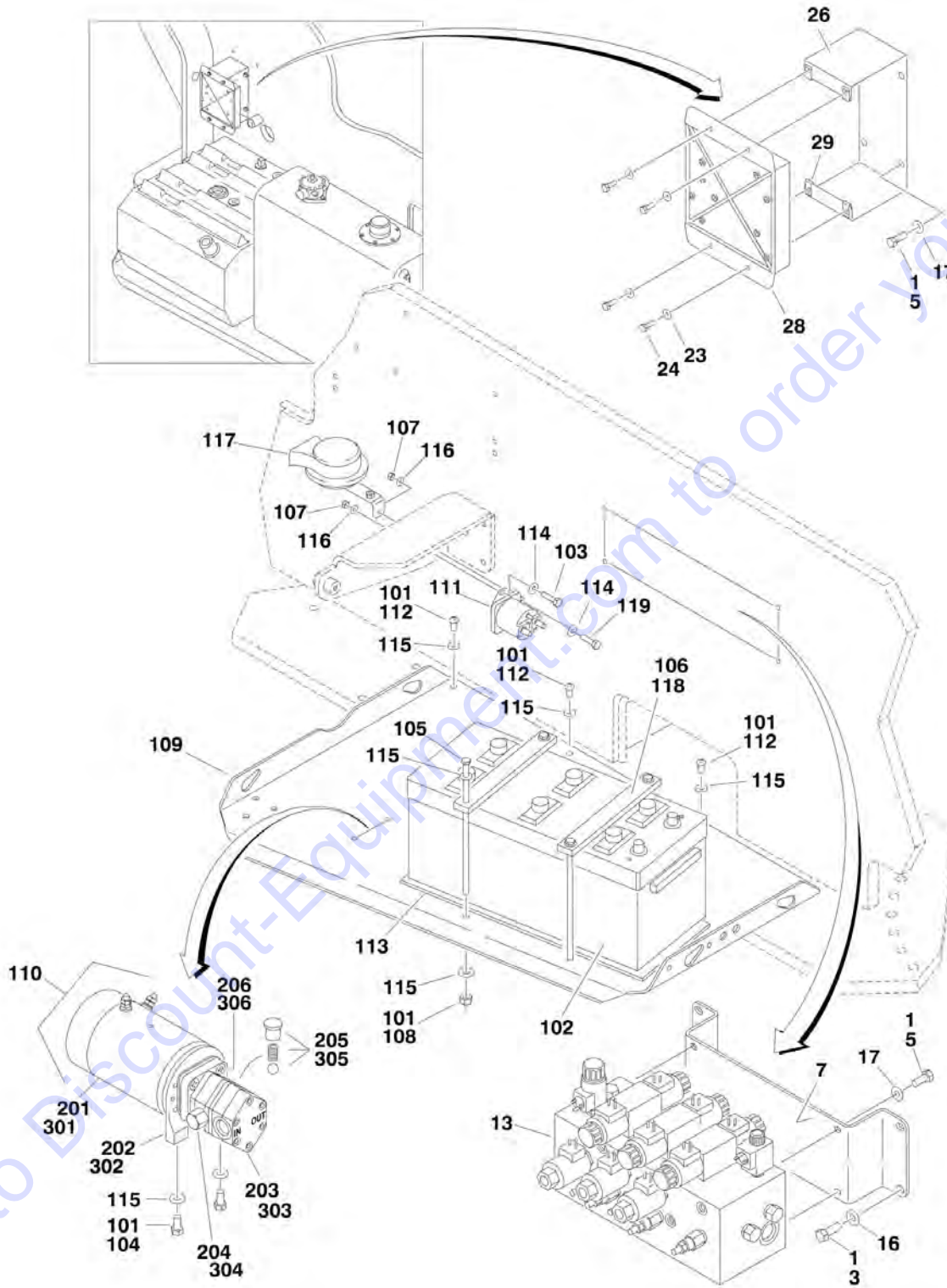
| ITEM | PART NUMBER | QTY | DESCRIPTION | REV |
|------|-------------|-----|---|-----|
| | 4641454 | Ref | TRACTION VALVE ASSEMBLY | E |
| 1 | 7012941 | 3 | Cartridge, Solenoid Valve (Steer, Brake and Axle Lockout) | |
| 1 | 7010543 | 3 | Seal Kit - 7012941 Cartridge | |
| 1 | 7012944 | 2 | Coil | |
| 2 | 70000801 | 1 | Cartridge, Valve (Relief) | |
| 2 | 7012998 | 1 | Seal Kit - 70000801 Cartridge | |
| 3 | 70000802 | 1 | Cartridge, Valve (Pilot) | |
| 3 | 7012942 | 1 | Seal Kit - 70000802 Cartridge | |
| 4 | 70000803 | 1 | Pressure Switch | |
| 5 | 70000804 | 1 | Cartridge, Valve (Shuttle) | |
| 5 | 70000805 | 1 | Seal Kit - 70000804 Cartridge | |
| 6 | 70000806 | 2 | Cartridge, Valve (Flow Divider) | |
| 6 | 7017405 | 2 | Seal Kit - 70000806 Cartridge | |
| 7 | 7012955 | 4 | Cartridge, Valve (Check) | |
| 7 | 7012967 | 4 | Seal Kit - 7012955 Cartridge | |
| 8 | 2111012 | 2 | Fitting, Straight | |
| 9 | 2151012 | 2 | Fitting, Elbow | |
| 10 | 2110810 | 13 | Fitting, Straight | |
| 11 | 2110406 | 3 | Fitting, Straight | |
| 12 | 2221086 | 1 | Check, Pressure | |
| 13 | 2220883 | 1 | Plug, #4 (Not Shown) | |

SECTION 2 - TURNTABLE

Go to Discount-Equipment.com to order your parts

SECTION 2 - TURNTABLE

FIGURE 2-1. VALVE, BATTERY, HORN AND AUXILIARY PUMP INSTALLATIONS



SECTION 2 - TURNTABLE

FIGURE 2-1. VALVE, BATTERY, HORN AND AUXILIARY PUMP INSTALLATIONS

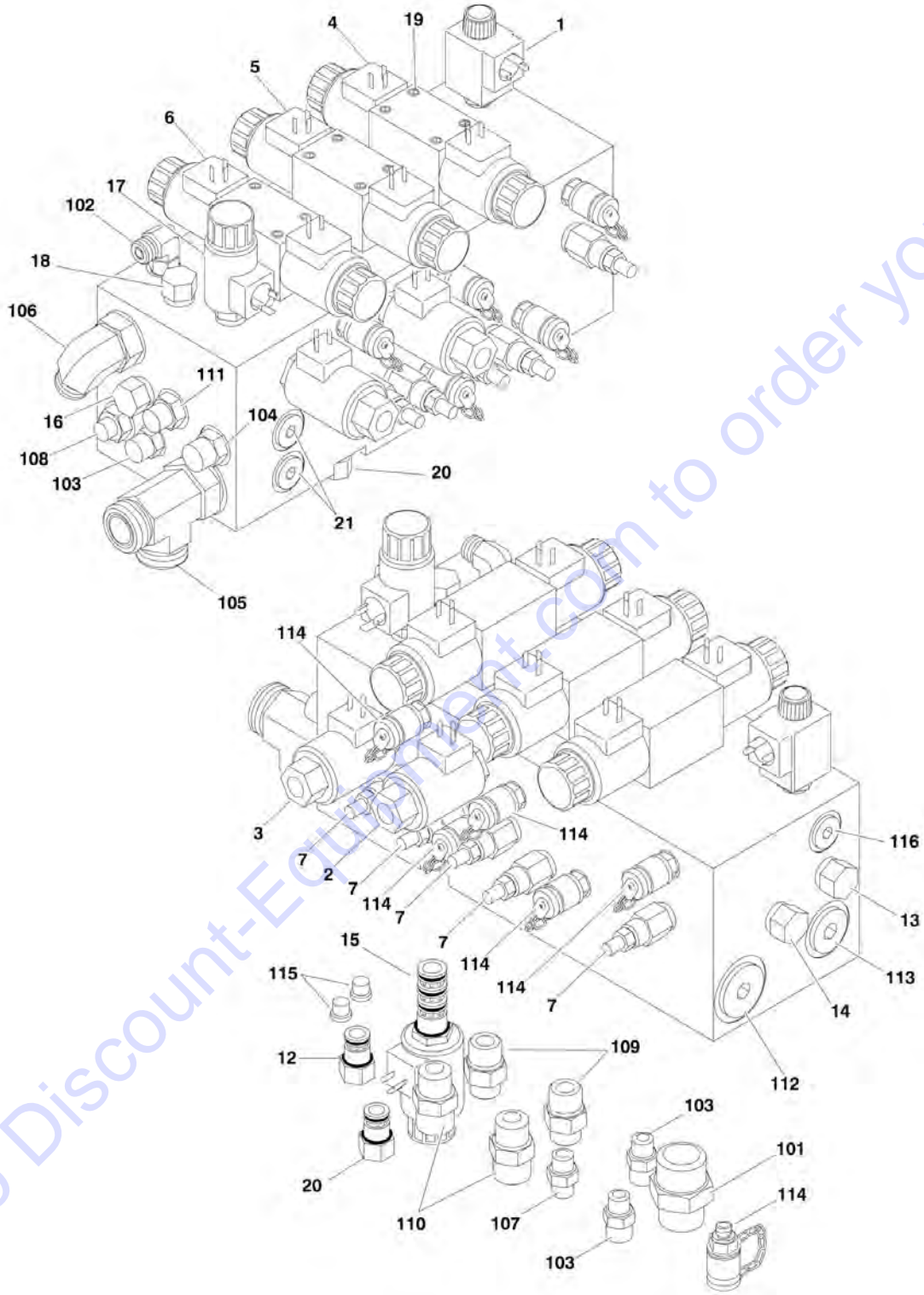
| ITEM | PART NUMBER | QTY | DESCRIPTION | REV |
|------|-------------|---------|--|-----|
| | 0271802 | Ref | VALVES INSTALLATION - TURNTABLE MOUNTED | K |
| 1 | 0100011 | AR | Compound, Locking | |
| 3 | 0641506 | 4 | Bolt 5/16in-18NC x 3/4in | |
| 5 | 0641608 | 12 | Bolt 3/8in-16NC x 1in | |
| 7 | 0902755 | 1 | Bracket, Valve Mounting | |
| 13 | | Ref | Main Valve Assembly Options: (See MAIN VALVE ASSEMBLY for Breakdown) | |
| 13 | 4641222 | 1 | Main Valve Assembly (Use p/n 4641267) (Prior to SN 0300072337) | |
| 13 | 4641267 | 1 | Main Valve Assembly (SN 0300072337 through 0300201016) | |
| 16 | 4711500 | 23 | Flatwasher 5 /16in Thin | |
| 17 | 4711600 | 14 | Flatwasher 3/8in Thin | |
| 23 | 4711400 | 8 | Flatwasher 1/4in Thin | |
| 24 | 0641406 | 4 | Bolt 1/4in-20NC x 3/4in | |
| 26 | 0902800 | 1 | Bracket, Module Mounting | |
| 28 | 1600332 | 1 | Module, B.L.A.M. (Note: Control System must be recalibrated when Module is replaced) (Use p/n 1001112757) (Prior to SN 0300141586) | |
| 28 | 2915024 | 1 | Update Kit (Includes Cables, Programming Instructions and CD Software) | |
| 29 | 3300454 | 4 | Nut, Special | |
| | | Ref | BATTERY, HORN AND AUXILIARY PUMP INSTALLATION | |
| | 0271795 | Ref | With ABS Hoods | E |
| | 1001110740 | Ref | With Steel Hoods | A |
| 101 | 0100011 | AR | Compound, Locking | |
| 102 | 0400020 | 1 | Battery | |
| 103 | 0641408 | 1 | Bolt 1/4in-20NC x 1in | |
| 104 | 0641606 | 2 | Bolt 3/8in-16NC x 3/4in | |
| 105 | 0236768 | 4 | Rod, Hold-down | |
| 106 | 0363062 | 2 | Bar, Battery | |
| 107 | 3311405 | 3 | Locknut 1/4in-20NC | |
| 108 | 3311601 | 4 | Nut 3/8in-16NC | |
| 109 | | Ref | Tray Options: | |
| 109 | 3573259 | 1 | Tray used with ABS Hoods | |
| 109 | 1001117359 | 1 | Tray used with Steel Hoods (Not Shown) | |
| 110 | | Ref | Auxiliary Pump Assembly Options: | |
| 110 | 3600342 | 1 | Auxiliary Pump Assembly (Original Equipment Use p/n 3600424 - see items 201-205 for breakdown. For Service Replacement p/n 3600424, see items 301-305) (Prior to SN 0300103856) | |
| 110 | 3600424 | 1 | Auxiliary Pump Assembly (see Items 301-305 for Breakdown) (SN 0300103856 through 0300201016) | |
| 111 | 3740067 | 1 | Relay | |
| 112 | 3900283 | 7 | Screw, Button Head | |
| 113 | 3980006 | 1 | Seat, battery | |
| 114 | 4711400 | 4 | Flatwasher 1/4in Thin | |
| 115 | 4711600 | 17 | Flatwasher 3/8in Thin | |
| 116 | 4791400 | 2 | Starwasher 1/4in | |
| 117 | 0140001 | 1 | Horn | |
| 118 | 4420037 | 17 | Tape, Insulation | |
| | | in/43cm | | |
| 119 | 0641412 | 1 | Bolt 1/4in-20NC x 1-1/2in | |
| | | Ref | AUXILIARY PUMP ASSEMBLY OPTIONS: | |

SECTION 2 - TURNTABLE

| ITEM | PART NUMBER | QTY | DESCRIPTION | REV |
|------|-------------|-----|---|-----|
| | 3600342 | Ref | Auxiliary Pump Assembly (Fenner Fluid Power Brand) (Prior to SN 0300103856) | C |
| | | Ref | Note: Original Equipment p/n 3600342 may have been replaced with Service Replacement p/n 3600424, identify component by brand before ordering parts. | |
| 201 | 7022207 | 1 | Motor | |
| 201 | 7013753 | 1 | Brush Kit | |
| 202 | 7016769 | 1 | Bracket, Motor/Pump | |
| 202 | 7013711 | 1 | Coupling | |
| 203 | 7022215 | 1 | Pump | |
| 203 | 7013716 | 1 | Seal, Shaft | |
| 204 | 7013715 | 1 | Ball | |
| 204 | 7022227 | 1 | Spring | |
| 204 | 7022228 | 1 | Screw, Valve Adjustment | |
| 204 | 7022230 | 1 | Cap, Relief Valve | |
| 205 | 7022231 | 1 | Ball and Spring Assembly | |
| 205 | 7022229 | 1 | Plug | |
| 206 | See Note | 4 | Hardware (Note: Not Available For Purchase) | |
| | 3600424 | Ref | Auxiliary Pump Assembly (Haldex Brand) (SN 0300103856 through 0300201016) | B |
| 301 | 70001056 | 1 | Motor Service Replacement Kit (Includes Motor, p/n 7011062 Adapter, p/n 7011016 Coupling and qty 2 Setscrews) | |
| 301 | See Note | 1 | Brush Kit (Note: Not Available For Purchase) | |
| 302 | 7011062 | 1 | Bracket, Motor/Pump (Part of Item 301) | |
| 302 | 7011016 | 1 | Coupling (Part of Items 301 & 303) | |
| 302 | 7011044 | 1 | Gasket (Part of Item 303) | |
| 303 | 7029593 | 1 | Pump Service Replacement Kit (Includes Pump, p/n 7011016 Coupling, qty 2 Gaskets and qty 4 each of Screws and Washers) | |
| 303 | See Note | 1 | Seal, Shaft (Note: Not Available For Purchase) | |
| 304 | 7029593 | 1 | Valve Components | |
| 305 | 7029593 | 1 | Valve Components | |
| 306 | 7011048 | 4 | Screw | |
| 306 | 7011043 | 4 | Flatwasher | |

SECTION 2 - TURNTABLE

FIGURE 2-2. MAIN VALVE ASSEMBLY



SECTION 2 - TURNTABLE

FIGURE 2-2. MAIN VALVE ASSEMBLY

| ITEM | PART NUMBER | QTY | DESCRIPTION | REV |
|------|-------------|-----|--|-----|
| | | Ref | MAIN VALVE ASSEMBLY OPTIONS: | |
| | 4641222 | Ref | Main Valve Assembly (Without Fittings) (Prior to SN 0300072337) | C |
| | 4641267 | Ref | Main Valve Assembly (With Fittings) (SN 0300072337 through 0300201016) | B |
| 1 | 7024573 | 1 | Cartridge, Solenoid Valve (Dump) | |
| 1 | 7024574 | 1 | Seal Kit - Cartridge | |
| 1 | 7011354 | 1 | Coil | |
| 2 | 7021636 | 1 | Cartridge, Solenoid Valve (Lift Flow) | |
| 2 | 7017495 | 1 | Seal Kit - Cartridge | |
| 2 | 7017451 | 1 | Coil | |
| 3 | 7021636 | 1 | Cartridge, Solenoid Valve (Tele Flow) | |
| 3 | 7017495 | 1 | Seal Kit - Cartridge | |
| 3 | 7017451 | 1 | Coil | |
| 4 | 7024924 | 1 | Control Valve Assembly (Swing) | |
| 4 | 7012773 | 1 | Seal Kit - Valve | |
| 4 | 7018991 | 2 | Coil | |
| 4 | 7021375 | 2 | Nut, Coil | |
| 5 | 7024925 | 1 | Control Valve Assembly (Lift) | |
| 5 | 7012773 | 1 | Seal Kit - Valve | |
| 5 | 7018991 | 2 | Coil | |
| 5 | 7021375 | 2 | Nut, Coil | |
| 6 | 70001976 | 1 | Control Valve Assembly (Tele) (was p/n 7012770) | |
| 6 | 7012773 | 1 | Seal Kit - Valve | |
| 6 | 7018991 | 2 | Coil | |
| 6 | 7021375 | 2 | Nut, Coil | |
| 7 | 7026007 | 5 | Cartridge, Relief Valve (Swing/Lift Up/Lift Down/Tele In/Tele Out) | |
| 7 | 7024574 | 1 | Seal Kit - Cartridge | |
| 12 | 7026000 | 1 | Cartridge, Check Valve | |
| 12 | 7011311 | 1 | Seal Kit - Cartridge | |
| 13 | 7026001 | 1 | Cartridge, Check Valve | |
| 13 | 7011311 | 1 | Seal Kit - Cartridge | |
| 14 | 7026002 | 1 | Cartridge, Shuttle Valve | |
| 14 | 2900770 | 1 | Seal Kit - Cartridge | |
| 15 | 7024570 | 1 | Cartridge, Solenoid Valve (Aux Lift Down Select) | |
| 15 | 70001930 | 1 | Seal Kit - Cartridge (was p/n 2900770) | |
| 15 | 7024571 | 1 | Coil | |
| 16 | 7026003 | 1 | Cartridge, Pilot Valve | |
| 16 | 7026004 | 1 | Seal Kit - Cartridge | |
| 17 | 7026005 | 1 | Cartridge, Solenoid Valve (Aux Lift Down) | |
| 17 | 7026006 | 1 | Seal Kit - Cartridge | |
| 17 | 7024571 | 1 | Coil | |
| 18 | 7026008 | 1 | Cartridge, Check Valve | |
| 18 | 7011346 | 1 | Seal Kit - Cartridge | |
| 19 | 7018942 | 12 | Capscrew, Socket Head #10-24NC x 2in | |
| 20 | 7026016 | 1 | Cartridge, Valve | |
| 20 | 7011346 | 1 | Seal Kit - Cartridge | |
| 21 | 70002759 | 1 | Plug w/ O-Ring (Valve p/n 4641222 Only) | |
| | 4641267 | Ref | Main Valve Assembly (Fitting Information (SN 0300072337 through 0300201016) | A |

PARTS FINDER

**Search Website
by Part Number**



**Search Manual
Library For Parts
Manual & Lookup Part
Numbers – Purchase
or Request Quote**

**Can't Find Part or
Manual? Request Help
by Manufacturer,
Model & Description**

Discount-Equipment.com is your online resource for quality parts & equipment.

Florida: **561-964-4949** Outside Florida TOLL FREE: **877-690-3101**

Need parts?

Click on this link: <http://www.discount-equipment.com/category/5443-parts/> and choose one of the options to help get the right parts and equipment you are looking for. Please have the machine model and serial number available in order to help us get you the correct parts. If you don't find the part on the website or on one of the online manuals, please fill out the request form and one of our experienced staff members will get back to you with a quote for the right part that your machine needs.

We sell worldwide for the brands: Genie, Terex, JLG, MultiQuip, Mikasa, Essick, Whiteman, Mayco, Toro Stone, Diamond Products, Generac Magnum, Airman, Haulotte, Barreto, Power Blanket, Nifty Lift, Atlas Copco, Chicago Pneumatic, Allmand, Miller Curber, Skyjack, Lull, Skytrak, Tsurumi, Husquvarna Target, Stow, Wacker, Sakai, Mi-T-M, Sullair, Basic, Dynapac, MBW, Weber, Bartell, Bennar Newman, Haulotte, Ditch Runner, Menegotti, Morrison, Contec, Buddy, Crown, Edco, Wyco, Bomag, Laymor, EZ Trench, Bil-Jax, F.S. Curtis, Gehl Pavers, Heli, Honda, ICS/PowerGrit, IHI, Partner, Imer, Clipper, MMD, Koshin, Rice, CH&E, General Equipment, Amida, Coleman, NAC, Gradall, Square Shooter, Kent, Stanley, Tamco, Toku, Hatz, Kohler, Robin, Wisconsin, Northrock, Oztec, Toker TK, Rol-Air, APT, Wylie, Ingersoll Rand / Doosan, Innovatech, Con X, Ammann, Mecalac, Makinex, Smith Surface Prep, Small Line, Wanco, Yanmar

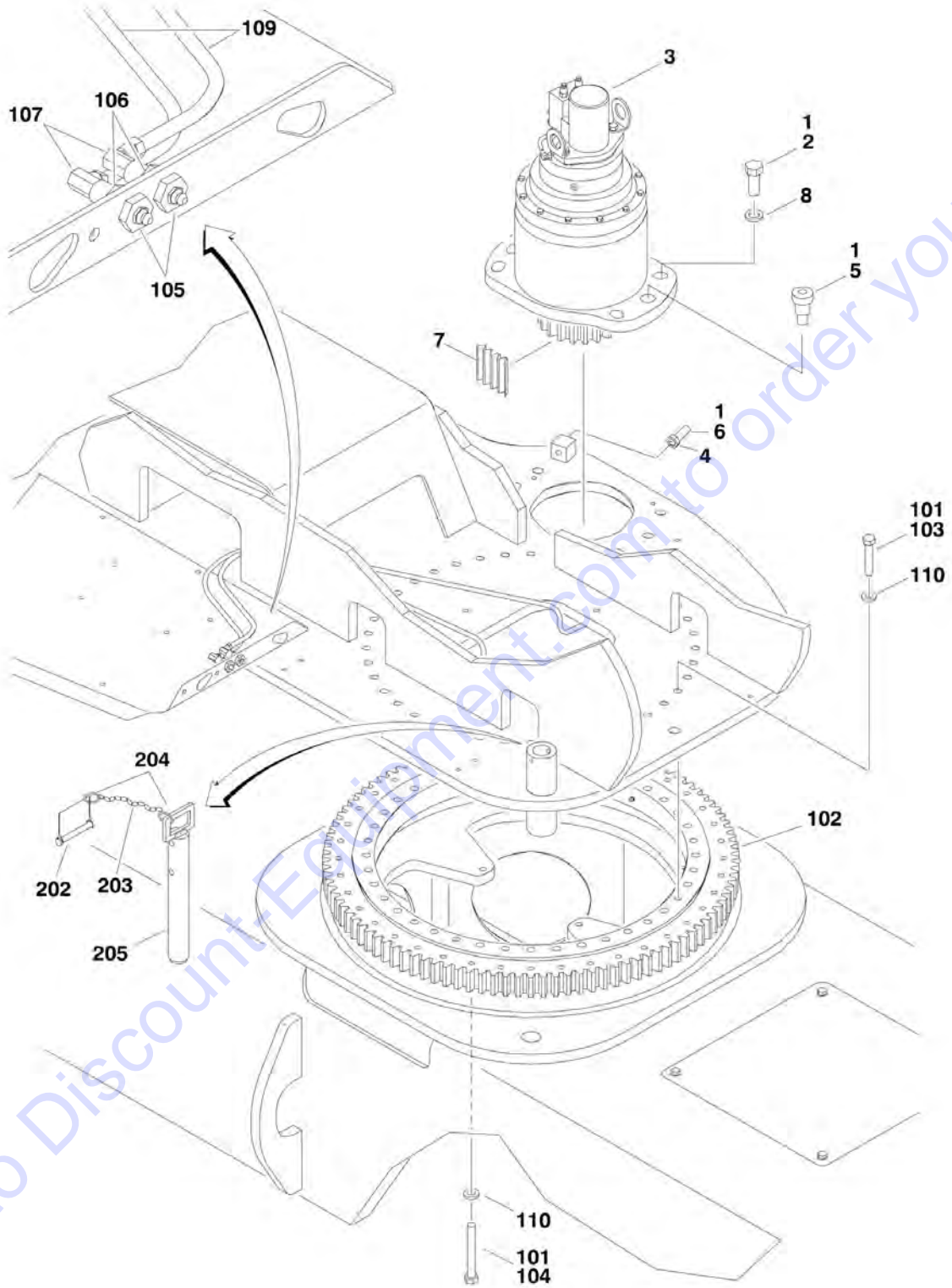
SECTION 2 - TURNTABLE

| ITEM | PART NUMBER | QTY | DESCRIPTION | REV |
|------|-------------|-----|---|-----|
| 101 | 2111216 | 1 | Fitting, Straight | |
| 102 | 2130606 | 1 | Fitting, Elbow | |
| 103 | 2110606 | 3 | Fitting, Straight | |
| 104 | 2110808 | 1 | Fitting, Straight | |
| 105 | 2170316 | 1 | Fitting, Tee | |
| 106 | 2131012 | 1 | Fitting, Elbow | |
| 107 | 2110406 | 1 | Fitting, Straight | |
| 108 | 2110408 | 1 | Fitting, Straight | |
| 109 | 2110810 | 2 | Fitting, Straight | |
| 110 | 2111010 | 2 | Fitting, Straight | |
| 111 | 2110608 | 1 | Fitting, Straight | |
| 112 | 2220890 | 1 | Plug | |
| 113 | 70002760 | 1 | Plug (was p/n 2220888) | |
| 114 | 2221086 | 6 | Check, Pressure | |
| 115 | 70002758 | 2 | Fitting, Plug (was p/n 2220883) | |
| 116 | 70002759 | 1 | Plug w/ O-Ring (was p/n 88662193 & 2220886) | |

Go to Discount-Equipment.com to order your parts

SECTION 2 - TURNTABLE

FIGURE 2-3. TURNTABLE SWING DRIVE AND BEARING INSTALLATION



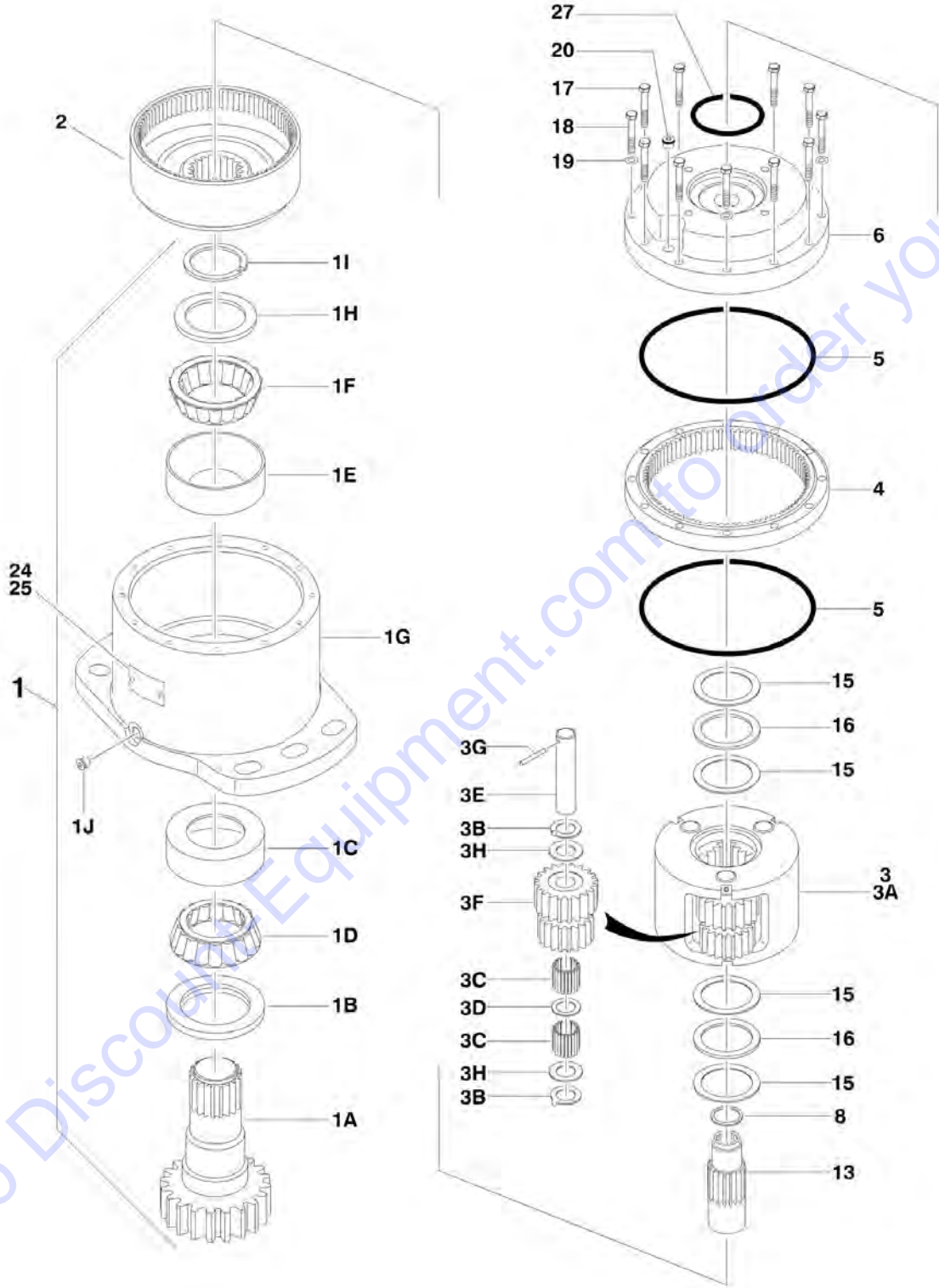
SECTION 2 - TURNTABLE

FIGURE 2-3. TURNTABLE SWING DRIVE AND BEARING INSTALLATION

| ITEM | PART NUMBER | QTY | DESCRIPTION | REV |
|------|-------------|-----------|---|-----|
| | 0271596 | Ref | SWING DRIVE INSTALLATION | D |
| 1 | 0100019 | AR | Compound, Locking | |
| 2 | 0682418 | 5 | Bolt 7/8in- 9NC x 2-1/4in (Grade 8) | |
| 3 | | Ref | Swing Motor/Hub Assembly Options (See SWING MOTOR/HUB ASSEMBLY for Breakdown) | |
| 3 | 3160281 | 1 | Swing Motor/Hub Assembly (Use p/n 1001134098) (Prior to SN 0300074374) | |
| 3 | 3160302 | 1 | Swing Motor/Hub Assembly (Use p/n 1001134098) (Prior to SN 0300074374) | |
| 3 | 3160302 | 1 | Swing Motor/Hub Assembly (Use p/n 1001134098) (SN 0300074374 through 0300152137) | |
| 3 | 1001134098 | 1 | Swing Motor/Hub Assembly (SN 0300152138 through 0300201016) | |
| 4 | 3312002 | 1 | Nut, Jam 5/8in-11NC | |
| 5 | 3900223 | 1 | Screw, Shoulder | |
| 6 | 3952020 | 1 | Setscrew 5/8in-11NC x 2-1/2in | |
| 7 | 4071041 | 1 | Shim | |
| 8 | 4892400 | 5 | Flatwasher 7/8in Hardened | |
| | 0271512 | Ref | TURNTABLE BEARING AND LUBE INSTALLATION | B |
| 101 | 0100019 | AR | Compound, Locking | |
| 102 | 0440251 | 1 | Bearing Kit (Use p/n 2915072) (Kit Includes Bearing and Mounting Hardware) | |
| 103 | 0682026 | 40 | Bolt 5/8in-11NC x 3-1/4in (Grade 8) | |
| 104 | 0682040 | 40 | Bolt 5/8in-11NC x 5in (Grade 8) | |
| 105 | 2180002 | 2 | Fitting, Grease | |
| 106 | 2180344 | 2 | Fitting, Bulkhead | |
| 107 | 2220063 | 2 | Fitting, Adapter | |
| 109 | 2750528 | 2 | Hose | |
| 110 | 4892000 | 80 | Flatwasher 5/8in, Hardened | |
| | 0239842 | Ref | TURNTABLE LOCK INSTALLATION | B |
| 202 | 3421565 | 1 | Pin, Snap | |
| 203 | 1260017 | 9 in/23cm | Chain - #3 | |
| 204 | 3760170 | 2 | Ring, Quick Release | |
| 205 | 3421563 | 1 | Pin, Turntable Lock | |
| | | Ref | TURNTABLE WELDMENT OPTIONS: | |
| | | Ref | Machines with ABS Hoods | |
| | 4620132 | Ref | Machines with ABS Hoods (Prior to SN 0300080338) | |
| | 4620149 | Ref | Machines with ABS Hoods (SN 0300080338 through 0300201016) | |
| | 4620149 | Ref | Machines with ABS Hoods with 7500W Generator Prep (SN 0300080338 through 0300201016) | |
| | | Ref | Machines with Steel Hoods | |
| | 1001107391 | Ref | Machines with Steel Hoods (Use p/n 1001119911) (Prior to SN 0300149621) | |
| | 1001119911 | Ref | Machines with Steel Hoods (SN 0300149621 through 0300201016) | |

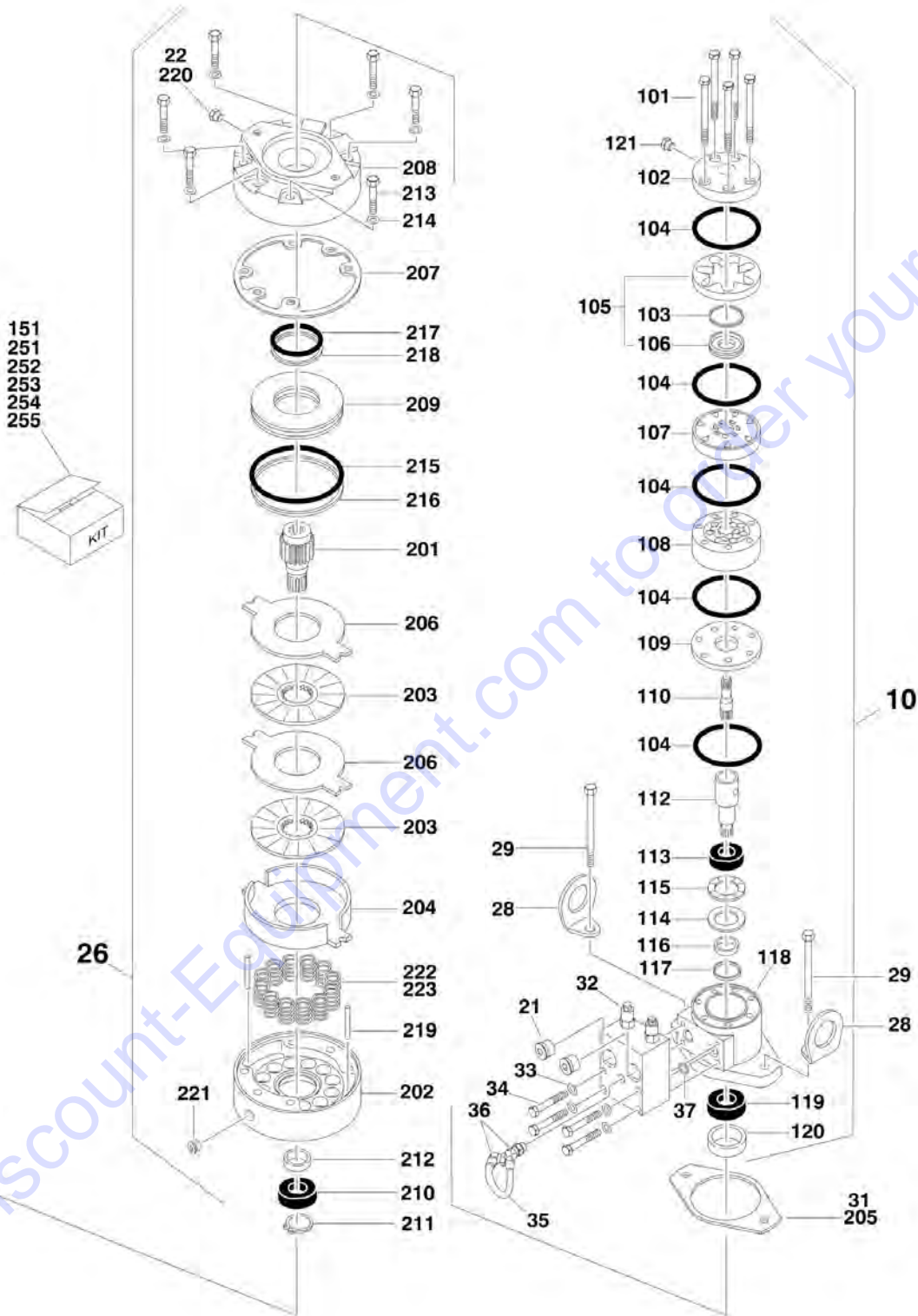
SECTION 2 - TURNTABLE

FIGURE 2-4. SWING MOTOR/HUB ASSEMBLY



Go to DiscountEquipment.com to order your parts

SECTION 2 - TURNTABLE



SECTION 2 - TURNTABLE

FIGURE 2-4. SWING MOTOR/HUB ASSEMBLY

| ITEM | PART NUMBER | QTY | DESCRIPTION | REV |
|------|-------------|-----|---|-----|
| | | Ref | SWING MOTOR/HUB ASSEMBLY OPTIONS: | |
| | 3160281 | Ref | Swing Motor/Hub Assembly (Prior to SN 0300074374) | |
| | 3160302 | Ref | Swing Motor/Hub Assembly (SN 0300074374 through 0300151137) | |
| | 1001134098 | Ref | Swing Motor/Hub Assembly (SN 0300151138 through 0300201016) | C |
| 1 | See Note | 1 | Housing/Shaft Assembly (Note: Not Available - Purchase Complete Swing Motor/Hub Assembly) | |
| 1A | 7024183 | 1 | Shaft, Out put | |
| 1B | 7000236 | 1 | Seal, Lip | |
| 1C | 1001091460 | 1 | Cup, Bearing (was p/n 7000272 & p/n 90202500) | |
| 1D | 1001091460 | 1 | Cone, Bearing (was p/n 7000273 & p/n 90202501) | |
| 1E | 1001091461 | 1 | Cup, Bearing (was p/n 7000274) | |
| 1F | 1001091461 | 1 | Cone, Bearing (was p/n 7000275 & p/n 90202503) | |
| 1G | 7024184 | 1 | Housing | |
| 1H | 7000239 | 1 | Thrustwasher | |
| 1I | 7000240 | 1 | Ring, Retaining | |
| 1J | 7017072 | 1 | Plug, Pipe | |
| 2 | 7001917 | 1 | Gear, Internal | |
| 3 | 7001918 | 1 | Carrier Assembly | |
| 3A | 7001900 | 1 | Carrier | |
| 3B | 7007645 | 6 | Washer, Tanged | |
| 3C | 7001902 | 84 | Bearing, Needle | |
| 3D | 7007646 | 3 | Thrustwasher | |
| 3E | 7001904 | 3 | Shaft, Planet | |
| 3F | 7001927 | 3 | Gear, Cluster | |
| 3G | 7001906 | 3 | Rollpin | |
| 3H | 7007648 | 6 | Washer | |
| 4 | 7010467 | 1 | Gear, Ring | |
| 5 | 7000224 | 2 | O-Ring | |
| 6 | 7001920 | 1 | Cover, Input | |
| 8 | 7001922 | 1 | Thrustwasher | |
| 10 | 7024188 | 1 | Motor Assembly (See Items 101-121 for Breakdown) | |
| 13 | 7001921 | 1 | Gear, Sun | |
| 15 | 7000287 | 4 | Washer, Thrust | |
| 16 | 7000288 | 2 | Bearing, Thrust | |
| 17 | 7001923 | 8 | Bolt 3/8in-16NC x 3in (Grade 8) | |
| 18 | 7001924 | 4 | Bolt, Shoulder 3/8in-16NC x 2-3/4in (Grade 8) | |
| 19 | 7001929 | 4 | Lockwasher (Used with Item 18 Only) | |
| 20 | 7001928 | 1 | Plug, Pipe | |
| 21 | 7001926 | 2 | Plug, Pipe | |
| 22 | 7017082 | 1 | Plug, Pipe | |
| 24 | See Note | 1 | Plate, ID (Note: Not Available For Purchase) | |
| 25 | 7000281 | 2 | Screw, Drive | |
| 26 | | Ref | Brake Assembly Options (See Items 201-223 for Breakdown): | |
| 26 | 7024182 | 1 | Brake Assembly (Prior to SN 0300151138) | |
| 26 | 70003524 | 1 | Brake Assembly (SN 0300151138 through 0300201016) | |
| 27 | 7024763 | 1 | O-Ring | |
| 28 | See Note | 2 | Lug, Lifting (Note: Not Available For Purchase) | |
| 29 | 7024185 | 2 | Bolt 1/2in-13NC x 5in (Grade 8) | |

SECTION 2 - TURNTABLE

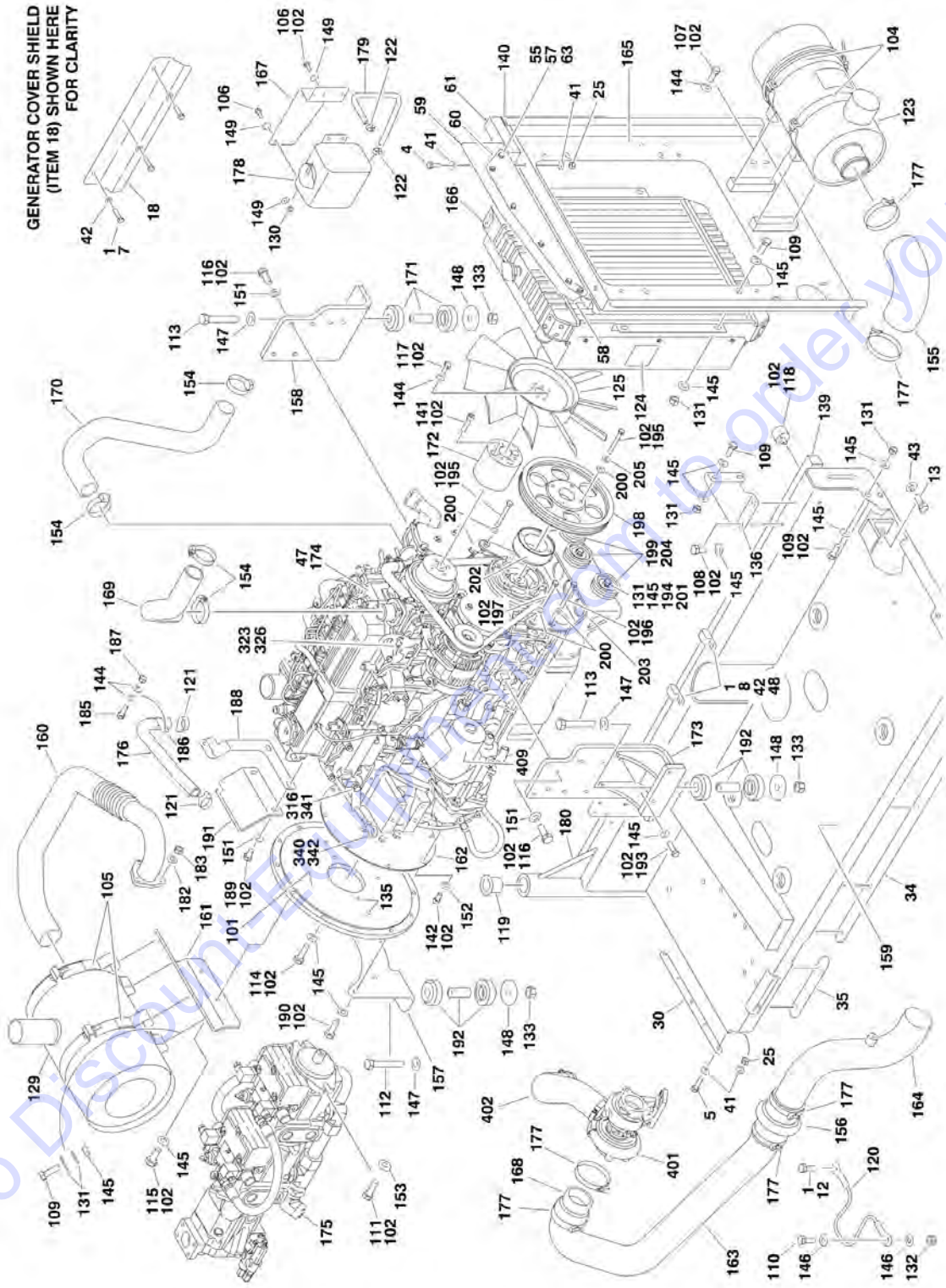
| ITEM | PART NUMBER | QTY | DESCRIPTION | REV |
|------|-------------|-----|--|-----|
| 31 | 7000731 | 1 | Gasket | |
| 32 | | Ref | Valve Options: | |
| 32 | | Ref | Used With Swing Motor/Hub Assembly p/n 3160281 & p/n 3160302 | |
| 32 | 4640741 | 1 | Valve (was p/n 7024187) | |
| 32 | 7011320 | 2 | Cartridge | |
| 32 | 2900770 | 2 | Seal Kit - 7011320 Cartridge (1 Per Cartridge) | |
| 32 | | Ref | Used With Swing Motor/Hub Assembly p/n 1001134098 | |
| 32 | 70003523 | 1 | Valve | |
| 32 | 70003629 | 2 | Cartridge | |
| 32 | 2900770 | 2 | Seal Kit - 70003629 Cartridge (1 Per Cartridge) | |
| 33 | See Note | 4 | Lockwasher (Note: Not Available For Purchase) | |
| 34 | 7024135 | 4 | Bolt 5/16in-18NC x 2-1/2in (Grade 8) | |
| 35 | 7024186 | 1 | Tube | |
| 36 | 7017085 | 2 | Elbow | |
| 37 | 7000213 | 2 | O-Ring | |
| | 7024188 | Ref | MOTOR ASSEMBLY | |
| 101 | 7024391 | 5 | Bolt | |
| 102 | 7004035 | 1 | Cover, End | |
| 103 | 7024389 | 1 | Seal, Commutator | |
| 104 | 7024389 | 5 | Seal, Ring | |
| 105 | 7024453 | 1 | Commutator and Ring Assembly (was p/n 7004037) | |
| 106 | 7004453 | 1 | Ring (was p/n 7004037) | |
| 107 | 7024379 | | Manifold | |
| 108 | 7024392 | 1 | Rotor Set | |
| 109 | 7024380 | 1 | Plate, Wear | |
| 110 | 7024393 | 1 | Link, Drive | |
| 112 | 7024395 | 1 | Shaft, Coupling | |
| 113 | 7024381 | 1 | Bushing, Bronze | |
| 114 | 7004043 | 1 | Thrustwasher | |
| 115 | 7004044 | 1 | Bearing, Thrust | |
| 116 | 7024389 | | Seal, Inner | |
| 117 | 7024389 | 1 | Washer, Back-up | |
| 118 | 7024394 | 1 | Housing | |
| 119 | 7024390 | 1 | Bearing | |
| 120 | 7024389 | 1 | Seal | |
| 121 | 7010795 | 1 | Plug, O-Ring | |
| 151 | 7024389 | 1 | Seal Kit - 7024188 Motor (Includes Items 103, 104, 116, 117 & 120) (was p/n 7024396) | |
| | | Ref | BRAKE ASSEMBLIES | |
| | 7024182 | Ref | Brake Assemblies (Prior to SN 030015138) | |
| | 70003524 | Ref | Brake Assemblies (SN 030015138 through 0300201016) | |
| 201 | 7024189 | 1 | Shaft | |
| 202 | 7024182 | 1 | Housing (Note: Not Available For Purchase) | |
| 203 | 7024193 | 2 | Plate, Friction | |
| 204 | 7024193 | 1 | Plate, Pressure | |
| 205 | 7000731 | 1 | Gasket | |
| 206 | 7024193 | 2 | Plate, Outer | |
| 207 | See Note | 1 | Gasket (Note: Use Item 251, 254 or 255.) | |
| 208 | 7024191 | 1 | Cylinder | |
| 209 | 7024192 | 1 | Piston | |
| 210 | 7024197 | 1 | Bearing, Ball | |

SECTION 2 - TURNTABLE

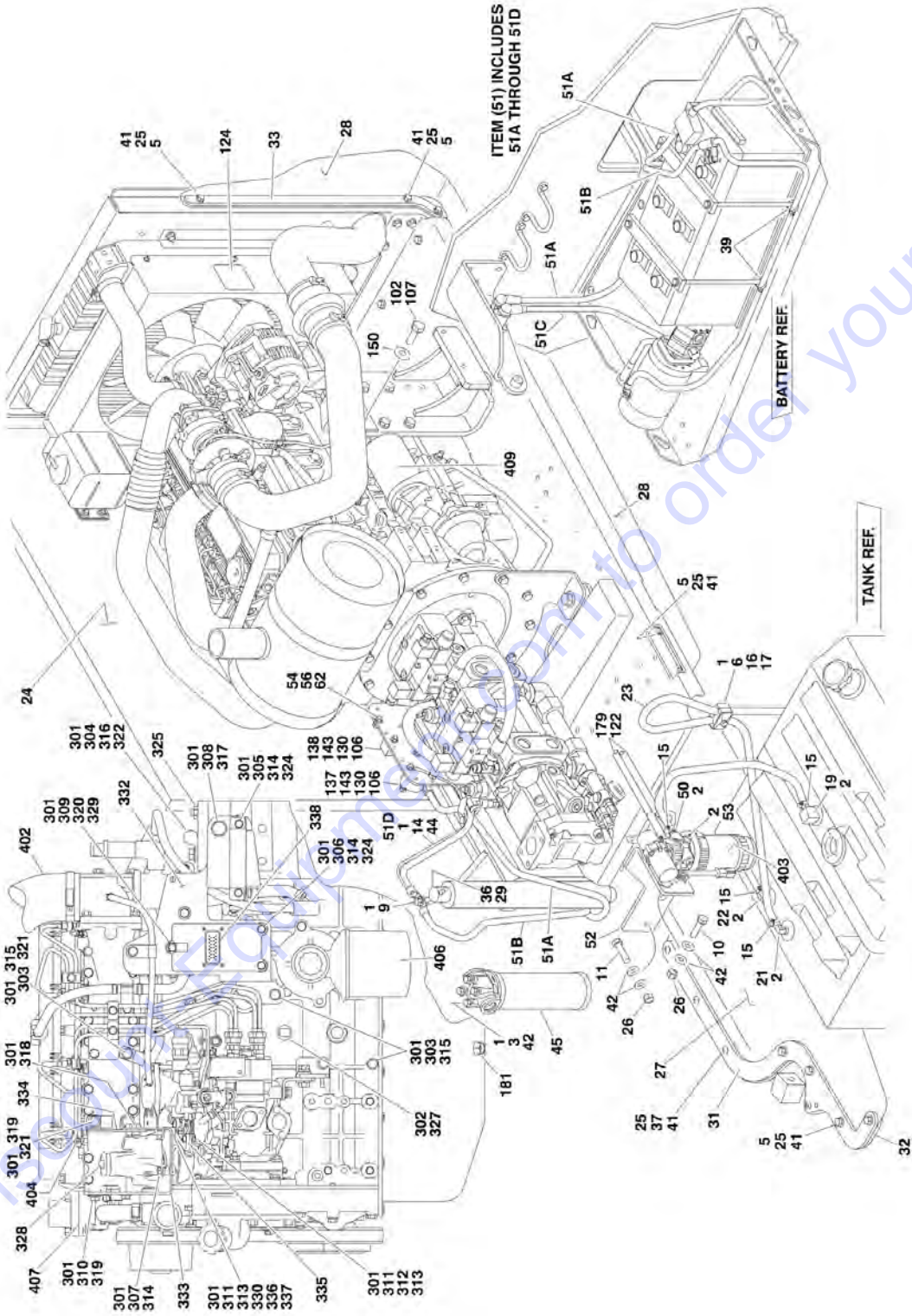
| ITEM | PART NUMBER | QTY | DESCRIPTION | REV |
|------|-------------|-----|--|-----|
| 211 | 7024197 | 1 | Ring, Retaining | |
| 212 | 7024197 | 1 | Seal, Shaft | |
| 213 | See Note | 6 | Capscrew (Note: Not Available For Purchase) | |
| 214 | See Note | 6 | Lockwasher (Note: Not Available For Purchase) | |
| 215 | 7024194 | 1 | O-Ring | |
| 216 | 7024194 | 1 | Ring, Back-up | |
| 217 | 7024194 | 1 | O-Ring | |
| 218 | 7024194 | 1 | Ring, Back-up | |
| 219 | 7024190 | 2 | Pin, Dowel | |
| 220 | See Note | 1 | Plug (Note: Not Available For Purchase) | |
| 221 | See Note | 1 | Plug (Note: Not Available For Purchase) | |
| 222 | 7024196 | AR | Spring (Natural) | |
| 223 | 7024196 | AR | Spring, (Blue) | |
| 251 | 7024194 | 1 | Seal Kit - Brake (Includes Items 205, 207 & 215-218) | |
| 252 | 7024196 | 1 | Spring Kit - Brake (Includes 12 Natural Colored Springs) (was p/n 7024195) | |
| | | Ref | Note: Spring Kit p/n 7024195 no Longer Available, Purchase p/n 7024196 for Replacement. | |
| 253 | 7024196 | 1 | Spring Kit - Brake (Includes 12 Natural & 2 Blue Colored Springs) | |
| 254 | 7024193 | 1 | Friction Disc Kit - Brake (Includes Items 203, 204, 206 & 207) | |
| 255 | 7024197 | 1 | Bearing Kit - Brake (Includes Items 207 & 210-212) | |

SECTION 2 - TURNTABLE

FIGURE 2-5. CATERPILLAR DIESEL ENGINE INSTALLATION



SECTION 2 - TURNTABLE



SECTION 2 - TURNTABLE

FIGURE 2-5. CATERPILLAR DIESEL ENGINE INSTALLATION

| ITEM | PART NUMBER | QTY | DESCRIPTION | REV |
|------|-------------|------------|--|-----|
| | | Ref | CATERPILLAR DIESEL ENGINE INSTALLATION OPTIONS: | |
| | | Ref | With Rexroth Pumps and ABS Hoods | |
| | 1001120526 | Ref | With Skypower and Without Cold Weather Plus Package | C |
| | 1001120527 | Ref | With Skypower and With Cold Weather Plus Package | C |
| | | Ref | With Rexroth Pumps and Steel Hoods | |
| | 1001117499 | Ref | With Skypower and Without Cold Weather Plus Package | D |
| | 1001120528 | Ref | With Skypower and With Cold Weather Plus Package | C |
| 1 | 0100011 | AR | Compound, Locking | |
| 2 | 0100079 | AR | Sealant, Pipe | |
| 3 | 0641606 | 4 | Bolt 3/8in-16NC x 3/4in | |
| 4 | 0641506 | AR | Bolt 5/16in-18NC x 3/4in | |
| 5 | 0641509 | 18 | Bolt 5/16in-18NC x 1-1/8in | |
| 6 | 0641511 | 1 | Bolt 5/16in-18NC x 1-3/8in | |
| 7 | 0641605 | 3 | Bolt 3/8in-16NC x 5/8in | |
| 8 | 0641608 | 3 | Bolt 3/8in-16NC x 1in | |
| 9 | 0641610 | 1 | Bolt 3/8in-16NC x 1-1/4in | |
| 10 | 0641611 | 2 | Bolt 3/8in-16NC x 1-3/8in | |
| 11 | 0641612 | 2 | Bolt 3/8in-16NC x 1-1/2in | |
| 12 | 0641808 | 1 | Bolt 1/2in-13NC x 1in | |
| 13 | 0642010 | 1 | Bolt 5/8in-11NC x 1-1/4in | |
| 14 | 0700808 | 1 | Bolt M8 x 16mm | |
| 14 | 0761210 | 1 | Bolt M12 x 20mm | |
| 15 | 1320022 | 5 | Clamp | |
| 16 | 1320187 | 1 | Clamp, Twin | |
| 17 | 1320190 | 1 | Cover, Clamp | |
| 18 | 1671121 | 1 | Cover, Generator | |
| 19 | 2180348 | 1 | Fitting, Barbed | |
| 20 | 2200222 | 1 | Plug, Pipe (Used in Bottom of Fuel Tank) (Not Shown) | |
| 21 | 2220313 | 1 | Fitting, Elbow Barbed | |
| 22 | 2221176 | 1 | Fitting, Elbow | |
| 23 | 2750532 | 55 in/1.4m | Hose | |
| 24 | 2820170 | 1 | Insulation, Sound Absorbing | |
| 25 | 3311505 | AR | Locknut 5/16in-18NC | |
| 26 | 3311605 | 4 | Locknut 3/8in-16NC | |
| 27 | | Ref | Panel, Rubber Options: | |
| 27 | 3380472 | 1 | Machines with ABS Hoods | |
| 27 | 1001111132 | 1 | Machines with Steel Hoods | |
| 28 | | Ref | Panel, Rubber Options: | |
| 28 | 3380473 | 1 | Machines with ABS Hoods | |
| 28 | 1001128899 | 1 | Machines with Steel Hoods | |
| 29 | 3422446 | 1 | Pin | |
| 30 | 3573644 | 1 | Plate, Tray Clamp | |
| 31 | | Ref | Plate, Top Clamp Options: | |
| 31 | 3573645 | 1 | Machines with ABS Hoods | |
| 31 | 1001112878 | 1 | Machines with Steel Hoods | |
| 32 | | Ref | Plate, Bottom Clamp Options: | |
| 32 | 3573646 | 1 | Machines with ABS Hoods | |
| 32 | 1001112879 | 1 | Machines with Steel Hoods | |
| 33 | | Ref | Plate, Clamp Options: | |
| 33 | 3573669 | 1 | Machines with ABS Hoods | |

SECTION 2 - TURNTABLE

| ITEM | PART NUMBER | QTY | DESCRIPTION | REV |
|------|-------------|-----|--|-----|
| 33 | 1001128898 | 1 | Machines with Steel Hoods | |
| 34 | | Ref | Plate, Tray Clamp Options: | |
| 34 | 3573727 | 1 | Machines with ABS Hoods | |
| 34 | 1001112880 | 1 | Machines with Steel Hoods | |
| 35 | 3573728 | 1 | Plate, Tray Clamp | |
| 36 | 3841143 | 1 | Keeper, Pin | |
| 37 | 3900272 | AR | Screw, Button 5/16in-18NC x 1-3/4in | |
| 38 | 4240018 | AR | Strap, Tie (Not Shown) | |
| 39 | 4240033 | AR | Strap, Tie | |
| 41 | 4711500 | AR | Flatwasher 5/16in Thin | |
| 42 | 4711600 | 3 | Flatwasher 3/8in Thin (Not Shown) | |
| 43 | 4752000 | 1 | Flatwasher 5/8in Wide | |
| 44 | 4811900 | 1 | Flatwasher M8 | |
| 44 | 4812100 | 1 | Flatwasher M12 | |
| 45 | 1001108617 | | Pressure Filter | |
| 45 | 70002231 | 1 | Element, Filter | |
| 47 | 1001116112 | 1 | Engine, Caterpillar C3.4 Turbo (See Items 401 to 411 for Individually Serviced Components) | |
| 48 | 1001116792 | 3 | Clamp | |
| 49 | 1001119995 | 1 | Harness, Engine (Not Shown - See ELECTRICAL SECTION for Breakdown) | |
| 50 | 1001120492 | 2 | Fitting, Straight | |
| 51 | 1001120743 | 1 | Battery Cable Kit | B |
| 51A | 7027034 | 1 | Cable, Red (To Aux Pump Relay, Battery Positive Terminal, Glow Plug Solenoid and Starter) | |
| 51B | 7024581 | 1 | Cable, Black (To Aux Pump, Battery Negative Terminal and Ground at Tray Pivot) | |
| 51C | 7027035 | 1 | Cable, Red (Aux Pump Relay to Aux Pump) | |
| 51D | 7027039 | 1 | Cable, Black (Tray Pivot to Engine Block) | |
| 52 | 1001121236 | 1 | Bracket, Fuel Pump Mounting | |
| 53 | 2200221 | 1 | Plug | |
| 54 | 3311005 | 1 | Locknut 10-24NC | |
| 55 | 3311405 | 6 | Locknut 1/4in-20NC (Machines with Steel Hoods Only) | |
| 56 | 4711000 | 2 | Flatwasher #10 Thin | |
| 57 | 4711400 | 12 | Flatwasher 1/4in Thin (Machines with Steel Hoods Only) | |
| 58 | 1001128765 | 1 | Support, Baffle (Machines with Steel Hoods Only) | |
| 59 | 1001128789 | 1 | Panel, Rubber (Machines with Steel Hoods Only) | |
| 60 | 1001128797 | 1 | Plate, Clamp (Machines with Steel Hoods Only) | |
| 61 | 1001130774 | 1 | Seal (Machines with Steel Hoods Only) | |
| 62 | 0721006 | 1 | Screw #10-24NC x 3/4in | |
| 63 | 0641406 | 6 | Bolt 1/4in-20NC x 3/4in (Machines with Steel Hoods Only) | |
| | | Ref | CATERPILLAR DIESEL ENGINE ASSEMBLY OPTIONS: | |
| | 1001116111 | Ref | With Skypower and Without Cold Weather Plus Package | E |
| | 1001120525 | Ref | With Skypower and With Cold Weather Plus Package | C |
| 101 | 0080181 | 1 | Plate, Pump Mounting Adapter | |
| 102 | 0100011 | AR | Compound, Locking | |
| 103 | 0100020 | AR | Sealant, Pipe (Not Shown) | |
| 104 | 0340003 | 2 | Band, Air Cleaner | |
| 105 | 0340051 | 2 | Band, Muffler | |
| 106 | 0641406 | 9 | Bolt 1/4in-20NC x 3/4in | |
| 107 | 0641506 | 6 | Bolt 5/16in-18NC x 3/4in | |
| 108 | 0641605 | 2 | Bolt 3/8in-16NC x 5/8in | |

SECTION 2 - TURNTABLE

| ITEM | PART NUMBER | QTY | DESCRIPTION | REV |
|------|-------------|--------------------|-----------------------------------|-----|
| 109 | 0641608 | 19 | Bolt 3/8in-16NC x 1in | |
| 110 | 0641808 | 1 | Bolt 1/2in-13NC x 1in | |
| 111 | 0641812 | 2 | Bolt 1/2in-13NC x 1-1/2in | |
| 112 | 0642028 | 2 | Bolt 5/8in-11NC x 3-1/2in | |
| 113 | 0642030 | 2 | Bolt 5/8in-11NC x 3-3/4in | |
| 114 | 0701012 | 4 | Bolt, Metric M10 x 25mm | |
| 115 | 0701015 | 2 | Bolt, Metric M10 x 35mm | |
| 116 | 0711214 | 8 | Bolt, Metric M12 x 30mm | |
| 117 | 0760810 | 4 | Bolt, Metric M8 x 20mm | |
| 118 | 0940070 | 1 | Bumper | |
| 119 | 0961986 | 2 | Bushing, Flanged | |
| 120 | 1001131542 | 1 | Lanyard | |
| 121 | 1320017 | 2 | Clamp | |
| 122 | 1320022 | 4 | Clamp | |
| 123 | 1340065 | 1 | Air Cleaner Assembly | |
| 123 | 7003655 | 1 | Element, Air Cleaner | |
| 123 | 7015013 | 1 | Baffle, Rubber | |
| 123 | 7015014 | 1 | Clamp, Cap | |
| 123 | 7015015 | 1 | Cup | |
| 123 | 7015003 | 1 | Wing nut | |
| 124 | 1703162 | 2 | Decal - Fan Blade | |
| 125 | 2060025 | 1 | Fan | |
| 126 | | Ref | Anti-Freeze Options (Not Shown): | |
| 126 | 2300004 | 2.95 gl/11.17Li | Without Arctic Package | |
| 126 | 2300041 | 2.95 gl/11.17Li | With Arctic Package | |
| 127 | 3020016 | 2.64 gl/9.99Li | Oil, Motor 15W-40 (Not Shown) | |
| 128 | 3020037 | AR | Lube, Coupling Grease (Not Shown) | |
| 129 | | Ref | Muffler Options: | |
| 129 | 3220126 | 1 | Standard Muffler | |
| 129 | 70003555 | 1 | Clamp (Used on p/n 3220126) | |
| 129 | 3220130 | 1 | Optional Catalytic Muffler | |
| 129 | 70001017 | 1 | Clamp (Used on p/n 3220130) | |
| 130 | 3311405 | 7 | Locknut 1/4in-20NC | |
| 131 | 3311605 | 21 | Locknut 3/8in-16NC | |
| 132 | 3311805 | 1 | Locknut 1/2in-13NC | |
| 133 | 3312005 | 4 | Locknut 5/8in-11NC | |
| 135 | 3520054 | 3 | Plug | |
| 136 | 3573412 | 1 | Gusset | |
| 137 | 3740067 | 1 | Relay | |
| 138 | 3740080 | 1 | Relay | |
| 139 | 3960543 | 1 | Seal | |
| 140 | 3960544 | 1 | Seal | |
| 141 | 4031911 | 4 | Capscrew M8 x 35mm | |
| 142 | 4032008 | 8 | Capscrew M10 x 20mm | |
| 143 | 4711400 | 6 | Flatwasher 1/4in Thin | |
| 144 | 4711500 | 14 | Flatwasher 5/16in Thin | |
| 145 | 4711600 | 58 | Flatwasher 3/8in Thin | |
| 146 | 4711800 | 2 | Flatwasher 1/2in Thin | |
| 147 | 4712000 | 4 | Flatwasher 5/8in Thin | |

SECTION 2 - TURNTABLE

| ITEM | PART NUMBER | QTY | DESCRIPTION | REV |
|------|-------------|----------------|---|-----|
| 148 | 4740242 | 4 | Washer, Snubbing | |
| 149 | 4751400 | 10 | Flatwasher 1/4in Regular | |
| 150 | 4751500 | 2 | Flatwasher 5/16in Regular | |
| 151 | 4812100 | 10 | Flatwasher M12 | |
| 152 | 4832000 | 8 | Lockwasher M10 | |
| 153 | 4891800 | 2 | Flatwasher 1/2in Hardened | |
| 154 | 8405104 | 4 | Clamp, Gear | |
| 155 | 91083128 | 1 | Elbow, Elbow | |
| 156 | 91403244 | 1 | Rubber, Straight Hump | |
| 157 | 1001129023 | 1 | Plate, Engine Mounting (Rear) | |
| 158 | 1001129304 | 1 | Mount, Motor (Front) | |
| 159 | 1001116153 | 1 | Tray, Engine | |
| 160 | 1001116186 | 1 | Tube, Exhaust | |
| 161 | 1001116201 | 1 | Plate, Muffler Mounting | |
| 162 | 1001116278 | 1 | Coupling, Pump | |
| 163 | 1001116313 | 1 | Tube, Air Intake | |
| 164 | 1001116324 | 1 | Tube, Air Intake | |
| 165 | 1001116348 | 1 | Plate, Radiator Mounting | |
| 166 | 1001116354 | 1 | Radiator | |
| 166 | 7027412 | 1 | Cap, Radiator | |
| 167 | 1001116367 | 1 | Support, Tank Mounting | |
| 168 | 1001116413 | 1 | Hose, Air Intake Reducer | |
| 169 | 1001116436 | 1 | Hose, Radiator (Top) | |
| 170 | 1001116437 | 1 | Hose, Radiator (Bottom) | |
| 171 | 1001116525 | 2 | Mount, Engine | |
| 172 | 1001116591 | 1 | Spacer, Fan | |
| 173 | 1001117546 | 1 | Mount, Generator | |
| 174 | 1001117874 | 1 | Engine, Caterpillar C3.4 Turbo W/E Controls (See Items 301 to 339 for Individually Serviced Components) | |
| 175 | 1001118368 | 1 | Pump Assembly (Machines with Rexroth Pump Only) (See DEUTZ TCD2.9L4 ENGINE INSTALLATION for Breakdown) | |
| 176 | 1001116836 | AR | Hose, Air Intake | |
| 177 | 1320058 | 1 | Clamp | |
| 178 | 1580011 | 1 | Container, Coolant Overflow | |
| 179 | 2720058 | 31.66 ft | Hose | |
| 180 | 4060805 | 5 in/12.7cm | Flex-Trim 1/4in | |
| 181 | 4640750 | 1 | Valve, Oil Drain | |
| 182 | 4812000 | 3 | Flatwasher M10 | |
| 183 | 1001121004 | 3 | Nut M10 x 1.25 | |
| 185 | 0641508 | 3 | Bolt 5/16in-18NC x 1in | |
| 186 | 1320130 | 1 | Clamp | |
| 187 | 3311505 | 3 | Locknut 5/16in-18NC | |
| 188 | 1001125891 | 1 | Bracket, Valve | |
| 189 | 0761212 | 2 | Bolt M12 x 25mm | |
| 190 | 0701016 | 6 | Bolt M10 x 40mm | |
| 191 | 1001130161 | 1 | Bracket, Muffler Mounting | |
| 192 | 1001130171 | 2 | Mount, Engine | |
| 193 | 0641610 | 4 | Bolt 3/8in-16NC x 1-1/4in | |
| 194 | 0641614 | 3 | Bolt 3/8in-16NC x 1-3/4in | |
| 195 | 0700822 | 5 | Bolt M8 x 70mm | |
| 196 | 0700823 | 2 | Bolt M8 x 75mm | |

SECTION 2 - TURNTABLE

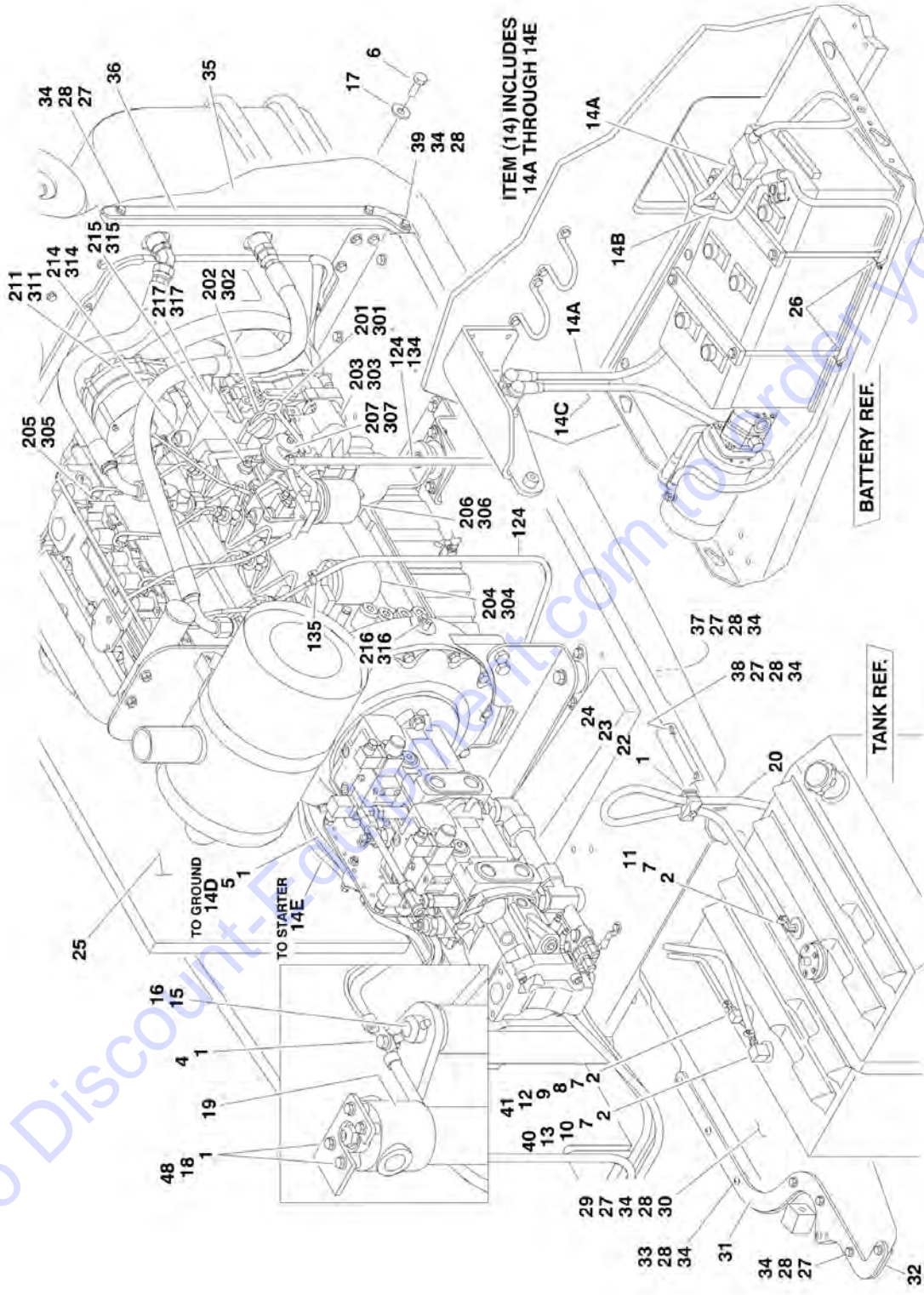
| ITEM | PART NUMBER | QTY | DESCRIPTION | REV |
|------|-------------|-----|--|-----|
| 197 | 0700824 | 1 | Bolt M8 x 80mm | |
| 198 | 3580321 | 1 | Pulley, Engine | |
| 199 | 4568735 | 3 | Tube, Spacer | |
| 200 | 4811900 | 8 | Flatwasher M8 | |
| 201 | 4891600 | 3 | Flatwasher 3/8in Hardened | |
| 202 | 1001117500 | 1 | Spacer, Pulley | |
| 203 | 1001117577 | 1 | Support, Generator Pulleys | |
| 204 | 1001129995 | 3 | Pulley, Idler Grooved | |
| 205 | 4831900 | 4 | Lockwasher M8 | |
| 206 | 4240033 | AR | Wire Tie (With Cold Weather Plus Package - Not Shown) | |
| 207 | 1001119231 | 1 | Heater, Block (With Cold Weather Plus Package - Not Shown) | |
| 208 | 0641606 | 1 | Bolt 3/8in-16NC x 3/4in (With Cold Weather Plus Package - Not Shown) | |
| 209 | 1320223 | 1 | J-Clip 1/2in (With Cold Weather Plus Package - Not Shown) | |
| 210 | 1702942 | 1 | Decal - Engine Block Heater (With Cold Weather Plus Package - Not Shown) | |
| | 1001117874 | Ref | CATERPILLAR DIESEL ENGINE W/E CONTROLS | B |
| 301 | 0100011 | AR | Compound, Locking | |
| 302 | 0100020 | AR | Sealant, Pipe | |
| 303 | 0700808 | 3 | Bolt, Metric M8 x 16mm | |
| 304 | 0701010 | 2 | Bolt, Metric M10 x 20mm | |
| 305 | 0760606 | 2 | Bolt, Metric M6 x 12mm | |
| 306 | 0760610 | 2 | Bolt, Metric M6 x 20mm | |
| 307 | 0760612 | 3 | Bolt, Metric M6 x 25mm | |
| 308 | 0761210 | 2 | Bolt, Metric M12 x 20mm | |
| 309 | 1320224 | 1 | Clamp | |
| 310 | 1320263 | 1 | Clamp | |
| 311 | 3290501 | 3 | Nut Metric M5 x 0.8 | |
| 312 | 4031607 | 2 | Capscrew M5 x 16mm | |
| 313 | 4811600 | 3 | Flatwasher M5 | |
| 314 | 4811700 | 8 | Flatwasher M6 | |
| 315 | 4811900 | 3 | Flatwasher M8 | |
| 316 | 4812000 | AR | Flatwasher M10 | |
| 317 | 4812100 | 2 | Flatwasher M12 | |
| 318 | 5250608 | 2 | Bolt M6 x 16mm | |
| 319 | 5250808 | 4 | Bolt M8 x 16mm | |
| 320 | 8303541 | 1 | Bolt M6 x 1 x 35mm | |
| 321 | 8406101 | 2 | Tube, Clip | |
| 322 | 8406105 | 2 | Tube, Clip | |
| 323 | 1001097553 | 1 | Washer, Coolant Sensor | |
| 324 | 1001112059 | 5 | Bumper | |
| 325 | 1001112068 | 1 | Sensor, Speed | |
| 326 | 1001112069 | 1 | Sensor, Temperature | |
| 327 | 1001112070 | 1 | Switch, Oil Pressure | |
| 328 | 1001112073 | 1 | Actuator | |
| 329 | 1001112570 | 1 | Spacer, Nylon | |
| 330 | 1001112592 | 1 | Bearing | |
| 332 | 1001120769 | 1 | Bracket, ECM/Fuse Box | |
| 333 | 1001120771 | 1 | Bracket, Actuator | |
| 334 | 1001120772 | 1 | Bracket, Actuator | |
| 335 | 1001120773 | 1 | Link, Spacer | |
| 336 | 1001120774 | 1 | Bolt, M5 | |

SECTION 2 - TURNTABLE

| ITEM | PART NUMBER | QTY | DESCRIPTION | REV |
|------|-------------|-----|--|-----|
| 337 | 1001120775 | 1 | Bracket, Actuator | |
| 338 | 1001120810 | 1 | Controller | |
| 339 | 1001120776 | 1 | Engine Harness (Not Shown - See ELECTRICAL SECTION for Breakdown) | |
| 340 | 1001129361 | 1 | Tube, Dipstick | |
| 341 | 0761007 | 1 | Bolt, Metric M10 x 14mm | |
| 342 | 1001129360 | 1 | Gauge, Dipstick | |
| | 1001116112 | Ref | CATERPILLAR ENGINE COMPONENTS | A |
| 401 | 70002831 | 1 | TurboCharger | |
| 401 | 70002829 | 1 | Gasket, TurboCharger Drain Pipe | |
| 401 | 70002830 | 1 | Gasket, TurboCharger | |
| 402 | 70002832 | 1 | Hose | |
| 403 | 7026839 | 1 | Pump, Fuel | |
| 403 | 70002833 | 1 | Ring, Retaining | |
| 403 | 70002834 | 1 | Bowl, Water Collect | |
| 403 | 7026830 | 1 | Element, Fuel/Water | |
| 403 | 70002835 | 1 | Kit Seal | |
| 404 | 70002837 | 4 | Plug, Glow | |
| 405 | 7026802 | 1 | Flywheel W/Gear (Not Shown) | |
| 405 | 7026803 | 1 | Gear | |
| 406 | 7026811 | 1 | Filter, Oil | |
| 406 | 7026812 | 1 | O-Ring (Between Center Bolt and Oil Filter Bracket) | |
| 406 | 7026813 | 1 | O-Ring (Between Oil Filter Bracket and Engine) | |
| 407 | 7026822 | 1 | Thermostat | |
| 407 | 7026820 | 1 | Gasket, Thermostat (Between Housing and Cylinder Head) | |
| 407 | 7026821 | 1 | Gasket (Between Housing and Thermostat Cover) | |
| 408 | 7026829 | 1 | Gasket, Intake Manifold (Not Shown) | |
| 409 | 7026833 | 1 | Starter | |
| 410 | 7026804 | 1 | Gasket (Not Shown - Located Between Bell Housing and Engine Block) | |
| 411 | 7026805 | 1 | Seal, Rear Main (Not Shown) | |

SECTION 2 - TURNTABLE

FIGURE 2-6. DEUTZ BF4M2011 TIER I, TIER II AND TD2011TIER III ENGINE INSTALLATION



SECTION 2 - TURNTABLE

FIGURE 2-6. DEUTZ BF4M2011 TIER I, TIER II AND TD2011 TIER III ENGINE INSTALLATION

| ITEM | PART NUMBER | QTY | DESCRIPTION | REV |
|------|-------------|-----|---|-----|
| | | Ref | DEUTZ BF4M2011 AND TD2011 DIESEL ENGINE INSTALLATION OPTIONS: | |
| | 0271650 | Ref | Tier I (Prior to SN 0300080338) | H |
| | | Ref | Tier II (SN 0300080338 through 0300087578) | |
| | 0273858 | Ref | Without Skypower | D |
| | 0273857 | Ref | With Skypower | B |
| | | Ref | Tier II (SN 0300087579 through 0300127697) | |
| | 0274575 | Ref | Without Skypower and Without Cold Weather Plus Package | E |
| | 0274576 | Ref | With Skypower and Without Cold Weather Plus Package | E |
| | 0275880 | Ref | With Cold Weather Plus Package | B |
| | | Ref | Tier III with Rexroth Pumps and ABS Hoods (SN 0300127698 through 0300201016) | |
| | 1001098512 | Ref | Without Skypower and Without Cold Weather Plus Package | E |
| | 1001098516 | Ref | With Skypower and Without Cold Weather Plus Package | E |
| | 1001098517 | Ref | With Cold Weather Plus Package | D |
| | | Ref | Tier III with Rexroth Pumps and Steel Hoods (SN 0300127698 through 0300201016) | |
| | 1001117370 | Ref | Without Skypower and Without Cold Weather Plus Package | B |
| | 1001117371 | Ref | With Skypower and Without Cold Weather Plus Package | B |
| | 1001116015 | Ref | With Cold Weather Plus Package | B |
| | | Ref | Tier III with Sauer Pumps and ABS Hoods (SN 0300127698 through 0300201016) | |
| | 1001118712 | Ref | Without Skypower and Without Cold Weather Plus Package | C |
| | 1001118713 | Ref | With Skypower and Without Cold Weather Plus Package | B |
| | 1001118714 | Ref | With Cold Weather Plus Package | B |
| | | Ref | Tier III with Sauer Pumps and Steel Hoods (SN 0300127698 through 0300201016) | |
| | 1001119052 | Ref | Without Skypower and Without Cold Weather Plus Package | B |
| | 1001119053 | Ref | With Skypower and Without Cold Weather Plus Package | B |
| | 1001119054 | Ref | With Cold Weather Plus Package | B |
| 1 | 0100011 | AR | Compound, Locking | |
| 2 | 0100079 | AR | Sealant, Pipe | |
| 3 | 1702942 | 1 | Decal, Block Heater (Cold Weather Plus Package - Not Shown) | |
| 4 | 0641610 | 1 | Bolt 3/8in-16NC x 1-1/4in | |
| 5 | 0641808 | 1 | Bolt 1/2in-13NC x 1in | |
| 6 | 0642010 | 1 | Bolt 5/8in-11NC x 1-1/4in | |
| 7 | 1320022 | 3 | Clamp | |
| 8 | 2180536 | 1 | Fitting, Straight Barbed (Prior to SN 0300080338) | |
| 9 | 2220250 | 1 | Fitting, Reducer (Prior to SN 0300080338) | |
| 10 | 2220273 | 1 | Fitting, Reducer (Prior to SN 0300080338) | |
| 11 | 2220313 | 1 | Fitting, Elbow Barbed | |
| 12 | 2220459 | 1 | Fitting, Elbow (Prior to SN 0300080338) | |
| 13 | 2220794 | 1 | Fitting, Straight Barbed (Prior to SN 0300080338) | |
| 14 | 2902099 | 1 | Battery Cable Kit | C |
| 14A | 7024580 | 1 | Cable, Red (To Aux Pump Relay, Battery Positive Terminal and Start Relay) | |
| 14B | 7024581 | 1 | Cable, Black (To Aux Pump, Battery Negative Terminal and Ground at Tray Pivot) | |
| 14C | 7024582 | 1 | Cable, Red (Aux Pump Relay to Aux Pump) | |
| 14D | 7024583 | 1 | Cable, Black (Tray Pivot to Engine Mount) | |
| 14E | 7024584 | 1 | Cable, Red (Start Relay to Starter) | |

SECTION 2 - TURNTABLE

| ITEM | PART NUMBER | QTY | DESCRIPTION | REV |
|------|-------------|------------|--|-----|
| 15 | 3422446 | 1 | Pin | |
| 16 | 3841143 | 1 | Keeper, Pin | |
| 17 | 4752000 | 1 | Flatwasher 5/8in Wide | |
| 18 | | Ref | Bolt Options: | |
| 18 | 0651406 | 2 | Bolt 1/4in-28NF x 3/4in (Prior to SN 0300145302) | |
| 18 | 0641606 | 4 | Bolt 3/8in-16NC x 3/4in (SN 0300145302 through 0300201016) | |
| 19 | | Ref | Pressure Filter Options: | |
| 19 | 2120163 | 1 | Filter (Prior to SN 0300087579) | |
| 19 | 2120150 | 1 | Element, Filter | |
| 19 | 7020020 | 1 | Indicator, Clog | |
| 19 | 7023206 | 1 | O-Ring | |
| 19 | 7023207 | 1 | Ring, Back-up | |
| 19 | 2120209 | 1 | Filter (SN 0300087579 through 0300139708) | |
| 19 | 2120210 | 1 | Element, Filter | |
| 19 | 7020020 | 1 | Indicator, Clog | |
| 19 | 70000934 | 1 | O-Ring, Filter Bowl | |
| 19 | 1001108617 | 1 | Filter (SN 0300139709 through 0300201016) | |
| 19 | 70002231 | 1 | Element, Filter | |
| 20 | 2750532 | 55 in/1.4m | Hose | |
| 21 | 4711400 | 4 | Flatwasher 1/4in Thin | |
| 22 | 0641511 | 1 | Bolt 5/16in-18NC x 1-3/8in | |
| 23 | 1320187 | 1 | Clamp, Twin | |
| 24 | 1320190 | 1 | Cover, Clamp | |
| 25 | | Ref | Insulation, Sound Absorbing Options: | |
| 25 | 2820148 | 1 | Insulation, Sound Absorbing (Prior to SN 0300080338) | |
| 25 | | Ref | Insulation, Sound Absorbing (SN 0300080338 through 0300127697) | |
| 25 | 2820148 | 1 | Without Skypower and Without Cold Weather Plus Package | |
| 25 | 2820170 | 1 | With Skypower | |
| 25 | 2820170 | 1 | With Cold Weather Plus Package | |
| 25 | 2820170 | 1 | Insulation, Sound Absorbing (All Configurations) (SN 0300127698 through 0300201016) | |
| 26 | 4240099 | AR | Strap, Tie | |
| 27 | 0641509 | 18 | Bolt 5/16in-18NC x 1-1/8in | |
| 28 | 3311505 | 23 | Locknut 5/16in-18NC | |
| 29 | | Ref | Panel, Rubber Options: | |
| 29 | 3380472 | 1 | Machines with ABS Hoods | |
| 29 | 1001111132 | 1 | Machines with Steel Hoods | |
| 30 | 3573644 | 1 | Plate, Tray Clamp | |
| 31 | | Ref | Plate, Top Clamp Options: | |
| 31 | 3573645 | 1 | Machines with ABS Hoods | |
| 31 | 1001112878 | 1 | Machines with Steel Hoods | |
| 32 | | Ref | Plate, Bottom Clamp Options: | |
| 32 | 3573646 | 1 | Machines with ABS Hoods | |
| 32 | 1001112879 | 1 | Machines with Steel Hoods | |
| 33 | 3900272 | 4 | Screw, Button 5/16in-18NC x 1-3/4in | |
| 34 | 4711500 | AR | Flatwasher 5/16in Thin | |
| 35 | 3380473 | 1 | Panel, Rubber | |
| 36 | 3573669 | 1 | Plate, Clamp | |
| 37 | | Ref | Plate, Tray Clamp Options: | |
| 37 | 3573727 | 1 | Machines with ABS Hoods | |

SECTION 2 - TURNTABLE

| ITEM | PART NUMBER | QTY | DESCRIPTION | REV |
|------|-------------|-----|---|-----|
| 37 | 1001112880 | 1 | Machines with Steel Hoods | |
| 38 | 3573728 | 1 | Plate, Tray Clamp | |
| 39 | 0641506 | 1 | Bolt 5/16in-18NC x 3/4in | |
| 40 | 2180348 | 1 | Fitting, Barbed (SN 0300080338 through 0300201016) | |
| 41 | 2221176 | 1 | Fitting, Elbow (SN 0300080338 through 0300201016) | |
| 42 | 0641605 | 3 | Bolt 3/8in-16NC x 5/8in (Not Shown) (SN 0300080338 through 0300201016) | |
| 43 | 1671121 | 1 | Cover, Generator with Skypower (Not Shown) (SN 0300080338 through 0300201016) | |
| 44 | 4711600 | 3 | Flatwasher 3/8in Thin (Not Shown) (SN 0300080338 through 0300201016) | |
| 45 | 4240018 | 2 | Strap, Tie (Not Shown) | |
| 46 | 0641410 | AR | Bolt 1/4in-20NC x 1-1/4in | |
| 47 | 2200222 | 1 | Plug, Pipe - Used in Bottom of Fuel Tank (Not Shown) (SN 0300127698 through 0300201016) | |
| 48 | | Ref | Flatwasher Options: | |
| 48 | 4711400 | 2 | Flatwasher 1/4in Thin (Prior to SN 0300145302) | |
| 48 | 4711600 | 4 | Flatwasher 3/8in Thin (SN 0300145302 through 0300201016) | |
| | | Ref | DEUTZ BF4M2011 AND TD2011 DIESEL ENGINE ASSEMBLY OPTIONS: | |
| | 0271504 | Ref | Tier I (Prior to SN 0300080338) | J |
| | | Ref | Tier II (SN 0300080338 through 0300087578) | |
| | 0273421 | Ref | Without Skypower | F |
| | 0273410 | Ref | With Skypower | F |
| | | Ref | Note: SN 0300087532 built with 0274580 | |
| | | Ref | Tier II (SN 0300087579 through 0300093351) | |
| | 0274579 | Ref | Without Skypower | B |
| | 0274580 | Ref | With Skypower | B |
| | | Ref | Note: SN 0300087765 built with 0273410 | |
| | | Ref | Tier II (SN 0300093352 through 0300127697) | |
| | 2000352 | Ref | Without Skypower and Without Cold Weather Plus Package | C |
| | 2000343 | Ref | With Skypower and Without Cold Weather Plus Package | C |
| | 2000399 | Ref | With Cold Weather Plus Package | B |
| | | Ref | Tier III with Rexroth Pumps (SN 0300127698 through 0300201016) | |
| | 1001098513 | Ref | Without Skypower and Without Cold Weather Plus Package | F |
| | 1001098530 | Ref | With Skypower and Without Cold Weather Plus Package | G |
| | 1001098531 | Ref | With Cold Weather Plus Package | F |
| | | Ref | Note: SN 0300087532 built with 0274580, SN 0300087765 built with 0273410 | |
| | | Ref | Tier III with Sauer Pumps (SN 0300127698 through 0300201016) | |
| | 1001107971 | Ref | Without Skypower and Without Cold Weather Plus Package | F |
| | 1001107973 | Ref | With Skypower and Without Cold Weather Plus Package | F |
| | 1001107975 | Ref | With Cold Weather Plus Package | F |
| 101 | 0080115 | 1 | Elbow, Rubber (Prior to SN 0300127698) | |
| 102 | | Ref | Spacer, Fan Options: | |
| 102 | 0080237 | 1 | Spacer, Fan (Prior to SN 0300080338) | |
| 102 | | Ref | Spacer, Fan Options: (SN 0300080338 through 0300201016) | |
| 102 | 0080237 | 1 | Without Skypower and Without Cold Weather Plus Package | |
| 102 | 0080244 | 1 | With Skypower and Without Cold Weather Plus Package | |
| 102 | 0080244 | 1 | With Cold Weather Plus Package | |
| 103 | 0100011 | AR | Compound, Locking | |

SECTION 2 - TURNTABLE

| ITEM | PART NUMBER | QTY | DESCRIPTION | REV |
|------|-------------|-------------|--|-----|
| 104 | 0340003 | 2 | Band, Air Cleaner | |
| 105 | 0340051 | 2 | Band, Muffler | |
| 106 | 0641406 | AR | Bolt 1/4in-20NC x 3/4in | |
| 107 | 0641506 | 5 | Bolt 5/16in-18NC x 3/4in | |
| 108 | 0641507 | 4 | Bolt 5/16in-18NC x 7/8in | |
| 109 | 0641608 | AR | Bolt 3/8in-16NC x 1in | |
| 110 | 0641609 | 2 | Bolt 3/8in-16NC x 1-1/8in | |
| 111 | 0641808 | 1 | Bolt 1/2in-13NC x 1in | |
| 112 | | Ref | Bolt Options: | |
| 112 | 0641812 | 2 | Bolt 1/2in-13NC x 1-1/2in | |
| 112 | 0641814 | 2 | Bolt 1/2in-13NC x 1-3/4in | |
| 112 | 0761215 | 2 | Bolt M12 x 35mm | |
| 113 | 0641818 | 2 | Bolt 1/2in-13NC x 2-1/4in | |
| 114 | 0641826 | 2 | Bolt 1/2in-13NC x 3-1/4in | |
| 115 | 0700810 | 3 | Bolt M8 x 20mm | |
| 116 | 0711214 | 2 | Bolt M12 x 30mm | |
| 117 | | Ref | Bolt Options: | |
| 117 | 0711414 | AR | M14 x 30mm | |
| 117 | 0711417 | AR | M14 x 45mm | |
| 118 | | Ref | Bracket, Muffler Options: | |
| 118 | 0902747 | 1 | Bracket, Muffler (Prior to SN 0300138469) | |
| 118 | 1001112766 | 1 | Bracket, Muffler (SN 0300138469 through 0300201016) | |
| 120 | 0940070 | 1 | Bumper | |
| 122 | 0961986 | 2 | Bushing, Flanged | |
| 123 | | Ref | Lanyard Options: | |
| 123 | 1060637 | 1 | 16in/40.6cm Length (Prior to SN 0300183956) | |
| 123 | 1001131542 | 1 | 13in/33cm Length (SN 0300183956 through 0300201016) | |
| 124 | 1320022 | AR | Clamp | |
| 125 | 1320058 | AR | Clamp | |
| 126 | 1320223 | 1 | J-Clip | |
| 127 | 1340065 | 1 | Air Cleaner Assembly | |
| 127 | 7003655 | 1 | Element, Air Cleaner | |
| 128 | 1671023 | 1 | Shroud, Fan | |
| 129 | 0272060 | 1 | Box, Air Intake | |
| 130 | 1703162 | 2 | Decal - Fan Blade | |
| 131 | | Ref | Engine, Deutz BF4M2011 Options: (See Items 201 to 209 & 301 to 309 for Individually Serviced Components) | |
| 131 | 2000183 | 1 | Engine, Deutz BF4M2011 (Prior to SN 0300080338) | |
| 131 | 2000199 | 1 | Engine, Deutz BF4M2011 (SN 0300080338 through 0300087578) | |
| 131 | 2000275 | 1 | Engine, Deutz BF4M2011 (Use p/n 2000340) (SN 0300087579 through 0300093351) | |
| 131 | 2000340 | 1 | Engine, Deutz BF4M2011 (SN 0300093352 through 0300127697) | |
| 131 | 1001098601 | 1 | Engine, Deutz BF4M2011 (SN 0300127698 through 0300201016) | |
| 132 | 2060025 | 1 | Fan | |
| 133 | 2220451 | 1 | Fitting, Straight | |
| 134 | 2720058 | Ref | Hose | |
| 134 | 2720058 | 18 ft/5.5m | Hose (Prior to SN 0300080338) | |
| 134 | 2720058 | 34 ft/10.3m | Hose (SN 0300080338 through 0300201016) | |
| 135 | 2720271 | 18 ft/5.5m | Hose (Prior to SN 0300080338) | |

SECTION 2 - TURNTABLE

| ITEM | PART NUMBER | QTY | DESCRIPTION | REV |
|------|-------------|-----------|---|-----|
| 136 | 2720500 | 1 | Hose, Oil Cooler (Top) | |
| 137 | 2720488 | 1 | Elbow, Elbow Air Intake (Prior to SN 0300127698) | |
| 138 | 2750532 | 9 in/23cm | Hose | |
| 139 | 2902065 | 1 | Pump Coupling Kit | H |
| 139A | 2902065 | 1 | Plate, Pump Mounting (Note: Not Available for Purchase.) | |
| 139B | 70000793 | 1 | Coupling, Flex | |
| 139C | 2902065 | 18 | Capscrew M10 (Note: Not Available for Purchase.) | |
| 139D | 2902065 | 12 | Flatwasher M10 (Note: Not Available for Purchase.) | |
| 140 | 3200362 | 2 | Mount, Motor (Front) | |
| 141 | 3200401 | 2 | Mount, Motor (Rear) | |
| 142 | | Ref | Muffler Options: | |
| 142 | 3220126 | 1 | Standard Muffler | |
| 142 | 3220130 | 1 | Optional Catalytic Muffler | |
| 142 | 70001017 | 1 | Clamp | |
| 143 | 3300454 | 10 | Nut | |
| 144 | 3311405 | AR | Locknut 1/4in-20NC | |
| 145 | 3311505 | 5 | Locknut 5/16in-18NC | |
| 146 | 3311605 | AR | Locknut 3/8in-16NC | |
| 147 | 3311805 | 5 | Locknut 1/2in-13NC | |
| 149 | 3422532 | 1 | Pin, Hitch | |
| 150 | 3537416 | 1 | Plate, Mounting (Front Right) | |
| 151 | 3573529 | 1 | Plate, Mounting (Front Left) | |
| 152 | 3539971 | 1 | Bracket, Engine Mounting (Front) | |
| 153 | 3573142 | 1 | Bracket, Engine Mounting (Rear) | |
| 154 | 4846552 | 1 | Plate, Oil Cooler Mounting | |
| 155 | | Ref | Pulley Options: | |
| 155 | 3580158 | 1 | Pulley (Prior to SN 0300080338) | |
| 155 | | Ref | Pulley (SN 0300080338 through 0300201016) | |
| 155 | 3580158 | 1 | Without Skypower and Without Cold Weather Plus Package | |
| 155 | 3580320 | 1 | With Skypower and Without Cold Weather Plus Package | |
| 155 | 3580320 | 1 | With Cold Weather Plus Package | |
| 156 | 3600339 | 1 | Pump Assembly - Rexroth (See PUMP ASSEMBLY - REXROTH for Breakdown) | |
| 157 | 3620041 | 1 | Cooler, Engine Oil (Use p/n 1001145382) | |
| 158 | 3740067 | AR | Relay, Start | |
| 159 | 3960543 | 1 | Seal | |
| 160 | 3960544 | 1 | Seal | |
| 161 | 4032022 | 4 | Capscrew M10 x 90mm | |
| 162 | 4060805 | 8 in/20cm | Flex-Trim | |
| 163 | 4568291 | 1 | Tube, Air Intake (Prior to SN 0300127698) | |
| 164 | 4568292 | 1 | Tube, Tuning (Prior to SN 0300127698) | |
| 165 | 4568293 | 1 | Pipe, Exhaust | |
| 166 | 4640751 | 1 | Valve, Oil Drain | |
| 167 | 4711500 | AR | Flatwasher 5/16in Thin | |
| 168 | 4711600 | AR | Flatwasher 3/8in Thin | |
| 169 | 4711800 | 7 | Flatwasher 1/2in Thin | |
| 170 | 4740274 | 4 | Washer, Snubbing | |
| 171 | 4751400 | AR | Flatwasher 1/4in Wide | |
| 172 | 4791400 | AR | Starwasher 1/4in | |
| 173 | | Ref | Tray Options: | |
| 173 | 4846465 | 1 | Tray (Prior to SN 0300080338) | |
| 173 | 4846946 | 1 | Tray (SN 0300080338 through 0300201016) | |

SECTION 2 - TURNTABLE

| ITEM | PART NUMBER | QTY | DESCRIPTION | REV |
|------|--------------|-----------|--|-----|
| 174 | | Ref | Flatwasher, Hardened Options: | |
| 174 | 4891800 | AR | 1/2in | |
| 174 | 4891600 | AR | 3/8in | |
| 175 | 0641605 | 4 | Bolt 3/8in16NC x 5/8in | |
| 176 | 0641610 | 4 | Bolt 3/8in-16NC x 1-1/4in | |
| 177 | 2720501 | 1 | Hose, Oil Cooler (Bottom) | |
| 178 | 3520054 | 2 | Plug | |
| 179 | 3573411 | 2 | Plate, Clamp | |
| 180 | 3573412 | 1 | Gusset | |
| 181 | 1320060 | 1 | Clamp | |
| 182 | 2220498 | 1 | Fitting, Elbow | |
| 183 | 4740518 | 10 | Washer, Nylon | |
| 184 | | Ref | Cable, Jumper Options: | |
| 184 | Not Required | 0 | Not Required (Prior to SN 0300080338) | |
| 184 | 1060904 | 1 | Cable, Jumper (SN 0300080338 through 0300106315) | |
| 184 | | Ref | Cable, Jumper (SN 0300106316 through 0300201016) | |
| 184 | 4923592 | 1 | All except Cold Weather Plus Package | |
| 184 | 1060904 | 1 | With Cold Weather Plus Package | |
| 185 | 4240099 | AR | Tie, Wire (Not Shown) | |
| 186 | | Ref | Harness, Glow Plugs Options (Not Shown): | |
| 186 | Not Required | 0 | Not Required (Prior to SN 0300080338) | |
| 186 | 4922700 | 1 | Harness, Glow Plugs (SN 0300080338 through 0300093351) | |
| 186 | 4923468 | 1 | Harness, Glow Plugs (SN 0300093352 through 0300201016) | |
| 187 | 4933217 | | Wiring Diagram, Glow Plug - Not Shown (SN 0300080338 through 0300093352) | |
| 188 | 3790152 | 1 | O-Ring | |
| 189 | | Ref | Mount, Generator Options: | |
| 189 | Not Required | 0 | Without Skypower and Without Cold Weather Plus Package | |
| 189 | 4846945 | 1 | With Skypower and Without Cold Weather Plus Package | |
| 189 | 4846945 | 1 | With Cold Weather Plus Package | |
| 190 | | Ref | Relay Options: | |
| 190 | | Ref | Without Skypower and Without Cold Weather Plus Package | |
| 190 | Not Required | 0 | Without Skypower and Without Cold Weather Plus Package (Prior to SN 0300127698) | |
| 190 | 3740080 | 2 | Without Skypower and Without Cold Weather Plus Package (SN 0300127698 through 0300201016) | |
| 190 | 3740080 | 2 | With Skypower and Without Cold Weather Plus Package | |
| 190 | 3740080 | 2 | With Cold Weather Plus Package | |
| 191 | 2580062 | 1 | Heater, Block (With Cold Weather Plus Package - Not Shown) | |
| 192 | 4460234 | 3 | Mount, Wire Tie (Used to Secure Block Heater Cord) (With Cold Weather Plus Package - Not Shown) | |
| 193 | 1001092856 | 1 | Hose, Air Intake (SN 0300127698 through 0300201016) | |
| 194 | 8410013 | 1 | Clamp, Gear (SN 0300127698 through 0300201016) | |
| 195 | 4060804 | 1 ft/25cm | Flex-Trim (SN 0300127698 through 0300201016) | |
| 196 | 1001108616 | 1 | Pump Assembly - Sauer Tandem (See PUMP ASSEMBLY - SAUER TANDEM for Breakdown) | |
| 197 | 1001108888 | NLA | Pump Assembly - Sauer Piston (See PUMP ASSEMBLY - SAUER PISTON for Breakdown) (Use p/n 1001171095) (Prior to SN 0300200352) | |
| 197 | 1001171095 | 1 | Pump Assembly - Sauer Piston (See PUMP ASSEMBLY - SAUER PISTON for Breakdown) (SN 0300200352 through 0300201016) | |
| 198 | 1001112927 | 1 | Pump Assembly - Sauer Gear (See PUMP ASSEMBLY - SAUER GEAR for Breakdown) | |

SECTION 2 - TURNTABLE

| ITEM | PART NUMBER | QTY | DESCRIPTION | REV |
|------|-------------|-----|--|-----|
| 199 | 3790155 | 1 | O-Ring | |
| | | Ref | DEUTZ BF4M2011 ENGINE COMPONENTS OPTIONS: | |
| | 2000183 | Ref | Tier I (Prior to SN 0300080338) | B |
| 201 | 7020483 | 1 | Dipstick | |
| 202 | 7020465 | 1 | Cap, Filler | |
| 203 | 7020484 | 1 | Pump, Oil Lube | |
| 203 | 7020468 | 1 | Seal Between Oil Pump and Engine Block (Not Shown) | |
| 204 | 7016331 | 1 | Filter, Oil | |
| 205 | 7020485 | 4 | Pump, Injector | |
| 206 | 7016328 | 1 | Filter, Fuel | |
| 207 | 7024413 | 1 | Pump Fuel Supply | |
| 207 | 7020411 | 1 | O-Seal Between Fuel Pump and Engine Block (Not Shown) | |
| 208 | | Ref | Gasket Options (Not Shown): | |
| 208 | 7020449 | 4 | Gasket, Intake Manifold | |
| 208 | 70002677 | 1 | Gasket, Valve Cover | |
| 208 | 70002678 | 1 | Packing, Front Cover | |
| 208 | 7020471 | 4 | Gasket, Exhaust Manifold to Engine Block | |
| 208 | 7020486 | 1 | Gasket, Exhaust Manifold to Exhaust Pipe | |
| 209 | 7020414 | 1 | V-Belt | |
| 211 | 7000872 | 1 | Alternator | |
| 211 | 7020464 | | Regulator, Voltage (Not Shown) | |
| 212 | 7020479 | 1 | Starter (Not Shown) | |
| 213 | 7020488 | 2 | Plug- In Connector (Not Shown) | |
| 214 | 7020168 | 1 | Sender, Temperature | |
| 214 | 7020480 | 1 | Ring, Sealing | |
| 215 | 7020461 | 1 | Sensor, Oil Pressure | |
| 216 | 7024565 | 1 | Sensor, Speed | |
| 217 | 7020458 | 1 | Actuator, Throttle | |
| 218 | 70002218 | 1 | Turbocharger (Not Shown) | |
| 218 | 70002675 | 2 | Clamp (Not Shown - Used on Sleeve rising vertically from Turbo) | |
| 218 | 70002676 | 1 | Sleeve, Rubber (Not Shown - Rises vertically from Turbo) | |
| | | Ref | DEUTZ BF4M2011 AND D2011 ENGINE COMPONENTS OPTIONS: | |
| | 2000199 | Ref | Tier II (SN 0300080338 through 0300087578) | D |
| | 2000275 | Ref | Tier II (SN 0300087579 through 0300093351) | B |
| | 2000340 | Ref | Tier II (SN 0300093352 through 0300127697) | B |
| | 1001098601 | Ref | Tier III (SN 0300127698 through 0300201016) | C |
| 301 | 7027235 | 1 | Dipstick | |
| 302 | 7020465 | 1 | Cap, Filler | |
| 303 | | Ref | Pump, Oil Options: | |
| 303 | 7020484 | 1 | Pump, Oil (Prior to SN 0300127698) | |
| 303 | 70001850 | 1 | Pump, Oil (SN 0300127698 through 0300201016) | |
| 303 | 7020468 | 1 | Seal Between Oil Pump and Engine Block (Not Shown) | |
| 304 | 7016331 | 1 | Filter, Oil | |
| 305 | | Ref | Injector Pump Options: | |
| | | Ref | Note: Series Letter is shown on label at base of Injector Pump. | |
| 305 | | Ref | Injector Pump (Prior to SN 0300127698) | |
| 305 | 7027237 | AR | "A" Series | |
| 305 | 7027614 | AR | "B" Series | |
| 305 | 7027615 | AR | "C" Series | |
| 305 | 7027616 | AR | "D" Series | |

SECTION 2 - TURNTABLE

| ITEM | PART NUMBER | QTY | DESCRIPTION | REV |
|------|-------------|-----|---|-----|
| 305 | | Ref | Injector Pump (SN 0300127698 through 0300201016) | |
| 305 | 70001128 | AR | "A" Series | |
| 305 | 70001129 | AR | "B" Series | |
| 305 | 70001130 | AR | "C" Series | |
| 305 | 70001131 | AR | "D" Series | |
| 306 | 7016328 | 1 | Filter, Fuel | |
| 307 | | Ref | Pump Fuel Supply Options: | |
| 307 | 7027238 | 1 | Pump Fuel Supply (Prior to SN 0300127698) | |
| 307 | 7020411 | 1 | O-Seal Between Fuel Pump and Engine Block (Not Shown) | |
| 307 | 70000916 | 1 | Pump Fuel Supply (SN 0300127698 through 0300201016) | |
| 307 | 70001435 | 1 | Repair Kit | |
| 307 | 70000917 | 1 | O-Seal Between Fuel Pump and Engine Block (Not Shown) | |
| 309 | 7020414 | 1 | V-Belt | |
| 310 | 7020471 | 4 | Gasket, Exhaust Manifold to Cylinder Head (Not Shown) | |
| 310 | 7020486 | 1 | Gasket, Exhaust Manifold to Exhaust Pipe (Not Shown) | |
| 311 | | Ref | Alternator Options: | |
| 311 | 7000872 | 1 | Alternator (Prior to SN 0300127698) | |
| 311 | 7020464 | 1 | Regulator, Voltage (Not Shown) | |
| 311 | 70001867 | 1 | Alternator (SN 0300127698 through 0300201016) | |
| 311 | 70001868 | 1 | Regulator, Voltage (Not Shown) | |
| 312 | 7020479 | 1 | Starter (Not Shown) | |
| 312 | 7026608 | 1 | Solenoid | |
| 314 | | Ref | Sender, Coolant Temperature Options: | |
| 314 | 7027241 | 1 | 2000199 Engine | |
| 314 | 7027791 | 1 | 2000275, 2000340 & 1001098601 Engine | |
| 315 | | Ref | Sensor, Oil Pressure Options: | |
| 315 | 7020461 | 1 | 2000199 Engine | |
| 315 | 7027790 | 1 | 2000275, 2000340 & 1001098601 Engine | |
| 316 | 7024565 | 1 | Sensor, Speed | |
| 317 | | Ref | Actuator, Throttle Options: | |
| 317 | 7020458 | 1 | 2000199 Engine | |
| 317 | 7027792 | 1 | 2000275, 2000340 & 1001098601 Engine | |
| 317 | 7027276 | 2 | Spring | |
| 318 | 7020459 | 1 | Thermostat | |
| 321 | 7024579 | 1 | Gear, Ring (Not Shown) | |
| 322 | 7027236 | 1 | Sensor, Temperature (Not Shown) | |
| 323 | 7027239 | 1 | Solenoid, Start (Not Shown) | |
| 324 | 7027240 | 1 | Turbocharger (Not Shown) | |
| 326 | 1600443 | 1 | Module, EMR2 Controller (SN 0300087579 through 0300201016) | |
| 326 | 7027796 | 1 | Harness, Controller (Not Shown) (SN 0300087579 through 0300201016) | |
| 327 | | Ref | Seal, Rear Main (Not Shown) | |
| 327 | See Note | 1 | 2000199, 2000275 & 2000340 Engines (Note: Not available for purchase) | |
| 327 | 70002718 | 1 | 1001098601 Engine | |

SECTION 2 - TURNTABLE

FIGURE 2-7. DEUTZ TD2011 TIER IVI-FLEX AND TIER IVI-PRE ENGINE INSTALLATION

| ITEM | PART NUMBER | QTY | DESCRIPTION | REV |
|------|-------------|------------|--|-----|
| | | Ref | DEUTZ TD2011 DIESEL ENGINE INSTALLATION OPTIONS: | |
| | | Ref | Tier IVi-Flex Engines with Rexroth Pumps and Steel Hoods (SN 0300171079 through 0300201016) | |
| | 1001137790 | Ref | Without Skypower and Without Cold Weather Plus Package | A |
| | 1001137791 | Ref | With Skypower and Without Cold Weather Plus Package | A |
| | 1001137793 | Ref | With Cold Weather Plus Package | A |
| | | Ref | Tier IVi-Flex Engines with Sauer Pumps and Steel Hoods (SN 0300171079 through 0300201016) | |
| | 1001137798 | Ref | Without Skypower and Without Cold Weather Plus Package | A |
| | 1001137799 | Ref | With Skypower and Without Cold Weather Plus Package | A |
| | 1001137801 | Ref | With Cold Weather Plus Package | A |
| | | Ref | Tier IVi-PRE Engines with Rexroth Pumps and ABS Hoods (CE Spec Only) (SN 0300171079 through 0300201016) | |
| | 1001144306 | Ref | Without Skypower | A |
| | 1001144307 | Ref | With Skypower | A |
| | | Ref | Tier IVi-PRE Engines with Rexroth Pumps and Steel Hoods (CE Spec Only) (SN 0300171079 through 0300201016) | |
| | 1001144308 | Ref | Without Skypower | A |
| | 1001144309 | Ref | With Skypower | A |
| | | Ref | Tier IVi-PRE Engines with Sauer Pumps and ABS Hoods (CE Spec Only) (SN 0300171079 through 0300201016) | |
| | 1001144310 | Ref | Without Skypower | A |
| | 1001144311 | Ref | With Skypower | A |
| | | Ref | Tier IVi-PRE Engines with Sauer Pumps and Steel Hoods (CE Spec Only) (SN 0300171079 through 0300201016) | |
| | 1001144312 | Ref | Without Skypower | A |
| | 1001144313 | Ref | With Skypower | A |
| 1 | 0100011 | AR | Compound, Locking | |
| 2 | 0100079 | AR | Sealant, Pipe | |
| 3 | 0641410 | 4 | Bolt 1/4in-20NC x 1-1/4in | |
| 4 | 0641506 | 1 | Bolt 5/16in-18NC x 3/4in | |
| 5 | 0641509 | AR | Bolt 5/16in-18NC x 1-1/8in | |
| 6 | 0641511 | AR | Bolt 5/16in-18NC x 1-3/8in | |
| 7 | 0641605 | 3 | Bolt 3/8in-16NC x 5/8in | |
| 8 | 0641610 | 1 | Bolt 3/8in-16NC x 1-1/4in | |
| 9 | 0641808 | 1 | Bolt 1/2in-13NC x 1in | |
| 10 | 0642010 | 1 | Bolt 5/8in-11NC x 1-1/4in | |
| 12 | 1320022 | 3 | Clamp | |
| 13 | 1320187 | 1 | Clamp, Twin | |
| 14 | 1320190 | 1 | Cover, Clamp | |
| 15 | 1671121 | 1 | Cover, Generator (with Skypower) (Not Shown) | |
| 16 | 1001108617 | 1 | Filter | |
| 16 | 70002231 | 1 | Element, Filter | |
| 17 | 2180348 | 1 | Fitting, Barbed | |
| 18 | 2200222 | 1 | Plug, Pipe (Used in Bottom of Fuel Tank) (Not Shown) | |
| 19 | 2220313 | 1 | Fitting, Elbow Barbed | |
| 20 | 2221176 | 1 | Fitting, Elbow | |
| 21 | 2750532 | 55 in/1.4m | Hose | |
| 22 | 2820170 | 1 | Insulation, Sound Absorbing | |
| 23 | 2902099 | 1 | Battery Cable Kit | C |
| 23A | 7024580 | 1 | Cable, Red (To Aux Pump Relay, Battery Positive Terminal) | |

SECTION 2 - TURNTABLE

| ITEM | PART NUMBER | QTY | DESCRIPTION | REV |
|------|-------------|-----|--|-----|
| | | | and Start Relay) | |
| 23B | 7024581 | 1 | Cable, Black (To Aux Pump, Battery Negative Terminal and Ground at Tray Pivot) | |
| 23C | 7024582 | 1 | Cable, Red (Aux Pump Relay to Aux Pump) | |
| 23D | 7024583 | 1 | Cable, Black (Tray Pivot to Engine Mount) | |
| 23E | 7024584 | 1 | Cable, Red (Start Relay to Starter) | |
| 24 | 3311505 | AR | Locknut 5/16in-18NC | |
| 25 | 3380473 | 1 | Panel, Rubber | |
| 26 | 3422446 | 1 | Pin | |
| 27 | 3573644 | 1 | Plate, Tray Clamp | |
| 28 | | Ref | Plate, Top Clamp Options: | |
| 28 | 3573645 | 1 | Machines with ABS Hoods | |
| 28 | 1001112878 | 1 | Machines with Steel Hoods | |
| 29 | | Ref | Plate, Bottom Clamp Options: | |
| 29 | 3573646 | 1 | Machines with ABS Hoods | |
| 29 | 1001112879 | 1 | Machines with Steel Hoods | |
| 30 | 3573669 | 1 | Plate, Clamp | |
| 31 | | Ref | Plate, Tray Clamp Options: | |
| 31 | 3573727 | 1 | Machines with ABS Hoods | |
| 31 | 1001112880 | 1 | Machines with Steel Hoods | |
| 32 | 3573728 | 1 | Plate, Tray Clamp | |
| 33 | 3841143 | 1 | Keeper, Pin | |
| 34 | 3900272 | 4 | Screw, Button 5/16in-18NC x 1-3/4in | |
| 35 | 4240018 | 2 | Strap, Tie (Not Shown) | |
| 36 | 4240099 | AR | Strap, Tie | |
| 37 | 4711400 | 4 | Flatwasher 1/4in Thin | |
| 38 | 4711500 | AR | Flatwasher 5/16in Thin | |
| 39 | 4711600 | 7 | Flatwasher 3/8in Thin (Not Shown) | |
| 40 | 4752000 | 1 | Flatwasher 5/8in Wide | |
| 42 | | Ref | Panel, Rubber Options: | |
| 42 | 3380472 | 1 | Machines with ABS Hoods | |
| 42 | 1001111132 | 1 | Machines with Steel Hoods | |
| 43 | 0641606 | 4 | Bolt 3/8in-16NC x 3/4in | |
| 44 | 1702942 | 1 | Decal, Block Heater (Cold Weather Plus Package - Not Shown) | |
| | | Ref | DEUTZ TD2011 DIESEL ENGINE ASSEMBLY OPTIONS: | |
| | | Ref | Tier IVi-Flex Engines with Rexroth Pumps (SN 0300171079 through 0300201016) | |
| | 1001137786 | Ref | Without Skypower and Without Cold Weather Plus Package | A |
| | 1001137788 | Ref | With Skypower and Without Cold Weather Plus Package | A |
| | 1001137792 | Ref | With Cold Weather Plus Package | A |
| | | Ref | Tier IVi-Flex Engines with Sauer Pumps (SN 0300171079 through 0300201016) | |
| | 1001137794 | Ref | Without Skypower and Without Cold Weather Plus Package | A |
| | 1001137796 | Ref | With Skypower and Without Cold Weather Plus Package | A |
| | 1001137800 | Ref | With Cold Weather Plus Package | A |
| | | Ref | Tier IVi-PRE Engines with Rexroth Pumps (CE Spec Only) (SN 0300171079 through 0300201016) | |
| | 1001144301 | Ref | Without Skypower | A |
| | 1001144302 | Ref | With Skypower | A |
| | | Ref | Tier IVi-PRE Engines with Sauer Pumps (CE Spec Only) (SN 0300171079 through 0300201016) | |
| | 1001144303 | Ref | Without Skypower | A |

SECTION 2 - TURNTABLE

| ITEM | PART NUMBER | QTY | DESCRIPTION | REV |
|------|-------------|-----------|---|-----|
| | 1001144304 | Ref | With Skypower | A |
| 101 | | Ref | Engine, Deutz Tier IVi-Flex Options (See Items 201 to 227 for Individually Serviced Components) | |
| 101 | 1001137785 | 1 | Engine, Deutz Tier IVi-Flex | |
| 101 | 1001144300 | 1 | Engine, Deutz Tier IVi-Pre | |
| 102 | 0100011 | AR | Compound, Locking | |
| 103 | | Ref | Spacer, Fan Options: | |
| 103 | 0080237 | 1 | Without Skypower and Without Cold Weather Plus Package | |
| 103 | 0080244 | 1 | With Skypower and Without Cold Weather Plus Package | |
| 103 | 0080244 | 1 | With Cold Weather Plus Package | |
| 104 | 0340003 | 2 | Band, Air Cleaner | |
| 105 | 0340051 | 2 | Band, Muffler | |
| 106 | 0641406 | 15 | Bolt 1/4in-20NC x 3/4in | |
| 107 | 0641506 | 5 | Bolt 5/16in-18NC x 3/4in | |
| 108 | 0641507 | 4 | Bolt 5/16in-18NC x 7/8in | |
| 109 | 0641605 | 4 | Bolt 3/8in-16NC x 5/8in | |
| 110 | 0641608 | AR | Bolt 3/8in-16NC x 1in | |
| 111 | 0641609 | 2 | Bolt 3/8in-16NC x 1-1/8in | |
| 112 | 0641610 | 4 | Bolt 3/8in-16NC x 1-1/4in | |
| 113 | 0641808 | 1 | Bolt 1/2in-13NC x 1in | |
| 113 | 0641812 | 1 | Bolt 1/2in-13NC x 1-1/2in | |
| 113 | 0641814 | 1 | Bolt 1/2in-13NC x 1-3/4in | |
| 113 | 0761215 | 1 | Bolt M12 x 35mm | |
| 115 | 0641818 | 2 | Bolt 1/2in-13NC x 2-1/4in | |
| 116 | 0641826 | 2 | Bolt 1/2in-13NC x 3-1/4in | |
| 117 | 0711214 | 2 | Bolt M12 x 30mm | |
| 118 | | Ref | Bolt Options: | |
| 118 | 0711414 | AR | Bolt M14 x 30mm | |
| 118 | 0711417 | AR | Bolt M14 x 45mm | |
| 119 | 1001112766 | 1 | Bracket, Muffler | |
| 120 | 0940070 | 1 | Bumper | |
| 121 | 0961986 | 2 | Bushing, Flanged | |
| 122 | 1060637 | 1 | Lanyard | |
| 123 | 1320022 | 3 | Clamp | |
| 124 | 1320058 | 2 | Clamp | |
| 125 | 1320060 | 1 | Clamp | |
| 126 | 1320223 | 1 | J-Clip | |
| 127 | 1340065 | 1 | Air Cleaner Assembly | |
| 127 | 7003655 | 1 | Element, Air Cleaner | |
| 128 | 1671023 | 1 | Shroud, Fan | |
| 129 | 1703162 | 2 | Decal - Fan Blade | |
| 130 | 2060025 | 1 | Fan | |
| 131 | 2220451 | 1 | Fitting, Straight | |
| 132 | 2220498 | 1 | Fitting, Elbow | |
| 133 | 2720058 | 34 | Hose | |
| | | ft/10.3m | | |
| 134 | 2720500 | 1 | Hose, Oil Cooler (Top) | |
| 135 | 2720501 | 1 | Hose, Oil Cooler (Bottom) | |
| 136 | 2750532 | 9 in/23cm | Hose | |
| 137 | 2902065 | 1 | Pump Coupling Kit | G |
| 137A | 2902065 | 1 | Plate, Pump Mounting (Note: Not Available for Purchase.) | |
| 137B | 70000793 | 1 | Coupling, Flex | |

SECTION 2 - TURNTABLE

| ITEM | PART NUMBER | QTY | DESCRIPTION | REV |
|------|-------------|-----------|---|-----|
| 137C | 2902065 | 18 | Capscrew M10 (Note: Not Available for Purchase.) | |
| 137D | 2902065 | 12 | Flatwasher M10 (Note: Not Available for Purchase.) | |
| 139 | 3200362 | 2 | Mount, Motor (Front) | |
| 140 | 3200401 | 2 | Mount, Motor (Rear) | |
| 141 | | Ref | Muffler Options: | |
| 141 | 3220126 | 1 | Standard Muffler | |
| 141 | 3220130 | 1 | Optional Catalytic Muffler | |
| 141 | 70001017 | 1 | Clamp | |
| 142 | 3300454 | 10 | Nut | |
| 143 | 3311405 | 5 | Locknut 1/4in-20NC | |
| 144 | 3311505 | 5 | Locknut 5/16in-18NC | |
| 145 | 3311605 | 30 | Locknut 3/8in-16NC | |
| 146 | 3311805 | 5 | Locknut 1/2in-13NC | |
| 147 | 3422532 | 1 | Pin, Hitch | |
| 148 | 3520054 | 2 | Plug | |
| 149 | 3537416 | 1 | Plate, Mounting (Front Right) | |
| 150 | 3539971 | 1 | Bracket, Engine Mounting (Front) | |
| 151 | 3573142 | 1 | Bracket, Engine Mounting (Rear) | |
| 152 | 3573411 | 2 | Plate, Clamp | |
| 153 | 3573412 | 1 | Gusset | |
| 154 | 3573529 | 1 | Plate, Mounting (Front Left) | |
| 155 | | Ref | Pulley Options: | |
| 155 | 3580158 | 1 | Without Skypower and Without Cold Weather Plus Package | |
| 155 | 3580320 | 1 | With Skypower and Without Cold Weather Plus Package | |
| 155 | 3580320 | 1 | With Cold Weather Plus Package | |
| 156 | 3600339 | 1 | Pump Assembly - Rexroth (See PUMP ASSEMBLY - REXROTH for Breakdown) | |
| 157 | 3620041 | 1 | Cooler, Engine Oil (Use p/n 1001145382) | |
| 158 | 3740067 | AR | Relay, Start | |
| 159 | 3740080 | 2 | Relay | |
| 160 | 3960543 | 1 | Seal | |
| 161 | 3960544 | 1 | Seal | |
| 162 | 4032022 | 4 | Capscrew M10 x 90mm | |
| 163 | 4060804 | 1 ft/25cm | Flex-Trim | |
| 164 | 4060805 | 8 in/20cm | Flex-Trim | |
| 165 | 4240099 | AR | Tie, Wire (Not Shown) | |
| 166 | 4568293 | 1 | Pipe, Exhaust | |
| 167 | 4640751 | 1 | Valve, Oil Drain | |
| 168 | 4711500 | AR | Flatwasher 5/16in Thin | |
| 169 | 4711600 | AR | Flatwasher 3/8in Thin | |
| 170 | 4711800 | 7 | Flatwasher 1/2in Thin | |
| 171 | 4740274 | 4 | Washer, Snubbing | |
| 172 | 4740518 | 10 | Washer, Nylon | |
| 173 | 4751400 | 20 | Flatwasher 1/4in Wide | |
| 174 | 4791400 | 4 | Starwasher 1/4in | |
| 175 | 4846552 | 1 | Plate, Oil Cooler Mounting | |
| 176 | 4846946 | 1 | Tray | |
| 177 | | Ref | Flatwasher, Hardened Options: | |
| 177 | 4891800 | AR | 1/2in | |
| 177 | 4891600 | AR | 3/8in | |
| 178 | 4923468 | 1 | Harness, Glow Plugs (Not Shown) | |
| 179 | | Ref | Cable, Jumper Options: | |

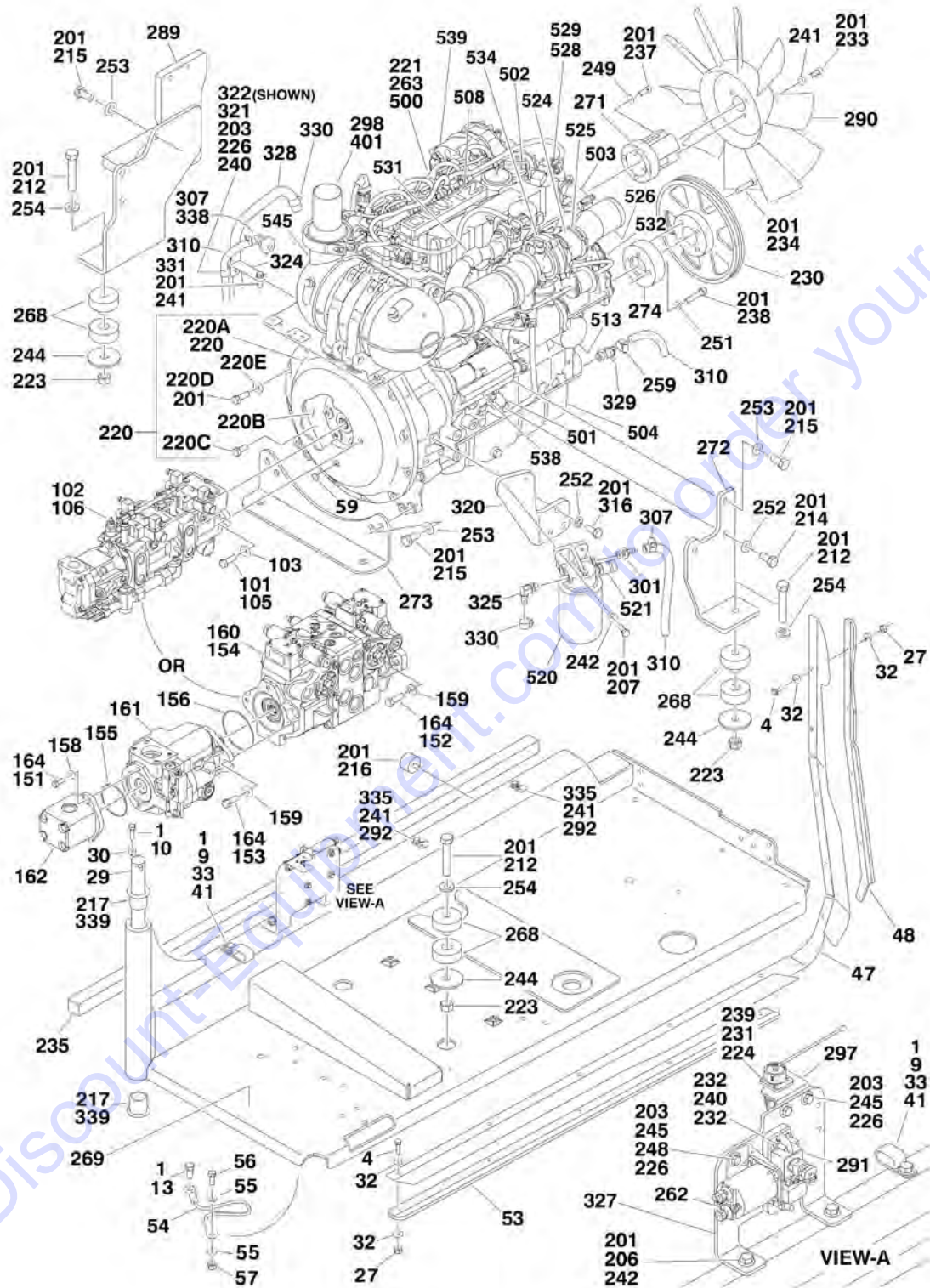
SECTION 2 - TURNTABLE

| ITEM | PART NUMBER | QTY | DESCRIPTION | REV |
|------|--------------|-----|---|-----|
| 179 | 4923592 | 1 | All except Cold Weather Plus Package | |
| 179 | 1060904 | 1 | With Cold Weather Plus Package | |
| 180 | 1001092856 | 1 | Hose, Air Intake | |
| 181 | 0272060 | 1 | Box, Air Intake | |
| 182 | 8410013 | 1 | Clamp, Gear | |
| 183 | | Ref | Mount, Generator Options: | |
| 183 | Not Required | 0 | Without Skypower and Without Cold Weather Plus Package | |
| 183 | 4846945 | 1 | With Skypower and Without Cold Weather Plus Package | |
| 183 | 4846945 | 1 | With Cold Weather Plus Package | |
| 184 | 2580062 | 1 | Heater, Block (With Cold Weather Plus Package - Not Shown) | |
| 185 | 4460234 | 3 | Mount, Wire Tie (Used to Secure Block Heater Cord) (With Cold Weather Plus Package - Not Shown) | |
| 186 | 1001108616 | 1 | Pump Assembly - Sauer Tandem (See PUMP ASSEMBLY - SAUER TANDEM for Breakdown) | |
| 187 | 1001108888 | 1 | Pump Assembly - Sauer Piston (See PUMP ASSEMBLY - SAUER PISTON for Breakdown) | |
| 188 | 1001112927 | 1 | Pump Assembly - Sauer Gear (See PUMP ASSEMBLY - SAUER GEAR for Breakdown) | |
| 189 | 3790152 | 1 | O-Ring | |
| 190 | 3790155 | 1 | O-Ring | |
| | | Ref | DEUTZ TD2011 ENGINE COMPONENTS OPTIONS: | |
| | 1001137785 | Ref | Tier IVi-Flex Engines | B |
| | 1001144300 | Ref | Tier IVi-PRE Engines | B |
| 201 | | Ref | Dipstick Options: | |
| 201 | 70004313 | 1 | Tier IVi-Flex Engines (Note: Not Available for Purchase.) | |
| 201 | 7027235 | 1 | Tier IVi-PRE Engines | |
| 201 | 70000044 | 1 | O-Ring | |
| 202 | 7020465 | 2 | Cap, Filler | |
| 203 | 70001850 | 1 | Pump, Oil | |
| 203 | 7020468 | 1 | Seal Between Oil Pump and Engine Block (Not Shown) | |
| 204 | 7016331 | 1 | Filter, Oil | |
| 204 | 70003472 | 1 | Bracket, Oil Filter (includes Temperature Sensor Components) | |
| 204 | 7027236 | 1 | Sensor, Temperature | |
| 204 | 700025082 | 1 | Ring, Sealing | |
| 204 | 70003473 | 1 | Gasket, Bracket to Engine Block (Not Shown) | |
| 205 | | Ref | Injector Pump Options: | |
| | | Ref | Note: Series Letter is shown on label at base of Injector Pump. | |
| 205 | 70001128 | AR | "A" Series | |
| 205 | 70001129 | AR | "B" Series | |
| 205 | 70001130 | AR | "C" Series | |
| 205 | 70001131 | AR | "D" Series | |
| 206 | 7016328 | 1 | Filter, Fuel | |
| 206 | 70001423 | 1 | Bracket | |
| 207 | 70000916 | 1 | Pump Fuel Supply | |
| 207 | 70001435 | 1 | Repair Kit | |
| 207 | 70000918 | 1 | Sealing Ring (Not Shown) | |
| 207 | 70000917 | 1 | O-Seal Between Fuel Pump and Engine Block (Not Shown) | |
| 207 | 70000919 | 1 | Pump, Hand (Not Shown) | |
| 209 | 7020414 | 1 | V-Belt | |
| 210 | 7020471 | 4 | Gasket, Exhaust Manifold to Cylinder Head (Not Shown) | |
| 210 | 7020486 | 1 | Gasket, Exhaust Manifold to Exhaust Pipe (Not Shown) | |

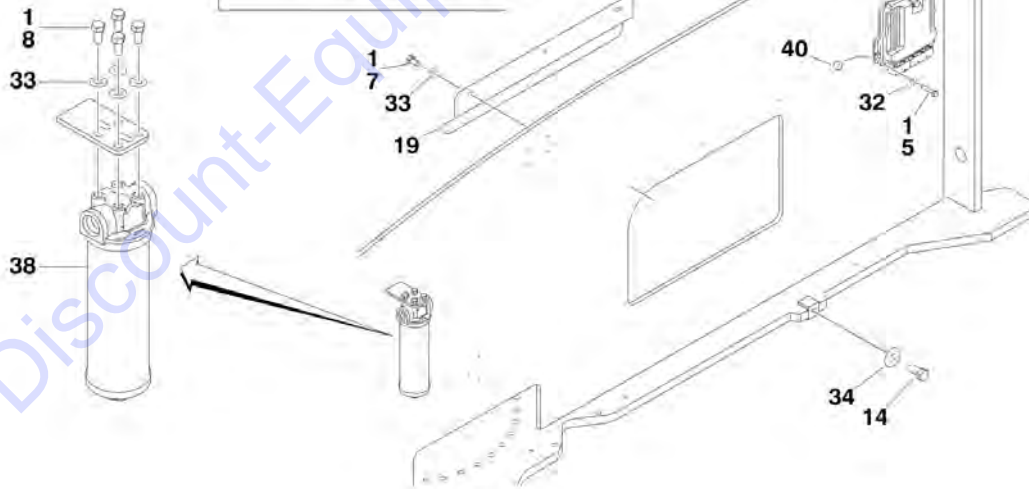
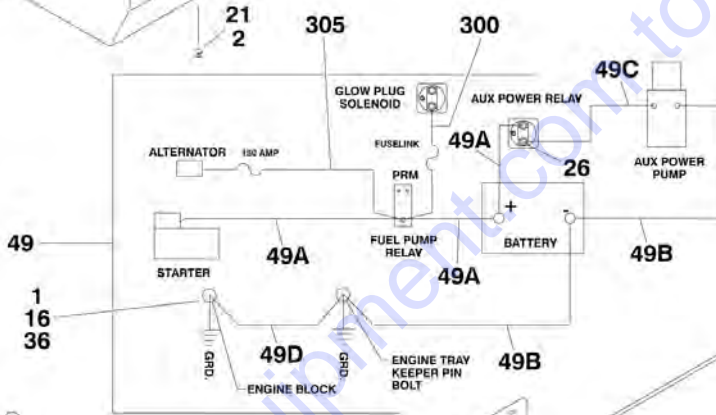
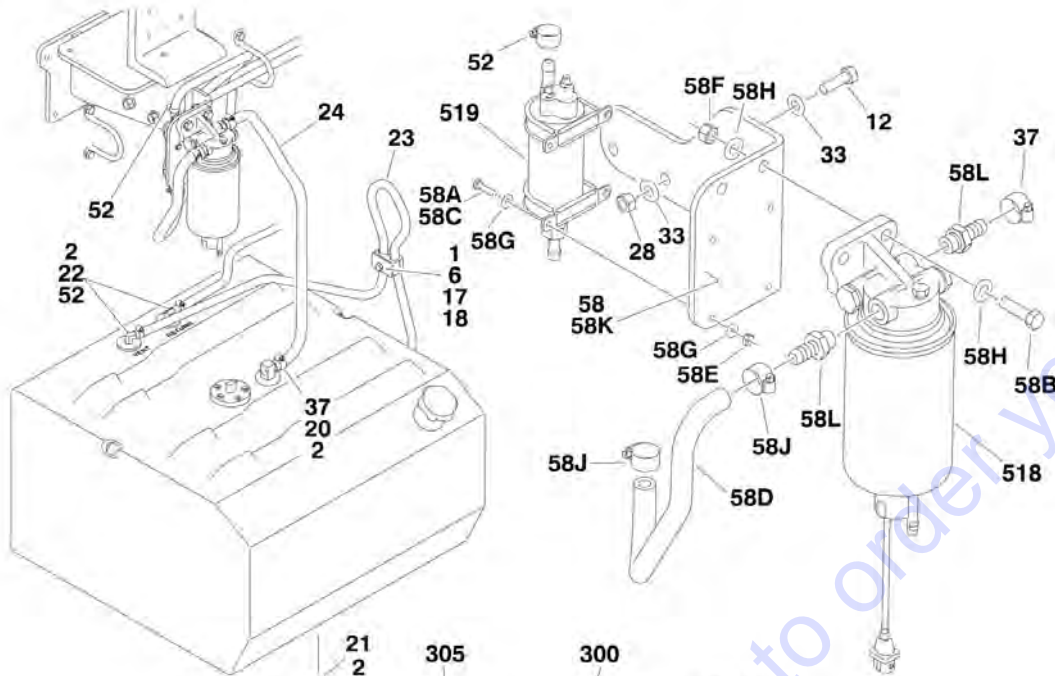
SECTION 2 - TURNTABLE

| ITEM | PART NUMBER | QTY | DESCRIPTION | REV |
|------|-------------|-----|---|-----|
| 211 | | Ref | Alternator Options: | |
| 211 | 70004292 | 1 | Alternator for Tier IVi-Flex Engines | |
| 211 | 70001867 | 1 | Alternator for Tier IVi-PRE Engines | |
| 211 | 70001868 | 1 | Regulator, Voltage (Not Shown) | |
| 211 | 70001866 | 1 | Seal (Not Shown) | |
| 212 | 7020479 | 1 | Starter (Not Shown) | |
| 212 | | Ref | Solenoid Options: | |
| 212 | 70004058 | 1 | Solenoid for Tier IVi-Flex Engines | |
| 212 | 7026608 | 1 | Solenoid for Tier IVi-PRE Engines | |
| 212 | 70001498 | 1 | Baffle, Cooling (Not Shown) | |
| 214 | 7027791 | 1 | Sender, Coolant Temperature | |
| 215 | 7027790 | 1 | Sensor, Oil Pressure | |
| 216 | | Ref | Sensor, Speed Options: | |
| 216 | 70004272 | 1 | Sensor for Tier IVi-Flex Engines | |
| 216 | 7024565 | 1 | Sensor for Tier IVi-PRE Engines | |
| 217 | 7027792 | 1 | Actuator, Throttle | |
| 217 | 7027276 | 2 | Spring | |
| 218 | | Ref | Thermostat Options: | |
| 218 | 70003475 | 1 | Thermostat for Tier IVi-Flex Engines | |
| 218 | 7020459 | 1 | Thermostat for Tier IVi-PRE Engines | |
| 221 | 70001870 | 1 | Flywheel (Not Shown) | |
| 221 | 7024579 | 1 | Gear, Ring (Not Shown) | |
| 222 | 7027240 | 1 | Turbocharger (Not Shown) | |
| 222 | 70001857 | 1 | Flange, Turbocharger (Not Shown) | |
| 222 | 70001135 | 1 | Gasket (Not Shown) | |
| 222 | 70002675 | 2 | Clamp (Not Shown - Used on Sleeve rising vertically from Turbo) | |
| 222 | 70002676 | 1 | Sleeve, Rubber (Not Shown - Rises vertically from Turbo) | |
| 224 | | Ref | Module, Engine Control Options: | |
| 224 | 7027795 | 1 | ECM for Tier IVi-Flex Engines | |
| 224 | 1600443 | 1 | ECM for Tier IVi-PRE Engines | |
| 224 | 7027796 | 1 | Harness, Controller (Not Shown) | |
| 225 | | Ref | Gasket Options (Not Shown): | |
| 225 | 70000068 | 1 | Gasket, Breather Pipe | |
| 225 | 70002677 | 1 | Gasket, Valve Cover | |
| 225 | | Ref | Gasket, Cylinder Head | |
| 225 | 70002415 | 1 | 1 Notch | |
| 225 | 70002416 | 1 | 2 Notches | |
| 225 | 70002417 | 1 | 3 Notches | |
| 225 | 70001871 | 4 | Gasket, Air Intake Manifold | |
| 226 | 70001125 | 1 | Cap, Breather (Not Shown - Located - Cylinder Head Cover) | |
| 226 | 70001126 | 1 | O-Ring (Not Shown) | |
| 227 | 70000345 | 4 | Plug, Glow (Not Shown) | |
| 228 | 70001847 | 1 | Valve, Breather (Located - Front Cover) (Not Shown) | |
| 229 | 70001124 | 1 | Pipe, Breather (Tier IVi-Flex Engines Only) | |
| 229 | 70000068 | 1 | Gasket, Breather Pipe | |
| 230 | 70004268 | 1 | Connector, Radiator (Tier IVi-Flex Engines Only) | |
| 230 | 70004269 | 1 | Ring, Sealing | |
| 231 | 70002718 | 1 | Seal, Rear Main (Not Shown) | |
| | 1283409 | Ref | DECALS INSTALLATION | |
| 353 | 1001143852 | 1 | Decal - EPA | |

SECTION 2 - TURNTABLE



SECTION 2 - TURNTABLE



SECTION 2 - TURNTABLE

FIGURE 2-8. DEUTZ TCD2.9L4 ENGINE INSTALLATION

| ITEM | PART NUMBER | QTY | DESCRIPTION | REV |
|------|-------------|-----------|---|-----|
| | | Ref | DEUTZ TCD2.9L4 DIESEL ENGINE INSTALLATION OPTIONS: | |
| | 1001141811 | Ref | Machines With Rexroth Pumps and Without Cold Weather Plus Package (Steel Hood) | G |
| | 1001141819 | Ref | Machines With Rexroth Pumps and Without Cold Weather Plus Package (ABS Hood) | G |
| | 1001141815 | Ref | Machines With Rexroth Pumps and With Cold Weather Plus Package (Steel Hood) | G |
| | 1001134389 | Ref | Machines With Sauer Pumps and Without Cold Weather Plus Package (Steel Hood) | G |
| | 1001141817 | Ref | Machines With Sauer Pumps and Without Cold Weather Plus Package (ABS Hood) | G |
| | 1001141744 | Ref | Machines With Sauer Pumps and With Cold Weather Plus Package (Steel Hood) | G |
| 1 | 0100011 | AR | Compound, Locking | |
| 2 | 0100079 | AR | Sealant, Pipe | |
| 4 | 0641408 | 10 | Bolt 1/4in-20NC x 1in | |
| 5 | 0641410 | 4 | Bolt 1/4in-20NC x 1-1/4in | |
| 6 | 0641511 | 1 | Bolt 5/16in-18NC x 1-3/8in | |
| 7 | 0641605 | 3 | Bolt 3/8in-16NC x 5/8in | |
| 8 | 0641606 | 4 | Bolt 3/8in-16NC x 3/4in | |
| 9 | 0641608 | 1 | Bolt 3/8in-16NC x 1in | |
| 10 | 0641610 | 1 | Bolt 3/8in-16NC x 1-1/4in | |
| 12 | 0641612 | 2 | Bolt 3/8in-16NC x 1-1/2in | |
| 13 | 0641808 | 1 | Bolt 1/2in-13NC x 1in | |
| 14 | 0642010 | 1 | Bolt 5/8in-11NC x 1-1/4in | |
| 16 | 0761210 | 1 | Bolt M12 x 20mm | |
| 17 | 1320187 | 1 | Clamp | |
| 18 | 1320190 | 1 | Cover, Clamp | |
| 19 | 1671121 | 1 | Cover | |
| 20 | 2180832 | 1 | Fitting, Barbed | |
| 21 | 2200222 | 1 | Plug, Pipe | |
| 22 | 2220313 | 2 | Fitting, Elbow Barbed | |
| 23 | 1001165035 | 5 ft/1.5m | Hose | |
| 24 | 1001154405 | 2 ft/0.6m | Hose | |
| 26 | 3300220 | 2 | Nut 5/16in-18NC | |
| 27 | 3311405 | 10 | Locknut 1/4in-20NC | |
| 28 | 3311605 | 2 | Locknut 3/8in-16NC | |
| 29 | 3422446 | 1 | Pin, Pivot | |
| 30 | 3841143 | 1 | Pin, Keeper | |
| 31 | 4240018 | 2 | Strap, Tie (Not Shown) | |
| 32 | 4711400 | AR | Flatwasher 1/4in Thin | |
| 33 | 4711600 | 14 | Flatwasher 3/8in Thin | |
| 34 | 4752000 | 1 | Flatwasher 5/8in Regular | |
| 36 | 4812100 | 1 | Flatwasher M12 | |
| 37 | 8405006 | 2 | Clamp | |
| 38 | 1001108617 | 1 | Filter | |
| 38 | 70002231 | 1 | Element, Filter | |
| 40 | 1001110425 | 4 | Spacer | |
| 41 | 1001116792 | 1 | Clamp | |
| 43 | 1001138491 | 1 | Harness, Fuel (Not Shown - See ELECTRICAL SECTION for Breakdown) | |

SECTION 2 - TURNTABLE

| ITEM | PART NUMBER | QTY | DESCRIPTION | REV |
|------|-------------|----------------|---|-----|
| 47 | | Ref | Panel, Rubber Options: | |
| 47 | 1001140604 | 1 | Steel Hood Only | |
| 47 | 1001145560 | 1 | ABS Hood Only | |
| 48 | 1001145089 | 1 | Clamp | |
| 49 | 1001141225 | 1 | Battery Cable Kit | E |
| 49A | 7027042 | 1 | Cable, Battery (Red) (Battery + to Relays and Starter) | |
| 49B | 7027043 | 1 | Cable, Battery (Black) (Battery - to Tray Pivot Grd) and Aux Pump | |
| 49C | 7027044 | 1 | Cable (Red) (Aux Relay to Aux Pump) | |
| 49D | 7027045 | 1 | Cable, Battery (Black) (Engine to Tray Pivot Grd) | |
| 52 | 1320022 | 3 | Clamp | |
| 53 | 1001145842 | 1 | Plate, Clamping | |
| 54 | 1001131542 | 1 | Lanyard | |
| 55 | 4711700 | 2 | Flatwasher 7/16in Thin | |
| 56 | 0641708 | 1 | Bolt 7/16in-14NC x 1in | |
| 57 | 3311705 | 1 | Locknut 7/16in-14NC | |
| 58 | 1001165101 | 1 | Bracket, Fuel Pump/Filter Assembly | |
| 58A | 0100011 | AR | Compound, Locking | |
| 58B | 0641611 | 2 | Bolt 3/8in-16NC x 1-3/8in | |
| 58C | 0721006 | 4 | Screw #10-24NC x 3/4in | |
| 58D | 1001154405 | 1.5 ft/0.5m | Hose | |
| 58E | 3311001 | 4 | Nut #10-24NC | |
| 58F | 3311605 | 2 | Locknut 3/8in-16NC | |
| 58G | 4711000 | 8 | Flatwasher #10 Thin | |
| 58H | 4711600 | 4 | Flatwasher 3/8in Thin | |
| 58J | 8405006 | 2 | Clamp | |
| 58K | 1001140222 | 1 | Bracket, Mounting | |
| 58L | 1001141718 | 2 | Fitting | |
| 59 | 3520054 | 1 | Plug (SN 0300198043 through 0300201016) | |
| | | Ref | DEUTZ TCD2.9LA ENGINE SUB-ASSEMBLIES | |
| | 1001141812 | Ref | Machines With Rexroth Pumps and Without Cold Weather Plus Package | N |
| | 1001141813 | Ref | Machines With Rexroth Pumps and With Cold Weather Plus Package | P |
| 101 | 0641812 | 2 | Bolt 1/2in-13NC x 1-1/2in | |
| 102 | 3020037 | AR | Grease, Pump Coupling | |
| 103 | 4740171 | 2 | Flatwasher 1/2in Hardened | |
| 105 | 0100011 | AR | Compound, Locking | |
| 106 | 1001152963 | 1 | Pump Assembly - Rexroth (See PUMP ASSEMBLY - REXROTH for Breakdown) | |
| 107 | 1001119456 | 1 | Harness, Pump (Not Shown - See ELECTRICAL SECTION for Breakdown) (Prior to SN 0300187743) | |
| | | Ref | DEUTZ TCD2.9LA ENGINE SUB-ASSEMBLIES | |
| | 1001134390 | Ref | Machines With Sauer Pumps and Without Cold Weather Plus Package | M |
| | 1001141745 | Ref | Machines With Sauer Pumps and With Cold Weather Plus Package | M |
| 151 | 0641608 | 2 | Bolt 3/8in-16NC x 1in | |
| 152 | 0641812 | 2 | Bolt 1/2in-13NC x 1-1/2in | |
| 153 | 0761215 | 2 | Bolt M12 x 35mm | |
| 154 | 3020037 | AR | Grease, Pump Coupling | |
| 155 | 3790152 | 1 | O-Ring | |

SECTION 2 - TURNTABLE

| ITEM | PART NUMBER | QTY | DESCRIPTION | REV |
|------|-------------|-----------------|--|-----|
| 156 | 3790155 | 1 | O-Ring | |
| 158 | 4891600 | 2 | Flatwasher 3/8in Hardened | |
| 159 | 4891800 | 4 | Flatwasher 1/2in Hardened | |
| 160 | 1001108616 | 1 | Pump Assembly - Sauer Tandem (See PUMP ASSEMBLY - SAUER TANDEM for Breakdown) | |
| 161 | 1001108888 | NLA | Pump Assembly - Sauer Piston (See PUMP ASSEMBLY - SAUER PISTON for Breakdown) (Use p/n 1001171095) (Prior to SN 0300200352) | |
| 161 | 1001171095 | 1 | Pump Assembly - Sauer Piston (See PUMP ASSEMBLY - SAUER PISTON for Breakdown) (SN 0300200352 through 0300201016) | |
| 162 | 1001112927 | 1 | Pump Assembly - Sauer Gear (See PUMP ASSEMBLY - SAUER GEAR for Breakdown) | |
| 164 | 0100011 | AR | Compound, Locking | |
| | | Ref | DEUTZ TCD2.9LA ENGINE ASSEMBLIES | |
| | 1001134392 | Ref | Machines Without Cold Weather Plus Package | W |
| | 1001141746 | Ref | Machines With Cold Weather Plus Package | U |
| 201 | 0100011 | AR | Compound, Locking | |
| 202 | 0100020 | AR | Sealant | |
| 203 | 0641406 | 5 | Bolt 1/4in-20NC x 3/4in | |
| 205 | 0641508 | 8 | Bolt 5/16in-18NC x 1in | |
| 206 | 0641606 | 5 | Bolt 3/8in-16NC x 3/4in | |
| 207 | 0641608 | 9 | Bolt 3/8in-16NC x 1in | |
| 208 | 0641610 | 2 | Bolt 3/8in-16NC x 1-1/4in | |
| 209 | 0641708 | 6 | Bolt 7/16in-14NC x 1in | |
| 210 | 0700815 | 2 | Bolt M8 x 35mm | |
| 212 | 0682028 | 4 | Bolt 5/8in-11NC x 3-1/2in Grade 8 | |
| 214 | 0771212 | 1 | Bolt M12 x 25mm Grade 10.9mm | |
| 215 | 0771414 | 9 | Bolt M14 x 30mm Grade 10.9 | |
| 216 | 0940070 | 1 | Bumper | |
| 217 | 0961986 | 2 | Bushing, Flanged | |
| 218 | 0641706 | 2 | Bolt 7/16in-14NC x 3/4in | |
| 219 | | Ref | Anti-freeze Options: | |
| 219 | 2300004 | 3.2 gl/12.1L | Without Arctic Package | |
| 219 | 2300041 | 3.2 gl/12.1L | With Arctic Package | |
| 220 | 2902065 | 1 | Pump Coupling Kit | H |
| 220A | 2902065 | 1 | Plate, Pump Mounting (Note: Not Available for Purchase.) | |
| 220B | 70000793 | 1 | Coupling, Flex | |
| 220C | See Note | 8 | Bolt M10 x 20mm Grade 10.9 (Note: Not Available - Purchase Locally) | |
| 220D | See Note | 12 | Bolt M10 x 25mm Grade 10.9 (Note: Not Available - Purchase Locally) | |
| 220E | See Note | 12 | Flatwasher M10 (Note: Not Available - Purchase Locally) | |
| 221 | | Ref | Oil, Motor Options: | |
| 221 | 1001136079 | 2.4 gl/9L | Without Arctic Package | |
| 221 | 1001136172 | 2.4 gl/9L | With Arctic Package | |
| 222 | 3290801 | 2 | Nut M8 | |
| 223 | 3272001 | 4 | Nut 5/8in-11NC Grade 8 | |
| 224 | 3310401 | 3 | Nut #4-40NC | |
| 225 | 8406302 | 2 | Clamp | |
| 226 | 3311405 | 6 | Locknut 1/4in-20NC | |
| 228 | 3311605 | 9 | Locknut 3/8in-16NC | |

SECTION 2 - TURNTABLE

| ITEM | PART NUMBER | QTY | DESCRIPTION | REV |
|------|-------------|-----|--|-----|
| 229 | 3311705 | 5 | Locknut 7/16in-14NC | |
| 230 | 3580320 | 1 | Pulley | |
| 231 | 3910408 | 3 | Screw #4-40NC x 1/2in | |
| 232 | 3931432 | 1 | Capscrew 1/4in-20NC x 2in | |
| 233 | 3931512 | 4 | Capscrew 5/16in-18NC x 3/4in | |
| 234 | 3931628 | 4 | Capscrew 3/8in-16NC x 1-3/4in | |
| 235 | 3960543 | 1 | Seal | |
| 236 | 3960544 | 1 | Seal | |
| 237 | 4031914 | 4 | Bolt M8 x 50mm | |
| 238 | 4032014 | 4 | Bolt M10 x 50mm | |
| 239 | 4710400 | 3 | Flatwasher #4 Thin | |
| 240 | 4711400 | 3 | Flatwasher 1/4in Thin | |
| 241 | 4711500 | 18 | Flatwasher 5/16in Thin | |
| 242 | 4711600 | 25 | Flatwasher 3/8in Thin | |
| 243 | 4711700 | 10 | Flatwasher 7/16n Thin | |
| 244 | 1001146219 | 4 | Flatwasher Special | |
| 245 | 4751400 | 8 | Flatwasher 1/4in Regular | |
| 247 | 4751700 | 2 | Flatwasher 7/16n Regular | |
| 248 | 4791400 | 2 | Starwasher 1/4in | |
| 249 | 4811900 | 4 | Flatwasher M8 | |
| 250 | 4811902 | 2 | Flatwasher M8 | |
| 251 | 4812000 | 4 | Flatwasher M10 | |
| 252 | 4812100 | 4 | Flatwasher M12 | |
| 253 | 4812200 | 9 | Flatwasher M14 | |
| 254 | 4892000 | 4 | Flatwasher 5/8in Hardened | |
| 255 | 4831900 | 2 | Lockwasher M8 | |
| 256 | 8405201 | 8 | Clamp | |
| 257 | 8405204 | 10 | Clamp | |
| 259 | 8410013 | 5 | Clamp | |
| 260 | 91563070 | 1 | Coupling, Rubber | |
| 261 | 1001114495 | 1 | Hose | |
| 262 | 1001117308 | 1 | Relay | |
| 263 | 1001128947 | 1 | Engine, Deutz TD2.9L4 | |
| 266 | 1001133634 | 1 | Clamp | |
| 267 | 1001133651 | 1 | Tank, Surge (Prior to SN 0300187762) | |
| 267 | 1001166393 | 1 | Tank, Surge (SN 0300187762 through 0300201016) | |
| 268 | 1001155575 | 4 | Mount, Motor | |
| 269 | 1001134485 | 1 | Tray | |
| 270 | 1001135090 | 1 | Radiator | |
| 271 | 1001135138 | 1 | Spacer, Fan | |
| 272 | 1001135560 | 1 | Support, Engine | |
| 273 | 1001135562 | 1 | Support, Engine - Rear | |
| 274 | 1001135679 | 1 | Spacer, Pulley | |
| 275 | 1001135680 | 1 | Support, Radiator | |
| 276 | 1001135901 | 1 | Pipe, Air Intake | |
| 277 | 1001135903 | 1 | Pipe, Air Intake | |
| 278 | 1001135913 | 1 | Pipe, Turbo to Air Cleaner | |
| 279 | 1001135914 | 1 | Pipe, Air Cleaner to Intake | |
| 280 | 1001135924 | 1 | Hose, Radiator (Upper) | |
| 281 | 1001135926 | 1 | Hose, Radiator (Lower) | |
| 282 | 1001135943 | 1 | Coupling, Rubber | |

SECTION 2 - TURNTABLE

| ITEM | PART NUMBER | QTY | DESCRIPTION | REV |
|------|-------------|-----------------|---|-----|
| 283 | 1001135946 | 1 | Elbow, Rubber | |
| 284 | 1001136292 | 1 | Pipe, Elbow | |
| 285 | 1001136377 | 1 | Sensor, Coolant Level | |
| 286 | 1001136626 | 2 | Bracket | |
| 287 | 1001136665 | 1 | Bracket | |
| 288 | 1001136834 | 1 | Cap, Tank | |
| 289 | 1001142398 | 1 | Support, Engine | |
| 290 | 1001137276 | 1 | Fan | |
| 291 | 1001138228 | 1 | Module, Power | |
| 291 | 70023592 | 1 | Fuse 20 Amp | |
| 291 | 70023593 | 1 | Fuse 30 Amp | |
| 292 | 1001138253 | 5 | Clamp | |
| 294 | 1001138346 | 1 | Harness, Engine (Not Shown - See ELECTRICAL SECTION for Breakdown) | |
| 295 | 1001138524 | 1 | Hose | |
| 296 | 1001138559 | 1 | Fitting, Elbow | |
| 297 | 1001139240 | 1 | Bracket | |
| 298 | 1001153024 | 1 | Pipe, Exhaust | |
| 300 | 1001141304 | 1 | Wire, Glow Plug | |
| 301 | 1001141717 | 1 | Fitting, Straight | |
| 302 | 1001141719 | 1 | Fitting, Elbow Barbed | |
| 303 | 1001140564 | 1 | Fitting, Elbow Barbed | |
| 304 | 1001133633 | 1 | Air Cleaner Assembly | |
| 304 | 70024190 | 1 | Element, Air Filter | |
| 305 | 1001135779 | 1 | Cable, Alternator Positive | |
| 306 | 1001138248 | 4 ft/1.2m | Tubing | |
| 307 | 1320022 | 2 | Clamp | |
| 308 | 2720015 | 4.5 ft/1.4m | Hose | |
| 310 | 1001165035 | 30.5 ft/9.3m | Hose | |
| 312 | 8405007 | 2 | Clamp | |
| 313 | 4240099 | AR | Tie-Strap (Used to Secure Block Heater Cord) (With Cold Weather Plus Package - Not Shown) | |
| 314 | 4460234 | 3 | Mount, Wire Tie (Used to Secure Block Heater Cord) (With Cold Weather Plus Package - Not Shown) | |
| 315 | 1001140312 | 1 | Heater, Block (With Cold Weather Plus Package - Not Shown) | |
| 316 | 0761214 | 3 | Bolt M12 x 30mm | |
| 317 | 1001143341 | 1 | Pipe, 90 Degree (Prior to SN 0300187762) | |
| 317 | 1001165820 | 1 | Pipe, Elbow (SN 0300187762 through 0300201016) | |
| 318 | 1001143390 | 1 | Indicator, Air Filter Service | |
| 319 | 1001142637 | 1 | Hose, Hump | |
| 320 | 101142685 | 1 | Bracket | |
| 321 | 8406102 | 1 | Clip | |
| 322 | 8406112 | 1 | Clip | |
| 323 | 1001134488 | 1 | Fitting, Elbow Barbed | |
| 324 | 1001138717 | 1 | Bracket | |
| 325 | 1001142501 | 1 | Fitting, Elbow Barbed | |
| 326 | 1001144089 | 1 | Grommet | |
| 327 | 1001145154 | 1 | Plate, Mounting | |
| 328 | 1001154405 | 5 ft/1.5m | Hose | |
| 329 | 4640751 | 1 | Valve, Oil Drain | |

SECTION 2 - TURNTABLE

| ITEM | PART NUMBER | QTY | DESCRIPTION | REV |
|------|-------------|-----|---|-----|
| 330 | 8405006 | 2 | Clamp | |
| 331 | 0760810 | 1 | Bolt M8 x 20mm | |
| 332 | 1001148843 | 1 | Harness, Fuel Filter (Not Shown - See ELECTRICAL SECTION for Breakdown) | |
| 334 | 1703162 | 2 | Decal - Fan | |
| 335 | 0641503 | 3 | Bolt 5/16in-18NC x 3/8in | |
| 336 | 1001153387 | 1 | Plate | |
| 337 | 3931508 | 2 | Capscrew 5/16in-18NC x 1/2in | |
| 338 | 1001155823 | 1 | Coupling | |
| 339 | 0100062 | AR | Adhesive, Loctite #680 | |
| 340 | 1001181895 | AR | Adhesive, Loctite #640 (With Cold Weather Plus Package - Not Shown) | |
| | 1001139930 | Ref | SPARK ARRESTER INSTALLATION (OPTIONAL) | |
| 401 | 1001154157 | 1 | Stack, Spark Arrester Exhaust | |
| 500 | 1001128947 | Ref | ENGINE COMPONENTS | J |
| 501 | 70024904 | 1 | Dipstick | |
| 501 | 70024905 | 1 | O-Ring | |
| 502 | 7020465 | 2 | Cap, Filler | |
| 503 | 7002511 | 2 | Clamp | |
| 504 | 70025162 | 1 | Pan, Oil | |
| 504 | 70025088 | 2 | Plug | |
| 504 | 7020404 | 2 | Washer, Sealing | |
| 505 | 70001870 | 1 | Flywheel (Not Shown) | |
| 505 | 7024579 | 1 | Gear, Ring (Not Shown) | |
| 506 | 70024906 | 1 | Gasket, Head (Not Shown) | |
| 507 | 70025204 | 1 | Shield, Heat (Not Shown) | |
| 508 | 70025163 | 1 | Cover, Valve | |
| 508 | 70025205 | 1 | Gasket | |
| 508 | 70025206 | 1 | Gasket, Small Valve Cover | |
| 508 | 70025207 | 1 | Gasket, Large Valve Cover | |
| 508 | 70025208 | 1 | Gasket | |
| 509 | 70025076 | 1 | Valve (Not Shown - Located on Right Side of Front Engine Cover) | |
| 509 | 70025176 | 1 | Spring | |
| 509 | 70025082 | 1 | Ring, Sealing | |
| 509 | 70025091 | 1 | Plug | |
| 510 | 70025190 | 1 | Cover, Front (Not Shown - Located on Front of Engine) | |
| 510 | 70024907 | 1 | Gasket, Front Cover | |
| 510 | 70004280 | 1 | Seal, Shaft - Front | |
| 511 | 70002718 | 1 | Seal, Shaft - Rear (Not Shown) | |
| 512 | 70025202 | 1 | Pump, Oil Lube (Not Shown) | |
| 512 | 70025135 | 1 | O-Ring | |
| 512 | 70025136 | 1 | Gasket | |
| 513 | 7016331 | 1 | Filter, Oil | |
| 513 | 70025137 | 1 | Bushing | |
| 514 | 70004275 | 1 | Cooler, Engine Oil (Not Shown - Located on Right Side) | |
| 514 | 70024925 | 1 | Gasket | |
| 515 | 70025171 | 1 | Oil Suction Pump (Not Shown - Located Inside of Engine Oil Pan) | |
| 516 | 70024924 | 1 | Pump, Fuel (Not Shown - Located on Right Side) | |
| 516 | 70025152 | 1 | O-Ring | |
| 516 | 70025080 | 1 | Washer | |
| 516 | 70024488 | 1 | Spacer | |
| 516 | 70024517 | 1 | O-Ring | |

SECTION 2 - TURNTABLE

| ITEM | PART NUMBER | QTY | DESCRIPTION | REV |
|------|-------------|-----|--|-----|
| 517 | 70025181 | 4 | Injector, Fuel (Not Shown - Located on Right Side) | |
| 517 | 70025140 | 4 | Washer, Sealing | |
| 517 | 70025146 | 4 | Clamp (Top of Injector) | |
| 517 | 70025145 | 4 | O-Ring | |
| 517 | 70025154 | 4 | Shoe, Clamping | |
| 517 | 70000345 | 1 | Plug, Glow (Not Shown) | |
| 517 | 70025231 | 1 | Harness, Glow Plug (Not Shown) | |
| 518 | 70024961 | 1 | Fuel Filter Assembly | |
| 518 | 70025153 | 1 | Filter, Fuel | |
| 518 | 70024513 | 1 | Cable, Sensor | |
| 518 | 70025239 | 1 | Ring, Sealing | |
| 519 | 70024486 | 1 | Pump, Fuel | |
| 519 | 70025144 | 2 | Clamp | |
| 520 | 70025160 | 1 | Filter with Head | |
| 520 | 70025161 | 1 | Filter, Fuel | |
| 521 | 70024504 | 1 | Sensor, Pressure | |
| 521 | 70024920 | 1 | O-Ring | |
| 521 | 70025103 | 1 | Retainer | |
| 522 | 70025151 | 1 | Rail, Fuel (Not Shown) | |
| 522 | 70025235 | 1 | Repair Kit | |
| 523 | 70025182 | 1 | Fuel Line - High Pressure (Cylinder 1 & 2) (Not Shown) | |
| 523 | 70025183 | 1 | Fuel Line - High Pressure (Cylinder 3 & 4) (Not Shown) | |
| 523 | 70025184 | 1 | Fuel Line - High Pressure (Supply) (Not Shown) | |
| 524 | 70004501 | 1 | Sleeve, Rubber | |
| 525 | 70004502 | 1 | Pipe, Intake | |
| 526 | 70025112 | 2 | Clamp | |
| 527 | 70025210 | 1 | ECU (Engine Control Unit) | |
| 528 | 70024910 | 1 | Pump, Water | |
| 528 | 70025200 | 1 | Ring, Sealing | |
| 528 | 70025084 | 2 | Plug | |
| 528 | 7020492 | 2 | Ring, Sealing | |
| 529 | 70024473 | 1 | Thermostat | |
| 529 | 70025143 | 1 | O-Ring | |
| 529 | 70025142 | 1 | Cover, Thermostat | |
| 530 | 70025177 | 1 | Pipe (Not Shown - Located on Left Side) | |
| 530 | 70025179 | 2 | Gasket | |
| 531 | 70025178 | 1 | Pipe | |
| 531 | 70025156 | 1 | Valve, Shuttle | |
| 531 | 70025179 | 2 | Gasket | |
| 531 | 70025180 | 1 | Gasket | |
| 532 | 70025203 | 1 | Module, EGR | |
| 532 | 70025155 | 1 | Plug | |
| 533 | 70004282 | 1 | Manifold, Exhaust (Not Shown) | |
| 533 | 70025164 | 1 | Gasket, Exhaust Manifold to Head | |
| 534 | 70004503 | 1 | Turbocharger | |
| 534 | 70024912 | 1 | Gasket, Exhaust Manifold | |
| 535 | 70025477 | 1 | Tensioner, Belt (Not Shown - Located on Front of Engine) | |
| 536 | 70024484 | 1 | Idler Roller (Not Shown - Located on Front of Engine) | |
| 537 | 70004277 | 1 | Belt, Drive (Not Shown) | |
| 538 | 70024915 | 1 | Starter | |
| 539 | 70025533 | 1 | Generator | |

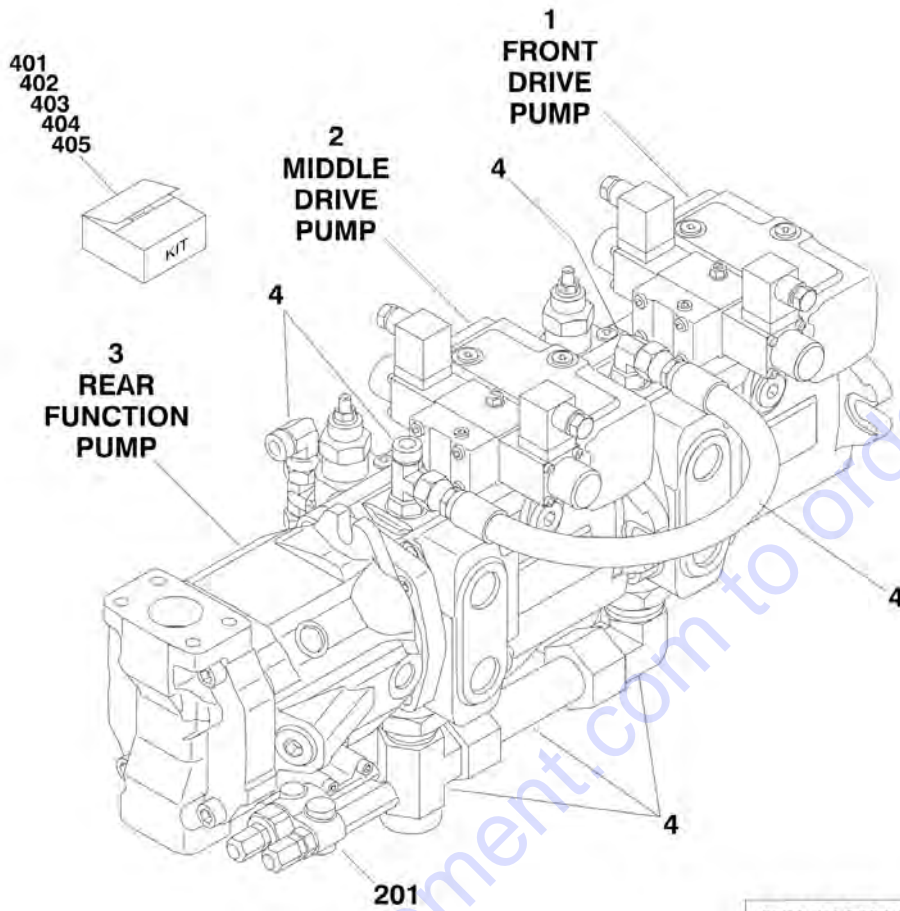
SECTION 2 - TURNTABLE

| ITEM | PART NUMBER | QTY | DESCRIPTION | REV |
|------|-------------|-----|---|-----|
| 539 | 70025149 | 1 | Regulator, Voltage | |
| 540 | 70004284 | 1 | Harness, Engine (Not Shown) | |
| 541 | 70024507 | 1 | Sensor, Pressure (Not Shown - Located Top Rear) | |
| 541 | 70024503 | 1 | O-Ring | |
| 542 | 70024917 | 1 | (Not Shown - Located Left Side Front and Flywheel Housing) | |
| 543 | 70024918 | 1 | Sender, Temperature (Not Shown - Located Top Front) | |
| 544 | 70024919 | 1 | Sensor, Pressure (Not Shown - Located on Right Side) | |
| 544 | 70024920 | 1 | O-Ring | |
| 545 | 70005445 | 1 | Outlet, Muffler | |
| 546 | 70004279 | 1 | Gasket Kit (Not Shown) | |
| | | Ref | Note: Information not available at time of printing. | |
| | 1283409 | Ref | DECALS INSTALLATION | |
| 653 | 1001143852 | 1 | Decal - EPA | |

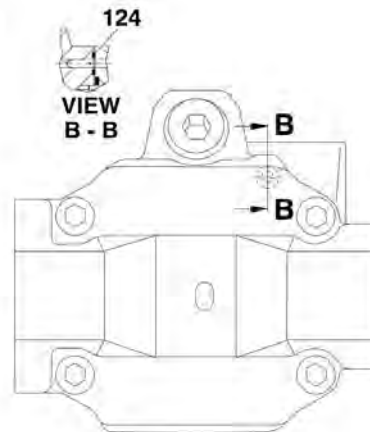
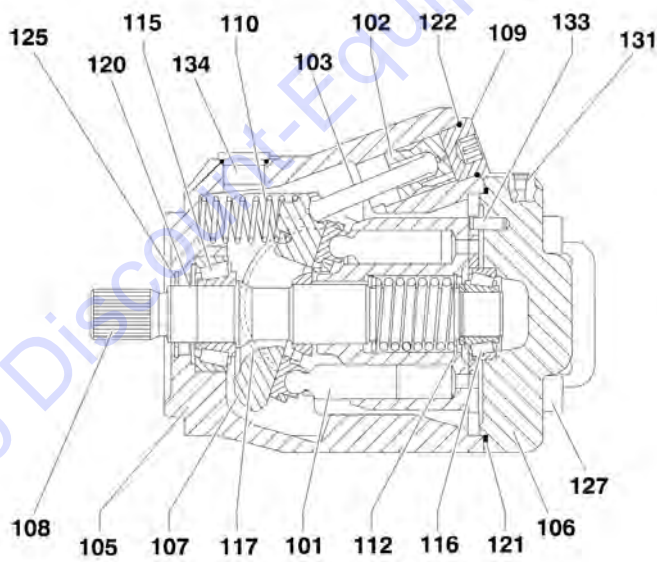
Go to Discount-Equipment.com to order your parts

SECTION 2 - TURNTABLE

FIGURE 2-9. PUMP ASSEMBLY (REXROTH) (CATERPILLAR ENGINE MACHINES)

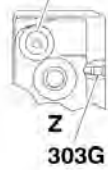
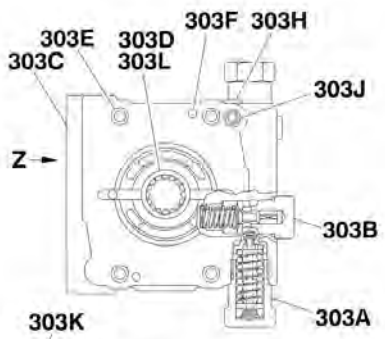


COMPLETE REAR PUMP

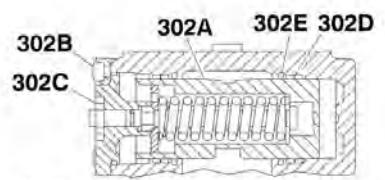


SECTION 2 - TURNTABLE

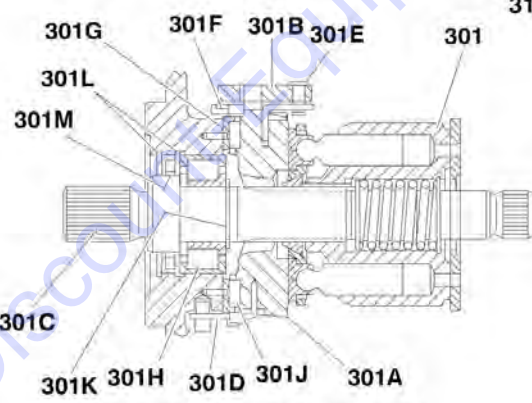
COMPLETE FRONT & MID PUMPS



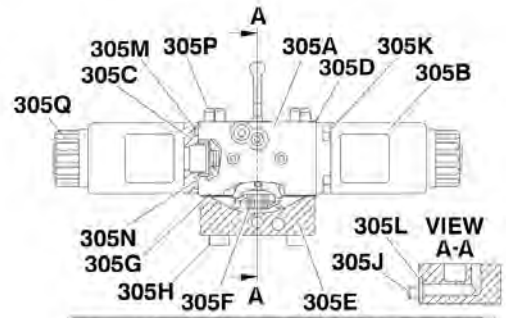
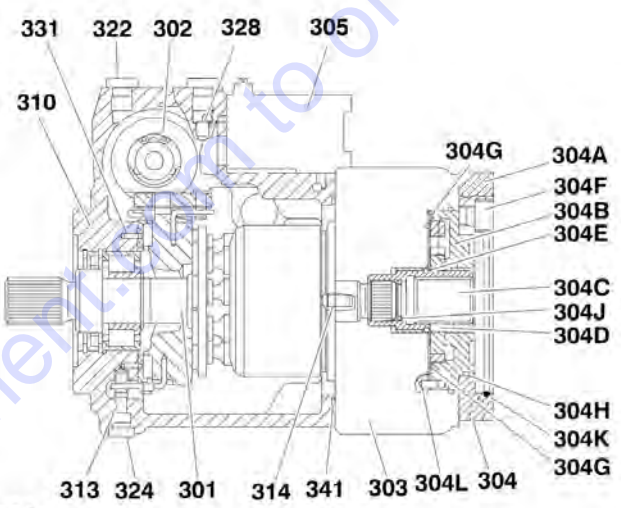
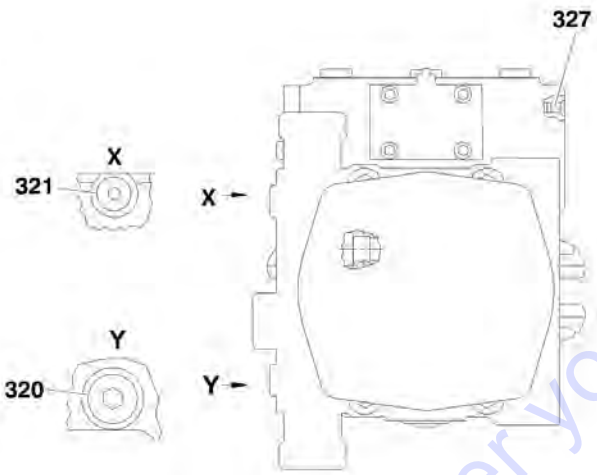
PORT PLATE SECTION FRONT & MID PUMPS (DETAIL OF ITEM 303)



HYD. CONTROL FRONT & MID PUMPS (DETAIL OF ITEM 302)



ROTARY GROUP FRONT & MID PUMPS (DETAIL OF ITEM 301)



CONTROL MODULE FRONT & MID PUMPS (DETAIL OF ITEM 305)

SECTION 2 - TURNTABLE

FIGURE 2-9. PUMP ASSEMBLY (REXROTH) (CATERPILLAR ENGINE MACHINES)

| ITEM | PART NUMBER | QTY | DESCRIPTION | REV |
|------|-------------|------|---|-----|
| | 1001118368 | Ref | PUMP ASSEMBLY | C |
| 1 | 70003163 | 1 | Front Drive Pump Assembly (Includes Items 301- 341) | |
| 2 | 70003164 | 1 | Middle Drive Pump Assembly (Includes Items 301- 341) | |
| 3 | 7024044 | 1 | Rear Function Pump Assembly (Includes Items 101-201 | |
| 4 | See Note | 1 | Hydraulic Kit (Includes all Rexroth Supplied Hydraulic Fittings, Hoses and Tubes) (Note: Not Available For Purchase) | |
| | 7024044 | Ref | REAR FUNCTION PUMP ASSEMBLY | |
| 101 | 70003173 | 1 | Rotary Section | |
| 102 | See Note | 1 | Piston, Control (Note: Not Available For Purchase) | |
| 103 | See Note | 1 | Rod, Piston (Note: Not Available For Purchase) | |
| 105 | 7024044 | 1 | Housing, Pump (Note: Not Available For Purchase) | |
| 106 | 7024044 | 1 | Plate, Port (Note: Not Available For Purchase) | |
| 107 | 70003174 | 1 | Plate, Swash | |
| 108 | 70003175 | 1 | Driveshaft | |
| 109 | See Note | 1 | Plug (Note: Not Available For Purchase) | |
| 110 | See Note | 1 | Spring (Note: Not Available For Purchase) | |
| 112 | 7012709 | 1 | Shim | |
| 115 | 7024038 | 1 | Bearing, Roller | |
| 116 | 7012706 | 1 | Bearing, Roller | |
| 117 | 7024917 | 2 | Shell, Cradle | |
| 120 | 7024918 | 1 | Seal, Shaft | |
| 121 | 70003176 | 1 | O-Ring | |
| 122 | 7024920 | 1 | O-Ring | |
| 124 | 7024950 | 1 | Seal | |
| 125 | 70003177 | 1 | Ring, Retaining | |
| 127 | See Note | 4 | Capscrew M12 x 45-10.9 (Note: Not Available For Purchase) | |
| 131 | See Note | 1 | Plug (Note: Not Available For Purchase) | |
| 133 | See Note | 1 | Pin, Dowel (Note: Not Available For Purchase) | |
| 134 | See Note | 1 | Plug (Note: Not Available For Purchase) | |
| 201 | 7024913 | Ref | Pilot Valve Assembly | |
| | | Ref | Note: Two mounting designs of p/n 7024913 pilot valve exist. Early design uses qty 3 o-rings. Late design uses qty 1 sealing plate. Seal designs cannot be interchanged. Verify seal design before ordering. | |
| 201 | 7024922 | 3 | O-Ring (Seals between Pilot Valve and Rear Pump) | |
| 201 | 70021867 | 1 | Plate, Sealing (Seals between Pilot Valve and Rear Pump) | |
| | | Ref | FRONT DRIVE PUMP ASSEMBLIES | |
| | 70003163 | Ref | Front Drive Pump Assembly | |
| | 70003164 | Ref | Middle Drive Pump Assembly | |
| 301 | 7024064 | 1 | Rotary Group | |
| 301A | 7024064 | 1 | Cradle (Note: Not Available For Purchase) | |
| 301B | 7024064 | 1 | Ring, Slide (Note: Not Available For Purchase) | |
| 301C | 7024064 | 1 | Driveshaft (Note: Not Available For Purchase) | |
| 301D | 7024064 | 1 | Wire (Note: Not Available For Purchase) | |
| 301E | 7024064 | 1 | Pin, Joint (Note: Not Available For Purchase) | |
| 301F | 7024064 | 1 | Wire (Note: Not Available For Purchase) | |
| 301G | 7024064 | 1 pr | Liner, Bearing (Note: Not Available For Purchase) | |
| 301H | 7024064 | 1 | Bearing, Roller (Note: Not Available For Purchase) | |
| 301J | See Note | 1 st | Cradle Bearing Assembly (Note: Not Available For Purchase) | |
| 301K | See Note | 1 | Ring, Retaining (Note: Not Available For Purchase) | |

SECTION 2 - TURNTABLE

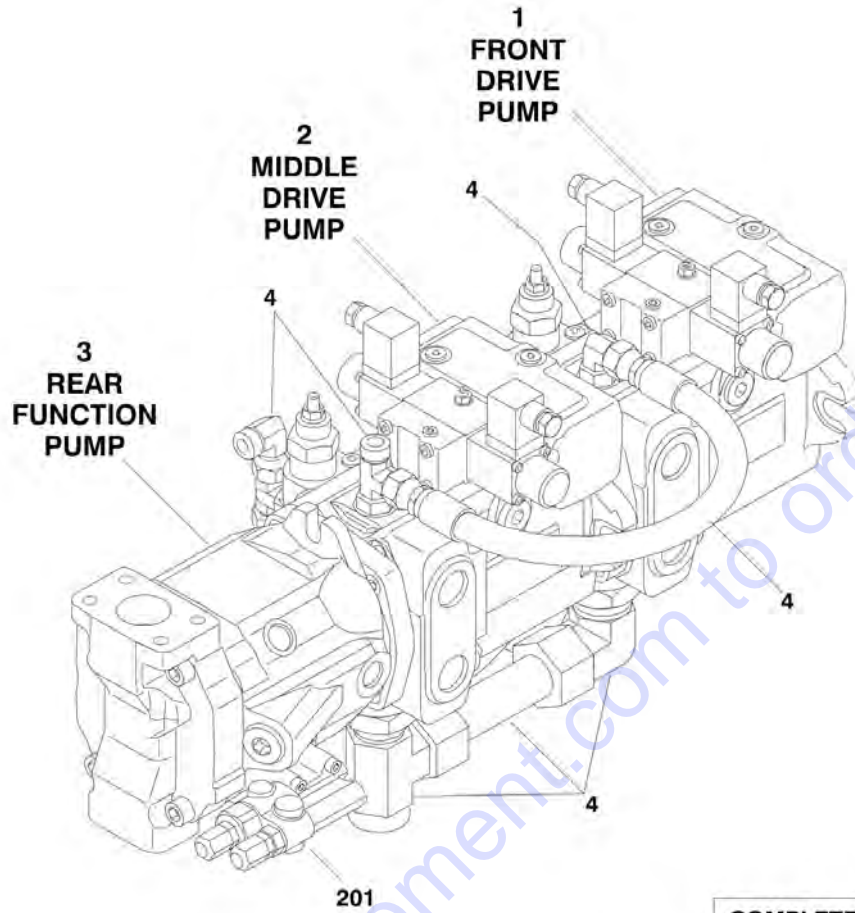
| ITEM | PART NUMBER | QTY | DESCRIPTION | REV |
|------|-------------|-----|---|-----|
| 301L | 70001968 | 2 | Ring, Retaining | |
| 301M | 70003167 | 1 | Seal, Shaft Ring | |
| 302 | 7024065 | 1 | Control Group - Hydraulic | |
| 302A | 7024065 | 1 | Piston, Positioning - Complete (Note: Sold only in Kit Except Outer Seal O-Ring and Stem O-Ring.) | |
| 302A | 7024071 | 1 | O-Ring, Outer Seal | |
| 302A | 7024072 | 1 | O-Ring, Stem | |
| 302B | 70003168 | 4 | Capscrew M6 x 12-8.8 | |
| 302C | 7024065 | 1 | Nut (Note: Not Available For Purchase) | |
| 302D | 70003168 | 2 | Ring, Guide | |
| 302E | 70003168 | 2 | Seal, O-Ring | |
| 303 | | Ref | Port Plate Group Options: | |
| 303 | 7024905 | 1 | Front Drive Pump | |
| 303 | 7024911 | 1 | Middle Drive Pump | |
| 303A | 7024073 | 2 | Cartridge, Relief Valve (High Pressure) (Note: Sold as an Assembly Except Outer Seals.) | |
| 303A | 7024075 | 1 | O-Ring | |
| 303A | 7024076 | 1 | Ring, Back-up | |
| 303B | | Ref | Cartridge Options: | |
| 303B | 7024907 | 1 | Front Pump Cartridge (Lock Valve With Orifice) (Note: Sold as an Assembly Except Outer Seals.) | |
| 303B | 7024909 | 1 | Screw, Locking | |
| 303B | 7024075 | 1 | O-Ring | |
| 303B | 70020329 | 1 | Middle Pump Cartridge (Pressure Relief Valve) (Note: Sold as an Assembly Except Outer Seals.) | |
| 303B | 70003172 | 1 | Ring, Sealing (Steel) | |
| 303B | 7024077 | 1 | O-Ring | |
| 303C | See Note | 1 | Plate, Port (Note: Not Available - Purchase p/n 7024905 or 7024911) | |
| 303D | See Note | 1 | Bushing, Bearing (Note: Not Available - Purchase p/n 7024905 or 7024911) | |
| 303E | See Note | 4 | Screw, Socket Head M12 x 70-10.9 (Note: Not Available - Purchase p/n 7024911) | |
| 303F | 70003169 | 2 | Pin, Dowel | |
| 303G | 70003169 | 1 | Pin, Break-Off | |
| 303H | 70003169 | 1 | Screw, Locking M10 x 1 | |
| 303J | 7024908 | 2 | O-Ring | |
| 303K | 70003169 | 2 | Screw, Locking 7/16in-20NF | |
| 303L | See Note | 1 | Bearing, Roller (Note: Not Available - Purchase p/n 7024905 or 7024911) | |
| 304 | 7024906 | 1 | Internal Gear Pump Options: | |
| 304A | 7024906 | 1 | Flange, Intermediate (Note: Not Available For Purchase) | |
| 304B | 7024906 | 1 | Internal Gear Pump Housing (Note: Not Available For Purchase) | |
| 304C | 7024906 | 1 | Coupling, Driveshaft Through (Note: Not Available For Purchase) | |
| 304D | 7024079 | 1 | Key, Driveshaft | |
| 304E | 80934174 | 1 | Ring, Retaining | |
| 304F | See Note | 4 | Capscrew M10 x 20-8.8 (Note: Not Available For Purchase) | |
| 304G | 7024080 | 2 | Seal | |
| 304H | 7024081 | 1 | O-Ring | |
| 304J | See Note | 1 | Ring, Retaining (Note: Not Available For Purchase) | |
| 304K | 7024910 | 1 | O-Ring | |
| 304L | 7024906 | 1 | Pin, Cylinder (Note: Not Available For Purchase) | |

SECTION 2 - TURNTABLE

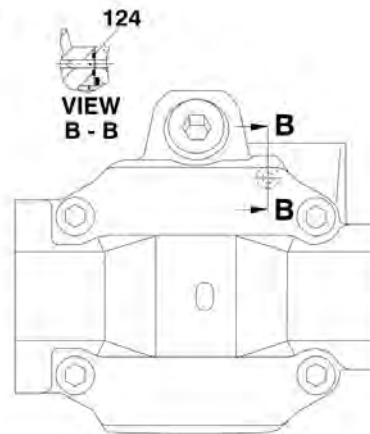
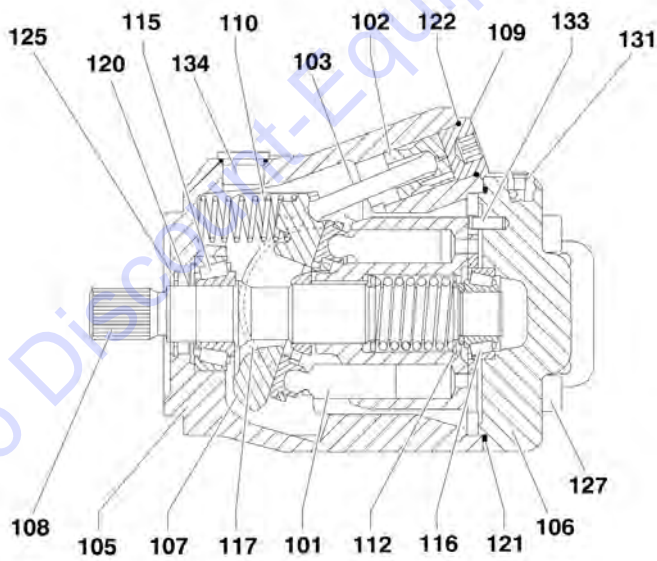
| ITEM | PART NUMBER | QTY | DESCRIPTION | REV |
|------|-------------|-----|--|-----|
| 305 | 70003165 | 1 | Control Module | |
| 305A | 70003165 | 1 | Valve Body, Lever and Internal Components (Note: Not Available For Purchase) | |
| 305B | 70003170 | 2 | Coil, Solenoid | |
| 305C | 70003165 | 2 | Spacer, Coil (Note: Not Available For Purchase) | |
| 305D | 70020336 | 1 | Gasket | |
| 305E | 70003165 | 1 | Cover W/Filter (Note: Not Available For Purchase) | |
| 305F | 70003165 | 1 | Spring, Draw (Note: Not Available For Purchase) | |
| 305G | 70020336 | 1 | Gasket | |
| 305H | 70020336 | 4 | Capscrew M6 x 65-8.8 | |
| 305J | 70020336 | 1 | Capscrew M6 x 45-8.8 | |
| 305K | See Note | 8 | Capscrew M5 x 10-8.8 (Note: Not Available For Purchase) | |
| 305L | 70020336 | 1 | O-Ring | |
| 305M | See Note | 2 | O-Ring (Note: Not Available For Purchase) | |
| 305N | See Note | 2 | Cup, Spring (Note: Not Available For Purchase) | |
| 305P | 70020336 | 2 | Pin, Cylinder | |
| 305Q | See Note | 2 | Nut, Coil (Note: Not Available For Purchase) | |
| 310 | See Note | 1 | Housing (Note: Not Available - Purchase Complete Pump Assembly) | |
| 313 | See Note | 2 | Pin, Dowel (Note: Not Available For Purchase) | |
| 314 | See Note | 1 | Pin, Cylinder (Note: Not Available For Purchase) | |
| 320 | 70003166 | 1 | Screw 7/8-14NF (Front Drive Pump Only) | |
| 321 | 70003166 | 1 | Screw 9/16-18NF | |
| 322 | 70003166 | 1 | Screw 7/16-20NF | |
| 324 | 70003166 | 1 | Screw M10 x 1 | |
| 327 | 70003166 | 1 | Pin, Double Break-Off | |
| 328 | 70003166 | 2 | Orifice | |
| 331 | 70003166 | 2 | Pin, Clamping | |
| 341 | 70003166 | 1 | O-Ring | |
| | | Ref | Seal Kit Options: | |
| 401 | 70003167 | 1 | Seal Kit - Drive Shaft (Includes Items 301L & 301M) | |
| 402 | 70003168 | 1 | Seal Kit - Control Group - Hydraulic (Includes Items 302B, 302D & 302E) | |
| 403 | 70003169 | 1 | Seal Kit - Port Plate Group (Includes Items 303F-303K) | |
| 404 | 70020336 | 1 | Seal Kit - Control Module (Includes Items 305D, 305G-305J, 305L & 305P) | |
| 405 | 70003166 | 1 | Seal Kit - Front Pump (Includes Items 320-322, 324, 327, 328, 331 & 341) | |

SECTION 2 - TURNTABLE

FIGURE 2-10. PUMP ASSEMBLY (REXROTH) (DEUTZ ENGINE MACHINES)

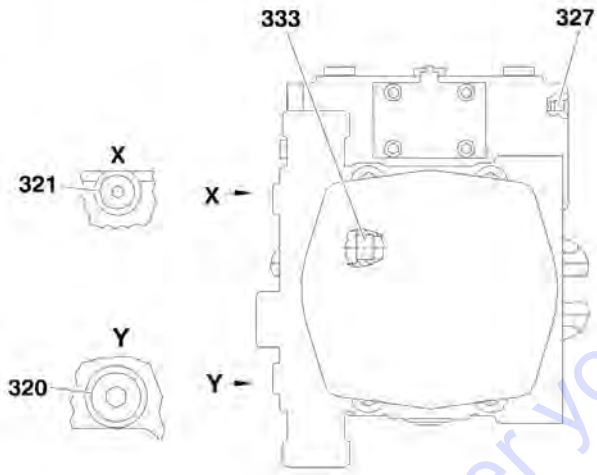
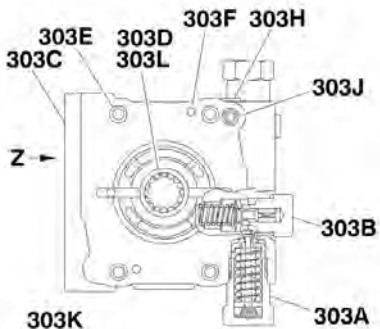


COMPLETE REAR PUMP

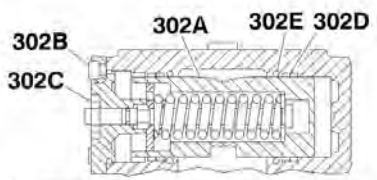


SECTION 2 - TURNTABLE

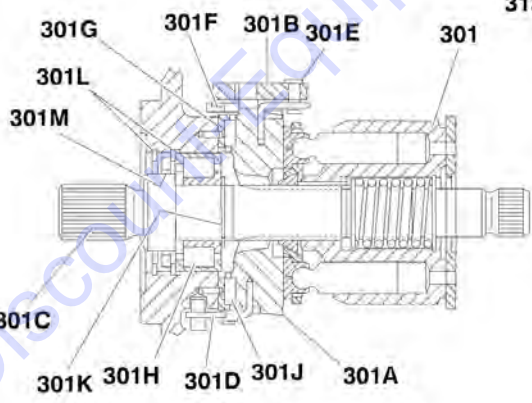
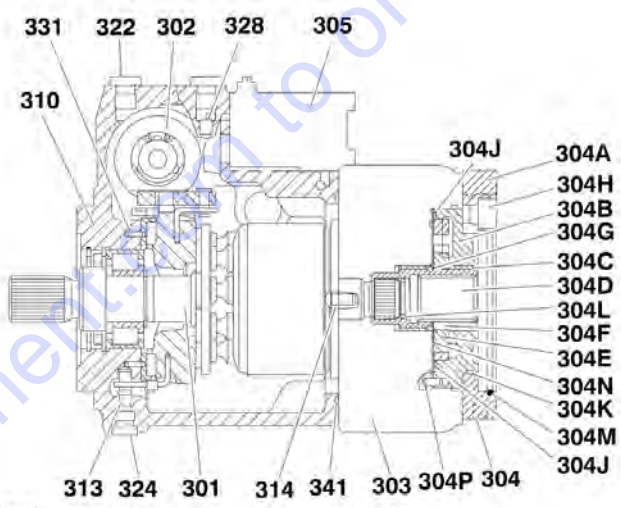
COMPLETE FRONT & MID PUMPS



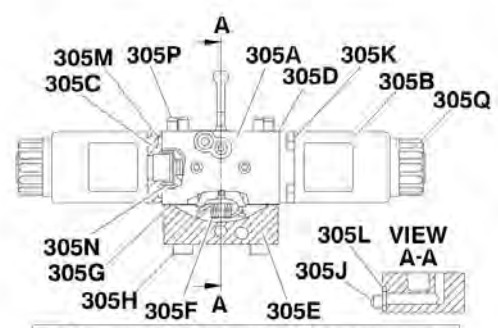
PORT PLATE SECTION FRONT & MID PUMPS (DETAIL OF ITEM 303)



HYD. CONTROL FRONT & MID PUMPS (DETAIL OF ITEM 302)



ROTARY GROUP FRONT & MID PUMPS (DETAIL OF ITEM 301)



CONTROL MODULE FRONT & MID PUMPS (DETAIL OF ITEM 305)

SECTION 2 - TURNTABLE

FIGURE 2-10. PUMP ASSEMBLY (REXROTH) (DEUTZ ENGINE MACHINES)

| ITEM | PART NUMBER | QTY | DESCRIPTION | REV |
|------|-------------|-----|--|-----|
| | | Ref | Note: Information on p/n 1001152963 used on Machines with Deutz TCD2.9L4 Engines Not Available at Time of Printing. | |
| | | Ref | Pump Assembly | |
| | 3600339 | Ref | Machines with Deutz BF4M2011 & TD2011 Engines | D |
| | 1001152963 | Ref | Machines with Deutz TCD2.9L4 Engines (Note: Service Parts Not Available) | C |
| 1 | | Ref | Front Drive Pump Assembly Options (Includes Items 301- 341): | |
| 1 | 7024042 | 1 | Machines with Deutz BF4M2011 & TD2011 Engines | |
| 1 | See Note | 1 | Machines with Deutz TCD2.9L4 Engines (Note: Service Parts Not Available) | |
| 2 | | Ref | Middle Drive Pump Assembly (Includes Items 301- 341) | |
| 2 | 7024043 | 1 | Machines with Deutz BF4M2011 & TD2011 Engines | |
| 2 | See Note | 1 | Machines with Deutz TCD2.9L4 Engines (Note: Service Parts Not Available) | |
| 3 | | Ref | Rear Function Pump Assembly (Includes Items 101-201) | |
| 3 | 7024044 | 1 | Machines with Deutz BF4M2011 & TD2011 Engines | |
| 3 | See Note | 1 | Machines with Deutz TCD2.9L4 Engines (Note: Service Parts Not Available) | |
| 4 | 70001952 | 1 | Hydraulic Kit (Includes all Rexroth Supplied Hydraulic Fittings, Hoses and Tubes) | |
| | 7024044 | Ref | REAR FUNCTION PUMP ASSEMBLY | |
| 101 | 7024914 | 1 | Rotary Section | |
| 102 | See Note | 1 | Piston, Control (Note: Not Available - Purchase Complete Assembly) | |
| 103 | See Note | 1 | Rod, Piston (Note: Not Available - Purchase Complete Assembly) | |
| 105 | See Note | 1 | Housing, Pump (Note: Not Available - Purchase Complete Assembly) | |
| 106 | See Note | 1 | Plate, Port (Note: Not Available - Purchase Complete Assembly) | |
| 107 | 7024915 | 1 | Plate, Swash | |
| 108 | 7024916 | 1 | Driveshaft | |
| 109 | See Note | 1 | Plug (Note: Not Available for Purchase) | |
| 110 | See Note | 1 | Spring (Note: Not Available for Purchase) | |
| 112 | 7012709 | 1 | Shim | |
| 115 | 7024038 | 1 | Bearing, Roller | |
| 116 | 7012706 | 1 | Bearing, Roller | |
| 117 | 7024917 | 2 | Shell, Cradle | |
| 120 | 7024918 | 1 | Seal, Shaft | |
| 121 | 7024919 | 1 | O-Ring | |
| 122 | 7024920 | 1 | O-Ring | |
| 124 | 7024921 | 1 | Seal | |
| 125 | 7012715 | 1 | V-Ring | |
| 127 | See Note | 4 | Capscrew M12 x 45mm Grade10.9 (Note: Not Available for Purchase) | |
| 131 | See Note | 1 | Plug (Note: Not Available for Purchase) | |
| 133 | See Note | 1 | Pin, Dowel (Note: Not Available for Purchase) | |
| 134 | See Note | 1 | Plug (Note: Not Available for Purchase) | |
| 201 | 7024913 | Ref | Pilot Valve Assembly | |
| | | Ref | Note: Two mounting designs of p/n 7024913 pilot valve exist. Early design uses qty 3 o-rings. Late design uses qty. 1 sealing plate. Seal designs cannot be interchanged. Verify seal design before ordering. | |
| 201 | 7024922 | 3 | O-Ring (Seals between Pilot Valve and Rear Pump) | |

SECTION 2 - TURNTABLE

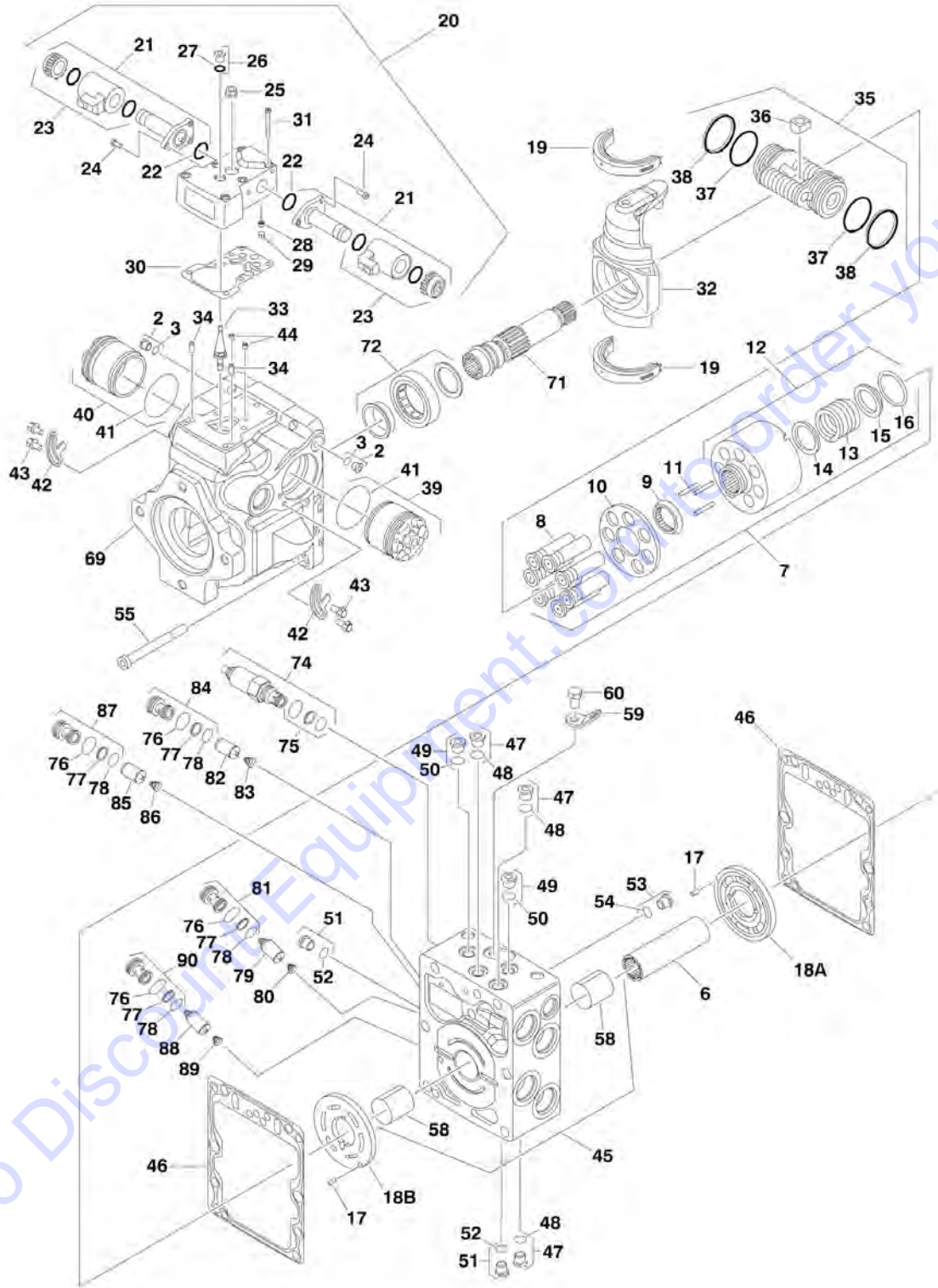
| ITEM | PART NUMBER | QTY | DESCRIPTION | REV |
|------|-------------|------|---|-----|
| 201 | 70021867 | 1 | Plate, Sealing (Seals between Pilot Valve and Rear Pump) | |
| | | Ref | FRONT DRIVE PUMP ASSEMBLIES | |
| | 7024042 | Ref | Front Drive Pump Assembly | |
| | 7024043 | Ref | Middle Drive Pump Assembly | |
| 301 | 7024064 | 1 | Rotary Group | |
| 301A | 7024064 | 1 | Cradle | |
| 301B | 7024064 | 1 | Ring, Slide | |
| 301C | 7024064 | 1 | Driveshaft | |
| 301D | 7024064 | 1 | Wire | |
| 301E | 7024064 | 1 | Pin, Joint | |
| 301F | 7024064 | 1 | Wire | |
| 301G | 7024064 | 1 pr | Liner, Bearing | |
| 301H | 7024064 | 1 | Bearing, Roller | |
| 301J | 7024064 | 1 st | Cradle Bearing Assembly | |
| 301K | 7024064 | 1 | Ring, Retaining | |
| 301L | 70001968 | 2 | Ring, Retaining | |
| 301M | 7024070 | 1 | Seal, Shaft Ring | |
| 302 | 7024065 | 1 | Control Group - Hydraulic | |
| 302A | 7024065 | 1 | Piston, Positioning - Complete | |
| 302A | 7024071 | 1 | O-Ring, Outer Seal | |
| 302A | 7024072 | 1 | O-Ring, Stem | |
| 302B | See Note | 4 | Capscrew M6 x 12mm (Note: Not Available - Purchase Locally) | |
| 302C | 7024065 | 1 | Nut | |
| 302D | 7024065 | 2 | Ring, Guide | |
| 302E | 7024065 | 2 | Seal, O-Ring | |
| 303 | 7024911 | 1 | Port Plate Group | |
| 303A | 7024073 | 2 | Cartridge, Relief Valve (High Pressure) | |
| 303A | 7024075 | 1 | O-Ring | |
| 303A | 7024076 | 1 | Ring, Back-up | |
| 303B | | Ref | Cartridge Options: | |
| 303B | 7024097 | 1 | Front Pump Cartridge (Lock Valve With Orifice) (Note: Sold as an Assembly Except Outer Seal.) | |
| 303B | 7024075 | 1 | O-Ring | |
| 303B | 7023881 | 1 | Middle Pump Cartridge (Pressure Relief Valve) (Note: Sold as an Assembly Except Outer Seal.) | |
| 303B | 7024077 | 1 | O-Ring | |
| 303C | 7024911 | 1 | Plate, Port | |
| 303D | 7024911 | 1 | Bushing, Bearing | |
| 303E | See Note | 4 | Capscrew M12 x 70mm Grade10.9 (Note: Not Available - Purchase Locally) | |
| 303F | 7024911 | 2 | Pin, Dowel | |
| 303G | 7024911 | 1 | Pin, Break-Off | |
| 303H | See Note | 1 | Screw, Locking M10 x 1mm (Note: Not Available - Purchase Locally) | |
| 303J | 7024908 | 2 | O-Ring | |
| 303K | See Note | 2 | Screw, Locking 7/16in-20NF (Note: Not Available - Purchase Locally) | |
| 303L | 7024911 | 1 | Bearing, Roller | |
| 304 | 7024906 | 1 | Internal Gear Pump | |
| 304A | 7024906 | 1 | Flange, Intermediate | |
| 304B | 7024906 | 1 | IZP-Housing | |
| 304C | 7024906 | 1 | Bushing, Bearing | |

SECTION 2 - TURNTABLE

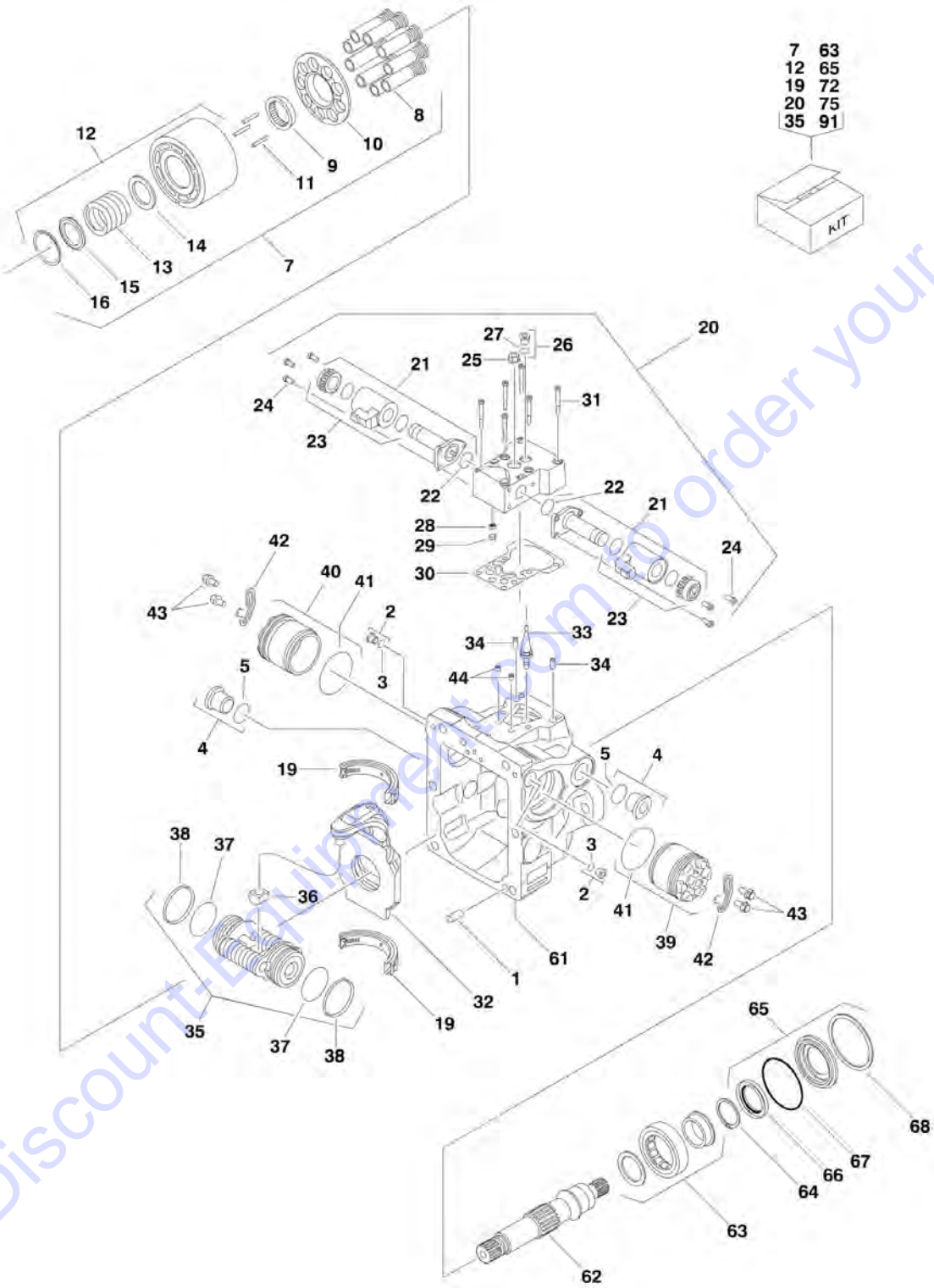
| ITEM | PART NUMBER | QTY | DESCRIPTION | REV |
|------|-------------|-----|---|-----|
| 304D | 7024906 | 1 | Coupling, Driveshaft Through | |
| 304E | 7024906 | 1 | Gear Set | |
| 304F | 7024906 | 1 | Key, Driveshaft | |
| 304G | 7024906 | 1 | Ring, Retaining | |
| 304H | See Note | 4 | Capscrew M10 x 20mm (Note: Not Available - Purchase Locally) | |
| 304J | 7024080 | 2 | Seal | |
| 304K | 7024081 | 1 | O-Ring | |
| 304L | 7024906 | 1 | Ring, Retaining | |
| 304M | 7024910 | 1 | O-Ring (Purchase p/n 7024906) | |
| 304N | 7024005 | 1 | Plate, Wear | |
| 304P | 7024906 | 1 | Pin, Cylinder | |
| 305 | 7024068 | 1 | Control Module | |
| 305A | 7024084 | 1 | Valve Body, Lever and Internal Components | |
| 305B | 7024083 | 2 | Coil, Solenoid | |
| 305C | 7024068 | 2 | Spacer, Coil | |
| 305D | 7024085 | 1 | Gasket | |
| 305E | 7024068 | 1 | Cover | |
| 305F | 7024068 | 1 | Spring, Draw | |
| 305G | 7024086 | 1 | Gasket | |
| 305H | See Note | 4 | Capscrew M6 x 65mm (Note: Not Available - Purchase Locally) | |
| 305J | See Note | 1 | Capscrew M6 x 45mm (Note: Not Available - Purchase Locally) | |
| 305K | See Note | 8 | Capscrew M5 x 10mm (Note: Not Available - Purchase Locally) | |
| 305L | 7024087 | 1 | O-Ring | |
| 305M | 7024088 | 2 | O-Ring | |
| 305N | 7024089 | 2 | Cup, Spring | |
| 305P | 7024068 | 2 | Pin, Cylinder | |
| 305Q | 70002569 | 2 | Nut, Coil | |
| 310 | See Note | 1 | Housing (Note: Not Available for Purchase) | |
| 313 | See Note | 2 | Pin, Dowel (Note: Not Available for Purchase) | |
| 314 | See Note | 1 | Pin, Cylinder (Note: Not Available for Purchase) | |
| 320 | See Note | 1 | Screw 7/8in-14NF (Front Drive Pump Only) (Note: Not Available - Purchase Locally) | |
| 321 | See Note | 1 | Screw 9/16in-18NF (Note: Not Available - Purchase Locally) | |
| 322 | See Note | 1 | Screw 7/16in-20NF (Note: Not Available - Purchase Locally) | |
| 324 | See Note | 1 | Screw M10 x 1mm (Note: Not Available - Purchase Locally) | |
| 327 | See Note | 1 | Pin, Double Break-Off (Note: Not Available for Purchase) | |
| 328 | 7018936 | 2 | Orifice | |
| 331 | See Note | 2 | Pin, Clamping (Note: Not Available for Purchase) | |
| 341 | 7024069 | 1 | O-Ring | |

SECTION 2 - TURNTABLE

FIGURE 2-11. PUMP ASSEMBLY (SAUER TANDEM)



SECTION 2 - TURNTABLE



Go to Discount-Parts.com to order your parts

SECTION 2 - TURNTABLE

FIGURE 2-11. PUMP ASSEMBLY (SAUER TANDEM)

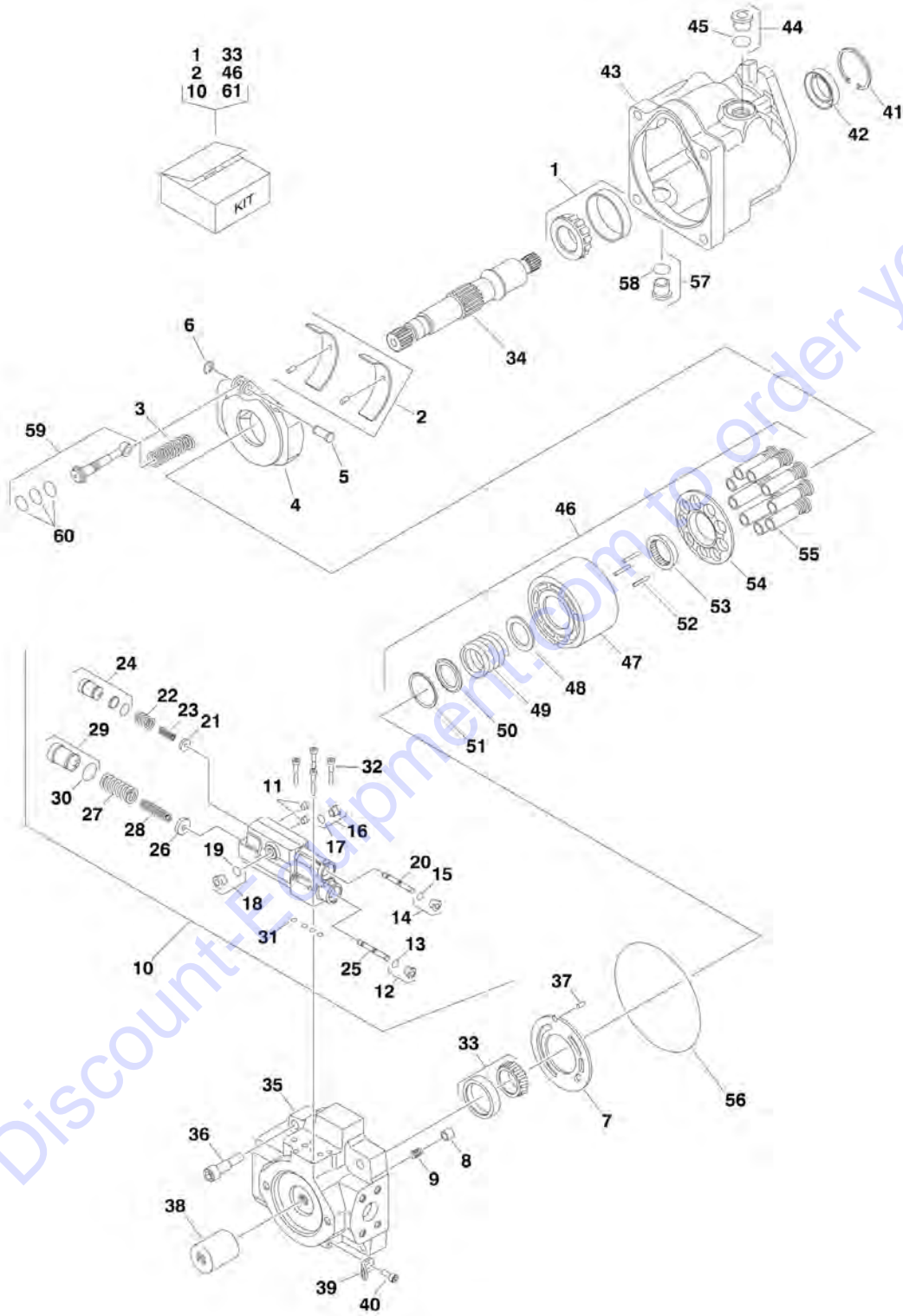
| ITEM | PART NUMBER | QTY | DESCRIPTION | REV |
|------|-------------|-----|---|-----|
| | 1001108616 | Ref | PUMP ASSEMBLY (SAUER TANDEM) | A |
| 1 | 70002132 | 4 | Pin | |
| 2 | 70002133 | 4 | Plug Assembly (Includes Item 3) | |
| 3 | 7007207 | 4 | O-Ring (Part of Item 3) | |
| 4 | 7007419 | 2 | Plug Assembly (Includes Item 5) | |
| 5 | 7007418 | 2 | O-Ring (Part of Item 5) | |
| 6 | 70002600 | 1 | Coupling | |
| 7 | 70002135 | 2 | Cylinder Block Kit (Each Kit Includes Qty 1 of Items 8-10 & 12-16 & Qty 3 of Item 11) | |
| 8 | 70002136 | 2 | Piston Assembly Kit (Includes Qty 9 Piston Assemblies) (Part of Item 7) | |
| 9 | 70002137 | 2 | Guide, Slipper Retainer (Part of Item 7) | |
| 10 | 70002138 | 2 | Retainer, Slipper (Part of Item 7) | |
| 11 | 7021275 | 6 | Pin, Slipper Retainer Holddown (Part of Item 7) | |
| 12 | 70002143 | 2 | Cylinder Block Assembly (Includes Qty 1 of Item 13-16) (Part of Item 7) | |
| 13 | 70002139 | 2 | Spring (Part of Item 12) | |
| 14 | 70002140 | 2 | Washer (Part of Item 12) | |
| 15 | 70002141 | 2 | Washer (Part of Item 12) | |
| 16 | 70002142 | 2 | Ring, Retaining (Part of Item 12) | |
| 17 | 7007446 | 2 | Pin | |
| 18 | | Ref | Plate, Valve Options: | |
| 18A | 70002601 | 1 | Plate, CW Valve | |
| 18B | 70002602 | 1 | Plate, CCW Valve | |
| 19 | 70002145 | 2 | Swashplate Bearing Kit (Includes Qty 2 Bearings) | |
| 20 | 70002618 | 2 | EDC Kit (Includes Items 21-31) | |
| 21 | 70002619 | 4 | Solenoid Valve Assy (Includes Item 22 & 23) (Part of Item 20) | |
| 22 | 70002148 | 4 | O-Ring (2 Per EDC Assembly) (Part of Item 21) | |
| 23 | 70002620 | 4 | Coil, Nut and Seals Kit (2 Per EDC Assembly) (Part of Item 21) | |
| 24 | 70002150 | 12 | Screw (Part of Item 20) | |
| 25 | 7022301 | 2 | Nut, Seal (Part of Item 20) | |
| 26 | 70002151 | 2 | Plug Assembly (Part of Item 20) (Includes Item 27) | |
| 27 | 7007207 | 2 | O-Ring (Part of Item 26) | |
| 28 | 70002134 | 2 | Screen (Part of Item 20) | |
| 29 | 70002153 | 2 | Ring, Locking (Part of Item 20) | |
| 30 | 70002154 | 2 | Gasket, Control (Part of Item 20) | |
| 31 | 70002156 | 12 | Capscrew (Part of Item 20) | |
| 32 | 70002152 | 2 | Swashplate | |
| 33 | 70002155 | 2 | Link, Swashplate | |
| 34 | 70002157 | 4 | Pin, Dowel | |
| 35 | 70002158 | 2 | Servo Piston Assembly (Includes Items 36-38) | |
| 36 | 70002159 | 2 | Block, Slider (Part of Item 35) | |
| 37 | 70002160 | 2 | O-Ring (Part of Item 35) | |
| 38 | 70002161 | 2 | Ring, Piston (Part of Item 35) | |
| 39 | 70002162 | 2 | Cylinder, Servo | |
| 40 | 70002162 | 2 | Cylinder, Servo | |
| 41 | 70002163 | 4 | O-Ring | |
| 42 | 70002164 | 4 | Plate, Locking | |
| 43 | 70002165 | 8 | Screw | |
| 44 | 70002604 | 4 | Orifice | |

SECTION 2 - TURNTABLE

| ITEM | PART NUMBER | QTY | DESCRIPTION | REV |
|------|-------------|-----|--|-----|
| 45 | 70002605 | 1 | Center Section Assembly (Includes Item 58) | |
| 46 | 70002168 | 2 | Gasket, End Cap | |
| 47 | 70001958 | 2 | Plug Assembly (Includes Item 48) | |
| 48 | 7021256 | 2 | O-Ring (Part of Item 47) | |
| 49 | 70001958 | 2 | Plug Assembly (Includes Item 50) | |
| 50 | 7021256 | 2 | O-Ring (Part of Item 49) | |
| 51 | 70001958 | 2 | Plug Assembly (Includes Item 52) | |
| 52 | 7021256 | 2 | O-Ring (Part of Item 51) | |
| 53 | 70001958 | 2 | Plug Assembly (Includes Item 54) | |
| 54 | 7021256 | 2 | O-Ring (Part of Item 53) | |
| 55 | 70002606 | 4 | Capscrew | |
| 58 | 70002607 | 2 | Bearing, Journal (Part of Item 45) | |
| 59 | 7022608 | 1 | Bracket, Lifting | |
| 60 | 70002609 | 1 | Screw | |
| 61 | 1001108616 | 1 | Housing (Note: Not Available For Purchase) | |
| 62 | 70002175 | 1 | Shaft | |
| 63 | 70002610 | 1 | Ball Bearing Kit | |
| 64 | 70007439 | 1 | Ring, Retaining | |
| 65 | 70002174 | 1 | Shaft Seal Kit (Includes Items 66-68) | |
| 66 | 70002177 | 1 | Seal, Lip | |
| 67 | 70002178 | 1 | O-Ring | |
| 68 | 70002179 | 1 | Ring, Retaining | |
| 69 | 1001108616 | 1 | Housing (Note: Not Available For Purchase) | |
| 71 | 70002612 | 1 | Shaft | |
| 72 | 70002610 | 1 | Ball Bearing Kit | |
| 74 | 70002621 | 1 | High Pressure Relief Valve Cartridge Assy (Includes Item 75 & 76) | |
| 75 | 70002622 | 1 | Seal Kit - 70002621 Valve (Part of Item 74) | |
| 76 | 7007415 | 1 | O-Ring (Part of Item 79) | |
| 77 | 7021293 | 1 | Ring, Back-up (Part of Item 79) | |
| 78 | 7022300 | 1 | O-Ring (Part of Item 79) | |
| 79 | 70002616 | 1 | SCR Valve Assembly | |
| 80 | 7024800 | 1 | Spring | |
| 81 | 7021265 | 1 | Plug Assembly (Includes Qty 1 of Items 76-78) | |
| 82 | 70002616 | 1 | SCR Valve Assembly | |
| 83 | 7024800 | 1 | Spring | |
| 84 | 7021265 | 1 | Plug Assembly (Includes Qty 1 of Items 76-78) | |
| 85 | 70002616 | 1 | SCR Valve Assembly | |
| 86 | 7024800 | 1 | Spring | |
| 87 | 70002617 | 1 | Plug Assembly (Includes Qty 1 of Items 76-78) | |
| 88 | 70002616 | 1 | SCR Valve Assembly | |
| 89 | 7024800 | 1 | Spring | |
| 90 | 7021265 | 1 | Plug Assembly (Includes Qty 1 of Items 76-78) | |
| 91 | 70002623 | 1 | Overhaul Seal Kit (Includes Items 3, 5, 22, 27, 30, 37, 38, 41, 46, 48, 50, 52, 54, 66, 67, 75, 76, 77 & 78) | |

SECTION 2 - TURNTABLE

FIGURE 2-12. PUMP ASSEMBLY (SAUER PISTON) (Prior to SN 0300200352)



SECTION 2 - TURNTABLE

FIGURE 2-12. PUMP ASSEMBLY (SAUER PISTON) (Prior to SN 0300200352)

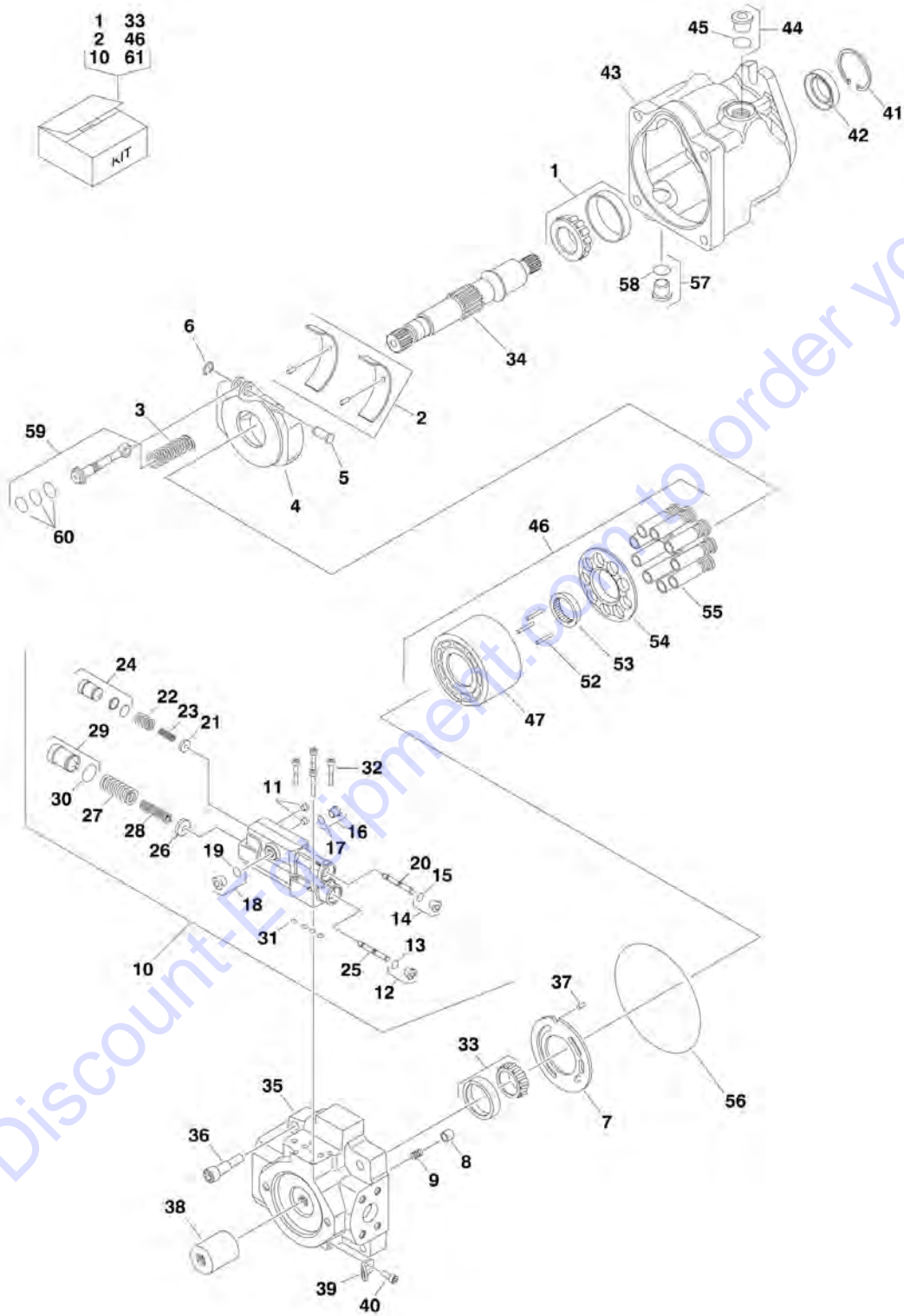
| ITEM | PART NUMBER | QTY | DESCRIPTION | REV |
|------|-------------|-----|--|-----|
| | 1001108888 | Ref | PUMP ASSEMBLY (SAUER PISTON) (Prior to SN 0300200352) | B |
| 1 | 70002578 | 1 | Bearing Kit - Front (Includes Cup and Cone) | |
| 2 | 70002579 | 1 | Swashplate Bearing Kit (Includes Qty 2 Bearings and Retainer Pins) | |
| 3 | 70002580 | 1 | Spring, Bias | |
| 4 | 70002581 | 1 | Swashplate Assembly | |
| 5 | 70002582 | 1 | Shaft | |
| 6 | 70002583 | 1 | Ring, Retaining | |
| 7 | 70002584 | 1 | Plate, Valve | |
| 8 | 70001956 | 1 | Poppet, Check Valve | |
| 9 | 70001955 | 1 | Spring | |
| 10 | 70022286 | 1 | Control Kit (Includes Items 11-32) | |
| 11 | See Note | 1 | Setscrew (Note: Not Available - Purchase Item 10) | |
| 12 | 70002133 | 1 | Plug Assembly (Includes Item 13) | |
| 13 | 7007207 | 1 | O-Ring (Part of Item 12) | |
| 14 | 70002133 | 1 | Plug Assembly (Includes Item 15) | |
| 15 | 7007207 | 1 | O-Ring (Part of Item 14) | |
| 16 | 70002133 | 1 | Plug Assembly (Includes Item 17) | |
| 17 | 7007207 | 1 | O-Ring (Part of Item 16) | |
| 18 | 70002133 | 1 | Plug Assembly (Includes Item 19) | |
| 19 | 7007207 | 1 | O-Ring (Part of Item 18) | |
| 20 | See Note | 1 | Spool (Note: Not Available - Purchase Item 10) | |
| 21 | See Note | 1 | Guide, Spring LS (Note: Not Available - Purchase Item 10) | |
| 22 | See Note | 1 | Spring, Outer LS (Note: Not Available - Purchase Item 10) | |
| 23 | See Note | 1 | Spring, Inner LS (Note: Not Available - Purchase Item 10) | |
| 24 | See Note | 1 | Plug, Adjusting LS (Note: Not Available - Purchase Item 10 or 61) | |
| 25 | See Note | 1 | Spool, Control (Note: Not Available - Purchase Item 10) | |
| 26 | See Note | 1 | Guide, Spring PC (Note: Not Available - Purchase Item 10) | |
| 27 | See Note | 1 | Spring, Outer PC (Note: Not Available - Purchase Item 10) | |
| 28 | See Note | 1 | Spring, Inner PC (Note: Not Available - Purchase Item 10) | |
| 29 | See Note | 1 | Plug, Adjusting PC (Note: Not Available - Purchase Item 10) | |
| 30 | See Note | 1 | O-Ring (Note: Not Available - Purchase Item 10 or 61) | |
| 31 | See Note | 4 | Ring, Seal (Note: Not Available - Purchase Item 10 or 61) | |
| 32 | See Note | 4 | Capscrew (Note: Not Available - Purchase Item 10) | |
| 33 | 70002585 | 1 | Bearing Kit - Rear (Includes Cup and Cone) | |
| 34 | 70002586 | 1 | Shaft | |
| 35 | 70002587 | 1 | Cap, End | |
| 36 | 70002588 | 4 | Capscrew | |
| 37 | 7007446 | 1 | Pin, Slotted | |
| 38 | 70002589 | 1 | Coupling | |
| 39 | 7022340 | 1 | Bracket, Lifting | |
| 40 | 70002590 | 1 | Capscrew | |
| 41 | 7023962 | 1 | Ring, Retaining | |
| 42 | 70022287 | 1 | Seal, Lip | |
| 43 | See Note | 1 | Housing (Note: Not Available - Purchase Complete Pump Assembly) | |
| 44 | 7023964 | 1 | Plug Assembly (Includes Item 45) | |
| 45 | 7007415 | 1 | O-Ring (Part of Item 44) | |
| 46 | 70002596 | 1 | Cylinder Block Kit (Includes Items 47-55) | |
| 47 | 70002596 | 1 | Cylinder (Note: Not Available For Purchase) | |

SECTION 2 - TURNTABLE

| ITEM | PART NUMBER | QTY | DESCRIPTION | REV |
|------|-------------|-----|--|-----|
| 48 | 7007429 | 1 | Seat, Spring | |
| 49 | 70002591 | 1 | Spring | |
| 50 | 7007427 | 1 | Seat, Spring | |
| 51 | 7007426 | 1 | Ring, Retaining | |
| 52 | 7021275 | 3 | Pin, Hold-down | |
| 53 | 70002592 | 1 | Guide, Slipper Retainer | |
| 54 | 70002593 | 1 | Retainer, Slipper | |
| 55 | 70002594 | 9 | Piston Assembly | |
| 56 | 70002595 | 1 | Seal, End Cap | |
| 57 | 7023964 | 1 | Plug, O-Ring (Includes Item 58) | |
| 58 | 7007415 | 1 | O-Ring (Part of Item 57) | |
| 59 | 70002597 | 1 | Servo Piston Assembly (Includes Item 60) | |
| 60 | 70002598 | 3 | Ring, Piston (Part of Item 59) | |
| 61 | 70002599 | 1 | Complete Seal Kit (Includes Items 13, 15, 17, 19, 24, 30, 31, 42, 45, 56, 58 & 60) | |

SECTION 2 - TURNTABLE

FIGURE 2-13. PUMP ASSEMBLY (SAUER PISTON) (SN 0300200352 through 0300201016)



PARTS FINDER

**Search Website
by Part Number**



**Search Manual
Library For Parts
Manual & Lookup Part
Numbers – Purchase
or Request Quote**

**Can't Find Part or
Manual? Request Help
by Manufacturer,
Model & Description**

Discount-Equipment.com is your online resource for quality parts & equipment.

Florida: **561-964-4949** Outside Florida TOLL FREE: **877-690-3101**

Need parts?

Click on this link: <http://www.discount-equipment.com/category/5443-parts/> and choose one of the options to help get the right parts and equipment you are looking for. Please have the machine model and serial number available in order to help us get you the correct parts. If you don't find the part on the website or on one of the online manuals, please fill out the request form and one of our experienced staff members will get back to you with a quote for the right part that your machine needs.

We sell worldwide for the brands: Genie, Terex, JLG, MultiQuip, Mikasa, Essick, Whiteman, Mayco, Toro Stone, Diamond Products, Generac Magnum, Airman, Haulotte, Barreto, Power Blanket, Nifty Lift, Atlas Copco, Chicago Pneumatic, Allmand, Miller Curber, Skyjack, Lull, Skytrak, Tsurumi, Husquvarna Target, Stow, Wacker, Sakai, Mi-T-M, Sullair, Basic, Dynapac, MBW, Weber, Bartell, Bennar Newman, Haulotte, Ditch Runner, Menegotti, Morrison, Contec, Buddy, Crown, Edco, Wyco, Bomag, Laymor, EZ Trench, Bil-Jax, F.S. Curtis, Gehl Pavers, Heli, Honda, ICS/PowerGrit, IHI, Partner, Imer, Clipper, MMD, Koshin, Rice, CH&E, General Equipment, Amida, Coleman, NAC, Gradall, Square Shooter, Kent, Stanley, Tamco, Toku, Hatz, Kohler, Robin, Wisconsin, Northrock, Oztec, Toker TK, Rol-Air, APT, Wylie, Ingersoll Rand / Doosan, Innovatech, Con X, Ammann, Mecalac, Makinex, Smith Surface Prep, Small Line, Wanco, Yanmar

SECTION 2 - TURNTABLE

FIGURE 2-13. PUMP ASSEMBLY (SAUER PISTON) (SN 0300200352 through 0300201016)

| ITEM | PART NUMBER | QTY | DESCRIPTION | REV |
|------|---------------|-----|--|-----|
| | 1001171095 | Ref | PUMP ASSEMBLY (SAUER PISTON) (SN 0300200352 through 0300201016) | B |
| 1 | 70002578 | 1 | Bearing Kit - Front (Includes Cup and Cone) | |
| 2 | 70004426 | 1 | Swashplate Bearing Kit (Includes Qty 2 Bearings and Retainer Pins) | |
| 3 | 70002580 | 1 | Spring, Bias | |
| 4 | 70004416 | 1 | Swashplate Assembly | |
| 5 | 70002582 | 1 | Shaft | |
| 6 | 70002583 | 1 | Ring, Retaining | |
| 7 | 70004417 | 1 | Plate, Valve | |
| 8 | 70001956 | 1 | Poppet, Check Valve | |
| 9 | 70001955 | 1 | Spring | |
| 10 | 70022286 | 1 | Control Kit (Includes Items 11-32) | |
| 11 | Not Available | 1 | Setscrew (Purchase Item 10) | |
| 12 | 70002133 | 1 | Plug Assembly (Includes Item 13) | |
| 13 | 7007207 | 1 | O-Ring (Part of Item 12) | |
| 14 | 70002133 | 1 | Plug Assembly (Includes Item 15) | |
| 15 | 7007207 | 1 | O-Ring (Part of Item 14) | |
| 16 | 70002133 | 1 | Plug Assembly (Includes Item 17) | |
| 17 | 7007207 | 1 | O-Ring (Part of Item 16) | |
| 18 | 70002133 | 1 | Plug Assembly (Includes Item 19) | |
| 19 | 7007207 | 1 | O-Ring (Part of Item 18) | |
| 20 | Not Available | 1 | Spool (Purchase Item 10) | |
| 21 | Not Available | 1 | Guide, Spring LS (Purchase Item 10) | |
| 22 | Not Available | 1 | Spring, Outer LS (Purchase Item 10) | |
| 23 | Not Available | 1 | Spring, Inner LS (Purchase Item 10) | |
| 24 | Not Available | 1 | Plug, Adjusting LS (Purchase Item 10 or 61) | |
| 25 | Not Available | 1 | Spool, Control (Purchase Item 10) | |
| 26 | Not Available | 1 | Guide, Spring PC (Purchase Item 10) | |
| 27 | Not Available | 1 | Spring, Outer PC (Purchase Item 10) | |
| 28 | Not Available | 1 | Spring, Inner PC (Purchase Item 10) | |
| 29 | Not Available | 1 | Plug, Adjusting PC (Purchase Item 10) | |
| 30 | Not Available | 1 | O-Ring (Purchase Item 10 or 61) | |
| 31 | Not Available | 4 | Ring, Seal (Purchase Item 10 or 61) | |
| 32 | Not Available | 4 | Capscrew (Purchase Item 10) | |
| 33 | 70002585 | 1 | Bearing Kit - Rear (Includes Cup and Cone) | |
| 34 | 70002586 | 1 | Shaft | |
| 35 | 70004420 | 1 | Cap, End | |
| 36 | 70002588 | 4 | Capscrew | |
| 37 | 7007446 | 1 | Pin, Slotted | |
| 38 | 70002589 | 1 | Coupling | |
| 39 | 7022340 | 1 | Bracket, Lifting | |
| 40 | 70002590 | 1 | Capscrew | |
| 41 | 7023962 | 1 | Ring, Retaining | |
| 42 | Not Available | 1 | Seal, Lip (Purchase Item 61) | |
| 43 | Not Available | 1 | Housing | |
| 44 | 7023964 | 1 | Plug Assembly (Includes Item 45) | |
| 45 | 7007415 | 1 | O-Ring (Part of Item 44) | |
| 46 | 70004423 | 1 | Cylinder Block Kit (Includes Items 47-55) | |
| 47 | 70004421 | 1 | Cylinder | |

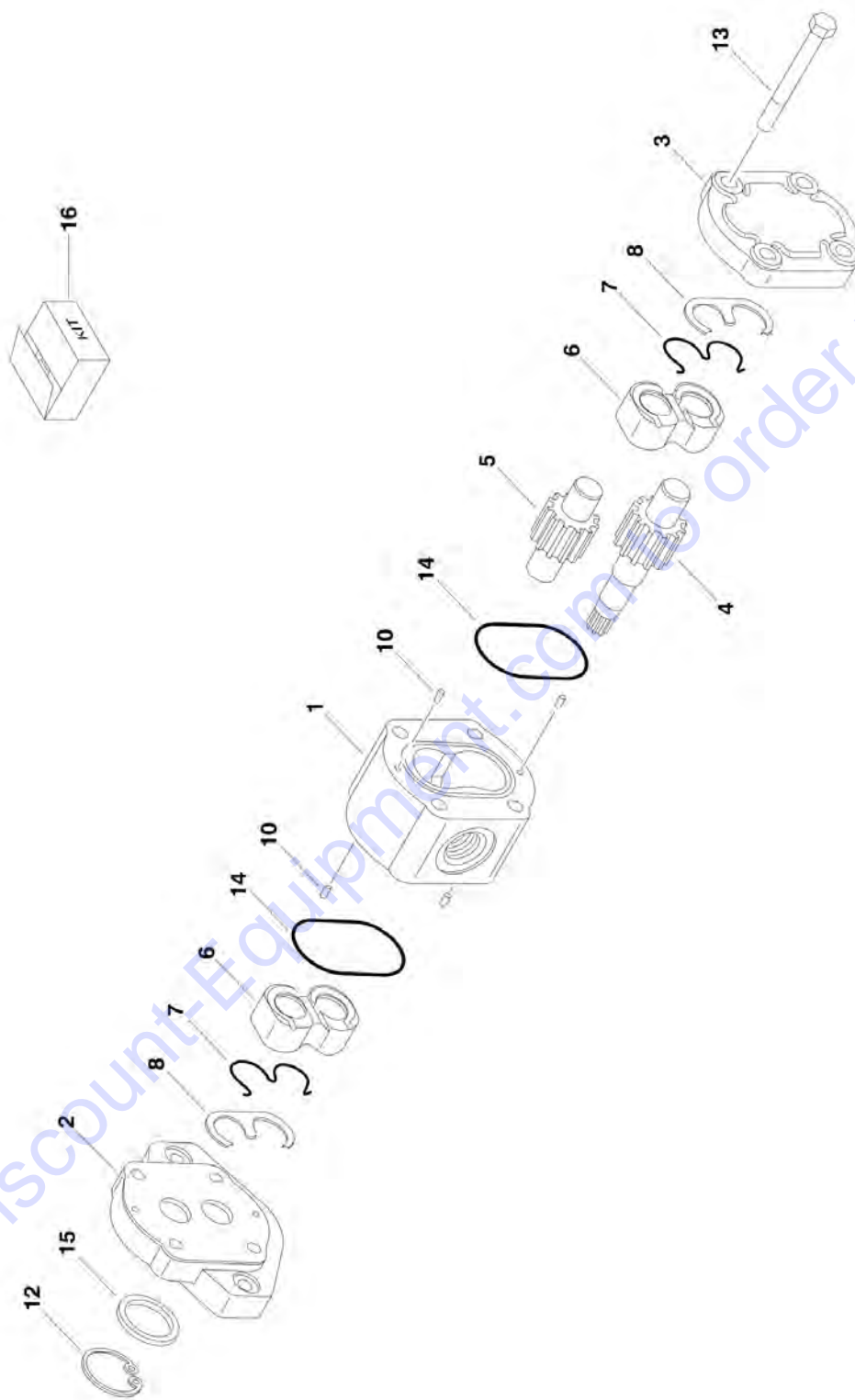
SECTION 2 - TURNTABLE

| ITEM | PART NUMBER | QTY | DESCRIPTION | REV |
|------|---------------|-----|--|-----|
| 52 | 7021275 | 3 | Pin, Hold-down | |
| 53 | 70002592 | 1 | Guide, Slipper Retainer | |
| 54 | 70002593 | 1 | Retainer, Slipper | |
| 55 | 70004422 | 1 | Piston Assembly | |
| 56 | Not Available | 1 | Seal, End Cap (Purchase Item 61) | |
| 57 | 7023964 | 1 | Plug, O-Ring (Includes Item 58) | |
| 58 | 7007415 | 1 | O-Ring (Part of Item 57) | |
| 59 | 70005418 | 1 | Servo Piston Assembly (Includes Item 60) | |
| 60 | Not Available | 3 | Ring, Piston (Part of Item 59) (Purchase Item 61) | |
| 61 | 70002599 | 1 | Complete Seal Kit (Includes Items 13, 15, 17, 19, 24, 30, 31, 42, 45, 56, 58 & 60) | |

Go to Discount-Equipment.com to order your parts

SECTION 2 - TURNTABLE

FIGURE 2-14. PUMP ASSEMBLY (SAUER GEAR)



SECTION 2 - TURNTABLE

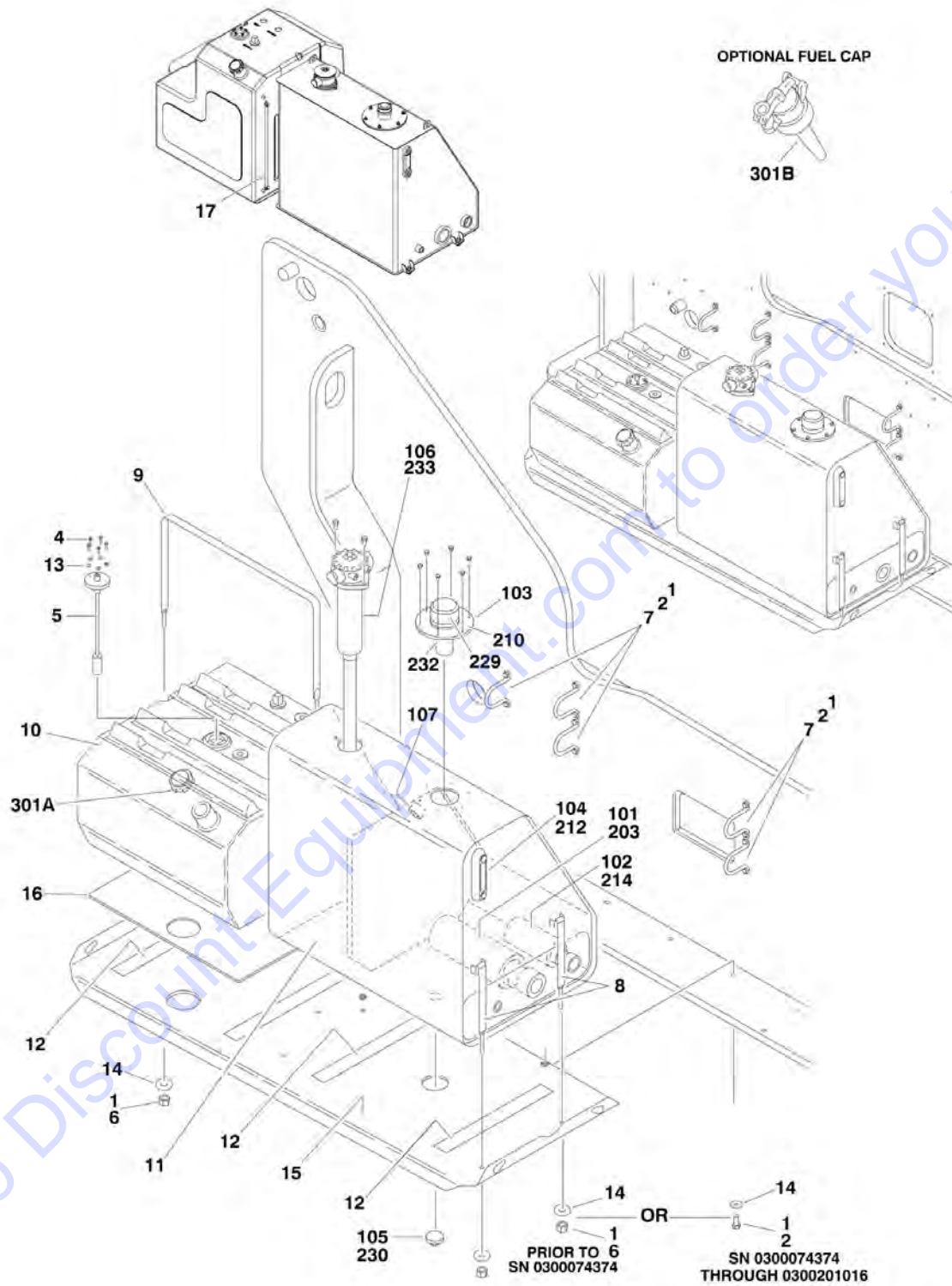
FIGURE 2-14. PUMP ASSEMBLY (SAUER GEAR)

| ITEM | PART NUMBER | QTY | DESCRIPTION | REV |
|------|-------------|-----|--|-----|
| | 1001112927 | Ref | PUMP ASSEMBLY (SAUER GEAR) | A |
| 1 | 1001112927 | 1 | Body (Note: Not Available For Purchase) | |
| 2 | 1001112927 | 1 | Cover, Front (Note: Not Available For Purchase) | |
| 3 | 1001112927 | 1 | Cover, Rear (Note: Not Available For Purchase) | |
| 4 | 1001112927 | 1 | Shaft, Gear (Note: Not Available For Purchase) | |
| 5 | 1001112927 | 1 | Gear, Idler (Note: Not Available For Purchase) | |
| 6 | 1001112927 | 2 | Block, Bearing (Note: Not Available For Purchase) | |
| 7 | 7007489 | 2 | Ring, Anti-Extrusion | |
| 8 | 7007489 | 2 | Ring, Seal | |
| 10 | See Note | 4 | Pin, Dowel (Note: Not Available For Purchase) | |
| 12 | 70002576 | 1 | Ring, Retaining | |
| 13 | See Note | 4 | Capscrew (Note: Not Available For Purchase) | |
| 14 | 7007489 | 2 | O-Ring | |
| 15 | 7007489 | 1 | Seal, Lip (was p/n 70002577) | |
| | | Ref | (Note: Lip Seal no Longer Available as an Individual Service Part, Must Purchase p/n 7007489) | |
| 16 | 7007489 | 1 | Seal Kit - 1001112927 Pump (Includes Items 7, 8, 14 & 15) | |

Go to Discount-Equipment.com to order your parts

SECTION 2 - TURNTABLE

FIGURE 2-15. TANK INSTALLATION



SECTION 2 - TURNTABLE

FIGURE 2-15. TANK INSTALLATION

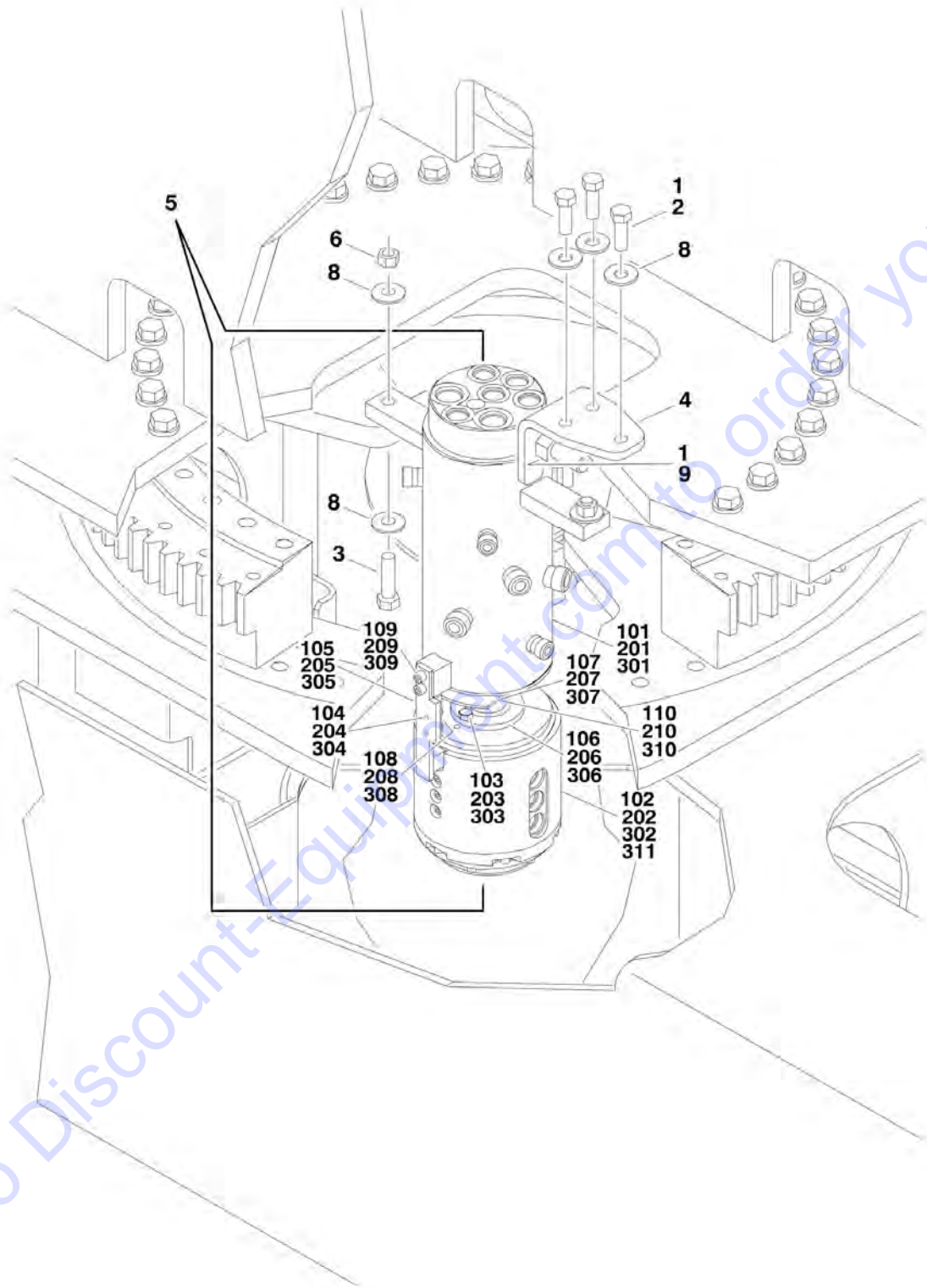
| ITEM | PART NUMBER | QTY | DESCRIPTION | REV |
|------|-------------|-------------|--|-----|
| | | Ref | TANKS INSTALLATION | |
| | 0271572 | Ref | Machines with ABS Hoods | C |
| | | Ref | Machines with Steel Hoods | |
| | 1001117358 | Ref | Machines with Steel Hoods (Prior to SN 0300195072) | C |
| | 1001173915 | Ref | Machines with Steel Hoods (SN 0300195072 through 0300201016) | B |
| | 1001109544 | Ref | Machines with Steel Hoods (200L) (Prior to SN 0300195072) | D |
| | 1001173918 | Ref | Machines with Steel Hoods (200L) (SN 0300195072 through 0300201016) | B |
| 1 | 0100011 | AR | Compound, Locking | |
| 2 | 0641608 | AR | Bolt 3/8in-16NC x 1in | |
| 3 | | Ref | Fastener Options: | |
| 3 | 0641614 | AR | Bolt, Hex Head 3/8in-16NC x 1-3/4in | |
| 3 | 3900283 | AR | Screw, Button Head 3/8in-16NC x 3/4in | |
| 4 | 0731007 | 5 | Screw, Machine #10-32NF x 7/8in | |
| 5 | | Ref | Gauge, Fuel Options: | |
| 5 | 2420191 | 1 | Gauge, Fuel (31 gal/117.3 l Tank) | |
| 5 | 3960525 | 1 | Gasket, Fuel Gauge | |
| 5 | 1001109048 | 1 | Gauge, Fuel (52.8 gal/200 l Tank) | |
| 6 | 3311601 | 6 | Nut 3/8in-16NC | |
| 7 | 3841340 | 9 | Loop, Hose | |
| 8 | 4240112 | 4 | Strap, Tank (Prior to SN 0300074374) | |
| 9 | | Ref | Strap, Tank Options: | |
| 9 | 4240139 | 1 | Strap, Tank 31 gal/117.3 l Tank | |
| 9 | 1001110059 | 1 | Strap, Tank 52.8 gal/200 l Tank | |
| 10 | | Ref | Tank, Fuel Options: | |
| 10 | 4400439 | 1 | Tank, Fuel (Prior to SN 0300195072) | |
| 10 | 1001160567 | 1 | Tank, Fuel (SN 0300195072 through 0300201016) | |
| 10 | 70004414 | 1 | Cap | |
| 10 | 7020043 | 1 | Tube, Pick up | |
| 10 | 1001108579 | 1 | Tank, Fuel (52.8 gal/200 l Tank Only) | |
| 11 | | Ref | Tank, Hydraulic Oil Options: | |
| 11 | 4400440 | 1 | Tank, Hydraulic Oil (Use p/n 4400457) (Prior to SN 0300074374) | |
| 11 | 4400457 | 1 | Tank, Hydraulic Oil (SN 0300074374 through 0300201016) | |
| 12 | 4420038 | 74 in/1.9m | Tape | |
| 13 | 4751000 | AR | Flatwasher #10 Wide | |
| 14 | 4751600 | AR | Flatwasher 3/8in Wide | |
| 15 | | Ref | Tray Options: | |
| 15 | 4846476 | 1 | Tray for Machines with ABS Hoods | |
| 15 | | Ref | Tray for Machines with Steel Hoods (Not Shown) | |
| 15 | 1001108919 | 1 | Tray for Machines with Steel Hoods (Not Shown) (Prior to SN 0300195072) | |
| 15 | 1001173171 | 1 | Tray for Machines with Steel Hoods (SN 0300195072 through 0300201016) | |
| 16 | 1001107359 | 1 | Plate, Support (Machines with Steel Hoods Only) | |
| 17 | 1001113103 | 19.5 in/.5m | Tube, Sight (52.8 gal/200 l Tank Only) | |
| | 4400440 | Ref | HYDRAULIC OIL TANK ASSY (Prior to SN 0300074374) | B |
| | | Ref | Note: Original Equipment tank may have been replaced with Service Replacement tank. Original Equipment Tank p/n | |

SECTION 2 - TURNTABLE

| ITEM | PART NUMBER | QTY | DESCRIPTION | REV |
|------|-------------|-----|--|-----|
| | | | 4400440 uses mtg straps item 8 - see items 101-107 for breakdown. Service Replacement Tank p/n 4400457 is bolted to the tray - see items 201-233 for breakdown. | |
| 101 | 7014819 | 1 | Strainer, Suction | |
| 102 | 7014801 | 1 | Strainer, Suction | |
| 103 | 7014811 | 1 | Cap, Breather | |
| 103 | 7020256 | 1 | Neck Assembly (Includes Mounting Hardware) | |
| 103 | 7014816 | 1 | Screen | |
| 104 | 7014802 | 1 | Gauge, Sight | |
| 105 | 7014813 | 1 | Plug, Magnetic | |
| 106 | 7024374 | 1 | Filter, Hydraulic Oil (Includes Mounting Hardware) | |
| 106 | 7024375 | 1 | Element, Filter | |
| 106 | 7023347 | 1 | Gasket, Filter Mounting Flange | |
| 107 | 7014812 | 1 | Magnet | |
| | 4400457 | Ref | HYDRAULIC OIL TANK ASSY (SN 0300074374 through 0300201016) | E |
| 203 | 7026571 | 1 | Strainer, Suction | |
| 210 | 7024439 | 1 | Cover | |
| 210 | 7023306 | 1 | Seal, Cover Plate (Not Shown) | |
| 210 | 7024440 | 1 | Gasket (Not Shown) | |
| 212 | 7024441 | 1 | Gauge, Sight | |
| 214 | 7024442 | 1 | Strainer | |
| 225 | 7024445 | 1 | Strainer (Filler Neck) (Not Shown) | |
| 229 | 7024444 | 1 | Cap, Fill | |
| 230 | 7024446 | 1 | Plug, Magnetic | |
| 232 | 7024443 | 1 | Neck, Filler | |
| 233 | 7024374 | 1 | Filter, Hydraulic Oil | |
| 233 | 7024375 | 1 | Element, Filter | |
| 233 | 7023347 | 1 | Gasket, Filter Mounting Flange | |
| | | Ref | FUEL TANK CAP INSTALLATION | |
| 301 | | Ref | Cap Options: | |
| 301A | 7016314 | 1 | Standard Non-Locking Cap (Part of Item 10) | |
| 301B | 1120487 | 1 | Optional Lockable Cap | |

SECTION 2 - TURNTABLE

FIGURE 2-16. ROTARY COUPLING AND COLLECTOR RING INSTALLATION



SECTION 2 - TURNTABLE

FIGURE 2-16. ROTARY COUPLING AND COLLECTOR RING INSTALLATION

| ITEM | PART NUMBER | QTY | DESCRIPTION | REV |
|------|-------------|-----|--|-----|
| | 0271688 | Ref | ROTARY COUPLING AND COLLECTOR RING INSTALLATION | D |
| 1 | 0100011 | AR | Compound, Locking | |
| 2 | 0641812 | 3 | Bolt 1/2in-13NC x 1-1/2in | |
| 3 | 0641820 | 2 | Bolt 1/2in-13NC x 2-1/2in | |
| 4 | 0902790 | 1 | Bracket, Swivel | |
| 5 | | Ref | Rotary Coupling and Collector Ring Assembly Options: | |
| 5 | 1660247 | 1 | Rotary Coupling and Collector Ring Assembly (Use p/n 1660302) (See Items 101-112 for Breakdown) (Prior to SN 0300068183) | |
| 5 | 1660253 | 1 | Rotary Coupling and Collector Ring Assembly (Use p/n 1660302) (See Items 201-210 for Breakdown) (SN 0300068183 through 0300107595) | |
| 5 | 1660302 | 1 | Rotary Coupling and Collector Ring Assembly (See Items 301-311 for Breakdown) (SN 0300107596 through 0300201016) | |
| 6 | 3311805 | 2 | Locknut 1/2in-13NC | |
| 8 | 4751800 | 7 | Flatwasher 1/2in Regular | |
| 9 | 3322201 | 2 | Nut 3/4in-16NC | |
| | | Ref | ROTARY COUPLING AND COLLECTOR RING ASSEMBLY OPTIONS: | |
| | | Ref | Note: Original Equipment component may have been replaced by Service Replacement component. Identify component before ordering parts. | |
| | 1660247 | Ref | Rotary Coupling and Collector Ring Assembly (Prior to SN 0300068183) | C |
| 101 | 7024401 | 1 | Coupling, Rotary | |
| 101 | 7026034 | 1 | Bearing | |
| 101 | 7024402 | 1 | Seal Kit - Coupling | |
| 102 | 7024403 | 1 | Contact, Rotary Circuit (Does not include connector or pins) | |
| 103 | 0641506 | 4 | Bolt 5/16in-18NC x 3/4in | |
| 104 | 3931512 | 2 | Capscrew 5/16in-18NC x 3/4in | |
| 105 | See Note | 1 | Arm, Torque (Note: Not Available For Purchase) | |
| 106 | See Note | 1 | Adapter (Note: Not Available For Purchase) | |
| 107 | 7026030 | 1 | Plate, Cam | |
| 108 | 7024461 | 1 | Sensor, Proximity | |
| 109 | 3931008 | 2 | Capscrew #10-32 x 1/2in | |
| 110 | 7026032 | 1 | Pin, Dowel | |
| 111 | 7024404 | 1 | Assembly, Valve Block (Not Shown) | |
| 112 | 7026189 | 1 | Seal, Dust (Not Shown) | |
| | 1660253 | Ref | Rotary Coupling and Collector Ring Assembly (SN 0300068183 through 0300107595) | B |
| 201 | 7024401 | 1 | Coupling, Rotary | |
| 201 | 7026034 | 1 | Bearing | |
| 201 | 70001101 | 1 | Seal Kit - Coupling (was p/n 7026035) | |
| 202 | 7026029 | 1 | Contact, Rotary Circuit (Does not include connector or pins) | |
| 203 | 0641506 | 4 | Bolt 5/16in-18NC x 3/4in | |
| 204 | 3931512 | 2 | Capscrew 5/16in-18NC x 3/4in | |
| 205 | 70000780 | 1 | Arm, Torque | |
| 206 | 80334251 | 1 | Adapter | |
| 207 | 7026030 | 1 | Plate, Cam | |
| 208 | 7026031 | 1 | Sensor, Proximity | |
| 209 | 3931008 | 2 | Capscrew #10-32 x 1/2in | |
| 210 | 7026032 | 1 | Pin, Dowel | |
| | 1660302 | Ref | Rotary Coupling and Collector Ring Assembly (SN | C |

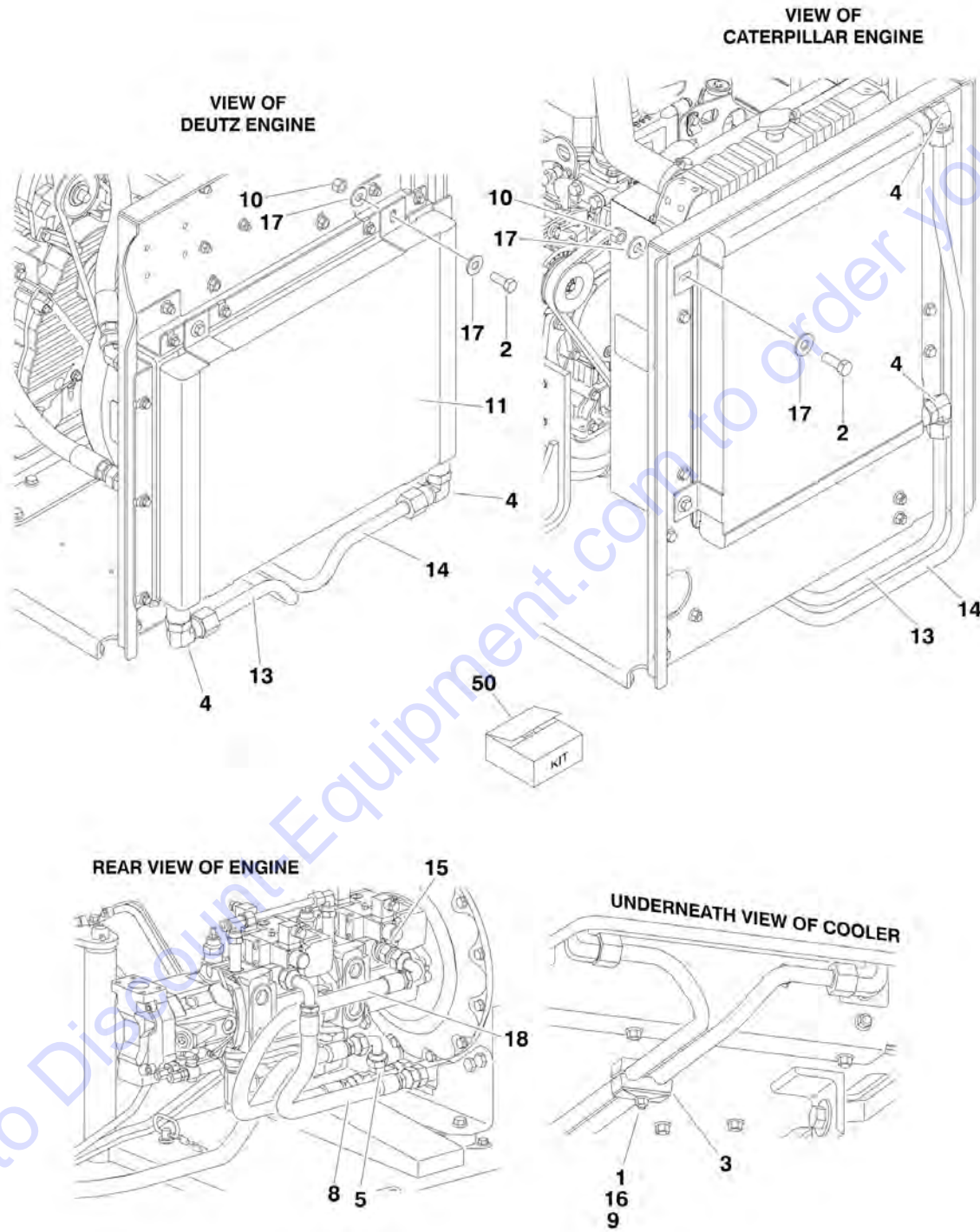
SECTION 2 - TURNTABLE

| ITEM | PART NUMBER | QTY | DESCRIPTION | REV |
|------|-------------|-----|---|-----|
| | | | 0300107596 through 0300201016) | |
| 301 | 70001102 | 1 | Coupling, Rotary | |
| 301 | See Note | 1 | Bearing (Note: Not Available For Purchase) | |
| 301 | 70001101 | 1 | Seal Kit - Coupling | |
| 302 | 7026029 | 1 | Contactora, Rotary Circuit (Does not include connector or pins) | |
| 303 | 0641506 | 4 | Bolt 5/16in-18NC x 3/4in | |
| 304 | 3931512 | 2 | Capscrew 5/16in-18NC x 3/4in | |
| 305 | 70000780 | 1 | Arm, Torque | |
| 306 | 80334251 | 1 | Adapter | |
| 307 | 7026030 | 1 | Plate, Cam | |
| 308 | 7026031 | 1 | Sensor, Proximity | |
| 309 | 3931008 | 2 | Capscrew #10-32 x 1/2in | |
| 310 | 7026032 | 1 | Pin, Dowel | |
| 311 | 0100048 | AR | Grease, Silicone (Apply to Contactora Connector) | |

Go to Discount-Equipment.com to order your parts

SECTION 2 - TURNTABLE

FIGURE 2-17. HYDRAULIC OIL COOLER INSTALLATION - CATERPILLAR AND DEUTZ BF4M2011 AND TD2011 ENGINES (OPTIONAL)



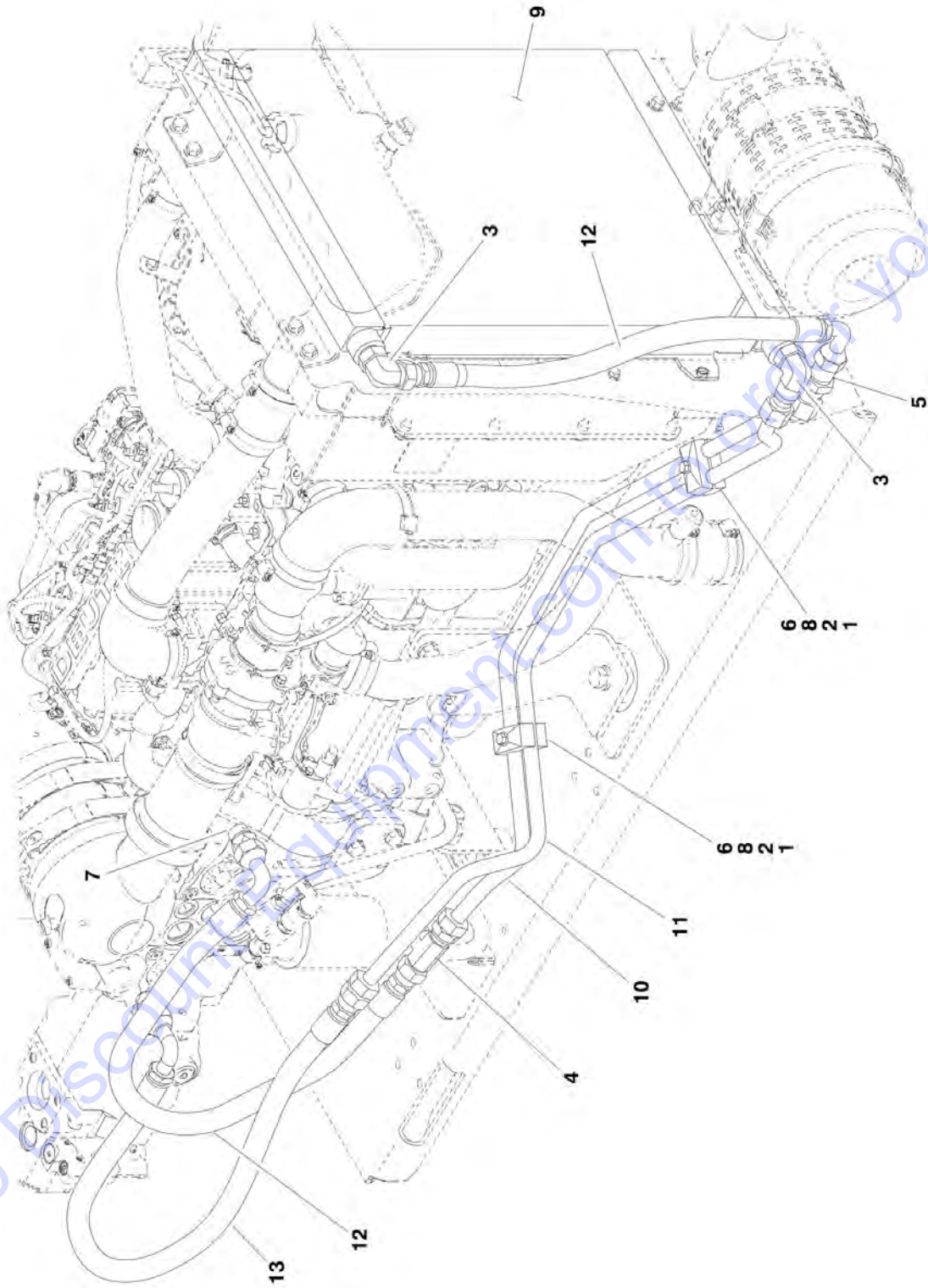
SECTION 2 - TURNTABLE

FIGURE 2-17. HYDRAULIC OIL COOLER INSTALLATION - CATERPILLAR AND DEUTZ BF4M2011 AND TD2011 ENGINES (OPTIONAL)

| ITEM | PART NUMBER | QTY | DESCRIPTION | REV |
|------|-------------|-----|--|-----|
| | | Ref | HYDRAULIC OIL COOLER INSTALLATION (OPTIONAL) | |
| | 0272080 | Ref | Deutz BF4M2011 & TD2011 Engine Machines with Rexroth Pump | B |
| | 1001118957 | Ref | Deutz BF4M2011 & TD2011 Engine Machines with Sauer Pump | B |
| | 1001119859 | Ref | Caterpillar Machines with Rexroth Pump | A |
| | | Ref | Note: See Engine Installation for Engine Oil Cooler. | |
| 1 | 0641520 | 2 | Bolt 5/16in-18NC x 2-1/2in | |
| 2 | 0641608 | 4 | Bolt 3/8in-16NC x 1in | |
| 3 | 1320162 | 2 | Clamp, Hose | |
| 4 | 2131212 | 2 | Fitting, Elbow | |
| 5 | 2170712 | 1 | Fitting, Tee | |
| 8 | | Ref | Hose Options: | |
| 8 | 2753843 | 1 | Caterpillar Machines with Rexroth Pump | |
| 8 | 2753778 | 1 | Deutz Machines with Rexroth Pump | |
| 8 | 2753999 | 1 | Deutz Machines with Sauer Pump | |
| 9 | 3311505 | 2 | Locknut 5/16in-18NC | |
| 10 | 3311605 | 4 | Locknut 3/8in-16NC | |
| 11 | 3620034 | 1 | Cooler, Hydraulic Oil | |
| 13 | | Ref | Tube Options: | |
| 13 | 1001120196 | 1 | Caterpillar Machines | |
| 13 | 4568426 | 1 | Deutz Machines | |
| 14 | | Ref | Tube Options: | |
| 14 | 1001120195 | 1 | Caterpillar Machines | |
| 14 | 4568427 | 1 | Deutz Machines | |
| 15 | | Ref | Valve, Check Options: | |
| 15 | 4641247 | 1 | Machines with Rexroth Pump | |
| 15 | 1001109677 | 1 | Machines with Sauer Pump | |
| 16 | 4711500 | 4 | Flatwasher 5/16in Thin | |
| 17 | 4751600 | 8 | Flatwasher 3/8in Regular | |
| 18 | | Ref | Hose Options: | |
| 18 | 2753843 | 1 | Caterpillar Machines with Rexroth Pump | |
| 18 | 2753843 | 1 | Deutz Machines with Rexroth Pump | |
| 18 | 2753778 | 1 | Deutz Machines with Sauer Pump | |
| 50 | | Ref | Oil Cooler Add-on Kit Options (Includes Items 1-18): | |
| 50 | See Note | 1 | Caterpillar Machines (Note: Not Available For Purchase) | |
| 50 | 1001120564 | 1 | Deutz Machines | |

SECTION 2 - TURNTABLE

FIGURE 2-18. HYDRAULIC OIL COOLER INSTALLATION - DEUTZ TCD2.9L4 ENGINES (OPTIONAL)



SECTION 2 - TURNTABLE

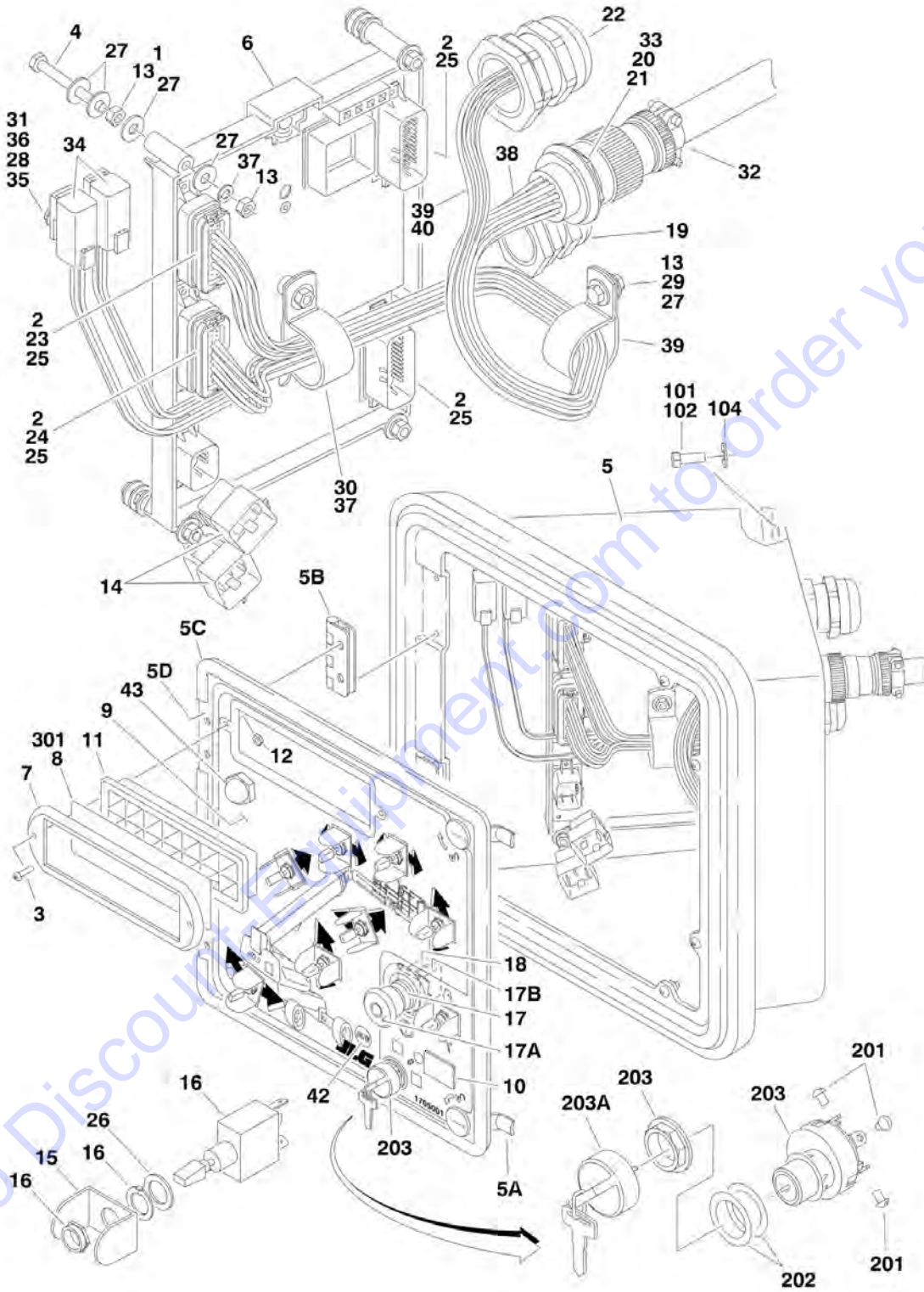
FIGURE 2-18. HYDRAULIC OIL COOLER INSTALLATION - DEUTZ TCD2.9L4 ENGINES (OPTIONAL)

| ITEM | PART NUMBER | QTY | DESCRIPTION | REV |
|------|-------------|-----|---|-----|
| | | Ref | HYDRAULIC OIL COOLER INSTALLATION (OPTIONAL) | |
| | 1001139492 | Ref | Deutz TCD2.9L4 Engine Machines with Rexroth Pump | E |
| | 1001139494 | Ref | Deutz TCD2.9L4 Engine Machines with Sauer Pump | D |
| | | Ref | Note: See Engine Installation for Engine Oil Cooler. | |
| 1 | 0641520 | 2 | Bolt 5/16in-18NC x 2-1/2in | |
| 2 | 1320162 | 2 | Clamp, Hose | |
| 3 | 2131212 | 2 | Fitting, 90 | |
| 4 | 2170712 | 1 | Fitting, Tee | |
| 5 | 2171112 | 1 | Fitting, Straight | |
| 6 | 3311505 | 2 | Locknut 5/16in-18NC | |
| 7 | | Ref | Valve Options: | |
| 7 | 4641247 | 1 | Deutz Machines with Rexroth Pump | |
| 7 | 1001109677 | 1 | Deutz Machines with Sauer Pump | |
| 8 | 4711500 | 4 | Flatwasher 5/16in Thin | |
| 9 | 1001135124 | 1 | Cooler, Hydraulic Oil | |
| 10 | | Ref | Tube Options: | |
| 10 | 1001154214 | 1 | Deutz Machines with Rexroth Pump | |
| 10 | 1001139665 | 1 | Deutz Machines with Sauer Pump | |
| 11 | 1001139666 | 1 | Tube | |
| 12 | 1001143087 | 2 | Hose | |
| 13 | 1001143123 | 1 | Hose | |

Go to Discount-Equipment.com to order your parts

SECTION 2 - TURNTABLE

FIGURE 2-19. GROUND CONTROLS INSTALLATION (WITHOUT UGM)



SECTION 2 - TURNTABLE

FIGURE 2-19. GROUND CONTROLS INSTALLATION (WITHOUT UGM)

| ITEM | PART NUMBER | QTY | DESCRIPTION | REV |
|------|-------------|------------|--|-----|
| | | Ref | Note: For Module Identification, refer to Revision Log page A. | |
| | | Ref | GROUND CONTROLS ASSEMBLIES | |
| | 0861562 | Ref | Machines with Rexroth Pumps (Prior to SN 0300087579) | E |
| | 0861749 | Ref | Machines with Rexroth Pumps (SN 0300087579 through 0300098641) | F |
| | 0861798 | Ref | Machines with Rexroth Pumps (SN 0300098642 through 0300098919) | B |
| | 1810057 | Ref | Machines with Rexroth Pumps (SN 0300098920 through 0300201016) | J |
| | 1001118767 | Ref | Machines with Sauer Pumps | D |
| 1 | 0100081 | AR | Adhesive | |
| 2 | 0100048 | AR | Grease, Dielectric | |
| 3 | 0630518 | 2 | Screw, Button Head #10-24NC x 3/4in | |
| 4 | 0630548 | 5 | Screw, Self Tapping | |
| 5 | 0861465 | 1 | Box Assembly | F |
| 5A | 2940139 | 2 | Latch | |
| 5B | 2600279 | 2 | Hinge | |
| 5C | 3960418 | 53 in/1.4m | Seal | |
| 5D | 3380465 | 1 | Panel, Front | |
| 6 | 1600333 | 1 | Module, Ground Control (Note: Control System must be recalibrated when Module is replaced) | |
| 6 | 2915024 | 1 | Update Kit (Includes Cables, Programming Instructions and CD Software) | |
| 7 | 1670829 | 1 | Bezel | |
| 8 | | Ref | Decal - Light Panel Options: | |
| 8 | 1705308 | 1 | Decal - Light Panel (Use p/n 1705974) (Prior to SN 0300080338) | |
| 8 | 1705974 | 1 | Decal - Light Panel (SN 0300080338 through 0300142938) | |
| 9 | | Ref | Decal - Lid Options: | |
| 9 | 1705001 | 1 | Decal - Lid (Prior to SN 0300098920) | |
| 9 | 1706911 | 1 | Decal - Lid (SN 0300098920 through 0300201016) | |
| 10 | 2420172 | 1 | Hourmeter | |
| 11 | 2760105 | 1 | Housing, Light | |
| 12 | 3300408 | 2 | Locknut, Nylon | |
| 13 | 3311401 | 11 | Nut 1/4in-20NC | |
| 14 | 3740049 | 2 | Relay | |
| 15 | 4060906 | 8 | Guard, Switch | |
| 16 | 4360328 | 8 | Switch, Toggle | |
| 17 | 4360475 | 1 | Switch, Push-Pull Emergency | |
| 17A | 7020175 | 1 | Cap | |
| 17B | 7020176 | 1 | Block, Contact | |
| 18 | 4360476 | 1 | Block, Contact | |
| 19 | 4460426 | 1 | Connector, Strain Relief | |
| 20 | 4460470 | 1 | Nut, Terminal | |
| 21 | 4460471 | 1 | Washer, Terminal | |
| 22 | 4460526 | 1 | Connector, Strain Relief | |
| 23 | 4460874 | 1 | Connector, White | |
| 24 | 4460875 | 1 | Connector, Gray | |
| 25 | 4460905 | 4 | Connector, Plug | |
| 26 | 4740444 | 8 | Washer | |
| 27 | 4751400 | 22 | Flatwasher 1/4in Wide | |

SECTION 2 - TURNTABLE

| ITEM | PART NUMBER | QTY | DESCRIPTION | REV |
|------|-------------|-----|---|-----|
| 28 | 0630464 | 2 | Screw, Button #10-24NC x1/2in | |
| 29 | 0641406 | 1 | Bolt 1/4in-20NC x 3/4in | |
| 30 | 1320095 | 2 | Clamp | |
| 31 | 3311001 | 2 | Nut #10-24NC | |
| 32 | 4460473 | 1 | Clamp, Cable Only - Now included with Boom Cable (Prior to SN 0300118893) | |
| 33 | 4460865 | 1 | Connector - 19 Position Only - Now included with Boom Cable (Prior to SN 0300118893) | |
| 34 | 4460892 | 2 | Bar, Buss | |
| 35 | 4460914 | 2 | Base, Terminal | |
| 36 | 4751000 | 2 | Flatwasher #10 Regular | |
| 37 | 4761400 | 5 | Lockwasher 1/4in | |
| 38 | | Ref | Harness, Ground Control Box Options (See ELECTRICAL SECTION for Breakdown): | |
| 38 | 4922789 | 1 | Harness, Ground Control Box (Prior to SN 0300087579) | |
| 38 | 4923286 | 1 | Harness, Ground Control Box (SN 0300087579 through 0300098919) | |
| 38 | 4923574 | 1 | Harness, Ground Control Box (SN 0300098920 through 0300201016) | |
| 39 | | Ref | Harness, Valve Options (See ELECTRICAL SECTION for Breakdown): | |
| 39 | 4922787 | 1 | Harness, Valve (Prior to SN 0300087579) | |
| 39 | 4923292 | 1 | Harness, Valve (SN 0300087579 through 0300098641) | |
| 39 | 4923522 | 1 | Harness, Valve (SN 0300098642 through 0300201016) | |
| 40 | | Ref | Harness, Engine Options (See ELECTRICAL SECTION for Breakdown): | |
| 40 | 4922704 | 1 | Machines with Rexroth Pumps (Prior to SN 0300087579) | |
| 40 | 4923273 | 1 | Machines with Rexroth Pumps (SN 0300087579 through 0300093351) | |
| 40 | 4923376 | 1 | Machines with Rexroth Pumps (SN 0300093352 through 0300201016) | |
| 40 | 1001119957 | 1 | Machines with Sauer Pumps | |
| 42 | 1705132 | 1 | Decal - ADE | |
| 43 | 4360274 | 1 | Switch, Pushbutton | |
| | | Ref | GROUND CONTROL BOX INSTALLATIONS | |
| | 0271513 | Ref | Machines with Rexroth Pumps (Prior to SN 0300098642) | F |
| | 0275407 | Ref | Machines with Rexroth Pumps (SN 0300098642 through 0300201016) | D |
| | 1001118768 | Ref | Machines with Sauer Pumps | B |
| 101 | 0100011 | AR | Compound, Locking | |
| 102 | 3931616 | 4 | Bolt 3/8in-16NC x 3/4in | |
| 104 | 4751600 | 4 | Flatwasher 3/8in Wide | |
| | | Ref | KEYSWITCH INSTALLATION | |
| | 0259666 | Ref | ANSI and ANSI Export Specs | B |
| | 0259667 | Ref | Australian and CE Specs | B |
| 201 | 3910804 | 6 | Screw #8-32NC x 1/8in | |
| 202 | 4070987 | 2 | Shim .015 (Prior to SN 03000175957) | |
| 202 | 1001151393 | 1 | Shim .063 (SN 0300175957 through 0300201016) | |
| 203 | | Ref | Keyswitch Options: | |
| 203 | 4360469 | 1 | ANSI and ANSI Export Specs | |
| 203 | 4360470 | 1 | Australian and CE Specs | |
| 203A | 2860030 | 1 | Key, Replacement (All Specs) | |
| | | Ref | LIGHT PANEL INSTALLATIONS (SN 0300142938 through 0300201016) | |

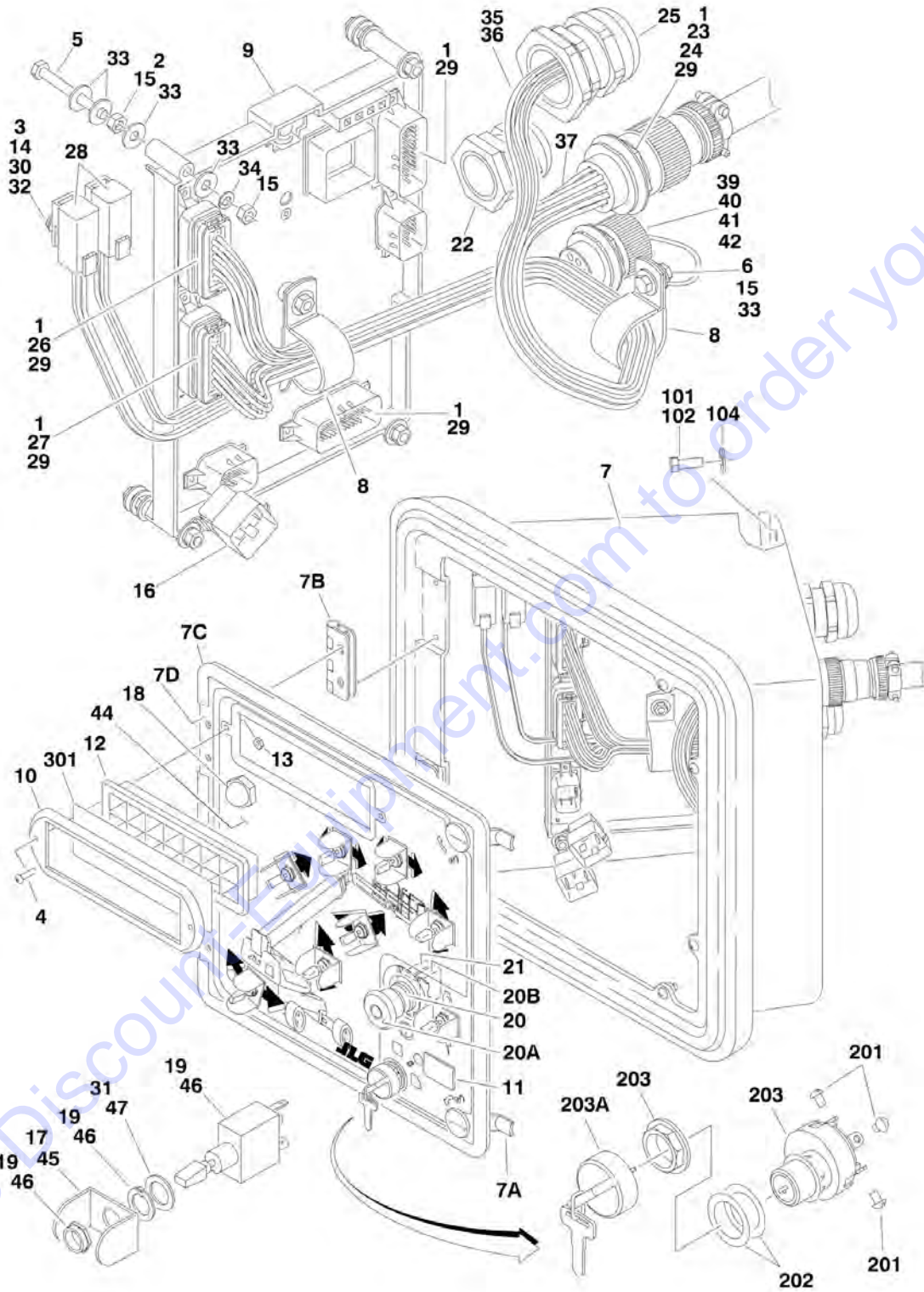
SECTION 2 - TURNTABLE

| ITEM | PART NUMBER | QTY | DESCRIPTION | REV |
|------|-------------|-----|-----------------------------------|-----|
| | 1001121826 | Ref | ANSI and ANSI Export Specs | A |
| | 1001121827 | Ref | Australian and CE Specs | A |
| 301 | | Ref | Decal - Light Panel Options: | |
| 301 | 1001122383 | 1 | ANSI and ANSI Export Specs | |
| 301 | 1705174 | 1 | Australian and CE Specs | |

Go to Discount-Equipment.com to order your parts

SECTION 2 - TURNTABLE

FIGURE 2-20. GROUND CONTROLS INSTALLATION (WITH UGM)



SECTION 2 - TURNTABLE

FIGURE 2-20. GROUND CONTROLS INSTALLATION (WITH UGM)

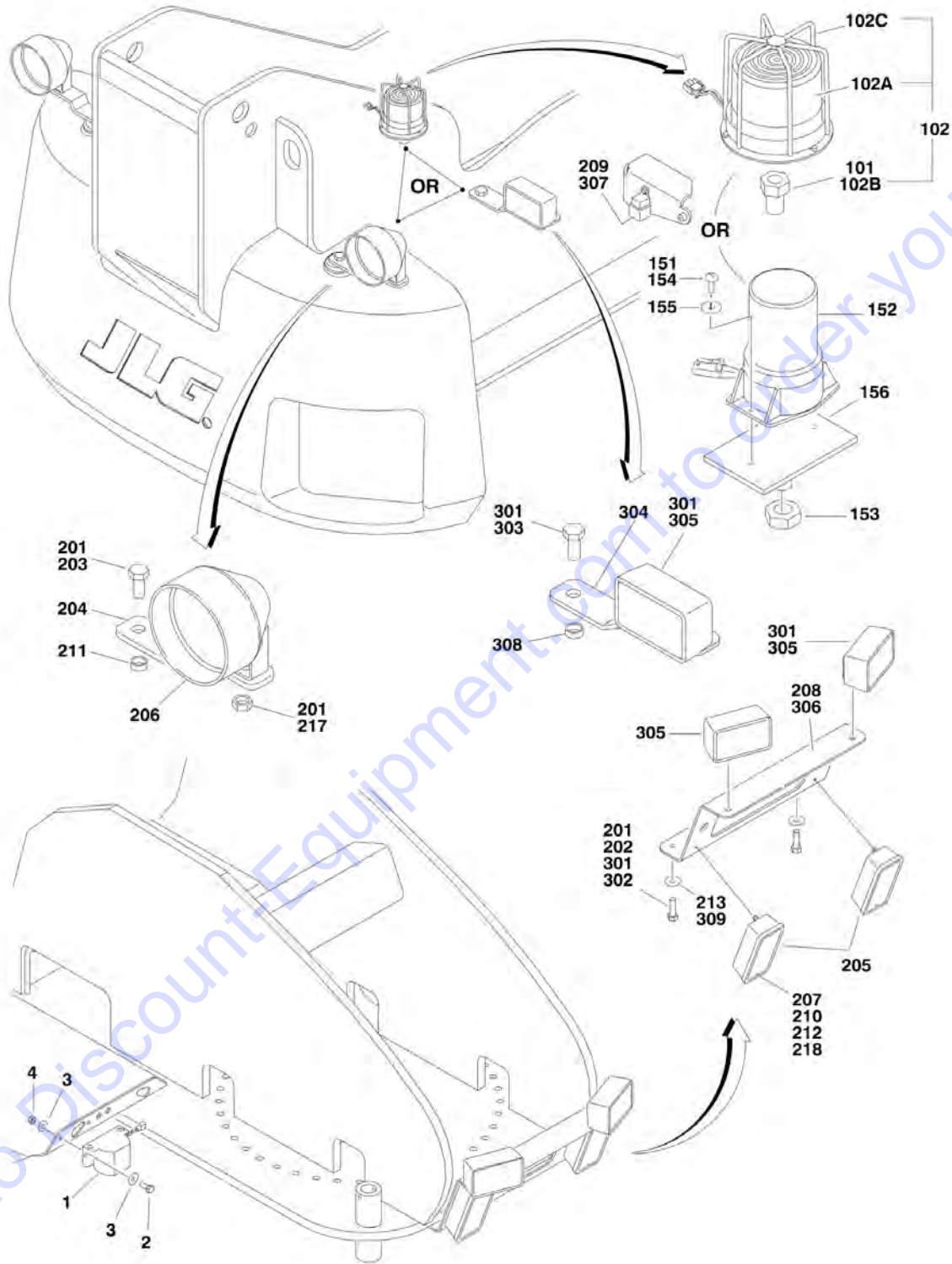
| ITEM | PART NUMBER | QTY | DESCRIPTION | REV |
|------|-------------|------------|--|-----|
| | | Ref | Note: For Module Identification, refer to Revision Log page A. | |
| | 1001119374 | Ref | GROUND CONTROL BOX SUB-ASSEMBLY | D |
| | 1001119363 | Ref | GROUND CONTROLS ASSEMBLY | K |
| 1 | 0100048 | AR | Grease, Dielectric | |
| 2 | 0100081 | AR | Loctite #454 | |
| 3 | 0630464 | 2 | Screw, Button Head #10-24NC x 1/2in | |
| 4 | 0630518 | 2 | Screw, Button Head #10-24NC x 3/4in | |
| 5 | 0630548 | 5 | Screw, Self Tapping | |
| 6 | 0641406 | 1 | Bolt 1/4in-20NC x 3/4in | |
| 7 | 1001110014 | 1 | Box Assembly | |
| 7A | 2940139 | 2 | Latch | |
| 7B | 2600279 | 2 | Hinge | |
| 7C | 3960418 | 53 in/1.4m | Seal | |
| 7D | 3380465 | 1 | Panel, Front | |
| 8 | 1320095 | 2 | Clamp | |
| 9 | 1001110084 | 1 | Module, Ground Control (Note: Control System must be recalibrated when Module is replaced) | |
| 10 | 1670829 | 1 | Bezel | |
| 11 | 2420172 | 1 | Hourmeter | |
| 12 | 2760105 | 1 | Housing, Light | |
| 13 | 3300408 | 2 | Locknut, Nylon | |
| 14 | 3311001 | 2 | Nut #10-24NC | |
| 15 | 3311401 | 11 | Nut 1/4in-20NC | |
| 16 | 3740049 | 1 | Relay | |
| 17 | 4060906 | 7 | Guard, Switch | |
| 18 | 4360274 | 1 | Switch, Pushbutton | |
| 19 | 4360328 | 7 | Switch, Toggle | |
| 20 | 4360475 | 1 | Switch, Push-Pull Emergency | |
| 20A | 7020175 | 1 | Cap | |
| 20B | 7020176 | 1 | Block, Contact | |
| 21 | 4360476 | 1 | Block, Contact | |
| 22 | 4460426 | 1 | Connector, Strain Relief | |
| 23 | 4460470 | 1 | Nut, Terminal | |
| 24 | 4460471 | 1 | Washer, Terminal | |
| 25 | 4460526 | 1 | Connector, Strain Relief | |
| 26 | 4460874 | 1 | Connector, White | |
| 27 | 4460875 | 1 | Connector, Gray | |
| 28 | 4460892 | 2 | Connector, Buss Bar - 6 Position | |
| 29 | 4460905 | 4 | Connector, Plug | |
| 30 | 4460914 | 2 | Base, Terminal | |
| 31 | 4740444 | 7 | Washer | |
| 32 | 4751000 | 2 | Flatwasher #10 Regular | |
| 33 | 4751400 | 22 | Flatwasher 1/4in Wide | |
| 34 | 4761400 | 5 | Lockwasher 1/4in | |
| 35 | 1001119372 | 1 | Harness, Ground Control Box (See ELECTRICAL SECTION for Breakdown) | |
| 36 | 1001116369 | 1 | Harness, Valve (See ELECTRICAL SECTION for Breakdown) | |
| 37 | 1001120180 | 1 | Harness, Ground Control Box (See ELECTRICAL SECTION for Breakdown) | |
| 39 | 4460496 | 1 | Terminal, Washer | |

SECTION 2 - TURNTABLE

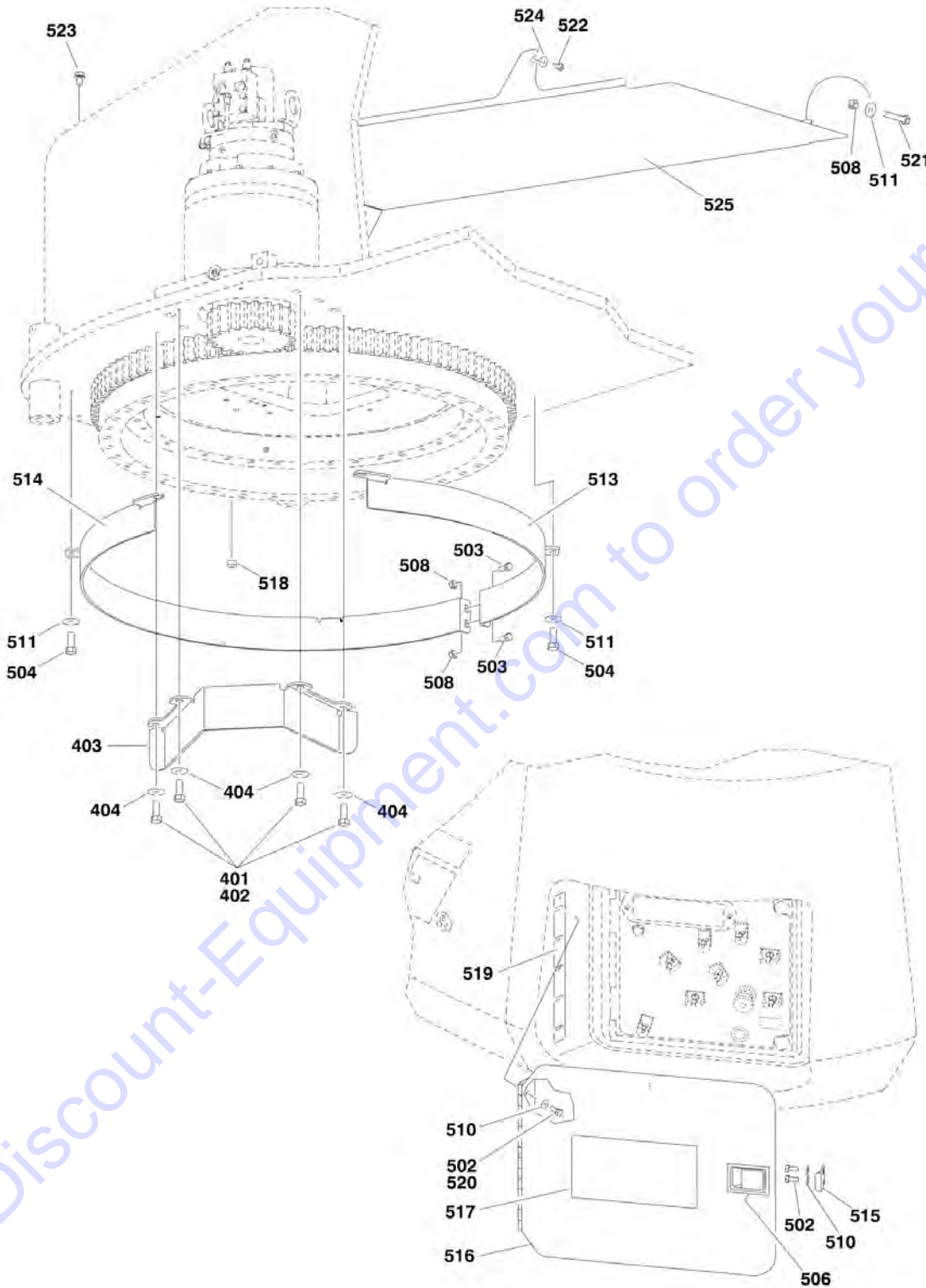
| ITEM | PART NUMBER | QTY | DESCRIPTION | REV |
|------|-------------|-----|---|-----|
| 40 | 4460497 | 1 | Nut, Strain Relief | |
| 41 | 1001120337 | 1 | Harness, ClearSky Ready (See ELECTRICAL SECTION for Breakdown) | |
| 42 | 1001106736 | 1 | Cap, Dust | |
| 44 | 1706911 | 1 | Decal - Lid | |
| 45 | 4060906 | 1 | Guard, Switch | |
| 46 | 4360328 | 1 | Switch, Toggle | |
| 47 | 4740444 | 1 | Washer | |
| | | Ref | GROUND CONTROL BOX INSTALLATIONS | |
| | 1001119346 | Ref | Deutz BF4M2011 & TD2011 Machines with Rexroth Pumps | B |
| | 1001119345 | Ref | Deutz BF4M2011 & TD2011 Machines with Sauer Pumps | B |
| | 1001144347 | Ref | Deutz TCD2.9L4 Engine Machines | B |
| | 1001119344 | Ref | Caterpillar Machines with Rexroth Pumps | B |
| 101 | 0100011 | AR | Compound, Locking | |
| 102 | 3931616 | 4 | Bolt 3/8in-16NC x 3/4in | |
| 104 | 4751600 | 4 | Flatwasher 3/8in Wide | |
| | | Ref | KEYSWITCH INSTALLATION | |
| | 0259666 | Ref | ANSI and ANSI Export Specs | B |
| | 0259667 | Ref | Australian Spec (Prior to SN 0300149302) | A |
| | 0259666 | Ref | Australian Spec (SN 0300149302 through 0300201016) | B |
| | 0259667 | Ref | CE Spec | B |
| 201 | 3910804 | 6 | Screw #8-32NC x 1/8in | |
| 202 | 4070987 | 2 | Shim .015 (Prior to SN 0300175957) | |
| 202 | 1001151393 | 1 | Shim .063 (SN 0300175957 through 0300201016) | |
| 203 | | Ref | Keyswitch Options: | |
| 203 | 4360469 | 1 | ANSI and ANSI Export Specs | |
| 203 | 4360470 | 1 | Australian Spec (Prior to SN 0300149302) | |
| 203 | 4360469 | 1 | Australian Spec (SN 0300149302 through 0300201016) | |
| 203 | 4360470 | 1 | CE Spec | |
| 203A | 2860030 | 1 | Key, Replacement (All Specs) | |
| | | Ref | LIGHT PANEL INSTALLATIONS (SN 0300142938 through 0300201016) | |
| | 1001121826 | Ref | ANSI and ANSI Export Specs | A |
| | 1001121827 | Ref | Australian and CE Specs | A |
| 301 | | Ref | Decal - Light Panel Options: | |
| 301 | 1001122383 | 1 | ANSI and ANSI Export Specs | |
| 301 | 1705174 | 1 | Australian and CE Specs | |

SECTION 2 - TURNTABLE

FIGURE 2-21. ACCESSORIES INSTALLATION



SECTION 2 - TURNTABLE



SECTION 2 - TURNTABLE

FIGURE 2-21. ACCESSORIES INSTALLATION

| ITEM | PART NUMBER | QTY | DESCRIPTION | REV |
|------|-------------|-----------|---|-----|
| | 0271806 | Ref | ALARMS INSTALLATION | A |
| 1 | 0257887 | 1 | Alarm | |
| 1 | 0140032 | 1 | Alarm | |
| 1 | 2820035 | 6 in/15cm | Loom | |
| 1 | 4460424 | 1 | Plug | |
| 1 | 4460268 | 2 | Socket, Female | |
| 2 | 0641506 | 2 | Bolt 5/16in-18NC x 3/4in | |
| 3 | 3311505 | 2 | Locknut 5/16in-18NC | |
| 4 | 4751500 | 4 | Flatwasher 5/16in Wide | |
| | 0271807 | Ref | STROBE LIGHT INSTALLATION (AMBER) (OPTIONAL) (Prior to SN 0300171640) | C |
| | | Ref | Note: If machine is equipped with BLUE Strobe Light, See SPECIAL OPTIONS SECTION SkyGuard Kit. | |
| 101 | 0100011 | AR | Compound, Locking | |
| 102 | 0272507 | 1 | Strobe Light Assembly/Guard/Harness Assy (Includes Items 102B & 102C) | C |
| 102A | | Ref | Lamp, Strobe Options: | |
| 102A | 7016380 | 1 | Bulb for ECCO Model 6640 | |
| 102A | 70001941 | 1 | Bulb for ECCO Model 6650 | |
| 102B | | Ref | Adapter Options: | |
| 102B | 0630491 | 1 | Guard used with ECCO Model 6640 | |
| 102B | 0080241 | 1 | Guard used with ECCO Model 6650 | |
| 102C | | Ref | Guard Options: | |
| 102C | 4060907 | 1 | Guard used with ECCO Model 6640 | |
| 102C | 2920215 | 1 | Guard used with ECCO Model 6650 | |
| | 1001150406 | Ref | STROBE LIGHT INSTALLATION (AMBER) (OPTIONAL) (SN 0300171640 through 0300201016) | B |
| | | Ref | Note: If machine is equipped with BLUE Strobe Light, See SPECIAL OPTIONS SECTION SkyGuard Kit. | |
| 151 | 0100035 | AR | Compound, Locking | |
| 152 | 2920161 | 1 | Strobe Light/Harness Assembly | |
| 152 | 7016319 | 1 | Bulb | |
| 152 | 7016372 | 1 | Lens | |
| 153 | 3312602 | 1 | Nut, Jam 1in-8NC | |
| 154 | 3900085 | 2 | Screw #10-32 x 1/2in | |
| 155 | 4751000 | 2 | Flatwasher 1/4in Thin | |
| 156 | 1001149994 | 1 | Mount Strobe | |
| | 0271769 | Ref | HEADLIGHT AND TAILLIGHTS INSTALLATION (OPTIONAL) | C |
| 201 | 0100011 | AR | Compound, Locking | |
| 202 | 0641610 | 2 | Bolt 3/8in-16NC x 1-1/4in | |
| 203 | 0642612 | 2 | Bolt 1in-8NC x 1-1/2in | |
| 204 | 0902206 | 2 | Bracket, Mounting | |
| 205 | 2920113 | 2 | Taillight | |
| 206 | 2920110 | 2 | Headlight | |
| 206 | 7016628 | 2 | Bulb, Replacement (1 Per Headlight) | |
| 207 | 3311001 | 4 | Nut #10-24NC | |
| 208 | 3573336 | 2 | Plate, Mounting | |
| 209 | 3740080 | 1 | Relay, Bosch | |
| 210 | 3911040 | 4 | Screw #10-24NC x 2-1/2in | |
| 211 | 4220162 | 2 | Spacer (Prior to SN 0300184392) | |
| 211 | 4892600 | 2 | Washer, Hardened (SN 0300184392 through 0300201016) | |

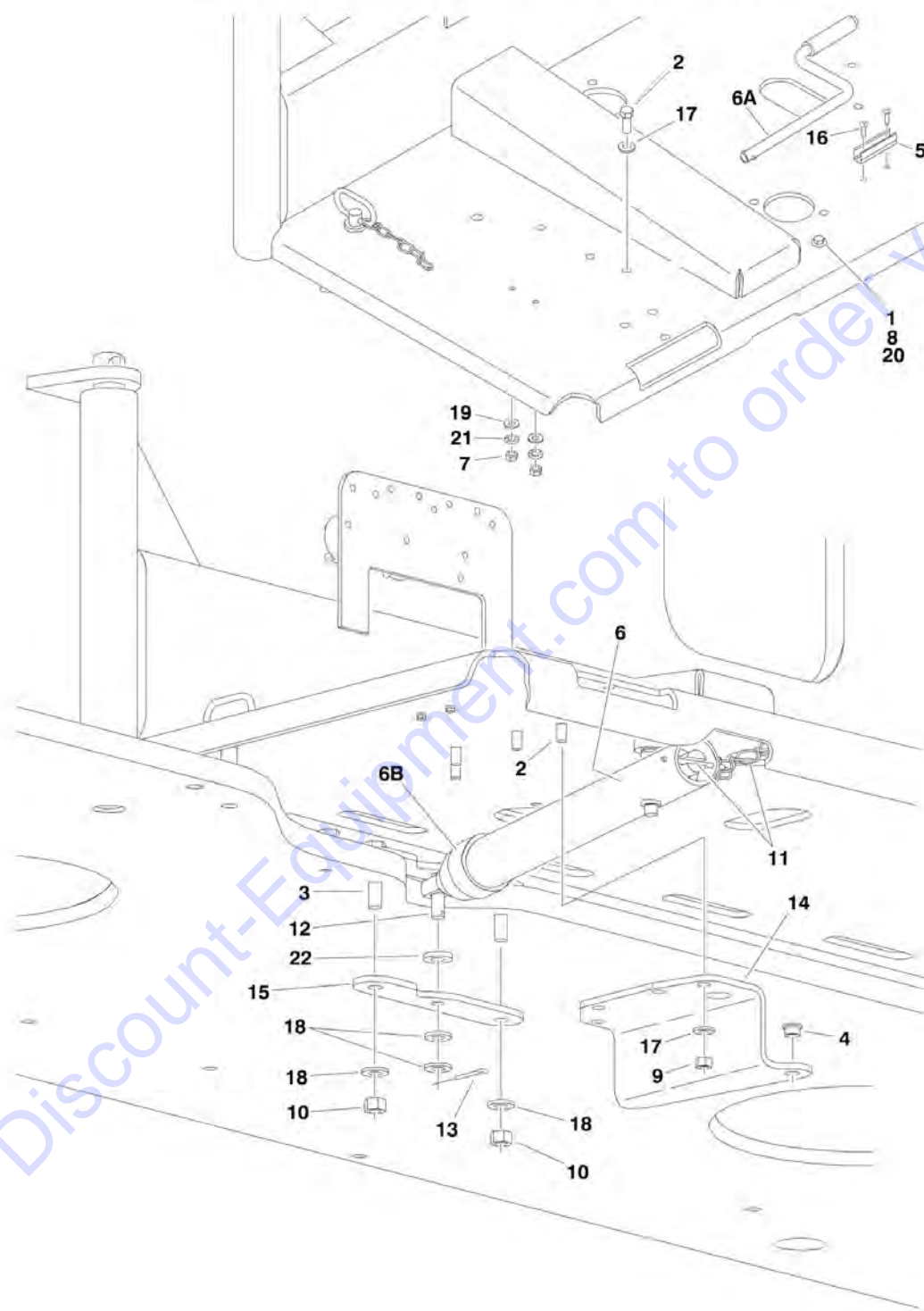
SECTION 2 - TURNTABLE

| ITEM | PART NUMBER | QTY | DESCRIPTION | REV |
|------|-------------|-----|--|-----|
| 212 | 4751000 | 4 | Flatwasher #10 Regular | |
| 213 | 4751600 | 2 | Flatwasher 3/8in Regular | |
| 217 | 3311605 | 2 | Locknut 3/8in-16NC | |
| 218 | 0100035 | AR | Compound, Locking | |
| | 0271808 | Ref | ILLUMINATION LIGHTS INSTALLATION (OPTIONAL) | B |
| 301 | 0100011 | AR | Compound, Locking | |
| 302 | 0641610 | 2 | Bolt 3/8in-16NC x 1-1/4in | |
| 303 | 0642612 | 2 | Bolt 1in-8NC x 1-1/2in | |
| 304 | 0902206 | 2 | Bracket, Mounting | |
| 305 | 2920157 | 4 | Headlight | |
| 305 | 7024452 | 4 | Bulb, Replacement (1 Per Light) | |
| 306 | 3573336 | 2 | Plate, Mounting | |
| 307 | 3740080 | 1 | Relay, Bosch | |
| 308 | 4220162 | 2 | Spacer | |
| 309 | 4751600 | 2 | Flatwasher 3/8in Regular | |
| | 0271874 | Ref | PINION SHIELD INSTALLATION | A |
| 401 | 0100011 | AR | Compound, Locking | |
| 402 | 0641608 | 4 | Bolt 3/8in-16NC x 1in | |
| 403 | 3573355 | 1 | Plate, Pinion | |
| 404 | 4751600 | 4 | Flatwasher 3/8in Regular | |
| | 1001111219 | Ref | SHIELDS INSTALLATION (OPTIONAL) | G |
| 502 | 0641506 | 5 | Bolt 5/16in-18NC x 3/4in | |
| 503 | 0641606 | 2 | Bolt 3/8in-16NC x 3/4in | |
| 504 | 0641608 | 3 | Bolt 3/8in-16NC x 1in | |
| 506 | 2940045 | 1 | Latch, Paddle | |
| 508 | 3311605 | AR | Locknut 3/8in-16NC | |
| 510 | 4711500 | 7 | Flatwasher 5/16in Thin | |
| 511 | 4751600 | AR | Flatwasher 3/8in Regular | |
| 513 | 1001111175 | 1 | Plate, Bearing Cover | |
| 514 | 1001111176 | 1 | Plate, Bearing Cover | |
| 515 | 1001112911 | 1 | Plate, Striker | |
| 516 | 1001111193 | 1 | Door | |
| 517 | 1001113173 | 1 | Decal - Emergency Stop | |
| 518 | 1001114392 | 1 | Plug, Rubber | |
| 519 | 1001115168 | 1 | Shim (SN 0300138349 through 0300201016) | |
| 520 | 0100011 | AR | Compound, Locking | |
| 521 | 0630511 | 1 | Bolt 3/8in-16NC x 2in | |
| 522 | 0641404 | 1 | Bolt 1/4in-20NC x 1/2in | |
| 523 | 0791604 | 2 | Bolt 3/8in-16NC x 1/2in | |
| 524 | 4751400 | 1 | Flatwasher 1/4in Regular | |
| 525 | 1001115440 | 1 | Shield, Turntable | |

SECTION 2 - TURNTABLE

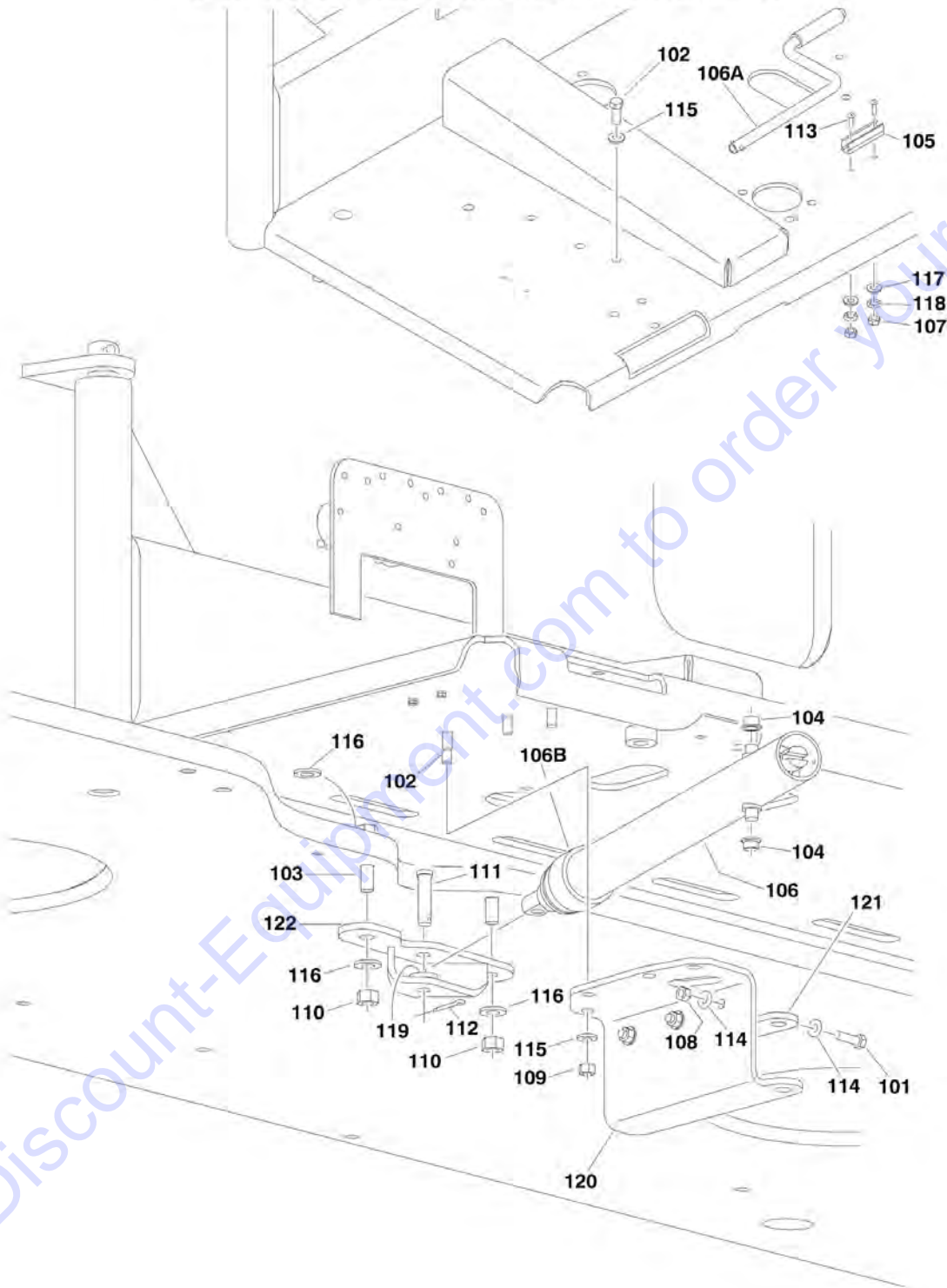
FIGURE 2-22. ENGINE TRAY JACK INSTALLATION

DEUTZ BF4M2011 ENGINE & TD2011 ENGINE MACHINES



SECTION 2 - TURNTABLE

DEUTZ TCD2.9L4 ENGINE & CATERPILLAR ENGINE MACHINES



SECTION 2 - TURNTABLE

FIGURE 2-22. ENGINE TRAY JACK INSTALLATION

| ITEM | PART NUMBER | QTY | DESCRIPTION | REV |
|------|-------------|-----|--|-----|
| | 0272064 | Ref | ENGINE TRAY JACK INSTALLATION (DEUTZ BF4M2011 ENGINE & TD2011 ENGINES MACHINES) | C |
| 1 | 0641406 | 1 | Bolt 1/4in-20NC x 3/4in (Prior to SN 0300070646) | |
| 2 | 0641608 | 4 | Bolt 3/8in-16NC x 1in | |
| 3 | 0641818 | 2 | Bolt 1/2in-13NC x 2-1/4in | |
| 4 | 0962051 | 2 | Bearing, Flanged | |
| 5 | 1380147 | 1 | Clip, Spring | |
| 6 | 2840016 | 1 | Jack and Handle Assembly | |
| 6A | | Ref | Handle Options: | |
| 6A | 7016374 | 1 | Burr Manufacturing Brand (identified by 4in handle offset) | |
| 6A | 7024598 | 1 | Hammerblow Corp Brand (identified by 4-1/2in handle offset) | |
| 6B | 7016322 | 1 | Wiper (Burr Manufacturing Brand Only) | |
| 7 | 3310601 | 2 | Nut #6-32NC | |
| 8 | 3311405 | 1 | Locknut 1/4in-20NC (Prior to SN 0300070646) | |
| 9 | 3311605 | 4 | Locknut 3/8in-16NC | |
| 10 | 3311805 | 2 | Locknut 1/2in-13NC | |
| 11 | 3422530 | 1 | Pin, Hitch (Includes Chain and Cotter Pin) (Prior to SN 0300070646) | |
| 12 | 3430816 | 1 | Pin, Clevis | |
| 13 | 3450404 | 1 | Pin, Cotter 1/8in x 1in | |
| 14 | 3537445 | 1 | Bracket | |
| 15 | 3573454 | 2 | Bracket | |
| 16 | 3910608 | 2 | Screw #6-32NC x 1/2in | |
| 17 | 4711600 | 8 | Flatwasher 3/8in Thin | |
| 18 | 4711800 | 4 | Flatwasher 1/2in Thin | |
| 19 | 4750600 | 2 | Flatwasher #6 Regular | |
| 20 | 4751400 | 2 | Flatwasher 1/4in Regular (Prior to SN 0300070646) | |
| 21 | 4770600 | 2 | Starwasher #6 | |
| 22 | 4891800 | 1 | Flatwasher, 1/2in Hardened | |
| | | Ref | ENGINE TRAY JACK INSTALLATION (DEUTZ TCD2.9L4 ENGINE AND CATERPILLAR ENGINE MACHINES) | |
| | 1001143294 | Ref | Deutz TCD2.9L4 Engine Machines | A |
| | 1001135661 | Ref | Caterpillar Engine Machines | A |
| 101 | 0641509 | 3 | Bolt 5/16in-18NC x 1-1/8in | |
| 102 | 0641608 | 4 | Bolt 3/8in-16NC x 1in | |
| 103 | 0641816 | 2 | Bolt 1/2in-13NC x 2in | |
| 104 | 0962051 | 2 | Bearing, Flanged | |
| 105 | 1380147 | 1 | Clip, Spring | |
| 106 | 2840016 | 1 | Jack and Handle Assembly | |
| 106A | | Ref | Handle Options: | |
| 106A | 7016374 | 1 | Burr Manufacturing Brand (identified by 4in handle offset) | |
| 106A | 7024598 | 1 | Hammerblow Corp Brand (identified by 4-1/2in handle offset) | |
| 106B | 7016322 | 1 | Wiper (Burr Manufacturing Brand Only) | |
| 107 | 3310601 | 2 | Nut #6-32NC | |
| 108 | 3311505 | 3 | Locknut 5/16in-18NC | |
| 109 | 3311605 | 4 | Locknut 3/8in-16NC | |
| 110 | 3311805 | 2 | Locknut 1/2in-13NC | |
| 111 | 3430816 | 1 | Pin, Clevis | |
| 112 | 3450404 | 1 | Pin, Cotter 1/8in x 1in | |
| 113 | 3910608 | 2 | Screw #6-32NC x 1/2in | |

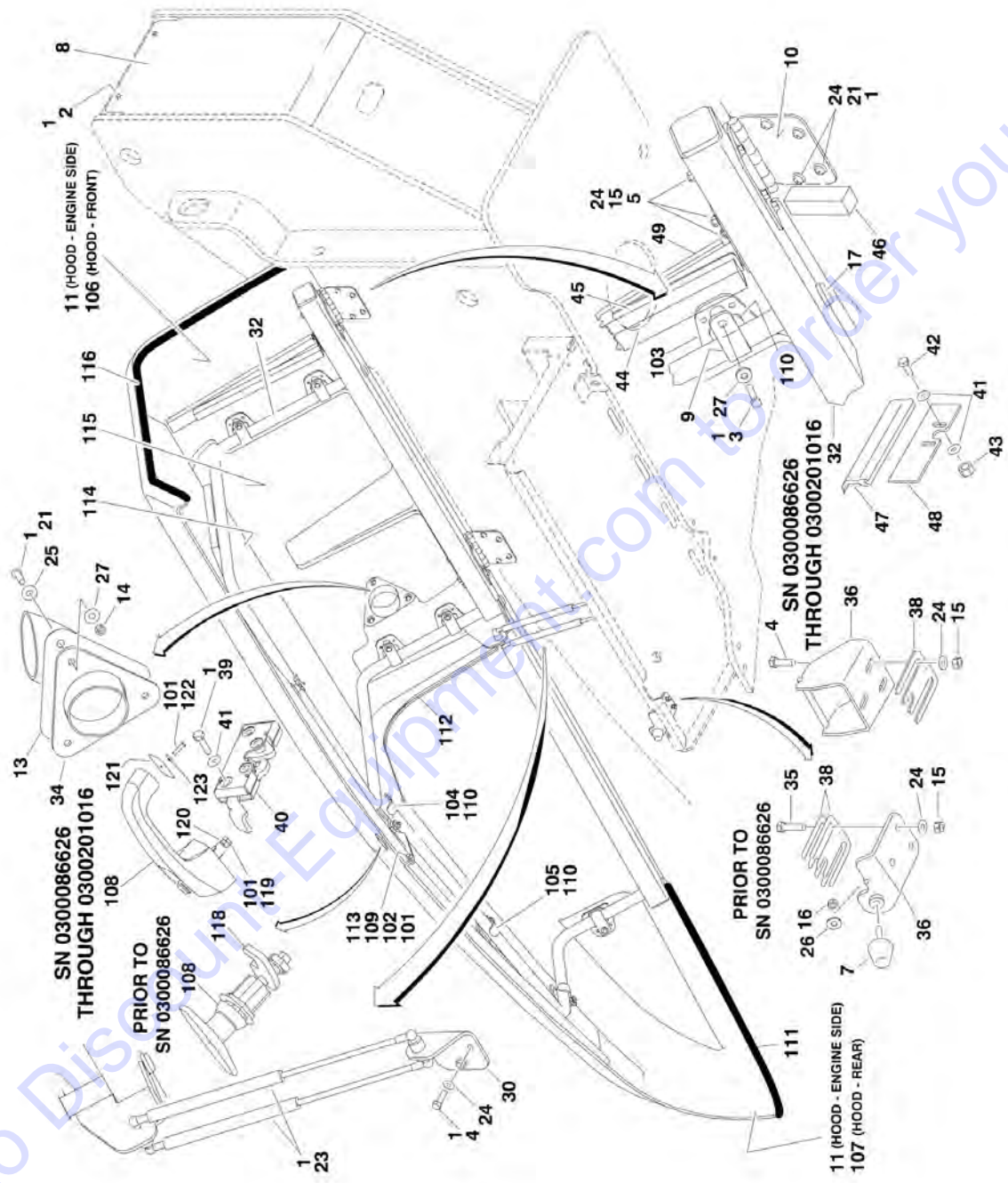
SECTION 2 - TURNTABLE

| ITEM | PART NUMBER | QTY | DESCRIPTION | REV |
|------|-------------|-----|--------------------------------|-----|
| 114 | 4711500 | 6 | Flatwasher 5/16in Thin | |
| 115 | 4711600 | 8 | Flatwasher 3/8in Thin | |
| 116 | 4711800 | 4 | Flatwasher 1/2in Thin | |
| 117 | 4750600 | 2 | Flatwasher #6 Regular | |
| 118 | 4770600 | 2 | Starwasher #6 | |
| 119 | 4891800 | 1 | Flatwasher, 1/2in Hardened | |
| 120 | | Ref | Plate, Jack Bracket Options: | |
| 120 | 1001143298 | 1 | Deutz TCD2.9L4 Engine Machines | |
| 120 | 1001131481 | 1 | Caterpillar Engine Machines | |
| 121 | 1001131482 | 1 | Plate, Jack Bracket | |
| 122 | 1001135663 | 1 | Support, Engine Tray Jack | |

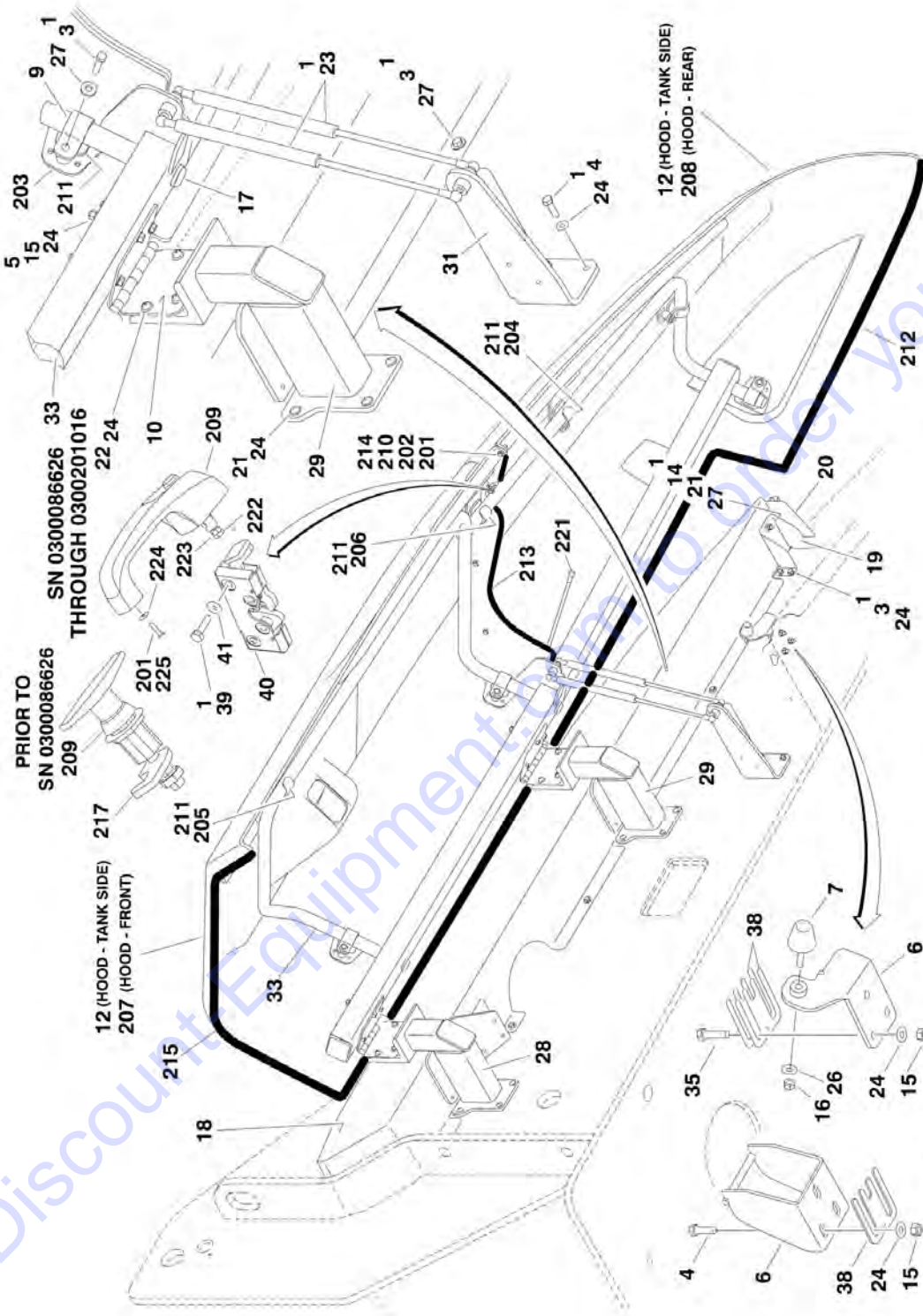
Go to Discount-Equipment.com to order your parts

SECTION 2 - TURNTABLE

FIGURE 2-23. HOOD INSTALLATION (ABS)



SECTION 2 - TURNTABLE



PRIOR TO
SN 0300086626
THROUGH 0300201016

PRIOR TO
SN 0300086626
THROUGH 0300201016

PRIOR TO
SN 0300086626
THROUGH 0300201016

Go to Discount Equipment to order your parts

SECTION 2 - TURNTABLE

FIGURE 2-23. HOOD INSTALLATION (ABS)

| ITEM | PART NUMBER | QTY | DESCRIPTION | REV |
|------|-------------|-----|---|-----|
| | | Ref | HOOD INSTALLATIONS (ABS) | |
| | 0271595 | Ref | All Machines Except Machines with Deutz TCD2.9L4 Engines | F |
| | 1001142024 | Ref | Machines with Deutz TCD2.9L4 Engines | C |
| 1 | 0100011 | AR | Compound, Locking | |
| 2 | 0791604 | 2 | Screw 3/8in-16NC x 1/2in | |
| 3 | 0641608 | 24 | Bolt 3/8in-16NC x 1in | |
| 4 | 0641610 | AR | Bolt 3/8in-16NC x 1-1/4in | |
| 5 | 0641630 | 12 | Bolt 3/8in-16NC x 3-3/4in | |
| 6 | | Ref | Bracket Options: | |
| 6 | 0902758 | 1 | Bracket (Use p/n 4846710) (Prior to SN 0300086626) | |
| 6 | 0903156 | 1 | Bracket (SN 0300086626 through 0300201016) | |
| 7 | 0940088 | 2 | Bumper (Prior to SN 0300086626) | |
| 8 | 1671038 | 1 | Cover, Turntable | |
| 9 | 2080051 | 16 | Clamp | |
| 10 | 2600280 | 4 | Hinge | |
| 11 | | Ref | Hood, Engine Side Options (See Items 101-123 for Breakdown): | |
| 11 | 2680499 | 1 | Machines with Caterpillar, Deutz BF4M2011 & Deutz TD2011Engines (Prior to SN 0300086626) | |
| 11 | 1671192 | 1 | Machines with Caterpillar, Deutz BF4M2011 & Deutz TD2011Engines (SN 0300086626 through 0300201016) | |
| 11 | 1001142023 | 1 | Machines with Deutz TCD2.9L4 Engines | |
| | | Ref | Note: Replacement decals must be ordered separately - See DECAL SECTION. | |
| 12 | | Ref | Hood, Tank Side Options (See Items 201-225 for Breakdown): | |
| 12 | 2680500 | 1 | Hood, Tank Side (Prior to SN 0300086626) | |
| 12 | 1671194 | 1 | Hood, Tank Side (SN 0300086626 through 0300201016) | |
| | | Ref | Note: Replacement decals must be ordered separately - See DECAL SECTION. | |
| 13 | 2820141 | 1 | Shield, Heat (Machines with Caterpillar, Deutz BF4M2011 & Deutz TD2011Engines Only) | |
| 14 | 3311601 | AR | Nut 3/8in-16NC | |
| 15 | 3311605 | 18 | Locknut 3/8in-16NC | |
| 16 | 3321501 | 2 | Nut 5/16in-24NF | |
| 17 | 3520186 | 6 | Plug | |
| 18 | 3573231 | 1 | Trough, Powertrack | |
| 19 | 3573232 | 1 | Mount, Trough | |
| 20 | 3573233 | 1 | Plate, Seal Mounting | |
| 21 | 3900232 | AR | Screw, Button Head 3/8in-16NC x 1-1/4in | |
| 22 | 3900283 | 16 | Screw, Button Head 3/8in-16NC x 3/4in | |
| 23 | 4160194 | 4 | Spring, Gas | |
| 24 | 4711600 | 70 | Flatwasher 3/8in Thin | |
| 25 | 4740500 | AR | Washer, Nylon | |
| 26 | 4751500 | 2 | Flatwasher 5/16in Regular (Prior to SN 0300086626) | |
| 27 | 4751600 | AR | Flatwasher 3/8in Regular | |
| 28 | | Ref | Support, Front Hood Options: | |
| 28 | 4846474 | 1 | Support, Front Hood (Prior to SN 0300079360) | |
| 28 | 4340924 | 1 | Support, Front Hood (SN 0300079360 through 0300201016) | |
| 29 | | Ref | Support, Rear Hood Options: | |
| 29 | 4846475 | 1 | Support, Rear Hood (Prior to SN 0300079360) | |
| 29 | 4340923 | 1 | Support, Rear Hood (SN 0300079360 through 0300201016) | |
| 30 | | Ref | Mount, Gas Spring Options: | |

SECTION 2 - TURNTABLE

| ITEM | PART NUMBER | QTY | DESCRIPTION | REV |
|------|-------------|-----|--|-----|
| 30 | 4846487 | 1 | Mount, Gas Spring (Prior to SN 0300086626) | |
| 30 | 4341001 | 1 | Mount, Gas Spring (SN 0300086626 through 0300201016) | |
| 31 | | Ref | Mount, Gas Spring Options: | |
| 31 | 4846488 | 1 | Mount, Gas Spring (Prior to SN 0300086626) | |
| 31 | 4340999 | 1 | Mount, Gas Spring (SN 0300086626 through 0300201016) | |
| 32 | | Ref | Support, Engine Side Hood Options: | |
| 32 | 4846491 | 1 | Support, Engine Side Hood (Prior to SN 0300086626) | |
| 32 | 4340996 | 1 | Support, Engine Side Hood (SN 0300086626 through 0300201016) | |
| 33 | | Ref | Support, Tank Side Hood Options: | |
| 33 | 4846492 | 1 | Support, Tank Side Hood (Prior to SN 0300086626) | |
| 33 | 4340995 | 1 | Support, Tank Side Hood (SN 0300086626 through 0300201016) | |
| 34 | | Ref | Stack, Exhaust Options: | |
| 34 | 4846503 | 1 | Machines with Caterpillar, Deutz BF4M2011 & Deutz TD2011 Engines | |
| 34 | 1001142181 | 1 | Machines with Deutz TCD2.9L4 Engines | |
| 35 | 0641612 | 6 | Bolt 3/8in-16NC x 1-1/2in (Prior to SN 0300086626) | |
| 36 | | Ref | Bracket, Latch Options: | |
| 36 | 0902806 | 1 | Bracket, Latch (Use p/n 4846709) (Prior to SN 0300086626) | |
| 36 | 0903154 | 1 | Bracket, Latch (SN 0300086626 through 0300201016) | |
| 37 | 3520034 | 2 | Plug (Not Shown - Located in Boom Rest) | |
| 38 | 4071048 | AR | Shim | |
| 39 | 0641408 | 8 | Bolt 1/4in-20NC x 1in (SN 0300086626 through 0300201016) | |
| 40 | 2940173 | 2 | Latch, Rotary (SN 0300086626 through 0300201016) | |
| 41 | 4711400 | AR | Flatwasher 1/4in Thin (SN 0300086626 through 0300201016) | |
| 42 | 0641406 | 2 | Bolt 1/4in-20NC x 3/4in (Machines with Deutz TCD2.9L4 Engines) | |
| 43 | 3311405 | 2 | Locknut 1/4in-20NC (Machines with Deutz TCD2.9L4 Engines) | |
| 44 | 1001140485 | 1 | Seal (Machines with Deutz TCD2.9L4 Engines) | |
| 45 | 1001142144 | 1 | Bracket (Machines with Deutz TCD2.9L4 Engines) | |
| 46 | 1001146132 | 1 | Seal (Machines with Deutz TCD2.9L4 Engines) | |
| 47 | 1001146178 | 1 | Seal (Machines with Deutz TCD2.9L4 Engines) | |
| 48 | 1001146183 | 1 | Plate (Machines with Deutz TCD2.9L4 Engines) | |
| 49 | 1001146142 | 1 | Seal (Machines with Deutz TCD2.9L4 Engines) | |
| | | Ref | ENGINE SIDE HOOD ASSEMBLIES (ABS) | |
| | 2680499 | Ref | Machines with Caterpillar, Deutz BF4M2011 & Deutz TD2011Engines (Prior to SN 0300086626) | D |
| | 1671192 | Ref | Machines with Caterpillar, Deutz BF4M2011 & Deutz TD2011Engines (SN 0300086626 through 0300201016) | B |
| | 1001142023 | Ref | Machines with Deutz TCD2.9L4 Engines | C |
| 101 | 0100011 | AR | Compound, Locking | |
| 102 | 0641506 | 10 | Bolt 5/16in-18NC x 3/4in | |
| 102 | 0641510 | 10 | Bolt 5/16in-18NC x 1-1/4in | |
| 103 | 0902746 | 7 | Bracket | |
| 104 | | Ref | Bracket Options: | |
| 104 | 0902760 | 1 | Bracket (Prior to SN 0300086626) | |
| 104 | 0903161 | 1 | Bracket (SN 0300086626 through 0300201016) | |
| 105 | 0902761 | 1 | Bracket | |
| 106 | | Ref | Hood - Front Options: | |
| | | Ref | Note: When installing a replacement hood, heat shields (items 114 & 115) must be installed on the replacement hood before being place in service. Only p/n 1001097956 | |

SECTION 2 - TURNTABLE

| ITEM | PART NUMBER | QTY | DESCRIPTION | REV |
|------|-------------|------------|---|-----|
| | | | hood includes the heat shield insulation. For all other hoods, heat shield must be purchased separately. | |
| 106 | 1001097956 | 1 | Machines with Caterpillar, Deutz BF4M20111 & Deutz TD2011 Engines (Includes Items 13, 25, 114 & 115) | |
| 106 | 1001142021 | 1 | Machines with Deutz TCD2.9L4 Engines | |
| 107 | 2680496 | 1 | Hood - Rear | |
| 108 | | Ref | Hardware Options: | |
| 108 | 2940124 | 1 | Latch (Use p/n 7027859) (Prior to SN 0300086626) | |
| 108 | 2560187 | 1 | Handle, Push Button (SN 0300086626 through 0300201016) | |
| 109 | 3311501 | 10 | Nut 5/16in-18NC | |
| 110 | 3340877 | 9 | Pad | |
| 111 | 3960464 | 12 ft/3.7m | Seal, Hood | |
| 112 | 4060806 | 49 in/1.3m | Flex-Trim | |
| 113 | 4751500 | 20 | Flatwasher 5/16in Regular | |
| 114 | | Ref | Insulation Options: | |
| 114 | 2820145 | 1 | Machines with Caterpillar, Deutz BF4M2011 & Deutz TD2011 Engines | |
| 114 | 1001152566 | 1 | Machines with Deutz TCD2.9L4 Engines | |
| 114 | 1001117140 | AR | Tape, Aluminized | |
| 115 | | Ref | Insulation Options: | |
| 115 | 2820146 | 1 | Machines with Caterpillar, Deutz BF4M2011 & Deutz TD2011 Engines | |
| 115 | 1001152566 | 1 | Machines with Deutz TCD2.9L4 Engines | |
| 115 | 1001117140 | AR | Tape, Aluminized | |
| 116 | 4060804 | 61 in/1.6m | Flex-Trim | |
| 117 | 0100081 | AR | Adhesive (Not Shown) | |
| 118 | 0902874 | 1 | Pawl, Latch (Prior to SN 0300086626) | |
| 119 | 0760608 | 1 | Screw M6 x 16mm (SN 0300086626 through 0300201016) | |
| 120 | 3290601 | 1 | Nut M6 (SN 0300086626 through 0300201016) | |
| 121 | 3575782 | 1 | Plate, Handle Backing (SN 0300086626 through 0300201016) | |
| 122 | 3900363 | 2 | Screw M6 x 1x25mm (SN 0300086626 through 0300201016) | |
| 123 | 4811900 | 2 | Flatwasher M8 (SN 0300086626 through 0300201016) | |
| | | Ref | TANK SIDE HOOD ASSEMBLIES (ABS) | |
| | 2680500 | Ref | Tank Side Hood Assemblies (Prior to SN 0300086626) | E |
| | 1671194 | Ref | Tank Side Hood Assemblies (SN 0300086626 through 0300201016) | A |
| 201 | 0100011 | AR | Compound, Locking | |
| 202 | 0641506 | 9 | Bolt 5/16in-18NC x 3/4in | |
| 203 | 0902746 | 4 | Bracket | |
| 204 | 0902762 | 1 | Bracket | |
| 205 | 0902763 | 1 | Bracket | |
| 206 | | Ref | Bracket Options: | |
| 206 | 0902764 | 1 | Bracket (Prior to SN 0300086626) | |
| 206 | 0903162 | 1 | Bracket (SN 0300086626 through 0300201016) | |
| 207 | | Ref | Hood - Front Options: | |
| 207 | 2680497 | 1 | Hood - Front (Prior to SN 0300086626) | |
| 207 | 1671193 | 1 | Hood - Front (SN 0300086626 through 0300201016) | |
| 208 | 2680498 | 1 | Hood - Rear | |
| 209 | | Ref | Hardware Options: | |
| 209 | 2940124 | 1 | Latch (Use p/n 7027859) (Prior to SN 0300086626) | |
| 209 | 2560187 | 1 | Handle, Push Button (SN 0300086626 through 0300201016) | |
| 210 | 3311501 | 9 | Nut 5/16in-18NC | |

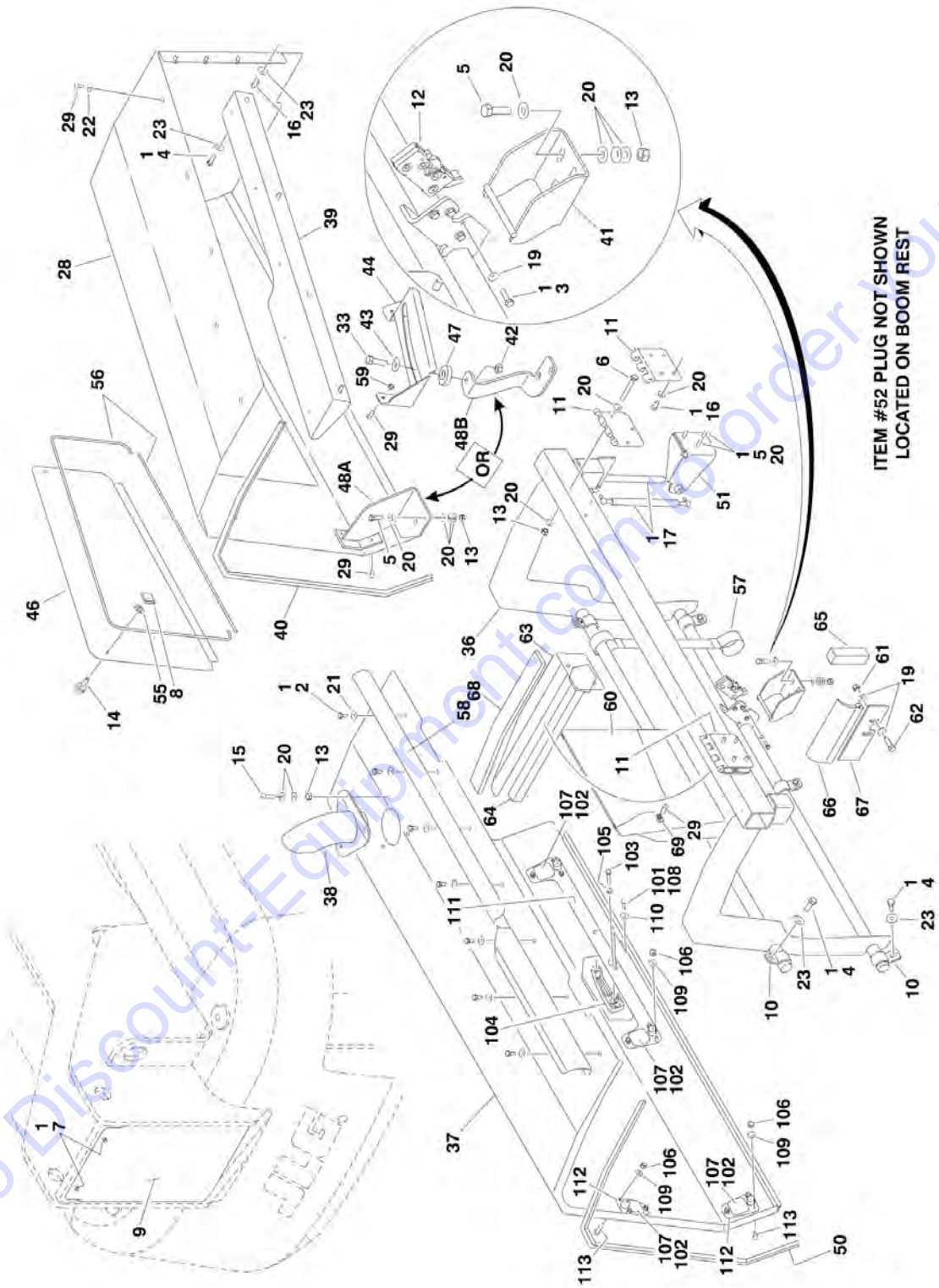
SECTION 2 - TURNTABLE

| ITEM | PART NUMBER | QTY | DESCRIPTION | REV |
|------|-------------|----------------|---|-----|
| 211 | 3340877 | 7 | Pad | |
| 212 | 3960464 | 149 in/3.8m | Seal, Hood | |
| 213 | 4060806 | 40 in/1.2m | Flex-Trim | |
| 214 | 4751500 | 18 | Flatwasher 5/16in Regular | |
| 215 | 4060804 | 53 in/1.4m | Flex-Trim | |
| 216 | 0100081 | AR | Adhesive (Not Shown) | |
| 217 | 0902874 | 1 | Pawl, Latch (Prior to SN 0300086626) | |
| 221 | 4240150 | 1 | Strap, Ground | |
| 222 | 0760608 | 1 | Screw M6 x 16mm (SN 0300086626 through 0300201016) | |
| 223 | 3290601 | 1 | Nut M6 (SN 0300086626 through 0300201016) | |
| 224 | 3900363 | 2 | Screw M6 x 1x25mm (SN 0300086626 through 0300201016) | |
| 225 | 4811900 | 2 | Flatwasher M8 (SN 0300086626 through 0300201016) | |

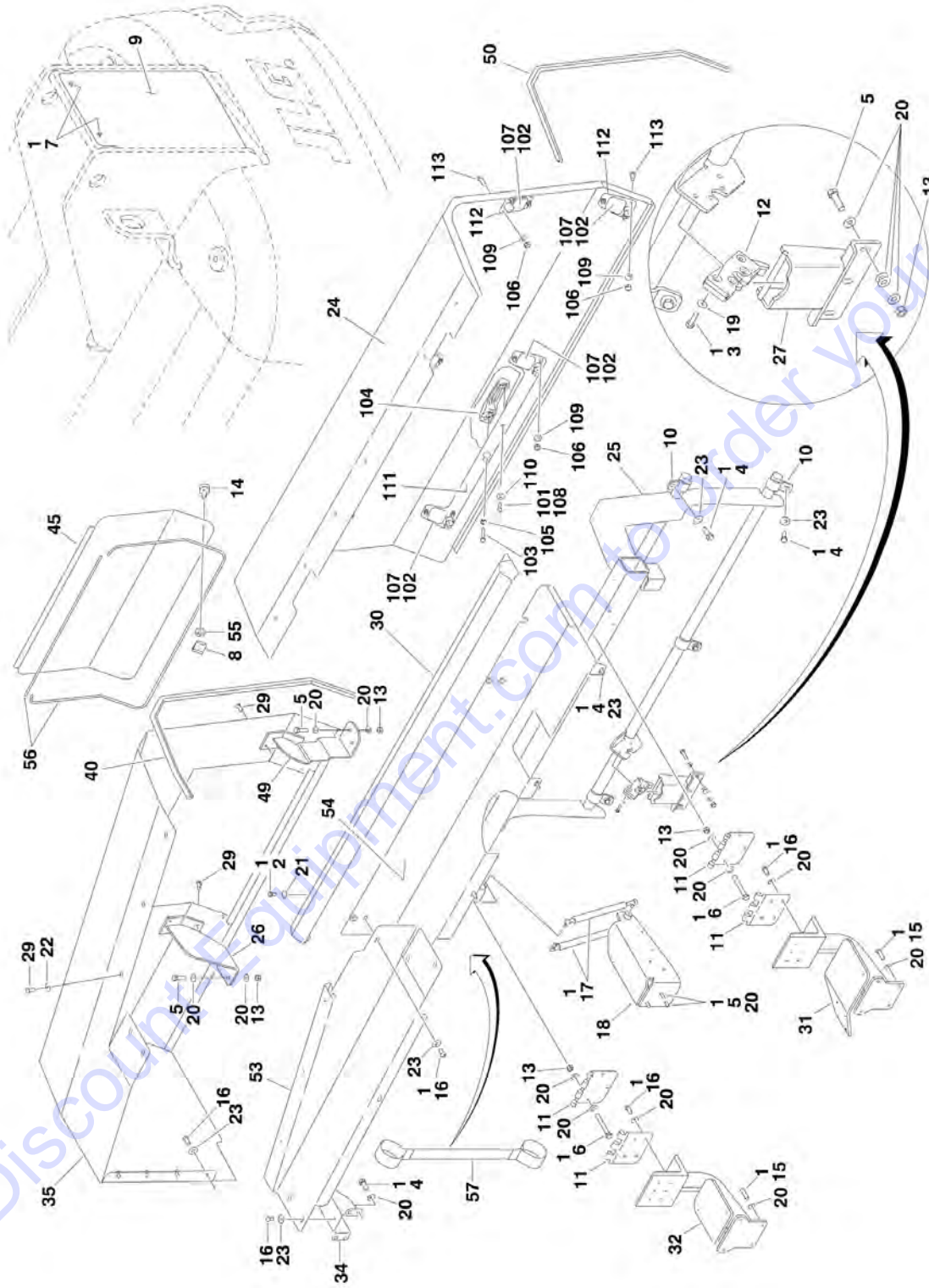
Go to Discount-Equipment.com to order your parts

SECTION 2 - TURNTABLE

FIGURE 2-24. HOOD INSTALLATION (Prior to SN 0300195072)



SECTION 2 - TURNTABLE



SECTION 2 - TURNTABLE

FIGURE 2-24. HOOD INSTALLATION (Prior to SN 0300195072)

| ITEM | PART NUMBER | QTY | DESCRIPTION | REV |
|------|-------------|-----|--|-----|
| | | Ref | HOOD INSTALLATIONS | |
| | 1001109543 | Ref | Hood Installations (Prior to SN 0300162522) | D |
| | 1001131545 | Ref | All Machines Except Machines with Deutz TCD2.9L4 Engines (SN 0300162522 through 0300195072) | E |
| | 1001139774 | Ref | Machines with Deutz TCD2.9L4 Engines | G |
| 1 | 0100011 | AR | Compound, Locking | |
| 2 | 0641405 | 14 | Bolt 1/4in-20NC x 5/8in | |
| 3 | 0641408 | 8 | Bolt 1/4in-20NC x 1in | |
| 4 | 0641608 | 24 | Bolt 3/8in-16NC x 1in | |
| 5 | 0641610 | 18 | Bolt 3/8in-16NC x 1-1/4in | |
| 6 | 0641630 | 12 | Bolt 3/8in-16NC x 3-3/4in | |
| 7 | 0791604 | 2 | Screw 3/8in-16NC x 1/2in | |
| 8 | 1380169 | 4 | Clip, Receptacle | |
| 9 | 1671038 | 1 | Cover, Turntable | |
| 10 | 2080051 | 12 | Clamp | |
| 11 | 2600280 | 4 | Hinge | |
| 12 | 2940173 | 2 | Latch, Rotary | |
| 13 | 3311605 | 27 | Locknut 3/8in-16NC | |
| 14 | 3900174 | 4 | Screw, Thumb | |
| 15 | 3900232 | 11 | Screw, Button Head 3/8in-16NC x 1-1/4in | |
| 16 | 3900283 | 32 | Screw, Button Head 3/8in-16NC x 3/4in | |
| 17 | 4160194 | 4 | Spring, Gas | |
| 18 | 4340999 | 1 | Mount, Gas Spring | |
| 19 | 4711400 | 8 | Flatwasher 1/4in Thin | |
| 20 | 4711600 | AR | Flatwasher 1/4in Thin | |
| 21 | 4751400 | 14 | Flatwasher 1/4in Regular | |
| 22 | 4751500 | 10 | Flatwasher 5/16in Regular | |
| 23 | 4751600 | 36 | Flatwasher 3/8in Regular | |
| 24 | 1001107176 | 1 | Hood, Tank Side - Front (See Items 101-113 for Breakdown) | |
| | | Ref | Note: Replacement decals must be ordered separately - See DECAL SECTION. | |
| 25 | 1001108142 | 1 | Support, Tank Side Hood | |
| 26 | 1001108680 | 1 | Bracket, Hood Support | |
| 27 | 1001113004 | 1 | Bracket, Striker | |
| 28 | | Ref | Hood, Engine Side - Rear Options: | |
| 28 | 1001108904 | 1 | Hood, Engine Side - Rear (Prior to SN 0300162522) | |
| 28 | 1001131544 | 1 | Hood, Engine Side - Rear (SN 0300162522 through 0300195072) | |
| 29 | 3900210 | AR | Screw, Button Head 5/16in-18NC x 3/4in | |
| 30 | 1001109511 | 1 | Shield, Hinge | |
| 31 | 1001109651 | 1 | Support, Front Hood | |
| 32 | 1001109652 | 1 | Support, Front Hood | |
| 33 | 0641813 | 1 | Bolt 1/2in-13NC x 1-5/8in (SN 0300162522 through 0300195072) | |
| 34 | 1001109759 | 1 | Support, Power Track Trough | |
| 35 | 1001109838 | 1 | Hood, Tank Side - Rear | |
| 36 | 1001109941 | 1 | Support, Engine Side (Use p/n 1001146036) | |
| 37 | | Ref | Hood, Engine Side - Front Option (See Items 101-113 for Breakdown): | |
| 37 | 1001109989 | 1 | Machines with Caterpillar, Deutz BF4M2011 & Deutz TD2011 Engines | |

SECTION 2 - TURNTABLE

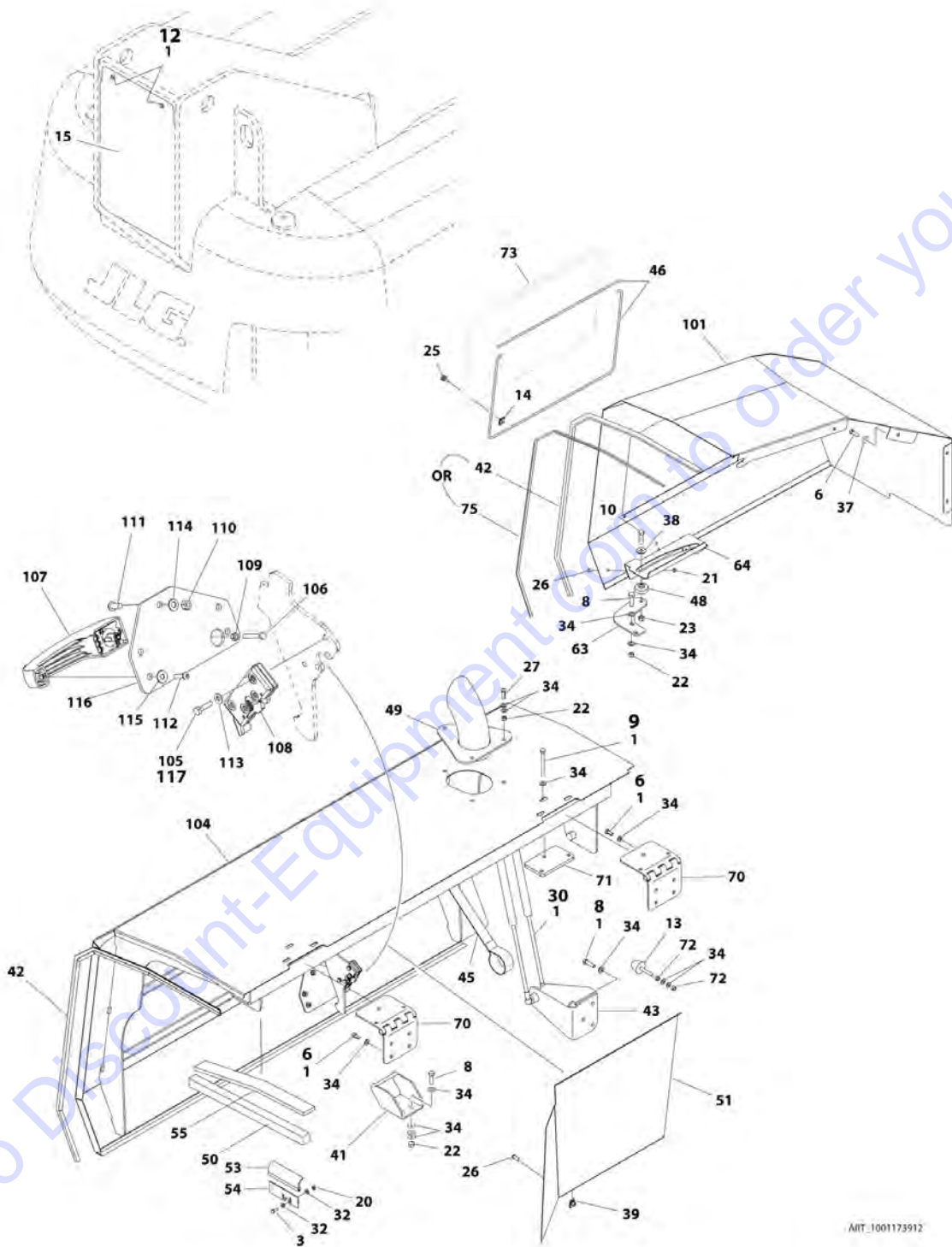
| ITEM | PART NUMBER | QTY | DESCRIPTION | REV |
|------|-------------|----------------|---|-----|
| 37 | 1001139805 | 1 | Machines with Deutz TCD2.9L4 Engines | |
| | | Ref | Note: Replacement decals must be ordered separately - See DECAL SECTION. | |
| 38 | | Ref | Stack, Exhaust Options: | |
| 38 | 1001110027 | 1 | Machines with Caterpillar, Deutz BF4M2011 & Deutz TD2011 Engines | |
| 38 | 1001139778 | 1 | Machines with Deutz TCD2.9L4 Engines | |
| 39 | 1001110146 | 1 | Support, Engine Side | |
| 40 | 1001110166 | 9.5 ft/2.9m | Seal | |
| 41 | 1001110194 | 1 | Bracket, Striker | |
| 42 | 3311805 | 1 | Locknut 1/2in-13NC (SN 0300162522 through 0300195072) | |
| 43 | 4751800 | 1 | Flatwasher 1/2in Regular (SN 0300162522 through 0300195072) | |
| 44 | 1001131460 | 1 | Bracket, Engine Tray (SN 0300162522 through 0300195072) | |
| 45 | 1001110257 | 1 | Cover, Access (Tank Side) | |
| 46 | 1001110258 | 1 | Cover, Access (Engine Side) | |
| 47 | 1001131462 | 1 | Pad, Hood Slide (SN 0300162522 through 0300195072) | |
| 48 | | Ref | Bracket, Hood Support Options: | |
| 48A | 1001110295 | 1 | Bracket, Hood Support (Prior to SN 0300162522) | |
| 48B | 1001131461 | 1 | Bracket, Hood Support (SN 0300162522 through 0300195072) | |
| 49 | 1001110296 | 1 | Bracket, Hood Support | |
| 50 | 1001110433 | 9.5 ft/2.9m | Seal | |
| 51 | 1001110486 | 1 | Mount, Gas Spring | |
| 52 | 3520034 | 2 | Plug, Hole (Not Shown - Located on Inside Turntable) | |
| 53 | 1001111585 | 1 | Plate, Power Track Trough | |
| 54 | 1001112162 | 1 | Plate, Power Track Trough | |
| 55 | 3760308 | 4 | Retainer | |
| 56 | 1001113047 | 17 ft/5.2m | Seal, Adhesive Backed | |
| 57 | 1001112691 | 2 | Strap, Hand Pull | |
| 58 | 1001114098 | 1 | Shield, Rubber | |
| 59 | 3311505 | 4 | Locknut 5/16in-18NC (SN 0300162522 through 0300195072) | |
| 60 | 1001145162 | 1 | Panel, Heat Deflector (Machines with Deutz TCD2.9L4 Engines) | |
| 61 | 3311405 | 2 | Locknut 1/4in-20NC (Machines with Deutz TCD2.9L4 Engines) | |
| 62 | 0641406 | 2 | Bolt 1/4in-20NC x 3/4in (Machines with Deutz TCD2.9L4 Engines) | |
| 63 | 1001140483 | 1 | Bracket (Machines with Deutz TCD2.9L4 Engines) | |
| 64 | 1001140485 | 1 | Seal (Machines with Deutz TCD2.9L4 Engines) | |
| 65 | 1001146132 | 1 | Seal (Machines with Deutz TCD2.9L4 Engines) | |
| 66 | 1001146178 | 1 | Seal (Machines with Deutz TCD2.9L4 Engines) | |
| 67 | 1001146183 | 1 | Plate (Machines with Deutz TCD2.9L4 Engines) | |
| 68 | 1001146244 | 1 | Seal (Machines with Deutz TCD2.9L4 Engines) | |
| 69 | 8310658 | 5 | Nut, Retainer (Machines with Deutz TCD2.9L4 Engines) | |
| 70 | 1001174896 | 1 | Kit Hood (Machines with Deutz TCD2.9L4 Engines) (Includes Items 24, 28, 35 & 37) (Not Shown) (SN 0300190842 through 0300195072) | |
| 71 | 1001165676 | 1 | Kit Hood (Machines with Caterpillar and Deutz TD2011 Engines) (Includes Items 24, 28, 35 & 37) (Not Shown) (SN 0300182763 through 0300195072) | |
| | | Ref | HOOD COMPONENTS | |
| | 1001107176 | Ref | Tank Side Hood | F |
| | | Ref | Engine Side Hood Options: | |
| | 1001109989 | Ref | Machines with Caterpillar, Deutz BF4M2011 & Deutz | F |

SECTION 2 - TURNTABLE

| ITEM | PART NUMBER | QTY | DESCRIPTION | REV |
|------|-------------|-----|---|-----|
| | 1001139805 | Ref | TD2011Engines | D |
| | | Ref | Machines with Deutz TCD2.9L4 Engines | |
| | | Ref | Note: Qtys shown are for 1 Side. Double qty for both sides. | |
| | | | Note: Replacement decals must be ordered separately - See DECAL SECTION. | |
| 101 | 0100011 | AR | Compound, Locking | |
| 102 | 0100081 | AR | Adhesive, Loctite #454 | |
| 103 | 0700616 | 1 | Bolt 5/16in-18NC x 3/4in | |
| 104 | 2560187 | 1 | Handle, Push Button | |
| 105 | 3290601 | 1 | Nut M6 | |
| 106 | 3311505 | 18 | Locknut 5/16in-18NC | |
| 107 | 3340877 | 6 | Pad | |
| 108 | 3900363 | 2 | Screw, Button Head M6 x 1x25mm | |
| 109 | 4711500 | 18 | Flatwasher 5/16in Thin | |
| 110 | 4811900 | 2 | Flatwasher M8 | |
| 111 | 1001107978 | 1 | Mount, Handle | |
| 112 | 1001108024 | 4 | Bracket | |
| 113 | 3900210 | 1 | Screw, Button Head 5/16in-18NC x 3/4in | |

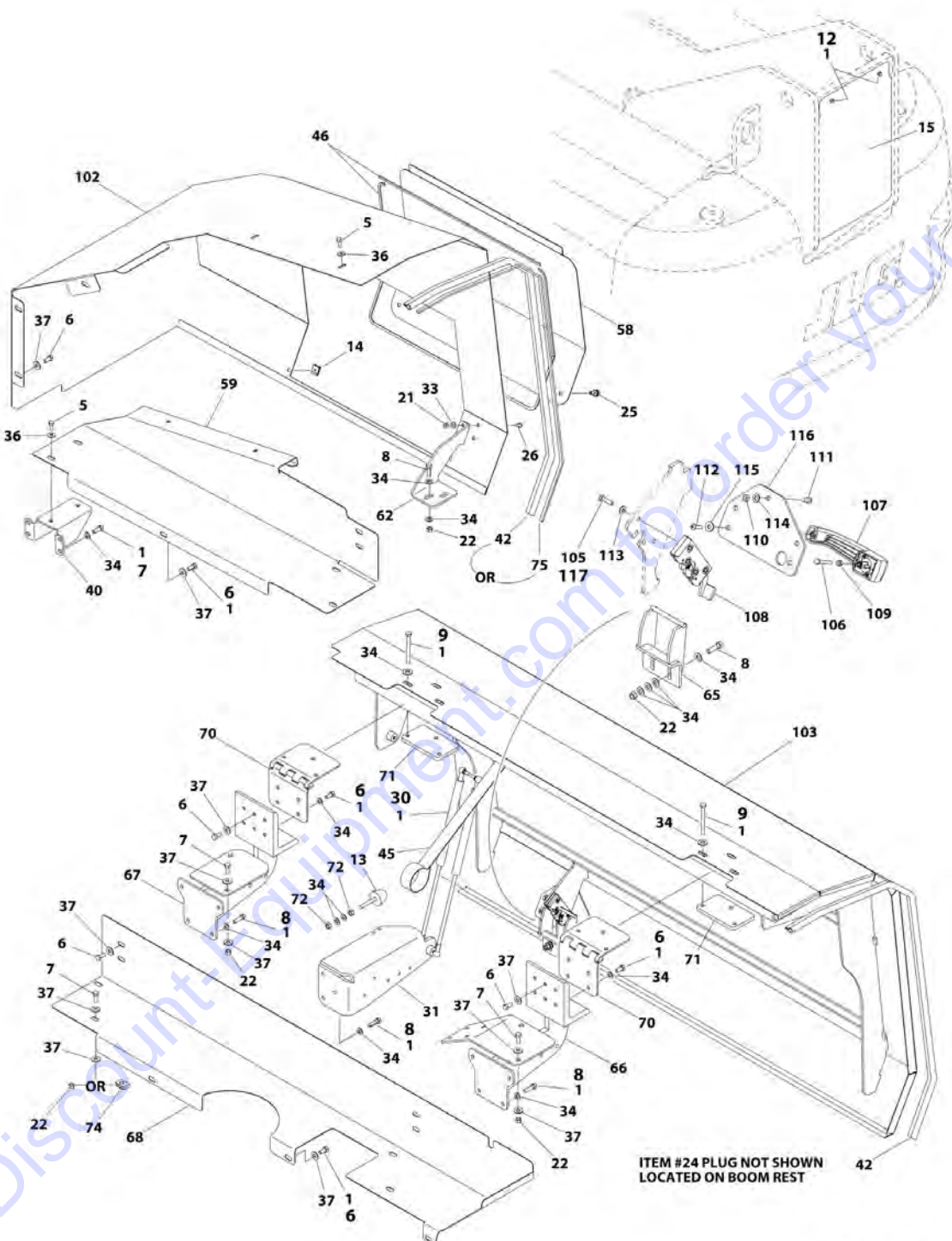
SECTION 2 - TURNTABLE

FIGURE 2-25. HOOD INSTALLATION (SN 0300195072 through 0300201016)



Airt_1001173912

SECTION 2 - TURNTABLE



ITEM #24 PLUG NOT SHOWN
LOCATED ON BOOM REST

ART_1001173912

SECTION 2 - TURNTABLE

FIGURE 2-25. HOOD INSTALLATION (SN 0300195072 through 0300201016)

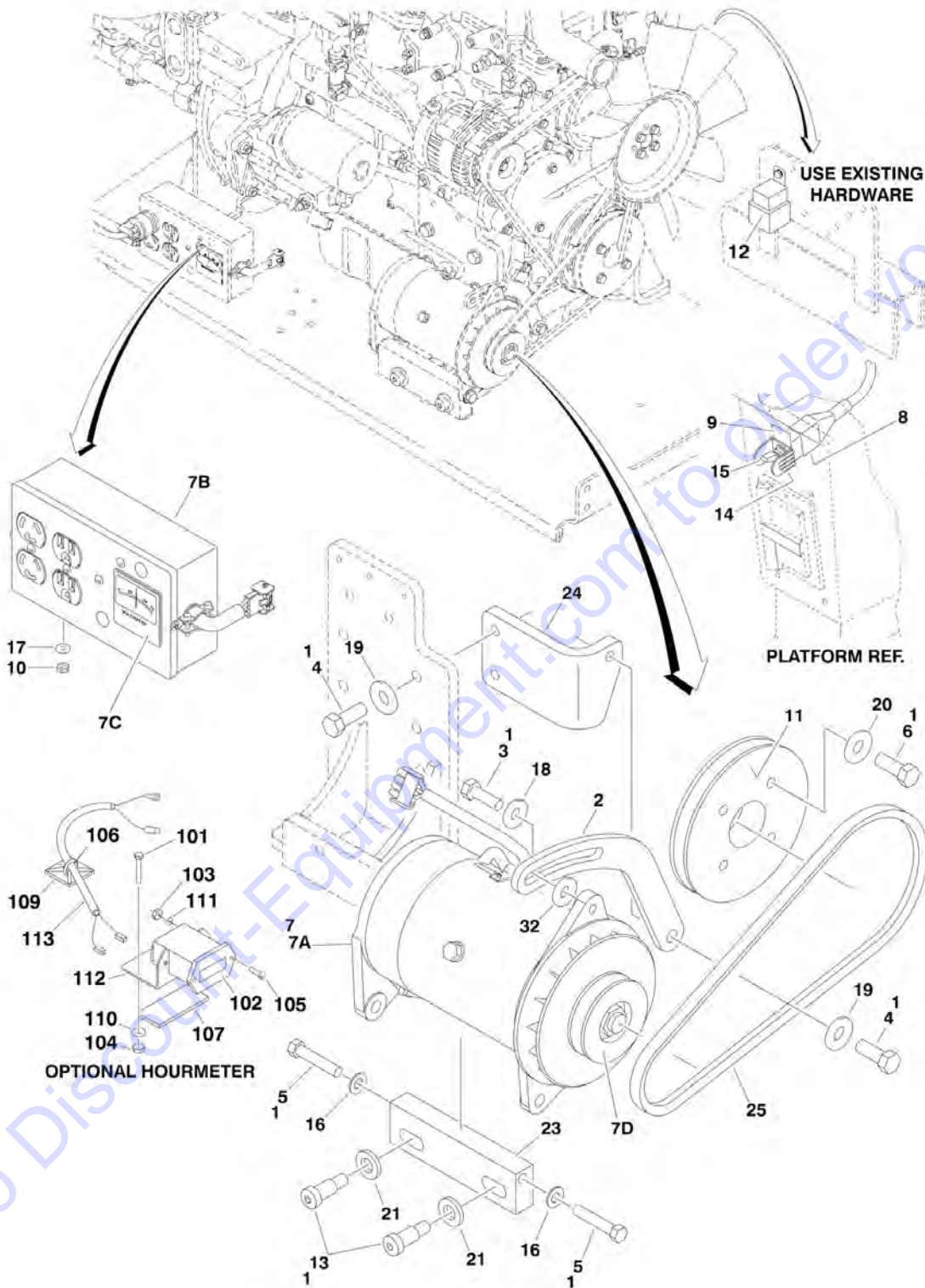
| ITEM | PART NUMBER | QTY | DESCRIPTION | REV |
|------|-------------|-------------------|---|-----|
| | | Ref | HOOD INSTALLATIONS | |
| | 1001173912 | Ref | Deutz TD2011 Engines | F |
| | 1001173202 | Ref | Deutz TCD2.9L4 Engines | F |
| | | Ref | Note: Replacement Decals Must be Ordered Separately - See DECAL SECTION. | |
| 1 | 0100011 | AR | Compound, Locking | |
| 3 | 0641406 | 2 | Bolt, 1/4-20 X 3/4 (SN 0300196322 through 0300201016) | |
| 5 | 0641506 | 4 | Bolt, 5/16-18 x 3/4 | |
| 6 | 0641606 | 32 | Bolt, 3/8-16 X 3/4 | |
| 7 | 0641608 | 8 | Bolt, 3/8-16 X 1 | |
| 8 | 0641610 | 23 | Bolt, 3/8-16 X 1-1/4 | |
| 9 | 0641630 | 12 | Bolt, 3/8-16 X 3-3/4 | |
| 10 | 0641813 | 1 | Bolt, 1/2-13 X 1-5/8 | |
| 12 | 0791604 | 2 | Screw, 3/8-16 X 1/2 | |
| 13 | 0940071 | 2 | Bumper, Rubber (Prior to SN 0300199529) | |
| 14 | 1380169 | 4 | Clip | |
| 15 | 1671038 | 1 | Cover | |
| 20 | 3311405 | 2 | Nut, Lock 1/4-20 (SN 0300196322 through 0300201016) | |
| 21 | 3311505 | 5 | Nut, Lock, 5/16-18 | |
| 22 | 3311605 | AR | Nut, Lock, 3/8-16 | |
| 23 | 3311805 | 1 | Nut, Lock, 1/2-13 | |
| 24 | 3520034 | 2 | Plug, Hole | |
| 25 | 3900174 | 4 | Screw, Thumb | |
| 26 | 3900210 | AR | Screw, Button Head 5/16-18 x 3/4 | |
| 27 | 3900232 | 3 | Screw, Button Head 3/8-16 x 1-1/4 | |
| 30 | 4160194 | 4 | Spring, Gas | |
| 31 | 4340999 | 1 | Mount, Gas Spring | |
| 32 | 4711400 | 4 | Washer, 1/4 (SN 0300196322 through 0300201016) | |
| 33 | 4711500 | 2 | Washer, 5/16 | |
| 34 | 4711600 | AR | Washer, 3/8 | |
| 36 | 4751500 | 4 | Washer, 5/16 | |
| 37 | 4751600 | AR | Washer, 3/8 | |
| 38 | 4751800 | 1 | Washer, 1/2 | |
| 39 | 8310658 | 5 | Nut, Retainer,.312-18 X 1 | |
| 40 | 1001109759 | 1 | Support, Power Track Trough | |
| 41 | 1001110194 | 1 | Bracket, Striker | |
| 42 | 1001110433 | AR | Seal | |
| 43 | 1001110486 | 1 | Mount, Gas Spring | |
| 45 | 1001112691 | 2 | Strap, Hand Pull | |
| 46 | 1001113047 | 14.5 ft/4.42mm | Seal | |
| 48 | 1001131462 | 1 | Pad, Hood Slide | |
| 49 | 1001110027 | 1 | Stack, Exhaust (Deutz TD2011 Engines) | |
| 49 | 1001139778 | 1 | Stack, Exhaust (Deutz TCD2.9L4 Engines) | |
| 50 | 1001140485 | 1 | Seal | |
| 51 | 1001145162 | 1 | Panel, Heat Deflector | |
| 53 | 1001146178 | 1 | Seal (Deutz TCD2.9L4 Engines) (SN 0300196322 through 0300201016) | |
| 54 | 1001146183 | 1 | Plate (Deutz TCD2.9L4 Engines) (SN 0300196322 through 0300201016) | |

SECTION 2 - TURNTABLE

| ITEM | PART NUMBER | QTY | DESCRIPTION | REV |
|------|-------------|-----------------|---|-----|
| 55 | 1001146244 | 1 | Seal | |
| 58 | 1001173166 | 1 | Cover, Access (Tank Side) | |
| 59 | 1001173170 | 1 | Plate, Power Track Trough | |
| 62 | 1001173185 | 1 | Plate, Mounting | |
| 63 | 1001173186 | 1 | Bracket, Engine Tray | |
| 64 | 1001173187 | 1 | Bracket, Engine Tray | |
| 65 | 1001173188 | 1 | Bracket, Hood Latch | |
| 66 | 1001173647 | 1 | Support, Front Hood | |
| 67 | 1001173651 | 1 | Support, Front Hood | |
| 68 | 1001175859 | 1 | Plate, Power Track Trough | |
| 70 | 1001175879 | 4 | Hinge, Offset Hood | |
| 71 | 1001175880 | 4 | Plate | |
| 72 | 3311601 | 4 | Nut, 3/8-16 (Prior to SN 0300199529) | |
| 73 | 1001180051 | 1 | Cover, Access (Engine Side) | |
| 74 | 88662523 | 4 | Nut, Tinnerman (SN 0300199529 through 0300201016) | |
| 75 | 4060803 | 10 ft /3.05m | Trim, Flex (SN 0300196322 through 0300199528) | |
| 75 | 3960447 | 10 ft /3.05m | Seal, Self-Gripping (SN 0300199529 through 0300201016) | |
| 100 | 1001175250 | 1 | Kit, Hood (Deutz TD2011 Engines) | |
| 100 | 1001175237 | 1 | Kit, Hood (Deutz TCD2.9L4 Engines) | |
| 101 | 1001173163 | 1 | Hood, Engine Side - Rear | |
| 102 | 1001173164 | 1 | Hood, Tank Side - Rear | |
| 103 | 1001173183 | 1 | Hood, Tank Side - Front | |
| 104 | 1001174331 | 1 | Hood, Engine Side - Front (Deutz TD 2011 Engines) | |
| 104 | 1001173184 | 1 | Hood, Engine Side - Front (Deutz TCD2.9L4 Engines) | |
| 105 | 0641408 | 8 | Bolt, 1/4-20 x 1 | |
| 106 | 0700616 | 2 | Bolt, M6 x 40 | |
| 107 | 2560187 | 2 | Handle, Push Button | |
| 108 | 2940173 | 2 | Latch, Rotary | |
| 109 | 3290601 | 2 | Nut, M6 | |
| 110 | 3311505 | 6 | Nut, Lock, 5/16-18NC | |
| 111 | 3900210 | 6 | Screw, Button Head 5/16-18 x 3/4 | |
| 112 | 3900363 | 4 | Screw, Button Head M6 x 1x25 | |
| 113 | 4711400 | 8 | Washer, 1/4 | |
| 114 | 4711500 | 6 | Washer, 5/16 | |
| 115 | 4751400 | 4 | Washer, 1/4 | |
| 116 | 1001116290 | 2 | Plate, Latch Mounting | |
| 117 | 0100011 | 1 | Compound, Locking | |

SECTION 2 - TURNTABLE

FIGURE 2-26. 2500W GENERATOR INSTALLATION - CATERPILLAR MACHINES (OPTIONAL)



SECTION 2 - TURNTABLE

FIGURE 2-26. 2500W GENERATOR INSTALLATION - CATERPILLAR MACHINES (OPTIONAL)

| ITEM | PART NUMBER | QTY | DESCRIPTION | REV |
|------|-------------|-----|---|-----|
| | | Ref | 2500W GENERATOR INSTALLATION | |
| | 1001117509 | Ref | 110Volt - 60Hz (ANSI and ANSI Export Specs Only) | B |
| 1 | 0100011 | AR | Compound, Locking | |
| 2 | 0200530 | 1 | Arm, Adjusting | |
| 3 | 0641508 | 1 | Bolt 5/16in-18NC x 1in | |
| 4 | 0641608 | 3 | Bolt 3/8in-16NC x 1in | |
| 5 | 0641718 | 2 | Bolt 7/16in-14NC x 2-1/4in | |
| 6 | 0700816 | 4 | Bolt, Metric M8 x 40mm | |
| 7 | 2460055 | 1 | Generator and Control Box Assembly | |
| 7A | 7012558 | 1 | Generator - 110V/60Hz | |
| | | Ref | Note: Replacement generators come standard with p/n 3580134 pulley. This pulley may not be correct for all applications. Refer to pulley options below for correct pulley. | |
| 7A | 7012513 | 4 | Cap, Brush Holder | |
| 7A | 7020108 | 4 | Brush | |
| 7A | 7020109 | 4 | Holder, Brush | |
| 7A | 7012514 | 1 | Fan | |
| 7A | 7020190 | 2 | Bearing | |
| 7A | 7020110 | 1 | End Bell, Front | |
| 7A | 7020111 | 1 | End Bell, Rear | |
| 7B | 7019680 | 1 | Box, Control - 110V/60Hz | |
| 7B | 4360542 | 1 | Breaker, Circuit | |
| 7B | 4460190 | AR | Receptacle, Double (110V) | |
| 7B | 4460027 | AR | Receptacle, Double Twist Lock (110V) | |
| 7C | 2420203 | AR | Voltmeter - 110V/60Hz | |
| 7D | 3580276 | 1 | Pulley | |
| 7D | 7027887 | 1 | Key, Woodruff | |
| 8 | 2820031 | AR | Heatshrink | |
| 9 | 3251102 | 1 | Nameplate - Generator | |
| 10 | 3311005 | 2 | Locknut #10-24NC | |
| 11 | 3580322 | 1 | Pulley | |
| 12 | 3740080 | 1 | Relay | |
| 13 | 3900322 | 2 | Screw, Socket Head Shoulder | |
| 14 | 4060802 | 1 | Guard, Switch | |
| 15 | 4360336 | 1 | Switch, Toggle | |
| 16 | 4711700 | 2 | Flatwasher 7/16in Thin | |
| 17 | 4751000 | 2 | Flatwasher #10 Regular | |
| 18 | 4751500 | 1 | Flatwasher 5/16in Regular | |
| 19 | 4751600 | 3 | Flatwasher 3/8in Regular | |
| 20 | 4811900 | 4 | Flatwasher, M8 | |
| 21 | 4892000 | 2 | Flatwasher 5/8in Hardened | |
| 23 | 1001117641 | 1 | Bar, Adjusting | |
| 24 | 1001118180 | 1 | Support, Adjusting | |
| 25 | 0480122 | 1 | Belt | |
| | 1001103286 | Ref | HOURLY METER INSTALLATION (OPTIONAL) | A |
| 101 | 0720808 | 1 | Screw #8-32 x 1in | |
| 102 | 2420165 | 1 | Hourmeter | |
| 103 | 3310601 | 2 | Nut #6-32 | |
| 104 | 3310805 | 1 | Locknut #8-32 | |

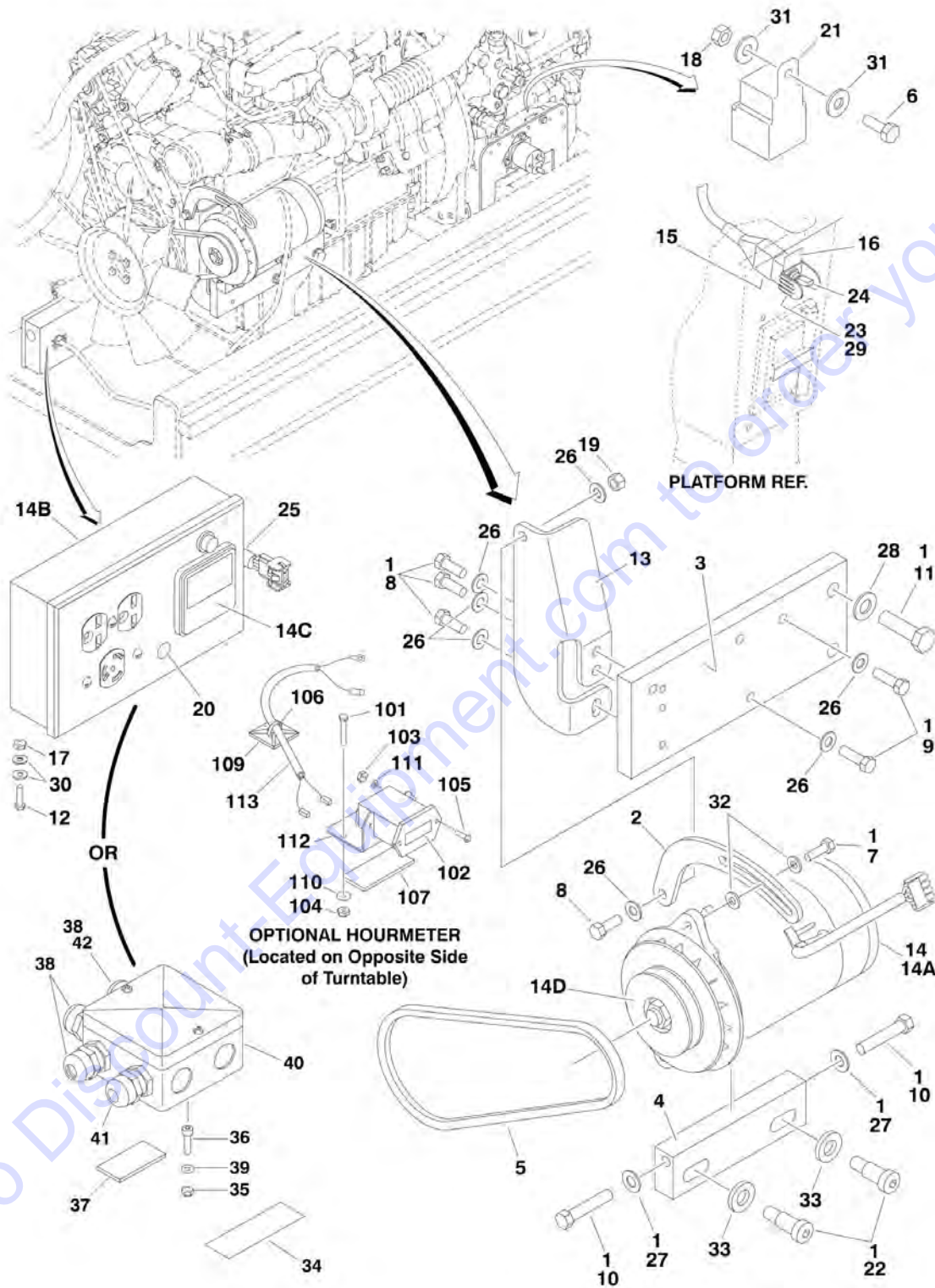
SECTION 2 - TURNTABLE

| ITEM | PART NUMBER | QTY | DESCRIPTION | REV |
|------|-------------|----------|------------------------------------|-----|
| 105 | 3910608 | 2 | Screw #6-32 x 1/2in | |
| 106 | 4240032 | 3 | Strap, Tie | |
| 107 | 4420060 | 3 in/7cm | Tape, Double-Sided | |
| 108 | 4460018 | 1 | Connector, Butt Splice (Not Shown) | |
| 109 | 4460234 | 2 | Mount, Tie Strap | |
| 110 | 4750800 | 1 | Flatwasher #8Washer | |
| 111 | 4760600 | 2 | Lockwasher #6 | |
| 112 | 1001094375 | 1 | Bracket, Hourmeter | |
| 113 | 1001094509 | 1 | Harness, Hourmeter | |

Go to Discount-Equipment.com to order your parts

SECTION 2 - TURNTABLE

FIGURE 2-27. 2500W GENERATOR INSTALLATION - DEUTZ MACHINES (OPTIONAL)



SECTION 2 - TURNTABLE

FIGURE 2-27. 2500W GENERATOR INSTALLATION - DEUTZ MACHINES (OPTIONAL)

| ITEM | PART NUMBER | QTY | DESCRIPTION | REV |
|------|-------------|-----|---|-----|
| | | Ref | Note: For Module Identification, refer to Revision Log page A. | |
| | | Ref | GENERATOR INSTALLATION - DEUTZ | |
| | | Ref | 110V/60Hz (ANSI and ANSI Export Specs) | |
| | 0272094 | Ref | Without UGM (Prior to SN 0300080338) | D |
| | 0274083 | Ref | Without UGM (SN 0300080338 through 0300201016) | B |
| | 1001125425 | Ref | With UGM | A |
| | | Ref | 110V/50Hz (CE Spec) | |
| | 0272715 | Ref | Without UGM (Prior to SN 0300080338) | B |
| | 0274101 | Ref | Without UGM (SN 0300080338 through 0300129805) | B |
| | 1001100500 | Ref | Without UGM (SN 0300129806 through 0300201016) | C |
| | 1001125429 | Ref | With UGM | A |
| | | Ref | 220V/50Hz (CE Spec) | |
| | 0272095 | Ref | Without UGM (Prior to SN 0300080338) | C |
| | 0274100 | Ref | Without UGM (SN 0300080338 through 0300129805) | A |
| | 1001100501 | Ref | Without UGM (SN 0300129806 through 0300201016) | C |
| | 1001125426 | Ref | With UGM | A |
| 1 | 0100011 | AR | Compound, Locking | |
| 2 | 0200742 | 1 | Arm, Adjusting | |
| 3 | 0363081 | 1 | Bar, Mounting | |
| 4 | 0363082 | 1 | Bar, Adjusting | |
| 5 | | Ref | Belt Options: | |
| 5 | 0480127 | 1 | ANSI and ANSI Export Specs | |
| 5 | 0480122 | 1 | CE Spec | |
| 6 | 0641406 | 1 | Bolt 1/4in-20NC x 3/4in | |
| 7 | 0641508 | 1 | Bolt 5/16in-18NC x 1in | |
| 8 | 0641608 | 4 | Bolt 3/8in-16NC x 1in | |
| 9 | 0641610 | 2 | Bolt 3/8in-16NC x 1-1/4in | |
| 10 | 0641718 | 2 | Bolt 7/16in-14NC x 2-1/4in | |
| 11 | 0701418 | 2 | Bolt M14 x 50mm | |
| 12 | 0721006 | 2 | Screw #10-24NC x 3/4in (Prior to SN 0300080338) | |
| 13 | 0902813 | 1 | Bracket, Arm Mounting | |
| 14 | | Ref | Generator and Control Box Assembly Options: | |
| 14 | | Ref | 110V/60Hz Assembly (ANSI and ANSI Export Specs) | |
| 14 | 2460032 | 1 | Generator and Control Box Assembly (Prior to SN 0300080338) | |
| 14 | 2460055 | 1 | Generator and Control Box Assembly (SN 0300080338 through 0300201016) | |
| 14 | | Ref | 110V/50Hz Assembly (CE Spec) | |
| 14 | 2460039 | 1 | Generator and Control Box Assembly (Prior to SN 0300080338) | |
| 14 | 2460057 | 1 | Generator and Control Box Assembly (SN 0300080338 through 0300129805) | |
| 14 | 2460049 | 1 | Generator and Control Box Assembly (Generator Only) (SN 0300129806 through 0300201016) | |
| 14 | | Ref | 220V/50Hz Assembly (CE Spec) | |
| 14 | 2460013 | 1 | Generator and Control Box Assembly (Prior to SN 0300080338) | |
| 14 | 2460056 | 1 | Generator and Control Box Assembly (SN 0300080338 through 0300129805) | |
| 14 | 1001100321 | 1 | Generator and Control Box Assembly (Generator Only) (SN 0300129806 through 0300201016) | |

SECTION 2 - TURNTABLE

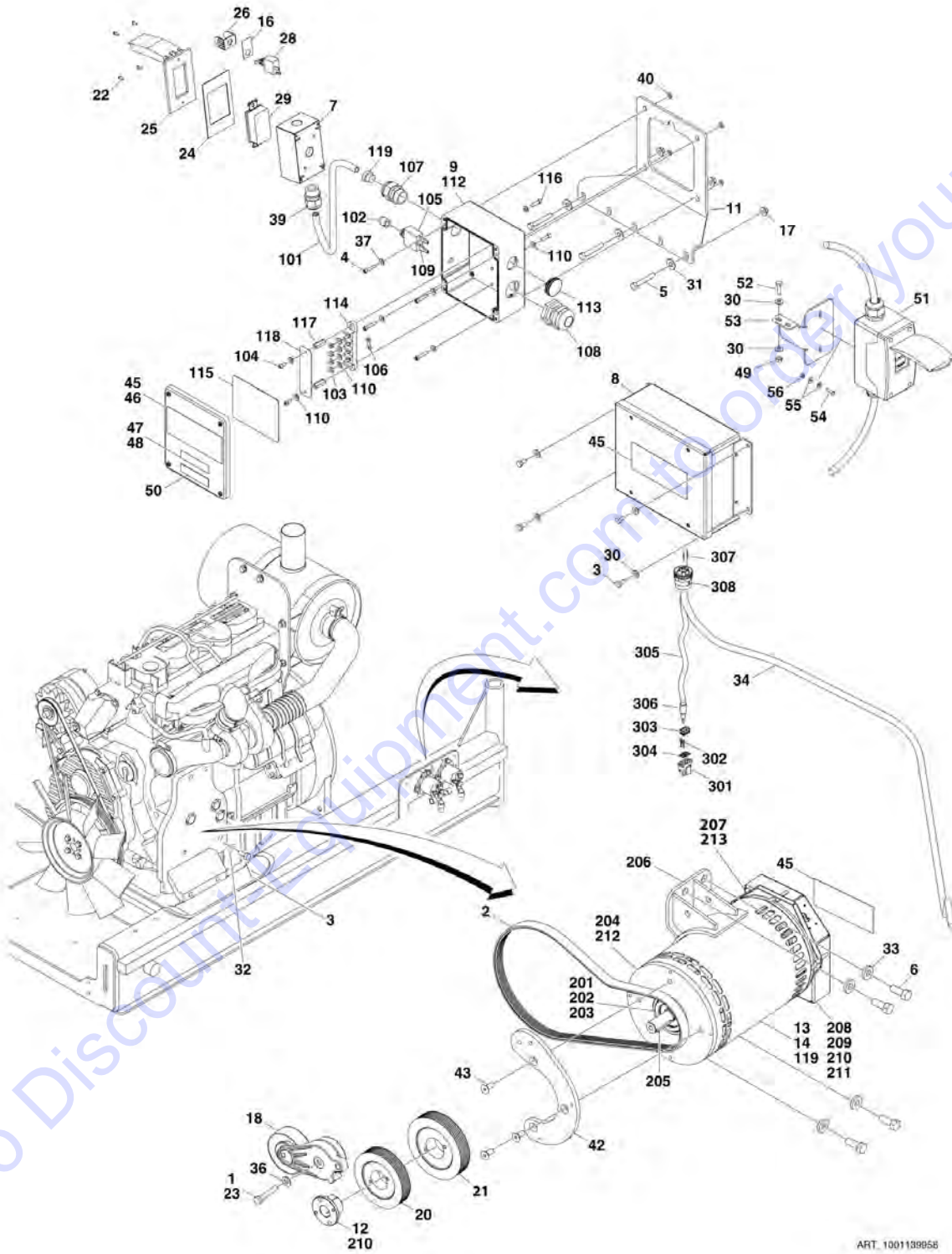
| ITEM | PART NUMBER | QTY | DESCRIPTION | REV |
|------|-------------|-----|---|-----|
| 14A | | Ref | Generator Options: | |
| 14A | 7012558 | 1 | 110V/60Hz | |
| 14A | 2460049 | 1 | 110V/50Hz | |
| 14A | 1001100321 | 1 | 220V/50Hz | |
| | | Ref | Note: Replacement generators come standard with p/n 3580134 pulley. This pulley may not be correct for all applications. Refer to pulley options below for correct pulley. | |
| 14A | 7012513 | 4 | Cap, Brush Holder | |
| 14A | 7020108 | 4 | Brush | |
| 14A | 7020109 | 4 | Holder, Brush | |
| 14A | 7012514 | 1 | Fan | |
| 14A | 7020190 | 2 | Bearing | |
| 14A | 7020110 | 1 | End Bell, Front | |
| 14A | 7020111 | 1 | End Bell, Rear | |
| 14B | | Ref | Box, Control Options (Not Used on CE Spec Machines): (SN 0300129806 through 0300201016) | |
| 14B | 7003657 | 1 | 110V/60Hz (Prior to SN 0300080338) | |
| 14B | 7019680 | 1 | 110V/60Hz (SN 0300080338 through 0300201016) | |
| 14B | 70002239 | 1 | 110V/50Hz (Prior to SN 0300080338) | |
| 14B | 7019680 | 1 | 110V/50Hz (SN 0300080338 through 0300129806) | |
| 14B | 70002235 | 1 | 220V/50Hz (Prior to SN 0300080338) | |
| 14B | 70000127 | 1 | 220V/50Hz (SN 0300080338 through 0300129806) | |
| 14B | | Ref | Breaker, Circuit Options: | |
| 14B | 4360542 | 1 | 110V/60Hz | |
| 14B | 70002240 | 1 | 110V/50Hz (Prior to SN 0300080338) | |
| 14B | 4360542 | 1 | 110V/50Hz (SN 0300080338 through 0300129805) | |
| 14B | 70000126 | 1 | 220V/50Hz (Prior to SN 0300129806) | |
| 14B | 4460190 | AR | Receptacle, Double (110V) | |
| 14B | 4460027 | AR | Receptacle, Double Twist Lock (110V) | |
| 14B | 70000124 | 1 | Receptacle, Double (220V) | |
| 14B | 70000125 | 1 | Receptacle, Single Twist Lock (220V) | |
| 14B | 2920162 | 1 | Lamp Assembly (Prior to SN 0300080338) | |
| 14B | 7020191 | 1 | Switch, Toggle (Prior to SN 0300080338) | |
| 14C | | Ref | Voltmeter Options (Not Used on CE Spec Machines): (SN 0300129806 through 0300201016) | |
| 14C | 2420203 | 1 | 110V | |
| 14C | 7020192 | 1 | 220V | |
| 14D | | Ref | Pulley Options: | |
| 14D | 3580276 | 1 | 110V/60Hz | |
| 14D | 3580134 | 1 | 110V/50Hz | |
| 14D | 3580134 | 1 | 220V/50Hz | |
| 14D | 7027887 | 1 | Key, Woodruff | |
| 15 | 2820031 | AR | Heatshrink | |
| 16 | 3251102 | 1 | Nameplate - Generator | |
| 17 | 3311005 | 2 | Locknut #10-24NC | |
| 18 | 3311405 | 1 | Locknut 1/4in-20NC | |
| 19 | 3311605 | 1 | Locknut 3/8in-16NC | |
| 20 | 3520028 | 1 | Plug | |
| 21 | 3740080 | 1 | Relay | |
| 22 | 3900322 | 2 | Screw, Socket Head Shoulder | |
| 23 | 4060802 | 1 | Guard, Switch | |

SECTION 2 - TURNTABLE

| ITEM | PART NUMBER | QTY | DESCRIPTION | REV |
|------|-------------|----------|---|-----|
| 24 | 4360336 | 1 | Switch, Toggle | |
| 25 | 4460023 | 1 | Connector, Terminal (Prior to SN 0300080338) | |
| 26 | 4711600 | 7 | Flatwasher 3/8in Thin | |
| 27 | 4711700 | 2 | Flatwasher 7/16in Thin | |
| 28 | 4711900 | 2 | Flatwasher 9/16in Thin | |
| 29 | 4740397 | 1 | Spacer | |
| 30 | 4751000 | 6 | Flatwasher #10 Regular | |
| 31 | 4751400 | 2 | Flatwasher 1/4in Regular | |
| 32 | 4891500 | 2 | Flatwasher 5/16in Hardened | |
| 33 | 4892000 | 2 | Flatwasher 5/8in Hardened | |
| 34 | | Ref | Decal, Voltage Options (CE Spec Only): | |
| 34 | 1705325 | 1 | 110V | |
| 34 | 3252507 | 1 | 220V | |
| 35 | 3290505 | 1 | Locknut M5 (CE Spec Only) | |
| 36 | 4031608 | 1 | Screw M5 x 20mm (CE Spec Only) | |
| 37 | 4420060 | 1 | Tape, Double-Sided (CE Spec Only) | |
| 38 | 4460968 | 3 | Relief, Strain (CE Spec Only) | |
| 39 | 4811600 | 1 | Flatwasher M5 (CE Spec Only) | |
| 40 | 1001099869 | 1 | Box, Junction (CE Spec Only) | |
| 41 | | Ref | Light, Red Options (CE Spec Only): | |
| 41 | 1001100233 | 1 | 110V | |
| 41 | 1001100234 | 1 | 220V | |
| 42 | 0962449 | 1 | Bushing, Silicone (CE Spec Only) | |
| | 1001103286 | Ref | HOURMETER INSTALLATION (OPTIONAL) | A |
| 101 | 0720808 | 1 | Screw #8-32 x 1in | |
| 102 | 2420165 | 1 | Hourmeter | |
| 103 | 3310601 | 2 | Nut #6-32 | |
| 104 | 3310805 | 1 | Locknut #8-32 | |
| 105 | 3910608 | 2 | Screw #6-32 x 1/2in | |
| 106 | 4240032 | 3 | Strap, Tie | |
| 107 | 4420060 | 3 in/7cm | Tape, Double-Sided | |
| 108 | 4460018 | 1 | Connector, Butt Splice (Not Shown) | |
| 109 | 4460234 | 2 | Mount, Tie Strap | |
| 110 | 4750800 | 1 | Flatwasher #8 Regular | |
| 111 | 4760600 | 2 | Lockwasher #6 | |
| 112 | 1001094375 | 1 | Bracket, Hourmeter | |
| 113 | 1001094509 | 1 | Harness, Hourmeter | |

SECTION 2 - TURNTABLE

FIGURE 2-28. 4000W GENERATOR INSTALLATION - DEUTZ MACHINES



ART. 1001139958

SECTION 2 - TURNTABLE

FIGURE 2-28. 4000W GENERATOR INSTALLATION - DEUTZ MACHINES

| ITEM | PART NUMBER | QTY | DESCRIPTION | REV |
|------|-------------|-----|---|-----|
| | | Ref | 4000W GENERATOR INSTALLATION - DEUTZ | |
| | 1001139958 | Ref | 60Hz Spec (TD2011 Engines) | A |
| | 1001171130 | Ref | 60Hz Spec (TCD2.9L4 Engines) | A |
| | 1001139959 | Ref | 50Hz Spec (TD2011 Engines) | B |
| | 1001171273 | Ref | 50Hz Spec (TCD2.9L4 Engines) | A |
| | | Ref | Note: See ELECTRICAL SECTION for Boom Cable Installation. | |
| 1 | 0100011 | AR | Compound, Locking | |
| 2 | | Ref | Belt, Generator Options: | |
| 2 | 0480128 | 1 | 60Hz Spec (TD2011 Engines) | |
| 2 | 1001142645 | 1 | 60Hz Spec (TCD2.9L4 Engines) | |
| 2 | 1001136356 | 1 | 50Hz Spec (TD2011 Engines) | |
| | 1001136357 | 1 | 50Hz Spec (TCD2.9L4 Engines) | |
| 3 | 0641404 | 5 | Bolt 1/4in-20NC x 1/2in | |
| 4 | 3931016 | 4 | Screw, Socket head, 1/4in-20NC x 1in | |
| 5 | 0641516 | 3 | Bolt, 5/16in-18NC x 2in | |
| 6 | 0641810 | 4 | Bolt 1/2in-13NC x 1-1/4in | |
| 7 | | Ref | Box, Switch-Weatherhead Options: | |
| 7 | 0860038 | 1 | 60Hz Spec | |
| 7 | Note | 1 | 50Hz Spec (Note: Not Available - Purchase Locally) | |
| 8 | 1001138566 | 1 | Box, Generator Control | |
| 9 | 1001152457 | 1 | Box, Junction Assembly (60Hz Spec Only) (See items 101-119 for Breakdown) | |
| 9 | 1001152458 | 1 | Box, Junction Assembly (50Hz Spec Only) (See items 101-119 for Breakdown) | |
| 11 | 0902888 | 1 | Bracket, Generator Junction Box | |
| 12 | 0962520 | 1 | Bushing, Taper | |
| | | Ref | Generator, 4000W Assembly Options: (See items 200 – 213 for Breakdown) | |
| 13 | 1001129858 | 1 | 60Hz Spec (TD2011 Engines) | |
| 13 | 1001140346 | 1 | 60Hz Spec (TCD2.9L4 Engines) | |
| 14 | 1001138565 | 1 | 50Hz Spec (TD2011 Engines) | |
| 14 | 1001140347 | 1 | 50Hz Spec (TCD2.9L4 Engines) | |
| 15 | 2820031 | AR | Insulator, Heat Shrink (Not Shown) | |
| 16 | 3251102 | 1 | Nameplate, Generator | |
| 17 | 3311508 | 3 | Nut, 5/16in-18NC Serrated Flange | |
| 18 | 3580317 | 1 | Pully, Belt Tensioner | |
| 19 | | Ref | Pully, Generator Options: | |
| 20 | 3580318 | 1 | 60Hz Spec | |
| 21 | 3580319 | 1 | 50Hz Spec | |
| 22 | 3910606 | 4 | Screw, Round Head 6-32NC x 3/8in (60Hz Spec Only) | |
| 23 | 0641616 | AR | Bolt, 3/8-16NC x 2in | |
| 24 | 3960422 | 1 | Gasket, AC Receptacle (60Hz Spec Only) | |
| 25 | 1001110873 | 1 | Cover, Gang Vertical Receptacle GFCI (60Hz Spec Only) | |
| 26 | 4060802 | 1 | Guard, Switch | |
| 27 | 4240018 | AR | Strap, Tie (Not Shown) | |
| 28 | 4360336 | 1 | Switch, Toggle | |
| 29 | 4460346 | 1 | Terminal, Receptacle (60Hz Spec Only) | |
| 30 | 4711400 | AR | Flatwasher 1/4in Thin | |
| 31 | 4751500 | AR | Flatwasher 5/16in Regular | |
| 32 | 4791400 | 2 | Starwasher 1/4in | |

PARTS FINDER

**Search Website
by Part Number**



**Search Manual
Library For Parts
Manual & Lookup Part
Numbers – Purchase
or Request Quote**

**Can't Find Part or
Manual? Request Help
by Manufacturer,
Model & Description**

Discount-Equipment.com is your online resource for quality parts & equipment.

Florida: **561-964-4949** Outside Florida TOLL FREE: **877-690-3101**

Need parts?

Click on this link: <http://www.discount-equipment.com/category/5443-parts/> and choose one of the options to help get the right parts and equipment you are looking for. Please have the machine model and serial number available in order to help us get you the correct parts. If you don't find the part on the website or on one of the online manuals, please fill out the request form and one of our experienced staff members will get back to you with a quote for the right part that your machine needs.

We sell worldwide for the brands: Genie, Terex, JLG, MultiQuip, Mikasa, Essick, Whiteman, Mayco, Toro Stone, Diamond Products, Generac Magnum, Airman, Haulotte, Barreto, Power Blanket, Nifty Lift, Atlas Copco, Chicago Pneumatic, Allmand, Miller Curber, Skyjack, Lull, Skytrak, Tsurumi, Husquvarna Target, Stow, Wacker, Sakai, Mi-T-M, Sullair, Basic, Dynapac, MBW, Weber, Bartell, Bennar Newman, Haulotte, Ditch Runner, Menegotti, Morrison, Contec, Buddy, Crown, Edco, Wyco, Bomag, Laymor, EZ Trench, Bil-Jax, F.S. Curtis, Gehl Pavers, Heli, Honda, ICS/PowerGrit, IHI, Partner, Imer, Clipper, MMD, Koshin, Rice, CH&E, General Equipment, Amida, Coleman, NAC, Gradall, Square Shooter, Kent, Stanley, Tamco, Toku, Hatz, Kohler, Robin, Wisconsin, Northrock, Oztec, Toker TK, Rol-Air, APT, Wylie, Ingersoll Rand / Doosan, Innovatech, Con X, Ammann, Mecalac, Makinex, Smith Surface Prep, Small Line, Wanco, Yanmar

SECTION 2 - TURNTABLE

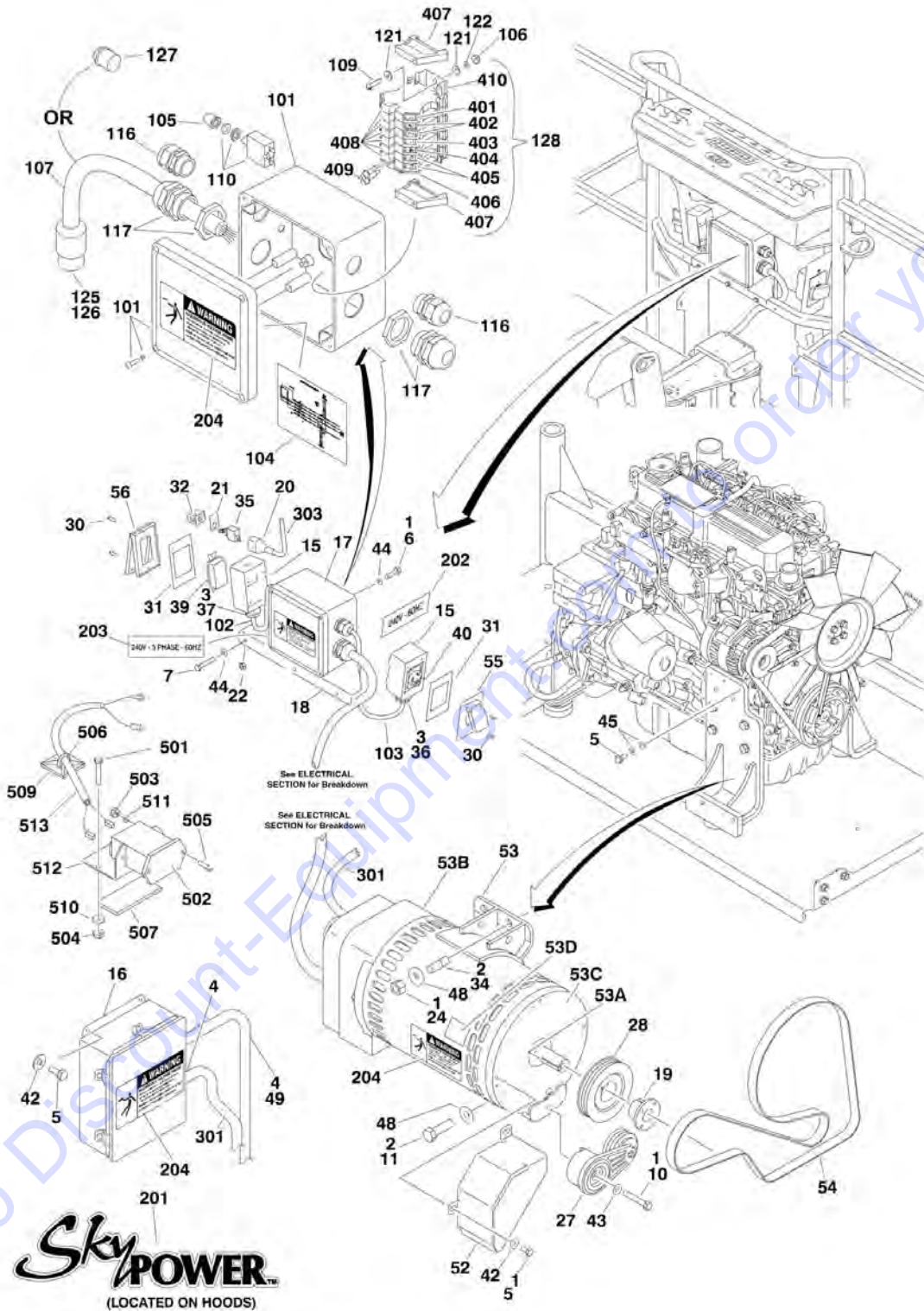
| ITEM | PART NUMBER | QTY | DESCRIPTION | REV |
|------|-------------|--------|--|-----|
| 33 | 4891800 | 4 | Flatwasher 1/2in Hardened | |
| 34 | 1001152533 | 1 | Harness, Generator Cable (See items 301-308 for Breakdown) | |
| 35 | | Ref | Diagram, Generator Wiring Options: | |
| 35 | 1001153257 | 1 | 60HZ Specs (TD2011 Engines) | |
| 35 | 1001132055 | 1 | 60HZ Specs (TCD2.9L4 Engines) | |
| 36 | 4711600 | 1 | Flatwasher 3/8in Thin | |
| 37 | 4751000 | AR | Flatwasher #10, Wide | |
| 38 | 0100020 | AR | Sealant, Pipe (Not Shown) | |
| 39 | 4460071 | 1 | Connector, Strain Relief (60Hz Spec Only) | |
| 40 | 3311005 | 4 | Lock nut, 10-24NC GR2 | |
| 41 | | Ref | Mount, Generator Tensioner Options: | |
| 42 | 1001139357 | 1 | 60Hz / 50Hz Spec (TD2011 Engines) | |
| 42 | 1001138011 | 1 | 60Hz / 50Hz Spec (TCD2.9L4 Engines) | |
| 43 | 0741607 | 3 | Screw, Flat head, 3/8-16NC x .88in | |
| 44 | | Ref | Decal, Hazardous Voltage Options: | |
| 45 | 1705387 | 3 | 60Hz Spec | |
| 46 | 1705489 | 3 | 50Hz Spec | |
| 47 | 3251243 | 1 | Decal, 120V-60Hz (60Hz Spec Only) | B |
| 48 | 3251242 | 1 | Decal, 240V-50Hz (50Hz Spec Only) | B |
| 49 | 3311405 | 2 | Locknut, 1/4-20NC GR2 | |
| 50 | 1705374 | 1 | Decal, 240V-60Hz (60Hz Spec Only) | |
| 51 | 1001165368 | 1 | Kit, Box and Breaker (50Hz Spec Only) (See ELECTRICAL SECTION for Breakdown) | |
| 52 | 0641407 | 2 | Bolt, 1/4-20NC x 7/8in (50Hz Spec Only) | |
| 53 | 1001094915 | 1 | Bracket, AC Breaker Box (50Hz Spec Only) | |
| 54 | 4010408 | 2 | Screw M4 x 16 (50Hz Spec Only) | |
| 55 | 1001091102 | 4 | Washer, M4 (50Hz Spec Only) | |
| 56 | 3290405 | 2 | Nut, Lock M4 (50Hz Spec Only) | |
| | | Ref | JUNCTION BOX ASSEMBLY | |
| | 1001152457 | Ref | 60Hz Spec | A |
| | 1001152458 | Ref | 50Hz Spec | A |
| 101 | 1001179154 | 2.5 ft | Cable, 12/3 | |
| 102 | 3300396 | 1 | Cover, Fuse | |
| 103 | 3311001 | 4 | Nut, 10-24UNC GR2 | |
| 104 | 3900300 | 2 | Screw, Spec, Cap | |
| 105 | 4360070 | 1 | Circuit Breaker, 15 AMP | |
| 106 | 4460068 | 3 | Terminal, Ring | |
| 107 | 4460425 | 1 | Terminal, Strain Relief | |
| 108 | 4460426 | 1 | Connector, Strain Relief | |
| 109 | 4460483 | 2 | Terminal | |
| 110 | 4711000 | AR | Flatwasher, #10 Thin | |
| 111 | 4920044 | 0.5 ft | Wire, 12GA, Black | |
| 112 | 1001152456 | 1 | Box, Junction | |
| 113 | | Ref | Plug, Hole Pluggit Options: | |
| 113 | 1001152525 | 1 | 60Hz Spec | |
| 113 | 1001155813 | 1 | 50Hz Spec | |
| 113 | 1001148648 | 1 | 50Hz Spec | |
| 114 | 1001152530 | 1 | Terminal, Block, 4 pole | |
| 115 | 1001153260 | 1 | Decal, Wiring 4000W Generator | |
| 116 | 3900267 | 2 | Screw, Spec, Cap | |
| 117 | 1001158008 | 2 | Standoff, female, threaded | |
| 118 | 1001158363 | 1 | Plate, Cover, PVC | |

SECTION 2 - TURNTABLE

| ITEM | PART NUMBER | QTY | DESCRIPTION | REV |
|------|-------------|------|--|-----|
| 119 | 3520192 | 1 | Plug, Hole | |
| | | Ref | 4000W GENERATOR ASSEMBLY | |
| | 1001129858 | Ref | 60Hz Spec (TD2011 Engines) | |
| | 1001140346 | Ref | 60Hz Spec (TCD2.9L4 Engines) | |
| | 1001138565 | Ref | 50Hz Spec (TD2011 Engines) | |
| | 1001140347 | Ref | 50Hz Spec (TCD2.9L4 Engines) | |
| 201 | 70003709 | 1 | Ring, Retaining | |
| 202 | 70003708 | 1 | Ring, Retaining | |
| 203 | 70001966 | 1 | Bearing, Ball | |
| 204 | 70004092 | 1 | Endbell | |
| 205 | | Ref | Key Options | |
| 205 | 70004171 | 1 | 60Hz / 50Hz Spec (TD2011 Engines) | |
| 205 | 70004099 | 1 | 60Hz / 50Hz Spec (TCD2.9L4 Engines) | |
| 206 | | Ref | Stator, Generator 4000W Options: | |
| 206 | 70004684 | 1 | 60Hz Spec (TD2011 Engines) | |
| 206 | 70004687 | 1 | 60Hz Spec (TCD2.9L4 Engines) | |
| 206 | 70004677 | 1 | 50Hz Spec (TD2011 Engines) | |
| 206 | 70004686 | 1 | 50Hz Spec (TCD2.9L4 Engines) | |
| 207 | 70004678 | 1 | Endbell | |
| 208 | 70004680 | 1 | Enclosure | |
| 209 | | Ref | Cover, Enclosure | |
| 209 | 70004685 | 1 | 60Hz Spec | |
| 209 | 70004681 | 1 | 50Hz Spec | |
| 210 | 70004682 | 1 | Protector, Supplementary, Manual reset | |
| 211 | | Ref | Bushing, Strain Relief Options: | |
| 211 | 70004098 | 1 | 60Hz Spec | |
| 211 | 70004683 | 1 | 50Hz Spec | |
| 212 | 70004676 | 1 | Rotor Assembly | |
| 213 | 70004679 | 1 | Cover, Endbell | |
| | 1001152533 | Ref | GENERATOR HARNESS CABLE | |
| 301 | 4460225 | 1 | Socket, Female | |
| 302 | 4460268 | 2 | Plug, Male 6 Position (Use with 4460225) | |
| 303 | 4460807 | 1 | Seal, Plug (Use with 4460225) | |
| 304 | 4460808 | 1 | Seal, Interface (Use with 4460225) | |
| 305 | 1060341 | 8 ft | Cable, 16/2 | |
| 306 | 2820019 | AR | Insulator, Heat Shrink | |
| 307 | 4460465 | 2 | Socket, Female | |
| 308 | 7733233 | 1 | Connector, Deutsch HD16-6-96S | |

SECTION 2 - TURNTABLE

FIGURE 2-29. 7500W SKYPOWER GENERATOR INSTALLATION - CATERPILLAR MACHINES



SECTION 2 - TURNTABLE

FIGURE 2-29. 7500W SKYPOWER GENERATOR INSTALLATION - CATERPILLAR MACHINES

| ITEM | PART NUMBER | QTY | DESCRIPTION | REV |
|------|-------------|-----|---|-----|
| | | Ref | 7500W SKYPOWER GENERATOR INSTALLATION | |
| | 1001117508 | Ref | 60Hz Spec | E |
| | 1001121889 | Ref | 50Hz Spec | B |
| | | Ref | Note: SkyPower Generator is Standard On ANSI and CSA Specs. Optional on All Other Specs. | |
| | | Ref | Note: See ELECTRICAL SECTION for Boom Cable Installation. | |
| 1 | 0100011 | AR | Compound, Locking | |
| 2 | 0100019 | AR | Compound, Locking | |
| 3 | 0100020 | AR | Sealant, Pipe (Not Shown) | |
| 4 | 0100048 | AR | Grease, Dielectric | |
| 5 | 0641404 | AR | Bolt 1/4in-20NC x 1/2in | |
| 6 | 0641508 | 4 | Bolt 5/16in-18NC x 1in | |
| 7 | 0641516 | 3 | Bolt, 5/16in-18NC x 2in | |
| 10 | 0641618 | 1 | Bolt 3/8in-16NC x 2-1/4in | |
| 11 | 0641810 | 2 | Bolt 1/2in-13NC x 1-1/4in | |
| 15 | | Ref | Box, Switch-Weatherhead Options: | |
| 15 | 0860038 | 2 | 60Hz Spec | |
| 15 | See Note | 2 | 50Hz Spec (Note: Not Available - Purchase Locally) | |
| 16 | | Ref | Box, Generator Control Options: | |
| 16 | 0861538 | 1 | 60Hz Spec | |
| 16 | 0861572 | 1 | 50Hz Spec | |
| 16 | 7024488 | 1 | Card, Circuit - Generator Power (Not Shown) | |
| 16 | See Note | 1 | Fuse (Note: Not Available - Purchase Locally) | |
| 16 | 7024489 | 1 | Card, Circuit - Control (Not Shown) | |
| | | Ref | Note: Same Circuit Card (P/N 7024489) is used for both 60Hz & 50Hz. When replacing card, rocker switch on card must be set for required application. | |
| 16 | 70000619 | 1 | Harness, Circuit Card | |
| 17 | | Ref | Junction Box Assembly Options (See Items 101-128 for Breakdown): | |
| 17 | 0861542 | 1 | 60Hz Spec | |
| 17 | 0861567 | 1 | 50Hz Spec | |
| 18 | 0902888 | 1 | Bracket, Generator Junction Box | |
| 19 | 0962520 | 1 | Bushing, Taper | |
| 20 | 2820031 | AR | Insulator, Heat Shrink | |
| 21 | 3251102 | 1 | Nameplate, Generator | |
| 22 | 3311508 | 3 | Nut, 5/16in-18NC Serrated Flange | |
| 24 | 3311801 | 2 | Nut, 1/2in-13NC | |
| 27 | 1001129733 | 1 | Pulley, Belt Tensioner | |
| 28 | | Ref | Pulley, Generator Options: | |
| 28 | 3580318 | 1 | 60Hz Spec | |
| 28 | 3580319 | 1 | 50Hz Spec | |
| 30 | 3910606 | AR | Screw, Round Head 6-32NC x 3/8in (60Hz Spec Only) | |
| 31 | 3960422 | 2 | Gasket, AC Receptacle (60Hz Spec Only) | |
| 32 | 4060802 | 1 | Guard, Switch | |
| 33 | 4240018 | AR | Strap, Tie (Not Shown) | |
| 34 | 4300157 | 2 | Stud | |
| 35 | 4360336 | 1 | Switch, Toggle | |
| 36 | 4460051 | 1 | Connector, Strain Relief (60Hz Spec Only) | |
| 37 | 4460071 | 1 | Connector, Strain Relief (60Hz Spec Only) | |

SECTION 2 - TURNTABLE

| ITEM | PART NUMBER | QTY | DESCRIPTION | REV |
|------|-------------|----------|--|-----|
| 38 | 4460315 | 2 | Terminal, Spade (Not Shown - Use 1 each with items 30 & 31) (60Hz Spec Only) (Prior to SN 0300181891) | |
| 39 | 4460346 | 1 | Terminal, Receptacle (60Hz Spec Only) | |
| 40 | 4460958 | 1 | Receptacle (60Hz Spec Only) | |
| 42 | 4711400 | AR | Flatwasher 1/4in Thin | |
| 43 | 4711600 | 1 | Flatwasher 3/8in Thin | |
| 44 | 4751500 | 7 | Flatwasher 5/16in Regular | |
| 45 | 4791400 | 2 | Starwasher 1/4in | |
| 48 | 4891800 | 4 | Flatwasher 1/2in Hardened | |
| 49 | 4922972 | 1 | Harness, Generator Cable | B |
| 49 | 4460225 | 1 | Plug, Male 6 Position (Plugs into Generator) | |
| 49 | 4460226 | 6 | Socket, Female (Use with 4460225) | |
| 49 | 4460807 | 1 | Seal, Plug (Use with 4460225) | |
| 49 | 4460808 | 1 | Seal, Interface (Use with 4460225) | |
| 49 | See Note | 1 | Connector, Female 6 Position (Plugs into Control Box) (Note: Not Available For Purchase) | |
| 49 | See Note | 6 | Pin, Male (Note: Not Available For Purchase) | |
| 52 | 1001118599 | 1 | Shield, Pulley (Prior to SN 0300172839) | |
| 53 | 1001119250 | 1 | Generator, 7500W | |
| 53 | 70003631 | 1 | Brushholder Assembly (Not Shown) (was p/n 7024484) | |
| 53 | 70001966 | 1 | Bearing, Ball Radial (Located In Belt Tensioner Endbell - Not Shown) | |
| 53 | 7027799 | 1 | Block, Connector 6 Position (Not Shown) | |
| 53 | 70002460 | 1 | Nut, Brass (Attaches p/n 7027799 to Cover) (Not Shown) | |
| 53 | 7024485 | 1 | Breaker, Circuit 30Amp (Not Shown) | |
| 53 | 70001696 | 1 | Boot, Breaker (Not Shown) | |
| 53 | 70002297 | AR | Stud 1/4in-20NC x 12-7/8in (Not Shown) | |
| 53 | 7026188 | 1 | Clamp, Cable (Not Shown) | |
| 53 | 7026597 | 1 | Connector with Leads (Not Shown) | |
| 53 | 70001100 | 1 | Rotor/Armature (Not Shown) | |
| 53 | 70001384 | 1 | Bearing, Ball Radial (Not Shown) | |
| 53 | 70003451 | 1 | Stator (Not Shown) | |
| 53 | 70004170 | 1 | Plate, End Panel (Not Shown) (was p/n 70001972) | |
| 53 | 70000863 | 1 | Fan (Not Shown) | |
| 53 | 70001974 | 1 | Decal - Terminal Connections (Not Shown) | |
| 53A | 70004171 | 1 | Key (was p/n 7024561) | |
| 53B | 70004170 | 1 | Endbell, Rear (Brush Block End) (was p/n 70001385) | |
| 53B | 70004170 | 1 | Shroud, Endbell (was p/n 70002290) | |
| 53B | 70003452 | 1 | Shroud, Endbell Panel | |
| 53C | 70003450 | 1 | Endbell, Front (Tensioner End) | |
| 53D | 70001973 | 1 | Decal - Warning Moving Parts | |
| 54 | | Ref | Belt, Generator Options: | |
| 54 | 1001119966 | 1 | 60Hz Spec | |
| 54 | 1001121931 | 1 | 50Hz Spec | |
| 55 | 1001110872 | 1 | Cover, Receptacle (60Hz Spec Only) | |
| 56 | 1001110873 | 1 | Shield, Receptacle Cover (60Hz Spec Only) | |
| | | Ref | JUNCTION BOX ASSEMBLY | |
| | 0861542 | Ref | 60HZ Specs | D |
| | 0861567 | Ref | 50Hz Specs | B |
| 101 | 0861541 | 1 | Box, Junction | |
| 102 | | Ref | Cable, Electrical 12/3 | |
| 102 | 1060494 | 2 ft/.6m | 60Hz Spec | |

SECTION 2 - TURNTABLE

| ITEM | PART NUMBER | QTY | DESCRIPTION | REV |
|------|-------------|----------------|---|-----|
| 102 | See Note | 2 ft/.6m | 50Hz Spec (Note: Not Available - Purchase Locally) | |
| 103 | | Ref | Cable, Electrical 10/3 | |
| 103 | 1060708 | 2.5 ft/.76m | 60Hz Spec | |
| 103 | See Note | 2.5 ft/.76m | 50Hz Spec (Note: Not Available - Purchase Locally) | |
| 104 | 1705376 | 1 | Decal - Wiring Schematic | |
| 105 | 3300396 | 1 | Cover, Fuse | |
| 106 | 3310601 | 2 | Nut #6-32NC | |
| 107 | 1060343 | 1.5 ft/.46m | Cable, Electrical 10/4 (60Hz Spec Only) | |
| 109 | 3910610 | 2 | Bolt #6-32NC x 5/8in | |
| 110 | 4360070 | 1 | Circuit Breaker - 15 Amp | |
| 116 | 4460425 | 2 | Strain Relief, Terminal | |
| 117 | 4460426 | 2 | Connector, Strain Relief | |
| 121 | 4750600 | 4 | Flatwasher, #6 Regular | |
| 122 | 4760600 | 2 | Lockwasher #6 | |
| 125 | 1671092 | 1 | Cover (60Hz Spec Only) | |
| 126 | 4460963 | 1 | Connector (60Hz Spec Only) | |
| 127 | 3520189 | 1 | Plug (50Hz Spec Only) | |
| 128 | 1001121340 | 1 | Terminal Block Assembly (See Items 401-410 for Breakdown) | |
| | | Ref | DECAL INSTALLATION | |
| | 0272435 | Ref | 60Hz Spec | B |
| | 0272589 | Ref | 50Hz Spec | A |
| 201 | 1705460 | 2 | Decal - SkyPower | |
| 202 | 1705374 | 1 | Decal - 240V - 60Hz (60Hz Spec Only) | |
| 203 | | Ref | Decal - 240V - 3 Phase Options | |
| 203 | 1705375 | 1 | 60Hz Spec | |
| 203 | 1705461 | 1 | 50Hz Spec | |
| 204 | | Ref | Decal, Hazardous Voltage Option | |
| 204 | 1705387 | 3 | 60Hz Spec | |
| 204 | 1705489 | 3 | 50Hz Spec | |
| | 1001122528 | Ref | ELECTRICAL DIAGRAM COMPONENTS | B |
| 301 | 1001119968 | 1 | Generator Harness | C |
| 301A | 4460967 | 1 | Plug, Male - 3 Position (Not Shown) | |
| 301A | 4460465 | 6 | Socket, Female | |
| 301B | 1001117078 | 1 | Fuseholder w/Fuse (Not Shown) | |
| 303 | 4922641 | 1 | Switch Harness | |
| | 1001121340 | Ref | TERMINAL BLOCK ASSEMBLY | A |
| 401 | 70002818 | 2 | Marker Strip #1 | |
| 402 | 70002819 | 4 | Marker Strip #2 | |
| 403 | 70002820 | 2 | Marker Strip #3 | |
| 404 | 70002821 | 2 | Marker Strip #4 | |
| 405 | 70002822 | 4 | Marker Strip #5 | |
| 406 | 70002823 | 1 | Terminal, End Barrier | |
| 407 | 70002824 | 2 | Terminal, End Block | |
| 408 | 70002825 | 7 | Terminal, Block | |
| 409 | 70002826 | 2 | Terminal, Cross Connector Jumper | |
| 410 | 3641533 | 1 | Rail, Relay | |
| | 1001103286 | Ref | HOURLY METER INSTALLATION (OPTIONAL) | A |
| 501 | 0720808 | 1 | Screw #8-32 x 1in | |
| 502 | 2420165 | 1 | Hourmeter | |

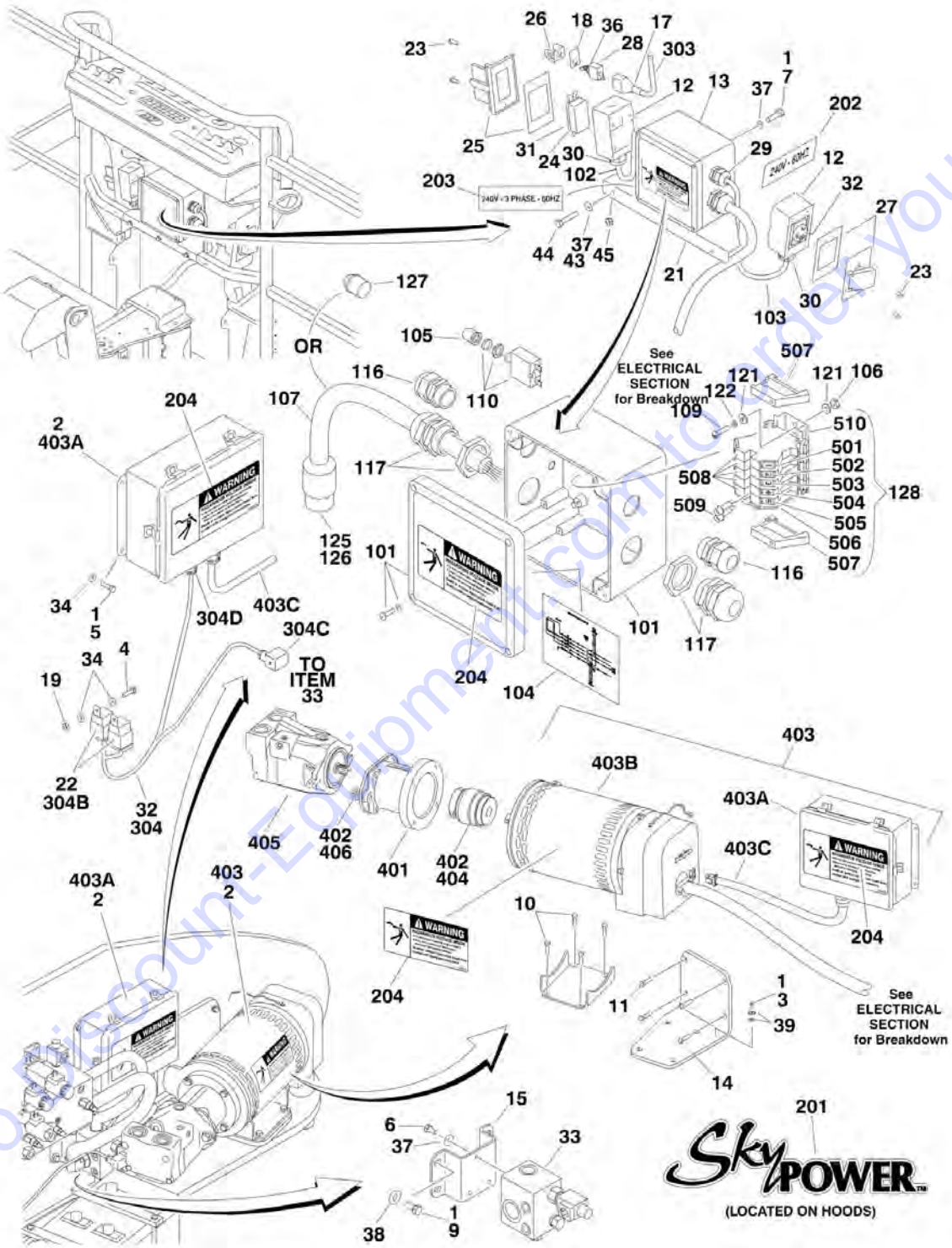
SECTION 2 - TURNTABLE

| ITEM | PART NUMBER | QTY | DESCRIPTION | REV |
|------|-------------|----------|------------------------------------|-----|
| 503 | 3310601 | 2 | Nut #6-32 | |
| 504 | 3310805 | 1 | Locknut #8-32 | |
| 505 | 3910608 | 2 | Screw #6-32 x 1/2in | |
| 506 | 4240032 | 3 | Strap, Tie | |
| 507 | 4420060 | 3 in/7cm | Tape, Double-Sided | |
| 508 | 4460018 | 1 | Connector, Butt Splice (Not Shown) | |
| 509 | 4460234 | 2 | Mount, Tie Strap | |
| 510 | 4750800 | 1 | Flatwasher #8 Regular | |
| 511 | 4760600 | 2 | Lockwasher #6 | |
| 512 | 1001094375 | 1 | Bracket, Hourmeter | |
| 513 | 1001094509 | 1 | Harness, Hourmeter | |

Go to Discount-Equipment.com to order your parts

SECTION 2 - TURNTABLE

FIGURE 2-30. 7500W SKYPOWER GENERATOR INSTALLATION - DEUTZ MACHINES (HYDRAULICALLY DRIVEN) (Prior to SN 0300080338)



SECTION 2 - TURNTABLE

**FIGURE 2-30. 7500W SKYPOWER GENERATOR INSTALLATION - DEUTZ MACHINES
(HYDRAULICALLY DRIVEN) (Prior to SN 0300080338)**

| ITEM | PART NUMBER | QTY | DESCRIPTION | REV |
|------|-------------|-----------------|---|-----|
| | | Ref | 7500W SKYPOWER GENERATOR INSTALLATION | |
| | 0272375 | Ref | 7500W Skypower Generator Installation 1200SJP 60Hz Spec (Prior to SN 0300080338) | D |
| | 0272629 | Ref | 7500W Skypower Generator Installation 1200SJP 50Hz Spec (Prior to SN 0300080338) | D |
| | 0272208 | Ref | 7500W Skypower Generator Installation 1350SJP 60Hz Spec (Prior to SN 0300080338) | D |
| | 0272628 | Ref | 7500W Skypower Generator Installation 1350SJP 50Hz Spec (Prior to SN 0300080338) | C |
| | | Ref | Note: SkyPower Generator is Standard On ANSI and CSA Specs. Optional on All Other Specs. | |
| | | Ref | Note: See ELECTRICAL SECTION for Boom Cable Installation. | |
| 1 | 0100011 | AR | Compound, Locking | |
| 2 | | Ref | Generator Assembly (See Items 401-406 for Breakdown) | |
| 2 | 0272207 | 1 | 60Hz Spec | |
| 2 | 0272631 | 1 | 50Hz Spec | |
| 3 | 0641405 | 1 | Bolt, 1/4in-20NC x 5/16in | |
| 4 | 0641407 | 2 | Bolt, 1/4in-20NC x 7/8in | |
| 5 | 0641408 | 4 | Bolt, 1/4in-20NC x 1in | |
| 6 | 0641505 | 3 | Bolt, 5/16in-18NC x 5/8in | |
| 7 | 0641508 | 4 | Bolt, 5/16in-?8NC x 1in | |
| 9 | 0641606 | 4 | Bolt, 3/8in-16NC x 3/4in | |
| 10 | 0791606 | 4 | Bolt, 3/8in -16NC x 3/4in | |
| 11 | 0791610 | 4 | Bolt, 3/8in-16NC x 1-1/4in | |
| 12 | | Ref | Box, Switch Options: | |
| 12 | 0860038 | 2 | 60Hz Spec | |
| 12 | See Note | 2 | 50Hz Spec (Note: Not Available - Purchase Locally) | |
| 13 | | Ref | Box, Junction Assembly (See Items 101-128 for Breakdown) | |
| 13 | 0861542 | 1 | 60Hz Spec | |
| 13 | 0861567 | 1 | 50Hz Spec | |
| 14 | 0902857 | 1 | Bracket | |
| 15 | 0902858 | 1 | Bracket | |
| 17 | 2820031 | 0.33 ft/10cm | Insulator, Heat Shrink | |
| 18 | 3251102 | 1 | Nameplate, Generator | |
| 19 | 3311405 | 2 | Locknut, 1/4in-20NC | |
| 21 | | Ref | Bracket Options: | |
| 21 | 3573668 | 1 | Bracket (Use p/n 0902888) (Prior to SN 0300070981) | |
| 21 | 0902888 | 1 | Bracket (SN 0300070981 through 0300080338) | |
| 22 | 3740080 | 2 | Relay | |
| 23 | 3910612 | 4 | Bolt, #6-32NF x 3/4in | |
| 24 | | Ref | Gasket, Receptacle Options: | |
| 24 | 3960422 | 2 | 60Hz Spec | |
| 24 | See Note | 2 | 50Hz Spec (Note: Not Available - Purchase Locally) | |
| 25 | | Ref | Shield, Receptacle Cover Options: | |
| 25 | 4060700 | 1 | 60Hz Spec | |
| 25 | See Note | 1 | 50Hz Spec (Note: Not Available - Purchase Locally) | |
| 26 | 4060802 | 1 | Guard, Switch | |
| 27 | | Ref | Cover, Receptacle Options: | |

SECTION 2 - TURNTABLE

| ITEM | PART NUMBER | QTY | DESCRIPTION | REV |
|------|-------------|-------------|--|-----|
| 27 | 4061043 | 1 | 60Hz Spec | |
| 27 | See Note | 1 | 50Hz Spec (Note: Not Available - Purchase Locally) | |
| 28 | 4360336 | 1 | Switch, Toggle | |
| 29 | | Ref | Connector Options: | |
| 29 | 4460051 | 2 | 60Hz Spec | |
| 29 | See Note | | 50Hz Spec (Note: Not Available - Purchase Locally) | |
| 30 | | Ref | Terminal, Spade Options: | |
| 30 | 4460315 | 2 | 60Hz Spec (Prior to SN 0300181891) | |
| 30 | See Note | | 50Hz Spec (Note: Not Available - Purchase Locally) | |
| 31 | | Ref | Terminal, Receptacle Options: | |
| 31 | 4460346 | 1 | 60Hz Spec | |
| 31 | See Note | | 50Hz Spec (Note: Not Available - Purchase Locally) | |
| 32 | | Ref | Receptacle, Twistlock Options: | |
| 32 | 4460958 | 1 | 60Hz Spec | |
| 32 | See Note | | 50Hz Spec (Note: Not Available - Purchase Locally) | |
| 33 | | Ref | Valve, Generator Options: | |
| 33 | 4641239 | 1 | Valve, Generator (Prior to SN 0300070981) | |
| 33 | 4641270 | | Valve, Generator (SN 0300070981 through 0300080338) | |
| 34 | 4711400 | 1 | Flatwasher, 1/4in Thin | |
| 36 | 4740397 | 1 | Spacer, Washer | |
| 37 | 4751500 | 1 | Flatwasher 5/16in Regular | |
| 38 | 4751600 | 13 | Flatwasher 3/8in Regular | |
| 39 | 4791400 | 4 | Starwasher 1/4in | |
| 43 | 4751400 | | Flatwasher 1/4in Regular (Prior to SN 0300070981) | |
| 44 | | Ref | Bolt Options: | |
| 44 | 0641408 | AR | Bolt 1/4in-20NC x 1in (Prior to SN 0300070981) | |
| 44 | 0641516 | 1 | Bolt 5/16in-18NC x 2in (SN 0300070981 through 0300080338) | |
| 45 | | Ref | Nut Options: | |
| 45 | 2080044 | AR | Rivnut (Prior to SN 0300070981) | |
| 45 | 3311505 | 1 | Nut 5/16in-18NC (SN 0300070981 through 0300080338) | |
| 46 | 0100048 | 3 | Grease, Dielectric (Not Shown) | |
| | | Ref | JUNCTION BOX ASSEMBLY | |
| | 0861542 | Ref | 60HZ Specs | D |
| | 0861567 | Ref | 50Hz Specs | B |
| 101 | 0861541 | 1 | Box, Junction | |
| 102 | | Ref | Cable, Electrical 12/3 | |
| 102 | 1060494 | 2 ft/.6m | 60Hz Spec | |
| 102 | See Note | 2 ft/.6m | 50Hz Spec (Note: Not Available - Purchase Locally) | |
| 103 | | Ref | Cable, Electrical 10/3 | |
| 103 | 1060708 | 2.5 ft/.76m | 60Hz Spec | |
| 103 | See Note | 2.5 ft/.76m | 50Hz Spec (Note: Not Available - Purchase Locally) | |
| 104 | 1705376 | 1 | Decal - Wiring Schematic | |
| 105 | 3300396 | 1 | Cover, Fuse | |
| 106 | 3310601 | 2 | Nut #6-32NC | |
| 107 | 1060343 | 1.5 ft/.46m | Cable, Electrical 10/4 (60Hz Spec Only) | |
| 109 | 3910610 | 2 | Bolt #6-32NC x 5/8in | |
| 110 | 4360070 | 1 | Circuit Breaker - 15 Amp | |
| 116 | 4460425 | 2 | Strain Relief, Terminal | |
| 117 | 4460426 | 2 | Connector, Strain Relief | |

SECTION 2 - TURNTABLE

| ITEM | PART NUMBER | QTY | DESCRIPTION | REV |
|------|-------------|-----|---|-----|
| 121 | 4750600 | 4 | Flatwasher, #6 Regular | |
| 122 | 4760600 | 2 | Lockwasher #6 | |
| 125 | 1671092 | 1 | Cover (60Hz Spec Only) | |
| 126 | 4460963 | 1 | Connector (60Hz Spec Only) | |
| 127 | 3520189 | 1 | Plug (50Hz Spec Only) | |
| 128 | | Ref | Terminal Block Assembly Options (See Items 501-510 for Breakdown): | |
| 128 | NPN | 1 | Gray Terminal Block Assembly | |
| 128 | 1001121340 | 1 | Tan Terminal Block Assembly | |
| | | Ref | DECAL INSTALLATION | |
| | 0272435 | Ref | 60Hz Spec | A |
| | 0272589 | Ref | 50Hz Spec | A |
| 201 | 1705460 | 2 | Decal - SkyPower | |
| 202 | 1705374 | 1 | Decal - 240V - 60Hz (60Hz Spec Only) | |
| 203 | | Ref | Decal - 240V - 3 Phase Options | |
| 203 | 1705375 | 1 | 60Hz Spec | |
| 203 | 1705461 | 1 | 50Hz Spec | |
| 204 | | Ref | Decal, Hazardous Voltage Option | |
| 204 | 1705387 | 3 | 60Hz Spec | |
| 204 | 1705489 | 3 | 50Hz Spec | |
| | 4933267 | 4 | ELECTRICAL DIAGRAM COMPONENTS | D |
| 303 | 4922641 | 1 | Switch Harness | |
| 304 | 4922788 | 1 | Generator Harness | C |
| 304 | 3990010 | 1 | Diode 6 Amp | |
| 304A | 2400060 | 1 | Fuseholder (Not Shown) | |
| 304A | 2400064 | 1 | Fuse - 5 Amp (Not Shown) | |
| 304B | 4460374 | 2 | Plug, Sealed Relay | |
| 304B | 4460375 | 7 | Terminal | |
| 304C | 4460880 | 1 | Connector, DIN | |
| 304D | 4460967 | 1 | Plug, Male - 3 Position | |
| 304D | 4460465 | 3 | Socket, Female | |
| | | Ref | GENERATOR ASSEMBLY | B |
| | 0272207 | Ref | 60Hz Spec | |
| | 0272631 | Ref | 50Hz Spec | |
| 401 | 0080239 | 1 | Adapter | |
| 402 | 0100011 | AR | Compound, Locking | |
| 403 | | Ref | Generator Kit Options: | |
| 403 | 0272478 | 1 | 60Hz Spec | |
| 403 | 0272630 | 1 | 50Hz Spec | |
| 403A | | Ref | Control Box Assembly Options: | |
| 403A | 0861538 | 1 | 60Hz Control Box Assembly | |
| 403A | 0861572 | 1 | 50Hz Control Box Assembly | |
| 403A | 7024488 | 1 | Card, Circuit - Generator Power | |
| 403A | See Note | 1 | Fuse (Note: Not Available - Purchase Locally) | |
| 403A | 7024489 | 1 | Card, Circuit - Control | |
| | | Ref | Note: Same Circuit Card is used for both 60Hz and 50Hz. When replacing card, rocker switch on card must be set for required application. | |
| 403A | 70000619 | 1 | Harness, Circuit Card | |
| 403B | 2460040 | 1 | Generator Assembly | |
| 403B | 70003631 | 1 | Brushholder Assembly (Not Shown) (was p/n 7024484) | |
| 403B | 7024485 | 1 | Breaker, Circuit 30Amp (Not Shown) | |

SECTION 2 - TURNTABLE

| ITEM | PART NUMBER | QTY | DESCRIPTION | REV |
|------|-------------|-----|--|-----|
| 403B | 7024486 | 1 | Boot, Breaker (Not Shown) | |
| 403C | 4922735 | 1 | Harness | |
| 404 | 1660254 | 1 | Coupling | |
| 405 | 3160204 | 1 | Motor, Hydraulic | |
| 405 | 2900788 | 1 | Seal Kit - 3160204 Motor | |
| 406 | 4891800 | 2 | Flatwasher 1/2in Hardened | |
| | | Ref | TERMINAL BLOCK ASSEMBLY | |
| | NPN | Ref | Gray Terminal Block Assembly (Complete Assembly Not Available - Purchase Individual Components) | |
| | 1001121340 | Ref | Tan Terminal Block Assembly | A |
| 501 | | Ref | Marker Strip #1 Options: | |
| 501 | 4460411 | 2 | Gray Terminal Block Assembly | |
| 501 | 70002818 | 2 | Tan Terminal Block Assembly | |
| 502 | | Ref | Marker Strip #2 Options: | |
| 502 | 4460412 | 4 | Gray Terminal Block Assembly | |
| 502 | 70002819 | 4 | Tan Terminal Block Assembly | |
| 503 | | Ref | Marker Strip #3 Options: | |
| 503 | 4460413 | 2 | Gray Terminal Block Assembly | |
| 503 | 70002820 | 2 | Tan Terminal Block Assembly | |
| 504 | | Ref | Marker Strip #4 Options: | |
| 504 | 4460414 | 2 | Gray Terminal Block Assembly | |
| 504 | 70002821 | 2 | Tan Terminal Block Assembly | |
| 505 | | Ref | Marker Strip #5 Options: | |
| 505 | 4460415 | 4 | Gray Terminal Block Assembly | |
| 505 | 70002822 | 4 | Tan Terminal Block Assembly | |
| 506 | | Ref | Terminal, End Barrier Options: | |
| 506 | 4460956 | 1 | Gray Terminal Block Assembly | |
| 506 | 70002823 | 1 | Tan Terminal Block Assembly | |
| 507 | | Ref | Terminal, End Block Options: | |
| 507 | 4460607 | 2 | Gray Terminal Block Assembly | |
| 507 | 70002824 | 2 | Tan Terminal Block Assembly | |
| 508 | | Ref | Terminal, Block Options: | |
| 508 | 4460957 | 7 | Gray Terminal Block Assembly | |
| 508 | 70002825 | 7 | Tan Terminal Block Assembly | |
| 509 | | Ref | Terminal, Cross Connector Jumper Options: | |
| 509 | 4461001 | 2 | Gray Terminal Block Assembly | |
| 509 | 70002826 | 2 | Tan Terminal Block Assembly | |
| 510 | 3641533 | 1 | Rail, Relay | |

SECTION 2 - TURNTABLE

**FIGURE 2-31. 7500W SKYPOWER GENERATOR INSTALLATION - DEUTZ MACHINES (BELT DRIVEN)
(SN 0300080338 through 0300201016)**

| ITEM | PART NUMBER | QTY | DESCRIPTION | REV |
|------|-------------|-----|---|-----|
| | | Ref | 7500W SKYPOWER GENERATOR INSTALLATION | |
| | 0273455 | Ref | 60Hz Spec (Without UGM) | H |
| | 1001125427 | Ref | 60Hz Spec (With UGM and BF4M2011 & TD2011 Engines) | C |
| | 1001137590 | Ref | 60Hz Spec (With UGM and TCD2.9L4 Engines) | D |
| | 0273456 | Ref | 50Hz Spec (Without UGM) | F |
| | 1001125428 | Ref | 50Hz Spec (With UGM and BF4M2011 & TD2011 Engines) | B |
| | 1001137591 | Ref | 50Hz Spec (With UGM and TCD2.9L4 Engines) | B |
| | | Ref | Note: See ELECTRICAL SECTION for Boom Cable Installation. | |
| | | Ref | Note: For Module Identification, refer to Revision Log page A. | |
| 1 | 0100011 | AR | Compound, Locking | |
| 2 | 0100019 | AR | Compound, Locking | |
| 3 | 0100048 | AR | Grease, Dielectric | |
| 4 | | Ref | Belt, Generator Options: | |
| 4 | 0480128 | 1 | 60Hz Spec (BF4M2011 & TD2011 Engines) | |
| 4 | 1001142645 | 1 | 60Hz Spec (TCD2.9L4 Engines) | |
| 4 | 0480129 | 1 | 50Hz Spec (BF4M2011 & TD2011 Engines) | |
| 4 | 1001136357 | 1 | 50Hz Spec (TCD2.9L4 Engines) | |
| 5 | 0641404 | AR | Bolt 1/4in-20NC x 1/2in | |
| 6 | | Ref | Bolt Options: | |
| 6 | 0641508 | AR | 5/16in-18NC x 1in (Prior to SN 0300182753) | |
| 6 | 3931016 | AR | 10-24NC x 1in (SN 0300182753 through 0300201016) | |
| 7 | 0641516 | 3 | Bolt 5/16in-18NC x 2in | |
| 8 | 0641810 | AR | Bolt 1/2in-13NC x 1-1/4in | |
| 8 | 4300157 | AR | Stud 1/2in-13NC (Not Shown) | |
| 9 | | Ref | Box, Switch Options: | |
| 9 | 0860038 | AR | 60Hz Spec | |
| 9 | See Note | AR | 50Hz Spec (Note: Not Available - Purchase Locally) | |
| 10 | | Ref | Box, Generator Control Options: | |
| 10 | 0861538 | 1 | 60Hz Spec | |
| 10 | 0861572 | 1 | 50Hz Spec | |
| 10 | 7024488 | 1 | Card, Circuit - Generator Power (Not Shown) | |
| 10 | See Note | 1 | Fuse (Note: Not Available - Purchase Locally) | |
| 10 | 7024489 | 1 | Card, Circuit - Control (Not Shown) | |
| | | Ref | Note: Same Circuit Card (P/N 7024489) is used for both 60Hz & 50Hz. When replacing card, rocker switch on card must be set for required application. | |
| 10 | 70000619 | 1 | Harness, Circuit Card | |
| 11 | | Ref | Junction Box Assembly Options (See Items 101-128 for Breakdown): (Prior to SN 0300182753) | |
| 11 | 0861542 | 1 | 60Hz Spec (BF4M2011 & TD2011 Engines) | |
| 11 | 1001142914 | 1 | 60Hz Spec (TCD2.9L4 Engines) | |
| 11 | 0861567 | 1 | 50Hz Spec | |
| | | Ref | Junction Box Assembly Options (See Items 140-161 for (SN 0300182753 through 0300201016)) | |
| 11 | 1001157592 | 1 | 60Hz Spec (BF4M2011 & TD2011 and TCD2.9L4 Engines) | |
| 11 | 1001157525 | 1 | 50Hz Spec | |
| 12 | 0902888 | 1 | Bracket, Generator Junction Box | |
| 13 | 0962520 | 1 | Bushing, Taper | |

SECTION 2 - TURNTABLE

| ITEM | PART NUMBER | QTY | DESCRIPTION | REV |
|------|-------------|-----|--|-----|
| 14 | | Ref | Generator, 7500W Options: | |
| 14 | 2460048 | 1 | Deutz BF4M2011 & TD2011 Engines | |
| 14 | 1001136988 | 1 | Deutz TCD2.9L4 Engines | |
| 14 | 70001100 | 1 | Rotor (Includes p/n 70001384 & 70000863) (Not Shown) | |
| 14 | 70001384 | 1 | Bearing, Shaft (Rear) (Not Shown) | |
| 14 | 70000863 | 1 | Fan, Generator (Not Shown) | |
| 14 | | Ref | Stator Options (Not Shown): | |
| 14 | 70002088 | 1 | 2460048 Generator | |
| 14 | 70004093 | 1 | 1001136988 Generator | |
| 14 | 70002297 | 2 | Stud 1/4in-20NC x 12-7/8in (Not Shown) | |
| 14 | 70003631 | 1 | Brushholder Assembly (Not Shown) (was p/n7024484) | |
| 14A | | Ref | Key Options: | |
| 14A | 70004171 | 1 | 2460048 Generator (was p/n 7024561) | |
| 14A | 70004099 | 1 | 1001136988 Generator | |
| 14B | 70001966 | 1 | Bearing, Ball Radial (Located in Belt Tensioner Endbell) | |
| 14B | 70003709 | 1 | Ring, Retaining (Small) | |
| 14B | 70003708 | 1 | Ring, Retaining (Large) | |
| 14C | | Ref | Endbell, Belt Tensioner Options: | |
| 14C | 70001953 | 1 | 2460048 Generator | |
| 14C | 70004092 | 1 | 1001136988 Generator | |
| 14D | | Ref | Endbell, Brush Block Options: | |
| 14D | 70004169 | 1 | 2460048 Generator (was p/n 70001385) | |
| 14D | 70004094 | 1 | 1001136988 Generator | |
| 14E | | Ref | Shroud Assembly Options: | |
| 14E | 70004169 | 1 | 2460048 Generator (was p/n 70002290) | |
| 14E | 70004096 | 1 | 1001136988 Generator | |
| 14E | 7027799 | 1 | Block, Connector 6 Position (Not Shown) | |
| 14E | 70002460 | 6 | Nut, Brass (Attaches p/n 7027799 to Cover) (Not Shown) | |
| 14E | 7024485 | 1 | Breaker, Circuit 30Amp (Not Shown) | |
| 14E | 70001696 | 1 | Boot, Breaker (was p/n 7024486) (Not Shown) | |
| 14E | 7026597 | 1 | Connector, W/Leads (Not Shown) | |
| 14E | 7026626 | 1 | Connector with Pins (Not Shown) | |
| 14E | | Ref | Clamp, Cable Options (Not Shown): | |
| 14E | 7026188 | 1 | 2460048 Generator | |
| 14E | 70004098 | 1 | 1001136988 Generator | |
| 14E | | Ref | Plate, End Panel Options (Not Shown): | |
| 14E | 70002255 | 1 | 2460048 Generator | |
| 14E | 70004095 | 1 | 1001136988 Generator | |
| 14E | | Ref | Insulator, End Panel Options (Not Shown): | |
| 14E | See Note | 1 | 2460048 Generator (Note: Not Available for Purchase) | |
| 14E | 70004097 | 1 | 1001136988 Generator | |
| 14E | 70001974 | 1 | Decal - Terminal Connections (Not Shown) | |
| 14F | 70001973 | 1 | Decal - Warning Moving Parts | |
| 15 | 2820031 | AR | Insulator, Heat Shrink | |
| 16 | 3251102 | 1 | Nameplate, Generator | |
| 17 | 3311508 | 3 | Nut, 5/16in-18NC Serrated Flange | |
| 18 | 3580317 | 1 | Pulley, Belt Tensioner | |
| 19 | | Ref | Pulley, Generator Options: | |
| 19 | 3580318 | 1 | 60Hz Spec | |
| 19 | 3580319 | 1 | 50Hz Spec | |
| 20 | 3910606 | AR | Screw, Round Head #6-32NC x 3/8in | |

SECTION 2 - TURNTABLE

| ITEM | PART NUMBER | QTY | DESCRIPTION | REV |
|------|-------------|-----|---|-----|
| 21 | 0641618 | 1 | Bolt 3/8in-16NC x 2in | |
| 22 | | Ref | Gasket, AC Receptacle Options: | |
| 22 | 3960422 | AR | 60Hz Spec | |
| 22 | See Note | AR | 50Hz Spec (Note: Not Available - Purchase Locally) | |
| 23 | | Ref | Shield, Receptacle Cover Options: | |
| 23 | See Note | 1 | 50Hz Spec (Note: Not Available - Purchase Locally) | |
| 23A | 4060700 | 1 | 60Hz Spec (Side Hinged) (Prior to SN 0300138291) | |
| 23B | 1001110873 | 1 | 60Hz Spec (Top Hinged) (SN 0300138291 through 0300201016) | |
| 24 | 4060802 | 1 | Guard, Switch | |
| 25 | | Ref | Cover, Receptacle Options: | |
| 25 | See Note | 1 | 50Hz Spec (Note: Not Available - Purchase Locally) | |
| 25A | 4061043 | 1 | 60Hz Spec with Deutz BF4M2011 & TD2011 Engines Only (Side Hinged) (Prior to SN 0300138291) | |
| 25B | 1001110872 | 1 | 60Hz Spec with Deutz BF4M2011 & TD2011 Engines Only (Top Hinged) (Prior to SN 0300182753) | |
| 26 | 4240018 | AR | Strap, Tie (Not Shown) | |
| 27 | 4360336 | 1 | Switch, Toggle | |
| 28 | | Ref | Connector, Strain Relief Options (Deutz BF4M2011 & TD2011 Engines Only): | |
| 28 | 4460051 | 1 | 60Hz Spec (Prior to SN 0300182753) | |
| 28 | See Note | 1 | 50Hz Spec (Note: Not Available - Purchase Locally) | |
| 29 | 4460315 | 2 | Terminal, Spade (Not Shown - Use 1 each with items 30 & 31) (Prior to SN 0300181891) | |
| 30 | | Ref | Terminal, Receptacle Options: | |
| 30 | 4460346 | 1 | 60Hz Spec | |
| 30 | See Note | 1 | 50Hz Spec (Note: Not Available - Purchase Locally) | |
| 31 | | Ref | Receptacle Options (Deutz BF4M2011 & TD2011 Engines Only): | |
| 31 | 4460958 | 1 | 60Hz Spec (Prior to SN 0300182753) | |
| 31 | See Note | 1 | 50Hz Spec (Note: Not Available - Purchase Locally) | |
| 32 | 4711400 | 4 | Flatwasher 1/4in Thin | |
| 34 | | Ref | Spacer, Washer Options: | |
| 34 | 4740397 | AR | Spacer, Washer (Prior to SN 0300182753) | |
| 34 | 4751500 | AR | Spacer, Washer (SN 0300182753 through 0300201016) | |
| 35 | 4751500 | AR | Flatwasher 5/16in Regular | |
| 36 | 4791400 | 2 | Starwasher 1/4in | |
| 37 | 4891800 | 4 | Flatwasher 1/2in Hardened | |
| 38 | 4922972 | 1 | Harness, Generator Cable | A |
| 38 | 4460225 | 1 | Plug, Male 6 Position (Plugs into Generator) | |
| 38 | 4460226 | 6 | Socket, Female (Use with 4460225) | |
| 38 | 4460807 | 1 | Seal, Plug (Use with 4460225) | |
| 38 | 4460808 | 1 | Seal, Interface (Use with 4460225) | |
| 39 | 4711600 | 1 | Flatwasher 3/8in Thin | |
| 40 | 0100020 | AR | Sealant, Pipe (Not Shown) | |
| 41 | 4460071 | 1 | Connector, Strain Relief | |
| 42 | 0741607 | 3 | Screw, Countersunk Flathead 3/8in-16NC x 7/8in | |
| 43 | 3311801 | 2 | Nut 1/2in-13NC | |
| 44 | 3520192 | 1 | Plug, Hole (Deutz TCD2.9L4 Engines Only) (Prior to SN 0300182753) | |
| 45 | 1001138011 | 1 | Bracket (Deutz TCD2.9L4 Engines Only) | |
| 46 | 4751000 | AR | Flat Washer #10 Regular | |
| 47 | 3311005 | AR | Nut #10-24NC | |
| | | Ref | JUNCTION BOX ASSEMBLY (Prior to SN 0300182753) | |

SECTION 2 - TURNTABLE

| ITEM | PART NUMBER | QTY | DESCRIPTION | REV |
|------|---------------|-----------------|--|-----|
| | 0861542 | Ref | 60Hz Spec (BF4M2011 & TD2011 Engines) | D |
| | 1001142914 | Ref | 60Hz Spec (TCD2.9L4 Engines) | A |
| | 0861567 | Ref | 50Hz Spec | B |
| 101 | 0861541 | 1 | Box, Junction | |
| 102 | | Ref | Cable, Electrical 12/3 | |
| 102 | 1060494 | 2 ft/.6m | 60Hz Spec | |
| 102 | See Note | 2 ft/.6m | 50Hz Spec (Note: Not Available - Purchase Locally) | |
| 103 | | Ref | Cable, Electrical 10/3 | |
| 103 | 1060708 | 2.5 ft/.76m | 60Hz Spec (BF4M2011 & TD2011 Engines) | |
| 103 | Not Required | 0 | 60Hz Spec (TCD2.9L4 Engines) | |
| 103 | See Note | 2.5 ft/.76m | 50Hz Spec (Note: Not Available - Purchase Locally) | |
| 104 | 1705376 | 1 | Decal - Wiring Schematic | |
| 105 | 3300396 | 1 | Cover, Fuse | |
| 106 | 3310601 | 2 | Nut #6-32NC | |
| 107 | 1060343 | 1.5 ft/.46m | Cable, Electrical 10/4 (60Hz Spec Only) | |
| 109 | 3910610 | 2 | Bolt #6-32NC x 5/8in | |
| 110 | 4360070 | 1 | Circuit Breaker - 15 Amp | |
| 116 | 4460425 | 2 | Strain Relief, Terminal | |
| 116 | 3520192 | 1 | Plug (60Hz Deutz TCD2.9L4 Engines Only) | |
| 117 | 4460426 | 2 | Connector, Strain Relief | |
| 121 | 4750600 | 4 | Flatwasher #6 Regular | |
| 122 | 4760600 | 2 | Lockwasher #6 | |
| 123 | 4461001 | 2 | Connector, Terminal (Not Shown - Located on Terminal Block) | |
| 125 | 1671092 | 1 | Cover (60Hz Spec Only) | |
| 126 | 4460963 | 1 | Connector (60Hz Spec Only) | |
| 127 | 3520189 | 1 | Plug (50Hz Spec Only) | |
| 128 | | Ref | Terminal Block Assembly Options (See Items 401-410 for Breakdown): | |
| 128 | 1001121340 | 1 | Tan Terminal Block Assembly | |
| | | Ref | JUNCTION BOX ASSEMBLY (SN 0300182753 through 0300201016) | |
| | 1001157592 | 1 | 60Hz Specs | C |
| | 1001157525 | 1 | 50Hz Specs | B |
| 140 | 1060343 | 1.5 ft/.46m | Cable, Electrical 10/4 (60Hz Spec Only) | |
| 141 | | Ref | Cable, Electrical 12/3 | |
| 142 | 1001179154 | 2.5 ft/0.76m | 60Hz Spec | |
| 143 | Not Available | 1 | 50Hz Spec (Supply Locally) | |
| 144 | 1671092 | 1 | Cover (60Hz Spec Only) | |
| 145 | 3300396 | 1 | Cover, Fuse | |
| 146 | 3311001 | 6 | Nut, #10-24 | |
| 147 | 4360070 | 1 | Circuit Breaker - 15 Amp | |
| 148 | 4460425 | 1 | Strain Relief, Terminal | |
| 149 | 4460426 | 2 | Connector, Strain Relief | |
| 150 | 4460963 | 1 | Connector (60Hz Spec Only) | |
| 151 | 4711000 | 10 | Washer, #10 | |
| 152 | 10702077 | 2 | Screw, #10-32 x 3/8 | |
| 153 | 10702082 | 2 | Screw, #10-24 x 3/4 | |
| 154 | 1001152525 | 1 | Plug | |

SECTION 2 - TURNTABLE

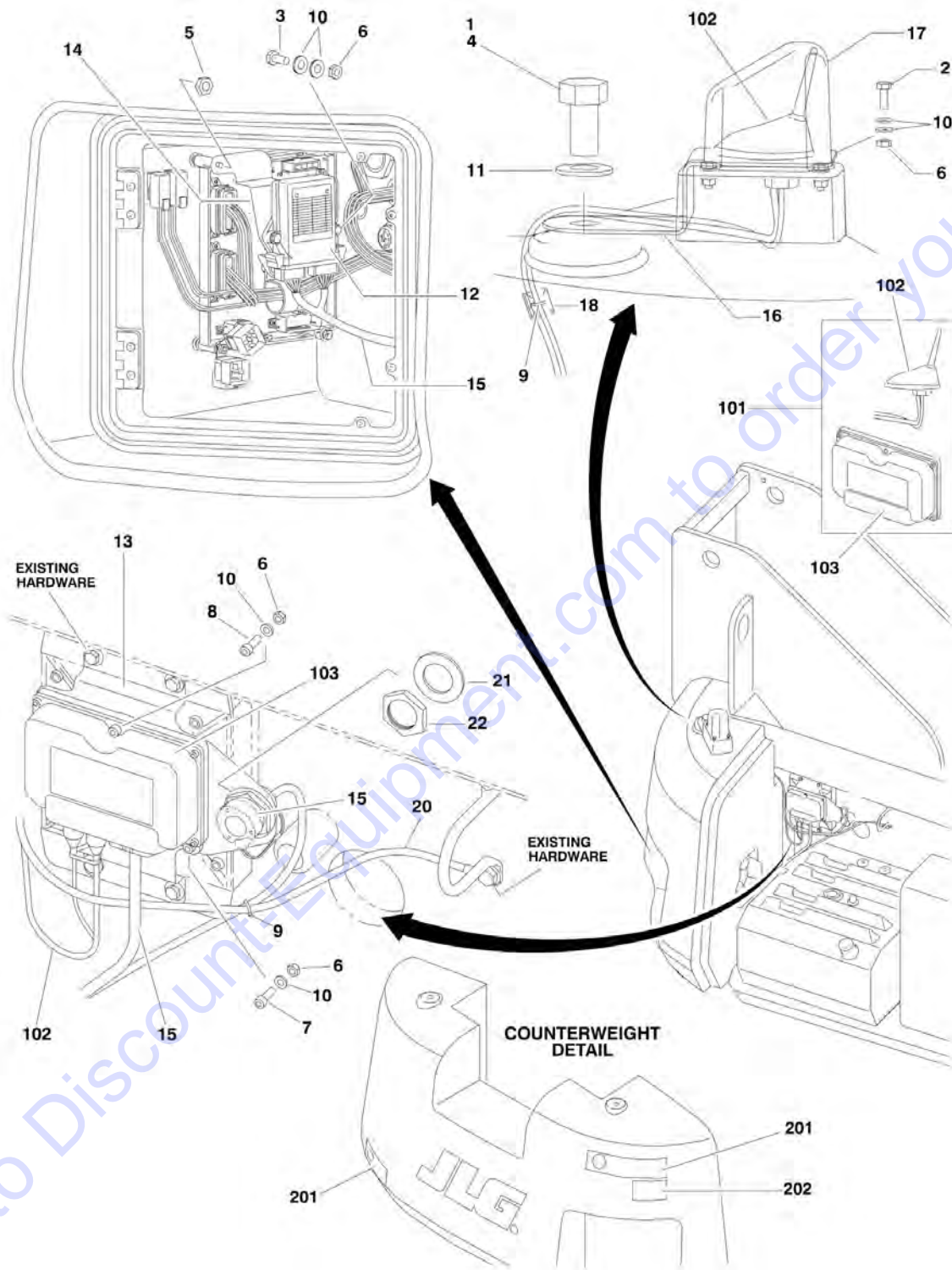
| ITEM | PART NUMBER | QTY | DESCRIPTION | REV |
|------|---------------|-----|---|-----|
| 155 | 1001157520 | 1 | Block, Terminal | |
| 156 | 1001157521 | 1 | Box, Junction | |
| 157 | 1001157528 | 1 | Decal - Wiring Schematic | |
| 158 | 1001158007 | 1 | Cover, PVC | |
| 159 | 1001158008 | 2 | Stand-Off | |
| 160 | 3520189 | 1 | Plug (50Hz Spec Only) | |
| 161 | 3520192 | 1 | Plug | |
| | | Ref | DECAL INSTALLATION | |
| | 0272435 | 1 | 60Hz Spec | |
| | 0272589 | 1 | 50Hz Spec | |
| 201 | 1705460 | 2 | Decal - SkyPower | C |
| 203 | | Ref | Decal - 240V - 3 Phase Options: | A |
| 203 | 1705375 | 1 | 60Hz Spec | |
| 203 | 1705461 | 1 | 50Hz Spec | |
| 201 | | Ref | Decal, Hazardous Voltage Options: | |
| 204 | 1705387 | 3 | 60Hz Spec | |
| 204 | 1705489 | 3 | 50Hz Spec | |
| | 1001157770 | 1 | ELECTRICAL DIAGRAM COMPONENTS | |
| 301 | 1001119968 | 1 | Generator Harness | |
| 301A | 4460967 | 1 | Plug, Male - 3 Position (Not Shown) | A |
| 301A | 4460465 | 3 | Socket, Female | C |
| 301B | 1001117078 | 1 | Fuseholder Fuse | |
| 301B | 1001096133 | 1 | Fuseholder | |
| 301B | Not Available | 1 | Fuse 5 Amp (Purchase Locally) | |
| 301B | 1001096134 | 1 | Cap | |
| 302A | 4460465 | 6 | Socket, Female | |
| 302B | 1001117078 | 1 | Fuseholder w/Fuse (Not Shown) | |
| | | Ref | DECAL INSTALLATION | |
| | 0272435 | 1 | 60Hz Spec | B |
| | 0272589 | 1 | 50Hz Spec | A |
| 201 | 1705460 | 2 | Decal - SkyPower | |
| 202 | 1705374 | 1 | Decal - 240V - 60Hz (60Hz Spec Only) | |
| 203 | | Ref | Decal - 240V - 3 Phase Options: | |
| 203 | 1705375 | 1 | 60Hz Spec | |
| 203 | 1705461 | 1 | 50Hz Spec | |
| 204 | | Ref | Decal, Hazardous Voltage Options: | |
| 204 | 1705387 | 3 | 60Hz Spec | |
| 204 | 1705489 | 3 | 50Hz Spec | |
| | | Ref | ELECTRICAL DIAGRAM COMPONENTS | |
| | | Ref | Note: For Module Identification, refer to Revision Log page A. | |
| | 4933264 | Ref | Without UGM | C |
| | 1001122528 | Ref | With UGM | B |
| 301 | 4922757 | 1 | Generator Harness (Without UGM) | 3-C |
| 301A | 4460374 | 2 | Plug, Sealed Relay | |
| 301A | 4460375 | 7 | Terminal | |
| 301B | 4460967 | 1 | Plug, Male - 3 Position (Not Shown) | |
| 301B | 4460465 | 3 | Socket, Female | |
| 301C | 2400060 | 1 | Fuseholder (Not Shown) | |
| 301C | 2400064 | 1 | Fuse- 5 Amp (Not Shown) | |
| 302 | 1001119968 | 1 | Generator Harness (With UGM) | B |
| 302A | 4460967 | 1 | Plug, Male - 3 Position (Not Shown) | |

SECTION 2 - TURNTABLE

| ITEM | PART NUMBER | QTY | DESCRIPTION | REV |
|------|-------------|----------|--|-----|
| 302A | 4460465 | 6 | Socket, Female | |
| 302B | 1001117078 | 1 | Fuseholder w/Fuse (Not Shown) | |
| 304 | 4922641 | 1 | Switch Harness | |
| | | Ref | TERMINAL BLOCK ASSEMBLY | |
| | NPN | Ref | Gray Terminal Block Assembly (Complete Assembly Not Available - Purchase Individual Components) | |
| | 1001121340 | Ref | Tan Terminal Block Assembly | A |
| 401 | | Ref | Marker Strip #1 Options: | |
| 401 | 4460411 | 2 | Gray Terminal Block Assembly | |
| 401 | 70002818 | 2 | Tan Terminal Block Assembly | |
| 402 | | Ref | Marker Strip #2 Options: | |
| 402 | 4460412 | 4 | Gray Terminal Block Assembly | |
| 402 | 70002819 | 4 | Tan Terminal Block Assembly | |
| 403 | | Ref | Marker Strip #3 Options: | |
| 403 | 4460413 | 2 | Gray Terminal Block Assembly | |
| 403 | 70002820 | 2 | Tan Terminal Block Assembly | |
| 404 | | Ref | Marker Strip #4 Options:: | |
| 404 | 4460414 | 2 | Gray Terminal Block Assembly | |
| 404 | 70002821 | 2 | Tan Terminal Block Assembly | |
| 405 | | Ref | Marker Strip #5 Options: | |
| 405 | 4460415 | 4 | Gray Terminal Block Assembly | |
| 405 | 70002822 | 4 | Tan Terminal Block Assembly | |
| 406 | | Ref | Terminal, End Barrier Options: | |
| 406 | 4460956 | 1 | Gray Terminal Block Assembly | |
| 406 | 70002823 | 1 | Tan Terminal Block Assembly | |
| 407 | | Ref | Terminal, End Block Options: | |
| 407 | 4460607 | 2 | Gray Terminal Block Assembly | |
| 407 | 70002824 | 2 | Tan Terminal Block Assembly | |
| 408 | | Ref | Terminal, Block Options: | |
| 408 | 4460957 | 7 | Gray Terminal Block Assembly | |
| 408 | 70002825 | 7 | Tan Terminal Block Assembly | |
| 409 | | Ref | Terminal, Cross Connector Jumper Options: | |
| 409 | 4461001 | 2 | Gray Terminal Block Assembly | |
| 409 | 70002826 | 2 | Tan Terminal Block Assembly | |
| 410 | 3641533 | 1 | Rail, Relay | |
| | 1001094475 | Ref | HOURMETER INSTALLATION | B |
| 501 | 0100011 | AR | Compound, Locking | |
| 502 | 0720808 | 1 | Screw #8-32 x 1in | |
| 503 | 420165 | 1 | Hourmeter | |
| 504 | 3310604 | 2 | Nut #6-32 | |
| 505 | 3310805 | 1 | Locknut #8-32 | |
| 506 | 3910608 | 2 | Screw #6-32 x 1/2in | |
| 507 | 4240032 | 4 | Strap, Tie | |
| 508 | 4420060 | 3 in/7cm | Tape, Double-Sided | |
| 509 | 4460234 | 3 | Mount, Tie Strap | |
| 510 | 4750800 | 1 | Flatwasher #8 Regular | |
| 511 | 4760600 | 2 | Lockwasher #6 | |
| 512 | 1001094375 | 1 | Bracket, Hourmeter | |
| 513 | 1001094509 | 1 | Harness, Hourmeter | |
| 514 | 4460018 | 1 | Splice, Butt (Not Shown) | |

SECTION 2 - TURNTABLE

FIGURE 2-32. CLEARSKY TELEMATICS INSTALLATION (WITHOUT UGM) (OPTIONAL)



SECTION 2 - TURNTABLE

FIGURE 2-32. CLEARSKY TELEMATICS INSTALLATION (WITHOUT UGM) (OPTIONAL)

| ITEM | PART NUMBER | QTY | DESCRIPTION | REV |
|------|-------------|-----|---|-----|
| | | Ref | Note: For Module Identification, refer to Revision Log page A. | |
| | 1001100441 | Ref | CLEARSKY TELEMATICS INSTALLATION | C |
| 1 | 0100011 | AR | Compound, Locking | |
| 2 | 0641406 | 4 | Bolt 1/4in-20NC x 3/4in | |
| 3 | 0641410 | 2 | Bolt 1/4in-20NC x 1-1/4in | |
| 4 | 0642612 | 1 | Bolt 1in-8NC x 1-1/2in | |
| 5 | 3311402 | 2 | Nut, Jam 1/4in-20NC | |
| 6 | 3311405 | 9 | Locknut 1/4in-20NC | |
| 7 | 3931412 | 2 | Capscrew 1/4in-20NC x 3/4in | |
| 8 | 3931416 | 2 | Capscrew 1/4in-20NC x 1in | |
| 9 | 4240033 | AR | Strap, Tie | |
| 10 | 4711400 | 15 | Flatwasher 1/4in Thin | |
| 11 | 4712600 | 1 | Flatwasher 1in Thin | |
| 12 | 1001100062 | 1 | Module | |
| 13 | 1001100432 | 1 | Support, Controller | |
| 14 | 1001100434 | 1 | Mount, Module | |
| 15 | 1001100468 | 1 | Harness, Telematics (See ELECTRICAL SECTION for Breakdown) | |
| 16 | 1001100672 | 1 | Mount, Antenna | |
| 17 | 1001100876 | 1 | Cover | |
| 18 | 4460488 | 2 | Mount, Tie Strap | |
| 20 | 1001103356 | 1 | Ground Wire | |
| 21 | 4460496 | 1 | Lockwasher, Strain Relief | |
| 22 | 4460497 | 1 | Nut, Strain Relief | |
| | | Ref | CLEARSKY TELEMATICS CONTROLLERS (Factory Installed) | |
| | 1001102839 | Ref | ANSI Spec | B |
| | 1001102840 | Ref | ANSI Export/CE/Japanese Specs | B |
| | 1001139145 | Ref | Australian Spec | 1 |
| | 1001104734 | Ref | CSA Specs | B |
| 101 | | Ref | Controller, Telematic Kit Options (Includes Items 102 & 103): | |
| 101 | 1001100352 | 1 | ANSI Spec | |
| 101 | 1001102831 | 1 | ANSI Export/CE/Japanese Specs | |
| 101 | 1001132733 | 1 | Australian Spec | |
| 101 | 1001104735 | 1 | CSA Specs | |
| 102 | 1001100443 | 1 | Antenna and Harness | |
| 103 | | Ref | Controller, Telematics Options: | |
| 103 | 70002293 | 1 | ANSI Spec | |
| 103 | 70002295 | 1 | ANSI Export/CE/Japanese Specs | |
| 103 | 70003617 | 1 | Australian Spec | |
| 103 | 70002294 | 1 | CSA Specs | |
| | | Ref | CLEARSKY TELEMATICS DECALS | |
| | 1001116304 | Ref | ANSI Spec | A |
| | 1001102840 | Ref | ANSI Export/Australian/CE/Japanese Specs | |
| | 1001116305 | Ref | CSA Specs | A |
| 201 | 1001116208 | 2 | Decal - ClearSky | |
| 202 | | Ref | Decal - Radio Frequency Device Options: | |
| 202 | 1001116217 | 1 | ANSI Spec | |
| 202 | See Note | 1 | ANSI Export/CE/Japanese Specs (Note: Not Available For Purchase) | |
| 202 | 1001120989 | 1 | Australian Spec | |

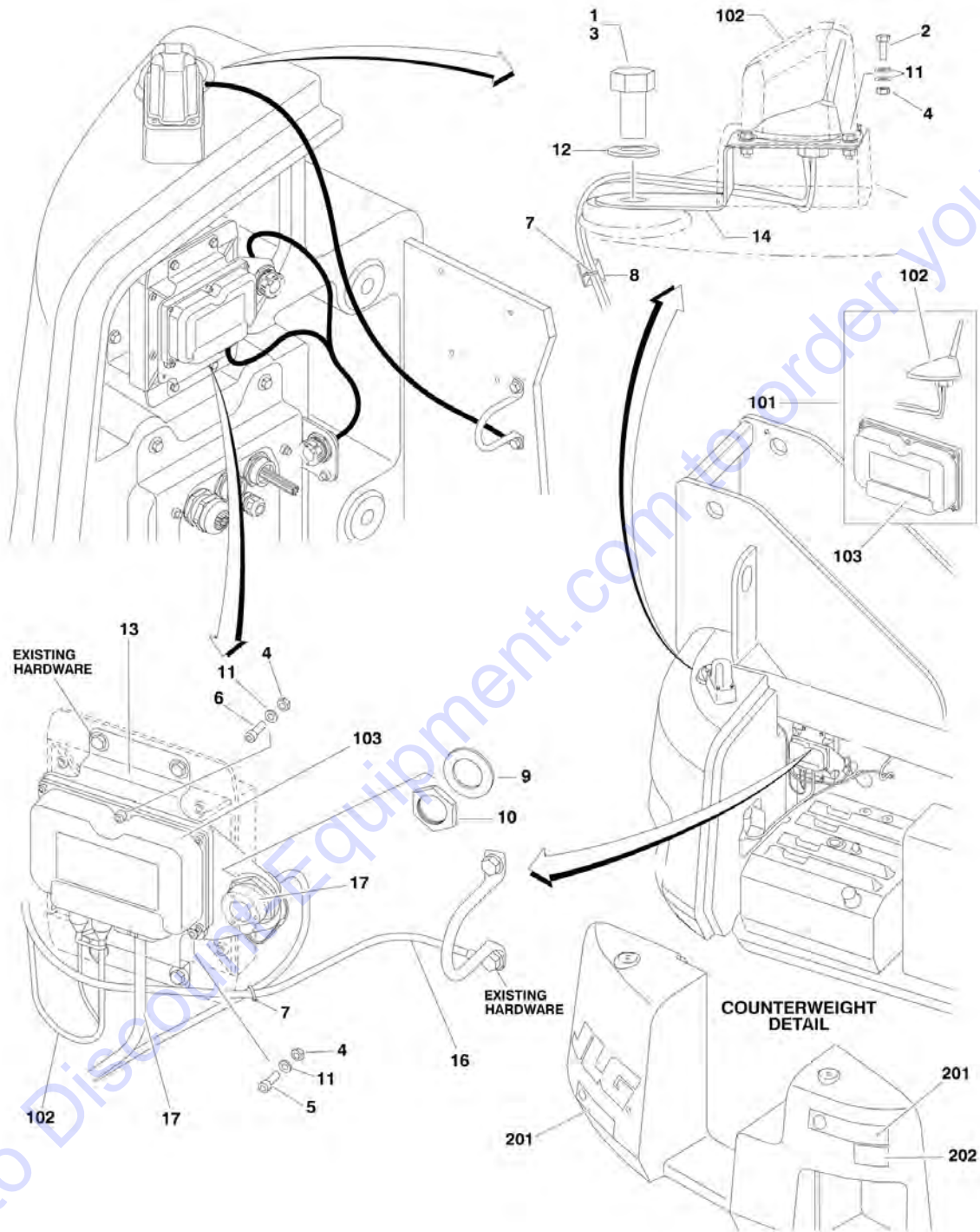
SECTION 2 - TURNTABLE

| ITEM | PART NUMBER | QTY | DESCRIPTION | REV |
|------|-------------|-----|--|-----|
| 202 | 100116222 | 1 | CSA Specs | |
| | | Ref | CLEARSKY TELEMATICS KITS (Dealer Installed) (Not Shown) | |
| | 100117250 | Ref | ANSI Spec | |
| | 1001139145 | Ref | Australian Spec Only | |
| | 100117256 | Ref | CSA Spec | |

Go to Discount-Equipment.com to order your parts

SECTION 2 - TURNTABLE

FIGURE 2-33. CLEARSKY TELEMATICS INSTALLATION (WITH UGM) (OPTIONAL)



SECTION 2 - TURNTABLE

FIGURE 2-33. CLEARSKY TELEMATICS INSTALLATION (WITH UGM) (OPTIONAL)

| ITEM | PART NUMBER | QTY | DESCRIPTION | REV |
|------|-------------|-----|---|-----|
| | | Ref | Note: For Module Identification, refer to Revision Log page A. | |
| | 1001112987 | Ref | CLEARSKY TELEMATICS INSTALLATION | B |
| 1 | 0100011 | AR | Compound, Locking | |
| 2 | 0641406 | 4 | Bolt 1/4in-20NC x 3/4in | |
| 3 | 0642612 | 1 | Bolt 1in-8NC x 1-1/2in | |
| 4 | 3311405 | 7 | Locknut 1/4in-20NC | |
| 5 | 3931412 | 2 | Capscrew 1/4in-20NC x 3/4in | |
| 6 | 3931416 | 1 | Capscrew 1/4in-20NC x 1in | |
| 7 | 4240033 | AR | Strap, Tie | |
| 8 | 4460488 | 2 | Mount, Tie Strap | |
| 9 | 4460496 | 1 | Lockwasher, Strain Relief | |
| 10 | 4460497 | 1 | Nut, Strain Relief | |
| 11 | 4711400 | 11 | Flatwasher 1/4in Thin | |
| 12 | 4712600 | 1 | Flatwasher 1in Thin | |
| 13 | 1001100432 | 1 | Support, Controller | |
| 14 | 1001100672 | 1 | Mount, Antenna | |
| 15 | 1001100876 | 1 | Cover | |
| 16 | 1001103356 | 1 | Ground Wire | |
| 17 | 1001111914 | 1 | Harness, Telematics (See ELECTRICAL SECTION for Breakdown) | |
| | | Ref | CLEARSKY TELEMATICS CONTROLLERS (Factory Installed) | |
| | 1001112988 | Ref | ANSI Spec | A |
| | 1001127092 | Ref | ANSI Export (Brazil and New Zealand Specs Only) | A |
| | 1001132730 | Ref | Australian Spec | A |
| | 1001112989 | Ref | CE Spec | A |
| | 1001112973 | Ref | CSA Spec | A |
| 101 | | Ref | Controller, Telematic Kit Options (Includes Items 102 & 103): | |
| 101 | 1001100352 | 1 | ANSI Spec | |
| 101 | 1001102831 | 1 | ANSI Export/CE Spec | |
| 101 | 1001132733 | 1 | Australian Spec | |
| 101 | 1001104735 | 1 | CSA Specs | |
| 102 | 1001100443 | 1 | Antenna and Harness | |
| 103 | | Ref | Controller, Telematics Options: | |
| 103 | 70002293 | 1 | ANSI Spec | |
| 103 | 70002295 | 1 | ANSI Export (Brazil and New Zealand Specs Only)/CE Spec | |
| 103 | 70003617 | 1 | Australian Spec | |
| 103 | 70002294 | 1 | CSA Spec | |
| | 1001120994 | Ref | CLEARSKY TELEMATICS DECALS | A |
| 201 | 1001116208 | 2 | Decal - ClearSky | |
| 202 | 1001120989 | 1 | Decal - Radio Frequency Device | |
| | | Ref | CLEARSKY TELEMATICS KITS (Dealer Installed) (Not Shown) | |
| | 1001119938 | Ref | ANSI Spec | |
| | 1001138187 | Ref | ANSI Export Spec | |
| | 1001138188 | Ref | Australian Spec | |
| | 1001134839 | Ref | CE Spec | |
| | 1001119946 | Ref | CSA Spec | |

SECTION 3 - BOOM

Go to Discount-Equipment.com to order your parts

SECTION 3 - BOOM

FIGURE 3-1. BOOM INSTALLATION

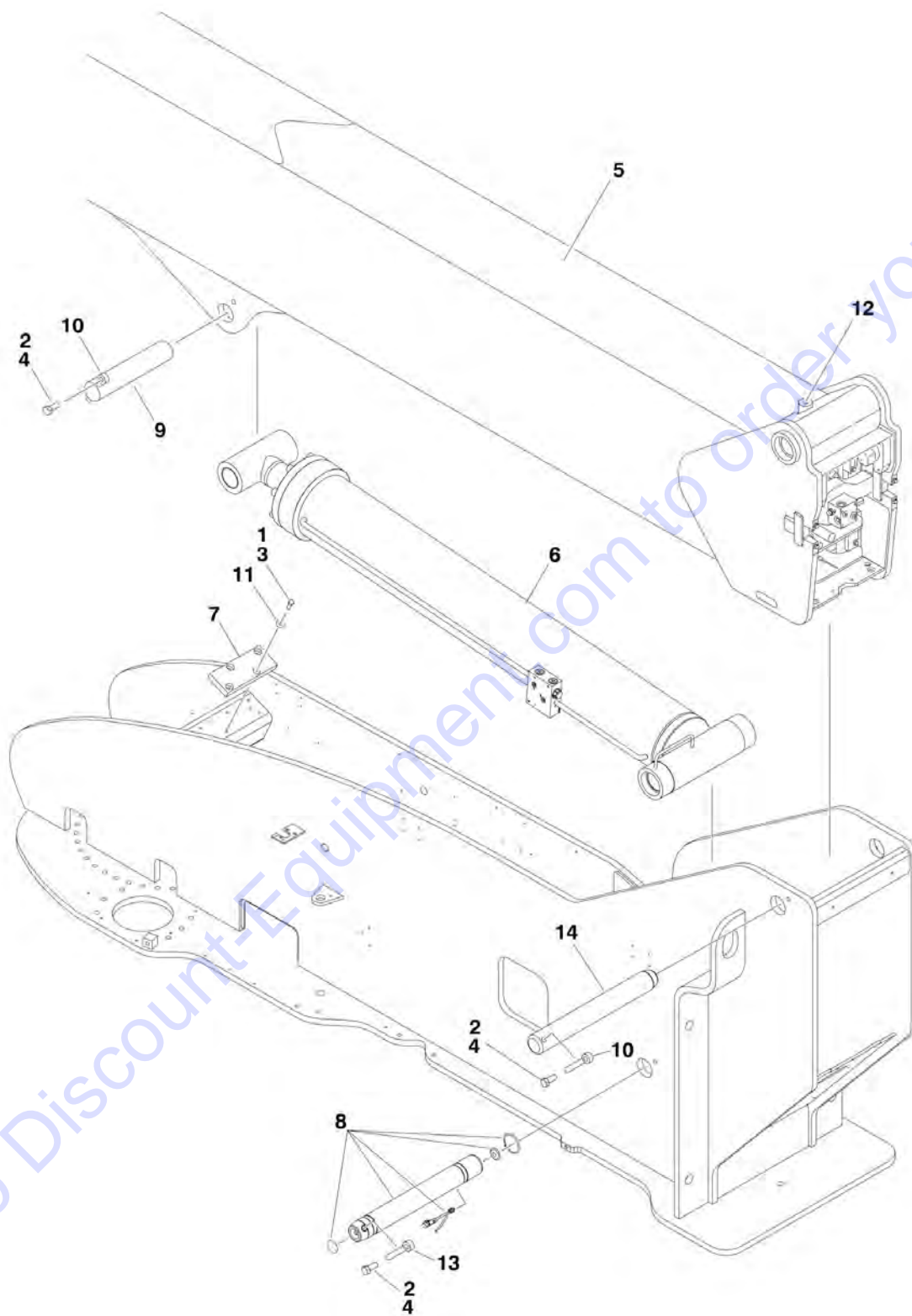
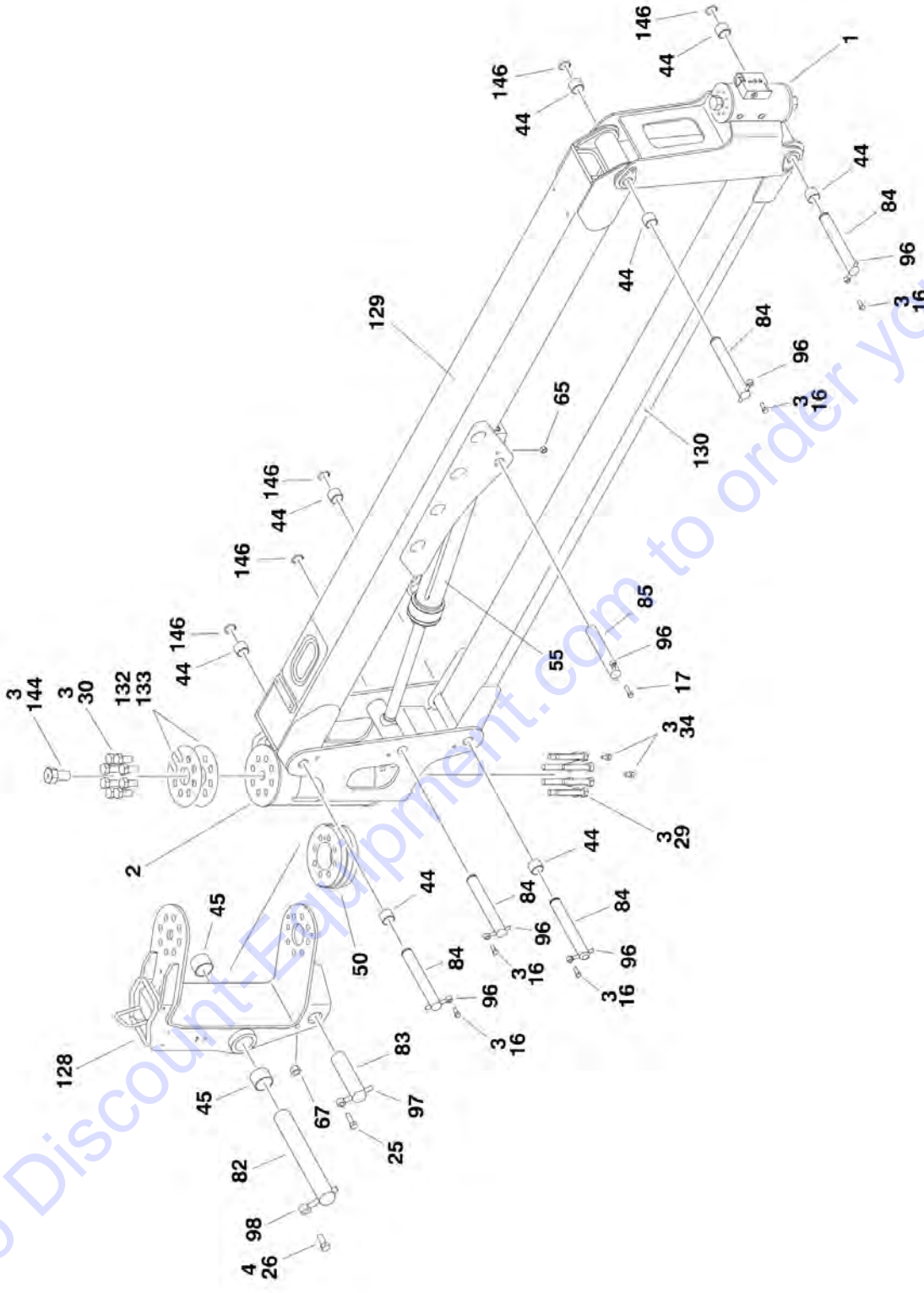


FIGURE 3-1. BOOM INSTALLATION

| ITEM | PART NUMBER | QTY | DESCRIPTION | REV |
|------|-------------|-----|---|-----|
| | | Ref | BOOM INSTALLATION | |
| | 0271799 | Ref | Boom Installation 1200SJP - Without Arctic Package | F |
| | 1001138800 | Ref | Boom Installation 1200SJP - With Arctic Package | A |
| | 0271530 | Ref | Boom Installation 1350SJP - Without Arctic Package | F |
| | 1001139516 | Ref | Boom Installation 1350SJP - With Arctic Package | A |
| 1 | 0100011 | AR | Compound, Locking | |
| 2 | 0100019 | AR | Compound, Locking | |
| 3 | 0641608 | 4 | Bolt 3/8in-16NC x 1in | |
| 4 | 0642214 | 3 | Bolt 3/4in-10NC x 1-3/4in | |
| 5 | | Ref | Boom Assembly Options (See BOOM ASSEMBLY for Breakdown): | |
| 5 | 0801320 | 1 | Boom Assembly 1200SJP - Without Arctic Package | |
| 5 | 1001138801 | 1 | Boom Assembly 1200SJP - With Arctic Package | |
| 5 | 0801315 | 1 | Boom Assembly 1350SJP - Without Arctic Package | |
| 5 | 1001139517 | 1 | Boom Assembly 1350SJP - With Arctic Package | |
| 6 | 1684162 | NLA | Lift Cylinder Assembly (See CYLINDER SECTION for Breakdown) (Use p/n 1001228024) (Original Equipment) | |
| 6 | 1001228024 | 1 | Lift Cylinder Assembly (See CYLINDER SECTION for Breakdown) (Service Replacement) | |
| 7 | 3340927 | 1 | Pad | |
| 8 | | Ref | Pin, Load Sensing Options: | |
| 8 | 3422933 | 1 | Pin, Load Sensing (Prior to SN 0300080450) | |
| 8 | 3423194 | 1 | Pin, Load Sensing (SN 0300080450 through 0300086185) | |
| 8 | 3423208 | 1 | Pin, Load Sensing (SN 0300086186 through 0300201016) | |
| 9 | 3422955 | 1 | Pin | |
| 10 | 3841287 | 2 | Keeper, Pin | |
| 11 | 4751600 | 4 | Flatwasher 3/8in Regular | |
| 12 | 3520110 | 1 | Plug (Prior to SN 0300080450) | |
| 13 | 3841581 | 1 | Keeper, Pin | |
| 14 | 3422988 | 1 | Pin | |

SECTION 3 - BOOM



Go to DiscountEquipment.com to order your parts

FIGURE 3-2. BOOM ASSEMBLY

| ITEM | PART NUMBER | QTY | DESCRIPTION | REV |
|------|-------------|-----|---|-----|
| | | Ref | BOOM ASSEMBLY | |
| | 0801320 | Ref | Boom Assembly 1200SJP - Without Arctic Package | S |
| | 1001138801 | Ref | Boom Assembly 1200SJP - With Arctic Package | B |
| | 0801315 | Ref | Boom Assembly 1350SJP - Without Arctic Package | Q |
| | 1001139517 | Ref | Boom Assembly 1350SJP - With Arctic Package | B |
| 1 | | Ref | Actuator Assembly Options (Platform Rotate) (See ACTUATOR ASSEMBLIES for Breakdown): | |
| 1 | See Note | 1 | Actuator Assembly (was p/n 0060063) Note: See ACTUATOR ASSEMBLIES for ordering information. (Prior to SN 0300119707) | |
| 1 | 1001097643 | 1 | Actuator Assembly (SN 0300119707 through 0300201016) | |
| 2 | | Ref | Actuator Assembly Options (Jib Rotate) (See ACTUATOR ASSEMBLIES for Breakdown): | |
| 2 | See Note | 1 | Actuator Assembly (was p/n 0060064) (Note: See ACTUATOR ASSEMBLIES for ordering information.) (Prior to SN 0300119707) | |
| 2 | 1001097619 | 1 | Actuator Assembly (SN 0300119707 through 0300201016) | |
| 3 | 0100011 | AR | Compound, Locking | |
| 4 | 0100019 | AR | Compound, Locking | |
| 5 | 0561431 | 1 | Block, Rope Retainer | |
| 6 | 0561437 | 2 | Block, Rope Retainer | |
| 7 | 0561439 | 1 | Block, Outer Mid Extend | |
| 8 | 0561444 | 2 | Block, Cable Retainer | |
| 9 | 0561454 | 1 | Block, Switch Adjuster | |
| 10 | 0561457 | 2 | Block, Cable Retainer | |
| 11 | 0561458 | 2 | Block, Cable Retainer | |
| 12 | 0561471 | 2 | Block, Spacer | |
| 13 | 0561500 | 2 | Block, Trunnion Keeper | |
| 14 | 0561482 | 2 | Block, Trunnion Keeper | |
| 15 | 3340955 | 1 | Pad | |
| 16 | 0641607 | 5 | Bolt 3/8in-16NC x 7/8in | |
| 17 | 0641610 | 1 | Bolt 3/8in-16NC x 1-1/4in | |
| 18 | 0641615 | 4 | Bolt 3/8in-16NC x 1-7/8in | |
| 19 | 0791618 | 4 | Screw 3/8in-16NC x 2-1/4in | |
| 20 | 0791620 | 10 | Screw 3/8in-16NC x 2-1/2in | |
| 21 | 0791624 | 4 | Screw 3/8in-16NC x 3in | |
| 22 | 0641646 | 4 | Bolt 3/8in-16NC x 5-3/4in | |
| 23 | 0641652 | 3 | Bolt 3/8in-16NC x 6-1/2in | |
| 24 | 0641808 | 1 | Bolt 1/2in-13NC x 1in | |
| 25 | 0641813 | 1 | Bolt 1/2in-13NC x 1-5/8in | |
| 26 | 0642012 | 1 | Bolt 5/8in-11NC x 1-1/2in | |
| 27 | 0642014 | 4 | Bolt 5/8in-11NC x 1-3/4in | |
| 28 | 0642022 | 2 | Bolt 5/8in-11NC x 2-3/4in | |
| 29 | 0682028 | 8 | Bolt 5/8in-11NC x 3-1/2in (Grade 8) | |
| 30 | 0682212 | 8 | Bolt 3/4in-10NC x 1-1/2in (Grade 8) | |
| 31 | 0741606 | 3 | Screw, Flathead 3/8in-16NC x 3/4in | |
| 32 | 0741806 | 1 | Screw, Flathead 1/2in-13NC x 3/4in | |
| 33 | 0791604 | 4 | Screw 3/8in-16NC x 1/2in | |
| 34 | 0791606 | 2 | Screw 3/8in-16NC x 3/4in | |
| 36 | 0811608 | AR | Screw 3/8in-16NC x 1in | |
| 37 | 0811610 | 10 | Screw 3/8in-16NC x 1-1/4in | |

SECTION 3 - BOOM

| ITEM | PART NUMBER | QTY | DESCRIPTION | REV |
|------|-------------|-----|--|-----|
| 38 | 0811614 | 4 | Screw 3/8in-16NC x 1-3/4in | |
| 39 | 0811616 | 6 | Screw 3/8in-16NC x 2in | |
| 40 | | Ref | Base, Boom Options: | |
| 40 | 0801316 | 1 | Base, Boom 1200SJP | |
| 40 | 0801301 | 1 | Base, Boom 1350SJP | |
| 41 | | Ref | Mid, Inner Options: | |
| 41 | 0801317 | 1 | Mid, Inner 1200SJP | |
| 41 | 0801302 | 1 | Mid, Inner 1350SJP | |
| 42 | | Ref | Mid, Outer Options: | |
| 42 | 0801318 | 1 | Mid, Outer 1200SJP | |
| 42 | 0801303 | 1 | Mid, Outer 1350SJP | |
| 43 | | Ref | Fly, Boom Options: | |
| 43 | 0801319 | 1 | Fly, Boom 1200SJP | |
| 43 | 0801304 | 1 | Fly, Boom 1350SJP | |
| 44 | 0961951 | 8 | Bushing | |
| 45 | 0962224 | 2 | Bearing | |
| 46 | 0791612 | 4 | Screw 3/8in-16NC x 1-1/2in | |
| 47 | 0962297 | 2 | Bushing | |
| 48 | 0962409 | 2 | Bushing | |
| 49 | 0962410 | 2 | Bushing | |
| 50 | 1100131 | 1 | Cam | |
| 51 | 1670836 | 8 | Cover (Prior to SN 0300120858) | |
| 52 | 1671032 | 1 | Cover | |
| 53 | 1671033 | 1 | Cover | |
| 54 | | Ref | Platform Level Cylinder Assembly Options (See CYLINDER SECTION for Breakdown): | |
| 54 | 1684149 | NLA | Without Arctic Package (Use p/n 1001228023) (Original Equipment) | |
| 54 | 1001228023 | 1 | Without Arctic Package (Service Replacement) | |
| 54 | 1001138802 | NLA | With Arctic Package (Use p/n 1001228053) (Original Equipment) | |
| 54 | 1001228053 | 1 | With Arctic Package (Service Replacement) | |
| 55 | | Ref | Jib Cylinder Assembly Options (See CYLINDER SECTION for Breakdown): | |
| 55 | 1684173 | NLA | Without Arctic Package (Use p/n 1001228025) (Original Equipment) | |
| 55 | 1001228025 | 1 | Without Arctic Package (Service Replacement) | |
| 55 | 1001138803 | NLA | With Arctic Package (Use p/n 1001228025) (Original Equipment) | |
| 55 | 1001228025 | 1 | With Arctic Package (Service Replacement) | |
| 56 | | Ref | Telescope Cylinder Assembly Options: (See CYLINDER SECTION for Breakdown) | |
| 56 | 1684178 | NLA | Telescope Cylinder Assembly 1200SJP (Use p/n 1001228026) (Original Equipment) | |
| 56 | 1001228026 | 1 | Telescope Cylinder Assembly 1200SJP (Service Replacement) | |
| 56 | 1684108 | NLA | Telescope Cylinder Assembly 1350SJP (Use p/n 1001228021) (Original Equipment) | |
| 56 | 1001228021 | 1 | Telescope Cylinder Assembly 1350SJP (Service Replacement) | |
| 57 | 3020039 | AR | Lubricant, Moly | |
| 58 | 3300239 | 4 | Nut, Nylon Insert | |
| 59 | 3020042 | AR | Lubricant w/PTFE | |
| 60 | 3300458 | 1 | Nut 1in-12NF | |
| 62 | 3300460 | 2 | Nut 1-1/4in-7NC | |

SECTION 3 - BOOM

| ITEM | PART NUMBER | QTY | DESCRIPTION | REV |
|------|-------------|-----|--|-----|
| 63 | 3300461 | 3 | Nut 1-3/8in-6NC | |
| 65 | 3311605 | 7 | Locknut 3/8in-16NC | |
| 66 | 3311801 | 4 | Nut 1/2in-13NC | |
| 67 | 3311805 | 1 | Locknut 1/2in-13NC | |
| 68 | 3340871 | 2 | Pad, Wear | |
| 69 | 3340881 | 12 | Pad, Wear | |
| 70 | 3340910 | 1 | Pad, Wear | |
| 71 | 3340912 | 2 | Pad, Wear | |
| 72 | | Ref | Pad, Wear Options: | |
| 72 | 3340915 | 1 | Pad, Wear (Prior to SN 0300086654) | |
| 72 | 4700039 | 1 | Pad, Wear (SN 0300086654 through 0300201016) | |
| 73 | 3340916 | 2 | Pad, Wear | |
| 74 | 3340917 | 2 | Pad, Wear | |
| 75 | 3340918 | 2 | Pad, Wear | |
| 76 | | Ref | Pad, Wear Options: | |
| 76 | 3340919 | 1 | Pad, Wear (Prior to SN 0300086654) | |
| 76 | 4700038 | 1 | Pad, Wear (SN 0300086654 through 0300201016) | |
| 77 | 3340921 | 12 | Pad, Wear | |
| 78 | 3340922 | 6 | Pad, Wear | |
| 79 | 3340926 | 1 | Pad, Wear | |
| 80 | 3422926 | 1 | Pin | |
| 81 | 3422937 | 1 | Pin | |
| 82 | | Ref | Pin Options: | |
| 82 | 3422953 | 1 | Pin (Prior to SN 0300160862) | |
| 82 | 1001119899 | 1 | Pin (SN 0300160862 through 0300201016) | |
| 83 | 3422956 | 1 | Pin | |
| 84 | 3422957 | 5 | Pin | |
| 85 | 3422958 | 1 | Pin | |
| 86 | 3422959 | 1 | Pin | |
| 87 | 3572950 | 2 | Plate, Cable Retract Retainer | |
| 88 | 3572951 | 2 | Plate, Cable Retract Retainer | |
| 89 | | Ref | Sheave Options: | |
| 89 | 3580290 | 2 | Sheave (Use p/n 3580342) (Prior to SN 0300095125) | |
| 89 | 3580342 | 2 | Sheave (SN 0300095125 through 0300201016) | |
| 90 | | Ref | Sheave Options: | |
| 90 | 3580296 | NLA | Sheave (Use p/n 1001177850) (Prior to SN 0300066766) | |
| | | Ref | Note: No Service Parts Available for p/n 3580296 sheave. Replace complete unit with p/n 1001177850. | |
| 90 | 3580308 | 1 | Sheave (Use 1001177850) (SN 0300066766 through 0300185792) | |
| 90A | 0962401 | 1 | Bushing (Outer) | |
| 90B | 0962472 | 1 | Bushing (Inner) | |
| 90C | 3441680 | 8 | Rollpin | |
| 91 | 3580298 | 2 | Sheave | |
| 91A | 0962402 | 1 | Bushing (Outer) | |
| 91B | 0962406 | 1 | Bushing (Inner) | |
| 92 | 3580300 | 1 | Sheave | |
| 92A | | Ref | Bushing Options: | |
| 92A | 0961948 | 2 | Bushing (Inner) (Prior to SN 0300160032) | |
| 92A | 1001139972 | 1 | Sleeve, Bushing (Inner) (SN 0300160032 through 0300201016) | |
| 92B | 0962403 | 1 | Bushing (Outer) | |

SECTION 3 - BOOM

| ITEM | PART NUMBER | QTY | DESCRIPTION | REV |
|------|-------------|-----|---|-----|
| 93 | 3580302 | 1 | Sheave | |
| 93A | 0962404 | 1 | Bushing (Outer) | |
| 93B | 0962411 | 1 | Bushing (Inner) | |
| 94 | | Ref | Sheave Options: | |
| 94 | 3580304 | 1 | Sheave (Use p/n 3580341) (Prior to SN 0300095125) | |
| 94 | 3580341 | 2 | Sheave (SN 0300095125 through 0300201016) | |
| 95 | 3760233 | 1 | Ring, Retaining | |
| 96 | 3841143 | 6 | Keeper, Pin | |
| 97 | 3841203 | 2 | Keeper, Pin | |
| 98 | 3841258 | 1 | Keeper, Pin | |
| 99 | | Ref | Cable, Outer Mid Extend Options: | |
| 99 | 3890024 | 1 | Cable, Outer Mid Extend (Use p/n 3890034) 1200SJP (Prior to SN 0300070285) | |
| 99 | 3890034 | 1 | Cable, Outer Mid Extend 1200SJP (SN 0300070285 through 0300201016) | |
| 99 | 3890019 | 1 | Cable, Outer Mid Extend (Use p/n 3890029) 1350SJP (Prior to SN 0300070285) | |
| 99 | 3890029 | 1 | Cable, Outer Mid Extend 1350SJP (SN 0300070285 through 0300201016) | |
| 100 | | Ref | Cable, Outer Mid Extend Options: | |
| 100 | 3890025 | 1 | Cable, Outer Mid Extend (Use p/n 3890035) 1200SJP (Prior to SN 0300070285) | |
| 100 | 3890035 | 1 | Cable, Outer Mid Extend 1200SJP (SN 0300070285 through 0300201016) | |
| 100 | 3890020 | 1 | Cable, Outer Mid Extend (Use p/n 3890030) 1350SJP (Prior to SN 0300070285) | |
| 100 | 3890030 | 1 | Cable, Outer Mid Extend 1350SJP (SN 0300070285 through 0300201016) | |
| 101 | | Ref | Cable, Outer Mid Retract Options: | |
| 101 | 3890026 | 2 | Cable, Outer Mid Extend (Use p/n 3890036) 1200SJP (Prior to SN 0300070285) | |
| 101 | 3890036 | 2 | Cable, Outer Mid Retract 1200SJP (SN 0300070285 through 0300201016) | |
| 101 | 3890021 | 2 | Cable, Outer Mid Extend (Use p/n 3890031) 1350SJP (Prior to SN 0300070285) | |
| 101 | 3890031 | 2 | Cable, Outer Mid Retract 1350SJP (SN 0300070285 through 0300201016) | |
| 102 | | Ref | Cable, Fly Extend Options: | |
| 102 | 3890027 | 4 | Cable, Outer Mid Extend (Use p/n 3890037) 1200SJP (Prior to SN 0300070285) | |
| 102 | 3890037 | 4 | Cable, Fly Extend 1200SJP (SN 0300070285 through 0300201016) | |
| 102 | 3890022 | 4 | Cable, Fly Extend (Use p/n 3890032) 1350SJP (Prior to SN 0300070285) | |
| 102 | 3890032 | 4 | Cable, Fly Extend 1350SJP (SN 0300070285 through 0300201016) | |
| 103 | | Ref | Cable, Fly Retract Options: | |
| 103 | 3890028 | 2 | Cable, Fly Retract (Use p/n 3890038) 1200SJP (Prior to SN 0300070285) | |
| 103 | 3890038 | 2 | Cable, Fly Retract 1200SJP (SN 0300070285 through 0300201016) | |
| 103 | 3890023 | 2 | Cable, Fly Retract (Use p/n 3890033) 1350SJP (Prior to SN 0300070285) | |
| 103 | 3890033 | 2 | Cable, Fly Retract 1350SJP (SN 0300070285 through 0300201016) | |
| 104 | 0641618 | 6 | Screw 3/8in-16NC x 2-1/4in | |

SECTION 3 - BOOM

| ITEM | PART NUMBER | QTY | DESCRIPTION | REV |
|------|-------------|-----|--|-----|
| 105 | 4070863 | 2 | Shim #11 Gauge | |
| 106 | 4070864 | 2 | Shim #18 Gauge | |
| 107 | 4070895 | 2 | Shim #16 Gauge | |
| 108 | 4070897 | 6 | Shim #18 Gauge | |
| 109 | 4070898 | 12 | Shim #11 Gauge | |
| 110 | 4071012 | 1 | Shim #16 Gauge | |
| 111 | 4071013 | 2 | Shim #16 Gauge (Prior to SN 0300156660) | |
| 112 | 4071015 | 2 | Shim #16 Gauge | |
| 113 | 4071016 | 2 | Shim #11 Gauge (Prior to SN 0300141586) | |
| 114 | 4071017 | 1 | Shim #16 Gauge | |
| 115 | 4071018 | 8 | Shim #16 Gauge | |
| 116 | 4071019 | 12 | Shim #11 Gauge | |
| 117 | 4071024 | 1 | Shim #16 Gauge | |
| 118 | 4071025 | 1 | Shim #16 Gauge | |
| 119 | 4071026 | 1 | Shim #11 Gauge (Prior to SN 0300141586) | |
| 120 | 4071027 | 2 | Shim #16 Gauge | |
| 121 | 4071028 | 6 | Shim #16 Gauge | |
| 122 | 4071029 | 6 | Shim #11 Gauge | |
| 123 | 4071031 | 4 | Shim #16 Gauge | |
| 124 | 4160197 | 1 | Spring | |
| 125 | 4711600 | 10 | Flatwasher 3/8in Thin | |
| 126 | 4740509 | 2 | Spacer | |
| 127 | 4846453 | 1 | Plate, Mounting | |
| 128 | 4846462 | 1 | Pivot | |
| 129 | 4846482 | 1 | Link, Jib (Upper) | |
| 130 | | Ref | Link, Jib (Lower) Options: | |
| 130 | 4846483 | 1 | Link, Jib (Lower) (Use p/n 0801550) (Prior to SN 0300099171) | |
| 130 | 0801550 | 1 | Link, Jib (Lower) (SN 0300099171 through 0300201016) | |
| 131 | 4892000 | 2 | Flatwasher 5/8in Hardened | |
| 132 | 4071044 | 1 | Shim #18 Gauge | |
| 133 | 4071045 | 1 | Shim #11 Gauge | |
| 134 | 4071046 | 2 | Shim #16 Gauge | |
| 135 | 0363066 | 2 | Bar, Stabilizer | |
| 136 | 0962447 | 2 | Bearing, Flanged | |
| 137 | 3573437 | 1 | Plate, Pulley Adjustment | |
| 138 | 3580306 | 4 | Pulley | |
| 139 | 4568423 | 4 | Tube, Spacer | |
| 140 | 0641640 | 1 | Bolt 3/8in-16NC x 5in | |
| 141 | 0641644 | 2 | Bolt 3/8in-16NC x 5-1/2in | |
| 142 | 0791605 | 6 | Screw 3/8in-16NC x 5/8in | |
| 143 | 3573444 | 6 | Plate, Lock | |
| 144 | 0630558 | 1 | Bolt 1-1/8inNC x 2in | |
| 145 | 3311608 | 8 | Nut, Castle 3/8in-16NC | |
| 146 | 3760133 | 5 | Ring, Retaining | |
| 148 | 0811606 | AR | Screw 3/8in-16NC x 3/4in | |
| 149 | 0811607 | AR | Screw 3/8in-16NC x 7/8in | |
| 150 | | Ref | Screw Options: | |
| 150 | 0811607 | 3 | Screw 3/8in-16NC x 7/8in (Prior to SN 0300086654) | |
| 150 | 0811608 | 3 | Screw 3/8in-16NC x 1in (SN 0300086654 through 0300201016) | |
| 151 | | Ref | Screw Options: | |
| 151 | 0811606 | 4 | Screw 3/8in-16NC x 3/4in (Prior to SN 0300086654) | |

SECTION 3 - BOOM

| ITEM | PART NUMBER | QTY | DESCRIPTION | REV |
|------|-------------|-----|---|-----|
| 151 | 0811608 | 4 | Screw 3/8in-16NC x 1in (SN 0300086654 through 0300201016) | |
| 152 | 1001154260 | 2 | Sheave (SN 0300185793 through 0300201016) | |
| 152A | 1001154294 | 1 | Ring, Snap | |
| 152B | 1001154304 | 1 | Bushing (Inner) | |
| 152C | 1001154306 | 1 | Bushing (Outer) | |
| | 0272048 | Ref | WIRE ROPE TOOLS INSTALLATION (OPTIONAL) | B |
| 201 | 0641676 | 1 | Bolt 3/8in-16NC x 9-1/2in | |
| 202 | 3311605 | 1 | Locknut 3/8in-16NC | |
| 203 | 4120040 | 1 | Socket 3/4in | |
| 204 | 4120043 | 1 | Socket 2in | |
| 205 | 4711600 | 1 | Flatwasher 3/8in Thin | |
| 206 | 4891600 | 1 | Flatwasher 3/8in Hardened | |
| 207 | 1705307 | 1 | Decal - Tool Location | |

SECTION 3 - BOOM

FIGURE 3-3. ACTUATOR ASSEMBLIES

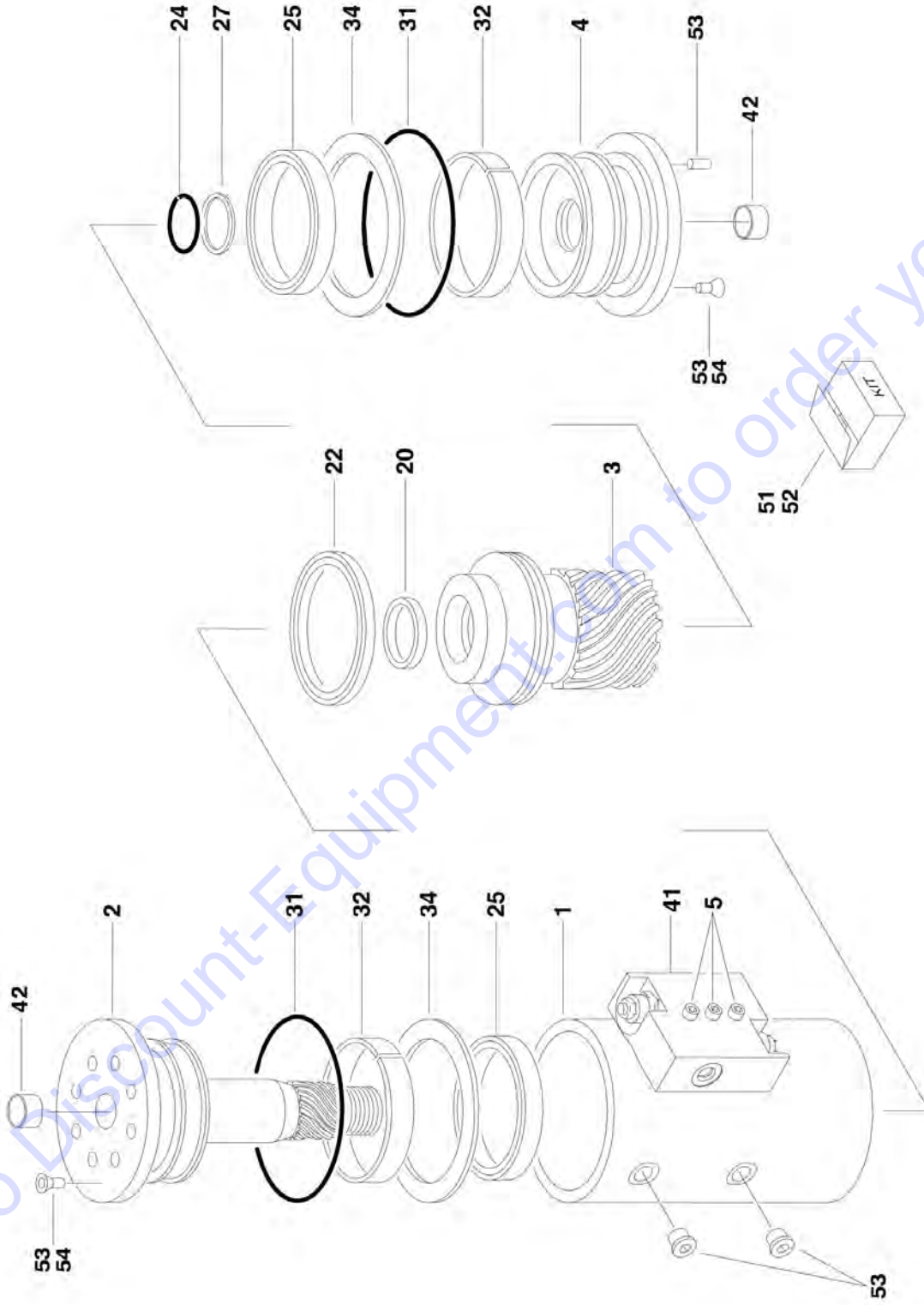


FIGURE 3-3. ACTUATOR ASSEMBLIES

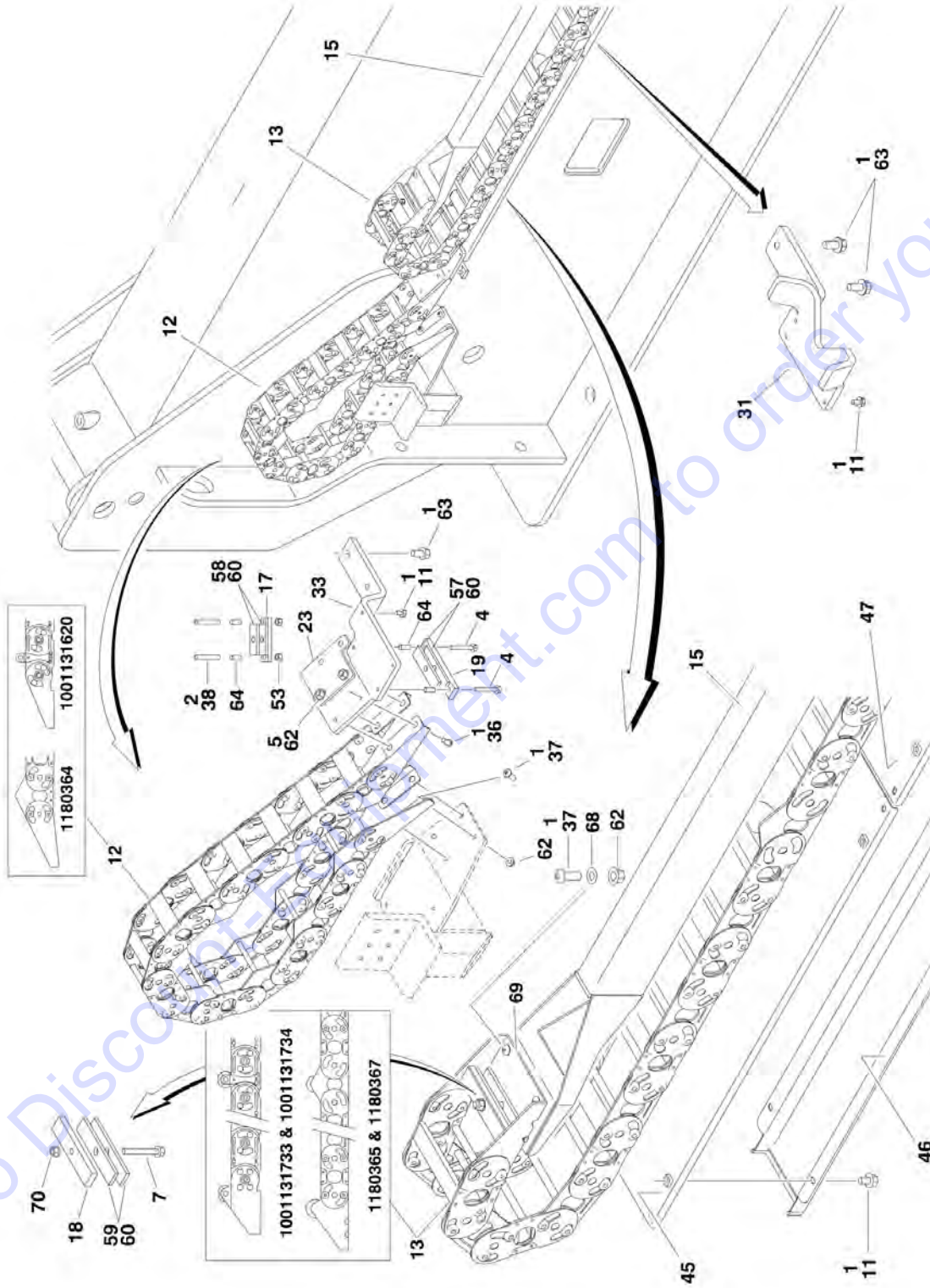
| ITEM | PART NUMBER | QTY | DESCRIPTION | REV |
|------|-------------------|-----|--|-----|
| | | Ref | ACTUATOR ASSEMBLIES | |
| | | Ref | Platform Rotate | |
| | See Notes 1 AND 2 | Ref | Platform Rotate (was 2-Port Design p/n 0060063) (Prior to SN 0300119707) | F |
| | 1001097643 | Ref | Platform Rotate (3-Port Design) (SN 03000119707 through 0300201016) | A |
| | | Ref | Jib Rotate | |
| | See Notes 1 AND 3 | Ref | Jib Rotate (was 2-Port Design p/n 0060064) (Prior to SN 030019707) | I |
| | 1001097619 | Ref | Jib Rotate (3-Port Design) (SN 0300119707 through 0300201016) | A |
| | | Ref | Note 1: Verify Motion Control Valve Design Before Ordering Parts. | |
| | | Ref | Note 2: Platform Rotator - 2-Port Motion Control Valve Platform Rotator no longer available. Must upgrade to 3-Port design. Purchase Rotator p/n 1001097643, Rotator Service Replacement Kit p/n 1001097785 and Jib Rotator Motion Control Valve p/n 70002859 | |
| | | Ref | Note 3: Jib Rotator 2-Port Motion Control Valve Jib Rotator no longer available. Must upgrade to 3-Port design. Purchase Rotator p/n 1001097619, Rotator Service Replacement Kit p/n 1001097785 and Platform Rotator Motion Control Valve p/n 70001639. | |
| 1 | See Note | 1 | Case/Bracket Weldment (Note: Not Available - Purchase Complete Actuator Assembly) | |
| 2 | | Ref | Shaft Options: | |
| 2 | 7017162 | 1 | 0060063 & 1001097643 Platform Rotator | |
| 2 | 7017191 | 1 | 0060064 & 1001097619 Jib Rotator | |
| 3 | | Ref | Sleeve, Piston Options: | |
| 3 | 7017163 | 1 | 0060063 & 1001097643 Platform Rotator | |
| 3 | 7017187 | 1 | 0060064 & 1001097619 Jib Rotator | |
| 4 | | Ref | Cap, End Options: | |
| 4 | 7017164 | 1 | 0060063 & 1001097643 Platform Rotator | |
| 4 | 7017188 | 1 | 0060064 & 1001097619 Jib Rotator | |
| 5 | See Note | 1 | Bolt 1/4in-20NC (Grade 8) (Note: Not Available For Purchase) | |
| 20 | See Note | 1 | Seal, Rod (Note: Use Item 52) | |
| 22 | See Note | 1 | Seal, Piston (Note: Use Item 52) | |
| 24 | See Note | 1 | Seal, Cap (Note: Use Item 52) | |
| 25 | See Note | 2 | Packing, Bearing (Note: Use Item 52) | |
| 27 | See Note | 1 | Ring, Cap Back-Up (Note: Use Item 52) | |
| 31 | See Note | 2 | Seal (Note: Use Item 52) | |
| 32 | See Note | 2 | Bearing, Shaft (Note: Use Item 51) | |
| 34 | See Note | 2 | Thrustwasher (Note: Use Item 51) | |
| 41 | | Ref | Motion Control Valve Assembly Options (Cartridges not serviced separately.): | |
| 41 | See Note | 1 | 0060063 Platform Rotator (was 2-Port Design p/n 7017172) | |
| 41 | 70001639 | 1 | 1001097643 Platform Rotator | |
| 41 | See Note | 1 | 0060064 Jib Rotator (was 2-Port Design p/n 7017190) | |
| 41 | 70002859 | 1 | 1001097619 Jib Rotator (was p/n 70001641) | |
| 42 | | Ref | Bushing, Shaft Options: | |
| 42 | 7017195 | 1 | Platform Rotate Actuator | |
| 42 | See Note | NSS | Jib Rotate Actuator (Note: Not Available for Purchase) | |
| | | Ref | Note: 2-Port Design Motion Control Valves no longer | |

SECTION 3 - BOOM

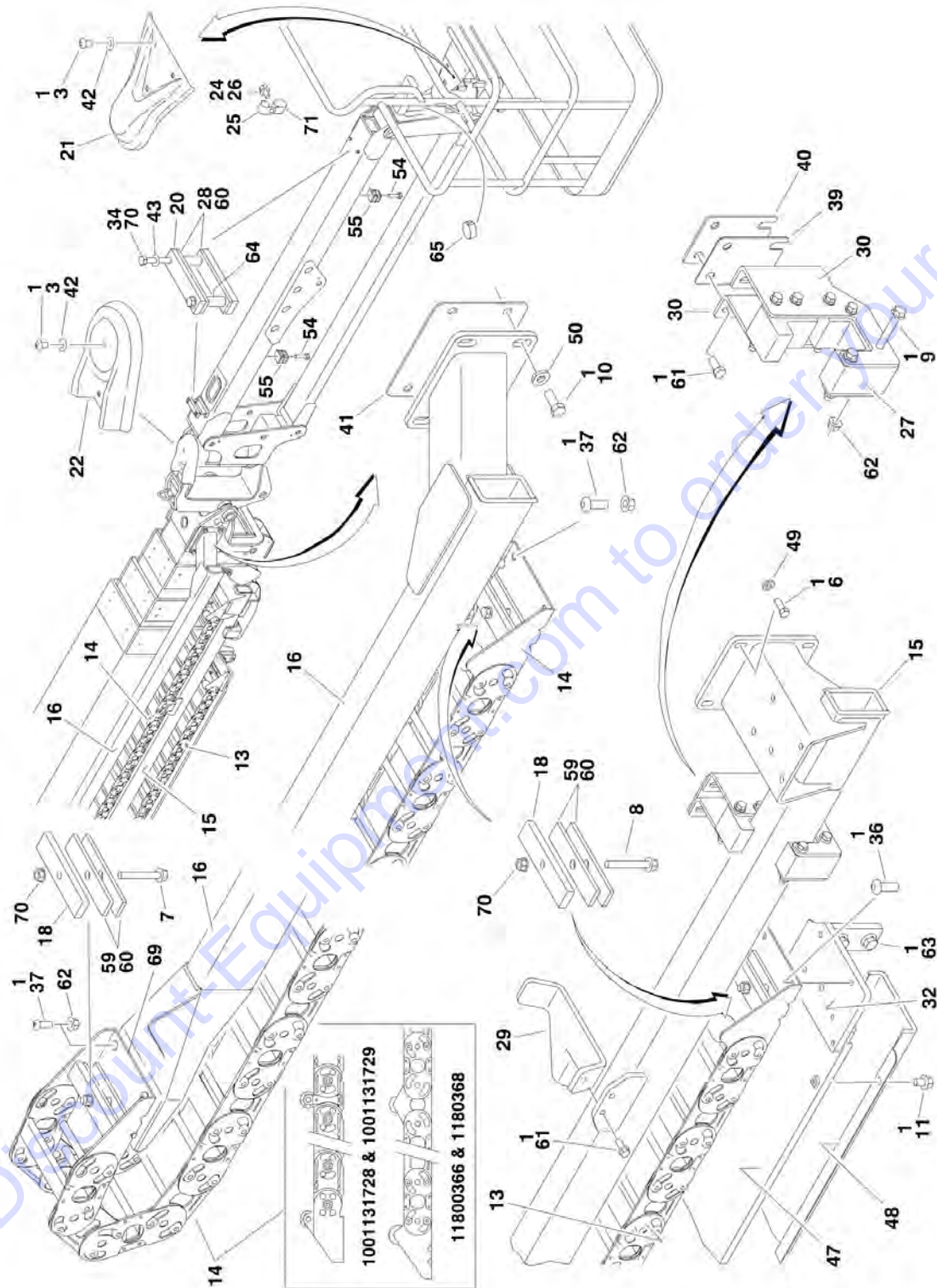
| ITEM | PART NUMBER | QTY | DESCRIPTION | REV |
|------|-------------|-----|--|-----|
| | | | available. Must upgrade to 3-Port design. Purchase Platform Motion Control Valve p/n 70001639, Jib Motion Control Valve p/n 70002859, and Rotator Service Replacement Kit p/n 1001097785. | |
| 51 | | Ref | Bearing Kit Options: (Includes Items 32 & 34) | |
| 51 | 7017159 | 1 | 0060063 & 1001097643 Platform Rotator | |
| 51 | 7017185 | 1 | 0060064 & 1001097619 Jib Rotator | |
| 52 | | Ref | Seal Kit Options: (Includes Items 20, 22, 24, 25, 27 & 31) | |
| 52 | | Ref | 0060063 & 1001097643 Platform Rotator | |
| 52 | 7017158 | 1 | Standard | |
| 52 | 70000342 | 1 | Cold Climate | |
| 52 | | Ref | 0060064 & 1001097619 Jib Rotator | |
| 52 | 7017184 | 1 | Standard | |
| 52 | 70000796 | 1 | Cold Climate | |
| 53 | | Ref | Hardware Kit (Platform Rotator Actuator) Options: | |
| 53 | 7017142 | 1 | 1001097643 Platform Rotator | |
| 53 | See Note | 1 | 1001097619 Jib Rotator (Note: Not Available For Purchase) | |
| 53 | 70001640 | 1 | 0060064 Jib Rotator | |
| 54 | | Ref | Screw, Countersunk 1/4in-20NC x 3/8in (Grade 8) Options: | |
| 54 | See Note | 4 | 0060063 Platform Rotator (Note: Not Available For Purchase) | |
| 54 | 70001697 | 4 | 1001097643 Platform Rotator | |
| 54 | See Note | 4 | 0060064 & 1001097619 Jib Rotator (Note: Not Available For Purchase) | |

SECTION 3 - BOOM

FIGURE 3-4. POWER TRACK INSTALLATION



SECTION 3 - BOOM



Go to www.GoToDiscountEquipment.com to order your parts

SECTION 3 - BOOM

FIGURE 3-4. POWER TRACK INSTALLATION

| ITEM | PART NUMBER | QTY | DESCRIPTION | REV |
|------|-------------|-----|---|-----|
| | | Ref | POWER TRACK INSTALLATION | |
| | 0271800 | Ref | Power Track Installation 1200SJP | N |
| | 0271570 | Ref | Power Track Installation 1350SJP | O |
| 1 | 0100011 | AR | Compound, Locking | |
| 2 | 0100019 | AR | Compound, Locking | |
| 3 | 0630467 | 6 | Screw, Button 5/16in-18NC x 1/2in | |
| 4 | 0791518 | 2 | Screw 5/16in-18NC 2-1/4in | |
| 5 | 3900232 | 2 | Screw, Button 3/8in-16NC x 1-1/4in | |
| 6 | 0641608 | 4 | Bolt 3/8in-16NC x 1in | |
| 7 | 0791620 | 2 | Screw 3/8in-16NC x 2-1/2in | |
| 8 | 0791622 | 2 | Screw 3/8in-16NC x 2-3/4in | |
| 9 | 0791624 | 6 | Screw 3/8in-16NC x 3in | |
| 10 | 0641810 | 4 | Bolt 1/2in-13NC x 1-1/4in | |
| 11 | 0791504 | Ref | Screw 5/16in-18NC x 1/2in | |
| 11 | 0791504 | 48 | Screw 5/16in-18NC x 1/2in 1200SJP | |
| 11 | 0791504 | 58 | Screw 5/16in-18NC x 1/2in 1350SJP | |
| 12 | | Ref | Carrier (T/T to Boom) Options: | |
| | | Ref | Note: Original Equipment Power Track may have been replaced with Service Replacement. Visually identify component before ordering replacement parts. | |
| 12 | 1180364 | 1 | Carrier (Use p/n 1001131620) (Prior to SN 0300155163) | |
| 12 | 1001131620 | 1 | Carrier (SN 0300155163 through 0300201016) | |
| 12 | | Ref | Section Repair Kit Options (Includes Inner and Outer Links, Joining Bars and Rollers and Assembling Hardware): | |
| 12 | 7024367 | AR | Repair Section for 1180364 Power Track | |
| 12 | 70003917 | AR | Repair Section for 1001131620 Power Track | |
| 12 | | Ref | Mounting Bracket Kit Option (Includes Mounting Brackets for Both Ends, 1 Roller Assembly and Assembling Hardware): | |
| 12 | 7024368 | 1 | Kit for 1180364 Power Track | |
| 12 | 70003918 | 1 | Kit for 1001131620 Power Track | |
| 13 | | Ref | Carrier (Lower) Options: | |
| | | Ref | Note: Original Equipment Power Track may have been replaced with Service Replacement. Visually identify component before ordering replacement parts. | |
| 13 | 1180367 | 1 | Carrier (Use p/n 1001131734) 1200SJP (Prior to SN 0300155163) | |
| 13 | 1001131734 | 1 | Carrier 1200SJP (SN 0300155163 through 0300201016) | |
| 13 | 1180365 | 1 | Carrier (Use p/n 1001131733) (Prior to SN 0300155163) | |
| 13 | 1001131733 | 1 | Carrier 1350SJP (SN 0300155163 through 0300201016) | |
| 13 | | Ref | Section Repair Kit Options (Includes Inner and Outer Links, Joining Bars and Rollers and Assembling Hardware): | |
| 13 | 7024362 | AR | Repair Section for 1180365 & 1180367 Power Track | |
| 13 | 70003913 | AR | Repair Section for 1001131733 & 1001131734 Power Track | |
| 13 | | Ref | Mounting Bracket Kit Option (Includes Mounting Brackets for Both Ends, 1 Roller Assembly and Assembling Hardware): | |
| 13 | 7024363 | 1 | Kit for 1180365 & 1180367 Power Track | |
| 13 | 70003915 | 1 | Kit for 1001131733 & 1001131734 Power Track | |
| 13 | | Ref | Center Bracket Kit Options (Includes 1 Flat Bar, 1 Round Bar, 1 Roller and Assembling Hardware) | |
| 13 | 7024364 | AR | Kit for 1180365 & 1180367 Power Track | |
| 13 | 70003914 | AR | Kit for 1001131733 & 1001131734 Power Track | |
| 14 | | Ref | Carrier (Upper) Options: | |

SECTION 3 - BOOM

| ITEM | PART NUMBER | QTY | DESCRIPTION | REV |
|------|--------------|-----|---|-----|
| | | Ref | Note: Original Equipment Power Track may have been replaced with Service Replacement. Visually identify component before ordering replacement parts. | |
| 14 | 1180368 | 1 | Carrier (Use p/n 1001131729) 1200SJP (Prior to SN 0300155163) | |
| 14 | 1001131729 | 1 | Carrier 1200SJP (SN 0300155163 through 0300201016) | |
| 14 | 1180366 | 1 | Carrier (Use p/n 1001131728) 1350SJP (Prior to SN 0300155163) | |
| 14 | 1001131728 | 1 | Carrier 1350SJP (SN 0300155163 through 0300201016) | |
| 14 | | Ref | Section Repair Kit Options (Includes Inner and Outer Links, Joining Bars and Rollers and Assembling Hardware): | |
| 14 | 7024362 | AR | Repair Section for 1180366 & 1180368 Power Track | |
| 14 | 70003913 | AR | Repair Section for 1001131728 & 1001131729 Power Track | |
| 14 | | Ref | Mounting Bracket Kit Option (Includes Mounting Brackets for Both Ends, 1 Roller Assembly and Assembling Hardware): | |
| 14 | 7024363 | 1 | Kit for 1180366 & 1180368 Power Track | |
| 14 | 70003915 | 1 | Kit for 1001131728 & 1001131729 Power Track | |
| 14 | | Ref | Center Bracket Kit Options (Includes 1 Flat Bar, 1 Round Bar, 1 Roller and Assembling Hardware) | |
| 14 | 7024364 | AR | Kit for 1180366 & 1180368 Power Track | |
| 14 | 70003914 | AR | Kit for 1001131728 & 1001131729 Power Track | |
| 15 | | Ref | Tube, Push (Lower) Options: | |
| 15 | 1180369 | 1 | Tube, Push 1200SJP | |
| 15 | 1180362 | 1 | Tube, Push 1350SJP | |
| 16 | | Ref | Tube, Push (Upper) Options: | |
| 16 | 1180370 | 1 | Tube, Push 1200SJP | |
| 16 | 1180363 | 1 | Tube, Push 1350SJP | |
| 17 | 1320277 | 1 | Clamp, Hose | |
| 18 | 1320294 | 4 | Clamp, Bar | |
| 19 | 1320295 | 1 | Clamp, Bar | |
| 20 | 1320296 | 3 | Clamp, Bar | |
| 21 | 1670964 | 1 | Cover, Support/Rotator | |
| 22 | 1671043 | 1 | Cover, Jib Pivot | |
| 23 | 4846753 | 1 | Shield, Hose Protection | |
| 24 | | Ref | Screw Options: | |
| 24 | Not Required | 0 | Screw (Prior to SN 0300070981) | |
| 24 | 0641405 | 2 | Screw (1/4in-20NC x 5/8in) (SN 0300070981 through 0300119706) | |
| 24 | 0641406 | 1 | Screw (1/4in-20NC x 3/4in) (SN 0300119707 through 0300201016) | |
| 25 | 1320263 | AR | Clamp, Cable (SN 0300070981 through 0300201016) | |
| 26 | 4711400 | AR | Flatwasher 1/4in Thin (SN 0300070981 through 0300201016) | |
| 27 | 3340925 | 1 | Pad | |
| 28 | 3340934 | 4 | Pad, Clamp | |
| 29 | 3573016 | 3 | Support, Track | |
| 30 | 3573179 | 2 | Plate, Mounting | |
| 31 | 3573181 | Ref | Support, Track | |
| 31 | 3573181 | 4 | Support, Track 1200SJP | |
| 31 | 3573181 | 5 | Support, Track 1350SJP | |
| 32 | 3573194 | 1 | Plate, Track Mounting | |
| 33 | 3573210 | 1 | Plate, Track Mounting | |
| 34 | 3900260 | 4 | Capscrew 3/8in-16NC x 4in | |
| 36 | 3900283 | 6 | Screw, Button Head 3/8in-16NC x 3/4in | |

SECTION 3 - BOOM

| ITEM | PART NUMBER | QTY | DESCRIPTION | REV |
|------|-------------|---------|--|-----|
| 37 | 3900316 | 16 | Screw, Button Head 3/8in-16NC x 1in | |
| 38 | 3951620 | 2 | Setscrew 3/8in-16NC x 2-1/2in | |
| 39 | 4071021 | 1 | Shim, Adjusting 16Ga | |
| 40 | 4071022 | 1 | Shim, Adjusting 11Ga | |
| 41 | 4071023 | 1 | Shim, Adjusting 11Ga | |
| 42 | 4711500 | 6 | Flatwasher 5/16in Thin | |
| 43 | 4711600 | 4 | Flatwasher 3/8in Thin | |
| 45 | 4846431 | 1 | Cover, Cable (Front) | |
| 46 | 4846485 | 1 | Support, Cable (Front) | |
| 47 | | Ref | Cover, Cable (Rear) Options: | |
| 47 | 4846515 | 4 | Cover, Cable 1200SJP | |
| 47 | 4846423 | 5 | Cover, Cable 1350SJP | |
| 48 | | Ref | Support, Cable (Rear) Options: | |
| 48 | 4846516 | 4 | Support, Cable 1200SJP | |
| 48 | 4846429 | 5 | Support, Cable 1350SJP | |
| 49 | 4891600 | 4 | Flatwasher, 3/8in Hardened | |
| 50 | 4891800 | 4 | Flatwasher 1/2in Hardened | |
| 53 | 3311601 | 2 | Nut 3/8in-16NC | |
| 54 | 0641510 | 2 | Bolt 5/16in-18NC x 1-1/4in | |
| 55 | 1320159 | 2 | Clamp | |
| 56 | 4240018 | 10 | Tie-Strap (Not Shown) | |
| 57 | 3340940 | 2 | Pad, Rubber | |
| 58 | 3340941 | 2 | Pad, Rubber | |
| 59 | 3340942 | 8 | Pad, Rubber | |
| 60 | 0100081 | AR | Adhesive #454 | |
| 61 | 0791607 | 10 | Screw 3/8in-16NC x 7/8in | |
| 62 | 3311608 | AR | Nut, Flanged 3/8in-16NC | |
| 63 | 0791808 | 12 | Screw 1/2in-13NC x 1in | |
| 64 | 4562516 | AR | Tubing, Poly | |
| 65 | 4240153 | AR | Strap, 4in Cinch - Not Shown (Prior to SN 0300074134, SN 0300119707 through 0300201016) | |
| 66 | 4240155 | 3 | Strap, 8in Cinch (Not Shown) | |
| 67 | 4240156 | 3 | Strap, 12in Cinch (Not Shown) | |
| 68 | 4751500 | 4 | Flatwasher 5/16in Regular | |
| 69 | 4060804 | 11 | Shield, Flex Trim 3/16in | |
| | | in/28cm | | |
| 70 | 3300492 | 8 | Nut, Nylon Insert (SN 0300081017 through 0300201016) | |
| 71 | 1321385 | 1 | Clamp, Hose (SN 0300119707 through 0300201016) | |

SECTION 3 - BOOM

FIGURE 3-5. BOOM SENSORS AND SWITCHES INSTALLATION

WITNESS DECALS LOCATED ON
BOTTOM OF INNER MID BOOM

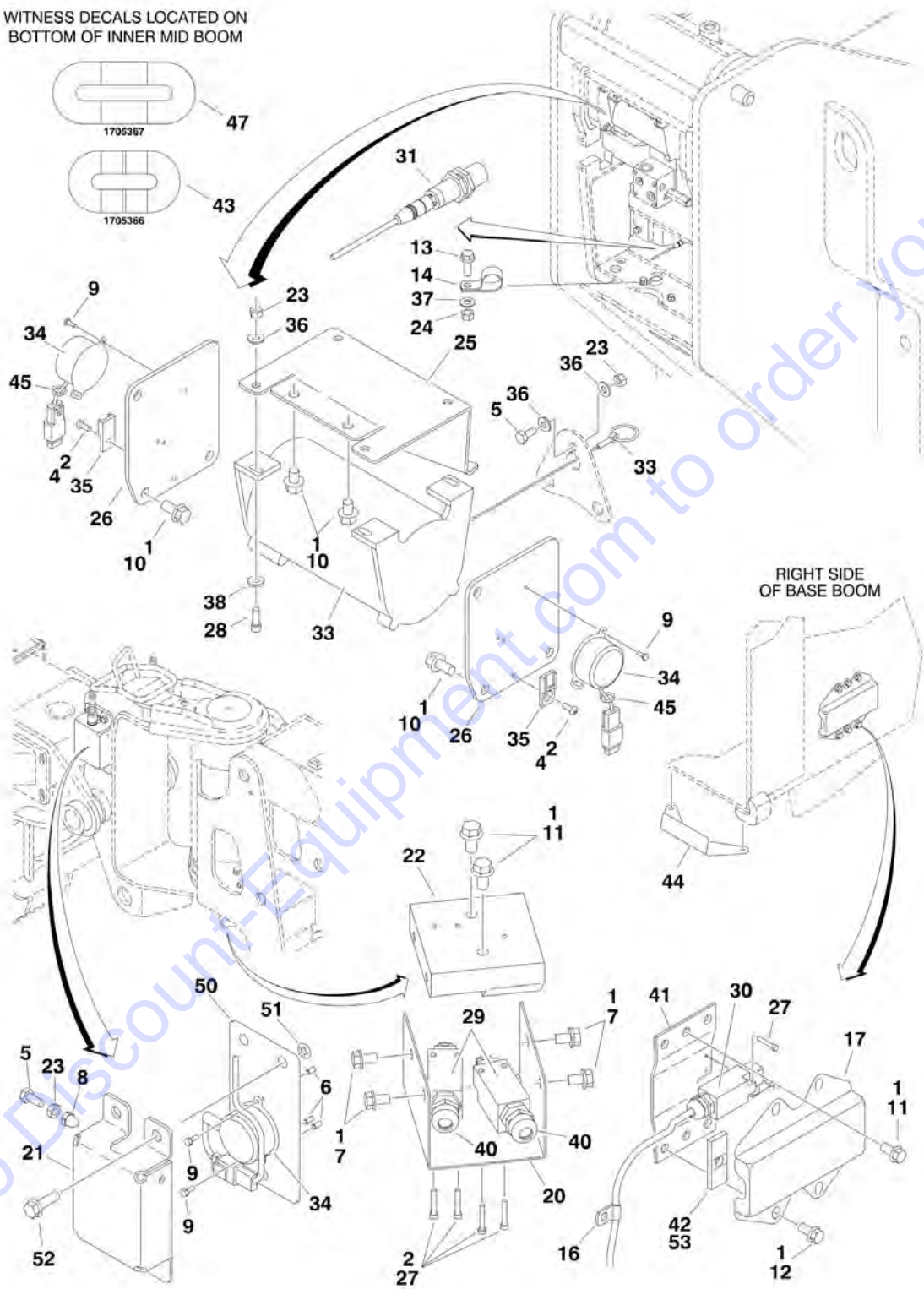


FIGURE 3-5. BOOM SENSORS AND SWITCHES INSTALLATION

| ITEM | PART NUMBER | QTY | DESCRIPTION | REV |
|------|-------------|-----|--|-----|
| | | Ref | BOOM SENSORS AND SWITCHES INSTALLATIONS | |
| | 0271621 | Ref | Boom Sensors and Switches Installations (Prior to SN 0300075883) | J |
| | 0273696 | Ref | Boom Sensors and Switches Installations (SN 0300075883 through 0300201016) | H |
| 1 | 0100011 | AR | Compound, Locking | |
| 2 | 0100035 | AR | Compound, Locking | |
| 4 | 0630464 | 2 | Screw, Button Head #10-24NC x 1/2in | |
| 5 | 0641405 | 5 | Bolt 1/4in-20NC x 5/8in | |
| 6 | 2080068 | 6 | Fastener, Insert 1/4in-20NC (Prior to SN 0300088626) | |
| 7 | 0791504 | 4 | Screw 5/16in-18NC x 1/2in | |
| 8 | 3300430 | 2 | Nut, Acorn 1/4in-20NC | |
| 9 | | Ref | Screw, Machine #6-32NC x 3/8in | |
| 9 | 0720603 | 12 | Screw, Machine #6-32NC x 3/8in (Prior to SN 0300075883) | |
| 9 | 3930606 | 12 | Screw, Machine #6-32NC x 3/8in (SN 0300075883 through 0300201016) | |
| 10 | 0791604 | AR | Screw 3/8in-16NC x 1/2in | |
| 11 | 0791605 | AR | Screw 3/8in-16NC x 5/8in | |
| 12 | 0791606 | 4 | Screw 3/8in-16NC x 3/4in | |
| 13 | 0791608 | 2 | Screw 3/8in-16NC x 1in | |
| 14 | 1320130 | 2 | Clamp, Hose | |
| 16 | 1320301 | 1 | Clamp, Cable | |
| 17 | 1671031 | 1 | Cover, Limit Switch | |
| 20 | 1671039 | 1 | Cover, Jib Switch | |
| 21 | | Ref | Cover, Level Sensor Options: | |
| 21 | 1671081 | 2 | Cover, Level Sensor (Use p/n 1671044) (Prior to SN 0300073745) | |
| 21 | 1671044 | 2 | Cover, Level Sensor (SN 0300073745 through 0300201016) | |
| 22 | 3200433 | 1 | Mount, Jib Switch | |
| 23 | 3311405 | 9 | Locknut 1/4in-20NC | |
| 24 | 3311605 | 2 | Locknut 3/8in-16NC | |
| 25 | 3573224 | 1 | Plate, Switch Mounting (Use p/n 3574431) | |
| 26 | 3573301 | 2 | Plate, Sensor Mounting | |
| 27 | 3930816 | 6 | Capscrew #8-32NC x 1in | |
| 28 | 3931414 | 4 | Capscrew 1/4in-20NC x 7/8in | |
| 29 | | Ref | Switch, Jib Limit Options: (Note: Control System must be recalibrated when Switch is replaced) | |
| 29 | 4360321 | 2 | Switch, Jib Limit (Use p/n 4360548) (Prior to SN 0300074420) | |
| 29 | 4360548 | 2 | Switch, Jib Limit (SN 0300074420 through 0300201016) | |
| 30 | | Ref | Switch, Boom Length Limit Options: (Note: Control System must be recalibrated when Switch is replaced) | |
| 30 | 4360322 | 1 | Switch, Boom Length Limit (Use p/n 4360578) (Prior to SN 0300074420) | |
| 30 | 4360549 | 1 | Switch, Boom Length Limit (Use p/n 4360578) (SN 0300074420 through 0300080278) | |
| 30 | 4360578 | 1 | Switch, Boom Length Limit (Note: P/N 4360578 does not include #48 Connector - Purchase Separately) (SN 0300080279 through 0300201016) | |
| 31 | 4360527 | 1 | Switch, Cable Break Proximity (Note: Control System must be recalibrated when Switch is replaced) | |
| 33 | 4360504 | 1 | Sensor, Boom Length (Use p/n 4360543) (Note: Control System must be recalibrated when Sensor is replaced) | |

SECTION 3 - BOOM

| ITEM | PART NUMBER | QTY | DESCRIPTION | REV |
|------|--------------|-----|--|-----|
| 34 | | Ref | Sensor, Angle Indicator Options: (Note: Control System must be recalibrated when Sensor is replaced) | |
| 34 | 4360534 | 4 | Sensor, Angle Indicator (Use p/n 1001147479) (Prior to SN 0300141600) | |
| 34 | 4360545 | 4 | Sensor, Angle Indicator (Use p/n 1001147479) (Prior to SN 0300141600) | |
| 34 | 4360545 | 4 | Sensor, Angle Indicator (Use p/n 1001133329) (SN 0300141600 through 0300157202) | |
| 34 | 1001133329 | 4 | Sensor, Angle Indicator (SN 0300157203 through 0300184657) | |
| | 1001147479 | 4 | Sensor, Angle Indicator (SN 0300184658 through 0300201016) | |
| 35 | 4460914 | 2 | Terminal, Base | |
| 36 | 4711400 | 10 | Flatwasher 1/4in Thin | |
| 37 | 4711600 | 2 | Flatwasher 3/8in Thin | |
| 38 | 4891400 | 4 | Flatwasher 1/4in Hardened | |
| 39 | 0641406 | 4 | Bolt 1/4in-20NC x 3/4in | |
| 40 | 4460428 | 2 | Connector, Strain Relief | |
| 41 | 4846484 | 1 | Mount, Switch | |
| 42 | | Ref | Pad, Rubber Options: | |
| 42 | 3340861 | 1 | Pad, Rubber (Prior to SN 0300132905) | |
| 42 | 3340941 | 1 | Pad, Rubber (SN 0300132905 through 0300201016) | |
| 43 | 1705366 | 1 | Decal - Boom Length (500LB Cap) | |
| 44 | 3573503 | 1 | Plate, Boom Length (Use p/n 3574616) | |
| 45 | 4240032 | 2 | Tie-Strap (Prior to SN 0300088626) | |
| 46 | Not Required | 6 | Screw 5/16in-18NC x 1in | |
| 47 | 1705367 | 1 | Decal - Boom Length (1000LB Cap) | |
| 48 | 4460968 | 3 | Connector, Strain Relief (Not Shown) | |
| 49 | 1320136 | 2 | Clamp, Cable (Not Shown) | |
| 50 | 4341158 | 2 | Plate, Mounting Sensor (SN 0300088626 through 0300201016) | |
| 51 | 8310070 | 6 | Pushnut 3/8in (SN 0300088626 through 0300201016) | |
| 52 | | Ref | Screw Options: | |
| 52 | 0791604 | 6 | Screw 3/8in-16NC x 1/2in (Prior to SN 0300088626) | |
| 52 | 0791605 | 6 | Screw 3/8in-16NC x 5/8in (SN 0300088626 through 0300201016) | |
| 53 | 0100081 | AR | Adhesive (SN 0300132905 through 0300201016) | |

SECTION 3 - BOOM

FIGURE 3-6. PLATFORM SUPPORT AND CONTROL VALVES INSTALLATIONS

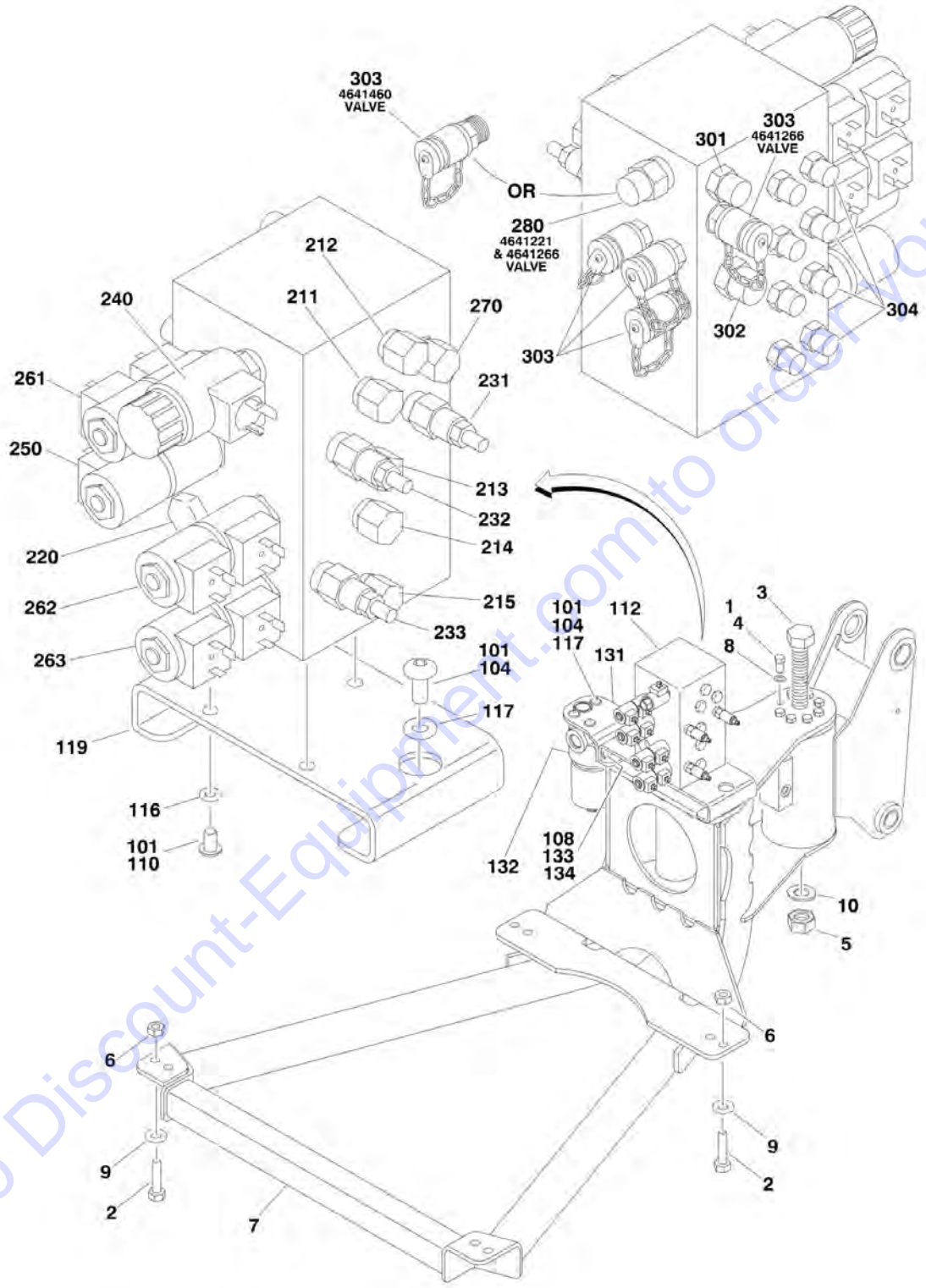


FIGURE 3-6. PLATFORM SUPPORT AND CONTROL VALVES INSTALLATIONS

| ITEM | PART NUMBER | QTY | DESCRIPTION | REV |
|------|-------------|-----|--|-----|
| | | Ref | PLATFORM SUPPORT INSTALLATION | |
| | 0272070 | Ref | Machines without Load Sensing and without SkyGlazier | F |
| | See Note | Ref | Machines without Load Sensing and with SkyGlazier (Note: For Replacement Parts Go to Discount-equipment.com and Request Manual p/n 3124242.) | |
| | See Note | Ref | Machines with Load Sensing and without SkyGlazier (Note: For Replacement Parts Go to Discount-equipment.com and Request Manual p/n 3124287.) | |
| | See Note | Ref | Machines with Load Sensing and with SkyGlazier (Note: For Replacement Parts Go to Discount-equipment.com and Request Manual p/n 3124287.) | |
| 1 | 0100011 | AR | Compound, Locking | |
| 2 | 0641812 | 8 | Bolt 1/2in-13NC x 1-1/2in | |
| 3 | 0642684 | 1 | Bolt 1in-8NC x 10-1/4in | |
| 4 | 0681608 | 8 | Bolt 3/8in-16NC x 1in (Grade 8) | |
| 5 | 3272605 | 1 | Nut 1in-8NC (Use p/n 3300243) | |
| 6 | 3311805 | 8 | Locknut 1/2in-13NC | |
| 7 | 4846573 | 1 | Support Weldment | |
| 8 | 4891600 | 8 | Flatwasher 3/8in Hardened | |
| 9 | 4891800 | 8 | Flatwasher 1/2in Hardened | |
| 10 | 4892600 | 1 | Flatwasher 1in Hardened | |
| | 0271802 | Ref | CONTROL VALVE INSTALLATION | K |
| 101 | 0100011 | AR | Compound, Locking | |
| 104 | 3900283 | AR | Screw, Button Head 3/8in-16NC x 3/4in | |
| 108 | 3311605 | 2 | Locknut, 3/8in-16 | |
| 110 | 3900210 | 3 | Screw, Button Head 5/16in-18NC x 3/4in | |
| 112 | | Ref | Platform Valve Options: | |
| 112 | See Note | 1 | Platform Valve (was p/n 4641221 - See Items 201-280 for Breakdown) (Prior to SN 0300072337) | |
| 112 | See Note | 1 | Platform Valve (was p/n 4641266 - See Items 201-280 for Breakdown) (SN 0300072337 through 0300099917) | |
| | | Ref | NOTE: If machine IS NOT equipped with hydraulic filter (item# 132), use part# 2915201. If machine IS equipped with hydraulic filter (item# 132), use part# 4641460. | |
| 112 | 4641460 | 1 | Platform Valve (SN 0300099918 through 0300201016) | |
| 116 | 4711500 | 3 | Flatwasher 5/16in Thin | |
| 117 | 4711600 | AR | Flatwasher 3/8in Thin | |
| 119 | | Ref | Plate, Valve Mounting Options: | |
| 119 | 4846685 | 1 | Plate, Valve Mounting (Use p/n 4341264) (Prior to SN 0300092150) | |
| 119 | 4341264 | 1 | Plate, Valve Mounting (SN 0300092150 through 0300201016) | |
| 131 | 0903530 | 1 | Bracket, Filter Mounting (SN 0300092150 through 0300201016) | |
| 132 | 2120217 | 1 | Filter, Pressure (SN 0300092150 through 0300201016) | |
| 132 | 70002097 | 1 | Element | |
| 132 | 70004328 | 1 | Plug, Indicator | |
| 133 | 3900232 | 2 | Screw, Button Head 3/8in-16 x 1-1/4in (SN 0300092150 through 0300201016) | |
| 134 | 4751600 | 4 | Flatwasher 3/8in Regular (SN 0300092150 through 0300201016) | |
| | | Ref | PLATFORM VALVE ASSEMBLY OPTIONS: | |
| | 4641221 | Ref | Platform Valve Assembly (Without Fittings) (Prior to SN 0300072337) | B |
| | 4641266 | Ref | Platform Valve Assembly (With Fittings) (SN 0300072337 through 0300099917) | C |

SECTION 3 - BOOM

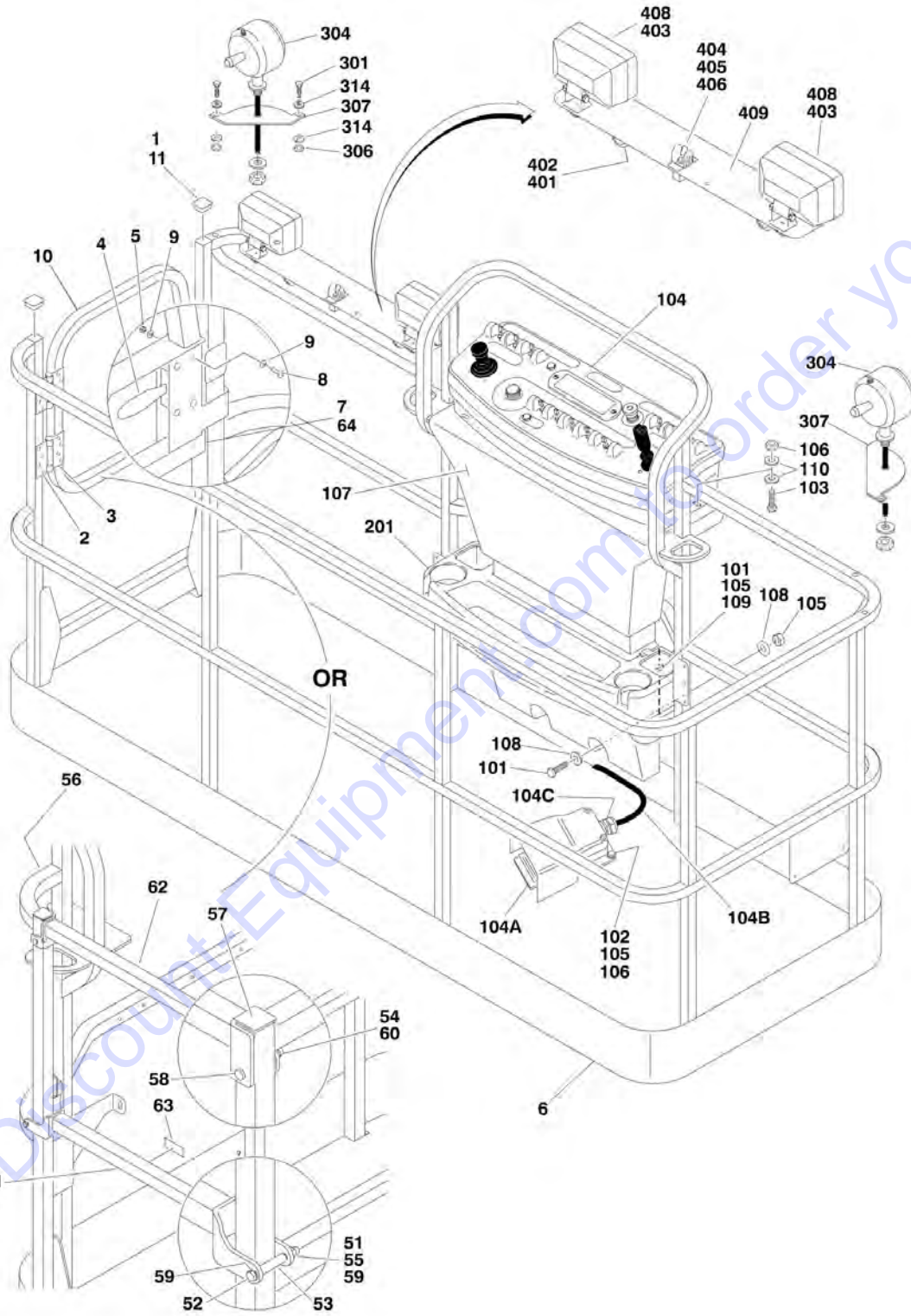
| ITEM | PART NUMBER | QTY | DESCRIPTION | REV |
|------|-------------|-----|---|-----|
| | 4641460 | Ref | Platform Valve Assembly (With Fittings) (SN 0300099918 through 0300201016) | C |
| 211 | 7026018 | 1 | Valve, Cartridge | |
| 211 | 7011346 | 1 | Seal Kit - Valve | |
| 212 | 7026019 | 1 | Valve, Cartridge (Flow Control) | |
| 212 | 7011346 | 1 | Seal Kit - Valve | |
| 213 | 7026020 | 1 | Valve, Cartridge (Rotate) | |
| 213 | 7011346 | 1 | Seal Kit - Valve | |
| 214 | 7026021 | 1 | Valve, Cartridge (Jib Swing) | |
| 214 | 7011346 | 1 | Seal Kit - Valve | |
| 215 | 7026019 | 1 | Valve, Cartridge (Jib Lift) | |
| 215 | 7011346 | 1 | Seal Kit - Valve | |
| 220 | 7011355 | 1 | Valve, Cartridge (Jib) | |
| 220 | 2900770 | 1 | Seal Kit - Valve | |
| 231 | 7024572 | 1 | Valve, Relief Cartridge (Platform Level Up) | |
| 231 | 7011346 | 1 | Seal Kit - Valve | |
| 232 | 7024572 | 1 | Valve, Relief Cartridge (Platform Level Down) | |
| 232 | 7011346 | 1 | Seal Kit - Valve | |
| 233 | 7024572 | 1 | Valve, Relief Cartridge (Jib Up/Down) | |
| 233 | 7011346 | 1 | Seal Kit - Valve | |
| 240 | 7026022 | 1 | Valve, Cartridge (Dump) | |
| 240 | 2900770 | 1 | Seal Kit - Valve | |
| 240 | 7024571 | 1 | Coil | |
| 250 | 7023922 | 1 | Valve, Cartridge (Platform Rotate) | |
| 250 | 7017402 | 1 | Seal Kit - Valve | |
| 250 | 7012944 | 2 | Coil | |
| 261 | 7023922 | 1 | Valve, Cartridge (Platform Level) | |
| 261 | 7017402 | 1 | Seal Kit - Valve | |
| 261 | 7012944 | 2 | Coil | |
| 262 | 7023922 | 1 | Valve, Cartridge (Jib Swing) | |
| 262 | 7017402 | 1 | Seal Kit - Valve | |
| 262 | 7012944 | 2 | Coil | |
| 263 | 7023922 | 1 | Valve, Cartridge (Jib Lift) | |
| 263 | 7017402 | 1 | Seal Kit - Valve | |
| 263 | 7012944 | 2 | Coil | |
| 270 | 7026023 | 1 | Valve, Cartridge (Check) | |
| 270 | 7011346 | 1 | Seal Kit - Valve | |
| 280 | 7011373 | 1 | Filter (Prior to SN 0300099918) | |
| 280 | 7026024 | 1 | Valve, Cartridge (Filter) (Prior to SN 0300099918) | |
| 280 | 7011311 | 1 | Seal Kit - Valve | |
| | | Ref | Platform Valve Assembly (Fitting Information) | |
| | 4641266 | Ref | Platform Valve Assembly (SN 0300072337 through 0300099917) | C |
| | 4641460 | Ref | Platform Valve Assembly (SN 0300099918 through 0300201016) | C |
| 301 | 2110606 | 1 | Fitting, Straight | |
| 302 | | Ref | Fitting Options: | |
| 302 | 2110808 | 1 | Fitting (Straight Fitting) (Prior to SN 0300119707) | |
| 302 | 4641255 | 1 | Fitting (Check Valve) (SN 0300119707 through 0300201016) | |
| 303 | 2221086 | 4 | Check, Pressure | |
| 304 | 2110404 | 8 | Fitting, Straight | |

SECTION 4 - PLATFORM

Go to Discount-Equipment.com to order your parts

SECTION 4 - PLATFORM

FIGURE 4-1. PLATFORM COMPONENTS INSTALLATION



SECTION 4 - PLATFORM

FIGURE 4-1. PLATFORM COMPONENTS INSTALLATION

| ITEM | PART NUMBER | QTY | DESCRIPTION | REV |
|------|-------------|-----|---|-----|
| | | Ref | PLATFORM ASSEMBLIES: | |
| | | Ref | 8ft (2.44m) with No Mesh | |
| | 3510822 | Ref | Platform Assemblies (Use p/n 1001144023) (Prior to SN 0300162808) | J |
| | 1001144023 | Ref | Platform Assemblies (SN 0300162808 through 0300201016) | D |
| | | Ref | 6ft (1.83m) with No Mesh | |
| | 3510833 | Ref | Platform Assemblies (Use p/n 1001144024) (Prior to SN 0300162808) | I |
| | 1001144024 | Ref | Platform Assemblies (SN 0300162808 through 0300201016) | D |
| | | Ref | 4ft (1.22m) with No Mesh | |
| | 3510830 | Ref | Platform Assemblies (Use p/n 1001144027) (Prior to SN 0300162808) | M |
| | 1001144027 | Ref | Platform Assemblies (SN 0300162808 through 0300201016) | D |
| | | Ref | Note: Platform and Mesh must be ordered separately for Platforms with Mesh. See SPECIAL OPTIONS SECTION for Mesh Installations. | |
| | | Ref | Note: Replacement Decals Must Be Ordered Separately See DECALS SECTION. | |
| | | Ref | Note: When replacing 8ft/2.44m platform with Soft Touch option, new Soft Touch Rail p/n 4846673 must be purchased to accommodate limit switch locations. | |
| | | Ref | Note: When replacing platform on machines with SkyCutter option, new bracket p/n 1001145405 must be purchased to accommodate SkyCutter components. | |
| 1 | 0100040 | AR | Adhesive | |
| 2 | 2080040 | 16 | Fastener, Huck | |
| 3 | 2600281 | 2 | Hinge, Self-Closing | |
| 4 | 2940074 | 1 | Latch | |
| 5 | 3311001 | 4 | Nut #10-24NC (Prior to SN 0300077331) | |
| 6 | See Note | 1 | Platform Weldment (Note: Not Available - Purchase Platform Assembly) | |
| 7 | | Ref | Cap-Plug Options: | |
| 7 | 3520072 | 1 | Cap-Plug (Prior to SN 0300162808) | |
| 7 | 1001144630 | 1 | Cap-Plug (SN 0300162808 through 0300186185) | |
| 7 | 3520072 | AR | Cap-Plug (SN 0300186186 through 0300201016) | |
| 8 | | Ref | Rivet Options: | |
| 8 | 3800205 | 4 | Rivet (Use p/n 3820020) (Prior to SN 0300077331) | |
| 8 | 3820020 | 4 | Rivet (SN 0300077331 through 0300201016) | |
| 9 | 4751000 | 8 | Flatwasher #10 Regular (Prior to SN 0300077331) | |
| 10 | | Ref | Gate Weldment Options: | |
| 10 | 4846452 | 1 | Gate Weldment (Prior to SN 0300162808) | |
| 10 | 1001144629 | 1 | Gate Weldment (SN 0300162808 through 0300201016) | |
| 11 | 3520198 | 2 | Square Tube - Plug | |
| 13 | 4761000 | 4 | Lockwasher #10 (Not Shown) (Prior to SN 0300077331) | |
| | | Ref | PLATFORM ASSEMBLY WITH DROP-BAR | |
| | | Ref | 4ft x 2.5ft (1.2m x .76m) | |
| | 1001138431 | Ref | Platform Assembly With Drop-Bar (Use p/n 1001144018) (Prior to SN 0300168435) | C |
| | 1001144018 | Ref | Platform Assembly With Drop-Bar (SN 0300168435 through 0300201016) | D |
| | | Ref | 6ft x 3ft (1.83m x .91m) | |
| | 1001138434 | Ref | Platform Assembly With Drop-Bar (Use p/n 1001144021) (Prior to SN 0300168435) | C |

SECTION 4 - PLATFORM

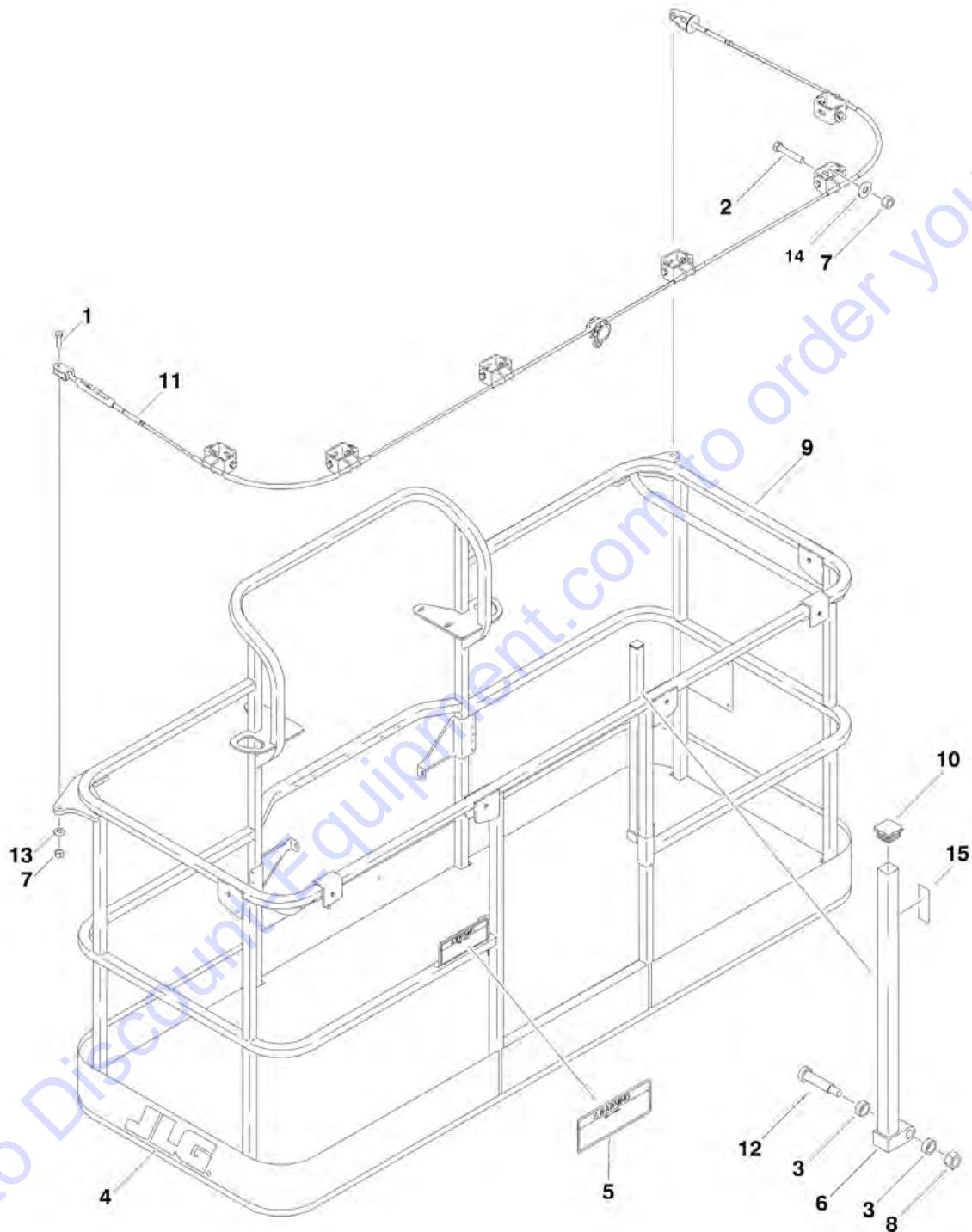
| ITEM | PART NUMBER | QTY | DESCRIPTION | REV |
|------|-------------|-----|---|-----|
| | 1001144021 | Ref | Platform Assembly With Drop-Bar (SN 0300168435 through 0300201016) | D |
| | | Ref | 8ft x 3ft (2.44m x .91m) | |
| | 1001138430 | Ref | Platform Assembly With Drop-Bar (Use p/n 1001144022) (Prior to SN 0300168435) | C |
| | 1001144022 | Ref | Platform Assembly With Drop-Bar (SN 0300168435 through 0300201016) | D |
| | | Ref | Note: Replacement Decals Must be Ordered Separately - See DECALS SECTION. | |
| | | Ref | Note: When replacing 8ft/2.44m platform with Soft Touch option, new Soft Touch Rail p/n 4846673 must be purchased to accommodate limit switch locations. | |
| | | Ref | Note: When replacing platform on machines with SkyCutter option, new bracket p/n 1001145405 must be purchased to accommodate SkyCutter components. | |
| 51 | 0100011 | AR | Compound, Locking | |
| 52 | 0641418 | 2 | Bolt 1/4in-20NC x 2-1/4in | |
| 53 | 0961845 | 2 | Bushing | |
| 54 | 3290606 | 2 | Nut M6 | |
| 55 | 3300151 | 2 | Nut, Acorn | |
| 56 | See Note | 1 | Platform Weldment (Note: Not Available - Purchase Platform Assembly) | |
| 57 | 3520198 | 2 | Cap-Plug | |
| 58 | 4010618 | 2 | Screw M6 x 50mm | |
| 59 | 4711400 | 4 | Flatwasher 1/4in Thin | |
| 60 | 4811700 | 2 | Flatwasher M6 | |
| 61 | 1001138494 | 1 | Bar, Drop | |
| 62 | 1001138514 | 1 | Rail (Top) | |
| 63 | 1001140429 | 1 | Decal - Drop-Bar | |
| 64 | 3520072 | 2 | Cap-Plug | |
| | | Ref | FOOTSWITCH AND COVERS INSTALLATION OPTIONS: | |
| | 0272079 | Ref | Footswitch and Covers Installation (Prior to SN 0300079596) | C |
| | 0273400 | Ref | Footswitch and Covers Installation (SN 0300079596 through 0300171348) | C |
| | 1001145785 | Ref | Footswitch and Covers Installation (SN 0300171349 through 0300201016) | B |
| 101 | 0641406 | 4 | Bolt 1/4in-20NC x 3/4in | |
| 102 | 0641408 | 3 | Bolt 1/4in-20NC x 1in | |
| 103 | 0641610 | 4 | Bolt 3/8in-16NC x 1-1/4in | |
| 104 | | Ref | Platform Console Box Assembly Options (See PLATFORM CONSOLE ASSEMBLY for Breakdown): | |
| 104 | 0861561 | 1 | Platform Console Box Assembly (Prior to SN 0300079596) | |
| 104 | 0861631 | 1 | Platform Console Box Assembly (SN 0300079596 through 0300171348) | |
| 104 | 1001146161 | 1 | Platform Console Box Assembly (SN 0300171349 through 0300188512) | |
| 104 | 1001166665 | 1 | Platform Console Box Assembly (SN 0300188513 through 0300201016) | |
| 104 | | Ref | Footswitch Assembly Options: | |
| 104 | 0272970 | 1 | Footswitch Assembly (Prior to SN 0300167892) | B |
| 104 | 1001117174 | 1 | Footswitch Assembly (SN 0300167892 through 0300201016) | B |
| | | Ref | Note: Assembly p/n 0272970 may use either p/n 4360031 or p/n 1001117320 Footswitch. If Original Equipment was replaced as an "assembly," p/n 1001117320 may have | |

SECTION 4 - PLATFORM

| ITEM | PART NUMBER | QTY | DESCRIPTION | REV |
|------|-------------|---------------|--|-----|
| | | | been used as part of the Service Replacement. Identify component before ordering parts. | |
| 104A | | Ref | Footswitch Options: | |
| 104A | 4360031 | 1 | Footswitch (Prior to SN 0300143790) | |
| 104A | 7000625 | 2 | Block, Contact (4360031 Footswitch) | |
| 104A | 1001117320 | 1 | Footswitch (SN 0300143790 through 0300167891) | |
| 104A | 70003483 | 1 | Block, Contact (1001117320 Footswitch) | |
| 104A | 1001117172 | 1 | Footswitch (SN 0300167892 through 0300201016) | |
| 104A | 70002902 | 1 | Switch, 20Amp | |
| 104A | 70002903 | 1 | Gasket | |
| 104A | 70002904 | 4 | Replacement Kit, Bolt | |
| 104A | 70002905 | 1 | Cover, Aluminum | |
| 104B | 1060918 | 7 ft/2.14m | Cable, Electrical - 18/3 | |
| 104C | 4460071 | 1 | Connector, Strain Relief | |
| 105 | 3311405 | 7 | Locknut 1/4in-20NC | |
| 106 | 3311605 | 4 | Locknut 3/8in-16NC | |
| 107 | 3380434 | 1 | Panel, Molded | |
| 108 | 4740362 | 7 | Washer, Fender | |
| 109 | 4751400 | 4 | Flatwasher 1/4in Regular | |
| 110 | 4751600 | 8 | Flatwasher 3/8in Regular | |
| | | Ref | TRAY INSTALLATIONS (OPTIONAL) | |
| 201 | 1580012 | 1 | Tray, Storage (Center) | |
| 202 | 1580013 | 1 | Tray, Storage (Rail Mounted - Not Shown) | |
| | | Ref | WORKLIGHTS INSTALLATION (optional) | |
| | 0272097 | Ref | Worklights Installation 1200SJP | E |
| | 0272096 | Ref | Worklights Installation 1350SJP | E |
| 301 | | Ref | Fastener Options: | |
| 301 | 0641414 | 4 | Fastener (Prior to SN 0300112484) | |
| 301 | 2080040 | 4 | Fastener (SN 0300112484 through 0300201016) | |
| 304 | 2920140 | 2 | Worklight | |
| 304 | 7016399 | 2 | Bulb, Replacement (1 Per Light) | |
| 306 | 3311405 | 4 | Locknut 1/4in-20NC (Prior to SN 0300112484) | |
| 307 | 3536089 | 2 | Plate, Lamp Mounting | |
| 314 | 4711400 | 8 | Flatwasher 1/4in Thin (Prior to SN 0300112484) | |
| | | Ref | FLOODLIGHTS INSTALLATION (OPTIONAL) | |
| | 0272093 | Ref | Floodlights Installation 1200SJP | B |
| | 0272092 | Ref | Floodlights Installation 1350SJP | B |
| 401 | 0641518 | 2 | Bolt 5/16in-18NC x 2-1/4in | |
| 402 | 2560173 | 2 | Handle, Star Knob | |
| 403 | 2920157 | 2 | Floodlight | |
| 403 | 7024452 | 2 | Bulb, Replacement (1 Per Light) | |
| 404 | 3250585 | 1 | Nameplate - Lights On | |
| 405 | 4060802 | 1 | Guard, Switch | |
| 406 | 4360336 | 1 | Switch, Toggle | |
| 407 | 4420037 | AR | Tape, Insulation (Not Shown) | |
| 408 | 4751800 | 2 | Flatwasher 1/2in Regular | |
| 409 | 4846561 | 1 | Mount, Light | |
| 411 | 1060708 | Ref | Cable, Electrical 10/3 (Not Shown) | |
| 411 | 1060708 | 144 ft/44m | Cable, Electrical 10/3 1200SJP | |
| 411 | 1060708 | 150 ft/46m | Cable, Electrical 10/3 1350SJP | |

SECTION 4 - PLATFORM

FIGURE 4-2. PLATFORM COMPONENTS INSTALLATION (FALL ARREST PLATFORM)



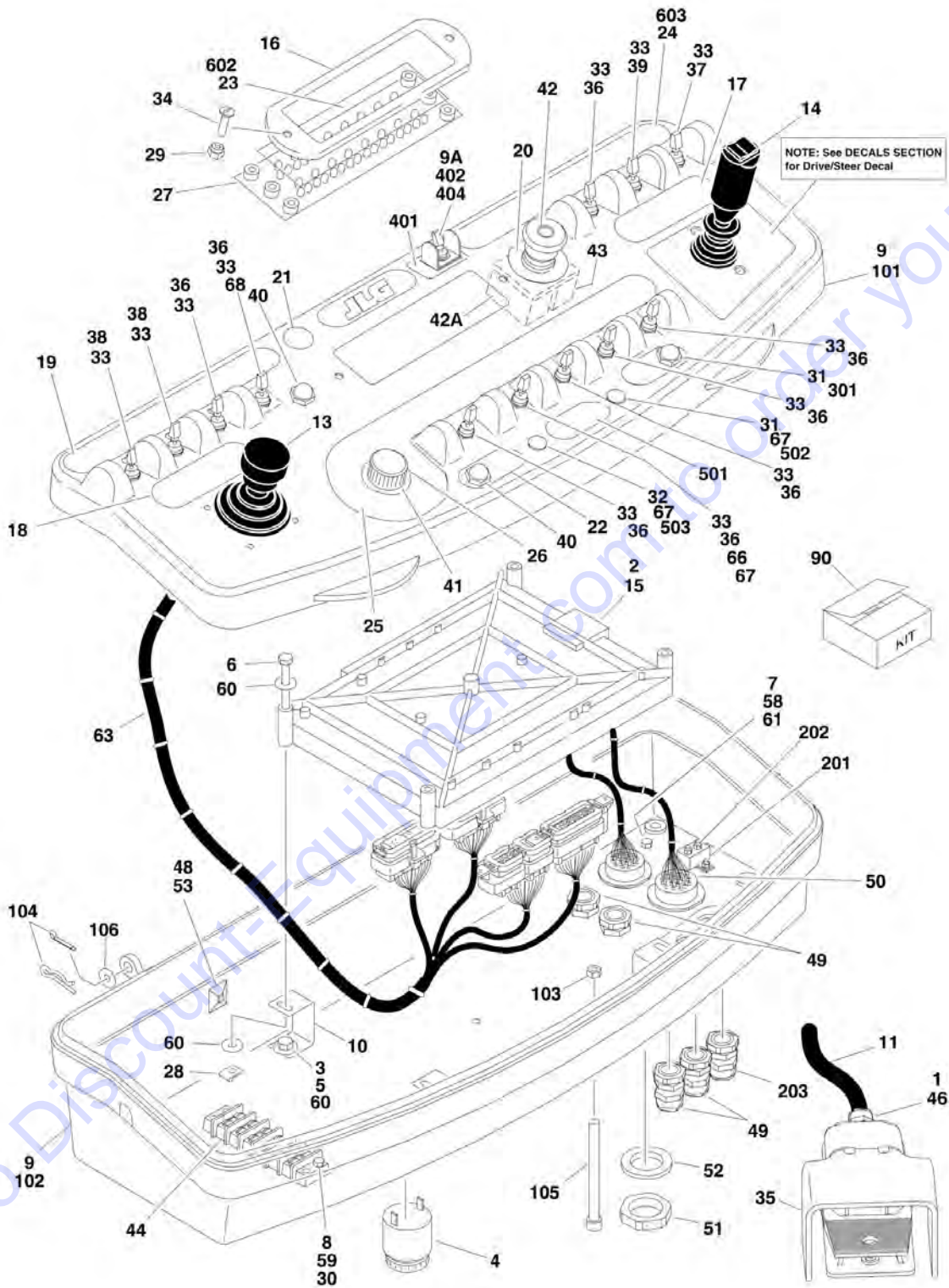
SECTION 4 - PLATFORM

FIGURE 4-2. PLATFORM COMPONENTS INSTALLATION (FALL ARREST PLATFORM)

| ITEM | PART NUMBER | QTY | DESCRIPTION | REV |
|------|-------------|-----|--|-----|
| | | Ref | PLATFORM ASSEMBLY (FALL ARREST) (OPTIONAL) | |
| | 3510884 | Ref | 6ft (1.83m) ANSI and ANSI Export Spec (Prior to SN 0300186981) | E |
| | 1001144597 | Ref | 6ft (1.83m) ANSI and ANSI Export Spec (SN 0300186981 through 0300201016) | D |
| | 3510868 | Ref | 8ft (2.44m) ANSI Spec (Prior to SN 0300186981) | F |
| | 1001144596 | Ref | 8ft (2.44m) ANSI Spec (SN 0300186981 through 0300201016) | D |
| | 3510877 | Ref | 8ft (2.44m) Australian and CE Specs (Prior to SN 0300186981) | D |
| | 1001175535 | Ref | 8ft (2.44m) Australian and CE Specs (SN 0300186981 through 0300201016) | B |
| | | Ref | Note: Replacement Decals Must be Ordered Separately - See DECALS SECTION. | |
| | | Ref | Note: Aftermarket installation requires additional counterweight - See SPECIAL OPTIONS SECTION. | |
| 1 | 0681814 | 2 | Bolt 1/2in-13NC x 1-3/4in | |
| 2 | 0681822 | 6 | Bolt 1/2in-13NC x 2-3/4in | |
| 3 | 0962270 | 2 | Bearing, Oilite | |
| 4 | 1702773 | 1 | Decal - JLG | |
| 5 | | Ref | Decal - Safety Options: | |
| 5 | 1705014 | 1 | ANSI and ANSI Export Spec | |
| 5 | 1706501 | 1 | Australian and CE Specs | |
| 6 | 2410014 | 1 | Gate Weldment | |
| 7 | 3271805 | AR | Locknut 1/2in-13NC | |
| 8 | 3311605 | 1 | Locknut 3/8in-16NC | |
| 9 | See Note | 1 | Platform Weldment (Note: Not Available - Purchase Platform Assembly) | |
| 10 | 3520072 | 1 | Cap-Plug | |
| 11 | | Ref | Cable, Fall Arrest Options: | |
| 11 | 1060919 | 1 | 6ft (1.83m) Platform | |
| 11 | 3890040 | 1 | 8ft (2.44m) Platform | |
| 12 | 3900054 | 1 | Bolt 1/2in-13NC x 1-3/4in | |
| 13 | 4711800 | 2 | Flatwasher 1/2in Thin | |
| 14 | 4751800 | AR | Flatwasher 1/2in Regular | |
| 15 | | Ref | Decal - Drop Bar Options: (SN 0300085906 through 0300201016) | |
| 15 | 1706385 | 1 | ANSI and ANSI Export Spec | |
| 15 | 1706493 | 1 | Australian and CE Specs | |

SECTION 4 - PLATFORM

FIGURE 4-3. PLATFORM CONSOLE ASSEMBLY



SECTION 4 - PLATFORM

FIGURE 4-3. PLATFORM CONSOLE ASSEMBLY

| ITEM | PART NUMBER | QTY | DESCRIPTION | REV |
|------|-------------|-----------|--|-----|
| | | Ref | CONSOLE BOX ASSEMBLY OPTIONS: | |
| | 0861561 | Ref | Console Box Assembly (Prior to SN 0300079596) | F |
| | 0861631 | Ref | Console Box Assembly (SN 0300079596 through 0300171348) | L |
| | 1001146161 | Ref | Console Box Assembly (SN 0300171349 through 0300188512) | C |
| | 1001166665 | Ref | Console Box Assembly (SN 0300188513 through 0300201016) | A |
| | | Ref | Note: When replacing complete console box assembly p/n 0861561, 0861631 or p/n 1001146161, use p/n 1001166665 as service replacement. | |
| 1 | 0100020 | AR | Sealant, Pipe | |
| 2 | 0100048 | AR | Grease, Dielectric | |
| 3 | 0100081 | AR | Adhesive | |
| 4 | 0140011 | 1 | Alarm | |
| 5 | 0641404 | 4 | Bolt 1/4in-20NC x 1/2in | |
| 6 | 0641414 | 4 | Bolt 1/4in-20NC x 1-3/4in | |
| 7 | 0720804 | 1 | Screw #8-32NC x 1/2in | |
| 8 | 0721006 | AR | Bolt #10-24NC x 3/4in | |
| 9 | | Ref | Box, Console Options (See Items 101-106 for Breakdown): | |
| 9 | 0861564 | 1 | Box, Console (Prior to SN 0300079596) | |
| 9 | 0861630 | 1 | Box, Console (SN 0300079596 through 0300201016) | |
| 9A | 1671314 | 1 | Cover, Hole (Used without Boom Control Select Option) | |
| 10 | | Ref | Bracket, Support Options: | |
| 10 | 0902751 | 4 | Bracket, Support (Prior to SN 0300188513) | |
| 10 | 1001172760 | 4 | Bracket, Support (SN 0300188513 through 0300201016) | |
| 11 | 1060918 | 7 ft/2.1m | Cable, 18/3 | |
| 13 | | Ref | Controller Assembly (Lift and Swing) Options (See CONTROLLER ASSEMBLY (LIFT & SWING) for Breakdown): | |
| | 1600317 | 1 | Controller Assembly (Use p/n 1001129555) (Prior to SN 0300146297) | |
| | 1001118417 | 1 | Controller Assembly (Use p/n 1001129555) (SN 0300146297 through 0300188512) | |
| | 1001166539 | 1 | Controller Assembly (SN 0300188513 through 0300201016) | |
| 14 | 1600318 | 1 | Controller Assembly (Drive and Steer) (See CONTROLLER ASSEMBLY (DRIVE AND STEER) for Breakdown) (Use p/n 1001118416) (Prior to SN 0300188513) | |
| 14 | 1001166538 | 1 | Controller Assembly (SN 0300188513 through 0300201016) | |
| 15 | 1600343 | 1 | Module, Platform Control (Note: Control System needs recalibrated when replaced) | |
| 15 | 2915024 | 1 | Update Kit (Includes Cables, Programming Instructions and CD Software) | |
| 16 | | Ref | Bezel Options: | |
| 16 | 1670829 | 1 | Bezel (Prior to SN 0300081226) | |
| 16 | 1671176 | 1 | Bezel (SN 0300081226 through 0300201016) | |
| 17 | 1702565 | 1 | Decal (Drive and Steer) | |
| 18 | 1702566 | 1 | Decal (Lift and Swing) | |
| 19 | | Ref | Decal (Horn) Options: | |
| 19 | 1702676 | 1 | Decal (Horn) (Prior to SN 0300079596) | |
| 19 | 1705744 | 1 | Decal (Horn) (SN 0300079596 through 0300201016) | |
| 20 | 1704260 | 1 | Decal (EMS) | |
| 21 | 1705132 | 1 | Decal (ADE) | |
| 22 | 1705171 | 1 | Decal (Jib Stow) | |
| 23 | | Ref | Decal (Platform Display) Options: | |
| 23 | 1705173 | 1 | Decal (Platform Display) (Prior to SN 0300079596) | |

SECTION 4 - PLATFORM

| ITEM | PART NUMBER | QTY | DESCRIPTION | REV |
|------|-------------|-----|---|-----|
| 23 | 1705973 | 1 | Decal (Platform Display) (SN 0300079596 through 0300142937) | |
| 24 | 1705174 | 1 | Decal (Stop) (Prior to SN 0300142938) | |
| 25 | | Ref | Decal (Function Speed) Options: | |
| 25 | 1705175 | 1 | Decal (Function Speed) (Prior to SN 0300079596) | |
| 25 | 1705745 | 1 | Decal (Function Speed) (SN 0300079596 through 0300201016) | |
| 26 | 2560136 | 1 | Handle, Knob | |
| 27 | 2920154 | 1 | Panel, LED Light | |
| 28 | 3300353 | 4 | Nut, Tinnerman | |
| 29 | 3300408 | 2 | Insert, Nylon | |
| 30 | 3311005 | AR | Nut #10-24NC | |
| 31 | 3520026 | 2 | Plug, Hole | |
| 32 | 3520027 | 1 | Plug, Hole | |
| 33 | 3790012 | 11 | O-Ring | |
| 34 | 3900183 | 2 | Screw, Button Head #10-24NC x 1-1/4in | |
| 35 | See Note | 1 | Footswitch (Note: See PLATFORM COMPONENTS INSTALLATION for call-out) | |
| 36 | 4360328 | 7 | Switch, Toggle | |
| 37 | 4360330 | 1 | Switch, Toggle | |
| 38 | 4360331 | 2 | Switch, Toggle | |
| 39 | 4360336 | 1 | Switch, Toggle | |
| 40 | 4360387 | 2 | Switch, Pushbutton | |
| 41 | 4360407 | 1 | Controller, Speed | |
| 41 | See Note | 1 | Gasket "Top Hat" (Included with Switch) (Note: Not Available - Purchase Complete Controller.) | |
| 41 | 70003784 | 1 | Seal | |
| 42 | 4360475 | 1 | Switch, Emergency Stop | |
| 42 | 7020175 | 1 | Cap, Red | |
| 42A | 7020176 | 1 | Contact Block | |
| 43 | 4360476 | 1 | Block, Contact | |
| 44 | 4460007 | 1 | Bar, Buss | |
| 46 | 4460071 | 1 | Connector, Strain Relief | |
| 47 | 4460226 | 2 | Socket, Female (Not Shown - Used with Footswitch) (See ELECTRICAL SECTION for Location) | |
| 48 | 4460234 | 3 | Tie-Strap | |
| 49 | 4460428 | 4 | Connector, Strain Relief | |
| 50 | 4460464 | 1 | Terminal, Deutsch | |
| 51 | 4460470 | 1 | Nut, Terminal | |
| 52 | 4460471 | 1 | Lockwasher, Terminal | |
| 53 | 4460488 | 1 | Base, Mounting (Prior to SN 0300135109) | |
| 54 | 4460496 | 1 | Nut, Terminal (Not Shown - See ELECTRICAL SECTION for Location) | |
| 55 | 4460497 | 1 | Lockwasher, Terminal (Not Shown - See ELECTRICAL SECTION for Location) | |
| 56 | 4460708 | 2 | Connector, Female - 15 Position (Not Shown - See ELECTRICAL SECTION for Location) | |
| 57 | 4460905 | 5 | Plug, Seal (Not Shown - See ELECTRICAL SECTION for Location) | |
| 58 | 4750800 | 1 | Flatwasher #8 Regular | |
| 59 | 4751000 | AR | Flatwasher #10 Regular | |
| 60 | 4751400 | 8 | Flatwasher 1/4in Regular | |
| 61 | 4760800 | 1 | Lockwasher #8 | |

PARTS FINDER

**Search Website
by Part Number**



**Search Manual
Library For Parts
Manual & Lookup Part
Numbers – Purchase
or Request Quote**

**Can't Find Part or
Manual? Request Help
by Manufacturer,
Model & Description**

Discount-Equipment.com is your online resource for quality parts & equipment.

Florida: **561-964-4949** Outside Florida TOLL FREE: **877-690-3101**

Need parts?

Click on this link: <http://www.discount-equipment.com/category/5443-parts/> and choose one of the options to help get the right parts and equipment you are looking for. Please have the machine model and serial number available in order to help us get you the correct parts. If you don't find the part on the website or on one of the online manuals, please fill out the request form and one of our experienced staff members will get back to you with a quote for the right part that your machine needs.

We sell worldwide for the brands: Genie, Terex, JLG, MultiQuip, Mikasa, Essick, Whiteman, Mayco, Toro Stone, Diamond Products, Generac Magnum, Airman, Haulotte, Barreto, Power Blanket, Nifty Lift, Atlas Copco, Chicago Pneumatic, Allmand, Miller Curber, Skyjack, Lull, Skytrak, Tsurumi, Husquvarna Target, Stow, Wacker, Sakai, Mi-T-M, Sullair, Basic, Dynapac, MBW, Weber, Bartell, Bennar Newman, Haulotte, Ditch Runner, Menegotti, Morrison, Contec, Buddy, Crown, Edco, Wyco, Bomag, Laymor, EZ Trench, Bil-Jax, F.S. Curtis, Gehl Pavers, Heli, Honda, ICS/PowerGrit, IHI, Partner, Imer, Clipper, MMD, Koshin, Rice, CH&E, General Equipment, Amida, Coleman, NAC, Gradall, Square Shooter, Kent, Stanley, Tamco, Toku, Hatz, Kohler, Robin, Wisconsin, Northrock, Oztec, Toker TK, Rol-Air, APT, Wylie, Ingersoll Rand / Doosan, Innovatech, Con X, Ammann, Mecalac, Makinex, Smith Surface Prep, Small Line, Wanco, Yanmar

SECTION 4 - PLATFORM

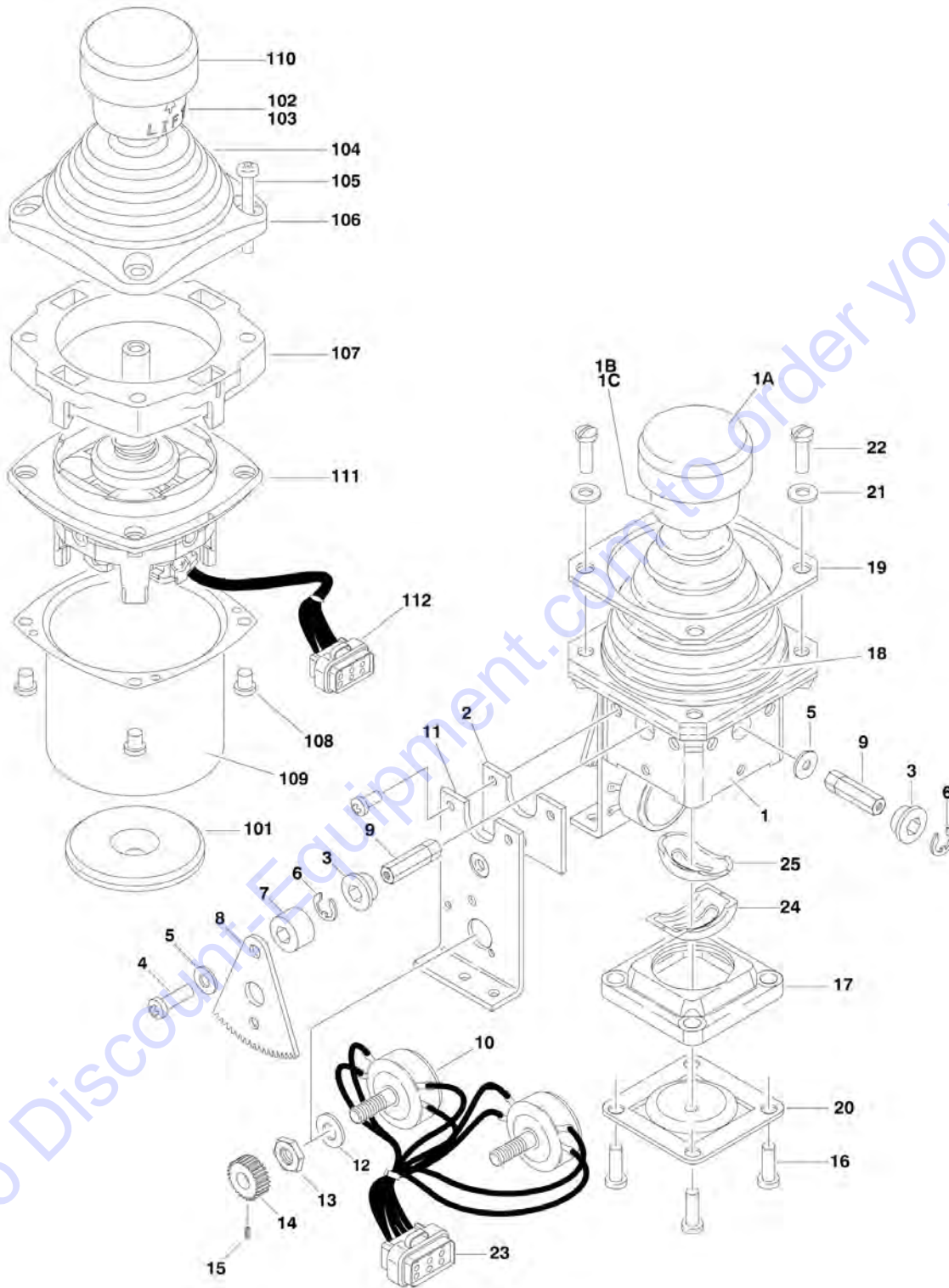
| ITEM | PART NUMBER | QTY | DESCRIPTION | REV |
|------|-------------|-----|--|-----|
| 62 | 4922666 | 1 | Harness, Analyzer Cable (Not Shown - See ELECTRICAL SECTION for Breakdown) | |
| 63 | | Ref | Harness, Console Box Options (See ELECTRICAL SECTION for Breakdown): | |
| 63 | 4922778 | 1 | Harness, Console Box (Prior to SN 0300079596) | |
| 63 | 4922945 | 1 | Harness, Console Box (Use p/n 4923448) (SN 0300079596 through 0300093077) | |
| 63 | 4923448 | 1 | Harness, Console Box (SN 0300093078 through 0300201016) | |
| 64 | | Ref | Harness, Tilt Sensor (Right Side) Options (Not Shown - See ELECTRICAL SECTION for Breakdown): | |
| 64 | 4922782 | 1 | Harness, Tilt Sensor (Prior to SN 0300079596) | |
| 64 | 4922947 | 1 | Harness, Tilt Sensor (SN 0300079596 through 0300201016) | |
| 65 | | Ref | Harness, Tilt Sensor (Left Side) Options (Not Shown - See ELECTRICAL SECTION for Breakdown): | |
| 65 | 4922783 | 1 | Harness, Tilt Sensor (Prior to SN 0300079596) | |
| 65 | 4922948 | 1 | Harness, Tilt Sensor (SN 0300079596 through 0300201016) | |
| 66 | 3520054 | 1 | Plug, Hole (SN 0300079596 through 0300201016) | |
| 67 | 0100009 | AR | Sealant (SN 0300079596 through 0300201016) | |
| 68 | 4071074 | 1 | Shim | |
| 90 | | Ref | Decal Kit Options: | |
| 90 | 2910873 | 1 | ANSI and Australian Spec (Includes Items 17-25) (Prior to SN 0300079596) | 2 |
| 90 | 1001109181 | 1 | ANSI and Australian Spec (Includes Items 9A, 17-25, 401 and Drive/Steer Decal) (SN 0300079596 through 0300201016) | 2 |
| 90 | See Note | 1 | All Other Specs (Note: Not Available For Purchase) | |
| | | Ref | CONSOLE BOX ASSEMBLY OPTIONS: | |
| | 0861564 | Ref | Console Box Assembly (Prior to SN 0300079596) | E |
| | 0861630 | Ref | Console Box Assembly (SN 0300079596 through 0300201016) | F |
| 101 | See Note | 1 | Console Top (Note: Not Available For Purchase) | |
| 102 | See Note | 1 | Console Bottom (Note: Not Available For Purchase) | |
| 103 | 3311601 | 1 | Nut 3/8in-16NC | |
| 104 | | Ref | Pin Options: | |
| 104 | 3450304 | 2 | Pin, Cotter (Prior to SN 0300073746) | |
| 104 | 3420156 | 2 | Pin, Cotter (SN 0300073746 through 0300088133) | |
| 104 | 3470003 | 2 | Pin, Hair (SN 0300088134 through 0300201016) | |
| 105 | 0630568 | 1 | Screw 3/8in-16NC x 4-1/2in | |
| 106 | 4711500 | 2 | Flatwasher 5/16in Thin | |
| | | Ref | PLATFORM WORKLIGHTS INSTALLATIONS | |
| 201 | 4360232 | 1 | Breaker, Circuit | |
| 201 | 0721003 | 1 | Screw #10-24NC x 3/8in | |
| 201 | 4761000 | 1 | Lockwasher #10 | |
| 202 | 3311001 | 2 | Nut #10-24NC | |
| 203 | 4460426 | 1 | Connector, Strain Relief | |
| | | Ref | CHASSIS LIGHTS COMPONENTS INSTALLATION | |
| 301 | 4360522 | 1 | Switch, Pushbutton | |
| 301 | 1705170 | 1 | Decal - Lights | |
| | 0275098 | Ref | BOOM CONTROL SELECT SWITCH INSTALLATION | B |
| | | Ref | NOTE: Standard - SN 0300093078 through 0300201016 / Customer Added Option - Prior to SN 0300093078 | |
| 401 | 1706741 | 1 | Decal - Boom Control Select | |
| 402 | 4060906 | 1 | Guard, Switch | |
| 404 | 4360336 | 1 | Switch Toggle | |

SECTION 4 - PLATFORM

| ITEM | PART NUMBER | QTY | DESCRIPTION | REV |
|------|-------------|-----|--|-----|
| | 9984273 | Ref | Switch Installation Kit, Boom Control Select (Requires VersionP7.0 or higher software) | |
| | | Ref | SOFT TOUCH SYSTEM INSTALLATIONS OPTIONS: | |
| | 0273824 | Ref | 6Ft/1.8m Platforms | B |
| | 0272427 | Ref | 8Ft/2.4m Platforms | D |
| | 0273706 | Ref | 8Ft/2.4m Platforms w/Fall Arrest | B |
| 501 | 1702938 | 1 | Decal, Soft Touch Override | |
| 502 | 4360387 | 1 | Switch, Push Button | |
| 503 | 2920028 | 1 | Lamp, Indicator | |
| 503 | 2920029 | 1 | Bulb | |
| | | Ref | LIGHT PANEL INSTALLATIONS (SN 0300142938 through 0300201016) | |
| | 1001121826 | Ref | ANSI and ANSI Export Specs | A |
| | 1001121827 | Ref | Australian and CE Specs | A |
| 601 | | Ref | Decal - Light Panel Options: (SN 0300142938 through 0300201016) | |
| 602 | 1001122384 | 1 | ANSI and ANSI Export Specs (SN 0300142938 through 0300201016) | |
| 602 | 1705173 | 1 | Australian and CE Specs (SN 0300142938 through 0300201016) | |
| 603 | | Ref | Decal - Stop Options: (SN 0300142938 through 0300201016) | |
| 603 | 1001122611 | 1 | ANSI and ANSI Export Specs (SN 0300142938 through 0300201016) | |
| 603 | 1705174 | 1 | Australian and CE Specs (SN 0300142938 through 0300201016) | |

SECTION 4 - PLATFORM

FIGURE 4-4. CONTROLLER ASSEMBLY (LIFT AND SWING)



SECTION 4 - PLATFORM

FIGURE 4-4. CONTROLLER ASSEMBLY (LIFT AND SWING)

| ITEM | PART NUMBER | QTY | DESCRIPTION | REV |
|------|-------------|-----|--|-----|
| | | Ref | Note: Original Equipment controller may have been replaced with Service Replacement controller. Visually identify controller before ordering parts. | |
| | | Ref | CONTROLLER ASSEMBLIES | |
| | 1600317 | Ref | Controller Assembly (OEM) (Original Equipment) (Prior to SN 0300146315) | C |
| 1 | 7019141 | 1 | Mechanical Assembly (Includes Base, Handle Stem and Items 1A, 1B, 1C & 18) | |
| 1A | 7019197 | 1 | Handle Cap and Rod | |
| 1B | 7003928 | 1 | Spring | |
| 1C | 7022808 | 1 | Cap, Lift | |
| 2 | 7019171 | 2 | Plate | |
| 3 | 7019111 | 4 | Bearing, Gear | |
| 4 | 7019143 | 2 | Screw | |
| 5 | 7019144 | 2 | Spacer, Cam | |
| 6 | 7019145 | 4 | E-Clip | |
| 7 | 7019174 | 2 | Spacer | |
| 8 | 7003977 | 2 | Gear, Drive | |
| 9 | | Ref | Shaft Options: | |
| 9 | 7019147 | 2 | Shaft, Short | |
| 9 | 7019177 | 2 | Shaft, Long | |
| 10 | 7022818 | 2 | Potentiometer | |
| 11 | 7019142 | 2 | Plate | |
| 12 | 7003992 | 2 | Washer | |
| 13 | 7003993 | 2 | Nut | |
| 14 | 7003976 | 2 | Gear, Slave | |
| 15 | 7019149 | 2 | Setscrew | |
| 16 | 7022816 | 4 | Screw | |
| 17 | 7019150 | 1 | Gate | |
| 18 | 7022814 | 1 | Boot | |
| 19 | 7022815 | 1 | Bezel | |
| 20 | See Note | 1 | Center, Detent (Note: Not Available For Purchase) | |
| 21 | 7003953 | 4 | Washer | |
| 22 | 7022817 | 4 | Screw | |
| 23 | 7022819 | 1 | Plug, Male 8 Position (Natural) | |
| 23 | 4460871 | 8 | Socket, Female | |
| 24 | 7019122 | 1 | Gimble, Outer | |
| 25 | 7019123 | 1 | Gimble, Inner | |
| | 1001129555 | Ref | CONTROLLER ASSEMBLY | A |
| | | Ref | Service Replacement (Prior to SN 0300146315) | |
| | | Ref | Original Equipment (SN 0300146315 through 0300188513) | |
| | | Ref | Note: Was p/n 1001118417 Assembly - Use p/n 1001129555 Kit as replacement. | |
| 101 | 70002730 | 1 | Gasket | |
| 102 | 7003928 | 1 | Spring | |
| 103 | 7022808 | 1 | Cap, Lift | |
| 104 | 70002731 | 1 | Boot | |
| 105 | 70002732 | 4 | Screw | |
| 106 | 7022815 | 1 | Bezel | |
| 107 | 70002733 | 1 | Adapter | |
| 108 | 70002734 | 4 | Screw | |

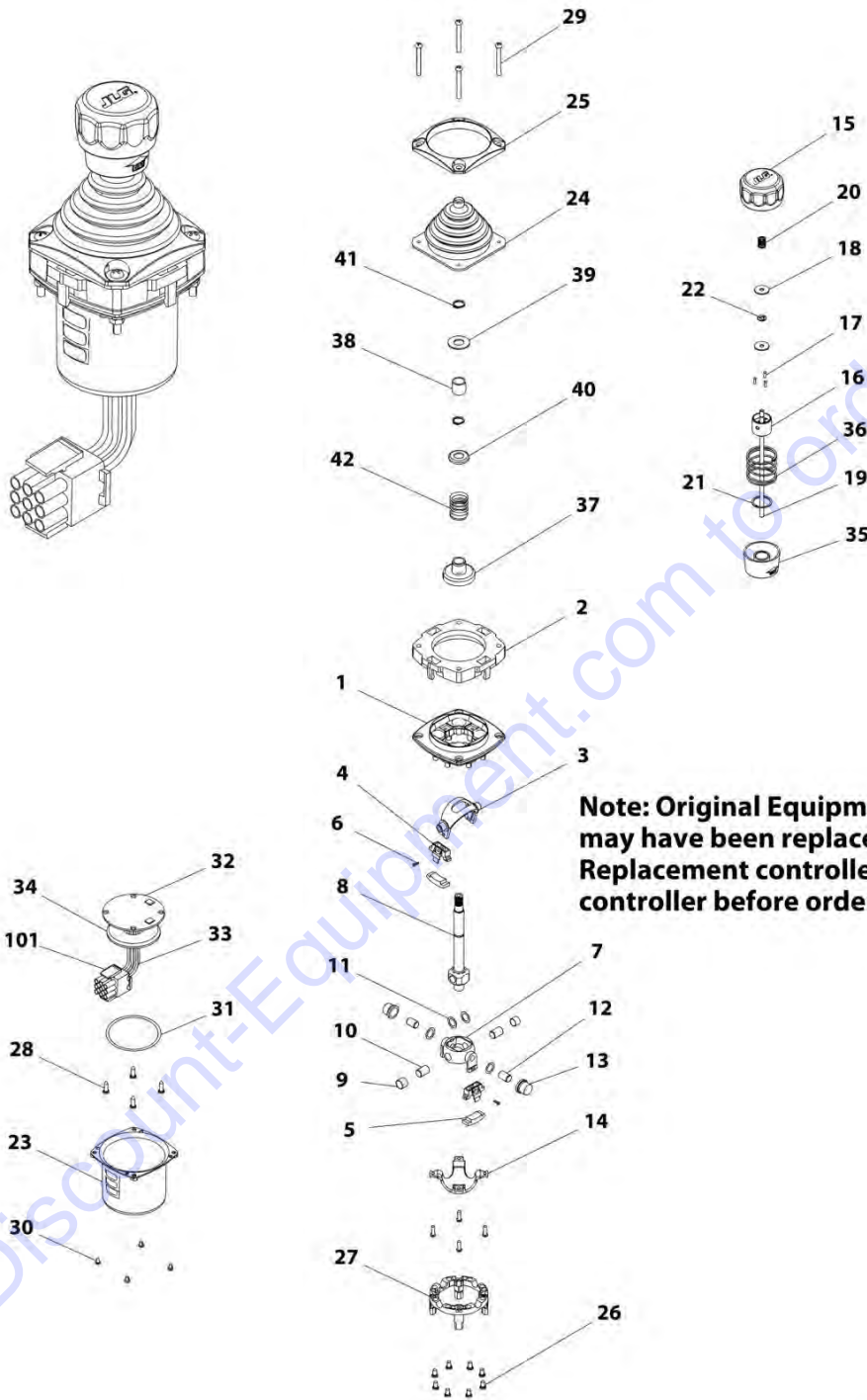
SECTION 4 - PLATFORM

| ITEM | PART NUMBER | QTY | DESCRIPTION | REV |
|------|-------------|-----|--|-----|
| 109 | 70002735 | 1 | Can, Enclosure | |
| 110 | 70002906 | 1 | Cap | |
| 111 | 1001129555 | 1 | Mechanical Assembly (Note: Not Available For Purchase) | |
| 112 | 7022819 | 1 | Plug, Male 8 Position (Natural) (Not Shown) | |
| 112 | 4460871 | 6 | Socket, Female | |

Go to Discount-Equipment.com to order your parts

SECTION 4 - PLATFORM

FIGURE 4-5. CONTROLLER ASSEMBLY (LIFT AND SWING) (SN 0300188513 through 0300201016)



Note: Original Equipment controller may have been replaced with Service Replacement controller. Visually identify controller before ordering parts.

ART_1001166539

SECTION 4 - PLATFORM

FIGURE 4-5. CONTROLLER ASSEMBLY (LIFT AND SWING) (SN 0300188513 through 0300201016)

| ITEM | PART NUMBER | QTY | DESCRIPTION | REV |
|------|-------------|-----|--|-----|
| | 1001166539 | Ref | CONTROLLER ASSEMBLY - LIFT AND SWING (SN 0300188513 through 0300201016) | A |
| 1 | See Note | 1 | Main Cast Body (Note: Not Available - Purchase Complete Assembly) | |
| 2 | 70004752 | 1 | Adapter | |
| 3 | See Note | 1 | Pivot Arm, Plastic (Note: Not Available - Purchase Complete Assembly) | |
| 4 | See Note | 2 | Holder, Magnet (Note: Not Available - Purchase Complete Assembly) | |
| 5 | See Note | 2 | Arc, Magnet (Note: Not Available - Purchase Complete Assembly) | |
| 6 | See Note | 2 | Screw (Note: Not Available for Purchase) | |
| 7 | See Note | 1 | Pivot Arm, Cast (Note: Not Available - Purchase Complete Assembly) | |
| 8 | See Note | 1 | Shaft, Main (Note: Not Available - Purchase Complete Assembly) | |
| 9 | See Note | 2 | Bearing (Note: Not Available - Purchase Complete Assembly) | |
| 10 | See Note | 2 | Pin (Note: Not Available - Purchase Complete Assembly) | |
| 11 | See Note | 4 | Shim (Note: Not Available - Purchase Complete Assembly) | |
| 12 | See Note | 2 | Pin (Note: Not Available - Purchase Complete Assembly) | |
| 13 | See Note | 2 | Bearing (Note: Not Available - Purchase Complete Assembly) | |
| 14 | See Note | 1 | Dome, Centering (Note: Not Available - Purchase Complete Assembly) | |
| 15 | 70004753 | 1 | Cap | |
| 16 | 70004754 | 1 | Insert, Cap | |
| 17 | 70004755 | 3 | Pin | |
| 18 | 70004756 | 2 | Washer | |
| 19 | 70004757 | 1 | Pin, Centering | |
| 20 | 70004758 | 1 | Spring | |
| 21 | 70004759 | 1 | Ring, Retaining | |
| 22 | 70004760 | 1 | E-Ring | |
| 23 | 70004761 | 1 | Can, Enclosure | |
| 24 | 70004762 | 1 | Boot | |
| 25 | 70004763 | 1 | Bezel | |
| 26 | See Note | 8 | Screw (Note: Not Available for Purchase) | |
| 27 | See Note | 1 | Base Mounting (Note: Not Available - Purchase Complete Assembly) | |
| 28 | See Note | 4 | Screw (Note: Not Available for Purchase) | |
| 29 | 70004764 | 4 | Screw | |
| 30 | 70004765 | 4 | Screw | |
| 31 | 70004766 | 1 | O-Ring | |
| 32 | See Note | 1 | Plate (Note: Not Available - Purchase Complete Assembly) | |
| 33 | See Note | 1 | Harness (Note: Not Available - Purchase Complete Assembly) | |
| 34 | 70004767 | 1 | Gromment, Rubber | |
| 35 | 70004768 | 1 | Housing | |
| 36 | 70004769 | 1 | Spring | |
| 37 | 70004770 | 1 | Stopper | |
| 38 | 70004771 | 1 | Spacer | |
| 9 | 70004772 | 1 | Washer | |
| 40 | 70004773 | 1 | Disc | |
| 41 | 70004774 | 2 | Ring, Retaining | |
| 42 | 70004775 | 1 | Spring | |
| 100 | 4460265 | 1 | Connector - 9 Position | |

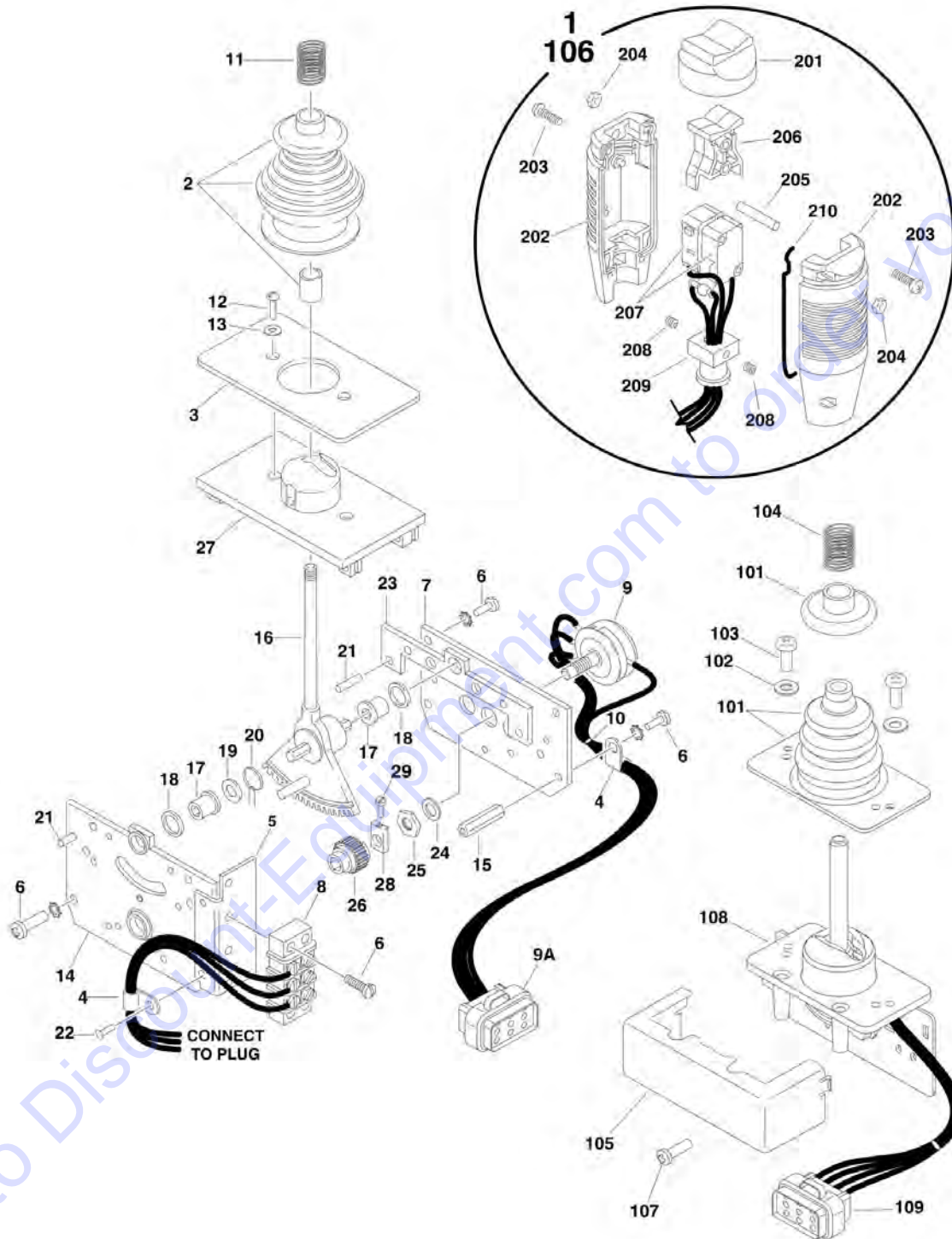
SECTION 4 - PLATFORM

| ITEM | PART NUMBER | QTY | DESCRIPTION | REV |
|------|-------------|-----|----------------|-----|
| 101 | 4460226 | 6 | Socket, Female | |

Go to Discount-Equipment.com to order your parts

SECTION 4 - PLATFORM

FIGURE 4-6. CONTROLLER ASSEMBLY (DRIVE AND STEER)



SECTION 4 - PLATFORM

FIGURE 4-6. CONTROLLER ASSEMBLY (DRIVE AND STEER)

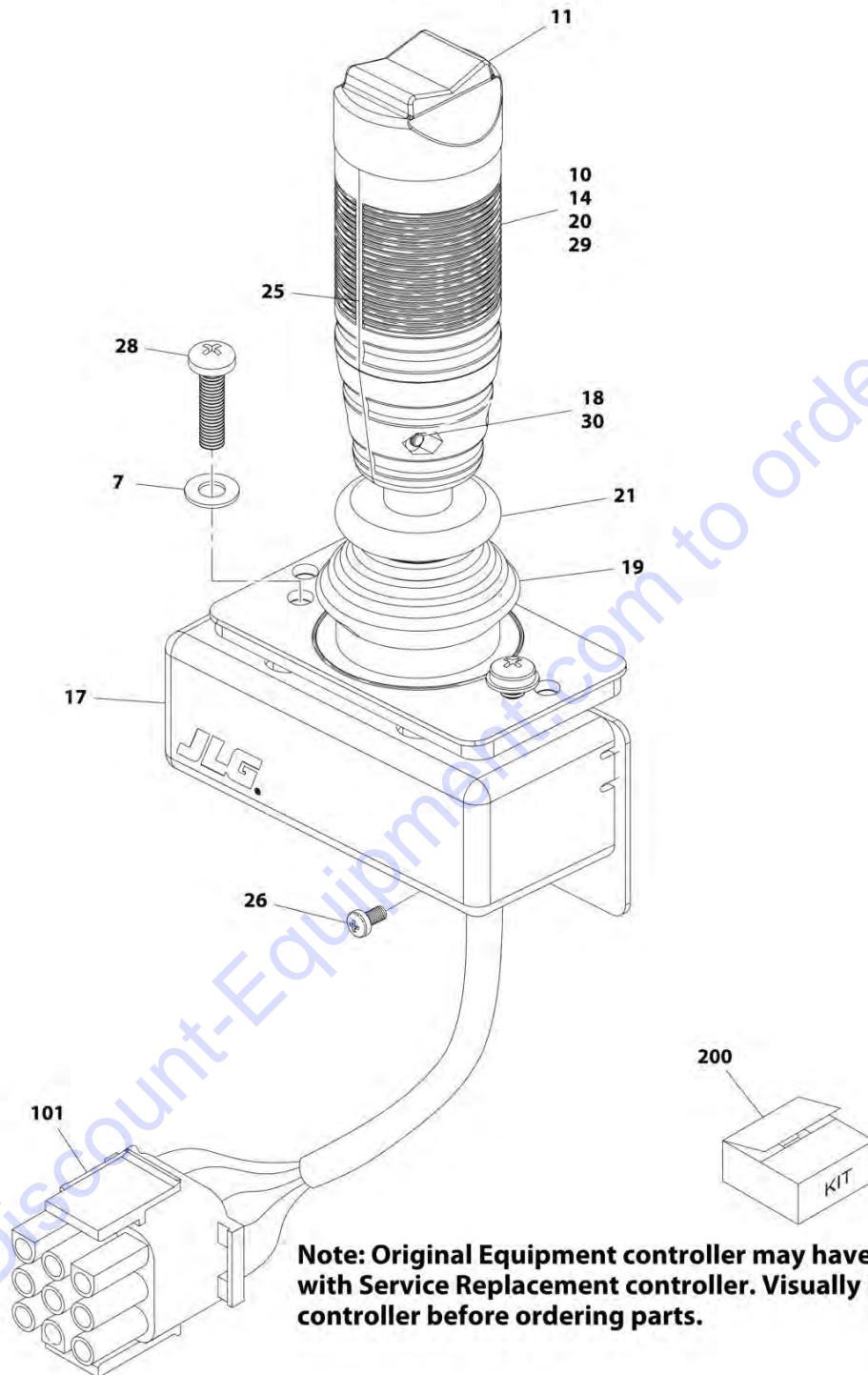
| ITEM | PART NUMBER | QTY | DESCRIPTION | REV |
|------|-------------|-----|--|-----|
| | | Ref | Note: Original Equipment controller may have been replaced with Service Replacement controller. Visually identify controller before ordering parts. | |
| | | Ref | CONTROLLER ASSEMBLIES | |
| | 1600318 | Ref | Controller Assembly (OEM) (Original Equipment) (Prior to SN 0300146315) | D |
| 1 | 7022812 | 1 | Handle Assembly (See Items 201-210 for Breakdown) | |
| 2 | 7019161 | 1 | Boot and Sleeve | |
| 3 | 7003933 | 1 | Gasket | |
| 4 | 7019154 | 2 | Clamp, Wire | |
| 5 | 7022823 | 1 | Bracket, Mounting | |
| 6 | 7003994 | 1 | Screw | |
| 7 | 7022822 | 1 | Plate, Pot Mounting | |
| 8 | 7003986 | 1 | Strip, Terminal - 3 Position | |
| 9 | 7022824 | 1 | Electric Assembly | |
| 9A | 1001113961 | 1 | Plug, Male - 8 Position (Black) (was p/n 7022825) | |
| 9A | 4460871 | 7 | Socket, Female | |
| 10 | 7019151 | AR | Tie-Strap | |
| 11 | 7019162 | 1 | Spring | |
| 12 | 7003969 | 2 | Screw | |
| 13 | 7003941 | 2 | Washer | |
| 14 | See Note | 1 | Plate, Mounting (Left Side) (Note: Not Available For Purchase) | |
| 15 | 7019115 | 2 | Stand-Off | |
| 16 | 7019155 | 1 | Shaft 8mm | |
| 17 | 7019111 | 2 | Bearing | |
| 18 | 7019110 | 2 | Spacer, Head Gear | |
| 19 | 7019112 | 1 | Washer | |
| 20 | 7003946 | 1 | Spring, Return | |
| 21 | 7019103 | 4 | Pin | |
| 22 | See Note | 1 | Rivet (Note: Not Available For Purchase) | |
| 23 | 7019168 | 1 | Plate, Mounting (Right Side) | |
| 24 | 7003992 | 1 | Washer | |
| 25 | 7003993 | 1 | Nut | |
| 26 | 7003935 | 1 | Gear, Slave | |
| 27 | 7019160 | 1 | Plate, Base | |
| 28 | 7019114 | 1 | Coupling, Potentiometer | |
| 29 | See Note | 1 | Screw, Cup Point (Note: Not Available For Purchase) | |
| | 1001118416 | Ref | Controller Assembly | C |
| | | Ref | Service Replacement (Prior to SN 0300146315) | |
| | | Ref | Original Equipment (SN 0300146315 through 0300188512) | |
| 101 | 70002724 | 1 | Boot and Control Lock Assembly | |
| 102 | 7003941 | 2 | Washer | |
| 103 | 70002725 | 2 | Screw | |
| 104 | 7019162 | 1 | Spring | |
| 105 | 70002726 | 1 | Enclosure | |
| 106 | 70002727 | 1 | Handle Assembly (See Items 201-210 for Breakdown) | |
| 107 | 70002728 | 1 | Screw | |
| 108 | See Note | NSS | Mechanical Assembly (Note: Use p/n 1001118416) | |
| 109 | 1001113961 | 1 | Plug, Male - 8 Position (Black) (was p/n 7022825) | |
| 109 | 4460871 | 7 | Socket, Female | |

SECTION 4 - PLATFORM

| ITEM | PART NUMBER | QTY | DESCRIPTION | REV |
|------|-------------|-----|---|-----|
| | | Ref | HANDLE ASSEMBLY | |
| | 7022812 | Ref | Controller Assembly p/n 1600318 | |
| | 70002727 | Ref | Controller Assembly p/n 1001118416 | |
| 201 | 7003972 | 1 | Boot, Switch | |
| 202 | 7003973 | 2 | Half, Handle | |
| 203 | 7003980 | 4 | Screw | |
| 204 | 7019167 | 4 | Nut | |
| 205 | 7019164 | 1 | Axle | |
| 206 | 7019165 | 1 | Rocker | |
| 207 | | Ref | Wiring Assembly Options: | |
| 207 | 7019196 | 1 | Controller Assembly p/n 1600318 | |
| 207 | 7019166 | 2 | Switch, Micro | |
| 207 | 70002729 | 1 | Controller Assembly p/n 1001118416 | |
| 207 | 7003982 | 2 | Switch, Micro | |
| 208 | 7003983 | 2 | Setscrew | |
| 209 | 7019194 | 1 | Coupling | |
| 210 | 7003989 | 2 | Gasket | |

SECTION 4 - PLATFORM

FIGURE 4-7. CONTROLLER ASSEMBLY (DRIVE AND STEER) (SN 0300188513 through 0300201016)



ART_1001166538

SECTION 4 - PLATFORM

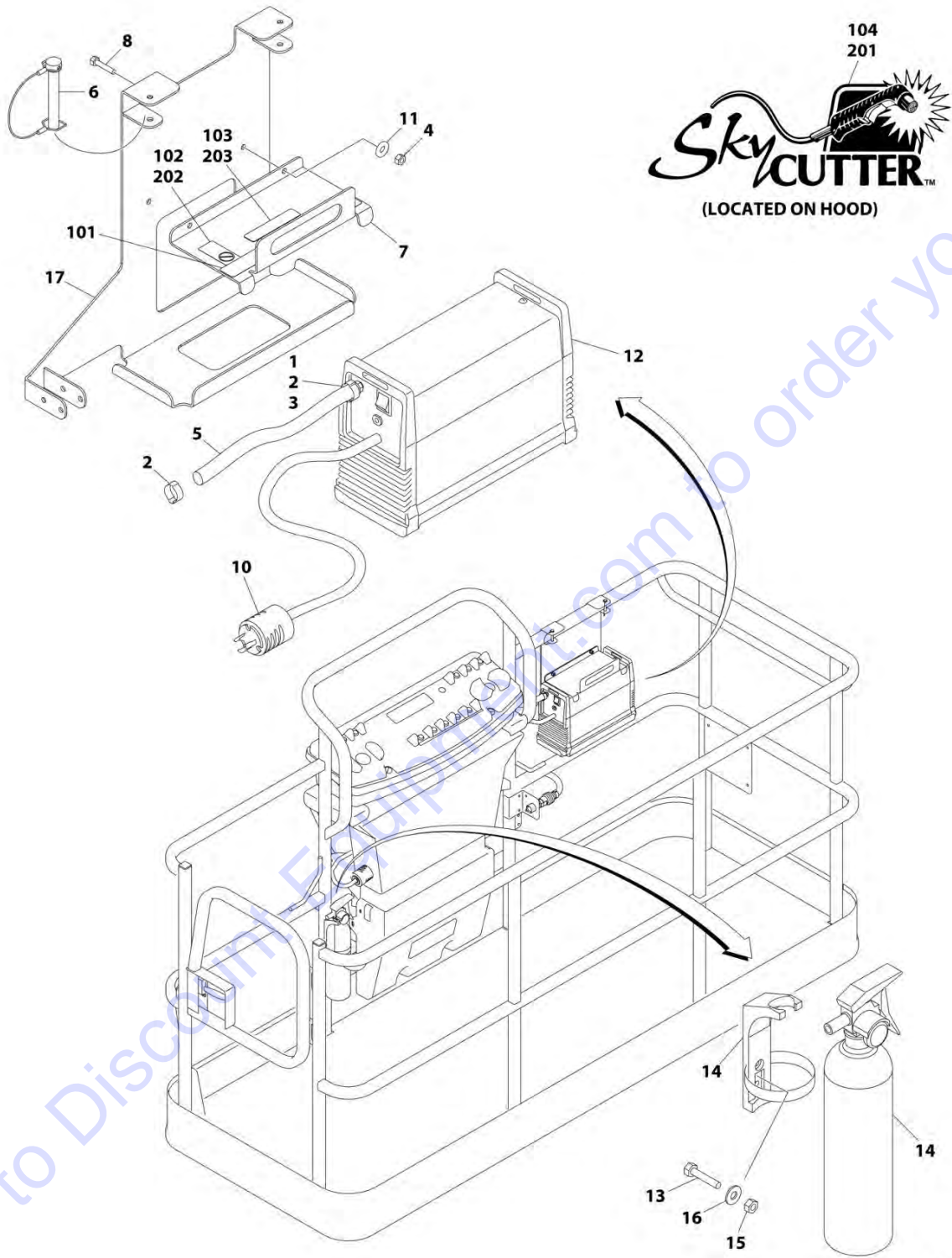
FIGURE 4-7. CONTROLLER ASSEMBLY (DRIVE AND STEER) (SN 0300188513 through 0300201016)

| ITEM | PART NUMBER | QTY | DESCRIPTION | REV |
|------|-------------|-----|---|-----|
| | 1001166538 | Ref | CONTROLLER ASSEMBLY - DRIVE AND STEER (SN 0300188513 through 0300201016) | A |
| 7 | 70004738 | 2 | Washer | |
| 10 | 70004739 | 1 | Roller | |
| 11 | 70004740 | 1 | Boot, Switch | |
| 14 | 70004741 | 2 | Half, Handle | |
| 17 | 70004742 | 1 | Enclosure | |
| 18 | 70004743 | 4 | Nut | |
| 19 | 70004744 | NLA | Boot, Controller (Use Item 200) | |
| 20 | 70004745 | NLA | Tube, Locking (Use Item 200) | |
| 21 | 70004746 | NLA | Disc, Locking (Use Item 200) | |
| 25 | 70004747 | 2 | Seal, Rope | |
| 26 | 70004748 | 1 | Screw, M3 x 6mm | |
| 28 | 70004749 | 2 | Screw, M5 x 20mm | |
| 29 | 70004750 | 1 | Pin, Dowel | |
| 30 | 70004751 | 4 | Screw, M3 x 16mm | |
| 100 | 4460265 | 1 | Connector - 9 Position | |
| 101 | 4460226 | 7 | Socket, Female | |
| 200 | 70005230 | 1 | Boot Kit (Includes Items 19-21) | |

Go to Discount-Equipment.com to order your parts

SECTION 4 - PLATFORM

FIGURE 4-8. SKYCUTTER INSTALLATION



ART_1001098149

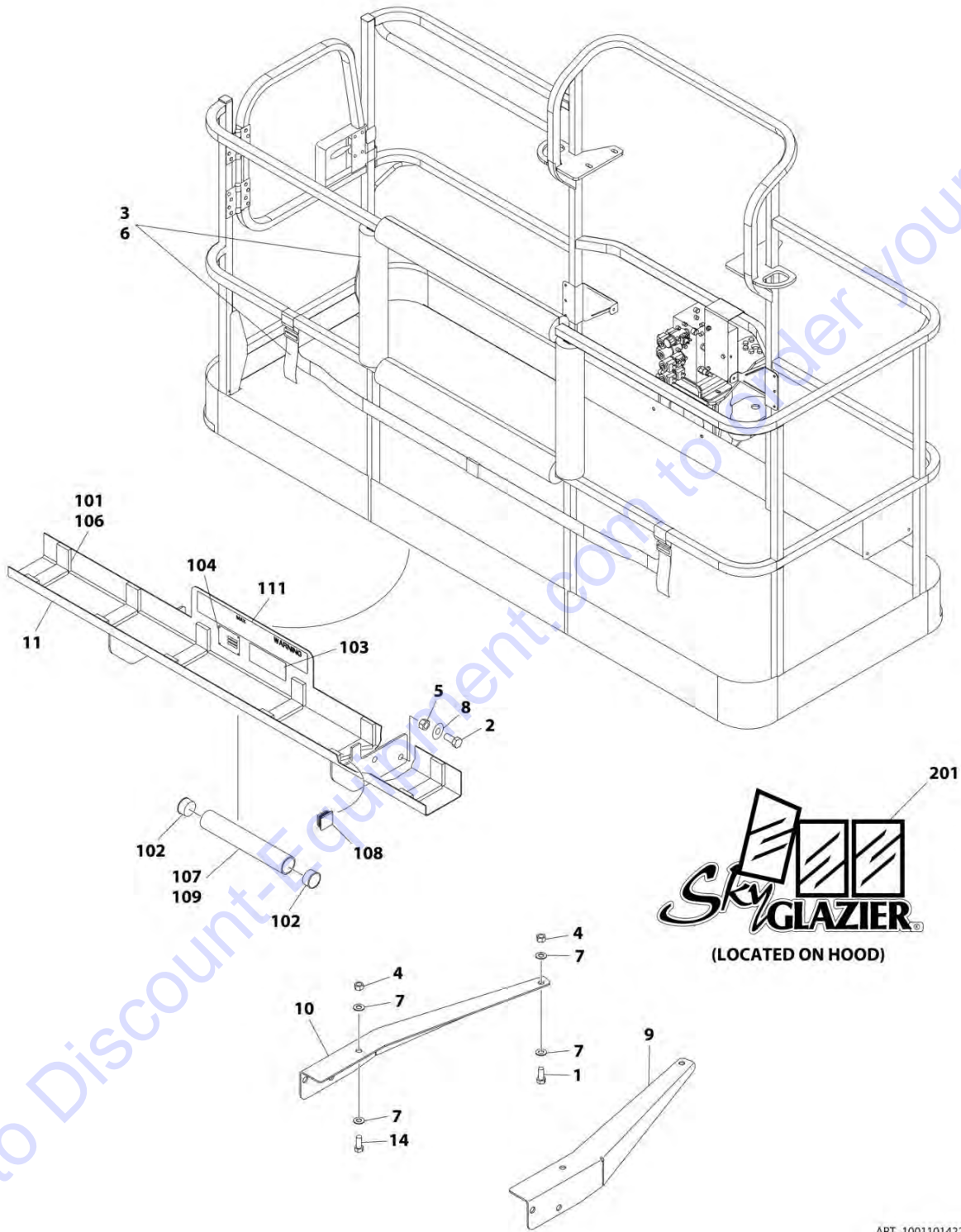
SECTION 4 - PLATFORM

FIGURE 4-8. SKYCUTTER INSTALLATION

| ITEM | PART NUMBER | QTY | DESCRIPTION | REV |
|------|-------------|----------|--|-----|
| | 1001098149 | Ref | SKYCUTTER INSTALLATION | D |
| | | Ref | Note: ANSI, ANSI Export, CSA and Japanese Specs Only. | |
| | | Ref | Note: When replacing platform on machines with SkyCutter option, new bracket p/n 1001145405 must be purchased to accommodate SkyCutter components. | |
| 1 | 0100020 | AR | Sealant | |
| 2 | 1320177 | 2 | Clamp, Hose | |
| 3 | 2180832 | 1 | Fitting, NPT/Barbed | |
| 4 | 3290605 | 2 | Nut M6 | |
| 5 | 2720160 | 3 ft/.9m | Hose | |
| 6 | 3421453 | 3 | Pin | |
| 7 | 3576799 | 1 | Plate, Hold-Down | |
| 8 | 4010608 | 2 | Screw M6 x 16 | |
| 10 | 4460971 | 1 | Plug, Twistlock | |
| 11 | 4811700 | 2 | Washer M6 | |
| 12 | 1001098012 | 1 | Plasma Cutter Assembly (See PLASMA CUTTER ASSEMBLY for Breakdown) | |
| 13 | 0630518 | 2 | Screw #10 x 3/4 | |
| 14 | 2030010 | 1 | Extinguisher, Fire | |
| 15 | 3311005 | 2 | Nut #10 | |
| 16 | 4751000 | 2 | Washer #10 | |
| 17 | 1001145405 | 1 | Support | |
| | 0272599 | Ref | SKYCUTTER DECAL INSTALLATION (ANSI, ANSI EXPORT AND CSA SPECS) | A |
| 101 | 1702868 | 1 | Decal - No Hands | |
| 102 | 1705305 | 1 | Decal - Weld Lead | |
| 103 | 1705466 | 1 | Decal - Weight | |
| 104 | 1705490 | 2 | Decal - SkyCutter | |
| | 0272607 | Ref | SKYCUTTER DECAL INSTALLATION (JAPANESE SPECS) | A |
| 201 | 1705490 | 2 | Decal - SkyCutter | |
| 202 | 1705305 | 1 | Decal - Weld Lead | |
| 203 | 1705466 | 1 | Decal - Weight | |

SECTION 4 - PLATFORM

FIGURE 4-9. SKYGLAZIER INSTALLATION (ANSI AND CSA SPECS)



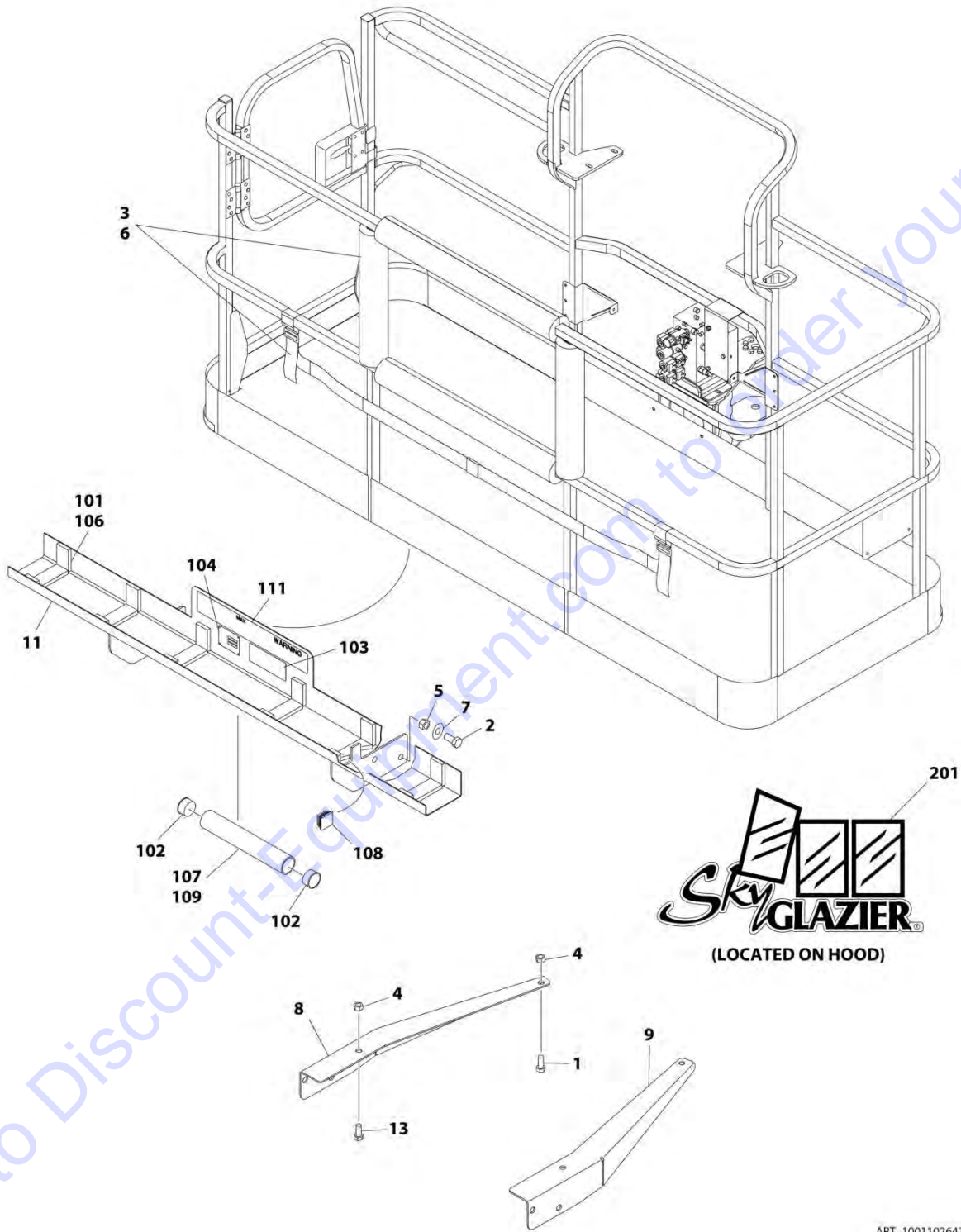
SECTION 4 - PLATFORM

FIGURE 4-9. SKYGLAZIER INSTALLATION (ANSI AND CSA SPECS)

| ITEM | PART NUMBER | QTY | DESCRIPTION | REV |
|------|-------------|-----|--|-----|
| | 1001101422 | Ref | SKYGLAZIER INSTALLATION (ANSI AND CSA SPECS) | C |
| 1 | 0642012 | 2 | Bolt 5/8 x 1-1/2 | |
| 2 | 0642212 | 4 | Bolt 3/4 x 1-1/2 | |
| 3 | 2902212 | 1 | Bumpers and Strap Kit | |
| 3 | 0940102 | 1 | Bumper Only | |
| 3 | 4240149 | 1 | Strap Only | |
| 4 | 3312005 | 4 | Nut 5/8 | |
| 5 | 3312205 | 4 | Nut 3/4 | |
| 6 | 4420014 | AR | Tape | |
| 7 | 4712000 | 6 | Washer 5/8 | |
| 8 | 4712200 | 8 | Washer 3/4 | |
| 9 | 1001099367 | 1 | Support | |
| 10 | 1001099366 | 1 | Support | |
| 11 | 1001101421 | 1 | Tray Assembly (See Items 101-111 for Breakdown) | |
| 14 | 8310129 | 2 | Bolt 3/4 x 2-1/2 | |
| | 1001101421 | Ref | TRAY ASSEMBLY | E |
| 101 | 0100081 | AR | Adhesive | |
| 102 | 1120555 | 2 | Cap, Tube | |
| 103 | 1701509 | 1 | Decal - Manual | |
| 104 | See Note | NSS | Nameplate - Serial Number (Note: Not Available for Purchase) | |
| 106 | 3340956 | 1 | Pad Kit | |
| 107 | 3460334 | 1 | Tube | |
| 108 | 3520071 | 2 | Plug | |
| 109 | 4420066 | AR | Tape, Double Sided | |
| 111 | 1001163131 | 2 | Decal - Glazier Capacity | |
| | 0272418 | Ref | SKYGLAZIER DECAL INSTALLATION | 4 |
| 201 | 1705358 | 2 | Decal - SkyGlazier | |

SECTION 4 - PLATFORM

FIGURE 4-10. SKYGLAZIER INSTALLATION (AUSTRALIAN SPECS)



ART_1001102647

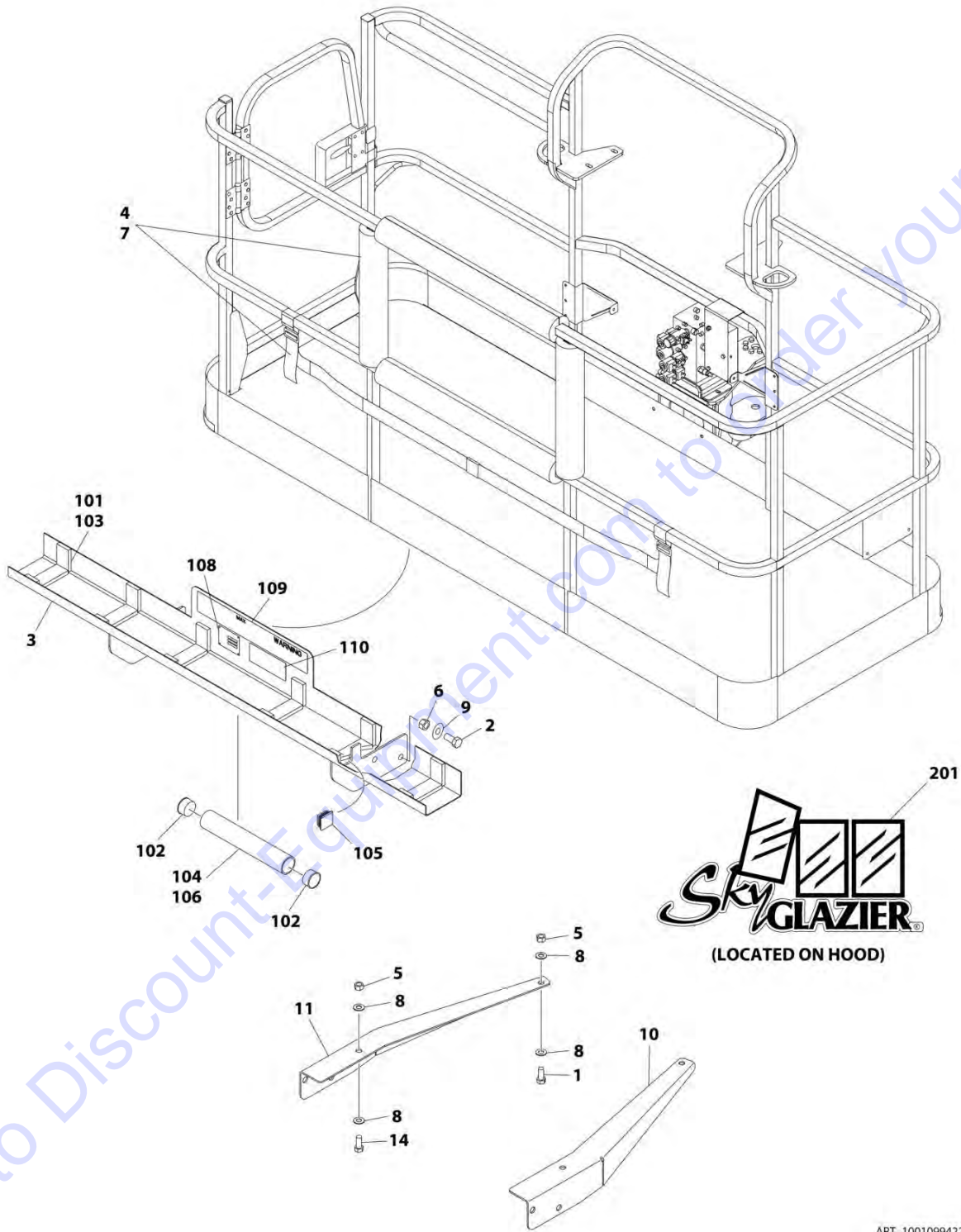
SECTION 4 - PLATFORM

FIGURE 4-10. SKYGLAZIER INSTALLATION (AUSTRALIAN SPECS)

| ITEM | PART NUMBER | QTY | DESCRIPTION | REV |
|------|-------------|-----|--|-----|
| | 1001102647 | Ref | SKYGLAZIER INSTALLATION (AUSTRALIAN SPECS) | C |
| 1 | 0642026 | 2 | Bolt 5/8 x 3-1/4 | |
| 2 | 0642212 | 4 | Bolt 3/4 x 1-1/2 | |
| 3 | 2902212 | 1 | Bumpers and Strap Kit | |
| 3 | 0940102 | 1 | Bumper Only | |
| 3 | 4240149 | 1 | Strap Only | |
| 4 | 3312005 | 4 | Nut 5/8 | |
| 5 | 3312205 | 4 | Nut 3/4 | |
| 6 | 4420014 | AR | Tape | |
| 7 | 4712200 | 8 | Washer 3/4 | |
| 8 | 1001099366 | 1 | Support | |
| 9 | 1001099367 | 1 | Support | |
| 10 | 1001101421 | 1 | Tray Assembly (See Items 101-111 for Breakdown) | |
| 13 | 8310230 | 2 | Bolt 5/8 x 4 | |
| | 1001101421 | Ref | TRAY ASSEMBLY | E |
| 101 | 0100081 | AR | Adhesive | |
| 102 | 1120555 | 2 | Cap, Tube | |
| 103 | 1701509 | 1 | Decal - Manual | |
| 104 | See Note | NSS | Nameplate - Serial Number (Note: Not Available for Purchase) | |
| 106 | 3340956 | 1 | Pad Kit | |
| 107 | 3460334 | 1 | Tube | |
| 108 | 3520071 | 2 | Plug | |
| 109 | 4420066 | AR | Tape, Double Sided | |
| 111 | 1001163131 | 2 | Decal - Glazier Capacity | |
| | 0272418 | Ref | SKYGLAZIER DECAL INSTALLATION | 4 |
| 201 | 1705358 | 2 | Decal - SkyGlazier | |

SECTION 4 - PLATFORM

FIGURE 4-11. SKYGLAZIER INSTALLATION (BRAZIL SPECS)



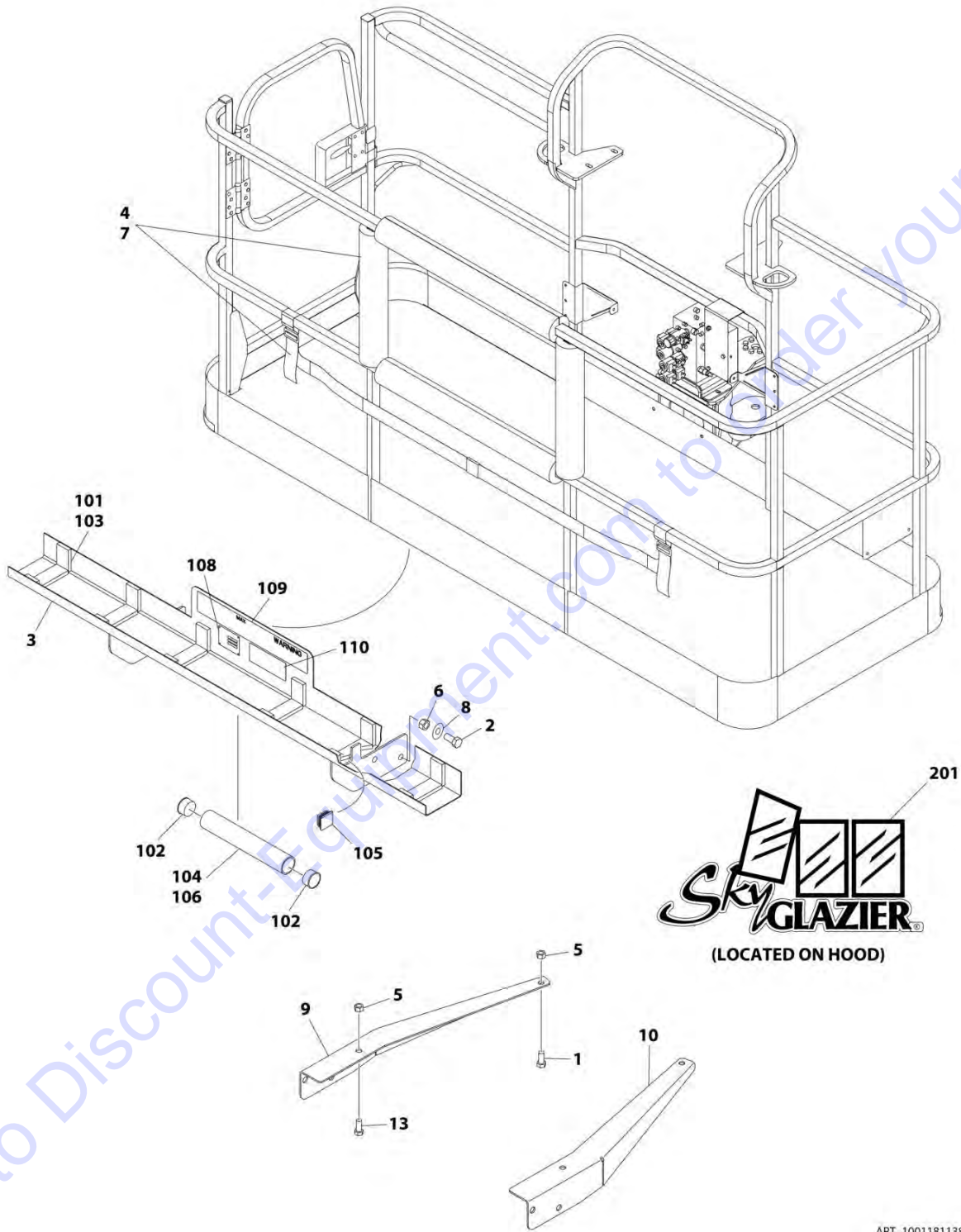
SECTION 4 - PLATFORM

FIGURE 4-11. SKYGLAZIER INSTALLATION (BRAZIL SPECS)

| ITEM | PART NUMBER | QTY | DESCRIPTION | REV |
|------|-------------|-----|--|-----|
| | 1001099422 | Ref | SKYGLAZIER INSTALLATION (BRAZIL SPECS) | C |
| 1 | 0642012 | 2 | Bolt 5/8 x 1-1/2 | |
| 2 | 0642212 | 4 | Bolt 3/4 x 1-1/2 | |
| 3 | 0272951 | 1 | Tray Assembly (See Items 101-110 for Breakdown) | |
| 4 | 2902212 | 1 | Bumpers and Strap Kit | |
| 4 | 0940102 | 1 | Bumper Only | |
| 4 | 4240149 | 1 | Strap Only | |
| 5 | 3312005 | 4 | Nut 5/8 | |
| 6 | 3312205 | 4 | Nut 3/4 | |
| 7 | 4420014 | AR | Tape | |
| 8 | 4712000 | 6 | Washer 5/8 | |
| 9 | 4712200 | 8 | Washer 3/4 | |
| 10 | 1001099367 | 1 | Support | |
| 11 | 1001099366 | 1 | Support | |
| 14 | 8310129 | 2 | Bolt 5/8 x 2-1/2 | |
| | 0272951 | Ref | TRAY ASSEMBLY | E |
| 101 | 0100081 | AR | Adhesive | |
| 102 | 1120555 | 2 | Cap, Tube | |
| 103 | 3340956 | 1 | Pad Kit | |
| 104 | 3460334 | 1 | Tube | |
| 105 | 3520071 | 2 | Plug | |
| 106 | 4420066 | AR | Tape, Double Sided | |
| 108 | See Note | NSS | Nameplate - Serial Number (Note: Not Available for Purchase) | |
| 109 | 1001163297 | 2 | Decal - Glazier Capacity | |
| 110 | 1701509 | 1 | Decal - Manual | |
| | 0272418 | Ref | SKYGLAZIER DECAL INSTALLATION | 4 |
| 201 | 1705358 | 2 | Decal - SkyGlazier | |

SECTION 4 - PLATFORM

FIGURE 4-12. SKYGLAZIER INSTALLATION (FINNISH SPECS)



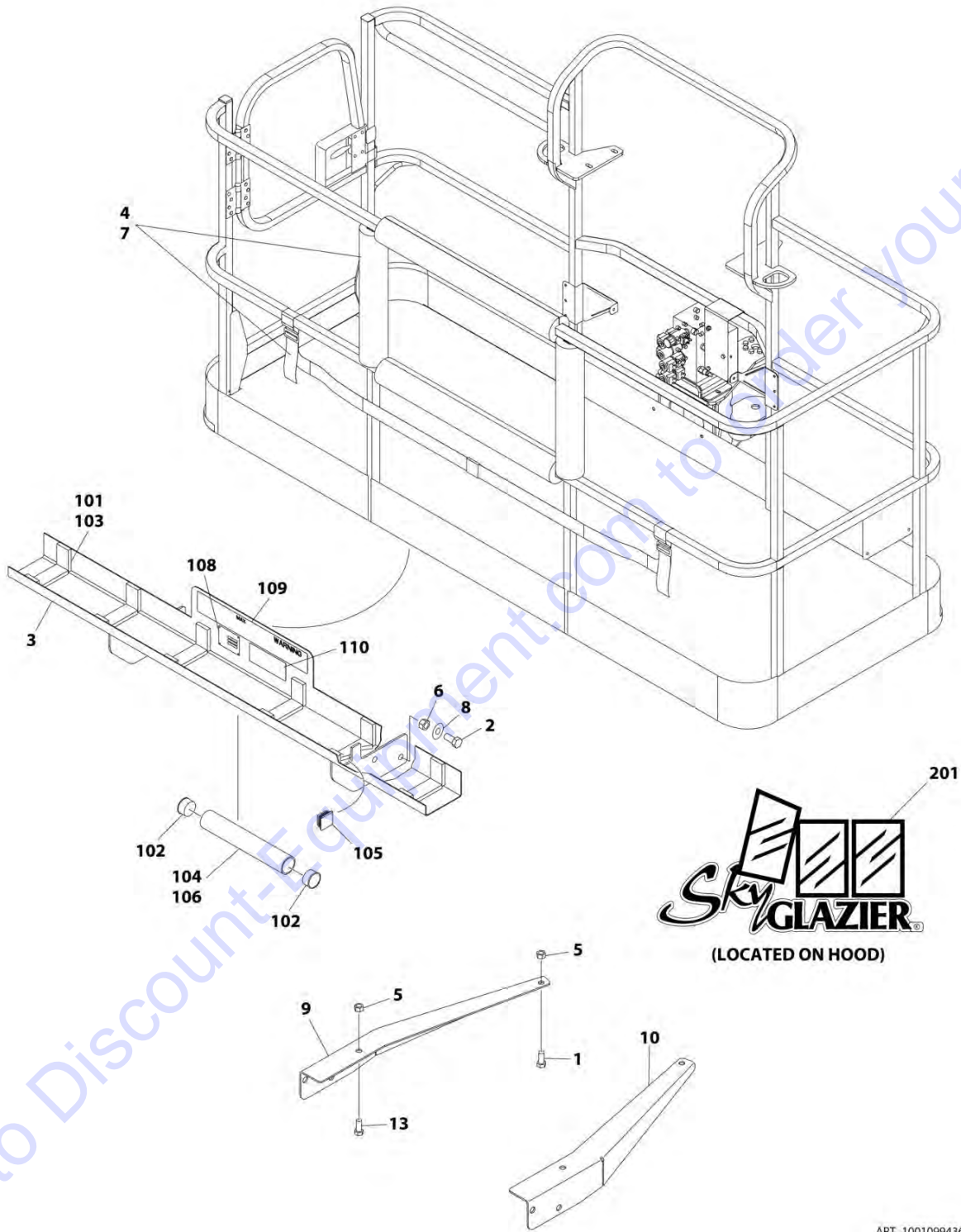
SECTION 4 - PLATFORM

FIGURE 4-12. SKYGLAZIER INSTALLATION (FINNISH SPECS)

| ITEM | PART NUMBER | QTY | DESCRIPTION | REV |
|------|-------------|-----|--|-----|
| | 1001181138 | Ref | SKYGLAZIER INSTALLATION (FINNISH SPECS) | B |
| 1 | 0642026 | 2 | Bolt 5/8 x 3-1/4 | |
| 2 | 0642212 | 4 | Bolt 3/4 x 1-1/2 | |
| 3 | 1001181142 | 1 | Tray Assembly (See Items 101-110 for Breakdown) | |
| 4 | 2902212 | 1 | Bumpers and Strap Kit | |
| 4 | 0940102 | 1 | Bumper Only | |
| 4 | 4240149 | 1 | Strap Only | |
| 5 | 3312005 | 4 | Nut 5/8 | |
| 6 | 3312205 | 4 | Nut 3/4 | |
| 7 | 4420014 | AR | Tape | |
| 8 | 4712200 | 8 | Washer 3/4 | |
| 9 | 1001099366 | 1 | Support | |
| 10 | 1001099367 | 1 | Support | |
| 13 | 8310230 | 2 | Bolt 5/8 x 4 | |
| | 1001181142 | Ref | TRAY ASSEMBLY | A |
| 101 | 0100081 | AR | Adhesive | |
| 102 | 1120555 | 2 | Cap, Tube | |
| 103 | 3340956 | 1 | Pad Kit | |
| 104 | 3460334 | 1 | Tube | |
| 105 | 3520071 | 2 | Plug | |
| 106 | 4420066 | AR | Tape, Double Sided | |
| 108 | See Note | NSS | Nameplate - Serial Number (Note: Not Available for Purchase) | |
| 109 | 1001181134 | 2 | Decal - Glazier Capacity | |
| 110 | 1701509 | 1 | Decal - Manual | |
| | 0272418 | Ref | SKYGLAZIER DECAL INSTALLATION | 4 |
| 201 | 1705358 | 2 | Decal - SkyGlazier | |

SECTION 4 - PLATFORM

FIGURE 4-13. SKYGLAZIER INSTALLATION (FRENCH SPECS)



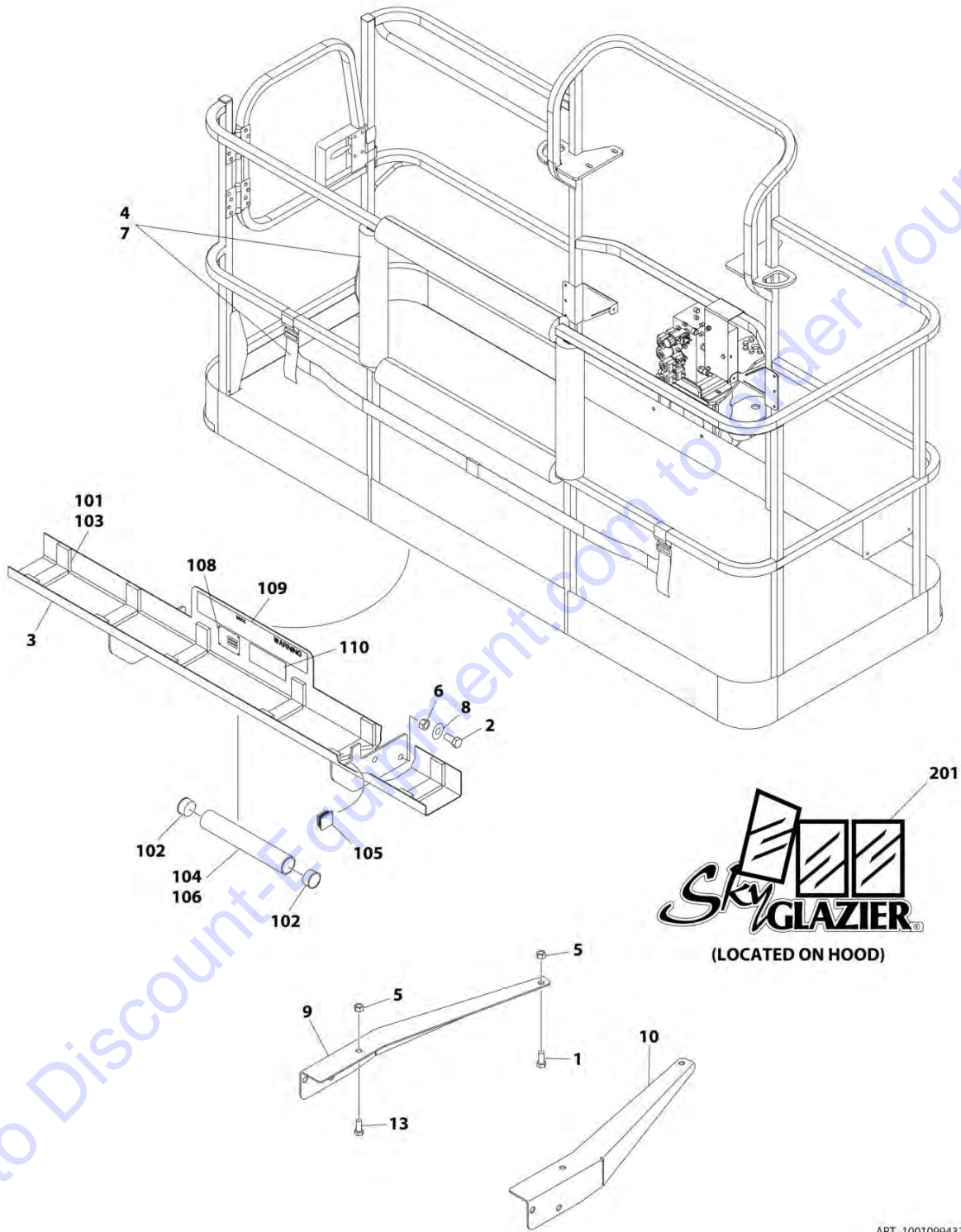
SECTION 4 - PLATFORM

FIGURE 4-13. SKYGLAZIER INSTALLATION (FRENCH SPECS)

| ITEM | PART NUMBER | QTY | DESCRIPTION | REV |
|------|-------------|-----|--|-----|
| | 1001099436 | Ref | SKYGLAZIER INSTALLATION (FRENCH SPECS) | C |
| 1 | 0642026 | 2 | Bolt 5/8 x 3-1/4 | |
| 2 | 0642212 | 4 | Bolt 3/4 x 1-1/2 | |
| 3 | 0272949 | 1 | Tray Assembly (See Items 101-110 for Breakdown) | |
| 4 | 2902212 | 1 | Bumpers and Strap Kit | |
| 4 | 0940102 | 1 | Bumper Only | |
| 4 | 4240149 | 1 | Strap Only | |
| 5 | 3312005 | 4 | Nut 5/8 | |
| 6 | 3312205 | 4 | Nut 3/4 | |
| 7 | 4420014 | AR | Tape | |
| 8 | 4712200 | 8 | Washer 3/4 | |
| 9 | 1001099366 | 1 | Support | |
| 10 | 1001099367 | 1 | Support | |
| 13 | 8310230 | 2 | Bolt 5/8 x 4 | |
| | 0272949 | Ref | TRAY ASSEMBLY | D |
| 101 | 0100081 | AR | Adhesive | |
| 102 | 1120555 | 2 | Cap, Tube | |
| 103 | 3340956 | 1 | Pad Kit | |
| 104 | 3460334 | 1 | Tube | |
| 105 | 3520071 | 2 | Plug | |
| 106 | 4420066 | AR | Tape, Double Sided | |
| 108 | See Note | NSS | Nameplate - Serial Number (Note: Not Available for Purchase) | |
| 109 | 1001163293 | 2 | Decal - Glazier Capacity | |
| 110 | 1701509 | 1 | Decal - Manual | |
| | 0272418 | Ref | SKYGLAZIER DECAL INSTALLATION | 4 |
| 201 | 1705358 | 2 | Decal - SkyGlazier | |

SECTION 4 - PLATFORM

FIGURE 4-14. SKYGLAZIER INSTALLATION (GERMAN SPECS)



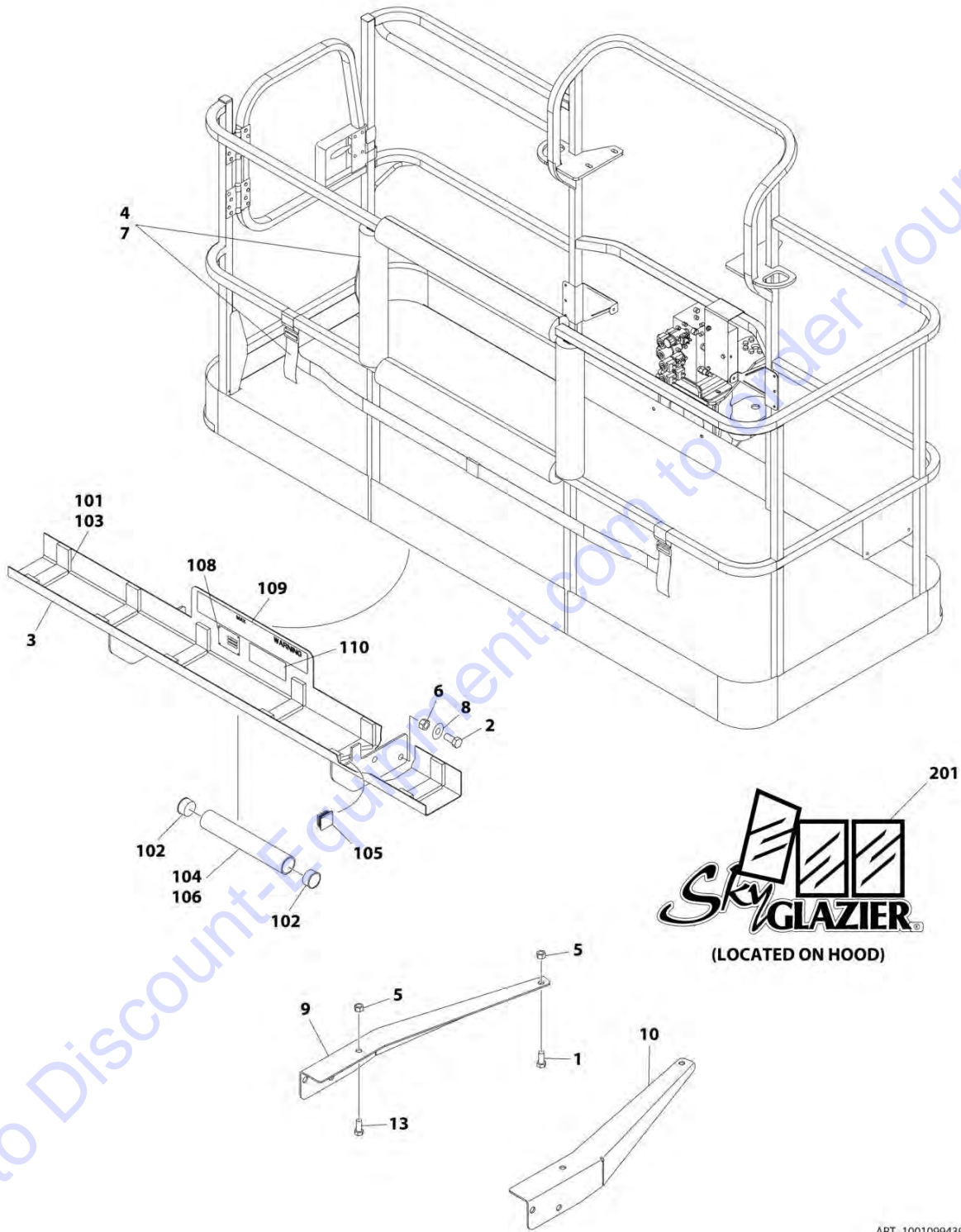
SECTION 4 - PLATFORM

FIGURE 4-14. SKYGLAZIER INSTALLATION (GERMAN SPECS)

| ITEM | PART NUMBER | QTY | DESCRIPTION | REV |
|------|-------------|-----|--|-----|
| | 1001099437 | Ref | SKYGLAZIER INSTALLATION (GERMAN SPECS) | C |
| 1 | 0642026 | 2 | Bolt 5/8 x 3-1/4 | |
| 2 | 0642212 | 4 | Bolt 3/4 x 1-1/2 | |
| 3 | 0272950 | 1 | Tray Assembly (See Items 101-110 for Breakdown) | |
| 4 | 2902212 | 1 | Bumpers and Strap Kit | |
| 4 | 0940102 | 1 | Bumper Only | |
| 4 | 4240149 | 1 | Strap Only | |
| 5 | 3312005 | 4 | Nut 5/8 | |
| 6 | 3312205 | 4 | Nut 3/4 | |
| 7 | 4420014 | AR | Tape | |
| 8 | 4712200 | 8 | Washer 3/4 | |
| 9 | 1001099366 | 1 | Support | |
| 10 | 1001099367 | 1 | Support | |
| 13 | 8310230 | 2 | Bolt 5/8 x 4 | |
| | 0272950 | Ref | TRAY ASSEMBLY | D |
| 101 | 0100081 | AR | Adhesive | |
| 102 | 1120555 | 2 | Cap, Tube | |
| 103 | 3340956 | 1 | Pad Kit | |
| 104 | 3460334 | 1 | Tube | |
| 105 | 3520071 | 2 | Plug | |
| 106 | 4420066 | AR | Tape, Double Sided | |
| 108 | See Note | NSS | Nameplate - Serial Number (Note: Not Available for Purchase) | |
| 109 | 1001163298 | 2 | Decal - Glazier Capacity | |
| 110 | 1701509 | 1 | Decal - Manual | |
| | 0272418 | Ref | SKYGLAZIER DECAL INSTALLATION | 4 |
| 201 | 1705358 | 2 | Decal - SkyGlazier | |

SECTION 4 - PLATFORM

FIGURE 4-15. SKYGLAZIER INSTALLATION (ITALIAN SPECS)



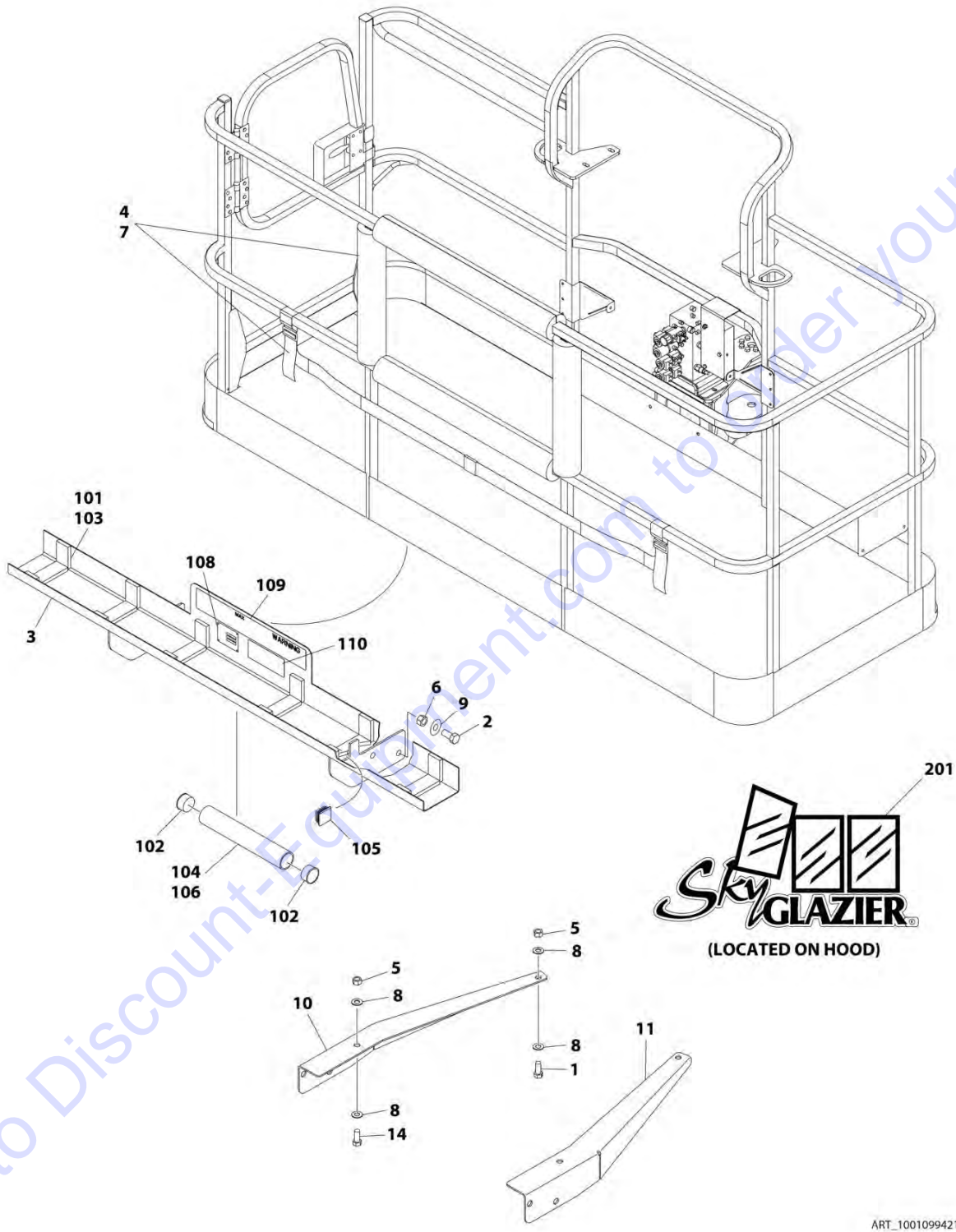
SECTION 4 - PLATFORM

FIGURE 4-15. SKYGLAZIER INSTALLATION (ITALIAN SPECS)

| ITEM | PART NUMBER | QTY | DESCRIPTION | REV |
|------|-------------|-----|--|-----|
| | 1001099439 | Ref | SKYGLAZIER INSTALLATION (ITALIAN SPECS) | C |
| 1 | 0642026 | 2 | Bolt 5/8 x 3-1/4 | |
| 2 | 0642212 | 4 | Bolt 3/4 x 1-1/2 | |
| 3 | 0272952 | 1 | Tray Assembly (See Items 101-110 for Breakdown) | |
| 4 | 2902212 | 1 | Bumpers and Strap Kit | |
| 4 | 0940102 | 1 | Bumper Only | |
| 4 | 4240149 | 1 | Strap Only | |
| 5 | 3312005 | 4 | Nut 5/8 | |
| 6 | 3312205 | 4 | Nut 3/4 | |
| 7 | 4420014 | AR | Tape | |
| 8 | 4712200 | 8 | Washer 3/4 | |
| 9 | 1001099366 | 1 | Support | |
| 10 | 1001099367 | 1 | Support | |
| 13 | 8310230 | 2 | Bolt 5/8 x 4 | |
| | 0272952 | Ref | TRAY ASSEMBLY | D |
| 101 | 0100081 | AR | Adhesive | |
| 102 | 1120555 | 2 | Cap, Tube | |
| 103 | 3340956 | 1 | Pad Kit | |
| 104 | 3460334 | 1 | Tube | |
| 105 | 3520071 | 2 | Plug | |
| 106 | 4420066 | AR | Tape, Double Sided | |
| 108 | See Note | NSS | Nameplate - Serial Number (Note: Not Available for Purchase) | |
| 109 | 1001163287 | 2 | Decal - Glazier Capacity | |
| 110 | 1701509 | 1 | Decal - Manual | |
| | 0272418 | Ref | SKYGLAZIER DECAL INSTALLATION | 4 |
| 201 | 1705358 | 2 | Decal - SkyGlazier | |

SECTION 4 - PLATFORM

FIGURE 4-16. SKYGLAZIER INSTALLATION (LATIN AMERICAN SPECS)



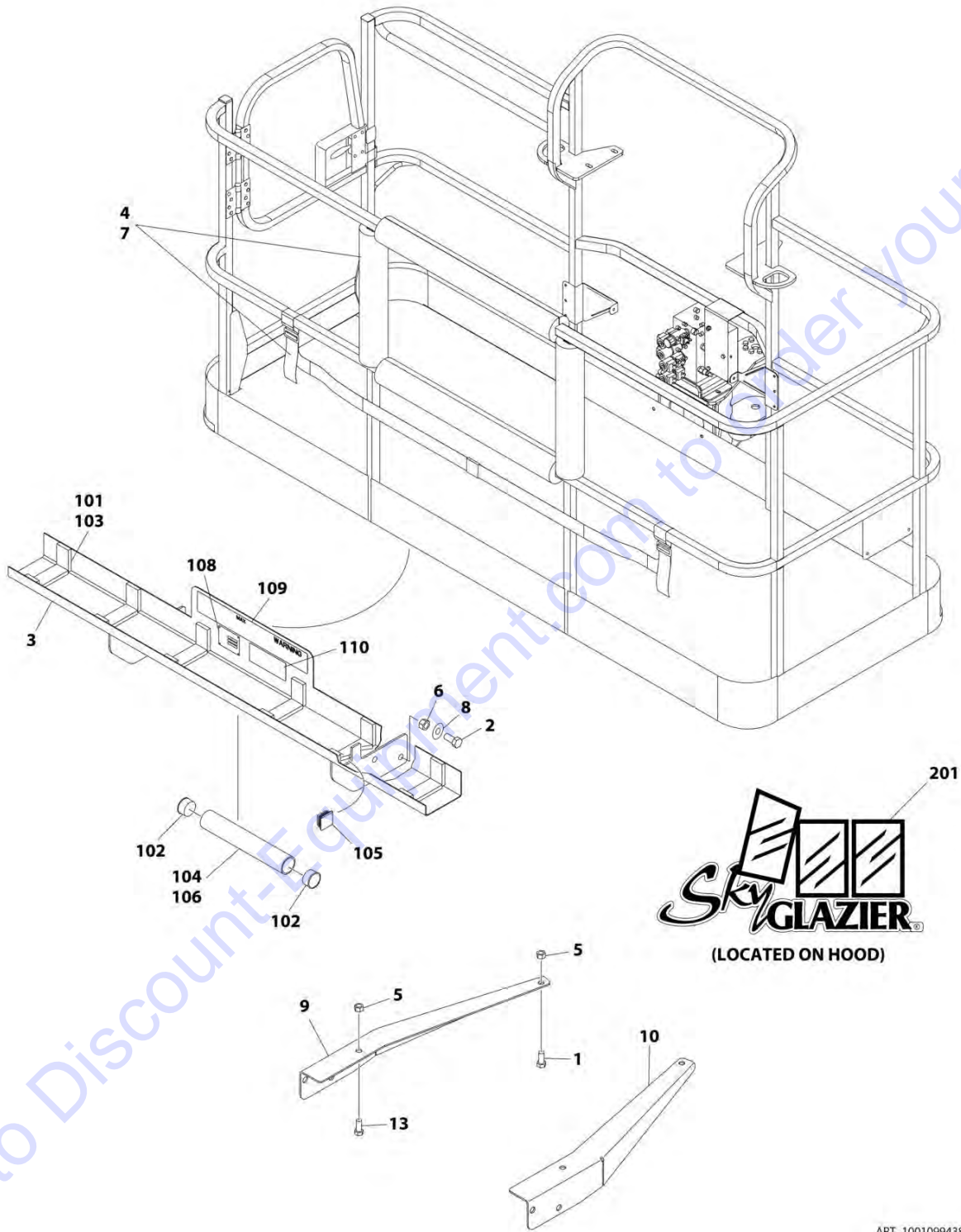
SECTION 4 - PLATFORM

FIGURE 4-16. SKYGLAZIER INSTALLATION (LATIN AMERICAN SPECS)

| ITEM | PART NUMBER | QTY | DESCRIPTION | REV |
|------|-------------|-----|--|-----|
| | 1001099421 | Ref | SKYGLAZIER INSTALLATION (LATIN AMERICAN SPECS) | C |
| 1 | 0642012 | 2 | Bolt 5/8 x 1-1/2 | |
| 2 | 0642212 | 4 | Bolt 3/4 x 1-1/2 | |
| 3 | 0272948 | 1 | Tray Assembly (See Items 101-110 for Breakdown) | |
| 4 | 2902212 | 1 | Bumpers and Strap Kit | |
| 4 | 0940102 | 1 | Bumper Only | |
| 4 | 4240149 | 1 | Strap Only | |
| 5 | 3312005 | 4 | Nut 5/8 | |
| 6 | 3312205 | 4 | Nut 3/4 | |
| 7 | 4420014 | AR | Tape | |
| 8 | 4712000 | 6 | Washer 5/8 | |
| 9 | 4712200 | 8 | Washer 3/4 | |
| 10 | 1001099366 | 1 | Support | |
| 11 | 1001099367 | 1 | Support | |
| 14 | 8310129 | 2 | Bolt 5/8 x 2.5 | |
| | 0272948 | Ref | TRAY ASSEMBLY | E |
| 101 | 0100081 | AR | Adhesive | |
| 102 | 1120555 | 2 | Cap, Tube | |
| 103 | 3340956 | 1 | Pad Kit | |
| 104 | 3460334 | 1 | Tube | |
| 105 | 3520071 | 2 | Plug | |
| 106 | 4420066 | AR | Tape, Double Sided | |
| 108 | See Note | NSS | Nameplate - Serial Number (Note: Not Available for Purchase) | |
| 109 | 1001163296 | 2 | Decal - Glazier Capacity | |
| 110 | 1701509 | 1 | Decal - Manual | |
| | 0272418 | Ref | SKYGLAZIER DECAL INSTALLATION | 4 |
| 201 | 1705358 | 2 | Decal - SkyGlazier | |

SECTION 4 - PLATFORM

FIGURE 4-17. SKYGLAZIER INSTALLATION (PORTUGUESE SPECS)



ART_1001099438

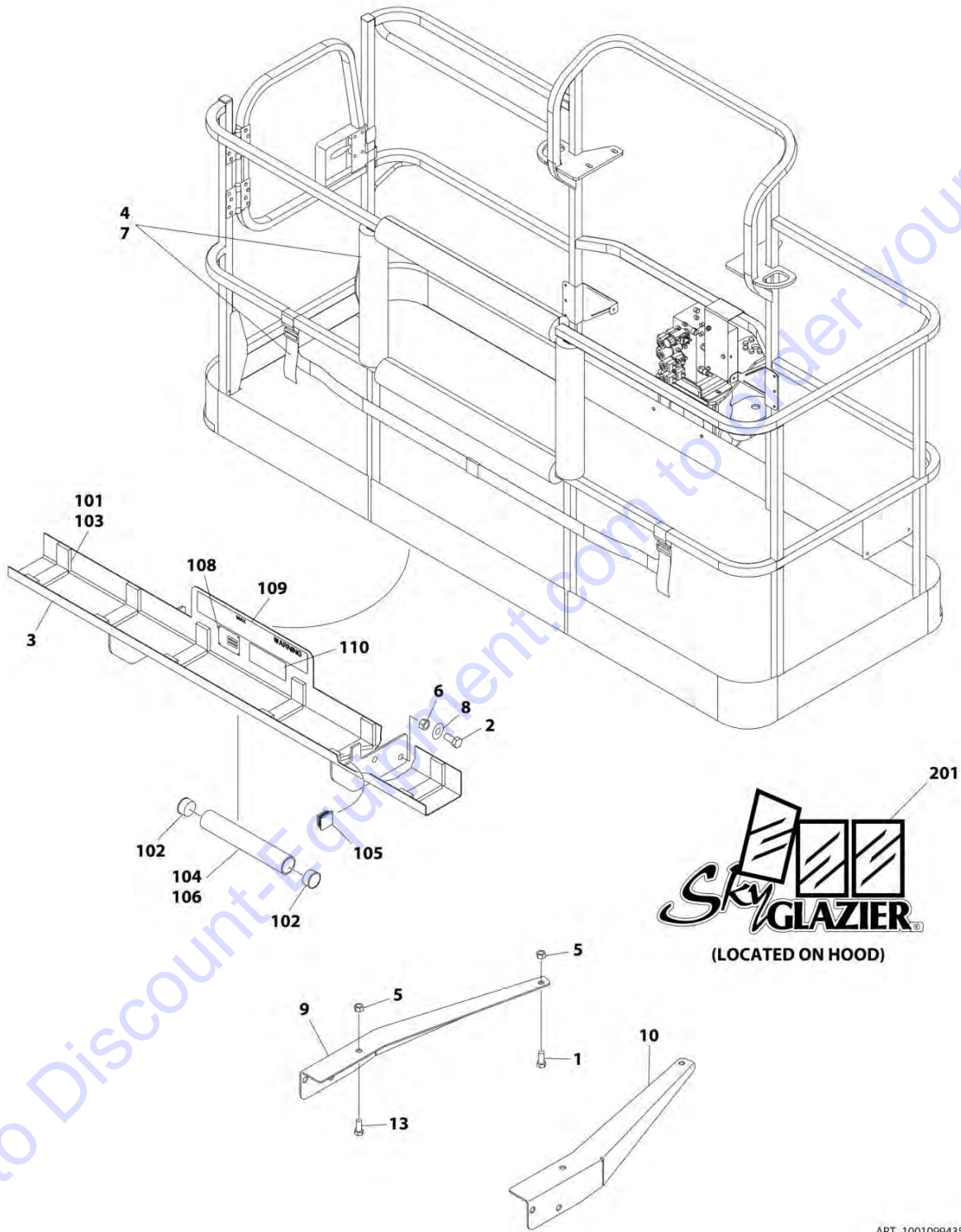
SECTION 4 - PLATFORM

FIGURE 4-17. SKYGLAZIER INSTALLATION (PORTUGUESE SPECS)

| ITEM | PART NUMBER | QTY | DESCRIPTION | REV |
|------|-------------|-----|--|-----|
| | 1001099438 | Ref | SKYGLAZIER INSTALLATION (PORTUGUESE SPECS) | C |
| 1 | 0642026 | 2 | Bolt 5/8 x 3-1/4 | |
| 2 | 0642212 | 4 | Bolt 3/4 x 1-1/2 | |
| 3 | 0273406 | 1 | Tray Assembly (See Items 101-110 for Breakdown) | |
| 4 | 2902212 | 1 | Bumpers and Strap Kit | |
| 4 | 0940102 | 1 | Bumper Only | |
| 4 | 4240149 | 1 | Strap Only | |
| 5 | 3312005 | 4 | Nut 5/8 | |
| 6 | 3312205 | 4 | Nut 3/4 | |
| 7 | 4420014 | AR | Tape | |
| 8 | 4712200 | 8 | Washer 3/4 | |
| 9 | 1001099366 | 1 | Support | |
| 10 | 1001099367 | 1 | Support | |
| 13 | 8310230 | 2 | Bolt 5/8 x 4 | |
| | 0273406 | Ref | TRAY ASSEMBLY | D |
| 101 | 0100081 | AR | Adhesive | |
| 102 | 1120555 | 2 | Cap, Tube | |
| 103 | 3340956 | 1 | Pad Kit | |
| 104 | 3460334 | 1 | Tube | |
| 105 | 3520071 | 2 | Plug | |
| 106 | 4420066 | AR | Tape, Double Sided | |
| 108 | See Note | NSS | Nameplate - Serial Number (Note: Not Available for Purchase) | |
| 109 | 1001163289 | 2 | Decal - Glazier Capacity | |
| 110 | 1701509 | 1 | Decal - Manual | |
| | 0272418 | Ref | SKYGLAZIER DECAL INSTALLATION | 4 |
| 201 | 1705358 | 2 | Decal - SkyGlazier | |

SECTION 4 - PLATFORM

FIGURE 4-18. SKYGLAZIER INSTALLATION (SPANISH SPECS)



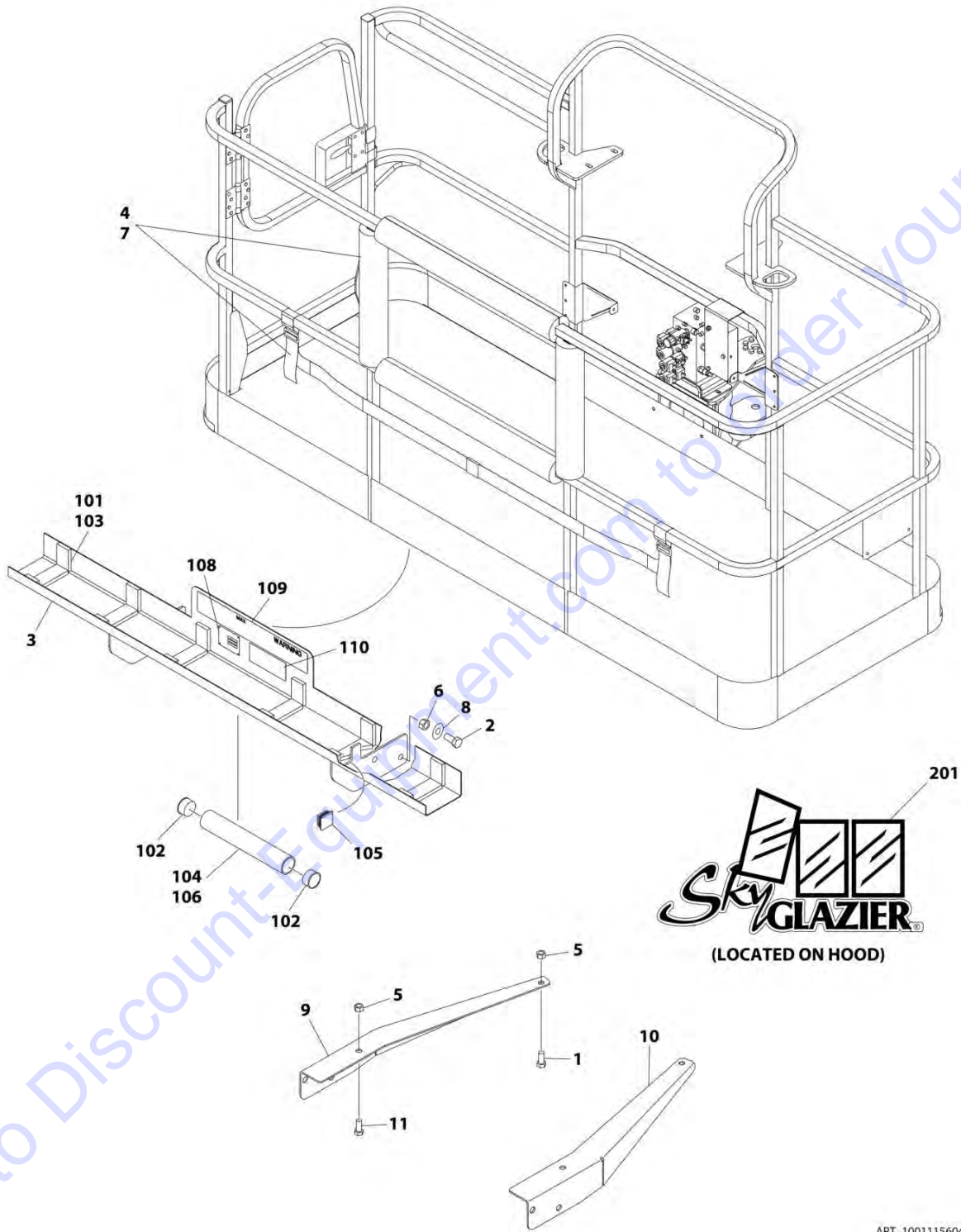
SECTION 4 - PLATFORM

FIGURE 4-18. SKYGLAZIER INSTALLATION (SPANISH SPECS)

| ITEM | PART NUMBER | QTY | DESCRIPTION | REV |
|------|-------------|-----|--|-----|
| | 1001099435 | Ref | SKYGLAZIER INSTALLATION (SPANISH SPECS) | C |
| 1 | 0642026 | 2 | Bolt 5/8 x 3-1/4 | |
| 2 | 0642212 | 4 | Bolt 3/4 x 1-1/2 | |
| 3 | 0273405 | 1 | Tray Assembly (See Items 101-110 for Breakdown) | |
| 4 | 2902212 | 1 | Bumpers and Strap Kit | |
| 4 | 0940102 | 1 | Bumper Only | |
| 4 | 4240149 | 1 | Strap Only | |
| 5 | 3312005 | 4 | Nut 5/8 | |
| 6 | 3312205 | 4 | Nut 3/4 | |
| 7 | 4420014 | AR | Tape | |
| 8 | 4712200 | 8 | Washer 3/4 | |
| 9 | 1001099366 | 1 | Support | |
| 10 | 1001099367 | 1 | Support | |
| 13 | 8310230 | 2 | Bolt 5/8 x 4 | |
| | 0273405 | Ref | TRAY ASSEMBLY | D |
| 101 | 0100081 | AR | Adhesive | |
| 102 | 1120555 | 2 | Cap, Tube | |
| 103 | 3340956 | 1 | Pad Kit | |
| 104 | 3460334 | 1 | Tube | |
| 105 | 3520071 | 2 | Plug | |
| 106 | 4420066 | AR | Tape, Double Sided | |
| 108 | See Note | NSS | Nameplate - Serial Number (Note: Not Available for Purchase) | |
| 109 | 1001163288 | 2 | Decal - Glazier Capacity | |
| 110 | 1701509 | 1 | Decal - Manual | |
| | 0272418 | Ref | SKYGLAZIER DECAL INSTALLATION | 4 |
| 201 | 1705358 | 2 | Decal - SkyGlazier | |

SECTION 4 - PLATFORM

FIGURE 4-19. SKYGLAZIER INSTALLATION (SWEDISH SPECS)



ART_1001115604

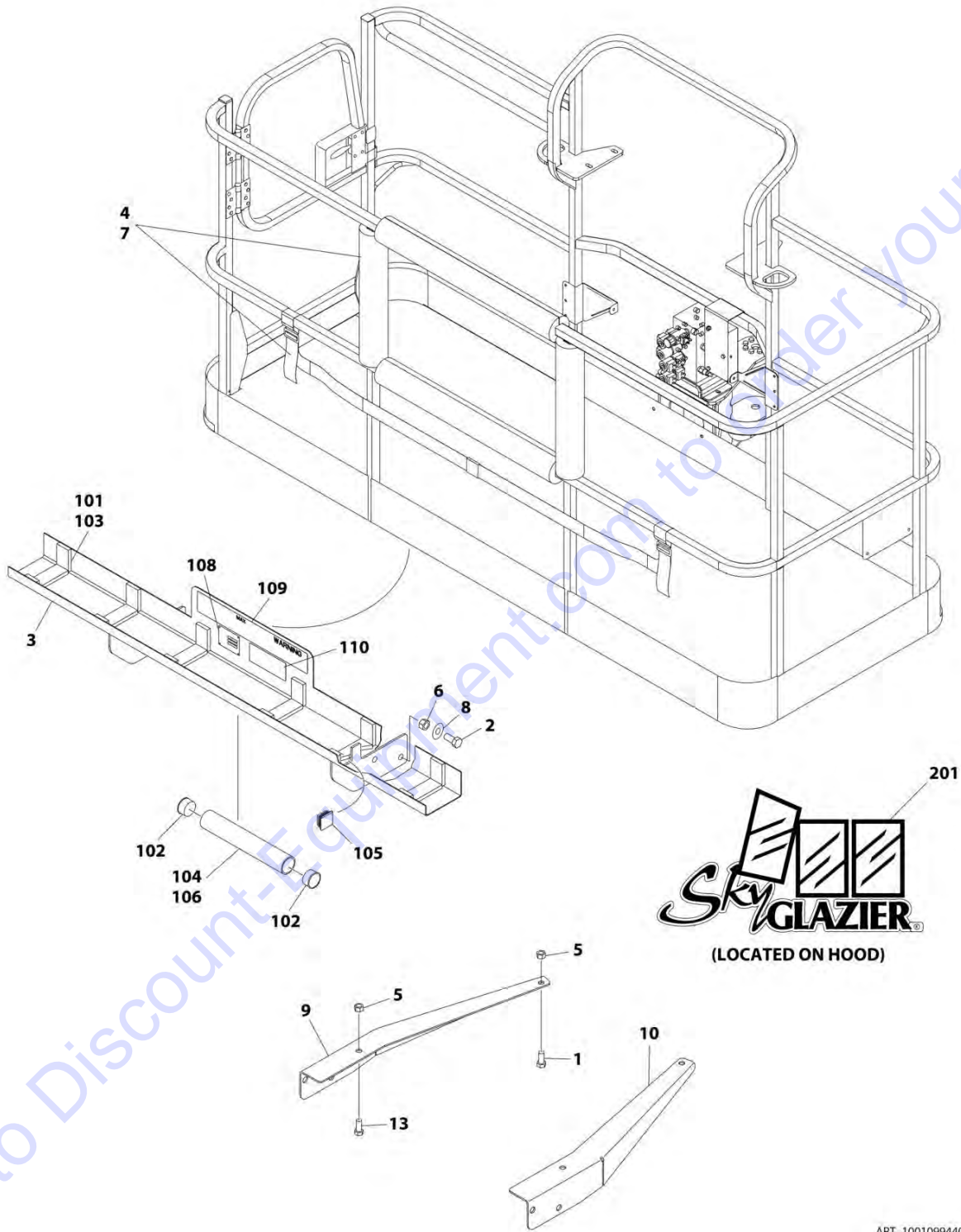
SECTION 4 - PLATFORM

FIGURE 4-19. SKYGLAZIER INSTALLATION (SWEDISH SPECS)

| ITEM | PART NUMBER | QTY | DESCRIPTION | REV |
|------|-------------|-----|--|-----|
| | 1001115604 | Ref | SKYGLAZIER INSTALLATION (SWEDISH SPECS) | B |
| 1 | 0642026 | 2 | Bolt 5/8 x 3-1/4 | |
| 2 | 0642212 | 4 | Bolt 3/4 x 1-1/2 | |
| 3 | 1001115603 | 1 | Tray Assembly (See Items 101-110 for Breakdown) | |
| 4 | 2902212 | 1 | Bumpers and Strap Kit | |
| 4 | 0940102 | 1 | Bumper Only | |
| 4 | 4240149 | 1 | Strap Only | |
| 5 | 3312005 | 4 | Nut 5/8 | |
| 6 | 3312205 | 4 | Nut 3/4 | |
| 7 | 4420014 | AR | Tape | |
| 8 | 4712200 | 8 | Washer 3/4 | |
| 9 | 1001099366 | 1 | Support | |
| 10 | 1001099367 | 1 | Support | |
| 11 | 8310230 | 2 | Bolt 5/8 x 4 | |
| | 1001115603 | Ref | TRAY ASSEMBLY | C |
| 101 | 0100081 | AR | Adhesive | |
| 102 | 1120555 | 2 | Cap, Tube | |
| 103 | 3340956 | 1 | Pad Kit | |
| 104 | 3460334 | 1 | Tube | |
| 105 | 3520071 | 2 | Plug | |
| 106 | 4420066 | AR | Tape, Double Sided | |
| 108 | See Note | NSS | Nameplate - Serial Number (Note: Not Available for Purchase) | |
| 109 | 1001163292 | 2 | Decal - Glazier Capacity | |
| 110 | 1701509 | 1 | Decal - Manual | |
| | 0272418 | Ref | SKYGLAZIER DECAL INSTALLATION | 4 |
| 201 | 1705358 | 2 | Decal - SkyGlazier | |

SECTION 4 - PLATFORM

FIGURE 4-20. SKYGLAZIER INSTALLATION (UK SPECS)



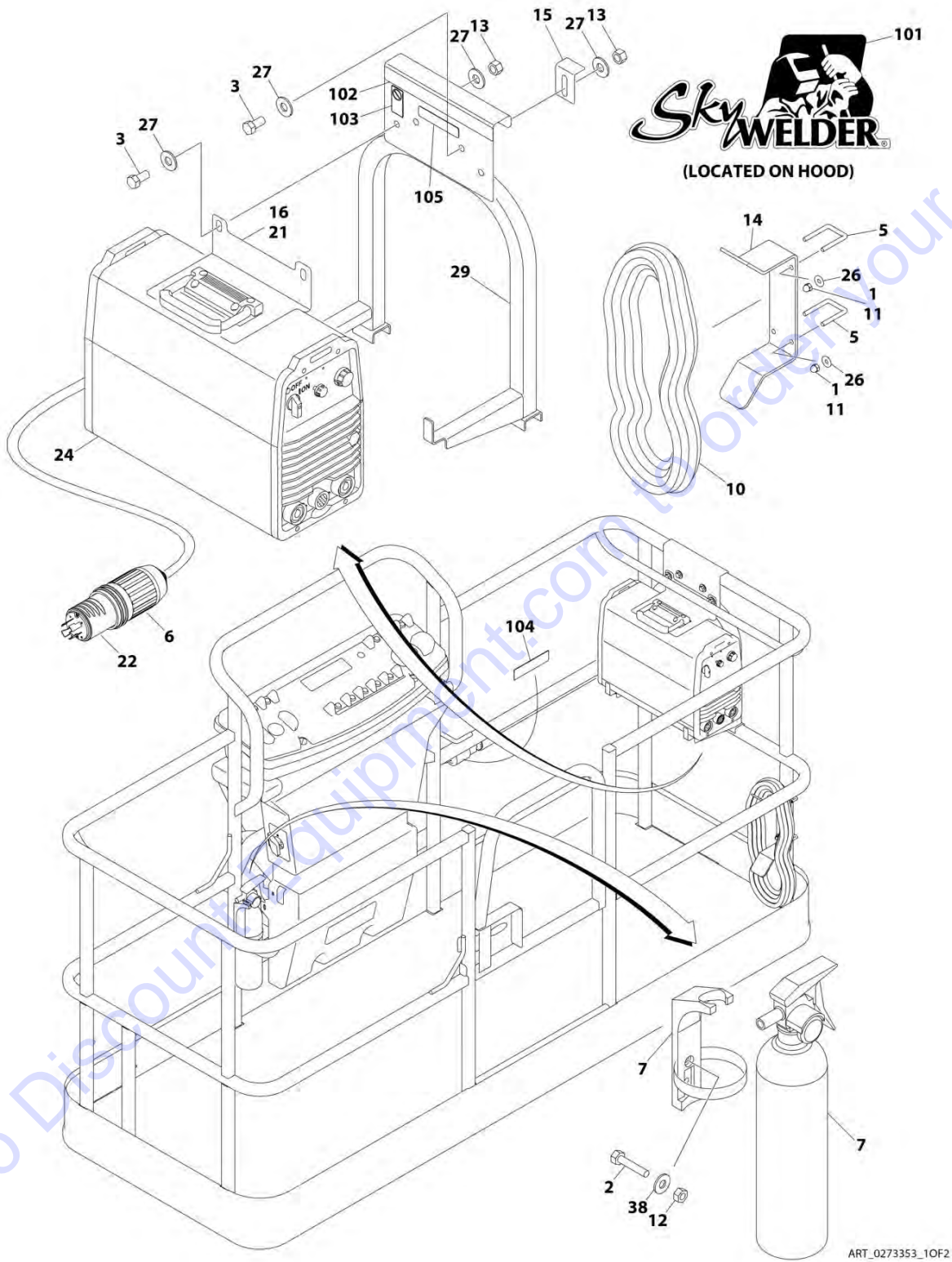
SECTION 4 - PLATFORM

FIGURE 4-20. SKYGLAZIER INSTALLATION (UK SPECS)

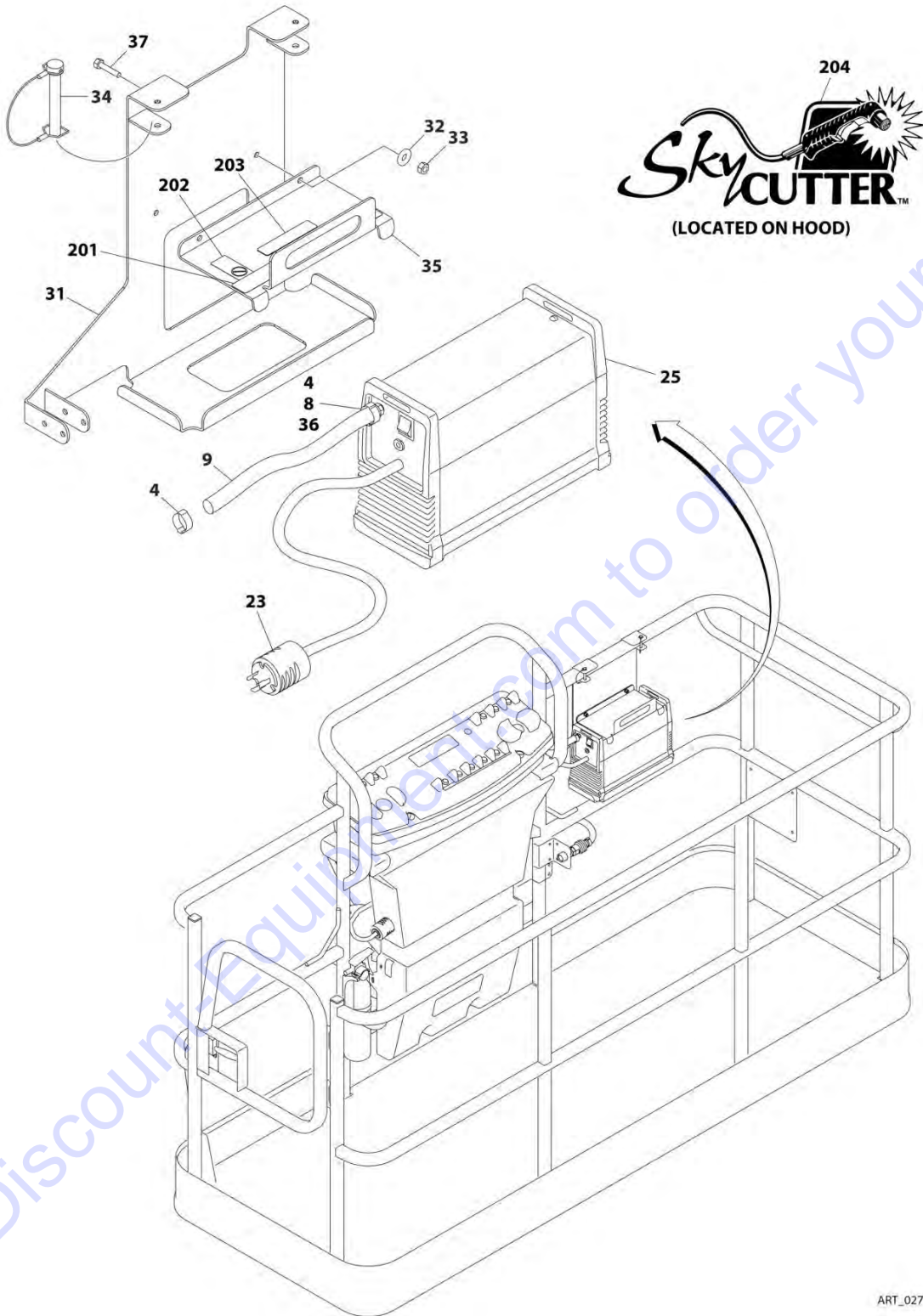
| ITEM | PART NUMBER | QTY | DESCRIPTION | REV |
|------|-------------|-----|--|-----|
| | 1001099440 | Ref | SKYGLAZIER INSTALLATION (UK SPECS) | C |
| 1 | 0642026 | 2 | Bolt 5/8 x 3-1/4 | |
| 2 | 0642212 | 4 | Bolt 3/4 x 1-1/2 | |
| 3 | 0273404 | 1 | Tray Assembly (See Items 101-110 for Breakdown) | |
| 4 | 2902212 | 1 | Bumpers and Strap Kit | |
| 4 | 0940102 | 1 | Bumper Only | |
| 4 | 4240149 | 1 | Strap Only | |
| 5 | 3312005 | 4 | Nut 5/8 | |
| 6 | 3312205 | 4 | Nut 3/4 | |
| 7 | 4420014 | AR | Tape | |
| 8 | 4712200 | 8 | Washer 3/4 | |
| 9 | 1001099366 | 1 | Support | |
| 10 | 1001099367 | 1 | Support | |
| 13 | 8310230 | 2 | Bolt 5/8 x 4 | |
| | 0273404 | Ref | TRAY ASSEMBLY | D |
| 101 | 0100081 | AR | Adhesive | |
| 102 | 1120555 | 2 | Cap, Tube | |
| 103 | 3340956 | 1 | Pad Kit | |
| 104 | 3460334 | 1 | Tube | |
| 105 | 3520071 | 2 | Plug | |
| 106 | 4420066 | AR | Tape, Double Sided | |
| 108 | See Note | NSS | Nameplate - Serial Number (Note: Not Available for Purchase) | |
| 109 | 1001163295 | 2 | Decal - Glazier Capacity | |
| 110 | 1701509 | 1 | Decal - Manual | |
| | 0272418 | Ref | SKYGLAZIER DECAL INSTALLATION | 4 |
| 201 | 1705358 | 2 | Decal - SkyGlazier | |

SECTION 4 - PLATFORM

FIGURE 4-21. SKYWELDER/SKYCUTTER COMBO INSTALLATION (60HZ)



SECTION 4 - PLATFORM



ART_0273353_20F2

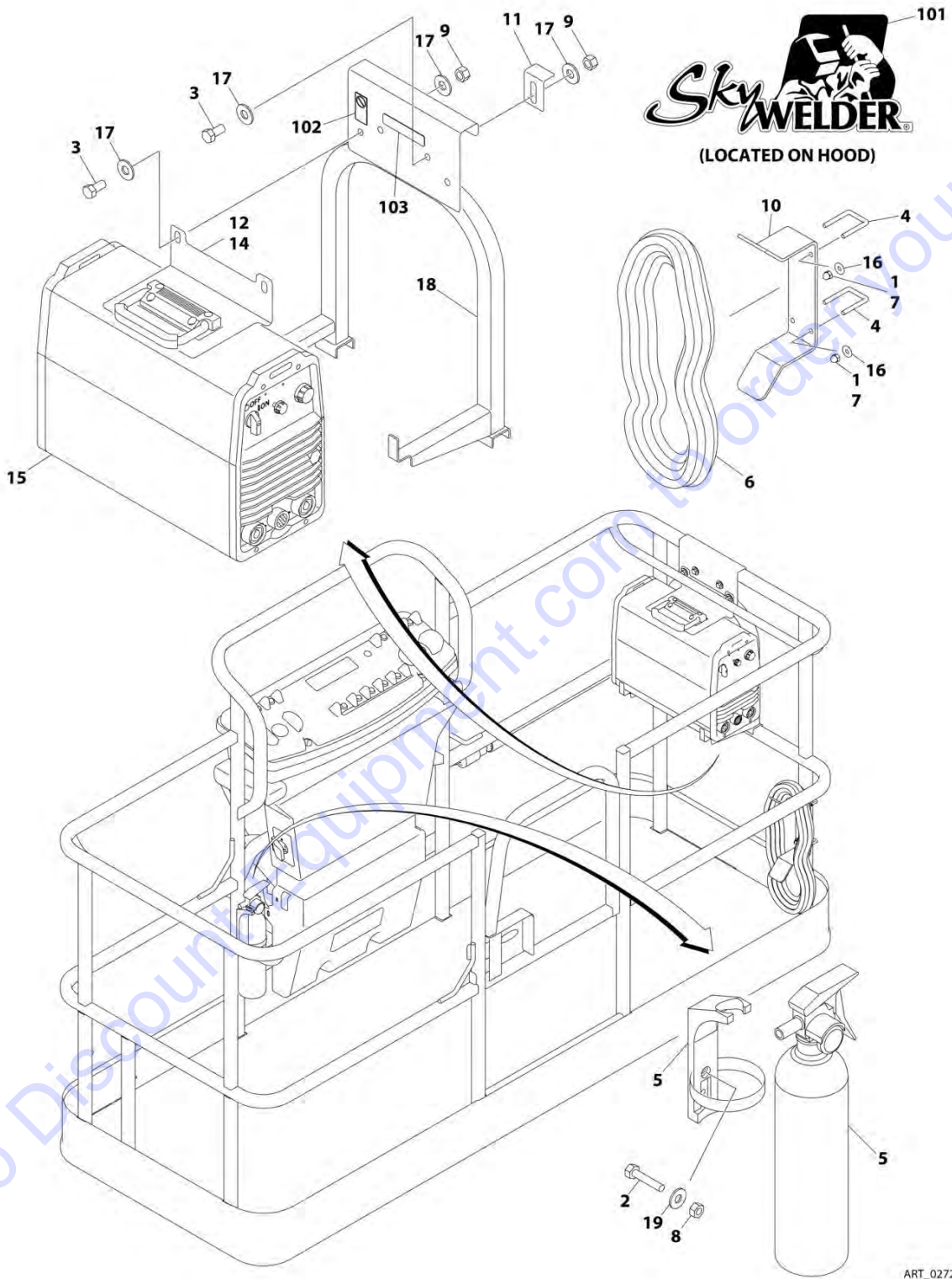
SECTION 4 - PLATFORM

FIGURE 4-21. SKYWELDER/SKYCUTTER COMBO INSTALLATION (60HZ)

| ITEM | PART NUMBER | QTY | DESCRIPTION | REV |
|------|-------------|------------------|---|-----|
| | 0273353 | Ref | SKYWELDER/SKYCUTTER COMBO INSTALLATION (60HZ) | G |
| | | Ref | Note: ANSI, ANSI Export and CSA Spec Only. | |
| 1 | 0100011 | AR | Compound, Locking | |
| 2 | 0630518 | 2 | Screw #10 x 3/4 | |
| 3 | 0641606 | 4 | Bolt 3/8 x 3/4 | |
| 4 | 1320177 | 2 | Clamp | |
| 5 | 1320302 | 2 | Clamp | |
| 6 | 1671093 | 1 | Cover, Plug | |
| 7 | 2030010 | 1 | Extinguisher, Fire | |
| 8 | 2180832 | 1 | Fitting, Barbed/NPT | |
| 9 | 2720160 | 4.5 ft /1.4m | Hose | |
| 10 | 2902217 | 1 | Weld Leads Kit | |
| 11 | 3300151 | 4 | Nut 1/4 | |
| 12 | 3311005 | 2 | Nut #10 | |
| 13 | 3311605 | 4 | Nut 3/8 | |
| 14 | 3573400 | 1 | Bracket | |
| 15 | 3577121 | 2 | Angle | |
| 16 | 3573642 | 1 | Plate | |
| 20 | 4240099 | AR | Tie-Strap (Not Shown) | |
| 21 | 4420037 | 2.36 ft /.71m | Tape | |
| 22 | 4460962 | 1 | Plug, Twist Lock | |
| 23 | 4460971 | 1 | Plug, Twist Lock | |
| 24 | 4530028 | 1 | Welder Assembly (See WELDER ASSEMBLY for Breakdown) | |
| 25 | 1001098012 | 1 | Plasma Cutter Assembly (See PLASMA CUTTER ASSEMBLY for Breakdown) | |
| 26 | 4751400 | 4 | Washer 1/4 | |
| 27 | 4751600 | 8 | Washer 3/8 | |
| 29 | 4846627 | 1 | Support | |
| 31 | 1001145405 | 1 | Bracket | |
| 32 | 4811700 | 2 | Washer M6 | |
| 33 | 3290605 | 2 | Nut M6 | |
| 34 | 3421453 | 3 | Pin | |
| 35 | 3576799 | 1 | Plate, Hold-Down | |
| 36 | 0100020 | 1 | Sealant | |
| 37 | 4010608 | 2 | Screw M6 x 16 | |
| 38 | 4751000 | 2 | Washer #10 | |
| | 0272448 | Ref | SKYWELDER DECAL INSTALLATION | A |
| 101 | 1705355 | 2 | Decal - SkyWelder | |
| 102 | 1702868 | 1 | Decal - No Hands | |
| 103 | 1705305 | 1 | Decal - Weld Leads | |
| 104 | 1705375 | 1 | Decal - 240V - 3 Phase - 60Hz | |
| 105 | 1705466 | 1 | Decal - Weight | |
| | 0272599 | Ref | SKYCUTTER DECAL INSTALLATION | A |
| 201 | 1702868 | 1 | Decal - No Hands | |
| 202 | 1705305 | 1 | Decal - Weld Leads | |
| 203 | 1705466 | 1 | Decal - Weight | |
| 204 | 1705490 | 2 | Decal - SkyCutter | |

SECTION 4 - PLATFORM

FIGURE 4-22. SKYWELDER INSTALLATION (50HZ)



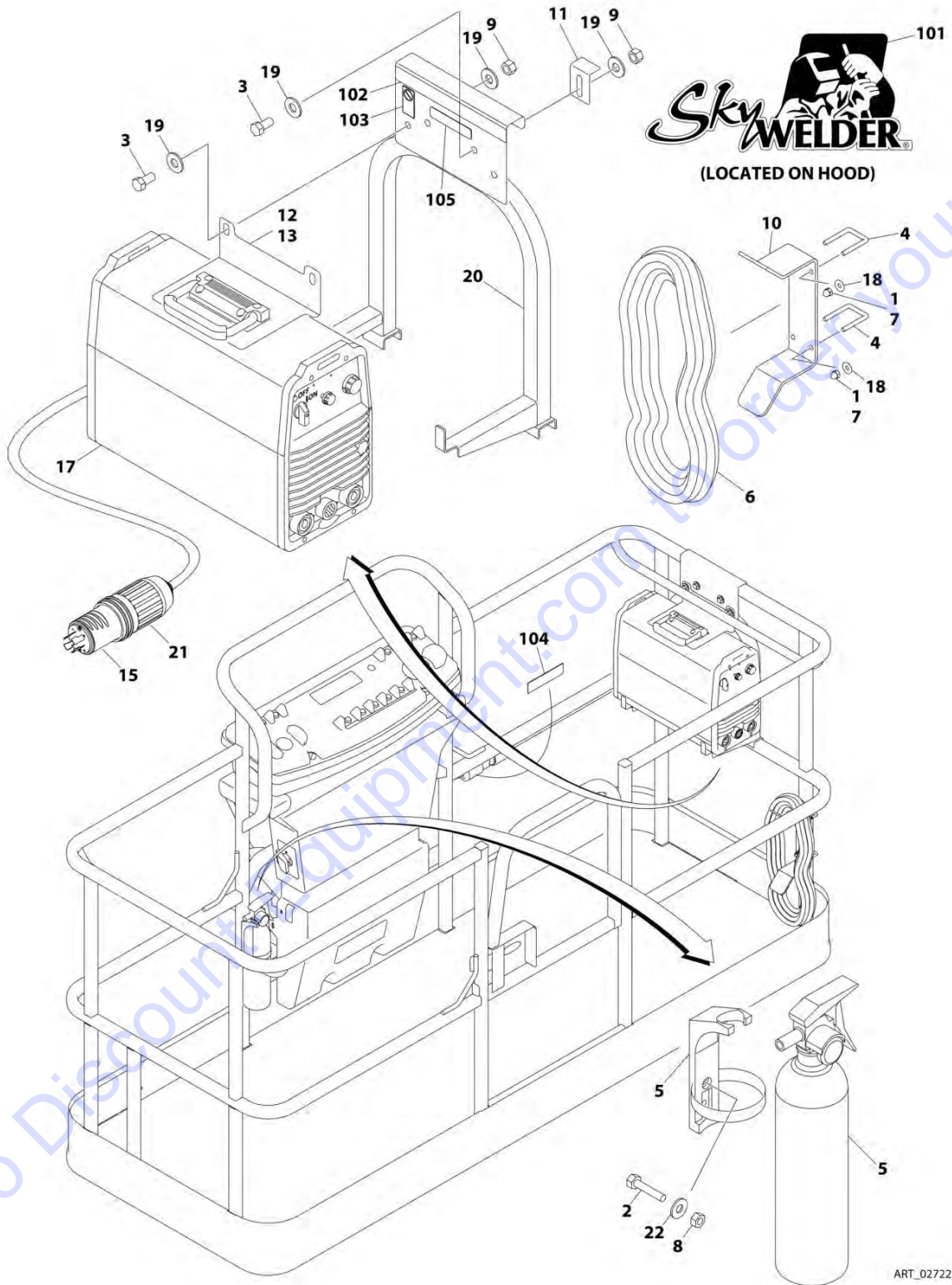
SECTION 4 - PLATFORM

FIGURE 4-22. SKYWELDER INSTALLATION (50HZ)

| ITEM | PART NUMBER | QTY | DESCRIPTION | REV |
|------|-------------|-----|--|-----|
| | 0272521 | Ref | SKYWELDER INSTALLATION (50HZ) | F |
| | | Ref | Note: Australian, CE and Japanese Specs Only. | |
| 1 | 0100011 | AR | Compound, Locking | |
| 2 | 0630518 | 2 | Screw #10 x 3/4 | |
| 3 | 0641606 | 4 | Bolt 3/8 x 3/4 | |
| 4 | 1320302 | 2 | U-Clamp | |
| 5 | 2030010 | 1 | Extinguisher, Fire | |
| 6 | 2902217 | 1 | Weld Leads Kit | |
| 7 | 3300151 | 4 | Nut 1/4 | |
| 8 | 3311005 | 2 | Nut #10 | |
| 9 | 3311605 | 4 | Nut 3/8 | |
| 10 | 3573400 | 1 | Bracket | |
| 11 | 3577121 | 2 | Angle | |
| 12 | 3573642 | 1 | Plate | |
| 13 | 4240099 | AR | Tie-Strap (Not Shown) | |
| 14 | 4420037 | AR | Tape | |
| 15 | 4530028 | 1 | Welder Assembly (See WELDER ASSEMBLY for Breakdown) | |
| 16 | 4751400 | 4 | Washer 1/4 | |
| 17 | 4751600 | 8 | Washer 3/8 | |
| 18 | 4846627 | 1 | Support | |
| 19 | 4751000 | 2 | Washer #10 | |
| | 0272588 | Ref | SKYWELDER DECAL INSTALLATION | A |
| 101 | 1705355 | 2 | Decal - SkyWelder | |
| 102 | 1705305 | 1 | Decal - Weld Lead | |
| 103 | 1705466 | 1 | Decal - Weight | |

SECTION 4 - PLATFORM

FIGURE 4-23. SKYWELDER INSTALLATION (60HZ)



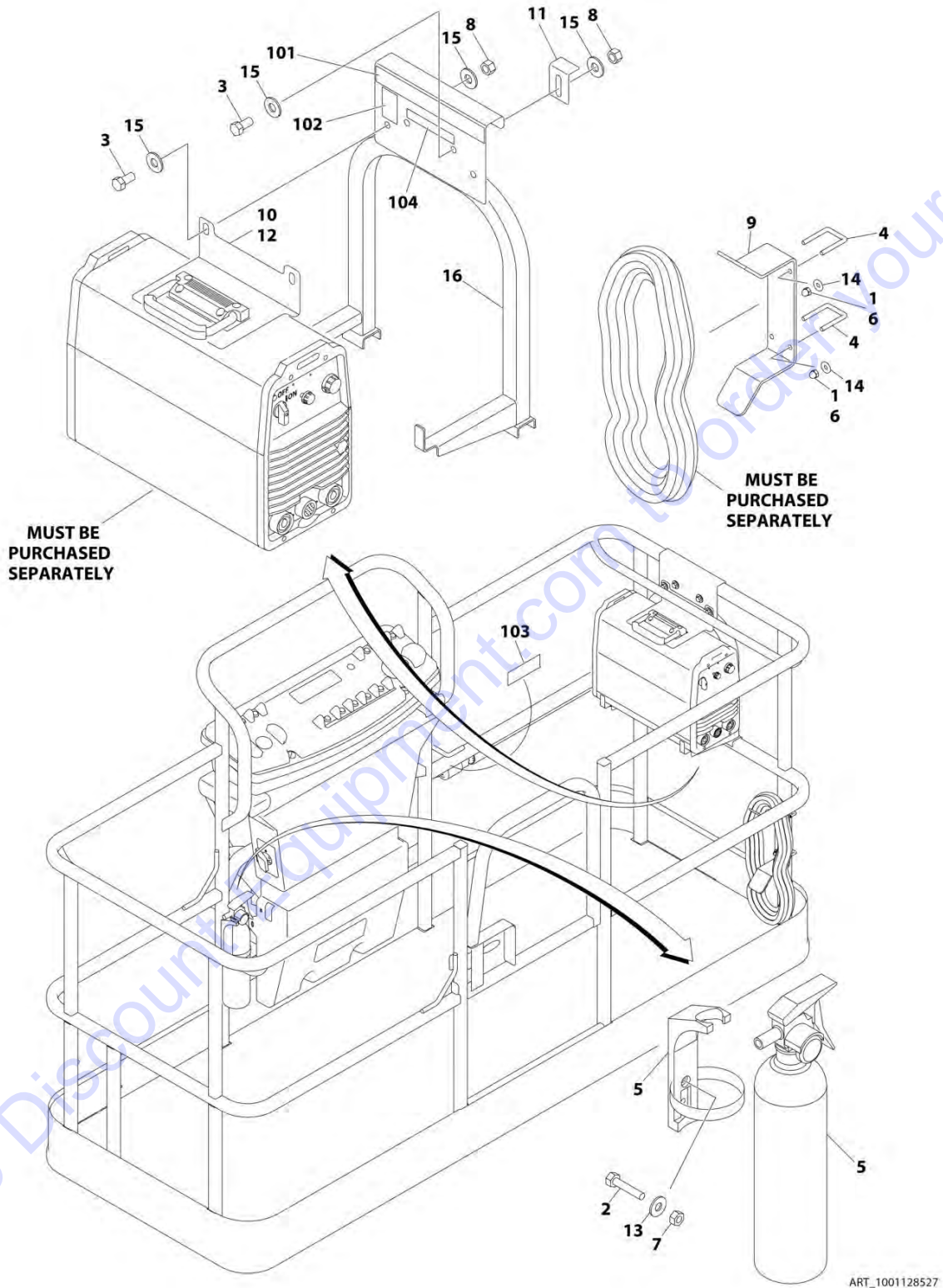
SECTION 4 - PLATFORM

FIGURE 4-23. SKYWELDER INSTALLATION (60HZ)

| ITEM | PART NUMBER | QTY | DESCRIPTION | REV |
|------|-------------|-----|---|-----|
| | 0272254 | Ref | SKYWELDER INSTALLATION (60HZ) | I |
| | | Ref | Note: ANSI, ANSI Export and CSA Specs Only. | |
| 1 | 0100011 | AR | Compound, Locking | |
| 2 | 0630518 | 2 | Screw #10 x 3/4 | |
| 3 | 0641606 | 4 | Bolt 3/8 x 3/4 | |
| 4 | 1320302 | 2 | U-Clamp | |
| 5 | 2030010 | 1 | Extinguisher, Fire | |
| 6 | 2902217 | 1 | Weld Leads Kit | |
| 7 | 3300151 | 4 | Nut 1/4 | |
| 8 | 3311005 | 2 | Nut #10 | |
| 9 | 3311605 | 4 | Nut 3/8 | |
| 10 | 3573400 | 1 | Bracket | |
| 11 | 3577121 | 2 | Angle | |
| 12 | 3573642 | 1 | Plate | |
| 13 | 4420037 | AR | Tape | |
| 14 | 4240099 | AR | Tie-Strap (Not Shown) | |
| 15 | 4460962 | 1 | Plug, Male Twistlock | |
| 17 | 4530028 | 1 | Welder Assembly (See WELDER ASSEMBLY for Breakdown) | |
| 18 | 4751400 | 4 | Washer 1/4 | |
| 19 | 4751600 | 8 | Washer 3/8 | |
| 20 | 4846627 | 1 | Support | |
| 21 | 1671093 | 1 | Cover, Plug | |
| 22 | 4751000 | 2 | Washer #10 | |
| | 0272448 | Ref | SKYWELDER DECAL INSTALLATION | A |
| 101 | 1705355 | 2 | Decal - SkyWelder | |
| 102 | 1702868 | 1 | Decal - No Hands | |
| 103 | 1705305 | 1 | Decal - Weld Lead | |
| 104 | 1705375 | 1 | Decal - 240V - 3 Phase - 60Hz | |
| 105 | 1705466 | 1 | Decal - Weight | |

SECTION 4 - PLATFORM

FIGURE 4-24. SKYWELDER PREP PACKAGE (60HZ)



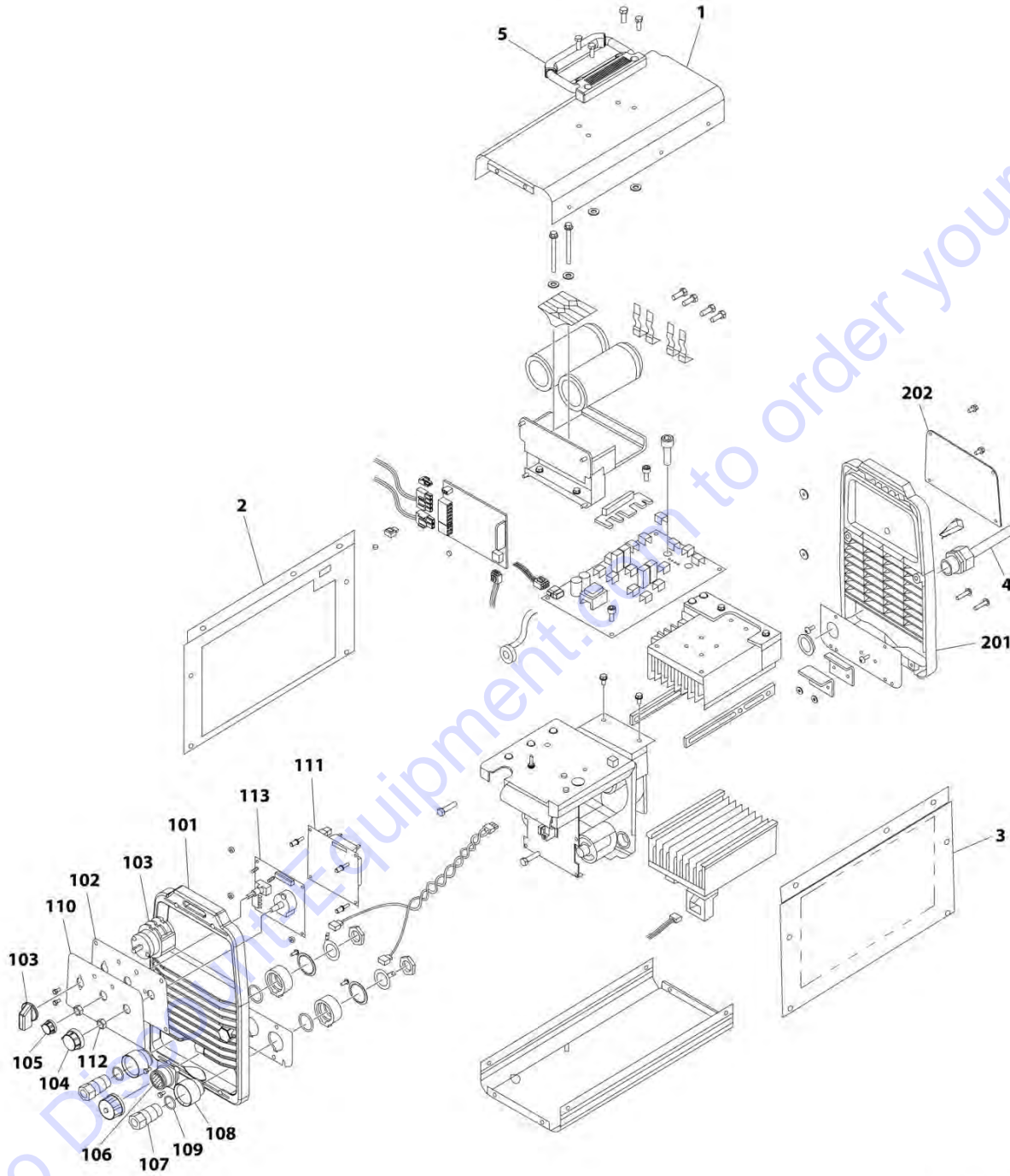
SECTION 4 - PLATFORM

FIGURE 4-24. SKYWELDER PREP PACKAGE (60HZ)

| ITEM | PART NUMBER | QTY | DESCRIPTION | REV |
|------|-------------|-----|--|-----|
| | 1001128527 | Ref | SKYWELDER PREP PACKAGE (60HZ) | B |
| | | Ref | Note: ANSI, ANSI Export and CSA Specs Only. | |
| 1 | 0100011 | AR | Compound, Locking | |
| 2 | 0630518 | 2 | Screw #10 x 3/4 | |
| 3 | 0641606 | 4 | Bolt 3/8 x 3/4 | |
| 4 | 1320302 | 2 | U-Clamp | |
| 5 | 2030010 | 1 | Extinguisher, Fire | |
| 6 | 3300151 | 4 | Nut 1/4 | |
| 7 | 3311005 | 2 | Nut #10 | |
| 8 | 3311605 | 4 | Nut 3/8 | |
| 9 | 3573400 | 1 | Bracket | |
| 10 | 3573642 | 1 | Plate | |
| 11 | 3577121 | 2 | Angle | |
| 12 | 4420037 | AR | Tape | |
| 13 | 4751000 | 2 | Washer #10 | |
| 14 | 4751400 | 4 | Washer 1/4 | |
| 15 | 4751600 | 8 | Washer 3/8 | |
| 16 | 4846627 | 1 | Support | |
| | 1001128556 | Ref | SKYWELDER DECAL INSTALLATION | A |
| 101 | 1702868 | 1 | Decal - No Hands | |
| 102 | 1705305 | 1 | Decal - Weld Lead | |
| 103 | 1705375 | 1 | Decal - 240V - 3 Phase - 60Hz | |
| 104 | 1705466 | 1 | Decal - Weight | |

SECTION 4 - PLATFORM

FIGURE 4-25. WELDER ASSEMBLY



ART_4530028

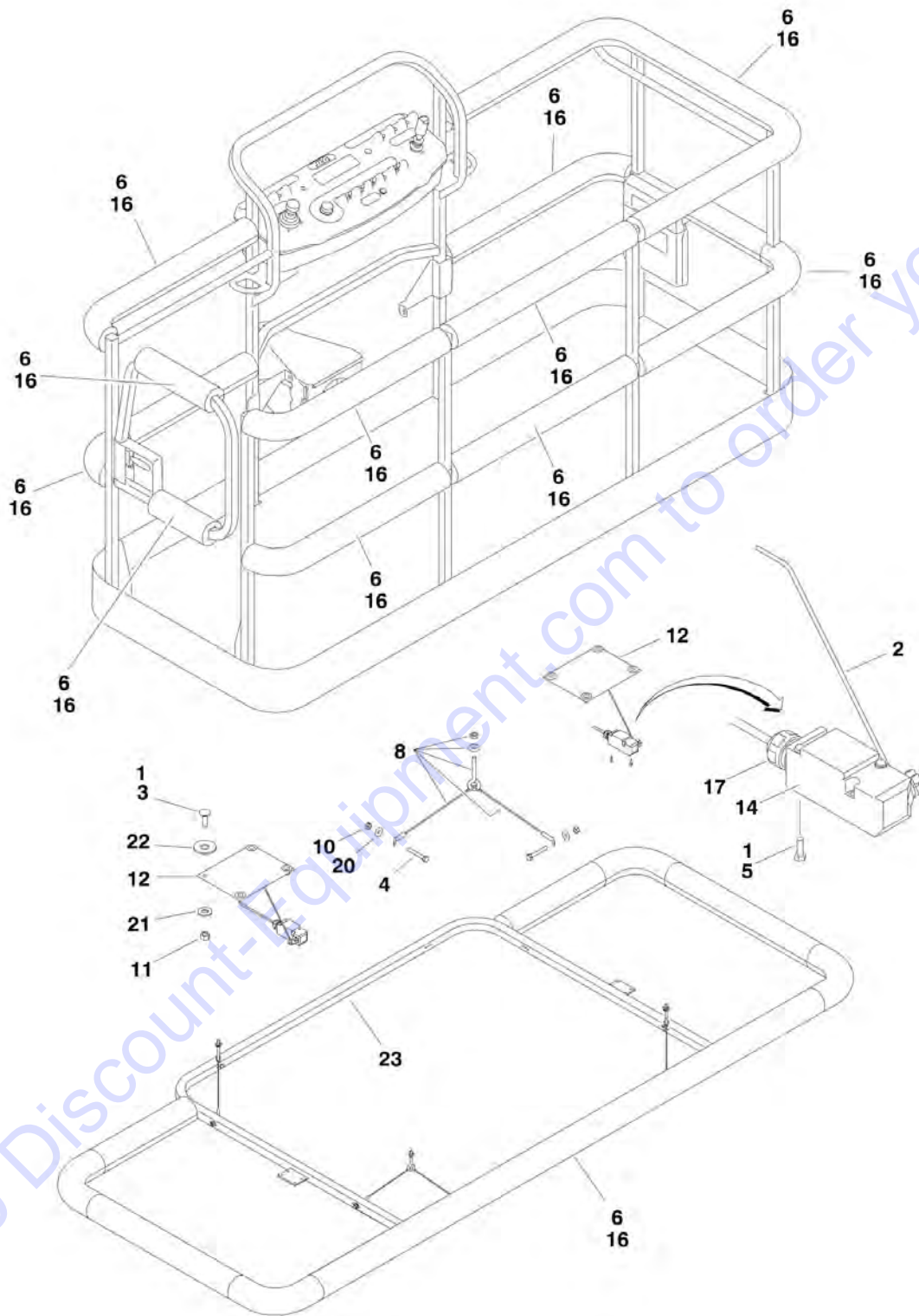
SECTION 4 - PLATFORM

FIGURE 4-25. WELDER ASSEMBLY

| ITEM | PART NUMBER | QTY | DESCRIPTION | REV |
|------|-------------|-----|---|-----|
| | 4530028 | Ref | WELDER ASSEMBLY | A |
| | | Ref | Note: For Other Components, contact your Miller Welder Dealer. | |
| 1 | 7027773 | 1 | Cover, Top | |
| 1 | 7027774 | 1 | Decal - Static Precautionary Warning | |
| 2 | See Note | NSS | Panel, LH Side (Note: Part of Item 1. Purchase Item 1) | |
| 3 | See Note | NSS | Panel, RH Side (Note: Part of Item 1. Purchase Item 1) | |
| 4 | 7024467 | 1 | Cable, Power | |
| 4 | 7027775 | 1 | Decal - Electrical Shock Warning (Not Shown) | |
| 5 | 7027776 | 1 | Handle, Carrying | |
| 101 | 7024462 | 1 | Panel, Front | |
| 102 | 7024463 | 1 | Panel, Console | |
| 103 | 7024469 | 1 | Switch with Lead | |
| 104 | 7024470 | 1 | Knob | |
| 105 | 7024471 | 1 | Knob | |
| 106 | 7024472 | 1 | Receptacle with Leads and Plugs | |
| 107 | 7024473 | 2 | Receptacle, Twistlock Female | |
| 108 | 7024474 | 2 | Insulator | |
| 109 | 7024475 | 2 | O-Ring | |
| 110 | 7027777 | 1 | Nameplate | |
| 111 | 7027779 | 1 | Circuit Card Assembly (Process Control) | |
| 112 | 7024478 | 2 | Nut | |
| 113 | 7027778 | 1 | Circuit Card Assembly (Operator Interface) | |
| 201 | 7024462 | 1 | Panel, Rear | |
| 202 | 7027780 | 1 | Panel, Cover | |

SECTION 4 - PLATFORM

FIGURE 4-26. SOFT TOUCH SYSTEM INSTALLATION (OPTIONAL)



SECTION 4 - PLATFORM

FIGURE 4-26. SOFT TOUCH SYSTEM INSTALLATION (OPTIONAL)

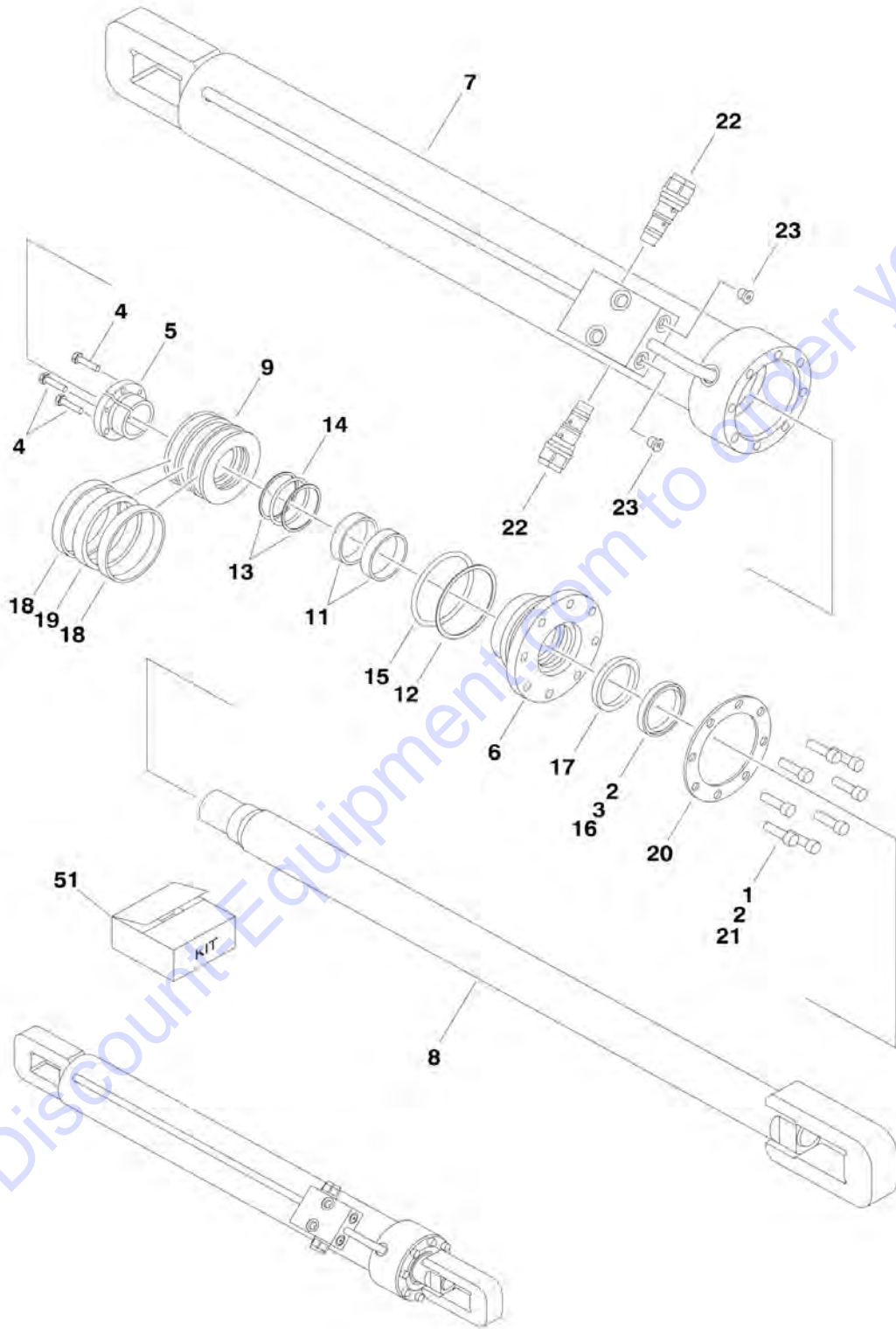
| ITEM | PART NUMBER | QTY | DESCRIPTION | REV |
|------|-------------|-----|--|-----|
| | | Ref | SOFT TOUCH SYSTEM INSTALLATIONS OPTIONS: | |
| | 0273824 | Ref | 6ft/1.8m Platforms | B |
| | 0272427 | Ref | 8ft/2.4m Platforms | E |
| | 0273706 | Ref | 8ft/2.4m Platforms w/Fall Arrest | B |
| 1 | 0100011 | AR | Compound, Locking | |
| 2 | 0200048 | 2 | Arm, Switch Activator | |
| 3 | 0630462 | 8 | Bolt, Carriage | |
| 4 | 0641414 | 8 | Bolt 1/4in-20NC x 1-3/4in | |
| 5 | 0721005 | 4 | Screw, Machine #10-24 x 5/8in | |
| 6 | | Ref | Bumper Kit Options: | |
| 6 | 0940134 | 1 | 6ft/1.8m Platforms | |
| 6 | 0940103 | 1 | 8ft/2.4m Platforms | |
| 6 | 0940133 | 1 | 8ft/2.4m Platforms w/Fall Arrest | |
| 8 | 1060903 | 4 | Wire Rope and Eyebolt Assembly | |
| 10 | 3311401 | 8 | Nut 1/4in-20NC | |
| 11 | 3311501 | 8 | Nut 5/16in-18NC | |
| 12 | | Ref | Plate, Striker Options: | |
| 12 | 3575359 | 2 | 6ft/1.8m Platforms | |
| 12 | 3574091 | 2 | 8ft/2.4m Platforms | |
| 13 | 4240099 | 7 | Tie-Strap (Not Shown) | |
| 14 | 4360057 | 2 | Switch, Limit | |
| 16 | 4420068 | 1 | Tape, Yellow Adhesive | |
| 17 | 4460049 | 2 | Connector, Strain Relief | |
| 18 | 4460234 | 7 | Base, Tie-Strap Mounting (Not Shown) | |
| 20 | 4751400 | 8 | Flatwasher 1/4in Regular | |
| 21 | 4751500 | 12 | Flatwasher 5/16in Regular | |
| 22 | 4751800 | 8 | Flatwasher 1/2in Regular | |
| 23 | | Ref | Rail, Soft-Touch Options: | |
| 23 | 3841589 | 1 | 6ft/1.8m Platforms | |
| 23 | 4846673 | 1 | 8ft/2.4m Platforms | |
| | 0272444 | Ref | SOFT TOUCH COUNTERWEIGHT INSTALLATION (NOT SHOWN) | C |
| | 4821397 | 1 | Counterweight (Located in Frame) | |

SECTION 5 - CYLINDER

Go to Discount-Equipment.com to order your parts

SECTION 5 - CYLINDER

FIGURE 5-1. AXLE EXTENSION CYLINDER ASSEMBLY (ORIGINAL EQUIPMENT)



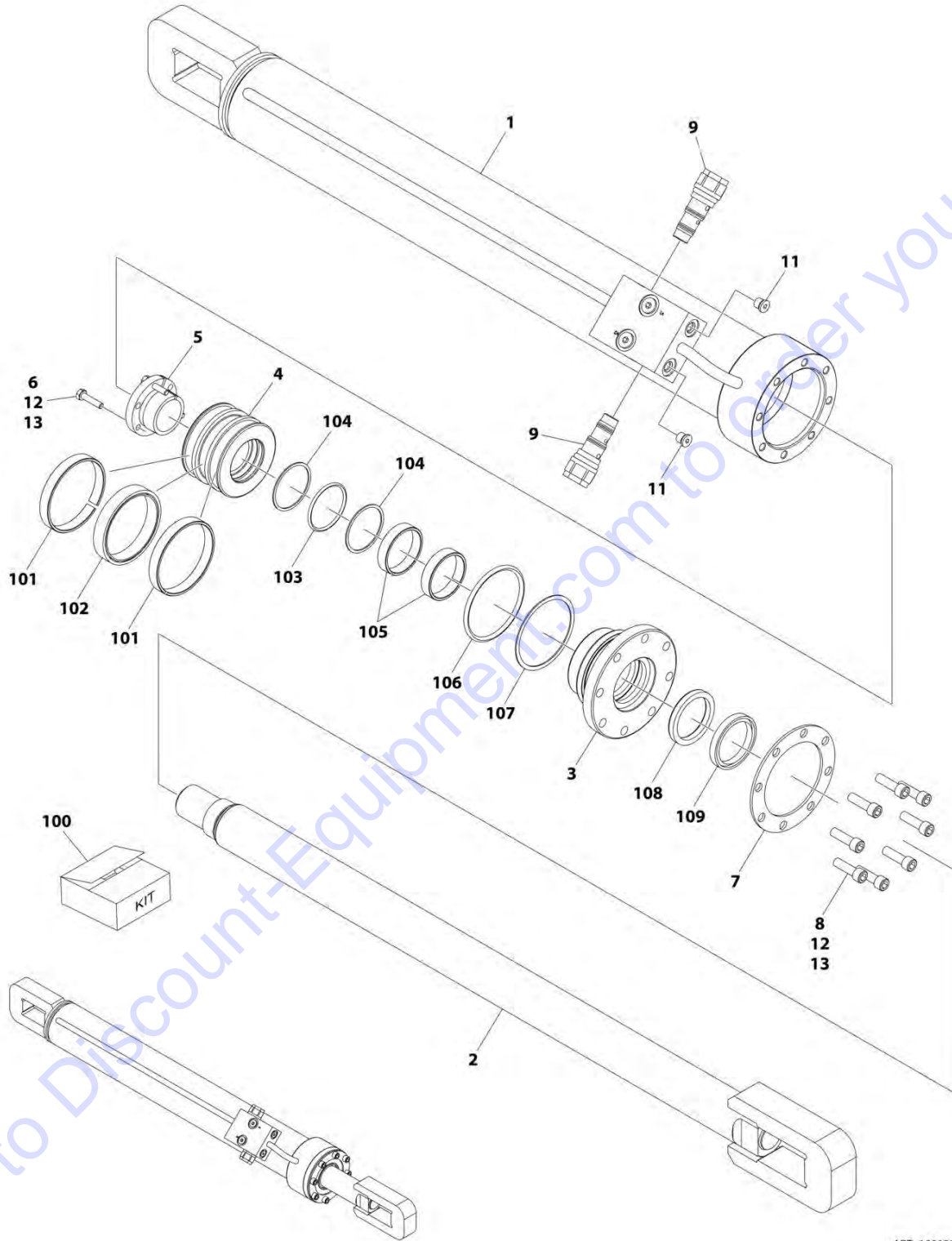
SECTION 5 - CYLINDER

FIGURE 5-1. AXLE EXTENSION CYLINDER ASSEMBLY (ORIGINAL EQUIPMENT)

| ITEM | PART NUMBER | QTY | DESCRIPTION | REV |
|------|-------------|-----|--|---|
| | 1684102 | Ref | AXLE EXTENSION CYLINDER ASSEMBLY | D |
| | | Ref | | Note: Original Cylinder May Have Been Replaced with Service Replacement. Identify PN Stamped on Cylinder Before Ordering Parts. |
| 1 | 0100011 | AR | Compound, Locking | |
| 2 | 0100038 | AR | Primer, Locking | |
| 3 | 0100063 | AR | Loctite #RC 609 | |
| 4 | 0630535 | 3 | Capscrew 1/4in-20NC x 1-1/8in | |
| 5 | 0961896 | 1 | Bushing, Tapered | |
| 6 | 1683056 | 1 | Head | |
| 7 | 1684103 | 1 | Barrel Weldment | |
| 8 | 1684105 | 1 | Rod Weldment | |
| 9 | 3480272 | 1 | Piston | |
| 11 | 2901773 | 2 | Ring, Wear | |
| 12 | 2901773 | 1 | Ring, Back-Up | |
| 13 | 2901773 | 2 | Ring, Back-Up | |
| 14 | 2901773 | 1 | O-Ring | |
| 15 | 2901773 | 1 | O-Ring | |
| 16 | 2901773 | 1 | Wiper, Rod | |
| 17 | 2901773 | 1 | Seal | |
| 18 | 2901773 | 2 | Ring, Wear | |
| 19 | 2901773 | 1 | T-Seal | |
| 20 | 3760369 | 1 | Ring, Washer | |
| 21 | 3931620 | 8 | Bolt 3/8in-16NC x 1-1/4in | |
| 22 | 4640509 | 2 | Cartridge, Holding Valve | |
| 22 | 2900792 | 2 | Seal Kit - 4640509 Cartridge Valve (1 Per Valve) | |
| 23 | 2220883 | 2 | Plug, O-Ring | |
| 51 | 2901773 | 1 | Seal Kit (Includes Items 11-19) | |

SECTION 5 - CYLINDER

FIGURE 5-2. AXLE EXTENSION CYLINDER ASSEMBLY (SERVICE REPLACEMENT)



ART_1001228020

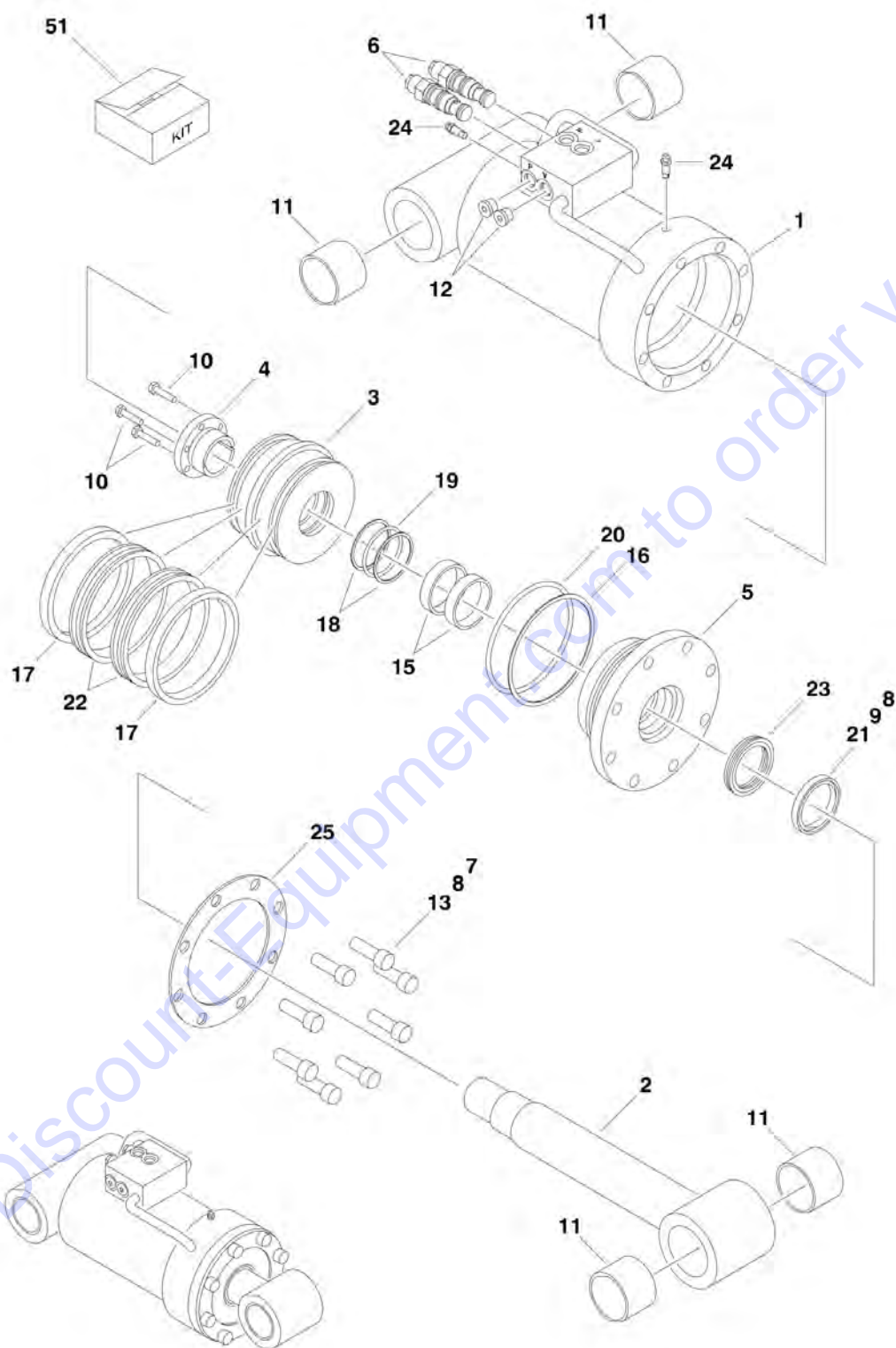
SECTION 5 - CYLINDER

FIGURE 5-2. AXLE EXTENSION CYLINDER ASSEMBLY (SERVICE REPLACEMENT)

| ITEM | PART NUMBER | QTY | DESCRIPTION | REV |
|------|-------------|-----|---|-----|
| | 1001228020 | Ref | AXLE EXTENSION CYLINDER ASSEMBLY | D |
| | | Ref | Note: Original Cylinder May Have Been Replaced with Service Replacement. Identify PN Stamped on Cylinder Before Ordering Parts. | |
| 1 | See Note | NSS | Barrel (Note: Not Available for Purchase) | |
| 2 | 70006363 | 1 | Rod | |
| 3 | 70006362 | 1 | Head | |
| 4 | 70006361 | 1 | Piston | |
| 5 | 70006360 | 1 | Bushing, Tapered | |
| 6 | 0630535 | 3 | Capscrew 1/4 x 1-1/8 | |
| 7 | 70006359 | 1 | Ring, Washer | |
| 8 | 3931620 | 8 | Bolt 3/8 x 1-1/4 | |
| 9 | 4640509 | 2 | Cartridge, Holding Valve | |
| 9 | 2900792 | 2 | Seal Kit - 4640509 Cartridge Valve (1 Per Valve) | |
| 11 | 2220883 | 2 | Plug, O-Ring | |
| 12 | 0100011 | AR | Compound, Locking | |
| 13 | 0100038 | AR | Primer, Locking | |
| 100 | 2901773 | 1 | Seal Kit (Includes Items 101-109) | |
| 101 | See Note | NSS | Ring, Wear (Note: Use Item 100) | |
| 102 | See Note | NSS | T-Seal (Note: Use Item 100) | |
| 103 | See Note | NSS | O-Ring (Note: Use Item 100) | |
| 104 | See Note | NSS | Ring, Back-up (Note: Use Item 100) | |
| 105 | See Note | NSS | Ring, Wear (Note: Use Item 100) | |
| 106 | See Note | NSS | O-Ring (Note: Use Item 100) | |
| 107 | See Note | NSS | Ring, Back-up (Note: Use Item 100) | |
| 108 | See Note | NSS | Seal (Note: Use Item 100) | |
| 109 | See Note | NSS | Wiper, Rod (Note: Use Item 100) | |

SECTION 5 - CYLINDER

FIGURE 5-3. AXLE LOCKOUT CYLINDER ASSEMBLY (ORIGINAL EQUIPMENT)



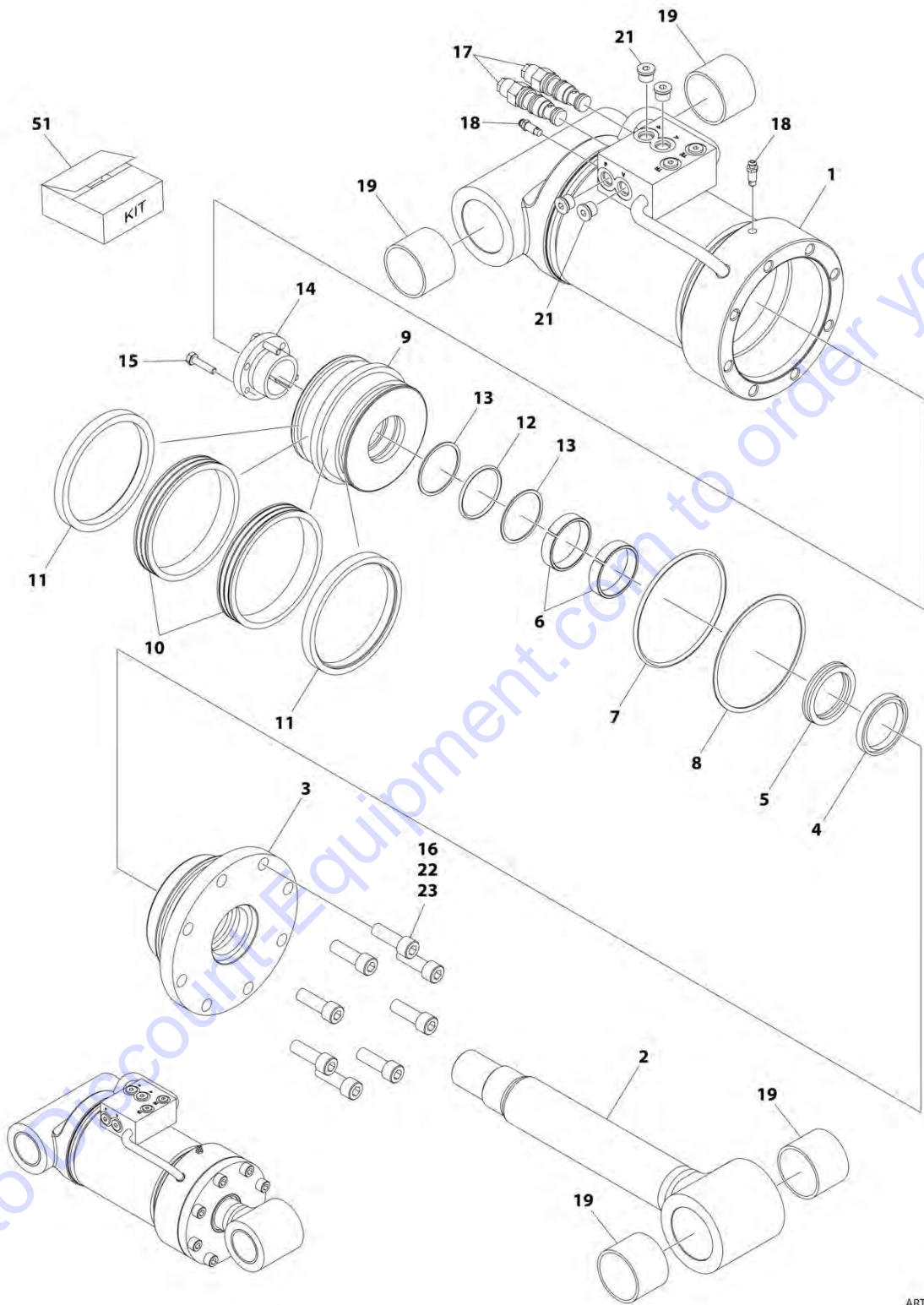
SECTION 5 - CYLINDER

FIGURE 5-3. AXLE LOCKOUT CYLINDER ASSEMBLY (ORIGINAL EQUIPMENT)

| ITEM | PART NUMBER | QTY | DESCRIPTION | REV |
|------|-------------|-----|---|-----|
| | 1684081 | Ref | AXLE LOCKOUT CYLINDER ASSEMBLY | F |
| | | Ref | Note: Original Cylinder May Have Been Replaced with Service Replacement. Identify PN Stamped on Cylinder Before Ordering Parts. | |
| 1 | 1684082 | 1 | Barrel Weldment | |
| 2 | 1684083 | 1 | Rod Weldment | |
| 3 | 3480269 | 1 | Piston | |
| 4 | 0961896 | 1 | Bushing | |
| 5 | 1683062 | 1 | Head | |
| 6 | | Ref | Cartridge, Valve Options: (Counterbalance) | |
| 6 | 4640936 | 2 | Cartridge, Valve (Prior to SN 0300073034) | |
| 6 | 4641276 | 2 | Cartridge, Valve (SN 0300073034 through 0300201016) | |
| 6 | 2900770 | 2 | Seal Kit - 4640936 Valve (1 Per Assembly) | |
| 7 | 0100011 | AR | Compound, Locking | |
| 8 | 0100038 | AR | Primer, Locking | |
| 9 | 0100063 | AR | Loctite #RC 609 (Prior to SN 0300133494) | |
| 10 | 0630535 | 3 | Bolt 1/4in-20NC x 1-1/8in | |
| 11 | 0961950 | 4 | Bearing | |
| 12 | 2220885 | 2 | Plug, O-Ring | |
| 13 | 3931824 | 8 | Bolt, Socket Head 1/2in-13NC x 1-1/2in | |
| 15 | 2902087 | 2 | Ring, Wear | |
| 16 | 2902087 | 1 | Ring, Back-up | |
| 17 | 2902087 | 2 | Ring, Lock | |
| 18 | 2902087 | 2 | Ring, Back-up | |
| 19 | 2902087 | 1 | O-Ring | |
| 20 | 2902087 | 1 | O-Ring | |
| 21 | 2902087 | 1 | Wiper | |
| 22 | 2902087 | 2 | Seal | |
| 23 | 2902087 | 1 | Seal, Rod | |
| 24 | 4640858 | 2 | Valve, Bleeder | |
| 25 | 3760371 | 1 | Ring, Washer | |
| 51 | 2902087 | 1 | Seal Kit (Includes Items 15-23) | |

SECTION 5 - CYLINDER

FIGURE 5-4. AXLE LOCKOUT CYLINDER ASSEMBLY (SERVICE REPLACEMENT)



ART_1001228019

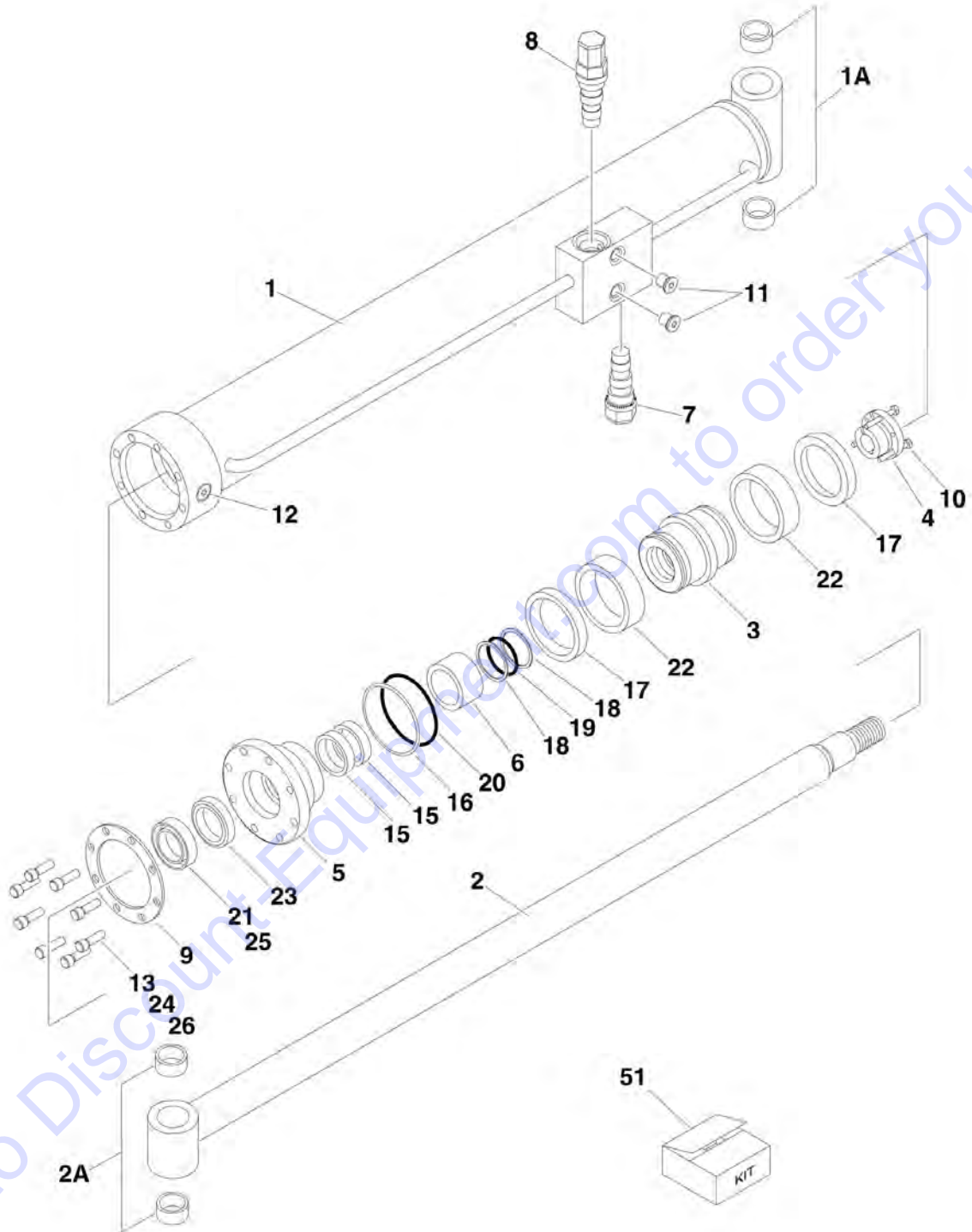
SECTION 5 - CYLINDER

FIGURE 5-4. AXLE LOCKOUT CYLINDER ASSEMBLY (SERVICE REPLACEMENT)

| ITEM | PART NUMBER | QTY | DESCRIPTION | REV |
|------|-------------|-----|---|-----|
| | 1001228019 | Ref | AXLE LOCKOUT CYLINDER ASSEMBLY | B |
| | | Ref | Note: Original Cylinder May Have Been Replaced with Service Replacement. Identify PN Stamped on Cylinder Before Ordering Parts. | |
| 1 | See Note | NSS | Barrel (Note: Not Available for Purchase) | |
| 2 | 70006520 | 1 | Rod | |
| 3 | 70006474 | 1 | Head | |
| 4 | See Note | NSS | Wiper (Note: Use Item 51) | |
| 5 | See Note | NSS | Seal, Rod (Note: Use Item 51) | |
| 6 | See Note | NSS | Ring, Wear (Note: Use Item 51) | |
| 7 | See Note | NSS | O-Ring (Note: Use Item 51) | |
| 8 | See Note | NSS | Ring, Back-up (Note: Use Item 51) | |
| 9 | 70006473 | 1 | Piston | |
| 10 | See Note | NSS | Seal (Note: Use Item 51) | |
| 11 | See Note | NSS | Ring, Lock (Note: Use Item 51) | |
| 12 | See Note | NSS | O-Ring (Note: Use Item 51) | |
| 13 | See Note | NSS | Ring, Back-up (Note: Use Item 51) | |
| 14 | 0961896 | 1 | Bushing | |
| 15 | 0630535 | 3 | Bolt 1/4 x 1-1/8 | |
| 16 | 3931824 | 8 | Bolt 1/2 x 1-1/2 | |
| 17 | 4641276 | 2 | Cartridge, Valve Options: (Counterbalance) | |
| 17 | 2900770 | 2 | Seal Kit - 4641276 Valve (1 Per Assembly) | |
| 18 | 4640858 | 2 | Valve, Bleeder | |
| 19 | 0961950 | 4 | Bearing | |
| 21 | 2220885 | 4 | Plug, O-Ring | |
| 22 | 0100011 | AR | Compound, Locking | |
| 23 | 0100038 | AR | Primer, Locking | |
| 51 | 2902087 | 1 | Seal Kit (Includes Items 4-8 & 10-13) | |

SECTION 5 - CYLINDER

FIGURE 5-5. PLATFORM LEVEL CYLINDER ASSEMBLY (ORIGINAL EQUIPMENT)



Go to Discount Equipment.com to order your parts

SECTION 5 - CYLINDER

FIGURE 5-5. PLATFORM LEVEL CYLINDER ASSEMBLY (ORIGINAL EQUIPMENT)

| ITEM | PART NUMBER | QTY | DESCRIPTION | REV |
|------|-------------|-----|--|-----|
| | | Ref | PLATFORM LEVEL CYLINDER ASSEMBLIES | |
| | 1684149 | Ref | Without Arctic Package | G |
| | 1001138802 | Ref | With Arctic Package | B |
| 1 | 1684150 | 1 | Barrel Weldment | |
| 1A | 0961949 | 2 | Bushing | |
| 2 | | Ref | Rod Weldment Options: | |
| 2 | 1684152 | 1 | Rod Weldment (Use p/n 1684306) (Prior to SN 0300073906) | |
| 2 | 1684306 | 1 | Rod Weldment (SN 0300073906 through 0300201016) | |
| 2A | 0961949 | 2 | Bushing | |
| 3 | | Ref | Piston Options: | |
| 3 | 3480162 | 1 | Without Arctic Package | |
| 3 | 3480269 | 1 | With Arctic Package | |
| 4 | 0961896 | 1 | Bushing, Tapered | |
| 5 | 1683062 | 1 | Head | |
| 6 | 4568345 | 1 | Spacer | |
| 7 | 4640509 | 1 | Cartridge, Holding Valve (Non Vented) | |
| 7 | 2900792 | 1 | Seal Kit - 4640509 Cartridge Valve | |
| 8 | 4641248 | 1 | Cartridge, Counterbalance Valve (Non Vented) | |
| 8 | See Note | NSS | Seal Kit - 4641248 Cartridge Valve (Note: Use p/n 4641248) | |
| 9 | 3760371 | 1 | Ring, Washer | |
| 10 | 0630535 | 3 | Capscrew 1/4in-20NC x 1-1/8in | |
| 11 | 2220885 | 2 | Plug, O-Ring | |
| 12 | 2220886 | 1 | Plug, O-Ring | |
| 13 | 3931824 | 8 | Capscrew 1/2in-13NC x 1-1/2in | |
| 15 | See Note | 2 | Ring, Wear (Note: Use Item 51) | |
| 16 | See Note | 1 | Ring, Back-up (Note: Use Item 51) | |
| 17 | See Note | 2 | Ring, Lock (Note: Use Item 51) | |
| 18 | See Note | 2 | Ring, Back-up (Note: Use Item 51) | |
| 19 | See Note | 1 | O-Ring (Note: Use Item 51) | |
| 20 | See Note | 1 | O-Ring (Note: Use Item 51) | |
| 21 | See Note | 1 | Wiper, Rod (Note: Use Item 51) | |
| 22 | See Note | 2 | Ring, Guide (Note: Use Item 51) | |
| 23 | See Note | 1 | Seal, Rod (Note: Use Item 51) | |
| 24 | 0100011 | AR | Compound, Locking | |
| 25 | 0100063 | AR | Loctite #RC 609 (Prior to SN 0300133494) | |
| 26 | 0100038 | AR | Primer, Locking | |
| 51 | | Ref | Seal Kit Options (Includes Items 15-23) | |
| 51 | 2902087 | 1 | Without Arctic Package | |
| 51 | 1001138804 | 1 | With Arctic Package | |

PARTS FINDER

**Search Website
by Part Number**



**Search Manual
Library For Parts
Manual & Lookup Part
Numbers – Purchase
or Request Quote**

**Can't Find Part or
Manual? Request Help
by Manufacturer,
Model & Description**

Discount-Equipment.com is your online resource for quality parts & equipment.

Florida: **561-964-4949** Outside Florida TOLL FREE: **877-690-3101**

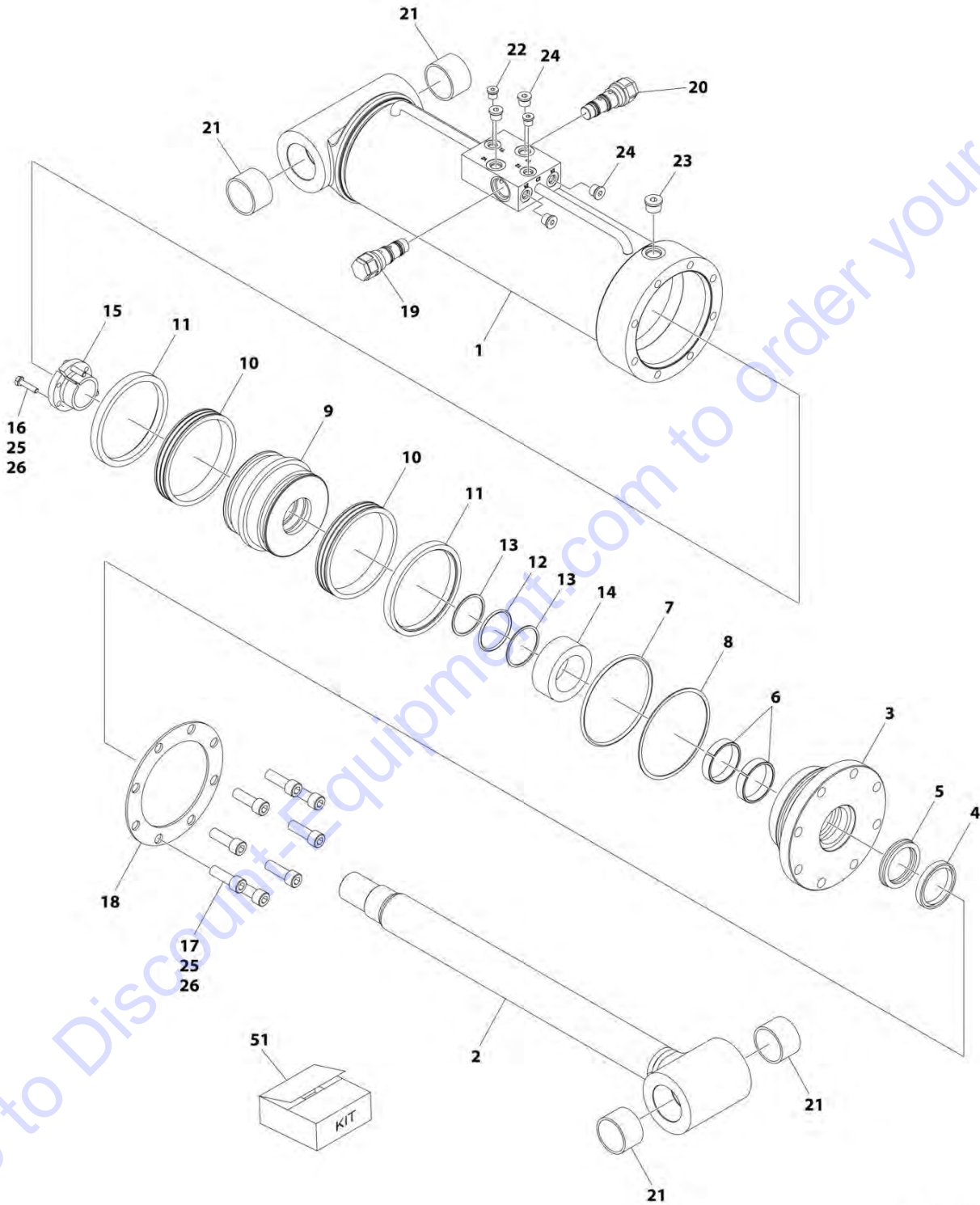
Need parts?

Click on this link: <http://www.discount-equipment.com/category/5443-parts/> and choose one of the options to help get the right parts and equipment you are looking for. Please have the machine model and serial number available in order to help us get you the correct parts. If you don't find the part on the website or on one of the online manuals, please fill out the request form and one of our experienced staff members will get back to you with a quote for the right part that your machine needs.

We sell worldwide for the brands: Genie, Terex, JLG, MultiQuip, Mikasa, Essick, Whiteman, Mayco, Toro Stone, Diamond Products, Generac Magnum, Airman, Haulotte, Barreto, Power Blanket, Nifty Lift, Atlas Copco, Chicago Pneumatic, Allmand, Miller Curber, Skyjack, Lull, Skytrak, Tsurumi, Husquvarna Target, Stow, Wacker, Sakai, Mi-T-M, Sullair, Basic, Dynapac, MBW, Weber, Bartell, Bennar Newman, Haulotte, Ditch Runner, Menegotti, Morrison, Contec, Buddy, Crown, Edco, Wyco, Bomag, Laymor, EZ Trench, Bil-Jax, F.S. Curtis, Gehl Pavers, Heli, Honda, ICS/PowerGrit, IHI, Partner, Imer, Clipper, MMD, Koshin, Rice, CH&E, General Equipment, Amida, Coleman, NAC, Gradall, Square Shooter, Kent, Stanley, Tamco, Toku, Hatz, Kohler, Robin, Wisconsin, Northrock, Oztec, Toker TK, Rol-Air, APT, Wylie, Ingersoll Rand / Doosan, Innovatech, Con X, Ammann, Mecalac, Makinex, Smith Surface Prep, Small Line, Wanco, Yanmar

SECTION 5 - CYLINDER

FIGURE 5-6. PLATFORM LEVEL CYLINDER ASSEMBLY - WITHOUT COLD WEATHER PLUS PACKAGE (SERVICE REPLACEMENT)



ART_1001228023

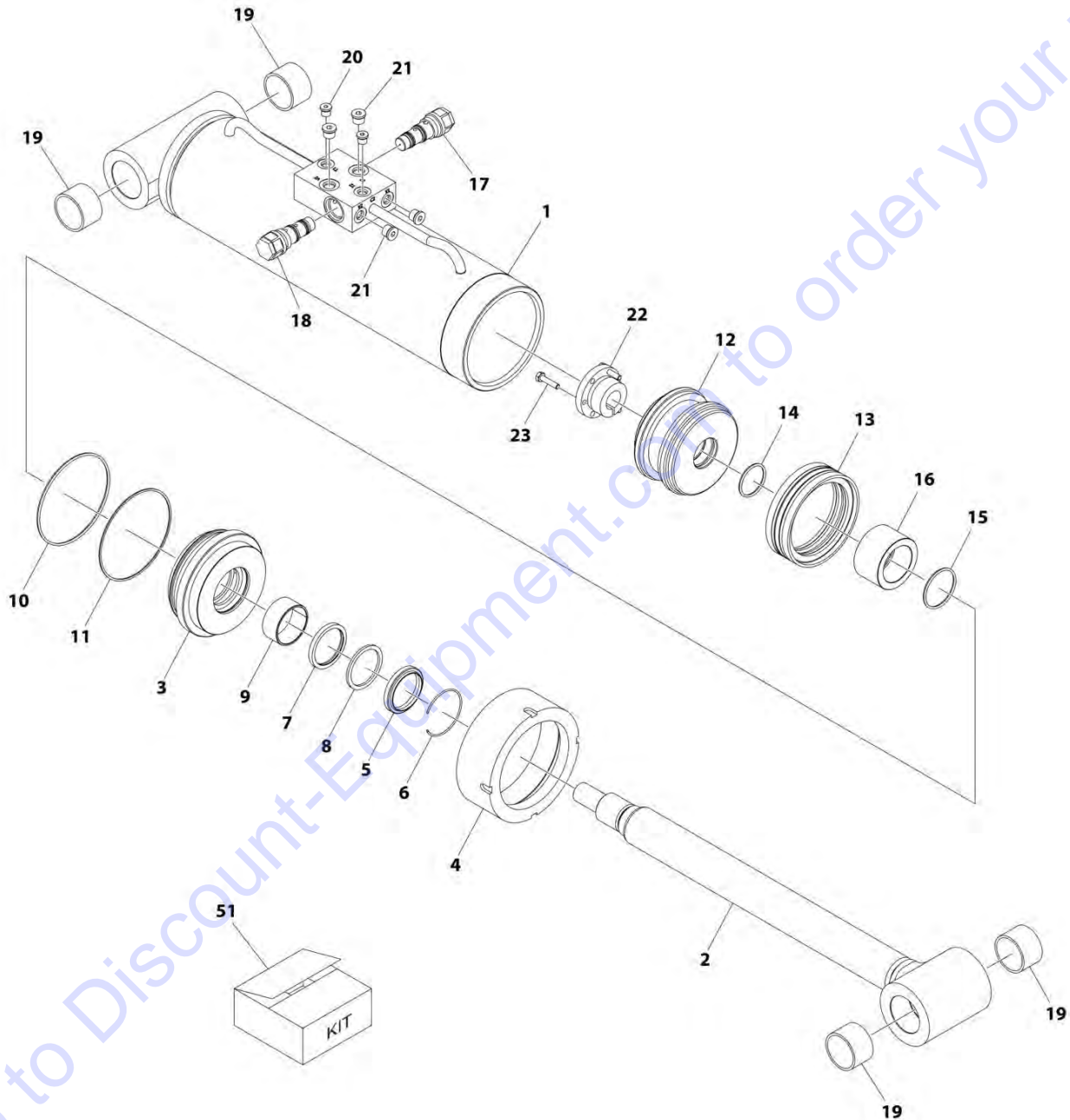
SECTION 5 - CYLINDER

FIGURE 5-6. PLATFORM LEVEL CYLINDER ASSEMBLY - WITHOUT COLD WEATHER PLUS PACKAGE (SERVICE REPLACEMENT)

| ITEM | PART NUMBER | QTY | DESCRIPTION | REV |
|------|-------------|-----|---|-----|
| | 1001228023 | Ref | PLATFORM LEVEL CYLINDER ASSEMBLY - WITHOUT COLD WEATHER PLUS PACKAGE | B |
| | | Ref | Note: Original Cylinder May Have Been Replaced with Service Replacement. Identify PN Stamped on Cylinder Before Ordering Parts. | |
| 1 | See Note | NSS | Barrel Weldment (Note: Not Available for Purchase) | |
| 2 | 70006550 | 1 | Rod Weldment | |
| 3 | 70006549 | 1 | Head | |
| 4 | See Note | NSS | Wiper, Rod (Note: Use Item 51) | |
| 5 | See Note | NSS | Seal, Rod (Note: Use Item 51) | |
| 6 | See Note | NSS | Ring, Wear (Note: Use Item 51) | |
| 7 | See Note | NSS | O-Ring (Note: Use Item 51) | |
| 8 | See Note | NSS | Ring, Back-up (Note: Use Item 51) | |
| 9 | 70006548 | 1 | Piston | |
| 10 | See Note | NSS | Ring, Guide (Note: Use Item 51) | |
| 11 | See Note | NSS | Ring, Lock (Note: Use Item 51) | |
| 12 | See Note | NSS | O-Ring (Note: Use Item 51) | |
| 13 | See Note | NSS | Ring, Back-up (Note: Use Item 51) | |
| 14 | 70006547 | 1 | Spacer | |
| 15 | 0961896 | 1 | Bushing, Tapered | |
| 16 | 0630535 | 3 | Capscrew 1/4 x 1-1/8 | |
| 17 | 3931824 | 8 | Capscrew 1/2 x 1-1/2 | |
| 18 | 3760371 | 1 | Ring, Washer | |
| 19 | 4641248 | 1 | Cartridge, Counterbalance Valve (Non-Vented) | |
| 19 | See Note | NSS | Seal Kit - 4641248 Cartridge Valve (Note: Use p/n 4641248) | |
| 20 | 4640509 | 1 | Cartridge, Holding Valve (Non-Vented) | |
| 20 | 2900792 | 1 | Seal Kit - 4640509 Cartridge Valve | |
| 21 | 0961949 | 4 | Bushing | |
| 22 | 2220883 | 4 | Plug, O-Ring | |
| 23 | 2220886 | 1 | Plug, O-Ring | |
| 24 | 2220885 | 2 | Plug, O-Ring | |
| 25 | 0100011 | AR | Compound, Locking | |
| 26 | 0100038 | AR | Primer, Locking | |
| 51 | 2902087 | 1 | Seal Kit Options (Includes Items 4-8 & 10-13) | |

SECTION 5 - CYLINDER

FIGURE 5-7. PLATFORM LEVEL CYLINDER ASSEMBLY - WITH COLD WEATHER PLUS PACKAGE
(SERVICE REPLACEMENT)



ART_1001228053

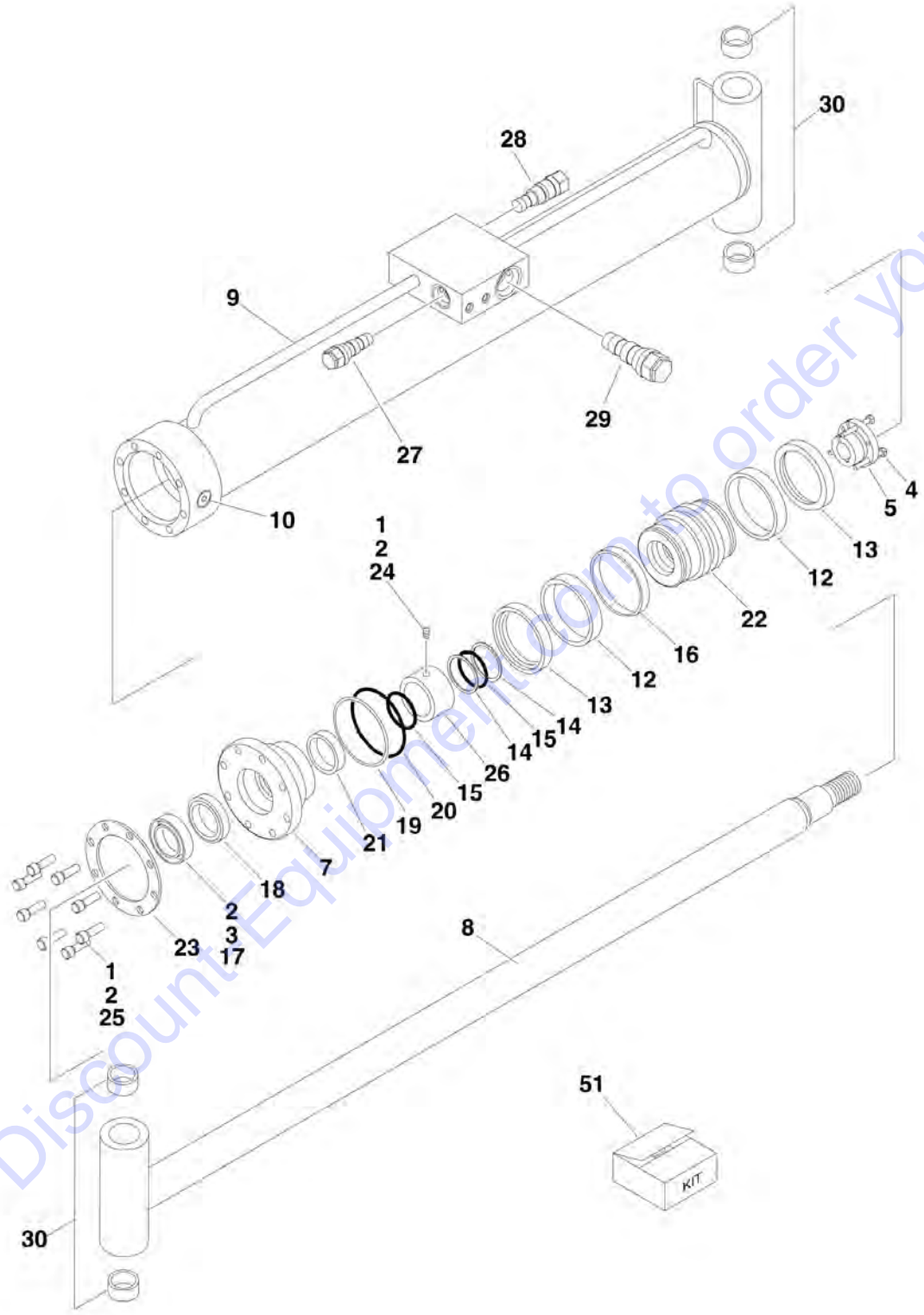
SECTION 5 - CYLINDER

**FIGURE 5-7. PLATFORM LEVEL CYLINDER ASSEMBLY - WITH COLD WEATHER PLUS PACKAGE
(SERVICE REPLACEMENT)**

| ITEM | PART NUMBER | QTY | DESCRIPTION | REV |
|------|-------------|-----|---|-----|
| | 1001228053 | Ref | PLATFORM LEVEL CYLINDER ASSEMBLY - WITH COLD WEATHER PLUS PACKAGE | B |
| | | Ref | Note: Original Cylinder May Have Been Replaced with Service Replacement. Identify PN Stamped on Cylinder Before Ordering Parts. | |
| 1 | See Note | NSS | Barrel Weldment (Note: Not Available for Purchase) | |
| 2 | 70007015 | 1 | Rod Weldment | |
| 3 | 70007016 | 1 | Head | |
| 4 | 70007017 | 1 | Cap, Cylinder | |
| 5 | See Note | NSS | Wiper, Rod (Note: Use Item 51) | |
| 6 | 70002412 | 1 | Retainer | |
| 7 | See Note | NSS | Seal, Rod (Note: Use Item 51) | |
| 8 | See Note | NSS | Ring, Back-up (Note: Use Item 51) | |
| 9 | 70005153 | 1 | Ring, Wear | |
| 10 | See Note | NSS | O-Ring (Note: Use Item 51) | |
| 11 | See Note | NSS | Ring, Back-up (Note: Use Item 51) | |
| 12 | 70007018 | 1 | Piston | |
| 13 | See Note | NSS | Seal, Piston (Note: Use Item 51) | |
| 14 | See Note | NSS | O-Ring (Note: Use Item 51) | |
| 15 | See Note | NSS | O-Ring (Note: Use Item 51) | |
| 16 | 70007019 | 1 | Spacer | |
| 17 | 4640509 | 1 | Cartridge, Holding Valve (Non-Vented) | |
| 17 | 2900792 | 1 | Seal Kit - 4640509 Cartridge Valve | |
| 18 | 4641248 | 1 | Cartridge, Counterbalance Valve (Non-Vented) | |
| 18 | 70004186 | 1 | Seal Kit - 4641248 Cartridge Valve | |
| 19 | 0961949 | 4 | Bushing | |
| 20 | 2220883 | 2 | Plug, O-Ring | |
| 21 | 2220885 | 4 | Plug, O-Ring | |
| 22 | 0961894 | 1 | Bushing, Tapered | |
| 23 | 0630535 | 3 | Capscrew 1/4 x 1-1/8 | |
| 51 | 70007020 | 1 | Seal Kit Options (Includes Items 5, 7, 8, 10, 11 & 13-15) | |

SECTION 5 - CYLINDER

FIGURE 5-8. LIFT CYLINDER ASSEMBLY (ORIGINAL EQUIPMENT)



Go to DiscountEquipment.com to order your parts

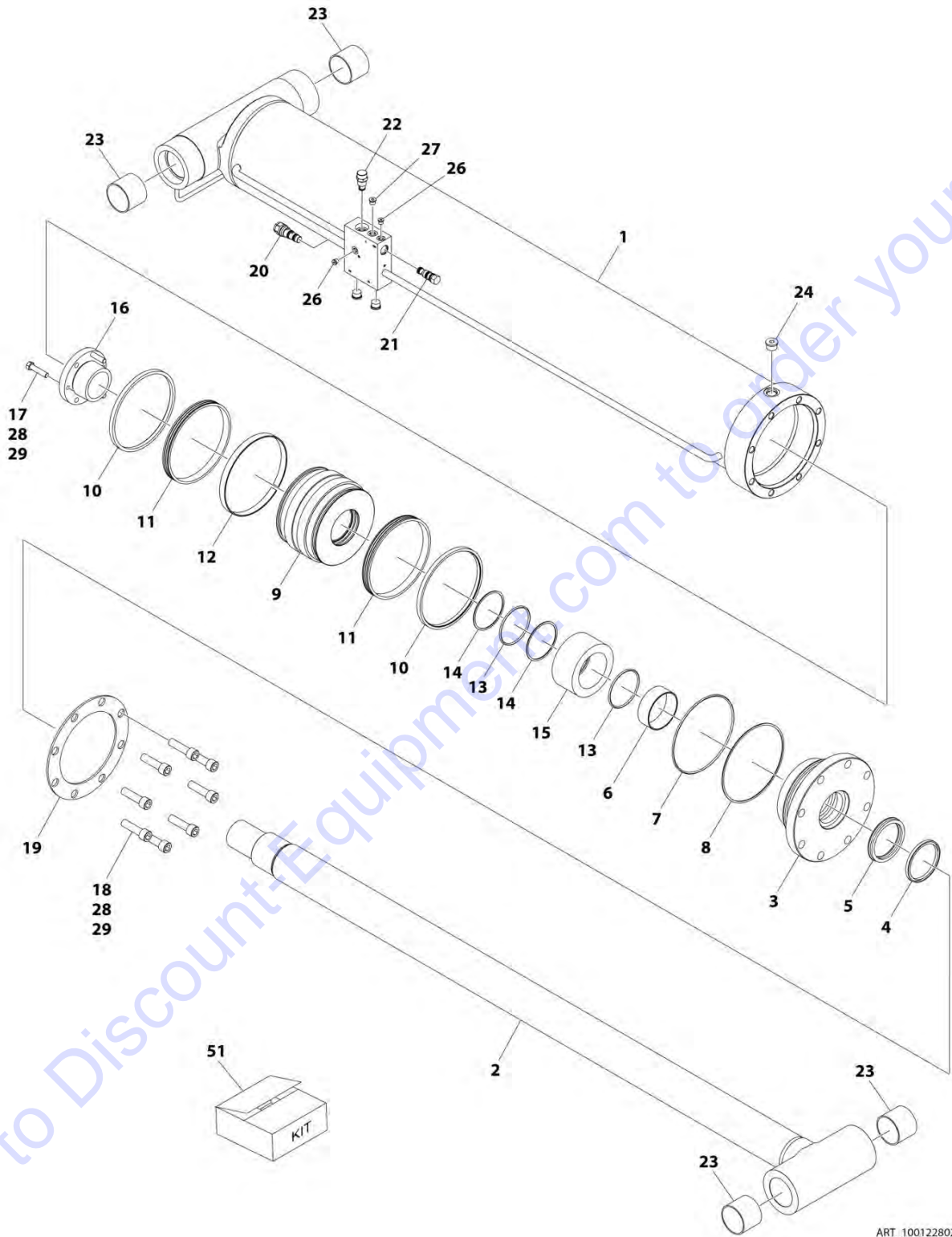
SECTION 5 - CYLINDER

FIGURE 5-8. LIFT CYLINDER ASSEMBLY (ORIGINAL EQUIPMENT)

| ITEM | PART NUMBER | QTY | DESCRIPTION | REV |
|------|-------------|-----|---|---|
| | 1684162 | Ref | LIFT CYLINDER ASSEMBLY | J |
| | | Ref | | Note: Original Cylinder May Have Been Replaced with Service Replacement. Identify PN Stamped on Cylinder Before Ordering Parts. |
| 1 | 0100011 | AR | Compound, Locking | |
| 2 | 0100038 | AR | Primer, Locking | |
| 3 | 0100063 | AR | Loctite #RC 609 (Prior to SN 0300071282) | |
| 4 | 0630537 | 3 | Capscrew | |
| 5 | 0961901 | 1 | Bushing, Tapered | |
| 7 | 1683072 | 1 | Head | |
| 8 | 1684159 | 1 | Rod | |
| 9 | 1684161 | 1 | Barrel (Use p/n 1684249) | |
| 10 | 2220888 | 1 | Plug, O-Ring | |
| 12 | See Note | NSS | Ring, Guide (Note: Use Item 51) | |
| 13 | See Note | NSS | Ring, Lock (Note: Use Item 51) | |
| 14 | See Note | NSS | Ring, Back-Up (Note: Use Item 51) | |
| 15 | See Note | NSS | O-Ring (Note: Use Item 51) | |
| 16 | See Note | NSS | Ring, Wear (Note: Use Item 51) | |
| 17 | See Note | NSS | Wiper, Rod (Note: Use Item 51) | |
| 18 | See Note | NSS | Seal, Rod (Note: Use Item 51) | |
| 19 | See Note | NSS | Ring, Back-Up (Note: Use Item 51) | |
| 20 | See Note | NSS | O-Ring (Note: Use Item 51) | |
| 21 | See Note | NSS | Ring, Wear (Note: Use Item 51) | |
| 22 | 3480270 | 1 | Piston | |
| 23 | 3760375 | 1 | Ring, Washer | |
| 24 | 3900310 | 1 | Setscrew (Prior to SN 0300071282) | |
| 25 | 3932244 | 8 | Capscrew 3/4in-10NC x 2-3/4in | |
| 26 | 4568319 | 1 | Spacer | |
| 27 | 4640438 | 1 | Cartridge, Check Valve | |
| 27 | 2900770 | 1 | Seal Kit - 4640438 Cartridge Valve | |
| 28 | 4640509 | 1 | Cartridge, Holding Valve (Non Vented) | |
| 28 | 2900792 | 1 | Seal Kit - 4640509 Cartridge Valve | |
| 29 | 4641210 | 1 | Cartridge, Pressure Regulator Valve | |
| 29 | 7010545 | 1 | Seal Kit - 4641210 Cartridge Valve | |
| 30 | 0962297 | 4 | Bushing | |
| 51 | 2902082 | 1 | Seal Kit (Includes Items 12-21) (Prior to SN 0300192714) | |
| 51 | 1001174325 | 1 | Seal Kit (Includes Items 12-21) (SN 0300192714 through 0300201016) | |

SECTION 5 - CYLINDER

FIGURE 5-9. LIFT CYLINDER ASSEMBLY (SERVICE REPLACEMENT)



ART_1001228024

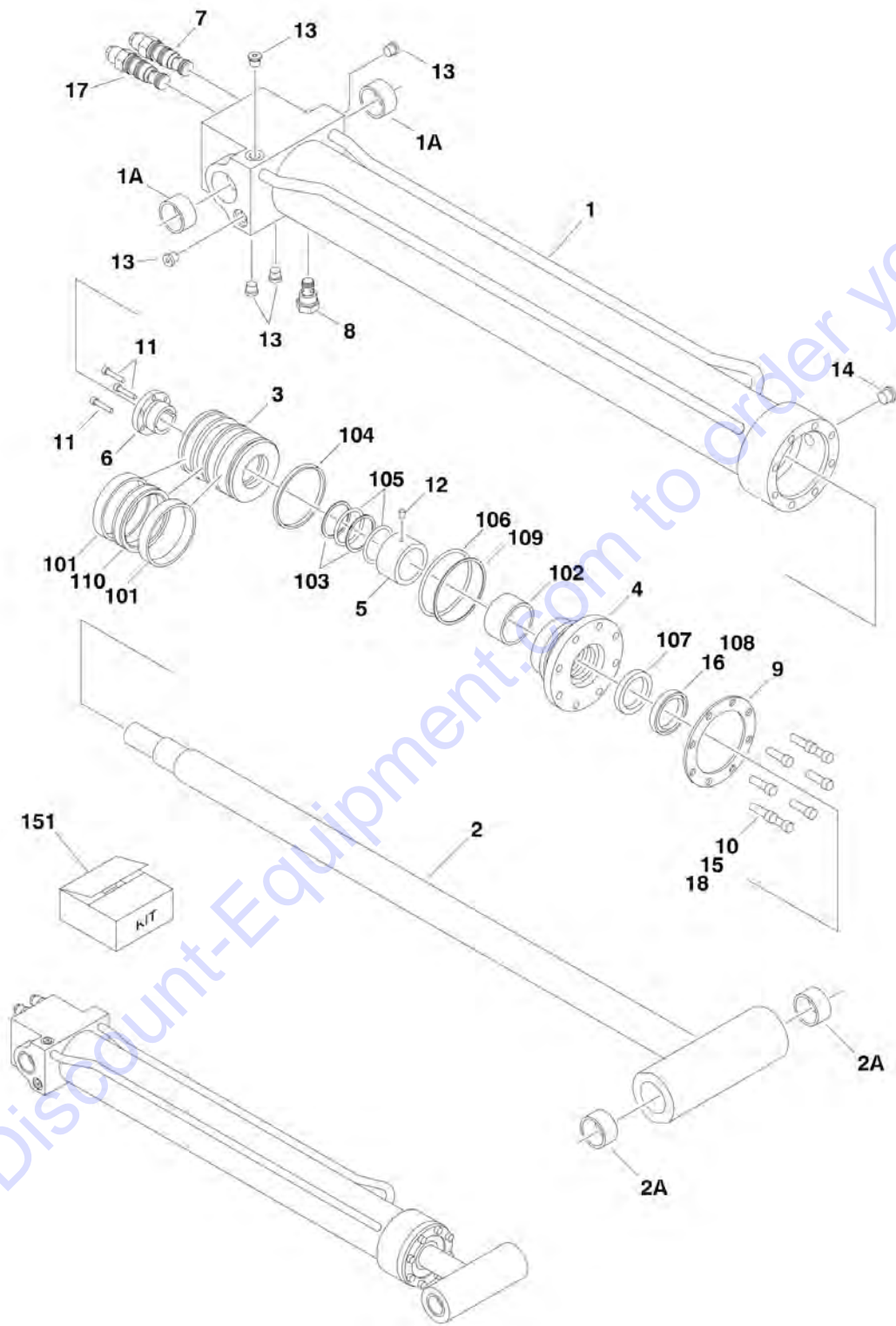
SECTION 5 - CYLINDER

FIGURE 5-9. LIFT CYLINDER ASSEMBLY (SERVICE REPLACEMENT)

| ITEM | PART NUMBER | QTY | DESCRIPTION | REV |
|------|-------------|-----|---|-----|
| | 1001228024 | Ref | LIFT CYLINDER ASSEMBLY | D |
| | | Ref | Note: Original Cylinder May Have Been Replaced with Service Replacement. Identify PN Stamped on Cylinder Before Ordering Parts. | |
| 1 | See Note | NSS | Barrel Weldment (Note: Not Available for Purchase) | |
| 2 | 70006530 | 1 | Rod | |
| 3 | 70006529 | 1 | Head | |
| 4 | See Note | NSS | Wiper, Rod (Note: Use Item 51) | |
| 5 | See Note | NSS | Seal, Rod (Note: Use Item 51) | |
| 6 | See Note | NSS | Ring, Wear (Note: Use Item 51) | |
| 7 | See Note | NSS | O-Ring (Note: Use Item 51) | |
| 8 | See Note | NSS | Ring, Back-up (Note: Use Item 51) | |
| 9 | 70006528 | 1 | Piston | |
| 10 | See Note | NSS | Ring, Lock (Note: Use Item 51) | |
| 11 | See Note | NSS | Ring, Guide (Note: Use Item 51) | |
| 12 | See Note | NSS | Ring, Wear (Note: Use Item 51) | |
| 13 | See Note | NSS | O-Ring (Note: Use Item 51) | |
| 14 | See Note | NSS | Ring, Back-up (Note: Use Item 51) | |
| 15 | 70006527 | 1 | Spacer | |
| 16 | 0961901 | 1 | Bushing, Tapered | |
| 17 | 0630537 | 3 | Capscrew | |
| 18 | 3932244 | 8 | Capscrew 3/4 x 2-3/4 | |
| 19 | 3760375 | 1 | Ring, Washer | |
| 20 | 4640509 | 1 | Cartridge, Holding Valve (Non-Vented) | |
| 20 | 2900792 | 1 | Seal Kit - 4640509 Cartridge Valve | |
| 21 | 4640438 | 1 | Cartridge, Check Valve | |
| 21 | 2900770 | 1 | Seal Kit - 4640438 Cartridge Valve | |
| 22 | 4641210 | 1 | Cartridge, Pressure Regulator Valve | |
| 22 | 7010545 | 1 | Seal Kit - 4641210 Cartridge Valve | |
| 23 | 0962297 | 4 | Bushing | |
| 24 | 2220888 | 1 | Plug, O-Ring | |
| 26 | 2220883 | 2 | Plug, O-Ring | |
| 27 | 2220885 | 1 | Plug, O-Ring | |
| 28 | 0100011 | AR | Compound, Locking | |
| 29 | 0100038 | AR | Primer, Locking | |
| 51 | 1001174325 | 1 | Seal Kit (Includes Items 4-8 & 10-14) | |

SECTION 5 - CYLINDER

FIGURE 5-10. JIB CYLINDER ASSEMBLY (ORIGINAL EQUIPMENT)



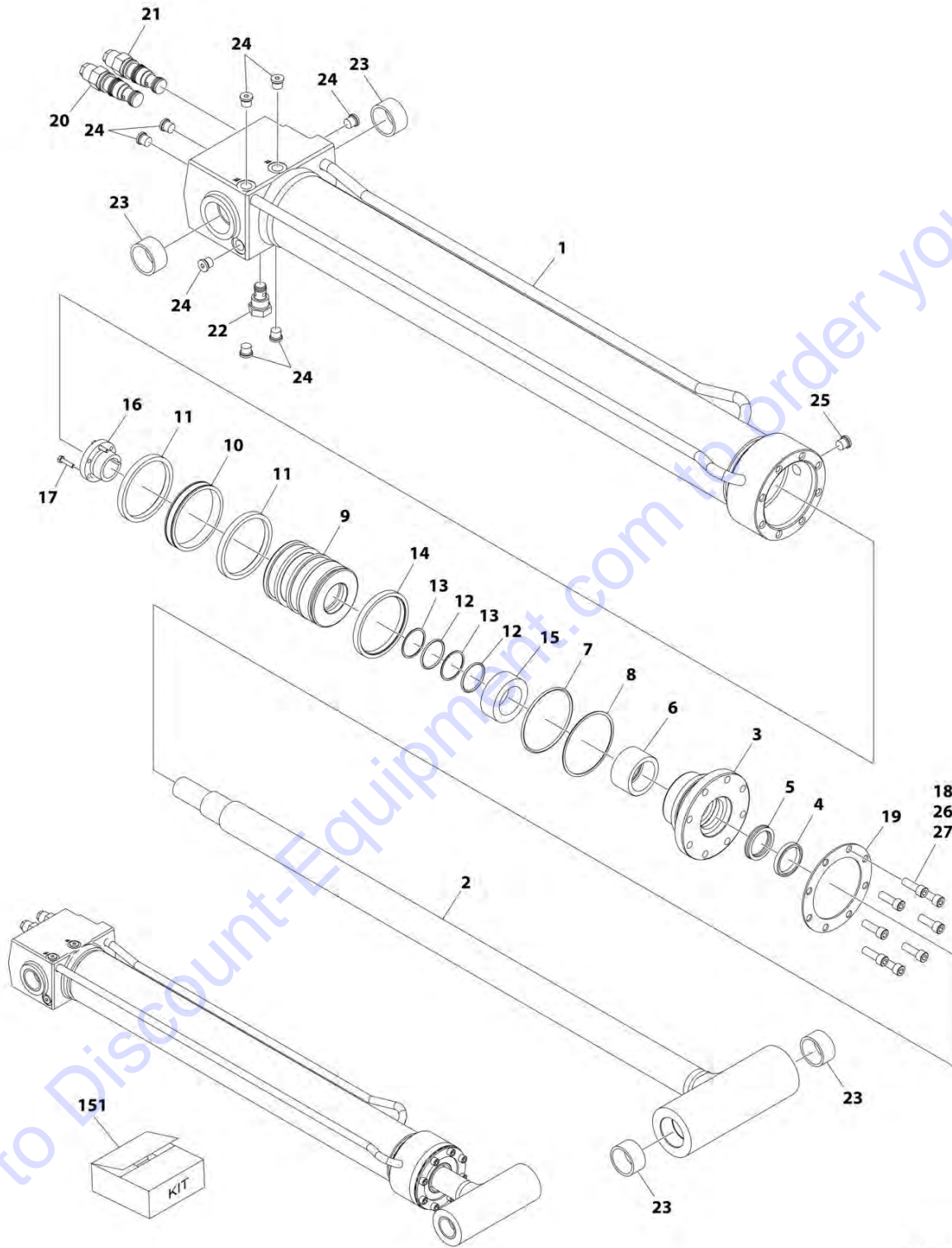
SECTION 5 - CYLINDER

FIGURE 5-10. JIB CYLINDER ASSEMBLY (ORIGINAL EQUIPMENT)

| ITEM | PART NUMBER | QTY | DESCRIPTION | REV |
|------|-------------|-----|---|-----|
| | | Ref | JIB CYLINDER ASSEMBLIES | |
| | 1684173 | Ref | Without Arctic Package | H |
| | 1001138803 | Ref | With Arctic Package | B |
| | | Ref | Note: Original Cylinder May Have Been Replaced with Service Replacement. Identify PN Stamped on Cylinder Before Ordering Parts. | |
| 1 | 1684174 | 1 | Barrel Weldment | |
| 1A | 0962257 | 2 | Bushing | |
| 2 | 1684176 | 1 | Rod Weldment | |
| 2A | 0962257 | 2 | Bushing | |
| 3 | 3480271 | 1 | Piston | |
| 4 | 1683053 | 1 | Head | |
| 5 | 4566471 | 1 | Spacer (Use p/n 4100100) (Prior to SN 0300079596) | |
| 6 | 0961893 | 1 | Bushing, Tapered | |
| 7 | 4640452 | 1 | Cartridge, Counterbalance (Port above V2) | |
| 7 | 2900770 | 1 | Seal Kit - 4640452 Cartridge Valve (1 Per Valve) | |
| 8 | 4641114 | 1 | Cartridge, Restricted/Check | |
| 8 | 7012967 | 1 | Seal Kit - 4641114 Cartridge Valve (1 Per Valve) | |
| 9 | 3760368 | 1 | Ring, Washer | |
| 10 | 3931516 | 8 | Capscrew 5/16in-18NC x 1in | |
| 11 | 0630534 | 3 | Capscrew #10-24NC x 1in | |
| 12 | 3900141 | 1 | Setscrew 1/4in-20NC x 1/2in (Prior to SN 0300079596) | |
| 13 | 2220883 | 5 | Plug, O-Ring | |
| 14 | 2220885 | 1 | Plug, O-Ring | |
| 15 | 0100011 | AR | Compound, Locking | |
| 16 | 0100063 | AR | Loctite #609 (Prior to SN 0300079596) | |
| 17 | 4641260 | 1 | Cartridge, Counterbalance (Port above V1) | |
| 17 | 2900770 | 1 | Seal Kit - 4641260 Cartridge Valve (1 Per Valve) | |
| 18 | 0100038 | AR | Primer, Locking | |
| 101 | See Note | 2 | Ring, Wear (Note: Use Item 151) | |
| 102 | See Note | 1 | Ring, Wear (Note: Use Item 151) | |
| 103 | See Note | 2 | Ring, Back-up (Note: Use Item 151) | |
| 104 | See Note | 1 | Seal (Note: Use Item 151) | |
| 105 | See Note | 2 | O-Ring (Note: Use Item 151) | |
| 106 | See Note | 1 | O-Ring (Note: Use Item 151) | |
| 107 | See Note | 1 | Seal (Note: Use Item 151) | |
| 108 | See Note | 1 | Wiper, Rod (Note: Use Item 151) | |
| 109 | See Note | 1 | Ring, Back-up (Note: Use Item 151) | |
| 110 | See Note | 1 | Seal (Note: Use Item 151) | |
| 151 | | Ref | Seal Kit Options (Includes Items 101-110): | |
| 151 | 2902092 | 1 | Without Arctic Package | |
| 151 | 1001138805 | 1 | With Arctic Package | |

SECTION 5 - CYLINDER

FIGURE 5-11. JIB CYLINDER ASSEMBLY (SERVICE REPLACEMENT)



ART_1001228025

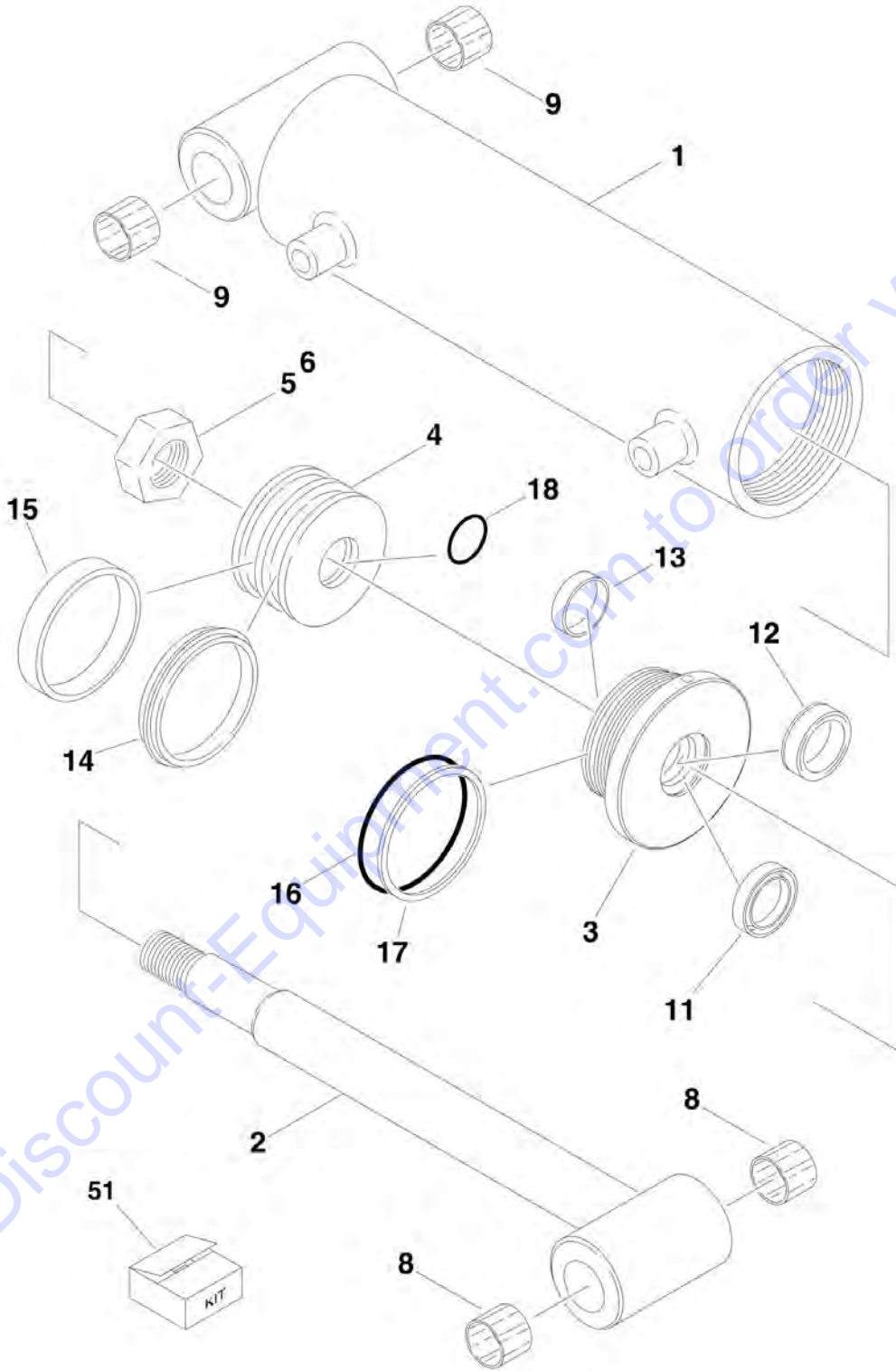
SECTION 5 - CYLINDER

FIGURE 5-11. JIB CYLINDER ASSEMBLY (SERVICE REPLACEMENT)

| ITEM | PART NUMBER | QTY | DESCRIPTION | REV |
|------|-------------|-----|---|-----|
| | 1001228025 | Ref | JIB CYLINDER ASSEMBLY | E |
| | | Ref | Note: Original Cylinder May Have Been Replaced with Service Replacement. Identify PN Stamped on Cylinder Before Ordering Parts. | |
| 1 | See Note | NSS | Barrel (Note: Not Available for Purchase) | |
| 2 | 70006526 | 1 | Rod | |
| 3 | 70006525 | 1 | Head | |
| 4 | See Note | NSS | Wiper, Rod (Note: Use Item 151) | |
| 5 | See Note | NSS | Seal (Note: Use Item 151) | |
| 6 | See Note | NSS | Ring, Wear (Note: Use Item 151) | |
| 7 | See Note | NSS | O-Ring (Note: Use Item 151) | |
| 8 | See Note | NSS | Ring, Back-up (Note: Use Item 151) | |
| 9 | 70006524 | 1 | Piston | |
| 10 | See Note | NSS | Seal (Note: Use Item 151) | |
| 11 | See Note | NSS | Ring, Wear (Note: Use Item 151) | |
| 12 | See Note | NSS | O-Ring (Note: Use Item 151) | |
| 13 | See Note | NSS | Ring, Back-up (Note: Use Item 151) | |
| 14 | See Note | NSS | Seal (Note: Use Item 151) | |
| 15 | 70006523 | 1 | Spacer | |
| 16 | 0961893 | 1 | Bushing, Tapered | |
| 17 | 0630534 | 3 | Capscrew #10 x 1 | |
| 18 | 3931516 | 8 | Capscrew 5/16 x 1 | |
| 19 | 3760368 | 1 | Ring, Washer | |
| 20 | 4641260 | 1 | Cartridge, Counterbalance (Port above V1) | |
| 20 | 2900770 | 1 | Seal Kit - 4641260 Cartridge Valve (1 Per Valve) | |
| 21 | 4640452 | 1 | Cartridge, Counterbalance (Port above V2) | |
| 21 | 2900770 | 1 | Seal Kit - 4640452 Cartridge Valve (1 Per Valve) | |
| 22 | 4641114 | 1 | Cartridge, Restricted/Check | |
| 22 | 7012967 | 1 | Seal Kit - 4641114 Cartridge Valve (1 Per Valve) | |
| 23 | 0962257 | 4 | Bushing | |
| 24 | 2220883 | 8 | Plug, O-Ring | |
| 25 | 2220885 | AR | Plug, O-Ring | |
| 26 | 0100011 | AR | Compound, Locking | |
| 27 | 0100038 | AR | Primer, Locking | |
| 151 | 1001138805 | 1 | Seal Kit (Includes Items 4-8 & 10-14) | |

SECTION 5 - CYLINDER

FIGURE 5-12. STEER CYLINDER ASSEMBLY (ORIGINAL EQUIPMENT) (Prior to SN 0300073367)



Go to Discount-Equipment.com to order your parts

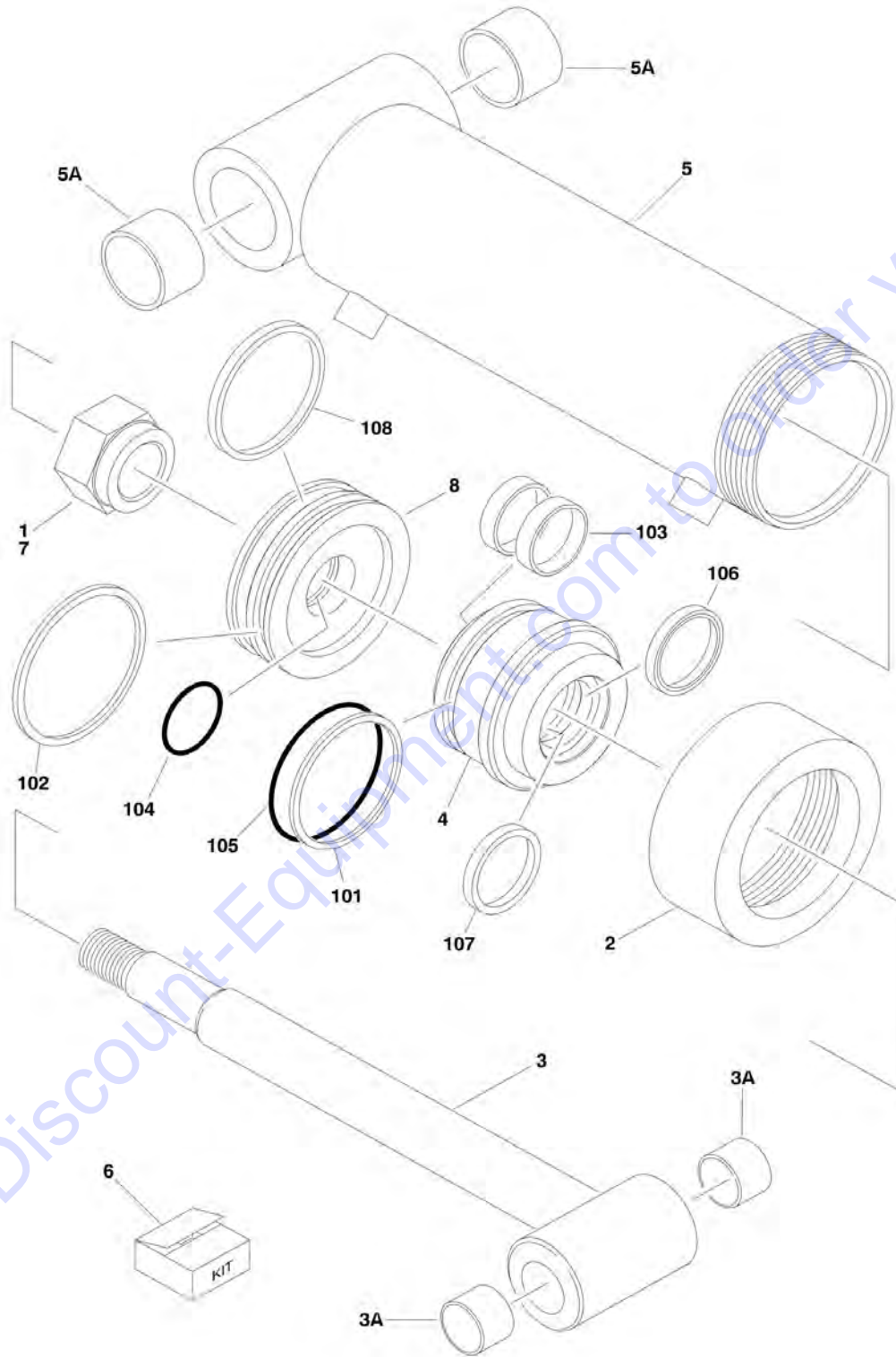
SECTION 5 - CYLINDER

FIGURE 5-12. STEER CYLINDER ASSEMBLY (ORIGINAL EQUIPMENT) (Prior to SN 0300073367)

| ITEM | PART NUMBER | QTY | DESCRIPTION | REV |
|------|-------------|-----|---|-----|
| | | Ref | Note: Original Equipment Cylinder may have been replaced with Service Replacement p/n 1684412 - See STEER CYLINDER ASSEMBLY. Identify p/n stamped on cylinder before ordering parts. | |
| | 1684034 | Ref | STEER CYLINDER (Prior to SN 0300073367) | A |
| 1 | 7024415 | 1 | Barrel | |
| 2 | 7024416 | 1 | Rod | |
| 3 | 7024417 | 1 | Head | |
| 4 | 7024418 | 1 | Piston | |
| 5 | 7024419 | 1 | Nut | |
| 6 | 0100006 | AR | Compound, Locking | |
| 8 | 0961950 | 2 | Bushing (Rod End) | |
| 9 | 0961949 | 2 | Bushing (Barrel End) | |
| 11 | 7024420 | 1 | Wiper | |
| 12 | 7024420 | 1 | Seal, Rod | |
| 13 | 7024420 | 1 | Ring, Wear | |
| 14 | 7024420 | 1 | Seal, Piston | |
| 15 | 7024420 | 1 | Ring, Wear | |
| 16 | 7024420 | 1 | O-Ring | |
| 17 | 7024420 | 1 | Ring, Back-up | |
| 18 | 7024420 | 1 | O-Ring | |
| 51 | 7024420 | 1 | Seal Kit (Includes Items 11-18) | |

SECTION 5 - CYLINDER

FIGURE 5-13. STEER CYLINDER ASSEMBLY (SERVICE REPLACEMENT) (SN 0300073367 through 0300201016)



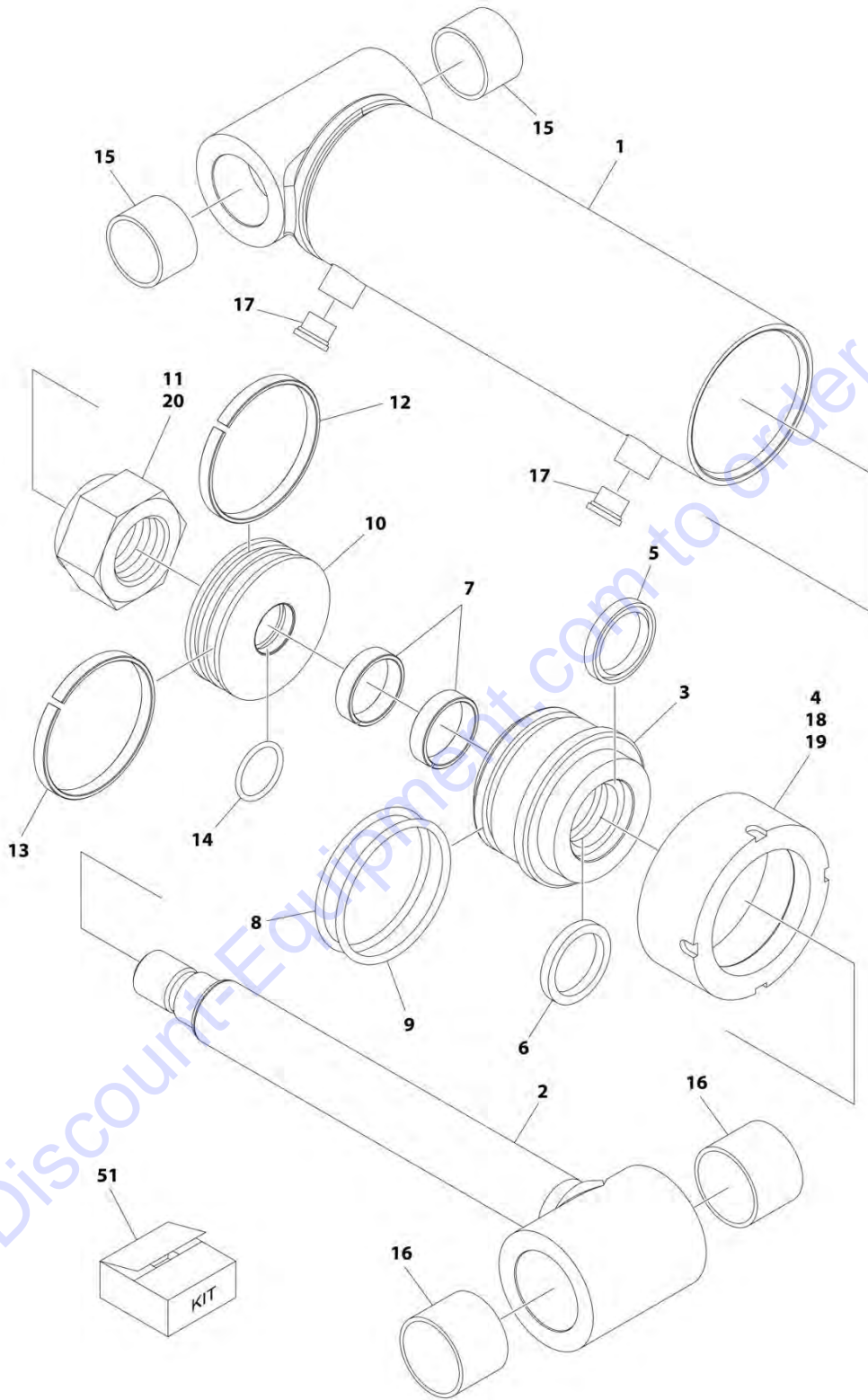
SECTION 5 - CYLINDER

FIGURE 5-13. STEER CYLINDER ASSEMBLY (SERVICE REPLACEMENT) (SN 0300073367 through 0300201016)

| ITEM | PART NUMBER | QTY | DESCRIPTION | REV |
|------|-------------|-----|--|-----|
| | 1684314 | Ref | STEER CYLINDER (SN 0300073367 through 0300201016) | F |
| 1 | 0100035 | AR | Compound, Locking | |
| 2 | 1120094 | 1 | Cap, Cylinder | |
| 3 | 1684275 | 1 | Rod | |
| 3A | 0961950 | 2 | Bushing | |
| 4 | 1684315 | 1 | Head | |
| 5 | 1684317 | 1 | Barrel | |
| 5A | 0961949 | 2 | Bushing | |
| 6 | 2902257 | 1 | Seal Kit (Includes Items 101-108) | |
| 7 | 3300465 | 1 | Nut | |
| 8 | 3480278 | 1 | Piston | |
| 101 | 2902257 | 1 | Ring, Back-up | |
| 102 | 2902257 | 1 | Ring, Wear | |
| 103 | 2902257 | 2 | Ring, Wear | |
| 104 | 2902257 | 1 | O-Ring | |
| 105 | 2902257 | 1 | O-Ring | |
| 106 | 2902257 | 1 | Wiper | |
| 107 | 2902257 | 1 | Seal, Piston | |
| 108 | 2902257 | | Seal | |

SECTION 5 - CYLINDER

FIGURE 5-14. STEER CYLINDER ASSEMBLY (SERVICE REPLACEMENT)



ART_1001228031

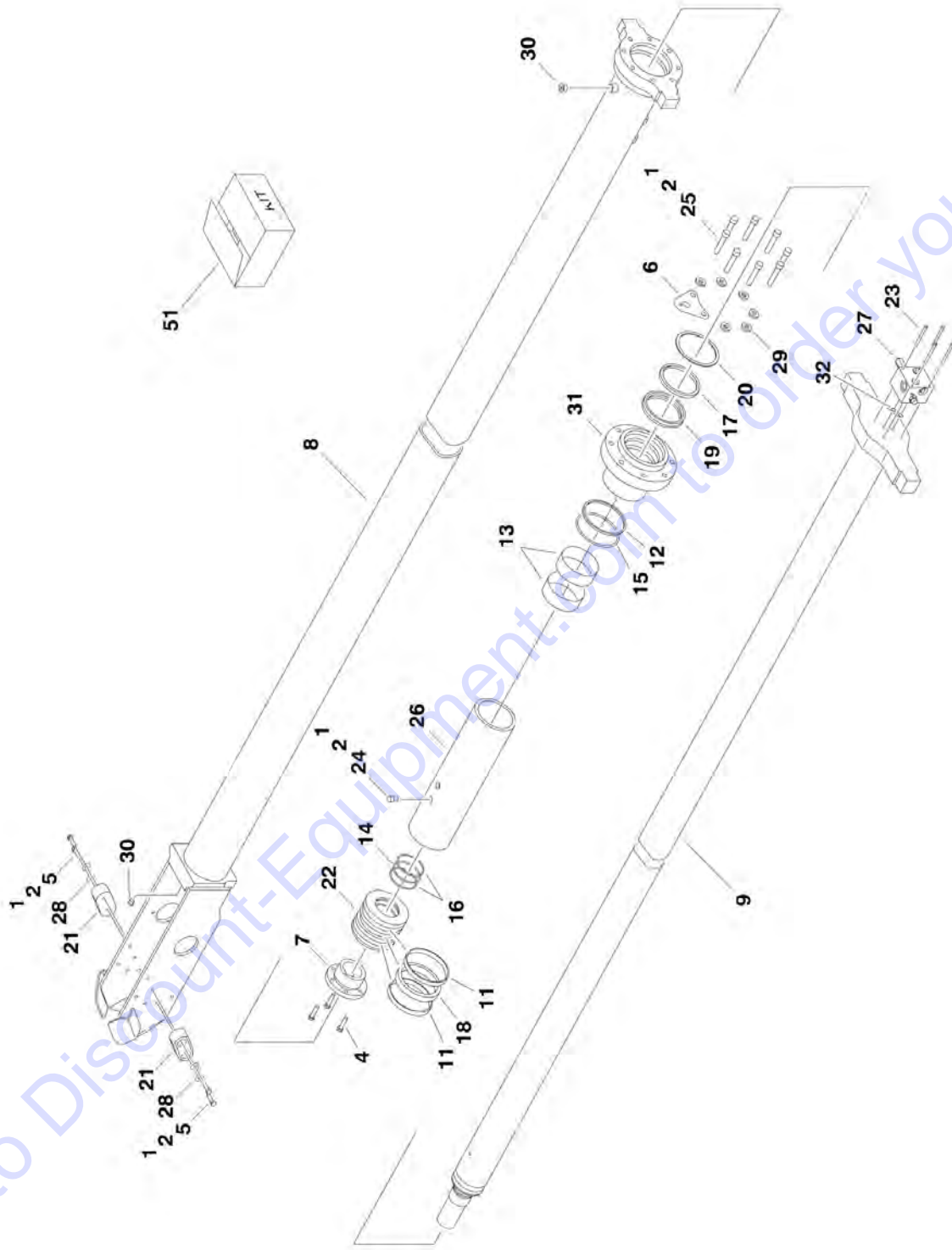
SECTION 5 - CYLINDER

FIGURE 5-14. STEER CYLINDER ASSEMBLY (SERVICE REPLACEMENT)

| ITEM | PART NUMBER | QTY | DESCRIPTION | REV |
|------|-------------|-----|---|-----|
| | 1001228031 | Ref | STEER CYLINDER ASSEMBLY | B |
| | | Ref | Note: Original Cylinder May Have Been Replaced with Service Replacement. Identify PN Stamped on Cylinder Before Ordering Parts. | |
| 1 | See Note | NSS | Barrel (Note: Not Available for Purchase) | |
| 2 | 70006493 | 1 | Rod | |
| 3 | 70006492 | 1 | Head | |
| 4 | 70006491 | 1 | Cap, Cylinder | |
| 5 | See Note | NSS | Wiper (Note: Use Item 51) | |
| 6 | See Note | NSS | Seal, Piston (Note: Use Item 51) | |
| 7 | See Note | NSS | Ring, Wear (Note: Use Item 51) | |
| 8 | See Note | NSS | O-Ring (Note: Use Item 51) | |
| 9 | See Note | NSS | Ring, Back-up (Note: Use Item 51) | |
| 10 | 70006490 | 1 | Piston | |
| 11 | 3300465 | 1 | Nut | |
| 12 | See Note | 1 | Seal (Note: Use Item 51) | |
| 13 | See Note | 1 | Ring, Wear (Note: Use Item 51) | |
| 14 | See Note | 1 | O-Ring (Note: Use Item 51) | |
| 15 | 0961949 | 2 | Bushing | |
| 16 | 0961950 | 2 | Bushing | |
| 17 | 2220885 | 2 | Plug (With O-Ring) | |
| 18 | 0100011 | AR | Compound, Locking | |
| 19 | 0100038 | AR | Primer, Locking | |
| 20 | 0100019 | AR | Compound, Locking | |
| 51 | 2902257 | 1 | Seal Kit (Includes Items 5-9 & 12-14) | |

SECTION 5 - CYLINDER

FIGURE 5-15. TELESCOPE CYLINDER ASSEMBLY (ORIGINAL EQUIPMENT)



SECTION 5 - CYLINDER

FIGURE 5-15. TELESCOPE CYLINDER ASSEMBLY (ORIGINAL EQUIPMENT)

| ITEM | PART NUMBER | QTY | DESCRIPTION | REV |
|------|-------------|-----|--|-----|
| | | Ref | TELESCOPE CYLINDER ASSEMBLIES | |
| | 1684178 | Ref | Telescope Cylinder Assemblies 1200SJP | K |
| | 1684108 | Ref | Telescope Cylinder Assemblies 1350SJP | M |
| 1 | 0100011 | AR | Compound, Locking | |
| 2 | 0100038 | AR | Primer, Locking | |
| 4 | 0630536 | 3 | Capscrew | |
| 5 | 0641608 | 4 | Bolt 3/8in-16NC x 1in | |
| 6 | 0902743 | 1 | Bracket | |
| 7 | 0961903 | 1 | Bushing, Tapered | |
| 8 | | Ref | Barrel Weldment Options: | |
| 8 | 1684179 | 1 | Barrel Weldment 1200SJP | |
| 8 | 1684109 | 1 | Barrel Weldment 1350SJP | |
| 9 | | Ref | Rod Weldment Options: | |
| 9 | | Ref | Rod Weldment 1200SJP | |
| 9 | 1684181 | 1 | Rod Weldment 1200SJP (Prior to SN 0300034366) | |
| 9 | 1001105016 | 1 | Rod Weldment 1200SJP (SN 0300134366 through 0300201016) | |
| 9 | | Ref | Rod Weldment 1350SJP | |
| 9 | 1684111 | 1 | Rod Weldment 1350SJP (Prior to SN 0300134366) | |
| 9 | 1001104923 | 1 | Rod Weldment 1350SJP (SN 0300134366 through 0300201016) | |
| 11 | 2902081 | 2 | Ring, Wear | |
| 12 | 2902081 | 1 | Ring, Back-Up | |
| 13 | 2902081 | 2 | Ring, Wear | |
| 14 | 2902081 | 1 | O-Ring | |
| 15 | 2902081 | 1 | O-Ring | |
| 16 | 2902081 | 2 | Ring, Back-Up | |
| 17 | 2902081 | 1 | Wiper, Rod | |
| 18 | 2902081 | 1 | T-Seal | |
| 19 | 2902081 | 1 | Seal, Rod | |
| 20 | 2902081 | 1 | Ring, Retaining | |
| 21 | | Ref | Pad, Wear Options: | |
| 21 | 3340923 | 2 | Pad, Wear (Use p/n 3340963) (Prior to SN 0300070248) | |
| 21 | 3340963 | 2 | Pad, Wear (SN 0300070248 through 0300201016) | |
| 22 | 3480268 | 1 | Piston | |
| 23 | 3931448 | 4 | Capscrew 1/4in-20NC x 3in | |
| 24 | 3931608 | 1 | Capscrew 3/8in-16NC x 1in | |
| 25 | 3931840 | 8 | Capscrew 1/2in-13NC x 2-1/2in | |
| 26 | | Ref | Spacer Options: | |
| 26 | | Ref | Spacer 1200SJP | |
| 26 | 4568361 | 1 | Spacer 1200SJP (Prior to SN 0300134366) | |
| 26 | 1001105014 | 1 | Spacer 1200SJP (SN 0300134366 through 0300201016) | |
| 26 | | Ref | Spacer 1350SJP | |
| 26 | 4568290 | 1 | Spacer 1350SJP (Prior to SN 0300134366) | |
| 26 | 1001104922 | 1 | Spacer 1350SJP (SN 0300134366 through 0300201016) | |
| 27 | 4641256 | 1 | Valve Assembly | |
| 27 | 2220884 | 1 | Plug, SAE #5 (with O-Ring) | |
| 27 | 2220885 | 1 | Plug, SAE #6 (with O-Ring) | |
| 28 | 4711600 | 4 | Flatwasher 3/8in Narrow | |
| 29 | 4891800 | 6 | Flatwasher 1/2in Hardened | |

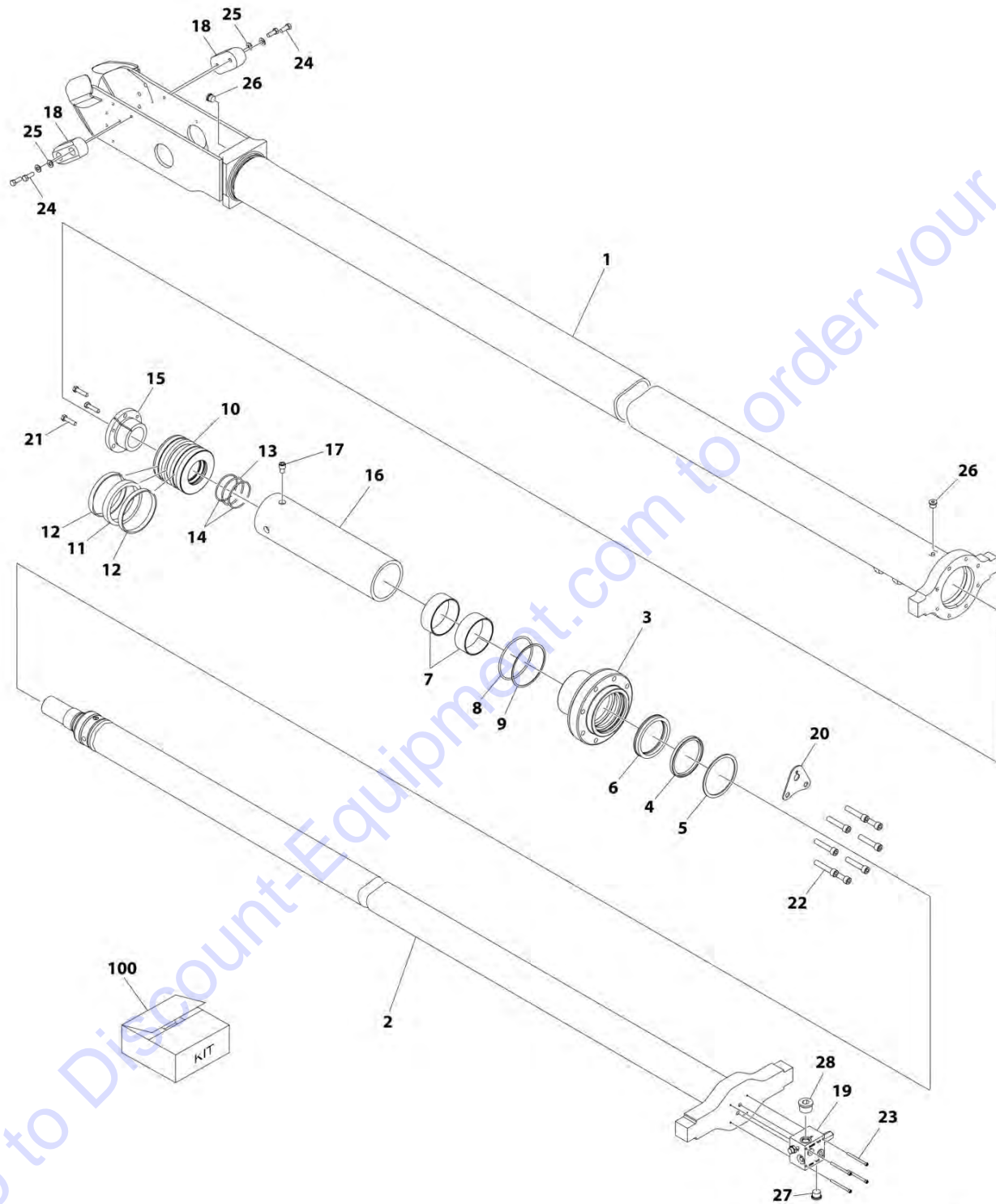
SECTION 5 - CYLINDER

| ITEM | PART NUMBER | QTY | DESCRIPTION | REV |
|------|-------------|-----|---------------------------------|-----|
| 30 | 2220885 | 2 | Plug, O-Ring | |
| 31 | 1684141 | 1 | Head | |
| 32 | 3790112 | 2 | O-Ring | |
| 51 | 2902081 | 1 | Seal Kit (Includes Items 11-20) | |

Go to Discount-Equipment.com to order your parts

SECTION 5 - CYLINDER

FIGURE 5-16. TELESCOPE CYLINDER ASSEMBLY - 1200SJP (SERVICE REPLACEMENT)



ART_1001228026

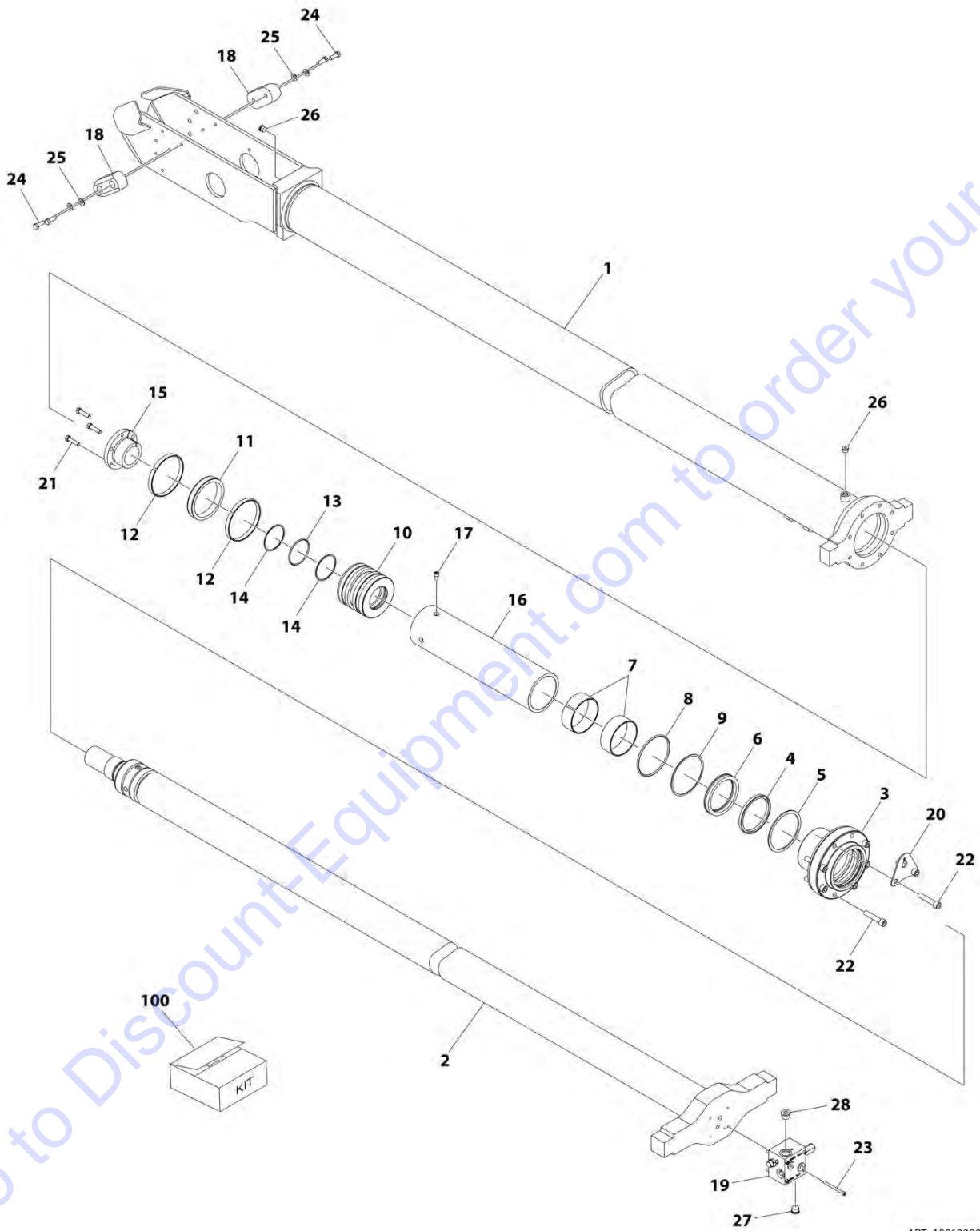
SECTION 5 - CYLINDER

FIGURE 5-16. TELESCOPE CYLINDER ASSEMBLY - 1200SJP (SERVICE REPLACEMENT)

| ITEM | PART NUMBER | QTY | DESCRIPTION | REV |
|------|-------------|-----|---|-----|
| | 1001228026 | Ref | TELESCOPE CYLINDER ASSEMBLY | B |
| | | Ref | Note: Original Cylinder May Have Been Replaced with Service Replacement. Identify PN Stamped on Cylinder Before Ordering Parts. | |
| 1 | See Note | NSS | Barrel (Note: Not Available for Purchase) | |
| 2 | 70006656 | 1 | Rod | |
| 3 | 70006657 | 1 | Head | |
| 4 | See Note | NSS | Wiper (Note: Use Item 100) | |
| 5 | See Note | NSS | Ring, Retaining (Note: Use Item 100) | |
| 6 | See Note | NSS | Seal, Rod (Note: Use Item 100) | |
| 7 | See Note | NSS | Ring, Wear (Note: Use Item 100) | |
| 8 | See Note | NSS | O-Ring (Note: Use Item 100) | |
| 9 | See Note | NSS | Ring, Back-up (Note: Use Item 100) | |
| 10 | 70006658 | 1 | Piston | |
| 11 | See Note | NSS | Seal (Note: Use Item 100) | |
| 12 | See Note | NSS | Ring, Wear (Note: Use Item 100) | |
| 13 | See Note | NSS | O-Ring (Note: Use Item 100) | |
| 14 | See Note | NSS | Ring, Back-up (Note: Use Item 100) | |
| 15 | 0961903 | 1 | Bushing, Tapered | |
| 16 | 70006659 | 1 | Spacer | |
| 17 | 3931608 | 1 | Capscrew 3/8 x 1 | |
| 18 | 3340963 | 2 | Pad, Wear | |
| 19 | 4641256 | 1 | Valve Assembly | |
| 19 | 2220884 | 1 | Plug, SAE #5 (With O-Ring) | |
| 19 | 2220885 | 1 | Plug, SAE #6 (With O-Ring) | |
| 20 | 0902743 | 1 | Bracket | |
| 21 | 0630536 | 3 | Capscrew | |
| 22 | 3931840 | 8 | Capscrew 1/2 x 2-1/2 | |
| 23 | 3931448 | 4 | Capscrew 1/4 x 3 | |
| 24 | 0641608 | 4 | Bolt 3/8 x 1 | |
| 25 | 4711600 | 4 | Washer 3/8 | |
| 26 | 2220885 | 2 | Plug, O-Ring | |
| 27 | 2220886 | 1 | Plug, O-Ring | |
| 28 | 70005433 | 1 | Plug, O-Ring | |
| 100 | 2902081 | 1 | Seal Kit (Includes Items 4-9 & 11-14) | |

SECTION 5 - CYLINDER

FIGURE 5-17. TELESCOPE CYLINDER ASSEMBLY - 1350SJP (SERVICE REPLACEMENT)



ART_1001228021

SECTION 5 - CYLINDER

FIGURE 5-17. TELESCOPE CYLINDER ASSEMBLY - 1350SJP (SERVICE REPLACEMENT)

| ITEM | PART NUMBER | QTY | DESCRIPTION | REV |
|------|-------------|-----|---|-----|
| | 1001228021 | Ref | TELESCOPE CYLINDER ASSEMBLY - 1350SJP | B |
| | | Ref | Note: Original Cylinder May Have Been Replaced with Service Replacement. Identify PN Stamped on Cylinder Before Ordering Parts. | |
| 1 | See Note | NSS | Barrel (Note: Not Available for Purchase) | |
| 2 | 70006697 | 1 | Rod | |
| 3 | 70006657 | 1 | Head | |
| 4 | See Note | NSS | Wiper (Note: Use Item 100) | |
| 5 | See Note | NSS | Ring, Retaining (Note: Use Item 100) | |
| 6 | See Note | NSS | Seal, Rod (Note: Use Item 100) | |
| 7 | See Note | NSS | Ring, Wear (Note: Use Item 100) | |
| 8 | See Note | NSS | O-Ring (Note: Use Item 100) | |
| 9 | See Note | NSS | Ring, Back-up (Note: Use Item 100) | |
| 10 | 70006658 | 1 | Piston | |
| 11 | See Note | NSS | Seal (Note: Use Item 100) | |
| 12 | See Note | NSS | Ring, Wear (Note: Use Item 100) | |
| 13 | See Note | NSS | O-Ring (Note: Use Item 100) | |
| 14 | See Note | NSS | Ring, Back-up (Note: Use Item 100) | |
| 15 | 0961903 | 1 | Bushing, Tapered | |
| 16 | 70006698 | 1 | Spacer | |
| 17 | 70006631 | 1 | Capscrew M8 x 16 | |
| 18 | 3340963 | 2 | Pad, Wear | |
| 19 | 4641256 | 1 | Valve Assembly | |
| 19 | 2220884 | 1 | Plug, SAE #5 (With O-Ring) | |
| 19 | 2220885 | 1 | Plug, SAE #6 (With O-Ring) | |
| 20 | 0902743 | 1 | Bracket | |
| 21 | 0630536 | 3 | Capscrew | |
| 22 | 3931840 | 8 | Capscrew 1/2 x 2-1/2 | |
| 23 | 3931448 | 4 | Capscrew 1/4 x 3 | |
| 24 | 0641608 | 4 | Bolt 3/8 x 1 | |
| 25 | 4711600 | 4 | Washer 3/8 | |
| 26 | 2220885 | 2 | Plug, O-Ring | |
| 27 | 2220886 | 1 | Plug, O-Ring | |
| 28 | 70005433 | 1 | Plug, O-Ring | |
| 100 | 2902081 | 1 | Seal Kit (Includes Items 4-9 & 11-14) | |

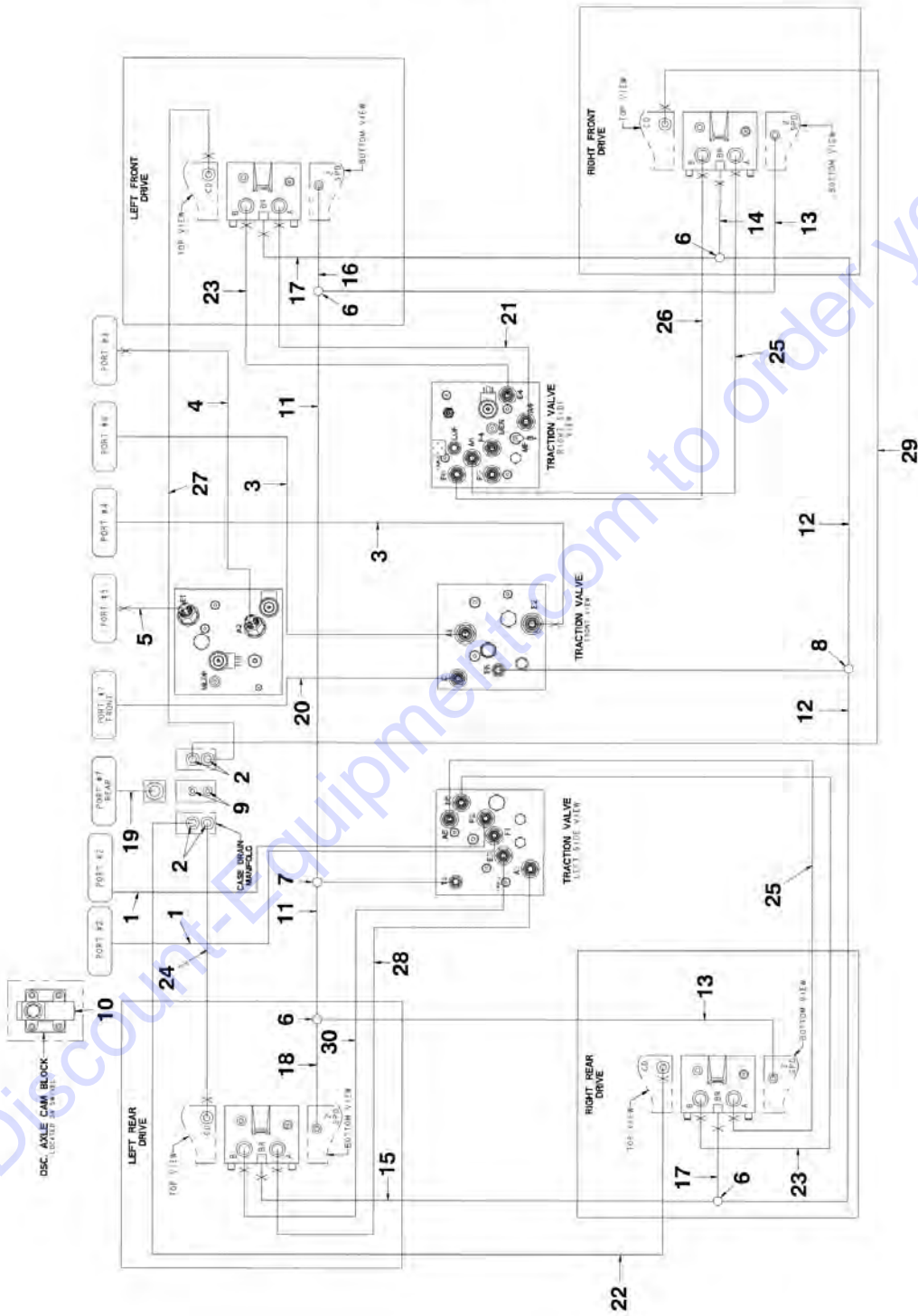
SECTION 6 - HYDRAULIC

Go to Discount-Equipment.com to order your parts

SECTION 6 - HYDRAULIC

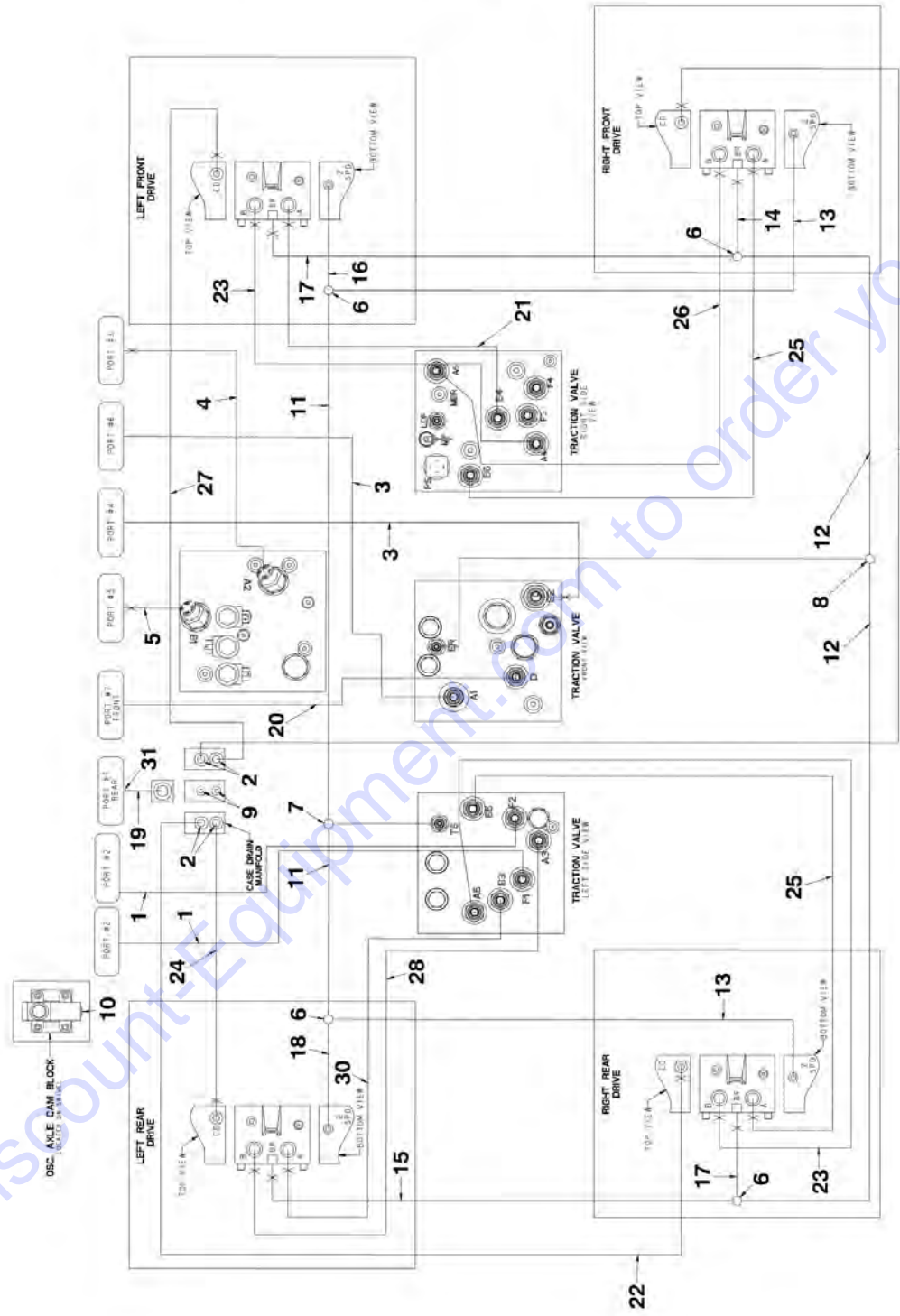
FIGURE 6-1. HYDRAULIC DIAGRAM - DRIVE

PRIOR TO SN 0300100131



SECTION 6 - HYDRAULIC

SN 0300100131 THROUGH 0300201016



SECTION 6 - HYDRAULIC

FIGURE 6-1. HYDRAULIC DIAGRAM - DRIVE

| ITEM | PART NUMBER | QTY | DESCRIPTION | REV |
|------|-------------|-----|---|-----|
| | | Ref | HYDRAULIC DIAGRAM - DRIVE | |
| | 1283457 | Ref | Hydraulic Diagram for Caterpillar Engine Machines with Rexroth Pumps | G |
| | 1283457 | Ref | Hydraulic Diagram for Deutz BF4M2011 & TD2011 Engine Machines with Rexroth Pumps | G |
| | 1001152971 | Ref | Hydraulic Diagram for Deutz TCD2.9L4 Engine Machines with Rexroth Pumps | A |
| | 2792645 | Ref | Hydraulic Diagram - Drive (Prior to SN 0300100131) | 6 |
| | 2792772 | Ref | Hydraulic Diagram - Drive (SN 0300100131 through 0300201016) | 4 |
| | 1001118859 | Ref | Hydraulic Diagram for Machines with Sauer Pumps | C |
| | 2792772 | Ref | All Machines | 4 |
| 1 | 2753685 | 2 | Hose | |
| 2 | 2110808 | 4 | Fitting, Straight | |
| 3 | 2753703 | 2 | Hose | |
| 4 | 2753764 | 1 | Hose | |
| 5 | 2753768 | 1 | Hose | |
| 6 | 2170504 | 4 | Fitting, Tee | |
| 7 | 2170704 | 1 | Fitting, Tee | |
| 8 | 2170804 | 1 | Fitting, Tee | |
| 9 | 2220235 | 2 | Plug | |
| 10 | 2220238 | 1 | Plug | |
| 11 | | Ref | Hose Options: | |
| 11 | 2753722 | 2 | Hose (Prior to SN 0300100131) | |
| 11 | 2753541 | 2 | Hose (SN 0300100131 through 0300201016) | |
| 12 | 2753545 | 2 | Hose | |
| 13 | | Ref | Hose Options: | |
| 13 | 2753720 | 2 | Hose (Prior to SN 0300100131) | |
| 13 | 2753677 | 2 | Hose (SN 0300100131 through 0300201016) | |
| 14 | 2753714 | 1 | Hose | |
| 15 | 2753713 | 1 | Hose | |
| 16 | | Ref | Hose Options: | |
| 16 | 2753721 | 1 | Hose (Prior to SN 0300100131) | |
| 16 | 2753716 | 1 | Hose (SN 0300100131 through 0300201016) | |
| 17 | 2753715 | 2 | Hose | |
| 18 | | Ref | Hose Options: | |
| 18 | 2753724 | 1 | Hose (Prior to SN 0300100131) | |
| 18 | 2753552 | 1 | Hose (SN 0300100131 through 0300201016) | |
| 19 | 2753752 | 1 | Hose | |
| 20 | 2753582 | 1 | Hose | |
| 21 | 2753756 | 1 | Hose | |
| 22 | 2753747 | 1 | Hose | |
| 23 | 2753757 | 2 | Hose | |
| 24 | 2753748 | 1 | Hose | |
| 25 | 2753759 | 2 | Hose | |
| 26 | 2753760 | 1 | Hose | |
| 27 | 2753749 | 1 | Hose | |
| 28 | 2753761 | 1 | Hose | |
| 29 | 2753750 | 1 | Hose | |
| 30 | 2753762 | 1 | Hose | |

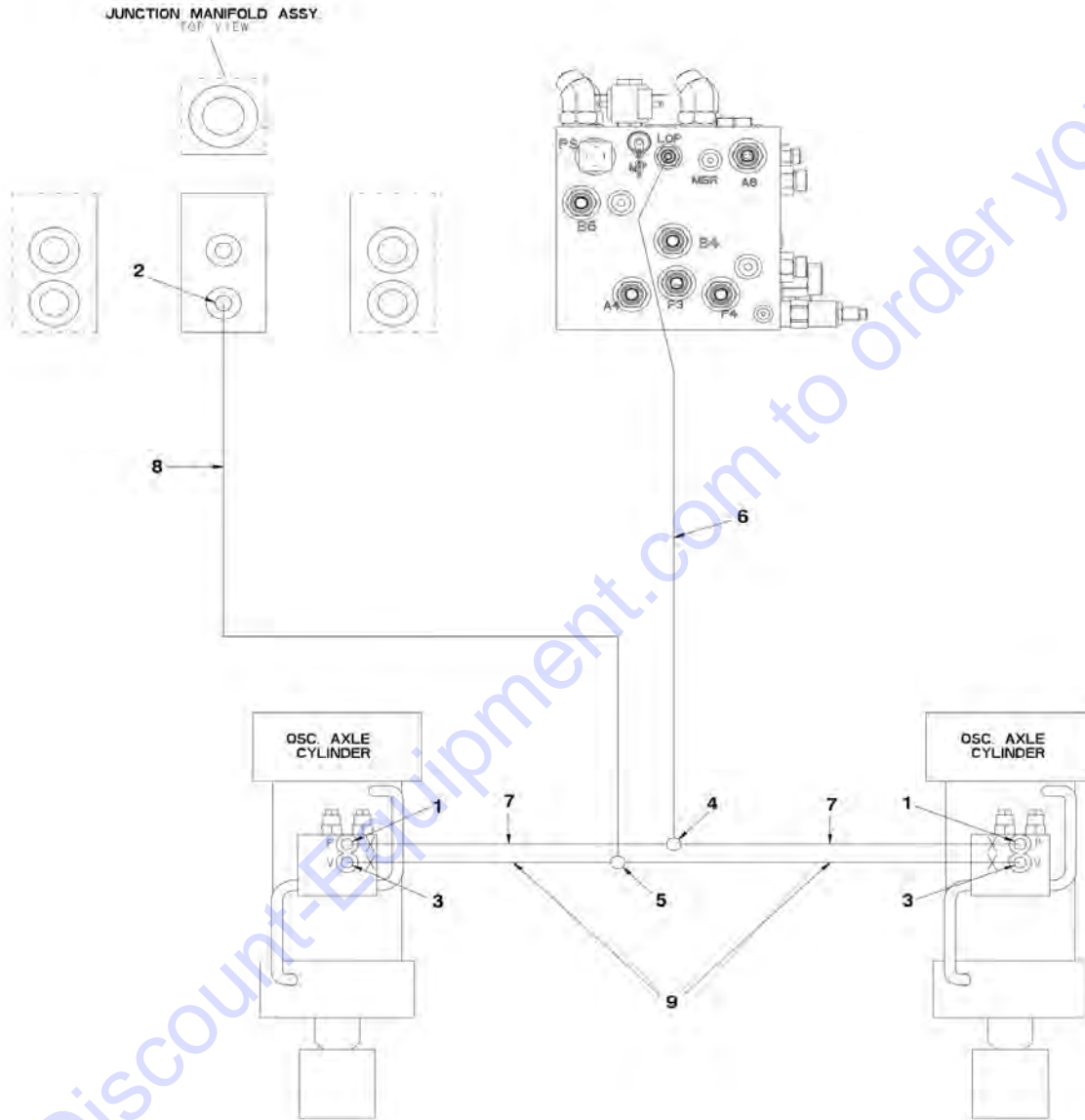
SECTION 6 - HYDRAULIC

| ITEM | PART NUMBER | QTY | DESCRIPTION | REV |
|------|-------------|-----|--|-----|
| 31 | 2110812 | 1 | Fitting, Straight (SN 0300100131 through 0300201016) | |

Go to Discount-Equipment.com to order your parts

SECTION 6 - HYDRAULIC

FIGURE 6-2. HYDRAULIC DIAGRAM - OSCILLATING AXLE



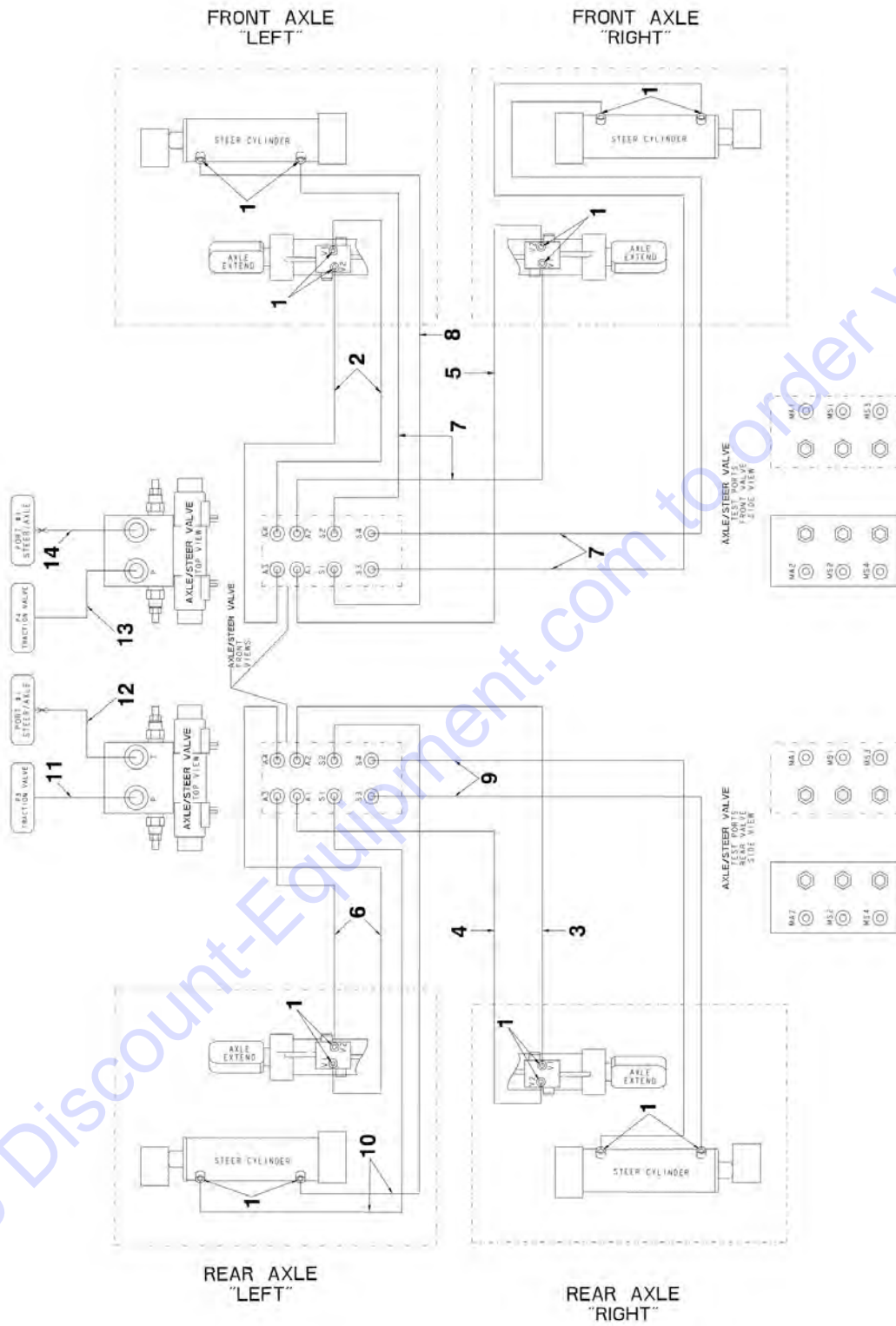
SECTION 6 - HYDRAULIC

FIGURE 6-2. HYDRAULIC DIAGRAM - OSCILLATING AXLE

| ITEM | PART NUMBER | QTY | DESCRIPTION | REV |
|------|-------------|-----|---|-----|
| | | Ref | HYDRAULIC DIAGRAM - OSCILLATING AXLES | |
| | 1283457 | Ref | Hydraulic Diagram for Caterpillar Engine Machines with Rexroth Pumps | G |
| | 1283457 | Ref | Hydraulic Diagram for Deutz BF4M2011 & TD2011 Engine Machines with Rexroth Pumps | G |
| | 1001152971 | Ref | Hydraulic Diagram for Deutz TCD2.9L4 Engine Machines with Rexroth Pumps | A |
| | 2792647 | Ref | All Machines | 4 |
| | 1001118859 | Ref | Hydraulic Diagram for Machines with Sauer Pumps | C |
| | 2792647 | Ref | All Machines | 4 |
| 1 | 2110406 | 2 | Fitting, Straight | |
| 2 | 2110604 | 1 | Fitting, Straight | |
| 3 | 2110606 | 2 | Fitting, Straight | |
| 4 | 2170504 | 1 | Fitting, Tee | |
| 5 | 2170506 | 1 | Fitting, Tee | |
| 6 | 2753726 | 1 | Hose | |
| 7 | 2753719 | 2 | Hose | |
| 8 | 2753727 | 1 | Hose | |
| 9 | 2753729 | 2 | Hose | |
| | 2902480 | 1 | Kit, Hose (Includes Items 6-9) (SN 0300089069 through 0300096239) | |

SECTION 6 - HYDRAULIC

FIGURE 6-3. HYDRAULIC DIAGRAM - STEER



Go to Discount-Equipment.com to order your parts

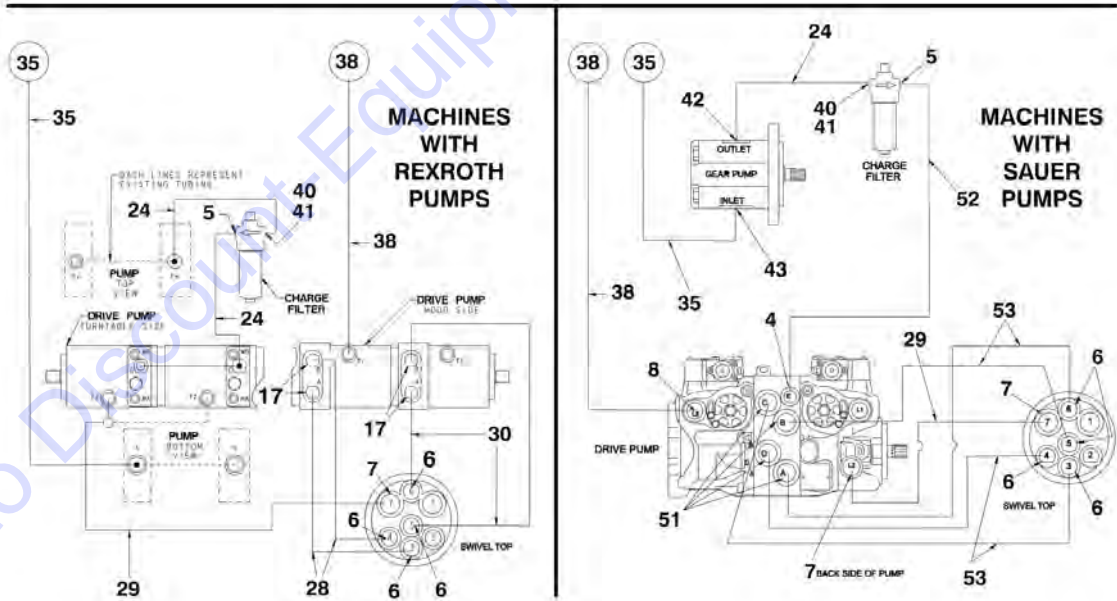
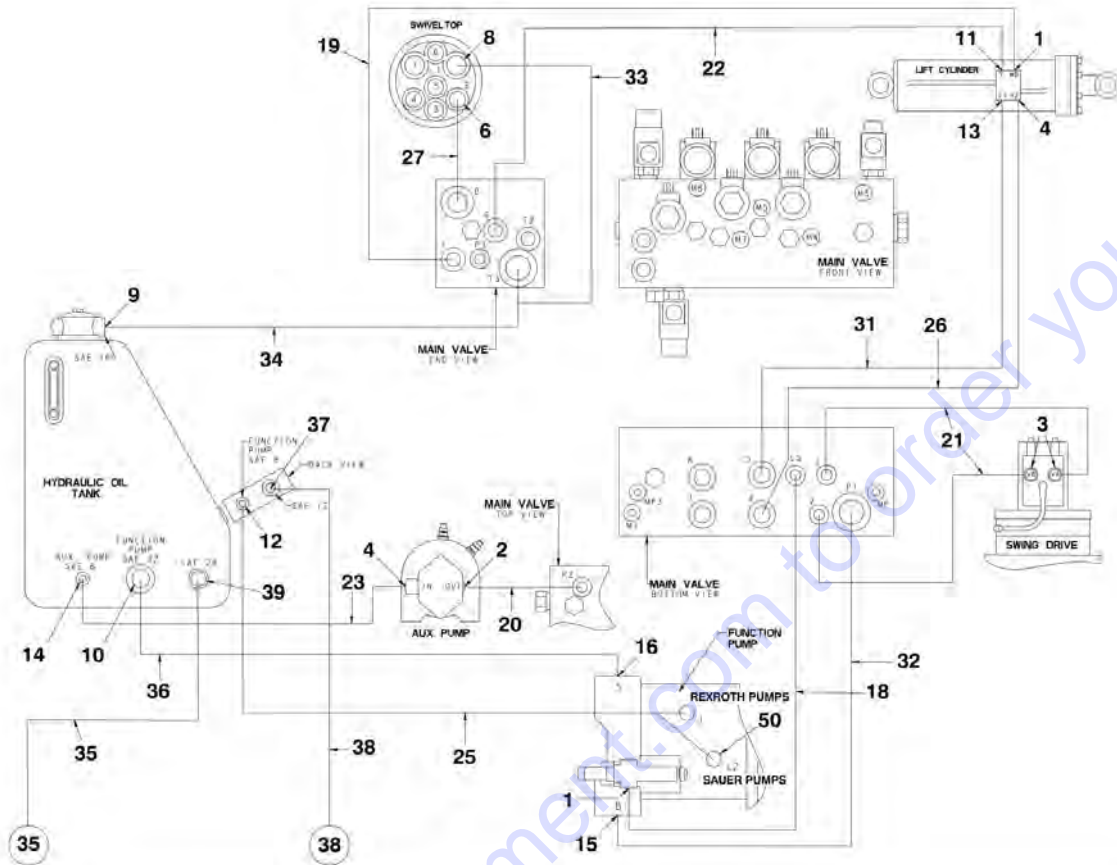
SECTION 6 - HYDRAULIC

FIGURE 6-3. HYDRAULIC DIAGRAM - STEER

| ITEM | PART NUMBER | QTY | DESCRIPTION | REV |
|------|-------------|-----|---|-----|
| | | Ref | HYDRAULIC DIAGRAM - STEER | |
| | 1283457 | Ref | Hydraulic Diagram for Caterpillar Engine Machines with Rexroth Pumps | G |
| | 1283457 | Ref | Hydraulic Diagram for Deutz BF4M2011 & TD2011 Engine Machines with Rexroth Pumps | G |
| | 1001152971 | Ref | Hydraulic Diagram for Deutz TCD2.9L4 Engine Machines with Rexroth Pumps | A |
| | 2792773 | Ref | All Machines | 2 |
| | 1001118859 | Ref | Hydraulic Diagram for Machines with Sauer Pumps | C |
| | 2792773 | Ref | All Machines | 2 |
| 1 | 2130606 | 16 | Fitting, Elbow | |
| 2 | 2753732 | 2 | Hose | |
| 3 | 2753733 | 1 | Hose | |
| 4 | 2753728 | 1 | Hose | |
| 5 | 2753734 | 1 | Hose | |
| 6 | 2753735 | 2 | Hose | |
| 7 | 2753736 | 4 | Hose | |
| 8 | 2753737 | 1 | Hose | |
| 9 | 2753738 | 2 | Hose | |
| 10 | 2753739 | 2 | Hose | |
| 11 | 2753753 | 1 | Hose | |
| 12 | 2753742 | 1 | Hose | |
| 13 | 2753754 | 1 | Hose | |
| 14 | 2753743 | 1 | Hose | |

SECTION 6 - HYDRAULIC

FIGURE 6-4. HYDRAULIC DIAGRAM - TURNTABLE



SECTION 6 - HYDRAULIC

FIGURE 6-4. HYDRAULIC DIAGRAM - TURNTABLE

| ITEM | PART NUMBER | QTY | DESCRIPTION | REV |
|------|-------------|-----|---|-----|
| | | Ref | Hydraulic Diagram - Turntable | |
| | 1283457 | Ref | Hydraulic Diagram for Caterpillar Engine Machines with Rexroth Pumps | G |
| | 1283457 | Ref | Hydraulic Diagram for Deutz BF4M2011 & TD2011 Engine Machines with Rexroth Pumps | G |
| | 1001152971 | Ref | Hydraulic Diagram for Deutz TCD2.9L4 Engine Machines with Rexroth Pumps | A |
| | 2792715 | Ref | Caterpillar, Deutz BF4M2011 & TD2011 Engine (SN 0301001310 through 0300139322) | 5 |
| | 1001114620 | Ref | Caterpillar, Deutz BF4M2011 & TD2011 Engine (SN 0300139323 through 0300201016) | 2 |
| | 1001152968 | Ref | Deutz TCD2.9L4 Engine Machines | A |
| | 1001118859 | Ref | Hydraulic Diagram with Sauer Pumps (SN 0300139323 through 0300201016) | C |
| | 1001118869 | Ref | All Machines | 4 |
| 1 | 2110404 | AR | Fitting, Straight | |
| 2 | 2110608 | 1 | Fitting, Straight | |
| 3 | 2110610 | 2 | Fitting, Straight | |
| 4 | 2110810 | AR | Fitting, Straight | |
| 5 | | Ref | Fitting Options: | |
| 5 | 2110812 | 1 | Fitting, Straight (Rexroth Pumps) | |
| 5 | 2130812 | 1 | Fitting, Elbow (Sauer Pumps) | |
| 6 | 2111010 | 5 | Fitting, Straight | |
| 7 | 2111012 | AR | Fitting, Straight | |
| 8 | 2111212 | AR | Fitting, Straight | |
| 9 | 2111616 | 1 | Fitting, Straight | |
| 10 | 2113232 | 1 | Fitting, Straight | |
| 11 | 2130606 | 1 | Fitting, Elbow | |
| 12 | 2130808 | 1 | Fitting, Elbow | |
| 13 | 2131010 | 1 | Fitting, Elbow | |
| 14 | 2150808 | 1 | Fitting, Elbow | |
| 15 | 2220478 | 1 | Flange Kit | |
| 16 | | Ref | Flange Kit Options: | |
| 16 | 2220737 | 1 | Flange Kit (Rexroth Pumps) | |
| 16 | 1001110604 | 1 | Flange Kit (Sauer Pumps) | |
| 17 | 2221117 | 4 | Flange Kit (Rexroth Pumps) | |
| 18 | | Ref | Hose Options: | |
| 18 | 2753622 | 1 | Hose (Rexroth Pumps) | |
| 18 | 1001118932 | 1 | Hose (Sauer Pumps) | |
| 19 | 2753718 | 1 | Hose | |
| 20 | 2753730 | 1 | Hose | |
| 21 | 2753731 | 2 | Hose | |
| 22 | 2753734 | 1 | Hose | |
| 23 | 2753758 | 1 | Hose | |
| 24 | 2753746 | AR | Hose | |
| 25 | | Ref | Hose Options: | |
| 25 | 2753741 | 1 | Hose (Rexroth Pumps) | |
| 25 | 1001118934 | 1 | Hose (Sauer Pumps) | |
| 26 | 2753744 | 1 | Hose | |
| 27 | 2753766 | 1 | Hose | |
| 28 | 2753769 | 2 | Hose (Rexroth Pumps) | |

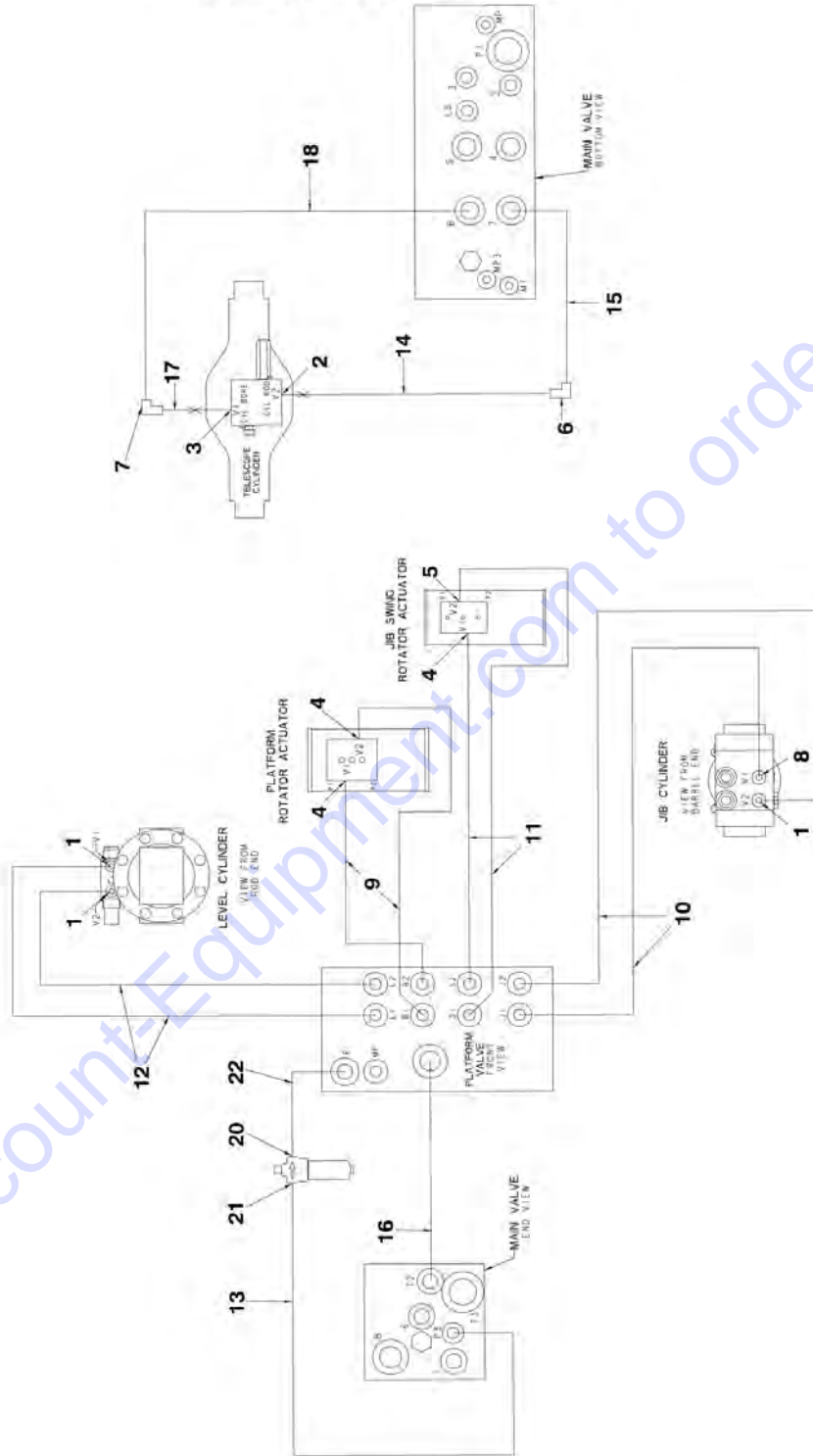
SECTION 6 - HYDRAULIC

| ITEM | PART NUMBER | QTY | DESCRIPTION | REV |
|------|-------------|-----|--|-----|
| 29 | 2753708 | 1 | Hose | |
| 30 | 2753770 | 2 | Hose (Rexroth Pumps) | |
| 31 | 2753765 | 1 | Hose | |
| 32 | 2753771 | 1 | Hose | |
| 33 | 2753772 | 1 | Hose | |
| 34 | 2753774 | 1 | Hose | |
| 35 | | Ref | Hose Options: | |
| 35 | 2753775 | 1 | Caterpillar Engine Machines with Rexroth Pumps | |
| 35 | 2753775 | 1 | Deutz BF4M2011 & TD2011 Engine Machines with Rexroth Pumps | |
| 35 | 1001152966 | 1 | Deutz TCD2.9L4 Engine Machines with Rexroth Pumps | |
| 35 | 1001119817 | 1 | Machines with Sauer Pumps | |
| 36 | | Ref | Hose Options: | |
| 36 | 2753776 | 1 | Hose (Rexroth Pumps) | |
| 36 | 1001118935 | 1 | Hose (Sauer Pumps) | |
| 37 | | Ref | Fitting, Elbow Options: | |
| 37 | 2131212 | 1 | Fitting, Elbow (Rexroth Pumps) | |
| 37 | 2131612 | 1 | Fitting, Elbow (Sauer Pumps) | |
| 38 | | Ref | Hose Options: | |
| 38 | 2753773 | 1 | Hose (Rexroth Pumps) | |
| 38 | 1001119138 | 1 | Hose (Sauer Pumps) | |
| 39 | 2112020 | 1 | Fitting, Straight | |
| 40 | | Ref | Fitting, Straight Options: | |
| 40 | 2170308 | 1 | Fitting, Straight (Prior to SN 0300139323) | |
| 40 | 2221084 | 1 | Fitting, Tee (SN 0300139323 through 0300201016) | |
| 41 | 2170908 | 1 | Fitting, Cap | |
| 42 | 2110812 | 1 | Fitting, Straight (Sauer Pumps) | |
| 43 | 2112016 | 1 | Fitting, Straight (Sauer Pumps) | |
| 44 | 2130404 | 1 | Fitting, Elbow (Sauer Pumps) | |
| 50 | 2130810 | 1 | Fitting, Elbow (Sauer Pumps) | |
| 51 | 2111016 | 4 | Fitting, Straight (Sauer Pumps) | |
| 52 | 1001118933 | 1 | Hose (Sauer Pumps) | |
| 53 | 1001109468 | 4 | Hose (Sauer Pumps) | |

SECTION 6 - HYDRAULIC

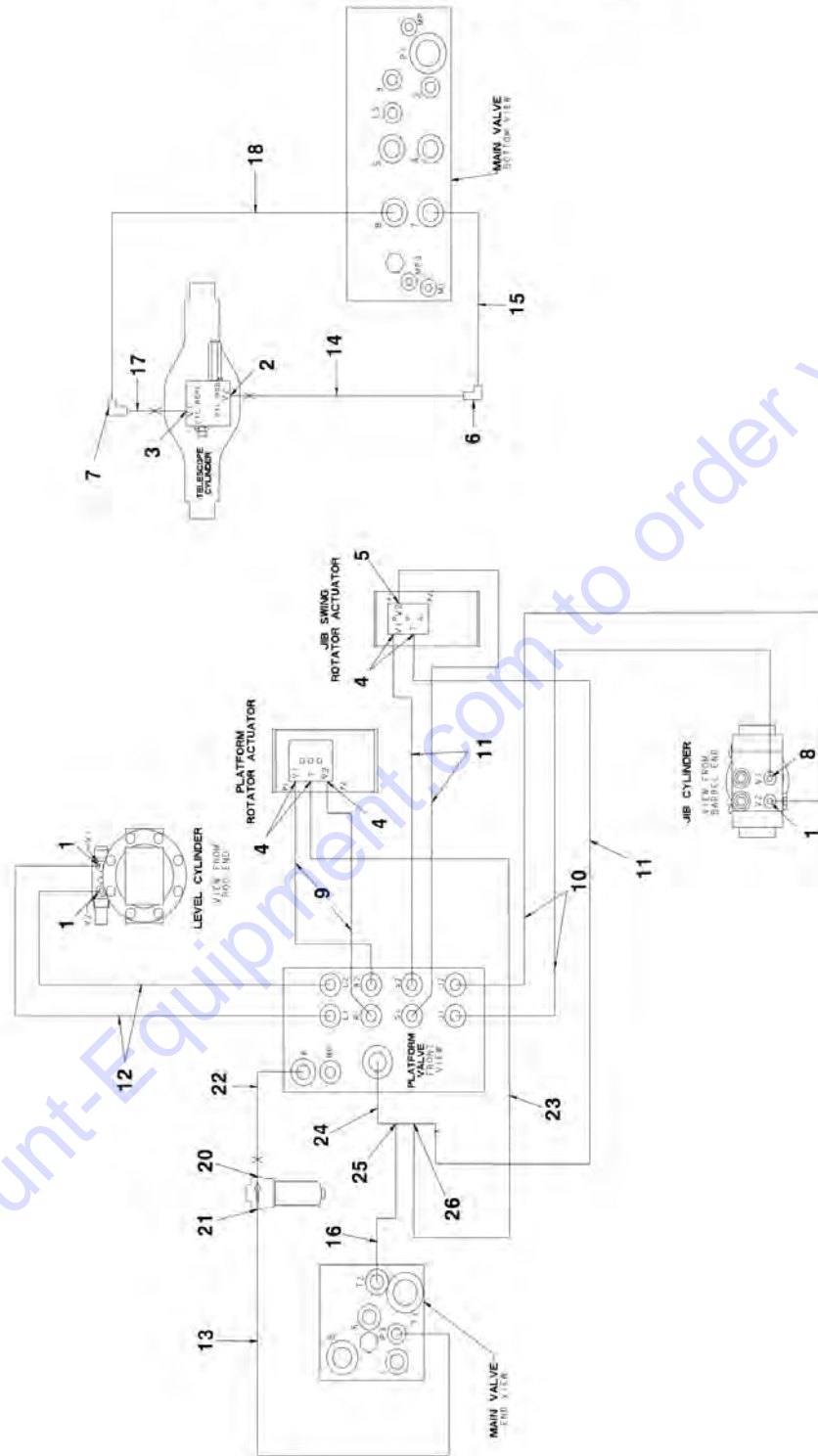
FIGURE 6-5. HYDRAULIC DIAGRAM - BOOM

PRIOR TO SN 0300119707



SECTION 6 - HYDRAULIC

SN 0300119707 THROUGH 0300201016



SECTION 6 - HYDRAULIC

FIGURE 6-5. HYDRAULIC DIAGRAM - BOOM

| ITEM | PART NUMBER | QTY | DESCRIPTION | REV |
|------|-------------|-----|--|-----|
| | | Ref | HYDRAULIC DIAGRAMS - BOOM OPTIONS: | |
| | 1283457 | Ref | Hydraulic Diagram for Caterpillar Engine Machines with Rexroth Pumps | G |
| | 1283457 | Ref | Hydraulic Diagram for Deutz BF4M2011 & TD2011 Engine Machines with Rexroth Pumps | G |
| | 1001152971 | Ref | Hydraulic Diagram for Deutz TCD2.9L4 Engine Machines with Rexroth Pumps | A |
| | | Ref | Hydraulic Diagrams - Boom 1200SJP | |
| | 2792625 | Ref | Hydraulic Diagrams - Boom (with 2-Port Design Rotators) (Prior to SN 0300119707) | 5 |
| | 1001098025 | Ref | Hydraulic Diagrams - Boom (with 3-Port Design Rotators) (SN 0300119707 through 0300201016) | 3 |
| | | Ref | Hydraulic Diagrams - Boom 1350SJP | |
| | 2792626 | Ref | Hydraulic Diagrams - Boom (with 2-Port Design Rotators) (Prior to SN 0300119707) | 5 |
| | 1001098026 | Ref | Hydraulic Diagrams - Boom (with 3-Port Design Rotators) (SN 0300119707 through 0300201016) | 3 |
| | 1001118859 | Ref | Hydraulic Diagram (Sauer Pumps) | C |
| | | Ref | Hydraulic Diagrams - Boom 1200SJP | |
| | 2792625 | Ref | Hydraulic Diagrams - Boom (with 2-Port Design Rotators) (Prior to SN 0300119707) | 5 |
| | 1001098025 | Ref | Hydraulic Diagrams - Boom (with 3-Port Design Rotators) (SN 0300119707 through 0300201016) | 3 |
| | | Ref | Hydraulic Diagrams - Boom 1350SJP | |
| | 2792626 | Ref | Hydraulic Diagrams - Boom (with 2-Port Design Rotators) (Prior to SN 0300119707) | 5 |
| | 1001098026 | Ref | Hydraulic Diagrams - Boom (with 3-Port Design Rotators) (SN 0300119707 through 0300201016) | 3 |
| 1 | 2110404 | 3 | Fitting, Straight | |
| 2 | 2110808 | 1 | Fitting, Straight | |
| 3 | 2111010 | 1 | Fitting, Straight | |
| 4 | 2150404 | Ref | Fitting, Elbow | |
| 4 | 2150404 | 3 | Fitting, Elbow (Prior to SN 03000119707) | |
| 4 | 2150404 | 5 | Fitting, Elbow (SN 03000119707 through 0300201016) | |
| 5 | 2170204 | 1 | Fitting, Elbow | |
| 6 | 2171208 | 1 | Fitting, Elbow | |
| 7 | 2171210 | 1 | Fitting, Elbow | |
| 8 | 2180830 | 1 | Fitting, Orifice | |
| 9 | 2753545 | 2 | Hose | |
| 10 | 2753717 | 2 | Hose | |
| 11 | 2753716 | Ref | Hose | |
| 11 | 2753716 | 2 | Hose (Prior to SN 03000119707) | |
| 11 | 2753716 | 3 | Hose (SN 03000119707 through 0300201016) | |
| 12 | 2753552 | 2 | Hose | |
| 13 | | Ref | Hose Options: | |
| 13 | 2753810 | | Hose 1200SJP | |
| 13 | 2753740 | | Hose 1350SJP | |
| 14 | 2753745 | 1 | Hose | |
| 15 | 2753755 | 1 | Hose | |
| 16 | | Ref | Hose Options: | |
| 16 | 2753811 | | Hose 1200SJP | |
| 16 | 2753751 | | Hose 1350SJP | |

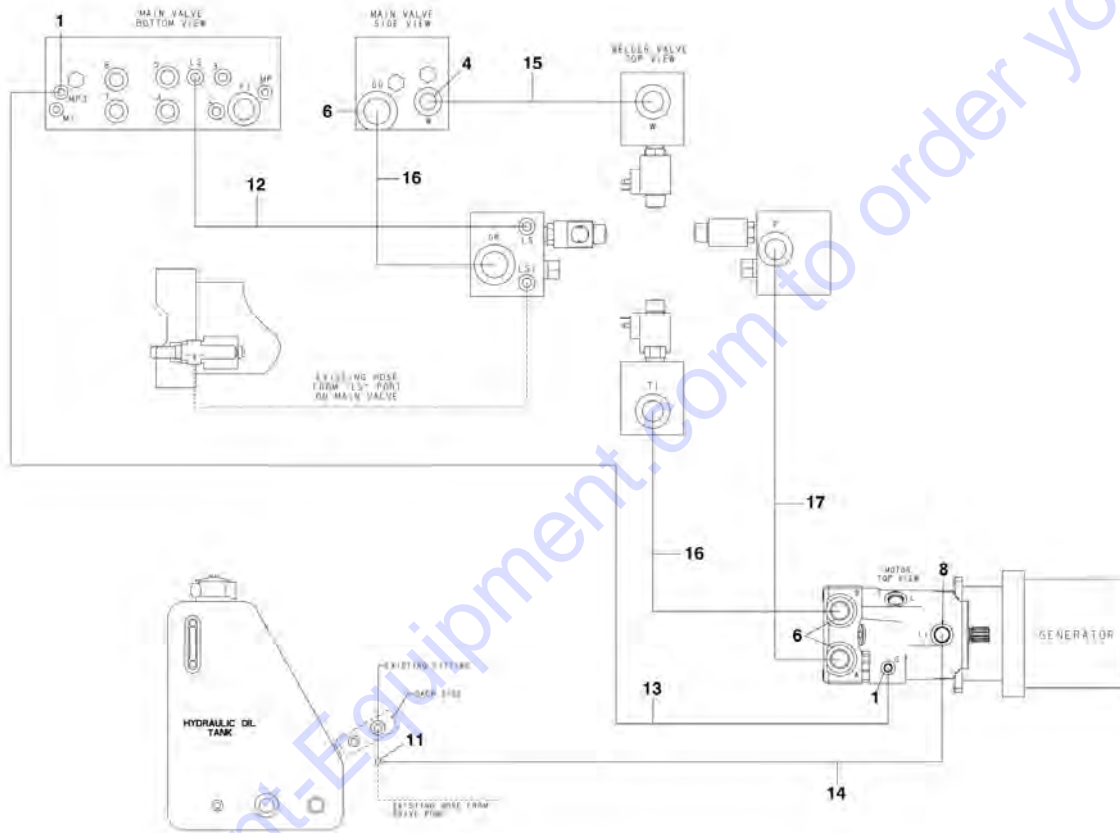
SECTION 6 - HYDRAULIC

| ITEM | PART NUMBER | QTY | DESCRIPTION | REV |
|------|-------------|-----|---|-----|
| 17 | 2753763 | 1 | Hose | |
| 18 | 2753767 | 1 | Hose | |
| 20 | 2110612 | 1 | Fitting, Straight (SN 0300092150 through 0300201016) | |
| 21 | 2130612 | 1 | Fitting, Elbow (SN 0300092150 through 0300201016) | |
| 22 | 2717059 | 1 | Hose (SN 0300092150 through 0300201016) | |
| 23 | 2754288 | 1 | Hose (SN 0300119707 through 0300201016) | |
| 24 | 2170708 | 1 | Fitting, Tee (SN 0300119707 through 0300201016) | |
| 25 | 1001097820 | 1 | Fitting, Straight (SN 0300119707 through 0300201016) | |
| 26 | 2170704 | 1 | Fitting, Tee (SN 0300119707 through 0300201016) | |
| | | Ref | Kit, Hose Options: | |
| | | Ref | Kit, Hose (Includes Items 13, 14, 16 & 17) (SN 0300088388 through 0300119706) | |
| | 2902465 | 1 | Kit, Hose 1200SJP | |
| | 2902466 | 1 | Kit, Hose 1350SJP | |
| | | Ref | Kit, Hose (Includes Items 13, 14, 16, 17) (SN 0300119707 through 0300201016) | |
| | 1001098242 | 1 | Kit, Hose 1200SJP | |
| | 1001098243 | 1 | Kit, Hose 1350SJP | |

Go to Discount-Equipment.com to order your parts

SECTION 6 - HYDRAULIC

FIGURE 6-6. HYDRAULIC DIAGRAM - 7500W GENERATOR (Prior to SN 0300080338)



SECTION 6 - HYDRAULIC

FIGURE 6-6. HYDRAULIC DIAGRAM - 7500W GENERATOR (Prior to SN 0300080338)

| ITEM | PART NUMBER | QTY | DESCRIPTION | REV |
|------|-------------|-----|--|-----|
| | 2792568 | Ref | HYDRAULIC DIAGRAM - 7500W GENERATOR | 4-C |
| | | Ref | Note: Machines Built Use Belt Driven Generator Instead of Hydraulic Drive Generator. (SN 0300080338 through 0300201016) | |
| 1 | 2110404 | 2 | Fitting, Straight | |
| 4 | 2151012 | 1 | Fitting, Elbow | |
| 6 | 2111216 | 3 | Fitting, Straight | |
| 8 | 2130810 | 1 | Fitting, Elbow | |
| 11 | 2170712 | 1 | Fitting, Tee | |
| 12 | 2753539 | 1 | Hose | |
| 13 | 2753862 | 1 | Hose | |
| 14 | 2753861 | 1 | Hose | |
| 15 | 2753863 | 1 | Hose | |
| 16 | 2753842 | 2 | Hose | |
| 17 | 2753850 | 1 | Hose | |

Go to Discount-Equipment.com to order your parts

SECTION 6 - HYDRAULIC

FIGURE 6-7. HYDRAULIC DIAGRAM LIST

| ITEM | PART NUMBER | QTY | DESCRIPTION | REV |
|------|-------------|-----|--|-----|
| | | Ref | Note: Information on diagrams not shown is available from Discount-equipment.com. | |
| | | Ref | Hydraulic Diagram - Boom (1200SJP) Options: | |
| | 1283308 | Ref | Hydraulic Diagram for Caterpillar Engine Machines with Rexroth Pumps (Prior to SN 0300074357) | |
| | 1283308 | Ref | Hydraulic Diagram for Deutz BF4M2011 & TD2011 Engine Machines with Rexroth Pumps (Prior to SN 0300074357) | |
| | 1283374 | Ref | Hydraulic Diagram for Caterpillar Engine Machines with Rexroth Pumps (SN 0300074357 through 0300100130) | |
| | 1283374 | Ref | Hydraulic Diagram for Deutz BF4M2011 & TD2011 Engine Machines with Rexroth Pumps (SN 0300074357 through 0300100130) | |
| | 1283457 | Ref | Hydraulic Diagram for Caterpillar Engine Machines with Rexroth Pumps (SN 0300100131 through 0300201016) | |
| | 1283457 | Ref | Hydraulic Diagram for Deutz BF4M2011 & TD2011 Engine Machines with Rexroth Pumps (SN 0300100131 through 0300201016) | |
| | 1001152971 | Ref | Hydraulic Diagram for Deutz TCD2.9L4 Engine Machines with Rexroth Pumps | |
| | 2792561 | Ref | Hydraulic Diagram - Boom (Prior to SN 0300074357) | |
| | 2792625 | Ref | Hydraulic Diagram - Boom (SN 0300074357 through 0300100130) | |
| | 2792625 | Ref | Hydraulic Diagram - Boom (SN 0300100131 through 0300119706) | |
| | 1001098025 | Ref | Hydraulic Diagram - Boom (SN 0300119707 through 0300201016) | |
| | 1001118859 | Ref | Hydraulic Diagram (Sauer Pumps) | |
| | 1001098025 | Ref | Hydraulic Diagram - Boom (SN 0300119707 through 0300201016) | |
| | | Ref | Hydraulic Diagram - Boom (1350SJP) Options: | |
| | 1283308 | Ref | Hydraulic Diagram for Caterpillar Engine Machines with Rexroth Pumps (Prior to SN 0300074357) | |
| | 1283308 | Ref | Hydraulic Diagram for Deutz BF4M2011 & TD2011 Engine Machines with Rexroth Pumps (Prior to SN 0300074357) | |
| | 1283374 | Ref | Hydraulic Diagram for Caterpillar Engine Machines with Rexroth Pumps (SN 0300074357 through 0300100130) | |
| | 1283374 | Ref | Hydraulic Diagram for Deutz BF4M2011 & TD2011 Engine Machines with Rexroth Pumps (SN 0300074357 through 0300100130) | |
| | 1283457 | Ref | Hydraulic Diagram for Caterpillar Engine Machines with Rexroth Pumps (SN 0300100131 through 0300201016) | |
| | 1283457 | Ref | Hydraulic Diagram for Deutz BF4M2011 & TD2011 Engine Machines with Rexroth Pumps (SN 0300100131 through 0300201016) | |
| | 1001152971 | Ref | Hydraulic Diagram for Deutz TCD2.9L4 Engine Machines with Rexroth Pumps | |
| | 2792557 | Ref | Hydraulic Diagram - Boom (Prior to SN 0300074357) | |
| | 2792626 | Ref | Hydraulic Diagram - Boom (SN 0300074357 through 0300100130) | |
| | 2792626 | Ref | Hydraulic Diagram - Boom (SN 0300100131 through 0300119706) | |
| | 1001098026 | Ref | Hydraulic Diagram - Boom (SN 0300119707 through 0300201016) | |
| | 1001118859 | Ref | Hydraulic Diagram (Sauer Pumps) | |

SECTION 6 - HYDRAULIC

| ITEM | PART NUMBER | QTY | DESCRIPTION | REV |
|------|-------------|-----|---|-----|
| | 1001098026 | Ref | Hydraulic Diagram - Boom (SN 0300119707 through 0300201016) | |
| | | Ref | Hydraulic Diagram - Drive Options: | |
| | 1283308 | Ref | Hydraulic Diagram for Caterpillar Engine Machines with Rexroth Pumps (Prior to SN 0300074357) | |
| | 1283308 | Ref | Hydraulic Diagram for Deutz BF4M2011 & TD2011 Engine Machines with Rexroth Pumps (Prior to SN 0300074357) | |
| | 1283374 | Ref | Hydraulic Diagram for Caterpillar Engine Machines with Rexroth Pumps (SN 0300074357 through 0300100130) | |
| | 1283374 | Ref | Hydraulic Diagram for Deutz BF4M2011 & TD2011 Engine Machines with Rexroth Pumps (SN 0300074357 through 0300100130) | |
| | 1283457 | Ref | Hydraulic Diagram for Caterpillar Engine Machines with Rexroth Pumps (SN 0300100131 through 0300201016) | |
| | 1283457 | Ref | Hydraulic Diagram for Deutz BF4M2011 & TD2011 Engine Machines with Rexroth Pumps (SN 0300100131 through 0300201016) | |
| | 1001152971 | Ref | Hydraulic Diagram for Deutz TCD2.9L4 Engine Machines with Rexroth Pumps | |
| | 2792558 | Ref | Hydraulic Diagram - Drive (Prior to SN 0300074357) | |
| | 2792645 | Ref | Hydraulic Diagram - Drive (SN 0300074357 through 0300100130) | |
| | 2792772 | Ref | Hydraulic Diagram - Drive (SN 0300100131 through 0300201016) | |
| | 1001118859 | Ref | Hydraulic Diagram for Machines with Sauer Pumps | |
| | 2792772 | Ref | All Machines | |
| | | Ref | Hydraulic Diagram - Oscillating Axle Options: | |
| | 1283308 | Ref | Hydraulic Diagram for Caterpillar Engine Machines with Rexroth Pumps (Prior to SN 0300074357) | |
| | 1283308 | Ref | Hydraulic Diagram for Deutz BF4M2011 & TD2011 Engine Machines with Rexroth Pumps (Prior to SN 0300074357) | |
| | 1283374 | Ref | Hydraulic Diagram for Caterpillar Engine Machines with Rexroth Pumps (SN 0300074357 through 0300100130) | |
| | 1283374 | Ref | Hydraulic Diagram for Deutz BF4M2011 & TD2011 Engine Machines with Rexroth Pumps (SN 0300074357 through 0300100130) | |
| | 1283457 | Ref | Hydraulic Diagram for Caterpillar Engine Machines with Rexroth Pumps (SN 0300100131 through 0300201016) | |
| | 1283457 | Ref | Hydraulic Diagram for Deutz BF4M2011 & TD2011 Engine Machines with Rexroth Pumps (SN 0300100131 through 0300201016) | |
| | 1001152971 | Ref | Hydraulic Diagram for Deutz TCD2.9L4 Engine Machines with Rexroth Pumps | |
| | 2792559 | Ref | Hydraulic Diagram - Oscillating Axle (Prior to SN 0300074357) | |
| | 2792647 | Ref | Hydraulic Diagram - Oscillating Axle (SN 0300074357 through 0300100130) | |
| | 2792647 | Ref | Hydraulic Diagram - Oscillating Axle (SN 0300100131 through 0300201016) | |
| | 1001118859 | Ref | Hydraulic Diagram for Machines with Sauer Pumps (SN 0300100131 through 0300201016) | |
| | 2792647 | Ref | All Machines | |
| | | Ref | Hydraulic Diagram - Steer Options: | |
| | 1283308 | Ref | Hydraulic Diagram for Caterpillar Engine Machines with Rexroth Pumps (Prior to SN 0300074357) | |
| | 1283308 | Ref | Hydraulic Diagram for Deutz BF4M2011 & TD2011 Engine Machines with Rexroth Pumps (Prior to SN 0300074357) | |

SECTION 6 - HYDRAULIC

| ITEM | PART NUMBER | QTY | DESCRIPTION | REV |
|------|-------------|-----|---|-----|
| | 1283374 | Ref | Hydraulic Diagram for Caterpillar Engine Machines with Rexroth Pumps (SN 0300074357 through 0300100130) | |
| | 1283374 | Ref | Hydraulic Diagram for Deutz BF4M2011 & TD2011 Engine Machines with Rexroth Pumps (SN 0300074357 through 0300100130) | |
| | 1283457 | Ref | Hydraulic Diagram for Caterpillar Engine Machines with Rexroth Pumps (SN 0300100131 through 0300201016) | |
| | 1283457 | Ref | Hydraulic Diagram for Deutz BF4M2011 & TD2011 Engine Machines with Rexroth Pumps (SN 0300100131 through 0300201016) | |
| | 1001152971 | Ref | Hydraulic Diagram for Deutz TCD2.9L4 Engine Machines with Rexroth Pumps | |
| | 2792560 | Ref | Hydraulic Diagram - Steer (Prior to SN 0300074357) | |
| | 2792646 | Ref | Hydraulic Diagram - Steer (SN 0300074357 through 0300100130) | |
| | 2792773 | Ref | Hydraulic Diagram - Steer (SN 0300100131 through 0300201016) | |
| | 1001118859 | Ref | Hydraulic Diagram for Machines with Sauer Pumps (SN 0300100131 through 0300201016) | |
| | 2792773 | Ref | All Machines | |
| | | Ref | Hydraulic Diagram - Turntable Options: | |
| | 1283308 | Ref | Hydraulic Diagram for Caterpillar Engine Machines with Rexroth Pumps (Prior to SN 0300074357) | |
| | 1283308 | Ref | Hydraulic Diagram for Deutz BF4M2011 & TD2011 Engine Machines with Rexroth Pumps (Prior to SN 0300074357) | |
| | 1283374 | Ref | Hydraulic Diagram for Caterpillar Engine Machines with Rexroth Pumps (SN 0300074357 through 0300100130) | |
| | 1283374 | Ref | Hydraulic Diagram for Deutz BF4M2011 & TD2011 Engine Machines with Rexroth Pumps (SN 0300074357 through 0300100130) | |
| | 1283457 | Ref | Hydraulic Diagram for Caterpillar Engine Machines with Rexroth Pumps (SN 0300100131 through 0300201016) | |
| | 1283457 | Ref | Hydraulic Diagram for Deutz BF4M2011 & TD2011 Engine Machines with Rexroth Pumps (SN 0300100131 through 0300201016) | |
| | 1001152971 | Ref | Hydraulic Diagram for Deutz TCD2.9L4 Engine Machines with Rexroth Pumps | |
| | 2792561 | Ref | Hydraulic Diagram - Turntable (1200SJP Only) (Prior to SN 0300074357) | |
| | 2792557 | Ref | Hydraulic Diagram - Turntable (1350SJP Only) (Prior to SN 0300074357) | |
| | 2792644 | Ref | Hydraulic Diagram - Turntable (SN 0300074357 through 0300085708) | |
| | 2792715 | Ref | Hydraulic Diagram - Turntable (SN 0300085709 through 0300100130) | |
| | 2792715 | Ref | Hydraulic Diagram - Turntable (SN 0300100131 through 0300139322) | |
| | 1001114620 | Ref | Hydraulic Diagram - Turntable (Caterpillar Engines) (SN 0300139323 through 0300201016) | |
| | 1001114620 | Ref | Hydraulic Diagram - Turntable (Deutz BF4M2011 & TD2011 Engines) (SN 0300139323 through 0300201016) | |
| | 1001152968 | Ref | Hydraulic Diagram - Turntable (Deutz TCD2.9L4 Engines) (SN 0300139323 through 0300201016) | |
| | 1001118859 | Ref | Hydraulic Diagram for Machines with Rexroth Pumps | |
| | 1001118869 | Ref | with Sauer Pumps (SN 0300139323 through 0300201016) | |
| | 2792565 | Ref | Hydraulic Diagram - Welder | |
| | | Ref | Hydraulic Schematic - Oil Cooler Options: | |

SECTION 6 - HYDRAULIC

| ITEM | PART NUMBER | QTY | DESCRIPTION | REV |
|------|-------------|-----|--|-----|
| | 0272080 | Ref | Deutz Machines with Rexroth Pumps | |
| | 1001118957 | Ref | Deutz Machines with Sauer Pumps | |
| | 1001119859 | Ref | Caterpillar Machines with Rexroth Pumps | |
| | | Ref | Hydraulic Schematic - Standard Options: | |
| | 2792527 | Ref | Hydraulic Schematic - Standard (Prior to SN 0300100131) | |
| | 2792771 | Ref | Hydraulic Schematic - Standard (SN 0300100131 through 0300139322) | |
| | 1001110749 | Ref | Hydraulic Schematic - Standard (SN 0300139323 through 0300201016) | |
| | 2792568 | Ref | Hydraulic Diagram - 7500W Generator (Prior to SN 0300080338) | |

Go to Discount-Equipment.com to order your parts

SECTION 7 - ELECTRICAL

Go to Discount-Equipment.com to order your parts

SECTION 7 - ELECTRICAL

FIGURE 7-1. ELECTRICAL DIAGRAM LIST

| ITEM | PART NUMBER | QTY | DESCRIPTION | REV |
|------|-------------|-----|--|-----|
| | | Ref | Note: Diagrams not shown are available from Discount-equipment.com. | |
| | 4933262 | Ref | CHASSIS ILLUMINATION LIGHTS ELECTRICAL DIAGRAM | |
| | 1001102417 | Ref | CLEAR SKY TELEMATICS ELECTRICAL SCHEMATICS COLD | |
| | 0272066 | Ref | WEATHER KIT WITH ETHER WIRING DIAGRAM | |
| | 0272068 | Ref | COLD WEATHER KIT WITH ETHER WIRING DIAGRAM | |
| | | Ref | GENERATOR ELECTRICAL DIAGRAM | |
| | | Ref | Note: For Module Identification, refer to Revision Log page A. | |
| | | Ref | Without UGM | |
| | | Ref | 2500W Generators | |
| | 4933215 | Ref | ANSI Spec (110Volt) | |
| | | Ref | CE Spec | |
| | 4933215 | Ref | 110Volt (Prior to SN 0300080338) | |
| | 4933300 | Ref | 110Volt (SN 0300080338 through 0300201016) | |
| | 4933216 | Ref | 220Volt (Prior to SN 0300129806) | |
| | 1001100027 | Ref | 220Volt (SN 0300129806 through 0300201016) | |
| | 4933216 | Ref | Australian Spec (220Volt Only) (Prior to SN 0300129806) | |
| | | Ref | 7500W Generators | |
| | 4933267 | Ref | Hydraulic Driven Generator (Prior to SN 0300080338) | |
| | 4933264 | Ref | Belt Driven Generator (SN 0300080338 through 0300201016) | |
| | | Ref | With UGM | |
| | | Ref | 2500W Generators | |
| | 1001120381 | Ref | Caterpillar/Deutz Engine - 110/220Volt - 60Hz | |
| | 1001120382 | Ref | Deutz Engine - 110/220Volt - 50Hz | |
| | | Ref | 4000W Generators | |
| | 1001153257 | Ref | Deutz Engine – 60Hz (ANSI Export / CE / Japanese Spec) | |
| | 1001162901 | Ref | Deutz Engine – 50Hz (ANSI Export / CE / Japanese Spec) | |
| | 1001162899 | Ref | Deutz Engine – 50Hz (Australian Spec) | |
| | 1001162900 | Ref | Deutz Engine –50Hz (CE Spec) | |
| | | Ref | 7500W Generators | |
| | 1001122528 | Ref | Caterpillar/Deutz Engine (Prior to SN 0300182753) | |
| | 1001157770 | Ref | Caterpillar, Deutz TD2011 Engine and Deutz TCD2.9L4 Engines Machines (SN 0300182753 through 0300201016) | |
| | | Ref | GROUND CONTROL BOX ELECTRICAL DIAGRAM | |
| | | Ref | Note: For Module Identification, refer to Revision Log page A. | |
| | | Ref | Without UGM | |
| | 4933268 | Ref | Ground Control Box Electrical (Prior to SN 0300087579) | |
| | 4933340 | Ref | Ground Control Box Electrical (SN 0300087579 through 0300098919) | |
| | 4933389 | Ref | Ground Control Box Electrical (SN 0300098920 through 0300201016) | |
| | 1001116206 | Ref | With UGM | |
| | 4933253 | Ref | HEADLIGHT AND TAILLIGHTS ELECTRICAL DIAGRAM | |
| | 4933249 | Ref | PLATFORM FLOODLIGHTS ELECTRICAL DIAGRAM | |
| | 0272096 | Ref | PLATFORM WORKLIGHTS ELECTRICAL DIAGRAM | |
| | 0272097 | Ref | PLATFORM WORKLIGHTS ELECTRICAL DIAGRAM | |
| | | Ref | STANDARD ELECTRICAL SCHEMATIC OPTIONS: | |
| | | Ref | Note: For Module Identification, refer to Revision Log page A. | |

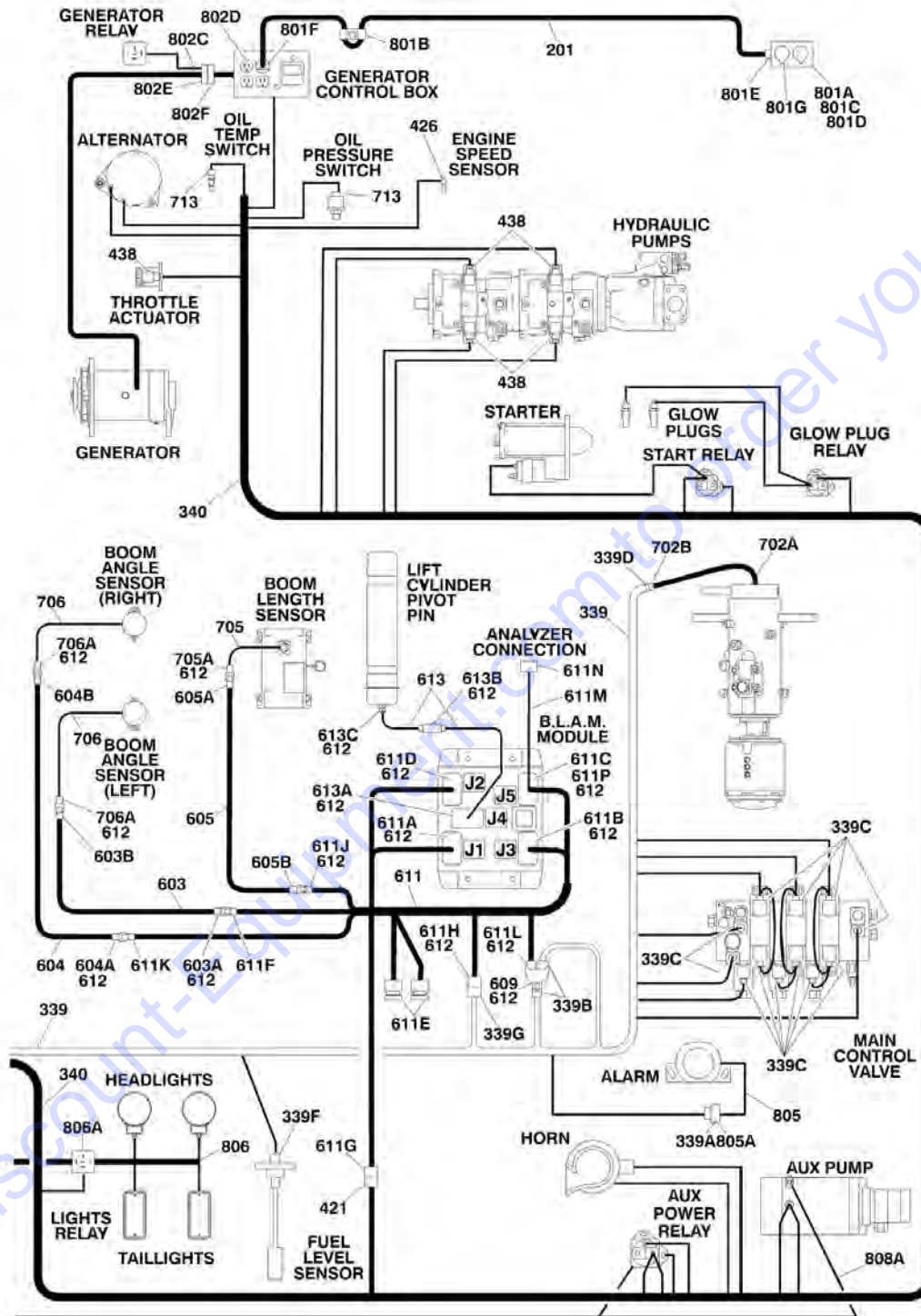
SECTION 7 - ELECTRICAL

| ITEM | PART NUMBER | QTY | DESCRIPTION | REV |
|------|-------------|-----|---|-----|
| | 1870149 | Ref | Without UGM | |
| | | Ref | Standard Electrical Schematic (Prior to SN 0300087579) | |
| | | Ref | Note: SN 0300087532 was built with the EMR2 Deutz Engine. | |
| | 1870196 | Ref | Standard Electrical Schematic (SN 0300087579 through 0300098919) | |
| | | Ref | Note: SN 0300087765 was built with the Tier II Deutz Engine. | |
| | 1870214 | Ref | Standard Electrical Schematic (SN 0300098920 through 0300201016) | |
| | 1001119860 | Ref | With UGM | |

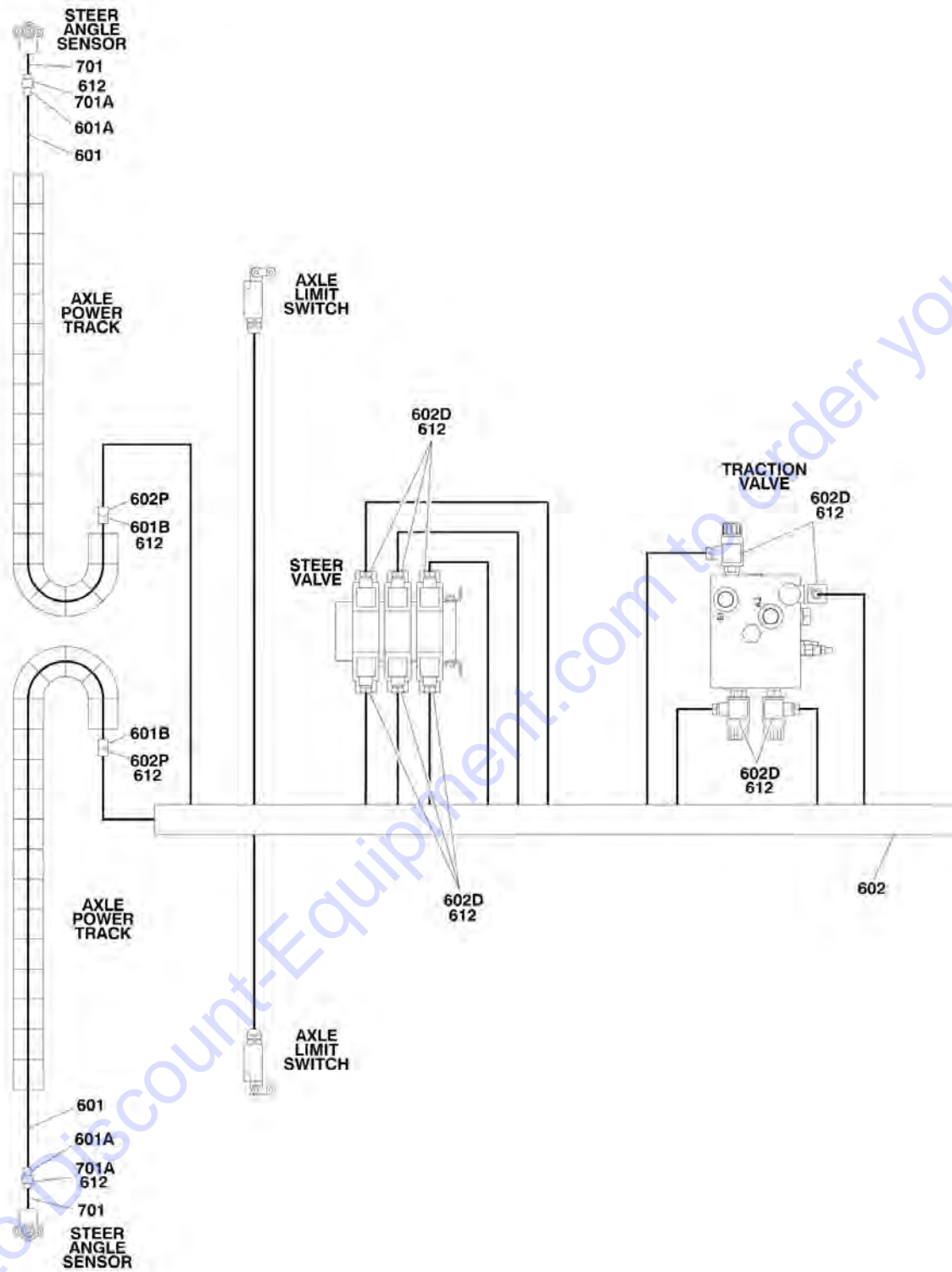
Go to Discount-Equipment.com to order your parts

SECTION 7 - ELECTRICAL

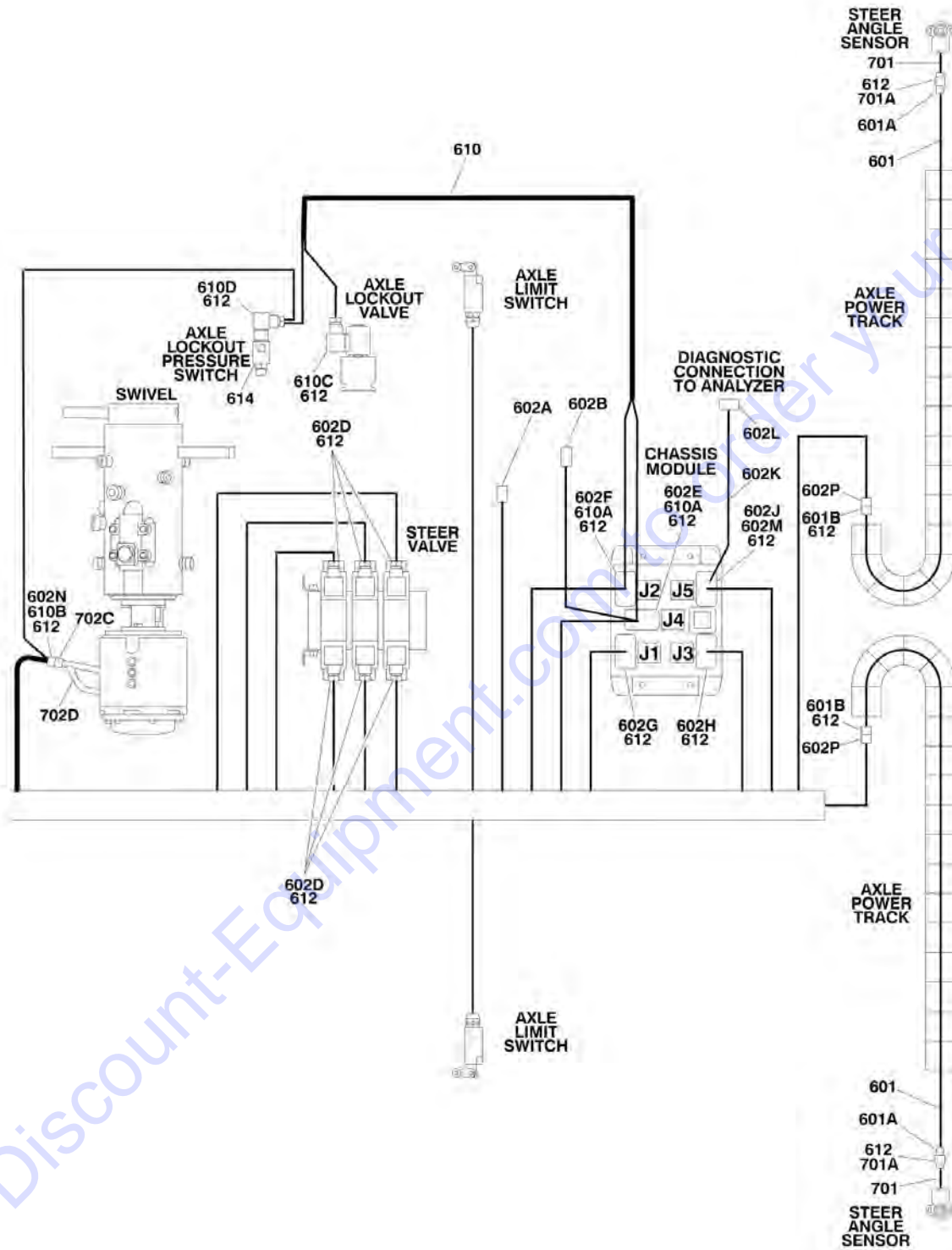
NOTE: FOR MODULE IDENTIFICATION, REFER TO REVISION LOG PAGE A.



SECTION 7 - ELECTRICAL



SECTION 7 - ELECTRICAL



Go to Discount-Equipment.com to order your parts

SECTION 7 - ELECTRICAL

FIGURE 7-2. HARNESS COMPONENTS INSTALLATION (WITHOUT UGM) (Prior to SN 0300087579)

| ITEM | PART NUMBER | QTY | DESCRIPTION | REV |
|------|-------------|------------|---|-----|
| | | Ref | NOTE: FOR MODULE IDENTIFICATION, REFER TO REVISION LOG PAGE A. | |
| | | Ref | HARNESS COMPONENTS INSTALLATION | |
| | | Ref | PLATFORM CONSOLE BOX COMPONENTS OPTIONS: | |
| | 0861561 | Ref | Platform Console Box Components (Prior to SN 0300079596) | F |
| | 0861631 | Ref | Platform Console Box Components (SN 0300079596 through 0300087579) | G |
| 2 | 0100048 | AR | Grease, Dielectric | |
| 11 | 1060918 | 7 ft/2.14m | Cable, Electrical - 18/3 | |
| 46 | 4460071 | 1 | Connector, Strain Relief | |
| 47 | 4460226 | 2 | Socket, Female | |
| 49 | 4460428 | 4 | Connector, Strain Relief | |
| 50 | 4460464 | 1 | Pin, Male Deutsch | |
| 51 | 4460470 | 1 | Nut, Terminal | |
| 52 | 4460471 | 1 | Lockwasher, Terminal | |
| 54 | 4460496 | 1 | Lockwasher, Terminal | |
| 55 | 4460497 | 1 | Nut, Terminal | |
| 56 | 4460708 | 2 | Receptacle, Female - 15 Position | |
| 57 | 4460905 | 5 | Seal, Plug | |
| 62 | 4922666 | 1 | Harness, Analyzer Cable | 2-B |
| 62 | 4460226 | 4 | Socket, Female (Not Shown - Located at J2) | |
| 62A | 4460761 | 1 | Connector, Female - 4 Position | |
| 62A | 4460227 | 4 | Pin, Male | |
| 63 | | Ref | Harness, Platform Box Options (See Items 101-112 for Breakdown): | |
| 63 | 4922778 | 1 | Harness, Platform Box (Prior to SN 0300079596) | |
| 63 | 4922945 | 1 | Harness, Platform Box (Use p/n 4923448) (SN 0300079596 through 0300087579) | |
| | | Ref | PLATFORM BOX HARNESS ASSEMBLY OPTIONS: | |
| | 4922778 | Ref | Platform Box Harness Assembly (Prior to SN 0300079596) | 6-F |
| | 4922945 | Ref | Platform Box Harness Assembly (SN 0300079596 through 0300087579) | 4-F |
| 101 | 4460866 | 1 | Connector - 19 Position | |
| 101 | 4460464 | 7 | Pin, Male Deutsch 16 Ga | |
| 101 | 4460508 | 4 | Pin, Male Deutsch 12 Ga | |
| 101 | 4460943 | 3 | Pin, Male 16 Ga (Gold Plated - Used on 3 Wire Canbus Cable) | |
| 102 | 4460874 | 1 | Connector - 35 Position (Natural) | |
| 102 | 4460871 | 29 | Socket, Female | |
| 103 | 4460876 | 1 | Connector - 35 Position (Blue) | |
| 103 | 4460871 | 34 | Socket, Female | |
| 104 | 4460873 | 1 | Connector - 35 Position (Black) | |
| 104 | 4460871 | 26 | Socket, Female | |
| 105 | 4460879 | 1 | Connector, Male - 2 Position | |
| 105 | 4460887 | 2 | Terminal (12 Gauge) | |
| 106 | 4460418 | AR | Connector, Female - 6 Position | |
| 106 | 4460419 | AR | Socket, Female | |
| 107 | 4460225 | 4 | Plug, Male - 6 Position | |
| 107 | 4460226 | 21 | Terminal (16 Gauge) | |
| 108 | 4460225 | 1 | Plug, Male - 6 Position | |
| 108 | 4460227 | 5 | Pin, Male | |
| 109 | 4460434 | 2 | Plug, Male - 15 Position | |

PARTS FINDER

**Search Website
by Part Number**



**Search Manual
Library For Parts
Manual & Lookup Part
Numbers – Purchase
or Request Quote**

**Can't Find Part or
Manual? Request Help
by Manufacturer,
Model & Description**

Discount-Equipment.com is your online resource for quality parts & equipment.

Florida: **561-964-4949** Outside Florida TOLL FREE: **877-690-3101**

Need parts?

Click on this link: <http://www.discount-equipment.com/category/5443-parts/> and choose one of the options to help get the right parts and equipment you are looking for. Please have the machine model and serial number available in order to help us get you the correct parts. If you don't find the part on the website or on one of the online manuals, please fill out the request form and one of our experienced staff members will get back to you with a quote for the right part that your machine needs.

We sell worldwide for the brands: Genie, Terex, JLG, MultiQuip, Mikasa, Essick, Whiteman, Mayco, Toro Stone, Diamond Products, Generac Magnum, Airman, Haulotte, Barreto, Power Blanket, Nifty Lift, Atlas Copco, Chicago Pneumatic, Allmand, Miller Curber, Skyjack, Lull, Skytrak, Tsurumi, Husquvarna Target, Stow, Wacker, Sakai, Mi-T-M, Sullair, Basic, Dynapac, MBW, Weber, Bartell, Bennar Newman, Haulotte, Ditch Runner, Menegotti, Morrison, Contec, Buddy, Crown, Edco, Wyco, Bomag, Laymor, EZ Trench, Bil-Jax, F.S. Curtis, Gehl Pavers, Heli, Honda, ICS/PowerGrit, IHI, Partner, Imer, Clipper, MMD, Koshin, Rice, CH&E, General Equipment, Amida, Coleman, NAC, Gradall, Square Shooter, Kent, Stanley, Tamco, Toku, Hatz, Kohler, Robin, Wisconsin, Northrock, Oztec, Toker TK, Rol-Air, APT, Wylie, Ingersoll Rand / Doosan, Innovatech, Con X, Ammann, Mecalac, Makinex, Smith Surface Prep, Small Line, Wanco, Yanmar

SECTION 7 - ELECTRICAL

| ITEM | PART NUMBER | QTY | DESCRIPTION | REV |
|------|--------------|-----------------|---|-----|
| 109 | 4460227 | 13 | Pin, Male | |
| 110 | 4460925 | 1 | Connector - 21 Position | |
| 110 | 4460929 | 13 | Pin, Male Deutsch 16 Ga | |
| 110 | 4460466 | 8 | Plug | |
| 111 | 1001121616 | 1 | Connector, Insert - 6 Position (SN 0300079596 through 0300087579) | |
| 112 | 1001121615 | 1 | Connector, Mounting Base (SN 0300079596 through 0300087579) | |
| | | Ref | BOOM CABLES INSTALLATION | |
| | 0271932 | Ref | Boom Cables Installation 1200SJP (ANSI and ANSI Export Specs) | D |
| | 0271950 | Ref | Boom Cables Installation 1200SJP (Australian and CE Specs) | D |
| | 1001161048 | Ref | Boom Cables Installation 1200SJP with 4000W Generator | A |
| | 0273854 | Ref | Boom Cables Installation 1200SJP with 7500W Generator (All Specs) | A |
| | 0271951 | Ref | Boom Cables Installation 1350SJP (ANSI and ANSI Export Specs) | D |
| | 0271952 | Ref | Boom Cables Installation 1350SJP (Australian and CE Specs) | D |
| | 1001161050 | Ref | Boom Cables Installation 1350SJP with 4000W Generator | A |
| | 0273855 | Ref | Boom Cables Installation 1350SJP with 7500W Generator (All Specs) | A |
| 201 | | Ref | Cable, Electrical - 10/3 | |
| 201 | 4922759 | 1 | Cable, Electrical - 10/3 1200SJP (ANSI and ANSI Export Specs) | B |
| 201 | 4922761 | 1 | Cable, Electrical - 10/3 1200SJP (Australian and CE Specs) | B |
| 201 | Not Required | 0 | Cable, Electrical - 10/3 1200SJP with 7500W Generator (All Specs) | |
| 201 | 4922758 | 1 | Cable, Electrical - 10/3 1350SJP (ANSI and ANSI Export Specs) | A |
| 201 | 4922760 | 1 | Cable, Electrical - 10/3 1350SJP (Australian and CE Specs) | A |
| 201 | Not Required | 0 | Cable, Electrical - 10/3 1350SJP with 7500W Generator (All Specs) | |
| 202 | | Ref | Cable, Electrical - 18/3 | |
| 202 | 4922763 | 1 | Cable, Electrical - 18/3 1200SJP (46ft/13.8m Length) | B |
| 202 | 4922762 | 1 | Cable, Electrical - 18/3 1350SJP (50ft/15.3m Length) | B |
| 203 | | Ref | Harness Assembly - Boom (12/4 - 18/8) Options: | |
| 203 | 4922672 | 1 | Harness Assembly 1200SJP | 2-B |
| 203 | 4922673 | 1 | Harness Assembly 1350SJP | 2-B |
| 203 | 1060896 | Ref | Cable, Electrical - 12/4 & 18/8 | |
| 203 | 1060896 | 142 ft/43.3m | Cable, Electrical - 12/4 & 18/8 1200SJP | |
| 203 | 1060896 | 157 ft/48m | Cable, Electrical - 12/4 & 18/8 1350SJP | |
| 203 | 2820118 | 8 in/18cm | Heat Shrink | |
| 203A | 4460865 | 2 | Connector - 19 Position | |
| 203A | 4460465 | 22 | Socket, Female 18 Gauge | |
| 203A | 4460509 | 8 | Socket, Female 12 Gauge | |
| 203A | 4460466 | 8 | Seal, Plug | |
| 203B | 4460473 | 2 | Clamp, Cable | |
| 203C | 4460465 | 11 | Socket, Female 18 Gauge | |
| 203C | 4460509 | 4 | Socket, Female 12 Gauge | |
| 204 | | Ref | Harness, Generator (8/5) Options (with 7500W Generator Only - Not Shown): | |

SECTION 7 - ELECTRICAL

| ITEM | PART NUMBER | QTY | DESCRIPTION | REV |
|------|-------------|----------|---|-----|
| 204 | 4922796 | 1 | Harness, Generator (8/5) 1200SJP | |
| 204 | 4922795 | 1 | Harness, Generator (8/5) 1350SJP | |
| | | Ref | GROUND CONTROL BOX COMPONENTS | |
| 302 | 0100048 | AR | Grease, Dielectric | |
| 307 | 1670829 | 1 | Bezel | |
| 308 | 1705308 | 1 | Decal - Light Panel | |
| 311 | 2760105 | 1 | Housing, Light | |
| 319 | 4460426 | 1 | Connector, Strain Relief | |
| 320 | 4460470 | 1 | Nut, Terminal | |
| 321 | 4460471 | 1 | Washer, Terminal | |
| 322 | 4460526 | 1 | Connector, Strain Relief | |
| 323 | 4460874 | 1 | Connector, White - 35 Position | |
| 324 | 4460875 | 1 | Connector, Gray - 35 Position | |
| 325 | 4460905 | 4 | Plug, Connector | |
| 332 | 4460473 | 1 | Clamp, Cable | |
| 333 | 4460865 | 1 | Connector - 19 Position | |
| 334 | 4460892 | 2 | Connector, Bussbar - 6 Position | |
| 335 | 4460914 | 2 | Base, Terminal | |
| 338 | 4922789 | 1 | Ground Control Box Harness Assembly Options: | 3-E |
| 338 | 3990001 | 2 | Diode - 3 Amp (Not Shown - Located at Power Down Relay) | |
| 338A | 4460418 | 8 | Connector, Female - 6 Position | |
| 338A | 4460419 | 24 | Socket, Female | |
| 338B | 4460876 | 1 | Connector, Blue - 35 Position | |
| 338B | 4460871 | 29 | Socket, Female | |
| 338C | 4460866 | 1 | Connector - 19 Position | |
| 338C | 4460464 | 10 | Pin, Male Deutsch 16 Ga | |
| 338C | 4460508 | 3 | Pin, Male Deutsch 12 Ga | |
| 338D | 4460878 | 1 | Plug, Male - 4 Position | |
| 338D | 4460887 | 3 | Terminal (12 Gauge) | |
| 338E | 4120035 | 9 | Base, Light | |
| 338E | 4460634 | 10 | Terminal (16 Gauge) | |
| 338E | 4460635 | 8 | Terminal (12 Gauge) | |
| 338F | 4460873 | 1 | Connector, Black - 35 Position | |
| 338F | 4460871 | 9 | Socket, Female | |
| 338G | 4460871 | 12 | Socket, Female | |
| 338H | 4460225 | 1 | Plug, Male - 6 Position | |
| 338H | 4460227 | 6 | Pin, Male | |
| 338J | 4460965 | 1 | Plug, Male - 3 Position (Blue Lock) | |
| 338J | 4460944 | 3 | Socket, Female | |
| 338J | 4922099 | 2 ft/.6m | Cable, Can-Buss | |
| 338K | 2400066 | 1 | Fuseholder with Cover | |
| 338K | 2400065 | 1 | Fuse | |
| 338L | 4460894 | 2 | Plug, Male - 6 Position | |
| 338L | 4460465 | 1 | Socket, Female 16-18GA | |
| 338L | 4460942 | 2 | Socket, Female 14GA | |
| 338M | 4922485 | 1 | Harness, Analyzer | 3-D |
| 338N | 4460761 | 1 | Connector, Female - 4 Position | |
| 338N | 4460227 | 4 | Pin, Male | |
| 338P | 4460871 | 4 | Socket, Female | |
| 338Q | 4460966 | 1 | Plug, Male - 3 Position (Green Lock) | |
| 338Q | 4460944 | 3 | Socket, Female | |

SECTION 7 - ELECTRICAL

| ITEM | PART NUMBER | QTY | DESCRIPTION | REV |
|------|-------------|------------|---|-----|
| 338Q | 4922099 | 2 ft/.6m | Cable, Can-Buss | |
| 339 | 4922787 | 1 | Valve Harness Assembly | 4-F |
| 339A | 4460320 | 1 | Plug, Male - 2 Position | |
| 339A | 4460267 | 2 | Pin, Male | |
| 339B | 4460965 | 3 | Plug, Male - 3 Position | |
| 339B | 4460944 | 9 | Socket, Female | |
| 339B | 4922099 | 19.8 ft/6m | Cable, Electrical 18/3 | |
| 339C | 4460880 | 11 | DIN Connector | |
| 339D | 4460836 | 1 | Plug, Male - 12 Position | |
| 339D | 4460466 | 4 | Plug, Socket | |
| 339D | 4460465 | 3 | Socket, Female | |
| 339D | 4460942 | 2 | Socket, Female 14-16 GA | |
| 339D | 4460944 | 3 | Socket, Female 16-18 GA (Gold) | |
| 339E | 4460424 | 1 | Connector, Female - 2 Position | |
| 339E | 4460268 | 2 | Socket, Female | |
| 339F | 4460843 | 1 | Plug, Male - 2 Position | |
| 339F | 4460842 | 2 | Socket, Female | |
| 339G | 4460894 | 1 | Plug, Male - 6 Position | |
| 339G | 4460465 | 3 | Socket, Female | |
| 339G | 4460942 | 3 | Socket, Female 14-16 GA | |
| 339H | 4460942 | 3 | Socket, Female 14-16 GA | |
| 339H | 4460465 | 2 | Socket, Female | |
| 339H | 4460871 | 17 | Socket, Female | |
| 339H | 4460464 | 1 | Pin, Male | |
| 340 | 4922704 | 1 | Harness, Engine Options (See Items 401-441 for Breakdown) | |
| 341 | 4933268 | 1 | Ground Control Wiring Diagram (See Items 501-511 for Breakdown) | |
| | 4922704 | Ref | ENGINE HARNESS ASSEMBLY | 6-F |
| 421 | 4460899 | 1 | Connector, Female - 6 Position | |
| 421 | 4460465 | 4 | Socket, Female | |
| 421 | 4460464 | 1 | Plug, Seal | |
| 426 | 4460890 | 1 | Connector, Female - 2 Position | |
| 426 | 4460889 | 2 | Terminal | |
| 438 | 4460880 | 5 | DIN Connector without Diode | |
| 441 | 4460887 | 1 | Terminal, Molex | |
| 441 | 4460871 | 13 | Socket, Female | |
| 441 | 4460508 | 1 | Terminal, Deutsch | |
| | 4933268 | Ref | GROUND CONTROL BOX WIRING DIAGRAM | 2-F |
| 501 | 2920129 | 9 | Bulb, Light | |
| 506 | 4460226 | 6 | Socket, Female | |
| 507 | 4460224 | 1 | Connector, Female - 6 Position | |
| 511 | 4460945 | 1 | Connector, Female - 3 Way | |
| | 0272445 | Ref | WIRING HARNESES INSTALLATION | 5-E |
| 601 | 4922718 | 4 | Axle Power Track Harness Assembly | B |
| 601A | 4460539 | 1 Per Assy | Plug, Male - 3 Position (Includes Wedge Lock and Seal) | |
| 601A | 4460944 | 3 Per Assy | Socket, Female | |
| 601B | 4460932 | 1 Per Assy | Connector, Female - 4 Position | |
| 601B | 4460943 | 4 Per Assy | Pin, Male | |

SECTION 7 - ELECTRICAL

| ITEM | PART NUMBER | QTY | DESCRIPTION | REV |
|------|-------------|-----|--|-----|
| 602 | 4922696 | 1 | Chassis Harness Assembly | 3-D |
| 602A | 4460894 | 1 | Plug, Male - 6 Position | |
| 602A | 4460465 | 6 | Socket, Female | |
| 602A | 4460892 | 1 | Connector, Bussbar - 6 Position | |
| 602B | 4460891 | 1 | Plug, Male - 2 Position | |
| 602B | 4460465 | 2 | Socket, Female | |
| 602C | 4460894 | 1 | Plug, Male - 6 Position (Not Shown) | |
| 602C | 4460465 | 6 | Socket, Female | |
| 602C | 4460892 | 1 | Connector, Bussbar - 6 Position | |
| 602D | 4460880 | 14 | DIN Connector | |
| 602E | 4460930 | 1 | Connector, Gray - 8 Position | |
| 602E | 4460465 | 3 | Socket, Female | |
| 602E | 4460466 | 5 | Plug, Terminal | |
| 602F | 4460836 | 1 | Connector, Black - 12 Position | |
| 602F | 4460465 | 6 | Socket, Female | |
| 602F | 4460466 | 6 | Plug, Terminal | |
| 602G | 4460933 | 1 | Connector, Gray - 12 Position | |
| 602G | 4460465 | 8 | Socket, Female | |
| 602G | 4460466 | 4 | Plug, Terminal | |
| 602H | 4460934 | 1 | Connector, Green - 12 Position | |
| 602H | 4460944 | 12 | Socket, Female | |
| 602J | 4460935 | 1 | Connector, Brown - 12 Position | |
| 602J | 4460465 | 8 | Socket, Female | |
| 602K | 4922705 | 1 | Analyzer Harness | 2-B |
| 602L | 4460761 | 1 | Connector, Female | |
| 602L | 4460227 | 4 | Pin, Male | |
| 602M | 4460465 | 4 | Socket, Female | |
| 602N | 4460950 | 1 | Connector, Female - 12 Position | |
| 602N | 4460464 | 6 | Pin, Male 16-18 GA | |
| 602N | 4460943 | 3 | Pin, Male 16-18 GA (Gold) | |
| 602N | 4460941 | 2 | Pin, Male 14-16GA | |
| 602P | 4460884 | 4 | Connector, Gray - 4 Position | |
| 602P | 4460944 | 16 | Socket, Female | |
| 603 | 4922781 | 1 | B.L.A.M. to Boom Angle Sensor Harness (Left Side) | 3-B |
| 603A | 4460932 | 1 | Connector, Gray - 4 Position | |
| 603A | 4460943 | 4 | Pin, Male | |
| 603B | 4460911 | 1 | Plug, Male - 3 Position | |
| 603B | 4460918 | 3 | Socket, Female | |
| 603B | 4460912 | 1 | Lock, Wedge - Position | |
| 604 | 4922780 | 1 | B.L.A.M. to Boom Angle Sensor Harness (Right Side) | 2-B |
| 604A | 4460884 | 1 | Connector, Gray - 4 Position | |
| 604A | 4460944 | 4 | Socket, Female | |
| 604B | 4460911 | 1 | Plug, Male - 3 Position | |
| 604B | 4460918 | 3 | Socket, Female | |
| 604B | 4460912 | 1 | Lock, Wedge - Position | |
| 605 | 4922716 | 1 | B.L.A.M. to Boom Length Sensor Harness | C |
| 605A | 4460539 | 2 | Plug, Male - 3 Position (Includes Wedge Lock and Seal) | |
| 605A | 4460944 | 3 | Socket, Female | |
| 605B | 4460894 | 1 | Plug, Male - 6 Position | |
| 605B | 4460944 | 4 | Socket, Female | |
| 605B | 4460466 | 2 | Plug, Sealing | |

SECTION 7 - ELECTRICAL

| ITEM | PART NUMBER | QTY | DESCRIPTION | REV |
|------|-------------|-----|---|-----|
| 606 | 4922784 | 1 | Jib Stow Switch Harness | B |
| 606A | 4460891 | 1 | Plug, Male - 2 Position | |
| 606A | 4460465 | 2 | Socket, Female | |
| 607 | 4922785 | 1 | Dual Capacity Jib Position Switch Harness | B |
| 607A | 4460897 | 1 | Connector, Female - 2 Position | |
| 607A | 4460464 | 2 | Pin, Male | |
| 608 | 4922777 | 1 | Platform Valve Harness | 1-C |
| 608A | 4460880 | 9 | DIN Connector | |
| 608B | 4460926 | 1 | Connector - 21 Position | |
| 608B | 4460928 | 13 | Socket, Female | |
| 608B | 4460466 | 8 | Plug, Hole | |
| 608C | 4460897 | 1 | Connector, Female - 2 Position | |
| 608C | 4460464 | 2 | Pin, Male | |
| 608D | 4460891 | 1 | Plug, Male - 2 Position | |
| 608D | 4460465 | 2 | Socket, Female | |
| 609 | 4460945 | 2 | Connector, Female - 3 Way | |
| 610 | 4922767 | 1 | Lockout Valve Harness | 2-C |
| 610A | 4460465 | 3 | Socket, Female | |
| 610B | 4460464 | 1 | Pin, Male | |
| 610C | 4460880 | 2 | Connector, DIN | |
| 610D | 4460449 | 2 | Connector, DIN | |
| 611 | 4922786 | 1 | B.L.A.M. Harness | 4-C |
| 611A | 4460933 | 1 | Plug, Male - 12 Position (Gray) | |
| 611A | 4460466 | 7 | Plug, Seal | |
| 611A | 4460944 | 3 | Socket, Female | |
| 611A | 4460465 | 1 | Socket, Female | |
| 611A | 4460942 | 1 | Socket, Female | |
| 611B | 4460934 | 1 | Plug, Male - 12 Position (Green) | |
| 611B | 4460466 | 7 | Plug, Seal | |
| 611B | 4460944 | 3 | Socket, Female | |
| 611B | 4460465 | 2 | Socket, Female | |
| 611C | 4460935 | 1 | Plug, Male - 12 Position (Brown) | |
| 611C | 4460466 | 5 | Plug, Seal | |
| 611C | 4460465 | 2 | Socket, Female | |
| 611D | 4460836 | 1 | Plug, Male - 12 Position (Black) | |
| 611D | 4460466 | 8 | Plug, Seal | |
| 611D | 4460944 | 2 | Socket, Female | |
| 611D | 4460465 | 2 | Socket, Female | |
| 611E | 4460836 | 2 | Plug, Male - 12 Position (Black) | |
| 611E | 4460466 | 14 | Plug, Seal | |
| 611E | 4460944 | 5 | Socket, Female | |
| 611E | 4460465 | 5 | Socket, Female | |
| 611E | 4460837 | 2 | Receptacle, Female - 12 Position Buss Bar | |
| 611F | 4460884 | 1 | Plug, Male 4 Position (Gray) | |
| 611F | 4460944 | 4 | Socket, Female | |
| 611G | 4460894 | 1 | Plug, Male - 6 Position (Gray) | |
| 611G | 4460465 | 5 | Socket, Female | |
| 611G | 4460466 | 1 | Plug, Sealing | |
| 611H | 4460899 | 1 | Connector, Female - 6 Position (Gray) | |
| 611H | 4460464 | 3 | Pin, Male | |
| 611H | 4460941 | 3 | Pin, Male (Gold Plated) | |

SECTION 7 - ELECTRICAL

| ITEM | PART NUMBER | QTY | DESCRIPTION | REV |
|------|-------------|-----|--|-----|
| 611J | 4460899 | 1 | Connector, Female - 6 Position (Gray) | |
| 611J | 4460466 | 2 | Plug, Sealing | |
| 611J | 4460943 | 4 | Pin, Male (Gold Plated) | |
| 611K | 4460932 | 1 | Plug, Male - 4 Position (Gray) | |
| 611K | 4460943 | 1 | Pin, Male | |
| 611L | 4460966 | 1 | Connector, Female - 3 Position | |
| 611L | 4460944 | 3 | Socket, Female | |
| 611M | 4922705 | 1 | Analyzer Harness | 2-B |
| 611N | 4460761 | 1 | Connector, Female - 4 Position | |
| 611N | 4460227 | 4 | Pin, Male | |
| 611P | 4460465 | 4 | Socket, Female | |
| 612 | 0100048 | AR | Lubricant, Silicone | |
| 613 | | Ref | Load Sensing Pin Harness Options: | |
| 613 | 4922826 | 1 | Load Sensing Pin Harness (Prior to SN 0300087310) | F |
| 613 | 4923256 | 1 | Load Sensing Pin Harness (SN 0300087310 through 0300087579) | B |
| 613A | 4460930 | 1 | Connector, Gray - 8 Position | |
| 613A | 4460465 | 4 | Socket, Female | |
| 613A | 4460466 | 3 | Plug, Sealing | |
| 613B | See Note | 1 | Filter Module (Note: Not Available For Purchase) (Prior to SN 0300087310) | |
| 613C | See Note | 1 | Connector, Female - 4 Position (Note: Not Available For Purchase) | |
| 613C | See Note | 4 | Terminal (Note: Not Available For Purchase) | |
| 614 | 4360530 | 1 | Switch, Pressure - See Traction Valve Breakdown for Machines (Prior to SN 0300072337, SN 0300072337 through 0300087579) | 1-A |
| 615 | | Ref | Right Sensor Harness Options: | |
| 615 | 4922782 | 1 | Right Sensor Harness Use Right Tilt Sensor Harness (Prior to SN 0300079305) | 3-C |
| | | Ref | (Note: SNs SN 0300076827, SN 0300076839, SN 0300079842, SN 0300077468, SN 0300077486, SN 0300077501, SN 0300077634 & SN 0300077472 use p/n 4922947) | |
| 615 | 4922947 | 1 | Right Sensor Harness use Right Level Sensor Harness (SN 0300079305 through 0300087579) | E |
| | | Ref | (Note: SNs SN 0300079360 & SN 0300079469 use p/n 4922782) | |
| 615A | 4460871 | 3 | Socket, Female | |
| 615A | 4460911 | 1 | Plug, Male - 3 Position | |
| 615A | 4460918 | 3 | Pin, Male | |
| 615A | 4460912 | 1 | Lock, Wedge - Position | |
| 615A | 1320309 | 1 | Clamp, Cable | |
| 615A | 1560012 | 1 | Nut, Conduit | |
| 615A | 1560011 | 1 | Connector, Conduit | |
| 615A | See Note | 1 | Plug, Male - 7 Position (Note: Requires Special Tool for proper installation - Purchase Complete Harness) | |
| 616 | | Ref | Left Sensor Harness Options: | |
| 616 | 4922783 | 1 | Left Sensor Harness Use Left Tilt Sensor Harness (Prior to SN 0300079305) | 3-C |
| | | Ref | (Note: SNs SN 0300076827, SN 0300076839, SN 0300079842, SN 0300077468, SN 0300077486, SN 0300077501, SN 0300077634 & SN 0300077472 use p/n 4922948) | |
| 616 | 4922948 | 1 | Left Sensor Harness use Left Level Sensor Harness (SN | E |

SECTION 7 - ELECTRICAL

| ITEM | PART NUMBER | QTY | DESCRIPTION | REV |
|------|-------------|------------|---|-----|
| | | Ref | 0300079305 through 0300087579) (Note: SNs SN 0300079360 & SN 0300079469 use p/n 4922783) | |
| 616A | 4460871 | 3 | Socket, Female | |
| 616A | 4460911 | 1 | Plug, Male - 3 Position | |
| 616A | 4460918 | 3 | Pin, Male | |
| 616A | 4460912 | 1 | Lock, Wedge - Position | |
| 616A | 1320309 | 1 | Clamp, Cable | |
| 616A | 1560012 | 1 | Nut, Conduit | |
| 616A | 1560011 | 1 | Connector, Conduit | |
| 616A | See Note | 1 | Plug, Male - 7 Position (Note: Requires Special Tool for proper installation - Purchase Complete Harness) | |
| | | Ref | STANDARD HARNESS COMPONENTS | |
| 701 | See Note | 4 | Steer Angle Sensor Harness (Note: Not Available For Purchase) | |
| 701 | 4360536 | 1 Per Assy | Plug, Male - 3 Position | |
| 701 | 4460464 | 3 Per Assy | Pin, Male | |
| 702 | 1660253 | 1 | Coupling Electrical Components | |
| 702A | See Note | 1 | Coupling Turntable Harness (Note: Not Available For Purchase) | |
| 702B | 4460837 | 1 | Connector, Female - 12 Position | |
| 702B | 4460466 | 4 | Plug, Socket | |
| 702B | 4460464 | 3 | Pin, Male 16-18 GA | |
| 702B | 4460943 | 3 | Pin, Male 16-18 GA (Gold) | |
| 702B | 4460941 | 2 | Pin, Male 14-16GA | |
| 702C | See Note | 1 | Coupling Frame Harness (Note: Not Available For Purchase) | |
| 702D | 4460836 | 1 | Plug, Male - 12 Position | |
| 702D | 4460465 | 6 | Socket, Female 16-18 GA | |
| 702D | 4460942 | 2 | Socket, Female 14-16 GA | |
| 702D | 4460944 | 3 | Socket, Female 16-18 GA (Gold) | |
| 702D | 4460466 | 1 | Plug, Socket | |
| 703 | See Note | 1 | Broken Cable Proximity Switch Harness (Note: Part of Proximity Switch - Purchased New Switch) | |
| 704 | | Ref | Sensor Harness Options: | |
| 704 | 4360534 | 2 | Tilt Sensor Harness (Use p/n 1001147479) (Prior to SN 0300079596) | |
| 704 | 4360545 | 2 | Tilt Sensor Harness (Use p/n 1001147479) (Prior to SN 0300079596) | |
| 704 | 4360534 | 2 | Platform Level Sensor (Use p/n 1001147479) (SN 0300079596 through 0300087579) | |
| 704 | 4360545 | 2 | Platform Level Sensor (Use p/n 1001147479) (SN 0300079596 through 0300087579) | |
| 704A | 4460910 | 2 | Connector, Female - 3 Position | |
| 704A | 4460917 | 6 | Pin, Male | |
| 704A | 4460913 | 1 | Lock, Wedge | |
| 705 | See Note | 1 | Boom Length Switch Harness (Note: Not Available For Purchase) | |
| 705A | 4460536 | 1 | Connector, Female - 3 Position | |
| 705A | 4460943 | 3 | Pin, Male | |
| 706 | 4360534 | 2 | Boom Angle Sensor Harness (Use p/n 1001147479) | |
| 706 | 4360545 | 2 | Boom Angle Sensor Harness (Use p/n 1001147479) | |
| 706A | 4460910 | 2 | Connector, Female Deutsch - 3 Position | |
| 706A | 4460917 | 6 | Pin, Male | |
| 706A | 4460913 | 1 | Lock, Wedge | |

SECTION 7 - ELECTRICAL

| ITEM | PART NUMBER | QTY | DESCRIPTION | REV |
|------|-------------|-----|---|-----|
| 707 | See Note | 1 | Controller Harness Assembly (Lift and Swing) (Note: Not Available For Purchase) | |
| 707A | 7022819 | 1 | Plug, Male - 8 Position (Natural) | |
| 707A | 4460871 | 8 | Socket, Female | |
| 708 | 7022824 | 1 | Controller Harness/Circuit Board Assembly (Drive and Steer) | |
| 708A | 7022825 | 1 | Plug, Male - 8 Position (Black) | |
| 708A | 4460871 | 7 | Socket, Female | |
| 709 | See Note | 1 | Speed Control Harness (Note: Not Available For Purchase) | |
| 709A | 4460224 | 1 | Connector, Female - 6 Position | |
| 709A | 4460226 | 5 | Socket, Female | |
| 711 | 0272621 | 1 | Control System Analyzer Installation | A |
| 711 | 2901443 | 1 | Analyzer/Cable Kit | 1 |
| 711A | 1600244 | 1 | Analyzer | |
| 711B | 1060633 | 1 | Cable, Analyzer | 1-B |
| 711C | 4460321 | 2 | Plug, Male | |
| 711C | 70003407 | 2 | Shell, Back | |
| 711C | 4460226 | 8 | Socket, Female | |
| 713 | See Note | AR | Deutz Harness Components (Note: Not Available For Purchase) | |
| 713 | 7020488 | 2 | Connector, Switch | |
| | | Ref | OPTIONAL HARNESS COMPONENTS | |
| 801 | | Ref | AC to Platform Receptacle Components Options: | |
| 801 | 0271953 | Ref | 110V GFI Receptacle (ANSI Spec) | 1-A |
| 801 | 0271954 | Ref | 220V GFI Receptacle (ANSI Spec) | 1-A |
| 801 | 0271955 | Ref | 220V GFI Receptacle (ANSI Export, Australian and CE Specs) | 1-C |
| 801A | | Ref | Box, Switch Options: | |
| 801A | 0860038 | 1 | ANSI Spec | |
| 801A | See Note | 1 | ANSI Export, Australian and CE Specs (Note: Not Available - Purchase Locally) | |
| 801B | 1320146 | 1 | Clamp, Hose | |
| 801C | | Ref | Gasket, Cover Options: | |
| 801C | 3960422 | 1 | ANSI Spec | |
| 801C | See Note | 1 | ANSI Export, Australian and CE Specs (Note: Not Available - Purchase Locally) | |
| 801D | | Ref | Shield, Cover Options: | |
| 801D | 4060700 | 1 | ANSI Spec 110V GFI | |
| 801D | 4060092 | 1 | ANSI Spec 220V GFI | |
| 801D | See Note | 1 | ANSI Export, Australian and CE Specs (Note: Not Available - Purchase Locally) | |
| 801E | | Ref | Connector, Strain Relief Options: | |
| 801E | 4460051 | 1 | ANSI Spec | |
| 801E | See Note | 1 | ANSI Export, Australian and CE Specs (Note: Not Available - Purchase Locally) | |
| 801F | | Ref | Plug, Male Options: | |
| 801F | 4460205 | 1 | ANSI Spec 110V GFI | |
| 801F | 4460709 | 1 | ANSI Spec 220V GFI | |
| 801F | See Note | 1 | ANSI Export, Australian and CE Specs (Note: Not Available - Purchase Locally) | |
| 801G | | Ref | Receptacle Options: | |
| 801G | 4460346 | 1 | ANSI Spec 110V GFI | |
| 801G | 4460125 | 1 | ANSI Spec 220V GFI | |
| 801G | See Note | 1 | ANSI Export, Australian and CE Specs (Note: Not Available - Purchase Locally) | |
| 802 | | Ref | 2500W Generator Electrical Components | |

SECTION 7 - ELECTRICAL

| ITEM | PART NUMBER | QTY | DESCRIPTION | REV |
|------|-------------|-----------|--|-----|
| 802 | 4933215 | Ref | 110Volt (Prior to SN 0300079611) | 1-B |
| 802 | 4933300 | Ref | 110Volt (SN 0300079611 through 0300087579) | 2-B |
| 802 | 4933216 | Ref | 220Volt | 1-A |
| 802 | 3990010 | 1 | Diode - 6 Amp (Not Shown) (110V & All 220V) (Prior to SN 0300079611) | |
| 802A | 4922641 | 1 | Harness - On/Off Switch | |
| 802B | 4460226 | 2 | Socket, Female | |
| 802C | | Ref | Powermite Control Box to Relay Harness Options: | |
| 802C | 4922482 | 1 | 110V (Prior to SN 0300079611) | 3-C |
| 802C | 4922970 | 1 | 110V (SN 0300079611 through 0300087579) | 1-B |
| 802C | 4922482 | 1 | 220V (Prior to SN 0300079611) | 3-C |
| 802C | 4460374 | AR | Plug, Sealed | |
| 802C | 4460375 | AR | Terminal | |
| 802D | 4460027 | 1 | Receptacle, Twist Lock (110V) | |
| 802E | 4460961 | 1 | Connector, Female - 4 Position (110V) (SN 0300079611 through 0300087579) | |
| 802E | 4460705 | 4 | Pin, Male | |
| 802F | 4460321 | 1 | Connector, Male - 4 Position (110V) (SN 0300079611 through 0300087579) | |
| 802F | 4460906 | 4 | Socket, Female | |
| 804 | 0272507 | 1 | Strobe Light Harness (Includes Strobe Light) | B |
| 804A | 4460320 | 1 | Connector, Female - 2 Position | |
| 804A | 4460267 | 2 | Pin, Male | |
| 805 | 0257887 | 1 | Alarm Harness (Includes Alarm) | |
| 805 | 0140032 | 1 | Alarm | |
| 805 | 2820035 | 6 in/15cm | Loom | |
| 805 | 4460424 | 1 | Plug | |
| 805 | 4460268 | 2 | Socket, Female | |
| 805A | 4460424 | 1 | Plug, Male - 2 Position | |
| 805A | 4460268 | 2 | Socket, Female | |
| 806 | 4922738 | 1 | Headlight and Taillight and Chassis Illumination Lights Harness | |
| 806A | 4460374 | 1 | Plug, Sealed | |
| 807 | See Note | 1 | Floodlights Harness Components (Note: Not Available - Purchase Locally) | |
| 807A | | Ref | Harness Options (Aux Relay to Console Box): | |
| 807A | 1060708 | 1 | Harness 1200SJP (Use p/n 1001099718) | |
| 807A | 1060708 | 1 | Harness 1350SJP (Use p/n 1001099719) | |
| 807B | 4460320 | 2 | Plug, Male - 2 Position | |
| 807B | 4460227 | 4 | Pin, Male | |
| 807C | 4922764 | 1 | Floodlight Harness (Lights to Switch) | |
| 807D | 4460424 | 2 | Connector, Female - 2 Position | |
| 807D | 4460226 | 4 | Socket, Female | |
| 807E | 1060977 | 1 | Cord, 2 Wire Coiled (Console Box Relay to Switch) | |
| 807F | 4360232 | 1 | Breaker, Circuit | |
| 807G | 4460425 | 1 | Connector, Strain Relief | |
| 808 | See Note | 1 | Work Lights Harness Components (Note: Not Available - Purchase Locally) | |
| 808A | | Ref | Harness, Electric 10/3 (Aux Relay to Console Box) | |
| 808A | 4922834 | 1 | Harness, Electric 10/3 1200SJP | |
| 808A | 4922833 | 1 | Harness, Electric 10/3 1350SJP | |
| 808A | 4921757 | AR | Fusible Link | |
| 808B | See Note | 2 | Work Light Harness (Supplied with Work Light) (Note: Not Available For Purchase) | |

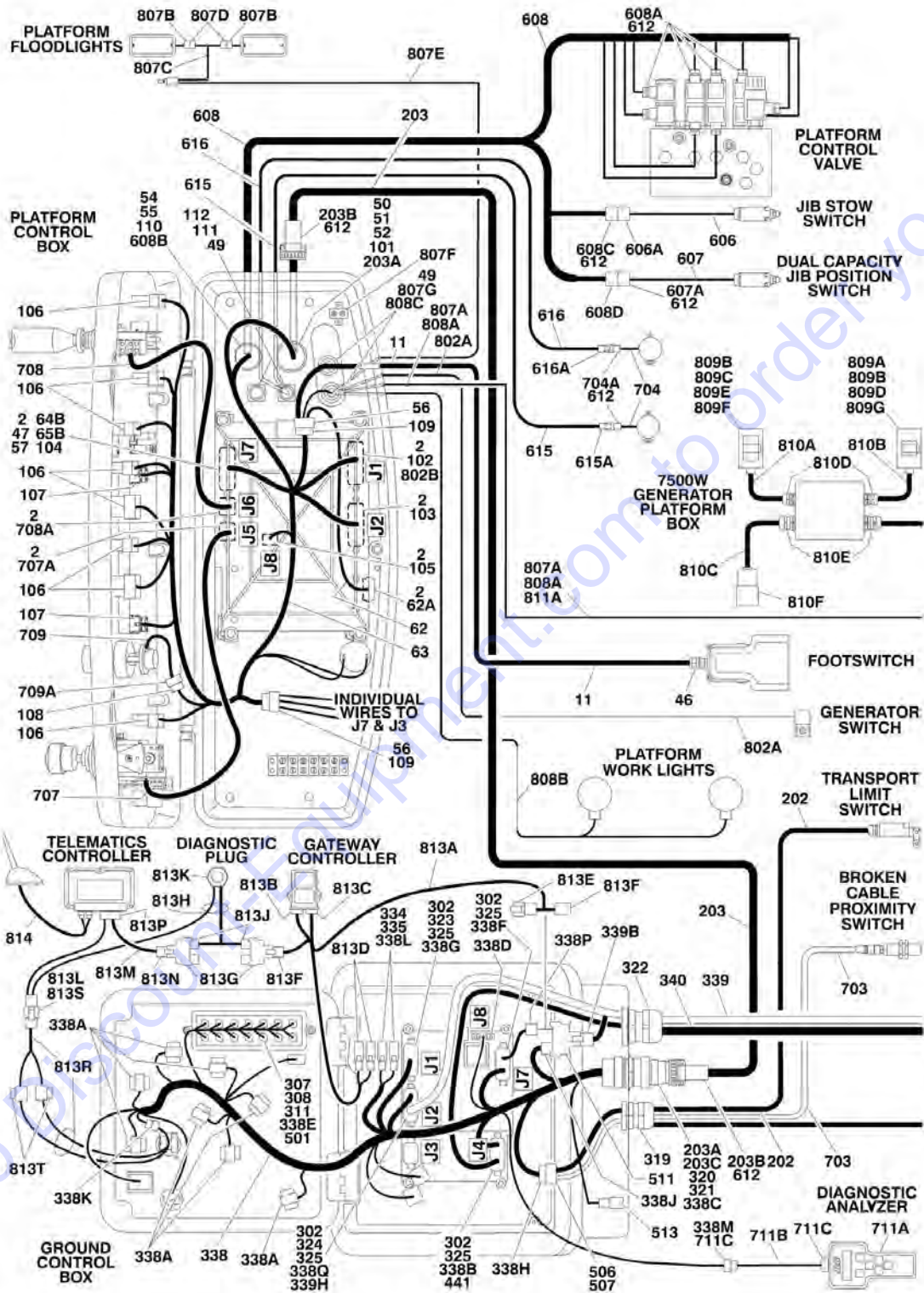
SECTION 7 - ELECTRICAL

| ITEM | PART NUMBER | QTY | DESCRIPTION | REV |
|------|-------------|-----|---|-----|
| 808C | 4460426 | 1 | Connector, Strain Relief | |
| | | Ref | TOOLS (NOT SHOWN) | |
| | 7002821 | 1 | Crimper (For Wire to Pin/Socket Connections) | |
| | 7002823 | 1 | Extractor (For Removal of Pin/Socket from Connectors) | |
| | 4460467 | 1 | Extractor, Pin (Blue 16-18 Gauge) (For Removal of Pin/Socket from Connectors) | |
| | 4460510 | 1 | Extractor, Pin (Yellow 12-14 Gauge) (For Removal of Pin/Socket from Connectors) | |
| | 7002828 | 1 | Stripper, Wire | |
| | 1001137005 | 1 | Cable Kit, Software | |

Go to Discount-Equipment.com to order your parts

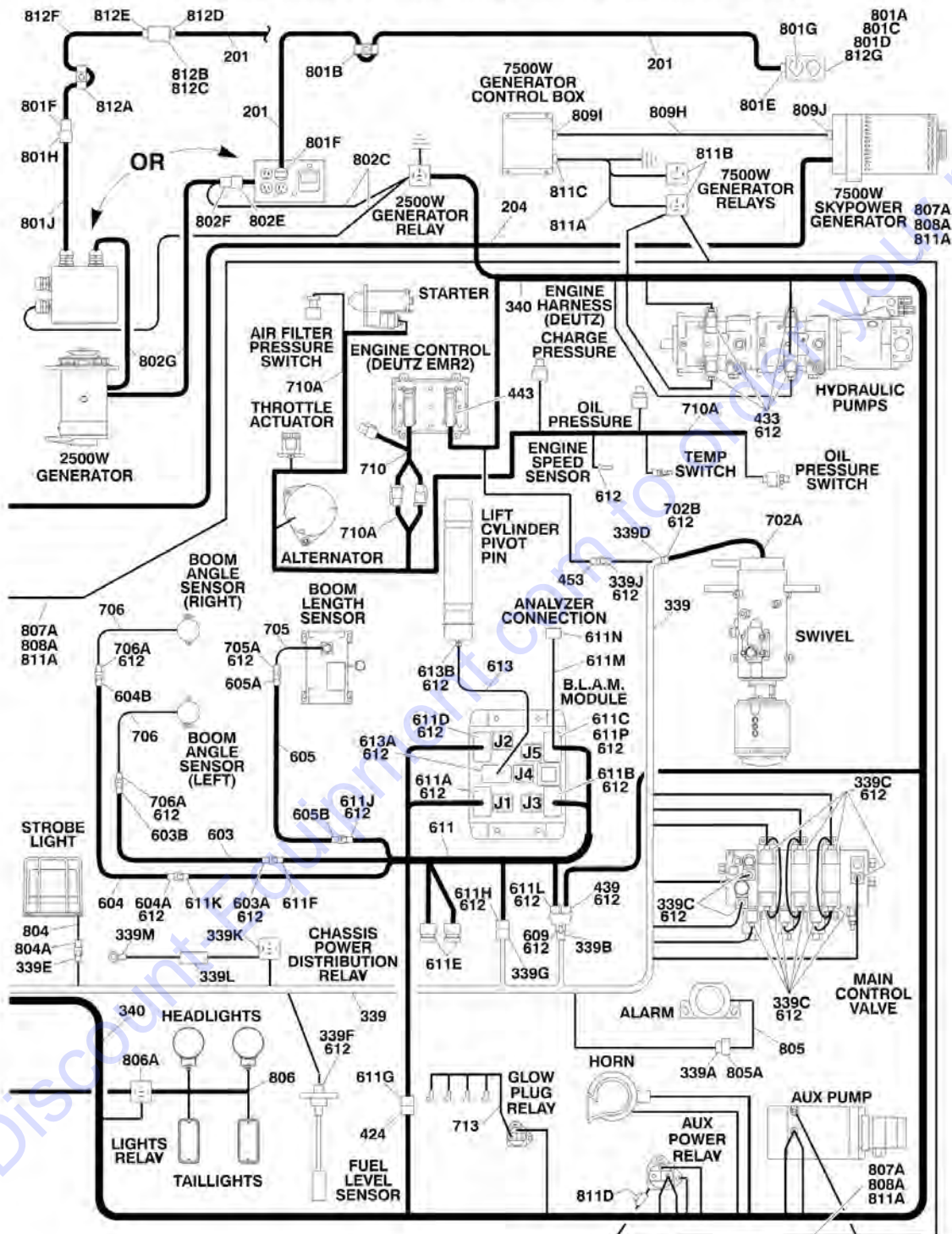
SECTION 7 - ELECTRICAL

FIGURE 7-3. HARNESS COMPONENTS INSTALLATION (WITHOUT UGM) (SN 0300087579 through 0300201016)

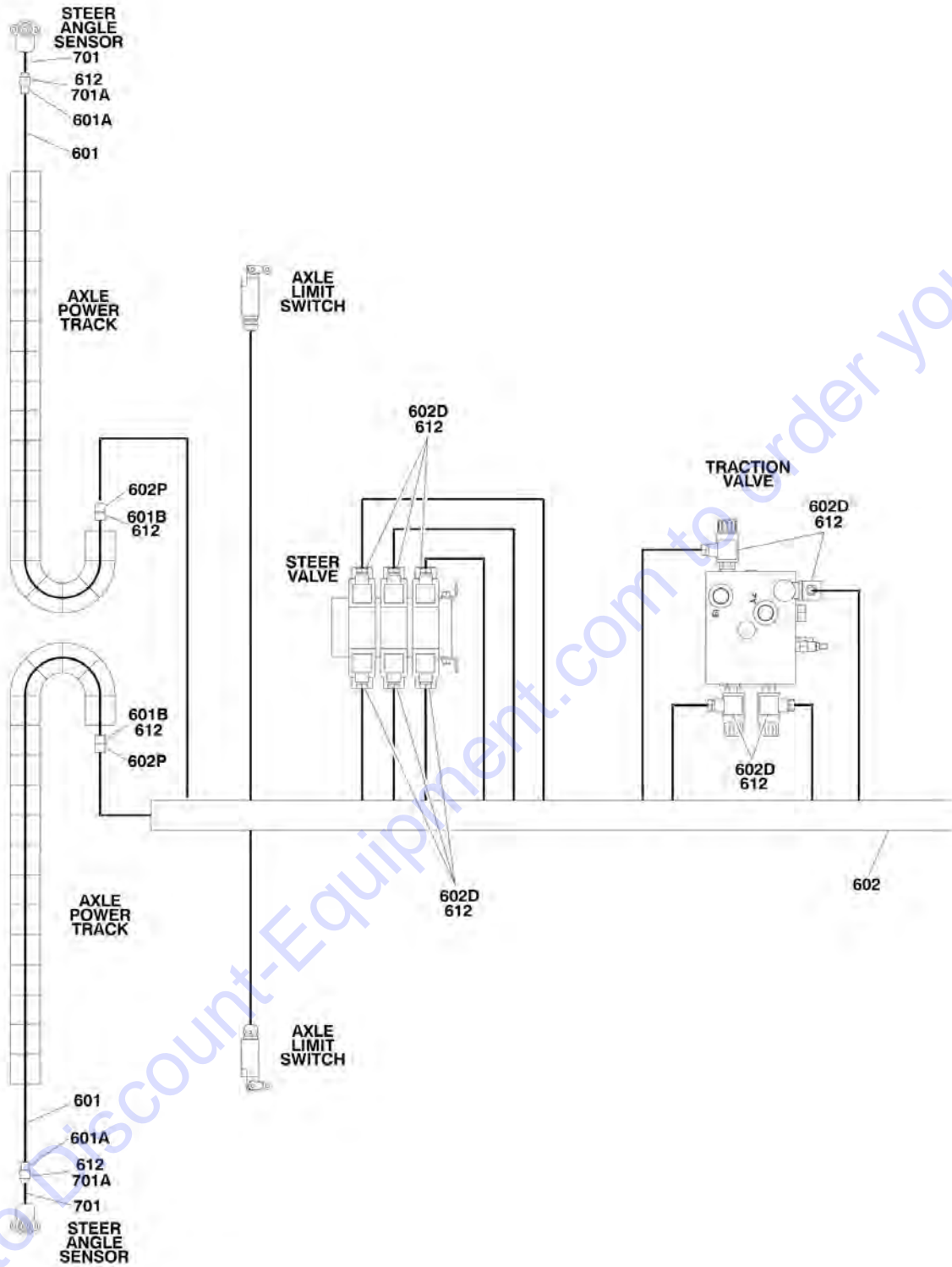


SECTION 7 - ELECTRICAL

NOTE: FOR MODULE IDENTIFICATION, REFER TO REVISION LOG PAGE A.

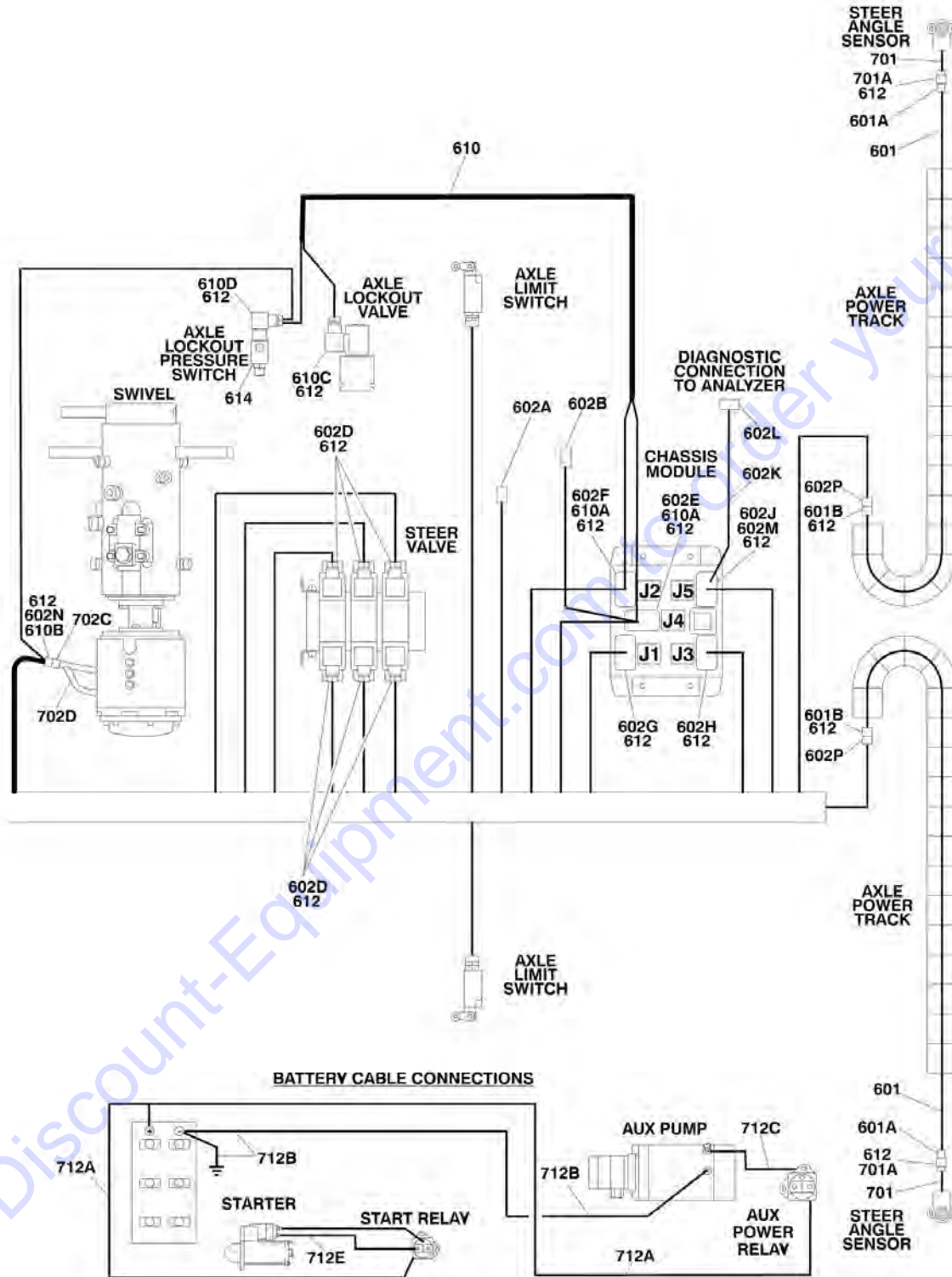


SECTION 7 - ELECTRICAL



Go to Discount-Equipment.com to order your parts

SECTION 7 - ELECTRICAL



SECTION 7 - ELECTRICAL

FIGURE 7-3. HARNESS COMPONENTS INSTALLATION (WITHOUT UGM) (SN 0300087579 through 0300201016)

| ITEM | PART NUMBER | QTY | DESCRIPTION | REV |
|------|-------------|------------|--|-----|
| | | Ref | NOTE: FOR MODULE IDENTIFICATION, REFER TO REVISION LOG PAGE A. | |
| | | Ref | HARNESS COMPONENTS INSTALLATION | |
| | 0861631 | Ref | PLATFORM CONSOLE BOX COMPONENTS OPTIONS: | G |
| 2 | 0100048 | AR | Grease, Dielectric | |
| 11 | 1060918 | 7 ft/2.14m | Cable, Electrical - 18/3 | |
| 46 | 4460071 | 1 | Connector, Strain Relief | |
| 47 | 4460226 | 2 | Socket, Female | |
| 49 | 4460428 | 4 | Connector, Strain Relief | |
| 50 | 4460464 | 1 | Pin, Male Deutsch | |
| 51 | 4460470 | 1 | Nut, Terminal | |
| 52 | 4460471 | 1 | Lockwasher, Terminal | |
| 54 | 4460496 | 1 | Lockwasher, Terminal | |
| 55 | 4460497 | 1 | Nut, Terminal | |
| 56 | 4460708 | 2 | Receptacle, Female - 15 Position | |
| 57 | 4460905 | 5 | Seal, Plug | |
| 62 | 4922666 | 1 | Harness, Analyzer Cable | 2-B |
| 62 | 4460226 | 4 | Socket, Female (Not Shown - Located at J2) | |
| 62A | 4460761 | 1 | Connector, Female - 4 Position | |
| 62A | 4460227 | 4 | Pin, Male | |
| 63 | | Ref | Harness, Platform Box Options (See Items 101-112 for Breakdown): | |
| 63 | 4922945 | 1 | Harness, Platform Box (Use p/n 4923448) (SN 0300087579 through 0300093077) | |
| 63 | 4923448 | 1 | Harness, Platform Box (SN 0300093078 through 0300201016) | |
| | | Ref | PLATFORM BOX HARNESS ASSEMBLY | |
| | 4922945 | Ref | Platform Box Harness Assembly (SN 0300087579 through 0300093312) | F |
| | 4923448 | Ref | Platform Box Harness Assembly (SN 0300093313 through 0300201016) | 3-B |
| 101 | 4460866 | 1 | Connector - 19 Position | |
| 101 | 4460464 | 7 | Pin, Male Deutsch 16 Ga | |
| 101 | 4460508 | 4 | Pin, Male Deutsch 12 Ga | |
| 101 | 4460943 | 3 | Pin, Male 16 Ga (Gold Plated - Used on 3 Wire Canbus Cable) | |
| 102 | 4460874 | 1 | Connector - 35 Position (Natural) | |
| 102 | 4460871 | AR | Socket, Female | |
| 102 | 4460905 | AR | Plug | |
| 103 | 4460876 | 1 | Connector - 35 Position (Blue) | |
| 103 | 4460871 | AR | Socket, Female | |
| 103 | 4460905 | AR | Plug | |
| 104 | 4460873 | 1 | Connector - 35 Position (Black) | |
| 104 | 4460871 | AR | Socket, Female | |
| 104 | 4460905 | AR | Plug | |
| 105 | 4460879 | 1 | Connector, Male - 2 Position | |
| 105 | 4460887 | 2 | Terminal (12 Gauge) | |
| 106 | 4460418 | 12 | Connector, Female - 6 Position | |
| 106 | 4460419 | 36 | Socket, Female | |
| 107 | 4460225 | 5 | Plug, Male - 6 Position | |
| 107 | 4460226 | 21 | Terminal (16 Gauge) | |
| 108 | 4460225 | 1 | Plug, Male - 6 Position | |

SECTION 7 - ELECTRICAL

| ITEM | PART NUMBER | QTY | DESCRIPTION | REV |
|------|--------------|-----------------|--|-----|
| 108 | 4460227 | 5 | Pin, Male | |
| 109 | 4460434 | 2 | Plug, Male - 15 Position | |
| 109 | 4460227 | 13 | Pin, Male | |
| 110 | 4460925 | 1 | Connector - 21 Position | |
| 110 | 4460929 | 13 | Pin, Male Deutsch 16 Ga | |
| 110 | 4460466 | 8 | Plug | |
| 111 | 1001121616 | 2 | Connector, 6 Position | |
| 112 | 1001121615 | 2 | Base, Mounting | |
| | | Ref | BOOM CABLES INSTALLATION | |
| | 0271932 | Ref | Boom Cables Installation 1200SJP (ANSI and ANSI Export Specs) | D |
| | 0271950 | Ref | Boom Cables Installation 1200SJP (Australian and CE Specs) | D |
| | 0273854 | Ref | Boom Cables Installation 1200SJP with 7500W Generator (All Specs) | A |
| | 0271951 | Ref | Boom Cables Installation 1350SJP (ANSI and ANSI Export Specs) | D |
| | 0271952 | Ref | Boom Cables Installation 1350SJP (Australian and CE Specs) | D |
| | 0273855 | Ref | Boom Cables Installation 1350SJP with 7500W Generator (All Specs) | A |
| 201 | | Ref | Cable, Electrical - 10/3 | |
| 201 | 4922759 | 1 | Cable, Electrical 1200SJP (ANSI and ANSI Export Specs) | B |
| 201 | 4922761 | 1 | Cable, Electrical 1200SJP (Australian and CE Specs) | B |
| 201 | Not Required | 0 | Cable, Electrical 1200SJP with 7500W Generator (All Specs) | |
| 201 | 4922758 | 1 | Cable, Electrical 1350SJP (ANSI and ANSI Export Specs) | A |
| 201 | 4922760 | 1 | Cable, Electrical 1350SJP (Australian and CE Specs) | A |
| 201 | Not Required | 0 | Cable, Electrical 1350SJP with 7500W Generator (All Specs) | |
| 202 | | Ref | Cable, Electrical - 18/3 | |
| 202 | 4922763 | 1 | Cable, Electrical 1200SJP (46ft/13.8m Length) | B |
| 202 | 4922762 | 1 | Cable, Electrical 1350SJP (50ft/15.3m Length) | B |
| 203 | | Ref | Harness Assembly - Boom (12/4 -18/8) Options: | |
| 203 | 4922672 | 1 | Harness Assembly - Boom 1200SJP | 2-B |
| 203 | 4922673 | 1 | Harness Assembly - Boom 1350SJP | 2-B |
| 203 | 1060896 | Ref | Cable, Electrical - 12/4 & 18/8 | |
| 203 | 1060896 | 142 ft/43.3m | Cable, Electrical 1200SJP | |
| 203 | 1060896 | 157 ft/48m | Cable, Electrical 1350SJP | |
| 203 | 2820118 | 8 in/18cm | Heat Shrink | |
| 203A | 4460865 | 2 | Connector - 19 Position | |
| 203A | 4460465 | 22 | Socket, Female 18 Gauge | |
| 203A | 4460509 | 8 | Socket, Female 12 Gauge | |
| 203A | 4460466 | 8 | Seal, Plug | |
| 203B | 4460473 | 2 | Clamp, Cable | |
| 203C | 4460465 | 11 | Socket, Female 18 Gauge | |
| 203C | 4460509 | 4 | Socket, Female 12 Gauge | |
| 204 | | Ref | Harness, Generator (8/5) Options (with 7500W Generator Only): | |
| 204 | 4922796 | 1 | Harness, Generator (8/5) 1200SJP | |
| 204 | 4922795 | 1 | Harness, Generator (8/5) 1350SJP | |
| | | Ref | GROUND CONTROL BOX COMPONENTS | |
| | 0861749 | Ref | Machines with Rexroth Pumps (SN 0300087579 through 0300098641) | F |

SECTION 7 - ELECTRICAL

| ITEM | PART NUMBER | QTY | DESCRIPTION | REV |
|------|-------------|----------|---|-----|
| | 0861798 | Ref | Machines with Rexroth Pumps (SN 0300098642 through 0300098919) | B |
| | 1810057 | Ref | Machines with Rexroth Pumps (SN 0300098920 through 0300201016) | G |
| | 1001118767 | Ref | Machines with Sauer Pumps (SN 0300098920 through 0300201016) | B |
| 302 | 0100048 | AR | Grease, Dielectric | |
| 307 | 1670829 | 1 | Bezel | |
| 308 | 1705308 | 1 | Decal - Light Panel | |
| 311 | 2760105 | 1 | Housing, Light | |
| 319 | 4460426 | 1 | Connector, Strain Relief | |
| 320 | 4460470 | 1 | Nut, Terminal | |
| 321 | 4460471 | 1 | Washer, Terminal | |
| 322 | 4460526 | 1 | Connector, Strain Relief | |
| 323 | 4460874 | 1 | Connector, White - 35 Position | |
| 324 | 4460875 | 1 | Connector, Gray - 35 Position | |
| 325 | 4460905 | 4 | Plug, Connector | |
| 334 | 4460892 | 2 | Connector, Bussbar - 6 Position | |
| 335 | 4460914 | 2 | Base, Terminal | |
| 338 | | Ref | Ground Control Box Harness Assembly Options: | |
| 338 | 4923286 | 1 | Ground Control Box Harness Assembly (SN 0300087579 through 0300098919) | 1-B |
| 338 | 4923574 | 1 | Ground Control Box Harness Assembly (SN 0300098920 through 0300201016) | B |
| 338 | 3990001 | 2 | Diode - 3 Amp (Not Shown - Located at Power Down Relay) | |
| 338A | 4460418 | 8 | Connector, Female - 6 Position | |
| 338A | 4460419 | 24 | Socket, Female | |
| 338B | 4460876 | 1 | Connector, Blue - 35 Position | |
| 338B | 4460871 | 29 | Socket, Female | |
| 338C | 4460866 | 1 | Connector - 19 Pin | |
| 338C | 4460464 | 10 | Pin, Male Deutsch 16 Ga | |
| 338C | 4460508 | 3 | Pin, Male Deutsch 12 Ga | |
| 338D | 4460878 | 1 | Plug, Male - 4 Position | |
| 338D | 4460887 | 3 | Terminal (12 Gauge) | |
| 338E | 4120035 | 10 | Base, Light | |
| 338E | 4460634 | 10 | Terminal (16 Gauge) | |
| 338E | 4460635 | 10 | Terminal (12 Gauge) | |
| 338F | 4460873 | 1 | Connector, Black - 35 Position | |
| 338F | 4460871 | 15 | Socket, Female | |
| 338G | 4460871 | 7 | Socket, Female | |
| 338H | 4460225 | 1 | Plug, Male - 6 Position | |
| 338H | 4460227 | 6 | Pin, Male | |
| 338J | 4460965 | 1 | Plug, Male - 3 Position (Blue Lock) | |
| 338J | 4460944 | 3 | Socket, Female | |
| 338J | 4922099 | 2 ft/.6m | Cable, Can-Buss | |
| 338K | 2400066 | 1 | Fuseholder with Cover | |
| 338K | 2400065 | 1 | Fuse | |
| 338L | 4460894 | 2 | Plug, Male - 6 Position | |
| 338L | 4460465 | 1 | Socket, Female 16-18GA | |
| 338L | 4460942 | 2 | Socket, Female 14GA | |
| 338M | 4460761 | 1 | Connector, Female - 4 Position | |
| 338M | 4460227 | 4 | Pin, Male | |

SECTION 7 - ELECTRICAL

| ITEM | PART NUMBER | QTY | DESCRIPTION | REV |
|------|-------------|----------|--|-----|
| 338P | 4460966 | 1 | Plug, Male - 3 Position (Green Lock) | |
| 338P | 4460944 | 3 | Socket, Female | |
| 338P | 4922099 | 2 ft/.6m | Cable, Can-Buss | |
| 338Q | 4460871 | 3 | Socket, Female | |
| 339 | | Ref | Valve Harness Assembly Options: | |
| 339 | 4923292 | 1 | Valve Harness Assembly (SN 0300087579 through 0300098641) | 2-B |
| 339 | 4923522 | 1 | Valve Harness Assembly (SN 0300098642 through 0300201016) | 1-D |
| 339A | 4460320 | 1 | Plug, Male - 2 Position | |
| 339A | 4460267 | 2 | Pin, Male | |
| 339B | 4460965 | 2 | Plug, Male - 3 Position | |
| 339B | 4460944 | 6 | Socket, Female | |
| 339B | 4922099 | AR | Cable, Electrical 18/3 | |
| 339C | 4460880 | 11 | DIN Connector | |
| 339D | 4460836 | 1 | Plug, Male - 12 Position | |
| 339D | 4460466 | 4 | Plug, Socket | |
| 339D | 4460465 | 3 | Socket, Female | |
| 339D | 4460942 | 2 | Socket, Female 14-16 GA | |
| 339D | 4460944 | 3 | Socket, Female 16-18 GA (Gold) | |
| 339E | 4460424 | 1 | Connector, Female - 2 Position | |
| 339E | 4460268 | 2 | Socket, Female | |
| 339F | 4460843 | 1 | Plug, Male - 2 Position | |
| 339F | 4460842 | 2 | Socket, Female | |
| 339G | 4460894 | 1 | Plug, Male - 6 Position | |
| 339G | 4460465 | 3 | Socket, Female | |
| 339G | 4460942 | 3 | Socket, Female 14-16 GA | |
| 339H | 4460942 | 3 | Socket, Female 14-16 GA | |
| 339H | 4460465 | 2 | Socket, Female | |
| 339H | 4460871 | 17 | Socket, Female | |
| 339H | 4460464 | 1 | Pin, Male | |
| 339J | 4460536 | 1 | Connector, Female - 3 Position | |
| 339J | 4460943 | 3 | Pin, Male | |
| 339J | 4922099 | AR | Cable, Electrical 18/3 | |
| 339K | 3740080 | 1 | Relay, Sealed (SN 0300098642 through 0300201016) | |
| 339K | 4460374 | 1 | Plug, Sealed (SN 0300098642 through 0300201016) | |
| 339K | 4460375 | 5 | Terminal, Female (SN 0300098642 through 0300201016) | |
| 339L | 2400066 | 1 | Fuseholder w/Leads (SN 0300098642 through 0300201016) | |
| 339L | 2400065 | 1 | Fuse, 30A (SN 0300098642 through 0300201016) | |
| 339M | 4460019 | 1 | Terminal, Ring (SN 0300098642 through 0300201016) | |
| 340 | | Ref | Harness, Engine (See Items 401-453 for Breakdown) | |
| 340 | 4923273 | 1 | Machines with Rexroth Pumps (SN 0300087579 through 0300093351) | |
| 340 | 4923376 | 1 | Machines with Rexroth Pumps (SN 0300093352 through 0300201016) | |
| 340 | 1001119957 | 1 | Machines with Sauer Pumps | |
| 341 | | Ref | Ground Control Wiring Diagram Options: (See Items 501-513 for Breakdown) | |
| 341 | 4933340 | 1 | Ground Control Wiring Diagram (SN 0300087579 through 0300098919) | |
| 341 | 4933389 | 1 | Ground Control Wiring Diagram (SN 0300098920 through 0300201016) | |
| | | Ref | ENGINE HARNESS ASSEMBLY | |

SECTION 7 - ELECTRICAL

| ITEM | PART NUMBER | QTY | DESCRIPTION | REV |
|------|-------------|------------|---|-----|
| | 4923273 | Ref | Machines with Rexroth Pumps (SN 0300087579 through 0300093351) | B |
| | 4923376 | Ref | Machines with Rexroth Pumps (SN 0300093352 through 0300201016) | E |
| | 1001119957 | Ref | Machines with Sauer Pumps | A |
| 424 | 4460899 | 1 | Connector, Female - 6 Position | |
| 424 | 4460465 | 1 | Socket, Female | |
| 424 | 4460464 | 4 | Pin, Male | |
| 424 | 4460466 | 2 | Markers, Terminal | |
| 433 | | Ref | Pump Connector Options: | |
| 433 | 4460880 | 4 | DIN Connector without Diode (Rexroth Pumps) | |
| 433 | 4460891 | 4 | Plug, Male - 2 Position (Sauer Pumps) | |
| 433 | 4460465 | 8 | Socket, Female (Sauer Pumps) | |
| 436 | 4460887 | 1 | Terminal, Molex | |
| 436 | 4460871 | 7 | Socket, Female | |
| 436 | 4460508 | 1 | Terminal, Deutsch | |
| 439 | 4460965 | 1 | Connector, Female - 3 Position | |
| 439 | 4460944 | 3 | Socket, Female (Gold) | |
| 443 | 4461052 | 1 | Connector, Female - 25 Position | |
| 443 | 4461005 | 5 | Terminal | |
| 443 | 4461006 | 5 | Seal | |
| 443 | 4461054 | 2 | Seal, Terminal | |
| 443 | 4461060 | 2 | Terminal (Tin) | |
| 443 | 4461053 | 1 | Cover, Plug | |
| 443 | 4461008 | 18 | Plug, Hole | |
| 453 | 4460539 | 1 | Plug, Male - 3 Position (Includes Wedge Lock and Seal) | |
| 453 | 4460944 | 3 | Socket, Female (Gold) | |
| | | Ref | GROUND CONTROL BOX WIRING DIAGRAM | |
| | 4933340 | Ref | Ground Control Box Wiring Diagram (SN 0300087579 through 0300098919) | 1-C |
| | 4933389 | Ref | Ground Control Box Wiring Diagram (SN 0300098920 through 0300201016) | 1-C |
| 501 | 2920129 | 10 | Bulb, Light | |
| 506 | 4460226 | 6 | Socket, Female | |
| 507 | 4460224 | 1 | Connector, Female - 6 Position | |
| 511 | 4460945 | 1 | Connector, Female - 3 Way | |
| 513 | 2902443 | 1 | Receptacle Kit | |
| 513 | 4461071 | 8 | Socket, Female | |
| 513 | 4461072 | 1 | Receptacle | |
| 513 | 4461073 | 1 | Cap, Dust | |
| 513 | 4461074 | 1 | Shell, Black | |
| | 0274660 | Ref | WIRING HARNESES INSTALLATION | 1-C |
| 601 | 4922718 | 4 | Axle Power Track Harness Assembly | B |
| 601A | 4460539 | 1 Per Assy | Plug, Male - 3 Position (Includes Wedge Lock and Seal) | |
| 601A | 4460944 | 3 Per Assy | Socket, Female | |
| 601B | 4460932 | 1 Per Assy | Connector, Female - 4 Position | |
| 601B | 4460943 | 4 Per Assy | Pin, Male | |
| 602 | 4922696 | 1 | Chassis Harness Assembly | 3-D |
| 602A | 4460894 | 1 | Plug, Male - 6 Position | |

SECTION 7 - ELECTRICAL

| ITEM | PART NUMBER | QTY | DESCRIPTION | REV |
|------|-------------|-----|--|-----|
| 602A | 4460465 | 6 | Socket, Female | |
| 602A | 4460892 | 1 | Connector, Bussbar - 6 Position | |
| 602B | 4460891 | 1 | Plug, Male - 2 Position | |
| 602B | 4460465 | 2 | Socket, Female | |
| 602C | 4460894 | 1 | Plug, Male - 6 Position (Not Shown) | |
| 602C | 4460465 | 6 | Socket, Female | |
| 602C | 4460892 | 1 | Connector, Bussbar - 6 Position | |
| 602D | 4460880 | 14 | DIN Connector | |
| 602E | 4460930 | 1 | Connector, Gray - 8 Position | |
| 602E | 4460465 | 3 | Socket, Female | |
| 602E | 4460466 | 5 | Plug, Terminal | |
| 602F | 4460836 | 1 | Connector, Black - 12 Position | |
| 602F | 4460465 | 6 | Socket, Female | |
| 602F | 4460466 | 6 | Plug, Terminal | |
| 602G | 4460933 | 1 | Connector, Gray - 12 Position | |
| 602G | 4460465 | 8 | Socket, Female | |
| 602G | 4460466 | 4 | Plug, Terminal | |
| 602H | 4460934 | 1 | Connector, Green - 12 Position | |
| 602H | 4460944 | 12 | Socket, Female | |
| 602J | 4460935 | 1 | Connector, Brown - 12 Position | |
| 602J | 4460465 | 8 | Socket, Female | |
| 602K | 4922705 | 1 | Analyzer Harness | 2-B |
| 602L | 4460761 | 1 | Connector, Female | |
| 602L | 4460227 | 4 | Pin, Male | |
| 602M | 4460465 | 4 | Socket, Female | |
| 602N | 4460950 | 1 | Connector, Female - 12 Position | |
| 602N | 4460464 | 6 | Pin, Male 16-18 GA | |
| 602N | 4460943 | 3 | Pin, Male 16-18 GA (Gold) | |
| 602N | 4460941 | 2 | Pin, Male 14-16GA | |
| 602P | 4460884 | 4 | Connector, Gray - 4 Position | |
| 602P | 4460944 | 16 | Socket, Female | |
| 603 | 4922781 | 1 | B.L.A.M. to Boom Angle Sensor Harness (Left Side) | 3-B |
| 603A | 4460932 | 1 | Connector, Gray - 4 Position | |
| 603A | 4460943 | 4 | Pin, Male | |
| 603B | 4460911 | 1 | Plug, Male - 3 Position | |
| 603B | 4460918 | 3 | Socket, Female | |
| 603B | 4460912 | 1 | Lock, Wedge - Position | |
| 604 | 4922780 | 1 | B.L.A.M. to Boom Angle Sensor Harness (Right Side) | 2-B |
| 604A | 4460884 | 1 | Connector, Gray - 4 Position | |
| 604A | 4460944 | 4 | Socket, Female | |
| 604B | 4460911 | 1 | Plug, Male - 3 Position | |
| 604B | 4460918 | 3 | Socket, Female | |
| 604B | 4460912 | 1 | Lock, Wedge - Position | |
| 605 | 4922716 | 1 | B.L.A.M. to Boom Length Sensor Harness | C |
| 605A | 4460539 | 2 | Plug, Male - 3 Position (Includes Wedge Lock and Seal) | |
| 605A | 4460944 | 3 | Socket, Female | |
| 605B | 4460894 | 1 | Plug, Male - 6 Position | |
| 605B | 4460944 | 4 | Socket, Female | |
| 605B | 4460466 | 2 | Plug, Sealing | |
| 606 | 4922784 | 1 | Jib Stow Switch Harness | B |
| 606A | 4460891 | 1 | Plug, Male - 2 Position | |

SECTION 7 - ELECTRICAL

| ITEM | PART NUMBER | QTY | DESCRIPTION | REV |
|------|-------------|-----|---|-----|
| 606A | 4460465 | 2 | Socket, Female | |
| 607 | 4922785 | 1 | Dual Capacity Jib Position Switch Harness | B |
| 607A | 4460897 | 1 | Connector, Female - 2 Position | |
| 607A | 4460464 | 2 | Pin, Male | |
| 608 | 4922777 | 1 | Platform Valve Harness | 1-C |
| 608A | 4460880 | 9 | DIN Connector | |
| 608B | 4460926 | 1 | Connector - 21 Position | |
| 608B | 4460928 | 13 | Socket, Female | |
| 608B | 4460466 | 8 | Plug, Hole | |
| 608C | 4460897 | 1 | Connector, Female - 2 Position | |
| 608C | 4460464 | 2 | Pin, Male | |
| 608D | 4460891 | 1 | Plug, Male - 2 Position | |
| 608D | 4460465 | 2 | Socket, Female | |
| 609 | 4460945 | 1 | Connector, Female - 3 Way | |
| 610 | 4922767 | 1 | Lockout Valve Harness | 2-C |
| 610A | 4460465 | 3 | Socket, Female | |
| 610B | 4460464 | 1 | Pin, Male | |
| 610C | 4460880 | 2 | Connector, DIN | |
| 610D | 4460449 | 2 | Connector, DIN | |
| 611 | 4922786 | 1 | B.L.A.M. Harness | 4-C |
| 611A | 4460933 | 1 | Plug, Male - 12 Position (Gray) | |
| 611A | 4460466 | 7 | Plug, Seal | |
| 611A | 4460944 | 3 | Socket, Female | |
| 611A | 4460465 | 1 | Socket, Female | |
| 611A | 4460942 | 1 | Socket, Female | |
| 611B | 4460934 | 1 | Plug, Male - 12 Position (Green) | |
| 611B | 4460466 | 7 | Plug, Seal | |
| 611B | 4460944 | 3 | Socket, Female | |
| 611B | 4460465 | 2 | Socket, Female | |
| 611C | 4460935 | 1 | Plug, Male - 12 Position (Brown) | |
| 611C | 4460466 | 5 | Plug, Seal | |
| 611C | 4460465 | 2 | Socket, Female | |
| 611D | 4460836 | 1 | Plug, Male - 12 Position (Black) | |
| 611D | 4460466 | 8 | Plug, Seal | |
| 611D | 4460944 | 2 | Socket, Female | |
| 611D | 4460465 | 2 | Socket, Female | |
| 611E | 4460836 | 2 | Plug, Male - 12 Position (Black) | |
| 611E | 4460466 | 14 | Plug, Seal | |
| 611E | 4460944 | 5 | Socket, Female | |
| 611E | 4460465 | 5 | Socket, Female | |
| 611E | 4460837 | 2 | Receptacle, Female - 12 Position Buss Bar | |
| 611F | 4460884 | 1 | Plug, Male 4 Position (Gray) | |
| 611F | 4460944 | 4 | Socket, Female | |
| 611G | 4460894 | 1 | Plug, Male - 6 Position (Gray) | |
| 611G | 4460465 | 5 | Socket, Female | |
| 611G | 4460466 | 1 | Plug, Sealing | |
| 611H | 4460899 | 1 | Connector, Female - 6 Position (Gray) | |
| 611H | 4460464 | 3 | Pin, Male | |
| 611H | 4460941 | 3 | Pin, Male (Gold Plated) | |
| 611J | 4460899 | 1 | Connector, Female - 6 Position (Gray) | |
| 611J | 4460466 | 2 | Plug, Sealing | |

SECTION 7 - ELECTRICAL

| ITEM | PART NUMBER | QTY | DESCRIPTION | REV |
|------|-------------|------------|--|-----|
| 611J | 4460943 | 4 | Pin, Male (Gold Plated) | |
| 611K | 4460932 | 1 | Plug, Male - 4 Position (Gray) | |
| 611K | 4460943 | 1 | Pin, Male | |
| 611L | 4460966 | 1 | Connector, Female - 3 Position | |
| 611L | 4460944 | 3 | Socket, Female | |
| 611M | 4922705 | 1 | Analyzer Harness | 2-B |
| 611N | 4460761 | 1 | Connector, Female - 4 Position | |
| 611N | 4460227 | 4 | Pin, Male | |
| 611P | 4460465 | 4 | Socket, Female | |
| 612 | 0100048 | AR | Lubricant, Silicone | |
| 613 | 4923256 | 1 | Load Sensing Pin Harness | B |
| 613A | 4460930 | 1 | Connector, Gray - 8 Position | |
| 613A | 4460465 | 4 | Socket, Female | |
| 613A | 4460466 | 3 | Plug, Sealing | |
| 613B | See Note | 1 | Connector, Female - 4 Position (Note: Not Available For Purchase) | |
| 613B | See Note | 4 | Terminal (Note: Not Available For Purchase) | |
| 614 | See Note | 1 | Switch, Pressure (Note: See Traction Valve Breakdown for Usage) (Prior to SN 0300100131) | |
| 615 | 4922947 | 1 | Right Level Sensor, Harness | E |
| 615A | 4460911 | 1 | Plug, Male - 3 Position | |
| 615A | 4460918 | 3 | Pin, Male | |
| 615A | 4460912 | 1 | Lock, Wedge - Position | |
| 615A | 1320309 | 1 | Clamp, Cable | |
| 615A | 1560012 | 1 | Nut, Conduit | |
| 615A | 1560011 | 1 | Connector, Conduit | |
| 615A | See Note | 1 | Plug, Male - 7 Position (Note: No Longer Field Serviceable - Purchase Complete Harness Item 615) | |
| 616 | 4922948 | 1 | Left Level Sensor, Harness | E |
| 616A | 4460911 | 1 | Plug, Male - 3 Position | |
| 616A | 4460918 | 3 | Pin, Male | |
| 616A | 4460912 | 1 | Lock, Wedge - Position | |
| 616A | 1320309 | 1 | Clamp, Cable | |
| 616A | 1560012 | 1 | Nut, Conduit | |
| 616A | 1560011 | 1 | Connector, Conduit | |
| 616A | See Note | 1 | Plug, Male - 7 Position (Note: No Longer Field Serviceable - Purchase Complete Harness Item 616) | |
| | | Ref | STANDARD HARNESS COMPONENTS | |
| 701 | See Note | 4 | Steer Angle Sensor Harness (Note: Not Available For Purchase) | |
| 701 | 4460536 | 1 Per Assy | Plug, Male - 3 Position | |
| 701 | 4460464 | 3 Per Assy | Pin, Male | |
| 702 | 1660253 | 1 | Coupling Electrical Components | |
| 702A | See Note | 1 | Coupling Turntable Harness (Note: Not Available For Purchase) | |
| 702B | 4460837 | 1 | Connector, Female - 12 Position | |
| 702B | 4460466 | 4 | Plug, Socket | |
| 702B | 4460464 | 3 | Pin, Male 16-18 GA | |
| 702B | 4460943 | 3 | Pin, Male 16-18 GA (Gold) | |
| 702B | 4460941 | 2 | Pin, Male 14-16GA | |
| 702C | See Note | 1 | Coupling Frame Harness (Note: Not Available For Purchase) | |
| 704 | 4360545 | 2 | Platform Level Sensor Harness (Use p/n 1001133329) (SN 0300141600 through 0300157202) | |

SECTION 7 - ELECTRICAL

| ITEM | PART NUMBER | QTY | DESCRIPTION | REV |
|------|-------------|-----|--|-----|
| 702D | 4460836 | 1 | Plug, Male - 12 Position | |
| 702D | 4460465 | 6 | Socket, Female 16-18 GA | |
| 702D | 4460942 | 2 | Socket, Female 14-16 GA | |
| 702D | 4460944 | 3 | Socket, Female 16-18 GA (Gold) | |
| 702D | 4460466 | 1 | Plug, Socket | |
| 703 | See Note | 1 | Broken Cable Proximity Switch Harness (Note: Part of Proximity Switch - Purchase New Switch) | |
| 704 | | Ref | Platform Level Sensor Harness Options (Includes Sensor): | |
| 704 | 4360534 | 2 | Platform Level Sensor Harness (Use p/n 1001147479) (Prior to SN 0300141600) | |
| 704 | 4360545 | 2 | Platform Level Sensor Harness (Use p/n 1001147479) (Prior to SN 0300141600) | |
| 704 | 1001133329 | 2 | Platform Level Sensor Harness (SN 0300157203 through 0300201016) | |
| 704A | 4460910 | 2 | Connector, Female - 3 Position | |
| 704A | 4460917 | 6 | Pin, Male | |
| 704A | 4460913 | 1 | Lock, Wedge | |
| 705 | See Note | 1 | Boom Length Switch Harness (Note: Not Available For Purchase) | |
| 705A | 4460536 | 1 | Connector, Female - 3 Position | |
| | 4460943 | 3 | Pin, Male | |
| 706 | | Ref | Boom Angle Sensor Harness Options (Includes Sensor): | |
| 706 | 4360534 | 2 | Boom Angle Sensor Harness (Use p/n 1001147479) (Prior to SN 0300141600) | |
| 706 | 4360545 | 2 | Boom Angle Sensor Harness (Use p/n 1001147479) (Prior to SN 0300141600) | |
| 706 | 4360545 | 2 | Boom Angle Sensor Harness (Use p/n 1001133329) (SN 0300141600 through 0300157202) | |
| 706 | 1001133329 | 2 | Boom Angle Sensor Harness (SN 0300157203 through 0300201016) | |
| 706A | 4460910 | 2 | Connector, Female Deutsch - 3 Position | |
| 706A | 4460917 | 6 | Pin, Male | |
| 706A | 4460913 | 1 | Lock, Wedge | |
| 707 | See Note | 1 | Controller Harness Assembly (Lift and Swing) (Note: Not Available For Purchase) | |
| 707A | 7022819 | 1 | Plug, Male - 8 Position (Natural) | |
| 707A | 4460871 | 8 | Socket, Female | |
| 708 | 7022824 | 1 | Controller Harness/Circuit Board Assembly (Drive and Steer) | |
| 708A | 7022825 | 1 | Plug, Male - 8 Position (Black) | |
| 708A | 4460871 | 7 | Socket, Female | |
| 709 | See Note | 1 | Speed Control Harness (Note: Not Available For Purchase) | |
| 709A | 4460224 | 1 | Connector, Female - 6 Position | |
| 709A | 4460226 | 5 | Socket, Female | |
| 710 | 7027796 | 1 | Harness, Deutz EMR2 Engine Connector | |
| 710A | 70001869 | 1 | Engine Harness (Deutz Tier III Engines) | |
| 710A | 70001872 | 1 | Engine Harness (Deutz Tier IVi Engines) | |
| 711 | 0272621 | 1 | Control System Analyzer Installation | A |
| 711 | 2901443 | 1 | Analyzer/Cable Kit | 1 |
| 711A | 1600244 | 1 | Analyzer | |
| 711B | 1060633 | 1 | Cable, Analyzer | 1-A |
| 711C | 4460321 | 2 | Plug, Male | |
| 711C | 4460226 | 8 | Socket, Female | |
| 712 | 2902099 | 1 | Battery Cable Kit | B |
| 712A | 7024580 | 1 | Cable, Red (To Aux Pump Relay, Battery Positive Terminal and Start Relay) | |

SECTION 7 - ELECTRICAL

| ITEM | PART NUMBER | QTY | DESCRIPTION | REV |
|------|-------------|-----|--|-----|
| 712B | 7024581 | 1 | Cable, Black (To Aux Pump, Battery Negative Terminal and Ground at Tray Pivot) | |
| 712C | 7024582 | 1 | Cable, Red (Aux Pump Relay to Aux Pump) | |
| 712D | 7024583 | 1 | Cable, Black (Tray Pivot to Engine Mount) (Not Shown) | |
| 712E | 7024584 | 1 | Cable, Red (Start Relay to Starter) | |
| 713 | 4923468 | 1 | Harness, Glow Plug (SN 0300093356 through 0300201016) | |
| | | Ref | OPTIONAL HARNESS COMPONENTS | |
| 801 | | Ref | AC to Platform Receptacle Components Options: | |
| 801 | 0271953 | Ref | 110V GFI Receptacle (ANSI Spec) | D |
| 801 | 0271954 | Ref | 220V GFI Receptacle (ANSI Spec) | C |
| 801 | 0271955 | Ref | 110V (No Plug or Receptacle - ANSI Export and Australian Specs) | C |
| 801 | | Ref | CE Spec Only Options: | |
| 801 | | Ref | 110V | |
| 801 | 0271955 | Ref | No Plug or Receptacle | C |
| 801 | 1001091969 | Ref | IEC Yellow Receptacle and Plug without 2500W Generator | B |
| 801 | 1001100326 | Ref | IEC Yellow Receptacle with 2500W Generator | C |
| 801 | | Ref | 220V | |
| 801 | 1001091973 | Ref | CEE 7 Post Ground Receptacle and Plug (2x4 Box) without 2500W Generator | C |
| 801 | 1001100331 | Ref | CEE 7 Post Ground Receptacle (2x4 Box) with 2500W Generator | C |
| 801 | 1001091974 | Ref | CEE 7 Side Ground Receptacle and Plug (2x4 Box) without 2500W Generator | C |
| 801 | 1001100333 | Ref | CEE 7 Side Ground Receptacle (2x4 Box) with 2500W Generator | C |
| 801 | 1001091975 | Ref | AFSINT 107 Keyed Ground Receptacle and Plug (2x4 Box) without 2500W Generator | C |
| 801 | 1001100337 | Ref | AFSINT 107 Keyed Ground Receptacle (2x4 Box) with 2500W Generator | C |
| 801 | 1001091970 | Ref | IEC Blue Receptacle and Plug without 2500W Generator | B |
| 801 | 1001100327 | Ref | IEC Blue Receptacle with 2500W Generator | C |
| 801 | 1001091971 | Ref | CEE 7 Post Ground Receptacle and Plug (70mm x 70mm Box) without 2500W Generator | B |
| 801 | 1001100328 | Ref | CEE 7 Post Ground Receptacle (70mm x 70mm Box) with 2500W Generator | C |
| 801 | 1001091972 | Ref | CEE 7 Side Ground Receptacle and Plug (70mm x 70mm Box) without 2500W Generator | B |
| 801 | 1001100329 | Ref | CEE 7 Side Ground Receptacle (70mm x 70mm Box) with 2500W Generator | C |
| 801A | | Ref | Box, Switch Options: | |
| 801A | 0860038 | 1 | 0271953 & 0271954 Installations | |
| 801A | See Note | 1 | 0271955 Installation (Note: Not Available - Purchase Locally) | |
| 801A | 0861731 | 1 | 1001091973, 1001091974, 1001091975, 1001100331, 1001100333 & 1001100337 Installations | |
| 801A | 0861781 | 1 | 1001091969, 1001091970, 1001100326 & 1001100327 Installations | |
| 801A | See Note | 1 | 1001091971, 1001091972, 1001100328 & 1001100329 Installations (Note: Was p/n0861782 which is no longer available. Use p/n 1001141970 CEE 7 Side Ground Service Kit or p/n 1001141971 CEE 7 Post Ground Service Kit. Kits includes Box p/n 1001141967 & items 801F-801H.) | |
| 801A | 1001141967 | 1 | 1001100343, 1001100344, 1001141970 & 1001141971 Kits | |
| 801B | 1320146 | 1 | Clamp, Cable (0271953, 0271954 & 0271955 Installations) | |

SECTION 7 - ELECTRICAL

| ITEM | PART NUMBER | QTY | DESCRIPTION | REV |
|------|--------------|-----|---|-----|
| 801C | | Ref | Gasket, Cover Options: | |
| 801C | 3960422 | 1 | 0271953 & 0271954 Installations | |
| 801C | See Note | 1 | 0271955 Installation (Note: Not Available - Purchase Locally) | |
| 801C | Not Required | 0 | 1001091973, 1001091974, 1001091975, 1001091969, 1001091970, 1001091971, 1001091972, 1001100331, 1001100333, 1001100337, 1001100326, 1001100327, 1001100328 & 1001100329 Installations | |
| 801D | | Ref | Shield, Cover Options: | |
| 801D | 4060700 | 1 | 0271953 Installation (Use p/n 1001110873) | |
| 801D | 4060092 | 1 | 0271954 Installation | |
| 801D | See Note | 1 | 0271955 Installation (Note: Not Available - Purchase Locally) | |
| 801D | See Note | 1 | 1001091973, 1001091974, 1001091975, 1001091969, 1001091970, 1001091971, 1001091972, 1001100331, 1001100333, 1001100337, 1001100326, 1001100327, 1001100328 & 1001100329 Installations (Note: Cover Shield included with Receptacle. Purchase Item 801G) | |
| 801E | | Ref | Connector, Strain Relief Options: | |
| 801E | 4460051 | 1 | 0271953 & 0271954 Installations | |
| 801E | See Note | 1 | 0271955 Installation (Note: Not Available - Purchase Locally) | |
| 801E | | Ref | 1001091973, 1001091974, 1001091975, 1001100331, 1001100333 & 1001100337 Installations | |
| 801E | 1001101196 | 1 | Adapter | |
| 801E | 4460662 | 1 | Strain Relief (Use p/n 1001101191) | |
| 801E | | Ref | 1001091969, 1001091970, 1001091971, 1001091972, 1001100326, 1001100327, 1001100328 & 1001100329 Installations | |
| 801E | 1001101197 | 1 | Adapter | |
| 801E | 4460968 | 1 | Strain Relief (Use p/n 1001101191) | |
| 801F | | Ref | Plug, Male Options: | |
| 801F | 4460205 | 1 | 0271953 Installation | |
| 801F | 4460709 | 1 | 0271954 Installation | |
| 801F | See Note | 1 | 0271955 Installation (Note: Not Available - Purchase Locally) | |
| 801F | 4461202 | 1 | 1001091973, 1001091971, 1001100328 & 1001100331 Installations & 1001100343 & 1001141971 Kits | |
| 801F | 4461205 | 1 | 1001091974, 1001091972, 1001100329 & 1001100333 Installations & 1001100344 & 1001141970 Kits | |
| 801F | 4461249 | 1 | 1001091975 & 1001100337 Installations | |
| 801F | 4461196 | 1 | 1001091969 & 1001100326 Installations | |
| 801F | 4461199 | 1 | 1001091970 & 1001100327 Installations | |
| 801G | | Ref | Receptacle Options: | |
| 801G | 4460346 | 1 | 0271953 Installation | |
| 801G | 4460125 | 1 | 0271954 Installation | |
| 801G | See Note | 1 | 0271955 Installation (Note: Not Available - Purchase Locally) | |
| 801G | 4461244 | 1 | 1001091973 & 1001100331 Installations | |
| 801G | 4461245 | 1 | 1001091974 & 1001100333 Installations | |
| 801G | 4461246 | 1 | 1001091975 & 1001100337 Installations | |
| 801G | 4461198 | 1 | 1001091969 & 1001100326 Installations | |
| 801G | 4461201 | 1 | 1001091970 & 1001100327 Installations | |
| 801G | 4461204 | 1 | 1001091971 & 1001100328 Installations (Use p/n 1001100343) | |

SECTION 7 - ELECTRICAL

| ITEM | PART NUMBER | QTY | DESCRIPTION | REV |
|------|-------------|------------|---|-----|
| 801G | 4461207 | 1 | 1001091972 & 1001100329 Installations (Use p/n 1001100344) | |
| 801G | 1001141968 | 1 | 1001100343 & 1001141971 Kits | |
| 801G | 1001141969 | 1 | 1001100344 & 1001141970 Kits | |
| 801H | | Ref | Plug, Female Options (CE Machines with 2500W Generator Only): | |
| 801H | 4461203 | 1 | 1001100328 & 1001100331 Installations & 1001100343 & 1001141971 Kits | |
| 801H | 4461206 | 1 | 1001100329 & 1001100333 Installations & 1001100344 & 1001141970 Kits | |
| 801H | 4461250 | 1 | 1001100337 Installation | |
| 801H | 4461197 | 1 | 1001100326 Installation | |
| 801H | 4461200 | 1 | 1001100327 Installation | |
| 801J | 1060908 | 10 ft/3.1m | Cable, Electrical - 12/3 (CE Machines with 2500W Generator Only) | |
| 802 | | Ref | 2500W Generator Electrical Components | |
| 802 | 4933300 | Ref | 110Volt | 2-B |
| 802 | 4933216 | Ref | 220Volt (Prior to SN 0300129806) | 1-A |
| 802 | 1001100027 | Ref | 110/220Volt (SN 0300129806 through 0300201016) | E |
| 802 | 3990010 | 1 | Diode - 6 Amp (Not Shown) (220V Only) (Prior to SN 0300129806) | |
| 802A | 4922641 | 1 | Harness - On/Off Switch | |
| 802B | 4460226 | 2 | Socket, Female | |
| 802C | | Ref | Powermite Control Box to Relay Harness Options: | |
| 802C | 4922970 | 1 | 110V | 1-B |
| 802C | 4922482 | 1 | 220V (Prior to SN 0300129806) | 3-C |
| 802C | 4922970 | 1 | 220V (SN 0300129806 through 0300201016) | 1-B |
| 802C | 4460374 | AR | Plug, Sealed | |
| 802C | 4460375 | AR | Terminal | |
| 802E | 4460961 | 1 | Connector, Female - 4 Position (110V Only) | |
| 802E | 4460705 | 4 | Pin, Male | |
| 802F | 4460321 | 1 | Connector, Male - 4 Position (110V Only) | |
| 802F | 4460906 | 4 | Socket, Female | |
| 802G | 7020193 | 1 | Harness, Generator Power | |
| 804 | 0272507 | 1 | Strobe Light Harness (Includes Strobe Light) | B |
| 804A | 4460320 | 1 | Connector, Female - 2 Position | |
| 804A | 4460267 | 2 | Pin, Male | |
| 805 | 0257887 | 1 | Alarm Harness (Includes Alarm) | |
| 805 | 0140032 | 1 | Alarm | |
| 805 | 2820035 | 6 in/15cm | Loom | |
| 805 | 4460424 | 1 | Plug | |
| 805 | 4460268 | 2 | Socket, Female | |
| 805A | 4460424 | 1 | Plug, Male - 2 Position | |
| 805A | 4460268 | 2 | Socket, Female | |
| 806 | 4922738 | 1 | Headlight and Taillight and Chassis Illumination Lights Harness | |
| 806A | 4460374 | 1 | Plug, Sealed | |
| 807 | See Note | 1 | Floodlights Harness Components (Note: Not Available For Purchase) | |
| 807A | | Ref | Harness Options (Aux Relay to Console Box): | |
| 807A | 1060708 | 1 | Harness 1200SJP (Use p/n 1001099718) | |
| 807A | 1060708 | 1 | Harness 1350SJP (Use p/n 1001099719) | |
| 807B | 4460320 | 2 | Plug, Male - 2 Position | |
| 807B | 4460227 | 4 | Pin, Male | |

SECTION 7 - ELECTRICAL

| ITEM | PART NUMBER | QTY | DESCRIPTION | REV |
|------|-------------|----------|--|-----|
| 807C | 4922764 | 1 | Floodlight Harness (Lights to Switch) | |
| 807D | 4460424 | 2 | Connector, Female - 2 Position | |
| 807D | 4460226 | 4 | Socket, Female | |
| 807E | 1060977 | 1 | Cord, 2 Wire Coiled (Console Box Relay to Switch) | |
| 807F | 4360232 | 1 | Breaker, Circuit | |
| 807G | 4460425 | 1 | Connector, Strain Relief | |
| 808 | See Note | 1 | Work Lights Harness Components: (Note: Not Available For Purchase) | |
| 808A | | Ref | Harness, Electric 10/3 (Aux Relay to Console Box) | |
| 808A | 4922834 | 1 | Harness, Electric 10/3 1200SJP | |
| 808A | 4922833 | 1 | Harness, Electric 10/3 1350SJP | |
| 808A | 4921757 | AR | Fusible Link | |
| 808B | See Note | 2 | Work Light Harness (Supplied with Work Light) (Note: Not Available For Purchase) | |
| 808C | 4460426 | 1 | Connector, Strain Relief | |
| 809 | | Ref | 7500W SkyPower Generator Installations | |
| 809 | 0273455 | Ref | 60Hz | H |
| 809 | 0273456 | Ref | 50Hz | F |
| 809A | | Ref | Receptacle, Female Twist-Lock Options: | |
| 809A | 4460958 | 1 | 60Hz Spec | |
| 809A | See Note | 1 | 50Hz Spec (Note: Not Available - Purchase Locally) | |
| 809B | | Ref | Gasket Options: | |
| 809B | 3960422 | 2 | 60Hz Spec | |
| 809B | See Note | 2 | 50Hz Spec (Note: Not Available - Purchase Locally) | |
| 809C | | Ref | Cover, Receptacle Options: | |
| 809C | 4060700 | 1 | 60Hz Spec (Use p/n 1001110873) | |
| 809C | See Note | 1 | 50Hz Spec (Note: Not Available - Purchase Locally) | |
| 809D | | Ref | Cover, Receptacle Options: | |
| 809D | 4061043 | 1 | 60Hz Spec (Use p/n 1001110872) | |
| 809D | See Note | 1 | 50Hz Spec (Note: Not Available - Purchase Locally) | |
| 809E | | Ref | Receptacle Options: | |
| 809E | 4460346 | 1 | 60Hz Spec | |
| 809E | See Note | 1 | 50Hz Spec (Note: Not Available - Purchase Locally) | |
| 809F | | Ref | Connector, Strain Relief Options: | |
| 809F | 4460051 | 1 | 60Hz Spec | |
| 809F | See Note | 1 | 50Hz Spec (Note: Not Available - Purchase Locally) | |
| 809G | | Ref | Connector, Strain Relief Options: | |
| 809G | 4460071 | 1 | 60Hz Spec | |
| 809G | See Note | 1 | 50Hz Spec (Note: Not Available - Purchase Locally) | |
| 809H | 4922972 | 1 | Harness, Generator | |
| 809I | See Note | 1 | Plug, Male - 6 Position (Note: Not Available - Purchase Locally) | |
| 809I | See Note | 6 | Socket, Female (Note: Not Available - Purchase Locally) | |
| 809J | 4460225 | 1 | Plug, Male - 6 Position | |
| 809J | 4460226 | 6 | Socket, Female | |
| 810 | | Ref | 7500W SkyPower Generator Junction Box Components | |
| 810 | 0861542 | Ref | 60Hz Spec | C |
| 810 | 0861567 | Ref | 50Hz Specs | B |
| 810A | | Ref | Cable, Electrical 12/3 | |
| 810A | 1060494 | 2 ft/.6m | 60Hz Spec | |
| 810A | See Note | 2 ft/.6m | 50Hz Spec (Note: Not Available - Purchase Locally) | |
| 810B | | Ref | Cable, Electrical 10/3 | |

SECTION 7 - ELECTRICAL

| ITEM | PART NUMBER | QTY | DESCRIPTION | REV |
|------|-------------|----------------|---|-----|
| 810B | 1060708 | 2.5 ft/.76m | 60Hz Spec | |
| 810B | See Note | 2.5 ft/.76m | 50Hz Spec (Note: Not Available - Purchase Locally) | |
| 810C | 1060343 | 1.5 ft/.46m | Cable, Electrical 10/4 (60Hz Spec Only) | |
| 810D | 4460425 | 2 | Connector, Strain Relief | |
| 810E | | Ref | Component Options: | |
| 810E | 4460426 | 2 | Connector, Strain Relief (60Hz Spec Only) | |
| 810E | 4460426 | 1 | Connector, Strain Relief (50Hz Spec Only) | |
| 810E | 3520189 | 1 | Plug (50Hz Spec Only) | |
| 810F | 1671092 | 1 | Cover (60Hz Spec Only) | |
| 810F | 4460963 | 1 | Connector (60Hz Spec Only) | |
| 811 | 4933264 | Ref | 7500W Generator Electrical Diagram Components | C |
| 811A | 4922757 | 1 | Generator Harness | 3-C |
| 811B | 4460374 | 2 | Plug, Sealed Relay | |
| 811B | 4460375 | 7 | Terminal | |
| 811C | 4460967 | 1 | Plug, Male - 3 Position | |
| 811C | 4460465 | 3 | Socket, Female | |
| 811D | 2400060 | 1 | Fuseholder | |
| 811D | 2400064 | 1 | Fuse - 5 Amp | |
| 811E | 4922641 | 1 | Switch Harness | |
| 811F | 4460226 | 2 | Socket, Female | |
| 812 | | Ref | AC Breaker Box Installation (CE Spec) | |
| 812 | 1001095976 | Ref | Without Generator and With 110V/50Hz Generator | C |
| 812 | 1001109556 | Ref | With 220V/50Hz Generator | A |
| 812A | 1320146 | AR | Clamp, Cable | |
| 812B | 1001094915 | 1 | Bracket, Circuit Breaker Box | |
| 812C | | Ref | Box Kit, Circuit Breaker Options: | |
| 812C | 1001096070 | 1 | Box Kit Without Generator and With 110V/50Hz Generator (use p/n 1001109654) | |
| 812C | 1001109648 | 1 | Box Kit With 220V/50Hz Generator | |
| 812C | | Ref | Breaker, Circuit Options: | |
| 812C | | Ref | Breaker for Machines with 1 Circuit Breaker: | |
| 812C | See Note | AR | Breaker for Machines without Generator and With 110V/50Hz Generator (Note: For Service purchase (1) p/n 1001109475 & (1) p/n 1001109482.) | |
| 812C | See Note | AR | Breaker for Machines with 220V/50Hz Generator (Note: For Service purchase (1) p/n 1001109477 & (1) p/n 1001109482.) | |
| 812C | | Ref | Breaker for Machines with 2 Circuit Breakers: | |
| 812C | | Ref | Breaker for Machines without Latch and Bracket | |
| 812C | 1001109475 | 1 | Breaker for Machines without Generator and with 110V/50Hz Generator (16 Amp) | |
| 812C | 1001109477 | 1 | Breaker for Machines with 220V/50Hz Generator (10 Amp) | |
| 812C | 1001109482 | 1 | Breaker for Machines with Latch and Bracket | |
| 812C | 0861880 | 1 | Box, Breaker | |
| 812C | 4460956 | 1 | Barrier, Terminal Block End | |
| 812C | 4460957 | 1 | Block, Terminal | |
| 812D | 1001101191 | 1 | Connector, Strain Relief | |
| 812E | 1001097150 | Ref | Connector, Strain Relief | |
| 812F | 1060908 | 12 ft/3.6m | Cable, Electrical 12/3 | |
| 812G | 0903484 | 1 | Bracket, AC Receptacle | |

SECTION 7 - ELECTRICAL

| ITEM | PART NUMBER | QTY | DESCRIPTION | REV |
|------|---------------|-----|--|-----|
| 813 | 1001100468 | 1 | ClearSky Telematics Harness (Standard on Machines delivered in North America. Optional on all other machines.) (SN 0300139299 through 0300201016) | G |
| 813A | 1001100468 | 1 | Harness, Telematics Gateway Controller | |
| 813B | 4460909 | 1 | Plug, Male - 12 Position (Black) | |
| 813B | Not Available | 1 | Socket | |
| 813B | 4460916 | 11 | Plug, Seal | |
| 813B | 4460915 | 1 | Wedge Lock | |
| 813C | 4460908 | 1 | Plug, Male - 12 Position (Gray) | |
| 813C | See Note | 6 | Socket (Note: Not Available For Purchase) | |
| 813C | 4460916 | 6 | Plug, Seal | |
| 813C | 4460915 | 1 | Wedge Lock | |
| 813D | 4460892 | 2 | Connector, Bussbar (Includes Wedge Lock) | |
| 813D | 4460894 | 2 | Plug, Male - 6 Position (Includes Wedge Lock) | |
| 813D | 4460465 | 4 | Socket | |
| 813D | 4460916 | 8 | Plug, Seal | |
| 813D | See Note | 1 | Wedge Lock (Included with P/Ns 4460892 & 4460894) (Note: Not Available For Purchase) | |
| 813E | 77363243 | 2 | Receptacle, Female - 3 Position | |
| 813E | 4460943 | 4 | Pin | |
| 813E | 77363245 | 1 | Wedge Lock | |
| 813F | 4460539 | 2 | Plug, Male - 3 Position (Includes Wedge Lock and Seal) | |
| 813F | 4460944 | 6 | Socket | |
| 813F | 77363244 | 2 | Wedge Lock | |
| 813G | 4460945 | 2 | Bulkhead, 3 Way Female | |
| 813G | See Note | 2 | Plug, Male - 3 Position with 120 ohm Resistor (Note: Not Available For Purchase) | |
| 813G | See Note | 1 | Wedge Lock (Note: Not Available For Purchase) | |
| 813H | 1001100468 | 1 | Harness, Telematics Diagnostic | |
| 813J | 4460539 | 2 | Plug, Male - 3 Position (Includes Wedge Lock and Seal) | |
| 813J | 4460944 | 6 | Socket | |
| 813J | 77363244 | 2 | Wedge Lock | |
| 813K | 1001112612 | 1 | Connector, Diagnostic | |
| 813K | 4460943 | 2 | Pin | |
| 813K | 4460464 | 2 | Pin | |
| 813K | 4460466 | 2 | Plug, Seal | |
| 813K | 1001106736 | 1 | Cap, Dust | |
| 813L | 4460897 | 1 | Plug, Male - 2 Position (Includes Wedge Lock and Seal) | |
| 813L | 4460464 | 2 | Pin | |
| 813L | See Note | 1 | Wedge Lock (Note: Not Available For Purchase) | |
| 813M | 1001100468 | 1 | Harness, Telematics Controller | |
| 813N | 4460539 | 1 | Plug, Male - 3 Position (Includes Wedge Lock and Seal) | |
| 813N | 4460944 | 3 | Socket | |
| 813N | See Note | 1 | Wedge Lock (Note: Not Available For Purchase) | |
| 813P | 70020808 | 1 | Plug, Male - 23 Position | |
| 813P | 4460871 | 5 | Socket | |
| 813P | 4460905 | 18 | Plug, Seal | |
| 813R | 1001100468 | 1 | Harness, Telematics Fuse | |
| 813S | 4460891 | 1 | Connector, Female - 2 Position (Includes Wedge Lock and Seal) | |
| 813S | 4460465 | 2 | Socket | |
| 813S | See Note | 1 | Wedge Lock (Note: Not Available For Purchase) | |

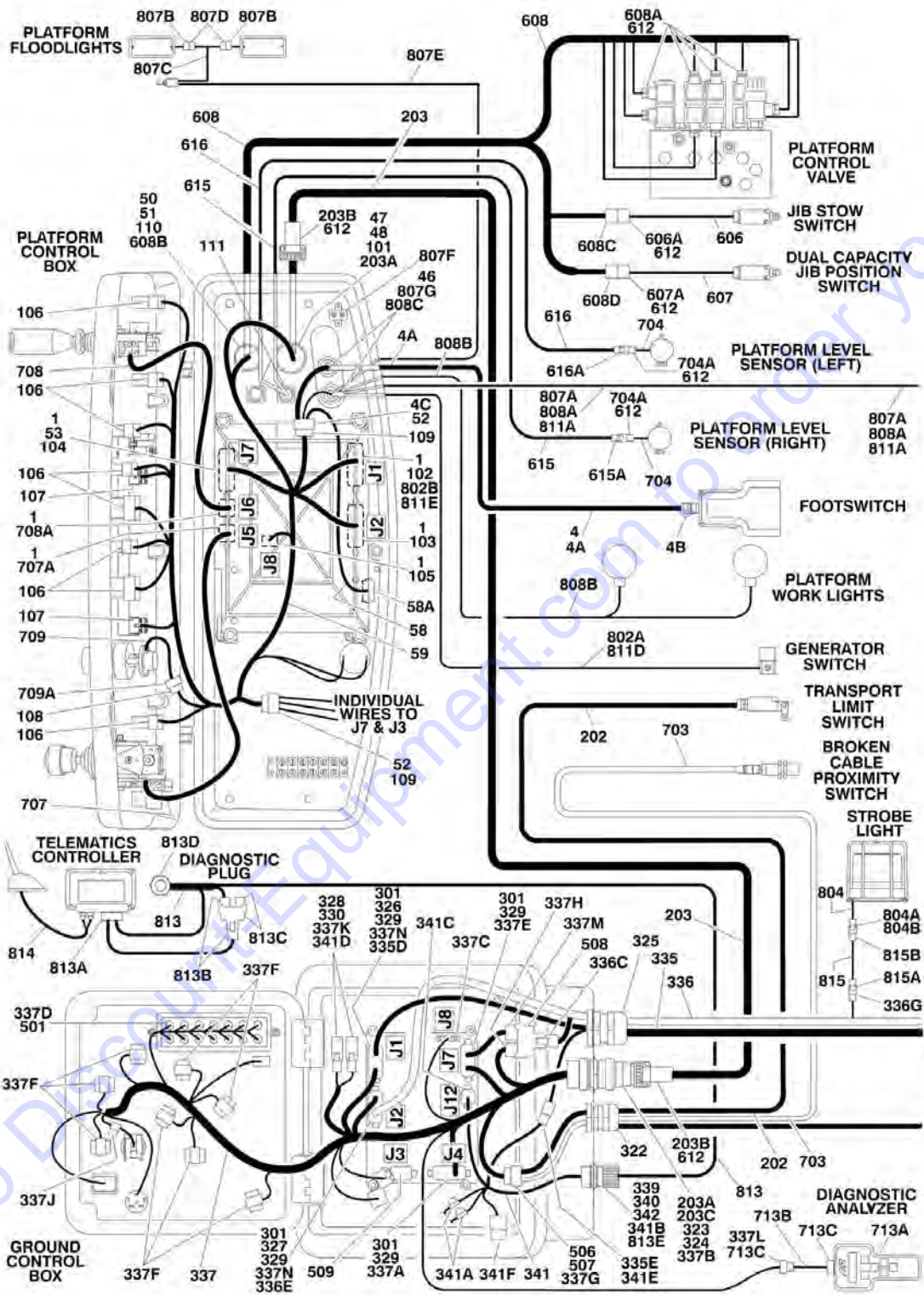
SECTION 7 - ELECTRICAL

| ITEM | PART NUMBER | QTY | DESCRIPTION | REV |
|------|-------------|-----|---|-----|
| 813T | 2400060 | 2 | Fuseholder with Cover | |
| 813T | 2400064 | 2 | Fuse 5 Amp | |
| 814 | 70002296 | 1 | Harness, Telematics Antenna (Includes Antenna) (Note: No other parts available) | |
| | | Ref | TOOLS (NOT SHOWN) | |
| | 7002821 | 1 | Crimper (For Wire to Pin/Socket Connections) | |
| | 7002823 | 1 | Extractor (For Removal of Pin/Socket from Connectors) | |
| | 4460467 | 1 | Extractor, Pin (Blue 16-18 Gauge) (For Removal of Pin/Socket from Connectors) | |
| | 4460510 | 1 | Extractor, Pin (Yellow 12-14 Gauge) (For Removal of Pin/Socket from Connectors) | |
| | 7002828 | 1 | Stripper, Wire | |
| | 1001137005 | 1 | Cable Kit, Software | |

Go to Discount-Equipment.com to order your parts

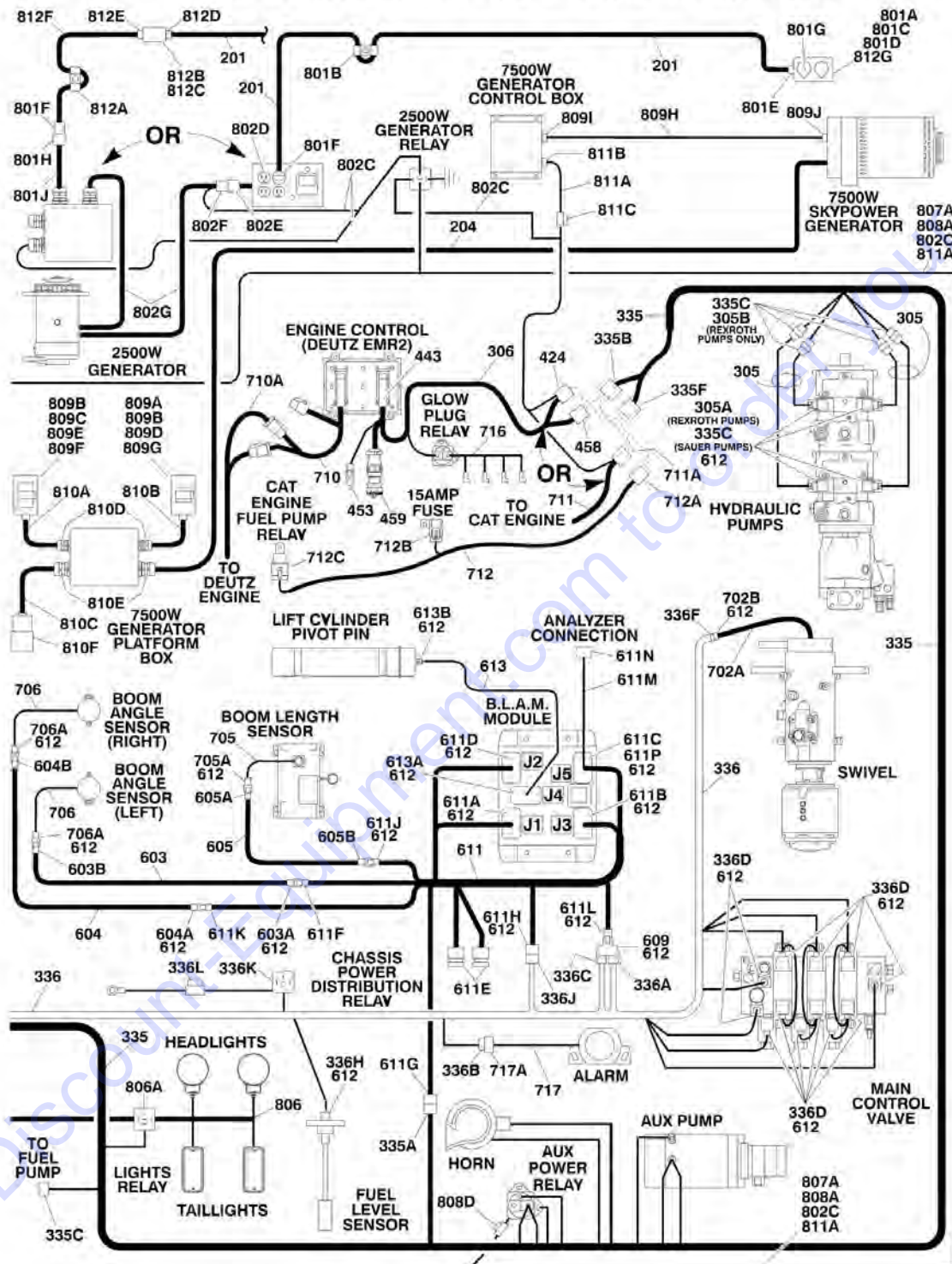
SECTION 7 - ELECTRICAL

FIGURE 7-4. HARNESS COMPONENTS INSTALLATION (WITH UGM)

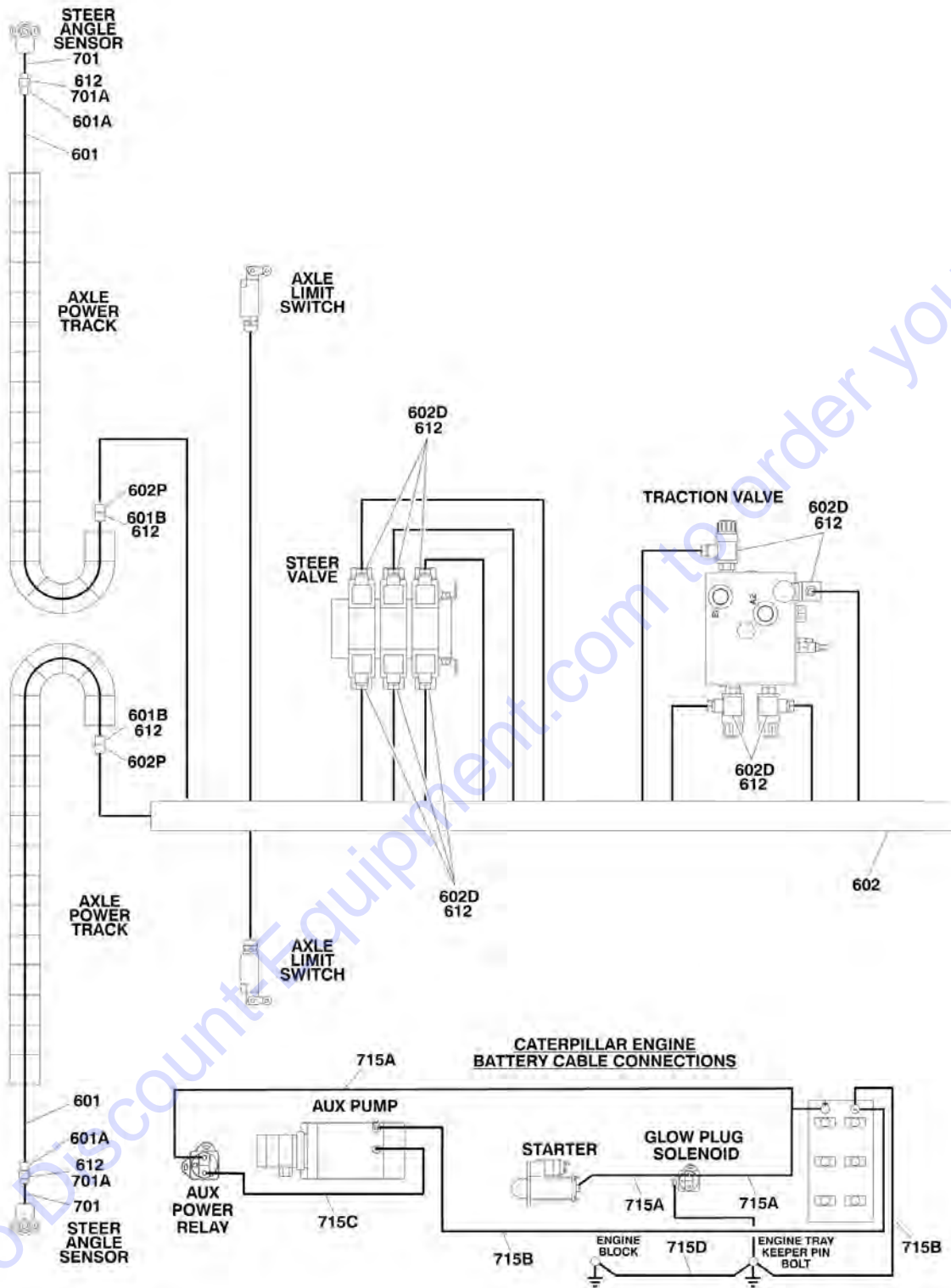


SECTION 7 - ELECTRICAL

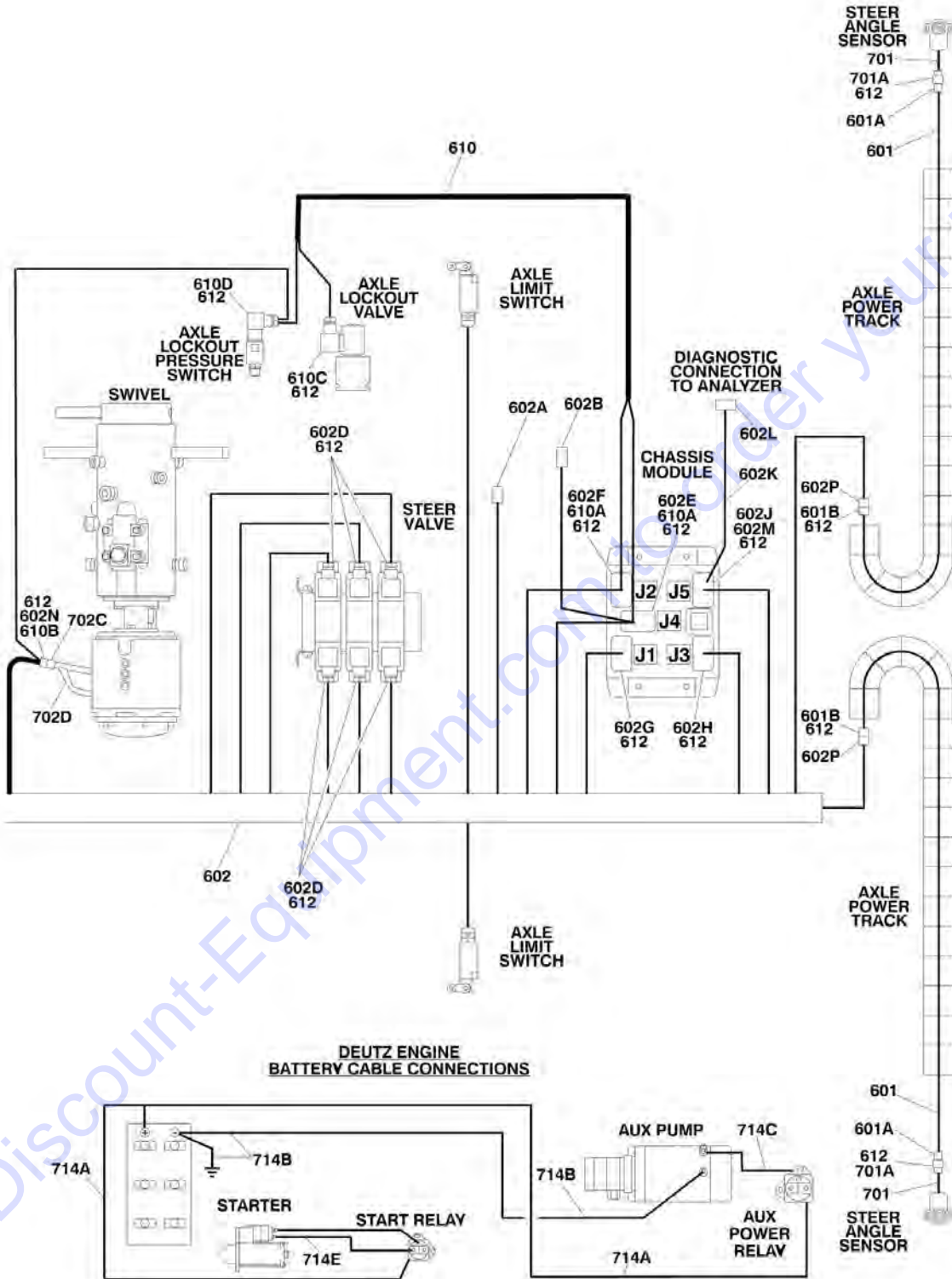
NOTE: FOR MODULE IDENTIFICATION, REFER TO REVISION LOG PAGE A.



SECTION 7 - ELECTRICAL



SECTION 7 - ELECTRICAL



SECTION 7 - ELECTRICAL

FIGURE 7-4. HARNESS COMPONENTS INSTALLATION (WITH UGM)

| ITEM | PART NUMBER | QTY | DESCRIPTION | REV |
|------|-------------|------------|---|-----|
| | | Ref | NOTE: FOR MODULE IDENTIFICATION, REFER TO REVISION LOG PAGE A. | |
| | | Ref | HARNESS COMPONENTS INSTALLATION | |
| | | Ref | PLATFORM CONSOLE BOX COMPONENTS | |
| | 0861631 | Ref | Platform Console Box Components (SN 0300079596 through 0300171348) | L |
| | 1001146161 | Ref | Platform Console Box Components (SN 0300171349 through 0300188512) | C |
| | 1001166665 | Ref | Platform Console Box Components (SN 0300188513 through 0300201016) | A |
| 1 | 0100048 | AR | Grease, Dielectric | |
| 4 | | Ref | Footswitch Components: | |
| 4A | 1060918 | 7 ft/2.14m | Cable, Electrical - 18/3 | |
| 4B | 4460071 | 1 | Connector, Strain Relief | |
| 4C | 4460226 | 2 | Socket, Female | |
| 4C | 4460464 | 1 | Pin, Male | |
| 46 | 4460428 | 4 | Connector, Strain Relief | |
| 47 | 4460470 | 1 | Nut, Terminal | |
| 48 | 4460471 | 1 | Lockwasher, Terminal | |
| 50 | 4460496 | 1 | Lockwasher, Terminal | |
| 51 | 4460497 | 1 | Nut, Terminal | |
| 52 | 4460708 | 2 | Receptacle, Female - 15 Position | |
| 53 | 4460905 | 5 | Seal, Plug | |
| 58 | 4922666 | 1 | Harness, Analyzer Cable | 2-B |
| 58 | 4460226 | 4 | Socket, Female (Not Shown - Located at J2) | |
| 58A | 4460761 | 1 | Connector, Female - 4 Position | |
| 58A | 4460227 | 4 | Pin, Male | |
| 59 | 4923448 | 1 | Harness, Platform Box (See Items 101-111 for Breakdown) | |
| | 4923448 | Ref | PLATFORM BOX HARNESS ASSEMBLY | 3-B |
| 101 | 4460866 | 1 | Connector - 19 Pin | |
| 101 | 4460464 | 7 | Pin, Male Deutsch 16 Ga | |
| 101 | 4460508 | 4 | Pin, Male Deutsch 12 Ga | |
| 101 | 4460943 | 3 | Pin, Male 16 Ga (Gold Plated) | |
| 102 | 4460874 | 1 | Connector - 35 Position (Natural) | |
| 102 | 4460871 | 7 | Socket, Female | |
| 102 | 4460905 | 4 | Plug | |
| 103 | 4460876 | 1 | Connector - 35 Position (Blue) | |
| 103 | 4460871 | 32 | Socket, Female | |
| 103 | 4460905 | 3 | Plug | |
| 104 | 4460873 | 1 | Connector - 35 Position (Black) | |
| 104 | 4460871 | 34 | Socket, Female | |
| 104 | 4460905 | 1 | Plug | |
| 105 | 4460879 | 1 | Connector, Male - 2 Position | |
| 105 | 4460887 | 2 | Terminal (12 Gauge) | |
| 106 | 4460418 | 12 | Connector, Female - 6 Position | |
| 106 | 4460419 | 36 | Socket, Female | |
| 107 | 4460225 | 5 | Plug, Male - 6 Position | |
| 107 | 4460226 | 21 | Terminal (16 Gauge) | |
| 108 | 4460225 | 1 | Plug, Male - 6 Position | |
| 108 | 4460227 | 5 | Pin, Male | |

SECTION 7 - ELECTRICAL

| ITEM | PART NUMBER | QTY | DESCRIPTION | REV |
|------|--------------|---------------|--|-----|
| 109 | 4460434 | 2 | Plug, Male - 15 Position | |
| 109 | 4460227 | 14 | Pin, Male | |
| 110 | 4460925 | 1 | Connector - 21 Pin | |
| 110 | 4460929 | 13 | Pin, Male Deutsch 16 Ga | |
| 110 | 4460466 | 8 | Plug | |
| 111 | 1001121616 | 2 | Connector, 6 Position | |
| 111 | 1001121615 | 2 | Base, Mounting | |
| | | Ref | BOOM CABLES INSTALLATION | |
| | 0271932 | Ref | Boom Cables Installation 1200SJP (ANSI and ANSI Export Specs) | D |
| | 0271950 | Ref | Boom Cables Installation 1200SJP (Australian and CE Specs) | D |
| | 0273854 | Ref | Boom Cables Installation 1200SJP with 7500W Generator (All Specs) | A |
| | 0271951 | Ref | Boom Cables Installation 1350SJP (ANSI and ANSI Export Specs) | D |
| | 0271952 | Ref | Boom Cables Installation 1350SJP (Australian and CE Specs) | D |
| | 0273855 | Ref | Boom Cables Installation 1350SJP with 7500W Generator (All Specs) | A |
| 201 | | Ref | Cable, Electrical - 10/3 | |
| 201 | 4922759 | 1 | Cable, Electrical 1200SJP (ANSI and ANSI Export Specs) | B |
| 201 | 4922761 | 1 | Cable, Electrical 1200SJP (Australian and CE Specs) | B |
| 201 | Not Required | 0 | Cable, Electrical 1200SJP with 7500W Generator (All Specs) | |
| 201 | 4922758 | 1 | Cable, Electrical 1350SJP (ANSI and ANSI Export Specs) | A |
| 201 | 4922760 | 1 | Cable, Electrical 1350SJP (Australian and CE Specs) | A |
| 201 | Not Required | 0 | Cable, Electrical 1350SJP with 7500W Generator (All Specs) | |
| 202 | | Ref | Cable, Electrical - 18/3 | |
| 202 | 4922763 | 1 | Cable, Electrical 1200SJP | C |
| 202 | 4922762 | 1 | Cable, Electrical 1350SJP | C |
| 203 | | Ref | Harness Assembly - Boom (12/4 -18/8) Options: | |
| 203 | 4922672 | 1 | Harness Assembly - Boom 1200SJP | 2-B |
| 203 | 4922673 | 1 | Harness Assembly - Boom 1350SJP | 2-B |
| 203 | 1060896 | Ref | Cable, Electrical - 12/4 & 18/8 | |
| 203 | 1060896 | 142/43.3 m | Cable, Electrical - 1200SJP | |
| 203 | 1060896 | 157/48m | Cable, Electrical - 1350SJP | |
| 203 | 2820118 | 8 in/18cm | Heat Shrink | |
| 203A | 4460865 | 2 | Connector - 19 Position | |
| 203A | 4460465 | 22 | Socket, Female 18 Gauge | |
| 203A | 4460509 | 8 | Socket, Female 12 Gauge | |
| 203A | 4460466 | 8 | Seal, Plug | |
| 203B | 4460473 | 2 | Clamp, Cable | |
| 203C | 4460465 | 11 | Socket, Female 18 Gauge | |
| 203C | 4460509 | 4 | Socket, Female 12 Gauge | |
| 204 | | Ref | Harness, Generator (8/5) Options (with 7500W Generator Only): | |
| 204 | 4922796 | 1 | Harness, Generator (8/5) 1200SJP | |
| 204 | 4922795 | 1 | Harness, Generator (8/5) 1350SJP | |
| | | Ref | GROUND CONTROL BOX COMPONENTS | |
| 301 | 0100048 | AR | Grease, Dielectric | |
| 305 | 1001119456 | 2 | Harness, Pump Adapter (Machines with Rexroth Pumps Only) (P/N 1001119456 Includes 2 Adapter Harnesses. Total of qty 4 required) | B |

SECTION 7 - ELECTRICAL

| ITEM | PART NUMBER | QTY | DESCRIPTION | REV |
|------|-------------|-----|--|-----|
| 305A | 4460880 | 4 | DIN Connector (1 per Harness) | |
| 305B | 4460897 | 4 | Connector, Female - 2 Position | |
| 305B | 4460464 | 8 | Pin, Male | |
| 306 | 1001119470 | 1 | Harness, Deutz Engine (See Items 401-459 for Breakdown) | |
| 322 | 4460426 | 1 | Connector, Strain Relief | |
| 323 | 4460470 | 1 | Nut, Terminal | |
| 324 | 4460471 | 1 | Washer, Terminal | |
| 325 | 4460526 | 1 | Connector, Strain Relief | |
| 326 | 4460874 | 1 | Connector, White - 35 Position | |
| 327 | 4460875 | 1 | Connector, Gray - 35 Position | |
| 328 | 4460892 | 2 | Bar, Buss | |
| 329 | 4460905 | 4 | Plug, Connector | |
| 330 | 4460914 | 2 | Base, Terminal | |
| 335 | 1001119372 | 1 | Harness, Ground Control to Engine | C |
| 335A | 4460899 | 1 | Receptacle, Female - 6 Position | |
| 335A | 4460464 | 4 | Pin, Male | |
| 335A | 4460466 | 2 | Plug, Seal | |
| 335B | 4460899 | 1 | Receptacle, Female - 6 Position | |
| 335B | 4460464 | AR | Pin, Male | |
| 335B | 4460944 | 2 | Socket, Female (Prior to SN 0300170698) | |
| 335B | 4460466 | 1 | Plug, Seal (Prior to SN 0300170698) | |
| 335B | 4460943 | 1 | Socket, Female (SN 0300170698 through 0300201016) | |
| 335C | 4460891 | 5 | Plug, Male - 2 Position | |
| 335C | 4460465 | 10 | Socket, Female | |
| 335D | 4460871 | AR | Socket, Female | |
| 335E | 4460539 | 1 | Plug, Male - 3 Position | |
| 335E | 4460944 | 3 | Socket, Female (Gold) | |
| 335F | 4460931 | 1 | Receptacle, Female - 8 Position | |
| 335F | 4460464 | AR | Pin, Male | |
| 335F | 4460466 | 1 | Plug, Seal | |
| 336 | 1001116369 | 1 | Valve Harness Assembly | 1-D |
| 336A | | Ref | Connector Options: | |
| 336A | | Ref | Connector (Prior to SN 0300143169) | |
| 336A | 4460536 | 1 | Connector, Female - 3 Position | |
| 336A | 4460943 | 3 | Pin, Male | |
| 336A | | Ref | Connector (SN 0300143169 through 0300201016) | |
| 336A | 4460965 | 1 | Plug, Male - 3 Position | |
| 336A | 4460944 | 3 | Socket, Female | |
| 336B | 4460320 | 1 | Plug, Male - 2 Position | |
| 336B | 4460267 | 2 | Pin, Male | |
| 336C | 4460965 | 2 | Plug, Male - 3 Position | |
| 336C | 4460944 | 6 | Socket, Female | |
| 336D | 4460880 | 11 | DIN Connector | |
| 336E | 4460871 | 16 | Socket, Female | |
| 336F | 4460836 | 1 | Plug, Male - 12 Position | |
| 336F | 4460466 | 4 | Plug, Socket | |
| 336F | 4460465 | 3 | Socket, Female | |
| 336F | 4460942 | 2 | Socket, Female 14-16 GA | |
| 336F | 4460944 | 3 | Socket, Female 16-18 GA | |
| 336G | 4460424 | 1 | Connector, Female - 2 Position | |
| 336G | 4460268 | 2 | Socket, Female | |

SECTION 7 - ELECTRICAL

| ITEM | PART NUMBER | QTY | DESCRIPTION | REV |
|------|-------------|----------|---|-----|
| 336H | 4460843 | 1 | Plug, Male - 2 Position | |
| 336H | 4460842 | 2 | Socket, Female | |
| 336J | 4460894 | 1 | Plug, Male - 6 Position | |
| 336J | 4460465 | 3 | Socket, Female | |
| 336J | 4460942 | 3 | Socket, Female 14-16 GA | |
| 336K | 3740080 | 1 | Relay, Sealed | |
| 336K | 4460374 | 1 | Plug, Sealed | |
| 336K | 4460375 | 5 | Terminal, Female | |
| 336L | 2400066 | 1 | Fuseholder w/Leads | |
| 336L | 2400065 | 1 | Fuse, 30A | |
| 337 | 1001120180 | 1 | Ground Control Box Harness Assembly | A |
| 337 | 3990001 | 2 | Diode - 3 Amp (Not Shown - Located at Power Down Relay) | |
| 337A | 4460876 | 1 | Connector, Blue - 35 Position | |
| 337A | 4460871 | 29 | Socket, Female | |
| 337B | 4460866 | 1 | Connector - 19 Pin | |
| 337B | 4460464 | 10 | Pin, Male Deutsch 16 Ga | |
| 337B | 4460508 | 3 | Pin, Male Deutsch 12 Ga | |
| 337C | 4460878 | 1 | Plug, Male - 4 Position | |
| 337C | 4460887 | 3 | Terminal (12 Gauge) | |
| 337D | 4120035 | 10 | Base, Light | |
| 337D | 4460634 | 10 | Terminal (16 Gauge) | |
| 337D | 4460635 | 10 | Terminal (12 Gauge) | |
| 337E | 4460873 | 1 | Connector, Black - 35 Position | |
| 337E | 4460871 | 16 | Socket, Female | |
| 337F | 4460418 | 8 | Connector, Female - 6 Position | |
| 337F | 4460419 | 24 | Socket, Female | |
| 337G | 4460225 | 1 | Plug, Male - 6 Position | |
| 337G | 4460227 | 6 | Pin, Male | |
| 337H | 4460965 | 1 | Plug, Male - 3 Position (Blue Lock) | |
| 337H | 4460944 | 3 | Socket, Female | |
| 337H | 4922099 | 2 ft/.6m | Cable, Can-Buss | |
| 337J | 2400066 | 1 | Fuseholder with Cover | |
| 337J | 2400065 | 1 | Fuse 30 Amp | |
| 337K | 4460894 | 2 | Plug, Male - 6 Position | |
| 337K | 4460465 | 1 | Socket, Female 16-18GA | |
| 337K | 4460942 | 2 | Socket, Female 14GA | |
| 337L | 4460761 | 1 | Connector, Female - 4 Position | |
| 337L | 4460227 | 4 | Pin, Male | |
| 337M | 4460966 | 1 | Plug, Male - 3 Position (Green Lock) | |
| 337M | 4460944 | 3 | Socket, Female | |
| 337M | 4922099 | 2 ft/.6m | Cable, Can-Buss | |
| 337N | 4460871 | 9 | Socket, Female | |
| 338 | 1001116206 | 1 | Ground Control Wiring Diagram (Not Shown) (See Items 501-509 for Breakdown) | |
| 339 | 4460496 | 1 | Lockwasher, Terminal | |
| 340 | 4460497 | 1 | Nut, Terminal | |
| 341 | 1001120337 | 1 | Harness, ClearSky Ready | A |
| 341A | 2400060 | 2 | Fuseholder with Cover | |
| 341A | 2400064 | 2 | Fuse 5Amp | |
| 341B | 1001112612 | 1 | Receptacle, Female - 9 Position | |
| 341B | 4460464 | 6 | Pin, Male | |
| 341B | 4460466 | 3 | Plug, Sealing | |

SECTION 7 - ELECTRICAL

| ITEM | PART NUMBER | QTY | DESCRIPTION | REV |
|------|-------------|------------|---|-----|
| 341C | 1001113961 | 1 | Plug, Male - 8 Position | |
| 341C | 4460871 | 3 | Socket, Female | |
| 341C | 4460905 | 5 | Plug, Sealing | |
| 341D | 4460465 | 1 | Socket, Female | |
| 341E | 4460539 | 1 | Plug, Male - 3 Position | |
| 341E | 4460871 | 3 | Pin, Male | |
| 341F | 4460933 | 1 | Plug, Male - 12 Position | |
| 341F | 4460465 | 9 | Socket, Female | |
| 341F | 4460466 | 3 | Plug, Sealing | |
| 341F | 4460898 | 1 | Connector, Female Bussbar - 9 Position | |
| 342 | 1001106736 | 1 | Cap, Dust | |
| | 1001119470 | Ref | DEUTZ ENGINE HARNESS ASSEMBLY | B |
| 424 | 4460894 | 1 | Connector, Female - 6 Position | |
| 424 | 4460465 | 2 | Socket, Female | |
| 424 | 4460944 | 3 | Socket, Female | |
| 424 | 4460466 | 1 | Plug, Seal | |
| 443 | 4461052 | 1 | Connector, Female - 25 Position | |
| 443 | 4461005 | 5 | Terminal | |
| 443 | 4461006 | 5 | Seal | |
| 443 | 4461054 | 2 | Seal, Terminal | |
| 443 | 4461060 | 2 | Terminal (Tin) | |
| 443 | 4461053 | 1 | Cover, Plug | |
| 443 | 4461008 | 18 | Plug, Hole | |
| 453 | 4461095 | 1 | Plug, Male - 3 Position | |
| 453 | 4460944 | 3 | Socket, Female | |
| 453 | 4461070 | 1 | Receptacle, Female with Resistor - 3 Position | |
| 458 | 4460930 | 1 | Connector, Female - 8 Position | |
| 458 | 4460465 | 2 | Socket, Female | |
| 458 | 4460466 | 6 | Plug, Seal | |
| 459 | 2902443 | 1 | Receptacle Kit | |
| 459 | 4461071 | 8 | Socket, Female | |
| 459 | 4461072 | 1 | Receptacle | |
| 459 | 4461073 | 1 | Cap, Dust | |
| 459 | 4461074 | 1 | Shell, Black | |
| | 1001116206 | Ref | GROUND CONTROL BOX WIRING DIAGRAM | C |
| 501 | 2920129 | 10 | Bulb, Light | |
| 506 | 4460226 | 6 | Socket, Female | |
| 507 | 4460224 | 1 | Connector, Female - 6 Position | |
| 508 | 4460945 | 1 | Connector, Female - 3 Way | |
| 509 | 4460872 | 1 | Plug, Male - 14 Position | |
| 509 | 4460871 | AR | Socket, Female | |
| 509 | 4460905 | AR | Plug, Sealing | |
| | 0274660 | Ref | WIRING HARNESSES INSTALLATION | 1-D |
| 601 | 4922718 | 4 | Axle Power Track Harness Assembly | B |
| 601A | 4460539 | 1 Per Assy | Plug, Male - 3 Position | |
| 601A | 4460944 | 3 Per Assy | Socket, Female | |
| 601B | 4460932 | 1 Per Assy | Connector, Female - 4 Position | |
| 601B | 4460943 | 4 Per Assy | Pin, Male | |

SECTION 7 - ELECTRICAL

| ITEM | PART NUMBER | QTY | DESCRIPTION | REV |
|------|-------------|-----|--|-----|
| 602 | 4922696 | 1 | Chassis Harness Assembly | 3-D |
| 602A | 4460894 | 1 | Plug, Male - 6 Position | |
| 602A | 4460465 | 6 | Socket, Female | |
| 602A | 4460892 | 1 | Bar, Buss - 6 Position | |
| 602B | 4460891 | 1 | Plug, Male - 2 Position | |
| 602B | 4460465 | 2 | Socket, Female | |
| 602C | 4460894 | 1 | Plug, Male - 6 Position (Not Shown) | |
| 602C | 4460465 | 6 | Socket, Female | |
| 602C | 4460892 | 1 | Bar, Buss - 6 Position | |
| 602D | 4460880 | 14 | DIN Connector | |
| 602E | 4460930 | 1 | Connector, Gray - 8 Position | |
| 602E | 4460465 | 3 | Socket, Female | |
| 602E | 4460466 | 5 | Plug, Terminal | |
| 602F | 4460836 | 1 | Connector, Black - 12 Position | |
| 602F | 4460465 | 6 | Socket, Female | |
| 602F | 4460466 | 6 | Plug, Terminal | |
| 602G | 4460933 | 1 | Connector, Gray - 12 Position | |
| 602G | 4460465 | 8 | Socket, Female | |
| 602G | 4460466 | 4 | Plug, Terminal | |
| 602H | 4460934 | 1 | Connector, Green - 12 Position | |
| 602H | 4460944 | 12 | Socket, Female | |
| 602J | 4460935 | 1 | Connector, Brown - 12 Position | |
| 602J | 4460465 | 8 | Socket, Female | |
| 602K | 4922705 | 1 | Analyzer Harness | 2-B |
| 602L | 4460761 | 1 | Connector, Female | |
| 602L | 4460227 | 4 | Pin, Male | |
| 602M | 4460465 | 4 | Socket, Female | |
| 602N | 4460950 | 1 | Connector, Female - 12 Position | |
| 602N | 4460464 | 6 | Pin, Male 16-18 GA | |
| 602N | 4460943 | 3 | Pin, Male 16-18 GA (Gold) | |
| 602N | 4460941 | 2 | Pin, Male 14-16GA | |
| 602P | 4460884 | 4 | Connector, Gray - 4 Position | |
| 602P | 4460944 | 16 | Socket, Female | |
| 603 | 4922781 | 1 | B.L.A.M. to Boom Angle Sensor Harness (Left Side) | 3-B |
| 603A | 4460932 | 1 | Connector, Gray - 4 Position | |
| 603A | 4460943 | 4 | Pin, Male | |
| 603B | 4460911 | 1 | Plug, Male - 3 Position | |
| 603B | 4460918 | 3 | Socket, Female | |
| 603B | 4460912 | 1 | Lock, Wedge - Position | |
| 604 | 4922780 | 1 | B.L.A.M. to Boom Angle Sensor Harness (Right Side) | 2-B |
| 604A | 4460884 | 1 | Connector, Gray - 4 Position | |
| 604A | 4460944 | 4 | Socket, Female | |
| 604B | 4460911 | 1 | Plug, Male - 3 Position | |
| 604B | 4460918 | 3 | Socket, Female | |
| 604B | 4460912 | 1 | Lock, Wedge - Position | |
| 605 | 4922716 | 1 | B.L.A.M. to Boom Length Sensor Harness | C |
| 605A | 4460539 | 2 | Plug, Male - 3 Position | |
| 605A | 4460944 | 3 | Socket, Female | |
| 605B | 4460894 | 1 | Plug, Male - 6 Position | |
| 605B | 4460944 | 4 | Socket, Female | |
| 605B | 4460466 | 2 | Plug, Sealing | |

SECTION 7 - ELECTRICAL

| ITEM | PART NUMBER | QTY | DESCRIPTION | REV |
|------|-------------|-----|---|-----|
| 606 | 4922784 | 1 | Jib Stow Switch Harness | B |
| 606A | 4460891 | 1 | Plug, Male - 2 Position | |
| 606A | 4460465 | 2 | Socket, Female | |
| 607 | 4922785 | 1 | Dual Capacity Jib Position Switch Harness | B |
| 607A | 4460897 | 1 | Connector, Female - 2 Position | |
| 607A | 4460464 | 2 | Pin, Male | |
| 608 | 4922777 | 1 | Platform Valve Harness | 1-D |
| 608A | 4460880 | 9 | DIN Connector | |
| 608B | 4460926 | 1 | Connector - 21 Position | |
| 608B | 4460928 | 13 | Socket, Female | |
| 608B | 4460466 | 8 | Plug, Hole | |
| 608C | 4460897 | 1 | Connector, Female - 2 Position | |
| 608C | 4460464 | 2 | Pin, Male | |
| 608D | 4460891 | 1 | Plug, Male - 2 Position | |
| 608D | 4460465 | 2 | Socket, Female | |
| 609 | 4460945 | 1 | Connector, Female - 3 Way | |
| 610 | 4922767 | 1 | Lockout Valve Harness | 2-C |
| 610A | 4460465 | 3 | Socket, Female | |
| 610B | 4460464 | 1 | Pin, Male | |
| 610C | 4460880 | 1 | Connector, DIN | |
| 610D | 4460449 | 1 | Connector, DIN | |
| 611 | 4922786 | 1 | B.L.A.M. Harness | 4-C |
| 611A | 4460933 | 1 | Plug, Male - 12 Position (Gray) | |
| 611A | 4460466 | 7 | Plug, Seal | |
| 611A | 4460944 | 3 | Socket, Female | |
| 611A | 4460465 | 1 | Socket, Female | |
| 611A | 4460942 | 1 | Socket, Female | |
| 611B | 4460934 | 1 | Plug, Male - 12 Position (Green) | |
| 611B | 4460466 | 7 | Plug, Seal | |
| 611B | 4460944 | 3 | Socket, Female | |
| 611B | 4460465 | 2 | Socket, Female | |
| 611C | 4460935 | 1 | Plug, Male - 12 Position (Brown) | |
| 611C | 4460466 | 5 | Plug, Seal | |
| 611C | 4460465 | 2 | Socket, Female | |
| 611D | 4460836 | 1 | Plug, Male - 12 Position (Black) | |
| 611D | 4460466 | 8 | Plug, Seal | |
| 611D | 4460944 | 2 | Socket, Female | |
| 611D | 4460465 | 2 | Socket, Female | |
| 611E | 4460836 | 2 | Plug, Male - 12 Position (Black) | |
| 611E | 4460466 | 14 | Plug, Seal | |
| 611E | 4460944 | 5 | Socket, Female | |
| 611E | 4460465 | 5 | Socket, Female | |
| 611E | 4460837 | 2 | Receptacle, Female - 12 Position Buss Bar | |
| 611F | 4460884 | 1 | Plug, Male 4 Position (Gray) | |
| 611F | 4460944 | 4 | Socket, Female | |
| 611G | 4460894 | 1 | Plug, Male - 6 Position (Gray) | |
| 611G | 4460465 | 5 | Socket, Female | |
| 611G | 4460466 | 1 | Plug, Sealing | |
| 611H | 4460899 | 1 | Connector, Female - 6 Position (Gray) | |
| 611H | 4460464 | 3 | Pin, Male | |
| 611H | 4460941 | 3 | Pin, Male (Gold Plated) | |

SECTION 7 - ELECTRICAL

| ITEM | PART NUMBER | QTY | DESCRIPTION | REV |
|------|-------------|------------|--|-----|
| 611J | 4460899 | 1 | Connector, Female - 6 Position (Gray) | |
| 611J | 4460466 | 2 | Plug, Sealing | |
| 611J | 4460943 | 4 | Pin, Male (Gold Plated) | |
| 611K | 4460932 | 1 | Plug, Male - 4 Position (Gray) | |
| 611K | 4460943 | 1 | Pin, Male | |
| 611L | 4460966 | 1 | Connector, Female - 3 Position | |
| 611L | 4460944 | 3 | Socket, Female | |
| 611M | 4922705 | 1 | Analyzer Harness | 2-B |
| 611N | 4460761 | 1 | Connector, Female - 4 Position | |
| 611N | 4460227 | 4 | Pin, Male | |
| 611P | 4460465 | 4 | Socket, Female | |
| 612 | 0100048 | AR | Lubricant, Silicone | |
| 613 | 4923256 | 1 | Load Sensing Pin Harness | B |
| 613A | 4460930 | 1 | Connector, Gray - 8 Position | |
| 613A | 4460465 | 4 | Socket, Female | |
| 613A | 4460466 | 3 | Plug, Sealing | |
| 613B | See Note | 1 | Connector, Female - 4 Position (Note: Not Available For Purchase) | |
| 613B | See Note | 4 | Terminal (Note: Not Available For Purchase) | |
| 615 | 4922947 | 1 | Right Level Sensor, Harness | E |
| 615A | 4460911 | 1 | Plug, Male - 3 Position | |
| 615A | 4460918 | 3 | Pin, Male | |
| 615A | 4460912 | 1 | Lock, Wedge - Position | |
| 615A | 1320309 | 1 | Clamp, Cable | |
| 615A | 1560012 | 1 | Nut, Conduit | |
| 615A | 1560011 | 1 | Connector, Conduit | |
| 615A | See Note | 1 | Plug, Male - 7 Position (Note: No Longer Field Serviceable - Purchase Complete Harness Item 615) | |
| 616 | 4922948 | 1 | Left Level Sensor, Harness | E |
| 616A | 4460911 | 1 | Plug, Male - 3 Position | |
| 616A | 4460918 | 3 | Pin, Male | |
| 616A | 4460912 | 1 | Lock, Wedge - Position | |
| 616A | 1320309 | 1 | Clamp, Cable | |
| 616A | 1560012 | 1 | Nut, Conduit | |
| 616A | 1560011 | 1 | Connector, Conduit | |
| 616A | See Note | 1 | Plug, Male - 7 Position (Note: No Longer Field Serviceable - Purchase Complete Harness Item 616) | |
| | | Ref | STANDARD HARNESS COMPONENTS | |
| 701 | 4360505 | 4 | Steer Angle Sensor Harness | |
| 701A | 4460536 | 1 Per Assy | Plug, Male - 3 Position | |
| 701A | 4460464 | 3 Per Assy | Pin, Male | |
| 702 | 1660253 | 1 | Coupling Electrical Components | |
| 702A | See Note | 1 | Coupling Turntable Harness (Note: Not Available For Purchase) | |
| 702B | 4460837 | 1 | Connector, Female - 12 Position | |
| 702B | 4460466 | 4 | Plug, Socket | |
| 702B | 4460464 | 3 | Pin, Male 16-18 GA | |
| 702B | 4460943 | 3 | Pin, Male 16-18 GA (Gold) | |
| 702B | 4460941 | 2 | Pin, Male 14-16GA | |
| 702C | See Note | 1 | Coupling Frame Harness (Note: Not Available For Purchase) | |
| 702D | 4460836 | 1 | Plug, Male - 12 Position | |

SECTION 7 - ELECTRICAL

| ITEM | PART NUMBER | QTY | DESCRIPTION | REV |
|------|-------------|-----|--|-----|
| 702D | 4460465 | 6 | Socket, Female 16-18 GA | |
| 702D | 4460942 | 2 | Socket, Female 14-16 GA | |
| 702D | 4460944 | 3 | Socket, Female 16-18 GA (Gold) | |
| 702D | 4460466 | 1 | Plug, Socket | |
| 703 | See Note | 1 | Broken Cable Proximity Switch Harness (Note: Part of Proximity Switch - Purchase New Switch) | |
| 704 | | Ref | Platform Level Sensor Harness Options (Includes Sensor): | |
| 704 | 4360534 | 2 | Platform Level Sensor Harness (Use p/n 1001147479) (Prior to SN 0300141600) | |
| 704 | 4360545 | 2 | Platform Level Sensor Harness (Use p/n 1001147479) (Prior to SN 0300141600) | |
| 704 | 4360545 | 2 | Platform Level Sensor Harness (Use p/n 1001133329) (SN 0300141600 through 0300157202) | |
| 704 | 1001133329 | 2 | Platform Level Sensor Harness (SN 0300157203 through 0300201016) | |
| 704A | 4460910 | 2 | Connector, Female - 3 Position | |
| 704A | 4460917 | 6 | Pin, Male | |
| 704A | 4460913 | 1 | Lock, Wedge | |
| 705 | See Note | 1 | Boom Length Switch Harness (Note: Not Available For Purchase) | |
| 705A | 4460536 | 1 | Connector, Female - 3 Position | |
| 705A | 4460943 | 3 | Pin, Male | |
| 706 | | Ref | Boom Angle Sensor Harness Options (Includes Sensor): | |
| 706 | 4360534 | 2 | Boom Angle Sensor Harness (Use p/n 1001147479) (Prior to SN 0300141600) | |
| 706 | 4360545 | 2 | Boom Angle Sensor Harness (Use p/n 1001147479) (Prior to SN 0300141600) | |
| 706 | 4360545 | 2 | Boom Angle Sensor Harness (Use p/n 1001133329) (SN 0300141600 through 0300157202) | |
| 706 | 1001133329 | 2 | Boom Angle Sensor Harness (SN 0300157203 through 0300201016) | |
| 706A | 4460910 | 2 | Connector, Female Deutsch - 3 Position | |
| 706A | 4460917 | 6 | Pin, Male | |
| 706A | 4460913 | 1 | Lock, Wedge | |
| 707 | See Note | 1 | Controller Harness Assembly (Lift and Swing) (Note: Not Available For Purchase) | |
| 707A | 7022819 | 1 | Plug, Male - 8 Position (Natural) | |
| 707A | 4460871 | 8 | Socket, Female | |
| 708 | 7022824 | 1 | Controller Harness/Circuit Board Assembly (Drive and Steer) | |
| 708A | 7022825 | 1 | Plug, Male - 8 Position (Black) | |
| 708A | 4460871 | 7 | Socket, Female | |
| 709 | See Note | 1 | Speed Control Harness (Note: Not Available For Purchase) | |
| 709A | 4460224 | 1 | Connector, Female - 6 Position | |
| 709A | 4460226 | 5 | Socket, Female | |
| 710 | 7027796 | 1 | Harness, Deutz EMR2 Engine Connector | |
| 710A | 70001869 | 1 | Engine Harness (Deutz Tier III Engines) | |
| 710A | 70001872 | 1 | Engine Harness (Deutz Tier IVi Engines) | |
| 710A | 70004061 | 1 | Deutz Harness to Alternator | |
| 710A | 70004271 | 1 | Deutz Harness to Starter | |
| 711 | 1001120776 | 1 | Caterpillar Harness Components | A |
| 711A | See Note | 1 | Connector, Female - 6 Position (Note: Not Available For Purchase) | |
| 712 | 1001119995 | 1 | Caterpillar Electric Fuel Pump Harness Components | A |
| 712A | 4460930 | 1 | Plug, Male - 8 Position | |
| 712A | 4460944 | 6 | Socket, Female 16-18GA Gold | |

SECTION 7 - ELECTRICAL

| ITEM | PART NUMBER | QTY | DESCRIPTION | REV |
|------|-------------|-----------|---|-----|
| 712A | 4460465 | 2 | Socket, Female | |
| 712B | 1001117024 | 1 | Connector, Metri-Pack 15Amp Fuse | |
| 712C | 1001117057 | 1 | Connector, Metri-Pack - 4 Position | |
| 713 | 0272621 | 1 | Control System Analyzer Installation | A |
| 713 | 2901443 | 1 | Analyzer/Cable Kit | 1 |
| 713A | 1600244 | 1 | Analyzer | |
| 713B | 1060633 | 1 | Cable, Analyzer | 1-B |
| 713C | 4460321 | 2 | Plug, Male | |
| 713C | 70003407 | 2 | Shell, Back | |
| 713C | 4460226 | 8 | Socket, Female | |
| 714 | 2902099 | 1 | Deutz Engine Battery Cable Kit | C |
| 714A | 7024580 | 1 | Cable, Red (To Aux Pump Relay, Battery Positive Terminal and Start Relay) | |
| 714B | 7024581 | 1 | Cable, Black (To Aux Pump, Battery Negative Terminal and Ground at Tray Pivot) | |
| 714C | 7024582 | 1 | Cable, Red (Aux Pump Relay to Aux Pump) | |
| 714D | 7024583 | 1 | Cable, Black (Tray Pivot to Engine Mount) (Not Shown) | |
| 714E | 7024584 | 1 | Cable, Red (Start Relay to Starter) | |
| 715 | 1001120743 | 1 | Caterpillar Engine Battery Cable Kit | |
| 715A | 7027034 | 1 | Cable, Red (To Aux Pump Relay, Battery Positive Terminal, Glow Plug Solenoid and Starter) | |
| 715B | 7024581 | 1 | Cable, Black (To Aux Pump, Battery Negative Terminal and Ground at Tray Pivot) | |
| 715C | 7027035 | 1 | Cable, Red (Aux Pump Relay to Aux Pump) | |
| 715D | 7027039 | 1 | Cable, Black (Tray Pivot to Engine Block) | |
| 716 | 4923468 | 1 | Harness, Glow Plug | |
| 717 | 0257887 | 1 | Alarm Harness (Includes Alarm) | |
| 717 | 0140032 | 1 | Alarm | |
| 717 | 2820035 | 6 in/15cm | Loom | |
| 717 | 4460424 | 1 | Plug | |
| 717 | 4460268 | 2 | Socket, Female | |
| 717A | 4460424 | 1 | Plug, Male - 2 Position | |
| 717A | 4460268 | 2 | Socket, Female | |
| | | Ref | OPTIONAL HARNESS COMPONENTS | |
| 801 | | Ref | AC to Platform Receptacle Components Options: | |
| 801 | 0271953 | Ref | 110V GFI Receptacle (ANSI Spec) | D |
| 801 | 0271954 | Ref | 220V GFI Receptacle (ANSI Spec) | C |
| 801 | 0271955 | Ref | 110V (No Plug or Receptacle - ANSI Export and Australian Specs) | C |
| 801 | | Ref | CE Spec Only Options: | |
| 801 | | Ref | 110V | |
| 801 | 0271955 | Ref | No Plug or Receptacle | C |
| 801 | 1001091969 | Ref | IEC Yellow Receptacle and Plug without 2500W Generator | B |
| 801 | 1001100326 | Ref | IEC Yellow Receptacle with 2500W Generator | C |
| 801 | | Ref | 220V | |
| 801 | 1001091973 | Ref | CEE 7 Post Ground Receptacle and Plug (2x4 Box) without 2500W Generator | C |
| 801 | 1001100331 | Ref | CEE 7 Post Ground Receptacle (2x4 Box) with 2500W Generator | C |
| 801 | 1001091974 | Ref | CEE 7 Side Ground Receptacle and Plug (2x4 Box) without 2500W Generator | C |
| 801 | 1001100333 | Ref | CEE 7 Side Ground Receptacle (2x4 Box) with 2500W Generator | C |

SECTION 7 - ELECTRICAL

| ITEM | PART NUMBER | QTY | DESCRIPTION | REV |
|------|---------------------|-----|---|-----|
| 801 | 1001091975 | Ref | AFSINT 107 Keyed Ground Receptacle and Plug (2x4 Box) without 2500W Generator | C |
| 801 | 1001100337 | Ref | AFSINT 107 Keyed Ground Receptacle (2x4 Box) with 2500W Generator | C |
| 801 | 1001091970 | Ref | IEC Blue Receptacle and Plug without 2500W Generator | B |
| 801 | 1001100327 | Ref | IEC Blue Receptacle with 2500W Generator | C |
| 801 | 1001091971 | Ref | CEE 7 Post Ground Receptacle and Plug (70mm x 70mm Box) without 2500W Generator | B |
| 801 | 1001100328 | Ref | CEE 7 Post Ground Receptacle (70mm x 70mm Box) with 2500W Generator | C |
| 801 | 1001091972 | Ref | CEE 7 Side Ground Receptacle and Plug (70mm x 70mm Box) without 2500W Generator | B |
| 801 | 1001100329 | Ref | CEE 7 Side Ground Receptacle (70mm x 70mm Box) with 2500W Generator | C |
| 801A | | Ref | Box, Switch Options: | |
| 801A | 0860038 | 1 | 0271953 & 0271954 Installations | |
| 801A | See Note | 1 | 0271955 Installation (Note: Not Available - Purchase Locally) | |
| 801A | 0861731 | 1 | 1001091973, 1001091974, 1001091975, 1001100331, 1001100333 & 1001100337 Installations | |
| 801A | 0861781 | 1 | 1001091969, 1001091970, 1001100326 & 1001100327 Installations | |
| 801A | See Note | 1 | 1001091971, 1001091972, 1001100328 & 1001100329 Installations (Note: Was p/n 0861782 which is no longer available. Use p/n 1001141970 CEE 7 Side Ground Service Kit or p/n 1001141971 CEE 7 Post Ground Service Kit. Kits includes Box p/n 1001141967 & items 801F-801H.) | |
| 801A | 1001141967 | 1 | 1001100343, 1001100344, 1001141970 & 1001141971 Kits | |
| 801B | 1320146 | 1 | Clamp, Cable (0271953, 0271954 & 0271955 Installations) | |
| 801C | | Ref | Gasket, Cover Options: | |
| 801C | 3960422 | 1 | 0271953 & 0271954 Installations | |
| 801C | See Note | 1 | 0271955 Installation (Note: Not Available - Purchase Locally) | |
| 801C | Not Required | 0 | 1001091973, 1001091974, 1001091975, 1001091969, 1001091970, 1001091971, 1001091972, 1001100331, 1001100333, 1001100337, 1001100326, 1001100327, 1001100328 & 1001100329 Installations | |
| 801D | | Ref | Shield, Cover Options: | |
| 801D | 4060700 | 1 | 0271953 Installation (Use p/n 1001110873) | |
| 801D | 4060092 | 1 | 0271954 Installation | |
| 801D | See Note | 1 | 0271955 Installation (Note: Not Available - Purchase Locally) | |
| 801D | Purchase Receptacle | 1 | 1001091973, 1001091974, 1001091975, 1001091969, 1001091970, 1001091971, 1001091972, 1001100331, 1001100333, 1001100337, 1001100326, 1001100327, 1001100328 & 1001100329 Installations | |
| 801E | | Ref | Connector, Strain Relief Options: | |
| 801E | 4460051 | 1 | 0271953 & 0271954 Installations | |
| 801E | See Note | 1 | 0271955 Installation (Note: Not Available - Purchase Locally) | |
| 801E | | Ref | 1001091973, 1001091974, 1001091975, 1001100331, 1001100333 & 1001100337 Installations | |
| 801E | 1001101196 | 1 | Adapter | |
| 801E | 4460662 | 1 | Strain Relief (Use p/n 1001101191) | |
| 801E | | Ref | 1001091969, 1001091970, 1001091971, 1001091972, | |

SECTION 7 - ELECTRICAL

| ITEM | PART NUMBER | QTY | DESCRIPTION | REV |
|------|-------------|------------|--|-----|
| | | | 1001100326, 1001100327, 1001100328 & 1001100329 Installations | |
| 801E | 1001101197 | 1 | Adapter | |
| 801E | 4460968 | 1 | Strain Relief (Use p/n 1001101191) | |
| 801F | | Ref | Plug, Male Options: | |
| 801F | 4460205 | 1 | 0271953 Installation | |
| 801F | 4460709 | 1 | 0271954 Installation | |
| 801F | See Note | 1 | 0271955 Installation (Note: Not Available - Purchase Locally) | |
| 801F | 4461202 | 1 | 1001091973, 1001091971, 1001100328 & 1001100331 Installations & 1001100343 & 1001141971 Kits | |
| 801F | 4461205 | 1 | 1001091974, 1001091972, 1001100329 & 1001100333 Installations & 1001100344 & 1001141970 Kits | |
| 801F | 4461249 | 1 | 1001091975 & 1001100337 Installations | |
| 801F | 4461196 | 1 | 1001091969 & 1001100326 Installations | |
| 801F | 4461199 | 1 | 1001091970 & 1001100327 Installations | |
| 801G | | Ref | Receptacle Options: | |
| 801G | 4460346 | 1 | 0271953 Installation | |
| 801G | 4460125 | 1 | 0271954 Installation | |
| 801G | See Note | 1 | 0271955 Installation (Note: Not Available - Purchase Locally) | |
| 801G | 4461244 | 1 | 1001091973 & 1001100331 Installations | |
| 801G | 1001141968 | 1 | 1001141971 Service Kit | |
| 801G | 1001141969 | 1 | 1001141970 Service Kit | |
| 801G | 4461245 | 1 | 1001091974 & 1001100333 Installations | |
| 801G | 4461246 | 1 | 1001091975 & 1001100337 Installations | |
| 801G | 4461198 | 1 | 1001091969 & 1001100326 Installations | |
| 801G | 4461201 | 1 | 1001091970 & 1001100327 Installations | |
| 801G | 4461204 | 1 | 1001091971 & 1001100328 Installations (Use p/n 1001100343) | |
| 801G | 4461207 | 1 | 1001091972 & 1001100329 Installations (Use p/n 1001100344) | |
| 801G | 1001141968 | 1 | 1001100343 & 1001141971 Kits | |
| 801G | 1001141969 | 1 | 1001100344 & 1001141970 Kits | |
| 801H | | Ref | Plug, Female Options (CE Machines with 2500W Generator Only): | |
| 801H | 4461203 | 1 | 1001100328 & 1001100331 Installations & 1001100343 & 1001141971 Kits | |
| 801H | 4461206 | 1 | 1001100329 & 1001100333 Installations & 1001100344 & 1001141970 Kits | |
| 801H | 4461250 | 1 | 1001100337 Installation | |
| 801H | 4461197 | 1 | 1001100326 Installation | |
| 801H | 4461200 | 1 | 1001100327 Installation | |
| 801J | 1060908 | 10 ft/3.1m | Cable, Electrical - 12/3 (CE Machines with 2500W Generator Only) | |
| 802 | | Ref | Generator Electrical Components | |
| 802 | 1001120381 | AR | Caterpillar/Deutz Engine -110V/220V - 60Hz | |
| 802 | 1001120382 | AR | Deutz Engine - 110V/220V - 50Hz | |
| 802A | 4922641 | 1 | Harness - On/Off Switch | |
| 802B | 4460226 | 2 | Socket, Female | |
| 802C | 1001120378 | 1 | Powermite Control Box to Relay Harness | |
| 802C | 4460374 | 1 | Plug, Sealed | |
| 802C | 4460375 | 4 | Terminal | |
| 802C | 4460465 | 1 | Socket, Female 16-18 GA | |

SECTION 7 - ELECTRICAL

| ITEM | PART NUMBER | QTY | DESCRIPTION | REV |
|------|-------------|-----|--|-----|
| 802D | 4460027 | 1 | Receptacle, Twist Lock (110V Only) | |
| 802E | 4460961 | 1 | Connector, Female - 4 Position (60Hz Only) | |
| 802E | 4460705 | 4 | Pin, Male | |
| 802F | 4460321 | 1 | Connector, Male - 4 Position (60Hz Only) | |
| 802F | 4460906 | 4 | Socket, Female | |
| 802G | 7020193 | 1 | Harness, Generator Ground Power | |
| 804 | | Ref | Strobe Light Harness (Includes Strobe Light) Options: | |
| 804 | 0272507 | 1 | Strobe Light Harness (Prior to SN 0300171640) | B |
| 804 | 2920161 | 1 | Strobe Light Harness (SN 0300171640 through 0300201016) | B |
| 804A | 4460320 | 1 | Connector, Female - 2 Position (Strobe Light - 0272507) | |
| 804A | 4460267 | 2 | Pin, Male (Strobe Light - 0272507) | |
| 804B | 4460891 | 1 | Connector, Male - 2 Position (Strobe Light - 2920161) | |
| 804B | 4460465 | 2 | Socket, Female (Strobe Light - 2920161) | |
| 806 | 4922738 | 1 | Headlight and Taillight and Chassis Illumination Lights Harness | |
| 806A | 4460374 | 1 | Plug, Sealed | |
| 807 | See Note | 1 | Floodlights Harness Components (Note: Not Available For Purchase) | |
| 807A | | Ref | Harness Options (Aux Relay to Console Box): | |
| 807A | 1060708 | 1 | Harness 1200SJP (Use p/n 1001099718) | |
| 807A | 1060708 | 1 | Harness 1350SJP (Use p/n 1001099719) | |
| 807B | 4460320 | 2 | Plug, Male - 2 Position | |
| 807B | 4460227 | 4 | Pin, Male | |
| 807C | 4922764 | 1 | Floodlight Harness (Lights to Switch) | |
| 807D | 4460424 | 2 | Connector, Female - 2 Position | |
| 807D | 4460226 | 4 | Socket, Female | |
| 807E | 1060977 | 1 | Cord, 2 Wire Coiled (Console Box Relay to Switch) | |
| 807F | 4360232 | 1 | Breaker, Circuit | |
| 807G | 4460425 | 1 | Connector, Strain Relief | |
| 808 | See Note | 1 | Work Lights Harness Components: (Note: Not Available For Purchase) | |
| 808A | | Ref | Harness, Electric 10/3 (Aux Relay to Console Box) | |
| 808A | 4922834 | 1 | Harness, Electric 10/3, 1200SJP | |
| 808A | 4922833 | 1 | Harness, Electric 10/3, 1350SJP | |
| 808A | 4921757 | AR | Fusible Link | |
| 808B | See Note | 2 | Work Light Harness (Supplied with Work Light) (Note: Not Available For Purchase) | |
| 808C | 4460426 | 1 | Connector, Strain Relief | |
| 808D | 2400066 | 1 | Fuseholder | |
| 808D | 2400070 | AR | Fuse 20 Amp | |
| 809 | | Ref | 7500W SkyPower Generator Installations | |
| 809 | | Ref | Deutz Engine | |
| 809 | 1001125427 | Ref | 60Hz | B |
| 809 | 1001125428 | Ref | 50Hz | B |
| 809 | | Ref | Caterpillar Engine | |
| 809 | 1001117508 | Ref | 60Hz | E |
| 809 | 1001121889 | Ref | 50Hz | B |
| 809A | | Ref | Receptacle, Female Twist-Lock Options: | |
| 809A | 4460958 | 1 | 60Hz Spec (Prior to SN 0300182753) | |
| 809A | See Note | 1 | 50Hz Spec (Note: Not Available - Purchase Locally) | |
| 809B | | Ref | Gasket Options: | |
| 809B | 3960422 | AR | 60Hz Spec | |
| 809B | See Note | 2 | 50Hz Spec (Note: Not Available - Purchase Locally) | |

SECTION 7 - ELECTRICAL

| ITEM | PART NUMBER | QTY | DESCRIPTION | REV |
|------|-------------|----------------|--|-----|
| 809C | | Ref | Cover, Receptacle Options: | |
| 809C | 1001110873 | 1 | 60Hz Spec | |
| 809C | See Note | 1 | 50Hz Spec (Note: Not Available - Purchase Locally) | |
| 809D | | Ref | Cover, Receptacle Options: | |
| 809D | 1001110872 | 1 | 60Hz Spec (Prior to SN 0300182753) | |
| 809D | See Note | 1 | 50Hz Spec (Note: Not Available - Purchase Locally) | |
| 809E | | Ref | Receptacle Options: | |
| 809E | 4460346 | 1 | 60Hz Spec | |
| 809E | See Note | 1 | 50Hz Spec (Note: Not Available - Purchase Locally) | |
| 809F | 4460051 | 1 | Connector, Strain Relief (Prior to SN 0300182753) | |
| 809G | 4460071 | 1 | Connector, Strain Relief | |
| 809H | 4922972 | 1 | Harness, Generator | |
| 809I | See Note | 1 | Plug, Male - 6 Position (Note: Not Available For Purchase) | |
| 809I | See Note | 6 | Socket, Female (Note: Not Available For Purchase) | |
| 809J | 4460225 | 1 | Plug, Male - 6 Position | |
| 809J | 4460226 | 6 | Socket, Female | |
| 810 | | Ref | 7500W SkyPower Generator Junction Box Components | |
| 810 | 0861542 | Ref | 60Hz Spec | D |
| 810 | 0861567 | Ref | 50Hz Specs | B |
| 810A | | Ref | Cable, Electrical 12/3 | |
| 810A | 1060494 | 2 ft/.6m | 60Hz Spec | |
| 810A | See Note | 2 ft/.6m | 50Hz Spec (Note: Not Available - Purchase Locally) | |
| 810B | | Ref | Cable, Electrical 10/3 | |
| 810B | 1060708 | 2.5 ft/.76m | 60Hz Spec | |
| 810B | See Note | 2.5 ft/.76m | 50Hz Spec (Note: Not Available - Purchase Locally) | |
| 810C | 1060343 | 1.5 ft/.46m | Cable, Electrical 10/4 (60Hz Spec Only) | |
| 810D | 4460425 | 2 | Connector, Strain Relief | |
| 810E | | Ref | Component Options: | |
| 810E | 4460426 | 2 | Connector, Strain Relief (60Hz Spec Only) | |
| 810E | 4460426 | 1 | Connector, Strain Relief (50Hz Spec Only) | |
| 810E | 3520189 | 1 | Plug (50Hz Spec Only) | |
| 810F | 1671092 | 1 | Cover (60Hz Spec Only) | |
| 810F | 4460963 | 1 | Connector (60Hz Spec Only) | |
| 811 | 1001122528 | Ref | 7500W Generator – 60Hz (Prior to SN 0300182753) | B |
| 811 | 1001157770 | Ref | 7500W Generator – 60Hz (SN 0300182753 through 0300201016) | A |
| 811A | 1001119968 | 1 | Generator Harness | A |
| 811B | 4460967 | 1 | Plug, Male - 3 Position | |
| 811B | 4460465 | 3 | Socket, Female | |
| 811C | 1001117078 | 1 | Connector, Metri-Pack W/5Amp Fuse | |
| 811D | 4922641 | 1 | Switch Harness | |
| 811E | 4460226 | 2 | Socket, Female | |
| 812 | | Ref | AC Breaker Box Installation (CE Spec) | |
| 812 | 1001095976 | Ref | Without Generator and With 110V/50Hz Generator | C |
| 812 | 1001109556 | Ref | With 220V/50Hz Generator | A |
| 812A | 1320146 | AR | Clamp, Cable | |
| 812B | 1001094915 | 1 | Bracket, Circuit Breaker Box | |
| 812C | | Ref | Box Kit, Circuit Breaker Options: | |
| 812C | 1001109654 | 1 | Box Kit Without Generator and With 110V/50Hz Generator | |

SECTION 7 - ELECTRICAL

| ITEM | PART NUMBER | QTY | DESCRIPTION | REV |
|------|-------------|------------|---|-----|
| 812C | 1001109648 | 1 | Box Kit With 220V/50Hz Generator | |
| 812C | | Ref | Breaker, Circuit Options: | |
| 812C | | Ref | Breaker for Machines with 1 Circuit Breaker: | |
| 812C | See Note | AR | Breaker for Machines without Generator and With 110V/50Hz Generator (Note: For Service purchase (1) p/n 1001109475 & (1) p/n 1001109482.) | |
| 812C | See Note | AR | Breaker for Machines with 220V/50Hz Generator (Note: For Service purchase (1) p/n 1001109477 & (1) p/n 1001109482.) | |
| 812C | | Ref | Breaker for Machines with 2 Circuit Breakers: | |
| 812C | | Ref | Breaker for Machines without Latch and Bracket | |
| 812C | 1001109475 | AR | Breaker for Machines without Generator and with 110V/50Hz Generator (16 Amp) | |
| 812C | 1001109482 | 1 | Breaker for Machines with Latch and Bracket | |
| 812C | 0861880 | 1 | Box, Breaker | |
| 812C | 4460956 | 1 | Barrier, Terminal Block End | |
| 812C | 4460957 | 1 | Block, Terminal | |
| 812D | 1001101191 | 1 | Connector, Strain Relief | |
| 812E | 1001097150 | 1 | Connector, Strain Relief | |
| 812F | 1060908 | 12 ft/3.6m | Cable, Electrical 12/3 | |
| 812G | 0903484 | 1 | Bracket, AC Receptacle | |
| 813 | 1001111914 | 1 | ClearSky Telematics Harness (Standard on Machines delivered in North America. Optional on all other machines.) | B |
| 813A | 70020808 | 1 | Plug, Male - 23 Position | |
| 813A | 4460871 | 5 | Socket | |
| 813A | 4460905 | 18 | Plug, Seal | |
| 813B | 4460539 | 2 | Plug, Male - 3 Position (Includes Wedge Lock and Seal) | |
| 813B | 4460944 | 6 | Socket | |
| 813B | 77363244 | 2 | Wedge Lock | |
| 813C | 4460945 | 1 | Bulkhead, 3 Way Female | |
| 813C | See Note | 2 | Plug, Male - 3 Position with 120 ohm Resistor (Note: Not Available For Purchase) | |
| 813C | See Note | 1 | Wedge Lock (Note: Not Available For Purchase) | |
| 813D | 1001112612 | 1 | Connector, Diagnostic | |
| 813D | 4460943 | 2 | Pin | |
| 813D | 4460464 | 2 | Pin | |
| 813D | 4460466 | 2 | Plug, Seal | |
| 813D | 1001106736 | 1 | Cap, Dust | |
| 813E | 1001112796 | 1 | Connector, Diagnostic | |
| 813E | 4460944 | 2 | Socket | |
| 813E | 4460466 | 2 | Plug, Seal | |
| 814 | 70002296 | 1 | Harness, Telematics Antenna (Includes Antenna) (Note: No other parts available) | B |
| 815 | 1001149818 | 1 | Strobe Light Harness (SN 0300171640 through 0300201016) | A |
| 815A | 4460320 | 1 | Connector, Female - 2 Position | |
| 815A | 4460267 | 2 | Pin, Male | |
| 815B | 4460897 | 1 | Connector, Female - 2 Position | |
| 815B | 4460464 | 2 | Pin, Male | |
| | | Ref | TOOLS (NOT SHOWN) | |
| | 7002821 | 1 | Crimper (For Wire to Pin/Socket Connections) | |
| | 7002823 | 1 | Extractor (For Removal of Pin/Socket from Connectors) | |
| | 4460467 | 1 | Extractor, Pin (Blue 16-18 Gauge) (For Removal of Pin/Socket from Connectors) | |

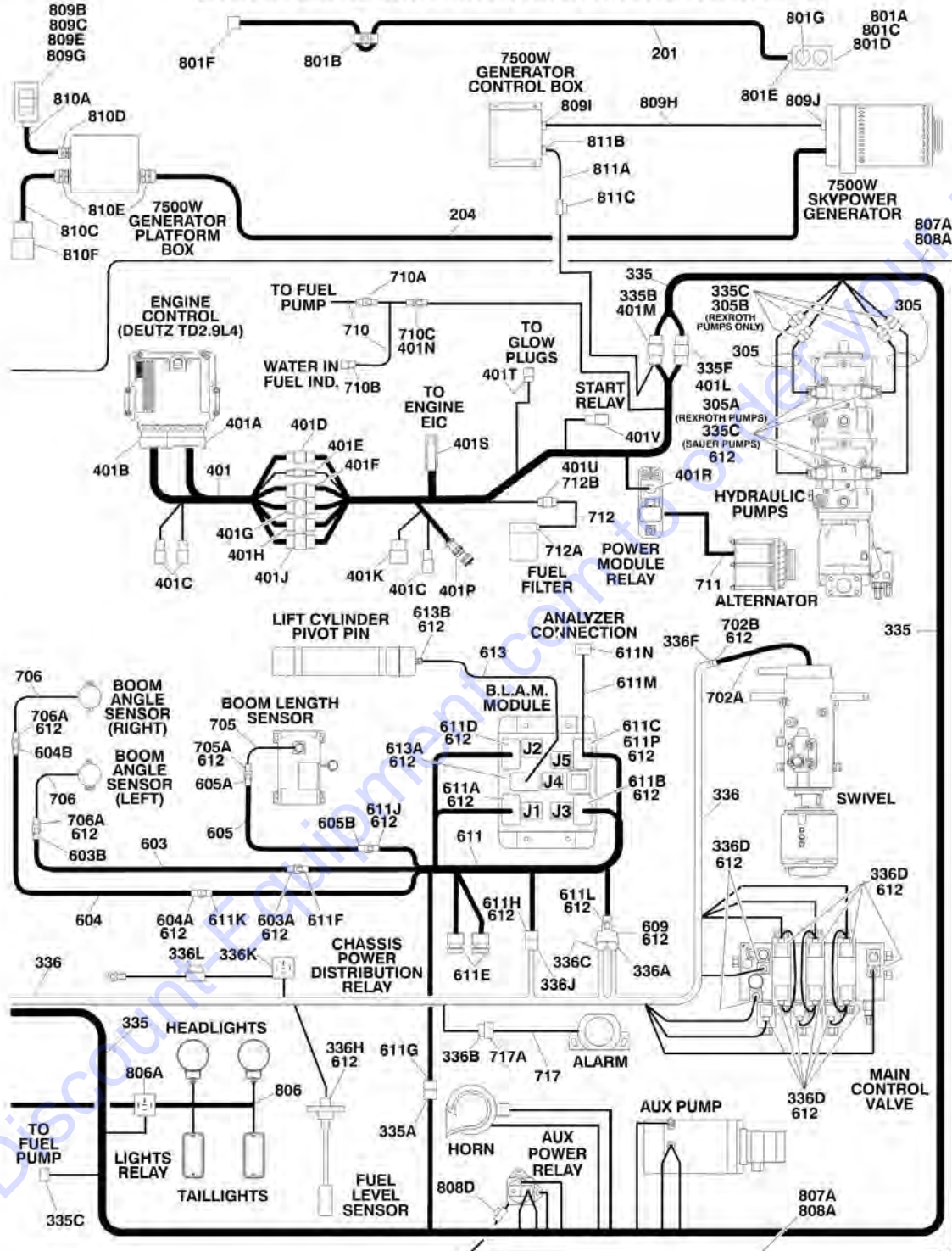
SECTION 7 - ELECTRICAL

| ITEM | PART NUMBER | QTY | DESCRIPTION | REV |
|------|-------------|-----|---|-----|
| | 4460510 | 1 | Extractor, Pin (Yellow 12-14 Gauge) (For Removal of Pin/Socket from Connectors) | |
| | 7002828 | 1 | Stripper, Wire | |
| | 1001137005 | 1 | Cable Kit, Software | |

Go to Discount-Equipment.com to order your parts

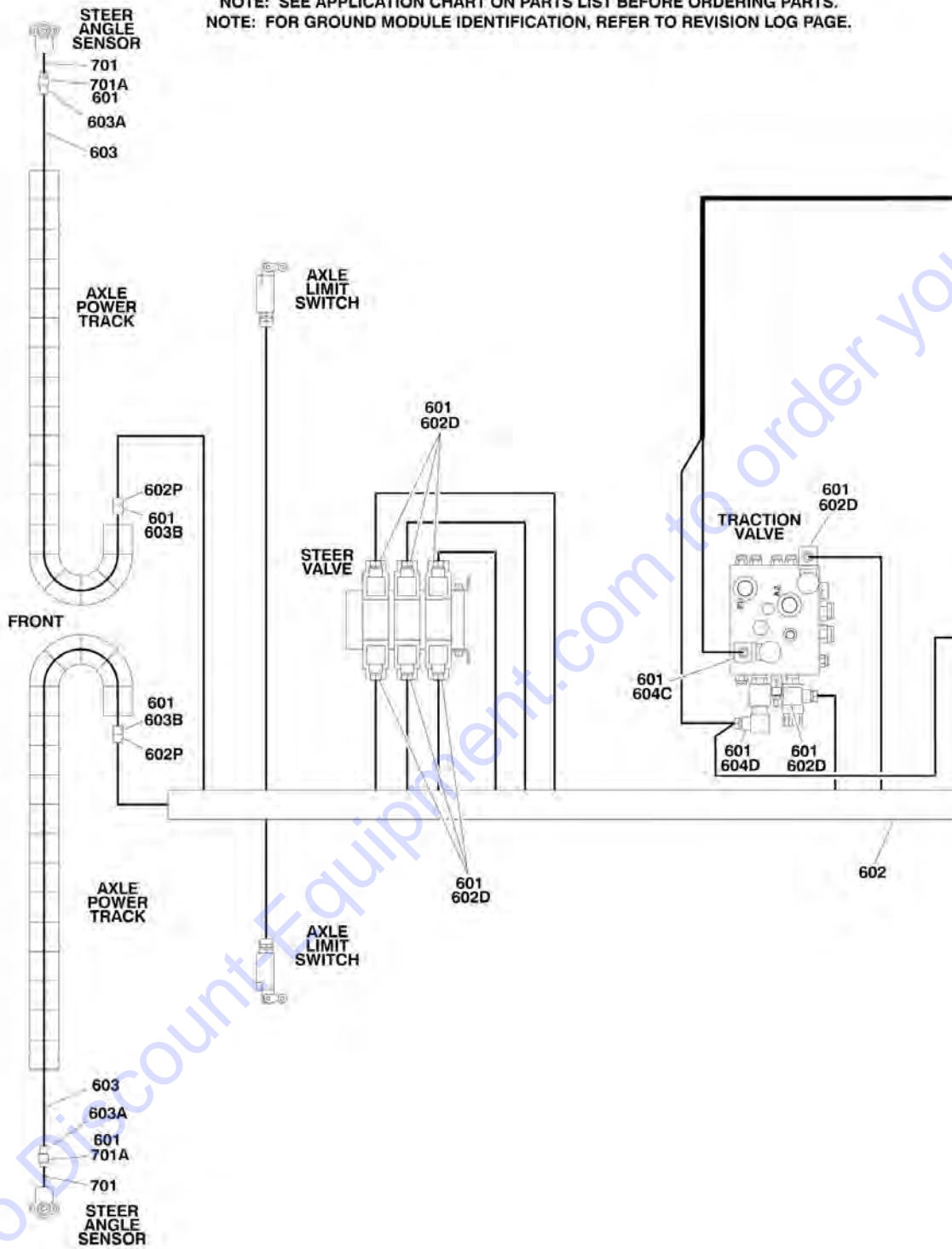
SECTION 7 - ELECTRICAL

NOTE: FOR MODULE IDENTIFICATION, REFER TO REVISION LOG PAGE A.

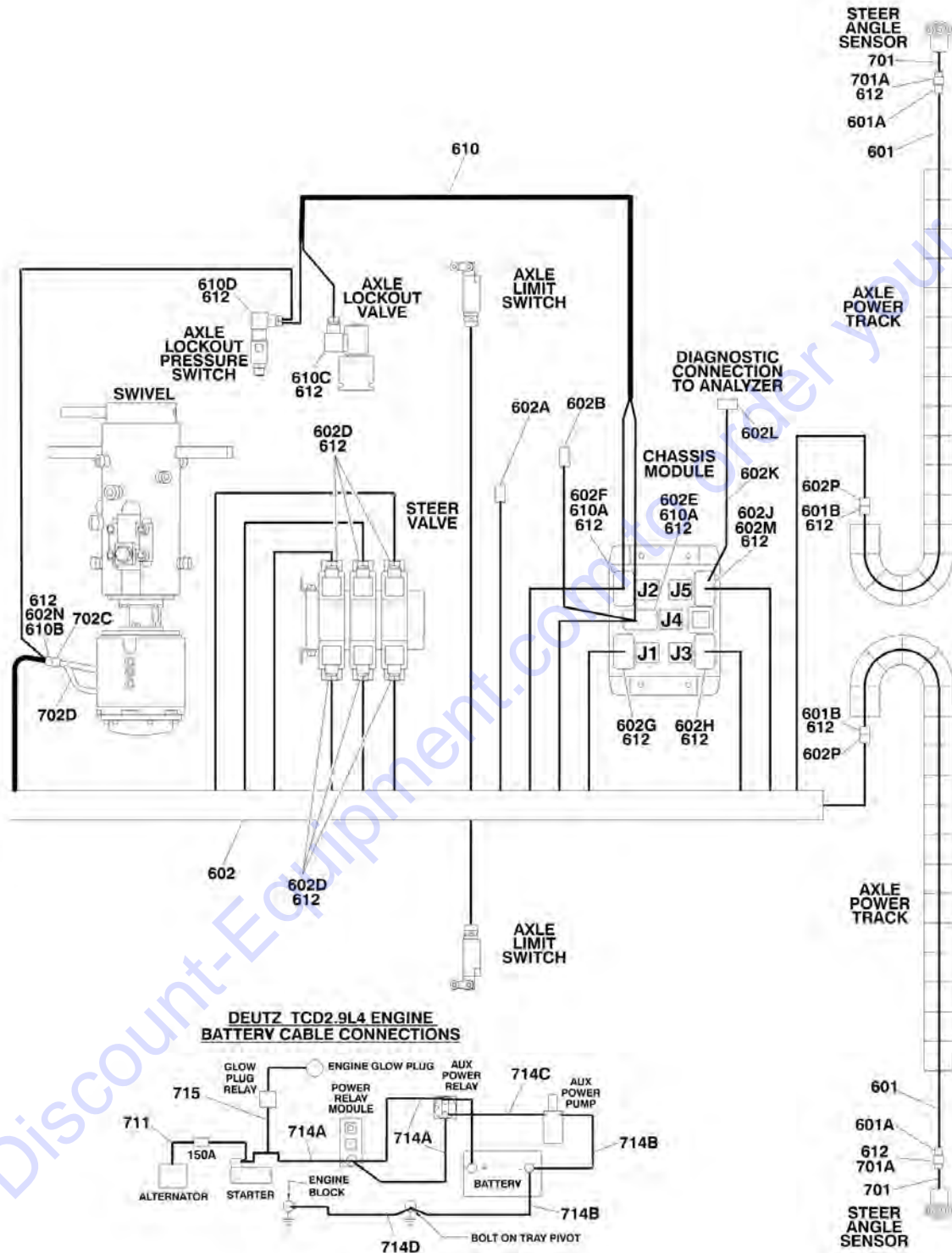


SECTION 7 - ELECTRICAL

NOTE: SEE APPLICATION CHART ON PARTS LIST BEFORE ORDERING PARTS.
 NOTE: FOR GROUND MODULE IDENTIFICATION, REFER TO REVISION LOG PAGE.



SECTION 7 - ELECTRICAL



SECTION 7 - ELECTRICAL

FIGURE 7-5. HARNESS COMPONENTS INSTALLATION (WITH UGM)

| ITEM | PART NUMBER | QTY | DESCRIPTION | REV |
|------|-------------|------------|---|-----|
| | | Ref | APPLICATION CHART - USE THIS FIGURE FOR: | |
| | | Ref | Deutz TCD2.9L4 Engine Machines with UGM | |
| | | Ref | PLATFORM CONSOLE BOX COMPONENTS | |
| 1 | 0100048 | AR | Grease, Dielectric | |
| 4 | | Ref | Footswitch Components: | |
| 4A | 1060918 | 7 ft/2.14m | Cable, Electrical - 18/3 | |
| 4B | 4460071 | 1 | Connector, Strain Relief | |
| 4C | 4460226 | 2 | Socket, Female | |
| 4C | 4460464 | 1 | Pin, Male | |
| 46 | 4460428 | 4 | Connector, Strain Relief | |
| 47 | 4460470 | 1 | Nut, Terminal | |
| 48 | 4460471 | 1 | Lockwasher, Terminal | |
| 50 | 4460496 | 1 | Lockwasher, Terminal | |
| 51 | 4460497 | 1 | Nut, Terminal | |
| 52 | 4460708 | 2 | Receptacle, Female - 15 Position | |
| 53 | 4460905 | 5 | Seal, Plug | |
| 58 | 4922666 | 1 | Harness, Analyzer Cable | 2-B |
| 58 | 4460226 | 4 | Socket, Female (Not Shown - Located at J2) | |
| 58A | 4460761 | 1 | Connector, Female - 4 Position | |
| 58A | 4460227 | 4 | Pin, Male | |
| 59 | 4923448 | 1 | Harness, Platform Box (See Items 101-111 for Breakdown) | |
| | 4923448 | Ref | PLATFORM BOX HARNESS ASSEMBLY | 3-B |
| 101 | 4460866 | 1 | Connector - 19 Pin | |
| 101 | 4460464 | 7 | Pin, Male Deutsch 16 Ga | |
| 101 | 4460508 | 4 | Pin, Male Deutsch 12 Ga | |
| 101 | 4460943 | 3 | Pin, Male 16 Ga (Gold Plated) | |
| 102 | 4460874 | 1 | Connector - 35 Position (Natural) | |
| 102 | 4460871 | 7 | Socket, Female | |
| 102 | 4460905 | 4 | Plug | |
| 103 | 4460876 | 1 | Connector - 35 Position (Blue) | |
| 103 | 4460871 | 32 | Socket, Female | |
| 103 | 4460905 | 3 | Plug | |
| 104 | 4460873 | 1 | Connector - 35 Position (Black) | |
| 104 | 4460871 | 34 | Socket, Female | |
| 104 | 4460905 | 1 | Plug | |
| 105 | 4460879 | 1 | Connector, Male - 2 Position | |
| 105 | 4460887 | 2 | Terminal (12 Gauge) | |
| 106 | 4460418 | 12 | Connector, Female - 6 Position | |
| 106 | 4460419 | 36 | Socket, Female | |
| 107 | 4460225 | 5 | Plug, Male - 6 Position | |
| 107 | 4460226 | 21 | Terminal (16 Gauge) | |
| 108 | 4460225 | 1 | Plug, Male - 6 Position | |
| 108 | 4460227 | 5 | Pin, Male | |
| 109 | 4460434 | 2 | Plug, Male - 15 Position | |
| 109 | 4460227 | 14 | Pin, Male | |
| 110 | 4460925 | 1 | Connector - 21 Pin | |
| 110 | 4460929 | 13 | Pin, Male Deutsch 16 Ga | |
| 110 | 4460466 | 8 | Plug | |
| 111 | 1001121616 | 2 | Connector, 6 Position | |
| 111 | 1001121615 | 2 | Base, Mounting | |

SECTION 7 - ELECTRICAL

| ITEM | PART NUMBER | QTY | DESCRIPTION | REV |
|------|--------------|-----------------|---|-----|
| | | Ref | BOOM CABLES INSTALLATION | |
| | 0271932 | Ref | Boom Cables Installation 1200SJP (ANSI and ANSI Export Specs) | D |
| | 0271950 | Ref | Boom Cables Installation 1200SJP (Australian and CE Specs) | D |
| | 0273854 | Ref | Boom Cables Installation 1200SJP with 7500W Generator (All Specs) | A |
| | 0271951 | Ref | Boom Cables Installation 1350SJP (ANSI and ANSI Export Specs) | D |
| | 0271952 | Ref | Boom Cables Installation 1350SJP (Australian and CE Specs) | D |
| | 0273855 | Ref | Boom Cables Installation 1350SJP with 7500W Generator (All Specs) | A |
| 201 | | Ref | Cable, Electrical - 10/3 | |
| 201 | 4922759 | 1 | Cable, Electrical 1200SJP (ANSI and ANSI Export Specs) | B |
| 201 | 4922761 | 1 | Cable, Electrical 1200SJP (Australian and CE Specs) | B |
| 201 | Not Required | 0 | Cable, Electrical 1200SJP with 7500W Generator (All Specs) | |
| 201 | 4922758 | 1 | Cable, Electrical 1350SJP (ANSI and ANSI Export Specs) | A |
| 201 | 4922760 | 1 | Cable, Electrical 1350SJP (Australian and CE Specs) | A |
| 201 | Not Required | 0 | Cable, Electrical 1350SJP with 7500W Generator (All Specs) | |
| 202 | | Ref | Cable, Electrical - 18/3 | |
| 202 | 4922763 | 1 | Cable, Electrical 1200SJP | C |
| 202 | 4922762 | 1 | Cable, Electrical 1350SJP | C |
| 203 | | Ref | Harness Assembly - Boom (12/4 -18/8) Options: | |
| 203 | 4922672 | 1 | Harness Assembly - Boom 1200SJP | 2-B |
| 203 | 4922673 | 1 | Harness Assembly - Boom 1350SJP | 2-B |
| 203 | 1060896 | Ref | Cable, Electrical - 12/4 & 18/8 | |
| 203 | 1060896 | 142 ft/43.3m | Cable, Electrical 1200SJP | |
| 203 | 1060896 | 157 ft/48m | Cable, Electrical 1350SJP | |
| 203 | 2820118 | 8 in/18cm | Heat Shrink | |
| 203A | 4460865 | 2 | Connector - 19 Position | |
| 203A | 4460465 | 22 | Socket, Female 18 Gauge | |
| 203A | 4460509 | 8 | Socket, Female 12 Gauge | |
| 203A | 4460466 | 8 | Seal, Plug | |
| 203B | 4460473 | 2 | Clamp, Cable | |
| 203C | 4460465 | 11 | Socket, Female 18 Gauge | |
| 203C | 4460509 | 4 | Socket, Female 12 Gauge | |
| 204 | | Ref | Harness, Generator (8/5) Options (with 7500W Generator Only): | |
| 204 | 4922796 | 1 | Harness, Generator 1200SJP | |
| 204 | 4922795 | 1 | Harness, Generator 1350SJP | |
| | | Ref | GROUND CONTROL BOX COMPONENTS | |
| 301 | 0100048 | AR | Grease, Dielectric | |
| 305 | 1001119456 | 2 | Harness, Pump Adapter (Machines with Rexroth Pumps Only) (P/N 1001119456 Includes 2 Adapter Harnesses. Total of qty 4 required) | B |
| 305A | 4460880 | 4 | DIN Connector (1 per Harness) | |
| 305B | 4460897 | 4 | Connector, Female - 2 Position | |
| 305B | 4460464 | 8 | Pin, Male | |
| 322 | 4460426 | 1 | Connector, Strain Relief | |
| 323 | 4460470 | 1 | Nut, Terminal | |
| 324 | 4460471 | 1 | Washer, Terminal | |

SECTION 7 - ELECTRICAL

| ITEM | PART NUMBER | QTY | DESCRIPTION | REV |
|------|-------------|-----|---|-----|
| 325 | 4460526 | 1 | Connector, Strain Relief | |
| 326 | 4460874 | 1 | Connector, White - 35 Position | |
| 327 | 4460875 | 1 | Connector, Gray - 35 Position | |
| 328 | 4460892 | 2 | Bar, Buss | |
| 329 | 4460905 | 4 | Plug, Connector | |
| 330 | 4460914 | 2 | Base, Terminal | |
| 335 | 1001119372 | 1 | Harness, Ground Control to Engine | C |
| 335A | 4460899 | 1 | Receptacle, Female - 6 Position | |
| 335A | 4460464 | 4 | Pin, Male | |
| 335A | 4460466 | 2 | Plug, Seal | |
| 335B | 4460899 | 1 | Receptacle, Female - 6 Position | |
| 335B | 4460464 | AR | Pin, Male | |
| 335B | 4460943 | 1 | Socket, Female | |
| 335C | 4460891 | 5 | Plug, Male - 2 Position | |
| 335C | 4460465 | 10 | Socket, Female | |
| 335D | 4460871 | AR | Socket, Female | |
| 335E | 4460539 | 1 | Plug, Male - 3 Position | |
| 335E | 4460944 | 3 | Socket, Female (Gold) | |
| 335F | 4460931 | 1 | Receptacle, Female - 8 Position | |
| 335F | 4460464 | AR | Pin, Male | |
| 335F | 4460466 | 1 | Plug, Seal | |
| 336 | 1001116369 | 1 | Valve Harness Assembly | 1-D |
| 336A | 4460965 | 1 | Connector - 3 Position | |
| 336A | 4460944 | 3 | Socket, Female | |
| 336B | 4460320 | 1 | Plug, Male - 2 Position | |
| 336B | 4460267 | 2 | Pin, Male | |
| 336C | 4460965 | 2 | Plug, Male - 3 Position | |
| 336C | 4460944 | 6 | Socket, Female | |
| 336D | 4460880 | 11 | DIN Connector | |
| 336E | 4460871 | 16 | Socket, Female | |
| 336F | 4460836 | 1 | Plug, Male - 12 Position | |
| 336F | 4460466 | 4 | Plug, Socket | |
| 336F | 4460465 | 3 | Socket, Female | |
| 336F | 4460942 | 2 | Socket, Female 14-16 GA | |
| 336F | 4460944 | 3 | Socket, Female 16-18 GA | |
| 336G | 4460424 | 1 | Connector, Female - 2 Position | |
| 336G | 4460268 | 2 | Socket, Female | |
| 336H | 4460843 | 1 | Plug, Male - 2 Position | |
| 336H | 4460842 | 2 | Socket, Female | |
| 336J | 4460894 | 1 | Plug, Male - 6 Position | |
| 336J | 4460465 | 3 | Socket, Female | |
| 336J | 4460942 | 3 | Socket, Female 14-16 GA | |
| 336K | 3740080 | 1 | Relay, Sealed | |
| 336K | 4460374 | 1 | Plug, Sealed | |
| 336K | 4460375 | 5 | Terminal, Female | |
| 336L | 2400066 | 1 | Fuseholder w/Leads | |
| 336L | 2400065 | 1 | Fuse, 30A | |
| 337 | 1001120180 | 1 | Ground Control Box Harness Assembly | A |
| 337 | 3990001 | 2 | Diode - 3 Amp (Not Shown - Located at Power Down Relay) | |
| 337A | 4460876 | 1 | Connector, Blue - 35 Position | |
| 337A | 4460871 | 29 | Socket, Female | |

SECTION 7 - ELECTRICAL

| ITEM | PART NUMBER | QTY | DESCRIPTION | REV |
|------|-------------|----------|---|-----|
| 337B | 4460866 | 1 | Connector - 19 Pin | |
| 337B | 4460464 | 10 | Pin, Male Deutsch 16 Ga | |
| 337B | 4460508 | 3 | Pin, Male Deutsch 12 Ga | |
| 337C | 4460878 | 1 | Plug, Male - 4 Position | |
| 337C | 4460887 | 3 | Terminal (12 Gauge) | |
| 337D | 4120035 | 10 | Base, Light | |
| 337D | 4460634 | 10 | Terminal (16 Gauge) | |
| 337D | 4460635 | 10 | Terminal (12 Gauge) | |
| 337E | 4460873 | 1 | Connector, Black - 35 Position | |
| 337E | 4460871 | 16 | Socket, Female | |
| 337F | 4460418 | 8 | Connector, Female - 6 Position | |
| 337F | 4460419 | 24 | Socket, Female | |
| 337G | 4460225 | 1 | Plug, Male - 6 Position | |
| 337G | 4460227 | 6 | Pin, Male | |
| 337H | 4460965 | 1 | Plug, Male - 3 Position (Blue Lock) | |
| 337H | 4460944 | 3 | Socket, Female | |
| 337H | 4922099 | 2 ft/.6m | Cable, Can-Buss | |
| 337J | 2400066 | 1 | Fuseholder with Cover | |
| 337J | 2400065 | 1 | Fuse 30 Amp | |
| 337K | 4460894 | 2 | Plug, Male - 6 Position | |
| 337K | 4460465 | 1 | Socket, Female 16-18GA | |
| 337K | 4460942 | 2 | Socket, Female 14GA | |
| 337L | 4460761 | 1 | Connector, Female - 4 Position | |
| 337L | 4460227 | 4 | Pin, Male | |
| 337M | 4460966 | 1 | Plug, Male - 3 Position (Green Lock) | |
| 337M | 4460944 | 3 | Socket, Female | |
| 337M | 4922099 | 2 ft/.6m | Cable, Can-Buss | |
| 337N | 4460871 | 9 | Socket, Female | |
| 338 | 1001116206 | 1 | Ground Control Wiring Diagram (Not Shown) (See Items 501-509 for Breakdown) | |
| 339 | 4460496 | 1 | Lockwasher, Terminal | |
| 340 | 4460497 | 1 | Nut, Terminal | |
| 341 | 1001120337 | 1 | Harness, ClearSky Ready | A |
| 341A | 2400060 | 2 | Fuseholder with Cover | |
| 341A | 2400064 | 2 | Fuse 5Amp | |
| 341B | 1001112612 | 1 | Receptacle, Female - 9 Position | |
| 341B | 4460464 | 6 | Pin, Male | |
| 341B | 4460466 | 3 | Plug, Sealing | |
| 341C | 1001113961 | 1 | Plug, Male - 8 Position | |
| 341C | 4460871 | 3 | Socket, Female | |
| 341C | 4460905 | 5 | Plug, Sealing | |
| 341D | 4460465 | 1 | Socket, Female | |
| 341E | 4460539 | 1 | Plug, Male - 3 Position | |
| 341E | 4460871 | 3 | Pin, Male | |
| 341F | 4460933 | 1 | Plug, Male - 12 Position | |
| 341F | 4460465 | 9 | Socket, Female | |
| 341F | 4460466 | 3 | Plug, Sealing | |
| 341F | 4460898 | 1 | Connector, Female Bussbar - 9 Position | |
| 342 | 1001106736 | 1 | Cap, Dust | |
| 401 | 1001138346 | Ref | ENGINE HARNESS ASSEMBLY | E |
| 401A | 1001133956 | 1 | Connector (Includes Cover, Locks and Retention Plate) | |
| 401A | 1001126352 | 6 | Terminal | |

SECTION 7 - ELECTRICAL

| ITEM | PART NUMBER | QTY | DESCRIPTION | REV |
|------|-------------|-----|---|-----|
| 401A | 1001126353 | 6 | Seal, Terminal | |
| 401A | 1001126384 | 18 | Terminal | |
| 401A | 1001126351 | 1 | Terminal | |
| 401A | 1001126356 | 65 | Plug, Seal | |
| 401A | 1001126357 | 3 | Plug, Seal | |
| 401B | 1001133957 | 1 | Connector (Includes Cover, Locks and Retention Plate) | |
| 401B | 1001126384 | 17 | Terminal | |
| 401B | 1001126351 | 13 | Terminal | |
| 401B | 1001126356 | 18 | Plug, Seal | |
| 401B | 1001126357 | 8 | Plug, Seal | |
| 401C | 4461070 | 3 | Receptacle, Female With Resistor (3 Position) | |
| 401C | 4461095 | 6 | Plug, Male - 3 Position | |
| 401C | 4460944 | 6 | Socket, Female | |
| 401C | 4460466 | 2 | Seal, Plug | |
| 401D | 4460930 | 1 | Plug, Male - 8 Position | |
| 401D | 4460944 | 5 | Socket, Female (Gold) | |
| 401D | 4460465 | 2 | Socket, Female | |
| 401D | 4460466 | 1 | Seal, Plug | |
| 401D | 4460931 | 1 | Receptacle, Female - 8 Position | |
| 401D | 4460943 | 8 | Pin, Male (Gold) | |
| 401D | 4460464 | 8 | Pin, Male | |
| 401D | 4460466 | 1 | Seal, Plug | |
| 401E | 1001116707 | 1 | Plug, Male - 1 Position | |
| 401E | 91143340 | 1 | Terminal | |
| 401E | 1001116967 | 1 | Receptacle, Female - 1 Position | |
| 401E | 91143339 | 1 | Terminal | |
| 401F | 4460935 | 1 | Plug, Brown - 12 Position | |
| 401F | 4460465 | 12 | Socket, Female | |
| 401F | 4460982 | 1 | Receptacle, Female - 12 Position | |
| 401F | 4460464 | 12 | Pin, Male | |
| 401G | 4460933 | 1 | Plug, Gray - 12 Position | |
| 401G | 4460942 | 12 | Socket, Female | |
| 401G | 4460970 | 1 | Receptacle, Female - 12 Position | |
| 401G | 4460941 | 12 | Pin, Male | |
| 401H | 4460934 | 1 | Plug, Green - 12 Position | |
| 401H | 4460465 | 10 | Socket, Female | |
| 401H | 4460466 | 2 | Seal, Plug | |
| 401H | 1001152762 | 1 | Receptacle, Female - 12 Position | |
| 401H | 4460464 | 10 | Pin, Male | |
| 401H | 4460466 | 2 | Seal, Plug | |
| 401J | 4460836 | 1 | Plug, Black - 12 Position | |
| 401J | 4460465 | 8 | Socket, Female | |
| 401J | 4460466 | 4 | Seal, Plug | |
| 401J | 4460950 | 1 | Receptacle, Female - 12 Position | |
| 401J | 4460464 | 8 | Pin, Male | |
| 401J | 4460466 | 4 | Seal, Plug | |
| 401K | 80484084 | 1 | Receptacle, Female - 8 Position | |
| 401K | 8229242 | 1 | Fuse - 5A | |
| 401K | 80983191 | 1 | Fuse - 10A | |
| 401K | 1001147264 | 1 | Cap | |
| 401K | 1001116727 | 8 | Plug | |

SECTION 7 - ELECTRICAL

| ITEM | PART NUMBER | QTY | DESCRIPTION | REV |
|------|-------------|------------|--|-----|
| 401K | 4460458 | 4 | Seal | |
| 401L | 4460894 | 1 | Plug, Male - 6 Position | |
| 401L | 4460465 | 3 | Socket, Female | |
| 401L | 4460944 | 2 | Socket, Female | |
| 401L | 4460466 | 1 | Seal, Plug | |
| 401M | 4460930 | 1 | Connector, Female - 8 Position | |
| 401M | 4460465 | 1 | Socket, Female | |
| 401M | 4460466 | 7 | Plug, Seal | |
| 401N | 4460884 | 1 | Plug, Male - 4 Position | |
| 401N | 4460465 | 2 | Socket, Female | |
| 401N | 4460942 | 2 | Socket, Female | |
| 401P | 2902443 | 1 | Kit, Receptacle | |
| 401P | 4461071 | 8 | Terminal, Female (Gold) | |
| 401P | 4461072 | 1 | Connector, Flange Mount | |
| 401P | 4461073 | 1 | Connector, Dust Cap | |
| 401P | 4461074 | 1 | Connector, Shell | |
| 401R | 1001116952 | 1 | Plug, Male - 2 Position | |
| 401R | 4460465 | 2 | Socket, Female | |
| 401S | 1001126362 | 1 | Receptacle, Female - 62 Position | |
| 401S | 1001126363 | 33 | Terminal | |
| 401S | 1001126364 | 33 | Seal | |
| 401S | 1001126391 | 23 | Plug | |
| 401S | 4461008 | 4 | Plug, Cavity | |
| 401S | 1001126365 | 2 | Terminal | |
| 401S | 4461054 | 2 | Seal | |
| 401T | 1001142938 | 1 | Plug, Male - 2 Position | |
| 401T | 1001142940 | 2 | Terminal, Female | |
| 401T | 1001142941 | 2 | Seal | |
| 401U | 1001133714 | 1 | Plug, Male - 4 Position | |
| 401U | 1001133715 | 3 | Terminal, Female | |
| 401U | 1001135650 | 3 | Seal | |
| 401V | 1001138110 | 1 | Plug, Male - 2 Position | |
| 401V | 1001138111 | 2 | Socket, Female | |
| 401V | 1001138113 | 2 | Seal | |
| | 1001116206 | Ref | GROUND CONTROL BOX WIRING DIAGRAM | C |
| 501 | 2920129 | 10 | Bulb, Light | |
| 506 | 4460226 | 6 | Socket, Female | |
| 507 | 4460224 | 1 | Connector, Female - 6 Position | |
| 508 | 4460945 | 1 | Connector, Female - 3 Way | |
| 509 | 4460872 | 1 | Plug, Male - 14 Position | |
| 509 | 4460871 | AR | Socket, Female | |
| 509 | 4460905 | AR | Plug, Sealing | |
| | 0274660 | Ref | WIRING HARNESSES INSTALLATION | 1-D |
| 601 | 4922718 | 4 | Axle Power Track Harness Assembly | B |
| 601A | 4460539 | 1 Per Assy | Plug, Male - 3 Position | |
| 601A | 4460944 | 3 Per Assy | Socket, Female | |
| 601B | 4460932 | 1 Per Assy | Connector, Female - 4 Position | |
| 601B | 4460943 | 4 Per Assy | Pin, Male | |

SECTION 7 - ELECTRICAL

| ITEM | PART NUMBER | QTY | DESCRIPTION | REV |
|------|-------------|-----|--|-----|
| 602 | 4922696 | 1 | Chassis Harness Assembly | 3-D |
| 602A | 4460894 | 1 | Plug, Male - 6 Position | |
| 602A | 4460465 | 6 | Socket, Female | |
| 602A | 4460892 | 1 | Bar, Buss - 6 Position | |
| 602B | 4460891 | 1 | Plug, Male - 2 Position | |
| 602B | 4460465 | 2 | Socket, Female | |
| 602C | 4460894 | 1 | Plug, Male - 6 Position (Not Shown) | |
| 602C | 4460465 | 6 | Socket, Female | |
| 602C | 4460892 | 1 | Bar, Buss - 6 Position | |
| 602D | 4460880 | 14 | DIN Connector | |
| 602E | 4460930 | 1 | Connector, Gray - 8 Position | |
| 602E | 4460465 | 3 | Socket, Female | |
| 602E | 4460466 | 5 | Plug, Terminal | |
| 602F | 4460836 | 1 | Connector, Black - 12 Position | |
| 602F | 4460465 | 6 | Socket, Female | |
| 602F | 4460466 | 6 | Plug, Terminal | |
| 602G | 4460933 | 1 | Connector, Gray - 12 Position | |
| 602G | 4460465 | 8 | Socket, Female | |
| 602G | 4460466 | 4 | Plug, Terminal | |
| 602H | 4460934 | 1 | Connector, Green - 12 Position | |
| 602H | 4460944 | 12 | Socket, Female | |
| 602J | 4460935 | 1 | Connector, Brown - 12 Position | |
| 602J | 4460465 | 8 | Socket, Female | |
| 602K | 4922705 | 1 | Analyzer Harness | 2-B |
| 602L | 4460761 | 1 | Connector, Female | |
| 602L | 4460227 | 4 | Pin, Male | |
| 602M | 4460465 | 4 | Socket, Female | |
| 602N | 4460950 | 1 | Connector, Female - 12 Position | |
| 602N | 4460464 | 6 | Pin, Male 16-18 GA | |
| 602N | 4460943 | 3 | Pin, Male 16-18 GA (Gold) | |
| 602N | 4460941 | 2 | Pin, Male 14-16GA | |
| 602P | 4460884 | 4 | Connector, Gray - 4 Position | |
| 602P | 4460944 | 16 | Socket, Female | |
| 603 | 4922781 | 1 | B.L.A.M. to Boom Angle Sensor Harness (Left Side) | 3-B |
| 603A | 4460932 | 1 | Connector, Gray - 4 Position | |
| 603A | 4460943 | 4 | Pin, Male | |
| 603B | 4460911 | 1 | Plug, Male - 3 Position | |
| 603B | 4460918 | 3 | Socket, Female | |
| 603B | 4460912 | 1 | Lock, Wedge - Position | |
| 604 | 4922780 | 1 | B.L.A.M. to Boom Angle Sensor Harness (Right Side) | 2-B |
| 604A | 4460884 | 1 | Connector, Gray - 4 Position | |
| 604A | 4460944 | 4 | Socket, Female | |
| 604B | 4460911 | 1 | Plug, Male - 3 Position | |
| 604B | 4460918 | 3 | Socket, Female | |
| 604B | 4460912 | 1 | Lock, Wedge - Position | |
| 605 | 4922716 | 1 | B.L.A.M. to Boom Length Sensor Harness | C |
| 605A | 4460539 | 2 | Plug, Male - 3 Position | |
| 605A | 4460944 | 3 | Socket, Female | |
| 605B | 4460894 | 1 | Plug, Male - 6 Position | |
| 605B | 4460944 | 4 | Socket, Female | |
| 605B | 4460466 | 2 | Plug, Sealing | |

SECTION 7 - ELECTRICAL

| ITEM | PART NUMBER | QTY | DESCRIPTION | REV |
|------|-------------|-----|---|-----|
| 606 | 4922784 | 1 | Jib Stow Switch Harness | B |
| 606A | 4460891 | 1 | Plug, Male - 2 Position | |
| 606A | 4460465 | 2 | Socket, Female | |
| 607 | 4922785 | 1 | Dual Capacity Jib Position Switch Harness | B |
| 607A | 4460897 | 1 | Connector, Female - 2 Position | |
| 607A | 4460464 | 2 | Pin, Male | |
| 608 | 4922777 | 1 | Platform Valve Harness | 1-D |
| 608A | 4460880 | 9 | DIN Connector | |
| 608B | 4460926 | 1 | Connector - 21 Position | |
| 608B | 4460928 | 13 | Socket, Female | |
| 608B | 4460466 | 8 | Plug, Hole | |
| 608C | 4460897 | 1 | Connector, Female - 2 Position | |
| 608C | 4460464 | 2 | Pin, Male | |
| 608D | 4460891 | 1 | Plug, Male - 2 Position | |
| 608D | 4460465 | 2 | Socket, Female | |
| 609 | 4460945 | 1 | Connector, Female - 3 Way | |
| 610 | 4922767 | 1 | Lockout Valve Harness | 2-C |
| 610A | 4460465 | 3 | Socket, Female | |
| 610B | 4460464 | 1 | Pin, Male | |
| 610C | 4460880 | 1 | Connector, DIN | |
| 610D | 4460449 | 1 | Connector, DIN | |
| 611 | 4922786 | 1 | B.L.A.M. Harness | 4-C |
| 611A | 4460933 | 1 | Plug, Male - 12 Position (Gray) | |
| 611A | 4460466 | 7 | Plug, Seal | |
| 611A | 4460944 | 3 | Socket, Female | |
| 611A | 4460465 | 1 | Socket, Female | |
| 611A | 4460942 | 1 | Socket, Female | |
| 611B | 4460934 | 1 | Plug, Male - 12 Position (Green) | |
| 611B | 4460466 | 7 | Plug, Seal | |
| 611B | 4460944 | 3 | Socket, Female | |
| 611B | 4460465 | 2 | Socket, Female | |
| 611C | 4460935 | 1 | Plug, Male - 12 Position (Brown) | |
| 611C | 4460466 | 5 | Plug, Seal | |
| 611C | 4460465 | 2 | Socket, Female | |
| 611D | 4460836 | 1 | Plug, Male - 12 Position (Black) | |
| 611D | 4460466 | 8 | Plug, Seal | |
| 611D | 4460944 | 2 | Socket, Female | |
| 611D | 4460465 | 2 | Socket, Female | |
| 611E | 4460836 | 2 | Plug, Male - 12 Position (Black) | |
| 611E | 4460466 | 14 | Plug, Seal | |
| 611E | 4460944 | 5 | Socket, Female | |
| 611E | 4460465 | 5 | Socket, Female | |
| 611E | 4460837 | 2 | Receptacle, Female - 12 Position Buss Bar | |
| 611F | 4460884 | 1 | Plug, Male 4 Position (Gray) | |
| 611F | 4460944 | 4 | Socket, Female | |
| 611G | 4460894 | 1 | Plug, Male - 6 Position (Gray) | |
| 611G | 4460465 | 5 | Socket, Female | |
| 611G | 4460466 | 1 | Plug, Sealing | |
| 611H | 4460899 | 1 | Connector, Female - 6 Position (Gray) | |
| 611H | 4460464 | 3 | Pin, Male | |
| 611H | 4460941 | 3 | Pin, Male (Gold Plated) | |

SECTION 7 - ELECTRICAL

| ITEM | PART NUMBER | QTY | DESCRIPTION | REV |
|------|-------------|------------|--|-----|
| 611J | 4460899 | 1 | Connector, Female - 6 Position (Gray) | |
| 611J | 4460466 | 2 | Plug, Sealing | |
| 611J | 4460943 | 4 | Pin, Male (Gold Plated) | |
| 611K | 4460932 | 1 | Plug, Male - 4 Position (Gray) | |
| 611K | 4460943 | 1 | Pin, Male | |
| 611L | 4460966 | 1 | Connector, Female - 3 Position | |
| 611L | 4460944 | 3 | Socket, Female | |
| 611M | 4922705 | 1 | Analyzer Harness | 2-B |
| 611N | 4460761 | 1 | Connector, Female - 4 Position | |
| 611N | 4460227 | 4 | Pin, Male | |
| 611P | 4460465 | 4 | Socket, Female | |
| 612 | 0100048 | AR | Lubricant, Silicone | |
| 613 | 4923256 | 1 | Load Sensing Pin Harness | B |
| 613A | 4460930 | 1 | Connector, Gray - 8 Position | |
| 613A | 4460465 | 4 | Socket, Female | |
| 613A | 4460466 | 3 | Plug, Sealing | |
| 613B | See Note | 1 | Connector, Female - 4 Position (Note: Not Available For Purchase) | |
| 613B | See Note | 4 | Terminal (Note: Not Available For Purchase) | |
| 615 | 4922947 | 1 | Right Level Sensor, Harness | E |
| 615A | 4460911 | 1 | Plug, Male - 3 Position | |
| 615A | 4460918 | 3 | Pin, Male | |
| 615A | 4460912 | 1 | Lock, Wedge - Position | |
| 615A | 1320309 | 1 | Clamp, Cable | |
| 615A | 1560012 | 1 | Nut, Conduit | |
| 615A | 1560011 | 1 | Connector, Conduit | |
| 615A | See Note | 1 | Plug, Male - 7 Position (Note: No Longer Field Serviceable - Purchase Complete Harness Item 615) | |
| 616 | 4922948 | 1 | Left Level Sensor, Harness | E |
| 616A | 4460911 | 1 | Plug, Male - 3 Position | |
| 616A | 4460918 | 3 | Pin, Male | |
| 616A | 4460912 | 1 | Lock, Wedge - Position | |
| 616A | 1320309 | 1 | Clamp, Cable | |
| 616A | 1560012 | 1 | Nut, Conduit | |
| 616A | 1560011 | 1 | Connector, Conduit | |
| 616A | See Note | 1 | Plug, Male - 7 Position (Note: No Longer Field Serviceable - Purchase Complete Harness Item 616) | |
| | | Ref | STANDARD HARNESS COMPONENTS | |
| 701 | 4360505 | 4 | Steer Angle Sensor Harness | |
| 701A | 4460536 | 1 Per Assy | Plug, Male - 3 Position | |
| 701A | 4460464 | 3 Per Assy | Pin, Male | |
| 702 | 1660253 | 1 | Coupling Electrical Components | |
| 702A | See Note | 1 | Coupling Turntable Harness (Note: Not Available For Purchase) | |
| 702B | 4460837 | 1 | Connector, Female - 12 Position | |
| 702B | 4460466 | 4 | Plug, Socket | |
| 702B | 4460464 | 3 | Pin, Male 16-18 GA | |
| 702B | 4460943 | 3 | Pin, Male 16-18 GA (Gold) | |
| 702B | 4460941 | 2 | Pin, Male 14-16GA | |
| 702C | See Note | 1 | Coupling Frame Harness (Note: Not Available For Purchase) | |
| 702D | 4460836 | 1 | Plug, Male - 12 Position | |

SECTION 7 - ELECTRICAL

| ITEM | PART NUMBER | QTY | DESCRIPTION | REV |
|------|-------------|-----|--|-----|
| 702D | 4460465 | 6 | Socket, Female 16-18 GA | |
| 702D | 4460942 | 2 | Socket, Female 14-16 GA | |
| 702D | 4460944 | 3 | Socket, Female 16-18 GA (Gold) | |
| 702D | 4460466 | 1 | Plug, Socket | |
| 703 | See Note | 1 | Broken Cable Proximity Switch Harness (Note: Part of Proximity Switch - Purchase New Switch) | |
| 704 | | Ref | Platform Level Sensor Harness Options (Includes Sensor): | |
| 704 | 4360534 | 2 | Platform Level Sensor Harness (Use p/n 1001147479) (Prior to SN 0300141600) | |
| 704 | 4360545 | 2 | Platform Level Sensor Harness (Use p/n 1001147479) (Prior to SN 0300141600) | |
| 704 | 4360545 | 2 | Platform Level Sensor Harness (Use p/n 1001133329) (SN 0300141600 through 0300157202) | |
| 704 | 1001133329 | 2 | Platform Level Sensor Harness (SN 0300157203 through 0300201016) | |
| 704A | 4460910 | 2 | Connector, Female - 3 Position | |
| 704A | 4460917 | 6 | Pin, Male | |
| 704A | 4460913 | 1 | Lock, Wedge | |
| 705 | See Note | 1 | Boom Length Switch Harness (Note: Not Available For Purchase) | |
| 705A | 4460536 | 1 | Connector, Female - 3 Position | |
| 705A | 4460943 | 3 | Pin, Male | |
| 706 | | Ref | Boom Angle Sensor Harness Options (Includes Sensor): | |
| 706 | 4360534 | 2 | Boom Angle Sensor Harness (Use p/n 1001147479) (Prior to SN 0300141600) | |
| 706 | 4360545 | 2 | Boom Angle Sensor Harness (Use p/n 1001147479) (Prior to SN 0300141600) | |
| 706 | 4360545 | 2 | Boom Angle Sensor Harness (Use p/n 1001147479) (SN 0300141600 through 0300157202) | |
| 706 | 1001133329 | 2 | Boom Angle Sensor Harness (SN 0300157203 through 0300184657) | |
| 706 | 1001147479 | 1 | Boom Angle Sensor Harness (SN 0300184658 through 0300201016) | |
| 706A | 4460910 | 2 | Connector, Female Deutsch - 3 Position | |
| 706A | 4460917 | 6 | Pin, Male | |
| 706A | 4460913 | 1 | Lock, Wedge | |
| 707 | See Note | 1 | Controller Harness Assembly (Lift and Swing) (Note: Not Available For Purchase) | |
| 707A | 7022819 | 1 | Plug, Male - 8 Position (Natural) | |
| 707A | 4460871 | 8 | Socket, Female | |
| 708 | 7022824 | 1 | Controller Harness/Circuit Board Assembly (Drive and Steer) | |
| 708A | 7022825 | 1 | Plug, Male - 8 Position (Black) | |
| 708A | 4460871 | 7 | Socket, Female | |
| 709 | See Note | 1 | Speed Control Harness (Note: Not Available For Purchase) | |
| 709A | 4460224 | 1 | Connector, Female - 6 Position | |
| 709A | 4460226 | 5 | Socket, Female | |
| 710 | 1001138491 | | Fuel Harness Components | C |
| 710A | 4460897 | 1 | Receptacle, Female - 2 Position | |
| 710A | 4460941 | 2 | Pin, Male | |
| 710A | 4460891 | 1 | Plug, Male - 2 Position | |
| 710A | 4460942 | 2 | Socket, Female | |
| 710B | 1001116983 | 1 | Receptacle, Female - 2 Position | |
| 710B | 1001116710 | 2 | Terminal | |
| 710B | 4461054 | 2 | Seal | |
| 710C | 4460932 | 1 | Receptacle, Female - 4 Position | |

SECTION 7 - ELECTRICAL

| ITEM | PART NUMBER | QTY | DESCRIPTION | REV |
|------|-------------|-----------|---|-----|
| 710C | 4460941 | 2 | Pin, Male | |
| 710C | 4460464 | 2 | Pin, Male | |
| 711 | 1001135779 | 1 | Alternator Positive Cable | |
| 712 | 1001148843 | 1 | Fuel Filter Harness | A |
| 712A | 1001148842 | 1 | Receptacle, Female - 2 Position | |
| 712A | 1001148841 | 4 | Pin, Male | |
| 712A | 1001135650 | 4 | Seal | |
| 712B | 1001133714 | 1 | Plug, Male - 2 Position | |
| 712B | 1001133715 | 4 | Socket, Female | |
| 712B | 1001135650 | 4 | Seal | |
| 713 | 0272621 | 1 | Control System Analyzer Installation | A |
| 713 | 2901443 | 1 | Analyzer/Cable Kit | 1 |
| 713A | 1600244 | 1 | Analyzer | |
| 713B | 1060633 | 1 | Cable, Analyzer | 1-B |
| 713C | 4460321 | 2 | Plug, Male | |
| 713C | 70003407 | 2 | Shell, Back | |
| 713C | 4460226 | 8 | Socket, Female | |
| 714 | 1001141225 | 1 | Battery Cable Kit | E |
| 714A | 7027042 | 1 | Cable, Battery (Red) (Battery + to Relays and Starter) | |
| 714B | 7027043 | 1 | Cable, Battery (Black) (Battery - to Tray Pivot Grd) and Aux Pump | |
| 714C | 7027044 | 1 | Cable (Red) (Aux Relay to Aux Pump) | |
| 714D | 7027045 | 1 | Cable, Battery (Black) (Engine to Tray Pivot Grd) | |
| 715 | 1001141304 | 1 | Wire, Glow Plug | |
| 717 | 0257887 | 1 | Alarm Harness (Includes Alarm) | |
| 717 | 0140032 | 1 | Alarm | |
| 717 | 2820035 | 6 in/15cm | Loom | |
| 717 | 4460424 | 1 | Plug | |
| 717 | 4460268 | 2 | Socket, Female | |
| 717A | 4460424 | 1 | Plug, Male - 2 Position | |
| 717A | 4460268 | 2 | Socket, Female | |
| | | Ref | OPTIONAL HARNESS COMPONENTS | |
| 801 | | Ref | AC to Platform Receptacle Components Options: | |
| 801 | | Ref | ANSI Spec | |
| 801 | 0271953 | Ref | 110V GFI Receptacle (ANSI Spec) | D |
| 801 | 0271954 | Ref | 220V GFI Receptacle (ANSI Spec) | C |
| 801 | | Ref | ANSI Export Specs | |
| 801 | 0271955 | Ref | 110V (No Plug or Receptacle) | C |
| 801A | | Ref | Box, Switch Options: | |
| 801A | 0860038 | 1 | 0271953 & 0271954 Installations | |
| 801A | See Note | 1 | 0271955 Installation (Note: Not Available - Purchase Locally) | |
| 801B | 1320146 | 1 | Clamp, Cable | |
| 801C | | Ref | Gasket, Cover Options: | |
| 801C | 3960422 | 1 | 0271953 & 0271954 Installations | |
| 801C | See Note | 1 | 0271955 Installation (Note: Not Available - Purchase Locally) | |
| 801D | | Ref | Shield, Cover Options: | |
| 801D | 1001110873 | 1 | 0271953 Installation | |
| 801D | 4060092 | 1 | 0271954 Installation | |
| 801D | See Note | 1 | 0271955 Installation (Note: Not Available - Purchase Locally) | |

SECTION 7 - ELECTRICAL

| ITEM | PART NUMBER | QTY | DESCRIPTION | REV |
|------|-------------|-----|--|-----|
| 801E | | Ref | Connector, Strain Relief Options: | |
| 801E | 4460051 | 1 | 0271953 & 0271954 Installations | |
| 801E | See Note | 1 | 0271955 Installation (Note: Not Available - Purchase Locally) | |
| 801F | | Ref | Plug, Male Options: | |
| 801F | 4460205 | 1 | 0271953 Installation | |
| 801F | 4460709 | 1 | 0271954 Installation | |
| 801F | See Note | 1 | 0271955 Installation (Note: Not Available - Purchase Locally) | |
| 801G | | Ref | Receptacle Options: | |
| 801G | 4460346 | 1 | 0271953 Installation | |
| 801G | 4460125 | 1 | 0271954 Installation | |
| 801G | See Note | 1 | 0271955 Installation (Note: Not Available - Purchase Locally) | |
| 804 | | Ref | Strobe Light Harness (Includes Strobe Light) Options: | |
| 804 | 0272507 | 1 | Strobe Light Harness (Prior to SN 0300171640) | B |
| 804 | 2920161 | 1 | Strobe Light Harness (SN 0300171640 through 0300201016) | B |
| 804A | 4460320 | 1 | Connector, Female - 2 Position (Strobe Light - 0272507) | |
| 804A | 4460267 | 2 | Pin, Male (Strobe Light - 0272507) | |
| 804B | 4460891 | 1 | Connector, Male - 2 Position (Strobe Light - 2920161) | |
| 804B | 4460465 | 2 | Socket, Female (Strobe Light - 2920161) | |
| 806 | 4922738 | 1 | Headlight and Taillight and Chassis Illumination Lights Harness | |
| 806A | 4460374 | 1 | Plug, Sealed | |
| 807 | See Note | 1 | Floodlights Harness Components (Note: Not Available For Purchase) | |
| 807A | | Ref | Harness Options (Aux Relay to Console Box): | |
| 807A | 1060708 | 1 | Harness 1200SJP (Use p/n 1001099718) | |
| 807A | 1060708 | 1 | Harness 1350SJP (Use p/n 1001099719) | |
| 807B | 4460320 | 2 | Plug, Male - 2 Position | |
| 807B | 4460227 | 4 | Pin, Male | |
| 807C | 4922764 | 1 | Floodlight Harness (Lights to Switch) | |
| 807D | 4460424 | 2 | Connector, Female - 2 Position | |
| 807D | 4460226 | 4 | Socket, Female | |
| 807E | 1060977 | 1 | Cord, 2 Wire Coiled (Console Box Relay to Switch) | |
| 807F | 4360232 | 1 | Breaker, Circuit | |
| 807G | 4460425 | 1 | Connector, Strain Relief | |
| 808 | See Note | 1 | Work Lights Harness Components: (Note: Not Available For Purchase) | |
| 808A | | Ref | Harness, Electric 10/3 (Aux Relay to Console Box) | |
| 808A | 4922834 | | Harness, Electric 1200SJP | |
| 808A | 4922833 | | Harness, Electric 1350SJP | |
| 808A | 4921757 | AR | Fusible Link | |
| 808B | See Note | 2 | Work Light Harness (Supplied with Work Light) (Note: Not Available For Purchase) | |
| 808C | 4460426 | 1 | Connector, Strain Relief | |
| 808D | 2400066 | 1 | Fuseholder | |
| 808D | 2400070 | AR | Fuse 20 Amp | |
| 809 | | Ref | 7500W SkyPower Generator Installations | |
| 809 | | Ref | Deutz TCD2.9L4 Engines | |
| 809 | 1001137590 | Ref | 60Hz | D |
| 809 | 1001137591 | Ref | 50Hz | B |
| 809B | | Ref | Gasket Options: | |
| 809B | 3960422 | 1 | 60Hz Spec | |

SECTION 7 - ELECTRICAL

| ITEM | PART NUMBER | QTY | DESCRIPTION | REV |
|------|-------------|-------------|--|-----|
| 809B | See Note | 1 | 50Hz Spec (Note: Not Available - Purchase Locally) | |
| 809C | | Ref | Cover, Receptacle Options: | |
| 809C | 1001110873 | 1 | 60Hz Spec | |
| 809C | See Note | 1 | 50Hz Spec | |
| 809E | | Ref | Receptacle Options: | |
| 809E | 4460346 | 1 | 60Hz Spec | |
| 809E | See Note | 1 | 50Hz Spec (Note: Not Available - Purchase Locally) | |
| 809G | 4460071 | 1 | Connector, Strain Relief | |
| 809H | 4922972 | 1 | Harness, Generator | B |
| 809I | 77363233 | 1 | Plug, Male - 6 Position | |
| 809I | 4460465 | 6 | Socket, Female | |
| 809J | 4460225 | 1 | Plug, Male - 6 Position | |
| 809J | 4460226 | 6 | Socket, Female | |
| 810 | 1001142914 | Ref | 7500W SkyPower Generator Junction Box Components | A |
| 810A | | Ref | Cable, Electrical 12/3 | |
| 810A | 1060494 | 2 ft/.6m | 60Hz Spec | |
| 810A | See Note | 2 ft/.6m | 50Hz Spec (Note: Not Available - Purchase Locally) | |
| 810C | 1060343 | 1.5 ft/.46m | Cable, Electrical 10/4 (60Hz Spec Only) | |
| 810D | 4460425 | 1 | Connector, Strain Relief | |
| 810E | | Ref | Component Options: | |
| 810E | 4460426 | 2 | Connector, Strain Relief (60Hz Spec Only) | |
| 810E | 4460426 | 1 | Connector, Strain Relief (50Hz Spec Only) | |
| 810E | 3520189 | 1 | Plug (50Hz Spec Only) | |
| 810F | 1671092 | 1 | Cover (60Hz Spec Only) | |
| 810F | 4460963 | 1 | Connector (60Hz Spec Only) | |
| 811 | 1001122528 | Ref | 7500W Generator – 60Hz (Prior to SN 0300182753) | B |
| 811 | 1001157770 | Ref | 7500W Generator – 60Hz (SN 0300182753 through 0300201016) | |
| 811A | 1001119968 | 1 | Generator Harness | A |
| 811B | 4460967 | 1 | Plug, Male - 3 Position | |
| 811B | 4460465 | 3 | Socket, Female | |
| 811C | 1001117078 | 1 | Connector, Metri-Pack W/5Amp Fuse | |
| 811D | 4922641 | 1 | Switch Harness | |
| 811E | 4460226 | 2 | Socket, Female | |
| 813 | 1001111914 | 1 | ClearSky Telematics Harness (Standard on Machines delivered in North America. Optional on all other machines.) | B |
| 813A | 70020808 | 1 | Plug, Male - 23 Position | |
| 813A | 4460871 | 5 | Socket | |
| 813A | 4460905 | 18 | Plug, Seal | |
| 813B | 4460539 | 2 | Plug, Male - 3 Position (Includes Wedge Lock and Seal) | |
| 813B | 4460944 | 6 | Socket | |
| 813B | 77363244 | 2 | Wedge Lock | |
| 813C | 4460945 | 1 | Bulkhead, 3 Way Female | |
| 813C | See Note | 2 | Plug, Male - 3 Position with 120 ohm Resistor (Note: Not Available For Purchase) | |
| 813C | See Note | 1 | Wedge Lock (Note: Not Available For Purchase) | |
| 813D | 1001112612 | 1 | Connector, Diagnostic | |
| 813D | 4460943 | 2 | Pin | |
| 813D | 4460464 | 2 | Pin | |
| 813D | 4460466 | 2 | Plug, Seal | |
| 813D | 1001106736 | 1 | Cap, Dust | |

SECTION 7 - ELECTRICAL

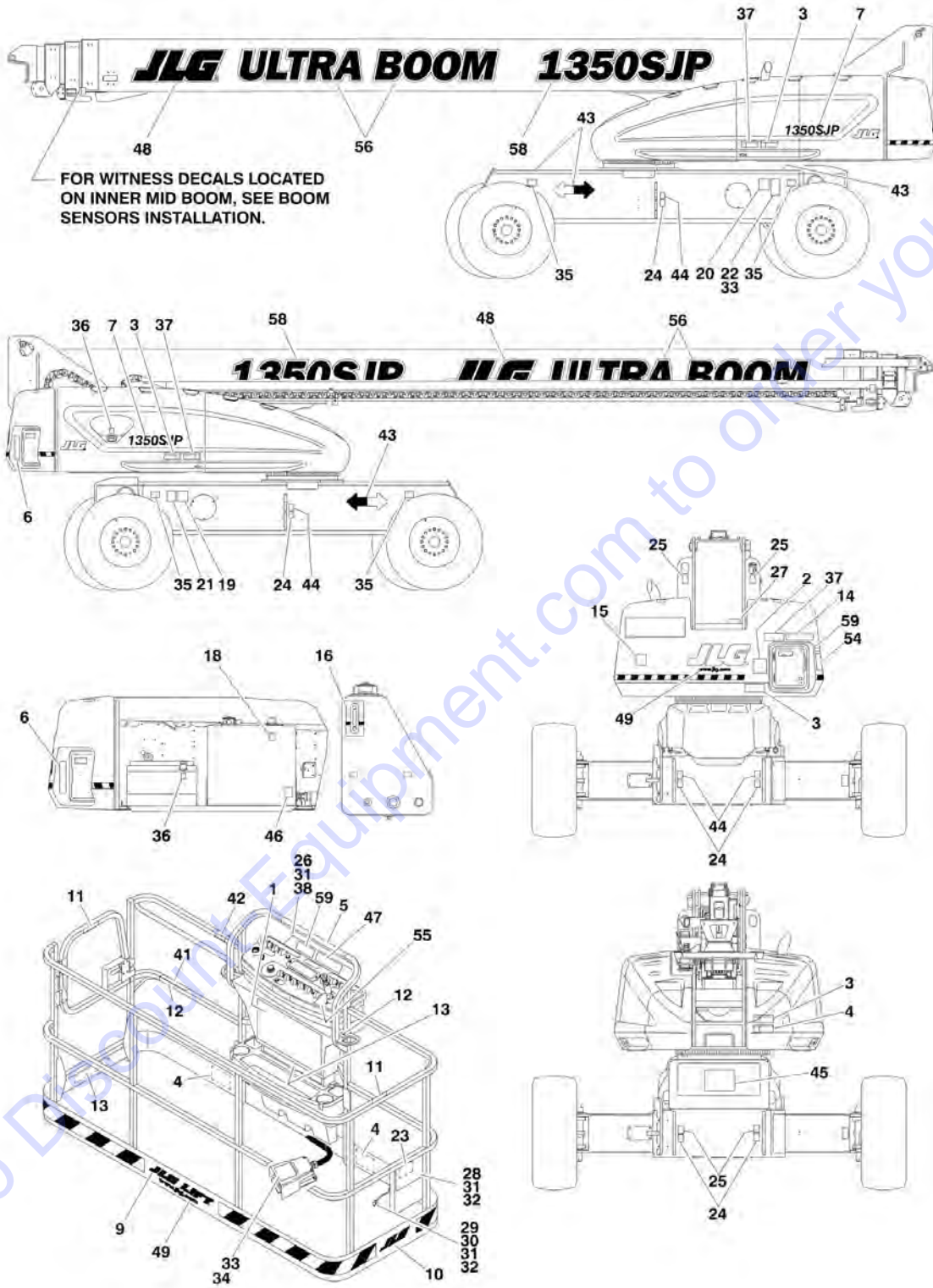
| ITEM | PART NUMBER | QTY | DESCRIPTION | REV |
|------|-------------|-----|---|-----|
| 813E | 1001112796 | 1 | Connector, Diagnostic | |
| 813E | 4460944 | 2 | Socket | |
| 813E | 4460466 | 2 | Plug, Seal | |
| 814 | 70002296 | 1 | Harness, Telematics Antenna (Includes Antenna) (Note: No other parts available) | B |
| 815 | 1001149818 | 1 | Strobe Light Harness (SN 0300171640 through 0300201016) | A |
| 815A | 4460320 | 1 | Connector, Female - 2 Position | |
| 815A | 4460267 | 2 | Pin, Male | |
| 815B | 4460897 | 1 | Connector, Female - 2 Position | |
| 815B | 4460464 | 2 | Pin, Male | |
| | | Ref | TOOLS (NOT SHOWN) | |
| | 7002821 | 1 | Crimper (For Wire to Pin/Socket Connections) | |
| | 7002823 | 1 | Extractor (For Removal of Pin/Socket from Connectors) | |
| | 4460467 | 1 | Extractor, Pin (Blue 16-18 Gauge) (For Removal of Pin/Socket from Connectors) | |
| | 4460510 | 1 | Extractor, Pin (Yellow 12-14 Gauge) (For Removal of Pin/Socket from Connectors) | |
| | 7002828 | 1 | Stripper, Wire | |
| | 1001137005 | 1 | Cable Kit, Software | |

SECTION 8 - DECALS

Go to Discount-Equipment.com to order your parts

SECTION 8 - DECALS

FIGURE 8-1. DECAL INSTALLATION (ANSI SPEC) (Prior to SN 0300089981)



Go to Direct Equipment.com to order your parts

SECTION 8 - DECALS

FIGURE 8-1. DECAL INSTALLATION (ANSI SPEC) (Prior to SN 0300089981)

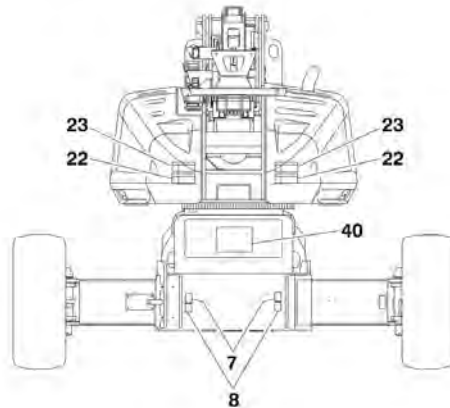
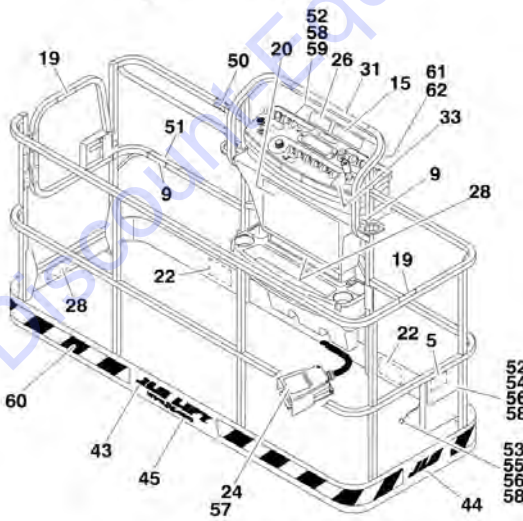
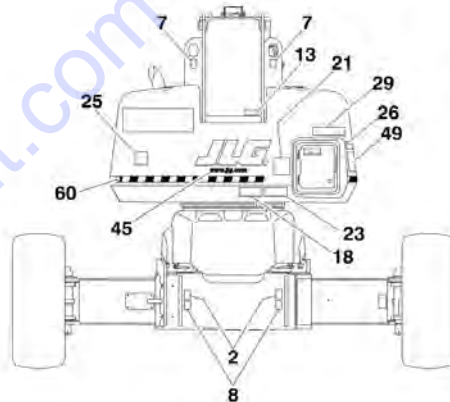
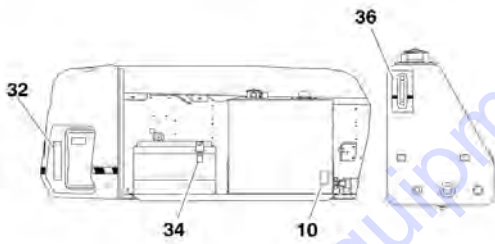
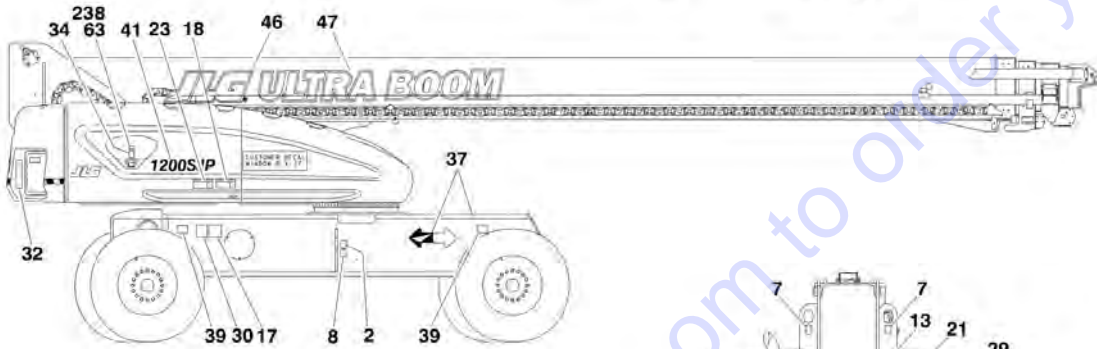
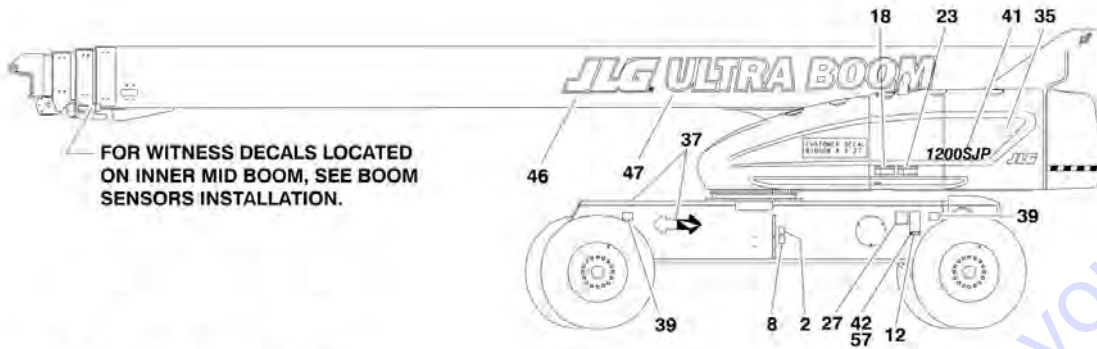
| ITEM | PART NUMBER | QTY | DESCRIPTION | REV |
|------|-------------|-----|---|-----|
| | | Ref | STANDARD DECAL INSTALLATIONS | |
| | 0273600 | Ref | Decals - JLG | 3 |
| | 0271555 | Ref | ANSI Decals | 8 |
| | 0272523 | Ref | Model Designation Decals - 1200SJP | 2 |
| | 0272522 | Ref | Model Designation Decals - 1350SJP | 2 |
| 1 | 1703797 | 1 | Decal - Danger/Warning (Platform) | |
| 2 | 1705336 | 1 | Decal - Danger/Warning (Ground Control) | |
| 3 | 1703805 | 4 | Decal - Danger/Electrocution | |
| 4 | 1703804 | 3 | Decal - Warning Crushing | |
| 5 | | Ref | Decal - Legend (Platform) Options: | |
| 5 | 1705309 | 1 | Decal - Legend (Platform) (Use p/n 1705867) (Prior to SN 0300080338) | |
| 5 | 1705867 | 1 | Decal - Legend (Platform) (SN 0300080338 through 0300089981) | |
| 6 | | Ref | Decal - Legend (Ground Control) Options: | |
| 6 | 1705310 | 1 | Prior to SN 0300080338 (Ground Control) (Use p/n 1705986) | |
| 6 | 1705986 | 1 | Decal - Legend (Ground Control) (SN 0300080338 through 0300089981) | |
| 7 | | Ref | Decal - Model Designation Options: | |
| 7 | 1705057 | 2 | Decal - Model Designation 1200SJP | |
| 7 | 1705095 | 2 | Decal - Model Designation 1350SJP | |
| 9 | 1702774 | 1 | Decal - JLG Lift (3.5in) | |
| 10 | 1702773 | 1 | Decal - JLG (5in) | |
| 11 | 1702868 | 2 | Decal - No Hands | |
| 12 | 1704277 | 3 | Decal - Attach Lanyard Here | |
| 13 | 1705168 | 2 | Decal - Capacity (Platform) | |
| 14 | 1705181 | 1 | Decal - Capacity (Ground Control) | |
| 15 | 3251813 | 1 | Decal - USA | |
| 16 | 1705511 | 1 | Decal - Oil Level | |
| 18 | 1701504 | 1 | Decal - Hydraulic Oil | |
| 19 | 1702153 | 1 | Decal - Inspection | |
| 20 | See Note | 1 | Decal - Bar Code (Note: Not Available For Purchase) | |
| 21 | 1700584 | 1 | Decal - Patent | |
| 22 | See Note | 1 | Nameplate - Serial Number (Note: Not Available For Purchase) | |
| 23 | 1701509 | 1 | Decal - Manual | |
| 24 | 1702300 | 6 | Decal - Tie Down | |
| 25 | 1701500 | 4 | Decal - Lift | |
| 26 | 0641406 | 3 | Bolt 1/4in-20NC x 3/4in | |
| 27 | 3251243 | 1 | Nameplate - 120V-60Hz | |
| 28 | 0860520 | 1 | Box, Manual Storage | |
| 29 | 1060279 | 1 | Cable, Lanyard | |
| 30 | 0641408 | 1 | Bolt 1/4in-20NC x 1in | |
| 31 | 4751400 | 9 | Flatwasher 1/4in | |
| 32 | 3311405 | 5 | Locknut 1/4in-20NC | |
| 33 | 3820001 | 4 | Rivet | |
| 34 | 3252347 | 1 | Decal - Footswitch (Part of 4360031 Footswitch) | |
| 35 | | Ref | Decal - Maximum Tire Load Options: | |
| 35 | 1705178 | 4 | Decal - Maximum Tire Load 1200SJP | |
| 35 | 1705167 | 4 | Decal - Maximum Tire Load 1350SJP | |
| 36 | 1701505 | 2 | Decal - Fuel (See Engine Installation) | |

SECTION 8 - DECALS

| ITEM | PART NUMBER | QTY | DESCRIPTION | REV |
|------|--------------|-----|--|-----|
| 37 | 1703953 | 3 | Decal - Warning/Crushing | |
| 38 | 3380474 | 1 | Plate, Decal Mount | |
| 41 | 1703175 | 2 | Decal - Lanyard Attach (GM Spec) | |
| 42 | 1702962 | 1 | Decal - Warning (Proposition 65) (California Spec) | |
| 43 | 1701501 | 4 | Decal - Arrow | |
| 44 | 1701499 | 4 | Decal - No Lift | |
| 45 | 1705096 | 1 | Decal - Lift Diagram | |
| 46 | 1704412 | 1 | Decal - Hydraulic Oil Chart | |
| 47 | 1705337 | 1 | Decal - Tip Over | |
| 48 | 1705864 | 2 | Decal - JLG Lift (12in) | |
| 49 | 1704885 | 2 | Decal - JLG | |
| 54 | 1705365 | 1 | Decal - Daily Check | |
| 55 | 1705351 | 1 | Decal - Drive/Steer Instructions | |
| 56 | 1705865 | 2 | Decal - Ultra | |
| 58 | | Ref | Decal - Model Designation Options: | |
| 58 | 1705428 | 2 | Decal - Model Designation 1200SJP (Prior to SN 0300086186) | |
| 58 | 1705435 | 2 | Decal - Model Designation 1350SJP (Prior to SN 0300086186) | |
| 58 | Not Required | 0 | - No Longer Used (SN 0300086186 through 030089981) | |
| 59 | 1705492 | 2 | Decal - Tip Over Hazard | |

SECTION 8 - DECALS

FIGURE 8-2. DECAL INSTALLATION (ANSI SPEC) (SN 0300089981 through 0300201016)



SECTION 8 - DECALS

FIGURE 8-2. DECAL INSTALLATION (ANSI SPEC) (SN 0300089981 through 0300201016)

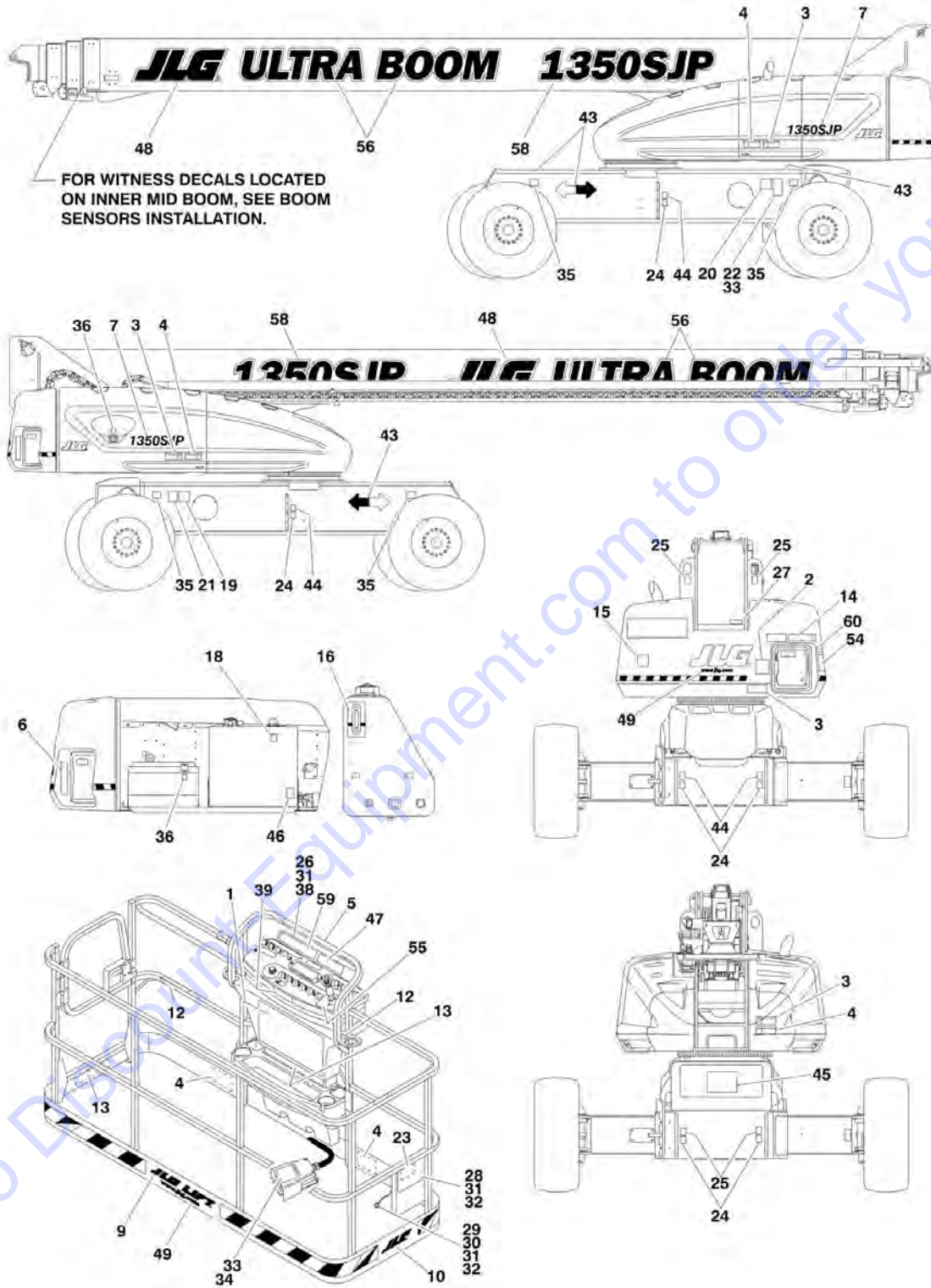
| ITEM | PART NUMBER | QTY | DESCRIPTION | REV |
|----------|--------------|-----|---|-----|
| | 1283409 | Ref | STANDARD DECAL INSTALLATIONS | T |
| | 0274730 | Ref | Decals - JLG (ABS Hoods) | B |
| | 1001116025 | Ref | Decals - JLG (Steel Hoods) | B |
| | 0274722 | Ref | ANSI Decals | B |
| | 0272523 | Ref | Model Designation Decals - 1200SJP | 2 |
| | 0272522 | Ref | Model Designation Decals - 1350SJP | 2 |
| 2 | 1701499 | 4 | Decal - No Lift | |
| 3 to 4 | Not Required | 0 | Not Required | |
| 5 | 1701509 | 1 | Decal - Manual | |
| 6 | 1701529 | 2 | Decal - Arrow | |
| 7 | 1703811 | 4 | Decal - Tie Down/Lift | |
| 8 | 1703814 | 6 | Decal - Tie Down | |
| 9 | 1704277 | 4 | Decal - Attach Lanyard Here | |
| 10 | 1704412 | 1 | Decal - Hydraulic Oil Chart | |
| 11 to 12 | Not Required | 0 | Not Required | |
| 13 | 3251243 | 1 | Nameplate - 120V-60Hz | |
| 15 | 1705337 | 1 | Decal - Tip Over | |
| 16 | Not Required | 0 | Not Required | |
| 17 | 1702153 | 1 | Decal - Inspection (Prior to SN 0300134663) | |
| 18 | 1703953 | 4 | Decal - Warning/Crushing | |
| 19 | 1702868 | 2 | Decal - No Hands | |
| 20 | 1703797 | 1 | Decal - Danger/Warning (Platform) | |
| 21 | 1705336 | 1 | Decal - Danger/Warning (Ground Control) | |
| 22 | 1703804 | 6 | Decal - Warning Crushing | |
| 23 | 1703805 | 5 | Decal - Danger/Electrocution | |
| 24 | 3252347 | 1 | Decal - Footswitch (SN 0300143790 through 0300201016) | |
| 25 | 3251813 | 1 | Decal - USA | |
| 26 | 1705492 | 2 | Decal - Tip Over Hazard | |
| 27 | See Note | 1 | Decal - Bar Code (Note: Not Available For Purchase) | |
| 28 | | Ref | Decal - Capacity (Platform) Options: | |
| 28 | 1705168 | 2 | Decal - Capacity (Platform) (Prior to SN 0300142938) | |
| 28 | 1001122369 | 2 | Decal - Capacity (Platform) (SN 0300142938 through 0300201016) | |
| 29 | | Ref | Decal - Capacity (Ground Control) | |
| 29 | 1705181 | 1 | Decal - Capacity (Ground Control) (Prior to SN 0300142938) | |
| 29 | 1001122376 | 1 | Decal - Capacity (Ground Control) (SN 0300142938 through 0300201016) | |
| 30 | | Ref | Decal - Patent Options: | |
| 30 | 1700584 | 1 | Decal - Patent (Prior to SN 0300151576) | |
| 30 | 1001131269 | 1 | Decal - Patent (SN 0300151576 through 0300201016) | |
| 31 | 1706751 | 1 | Decal - Legend (Platform) | |
| 32 | 1705868 | 1 | Decal - Legend (Ground Control) | |
| 33 | 1705351 | 1 | Decal - Drive/Steer Instructions | |
| 34 | 1701505 | 2 | Decal - Fuel | |
| 35 | 1704972 | 1 | Decal - Warning Explosion/Fire | |
| 36 | 1705511 | 1 | Decal - Oil Level | |
| 37 | 1701501 | 4 | Decal - Arrow | |
| 39 | 2902355 | 1 | Decal Kit - Tire Load (Model 1200SJP) | |
| 39 | 1705178 | 4 | Decal - Tire Load | |
| 39 | 2902357 | 1 | Decal Kit - Tire Load (Model 1350SJP) | |

SECTION 8 - DECALS

| ITEM | PART NUMBER | QTY | DESCRIPTION | REV |
|------|-------------|------------|--|-----|
| 39 | 1705167 | 4 | Decal - Tire Load | |
| 40 | 1705096 | 1 | Decal - Lift Diagram | |
| 41 | | Ref | Decal - Model Options: | |
| 41 | 1705057 | 2 | Decal - Model 1200SJP | |
| 41 | 1705095 | 2 | Decal - Model 1350SJP | |
| 42 | See Note | 1 | Nameplate - Serial Number (Note: Not Available For Purchase) | |
| 43 | 1702774 | 1 | Decal - JLG Lift (3.5in) | |
| 44 | 1702773 | 1 | Decal - JLG (5in) | |
| 45 | 1704885 | Ref | Decal - JLG Options: | |
| 45 | 1704885 | 2 | Decal - JLG (Prior to SN 0300173916) | |
| 45 | 1704885 | 1 | Decal - JLG (SN 0300173916 through 0300201016) | |
| 46 | 1705864 | 2 | Decal - JLG | |
| 47 | 1705865 | 2 | Decal - Ultra Boom (12in Height) | |
| 49 | 1705365 | 1 | Decal - Daily Check | |
| 50 | 1702962 | 1 | Decal - Warning (Proposition 65) (California Spec Only) | |
| 51 | 1703175 | 1 | Decal - Lanyard Attach (GM Spec Only) | |
| 52 | 0641406 | AR | Bolt 1/4in-20NC x 3/4in | |
| 53 | 0641408 | 1 | Bolt 1/4in-20NC x 1in (Prior to SN 0300143790) | |
| 54 | | Ref | Box, Manual Storage Options: | |
| 54 | 0860520 | 1 | Box, Manual Storage (Prior to SN 0300180275) | |
| 54 | 91403230 | 1 | Box, Manual Storage (SN 0300180275 through 0300201016) | |
| 55 | 1060279 | 1 | Cable, Lanyard (Prior to SN 0300143790) | |
| 56 | 3311405 | AR | Locknut 1/4in-20NC | |
| 57 | 3820001 | 2 | Rivet | |
| 58 | 4751400 | AR | Flatwasher 1/4in | |
| 59 | 3380474 | 1 | Plate, Decal Mount | |
| 60 | 4420051 | 29 ft/8.8m | Decal - Warning Stripes | |
| 61 | 3520174 | 3 | Plug, 3/16in | |
| 62 | 0100048 | AR | Grease, Dielectric | |
| 63 | 1001108923 | 1 | Decal, Fuel Specification | |
| 238 | 1001125387 | 1 | Decal, Fuel Specification (Machines with Deutz TCD2.9L4 Engine Only) | |

SECTION 8 - DECALS

FIGURE 8-3. DECAL INSTALLATION (ANSI EXPORT SPECS) (Prior to SN 0300089981)



SECTION 8 - DECALS

FIGURE 8-3. DECAL INSTALLATION (ANSI EXPORT SPECS) (Prior to SN 0300089981)

| ITEM | PART NUMBER | QTY | DESCRIPTION | REV |
|------|--------------|-----|--|-----|
| | | Ref | STANDARD DECAL INSTALLATIONS | |
| | 0273600 | Ref | Decals - JLG | 3 |
| | 0271568 | Ref | Brazil Spec Decals (Spanish/Portuguese) | 4 |
| | 0271567 | Ref | Chinese Spec Decals (Chinese/English) | 4 |
| | 0271566 | Ref | CSA Spec Decals (English/French) | 7 |
| | 0271563 | Ref | Japanese Spec Decals (Japanese/English) | 4 |
| | 0271564 | Ref | Korean Spec Decals (Korean/English) | 6 |
| | 0272523 | Ref | Model Designation Decals - 1200SJP | 2 |
| | 0272522 | Ref | Model Designation Decals - 1350SJP | 2 |
| 1 | | Ref | Decal - Danger/Warning (Platform) Options: | |
| 1 | 1703928 | 1 | Brazil Spec Decals (Spanish/Portuguese) | |
| 1 | 1703925 | 1 | Chinese Spec Decals (Chinese/English) | |
| 1 | 1703924 | 1 | CSA Spec Decals (English/French) | |
| 1 | 1703926 | 1 | Japanese Spec Decals (Japanese/English) | |
| 1 | 1703927 | 1 | Korean Spec Decals (Korean/English) | |
| 2 | | Ref | Decal - Danger/Warning (Ground Control) Options: | |
| 2 | 1705349 | 1 | Brazil Spec Decals (Spanish/Portuguese) | |
| 2 | 1705348 | 1 | Chinese Spec Decals (Chinese/English) | |
| 2 | 1705347 | 1 | CSA Spec Decals (English/French) | |
| 2 | 1705344 | 1 | Japanese Spec Decals (Japanese/English) | |
| 2 | 1705345 | 1 | Korean Spec Decals (Korean/English) | |
| 3 | | Ref | Decal - Danger/Electrocution Options: | |
| 3 | 1703940 | 3 | Brazil Spec Decals (Spanish/Portuguese) | |
| 3 | 1703937 | 3 | Chinese Spec Decals (Chinese/English) | |
| 3 | 1703936 | 3 | CSA Spec Decals (English/French) | |
| 3 | 1703938 | 3 | Japanese Spec Decals (Japanese/English) | |
| 3 | 1703939 | 3 | Korean Spec Decals (Korean/English) | |
| 4 | | Ref | Decal - Warning Crushing Options: | |
| 4 | 1703952 | 3 | Brazil Spec Decals (Spanish/Portuguese) | |
| 4 | 1701518 | 3 | Chinese Spec Decals (Chinese/English) | |
| 4 | 1703948 | 3 | CSA Spec Decals (English/French) | |
| 4 | 1701518 | 3 | Japanese Spec Decals (Japanese/English) | |
| 4 | 1703951 | 3 | Korean Spec Decals (Korean/English) | |
| 5 | | Ref | Decal - Legend (Platform) Options: | |
| 5 | Not Required | 0 | All Spec Decals Except CSA Spec Decals | |
| 5 | | Ref | CSA Spec Decals (English/French) | |
| 5 | 1705309 | 1 | Decal - Legend (Platform) (Use p/n 1705867) (Prior to SN 0300080338) | |
| 5 | 1705867 | 1 | Decal - Legend (Platform) (SN 0300080338 through 0300089981) | |
| 6 | | Ref | Decal - Legend (Ground Controls) Options: | |
| 6 | Not Required | 0 | All Spec Decals Except CSA Spec Decals | |
| 6 | | Ref | CSA Spec Decals (English/French) | |
| 6 | 1705310 | 1 | Decal - Legend (Ground Controls) (Use p/n 1705986) (Prior to SN 0300080338) | |
| 6 | 1705986 | 1 | Decal - Legend (Ground Controls) (SN 0300080338 through 0300089981) | |
| 7 | | Ref | Decal - Model Designation Options: | |
| 7 | 1705057 | 2 | Decal - Model Designation 1200SJP | |
| 7 | 1705095 | 2 | Decal - Model Designation 1350SJP | |

SECTION 8 - DECALS

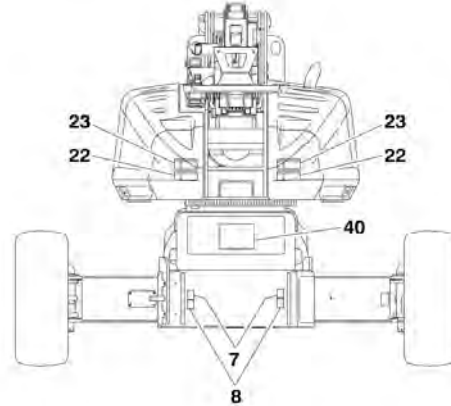
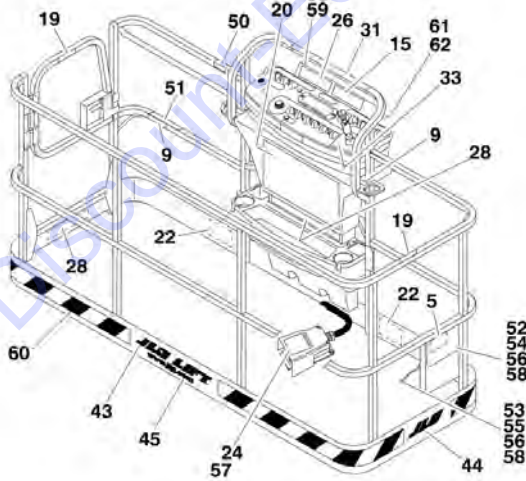
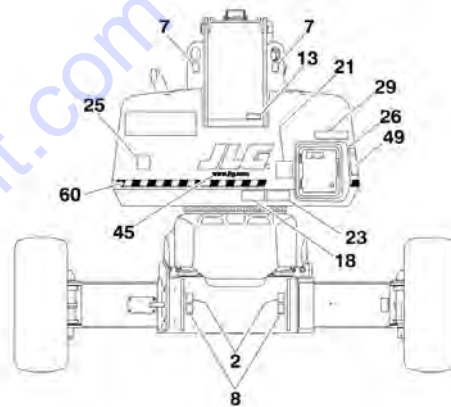
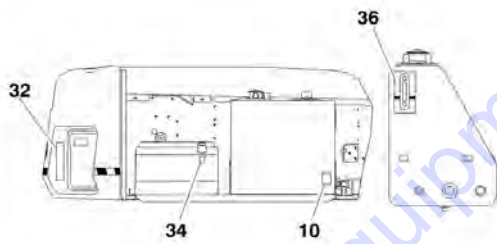
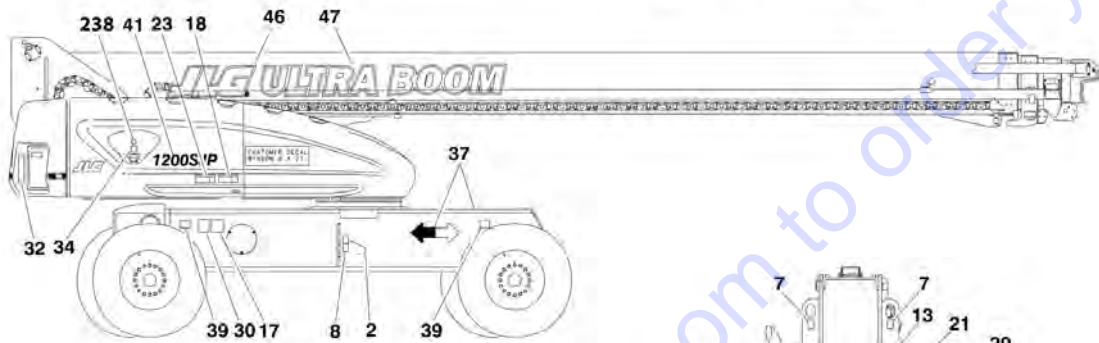
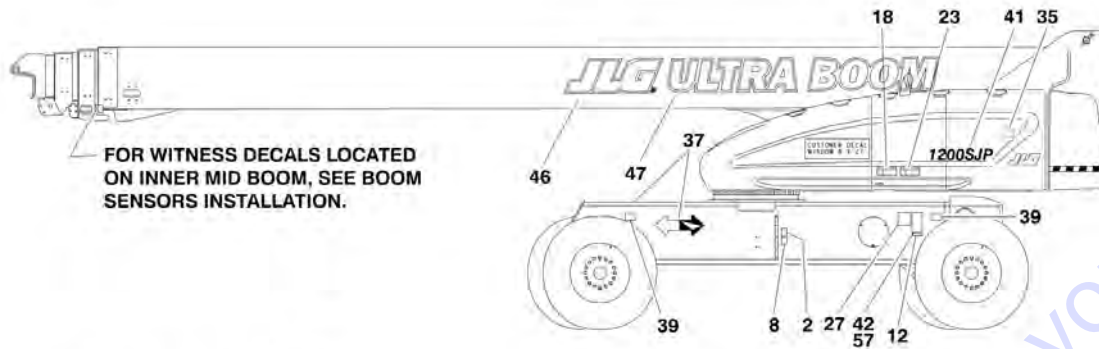
| ITEM | PART NUMBER | QTY | DESCRIPTION | REV |
|------|--------------|-----|--|-----|
| 9 | 1702774 | 1 | Decal - JLG Lift (3.5in) | |
| 10 | 1702773 | 1 | Decal - JLG (5in) | |
| 12 | 1704277 | 3 | Decal - Attach Lanyard Here | |
| 13 | | Ref | Decal - Capacity (Platform) Options: | |
| 13 | 1705335 | 2 | Brazil Spec Decals (Spanish/Portuguese) | |
| 13 | 1705334 | 2 | Chinese Spec Decals (Chinese/English) | |
| 13 | 1705333 | 2 | CSA Spec Decals (English/French) | |
| 13 | 1705330 | 2 | Japanese Spec Decals (Japanese/English) | |
| 13 | 1705331 | 2 | Korean Spec Decals (Korean/English) | |
| 14 | | Ref | Decal - Capacity (Ground Control) Options: | |
| 14 | 1705479 | 1 | Brazil Spec Decals (Spanish/Portuguese) | |
| 14 | 1705478 | 1 | Chinese Spec Decals (Chinese/English) | |
| 14 | 1705477 | 1 | CSA Spec Decals (English/French) | |
| 14 | 1705480 | 1 | Japanese Spec Decals (Japanese/English) | |
| 14 | 1705481 | 1 | Korean Spec Decals (Korean/English) | |
| 15 | | Ref | Decal - USA Options: | |
| 15 | 3251813 | 1 | Brazil/CSA Specs | |
| 15 | Not Required | 0 | Chinese/Japanese/Korean Specs | |
| 16 | 1705511 | 1 | Decal - Oil Level | |
| 18 | 1701504 | 1 | Decal - Hydraulic Oil | |
| 19 | | Ref | Decal - Inspection Options: | |
| 19 | 1704008 | 1 | Brazil Spec | |
| 19 | 1704006 | 1 | CSA Spec | |
| 19 | Not Required | 0 | Chinese/Japanese/Korean Specs | |
| 20 | See Note | 1 | Decal - Bar Code (Note: Not Available For Purchase) | |
| 21 | 1700584 | 1 | Decal - Patent | |
| 22 | See Note | 1 | Nameplate - Serial Number (Note: Not Available For Purchase) | |
| 23 | 1701509 | 1 | Decal - Manual | |
| 24 | 1702300 | 6 | Decal - Tie Down | |
| 25 | 1701500 | 4 | Decal - Lift | |
| 26 | 0641406 | 3 | Bolt 1/4in-20NC x 3/4in | |
| 27 | | Ref | Nameplate - 120V-60Hz Options: | |
| 27 | 3251243 | 1 | Brazil/CSA Specs | |
| 27 | Not Required | 0 | Chinese/Japanese/Korean Specs | |
| 28 | 0860520 | 1 | Box, Manual Storage | |
| 29 | 1060279 | 1 | Cable, Lanyard | |
| 30 | 0641408 | 1 | Bolt 1/4in-20NC x 1in | |
| 31 | 4751400 | 9 | Flatwasher 1/4in | |
| 32 | 3311405 | 5 | Locknut 1/4in-20NC | |
| 33 | 3820001 | 4 | Rivet | |
| 34 | | Ref | Decal - Footswitch Options: | |
| 34 | 1703985 | 1 | Brazil Spec Decals (Spanish/Portuguese) | |
| 34 | 1703982 | 1 | Chinese Spec Decals (Chinese/English) | |
| 34 | 1703984 | 1 | CSA Spec Decals (English/French) | |
| 34 | 1703980 | 1 | Japanese Spec Decals (Japanese/English) | |
| 34 | 1703981 | 1 | Korean Spec Decals (Korean/English) | |
| 35 | | Ref | Decal - Maximum Tire Load Options: | |
| 35 | 1705178 | 4 | Decal - Maximum Tire Load 1200SJP | |
| 35 | 1705167 | 4 | Decal - Maximum Tire Load 1350SJP | |
| 36 | 1701505 | 2 | Decal - Fuel | |
| 37 | | Ref | Decal - Warning/Crushing Options: | |

SECTION 8 - DECALS

| ITEM | PART NUMBER | QTY | DESCRIPTION | REV |
|------|--------------|-----|---|-----|
| 37 | 1703946 | 3 | Brazil Spec Decals (Spanish/Portuguese) | |
| 37 | 1703943 | 3 | Chinese Spec Decals (Chinese/English) | |
| 37 | 1703942 | 3 | CSA Spec Decals (English/French) | |
| 37 | 1703944 | 3 | Japanese Spec Decals (Japanese/English) | |
| 37 | 1703945 | 3 | Korean Spec Decals (Korean/English) | |
| 38 | 3572327 | 1 | Plate, Decal Mount | |
| 39 | | Ref | Decal - CSA Options: | |
| 39 | Not Required | 0 | All Spec Decals Except CSA Spec Decals | |
| 39 | 3252221 | 1 | CSA Spec (English/French) (Prior to SN 0300069782) | |
| 39 | 1705514 | 1 | CSA Spec (English/French) (SN 0300069782 through 0300089981) | |
| 43 | 1701501 | 4 | Decal - Arrow | |
| 44 | 1701499 | 4 | Decal - No Lift | |
| 45 | 1705096 | 1 | Decal - Lift Diagram | |
| 46 | 1704412 | 1 | Decal - Hydraulic Oil Chart | |
| 47 | | Ref | Decal - Tip Over Options: | |
| 47 | 1705343 | 1 | Brazil Spec Decals (Spanish/Portuguese) | |
| 47 | 1705342 | 1 | Chinese Spec Decals (Chinese/English) | |
| 47 | 1705341 | 1 | CSA Spec Decals (English/French) | |
| 47 | 1705338 | 1 | Japanese Spec Decals (Japanese/English) | |
| 47 | 1705339 | 1 | Korean Spec Decals (Korean/English) | |
| 48 | 1705864 | 2 | Decal - JLG Lift (12in) | |
| 49 | 1704885 | 2 | Decal - JLG | |
| 54 | | Ref | Decal - Daily Check Options: | |
| 54 | 1705453 | 1 | Brazil Spec Decals (Spanish/Portuguese) | |
| 54 | 1705452 | 1 | Chinese Spec Decals (Chinese/English) | |
| 54 | 1705451 | 1 | CSA Spec Decals (English/French) | |
| 54 | 1705449 | 1 | Japanese Spec Decals (Japanese/English) | |
| 54 | 1705448 | 1 | Korean Spec Decals (Korean/English) | |
| 55 | | Ref | Decal - Drive/Steer Instructions Options: | |
| 55 | 1705431 | 1 | Brazil Spec Decals (Spanish/Portuguese) | |
| 55 | 1705430 | 1 | Chinese Spec Decals (Chinese/English) | |
| 55 | 1705429 | 1 | CSA Spec Decals (English/French) | |
| 55 | 1705426 | 1 | Japanese Spec Decals (Japanese/English) | |
| 55 | 1705427 | 1 | Korean Spec Decals (Korean/English) | |
| 56 | 1705865 | 2 | Decal - Ultra | |
| 58 | | Ref | Decal - Model Designation Options: | |
| 58 | 1705428 | 2 | Decal - Model Designation 1200SJP (Prior to SN 0300086186) | |
| 58 | 1705435 | 2 | Decal - Model Designation 1350SJP (Prior to SN 0300086186) | |
| 58 | Not Required | 0 | - No Longer Used (SN 0300086186 through 0300089981) | |
| 59 | | Ref | Decal - Tip Over Hazard Options: | |
| 59 | 1705509 | 1 | Brazil Spec Decals (Spanish/Portuguese) | |
| 59 | 1705507 | 1 | Chinese Spec Decals (Chinese/English) | |
| 59 | 1705505 | 1 | CSA Spec Decals (English/French) | |
| 59 | 1705493 | 1 | Japanese Spec Decals (Japanese/English) | |
| 59 | 1705503 | 1 | Korean Spec Decals (Korean/English) | |
| 60 | | Ref | Decal - Tip Over Hazard Options: | |
| 60 | 1705510 | 1 | Brazil Spec Decals (Spanish/Portuguese) | |
| 60 | 1705508 | 1 | Chinese Spec Decals (Chinese/English) | |
| 60 | 1705506 | 1 | CSA Spec Decals (English/French) | |
| 60 | 1705494 | 1 | Japanese Spec Decals (Japanese/English) | |
| 60 | 1705504 | 1 | Korean Spec Decals (Korean/English) | |

SECTION 8 - DECALS

FIGURE 8-4. DECAL INSTALLATION (ANSI EXPORT SPECS) (SN 0300089981 through 0300201016)



SECTION 8 - DECALS

FIGURE 8-4. DECAL INSTALLATION (ANSI EXPORT SPECS) (SN 0300089981 through 0300201016)

| ITEM | PART NUMBER | QTY | DESCRIPTION | REV |
|--------|--------------|-----|--|-----|
| | 1283409 | Ref | STANDARD DECAL INSTALLATIONS | Q |
| | 0274730 | Ref | Decals - JLG (ABS Hoods) | B |
| | 1001116025 | Ref | Decals - JLG (Steel Hoods) | B |
| | 0274725 | Ref | Brazil Spec Decals (Portuguese/English) | B |
| | 0274724 | Ref | Chinese Spec Decals (Chinese/English) | B |
| | 0274727 | Ref | CSA Spec Decals (English/French) | B |
| | 0274729 | Ref | Japanese Spec Decals (Japanese/English) | B |
| | 0274723 | Ref | Korean Spec Decals (Korean/English) | B |
| | 0274726 | Ref | Latin American Spec Decals (Spanish/English) | B |
| 2 | 1701499 | 4 | Decal - No Lift | |
| 3 to 4 | Not Required | 0 | Not Required | |
| 5 | 1701509 | 1 | Decal - Manual | |
| 6 | 1701529 | 2 | Decal - Arrow | |
| 7 | 1703811 | 4 | Decal - Tie Down/Lift | |
| 8 | 1703814 | 6 | Decal - Tie Down | |
| 9 | 1704277 | 3 | Decal - Attach Lanyard Here | |
| 10 | 1704412 | 1 | Decal - Hydraulic Oil Chart | |
| 11 | Not Required | 0 | Not Required | |
| 12 | | Ref | Decal - CSA Options: | |
| 12 | Not Required | 0 | All Spec Decals Except CSA Spec Decals | |
| 12 | 1705514 | 1 | CSA Spec Decals (English/French) | |
| 13 | 3251243 | 1 | Nameplate - 120V-60Hz | |
| 15 | | Ref | Decal - Tip Over Options: | |
| 15 | 1705904 | AR | Brazil Spec Decals (Portuguese/English) | |
| 15 | 1705342 | AR | Chinese Spec Decals (Chinese/English) (Simplified) | |
| 15 | 1001117034 | AR | Chinese Spec Decals (Chinese/English) (Traditional) | |
| 15 | 1705341 | AR | CSA Spec Decals (English/French) | |
| 15 | 1705338 | AR | Japanese Spec Decals (Japanese/English) | |
| 15 | 1705339 | AR | Korean Spec Decals (Korean/English) | |
| 15 | 1705909 | AR | Latin American Spec Decals (Spanish/English) | |
| 16 | | Ref | Decal - Tip Over Hazard Options: | |
| 16 | 1705906 | AR | Brazil Spec Decals (Portuguese/English) | |
| 16 | 1705507 | AR | Chinese Spec Decals (Chinese/English) (Simplified) | |
| 16 | 1001117035 | AR | Chinese Spec Decals (Chinese/English) (Traditional) | |
| 16 | 1705505 | AR | CSA Spec Decals (English/French) | |
| 16 | 1705493 | AR | Japanese Spec Decals (Japanese/English) | |
| 16 | 1705503 | AR | Korean Spec Decals (Korean/English) | |
| 16 | | Ref | Latin American Spec Decals (Spanish/English) Options: | |
| 16 | 1705916 | AR | Latin American Spec Decals (Prior to SN 0300100131) | |
| 16 | 1705915 | AR | Latin American Spec Decals (SN 0300100131 through 0300201016) | |
| 17 | | Ref | Decal - Inspection Options (Prior to SN 0300151576) | |
| 17 | 1705901 | 1 | Brazil Spec Decals (Portuguese/English) | |
| 17 | 1704006 | 1 | CSA Spec Decals (English/French) | |
| 17 | 1704007 | 1 | Latin American Spec Decals (Spanish/English) | |
| 17 | Not Required | 0 | Chinese/Japanese/Korean Specs | |
| 18 | | Ref | Decal - Warning/Crushing Options: | |
| 18 | 1705903 | 4 | Brazil Spec Decals (Portuguese/English) | |
| 18 | 1703943 | 4 | Chinese Spec Decals (Chinese/English) | |
| 18 | 1703942 | 4 | CSA Spec Decals (English/French) | |

SECTION 8 - DECALS

| ITEM | PART NUMBER | QTY | DESCRIPTION | REV |
|------|--------------|-----|--|-----|
| 18 | 1703944 | 4 | Japanese Spec Decals (Japanese/English) | |
| 18 | 1703945 | 4 | Korean Spec Decals (Korean/English) | |
| 18 | 1703941 | 4 | Latin American Spec Decals (Spanish/English) | |
| 19 | | Ref | Decal - No Hands Options | |
| 19 | 1705967 | 2 | Brazil Spec Decals (Portuguese/English) | |
| 19 | 1705968 | 2 | Chinese Spec Decals (Chinese/English) (Simplified) | |
| 19 | 1001116846 | 2 | Chinese Spec Decals (Chinese/English) (Traditional) | |
| 19 | 1704000 | 2 | CSA Spec (English/French) | |
| 19 | See Note | 2 | Japanese Spec Decals (Japanese/English) (Note: Not Available For Purchase) | |
| 19 | 1705969 | 2 | Korean Spec Decals (Korean/English) | |
| 19 | 1704001 | 2 | Latin American Spec Decals (Spanish/English) | |
| 20 | | Ref | Decal - Danger/Warning (Platform) Options: | |
| 20 | 1705895 | 1 | Brazil Spec Decals (Portuguese/English) | |
| 20 | 1703925 | 1 | Chinese Spec Decals (Chinese/English) | |
| 20 | 1703924 | 1 | CSA Spec Decals (English/French) | |
| 20 | 1703926 | 1 | Japanese Spec Decals (Japanese/English) | |
| 20 | 1703927 | 1 | Korean Spec Decals (Korean/English) | |
| 20 | 1703923 | 1 | Latin American Spec Decals (Spanish/English) | |
| 21 | | Ref | Decal - Danger/Warning (Ground Control) Options: | |
| 21 | 1705896 | 1 | Brazil Spec Decals (Portuguese/English) | |
| 21 | 1705348 | 1 | Chinese Spec Decals (Chinese/English) (Simplified) | |
| 21 | 1001116849 | 1 | Chinese Spec Decals (Chinese/English) (Traditional) | |
| 21 | 1705347 | 1 | CSA Spec Decals (English/French) | |
| 21 | 1705344 | 1 | Japanese Spec Decals (Japanese/English) | |
| 21 | 1705345 | 1 | Korean Spec Decals (Korean/English) | |
| 21 | 1705917 | 1 | Latin American Spec Decals (Spanish/English) | |
| 22 | | Ref | Decal - Warning Crushing Options: | |
| 22 | 1705898 | 6 | Brazil Spec Decals (Portuguese/English) | |
| 22 | 1703949 | 6 | Chinese Spec Decals (Chinese/English) | |
| 22 | 1703948 | 6 | CSA Spec Decals (English/French) | |
| 22 | 1703950 | 6 | Japanese Spec Decals (Japanese/English) | |
| 22 | 1703951 | 6 | Korean Spec Decals (Korean/English) | |
| 22 | 1703947 | 6 | Latin American Spec Decals (Spanish/English) | |
| 23 | | Ref | Decal - Danger/Electrocution Options: | |
| 23 | 1705897 | 5 | Brazil Spec Decals (Portuguese/English) | |
| 23 | 1703937 | 5 | Chinese Spec Decals (Chinese/English) (Simplified) | |
| 23 | 1001116851 | 5 | Chinese Spec Decals (Chinese/English) (Traditional) | |
| 23 | 1703936 | 5 | CSA Spec Decals (English/French) | |
| 23 | 1703938 | 5 | Japanese Spec Decals (Japanese/English) | |
| 23 | 1703939 | 5 | Korean Spec Decals (Korean/English) | |
| 23 | 1703935 | 5 | Latin American Spec Decals (Spanish/English) | |
| 24 | | Ref | Decal - Footswitch Options: | |
| 24 | 1705902 | 1 | Brazil Spec Decals (Portuguese/English) | |
| 24 | 1703982 | 1 | Chinese Spec Decals (Chinese/English) | |
| 24 | 1703984 | 1 | CSA Spec Decals (English/French) | |
| 24 | 1703980 | 1 | Japanese Spec Decals (Japanese/English) | |
| 24 | 1703981 | 1 | Korean Spec Decals (Korean/English) | |
| 24 | 1703983 | 1 | Latin American Spec Decals (Spanish/English) | |
| 25 | | Ref | Decal - USA Options: | |
| 25 | 3251813 | 1 | All Spec Decals Except Korean Spec Decals | |
| 25 | Not Required | 0 | Korean Specs | |

SECTION 8 - DECALS

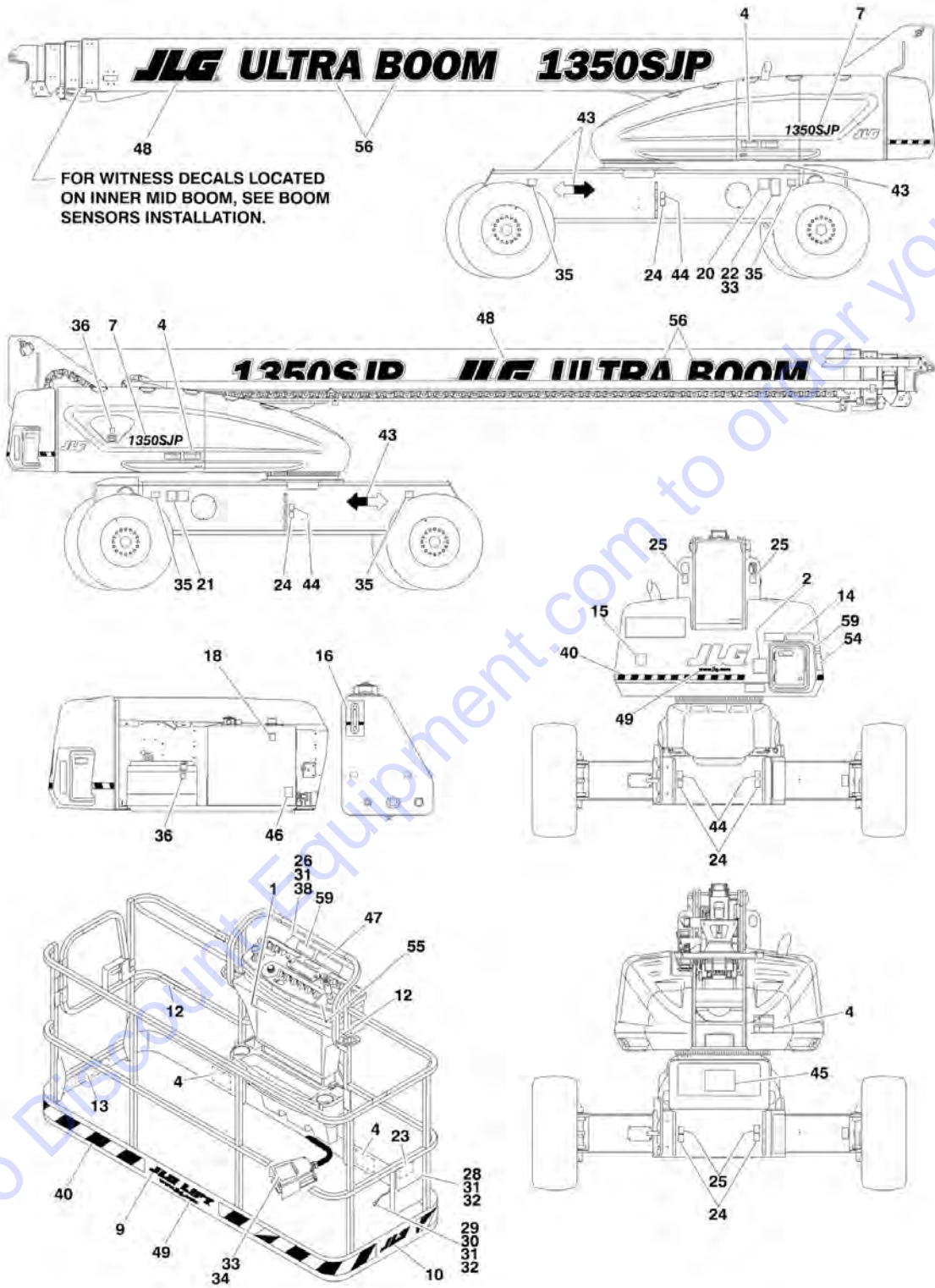
| ITEM | PART NUMBER | QTY | DESCRIPTION | REV |
|------|--------------|-----|---|-----|
| 26 | | Ref | Decal - Tip-Over Hazard Options: (Prior to SN 0300100131) | |
| 26 | 1705907 | 1 | Brazil Spec Decals (Portuguese/English) | |
| 26 | 1705508 | 1 | Chinese Spec Decals (Chinese/English) | |
| 26 | 1705506 | 1 | CSA Spec Decals (English/French) | |
| 26 | 1705494 | 1 | Japanese Spec Decals (Japanese/English) | |
| 26 | Not Required | 0 | Korean Spec Decals (Korean/English) | |
| 26 | 1705915 | 1 | Latin American Spec Decals (Spanish/English) | |
| 27 | See Note | 1 | Decal - Bar Code (Note: Not available for purchase) | |
| 28 | | Ref | Decal - Capacity (Platform) Options: | |
| 28 | | Ref | Decal - Capacity (Platform) (Prior to SN 0300142938) | |
| 28 | 1705899 | 2 | Brazil Spec Decals (Portuguese/English) | |
| 28 | 1705334 | 2 | Chinese Spec Decals (Chinese/English) | |
| 28 | 1705333 | 2 | CSA Spec Decals (English/French) | |
| 28 | 1705330 | 2 | Japanese Spec Decals (Japanese/English) | |
| 28 | 1705331 | 2 | Korean Spec Decals (Korean/English) | |
| 28 | 1705908 | 2 | Latin American Spec Decals (Spanish/English) | |
| 28 | | Ref | Decal - Capacity (Platform) (SN 0300142938 through 0300201016) | |
| 28 | 1001122372 | 2 | Brazil Spec Decals (Portuguese/English) | |
| 28 | 1001122371 | 2 | Chinese Spec Decals (Chinese/English) | |
| 28 | 1001122374 | 2 | CSA Spec Decals (English/French) | |
| 28 | 1001122375 | 2 | Japanese Spec Decals (Japanese/English) | |
| 28 | 1001122370 | 2 | Korean Spec Decals (Korean/English) | |
| 28 | 1001122373 | 2 | Latin American Spec Decals (Spanish/English) | |
| 29 | | Ref | Decal - Capacity (Ground Control) Options: | |
| 29 | | Ref | Decal - Capacity (Ground Control) (Prior to SN 0300142938) | |
| 29 | 1705900 | 1 | Brazil Spec Decals (Portuguese/English) | |
| 29 | 1705478 | 1 | Chinese Spec Decals (Chinese/English) | |
| 29 | 1705477 | 1 | CSA Spec Decals (English/French) | |
| 29 | 1705480 | 1 | Japanese Spec Decals (Japanese/English) | |
| 29 | 1705481 | 1 | Korean Spec Decals (Korean/English) | |
| 29 | 1705919 | 1 | Latin American Spec Decals (Spanish/English) | |
| 29 | | Ref | Decal - Capacity (Ground Control) (SN 0300142938 through 0300201016) | |
| 29 | 1001122379 | 1 | Brazil Spec Decals (Portuguese/English) | |
| 29 | 1001122378 | 1 | Chinese Spec Decals (Chinese/English) | |
| 29 | 1001122381 | 1 | CSA Spec Decals (English/French) | |
| 29 | 1001122382 | 1 | Japanese Spec Decals (Japanese/English) | |
| 29 | 1001122377 | 1 | Korean Spec Decals (Korean/English) | |
| 29 | 1001122380 | 1 | Latin American Spec Decals (Spanish/English) | |
| 30 | | Ref | Decal - Patent Options: | |
| 30 | 1700584 | 1 | All Specs Except CSA Spec (Prior to SN 0300151576) | |
| 30 | 1700584 | 1 | CSA Spec (Prior to SN 0300151576) | |
| 30 | 1001131269 | 1 | CSA Spec (SN 0300151576 through 0300201016) | |
| 31 | 1706751 | 1 | Decal - Legend (Platform) | |
| 32 | 1705868 | 1 | Decal - Legend (Ground Controls) | |
| 33 | | Ref | Decal - Drive/Steer Instructions Options: | |
| 33 | 1705905 | 1 | Brazil Spec Decals (Portuguese/English) | |
| 33 | 1705430 | 1 | Chinese Spec Decals (Chinese/English) | |
| 33 | 1705429 | 1 | CSA Spec Decals (English/French) | |
| 33 | 1705426 | 1 | Japanese Spec Decals (Japanese/English) | |
| 33 | 1705427 | 1 | Korean Spec Decals (Korean/English) | |

SECTION 8 - DECALS

| ITEM | PART NUMBER | QTY | DESCRIPTION | REV |
|------|-------------|------------|---|-----|
| 33 | 1705910 | 1 | Latin American Spec Decals (Spanish/English) | |
| 34 | 1701505 | 2 | Decal - Fuel | |
| 35 | | Ref | Decal - Warning Explosion/Fire Options | |
| 35 | 1706059 | 1 | Brazil Spec Decals (Portuguese/English) | |
| 35 | 1706060 | 1 | Chinese Spec Decals (Chinese/English) | |
| 35 | 1706064 | 1 | CSA Spec Decals (English/French) | |
| 35 | 1704972 | 1 | Japanese Spec Decals (Japanese/English) | |
| 35 | 1706061 | 1 | Korean Spec Decals (Korean/English) | |
| 35 | 1706063 | 1 | Latin American Spec Decals (Spanish/English) | |
| 36 | 1705511 | 1 | Decal - Oil Level | |
| 37 | 1701501 | 4 | Decal - Arrow | |
| 39 | 2902355 | 1 | Decal Kit - Tire Load (Model 1200SJP) | |
| 39 | 1705178 | 4 | Decal - Tire Load | |
| 39 | 2902357 | 1 | Decal Kit - Tire Load (Model 1350SJP) | |
| 39 | 1705167 | 4 | Decal - Tire Load | |
| 40 | 1705096 | 1 | Decal - Lift Diagram | |
| 41 | | Ref | Decal - Model Options: | |
| 41 | 1705057 | 2 | Decal - Model 1200SJP | |
| 41 | 1705095 | 2 | Decal - Model 1350SJP | |
| 42 | See Note | 1 | Nameplate - Serial Number (Note: Not Available For Purchase) | |
| 43 | 1702774 | 1 | Decal - JLG Lift (3.5in) | |
| 44 | 1702773 | 1 | Decal - JLG (5in) | |
| 45 | 1704885 | Ref | Decal - JLG Options: | |
| 45 | 1704885 | 2 | Decal - JLG (Prior to SN 0300173916) | |
| 45 | 1704885 | 1 | Decal - JLG (SN 0300173916 through 0300201016) | |
| 46 | 1705864 | 2 | Decal - JLG | |
| 47 | 1705865 | 2 | Decal - Ultra Boom (12in Height) | |
| 49 | | Ref | Decal - Daily Check Options: | |
| 49 | | Ref | ANSI Export Spec Decals Options: (English/Spanish) | |
| 49 | 1705450 | 1 | Decal - Daily Check (Prior to SN 0300095572) | |
| 49 | 1706904 | 1 | Decal - Daily Check (SN 0300095572 through 0300201016) | |
| 49 | 1705456 | 1 | Brazil Spec Decals (Spanish/Portuguese) | |
| 49 | 1705452 | 1 | Chinese Spec Decals (Chinese/English) | |
| 49 | 1705451 | 1 | CSA Spec Decals (English/French) | |
| 49 | 1705449 | 1 | Japanese Spec Decals (Japanese/English) | |
| 49 | 1705448 | 1 | Korean Spec Decals (Korean/English) | |
| 52 | 0641406 | AR | Bolt 1/4in-20NC x 3/4in | |
| 53 | 0641408 | 1 | Bolt 1/4in-20NC x 1in | |
| 54 | | Ref | Box, Manual Storage Options: | |
| 54 | 0860520 | 1 | Box, Manual Storage (Prior to SN 0300180275) | |
| 54 | 91403230 | 1 | Box, Manual Storage (SN 0300180275 through 0300201016) | |
| 55 | 1060279 | 1 | Cable, Lanyard | |
| 56 | 3311405 | 5 | Locknut 1/4in-20NC | |
| 57 | 3820001 | AR | Rivet | |
| 58 | 4751400 | AR | Flatwasher 1/4in | |
| 59 | 3572327 | 1 | Plate, Decal Mount | |
| 60 | 4420051 | 29 ft/8.8m | Decal - Warning Stripes | |
| 61 | 3520174 | 3 | Plug, 3/16in | |
| 62 | 0100048 | AR | Grease, Dielectric | |
| 238 | 1001139654 | 1 | Decal, Fuel Specification (Machines with Deutz TCD2.9L4 Engine Only) (Japanese Spec Only) (SN 0300199604 through 0300201016) | |

SECTION 8 - DECALS

FIGURE 8-5. DECAL INSTALLATION (AUSTRALIAN AND CE SPECS) (Prior to SN 0300089981)



Go to www.GoToParts.com to order your parts

SECTION 8 - DECALS

FIGURE 8-5. DECAL INSTALLATION (AUSTRALIAN AND CE SPECS) (Prior to SN 0300089981)

| ITEM | PART NUMBER | QTY | DESCRIPTION | REV |
|------|-------------|-----|--|-----|
| | | Ref | STANDARD DECAL INSTALLATIONS | |
| | 0273600 | Ref | Decals - JLG | 3 |
| | 0271556 | Ref | Australian Spec Decals | 3 |
| | 0272751 | Ref | Danish Spec Decals | 4 |
| | 0271559 | Ref | Dutch Spec Decals | 4 |
| | 0271984 | Ref | Finnish Spec Decals | 4 |
| | 0271561 | Ref | French Spec Decals | 4 |
| | 0271558 | Ref | German Spec Decals | 4 |
| | 0271560 | Ref | Italian Spec Decals | 4 |
| | 0272752 | Ref | Norwegian Spec Decals | 3 |
| | 0272753 | Ref | Polish Spec Decals | 4 |
| | 0271988 | Ref | Portuguese Spec Decals | 4 |
| | 0271562 | Ref | Spanish Spec Decals | 4 |
| | 0271985 | Ref | Swedish Spec Decals | 4 |
| | 0271557 | Ref | UK English Spec Decals | 6 |
| | 0272523 | Ref | Model Designation Decals - 1200SJP | 2 |
| | 0272522 | Ref | Model Designation Decals - 1350SJP | 2 |
| 1 | | Ref | Decal - Danger/Warning (Platform) Options: | |
| 1 | 1705465 | 1 | Australian Spec | |
| 1 | 1705546 | 1 | Danish Spec | |
| 1 | 1705438 | 1 | Dutch Spec | |
| 1 | 1705463 | 1 | Finnish Spec | |
| 1 | 1705440 | 1 | French Spec | |
| 1 | 1705437 | 1 | German Spec | |
| 1 | 1705439 | 1 | Italian Spec | |
| 1 | 1705547 | 1 | Norwegian Spec | |
| 1 | 1705545 | 1 | Polish Spec | |
| 1 | 1705464 | 1 | Portuguese Spec | |
| 1 | 1705340 | 1 | Spanish Spec | |
| 1 | 1705450 | 1 | Swedish Spec | |
| 1 | 1705436 | 1 | UK English Spec | |
| 2 | | Ref | Decal - Danger/Warning (Ground Control) Options: | |
| 2 | 1705332 | 1 | Australian Spec | |
| 2 | 1705555 | 1 | Danish Spec | |
| 2 | 1705410 | 1 | Dutch Spec | |
| 2 | 1705417 | 1 | Finnish Spec | |
| 2 | 1705412 | 1 | French Spec | |
| 2 | 1705409 | 1 | German Spec | |
| 2 | 1705411 | 1 | Italian Spec | |
| 2 | 1705556 | 1 | Norwegian Spec | |
| 2 | 1705557 | 1 | Polish Spec | |
| 2 | 1705419 | 1 | Portuguese Spec | |
| 2 | 1705413 | 1 | Spanish Spec | |
| 2 | 1705418 | 1 | Swedish Spec | |
| 2 | 1705408 | 1 | UK English Spec | |
| 4 | 1701518 | 6 | Decal - Warning Crushing | |
| 7 | | Ref | Decal - Model Designation Options: | |
| 7 | 1705057 | 2 | Decal - Model Designation 1200SJP | |
| 7 | 1705095 | 2 | Decal - Model Designation 1350SJP | |
| 9 | 1702774 | 1 | Decal - JLG Lift (3.5in) | |

SECTION 8 - DECALS

| ITEM | PART NUMBER | QTY | DESCRIPTION | REV |
|------|--------------|-----|---|-----|
| 10 | 1702773 | 1 | Decal - JLG (5in) | |
| 12 | 1704277 | 3 | Decal - Attach Lanyard Here | |
| 14 | | Ref | Decal - Capacity (Ground Control) Options: | |
| 14 | 1705468 | 1 | Australian Spec | |
| 14 | 1705543 | 1 | Danish Spec | |
| 14 | 1705470 | 1 | Dutch Spec | |
| 14 | 1705474 | 1 | Finnish Spec | |
| 14 | 1705472 | 1 | French Spec | |
| 14 | 1705469 | 1 | German Spec | |
| 14 | 1705471 | 1 | Italian Spec | |
| 14 | 1705544 | 1 | Norwegian Spec | |
| 14 | 1705545 | 1 | Polish Spec | |
| 14 | 1705476 | 1 | Portuguese Spec | |
| 14 | 1705473 | 1 | Spanish Spec | |
| 14 | 1705475 | 1 | Swedish Spec | |
| 14 | 1705468 | 1 | UK English Spec | |
| 15 | | Ref | Decal - CE or Sound Power Level | |
| 15 | Not Required | 0 | Australian Spec | |
| 15 | 1702928 | 1 | All Specs Except Australian (Prior to SN 0300069921) | |
| 15 | 1705084 | 1 | All Specs Except Australian (SN 0300069921 through 0300089981) | |
| 16 | 1705511 | 1 | Decal - Oil Level | |
| 18 | 1701504 | 1 | Decal - Hydraulic Oil | |
| 20 | See Note | 1 | Decal - Bar Code (Note: Not Available For Purchase) | |
| 21 | 1700584 | 1 | Decal - Patent | |
| 22 | See Note | 1 | Nameplate - Serial Number (Note: Not Available For Purchase) | |
| 23 | 1701509 | 1 | Decal - Manual | |
| 24 | 1702300 | 6 | Decal - Tie Down | |
| 25 | 1701500 | 4 | Decal - Lift | |
| 26 | 0641406 | 3 | Bolt 1/4in-20NC x 3/4in | |
| 28 | 0860520 | 1 | Box, Manual Storage | |
| 29 | 1060279 | 1 | Cable, Lanyard | |
| 30 | 0641408 | 1 | Bolt 1/4in-20NC x 1in | |
| 31 | 4751400 | 9 | Flatwasher 1/4in | |
| 32 | 3311405 | 5 | Locknut 1/4in-20NC | |
| 33 | 3820001 | 4 | Rivet | |
| 34 | | Ref | Decal - Footswitch Options: | |
| 34 | | Ref | Australian Spec | |
| 34 | 3252347 | 1 | Decal - Footswitch (Prior to SN 0300074341) | |
| 34 | 1705828 | 1 | Decal - Footswitch (SN 0300074341 through 0300089981) | |
| 34 | Not Required | 0 | Danish Spec | |
| 34 | | Ref | Dutch Spec | |
| 34 | 1703518 | 1 | Decal - Footswitch (Prior to SN 0300074341) | |
| 34 | 1705828 | 1 | Decal - Footswitch (SN 0300074341 through 0300089981) | |
| 34 | | Ref | Finnish Spec | |
| 34 | 1705616 | 1 | Decal - Footswitch (Prior to SN 0300074341) | |
| 34 | 1705828 | 1 | Decal - Footswitch (SN 0300074341 through 0300089981) | |
| 34 | | Ref | French Spec | |
| 34 | 1693292 | 1 | Decal - Footswitch (Prior to SN 0300074341) | |
| 34 | 1705828 | 1 | Decal - Footswitch (SN 0300074341 through 0300089981) | |
| 34 | | Ref | German Spec | |
| 34 | 1693294 | 1 | Decal - Footswitch (Prior to SN 0300074341) | |

SECTION 8 - DECALS

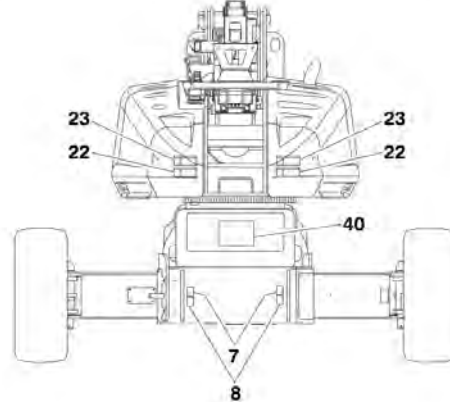
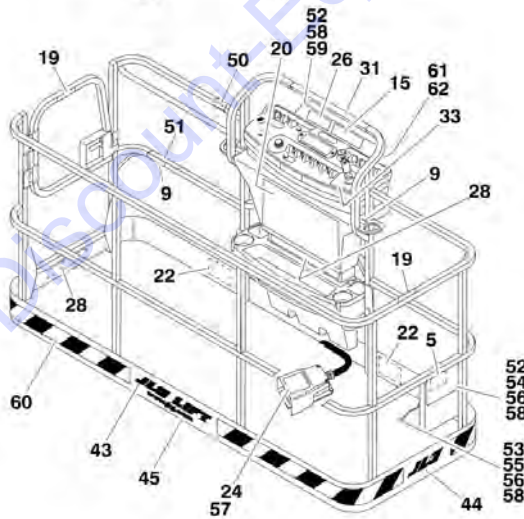
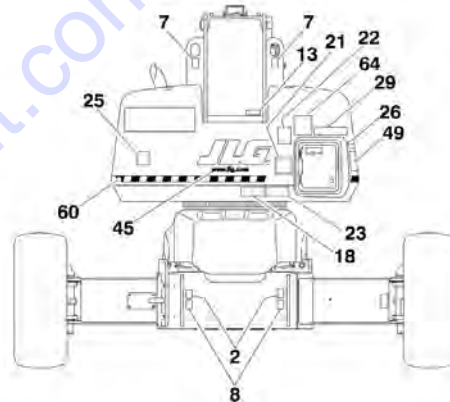
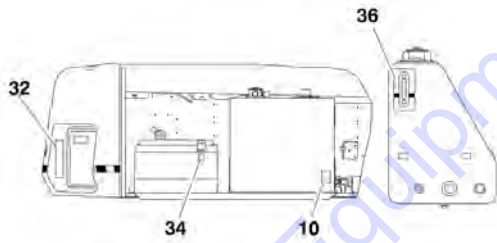
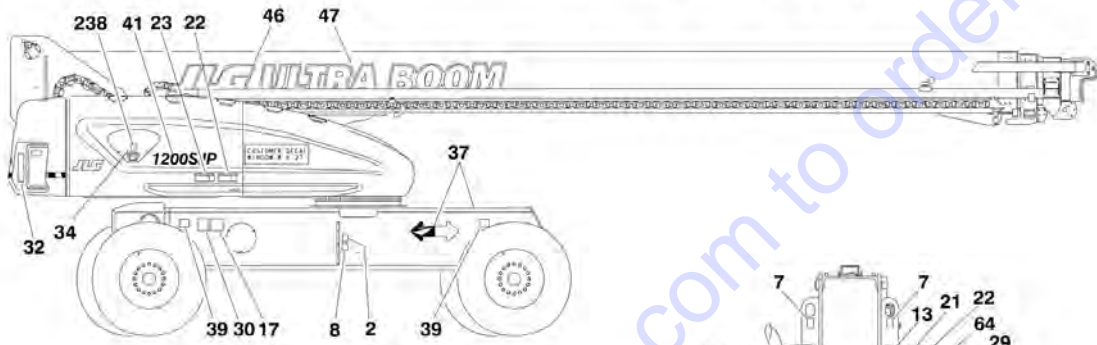
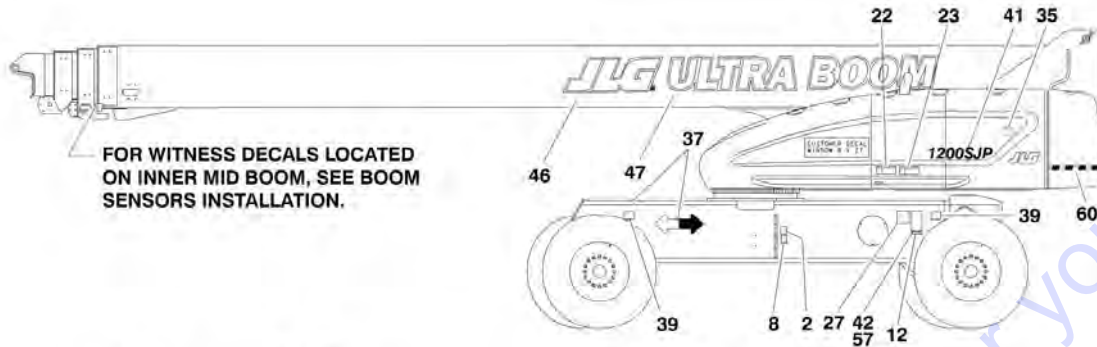
| ITEM | PART NUMBER | QTY | DESCRIPTION | REV |
|------|--------------|------------|---|-----|
| 34 | 1705828 | 1 | Decal - Footswitch (SN 0300074341 through 0300089981) | |
| 34 | | Ref | Italian Spec | |
| 34 | 1701600 | 1 | Decal - Footswitch (Prior to SN 0300074341) | |
| 34 | 1705828 | 1 | Decal - Footswitch (SN 0300074341 through 0300089981) | |
| 34 | Not Required | 0 | Norwegian Spec | |
| 34 | Not Required | 0 | Polish Spec | |
| 34 | | Ref | Portuguese Spec | |
| 34 | 1701600 | 1 | Decal - Footswitch (Prior to SN 0300074341) | |
| 34 | 1705828 | 1 | Decal - Footswitch (SN 0300074341 through 0300089981) | |
| 34 | | Ref | Spanish Spec | |
| 34 | 1701791 | 1 | Decal - Footswitch (Prior to SN 0300074341) | |
| 34 | 1705828 | 1 | Decal - Footswitch (SN 0300074341 through 0300089981) | |
| 34 | | Ref | Swedish Spec | |
| 34 | 1701600 | 1 | Decal - Footswitch (Prior to SN 0300074341) | |
| 34 | 1705828 | 1 | Decal - Footswitch (SN 0300074341 through 0300089981) | |
| 34 | | Ref | UK English Spec | |
| 34 | 3252347 | 1 | Decal - Footswitch (Prior to SN 0300074341) | |
| 34 | 1705828 | 1 | Decal - Footswitch (SN 0300074341 through 0300089981) | |
| 35 | | Ref | Decal - Maximum Tire Load Options: | |
| 35 | 1705178 | 4 | Decal - Maximum Tire Load 1200SJP | |
| 35 | 1705167 | 4 | Decal - Maximum Tire Load 1350SJP | |
| 36 | 1701505 | 2 | Decal - Fuel | |
| 38 | 3380474 | 1 | Plate, Decal Mount | |
| 40 | 4420051 | 22 ft/6.7m | Decal - Safety Stripe | |
| 43 | 1701501 | 4 | Decal - Arrow | |
| 44 | 1701499 | 4 | Decal - No Lift | |
| 45 | 1705096 | 1 | Decal - Lift Diagram | |
| 46 | 1704412 | 1 | Decal - Hydraulic Oil Chart | |
| 47 | | Ref | Decal - Tip Over Options: | |
| 47 | 1705337 | 1 | Australian Spec | |
| 47 | 1705558 | 1 | Danish Spec | |
| 47 | 1705404 | 1 | Dutch Spec | |
| 47 | 1705414 | 1 | Finnish Spec | |
| 47 | 1705406 | 1 | French Spec | |
| 47 | 1705403 | 1 | German Spec | |
| 47 | 1705405 | 1 | Italian Spec | |
| 47 | 1705559 | 1 | Norwegian Spec | |
| 47 | 1705560 | 1 | Polish Spec | |
| 47 | 1705416 | 1 | Portuguese Spec | |
| 47 | 1705407 | 1 | Spanish Spec | |
| 47 | 1705415 | 1 | Swedish Spec | |
| 47 | 1705337 | 1 | UK English Spec | |
| 48 | 1705864 | 2 | Decal - JLG Lift (12in) | |
| 49 | 1704885 | 2 | Decal - JLG | |
| 54 | | Ref | Decal - Daily Check Options: | |
| 54 | 1705365 | 1 | Australian Spec | |
| 54 | 1705552 | 1 | Danish Spec | |
| 54 | 1705444 | 1 | Dutch Spec | |
| 54 | 1705454 | 1 | Finnish Spec | |
| 54 | 1705445 | 1 | French Spec | |
| 54 | 1705443 | 1 | German Spec | |

SECTION 8 - DECALS

| ITEM | PART NUMBER | QTY | DESCRIPTION | REV |
|------|--------------|-----|--|-----|
| 54 | 1705446 | 1 | Italian Spec | |
| 54 | 1705553 | 1 | Norwegian Spec | |
| 54 | 1705554 | 1 | Polish Spec | |
| 54 | 1705456 | 1 | Portuguese Spec | |
| 54 | 1705447 | 1 | Spanish Spec | |
| 54 | 1705455 | 1 | Swedish Spec | |
| 54 | 1705365 | 1 | UK English Spec | |
| 55 | | Ref | Decal - Drive/Steer Instructions Options: | |
| 55 | 1705351 | 1 | Australian Spec | |
| 55 | 1705549 | 1 | Danish Spec | |
| 55 | 1705422 | 1 | Dutch Spec | |
| 55 | 1705457 | 1 | Finnish Spec | |
| 55 | 1705424 | 1 | French Spec | |
| 55 | 1705421 | 1 | German Spec | |
| 55 | 1705423 | 1 | Italian Spec | |
| 55 | 1705550 | 1 | Norwegian Spec | |
| 55 | 1705551 | 1 | Polish Spec | |
| 55 | 1705459 | 1 | Portuguese Spec | |
| 55 | 1705425 | 1 | Spanish Spec | |
| 55 | 1705458 | 1 | Swedish Spec | |
| 55 | 1705351 | 1 | UK English Spec | |
| 56 | 1705865 | 2 | Decal - Ultra | |
| 58 | | Ref | Decal - Model Designation Options: | |
| 58 | 1705428 | 2 | Decal - Model Designation 1200SJP (Prior to SN 0300086186) | |
| 58 | 1705435 | 2 | Decal - Model Designation 1350SJP (Prior to SN 0300086186) | |
| 58 | Not Required | 0 | - No Longer Used (SN 0300086186 through 0300089981) | |
| 59 | | Ref | Decal - Tip Over Hazard Options: | |
| 59 | 1705492 | 2 | Australian Spec | |
| 59 | 1705561 | 2 | Danish Spec | |
| 59 | 1705496 | 2 | Dutch Spec | |
| 59 | 1705500 | 2 | Finnish Spec | |
| 59 | 1705498 | 2 | French Spec | |
| 59 | 1705495 | 2 | German Spec | |
| 59 | 1705497 | 2 | Italian Spec | |
| 59 | 1705562 | 2 | Norwegian Spec | |
| 59 | 1705502 | 2 | Portuguese Spec | |
| 59 | 1705563 | 2 | Polish Spec | |
| 59 | 1705499 | 2 | Spanish Spec | |
| 59 | 1705501 | 2 | Swedish Spec | |
| 59 | 1705492 | 2 | UK English Spec | |

SECTION 8 - DECALS

FIGURE 8-6. DECAL INSTALLATION (AUSTRALIAN AND CE SPECS) (SN 0300089981 through 0300201016)



SECTION 8 - DECALS

FIGURE 8-6. DECAL INSTALLATION (AUSTRALIAN AND CE SPECS) (SN 0300089981 through 0300201016)

| ITEM | PART NUMBER | QTY | DESCRIPTION | REV |
|----------|--------------|-----|---|-----|
| | 1283409 | Ref | STANDARD DECAL INSTALLATIONS | Q |
| | 0274730 | Ref | Decals - JLG (ABS Hoods) | B |
| | 1001116025 | Ref | Decals - JLG (Steel Hoods) | B |
| | | Ref | Australian Spec Decals | |
| | 0274728 | Ref | Standard Decal Installations (SN 0300089981 through 0300129468) | B |
| | 1001104652 | Ref | Standard Decal Installations (SN 0300129469 through 0300138366) | B |
| | 1001114382 | Ref | Standard Decal Installations (SN 0300138367 through 0300201016) | B |
| | | Ref | CE Spec Decals | |
| | 0274728 | Ref | Standard Decal Installations (SN 0300089981 through 0300129468) | 7 |
| | 1001104652 | Ref | Standard Decal Installations (SN 0300129469 through 0300201016) | 4 |
| 2 | 1701499 | 4 | Decal - No Lift | |
| 3 to 4 | Not Required | 0 | Not Required | |
| 5 | 1701509 | 1 | Decal - Manual | |
| 6 | Not Required | 0 | Not Required | |
| 7 | 1703811 | 4 | Decal - Tie Down/Lift | |
| 8 | 1703814 | 6 | Decal - Tie Down | |
| 9 | 1704277 | 4 | Decal - Attach Lanyard Here | |
| 10 | 1704412 | 1 | Decal - Hydraulic Oil Chart | |
| 11 | | Ref | Decal - Sound Power Level Options: | |
| 11 | 1705084 | 1 | Decal - Sound Power Level (SN 0300089981 through 0300129468) | |
| 11 | 1705980 | 1 | Decal - Sound Power Level (SN 0300129469 through 0300201016) | |
| 12 to 13 | Not Required | 0 | Not Required | |
| 15 to 19 | Not Required | 0 | Not Required | |
| 20 | 1705921 | 1 | Decal - Tipping/Electrical (Platform) | |
| 21 | 1705822 | 1 | Decal - Electrical/Safety (Ground Control) | |
| 22 | 1701518 | 10 | Decal - Warning Crushing | |
| 23 | 1705961 | 5 | Decal - Danger Electrocution | |
| 24 | 1705828 | 1 | Decal - Footswitch | |
| 25 to 26 | Not Required | 0 | Not Required | |
| 27 | See Note | 1 | Decal - Bar Code (Note: Not Available For Purchase) | |
| 28 | 1706770 | 1 | Decal - Capacity (Platform) (SN 0300090797 through 0300201016) | |
| 29 | 1705468 | 1 | Decal - Capacity (Ground Control) | |
| 30 | 1700584 | 1 | Decal - Patent (Prior to SN 0300151576) | |
| 31 | 1702784 | 1 | Decal - Legend (Platform) (SN 0300089981 through 0300090797) | |
| 32 | 1703808 | 1 | Decal - Legend (Ground Control) (SN 0300089981 through 0300090797) | |
| 33 | Not Required | 0 | Not Required | |
| 34 | 1701505 | 2 | Decal - Fuel | |
| 35 | 1706098 | 1 | Decal - Warning Explosion/Fire | |
| 36 | 1705511 | 1 | Decal - Oil Level | |
| 37 | 1701501 | 4 | Decal - Arrow | |
| 39 | 2902355 | 1 | Decal Kit - Tire Load (Model 1200SJP) | |

SECTION 8 - DECALS

| ITEM | PART NUMBER | QTY | DESCRIPTION | REV |
|------|-------------|------------|--|-----|
| 39 | 1705178 | 4 | Decal - Tire Load | |
| 39 | 2902357 | 1 | Decal Kit - Tire Load (Model 1350SJP) | |
| 39 | 1705167 | 4 | Decal - Tire Load | |
| 40 | 1705096 | 1 | Decal - Lift Diagram | |
| 41 | | Ref | Decal - Model Options: | |
| 41 | 1705057 | 2 | Decal - Model 1200SJP | |
| 41 | 1705095 | 2 | Decal - Model 1350SJP | |
| 42 | See Note | 1 | Nameplate - Serial Number (Note: Not Available For Purchase) | |
| 43 | 1702774 | 1 | Decal - JLG Lift (3.5in) | |
| 44 | 1702773 | 1 | Decal - JLG (5in) | |
| 45 | 1704885 | Ref | Decal - JLG Options: | |
| 45 | 1704885 | 2 | Decal - JLG (Prior to SN 0300173916) | |
| 45 | 1704885 | 1 | Decal - JLG (SN 0300173916 through 0300201016) | |
| 46 | 1705864 | 2 | JLG | |
| 47 | 1705865 | 2 | Decal - Ultra Boom (12in Height) | |
| 49 | | Ref | Decal - Daily Check Options: | |
| 49 | 1705365 | 1 | Australian Spec | |
| 49 | 1001172766 | 1 | CE Spec | |
| 49 | 1705552 | 1 | Danish Spec | |
| 49 | 1705444 | 1 | Dutch Spec | |
| 49 | 1705454 | 1 | Finnish Spec | |
| 49 | 1705445 | 1 | French Spec | |
| 49 | 1705446 | 1 | Italian Spec | |
| 49 | 1001177533 | 1 | Norwegian Spec | |
| 49 | 1705554 | 1 | Polish Spec | |
| 49 | 1705456 | 1 | Portuguese Spec | |
| 49 | 1705447 | 1 | Spanish Spec | |
| 49 | 1705455 | 1 | Swedish Spec | |
| 49 | 1705365 | 1 | UK English Spec | |
| 52 | 0641406 | 4 | Bolt 1/4in-20NC x 3/4in | |
| 53 | 0641408 | 1 | Bolt 1/4in-20NC x 1in (Prior to SN 0300180275) | |
| 54 | | Ref | Box, Manual Storage Options: | |
| 54 | 0860520 | 1 | Box, Manual Storage (Prior to SN 0300180275) | |
| 54 | 91403230 | 1 | Box, Manual Storage (SN 0300180275 through 0300201016) | |
| 55 | 1060279 | 1 | Cable, Lanyard (Prior to SN 0300180275) | |
| 56 | 3311405 | AR | Locknut 1/4in-20NC | |
| 57 | 3820001 | AR | Rivet | |
| 58 | 4751400 | AR | Flatwasher 1/4in | |
| 59 | 3380474 | 1 | Plate, Decal Mount (SN 0300089981 through 0300103763) | |
| 60 | 4420051 | 29 ft/8.8m | Decal - Warning Stripes | |
| 61 | 3520174 | 3 | Plug, 3/16in | |
| 62 | 0100048 | AR | Grease, Dielectric | |
| 64 | 1001112551 | 1 | Decal - Emergency Controls (Australian Spec) (SN 0300138367 through 0300201016) | |
| 238 | 1001139654 | 1 | Decal, Fuel Specification (Machines with Deutz TCD2.9L4 Engine Only) | |

SECTION 9 - RECOMMENDED SERVICE PARTS STOCK

SECTION 9 - RECOMMENDED SERVICE PARTS STOCK

Go to Discount-Equipment.com to order your parts

SECTION 9 - RECOMMENDED SERVICE PARTS STOCK

FIGURE 9-1. MODEL 1200SJP/1350SJP STANDARD PARTS

| ITEM | PART NUMBER | QTY | DESCRIPTION | REV |
|------|-------------|-----|--|-----|
| | Note | Ref | Note: The following list will service one machine (built to current production per date on the front cover) with emergency repair parts which can be installed in the field. Parts from the list should be replaced when inventory is depleted to keep service parts stock supplied. For further information, Go to Discount-equipment.com. | |
| | | Ref | STANDARD PARTS | |
| | 7024365 | 1 | Axle Powertrack Repair Kit | |
| | 4360505 | 1 | Switch | |
| | 7018991 | 1 | Coil | |
| | 7012944 | 1 | Coil | |
| | 3740067 | 1 | Relay | |
| | 7011354 | 1 | Coil | |
| | 7017451 | 1 | Coil | |
| | 7024571 | 1 | Coil | |
| | 70002231 | 12 | Element, Pressure Filter | |
| | 3740080 | 1 | Relay | |
| | 7024444 | 12 | Breather, Hydraulic Oil Tank | |
| | 7024375 | 12 | Element, Hydraulic Oil Filter | |
| | 3740049 | 1 | Relay | |
| | 4360328 | 1 | Switch, Toggle | |
| | 4360475 | 1 | Switch, Mushroom | |
| | 4360476 | 1 | Contact, Switch Block | |
| | 4360274 | 1 | Switch, Push Button | |
| | 2860030 | 1 | Key, Replacement | |
| | 70003917 | 1 | Boom Powertrack Repair Section | |
| | 70003913 | 1 | Boom Powertrack Repair Section | |
| | 70002097 | 12 | Element, Pressure Filter | |
| | 2940074 | 1 | Latch, Platform | |
| | 4360330 | 1 | Switch, Toggle | |
| | 4360331 | 1 | Switch, Toggle | |
| | 4360336 | 1 | Switch, Toggle | |
| | 4360387 | 1 | Switch, Push Button | |
| | 1001129555 | 1 | Controller, Lift and Swing | |
| | 1001118416 | 1 | Controller, Drive and Steer | |
| | 4360407 | 1 | Controller, Speed | |
| | 3990001 | 2 | Diode - 3 Amp | |
| | 2400065 | 2 | Fuse | |

SECTION 9 - RECOMMENDED SERVICE PARTS STOCK

FIGURE 9-2. MODEL 1200SJP/1350SJP VARIABLE PARTS

| ITEM | PART NUMBER | QTY | DESCRIPTION | REV |
|------|-------------|-----|---|-----|
| | Note | Ref | Note: The following list will service one machine (built to current production per date on the front cover) with emergency repair parts which can be installed in the field. Parts from the list should be replaced when inventory is depleted to keep service parts stock supplied. For further information, Go to Discount-equipment.com | |
| | | Ref | VARIABLE PARTS | |
| | 4360578 | 1 | Switch, Limit | |
| | 1001112758 | 1 | Module (Chassis) | |
| | 1001112757 | 1 | Module, B.L.A.M. | |
| | 7003655 | 12 | Element, Caterpillar Engine Air Filter | |
| | 7026830 | 12 | Element, Caterpillar Engine Water/Fuel | |
| | 7026811 | 12 | Element, Caterpillar Engine Oil Filter | |
| | 7003655 | 12 | Element, Deutz BF4M2011 & TD2011 Engine Air Filter | |
| | 7016331 | 12 | Element, Deutz BF4M2011 & TD2011 Engine Oil Filter | |
| | 7016328 | 12 | Element, Deutz BF4M2011 & TD2011 Engine Fuel | |
| | 1600443 | 1 | Module, Engine | |
| | 70024190 | 12 | Element, Deutz TCD2.9L4 Engine Air Filter | |
| | 7026031 | 1 | Sensor, Proximity | |
| | 1001110084 | 1 | Module, Ground Control | |
| | 4360469 | 1 | Switch, Key (ANSI, ANSI Export and Australian Specs) | |
| | 4360470 | 1 | Switch, Key (CE Spec) | |
| | 3740080 | 1 | Relay (Headlights/Chassis Illumination Lights Options) | |
| | 3740080 | 1 | Relay (110V/220V Generator Options) | |
| | 4360336 | 1 | Switch, Toggle (Generator Options) | |
| | 4360070 | 1 | Circuit Breaker 15 Amp (Machines with 7500W Generator) | |
| | 2400064 | 2 | Fuse (Machines with 7500W Generator) | |
| | 4360548 | 1 | Switch, Jib Limit | |
| | 4360527 | 1 | Switch, Cable Break | |
| | 4360543 | 1 | Sensor, Boom Length | |
| | 1001133329 | 1 | Sensor, Angle Indicator | |
| | 1001117174 | | Footswitch Kit | |
| | 1600343 | 1 | Module, Platform Control | |
| | 4360232 | 1 | Breaker, Circuit (Platform Worklights Option) | |
| | 4360522 | 1 | Switch, Push Button (Chassis Worklights Option) | |
| | 4360057 | 1 | Switch, Limit (Soft-Touch System Option) | |

SECTION 10 - SPECIAL OPTIONS

Go to Discount-Equipment.com to order your parts

SECTION 10 - SPECIAL OPTIONS

FIGURE 10-1. SPECIAL OPTIONS

| ITEM | PART NUMBER | QTY | DESCRIPTION | REV |
|------|-------------|-----|--|-----|
| | Note | Ref | Note: This list is to accommodate machines ordered with special equipment. Options may not be applicable to all models. For more specific parts information go to Discount-equipment.com. | |
| | | Ref | MISCELLANEOUS SPECIAL OPTIONS | |
| | 0272078 | Ref | Accessory Counterweight (Required with SkyWelder and Fall Arrest Platform Options.) | |
| | 1340067 | Ref | Air Cleaner Pre-Cleaner | |
| | 0271956 | Ref | Airline Installation, 1/2in (1200SJP) | |
| | 0271933 | Ref | Airline Installation, 1/2in (1350SJP) | |
| | 1001241275 | Ref | Axle Wear Pad Kit | |
| | 0271803 | Ref | Bellows, Cylinder (Fixed Axle) | |
| | 0271804 | Ref | Bellows, Cylinder (Oscillating Axle) | |
| | 0271805 | Ref | Bellows, Cylinder (Boom) | |
| | 0271875 | Ref | Boom Wipers Installation | |
| | 0272066 | Ref | Cold Weather Package with Ether Start | |
| | 0272067 | Ref | Cold Weather Package with Glow Plugs | |
| | 1001205034 | Ref | Cold Weather Plus Package (Add-on Kit) | |
| | 1001233047 | Ref | Crankcase Breather Heater (Deutz TCD2'9L4 Engines) | |
| | | Ref | Decals Installations | |
| | 1702788 | Ref | Biodegradable Hydraulic Fluid (English) | |
| | 1703479 | Ref | Biodegradable Hydraulic Fluid (German) | |
| | 1001119454 | Ref | Fed-Ex Decals Installation - 1200SJP & 1350SJP | |
| | 0257195 | Ref | Government Warranty Decal | |
| | 1001128996 | Ref | Decals Installation - Hertz | |
| | 1001143080 | Ref | Decals Installation - Hewitt Rentals (English) | |
| | 1001143515 | Ref | Decals Installation - Hewitt Rentals (French) | |
| | 1703175 | Ref | Lanyard Attachment Decal (GM K-1 Spec) | |
| | 1001140648 | Ref | Decals Installation - Leavitt | |
| | 1001103344 | Ref | NES Decals Installation - 1200SJP & 1350SJP | |
| | 1001096497 | Ref | RSC Decals Installation - 1200SJP | |
| | 1001096496 | Ref | RSC Decals Installation - 1350SJP | |
| | 0272599 | Ref | SkyCutter (ANSI and ANSI Export Specs) | |
| | See Note | Ref | SkyCutter (Australian and CE Specs) (was p/n 0272607) (Note: No Longer Available) | |
| | 0272418 | Ref | SkyGlazier | |
| | 0272435 | Ref | SkyPower (60Hz) (ANSI and ANSI Export Specs) | |
| | 0272589 | Ref | SkyPower (50Hz) (Australian and CE Specs) | |
| | 1001161314 | Ref | SkyPower (50Hz) (ANSI Export Specs) (English/Spanish/Portuguese) | |
| | 1001161315 | Ref | SkyPower (50Hz) (ANSI Export Specs) (English/Spanish) | |
| | 0272448 | Ref | SkyWelder (ANSI and ANSI Export Specs) | |
| | 0272588 | Ref | SkyWelder (Australian and CE Specs) | |
| | 1001120208 | Ref | Sunbelt Decals Installation - 1200SJP & 1350SJP | |
| | 1001116304 | Ref | Telematics Decals Installation (ANSI Spec) | |
| | 1001116305 | Ref | Telematics Decals Installation (Australian and CE Specs) | |
| | 1001151112 | Ref | Decals Installation - Titan Rentals | |
| | 1705307 | 1 | Tool Location | |
| | 1001120728 | Ref | United Rentals Decals Installation - 1200SJP & 1350SJP | |
| | 4420051 | Ref | Warning Stripe Decals | |

SECTION 10 - SPECIAL OPTIONS

| ITEM | PART NUMBER | QTY | DESCRIPTION | REV |
|------|-------------|-----|--|-----|
| | | Ref | Decal Kits | |
| | 2902307 | Ref | Decal Kit - Country Spec (ANSI Spec) | |
| | 2902329 | Ref | Decal Kit - Country Spec (Australian and CE Specs) | |
| | 2902312 | Ref | Decal kit - Country Spec (Brazilian Spec) | |
| | 2902309 | Ref | Decal kit - Country Spec (Chinese Spec) | |
| | 2902322 | Ref | Decal kit - Country Spec (CSA Spec) | |
| | 2902308 | Ref | Decal kit - Country Spec (Japanese Spec) | |
| | 2902310 | Ref | Decal kit - Country Spec (Korean Spec) | |
| | 2902311 | Ref | Decal kit - Country Spec (Latin American Spec) | |
| | 2902303 | Ref | Decal Kit - Master (All Specs Except Australian and CE Specs) | |
| | 2902303 | Ref | Decal Kit - Master (Australian and CE Specs) (SN 0300089981 through 0300129468) | |
| | 1001104651 | Ref | Decal Kit - Master (Australian and CE Specs) (SN 0300129469 through 0300201016) | |
| | 1001193643 | Ref | Decal Kit – Machine 1200SJP (Prior to SN 0300089981) | |
| | 1001193644 | Ref | Decal Kit – Machine 1350SJP (Prior to SN 0300089981) | |
| | 1001108708 | Ref | Decal Kit - Platform | |
| | 1001109181 | Ref | Decal Kit - Platform Console Box | |
| | | Ref | Electrical Connector Kits | |
| | 1001148902 | Ref | Amp/Tyco Electrical Connector Kit | |
| | 1001148903 | Ref | Deutsch DT Electrical Connector Kit | |
| | 1001148904 | Ref | Deutsch HD Electrical Connector Kit | |
| | 1001148905 | Ref | Packard Electrical Connector Kit | |
| | 1001148906 | Ref | Various Electrical Connectors Kit | |
| | 0272068 | Ref | Ether Start Installation | |
| | 1001206794 | Ref | Fan & Belt Grille Add-on Kit (Deutz D2011 Engines Only) | |
| | 1001206797 | Ref | Fan & Belt Grille Add-on Kit (Deutz TCD2.9L4 Engines Only) | |
| | 1001182600 | Ref | Fan Guard Installation (TD2011 Engines Only) (Factory Installed) | |
| | 1001185079 | Ref | Fan Guard Installation (TD2011 Engines Only) (Dealer Installed) | |
| | 1001145708 | Ref | Fan Guard Installation (TCD2.9L4 Engines Only) | |
| | | Ref | Filter Kits: | |
| | | Ref | Combined Filter Kit Options (Hydraulic/Air and Fuel/Engine Oil): | |
| | | Ref | Deutz Engine Machines: | |
| | 1001114113 | Ref | Deutz Engine Machines (Use p/n 1001111007) (Prior to SN 0300087579) | |
| | 1001114114 | Ref | Deutz Engine Machines (Use p/n 1001111005) (SN 0300087579 through 0300092149) | |
| | 1001115326 | 1 | Deutz Engine Machines (SN 0300092150 through 0300139708) | |
| | 1001137027 | 1 | Deutz Engine Machines (SN 0300139709 through 0300201016) | |
| | 1001181151 | 1 | Deutz TCD2.9L4 Engines Only | |
| | | Ref | Caterpillar Engine Machines: | |
| | 1001137029 | 1 | Caterpillar Engine Machines (SN 0300139709 through 0300201016) | |
| | | Ref | Hydraulic/Air Filter Options: | |
| | 1001109708 | 1 | Hydraulic/Air Filter (Prior to SN 0300087579) | |
| | 1001109706 | 1 | Hydraulic/Air Filter (SN 0300087579 through 0300092149) | |
| | 1001115327 | 1 | Hydraulic/Air Filter (SN 0300092150 through 0300139708) | |
| | 1001137022 | 1 | Hydraulic/Air Filter (SN 0300139709 through 0300201016) | |
| | 1001182241 | 1 | Hydraulic/Air Filter (Deutz TCD2.9L4 Engines Only) | |

SECTION 10 - SPECIAL OPTIONS

| ITEM | PART NUMBER | QTY | DESCRIPTION | REV |
|------|-------------|-----|--|-----|
| | | Ref | Engine - Fuel/Engine Oil Filter | |
| | 1001110133 | 1 | Caterpillar and Deutz Engine Machines | |
| | 1001182242 | 1 | Deutz TCD2.9L4 Engines Only | |
| | 1001139099 | Ref | Fire Extinguisher Installation | |
| | | Ref | Fluids | |
| | 3020008 | Ref | Drive Hub Lubricant | |
| | 2300040 | Ref | Diesel Fuel Conditioner | |
| | | Ref | Hydraulic Fluid | |
| | 2300014 | Ref | Mobil 424 | |
| | 2300029 | Ref | Mobil EAL ISO 46 Bio | |
| | 2300016 | Ref | Mobil DTE 10 EXCEL 32 | |
| | 2300021 | Ref | Union Carbide Ucon HP5046 Fire Resistant | |
| | 2300039 | Ref | Exxon Univis (Arctic Package) | |
| | 0272069 | Ref | Glow Plugs Installation | |
| | 1001142966 | Ref | Hood Bracket Kit (Eliminates bending of the hood when cranking engine tray open.) | |
| | 1001204930 | Ref | Hostile Environment - With Oscillating Axle (Add-on Kit) | |
| | 1001241417 | Ref | Hostile Environment - Fixed Axle (Add-on Kit) | |
| | 1001148971 | Ref | Lanyard (Bolt-On) Installation Kit | |
| | | Ref | Lights Installations | |
| | 0272093 | Ref | Flood Lights (1200SJP) | |
| | 0272092 | Ref | Flood Lights (1350SJP) | |
| | 0272097 | Ref | Work Lights (1200SJP) | |
| | 0272096 | Ref | Work Lights (1350SJP) | |
| | 2915046 | Ref | Load Pin Harness Kit | |
| | | Ref | Panel, Foot Switch Options: | |
| | 3380652 | Ref | Panel, Foot Switch (Prior to SN 0300171349) | |
| | 1001117294 | Ref | Panel, Foot Switch (SN 0300171349 through 0300201016) | |
| | | Ref | Platform Cable Carrier Installation Options: | |
| | 1001116419 | Ref | 30in Platform | |
| | 1001116420 | Ref | 36in Platform | |
| | | Ref | Platform Console Cover Installation | |
| | 0258703 | Ref | Clear Cover | |
| | 1001110974 | Ref | Steel Cover | |
| | | Ref | Platform Entry Kits | |
| | 1001142504 | Ref | Drop Bar (Replacing Swing Gate with Drop Bar) | |
| | 1001142505 | Ref | Swing Gate (Replacing Drop Bar with Swing Gate) | |
| | | Ref | Platform Mesh to Top Rail Installations | |
| | 0273145 | Ref | 36in X 8ft (91.5cm x 2.44m) (ANSI Spec) | |
| | 0273149 | Ref | 36in X 6ft (91.5cm x 1.83m) (ANSI and ANSI Export Specs) | |
| | | Ref | Platform Mesh to Mid Rail Installations | |
| | 1001138773 | Ref | 36in X 8ft (91.5cm x 2.44m) (ANSI, ANSI Export and Australian Specs) | |
| | 1001138772 | Ref | 36in X 6ft (91.5cm x 1.83m) (ANSI, ANSI Export and Australian Specs) | |
| | 1001140318 | Ref | 30in X 4ft (76.2cm x 1.22m) (ANSI, ANSI Export and Australian Specs) | |
| | 1001149730 | Ref | Platform Mid Rail Repair Kit | |
| | | Ref | Platform Rail Extensions | |
| | 0272733 | Ref | 6ft Platform | |
| | 0272725 | Ref | 8ft Platform | |
| | 1001099466 | Ref | Programmable Security Lock Installation (1200SJP - CE Spec) | |

SECTION 10 - SPECIAL OPTIONS

| ITEM | PART NUMBER | QTY | DESCRIPTION | REV |
|------|-------------|-----|--|-----|
| | | | Only | |
| | 1001171131 | Ref | Receptacle(240V GFCI) Installation (4000W Generator Only) | |
| | 1001159121 | Ref | Receptacle(240V GFCI) Installation (7500W Generator Only) | |
| | | Ref | SkyCutter (Plasma Cutter) Installations | |
| | | Ref | Note: See JLG 3124242 Accessories Manual | |
| | | Ref | SkyCutter (Plasma Cutter) Installations (Prior to SN 0300119307) | |
| | 0272590 | Ref | ANSI, ANSI Export, and CSA Specs | |
| | See Note | Ref | Australian, CE, and Japanese Specs (was p/n 0272606) (Note: No Longer Available) | |
| | | Ref | SkyCutter/SkyWelder Combo Installations | |
| | | Ref | Note: See JLG 3124242 Accessories Manual | |
| | | Ref | SkyCutter/SkyWelder Combo Installations (Prior to SN 0300119307) | |
| | See Note | Ref | ANSI Export, Australian, CE, and Japanese Specs (was p/n 0275528) (Note: No Longer Available) | |
| | | Ref | SkyGlazier Installation (Not Available when Machine Equipped with Soft Touch Option) | |
| | | Ref | Note: See JLG 3124242 Accessories Manual | |
| | 0272395 | NLA | ANSI and CSA Specs (Use p/n 1001101422) | |
| | 1001099376 | NLA | ANSI and CSA Specs (Use p/n 1001101422) | |
| | 0272387 | NLA | ANSI Export Spec (Spanish Language) (Use p/n 1001099421) | |
| | 0272955 | NLA | ANSI Export Spec (Portuguese Language) (Use p/n 1001099422) | |
| | 0240101 | NLA | CE Spec (English Language) (Use p/n 1001099440) | |
| | 0272953 | NLA | CE Spec (French Language) (Use p/n 1001099436) | |
| | 0272954 | NLA | CE Spec (German Language) (Use p/n 1001099437) | |
| | 0272956 | NLA | CE Spec (Italian Language) (Use p/n 1001099439) | |
| | 0240100 | NLA | CE Spec (Portuguese Language) (Use p/n 1001099438) | |
| | 0240099 | NLA | CE Spec (Spanish Language) (Use p/n 1001099435) | |
| | 1001143669 | Ref | SkyGuard Installation Kit | |
| | 1001137672 | Ref | Platform Sensor Kit | |
| | 1001143256 | Ref | Optional (Blue) Beacon Light Kit | |
| | 1001210043 | Ref | SkyGuard Complete Add-on Kit (Red Beacon) | |
| | 1001210042 | Ref | SkyGuard Complete Add-on Kit (Red Beacon) (Machines with UGM Retrofit) | |
| | 1001209481 | Ref | SkyGuard Complete Add-on Kit (Blue Beacon) (Machines with UGM) | |
| | 1001206544 | Ref | SkyGuard Strobe Light Kit (Blue Beacon) (Machines with UGM) | |
| | 1001210028 | Ref | SkyGuard Strobe Light Kit (Red Beacon) | |
| | 1001176372 | Ref | SkyGuard Removal Plug Kit | |
| | | Ref | SkyWelder Installation Options | |
| | | Ref | Note: See JLG 3124242 Accessories Manual | |
| | 0272374 | Ref | SkyWelder Installation (ANSI and ANSI Export Specs) (Prior to SN 0300139709) | |
| | 0272658 | Ref | SkyWelder Installation (Australian and CE Specs) (Prior to SN 0300139707) | |
| | 1001228964 | Ref | Telematic Retrofit Harness Kit (Machines with UGM) | |
| | | Ref | Tools For Service: | |
| | 2901443 | 1 | Analyzer Kit | |
| | 0272048 | Ref | Boom Cable Tools Installation | |
| | 4120040 | 1 | Socket 3/4in | |
| | 4120043 | 1 | Socket 2in | |
| | 1705307 | 1 | Decal - Tool Location | |

SECTION 10 - SPECIAL OPTIONS

| ITEM | PART NUMBER | QTY | DESCRIPTION | REV |
|------|-------------|-----|---|-----|
| | 7002821 | Ref | Crimper, Wire | |
| | | Ref | Drive Hub Assembly Tools | |
| | 70004646 | 1 | Puller | |
| | 70004647 | 1 | Seal, Tool | |
| | 70004648 | 1 | Puller (Brake Assembly) | |
| | 70004185 | 1 | Torque Multiplier | |
| | 7002823 | Ref | Pin Extractor - Universal (For Electrical Connectors with Pins and Sockets) | |
| | 4460467 | 1 | Extractor - 16-18 Gauge (For Removal of Pin/Sockets from Deutsch Connectors) | |
| | 4460510 | 1 | Extractor - 12-14 Gauge (For Removal of Pin/Sockets from Deutsch Connectors) | |
| | 7016654 | Ref | Screwdriver, Magnetic | |
| | 7002822 | Ref | Screwdriver, Pontimeter | |
| | 7004275 | Ref | Seal Tool 1in (For Cylinders) | |
| | 7004276 | Ref | Seal Tool 1-1/2in (For Cylinders) | |
| | 7002828 | Ref | Stripper, Wire | |
| | 4921850 | 1 | Throttle Service Harness | |
| | 70004185 | 1 | Torque Multiplier | |
| | 7016655 | 1 | Wire Rope Sheave Gauge | |
| | 1001137005 | 1 | Cable Service Kit | |
| | 1001173353 | Ref | UGM Retrofit Kit – Without SkyGurad | |
| | 1001173352 | NLA | UGM Retrofit Kit – With SkyGurad (Use p/n 1001209395) | |
| | 1001209395 | Ref | UGM Retrofit Kit - With SkyGuard | |
| | 2910890 | Ref | Wear Pad Kit (Includes Wear Pads, Shims and Hardware) | |
| | | Ref | Weld Leads at Platform Installation | |
| | 0271983 | Ref | Weld Leads at Platform Installation 1200SJP | |
| | 0271820 | Ref | Weld Leads at Platform Installation 1350SJP | |
| | 2910894 | Ref | Wire Rope Kit - 1200SJP (Includes Cables, Sheaves, Sheave Pins and Hardware) | |
| | 2910895 | Ref | Wire Rope Kit - 1350SJP (Includes Cables, Sheaves, Sheave Pins and Hardware) | |

PART NUMBER INDEX

Go to Discount-Equipment.com to order your parts

PART NUMBER INDEX

| | | | |
|--|--|--|----------------------------------|
| 0000168.....17 | 0257887 ... 166, 403, 421, 439, 460 | 0271984 485 | 0272753.....485 |
| 0080115.....92 | 0258703 500 | 0271985 485 | 0272948.....301 |
| 0080181.....83 | 0259666 158, 162 | 0271988 485 | 0272949.....295 |
| 0080237.....92, 102 | 0259667 158, 162 | 0272048 238, 501 | 0272950.....297 |
| 0080239.....209 | 0271504 92 | 0272055 22 | 0272951.....291 |
| 0080241.....166 | 0271512 73 | 0272056 22 | 0272952.....299 |
| 0080244.....92, 102 | 0271513 158 | 0272060 93, 104 | 0272953.....501 |
| 0080277.....18 | 0271520 17 | 0272064 170 | 0272954.....501 |
| 0100006.....349 | 0271521 13, 14 | 0272066 388, 498 | 0272955.....501 |
| 0100009.....267 | 0271522 21 | 0272067 498 | 0272956.....501 |
| 0100011....13, 17, 44, 48, 53, 54, 65, 82, 83, 86, 90, 92, 100, 102, 109, 110, 111, 145, 149, 158, 162, 166, 167, 174, 175, 176, 180, 182, 186, 187, 189, 193, 197, 201, 207, 209, 213, 218, 221, 225, 229, 233, 246, 251, 255, 260, 312, 315, 317, 319, 323, 327, 329, 331, 333, 335, 337, 341, 343, 345, 347, 353, 355 | 0271523 53 | 0272068 388, 499 | 0272970.....260 |
| 0100019....13, 17, 21, 73, 201, 213, 229, 233, 246, 353 | 0271530 229 | 0272069 500 | 0273145.....500 |
| 010002083, 86, 111, 198, 201, 215, 265, 285, 312 | 0271555 467 | 0272070 255 | 0273149.....500 |
| 0100035.....17, 166, 167, 251, 351 | 0271556 485 | 0272078 498 | 0273353.....312 |
| 0100038....327, 329, 331, 333, 335, 337, 341, 343, 345, 347, 353, 355 | 0271557 485 | 0272079 260 | 0273400.....260 |
| 0100040.....259 | 0271558 485 | 0272080 153, 385 | 0273404.....309 |
| 0100048....150, 157, 161, 201, 208, 213, 265, 394, 396, 400, 410, 412, 417, 430, 431, 437, 450, 451, 458, 472, 482, 492 | 0271559 485 | 0272092 261, 500 | 0273405.....305 |
| 0100062.....114 | 0271560 485 | 0272093 261, 500 | 0273406.....303 |
| 0100063....327, 331, 335, 341, 345 | 0271561 485 | 0272094 193 | 0273410.....92 |
| 0100079.82, 90, 100, 109 | 0271562 485 | 0272095 193 | 0273421.....92 |
| 0100081.....13, 157, 161, 176, 177, 182, 248, 252, 265, 287, 289, 291, 293, 295, 297, 299, 301, 303, 305, 307, 309 | 0271563 475 | 0272096 261, 388, 500 | 0273455.....213, 422 |
| 0140001.....65 | 0271564 475 | 0272097 261, 388, 500 | 0273456.....213, 422 |
| 0140011.....265 | 0271566 475 | 0272207 207, 209 | 0273600....467, 475, 485 |
| 0140032....166, 403, 421, 439, 460 | 0271567 475 | 0272208 207 | 0273696.....251 |
| 0200048.....323 | 0271568 475 | 0272254 317 | 0273706.....268, 323 |
| 0200530.....189 | 0271570 246 | 0272258 21 | 0273824.....268, 323 |
| 0200742.....193 | 0271572 145 | 0272374 501 | 0273854....395, 411, 431, 451 |
| 0200833.....17 | 0271595 174 | 0272375 207 | 0273855....395, 411, 431, 451 |
| 0236768.....65 | 0271596 73 | 0272387 501 | 0273857.....90 |
| 0239842.....73 | 0271621 251 | 0272395 501 | 0273858.....90 |
| 0240099.....501 | 0271650 90 | 0272418 ... 287, 289, 291, 293, 295, 297, 299, 301, 303, 305, 307, 309, 498 | 0274083.....193 |
| 0240100.....501 | 0271688 149 | 0272427 268, 323 | 0274100.....193 |
| 0240101.....501 | 0271769 166 | 0272435 ... 203, 209, 217, 498 | 0274101.....193 |
| 0257195.....498 | 0271795 65 | 0272444 323 | 0274575.....90 |
| | 0271799 229 | 0272445 397 | 0274576.....90 |
| | 0271800 246 | 0272448 312, 317, 498 | 0274579.....92 |
| | 0271802 53, 65, 255 | 0272478 209 | 0274580.....92 |
| | 0271803 498 | 0272507 ... 166, 403, 421, 442, 461 | 0274660....414, 434, 455 |
| | 0271804 498 | 0272521 315 | 0274722.....471 |
| | 0271805 498 | 0272522 ... 467, 471, 475, 485 | 0274723.....479 |
| | 0271806 166 | 0272523 ... 467, 471, 475, 485 | 0274724.....479 |
| | 0271807 166 | 0272588 315, 498 | 0274725.....479 |
| | 0271808 167 | 0272589 ... 203, 209, 217, 498 | 0274726.....479 |
| | 0271820 502 | 0272590 501 | 0274727.....479 |
| | 0271852 21 | 0272599 285, 312, 498 | 0274728.....491 |
| | 0271874 167 | 0272607 285 | 0274729.....479 |
| | 0271875 498 | 0272621 ... 402, 418, 439, 460 | 0274730....471, 479, 491 |
| | 0271932 ... 395, 411, 431, 451 | 0272628 207 | 0275098.....267 |
| | 0271933 498 | 0272629 207 | 0275407.....158 |
| | 0271934 13, 14 | 0272630 209 | 0275685.....21 |
| | 0271950 ... 395, 411, 431, 451 | 0272631 207, 209 | 0275880.....90 |
| | 0271951 ... 395, 411, 431, 451 | 0272658 501 | 0340003.....83, 93, 102 |
| | 0271952 ... 395, 411, 431, 451 | 0272715 193 | 0340051.....83, 93, 102 |
| | 0271953 ... 402, 419, 439, 460 | 0272725 500 | 0363037.....13 |
| | 0271954 ... 402, 419, 439, 460 | 0272733 500 | 0363062.....65 |
| | 0271955 ... 402, 419, 439, 460 | 0272751 485 | 0363066.....237 |
| | 0271956 498 | 0272752 485 | 0363076.....14 |
| | 0271983 502 | | 0363081.....193 |
| | | | 0363082.....193 |
| | | | 0400020.....65 |
| | | | 0440251.....73 |
| | | | 0480122.....189, 193 |
| | | | 0480127.....193 |
| | | | 0480128.....197, 213 |

PART NUMBER INDEX

| | | | | | | | | |
|---------------|---|--------------------------------------|---|--|-----------------------|---------------|---|---|
| 0480129..... | 213 | 0641520..... | 153, 155 | 0642612.... | 166, 167, 221, 225 | 0791612..... | 234 | |
| 0561431..... | 233 | 0641605 ... | 82, 83, 92, 95, 100, 102, 109 | 0642684..... | 255 | 0791618..... | 233 | |
| 0561437..... | 233 | 0641606 ... | 13, 65, 82, 86, 91, 101, 109, 111, 167, 186, 207, 312, 315, 317, 319 | 0651406..... | 91 | 0791620..... | 233, 246 | |
| 0561439..... | 233 | 0641607..... | 233 | 0681608..... | 255 | 0791622..... | 246 | |
| 0561444..... | 233 | 0641608 ... | 13, 53, 65, 82, 84, 93, 102, 109, 110, 111, 145, 153, 167, 170, 174, 180, 186, 189, 193, 229, 246, 355, 359, 361 | 0681813..... | 14 | 0791624..... | 233, 246 | |
| 0561454..... | 233 | 0641609..... | 13, 93, 102 | 0681814..... | 14, 263 | 0791808..... | 248 | |
| 0561457..... | 233 | 0641610 ... | 82, 85, 90, 95, 100, 102, 109, 111, 166, 167, 174, 180, 186, 193, 233, 260 | 0681815..... | 14 | 0801301..... | 234 | |
| 0561458..... | 233 | 0641611..... | 13, 82, 110 | 0681816..... | 14 | 0801302..... | 234 | |
| 0561471..... | 233 | 0641612..... | 82, 109, 175 | 0681822..... | 263 | 0801303..... | 234 | |
| 0561482..... | 233 | 0641613..... | 13 | 0682026..... | 73 | 0801304..... | 234 | |
| 0561500..... | 233 | 0641614..... | 85, 145 | 0682028..... | 111, 233 | 0801315..... | 229, 233 | |
| 0630462..... | 323 | 0641615..... | 233 | 0682040..... | 73 | 0801316..... | 234 | |
| 0630464..... | 17, 158, 161, 251 | 0641616..... | 197 | 0682212..... | 233 | 0801317..... | 234 | |
| 0630467..... | 246 | 0641618 ... | 201, 215, 236 | 0682418..... | 73 | 0801318..... | 234 | |
| 0630491..... | 166 | 0641620..... | 13 | 0700616..... | 182, 187 | 0801319..... | 234 | |
| 0630511..... | 167 | 0641624..... | 13 | 0700808..... | 82, 86 | 0801320..... | 229, 233 | |
| 0630518... .. | 157, 161, 285, 312, 315, 317, 319 | 0641630 ... | 174, 180, 186 | 0700810..... | 93 | 0801550..... | 237 | |
| 0630534..... | 345, 347 | 0641634..... | 17 | 0700815..... | 111 | 0811606..... | 237 | |
| 0630535... .. | 327, 329, 331, 333, 335, 337, 339 | 0641640..... | 237 | 0700816..... | 189 | 0811607..... | 237 | |
| 0630536... .. | 355, 359, 361 | 0641644..... | 237 | 0700822..... | 85 | 0811608... .. | 233, 237, 238 | |
| 0630537..... | 341, 343 | 0641646..... | 233 | 0700823..... | 85 | 0811610..... | 233 | |
| 0630548..... | 157, 161 | 0641652..... | 233 | 0700824..... | 86 | 0811614..... | 234 | |
| 0630558..... | 237 | 0641676..... | 238 | 0701010..... | 86 | 0811616..... | 234 | |
| 0630568..... | 267 | 0641706..... | 111 | 0701012..... | 84 | 0860038... .. | 197, 201, 207, 213, 402, 419, 440, 460 | |
| 0641404... .. | 167, 197, 201, 213, 265 | 0641708..... | 110, 111 | 0701015..... | 84 | 0860520... .. | 467, 472, 476, 482, 486, 492 | |
| 0641405... .. | 180, 207, 247, 251 | 0641718..... | 189, 193 | 0701016..... | 85 | 0861465..... | 157 | |
| 0641406... .. | 54, 65, 83, 93, 102, 111, 158, 161, 170, 175, 181, 186, 193, 221, 225, 247, 252, 260, 467, 472, 476, 482, 486, 492 | 0641808 ... | 13, 53, 82, 84, 90, 93, 100, 102, 109, 233 | 0701418..... | 193 | 0861538... .. | 201, 209, 213 | |
| 0641407..... | 198, 207 | 0641810... .. | 197, 201, 213, 246 | 0701617..... | 21 | 0861541... .. | 202, 208, 216 | |
| 0641408..... | 65, 109, 175, 180, 187, 207, 208, 260, 467, 472, 476, 482, 486, 492 | 064181284, 93, 102, 110, 149, 255 | 0641813 ... | 180, 186, 233 | 0701619..... | 22 | 0861542... .. | 201, 202, 207, 208, 213, 216, 422, 443 |
| 0641410..... | 92, 100, 109, 221 | 0641814..... | 14, 93, 102 | 0711214..... | 84, 93, 102 | 0861561... .. | 260, 265, 394 | |
| 0641412..... | 54, 65 | 0641816..... | 170 | 0711414..... | 93, 102 | 0861562..... | 157 | |
| 0641414..... | 54, 261, 265, 323 | 0641818..... | 93, 102, 170 | 0711417..... | 93, 102 | 0861564..... | 265, 267 | |
| 0641418..... | 260 | 0641820..... | 149 | 0720603..... | 251 | 0861567... .. | 201, 202, 207, 208, 213, 216, 422, 443 | |
| 0641420..... | 53 | 0641826..... | 93, 102 | 0720804..... | 265 | 0861572... .. | 201, 209, 213 | |
| 0641424..... | 53 | 0642010 | 82, 90, 100, 109 | 0720808... .. | 189, 195, 203, 218 | 0861630..... | 265, 267 | |
| 0641503..... | 114 | 0642012 ... | 233, 287, 291, 301 | 0721003..... | 267 | 0861631... .. | 260, 265, 394, 410, 430 | |
| 0641504..... | 53 | 0642014..... | 233 | 0721005..... | 323 | 0861731..... | 419, 440 | |
| 0641505..... | 17, 207 | 0642016..... | 17 | 0721006..... | 83, 110, 193, 265 | 0861749..... | 157, 411 | |
| 0641506... .. | 65, 82, 83, 92, 93, 100, 102, 149, 150, 166, 167, 175, 176, 186 | 0642020..... | 14 | 0731007..... | 145 | 0861781..... | 419, 440 | |
| 0641507..... | 93, 102 | 0642022..... | 233 | 0741606..... | 17, 233 | 0861798..... | 157, 412 | |
| 0641508..... | 85, 111, 189, 193, 201, 207, 213 | 0642026 ... | 289, 293, 295, 297, 299, 303, 305, 307, 309 | 0741607..... | 198, 215 | 0861880..... | 423, 444 | |
| 0641509... .. | 53, 82, 91, 100, 170 | 0642028..... | 84 | 0741806..... | 233 | 0902206..... | 166, 167 | |
| 0641510..... | 175, 248 | 0642030..... | 84 | 0760606..... | 86 | 0902743... .. | 355, 359, 361 | |
| 0641511... .. | 17, 82, 91, 100, 109 | 0642212 ... | 287, 289, 291, 293, 295, 297, 299, 301, 303, 305, 307, 309 | 0760608..... | 176, 177 | 0902746..... | 175, 176 | |
| 0641516... .. | 197, 201, 208, 213 | 0642214..... | 13, 229 | 0760610..... | 86 | 0902747..... | 93 | |
| 0641518..... | 261 | | | 0760612..... | 86 | 0902751..... | 265 | |
| | | | | 0760810..... | 84, 114 | 0902755..... | 65 | |
| | | | | 0761007..... | 87 | 0902758..... | 174 | |
| | | | | 0761210..... | 82, 86, 109 | 0902760..... | 175 | |
| | | | | 0761212..... | 85 | 0902761..... | 175 | |
| | | | | 0761214..... | 48, 113 | 0902762..... | 176 | |
| | | | | 0761215... .. | 44, 93, 102, 110 | 0902763..... | 176 | |
| | | | | 0771212..... | 111 | 0902764..... | 176 | |
| | | | | 0771414..... | 111 | 0902790..... | 149 | |
| | | | | 0791410..... | 54 | 0902800..... | 65 | |
| | | | | 0791504..... | 246, 251 | 0902806..... | 175 | |
| | | | | 0791518..... | 246 | 0902813..... | 193 | |
| | | | | 0791604 53, 54, 167, 174, 180, 186, 233, 251, 252 | | 0902857..... | 207 | |
| | | | | 0791605... .. | 237, 251, 252 | 0902858..... | 207 | |
| | | | | 0791606... .. | 207, 233, 251 | 0902874..... | 176, 177 | |
| | | | | 0791607..... | 53, 248 | 0902888... .. | 197, 201, 207, 213 | |
| | | | | 0791608..... | 251 | | | |
| | | | | 0791610..... | 207 | | | |

PART NUMBER INDEX

| | | | |
|---|--|--|---|
| 0903154..... 175 | 1001094915 198, 423, 443 | 1001100672 221, 225 | 1001109708..... 499 |
| 0903156..... 174 | 1001095976 423, 443 | 1001100876 221, 225 | 1001109759..... 180, 186 |
| 0903161..... 175 | 1001096070 423 | 1001101191 423, 444 | 1001109838..... 180 |
| 0903162..... 176 | 1001096133 217 | 1001101196 420, 440 | 1001109941..... 180 |
| 0903484..... 423, 444 | 1001096134 217 | 1001101197 420, 441 | 1001109989..... 180, 181 |
| 0903530..... 255 | 1001096496 498 | 1001101421 287, 289 | 1001110014..... 161 |
| 0940070.84, 93, 102, 111 | 1001096497 498 | 1001101422 287 | 1001110027..... 181, 186 |
| 0940071..... 186 | 1001097150 423, 444 | 1001101550 47 | 1001110059..... 145 |
| 0940088..... 174 | 1001097553 86 | 1001102417 388 | 1001110084..... 161, 496 |
| 0940102..... 287, 289, 291, 293, 295, 297, 299, 301, 303, 305, 307, 309 | 1001097619 233, 241 | 1001102647 289 | 1001110108..... 54 |
| 0940103..... 323 | 1001097643 233, 241 | 1001102831 221, 225 | 1001110109..... 54 |
| 0940133..... 323 | 1001097820 379 | 1001102839 221 | 1001110110..... 54 |
| 0940134..... 323 | 1001097956 176 | 1001102840 221 | 1001110111..... 54 |
| 0961845..... 260 | 1001098012 285, 312 | 1001103286 189, 195, 203 | 1001110112..... 54 |
| 0961893..... 345, 347 | 1001098025 378, 382 | 1001103344 498 | 1001110113..... 54 |
| 0961894..... 339 | 1001098026 378, 382, 383 | 1001103356 221, 225 | 1001110114..... 54 |
| 0961896..... 327, 331, 333, 335, 337 | 1001098149 285 | 1001104315 21 | 1001110133..... 500 |
| 0961901..... 341, 343 | 1001098242 379 | 1001104324 21 | 1001110146..... 181 |
| 0961903..... 355, 359, 361 | 1001098243 379 | 1001104325 21, 47 | 1001110166..... 181 |
| 0961948..... 235 | 1001098512 90 | 1001104651 499 | 1001110194..... 181, 186 |
| 0961949..... 335, 337, 339, 349, 351, 353 | 1001098513 92 | 1001104652 491 | 1001110257..... 181 |
| 0961950..... 331, 333, 349, 351, 353 | 1001098516 90 | 1001104734 221 | 1001110258..... 181 |
| 0961951..... 234 | 1001098517 90 | 1001104735 221, 225 | 1001110295..... 181 |
| 0961986.84, 93, 102, 111 | 1001098530 92 | 1001104922 355 | 1001110296..... 181 |
| 0962033..... 13 | 1001098531 92 | 1001104923 355 | 1001110425..... 109 |
| 0962051..... 170 | 1001098601 93, 96 | 1001105014 355 | 1001110433..... 181, 186 |
| 0962224..... 234 | 1001099366 287, 289, 291, 293, 295, 297, 299, 301, 303, 305, 307, 309 | 1001105016 355 | 1001110486..... 181, 186 |
| 0962257..... 345, 347 | 1001099367 287, 289, 291, 293, 295, 297, 299, 301, 303, 305, 307, 309 | 1001106736 162, 424, 434, 444, 453, 462 | 1001110513..... 54 |
| 0962270..... 263 | 1001099376 501 | 1001107176 180, 181 | 1001110604..... 373 |
| 0962297..... 234, 341, 343 | 1001099421 301 | 1001107359 145 | 1001110740..... 65 |
| 0962401..... 235 | 1001099422 291 | 1001107391 73 | 1001110749..... 385 |
| 0962402..... 235 | 1001099435 305 | 1001107971 92 | 1001110872..... 202, 215, 443 |
| 0962403..... 235 | 1001099436 295 | 1001107973 92 | 1001110873..... 197, 202, 215, 443, 460, 462 |
| 0962404..... 236 | 1001099437 297 | 1001107975 92 | 1001110877..... 54 |
| 0962406..... 235 | 1001099438 303 | 1001107978 182 | 1001110974..... 500 |
| 0962409..... 234 | 1001099439 299 | 1001107978 182 | 1001111132... 82, 91, 101 |
| 0962410..... 234 | 1001099440 309 | 1001108024 182 | 1001111175..... 167 |
| 0962411..... 236 | 1001099466 500 | 1001108142 180 | 1001111176..... 167 |
| 0962423..... 17 | 1001099869 195 | 1001108579 145 | 1001111193..... 167 |
| 0962447..... 237 | 1001100027 388, 421 | 1001108616 95, 104, 111, 132, 133 | 1001111219..... 167 |
| 0962449..... 195 | 1001100062 221 | 1001108617 .83, 91, 100, 109 | 1001111585..... 181 |
| 0962472..... 235 | 1001100233 195 | 1001108680 180 | 1001111914..... 225, 444, 462 |
| 0962520..... 197, 201, 213 | 1001100234 195 | 1001108708 499 | 1001112059..... 86 |
| 1001091102..... 198 | 1001100321 193, 194 | 1001108888 95, 104, 111, 135 | 1001112068..... 86 |
| 1001091460..... 76 | 1001100326 419, 439 | 1001108904 180 | 1001112069..... 86 |
| 1001091461..... 76 | 1001100327 419, 440 | 1001108919 145 | 1001112070..... 86 |
| 1001091969..... 419, 439 | 1001100328 419, 440 | 1001108923 472 | 1001112073..... 86 |
| 1001091970..... 419, 440 | 1001100329 419, 440 | 1001109048 145 | 1001112162..... 181 |
| 1001091971..... 419, 440 | 1001100331 419, 439 | 1001109181 267, 499 | 1001112551..... 492 |
| 1001091972..... 419, 440 | 1001100333 419, 439 | 1001109468 374 | 1001112570..... 86 |
| 1001091973..... 419, 439 | 1001100337 419, 440 | 1001109475 423, 444 | 1001112592..... 86 |
| 1001091974..... 419, 439 | 1001100337 419, 440 | 1001109477 423 | 1001112612..... 424, 433, 444, 453, 462 |
| 1001091975..... 419, 440 | 1001100352 221, 225 | 1001109482 423, 444 | 1001112669..... 22 |
| 1001092856..... 95, 104 | 1001100432 221, 225 | 1001109511 180 | 1001112691..... 181, 186 |
| 1001093242..... 43 | 1001100434 221 | 1001109543 180 | 1001112716..... 22 |
| 1001093243..... 43 | 1001100441 221 | 1001109544 145 | 1001112757..... 496 |
| 1001094375..... 190, 195, 204, 218 | 1001100443 221, 225 | 1001109556 423, 443 | 1001112758..... 496 |
| 1001094475..... 218 | 1001100468 221, 424 | 1001109648 423, 444 | 1001112766..... 93, 102 |
| 1001094509..... 190, 195, 204, 218 | 1001100500 193 | 1001109651 180 | 1001112796..... 444, 463 |
| | 1001100501 193 | 1001109652 180 | 1001112878... 82, 91, 101 |
| | | 1001109654 443 | 1001112879... 82, 91, 101 |
| | | 1001109677 153, 155 | 1001112880... 83, 92, 101 |
| | | 1001109706 499 | 1001112911..... 167 |

PART NUMBER INDEX

| | | | |
|---|--|--|---|
| 1001112927 95, 104, 111, 143 | 1001116983..... 459 | 1001119911..... 73 | 1001122528 203, 217, 388, 443, 462 |
| 1001112973 225 | 1001117024..... 439 | 1001119938..... 225 | 1001122611 268 |
| 1001112987 225 | 1001117034..... 479 | 1001119946..... 225 | 1001125387 472 |
| 1001112988 225 | 1001117035..... 479 | 1001119957 158, 413, 414 | 1001125425 193 |
| 1001112989 225 | 1001117057..... 439 | 1001119966..... 202 | 1001125426 193 |
| 1001113004 180 | 1001117078..... 203, 217, 218, 443, 462 | 1001119968..... 203, 217, 443, 462 | 1001125427 213, 442 |
| 1001113047 181, 186 | 1001117140..... 176 | 1001119995..... 83, 438 | 1001125428 213, 442 |
| 1001113103 145 | 1001117172..... 261 | 1001120180..... 161, 433, 452 | 1001125429 193 |
| 1001113173 167 | 1001117174..... 260, 496 | 1001120195..... 153 | 1001125891 85 |
| 1001113961 279, 434, 453 | 1001117250..... 222 | 1001120196..... 153 | 1001126351 454 |
| 1001114098 181 | 1001117256..... 222 | 1001120208..... 498 | 1001126352 453 |
| 1001114113 499 | 1001117294..... 500 | 1001120337 162, 433, 453 | 1001126353 454 |
| 1001114114 499 | 1001117308..... 112 | 1001120378..... 441 | 1001126356 454 |
| 1001114382 491 | 1001117320..... 261 | 1001120381..... 388, 441 | 1001126357 455 |
| 1001114392 167 | 1001117358..... 145 | 1001120382..... 388, 441 | 1001126363 455 |
| 1001114495 112 | 1001117359..... 65 | 1001120492..... 83 | 1001126364 455 |
| 1001114620 373, 384 | 1001117370..... 90 | 1001120525..... 83 | 1001126365 455 |
| 1001115168 167 | 1001117371..... 90 | 1001120526..... 82 | 1001126384 454 |
| 1001115326 499 | 1001117499..... 82 | 1001120527..... 82 | 1001126391 455 |
| 1001115327 499 | 1001117500..... 86 | 1001120528..... 82 | 1001127092 225 |
| 1001115440 167 | 1001117508..... 201, 442 | 1001120564..... 153 | 1001128527 319 |
| 1001115603 307 | 1001117509..... 189 | 1001120728..... 498 | 1001128556 319 |
| 1001115604 307 | 1001117546..... 85 | 1001120743..... 83, 439 | 1001128765 83 |
| 1001115961 21 | 1001117577..... 86 | 1001120769..... 86 | 1001128789 83 |
| 1001116015 90 | 1001117641..... 189 | 1001120771..... 86 | 1001128797 83 |
| 1001116025 471, 479, 491 | 1001117874..... 85, 86 | 1001120772..... 86 | 1001128898 83 |
| 1001116111 83 | 1001118180..... 189 | 1001120773..... 86 | 1001128899 82 |
| 1001116112 83, 87 | 1001118368..... 85, 120 | 1001120774..... 86 | 1001128947 112, 114 |
| 1001116153 85 | 1001118416..... 279, 494 | 1001120775..... 86 | 1001128996 498 |
| 1001116186 85 | 1001118417..... 265 | 1001120776..... 87 | 1001129023 85 |
| 1001116201 85 | 1001118599..... 202 | 1001120777..... 87 | 1001129304 85 |
| 1001116206 388, 433, 434, 453, 455 | 1001118712..... 90 | 1001120778..... 87, 438 | 1001129360 87 |
| 1001116208 221, 225 | 1001118713..... 90 | 1001120810..... 87 | 1001129361 87 |
| 1001116217 221 | 1001118714..... 90 | 1001120989..... 221, 225 | 1001129555 271, 272, 494 |
| 1001116222 222 | 1001118767..... 157, 412 | 1001120994..... 225 | 1001129733 201 |
| 1001116278 85 | 1001118768..... 158 | 1001121004..... 85 | 1001129858 197, 199 |
| 1001116290 187 | 1001118859..... 366, 369, 371, 373, 378, 382, 383, 384 | 1001121236..... 83 | 1001129995 86 |
| 1001116304 221, 498 | 1001118869..... 373, 384 | 1001121340..... 203, 209, 210, 216, 218 | 1001130161 85 |
| 1001116305 221, 498 | 1001118932..... 373 | 1001121615..... 395, 411, 431, 450 | 1001130171 85 |
| 1001116313 85 | 1001118933..... 374 | 1001121616..... 395, 411, 431, 450 | 1001130774 83 |
| 1001116324 85 | 1001118934..... 373 | 1001121826..... 159, 162, 268 | 1001131269 471, 481 |
| 1001116348 85 | 1001118935..... 374 | 1001121827..... 159, 162, 268 | 1001131460 181 |
| 1001116354 85 | 1001118957..... 153, 385 | 1001121889..... 201, 442 | 1001131461 181 |
| 1001116367 85 | 1001119052..... 90 | 1001121931..... 202 | 1001131462 181, 186 |
| 1001116369 161, 432, 452 | 1001119053..... 90 | 1001122369..... 471 | 1001131481 171 |
| 1001116413 85 | 1001119054..... 90 | 1001122370..... 481 | 1001131482 171 |
| 1001116419 500 | 1001119138..... 374 | 1001122371..... 481 | 1001131542 84, 93, 110 |
| 1001116420 500 | 1001119231..... 86 | 1001122372..... 481 | 1001131544 180 |
| 1001116436 85 | 1001119250..... 202 | 1001122373..... 481 | 1001131545 180 |
| 1001116437 85 | 1001119344..... 162 | 1001122374..... 481 | 1001131620 246 |
| 1001116525 85 | 1001119345..... 162 | 1001122375..... 481 | 1001131728 247 |
| 1001116591 85 | 1001119346..... 162 | 1001122376..... 471 | 1001131729 247 |
| 1001116707 454 | 1001119363..... 161 | 1001122377..... 481 | 1001131733 246 |
| 1001116710 459 | 1001119372..... 161, 432, 452 | 1001122378..... 481 | 1001131734 246 |
| 1001116727 454 | 1001119374..... 161 | 1001122379..... 481 | 1001132055 198 |
| 1001116792 83, 109 | 1001119454..... 498 | 1001122380..... 481 | 1001132730 225 |
| 1001116836 85 | 1001119456..... 110, 431, 451 | 1001122381..... 481 | 1001132733 221, 225 |
| 1001116846 480 | 1001119470..... 432, 434 | 1001122382..... 481 | 1001133329 252, 418, 438, 459, 496 |
| 1001116849 480 | 1001119817..... 374 | 1001122383..... 159, 162 | 1001133633 113 |
| 1001116851 480 | 1001119859..... 153, 385 | 1001122384..... 268 | 1001133634 112 |
| 1001116952 455 | 1001119860..... 389 | | 1001133651 112 |
| 1001116967 454 | 1001119899..... 235 | | 1001133714 455, 460 |
| | | | 1001133715 455, 460 |

PART NUMBER INDEX

| | | | |
|---|-------------------------------|--------------------------------|--|
| 1001133956.....453 | 1001138248..... 113 | 1001141968 421, 441 | 1001146178..... 175, 181, 186 |
| 1001133957.....454 | 1001138253..... 113 | 1001141969 421, 441 | 1001146183..... 175, 181, 186 |
| 1001134098.....73, 76 | 1001138346..... 113, 453 | 1001142021 176 | 1001146219..... 112 |
| 1001134389..... 109 | 1001138430..... 260 | 1001142023 174, 175 | 1001146244..... 181, 187 |
| 1001134390..... 110 | 1001138431..... 259 | 1001142024 174 | 1001147264..... 454 |
| 1001134392..... 111 | 1001138434..... 259 | 1001142144 175 | 1001147479..... 252, 459 |
| 1001134485..... 112 | 1001138491..... 109, 459 | 1001142181 175 | 1001148648..... 198 |
| 1001134488..... 113 | 1001138494..... 260 | 1001142398 113 | 1001148841..... 460 |
| 1001134839..... 225 | 1001138514..... 260 | 1001142501 113 | 1001148842..... 460 |
| 1001135090..... 112 | 1001138524..... 113 | 1001142504 500 | 1001148843..... 114, 460 |
| 1001135124..... 155 | 1001138559..... 113 | 1001142505 500 | 1001148902..... 499 |
| 1001135138..... 112 | 1001138565..... 197, 199 | 1001142637 113 | 1001148903..... 499 |
| 1001135560..... 112 | 1001138566..... 197 | 1001142645 197, 213 | 1001148904..... 499 |
| 1001135562..... 112 | 1001138717..... 113 | 1001142914 213, 216, 462 | 1001148905..... 499 |
| 1001135650..... 455, 460 | 1001138772..... 500 | 1001142938 455 | 1001148906..... 499 |
| 1001135661..... 170 | 1001138773..... 500 | 1001142940 455 | 1001148971..... 500 |
| 1001135663..... 171 | 1001138800..... 229 | 1001142941 455 | 1001149730..... 500 |
| 1001135679..... 112 | 1001138801..... 229, 233 | 1001142966 500 | 1001149818..... 444, 463 |
| 1001135680..... 112 | 1001138802..... 234, 335 | 1001143080 498 | 1001149994..... 166 |
| 1001135779..... 113, 460 | 1001138803..... 234, 345 | 1001143087 155 | 1001150406..... 166 |
| 1001135901..... 112 | 1001138804..... 335 | 1001143123 155 | 1001151112..... 498 |
| 1001135903..... 112 | 1001138805..... 345, 347 | 1001143256 501 | 1001151393..... 158, 162 |
| 1001135913..... 112 | 1001139099..... 500 | 1001143294 170 | 1001152456..... 198 |
| 1001135914..... 112 | 1001139145..... 221, 222 | 1001143298 171 | 1001152457..... 197, 198 |
| 1001135924..... 112 | 1001139240..... 113 | 1001143341 113 | 1001152458..... 197, 198 |
| 1001135926..... 112 | 1001139357..... 198 | 1001143390 113 | 1001152525..... 198, 216 |
| 1001135943..... 112 | 1001139492..... 155 | 1001143515 498 | 1001152530..... 198 |
| 1001135946..... 113 | 1001139494..... 155 | 1001143669 501 | 1001152533..... 198, 199 |
| 1001136079..... 111 | 1001139516..... 229 | 1001143852 105, 116 | 1001152566..... 176 |
| 1001136172..... 111 | 1001139517..... 229, 233 | 1001144018 259 | 1001152762..... 454 |
| 1001136292..... 113 | 1001139654..... 482, 492 | 1001144021 260 | 1001152963..... 110, 126 |
| 1001136356..... 197 | 1001139665..... 155 | 1001144022 260 | 1001152966..... 374 |
| 1001136357..... 197, 213 | 1001139666..... 155 | 1001144023 259 | 1001152968..... 373, 384 |
| 1001136377..... 113 | 1001139774..... 180 | 1001144024 259 | 1001152971..... 366, 369, 371, 373, 378, 382, 383, 384 |
| 1001136626..... 113 | 1001139778..... 181, 186 | 1001144027 259 | 1001153024..... 113 |
| 1001136665..... 113 | 1001139805..... 181, 182 | 1001144089 113 | 1001153257..... 198, 388 |
| 1001136834..... 113 | 1001139930..... 114 | 1001144300 102, 104 | 1001153260..... 198 |
| 1001136988..... 214 | 1001139958..... 197 | 1001144301 101 | 1001153387..... 114 |
| 1001137005..... 404, 425, 445, 463, 502 | 1001139959..... 197 | 1001144302 101 | 1001154157..... 114 |
| 1001137022..... 499 | 1001139972..... 235 | 1001144303 101 | 1001154214..... 155 |
| 1001137027..... 499 | 1001140222..... 110 | 1001144304 102 | 1001154260..... 238 |
| 1001137029..... 499 | 1001140312..... 113 | 1001144306 100 | 1001154294..... 238 |
| 1001137276..... 113 | 1001140318..... 500 | 1001144307 100 | 1001154304..... 238 |
| 1001137590..... 213, 461 | 1001140346..... 197, 199 | 1001144308 100 | 1001154306..... 238 |
| 1001137591..... 213, 461 | 1001140347..... 197, 199 | 1001144309 100 | 1001154405..... 109, 110, 113 |
| 1001137672..... 501 | 1001140429..... 260 | 1001144310 100 | 1001155575..... 112 |
| 1001137785..... 102, 104 | 1001140483..... 181 | 1001144311 100 | 1001155813..... 198 |
| 1001137786..... 101 | 1001140485..... 175, 181, 186 | 1001144312 100 | 1001155823..... 114 |
| 1001137788..... 101 | 1001140564..... 113 | 1001144313 100 | 1001157520..... 217 |
| 1001137790..... 100 | 1001140604..... 110 | 1001144347 162 | 1001157521..... 217 |
| 1001137791..... 100 | 1001140648..... 498 | 1001144596 263 | 1001157525..... 213, 216 |
| 1001137792..... 101 | 1001141225..... 110, 460 | 1001144597 263 | 1001157528..... 217 |
| 1001137793..... 100 | 1001141304..... 113, 460 | 1001144629 259 | 1001157592..... 213, 216 |
| 1001137794..... 101 | 1001141304..... 113, 460 | 1001144630 259 | 1001157770..... 217, 388, 443, 462 |
| 1001137796..... 101 | 1001141717..... 113 | 1001145089 110 | 1001158007..... 217 |
| 1001137798..... 100 | 1001141718..... 110 | 1001145154 113 | 1001158008..... 198, 217 |
| 1001137799..... 100 | 1001141719..... 113 | 1001145162 181, 186 | 1001158363..... 198 |
| 1001137800..... 101 | 1001141744..... 109 | 1001145405 285, 312 | 1001159121..... 501 |
| 1001137801..... 100 | 1001141745..... 110 | 1001145560 110 | 1001160567..... 145 |
| 1001138011..... 198, 215 | 1001141746..... 111 | 1001145708 499 | 1001161048..... 395 |
| 1001138110..... 455 | 1001141811..... 109 | 1001145785 260 | 1001161050..... 395 |
| 1001138111..... 455 | 1001141812..... 110 | 1001145842 110 | |
| 1001138113..... 455 | 1001141813..... 110 | 1001146132 175, 181 | |
| 1001138187..... 225 | 1001141815..... 109 | 1001146142 175 | |
| 1001138188..... 225 | 1001141817..... 109 | 1001146161 260, 265, 430 | |
| 1001138228..... 113 | 1001141819..... 109 | | |
| | 1001141967..... 419, 440 | | |

PART NUMBER INDEX

| | | | | | | | |
|-------------------------|-----------|----------------------------|----------|----------------------------|---------------|---------------------------|--------------|
| 1001161314..... | 498 | 1001179154..... | 198, 216 | 1120550..... | 18 | 1600333..... | 157 |
| 1001161315..... | 498 | 1001180051..... | 187 | 1120555... 287, 289, 291, | | 1600343..... | 265, 496 |
| 1001162899..... | 388 | 1001181134..... | 293 | 293, 295, 297, 299, | | 1600443..... | 97, 105, 496 |
| 1001162900..... | 388 | 1001181138..... | 293 | 301, 303, 305, 307, 309 | | 1660247..... | 149 |
| 1001162901..... | 388 | 1001181142..... | 293 | 1180358..... | 13 | 1660253... 149, 401, 417, | |
| 1001163131..... | 287, 289 | 1001181151..... | 499 | 1180362..... | 247 | 437, 458 | |
| 1001163287..... | 299 | 1001181895..... | 114 | 1180363..... | 247 | 1660254..... | 210 |
| 1001163288..... | 305 | 1001182241..... | 499 | 1180364..... | 246 | 1660302..... | 149 |
| 1001163289..... | 303 | 1001182242..... | 500 | 1180365..... | 246 | 1670829... 157, 161, 265, | |
| 1001163292..... | 307 | 1001182600..... | 499 | 1180366..... | 247 | 396, 412 | |
| 1001163293..... | 295 | 1001185079..... | 499 | 1180367..... | 246 | 1670836..... | 234 |
| 1001163295..... | 309 | 1001193643..... | 499 | 1180368..... | 247 | 1670964..... | 247 |
| 1001163296..... | 301 | 1001193644..... | 499 | 1180369..... | 247 | 1670996..... | 53 |
| 1001163297..... | 291 | 1001204930..... | 500 | 1180370..... | 247 | 1671023..... | 93, 102 |
| 1001163298..... | 297 | 1001205034..... | 498 | 1260017..... | 73 | 1671031..... | 251 |
| 1001165035..... | 109, 113 | 1001206544..... | 501 | 1283308..... | 382, 383, 384 | 1671032..... | 234 |
| 1001165101..... | 110 | 1001206794..... | 499 | 1283374..... | 382, 383, 384 | 1671033..... | 234 |
| 1001165368..... | 198 | 1001206797..... | 499 | 1283409... 105, 116, 471, | | 1671038... 174, 180, 186 | |
| 1001165676..... | 181 | 1001209395..... | 502 | 479, 491 | | 1671039..... | 251 |
| 1001165820..... | 113 | 1001209481..... | 501 | 1283457... 366, 369, 371, | | 1671040..... | 17 |
| 1001166393..... | 112 | 1001210028..... | 501 | 373, 378, 382, 383, 384 | | 1671043..... | 247 |
| 1001166538..... | 265, 283 | 1001210042..... | 501 | 1320017..... | 84 | 1671044..... | 251 |
| 1001166539..... | 265, 275 | 1001210043..... | 501 | 1320022... 82, 84, 90, 93, | | 1671045..... | 54 |
| 1001166665..... | 260, 265, | 1001228019..... | 14, 333 | 100, 102, 110, 113 | | 1671046..... | 54 |
| 430 | | 1001228020..... | 13, 329 | 1320058..... | 85, 93, 102 | 1671047..... | 54 |
| 1001171095 95, 111, 139 | | 1001228021..... | 234, 361 | 1320060..... | 95, 102 | 1671048..... | 54 |
| 1001171130..... | 197 | 1001228023..... | 234, 337 | 1320095..... | 158, 161 | 1671049..... | 54 |
| 1001171131..... | 501 | 1001228024..... | 229, 343 | 1320130..... | 85, 251 | 1671081..... | 251 |
| 1001171273..... | 197 | 1001228025..... | 234, 347 | 1320136..... | 252 | 1671092... 203, 209, 216, | |
| 1001172319..... | 14 | 1001228026. 17, 234, 359 | | 1320146... 402, 419, 423, | | 423, 443, 462 | |
| 1001172760..... | 265 | 1001228031..... | 353 | 440, 443, 460 | | 1671093..... | 312, 317 |
| 1001172766..... | 492 | 1001228053..... | 234, 339 | 1320159..... | 248 | 1671121. 82, 92, 100, 109 | |
| 1001173163..... | 187 | 1001228964..... | 501 | 1320162..... | 153, 155 | 1671176..... | 265 |
| 1001173164..... | 187 | 1001233047..... | 498 | 1320177..... | 285, 312 | 1671192..... | 174, 175 |
| 1001173166..... | 187 | 1001241275..... | 498 | 1320187. 82, 91, 100, 109 | | 1671193..... | 176 |
| 1001173170..... | 187 | 1001241417..... | 500 | 1320190. 82, 91, 100, 109 | | 1671194..... | 174, 176 |
| 1001173171..... | 145 | 101142685..... | 113 | 1320223..... | 86, 93, 102 | 1671314..... | 265 |
| 1001173183..... | 187 | 1060279 ... 467, 472, 476, | | 1320224..... | 86 | 1683053..... | 345 |
| 1001173184..... | 187 | 482, 486, 492 | | 1320263..... | 13, 86, 247 | 1683056..... | 327 |
| 1001173185..... | 187 | 1060341..... | 199 | 1320277..... | 247 | 1683062..... | 331, 335 |
| 1001173186..... | 187 | 1060343 ... 203, 208, 216, | | 1320294..... | 247 | 1683072..... | 341 |
| 1001173187..... | 187 | 423, 443, 462 | | 1320295..... | 247 | 1684034..... | 349 |
| 1001173188..... | 187 | 1060494 ... 202, 208, 216, | | 1320296..... | 247 | 1684081..... | 14, 331 |
| 1001173202..... | 186 | 422, 443, 462 | | 1320298..... | 13 | 1684082..... | 331 |
| 1001173352..... | 502 | 1060633 ... 402, 418, 439, | | 1320301..... | 251 | 1684083..... | 331 |
| 1001173353..... | 502 | 460 | | 1320302... 312, 315, 317, | | 1684102..... | 13, 327 |
| 1001173647..... | 187 | 1060637..... | 93, 102 | 319 | | 1684103..... | 327 |
| 1001173651..... | 187 | 1060708 ... 203, 208, 216, | | 1320309... 400, 401, 417, | | 1684105..... | 327 |
| 1001173912..... | 186 | 261, 403, 421, 423, | | 437, 458 | | 1684108..... | 234, 355 |
| 1001173913..... | 13, 14 | 442, 443, 461 | | 1321385..... | 248 | 1684109..... | 355 |
| 1001173914..... | 13, 14 | 1060896 ... 395, 411, 431, | | 1340065..... | 84, 93, 102 | 1684111..... | 355 |
| 1001173915..... | 145 | 451 | | 1340067..... | 498 | 1684141..... | 356 |
| 1001173918..... | 145 | 1060903..... | 323 | 1380147..... | 170 | 1684149..... | 234, 335 |
| 1001174325..... | 341, 343 | 1060904..... | 95, 104 | 1380169..... | 180, 186 | 1684150..... | 335 |
| 1001174331..... | 187 | 1060908 ... 421, 423, 441, | | 1560011... 400, 401, 417, | | 1684152..... | 335 |
| 1001174896..... | 181 | 444 | | 437, 458 | | 1684159..... | 341 |
| 1001175069..... | 14 | 1060918 ... 261, 265, 394, | | 1560012... 400, 401, 417, | | 1684161..... | 341 |
| 1001175237..... | 187 | 410, 430, 450 | | 437, 458 | | 1684162..... | 229, 341 |
| 1001175250..... | 187 | 1060919..... | 263 | 1580011..... | 85 | 1684173..... | 234, 345 |
| 1001175535..... | 263 | 1060977 ... 403, 422, 442, | | 1580012..... | 261 | 1684174..... | 345 |
| 1001175859..... | 187 | 461 | | 1580013..... | 261 | 1684176..... | 345 |
| 1001175879..... | 187 | 10702077..... | 216 | 1600244... 402, 418, 439, | | 1684178..... | 234, 355 |
| 1001175880..... | 187 | 10702082..... | 216 | 460 | | 1684179..... | 355 |
| 1001176346..... | 53 | 1100131..... | 234 | 1600317..... | 265, 271 | 1684181..... | 355 |
| 1001176347..... | 54 | 1120094..... | 351 | 1600318..... | 265, 279 | 1684275..... | 351 |
| 1001176372..... | 501 | 1120487..... | 146 | 1600331..... | 53 | 1684306..... | 335 |
| 1001177533..... | 492 | 1120549..... | 17 | 1600332..... | 65 | 1684314..... | 17, 351 |

PART NUMBER INDEX

| | | | | | | | |
|--------------------------|--|--------------|---------------------------------|--------------|--|--------------|---------------------------------|
| 1684315..... | 351 | 1703946..... | 477 | 1705341..... | 477, 479 | 1705452..... | 477, 482 |
| 1684317..... | 351 | 1703947..... | 480 | 1705342..... | 477, 479 | 1705453..... | 477 |
| 1693292..... | 486 | 1703948..... | 475, 480 | 1705343..... | 477 | 1705454..... | 487, 492 |
| 1693294..... | 486 | 1703949..... | 480 | 1705344..... | 475, 480 | 1705455..... | 488, 492 |
| 1700584.... | 467, 471, 476, 481, 486, 491 | 1703950..... | 480 | 1705345..... | 475, 480 | 1705456.... | 482, 488, 492 |
| 1701499.... | 468, 471, 477, 479, 487, 491 | 1703951..... | 475, 480 | 1705347..... | 475, 480 | 1705457..... | 488 |
| 1701500.... | 467, 476, 486 | 1703952..... | 475 | 1705348..... | 475, 480 | 1705458..... | 488 |
| 1701501.... | 468, 471, 477, 482, 487, 491 | 1703953..... | 468, 471 | 1705349..... | 475 | 1705459..... | 488 |
| 1701504.... | 467, 476, 486 | 1703980..... | 476, 480 | 1705351 ... | 468, 471, 488 | 1705460..... | 203, 209, 217 |
| 1701505.... | 467, 471, 476, 482, 487, 491 | 1703981..... | 476, 480 | 1705355 ... | 312, 315, 317 | 1705461.... | 203, 209, 217 |
| 1701509.... | 287, 289, 291, 293, 295, 297, 299, 301, 303, 305, 307, 309, 467, 471, 476, 479, 486, 491 | 1703982..... | 476, 480 | 1705358 ... | 287, 289, 291, 293, 295, 297, 299, 301, 303, 305, 307, 309 | 1705463..... | 485 |
| 1701518.... | 475, 485, 491 | 1703983..... | 480 | 1705365 ... | 468, 472, 487, 488, 492 | 1705464..... | 485 |
| 1701529..... | 471, 479 | 1703984..... | 476, 480 | 1705366..... | 252 | 1705465..... | 485 |
| 1701600..... | 487 | 1703985..... | 476 | 1705367..... | 252 | 1705466.... | 285, 312, 315, 317, 319 |
| 1701791..... | 487 | 1704000..... | 480 | 1705374 ... | 198, 203, 209, 217 | 1705468..... | 486, 491 |
| 1702153..... | 467, 471 | 1704001..... | 480 | 1705375 ... | 203, 209, 217, 312, 317, 319 | 1705469..... | 486 |
| 1702300.... | 467, 476, 486 | 1704006..... | 476, 479 | 1705376 | 203, 208, 216 | 1705470..... | 486 |
| 1702565..... | 265 | 1704007..... | 479 | 1705387 ... | 198, 203, 209, 217 | 1705471..... | 486 |
| 1702566..... | 265 | 1704008..... | 476 | 1705403..... | 487 | 1705472..... | 486 |
| 1702676..... | 265 | 1704260..... | 265 | 1705404..... | 487 | 1705473..... | 486 |
| 1702773.... | 263, 467, 472, 476, 482, 486, 492 | 1704277 ... | 467, 471, 476, 479, 486, 491 | 1705405..... | 487 | 1705474..... | 486 |
| 1702774.... | 467, 472, 476, 482, 485, 492 | 1704412 ... | 468, 471, 477, 479, 487, 491 | 1705406..... | 487 | 1705475..... | 486 |
| 1702784..... | 491 | 1704885 ... | 468, 472, 477, 482, 487, 492 | 1705407..... | 487 | 1705476..... | 486 |
| 1702788..... | 498 | 1704972..... | 471, 482 | 1705408..... | 485 | 1705477..... | 476, 481 |
| 1702868.... | 285, 312, 317, 319, 467, 471 | 1705001..... | 157 | 1705409..... | 485 | 1705478..... | 476, 481 |
| 1702928..... | 486 | 1705014..... | 263 | 1705410..... | 485 | 1705479..... | 476 |
| 1702938..... | 268 | 1705057 ... | 467, 472, 475, 482, 485, 492 | 1705411..... | 485 | 1705480..... | 476, 481 |
| 1702942..... | 86, 90, 101 | 1705084..... | 486, 491 | 1705412..... | 485 | 1705481..... | 476, 481 |
| 1702962..... | 468, 472 | 1705095 ... | 467, 472, 475, 482, 485, 492 | 1705413..... | 485 | 1705489.... | 198, 203, 209, 217 |
| 1703162.84, 93, 102, 114 | | 1705096 ... | 468, 472, 477, 482, 487, 492 | 1705414..... | 487 | 1705490..... | 285, 312 |
| 1703175.... | 468, 472, 498 | 1705132..... | 158, 265 | 1705415..... | 487 | 1705492.... | 468, 471, 488 |
| 1703479..... | 498 | 1705167 ... | 467, 472, 476, 482, 487, 492 | 1705416..... | 487 | 1705493..... | 477, 479 |
| 1703518..... | 486 | 1705168..... | 467, 471 | 1705417..... | 485 | 1705494..... | 477, 481 |
| 1703797..... | 467, 471 | 1705170..... | 267 | 1705418..... | 485 | 1705495..... | 488 |
| 1703804..... | 467, 471 | 1705171..... | 265 | 1705419..... | 485 | 1705496..... | 488 |
| 1703805..... | 467, 471 | 1705173..... | 265, 268 | 1705421..... | 488 | 1705497..... | 488 |
| 1703808..... | 491 | 1705174 ... | 159, 162, 266, 268 | 1705422..... | 488 | 1705498..... | 488 |
| 1703811.... | 471, 479, 491 | 1705175..... | 266 | 1705423..... | 488 | 1705499..... | 488 |
| 1703814.... | 471, 479, 491 | 1705178 ... | 467, 471, 476, 482, 487, 492 | 1705424..... | 488 | 1705500..... | 488 |
| 1703923..... | 480 | 1705181..... | 467, 471 | 1705425..... | 488 | 1705501..... | 488 |
| 1703924..... | 475, 480 | 1705305 ... | 285, 312, 315, 317, 319 | 1705426..... | 477, 481 | 1705502..... | 488 |
| 1703925..... | 475, 480 | 1705307 ... | 238, 498, 501 | 1705427..... | 477, 481 | 1705503..... | 477, 479 |
| 1703926..... | 475, 480 | 1705308 ... | 157, 396, 412 | 1705428 ... | 468, 477, 488 | 1705504..... | 477 |
| 1703927..... | 475, 480 | 1705309..... | 467, 475 | 1705429..... | 477, 481 | 1705505..... | 477, 479 |
| 1703928..... | 475 | 1705310..... | 467, 475 | 1705430..... | 477, 481 | 1705506..... | 477, 481 |
| 1703935..... | 480 | 1705325..... | 195 | 1705431..... | 477 | 1705507..... | 477, 479 |
| 1703936..... | 475, 480 | 1705330..... | 476, 481 | 1705435 ... | 468, 477, 488 | 1705508..... | 477, 481 |
| 1703937..... | 475, 480 | 1705331..... | 476, 481 | 1705436..... | 485 | 1705509..... | 477 |
| 1703938..... | 475, 480 | 1705332..... | 485 | 1705437..... | 485 | 1705510..... | 477 |
| 1703939..... | 475, 480 | 1705333..... | 476, 481 | 1705438..... | 485 | 1705511.... | 467, 471, 476, 482, 486, 491 |
| 1703940..... | 475 | 1705334..... | 476, 481 | 1705439..... | 485 | 1705514..... | 477, 479 |
| 1703941..... | 480 | 1705335..... | 476 | 1705440..... | 485 | 1705543..... | 486 |
| 1703942..... | 477, 479 | 1705336..... | 467, 471 | 1705443..... | 487 | 1705544..... | 486 |
| 1703943..... | 477, 479 | 1705337 ... | 468, 471, 487 | 1705444..... | 487, 492 | 1705545..... | 485, 486 |
| 1703944..... | 477, 480 | 1705338..... | 477, 479 | 1705445..... | 487, 492 | 1705546..... | 485 |
| 1703945..... | 477, 480 | 1705339..... | 477, 479 | 1705446..... | 488, 492 | 1705547..... | 485 |
| | | 1705340..... | 485 | 1705447..... | 488, 492 | 1705549..... | 488 |
| | | | | 1705448..... | 477, 482 | 1705550..... | 488 |
| | | | | 1705449..... | 477, 482 | 1705551..... | 488 |
| | | | | 1705450..... | 482, 485 | 1705552..... | 487, 492 |
| | | | | 1705451..... | 477, 482 | 1705553..... | 488 |
| | | | | | | 1705554..... | 488, 492 |
| | | | | | | 1705555..... | 485 |
| | | | | | | 1705556..... | 485 |

PART NUMBER INDEX

| | | | | | | | |
|--------------|---------------------------------|----------------------------|---------------------------------------|--|--|----------------------------------|---------------|
| 1705557..... | 485 | 2000275..... | 93, 96 | 2171210..... | 378 | 2460056..... | 193 |
| 1705558..... | 487 | 2000340..... | 93, 96 | 2180002..... | 73 | 2460057..... | 193 |
| 1705559..... | 487 | 2000343..... | 92 | 2180344..... | 73 | 2560136..... | 266 |
| 1705560..... | 487 | 2000352..... | 92 | 2180348..... | 82, 92, 100 | 2560173..... | 261 |
| 1705561..... | 488 | 2000399..... | 92 | 2180536..... | 90 | 2560187.... | 176, 182, 187 |
| 1705562..... | 488 | 2030010 ... | 285, 312, 315, 317, 319 | 2180830..... | 378 | 2580062..... | 95, 104 |
| 1705563..... | 488 | 2060025..... | 84, 93, 102 | 2180831..... | 59 | 2600279..... | 157, 161 |
| 1705616..... | 486 | 2080040..... | 259, 261 | 2180832.... | 109, 285, 312 | 2600280..... | 174, 180 |
| 1705744..... | 265 | 2080044..... | 208 | 2200221..... | 83 | 2600281..... | 259 |
| 1705745..... | 266 | 2080051..... | 174, 180 | 2200222. 82, 92, 100, 109 | | 2680496..... | 176 |
| 1705822..... | 491 | 2080068..... | 251 | 2220063..... | 73 | 2680497..... | 176 |
| 1705828 ... | 486, 487, 491 | 2110404 ... | 33, 39, 44, 48, 256, 373, 378, 381 | 2220235..... | 366 | 2680498..... | 176 |
| 1705864 ... | 468, 472, 477, 482, 487, 492 | 2110406 .. | 59, 61, 70, 369 | 2220238..... | 366 | 2680499..... | 174, 175 |
| 1705865 ... | 468, 472, 477, 482, 488, 492 | 2110408..... | 70 | 2220250..... | 90 | 2680500..... | 174, 176 |
| 1705867..... | 467, 475 | 2110604..... | 369 | 2220273..... | 90 | 2717059..... | 379 |
| 1705868..... | 471, 481 | 2110606 55, 70, 256, 369 | | 2220313. 82, 90, 100, 109 | | 2720015..... | 113 |
| 1705895..... | 480 | 2110608..... | 70, 373 | 2220451..... | 93, 102 | 2720058..... | 85, 93, 102 |
| 1705896..... | 480 | 2110610..... | 373 | 2220459..... | 90 | 2720160..... | 285, 312 |
| 1705897..... | 480 | 2110612..... | 379 | 2220478..... | 373 | 2720271..... | 93 |
| 1705898..... | 480 | 2110808 ... | 33, 39, 44, 48, 70, 256, 366, 378 | 2220498..... | 95, 102 | 2720488..... | 94 |
| 1705899..... | 481 | 2110810 .. | 59, 61, 70, 373 | 2220737..... | 373 | 2720500..... | 94, 102 |
| 1705900..... | 481 | 2110812 ... | 33, 39, 44, 48, 367, 373, 374 | 2220794..... | 90 | 2720501..... | 95, 102 |
| 1705901..... | 479 | 2111010 70, 373, 378 | | 2220883 59, 61, 327, 329, 337, 339, 343, 345, 347 | | 2750528..... | 73 |
| 1705902..... | 480 | 2111012 59, 61, 373 | | 2220884..... | 355, 359, 361 | 2750532. 82, 91, 94, 100, 102 | |
| 1705903..... | 479 | 2111016..... | 374 | 2220885..... | 331, 333, 335, 337, 339, 343, 345, 347, 353, 355, 356, 359, 361 | 2753539..... | 381 |
| 1705904..... | 479 | 2111212..... | 373 | 2220886.... | 335, 337, 359, 361 | 2753541..... | 366 |
| 1705905..... | 481 | 2111216..... | 70, 381 | 2220888..... | 341, 343 | 2753545..... | 366, 378 |
| 1705906..... | 479 | 2111616..... | 373 | 2220890..... | 70 | 2753552..... | 366, 378 |
| 1705907..... | 481 | 2112016..... | 374 | 2221084..... | 374 | 2753582..... | 366 |
| 1705908..... | 481 | 2112020..... | 374 | 2221086.... | 55, 59, 61, 70, 256 | 2753622..... | 373 |
| 1705909..... | 479 | 2113232..... | 373 | 2221117..... | 373 | 2753677..... | 366 |
| 1705910..... | 482 | 2120150..... | 91 | 2221176..... | 82, 92, 100 | 2753685..... | 366 |
| 1705915..... | 479, 481 | 2120163..... | 91 | 2300004..... | 84, 111 | 2753703..... | 366 |
| 1705916..... | 480 | 2120209..... | 91 | 2300014..... | 500 | 2753708..... | 374 |
| 1705917..... | 480 | 2120210..... | 91 | 2300016..... | 500 | 2753713..... | 366 |
| 1705919..... | 481 | 2120217..... | 255 | 2300021..... | 500 | 2753714..... | 366 |
| 1705921..... | 491 | 2130404..... | 33, 39, 374 | 2300029..... | 500 | 2753715..... | 366 |
| 1705961..... | 491 | 2130406..... | 44, 48 | 2300039..... | 500 | 2753716..... | 366, 378 |
| 1705967..... | 480 | 2130606..... | 70, 371, 373 | 2300040..... | 500 | 2753717..... | 378 |
| 1705968..... | 480 | 2130612..... | 379 | 2300041..... | 84, 111 | 2753718..... | 373 |
| 1705969..... | 480 | 2130808..... | 373 | 2400060.... | 209, 217, 423, 425, 433, 453 | 2753719..... | 369 |
| 1705973..... | 266 | 2130810..... | 55, 374, 381 | 2400064.... | 209, 217, 423, 425, 433, 453, 496 | 2753720..... | 366 |
| 1705974..... | 157 | 2130812 ... | 33, 39, 44, 48, 373 | 2400065.... | 396, 412, 413, 433, 452, 453, 494 | 2753721..... | 366 |
| 1705980..... | 491 | 2131010..... | 373 | 2400066.... | 396, 412, 413, 433, 442, 452, 453, 461 | 2753722..... | 366 |
| 1705986..... | 467, 475 | 2131012..... | 70 | 2400070..... | 442, 461 | 2753724..... | 366 |
| 1706059..... | 482 | 2131212 ... | 153, 155, 374 | 2410014..... | 263 | 2753726..... | 369 |
| 1706060..... | 482 | 2131612..... | 374 | 2420165.... | 189, 195, 203 | 2753727..... | 369 |
| 1706061..... | 482 | 2150404..... | 378 | 2420172..... | 157, 161 | 2753728..... | 371 |
| 1706063..... | 482 | 2150808..... | 373 | 2420191..... | 145 | 2753729..... | 369 |
| 1706064..... | 482 | 2151012..... | 59, 61, 381 | 2420203..... | 189, 194 | 2753730..... | 373 |
| 1706098..... | 491 | 2170204..... | 378 | 2460013..... | 193 | 2753731..... | 373 |
| 1706385..... | 263 | 2170308..... | 374 | 2460032..... | 193 | 2753732..... | 371 |
| 1706493..... | 263 | 2170316..... | 70 | 2460039..... | 193 | 2753733..... | 371 |
| 1706501..... | 263 | 2170504..... | 366, 369 | 2460040..... | 209 | 2753734..... | 371, 373 |
| 1706741..... | 267 | 2170506..... | 369 | 2460048..... | 214 | 2753735..... | 371 |
| 1706751..... | 471, 481 | 2170704..... | 366, 379 | 2460049..... | 193, 194 | 2753736..... | 371 |
| 1706770..... | 491 | 2170708..... | 379 | 2460055..... | 189, 193 | 2753737..... | 371 |
| 1706904..... | 482 | 2170712 ... | 153, 155, 381 | | | 2753738..... | 371 |
| 1706911..... | 157, 162 | 2170804..... | 366 | | | 2753739..... | 371 |
| 1810057..... | 157, 412 | 2170908..... | 374 | | | 2753740..... | 378 |
| 1870149..... | 389 | 2171112..... | 155 | | | 2753741..... | 373 |
| 1870196..... | 389 | 2171208..... | 378 | | | 2753742..... | 371 |
| 1870214..... | 389 | | | | | 2753743..... | 371 |
| 2000183..... | 93, 96 | | | | | 2753744..... | 373 |
| 2000199..... | 93, 96 | | | | | 2753745..... | 378 |
| | | | | | | 2753746..... | 373 |

PART NUMBER INDEX

| | | | | | | | |
|--------------|-----------------------|--------------|--|--------------|--------------------------------------|--------------|---|
| 2753747..... | 366 | 2792773..... | 371, 384 | 2920154..... | 266 | 3310604..... | 218 |
| 2753748..... | 366 | 2820019..... | 199 | 2920157..... | 167, 261 | 3310805..... | 13, 189, 195, 204, 218 |
| 2753749..... | 366 | 2820031 ... | 189, 194, 197, 201, 207, 214 | 2920161 ... | 166, 442, 461 | 3311001.... | 110, 158, 161, 166, 198, 216, 259, 267 |
| 2753750..... | 366 | 2820035 ... | 166, 403, 421, 439, 460 | 2920162..... | 194 | 3311005..... | 83, 189, 194, 198, 215, 266, 285, 312, 315, 317, 319 |
| 2753751..... | 378 | 2820118 ... | 395, 411, 431, 451 | 2920215..... | 166 | 3311401.... | 157, 161, 323 |
| 2753752..... | 366 | 2820141..... | 174 | 2940045..... | 167 | 3311402..... | 221 |
| 2753753..... | 371 | 2820145..... | 176 | 2940074..... | 259, 494 | 3311405.... | 53, 54, 65, 83, 84, 94, 103, 109, 111, 170, 175, 181, 186, 194, 198, 207, 221, 225, 251, 261, 467, 472, 476, 482, 486, 492 |
| 2753754..... | 371 | 2820146..... | 176 | 2940124..... | 176 | 3311501..... | 176, 323 |
| 2753755..... | 378 | 2820148..... | 91 | 2940139..... | 157, 161 | 3311505.... | 17, 53, 82, 85, 91, 94, 101, 103, 153, 155, 166, 170, 181, 182, 186, 187, 208 |
| 2753756..... | 366 | 2820170..... | 82, 91, 100 | 2940173 ... | 175, 180, 187 | 3311508.... | 197, 201, 214 |
| 2753757..... | 366 | 2840016..... | 170 | 3020008..... | 500 | 3311601.... | 65, 145, 174, 187, 248, 267 |
| 2753758..... | 373 | 2860030 ... | 158, 162, 494 | 3020016..... | 84 | 3311605.... | 53, 82, 84, 94, 103, 109, 110, 111, 153, 167, 170, 174, 180, 186, 194, 235, 238, 251, 255, 261, 263, 312, 315, 317, 319 |
| 2753759..... | 366 | 2900770 ... | 57, 59, 69, 77, 256, 331, 333, 341, 343, 345, 347 | 3020037..... | 84, 110 | 3311608..... | 237, 248 |
| 2753760..... | 366 | 2900788..... | 210 | 3020039..... | 234 | 3311705..... | 110, 112 |
| 2753761..... | 366 | 2900792 ... | 327, 329, 335, 337, 339, 341, 343 | 3020042..... | 234 | 3311801.... | 201, 215, 235 |
| 2753762..... | 366 | 2901443 ... | 402, 418, 439, 460, 501 | 3160204..... | 210 | 3311805 84, | 94, 103, 149, 170, 181, 186, 235, 255 |
| 2753763..... | 379 | 2901773..... | 327, 329 | 3160281..... | 73, 76 | 3312002..... | 73 |
| 2753764..... | 366 | 2902065..... | 94, 102, 103, 111 | 3160291 ... | 21, 29, 33, 39 | 3312005 14, | 84, 287, 289, 291, 293, 295, 297, 299, 301, 303, 305, 307, 309 |
| 2753765..... | 374 | 2902081 ... | 355, 356, 359, 361 | 3160302..... | 73, 76 | 3312205.... | 287, 289, 291, 293, 295, 297, 299, 301, 303, 305, 307, 309 |
| 2753766..... | 373 | 2902082..... | 341 | 3160339..... | 21, 51 | 3312602..... | 166 |
| 2753767..... | 379 | 2902087 ... | 331, 333, 335, 337 | 3200362..... | 94, 103 | 3321501..... | 174 |
| 2753768..... | 366 | 2902092..... | 345 | 3200401..... | 94, 103 | 3322201..... | 149 |
| 2753769..... | 373 | 2902099 ... | 90, 100, 418, 439 | 3200433..... | 251 | 3340861..... | 252 |
| 2753770..... | 374 | 2902212 ... | 287, 289, 291, 293, 295, 297, 299, 301, 303, 305, 307, 309 | 3220126..... | 84, 94, 103 | 3340871..... | 235 |
| 2753771..... | 374 | 2902217 ... | 312, 315, 317 | 3220130..... | 84, 94, 103 | 3340877.... | 176, 177, 182 |
| 2753772..... | 374 | 2902257..... | 351, 353 | 3250585..... | 261 | 3340881..... | 13, 235 |
| 2753773..... | 374 | 2902303..... | 499 | 3251102 ... | 189, 194, 197, 201, 207, 214 | 3340907..... | 13 |
| 2753774..... | 374 | 2902307..... | 499 | 3251242..... | 198 | 3340910..... | 235 |
| 2753775..... | 374 | 2902308..... | 499 | 3251243 ... | 198, 467, 471, 476, 479 | 3340912..... | 235 |
| 2753776..... | 374 | 2902309..... | 499 | 3251813 ... | 467, 471, 476, 480 | 3340915..... | 235 |
| 2753778..... | 153 | 2902310..... | 499 | 3252221..... | 477 | 3340916..... | 235 |
| 2753810..... | 378 | 2902311..... | 499 | 3252347 ... | 467, 471, 486, 487 | 3340917..... | 235 |
| 2753811..... | 378 | 2902312..... | 499 | 3252507..... | 195 | 3340918..... | 235 |
| 2753842..... | 381 | 2902322..... | 499 | 3271805..... | 263 | 3340919..... | 235 |
| 2753843..... | 153 | 2902327..... | 499 | 3272001..... | 111 | 3340921..... | 235 |
| 2753850..... | 381 | 2902330..... | 499 | 3272605..... | 255 | 3340922..... | 235 |
| 2753861..... | 381 | 2902339..... | 499 | 3290405..... | 198 | 3340923..... | 355 |
| 2753862..... | 381 | 2902355 ... | 471, 482, 491 | 3290501..... | 86 | 3340925..... | 247 |
| 2753863..... | 381 | 2902357 ... | 471, 482, 492 | 3290505..... | 195 | 3340926..... | 235 |
| 2753999..... | 153 | 2902443 ... | 414, 434, 455 | 3290601 ... | 176, 177, 182, 187 | 3340927..... | 229 |
| 2754288..... | 379 | 2902465..... | 379 | 3290605..... | 285, 312 | 3340932..... | 13 |
| 2760105.... | 157, 161, 396, 412 | 2902466..... | 379 | 3290606..... | 260 | 3340934..... | 247 |
| 2780248..... | 21, 25, 32 | 2902480..... | 369 | 3290801..... | 111 | 3340939..... | 13 |
| 2780279..... | 21, 32 | 2910873..... | 267 | 3300151 ... | 260, 312, 315, 317, 319 | | |
| 2780283..... | 38 | 2910890..... | 502 | 3300220..... | 109 | | |
| 2780284..... | 21, 38 | 2910894..... | 502 | 3300239..... | 234 | | |
| 2780285..... | 43 | 2910895..... | 502 | 3300353..... | 266 | | |
| 2780286..... | 21 | 2915024 .. | 53, 65, 157, 265 | 3300396 ... | 198, 203, 208, 216 | | |
| 2780290..... | 21, 43 | 2915046..... | 500 | 3300408 ... | 157, 161, 266 | | |
| 2792527..... | 385 | 2920028..... | 268 | 3300430..... | 251 | | |
| 2792557..... | 382, 384 | 2920029..... | 268 | 3300454 .. | 54, 65, 94, 103 | | |
| 2792558..... | 383 | 2920110..... | 166 | 3300458..... | 234 | | |
| 2792559..... | 383 | 2920113..... | 166 | 3300460..... | 234 | | |
| 2792560..... | 384 | 2920129 ... | 397, 414, 434, 455 | 3300461..... | 235 | | |
| 2792561..... | 382, 384 | 2920140..... | 261 | 3300464..... | 17 | | |
| 2792565..... | 384 | | | 3300465..... | 351, 353 | | |
| 2792568..... | 381, 385 | | | 3300492..... | 248 | | |
| 2792625..... | 378, 382 | | | 3310401..... | 111 | | |
| 2792626..... | 378, 382 | | | 3310601 ... | 170, 189, 195, 203, 204, 208, 216 | | |
| 2792644..... | 384 | | | | | | |
| 2792645..... | 366, 383 | | | | | | |
| 2792646..... | 384 | | | | | | |
| 2792647..... | 369, 383 | | | | | | |
| 2792715..... | 373, 384 | | | | | | |
| 2792771..... | 385 | | | | | | |
| 2792772..... | 366, 383 | | | | | | |

PART NUMBER INDEX

| | | | | | | | |
|---------------|--|---------------|--|---------------|---|---------------|------------------------------------|
| 3340940 | 248 | 3520027 | 266 | 3580276..... | 189, 194 | 3890031 | 236 |
| 3340941 | 248, 252 | 3520028 | 194 | 3580290..... | 235 | 3890032 | 236 |
| 3340942 | 248 | 3520034 | 175, 181, 186 | 3580296..... | 235 | 3890033 | 236 |
| 3340946 | 13 | 3520054 . | 14, 84, 95, 103, 110, 267 | 3580298..... | 235 | 3890034 | 236 |
| 3340955 | 233 | 3520071 ... | 287, 289, 291, 293, 295, 297, 299, 301, 303, 305, 307, 309 | 3580300..... | 235 | 3890035 | 236 |
| 3340956 ... | 287, 289, 291, 293, 295, 297, 299, 301, 303, 305, 307, 309 | 3520072 ... | 259, 260, 263 | 3580302..... | 236 | 3890036 | 236 |
| 3340963 | 355, 359, 361 | 3520110 | 229 | 3580304..... | 236 | 3890037 | 236 |
| 3380434 | 261 | 3520174 | 472, 482, 492 | 3580306..... | 237 | 3890038 | 236 |
| 3380465 | 157, 161 | 3520186 | 174 | 3580308..... | 235 | 3890040 | 263 |
| 3380472 | 82, 91, 101 | 3520189 ... | 203, 209, 216, 217, 423, 443, 462 | 3580317 | 197, 214 | 3900054 | 263 |
| 3380473 | 82, 91, 101 | 3520192 ... | 199, 215, 216, 217 | 3580318..... | 197, 201, 214 | 3900085 | 166 |
| 3380474 ... | 468, 472, 487, 492 | 3520198 | 259, 260 | 3580319..... | 197, 201, 214 | 3900141 | 345 |
| 3380652 | 500 | 3536089 | 261 | 3580320..... | 94, 103, 112 | 3900174 | 180, 186 |
| 3420156 | 267 | 3537416 | 94, 103 | 3580321..... | 86 | 3900183 | 266 |
| 3421453 | 285, 312 | 3537445 | 170 | 3580322..... | 189 | 3900210 ... | 180, 182, 186, 187, 255 |
| 3421563 | 73 | 3539971 | 94, 103 | 3580342..... | 235 | 3900223 | 73 |
| 3421565 | 73 | 3570979 | 53 | 3600339..... | 94, 103, 126 | 3900232 ... | 174, 180, 186, 246, 255 |
| 3422446 | 82, 91, 101, 109 | 3572327 | 477, 482 | 3600342..... | 65, 66 | 3900260 | 247 |
| 3422530 | 170 | 3572950 | 235 | 3600424..... | 65, 66 | 3900267 | 198 |
| 3422532 | 94, 103 | 3572951 | 235 | 3620034 | 153 | 3900270 | 13 |
| 3422833 | 14 | 3573016 | 247 | 3620041 | 94, 103 | 3900272 | 83, 91, 101 |
| 3422915 | 14 | 3573142 | 94, 103 | 3641533..... | 203, 210, 218 | 3900283 | 54, 65, 145, 174, 180, 247, 255 |
| 3422917 | 17 | 3573179 | 247 | 3740049..... | 157, 161, 494 | 3900300 | 198 |
| 3422918 | 13 | 3573181 | 247 | 3740067 | 65, 84, 94, 103, 494 | 3900310 | 341 |
| 3422926 | 235 | 3573194 | 247 | 3740080 | 84, 95, 103, 166, 167, 189, 194, 207, 413, 433, 452, 494, 496 | 3900316 | 248 |
| 3422933 | 229 | 3573210 | 247 | 3760133..... | 237 | 3900322 | 189, 194 |
| 3422937 | 235 | 3573224 | 251 | 3760170..... | 73 | 3900363 ... | 176, 177, 182, 187 |
| 3422940 | 17 | 3573231 | 174 | 3760233..... | 236 | 3910408 | 112 |
| 3422941 | 17 | 3573232 | 174 | 3760308..... | 181 | 3910606 | 197, 201, 214 |
| 3422942 | 17 | 3573233 | 174 | 3760368..... | 345, 347 | 3910608 ... | 170, 190, 195, 204, 218 |
| 3422953 | 235 | 3573259 | 65 | 3760369..... | 327 | 3910610 | 203, 208, 216 |
| 3422955 | 229 | 3573294 | 13 | 3760371..... | 331, 335, 337 | 3910612 | 207 |
| 3422956 | 235 | 3573301 | 251 | 3760375..... | 341, 343 | 3910804 | 158, 162 |
| 3422957 | 235 | 3573335 | 13 | 3760383..... | 17 | 3911040 | 166 |
| 3422958 | 235 | 3573336 | 166, 167 | 3790012..... | 266 | 3930606 | 251 |
| 3422959 | 235 | 3573355 | 167 | 3790112..... | 356 | 3930816 | 251 |
| 3422960 | 13 | 3573400 ... | 312, 315, 317, 319 | 3790152..... | 95, 104, 110 | 3930820 | 13 |
| 3422988 | 229 | 3573411 | 95, 103 | 3790155..... | 96, 104, 111 | 3931008 | 149, 150 |
| 3423194 | 229 | 3573412 | 84, 95, 103 | 3790158..... | 44, 48 | 3931016 | 197, 213 |
| 3423208 | 229 | 3573437 | 237 | 3800205..... | 259 | 3931020 | 17 |
| 3423256 | 17 | 3573444 | 237 | 3820001.... | 467, 472, 476, 482, 486, 492 | 3931412 | 17, 221, 225 |
| 3430816 | 170 | 3573454 | 170 | 3820020 | 259 | 3931414 | 251 |
| 3441680 | 235 | 3573503 | 252 | 3841143 | 83, 91, 101, 109, 236 | 3931416 | 221, 225 |
| 3450304 | 267 | 3573529 | 94, 103 | 3841203..... | 236 | 3931432 | 112 |
| 3450404 | 170 | 3573642 ... | 312, 315, 317, 319 | 3841258..... | 14, 17, 236 | 3931448 | 355, 359, 361 |
| 3451214 | 17 | 3573644 | 82, 91, 101 | 3841287..... | 13, 229 | 3931508 | 114 |
| 3460334 ... | 287, 289, 291, 293, 295, 297, 299, 301, 303, 305, 307, 309 | 3573645 | 82, 91, 101 | 3841340..... | 53, 145 | 3931512 | 112, 149, 150 |
| 3470003 | 267 | 3573646 | 82, 91, 101 | 3841581..... | 229 | 3931516 | 345, 347 |
| 3480162 | 335 | 3573668 | 207 | 3841589..... | 323 | 3931608 | 355, 359 |
| 3480268 | 355 | 3573669 | 82, 91, 101 | 3890019..... | 236 | 3931616 | 158, 162 |
| 3480269 | 331, 335 | 3573727 | 83, 91, 101 | 3890020..... | 236 | 3931620 | 327, 329 |
| 3480270 | 341 | 3573728 | 83, 92, 101 | 3890021..... | 236 | 3931628 | 112 |
| 3480271 | 345 | 3574091 | 323 | 3890022..... | 236 | 3931824 ... | 331, 333, 335, 337 |
| 3480272 | 327 | 3575359 | 323 | 3890023..... | 236 | 3931840 | 355, 359, 361 |
| 3480278 | 351 | 3575782 | 176 | 3890024..... | 236 | 3932024 | 17 |
| 3510822 | 259 | 3576799 | 285, 312 | 3890025..... | 236 | 3932244 | 341, 343 |
| 3510830 | 259 | 3577121 ... | 312, 315, 317, 319 | 3890026..... | 236 | 3951620 | 248 |
| 3510833 | 259 | 3580134 | 194 | 3890027..... | 236 | 3952020 | 73 |
| 3510833 | 259 | 3580158 | 94, 103 | 3890028..... | 236 | 3960418 | 157, 161 |
| 3510868 | 263 | | | 3890029..... | 236 | | |
| 3510877 | 263 | | | 3890030..... | 236 | | |
| 3510884 | 263 | | | | | | |
| 3520026 | 266 | | | | | | |

PART NUMBER INDEX

| | | | |
|---|--|---|---|
| 3960422.... 197, 201, 207, 215, 402, 420, 422, 440, 442, 460, 461 | 4071041 73 | 4360475 ... 157, 161, 266, 494 | 430, 434, 438, 439, 441, 442, 443, 450, 455, 459, 460, 461, 462 |
| 3960447 187 | 4071042 14 | 4360476 ... 157, 161, 266, 494 | 4460227.... 394, 395, 396, 398, 400, 403, 410, 411, 412, 415, 417, 421, 430, 431, 433, 435, 437, 442, 450, 453, 456, 458, 461 |
| 3960464 176, 177 | 4071044 237 | 4360504 251 | 4460234..... 95, 104, 113, 190, 195, 204, 218, 266, 323 |
| 3960525 145 | 4071045 237 | 4360505 17, 437, 458, 494 | 4460265..... 275, 283 |
| 3960543.84, 94, 103, 112 | 4071046 237 | 4360522 267, 496 | 4460267.... 397, 403, 413, 421, 432, 442, 444, 452, 461, 463 |
| 3960544.84, 94, 103, 112 | 4071048 175 | 4360527 251, 496 | 4460268.... 166, 199, 397, 403, 413, 421, 432, 439, 452, 460 |
| 3960551 18 | 4071049 14 | 4360530 400 | 4460315..... 202, 208, 215 |
| 3960552 18 | 4071050 14 | 4360534 ... 252, 401, 418, 438, 459 | 4460320.... 397, 403, 413, 421, 432, 442, 444, 452, 461, 463 |
| 3980006 65 | 4071054 13 | 4360536 401 | 4460321.... 402, 403, 418, 421, 439, 442, 460 |
| 3990001.... 396, 412, 433, 452, 494 | 4071055 14 | 4360542 189, 194 | 4460346.... 197, 202, 208, 215, 402, 420, 422, 441, 443, 461, 462 |
| 3990010.... 209, 403, 421 | 4071074 267 | 4360543 496 | 4460374.... 209, 217, 403, 413, 421, 423, 433, 441, 442, 452, 461 |
| 4010408 198 | 4120035 ... 396, 412, 433, 453 | 4360545 ... 252, 401, 417, 418, 438, 459 | 4460375.... 209, 217, 403, 413, 421, 423, 433, 441, 452 |
| 4010608 285, 312 | 4120040 238, 501 | 4360548 251, 496 | 4460411..... 210, 218 |
| 4010618 260 | 4120043 238, 501 | 4360549 14, 251 | 4460412..... 210, 218 |
| 4031607 86 | 4130387 17 | 4360578 14, 251, 496 | 4460413..... 210, 218 |
| 4031608 195 | 4130416 17 | 4400439 145 | 4460414..... 210, 218 |
| 4031911 84 | 4160194 ... 174, 180, 186 | 4400440 145 | 4460415..... 210, 218 |
| 4031914 112 | 4160197 237 | 4400457 145, 146 | 4460418.... 394, 396, 410, 412, 430, 433, 450, 453 |
| 4032008 84 | 420165 218 | 4420014 ... 287, 289, 291, 293, 295, 297, 299, 301, 303, 305, 307, 309 | 4460419.... 394, 396, 410, 412, 430, 433, 450, 453 |
| 4032014 112 | 4220162 166, 167 | 4420037 65, 261, 312, 315, 317, 319 | 4460424.... 166, 397, 403, 413, 421, 422, 432, 439, 442, 452, 460, 461 |
| 4032022 94, 103 | 424001883, 92, 101, 109, 197, 201, 215, 248 | 4420038 145 | 4460425.... 198, 203, 208, 216, 403, 422, 423, 442, 443, 461, 462 |
| 4060092.... 402, 420, 440, 460 | 4240032 ... 190, 195, 204, 218, 252 | 4420051 ... 472, 482, 487, 492, 498 | 4460426.... 157, 161, 198, 203, 208, 216, 267, 396, 404, 412, 422, 423, 432, 442, 443, 451, 461, 462 |
| 4060700.... 207, 215, 402, 420, 422, 440 | 4240033.83, 86, 221, 225 | 4420060 53, 190, 195, 204, 218 | 4460428.... 252, 266, 394, 410, 430, 450 |
| 4060802.... 189, 194, 197, 201, 207, 215, 261 | 424009991, 95, 101, 103, 113, 312, 315, 317, 323 | 4420066 ... 287, 289, 291, 293, 295, 297, 299, 301, 303, 305, 307, 309 | 4460434.... 394, 411, 431, 450 |
| 4060803 187 | 4240112 145 | 4420068 323 | 4460449.... 399, 416, 436, 457 |
| 4060804 95, 103, 176, 177, 248 | 4240139 145 | 4460007 266 | 4460458..... 455 |
| 4060805 85, 94, 103 | 4240149 ... 287, 289, 291, 293, 295, 297, 299, 301, 303, 305, 307, 309 | 4460018 ... 190, 195, 204, 218 | 4460464.... 266, 394, 396, 397, 398, 399, 401, 410, 412, 413, 414, 415, 416, 417, 424, 430, 432, 433, 435, 436, 437, 444, 450, |
| 4060806 176, 177 | 4240150 177 | 4460019 413 | |
| 4060808 53 | 4240153 248 | 4460023 195 | |
| 4060906.... 157, 161, 162, 267 | 4240155 14, 248 | 4460027 ... 189, 194, 403, 442 | |
| 4060907 166 | 4240156 248 | 4460049 323 | |
| 4061043.... 208, 215, 422 | 4300157 201, 213 | 4460051 ... 201, 208, 215, 402, 420, 422, 440, 443, 461 | |
| 4070863 237 | 4340923 174 | 4460068 198 | |
| 4070864 237 | 4340924 174 | 4460071 ... 198, 201, 215, 261, 266, 394, 410, 422, 430, 443, 450, 462 | |
| 4070895 237 | 4340995 175 | 4460125 ... 402, 420, 441, 461 | |
| 4070897 237 | 4340996 175 | 4460190 189, 194 | |
| 4070898 237 | 4340999 ... 175, 180, 186 | 4460205 ... 402, 420, 441, 461 | |
| 4070987 158, 162 | 4341001 175 | 4460224 ... 397, 402, 414, 418, 434, 438, 455, 459 | |
| 4071012 237 | 4341158 252 | 4460225 ... 199, 202, 215, 394, 396, 410, 412, 422, 430, 433, 443, 450, 453, 462 | |
| 4071013 237 | 4341264 255 | 4460226 ... 202, 215, 266, 276, 283, 394, 397, 402, 403, 410, 414, 418, 421, 422, 423, | |
| 4071015 237 | 4360031 261 | | |
| 4071016 237 | 4360057 323, 496 | | |
| 4071017 237 | 4360070 ... 198, 203, 208, 216, 496 | | |
| 4071018 237 | 4360232 ... 267, 403, 422, 442, 461, 496 | | |
| 4071019 237 | 4360274 ... 158, 161, 494 | | |
| 4071021 248 | 4360321 251 | | |
| 4071022 248 | 4360322 14, 251 | | |
| 4071023 248 | 4360328 ... 157, 161, 162, 266, 494 | | |
| 4071024 237 | 4360330 266, 494 | | |
| 4071025 237 | 4360331 266, 494 | | |
| 4071026 237 | 4360336 ... 189, 195, 197, 201, 208, 215, 261, 266, 267, 494, 496 | | |
| 4071028 237 | 4360387 ... 266, 268, 494 | | |
| 4071029 237 | 4360407 266, 494 | | |
| 4071031 237 | 4360469 ... 158, 162, 496 | | |
| 4071035 13 | 4360470 ... 158, 162, 496 | | |
| 4071036 13 | | | |
| 4071039 14 | | | |
| 4071040 14 | | | |

PART NUMBER INDEX

| | | | |
|--|---|---|---|
| 451, 452, 453, 454, 456, 457, 458, 460, 462, 463 | 4460709 ... 402, 420, 441, 461 | 434, 435, 436, 452, 453, 455, 456, 457 | 418, 432, 433, 436, 438, 452, 453, 454, 455, 457, 459 |
| 4460465 ... 199, 203, 209, 217, 218, 395, 396, 397, 398, 399, 400, 401, 411, 412, 413, 414, 415, 416, 417, 418, 423, 424, 431, 432, 433, 434, 435, 436, 437, 438, 439, 441, 442, 443, 451, 452, 453, 454, 455, 456, 457, 458, 459, 461, 462 | 4460761 ... 394, 396, 398, 400, 410, 412, 415, 417, 430, 433, 435, 437, 450, 453, 456, 458 | 4460897 ... 399, 416, 424, 432, 436, 444, 451, 457, 459, 463 | 4460943 ... 394, 397, 398, 400, 401, 410, 413, 414, 415, 417, 418, 424, 430, 432, 434, 435, 437, 438, 444, 450, 452, 454, 455, 456, 458, 459, 462 |
| 4460466 ... 395, 397, 398, 399, 400, 401, 411, 413, 414, 415, 416, 417, 418, 424, 431, 432, 433, 434, 435, 436, 437, 438, 444, 450, 451, 452, 453, 454, 455, 456, 457, 458, 459, 462, 463 | 4460807 ... 199, 202, 215 | 4460898 434, 453 | 4460944 ... 396, 397, 398, 399, 400, 401, 412, 413, 414, 415, 416, 417, 418, 424, 432, 433, 434, 435, 436, 437, 438, 444, 452, 453, 454, 455, 456, 457, 458, 459, 462, 463 |
| 4460467 ... 404, 425, 444, 463, 502 | 4460808 ... 199, 202, 215 | 4460905 ... 157, 161, 266, 394, 396, 410, 412, 424, 430, 432, 434, 444, 450, 452, 453, 455, 462 | 4460945 ... 397, 399, 414, 416, 424, 434, 436, 444, 455, 457, 462 |
| 4460470 ... 157, 161, 266, 394, 396, 410, 412, 430, 432, 450, 451 | 4460836 ... 397, 398, 399, 401, 413, 415, 416, 418, 432, 435, 436, 437, 452, 454, 456, 457, 458 | 4460906 403, 421, 442 | 4460950 ... 398, 415, 435, 454, 456 |
| 4460471 ... 157, 161, 266, 394, 396, 410, 412, 430, 432, 450, 451 | 4460837 ... 399, 401, 416, 417, 436, 437, 457, 458 | 4460908 424 | 4460956 ... 210, 218, 423, 444 |
| 4460473 ... 158, 395, 396, 411, 431, 451 | 4460842 ... 397, 413, 433, 452 | 4460909 424 | 4460957 ... 210, 218, 423, 444 |
| 4460483 198 | 4460843 ... 397, 413, 433, 452 | 4460910 ... 401, 418, 438, 459 | 4460958 ... 202, 208, 215, 422, 442 |
| 4460488 ... 221, 225, 266 | 4460865 ... 158, 395, 396, 411, 431, 451 | 4460911 ... 398, 400, 401, 415, 417, 435, 437, 456, 458 | 4460961 ... 403, 421, 442 |
| 4460496 ... 161, 221, 225, 266, 394, 410, 430, 433, 450, 453 | 4460866 ... 394, 396, 410, 412, 430, 433, 450, 453 | 4460912 ... 398, 400, 401, 415, 417, 435, 437, 456, 458 | 4460962 312, 317 |
| 4460497 ... 162, 221, 225, 266, 394, 410, 430, 433, 450, 453 | 4460871 ... 271, 272, 279, 394, 396, 397, 400, 401, 402, 410, 412, 413, 414, 418, 424, 430, 432, 433, 434, 438, 444, 450, 452, 453, 455, 459, 462 | 4460913 ... 401, 418, 438, 459 | 4460963 ... 203, 209, 216, 423, 443, 462 |
| 4460508 ... 394, 396, 397, 410, 412, 414, 430, 433, 450, 453 | 4460872 434, 455 | 4460914 17, 158, 161, 252, 396, 412, 432, 452 | 4460965 ... 396, 397, 412, 413, 414, 432, 433, 452, 453 |
| 4460509 ... 395, 411, 431, 451 | 4460873 ... 394, 396, 410, 412, 430, 433, 450, 453 | 4460915 424 | 4460966 ... 396, 400, 413, 417, 433, 437, 453, 458 |
| 4460510 ... 404, 425, 445, 463, 502 | 4460874 ... 157, 161, 394, 396, 410, 412, 430, 432, 450, 452 | 4460916 424 | 4460967 ... 203, 209, 217, 423, 443, 462 |
| 4460526 ... 157, 161, 396, 412, 432, 452 | 4460875 ... 157, 161, 396, 412, 432, 452 | 4460917 ... 401, 418, 438, 459 | 4460968 14, 195, 252, 420, 441 |
| 4460536 ... 401, 413, 417, 418, 432, 437, 438, 458, 459 | 4460876 ... 394, 396, 410, 412, 430, 433, 450, 452 | 4460918 ... 398, 400, 401, 415, 417, 435, 437, 456, 458 | 4460970 454 |
| 4460539 ... 397, 398, 414, 415, 424, 432, 434, 435, 444, 452, 453, 455, 456, 462 | 4460878 ... 396, 412, 433, 453 | 4460919 ... 395, 411, 431, 450 | 4460971 285, 312 |
| 4460607 210, 218 | 4460879 ... 394, 410, 430, 450 | 4460920 ... 399, 416, 436, 457 | 4460982 454 |
| 4460634 ... 396, 412, 433, 453 | 4460880 ... 209, 397, 398, 399, 413, 414, 415, 416, 432, 435, 436, 451, 452, 456, 457 | 4460921 ... 395, 411, 431, 450 | 4461001 ... 210, 216, 218 |
| 4460635 ... 396, 412, 433, 453 | 4460884 ... 398, 399, 415, 416, 435, 436, 455, 456, 457 | 4460922 ... 399, 416, 436, 457 | 4461005 414, 434 |
| 4460662 420, 440 | 4460887 ... 394, 396, 397, 410, 412, 414, 430, 433, 450, 453 | 4460923 ... 399, 416, 436, 457 | 4461006 414, 434 |
| 4460705 ... 403, 421, 442 | 4460889 397 | 4460924 ... 399, 416, 436, 457 | 4461008 ... 414, 434, 455 |
| 4460708 ... 266, 394, 410, 430, 450 | 4460890 397 | 4460925 ... 395, 411, 431, 450 | 4461052 414, 434 |
| | 4460891 ... 398, 399, 414, 415, 416, 424, 432, 435, 436, 442, 452, 456, 457, 459, 461 | 4460926 ... 399, 416, 436, 457 | 4461053 414, 434 |
| | 4460892 ... 158, 161, 396, 398, 412, 415, 424, 432, 435, 452, 456 | 4460927 ... 399, 416, 436, 457 | 4461054 ... 414, 434, 455, 459 |
| | 4460894 ... 396, 397, 398, 399, 412, 413, 414, 415, 416, 424, 433, | 4460928 ... 399, 416, 436, 457 | 4461060 414, 434 |
| | | 4460929 ... 395, 411, 431, 450 | 4461070 434, 454 |
| | | 4460930 ... 398, 400, 415, 417, 434, 435, 437, 438, 454, 455, 456, 458 | 4461071 ... 414, 434, 455 |
| | | 4460931 ... 432, 452, 454 | 4461072 ... 414, 434, 455 |
| | | 4460932 ... 397, 398, 400, 414, 415, 417, 434, 435, 437, 455, 456, 458, 459 | 4461073 ... 414, 434, 455 |
| | | 4460933 ... 398, 399, 415, 416, 434, 435, 436, 453, 454, 456, 457 | 4461074 ... 414, 434, 455 |
| | | 4460934 ... 398, 399, 415, 416, 435, 436, 454, 456, 457 | 4461095 434, 454 |
| | | 4460935 ... 398, 399, 415, 416, 435, 436, 454, 456, 457 | 4461196 420, 441 |
| | | 4460941 ... 398, 399, 401, 415, 416, 417, 435, 436, 437, 454, 456, 457, 458, 459, 460 | 4461197 421, 441 |
| | | 4460942 ... 396, 397, 399, 401, 412, 413, 416, | 4461198 420, 441 |
| | | | 4461199 420, 441 |
| | | | 4461200 421, 441 |
| | | | 4461201 420, 441 |
| | | | 4461202 420, 441 |

PART NUMBER INDEX

| | | | | | |
|-----------------------|-----------------|---------------------------|---------------------------|-------------------------|----------------|
| 4461203..... | 421, 441 | 112, 175, 180, 186, | 4752000 83, 91, 101, 109 | 4892400..... | 73 |
| 4461204..... | 420, 441 | 187, 197, 202, 208, | 4755000 | 4892600..... | 166, 255 |
| 4461205..... | 420, 441 | 215, 221, 225, 247, | 4760600 ... | 4920044..... | 198 |
| 4461206..... | 421, 441 | 252, 260, 261 | 190, 195, 203, | 4921757.... | 403, 422, 442, |
| 4461207..... | 421, 441 | 2711500 ... | 204, 209, 216, 218 | 461 | |
| 4461244..... | 420, 441 | 17, 53, 65, 83, | 4760800 | 4921850..... | 502 |
| 4461245..... | 420, 441 | 84, 91, 94, 101, 103, | 266 | 4922099.... | 396, 397, 412, |
| 4461246..... | 420, 441 | 112, 153, 155, 167, | 4761000 | 413, 433, 453 | |
| 4461249..... | 420, 441 | 171, 182, 186, 187, | 4761400 | 4922482..... | 403, 421 |
| 4461250..... | 421, 441 | 248, 255, 267 | 4770600 | 4922485..... | 396 |
| 4520261..... | 22 | 4711600 ... | 4791400 65, 94, 103, 112, | 4922641.... | 203, 209, 218, |
| 4530028.... | 312, 315, 317, | 14, 53, 65, 83, | 197, 202, 208, 215 | 403, 421, 423, 441, | |
| 321 | | 84, 92, 94, 101, 103, | 4811600 | 443, 462 | |
| 4562516..... | 248 | 109, 110, 112, 170, | 4811700 | 4922666.... | 267, 394, 410, |
| 4566471..... | 345 | 171, 174, 180, 186, | 86, 260, 285, | 430, 450 | |
| 4568290..... | 355 | 195, 198, 202, 215, | 312 | 4922672.... | 395, 411, 431, |
| 4568291..... | 94 | 237, 238, 248, 252, | 4811900 83, 86, 112, 176, | 451 | |
| 4568292..... | 94 | 255, 355, 359, 361 | 177, 182, 189 | 4922673.... | 395, 411, 431, |
| 4568293..... | 94, 103 | 4711700 ... | 4811902 | 451 | |
| 4568319..... | 341 | 110, 112, 189, | 4812000 | 4922696.... | 398, 414, 435, |
| 4568345..... | 335 | 195 | 4812100 . | 456 | |
| 4568361..... | 355 | 4711800 ... | 83, 85, 86, 109, | 4922700..... | 95 |
| 4568423..... | 237 | 14, 17, 53, 84, | 112 | 4922704..... | 158, 397 |
| 4568426..... | 153 | 94, 103, 170, 171, 263 | 4812200 | 4922705.... | 398, 400, 415, |
| 4568427..... | 153 | 4711900 | 4821397 | 417, 435, 437, 456, 458 | |
| 4568735..... | 86 | 195 | 4831900 | 4922716.... | 398, 415, 435, |
| 4620132..... | 73 | 4712000 14, 84, 287, 291, | 86, 112 | 456 | |
| 4620149..... | 73 | 301 | 4832000 | 4922718.... | 397, 414, 434, |
| 4640438..... | 341, 343 | 4712200 ... | 4846383 | 455 | |
| 4640452..... | 345, 347 | 287, 289, 291, | 4846423 | 4922735..... | 210 |
| 4640509.... | 327, 329, 335, | 293, 295, 297, 299, | 4846429 | 4922738.... | 403, 421, 442, |
| 337, 339, 341, 343 | | 301, 303, 305, 307, 309 | 4846431 | 461 | |
| 4640741..... | 77 | 4712600 | 4846452 | 4922757..... | 217, 423 |
| 4640750..... | 85 | 221, 225 | 4846453 | 4922758.... | 395, 411, 431, |
| 4640751..... | 94, 103, 113 | 4740171 | 4846462 | 451 | |
| 4640858..... | 331, 333 | 110 | 4846465 | 4922759.... | 395, 411, 431, |
| 4640907..... | 53 | 4740181 | 94 | 451 | |
| 4640936..... | 331 | 17 | 4846474 | 4922760.... | 395, 411, 431, |
| 4641114..... | 345, 347 | 4740229 | 4846475 | 451 | |
| 4641155..... | 53 | 4740242 | 4846476 | 4922761.... | 395, 411, 431, |
| 4641210..... | 341, 343 | 4740274 | 4846482 | 451 | |
| 4641221..... | 255 | 94, 103 | 4846483 | 4922762.... | 395, 411, 431, |
| 4641222..... | 65, 69 | 4740362 | 4846484 | 451 | |
| 4641223..... | 53, 54 | 261 | 4846485 | 4922763.... | 395, 411, 431, |
| 4641224..... | 53, 57 | 4740397 ... | 248 | 451 | |
| 4641239..... | 208 | 195, 208, 215 | 4846487 | 4922764.... | 403, 422, 442, |
| 4641247..... | 153, 155 | 4740430 | 175 | 461 | |
| 4641248.... | 335, 337, 339 | 4740444 ... | 4846488 | 4922767.... | 399, 416, 436, |
| 4641255..... | 256 | 157, 161, 162 | 175 | 457 | |
| 4641256.... | 355, 359, 361 | 4740461 | 4846491 | 4922777.... | 399, 416, 436, |
| 4641257..... | 53, 54 | 14 | 4846492 | 457 | |
| 4641260..... | 345, 347 | 4740500 | 17 | 4922778..... | 267, 394 |
| 4641266..... | 255, 256 | 174 | 4846494 | 4922780.... | 398, 415, 435, |
| 4641267..... | 65, 69 | 4740505 | 175 | 456 | |
| 4641268..... | 53, 54 | 17 | 4846516 | 4922781.... | 398, 415, 435, |
| 4641269..... | 53, 57, 59 | 4740509 | 248 | 456 | |
| 4641270..... | 208 | 237 | 4846552 | 4922782..... | 267, 400 |
| 4641276..... | 331, 333 | 4740518 | 94, 103 | 4922783..... | 267, 400 |
| 4641454..... | 53, 61 | 95, 103 | 4846561 | 4922784.... | 399, 415, 436, |
| 4641460..... | 255, 256 | 4750600 ... | 261 | 457 | |
| 4700038..... | 235 | 170, 171, 203, | 4846573 | 4922785.... | 399, 416, 436, |
| 4700039..... | 235 | 209, 216 | 4846627 ... | 457 | |
| 4710400..... | 112 | 4750800 14, 18, 190, 195, | 312, 315, 317, | 4922786.... | 399, 416, 436, |
| 4711000..... | 83, 110, 198, | 204, 218, 266 | 319 | 457 | |
| 216 | | 4751000 ... | 4846637 | 4922787..... | 158, 397 |
| 4711400.... | 53, 54, 65, 83, | 145, 158, 161, | 4846673 | 4922788..... | 209 |
| 84, 91, 92, 101, 109, | | 166, 167, 189, 195, | 4846685 | 4922789..... | 158, 396 |
| | | 198, 215, 259, 266, | 4846753 | | |
| | | 285, 312, 315, 317, 319 | 4846945 | | |
| | | 4751400 85, 94, 103, 112, | 95, 104 | | |
| | | 157, 161, 167, 170, | 4846946 | | |
| | | 180, 187, 195, 208, | 94, 103 | | |
| | | 261, 266, 312, 315, | 4860236 | | |
| | | 317, 319, 323, 467, | 22 | | |
| | | 472, 476, 482, 486, 492 | 4891400 | | |
| | | 4751500 | 4891500 | | |
| | | 85, 166, 174, | 195 | | |
| | | 176, 177, 180, 186, | 4891600 86, 95, 103, 111, | | |
| | | 189, 197, 202, 208, | 238, 248, 255 | | |
| | | 215, 248, 323 | 4891800 85, 95, 103, 111, | | |
| | | 4751600 17, 54, 145, 153, | 170, 171, 198, 202, | | |
| | | 158, 162, 167, 174, | 210, 215, 248, 255, 355 | | |
| | | 180, 186, 189, 208, | 4892000 . | | |
| | | 229, 255, 261, 312, | 21, 22, 73, 112, | | |
| | | 315, 317, 319 | 189, 195, 237 | | |
| | | 4751700 | | | |
| | | 112 | | | |
| | | 4751800 ... | | | |
| | | 149, 181, 186, | | | |
| | | 261, 263, 323 | | | |

PART NUMBER INDEX

| | | | |
|-------------------------------------|--------------------------|----------------------------|------------------------------------|
| 4922795 ... 396, 411, 431, 451 | 70000814 43 | 70001384 202, 214 | 70002137 132 |
| 4922796 ... 396, 411, 431, 451 | 70000815 43 | 70001423 104 | 70002138 132 |
| 4922826 400 | 70000816 43 | 70001435 97, 104 | 70002139 132 |
| 4922833 ... 403, 422, 442, 461 | 70000817 43 | 70001498 105 | 70002140 132 |
| 4922834 ... 403, 422, 442, 461 | 70000818 43 | 70001639 241 | 70002141 132 |
| 4922945 ... 267, 394, 410 | 70000819 43, 44 | 70001640 242 | 70002142 132 |
| 4922947 ... 267, 400, 417, 437, 458 | 70000820 43 | 70001696 202, 214 | 70002143 132 |
| 4922948 ... 267, 400, 417, 437, 458 | 70000821 43 | 70001697 242 | 70002145 132 |
| 4922970 403, 421 | 70000822 43 | 70001847 105 | 70002148 132 |
| 4922972 ... 202, 215, 422, 443, 462 | 70000823 43 | 70001850 96, 104 | 70002150 132 |
| 4923256 ... 400, 417, 437, 458 | 70000824 43 | 70001857 105 | 70002151 132 |
| 4923273 ... 158, 413, 414 | 70000825 43 | 70001866 105 | 70002152 132 |
| 4923286 158, 412 | 70000826 43 | 70001867 97, 105 | 70002153 132 |
| 4923292 158, 413 | 70000827 43 | 70001868 97, 105 | 70002154 132 |
| 4923376 ... 158, 413, 414 | 70000828 43 | 70001869 418, 438 | 70002155 132 |
| 4923448 ... 267, 410, 430, 450 | 70000829 43 | 70001870 105, 114 | 70002156 132 |
| 4923468 95, 103, 419, 439 | 70000830 43 | 70001871 105 | 70002157 132 |
| 4923522 158, 413 | 70000831 43 | 70001872 418, 438 | 70002158 132 |
| 4923574 158, 412 | 70000832 43 | 70001930 57, 59, 69 | 70002159 132 |
| 4923592 95, 104 | 70000833 44 | 70001939 55 | 70002160 132 |
| 4933215 388, 403 | 70000834 44 | 70001941 166 | 70002161 132 |
| 4933216 ... 388, 403, 421 | 70000835 44 | 70001952 126 | 70002162 132 |
| 4933217 95 | 70000836 44 | 70001953 214 | 70002163 132 |
| 4933249 388 | 70000837 44 | 70001955 135, 139 | 70002164 132 |
| 4933253 388 | 70000838 44 | 70001956 135, 139 | 70002165 132 |
| 4933262 388 | 70000839 44 | 70001958 133 | 70002168 133 |
| 4933264 ... 217, 388, 423 | 70000840 44 | 70001966 ... 199, 202, 214 | 70002174 133 |
| 4933267 209, 388 | 70000841 44 | 70001968 121, 127 | 70002175 133 |
| 4933268 388, 397 | 70000842 44 | 70001973 202, 214 | 70002177 133 |
| 4933300 ... 388, 403, 421 | 70000843 44 | 70001974 202, 214 | 70002178 133 |
| 4933340 ... 388, 413, 414 | 70000844 44 | 70001976 55, 69 | 70002179 133 |
| 4933389 ... 388, 413, 414 | 70000845 44 | 70002015 47 | 70002218 96 |
| 5241200 44, 48 | 70000846 44 | 70002016 47 | 70002231 ... 83, 91, 100, 109, 494 |
| 5250608 86 | 70000847 44 | 70002018 47 | 70002235 194 |
| 5250808 86 | 70000848 44 | 70002019 47 | 70002239 194 |
| 70000044 104 | 70000849 44 | 70002020 47 | 7000224 76 |
| 70000068 105 | 70000850 44 | 70002026 47 | 70002240 194 |
| 70000124 194 | 70000852 51 | 70002027 47 | 70002247 47, 48 |
| 70000125 194 | 70000853 51 | 70002029 47 | 70002248 47, 48 |
| 70000126 194 | 70000854 51 | 70002030 47 | 70002249 47, 48 |
| 70000127 194 | 70000855 51 | 70002031 47 | 70002255 214 |
| 70000342 242 | 70000856 51 | 70002032 47 | 70002293 221, 225 |
| 70000345 105, 115 | 70000857 51 | 70002033 47 | 70002294 221, 225 |
| 70000619 ... 201, 209, 213 | 70000858 51 | 70002034 47 | 70002295 221, 225 |
| 70000780 149, 150 | 70000859 51 | 70002035 47 | 70002296 .. 425, 444, 463 |
| 70000793 ... 94, 102, 111 | 70000860 51 | 70002036 47 | 70002297 202, 214 |
| 70000796 242 | 70000861 51 | 70002037 47 | 7000236 76 |
| 70000801 61 | 70000862 51 | 70002039 47 | 7000239 76 |
| 70000802 61 | 70000863 202, 214 | 70002040 47 | 70002393 43 |
| 70000803 61 | 70000866 97, 104 | 70002041 47 | 70002394 43 |
| 70000804 61 | 70000916 97, 104 | 70002044 47 | 70002395 43 |
| 70000805 61 | 70000917 97, 104 | 70002045 47 | 70002396 44 |
| 70000806 61 | 70000918 104 | 70002046 47 | 70002397 44 |
| 70000808 61 | 70000919 104 | 70002047 47 | 70002398 44 |
| 70000809 61 | 70000934 91 | 70002048 47 | 7000240 76 |
| 70000810 43 | 70001017 ... 84, 94, 103 | 70002049 47 | 70002412 339 |
| 70000811 43 | 70001056 66 | 70002050 47 | 70002415 105 |
| 70000812 43 | 70001100 202, 214 | 70002052 47 | 70002416 105 |
| 70000813 43 | 70001101 149, 150 | 70002057 47 | 70002417 105 |
| | 70001102 150 | 70002088 214 | 70002460 202, 214 |
| | 70001124 105 | 70002097 255, 494 | 700025082 104 |
| | 70001125 105 | 7000213 77 | 70002519 57, 59 |
| | 70001126 105 | 70002132 132 | 70002569 128 |
| | 70001128 97, 104 | 70002133 ... 132, 135, 139 | 70002576 143 |
| | 70001129 97, 104 | 70002134 132 | 70002578 135, 139 |
| | 70001130 97, 104 | 70002135 132 | 70002579 135 |
| | 70001131 97, 104 | 70002136 132 | |
| | 70001135 105 | | |

PART NUMBER INDEX

| | | | | | | | |
|----------------|---------------|---------------|---------------|---------------|---------------|---------------|----------|
| 70002580..... | 135, 139 | 70002825 .. | 203, 210, 218 | 70004171 .. | 199, 202, 214 | 70004763..... | 275 |
| 70002581..... | 135 | 70002826 .. | 203, 210, 218 | 70004185..... | 502 | 70004764..... | 275 |
| 70002582..... | 135, 139 | 70002829..... | 87 | 70004186..... | 339 | 70004765..... | 275 |
| 70002583..... | 135, 139 | 70002830..... | 87 | 70004268..... | 105 | 70004766..... | 275 |
| 70002584..... | 135 | 70002831..... | 87 | 70004269..... | 105 | 70004767..... | 275 |
| 70002585..... | 135, 139 | 70002832..... | 87 | 70004271..... | 438 | 70004768..... | 275 |
| 70002586..... | 135, 139 | 70002833..... | 87 | 70004272..... | 105 | 70004769..... | 275 |
| 70002587..... | 135 | 70002834..... | 87 | 70004275..... | 114 | 70004770..... | 275 |
| 70002588..... | 135, 139 | 70002835..... | 87 | 70004277..... | 115 | 70004771..... | 275 |
| 70002589..... | 135, 139 | 70002837..... | 87 | 70004279..... | 116 | 70004772..... | 275 |
| 70002590..... | 135, 139 | 70002859..... | 241 | 70004280..... | 114 | 70004773..... | 275 |
| 70002591..... | 136 | 7000287..... | 76 | 70004282..... | 115 | 70004774..... | 275 |
| 70002592..... | 136, 140 | 7000288..... | 76 | 70004284..... | 116 | 70004775..... | 275 |
| 70002593..... | 136, 140 | 70002902..... | 261 | 70004292..... | 105 | 70005153..... | 339 |
| 70002594..... | 136 | 70002903..... | 261 | 70004313..... | 104 | 70005230..... | 283 |
| 70002595..... | 136 | 70002904..... | 261 | 70004328..... | 255 | 70005418..... | 140 |
| 70002596..... | 135 | 70002905..... | 261 | 70004414..... | 145 | 70005433..... | 359, 361 |
| 70002597..... | 136 | 70002906..... | 272 | 70004416..... | 139 | 70005445..... | 116 |
| 70002598..... | 136 | 70003163..... | 120 | 70004417..... | 139 | 7000625..... | 261 |
| 70002599..... | 136, 140 | 70003164..... | 120 | 70004420..... | 139 | 70006359..... | 329 |
| 70002600..... | 132 | 70003165..... | 122 | 70004421..... | 139 | 70006360..... | 329 |
| 70002601..... | 132 | 70003166..... | 122 | 70004422..... | 140 | 70006361..... | 329 |
| 70002602..... | 132 | 70003167..... | 121, 122 | 70004423..... | 139 | 70006362..... | 329 |
| 70002604..... | 132 | 70003168..... | 121, 122 | 70004426..... | 139 | 70006363..... | 329 |
| 70002605..... | 133 | 70003169..... | 121, 122 | 70004501..... | 115 | 70006473..... | 333 |
| 70002606..... | 133 | 70003170..... | 122 | 70004502..... | 115 | 70006474..... | 333 |
| 70002607..... | 133 | 70003172..... | 121 | 70004503..... | 115 | 70006490..... | 353 |
| 70002609..... | 133 | 70003173..... | 120 | 70004646..... | 502 | 70006491..... | 353 |
| 70002610..... | 133 | 70003174..... | 120 | 70004647..... | 502 | 70006492..... | 353 |
| 70002612..... | 133 | 70003175..... | 120 | 70004648..... | 502 | 70006493..... | 353 |
| 70002616..... | 133 | 70003176..... | 120 | 70004676..... | 199 | 70006520..... | 333 |
| 70002617..... | 133 | 70003177..... | 120 | 70004677..... | 199 | 70006523..... | 347 |
| 70002618..... | 132 | 70003407 .. | 402, 439, 460 | 70004678..... | 199 | 70006524..... | 347 |
| 70002619..... | 132 | 70003450..... | 202 | 70004679..... | 199 | 70006525..... | 347 |
| 70002620..... | 132 | 70003451..... | 202 | 70004680..... | 199 | 70006526..... | 347 |
| 70002621..... | 133 | 70003452..... | 202 | 70004681..... | 199 | 70006527..... | 343 |
| 70002622..... | 133 | 70003472..... | 104 | 70004682..... | 199 | 70006528..... | 343 |
| 70002623..... | 133 | 70003473..... | 104 | 70004683..... | 199 | 70006529..... | 343 |
| 70002674..... | 47 | 70003475..... | 105 | 70004684..... | 199 | 70006530..... | 343 |
| 70002675..... | 96, 105 | 70003483..... | 261 | 70004685..... | 199 | 70006547..... | 337 |
| 70002676..... | 96, 105 | 70003523..... | 77 | 70004686..... | 199 | 70006548..... | 337 |
| 70002677..... | 96, 105 | 70003524..... | 76, 77 | 70004687..... | 199 | 70006549..... | 337 |
| 70002678..... | 96 | 70003555..... | 84 | 70004738..... | 283 | 70006550..... | 337 |
| 70002718..... | 97, 105, 114 | 70003617..... | 221, 225 | 70004739..... | 283 | 70006631..... | 361 |
| 70002724..... | 279 | 70003628..... | 51 | 70004740..... | 283 | 70006656..... | 359 |
| 70002725..... | 279 | 70003629..... | 77 | 70004741..... | 283 | 70006657..... | 359, 361 |
| 70002726..... | 279 | 70003631 .. | 202, 209, 214 | 70004742..... | 283 | 70006658..... | 359, 361 |
| 70002727..... | 279, 280 | 70003708..... | 199, 214 | 70004743..... | 283 | 70006659..... | 359 |
| 70002728..... | 279 | 70003709..... | 199, 214 | 70004744..... | 283 | 70006697..... | 361 |
| 70002729..... | 280 | 70003784..... | 266 | 70004745..... | 283 | 70006698..... | 361 |
| 70002730..... | 271 | 70003913 .. | 246, 247, 494 | 70004746..... | 283 | 70007015..... | 339 |
| 70002731..... | 271 | 70003914..... | 246, 247 | 70004747..... | 283 | 70007016..... | 339 |
| 70002732..... | 271 | 70003915..... | 246, 247 | 70004748..... | 283 | 70007017..... | 339 |
| 70002733..... | 271 | 70003917..... | 246, 494 | 70004749..... | 283 | 70007018..... | 339 |
| 70002734..... | 271 | 70003918..... | 246 | 70004750..... | 283 | 70007019..... | 339 |
| 70002735..... | 272 | 70004058..... | 105 | 70004751..... | 283 | 70007020..... | 339 |
| 70002758..... | 70 | 70004061..... | 438 | 70004752..... | 275 | 7000731..... | 77 |
| 70002759..... | 69, 70 | 70004092..... | 199, 214 | 70004753..... | 275 | 70007439..... | 133 |
| 70002760..... | 70 | 70004093..... | 214 | 70004754..... | 275 | 7000872..... | 96, 97 |
| 7000281..... | 76 | 70004094..... | 214 | 70004755..... | 275 | 7001900..... | 76 |
| 70002818... .. | 203, 210, 218 | 70004095..... | 214 | 70004756..... | 275 | 7001902..... | 76 |
| 70002819... .. | 203, 210, 218 | 70004096..... | 214 | 70004757..... | 275 | 7001904..... | 76 |
| 70002820... .. | 203, 210, 218 | 70004097..... | 214 | 70004758..... | 275 | 7001906..... | 76 |
| 70002821... .. | 203, 210, 218 | 70004098..... | 199, 214 | 70004759..... | 275 | 7001917..... | 76 |
| 70002822... .. | 203, 210, 218 | 70004099..... | 199, 214 | 70004760..... | 275 | 7001918..... | 76 |
| 70002823... .. | 203, 210, 218 | 70004169..... | 214 | 70004761..... | 275 | 7001920..... | 76 |
| 70002824... .. | 203, 210, 218 | 70004170..... | 202 | 70004762..... | 275 | 7001921..... | 76 |

PART NUMBER INDEX

| | | | | | | | |
|---------------|---------------|---------------|----------------------------|--------------|-------------------------|--------------|-------------|
| 7001922..... | 76 | 70025163..... | 114 | 7007426..... | 136 | 7016372..... | 166 |
| 7001923..... | 76 | 70025164..... | 115 | 7007427..... | 136 | 7016374..... | 170 |
| 7001924..... | 76 | 70025171..... | 114 | 7007429..... | 136 | 7016380..... | 166 |
| 7001926..... | 76 | 70025176..... | 114 | 7007437..... | 51 | 7016399..... | 261 |
| 7001927..... | 76 | 70025177..... | 115 | 7007438..... | 51 | 7016628..... | 166 |
| 7001928..... | 76 | 70025178..... | 115 | 7007439..... | 51 | 7016654..... | 502 |
| 7001929..... | 76 | 70025179..... | 115 | 7007446..... | 51, 132, 135, 139 | 7016655..... | 502 |
| 70020329..... | 121 | 70025180..... | 115 | 7007489..... | 143 | 7016769..... | 66 |
| 70020336..... | 122 | 70025181..... | 115 | 7007645..... | 76 | 7017072..... | 76 |
| 70020808 .. | 424, 444, 462 | 70025182..... | 115 | 7007646..... | 76 | 7017082..... | 76 |
| 70021867..... | 120, 127 | 70025183..... | 115 | 7007648..... | 76 | 7017085..... | 77 |
| 70022286..... | 135, 139 | 70025184..... | 115 | 7010467..... | 76 | 7017142..... | 242 |
| 70022287..... | 135 | 70025190..... | 114 | 7010543..... | 61 | 7017158..... | 242 |
| 70023592..... | 113 | 70025200..... | 115 | 7010545..... | 341, 343 | 7017159..... | 242 |
| 70023593..... | 113 | 70025202..... | 114 | 7010795..... | 77 | 7017162..... | 241 |
| 70024190..... | 113, 496 | 70025203..... | 115 | 7011016..... | 66 | 7017163..... | 241 |
| 70024473..... | 115 | 70025204..... | 114 | 7011043..... | 66 | 7017164..... | 241 |
| 70024484..... | 115 | 70025205..... | 114 | 7011044..... | 66 | 7017184..... | 242 |
| 70024486..... | 115 | 70025206..... | 114 | 7011048..... | 66 | 7017185..... | 242 |
| 70024488..... | 114 | 70025207..... | 114 | 7011062..... | 66 | 7017187..... | 241 |
| 70024503..... | 116 | 70025208..... | 114 | 7011311..... | 69, 256 | 7017188..... | 241 |
| 70024504..... | 115 | 70025210..... | 115 | 7011320..... | 77 | 7017191..... | 241 |
| 70024507..... | 116 | 70025231..... | 115 | 7011326..... | 25, 32 | 7017195..... | 241 |
| 70024513..... | 115 | 70025235..... | 115 | 7011346..... | 54, 57, 59, 69, 256 | 7017402..... | 256 |
| 70024517..... | 114 | 70025239..... | 115 | 7011354..... | 69, 494 | 7017405..... | 61 |
| 70024904..... | 114 | 70025477..... | 115 | 7011355..... | 57, 59, 256 | 7017451..... | 69, 494 |
| 70024905..... | 114 | 70025533..... | 115 | 7011373..... | 256 | 7017495..... | 69 |
| 70024906..... | 114 | 7002821 ... | 404, 425, 444, 463, 502 | 7012513..... | 189, 194 | 7018900..... | 57, 59 |
| 70024907..... | 114 | 7002822..... | 502 | 7012514..... | 189, 194 | 7018936..... | 128 |
| 70024910..... | 115 | 7002823 ... | 404, 425, 444, 463, 502 | 7012558..... | 189, 194 | 7018942..... | 69 |
| 70024912..... | 115 | 7002828 ... | 404, 425, 445, 463, 502 | 7012704..... | 29, 33, 39 | 7018991..... | 55, 69, 494 |
| 70024915..... | 115 | 7003655 .. | 84, 93, 102, 496 | 7012706.. | 29, 33, 39, 120, 126 | 7019103..... | 279 |
| 70024917..... | 116 | 7003657..... | 194 | 7012709..... | 120, 126 | 7019110..... | 279 |
| 70024918..... | 116 | 7003928..... | 271 | 7012715... | 29, 34, 39, 126 | 7019111..... | 271, 279 |
| 70024919..... | 116 | 7003933..... | 279 | 7012716..... | 29, 33, 39 | 7019112..... | 279 |
| 70024920..... | 115, 116 | 7003935..... | 279 | 7012773..... | 55, 69 | 7019114..... | 279 |
| 70024924..... | 114 | 7003941..... | 279 | 7012907..... | 53 | 7019115..... | 279 |
| 70024925..... | 114 | 7003946..... | 279 | 7012941..... | 53, 61 | 7019122..... | 271 |
| 70024961..... | 115 | 7003953..... | 271 | 7012942..... | 61 | 7019123..... | 271 |
| 70025076..... | 114 | 7003969..... | 279 | 7012944 .. | 53, 61, 256, 494 | 7019141..... | 271 |
| 70025080..... | 114 | 7003972..... | 280 | 7012955..... | 61 | 7019142..... | 271 |
| 70025082..... | 114 | 7003973..... | 280 | 7012967..... | 61, 345, 347 | 7019143..... | 271 |
| 70025084..... | 115 | 7003976..... | 271 | 7012998..... | 61 | 7019144..... | 271 |
| 70025088..... | 114 | 7003977..... | 271 | 7013711..... | 66 | 7019145..... | 271 |
| 70025091..... | 114 | 7003980..... | 280 | 7013715..... | 66 | 7019147..... | 271 |
| 70025103..... | 115 | 7003982..... | 280 | 7013716..... | 66 | 7019149..... | 271 |
| 7002511..... | 114 | 7003983..... | 280 | 7013753..... | 66 | 7019150..... | 271 |
| 70025112..... | 115 | 7003986..... | 279 | 7014801..... | 146 | 7019151..... | 279 |
| 70025135..... | 114 | 7003989..... | 280 | 7014802..... | 146 | 7019154..... | 279 |
| 70025136..... | 114 | 7003992..... | 271, 279 | 7014811..... | 146 | 7019155..... | 279 |
| 70025137..... | 114 | 7003993..... | 271, 279 | 7014812..... | 146 | 7019160..... | 279 |
| 70025140..... | 115 | 7003994..... | 279 | 7014813..... | 146 | 7019161..... | 279 |
| 70025142..... | 115 | 7004035..... | 77 | 7014816..... | 146 | 7019162..... | 279 |
| 70025143..... | 115 | 7004043..... | 77 | 7014819..... | 146 | 7019164..... | 280 |
| 70025144..... | 115 | 7004044..... | 77 | 7015003..... | 84 | 7019165..... | 280 |
| 70025145..... | 115 | 7004275..... | 502 | 7015013..... | 84 | 7019166..... | 280 |
| 70025146..... | 115 | 7004276..... | 502 | 7015014..... | 84 | 7019167..... | 280 |
| 70025149..... | 116 | 7004453..... | 77 | 7015015..... | 84 | 7019168..... | 279 |
| 70025151..... | 115 | 7007207 ... | 132, 135, 139 | 7016314..... | 146 | 7019171..... | 271 |
| 70025152..... | 114 | 7007415 ... | 133, 135, 136, 139, 140 | 7016319..... | 166 | 7019174..... | 271 |
| 70025153..... | 115 | 7007418..... | 132 | 7016322..... | 170 | 7019177..... | 271 |
| 70025154..... | 115 | 7007419..... | 132 | 7016328 .. | 96, 97, 104, 496 | 7019194..... | 280 |
| 70025155..... | 115 | 7007420..... | 51 | 7016331..... | 96, 104, 114, 496 | 7019196..... | 280 |
| 70025156..... | 115 | | | | | 7019197..... | 271 |
| 70025160..... | 115 | | | | | 7019680..... | 189, 194 |
| 70025161..... | 115 | | | | | 7020020..... | 91 |
| 70025162..... | 114 | | | | | 7020043..... | 145 |

PART NUMBER INDEX

| | | | | | | | |
|--------------|----------------------|--------------|---------------------------------|--------------|----------|--------------|--------------------------|
| 7020108..... | 189, 194 | 7022560..... | 25, 32, 38 | 7024071..... | 121, 127 | 7024444..... | 146, 494 |
| 7020109..... | 189, 194 | 7022561..... | 38 | 7024072..... | 121, 127 | 7024445..... | 146 |
| 7020110..... | 189, 194 | 7022564..... | 25, 32, 38 | 7024073..... | 121, 127 | 7024446..... | 146 |
| 7020111..... | 189, 194 | 7022567..... | 25, 32, 38 | 7024075..... | 121, 127 | 7024452..... | 167, 261 |
| 7020168..... | 96 | 7022568..... | 25, 32, 38 | 7024076..... | 121, 127 | 7024453..... | 77 |
| 7020175..... | 157, 161, 266 | 7022572..... | 25, 32 | 7024077..... | 121, 127 | 7024461..... | 149 |
| 7020176..... | 157, 161, 266 | 7022573..... | 25, 33, 38 | 7024079..... | 121 | 7024462..... | 321 |
| 7020190..... | 189, 194 | 7022574..... | 26, 33, 38 | 7024080..... | 121, 128 | 7024463..... | 321 |
| 7020191..... | 194 | 7022575..... | 26, 33 | 7024081..... | 121, 128 | 7024467..... | 321 |
| 7020192..... | 194 | 7022576..... | 26, 33 | 7024083..... | 128 | 7024469..... | 321 |
| 7020193..... | 421, 442 | 7022577..... | 26, 33, 38 | 7024084..... | 128 | 7024470..... | 321 |
| 7020256..... | 146 | 7022578..... | 26, 33, 38 | 7024085..... | 128 | 7024471..... | 321 |
| 7020404..... | 114 | 7022579..... | 26, 33, 39 | 7024086..... | 128 | 7024472..... | 321 |
| 7020411..... | 96, 97 | 7022580..... | 26, 33 | 7024087..... | 128 | 7024473..... | 321 |
| 7020414..... | 96, 97, 104 | 7022581..... | 26, 33, 39 | 7024088..... | 128 | 7024474..... | 321 |
| 7020449..... | 96 | 7022608..... | 133 | 7024089..... | 128 | 7024475..... | 321 |
| 7020458..... | 96, 97 | 7022808..... | 271 | 7024097..... | 127 | 7024478..... | 321 |
| 7020459..... | 97, 105 | 7022812..... | 279, 280 | 7024135..... | 77 | 7024485..... | 202, 209, 214 |
| 7020461..... | 96, 97 | 7022814..... | 271 | 7024182..... | 76, 77 | 7024486..... | 210 |
| 7020464..... | 96, 97 | 7022815..... | 271 | 7024183..... | 76 | 7024488..... | 201, 209, 213 |
| 7020465..... | 96, 104, 114 | 7022816..... | 271 | 7024184..... | 76 | 7024489..... | 201, 209, 213 |
| 7020468..... | 96, 104 | 7022817..... | 271 | 7024185..... | 76 | 7024565..... | 96, 97, 105 |
| 7020471..... | 96, 97, 104 | 7022818..... | 271 | 7024186..... | 77 | 7024570..... | 57, 59, 69 |
| 7020479..... | 96, 97, 105 | 7022819..... | 271, 272, 402, 418, 438, 459 | 7024188..... | 76, 77 | 7024571..... | 57, 59, 69, 256, 494 |
| 7020480..... | 96 | 7022822..... | 279 | 7024189..... | 77 | 7024572..... | 256 |
| 7020483..... | 96 | 7022823..... | 279 | 7024190..... | 78 | 7024573..... | 69 |
| 7020484..... | 96 | 7022824..... | 279, 402, 418, 438, 459 | 7024191..... | 77 | 7024574..... | 69 |
| 7020485..... | 96 | 7022825..... | 402, 418, 438, 459 | 7024192..... | 77 | 7024579..... | 97, 105, 114 |
| 7020486..... | 96, 97, 104 | 7023206..... | 91 | 7024193..... | 77, 78 | 7024580..... | 90, 100, 418, 439 |
| 7020488..... | 96, 402 | 7023207..... | 91 | 7024194..... | 78 | 7024581..... | 83, 90, 101, 419, 439 |
| 7020492..... | 115 | 7023208..... | 91 | 7024196..... | 78 | 7024582..... | 90, 101, 419, 439 |
| 7021249..... | 51 | 7023209..... | 146 | 7024197..... | 77, 78 | 7024583..... | 90, 101, 419, 439 |
| 7021256..... | 133 | 7023210..... | 146 | 7024362..... | 246, 247 | 7024584..... | 90, 101, 419, 439 |
| 7021265..... | 133 | 7023211..... | 146 | 7024363..... | 246, 247 | 7024598..... | 170 |
| 7021275..... | 51, 132, 136, 140 | 7023212..... | 127 | 7024364..... | 246, 247 | 7024763..... | 76 |
| 7021293..... | 133 | 7023213..... | 256 | 7024365..... | 13, 494 | 7024800..... | 133 |
| 7021326..... | 38 | 7023214..... | 135, 139 | 7024366..... | 13 | 7024865..... | 51 |
| 7021354..... | 26, 33 | 7023215..... | 135, 136, 139, 140 | 7024367..... | 246 | 7024867..... | 51 |
| 7021375..... | 69 | 7023216..... | 140 | 7024368..... | 246 | 7024868..... | 51 |
| 7021388..... | 25, 32, 38 | 7023217..... | 128 | 7024374..... | 146 | 7024905..... | 121 |
| 7021636..... | 69 | 7023218..... | 128 | 7024375..... | 146, 494 | 7024906..... | 121, 127, 128 |
| 7022207..... | 66 | 7023219..... | 25, 26, 32, 33, 38, 39 | 7024379..... | 77 | 7024907..... | 121 |
| 7022215..... | 66 | 7023220..... | 25, 26, 32, 33, 38, 39 | 7024380..... | 77 | 7024908..... | 121, 127 |
| 7022227..... | 66 | 7023221..... | 25, 26, 32, 33, 38, 39 | 7024381..... | 77 | 7024909..... | 121 |
| 7022228..... | 66 | 7023222..... | 26, 33, 39 | 7024389..... | 77 | 7024910..... | 121, 128 |
| 7022229..... | 66 | 7023223..... | 26, 33 | 7024390..... | 77 | 7024911..... | 121, 127 |
| 7022230..... | 66 | 7023224..... | 29, 33, 34, 39, 40 | 7024391..... | 77 | 7024913..... | 120, 126 |
| 7022231..... | 66 | 7023225..... | 29, 33, 39 | 7024392..... | 77 | 7024914..... | 126 |
| 7022300..... | 133 | 7023226..... | 29, 33, 39, 120, 126 | 7024393..... | 77 | 7024915..... | 126 |
| 7022301..... | 132 | 7023227..... | 29, 33, 39 | 7024394..... | 77 | 7024916..... | 126 |
| 7022311..... | 51 | 7023228..... | 29, 34, 39 | 7024395..... | 77 | 7024917..... | 120, 126 |
| 7022314..... | 51 | 7023229..... | 29, 34, 40 | 7024401..... | 149 | 7024918..... | 120, 126 |
| 7022321..... | 51 | 7023230..... | 126, 127 | 7024402..... | 149 | 7024919..... | 126 |
| 7022340..... | 135, 139 | 7023231..... | 126, 127 | 7024403..... | 149 | 7024920..... | 120, 126 |
| 7022368..... | 51 | 7023232..... | 120, 126 | 7024404..... | 149 | 7024921..... | 126 |
| 7022371..... | 51 | 7023233..... | 38 | 7024413..... | 96 | 7024922..... | 120, 126 |
| 7022509..... | 26, 33 | 7023234..... | 120, 127 | 7024415..... | 349 | 7024924..... | 69 |
| 7022535..... | 25, 32, 38 | 7023235..... | 120, 126 | 7024416..... | 349 | 7024925..... | 69 |
| 7022536..... | 25, 26, 32, 33 | 7023236..... | 120, 126 | 7024417..... | 349 | 7024927..... | 55 |
| 7022537..... | 25, 32, 38 | 7023237..... | 120, 127 | 7024418..... | 349 | 7024932..... | 59 |
| 7022538..... | 25, 32, 38 | 7023238..... | 120, 127 | 7024419..... | 349 | 7024950..... | 120 |
| 7022540..... | 25, 26, 32, 33 | 7023239..... | 120, 127 | 7024420..... | 349 | | |
| 7022546..... | 25, 32, 38 | 7023240..... | 121, 127 | 7024439..... | 146 | | |
| 7022550..... | 25, 32, 38 | 7023241..... | 128 | 7024440..... | 146 | | |
| 7022556..... | 25, 32, 38 | 7023242..... | 128 | 7024441..... | 146 | | |
| 7022559..... | 25, 32, 38 | 7023243..... | 127 | 7024442..... | 146 | | |
| | | 7023244..... | | 7024443..... | 146 | | |

PART NUMBER INDEX

| | | | |
|--------------------------|----------------------------|----------------------------------|---|
| 7024966 25, 32, 38 | 7026029 149, 150 | 7027236.....97, 104 | 77363245..... 424 |
| 7024967 25, 32, 38 | 7026030 149, 150 | 7027237.....96 | 80334251..... 149, 150 |
| 7024968 25, 32, 38 | 7026031 149, 150, 496 | 7027238.....97 | 80484084..... 454 |
| 7024969 26, 33, 39 | 7026032 149, 150 | 7027239.....97 | 80934174..... 121 |
| 7024970 38 | 7026034 149 | 7027240.....97, 105 | 80983191..... 454 |
| 7024971 38 | 7026188 202, 214 | 7027241.....97 | 8229242 454 |
| 7024972 38 | 7026189 149 | 7027276.....97, 105 | 8303541 86 |
| 7024973 38 | 7026571 146 | 7027412.....85 | 8310070 252 |
| 7024974 38 | 7026597 202, 214 | 7027614.....96 | 8310129 ... 287, 291, 301 |
| 7024975 38 | 7026608 97, 105 | 7027615.....96 | 8310230 ... 289, 293, 295, 297, 299, 303, 305, 307, 309 |
| 7024976 38, 39 | 7026626 214 | 7027616.....96 | 8310658 181, 186 |
| 7026000 69 | 7026802 87 | 7027740.....51 | 8405006 109, 110, 114 |
| 7026001 69 | 7026803 87 | 7027773.....321 | 8405007 113 |
| 7026002 69 | 7026804 87 | 7027774.....321 | 8405104 85 |
| 7026003 69 | 7026805 87 | 7027775.....321 | 8405201 112 |
| 7026004 69 | 7026811 87, 496 | 7027776.....321 | 8405204 112 |
| 7026005 69 | 7026812 87 | 7027777.....321 | 8406101 86 |
| 7026006 69 | 7026813 87 | 7027778.....321 | 8406102 113 |
| 7026007 69 | 7026820 87 | 7027779.....321 | 8406105 86 |
| 7026008 69 | 7026821 87 | 7027780.....321 | 8406112 113 |
| 7026012 57, 59 | 7026822 87 | 7027790.....97, 105 | 8406302 111 |
| 7026016 69 | 7026829 87 | 7027791.....97, 105 | 8410013 95, 104, 112 |
| 7026018 256 | 7026830 87, 496 | 7027792.....97, 105 | 8580420 54 |
| 7026019 256 | 7026833 87 | 7027795.....105 | 88662523 187 |
| 7026020 256 | 7026839 87 | 7027796.....97, 105, 418, 438 | 91083128 85 |
| 7026021 256 | 7027034 83, 439 | 7027799 202, 214 | 91143339 454 |
| 7026022 256 | 7027035 83, 439 | 7027887.....189, 194 | 91143340 454 |
| 7026023 256 | 7027039 83, 439 | 7029593.....66 | 91403230 .. 472, 482, 492 |
| 7026024 256 | 7027042 110, 460 | 7733233.....199 | 91403244 85 |
| 7026025 57, 59 | 7027043 110, 460 | 77363233.....462 | 91563070 112 |
| 7026026 57, 59 | 7027044 110, 460 | 77363243.....424 | 9984273 268 |
| 7026027 57, 59 | 7027045 110, 460 | 77363244...424, 444, 462 | |
| 7026028 54 | 7027235 96, 104 | | |

PARTS FINDER

**Search Website
by Part Number**



**Search Manual
Library For Parts
Manual & Lookup Part
Numbers – Purchase
or Request Quote**

Search Manuals

Part Number:

Serial Number:

Make:

Model:

Part Name:

Quantity:

Submit

**Can't Find Part or
Manual? Request Help
by Manufacturer,
Model & Description**

Parts Order Form

Manufacturer:

Model:

Description:

Quantity:

Submit

Discount-Equipment.com is your online resource for quality parts & equipment.

Florida: **561-964-4949** Outside Florida TOLL FREE: **877-690-3101**

Need parts?

Click on this link: <http://www.discount-equipment.com/category/5443-parts/> and choose one of the options to help get the right parts and equipment you are looking for. Please have the machine model and serial number available in order to help us get you the correct parts. If you don't find the part on the website or on one of the online manuals, please fill out the request form and one of our experienced staff members will get back to you with a quote for the right part that your machine needs.

We sell worldwide for the brands: Genie, Terex, JLG, MultiQuip, Mikasa, Essick, Whiteman, Mayco, Toro Stone, Diamond Products, Generac Magnum, Airman, Haulotte, Barreto, Power Blanket, Nifty Lift, Atlas Copco, Chicago Pneumatic, Allmand, Miller Curber, Skyjack, Lull, Skytrak, Tsurumi, Husquvarna Target, Stow, Wacker, Sakai, Mi-T-M, Sullair, Basic, Dynapac, MBW, Weber, Bartell, Bennar Newman, Haulotte, Ditch Runner, Menegotti, Morrison, Contec, Buddy, Crown, Edco, Wyco, Bomag, Laymor, EZ Trench, Bil-Jax, F.S. Curtis, Gehl Pavers, Heli, Honda, ICS/PowerGrit, IHI, Partner, Imer, Clipper, MMD, Koshin, Rice, CH&E, General Equipment, Amida, Coleman, NAC, Gradall, Square Shooter, Kent, Stanley, Tamco, Toku, Hatz, Kohler, Robin, Wisconsin, Northrock, Oztec, Toker TK, Rol-Air, APT, Wylie, Ingersoll Rand / Doosan, Innovatech, Con X, Ammann, Mecalac, Makinex, Smith Surface Prep, Small Line, Wanco, Yanmar