



Illustrated Parts Manual

Models **800S** **860SJ**

SN 0300140000 through
0300182743

&

SN B300000100 through
B300001091

P/N

3121270

August 31, 2018 - Rev N

ANSI

CE



An Oshkosh Corporation Company

PARTS FINDER

**Search Website
by Part Number**



**Search Manual
Library For Parts
Manual & Lookup Part
Numbers – Purchase
or Request Quote**

**Can't Find Part or
Manual? Request Help
by Manufacturer,
Model & Description**

Discount-Equipment.com is your online resource for quality parts & equipment.

Florida: **561-964-4949** Outside Florida TOLL FREE: **877-690-3101**

Need parts?

Click on this link: <http://www.discount-equipment.com/category/5443-parts/> and choose one of the options to help get the right parts and equipment you are looking for. Please have the machine model and serial number available in order to help us get you the correct parts. If you don't find the part on the website or on one of the online manuals, please fill out the request form and one of our experienced staff members will get back to you with a quote for the right part that your machine needs.

We sell worldwide for the brands: Genie, Terex, JLG, MultiQuip, Mikasa, Essick, Whiteman, Mayco, Toro Stone, Diamond Products, Generac Magnum, Airman, Haulotte, Barreto, Power Blanket, Nifty Lift, Atlas Copco, Chicago Pneumatic, Allmand, Miller Curber, Skyjack, Lull, Skytrak, Tsurumi, Husquvarna Target, Stow, Wacker, Sakai, Mi-T-M, Sullair, Basic, Dynapac, MBW, Weber, Bartell, Bennar Newman, Haulotte, Ditch Runner, Menegotti, Morrison, Contec, Buddy, Crown, Edco, Wyco, Bomag, Laymor, EZ Trench, Bil-Jax, F.S. Curtis, Gehl Pavers, Heli, Honda, ICS/PowerGrit, IHI, Partner, Imer, Clipper, MMD, Koshin, Rice, CH&E, General Equipment, Amida, Coleman, NAC, Gradall, Square Shooter, Kent, Stanley, Tamco, Toku, Hatz, Kohler, Robin, Wisconsin, Northrock, Oztec, Toker TK, Rol-Air, APT, Wylie, Ingersoll Rand / Doosan, Innovatech, Con X, Ammann, Mecalac, Makinex, Smith Surface Prep, Small Line, Wanco, Yanmar

REVISION LOG

NOTES:

Note: USA Built Machines With SNs 0300174290, 030180894 & 0300181347 also built to the same specs as USA Built Machines SN 0300182743 to Present - Use Parts Manual P/N 3121632.

Note: The 800S & 860SJ Boom Lifts are manufactured by JLG Industries in the following countries: USA and China. Refer to the Serial Number Tag to identify the country of manufacture. The country of manufacture may be determined by the Serial Number. Machines manufactured in the USA will have a serial number prefix of 03 (i.e. 03XXXXXXXX). Machines manufactured in the China will have a serial number prefix of B3 (i.e. B3XXXXXXXX).

REVISION LOG:

April 21, 2011 - A - Original Issue Of Manual (Edited to B/M 0010575 Revision 124)

July 22, 2011 - B - Revised Manual (Edited to B/M 0010575 Revision 127)

October 14, 2011 - C - Revised Manual (Edited to B/M 0010575 Revision D)

January 10, 2012 - D - Revised Manual (Edited to B/M 0010575 Revision D)

June 15, 2012 - E - Revised Manual (Edited to B/M 0010575 Revision E)

August 2, 2012 - F - Revised Manual (Edited to B/M 0010575 Revision E)

January 4, 2013 - G - Revised Manual (Edited to B/M 0010575 Revision E)

April 2, 2013 - H - Revised Manual (Edited to B/M 0010575 Revision E)

June 28, 2013 - I - Revised Manual (Edited to B/M 0010575 Revision E)

September 23, 2013 - J - Revised Manual (Edited to B/M 0010575 Revision E)

January 17, 2014 - K - Revised Manual (Edited to B/M 0010575 Revision AL)

October 6, 2014 - L - Revised Manual

December 15, 2015 - M - Revised Manual (Revision 3)

August 31, 2018 - N - Revised Manual

GENERAL INFORMATION

SECTION 6 CYLINDER

FIGURE 6-3. LIFT CYLINDER ASSEMBLY

PG# Model Designation Manual #

SECTION 6 CYLINDER

FIGURE 6-3. LIFT CYLINDER ASSEMBLY

ITEM #	PART NUMBER	QTY.	DESCRIPTION	REV.
	1001140104	Ref.	LIFT CYLINDER ASSEMBLY	B
1	0100011	AR	Compound, Locking	
2	0630535	3	Capscrew 1/4-20 x 1-1/8	
3	0791003	1	Screw #10-24 x 3/8	
4	0961897	1	Bushing, Tapered	
5	1320136	1	Clamp, Cable	
6	1663063	1	Head	
7	2220883	1	Plug, O-Ring	
8	2220885	2	Plug, O-Ring	
9	2220886	1	Plug, O-Ring	
10	3020039	AR	Lubricant	
11	3480282	1	Platen	
12	3760371	1	Ring, Washer	
13	3931420	8	Capscrew 1/4-20 x 1-1/4	
14	3931824	8	Capscrew 1/2-13 x 1-1/2	
15	3951003	1	Screw #10-24 x 3/8	
16	4100099	1	Spacer	
17	4640999	1	Cartridge, Holding Valve (Non Vented)	
17	2900792		Kit, Seal - 4640999 Cartridge Valve	
18	4641248	1	Cartridge, Countbalance Valve (Non Vented)	
18	7000186		Kit, Seal - 4641248 Cartridge Valve	
19	1001117991	1	Sensor, Cylinder Length	
20	100118070	1	Cap, Retainer	
21	100118054	1	Barrel	
21A	0961950	2	Bushing	
22	100118086	1	Rod	
22A	0961950	2	Bushing	
100	1001139996	1	Kit, Seal (Includes Items 101-109)	
101	See Note	2	Ring, Wear (Note: Use p/n 1001139996)	
102	See Note	1	Ring, Back-Up (Note: Use p/n 1001139996)	
103	See Note	2	Ring, Lock (Note: Use p/n 1001139996)	
104	See Note	2	Ring, Back-Up (Note: Use p/n 1001139996)	
105	See Note	3	O-Ring (Note: Use p/n 1001139996)	
106	See Note	1	O-Ring (Note: Use p/n 1001139996)	
107	See Note	1	Seal (Note: Use p/n 1001139996)	
108	See Note	1	Wiper, Rod (Note: Use p/n 1001139996)	
109	See Note	2	Seal (Note: Use p/n 1001139996)	
200	1001180105	1	Kit, Sensor Magnet (Includes Items 201-203)	
201	See Note	NSS	Sleeve, Spacer (Note: Use p/n 1001180105)	
202	100118066	1	Magnet, Sensor	
203	100118069	1	Ring, Internal Retaining	

Manual # Model Designation PG#

1) MACHINE IDENTIFICATION

Machines are identified by model and in some cases a combination of models, serial number (SN) or regional standard (i.e. ANSI, CE, CSA). Components may also be identified by SN or manufacturer. Common components that may be identified by these characteristics are engines and hydraulic components.

2) PARTS MANUAL ORGANIZATION

Product information in this manual is organized under section titles. Frame, Cylinder, Hydraulic and Electrical are a few examples. Each section is organized by figure and page number. The information within the Figure is then organized by item number, part number, description and corresponding illustration(s).

3) TABLE OF CONTENTS

A table of contents is found toward the beginning of the manual. Figure number, description and page number are provided for quick reference to the page containing the related information.

4) RECOMMENDED SPARE PARTS

The Recommended Spare Parts, located near the end of the manual, reference most frequently used maintenance parts.

5) PART NUMBER INDEX

A numerical index listing all part numbers and the corresponding page number(s) appears at the back of the manual.

GENERAL INFORMATION

6) NON-SERVICED PARTS

In some instances, it is necessary to display non-serviced parts, assemblies or installations. In the case of assemblies and installations there will be a Ref in the Qty column. In case of parts that are not available for service within assemblies or components, there will be a NSS (Not Sold Separately) or NLA (No Longer Available) listed in the Qty. column of the manual.

7) PARTS LIST ITEM NUMBERS

Numbers shown in the item# column correspond to numbers used in the associated illustration (s). Item numbers which are missing from the sequence in the parts list are not used on that page

8) INDENTED PARTS DESCRIPTION

An indented part description is included in the item under which it is indented.

9) ABB REVIATION AND SYMBOLS

AC.....	Alternating Current	LCD.....	Liquid Crystal Display
ADE.....	Advanced Design Electronics	LED.....	Light Emitting Diodes
ANSI.....	American National Standards Institute	LH.....	Left Hand
AR.....	As Required	LSS.....	Load Sensing System
ASSY.....	Assembly	M(m).....	Metric/Meter
AUX.....	Auxiliary	MM (mm).....	Milimeter
AWG.....	American WireGauge	mA.....	Miliamps
B/M.....	Bill of Material	NLA.....	No Longer Available
CE.....	European Conformity	NPT.....	National Pipe Threads
CCW.....	Counter Clockwise	NSS.....	Not So Id Separately
cm.....	Centimeter	OD.....	Outside Diameter
CW.....	Clockwise	ORB.....	O-Ring Boss
CSA.....	Canadian Standards Association	ORFS.....	O-Ring Face Seal
CYL.....	Cylinder	OZ (oz).....	Ounces
DIA.....	Diameter	PG.....	Page
DC.....	Direct Current	P/N.....	Part Number
EMS.....	Emergency Stop	qt.....	Quarts
ENG.....	Engine	QTY.....	Quantity
FT (ft).....	Feet	REF.....	Reference
GA (Ga).....	Gauge	REV.....	Revision Level
HYD.....	Hydraulic	RH.....	Right Hand
Hz.....	Hertz	SAE.....	Society of Automotive Engineers
ID.....	Inside Diameter	SN.....	Serial Number
in.....	inches	SPEC(S).....	Specifications
ISO.....	International Organization for Standards	T/T.....	Turntable
JIC.....	Joint Industry Council	UGM.....	Universal Ground Module
KG.....	Kilogram	V.....	Volts
L.....	Liter	W.....	Watts
LB.....	Pounds	#.....	Number

10) ILLUSTRATION REFERENCE LETTERS

When necessary, illustrations may contain reference letters that are intended to track information (i. e. hoses, harnesses) from one point to another or to track visual enlargement of components to show details that may be located in another area on the illustration.

Note: Due to continuous product improvements, JLG Industries, Inc. reserves the right to make specification changes without prior notification.

TABLE OF CONTENTS

SECTION 1 - FRAME.....	9
FIGURE 1-1. AXLE AND STEERING INSTALLATION WITHOUT TOW PACKAGE	10
FIGURE 1-2. AXLE AND STEERING INSTALLATION WITH TOW PACKAGE	14
FIGURE 1-3. TIRE AND WHEEL DRIVE INSTALLATIONS	18
FIGURE 1-4. DRIVE HUB/BRAKE ASSEMBLY	20
FIGURE 1-5. DRIVE MOTOR ASSEMBLY (5 BOLT ASSEMBLY).....	24
FIGURE 1-6. FRAME VALVES AND SHIELDS INSTALLATIONS	28
FIGURE 1-7. TOW PACKAGE INSTALLATION	30
SECTION 2 - TURNTABLE	33
FIGURE 2-1. CONTROL VALVES INSTALLATIONS	34
FIGURE 2-2. MAIN CONTROL VALVE ASSEMBLY	38
FIGURE 2-3. TURNTABLE AND SWING DRIVE INSTALLATION.....	40
FIGURE 2-4. SWING MOTOR/HUB ASSEMBLY	42
FIGURE 2-5. CATERPILLAR ENGINE INSTALLATION	46
FIGURE 2-6. DEUTZ ENGINE INSTALLATION	54
FIGURE 2-7. GM ENGINE INSTALLATION	64
FIGURE 2-8. PUMP ASSEMBLY (SAUER-DANFOSS)	70
FIGURE 2-9. PUMP ASSEMBLY (EATON).....	74
FIGURE 2-10. LOAD SENSING PUMP ASSEMBLY	78
FIGURE 2-11. TANK INSTALLATIONS.....	82
FIGURE 2-12. LP TANK INSTALLATIONS (GM ENGINE MACHINES ONLY)	86
FIGURE 2-13. ROTARY COUPLING INSTALLATION	88
FIGURE 2-14. GROUND CONTROL BOX ASSEMBLY	90
FIGURE 2-15. LIMIT SWITCHES, LIGHTS AND ALARM INSTALLATIONS	94
FIGURE 2-16. HOODS INSTALLATION (ABS).....	98
FIGURE 2-17. HOODS INSTALLATION (STEEL).....	104
FIGURE 2-18. ENGINE TRAY JACK INSTALLATION (OPTIONAL).....	110
FIGURE 2-19. 2500W GENERATOR INSTALLATION - CATERPILLAR MACHINES (OPTIONAL).....	112
FIGURE 2-20. 2500W GENERATOR INSTALLATION - DEUTZ MACHINES (OPTIONAL)	116
FIGURE 2-21. 2500W GENERATOR INSTALLATION - GM MACHINES (OPTIONAL)	120
FIGURE 2-22. 7500W SKYPOWER GENERATOR INSTALLATION - CATERPILLAR AND DEUTZ ENGINES.....	124
FIGURE 2-23. 7500W SKYPOWER GENERATOR INSTALLATION - GM ENGINES	130
SECTION 3 - BOOM	135
FIGURE 3-1. TOWER BOOM, UPRIGHT AND CYLINDERS INSTALLATION	136
FIGURE 3-2. MAIN BOOM INSTALLATION - 800S	140
FIGURE 3-3. MAIN BOOM INSTALLATION - 860SJ	144
FIGURE 3-4. MAIN BOOM ASSEMBLIES	148
FIGURE 3-5. ROTATOR ASSEMBLIES.....	152
FIGURE 3-6. PLATFORM SUPPORT AND CONTROL VALVES INSTALLATIONS.....	154
FIGURE 3-7. BOOM CABLE CLAMPS INSTALLATIONS	160
SECTION 4 - PLATFORM.....	163
FIGURE 4-1. PLATFORM ASSEMBLIES.....	164
FIGURE 4-2. PLATFORM COMPONENTS INSTALLATION (FALL ARREST PLATFORM).....	168
FIGURE 4-3. PLATFORM CONSOLE ASSEMBLY.....	170
FIGURE 4-4. CONTROLLER ASSEMBLY (LIFT AND SWING).....	176
FIGURE 4-5. CONTROLLER ASSEMBLY (LIFT AND SWING).....	178
FIGURE 4-6. CONTROLLER ASSEMBLY (LIFT AND SWING).....	180
FIGURE 4-7. CONTROLLER ASSEMBLY (DRIVE AND STEER).....	184
FIGURE 4-8. CONTROLLER ASSEMBLY (DRIVE AND STEER).....	186
FIGURE 4-9. CONTROLLER ASSEMBLY (DRIVE AND STEER).....	188
FIGURE 4-10. SOFT TOUCH SYSTEM INSTALLATION (OPTIONAL)	190
FIGURE 4-11. PLATFORM BUMPER PADDING INSTALLATION (OPTIONAL)	192
SECTION 5 - CYLINDER	195
FIGURE 5-1. AXLE LOCKOUT CYLINDER ASSEMBLY	196
FIGURE 5-2. LEVEL CYLINDER ASSEMBLY - PLATFORM SLAVE	198
FIGURE 5-3. LEVEL CYLINDER ASSEMBLY - PLATFORM SLAVE (SERVICE REPLACEMENT) (800S).....	200
FIGURE 5-4. LEVEL CYLINDER ASSEMBLY - PLATFORM SLAVE (SERVICE REPLACEMENT) (860SJ).....	202

TABLE OF CONTENTS

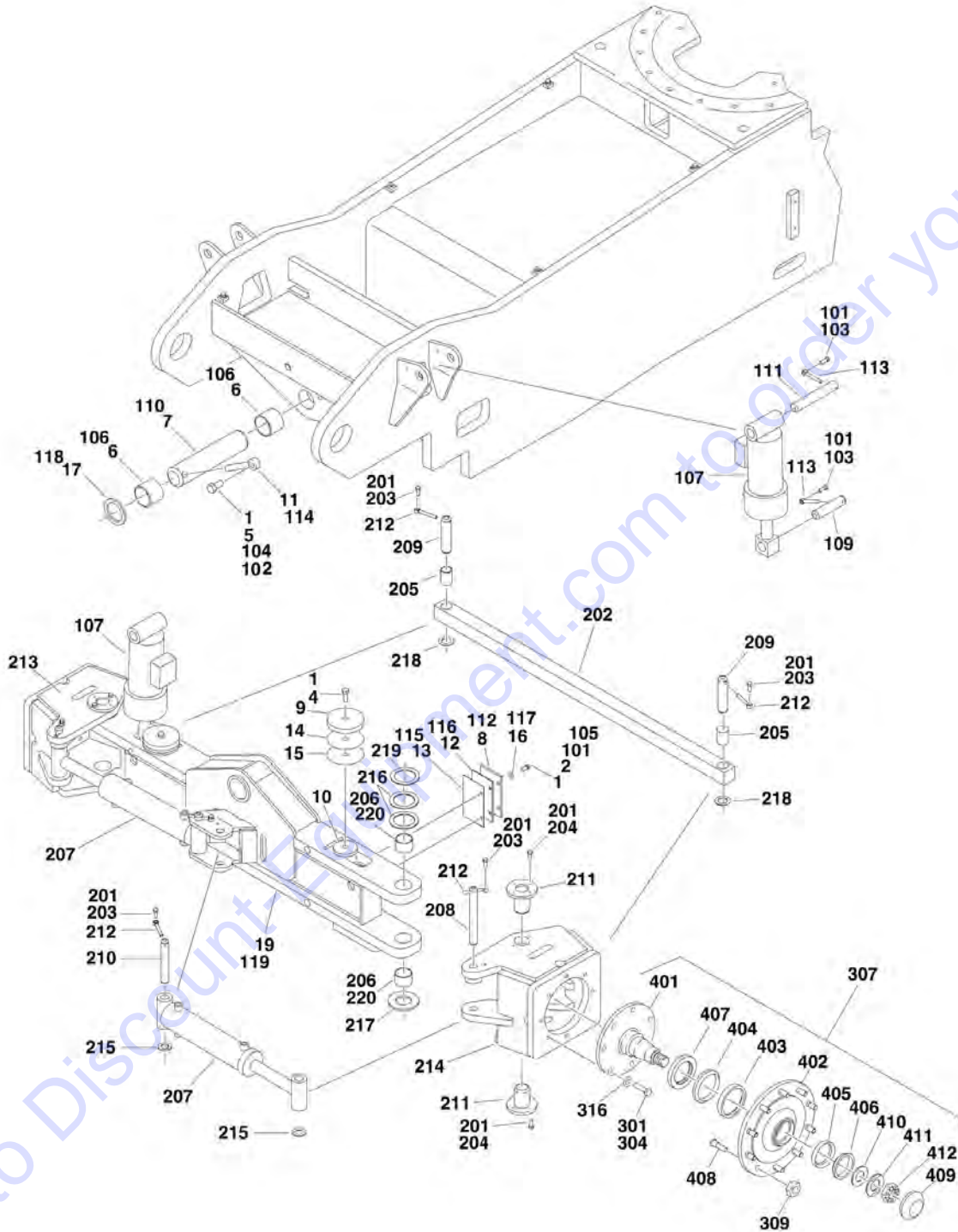
FIGURE 5-5. LEVEL CYLINDER ASSEMBLY - PLATFORM SLAVE (860SJ ONLY).....	204
FIGURE 5-6. LIFT CYLINDER ASSEMBLY - JIB (860SJ ONLY) (ORIGINAL EQUIPMENT).....	206
FIGURE 5-7. LIFT CYLINDER ASSEMBLY - JIB (USAGE MAY VARY) (SERVICE REPLACEMENT) (860SJ ONLY)	208
FIGURE 5-8. LIFT CYLINDER ASSEMBLY - JIB (USAGE MAY VARY) (SERVICE REPLACEMENT) (860SJ ONLY)	210
FIGURE 5-9. LIFT CYLINDER ASSEMBLY - MAIN BOOM.....	212
FIGURE 5-10. LIFT CYLINDER ASSEMBLY - MAIN BOOM (SERVICE REPLACEMENT) (800S)	216
FIGURE 5-11. LIFT CYLINDER ASSEMBLY - MAIN BOOM (SERVICE REPLACEMENT) (860SJ)	218
FIGURE 5-12. STEER CYLINDER ASSEMBLY (SN 0300140000 through 0300142665)	220
FIGURE 5-13. STEER CYLINDER ASSEMBLY (SN 0300014266 through 0300182743, SN B300000100 through B300001091)	222
FIGURE 5-14. TELESCOPE CYLINDER ASSEMBLY	224
FIGURE 5-15. TELESCOPE CYLINDER ASSEMBLY (SERVICE REPLACEMENT) (800S)	228
FIGURE 5-16. TELESCOPE CYLINDER ASSEMBLY (SERVICE REPLACEMENT) (860SJ)	230
SECTION 6 - HYDRAULIC	233
FIGURE 6-1. AXLE LOCKOUT HYDRAULIC DIAGRAM.....	234
FIGURE 6-2. DRIVE HYDRAULIC DIAGRAM - 2WD	236
FIGURE 6-3. DRIVE HYDRAULIC DIAGRAM - 4WD	240
FIGURE 6-4. MANUAL DESCENT HYDRAULIC DIAGRAM (OPTIONAL)	244
FIGURE 6-5. STANDARD HYDRAULIC DIAGRAM.....	246
FIGURE 6-6. HYDRAULIC DIAGRAM LIST.....	250
SECTION 7 - ELECTRICAL.....	251
FIGURE 7-1. ELECTRICAL DIAGRAM LIST	252
FIGURE 7-2. HARNESS COMPONENTS INSTALLATION	254
SECTION 8 - DECALS	273
FIGURE 8-1. DECAL INSTALLATION (ANSI SPEC).....	274
FIGURE 8-2. DECAL INSTALLATION (COUNTRY SPEC)	278
FIGURE 8-3. DECAL INSTALLATION (AUSTRALIAN AND CE SPEC)	284
SECTION 9 - RECOMMENDED SERVICE PARTS STOCK.....	287
FIGURE 9-1. MODEL 800S/860SJ STANDARD PARTS.....	288
FIGURE 9-2. MODEL 800S/860SJ VARIABLE PARTS.....	290
SECTION 10 - SPECIAL OPTIONS	291
FIGURE 10-1. SPECIAL OPTIONS	292
PART NUMBER INDEX.....	299

SECTION 1 - FRAME

Go to Discount-Equipment.com to order your parts

SECTION 1 - FRAME

FIGURE 1-1. AXLE AND STEERING INSTALLATION WITHOUT TOW PACKAGE



SECTION 1 - FRAME

FIGURE 1-1. AXLE AND STEERING INSTALLATION WITHOUT TOW PACKAGE

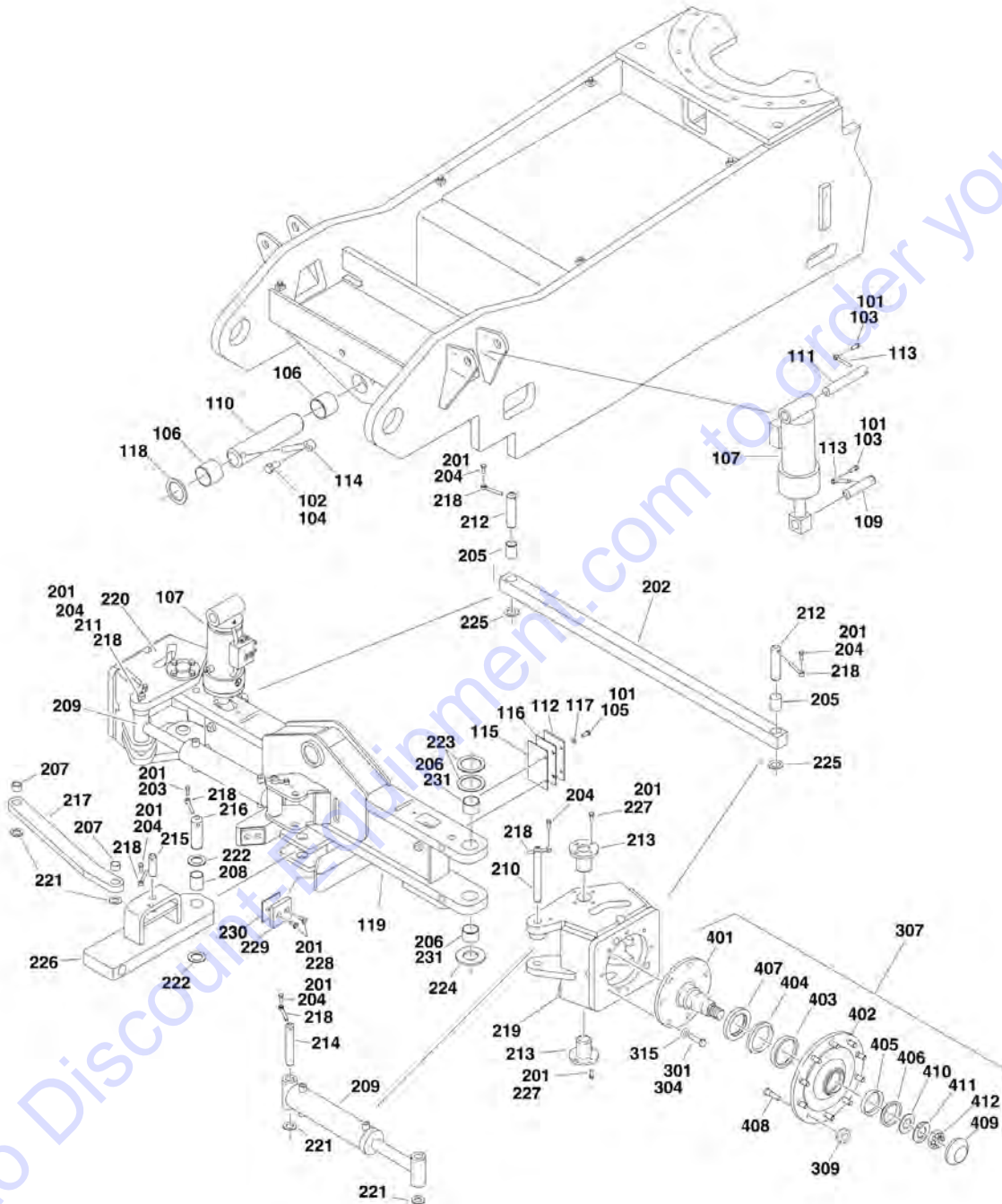
ITEM	PART NUMBER	QTY	DESCRIPTION	REV
	0258286	Ref	FIXED AXLE INSTALLATION	C
1	0100011	AR	Compound, Locking	
2	0681608	4	Bolt 3/8in-16NC x 1in (Grade 8)	
4	0641820	2	Bolt 1/2in-13NC x 2-1/2in	
5	0642212	1	Bolt 3/4in-10NC x 1-1/2in	
6	0962102	2	Bushing, Garmax	
7	3422703	1	Pin, Axle Pivot	
8	3538047	2	Shim, Wear	
9	3539877	2	Plate, Stop	
10	3539878	2	Plate, Stop	
11	3841287	1	Keeper, Pin	
12	4070878	AR	Shim 1/16in	
13	4070879	AR	Shim 1/8in	
14	4070944	AR	Shim 1/16in	
15	4070945	AR	Shim 1/4in	
16	4711600	4	Flatwasher 3/8in Thin	
17	4740472	1	Washer, Special	
19	4845658	1	Axle Weldment	
	0274571	Ref	OSCILLATING AXLE INSTALLATION	C
101	0100011	AR	Compound, Locking	
102	0100019	AR	Compound, Locking	
103	0641608	4	Bolt 3/8in-16NC x1in	
104	0642212	1	Bolt 3/4in-10NC x 1-1/2in	
105	0681608	4	Bolt 3/8in-16NC x1in (Grade 8)	
106	0962102	2	Bushing, Garmax	
107	1683078	2	Lockout Cylinder Assembly (See CYLINDER SECTION for Breakdown)	
109	3422702	2	Pin	
110	3422703	1	Pin, Main Pivot	
111	3422755	2	Pin	
112	3538047	2	Shim, Axle Wear	
113	3841143	4	Shaft, Keeper 3/8in Dia x 3in	
114	3841287	1	Shaft, Keeper 3/8in Dia x 6in	
115	4070878	2	Shim, Axle Wear	
116	4070879	2	Shim, Axle Wear	
117	4711600	4	Flatwasher 3/8in Thin	
118	4740472	1	Washer, Special	
119	4845658	1	Axle Weldment	
	0272003	Ref	STEERING INSTALLATIONS (2WS)	E
		Ref	Note: Before ordering king pin kit, verify that machines is equipped with king pin with 4 bolt holes (OEN) or king pin with 8 bolt holes (Service Kit) - If the king pin hole in the axle measurement exceeds 2.252in OD or is elongated, use King Pin Kit p/n 1001137261.	
201	0100011	AR	Compound, Locking	
202	0362726	1	Tie-Rod	
203	0641608	6	Bolt 3/8in-16NC x 1in	
204	0641810	16	Bolt 1/2in-13NC x 1-1/4in	
205	0962152	2	Bearing	
206		Ref	Bearing Options:	
206	0962448	4	Bearing, Garmax - Composite (USA Built Machines) (SN	

SECTION 1 - FRAME

ITEM	PART NUMBER	QTY	DESCRIPTION	REV
206	1001112651	4	0300140000 through 0300150054 Only Bearing, Bronze Limited - Aluminum/Bronze (USA Built Machines) (SN 0300150055 through 0300182743 Only)	
206	0962448	4	Bearing, Garmax - Composite (China Built Machines) (SN B300000100 through B300000281 Only)	
206	1001112651	4	Bearing, Bronze Limited - Aluminum/Bronze (China Built Machines) (SN B300000282 through B300001091)	
207		Ref	Steer Cylinder Assembly Options (See CYLINDER SECTION for Breakdown):	
207	1683740	2	USA Built Machines (SN 0300140000 through 0300142665 Only)	
207	1001097243	2	USA Built Machines (SN 0300142666 through 0300182743 Only)	
207	1001097243	2	China Built Machines (SN B300000100 through B300001091)	
208	3422701	2	Pin, Steer, Spindle Attach	
209	3422702	2	Pin, Tie-Rod	
210	3422754	2	Pin, Attach	
211	3422849	4	Kingpin	
212	3841143	6	Shaft, Keeper 3/8in x 3in	
213	4130389	1	Spindle Weldment (RH)	
214	4130390	1	Spindle Weldment (LH)	
215	4740111	4	Washer, Special	
216	4740256	AR	Thrustwasher	
217	4740463	2	Washer, Special	
218	4740473	2	Thrustwasher	
219	1001103810	2	Thrustwasher	
220	3020029	AR	Grease, Bearing	
	0273378	Ref	HUB INSTALLATION (2WD ONLY)	E
301	0100011	AR	Compound, Locking	
304	0682016	16	Bolt 5/8in-16NC x 2in (Grade 8)	
307	2780229	2	Hub Assembly (See Items 401-412 for Breakdown)	
309	3300007	20	Lugnut	
316	4892000	16	Flatwasher 5/8in Hardened	
	2780229	Ref	HUB ASSEMBLY (2WD ONLY)	A
401	7017052	2	Spindle (1 per Assembly)	
402	7017053	2	Housing (1 per Assembly)	
403	7010404	2	Cup, Bearing - Inner (1 per Assembly)	
404	7010405	2	Cone, Bearing - Inner (1 per Assembly)	
405	7017056	2	Cup, Bearing - Outer (1 per Assembly)	
406	7017055	2	Cone, Bearing - Outer (1 per Assembly)	
407	7010406	2	Seal, Lip (1 per Assembly)	
408	7000265	20	Stud (10 per Assembly)	
409	7017054	2	Dust Cap (1 per Assembly)	
410	7017051	2	Washer, Special (1 per Assembly)	
411	7017057	2	Washer, Tanged (1 per Assembly)	
412	7017058	2	Nut, Bearing (1 per Assembly)	

SECTION 1 - FRAME

FIGURE 1-2. AXLE AND STEERING INSTALLATION WITH TOW PACKAGE



SECTION 1 - FRAME

FIGURE 1-2. AXLE AND STEERING INSTALLATION WITH TOW PACKAGE

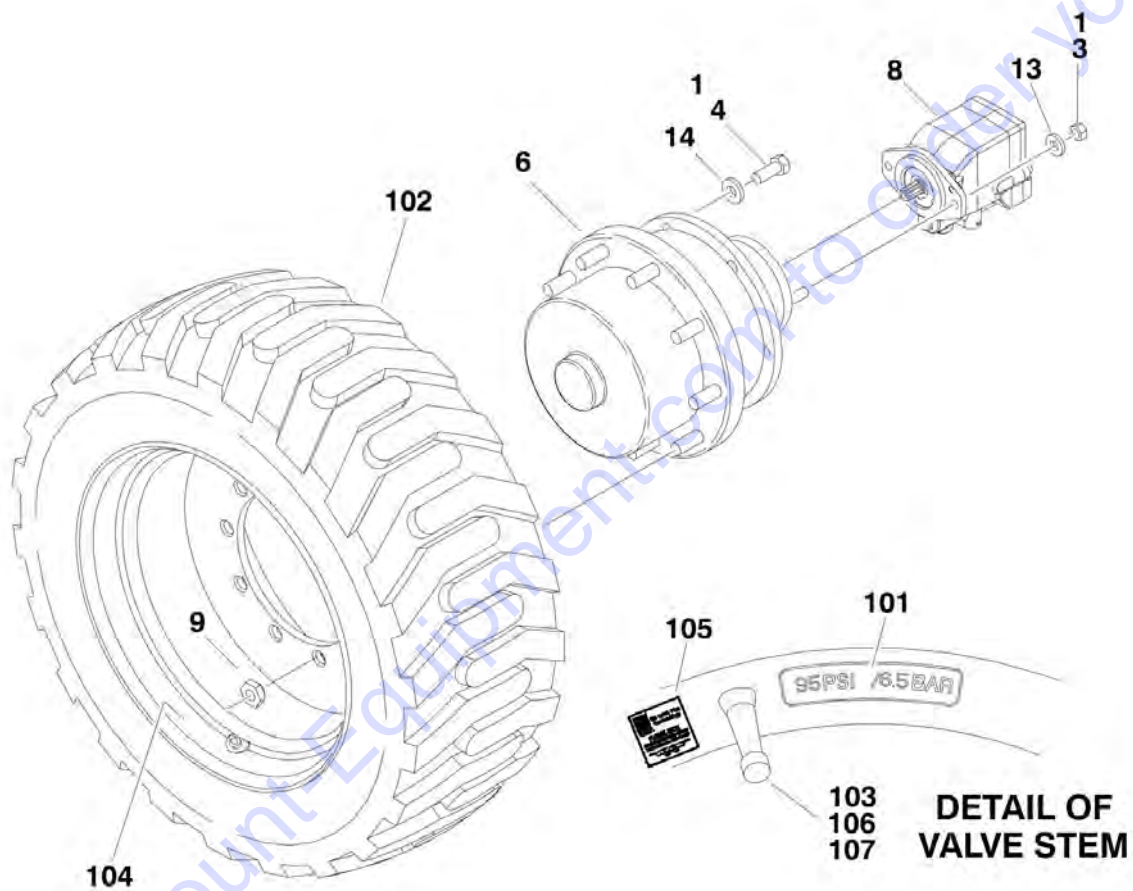
ITEM	PART NUMBER	QTY	DESCRIPTION	REV
	0274572	Ref	OSCILLATING AXLE INSTALLATION	C
101	0100011	AR	Compound, Locking	
102	0100019	AR	Compound, Locking	
103	0641608	4	Bolt 3/8in-16NC x1in	
104	0642212	1	Bolt 3/4in-10NC x 1-1/2in	
105	0681608	4	Bolt 3/8in-16NC x1in (Grade 8)	
106	0962102	2	Bushing, Garmax	
107	1683078	2	Lockout Cylinder Assembly (See CYLINDER SECTION for Breakdown)	
109	3422702	2	Pin	
110	3422703	1	Pin, Main Pivot	
111	3422755	2	Pin	
112	3538047	2	Shim, Axle Wear	
113	3841143	4	Shaft, Keeper 3/8in Dia x 3in	
114	3841287	1	Shaft, Keeper 3/8in Dia x 6in	
115	4070878	2	Shim, Axle Wear	
116	4070879	2	Shim, Axle Wear	
117	4711600	4	Flatwasher 3/8in Thin	
118	4740472	1	Washer, Special	
119	4846413	1	Axle Weldment	
	0271352	Ref	STEERING INSTALLATION	H
		Ref	Note: Before ordering king pin kit, verify that machines is equipped with king pin with 4 bolt holes (OEN) or king pin with 8 bolt holes (Service Kit) - If the king pin hole in the axle measurement exceeds 2.252in OD or is elongated, use King Pin Kit p/n 1001137261.	
201	0100011	AR	Compound, Locking	
202	0362726	1	Tie-Rod	
203	0641508	1	Bolt 5/16in- 18NC x 1in	
204	0641608	7	Bolt 3/8in-16NC x 1in	
205	0962152	2	Bearing, Garmax	
206		Ref	Bearing Options:	
206	0962448	4	Bearing, Garmax - Composite (USA Built Machines) (SN 0300140000 through 0300150054 Only)	
206	1001112651	4	Bearing, Bronze Limited - Aluminum/Bronze (USA Built Machines) (SN 0300150055 through 0300182743 Only)	
206	0962448	4	Bearing, Garmax - Composite (China Built Machines) (SN B300000100 through B300000281 Only)	
206	1001112651	4	Bearing, Bronze Limited - Aluminum/Bronze (China Built Machines) (SN B300000282 through B300001091)	
207	0962292	2	Bearing, Garmax	
208	0962348	1	Bearing, Garmax	
209		Ref	Steer Cylinder Assembly Options (See CYLINDER SECTION for Breakdown):	
209	1683740	2	USA Built Machines (SN 0300140000 through 0300142665 Only)	
209	1001097243	2	USA Built Machines (SN 0300142666 through 0300182743 Only)	
209	1001097243	2	China Built Machines (SN B300000100 through B300001091)	
210	3422567	1	Pin, Steer Spindle Attach (RH)	
211	3422701	1	Pin, Steer Spindle Attach (LH)	
212	3422702	2	Pin, Tie-Rod	

SECTION 1 - FRAME

ITEM	PART NUMBER	QTY	DESCRIPTION	REV
213	3422972	4	Kingpin	
214	3422754	2	Pin, Attach	
215	3422813	1	Pin	
216	3422848	1	Pin, Hitch	
217	2573001	1	Link, Connecting	
218	3841143	8	Shaft, Keeper 3/8in x 3in	
219	4130390	1	Spindle Weldment (LH)	
220	4130388	1	Spindle Weldment (RH)	
221	4740111	6	Washer, Special	
222	4740155	2	Thrustwasher	
223	4740256	4	Thrustwasher	
224	4740463	2	Thrustwasher	
225	4740473	2	Washer, Special	
226	4846935	1	Bar, Pivot	
227	0641810	16	Bolt 1/2in-13NC x 1-1/4in	
228	0741609	4	Screw 3/8in-16NC x 1-1/4in	
229	3340966	2	Pad, Stop	
230	4071059	4	Shim	
231	3020029	AR	Grease, Bearing	
	0273378	Ref	HUB INSTALLATION (2WD ONLY)	E
301	0100011	AR	Compound, Locking	
304	0682016	16	Bolt 5/8in-16NC x 2in (Grade 8)	
307	2780229	2	Hub Assembly (See Items 401-412 for Breakdown)	
309	3300007	20	Lugnut	
315	4892000	16	Flatwasher 5/8in Hardened	
	2780229	Ref	HUB ASSEMBLY (2WD ONLY)	A
401	7017052	2	Spindle (1 per Assembly)	
402	7017053	2	Housing (1 per Assembly)	
403	7010404	2	Cup, Bearing - Inner (1 per Assembly)	
404	7010405	2	Cone, Bearing - Inner (1 per Assembly)	
405	7017056	2	Cup, Bearing - Outer (1 per Assembly)	
406	7017055	2	Cone, Bearing - Outer (1 per Assembly)	
407	7010406	2	Seal, Lip (1 per Assembly)	
408	7000265	20	Stud (10 per Assembly)	
409	7017054	2	Dust Cap (1 per Assembly)	
410	7017051	2	Washer, Special (1 per Assembly)	
411	7017057	2	Washer, Tanged (1 per Assembly)	
412	7017058	2	Nut, Bearing (1 per Assembly)	

SECTION 1 - FRAME

FIGURE 1-3. TIRE AND WHEEL DRIVE INSTALLATIONS



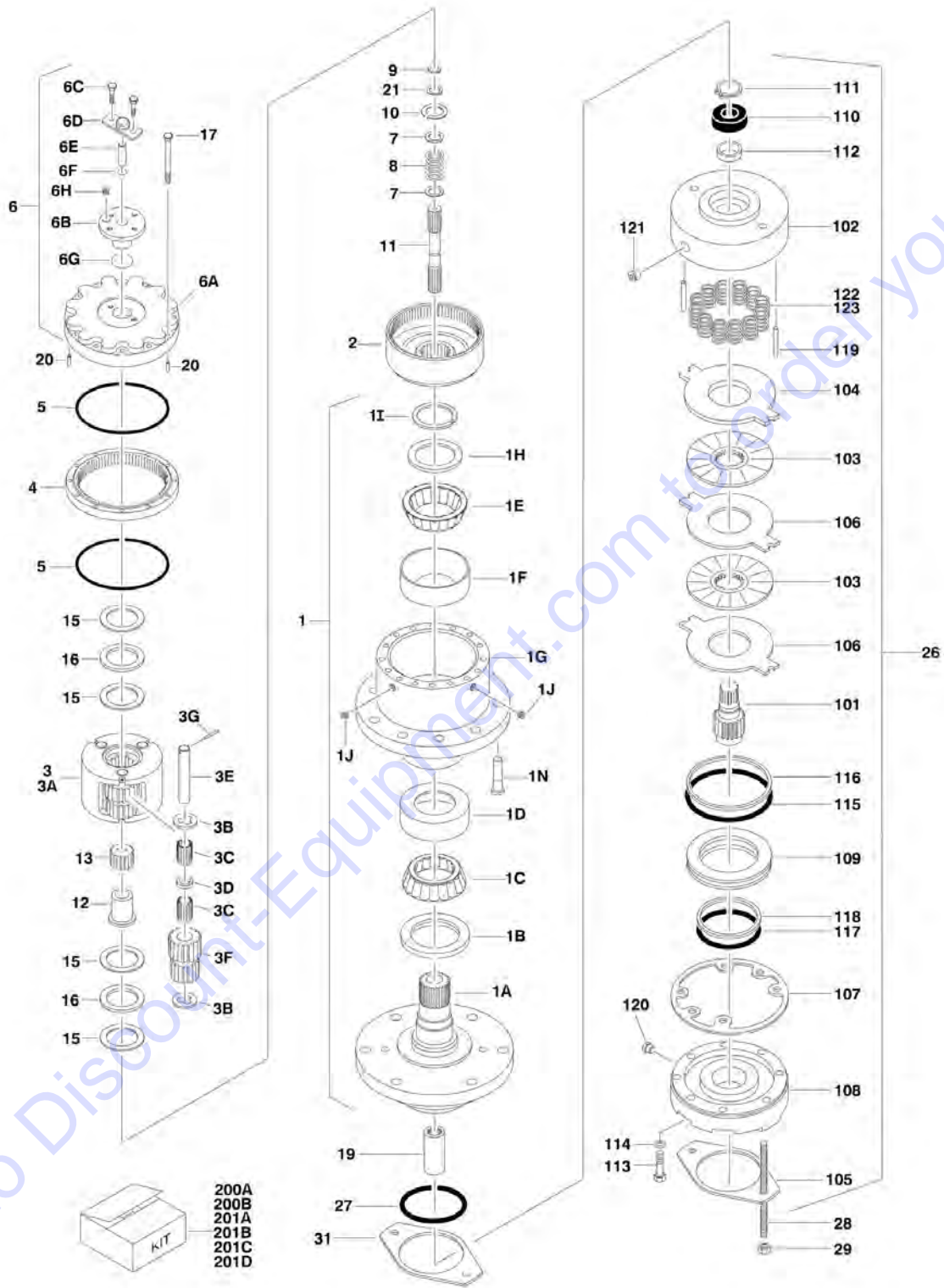
SECTION 1 - FRAME

FIGURE 1-3. TIRE AND WHEEL DRIVE INSTALLATIONS

ITEM	PART NUMBER	QTY	DESCRIPTION	REV
		Ref	WHEEL DRIVE INSTALLATION	
	0273378	Ref	Wheel Drive Installation 2WD	E
	0273704	Ref	Wheel Drive Installation 4WD	D
		Ref	Note: 2WD Qty Shown. For 4WD, Double Qty Shown.	
1	0100011	AR	Compound, Locking	
3	3311801	4	Nut 1/2in-13 NC	
4	0682016	16	Bolt 5/8in-11NC x 2in (Grade 8)	
5	2300016	AR	Fluid, Hydraulic (Not Shown)	
6	2780272	2	Drive Hub Assembly (See DRIVE HUB ASSEMBLY for Breakdown)	
7	3020008	AR	Lubricant (Not Shown)	
8		Ref	Drive Motor Assembly Options (See DRIVE MOTOR ASSEMBLY for Breakdown):	
8	3160347	2	2WD Rear	
8	3160348	4	4WD Front and Rear	
9	3300007	20	Nut, Wheel	
13	4891800	4	Flatwasher, 1/2in Hardened	
14	4892000	16	Flatwasher 5/8in Hardened	
		Ref	TIRE AND WHEEL INSTALLATIONS	
	0270885	Ref	15-625 NHS Pneumatic (Available on All Specs except Australian and CE Specs)	C
	0272322	Ref	15-625 NHS Pneumatic with Sealant (Available on ANSI Specs Only)	C
	0270886	Ref	15-625 NHS Foam-Filled (Available on All Specs)	C
	0270888	Ref	18-625 NHS Foam-Filled (Available on All Specs)	C
	0271083	2	15-625 NHS Pneumatic Left Side	
	0271084	2	15-625 NHS Pneumatic Right Side	
	0272334	2	15-625 NHS Pneumatic with Sealant Left Side	
	0272333	2	15-625 NHS Pneumatic with Sealant Right Side	
	0271085	2	15-625 NHS Foam-Filled Left Side	
	0271086	2	15-625 NHS Foam-Filled Right Side	
	0271090	2	18-625 NHS Foam-Filled Left Side	
	0271091	2	18-625 NHS Foam-Filled Right Side	
		Ref	Note: Assemblies may require ballast/foam filling to manufacturer's specifications prior to installing on a machine. Refer to Operation and Safety or Service and Maintenance Manuals. Purchase individual tire and/or rim only if able to foam fill tire and wheel assembly, otherwise, purchase complete assembly.	
101	1702701	1	Decal - 95 PSI/6.5 Bar (15-625 Tires) (Pneumatic Only)	
102		Ref	Tire Options:	
102	4520252	1	15-625 Tire	
102	4520253	1	18-625 Tire	
103	4640113	1	Valve, Air	
104		Ref	Rim, Wheel Options:	
104	4860224	1	13 x 24.5 Rim (Use with 15-625 Tires)	
104	4860225	1	15 x 24.5 Rim (Use with 18-625 Tires)	
105	1705364	AR	Decal - Tire Sealant (With Sealant Only)	
106	1300019	AR	Chemical, Tire Sealant (Green) (With Sealant Only)	
107	1120552	AR	Cap, Valve Stem (Green) (With Sealant Only)	

SECTION 1 - FRAME

FIGURE 1-4. DRIVE HUB/BRAKE ASSEMBLY



SECTION 1 - FRAME

FIGURE 1-4. DRIVE HUB/BRAKE ASSEMBLY

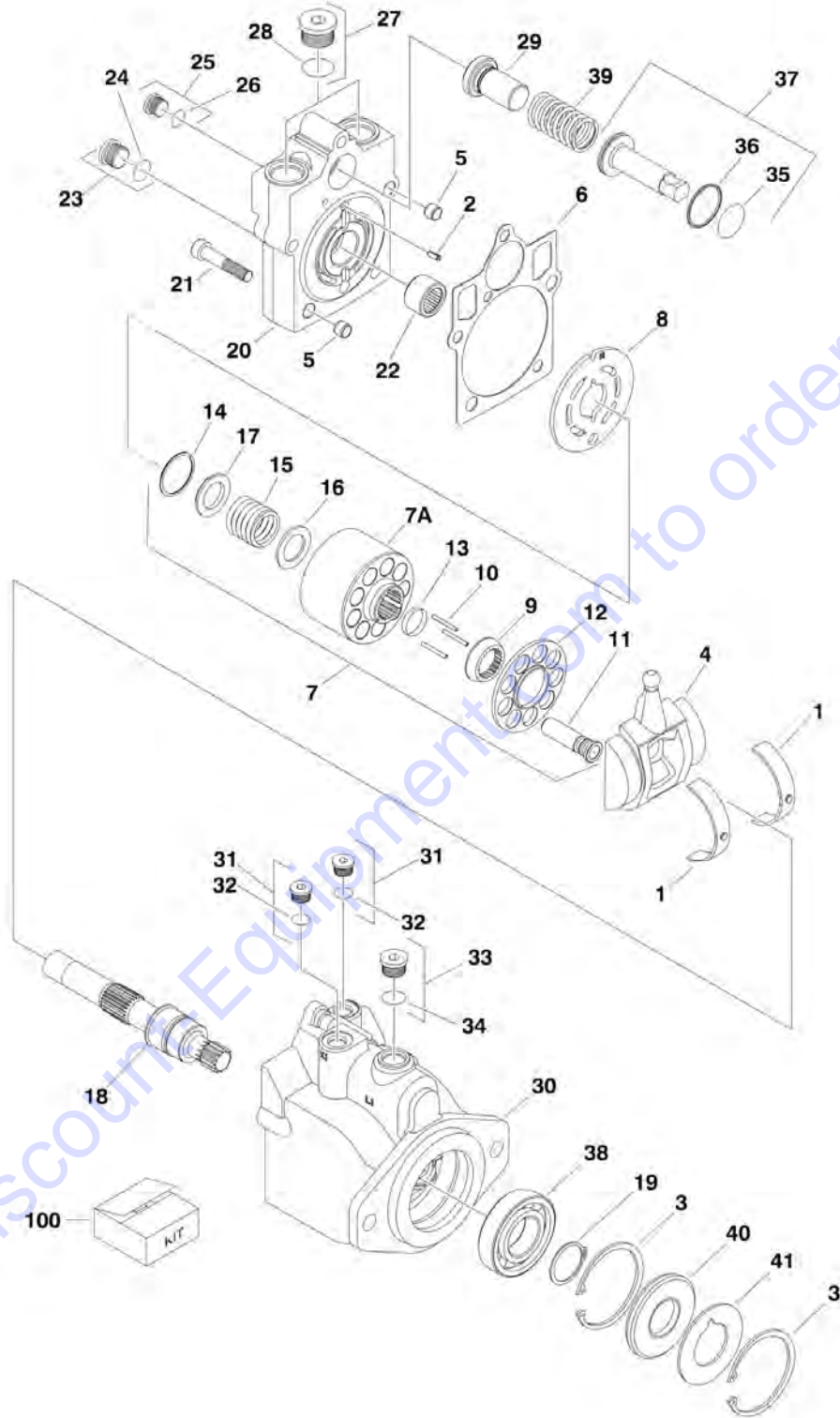
ITEM	PART NUMBER	QTY	DESCRIPTION	REV
	2780272	Ref	DRIVE HUB/BRAKE ASSEMBLY	B
	2780227	Ref	Hub Assembly	B
1	See Note	NSS	Spindle/Housing Assembly (Note: Not Available - Purchase Individual Components)	
1A	7010464	1	Spindle	
1B	7000236	1	Seal	
1C	7000273	1	Cone, Bearing	
1D	7000272	1	Cup, Bearing	
1E	7000275	1	Cone, Bearing	
1F	7000274	1	Cup, Bearing	
1G	7017033	1	Housing	
1H	7000239	1	Thrustwasher	
1I	7000240	1	Ring, Retaining	
1J	7001928	1	Plug, Pipe	
1N	7000265	10	Stud, Wheel	
2	7024782	1	Gear, Ring	
3	7024145	1	Carrier Assembly	
3A	7024147	NLA	Carrier (use p/n 7024145)	
3B	7001901	6	Thrustwasher, Tanged	
3C	7001902	96	Bearing, Needle	
3D	7001903	3	Spacer, Thrust	
3E	7024146	3	Shaft, Planet	
3F	7024148	3	Gear, Cluster	
3G	7001906	3	Rollpin	
4	7024151	1	Gear, Internal	
5	7000224	1	O-Ring	
6	See Note	NSS	Cover Assembly (Note: Not Available - Purchase Individual Components)	
6A	7024155	1	Cover	
6B	7024783	1	Cap	
6C	7000220	4	Bolt 1/4in-20NC x 3/4in	
6D	7000231	1	Cap, Disengage	
6E	7000235	1	Rod, Disengage	
6F	7000213	1	O-Ring	
6G	7000238	1	O-Ring	
6H	7017048	1	Plug, Pipe	
7	7000282	2	Thrustwasher	
8	7000283	1	Spring	
9	7000284	1	Ring, Retaining	
10	7017027	1	Ring, Retaining	
11	7024781	1	Shaft, Input	
12	7024154	1	Spacer, Input	
13	7024149	1	Gear, Sun	
15	7000287	4	Thrustwasher	
16	7000288	2	Thrustwasher	
17	7000289	12	Bolt 3/8in-16NC x 2-1/2in (Grade 8)	
19	7000290	1	Coupling	
20	7017047	2	Pin, Dowel	
21	7017050	1	Thrustwasher	
26	7024182	1	Brake Assembly (Includes Items 101-123)	

SECTION 1 - FRAME

ITEM	PART NUMBER	QTY	DESCRIPTION	REV
27	7024763	2	O-Ring	
28	7024717	2	Stud 1/2in-13NC x 4-5/8in	
29	7024718	2	Nut 1/2in-13NC	
31	7000731	1	Gasket	
	7024182	Ref	BRAKE ASSEMBLY	
101	7024189	1	Shaft	
102	See Note	NSS	Housing (Note: Not Available - Purchase Complete Assembly)	
103	See Note	NSS	Plate, Friction (Note: Use Item 201C)	
104	See Note	NSS	Plate, Pressure (Note: Use Item 201C)	
105	7000731	1	Gasket	
106	See Note	NSS	Plate, Outer (Note: Use Item 201C)	
107	See Note	NSS	Gasket (Note: Use Items 200B, 201C or 201D)	
108	7024191	1	Cylinder	
109	7024192	1	Piston	
110	See Note	NSS	Bearing, Ball (Note: Use Item 201D)	
111	See Note	NSS	Ring, Retaining (Note: Use Item 201D)	
112	See Note	NSS	Seal, Shaft (Note: Use Item 201D)	
113	See Note	NSS	Capscrew (Note: Not Available for Purchase)	
114	See Note	NSS	Lockwasher (Note: Not Available for Purchase)	
115	See Note	NSS	O-Ring (Note: Use Item 200B)	
116	See Note	NSS	Ring, Back-up (Note: Use Item 200B)	
117	See Note	NSS	O-Ring (Note: Use Item 200B)	
118	See Note	NSS	Ring, Back-up (Note: Use Item 200B)	
119	7024190	2	Pin, Dowel	
120	See Note	NSS	Plug (Note: Not Available for Purchase)	
121	See Note	NSS	Plug (Note: Not Available for Purchase)	
122	See Note	NSS	Spring Kit (Natural) (Note: Use Item 201B)	
123	See Note	NSS	Spring Kit (Blue) (Note: Use Item 201B)	
		Ref	KIT OPTIONS:	
200		Ref	Seal Kit Options:	
200A	7017068	1	Seal Kit - Hub (Includes Items 1B, 1I, 5, 6F, 6G, 15 & 16)	
200B	7024194	1	Seal Kit - 7024182 Brake (Includes Items 105, 107 & 115-118)	
201		Ref	Repair Kit Options:	
201A	7024196	1	Spring Kit - 7024182 Brake (Includes 12 Natural Colored Springs) (was p/n 7024195) (Note: Spring Kit no Longer Available, Purchase Kit p/n 7024196)	
201B	7024196	1	Spring Kit - 7024182 Brake (Includes 12 Natural and 2 Blue Colored Springs)	
201C	7024193	1	Friction Disc Kit - 7024182 Brake (Includes Items 103, 104, 106 & 107)	
201D	7024197	1	Bearing Kit - 7024182 Brake (Includes Items 107 & 110-112)	

SECTION 1 - FRAME

FIGURE 1-5. DRIVE MOTOR ASSEMBLY (5 BOLT ASSEMBLY)



SECTION 1 - FRAME

FIGURE 1-5. DRIVE MOTOR ASSEMBLY (5 BOLT ASSEMBLY)

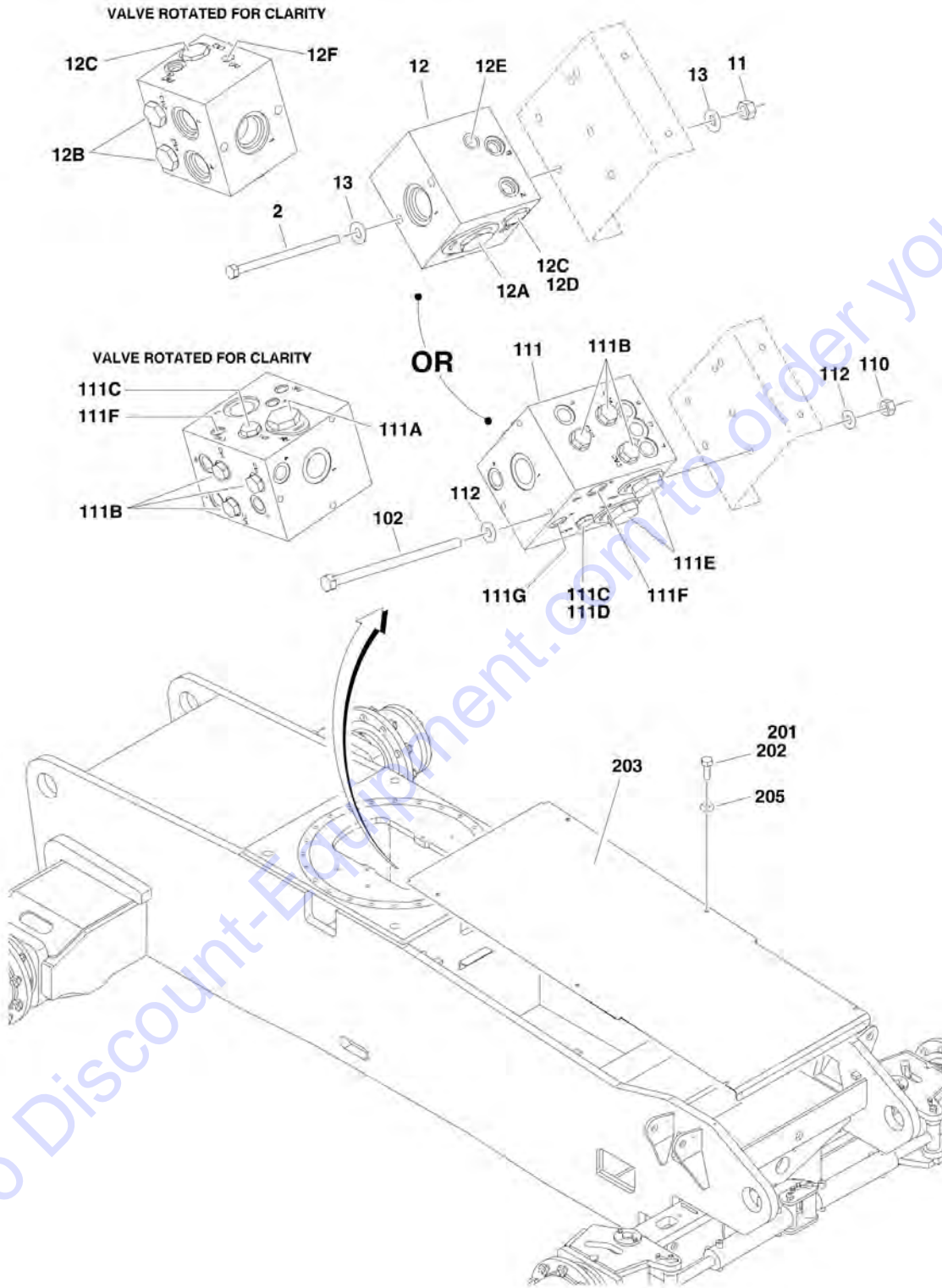
ITEM	PART NUMBER	QTY	DESCRIPTION	REV
		Ref	DRIVE MOTOR ASSEMBLIES:	
	3160347	Ref	Drive Motor Assemblies 2WD	B
	3160348	Ref	Drive Motor Assemblies 4WD	B
1	7022302	2	Bearing, Journal	
2	7007446	1	Pin	
3	7007438	2	Ring, Retaining	
4		Ref	Swash Plate Options:	
4	70000794	1	Swash Plate 2WD	
4	7022305	1	Swash Plate 4WD	
5	See Note	NSS	Pin (Note: Not Available for Purchase)	
6	See Note	NSS	Gasket (Note: Use Item 100)	
7		Ref	Cylinder Block Kit (Includes Items 7A & 9-17)	
7	7027740	1	Cylinder Block Kit 2WD	
7	7023907	1	Cylinder Block Kit 4WD	
7A	See Note	NSS	Block, Cylinder (Note: Use Item 7)	
8		Ref	Plate, Valve Options:	
8	7024862	1	Plate, Valve 2WD	
8	7023908	1	Plate, Valve 4WD	
9		Ref	Guide, Slipper Retainer Options:	
9	See Note	NSS	Guide, Slipper Retainer 2WD (Note: Use Item 7)	
9	7021277	1	Guide, Slipper Retainer 4WD	
10	7021275	3	Pin, Slipper Hold Down	
11	See Note	NSS	Piston Assembly (Note: Use Item 7)	
12		Ref	Retainer, Slipper Options:	
12	See Note	NSS	Retainer, Slipper 2WD (Note: Use Item 7)	
12	7022310	1	Retainer, Slipper 4WD	
13		Ref	Retainer, Hold Down Pin Options:	
13	Not Required	0	Retainer, Hold Down Pin 2WD	
13	7021276	1	Retainer, Hold Down Pin 4WD	
14	7022311	1	Ring, Retaining	
15		Ref	Spring Options:	
15	7024867	1	Spring 2WD	
15	7022312	1	Spring 4WD	
16		Ref	Washer Options:	
16	7022313	1	Washer 2WD	
16	7024868	1	Washer 4WD	
17	7022314	1	Retainer, Spring	
18	7023910	1	Shaft	
19	7007439	1	Ring, Retaining	
20		Ref	Cap, End - Axial Options:	
20	70000795	1	Cap, End - Axial 2WD	
20	70000797	1	Cap, End - Axial 4WD	
21	7022368	5	Screw	
22	7021249	1	Bearing, Needle	
23	2220886	1	Plug (Includes Item 24)	
24	See Note	NSS	O-Ring (Note: Use Item 23 or 100)	
25	2220883	1	Plug (Includes Item 26)	
26	See Note	NSS	O-Ring (Note: Use Item 25 or 100)	
27	2220888	2	Plug (Includes Item 28)	
28	See Note	NSS	O-Ring (Note: Use Item 27 or 100)	

SECTION 1 - FRAME

ITEM	PART NUMBER	QTY	DESCRIPTION	REV
29		Ref	Seat, Spring Options:	
29	7027741	1	Seat, Spring 2WD	
29	7022372	1	Seat, Spring 4WD	
30	See Note	NSS	Housing (Note: Not Available - Purchase Complete Assembly)	
31	2220883	2	Plug (Includes Item 32)	
32	See Note	NSS	O-Ring (Note: Use Item 31 or 100)	
33	2220886	1	Plug (Includes Item 34)	
34	See Note	NSS	O-Ring (Note: Use Item 33 or 100)	
35	See Note	NSS	O-Ring (Note: Use Item 37 or 100)	
36	See Note	NSS	Ring, Seal (Note: Use Item 37 or 100)	
37		Ref	Piston, Servo Options (Includes Items 35 & 36):	
37	7024871	1	Piston, Servo 2WD	
37	7024854	1	Piston, Servo 4WD	
38	7007437	1	Bearing	
39	7022326	1	Spring	
40	See Note	NSS	Seal, Lip (Note: Use Item 100)	
41	7022371	1	Washer, Support	
		Ref	KIT OPTIONS:	
100	7022328	1	Seal Kit (Includes Items 6, 24, 26, 28, 32, 34, 35, 36 & 40)	

SECTION 1 - FRAME

FIGURE 1-6. FRAME VALVES AND SHIELDS INSTALLATIONS



SECTION 1 - FRAME

FIGURE 1-6. FRAME VALVES AND SHIELDS INSTALLATIONS

ITEM	PART NUMBER	QTY	DESCRIPTION	REV
	0273378	Ref	DRIVE VALVES INSTALLATION - 2WD	E
2	0641542	2	Bolt 5/16in-18NC x 5-1/4in	
11	3311505	2	Locknut 5/16in-18NC	
12	1001099870	1	Flow Divider Valve Assembly	A
12A	7023933	1	Cartridge, Flow Divider	
12A	7021625	1	Seal Kit - 7023933 Cartridge	
12A	70000781	1	Lockdown Kit	
12B	7022397	2	Cartridge, Check	
12B	7022399	2	Seal Kit - 7022397 Cartridge	
12C	70002390	2	Cartridge, Check	
12C	7022399	2	Seal Kit - 70002390 Cartridge	
12D	7024881	1	Piston, Pilot	
12E	7017406	1	Plug	
12F	7024844	1	Plug	
12F	7017492	1	Orifice	
13	4711500	4	Flatwasher 5/16in Narrow	
	0273704	Ref	DRIVE VALVES INSTALLATION - 4WD	D
102	0641560	3	Bolt 5/16in-18NC x 7-1/2in	
110	3311505	3	Locknut 5/16in-18NC	
111	4641303	1	Flow Divider Valve Assembly	
111A	7023933	1	Cartridge, Flow Divider	
111A	7021625	1	Seal Kit - 7023933 Cartridge	
111B	7022397	6	Cartridge, Check	
111B	7022399	6	Seal Kit - 7022397 Cartridge	
111C	7021639	2	Cartridge, Check Valves	
111C	2900756	2	Seal Kit - 7021639 Cartridge	
111D	7024881	1	Piston, Pilot	
111E	7023917	2	Cartridge, Flow Divider	
111E	7021625	2	Seal Kit - 7023917 Cartridge	
111F	70003935	2	Orifice	
111G	70003936	1	Orifice	
112	4711500	6	Flatwasher 5/16in Narrow	
	0274267	Ref	FRAME SHIELDS INSTALLATIONS	A
201	0100011	6	Compound, Locking	
202	0641608	6	Bolt, 3/8in - 16NC x 1in	
203	3575718	1	Plate, Cover Front	
205	4751600	6	Flatwasher 3/8in	

SECTION 1 - FRAME

FIGURE 1-7. TOW PACKAGE INSTALLATION

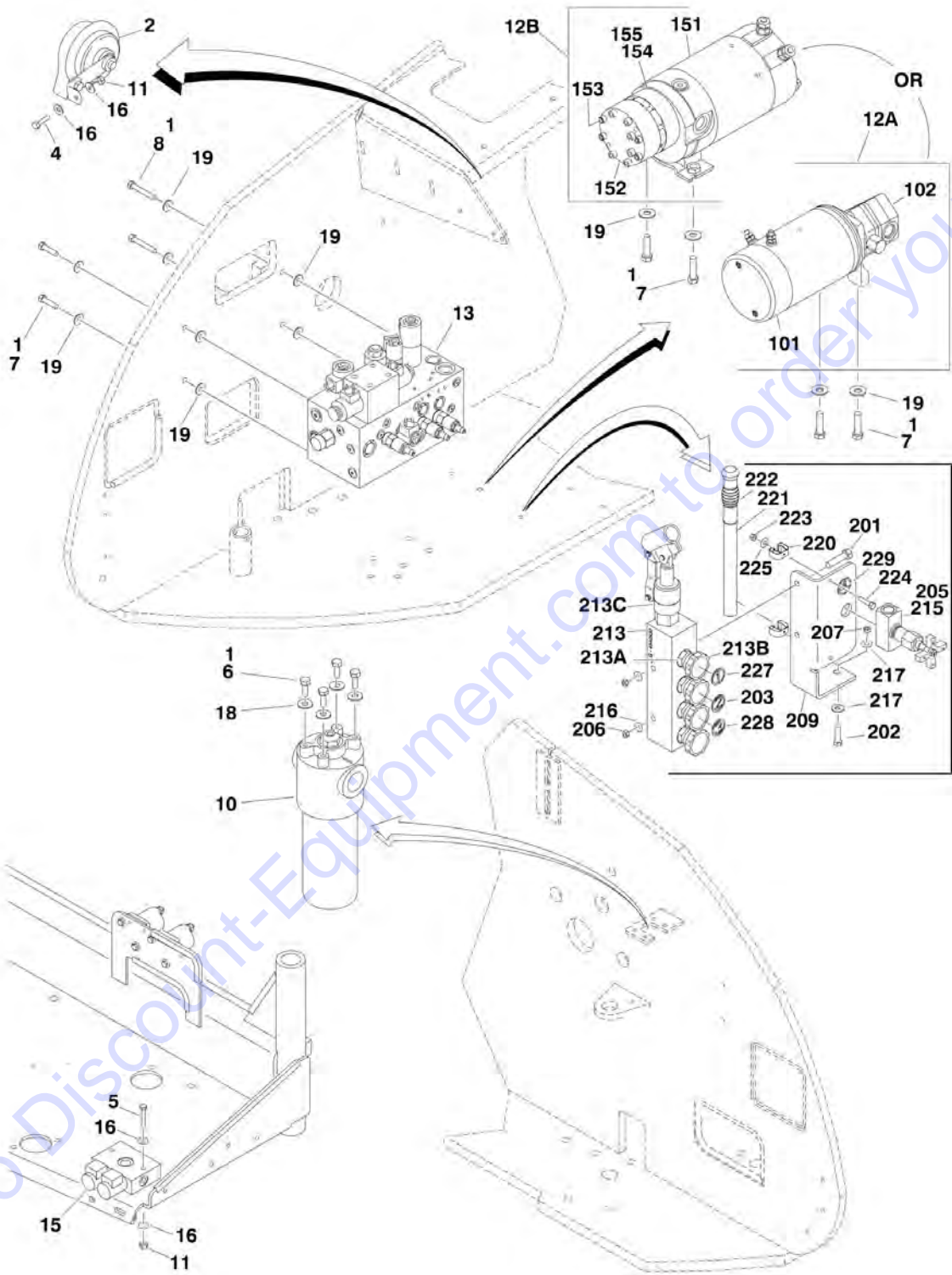
ITEM	PART NUMBER	QTY	DESCRIPTION	REV
		Ref	TOW BAR INSTALLATION	
	0271354	Ref	ANSI, ANSI Export and CSA Specs	E
	1001166809	Ref	CE Specs	A
1	0250528	1	Tow Bar Assembly (See Items 101-121 for Breakdown)	
2	0641504	2	Bolt 5/16in-18NC x 1/2in	
3	3539662	1	Plate, Valve Mounting	
4	4640261	1	Valve, Select	
5	4711500	2	Flatwasher 5/16in Thin	
6	0100011	AR	Compound, Locking	
7		Ref	Decal - Crushing Options:	
7	1704578	2	ANSI, ANSI Export and CSA Specs	
7	1706960	2	CE Specs	
8		Ref	Decal - Towing Instructions Options:	
8	1705090	1	ANSI, ANSI Export and CSA Specs	
8	Not Required	0	CE Specs	
9		Ref	Decal/Nameplate - Steer/Tow Select Valve Options:	
9	3250872	1	ANSI, ANSI Export and CSA Specs	
9	1706957	1	CE Specs	
10	3820001	4	Rivet (ANSI, ANSI Export and CSA Specs Only)	
11	4420051	AR	Tape, Safety	
	0270528	Ref	TOW BAR ASSEMBLY	A
101	0100011	AR	Compound, Locking	
102	0362910	1	Pintle, Draw Eye	
103	0642010	4	Bolt 5/8in-11NC x 1-1/4in	
104	0721004	2	Screw, Hex Machine	
105	0741607	24	Screw, Countersunk 3/8in-16NC x 7/8in	
106	1060584	6	Cable, Lanyard	
107	3420372	2	Pin, Cotter	
108	3420447	1	Pin, Towing	
109	3421565	2	Pin, Snap	
110	3422841	2	Pin	
111	3422847	1	Pin	
112	3572009	2	Plate, Slide Stop	
113	3572010	2	Plate, Slide Stop	
114	3572011	2	Plate, Slide Stop	
115	3572012	2	Plate, Slide Stop	
116	3760170	8	Ring, Split	
117	4568133	1	Tube, Tow Bar	
118	4740036	1	Flatwasher	
119	4751000	2	Flatwasher #10 Regular	
120	4846295	1	Tow Bar Attach Weldment	
121	4846296	1	Pintle Attach Weldment	

SECTION 2 - TURNTABLE

Go to Discount-Equipment.com to order your parts

SECTION 2 - TURNTABLE

FIGURE 2-1. CONTROL VALVES INSTALLATIONS



SECTION 2 - TURNTABLE

FIGURE 2-1. CONTROL VALVES INSTALLATIONS

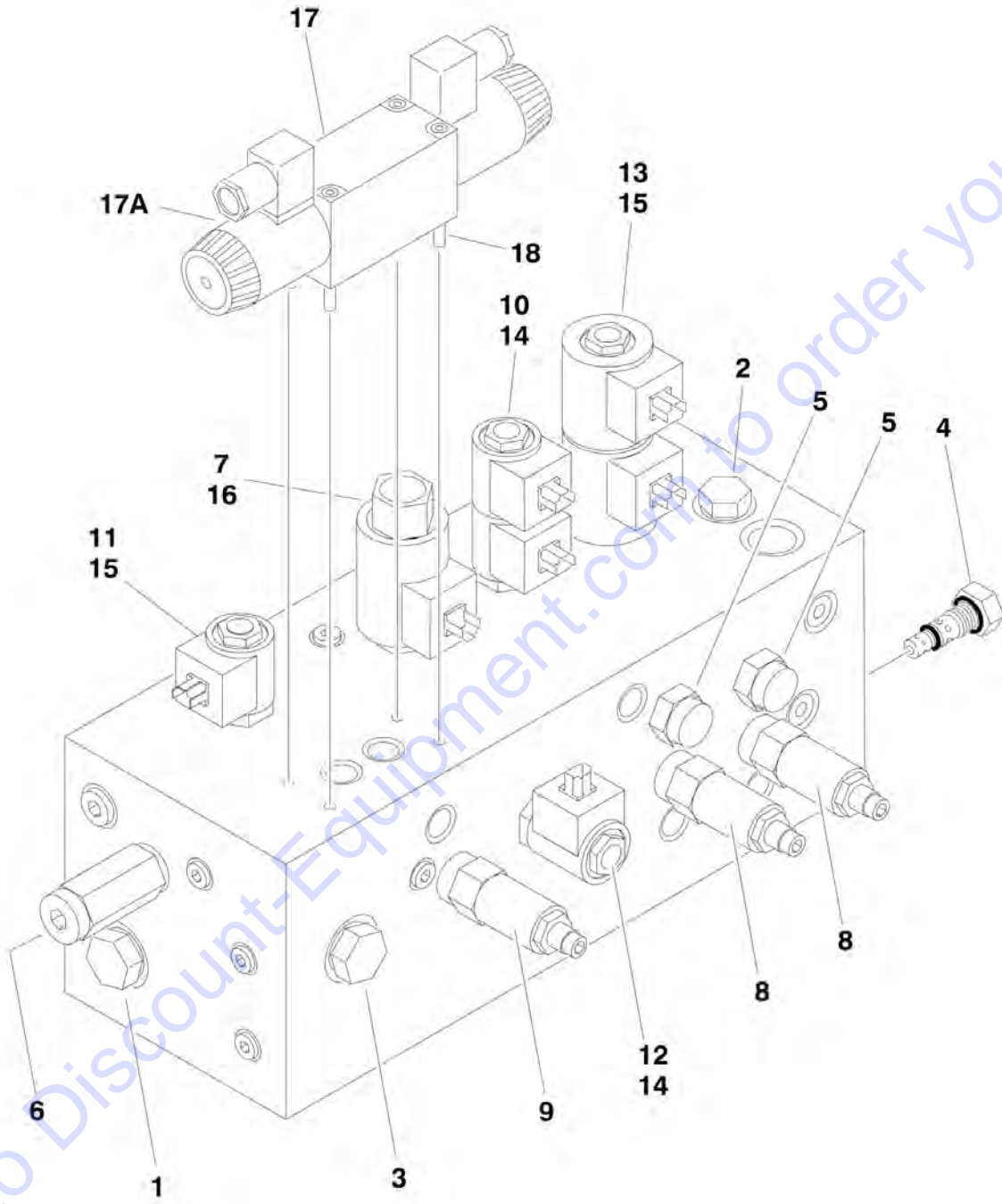
ITEM	PART NUMBER	QTY	DESCRIPTION	REV
		Ref	VALVES INSTALLATIONS	
		Ref	Valves Installations 800S	
	0274644	Ref	Machines without Hostile Environment	K
	0274644	Ref	Machines with Hostile Environment (USA Built Machines) (SN 0300140000 through 0300174926)	K
	1001155814	Ref	Machines with Hostile Environment (USA Built Machines) (SN 0300174927 through 0300182743)	B
	0274644	Ref	Machines with Hostile Environment (China Built Machines) (SN B300000100 through B300000803)	K
	1001155814	Ref	Machines with Hostile Environment (China Built Machines) (SN B300000804 through B300001091)	B
	0274645	Ref	Valves Installations 860SJ	I
	1001151209	Ref	AUXILIARY PUMP INSTALLATION	A
1	0100011	AR	Compound, Locking	
2	0140001	1	Horn	
4	0641408	1	Bolt 1/4in-20NC x 1in	
5	0641418	2	Bolt 1/4in-20NC x 2-1/4in	
6		Ref	Bolt Options:	
6	0641408	3	Bolt 1/4in-20NC x 1in	
6	0641606	4	Bolt 3/8in-16NC x 3/4in	
7	0641612	4	Bolt 3/8in-16NC x 1-1/2in	
8		Ref	Bolt Options:	
8	0641612	2	Bolt 800S - Bolt 3/8in-16NC x 1-1/2in	
8	0641620	2	Bolt 860SJ - Bolt 3/8in-16NC x 2-1/2in	
10		Ref	Hydraulic Pressure Filter Assembly Options:	
10		Ref	USA Built Machines (SN 0300140000 through 0300141318 Only)	
10	2120209	1	Hydraulic Pressure Filter Assembly	
10	2120210	1	Element, Filter	
10	7020020	1	Manual Indicator	
10	70000934	1	O-Ring Filter Bowl	
10		Ref	USA Built Machines (SN 0300141319 through 0300182743 Only)	
10		Ref	China Built Machines Only (SN B300000100 through B300001091)	
10	1001108617	1	Hydraulic Pressure Filter Assembly	
10	70002231	1	Element, Filter	
11	3311405	3	Locknut 1/4in-20NC	
12		Ref	Auxiliary Pump Assembly Options:	
12A	3600424	1	Auxiliary Pump Assembly (Haldex Brand) (See Items 101 & 102 for Breakdown)	
12B	1001137459	1	Auxiliary Pump Assembly (Bucher Hydraulics Brand) (See Items 151-155 for Breakdown)	
13	4641432	1	Main Control Valve Assembly (See MAIN CONTROL VALVE ASSEMBLY for Breakdown)	
15	4641317	1	Dual Select Valve Assembly	C
15	7012944	2	Coil	
15	7012941	2	Cartridge Less Coil	
15	7010543	2	Seal Kit - 7012941 Valve (1 Per Cartridge)	
16	4711400	14	Flatwasher 1/4in Thin	
18		Ref	Flatwasher Options:	
18	4711400	3	Flatwasher 1/4in Thin	
18	4711600	4	Flatwasher 3/8in Thin	

SECTION 2 - TURNTABLE

ITEM	PART NUMBER	QTY	DESCRIPTION	REV
19	4751600	10	Flatwasher 3/8in Regular	
	3600424	Ref	AUXILIARY PUMP ASSEMBLY (HALDEX BRAND)	B
101	70001056	1	Motor Kit	
101	7011062	1	Bracket, Motor/Pump	
101	7011016	1	Coupling	
101	7029592	2	Setscrew	
102	7029593	1	Pump Kit	
102	7011016	1	Coupling	
102	7011044	1	Gasket	
102	7011048	4	Flatwasher	
102	7011043	4	Screw	
	1001137459	Ref	AUXILIARY PUMP ASSEMBLY (BUCHER HYDRAULICS BRAND)	A
151	70003998	1	Motor	
152	70004266	1	Pump	
153	70001020	4	Screw	
154	70003612	2	O-Ring	
155	70004267	1	O-Ring	
	0272750	Ref	MANUAL DESCENT INSTALLATION (OPTIONAL)	B
201	0641420	2	Bolt 1/4in-20NC x 2-1/2in	
202	0641514	2	Bolt 5/16in-18NC x 1-3/4in	
203	1702927	1	Decal - #2	
204	1705589	1	Decal - Manual Descent (Not Shown - Located on Hydraulic Tank)	
205	2900062	1	Kit, Valve Mounting	
206	3311405	2	Locknut 1/4in-20NC	
207	3311505	2	Locknut 5/16in-18NC	
209	3574179	1	Plate, Valve Mounting	
213	4640930	1	Manifold, Manual Descent Assembly	
213A		Ref	Cartridge, Needle Options:	
213A	7012954	NLA	Cartridge, Needle (Use p/n 4640902) (Original Equipment)	
213A	7012953	4	Seal Kit - 7012954 Cartridge	
213A	4640902	4	Cartridge, Needle (Service Replacement)	
213A	7012953	4	Seal Kit - 4640902 Cartridge	
213B	7012961	4	Knob	
213C		Ref	Cartridge, Pump Options:	
213C	7012694	NLA	Cartridge, Pump (Use p/n 70004019) (Original Equipment)	
213C	7012699	1	Seal Kit - 7012694 Cartridge	
213C	70004019	1	Cartridge, Pump (Service Replacement)	
213C	7017496	1	Seal Kit - 70004019 Cartridge	
215	4641263	1	Valve, Metering	
216	4751400	2	Flatwasher 1/4in Regular	
217	4751500	4	Flatwasher 5/16in Regular	
220	1380136	2	Clip, Gripper	
221	2560122	1	Handle	
222	2560123	1	Handle, Grip	
223	3311005	2	Locknut #10-24NC	
224	3911008	2	Screw	
225	4751000	2	Flatwasher #10 Regular	
226	1702901	1	Decal - Manual Descent (Not Shown - Located on Hood)	
227	1702903	1	Decal - #1	
228	1702924	1	Decal - #3	
229	1702925	1	Decal - #4	

SECTION 2 - TURNTABLE

FIGURE 2-2. MAIN CONTROL VALVE ASSEMBLY



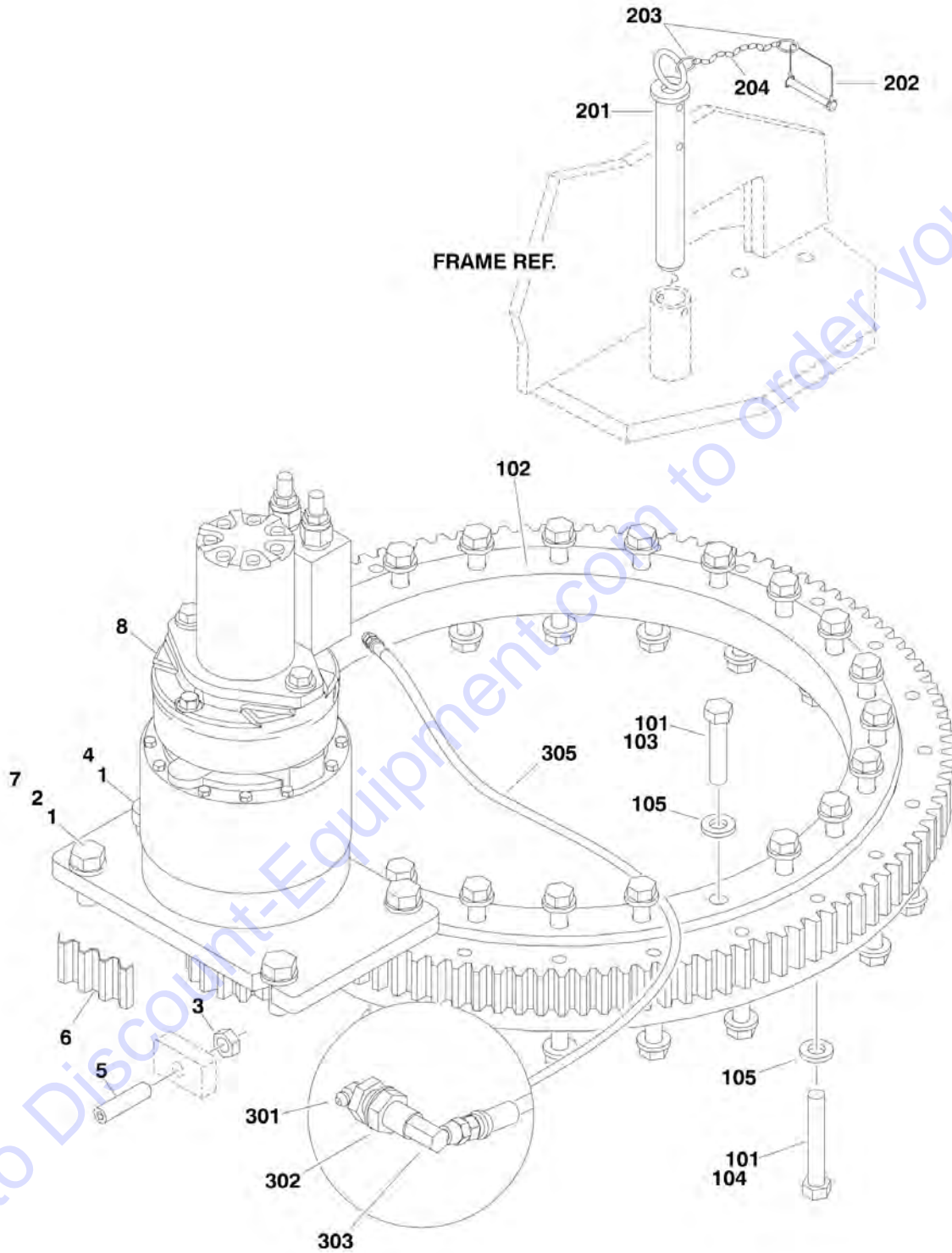
SECTION 2 - TURNTABLE

FIGURE 2-2. MAIN CONTROL VALVE ASSEMBLY

ITEM	PART NUMBER	QTY	DESCRIPTION	REV
	4641432	Ref	MAIN CONTROL VALVE ASSEMBLY	C
1	70004581	1	Cartridge, Check Valve	
1	70004571	1	Seal Kit - 70004581 Cartridge	
2	7012975	1	Cartridge, Check Valve	
2	7012967	1	Seal Kit - 7012975 Cartridge	
3	7023985	1	Cartridge, Check Valve	
3	7017496	1	Seal Kit - 7023985 Cartridge	
4	70004579	1	Cartridge, Flow Regulator (Steer)	
4	70004580	1	Seal Kit - 70004579 Cartridge	
5	10837580	2	Cartridge, Load Sensing (Steer and Swing) (was p/n 7010542)	
5	7010543	2	Seal Kit - 7010542 Cartridge	
6	70004576	1	Cartridge, Pilot	
6	70004577	1	Seal Kit - 70004576 Cartridge	
7	70004693	1	Cartridge, Proportional Flow (Tele)	
7	70004694	1	Seal Kit - 70004693 Cartridge	
8	7017422	2	Cartridge, Relief Valve (Steer and Swing)	
8	7012998	2	Seal Kit - 7017422 Cartridge	
9	7017489	1	Cartridge, Relief Valve (Tele Out Relief)	
9	7012998	1	Seal Kit - 7017489 Cartridge	
10	7023922	1	Cartridge, Solenoid (Swing)	
10	7017402	1	Seal Kit - 7023922 Cartridge	
11	70004570	1	Cartridge, Solenoid (Main Dump)	
11	70004571	1	Seal Kit - 70004570 Cartridge	
12	7021612	1	Cartridge, Solenoid (Lift Up Dump)	
12	7010543	1	Seal Kit - 7021612 Cartridge	
13	7023925	1	Cartridge, Solenoid (Steer Direction)	
13	7012903	1	Seal Kit - 7023925 Cartridge	
14	7012944	3	Coil	
15	7012943	3	Coil	
15	70003024	1	Spacer, Coil	
16	7017451	1	Coil	
17	70000579	1	Control Valve Assembly (Tele Direction)	
17	70000583	1	Seal Kit	
17A	70000582	1	Coil	
17A	70000580	1	Nut, Coil	
18	See Note	4	Capscrew (Note: Not Available for Purchase)	

SECTION 2 - TURNTABLE

FIGURE 2-3. TURNTABLE AND SWING DRIVE INSTALLATION



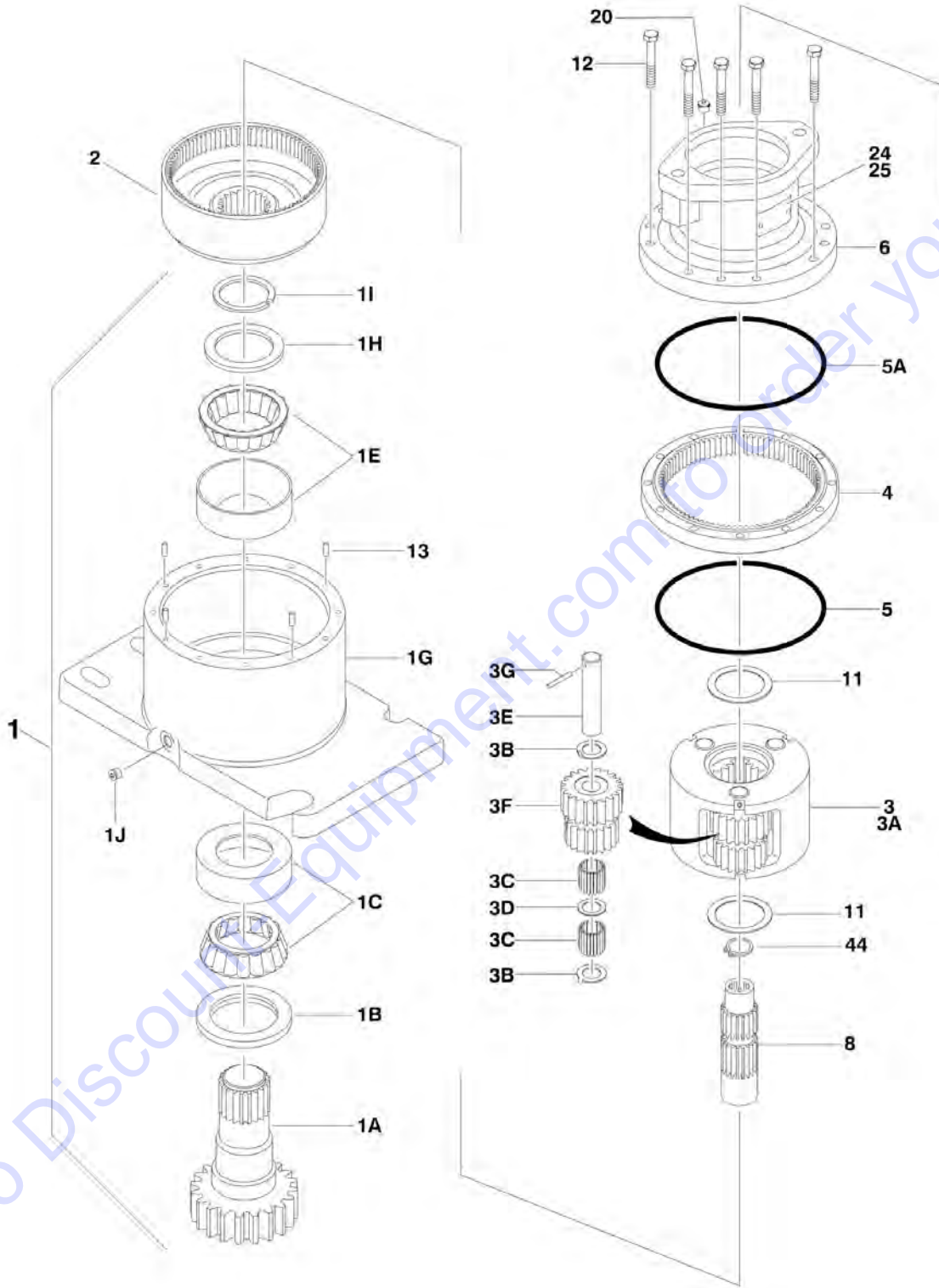
SECTION 2 - TURNTABLE

FIGURE 2-3. TURNTABLE AND SWING DRIVE INSTALLATION

ITEM	PART NUMBER	QTY	DESCRIPTION	REV
	1001094899	Ref	SWING DRIVE INSTALLATION	B
1	0100019	AR	Compound, Locking	
2	0682216	4	Bolt 3/4in-10NC x 2in (Grade 8)	
3	3312002	1	Nut, Jam 3/4in-10NC	
4	3900293	1	Bolt, Shoulder	
5	3952020	2	Setscrew 5/8in-11NC x 2-1/2in	
6	4071009	1	Shim	
7	4740057	4	Flatwasher 3/4in Hardened	
8	1001101060	1	Swing Motor/Swing Hub Assembly (See SWING MOTOR/SWING HUB ASSEMBLY for Breakdown)	
	0271002	Ref	SWING BEARING INSTALLATION	E
101	0100019	AR	Compound, Locking	
102	0440244	1	Bearing, Turntable	
103	0682023	24	Bolt 5/8in - 11NC X 2-7/8in (Grade 8)	
104	0682032	24	Bolt 5/8in - 11NC x 4in (Grade 8)	
105	4892000	48	Flatwasher, 5/8in Hardened	
	0259147	Ref	TURNTABLE LOCK INSTALLATION	B
201	4844958	1	Pin	
202	3421565	1	Pin, Snap	
203	3760170	2	Ring, Quick Release	
204	1260017	9 in/23cm	Chain	
	0271496	Ref	REMOTE BEARING LUBE INSTALLATION	B
301	2160001	1	Fitting, Grease	
302	2180344	1	Fitting, Bulkhead	
303	2220063	1	Fitting, Elbow	
305	2751032	1	Hose, Grease	

SECTION 2 - TURNTABLE

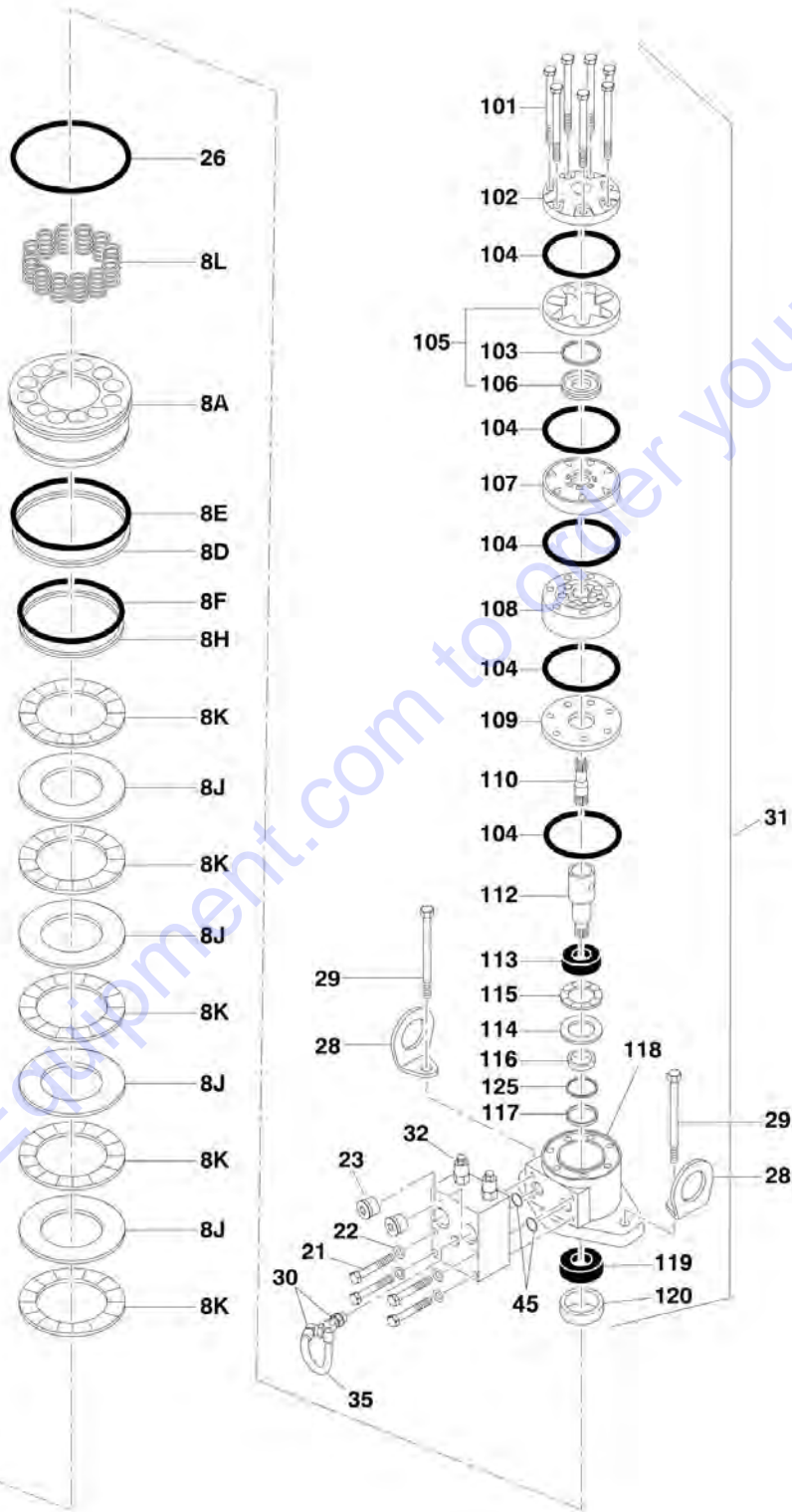
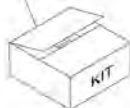
FIGURE 2-4. SWING MOTOR/HUB ASSEMBLY



Go to DiscountEquipment.com to order your parts

SECTION 2 - TURNTABLE

200A
200B
200C
201



SECTION 2 - TURNTABLE

FIGURE 2-4. SWING MOTOR/HUB ASSEMBLY

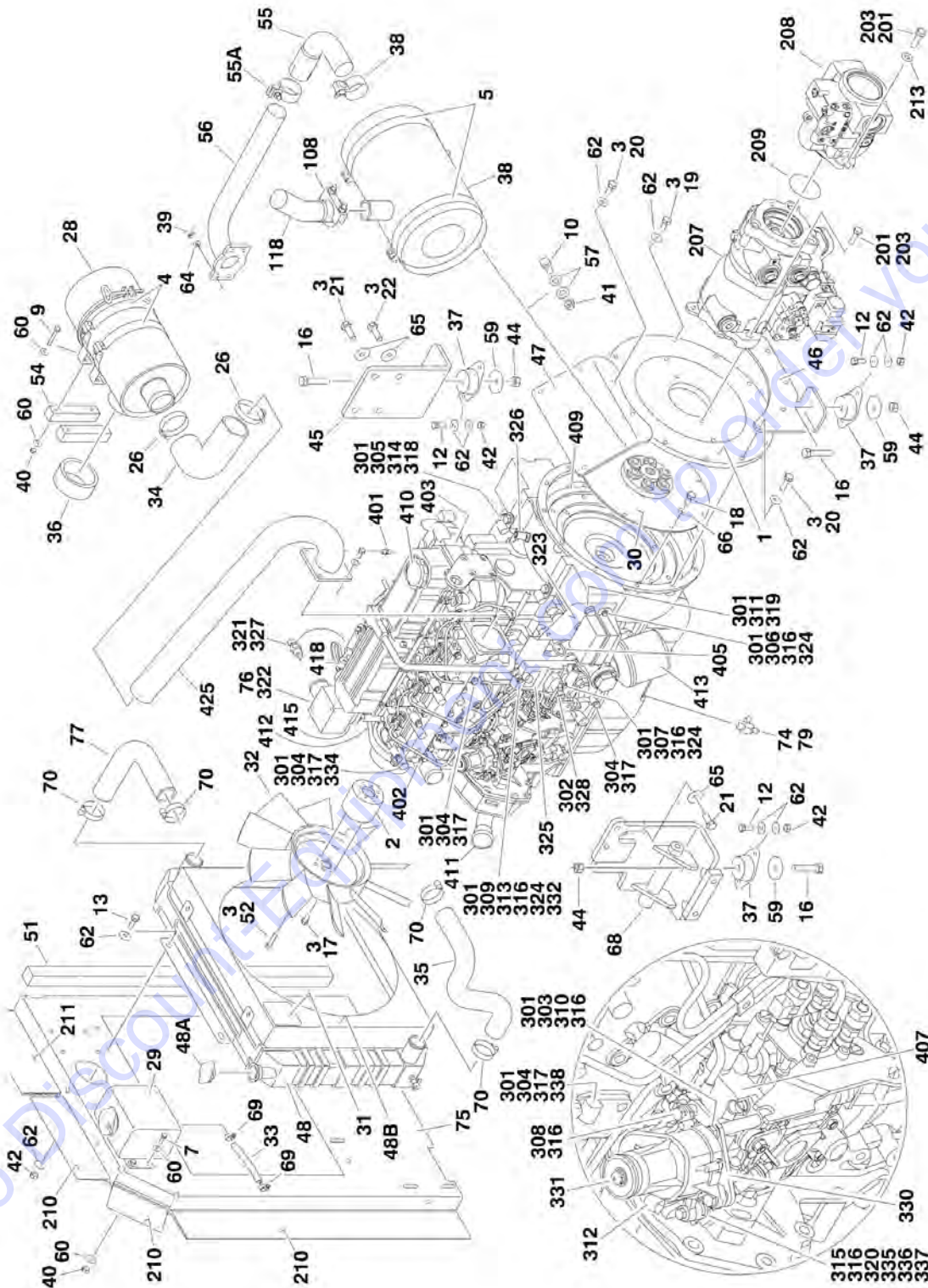
ITEM	PART NUMBER	QTY	DESCRIPTION	REV
	1001101060	Ref	SWING MOTOR/HUB ASSEMBLY	A
1	See Note	NSS	Housing/Shaft Assembly (Note: Not Available - Purchase Individual Components)	
1A	7010492	1	Shaft, Output	
1B	7000228	1	Seal, Lip	
1C	7000255	1	Bearing Kit (Includes Cup and Cone)	
1E	7000257	1	Bearing Kit (Includes Cup and Cone)	
1G	7024762	1	Housing	
1H	7007633	1	Thrustwasher	
1I	7000229	1	Ring, Retaining	
1J	7017072	1	Plug, Pipe	
2	7000246	1	Gear, Internal	
3	80424002	1	Carrier Assembly	
3A	7001931	1	Carrier	
3B	7001985	6	Washer, Tanged	
3C	7001909	84	Bearing, Needle	
3D	7000263	3	Thrustwasher	
3E	7001911	3	Shaft, Planet	
3F	7001912	3	Gear, Cluster	
3G	7010474	3	Rollpin	
4	7000248	1	Gear, Ring	
5	7000230	1	O-Ring	
5A	7017070	1	O-Ring	
6	See Note	NSS	Housing, Brake (Note: Not Available - Purchase Complete Assembly)	
8	70002065	1	Gear, Sun	
8A	70000782	1	Piston	
8D	70002070	1	O-Ring	
8E	70002071	1	Ring, Back-up	
8F	70002073	1	O-Ring	
8H	70002072	1	Ring, Back-up	
8J	70002067	4	Disc, Rotor	
8K	70002068	5	Disc, Stator	
8L	70002066	14	Spring	
11	7000253	2	Thrustwasher	
12	7000217	12	Bolt 3/8in-16NC x 2-1/4in (Grade 8)	
13	7017080	4	Pin, Dowel	
20	7017072	1	Plug, Pipe	
21	7024704	4	Bolt 5/16in-18NC x 2in (Grade 8)	
22	See Note	NSS	Lockwasher (Note: Purchase Locally)	
23	7017023	2	Plug, Pipe	
24	See Note	NSS	Plate, ID (Note: Not Available for Purchase)	
25	7000281	2	Screw, Drive	
26	7024763	1	O-Ring	
28	See Note	NSS	Lug, Lifting (Note: Not Available for Purchase)	
29	70002069	2	Bolt 1/2in-13NC x 2in (Grade 8)	
30	7017085	2	Elbow	
31	70002075	1	Motor Assembly (See Items 101-125 for Breakdown)	
32	7024784	1	Valve Assembly - Complete (No Serviceable Parts)	
35	70002074	1	Tube	

SECTION 2 - TURNTABLE

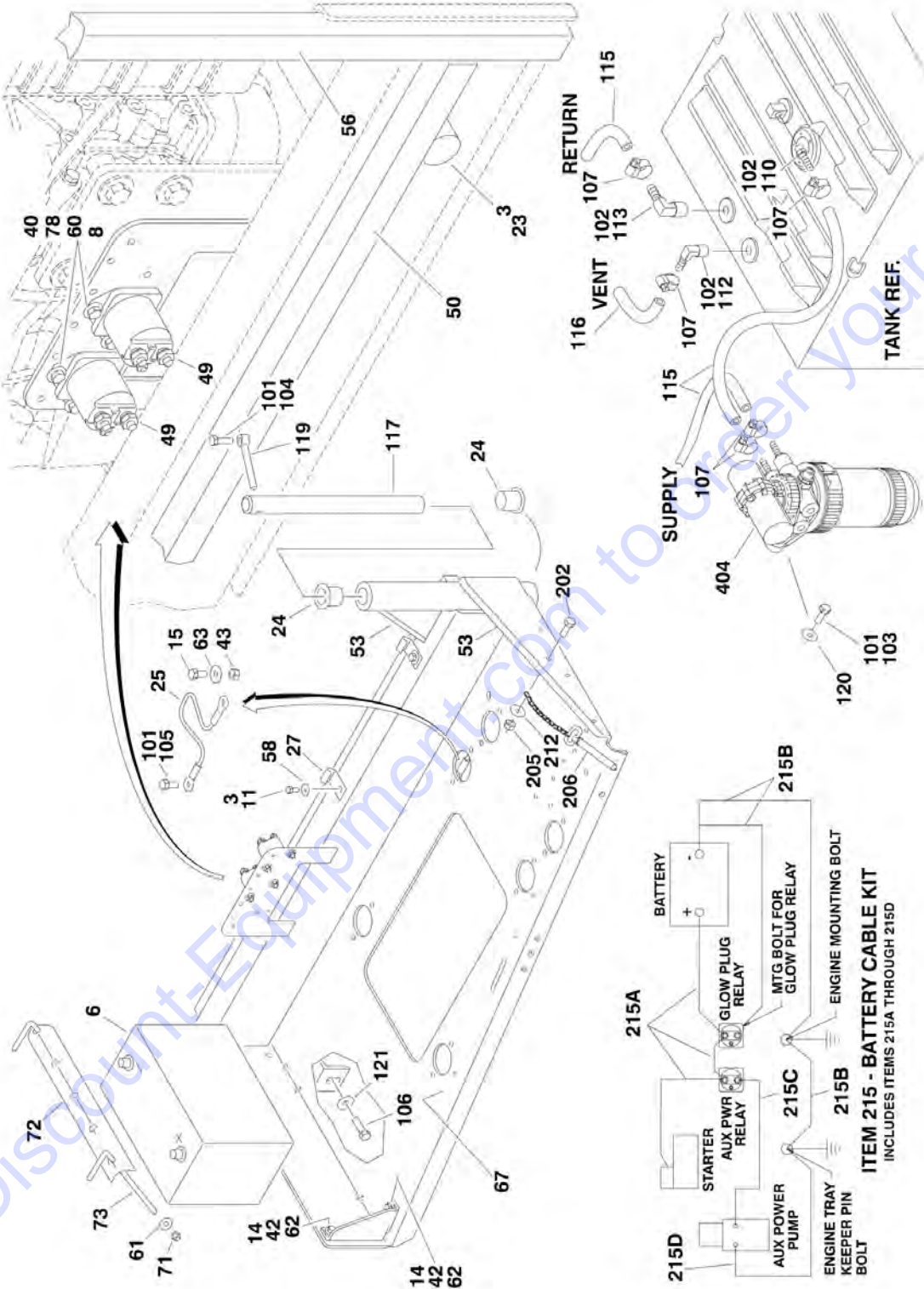
ITEM	PART NUMBER	QTY	DESCRIPTION	REV
44	7017028	1	Ring, Internal Retaining	
45	7000213	2	O-Ring	
	70002075	Ref	MOTOR ASSEMBLY	
101	7024454	5	Bolt	
102	7004035	1	Cover, End	
103	7023318	1	Seal, Commutator	
104	7004036	5	Seal, Ring	
105	7024453	1	Commutator and Ring Assembly	
106	7024453	1	Ring	
107	7024379	1	Manifold	
108	7024455	1	Rotor Set	
109	7024380	1	Plate, Wear	
110	7024456	1	Link, Drive	
112	7024458	1	Shaft, Coupling	
113	7024381	1	Bearing, Inner	
114	7004043	1	Thrustwasher	
115	7004044	1	Bearing, Thrust	
116	7004049	1	Seal, Inner	
117	7004045	1	Washer, Back-up	
118	7024457	1	Housing	
119	7024390	1	Bearing, Outer	
120	7004047	1	Seal	
125	80424043	1	Washer, Back-up	
		Ref	KIT OPTIONS:	
200		Ref	Seal Kit Options:	
200A	7024100	1	Swing Hub (Includes Items 1B, 1I, 5, 5A & 11)	
200B	70002086	1	Swing Brake (Includes Items 8D, 8E, 8F, 8H & 26)	
200C	7024396	1	Swing Motor (Includes Items 103, 104, 116, 117, 120 & 125)	
201	70002085	1	Disc Kit - Swing Brake (Includes Items 8J & 8K)	

SECTION 2 - TURNTABLE

FIGURE 2-5. CATERPILLAR ENGINE INSTALLATION



SECTION 2 - TURNTABLE



SECTION 2 - TURNTABLE

FIGURE 2-5. CATERPILLAR ENGINE INSTALLATION

ITEM	PART NUMBER	QTY	DESCRIPTION	REV
	1001109065	Ref	CATERPILLAR TIER IVi ENGINE ASSEMBLY	D
1	0080181	1	Adaptor, Pump Mounting Plate	
2	0080243	1	Adaptor, Fan Spacer	
3	0100011	AR	Compound, Locking	
4	0340041	2	Band, Mounting	
5	0340046	2	Band, Muffler	
6	0400075	1	Battery	
7	0641406	4	Bolt 1/4in-20NC x 3/4in	
8	0641407	4	Bolt 1/4in-20NC x 7/8in	
9	0701414	4	Bolt 1/4in-20NC x 3/4in	
10	0641507	4	Bolt 5/16in-18NC x 7/8in	
11	0641606	2	Bolt 3/8in-16NC x 3/4in	
12	0641608	8	Bolt 3/8in-16NC x 1in	
13	0641609	4	Bolt 3/8in-16NC x 1-1/8in	
14	0641610	4	Bolt 3/8in-16NC x 1-1/4in	
15	0641808	1	Bolt 1/2in-13NC x 1in	
16	0641820	4	Bolt 1/2in-13NC x 2-1/2in	
17	0700808	4	Bolt M8 x 16mm	
18	0701010	8	Bolt M10 x 20mm	
19	0701012	4	Bolt M10 x 25mm	
20	0701015	8	Bolt M10 x 35mm	
21	0711214	5	Bolt M12 x 30mm	
22	0771212	3	Bolt M12 x 25mm	
23	0940070	1	Bumper, Rubber	
24	0961986	2	Bearing, Flange	
25	1060637	1	Lanyard	
26	1320016	2	Clamp, Hose	
27	1320223	4	J-Clip 1/2in	
28	1340060	1	Air Cleaner Assembly	
28	7012664	1	Element, Air Cleaner	
29	1580011	1	Container, Coolant Overflow	
30	1660239	1	Coupling, Pump	
31	1703162	2	Decal - Fan Blade	
32	2060025	1	Fan	
33	2720058	0.33 ft /0.1m	Hose	
34	2720434	1	Elbow, Rubber	
35	2720509	1	Hose, Radiator (Bottom)	
36	2720515	1	Seal, Air Cleaner	
37	3200406	4	Mount, Engine	
38		Ref	Muffler Options:	
38	3220113	1	Spark Arresting Muffler	
38	70001017	1	Clamp	
38	1001107116	1	Catalytic Muffler	
38	70002705	1	Clamp	
38	70002706	1	Plug, Brass	
39	3290801	4	Nut M8 x 1.25	
40	3311405	12	Locknut 1/4in-20NC	
41	3311505	4	Locknut 5/16in-18NC	
42	3311605	AR	Locknut 3/8in-16NC	

SECTION 2 - TURNTABLE

ITEM	PART NUMBER	QTY	DESCRIPTION	REV
43	3311801	1	Nut 1/2in-13NC	
44	3311805	4	Locknut 1/2in-13NC	
45	3574206	1	Plate, Motor Mount	
46	3574207	1	Plate, Engine Mount (Rear)	
47	3574208	1	Bracket, Muffler	
48	3620047	1	Radiator	
48A	7027412	1	Cap	
48B	70004182	1	Shroud, Fan	
49	3740067	3	Relay, Solenoid Assembly	
50	3960468	1	Seal, Foam Gasket	
51	3960469	1	Seal, Foam Gasket	
52	4031911	4	Bolt Metric M8 x 35mm	
53	4060805	2 ft /0.7mm	Flex-Trim 1/4in	
54	4220191	2	Block, Spacer	
55	4567073	1	Tube, Exhaust	
55A	70001017	1	Clamp	
56	4568721	1	Exhaust Tube Weldment	
57	4711500	8	Flatwasher 5/16in Thin	
58	4711600	2	Flatwasher 3/8in Thin	
59	4740274	4	Washer, Snubbing	
60	4751400	24	Flatwasher 1/4in Regular	
61	4751500	2	Flatwasher 5/16in Regular	
62	4751600	44	Flatwasher 3/8in	
63	4751800	1	Flatwasher 1/2in Regular	
64	4811900	4	Flatwasher M8	
65	4812100	8	Flatwasher 12m	
66	4832000	8	Lockwasher M10	
67	4846790	1	Tray Engine	
68	4846805	1	Mount, Engine/Generator - Left	
69	8405009	2	Clamp, Hose	
70	8405104	4	Clamp, Hose	
71	88521205	2	Locknut, Nylon Insert 5/16in-18NC	
72	91401281	1	Hold-down, Battery	
73	1001093382	2	Bolt, Battery Hold-down	
74		Ref	Valve, Oil Drain Options:	
74	1001105833	NLA	USA Built Machines (Use p/n 4640750) (SN 0300140000 through 0300141102)	
74	4640750	1	USA Built Machines (SN 0300141103 through 0300182743 Only)	
74	4640750	1	China Built Machines Only (SN B300000100 through B300001091)	
75	1001109595	1	Plate, Radiator Mounting	
76	1001112077	1	Caterpillar Tier IVi Engine Assembly	
77	1001107705	1	Hose, Radiator (Top)	
78	4791400	4	Starwasher 1/4in	
79	0100020	AR	Sealant, Pipe (USA Built Machines) (SN 0300141103 through 0300182743 Only)	
79	0100020	AR	Sealant, Pipe (China Built Machines Only) (SN B300000100 through B300001091)	
		Ref	CATERPILLAR TIER IVi ENGINE INSTALLATIONS	
	1001110212	Ref	Machines without Arctic Package	D
	1001110213	Ref	Machines with Arctic Package	C

PARTS FINDER

**Search Website
by Part Number**



**Search Manual
Library For Parts
Manual & Lookup Part
Numbers – Purchase
or Request Quote**

**Can't Find Part or
Manual? Request Help
by Manufacturer,
Model & Description**

Discount-Equipment.com is your online resource for quality parts & equipment.

Florida: **561-964-4949** Outside Florida TOLL FREE: **877-690-3101**

Need parts?

Click on this link: <http://www.discount-equipment.com/category/5443-parts/> and choose one of the options to help get the right parts and equipment you are looking for. Please have the machine model and serial number available in order to help us get you the correct parts. If you don't find the part on the website or on one of the online manuals, please fill out the request form and one of our experienced staff members will get back to you with a quote for the right part that your machine needs.

We sell worldwide for the brands: Genie, Terex, JLG, MultiQuip, Mikasa, Essick, Whiteman, Mayco, Toro Stone, Diamond Products, Generac Magnum, Airman, Haulotte, Barreto, Power Blanket, Nifty Lift, Atlas Copco, Chicago Pneumatic, Allmand, Miller Curber, Skyjack, Lull, Skytrak, Tsurumi, Husquvarna Target, Stow, Wacker, Sakai, Mi-T-M, Sullair, Basic, Dynapac, MBW, Weber, Bartell, Bennar Newman, Haulotte, Ditch Runner, Menegotti, Morrison, Contec, Buddy, Crown, Edco, Wyco, Bomag, Laymor, EZ Trench, Bil-Jax, F.S. Curtis, Gehl Pavers, Heli, Honda, ICS/PowerGrit, IHI, Partner, Imer, Clipper, MMD, Koshin, Rice, CH&E, General Equipment, Amida, Coleman, NAC, Gradall, Square Shooter, Kent, Stanley, Tamco, Toku, Hatz, Kohler, Robin, Wisconsin, Northrock, Oztec, Toker TK, Rol-Air, APT, Wylie, Ingersoll Rand / Doosan, Innovatech, Con X, Ammann, Mecalac, Makinex, Smith Surface Prep, Small Line, Wanco, Yanmar

SECTION 2 - TURNTABLE

ITEM	PART NUMBER	QTY	DESCRIPTION	REV
101	0100011	AR	Compound, Locking	
102	0100020	AR	Sealant, Thread	
103	0641608	2	Bolt 3/8in-16NC x 1in	
104	0641610	1	Bolt 3/8in-16NC x 1-1/4in	
105	0641808	1	Bolt 1/2in-13NC x 1in	
106	0642010	1	Bolt 5/8in-11NC x 1-1/4in	
107	1320022	7	Clamp, Hose	
108	1320176	1	Clamp	
109	1701505	1	Decal - Diesel (Not Shown - Located on Hood)	
110	2180348	1	Fitting, Barbed	
111	2200222	1	Plug, Pipe (Not Shown - Located in Bottom of Fuel Tank)	
112	2220313	1	Fitting, Elbow	
113	2221176	1	Fitting, Elbow	
114		Ref	Coolant Options (Not Shown):	
114	2300004	2.63 gal /9.96L	Without Arctic Package	
114	2300041	2.63 gal /9.96L	With Arctic Package	
115	2720058	30 ft/9.1m	Hose	
116	2750532	6 ft/1.8m	Hose 3/8in	
117	3422446	1	Pin, Pivot	
118	3460544	1	Pipe, Exhaust	
119	3841143	1	Keeper, Pin	
120	4711600	2	Flatwasher 3/8in Thin	
121	4752000	1	Flatwasher 5/8in Regular	
		Ref	Note: Arctic Package Items 123-126 Not Shown - Used on Arctic Machines Only.	
123	1060625	1	Cable, Immersion Heater (Located on bottom of Hydraulic Oil Tank)	
124	1320223	1	Clamp	
125	1702943	1	Decal - Hydraulic Tank Heater (Located on bottom of Hydraulic Oil Tank)	
126	2580050	1	Heater, Hydraulic Tank (Located on bottom of Hydraulic Oil Tank)	
		Ref	CATERPILLAR TIER IVi ENGINE WITH PUMPS ASSEMBLIES	
	1001110206	Ref	Machines without Arctic Package	B
	1001110205	Ref	Machines with Arctic Package	C
201	0100011	AR	Compound, Locking	
202	0641407	1	Bolt 1/4in-20NC x 7/8in	
203	0641812	4	Bolt 1/2in-13NC x 1-1/2in	
204		Ref	Motor Oil Options (Not Shown):	
204	3020016	2.5 gal /9.4L	Without Arctic Package - Motor Oil 15W-40	
204	3020044	2.5 gal /9.4L	With Arctic Package - Motor Oil 0W-40	
205	3311405	1	Locknut 1/4in-20NC	
206	3422532	1	Pin, Hitch	
207	3600410	1	Piston Pump Assembly (See PUMP ASSEMBLY (SAUER-DANFOSS PUMP) for Breakdown)	
208	3600411	1	Load Sensing Pump Assembly with Fittings(See LOAD SENSING PUMP ASSEMBLY for Breakdown)	
209	3790044	1	O-Ring	
210	3960548	42 in/1m	Seal, Hood	
211	3960549	1 ft	Seal	

SECTION 2 - TURNTABLE

ITEM	PART NUMBER	QTY	DESCRIPTION	REV
		/0.3mm		
212	4751400	1	Flatwasher 1/4in Regular	
213	4891800	2	Flatwasher 1/2in Hardened	
215	1001112762	1	Battery Cable Kit	B
215A	7027028	1	Cable, Battery (Red)	
215B	7027029	1	Cable, Battery (Black)	
215C	7027030	1	Cable (Red)	
215D	7027031	1	Cable (Black)	
		Ref	Note: Arctic Package Items 216-226 Not Shown - Used on Arctic Machines Only.	
216	0641608	2	Bolt 3/8in-16NC x 1in	
217	1060626	1	Cord, 3-Way Extension (Located on Left Front of Engine)	
218	1320223	2	Clamp	
219	1702941	1	Decal - Battery Heater (Located on Battery Heater)	
220	1702942	1	Decal - Engine Block Heater (Located on Right Side of Engine)	
221	1702944	1	Decal - Heater Cord (Located on Left Front of Engine)	
222	2580024	1	Heater, Battery (Located on Battery)	
223	2580055	1	Heater, Block (Located on Left Side of Engine)	
224	3311605	2	Locknut 3/8in-16NC	
225	3980007	1	Seat, Battery (Located Under Battery)	
226	4751600	2	Flatwasher 3/8in Regular	
	1001112077	Ref	CATERPILLAR TIER IVI ENGINE WITH ECM ASSEMBLY	E
301	0100011	AR	Compound, Locking	
302	0100020	AR	Sealant, Thread	
303	0700620	1	Bolt M6 x 60mm	
304	0700808	5	Bolt M8 x 16mm	
305	0701010	2	Bolt M10 x 20mm	
306	0760606	2	Bolt M6 x 12mm	
307	0760610	2	Bolt M6 x 20mm	
308		Ref	Bolt M6 x 25mm Options:	
308	0760612	3	USA Built Machines (SN 0300140000 through 0300141318 Only)	
308	4031709	3	USA Built Machines (SN 0300141319 through 0300182743 Only)	
308	4031709	3	China Built Machines Only (SN B300000100 through B300001091)	
309	8303541	1	Screw M6 x 35mm	
310	0700616	2	Bolt M6 x 40mm	
311	0761210	2	Bolt M12 x 20mm	
312	8406009	1	Clamp, Cable	
313	1320224	1	Clamp, Cable	
314	8406105	2	Clip, Tube	
315	3290507	1	Locknut M5	
316	4811700	12	Flatwasher M6	
317	4811900	5	Flatwasher M8	
318	4812000	2	Flatwasher M10	
319	4812100	2	Flatwasher M12	
320	4811600	1	Flatwasher M5	
321	1001097553	1	Washer, Coolant Sensor	
322	1001109064	1	Caterpillar Tier IVi Engine Assembly	
323	1001112057	1	Bracket	
324	1001112059	5	Bumper	

SECTION 2 - TURNTABLE

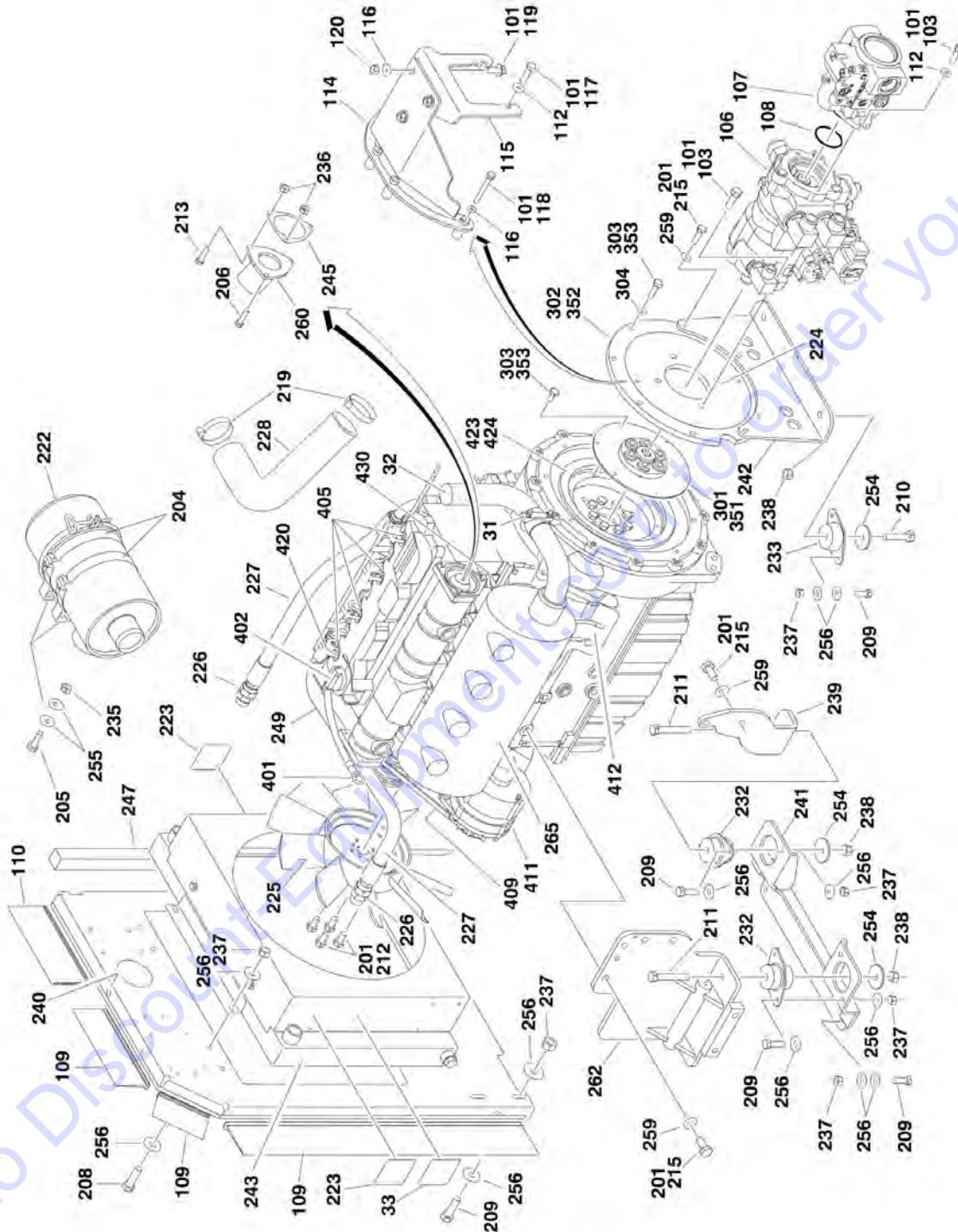
ITEM	PART NUMBER	QTY	DESCRIPTION	REV
325	1001112067	1	Module, ECM	
326	1001112068	1	Sensor, Speed	
327	1001112069	1	Sensor, Temperature	
328	1001112070	1	Switch, Oil Pressure	
329	1001112071	1	Harness, Engine (Not Shown - See ELECTRICAL SECTION for Breakdown)	
330	1001112072	1	Bracket	
331	1001112073	1	Actuator	
331	1001112849	1	Linkage Assembly	
332	1001112570	1	Spacer	
334	1320263	1	Clamp, Cable	
335	1001112075	1	Bolt	
336	1001112592	1	Bearing	
337	1001116595	1	Spacer	
338	8406109	1	Clip, Tube	
	1001109064	Ref	ENGINE COMPONENTS	B
401	70001051	1	Valve, Crankcase Actuator Shut-Off	
402	70001120	1	Pump, Water	
402	70001742	1	Pulley, Water Pump	
402	70002765	1	Hose, By-Pass (Not Shown)	
403	See Note	NSS	Head, Cylinder (Note: Not Available for Purchase)	
403	7026801	1	Gasket, Valve Cover	
403	70002764	1	Gasket, Rear Head	
403	70002762	15	Seat, Valve	
403	70002761	17	Bolt, Head	
404	7026839	1	Pump, Fuel Supply	
404	7026830	1	Element, Fuel Filter	
404	70002834	1	Bowl, Water Collection	
404	70002835	1	Seal Kit - Water Separator	
404	70002833	1	Ring, Fuel Pump Retaining	
405	70002844	1	Dipstick Oil Level	
405	70002843	1	Seal, Dipstick Tube	
406	70002845	1	Pump, Oil (Not Shown)	
406	70002846	1	O-Ring, Oil Pump (Not Shown)	
407	70002849	1	Pump, Fuel Injection	
407	70002847	1	O-Ring, Fuel Injection Pump Flange	
407	70002848	1	Gasket, Fuel Injection Pump	
407	70002850	1	Solenoid, Fuel Shut-Off	
409	7026802	1	Flywheel	
409	7026803	1	Gear, Flywheel	
409	7026804	1	Gasket (Not Shown - Between Flywheel Housing and Engine Block)	
409	7026805	1	Seal, Rear Main (Not Shown - Rear of Flywheel Housing)	
409	7026807	1	Seal, Front Main (Located in Front Housing)	
410	7026800	1	Cap Oil Filler (Top of Valve Cover)	
411	7026806	1	Cap, Filler (Front Side of Engine)	
412	7026810	1	V-Belt	
413	7026811	1	Filter, Oil	
413	7026812	1	O-Ring (Between Bolt and Oil Filter Bracket)	
413	7026813	1	O-Ring (Between Oil Filter Bracket and Engine Block)	
414	7026819	1	Engine Cooler Assembly (Not Shown)	
414	7026816	2	O-Ring (Between Cover and Cooler)	

SECTION 2 - TURNTABLE

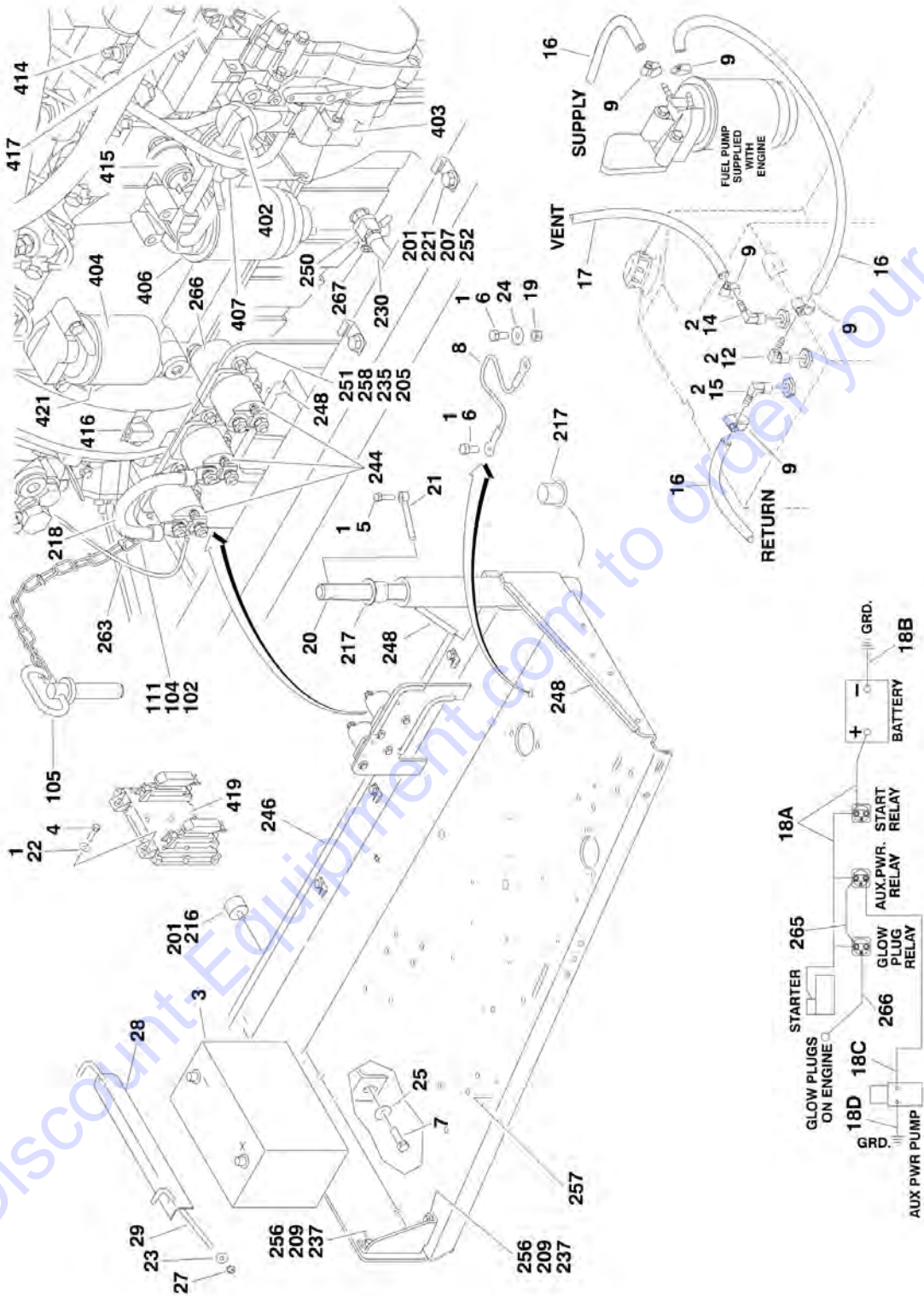
ITEM	PART NUMBER	QTY	DESCRIPTION	REV
414	7026817	4	O-Ring (Between Cover and Cooler)	
415	7026822	1	Thermostat	
415	7026821	1	Gasket (Between Regulator and Thermostat Housing)	
415	7026820	1	Gasket (Between Regulator and Engine Head)	
416	7026814	1	Relief Valve, Oil Pressure (Not Shown)	
416	7026815	1	Gasket, Relief Valve	
417	See Note	4	Injector, Fuel (Not Shown) (Note: Not Available for Purchase)	
417	70002763	4	Gasket, Fuel Line (Not Shown)	
418	7026831	1	Alternator	
419	7026832	1	Plug, Glow (Not Shown)	
420	7026833	1	Starter (Not Shown - Located on other Side of Engine)	
421	7026826	1	Gasket, Exhaust Manifold to Cylinder Head (Not Shown)	
421	7026827	1	Gasket, Exhaust Manifold to Exhaust Pipe (Not Shown)	
421	70002852	4	Stud, Exhaust Manifold (Not Shown)	
422	7026829	1	Gasket, Intake Manifold to Cylinder Head (Not Shown)	
422	7026828	1	Gasket, Intake Manifold to Intake Tube (Not Shown)	
423	7026808	1	Plug, Oil Pan (Not Shown)	
423	7026809	1	Gasket, Oil Plug	
424	70002851	1	Gasket Kit (Not Shown)	
425	4569371	1	Tube, Intake	

SECTION 2 - TURNTABLE

FIGURE 2-6. DEUTZ ENGINE INSTALLATION



SECTION 2 - TURNTABLE



SECTION 2 - TURNTABLE

FIGURE 2-6. DEUTZ ENGINE INSTALLATION

ITEM	PART NUMBER	QTY	DESCRIPTION	REV
		Ref	DEUTZ ENGINE INSTALLATION	
		Ref	Tier III/Tier IVi Engines	
	1001099829	Ref	Without Arctic Package (USA Built Machines) (SN 0300140000 through 0300170336)	D
	1001100382	Ref	With Arctic Package (USA Built Machines) (SN 0300170337 through 0300182743)	D
	1001099829	Ref	Without Arctic Package (China Built Machines) (SN B300000100 through B300000752)	D
	1001100382	Ref	With Arctic Package (China Built Machines) (SN B300000753 through B300001091)	D
		Ref	Tier IVi-Flex Engines	
	1001137740	Ref	Without Arctic Package (ANSI, CE and CSA Specs USA Built Machines) (SN 0300170337 through 0300182743)	C
	1001137743	Ref	With Arctic Package (ANSI and CSA Specs USA Built Machines) (SN 0300170337 through 0300182743)	C
	1001137740	Ref	Without Arctic Package (ANSI, CE and CSA Specs China Built Machines) (SN B300000753 through B300001091)	C
	1001137743	Ref	With Arctic Package (ANSI and CSA Specs China Built Machines) (SN B300000753 through B300001091)	C
	1001144323	Ref	Tier IVi-PRE Engines (CE Spec Only USA Built Machines) (SN 0300170337 through 0300182743)	B
	1001144323	Ref	Tier IVi-PRE Engines (CE Spec Only China Built Machines) (SN B300000753 through B300001091)	B
1	0100011	AR	Compound, Locking	
2	0100020	AR	Sealant, Pipe	
3	0400075	1	Battery	
4	0641412	4	Bolt 1/4in-20NC x 1-1/2in	
5	0641610	1	Bolt 3/8in-16NC x 1-1/4in	
6	0641808	2	Bolt 1/2in-13NC x 1in	
7	0642010	1	Bolt 5/8in-11NC x 1-1/4in	
8	1060637	1	Cable, Lanyard	
9	1320022	5	Clamp, Hose	
10	1320223	1	Clamp (Not Shown - Located on Turntable to clamp fuel line)	
11	1701505	1	Decal - Diesel (Not Shown - Located on Hood)	
12	2180348	1	Fitting, Straight Barbed	
13	2200222	1	Fitting, Plug (Not Shown - Located on Fuel Tank for Drain)	
14	2220313	1	Fitting, Elbow	
15	2221176	1	Fitting, Elbow Barbed	
16	2720058	30 ft/9.2m	Hose	
17	2750532	7 ft/2.1m	Hose	
18	2902401		Battery Cable Kit	C
18A	1001116288	1	Cable, Battery (Red)	
18B	7027004	1	Cable, Battery (Black)	
18C	7016824	1	Cable (Red)	
18D	7016825	1	Cable (Black)	
19	3311801	1	Nut 1/2in-13NC	
20	3422446	1	Pin, Pivot	
21	3841143	1	Pin, Keeper	
22	4711400	4	Flatwasher 1/4in Thin	
23	4751500	2	Flatwasher 5/16in Regular	
24	4751800	1	Flatwasher 1/2in Regular	
25	4752000	1	Flatwasher 5/8in Regular	

SECTION 2 - TURNTABLE

ITEM	PART NUMBER	QTY	DESCRIPTION	REV
26	4922737	1	Harness, Engine Grounding (Not Shown)	
27	88521205	2	Locknut, Nylon Insert 5/16in-18NC	
28	91401281	1	Hold-down, Battery	
29	1001093382	2	Bolt, Battery Hold-down	
31	1320176	1	Clamp	
32	1001101948	1	Tube, Exhaust	
33		Ref	Decal - Warning Explosion/Fire	
33	1704972	1	ANSI Spec	
33	1706098	1	Australian and CE Spec	
33	1706059	1	Brazilian Spec	
33	1706060	1	Chinese Spec	
33	1706064	1	CSA Spec	
33	1706062	1	Japanese Spec	
33	1706061	1	Korean Spec	
33	1706063	1	Spanish Language	
		Ref	Note: Arctic Package Items 34-43 Not Shown - Used on Arctic Machines Only	
34	1060626	1	Cord, 3 Way Extension (Located on Left Front of Engine)	
35	1702941	1	Decal - Battery Heater (Located on Battery Heater)	
36	1702942	1	Decal - Engine Block Heater (Located on Right Side of Engine)	
37	1702943	1	Decal - Hydraulic Tank Heater (Located on bottom of Hydraulic Oil Tank)	
38	1702944	1	Decal - Heater Cord (Located on Left Front of Engine)	
39	2580024	1	Heater, Battery (Located on Battery)	
40	2580050	1	Heater, Hydraulic Tank (Located on bottom of Hydraulic Oil Tank)	
41	0641608	1	Bolt 3/8in-16NC x 1in	
42	1060625	1	Cable, Immersion Heater (Located on bottom of Hydraulic Oil Tank)	
43	1320223	2	Clamp	
		Ref	ENGINE AND PUMP ASSEMBLIES	
		Ref	Tier III/Tier IVi Engines	
	1001099828	Ref	Without Arctic Package (USA Built Machines) (SN 0300170337 through 0300182743)	G
	1001099828	Ref	Without Arctic Package (China Built Machines) (SN B300000753 through B300001091)	G
	1001100381	Ref	With Arctic Package (USA Built Machines) (SN 030014000 through 0300170336)	F
	1001100381	Ref	With Arctic Package (China Built Machines) (SN B300000100 through B300000753)	F
		Ref	Tier IVi-Flex Engines	
	1001137739	Ref	Without Arctic Package (ANSI, CE and CSA Specs USA Built Machines) (SN 0300170337 through 0300182743)	D
	1001137739	Ref	Without Arctic Package (ANSI, CE and CSA Specs China Built Machines) (SN B300000753 through B300001091)	D
	1001137742	Ref	With Arctic Package (ANSI and CSA Specs USA Built Machines) (SN 0300170337 through 0300182743)	D
	1001137742	Ref	With Arctic Package (ANSI and CSA Specs China Built Machines) (SN B300000753 through B300001091)	D
	1001144321	Ref	Tier IVi-PRE Engines (CE Spec Only USA Built Machines) (SN 0300170337 through 0300182743)	C
	1001144321	Ref	Tier IVi-PRE Engines (CE Spec Only China Built Machines) (SN B300000753 through B300001091)	C
		Ref	Note: See SPECIAL OPTIONS SECTION for machines not equipped with Pump Mounting Bracket Kit, Deutz Engine with	

SECTION 2 - TURNTABLE

ITEM	PART NUMBER	QTY	DESCRIPTION	REV
			Sauer Danfoss drive and load sensing pump combination.	
101	0100011	AR	Compound, Locking	
102	0641407	1	Bolt 1/4in-20NC x 7/8in	
103	0641812	2	Bolt 1/2in-13NC x 1-1/2in	
104	3311405	1	Locknut 1/4in-20NC	
105	3422532	1	Pin, Hitch	
106		Ref	Piston Pump Assembly with Fittings Options:	
106	3600410	1	Piston Pump Assembly with Fittings (See PUMP ASSEMBLY (SAUER-DANFOSS) for Breakdown) (SN 0300140000 through 0300180777)	
106	1001152522	1	Piston Pump Assembly with Fittings (See PUMP ASSEMBLY (EATON) for Breakdown) (SN 0300180778 through 0300182115)	
106	3600410	1	Piston Pump Assembly with Fittings (See PUMP ASSEMBLY (SAUER-DANFOSS) for Breakdown) (SN 0300182116 through 0300182141)	
106	1001152522	1	Piston Pump Assembly with Fittings (See PUMP ASSEMBLY (EATON) for Breakdown) (SN 0300182142 through 0301822743)	
107	3600411	1	Load Sensing Pump Assembly with Fittings (See LOAD SENSING PUMP ASSEMBLY for Breakdown)	
108	3790044	1	O-Ring	
109	3960548	3.66 ft /1.1m	Seal, Hood	
110	3960549	1 ft/0.3m	Seal, Hood	
111	4751400	2	Flatwasher 1/4in Regular	
112	4891800	4	Flatwasher 1/2in Hardened	
114	1001137898	1	Bracket, Support (USA Built Machines) (SN 0300161434 through 0300174936)	
114	1001137898	1	Bracket, Support (China Built Machines) (SN B300000100 through B300000804)	
115	1001137899	1	Plate, Mounting (USA Built Machines) (SN 0300161434 through 0300174936)	
115	1001137899	1	Plate, Mounting (China Built Machines) (SN B300000100 through B300000804)	
116	4891600	7	Flatwasher 3/8in Hardened (USA Built Machines) (SN 0300161434 through 0300174936)	
116	4891600	7	Flatwasher 3/8in Hardened (China Built Machines) (SN B300000100 through B300000804)	
117		Ref	Bolt Options:	
117	0641812	2	Bolt 1/2in-13NC x 1-1/2in (USA Built Machines) (SN 0300140000 through 0300161433)	
117	0641814	2	Bolt 1/2in-13NC x 1-3/4in (USA Built Machines) (SN 0300161434 through 0300174936)	
117	0641814	2	Bolt 1/2in-13NC x 1-3/4in (China Built Machines) (SN B300000100 through B300000804)	
118	0711025	4	Bolt M10 x 85mm (USA Built Machines) (SN 0300161434 through 0300174936)	
118	0711025	4	Bolt M10 x 85mm (China Built Machines) (SN B300000100 through B300000804)	
119	0791608	3	Bolt 3/8in-16NC x 1in (USA Built Machines) (SN 0300161434 through 0300174936)	
119	0791608	3	Bolt 3/8in-16NC x 1in (China Built Machines) (SN B300000100 through B300000804)	
120	3311605	3	Locknut 3/8in-16NC (USA Built Machines) (SN 0300161434 through 0300174936)	
120	3311605	3	Locknut 3/8in-16NC (China Built Machines) (SN B300000100 through 0300174936)	

SECTION 2 - TURNTABLE

ITEM	PART NUMBER	QTY	DESCRIPTION	REV
			through B30000804)	
		Ref	ENGINE AND PUMP ASSEMBLIES	
		Ref	Tier III/Tier IVi Engines	
	1001098508	Ref	Without Arctic Package (USA Built Machines) (SN 0300170337 through 0300182743)	I
	1001098508	Ref	Without Arctic Package (China Built Machines) (SN B300000753 through B300001091)	I
	1001099640	Ref	With Arctic Package (USA Built Machines) (SN 0300170337 through 0300182743)	I
	1001099640	Ref	With Arctic Package (China Built Machines) (SN B300000753 through B300001091)	I
		Ref	Tier IVi-Flex Engines	
	1001137738	Ref	Without Arctic Package (ANSI, CE and CSA Specs USA Built Machines) (SN 0300170337 through 0300182743)	C
	1001137738	Ref	Without Arctic Package (ANSI, CE and CSA Specs China Built Machines) (SN B300000753 through B300001091)	C
	1001137741	Ref	With Arctic Package (ANSI and CSA Specs USA Built Machines) (SN 0300170337 through 0300182743)	C
	1001137741	Ref	With Arctic Package (ANSI and CSA Specs China Built Machines) (SN B300000753 through B300001091)	C
	1001144320	Ref	Tier IVi-PRE Engines (CE Spec Only USA Built Machines) (SN 0300170337 through 0300182743)	B
	1001144320	Ref	Tier IVi-PRE Engines (CE Spec Only China Built Machines) (SN B300000753 through B300001091)	B
201	0100011	AR	Compound, Locking	
204	0340041	2	Band, Air Cleaner	
205	0641407	10	Bolt 1/4in-20NC x 7/8in	
206	0641510	2	Bolt 5/16in-18NC x 1-1/4in	
207	0641606	2	Bolt 3/8in-16NC x 3/4in	
208	0641609	6	Bolt 3/8in-16NC x 1-1/8in	
209	0641610	16	Bolt 3/8in-16NC x 1-1/4in	
210	0641818	2	Bolt 1/2in-13NC x 2-1/4in	
211	0641826	2	Bolt 1/2in-13NC x 3-1/4in	
212	0700808	4	Bolt M8 x 16mm	
213	0641512	1	Bolt 5/16in-18NC x 1-1/2in	
215	0771414	10	Bolt M14 x 30mm Grade 10.9	
216	0940070	1	Bumper	
217	0961986	2	Bushing, Flanged	
218	1060904	1	Cable, Jumper (USA Built Machines) (SN 0300140000 through 0300140567 Only)	
219	1320016	2	Clamp	
221	1320223	4	J-Clip	
222	1340060	1	Air Cleaner Assembly Filter Element	
222	7012664	1	Element, Filter (Not Shown)	
223	1703162	2	Decal - Caution Fan Blade	
224	1703162	2	Plug, Hole	
225	2060025	1	Fan	
226	2220451	2	Fitting, Straight	
227	2720398	2	Hose, Oil Cooler	
228	1001091179	1	Elbow, Rubber	
230		Ref	Hose, Oil Drain Options:	
230	1001091892	6 in/15cm	USA Built Machines (SN 0300140000 through 0300141455 Only)	
230	2750532	1 ft/0.3m	USA Built Machines (SN 0300141456 through 0300182743)	

SECTION 2 - TURNTABLE

ITEM	PART NUMBER	QTY	DESCRIPTION	REV
230	2750532	1 ft/0.3m	Only) China Built Machines Only (SN B300000100 through B300001091)	
231		Ref	Oil, Motor Options (Not Shown):	
231	3020016	3.75 gal /14.19L	Without Arctic Package	
231	3020044	3.75 gal /14.19L	With Arctic Package	
232	3200362	2	Mount, Motor	
233	3200406	2	Mount, Motor	
235	3311405	10	Locknut 1/4in-20NC	
236	3311505	3	Locknut 5/16in-18NC	
237	3311605	22	Locknut 3/8in-16NC	
238	3311805	4	Locknut 1/2in-13NC	
239	3537416	1	Plate, Engine Mounting (Front Right Side)	
240	3539872	1	Plate, Radiator Mounting	
241	3539971	1	Plate, Engine Mounting (Front Bottom)	
242	1001093943	1	Plate, Engine Mounting (Rear)	
243	3620033	NLA	Radiator (Use p/n 1001150998)	
244	3740067	3	Relay	
245	3960407	1	Gasket, Air Intake	
246	3960468	1	Seal	
247	3960469	1	Seal	
248	4060805	37 in/1m	Flex-Trim	
249		Ref	Engine, Deutz Options:	
249	1001094101	1	Tier III/Tier IVi Engines (All Specs USA Built Machines) (SN 030014000 through 0300170336)	
249	1001094101	1	Tier III/Tier IVi Engines (All Specs except ANSI, CE and CSA Specs USA Built Machines) (SN 0300170337 through 0300182743)	
249	1001094101	1	Tier III/Tier IVi Engines (China Built Machines) (SN B300000100 through B300000752)	
249	1001094101	1	Tier III/Tier IVi Engines (All Specs except ANSI, CE and CSA Specs China Built Machines) (SN B300000753 through B300001091)	
249	1001137737	1	Tier IVi-Flex Engines (ANSI, CE and CSA Specs USA Built Machines) (SN 0300170337 through 0300182743)	
249	1001137737	1	Tier IVi-Flex Engines (ANSI, CE and CSA Specs China Built Machines) (SN B300000753 through B300001091)	
249	1001144319	1	Tier IVi-PRE Engines (CE Spec Only USA Built Machines) (SN 0300170337 through 0300182743)	
249	1001144319	1	Tier IVi-PRE Engines (CE Spec Only China Built Machines) (SN B300000753 through B300001091)	
250		Ref	Valve, Oil Drain Options:	
250	1001104308	NLA	USA Built Machines (Use p/n 4640751) (SN 0300140000 through 0300141455 Only)	
250	4640751	1	USA Built Machines (SN 0300141456 through 0300182743 Only)	
250	4640751	1	China Built Machines Only (SN B300000100 through B300001091)	
251	4711400	6	Flatwasher 1/4in Thin	
252	4711600	3	Flatwasher 3/8in Thin	
254	4740274	4	Washer, Snubbing	
255	4751400	8	Flatwasher 1/4in Regular	
256	4751600	44	Flatwasher 3/8in Regular	

SECTION 2 - TURNTABLE

ITEM	PART NUMBER	QTY	DESCRIPTION	REV
257	1001094321	1	Tray, Engine	
258	4791400	6	Starwasher 1/4in	
259	4812200	10	Flatwasher M14	
260	4845395	1	Adapter, Air Intake	
262	4846566	1	Plate, Engine Mounting (Front Left Side)	
263	4923379	1	Harness, Glowplug	
265		Ref	Muffler Options:	
265	1001099051	1	Spark Arresting (Standard)	
265	1001101241	1	Catalytic (Optional)	
265		Ref	Muffler Components:	
265	1320176	1	Saddle Clamp Used on Spark Arresting	
265	70001017	1	Band Clamp Used on Catalytic	
265	7024560	1	Plug, Brass	
266	3740080	1	Relay	
267	1320022	1	Clamp (USA Built Machines) (SN 0300141456 through 0300182743 Only)	
267	1320022	1	Clamp (China Built Machines Only) (SN B300000100 through B300001091)	
		Ref	Note: Arctic Package Item 268 Not Shown - Used on Arctic Machines Only	
268	2580062	1	Heater, Engine Block	
	2902065	Ref	PUMP COUPLING AND MOUNTING PLATE KIT (USA BUILT MACHINES) (SN 0300140000 through 0300174935)	G
	2902065	Ref	PUMP COUPLING AND MOUNTING PLATE KIT (CHINA BUILT MACHINES) (SN B300000100 through B300000803)	G
301	70000793	1	Coupling, Hayes	
302	See Note	NSS	Plate, Pump Adapter (Note: Not Available - Use p/n 2902065)	
303	See Note	NSS	Capscrew M10 (Note: Purchase Locally)	
304	See Note	NSS	Flatwasher M10 (Note: Purchase Locally)	
	1001153282	Ref	PUMP COUPLING AND MOUNTING PLATE KIT (USA BUILT MACHINES) (SN 0300174936 through 0300182743)	C
	1001153282	Ref	PUMP COUPLING AND MOUNTING PLATE KIT (CHINA BUILT MACHINES) (SN B300000804 through B300001091)	C
351	70004183	1	Coupling, Guardian	
352	See Note	NSS	Plate, Pump Adapter (Note: Use p/n 1001153282)	
353	See Note	NSS	Capscrew M10 (Note: Purchase Locally)	
		Ref	ENGINE COMPONENTS	
	1001094101	Ref	Tier IVi Engines without Arctic Package (USA Built Machines) (SN 0300170337 through 0300182743)	C
	1001094101	Ref	Tier IVi Engines without Arctic Package (China Built Machines) (SN B300000753 through B300001091)	C
	1001137737	Ref	Tier IVi-Flex Engines (ANSI, CE and CSA Specs USA Built Machines) (SN 0300170338 through 0300182743)	B
	1001137737	Ref	Tier IVi-Flex Engines (ANSI, CE and CSA Specs China Built Machines) (SN B300000752 through B300001091)	B
	1001144319	Ref	Tier IVi-PRE Engines (CE Spec Only USA Built Machines) (SN 0300170337 through 0300182743)	B
	1001144319	Ref	Tier IVi-PRE Engines (CE Spec Only China Built Machines) (SN B300000753 through B300001091)	B
401	7026631	1	Dipstick	
401	7020487	1	O-Ring, Dipstick	
402	7020465	1	Cap, Filler	
403	70001850	1	Pump, Oil Lube	
403	7020468	1	Seal Between Oil Pump and Engine Block (Not Shown)	

SECTION 2 - TURNTABLE

ITEM	PART NUMBER	QTY	DESCRIPTION	REV
404	7016331	1	Filter, Oil	
404	70001848	1	Sensor at Oil Filter	
404	70001132	1	Seal, Sensor at Oil Filter	
405		Ref	Pump, Injector Options:	
405	70000912	4	Series A Injector	
405	70000913	4	Series B Injector	
405	70000914	4	Series C Injector	
405	70000915	4	Series D Injector	
406	7016328	1	Filter, Fuel	
407	70000916	1	Pump, Fuel Supply	
407	70001435	1	Kit, Repair	
407	70000919	1	Hand Pump	
407	70000918	1	Seal, Hand Pump	
407	70000917	1	O-Seal Between Fuel Pump and Engine Block (Not Shown)	
408	7020449	4	Gasket, Intake Manifold (Not Shown)	
409	7020408	1	V-Belt	
410	7020471	4	Gasket, Exhaust Manifold to Engine Block (Not Shown)	
410	70001835	1	Gasket, Exhaust (Header to EGR Valve Block) (Not Shown)	
410	70001836	1	Gasket, Exhaust (Engine Head to Header) (Not Shown)	
410	70001837	1	Gasket, Exhaust (Exhaust Tube to Muffler) (Not Shown)	
410	70001838	2	Gasket, Exhaust (EGR Valve Block to Exhaust Tube) (Not Shown)	
410	70001874	1	Plate Choke (Between 70001838 Gaskets) (Not Shown)	
410	70001839	1	Flange, Sealing (Near Front of Header) (includes Seal and Pin) (Not Shown)	
410	70001841	1	Valve, EGR (Not Shown)	
411	7000663	1	Alternator	
411	70001868	1	Regulator, Voltage (Not Shown)	
411	70001866	1	Gasket, Regulator (Not Shown)	
411	70002234	1	Bracket, Adjusting (Not Shown)	
412	7020479	1	Starter	
412	7026608	1	Solenoid	
413	See Note	2	Plug- In Connector (Not Shown) (Note: Not Available for Purchase)	
414	7027791	1	Transmitter, Temperature	
414	See Note	1	Ring, Sealing (Note: Not Available for Purchase)	
415	7027790	1	Sensor, Oil Pressure	
416	7024565	1	Sensor, Speed	
417	7027792	1	Actuator, Throttle	
419	7027795	1	Module, EMR2 Controller	
419	7027796	1	Harness, EMR2 Module	
420	70000345	4	Plug, Glow	
421	7020459	1	Thermostat	
423	70001870	1	Flywheel	
424	7024579	1	Rim, Gear	
427	70001847	1	Breather Valve (Not Shown)	
427	70001126	1	Seal, Breather Valve (Not Shown)	
428		Ref	Gasket, Cylinder Head Options (Not Shown):	
428	70002415	1	1 Notch	
428	70002416	1	2 Notches	
428	70002417	1	3 Notches	
430	70002200	8	Stud (Used to attach muffler)	

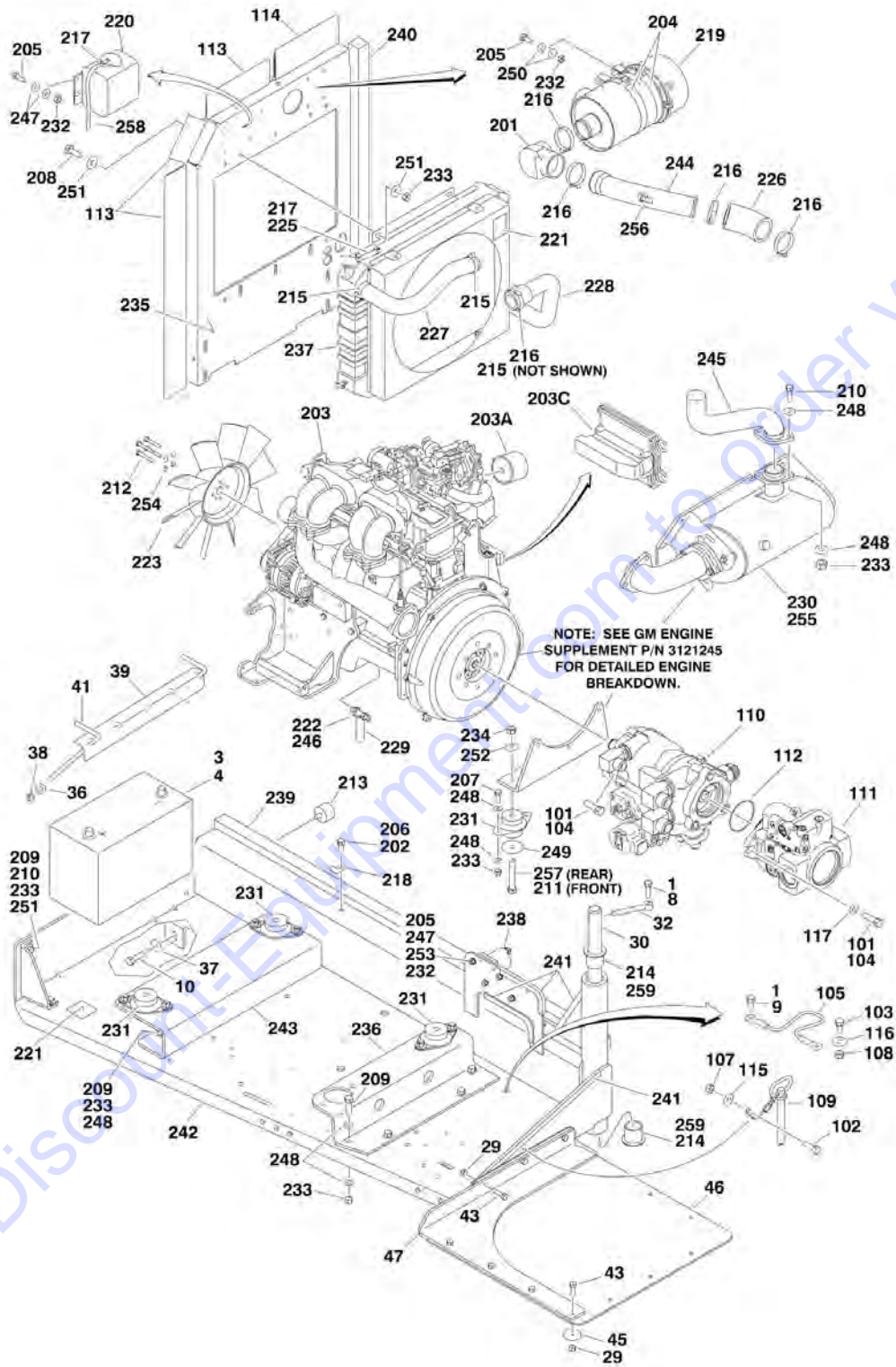
SECTION 2 - TURNTABLE

ITEM	PART NUMBER	QTY	DESCRIPTION	REV
431	70001872	1	Harness, Engine (Not Shown)	
431	7027793	1	Plug, Connector	

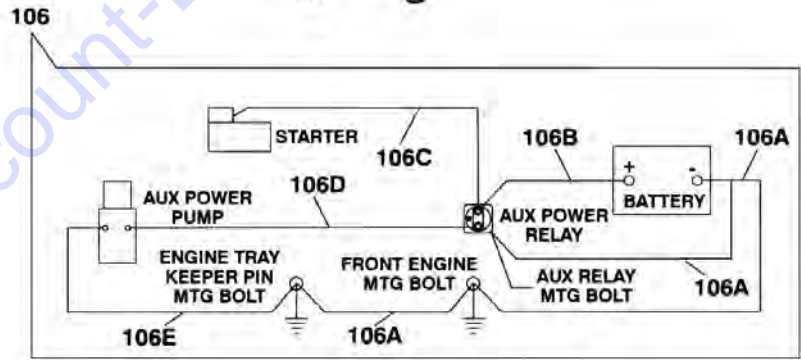
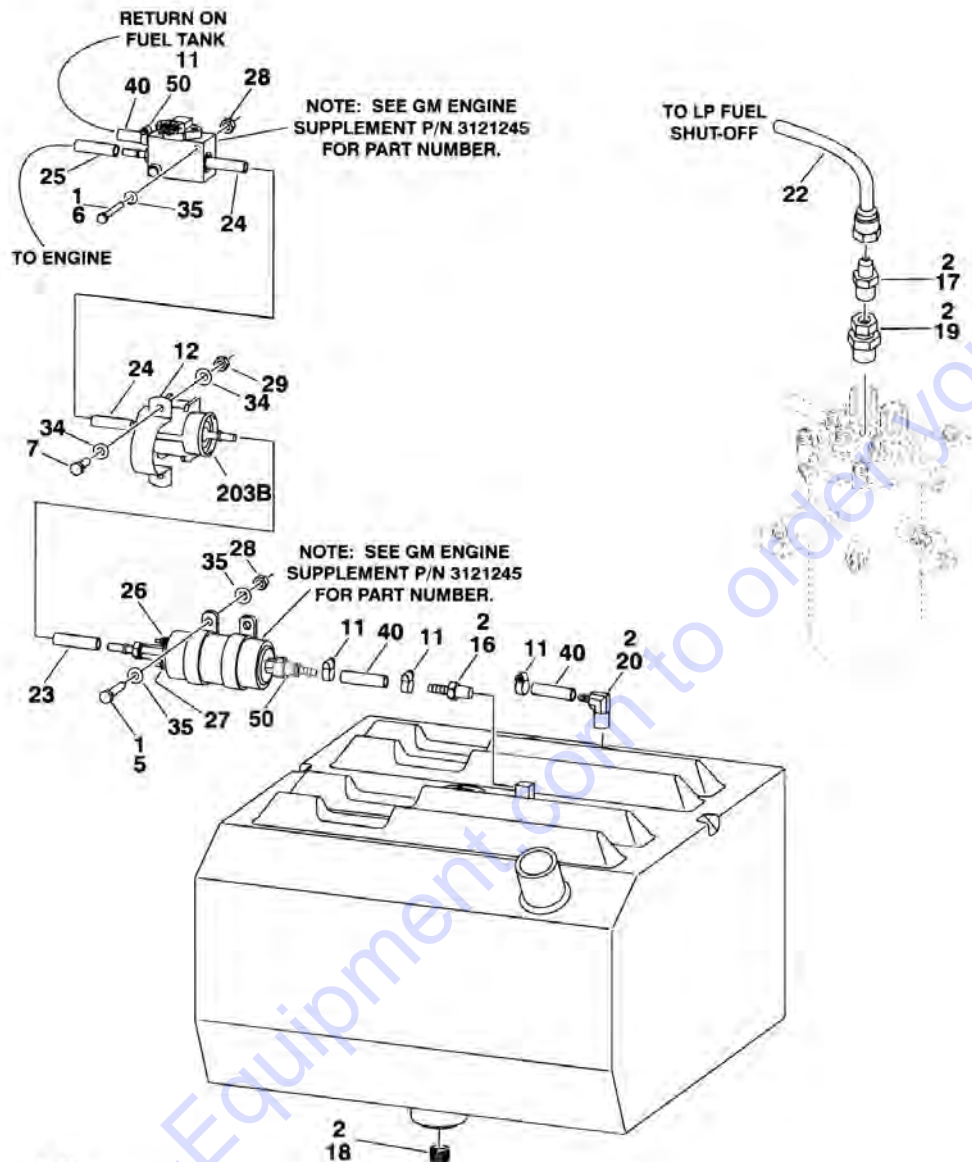
Go to Discount-Equipment.com to order your parts

SECTION 2 - TURNTABLE

FIGURE 2-7. GM ENGINE INSTALLATION



SECTION 2 - TURNTABLE



SECTION 2 - TURNTABLE

FIGURE 2-7. GM ENGINE INSTALLATION

ITEM	PART NUMBER	QTY	DESCRIPTION	REV
	1001114634	Ref	GM 3.0L TIER III/IV ENGINE INSTALLATION	E
1	0100011	AR	Compound, Locking	
2	0100020	AR	Sealant, Pipe	
3	0100048	AR	Grease, Dielectric	
4	0400075	1	Battery (Wet)	
5	0641412	2	Bolt 1/4in-20NC x 1-1/2in	
6	0641422	2	Bolt 1/4in-20NC x 2-3/4in	
7	0641511	2	Bolt 5/16in-18NC x 1-3/8in	
8	0641608	1	Bolt 3/8in-16NC x 1in	
9	0641808	1	Bolt 1/2in-13NC x 1in	
10	0642010	1	Bolt 5/8in-11NC x 1-1/4in	
11	1001174486	4	Clamp, Fuel Line	
12	1320323	1	Clamp	
13	1700818	2	Decal - LP Gas (Liquid) (Not Shown)	
14	1701542	1	Decal, Gas (Not Shown)	
15	1701543	2	Decal, LPG (Not Shown)	
16	2180348	1	Fitting, Barbed	
17	2180418	1	Fitting, Straight	
18	2200222	1	Fitting, Plug	
19	2220005	1	Fitting, Straight	
20	2221176	1	Fitting, Elbow	
21	2300004	2.63 gal /9.96L	Coolant (Not Shown)	
22	2720392	1	Hose, LP	
23		Ref	Hose, High Pressure Fuel Line (6in/15cm Length) Options:	
23	2720566	1	Hose, High Pressure Fuel Line (SN 0300140000 through 0300181849)	
23	1001156823	1	Hose, High Pressure Fuel Line (SN 0300181850 through 0300182743)	
24		Ref	Hose, High Pressure Fuel Line (4ft/1.2m Length) Options:	
24	2720567	1	Hose, High Pressure Fuel Line (SN 0300140000 through 0300181849)	
24	1001156824	1	Hose, High Pressure Fuel Line (SN 0300181850 through 0300182743)	
25		Ref	Hose Options:	
25	2720580	1	Hose (SN 0300140000 through 0300181849)	
25	1001156825	1	Hose (SN 0300181850 through 0300182743)	
26	3290405	1	Locknut M4 x 0.7	
27	3290505	1	Locknut M5 x 0.8	
28	3311405	4	Locknut 1/4in x 20NC	
29	3311505	AR	Locknut 5/16in-18NC	
30	3422446	1	Pin	
31	3790012	1	O-Ring (Not Shown - Located in Console Box)	
32	3841143	1	Keeper	
33	4360336	1	Switch, Toggle (Not Shown - Located in Console Box)	
34	4711500	4	Flatwasher 5/16in Thin	
35	4751400	8	Flatwasher 1/4in Regular	
36	4751500	2	Flatwasher 5/16in Regular	
37	4752000	1	Flatwasher 5/8in Regular	
38	88521205	2	Locknut, Nylon Insert 5/16in-18NC	
39	91401281	1	Angle, Battery Hold Down	

SECTION 2 - TURNTABLE

ITEM	PART NUMBER	QTY	DESCRIPTION	REV
40		Ref	Hose, Fuel Line Options:	
40	1001091587	8.5 ft /2.6m	Hose, Fuel Line (SN 0300140000 through 0300181849)	
40	1001156819	8.5 ft /2.6m	Hose, Fuel Line (SN 0300181850 through 0300182743)	
41	1001093382	2	Bolt, Battery Hold-down	
43	0641508	7	Bolt 5/16in-18NC x 1in	
44	4240018	1	Strap, Cable Tie (Not Shown)	
45	4740508	4	Washer	
46	1001121891	1	Panel, Rubber (SN 0300143288 through 0300182743 Only)	
47	1001125468	1	Bracket, Air Baffle (SN 0300143288 through 0300182743 Only)	
50	1001174093	2	Fitting, Quick Disconnect	
	1001114633	Ref	GM ENGINE AND PUMP SUB-ASSEMBLIES	E
101	0100011	AR	Compound, Locking	
102	0641406	1	Bolt 1/4in-20NC x 3/4in	
103	0641808	1	Bolt 1/2in-13NC x 1in	
104	0641812	4	Bolt 1/2in-13NC x 1-1/2in	
105	1060637	1	Cable, Lanyard	
106	2902533	1	Battery Cable Kit	B
106A	7027018	1	Cable (Battery - to Ground)	
106B	7027015	1	Cable (Battery + to Auxiliary Relay)	
106C	7027017	1	Cable (Auxiliary Relay to Starter)	
106D	7016824	1	Cable (Auxiliary Relay to Auxiliary Pump)	
106E	7016825	1	Cable (Ground to Auxiliary Pump)	
107	3311405	1	Locknut 1/4in-20NC	
108	3311805	1	Locknut 1/2in-13NC	
109	3422532	1	Pin, Hitch	
110		Ref	Piston Pump Assembly with Fittings Options:	
110	3600410	1	Piston Pump Assembly with Fittings (See PUMP ASSEMBLY (SAUER-DANFOSS) for Breakdown) (SN 0300140000 through 0300180777)	
110	1001152522	1	Piston Pump Assembly with Fittings (See PUMP ASSEMBLY (EATON) for Breakdown) (SN 0300180778 through 0300182115)	
110	3600410	1	Piston Pump Assembly with Fittings (See PUMP ASSEMBLY (SAUER-DANFOSS) for Breakdown) (SN 0300182116 through 0300182141)	
110	1001152522	1	Piston Pump Assembly with Fittings (See PUMP ASSEMBLY (EATON) for Breakdown) (SN 0300182142 through 0301822743)	
111	3600411	1	Load Sensing Pump Assembly with Fittings (See LOAD SENSING PUMP ASSEMBLY for Breakdown)	
112	3790044	1	O-Ring	
113	3960548	3.66 ft /1.1m	Seal	
114	3960549	1 ft/0.3m	Seal	
115	4711400	1	Flatwasher 1/4in Thin	
116	4751800	1	Flatwasher 1/2in Regular	
117	4891800	4	Flatwasher, 1/2in Hardened	
	1001114632	Ref	GM ENGINE ASSEMBLY	D
201	0080201	1	Adapter, Elbow	
202	0100011	AR	Compound, Locking	
203	1001114595	1	Engine, GM 3.0L (See GM Engine Supplement P/N 3121245 for Breakdown of Additional Components)	

SECTION 2 - TURNTABLE

ITEM	PART NUMBER	QTY	DESCRIPTION	REV
203A	7027965	1	Filter, Oil	
203B	7027972	1	Filter, Fuel	
203C	70002895	1	Module, Control (ECU)	
203D	70000164	4	Sparkplug (Not Shown)	
204	0340041	2	Band, Mounting	
205	0641406	10	Bolt 1/4in-20NC x 3/4in	
206	0641606	3	Bolt 3/8in-16NC x 3/4in	
207	0641608	8	Bolt 3/8in-16NC x 1in	
208	0641609	4	Bolt 3/8in-16NC x 1-1/8in	
209	0641610	10	Bolt 3/8in-16NC x 1-1/4in	
210	0641612	4	Bolt 3/8in-16NC x 1-1/2in	
211	0641828	2	Bolt 1/2in-13NC x 3-1/2in	
212	0700810	4	Bolt M8 x 20mm	
213	0940070	1	Bumper	
214	0961986	2	Bearing, Flanged	
215	1320012	3	Clamp	
216	1320016	5	Clamp	
217	1320022	AR	Clamp	
218	1320223	3	Clamp	
219	1340060	1	Air Cleaner Assembly	
219	7012664	1	Element, Air Cleaner	
220	1580011	1	Container, Coolant Overflow	
221	1703162	2	Decal - Caution Fan	
222	0100020	AR	Locking Compound	
223	2060025	1	Fan	
225	2720058	5.5 in /14cm	Hose	
226	1001116544	1	Duct	
227	2720563	1	Hose, Radiator (Top)	
228	2720564	1	Hose, Radiator (Bottom)	
229		Ref	Hose Options:	
229	1001091892	6 in /15.2cm	Hose (SN 0300140000 through 0300140808 Only)	
229	2750532	1 ft/0.3m	Hose (SN 0300140809 through 0300182743 Only)	
230	1001091794	1	Insulation, Muffler	
231	3200362	4	Mount, Engine	
232	3311405	12	Locknut 1/4in-20NC	
233	3311605	26	Locknut 3/8in-16NC	
234	3311805	4	Locknut 1/2in-13NC	
235	3539872	1	Plate, Radiator Mounting	
236	3572280	1	Plate, Engine Mount	
237	3620040	1	Radiator	
237	8180311	1	Cap, Radiator (was p/n 7019656)	
238	3740067	1	Relay	
239	3960468	1	Seal	
240	3960469	1	Seal	
241	4060805	3 ft/0.9m	Flex-Trim	
242	4341239	1	Tray, Engine	
243	4341241	1	Mount, Engine (Front)	
244	1001116545	1	Tube, Intake	
245	4569394	1	Pipe, Exhaust	
246		Ref	Valve, Oil Drain Options:	

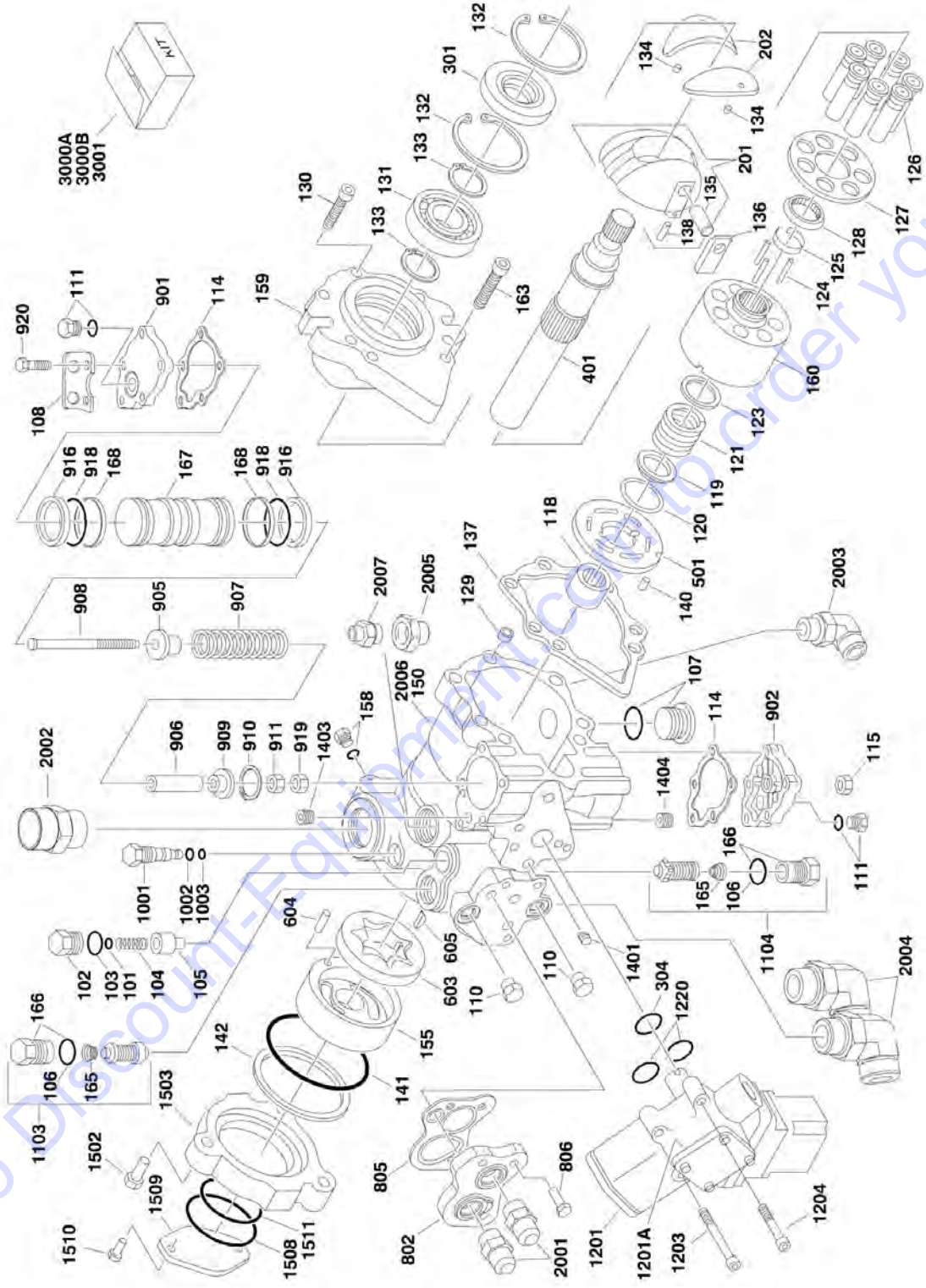
SECTION 2 - TURNTABLE

ITEM	PART NUMBER	QTY	DESCRIPTION	REV
246	1001105872	NLA	Valve (Use p/n 4640952) (SN 0300140000 through 0300141455 Only)	
246	4640952	1	Valve (SN 0300141456 through 0300182743 Only)	
247	4711400	12	Flatwasher 1/4in Thin	
248	4711600	36	Flatwasher 3/8in Thin	
249	4740274	4	Flatwasher, Snubbing	
250	4751400	8	Flatwasher 1/4in Regular	
251	4751600	16	Flatwasher 3/8in Regular	
252	4751800	4	Flatwasher 1/2in Regular	
253	4791400	2	Starwasher 1/4in	
254	4831900	4	Lockwasher M8	
255	4920385	10 ft/3m	Wire, Safety	
256	2180877	1	Fitting Elbow	
257	0641826	2	Bolt 1/2in-13NC x 3-1/4in	
258	2720271	18 in /46cm	Hose	
259	0100062	AR	Adhesive (SN 0300173554 through 0300182743)	

Go to Discount-Equipment.com to order your parts

SECTION 2 - TURNTABLE

FIGURE 2-8. PUMP ASSEMBLY (SAUER-DANFOSS)



SECTION 2 - TURNTABLE

FIGURE 2-8. PUMP ASSEMBLY (SAUER-DANFOSS)

ITEM	PART NUMBER	QTY	DESCRIPTION	REV
	3600295	Ref	PUMP ASSEMBLIES	B
101	7007413	1	Shim Kit	
102	7007414	1	Plug	
103	See Note	NSS	O-Ring (Note: Use Item 3000A)	
104	7021200	1	Spring, Relief Valve	
105	7007417	1	Valve, Relief	
106	See Note	NSS	O-Ring (Note: Use Item 1103, 1104 or 3000A)	
107	7007419	2	Plug	
108	7021201	1	Bracket, Lifting	
110	7007470	2	Plug	
111	7007470	2	Plug	
114	See Note	NSS	Gasket, Servo Cover (Note: Use Item 3000A)	
115	7007423	1	Nut, Special	
118	7007425	1	Bearing, Needle	
119	See Note	NSS	Ring, Retaining (Note: Use Item 3001)	
120	See Note	NSS	Washer (Note: Use Item 3001)	
121	See Note	NSS	Spring (Note: Use Item 3001)	
123	See Note	NSS	Washer (Note: Use Item 3001)	
124	See Note	NSS	Retainer (Note: Use Item 3001)	
125	See Note	NSS	Pin, Slipper Holddown (Note: Use Item 3001)	
126	See Note	NSS	Piston Assembly (Note: Use Item 3001)	
127	See Note	NSS	Retainer, Slipper (Note: Use Item 3001)	
128	See Note	NSS	Guide, Retainer (Note: Use Item 3001)	
129	7007435	1	Pin, Spring	
130	7021202	1	Screw, 12 Point Head	
131	7007437	1	Bearing, Ball	
132	7007438	2	Ring, Retainer	
133	7007439	2	Ring	
134	7021203	2	Pin, Spring	
135	7007441	1	Handle, Pin (Part of Item 201)	
136	7007442	1	Sleeve, Bearing	
137	See Note	NSS	Gasket, Front Cover (Note: Use Item 3000A)	
138	7021205	1	Pin (Part of Item 201)	
140	7007446	1	Pin	
141	See Note	NSS	O-Ring (Note: Use Item 3000A)	
142	See Note	NSS	Ring, Load Temper (Note: Use Item 3000A)	
150	7023977	1	Housing, Pump	
155	7007452	1	Cover, Gerotor	
158	7007208	1	Plug	
159	7007454	1	Cover, Front	
163	7021207	6	Screw	
165	7021208	2	Spring (Part of Items 1103 & 1104)	
166	7021209	2	Plug, SCR (Part of Items 1103 & 1104)	
167	7007494	1	Piston, Servo	
168	See Note	NSS	Bearing (Note: Use Item 3000A)	
201	7007457	1	Swash Plate Assembly (Includes Items 135 & 138)	
202	7021212	2	Journal, Bearing	
301	See Note	NSS	Seal, Lip (Note: Use Item 3000A)	
304	See Note	NSS	O-Ring (Note: Use Item 3000A)	
401	7021213	1	Shaft, Main Pump	

SECTION 2 - TURNTABLE

ITEM	PART NUMBER	QTY	DESCRIPTION	REV
501	7021214	1	Plate, Valve	
603	7007463	1	Gerotor Assembly	
604	7007464	1	Pin	
605	7007465	1	Key, Woodruff	
802	7007466	1	Adaptor, Remote Filtration	
805	See Note	NSS	Seal, Filter Adapter (Note: Use Item 3000A)	
806	7021218	3	Screw	
901	7021219	1	Cover, Servo	
902	7021220	1	Cover, Servo	
905	7007483	1	Guide, Spring	
906	7007484	1	Stop, Servo	
907	7007485	1	Spring	
908	7021221	1	Screw	
909	7007487	1	Guide, Spring	
910	7007488	1	Ring, Retaining	
911	7021222	1	Nut	
916	See Note	NSS	Ring, Piston (Note: Use Items 3000A & 3000B)	
918	See Note	NSS	O-Ring (Note: Use Items 3000A & 3000B)	
919	7021206	1	Nut	
920	7021223	10	Screw	
1001	7007472	1	Valve, Bypass	
1002	See Note	NSS	Ring, Back-up (Note: Use Item 3000A)	
1003	See Note	NSS	O-Ring (Note: Use Item 3000A)	
1103	7010122	1	SCR Kit (Includes items 166, 106 & 165)	
1104	7010122	1	SCR Kit (Includes items 166, 106 & 165)	
1201	7007474	1	Control, Dual Oil-Filled	
1201	7007496	1	Coil Assembly (Pilot)	
1201	7007497	1	Plug (Pump)	
1201	7007498	1	Plug (Valve Harness)	
1201A	7024828	1	Gasket	
1203	7007478	2	Screw	
1204	7001498	2	Screw	
1220	See Note	NSS	O-Ring (Note: Use Item 3000A)	
1401	7007475	1	Plug, Orifice/Screen (.156)	
1403	7021226	1	Plug, Orifice	
1404	7021226	1	Plug, Orifice	
1502	7007453	3	Screw	
1503	7021227	1	Adapter, Flange	
1508	7021228	1	O-Ring	
1509	7021229	1	Plate, Cover	
1510	7021230	2	Screw	
1511	7021231	1	O-Ring	
	3600410	Ref	PUMP AND FITTING ASSEMBLY	B
2001	2111010	2	Fitting, Straight	
2002	2111616	1	Fitting, Straight	
2003	2131212	1	Fitting, Elbow	
2004	2131616	1	Fitting, Elbow	
2005	2110408	1	Fitting, Straight	
2006	3600295	1	Pump Assembly (Includes Items 101-1511)	
2007	2220811	1	Fitting, Reducer	
		Ref	KIT OPTIONS:	

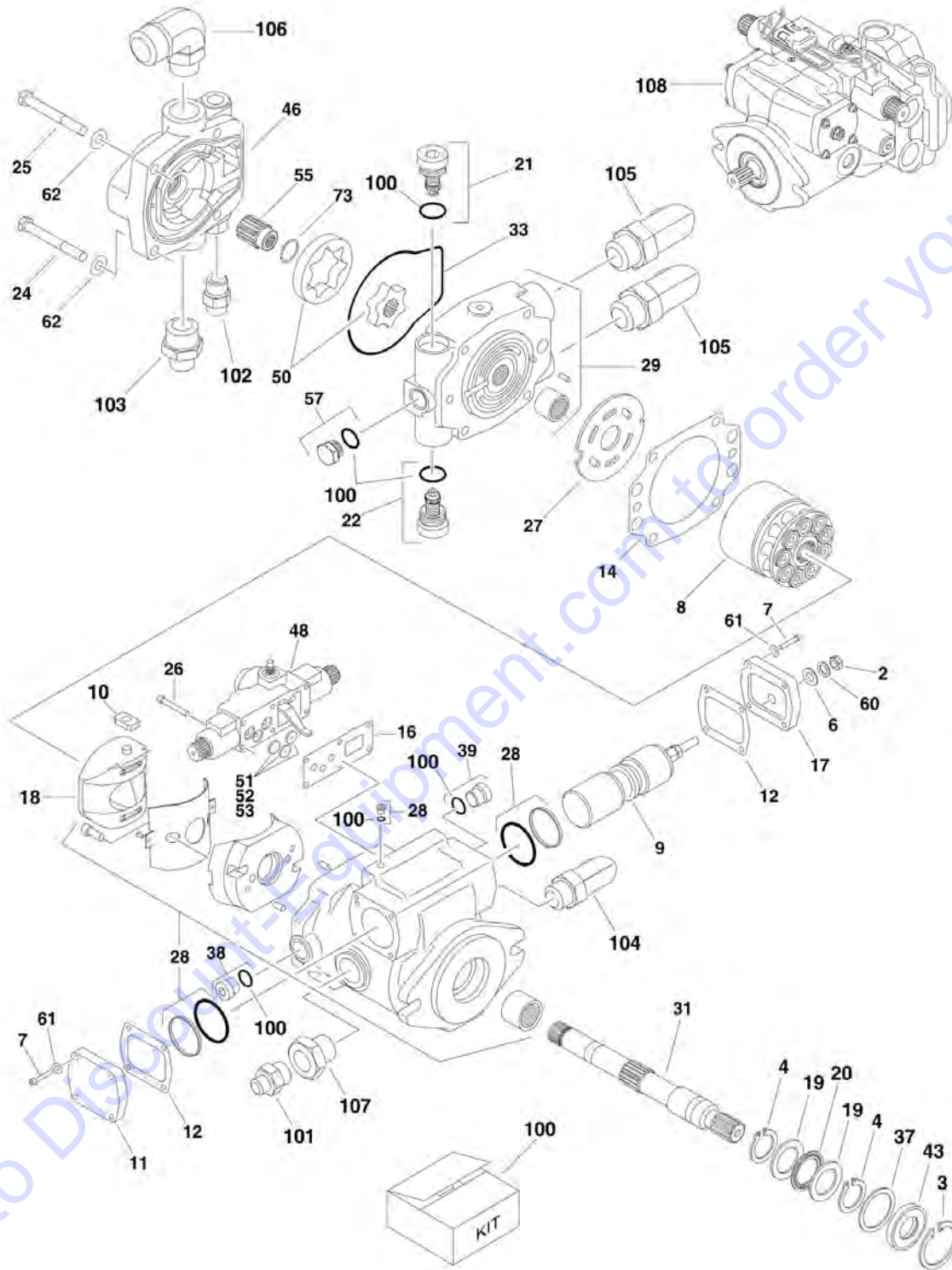
SECTION 2 - TURNTABLE

ITEM	PART NUMBER	QTY	DESCRIPTION	REV
3000		Ref	Seal Kit Options:	
3000A	7021232	1	Seal Kit - Complete (Includes Items 103, 106, 114, 137, 141, 142, 168, 301, 304, 805, 916, 918, 1002, 1003 & 1220)	
3000B	7007412	1	Seal Kit - Servo Piston (Includes Items 916 & 918)	
3001	7010116	1	Cylinder Block Kit (Includes Items 119-128)	

Go to Discount-Equipment.com to order your parts

SECTION 2 - TURNTABLE

FIGURE 2-9. PUMP ASSEMBLY (EATON)



SECTION 2 - TURNTABLE

FIGURE 2-9. PUMP ASSEMBLY (EATON)

ITEM	PART NUMBER	QTY	DESCRIPTION	REV
	1001142522	Ref	PUMP ASSEMBLY	B
2	See Note	NSS	Nut (Note: Use Item 100)	
3	See Note	NSS	Ring, Retaining (Note: Use Item 100)	
4	See Note	NSS	Ring, Retaining (Note: Use Item 100)	
6	See Note	NSS	Washer, Seal (Note: Use Item 100)	
7	70004330	8	Capscrew	
8	70004331	1	Cylinder Block Assembly	
9	70004332	1	Servo Piston Assembly	
10	70004333	1	Follower, Servo Piston	
11	70004334	1	Cover	
12	70005116	2	Gasket, Cover	
14	See Note	NSS	Gasket, Housing (Note: Use Item 100)	
16	See Note	NSS	Gasket, Control Housing (Note: Use Item 100)	
17	70004335	1	Cover	
18	70004336	1	Camplate Assembly	
19	7004907	2	Race, Thrust	
20	7004908	1	Bearing, Thrust	
21	70004337	1	Relief Valve Assembly	
22	70004337	1	Relief Valve Assembly	
24	70004338	2	Capscrew	
25	70004338	2	Capscrew	
26	70004339	6	Capscrew	
27	70004340	1	Plate, Valve	
28	See Note	1	Housing (Note: Not Available for Purchase)	
29	70004341	1	End Cover Assembly	
31	70004342	1	Shaft, Drive	
33	See Note	NSS	O-Ring (Note: Use Item 100)	
37	7004906	1	Washer	
38	See Note	NSS	Plug (Note: Not Available for Purchase)	
39	See Note	NSS	Plug (Note: Not Available for Purchase)	
43	See Note	NSS	Seal, Shaft (Note: Use Item 100)	
46	70004343	1	Adapter, Charge Pump	
48	70004344	1	Servo Control Assembly	
50	70004345	1	Gerotor	
51	70004346	1	Orifice	
52	70004346	1	Orifice	
53	70004346	1	Orifice	
55	70004347	1	Coupler	
57	See Note	NSS	Plug (Note: Not Available for Purchase)	
60	70004348	1	Washer	
61	70004349	8	Washer	
62	70004350	4	Washer	
73	70004351	1	Ring, Retaining	
100	70004352	1	Seal Kit - Pump (Includes Items 2, 3, 4, 6, 12, 14, 16, 33 & 43 and Valve and Plug O-Rings and Seals)	
	1001152522	Ref	PUMP AND FITTING ASSEMBLY	B
101	2110408	1	Fitting, Straight	
102	2110810	1	Fitting, Straight	
103	2111016	1	Fitting, Straight	
104	2131212	1	Fitting, Elbow	

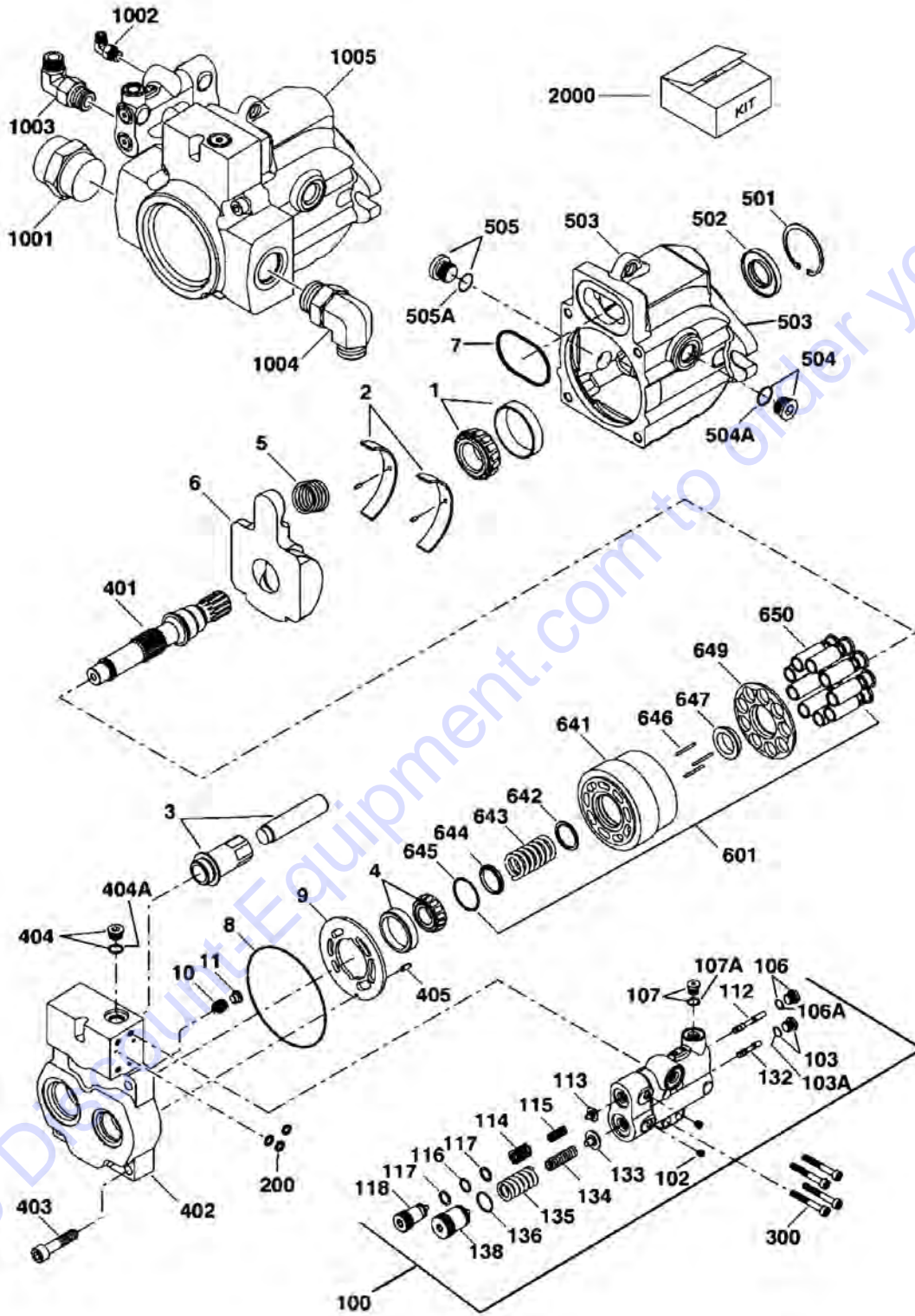
SECTION 2 - TURNTABLE

ITEM	PART NUMBER	QTY	DESCRIPTION	REV
105	2131616	2	Fitting, Elbow	
106	2132016	1	Fitting, Elbow	
107	2220811	1	Fitting, Reducer	
108	1001142522	1	Pump Assembly (Includes Items 2-73)	

Go to Discount-Equipment.com to order your parts

SECTION 2 - TURNTABLE

FIGURE 2-10. LOAD SENSING PUMP ASSEMBLY



SECTION 2 - TURNTABLE

FIGURE 2-10. LOAD SENSING PUMP ASSEMBLY

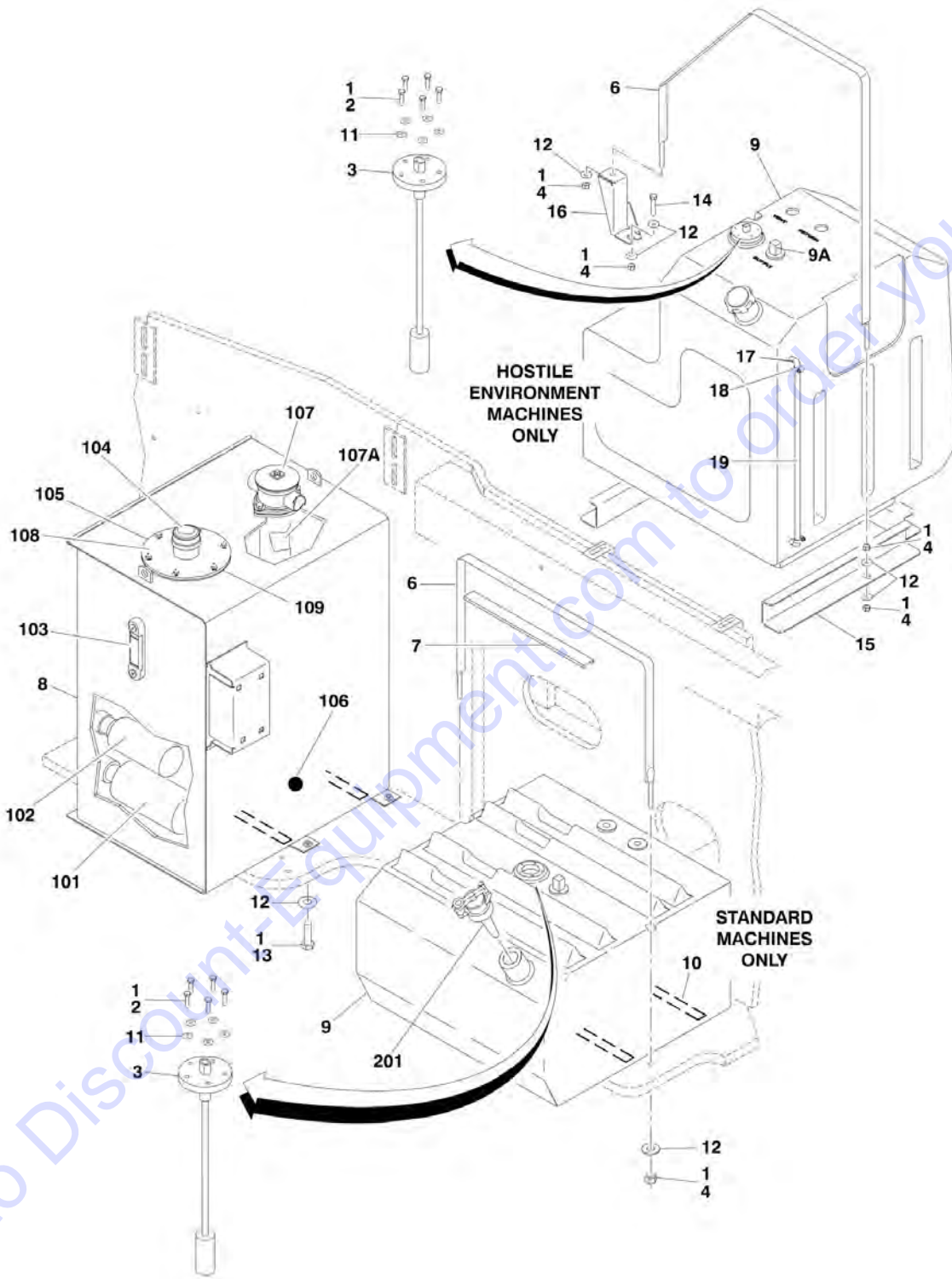
ITEM	PART NUMBER	QTY	DESCRIPTION	REV
	3600324	Ref	LOAD SENSING PUMP ASSEMBLY	
1	7023947	1	Bearing, Front (Includes Cup and Cone)	
2	7023948	1	Bearings, Swash Plate (Includes Both Sides and Pins)	
3	7023949	1	Servo Piston Assembly	
4	7023950	1	Bearing, Rear (Includes Cup and Cone)	
5	7023951	1	Spring, Bias	
6	7023952	1	Swash Plate	
7	See Note	NSS	O-Ring (Note: Use Item 2000)	
8	See Note	NSS	O-Ring (Note: Use Item 2000)	
9	7023953	1	Plate, Valve	
10	7023954	1	Spring, Check Valve	
11	7023955	1	Poppet, Check Valve	
100	7023956	1	Control Assembly	
102	See Note	NSS	Setscrew (Note: Use Item 100)	
103	See Note	NSS	Plug (Note: Use Item 100)	
103A	See Note	NSS	O-Ring (Note: Use Item 100, 103 or 2000)	
106	See Note	NSS	Plug (Note: Use Item 100)	
106A	See Note	NSS	O-Ring (Note: Use Item 100, 106 or 2000)	
107	See Note	NSS	Plug (Note: Use Item 100)	
107A	See Note	NSS	O-Ring (Note: Use Item 100, 107 or 2000)	
112	See Note	NSS	Spool, Control (Note: Use Item 100)	
113	See Note	NSS	Guide, Spring (Note: Use Item 100)	
114	See Note	NSS	Spring (Note: Use Item 100)	
115	See Note	NSS	Spring (Note: Use Item 100)	
116	See Note	NSS	O-Ring (Note: Use Item 2000)	
117	See Note	NSS	Ring, Back-up (Note: Use Item 2000)	
118	See Note	NSS	Plug, Adjusting (Note: Use Item 100)	
132	See Note	NSS	Spool, Control (Note: Use Item 100)	
133	See Note	NSS	Guide, Spring (Note: Use Item 100)	
134	See Note	NSS	Spring (Note: Use Item 100)	
135	See Note	NSS	Spring (Note: Use Item 100)	
136	See Note	NSS	O-Ring (Note: Use Item 2000)	
138	See Note	NSS	Plug, PC Adjusting (Note: Use Item 100)	
200	See Note	NSS	Ring, Seal (Note: Use Item 2000)	
300	7023957	4	Screw	
401	7023958	1	Shaft	
402	7023959	1	Cap, End	
403	7023960	4	Screw	
404	7022318	1	Plug	
404A	See Note	NSS	O-Ring (Note: Use Item 404 or 2000)	
405	7023961	1	Pin	
501	7023962	1	Ring, Retaining	
502	See Note	NSS	Seal, Lip (Note: Use Item 2000)	
503	7023963	1	Housing	
504	7023964	1	Plug	
504A	7007415	1	O-Ring	
505	7023964	1	Plug	
505A	7007415	1	O-Ring	
601	7023965	1	Cylinder Block Assembly	
641	See Note	NSS	Block, Cylinder (Note: Use Item 601)	

SECTION 2 - TURNTABLE

ITEM	PART NUMBER	QTY	DESCRIPTION	REV
642	See Note	NSS	Washer (Note: Use Item 601)	
643	See Note	NSS	Spring (Note: Use Item 601)	
644	See Note	NSS	Retainer, Spring (Note: Use Item 601)	
645	See Note	NSS	Ring, Retaining (Note: Use Item 601)	
646	7021275	3	Pin, Slipper	
647	See Note	NSS	Guide, Slipper (Note: Use Item 601)	
649	See Note	NSS	Retainer, Slipper (Note: Use Item 601)	
650	7023966	9	Piston Assembly	
	3600411	Ref	LOAD SENSING PUMP AND FITTING ASSEMBLY	B
1001	2112424	1	Fitting, Straight	
1002	2130404	1	Fitting, Elbow	
1003	2130810	1	Fitting, Elbow	
1004	2131216	1	Fitting, Elbow	
1005	3600324	1	Pump Assembly (Includes Items 1-650)	
		Ref	KIT OPTIONS:	
2000	7023967	1	Seal Kit - Complete (Includes Items 7, 8, 103A, 106A, 107A, 116, 117, 136, 200, 404A & 502)	

SECTION 2 - TURNTABLE

FIGURE 2-11. TANK INSTALLATIONS



SECTION 2 - TURNTABLE

FIGURE 2-11. TANK INSTALLATIONS

ITEM	PART NUMBER	QTY	DESCRIPTION	REV
		Ref	TANKS INSTALLATION	
	0270881	Ref	Diesel Machines	F
	1001125354	Ref	Diesel Machines (Hostile Environment Machines)	B
	1001091568	Ref	Gas Machines	A
1	0100011	AR	Compound, Locking	
2	0731007	5	Capscrew #10-32NF x 7/8in	
3		Ref	Gauge, Fuel Level Options:	
3	2420191	1	Standard Machines	
3	1001109048	1	Hostile Environment Machines	
3	3960525	1	Gasket	
4	3311601	AR	Nut 3/8in-16NC	
6		Ref	Strap, Tank Mounting Options:	
6	4240139	1	Standard Machines	
6	1001110059	1	Hostile Environment Machines	
7		Ref	Strip, Protector Options:	
7	4280295	30 in /76cm	Standard Machines	
7	Not Required	0	Hostile Environment Machines	
8	4400453	1	Hydraulic Oil Tank Assembly (See Items 101-109 for Breakdown)	
9		Ref	Fuel Tank Assembly Options:	
9	4400439	1	Diesel Machines	
9	1001108579	1	Diesel Machines (Hostile Environment Machines Only)	
9	1001091563	1	Gas Machines	
9A		Ref	Tube, Fuel Pickup Options:	
9A	7020048	1	Tube, Pickup (Diesel Machines)	
9A	70004413	1	Tube, Pickup (Diesel Machines) (Hostile Environment Machines Only)	
9A	7020043	1	Tube, Pickup (Gas Machines)	
10	4420038	AR	Tape, Rubber	
11	4751000	5	Flatwasher #10 Regular	
12	4751600	AR	Flatwasher 3/8in Regular	
13	0641614	4	Bolt 3/8in-16NC x 1-3/4in	
		Ref	Note: Items 14-19 Used on Hostile Environment Machines Only.	
14	0641615	1	Bolt 3/8in-16NC x 1-7/8in	
15	1001125344	1	Support, Tank	
16	1001125345	1	Bracket, Tank	
17	2180467	2	Fitting, Barb	
18	8405009	2	Clamp, Gear	
19	1001113103	1	Tube, Fuel Sight	
	4400453	Ref	HYDRAULIC TANK ASSEMBLY	E
101	7024481	1	Strainer 1-1/2inNPT	
102	7024442	1	Strainer 1-1/4inNPT	
103	7024441	1	Gauge, Sight	
104	7024444	1	Breather/Fill Cap	
105	7024443	1	Neck, Fill	
105	7024445	1	Screen	
106	7024446	1	Plug, Magnetic	
107	7024374	1	Filter Assembly	
107A	7024375	1	Element, Filter	

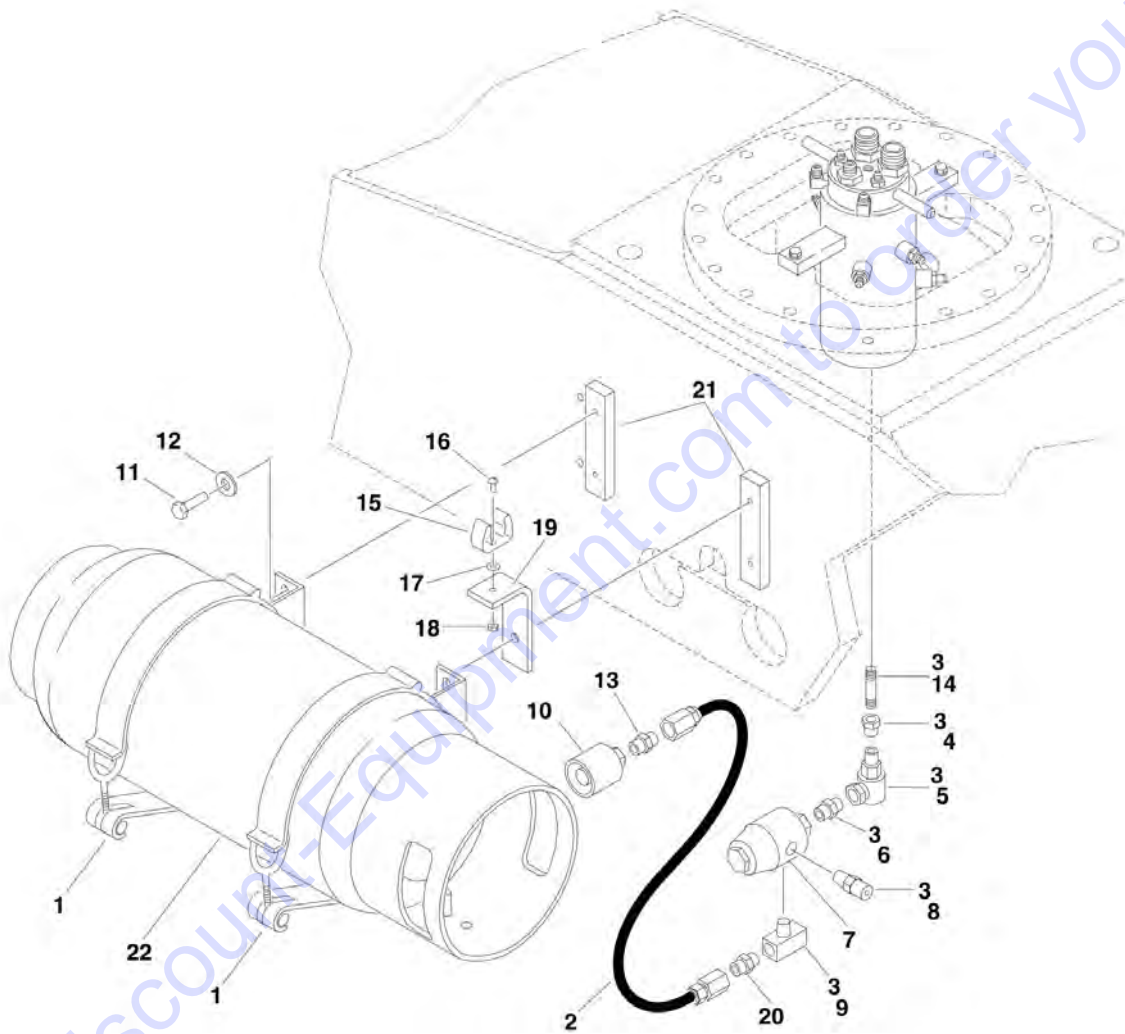
SECTION 2 - TURNTABLE

ITEM	PART NUMBER	QTY	DESCRIPTION	REV
108	7024439	1	Cover	
109	7024440	1	Gasket	
		Ref	FUEL TANK CAP INSTALLATION	
201		Ref	Cap Options:	
201	7016314	1	Standard Non-Locking (Part of Item 3) (Used with p/n 4400439 Tank)	
201	70001103	1	Standard Non-Locking (Used with p/n 1001091563 Tank)	
201	1120487	1	Optional Lockable (Diesel Machines) (Note: Lock not Included)	

Go to Discount-Equipment.com to order your parts

SECTION 2 - TURNTABLE

FIGURE 2-12. LP TANK INSTALLATIONS (GM ENGINE MACHINES ONLY)



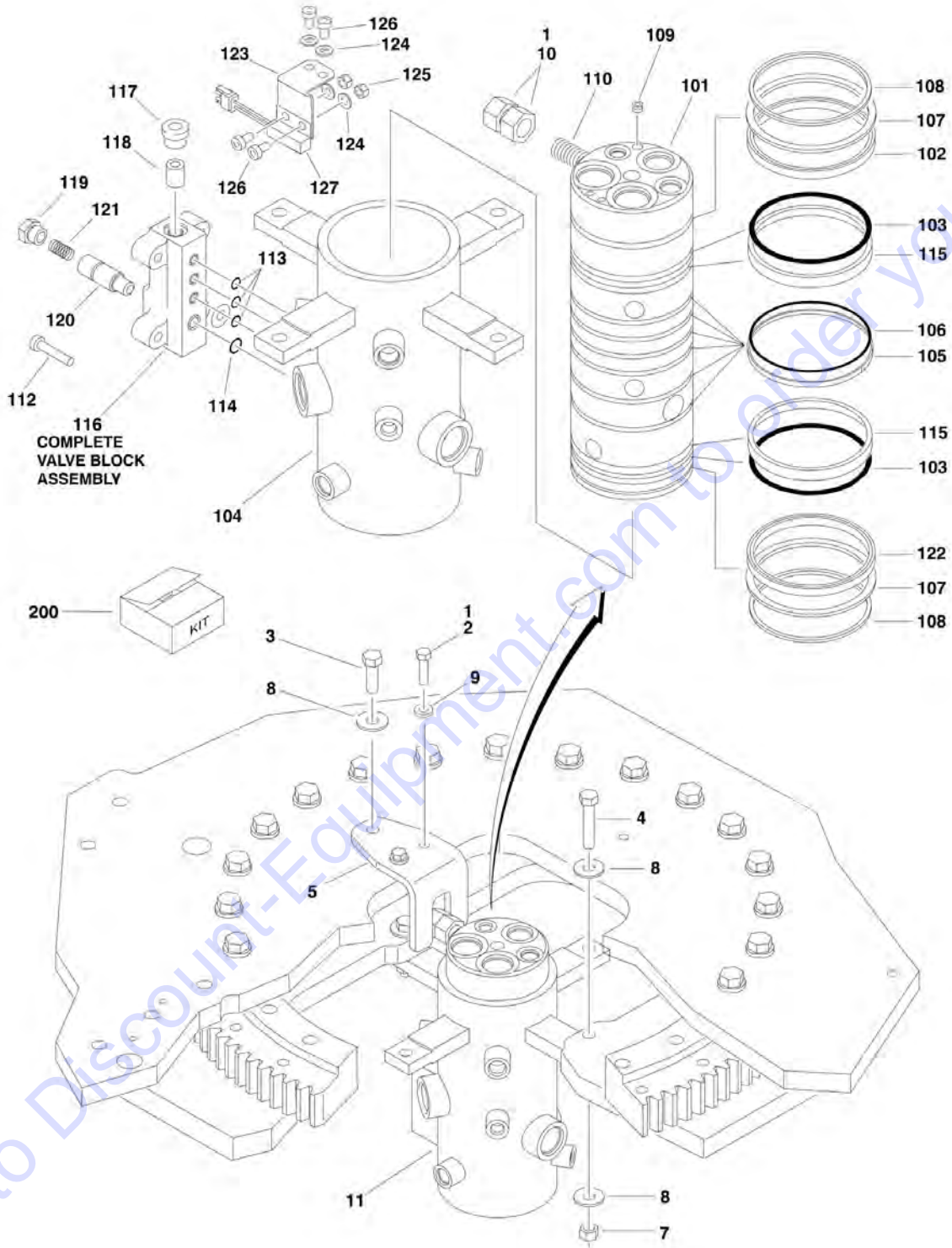
SECTION 2 - TURNTABLE

FIGURE 2-12. LP TANK INSTALLATIONS (GM ENGINE MACHINES ONLY)

ITEM	PART NUMBER	QTY	DESCRIPTION	REV
	0255524	Ref	LP TANK AND BRACKETS INSTALLATION	9-F
1	1320220	2	Clamp Kit - LP	
1	1320127	2	Clamp, Toggle (1 Per Clamp)	
2	2720144	2	Hose	
3	0100020	AR	Sealant, Pipe	
4	2221197	1	Fitting, Reducer	
5	2180125	1	Fitting - Elbow	
6	2220261	1	Fitting, Nipple	
7	2180388	1	Filter, Bulkhead	
8	2180389	1	Valve, Relief	
9	2220418	1	Fitting, Tee	
10	2180387	2	Fitting, LP Tank	
11	0641606	8	Bolt 3/8in-16NC x 3/4in	
12	4751600	8	Flatwasher 3/8in Regular	
13	2180418	2	Fitting, Straight	
14	2220261	1	Fitting, Nipple	
15	1320218	2	Clamp, Spring	
16	3910808	2	Screw, Machine #8-32NC x 1/2in	
17	4750800	4	Flatwasher #8 Regular	
18	3310805	2	Locknut #8-32NC	
19	0181949	2	Support, Angle	
20	2221024	2	Fitting, Ball Check	
21	0362519	4	Bar, Clamp	
22		Ref	LP Tank Options:	
22	4400275	1	Aluminum	
22	4400420	1	Steel	

SECTION 2 - TURNTABLE

FIGURE 2-13. ROTARY COUPLING INSTALLATION



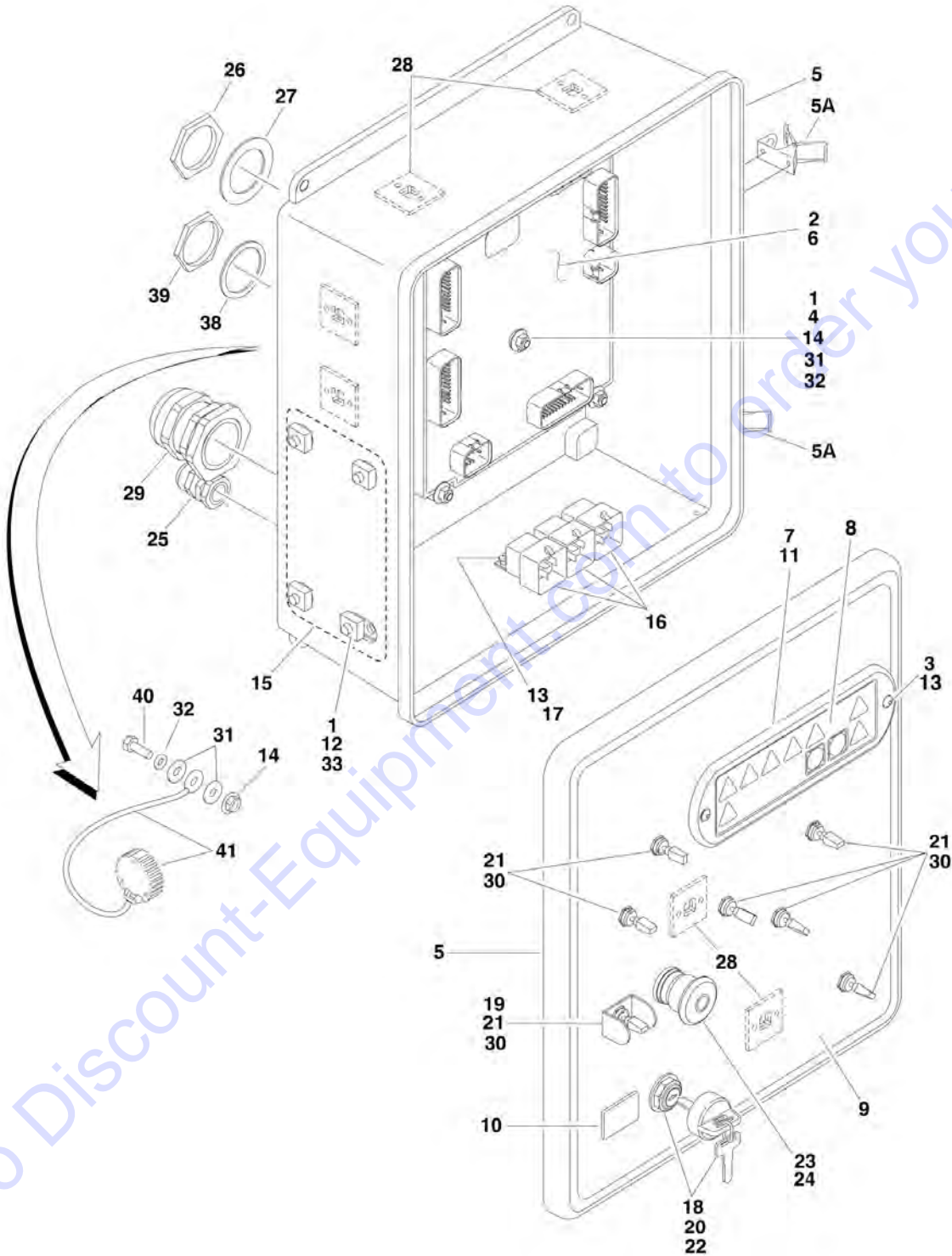
SECTION 2 - TURNTABLE

FIGURE 2-13. ROTARY COUPLING INSTALLATION

ITEM	PART NUMBER	QTY	DESCRIPTION	REV
	1001107531	Ref	ROTARY COUPLING INSTALLATION	A
1	0100011	AR	Compound, Locking	
2	0641611	2	Bolt 3/8in-16NC x 1-3/8in	
3	0641812	1	Bolt 1/2in-13NC x 1-1/2in	
4	0641820	2	Bolt 1/2in-13NC x 2-1/2in	
5	0903242	1	Bracket	
7	3271805	2	Locknut 1/2in-13NC	
8	4751800	5	Flatwasher 1/2in Regular	
9	4891600	2	Flatwasher 3/8in Hardened	
10	3322201	2	Locknut 3/4in x 16NF	
11	1001106974	1	Coupling, Rotary (See Items 101-128 for Breakdown)	
	1001106974	Ref	ROTARY COUPLING ASSEMBLY	B
101	See Note	NSS	Body (Note: Use Item 11)	
102	See Note	NSS	Seal, Poly (Note: Use Item 200)	
103	See Note	NSS	O-Ring/Seal (Note: Use Item 200)	
104	See Note	NSS	Housing (Note: Use Item 11)	
105	See Note	NSS	Seal, Cap (Note: Use Item 200)	
106	See Note	NSS	O-Ring (Note: Use Item 200)	
107	7026503	2	Ring, Thrust	
108	7026504	2	Ring, Retaining	
109	80934561	2	Plug	
110	See Note	NSS	Lug, Torque (Note: Use Item 11)	
112	7026197	4	Capscrew	
113	See Note	NSS	O-Ring (Note: Use Item 200)	
114	See Note	NSS	O-Ring (Note: Use Item 200)	
115	See Note	NSS	Bearing (Note: Use Item 200)	
116	7024404	1	Block Valve Assembly	
117	7026505	1	Plug	
118	7026506	1	Valve, Check	
119	7026507	1	Plug	
120	7024404	1	Plunger, Valve (Note: Not Available for Purchase)	
121	7026509	1	Spring	
122	See Note	NSS	Seal, Oil (Note: Use Item 200)	
123	70003454	1	Bracket, Switch Mounting	
124	4711000	4	Flatwasher #10 Thin	
125	See Note	NSS	Locknut 1/4in-24NF (Note: Not Available for Purchase)	
126	See Note	NSS	Capscrew 1/4in-24NF (Note: Not Available for Purchase)	
127	4360517	1	Switch, Proximity	
128	See Note	NSS	Protective Netting (Not Shown) (Note: Not Available for Purchase)	
200	70001248	Ref	Seal Kit (Includes Items 102, 103, 105, 106, 113, 114, 115 & 122)	

SECTION 2 - TURNTABLE

FIGURE 2-14. GROUND CONTROL BOX ASSEMBLY



SECTION 2 - TURNTABLE

FIGURE 2-14. GROUND CONTROL BOX ASSEMBLY

ITEM	PART NUMBER	QTY	DESCRIPTION	REV
		Ref	GROUND CONTROL BOX ASSEMBLIES	
		Ref	USA Built Machines (SN 0300140000 through 0300149139)	
		Ref	China Built Machines (SN B300000100 through B300000309)	
		Ref	Ground Control Box Assemblies 800S with Caterpillar Engine	
	1001110333	Ref	All Specs except Australian and CE Specs	A
	1001110335	Ref	Australian and CE Specs Only	A
		Ref	Ground Control Box Assemblies 860SJ with Caterpillar Engine	
	1001110334	Ref	All Specs except Australian and CE Specs	A
	1001110336	Ref	Australian and CE Specs Only	A
		Ref	Ground Control Box Assemblies 800S with Deutz Engine	
	1001110329	Ref	All Specs except Australian and CE Specs	B
	1001110331	Ref	Australian and CE Specs Only	B
		Ref	Ground Control Box Assemblies 860SJ with Deutz Engine	
	1001110330	Ref	All Specs except Australian and CE Specs	B
	1001110332	Ref	Australian and CE Specs Only	B
	1001110327	Ref	Ground Control Box Assemblies 800S with GM Engine (All Specs except Australian and CE Specs)	A
	1001110328	Ref	Ground Control Box Assemblies 860SJ with GM Engine (All Specs except Australian and CE Specs)	A
		Ref	USA Built Machines (SN 0300149140 through 0300182743)	
		Ref	China Built Machines (SN B300000310 through B300001091)	
		Ref	Ground Control Box Assemblies 800S with Caterpillar Engine	
	1001110333	Ref	All Specs except CE Specs	A
	1001110335	Ref	CE Specs Only	A
		Ref	Ground Control Box Assemblies 860SJ with Caterpillar Engine	
	1001110334	Ref	All Specs except CE Specs	A
	1001110336	Ref	CE Specs Only	A
		Ref	Ground Control Box Assemblies 800S with Deutz Engine	
	1001110329	Ref	All Specs except CE Specs	B
	1001110331	Ref	CE Specs Only	B
		Ref	Ground Control Box Assemblies 860SJ with Deutz Engine	
	1001110330	Ref	All Specs except CE Specs	B
	1001110332	Ref	CE Specs Only	B
	1001110327	Ref	Ground Control Box Assemblies 800S with GM Engine (All Specs except Australian and CE Specs)	A
	1001110328	Ref	Ground Control Box Assemblies 860SJ with GM Engine (All Specs except Australian and CE Specs)	A
1	0100011	AR	Compound, Locking	
2	0100048	AR	Grease, Dielectric	
3	0630518	2	Capscrew, Button Head	
4	0630548	5	Bolt, 2-1/2in Tap	
5	1001111017	1	Box, Fiberglass	
5A	7020246	2	Latch	
6	1001103667	1	Module, Ground Control (Note: Re-calibration Required when Replaced)	
7	1670829	1	Bezel	
8	1706712	1	Decal - Ground Control Display	
9		Ref	Decal - Faceplate Options:	

SECTION 2 - TURNTABLE

ITEM	PART NUMBER	QTY	DESCRIPTION	REV
9	1001102601	1	Decal - Faceplate 800S	
9	1001102602	1	Decal - Faceplate 860SJ	
10	2420172	1	Gauge, Hourmeter	
11	2760105	1	Housing, Display Light	
12	3300205	4	Nut, Retainer	
13	3300408	AR	Locknut, Plastic Insert	
14	77143013	11	Nut 1/4in-20NC	
15	3539219	1	Plate, Reinforcement	
16	3740049	Ref	Relay Options:	
16	3740049	3	Caterpillar Engine Machines	
16	3740049	2	Deutz and GM Engine Machines	
17	3900268	3	Screw, Flange #10 x 1/2in	
18	3910804	6	Screw #8-32NC x 1/4in	
19	4060906	1	Shield, Toggle Switch	
20	4070987	1	Shim (.015in)	
21	4360328	Ref	Switch, Toggle	
21	4360328	6	Switch, Toggle 800S	
21	4360328	7	Switch, Toggle 860SJ	
22		Ref	Switch, Key Options:	
22	4360469	1	All Specs except CE Specs	
22	4360470	1	CE Specs Only	
22		Ref	Australian Specs Only	
22	4360470	1	USA Built Machines (SN 0300140000 through 0300149139)	
22	4360470	1	China Built Machines (SN B300000100 through B300000309)	
22	4360469	1	USA Built Machines (SN 0300149140 through 0300182743)	
22	4360469	1	China Built Machines (SN B300000310 through B300001091)	
22	2860030	1	Key Replacement	
23	4360475	1	Switch, Emergency Stop	
23	7020175	1	Cap, Mushroom	
23	7020176	1	Block, Contact	
24	4360476	1	Switch, Contact Block	
25	4460426	1	Connector, Strain Relief	
26	4460470	1	Nut, Terminal	
27	4460471	1	Lockwasher, Terminal	
28	4460488	6	Mounting Base, Terminal	
29	4460526	1	Connector, Strain Relief	
30	4740444	6	Washer, Special	
31	4751400	12	Flatwasher 1/4in Regular	
32	4761400	6	Lockwasher 1/4in	
33	0641506	4	Bolt 5/16in-18NC x 3/4in	
34	4922594	1	Harness, Valve (Not Shown - See ELECTRICAL SECTION for Breakdown)	
35		Ref	Harness, Engine Options (Not Shown - See ELECTRICAL SECTION for Breakdown):	
35	1001110341	1	Caterpillar Engine Machines	
35	1001110340	1	Deutz Engine Machines	
35	1001110338	1	GM Engine Machines	
36	1001110339	1	Harness, Ground Control Box (Not Shown - See ELECTRICAL SECTION for Breakdown)	
37		Ref	Ground Control Box Wiring Diagram (Not Shown - See ELECTRICAL SECTION for Breakdown)	

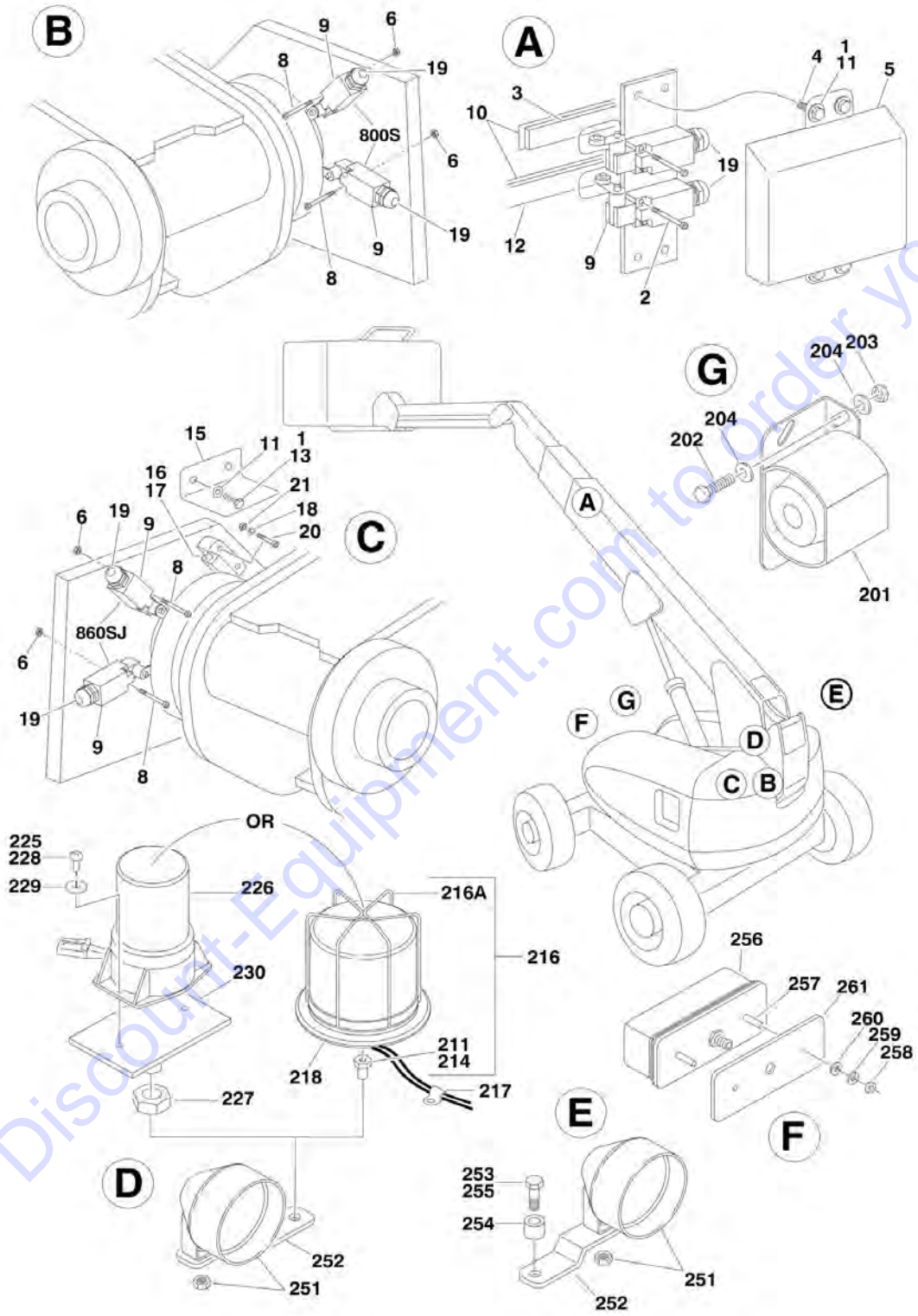
SECTION 2 - TURNTABLE

ITEM	PART NUMBER	QTY	DESCRIPTION	REV
37	1001110344	1	Caterpillar Engine Machines	
37	1001110343	1	Deutz Engine Machines	
37	1001110342	1	GM Engine Machines	
38	4460496	1	Lockwasher, Terminal	
39	4460497	1	Nut, Terminal	
40	0641407	1	Bolt 1/4in-20NC x 7/8in	
41	1001106736	1	Cap, Dust	

Go to Discount-Equipment.com to order your parts

SECTION 2 - TURNTABLE

FIGURE 2-15. LIMIT SWITCHES, LIGHTS AND ALARM INSTALLATIONS



SECTION 2 - TURNTABLE

FIGURE 2-15. LIMIT SWITCHES, LIGHTS AND ALARM INSTALLATIONS

ITEM	PART NUMBER	QTY	DESCRIPTION	REV
		Ref	ELECTRICAL OPTIONS INSTALLATIONS (TURNTABLE MOUNTED)	
		Ref	LIMIT SWITCHES INSTALLATION	
	0271360	Ref	Limit Switches Installation 800S (All Specs except Australian and CE Specs)	J
	1001091187	Ref	Limit Switches Installation 800S (Australian and CE Specs Only)	D
	0271362	Ref	Limit Switches Installation 860SJ (All Specs except Australian and CE Specs)	J
	1001091188	Ref	Limit Switches Installation 860SJ (Australian and CE Specs Only)	D
1	0100011	AR	Compound, Locking	
2	0100035	AR	Compound, Locking	
3	1001106480	AR	Bar, Fiberglass (Top)	
3		Ref	All Specs except Australian and CE Specs	
3	Not Required	0	Australian and CE Specs Only	
4	0641403	4	Bolt 1/4in-20NC x 3/8in	
5	1671022	1	Cover, Limit Switch	
6	3310805	AR	Locknut #8-32NC	
7	3930816	AR	Capscrew, Socket Head #8-32NC x 1in	
8	3930828	AR	Capscrew, Socket Head #8-32NC x 1-3/4in	
9	4360578	Ref	Switch, Limit Options: (Note: P/N 4360578 does not include #19 Connector - Purchase Separately)	
9	4360578	4	All Specs except Australian and CE Specs	
9	4360578	2	Australian and CE Specs Only	
10	4420060	Ref	Tape, Double Sided Options:	
10	4420060	31.2 ft /9.5m	All Specs except Australian and CE Specs	
10	4420060	12.3 ft /3.8m	Australian and CE Specs Only	
11	4751400	6	Flatwasher 1/4in Regular	
12	1001106449	1	Bar, Fiberglass (Bottom)	
13	0641406	2	Bolt 1/4in-20NC x 3/4in	
15	1671059	1	Cover, Proximity Switch	
16	4071043	1	Shim	
17	4360517	1	Switch, Proximity	
18	1001097942	4	Flatwasher #8	
19	4460968	Ref	Connector, Strain Relief Options:	
19	4460968	4	All Specs except Australian and CE Specs	
19	4460968	2	Australian and CE Specs Only	
20	1001097939	2	Capscrew, Socket Head #8-32NC x 1-3/4in	
21	1001097945	2	Locknut #8-32NC	
	0271999	Ref	ALARM INSTALLATION	1
201	0257887	1	Alarm/Harness Assembly	
201	0140032	1	Alarm	
201	2820035	6 in/15cm	Loom	
201	4460424	1	Plug	
201	4460268	2	Socket	
202	0641410	2	Bolt 1/4in-20NC x 1-1/4in	
203	3311405	2	Locknut 1/4in-20NC	
204	4711400	4	Flatwasher 1/4in Thin	

SECTION 2 - TURNTABLE

ITEM	PART NUMBER	QTY	DESCRIPTION	REV
	0270805	Ref	STROBE LIGHT INSTALLATION (AMBER) (OPTIONAL) (USA BUILT MACHINES) (SN 0300140000 through 0300171627)	C
	0270805	Ref	STROBE LIGHT INSTALLATION (AMBER) (OPTIONAL) (CHINA BUILT MACHINES) (SN B300000100 through B300000766)	C
		Ref	Note: If machine is equipped with BLUE Strobe Light, See SPECIAL OPTIONS SECTION SkyGuard Kit.	
211		Ref	Adapter Options:	
211	0630491	1	Adapter used with ECCO Model 6640	
211	0080241	1	Adapter used with ECCO Model 6650	
214	0100011	AR	Compound, Locking	
215	4240032	1	Wire-Tie (Not Shown)	
216	0272507	1	Strobe Light/Guard/Harness Assembly (Includes Items 211 & 216A)	
216		Ref	Bulb, Replacement	
216	7016380	1	Bulb for ECCO Model 6640	
216	70001941	1	Bulb for ECCO Model 6650	
216A		Ref	Guard Options:	
216A	4060907	1	Guard used with ECCO Model 6640	
216A	2920215	1	Guard used with ECCO Model 6650	
217	4460234	1	Clamp	
218	0100048	AR	Sealant, Silicone	
	1001150406	Ref	STROBE LIGHT INSTALLATION (AMBER) (OPTIONAL) (USA BUILT MACHINES) (SN 0300171628 through 0300182743)	A
	1001150406	Ref	STROBE LIGHT INSTALLATION (AMBER) (OPTIONAL) (CHINA BUILT MACHINES) (SN B300000767 to Present)	A
		Ref	Note: If machine is equipped with BLUE Strobe Light, See SPECIAL OPTIONS SECTION SkyGuard Kit.	
225	0100035	AR	Compound, Locking	
226	2920161	1	Strobe Light/Harness Assembly	
226	7016319	1	Bulb	
226	7016372	1	Lens	
227	3312602	1	Nut, Jam 1in-8NC	
228	3900085	2	Screw #10-32 x 1/2in	
229	4751000	2	Flatwasher 1/4in Thin	
230	1001149994	1	Mount Strobe	
		Ref	LIGHTS INSTALLATIONS (OPTIONAL)	
	0271552	Ref	Headlights and Taillights	C
	0272057	Ref	Floodlights (Not Shown)	B
251		Ref	Light Options:	
251	2920110	2	Headlight	
251	2920157	2	Floodlight (Not Shown)	
252	0902206	2	Bracket, Mounting	
253	0642612	1	Bolt 1in-8NC x 1-1/2in	
254	4220162	2	Spacer	
255	0100011	AR	Compound, Locking	
256		Ref	Light Options:	
256	2920113	2	Taillight	
256	2920157	2	Floodlight (Not Shown)	
257	3911040	4	Screw, Machine #10-24NC x 2-1/2in (0271552 Installation Only)	
258	3311005	4	Nut #10-24NC (0271552 Installation Only)	
259	4751000	4	Flatwasher #10 Regular (0271552 Installation Only)	
260	4740362	4	Washer, Fender (0271552 Installation Only)	
261	3960461	2	Gasket (0271552 Installation Only)	

SECTION 2 - TURNTABLE

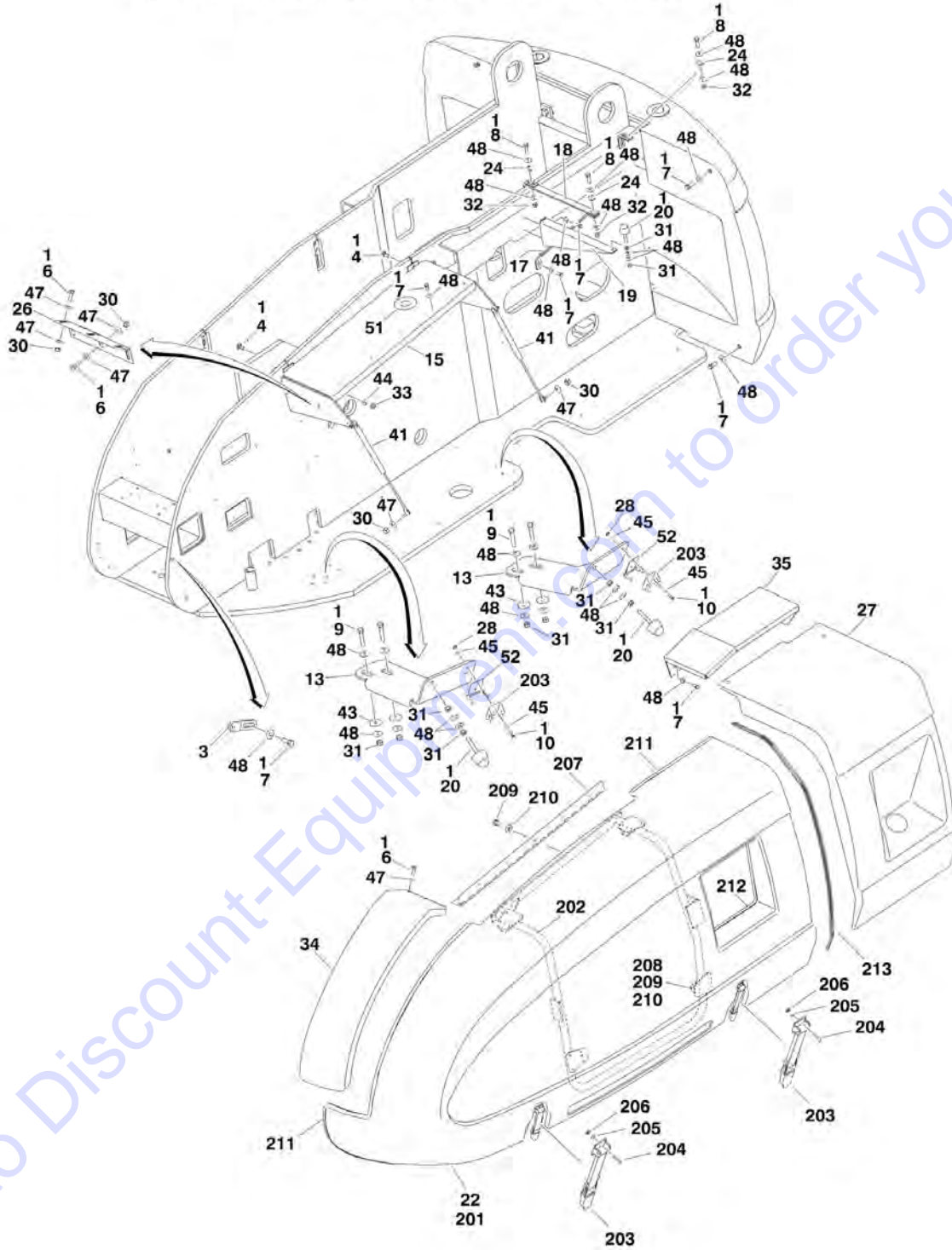
ITEM	PART NUMBER	QTY	DESCRIPTION	REV
263	4240032	AR	Tie-Strap (Not Shown)	
264	4460234	AR	Mount, Tie-Strap (Not Shown)	
265		Ref	Switch Options (Not Shown - Located on Console):	
265	4360336	1	Switch, Toggle	
265	4360522	1	Switch, Push Button	
266	3790012	1	O-Ring (Used with Toggle Switch) (Not Shown - Located on Console)	
267	3820001	11	Rivet, Pop (Not Shown)	
268	1705170	1	Decal - Lights (Used with Push Button Switch) (Not Shown - Located on Console)	

Go to Discount-Equipment.com to order your parts

SECTION 2 - TURNTABLE

FIGURE 2-16. HOODS INSTALLATION (ABS)

NOTE: REPLACEMENT DECALS MUST BE PURCHASED SEPARATELY



Go to Discount-Equipment.com to order your parts

PARTS FINDER

**Search Website
by Part Number**



**Search Manual
Library For Parts
Manual & Lookup Part
Numbers – Purchase
or Request Quote**

**Can't Find Part or
Manual? Request Help
by Manufacturer,
Model & Description**

Discount-Equipment.com is your online resource for quality parts & equipment.

Florida: **561-964-4949** Outside Florida TOLL FREE: **877-690-3101**

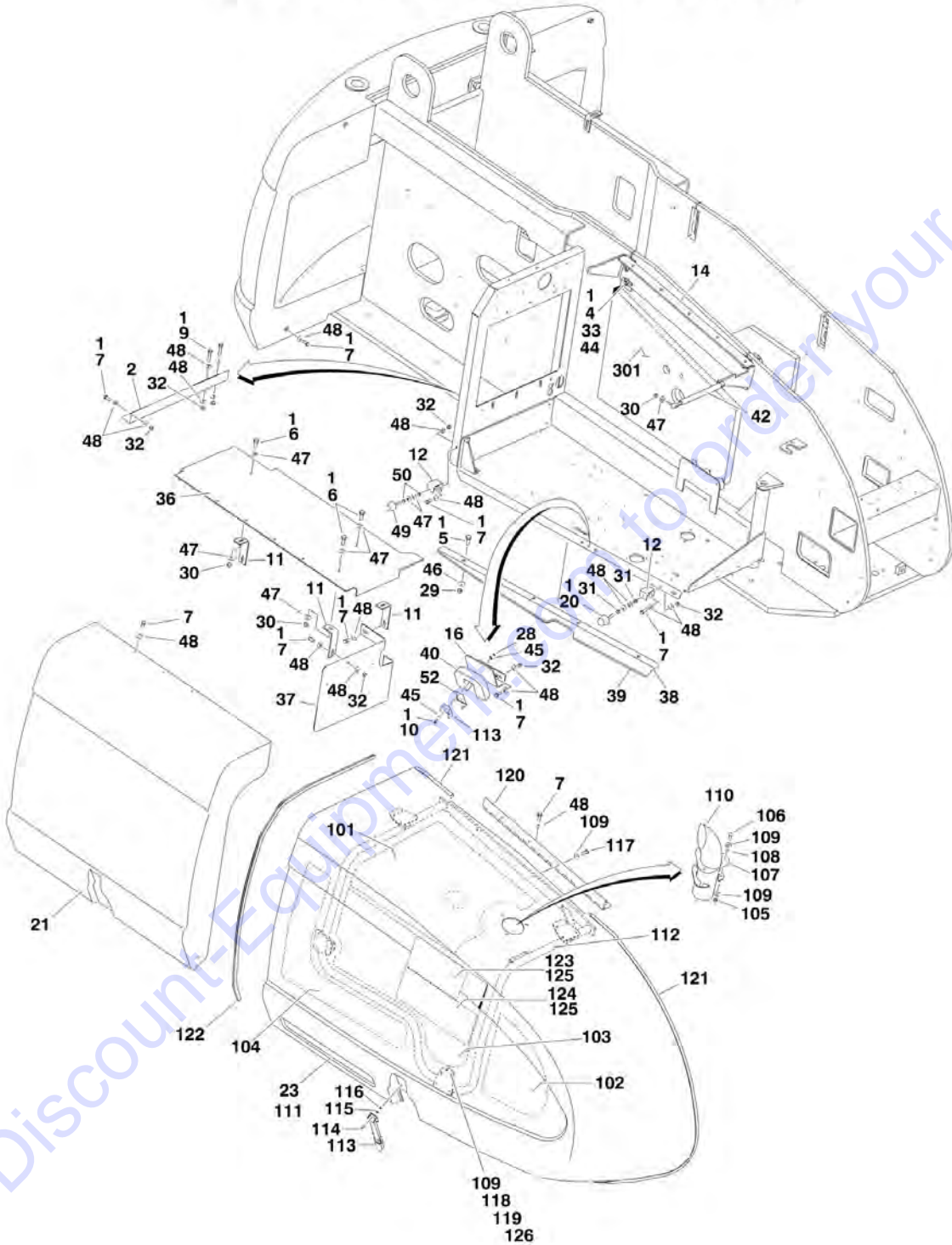
Need parts?

Click on this link: <http://www.discount-equipment.com/category/5443-parts/> and choose one of the options to help get the right parts and equipment you are looking for. Please have the machine model and serial number available in order to help us get you the correct parts. If you don't find the part on the website or on one of the online manuals, please fill out the request form and one of our experienced staff members will get back to you with a quote for the right part that your machine needs.

We sell worldwide for the brands: Genie, Terex, JLG, MultiQuip, Mikasa, Essick, Whiteman, Mayco, Toro Stone, Diamond Products, Generac Magnum, Airman, Haulotte, Barreto, Power Blanket, Nifty Lift, Atlas Copco, Chicago Pneumatic, Allmand, Miller Curber, Skyjack, Lull, Skytrak, Tsurumi, Husquvarna Target, Stow, Wacker, Sakai, Mi-T-M, Sullair, Basic, Dynapac, MBW, Weber, Bartell, Bennar Newman, Haulotte, Ditch Runner, Menegotti, Morrison, Contec, Buddy, Crown, Edco, Wyco, Bomag, Laymor, EZ Trench, Bil-Jax, F.S. Curtis, Gehl Pavers, Heli, Honda, ICS/PowerGrit, IHI, Partner, Imer, Clipper, MMD, Koshin, Rice, CH&E, General Equipment, Amida, Coleman, NAC, Gradall, Square Shooter, Kent, Stanley, Tamco, Toku, Hatz, Kohler, Robin, Wisconsin, Northrock, Oztec, Toker TK, Rol-Air, APT, Wylie, Ingersoll Rand / Doosan, Innovatech, Con X, Ammann, Mecalac, Makinex, Smith Surface Prep, Small Line, Wanco, Yanmar

SECTION 2 - TURNTABLE

NOTE: REPLACEMENT DECALS MUST BE PURCHASED SEPARATELY.



SECTION 2 - TURNTABLE

FIGURE 2-16. HOODS INSTALLATION (ABS)

ITEM	PART NUMBER	QTY	DESCRIPTION	REV
		Ref	HOODS INSTALLATIONS	
	0274762	Ref	CATERPILLAR ENGINES	E
	1001100386	Ref	DEUTZ ENGINES	A
	0275547	Ref	GM ENGINES (USA Built Machines) (SN 0300140000 through 0300143045 Only)	E
	0275547	Ref	GM ENGINES (China Built Machines) (SN B300000100 through B300000135 Only)	E
1	0100011	AR	Compound, Locking	
2	0182077	1	Angle, Hood Support	
3	0362770	1	Bar, Panel Mounting	
4	0630507	8	Bolt, Carriage 1/2in-13NC x 1-1/4in	
5	0641406	4	Bolt 1/4in-20NC x 3/4in	
6	0641508	9	Bolt 5/16in-18NC x 1in	
7	0641608	33	Bolt 3/8in-16NC x 1in	
8	0641610	3	Bolt 3/8in-16NC x 1-1/4in	
9	0641616	6	Bolt 3/8in-16NC x 2in	
10	0721006	6	Screw #10-24NC x 3/4in	
11	0901921	3	Bracket, Hood Mounting	
12	0902219	2	Bracket, Bumper	
13	0902223	2	Bracket, Latch	
14	0902351	1	Bracket, Hood Mounting	
15	0902412	1	Bracket, Hood Mounting	
16	0902491	1	Bracket, Latch	
17	0902673	1	Bracket, Support (Front Cover)	
18	0902674	1	Bracket, Support (Front Cover)	
19	0902769	1	Bracket, Bumper Support	
20	0940071	4	Bumper	
21	1671201	1	Cover	
22	1671228	1	Hood Assembly (See Items 201-213 for Breakdown)	
23		Ref	Hood Assembly (See Items 101-126 for Breakdown)	
23	1671248	1	Caterpillar Engines	
23	1001099138	1	Deutz Engines	
23	1001117045	1	GM Engines	
24	2540035	3	Grommet	
26	2600244	1	Hinge, Adapter Panel	
27	2680490	1	Hood, Right Cover	
28	3311005	6	Locknut #10-24NC	
29	3311405	4	Locknut 1/4in-20NC	
30	3311505	12	Locknut 5/16in-18NC	
31	3311601	8	Nut 3/8in-16NC	
32	3311605	15	Locknut 3/8in-16NC	
33	3311805	8	Locknut 1/2in-13NC	
34	3380444	1	Panel, Adapter	
35	3380461	1	Cover, Top (Tank Side)	
36	3380575	1	Panel, Cover	
37	3380580	1	Panel, Storage Box (Top)	
38	3571712	1	Plate, Seal	
39	3960389	3.5 ft /1.1m	Seal	
40	3960470	1	Seal, Latch	

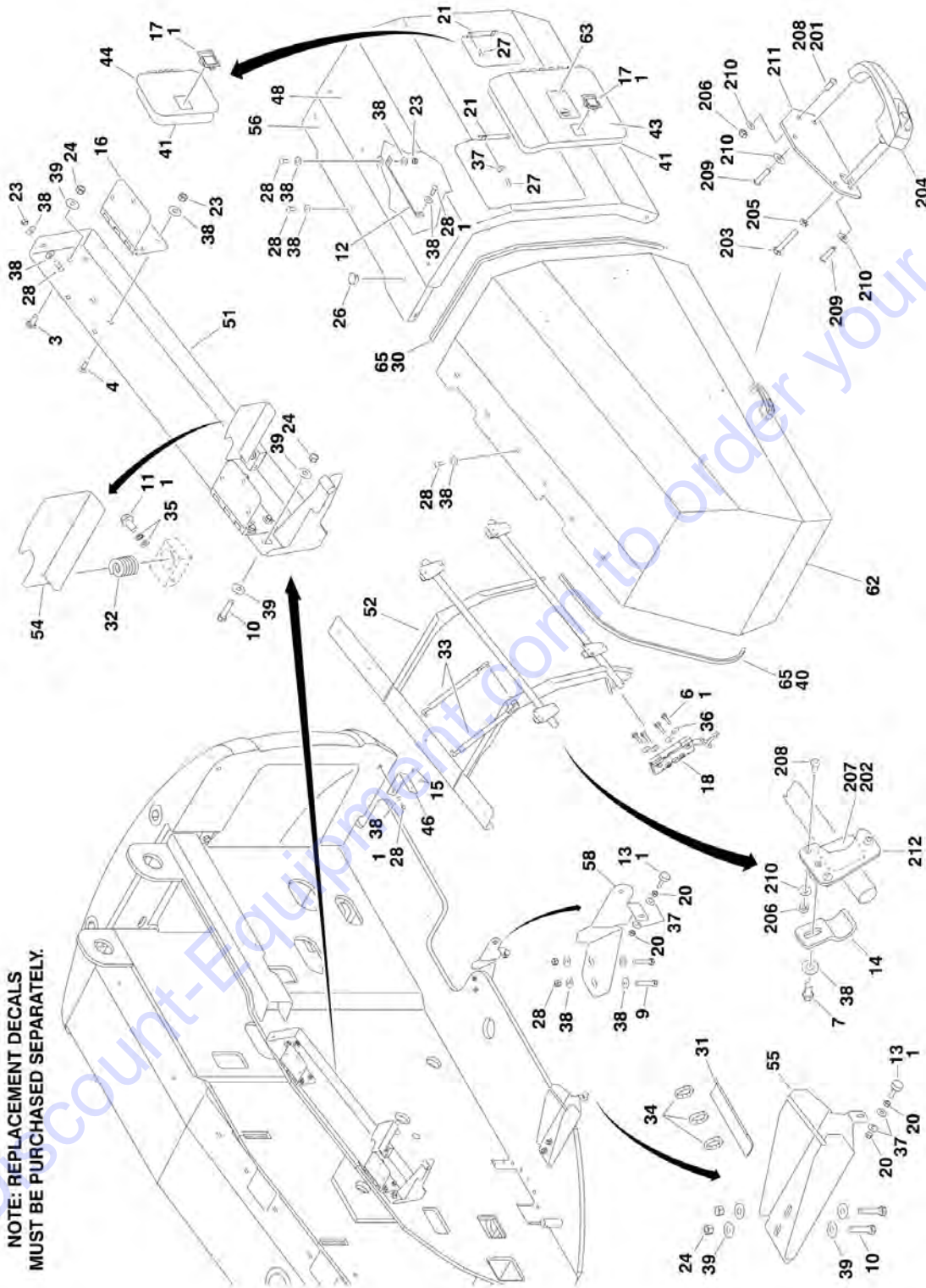
SECTION 2 - TURNTABLE

ITEM	PART NUMBER	QTY	DESCRIPTION	REV
41	4160139	2	Spring, Gas (Tank Side)	
42	4160143	1	Spring, Gas (Engine Side)	
43	4740076	4	Washer, Fender	
44	4740171	8	Washer, Hardened	
45	4751000	12	Flatwasher #10 Regular	
46	4751400	4	Flatwasher 1/4in Regular	
47	4751500	23	Flatwasher 5/16in Regular	
48	4751600	67	Flatwasher 3/8in Regular	
49	0940088	1	Bumper	
50	3321501	2	Nut 5/16in-24NF	
51	1120601	1	Plug, Cap	
52	2940188	3	Latch, Spring Clip	
		Ref	HOOD ASSEMBLIES (ENGINE SIDE)	
	1671248	Ref	Caterpillar Engines	D
	1001099138	Ref	Deutz Engines	B
	1001117045	Ref	GM Engines (USA Built Machines) (SN 0300140000 through 0300143045 Only)	A
	1001117045	Ref	GM Engines (China Built Machines) (SN B300000100 through B300000135 Only)	A
101		Ref	Insulation Options:	
101	1001101391	1	Caterpillar Engine Machines	
101	1001101673	1	Deutz Engine Machines	
101	1001117139	1	GM Engine	
102	2820233	1	Insulation, Rear Sound (Caterpillar/Deutz Engine Machines Only)	
103		Ref	Insulation, Center Sound Options:	
103	2820234	1	Caterpillar/Deutz Engine Machines	
103	Not Required	0	GM Engine Machines	
104	2820235	1	Insulation, Rear Sound (Caterpillar/Deutz Engine Machines Only)	
105	3311605	AR	Locknut 3/8inx16NC	
106	3900232	AR	Screw, Button Head 3/8in-16NC x 1-1/4in	
107		Ref	Shield, Heat Gasket Options:	
107	1001101392	1	Caterpillar Engine Machines	
107	1001101623	1	Deutz Engine Machines	
107	Not Required	0	GM Engine Machines	
108	4740500	AR	Washer (Special)	
109	4751600	AR	Flatwasher 3/8in Regular	
110		Ref	Exhaust Tube Weldment Options:	
110	4846588	1	Caterpillar Engine Machines	
110	1001099121	1	Deutz Engine Machines	
110	1001117040	1	GM Engine Machines	
111		Ref	Hood Kit Options:	
111	1001097966	1	Caterpillar Engine Machines (Includes Items 101, 102, 103, 104, 107 & 108)	
111	1001099139	1	Deutz Engine Machines (Must also purchase Items 101, 102, 103, 104, 107 & 108)	
111	1001097964	1	GM Engine Machines (Includes Items 108, 123, 124 & 125)	
		Ref	Note: Replacement Decals Must be Ordered Separately - See DECALS SECTION.	
112	1671230	1	Frame, Tubular	
113	2940088	1	Latch	
114	0721008	2	Screw, Machine #10-24NC x 1in	
115	4751000	2	Flatwasher #10 Regular	

SECTION 2 - TURNTABLE

ITEM	PART NUMBER	QTY	DESCRIPTION	REV
116	3311005	2	Locknut #10-24NC	
117	0641608	6	Bolt 3/8in-16NC x 1in	
118	1321384	4	Hold Down	
119	0641606	4	Bolt 3/8in-16NC x 3/4in	
120	2600209	1	Hinge	
121	3960464	65 in /1.67m	Seal	
122	3960462	61 in /1.55m	Seal	
123	See Note	1	Insulation, Heat (GM Engine Only) (Note: Use Item 101 - Cover complete inside of hood with insulation. Fasten with Item 125 Tape)	
124	See Note	1	Insulation, Heat (GM Engine Only) (Note: Use Item 101 - Cover complete inside of hood with insulation. Fasten with Item 125 Tape)	
125	1001117140	AR	Tape, Aluminized Polyester (GM Engine Only)	
126	0100011	AR	Compound, Locking (GM Engine Only)	
	1671228	Ref	HOOD ASSEMBLY (TANK SIDE)	A
		Ref	Note: Replacement Decals Must be Ordered Separately - See DECALS SECTION.	
201	1671231	1	Hood	
202	1671232	1	Frame, Tubular	
203	2940088	2	Latch	
204	0721008	4	Screw, Machine #10-24NC x 1in	
205	4751000	4	Flatwasher #10 Regular	
206	3311005	4	Locknut #10-24NC	
207	2600233	1	Hinge	
208	1321384	4	Hold Down	
209	0641606	9	Bolt 3/8in-16NC x 3/4in	
210	4711600	9	Flatwasher 3/8in Thin	
211	3960464	83 in /2.11m	Seal	
212	3960438	55 in /1.4m	Seal	
213	3960462	53 in /1.35m	Seal	
	0272081	Ref	NOISE REDUCTION INSTALLATION (DEUTZ/CATERPILLAR ENGINE MACHINES) (OPTIONAL)	4
301	2820078	1	Foam, Acoustical (Turntable Side)	

SECTION 2 - TURNTABLE



NOTE: REPLACEMENT DECALS
MUST BE PURCHASED SEPARATELY.

Go to Discount-Equipment.com to order your parts

SECTION 2 - TURNTABLE

FIGURE 2-17. HOODS INSTALLATION (STEEL)

ITEM	PART NUMBER	QTY	DESCRIPTION	REV
		Ref	HOODS INSTALLATIONS	
	1001117138	Ref	HOODS INSTALLATIONS 800S WITH CATERPILLAR AND GM ENGINES	E
	1001125504	Ref	HOODS INSTALLATIONS 800S WITH CATERPILLAR (HOSTILE ENVIRONMENT MACHINES)	B
	1001116787	Ref	HOODS INSTALLATIONS 800S WITH DEUTZ ENGINES	F
	1001125503	Ref	HOODS INSTALLATIONS 800S WITH DEUTZ ENGINES (HOSTILE ENVIRONMENT MACHINES)	B
	1001118435	Ref	HOODS INSTALLATIONS 860SJ WITH CATERPILLAR AND GM ENGINES	F
	1001118434	Ref	HOODS INSTALLATIONS 860SJ WITH DEUTZ ENGINES	F
1	0100011	AR	Compound, Locking	
2	0182077	1	Angle, Hood Support	
3	0630507	8	Bolt, Carriage 1/2in-13NC x 1-1/4in	
4	0630485	16	Bolt, Carriage 3/8in-16NC x 1in	
5	0641406	4	Bolt 1/4in-20NC x 3/4in	
6	0641408	AR	Bolt 1/4in-20NC x 1in	
7	0641607	8	Bolt 3/8in-16NC x 7/8in	
8	0641609	4	Bolt 3/8in-16NC x 1-1/8in	
9	0641616	4	Bolt 3/8in-16NC x 2in	
10	0641818	4	Bolt 1/2in-13NC x 2-1/4in	
11	0811606	1	Screw 3/8in-16NC x 3/4in (800S Only)	
12	0902673	1	Bracket, Support (Front Cover)	
13	0940049	2	Stopper, Hood	
14	1321384	8	Clamp	
15	2080040	4	Fastener, Huck	
16	2600280	4	Hinge, Offset	
17	2940045	2	Latch, Paddle	
18	2940173	2	Latch, Rotary	
19	3311405	AR	Locknut 1/4in-20NC	
20	3311501	4	Nut 5/16in-18NC	
21	3300364	5	Nut 5/16in-18NC (Tinnerman)	
22	3311601	1	Nut 3/8in-16NC	
23	3311605	46	Locknut 3/8in-16NC	
24	3311805	12	Locknut 1/2in-13NC	
25	3380580	1	Panel, Storage Box (Top)	
26	3520030	1	Plug, Hole	
27	3900210	5	Screw 5/16in-18NC x 3/4in	
28	3900316	48	Screw 3/8in-16NC x 1in	
29	3960389	4.5 ft /1.4m	Seal	
30	3960462	9 ft/2.7m	Seal	
31	4061032	1	Shield	
32	4160149	1	Spring, Compression (800S Only)	
33	4160194	4	Spring, Gas	
34	4240018	3	Strap, Cable Tie	
35	4740500	2	Washer, Nylon Shoulder (800S Only)	
36	4751400	AR	Flatwasher 1/4in Regular	
37	4751500	7	Flatwasher 5/16in Regular	
38	4751600	93	Flatwasher 3/8in Regular	
39	4751800	16	Flatwasher 1/2in Regular	

SECTION 2 - TURNTABLE

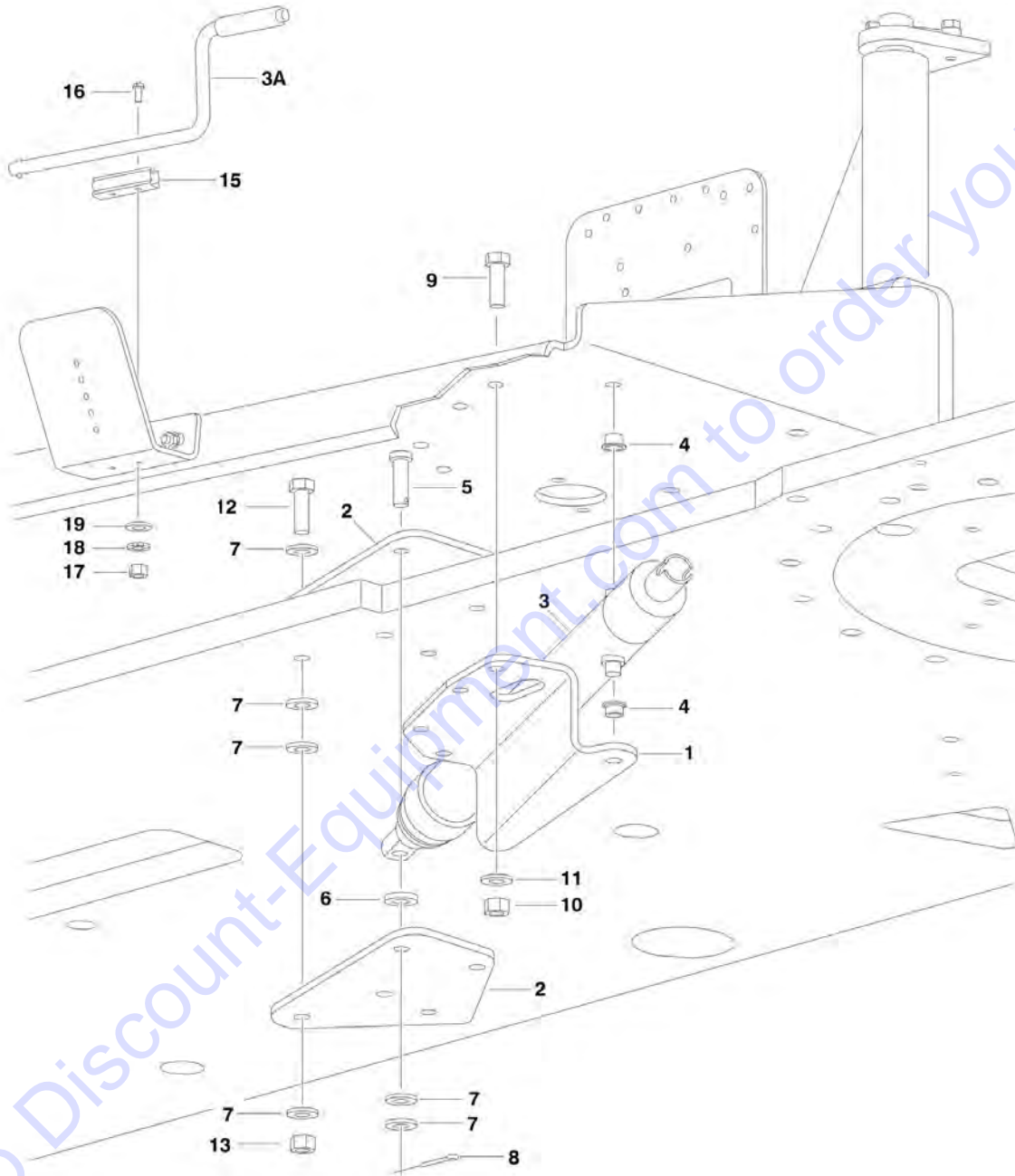
ITEM	PART NUMBER	QTY	DESCRIPTION	REV
40	1001110166	7 ft/2.1m	Seal	
41	1001113047	7 ft/2.1m	Seal (Adhesive Back)	
42	1001116280	1	Bracket, Hood Support	
43	1001116322	1	Door	
44		Ref	Door, Fuel Options:	
44	1001116344	1	Standard Machines	
44	1001125501	1	Hostile Environment Machines	
45	1001116356	1	Plate	
46	1001116358	1	Bracket, Hood Support	
47		Ref	Pipe, Exhaust Options:	
47	1001116457	1	Caterpillar and GM Engines	
47	1001116456	1	Deutz Engines	
48		Ref	Hood, Fixed Tank Side Options:	
48	1001116558	1	Standard Machines	
48	1001125502	1	Hostile Environment Machines	
		Ref	Note: Replacement Decals Must be purchased separately - See DECALS SECTION.	
49	1001116560	1	Bracket, Hinge Support	
50	1001116562	1	Support, Substructure	
51	1001116617	1	Bracket, Hinge Support	
52	1001116618	1	Support, Substructure	
53	1001116620	1	Hood, Fixed Engine Side	
		Ref	Note: Replacement Decals Must be purchased separately - See DECALS SECTION.	
54	1001116668	1	Plate, Hood Stop (800S Only)	
55	1001116704	1	Bracket, Striker	
56	1001117027	1	Bracket, Hood Support	
57	1001117051	3	Bracket, Hood Mounting	
58	1001117054	1	Bracket, Hood Support	
59	1001117523	1	Bracket, Striker	
60	1001117525	1	Bracket, Striker Mounting	
61	1001118344	1	Hood, Engine Side Assembly (See Items 101-112 for Breakdown)	
		Ref	Note: Replacement Decals Must be purchased separately - See DECALS SECTION.	
62	1001118345	1	Hood, Tank Side Assembly (See Items 201-212 for Breakdown)	
		Ref	Note: Replacement Decals Must be purchased separately - See DECALS SECTION.	
63	1001117307	1	Decal - Emergency Stop	
64	1001120508	1	Shield, Heat (Deutz Engine Only)	
65	0100081	AR	Adhesive (USA Built Machines) (SN 0300144798 through 0300182743)	
65	0100081	AR	Adhesive (China Built Machines) (SN B300000215 through B300001091)	
66	1001126828	5	Nut 3/8in-16NC (Tinnerman) (USA Built Machines) (SN 0300144798 through 0300182743)	
66	1001126828	5	Nut 3/8in-16NC (Tinnerman) (China Built Machines) (SN B300000215 through B300001091)	
	1001118344	Ref	HOOD ASSEMBLIES (ENGINE SIDE)	G
101	0100011	AR	Compound, Locking	
102	0100081	AR	Adhesive	
103	0700616	1	Bolt M6 x 40mm	
104	2560187	1	Handle, Push Button	

SECTION 2 - TURNTABLE

ITEM	PART NUMBER	QTY	DESCRIPTION	REV
105	3290601	1	Nut M6	
106	3311505	15	Locknut 5/16in-18NC	
107	3340877	4	Pad	
108	3900210	15	Screw, Button Head 5/16in-18NC x 3/4in	
109	3900363	2	Screw, Button Head M6 x 25mm	
110	4711500	17	Flatwasher 5/16in Thin	
111	1001116290	1	Plate, Latch Mounting	
112	1001116292	4	Mount, Clamp	
	1001118345	Ref	HOOD ASSEMBLIES (TANK SIDE)	G
201	0100011	AR	Compound, Locking	
202	0100081	AR	Adhesive	
203	0700616	1	Bolt M6 x 40mm	
204	2560187	1	Handle, Push Button	
205	3290601	1	Nut M6	
206	3311505	15	Locknut 5/16in-18NC	
207	3340877	4	Pad	
208	3900210	15	Screw, Button Head 5/16in-18NC x 3/4in	
209	3900363	2	Screw, Button Head M6 x 25mm	
210	4711500	17	Flatwasher 5/16in Thin	
211	1001116290	1	Plate, Latch Mounting	
212	1001116292	4	Mount, Clamp	
	1001114633	Ref	HEAT SHIELD INSTALLATION (GM ENGINE MACHINES)	D
301	3311405	3	Locknut 1/4in-20NC	
302	4751400	3	Flatwasher 1/4in Regular	
303	0641408	3	Bolt 1/4in-20NC x 1in	
304	1001120508	1	Shield, Heat	
	0272081	Ref	NOISE REDUCTION INSTALLATION (DEUTZ/CATERPILLAR ENGINE MACHINES) (OPTIONAL)	4
401	2820078	1	Foam, Acoustical (Turntable Side)	

SECTION 2 - TURNTABLE

FIGURE 2-18. ENGINE TRAY JACK INSTALLATION (OPTIONAL)



SECTION 2 - TURNTABLE

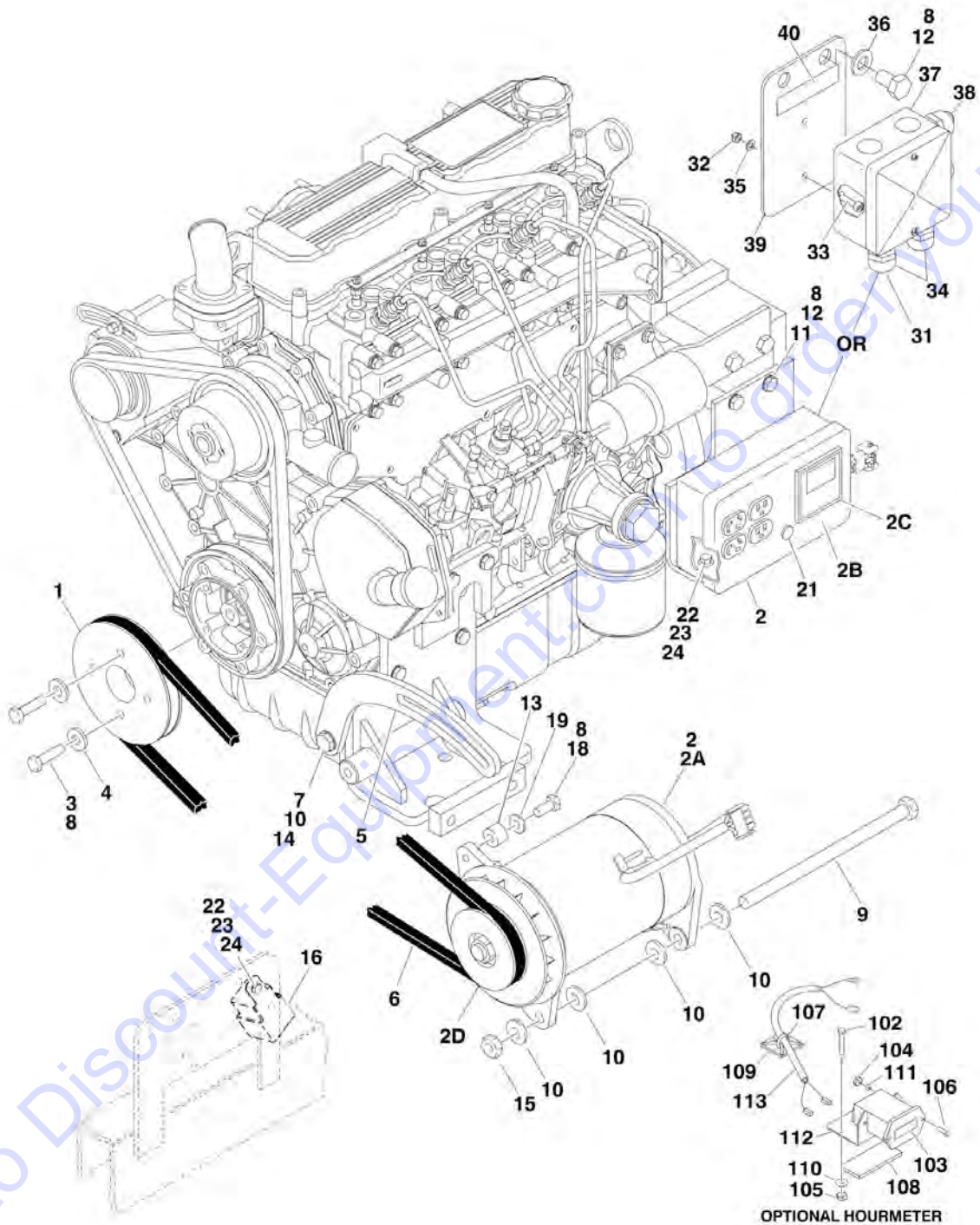
FIGURE 2-18. ENGINE TRAY JACK INSTALLATION (OPTIONAL)

ITEM	PART NUMBER	QTY	DESCRIPTION	REV
	0258728	Ref	ENGINE TRAY JACK INSTALLATION	2-C
1	3537445	1	Bracket	
2	3537446	2	Bracket	
3	2840016	1	Jack and Handle Assembly	F
3A	7024598	1	Handle	
4	0962051	2	Bearing, Flange	
5	3430816	1	Pin, Clevis	
6	4891800	1	Flatwasher 1/2in Hardened	
7	4711800	6	Flatwasher 1/2in Thin	
8	3450404	1	Pin, Cotter 1/8in x 1in	
9	0641609	4	Bolt 3/8in-16NC x 1-1/8in	
10	3311605	4	Locknut 3/8in-16NC	
11	4891600	4	Flatwasher 3/8in Hardened	
12	0641818	4	Bolt 1/2in-13NC x 2-1/4in	
13	3311805	4	Locknut 1/2in-13NC	
15	1380147	1	Clip, Spring	
16	3910608	2	Screw, Round Head #6-32NC x 1in	
17	3310601	2	Nut #6-32NC	
18	4770600	2	Starwasher #6	
19	4740119	2	Washer, Aluminum	

Go to Discount-Equipment.com to order your parts

SECTION 2 - TURNTABLE

FIGURE 2-19. 2500W GENERATOR INSTALLATION - CATERPILLAR MACHINES (OPTIONAL)



SECTION 2 - TURNTABLE

FIGURE 2-19. 2500W GENERATOR INSTALLATION - CATERPILLAR MACHINES (OPTIONAL)

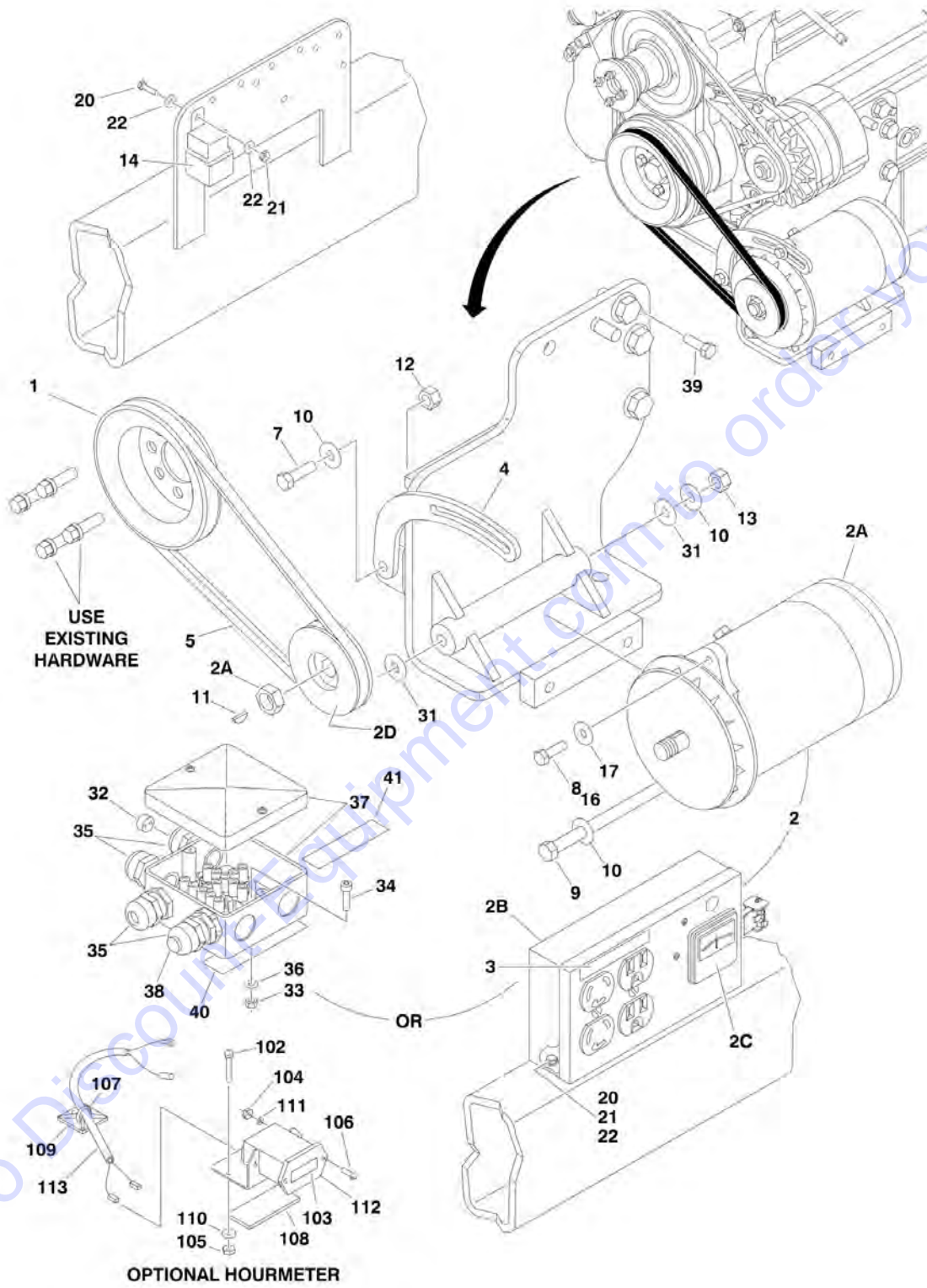
ITEM	PART NUMBER	QTY	DESCRIPTION	REV
		Ref	GENERATOR INSTALLATION OPTIONS:	
	1001115404	Ref	ANSI Specs - 110V/60Hz	A
	1001115413	Ref	ANSI Export and CE Specs - 110V/50Hz	A
	1001115414	Ref	ANSI Export, Australian and CE Specs - 220V/50Hz	A
1	3580322	1	Pulley	
2		Ref	Generator and Control Box Assembly Options:	
2	2460055	1	110V/60Hz	
2	2460049	1	110V/50Hz Generator Only	
2	1001100321	1	220V/50Hz Generator Only	
2A		Ref	Generator Options:	
2A	7012558	1	110V/60Hz	
2A	2460049	1	110V/50Hz	
2A	1001100321	1	220V/50Hz	
		Ref	Note: Replacement Generators come standard with p/n 3580134 pulley. This pulley may not be correct for all applications. Refer to pulley options below.	
2A	7026199	1	110V/60Hz Armature with Slip Rings	
2A	70000122	1	110V/50Hz Armature with Slip Rings	
2A	70000123	1	220V/50Hz Armature with Slip Rings	
2A	7012513	4	Cap, Brush Holder	
2A	7020108	4	Brush	
2A	7020109	4	Holder, Brush	
2A	7012514	1	Fan	
2A	7020190	2	Bearing	
2A	7020110	1	End Bell, Front	
2A	7020111	1	End Bell, Rear	
2B	7019680	1	Box, Control (110V/60Hz Generator Only)	
2B	4360542	1	Breaker, Circuit	
2B	4460190	AR	Receptacle, Double (110V Box)	
2B	4460027	AR	Receptacle, Double Twist Lock (110V Box)	
2C	2420203	1	Voltmeter	
2D		Ref	Pulley Options:	
2D	3580276	1	110V/60Hz	
2D	3580134	1	110V/50Hz	
2D	3580134	1	220V/50Hz	
2D	7027887	1	Key, Woodruff	
3	0700816	4	Bolt M8 x 40mm	
4	4811900	4	Flatwasher M8	
5	0200819	1	Arm, Adjusting	
6		Ref	V-Belt Options:	
6	0480121	1	110V/60Hz	
6	0480120	1	110V/50Hz	
6	0480120	1	220V/50Hz	
7	0641610	1	Bolt 3/8in-16NC x 1-1/4in	
8	0100011	AR	Compound, Locking	
9	0641772	1	Bolt 7/16in-14NC x 9in	
10	4751600	6	Flatwasher 3/8in Regular	
11	3574684	1	Plate, Box Mounting	
12	0701210	2	Bolt M12 x 20mm	
13	0962563	1	Bushing, Spacer	

SECTION 2 - TURNTABLE

ITEM	PART NUMBER	QTY	DESCRIPTION	REV
14	3311605	1	Locknut 3/8in-16NC	
15	3311705	1	Locknut 7/16in-14NC	
16	3740080	1	Relay	
18	0641508	1	Bolt 5/16in-18NC x 1in	
19	4751500	1	Flatwasher 5/16in Regular	
21	3520028	1	Plug, Hole	
22	0721006	AR	Bolt #10-24NC x 3/4in	
23	3311005	AR	Locknut #10-24NC	
24	4751000	AR	Flatwasher #10 Regular	
25	4360336	1	Switch, Toggle (Not Shown - Located at Platform)	
27	4060802	1	Guard, Switch (Not Shown - Located at Platform)	
28		Ref	Decal - Voltage Options (Not Shown - Located at Platform):	
28	Not Required	0	110V/60Hz	
28	1705325	1	110V/50Hz	
28	3252507	1	220V/50Hz	
29	2820031	4 in/10cm	Heat Shrink (Not Shown - Located at Platform)	
30	3251102	1	Decal (Not Shown - Located at Platform)	
		Ref	Note: Items 31 thru 40 Used with 1001115413 & 1001115414 Installations Only.	
31	0962449	1	Bushing, Silicone	
32	3290505	1	Locknut M5	
33	4031608	2	Capscrew M5 x 20mm	
34	4460968	3	Bushing, Strain Relief	
35	4811600	2	Flatwasher M5	
36	4812100	2	Flatwasher M12	
37	1001099869	1	Box, Junction	
38		Ref	Light, Red Options:	
38	1001100233	1	110V/50Hz	
38	1001100234	1	220V/50Hz	
39	1001102644	1	Bracket, AC Junction Box	
40		Ref	Decal - Voltage Options:	
40	1705325	1	110V/50Hz	
40	3252507	1	220V/50Hz	
	1001094475	Ref	HOURLY METER INSTALLATION (OPTIONAL)	B
102	0720808	1	Screw #8-32 x 1in	
103	2420165	1	Hourmeter	
104	3310601	2	Nut #6-32	
105	3310805	1	Locknut #8-32	
106	3910608	2	Screw #6-32 x 1/2in	
107	4240032	4	Strap, Tie	
108	4420060	3 in/7cm	Tape, Double-Sided	
109	4460234	3	Mount, Tie Strap	
110	4750800	1	Flatwasher #8 Regular	
111	4760600	2	Lockwasher #6	
112	1001094375	1	Bracket, Hourmeter	
113	1001094509	1	Harness, Hourmeter	
114	4460018	1	Connector, Butt Splice (Not Shown)	

SECTION 2 - TURNTABLE

FIGURE 2-20. 2500W GENERATOR INSTALLATION - DEUTZ MACHINES (OPTIONAL)



SECTION 2 - TURNTABLE

FIGURE 2-20. 2500W GENERATOR INSTALLATION - DEUTZ MACHINES (OPTIONAL)

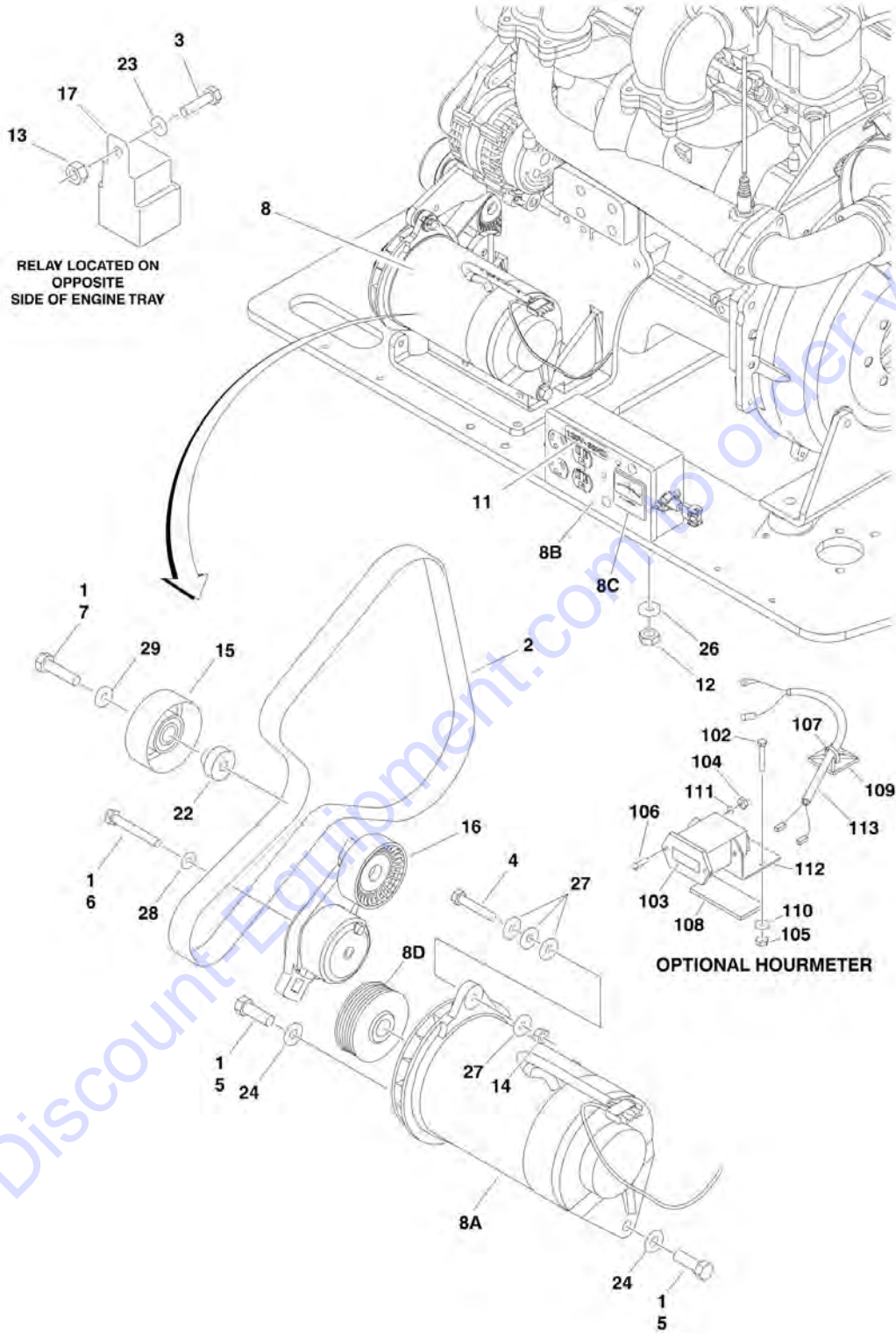
ITEM	PART NUMBER	QTY	DESCRIPTION	REV
		Ref	GENERATOR INSTALLATION OPTIONS:	
	1001115405	Ref	ANSI Specs - 110V/60Hz	A
	1001115410	Ref	ANSI Export Specs - 110V/50Hz	A
	1001115409	Ref	ANSI Export Specs - 220V/50Hz	A
1	3580158	1	Pulley	
2		Ref	Generator and Control Box Assembly Options:	
2	2460055	1	110V/60Hz	
2	2460049	1	110V/50Hz Generator Only	
2	1001100321	1	220V/50Hz Generator Only	
2A		Ref	Generator Options:	
2A	7012558	1	110V/60Hz	
2A	2460049	1	110V/50Hz	
2A	1001100321	1	220V/50Hz	
		Ref	Note: Replacement Generators come standard with p/n 3580134 pulley. This pulley may not be correct for all applications. Refer to pulley options below.	
2A	7026199	1	110V/60Hz Armature with Slip Rings	
2A	70000122	1	110V/50Hz Armature with Slip Rings	
2A	70000123	1	220V/50Hz Armature with Slip Rings	
2A	7012513	4	Cap, Brush Holder	
2A	7020108	4	Brush	
2A	7020109	4	Holder, Brush	
2A	7012514	1	Fan	
2A	7020190	2	Bearing	
2A	7020110	1	End Bell, Front	
2A	7020111	1	End Bell, Rear	
2B	7019680	1	Box, Control - 110V/60Hz Generator Only	
2B	4360542	1	Breaker, Circuit	
2B	4460190	AR	Receptacle, Double (110V Box)	
2B	4460027	AR	Receptacle, Double Twist Lock (110V Box)	
2C	2420203	1	Voltmeter	
2D		Ref	Pulley Options:	
2D	3580276	1	110V/60Hz	
2D	3580134	1	110V/50Hz	
2D	3580134	1	220V/50Hz	
3	3251243	1	Decal - 120V - 60Hz (110V/60Hz Generator Only)	
4	0200742	1	Arm, Adjusting	
5	0480121	1	V-Belt	
7	0641610	1	Bolt 3/8in-16NC x 1-1/4in	
8	0100011	AR	Compound, Locking	
9	0641772	1	Bolt 7/16in-14NC x 9in	
10	4751600	6	Flatwasher 3/8in Regular	
11	2860012	1	Key, Woodruff	
12	3311605	1	Locknut 3/8in-16NC	
13	3311705	1	Nut, 7/16-14 Hex Lock Nut	
14	3740080	1	Relay	
16	0641508	1	Bolt 5/16in-18NC x 1in	
17	4751500	1	Flatwasher 5/16in Regular	
20	0721006	AR	Bolt #10-24NC x 3/4in	
21	3311005	AR	Locknut #10-24NC	

SECTION 2 - TURNTABLE

ITEM	PART NUMBER	QTY	DESCRIPTION	REV
22	4751000	AR	Flatwasher #10 Regular	
25	4360336	1	Switch, Toggle (Not Shown - Located at Platform)	
26	4740397	1	Bushing (Not Shown - Located at Platform)	
27	4060802	1	Guard, Switch (Not Shown - Located at Platform)	
28	3252507	1	Decal - 220V-50/60Hz (Not Shown - Located on Inside Platform Rail) (220V/50Hz Generator Only)	
28	1705325	1	Decal - 120V-50Hz (Not Shown - Located on Inside Platform Rail) (110V/50Hz Generator Only)	
29	2820031	4 in/10cm	Heat Shrink (Not Shown - Located at Platform)	
30	3251102	1	Decal (Not Shown - Located at Platform)	
31	4070585	AR	Shim	
		Ref	Note: Items 32 thru 41 Used with 1001115410 & 1001115409 Installations Only.	
32	0962449	1	Bushing, Silicone	
33	3290505	1	Locknut M5	
34	4031608	1	Capscrew M5 x 20mm	
35	4460968	4	Bushing, Strain Relief	
36	4811600	1	Flatwasher M5	
37	1001099869	1	Box, Junction	
38		Ref	Light, Red Options:	
38	1001100233	1	110V/50Hz	
38	1001100234	1	220V/50Hz	
39	0641404	1	Bolt 1/4in-20NC x 1/2in	
40	4420060	AR	Tape, Double Sided	
41		Ref	Decal Options:	
41	3252507	1	Decal - 220V-50/60Hz	
41	1705325	1	Decal - 120V-50Hz	
	1001094475	Ref	HOURMETER INSTALLATION (OPTIONAL)	B
102	0720808	1	Screw #8-32 x 1in	
103	2420165	1	Hourmeter	
104	3310601	2	Nut #6-32	
105	3310805	1	Locknut #8-32	
106	3910608	2	Screw #6-32 x 1/2in	
107	4240032	4	Strap, Tie	
108	4420060	3 in/7cm	Tape, Double-Sided	
109	4460234	3	Mount, Tie Strap	
110	4750800	1	Flatwasher #8 Regular	
111	4760600	2	Lockwasher #6	
112	1001094375	1	Bracket, Hourmeter	
113	1001094509	1	Harness, Hourmeter	
114	4460018	1	Connector, Butt Splice (Not Shown)	

SECTION 2 - TURNTABLE

FIGURE 2-21. 2500W GENERATOR INSTALLATION - GM MACHINES (OPTIONAL)



SECTION 2 - TURNTABLE

FIGURE 2-21. 2500W GENERATOR INSTALLATION - GM MACHINES (OPTIONAL)

ITEM	PART NUMBER	QTY	DESCRIPTION	REV
		Ref	Note: Only Available on USA Built Machines.	
		Ref	GENERATOR INSTALLATION OPTIONS:	
	0275039	Ref	110V Generator	E
	See Note	Ref	220V Generator (Note: Not Available)	
1	0100011	AR	Compound, Locking	
2	0480142	1	V-Belt	
3	0641405	1	Bolt 1/4in-20NC x 5/8in	
4	0641510	1	Bolt 5/16in-18NC x 1-1/4in	
5	0641710	2	Bolt 7/16in-14NC x 1-1/4in	
6	0700820	1	Bolt 8mm x 60mm	
7	0701016	1	Bolt 10mm x 340mm	
8	2460051	1	Generator and Control Box Assembly	
8A	7012558	1	Generator	
		Ref	Note: Replacement Generators come standard with p/n 3580134 pulley. This pulley may not be correct for all applications. Refer to pulley options below.	
8A	7026199	1	Armature with Slip Rings	
8A	7020109	4	Holder, Brush	
8A	7020108	4	Brush	
8A	7012513	4	Cap, Brush Holder	
8A	7012514	1	Fan	
8A	7020190	2	Bearing	
8A	7020110	1	End Bell, Front	
8A	7020111	1	End Bell, Rear	
8B	7019680	1	Box Control	
8B	4360542	1	Breaker, Circuit	
8B	4460190	1	Receptacle, Double (110V Box)	
8B	4460027	1	Receptacle, Double Twist Lock (110V Box)	
8C	2420203	1	Voltmeter	
8D	3580324	1	Pulley	
8D	7027887	1	Key, Woodruff	
9	2820031	AR	Heat Shrink (Not Shown - Located at Platform)	
10	3251102	1	Nameplate - Generator (Not Shown - Located at Platform)	
11	3251243	1	Decal	
12	3311005	2	Locknut # 10-24NC	
13	3311405	1	Locknut 1/4in-20NC	
14	3311505	1	Locknut 5/16in-18NC	
15	3580312	1	Pulley, Idler	
16	3580348	1	Tensioner, Belt	
17	3740080	1	Relay, Bosch	
18	4060802	1	Guard, Switch (Not Shown - Located at Platform)	
19	4240018	AR	Tie-Strap (Not Shown)	
20	4360336	1	Switch, Toggle (Not Shown - Located at Platform)	
21	4460906	3	Terminal (Not Shown)	
22	4568735	1	Spacer, Tube (Idler Pulley Grooved)	
23	4711400	1	Flatwasher 1/4in Thin	
24	4711700	2	Flatwasher 7/16in Thin	
25	4740397	1	Spacer (Not Shown - Located at Platform)	
26	4751000	2	Flatwasher #10 Regular	
27	4751500	4	Flatwasher 5/16in Regular	

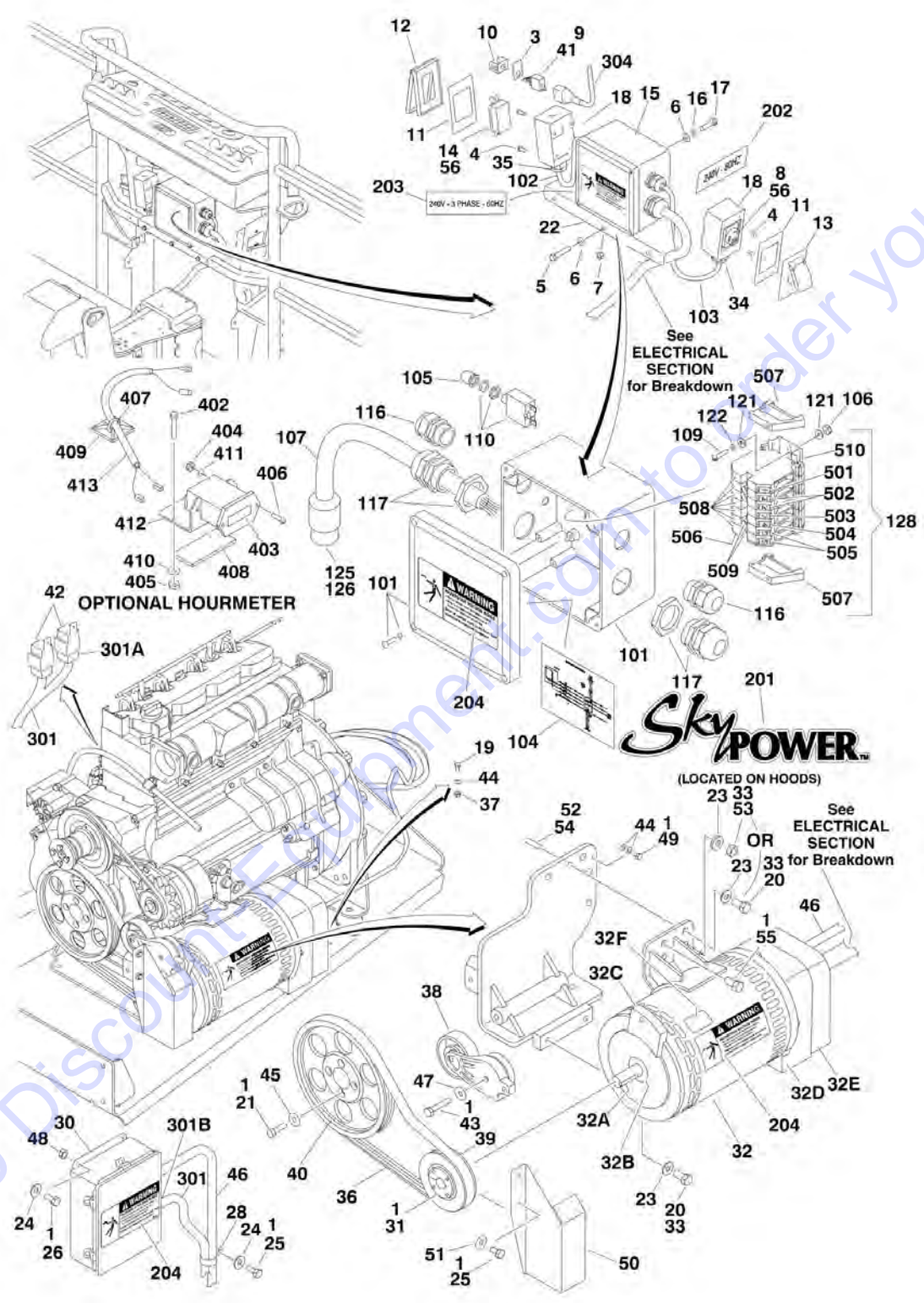
SECTION 2 - TURNTABLE

ITEM	PART NUMBER	QTY	DESCRIPTION	REV
28	4811900	1	Flatwasher M8	B
29	4891600	1	Flatwasher 3/8in Hardened	
	1001094475	Ref	HOURLMETER INSTALLATION (OPTIONAL)	
102	0720808	1	Screw #8-32 x 1in	
103	2420165	1	Hourmeter	
104	3310601	2	Nut #6-32	
105	3310805	1	Locknut #8-32	
106	3910608	2	Screw #6-32 x 1/2in	
107	4240032	4	Strap, Tie	
108	4420060	3 in/7cm	Tape, Double-Sided	
109	4460234	3	Mount, Tie Strap	
110	4750800	1	Flatwasher #8 Regular	
111	4760600	2	Lockwasher #6	
112	1001094375	1	Bracket, Hourmeter	
113	1001094509	1	Harness, Hourmeter	
114	4460018	1	Connector, Butt Splice (Not Shown)	

Go to Discount-Equipment.com to order your parts

SECTION 2 - TURNTABLE

FIGURE 2-22. 7500W SKYPOWER GENERATOR INSTALLATION - CATERPILLAR AND DEUTZ ENGINES



SECTION 2 - TURNTABLE

FIGURE 2-22. 7500W SKYPOWER GENERATOR INSTALLATION - CATERPILLAR AND DEUTZ ENGINES

ITEM	PART NUMBER	QTY	DESCRIPTION	REV
		Ref	7500W SKYPOWER GENERATOR INSTALLATION	
		Ref	Caterpillar Engine:	
	1001115398	Ref	60Hz (ANSI Specs and CSA Specs)	C
	1001115400	Ref	50Hz (All Specs except ANSI Specs and CSA Specs)	C
		Ref	Deutz Engine:	
	1001115388	Ref	60Hz (ANSI Specs and CSA Specs)	B
	1001115394	Ref	50Hz (All Specs except ANSI Specs and CSA Specs)	B
1	0100011	AR	Compound, Locking	
3	3252764	1	Nameplate	
4	3910606	8	Screw #6-32NC x 3/8in	
5	0641516	3	Bolt 5/16in-18NC x 2in	
6		Ref	Flatwasher Options:	
6	4711500	10	Flatwasher 5/16in Thin (Caterpillar Engine)	
6	4751500	7	Flatwasher 5/16in Regular (Deutz Engine)	
7		Ref	Locknut Options:	
7	3311505	3	Locknut 5/16in-18NC (Caterpillar Engine)	
7	3311508	3	Nut 5/16in-18NC (Deutz Engine)	
8		Ref	Receptacle, Female Twist-Lock Options:	
8	4460958	1	60Hz	
8	See Note	1	50Hz (Note: Not Available - Purchase Locally)	
9	4360336	1	Switch, Toggle	
10	4060802	1	Guard, Switch	
11		Ref	Gasket Options:	
11	3960422	2	60Hz	
11	See Note	2	50Hz (Note: Not Available - Purchase Locally)	
12		Ref	Cover, Receptacle Options:	
12	1001110873	1	60Hz Cover, Top Hinged	
12	See Note	1	50Hz Cover (Note: Not Available - Purchase Locally)	
13		Ref	Cover, Receptacle Options:	
13	1001110872	1	60Hz Cover, Top Hinged	
13	See Note	1	50Hz Cover (Note: Not Available - Purchase Locally)	
14		Ref	Receptacle, Female Options (110-120V):	
14	4460346	1	60Hz	
14	See Note	1	50Hz (Note: Not Available - Purchase Locally)	
15		Ref	Junction Box Assembly Options (See Items 101-128 for Breakdown):	
15	0861542	1	60Hz Spec	
15	0861567	1	50Hz Spec	
16	4761500	4	Lockwasher 5/16in (Caterpillar Engine Only)	
17		Ref	Bolt Options:	
17	0641505	4	Bolt 5/16in-18NC x 5/8in (Caterpillar Engine)	
17	0641508	4	Bolt 5/16in-18NC x 1in (Deutz Engine)	
18		Ref	Box, Switch Options:	
18	0860038	2	60Hz Spec	
18	See Note	2	50Hz Spec (Note: Not Available - Purchase Locally)	
19	0641406	1	Bolt 1/4in-20NC x 3/4in (Caterpillar Engine Only)	
20	0641808	AR	Bolt 1/2in-13NC x 1in	
21		Ref	Bolt, Metric Options:	
21	0700815	4	Caterpillar Engine (Bolt M8 x 35mm)	

SECTION 2 - TURNTABLE

ITEM	PART NUMBER	QTY	DESCRIPTION	REV
21	4032015	4	Deutz Engine (Capscrew M10 x 55mm)	
22	0902888	1	Bracket, Box Mounting	
23	4711800	AR	Flatwasher 1/2in Thin	
24		Ref	Flatwasher Options:	
24	4711400	AR	Flatwasher 1/4in Thin	
24	4751400	AR	Flatwasher 1/4in Regular	
25		Ref	Bolt Options:	
25	0641405	AR	Bolt 1/4in-20NC x 5/8in	
25	0641404	AR	Bolt 1/4in-20NC x 1/2in	
26		Ref	Bolt Options:	
26	0641404	AR	Bolt 1/4in-20NC x 1/2in	
26	0641405	AR	Bolt 1/4in-20NC x 5/8in	
28	1320318	AR	Clamp (Caterpillar Engine)	
29	4240018	AR	Tie-Strap (Not Shown)	
30		Ref	CONTROL BOX ASSEMBLY OPTIONS:	
30	0861538	1	60Hz Control Box	
30	0861572	1	50Hz Control Box	
30	7024488	1	Card, Circuit - Generator Power	
30	See Note	1	Fuse (Note: Not Available - Purchase Locally)	
30	7024489	1	Card, Circuit - Control	
30	70000619	1	Harness, Control Box (Internal)	
		Ref	Note: Same Circuit Card (P/N 7024489) is used for both 60Hz & 50Hz. When replacing card, rocker switch on card must be set for required application.	
31	0962520	1	Bushing, Split Taper	
32		Ref	Generator Assembly Options:	
32	2460050	1	Caterpillar Engine	
32	2460048	1	Deutz Engine	
32	70001100	1	Rotor (Includes p/n 70001384 & 70000863) (Not Shown)	
32	70001384	1	Bearing, Ball Radial (Not Shown)	
32	70000863	1	Fan (Not Shown)	
32		Ref	Stator Options (Not Shown):	
32	70001969	1	2460050 Generator	
32	70002088	1	2460048 Generator	
32	70002297	1	Stud (Not Shown)	
32	7024484	1	Brushholder Assembly (Not Shown)	
32A	70004171	1	Key (was p/n 7024561)	
32B	70001966	1	Bearing, Ball Redial (Located in Belt Tensioner Endbell)	
32B	70003708	1	Ring, Internal Retaining (Located in Belt Tensioner Endbell)	
32B	70003709	1	Ring, External Retaining (Located in Belt Tensioner Endbell)	
32C	70001953	1	Endbell, Belt Tensioner	
32D		Ref	Endbell, Brush Block Options (was p/n 70001385):	
32D	70004170	1	Caterpillar Engine Machines	
32D	70004169	1	Deutz Engine Machines	
32E		Ref	Shroud Options:	
32E	70004170	1	Caterpillar Engine (was p/ns 70001970 & 70001971)	
32E	70004169	1	Deutz Engine (was p/n 70002290)	
32E	7027799	1	Block, Connection - 6 Position (Not Shown)	
32E	70002460	6	Nut, Brass (Attaches p/n 7027799 to Cover) (Not Shown)	
32E	7024485	1	Breaker, Circuit 30Amp (Not Shown)	
32E	70001696	1	Boot, Breaker (Not Shown)	
32E	7026626	1	Connector, 6 Position (Includes Seal) (Not Shown - Plugs	

SECTION 2 - TURNTABLE

ITEM	PART NUMBER	QTY	DESCRIPTION	REV
			into Item 46)	
32E	7026597	1	Connector, with Lead (Not Shown)	
32E	7026188	1	Connector, Clamp (Not Shown)	
32E		Ref	Panel, End Options (Not Shown):	
32E	70004170	1	Caterpillar Engine (was p/n 70001972)	
32E	70004169	1	Deutz Engine (was p/n 70002255)	
32E	70001974	1	Decal - Terminal Connections (Not Shown)	
32F	70001973	1	Decal - Warning Moving Parts	
33	0100019	AR	Compound, Locking	
34		Ref	Connector, Strain Relief Options:	
34	4460051	1	60Hz	
34	See Note	1	50Hz (Note: Not Available - Purchase Locally)	
35		Ref	Connector, Strain Relief	
35	4460071	1	60Hz	
35	See Note	1	50Hz (Note: Not Available - Purchase Locally)	
36		Ref	Belt, Drive Options:	
36		Ref	60Hz Generators:	
36	0480129	1	Caterpillar Engine	
36	0480129	1	Deutz Engine	
36		Ref	50Hz Generators:	
36	0480125	1	Caterpillar Engine	
36	0480126	1	Deutz Engine	
37	3311405	1	Locknut 1/4in-20NC (Caterpillar Engine Only)	
38	3580317	1	Tensioner, Belt	
39		Ref	Pulley Options:	
39	3580318	1	60Hz	
39	3580319	1	50Hz	
40		Ref	Pulley Options:	
40	3580321	1	Caterpillar Engine	
40	3580320	1	Deutz Engine	
41	2820031	1	Insulator	
42	3740080	2	Relay	
43	0641618	1	Bolt 3/8in-16NC x 2-1/4in Options:	
44	4791400	AR	Starwasher 1/4in	
45	4811900	4	Flatwasher M8 (Caterpillar Engine Only)	
46	4922925	1	Harness, Generator	
47	4711600	1	Flatwasher 3/8in Thin	
48	3311405	4	Locknut 1/4in-20NC (Deutz Engine Only)	
49	0641404	1	Bolt 1/4in-20NC x 1/2in (Deutz Engine Only):	
50		Ref	Shield Options:	
50	1001118599	1	Caterpillar Engine (USA Built Machines) (Not Shown) (SN 0300143929 through 0300172828)	
50	1001118599	1	Caterpillar Engine (China Built Machines) (Not Shown) (SN B300000203 through B300000762)	
50	4061049	1	Deutz Engine (USA Built Machines) (Shown) (SN 0300140000 through 0300172828)	
50	4061049	1	Deutz Engine (China Built Machines) (Shown) (SN B300000100 through B300000762)	
51		Ref	Washer 1/4in Options:	
51	4751400	AR	Flatwasher 1/4in Regular	
51	4761400	AR	Lockwasher 1/4in	
52	4300157	1	Stud (Deutz Engine Only)	

SECTION 2 - TURNTABLE

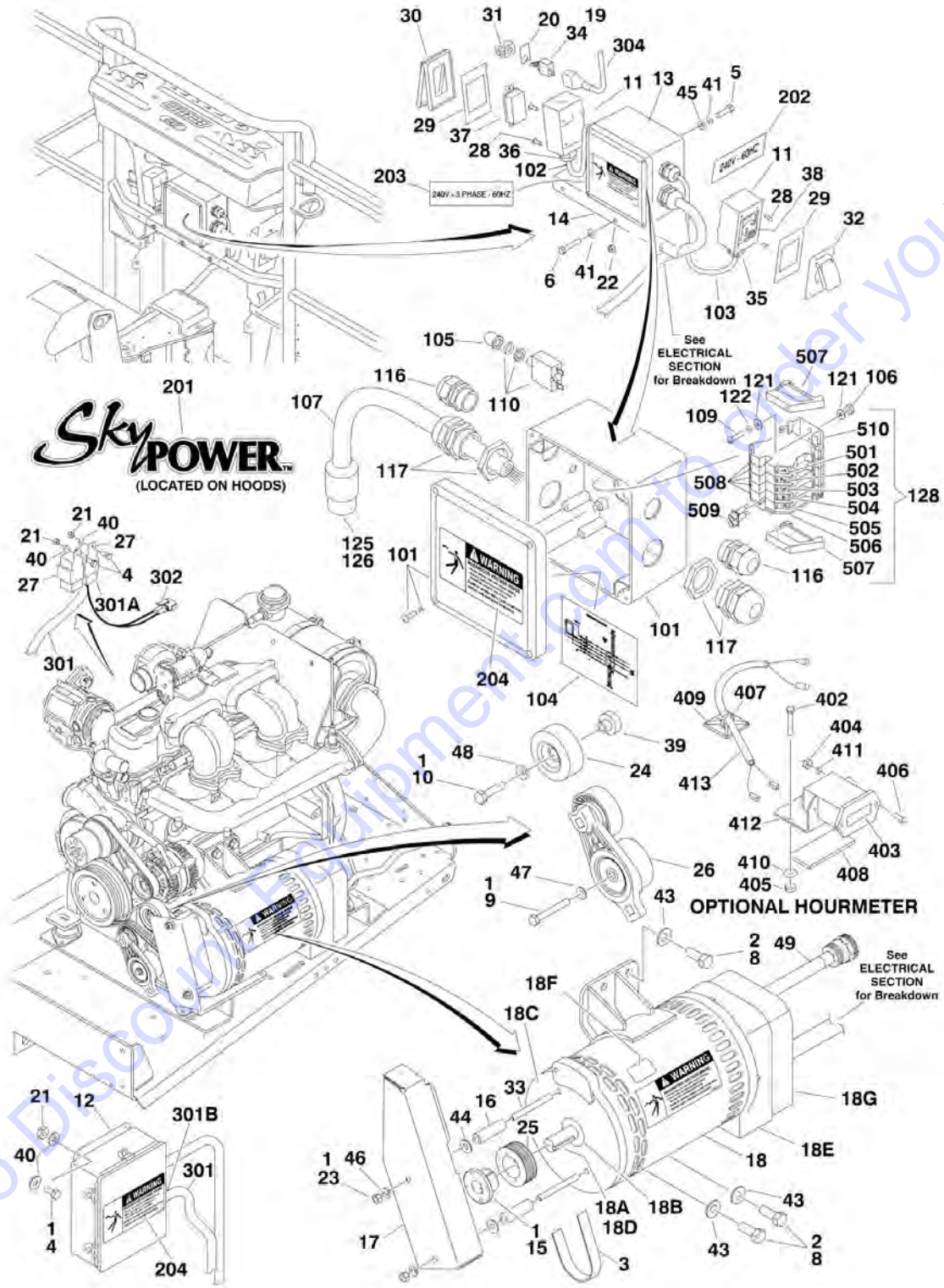
ITEM	PART NUMBER	QTY	DESCRIPTION	REV
53	3311801	1	Nut 1/2in-13NC (Deutz Engine Only)	
54	0100062	1	Loctite (Deutz Engine Only)	
55	0771415	1	Bolt (Metric) M14 x 35mm (Deutz Engine Only)	
56	4460315	4	Terminal (Deutz Engine Only)	
57	0100020	AR	Pipe Sealant (Deutz Engine Only) (Not Shown)	
		Ref	JUNCTION BOX ASSEMBLY	
	0861542	Ref	60Hz	D
	0861567	Ref	50Hz	B
101	0861541	1	Box, Junction	
102		Ref	Cable, Electrical 12/3 Options:	
102	1060494	2 ft/.6m	60Hz Spec	
102	See Note	2 ft/.6m	50Hz Spec (Note: Not Available - Purchase Locally)	
103		Ref	Cable, Electrical 10/3	
103	1060708	2.5 ft /0.76m	60Hz Spec	
103	See Note	2.5 ft /0.76m	50Hz Spec (Note: Not Available - Purchase Locally)	
104	1705376	1	Decal - Wiring Schematic	
105	3300396	1	Cover, Fuse	
106	3310601	2	Nut 6-32NC	
107	1060343	1.5 ft /0.46m	Cable, Electrical 10/4 (60Hz Spec Only)	
109	3910610	2	Bolt 6-32NC x 5/8	
110	4360070	1	Circuit Breaker - 15Amp	
116	4460425	2	Strain Relief, Terminal	
117	4460426	2	Connector, Strain Relief	
121	4750600	4	Flatwasher, #6 Regular	
122	4760600	2	Lockwasher #6	
125	1671092	1	Cover (60Hz Spec Only)	
126	4460963	1	Connector (60Hz Spec Only)	
128	1001121340	1	Terminal Block Assembly (See Items 501-510 for Breakdown)	
		Ref	DECAL INSTALLATION	
	0272435	Ref	60Hz Specs	A
	0272589	Ref	50Hz Spec	A
201	1705460	2	Decal - SkyPower	
202	1705374	1	Decal - 240V - 60Hz (60Hz Specs Only)	
203		Ref	Decal - 240V - 3 Phase Options:	
203	1705375	1	60Hz Spec	
203	1705461	1	50Hz Spec	
204		Ref	Decal, Hazardous Voltage Options:	
204	1705387	3	60Hz Spec	
204	1705489	3	50Hz Spec	
	1001112586	Ref	ELECTRICAL DIAGRAM COMPONENTS	A
301	1001112587	1	Generator Harness	A
301A	4460374	2	Plug, Sealed Relay	
301A	4460375	7	Terminal	
301B	4460967	1	Plug, Male - 3 Position	
301B	4460465	3	Socket, Female	
301C	2400060	1	Fuseholder (Not Shown)	
301C	2400064	1	Fuse - 5Amp (Not Shown)	
304	4922641	1	Switch Harness	
	1001094475	Ref	HOURLY METER INSTALLATION (OPTIONAL)	B

SECTION 2 - TURNTABLE

ITEM	PART NUMBER	QTY	DESCRIPTION	REV
402	0720808	1	Screw #8-32 x 1in	A
403	2420165	1	Hourmeter	
404	3310601	2	Nut #6-32	
405	3310805	1	Locknut #8-32	
406	3910608	2	Screw #6-32 x 1/2in	
407	4240032	4	Strap, Tie	
408	4420060	3 in/7cm	Tape, Double-Sided	
409	4460234	3	Mount, Tie Strap	
410	4750800	1	Flatwasher #8 Regular	
411	4760600	2	Lockwasher #6	
412	1001094375	1	Bracket, Hourmeter	
413	1001094509	1	Harness, Hourmeter	
414	4460018	1	Connector, Butt Splice (Not Shown)	
	1001121340	Ref	TERMINAL BLOCK ASSEMBLY	
501	70002818	2	Marker Strip #1	
502	70002819	4	Marker Strip #2	
503	70002820	2	Marker Strip #3	
504	70002821	2	Marker Strip #4	
505	70002822	4	Marker Strip #5	
506	70002823	1	Terminal, End Barrier	
507	70002824	2	Terminal, End Block	
508	70002825	7	Terminal, Block	
509	70002826	2	Terminal, Cross Connector Jumper	
510	3641533	1	Rail, Relay	

SECTION 2 - TURNTABLE

FIGURE 2-23. 7500W SKYPOWER GENERATOR INSTALLATION - GM ENGINES



SECTION 2 - TURNTABLE

FIGURE 2-23. 7500W SKYPOWER GENERATOR INSTALLATION - GM ENGINES

ITEM	PART NUMBER	QTY	DESCRIPTION	REV
		Ref	NOTE: ONLY AVAILABLE ON USA BUILT MACHINES.	
	0275257	Ref	7500W SKYPOWER GENERATOR INSTALLATION	F
		Ref	Note: See ELECTRICAL SECTION for Boom Cable Installation.	
1	0100011	AR	Compound, Locking	
2	0100019	AR	Compound, Locking	
3	0480142	1	Belt, Generator	
4	0641405	6	Bolt 1/4in-20NC x 5/8in	
5	0641505	4	Bolt 5/16in-18NC x 5/8in	
6	0641516	3	Bolt 5/16in-18NC x 2in	
8	0641808	4	Bolt 1/2in-13NC x 1in	
9	0700820	1	Bolt M8 x 60mm	
10	0701016	1	Bolt M10 x 40mm	
11	0860038	2	Box, Switch	
12	0861538	1	Control Box Assembly	
12	7024488	1	Card, Circuit - Generator Power	
12	See Note	1	Fuse (Note: Not Available - Purchase Locally)	
12	7024489	1	Card, Circuit - Control	
12	70000619	1	Harness, Control Box (Internal)	
13	0861542	1	Junction Box Assembly (See Items 101-128 for Breakdown)	
14	0902888	1	Bracket, Box Mounting	
15	0962520	1	Bushing, Split Taper	
16	0962521	2	Spacer, Tube (USA Built Machines) (SN 0300140000 through 0300172828)	
16	0962521	2	Spacer, Tube (China Built Machines) (SN B300000100 through B300000762)	
17	1671311	1	Cover, Generator Belt(USA Built Machines) (SN 0300140000 through 0300172828)	
17	1671311	1	Cover, Generator Belt (China Built Machines) (SN B300000100 through B300000762)	
18	2460048	1	Generator Assembly	
18	7024484	1	Brushholder Assembly (Not Shown)	
18	7024485	1	Breaker, Circuit 30Amp (Not Shown)	
18	70001696	1	Boot, Breaker (Not Shown)	
18	7027799	1	Block, Connection - 6 Position (Not Shown)	
18	70002460	6	Nut, Brass (Attaches p/n 7027799 to Cover) (Not Shown)	
18	7026626	1	Connector, 6 Position (Includes Seal) (Not Shown - Plugs into Item 49)	
18	7026597	1	Connector, with Lead (Not Shown)	
18	7026188	1	Connector, Clamp (Not Shown)	
18	70004169	1	Plate, End Panel (was p/n 70002255)	
18	70002088	1	Stator (Not Shown)	
18	70001974	1	Decal - Terminal Connections (Not Shown)	
18	70000863	1	Fan (Not Shown)	
18	70002297	4	Stud (Not Shown)	
18A	70004171	1	Key (was p/n 7024561)	
18B	70001966	1	Bearing, Shaft (Front)	
18C	70001953	1	Endbell (Front)	
18D	70001100	1	Shaft/Rotor/Windings/Fan/Rear Bearing Assembly	
18D	70001384	1	Bearing, Shaft (Rear)	
18E	70004169	1	Endbell, Brush Block (was p/n 70001385)	
18F	70001973	1	Decal - Warning Moving Parts	

SECTION 2 - TURNTABLE

ITEM	PART NUMBER	QTY	DESCRIPTION	REV
18G	70004169	1	Shroud (was p/n 70002290)	
19	2820031	1	Insulator	
20	3252764	1	Nameplate	
21	3311405	6	Locknut 1/4in-20NC	
22	3311505	3	Locknut 5/16in-18NC	
23	3311601	2	Nut 3/8in-16NC (USA Built Machines) (SN 0300140000 through 0300172828)	
23	3311601	2	Nut 3/8in-16NC (China Built Machines) (SN B300000100 through B300000762)	
24	3580312	1	Pulley, Idler	
25	3580314	1	Pulley, Drive Grooved	
26	3580348	1	Pulley, Belt Tensioner	
27	3740080	2	Relay	
28	3910606	8	Screw #6-32NC x 3/8in	
29	3960422	2	Gasket	
30	1001110873	1	Cover, Receptacle	
31	4060802	1	Guard, Switch	
32	1001110872	1	Cover, Receptacle	
33	4300111	2	Stud, Chain Assembly (USA Built Machines) (SN 0300140000 through 0300172828)	
33	4300111	2	Stud, Chain Assembly (China Built Machines) (SN B300000100 through B300000762)	
34	4360336	1	Switch, Toggle	
35	4460051	1	Connector, Strain Relief	
36	4460071	1	Connector, Strain Relief	
37	4460346	1	Receptacle	
38	4460958	1	Receptacle, Female Twist-Lock	
39	4568735	1	Tube, Spacer Pulley Grooved	
40	4711400	10	Flatwasher 1/4in Thin	
41	4711500	10	Flatwasher 5/16in Thin	
43	4711800	4	Flatwasher 1/2in Thin	
44	4751600	2	Flatwasher 3/8in Regular (USA Built Machines) (SN 0300140000 through 0300172828)	
44	4751600	2	Flatwasher 3/8in Regular (China Built Machines) (SN B300000100 through B300000762)	
45	4761500	4	Lockwasher 5/16in	
46	4761600	2	Lockwasher 3/8in (USA Built Machines) (SN 0300140000 through 0300172828)	
46	4761600	2	Lockwasher 3/8in (China Built Machines) (SN B300000100 through B300000762)	
47	4811900	1	Flatwasher M8	
48	4891600	1	Flatwasher 3/8in Hardened	
49	4922925	1	Harness, Generator	
	0861542	Ref	JUNCTION BOX ASSEMBLY	D
101	0861541	1	Box, Junction	
102	1060494	2 ft/0.6m	Cable, Electrical 12/3	
103	1060708	2.5 ft /0.76m	Cable, Electrical 10/3	
104	1705376	1	Decal - Wiring Schematic	
105	3300396	1	Cover, Fuse	
106	3310601	2	Nut 6-32NC	
107	1060343	1.5 ft /0.46m	Cable, Electrical 10/4	
109	3910610	2	Bolt 6-32NC x 5/8in	

SECTION 2 - TURNTABLE

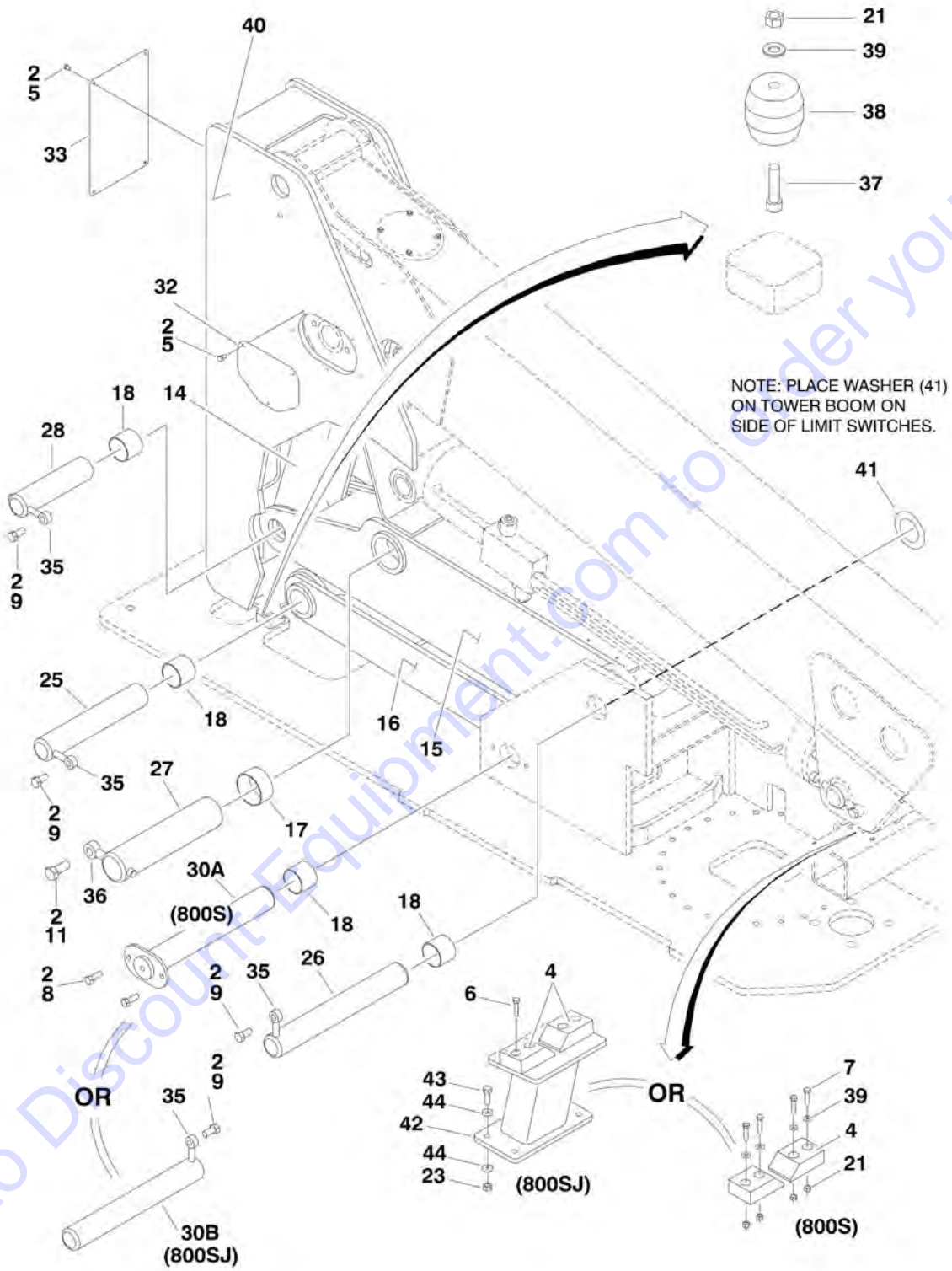
ITEM	PART NUMBER	QTY	DESCRIPTION	REV
110	4360070	1	Circuit Breaker - 15Amp	
116	4460425	2	Strain Relief, Terminal	
117	4460426	2	Connector, Strain Relief	
121	4750600	4	Flatwasher, #6 Regular	
122	4760600	2	Lockwasher #6	
125	1671092	1	Cover	
126	4460963	1	Connector	
128	1001121340	1	Terminal Block Assembly (See Items 501-510 for Breakdown)	
	0272435	Ref	DECAL INSTALLATION	A
201	1705460	2	Decal - SkyPower	
202	1705374	1	Decal - 240V - 60Hz	
203	1705375	1	Decal - 240V - 3 Phase	
204	1705387	3	Decal, Hazardous Voltage	
	4933349	Ref	ELECTRICAL DIAGRAM COMPONENTS	A
301	4923420	1	Generator Harness	A
301A	4460374	2	Plug, Sealed Relay	
301A	4460375	8	Terminal	
301B	4460967	1	Plug, Male - 3 Position	
301B	4460465	3	Socket, Female	
301C	2400060	2	Fuseholder (Not Shown)	
301C	2400064	2	Fuse - 5Amp (Not Shown)	
302	4460742	1	Connector - 2 Position	
302	4460743	2	Socket, Female	
302	4460458	2	Seal	
304	4922641	1	Switch Harness	
	1001094475	Ref	HOURMETER INSTALLATION (OPTIONAL)	B
402	0720808	1	Screw #8-32 x 1in	
403	2420165	1	Hourmeter	
404	3310601	2	Nut #6-32	
405	3310805	1	Locknut #8-32	
406	3910608	2	Screw #6-32 x 1/2in	
407	4240032	4	Strap, Tie	
408	4420060	3 in/7cm	Tape, Double-Sided	
409	4460234	3	Mount, Tie Strap	
410	4750800	1	Flatwasher #8 Regular	
411	4760600	2	Lockwasher #6	
412	1001094375	1	Bracket, Hourmeter	
413	1001094509	1	Harness, Hourmeter	
414	4460018	1	Connector, Butt Splice (Not Shown)	
	1001121340	Ref	TERMINAL BLOCK ASSEMBLY	A
501	70002818	2	Marker Strip #1	
502	70002819	4	Marker Strip #2	
503	70002820	2	Marker Strip #3	
504	70002821	2	Marker Strip #4	
505	70002822	4	Marker Strip #5	
506	70002823	1	Terminal, End Barrier	
507	70002824	2	Terminal, End Block	
508	70002825	7	Terminal, Block	
509	70002826	2	Terminal, Cross Connector Jumper	
510	3641533	1	Rail, Relay	

SECTION 3 - BOOM

Go to Discount-Equipment.com to order your parts

SECTION 3 - BOOM

FIGURE 3-1. TOWER BOOM, UPRIGHT AND CYLINDERS INSTALLATION



SECTION 3 - BOOM

FIGURE 3-1. TOWER BOOM, UPRIGHT AND CYLINDERS INSTALLATION

ITEM	PART NUMBER	QTY	DESCRIPTION	REV
		Ref	TOWER BOOM, UPRIGHT AND CYLINDERS INSTALLATIONS	
	0270876	Ref	Tower Boom, Upright and Cylinders Installations 800S (SN 0300140000 through 0300182108)	N
	1001155751	Ref	Tower Boom, Upright and Cylinders Installations 800S (SN 0300182109 through 0300182743)	B
	1001155751	Ref	Tower Boom, Upright and Cylinders Installations 800S (SN B300000100 through B300001091)	B
	0270877	Ref	Tower Boom, Upright and Cylinders Installations 860SJ (SN 0300140000 through 0300182108)	M
	1001155752	Ref	Tower Boom, Upright and Cylinders Installations 860SJ (SN 0300182109 through 0300182743)	C
	1001155752	Ref	Tower Boom, Upright and Cylinders Installations 860SJ (SN B300000100 through B300001091)	C
2	0100011	AR	Compound, Locking	
4	0561380	1	Block, Boom Rest	
5	0641504	AR	Bolt 5/16in-18NC x 5/8in	
6	0641612	AR	Bolt 3/8in-16NC x 1-1/2in (860SJ Only)	
6	0641615	AR	Bolt 3/8in-16NC x 1-7/8in (860SJ Only)	
7	0641613	4	Bolt 3/8in-16NC x 1-5/8in (800S Only)	
8	0642014	AR	Bolt 5/8in-11NC x 1-3/4in	
9	0642212	AR	Bolt 3/4in-10NC x 1-1/2in	
11	0642618	1	Bolt 1in-8NC x 2-1/4in	
14		Ref	Power Link Weldment Options:	
14	1001117804	1	Power Link Weldment 800S (Includes Qty 4 of Item 18)	
14	1001117805	1	Power Link Weldment 860SJ (Includes Qty 4 of Item 18)	
15		Ref	Tower Weldment Options:	
15	0801279	1	Tower Weldment 800S	
15	0801306	1	Tower Weldment 860SJ	
16		Ref	Link (Tower) Weldment Options:	
16	0801280	1	Link (Tower) Weldment 800S	
16	0801307	1	Link (Tower) Weldment 860SJ	
17	0962122	2	Bushing	
18	0962297	10	Bushing	
21	3311605	6	Locknut 3/8in-16NC	
23	3311805	4	Locknut 1/2in-13NC (860SJ Only)	
25	3422908	1	Pin	
26	3422909	1	Pin	
27	3422910	1	Pin	
28	3422920	1	Pin	
30		Ref	Pin Options:	
30A	3422930	1	Pin 800S	
30B	3422909	1	Pin 860SJ	
32	3573049	2	Cover, Upright Side (USA Built Machines) (SN 0300140000 through 0300175645)	
32	3573049	2	Cover, Upright Side (China Built Machines) (SN B300000100 through B300000817)	
33	3573050	1	Cover, Upright Rear	
35	3841287	AR	Keeper, Pin	
36	3841356	1	Keeper, Pin	
37	3931624	2	Capscrew, Socket Head 3/8in-16NC x 1-1/2in	
38	4160187	2	Spring, Rubber	

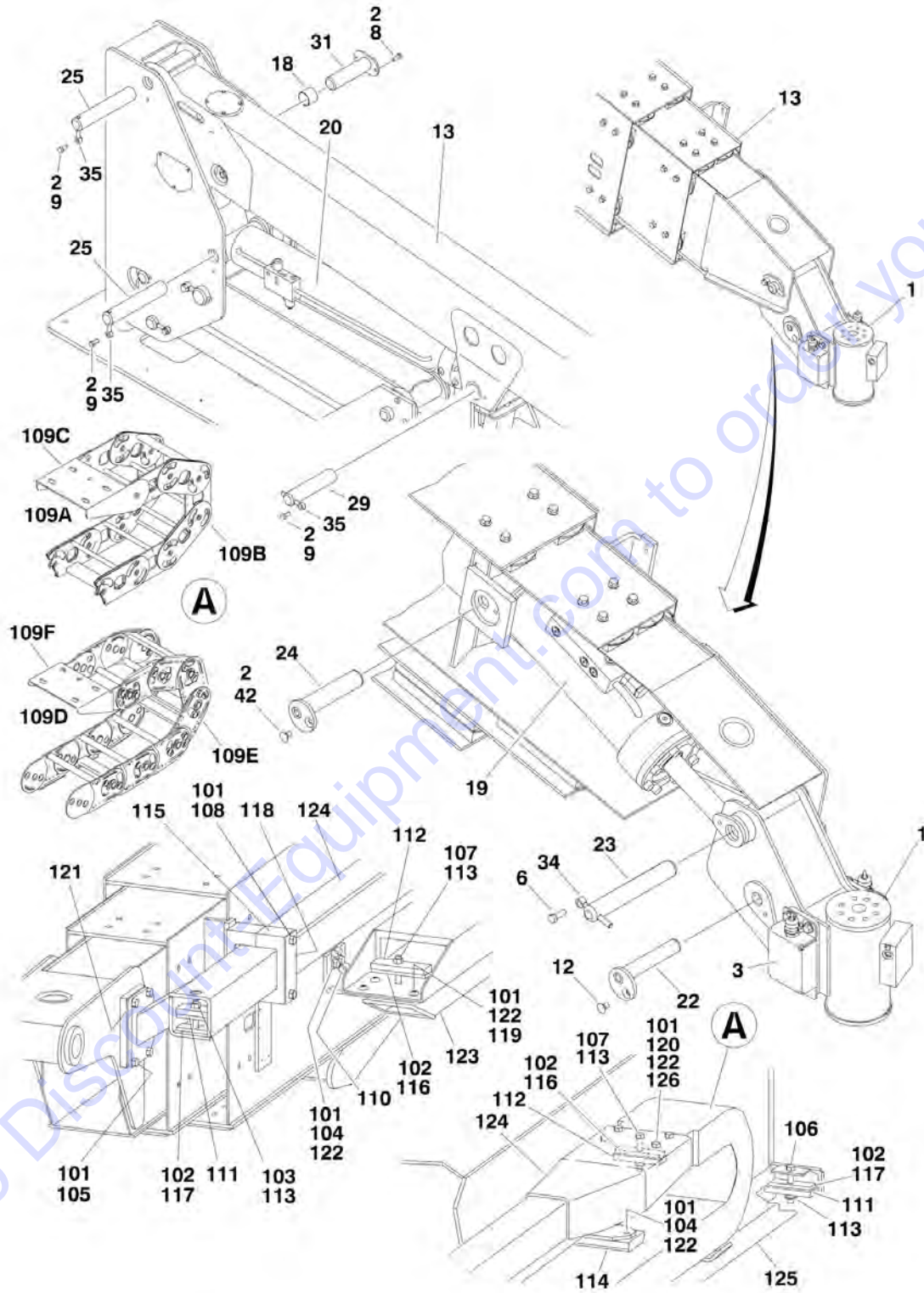
SECTION 3 - BOOM

ITEM	PART NUMBER	QTY	DESCRIPTION	REV
39	4711600	AR	Flatwasher 3/8in Thin	
40		Ref	Upright Options:	
40	4846355	1	USA Built Machines (SN 0300140000 through 0300175645)	
40	4846355	1	China Built Machines (SN B300000100 through B300000816)	
40	1001157180	1	USA Built Machines (SN 0300175646 through 0300182743)	
40	1001157180	1	China Built Machines (SN B300000817 through B300001091)	
41	4740492	1	Thrustwasher	
42	4846427	1	Rest, Boom (860SJ Only)	
43	0641812	4	Bolt 1/2in-13NC x 1-1/2in (860SJ Only)	
44	4711800	8	Flatwasher 1/2in Thin (860SJ Only)	

Go to Discount-Equipment.com to order your parts

SECTION 3 - BOOM

FIGURE 3-2. MAIN BOOM INSTALLATION - 800S



SECTION 3 - BOOM

FIGURE 3-2. MAIN BOOM INSTALLATION - 800S

ITEM	PART NUMBER	QTY	DESCRIPTION	REV
		Ref	BOOM AND CYLINDERS INSTALLATION - 800S	
	0270876	Ref	Boom and Cylinders Installation (SN 0300140000 through 0300182108)	N
	1001155751	Ref	Boom and Cylinders Installation (SN 0300182109 through 0300182743)	B
	1001155751	Ref	Boom and Cylinders Installation (SN B300000100 through B300001091)	B
1	0060061	1	Rotator Assembly (See ROTATOR ASSEMBLY for Breakdown)	
2	0100011	AR	Compound, Locking	
3	0273695	1	Platform Level Sensor Switch Assembly (See PLATFORM SUPPORT AND CONTROL VALVES INSTALLATION for Breakdown)	
6	0641608	1	Bolt 3/8in-16NC x 1in	
8	0642014	2	Bolt 5/8in-11NC x 1-3/4in	
9	0642212	3	Bolt 3/4in-10NC x 1-1/2in	
12	0741605	1	Bolt 3/8in-16NC x 5/8in	
13		Ref	Main Boom Assembly (See MAIN BOOM ASSEMBLY for Breakdown)	
13	0801274	1	Main Boom Assembly (SN 0300140000 through 0300182108)	
13	1001155760	1	Main Boom Assembly (SN 0300182109 through 0300182743)	
13	1001155760	1	Main Boom Assembly (SN B300000100 through B300001091)	
18	0962297	2	Bushing	
19	1684189	NLA	Platform Level Cylinder Assembly (Use p/n 1001228027) (Original Equipment) (See CYLINDER SECTION for Breakdown)	
19	1001228027	1	Platform Level Cylinder Assembly (See CYLINDER SECTION for Breakdown) (Service Replacement)	
20	1684199	NLA	Lift Cylinder Assembly - Main (Use p/n 1001228028) (Original Equipment) (See CYLINDER SECTION for Breakdown)	
20	1001228028	1	Lift Cylinder Assembly - Main (See CYLINDER SECTION for Breakdown) (Service Replacement)	
22	3422580	1	Pin	
23	3422562	1	Pin	
24	3422569	1	Pin	
25	3422908	2	Pin	
29		Ref	Pin Options:	
29	3422922	1	Pin (SN 0300140000 through 0300182108)	
29	3422920	1	Pin (SN 0300182109 through 0300182743)	
29	3422920	1	Pin (SN B300000100 through B300001091)	
31	3422931	1	Pin	
34	3841143	1	Keeper, Pin	
35	3841287	3	Keeper, Pin	
42	3900192	1	Screw 3/8in-16NC x 1/2in	
	0271990	Ref	POWER TRACK INSTALLATION	E
101	0100011	AR	Compound, Locking	
102	0100081	AR	Adhesive	
103	0630539	1	Bolt 3/8in-16NC x 3-1/2in	
104	0641606	12	Bolt 3/8in-16NC x 3/4in	
105	0641608	4	Bolt 3/8in-16NC x 1in	
106	0641620	1	Bolt 3/8in-16NC x 2-1/2in	
107	0641622	2	Bolt 3/8in-16NC x 2-3/4in	
108	0641652	2	Bolt 3/8in-16NC x 6-1/2in	
109		Ref	Power Track Assembly Options:	

SECTION 3 - BOOM

ITEM	PART NUMBER	QTY	DESCRIPTION	REV
		Ref	Note: Original Equipment Power Track may have been replaced with a Service Replacement. Visually identify the power track before ordering parts.	
109A	1180375	NLA	Power Track Assembly (USA Built Machines) (Use p/n 1001131731) (SN 0300140000 through 0300155911)	
109A	1180375	NLA	Power Track Assembly (China Built Machines) (Use p/n 1001131731) (SN B300000100 through B300000516)	
109B	7024369	AR	Repair Section for 1180375 (Includes Inner and Outer Links, Joining Bars and Rollers and Assembling Hardware)	
109C	7024370	1	Mounting Feet for 1180375 (Includes Mounting Brackets for Both Ends, 1 Roller Assembly and Assembling Hardware)	
109D	1001131731	1	Power Track Assembly (USA Built Machines) (SN 0300155912 through 0300182743)	
109D	1001131731	1	Power Track Assembly (China Built Machines) (SN B300000517 through B300001091)	
109E	70003921	AR	Repair Section for 1001131731 (Includes 1 Pin Assembly for each end)	
109F	70003922	1	Mounting Feet for 1001131731 (Includes Both Pair of Feet)	
110	1320263	2	Clamp, Cable (3/8 Dia)	
110	1320061	1	Clamp, Cable (5/8 Dia with Black Vinyl Coating)	
111	1320289	2	Clamp, Hose	
112	1320294	2	Bar, Clamping	
113	3311605	4	Locknut 3/8in-16NC	
114	3340787	1	Pad, Wear	
115	3340936	2	Pad, Push Tube	
116	3340942	2	Pad, Rubber	
117	3340943	4	Pad, Rubber	
118	3573418	1	Plate, Backing	
119	3900283	4	Screw, Button Head 3/8in-16NC x 3/4in	
120	3900316	4	Screw, Button Head 3/8in-16NC x 1in	
121	4070969	2	Shim	
122	4711600	20	Flatwasher 3/8in Thin	
123	4846553	2	Support, Push Tube	
124	4846554	1	Tube, Push	
125	4846558	1	Support, Track	
126	3311608	4	Locknut 3/8in-16NC	

SECTION 3 - BOOM

FIGURE 3-3. MAIN BOOM INSTALLATION - 860SJ

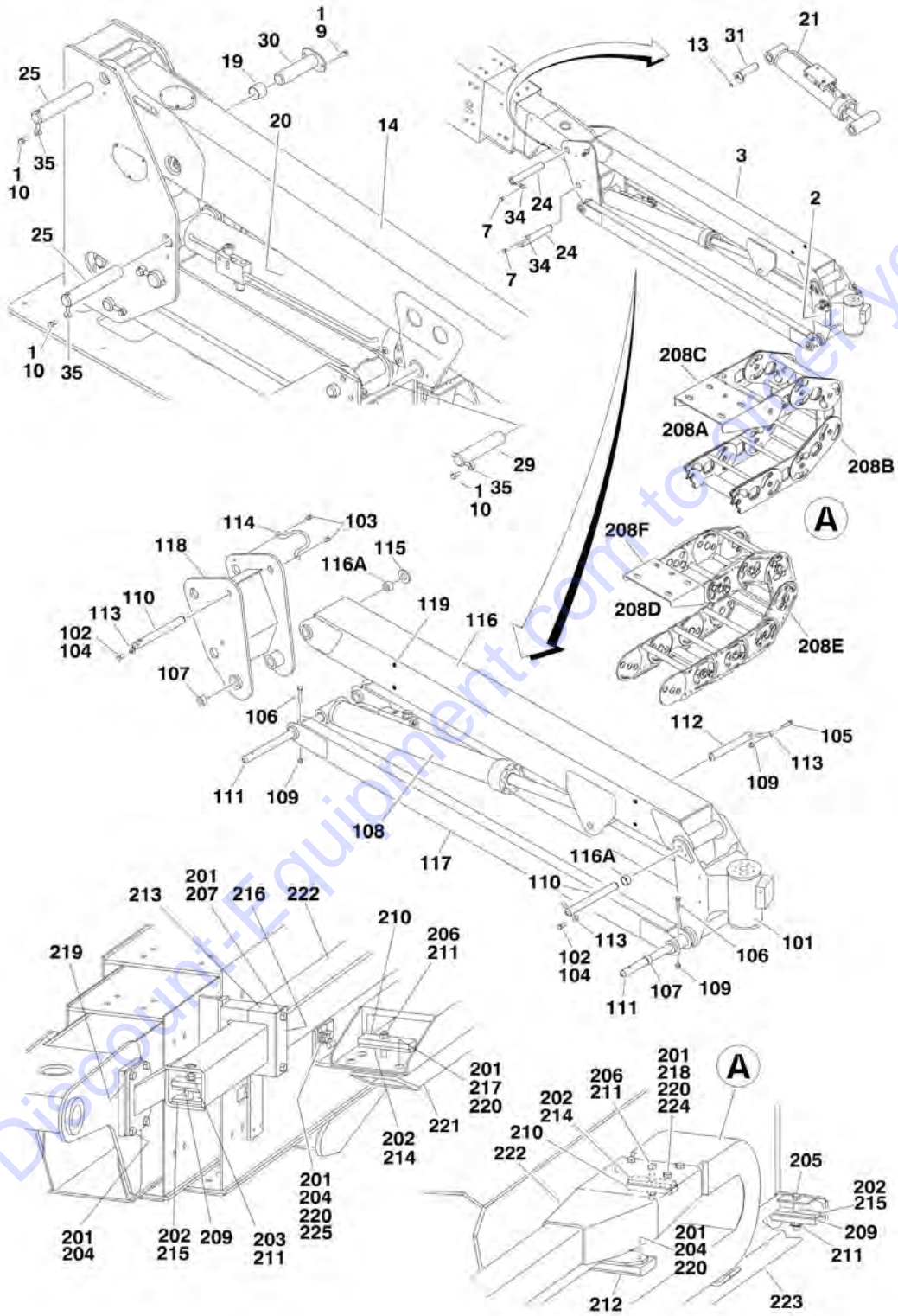


FIGURE 3-3. MAIN BOOM INSTALLATION - 860SJ

ITEM	PART NUMBER	QTY	DESCRIPTION	REV
		Ref	BOOM AND CYLINDERS INSTALLATION - 860SJ	
	0270877	Ref	Boom and Cylinders Installation (SN 0300140000 through 0300182108)	M
	1001155752	Ref	Boom and Cylinders Installation (SN 0300182109 through 0300182743)	C
	1001155752	Ref	Boom and Cylinders Installation (SN B300000100 through B300001091)	C
1	0100011	AR	Compound, Locking	
2	0273695	1	Platform Level Sensor Switch Assembly (See PLATFORM SUPPORT AND CONTROL VALVES INSTALLATION for Breakdown)	
3	0271444	1	Jib Assembly (See Items 101-120 for Breakdown)	
7	0641808	2	Bolt 1/2in-13NC x 1in	
9	0642014	2	Bolt 5/8in-11NC x 1-3/4in	
10	0642212	3	Bolt 3/4in-10NC x 1-1/2in	
13	3900192	1	Screw 3/8in-16NC x 1/2in	
14		Ref	Main Boom Assembly (See MAIN BOOM ASSEMBLY for Breakdown)	
14	0801281	1	Main Boom Assembly (SN 0300140000 through 0300182108)	
14	1001155762	1	Main Boom Assembly (SN 0300182109 through 0300182743)	
14	1001155762	1	Main Boom Assembly (SN B300000100 through B300001091)	
19	0962297	2	Bushing	
20	1684202	NLA	Lift Cylinder Assembly - Main (Use p/n 1001228029) (Original Equipment) (See CYLINDER SECTION for Breakdown)	
20	1001228029	1	Lift Cylinder Assembly - Main (Service Replacement) (See CYLINDER SECTION for Breakdown)	
21	1684136	NLA	Level Cylinder Assembly - Platform Slave (Use p/n 1001228022) (Original Equipment) (See CYLINDER SECTION for Breakdown) (SN 0300140000 through 0300173218)	
21	1001228022	1	Level Cylinder Assembly - Platform Slave (See CYLINDER SECTION for Breakdown) (Service Replacement)	
21	1001140459	NLA	Level Cylinder Assembly - Platform Slave (Use p/n 1001228022) (Original Equipment) (See CYLINDER SECTION for Breakdown) (SN 0300173219 through 0300182113)	
21	1684136	NLA	Level Cylinder Assembly - Platform Slave (Use p/n 1001228022) (Original Equipment) (See CYLINDER SECTION for Breakdown) (SN 0300182114 through 0300182743)	
21	1001228022	1	Level Cylinder Assembly - Platform Slave (Service Replacement) (See CYLINDER SECTION for Breakdown)	
21	1684136	NLA	Level Cylinder Assembly - Platform Slave (Use p/n 1001228022) (Original Equipment) (See CYLINDER SECTION for Breakdown) (SN B300000100 through B300001091)	
21	1001228022	1	Level Cylinder Assembly - Platform Slave (Service Replacement) (See CYLINDER SECTION for Breakdown)	
24	3422793	2	Pin	
25	3422908	2	Pin	
29		Ref	Pin Options:	
29	3422922	1	Pin (SN 0300140000 through 0300182108)	
29	3422920	1	Pin (SN 0300182109 through 0300182743)	
29	3422920	1	Pin (SN B300000100 through B300001091)	
30	3422931	1	Pin	
31	3422932	1	Pin	
34	3841203	3	Keeper, Pin	
35	3841287	3	Keeper, Pin	

SECTION 3 - BOOM

ITEM	PART NUMBER	QTY	DESCRIPTION	REV
	0271444	Ref	JIB ASSEMBLY	H
101	0060048	1	Rotator Assembly (See ROTATOR ASSEMBLY for Breakdown)	
102	0100011	AR	Compound, Locking	
103	0641604	2	Bolt 3/8in-16NC x 1/2in	
104	0641608	2	Bolt 3/8in-16NC x 1in	
105	0641610	1	Bolt 3/8in-16NC x 1-1/4in	
106	0641618	4	Bolt 3/8in-16NC x 2-1/4in	
107	0961947	AR	Bushing	
108	1683609	NLA	Jib Lift Cylinder Assembly (Use p/n 1001248012) (Original Equipment) (See CYLINDER SECTION for Breakdown)	
108	1001228012	NLA	Jib Lift Cylinder Assembly (Use p/n 1001248012) (Original Equipment) (See CYLINDER SECTION for Breakdown)	
108	1001248012	1	Jib Lift Cylinder Assembly (See CYLINDER SECTION for Breakdown) (Service Replacement)	
109	3311605	5	Locknut 3/8in-16NC	
110	3422860	2	Pin	
111	3422861	2	Pin	
112	3422867	1	Pin	
113	3841143	3	Keeper, Pin	
114	3841340	1	Loop, Hose	
115	4740439	2	Thrustwasher	
116	4844816	1	Link, Jib (Upper)	
116A	0962335	4	Bushing	
117	4844817	2	Link, Jib (Lower)	
118	4846435	1	Pivot, Jib	
119	3520034	4	Plug, Hole	
	0271991	Ref	POWER TRACK INSTALLATION	F
201	0100011	AR	Compound, Locking	
202	0100081	AR	Adhesive	
203	0630539	1	Bolt 3/8in-16NC x 3-1/2in	
204	0641606	16	Bolt 3/8in-16NC x 3/4in	
205	0641620	1	Bolt 3/8in-16NC x 2-1/2in	
206	0641622	2	Bolt 3/8in-16NC x 2-3/4in	
207	0641652	2	Bolt 3/8in-16NC x 6-1/2in	
208		Ref	Power Track Assembly Options:	
		Ref	Note: Original Equipment Power Track may have been replaced with a Service Replacement. Visually identify the power track before ordering parts.	
208A	1180375	NLA	Power Track Assembly (USA Built Machines) (Use p/n 1001131731) (SN 0300140000 through 0300155911)	
208A	1180375	NLA	Power Track Assembly (China Built Machines) (Use p/n 1001131731) (SN B300000100 through B300000516)	
208B	7024369	AR	Repair Section for 1180375 (Includes Inner and Outer Links, Joining Bars and Rollers and Assembling Hardware)	
208C	7024370	1	Mounting Feet for 1180375 (Includes Mounting Brackets for Both Ends, 1 Roller Assembly and Assembling Hardware)	
208D	1001131731	1	Power Track Assembly (USA Built Machines) (SN 0300155912 through 0300182743)	
208D	1001131731	1	Power Track Assembly (China Built Machines) (SN B300000517 through B300001091)	
208E	70003921	AR	Repair Section for 1001131731(Includes 1 Pin Assembly for each end)	
208F	70003922	1	Mounting Feet for 1001131731(Includes Both Pair of Feet)	
209	1320289	2	Clamp, Hose	

SECTION 3 - BOOM

ITEM	PART NUMBER	QTY	DESCRIPTION	REV
210	1320294	2	Bar, Clamping	
211	3311605	4	Locknut 3/8in-16NC	
212	3340787	1	Pad, Wear	
213	3340936	2	Pad, Push Tube	
214	3340942	2	Pad, Rubber	
215	3340943	4	Pad, Rubber	
216	3573418	1	Plate, Backing	
217	3900283	4	Screw, Button Head 3/8in-16NC x 3/4in	
218	3900316	4	Screw, Button Head 3/8in-16NC x 1in	
219	4070969	2	Shim	
220	4711600	20	Flatwasher 3/8in Thin	
221	4846553	1	Support, Push Tube	
222	4846555	1	Tube, Push	
223	4846558	1	Support, Track	
224	3311608	4	Locknut 3/8in-16NC	
225	1320263	2	Clamp, Cable (3/8 Dia)	
225	1320061	1	Clamp, Cable (5/8 Dia with Black Vinyl Coating)	

Go to Discount-Equipment.com to order your parts

PARTS FINDER

**Search Website
by Part Number**



**Search Manual
Library For Parts
Manual & Lookup Part
Numbers – Purchase
or Request Quote**

**Can't Find Part or
Manual? Request Help
by Manufacturer,
Model & Description**

Discount-Equipment.com is your online resource for quality parts & equipment.

Florida: **561-964-4949** Outside Florida TOLL FREE: **877-690-3101**

Need parts?

Click on this link: <http://www.discount-equipment.com/category/5443-parts/> and choose one of the options to help get the right parts and equipment you are looking for. Please have the machine model and serial number available in order to help us get you the correct parts. If you don't find the part on the website or on one of the online manuals, please fill out the request form and one of our experienced staff members will get back to you with a quote for the right part that your machine needs.

We sell worldwide for the brands: Genie, Terex, JLG, MultiQuip, Mikasa, Essick, Whiteman, Mayco, Toro Stone, Diamond Products, Generac Magnum, Airman, Haulotte, Barreto, Power Blanket, Nifty Lift, Atlas Copco, Chicago Pneumatic, Allmand, Miller Curber, Skyjack, Lull, Skytrak, Tsurumi, Husquvarna Target, Stow, Wacker, Sakai, Mi-T-M, Sullair, Basic, Dynapac, MBW, Weber, Bartell, Bennar Newman, Haulotte, Ditch Runner, Menegotti, Morrison, Contec, Buddy, Crown, Edco, Wyco, Bomag, Laymor, EZ Trench, Bil-Jax, F.S. Curtis, Gehl Pavers, Heli, Honda, ICS/PowerGrit, IHI, Partner, Imer, Clipper, MMD, Koshin, Rice, CH&E, General Equipment, Amida, Coleman, NAC, Gradall, Square Shooter, Kent, Stanley, Tamco, Toku, Hatz, Kohler, Robin, Wisconsin, Northrock, Oztec, Toker TK, Rol-Air, APT, Wylie, Ingersoll Rand / Doosan, Innovatech, Con X, Ammann, Mecalac, Makinex, Smith Surface Prep, Small Line, Wanco, Yanmar

SECTION 3 - BOOM

FIGURE 3-4. MAIN BOOM ASSEMBLIES

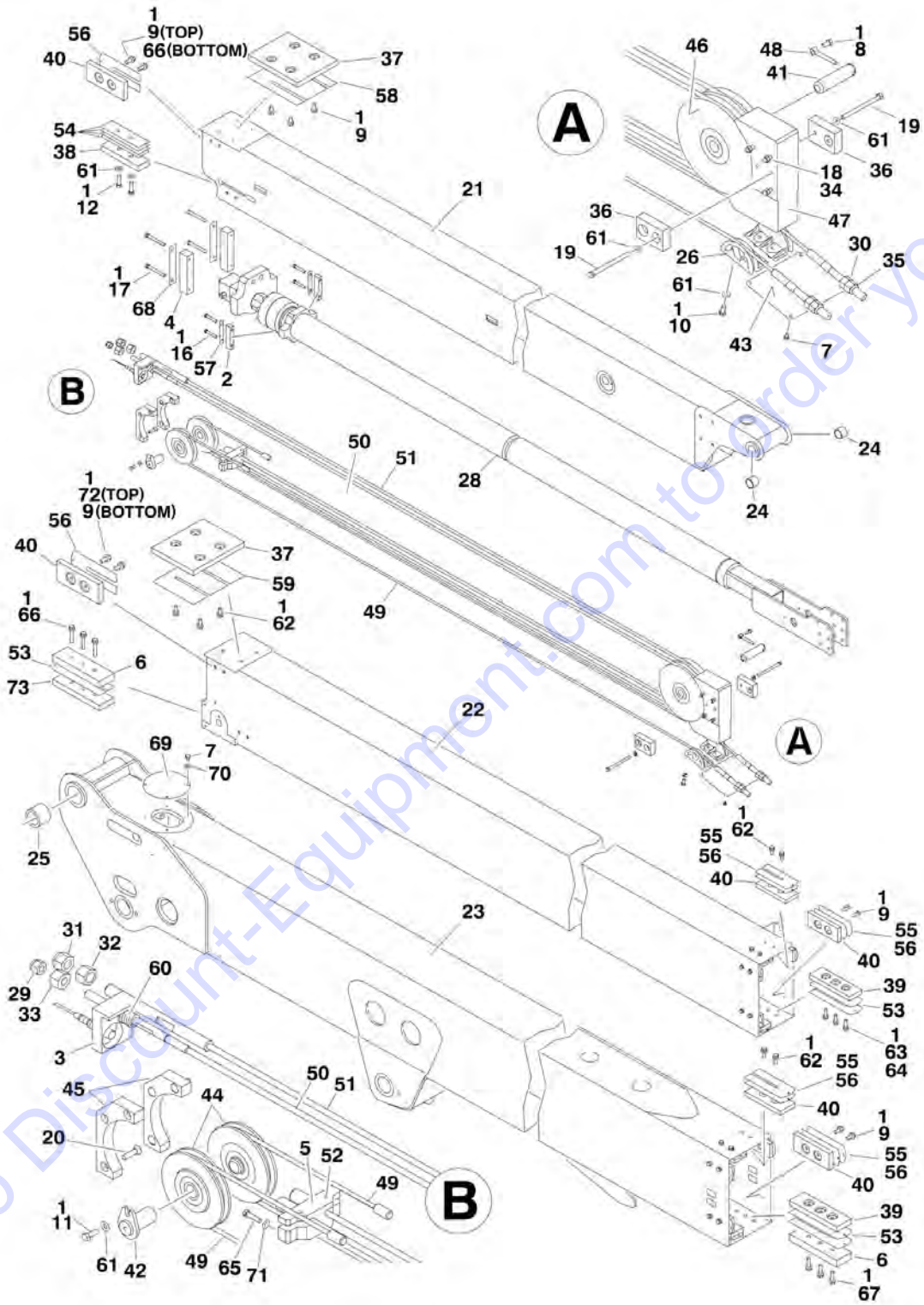


FIGURE 3-4. MAIN BOOM ASSEMBLIES

ITEM	PART NUMBER	QTY	DESCRIPTION	REV
		Ref	MAIN BOOM ASSEMBLY OPTIONS:	
	0801274	Ref	Main Boom Assembly 800S (SN 0300140000 through 0300182108)	L
	1001155760	Ref	Main Boom Assembly 800S (SN 0300182109 through 0300182743)	B
	1001155760	Ref	Main Boom Assembly 800S (SN B300000100 through B300001091)	B
	0801281	Ref	Main Boom Assembly 860SJ (SN 0300140000 through 0300182108)	M
	1001155763	Ref	Main Boom Assembly 860SJ (SN 0300182109 through 0300182743)	B
	1001155763	Ref	Main Boom Assembly 860SJ (SN B300000100 through B300001091)	B
1	0100011	AR	Compound, Locking	
2	0561185	2	Block, Telescope Attach	
3	0561445	1	Block, Spring Mounting	
4	0561446	2	Block, Tele Mount	
5	0561447	1	Block, Cable Mount	
6	0561449	3	Block, Spacer	
7	0641403	8	Bolt 1/4in-20NC x 3/8in	
8	0641606	1	Bolt 3/8in-16NC x 3/4in	
9	0811606	28	Screw 3/8in-16NC x 3/4in	
10	0641607	4	Bolt 3/8in-16NC x 7/8in	
11	0641608	2	Bolt 3/8in-16NC x 1in	
12	0641610	4	Bolt 3/8in-16NC x 1-1/4in	
16	0641616	4	Bolt 3/8in-16NC x 2in	
17	0641626	4	Bolt 3/8in-16NC x 3-1/4in	
18	0641634	4	Bolt 3/8in-16NC x 4 1/4in	
19	0641640	2	Bolt 3/8in-16NC x 5in	
20	0741612	6	Screw, Flathead 3/8in-16NC x 1-1/2in	
21		Ref	Fly Weldment Options:	
21	0801275	1	Fly Weldment 800S	
21	0801282	1	Fly Weldment 860SJ	
22		Ref	Mid Weldment Options:	
22	0801649	1	Mid Weldment 800S	
22	0801647	1	Mid Weldment 860SJ	
23		Ref	Base Weldment Options:	
23	0801325	1	Base Weldment 800S (SN 0300140000 through 0300182108)	
23	1001155770	1	Base Weldment 800S (SN 0300182109 through 0300182743)	
23	1001155770	1	Base Weldment 800S (SN B300000100 through B300001091)	
23	0801326	1	Base Weldment 860SJ (SN 0300140000 through 0300182108)	
23	1001155771	1	Base Weldment 860SJ (SN 0300182109 through 0300182743)	
23	1001155771	1	Base Weldment 860SJ (SN B300000100 through B300001091)	
24	0961948	2	Bearing (860SJ Only)	
25	0962297	2	Bearing	
26	1220078	2	Sheave, Block	
28		Ref	Telescope Cylinder Assembly Options (See CYLINDER SECTION for Breakdown):	
28	1684041	NLA	Telescope Cylinder Assembly (Use p/n 1001228081) (Original Equipment) 800S	
28	1001177317	NLA	Telescope Cylinder Assembly (Use p/n 1001228081) (Service	

SECTION 3 - BOOM

ITEM	PART NUMBER	QTY	DESCRIPTION	REV
			Replacement) 800S	
28	1001228081	1	Telescope Cylinder Assembly (Service Replacement) 800S	
28	1684043	NLA	Telescope Cylinder Assembly (Use p/n 1001228083) (Original Equipment) 860SJ	
28	1001181588	NLA	Telescope Cylinder Assembly (Use p/n 1001228083) (Service Replacement) 860SJ	
28	1001228083	1	Telescope Cylinder Assembly (Service Replacement) 860SJ	
29	3300240	1	Nut	
30	3300241	2	Locknut 3/4in-10NC	
31	3300242	1	Locknut 7/8in-9NC	
32	3272401	1	Nut 7/8in-9NC	
33	3272001	1	Nut 5/8in-11NC	
34	3311605	4	Locknut 3/8in-16NC	
35	3312201	2	Nut 3/4in-10NC	
36		Ref	Pad, Wear Options;	
36	3340755	2	USA Built Machines (SN 0300140000 through 0300169344)	
36	1001148651	2	USA Built Machines (SN 0300169345 through 0300182743)	
36	3340755	2	China Built Machines (SN B300000100 through B300000748)	
36	1001148651	2	China Built Machines (SN B300000749 through B300001091)	
37	3340757	2	Pad, Wear	
38		Ref	Pad, Rubber Options:	
38	3340758	2	USA Built Machines (SN 0300140000 through 0300169344)	
38	1001148650	2	USA Built Machines (SN 0300169345 through 0300182743)	
38	3340758	2	China Built Machines (SN B300000100 through B300000748)	
38	1001148650	2	China Built Machines (SN B300000749 through B300001091)	
39	3340871	4	Pad, Wear	
40		Ref	Pad, Rubber Options:	
40	3340881	20	USA Built Machines (SN 0300140000 through 0300169344)	
40	1001148652	20	USA Built Machines (SN 0300169345 through 0300182743)	
40	3340881	20	China Built Machines (SN B300000100 through B300000748)	
40	1001148652	20	China Built Machines (SN B300000749 through B300001091)	
41	3422417	1	Pin, Extend Sheave	
42	3422424	2	Pin	
43	3539622	1	Plate, Cover	
44	3580243	2	Sheave, Retract	
44	0961951	1	Bushing	
45	3580249	2	Guard, Sheave	
46	3580288	1	Sheave, Extend	
46	0961951	2	Bushing	
47	3580289	1	Guard, Sheave	
48	3841143	1	Keeper, Pin	
49		Ref	Cable, Wire Rope	
49	3890013	2	Cable, Wire Rope 800S	
49	3890016	2	Cable, Wire Rope 860SJ	
50		Ref	Cable, Wire Rope	
50	3890014	1	Cable, Wire Rope 800S	
50	3890017	1	Cable, Wire Rope 860SJ	
51		Ref	Cable, Wire Rope	
51	3890015	1	Cable, Wire Rope 800S	
51	3890018	1	Cable, Wire Rope 860SJ	
52	3951608	2	Setscrew 3/8in-16NC x 1in	
53	4070863	5	Shim (#11 Gauge)	

SECTION 3 - BOOM

ITEM	PART NUMBER	QTY	DESCRIPTION	REV
54	4070895	8	Shim (#16 Gauge)	
55	4070897	10	Shim (#18 Gauge)	
56	4070898	22	Shim (#11 Gauge)	
57	4070929	2	Shim (#16 Gauge)	
58	4070939	1	Shim (#16 Gauge)	
59	4070940	1	Shim (#16 Gauge)	
60	4160149	1	Spring, Torsion	
61	4711600	12	Flatwasher 3/8in Thin	
62	0811607	8	Screw 3/8in-16NC x 7/8in	
63	0811608	6	Screw 3/8in-16NC x 1in	
64	0811610	6	Screw 3/8in-16NC x 1-1/4in	
65	0641613	2	Screw 3/8in-16NC x 1-5/8in	
66	0811614	6	Screw 3/8in-16NC x 1-3/4in	
67	0811616	6	Screw 3/8in-16NC x 2in	
68	4071020	2	Shim (#16 Gauge)	
69	1120510	1	Cover, Pin	
70	4751400	4	Flatwasher 1/4in Regular	
71	4891600	2	Flatwasher 3/8in Hardened	
72	0641613	4	Screw 3/8in-16NC x 1-5/8in	
73		Ref	Pad, Wear	
73	3340871	1	USA Built Machines (SN 0300140000 through 0300169344)	
73	1001148653	1	USA Built Machines (SN 0300169345 through 0300182743)	
73	3340871	1	China Built Machines (SN B300000100 through B300000748)	
73	1001148653	1	China Built Machines (SN B300000749 through B300001091)	

SECTION 3 - BOOM

FIGURE 3-5. ROTATOR ASSEMBLIES

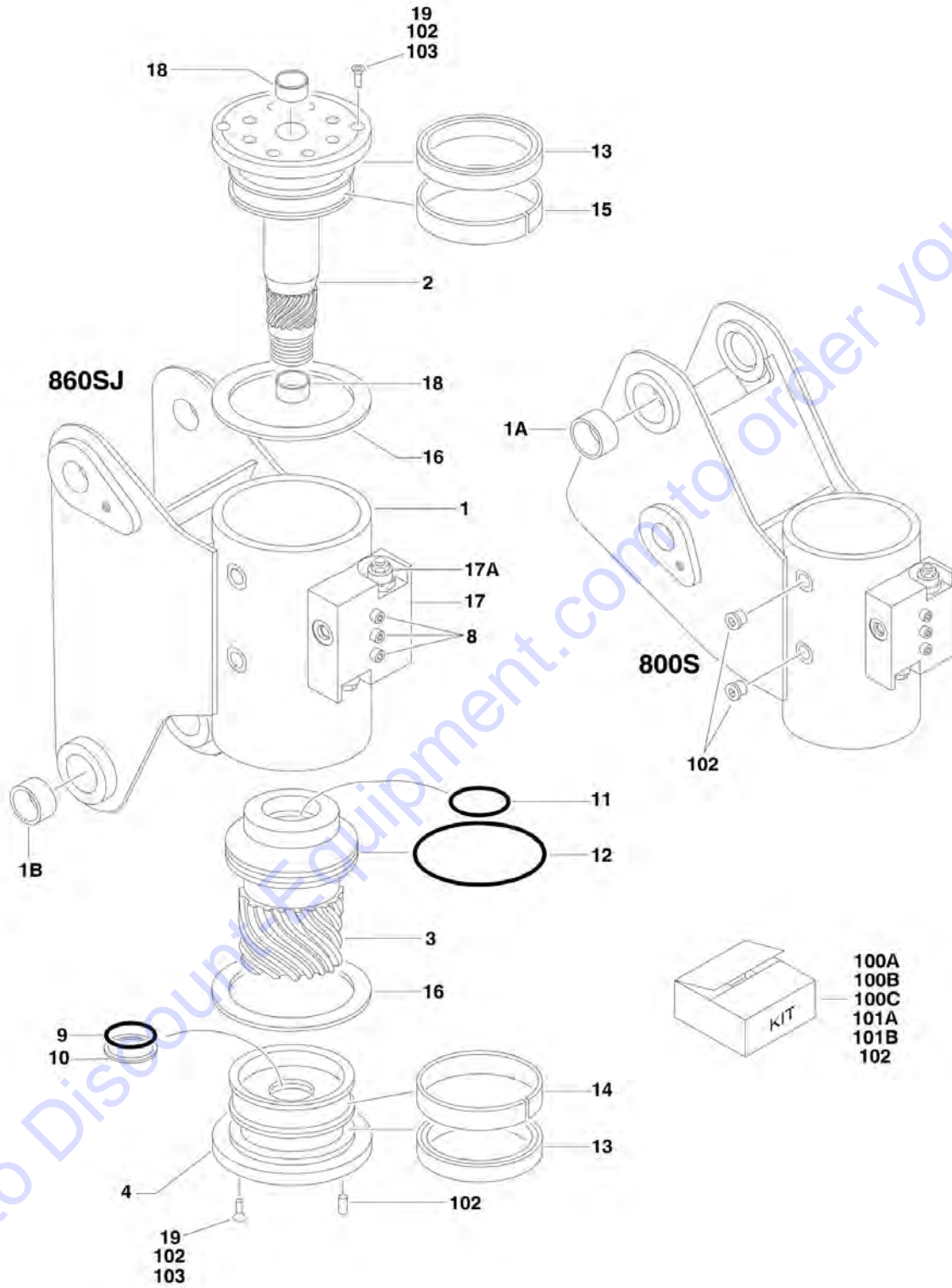
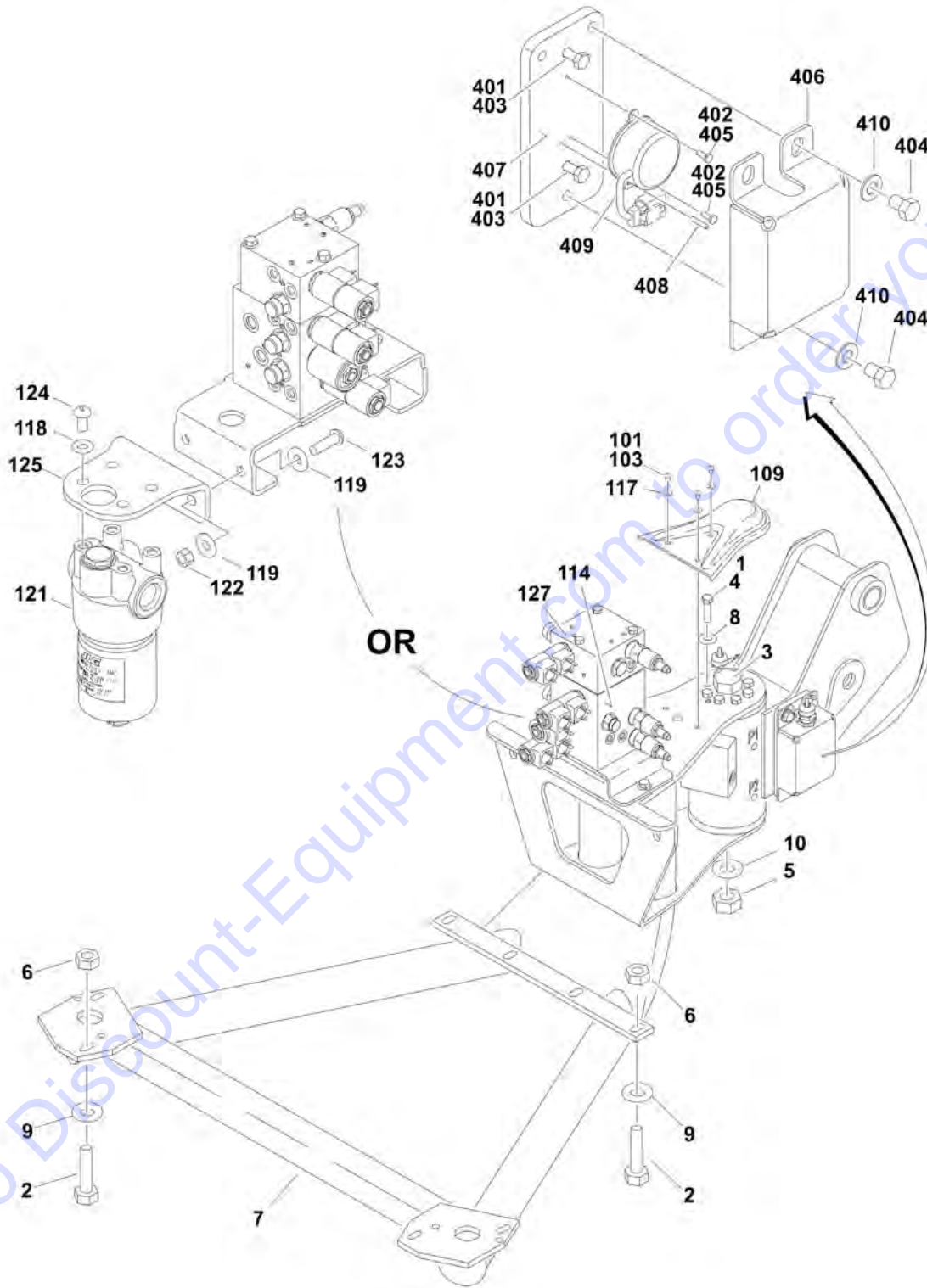


FIGURE 3-5. ROTATOR ASSEMBLIES

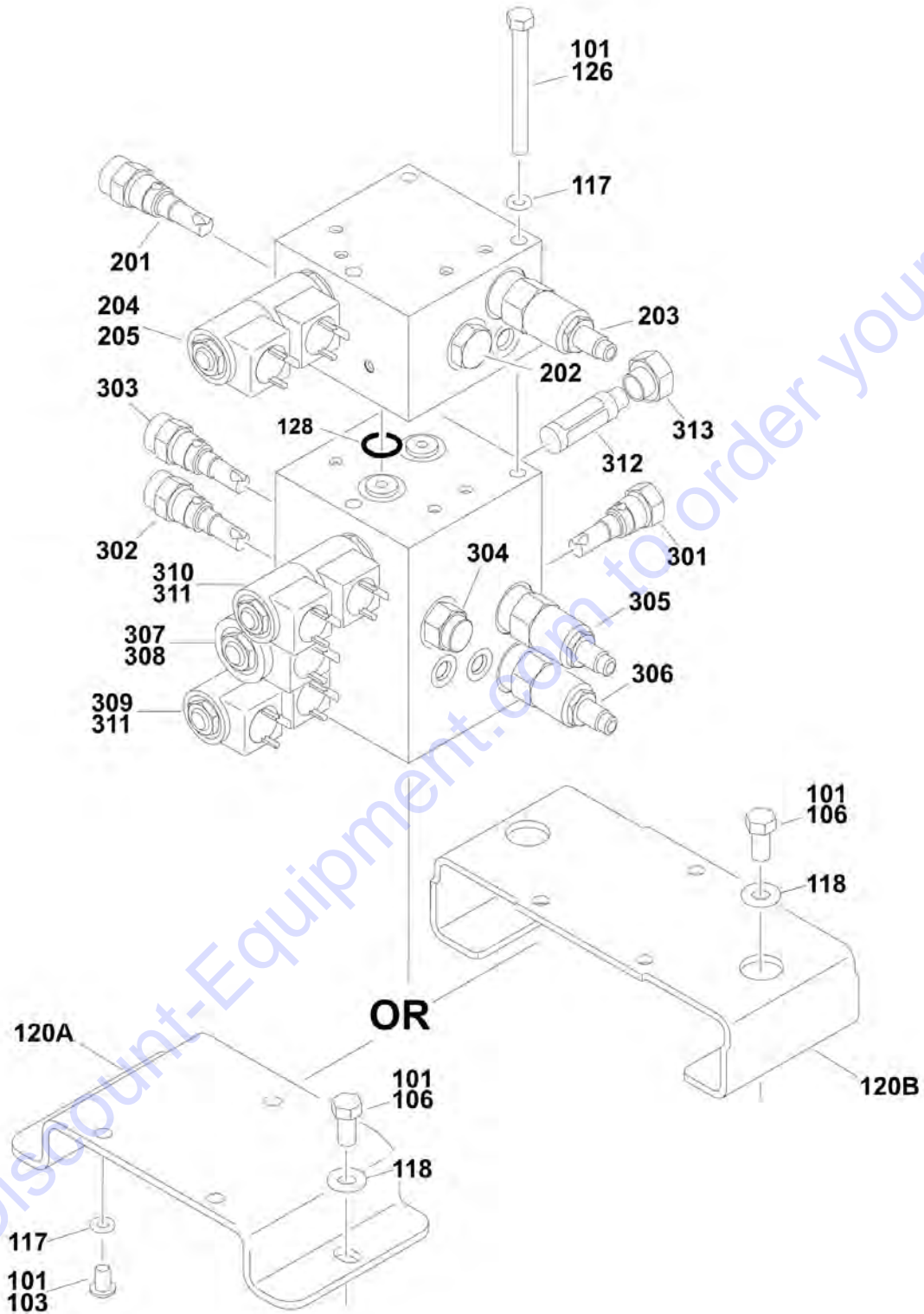
ITEM	PART NUMBER	QTY	DESCRIPTION	REV
		Ref	ROTATOR ASSEMBLIES	
	0060061	Ref	Rotator Assemblies 800S	I
	0060048	Ref	Rotator Assemblies 860SJ	I
1		Ref	Case/Bracket Weldment	
1	7017175	1	0060061 Rotator	
1	7017141	1	0060048 Rotator	
1A		Ref	Bushing Options: (Top)	
1A	0961951	2	0060061 Rotator	
1A	Not Required	0	0060048 Rotator	
1B		Ref	Bushing Options: (Bottom)	
1B	Not Required	0	0060061 Rotator	
1B	0961947	2	0060048 Rotator	
2		Ref	Shaft Options:	
2	7017162	1	0060061 Rotator	
2	7017140	1	0060048 Rotator	
3		Ref	Sleeve, Piston Options:	
3	7017163	1	0060061 Rotator	
3	7017139	1	0060048 Rotator	
4	7017164	1	Cap, End	
8	See Note	NSS	Bolt 1/4in-20NC x 1-1/2in (Grade 8) (Note: Purchase Locally)	
9	See Note	NSS	Seal, Cap (Note: Use Items 100A, 100B & 100C)	
10	See Note	NSS	Ring, Back-up Cap (Note: Use Items 100A, 100B & 100C)	
11	See Note	NSS	Seal, Rod (Note: Use Items 100A, 100B & 100C)	
12	See Note	NSS	Seal, Piston (Note: Use Items 100A, 100B & 100C)	
13	See Note	NSS	Packing, Bearing (Note: Use Items 100A, 100B & 100C)	
14	See Note	NSS	Bearing, Cap (Note: Use Items 101A & 101B)	
15	See Note	NSS	Bearing, Shaft (Note: Use Items 101A & 101B)	
16	See Note	NSS	Thrustwasher (Note: Use Items 101A & 101B)	
17		Ref	Counterbalance Valve Assembly Options:	
17	7017172	1	0060061 Rotator	
17	7017125	1	0060048 Rotator	
17A		Ref	Valve, Cartridge Options:	
17A	7017192	2	0060061 Rotator	
17A	7011323	2	0060048 Rotator	
17A		Ref	Seal Kit (1 Per Assembly)	
17A	See Note	NSS	7017192 Cartridge (Note: Use p/n 7017192)	
17A	2900770	2	7011323 Cartridge	
18	7017136	2	Bushing	
19	70001697	6	Screw, Countersunk (0060048 Rotator)	
		Ref	KIT OPTIONS:	
100		Ref	Seal Kit Options: (Includes Items 9-13 & 102)	
100A	7017158	1	0060061 Rotators (Standard)	
100B	70000342	1	0060061 Rotators (Low Temperature)	
100C	7017137	1	0060048 Rotator	
101		Ref	Bearing Kit Options: (Includes Items 14-16)	
101A	7017159	1	0060061 Rotators	
101B	7017138	1	0060048 Rotator	
102	See Note	NSS	Hardware Kit (Includes End Cap Dowel Pins, Plugs and 103) (Note: Use Item 100)	
103	70001697	4	Screw, Countersunk 1/4in-20NC x 3/8in (Grade 8)	

SECTION 3 - BOOM

FIGURE 3-6. PLATFORM SUPPORT AND CONTROL VALVES INSTALLATIONS



SECTION 3 - BOOM



SECTION 3 - BOOM

FIGURE 3-6. PLATFORM SUPPORT AND CONTROL VALVES INSTALLATIONS

ITEM	PART NUMBER	QTY	DESCRIPTION	REV
		Ref	PLATFORM SUPPORT INSTALLATION	
	0272070	Ref	Side Entry Platform Machines without Load Sensing and without SkyGlazier	E
	See Note	Ref	Side Entry Platform Machines without Load Sensing and with SkyGlazier (Note: For Replacement Parts, Go to Discount-equipment.com and Request Manual p/n 3124242)	
	See Note	Ref	Side Entry Platform Machines with Load Sensing and without SkyGlazier (Note: For Replacement Parts, Go to Discount-equipment.com and Request Manual p/n 3124287)	
	See Note	Ref	Side Entry Platform Machines with Load Sensing and with SkyGlazier (Note: For Replacement Parts, Go to Discount-equipment.com and Request Manual p/n 3124287)	
1	0100011	AR	Compound, Locking	
2	0641812	8	Bolt 1/2in-13NC x 1-1/2in	
3	0642684	1	Bolt 1in-8NC x 10-1/2in	
4	0681608	8	Bolt 3/8in-16NC x 1in (Grade 8)	
5	3300243	1	Locknut 1in-8NC	
6	3311805	8	Locknut 1/2in-13NC	
7	4846573	1	Support Weldment	
8	4891600	8	Flatwasher 3/8in Hardened	
9	4891800	8	Flatwasher 1/2in Hardened	
10	4892600	1	Flatwasher 1in Hardened	
		Ref	CONTROL VALVE INSTALLATIONS	
		Ref	Control Valve Installations 800S	
	0274644	Ref	Machines without Hostile Environment	K
	0274644	Ref	Machines with Hostile Environment (USA Built Machines) (SN 0300140000 through 0300174926)	K
	1001155814	Ref	Machines with Hostile Environment (USA Built Machines) (SN 0300174927 through 0300182743)	A
	0274644	Ref	Machines with Hostile Environment (China Built Machines) (SN B300000100 through B300000803)	K
	1001155814	Ref	Machines with Hostile Environment (China Built Machines) (SN B300000804 through B300001091)	A
	0274645	Ref	Control Valve Installations 860SJ	I
101	0100011	AR	Compound, Locking	
103	0630467	AR	Screw, Button Head	
106	0641606	2	Bolt 3/8in-16NC x 3/4in	
109		Ref	Cover Options:	
109		Ref	Cover 800S	
109	1670964	1	Machines without Hostile Environment	
109	1670964	1	Machines with Hostile Environment (USA Built Machines) (SN 0300140000 through 0300174926)	
109	Not Required	0	Machines with Hostile Environment (USA Built Machines) (SN 0300174927 through 0300182743)	
109	1670964	1	Machines with Hostile Environment (China Built Machines) (SN B300000100 through B300000803)	
109	Not Required	0	Machines with Hostile Environment (China Built Machines) (SN B300000804 through B300001091)	
109	1670964	1	Cover 860SJ	
114		Ref	Valve, Level/Rotate Options (See Items 301-313 for Breakdown):	
114	4641251	1	USA Built Machines (SN 0300140000 through 0300141318 Only)	
114	1001118473	1	USA Built Machines (SN 0300141319 through 0300182743)	

SECTION 3 - BOOM

ITEM	PART NUMBER	QTY	DESCRIPTION	REV
114	1001118473	1	Only) China Built Machines Only (SN B300000100 through B300001091)	
117	4711500	AR	Flatwasher 5/16in Thin	
118	4711600	6	Flatwasher 3/8in Thin	
119	4751600	AR	Flatwasher 3/8in Regular	
120		Ref	Plate, Valve Mounting Options:	
120A	4846218	1	USA Built Machines (SN 0300140000 through 0300141318 Only)	
120B	4341264	1	USA Built Machines (SN 0300141319 through 0300182743 Only)	
120B	4341264	1	China Built Machines Only (SN B300000100 through B300001091)	
121	2120217	1	Filter, High Pressure (USA Built Machines) (SN 0300141319 through 0300182743 Only)	
121	2120217	1	Filter, High Pressure (China Built Machines Only) (SN B300000100 through B300001091)	
121	70002097	1	Element, Filter	
121	70001499	1	Kit, Seal	
121	70004328	1	Plug, Indicator	
122	3311605	2	Locknut 3/8in-16NC (USA Built Machines) (SN 0300141319 through 0300182743 Only)	
122	3311605	2	Locknut 3/8in-16NC (China Built Machines Only) (SN B300000100 through B300001091)	
123	3900232	2	Screw 3/8in-16NC x 1-1/4in (USA Built Machines) (SN 0300141319 through 0300182743 Only)	
123	3900232	2	Screw 3/8in-16NC x 1-1/4in (China Built Machines Only) (SN B300000100 through B300001091)	
124	3900283	4	Screw 3/8in-16NC x 3/4in (USA Built Machines) (SN 0300141319 through 0300182743 Only)	
124	3900283	4	Screw 3/8in-16NC x 3/4in (China Built Machines Only) (SN B300000100 through B300001091)	
125	0903530	1	Bracket, Filter Mounting (USA Built Machines) (SN 0300141319 through 0300182743 Only)	
125	0903530	1	Bracket, Filter Mounting (China Built Machines Only) (SN B300000100 through B300001091)	
126	0641526	3	Bolt 5/16in-18NC x 3-1/4in (860SJ Only)	
127		Ref	Valve, Jib (See Items 201-205 for Breakdown)	
127	Not Required	0	Valve, Jib 800S	
127	4641186	1	Valve, Jib 860SJ	
128	3780117	2	O-Ring (860SJ Only)	
130	1001141137	1	Harness, Upper Valve (Not Shown - See ELECTRICAL SECTION for Breakdown)	
	4641186	Ref	JIB VALVE ASSEMBLY (860SJ ONLY)	B
201	7012965	1	Valve, Cartridge	
201	7012953	1	Seal Kit - 7012965 Valve	
202	7010542	1	Valve, Load Shuttle	
202	7010543	1	Seal Kit - 7010542 Valve	
203	7023915	1	Valve, Relief	
203	7012967	1	Seal Kit - 7023915 Valve	
204	7023922	1	Valve, Solenoid	
204	7017402	1	Seal Kit - 7017452 Valve	
205	7012944	2	Coil	
		Ref	LEVEL/ROTATE VALVE ASSEMBLY	
	4641251	Ref	USA Built Machines (SN 0300140000 through 0300141318	B

SECTION 3 - BOOM

ITEM	PART NUMBER	QTY	DESCRIPTION	REV
	1001118473	Ref	Only USA Built Machines (SN 0300141319 through 0300182743 Only)	A
	1001118473	Ref	China Built Machines Only (SN B300000100 through B300001091)	A
301	7012955	1	Valve, Check	
301	7012967	1	Seal Kit - 7012955 Valve	
302	7023984	1	Valve, Flow Regulator	
302	7012953	1	Seal Kit - 023984 Valves	
303	7012989	1	Valve, Flow Regulator	
303	7012953	1	Seal Kit - 7012989 Valve	
304	7012965	1	Valve, Flow Regulator	
304	7012953	1	Seal Kit - 7012965 Valves	
305	7023983	1	Valve, Relief (Level Up)	
305	7012967	1	Seal Kit - 7023983 Valve	
306	7023911	1	Valve, Relief (Level Down)	
306	7012967	1	Seal Kit - 7023911 Valve	
307	7017479	1	Valve, Solenoid (Pressure)	
307	7012518	1	Seal Kit - 7017479 Valve	
308	7012943	1	Coil	
309	7023922	1	Valve, Solenoid (Platform Level)	
309	7017402	1	Seal Kit - 7023922 Valve	
310	7017452	1	Valve, Solenoid (Rotator)	
310	7017402	2	Seal Kit - 7017452 Valve	
311	7012944	4	Coil	
312	7021616	1	Filter (Used on p/n 4641251 Valve Only)	
313	7024832	1	Plug (Used on p/n 4641251 Valve Only)	
	0273695	Ref	LEVEL SENSOR SWITCH INSTALLATION	C
401	0100011	AR	Compound, Locking	
402	0100035	AR	Compound, Locking	
403	0641406	4	Bolt 1/4in-20NC x 3/4in	
404	0641604	6	Bolt 3/8in-16NC x 1/2in	
405	3930606	4	Capscrew #6-32NC x 3/8in	
406	1671044	2	Cover, Sensor	
407	3200449	2	Mount, Sensor	
408	3440410	2	Rollpin	
409		Ref	Switch, Tilt Sensor Options:	
409	4360544	NLA	Sensor-Analog (USA Built Machines) (Use p/n 1001135114) (SN 0300140000 through 0300161729 Only)	
409	1001133329	2	Sensor-Digital (USA Built Machines) (SN 0300161730 through 0300182743 Only)	
409	4360544	NLA	Sensor-Analog (China Built Machines) (Use p/n 1001135114) (SN B300000100 through B300000639 Only)	
409	1001133329	2	Sensor-Digital (China Built Machines Only) (SN B300000640 through B300001091)	
410	4711600	6	Flatwasher 3/8in Thin	

SECTION 3 - BOOM

FIGURE 3-7. BOOM CABLE CLAMPS INSTALLATIONS

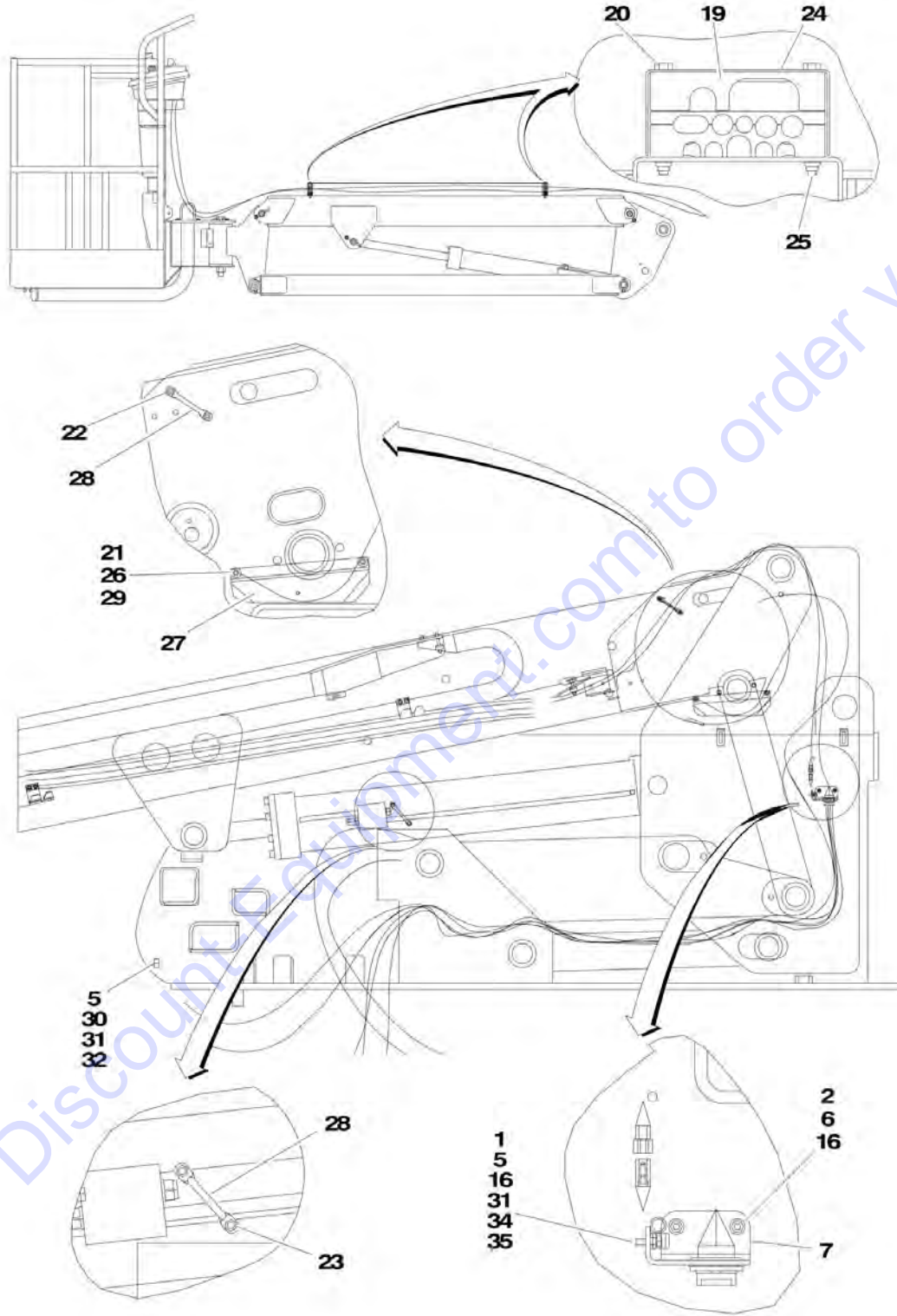


FIGURE 3-7. BOOM CABLE CLAMPS INSTALLATIONS

ITEM	PART NUMBER	QTY	DESCRIPTION	REV
		Ref	BOOM CABLE CLAMPS INSTALLATION	
		Ref	Boom Cable Clamps Installation 800S	
	0271322	Ref	All Specs except Australian and CE Specs	I
	0271323	Ref	Australian and CE Specs Only	I
	0272388	Ref	All Specs except Australian and CE Specs with 7500W Generator and without Arctic Package	G
	1001117399	Ref	Australian and CE Specs Only with 7500W Generator and without Arctic Package	B
	1001091609	Ref	All Specs except Australian, CE and Japanese Specs without 7500W Generator and with Arctic Package	C
	1001091664	Ref	All Specs except Australian, CE and Japanese Specs with 7500W Generator and Arctic Package	E
		Ref	Boom Cable Clamps Installation 860SJ	
	0271324	Ref	All Specs except Australian and CE Specs	I
	0271325	Ref	Australian and CE Specs Only	K
	0272389	Ref	All Specs except Australian and CE Specs with 7500W Generator and without Arctic Package	F
	1001117400	Ref	Australian and CE Specs Only with 7500W Generator and without Arctic Package	B
	0275586	Ref	All Specs except Australian, CE and Japanese Specs without 7500W Generator and with Arctic Package	B
	1001091665	Ref	All Specs except Australian, CE and Japanese Specs with 7500W Generator and with Arctic Package	E
1	0641408	1	Bolt 1/4in-20NC x 1in	
2	0641412	2	Bolt 1/4in-20NC x 1-1/2in	
5		Ref	Clamp Options:	
5	1320223	2	Machines without 7500W Generator	
5	Not Required	0	Machines with 7500W Generator	
7	3573047	1	Plate, Terminal Mounting	
16	4711400	5	Flatwasher 1/4in Thin	
19		Ref	Block, Clamp (860SJ Only) Options:	
19	0561484	2	0271324, 0271325, 0272389 & 1001117400 Installations	
19	1001091472	2	0275586 & 1001091665 Installations	
20	0641424	4	Bolt 1/4in-20NC x 3in (860SJ Only)	
21	0641511	2	Bolt 5/16in-18NC x 1-3/8in	
22	0641604	2	Bolt 3/8in-16NC x 1/2in	
23	0641607	2	Bolt 3/8in-16NC x 7/8in	
24	1671034	1	Cover, Jib (860SJ Only)	
25	2080044	4	Rivnut (860SJ Only)	
26	3311505	2	Locknut 5/16in-18NC	
27	3573296	1	Plate, Hose Cover	
28	3841340	2	Loop, Hose	
29	4751500	4	Flatwasher 5/16in	
30		Ref	Bolt 1/4in-20NC x 1-1/4in Options:	
30	0641410	1	Machines without 7500W Generator	
30	Not Required	0	Machines with 7500W Generator	
31	3311405	AR	Locknut 1/4in-20NC	
32		Ref	Flatwasher 1/4in Regular Options:	
32	4751400	1	Machines without 7500W Generator	
32	Not Required	0	Machines with 7500W Generator	
34	1320061	1	Clamp	

SECTION 3 - BOOM

ITEM	PART NUMBER	QTY	DESCRIPTION	REV
35	1320041	1	Clamp (Machines with 7500W Generator Only)	

Go to Discount-Equipment.com to order your parts

SECTION 4 - PLATFORM

Go to Discount-Equipment.com to order your parts

SECTION 4 - PLATFORM

FIGURE 4-1. PLATFORM ASSEMBLIES

ITEM	PART NUMBER	QTY	DESCRIPTION	REV
		Ref	PLATFORM ASSEMBLIES:	
	3510830	Ref	Platform 30in x 4ft (76cm x 1.22m) with No Mesh (Use p/n 1001144027)	B-M
	3510831	Ref	Platform 30in x 5ft (76cm x 1.5m) with No Mesh (Use p/n 1001144026)	B-L
	3510833	Ref	Platform 36in x 6ft (91.5cm x 1.83m) with No Mesh (Use p/n 1001144024)	B-I
	3510822	Ref	Platform 36in x 8ft (91.5cm x 2.44m) with No Mesh (Use p/n 1001144023)	B-J
		Ref	Note: For Platform with Mesh to Top Rail, Platform and Mesh must be ordered separately. See SPECIAL OPTIONS SECTION for Mesh Installations.	
		Ref	Note: Replacement Decals Must be Ordered Separately - See DECALS SECTION.	
		Ref	Note: When replacing 8ft/2.44m platform with Soft Touch option, new Soft Touch Rail p/n 4846673 must be purchased to accommodate limit switch locations.	
		Ref	Note: When replacing platform on machines with SkyCutter option, new bracket p/n 1001145405 must be purchased to accommodate SkyCutter components.	
2	2080040	16	Fastener, Huck	
3	2600281	2	Hinge, Self-Closing	
4	2940074	1	Latch	
6	See Note	1	Platform (Note: Not Available - Purchase Complete Platform Assembly)	
7	3520072	1	Cap-Plug	
8	3820020	4	Rivet, Pop	
10		Ref	Gate Options:	
10	4846452	1	Gate for Platform p/ns 3510822, 3120830, 3510831 & 3510833	
10	1001144629	1	Gate for Platform p/ns 1001144023, 1001144024, 1001144026 & 1001144027	
11	3520198	2	Cap-Plug	
		Ref	PLATFORM ASSEMBLY WITH DROP-BAR	
	1001138431	Ref	Platform 30in x 4ft (76cm x 1.22m) with No Mesh (Use p/n 1001144018)	B-B
	1001138432	Ref	Platform 36in x 5ft (91.5cm x 1.5m) (Use p/n 1001144019)	B-B
	1001138434	Ref	Platform 36in x 6ft (91.5cm x 1.83m) with No Mesh (Use p/n 1001144021)	B-B
	1001138430	Ref	Platform 36in x 8ft (91.5cm x 2.44m) with No Mesh (Use p/n 1001144022)	B-B
	1001128598	Ref	Platform 36in x 6ft (91.5cm x 1.83m) Mesh to Mid Rail (Not Shown)	B
	1001128479	Ref	Platform 36in x 6ft (91.5cm x 1.83m) Mesh to Mid Rail (Not Shown)	B
	1001111018	Ref	Platform 36in x 6ft (91.5cm x 1.83m) Mesh to Mid Rail (Not Shown)	E
		Ref	Note: For Platform with Mesh to Top Rail, Platform and Mesh must be ordered separately (except where specified). See SPECIAL OPTIONS SECTION for Mesh Installations.	
		Ref	Note: Replacement Decals Must be Ordered Separately - See DECALS SECTION.	
		Ref	Note: When replacing 8ft/2.44m platform with Soft Touch option, new Soft Touch Rail p/n 4846673 must be purchased to accommodate limit switch locations.	

SECTION 4 - PLATFORM

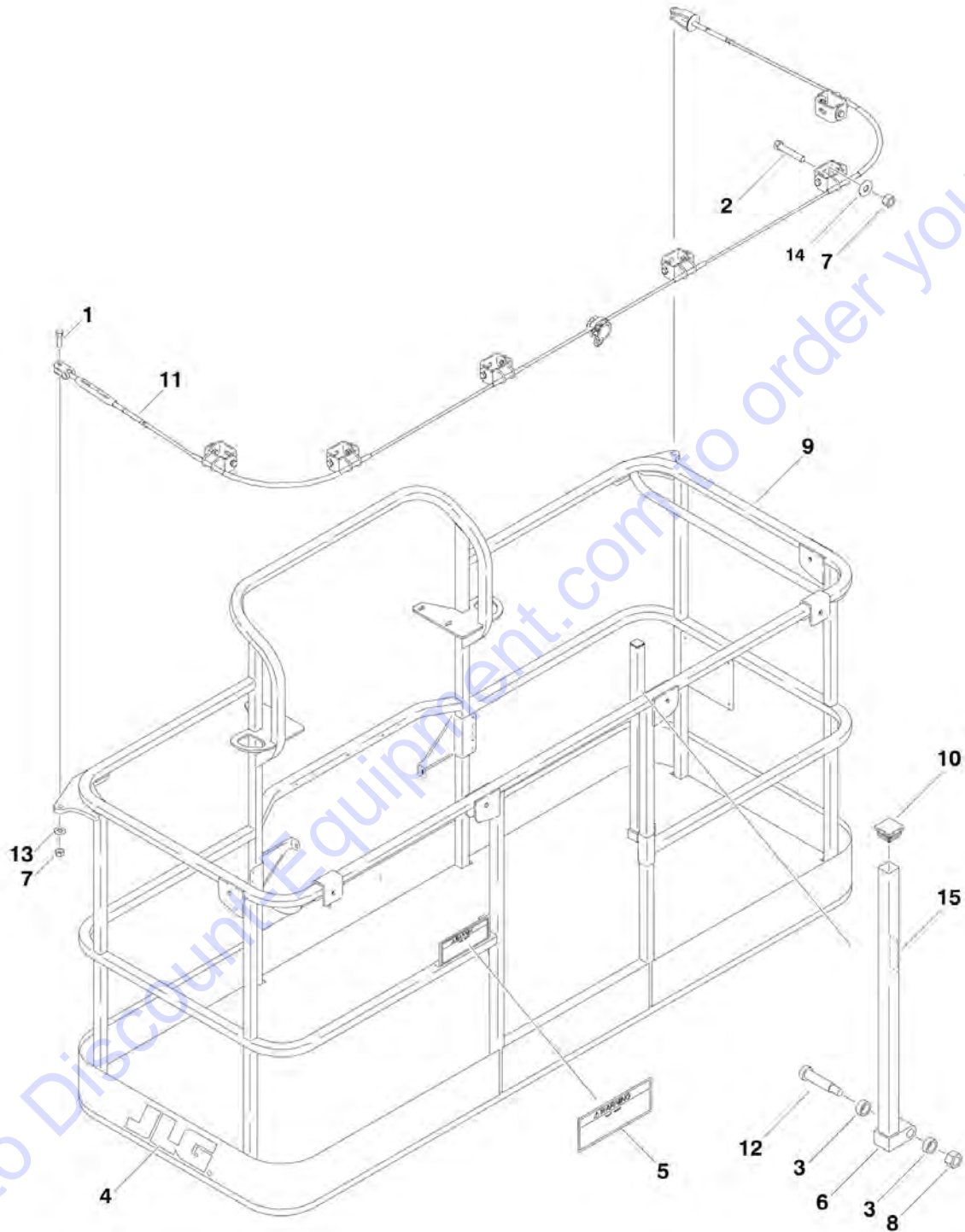
ITEM	PART NUMBER	QTY	DESCRIPTION	REV
		Ref	Note: When replacing platform on machines with SkyCutter option, new bracket p/n 1001145405 must be purchased to accommodate SkyCutter components.	
51	0100011	AR	Compound, Locking	
52	0641418	2	Bolt 1/4in-20NC x 2-1/4in	
53	0961845	2	Bushing	
54	3290606	2	Nut M6	
55	3300151	2	Nut, Acorn	
56	See Note	1	Platform (Note: Not Available - Purchase Complete Platform Assembly)	
57	3520198	2	Cap-Plug	
58	4010618	2	Screw M6 x 50mm	
59	4711400	4	Flatwasher 1/4in Thin	
60	4811700	2	Flatwasher M6	
61		Ref	Bar, Drop Options:	
61	1001138494	1	Drop Bar (Not Shown) for p/ns 1001144018, 1001144019, 1001144021 & 1001144022 Platforms	
61	1001111346	1	Drop Bar (Not Shown) for p/ns 1001128598, 1001128479 & 1001111018 Platforms	
62	1001138514	1	Rail (Top)	
63	1001140429	1	Decal - Drop-Bar	
	1001114897	Ref	FOOTSWITCH AND COVERS INSTALLATIONS	C
101	0641406	2	Bolt 1/4in-20NC x 3/4in	
102	0641408	3	Bolt 1/4in-20NC x 1in	
103	0641610	4	Bolt 3/8in-16NC x 1-1/4in	
104	3311405	5	Locknut 1/4in-20NC	
105	3311605	4	Locknut 3/8in-16NC	
106	3380434	1	Panel, Molded	
107	4740362	7	Washer, Fender	
108	4751600	8	Flatwasher 3/8in Regular	
109		Ref	Platform Console Assembly Options (See PLATFORM CONSOLE ASSEMBLY for Breakdown):	
109	1001114896	1	USA Built Machines (SN 0300140000 through 0300161446)	
109	1001141140	1	USA Built Machines (SN 0300161447 through 0300182743)	
109	1001114896	1	China Built Machines (SN 300000100 through B300000639)	
109	1001141140	1	China Built Machines (SN B300000640 through B300001091)	
109		Ref	Footswitch Assembly (Includes Footswitch, Electrical Cable, Strain Relief Connectors and Connecting Terminals) Options (See ELECTRICAL SECTION for Further Breakdown):	
109	0272970	1	USA Built Machines (SN 03000140000 through 0300161446)	B
109	1001117174	1	USA Built Machines (SN 0300161447 through 0300182743)	B
109	0272970	1	China Built Machines (SN B300000100 through B300000639)	B
109	1001117174	1	China Built Machines (SN B300000640 through B300001091)	B
109A	1060918	7 ft/2.14m	Cable, Electrical - 18/3	
109B		Ref	Footswitch Options:	
109B	4360031	NLA	USA Built Machines (Use p/n 0272970) (SN 03000140000 through 0300161446)	
109B	4360031	NLA	China Built Machines (Use p/n 0272970) (SN B300000100 through B300000640)	
		Ref	Note: Assembly p/n 0272970 may use either p/n 4360031 or p/n 1001117320. If Original Equipment was replaced as an "assembly," p/n 1001117320 may have been used as part of the Service Replacement. Identify	

SECTION 4 - PLATFORM

ITEM	PART NUMBER	QTY	DESCRIPTION	REV
			component before ordering parts.	
109B		Ref	Footswitch Less Cable Options:	
109B	4360031	1	Original Equipment	
109B	1001117320	1	Service Replacement	
109B		Ref	Block, Contact Options (See Note Above):	
109B	7000625	2	Contact Block for 4360031 Footswitch	
109B	70003483	1	Contact Block for 1001117320 Footswitch	
109B	1001117172	Ref	USA Built Machines (SN 0300161447 through 0300182743)	
109B	1001117172	Ref	China Built Machines (SN B300000203 through B300001091)	
109B	70002902	1	Switch, 20Amp	
109B	70002903	1	Gasket	
109B	70002904	4	Replacement Kit, Bolt	
109B	70002905	1	Cover, Aluminum	
109C	4460071	1	Connector, Strain Relief	
		Ref	WORKLIGHTS INSTALLATIONS (OPTIONAL)	
	0273472	Ref	Worklights Installations 800S	D
	0273483	Ref	Worklights Installations 860SJ	D
	1001128153	Ref	Worklights Installations 860SJ (Worklights/Double Qty Listed for 4 Corner Worklight)	A
201	2080040	AR	Huck Fastener	
204	2920140	2	Worklight	
204	7016399	2	Bulb, Replacement (1 Per Worklight)	
207	3536089	2	Plate, Mounting	
213	4460426	1	Connector, Strain Relief (Not Shown - Located at Console Box)	
217		Ref	Hardware Options (Not Shown):	
217	2820035	9 ft	Loom, Vinyl (2 Work Lights)	
217	2820020	1 ft	Shrink, Heat (4 Work Lights)	
218	4240099	10	Tie-Strap (Not Shown)	
	0272058	Ref	FLOODLIGHTS INSTALLATION	B
301	0641518	2	Bolt 5/16in-18NC x 2-1/4in	
302	2560173	2	Handle, Star Knob	
303	2920157	2	Floodlight	
303	7024452	2	Bulb, Replacement (1 Per Light)	
304	3250585	1	Nameplate - Lights On	
305	4060802	1	Guard, Switch	
306	4360336	1	Switch, Toggle	
307	4420037	AR	Tape, Insulation (Not Shown)	
308	4751800	2	Flatwasher 1/2in Regular	
309	4846561	1	Mount, Light	
		Ref	TRAY INSTALLATIONS (OPTIONAL)	
401	1580012	1	Tray, Storage (Center)	
402	1580013	1	Tray, Storage (Rail Mounted - Not Shown)	

SECTION 4 - PLATFORM

FIGURE 4-2. PLATFORM COMPONENTS INSTALLATION (FALL ARREST PLATFORM)



Go to DiscountEquipment.com to order your parts

SECTION 4 - PLATFORM

FIGURE 4-2. PLATFORM COMPONENTS INSTALLATION (FALL ARREST PLATFORM)

ITEM	PART NUMBER	QTY	DESCRIPTION	REV
		Ref	PLATFORM ASSEMBLY (FALL ARREST)	
	3510884	Ref	PLATFORM ASSEMBLY (36 x 72)	E
	3510868	Ref	PLATFORM ASSEMBLY (36 x 96)	E
		Ref	Note: Replacement Decals Must be Ordered Separately - See DECALS SECTION.	
1	0681814	2	Bolt 1/2in-13NC x 1-3/4in (Grade 8)	
2	0681822	AR	Bolt 1/2in-13NC x 2-3/4in (Grade 8)	
3	0962270	2	Bearing, Oilite	
4	1702773	1	Decal - JLG	
5	1705014	1	Decal - Safety	
6	2410014	1	Gate	
7	3271805	AR	Locknut 1/2in-13NC (Grade 8)	
8	3311605	1	Locknut 3/8in-16NC	
9	See Note	1	Platform (Note: Purchase Platform Assembly)	
10	3520072	1	Cap-Plug	
11		Ref	Cable, Fall Arrest Options:	
11	1060919	1	36 x 72	
11	3890040	1	36 x 96	
12	3900054	1	Bolt 1/2in-13NC x 1-3/4in	
13	4711800	2	Flatwasher 1/2in Thin	
14	4751800	AR	Flatwasher 1/2in Regular	
15	1706385	1	Decal - Drop Bar	

SECTION 4 - PLATFORM

FIGURE 4-3. PLATFORM CONSOLE ASSEMBLY

ITEM	PART NUMBER	QTY	DESCRIPTION	REV
		Ref	PLATFORM CONSOLE ASSEMBLIES	
	1001114896	Ref	USA Built Machines (SN 0300140000 through 0300161729)	G
	1001141140	Ref	USA Built Machines (SN 0300161730 through 0300182743)	B
	1001114896	Ref	China Built Machines (SN 300000100 through B300000639)	G
	1001141140	Ref	China Built Machines (SN B300000640 through B300001091)	B
1	0100009	AR	Sealant	
3	0100081	AR	Compound, Loctite	
4	0140011	1	Alarm	
6	0641406	4	Bolt 1/4in-20NC x 3/4in	
7	0641414	4	Bolt 1/4in-20NC x 1-3/4in	
8	0721003	2	Bolt #10-24NC x 3/8in	
9	0721006	2	Screw #10-24NC x 3/4in	
10	0861441	1	Box, Console (See Items 101-106 for Breakdown)	
11	0902751	4	Bracket, Support	
12	1600317	NLA	Controller Assembly (Lift and Swing) (See CONTROLLER ASSEMBLY (LIFT AND SWING) for Breakdown) (Use p/n 1001129555)	
13	1600318	NLA	Controller Assembly (Drive and Steer) (See CONTROLLER ASSEMBLY (DRIVE AND STEER) for Breakdown) (Use p/n 1001212415)	
14		Ref	Controller, Module Options:	
		Ref	Note: Re-calibration Required when Replaced.	
14	1001110701	1	USA Built Machines (SN 0300140000 through 0300161729)	
14	1001141138	1	USA Built Machines (SN 0300161730 through 0300182743)	
14	1001110701	1	China Built Machines (SN 300000100 through B300000639)	
14	1001141138	1	China Built Machines (SN B300000640 through B300001091)	
15	1671176	1	Bezel	
16	1702565	1	Decal (Drive and Steer)	
17	1702566	1	Decal (Lift and Swing)	
18	1702567	1	Decal (Function Speed)	
19	1702676	1	Decal (Horn)	
20	1704260	1	Decal - EMS	
21	1705132	1	Decal - Control ADE	
22	2560136	1	Handle, Knob	
23	2920154	1	Panel, LED Light	
24	3300353	4	Nut, Tinnermen	
25	3300408	2	Insert, Nylon	
26	3311005	2	Locknut #10-24NC	
27	3520054	5	Plug, Hole	
28	3911018	2	Screw, Round Head #10	
29	4360328	4	Switch, Toggle	
30	4360330	1	Switch, Toggle	
31	4360331	1	Switch, Toggle	
32	4360387	1	Switch, Pushbutton	
33	4360407	1	Controller, Speed	
33	See Note	1	Gasket "Top Hat" (Included with Switch) (Note: Not Available - Purchase Complete Controller)	
33	70003784	1	Seal	
34	4360475	1	Switch, Emergency Stop	
34	7020175	1	Cap, Red	
34A	7020176	1	Contact Block	

SECTION 4 - PLATFORM

ITEM	PART NUMBER	QTY	DESCRIPTION	REV
35	4360476	1	Block, Contact	
36	4460007	1	Bar, Buss - Ground	
37	0100048	AR	Grease, Dielectric	
38	4460234	3	Base, Mounting	
39	4460428	2	Connector, Strain Relief	
40	4460470	1	Nut, Terminal	
41	4460471	1	Lockwasher, Terminal	
42	4460496	1	Nut, Terminal (Not Shown - See ELECTRICAL SECTION for Location)	
43	4460497	1	Lockwasher, Terminal (Not Shown - See ELECTRICAL SECTION for Location)	
44	4460708	2	Connector, Female - 15 Position (Not Shown - See ELECTRICAL SECTION for Location)	
45	4460905	5	Seal, Plug (Not Shown - See ELECTRICAL SECTION for Location)	
46	4751000	2	Flatwasher #10 Regular	
47	4751400	8	Flatwasher 1/4in Regular	
48	4761000	2	Lockwasher #10	
49	4922666	1	Harness, Analyzer Cable (Not Shown - See ELECTRICAL SECTION for Breakdown)	
50		Ref	Harness, Upper Valve Options (Not Shown - See ELECTRICAL SECTION for Breakdown):	
50	4922749	1	USA Built Machines (SN 0300140000 through 0300161729)	
50	1001141137	1	USA Built Machines (SN 0300161730 through 0300182743)	
50	4922749	1	China Built Machines (SN 300000100 through B300000639)	
50	1001141137	1	China Built Machines (SN B300000640 through B300001091)	
51		Ref	Decal (Stop) Options:	
51	1001107677	1	USA Built Machines (SN 0300140000 through 0300150266)	
51	1001131168	1	USA Built Machines (SN 0300150267 through 0300182743)	
51	1001107677	1	China Built Machines (SN B300000100 through B300000281)	
51	1001131168	1	China Built Machines (SN B300000282 through B300001091)	
52		Ref	Harness, Platform Box Options (See ELECTRICAL SECTION for Breakdown):	
52	1001107796	1	USA Built Machines (SN 0300140000 through 0300161729)	
52	1001141136	1	USA Built Machines (SN 0300161730 through 0300182743)	
52	1001107796	1	China Built Machines (SN 300000100 through B300000639)	
52	1001141136	1	China Built Machines (SN B300000640 through B300001091)	
53	3790012	AR	O-Ring	
	0861441	Ref	CONSOLE BOX ASSEMBLY	F
101	See Note	NSS	Console Top (Note: Not Available for Purchase)	
102	See Note	NSS	Console Bottom (Note: Not Available for Purchase)	
103	3311601	1	Nut 3/8in-16NC	
104	3470003	2	Pin, Hairpin	
105	0630568	1	Screw 3/8in-16NC x 4-1/2in	
106	4711500	2	Flatwasher 5/16in Thin	
		Ref	LIGHT PANEL DECAL INSTALLATION	
		Ref	USA Built Machines (SN 0300140000 through 0300143293 Only)	
		Ref	China Built Machines (SN B300000100 through B300000152 Only)	
		Ref	Light Panel Decal Installation 800S	
	1001108993	Ref	All Specs except CE Spec	A
	1001108992	Ref	CE Spec Only	A

SECTION 4 - PLATFORM

ITEM	PART NUMBER	QTY	DESCRIPTION	REV
		Ref	Light Panel Decal Installation 860SJ	
	1001108991	Ref	All Specs except CE Spec	A
	1001108992	Ref	CE Spec Only	A
		Ref	USA Built Machines (SN 0300143294 through 0300182743 Only)	
		Ref	China Built Machines (SN B300000153 through B300001091)	
		Ref	Light Panel Decal Installation 800S	
	1001125008	Ref	All Specs except Australian and CE Specs	A
		Ref	Australian Spec Only Options:	
	1001108993	Ref	USA Built Machines (SN 0300143294 through 0300147420 Only)	A
	1001108992	Ref	USA Built Machines (SN 0300147421 through 0300182743 Only)	A
	1001108993	Ref	China Built Machines (SN B300000153 through B300000279 Only)	A
	1001108992	Ref	China Built Machines (SN B300000280 through B300001091)	A
	1001108992	Ref	CE Spec Only	A
		Ref	Light Panel Decal Installation 860SJ	
	1001125009	Ref	All Specs except Australian and CE Specs	A
		Ref	Australian Spec Only Options:	
	1001108991	Ref	USA Built Machines (SN 0300143294 through 0300147420 Only)	A
	1001108992	Ref	USA Built Machines (SN 0300147421 through 0300182743 Only)	A
	1001108991	Ref	China Built Machines (SN B300000153 through B300000279 Only)	A
	1001108992	Ref	China Built Machines (SN B300000280 through B300001091)	A
	1001108992	Ref	CE Spec Only	A
201		Ref	Decal - Display Options:	
201		Ref	USA Built Machines (SN 0300140000 through 0300143293 Only)	
201		Ref	China Built Machines (SN B300000100 through B300000152 Only)	
201	1001107954	1	Decal - Display 800S - All Specs except CE Spec	
201	1001107952	1	Decal - Display 800S - CE Spec Only	
201	1001107953	1	Decal - Display 860SJ - All Specs except CE Spec	
201	1001107952	1	Decal - Display 860SJ - CE Spec Only	
201		Ref	USA Built Machines (SN 0300143294 through 0300182743 Only)	
201		Ref	China Built Machines (SN B300000153 through B300001091)	
201	1001125010	1	Decal - Display 800S - All Specs except Australian and CE Specs	
201		Ref	Decal - Display 800S - Australian Spec Only Options:	
201	1001107954	1	USA Built Machines (SN 0300143294 through 0300147420 Only)	
201	1001107952	1	USA Built Machines (SN 0300147421 through 0300182743 Only)	
201	1001107954	1	China Built Machines (SN B300000153 through B300000279 Only)	
201	1001107952	1	China Built Machines (SN B300000280 through B300001091)	
201	1001107952	1	Decal - Display 800S - CE Spec Only	

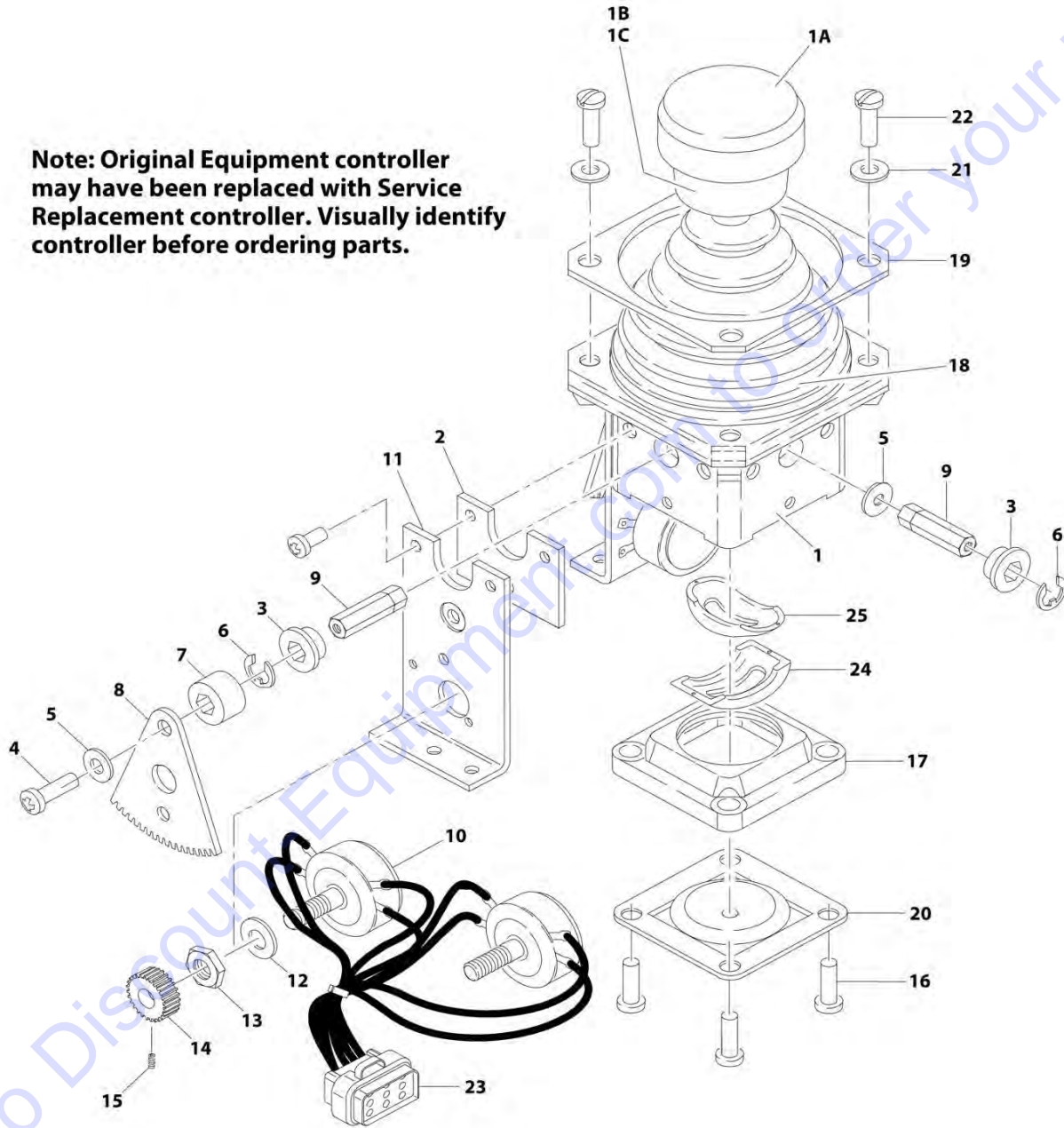
SECTION 4 - PLATFORM

ITEM	PART NUMBER	QTY	DESCRIPTION	REV
201	1001125011	1	Decal - Display 860SJ - All Specs except Australian and CE Specs	
201		Ref	Decal - Display 860SJ - Australian Spec Only Options:	
201	1001107953	1	USA Built Machines (SN 0300143294 through 0300147420 Only)	
201	1001107952	1	USA Built Machines (SN 0300147421 through 0300182743 Only)	
201	1001107953	1	China Built Machines (SN B300000153 through B300000279 Only)	
201	1001107952	1	China Built Machines (SN B300000280 through B300001091)	
201	1001107952	1	Decal - Display 860SJ - CE Spec Only	
	0271552	Ref	HEAD AND TAIL LIGHTS INSTALLATION (OPTIONAL)	C
301	4360522	1	Switch, Push Button	
302	1705170	1	Decal - Lights	
		Ref	SOFT TOUCH SYSTEM INSTALLATION (OPTIONAL)	
401	4360387	1	Switch, Pushbutton	
402	1702938	1	Decal - Soft Touch Override	
403	2920028	1	Light, Indicator	
404	2920029	1	Bulb, Light	
		Ref	GENERATOR INSTALLATION (OPTIONAL)	
501	4360336	1	Switch, Toggle	
502	4740397	1	Bushing	
503	4060802	1	Guard, Switch	
504	3251102	1	Decal - Generator ON/OFF	
		Ref	PLATFORM WORKLIGHT INSTALLATION (OPTIONAL)	
601	4460426	1	Connector, Strain Relief	
	0258608	Ref	JIB SWITCH INSTALLATION (860SJ ONLY)	B
701	4360328	1	Switch, Toggle	
		Ref	DUAL FUEL SWITCH INSTALLATION	
801	4360336	1	Switch, Toggle	
801	3790012	1	O-Ring	

SECTION 4 - PLATFORM

FIGURE 4-4. CONTROLLER ASSEMBLY (LIFT AND SWING)

Note: Original Equipment controller may have been replaced with Service Replacement controller. Visually identify controller before ordering parts.



ART_1600317

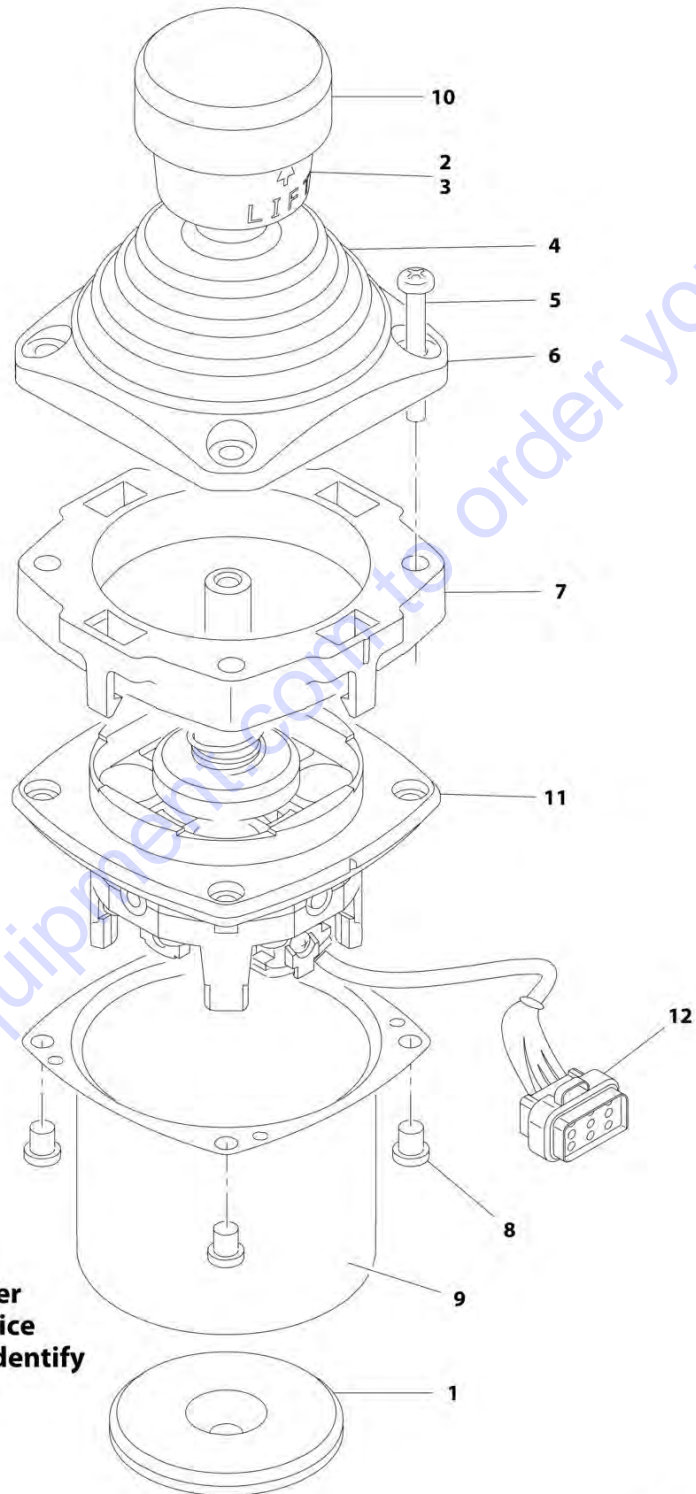
SECTION 4 - PLATFORM

FIGURE 4-4. CONTROLLER ASSEMBLY (LIFT AND SWING)

ITEM	PART NUMBER	QTY	DESCRIPTION	REV
		Ref	Note: Original Equipment controller may have been replaced with Service Replacement controller. Visually identify controller before ordering parts.	
	1600317	Ref	CONTROLLER ASSEMBLY (LIFT & SWING)	C
		Ref	Note: Use p/n 1001129555 Kit as Replacement.	
1	7019141	1	Mechanical Assembly (Includes Base, Handle Stem and Items 1A, 1B, 1C & 18)	
1A	7019197	1	Handle Cap and Rod	
1B	7003928	1	Spring	
1C	7022808	1	Cap, Lift	
2	7019171	2	Plate	
3	7019111	4	Bearing, Gear	
4	7019143	2	Screw	
5	7019144	2	Spacer, Cam	
6	7019145	4	E-Clip	
7	7019174	2	Spacer	
8	7003977	2	Gear, Drive	
9		Ref	Shaft Options:	
9	7019147	2	Shaft, Short	
9	7019177	2	Shaft, Long	
10	7022818	2	Potentiometer	
11	7019142	2	Plate	
12	7003992	2	Washer	
13	7003993	2	Nut	
14	7003976	2	Gear, Slave	
15	7019149	2	Setscrew	
16	7022816	4	Screw	
17	7019150	1	Gate	
18	7022814	1	Boot	
19	7022815	1	Bezel	
20	See Note	NSS	Detent, Center (Note: Use p/n 1001129555)	
21	7003953	4	Washer	
22	7022817	4	Screw	
23	7022819	1	Plug, Male - 8 Position (Natural)	
23	4460871	8	Socket, Female	
24	7019122	1	Gimble, Outer	
25	7019123	1	Gimble, Inner	

SECTION 4 - PLATFORM

FIGURE 4-5. CONTROLLER ASSEMBLY (LIFT AND SWING)



Note: Original Equipment controller may have been replaced with Service Replacement controller. Visually identify controller before ordering parts.

ART_100118417

SECTION 4 - PLATFORM

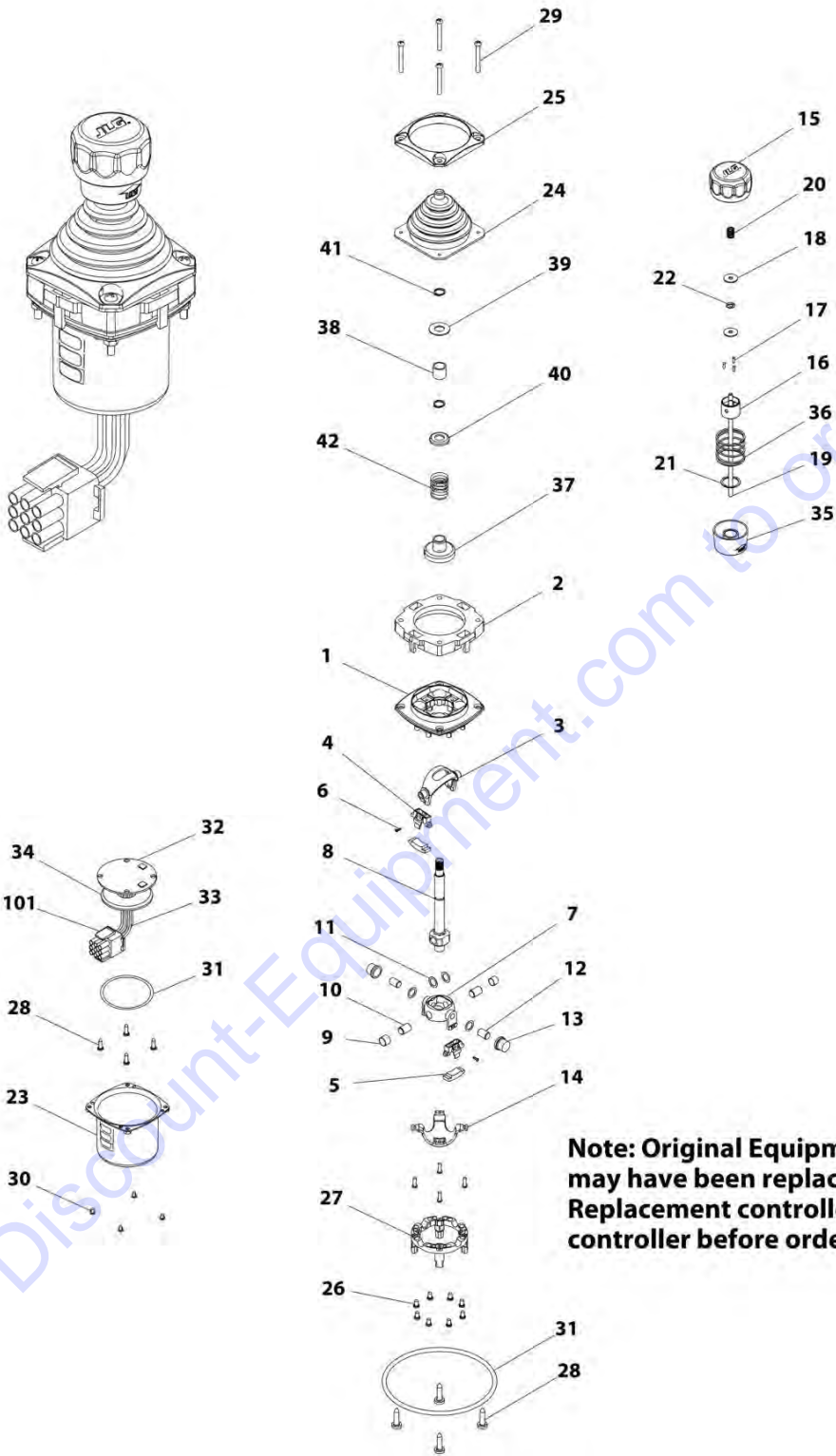
FIGURE 4-5. CONTROLLER ASSEMBLY (LIFT AND SWING)

ITEM	PART NUMBER	QTY	DESCRIPTION	REV
		Ref	Note: Original Equipment controller may have been replaced with Service Replacement controller. Visually identify controller before ordering parts.	
	1001118417	Ref	CONTROLLER ASSEMBLY (LIFT AND SWING)	E
		Ref	Note: Use p/n 1001129555 as Replacement.	
1	70002730	1	Gasket	
2	7003928	1	Spring	
3	7022808	1	Cap, Lift	
4	70002731	1	Boot	
5	70002732	4	Screw	
6	7022815	1	Bezel	
7	70002733	1	Adapter	
8	70002734	4	Screw	
9	70002735	1	Can, Enclosure	
10	70002906	1	Cap	
11	See Note	NSS	Mechanical Assembly (Note: Use p/n 1001129555)	
12	7022819	1	Connector - 8 Position	
12	4460871	6	Socket, Female	

Go to Discount-Equipment.com to order your parts

SECTION 4 - PLATFORM

FIGURE 4-6. CONTROLLER ASSEMBLY (LIFT AND SWING)



Note: Original Equipment controller may have been replaced with Service Replacement controller. Visually identify controller before ordering parts.

ART_1001166539

SECTION 4 - PLATFORM

FIGURE 4-6. CONTROLLER ASSEMBLY (LIFT AND SWING)

ITEM	PART NUMBER	QTY	DESCRIPTION	REV
		Ref	Note: Original Equipment controller may have been replaced with Service Replacement controller. Visually identify controller before ordering parts.	
	1001166539	Ref	CONTROLLER ASSEMBLY (LIFT AND SWING)	D
		Ref	Note: Use p/n 1001129555 as Replacement.	
1	See Note	NSS	Main Cast Body (Note: Available - Purchase Complete Assembly)	
2	70004752	1	Adapter	
3	See Note	NSS	Pivot Arm, Plastic (Note: Not Available - Purchase Complete Assembly)	
4	See Note	NSS	Holder, Magnet (Note: Not Available - Purchase Complete Assembly)	
5	See Note	NSS	Arc, Magnet (Note: Not Available - Purchase Complete Assembly)	
6	See Note	NSS	Screw (Note: Not Available for Purchase)	
7	See Note	NSS	Pivot Arm, Cast (Note: Not Available - Purchase Complete Assembly)	
8	See Note	NSS	Shaft, Main (Note: Not Available - Purchase Complete Assembly)	
9	See Note	NSS	Bearing (Note: Not Available - Purchase Complete Assembly)	
10	See Note	NSS	Pin (Note: Not Available - Purchase Complete Assembly)	
11	See Note	NSS	Shim (Note: Not Available - Purchase Complete Assembly)	
12	See Note	NSS	Pin (Note: Not Available - Purchase Complete Assembly)	
13	See Note	NSS	Bearing (Note: Not Available - Purchase Complete Assembly)	
14	See Note	NSS	Dome, Centering (Note: Not Available - Purchase Complete Assembly)	
15	70004753	1	Cap	
16	70004754	1	Insert, Cap	
17	70004755	3	Pin	
18	70004756	2	Washer	
19	70004757	1	Pin, Centering	
20	70004758	1	Spring	
21	70004759	1	Ring, Retaining	
22	70004760	1	E-Ring	
23	70004761	1	Can, Enclosure	
24	70004762	1	Boot	
25	70004763	1	Bezel	
26	See Note	NSS	Screw (Note: Not Available for Purchase)	
27	See Note	NSS	Base, Mounting (Note: Not Available - Purchase Complete Assembly)	
28	See Note	NSS	Screw (Note: Not Available for Purchase)	
29	70004764	4	Screw	
30	70004765	4	Screw	
31	70004766	1	O-Ring	
32	See Note	NSS	Plate (Note: Not Available - Purchase Complete Assembly)	
33	See Note	NSS	Harness (Note: Not Available - Purchase Complete Assembly)	
34	70004767	1	Grommet, Rubber	
35	70004768	1	Housing	
36	70004769	1	Spring	
37	70004770	1	Stopper	
38	70004771	1	Spacer	
39	70004772	1	Washer	
40	70004773	1	Disc	
41	70004774	2	Ring, Retaining	

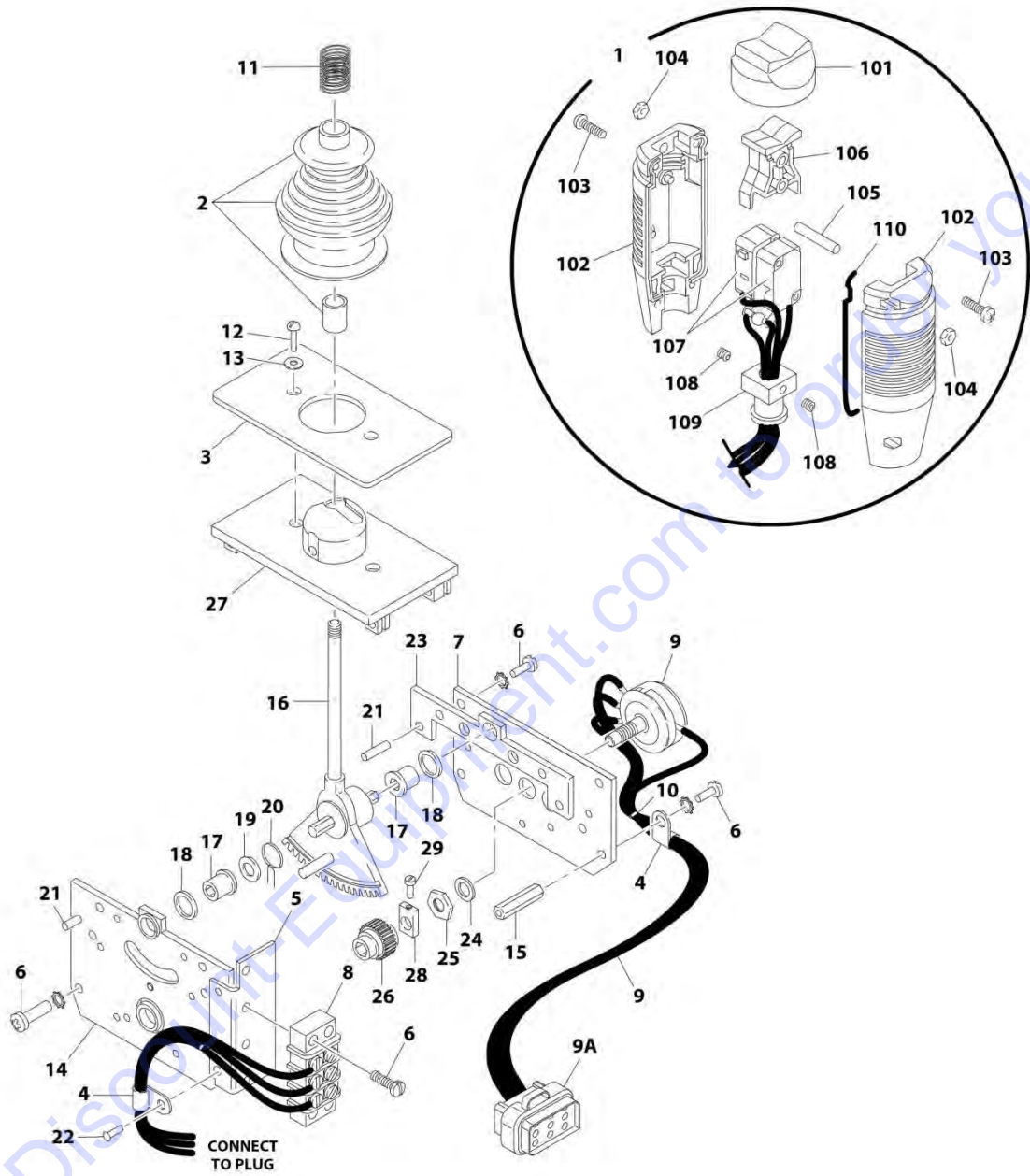
SECTION 4 - PLATFORM

ITEM	PART NUMBER	QTY	DESCRIPTION	REV
42	70004775	1	Spring	
101	4460265	1	Connector - 9 Position	
101	4460226	6	Socket, Female	

Go to Discount-Equipment.com to order your parts

SECTION 4 - PLATFORM

FIGURE 4-7. CONTROLLER ASSEMBLY (DRIVE AND STEER)



Note: Original Equipment controller may have been replaced with Service Replacement controller. Visually identify controller before ordering parts.

ART_1600318

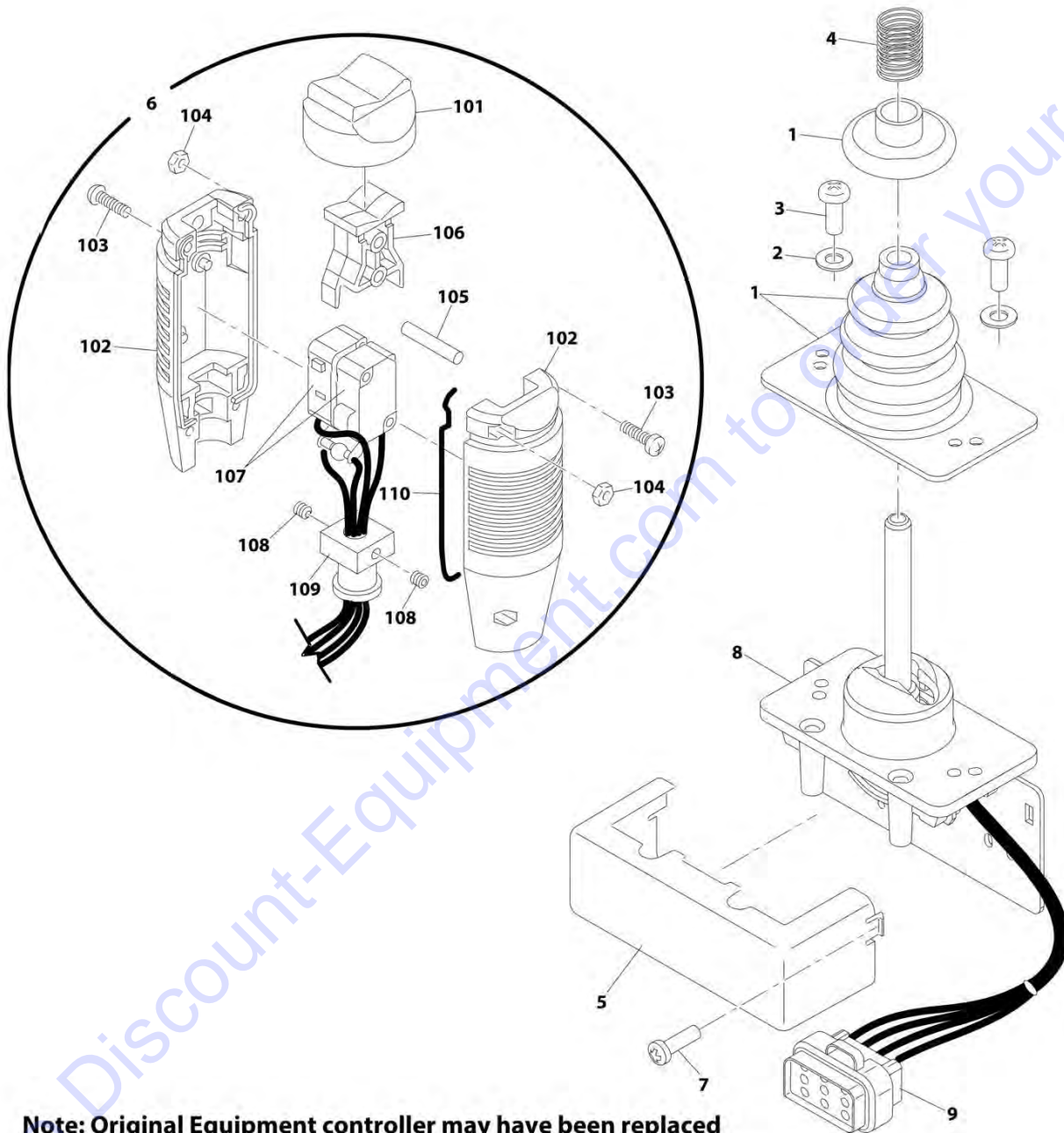
SECTION 4 - PLATFORM

FIGURE 4-7. CONTROLLER ASSEMBLY (DRIVE AND STEER)

ITEM	PART NUMBER	QTY	DESCRIPTION	REV
		Ref	Note: Original Equipment controller may have been replaced with Service Replacement controller. Visually identify controller before ordering parts.	
	1600318	Ref	CONTROLLER ASSEMBLY (DRIVE & STEER)	C
		Ref	Note: Use p/n 1001212415 as Replacement.	
1	7022812	1	Handle Assembly (See Items 101-110 for Breakdown)	
2	7019161	1	Boot and Sleeve	
3	7003933	1	Gasket	
4	7019154	2	Clamp, Wire	
5	7022823	1	Bracket, Mounting	
6	7003994	1	Screw	
7	7022822	1	Plate, Pot Mounting	
8	7003986	1	Strip, Terminal - 3 Position	
9	7022824	1	Electric Assembly	
9A	1001113961	1	Plug, Male - 8 Position (Black) (was p/n 7022825)	
9A	4460871	7	Socket, Female	
10	7019151	AR	Tie-Strap	
11	7019162	1	Spring	
12	7003969	2	Screw	
13	7003941	2	Washer	
14	See Note	NSS	Plate, Mounting (Left Side) (Note: Use p/n 1001166538)	
15	7019115	2	Stand-Off	
16	7019155	1	Shaft 8mm	
17	7019111	2	Bearing	
18	7019110	2	Spacer, Head Gear	
19	7019112	1	Washer	
20	7003946	1	Spring, Return	
21	7019103	4	Pin	
22	See Note	NSS	Rivet (Note: Not Available - Purchase Locally)	
23	7019168	1	Plate, Mounting (Right Side)	
24	7003992	1	Washer	
25	7003993	1	Nut	
26	7003935	1	Gear, Slave	
27	7019160	1	Plate, Base	
28	7019114	1	Coupling, Potentiometer	
29	See Note	NSS	Cup Point Screw (Note: Not Available for Purchase)	
	7022812	Ref	HANDLE ASSEMBLY	
101	7003972	1	Boot, Switch	
102	7003973	2	Half, Handle	
103	7003980	4	Screw	
104	7019167	4	Nut	
105	7019164	1	Axle	
106	7019165	1	Rocker	
107	See Note	NSS	Wiring for Controller Assembly p/n 1600318 (Note: Use p/n 1001166538)	
107	7019166	2	Switch, Micro	
108	7003983	2	Setscrew	
109	7019194	1	Coupling	
110	7003989	2	Gasket	

SECTION 4 - PLATFORM

FIGURE 4-8. CONTROLLER ASSEMBLY (DRIVE AND STEER)



Note: Original Equipment controller may have been replaced with Service Replacement controller. Visually identify controller before ordering parts.

ART_1001118416

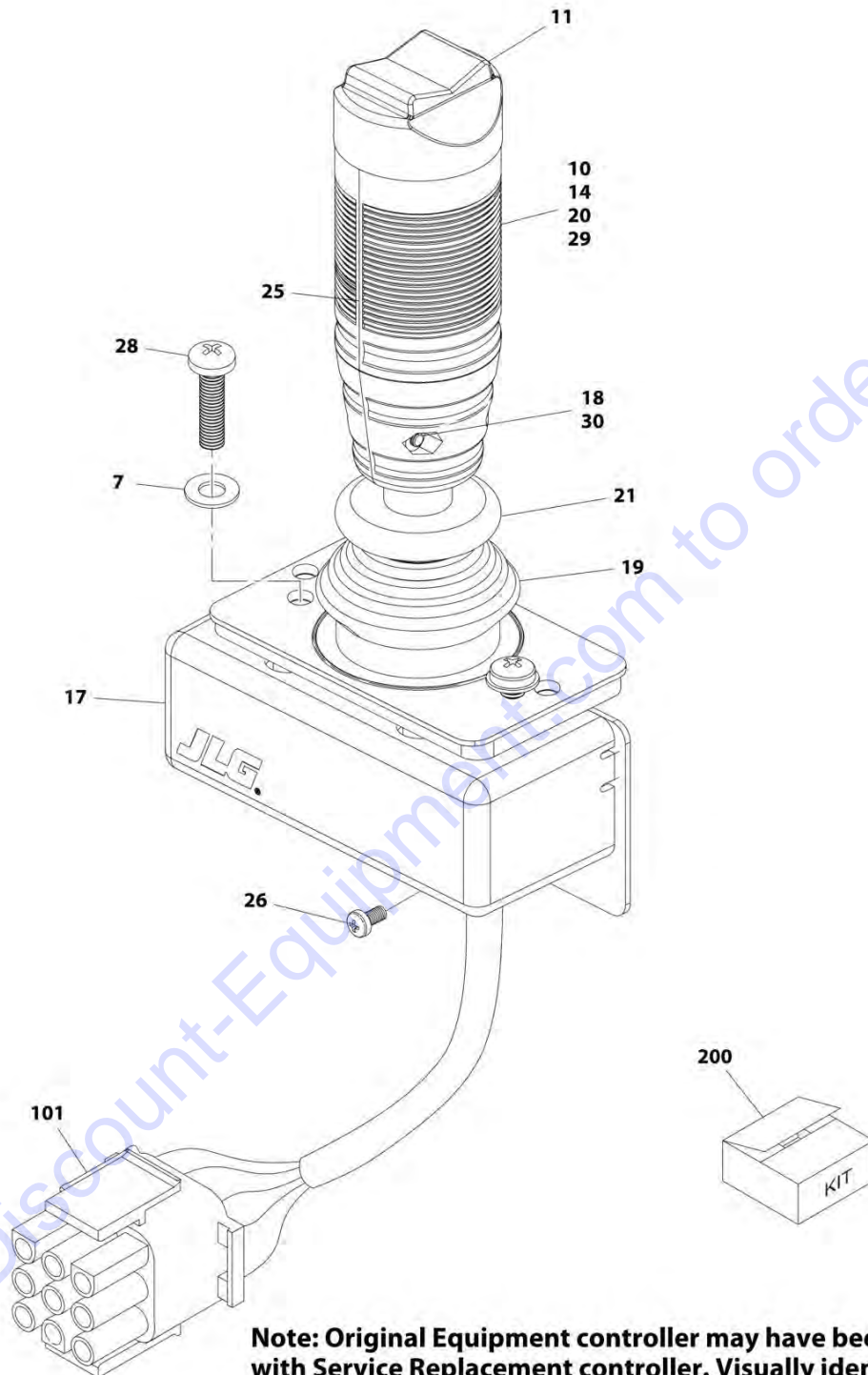
SECTION 4 - PLATFORM

FIGURE 4-8. CONTROLLER ASSEMBLY (DRIVE AND STEER)

ITEM	PART NUMBER	QTY	DESCRIPTION	REV
		Ref	Note: Original Equipment controller may have been replaced with Service Replacement controller. Visually identify controller before ordering parts.	
	1001118416	Ref	CONTROLLER ASSEMBLY (DRIVE AND STEER)	D
		Ref	Note: Use p/n 1001212415 as Replacement.	
1	70002724	1	Boot and Control Lock Assembly	
2	7003941	2	Washer	
3	70002725	2	Screw	
4	7019162	1	Spring	
5	70002726	1	Enclosure	
6	70002727	1	Handle Assembly (See Items 101-110 for Breakdown)	
7	70002728	1	Screw	
8	See Note	NSS	Mechanical Assembly (Note: Use p/n 1001166538)	
9	1001113961	1	Plug, Male - 8 Position (Black) (was p/n 7022825)	
9	4460871	7	Socket, Female	
	70002727	Ref	HANDLE ASSEMBLY	
101	7003972	1	Boot, Switch	
102	7003973	2	Half, Handle	
103	7003980	4	Screw	
104	7019167	4	Nut	
105	7019164	1	Axle	
106	7019165	1	Rocker	
107	70002729	1	Wiring Assembly	
107	7003982	2	Switch, Micro	
108	7003983	2	Setscrew	
109	7019194	1	Coupling	
110	7003989	2	Gasket	

SECTION 4 - PLATFORM

FIGURE 4-9. CONTROLLER ASSEMBLY (DRIVE AND STEER)



Note: Original Equipment controller may have been replaced with Service Replacement controller. Visually identify controller before ordering parts.

ART_1001166538

SECTION 4 - PLATFORM

FIGURE 4-9. CONTROLLER ASSEMBLY (DRIVE AND STEER)

ITEM	PART NUMBER	QTY	DESCRIPTION	REV
		Ref	Note: Original Equipment controller may have been replaced with Service Replacement controller. Visually identify controller before ordering parts.	
	1001166538	Ref	CONTROLLER ASSEMBLY (DRIVE AND STEER)	E
		Ref	Note: Use p/n 1001212415 as Replacement.	
7	70004738	2	Washer	
10	70004739	1	Roller	
11	70004740	1	Boot, Switch	
14	70004741	2	Half, Handle	
17	70004742	1	Enclosure	
18	70004743	4	Nut	
19	70004744	NLA	Boot, Controller (Note: Use Item 200)	
20	70004745	NLA	Tube, Locking (Note: Use Item 200)	
21	70004746	NLA	Disc, Locking (Note: Use Item 200)	
25	70004747	2	Seal, Rope	
26	70004748	1	Screw, M3 x 6	
28	70004749	2	Screw, M5 x 20	
29	70004750	1	Pin, Dowel	
30	70004751	4	Screw, M3 x 16	
101	4460265	1	Connector - 9 Position	
101	4460226	7	Socket, Female	
200	70005230	1	Boot Kit (Includes Items 19-21)	

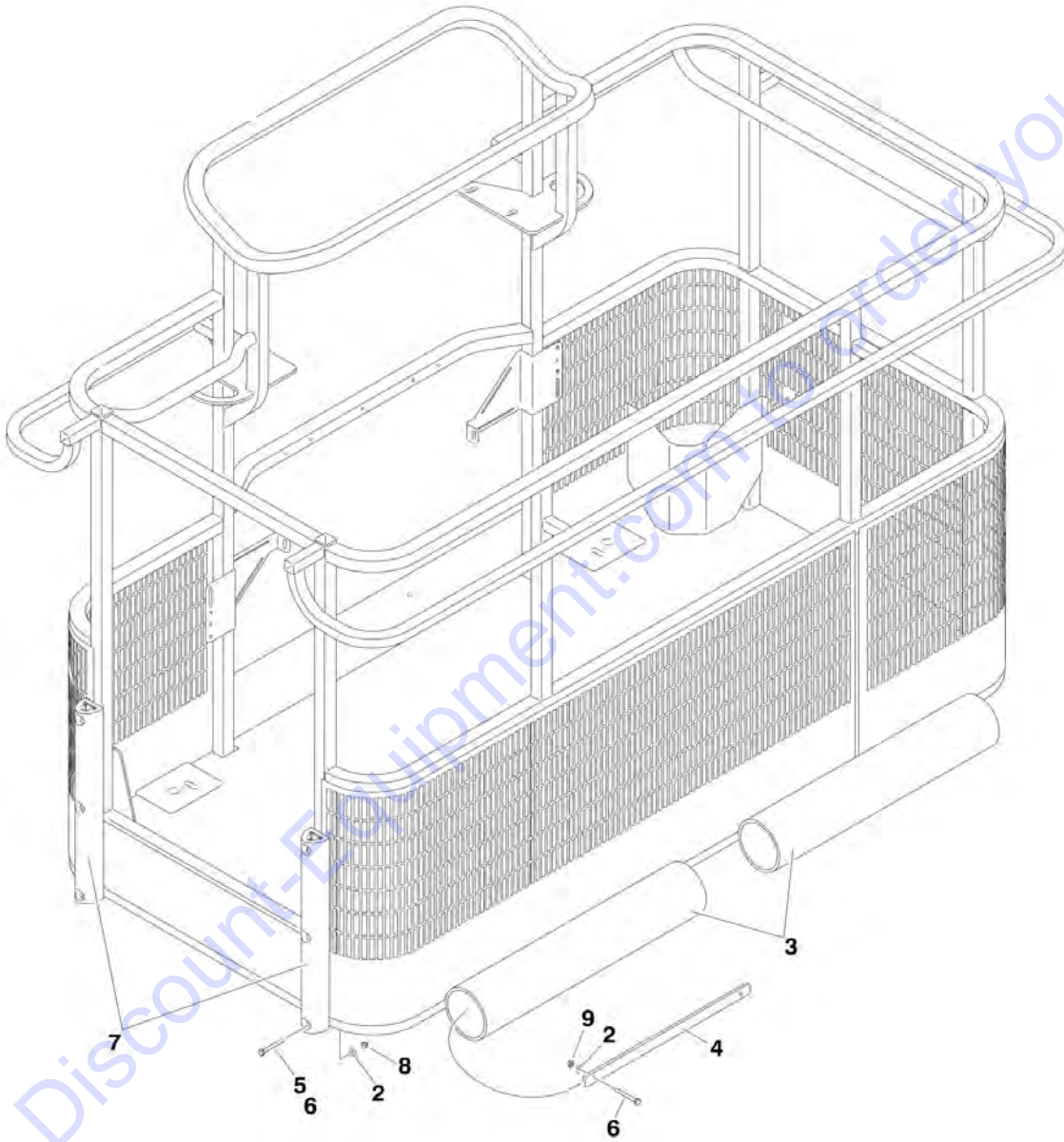
SECTION 4 - PLATFORM

FIGURE 4-10. SOFT TOUCH SYSTEM INSTALLATION (OPTIONAL)

ITEM	PART NUMBER	QTY	DESCRIPTION	REV
		Ref	SOFT TOUCH SYSTEM INSTALLATIONS	
	0273824	Ref	6ft Platforms	B
	0272427	Ref	8ft Platforms	E
	1001108256	Ref	6ft/1.8m Platforms with Fall Arrest	A
	0273706	Ref	8ft/2.4m Platforms with Fall Arrest	B
1	0100011	AR	Compound, Locking	
2	0200048	2	Arm, Switch	
3	0630462	8	Bolt, Carriage	
4	0641414	8	Bolt 1/4in-20NC x 1-3/4in	
5	0721005	4	Bolt #10-24NC x 5/8in	
6		Ref	Bumper Kits (Includes Corners and Enough Straight Material for One Platform)	
6	0940134	1	6ft Platform	
6	0940103	1	8ft Platform	
6	0940177	1	6ft/1.8m Platforms with Fall Arrest	
6	0940133	1	8ft/2.4m Platforms with Fall Arrest	
6	0940092	1	Bumper (Corner) Options:	
6	0940092	12	Standard Platform	
6	0940092	8	Fall Arrest Platforms	
6	0940094	AR	Bumper (12ft Length)	
7	1060341		Cable, Electrical - 16/2 Options:	
7	1060341	22 ft /6.7m	Cable, Electrical - 16/2 6ft Platform	
7	1060341	23 ft/7m	Cable, Electrical - 16/2 8ft Platform	
8	1060903	4	Wire Rope and Eyebolt Assembly	
9	1702938	1	Decal - Soft Touch Override	
10	3311401	8	Nut 1/4in-20NC	
11	3311501	8	Nut 5/16in-18NC	
12		Ref	Plate, Switch Strike Options:	
12	3575359	2	Plate, Switch Strike 6ft Platform	
12	3574091	2	Plate, Switch Strike 8ft Platform	
13	4240099	7	Tie-Strap	
14	4360057	2	Switch, Limit	
15	4360387	1	Switch, Push Button	
16	4420068	AR	Tape, Adhesive	
17	4460049	2	Connector, Strain Relief	
18	4460234	7	Tie-Strap	
19	4460425	1	Connector, Strain Relief	
20	4751400	8	Flatwasher 1/4in Regular	
21	4751500	AR	Flatwasher 5/16in Regular	
22	4751800	8	Flatwasher 1/2in Regular	
23		Ref	Rail, Soft Touch Options:	
23	3641569	1	Rail, Soft Touch 6ft Platform	
23	4846673	1	Rail, Soft Touch 8ft Platform	
25	2920028	1	Light, Indicator	
26	2920028	1	Bulb, Light	

SECTION 4 - PLATFORM

FIGURE 4-11. PLATFORM BUMPER PADDING INSTALLATION (OPTIONAL)



SECTION 4 - PLATFORM

FIGURE 4-11. PLATFORM BUMPER PADDING INSTALLATION (OPTIONAL)

ITEM	PART NUMBER	QTY	DESCRIPTION	REV
	1001110982	Ref	BUMPER INSTALLATION	D
2	4711400	10	Flatwasher 1/4in Thin	
3	1001110979	3	Bumper	
4	1001110980	3	Clamp, Bumper	
5	0100011	AR	Compound, Locking	
6	0641418	10	Bolt 1/4in-20NC x 2-1/4in	
7	0940159	2	Bumper	
8	3300430	4	Nut, Acorn 1/4in-20NC	
9	3311405	6	Locknut 1/4in-20NC	

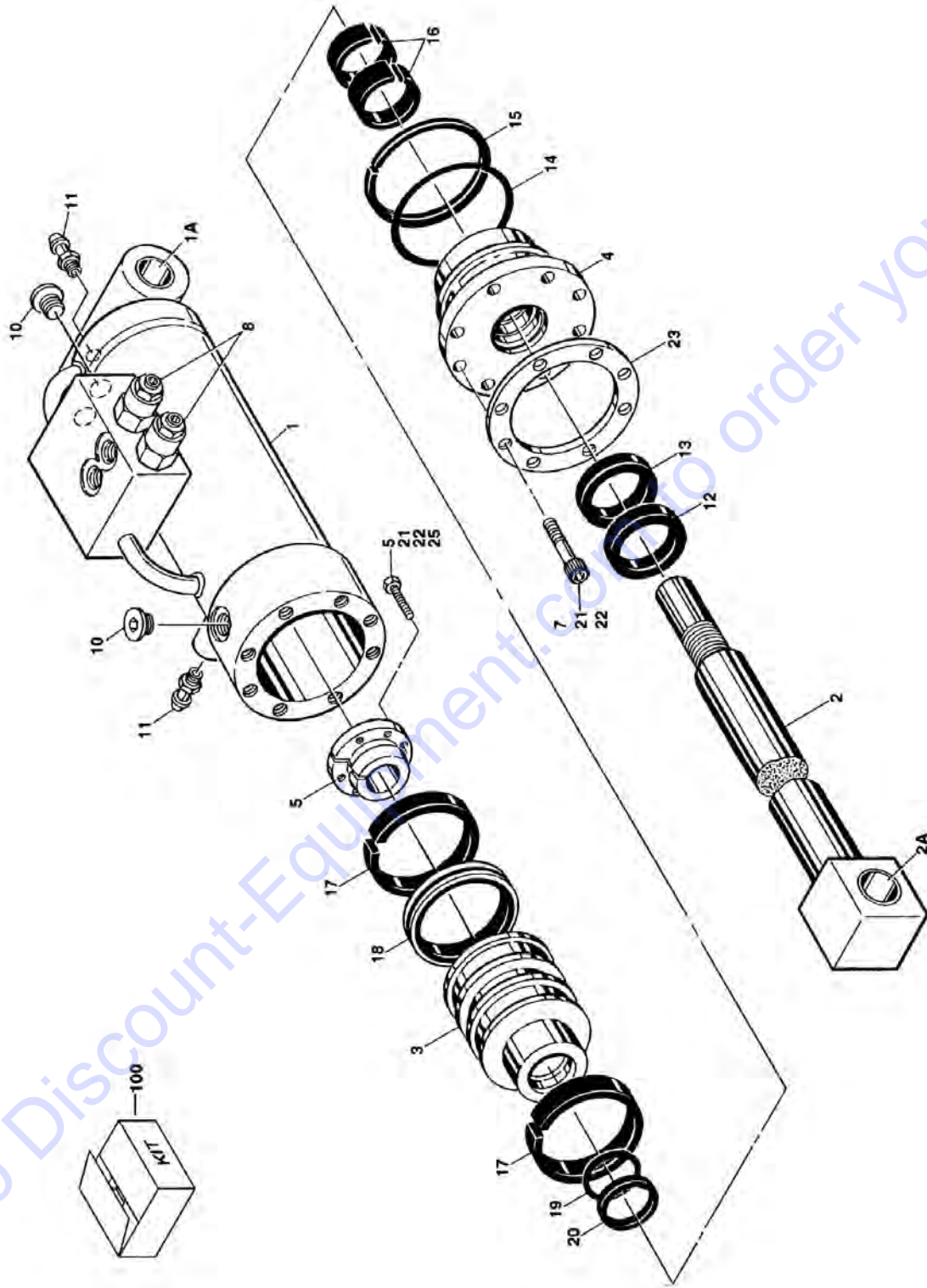
Go to Discount-Equipment.com to order your parts

SECTION 5 - CYLINDER

Go to Discount-Equipment.com to order your parts

SECTION 5 - CYLINDER

FIGURE 5-1. AXLE LOCKOUT CYLINDER ASSEMBLY



PARTS FINDER

**Search Website
by Part Number**



**Search Manual
Library For Parts
Manual & Lookup Part
Numbers – Purchase
or Request Quote**

**Can't Find Part or
Manual? Request Help
by Manufacturer,
Model & Description**

Discount-Equipment.com is your online resource for quality parts & equipment.

Florida: **561-964-4949** Outside Florida TOLL FREE: **877-690-3101**

Need parts?

Click on this link: <http://www.discount-equipment.com/category/5443-parts/> and choose one of the options to help get the right parts and equipment you are looking for. Please have the machine model and serial number available in order to help us get you the correct parts. If you don't find the part on the website or on one of the online manuals, please fill out the request form and one of our experienced staff members will get back to you with a quote for the right part that your machine needs.

We sell worldwide for the brands: Genie, Terex, JLG, MultiQuip, Mikasa, Essick, Whiteman, Mayco, Toro Stone, Diamond Products, Generac Magnum, Airman, Haulotte, Barreto, Power Blanket, Nifty Lift, Atlas Copco, Chicago Pneumatic, Allmand, Miller Curber, Skyjack, Lull, Skytrak, Tsurumi, Husquvarna Target, Stow, Wacker, Sakai, Mi-T-M, Sullair, Basic, Dynapac, MBW, Weber, Bartell, Bennar Newman, Haulotte, Ditch Runner, Menegotti, Morrison, Contec, Buddy, Crown, Edco, Wyco, Bomag, Laymor, EZ Trench, Bil-Jax, F.S. Curtis, Gehl Pavers, Heli, Honda, ICS/PowerGrit, IHI, Partner, Imer, Clipper, MMD, Koshin, Rice, CH&E, General Equipment, Amida, Coleman, NAC, Gradall, Square Shooter, Kent, Stanley, Tamco, Toku, Hatz, Kohler, Robin, Wisconsin, Northrock, Oztec, Toker TK, Rol-Air, APT, Wylie, Ingersoll Rand / Doosan, Innovatech, Con X, Ammann, Mecalac, Makinex, Smith Surface Prep, Small Line, Wanco, Yanmar

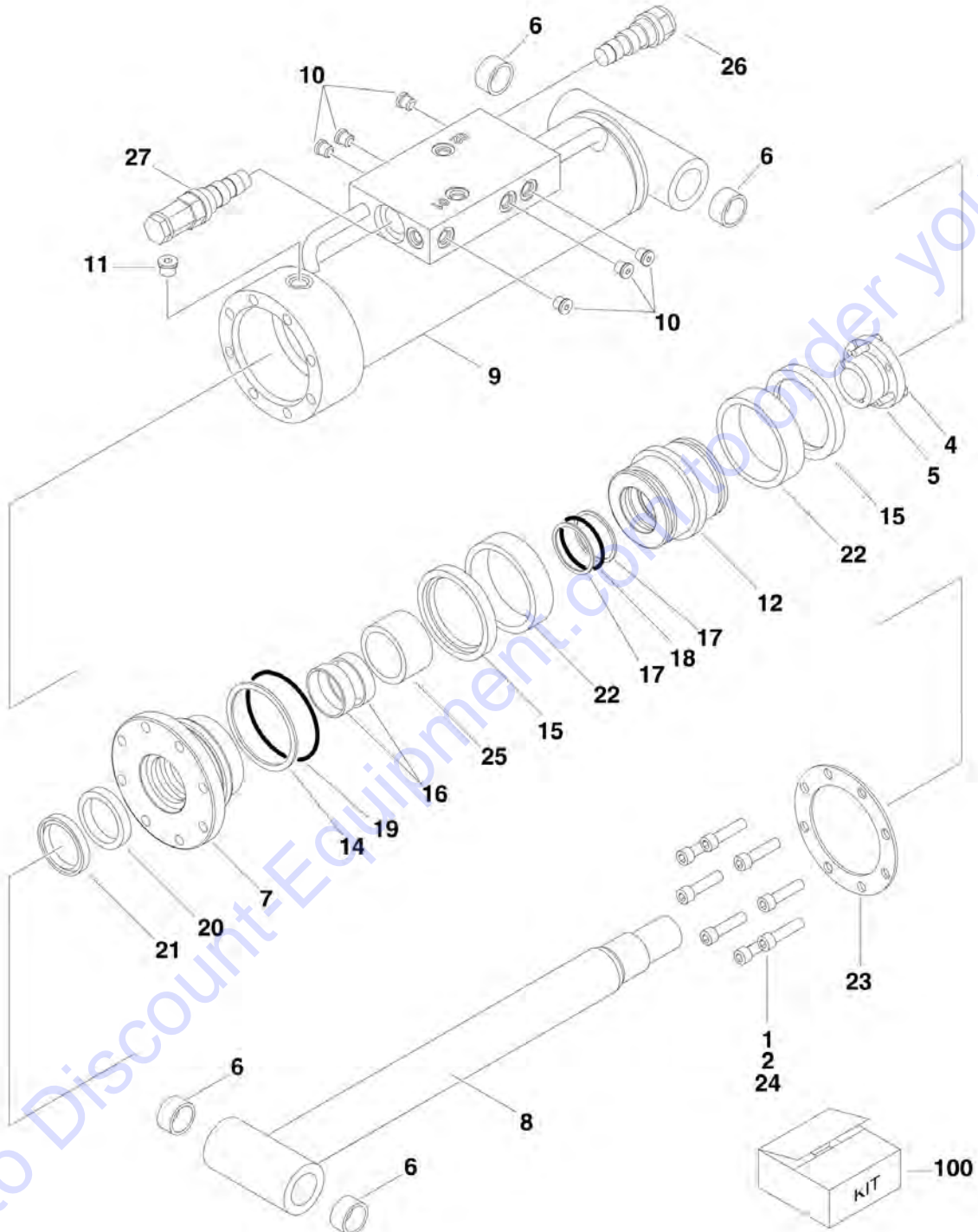
SECTION 5 - CYLINDER

FIGURE 5-1. AXLE LOCKOUT CYLINDER ASSEMBLY

ITEM	PART NUMBER	QTY	DESCRIPTION	REV
	1683078	Ref	AXLE LOCKOUT CYLINDER ASSEMBLY	N
1	1684191	1	Barrel Weldment (Note: Includes Item 1A)	
1A	0962496	2	Bushing	
2	1683986	1	Rod Weldment (Note: Includes Item 2A)	
2A	0962496	2	Bushing	
3	3480176	1	Piston	
4	1683059	1	Head	
5	0961895	1	Bushing	
7	3931720	8	Bolt, Socket Head 7/16in-14NC x 1-1/4in	
8	4641162	2	Cartridge, Valve (Counterbalance)	
8	2900770	2	Seal Kit - 4641162 Valve (1 Per Assembly)	
9	2220886	1	Plug, O-Ring	
10	2220885	2	Plug, O-Ring	
11	4640858	3	Valve, Bleeder	
12	See Note	NSS	Wiper (Note: Use Item 100)	
13	See Note	NSS	Seal, Rod (Note: Use Item 100)	
14	See Note	NSS	O-Ring (Note: Use Item 100)	
15	See Note	NSS	Ring, Back-up (Note: Use Item 100)	
16	See Note	NSS	Ring, Wear (Note: Use Item 100)	
17	See Note	NSS	Ring, Wear (Note: Use Item 100)	
18	See Note	NSS	T-Seal (Note: Use Item 100)	
19	See Note	NSS	O-Ring (Note: Use Item 100)	
20	See Note	NSS	Ring, Back-up (Note: Use Item 100)	
21	0100011	AR	Compound, Locking	
22	0100038	AR	Primer, Locking	
23	3760370	1	Ring, Washer	
25	0630535	3	Bolt 1/4in-20NC x 1-1/8in	
100	2901271	1	Seal Kit (Includes Items 12-20)	

SECTION 5 - CYLINDER

FIGURE 5-2. LEVEL CYLINDER ASSEMBLY - PLATFORM SLAVE



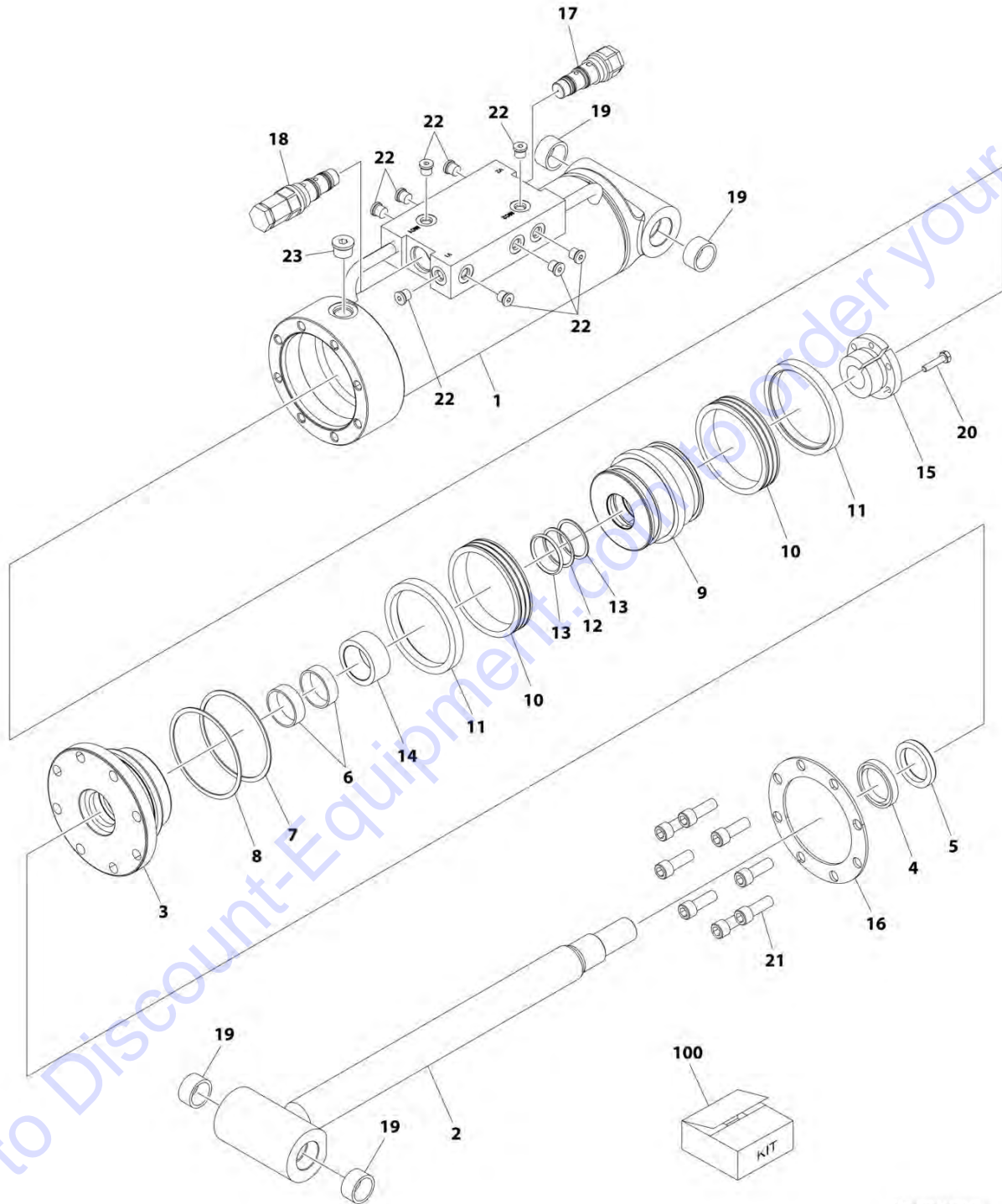
SECTION 5 - CYLINDER

FIGURE 5-2. LEVEL CYLINDER ASSEMBLY - PLATFORM SLAVE

ITEM	PART NUMBER	QTY	DESCRIPTION	REV
		Ref	LEVEL CYLINDER ASSEMBLY - PLATFORM SLAVE	
	1684189	Ref	Platform Level Cylinder Assembly (Original Equipment) (800S)	E
	1684136	Ref	Platform Level Cylinder Assembly (Original Equipment) (860SJ) (SN 0300140000 through 0300173218)	F
	1684136	Ref	Platform Level Cylinder Assembly (Original Equipment) (860SJ) (SN 0300182114 through 0300182743)	F
	1684136	Ref	Platform Level Cylinder Assembly (Original Equipment) (860SJ) (SN B300000100 through B300001091)	F
		Ref	Note: Original Cylinder may have been replaced with Service Replacement. Identify PN Stamped on Cylinder Before Ordering Parts.	
1	0100011	AR	Compound, Locking	
2	0100038	AR	Primer, Locking	
3	0100063	AR	Loctite #RC 609	
4	0630535	3	Capscrew, Socket Head 1/4in-20NC x 1in	
5	0961894	1	Bushing, Tapered	
6		Ref	Bushing Options:	
6	0961947	4	Bushing 800S - Garmax	
6	0961948	4	Bushing 860SJ - Composite	
7	1683059	1	Head	
8		Ref	Rod Options:	
8	1683976	1	Rod 800S (Note: Includes Item 6)	
8	1684133	1	Rod 860SJ (Note: Item 6 not included - Purchase Separately)	
9		Ref	Barrel Options:	
9	1684188	1	Barrel 800S (Note: Includes Item 6)	
9	1684135	1	Barrel 860SJ (Note: Item 6 not included - Purchase Separately)	
10	2220883	10	Plug	
11	2220885	1	Plug	
12	3480267	1	Piston	
14	See Note	NSS	Ring, Back-up (Note: Use Item 100)	
15	See Note	NSS	Ring, Lock (Note: Use Item 100)	
16	See Note	NSS	Ring, Wear (Note: Use Item 100)	
17	See Note	NSS	Ring, Back-up (Note: Use Item 100)	
18	See Note	NSS	O-Ring (Note: Use Item 100)	
19	See Note	NSS	O-Ring (Note: Use Item 100)	
20	See Note	NSS	Seal (Note: Use Item 100)	
21	See Note	NSS	Wiper (Note: Use Item 100)	
22	See Note	NSS	Seal (Note: Use Item 100)	
23	3760370	1	Ring, Washer	
24	3931620	8	Capscrew 3/8in-16NC x 1-1/4in	
25		Ref	Spacer, Tube Options:	
25	4568402	1	Spacer, Tube 800S	
25	4566468	1	Spacer, Tube 860SJ	
26	4641232	1	Valve, Cartridge	
26	7011112	1	Seal Kit - 4641232 Valve	
27	4640932	1	Valve, Cartridge	
27	7011112	1	Seal Kit - 4640932 Valve	
100	2902061	1	Seal Kit (Includes Items 14-22)	

SECTION 5 - CYLINDER

FIGURE 5-3. LEVEL CYLINDER ASSEMBLY - PLATFORM SLAVE (SERVICE REPLACEMENT) (800S)



ART_1001228027

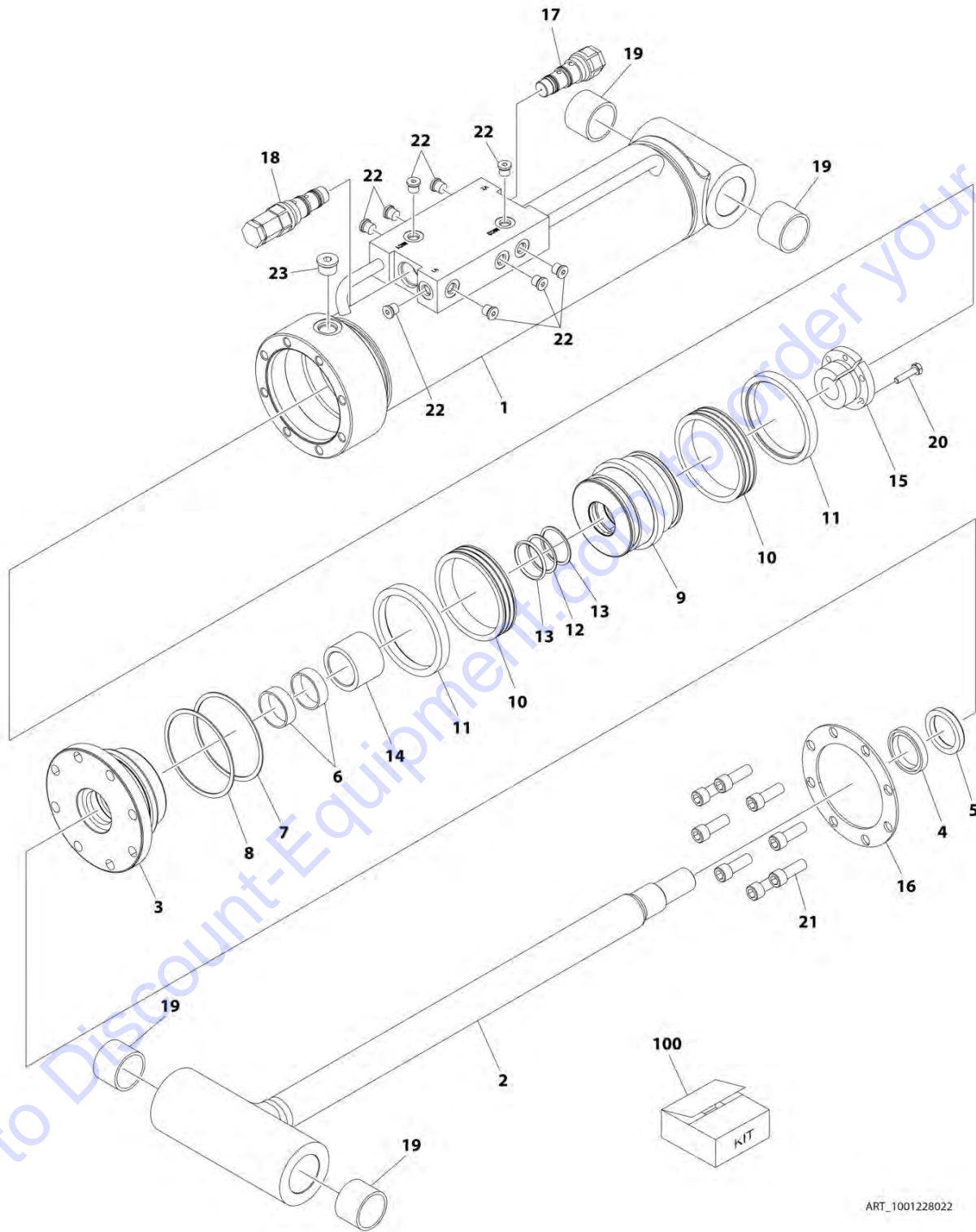
SECTION 5 - CYLINDER

FIGURE 5-3. LEVEL CYLINDER ASSEMBLY - PLATFORM SLAVE (SERVICE REPLACEMENT) (800S)

ITEM	PART NUMBER	QTY	DESCRIPTION	REV
	1001228027	Ref	LEVEL CYLINDER ASSEMBLY - PLATFORM SLAVE	B
		Ref	Note: Original Cylinder may have been replaced with Service Replacement. Identify PN Stamped on Cylinder Before Ordering Parts.	
1	See Note	NSS	Barrel (Note: Not Available for Purchase)	
2	70006648	1	Rod	
3	70006699	1	Head	
4	See Note	NSS	Wiper (Note: Use Item 100)	
5	See Note	NSS	Seal, Rod (Note: Use Item 100)	
6	See Note	NSS	Ring, Wear (Note: Use Item 100)	
7	See Note	NSS	O-Ring (Note: Use Item 100)	
8	See Note	NSS	Ring, Back-up (Note: Use Item 100)	
9	70006700	1	Piston	
10	See Note	NSS	T-Seal (Note: Use Item 100)	
11	See Note	NSS	Ring, Wear (Note: Use Item 100)	
12	See Note	NSS	O-Ring (Note: Use Item 100)	
13	See Note	NSS	Ring, Back-up (Note: Use Item 100)	
14	70006701	1	Spacer, Tube	
15	0961894	1	Bushing, Tapered	
16	3760370	1	Washer	
17	4641232	1	Valve, Cartridge	
17	7011112	1	Seal Kit - 4641232 Valve	
18	4640932	1	Valve, Cartridge	
18	7011112	1	Seal Kit - 4640932 Valve	
19	0961947	4	Bushing	
20	0630535	3	Capscrew 1/4 x 1	
21	3931720	8	Capscrew 7/16 x 1-1/4	
22	2220883	10	Plug	
23	2220886	1	Plug	
100	2902061	1	Seal Kit (Includes Items 4-8 & 10-13)	

SECTION 5 - CYLINDER

FIGURE 5-4. LEVEL CYLINDER ASSEMBLY - PLATFORM SLAVE (SERVICE REPLACEMENT) (860SJ)



ART_1001228022

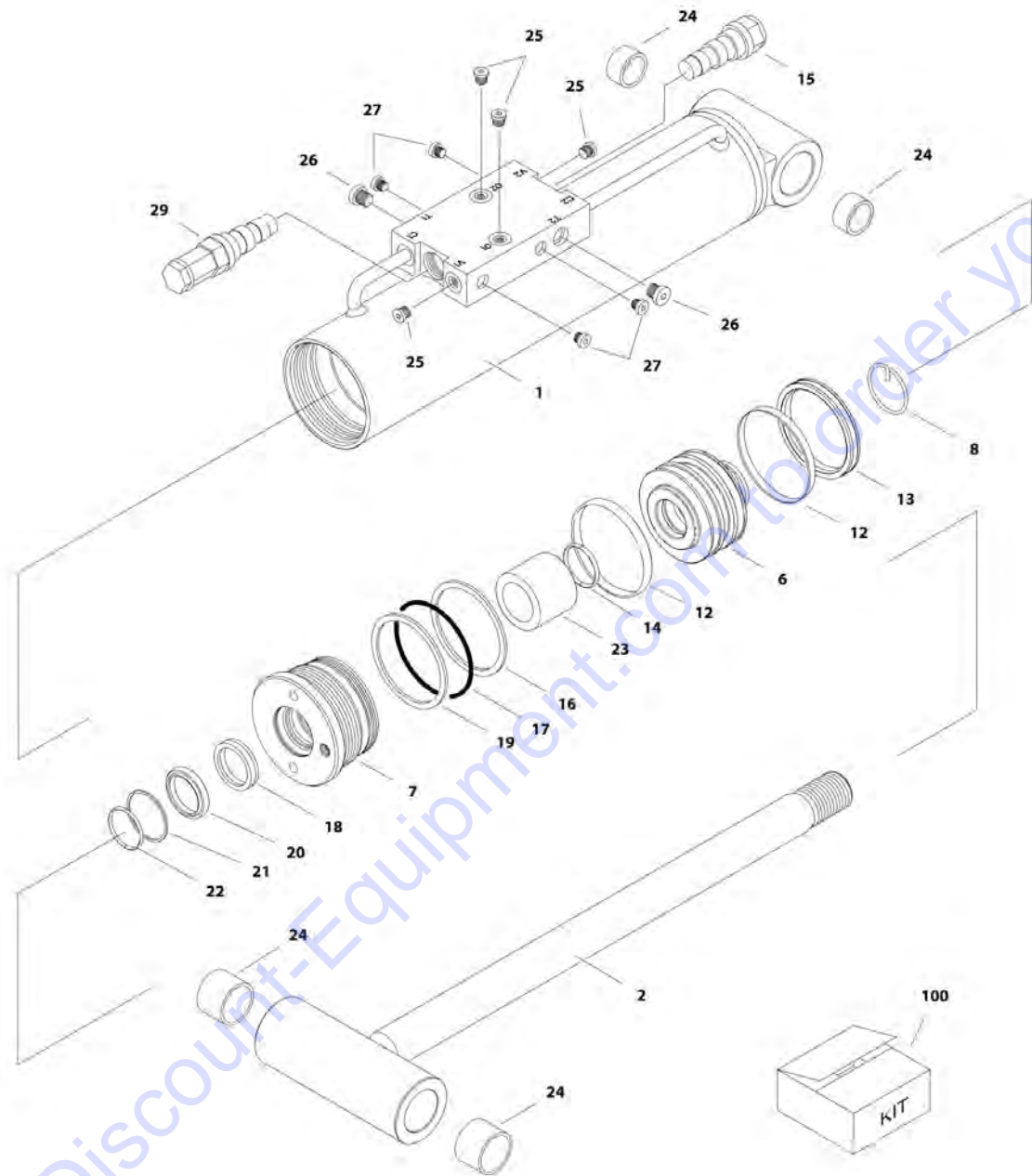
SECTION 5 - CYLINDER

FIGURE 5-4. LEVEL CYLINDER ASSEMBLY - PLATFORM SLAVE (SERVICE REPLACEMENT) (860SJ)

ITEM	PART NUMBER	QTY	DESCRIPTION	REV
	1001228022	Ref	LEVEL CYLINDER ASSEMBLY - PLATFORM SLAVE	B
		Ref	Note: Original Cylinder may have been replaced with Service Replacement. Identify PN Stamped on Cylinder Before Ordering Parts.	
1	See Note	NSS	Barrel (Note: Not Available for Purchase)	
2	70006726	1	Rod	
3	70006699	1	Head	
4	See Note	NSS	Wiper (Note: Use Item 100)	
5	See Note	NSS	Seal, Rod (Note: Use Item 100)	
6	See Note	NSS	Ring, Wear (Note: Use Item 100)	
7	See Note	NSS	O-Ring (Note: Use Item 100)	
8	See Note	NSS	Ring, Back-up (Note: Use Item 100)	
9	70006700	1	Piston	
10	See Note	NSS	T-Seal (Note: Use Item 100)	
11	See Note	NSS	Ring, Wear (Note: Use Item 100)	
12	See Note	NSS	O-Ring (Note: Use Item 100)	
13	See Note	NSS	Ring, Back-up (Note: Use Item 100)	
14	70006645	1	Spacer, Tube	
15	0961894	1	Bushing, Tapered	
16	70006727	2	Washer	
17	4641232	1	Valve, Cartridge	
17	7011112	1	Seal Kit - 4641232 Valve	
18	4640932	1	Valve, Cartridge	
18	7011112	1	Seal Kit - 4640932 Valve	
19	0961948	4	Bushing	
20	0630535	3	Capscrew 1/4 x 1	
21	70006728	8	Bolt	
22	2220883	10	Plug	
23	2220886	1	Plug	
100	2902061	1	Seal Kit (Includes Items 4-8 & 10-13)	

SECTION 5 - CYLINDER

FIGURE 5-5. LEVEL CYLINDER ASSEMBLY - PLATFORM SLAVE (860SJ ONLY)



ART 1001140459

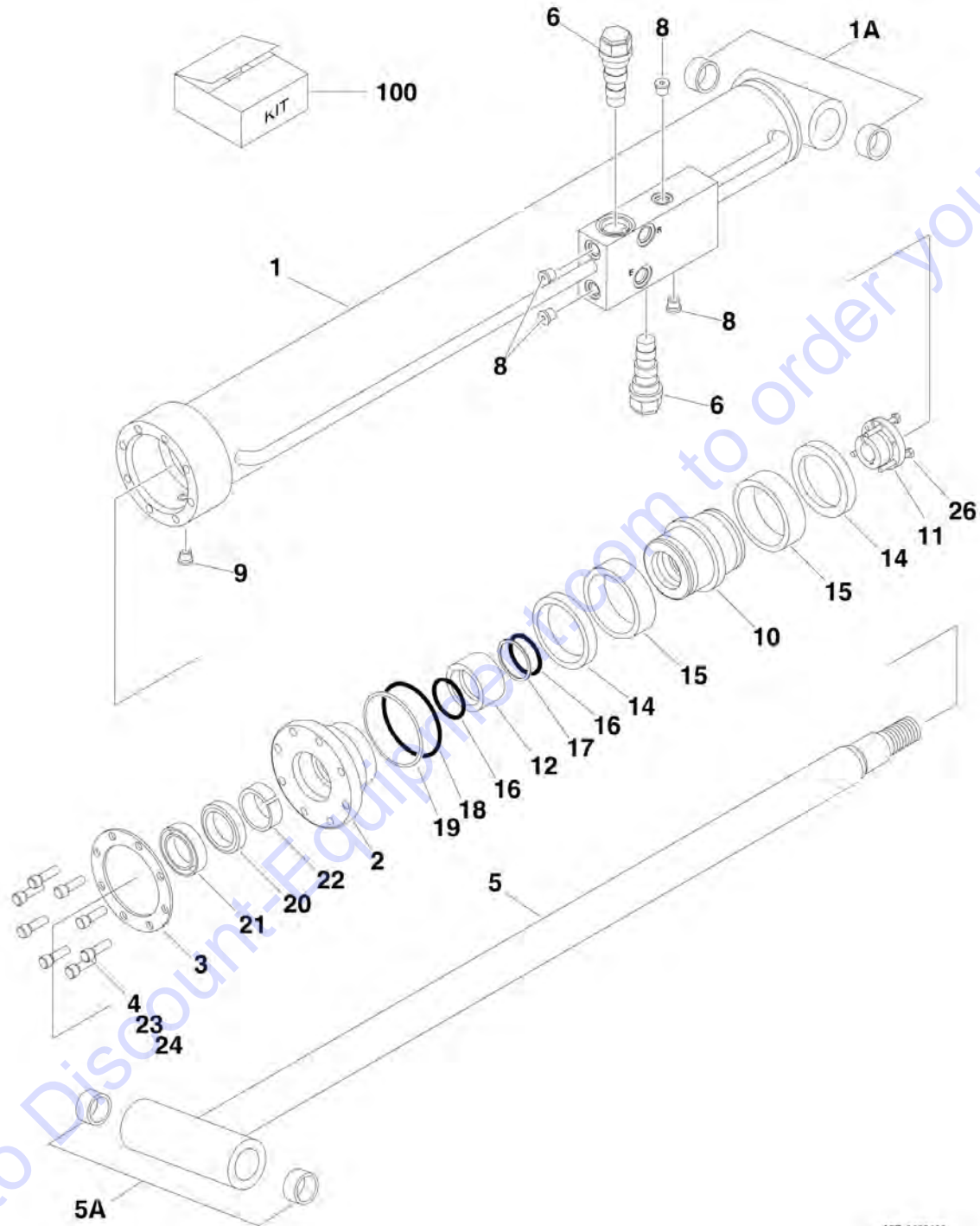
SECTION 5 - CYLINDER

FIGURE 5-5. LEVEL CYLINDER ASSEMBLY - PLATFORM SLAVE (860SJ ONLY)

ITEM	PART NUMBER	QTY	DESCRIPTION	REV
	1001140459	Ref	LEVEL CYLINDER ASSEMBLY - PLATFORM SLAVE (860SJ ONLY) (SN 0300173219 through 0300182113)	A
1	70003861	1	Barrel	
2	70003862	1	Rod	
6	70003854	1	Piston	
7	70003855	1	Head	
8	70002224	1	Rollpin	
12	See Note	NSS	Ring, Wear (Note: Use Item 100)	
13	See Note	NSS	Seal (Note: Use Item 100)	
14	See Note	NSS	O-Ring (Note: Use Item 100)	
15	4641232	1	Valve, Cartridge	
15	7011112	1	Seal Kit - 4641232 Valve	
16	See Note	NSS	O-Ring (Note: Use Item 100)	
17	See Note	NSS	Ring, Back-up (Note: Use Item 100)	
18	See Note	NSS	Seal (Note: Use Item 100)	
19	See Note	NSS	O-Ring (Note: Use Item 100)	
20	See Note	NSS	Wiper (Note: Use Item 100)	
21	70003838	1	Ring, Retaining	
22	70003856	1	O-Ring	
23	70003860	1	Spacer, Tube	
24	0961948	4	Bushing	
25	7017406	4	Plug	
26	See Note	4	Plug (Note: Not Available for Purchase)	
27	See Note	2	Plug (Note: Not Available for Purchase)	
29	4640932	1	Valve, Cartridge	
29	7011112	1	Seal Kit - 4640932 Valve	
100	70003859	1	Seal Kit (Includes Items 12-20)	

SECTION 5 - CYLINDER

FIGURE 5-6. LIFT CYLINDER ASSEMBLY - JIB (860SJ ONLY) (ORIGINAL EQUIPMENT)



ART 1683609

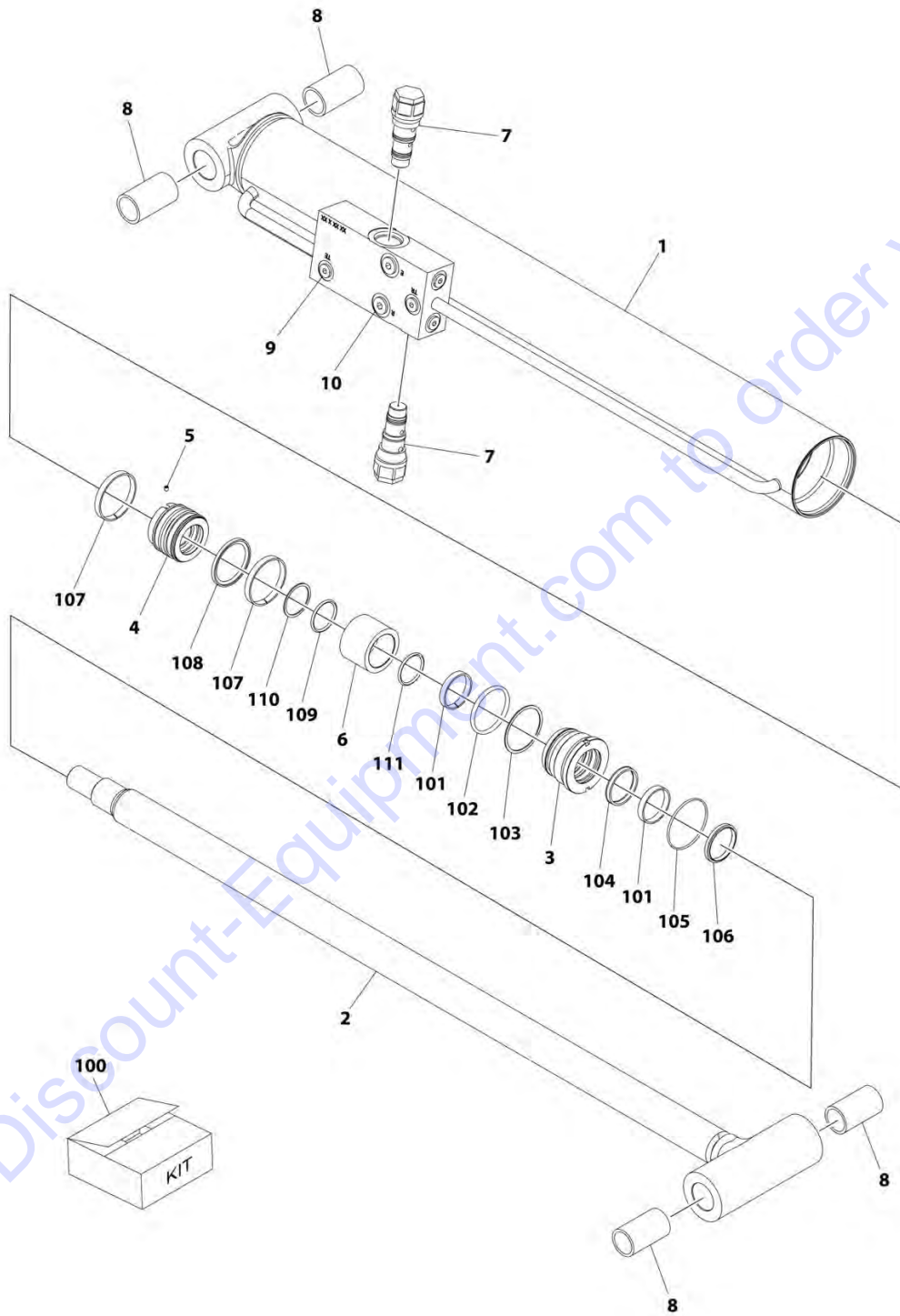
SECTION 5 - CYLINDER

FIGURE 5-6. LIFT CYLINDER ASSEMBLY - JIB (860SJ ONLY) (ORIGINAL EQUIPMENT)

ITEM	PART NUMBER	QTY	DESCRIPTION	REV
	1683609	Ref	JIB LIFT CYLINDER ASSEMBLY Note: Original Cylinder may have been replaced with Service Replacement. Identify PN Stamped on Cylinder Before Ordering Parts.	
		Ref		
1	1684089	1	Barrel Weldment (Note: Includes Item 1A)	
1A	0962336	2	Bushing	
2	1683053	1	Head	
3	3760368	1	Washer, Ring	
4	3931516	8	Bolt, Socket Head 5/16in-18NC x 2in	
5	1684090	1	Rod Weldment (Note: Includes Item 5A)	
5A	0962336	2	Bushing	
6	4640509	2	Cartridge, Valve (Counterbalance Non-Vented)	
6	2900792	2	Seal Kit - 4640509 Valve	
8	2220883	4	Plug, O-Ring	
9	2220885	1	Plug, O-Ring	
10	3480210	1	Piston	
11	0961893	1	Bushing, Tapered	
12	4100100	1	Spacer, Tube	
14	See Note	NSS	Ring, Lock (Note: Use Item 100)	
15	See Note	NSS	Seal, Piston (Note: Use Item 100)	
16	See Note	NSS	O-Ring (Note: Use Item 100)	
17	See Note	NSS	Ring, Back-up (Note: Use Item 100)	
18	See Note	NSS	O-Ring (Note: Use Item 100)	
19	See Note	NSS	Ring, Back-up (Note: Use Item 100)	
20	See Note	NSS	Seal (Note: Use Item 100)	
21	See Note	NSS	Wiper (Note: Use Item 100)	
22	See Note	NSS	Ring, Wear (Note: Use Item 100)	
23	0100011	AR	Compound, Locking	
24	0100038	AR	Primer, Locking	
26	0630534	3	Capscrew, Socket Head #10-24NC x 1in	
100	2901303	1	Seal Kit (Includes Items 14-22)	

SECTION 5 - CYLINDER

FIGURE 5-7. LIFT CYLINDER ASSEMBLY - JIB (USAGE MAY VARY) (SERVICE REPLACEMENT)
(860SJ ONLY)



ART_1001228012

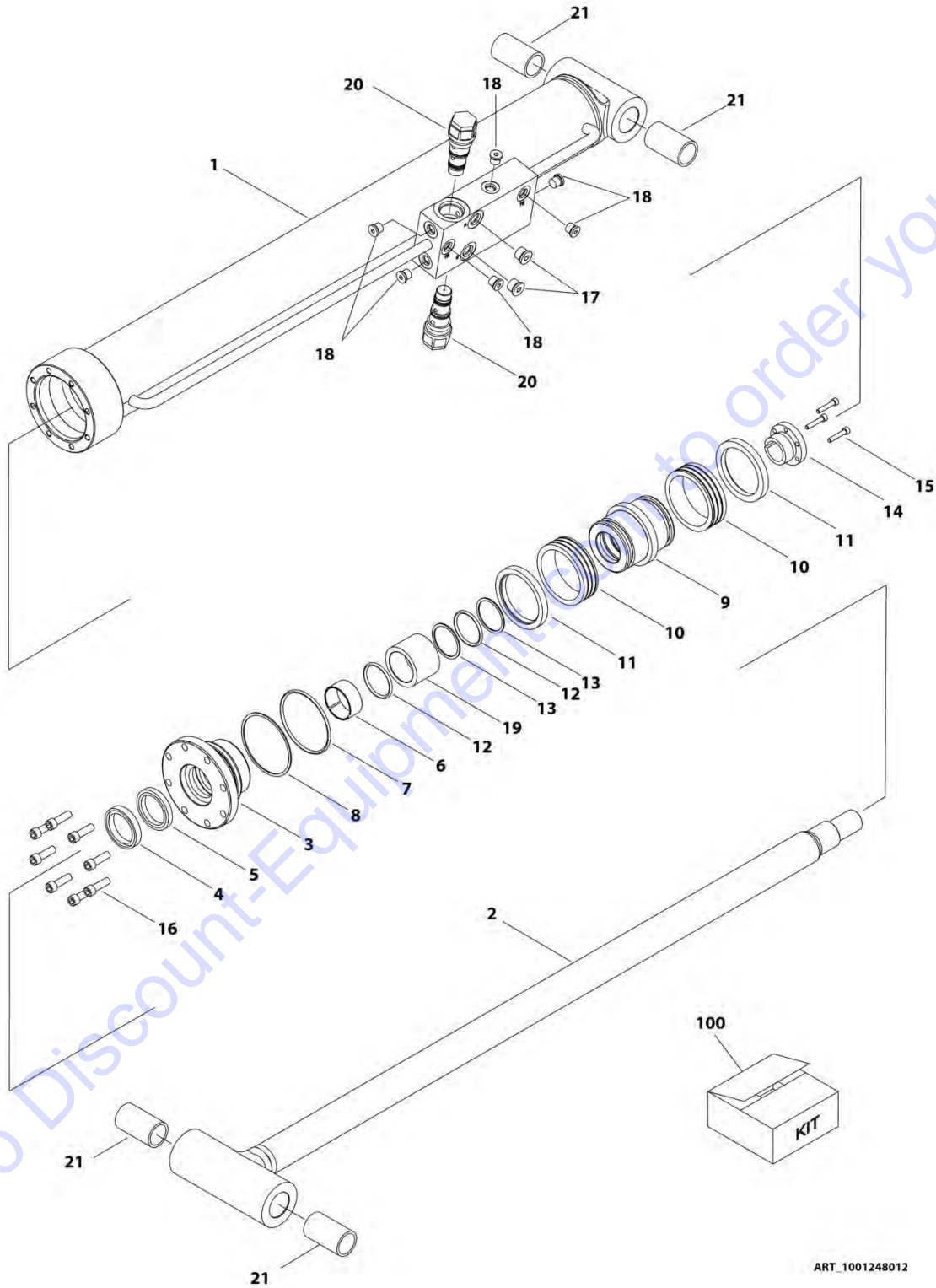
SECTION 5 - CYLINDER

**FIGURE 5-7. LIFT CYLINDER ASSEMBLY - JIB (USAGE MAY VARY) (SERVICE REPLACEMENT)
(860SJ ONLY)**

ITEM	PART NUMBER	QTY	DESCRIPTION	REV
	1001228012	Ref	LIFT CYLINDER ASSEMBLY - JIB	C
		Ref	Note: Original Cylinder May Have Been Replaced with Service Replacement. Identify PN Stamped on Cylinder Before Ordering Parts.	
1	See Note	NSS	Barrel (Note: Not Available for Purchase)	
2	70006572	1	Rod	
3	70006571	1	Head	
4	70006570	1	Piston	
5	70023915	1	Screw	
6	70006569	1	Spacer	
7	4640509	2	Cartridge, Valve	
7	2900792	2	Seal Kit - 4640509 Valve	
8	0962336	4	Bushing	
9	2220883	6	Plug, O-Ring	
10	2220885	2	Plug, O-Ring	
100	70006568	1	Seal Kit (Includes Items 101-111)	
101	See Note	NSS	Ring, Wear (Note: Use Item 100)	
102	See Note	NSS	O-Ring (Note: Use Item 100)	
103	See Note	NSS	Ring, Back-up (Note: Use Item 100)	
104	See Note	NSS	Seal, Rod (Note: Use Item 100)	
105	See Note	NSS	O-Ring (Note: Use Item 100)	
106	See Note	NSS	Wiper (Note: Use Item 100)	
107	See Note	NSS	Ring, Wear (Note: Use Item 100)	
108	See Note	NSS	Seal (Note: Use Item 100)	
109	See Note	NSS	O-Ring (Note: Use Item 100)	
110	See Note	NSS	Ring, Back-up (Note: Use Item 100)	
111	See Note	NSS	O-Ring (Note: Use Item 100)	

SECTION 5 - CYLINDER

FIGURE 5-8. LIFT CYLINDER ASSEMBLY - JIB (USAGE MAY VARY) (SERVICE REPLACEMENT)
(860SJ ONLY)



ART_1001248012

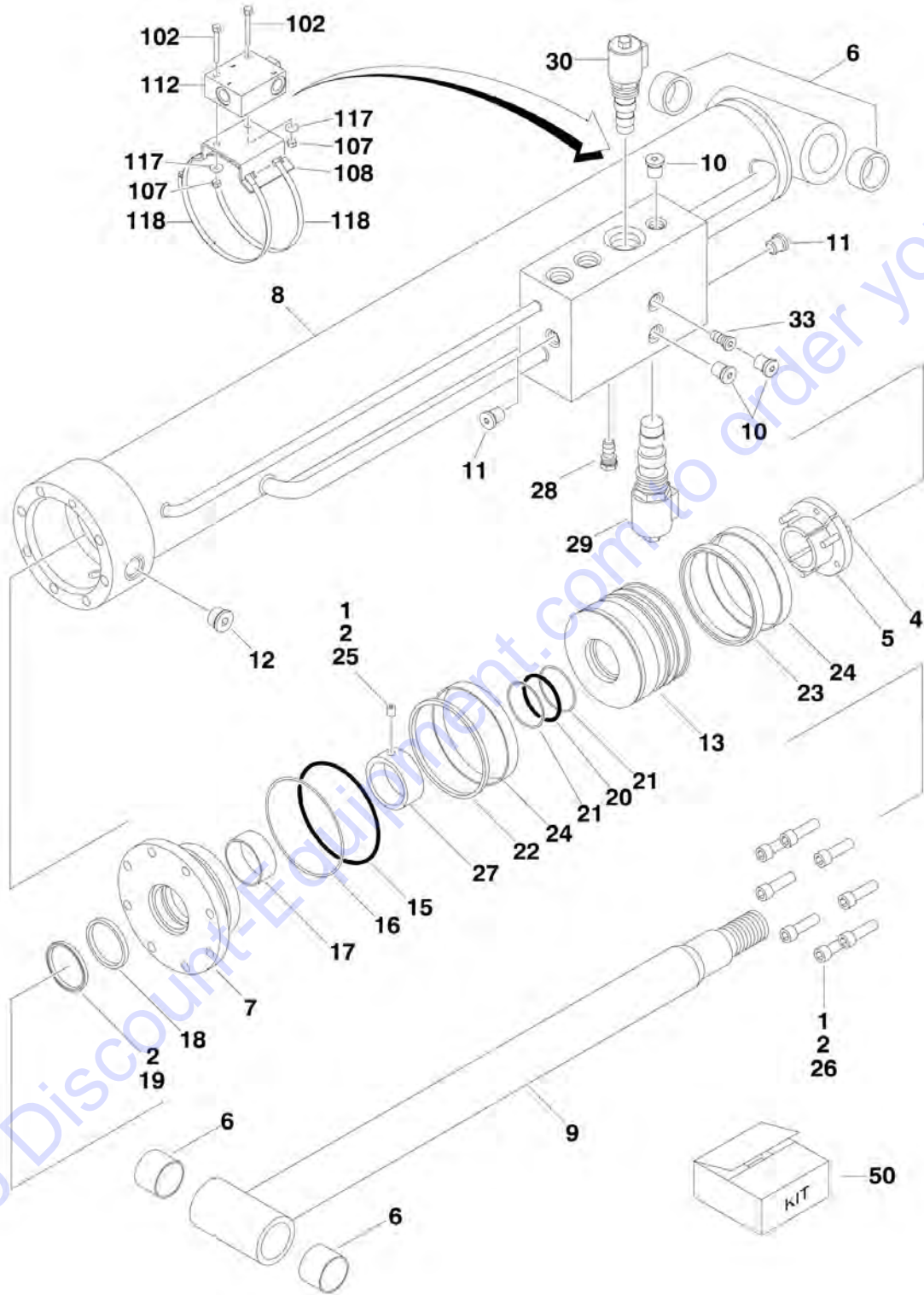
SECTION 5 - CYLINDER

**FIGURE 5-8. LIFT CYLINDER ASSEMBLY - JIB (USAGE MAY VARY) (SERVICE REPLACEMENT)
(860SJ ONLY)**

ITEM	PART NUMBER	QTY	DESCRIPTION	REV
	1001248012	Ref	LIFT CYLINDER ASSEMBLY - JIB	A
		Ref	Note: Original Cylinder May Have Been Replaced with Service Replacement. Identify PN Stamped on Cylinder Before Ordering Parts.	
1	See Note	NSS	Barrel (Note: Not Available for Purchase)	
2	70006734	1	Rod	
3	70006649	1	Head	
4	See Note	NSS	Wiper (Note: Use Item 100)	
5	See Note	NSS	Seal, Rod (Note: Use Item 100)	
6	See Note	NSS	Ring, Wear (Note: Use Item 100)	
7	See Note	NSS	O-Ring (Note: Use Item 100)	
8	See Note	NSS	Ring, Back-up (Note: Use Item 100)	
9	70006650	1	Piston	
10	See Note	NSS	Seal (Note: Use Item 100)	
11	See Note	NSS	Ring, Lock (Note: Use Item 100)	
12	See Note	NSS	O-Ring (Note: Use Item 100)	
13	See Note	NSS	Ring, Back-up (Note: Use Item 100)	
14	0961893	1	Bushing, Tapered	
15	0630534	3	Capscrew, Socket Head #10 x 1	
16	70006735	8	Capscrew 5/16	
17	2220885	2	Plug, O-Ring	
18	2220883	6	Plug, O-Ring	
19	70006736	1	Spacer	
20	4640509	2	Cartridge, Valve	
20	2900792	2	Seal Kit - 4640509 Valve	
21	0962336	4	Bushing	
100	1001138795	1	Seal Kit (Includes Items 4-8 & 10-13)	

SECTION 5 - CYLINDER

FIGURE 5-9. LIFT CYLINDER ASSEMBLY - MAIN BOOM



SECTION 5 - CYLINDER

FIGURE 5-9. LIFT CYLINDER ASSEMBLY - MAIN BOOM

ITEM	PART NUMBER	QTY	DESCRIPTION	REV
		Ref	MAIN LIFT CYLINDER ASSEMBLY	
	1684199	Ref	Main Lift Cylinder Assembly (Original Equipment) (800S)	E
	1684202	Ref	Main Lift Cylinder Assembly (Original Equipment) (860SJ)	F
		Ref	Note: Original Cylinder may have been replaced with Service Replacement. Identify PN Stamped on Cylinder Before Ordering Parts.	
1	0100011	AR	Compound, Locking	
2	0100038	AR	Primer, Locking	
4	0630536	3	Bolt	
5	0961898	1	Bushing, Tapered	
6	0962033	4	Bushing	
7	1683818	1	Head	
8	1684198	1	Barrel Weldment	
9		Ref	Rod Weldment Options:	
9	1684080	1	1684199 Cylinder	
9	1684123	1	1684202 Cylinder	
10	2220883	5	Plug, O-Ring	
11	2220885	2	Plug, O-Ring	
12	2220888	1	Plug, O-Ring	
13	3480275	1	Piston	
15	See Note	NSS	O-Ring (Note: Use Item 50)	
16	See Note	NSS	Ring, Back-up (Note: Use Item 50)	
17	See Note	NSS	Ring, Wear (Note: Use Item 50)	
18	See Note	NSS	Seal, Rod (Note: Use Item 50)	
19	See Note	NSS	Wiper (Note: Use Item 50)	
20	See Note	NSS	O-Ring (Note: Use Item 50)	
21	See Note	NSS	Ring, Back-up (Note: Use Item 50)	
22	See Note	NSS	Ring, Guidelock (Note: Use Item 50)	
23	See Note	NSS	Seal (Note: Use Item 50)	
24	See Note	NSS	Ring, Guidelock (Note: Use Item 50)	
25	3900310	1	Setscrew	
26	3932240	6	Capscrew 3/4in-10NC x 2-1/2in	
27		Ref	Spacer, Tube Options:	
27	4568240	1	1684199 Cylinder	
27	4568273	1	1684202 Cylinder	
28	4641144	1	Cartridge, Restrictor/Check Valve	
28	7012967	1	Seal Kit - 4641144 Valve	
29	4641234	1	Cartridge, Lift Dump Proportional Solenoid	
29	7023982	1	Cartridge - 4641234 Valve	
29	7012925	1	Seal Kit - 4641234 Valve	
29	7017451	1	Coil - 4641234 Valve	
30	4641188	1	Cartridge, Lift Holding Solenoid	
30	7023923	1	Cartridge - 4641188 Valve	
30	7023919	1	Seal Kit - 4641188 Valve	
30	7012943	1	Coil - 4641188 Valve	
33	4641194	1	Cartridge, Relief Valve	
33	7023927	1	Seal Kit - 4641194 Valve	
50	2901537	1	Seal Kit (Includes Items 15-24)	
	0272750	Ref	MANUAL DESCENT INSTALLATION (OPTIONAL)	B
102	0641514	2	Bolt 5/16in-18NC x 1-3/4in	

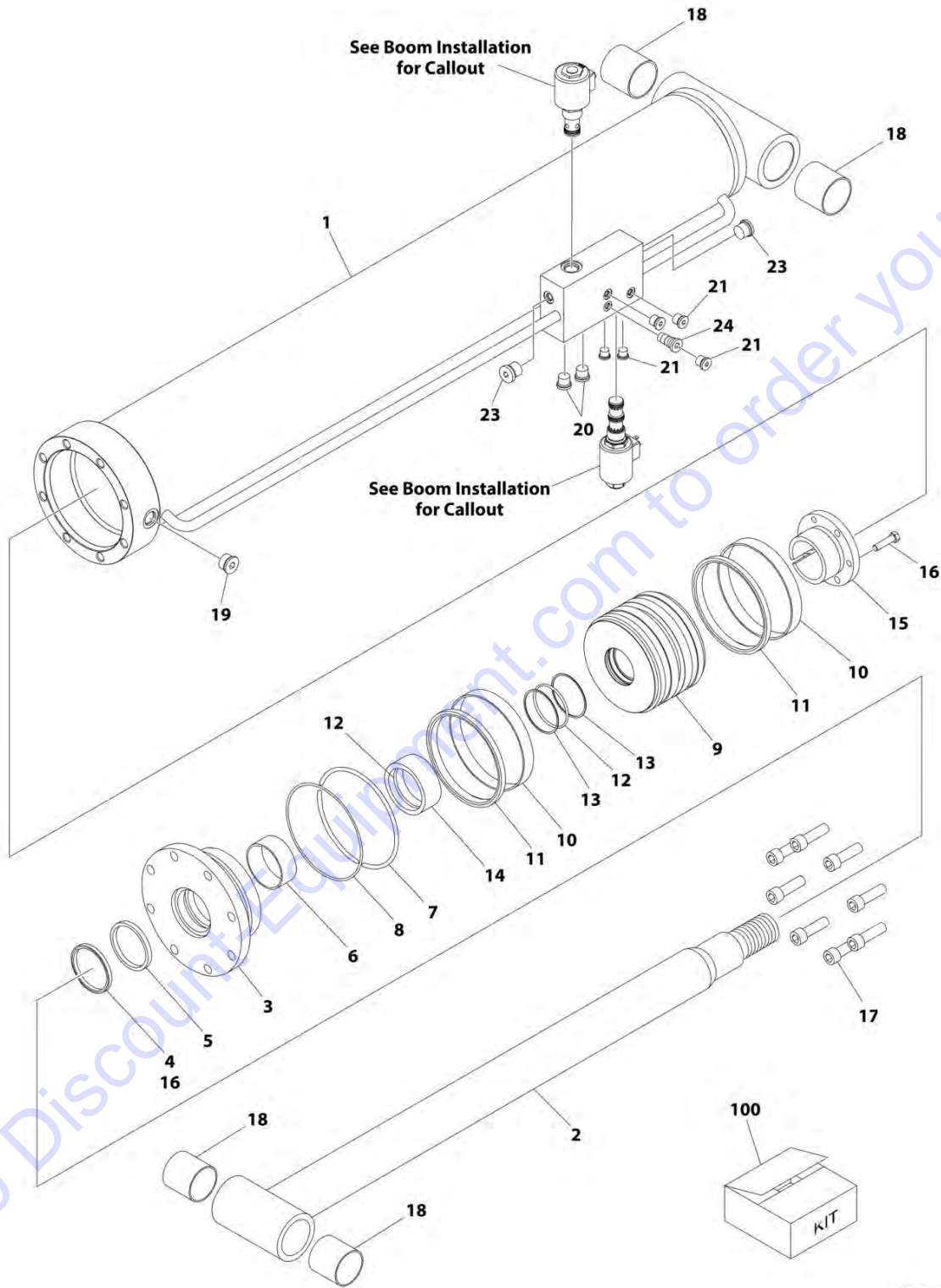
SECTION 5 - CYLINDER

ITEM	PART NUMBER	QTY	DESCRIPTION	REV
107	3311505	2	Locknut 5/16in-18NC	
108	3574172	1	Plate, Valve Mounting	
112	4640673	1	Valve, Check	
112	7011325	1	Cartridge, Valve Check	
117	4751500	2	Flatwasher 5/16in Regular	
118	1320315	2	Clamp	

Go to Discount-Equipment.com to order your parts

SECTION 5 - CYLINDER

FIGURE 5-10. LIFT CYLINDER ASSEMBLY - MAIN BOOM (SERVICE REPLACEMENT) (800S)



ART_1001228028

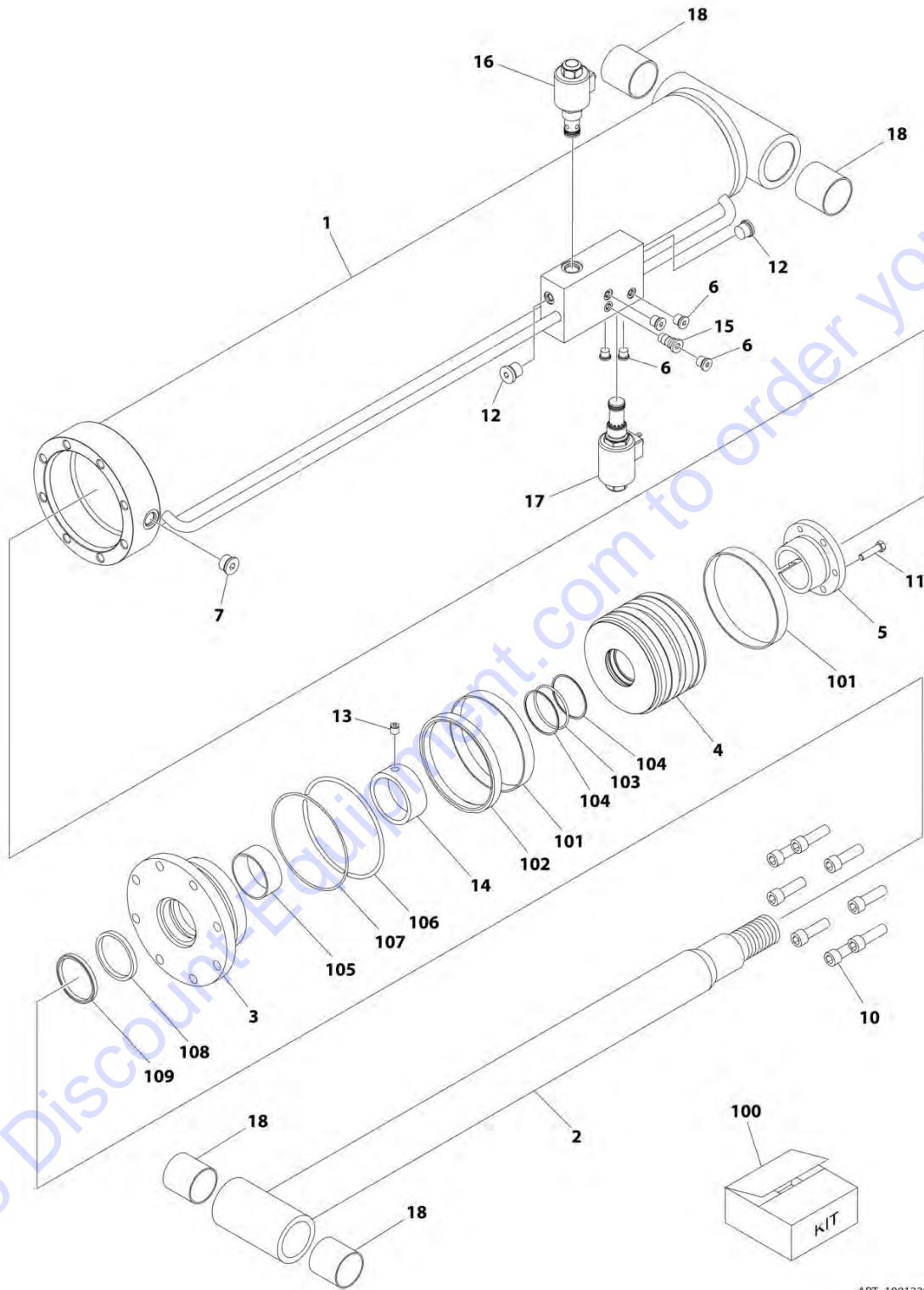
SECTION 5 - CYLINDER

FIGURE 5-10. LIFT CYLINDER ASSEMBLY - MAIN BOOM (SERVICE REPLACEMENT) (800S)

ITEM	PART NUMBER	QTY	DESCRIPTION	REV
	1001228028	Ref	LIFT CYLINDER ASSEMBLY - MAIN BOOM	A
		Ref	Note: Original Cylinder may have been replaced with Service Replacement. Identify PN Stamped on Cylinder Before Ordering Parts.	
1	See Note	NSS	Barrel (Note: Not Available for Purchase)	
2	70006506	1	Rod	
3	70006505	1	Head	
4	See Note	NSS	Wiper (Note: Use Item 100)	
5	See Note	NSS	Seal, Rod (Note: Use Item 100)	
6	See Note	NSS	Ring, Wear (Note: Use Item 100)	
7	See Note	NSS	O-Ring (Note: Use Item 100)	
8	See Note	NSS	Ring, Back-up (Note: Use Item 100)	
9	70006504	1	Piston	
10	See Note	NSS	Ring, Guidelock (Note: Use Item 100)	
11	See Note	NSS	Ring, Guidelock (Note: Use Item 100)	
12	See Note	NSS	O-Ring (Note: Use Item 100)	
13	See Note	NSS	Ring, Back-up (Note: Use Item 100)	
14	70006503	1	Spacer, Tube	
15	0961898	1	Bushing, Tapered	
16	0630536	3	Bolt	
16	0100011	AR	Compound, Locking	
16	0100038	AR	Primer, Locking	
17	3932240	8	Capscrew 3/4 x 2-1/2	
17	0100011	AR	Compound, Locking	
17	0100038	AR	Primer, Locking	
18	0962033	4	Bushing	
19	2220888	3	Plug	
20	2220887	2	Plug	
21	2220883	4	Plug	
23	2220885	2	Plug	
24	4641194	1	Cartridge, Relief Valve	
24	7023927	1	Seal Kit - 4641194 Valve	
100	2901537	1	Seal Kit (Includes Items 5-8 & 10-13)	

SECTION 5 - CYLINDER

FIGURE 5-11. LIFT CYLINDER ASSEMBLY - MAIN BOOM (SERVICE REPLACEMENT) (860SJ)



ART_1001228029

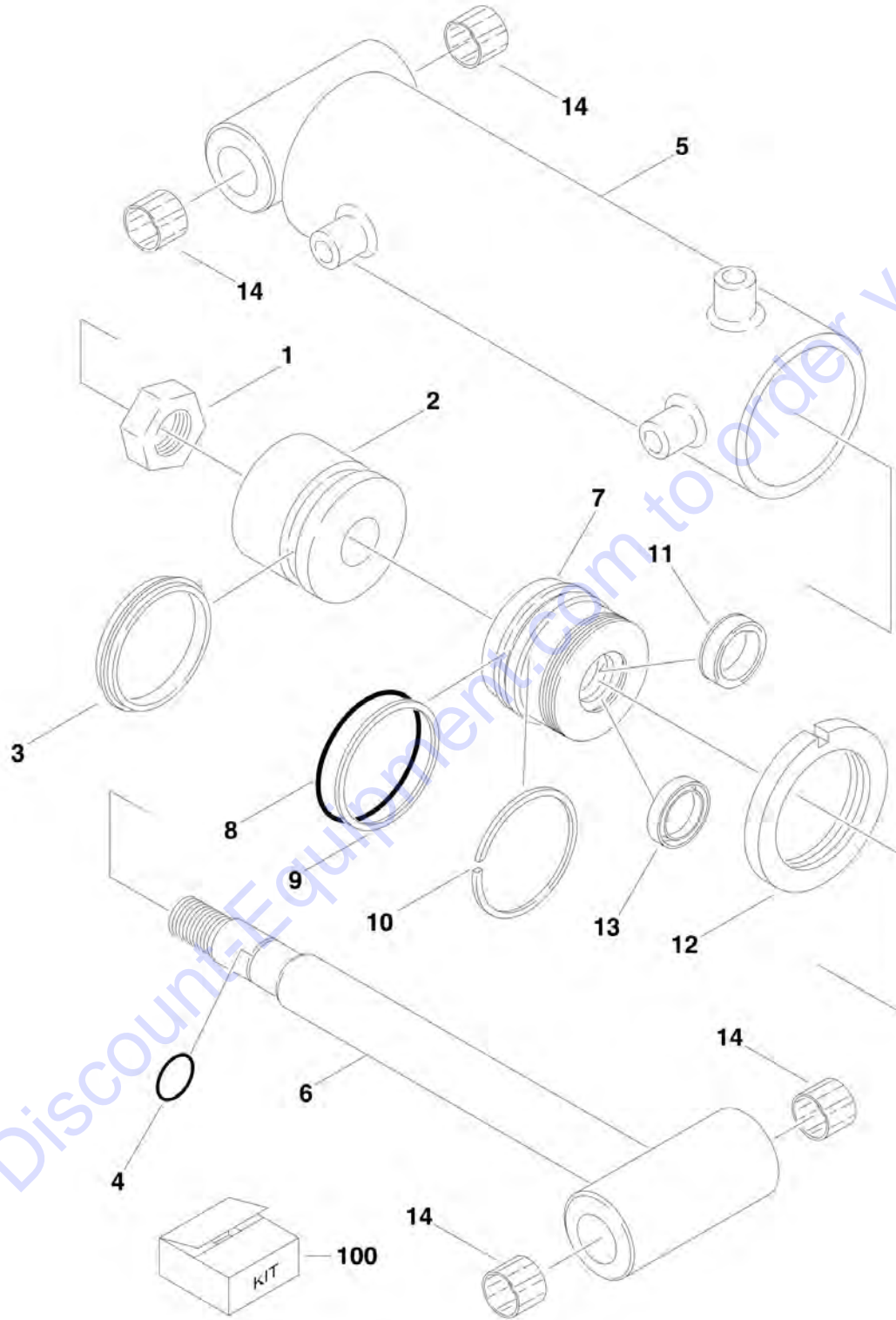
SECTION 5 - CYLINDER

FIGURE 5-11. LIFT CYLINDER ASSEMBLY - MAIN BOOM (SERVICE REPLACEMENT) (860SJ)

ITEM	PART NUMBER	QTY	DESCRIPTION	REV
	1001228029	Ref	LIFT CYLINDER ASSEMBLY - MAIN BOOM	B
		Ref	Note: Original Cylinder may have been replaced with Service Replacement. Identify PN Stamped on Cylinder Before Ordering Parts.	
1	See Note	NSS	Barrel (Note: Not Available for Purchase)	
2	70006395	1	Rod	
3	70006377	1	Head	
4	70006394	1	Piston	
5	70006365	1	Bushing, Tapered	
6	2220883	5	Plug	
7	See Note	NSS	Plug (Note: Not Available for Purchase)	
10	3932240	8	Capscrew 3/4 x 2-1/2	
11	0630536	3	Bolt	
12	2220885	2	Plug	
13	3900310	1	Setscrew	
14	70006393	1	Spacer, Tube	
15	4641194	1	Cartridge, Relief Valve	
15	7023927	1	Seal Kit - 4641194 Valve	
16	4641234	1	Cartridge, Relief Valve	
16	7023982	1	Cartridge Less Coil	
16	7012925	1	Seal Kit - 7023982/4641234 Valve	
16	7017451	1	Coil	
17	4641188	1	Cartridge, Holding Valve	
17	7023923	1	Cartridge Less Coil	
17	7023919	1	Seal Kit - 7023923/4641188 Valve	
17	7012943	1	Coil	
18	0962033	4	Bushing	
100	70006392	1	Seal Kit (Includes Items 101-109)	
101	See Note	NSS	Ring, Guidelock (Note: Use Item 100)	
102	See Note	NSS	Seal (Note: Use Item 100)	
103	See Note	NSS	O-Ring (Note: Use Item 100)	
104	See Note	NSS	Ring, Back-up (Note: Use Item 100)	
105	See Note	NSS	Ring, Wear (Note: Use Item 100)	
106	See Note	NSS	O-Ring (Note: Use Item 100)	
107	See Note	NSS	Ring, Back-up (Note: Use Item 100)	
108	See Note	NSS	Seal, Rod (Note: Use Item 100)	
109	See Note	NSS	Wiper (Note: Use Item 100)	

SECTION 5 - CYLINDER

FIGURE 5-12. STEER CYLINDER ASSEMBLY (SN 0300140000 through 0300142665)



SECTION 5 - CYLINDER

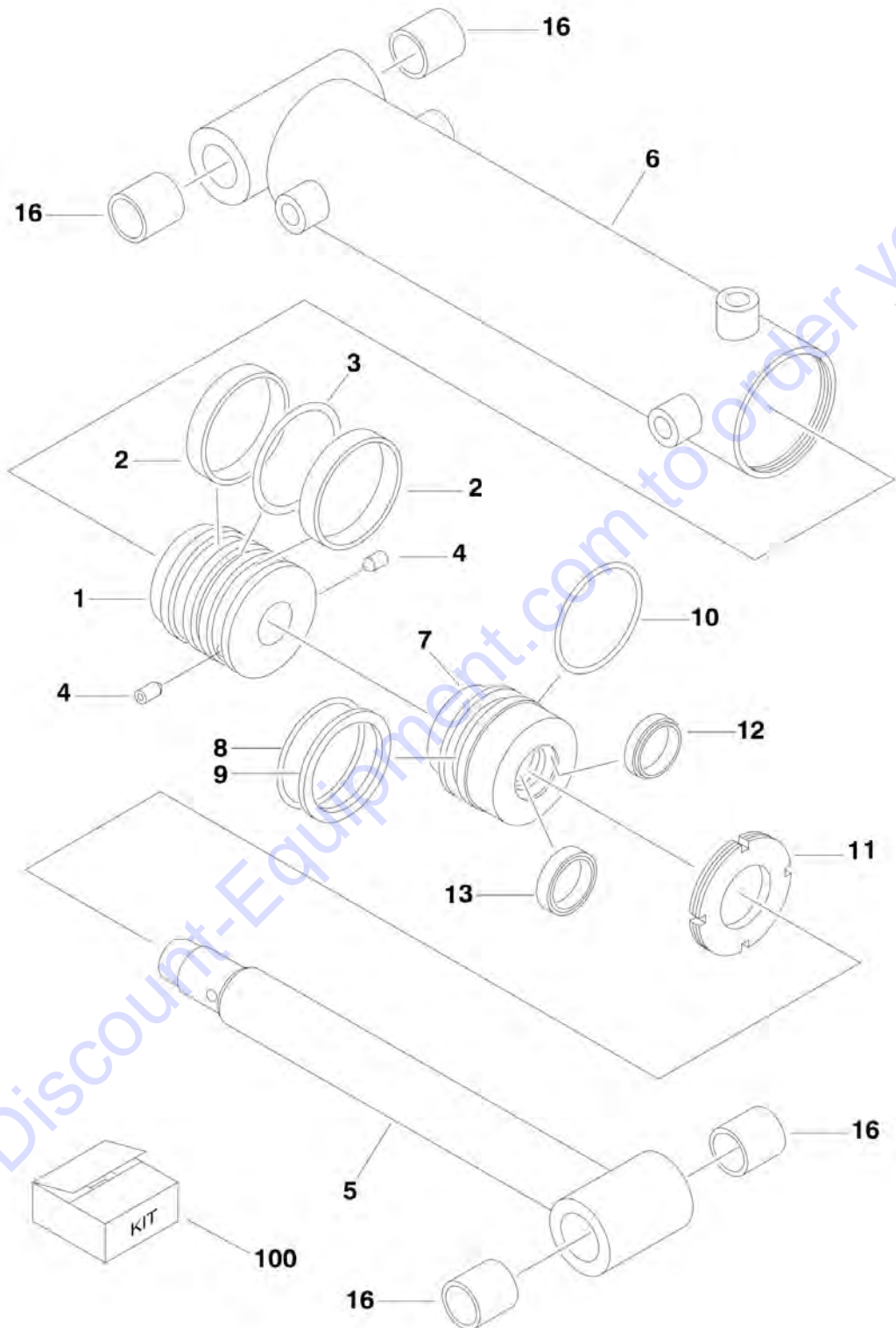
FIGURE 5-12. STEER CYLINDER ASSEMBLY (SN 0300140000 through 0300142665)

ITEM	PART NUMBER	QTY	DESCRIPTION	REV
	1683740	Ref	STEER CYLINDER ASSEMBLY	C
1	7017210	1	Locknut	
2	7017211	1	Piston	
3	See Note	NSS	Seal (Note: Use Item 100)	
4	See Note	NSS	O-Ring (Note: Use Item 100)	
5	7023023	1	Barrel	
6	7017236	1	Rod	
7	7017213	1	Head	
8	See Note	NSS	O-Ring (Note: Use Item 100)	
9	See Note	NSS	Ring, Back-up (Note: Use Item 100)	
10	See Note	NSS	Ring, Retainer (Note: Use Item 100)	
11	See Note	NSS	Seal (Note: Use Item 100)	
12	7017214	1	Nut, Spanner	
13	See Note	NSS	Wiper (Note: Use Item 100)	
14	0961977	4	Bushings	
100	7017215	1	Seal Kit (Includes Items 3, 4, 8-11 & 13)	

Go to Discount-Equipment.com to order your parts

SECTION 5 - CYLINDER

FIGURE 5-13. STEER CYLINDER ASSEMBLY (SN 0300014266 through 0300182743, SN B300000100 through B300001091)



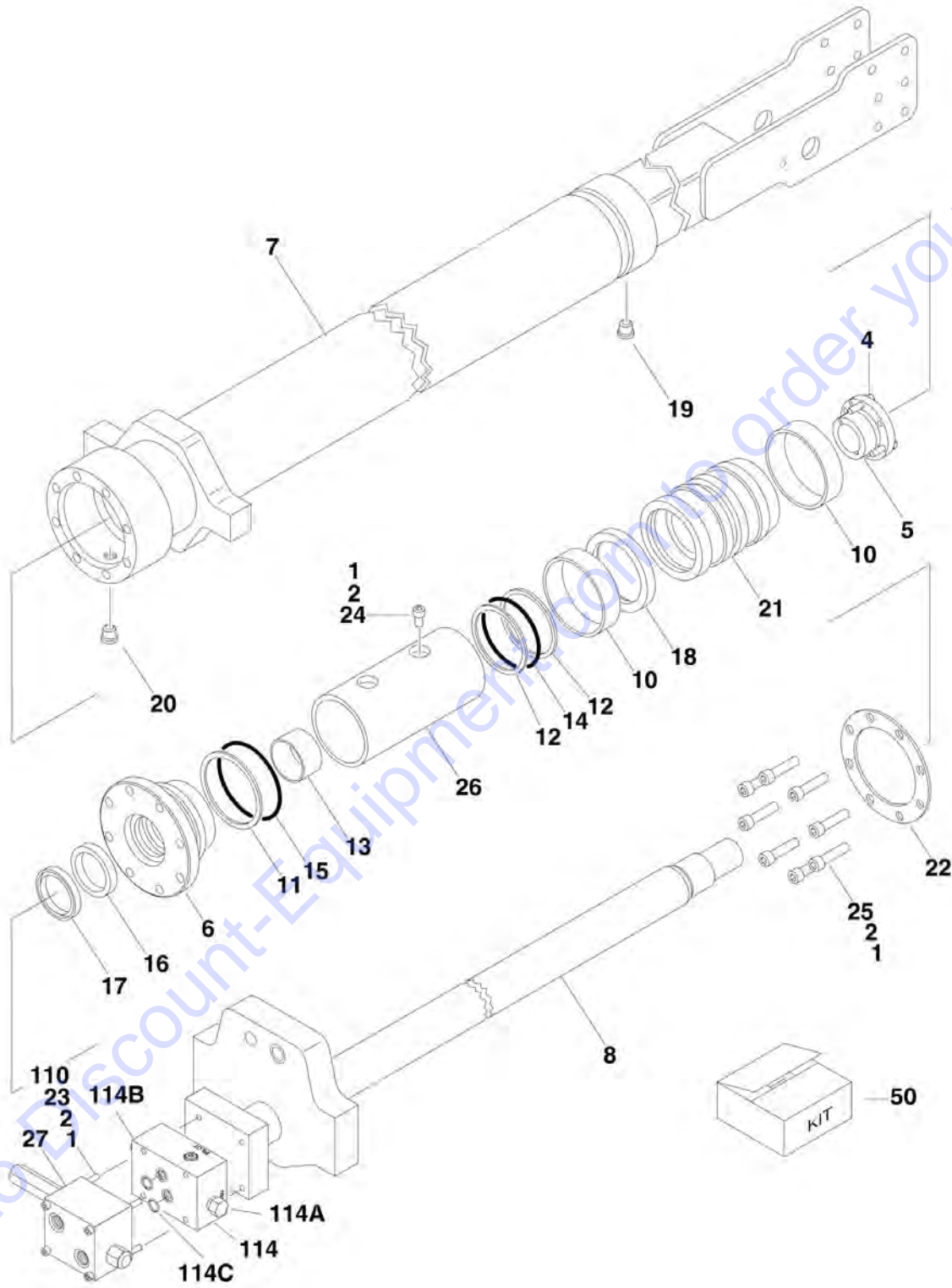
SECTION 5 - CYLINDER

FIGURE 5-13. STEER CYLINDER ASSEMBLY (SN 0300014266 through 0300182743, SN B300000100 through B300001091)

ITEM	PART NUMBER	QTY	DESCRIPTION	REV
	1001097243	Ref	STEER CYLINDER ASSEMBLY	C
1	70002744	1	Piston	
2	See Note	NSS	Seal (Note: Use Item 100)	
3	See Note	NSS	Seal (Note: Use Item 100)	
4	70002745	2	Setscrew	
5	70002746	1	Rod Weldment	
6	70002747	1	Barrel Weldment	
7	70002748	1	Head	
8	See Note	NSS	O-Ring (Note: Use Item 100)	
9	See Note	NSS	Ring, Back-up (Note: Use Item 100)	
10	See Note	NSS	Ring, Retainer (Note: Use Item 100)	
11	70002749	1	Nut, Spanner	
12	See Note	NSS	Seal (Note: Use Item 100)	
13	See Note	NSS	Wiper (Note: Use Item 100)	
14	See Note	NSS	O-Ring (Note: Use Item 100)	
15	70002750	5	Plug, Port	
16	0962356	4	Bushings	
100	70002751	1	Seal Kit (Includes Items 2, 3, 8-10 & 12-14)	

SECTION 5 - CYLINDER

FIGURE 5-14. TELESCOPE CYLINDER ASSEMBLY



SECTION 5 - CYLINDER

FIGURE 5-14. TELESCOPE CYLINDER ASSEMBLY

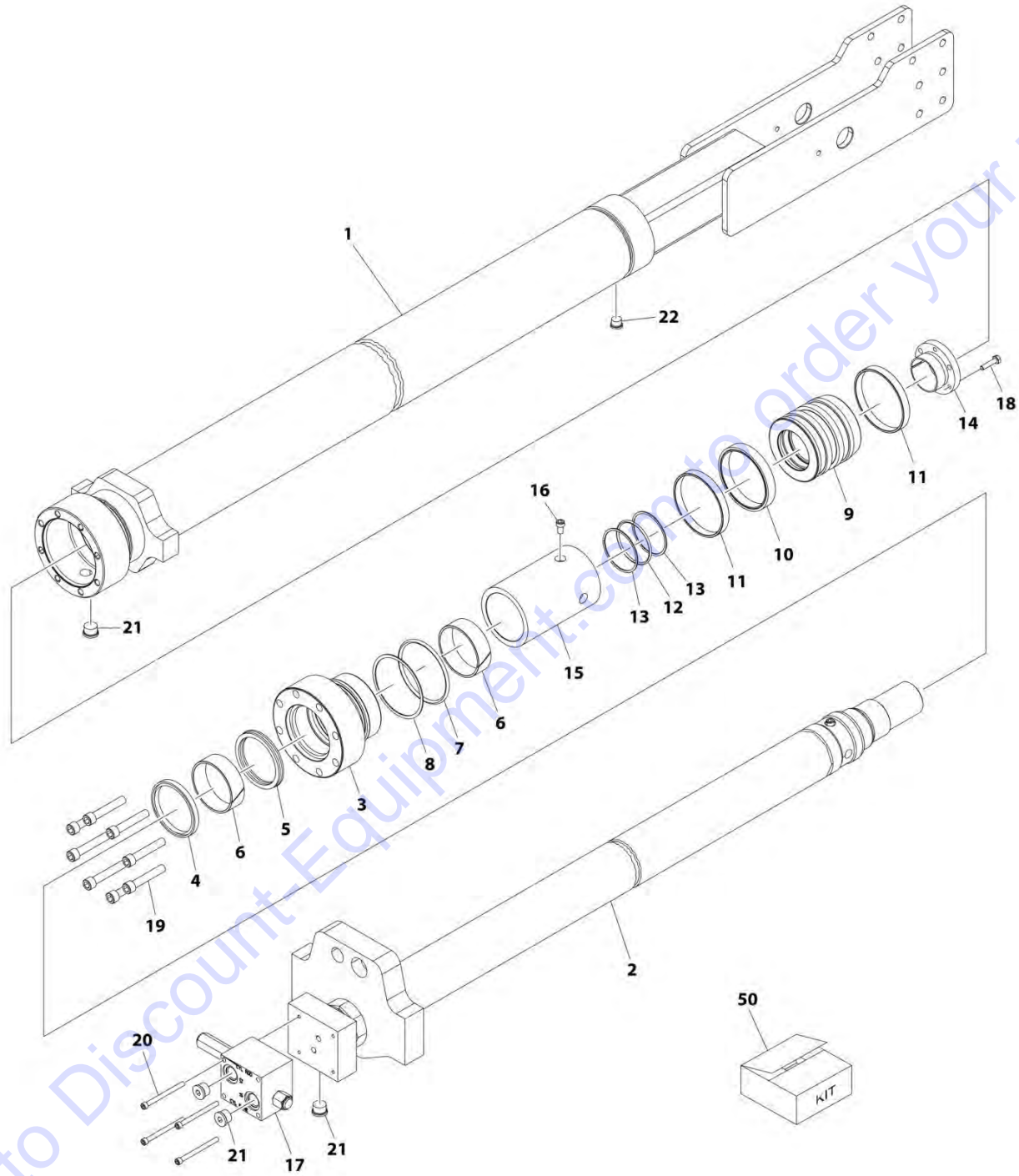
ITEM	PART NUMBER	QTY	DESCRIPTION	REV
		Ref	TELESCOPE CYLINDER ASSEMBLY	
	1684041	Ref	Telescope Cylinder Assembly (Original Equipment) (800S)	F
	1001177317	Ref	Telescope Cylinder Assembly (Service Equipment) (800S)	B
	1684043	Ref	Telescope Cylinder Assembly (Original Equipment) (860SJ)	G
	1001181588	Ref	Telescope Cylinder Assembly (Service Equipment) (860SJ)	C
		Ref	Note: Original Cylinder may have been replaced with Service Replacement. Identify PN Stamped on Cylinder Before Ordering Parts.	
1	0100011	AR	Compound, Locking	
2	0100038	AR	Primer, Locking	
4	0630535	3	Bolt 1/4in-20NC x 1-1/8in	
5	0961897	1	Bushing, Tapered	
6		Ref	Head Options:	
6	1683077	1	Head (1684041 & 1684043 Cylinders)	
6	1001175884	1	Head (1001177317 & 1001181588 Cylinders)	
7		Ref	Barrel Options:	
7	1684049	1	Barrel 800S	
7	1684045	1	Barrel 860SJ	
8		Ref	Rod Options:	
8		Ref	Rod 800S	
8	1684267	1	USA Built Machines (SN 0300140000 through 0300150026)	
8	1001115631	1	USA Built Machines (SN 0300150027 through 0300182743)	
8	1684267	1	China Built Machines (SN B300000100 through B300000281)	
8	1001115631	1	China Built Machines (SN B300000282 through B300001091)	
8		Ref	Rod 860SJ	
8	1684269	1	USA Built Machines (SN 0300140000 through 0300150026)	
8	1001115465	1	USA Built Machines (SN 0300150027 through 0300182743)	
8	1684269	1	China Built Machines (SN B300000100 through B300000281)	
8	1001115465	1	China Built Machines (SN B300000282 through B300001091)	
10	See Note	NSS	Ring, Wear (Note: Use Item 50)	
11	See Note	NSS	Ring, Back-up (Note: Use Item 50)	
12	See Note	NSS	Ring, Back-up (Note: Use Item 50)	
13	See Note	NSS	Ring, Wear (Note: Use Item 50)	
14	See Note	NSS	O-Ring (Note: Use Item 50)	
15	See Note	NSS	O-Ring (Note: Use Item 50)	
16	See Note	NSS	Seal, Rod (Note: Use Item 50)	
17	See Note	NSS	Wiper (Note: Use Item 50)	
18	See Note	NSS	T-Seal (Note: Use Item 50)	
19	2220885	1	Plug, O-Ring	
20	2220886	2	Plug, O-Ring	
21		Ref	Piston Options:	
21	3480266	1	USA Built Machines (SN 0300140000 through 0300150026)	
21	1001115504	1	USA Built Machines (SN 0300150027 through 0300182743)	
21	3480266	1	China Built Machines (SN B300000100 through B300000281)	
21	1001115504	1	China Built Machines (SN B300000282 through B300001091)	

SECTION 5 - CYLINDER

ITEM	PART NUMBER	QTY	DESCRIPTION	REV
22	1001108958	1	Ring, Washer	
23	3931448	4	Capscrew 1/4in-20NC x 3in	
24	3931508	1	Capscrew 5/16in-18NC x 1/2in	
25		Ref	Capscrew Options:	
25	3931724	8	Capscrew 7/16in-14NC x 1-1/2in (1684041 & 1684043 Cylinders)	
25	3931740	8	Capscrew 7/16in-14NC x 2-1/2in (1001177317 & 1001181588 Cylinders)	
26		Ref	Spacer, Tube Options:	
26		Ref	Spacer, Tube 800S	
26	4568264	1	USA Built Machines (SN 0300140000 through 0300150026)	
26	1001115633	1	USA Built Machines (SN 0300150027 through 0300182743)	
26	4568264	1	China Built Machines (SN B300000100 through B300000281)	
26	1001115633	1	China Built Machines (SN B300000282 through B300001091)	
26		Ref	Spacer, Tube 860SJ	
26	4568282	1	USA Built Machines (SN 0300140000 through 0300150026)	
26	1001115469	1	USA Built Machines (SN 0300150027 through 0300182743)	
26	4568282	1	China Built Machines (SN B300000100 through B300000281)	
26	1001115469	1	China Built Machines (SN B300000282 through B300001091)	
27	4641033	1	Valve Assembly (No serviceable parts - sold as assembly only)	
27	7024508	2	O-Ring (Not Shown - Located between valve and cylinder)	
50		Ref	Seal Kit (Includes Items 10-18) Options:	
50	2901554	1	USA Built Machines (1684041 & 1684043 Cylinders) (SN 0300140000 through 0300150026)	
50	1001115617	1	USA Built Machines (1684041 & 1684043 Cylinders) (SN 0300150027 through 0300182743)	
50	1001181694	1	USA Built Machines (1001177317 & 1001181588 Cylinders)	
50	2901554	1	China Built Machines (1684041 & 1684043 Cylinders) (SN B300000100 through B300000281)	
50	1001115617	1	China Built Machines (1684041 & 1684043 Cylinders) (SN B300000282 through B300001091)	
50	1001181694	1	China Built Machines (1001177317 & 1001181588 Cylinders)	
	0272750	Ref	MANUAL DESCENT INSTALLATION	B
110	3931480	4	Capscrew 1/4in-20NC x 5in	
114	4641262	1	Valve, Assembly (Manual Descent)	
114A	7026015	1	Cartridge	
114A	7026004	1	Seal Kit - 7026015 Cartridge	
114B	7026016	1	Cartridge	
114B	7011346	1	Seal Kit - 7026016 Cartridge	
114C	3790112	2	O-Ring	

SECTION 5 - CYLINDER

FIGURE 5-15. TELESCOPE CYLINDER ASSEMBLY (SERVICE REPLACEMENT) (800S)



ART_1001228081

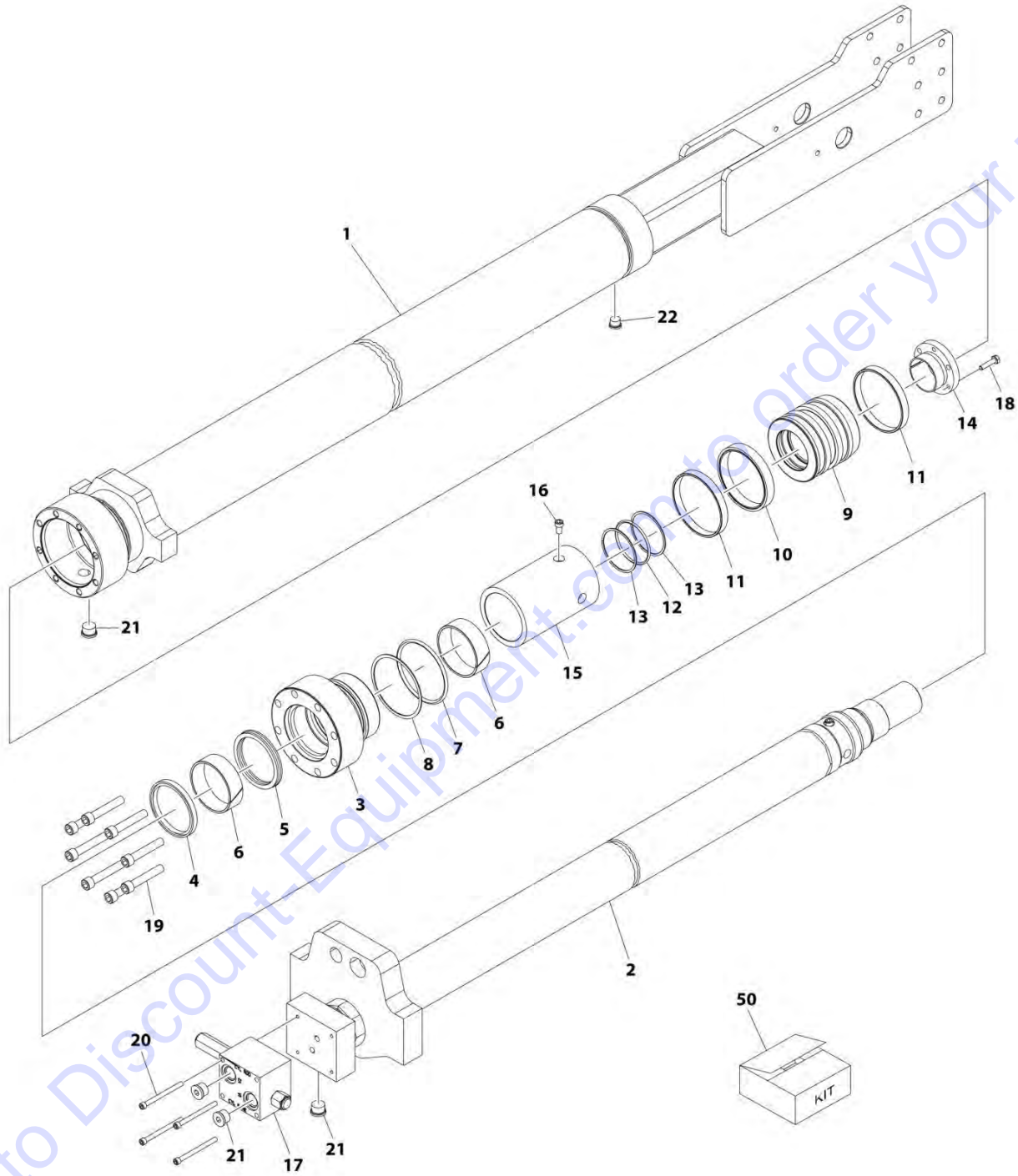
SECTION 5 - CYLINDER

FIGURE 5-15. TELESCOPE CYLINDER ASSEMBLY (SERVICE REPLACEMENT) (800S)

ITEM	PART NUMBER	QTY	DESCRIPTION	REV
	1001228081	Ref	TELESCOPE CYLINDER ASSEMBLY	B
		Ref	Note: Original Cylinder may have been replaced with Service Replacement. Identify PN Stamped on Cylinder Before Ordering Parts.	
1	See Note	NSS	Barrel (Note: Not Available for Purchase)	
2	70006719	1	Rod	
3	70006694	1	Head	
4	See Note	NSS	Wiper (Note: Use Item 50)	
5	See Note	NSS	Seal, Rod (Note: Use Item 50)	
6	See Note	NSS	Ring, Wear (Note: Use Item 50)	
7	See Note	NSS	O-Ring (Note: Use Item 50)	
8	See Note	NSS	Ring, Back-up (Note: Use Item 50)	
9	70006720	1	Piston	
10	See Note	NSS	T-Seal (Note: Use Item 50)	
11	See Note	NSS	Ring, Wear (Note: Use Item 50)	
12	See Note	NSS	O-Ring (Note: Use Item 50)	
13	See Note	NSS	Ring, Back-up (Note: Use Item 50)	
14	0961897	1	Bushing, Tapered	
15	70006721	1	Spacer, Tube	
16	3931508	1	Capscrew 5/16 x 1/2	
17	4641033	1	Valve Assembly (No serviceable parts - sold as assembly only)	
17	7024508	2	O-Ring (Not Shown - Located between valve and cylinder)	
18	0630535	3	Bolt 1/4 x 1-1/8	
19	3931740	8	Capscrew 7/16 x 2-1/2	
20	3931448	4	Capscrew 1/4 x 3	
21	2220886	2	Plug, O-Ring	
22	2220885	1	Plug, O-Ring	
50	1001181694	1	Seal Kit Options (Includes Items 4-8 & 10-13)	

SECTION 5 - CYLINDER

FIGURE 5-16. TELESCOPE CYLINDER ASSEMBLY (SERVICE REPLACEMENT) (860SJ)



ART_1001228083

SECTION 5 - CYLINDER

FIGURE 5-16. TELESCOPE CYLINDER ASSEMBLY (SERVICE REPLACEMENT) (860SJ)

ITEM	PART NUMBER	QTY	DESCRIPTION	REV
	1001228083	Ref	TELESCOPE CYLINDER ASSEMBLY	B
		Ref	Note: Original Cylinder may have been replaced with Service Replacement. Identify PN Stamped on Cylinder Before Ordering Parts.	
1	See Note	NSS	Barrel (Note: Not Available for Purchase)	
2	70006729	1	Rod	
3	70006694	1	Head	
4	See Note	NSS	Wiper (Note: Use Item 50)	
5	See Note	NSS	Seal, Rod (Note: Use Item 50)	
6	See Note	NSS	Ring, Wear (Note: Use Item 50)	
7	See Note	NSS	O-Ring (Note: Use Item 50)	
8	See Note	NSS	Ring, Back-up (Note: Use Item 50)	
9	70006720	1	Piston	
10	See Note	NSS	T-Seal (Note: Use Item 50)	
11	See Note	NSS	Ring, Wear (Note: Use Item 50)	
12	See Note	NSS	O-Ring (Note: Use Item 50)	
13	See Note	NSS	Ring, Back-up (Note: Use Item 50)	
14	0961897	1	Bushing, Tapered	
15	70006730	1	Spacer, Tube	
16	70006731	1	Bolt	
17	4641033	1	Valve Assembly (No serviceable parts - sold as assembly only)	
17	7024508	2	O-Ring (Not Shown - Located between valve and cylinder)	
18	0630535	3	Bolt 1/4 x 1-1/8	
19	70006732	8	Bolt	
20	70006733	4	Bolt	
21	2220886	4	Plug, O-Ring	
22	2220885	1	Plug, O-Ring	
50	1001181694	1	Seal Kit Options (Includes Items 4-8 & 10-13)	

SECTION 6 - HYDRAULIC

Go to Discount-Equipment.com to order your parts

SECTION 6 - HYDRAULIC

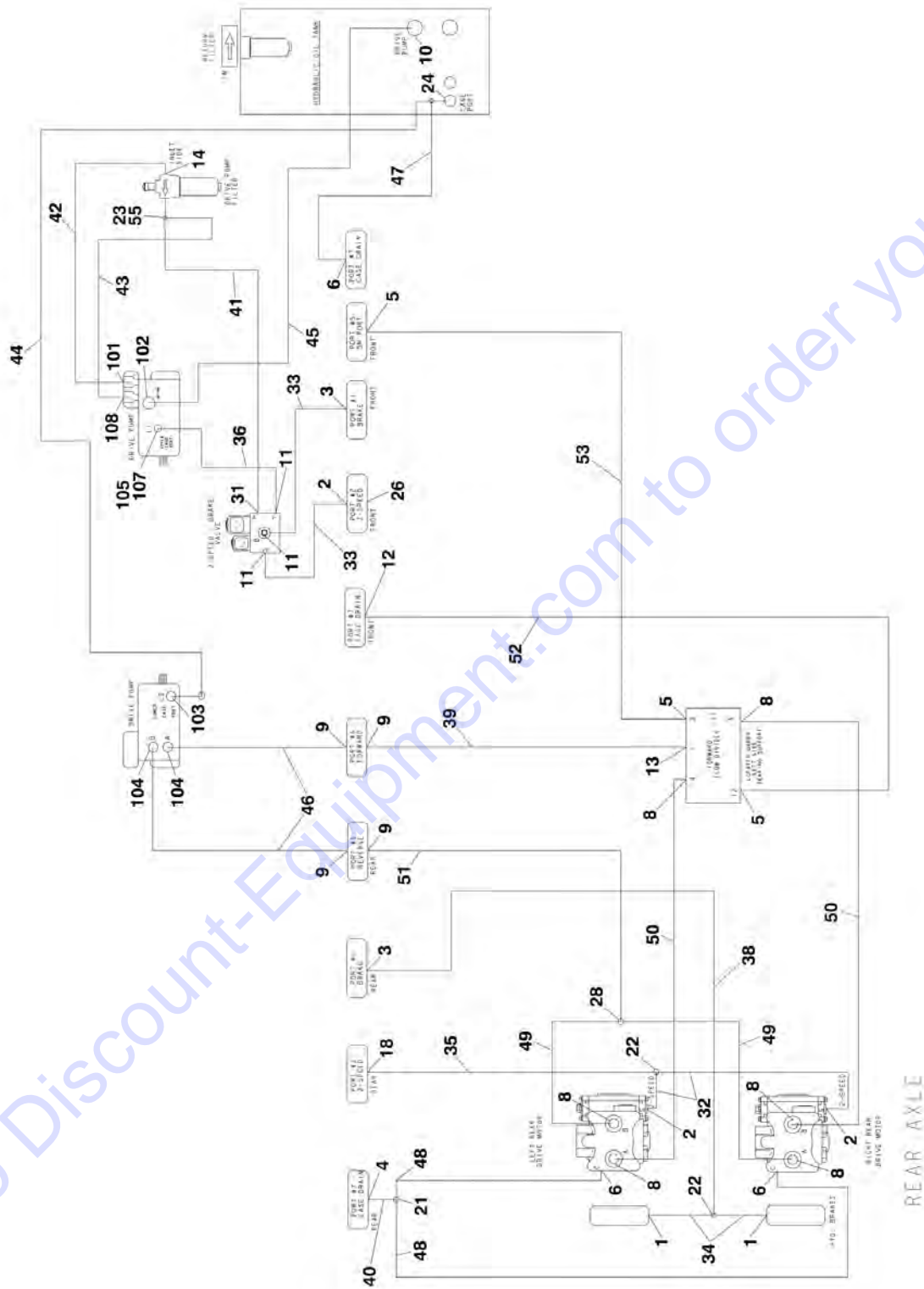
FIGURE 6-1. AXLE LOCKOUT HYDRAULIC DIAGRAM

ITEM	PART NUMBER	QTY	DESCRIPTION	REV
	2792648	Ref	AXLE LOCKOUT HYDRAULIC DIAGRAM	3-L
1	2110406	2	Fitting, Straight	
2	2110606	2	Fitting, Straight	
3	2110408	1	Fitting, Straight	
4	2170504	1	Fitting, Tee	
5	2170506	1	Fitting, Tee	
7	2753629	2	Hose	
8	2753630	1	Hose	
9	2753624	2	Hose	
10	2753627	1	Hose	

Go to Discount-Equipment.com to order your parts

SECTION 6 - HYDRAULIC

FIGURE 6-2. DRIVE HYDRAULIC DIAGRAM - 2WD



Go to Discount-Equipment.com to order your parts

SECTION 6 - HYDRAULIC

FIGURE 6-2. DRIVE HYDRAULIC DIAGRAM - 2WD

ITEM	PART NUMBER	QTY	DESCRIPTION	REV
	2792714	Ref	DRIVE HYDRAULIC DIAGRAM - 2WD	B-L
1	2110404	2	Fitting, Straight	
2	2110406	3	Fitting, Straight	
3	2110408	2	Fitting, Straight	
4	2110808	1	Fitting, Straight	
5	2110606	3	Fitting, Straight	
6	2110812	3	Fitting, Straight	
8	2111212	6	Fitting, Straight	
9	2111616	4	Fitting, Straight	
10	2111620	1	Fitting, Straight	
11	2130404	3	Fitting, 90	
12	2170406	1	Fitting, Tee	
13	2151616	1	Fitting, 45	
14	2131012	1	Fitting, 90	
18	2150406	1	Fitting, 45	
21	2170508	1	Fitting, Tee	
22	2170504	2	Fitting, Tee	
23	2221183	1	Fitting, Reducer	
24	2221088	2	Fitting, Tee	
26	2220237	1	Fitting, Plug	
28	2170516	1	Fitting, Tee	
31	2170204	1	Fitting, 90	
32	2754401	2	Hose	
33	2753540	2	Hose	
34	2753725	2	Hose	
35	3753550	1	Hose	
36	2753935	1	Hose	
38	2753622	1	Hose	
39	2753635	1	Hose	
40	2753685	1	Hose	
41	1001095307	1	Hose	
42	2753660	1	Hose	
43	1001095308	1	Hose	
44	2753664	1	Hose	
45	2753807	1	Hose	
46	2753667	2	Hose	
47	2754242	1	Hose	
48	2754240	2	Hose	
49	2754238	2	Hose	
50	2753688	2	Hose	
51	2754402	1	Hose	
52	2754242	1	Hose	
53	2754243	1	Hose	
55	2221084	1	Fitting, Tee	
	3600410	Ref	PISTON PUMP ASSEMBLY	C
101	2111010	1	Fitting, Straight	
102	2111616	1	Fitting, Straight	
103	2131212	1	Fitting, 90	
104	2131616	2	Fitting, 90	
105	2110408	1	Fitting, Straight	

SECTION 6 - HYDRAULIC

ITEM	PART NUMBER	QTY	DESCRIPTION	REV
107	2220811	1	Fitting, Reducer	
108	2110810	1	Fitting, Straight	

Go to Discount-Equipment.com to order your parts

SECTION 6 - HYDRAULIC

FIGURE 6-3. DRIVE HYDRAULIC DIAGRAM - 4WD

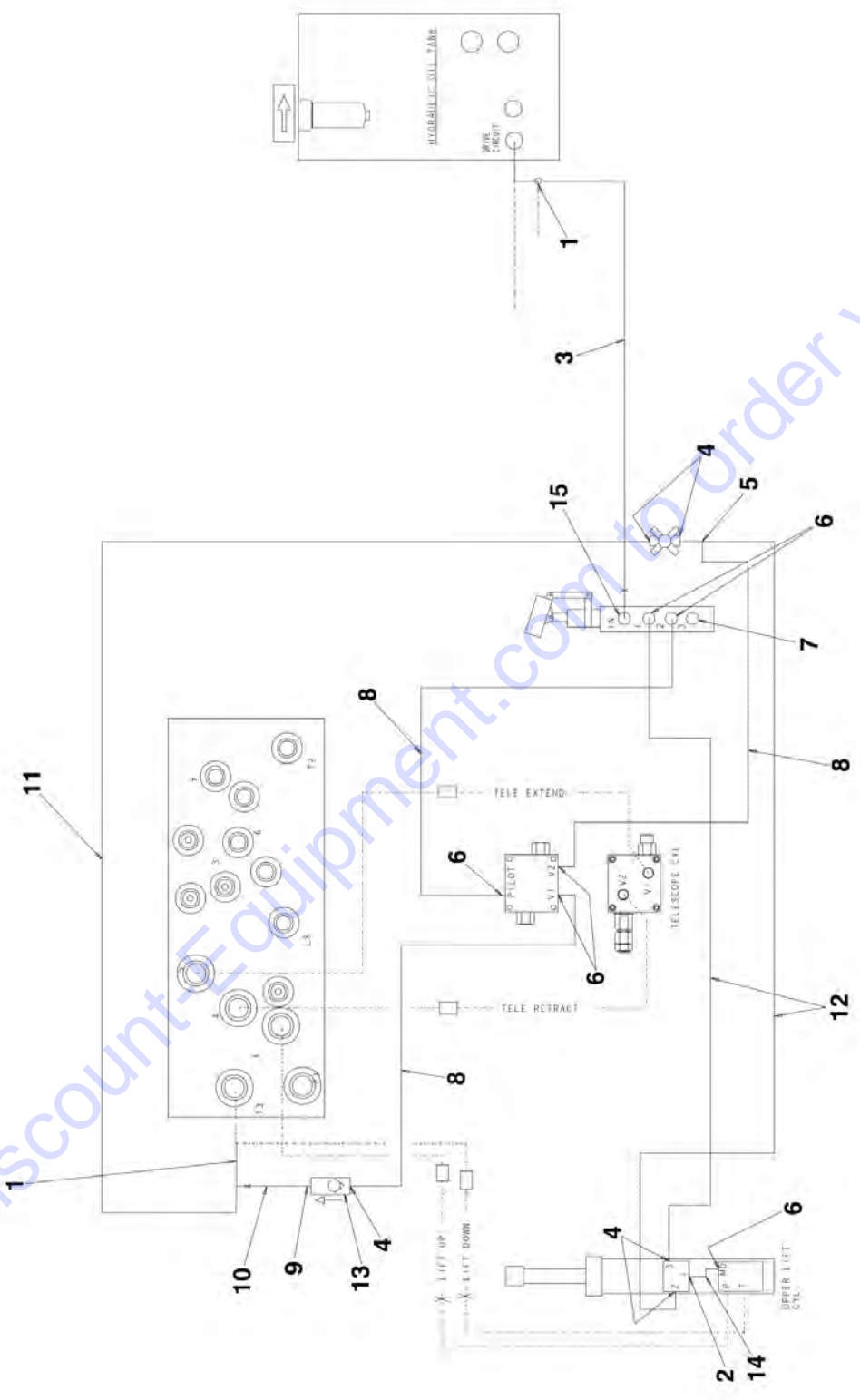
ITEM	PART NUMBER	QTY	DESCRIPTION	REV
		Ref	DRIVE HYDRAULIC DIAGRAM - 4WD	
	2792713	Ref	Without Arctic Package	C-L
	2792770	Ref	With Arctic Package	C
1	2110406	3	Fitting, Straight	
2	2110408	1	Fitting, Straight	
3	2110808	6	Fitting, Straight	
4	2110404	2	Fitting, Straight	
5	2110812	5	Fitting, Straight	
7	2111616	4	Fitting, Straight	
8	2111620	1	Fitting, Straight (Sauer-Danfoss Drive Pump)	
8	2112020	1	Fitting, Straight (Eaton Drive Pump)	
9	2130404	5	Fitting, Elbow	
10	2130604	1	Fitting, Elbow	
11	2130406	2	Fitting, Elbow	
12	2151616	1	Fitting, Elbow	
13	2130808	6	Fitting, Elbow	
14	2131012	1	Fitting, Elbow	
15	2131616	1	Fitting, Elbow	
17	2150406	2	Fitting, Elbow	
18	2150808	4	Fitting, Elbow	
19	2170408	2	Fitting, Tee	
20	2170504	4	Fitting, Tee	
21	2170350	1	Fitting, Tee	
22	2220237	1	Fitting, Plug	
23	2221183	1	Fitting, Reducer	
24	2221088	1	Fitting, Tee	
25	2220591	1	Fitting, Reducer	
26	2170708	1	Fitting, Tee	
28	2753540	3	Hose	
29		Ref	Hose Options:	
29	2753549	2	Without Arctic Package	
29	2754718	2	With Arctic Package	
30	2130204	1	Fitting, Elbow	
31	2754401	2	Hose	
32	2753550	1	Hose	
33	2754337	2	Hose	
34	2754044	1	Hose	
35		Ref	Hose Options:	
35	2753622	3	Without Arctic Package	
35	2754719	3	With Arctic Package	
36	2753935	1	Hose	
37	2753626	1	Hose	
38	1001095307	1	Hose	
39	2753685	1	Hose	
40	2753686	2	Hose	
41		Ref	Hose Options:	
41	2753628	2	Without Arctic Package	
41	2754720	2	With Arctic Package	
42		Ref	Hose Options:	
42	2753970	3	Without Arctic Package	

SECTION 6 - HYDRAULIC

ITEM	PART NUMBER	QTY	DESCRIPTION	REV
42	2754743	3	With Arctic Package	
43	2753971	3	Hose	
44		Ref	Hose Options:	
44	2754040	1	Without Arctic Package	
44	2754744	1	With Arctic Package	
45	2753660	1	Hose	
46	1001095308	1	Hose	
47	2753664	1	Hose	
48	2753634	2	Hose	
50	2753667	2	Hose	
51	2753807	1	Hose (Sauer-Danfoss Drive Pump)	
51	1001157866	1	Hose (Eaton Drive Pump)	
52	2754338	1	Hose	
54	2170406	1	Fitting, Tee	
55	2221084	1	Fitting, Tee	
57	2220811	4	Fitting, Reducer	
	3600410	Ref	SAUER-DANFOSS PUMP ASSEMBLY	C
101	2111010	1	Fitting, Straight	
102	2111616	1	Fitting, Straight	
103	2131212	1	Fitting, Elbow	
104	2131616	2	Fitting, Elbow	
105	2110408	1	Fitting, Straight	
107	2220811	1	Fitting, Reducer	
108	2110810	1	Fitting, Straight	
	1001152522	Ref	EATON PUMP ASSEMBLY	B
201	2110408	1	Fitting, Straight	
202	2110810	1	Fitting, Straight	
203	2111016	1	Fitting, Straight	
204	2131212	1	Fitting, Elbow	
205	2131616	2	Fitting, Elbow	
206	2132016	1	Fitting, Elbow	
207	2220811	1	Fitting, Reducer	

SECTION 6 - HYDRAULIC

FIGURE 6-4. MANUAL DESCENT HYDRAULIC DIAGRAM (OPTIONAL)



SECTION 6 - HYDRAULIC

FIGURE 6-4. MANUAL DESCENT HYDRAULIC DIAGRAM (OPTIONAL)

ITEM	PART NUMBER	QTY	DESCRIPTION	REV
	2792597	Ref	MANUAL DESCENT HYDRAULIC DIAGRAM	A
1	2170708	2	Fitting, Tee	
2	2110406	1	Fitting	
3	2753578	1	Hose	
4	2130406	5	Fitting, Elbow	
5	2170804	1	Fitting, Tee	
6	2130404	6	Fitting, Elbow	
7	2220235	1	Fitting, Plug	
8	2753678	3	Hose	
9	2170306	1	Fitting, Tee	
10	2753895	1	Hose	
11	2753896	1	Hose	
12	2753897	2	Hose	
13	4640774	1	Valve, Check	
14	4568708	1	Tube	
15	2110604	1	Fitting	

Go to Discount-Equipment.com to order your parts

PARTS FINDER

**Search Website
by Part Number**



**Search Manual
Library For Parts
Manual & Lookup Part
Numbers – Purchase
or Request Quote**

**Can't Find Part or
Manual? Request Help
by Manufacturer,
Model & Description**

Discount-Equipment.com is your online resource for quality parts & equipment.

Florida: **561-964-4949** Outside Florida TOLL FREE: **877-690-3101**

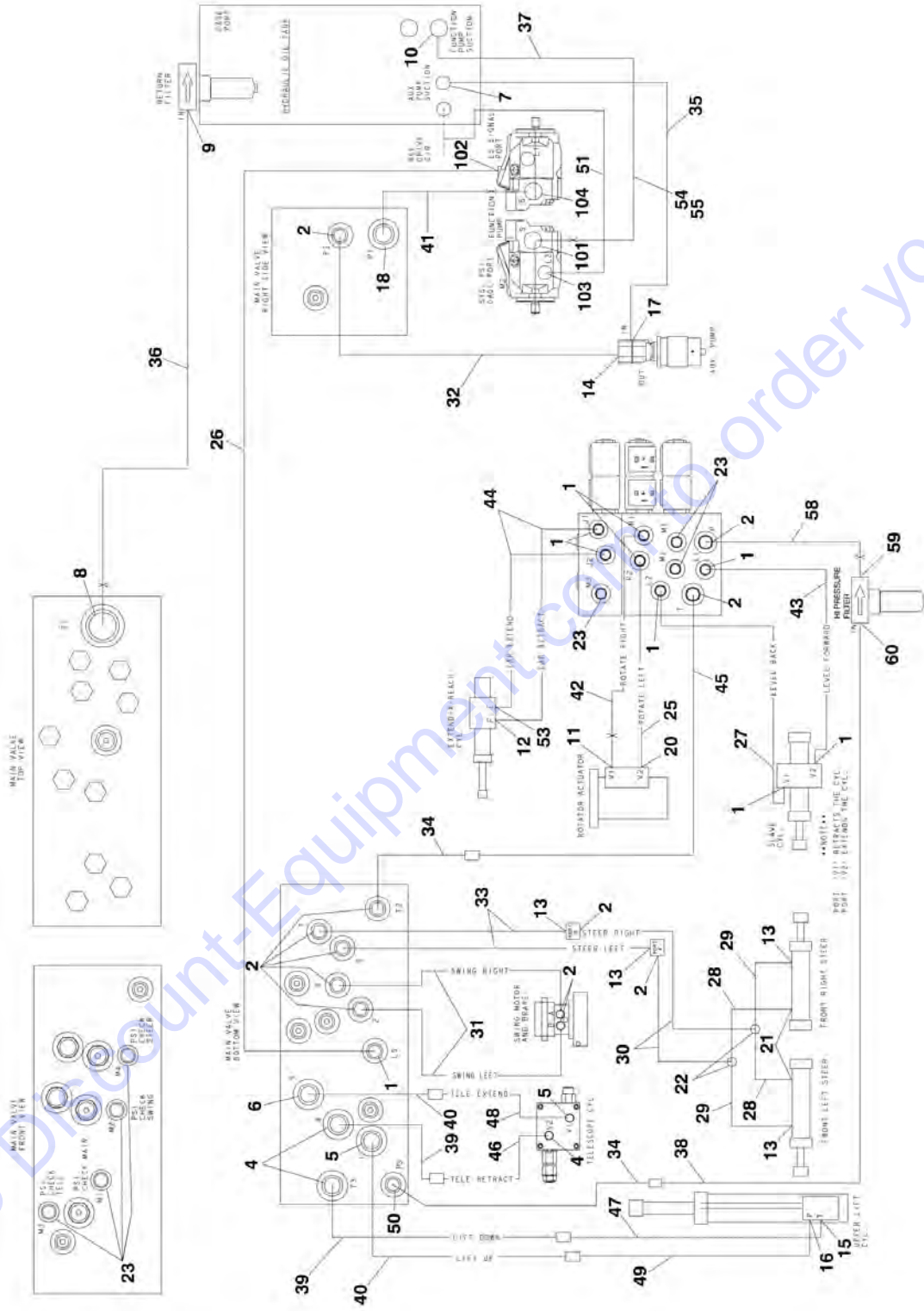
Need parts?

Click on this link: <http://www.discount-equipment.com/category/5443-parts/> and choose one of the options to help get the right parts and equipment you are looking for. Please have the machine model and serial number available in order to help us get you the correct parts. If you don't find the part on the website or on one of the online manuals, please fill out the request form and one of our experienced staff members will get back to you with a quote for the right part that your machine needs.

We sell worldwide for the brands: Genie, Terex, JLG, MultiQuip, Mikasa, Essick, Whiteman, Mayco, Toro Stone, Diamond Products, Generac Magnum, Airman, Haulotte, Barreto, Power Blanket, Nifty Lift, Atlas Copco, Chicago Pneumatic, Allmand, Miller Curber, Skyjack, Lull, Skytrak, Tsurumi, Husquvarna Target, Stow, Wacker, Sakai, Mi-T-M, Sullair, Basic, Dynapac, MBW, Weber, Bartell, Bennar Newman, Haulotte, Ditch Runner, Menegotti, Morrison, Contec, Buddy, Crown, Edco, Wyco, Bomag, Laymor, EZ Trench, Bil-Jax, F.S. Curtis, Gehl Pavers, Heli, Honda, ICS/PowerGrit, IHI, Partner, Imer, Clipper, MMD, Koshin, Rice, CH&E, General Equipment, Amida, Coleman, NAC, Gradall, Square Shooter, Kent, Stanley, Tamco, Toku, Hatz, Kohler, Robin, Wisconsin, Northrock, Oztec, Toker TK, Rol-Air, APT, Wylie, Ingersoll Rand / Doosan, Innovatech, Con X, Ammann, Mecalac, Makinex, Smith Surface Prep, Small Line, Wanco, Yanmar

SECTION 6 - HYDRAULIC

FIGURE 6-5. STANDARD HYDRAULIC DIAGRAM



SECTION 6 - HYDRAULIC

FIGURE 6-5. STANDARD HYDRAULIC DIAGRAM

ITEM	PART NUMBER	QTY	DESCRIPTION	REV
		Ref	STANDARD HYDRAULIC DIAGRAM	
		Ref	Standard Hydraulic Diagram 800S	
	2792649	Ref	USA Built Machines (SN 0300140000 through 0300176301 Only)	B-L
	1001151207	Ref	USA Built Machines (SN 0300176302 through 0300182743 Only)	A-M
	2792649	Ref	China Built Machines (SN B300000100 through B300000825 Only)	B-L
	1001151207	Ref	China Built Machines Only (SN B300000826 through B300001091)	A-M
		Ref	Standard Hydraulic Diagram 860SJ	
	2792650	Ref	USA Built Machines (SN 0300140000 through 0300176301 Only)	B-L
	1001151208	Ref	USA Built Machines (SN 0300176302 through 0300182743 Only)	A-M
	2792650	Ref	China Built Machines (SN B300000100 through B300000825 Only)	B-L
	1001151208	Ref	China Built Machines Only (SN B300000826 through B300001091)	A-M
1	2110404	AR	Fitting, Straight	
2	2110606	12	Fitting, Straight	
4	2110808	3	Fitting, Straight	
5	2111008	2	Fitting, Straight	
6	2111010	1	Fitting, Straight	
7		Ref	Fitting Options:	
7	2111212	1	Fitting, Straight (USA Built Machines) (SN 0300140000 through 0300143625 Only)	
7	2151212	1	Fitting, Elbow (USA Built Machines) (SN 300143626 through 0300182743 Only)	
7	2111212	1	Fitting, Straight (China Built Machines) (SN B300000100 through B300000160 Only)	
7	2151212	1	Fitting, Elbow (China Built Machines Only) (SN B300000161 through B300001091)	
8		Ref	Fitting Options:	
8	2111612	1	Fitting 800S - Fitting, Straight (USA Built Machines) (SN 0300140000 through 0300144797 Only)	
8	2131612	1	Fitting 800S - Fitting, Elbow (USA Built Machines) (SN 0300144798 through 0300182743 Only)	
8	2111612	1	Fitting 800S - Fitting, Straight (China Built Machines) (SN B300000100 through B300000214 Only)	
8	2131612	1	Fitting 800S - Fitting, Elbow (China Built Machines Only) (SN B300000215 through B300001091)	
8	2111612	1	Fitting 860SJ - Fitting, Straight	
9	2111616	1	Fitting, Straight	
10	2112424	1	Fitting, Straight	
11	2130404	1	Fitting, Elbow	
12		Ref	Fitting, Elbow Options:	
12	Not Required	0	Fitting, Elbow 800S	
12	2130406	1	Fitting, Elbow 860SJ	
13	2130606	4	Fitting, Elbow	
14	2130608	1	Fitting, Elbow	
15	2130810	1	Fitting, Elbow	
16	2131010	1	Fitting, Elbow	

SECTION 6 - HYDRAULIC

ITEM	PART NUMBER	QTY	DESCRIPTION	REV
17		Ref	Fitting Options:	
17	2131210	1	Fitting, Elbow (USA Built Machines) (SN 0300140000 through 0300176301 Only)	
17	2111208	1	Fitting, Straight (USA Built Machines Only) (SN 0300176302 through 0300182743)	
17	2131210	1	Fitting, Elbow (China Built Machines) (SN B300000100 through B300000825 Only)	
17	2111208	1	Fitting, Straight (China Built Machines Only) (SN B300000826 through B300001091)	
18	2131212	1	Fitting, Elbow	
20	2150404	1	Fitting, Elbow	
21	2150606	2	Fitting, Elbow	
22	2170506	2	Fitting, Tee	
23	2221086	AR	Fitting, Pressure Check	
25	2753545	1	Hose	
26	2753622	1	Hose	
27		Ref	Hose Options:	
27	2753622	1	Hose 800S	
27	2753677	1	Hose 860SJ	
28	2753625	2	Hose	
29	2753626	2	Hose	
30	2753627	2	Hose	
31	2753653	2	Hose	
32	2753654	1	Hose	
33	2753656	2	Hose	
34	2753657	2	Hose	
35		Ref	Hose Options:	
35	2753662	1	USA Built Machines (SN 0300140000 through 0300176301 Only)	
35	1001111968	1	USA Built Machines Only (SN 0300176302 through 0300182743)	
35	2753662	1	China Built Machines (SN B300000100 through B300000825 Only)	
35	1001111968	1	China Built Machines Only (SN B300000826 through B300001091)	
36	2753665	1	Hose	
37	2753808	1	Hose	
38		Ref	Hose Options:	
38	2753693	1	Hose 800S	
38	2753692	1	Hose 860SJ	
39	2753670	2	Hose	
40	2753671	2	Hose	
41	2753672	1	Hose	
42	2753674	1	Hose	
43		Ref	Hose Options:	
43	2753675	1	Hose 800S	
43	2753678	1	Hose 860SJ	
44		Ref	Hose Options:	
44	Not Required	0	Hose 800S	
44	2753676	2	Hose 860SJ	
45		Ref	Hose Options:	
45	2753679	1	Hose 800S	
45	2753680	1	Hose 860SJ	

SECTION 6 - HYDRAULIC

ITEM	PART NUMBER	QTY	DESCRIPTION	REV
46	2753681	1	Hose	
47	2753682	1	Hose	
48	2753683	1	Hose	
49	2753684	1	Hose	
50	2110608	1	Fitting, Straight	
51	2753590	1	Hose	
53		Ref	Fitting, Elbow Options:	
53	Not Required	0	Fitting, Elbow 800S	
53	2180829	1	Fitting, Elbow 860SJ	
54	4061032	1	Hose Guard	
55	4240018	3	Tie Strap	
58	2717059	1	Hose (USA Built Machines) (SN 0300141319 through 0300182743)	
58	2717059	1	Hose (China Built Machines) (SN B300000100 through B300001091)	
59	2110612	1	Fitting, Adapter (USA Built Machine) (SN 0300141319 through 0300182743 Only)	
59	2110612	1	Fitting, Adapter (China Built Machines Only) (SN B300000100 through B300001091)	
60	2130612	1	Fitting, Adapter (USA Built Machines) (SN 0300141319 through 0300182743 Only)	
60	2130612	1	Fitting, Adapter (China Built Machines Only) (SN B300000100 through B300001091)	
	2902460	1	Hose Kit - 800S (Includes Items 26, 38, 42, 43 & 45)	
	2902461	1	Hose Kit - 800S/860SJ (Includes Items 34, 39, 40, 47 & 49)	
	2902462	1	Hose Kit - 860SJ (Includes Items 27, 38 & 42-45)	
	3600411	Ref	LOAD SENSING PUMP AND FITTING ASSEMBLY	A
101	2112424	1	Fitting, Straight	
102	2130404	1	Fitting, Elbow	
103	2130810	1	Fitting, Elbow	
104	2131216	1	Fitting, Elbow	

SECTION 6 - HYDRAULIC

FIGURE 6-6. HYDRAULIC DIAGRAM LIST

ITEM	PART NUMBER	QTY	DESCRIPTION	REV
		Ref	Note: Information on diagrams not shown are available from Discount-equipment.com	
	2792648	Ref	Axle Lockout Hydraulic Diagram	
	1283387	Ref	Axle Lockout Hydraulic Diagram	
		Ref	Drive Hydraulic Diagrams:	
	2792714	Ref	2WD Machines	
	1283387	Ref	2WD Machines	
	2792713	Ref	4WD Machines	
	1283387	Ref	4WD Machines	
	2792770	Ref	4WD Machines with Arctic Package	
	2792597	Ref	Manual Descent Hydraulic Diagram (Optional)	
		Ref	Oil Cooler Hydraulic Diagrams:	
		Ref	Deutz Engine Options:	
	1001108703	Ref	USA Built Machines (SN 0300140000 through 0300163079)	
	1001108703	Ref	China Built Machines (SN B300000100 through B300000661)	
	1001138328	Ref	USA Built Machines (SN 0300163080 through 0300182743)	
	1001138328	Ref	China Built Machines (SN B300000662 through B300001091)	
	0271939	Ref	GM Engine Machines	
	1283309	Ref	GM Engine Machines	
		Ref	Standard Hydraulic Diagrams:	
	2792649	Ref	Standard Hydraulic Diagrams 800S	
	1283387	Ref	Standard Hydraulic Diagrams 800S	
	2792650	Ref	Standard Hydraulic Diagrams 860SJ	
	1283387	Ref	Standard Hydraulic Diagrams 860SJ	
	2792678	Ref	Standard Hydraulic Schematic	
	2792653	Ref	Tow Hydraulic Diagram	
	1283387	Ref	Tow Hydraulic Diagram	

SECTION 7 - ELECTRICAL

Go to Discount-Equipment.com to order your parts

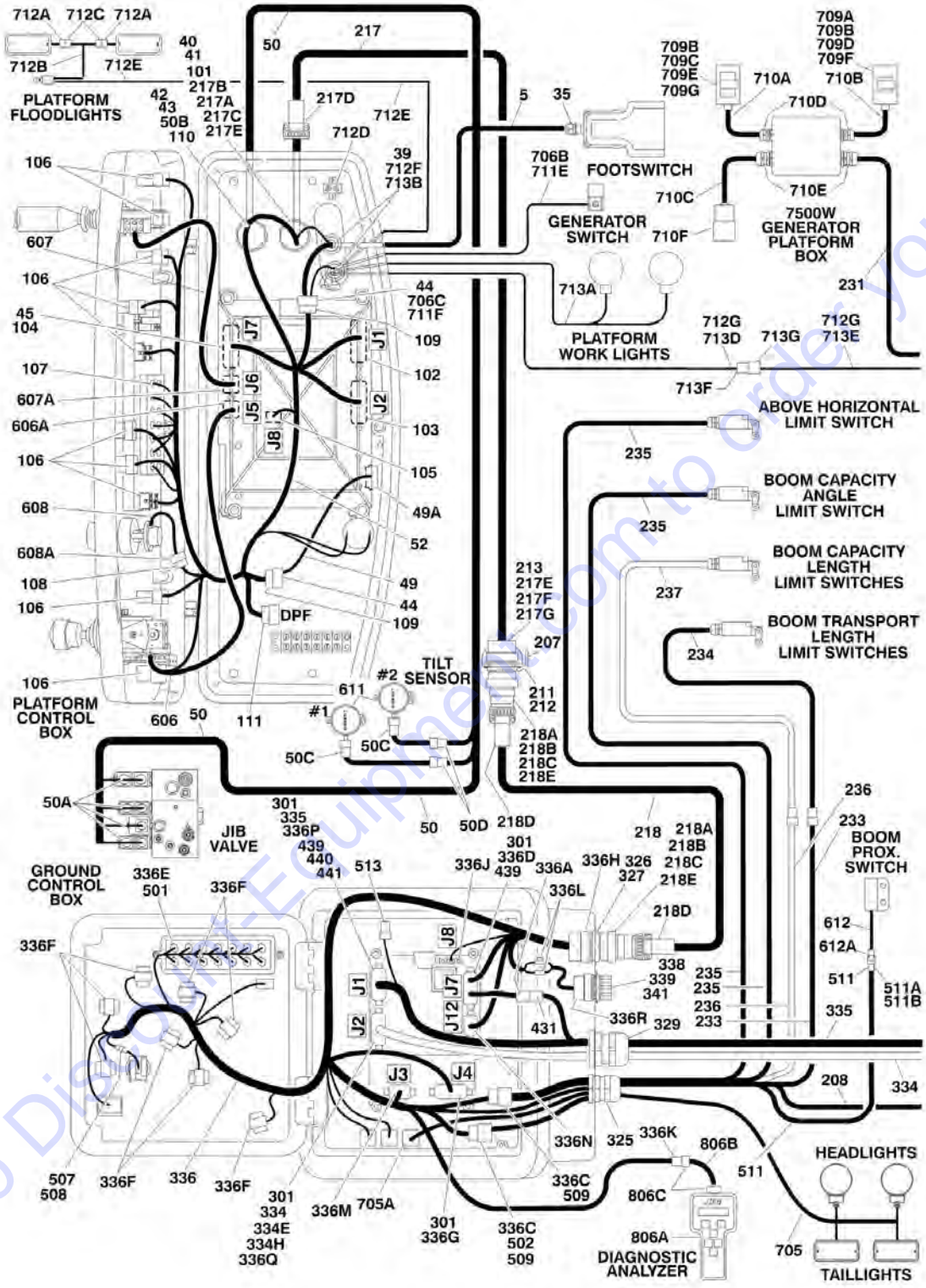
SECTION 7 - ELECTRICAL

FIGURE 7-1. ELECTRICAL DIAGRAM LIST

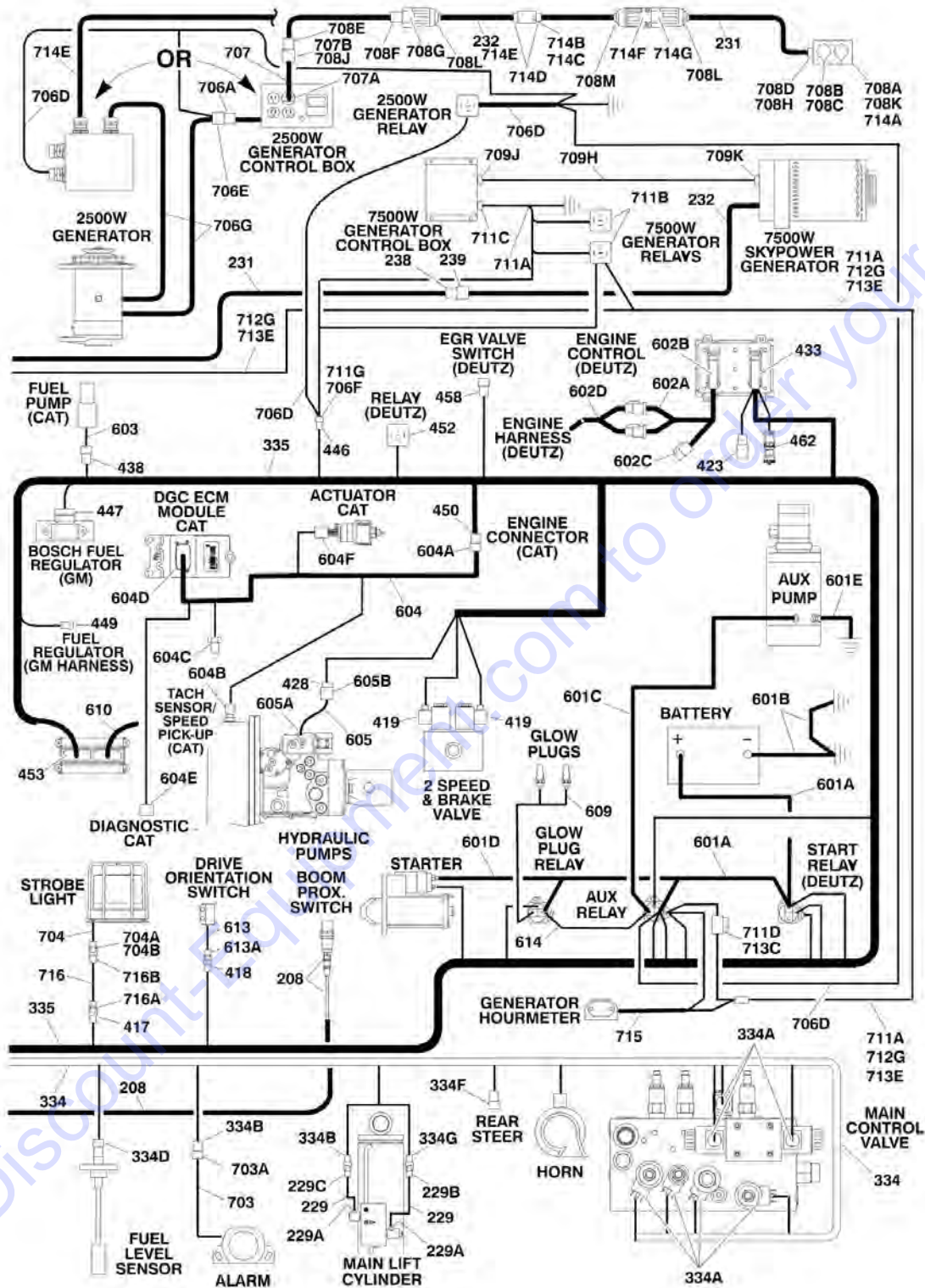
ITEM	PART NUMBER	QTY	DESCRIPTION	REV
		Ref	GENERATOR ELECTRICAL DIAGRAM	
		Ref	2500W Generators (50Hz)	
	1001112743	Ref	ANSI Export Specs - Caterpillar/Deutz	
		Ref	2500W Generators (60Hz)	
	1001112588	Ref	ANSI Specs - Caterpillar and Deutz Engines Only	
	4933350	Ref	ANSI Specs - GM Engines Only	
		Ref	7500W Generators (60Hz/50Hz)	
	1001112586	Ref	Caterpillar and Deutz Engine Machines	
	4933349	Ref	GM Engine Machines	
		Ref	LIGHTS ELECTRICAL DIAGRAM	
	4933231	Ref	CHASSIS FLOOD LIGHTS	
	4933219	Ref	HEAD AND TAIL LIGHTS	
	4933249	Ref	PLATFORM FLOOD LIGHTS	
		Ref	PLATFORM WORKLIGHTS ELECTRICAL DIAGRAM	
	0273472	Ref	Platform Worklights Electrical Diagram 800S	
	0273483	Ref	Platform Worklights Electrical Diagram 860SJ	
	1001128153	Ref	Platform Worklights Electrical Diagram 860SJ (4 Corner Worklights)	
	4933218	Ref	SOFT TOUCH ELECTRICAL DIAGRAM	
		Ref	STANDARD ELECTRICAL DIAGRAMS	
	1001110344	Ref	Caterpillar Machines	
	1001110343	Ref	Deutz Machines	
	1001110342	Ref	GM Machines	
		Ref	STANDARD ELECTRICAL SCHEMATICS	
		Ref	Caterpillar, Deutz and GM Engine Machines Options:	
	1001110325	Ref	USA Built Machines (SN 0300140000 through 0300161729)	
	1001110325	Ref	China Built Machines (SN 300000100 through B300000639)	
	1001141141	Ref	USA Built Machines (SN 0300161730 through 0300182743)	
	1001141141	Ref	China Built Machines (SN B300000640 through B300001091)	
	1001131992	Ref	GM Engine Schematic (Engine Schematic Only. P/N 1001110325 or P/N 1001141141 is Schematic for complete machine)	

SECTION 7 - ELECTRICAL

FIGURE 7-2. HARNESS COMPONENTS INSTALLATION



SECTION 7 - ELECTRICAL



SECTION 7 - ELECTRICAL

FIGURE 7-2. HARNESS COMPONENTS INSTALLATION

ITEM	PART NUMBER	QTY	DESCRIPTION	REV
		Ref	PLATFORM CONSOLE BOX COMPONENTS	
	1001114896	Ref	USA Built Machines (SN 0300140000 through 0300161729)	G
	1001141140	Ref	USA Built Machines (SN 0300161730 through 0300182743)	A
	1001114896	Ref	China Built Machines (SN B300000100 through B300000639)	G
	1001141140	Ref	China Built Machines (SN B300000640 through B300001091)	A
5	1060918	7 ft/2.14m	Cable, Electrical - 18/3	
35	4460071	1	Connector, Strain Relief	
39	4460428	2	Connector, Strain Relief	
40	4460470	1	Nut, Terminal	
41	4460471	1	Lockwasher, Terminal	
42	4460496	1	Lockwasher, Terminal	
43	4460497	1	Nut, Terminal	
44	4460708	2	Receptacle - 15 Position	
45	4460905	5	Seal, Plug	
49	4922666	1	Harness, Analyzer Cable	2-B
49	4460226	4	Socket, Female (Not Shown - Located at J2)	
49A	4460761	1	Connector, Female - 4 Position	
49A	4460227	4	Pin, Male	
50		Ref	Harness, Upper Valve Options:	
50	4922749	1	USA Built Machines (SN 0300140000 through 0300161729)	3-B
50	1001141137	1	USA Built Machines (SN 0300161730 through 0300182743)	A
50	4922749	1	China Built Machines (SN B300000100 through B300000639)	3-B
50	1001141137	1	China Built Machines (SN B300000640 through B300001091)	A
50A	4460880	7	Connector, DIN	
50B	4460928	8	Socket, Female	
50B	4460918	8	Socket, Female	
50B	4460926	1	Connector, Deutsch - 21 Position	
50C		Ref	Lock Wedge - 3 Position Options:	
50C	4460913	2	USA Built Machines (SN 0300140000 through 0300161729)	
50C	4460913	2	China Built Machines (SN 300000100 through B300000639)	
50C	4460910	2	Connector, Female Deutsch - 3 Position	
50C	4460917	6	Pin, Male	
50C	4460912	2	USA Built Machines (SN 0300161730 through 0300182743)	
50C	4460912	2	China Built Machines (SN B300000640 through B300001091)	
50C	4460911	2	Connector, Female Deutsch - 3 Position	
50C	4460918	6	Pin, Male	
50D	1560011	2	Connector, Strain Relief	
50D	1560012	2	Nut, Conduit	
52		Ref	Harness, Platform Box Options (See Items 101-110 for Breakdown):	
52	1001107796	1	USA Built Machines (SN 0300140000 through 0300161729)	
52	1001141136	1	USA Built Machines (SN 0300161730 through 0300182743)	
52	1001107796	1	China Built Machines (SN B300000100 through B300000639)	
52	1001141136	1	China Built Machines (SN B300000640 through B300001091)	
		Ref	PLATFORM BOX HARNESS ASSEMBLY	
	1001107796	Ref	USA Built Machines (SN 0300140000 through 0300161729)	D
	1001141136	Ref	USA Built Machines (SN 0300161730 through 0300182743)	A
	1001107796	Ref	China Built Machines (SN B300000100 through B300000639)	D

SECTION 7 - ELECTRICAL

ITEM	PART NUMBER	QTY	DESCRIPTION	REV
	1001141136	Ref	China Built Machines (SN B300000640 through B300001091)	A
101	4460866	1	Connector - 19 Pin	
101	4460929	10	Pin, Male Deutsch 16 Ga	
101	4460508	3	Pin, Male Deutsch 12 Ga	
102	4460874	1	Connector - 35 Position (Natural)	
102	4460871	23	Socket, Female	
103	4460876	1	Connector - 35 Position (Blue)	
103	4460871	23	Socket, Female	
104	4460873	1	Connector - 35 Position (Black)	
104	4460871	28	Socket, Female	
105	4460879	1	Connector, Male 2 Position	
105	4460887	2	Terminal (12 Gauge)	
106	4460418	7	Connector, Female - 6 Position	
106	4460419	21	Socket, Female	
107	4460225	4	Connector - 6 Position	
107	4460226	18	Terminal (16 Gauge)	
108	4460225	1	Connector - 6 Position	
108	4460227	5	Pin, Male	
109	4460434	2	Connector - 15 Position	
109	4460227	AR	Pin, Male	
110	4460925	1	Connector - 21 Pin	
110	4460929	8	Pin, Male Deutsch 16 Ga	
110	4460917	8	Pin, Male Deutsch 12 Ga	
111	4460266	1	Connector - 9 Position (USA Built Machines) (SN 0300161730 through 0300182743)	
111	4460266	1	Connector - 9 Position (China Built Machines) (SN B300000640 through B300001091)	
111	4460227	7	Pin, Male	
		Ref	BOOM CABLES INSTALLATION	
		Ref	Boom Cables Installation 800S	
	0271322	Ref	All Specs except Australian and CE Specs	I
	0271323	Ref	Australian and CE Specs Only	I
	0272388	Ref	All Specs except Australian and CE Specs with 7500W Generator and without Arctic Package	G
	1001117399	Ref	Australian and CE Specs Only with 7500W Generator and without Arctic Package	B
	1001091609	Ref	All Specs except Australian, CE and Japanese Specs without 7500W Generator and with Arctic Package	C
	1001091664	Ref	All Specs except Australian, CE and Japanese Specs with 7500W Generator and Arctic Package	E
		Ref	Boom Cables Installation 860SJ	
	0271324	Ref	All Specs except Australian and CE Specs	I
	0271325	Ref	Australian and CE Specs Only	K
	0272389	Ref	All Specs except Australian and CE Specs with 7500W Generator and without Arctic Package	F
	1001117400	Ref	Australian and CE Specs Only with 7500W Generator and without Arctic Package	B
	0275586	Ref	All Specs except Australian, CE and Japanese Specs without 7500W Generator and with Arctic Package	B
	1001091665	Ref	All Specs except Australian, CE and Japanese Specs with 7500W Generator and Arctic Package	E
207	3573047	1	Plate, Receptacle Mounting	
208	4360506	1	Proximity Switch and Harness Assembly	
211	4460470	1	Nut, Terminal	

SECTION 7 - ELECTRICAL

ITEM	PART NUMBER	QTY	DESCRIPTION	REV
212	4460471	1	Lockwasher, Terminal	
213	4460866	1	Connector - 19 Position	
217		Ref	Harness Assembly - Main Boom (12/4 - 18/8) Options:	
217	4922566	1	Harness Assembly - Main Boom (12/4 -18/8) 800S	2-B
217	1001091618	1	Harness Assembly - Main Boom (12/4 -18/8) 800S (With Arctic Package)	1-A
217	4922567	1	Harness Assembly - Main Boom (12/4 -18/8) 860SJ	3-C
217	4923595	1	Harness Assembly - Main Boom (12/4 -18/8) 860SJ (With Arctic Package)	1-A
217		Ref	Cable, Electrical - 12/4 & 18/8 Options:	
217	1060896	85 ft/26m	Cable, Electrical - 12/4 & 18/8 800S	
217	4923462	85 ft/26m	Cable, Electrical - 12/4 & 18/8 800S (With Arctic Package)	
217	1060896	95 ft/29m	Cable, Electrical - 12/4 & 18/8 860SJ	
217	4923462	95 ft/29m	Cable, Electrical - 12/4 & 18/8 860SJ (With Arctic Package)	
217	2820031	4 in/9cm	Heat Shrink	
217A	4460465	11	Socket, Female 18 Gauge	
217B	4460865	1	Connector - 19 Position	
217C	4460509	4	Socket, Female 12 Gauge	
217D	4460473	1	Clamp, Cable	
217E	4460466	8	Seal, Plug	
217F	4460464	11	Pin, Male 18 Gauge	
217G	4460508	4	Pin, Male 12 Gauge	
218		Ref	Harness Assembly - Tower Boom (12/4 - 18/8) Options:	
218	4922569	1	Without Arctic Package	1-A
218	4923596	1	With Arctic Package	2-B
218		Ref	Cable, Electrical - 12/4 & 18/8 Options:	
218	1060896	20 ft/6.1m	Without Arctic Package	
218	4923462	20 ft/6.1m	With Arctic Package	
218A	4460465	22	Socket, Female 18 Gauge	
218B	4460865	2	Connector - 19 Position	
218C	4460509	8	Socket, Female 12 Gauge	
218D	4460473	2	Clamp, Cable	
218E	4460466	8	Seal, Plug	
229		Ref	Holding Valve/Lift Dump Harness Assembly Options: (Note: This is actually two separate harnesses under the same p/n)	
229	4922660	1	Without Arctic Package	E
229	4923597	1	With Arctic Package	1-A
229A	4460880	2	Connector, DIN	
229B	4460320	1	Plug, Male - 2 Position	
229B	4460226	2	Socket, Female	
229C	4460424	1	Connector, Female - 2 Position	
229C	4460267	2	Pin, Male	
231		Ref	Harness, 110V A/C (To Bulkhead) Options :	
231		Ref	Harness, 110V A/C (To Bulkhead) 800S:	
231	4922873	1	All Specs except Australian and CE Specs	
231	4922875	1	Australian and CE Specs Only	
231	4922790	NLA	All Specs except Australian and CE Specs (Harness, 8/5 Cable - with 7500W Generator) (Use p/n 1001121670)	
231	1001091620	1	All Specs except Australian, CE and Japanese Specs (Harness, 8/5 Cable - with Arctic Package)	
231	4922790	NLA	All Specs except Australian, CE and Japanese Specs (Harness, 8/5 Cable - with 7500W Generator and Arctic Package) (Use p/n 1001121670)	

SECTION 7 - ELECTRICAL

ITEM	PART NUMBER	QTY	DESCRIPTION	REV
231		Ref	Harness, 110V A/C (To Bulkhead) 860SJ:	
231	4922877	1	All Specs except Australian and CE Specs	
231	4922878	1	Australian and CE Specs Only	
231	4922808	NLA	All Specs (Harness, 8/5 Cable - with 7500W Generator) (Use p/n 1001121671)	
231	4923600	1	All Specs except Australian, CE and Japanese Specs (Harness, 8/5 Cable - with Arctic Package)	
231	4922808	NLA	All Specs except Australian, CE and Japanese Specs (Harness, 8/5 Cable - with 7500W Generator and Arctic Package) (Use p/n 1001121671)	
232		Ref	Harness, 110V A/C (To Generator Box) Options:	
232	4922874	1	All Specs except Australian and CE Specs	
232	4922876	1	Australian and CE Specs Only	
232	4922809	NLA	All Specs (Harness, 8/5 Cable - With 7500W Generator) (Use p/n 1001121669)	
232	4923601	1	All Specs except Australian, CE and Japanese Specs (Harness, 8/5 Cable - with Arctic Package)	
232	4922809	NLA	All Specs except Australian, CE and Japanese Specs (Harness, 8/5 Cable - with 7500W Generator and Arctic Package) (Use p/n 1001121669)	
233		Ref	Harness, Limit Switch Lower Options (To Boom Transport Length Limit Switch):	
233	4922872	1	Without Arctic Package	
233	4923599	1	With Arctic Package	
233		Ref	Cable, Electrical - 18/2 Options:	
233	1060902	20 ft/6m	Without Arctic Package	
233	4923466	20 ft/6m	With Arctic Package	
233	4460465	2	Socket, Female	
233	4460891	1	Plug, Male - 2 Position	
234		Ref	Harness, Limit Switch Upper Options (To Boom Transport Length Limit Switch):	
234	4922871	1	Without Arctic Package	
234	4923598	1	With Arctic Package	
234		Ref	Cable, Electrical - 18/2 Options:	
234	1060902	34 ft /10.4m	Without Arctic Package	
234	4923466	34 ft /10.4m	With Arctic Package	
234	4460464	2	Pin, Male	
234	4460897	1	Receptacle, Female - 2 Position	
235		Ref	Cable, Electrical - 18/2	
235	1061018	AR	Cable, Electrical - 18/2 800S	
235		Ref	All Specs except Australian and CE Specs	
235		Ref	Australian and CE Specs Only	
235		Ref	All Specs with 7500W Generator	
235	1061019	AR	860SJ	
235		Ref	All Specs except Australian and CE Specs	
235		Ref	Australian and CE Specs Only	
235		Ref	All Specs with 7500W Generator	
236		Ref	Harness, Limit Switch Lower Options (To Boom Capacity Length Switch) (All Specs except Australian and CE Specs):	
236	1001098908	1	Without Arctic Package	
236	1001098910	1	With Arctic Package	
236		Ref	Cable, Electrical - 18/2 Options:	

SECTION 7 - ELECTRICAL

ITEM	PART NUMBER	QTY	DESCRIPTION	REV
236	1060902	20 ft/6m	Standard and SkyWelder	
236	4923466	20 ft/6m	With Arctic Package	
236	4460464	2	Pin, Male	
236	4460897	1	Plug, Male - 2 Position	
237		Ref	Harness, Limit Switch Upper Options (To Boom Capacity Length Switch) (All Specs except Australian and CE Specs):	
237	1001098909	1	Without Arctic Package	
237	1001098911	1	With Arctic Package	
237		Ref	Cable, Electrical - 18/2 Options:	
237	1060902	34 ft /10.4m	Standard and SkyWelder	
237	4923466	34 ft /10.4m	With Arctic Package	
237	4460465	2	Socket, Female	
237	4460891	1	Plug, Male - 2 Position	
238	4460959	1	Terminal, Turnlock Plug (With 7500W Generator)	
238	1671092	1	Cover, Female Connector	
239	4460960	1	Terminal, Turnlock Connector (With 7500W Generator)	
239	1671093	1	Cover, Male Connector	
		Ref	GROUND CONTROL BOX COMPONENTS	
301	0100048	AR	Grease, Dielectric	
325	4460426	1	Connector, Strain Relief	
326	4460470	1	Nut, Terminal	
327	4460471	1	Locknut, Terminal	
329	4460526	1	Connector, Strain Relief	
334	4922594	1	Valve Harness Assembly	7-K
334A	4460880	7	DIN Connector	
334B	4460320	2	Plug, Male - 2 Position	
334B	4460267	4	Pin, Male	
334D	4460834	1	Connector, Female - 2 Position	
334D	4460842	2	Terminal, Female	
334E	4460871	22	Socket, Female	
334F	4460225	1	Plug, Male - 6 Position	
334F	4460267	6	Pin, Male	
334G	4460424	1	Connector, Female - 2 Position	
334G	4460267	2	Pin, Male	
334H	4460226	1	Socket, Female	
335		Ref	Engine Harness Assembly (See Items 401-462 for Breakdown)	
335	1001110341	1	Caterpillar Engine Machines	
335	1001110340	1	Deutz Engine Machines	
335	1001110338	1	GM Engine Machines	
336	1001110339	1	Ground Control Box Harness Assembly	B
336A	4460536	1	Connector, Female 3- Position	
336A	4460943	3	Pin, Male	
336B	3990010	2	Diode - 6Amp (Not Shown - Located at Power Down Relay)	
336C	4460434	2	Plug, Male - 15 Position	
336C	4460227	21	Pin, Male	
336D	4460873	1	Connector - 35 Position (Black)	
336D	4460871	19	Socket, Female	
336D	4460905	1	Seal, Plug	
336E	4120035	6	Base, Light	
336E	4460634	7	Terminal (16 Gauge)	

SECTION 7 - ELECTRICAL

ITEM	PART NUMBER	QTY	DESCRIPTION	REV
336E	4460635	5	Terminal (12 Gauge)	
336F	4460418	7	Connector, Female - 6 Position	
336F	4460419	21	Socket, Female	
336G	4460876	1	Connector - 35 Position (Blue)	
336G	4460871	24	Socket, Female	
336G	4460905	1	Seal, Plug	
336H	4460866	1	Connector - 19 Pin	
336H	4460464	10	Pin, Male Deutsch 16 Ga	
336H	4460508	3	Pin, Male Deutsch 12 Ga	
336J	4460878	1	Housing, Terminal - 4 Position	
336J	4460887	3	Terminal (12 Gauge)	
336K	4460761	1	Connector, Female 4 - Position	
336K	4460227	4	Pin, Male	
336L	8229242	2	Fuse 5Amp	
336L	2400060	2	Holder, Fuse	
336M	1001106339	1	Connector, Male - 14 Position	
336M	4460871	2	Socket, Female	
336N	1001106340	1	Connector, Male - 14 Position	
336N	4460871	5	Socket, Female	
336P	4460874	1	Connector, Natural	
336P	4460871	10	Socket, Female	
336Q	4460875	1	Connector, Gray	
336Q	4460871	5	Socket, Female	
336R	1001112612	1	Connector - 9 Position	
336R	4460943	4	Pin, Male	
337		Ref	Ground Control Box Wiring Diagram (Not Shown - See Items 501-513 for Breakdown)	
337	1001110344	1	Caterpillar Engine Machines	
337	1001110343	1	Deutz Engine Machines	
337	1001110342	1	GM Engine Machines	
338	4460496	1	Lockwasher, Terminal	
339	4460497	1	Nut, Terminal	
341	1001106736	1	Cap, Dust	
		Ref	ENGINE HARNESS ASSEMBLY	
	1001110341	Ref	Caterpillar Engine	B
	1001110340	Ref	Deutz Engine	A
	1001110338	Ref	GM Engine	A
417	4460424	1	Receptacle, Female - 2 Position	
417	4460268	2	Socket, Female	
418	4460424	1	Receptacle, Female - 2 Position	
418	4460226	2	Socket, Female	
419	4460880	2	DIN Connector without Diode	
423	4461070	1	Receptacle, Female with Resistor (3 Position) (Deutz Engine Only)	
423	4461095	1	Plug, Male - 3 Position (Deutz Engine Only)	
423	4460944	3	Socket, Female (Deutz Engine Only)	
428	4460460	1	Connector, Male - 4 Position	
428	4460457	4	Terminal, Female	
428	4460458	4	Seal, Terminal	
431	4460539	1	Plug, Male - 3 Position	
431	4460944	3	Socket, Female	
433	4461052	1	Connector, Receptacle - 25 Position (Deutz Engine Only)	

SECTION 7 - ELECTRICAL

ITEM	PART NUMBER	QTY	DESCRIPTION	REV
433	4461005	5	Terminal (Gold) (Deutz Engine Only)	
433	4461006	5	Seal, Terminal (Deutz Engine Only)	
433	4461060	2	Terminal (Tin) (Deutz Engine Only)	
433	4461054	2	Seal, Terminal (Deutz Engine Only)	
433	4461053	1	Cover, Plug (Deutz Engine Only)	
433	4461008	18	Plug, Hole (Deutz Engine Only)	
438	4460891	2	Connector, Male - 2 Position (Caterpillar Engine Only)	
438	4460465	7	Socket, Female	
439	4460871	AR	Socket, Female	
440	4460464	1	Pin, Male	
441	4460887	1	Terminal, Molex	
446	4461157	1	Receptacle, Female - 2 Position	
446	4460979	2	Pin, Male	
446	4460458	2	Seal, Terminal	
447	4461121	1	Plug, Male - 4 Position (GM Engine Only)	
447	4461122	4	Socket, Female (GM Engine Only)	
447	4461123	4	Seal, Terminal (GM Engine Only)	
449	4461124	1	Receptacle, Female - 4 Position (GM Engine Only)	
449	4460693	4	Pin, Male (GM Engine Only)	
449	4460608	4	Seal, Terminal (GM Engine Only)	
449	4461161	1	Lock, Terminal (GM Engine Only)	
450	4460899	1	Connector - 6 Position (Caterpillar Engines Only)	
450	4460464	5	Pin, Male (Caterpillar Engines Only)	
450	4460466	1	Seal, Plug (Caterpillar Engines Only)	
452	4460374	1	Plug, Sealed Relay (Deutz Engine)	
452	4460375	4	Terminal (Deutz Engine)	
453	4461109	1	Plug, Male - 16 Position (GM Engine Only)	
453	4461111	7	Pin, Male (GM Engine Only)	
453	4461113	7	Seal, Terminal (GM Engine Only)	
453	4461222	9	Plug, Terminal (GM Engine Only)	
458	1001102290	1	Connector, 2 Position (Deutz Engine)	
458	1001102304	2	Seal (Deutz Engine)	
458	1001102291	2	Terminal, Receptacle (Deutz Engine)	
462	2902443	1	Kit, Receptacle (Deutz Engine Only)	
462	4461071	8	Terminal, Female (Gold) (Deutz Engine Only)	
462	4461072	1	Connector, Flange Mount (Deutz Engine Only)	
462	4461073	1	Connector, Dust Cap (Deutz Engine Only)	
462	4461074	1	Connector, Shell (Deutz Engine Only)	
		Ref	GROUND CONTROL BOX WIRING DIAGRAM	
	1001110344	Ref	Caterpillar Engine	C
	1001110343	Ref	Deutz Engine	C
	1001110342	Ref	GM Engine	A
501	2920129	AR	Bulb, Light	
502	4922636	1	Harness, Jumper	
502	4460226	2	Socket, Female	
507	2400065	1	Fuse, 30Amp	
508	2400066	1	Fuse, Holder	
509	4460708	2	Receptacle, Female - 15 Position	
509	4460226	13	Socket, Female	
511	4922771	1	Harness, Angle Sensor (Boom Proximity Sensor)	
511	1060902	9.5 ft /2.9m	Cable - 18/2	

SECTION 7 - ELECTRICAL

ITEM	PART NUMBER	QTY	DESCRIPTION	REV
511A	4460226	2	Socket, Female	
511B	4460424	1	Receptacle, Female - 2 Position	
513	4460894	1	Plug, Male - 6 Position	
513	4460892	1	Connector, Bussbar - 6 Position	
		Ref	STANDARD HARNESS COMPONENTS	
601		Ref	Battery Cable Kit Options:	
601	1001112762	1	Caterpillar Engines Machines	B
601	2902401	1	Deutz Engines Machines	C
601	2902533	1	GM Engine Machines	C
601A		Ref	Cable, Battery (Red) Options:	
601A	7027028	1	Caterpillar Engines Machines (Battery to Glow Plug Relay to Aux Relay to Starter)	
601A	7027027	1	Deutz Engines Machines (Battery to Start Relay to Aux Relay to Glow Plug Relay to Starter)	
601A	7027015	1	GM Engine Machines (Battery to Aux Relay to Starter)	
601B		Ref	Cable, Battery (Black) Options:	
601B	7027029	1	Caterpillar Engines Machines	
601B	7027004	1	Deutz Engines Machines	
601B	7027018	1	GM Engine Machines	
601C		Ref	Cable (Red) Options:	
601C	7027030	1	Caterpillar Engines Machines	
601C	7016824	1	Deutz and GM Engines Machines	
601D		Ref	Cable, Battery (Red) Options:	
601D	Not Required	0	Caterpillar and Deutz Engines Machines	
601D	7027017	1	GM Engine Machines	
601E		Ref	Cable (Black) Options:	
601E	7027031	1	Caterpillar Engines Machines	
601E	7016825	1	Deutz and GM Engine Machines	
602	See Note	AR	Deutz Engine Harness Components (Deutz Engine Machines Only) (Note: Not Available at Time of Printing)	
602A	7027796	1	Deutz Engine Harness	
602B	See Note	1	Receptacle, Female - 25 Position (Note: Not Available - Purchase Complete Harness)	
602C	7027793	1	Plug-In, Connector	
602D	70001872	1	Deutz Tier III Engine Harness (For other replacement parts refer to Deutz engine dealer)	
603	See Note	1	Fuel Pump Harness (Caterpillar Engines Only) (Note: Not Available for Purchase)	
603	4460897	1	Receptacle, Female - 2 Position (Caterpillar Engines Only)	
603	4460464	2	Pin, Male (Caterpillar Engines Only)	
604	1001112071	1	Caterpillar Engine Harness Components (Caterpillar Engine Machines Only)	B
604	70004318	1	Fuse 5Amp (at Fuse Box F1)	
604	70004319	3	Fuse 10Amp (at Fuse Box F2, F3 & F4)	
604	70004316	1	Relay, Starter (at Fuse Box)	
604	70004317	2	Relay, Shut-Off and Glow Plug Control 25Amp (At Fuse Box)	
604A	4460894	1	Plug, Male - 6 Position	
604A	4460465	5	Socket, Female	
604A	4460466	1	Seal, Plug	
604B	4460891	1	Plug, Male - 2 Position	
604B	4460465	2	Socket, Female	
604C	4460891	1	Plug, Male - 2 Position	
604C	4460465	2	Socket, Female	

SECTION 7 - ELECTRICAL

ITEM	PART NUMBER	QTY	DESCRIPTION	REV
604D	70020808	1	Plug, Male - 23 Position	
604D	70020809	16	Socket, Female	
604E	See Note	1	Connector - 8 Position (Note: Not Available for Purchase)	
604F	See Note	1	Connector - 5 Position (Note: Not Available for Purchase)	
605	See Note	1	Pump Harness (Note: Not Available for Purchase)	
605A	7007497	1	Plug (Pump End)	
605B	7007498	1	Plug (Engine Harness End)	
606	See Note	1	Controller Harness Assembly (Lift and Swing) (Note: Not Available for Purchase)	
606A	7022819	1	Plug, Male - 8 Position (Natural)	
606A	4460871	8	Socket, Female	
607	See Note	1	Controller Harness/Circuit Board Assembly (Drive and Steer) (Note: Not Available for Purchase)	
607A	7022825	1	Plug, Male - 8 Position (Black)	
607A	4460871	7	Socket, Female	
608	See Note	1	Controller Harness (Speed Control) (Note: Not Available for Purchase)	
608A	4460224	1	Receptacle, Female - 6 Position	
608A	4460226	6	Socket, Female	
609	4923379	1	Harness, Glowplug	
610	7027991	AR	GM Engine Harness Components (GM Engine Machines Only)	
611		Ref	Switch, Tilt Sensor Options: (Includes Tilt Sensor)	
611	4360544	NLA	USA Built Machines (Use p/n 1001135114) (SN 0300140000 through 0300161729 only)	
611	4360544	NLA	China Built Machines (Use p/n 1001135114) (SN B300000100 through B300000639 only)	
611	4460911	2	Plug, Male Deutsch - 3 Position	
611	4460918	6	Socket, Female	
611	4460912	2	Lock, Wedge	
611	1001133329	2	USA Built Machines (SN 0300161730 through 0300182743 Only)	
611	1001133329	2	China Built Machines (SN B300000640 through B300001091)	
611	4460910	2	Plug, Male Deutsch - 3 Position	
611	4460917	6	Socket, Female	
611	4460913	2	Lock, Wedge	
612	4360517	1	Harness, Boom Proximity Sensor (Includes Sensor)	
612A	4460320	1	Plug, Male - 2 Position	
612A	4460227	2	Pin, Male	
613	4360517	1	Harness, Swivel Coupling Sensor (Includes Sensor)	
613A	4460320	1	Plug, Male - 2 Position	
613A	4460227	2	Pin, Male	
614	1060904	1	Cable, Battery (Deutz Engine Machines Only) (USA Built Machines) (SN 0300140000 through 0300140567 Only)	
		Ref	OPTIONAL HARNESS COMPONENTS	
703	0257887	1	Alarm Harness (Includes Alarm)	
703	0140032	1	Alarm	
703	2820035	6 in/15cm	Loom	
703A	4460424	1	Plug, Male - 2 Position	
703A	4460268	2	Socket, Female	
704		Ref	Strobe Light Harness (Includes Strobe Light) Options:	
704	0272507	1	USA Built Machines (SN 0300140000 through 0300171627)	
704	2920161	1	USA Built Machines (SN 0300171628 through 0300182743)	
704	2920161	1	China Built Machines (SN B300000100 through B300001091)	

SECTION 7 - ELECTRICAL

ITEM	PART NUMBER	QTY	DESCRIPTION	REV
704A	4460320	1	Connector, Female - 2 Position (Strobe Light - 0272507)	
704A	4460267	2	Pin, Male (Strobe Light - 0272507)	
704B	4460891	1	Connector, Male - 2 Position (Strobe Light - 2920161)	
704B	4460465	2	Socket, Female (Strobe Light - 2920161)	
705	See Note	1	Headlight and Taillight/Chassis Illumination Harness (Note: Not Available for Purchase)	
705	1060341	AR	Cable, Electrical 16/2 Options:	
705	1060341	37 ft /11.3m	Headlights and Taillights	
705	1060341	40 ft /12.2m	Chassis Illumination Lights	
705A	3740049	1	Relay	
705A	4460259	3	Terminal	
705A	4460260	4	Housing, Terminal	
705A	4460297	1	Terminal	
705A	4922643	1	Lights Harness for Ground Control Box	1-A
705A	4460226	2	Socket, Female	
706		Ref	2500W Generator Electrical Components	
706	1001112588	AR	ANSI Specs - Caterpillar/Deutz Engines Only	A
706	1001112743	AR	ANSI Export Specs - Caterpillar/Deutz Engines Only	B
706	4933350	AR	ANSI Specs - GM Engines Only	B
706A	4460321	1	Connector, Male - 4 Position (ANSI Spec Only)	
706A	4460906	4	Socket, Female	
706B	4922641	1	Harness - On/Off Switch	
706C	4460226	2	Socket, Female	
706D		Ref	Powermite Control Box to Relay Options:	
706D	1001112589	1	Caterpillar and Deutz Engines	
706D	4923445	1	GM Engines	
706D	4460374	1	Plug, Sealed Relay	
706D	4460375	3	Terminal	
706D	4460742	1	Plug, Male - 2 Position	
706D	4460743	1	Socket, Female	
706D	4460458	1	Seal, Terminal	
706E	4460961	1	Connector, Female - 4 Position (ANSI Spec Only)	
706E	4460705	4	Pin, Male	
706F	4460742	1	Plug, Male - 2 Position (GM Engine Only)	
706F	4460743	2	Socket, Female (GM Engine Only)	
706F	4460458	2	Seal, Terminal (GM Engine Only)	
706G	7020193	1	Harness, Generator Power	
707	4922741	1	Generator to Rear of Boom Harness	
		Ref	Note: Harness used to connect AC at platform harness to Powermite Generator Control Box receptacle.	
707	1060708	6 ft/1.8m	Cable, Electrical - 10/3	
707A	4460205	1	Plug, Male	
707B	4460134	1	Receptacle, Female	
708		Ref	AC to Platform Receptacle Components Options:	
708	0272259	Ref	110V GFI Receptacle (ANSI Spec)	B
708	0272260	Ref	220V GFI Receptacle (ANSI Spec)	B
708	0256202	Ref	Australian Spec	C
708		Ref	CE Spec Options without Powermite Generator:	
708	0256202	Ref	110/220V Receptacle (Locally Supplied Box and Receptacle)	B
708	1001091969	Ref	110V with IEC Yellow Receptacle and Plug and Circuit Breaker	B

SECTION 7 - ELECTRICAL

ITEM	PART NUMBER	QTY	DESCRIPTION	REV
708	1001091970	Ref	220V with IEC Blue Receptacle and Plug and Circuit Breaker	B
708	1001091971	Ref	220V with CEE7 Post Ground Receptacle and Plug and Circuit Breaker (70mm x 70mm Box)	B
708	1001091972	Ref	220V with CEE7 Side Ground Receptacle and Plug and Circuit Breaker (70mm x 70mm Box)	B
708	1001091973	Ref	220V with CEE7 Post Ground Receptacle and Plug and Circuit Breaker (2x4 Box)	C
708	1001091974	Ref	220V with CEE7 Side Ground Receptacle and Plug and Circuit Breaker (2x4 Box)	C
708	1001091975	Ref	220V with AFSINT 107 Keyed Ground Receptacle and Plug and Circuit Breaker (2x4 Box)	C
708		Ref	CE Spec Options with Powermite Generator:	
708	1001100326	Ref	110V with IEC Yellow Receptacle and Plug and Circuit Breaker	B
708	1001100327	Ref	220V with IEC Blue Receptacle and Plug and Circuit Breaker	B
708	1001100328	Ref	220V with CEE7 Post Ground Receptacle and Plug and Circuit Breaker (70mm x 70mm Box)	B
708	1001100329	Ref	220V with CEE7 Side Ground Receptacle and Plug and Circuit Breaker (70mm x 70mm Box)	B
708	1001100331	Ref	220V with CEE7 Post Ground Receptacle and Plug and Circuit Breaker (2x4 Box)	B
708	1001100333	Ref	220V with CEE7 Side Ground Receptacle and Plug and Circuit Breaker (2x4 Box)	B
708	1001100337	Ref	220V with AFSINT 107 Keyed Ground Receptacle and Plug and Circuit Breaker (2x4 Box)	B
708A		Ref	Box, Switch Options:	
708A	0860038	1	0272259 & 0272260 Installations	
708A	Not Required	0	0256202 Installation	
708A	0861781	1	1001091969, 1001091970, 1001100326, 1001100327 Installations	
708A	See Note	1	1001091971, 1001100328, 1001091972, 1001100329 Installations (Note: Was p/n 0861782 which is no longer available. Use p/n 1001141970 CEE7 Side Ground Service Kit or p/n 1001141971 CEE7 Post Ground Service Kit. Kits includes Box p/n 1001141967 and items 708B, 708C, 708E & 708J)	
708A	0861731	1	1001091969, 1001091970, 1001100326, 1001100327 Installations	
708A	1001141967	1	1001100343, 1001100344, 1001141970 & 1001141971 Kits	
708B		Ref	Receptacle Options:	
708B	4460346	1	0272259 Installation	
708B	4460125	1	0272260 Installation	
708B	Not Required	0	0256202 Installation	
708B	4461198	1	1001091969, 1001100326 Installations	
708B	4461201	1	1001091970, 1001100327 Installations	
708B	4461204	NLA	1001091971, 1001100328 Installations (Use p/n 100110343)	
708B	4461207	NLA	1001091972, 1001100329 Installations (Use p/n 100110344)	
708B	4461244	1	1001091973, 1001100331 Installations	
708B	4461245	1	1001091974, 1001100333 Installations	
708B	4461246	1	1001091975, 1001100337 Installations	
708B	1001141968	1	1001100343 & 1001141971 Kits	
708B	1001141969	1	1001100344 & 1001141970 Kits	
708C		Ref	Shield, Cover Options:	
708C	1001110873	1	0272259 Installation	
708C	4060092	1	0272260 Installation	
708C	Not Required	0	0256202 Installation (Purchase Locally)	

SECTION 7 - ELECTRICAL

ITEM	PART NUMBER	QTY	DESCRIPTION	REV
708C	Purchase Receptacle	1	1001091973, 1001091974, 1001091975, 1001091969, 1001091970, 1001091971, 1001091972, 1001100331, 1001100333, 1001100337, 1001100326, 1001100327, 1001100328 & 1001100329 Installations	
708C	3960422	1	Gasket, Cover (0272259 & 0272260 Installations Only)	
708D		Ref	Connector, Strain Relief Options:	
708D	4460051	1	0272259 & 0272260 Installations	
708D	Not Required	0	0256202 Installation	
708D	1001101191	1	1001091969, 1001100326, 1001091970, 1001100327, 1001091971, 1001100328, 1001091972, 1001100329, 1001091973, 1001100331, 1001091974, 1001100333, 1001091975 & 1001100337 Installations	
708E		Ref	Plug, Male Options:	
708E	4460205	1	0272259 Installation	
708E	4460233	1	0272260 Installation	
708E	Not Required	0	0256202 Installation	
708E	4461196	1	1001091969 Installation	
708E	4461199	1	1001091970 Installation	
708E	4461202	1	1001091971, 1001091973 Installations and 1001100343 & 1001141971 Kits	
708E	4461205	1	1001091972, 1001091974 Installations and 1001100344 & 1001141970 Kits	
708E	4461249	1	1001091975 Installation	
708E	Not Required	0	1001100326, 1001100327, 1001100328, 1001100329, 1001100331, 1001100333 & 1001100337 Installations	
708F		Ref	Plug, Male Options:	
708F	4460205	1	110V GFI (ANSI Spec)	
708F	4460233	1	220V GFI (ANSI Spec)	
708F	4460709	1	ANSI Export, Australian and CE Specs	
708G		Ref	Connector, Female Options:	
708G	4460134	1	110V GFI (ANSI Spec)	
708G	4460701	1	220V GFI (ANSI Spec)	
708G	4460710	1	ANSI Export, Australian and CE Specs	
708H		Ref	Connector, Adapter Options:	
708H	Not Required	0	0272259 & 0272260 Installations	
708H	Not Required	0	0256202 Installation	
708H	1001101196	1	1001091969, 1001100326, 1001091970, 1001100327, 1001091971, 1001100328, 1001091972, 1001100329 Installations	
708H	1001101197	1	1001091973, 1001100331, 1001091974, 1001091975 & 1001100337 Installations	
708J		Ref	Receptacle, Female Options (CE Specs with Powermite Generator Control Box Only):	
708J	4461197	1	1001100326 Installation	
708J	4461200	1	1001100327 Installation	
708J	4461203	1	1001100328 & 1001100331 Installations and 1001100343 & 1001141971 Kits	
708J	4461206	1	1001100329 & 1001100333 Installations and 1001100344 & 1001141970 Kits	
708J	4461250	1	1001100337 Installation	
708K		Ref	Receptacle Box Kit Options (CE Specs Only):	1
708K		Ref	Without Powermite Generator (Includes Items 708A, 708B, 708C & 708E):	
708K	0275216	1	Kit for 110V IEC Yellow (1001091969 Installation)	1
708K	0275217	1	Kit for 220V IEC Blue (1001091970 Installation)	1

SECTION 7 - ELECTRICAL

ITEM	PART NUMBER	QTY	DESCRIPTION	REV
708K	0275218	NLA	Kit for 220V CEE7 Post Ground (1001091971 Installation) (Use p/n 1001100343)	B-B
708K	0275219	NLA	Kit for 220V CEE7 Side Ground (1001091972 Installation) (Use p/n 1001100344)	B-B
708K	0275452	1	Kit for 220V CEE7 Post Ground (1001091973 Installation)	1
708K	0275453	1	Kit for 220V CEE7 Side Ground (1001091974 Installation)	1
708K	0275454	1	Kit for 220V AFSINT 107 Keyed Ground (1001091975 Installation)	1
708K		Ref	With Powermite Generator (Includes Items 708A, 708B, 708C, 708E & 708J):	
708K	1001100341	1	Kit for 110V IEC Yellow (1001100326 Installation)	2
708K	1001100342	1	Kit for 220V IEC Blue (1001100327 Installation)	2
708K	1001091971	NLA	Kit for 220V CEE7 Post Ground (1001100328 Installation) (Use p/n 1001100343 Kit)	B
708K	1001091970	NLA	Kit for 220V CEE7 Side Ground (1001100329 Installation) (Use p/n 1001100344 Kit)	B
708K	1001100345	1	Kit for 220V CEE7 Post Ground (1001100331 Installation)	2
708K	1001100347	1	Kit for 220V CEE7 Side Ground (1001100333 Installation)	2
708K	1001100346	1	Kit for 220V AFSINT 107 Keyed Ground (1001100337 Installation)	2
708L		Ref	Cover, Connector Options (ANSI Export, Australian and CE Specs):	
708L	1671092	2	USA Built Machines (SN 0300167882 through 0300175276)	
708L	1671092	2	China Built Machines (SN B300000724 through B300000808)	
708L	1001156351	2	USA Built Machines (SN 0300175277 through 0300182743)	
708L	1001156351	2	China Built Machines (SN B300000809 to Present)	
708M		Ref	Cover, Plug Options (ANSI Export, Australian and CE Specs):	
708M	1671093	1	USA Built Machines (SN 0300167882 through 0300175276)	
708M	1671093	1	China Built Machines (SN B300000100 through B300000808)	
708M	1001156352	1	USA Built Machines (SN 0300175277 through 0300182743)	
708M	1001156352	1	China Built Machines (SN B300000809 to Present)	
709		Ref	7500W SkyPower Generator Installation	
709	1001115398	Ref	60Hz and Caterpillar Engine	C
709	1001115400	Ref	50Hz Spec and Caterpillar Engine	C
709	1001115388	Ref	60Hz and Deutz Engine	B
709	1001115394	Ref	50Hz Spec and Deutz Engine	B
709	0275257	Ref	60Hz Spec and GM Engine	F
		Ref	Note: SkyPower Generator is Standard On ANSI and CSA Specs. Optional on All Other Specs.	
709A		Ref	Receptacle, Female Twist-Lock Options:	
709A	4460958	1	60Hz Spec	
709A	See Note	1	50Hz Spec (Note: Not Available - Purchase Locally)	
709B		Ref	Gasket Options:	
709B	3960422	2	60Hz Spec	
709B	See Note	2	50Hz Spec (Note: Not Available - Purchase Locally)	
709C		Ref	Cover, Receptacle Options:	
709C	1001110873	1	60Hz Spec (Top Hinged Cover)	
709C	See Note	1	50Hz Spec (Note: Not Available - Purchase Locally)	
709D		Ref	Cover, Receptacle Options:	
709D	1001110872	1	60Hz Spec (Top Hinged Cover)	
709D	See Note	1	50Hz Spec (Note: Not Available - Purchase Locally)	
709E		Ref	Receptacle Options:	

SECTION 7 - ELECTRICAL

ITEM	PART NUMBER	QTY	DESCRIPTION	REV
709E	4460346	1	60Hz Spec	
709E	See Note	1	50Hz Spec (Note: Not Available - Purchase Locally)	
709F	4460051	1	Connector, Strain Relief	
709G	4460071	1	Connector, Strain Relief	
709H	4922925	1	Harness, Generator	C
709J	See Note	1	Plug, Male - 6 Position (Note: Not Available for Purchase)	
709J	77363229	6	Socket, Female	
709K	4460225	1	Plug, Male - 6 Position	
709K	4460226	6	Socket, Female	
710		Ref	7500W SkyPower Generator Junction Box Components	
710	0861542	Ref	60Hz Spec	C
710	0861567	Ref	50Hz Specs	B
710A		Ref	Cable, Electrical 12/3	
710A	1060494	2 ft/.6m	60Hz Spec	
710A	See Note	2 ft/.6m	50Hz Spec (Note: Not Available - Purchase Locally)	
710B		Ref	Cable, Electrical 10/3	
710B	1060708	2.5 ft /.76m	60Hz Spec	
710B	See Note	2.5 ft /.76m	50Hz Spec (Note: Not Available - Purchase Locally)	
710C	1060343	1.5 ft /.46m	Cable, Electrical 10/4 (60Hz Spec Only)	
710D	4460425	2	Connector, Strain Relief	
710E		Ref	Component Options:	
710E	4460426	2	Connector, Strain Relief (60Hz Spec Only)	
710E	4460426	1	Connector, Strain Relief (50Hz Spec Only)	
710E	3520189	1	Plug (50Hz Spec Only)	
710F	1671092	1	Cover (60Hz Spec Only)	
710F	4460963	1	Connector (60Hz Spec Only)	
711		Ref	7500W Generator Electrical Diagram Components	
711	1001112586	Ref	Caterpillar and Deutz Engine Machines	A
711	4933349	Ref	GM Engine Machines	1-A
711A		Ref	Generator Harness Options:	
711A	1001112587	1	Caterpillar and Deutz Engine Machines	A
711A	4923420	1	GM Engine Machines	1-A
711B	4460374	2	Plug, Sealed Relay	
711B	4460375	7	Terminal	
711C	4460967	1	Plug, Male - 3 Position	
711C	4460465	3	Socket, Female	
711D	2400060	1	Fuseholder	
711D	2400064	1	Fuse - 5Amp	
711E	4922641	1	Switch Harness	
711F	4460226	2	Socket, Female	
711G	4460742	1	Plug, Male - 2 Position (GM Engine Only)	
711G	4460743	2	Socket, Female (GM Engine Only)	
712	4933249	1	Floodlights Harness Components	2-A
712A	4460320	2	Plug, Male - 2 Position	
712A	4460227	4	Pin, Male	
712B	4922764	1	Floodlight Harness (Lights to Switch)	1-A
712C	4460424	2	Connector, Female - 2 Position	
712C	4460226	4	Socket, Female	
712D	4360232	1	Circuit Breaker - 15Amp	

SECTION 7 - ELECTRICAL

ITEM	PART NUMBER	QTY	DESCRIPTION	REV
712E	1060977	1	Cord, 2 Wire Coiled (Console Box Circuit Breaker to Switch)	
712F	4460425	1	Connector, Strain Relief	
712G	4922883	1	Harness, Console Box to Aux Relay	
712G	1060708	120 ft /36.6m	10/3 Cable	
713		Ref	Platform Worklights Components	
713A	2920140	AR	Platform Worklights External Harness (Includes Light and Wire Only)	
713B	4460426	1	Connector, Strain Relief	
713C		Ref	Fuse Options:	
713C	2400070	1	20Amp Fuse (2 Worklights)	
713C	2400065	1	30Amp Fuse (4 Worklights)	
713C	2400066	1	Holder, Fuse	
713D	4922874	AR	Harness, Console Box to Connector Options:	
713D		Ref	2 Worklights	
713D		Ref	4 Worklights	
713D	1060708	11 ft/3.4m	10/3 Cable (1 per Harness)	
713E		Ref	Harness, Connector to Aux Relay Options:	
713E	4922873	1	800S Harness (85ft/25.9m of 10/3 Cable P/N 1060708)	
713E	4922877	1	860SJ Harness (92ft/28m of 10/3 Cable P/N 1060708)	
713F	1001098234	1	Connector, Female - 3 Position (Platform Worklights Only)	
713G	1001098349	1	Connector, Male - 3 Position (Platform Worklights Only)	
714		Ref	AC Cable with Breaker (Required Only on CE Spec Installations)	
714	1001091790	Ref	Without Powermite Generator	D
714	1001109559	Ref	With Powermite Generator	A
714A	0903484	1	Bracket, Receptacle Box Mounting	
714A	0641416	2	Bolt 1/4in-20NC x 2in	
714A	3311405	2	Locknut 1/4in-20NC	
714A	4711400	4	Flatwasher 1/4in (Narrow)	
714B	0903697	1	Bracket, Circuit Breaker Mounting	
714B	0641412	2	Bolt 1/4in-20NC x 1-1/2in	
714B	3311405	2	Locknut 1/4in-20NC	
714B	4711400	4	Flatwasher 1/4in (Narrow)	
714C		Ref	Kit, Box and Breaker (Required on CE Spec Installations):	
714C	1001109654	AR	Machines without Powermite Generator Control Box	A
714C	1001109648	AR	Machines with Powermite Generator Control Box	A
714C		Ref	Circuit Breaker	
714C	1001109477	NLA	Breaker 10A (Use p/n 1001181046 - 10Amp/30mAmp Combination)	
714C	1001109475	NLA	Breaker 16A (Use p/n 1001181045 - 16Amp/30mAmp Combination)	
714C	1001109482	NLA	Breaker 30mA (Use p/n 1001181046 - 10Amp/30mAmp Combination or p/n 1001181045 - 16Amp/30mAmp Combination)	
714C	0861880	1	Breaker Box	
714C	4460956	1	Terminal, Block End Barrier	
714C	1060908	6 ft/1.8m	Cable, Extension	
714C	4460957	1	Terminal Block	
714D		Ref	Connector, Strain Relief Options:	
714D	1001101191	1	Top	
714D	1001097150	1	Bottom	
714D	0641406	2	Bolt 1/4in-20NC x 3/4in	
714D	3311405	2	Locknut 1/4in-20NC	

SECTION 7 - ELECTRICAL

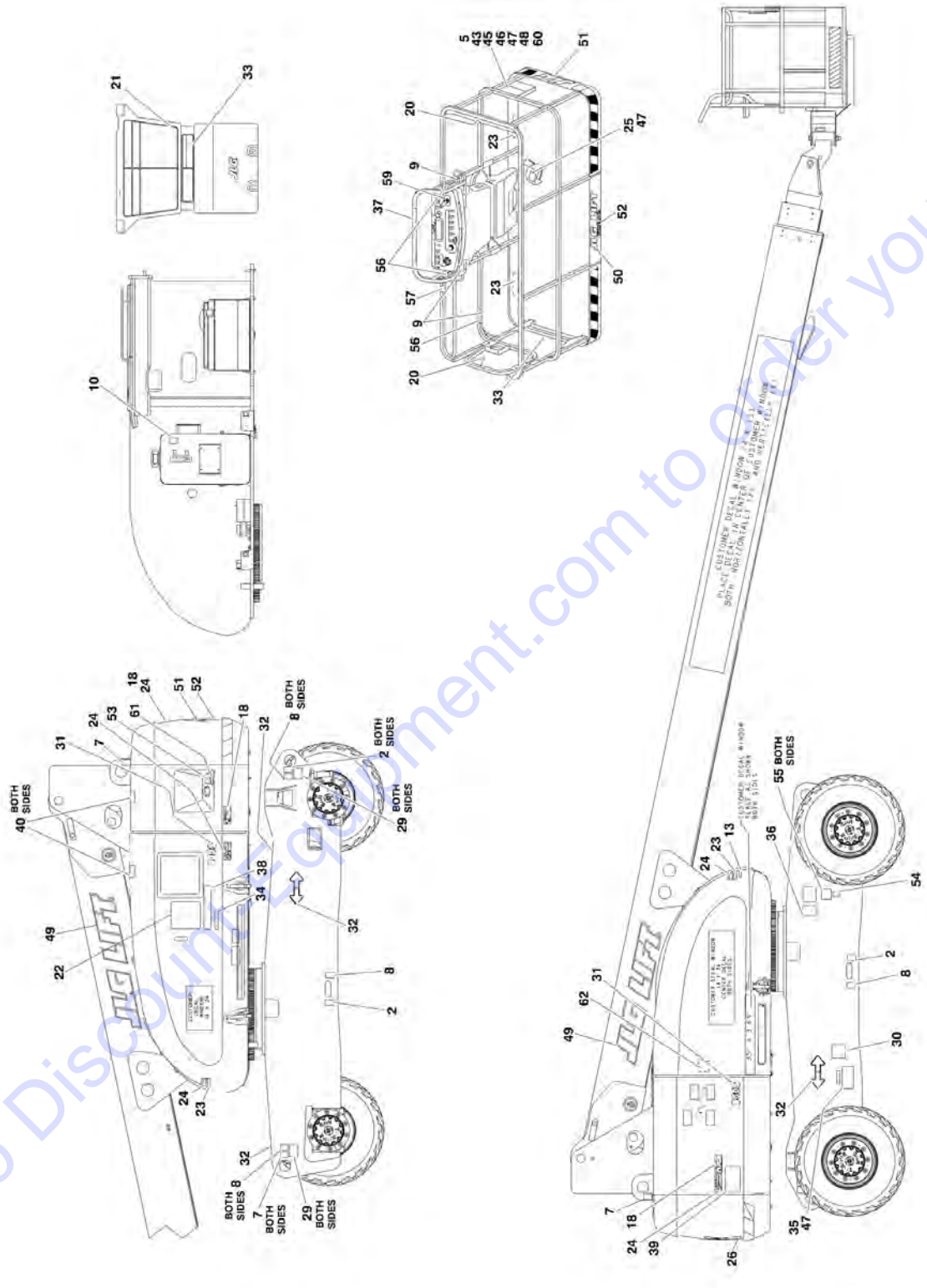
ITEM	PART NUMBER	QTY	DESCRIPTION	REV
714D	4711400	4	Flatwasher 1/4in (Narrow)	
714E	1060908	12 ft/3.6m	Cable, Electrical 12/3	
714F	4460709	1	Plug, Male	
714G	4460710	1	Connector, Female	
715	1001094509	1	Generator Hourmeter Harness	A
716	1001149818	1	Strobe Light Extension Harness (USA Built Machines) (SN 0300171628 through 0300182743)	A
716A	4460320	1	Connector, Female - 2 Position	
716A	4460267	2	Pin, Male	
716B	4460897	1	Connector, Female - 2 Position	
716B	4460464	2	Pin, Male	
		Ref	TOOLS	
801	7002821	1	Crimper (For Wire to Pin/Socket Connections) (Not Shown)	
802	7002823	1	Extractor (For Removal of Pin/Socket from Connectors) (Not Shown)	
803	4460467	1	Extractor, Pin (Blue 16-18 Gauge) (For Removal of Pin/Socket from Connectors) (Not Shown)	
804	4460510	1	Extractor, Pin (Yellow 12-14 Gauge) (For Removal of Pin/Socket from Connectors) (Not Shown)	
805	7002828	1	Stripper, Wire (Not Shown)	
806	2901443	1	Analyzer Kit (Not Shown)	
806A	1600244	1	Analyzer	
806B	1060633	1	Cable, Analyzer	1-A
806C	4460321	2	Plug, Male	
806C	4460226	8	Socket, Female	

SECTION 8 - DECALS

Go to Discount-Equipment.com to order your parts

SECTION 8 - DECALS

FIGURE 8-1. DECAL INSTALLATION (ANSI SPEC)



Go to DiscountEquipment.com to order your parts

SECTION 8 - DECALS

FIGURE 8-1. DECAL INSTALLATION (ANSI SPEC)

ITEM	PART NUMBER	QTY	DESCRIPTION	REV
		Ref	STANDARD DECAL INSTALLATIONS	
	0274499	Ref	Standard Decal Installations 800S	B
	0274500	Ref	Standard Decal Installations 860SJ	B
	0274518	Ref	JLG Logo Decals	B
2	1701499	4	Decal - No Lift	
5	1701509	1	Decal - Manual	
7	1703811	4	Decal - Tie Down/Lift	
8	1703814	6	Decal - Tie Down	
9	1704277	4	Decal - Attach Lanyard Here	
10	1704412	1	Decal - Hydraulic Oil Chart	
13	3251243	1	Nameplate - 120V-60Hz	
18	1703953	4	Decal - Warning Crushing	
20	1702868	2	Decal - No Hands	
21	1703797	1	Decal - Warning/Danger	
22	1705336	1	Decal - Warning Inspection (MTB)	
23	1703804	4	Decal - Warning Crushing	
24	1703805	4	Decal - Danger Electrocution	
25	3252347	1	Decal - Footswitch	
26	3251813	1	Decal - USA (USA Built Machines) (SN 0300140000 through 0300151568 Only)	
26	3251813	1	Decal - USA (China Built Machines) (SN B300000100 through B300000357 Only)	
28	1703475	4	Decal - Max Tire Load (800S)	
28	1703482	4	Decal - Max Tire Load (860SJ)	
30	See Note	NSS	Decal - Bar Code (Note: Not Available for Purchase)	
31		Ref	Decal Options:	
31	1704906	2	Decal - 800S	
31	1704907	2	Decal - 860SJ	
32	1701501	4	Decal- Arrow	
33		Ref	Decal Capacity Options:	
33		Ref	Decal Capacity 800S - Decal - 500LBS Unrestricted Capacity	
33	1705088	2	USA Built Machines (SN 0300140000 through 0300143293 Only)	
33	1001122507	2	USA Built Machines (SN 0300143294 through 0300182743 Only)	
33	1705088	2	China Built Machines (SN B300000100 through B300000152 Only)	
33	1001122507	2	China Built Machines Only (SN B300000153 through B300001091)	
33		Ref	Decal Capacity 860SJ - Decal - 500LBS Maximum Capacity	
33	1704995	2	USA Built Machines (SN 0300140000 through 0300143293 Only)	
33	1001122508	2	USA Built Machines (SN 0300143294 through 0300182743 Only)	
33	1704995	2	China Built Machines (SN B300000100 through B300000152 Only)	
33	1001122508	2	China Built Machines Only (SN B300000153 through B300001091)	
34		Ref	Decal Capacity Options:	
34		Ref	Decal Capacity 800S - Decal - 500LBS Unrestricted Capacity:	
34	1707016	1	USA Built Machines (SN 0300140000 through 0300143293 Only)	

SECTION 8 - DECALS

ITEM	PART NUMBER	QTY	DESCRIPTION	REV
34	1001122515	1	USA Built Machines (SN 0300143294 through 0300182743 Only)	
34	1707016	1	China Built Machines (SN B300000100 through B300000152 Only)	
34	1001122515	1	China Built Machines Only (SN B300000153 through B300001091)	
34		Ref	Decal Capacity 860SJ - Decal - 500LBS Maximum Capacity:	
34	1707015	1	USA Built Machines (SN 0300140000 through 0300143293 Only)	
34	1001122516	1	USA Built Machines (SN 0300143294 through 0300182743 Only)	
34	1707015	1	China Built Machines (SN B300000100 through B300000152 Only)	
34	1001122516	1	China Built Machines Only (SN B300000153 through B300001091)	
35	See Note	NSS	Nameplate, Manufacturers (Note: Not Available for Purchase)	
36		Ref	Decal - Patent Options:	
36	1700584	1	USA Built Machines (SN 0300140000 through 0300151567 Only)	
36	1001131269	1	USA Built Machines (SN 0300151568 through 0300182743 Only)	
36	1700584	1	China Built Machines (SN B300000100 through B300000356 Only)	
36	1001131269	1	China Built Machines Only (SN B300000357 through B300001091)	
37	1001108496	1	Decal - Legend Options	
38	1706941	1	Decal - Legend (MTB)	
39	3252781	1	Decal - Lift Diagram	
40	1701691	4	Decal - No Step	
43	0641408	1	Bolt 1/4in-20NC x 1in (USA Built Machines) (SN 0300140000 through 0300143929)	
43	0641408	1	Bolt 1/4in-20NC x 1in (China Built Machines) (SN B300000100 through B300000203)	
44	0860520	1	Box, Manual Storage	
45	1060279	1	Cable, Lanyard (USA Built Machines) (SN 0300140000 through 0300143929)	
45	1060279	1	Cable, Lanyard (China Built Machines) (SN B300000100 through B300000203)	
46	3311405	AR	Locknut 1/4in	
47	3820001	2	Rivet	
48	4751400	AR	Flatwasher 1/4in Regular	
49	1702861	2	Decal - JLG Lift (8in Height)	
50	1702774	1	Decal - JLG Lift (3-1/2in Height)	
51	1702773	1	Decal - JLG (5in Height)	
52	1704885	AR	Decal - Website	
53		Ref	Decal - Fuel	
53	1701505	1	Diesel	
53	1701542	1	Gas	
54	1701543	1	Decal - LP Gas (GM Engine Machines Only)	
55	1700818	2	Decal - LP Gas (Liquid) (GM Engine Machines Only)	
56	1703175	1	Decal - Lanyard Attach (GM Spec)	
57	1702962	1	Decal - Warning Prop (DSL)	
58	1702961	1	Decal - Warning Prop (Gas)	
59	1705351	1	Decal - Drive/Steer Instructions	
60	0641406	1	Bolt 1/4in-20NC x 3/4in	

SECTION 8 - DECALS

ITEM	PART NUMBER	QTY	DESCRIPTION	REV
61	1001108923	1	Decal - Low Sulfur Fuel (Caterpillar and Deutz Machines)	
62	1704972	1	Decal - Warning Explosion/Fire	

Go to Discount-Equipment.com to order your parts

SECTION 8 - DECALS

FIGURE 8-2. DECAL INSTALLATION (COUNTRY SPEC)

ITEM	PART NUMBER	QTY	DESCRIPTION	REV
		Ref	DECAL INSTALLATIONS	
	0274505	Ref	Decal Installations 800S Brazil Spec (English/Portuguese)	B
	0274503	Ref	Decal Installations 800S Chinese Spec (English/Chinese)	B
	0274507	Ref	Decal Installations 800S CSA Spec (English/French)	B
	0274511	Ref	Decal Installations 800S Japanese Spec (English/Japanese)	B
	0274501	Ref	Decal Installations 800S Korean Spec (English/Korean)	B
	0274513	Ref	Decal Installations 800S Latin America Spec (English/Spanish)	B
	0274506	Ref	Decal Installations 860SJ Brazil Spec (English/Portuguese)	B
	0274504	Ref	Decal Installations 860SJ Chinese Spec (English/Chinese)	B
	0274508	Ref	Decal Installations 860SJ CSA Spec (English/French)	B
	0274512	Ref	Decal Installations 860SJ Japanese Spec (English/Japanese)	B
	0274502	Ref	Decal Installations 860SJ Korean Spec (English/Korean)	B
	0274514	Ref	Decal Installations 860SJ Latin America Spec (English/Spanish)	B
	0274518	Ref	JLG Logo Decals	B
2	1701499	4	Decal - No Tie Down /Lift	
5	1701509	1	Decal - Manual	
6	Not Required	0	Not Required	
7	1703811	4	Decal - Tie Down /Lift	
8	1703814	6	Decal - Tie Down	
9	1704277	3	Decal - Attach Lanyard	
10	1704412	1	Decal - Hydraulic Oil Chart	
11	Not Required	0	Not Required	
12		Ref	Decal - CSA (Booms)	
12	Not Required	0	Brazil/ Chinese/ Japanese/ Korean/ Latin American Spec	
12	1705514	1	CSA Spec	
13		Ref	Decal Options:	
13	Not Required	0	Brazil/Chinese/Korean Spec	
13	3251243	1	120V-60Hz - CSA/Japanese/Latin American Spec	
17		Ref	Decal - Inspection Options:	
17	1705901	1	Brazil Spec (English/Portuguese) (USA Built Machines) (SN 0300140000 through 0300151568 Only)	
17	1705901	1	Brazil Spec (English/Portuguese) (China Built Machines) (SN B300000100 through B300000357 Only)	
17	Not Required	0	Chinese/Japanese/Korean Spec	
17	1704006	1	CSA Spec (English/Portuguese) (USA Built Machines) (SN 0300140000 through 0300151568 Only)	
17	1704006	1	CSA Spec (English/Portuguese) (China Built Machines) (SN B300000100 through B300000357 Only)	
17	1704007	1	Latin American Spec (USA Built Machines) (SN 0300140000 through 0300151568 Only)	
17	1704007	1	Latin American Spec (China Built Machines) (SN B300000100 through B300000357 Only)	
18		Ref	Decal - Warning Crushing (Rotate) Options:	
18	1705903	1	Brazil Spec (English/Portuguese)	
18	1703943	7	Chinese Spec	
18	1703942	7	CSA Spec	
18	1703944	6	Japanese Spec	
18	1703945	6	Korean Spec	
18	1703941	7	Latin American Spec	

SECTION 8 - DECALS

ITEM	PART NUMBER	QTY	DESCRIPTION	REV
20		Ref	Decal - No Hands Options:	
20	1705967	2	Brazil Spec (English/Portuguese)	
20	1001116846	2	Chinese Spec (Traditional)	
20	1705968	2	Chinese Spec (Simplified)	
20	1704000	2	CSA Spec	
20	Not Required	0	Japanese Spec	
20	1705969	2	Korean Spec	
20	1704001	2	Latin American Spec	
21		Ref	Decal - Warning/Danger (PLF) Options:	
21	1705895	1	Brazil Spec (English/Portuguese)	
21	1703925	1	Chinese Spec	
21	1703924	1	CSA Spec	
21	1703926	1	Japanese Spec	
21	1703927	1	Korean Spec	
21	1703923	1	Latin American Spec	
22		Ref	Decal - Warning Inspection (MTB) Options:	
22	1705896	1	Brazil Spec (English/Portuguese)	
22	1001116849	1	Chinese Spec (Traditional)	
22	1705348	1	Chinese Spec (Simplified)	
22	1705347	1	CSA Spec	
22	1705344	1	Japanese Spec	
22	1705345	1	Korean Spec	
22	1705917	1	Latin American Spec	
23		Ref	Decal - Warning Crushing (Down) Options:	
23	1705898	6	Brazil Spec (English/Portuguese)	
23	1703949	6	Chinese Spec	
23	1703948	6	CSA Spec	
23	1703950	6	Japanese Spec	
23	1703951	6	Korean Spec	
23	1703947	6	Latin American Spec	
24		Ref	Decal - Danger Electrocutation Options:	
24	1705897	5	Brazil Spec (English/Portuguese)	
24	1001116851	5	Chinese Spec (Traditional)	
24	1703937	5	Chinese Spec (Simplified)	
24	1703936	5	CSA Spec	
24	1703938	5	Japanese Spec	
24	1703939	5	Korean Spec	
24	1703935	5	Latin American Spec	
25		Ref	Decal - Foot Switch Options:	
25	1705902	1	Brazil Spec (English/Portuguese)	
25	1703982	1	Chinese Spec	
25	1703984	1	CSA Spec	
25	1703980	1	Japanese Spec	
25	1703981	1	Korean Spec	
25	1703983	1	Latin American Spec	
26		Ref	Decal - USA Options:	
26	3251813	1	Brazil/ Chinese/ CSA/ Japanese/ Korean/ Latin American Spec (USA Built Machines) (SN 0300140000 through 0300151568 Only)	
26	3251813	1	Brazil/Chinese/CSA/Japanese/Korean/Latin American Spec (China Built Machines) (SN B300000100 through B300000357 Only)	

SECTION 8 - DECALS

ITEM	PART NUMBER	QTY	DESCRIPTION	REV
26	Not Required	0	Korean Spec	
28	1703475	4	Decal - Max Tire Load (800S)	
28	1703482	4	Decal - Max Tire Load (860SJ)	
30	See Note	NSS	Decal - Bar Code (Note: Not Available for Purchase)	
31		Ref	Decal Options:	
31	1704906	2	Decal - 800S	
31	1704907	2	Decal - 860SJ	
32	1701501	4	Decal- Arrow	
33		Ref	Decal Capacity Options:	
33		Ref	USA Built Machines (SN 0300140000 through 0300143293 Only)	
33		Ref	China Built Machines (SN B300000100 through B300000152 Only)	
33		Ref	Decal Capacity 800S - Decal - 500LBS Unrestricted Capacity	
33	1706380	2	Brazil Spec (English/Portuguese)	
33	1704101	2	Chinese Spec	
33	1704099	2	CSA Spec	
33	1704102	2	Japanese Spec	
33	1704103	2	Korean Spec	
33	1704098	2	Latin American Spec	
33		Ref	Decal Capacity 860SJ - Decal - 500LBS Maximum Capacity	
33	1001094804	2	Brazil Spec (English/Portuguese)	
33	1001094800	2	Chinese Spec	
33	1001094806	2	CSA Spec	
33	1001094809	2	Japanese Spec	
33	1001094798	2	Korean Spec	
33	1001094802	2	Latin American Spec	
33		Ref	USA Built Machines (SN 0300143294 through 0300182743 Only)	
33		Ref	China Built Machines Only (SN B300000153 through B300001091)	
33		Ref	Decal Capacity 800S - Decal - 500LBS Unrestricted Capacity	
33	1001121806	2	Brazil Spec (English/Portuguese)	
33	1001121809	2	Chinese Spec	
33	1001121802	2	CSA Spec	
33	1001121807	2	Japanese Spec	
33	1001122200	2	Korean Spec	
33	1001121804	2	Latin American Spec	
33		Ref	Decal Capacity 860SJ - Decal - 500LBS Maximum Capacity	
33	1001122512	2	Brazil Spec (English/Portuguese)	
33	1001122510	2	Chinese Spec	
33	1001122513	2	CSA Spec	
33	1001122514	2	Japanese Spec	
33	1001122509	2	Korean Spec	
33	1001122511	2	Latin American Spec	
34		Ref	Decal Capacity Options:	
34		Ref	USA Built Machines (SN 0300140000 through 0300143293 only)	
34		Ref	China Built Machines (SN B300000100 through B300000152 only)	
34		Ref	Decal Capacity 800S - Decal - 500LBS Unrestricted Capacity	
34	1707051	1	Brazil Spec (English/Portuguese)	
34	1707045	1	Chinese Spec	

SECTION 8 - DECALS

ITEM	PART NUMBER	QTY	DESCRIPTION	REV
34	1707046	1	CSA Spec	
34	1707053	1	Japanese Spec	
34	1707043	1	Korean Spec	
34	1707048	1	Latin American Spec	
34		Ref	Decal Capacity 860SJ - Decal - 500LBS Maximum Capacity	
34	1001094805	1	Brazil Spec (English/Portuguese)	
34	1707044	1	Chinese Spec	
34	1001094808	1	CSA Spec	
34	1001094810	1	Japanese Spec	
34	1001094799	1	Korean Spec	
34	1001094803	1	Latin American Spec	
34		Ref	USA Built Machines (SN 0300143294 through 0300182743 Only)	
34		Ref	China Built Machines Only (SN B300000153 through B300001091)	
34		Ref	Decal Capacity 800S - Decal - 500LBS Unrestricted Capacity	
34	1001121819	1	Brazil Spec (English/Portuguese)	
34	1001121822	1	Chinese Spec	
34	1001121815	1	CSA Spec	
34	1001121820	1	Japanese Spec	
34	1001122201	1	Korean Spec	
34	1001121817	1	Latin American Spec	
34		Ref	Decal Capacity 860SJ - Decal - 500LBS Maximum Capacity	
34	1001122520	1	Brazil Spec (English/Portuguese)	
34	1001122518	1	Chinese Spec	
34	1001122521	1	CSA Spec	
34	1001122522	1	Japanese Spec	
34	1001122517	1	Korean Spec	
34	1001122519	1	Latin American Spec	
35	See Note	NSS	Nameplate, Manufacturers (Note: Not Available for Purchase)	
36		Ref	Decal - Patent Options:	
36	1700584	1	All Specs except CSA Spec (USA Built Machines) (SN 0300140000 through 0300151567 Only)	
36	1001131269	1	CSA Spec Only (USA Built Machines) (SN 0300151568 through 0300182743 Only)	
36	1700584	1	All Specs except CSA Spec (China Built Machines) (SN B300000100 through B300000356 Only)	
36	1001131269	1	CSA Spec Only (China Built Machines Only) (SN B300000357 through B300001091)	
37	1001108496	1	Decal - Legend	
38	1706941	1	Decal - Legend (MTB)	
39	3252781	1	Decal - Lift Diagram	
40	1701691	4	Decal - No Step	
43	0641408	1	Bolt 1/4in-20NC x 1in (USA Built Machines) (SN 0300140000 through 0300179244 Only)	
43	0641408	1	Bolt 1/4in-20NC x 1in (China Built Machines) (SN B300000100 through B300000855 Only)	
44	0860520	1	Box, Manual Storage	
45	1060279	1	Cable, Lanyard (USA Built Machines) (SN 0300140000 through 0300179244 Only)	
45	1060279	1	Cable, Lanyard (China Built Machines) (SN B300000100 through B300000855 Only)	
46	3311405	AR	Locknut 1/4in	
47	3820001	2	Rivet	

SECTION 8 - DECALS

ITEM	PART NUMBER	QTY	DESCRIPTION	REV
48	4751400	AR	Flatwasher 1/4in Regular	
49	1702861	2	Decal - JLG Lift (8in Height)	
50	1702774	1	Decal - JLG Lift (3-1/2in Height)	
51	1702773	1	Decal - JLG (5in Height)	
52	1704885	AR	Decal - Website	
53		Ref	Decal - Fuel	
53	1701505	1	Diesel	
53	1701542	1	Gas	
56		Ref	Decal - Lanyard Attach (GM Spec)	
56	Not Required	0	Brazil/ Chinese/ Japanese/ Korean/ Latin American Spec	
56	1703175	1	CSA Spec	
59		Ref	Decal - Drive/Steer Instructions Options:	
59	1705905	1	Brazil Spec (English/Portuguese)	
59	1705430	1	Chinese Spec	
59	1705429	1	CSA Spec	
59	1705426	1	Japanese Spec	
59	1705427	1	Korean Spec	
59	1705910	1	Latin American Spec	
60	0641406	1	Bolt 1/4in-20NC x 3/4in	
62		Ref	Decal - Warning Explosion/Fire Options:	
62	1706059	1	Brazil Spec (English/Portuguese)	1
62	1706060	1	Chinese Spec	
62	1706064	1	CSA Spec	
62	1706062	1	Japanese Spec	
62	1706061	1	Korean Spec	
62	1706063	1	Latin American Spec	
63	1001143852		Decal - Emissions Compliance (SN 0300181349 through 0300182743 Only)	

SECTION 8 - DECALS

FIGURE 8-3. DECAL INSTALLATION (AUSTRALIAN AND CE SPEC)

ITEM	PART NUMBER	QTY	DESCRIPTION	REV
		Ref	DECAL INSTALLATIONS	
	1001114371	Ref	Decal Installations 800S Australian Spec	B
	0274509	Ref	Decal Installations 800S CE Spec	C
	1001114372	Ref	Decal Installations 860SJ Australian Spec	B
	0274510	Ref	Decal Installations 860SJ CE Spec	C
	0274518	Ref	JLG Logo Decals	B
2	1701499	AR	Decal - No Lift	
5	1701509	1	Decal - Manual	
7	1703811	4	Decal - Lift	
8	1703814	6	Decal - Tie Down	
9	1704277	4	Decal - Attach Lanyard Here	
10	1704412	1	Decal - Hydraulic Oil Chart	
11		Ref	Decal - Sound Power Level Options:	
11	1705084	1	USA Built Machines (SN 0300140000 through 0300174920 Only)	
11	1705084	1	China Built Machines (SN B300000100 through B300000803 Only)	
11	1705980	1	USA Built Machines (SN 0300174921 through 0300182743 Only)	
11	1705980	1	China Built Machines Only (SN B300000804 through B300001091)	
21	1705921	1	Decal - Tipping/e (PLF)	
22	1705822	1	Decal - e/Safety Manual	
23	1701518	10	Decal - Warning Crushing	
24	1705961	5	Decal - Danger Electrocution	
25	1705828	1	Decal - Footswitch	
28	1703475	4	Decal - Max Tire Load (800S)	
28	1703482	4	Decal - Max Tire Load (860SJ)	
30	See Note	NSS	Decal - Bar Code (Note: Not Available for Purchase)	
31		Ref	Decal Options:	
31	1704906	2	Decal - 800S	
31	1704907	2	Decal - 860SJ	
32	1701501	4	Decal- Arrow	
33	1705978	1	Decal - 230kg Capacity	
34	1705978	1	Decal - 230kg Capacity	
35	See Note	NSS	Nameplate, Manufacturers (Note: Not Available for Purchase)	
36	1700584	1	Decal - Patent (USA Built Machines) (SN 0300140000 through 0300151568 Only)	
36	1700584	1	Decal - Patent (China Built Machines) (SN B300000100 through B300000357 Only)	
37 to 38	Not Required	0	Not Required	
39	3252781	1	Decal - Lift Diagram	
40	1701691	4	Decal - No Step	
41	4420051	23.1 ft/7m	Stripes, Warning	
42	3251242	1	Decal - 240V-50Hz	
43	0641408	1	Bolt 1/4in-20NC x 1in (USA Built Machines) (SN 0300140000 through 0300179244 Only)	
43	0641408	1	Bolt 1/4in-20NC x 1in (China Built Machines) (SN B300000100 through B300000855 Only)	
44	0860520	1	Box, Manual Storage	
45	1060279	1	Cable, Lanyard (USA Built Machines) (SN 0300140000 through 0300179244 Only)	

SECTION 8 - DECALS

ITEM	PART NUMBER	QTY	DESCRIPTION	REV
45	1060279	1	Cable, Lanyard (China Built Machines) (SN B300000100 through B300000855 Only)	
46	3311405	AR	Locknut 1/4in	
47	3820001	2	Rivet	
48	4751400	AR	Flatwasher 1/4in Regular	
49	1702861	2	Decal - JLG Lift (8in Height)	
50	1702774	1	Decal - JLG Lift (3-1/2in Height)	
51	1702773	1	Decal - JLG (5in Height)	
52	1704885	AR	Decal - Website	
53	1701505	1	Decal - Fuel	
59	1706098	1	Decal - Warning Explosion/Fire	
60	1001112551	1	Decal - Emergency Control (Australian Spec Only)	
61	0641406	1	Bolt 1/4in-20NC x 3/4in	
63	1001143852	1	Decal - Emissions Compliance (SN 0300181349 through 0300182743 Only)	

SECTION 9 - RECOMMENDED SERVICE PARTS STOCK

SECTION 9 - RECOMMENDED SERVICE PARTS STOCK

Go to Discount-Equipment.com to order your parts

SECTION 9 - RECOMMENDED SERVICE PARTS STOCK

FIGURE 9-1. MODEL 800S/860SJ STANDARD PARTS

ITEM	PART NUMBER	QTY	DESCRIPTION	REV
		Ref	Note: The following list will service one machine (built to current production per date on the front cover) with emergency repair parts which can be installed in the field. Parts from the list should be replaced when inventory is depleted to keep service parts stock supplied. For further information, Go to Discount-equipment.com.	
		Ref	STANDARD PARTS	
	1001108617	12	Element, Filter	
	7012944	1	Coil	
	7012943	1	Coil	
	7017451	1	Coil	
	70000582	1	Coil	
	7012664	1 doz	Element, Air Cleaner	
	3740067	1	Relay	
	3740080	1	Relay	
	7024444	3	Breather, Hydraulic Tank	
	7024375	3	Element, Hydraulic Filter	
	4360517	1	Switch, Proximity	
	3740049	1	Relay	
	4360328	1	Switch, Toggle	
	2860030	1	Key, Replacement	
	4360475	1	Switch, Mushroom	
	4360476	1	Contact, Switch Block	
	1001133329	1	Switch, Level Sensor	
	2940074	1	Latch	
	1001117172	1	Footswitch	
	4360330	1	Switch, Toggle	
	4360331	1	Switch, Toggle	
	4360387	1	Switch, Push Button	
	1001129555	1	Controller (Lift and Swing)	
	1001212415	1	Controller (Drive and Steer)	
	4360506	1	Switch, Proximity	

SECTION 9 - RECOMMENDED SERVICE PARTS STOCK

FIGURE 9-2. MODEL 800S/860SJ VARIABLE PARTS

ITEM	PART NUMBER	QTY	DESCRIPTION	REV
		Ref	Note: The following list will service one machine (built to current production per date on the front cover) with emergency repair parts which can be installed in the field. Parts from the list should be replaced when inventory is depleted to keep service parts stock supplied. For further information, Go to Discount-equipment.com.	
		Ref	VARIABLE PARTS	
	7026811	1 doz	Filter, Oil (Caterpillar Engine Machines)	
	7026830	1 doz	Filter, Fuel (Caterpillar Engine Machines)	
	1001112067	1	Module, Engine Control (Caterpillar Engine Machines)	
	7016331	1 doz	Filter, Oil (Deutz Engine Machines)	
	7016328	1 doz	Filter, Fuel (Deutz Engine Machines)	
	7027795	1	Module, Engine Control (Deutz Engine Machines)	
	7027965	1 doz	Filter, Oil (GM Engine Machines)	
	7027972	1 doz	Filter, Fuel (GM Engine Machines)	
	70002895	1	Module, Engine Control (GM Engine Machines)	
	1001103667	1	Module, Ground Control	
	4360469	1	Switch, Key (All Specs except CE Specs)	
	4360470	1	Switch, Key (CE Specs Only)	
	4360578	1	Switch, Limit	
	3740080	1	Relay (Machine with Generator Option)	
	4360336	1	Switch, Toggle (Machines with Generator Option)	
	4360070	1	Breaker, Circuit (Machines with SkyPower)	
	2400064	2	Fuse - 5Amp (Machines with SkyPower)	
	70003921	1	Powertrack Repair Section	
	70003922	1	Powertrack Mounting Bracket Kit	
	4360522	1	Switch, Push Button (Machines with Headlights Option)	
	4360336	1	Switch, Toggle (Machines with Dual Fuel Option)	
	4360328	1	Switch, Toggle (860SJ Only)	
	1001141138	1	Module, Controller	
	4360057	1	Switch, Limit	
	4360232	1	Breaker, Circuit (Machines with Platform Worklights)	
	3990010	2	Diode (Machines with Generator Option)	
	2400070	2	Fuse (Machines with Platform Worklights)	
	70004318	2	Fuse 5Amp (Caterpillar Engine Machines)	
	70004319	2	Fuse 10Amp (Caterpillar Engine Machines)	
	70004317	1	Relay 25Amp (Caterpillar Engine Machines)	
	70004316	1	Relay (Caterpillar Engine Machines)	

SECTION 10 - SPECIAL OPTIONS

Go to Discount-Equipment.com to order your parts

SECTION 10 - SPECIAL OPTIONS

FIGURE 10-1. SPECIAL OPTIONS

ITEM	PART NUMBER	QTY	DESCRIPTION	REV
		Ref	Note: This list is to accommodate machines ordered with special equipment. Options may not be applicable to all models. For more specific parts information go to Discount-equipment.com.	
		Ref	MISCELLANEOUS SPECIAL OPTIONS	
	1340061	Ref	Air Cleaner with Dust Evacuator Valve	
	0271472	Ref	Air Line at Platform Installation - 800S	
	1001091712	Ref	Air Line at Platform Installation - 800S (With Arctic Package)	
	0271473	Ref	Air Line at Platform Installation - 860SJ	
	1001091713	Ref	Air Line at Platform Installation - 860SJ (With Arctic Package)	
	1001156415	Ref	Battery Relocation (860SJ Only)	
		Ref	Bellows Installations	
	0271476	Ref	Bellows Installations 800S Boom Bellows	
	0271477	Ref	Bellows Installations 860SJ Boom Bellows	
	0258757	Ref	Fixed Axle with 2WS Frame Bellows	
	0258759	Ref	Fixed Axle with 4WS Frame Bellows	
	0258387	Ref	Oscillating Axle with 2WS Frame Bellows	
	0258758	Ref	Oscillating Axle with 4WS Frame Bellows	
		Ref	Boom Rope Service Kits	
	1001111231	Ref	Boom Rope Service Kit (800S)	
	1001197240	Ref	Boom Rope Service Kit (860SJ)	
	2910888	Ref	Boom Wear Pad Kit	
		Ref	Boom Wiper Installation	
	0271448	Ref	Standard Machines	
	1001122305	Ref	Hostile Environment Machines	
		Ref	Cable Carrier Installations	
	1001116419	Ref	2.5ft Platform	
	1001116420	Ref	3ft Platform	
	0256789	Ref	Camera Mount Assembly	
	0272057	Ref	Chassis Flood Lights Installation	
		Ref	ClearSky (Telematics) Installation (Factory Installed)	
		Ref	Note: Refer to Manual Supplement p/n 3128499 for available replacement parts.	
		Ref	With (ABS) Hood (USA Built Machines) (SN 0300140000 through 0300144482 Only)	
		Ref	With (ABS) Hood (China Built Machines) (SN B300000100 through B300000199 Only)	
	1001112990	Ref	ANSI Spec	
	1001112991	Ref	ANSI Export and Japanese Specs	
	1001112992	Ref	CSA Spec	
		Ref	With (Steel) Hood (USA Built Machines) (SN 0300144483 through 0300182743 Only)	
		Ref	With (Steel) Hood (China Built Machines) (SN B300000200 through B300001091)	
	1001118963	Ref	ANSI SPEC	
	1001134103	Ref	Australian Specs Only	
	1001118964	Ref	CSA Specs	
	1001127087	Ref	Brazil and New Zealand Specs Only	
		Ref	ClearSky (Telematics) Kit (Dealer Installed)	
	1001119939	Ref	ANSI Spec	

SECTION 10 - SPECIAL OPTIONS

ITEM	PART NUMBER	QTY	DESCRIPTION	REV
	1001139151	Ref	Australian Spec	
	1001119947	Ref	CSA Spec	
		Ref	Cold Weather Start Kits	
	0273575	Ref	Caterpillar Engine Machines	
	0256060	Ref	Deutz Engine Machines (Ether)	
	0271912	Ref	Deutz Engine Machines (Glow Plugs)	
	0275262	Ref	GM Engine Machines	
	1001115918	Ref	Cribbing Switch Installation	
		Ref	Decal Installations	
		Ref	Decal - ClearSky Options:	
	1001116597	Ref	ANSI Spec (USA Built Machines) (SN 0300140000 through 0300143784 Only)	
	1001116597	Ref	ANSI Spec (China Built Machines) (SN B300000100 through B300000199 Only)	
	1001116598	Ref	CSA Spec (USA Built Machines) (SN 0300140000 through 0300143784 Only)	
	1001116598	Ref	CSA Spec (China Built Machines) (SN B300000100 through B300000199 Only)	
	1001120993	Ref	ANSI and CSA Spec (USA Built Machines) (SN 0300143785 through 0300182743 Only)	
	1001120993	Ref	ANSI and CSA Spec (China Built Machines) (SN B300000200 through B300001091)	
	1001154503	Ref	Decal - Boels Rentals (ANSI Export Specs)	
	0257195	Ref	Decal - Government Warranty Installation (ANSI Spec)	
	1703175	1	Decal - Lanyard Attach (GM K-1 Spec) (ANSI and CSA Specs)	
	1702962	1	Decal - Prop 65 Warning (Diesel Machines) (California Spec)	
	1702961	1	Decal - Prop 65 Warning (Gasoline Machines) (California Spec)	
	0274528	Ref	Decals - Head and Engquist Equipment L.L.C. (H and E) (ANSI Spec)	
	0274455	Ref	Decal - FedEx (ANSI and CSA Specs)	
	0273251	Ref	Decal - Hertz (ANSI and CSA Specs) (SN 0300140000 through 0300147422)	
	1001128989	Ref	Decal - Hertz (ANSI and CSA Specs) (SN 0300147423 through 0300182743)	
	1001143078	Ref	Decals - Hewitt the Rental Store (English)	
	1001143513	Ref	Decals - Hewitt the Rental Store (French)	
	1001140645	Ref	Decal - Leavitt (ANSI and CSA Specs)	
	0274244	Ref	Decal - National Equipment Services (ANSI and CSA Specs)	
	1001095392	Ref	Decal - RSC Equipment Rental (ANSI and CSA Specs)	
	0273687	Ref	Decal - SkyAir (ANSI, ANSI Export and CSA Specs)	
	0272599	Ref	Decal - SkyCutter (ANSI, ANSI Export and CSA Specs)	
	0272607	Ref	Decal - SkyCutter (Japanese Spec)	
	0272418	Ref	Decal - SkyGlazier (All Specs except CE and Japanese Specs)	
	0272589	Ref	Decal - SkyPower (All Specs except ANSI and CSA Specs)	
	0272448	Ref	Decal - SkyWelder (ANSI and CSA Specs)	
	0272588	Ref	Decal - SkyWelder (All Specs except ANSI and CSA Specs)	
	1001120206	Ref	Decal - Sunbelt (ANSI and CSA Specs)	
	1001151082	Ref	Decal - Titan Rentals (ANSI and CSA Specs)	
	0271815	Ref	Decal - United Rentals (ANSI and CSA Specs)	
	1001140221	Ref	Decal - Volvo Rents (ANSI and CSA Specs)	
		Ref	Decal Kits Options:	
	2902307	Ref	Decal Kit - Country Spec (ANSI and ANSI Export)	
	2902329	Ref	Decal Kit - Country Spec (Australian and CE)	

SECTION 10 - SPECIAL OPTIONS

ITEM	PART NUMBER	QTY	DESCRIPTION	REV
	2902312	Ref	Decal Kit - Country Spec (Brazil)	
	2902322	Ref	Decal Kit - Country Spec (CSA)	
	1001116844	Ref	Decal Kit - Country Spec (Chinese - Simplified)	
	2902309	Ref	Decal Kit - Country Spec (Chinese - Traditional)	
	2902308	Ref	Decal Kit - Country Spec (Japanese)	
	2902310	Ref	Decal Kit - Country Spec (Korean)	
	2902311	Ref	Decal Kit - Country Spec (Latin America)	
	1001109029	Ref	Decal Kit - Master	
	1001193640	Ref	Decal Kit - Machine (ANSI Spec Only)	
	1001108722	Ref	Decal Kit - Platform (800S)	
	1001108723	Ref	Decal Kit - Platform (860SJ)	
	1001119564	Ref	Decal Kit - Platform Console Box (ANSI Spec)	
	2902354	Ref	Decal Kit - Tire Load (800S)	
	2902429	Ref	Decal Kit - Tire Load (860SJ)	
		Ref	Filter Kits:	
		Ref	Combined Filter Kit (Hydraulic/Air and Fuel/Engine Oil)	
		Ref	Caterpillar Engine Machines	
	1001114054	1	Caterpillar Engine Machines (SN 0300140000 through 0300141318)	
	1001114055	1	Caterpillar Engine Machines (SN 0300141319 through 0300182743)	
		Ref	Deutz Engine Machines	
	1001111004	1	Deutz Engine Machines (SN 0300140000 through 0300141318)	
	1001114049	1	Deutz Engine Machines (SN 0300141319 through 0300182743)	
		Ref	GM Engine Machines	
	1001113981	1	GM Engine Machines (SN 0300140000 through 0300141318)	
	1001151650	1	GM Engine Machines (SN 0300141319 through 0300182743)	
		Ref	Hydraulic/Air Filter Options:	
	See Note	NLA	Caterpillar/GM Engine Machines (Note: Not Available for Purchase)	
	1001182239	1	Deutz Engine Machines (SN 0300141319 through 0300182743)	
		Ref	Engine - Fuel/Engine Oil Filter	
	See Note	NSS	Caterpillar/GM Engine Machines (Note: Not Available for Purchase)	
	1001110133	1	Deutz Engine Machines	
	2902394	Ref	Drive/Steer Cutout Kit	
		Ref	Electrical Connector Kits	
	1001148902	Ref	Amp/Tyco Electrical Connector Kit	
	1001148903	Ref	Deutsch DT Electrical Connector Kit	
	1001148904	Ref	Deutsch HD Electrical Connector Kit	
	1001148905	Ref	Packard Electrical Connector Kit	
	1001148906	Ref	Various Electrical Connectors Kit	
	0275261	Ref	Engine Block Heater Installation (GM Engines)	
	1001093389	Ref	Fan Cover Installation (Deutz Engines Only)	
	1001185078	Ref	Fan Cover Add-on Kit (Deutz Engines Only)	
	1001125824	Ref	Fire Extinguisher Brackets installation (Frame Mounted)	
	1001139099	Ref	Fire Extinguisher Installation (20lb) (Platform Mounted)	
	1001121862	Ref	Fire Protection For Hoses and Cables	
		Ref	Footswitch Shield Installation	
	4060959	1	Shield, Footswitch (USA Built Machines) (SN 0300140000)	

SECTION 10 - SPECIAL OPTIONS

ITEM	PART NUMBER	QTY	DESCRIPTION	REV
	4060959	1	through 0300143928) Shield, Footswitch (China Built Machines) (SN B300000100 through B300000203)	
		Ref	Footswitch Shield (With Arctic Package) Options:	
	3380652	Ref	Footswitch Shield (With Arctic Package) (SN 0300140000 through 0300143928)	
	1001117294	Ref	Footswitch Shield (With Arctic Package) (SN 0300143929 through 0300182743)	
		Ref	Fluids:	
	2300004	Ref	Coolant, Standard	
	2300041	Ref	Coolant, Arctic	
	2300040	Ref	Diesel Fuel Conditioner	
	3020016	Ref	Engine Oil, (15W-40)	
	3020044	Ref	Engine Oil, (0W-40)	
	1001115930	Ref	Engine Oil, (10W-30)	
	1001115931	Ref	Engine Oil, Fully Synthetic (5W-30)	
		Ref	Hydraulic Fluids Options:	
	2300014	Ref	Mobil 424	
	2300027	Ref	Mobil 224H Bio	
	2300029	Ref	Mobil EAL ISO 46 Bio	
		Ref	Hydraulic Fluids Options:	
	2300016	Ref	Mobil DTE 10 EXCEL 32	
	2300021	Ref	Union Carbide Ucon HP5046 Fire Resistant	
	2300039	Ref	Exxon Univis Hvl (Arctic Package Only)	
	1001204149	Ref	Fuel/Water Separater (WIF) Filter Add-on Kit (Deutz D2011 Engines)	
	1001211931	Ref	Generator (4000W/50Hz SkyPower) Add-on Kit (Deutz D2011 Engines)	
	1001213603	Ref	Generator (4000W/60Hz SkyPower) Add-on Kit (Deutz D2011 Engines)	
	1001116163	Ref	Generator (7500W SkyPower) Add-on Kit (Deutz D2011 Engines)	
		Ref	Hood (ABS to Steel) Replacement Kits	
	1001121708	Ref	Hood Kit (800S with Deutz Engine)	
	1001121709	Ref	Hood Kit (800S with GM/Caterpillar Engines)	
	1001121710	Ref	Hood Kit (860SJ with Deutz Engine)	
	1001121711	Ref	Hood Kit (860SJ with GM/Caterpillar Engines)	
		Ref	Hose Kits	
	1001187509	Ref	Hose Kit - Boom (Upper) (800S)	
	1001187500	Ref	Hose Kit - Boom (Upper) (860SJ)	
	1001209634	Ref	Hose Kit - Platform Valve (800S)	
	1001209635	Ref	Hose Kit - Platform Valve (860SJ)	
	1001121412	Ref	Hostile (Extreme) Environment (2WS)	
	1001204929	Ref	Hostile Environment Add-on Kit (800S)	
	1001241416	Ref	Hostile Environment Add-on Kit (860SJ)	
	1001148971	Ref	Lanyard (Bolt-on) Kit Installation	
		Ref	Oil Cooler Installations	
	1001108703	1	Deutz Powered Machines (All Specs)	
	0271939	1	GM Powered Machines (All Specs except Australian and CE Spec)	
	0257728	Ref	Pipe Jacks Installations (ANSI Spec 800S/860SJ Only)	
	0274661	Ref	Pipe Jacks Installations (Australian Spec 860SJ Only)	
		Ref	Platform Cover Installations	

SECTION 10 - SPECIAL OPTIONS

ITEM	PART NUMBER	QTY	DESCRIPTION	REV
	0258703	Ref	USA Built Machines	
	1001112821	Ref	China Built Machines	
	1001110974	Ref	Curved Cover (All Specs except China and Korean Specs)	
	1001125229	Ref	Curved Cover (Korean Spec)	
	1001125230	Ref	Curved Cover (Chinese Spec)	
	1001205175	Ref	Steel Cover Add-on Kit	
		Ref	Platform Entry Kits	
	1001142504	Ref	Drop Bar (Replacing Swing Gate with Drop Bar)	
	1001142505	Ref	Swing Gate (Replacing Drop Bar with Swing Gate)	
		Ref	Platform Mesh To Mid Rail Installation (Side Entry Platform)	
	1001140318	Ref	Platform Mesh To Mid Rail Installation 800S/860SJ - 2.5ftx4ft Platforms (ANSI, ANSI Export and Australian Specs)	
	1001140315	Ref	Platform Mesh To Mid Rail Installation 800S/860SJ - 2.5ftx5ft Platforms (ANSI, ANSI Export and CSA Specs)	
	1001138772	Ref	Platform Mesh To Mid Rail Installation 800S/860SJ - 3ftx6ft Platforms (ANSI, ANSI Export and CSA Specs)	
	1001138773	Ref	Platform Mesh To Mid Rail Installation 800S/860SJ - 3ftx8ft Platforms (ANSI, ANSI Export and CSA Specs)	
		Ref	Platform Mesh To Mid Rail Add-on Kit (Side Entry Platform)	
	1001214478	Ref	Kit for 30in x 4ft (76cm x 1.22m) Platform with Gate	
	1001214515	Ref	Kit for 30in x 5ft (76cm x 1.52m) Platform with Gate	
	1001214540	Ref	Kit for 36in x 6ft (91.5cm x 1.83m) Platform with Gate	
	1001214548	Ref	Kit for 36in x 8ft (91.5cm x 2.44m) Platform with Gate	
		Ref	Platform Mesh To Top Rail Installation (Side Entry Platform)	
	0273147	Ref	Platform Mesh To Top Rail Installation 800S/860SJ - 2.5ftx4ft Platforms (ANSI, ANSI Export and CSA Specs)	
	0273146	Ref	Platform Mesh To Top Rail Installation 800S/860SJ - 2.5ftx5ft Platforms (ANSI, ANSI Export and CSA Specs)	
	0273149	Ref	Platform Mesh To Top Rail Installation 800S/860SJ - 3ftx6ft Platforms (ANSI, ANSI Export and CSA Specs)	
	0273145	Ref	Platform Mesh To Top Rail Installation 800S/860SJ - 3ftx8ft Platforms (ANSI, ANSI Export and CSA Specs)	
	1001120532	Ref	Platform Mesh To Top Rail Installation 800S - 3ftx8ft Platforms (With Fall Arrest) (ANSI Export Specs)	
	1702868	Ref	Decal - No Hands (ANSI Spec)	
	1704000	Ref	Decal - No Hands (CSA Spec)	
		Ref	Platform Mesh To Top Rail Add-on Kit (Side Entry Platform)	
	1001214552	Ref	Kit for 30in x 4ft (76cm x 1.22m) Platform with Gate	
	1001214559	Ref	Kit for 30in x 5ft (76cm x 1.52m) Platform with Gate	
	1001214561	Ref	Kit for 36in x 6ft (91.5cm x 1.83m) Platform with Gate	
	1001214562	Ref	Kit for 36in x 8ft (91.5cm x 2.44m) Platform with Gate	
	1001149730	Ref	Platform Mid Rail Repair Kit	
		Ref	Platform Top Rail Extension Installations	
	0272733	1	Platform 6ft (1.83m)	
	0272725	1	Platform 8ft (2.44m)	
	1001177328	Ref	Power Track Mounting Block Repair Kit	
	1001100121	Ref	Programmable Security Lock Installation (CE Spec Only)	
	1001162546	Ref	Pump Coupling Service Kit (Deutz D2011 Engines)	
	1001139944	Ref	Pump Mounting Bracket Kit (Sauer Danfoss)	
		Ref	Sky Accessory:	
	0273596	Ref	SkyAir Compressor Installation (ANSI, ANSI Export and CSA Specs)	
	1001098149	Ref	SkyCutter Plasma Cutter (All Specs except Australian and CE Spec)	

SECTION 10 - SPECIAL OPTIONS

ITEM	PART NUMBER	QTY	DESCRIPTION	REV
	0273353	Ref	SkyCutter/SkyWelder Combo (ANSI, ANSI Export and CSA Specs)	
	1001101422	Ref	SkyGlazier (ANSI and CSA Specs)	
	1001099421	Ref	SkyGlazier (ANSI Export Spec 800S Only) (Spanish)	
	1001099422	Ref	SkyGlazier (ANSI Export Spec 800S Only) (Portuguese)	
	1001115398	Ref	SkyPower - 7500W 60Hz (Caterpillar Engine) (ANSI and CSA Specs)	
	1001115400	Ref	SkyPower - 7500W 50Hz (Caterpillar Engine) (All Specs except ANSI and CSA Specs)	
	1001115388	Ref	SkyPower - 7500W 60Hz (Deutz Engine) (ANSI and CSA Specs)	
	1001115394	Ref	SkyPower - 7500W 50Hz (Deutz Engine) (All Specs except ANSI and CSA Specs)	
	0275257	Ref	SkyPower - 7500W 60Hz (GM Engine) (ANSI and CSA Specs)	
	0272254	Ref	SkyWelder - Stick, 250A (All Specs except CE Spec)	
	0272521	Ref	SkyWelder - Stick, 250A (CE Spec Only)	
		Ref	Note: For Breakdown of Sky Accessories Refer to Accessory Manual p/n 3124242	
		Ref	SkyGuard Component Options:	
	1001143669	NLA	SkyGuard Complete Add-on Kit (Blue Beacon) (UGM Machines) (Use p/n 1001206477)	
	1001206477	Ref	SkyGuard Complete Add-on Kit (Blue Beacon) (UGM Machines)	
	1001137672	Ref	SkyGuard Platform Sensor Kit (UGM Machines)	
	1001137440	1	SkyGuard Sensor Harness	
	1001186431	2	Relay	
	1001143256	NLA	SkyGuard Blue Beacon Kit (Use p/n 1001206311)	
	1001206311	Ref	SkyGuard Blue Beacon Kit	
	1001210025	Ref	SkyGuard Red Beacon Kit	
	1001116163	Ref	SkyPower Kit, Deutz 7500W (800S Only)	
	1001110926	Ref	Soft Touch (Overhead) Installation (Chinese/Korean Specs Only)	
	1001125393	Ref	Soft Touch (Overhead) Kit (Chinese/Korean Specs Only)	
		Ref	Strobe Light Installations (Amber)	
	1001152965	Ref	Platform Mounted	
	1001154231	Ref	Platform/Ground Mounted	
	1001228357	Ref	Telematics Retrofit Harness Kit (Machines with UGM)	
	1001184931	Ref	Telescope Cylinder Service Kit	
	0272325	Ref	Tire Sealant Installation (ANSI Spec Only)	
	0272312	Ref	Tire Sealant Decal Installation	
	2902203	1	Kit, Tire Sealant Decal	
		Ref	Tools for Service	
	2901443	1	Analyzer Kit	
	8896941	1	Wire Stripper	
	7002821	1	Wire Crimper (To install wire ends to wires)	
	7002823	1	Pin/Socket Extractor - Universal (To Remove Pins/Sockets from Connectors)	
	4460467	1	Extractor - 16-18 Gauge (For Removal of Pin/Sockets from Deutsch Connectors)	
	4460510	1	Extractor - 12-14 Gauge (For Removal of Pin/Sockets from Deutsch Connectors)	
	7002822	1	Screwdriver, Potentiometer (To Adjust Drive Controllers)	
	7016654	1	Screwdriver, Magnetic	
	7004275	1	Seal Installation Tool - 1in	
	7004276	1	Seal Installation Tool - 1-1/2in	
	7002826	1	Seal Installation Tool - 2in	

SECTION 10 - SPECIAL OPTIONS

ITEM	PART NUMBER	QTY	DESCRIPTION	REV
	7016655	1	Wire Rope Sheave Gauge	
	1001137005	1	Software Cable Kit	
	2915094	Ref	Turntable Bearing Kit	
	0258918	Ref	Utility Rack Installation	
		Ref	Weld Leads at Platform Installations	
	0271487	Ref	Weld Leads at Platform Installations 800S	
	0271488	Ref	Weld Leads at Platform Installations 860SJ	

Go to Discount-Equipment.com to order your parts

PART NUMBER INDEX

Go to Discount-Equipment.com to order your parts

PART NUMBER INDEX

0060048.....146, 153	0271084.....19	0273483.....167, 252	0561447.....149
0060061.....141, 153	0271085.....19	0273575.....293	0561449.....149
0080181.....48	0271086.....19	0273596.....296	0561484.....161
0080201.....67	0271090.....19	0273687.....293	0630462.....191
0080241.....96	0271091.....19	0273695....141, 145, 158	0630467.....156
0080243.....48	0271322.....161, 257	0273704.....19, 29	0630485.....106
0100009.....171	0271323.....161, 257	0273706.....191	0630491.....96
0100011....11, 12, 15, 16, 19, 29, 31, 35, 48, 50, 51, 56, 58, 59, 66, 67, 83, 89, 91, 95, 96, 100, 102, 106, 107, 108, 113, 117, 121, 125, 131, 137, 141, 145, 146, 149, 156, 158, 166, 191, 193, 197, 199, 207, 213, 217, 225	0271324.....161, 257	0273824.....191	0630507.....100, 106
0100019..11, 15, 41, 127, 131	0271325.....161, 257	0274244.....293	0630518.....91
0100020....49, 50, 51, 56, 66, 68, 87, 128	0271352.....15	0274267.....29	0630534.....207, 211
0100035.....95, 96, 158	0271354.....31	0274455.....293	0630535....197, 199, 201, 203, 225, 229, 231
0100038....197, 199, 207, 213, 217, 225	0271360.....95	0274499.....275	0630536....213, 217, 219
0100048..66, 91, 96, 172, 260	0271362.....95	0274500.....275	0630539.....141, 146
0100062.....69, 128	0271444.....145, 146	0274501.....279	0630548.....91
0100063.....199	0271448.....292	0274502.....279	0630568.....172
0100081....107, 108, 141, 146, 171	0271472.....292	0274503.....279	0641403.....95, 149
0140001.....35	0271473.....292	0274504.....279	0641404....118, 126, 127
0140011.....171	0271476.....292	0274505.....279	0641405....121, 126, 131
0140032.....95, 264	0271477.....292	0274506.....279	0641406....48, 67, 68, 95, 100, 106, 125, 158, 166, 171, 270, 276, 283, 286
0181949.....87	0271487.....298	0274507.....279	0641407....48, 50, 58, 59, 93
0182077.....100, 106	0271488.....298	0274508.....279	0641408.....35, 106, 108, 161, 166, 276, 282, 285
0200048.....191	0271496.....41	0274509.....285	0641410.....95, 161
0200742.....117	0271552.....96, 174	0274510.....285	0641412..56, 66, 161, 270
0200819.....113	0271815.....293	0274511.....279	0641414.....171, 191
0250528.....31	0271912.....293	0274512.....279	0641416.....270
0255524.....87	0271939.....250, 295	0274513.....279	0641418.....35, 166, 193
0256060.....293	0271990.....141	0274514.....279	0641420.....36
0256202.....265	0271991.....146	0274518....275, 279, 285	0641422.....66
0256789.....292	0271999.....95	0274528.....293	0641424.....161
0257195.....293	0272003.....11	0274571.....11	0641504.....31, 137
0257728.....295	0272057.....96, 292	0274572.....15	0641505.....125, 131
0257887.....95, 264	0272058.....167	0274644.....35, 156	0641506.....92
0258286.....11	0272070.....156	0274645.....35, 156	0641507.....48
0258387.....292	0272081.....102, 108	0274661.....295	0641508 15, 67, 100, 114, 117, 125
0258608.....174	0272254.....297	0274762.....100	0641510.....59, 121
0258703.....296	0272259.....265	0275039.....121	0641511.....66, 161
0258728.....111	0272260.....265	0275216.....267	0641512.....59
0258757.....292	0272312.....297	0275217.....267	0641514.....36, 213
0258758.....292	0272322.....19	0275218.....268	0641516.....125, 131
0258759.....292	0272325.....297	0275219.....268	0641518.....167
0258918.....298	0272333.....19	0275257....131, 268, 297	0641526.....157
0259147.....41	0272334.....19	0275261.....294	0641542.....29
0270528.....31	0272388.....161, 257	0275262.....293	0641560.....29
0270805.....96	0272389.....161, 257	0275452.....268	0641604....146, 158, 161
0270876.....137, 141	0272418.....293	0275453.....268	0641606....35, 48, 59, 68, 87, 102, 141, 146, 149, 156
0270877.....137, 145	0272427.....191	0275454.....268	0641607....106, 149, 161
0270881.....83	0272435.....128, 133	0275547.....100	0641608....11, 15, 29, 48, 50, 51, 57, 66, 68, 100, 102, 141, 146, 149
0270885.....19	0272448.....293	0275586.....161, 257	0641609..48, 59, 68, 106, 111
0270886.....19	0272507.....96, 264	0340041.....48, 59, 68	0641610....48, 50, 56, 59, 68, 100, 113, 117, 146, 149, 166
0270888.....19	0272521.....297	0340046.....48	0641611.....89
0271002.....41	0272588.....293	0362519.....87	0641612.....35, 68, 137
0271083.....19	0272589.....128, 293	0362726.....11, 15	0641613.....137, 151
	0272599.....293	0362770.....100	
	0272607.....293	0362910.....31	
	0272725.....296	0400075.....48, 56, 66	
	0272733.....296	0440244.....41	
	0272750....36, 213, 226	0480120.....113	
	0272970.....166	0480121.....113, 117	
	0273145.....296	0480125.....127	
	0273146.....296	0480126.....127	
	0273147.....296	0480129.....127	
	0273149.....296	0480142.....121, 131	
	0273251.....293	0561185.....149	
	0273353.....297	0561380.....137	
	0273378....12, 16, 19, 29	0561445.....149	
	0273472.....167, 252	0561446.....149	

PART NUMBER INDEX

0641614	83	0761210	51	0961898.....	213, 217	1001094804	281
0641615	83, 137	0771212	48	0961947.....	146, 153, 199, 201	1001094805	282
0641616	100, 106, 149	0771414	59	0961948....	149, 199, 203, 205	1001094806	281
0641618	127, 146	0771415	128	0961951.....	150, 153	1001094808	282
0641620	35, 141, 146	0791608	58	0961977.....	221	1001094809	281
0641622	141, 146	0801274	141, 149	0961986.....	48, 59, 68	1001094810	282
0641626	149	0801275	149	0962033.....	213, 217, 219	1001094899	41
0641634	149	0801279	137	0962051.....	111	1001095307	237, 241
0641640	149	0801280	137	0962102.....	11, 15	1001095308	237, 242
0641652	141, 146	0801281	145, 149	0962122.....	137	1001095392	293
0641710	121	0801282	149	0962152.....	11, 15	1001097150	270
0641772	113, 117	0801306	137	0962270.....	169	1001097243	12, 15, 223
0641808 ...	48, 50, 56, 66, 67, 125, 131, 145	0801307	137	0962292.....	15	1001097553	51
0641810	11, 16	0801325	149	0962297....	137, 141, 145, 149	1001097939	95
0641812 ...	50, 58, 67, 89, 138, 156	0801326	149	0962335.....	146	1001097945	95
0641814	58	0801647	149	0962336.....	207, 209, 211	1001097964	101
0641818	59, 106, 111	0801649	149	0962348.....	15	1001097966	101
0641820	11, 48, 89	0811606	106, 149	0962448.....	11, 12, 15	1001098149	296
0641826	59, 69	0811607	151	0962449.....	114, 118	1001098234	270
0641828	68	0811608	151	0962496.....	197	1001098349	270
0642010	31, 50, 56, 66	0811610	151	0962520.....	126, 131	1001098508	59
0642014	137, 141, 145	0811614	151	0962521.....	131	1001098908	259
0642212 11, 15, 137, 141, 145		0811616	151	0962563.....	113	1001098909	260
0642612	96	0860038 ...	125, 131, 266	1001091179.....	59	1001098910	259
0642618	137	0860520	276, 282, 285	1001091187.....	95	1001098911	260
0642684	156	0861441	171, 172	1001091188.....	95	1001099051	61
0681608	11, 15, 156	0861538	126, 131	1001091472.....	161	1001099121	101
0681814	169	0861541	128, 132	1001091563.....	83	1001099138	100, 101
0681822	169	0861542 ...	125, 128, 131, 132, 269	1001091568.....	83	1001099139	101
0682016	12, 16, 19	0861567	125, 128, 269	1001091587.....	67	1001099421	297
0682023	41	0861572	126	1001091609.....	161, 257	1001099422	297
0682032	41	0861731	266	1001091618.....	258	1001099640	59
0682216	41	0861781	266	1001091620.....	258	1001099828	57
0700616	51, 107, 108	0861880	270	1001091664.....	161, 257	1001099829	56
0700620	51	0901921	100	1001091665.....	161, 257	1001099869	114, 118
0700808	48, 51, 59	0902206	96	1001091712.....	292	1001099870	29
0700810	68	0902219	100	1001091713.....	292	1001100121	296
0700815	125	0902223	100	1001091790.....	270	1001100233	114, 118
0700816	113	0902351	100	1001091794.....	68	1001100234	114, 118
0700820	121, 131	0902412	100	1001091892.....	59, 68	1001100321	113, 117
0701010	48, 51	0902491	100	1001091969.....	265	1001100327	266
0701012	48	0902673	100, 106	1001091970.....	266, 268	1001100329	266
0701015	48	0902674	100	1001091971.....	266, 268	1001100331	266
0701016	121, 131	0902751	171	1001091972.....	266	1001100333	266
0701210	113	0902769	100	1001091973.....	266	1001100337	266
0701414	48	0902888	126, 131	1001091974.....	266	1001100341	268
0711025	58	0903242	89	1001091975.....	266	1001100342	268
0711214	48	0903484	270	1001093382....	49, 57, 67	1001100345	268
0720808 ...	114, 118, 122, 129, 133	0903530	157	1001093389.....	294	1001100347	268
0721003	171	0903697	270	1001093943.....	60	1001100381	57
0721004	31	0940049	106	1001094101.....	60, 61	1001100382	56
0721005	191	0940070	48, 59, 68	1001094321.....	61	1001100386	100
0721006 ...	100, 114, 117, 171	0940071	100	1001094375....	114, 118, 122, 129, 133	1001101060	41, 44
0721008	101, 102	0940088	101	1001094475....	114, 118, 122, 128, 133	1001101191	267, 270
0731007	83	0940092	191	1001094509....	114, 118, 122, 129, 133, 271	1001101196	267
0741605	141	0940094	191	1001094798.....	281	1001101197	267
0741607	31	0940103	191	1001094799.....	282	1001101241	61
0741609	16	0940133	191	1001094800.....	281	1001101391	101
0741612	149	0940134	191	1001094802.....	281	1001101392	101
0760606	51	0940159	193	1001094803.....	282	1001101422	297
0760610	51	0940177	191			1001101623	101
0760612	51	0961845	166			1001101673	101
		0961893	207, 211			1001101948	57
		0961894	199, 201, 203				
		0961895	197				
		0961897 ...	225, 229, 231				

PART NUMBER INDEX

1001102290.....262	1001110339..... 92, 260	1001114896 166, 171, 256	1001117294.....295
1001102291.....262	1001110340 92, 260, 261	1001114897 166	1001117307.....107
1001102304.....262	1001110341 92, 260, 261	1001115388 125, 268, 297	1001117320..... 167
1001102601.....92	1001110342 93, 252, 261, 262	1001115394 125, 268, 297	1001117399..... 161, 257
1001102602.....92	1001110343 93, 252, 261, 262	1001115398 125, 268, 297	1001117400..... 161, 257
1001102644..... 114	1001110344 93, 252, 261, 262	1001115400 125, 268, 297	1001117523..... 107
1001103667..... 91, 290	1001110701 171	1001115404 113	1001117525..... 107
1001103810..... 12	1001110872 125, 132, 268	1001115405 117	1001117804..... 137
1001104308.....60	1001110873 125, 132, 266, 268	1001115409 117	1001117805..... 137
1001105833.....49	1001110926 297	1001115410 117	1001118344..... 107
1001105872.....69	1001110974 296	1001115413 113	1001118345..... 107, 108
1001106339.....261	1001110979 193	1001115414 113	1001118416..... 187
1001106340.....261	1001110980 193	1001115465 225	1001118417..... 179
1001106449.....95	1001110982 193	1001115469 226	1001118434..... 106
1001106480.....95	1001111004 294	1001115504 225	1001118435..... 106
1001106736..... 93, 261	1001111017 91	1001115617 226	1001118473..... 156, 157, 158
1001106974.....89	1001111018 165	1001115631 225	1001118599..... 127
1001107116.....48	1001111231 292	1001115633 226	1001118963..... 292
100110753189	1001111346 166	1001115918 293	1001118964..... 292
1001107677172	1001111968 248	1001115930 295	1001119564..... 294
1001107705.....49	1001112057 51	1001115931 295	1001119939..... 292
1001107796..... 172, 256	1001112059 51	1001116163 295, 297	1001119947..... 293
1001107952..... 173, 174	1001112067 52, 290	1001116280 107	1001120206..... 293
1001107953..... 173, 174	1001112068 52	1001116288 56	1001120508..... 107, 108
1001107954..... 173	1001112069 52	1001116290 108	1001120532..... 296
1001108256..... 191	1001112070 52	1001116292 108	1001120993..... 293
1001108496..... 276, 282	1001112071 52, 263	1001116322 107	1001121340..... 128, 129, 133
1001108579.....83	1001112072 52	1001116344 107	1001121412..... 295
1001108617..... 35, 288	1001112073 52	1001116356 107	1001121708..... 295
1001108703..... 250, 295	1001112075 52	1001116358 107	1001121709..... 295
1001108722..... 294	1001112077 49, 51	1001116419 292	1001121710..... 295
1001108723..... 294	1001112551 286	1001116420 292	1001121711..... 295
1001108923..... 277	1001112570 52	1001116456 107	1001121802..... 281
1001108958..... 226	1001112586 128, 252, 269	1001116457 107	1001121804..... 281
1001108991..... 173	1001112587 128, 269	1001116544 68	1001121806..... 281
1001108992..... 172, 173	1001112588 252, 265	1001116545 68	1001121807..... 281
1001108993..... 172, 173	1001112589 265	1001116558 107	1001121809..... 281
1001109029..... 294	1001112592 52	1001116560 107	1001121815..... 282
1001109048.....83	1001112612 261	1001116562 107	1001121817..... 282
1001109064..... 51, 52	1001112651 12, 15	1001116595 52	1001121819..... 282
1001109065.....48	1001112743 252, 265	1001116597 293	1001121820..... 282
1001109475..... 270	1001112762 51, 263	1001116598 293	1001121822..... 282
1001109477..... 270	1001112821 296	1001116617 107	1001121862..... 294
1001109482..... 270	1001112849 52	1001116618 107	1001121891..... 67
1001109559..... 270	1001112990 292	1001116620 107	1001122200..... 281
1001109595.....49	1001112991 292	1001116668 107	1001122201..... 282
1001109648..... 270	1001112992 292	1001116704 107	1001122305..... 292
1001109654..... 270	1001113047 107	1001116787 106	1001122507..... 275
1001110059.....83	1001113047 107	1001116844 294	1001122508..... 275
1001110133..... 294	1001113103 83	1001116846 280	1001122509..... 281
1001110166..... 107	1001113961 185, 187	1001116849 280	1001122510..... 281
1001110205.....50	1001113981 294	1001116851 280	1001122511..... 281
1001110206..... 50	1001114049 294	1001117027 107	1001122512..... 281
1001110212.....49	1001114054 294	1001117040 101	1001122513..... 281
1001110213.....49	1001114055 294	1001117045 100, 101	1001122514..... 281
1001110325..... 252	1001114371 285	1001117051 107	1001122515..... 276
1001110327..... 91	1001114372 285	1001117054 107	1001122516..... 276
1001110328..... 91	1001114595 67	1001117138 106	1001122517..... 282
1001110329..... 91	1001114632 67	1001117139 101	1001122518..... 282
1001110330..... 91	1001114633 67, 108	1001117140 102	1001122519..... 282
1001110331..... 91	1001114634 66	1001117172 167, 288	1001122520..... 282
1001110332..... 91		1001117174 166	1001122521..... 282
1001110333..... 91			1001122522..... 282
1001110334..... 91			1001125008..... 173
1001110335..... 91			1001125009..... 173
1001110336..... 91			
1001110338.92, 260, 261			

PART NUMBER INDEX

1001125010.....	173	1001141141.....	252	1001177328.....	296	1120601.....	101
1001125011.....	174	1001141967.....	266	1001181588.....	150, 225	1180375.....	142, 146
1001125229.....	296	1001141968.....	266	1001181694.....	226, 229,	1220078.....	149
1001125230.....	296	1001141969.....	266		231	1260017.....	41
1001125344.....	83	1001142504.....	296	1001182239.....	294	1283309.....	250
1001125345.....	83	1001142505.....	296	1001184931.....	297	1283387.....	250
1001125354.....	83	1001142522.....	75, 76	1001185078.....	294	1300019.....	19
1001125393.....	297	1001143078.....	293	1001186431.....	297	1320012.....	68
1001125468.....	67	1001143256.....	297	1001187500.....	295	1320016.....	48, 59, 68
1001125501.....	107	1001143513.....	293	1001187509.....	295	1320022.....	50, 56, 61, 68
1001125502.....	107	1001143669.....	297	1001193640.....	294	1320041.....	162
1001125503.....	106	1001143852.....	283, 286	1001197240.....	292	1320061.....	142, 147, 161
1001125504.....	106	1001144319.....	60, 61	1001204149.....	295	1320127.....	87
1001125824.....	294	1001144320.....	59	1001204929.....	295	1320176.....	50, 57, 61
1001126828.....	107	1001144321.....	57	1001205175.....	296	1320218.....	87
1001127087.....	292	1001144323.....	56	1001206311.....	297	1320220.....	87
1001128153.....	167, 252	1001144629.....	165	1001206477.....	297	1320223.....	48, 50, 51, 56,
1001128479.....	165	1001148650.....	150	1001209634.....	295		57, 59, 68, 161
1001128598.....	165	1001148651.....	150	1001209635.....	295	1320224.....	51
1001128989.....	293	1001148652.....	150	1001210025.....	297	1320263.....	52, 142, 147
1001129555.....	288	1001148653.....	151	1001211931.....	295	1320289.....	142, 146
1001131168.....	172	1001148902.....	294	1001212415.....	288	1320294.....	142, 147
1001131269.....	276, 282	1001148903.....	294	1001213603.....	295	1320315.....	214
1001131731.....	142, 146	1001148904.....	294	1001214478.....	296	1320318.....	126
1001131992.....	252	1001148905.....	294	1001214515.....	296	1320323.....	66
1001133329.....	158, 264,	1001148906.....	294	1001214540.....	296	1321384.....	102, 106
	288	1001148971.....	295	1001214548.....	296	1340060.....	48, 59, 68
1001134103.....	292	1001149730.....	296	1001214552.....	296	1340061.....	292
1001137005.....	298	1001149818.....	271	1001214559.....	296	1380136.....	36
1001137440.....	297	1001149994.....	96	1001214561.....	296	1380147.....	111
1001137459.....	35, 36	1001150406.....	96	1001214562.....	296	1560011.....	256
1001137672.....	297	1001151082.....	293	1001228012.....	146, 209	1560012.....	256
1001137737.....	60, 61	1001151207.....	247	1001228022.....	145, 203	1580011.....	48, 68
1001137738.....	59	1001151208.....	247	1001228027.....	141, 201	1580012.....	167
1001137739.....	57	1001151209.....	35	1001228028.....	141, 217	1580013.....	167
1001137740.....	56	1001151650.....	294	1001228029.....	145, 219	1600244.....	271
1001137741.....	59	1001152522.....	58, 67, 75,	1001228081.....	150, 229	1600317.....	171, 177
1001137742.....	57		242	1001228083.....	150, 231	1600318.....	171, 185
1001137743.....	56	1001152965.....	297	1001228357.....	297	1660239.....	48
1001137898.....	58	1001153282.....	61	1001241416.....	295	1670829.....	91
1001137899.....	58	1001154231.....	297	1001248012.....	146, 211	1670964.....	156
1001138328.....	250	1001154503.....	293	1060279.....	276, 282, 285,	1671022.....	95
1001138430.....	165	1001155751.....	137, 141		286	1671034.....	161
1001138431.....	165	1001155752.....	137, 145	1060341.....	191, 265	1671044.....	158
1001138432.....	165	1001155760.....	141, 149	1060343.....	128, 132, 269	1671059.....	95
1001138434.....	165	1001155762.....	145	1060494.....	128, 132, 269	1671092.....	128, 133, 260,
1001138494.....	166	1001155763.....	149	1060584.....	31		268, 269
1001138514.....	166	1001155770.....	149	1060625.....	50, 57	1671093.....	260, 268
1001138772.....	296	1001155771.....	149	1060626.....	51, 57	1671176.....	171
1001138773.....	296	1001155814.....	35, 156	1060633.....	271	1671201.....	100
1001138795.....	211	1001156351.....	268	1060637.....	48, 56, 67	1671228.....	100, 102
1001139099.....	294	1001156352.....	268	1060708.....	128, 132, 265,	1671230.....	101
1001139151.....	293	1001156415.....	292		269, 270	1671231.....	102
1001139944.....	296	1001156819.....	67	1060896.....	258	1671232.....	102
1001140221.....	293	1001156823.....	66	1060902.....	259, 260, 262	1671248.....	100, 101
1001140315.....	296	1001156824.....	66	1060903.....	191	1671311.....	131
1001140318.....	296	1001156825.....	66	1060904.....	59, 264	1683053.....	207
1001140429.....	166	1001157180.....	138	1060908.....	270, 271	1683059.....	197, 199
1001140459.....	145, 205	1001157866.....	242	1060918.....	166, 256	1683077.....	225
1001140645.....	293	1001162546.....	296	1060919.....	169	1683078.....	11, 15, 197
1001141136.....	172, 256,	1001166538.....	189	1060977.....	270	1683609.....	146, 207
	257	1001166539.....	181	1061018.....	259	1683740.....	12, 15, 221
1001141137.....	157, 172,	1001166809.....	31	1061019.....	259	1683818.....	213
	256	1001174093.....	67	10837580.....	39	1683976.....	199
1001141138.....	171, 290	1001174486.....	66	1120487.....	84	1683986.....	197
1001141140.....	166, 171,	1001175884.....	225	1120510.....	151	1684041.....	149, 225
	256	1001177317.....	149, 225	1120552.....	19	1684043.....	150, 225

PART NUMBER INDEX

1684045.....	225	1703938.....	280	1705897.....	280	2130204.....	241
1684049.....	225	1703939.....	280	1705898.....	280	2130404.....	80, 237, 241, 245, 247, 249
1684080.....	213	1703941.....	279	1705901.....	279	2130406.....	241, 245, 247
1684089.....	207	1703942.....	279	1705902.....	280	2130604.....	241
1684090.....	207	1703943.....	279	1705903.....	279	2130606.....	247
1684123.....	213	1703944.....	279	1705905.....	283	2130608.....	247
1684133.....	199	1703945.....	279	1705910.....	283	2130612.....	249
1684135.....	199	1703947.....	280	1705917.....	280	2130808.....	241
1684136.....	145, 199	1703948.....	280	1705921.....	285	2130810.....	80, 247, 249
1684188.....	199	1703949.....	280	1705961.....	285	2131010.....	247
1684189.....	141, 199	1703950.....	280	1705967.....	280	2131012.....	237, 241
1684191.....	197	1703951.....	280	1705968.....	280	2131210.....	248
1684198.....	213	1703953.....	275	1705969.....	280	2131212 72, 75, 237, 242, 248	
1684199.....	141, 213	1703980.....	280	1705978.....	285	2131216.....	80, 249
1684202.....	145, 213	1703981.....	280	1705980.....	285	2131612.....	247
1684267.....	225	1703982.....	280	1706059.....	57, 283	2131616 72, 76, 237, 241, 242	
1684269.....	225	1703983.....	280	1706060.....	57, 283	2132016.....	76, 242
1700584.....	276, 282, 285	1703984.....	280	1706061.....	57, 283	2150404.....	248
1700818.....	66, 276	1704000.....	280, 296	1706062.....	57, 283	2150406.....	237, 241
1701499.....	275, 279, 285	1704001.....	280	1706063.....	57, 283	2150606.....	248
1701501.....	275, 281, 285	1704006.....	279	1706064.....	57, 283	2150808.....	241
1701505 50, 56, 276, 283, 286		1704007.....	279	1706098.....	57, 286	2151212.....	247
1701509.....	275, 279, 285	1704098.....	281	1706380.....	281	2151616.....	237, 241
1701518.....	285	1704099.....	281	1706385.....	169	2160001.....	41
1701542.....	66, 276, 283	1704101.....	281	1706712.....	91	2170204.....	237
1701543.....	66, 276	1704102.....	281	1706941.....	276, 282	2170306.....	245
1701691.....	276, 282, 285	1704103.....	281	1706957.....	31	2170350.....	241
1702565.....	171	1704260.....	171	1706960.....	31	2170406.....	237, 242
1702566.....	171	1704277 ...	275, 279, 285	1707015.....	276	2170408.....	241
1702567.....	171	1704412 ...	275, 279, 285	1707016.....	275, 276	2170504.....	235, 237, 241
1702676.....	171	1704578.....	31	1707043.....	282	2170506.....	235, 248
1702701.....	19	1704885 ...	276, 283, 286	1707044.....	282	2170508.....	237
1702773.....	169, 276, 283, 286	1704906 ...	275, 281, 285	1707045.....	281	2170516.....	237
1702774.....	276, 283, 286	1704907 ...	275, 281, 285	1707046.....	282	2170708.....	241, 245
1702861.....	276, 283, 286	1704972.....	57, 277	1707048.....	282	2170804.....	245
1702868.....	275, 296	1704995.....	275	1707051.....	281	2180125.....	87
1702901.....	36	1705014.....	169	1707053.....	282	2180344.....	41
1702903.....	36	1705084.....	285	2060025.....	48, 59, 68	2180348.....	50, 56, 66
1702924.....	36	1705088.....	275	2080040 ...	106, 165, 167	2180387.....	87
1702925.....	36	1705090.....	31	2080044.....	161	2180388.....	87
1702927.....	36	1705132.....	171	2110404 ...	237, 241, 247	2180389.....	66, 87
1702938.....	174, 191	1705170.....	97, 174	2110406 ...	235, 237, 241, 245	2180467.....	83
1702941.....	51, 57	1705325.....	114, 118	2110408 72, 75, 235, 237, 241, 242		2180829.....	249
1702942.....	51, 57	1705336.....	275	2110604.....	245	2180877.....	69
1702943.....	50, 57	1705344.....	280	2110606 ...	235, 237, 247	2200222.....	50, 56, 66
1702944.....	51, 57	1705345.....	280	2110608.....	249	2220005.....	66
1702961.....	276, 293	1705347.....	280	2110612.....	249	2220063.....	41
1702962.....	276, 293	1705348.....	280	2110808 ...	237, 241, 247	2220235.....	245
1703162.....	48, 59, 68	1705351.....	276	2110810.....	75, 238, 242	2220237.....	237, 241
1703175.....	276, 283, 293	1705364.....	19	2110812.....	237, 241	2220261.....	87
1703475.....	275, 281, 285	1705374.....	128, 133	2111008.....	247	2220313.....	50, 56
1703482.....	275, 281, 285	1705375.....	128, 133	2111010.....	72, 237, 242, 247	2220418.....	87
1703797.....	275	1705376.....	128, 132	2111016.....	75, 242	2220451.....	59
1703804.....	275	1705387.....	128, 133	2111212.....	237, 247	2220591.....	241
1703805.....	275	1705426.....	283	2111612.....	247	2220811 72, 76, 238, 242	
1703811.....	275, 279, 285	1705427.....	283	2111616.....	72, 237, 241, 242, 247	2220883 25, 26, 199, 201, 203, 207, 209, 211, 213, 217, 219	
1703814.....	275, 279, 285	1705429.....	283	2111620.....	237, 241	2220885.....	197, 199, 207, 209, 211, 213, 217, 219, 225, 229, 231
1703923.....	280	1705430.....	283	2112020.....	241	2220886 25, 26, 197, 201, 203, 225, 229, 231	
1703924.....	280	1705460.....	128, 133	2112424.....	80, 247, 249		
1703925.....	280	1705461.....	128	2120209.....	35		
1703926.....	280	1705489.....	128	2120210.....	35		
1703927.....	280	1705514.....	279	2120217.....	157		
1703935.....	280	1705589.....	36				
1703936.....	280	1705822.....	285				
1703937.....	280	1705828.....	285				
		1705895.....	280				
		1705896.....	280				

PART NUMBER INDEX

2220887	217	2750532 ...	50, 56, 59, 60, 68	2754719	241	2920161	96, 264
2220888	25, 213, 217	2751032	41	2754720	241	2920215	96
2221024	87	2753540	237, 241	2754743	242	2940045	106
2221084	237, 242	2753545	248	2754744	242	2940074	165, 288
2221086	248	2753549	241	2760105	92	2940088	101, 102
2221088	237, 241	2753550	241	2780227	21	2940173	106
2221176	50, 56, 66	2753578	245	2780229	12, 16	2940188	101
2221183	237, 241	2753590	249	2780272	19, 21	3020008	19
2221197	87	2753622 ...	237, 241, 248	2792597	245, 250	3020016	50, 60, 295
2300004	50, 66, 295	2753624	235	2792648	235, 250	3020029	12, 16
2300014	295	2753625	248	2792649	247, 250	3020044	50, 60, 295
2300016	19, 295	2753626	241, 248	2792650	247, 250	3160347	19, 25
2300021	295	2753627	235, 248	2792653	250	3160348	19, 25
2300027	295	2753628	241	2792678	250	3200362	60, 68
2300029	295	2753629	235	2792713	241, 250	3200406	48, 60
2300039	295	2753630	235	2792714	237, 250	3200449	158
2300040	295	2753634	242	2792770	241, 250	3220113	48
2300041	50, 295	2753635	237	2820020	167	3250585	167
2400060 ...	128, 133, 261, 269	2753653	248	2820031 ...	114, 118, 121, 127, 132, 258	3250872	31
2400064 ...	128, 133, 269, 290	2753654	248	2820035	95, 167, 264	3251102 ...	114, 118, 121, 174
2400065	262, 270	2753656	248	2820078	102, 108	3251242	285
2400066	262, 270	2753657	248	2820233	101	3251243 ...	117, 121, 275, 279
2400070	270, 290	2753660	237, 242	2820234	101	3251813	275, 280
2410014	169	2753662	248	2820235	101	3252347	275
2420165 ...	114, 118, 122, 129, 133	2753664	237, 242	2840016	111	3252507	114, 118
2420172	92	2753665	248	2860012	117	3252764	125, 132
2420191	83	2753667	237, 242	2860030	92, 288	3252781 ...	276, 282, 285
2420203 ...	113, 117, 121	2753670	248	2900062	36	3271805	89, 169
2460048	126, 131	2753671	248	2900756	29	3272001	150
2460049	113, 117	2753672	248	2900770	153, 197	3272401	150
2460050	126	2753674	248	2900792 ...	207, 209, 211	3290405	66
2460051	121	2753675	248	2901271	197	3290505 ...	66, 114, 118
2460055	113, 117	2753676	248	2901303	207	3290507	51
2540035	100	2753677	248	2901443	271, 297	3290601	108
2560122	36	2753678	245, 248	2901537	213, 217	3290606	166
2560123	36	2753679	248	2901554	226	3290801	48
2560136	171	2753680	248	2902061 ...	199, 201, 203	3300007	12, 16, 19
2560173	167	2753681	249	2902065	61	3300151	166
2560187	107, 108	2753682	249	2902203	297	3300205	92
2573001	16	2753683	249	2902307	293	3300240	150
2580024	51, 57	2753684	249	2902308	294	3300241	150
2580050	50, 57	2753685	237, 241	2902309	294	3300242	150
2580055	51	2753686	241	2902310	294	3300243	156
2580062	61	2753688	237	2902311	294	3300243	156
2600209	102	2753692	248	2902312	294	3300353	171
2600233	102	2753693	248	2902322	294	3300364	106
2600244	100	2753725	237	2902329	293	3300396	128, 132
2600280	106	2753807	237, 242	2902354	294	3300408	92, 171
2600281	165	2753808	248	2902394	294	3300430	193
2680490	100	2753895	245	2902401	56, 263	3310601 ...	111, 114, 118, 122, 128, 129, 132, 133
2717059	249	2753896	245	2902429	294	3310805 87, 95, 114, 118, 122, 129, 133	
2720058 ...	48, 50, 56, 68	2753897	245	2902443	262	3311005 36, 96, 100, 102, 114, 117, 121, 171	
2720144	87	2753935	237, 241	2902460	249	3311401	191
2720271	69	2753970	241	2902461	249	3311405 ...	35, 36, 48, 50, 58, 60, 66, 67, 68, 95, 100, 106, 108, 121, 127, 132, 161, 166, 193, 270, 276, 282, 286
2720392	66	2753971	242	2902462	249	3311501	106, 191
2720398	59	2754040	242	2902462	249	3311505 ...	29, 36, 48, 60, 66, 100, 108, 121, 125, 132, 161, 214
2720434	48	2754044	241	2902533	67, 263	3311508	125
2720509	48	2754238	237	2910888	292		
2720515	48	2754240	237	2915094	298		
2720563	68	2754242	237	2920028	174, 191		
2720564	68	2754243	237	2920029	174		
2720566	66	2754243	237	2920110	96		
2720567	66	2754337	241	2920113	96		
2720580	66	2754338	242	2920129	262		
		2754401	237, 241	2920140	167, 270		
		2754402	237	2920154	171		
		2754718	241	2920157	96, 167		

PART NUMBER INDEX

3311601.....83, 100, 106, 132, 172	3422972 16	3580319 127	3911040.....96
3311605....48, 51, 58, 60, 68, 100, 101, 106, 111, 114, 117, 137, 142, 146, 147, 150, 157, 166, 169	3430816 111	3580320 127	3930606.....158
3311608.....142, 147	3440410 158	3580321 127	3930816.....95
3311705.....114, 117	3450404 111	3580322 113	3930828.....95
3311801...19, 49, 56, 128	3460544 50	3580324 121	3931448.....226, 229
3311805....49, 60, 67, 68, 100, 106, 111, 137, 156	3470003 172	3580348 121, 132	3931480.....226
3312002.....41	3480176 197	3600295 71, 72	3931508.....226, 229
3312201.....150	3480210 207	3600324 79, 80	3931516.....207
3312602.....96	3480266 225	3600410 ... 50, 58, 67, 72, 237, 242	3931620.....199
3321501.....101	3480267 199	3600411 ... 50, 58, 67, 80, 249	3931624.....137
3322201.....89	3480275 213	3600424 35, 36	3931720.....197, 201
3340755.....150	3510822 165	3620033 60	3931724.....226
3340757.....150	3510830 165	3620040 68	3931740.....226, 229
3340758.....150	3510831 165	3620047 49	3932240....213, 217, 219
3340787.....142, 147	3510833 165	3641533 129, 133	3951608.....150
3340871.....150, 151	3510868 169	3641569 191	3952020.....41
3340877.....108	3510884 169	3740049 92, 265, 288	3960389.....100, 106
3340881.....150	3520028 114	3740067 .. 49, 60, 68, 288	3960407.....60
3340936.....142, 147	3520030 106	3740080 61, 114, 117, 121, 127, 132, 288, 290	3960422....125, 132, 267, 268
3340942.....142, 147	3520034 146	3753550 237	3960438.....102
3340943.....142, 147	3520054 171	3760170 31, 41	3960461.....96
3340966.....16	3520072 165, 169	3760368 207	3960462.....102, 106
3380434.....166	3520189 269	3760370 197, 199, 201	3960464.....102
3380444.....100	3520198 165, 166	3780117 157	3960468.....49, 60, 68
3380461.....100	3536089 167	3790012 66, 97, 172, 174	3960469.....49, 60, 68
3380575.....100	3537416 60	3790044 50, 58, 67	3960470.....100
3380580.....100, 106	3537445 111	3790112 226	3960525.....83
3380652.....295	3537446 111	3820001 31, 97, 276, 282, 286	3960548.....50, 58, 67
3420372.....31	3538047 11, 15	3820020 165	3960549.....50, 58, 67
3420447.....31	3539219 92	3841143 ... 11, 12, 15, 16, 50, 56, 66, 141, 146, 150	3980007.....51
3421565.....31, 41	3539622 150	3841203 145	3990010.....260, 290
3422417.....150	3539662 31	3841287 11, 15, 137, 141, 145	4010618.....166
3422424.....150	3539872 60, 68	3841340 146, 161	4031608.....114, 118
3422446.....50, 56, 66	3539877 11	3841356 137	4031709.....51
3422532.....50, 58, 67	3539878 11	3890013 150	4031911.....49
3422562.....141	3539971 60	3890014 150	4032015.....126
3422567.....15	3571712 100	3890015 150	4060092.....266
3422569.....141	3572009 31	3890016 150	4060802....114, 118, 121, 125, 132, 167, 174
3422580.....141	3572010 31	3890017 150	4060805.....49, 60, 68
3422701.....12, 15	3572011 31	3890018 150	4060906.....92
3422702.....11, 12, 15	3572012 31	3890040 169	4060907.....96
3422703.....11, 15	3572280 68	3900054 169	4060959.....294, 295
3422754.....12, 16	3573047 161, 257	3900085 96	4061032.....106, 249
3422755.....11, 15	3573049 137	3900192 141, 145	4061049.....127
3422793.....145	3573050 137	3900210 106, 108	4070585.....118
3422813.....16	3573296 161	3900232 101, 157	4070863.....150
3422841.....31	3573418 142, 147	3900268 92	4070878.....11, 15
3422847.....31	3574091 191	3900283 142, 147, 157	4070879.....11, 15
3422848.....16	3574172 214	3900293 41	4070895.....151
3422849.....12	3574179 36	3900310 213, 219	4070897.....151
3422860.....146	3574206 49	3900316 106, 142, 147	4070929.....151
3422861.....146	3574207 49	3900363 108	4070939.....151
3422867.....146	3574208 49	3910606 125, 132	4070940.....151
3422908....137, 141, 145	3574684 113	3910608 ... 111, 114, 118, 122, 129, 133	4070944.....11
3422909.....137	3575359 191	3910610 128, 132	4070945.....11
3422910.....137	3575718 29	3910804 92	4070969.....142, 147
3422920....137, 141, 145	3580134 113, 117	3910808 87	4070987.....92
3422922.....141, 145	3580158 117	3911008 36	4071009.....41
3422930.....137	3580243 150	3911018 171	4071020.....151
3422931.....141, 145	3580249 150		4071043.....95
3422932.....145	3580276 113, 117		4071059.....16
	3580288 150		4100100.....207
	3580289 150		4120035.....260
	3580312 121, 132		4130388.....16
	3580314 132		
	3580317 127		
	3580318 127		

PART NUMBER INDEX

4130389.....	12	4460205.....	265, 267	4460608.....	262	4461070.....	261
4130390.....	12, 16	4460224.....	264	4460634.....	260	4461071.....	262
4160139.....	101	4460225....	257, 260, 269	4460635.....	261	4461072.....	262
4160143.....	101	4460226... ..	182, 189, 256, 257, 258, 260, 261, 262, 263, 264, 265, 269, 271	4460693.....	262	4461073.....	262
4160149.....	106, 151	4460227... ..	256, 257, 260, 261, 264, 269	4460701.....	267	4461074.....	262
4160187.....	137	4460233.....	267	4460705.....	265	4461095.....	261
4160194.....	106	4460234 96, 97, 114, 118, 122, 129, 133, 172, 191		4460708.....	172, 256, 262	4461109.....	262
4220162.....	96	4460259.....	265	4460709.....	267, 271	4461111.....	262
4220191.....	49	4460260.....	265	4460710.....	267, 271	4461113.....	262
4240018.....	67, 106, 121, 126, 249	4460265.....	182, 189	4460742.....	133, 265, 269	4461121.....	262
4240032 96, 97, 114, 118, 122, 129, 133		4460266.....	257	4460743.....	133, 265, 269	4461122.....	262
4240099.....	167, 191	4460267... ..	258, 260, 265, 271	4460761.....	256, 261	4461123.....	262
4240139.....	83	4460268.....	95, 261, 264	4460834.....	260	4461124.....	262
4280295.....	83	4460297.....	265	4460842.....	260	4461157.....	262
4300111.....	132	4460315.....	128	4460865.....	258	4461161.....	262
4300157.....	127	4460320... ..	258, 260, 264, 265, 269, 271	4460866.....	257, 258, 261	4461196.....	267
4341239.....	68	4460321.....	265, 271	4460871....	177, 179, 185, 187, 257, 260, 261, 262, 264	4461197.....	267
4341241.....	68	4460346... ..	125, 132, 266, 269	4460873.....	257, 260	4461198.....	266
4341264.....	157	4460374... ..	128, 133, 262, 265, 269	4460874.....	257, 261	4461199.....	267
4360031.....	166, 167	4460375... ..	128, 133, 262, 265, 269	4460875.....	261	4461200.....	267
4360057.....	191, 290	4460418.....	257, 261	4460876.....	257, 261	4461201.....	266
4360070....	128, 133, 290	4460419.....	257, 261	4460877.....	261	4461202.....	267
4360232.....	269, 290	4460424.....	95, 258, 260, 261, 263, 264, 269	4460878.....	261	4461203.....	267
4360328.....	92, 171, 174, 288, 290	4460425... ..	128, 133, 191, 269, 270	4460879.....	257	4461204.....	266
4360330.....	171, 288	4460426.....	92, 128, 133, 167, 174, 260, 269, 270	4460880.....	256, 258, 260, 261	4461205.....	267
4360331.....	171, 288	4460428.....	172, 256	4460887....	257, 261, 262	4461206.....	267
4360336 66, 97, 114, 118, 121, 125, 132, 167, 174, 290		4460434.....	257, 260	4460891....	259, 260, 262, 263, 265	4461207.....	266
4360387... ..	171, 174, 191, 288	4460457.....	261	4460892.....	263	4461244.....	266
4360407.....	171	4460458... ..	133, 261, 262, 265	4460894.....	263	4461245.....	266
4360469.....	92, 290	4460460.....	261	4460897....	259, 260, 263, 271	4461246.....	266
4360470.....	92, 290	4460464... ..	258, 259, 260, 261, 262, 263, 271	4460899.....	262	4461249.....	267
4360475.....	92, 171, 288	4460465... ..	128, 133, 258, 259, 260, 262, 263, 265, 269	4460905....	172, 256, 260, 261	4461250.....	267
4360476.....	92, 172, 288	4460466....	258, 262, 263	4460906.....	121, 265	4520252.....	19
4360506.....	257, 288	4460467.....	271, 297	4460907.....	265	4520253.....	19
4360517 89, 95, 264, 288		4460470.....	92, 172, 256, 257, 260	4460908.....	256, 264	4566468.....	199
4360522.....	97, 174, 290	4460471.....	92, 172, 256, 258, 260	4460909.....	256, 264	4567073.....	49
4360542....	113, 117, 121	4460473.....	258	4460910.....	256, 264	4568133.....	31
4360544.....	158, 264	4460488.....	92	4460911.....	256, 264	4568240.....	213
4360578.....	95, 290	4460496.....	93, 172, 256, 261	4460912.....	256, 264	4568264.....	226
4400275.....	87	4460497....	93, 172, 256, 261	4460913.....	256, 264	4568273.....	213
4400420.....	87	4460508....	257, 258, 261	4460917....	256, 257, 264	4568282.....	226
4400439.....	83	4460509.....	258	4460918.....	256, 264	4568402.....	199
4400453.....	83	4460510.....	271, 297	4460925.....	257	4568708.....	245
4420037.....	167	4460526.....	92, 260	4460926.....	256	4568721.....	49
4420038.....	83	4460536.....	260	4460928.....	256	4568735.....	121, 132
4420051.....	31, 285	4460539.....	261	4460929.....	257	4569371.....	53
4420060.....	95, 114, 118, 122, 129, 133			4460943.....	260, 261	4569394.....	68
4420068.....	191			4460944.....	261	4640113.....	19
4460007.....	172			4460956.....	270	4640261.....	31
4460018... ..	114, 118, 122, 129, 133			4460957.....	270	4640509....	207, 209, 211
4460027....	113, 117, 121			4460958....	125, 132, 268	4640673.....	214
4460049.....	191			4460959.....	260	4640750.....	49
4460051... ..	127, 132, 267, 269			4460960.....	260	4640751.....	60
4460071... ..	127, 132, 167, 256, 269			4460961.....	265	4640774.....	245
4460125.....	266			4460963....	128, 133, 269	4640858.....	197
4460134.....	265, 267			4460967....	128, 133, 269	4640902.....	36
4460190....	113, 117, 121			4460968.....	95, 114, 118	4640930.....	36
				4460979.....	262	4640932... ..	199, 201, 203, 205
				4461005.....	262	4640952.....	69
				4461006.....	262	4641033....	226, 229, 231
				4461008.....	262	4641144.....	213
				4461052.....	261	4641162.....	197
				4461053.....	262	4641186.....	157
				4461054.....	262	4641188.....	213, 219
				4461060.....	262	4641194....	213, 217, 219

PART NUMBER INDEX

4641232 199, 201, 203, 205	4761600 132	4922874 259, 270	70001835 62
4641234 213, 219	4770600 111	4922875 258	70001836 62
4641251 156, 157	4791400 ... 49, 61, 69, 127	4922876 259	70001837 62
4641262 226	4811600 51, 114, 118	4922877 259, 270	70001838 62
4641263 36	4811700 51, 166	4922878 259	70001839 62
4641303 29	4811900 49, 51, 113, 122, 127, 132	4922883 270	70001841 62
4641317 35	4812000 51	4922925 ... 127, 132, 269	70001847 62
4641432 35, 39	4812100 49, 51, 114	4923379 61, 264	70001848 62
4711000 89	4812200 61	4923420 133, 269	70001850 61
4711400 ... 35, 56, 60, 67, 69, 95, 121, 126, 132, 161, 166, 193, 270, 271	4831900 69	4923445 265	70001866 62
4711500 ... 29, 31, 49, 66, 108, 125, 132, 157, 172	4832000 49	4923462 258	70001868 62
4711600 ... 11, 15, 35, 49, 50, 60, 69, 102, 127, 138, 142, 147, 151, 157, 158	4844816 146	4923466 259, 260	70001870 62
4711700 121	4844817 146	4923595 258	70001872 63, 263
4711800 ... 111, 126, 132, 138, 169	4844958 41	4923596 258	70001874 62
4740036 31	4845395 61	4923597 258	70001941 96
4740057 41	4845658 11	4923598 259	70001953 126, 131
4740076 101	4846218 157	4923599 259	70001966 126, 131
4740111 12, 16	4846295 31	4923600 259	70001969 126
4740119 111	4846296 31	4923601 259	70001973 127, 131
4740155 16	4846296 31	4933218 252	70001974 127, 131
4740171 101	4846355 138	4933219 252	70002065 44
4740256 12, 16	4846413 15	4933231 252	70002066 44
4740274 49, 60, 69	4846427 138	4933249 252, 269	70002067 44
4740362 96, 166	4846435 146	4933349 ... 133, 252, 269	70002068 44
4740397 118, 121, 174	4846452 165	4933350 252, 265	70002069 44
4740439 146	4846553 142, 147	70000122 113, 117	70002070 44
4740444 92	4846554 142	70000123 113, 117	70002071 44
4740463 12, 16	4846555 147	70000164 68	70002072 44
4740472 11, 15	4846558 142, 147	70000342 153	70002073 44
4740473 12, 16	4846561 167	70000345 62	70002074 44
4740492 138	4846566 61	70000579 39	70002075 44, 45
4740500 101, 106	4846573 156	70000580 39	70002085 45
4740508 67	4846588 101	70000582 39, 288	70002086 45
4750600 128, 133	4846673 191	70000583 39	70002088 126, 131
4750800 ... 87, 114, 118, 122, 129, 133	4846790 49	70000619 126, 131	70002097 157
4751000 ... 31, 36, 83, 96, 101, 102, 114, 118, 121, 172	4846805 49	70000781 29	7000213 21, 45
4751400 ... 36, 49, 51, 58, 60, 66, 69, 92, 95, 101, 106, 108, 126, 127, 151, 161, 172, 191, 276, 283, 286	4846935 16	70000782 44	7000217 44
4751500 ... 36, 49, 56, 66, 101, 106, 114, 117, 121, 125, 161, 191, 214	4860224 19	70000793 61	7000220 21
4751600 ... 29, 36, 49, 51, 60, 69, 83, 87, 101, 106, 113, 117, 132, 157, 166	4860225 19	70000794 25	70002200 62
4751800 ... 49, 56, 67, 69, 89, 106, 167, 169, 191	4891600 58, 89, 111, 122, 132, 151, 156	70000795 25	70002224 205
4752000 50, 56, 66	4891800 ... 19, 51, 58, 67, 111, 156	70000797 25	70002231 35
4760600 ... 114, 118, 122, 128, 129, 133	4892000 ... 12, 16, 19, 41	70000863 126, 131	70002234 62
4761000 172	4892600 156	70000912 62	7000224 21
4761400 92, 127	4920385 69	70000913 62	7000228 44
4761500 125, 132	4922566 258	70000914 62	7000229 44
	4922567 258	70000915 62	70002297 126, 131
	4922569 258	70000916 62	7000230 44
	4922594 92, 260	70000917 62	7000231 21
	4922636 262	70000918 62	7000235 21
	4922641 ... 128, 133, 265, 269	70000919 62	7000236 21
	4922643 265	70000934 35	7000238 21
	4922660 258	70001017 48, 49, 61	7000239 21
	4922666 172, 256	70001020 36	70002390 29
	4922737 57	70001051 52	7000240 21
	4922741 265	70001056 36	70002415 62
	4922749 172, 256	70001100 126, 131	70002416 62
	4922764 269	70001103 84	70002417 62
	4922771 262	70001120 52	7000246 44
	4922790 258	70001126 62	70002460 126, 131
	4922808 259	70001132 62	7000248 44
	4922809 259	70001248 89	7000253 44
	4922871 259	70001384 126, 131	7000255 44
	4922872 259	70001435 62	7000257 44
	4922873 258, 270	70001499 157	7000263 44
		70001696 126, 131	7000265 12, 16, 21
		70001697 153	70002705 48
		70001742 52	70002706 48

PART NUMBER INDEX

7000272	21	70003483	167	70004740	189	70006727	203
70002724	187	70003612	36	70004741	189	70006728	203
70002725	187	70003708	126	70004742	189	70006729	231
70002726	187	70003709	126	70004743	189	70006730	231
70002727	187	70003784	171	70004744	189	70006731	231
70002728	187	70003838	205	70004745	189	70006732	231
70002729	187	70003854	205	70004746	189	70006733	231
7000273	21	70003855	205	70004747	189	70006734	211
70002730	179	70003856	205	70004748	189	70006735	211
70002731	179	70003859	205	70004749	189	70006736	211
70002732	179	70003860	205	70004750	189	7000731	22
70002733	179	70003861	205	70004751	189	7001498	72
70002734	179	70003862	205	70004752	181	7001901	21
70002735	179	70003921 .. 142, 146, 290		70004753	181	7001902	21
7000274	21	70003922 .. 142, 146, 290		70004754	181	7001903	21
70002744	223	70003935	29	70004755	181	7001906	21
70002745	223	70003936	29	70004756	181	7001909	44
70002746	223	70003998	36	70004757	181	7001911	44
70002747	223	70004019	36	70004758	181	7001912	44
70002748	223	70004169 .. 126, 127, 131, 132		70004759	181	7001928	21
70002749	223	70004170	126, 127	70004760	181	7001931	44
7000275	21	70004171	126, 131	70004761	181	7001985	44
70002750	223	70004182	49	70004762	181	70020808	264
70002751	223	70004183	61	70004763	181	70020809	264
70002761	52	70004266	36	70004764	181	70023915	209
70002762	52	70004267	36	70004765	181	7002821	271, 297
70002763	53	70004316	263, 290	70004766	181	7002822	297
70002764	52	70004317	263, 290	70004767	181	7002823	271, 297
70002765	52	70004318	263, 290	70004768	181	7002826	297
7000281	44	70004319	263, 290	70004769	181	7002828	271
70002818	129, 133	70004328	157	70004770	181	7003928	177, 179
70002819	129, 133	70004330	75	70004771	181	7003933	185
7000282	21	70004331	75	70004772	181	7003935	185
70002820	129, 133	70004332	75	70004773	181	7003941	185, 187
70002821	129, 133	70004333	75	70004774	181	7003946	185
70002822	129, 133	70004334	75	70004775	182	7003953	177
70002823	129, 133	70004335	75	70005116	75	7003969	185
70002824	129, 133	70004336	75	70005230	189	7003972	185, 187
70002825	129, 133	70004337	75	7000625	167	7003973	185, 187
70002826	129, 133	70004338	75	70006365	219	7003976	177
7000283	21	70004339	75	70006377	219	7003977	177
70002833	52	70004340	75	70006392	219	7003980	185, 187
70002834	52	70004341	75	70006393	219	7003982	187
70002835	52	70004342	75	70006394	219	7003983	185, 187
7000284	21	70004343	75	70006395	219	7003986	185
70002843	52	70004344	75	70006503	217	7003989	185, 187
70002844	52	70004345	75	70006504	217	7003992	177, 185
70002845	52	70004346	75	70006505	217	7003993	177, 185
70002846	52	70004347	75	70006506	217	7003994	185
70002847	52	70004348	75	70006568	209	7004035	45
70002848	52	70004349	75	70006569	209	7004036	45
70002849	52	70004350	75	70006570	209	7004043	45
70002850	52	70004351	75	70006571	209	7004044	45
70002851	53	70004352	75	70006572	209	7004045	45
70002852	53	70004413	83	7000663	62	7004047	45
7000287	21	70004570	39	70006645	203	7004049	45
7000288	21	70004571	39	70006648	201	7004275	297
7000289	21	70004576	39	70006649	211	7004276	297
70002895	68, 290	70004577	39	70006650	211	7004906	75
7000290	21	70004579	39	70006694	229, 231	7004907	75
70002902	167	70004580	39	70006699	201, 203	7004908	75
70002903	167	70004581	39	70006700	201, 203	7007208	71
70002904	167	70004693	39	70006701	201	7007412	73
70002905	167	70004694	39	70006719	229	7007413	71
70002906	179	70004738	189	70006720	229, 231	7007414	71
70003024	39	70004739	189	70006721	229	7007415	79
70003454	89			70006726	203	7007417	71

PART NUMBER INDEX

7007419.....	71	7012953.....	36, 157, 158	7017452.....	158	7021212.....	71
7007423.....	71	7012954.....	36	7017479.....	158	7021213.....	71
7007425.....	71	7012955.....	158	7017489.....	39	7021214.....	72
7007435.....	71	7012961.....	36	7017492.....	29	7021218.....	72
7007437.....	26, 71	7012965.....	157, 158	7017496.....	36, 39	7021219.....	72
7007438.....	25, 71	7012967.....	39, 157, 158, 213	7019103.....	185	7021220.....	72
7007439.....	25, 71	7012975.....	39	7019110.....	185	7021221.....	72
7007441.....	71	7012989.....	158	7019111.....	177, 185	7021222.....	72
7007442.....	71	7012998.....	39	7019112.....	185	7021223.....	72
7007446.....	25, 71	7016314.....	84	7019114.....	185	7021226.....	72
7007452.....	71	7016319.....	96	7019115.....	185	7021227.....	72
7007453.....	72	7016328.....	62, 290	7019122.....	177	7021228.....	72
7007454.....	71	7016331.....	62, 290	7019123.....	177	7021229.....	72
7007457.....	71	7016372.....	96	7019141.....	177	7021230.....	72
7007463.....	72	7016380.....	96	7019142.....	177	7021231.....	72
7007464.....	72	7016399.....	167	7019143.....	177	7021232.....	73
7007465.....	72	7016654.....	297	7019144.....	177	7021249.....	25
7007466.....	72	7016655.....	298	7019145.....	177	7021275.....	25, 80
7007470.....	71	7016824.....	56, 67, 263	7019147.....	177	7021276.....	25
7007472.....	72	7016825.....	56, 67, 263	7019149.....	177	7021277.....	25
7007474.....	72	7017023.....	44	7019150.....	177	7021612.....	39
7007475.....	72	7017027.....	21	7019151.....	185	7021616.....	158
7007478.....	72	7017028.....	45	7019154.....	185	7021625.....	29
7007483.....	72	7017033.....	21	7019155.....	185	7021639.....	29
7007484.....	72	7017047.....	21	7019160.....	185	7022302.....	25
7007485.....	72	7017048.....	21	7019161.....	185	7022305.....	25
7007487.....	72	7017050.....	21	7019162.....	185, 187	7022310.....	25
7007488.....	72	7017051.....	12, 16	7019164.....	185, 187	7022311.....	25
7007494.....	71	7017052.....	12, 16	7019165.....	185, 187	7022312.....	25
7007496.....	72	7017053.....	12, 16	7019166.....	185	7022313.....	25
7007497.....	72, 264	7017054.....	12, 16	7019167.....	185, 187	7022314.....	25
7007498.....	72, 264	7017055.....	12, 16	7019168.....	185	7022318.....	79
7007633.....	44	7017056.....	12, 16	7019171.....	177	7022326.....	26
7010116.....	73	7017057.....	12, 16	7019174.....	177	7022328.....	26
7010122.....	72	7017058.....	12, 16	7019177.....	177	7022368.....	25
7010404.....	12, 16	7017068.....	22	7019194.....	185, 187	7022371.....	26
7010405.....	12, 16	7017070.....	44	7019197.....	177	7022372.....	26
7010406.....	12, 16	7017072.....	44	7019680.....	113, 117, 121	7022397.....	29
7010464.....	21	7017080.....	44	7020020.....	35	7022399.....	29
7010474.....	44	7017085.....	44	7020043.....	83	7022808.....	177, 179
7010492.....	44	7017125.....	153	7020048.....	83	7022812.....	185
7010542.....	157	7017136.....	153	7020108.....	113, 117, 121	7022814.....	177
7010543.....	35, 39, 157	7017137.....	153	7020109.....	113, 117, 121	7022815.....	177, 179
7011016.....	36	7017138.....	153	7020110.....	113, 117, 121	7022816.....	177
7011043.....	36	7017139.....	153	7020111.....	113, 117, 121	7022817.....	177
7011044.....	36	7017140.....	153	7020175.....	92, 171	7022818.....	177
7011048.....	36	7017141.....	153	7020176.....	92, 171	7022819.....	177, 179, 264
7011062.....	36	7017158.....	153	7020190.....	113, 117, 121	7022822.....	185
7011112.....	199, 201, 203, 205	7017159.....	153	7020193.....	265	7022823.....	185
7011323.....	153	7017162.....	153	7020246.....	91	7022824.....	185
7011325.....	214	7017163.....	153	7020408.....	62	7022825.....	264
7011346.....	226	7017164.....	153	7020449.....	62	7023023.....	221
7012513.....	113, 117, 121	7017172.....	153	7020459.....	62	7023318.....	45
7012514.....	113, 117, 121	7017175.....	153	7020465.....	61	7023907.....	25
7012518.....	158	7017192.....	153	7020468.....	61	7023908.....	25
7012558.....	113, 117, 121	7017210.....	221	7020471.....	62	7023910.....	25
7012664.....	48, 59, 68, 288	7017211.....	221	7020479.....	62	7023911.....	158
7012694.....	36	7017213.....	221	7020487.....	61	7023915.....	157
7012699.....	36	7017214.....	221	7021200.....	71	7023917.....	29
7012903.....	39	7017215.....	221	7021201.....	71	7023919.....	213, 219
7012925.....	213, 219	7017236.....	221	7021202.....	71	7023922.....	39, 157, 158
7012941.....	35	7017402.....	39, 157, 158	7021203.....	71	7023923.....	213, 219
7012943.....	39, 158, 213, 219, 288	7017406.....	29, 205	7021205.....	71	7023925.....	39
7012944.....	35, 39, 157, 158, 288	7017422.....	39	7021206.....	72	7023927.....	213, 217, 219
		7017451.....	39, 213, 219, 288	7021207.....	71	7023933.....	29
				7021208.....	71	7023947.....	79
				7021209.....	71	7023948.....	79

PART NUMBER INDEX

7023949.....	79	7024379.....	45	7024868.....	25	7026831.....	53
7023950.....	79	7024380.....	45	7024871.....	26	7026832.....	53
7023951.....	79	7024381.....	45	7024881.....	29	7026833.....	53
7023952.....	79	7024390.....	45	7026004.....	226	7026839.....	52
7023953.....	79	7024396.....	45	7026015.....	226	7027004.....	56, 263
7023954.....	79	7024404.....	89	7026016.....	226	7027015.....	67, 263
7023955.....	79	7024439.....	84	7026188.....	127, 131	7027017.....	67, 263
7023956.....	79	7024440.....	84	7026197.....	89	7027018.....	67, 263
7023957.....	79	7024441.....	83	7026199.....	113, 117, 121	7027027.....	263
7023958.....	79	7024442.....	83	7026503.....	89	7027028.....	51, 263
7023959.....	79	7024443.....	83	7026504.....	89	7027029.....	51, 263
7023960.....	79	7024444.....	83, 288	7026505.....	89	7027030.....	51, 263
7023961.....	79	7024445.....	83	7026506.....	89	7027031.....	51, 263
7023962.....	79	7024446.....	83	7026507.....	89	7027412.....	49
7023963.....	79	7024452.....	167	7026509.....	89	7027740.....	25
7023964.....	79	7024453.....	45	7026597.....	127, 131	7027741.....	26
7023965.....	79	7024454.....	45	7026608.....	62	7027790.....	62
7023966.....	80	7024455.....	45	7026626.....	126, 131	7027791.....	62
7023967.....	80	7024456.....	45	7026631.....	61	7027792.....	62
7023977.....	71	7024457.....	45	7026800.....	52	7027793.....	63, 263
7023982.....	213, 219	7024458.....	45	7026801.....	52	7027795.....	62, 290
7023983.....	158	7024481.....	83	7026802.....	52	7027796.....	62, 263
7023984.....	158	7024484.....	126, 131	7026803.....	52	7027799.....	126, 131
7023985.....	39	7024485.....	126, 131	7026804.....	52	7027887.....	113, 121
7024100.....	45	7024488.....	126, 131	7026805.....	52	7027965.....	68, 290
7024145.....	21	7024489.....	126, 131	7026806.....	52	7027972.....	68, 290
7024146.....	21	7024508.....	226, 229, 231	7026807.....	52	7027991.....	264
7024147.....	21	7024560.....	61	7026808.....	53	7029592.....	36
7024148.....	21	7024565.....	62	7026809.....	53	7029593.....	36
7024149.....	21	7024579.....	62	7026810.....	52	77143013.....	92
7024151.....	21	7024598.....	111	7026811.....	52, 290	77363229.....	269
7024154.....	21	7024704.....	44	7026812.....	52	80424002.....	44
7024155.....	21	7024717.....	22	7026813.....	52	80424043.....	45
7024182.....	21, 22	7024718.....	22	7026814.....	53	80934561.....	89
7024189.....	22	7024762.....	44	7026815.....	53	8180311.....	68
7024190.....	22	7024763.....	22, 44	7026816.....	52	8229242.....	261
7024191.....	22	7024781.....	21	7026817.....	53	8303541.....	51
7024192.....	22	7024782.....	21	7026819.....	52	8405009.....	49, 83
7024193.....	22	7024783.....	21	7026820.....	53	8405104.....	49
7024194.....	22	7024784.....	44	7026821.....	53	8406009.....	51
7024196.....	22	7024828.....	72	7026822.....	53	8406105.....	51
7024197.....	22	7024832.....	158	7026826.....	53	8406109.....	52
7024369.....	142, 146	7024844.....	29	7026827.....	53	88521205.....	49, 57, 66
7024370.....	142, 146	7024854.....	26	7026828.....	53	8896941.....	297
7024374.....	83	7024862.....	25	7026829.....	53	91401281.....	49, 57, 66
7024375.....	83, 288	7024867.....	25	7026830.....	52, 290		

PARTS FINDER

**Search Website
by Part Number**



**Search Manual
Library For Parts
Manual & Lookup Part
Numbers – Purchase
or Request Quote**

**Can't Find Part or
Manual? Request Help
by Manufacturer,
Model & Description**

Discount-Equipment.com is your online resource for quality parts & equipment.

Florida: **561-964-4949** Outside Florida TOLL FREE: **877-690-3101**

Need parts?

Click on this link: <http://www.discount-equipment.com/category/5443-parts/> and choose one of the options to help get the right parts and equipment you are looking for. Please have the machine model and serial number available in order to help us get you the correct parts. If you don't find the part on the website or on one of the online manuals, please fill out the request form and one of our experienced staff members will get back to you with a quote for the right part that your machine needs.

We sell worldwide for the brands: Genie, Terex, JLG, MultiQuip, Mikasa, Essick, Whiteman, Mayco, Toro Stone, Diamond Products, Generac Magnum, Airman, Haulotte, Barreto, Power Blanket, Nifty Lift, Atlas Copco, Chicago Pneumatic, Allmand, Miller Curber, Skyjack, Lull, Skytrak, Tsurumi, Husquvarna Target, Stow, Wacker, Sakai, Mi-T-M, Sullair, Basic, Dynapac, MBW, Weber, Bartell, Bennar Newman, Haulotte, Ditch Runner, Menegotti, Morrison, Contec, Buddy, Crown, Edco, Wyco, Bomag, Laymor, EZ Trench, Bil-Jax, F.S. Curtis, Gehl Pavers, Heli, Honda, ICS/PowerGrit, IHI, Partner, Imer, Clipper, MMD, Koshin, Rice, CH&E, General Equipment, Amida, Coleman, NAC, Gradall, Square Shooter, Kent, Stanley, Tamco, Toku, Hatz, Kohler, Robin, Wisconsin, Northrock, Oztec, Toker TK, Rol-Air, APT, Wylie, Ingersoll Rand / Doosan, Innovatech, Con X, Ammann, Mecalac, Makinex, Smith Surface Prep, Small Line, Wanco, Yanmar