



---

# Illustrated Parts Manual

**Models**  
**800A**  
**800AJ**

SN 0300183034 to Present

P/N  
3121629

January 25, 2019 - Rev Q

**ANSI**



**AS/NZS**



An Oshkosh Corporation Company

# PARTS FINDER

**Search Website  
by Part Number**



**Search Manual  
Library For Parts  
Manual & Lookup Part  
Numbers – Purchase  
or Request Quote**

A screenshot of the "Search Manuals" form. The form has a title "Search Manuals" and a subtitle "Please enter the model number or serial number of the machine you are looking for." Below the subtitle are several input fields: "Find" (with a dropdown menu), "Serial Number" (with a dropdown menu), "Year" (with a dropdown menu), "Make" (with a dropdown menu), "Part Number" (with a dropdown menu), "Part Name" (with a dropdown menu), and "Category" (with a dropdown menu). A "Search" button is located at the bottom of the form.

**Can't Find Part or  
Manual? Request Help  
by Manufacturer,  
Model & Description**

A screenshot of the "Parts Order Form". The form has a title "Parts Order Form" and a subtitle "Please fill out the form below." Below the subtitle are several input fields: "Manufacturer" (with a dropdown menu), "Model" (with a dropdown menu), "Description" (with a dropdown menu), "Part Number" (with a dropdown menu), "Part Name" (with a dropdown menu), "Quantity" (with a dropdown menu), "Price" (with a dropdown menu), "Date" (with a dropdown menu), and "Comments" (with a text area). A "Submit" button is located at the bottom of the form.

Discount-Equipment.com is your online resource for quality parts & equipment.

Florida: **561-964-4949** Outside Florida TOLL FREE: **877-690-3101**

**Need parts?**

Click on this link: <http://www.discount-equipment.com/category/5443-parts/> and choose one of the options to help get the right parts and equipment you are looking for. Please have the machine model and serial number available in order to help us get you the correct parts. If you don't find the part on the website or on one of the online manuals, please fill out the request form and one of our experienced staff members will get back to you with a quote for the right part that your machine needs.

We sell worldwide for the brands: Genie, Terex, JLG, MultiQuip, Mikasa, Essick, Whiteman, Mayco, Toro Stone, Diamond Products, Generac Magnum, Airman, Haulotte, Barreto, Power Blanket, Nifty Lift, Atlas Copco, Chicago Pneumatic, Allmand, Miller Curber, Skyjack, Lull, Skytrak, Tsurumi, Husquvarna Target, Stow, Wacker, Sakai, Mi-T-M, Sullair, Basic, Dynapac, MBW, Weber, Bartell, Bennar Newman, Haulotte, Ditch Runner, Menegotti, Morrison, Contec, Buddy, Crown, Edco, Wyco, Bomag, Laymor, EZ Trench, Bil-Jax, F.S. Curtis, Gehl Pavers, Heli, Honda, ICS/PowerGrit, IHI, Partner, Imer, Clipper, MMD, Koshin, Rice, CH&E, General Equipment, Amida, Coleman, NAC, Gradall, Square Shooter, Kent, Stanley, Tamco, Toku, Hatz, Kohler, Robin, Wisconsin, Northrock, Oztec, Toker TK, Rol-Air, APT, Wylie, Ingersoll Rand / Doosan, Innovatech, Con X, Ammann, Mecalac, Makinex, Smith Surface Prep, Small Line, Wanco, Yanmar



## REVISION LOG

April 30, 2014 - A - Original Issue Of Manual (Manual edited to 1001156800 Revision J)1  
November 17, 2014 - B - Revised Manual  
July 15, 2015 - C - Revised Manual (Manual edited to 1001156800 Revision AR)  
September 15, 2015 - D - Revised Manual (Manual edited to 1001156800 Revision AS) (Revision 6)  
December 7, 2015 - E - Revised Manual (Manual edited to 1001156800 Revision AS) (Revision 5)  
March 7, 2016 - F - Revised Manual (Manual edited to 1001156800 Revision AS) (Revision 2)  
June 9, 2016 - G - Revised Manual (Manual edited to 1001156800 Revision AU) (Revision 2)  
September 9, 2016 - H - Revised Manual (Manual edited to 1001156800 Revision AU) (Revision 2)  
December 9, 2016 - I - Revised Manual (Manual edited to 1001156800 Revision BE) (Revision 2)  
March 20, 2017 - J - Revised Manual (Manual edited to 1001156800 Revision BE) (Revision 2)  
June 23, 2017 - K - Revised Manual (Manual edited to 1001156800 Revision BP) (Revision 2)  
September 29, 2017 - L - Revised Manual (Manual edited to 1001156800 Revision CB) (Revision 2)  
December 15, 2017 - M - Revised Manual (Manual edited to 1001156800 Revision CB) (Revision 2)  
March 23, 2018 - N - Revised Manual (Manual edited to 1001156800 Revision CL) (Revision 2)  
June 29, 2018 - O - Revised Manual (Manual Edited to B/M 1001156800 Revision CM) (Revision 2)  
September 19, 2018 - P - Revised Manual (Manual Edited to B/M 1001156800 Revision CN) (Revision 2)  
January 25, 2019 - Q - Revised Manual (Manual Edited to B/M 1001156800 Revision CO) (Revision 1)

# GENERAL INFORMATION

**SECTION 6 CYLINDER**

**FIGURE 6-3. LIFT CYLINDER ASSEMBLY**

PG#      Model Designation      Manual #

**SECTION 6 CYLINDER**

**FIGURE 6-3. LIFT CYLINDER ASSEMBLY**

ITEM #	PART NUMBER	QTY.	DESCRIPTION	REV.
	1001140104	Ref	LIFT CYLINDER ASSEMBLY	B
1	0100011	AR	Compound Locking	
2	0630535	3	Cap screw 1/4-20 x 1-1/8	
3	0791003	1	Screw #10-24 x 3/8	
4	0961897	1	Bushing, Tapered	
5	1320136	1	Clamp, Cable	
6	1683063	1	Head	
7	2220823	1	Plug, O-Ring	
8	2220885	2	Plug, O-Ring	
9	2220886	1	Plug, O-Ring	
10	3020039	AR	Lubricant	
11	3480282	1	Piston	
12	3760371	1	Ring, Washer	
13	3931420	8	Cap screw 1/4-20 x 1-1/4	
14	3931824	8	Cap screw 1/2-13 x 1-1/2	
15	3951003	1	Screw #10-24 x 3/8	
16	4100099	1	Spacer	
17	4640999	1	Cartridge, Holding Valve (Non Vented)	
17	2900792		Kit, Seal - 4640999 Cartridge Valve	
18	4641248	1	Cartridge, Counterbalance Valve (Non Vented)	
18	70004196		Kit, Seal - 4641248 Cartridge Valve	
19	100111799	1	Sensor, Cylinder Length	
20	1001118070	1	Cap, Retainer	
21	1001118084	1	Barrel	
21A	0961950	2	Bushing	
22	1001118066	1	Rod	
22A	0961950	2	Bushing	
100	1001139996	1	Kit, Seal (includes items 101-109)	
101	See Note	2	Ring, Wear (Note: Use p/n 1001139996)	
102	See Note	1	Ring, Back-Up (Note: Use p/n 1001139996)	
103	See Note	2	Ring, Lock (Note: Use p/n 1001139996)	
104	See Note	2	Ring, Back-Up (Note: Use p/n 1001139996)	
105	See Note	2	O-Ring (Note: Use p/n 1001139996)	
106	See Note	1	O-Ring (Note: Use p/n 1001139996)	
107	See Note	1	Seal (Note: Use p/n 1001139996)	
108	See Note	1	Wiper, Rod (Note: Use p/n 1001139996)	
109	See Note	2	Seal (Note: Use p/n 1001139996)	
200	1001119105	1	Kit, Sensor Magnet (includes items 201-203)	
201	See Note	NSS	Sleeve, Spacer (Note: Use p/n 1001118106)	
202	1001118066	1	Magnet, Sensor	
203	1001118069	1	Spring, Internal Retaining	

Manual #      Model Designation      PG#

## 1) MACHINE IDENTIFICATION

Machines are identified by model and in some cases a combination of models, serial number (SN) or regional standard (i.e. ANSI, CE, CSA). Components may also be identified by SN or manufacturer. Common components that may be identified by these characteristics are engines and hydraulic components.

## 2) PARTS MANUAL ORGANIZATION

Product information in this manual is organized under section titles. Frame, Cylinder, Hydraulic and Electrical are a few examples. Each section is organized by figure and page number. The information within the Figure is then organized by item number, part number, description and corresponding illustration (s).

## 3) TABLE OF CONTENTS

A table of contents is found toward the beginning of the manual. Figure number, description and page number are provided for quick reference to the page containing the related information.

## 4) RECOMMENDED SPARE PARTS

The Recommended Spare Parts, located near the end of the manual, reference most frequently used maintenance parts.

## 5) PART NUMBER INDEX

A numerical index listing all part numbers and the corresponding page number(s) appears at the back of the manual.

## GENERAL INFORMATION

### 6) NON-SERVICED PARTS

In some instances, it is necessary to display non-serviced parts, assemblies or installations. In the case of assemblies and installations there will be a Ref in the Qty column. In case of parts that are not available for service within assemblies or components, there will be a NSS (Not Sold Separately) or NLA (No Longer Available) listed in the Qty. column of the manual.

### 7) PARTS LIST ITEM NUMBERS

Numbers shown in the item# column correspond to numbers used in the associated illustration (s). Item numbers which are missing from the sequence in the parts list are not used on that page

### 8) INDENTED PARTS DESCRIPTION

An indented part description is included in the item under which it is indented.

### 9) ABBREVIATION AND SYMBOLS

AC.....	Alternating Current	LCD.....	Liquid Crystal Display
ADE.....	Advanced Design Electronics	LED.....	Light Emitting Diodes
ANSI.....	American National Standards Institute	LH.....	Left Hand
AR.....	As Required	LSS.....	Load Sensing System
ASSY.....	Assembly	M(m).....	Metric/Meter
AUX.....	Auxiliary	MM (mm).....	Milimeter
AWG.....	American Wire Gauge	mA.....	Miliamps
B/M.....	Bill of Material	NLA.....	No Longer Available
CE.....	European Conformity	NPT.....	National Pipe Threads
CCW.....	Counter Clockwise	NSS.....	Not Sold Separately
cm.....	Centimeter	OD.....	Outside Diameter
CW.....	Clockwise	ORB.....	O-Ring Boss
CSA.....	Canadian Standards Association	ORFS.....	O-Ring Face Seal
CYL.....	Cylinder	OZ (oz).....	Ounces
DIA.....	Diameter	PG.....	Page
DC.....	Direct Current	P/N.....	Part Number
EMS.....	Emergency Stop	qt.....	Quarts
ENG.....	Engine	QTY.....	Quantity
FT (ft).....	Feet	REF.....	Reference
GA (Ga).....	Gauge	REV.....	Revision Level
HYD.....	Hydraulic	RH.....	Right Hand
Hz.....	Hertz	SAE.....	Society of Automotive Engineers
ID.....	Inside Diameter	SN.....	Serial Number
in.....	inches	SPEC(S).....	Specifications
ISO.....	International Organization for Standards	T/T.....	Turntable
JIC.....	Joint Industry Council	UGM.....	Universal Ground Module
KG.....	Kilogram	V.....	Volts
L.....	Liter	W.....	Watts
LB.....	Pounds	#.....	Number

### 10) ILLUSTRATION REFERENCE LETTERS

When necessary, illustrations may contain reference letters that are intended to track information (i.e. hoses, harnesses) from one point to another or to track visual enlargement of components to show details that may be located in another area on the illustration.

*Note: Due to continuous product improvements, JLG Industries, Inc. reserves the right to make specification changes without prior notification.*



# TABLE OF CONTENTS

SECTION 1 - FRAME.....	11
FIGURE 1-1. AXLE AND STEERING INSTALLATION WITHOUT TOW PACKAGE .....	12
FIGURE 1-2. AXLE AND STEERING INSTALLATION WITH TOW PACKAGE .....	16
FIGURE 1-3. TIRE AND WHEEL DRIVE INSTALLATIONS .....	18
FIGURE 1-4. DRIVE HUB/BRAKE ASSEMBLY (SN 0300183034 through 0300244579).....	22
FIGURE 1-5. DRIVE HUB/BRAKE ASSEMBLY (SN 0300244580 to Present).....	26
FIGURE 1-6. DRIVE MOTOR ASSEMBLY .....	28
FIGURE 1-7. FRAME VALVES AND SHIELDS INSTALLATIONS .....	32
FIGURE 1-8. TOW PACKAGE INSTALLATION .....	34
SECTION 2 - TURNTABLE .....	37
FIGURE 2-1. CONTROL VALVES AND AUXILIARY PUMP INSTALLATIONS .....	38
FIGURE 2-2. MAIN CONTROL VALVE ASSEMBLY (SN 0300183034 through 0300194139).....	42
FIGURE 2-3. MAIN CONTROL VALVE ASSEMBLY (SN 0300194140 through 0300238223).....	46
FIGURE 2-4. MAIN VALVE ASSEMBLY (SN 0300238224 to Present).....	50
FIGURE 2-5. MAIN VALVE ASSEMBLY (SN 0300238224 to Present).....	54
FIGURE 2-6. ACCESSORY VALVE ASSEMBLY .....	58
FIGURE 2-7. AUXILIARY PUMP ASSEMBLY .....	60
FIGURE 2-8. TURNTABLE BEARING AND SWING DRIVE INSTALLATION .....	62
FIGURE 2-9. SWING MOTOR/HUB ASSEMBLY .....	64
FIGURE 2-10. DEUTZ D2011 ENGINE INSTALLATION .....	68
FIGURE 2-11. DEUTZ TD2.9L4 ENGINE INSTALLATION .....	78
FIGURE 2-12. FORD ENGINE INSTALLATION .....	94
FIGURE 2-13. GM ENGINE INSTALLATION .....	106
FIGURE 2-14. HYDROSTATIC PUMP ASSEMBLY (SN 0300183034 through 0300207789).....	112
FIGURE 2-15. HYDROSTATIC PUMP ASSEMBLY (SN 0300207790 to Present) .....	116
FIGURE 2-16. VARIABLE PUMP ASSEMBLY .....	118
FIGURE 2-17. BREATHER HEATER INSTALLATION - DEUTZ D2.9L4 ENGINES WITH ARCTIC PACKAGE .....	122
FIGURE 2-18. FUEL-WATER SEPARATOR INSTALLATION - DEUTZ TD2011 (OPTIONAL) .....	124
FIGURE 2-19. FUEL-WATER SEPARATOR INSTALLATION (CHINA SPECS) (SN 0300238788 through 0300246968).....	126
FIGURE 2-20. FUEL-WATER SEPARATOR INSTALLATION (CHINA SPECS) (SN 0300246969 to Present) .....	128
FIGURE 2-21. TANK INSTALLATIONS .....	130
FIGURE 2-22. LP TANK INSTALLATIONS (FORD AND GM ENGINE MACHINES ONLY) .....	134
FIGURE 2-23. ROTARY COUPLING INSTALLATION .....	136
FIGURE 2-24. GROUND CONTROL BOX ASSEMBLY .....	138
FIGURE 2-25. ELECTRICAL OPTIONS INSTALLATION (TURNTABLE MOUNTED).....	142
FIGURE 2-26. HOODS INSTALLATION (ABS) .....	146
FIGURE 2-27. HOODS INSTALLATION (STEEL).....	150
FIGURE 2-28. ENGINE TRAY JACK INSTALLATION (OPTIONAL) .....	156
FIGURE 2-29. 2500W GENERATOR INSTALLATION - DEUTZ D2011 MACHINES (OPTIONAL).....	158
FIGURE 2-30. 2500W GENERATOR INSTALLATION - DEUTZ TD2.9L4 MACHINES (OPTIONAL).....	162
FIGURE 2-31. 2500W GENERATOR INSTALLATION - FORD MACHINES (OPTIONAL) .....	166
FIGURE 2-32. 2500W GENERATOR INSTALLATION - GM MACHINES (OPTIONAL) .....	170
FIGURE 2-33. 4000W GENERATOR INSTALLATION - DEUTZ TD2.9L4 ENGINES .....	174
FIGURE 2-34. 4000W GENERATOR INSTALLATION - DEUTZ D2011 ENGINES .....	178
FIGURE 2-35. 4000W GENERATOR INSTALLATION - GM ENGINES .....	182
FIGURE 2-36. 7500W SKYPOWER GENERATOR INSTALLATION - DEUTZ ENGINE MACHINES .....	186
FIGURE 2-37. 7500W SKYPOWER GENERATOR INSTALLATION - FORD ENGINES .....	192
FIGURE 2-38. 7500W SKYPOWER GENERATOR INSTALLATION - GM MACHINES .....	196
FIGURE 2-39. SKYAIR AIR COMPRESSOR INSTALLATION .....	200
FIGURE 2-40. AIR COMPRESSOR ASSEMBLY .....	202
FIGURE 2-41. AUXILIARY PUMP WITHOUT BATTERY DISCONNECT (SN 0300259889 to Present).....	206
FIGURE 2-42. AUXILIARY PUMP WITH BATTERY DISCONNECT (SN 0300259889 to Present) .....	208
SECTION 3 - BOOM .....	211
FIGURE 3-1. BOOM AND CYLINDER INSTALLATION - 800A .....	212
FIGURE 3-2. BOOM AND CYLINDER INSTALLATION - 800AJ .....	216
FIGURE 3-3. TOWER BOOM ASSEMBLY .....	222
FIGURE 3-4. MAIN BOOM ASSEMBLY .....	226
FIGURE 3-5. ROTATOR ASSEMBLY .....	230
FIGURE 3-6. PLATFORM SUPPORT INSTALLATION - WITHOUT LSS .....	232
FIGURE 3-7. PLATFORM SUPPORT INSTALLATION - WITH 4 CELL LSS .....	234
FIGURE 3-8. PLATFORM SUPPORT INSTALLATION - WITH 1 CELL LSS .....	236



# TABLE OF CONTENTS

FIGURE 3-9. VALVE AND LIMIT SWITCH INSTALLATIONS (BOOM MOUNTED) .....	238
SECTION 4 - PLATFORM .....	245
FIGURE 4-1. PLATFORM COMPONENTS INSTALLATION .....	246
FIGURE 4-2. PLATFORM COMPONENTS INSTALLATION (FALL ARREST FOR PLATFORM) .....	250
FIGURE 4-3. PLATFORM CONSOLE ASSEMBLY (WITHOUT SKYGUARD) .....	252
FIGURE 4-4. PLATFORM CONSOLE ASSEMBLY - WITH SKYGUARD .....	256
FIGURE 4-5. CONTROLLER ASSEMBLY - SWING AND LIFT (SN 0300183034 through 0300188905) .....	260
FIGURE 4-6. CONTROLLER ASSEMBLY - SWING AND LIFT (SN 0300188906 to Present) .....	262
FIGURE 4-7. CONTROLLER ASSEMBLY - DRIVE AND STEER (SN 0300183034 through 0300188905) .....	266
FIGURE 4-8. CONTROLLER ASSEMBLY - DRIVE AND STEER (SN 0300188906 to Present) .....	268
FIGURE 4-9. SOFT TOUCH SYSTEM INSTALLATION (OPTIONAL) .....	270
FIGURE 4-10. SKYGUARD SYSTEM INSTALLATION (Prior to SN 0300259888) .....	272
FIGURE 4-11. SKYGUARD SYSTEM INSTALLATION (SN 0300259889 to Present) .....	274
FIGURE 4-12. CROSS RAIL INSTALLATION .....	276
FIGURE 4-13. SKYEYE INSTALLATION .....	278
FIGURE 4-14. SKYGLAZIER INSTALLATION .....	280
FIGURE 4-15. SKYLINE INSTALLATION .....	282
FIGURE 4-16. SKYWELDER/SKYCUTTER COMBO INSTALLATION (60HZ) .....	284
FIGURE 4-17. SKYWELDER INSTALLATION (50HZ) .....	288
FIGURE 4-18. SKYWELDER INSTALLATION (60HZ) .....	290
FIGURE 4-19. SKYWELDER PREP PACKAGE (60HZ) .....	292
FIGURE 4-20. WELDER ASSEMBLY .....	294
FIGURE 4-21. SKYWELDER LOCKING BRACKET INSTALLATION .....	296
FIGURE 4-22. SKYCUTTER INSTALLATION .....	298
FIGURE 4-23. PLASMA CUTTER ASSEMBLY .....	300
FIGURE 4-24. PIPE RACKS INSTALLATION .....	302
FIGURE 4-25. FALL ARREST INSTALLATION (BOLT-ON EXTERNAL) (6FT/1.82M PLATFORM) .....	304
FIGURE 4-26. FALL ARREST INSTALLATION (BOLT-ON EXTERNAL) (6FT/1.82M TRI-ENTRY PLATFORM) .....	306
FIGURE 4-27. FALL ARREST INSTALLATION (BOLT-ON EXTERNAL) (8FT/2.4M PLATFORM) .....	308
FIGURE 4-28. BATTERY DISCONNECT (SN 0300240507 to Present) .....	310
SECTION 5 - CYLINDER .....	313
FIGURE 5-1. AXLE LOCKOUT CYLINDER ASSEMBLY .....	314
FIGURE 5-2. LEVEL (SLAVE) CYLINDER ASSEMBLY - JIB (800AJ ONLY) (SN 0300183034 through 0300240878) .....	316
FIGURE 5-3. LEVEL (SLAVE) CYLINDER ASSEMBLY - JIB (800AJ ONLY) (SN 0300240879 to Present) .....	318
FIGURE 5-4. LEVEL (SLAVE) CYLINDER ASSEMBLY - PLATFORM (800A ONLY) (SN 0300183034 through 0300245050) .....	320
FIGURE 5-5. LEVEL (SLAVE) CYLINDER ASSEMBLY - PLATFORM (800A ONLY) (SN 0300245051 to Present) .....	322
FIGURE 5-6. LEVEL (SLAVE) CYLINDER ASSEMBLY - UPRIGHT (SN 0300183034 through 0300239885) .....	324
FIGURE 5-7. LEVEL (SLAVE) CYLINDER ASSEMBLY - UPRIGHT (SN 0300239886 to Present) .....	326
FIGURE 5-8. LIFT CYLINDER ASSEMBLY - JIB (800AJ ONLY) (SN 0300183034 through 0300245050) .....	328
FIGURE 5-9. LIFT CYLINDER ASSEMBLY - JIB (800AJ ONLY) (USAGE MAY VARY) (SN 0300245051 through 0300245146) .....	330
FIGURE 5-10. LIFT CYLINDER ASSEMBLY - JIB (800AJ ONLY) (USAGE MAY VARY) (SN 0300245051 through 0300245146) .....	332
FIGURE 5-11. LIFT CYLINDER ASSEMBLY - JIB (800AJ ONLY) (SN 0300245147 to Present) .....	334
FIGURE 5-12. LIFT CYLINDER ASSEMBLY - MAIN BOOM (SN 0300183034 through 0300239885) .....	336
FIGURE 5-13. LIFT CYLINDER ASSEMBLY - MAIN BOOM (SN 0300239886 to Present) .....	338
FIGURE 5-14. LIFT CYLINDER ASSEMBLY - TOWER BOOM (SN 0300183034 through 0300239885) .....	340
FIGURE 5-15. LIFT CYLINDER ASSEMBLY - TOWER BOOM (SN 0300239886 to Present) .....	342
FIGURE 5-16. MASTER CYLINDER ASSEMBLY (800A) (SN 0300183034 through 0300245050) .....	344
FIGURE 5-17. MASTER CYLINDER ASSEMBLY (800A) (SN 0300245051 to Present) .....	346
FIGURE 5-18. MASTER CYLINDER ASSEMBLY (800AJ) (SN 0300183034 through 0300243317) .....	348
FIGURE 5-19. MASTER CYLINDER ASSEMBLY (800AJ) (SN 0300243318 to Present) .....	350
FIGURE 5-20. STEER CYLINDER ASSEMBLY .....	352
FIGURE 5-21. TELESCOPE CYLINDER ASSEMBLY - MAIN BOOM .....	354
FIGURE 5-22. TELESCOPE CYLINDER ASSEMBLY - MAIN BOOM (800A) (SN 0300245051 to Present) .....	356
FIGURE 5-23. TELESCOPE CYLINDER ASSEMBLY - MAIN BOOM (800AJ) (SN 0300243318 to Present) .....	358
FIGURE 5-24. TELESCOPE CYLINDER ASSEMBLY - TOWER BOOM .....	360
FIGURE 5-25. TELESCOPE CYLINDER ASSEMBLY - TOWER BOOM (SN 0300243318 to Present) .....	362
SECTION 6 - HYDRAULIC .....	365
FIGURE 6-1. AXLE LOCKOUT HYDRAULIC DIAGRAM .....	366
FIGURE 6-2. DRIVE HYDRAULIC DIAGRAM - 2WD (SN 0300183034 through 0300196955) .....	368

# TABLE OF CONTENTS

FIGURE 6-3. DRIVE HYDRAULIC DIAGRAM - 2WD (SN 0300196956 to Present) .....	372
FIGURE 6-4. DRIVE HYDRAULIC DIAGRAM - 4WD/2WS (SN 0300183034 through 0300196955).....	376
FIGURE 6-5. DRIVE HYDRAULIC DIAGRAM - 4WD/2WS (SN 0300196956 to Present) .....	380
FIGURE 6-6. STANDARD HYDRAULIC DIAGRAM (SN 0300183034 through 0300194139).....	384
FIGURE 6-7. STANDARD HYDRAULIC DIAGRAM (SN 0300194140 through 0300196955).....	388
FIGURE 6-8. STANDARD HYDRAULIC DIAGRAM (SN 0300196956 to Present) .....	392
FIGURE 6-9. HYDRAULIC DIAGRAM LIST .....	396
SECTION 7 - ELECTRICAL .....	399
FIGURE 7-1. ELECTRICAL DIAGRAM LIST.....	400
FIGURE 7-2. HARNESS COMPONENTS INSTALLATION.....	402
FIGURE 7-3. SKYEYE INTERMEDIATE HARNESS .....	426
FIGURE 7-4. SKYEYE EMITTER HARNESS.....	428
FIGURE 7-5. SKYEYE RECEIVER HARNESS .....	430
FIGURE 7-6. SKYLINE HARNESS.....	432
SECTION 8 - DECALS.....	435
FIGURE 8-1. DECAL INSTALLATION (ANSI SPEC) .....	436
FIGURE 8-2. DECAL INSTALLATION (COUNTRY SPEC).....	440
FIGURE 8-3. DECAL INSTALLATION (AUSTRALIAN AND CE SPEC).....	446
SECTION 9 - RECOMMENDED SERVICE PARTS STOCK .....	449
FIGURE 9-1. MODEL 800A/800AJ STANDARD PARTS .....	450
FIGURE 9-2. MODEL 800A/800AJ VARIABLE PARTS .....	452
SECTION 10 - SPECIAL OPTIONS .....	455
FIGURE 10-1. SPECIAL OPTION .....	456
PART NUMBER INDEX .....	465

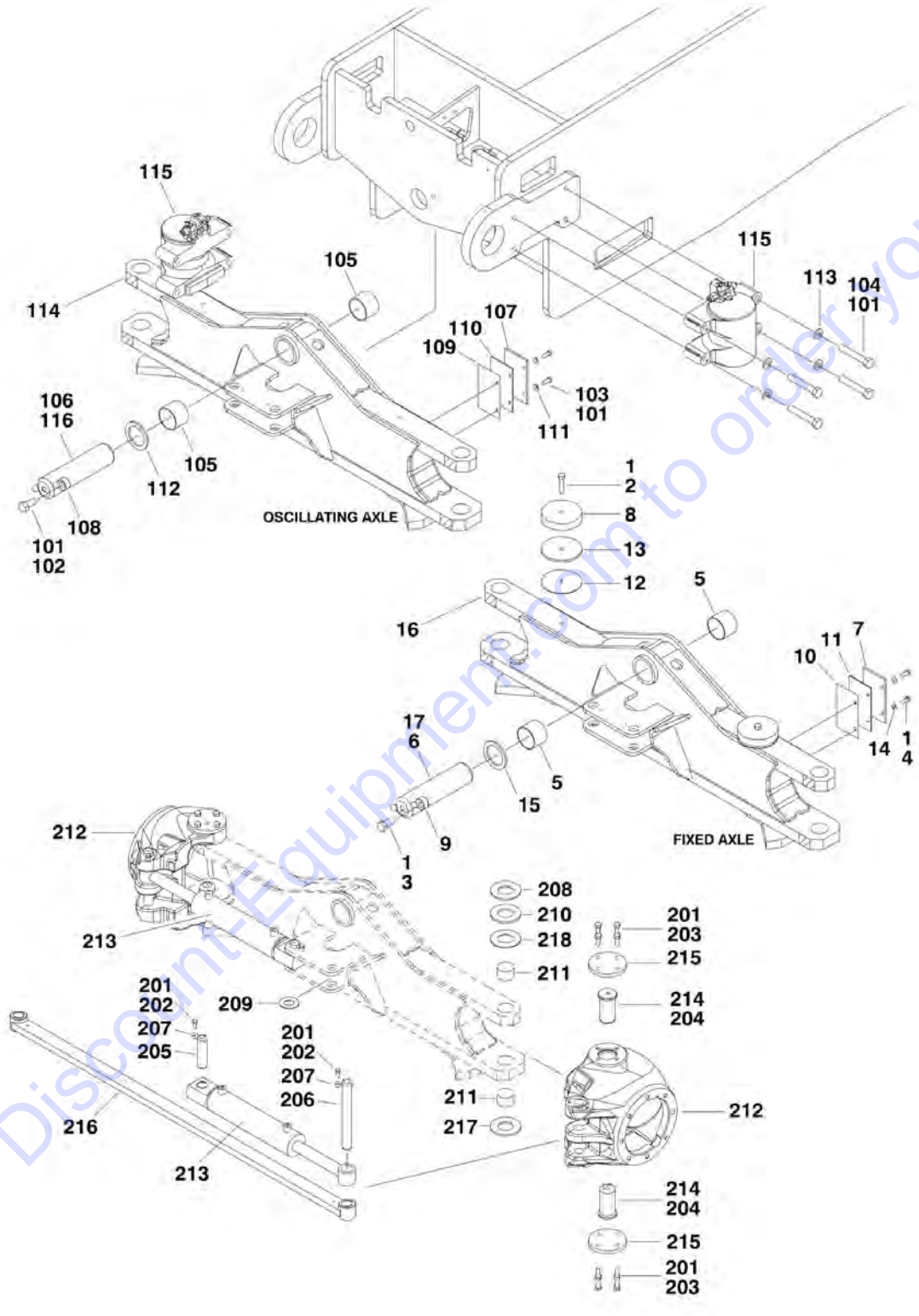


**SECTION 1 - FRAME**

Go to [Discount-Equipment.com](http://Discount-Equipment.com) to order your parts

# SECTION 1 - FRAME

## FIGURE 1-1. AXLE AND STEERING INSTALLATION WITHOUT TOW PACKAGE



## SECTION 1 - FRAME

**FIGURE 1-1. AXLE AND STEERING INSTALLATION WITHOUT TOW PACKAGE**

ITEM	PART NUMBER	QTY	DESCRIPTION	REV
	1001151037	Ref	FIXED AXLE INSTALLATION	C
1	0100011	AR	Compound, Locking	
2	0641818	2	Bolt 1/2-13 x 2-1/4	
3	0642212	1	Bolt 3/4-10 x 1-1/2	
4	0681608	4	Bolt 3/8-16 x 1 Grade 8	
5	0962102	2	Bushing	
6	3020039	AR	Lubricant	
7	3538047	2	Shim, Wear	
8	3539877	2	Plate, Stop	
9	3841287	1	Keeper, Pin	
10	4070878	AR	Shim 1/16	
11	4070879	AR	Shim 1/8	
12	4070944	AR	Shim 1/16	
13	4070945	AR	Shim 1/4	
14	4711600	4	Washer 3/8	
15	4740472	1	Washer, Special	
16	1001152719	1	Axle	
17	1001156710	1	Pin	
	1001154584	Ref	OSCILLATING AXLE INSTALLATION	D
101	0100011	AR	Compound, Locking	
102	0642212	1	Bolt 3/4-10 x 1-1/2	
103	0681608	4	Bolt 3/8-16 x1 Grade 8	
104	0682236	8	Bolt 3/4-10 x 4-1/2 Grade 8	
105	0962102	2	Bushing	
106	3020039	AR	Lubricant	
107	3538047	2	Shim, Axle Wear	
108	3841287	1	Shaft, Keeper	
109	4070878	AR	Shim, Axle Wear	
110	4070879	AR	Shim, Axle Wear	
111	4711600	4	Washer 3/8	
112	4740472	1	Washer, Special	
113	4892200	8	Washer 3/4	
114	1001152719	1	Axle	
115	1001154258	NLA	Axle Lockout Cylinder Assembly (Use p/n 1001204560) (See CYLINDER SECTION for Breakdown) <b>(SN 0300183034 through 0300214572)</b>	
115	1001204560	2	Axle Lockout Cylinder Assembly (See CYLINDER SECTION for Breakdown) <b>(SN 0300214573 to Present)</b>	
116	1001156710	1	Pin	
	1001151034	Ref	STEERING INSTALLATIONS (2WS)	F
	1001151035	Ref	STEERING INSTALLATIONS (4WS)	E
		Ref	Note: Qtys shown are for 2WS. Double qtys for 4WS.	
201	0100011	AR	Compound, Locking	
202	0641607	4	Bolt 3/8-16 x 7/8	
203	0641810	16	Bolt 1/2-13 x 1-1/4	
204	3020029	AR	Lubricant	
205	3422417	2	Pin	
206	3422790	2	Pin	
207	3841520	4	Keeper, Pin	
208	4740256	AR	Washer, Thrust	

## SECTION 1 - FRAME

ITEM	PART NUMBER	QTY	DESCRIPTION	REV
209	4740473	2	Washer, Special	
210	1001103810	AR	Washer, Thrust	
211	1001165657	4	Bearing	
212	1001150372	2	Spindle	
213	1001150539	2	Steer Cylinder Assembly (See CYLINDER SECTION for Breakdown)	
214	1001161355	4	Kingpin	
215	1001150937	4	Plate	
216	1001151980	1	Tie-Rod	
217	1001161399	2	Washer, Thrust	
218	4740463	AR	Washer, Thrust	

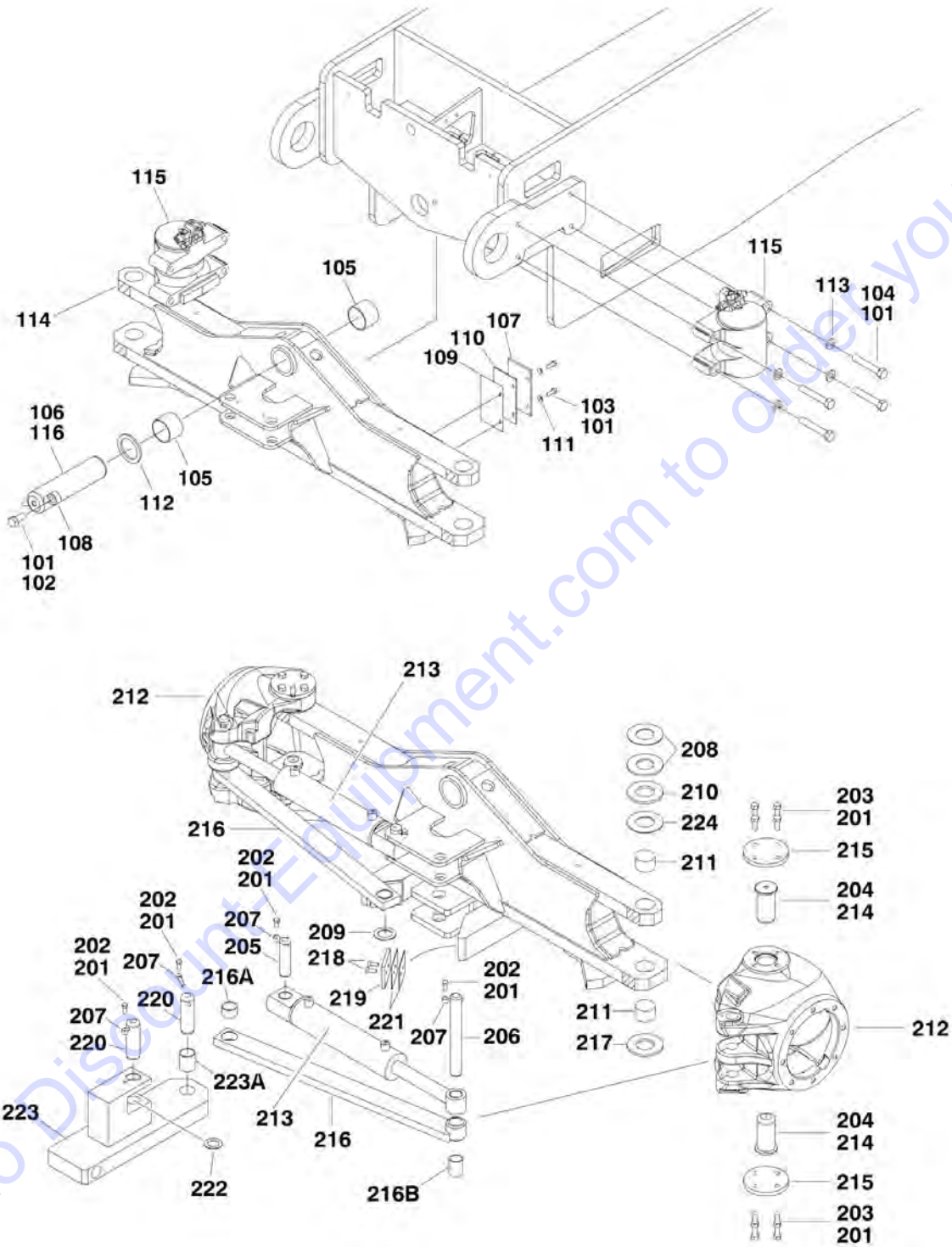
Go to Discount-Equipment.com to order your parts





# SECTION 1 - FRAME

## FIGURE 1-2. AXLE AND STEERING INSTALLATION WITH TOW PACKAGE



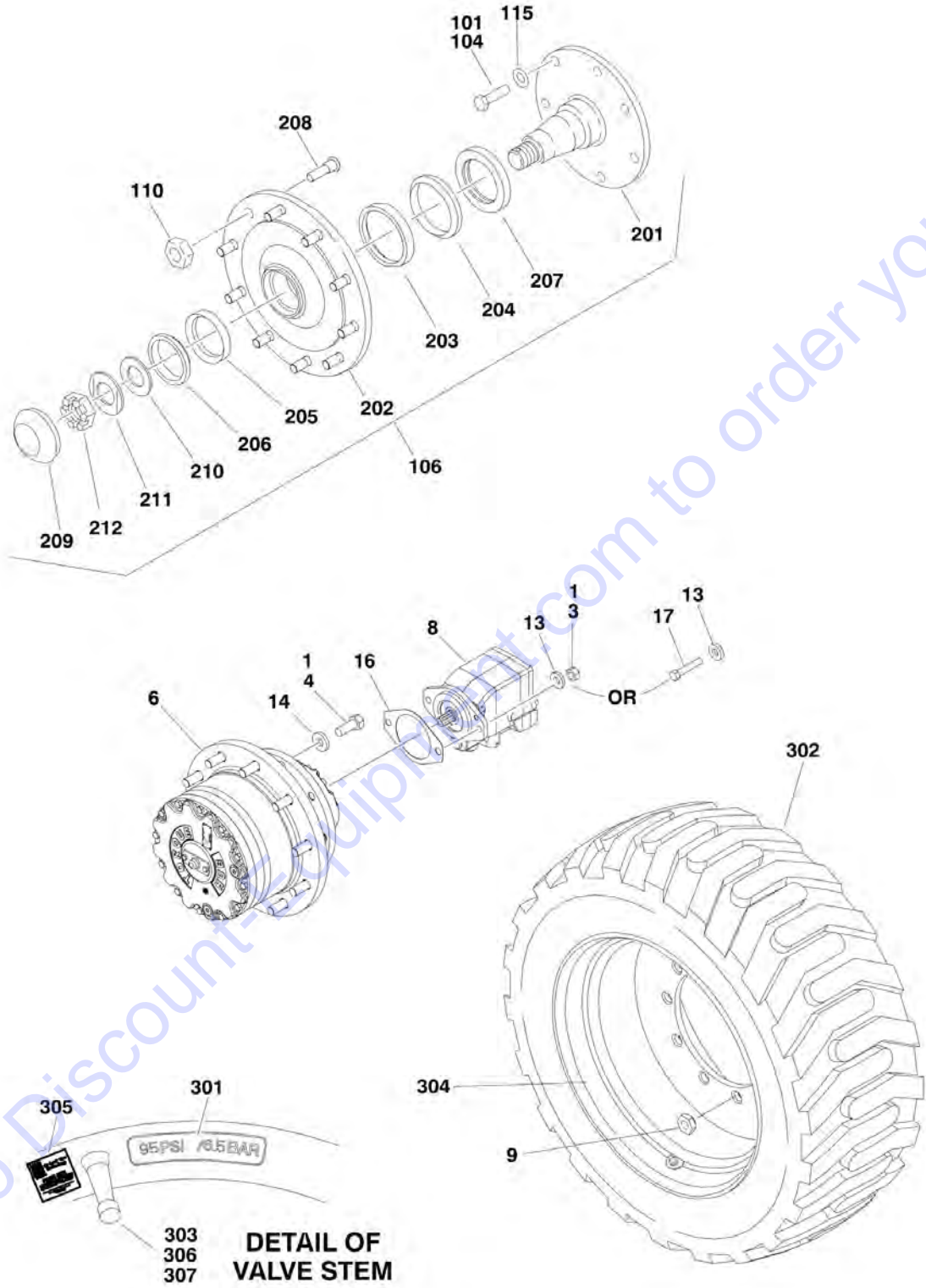
## SECTION 1 - FRAME

**FIGURE 1-2. AXLE AND STEERING INSTALLATION WITH TOW PACKAGE**

ITEM	PART NUMBER	QTY	DESCRIPTION	REV
	1001155194	Ref	OSCILLATING AXLE INSTALLATION	D
101	0100011	AR	Compound, Locking	
102	0642212	1	Bolt 3/4-10 x 1-1/2	
103	0681608	4	Bolt 3/8-16 x1in Grade 8	
104	0682236	8	Bolt 3/4-10 x 4-1/2 Grade 8	
105	0962102	2	Bushing	
106	3020039	AR	Lubricant	
107	3538047	2	Shim, Axle Wear	
108	3841287	1	Shaft, Keeper	
109	4070878	AR	Shim, Axle Wear	
110	4070879	AR	Shim, Axle Wear	
111	4711600	4	Washer 3/8in Thin	
112	4740472	1	Washer, Special	
113	4892200	8	Washer 3/4	
114	1001154875	1	Axle	
115	1001154258	NLA	Axle Lockout Cylinder Assembly (Use p/n 1001204560) (See CYLINDER SECTION for Breakdown) <b>(SN 0300183034 through 0300214572)</b>	
115	1001204560	2	Axle Lockout Cylinder Assembly (See CYLINDER SECTION for Breakdown) <b>(SN 0300214573 to Present)</b>	
116	1001156710	1	Pin	
	1001155192	Ref	STEERING INSTALLATION	D
201	0100011	AR	Compound, Locking	
202	0641607	6	Bolt 3/8-16 x 7/8	
203	0641810	16	Bolt 1/2-13 x 1-1/4	
204	3020029	AR	Lubricant	
205	3422417	2	Pin	
206	3422790	2	Pin	
207	3841520	6	Keeper, Pin	
208	4740256	AR	Washer, Thrust	
209	4740473	2	Washer, Special	
210	1001103810	AR	Washer, Thrust	
211	1001165657	4	Bearing	
212	1001150372	2	Spindle	
213	1001150539	2	Steer Cylinder Assembly (See CYLINDER SECTION for Breakdown)	
214	1001161355	4	Kingpin	
215	1001150937	4	Plate	
216	1001154931	2	Tie-Rod	
216A	0962181	1	Bushing	
216B	0962152	1	Bushing	
217	1001161399	2	Washer, Thrust	
218	0741609	4	Screw 3/8-16 x 1-1/8	
219	3340966	2	Pad, Stop	
220	3422848	2	Pin, Hitch	
221	4071059	AR	Shim	
222	4740155	3	Washer, Thrust	
223	1001155035	1	Link	
223A	0962348	1	Bushing	
224	4740463	AR	Washer, Thrust	

# SECTION 1 - FRAME

## FIGURE 1-3. TIRE AND WHEEL DRIVE INSTALLATIONS



Go to DiscountEquipment.com to order your parts

# SECTION 1 - FRAME

## FIGURE 1-3. TIRE AND WHEEL DRIVE INSTALLATIONS

ITEM	PART NUMBER	QTY	DESCRIPTION	REV
	1001157015	Ref	WHEEL DRIVE INSTALLATION (2WD)	C
	1001157016	Ref	WHEEL DRIVE INSTALLATION (4WD/2WS)	C
	1001157094	Ref	WHEEL DRIVE INSTALLATION (4WD/4WS)	C
		Ref	Note: Qtys shown are for 2WS. Double qtys for 4WS.	
1	0100011	AR	Compound, Locking	
3	3311801	4	Nut 1/2-13 <b>(SN 0300183034 through 0300244579)</b>	
4	0682016	16	Bolt 5/8-11 x 2 Grade 8	
5	2300016	AR	Fluid, Hydraulic (Not Shown) <b>(SN 0300183034 through 0300244579)</b>	
6	2780272	NLA	Drive Hub Assembly (Use p/n 1001228544) (See DRIVE HUB ASSEMBLY for Breakdown) <b>(SN 0300183034 through 0300244579)</b>	
6	1001219219	2	Drive Hub Assembly (See DRIVE HUB ASSEMBLY for Breakdown) <b>(SN 0300244580 to Present)</b>	
7	3020008	AR	Lubricant (Not Shown)	
8	3160347	2	Drive Motor Assembly (2WD) (See DRIVE MOTOR ASSEMBLY for Breakdown)	
8	3160348	4	Drive Motor Assembly (4WD) (See DRIVE MOTOR ASSEMBLY for Breakdown)	
9	3300007	20	Nut, Wheel	
13	4891800	4	Washer, 1/2	
14	4892000	16	Washer 5/8	
16	3960526	2	Gasket <b>(SN 0300244580 to Present)</b>	
17	0681822	4	Bolt 1/2 x 2-3/4 Grade 8 <b>(SN 0300244580 to Present)</b>	
	1001157015	Ref	HUB INSTALLATION (2WD ONLY)	C
101	0100011	AR	Compound, Locking	
104	0682016	16	Bolt 5/8-16 x 2 Grade 8	
106	2780229	2	Hub Assembly (See Items 201-212 for Breakdown)	
110	3300007	20	Lugnut	
115	4892000	16	Washer 5/8	
	2780229	Ref	HUB ASSEMBLY (2WD ONLY)	A
201	7017052	2	Spindle (1 per Assembly)	
202	7017053	2	Housing (1 per Assembly)	
203	7010404	2	Cup, Bearing - Inner (1 per Assembly)	
204	7010405	2	Cone, Bearing - Inner (1 per Assembly)	
205	7017056	2	Cup, Bearing - Outer (1 per Assembly)	
206	7017055	2	Cone, Bearing - Outer (1 per Assembly)	
207	7010406	2	Seal, Lip (1 per Assembly)	
208	7000265	20	Stud (10 per Assembly)	
209	7017054	2	Dust Cap (1 per Assembly)	
210	7017051	2	Washer, Special (1 per Assembly)	
211	7017057	2	Washer, Tanged (1 per Assembly)	
212	7017058	2	Nut, Bearing (1 per Assembly)	
	0270885	Ref	TIRE AND WHEEL INSTALLATION 15-625 NHS PNEUMATIC (AVAILABLE ON ALL SPECS EXCEPT AUSTRALIAN AND CE SPECS)	D
	0272322	Ref	TIRE AND WHEEL INSTALLATION 15-625 NHS PNEUMATIC W/SEALANT (AVAILABLE ON ANSI SPECS ONLY)	C
	0270886	Ref	TIRE AND WHEEL INSTALLATION 15-625 NHS FOAM-FILLED (AVAILABLE ON ALL SPECS)	D
	0270888	Ref	TIRE AND WHEEL INSTALLATION 18-625 NHS FOAM-FILLED (AVAILABLE ON ALL SPECS)	C

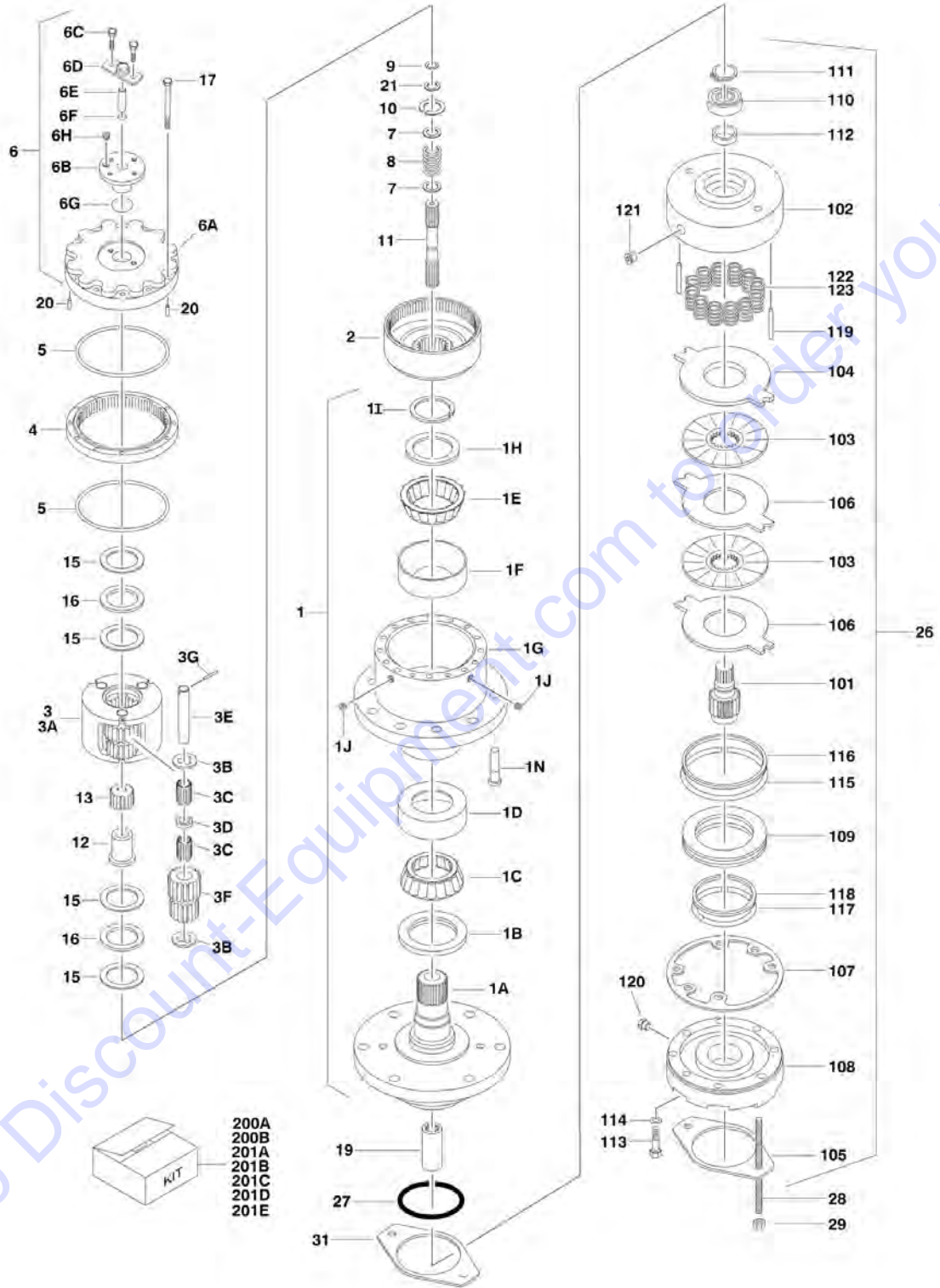
## SECTION 1 - FRAME

ITEM	PART NUMBER	QTY	DESCRIPTION	REV
	1001169757	Ref	TIRE AND WHEEL INSTALLATION 18-625 NHS FOAM-FILLED NON-MARKING (AVAILABLE ON ALL SPECS)	A
	0271083	2	Tire and Wheel Assembly - 15-625 NHS Pneumatic LH Side	D
	0271084	2	Tire and Wheel Assembly - 15-625 NHS Pneumatic RH Side	D
	0272334	2	Tire and Wheel Assembly - 15-625 NHS Pneumatic with Sealant LH Side	D
	0272333	2	Tire and Wheel Assembly - 15-625 NHS Pneumatic with Sealant RH Side	D
	0271085	2	Tire and Wheel Assembly - 15-625 NHS Foam-Filled LH Side	H
	0271086	2	Tire and Wheel Assembly - 15-625 NHS Foam-Filled RH Side	H
	0271090	2	Tire and Wheel Assembly - 18-625 NHS Foam-Filled LH Side	F
	0271091	2	Tire and Wheel Assembly - 18-625 NHS Foam-Filled RH Side	F
	1001169755	2	Tire and Wheel Assembly - 18-625 NHS Foam-Filled Non-Marking LH Side	C
	1001169756	2	Tire and Wheel Assembly - 18-625 NHS Foam-Filled Non-Marking RH Side	C
		Ref	Note: Assemblies may require ballast/foam filling to manufacturer's specifications prior to installing on a machine. Refer to Operation and Safety or Service and Maintenance Manuals. Purchase individual tire and/or rim only if able to foam fill tire and wheel assembly, otherwise, purchase complete assembly.	
301	1702701	1	Decal - 95 PSI/6.5 Bar (Pneumatic Tires Only)	
302	4520252	1	Tire 15-625	
302	4520253	1	Tire 18-625	
302	1001169754	1	Tire 18-625 Non-Marking	
303	4640113	1	Valve, Air (All Pneumatic Tires)	
303	4641122	1	Valve, Air (All Foam-Filled Tires)	
304	4860224	1	Rim, Wheel - 13 x 24.5 Rim (Use with 15-625 Tires)	
304	4860225	1	Rim, Wheel -15 x 24.5 Rim (Use with 18-625 Tires)	
305	1705364	AR	Decal - Tire Sealant (With Sealant Only)	
306	1300019	AR	Chemical, Tire Sealant (Green) (With Sealant Only)	
307	1120552	AR	Cap, Valve Stem (Green) (With Sealant Only)	



# SECTION 1 - FRAME

FIGURE 1-4. DRIVE HUB/BRAKE ASSEMBLY (SN 0300183034 through 0300244579)



Go to Discount-Equipment.com to order your parts

## SECTION 1 - FRAME

**FIGURE 1-4. DRIVE HUB/BRAKE ASSEMBLY (SN 0300183034 through 0300244579)**

ITEM	PART NUMBER	QTY	DESCRIPTION	REV
	2780272	Ref	DRIVE HUB/BRAKE ASSEMBLY (SN 0300183034 through 0300244579)	E
	2780227	Ref	Hub Assembly	B
1	See Note	1	Spindle/Housing Assembly (Note: Not Available - Purchase Individual Components)	
1A	7010464	1	Spindle	
1B	7000236	1	Seal	
1C	7000273	1	Cone, Bearing	
1D	7000272	1	Cup, Bearing	
1E	7000275	1	Cone, Bearing	
1F	7000274	1	Cup, Bearing	
1G	7017033	1	Housing	
1H	7000239	1	Washer, Thrust	
1I	7000240	1	Ring, Retaining	
1J	7001928	1	Plug, Pipe	
1N	7000265	10	Stud, Wheel	
2	7024782	1	Gear, Ring	
3	See Note	1	Carrier Assembly (Note: Not Available - Purchase Individual Components)	
3A	7024147	1	Carrier	
3B	7001901	6	Washer, Thrust, Tanged	
3C	7001902	96	Bearing, Needle	
3D	7001903	3	Spacer, Thrust	
3E	7024146	3	Shaft, Planet	
3F	7024148	3	Gear, Cluster	
3G	7001906	3	Roll Pin	
4	7024151	1	Gear, Internal	
5	7000224	1	O-Ring	
6	See Note	1	Cover Assembly (Note: Not Available - Purchase Individual Components)	
6A	7024155	1	Cover	
6B	7024783	1	Cap	
6C	7000220	4	Bolt 1/4-20 x 3/4in	
6D	7000231	1	Cap, Disengage	
6E	7000235	1	Rod, Disengage	
6F	7000213	1	O-Ring	
6G	7000238	1	O-Ring	
6H	7017048	1	Plug, Pipe	
7	7000282	2	Washer, Thrust	
8	7000283	1	Spring	
9	7000284	1	Ring, Retaining	
10	7017027	1	Ring, Retaining	
11	7024781	1	Shaft, Input	
12	7024154	1	Spacer, Input	
13	7024149	1	Gear, Sun	
15	7000287	4	Washer, Thrust	
16	7000288	2	Washer, Thrust	
17	7000289	12	Bolt 3/8-16 x 2-1/2in Grade 8	
19	7000290	1	Coupling	
20	7017047	2	Pin, Dowel	



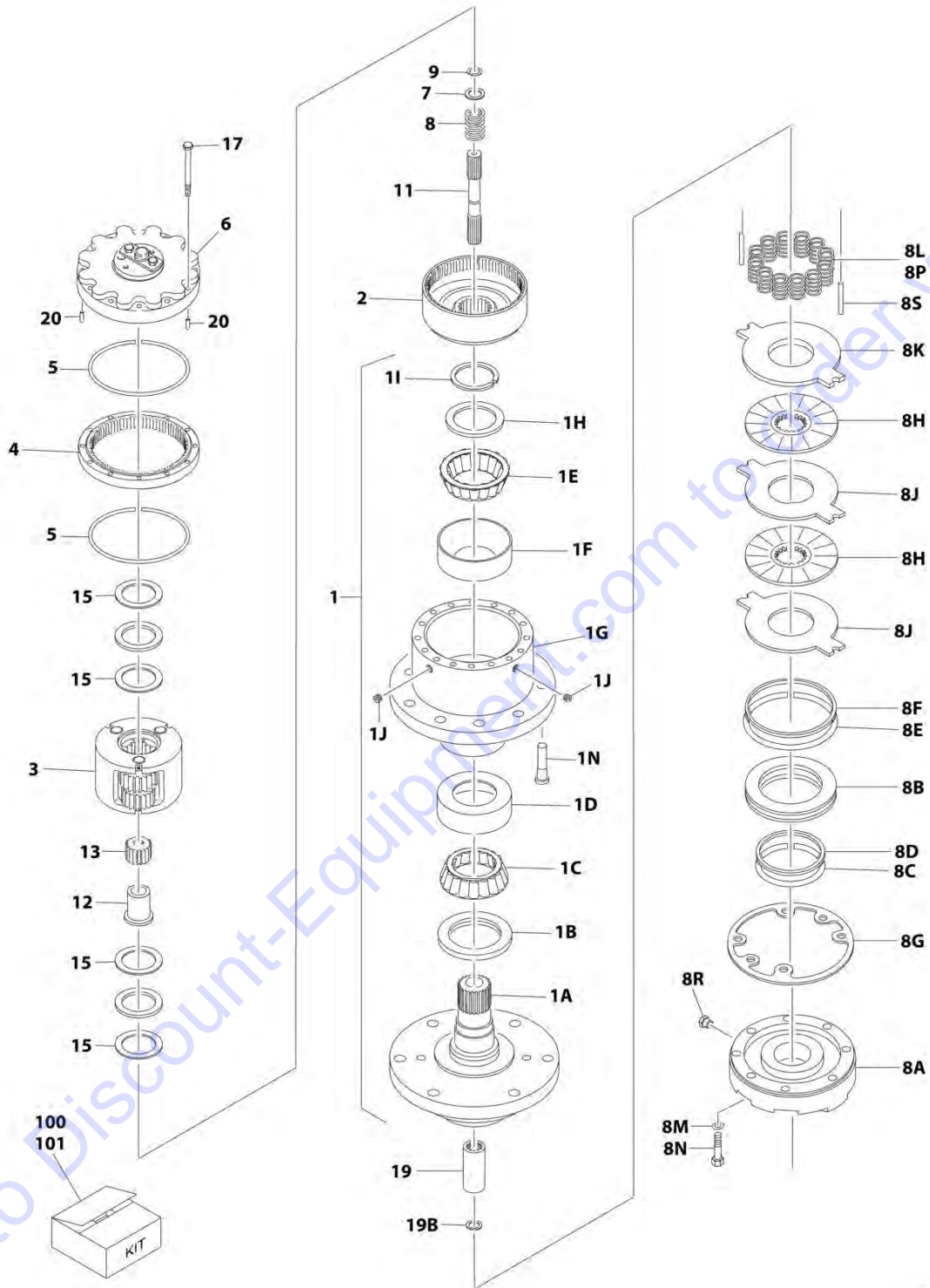
## SECTION 1 - FRAME

ITEM	PART NUMBER	QTY	DESCRIPTION	REV
21	7017050	1	Washer, Thrust	
26	7024182	1	Brake Assembly (Includes Items 101-123)	
27	7024763	2	O-Ring	
28	7024717	2	Stud 1/2-13 x 4-5/8in	
29	7024718	2	Nut 1/2-13	
31	70005483	1	Gasket	
	7024182	Ref	BRAKE ASSEMBLY	
101	7024189	1	Shaft	
102	See Note	NSS	Housing (Note: Not Available - Purchase Complete Assembly)	
103	See Note	NSS	Plate, Friction (Note: Use Item 201C)	
104	See Note	NSS	Plate, Pressure (Note: Use Item 201C)	
105	7000731	1	Gasket	
106	See Note	NSS	Plate, Outer (Note: Use Item 201C)	
107	See Note	NSS	Gasket (Note: Use Item 200B, 201C or 201D)	
108	7024191	1	Cylinder	
109	7024192	1	Piston	
110	See Note	NSS	Bearing, Ball (Note: Use Item 201D)	
111	See Note	NSS	Ring, Retaining (Note: Use Item 201D)	
112	See Note	NSS	Seal, Shaft (Note: Use Item 201D)	
113	See Note	NSS	Capscrew (Note: Not Available for Purchase)	
114	See Note	NSS	Washer, Lock (Note: Not Available for Purchase)	
115	See Note	NSS	O-Ring (Note: Use Item 200B)	
116	See Note	NSS	Ring, Back-up (Note: Use Item 200B)	
117	See Note	NSS	O-Ring (Note: Use Item 200B)	
118	See Note	NSS	Ring, Back-up (Note: Use Item 200B)	
119	7024190	2	Pin, Dowel	
120	See Note	NSS	Plug (Note: Not Available for Purchase)	
121	See Note	NSS	Plug (Note: Not Available for Purchase)	
122	See Note	NSS	Spring Kit (Natural) (Note: Use Item 201B)	
123	See Note	NSS	Spring Kit (Blue) (Note: Use Item 201B)	
		Ref	KIT OPTIONS:	
200A	7017068	1	Seal Kit - Hub (Includes Items 1B, 1I, 5, 6F, 6G, 15 & 16)	
200A	70006431	1	Seal Kit - Hub (Includes Items 1B, 1I, 5, 6F, 6G & 17)	
200B	7024194	1	Seal Kit - 7024182 Brake (Includes Items 105, 107 & 115-118)	
201A	7024195	NLA	Spring Kit - 7024182 Brake (Includes 12 Natural Colored Springs) (Note: Use p/n 7024196)	
201B	7024196	1	Spring Kit - 7024182 Brake (Includes 12 Natural & 2 Blue Colored Springs)	
201C	7024193	1	Friction Disc Kit - 7024182 Brake (Includes Items 103, 104, 106 & 107)	
201D	7024197	1	Bearing Kit - 7024182 Brake (Includes Items 107 & 110-112)	
201E	70006430	1	Bearing Kit - Hub (Includes Items 1B-1F, 1I, 5, 6F & 17)	



# SECTION 1 - FRAME

## FIGURE 1-5. DRIVE HUB/BRAKE ASSEMBLY (SN 0300244580 to Present)



ART\_1001219219

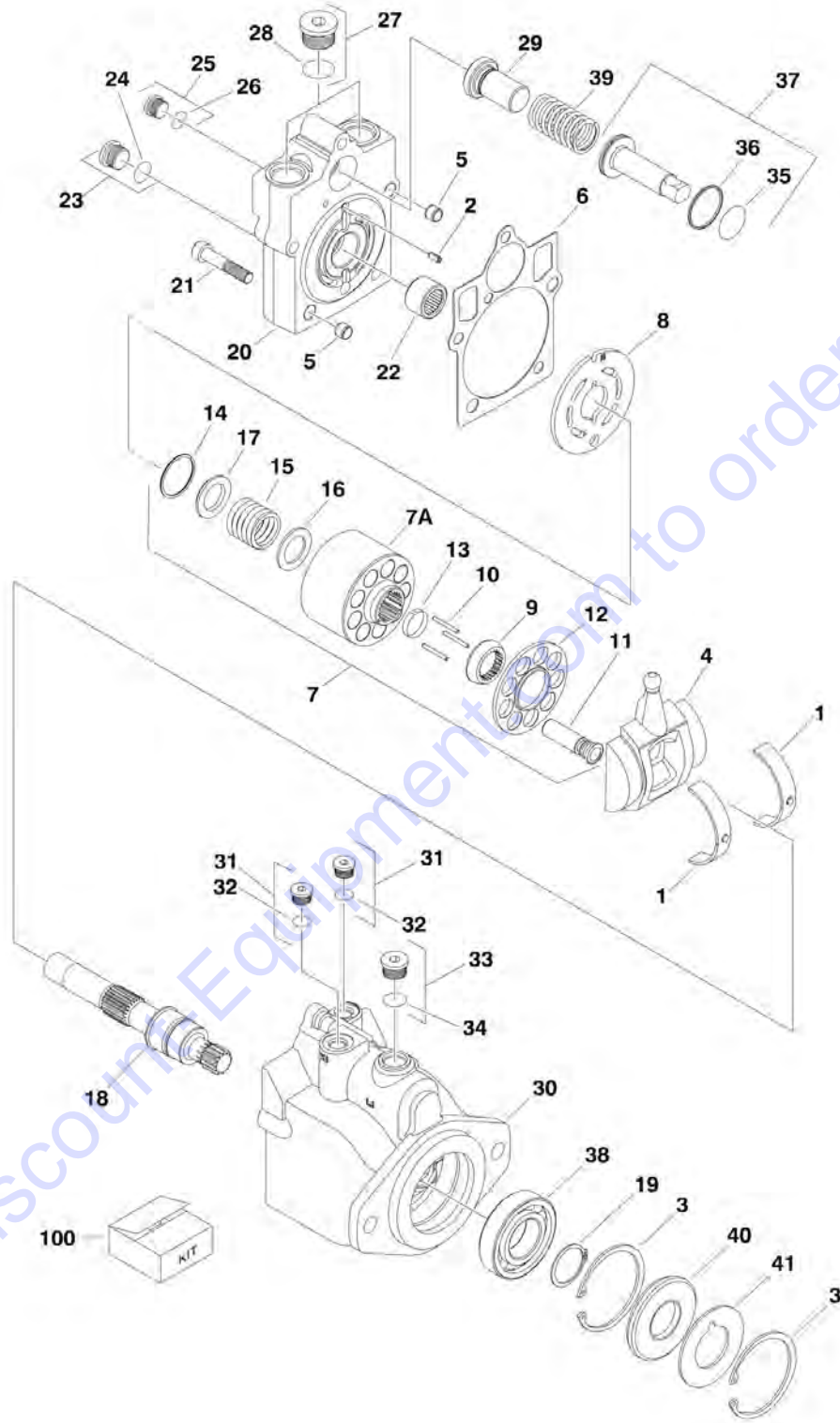
## SECTION 1 - FRAME

**FIGURE 1-5. DRIVE HUB/BRAKE ASSEMBLY (SN 0300244580 to Present)**

ITEM	PART NUMBER	QTY	DESCRIPTION	REV
	1001219219	Ref	DRIVE HUB/BRAKE ASSEMBLY (SN 0300244580 to Present)	C
1	See Note	NSS	Spindle/Housing Assembly (Note: Not Available - Purchase Individual Components)	
1A	70006677	1	Spindle	
1B	70006678	1	Seal	
1C	1001091460	1	Cone, Bearing	
1D	1001091460	1	Cup, Bearing	
1E	1001091461	1	Cone, Bearing	
1F	1001091461	1	Cup, Bearing	
1G	See Note	NSS	Housing (Note: Not Available - Not Available for Purchase)	
1H	7000239	1	Thrustwasher	
1I	7000240	1	Ring, Retaining	
1J	7001928	1	Plug, Pipe	
1N	See Note	NSS	Stud, Wheel (Note: Not Available - Not Available for Purchase)	
2	7024782	1	Gear, Ring	
3	70006673	1	Carrier Assembly	
4	7024151	1	Gear, Internal	
5	7000224	2	O-Ring	
6	70006674	NSS	Cover Assembly (Note: Not Available - Not Available for Purchase)	
7	70006691	1	Thrustwasher	
8	7000283	1	Spring	
8A	7024191	1	Housing, Piston	
8B	70006684	1	Piston	
8C	70006688	NSS	O-Ring (Note: Use Item 101)	
8D	70006689	NSS	Ring, Back-up (Note: Use Item 101)	
8E	70006686	NSS	O-Ring (Note: Use Item 101)	
8F	70006687	NSS	Ring, Back-up (Note: Use Item 101)	
8G	70006679	NSS	Gasket (Note: Use Items 100 & 101)	
8H	70006683	NSS	Brake, Stator (Note: Use Item 100)	
8J	70006681	NSS	Brake, Rotor (Note: Use Item 100)	
8K	70006682	NSS	Plate, Pressure (Note: Use Item 100)	
8L	80344004	10	Spring	
8M	70006685	6	Capscrew	
8N	70006690	6	Lockwasher	
8P	70006680	2	Spring	
8R	7017082	2	Plug	
8S	7024190	2	Pin, Dowel	
9	7000284	1	Ring, Retaining	
11	70006675	1	Shaft, Input	
12	7024154	1	Spacer, Input	
13	7024149	1	Gear, Sun	
15	70006692	2	Thrustwasher	
17	7000289	12	Bolt 3/8 x 2-1/2in (Grade 8)	
19	70006676	1	Coupling	
19B	7017028	1	Ring, Retaining	
20	7017047	2	Pin, Dowel	
100	70006832	1	Friction Disc Kit (Includes Items 8G, 8H, 8J & 8K)	
101	70006833	1	Seal Kit (Includes Items - 8C-8G)	

# SECTION 1 - FRAME

## FIGURE 1-6. DRIVE MOTOR ASSEMBLY



## SECTION 1 - FRAME

### FIGURE 1-6. DRIVE MOTOR ASSEMBLY

ITEM	PART NUMBER	QTY	DESCRIPTION	REV
	3160347	Ref	DRIVE MOTOR ASSEMBLY (2WD)	B
	3160348	Ref	DRIVE MOTOR ASSEMBLY (4WD)	D
1	7022302	2	Bearing, Journal	
2	7007446	1	Pin	
3	7007438	2	Ring, Retaining	
4	70000794	1	Swash Plate (2WD)	
4	7022305	1	Swash Plate (4WD)	
5	See Note	2	Pin (Note: Not Available for Purchase)	
6	See Note	NSS	Gasket (Note: Use Item 100)	
7	7027740	1	Cylinder Block Kit (2WD) (Includes Items 7A & 9-17)	
7	7023907	1	Cylinder Block Kit (4WD) (Includes Items 7A & 9-17)	
7A	See Note	NSS	Block, Cylinder (Note: Use Item 7)	
8	7024862	1	Plate, Valve (2WD)	
8	7023908	1	Plate, Valve (4WD)	
9	See Note	NSS	Guide, Slipper Retainer (2WD) (Note: Use Item 7)	
9	7021277	1	Guide, Slipper Retainer (4WD)	
10	7021275	3	Pin, Slipper Hold Down	
11	See Note	NSS	Piston Assembly (2WD) (Note: Use Item 7)	
11	See Note	NSS	Piston Assembly (4WD) (Note: Use Item 7)	
12	See Note	NSS	Retainer, Slipper (2WD) (Note: Use Item 7)	
12	7022310	1	Retainer, Slipper (4WD)	
13	See Note	NSS	Retainer, Hold Down Pin (2WD) (Note: Use Item 7)	
13	7021276	1	Retainer, Hold Down Pin (4WD)	
14	7022311	1	Ring, Retaining	
15	7024867	1	Spring (2WD)	
15	7022312	1	Spring (4WD)	
16	7022313	1	Washer (2WD)	
16	7024868	1	Washer (4WD)	
17	7022314	1	Retainer, Spring	
18	7023910	1	Shaft	
19	7007439	1	Ring, Retaining	
20	70000795	1	Cap, End - Axial (2WD)	
20	70000797	1	Cap, End - Axial (4WD)	
21	7022368	5	Screw	
22	7021249	1	Bearing, Needle	
23	2220886	1	Plug (Includes Item 24)	
24	See Note	NSS	O-Ring (Note: Use Item 23 or 100)	
25	2220883	1	Plug (Includes Item 26)	
26	See Note	NSS	O-Ring (Note: Use Item 25 or 100)	
27	2220888	2	Plug (Includes Item 28)	
28	See Note	NSS	O-Ring (Note: Use Item 27 or 100)	
29	7027741	1	Seat, Spring (2WD)	
29	7022372	1	Seat, Spring (4WD)	
30	See Note	NSS	Housing (Note: Not Available - Purchase Complete Assembly)	
31	2220883	2	Plug (Use Item 32)	
32	See Note	NSS	O-Ring (Note: Use Item 31 or 100)	
33	2220886	1	Plug (Use Item 34)	
34	See Note	NSS	O-Ring (Note: Use Item 33 or 100)	
35	See Note	NSS	O-Ring (Note: Use Item 100)	
36	See Note	NSS	Ring, Seal (Note: Use Item 100)	

## SECTION 1 - FRAME

ITEM	PART NUMBER	QTY	DESCRIPTION	REV
37	7024871	1	Piston, Servo (2WD) (Includes Items 35 & 36)	
37	7024854	1	Piston, Servo (4WD) (Includes Items 35 & 36)	
38	7007437	1	Bearing	
39	7022326	1	Spring	
40	See Note	NSS	Seal, Lip (Note: Use Item 100)	
41	7022371	1	Washer, Support	
		Ref	KIT OPTIONS:	
100	7022328	1	Seal Kit (Includes Items 6, 24, 26, 28, 32, 34, 35, 36 & 40)	

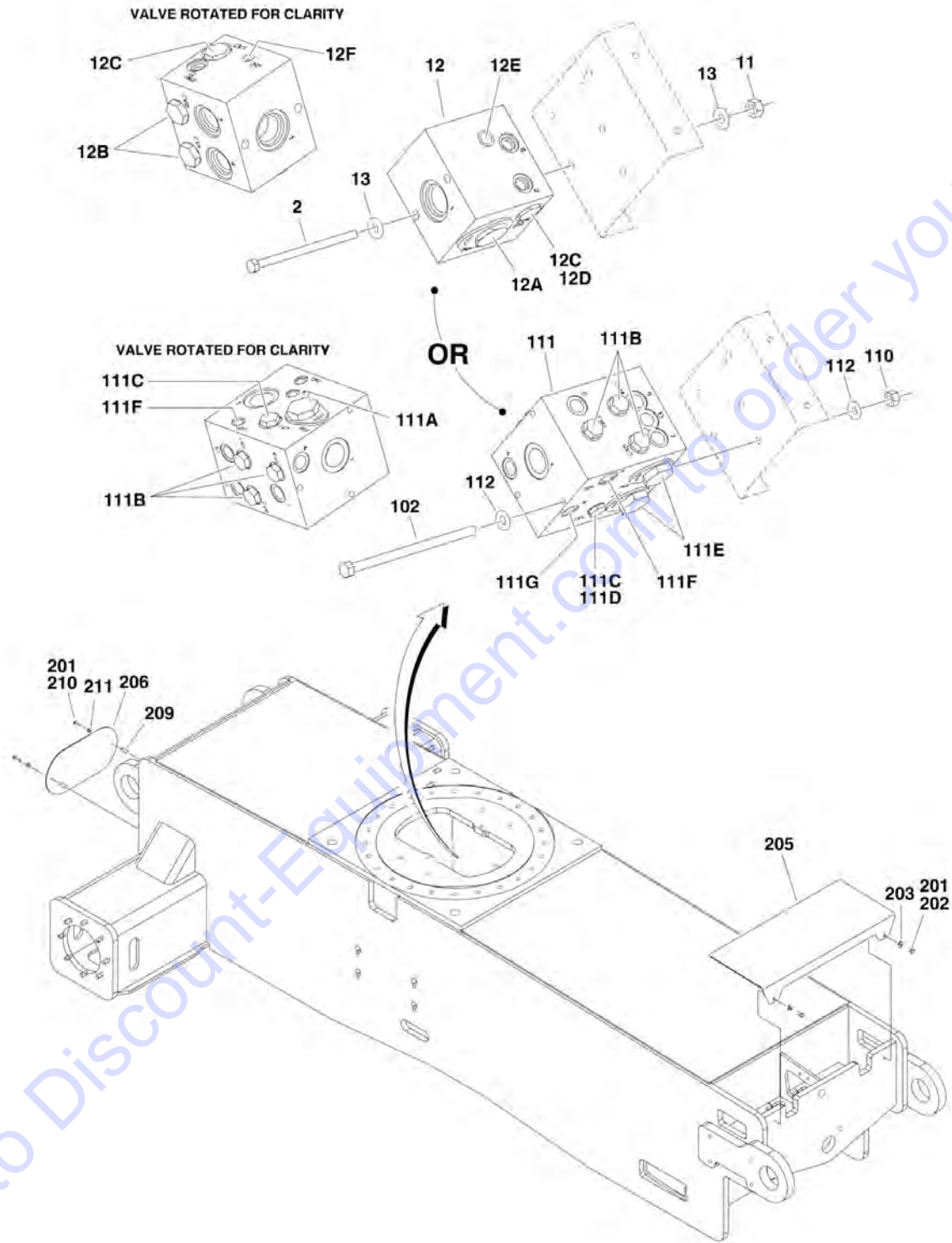
Go to Discount-Equipment.com to order your parts





# SECTION 1 - FRAME

## FIGURE 1-7. FRAME VALVES AND SHIELDS INSTALLATIONS



Go to Discount-Equipment.com to order your parts

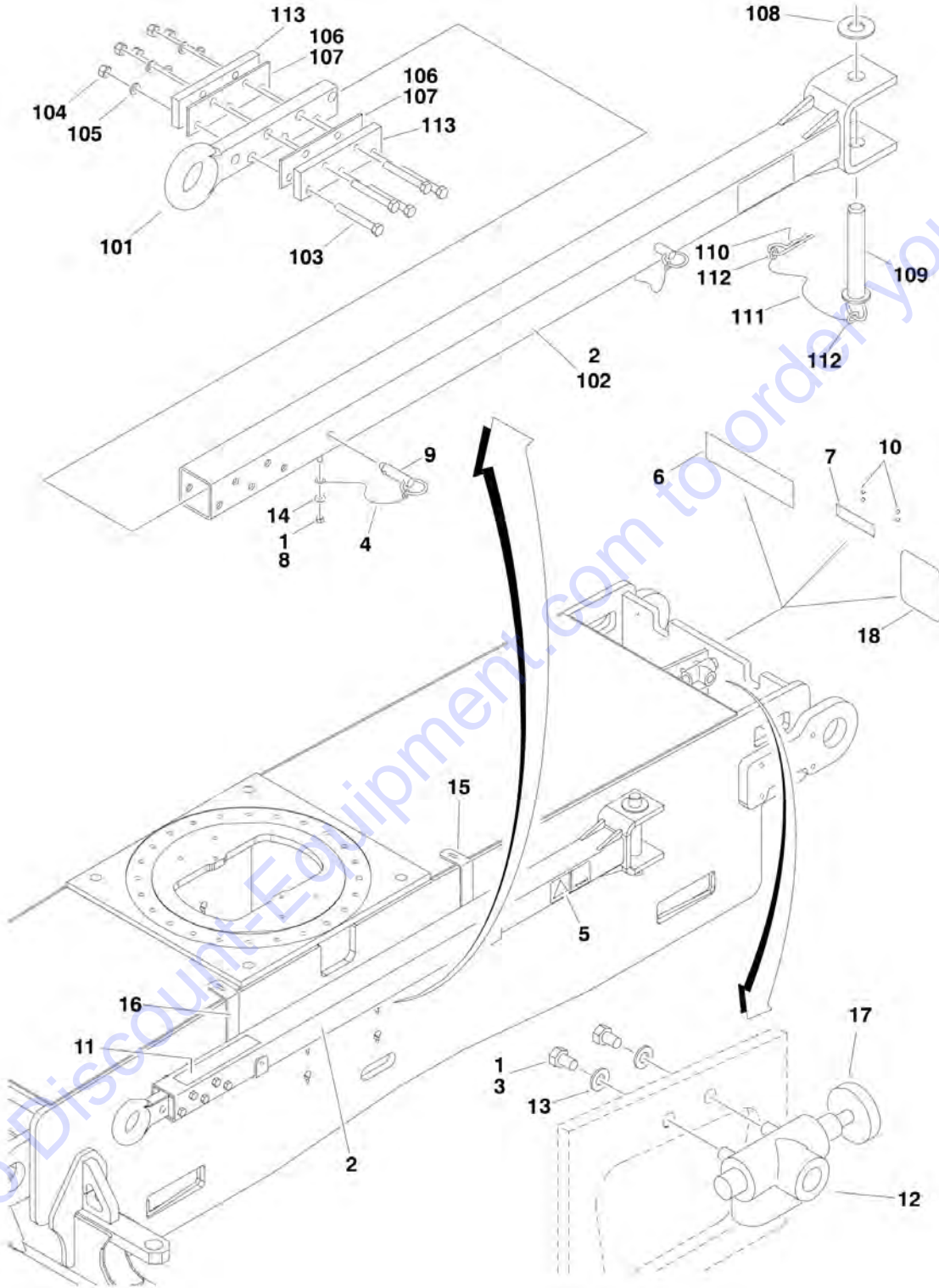
## SECTION 1 - FRAME

**FIGURE 1-7. FRAME VALVES AND SHIELDS INSTALLATIONS**

ITEM	PART NUMBER	QTY	DESCRIPTION	REV
	1001157015	Ref	DRIVE VALVES INSTALLATION - 2WD	C
2	0641542	2	Bolt 5/16-18 x 5-1/4	
11	3311505	2	Nut 5/16-18	
12	1001099870	1	Flow Divider Valve Assembly	B
12A	7023933	1	Cartridge, Flow Divider	
12A	7021625	1	Seal Kit - 7023933 Cartridge	
12A	70000781	1	Lockdown Kit	
12B	7022397	2	Cartridge, Check	
12B	7022399	2	Seal Kit - 7022397 Cartridge	
12C	70002390	2	Cartridge, Check	
12C	7022399	2	Seal Kit - 70002390 Cartridge	
12D	7024881	1	Piston, Pilot	
12E	7017406	1	Plug	
12F	7024844	1	Plug	
12F	7017492	1	Orifice	
13	4711500	4	Washer 5/16in Thin	
	1001157016	Ref	DRIVE VALVES INSTALLATION - 4WD/2WS	C
	1001157094	Ref	DRIVE VALVES INSTALLATION - 4WD/4WS	C
102	0641560	3	Bolt 5/16-18 x 7-1/2	
110	3311505	3	Nut 5/16-18	
111	4641303	1	Flow Divider Valve Assembly	
111A	7023933	1	Cartridge, Flow Divider	
111A	7021625	1	Seal Kit - 7023933 Cartridge	
111B	7022397	6	Cartridge, Check	
111B	7022399	6	Seal Kit - 7022397 Cartridge	
111C	7021639	2	Cartridge, Check Valves	
111C	2900756	2	Seal Kit - 7022398 Cartridge	
111D	7024881	1	Piston, Pilot	
111E	7023917	2	Cartridge, Flow Divider	
111E	7021625	2	Seal Kit - 7023917 Cartridge	
111F	70003935	2	Orifice	
111G	70003936	1	Orifice	
112	4711500	6	Washer 5/16	
	1001158203	Ref	FRAME SHIELDS INSTALLATION (2WS)	D
	1001158204	Ref	FRAME SHIELDS INSTALLATION (4WS)	C
201	0100011	AR	Compound, Locking	
202	0641606	2	Bolt, 3/8in - 16 x 3/4	
203	4751600	2	Washer 3/8	
204	1001158187	1	Cover	
205	4280296	27 in /68cm	Trim	
206	1001158188	1	Cover (2WS Only)	
209	8580420	2	Nut, Well (2WS Only)	
210	0641410	2	Bolt 1/4-20 x 1-1/4 (2WS Only)	
211	4751400	2	Washer 1/4 (2WS Only)	

# SECTION 1 - FRAME

## FIGURE 1-8. TOW PACKAGE INSTALLATION



## SECTION 1 - FRAME

### FIGURE 1-8. TOW PACKAGE INSTALLATION

ITEM	PART NUMBER	QTY	DESCRIPTION	REV
	1001158258	Ref	TOW BAR INSTALLATION (ANSI and ANSI EXPORT SPECS)	B
	1001166806	Ref	TOW BAR INSTALLATION (CE SPECS)	B
1	0100011	AR	Compound, Locking	
2	0232121	1	Tow Bar Assembly (See Items 101-113 For Breakdown)	
3	0641508	2	Bolt 5/16-18 x 1	
3	0641504	2	Bolt 5/16-18 x 1/2	
4	1260017	2 ft/0.3m	Chain	
5	1704578	2	Decal - Crushing (ANSI/ANSI Export Specs)	
5	1706960	2	Decal - Crushing (CE Specs)	
6	1705090	1	Decal - Towing Instructions (ANSI/ANSI Export Specs Only)	
7	3250872	1	Nameplate - Steer/Tow Valve (ANSI/ANSI Export Specs Only)	
8	3311401	2	Nut 1/4-20	
9	3420292	2	Pin	
10	3820001	4	Rivet, Pop (ANSI/ANSI Export Specs Only)	
11	4420051	2 ft/0.3m	Tape	
12	4640261	1	Valve, Float Position	
13	4711500	AR	Washer 5/16	
14	4751400	2	Washer 1/4	
15	1001158522	1	Bracket	
16	1001158522	1	Bracket	
17	1001160780	1	Rod, Extension	
18	1706957		Decal - Tow Bar and Steer Select (CE Spec Only)	
	0232121	Ref	TOW BAR ASSEMBLY	7-G
101	0360406	1	Bar, Draw	
102	4843777	1	Bar, Tow	
103	0642038	5	Bolt 5/8-11 x 4-3/4	
104	3312001	5	Nut 5/8-11	
105	4762000	5	Washer, Lock 5/8	
106	4070450	AR	Shim, Spacer	
107	4070561	AR	Shim, Spacer	
108	4740036	1	Washer 1-1/2	
109	3420447	1	Pin	
110	3420372	1	Pin	
111	1260135	1	Chain	
112	3760170	2	Ring	
113	4070560	2	Shim	

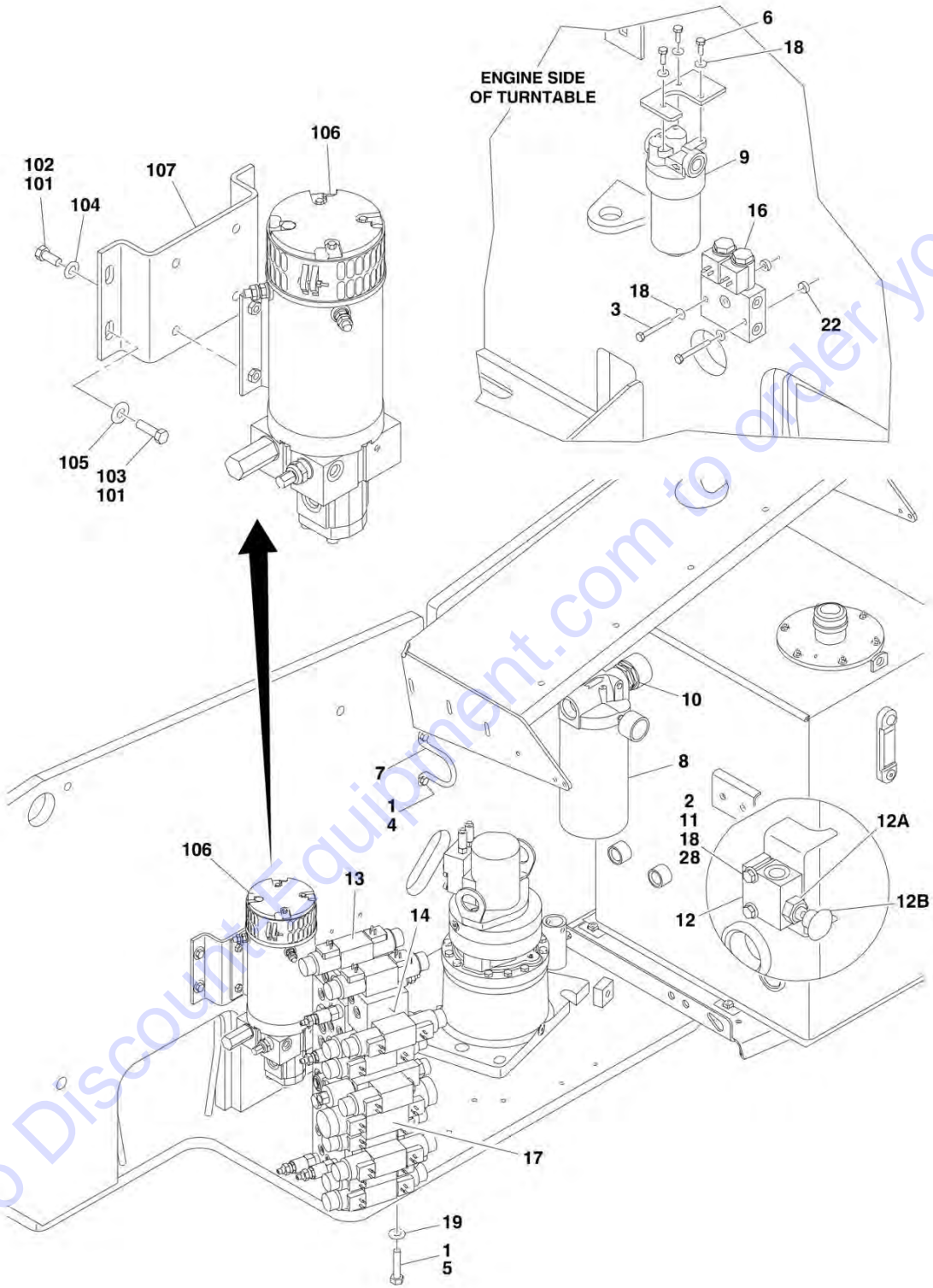


**SECTION 2 - TURNTABLE**

Go to Discount-Equipment.com to order your parts

## SECTION 2 - TURNTABLE

FIGURE 2-1. CONTROL VALVES AND AUXILIARY PUMP INSTALLATIONS



## SECTION 2 - TURNTABLE

**FIGURE 2-1. CONTROL VALVES AND AUXILIARY PUMP INSTALLATIONS**

ITEM	PART NUMBER	QTY	DESCRIPTION	REV
		Ref	VALVES INSTALLATION	
		Ref	Machines without LSS or with 4 Cell LSS:	
	1001156794	Ref	Valves Installation - 800A (2WS) <b>(SN 0300183034 through 0300194139)</b>	C
	1001170128	Ref	Valves Installation - 800A (2WS) <b>(SN 0300194140 to Present)</b>	F
	1001156795	Ref	Valves Installation - 800A (4WS) <b>(SN 0300183034 through 0300194139)</b>	C
	1001170129	Ref	Valves Installation - 800A (4WS) <b>(SN 0300194140 to Present)</b>	F
	1001156796	Ref	Valves Installation - 800AJ (2WS) <b>(SN 0300183034 through 0300194139)</b>	C
	1001170132	Ref	Valves Installation - 800AJ (2WS) <b>(SN 0300194140 to Present)</b>	F
	1001156797	Ref	Valves Installation - 800AJ (4WS) <b>(SN 0300183034 through 0300194139)</b>	C
	1001170134	Ref	Valves Installation - 800AJ (4WS) <b>(SN 0300194140 to Present)</b>	F
		Ref	Machines with 1 Cell LSS:	
	1001219983	Ref	Valves Installation - 800A (2WS)	C
	1001219984	Ref	Valves Installation - 800A (4WS)	C
	1001219985	Ref	Valves Installation - 800AJ (2WS)	B
	1001219986	Ref	Valves Installation - 800AJ (4WS)	B
1	0100011	AR	Compound, Locking	
2	0641416	AR	Bolt 1/4-20 x 2	
2	0641618	AR	Bolt 1/4 x 2-1/4	
3	0641418	AR	Bolt 1/4-20 x 2-1/4	
4	0641606	AR	Bolt 3/8-16 x 3/4	
5	0641614	AR	Bolt 3/8-16 x 1-3/4	
6	0651406	AR	Bolt 1/4-28 x 3/4	
7	3841340		Loop, Hose	
8	2120167	1	Return Filter Assembly <b>(SN 0300183034 through 0300196955)</b>	
8	2120168	1	Element, Filter	
8	7020021	1	Indicator, Clogged	
9	2120209	1	Pressure Filter Assembly	
9	2120210	1	Element, Filter	
9	70000934	1	O-Ring, Filter Bowl	
9	7020020	1	Indicator, Clog	
10	2220893	1	Fitting, Adapter <b>(SN 0300183034 through 0300196955)</b>	
11	3311405	2	Nut 1/4-20	
12	4640866	1	Valve Assembly (Level)	
12A	7017466	1	Cartridge	
12A	2900708	1	Seal Kit - Cartridge (Use p/n 7017496)	
12B	7012959	1	Knob	
13	4640921	1	Valve Assembly - Jib (800AJ Only) (See ACCESSORY VALVE ASSEMBLY for Breakdown) <b>(SN 0300183034 through 0300194139)</b>	
14	4640922	1	Valve Assembly Options: (4WS Only) (See ACCESSORY VALVE ASSEMBLY for Breakdown) <b>(SN 0300183034 through 0300194139)</b>	
16	4641317	1	Valve Assembly (Brake and 2 Speed)	
16	7012944	2	Coil	
16	7012941	2	Cartridge without Coil	
16	7010543	2	Seal Kit - 7012941 Cartridge (1 Per Cartridge)	
17		Ref	Main Control Valve Assembly Options: (See MAIN CONTROL VALVE ASSEMBLY for Breakdown)	



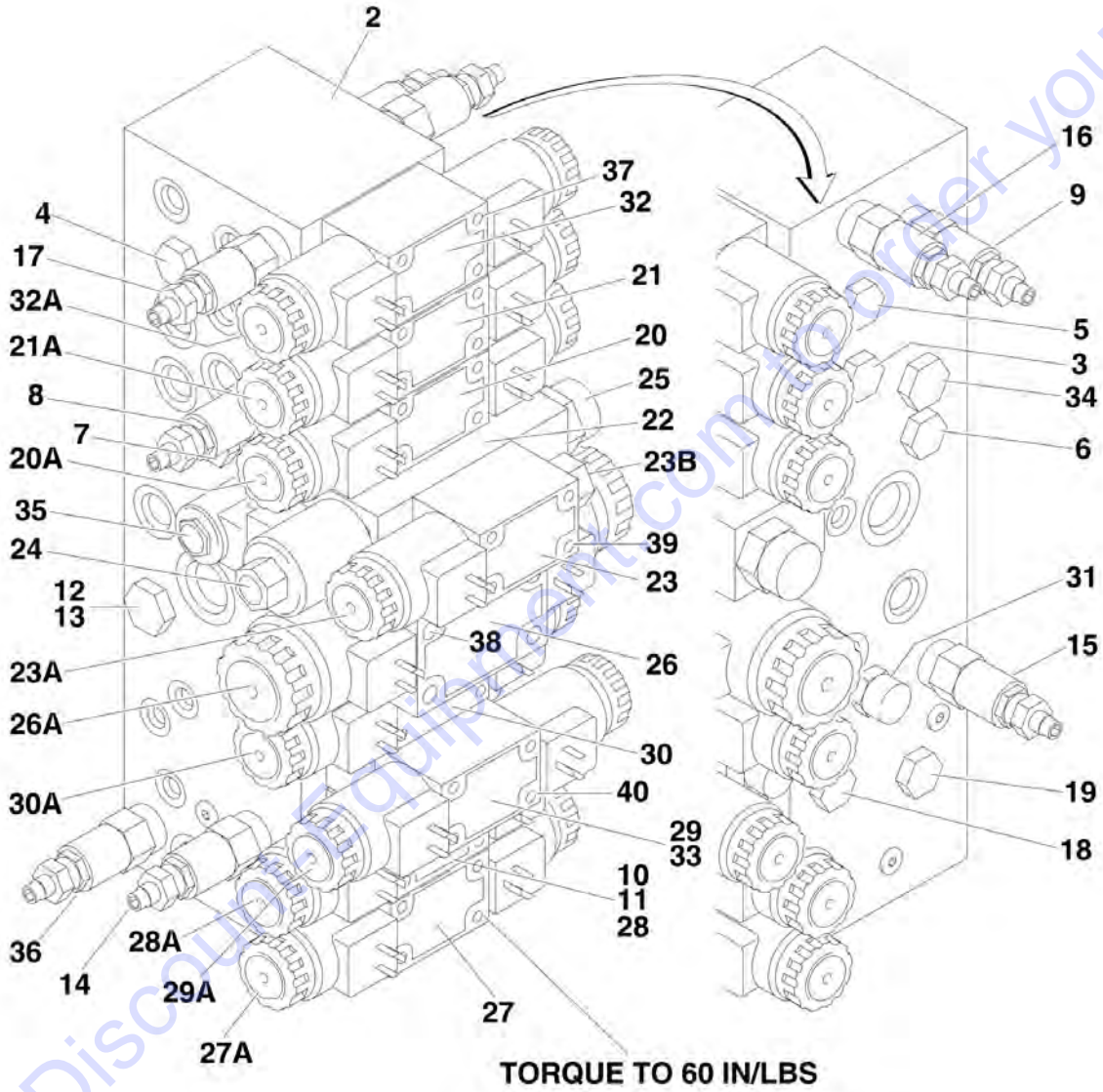
## SECTION 2 - TURNTABLE

ITEM	PART NUMBER	QTY	DESCRIPTION	REV
	4641453	1	Main Control Valve Assembly (SN 0300183034 through 0300194139)	
	1001172218	NLA	Main Control Valve Assembly (2WS) (Use p/n 1001228170) (SN 0300194140 through 0300238223)	
	1001228170	1	Main Control Valve Assembly (2WS) (SN 0300238224 to Present)	
	1001172219	NLA	Main Control Valve Assembly (4WS) (Use p/n 1001228171) (SN 0300194140 through 0300238223)	
	1001228171	1	Main Control Valve Assembly (4WS) (SN 0300238224 to Present)	
18	4711400	AR	Washer 1/4	
19	4711600	AR	Washer 3/8	
20	4921927	1	Harness Assembly (Jib Control) (800AJ Only) (Not Shown - See ELECTRICAL SECTION for Breakdown) (SN 0300183034 through 0300194139)	
21	4921928	1	Harness Assembly (4WS Only) (Not Shown - See ELECTRICAL SECTION for Breakdown) (SN 0300183034 through 0300194139)	
22	1001110425	2	Spacer	
28	0641414	AR	Bolt 1/4-20 x 1 3/4	
	1001142005	Ref	AUXILIARY PUMP INSTALLATION WITH BRACKET	C
	1001156137	Ref	AUXILIARY PUMP INSTALLATION WITHOUT BRACKET	A
101	0100011	AR	Compound, Locking	
102	0641607	4	Bolt 3/8-16 x 7/8 (Pump without Bracket)	
102	0811612	4	Bolt 3/8-16 x 1-1/2 Grade 8 (Pump with Bracket)	
103	0641610	4	Bolt 3/8-16 x 1-1/4 (Pump without Bracket Only)	
104	4711600	4	Washer 3/8 (Pump without Bracket Only)	
105	4751600	4	Washer 3/8 (Pump without Bracket Only)	
106	1001137460	1	Pump, Auxiliary (See AUXILIARY PUMP ASSEMBLY for Breakdown)	
107	1001141783	1	Bracket, Pump Mounting	



## SECTION 2 - TURNTABLE

FIGURE 2-2. MAIN CONTROL VALVE ASSEMBLY (SN 0300183034 through 0300194139)



## SECTION 2 - TURNTABLE

**FIGURE 2-2. MAIN CONTROL VALVE ASSEMBLY (SN 0300183034 through 0300194139)**

ITEM	PART NUMBER	QTY	DESCRIPTION	REV
	4641453	Ref	MAIN CONTROL VALVE ASSEMBLY	B
2	See Note	1	Block (Note: Not Available - Purchase Complete Assembly)	
3	7010542	1	Cartridge, Load Sensing (Main Lift)	
3	7010543	1	Seal Kit - 7010542 Cartridge	
4	7010542	1	Cartridge, Load Sensing	
4	7010543	1	Seal Kit - 7010542 Cartridge	
5	7010542	1	Cartridge, Load Sensing (Swing)	
5	7010543	1	Seal Kit - 7010542 Cartridge	
6	7010542	1	Cartridge, Load Sensing	
6	7010543	1	Seal Kit - 7010542 Cartridge	
7	7010542	1	Cartridge, Load Sensing (Main)	
7	7010543	1	Seal Kit - 7010542 Cartridge	
8	7017420	1	Cartridge, Relief Valve (Main Lift)	
8	7012998	1	Seal Kit - 7017420 Cartridge	
9	7017423	1	Cartridge, Relief Valve (Swing)	
9	7012998	1	Seal Kit - 7017420 Cartridge	
10	7018941	1	Orifice	
11	7018941	1	Orifice	
12	4641192	1	Cartridge, Check Valve (Tower Lift)	
12	2900708	1	Seal Kit - 4641192 Cartridge	
13	7021602	1	Piston, Pilot	
14	7017428	1	Cartridge, Relief Valve (Platform Level Down)	
14	7012998	1	Seal Kit - 7017428 Cartridge	
15	7017427	1	Cartridge, Relief Valve (Platform Level Up)	
15	7012998	1	Seal Kit - 7017427 Cartridge	
16	7017428	1	Cartridge, Relief Valve (Front Steer)	
16	7012998	1	Seal Kit - 7017428 Cartridge	
17	7017428	1	Cartridge, Relief Valve (Front Steer)	
17	7012998	1	Seal Kit - 7017428 Cartridge	
18	7012914	1	Cartridge, Pilot Check (Platform Level)	
18	7012918	1	Seal Kit - 7012914 Cartridge	
19	7012914	1	Cartridge, Pilot Check (Platform Level)	
19	7012918	1	Seal Kit - 7012914 Cartridge	
20	7018992	1	Control Valve Assembly (Main Lift)	
20	7012773	1	Seal Kit - 7018992 Valve	
20A	7018991	2	Coil	
20A	7018912	2	Nut	
21	7012775	1	Control Valve Assembly (Swing)	
21	7012773	1	Seal Kit - 7012775 Valve	
21A	7012772	2	Coil	
21A	7018912	2	Nut	
22	70002946	1	Flow Control Manifold Assembly (Main) (Includes Items 24 & 25)	
23	7018994	1	Control Valve Assembly (Main)	
23	7012773	1	Seal Kit - 7018994 Valve	
23A	7012772	1	Coil	
23A	7018912	1	Nut	
23B	7018993	1	Plug	
24	7017475	1	Cartridge without Coil	
24	7010545	1	Seal Kit - 7017475 Cartridge	
24	7000645	1	Coil	

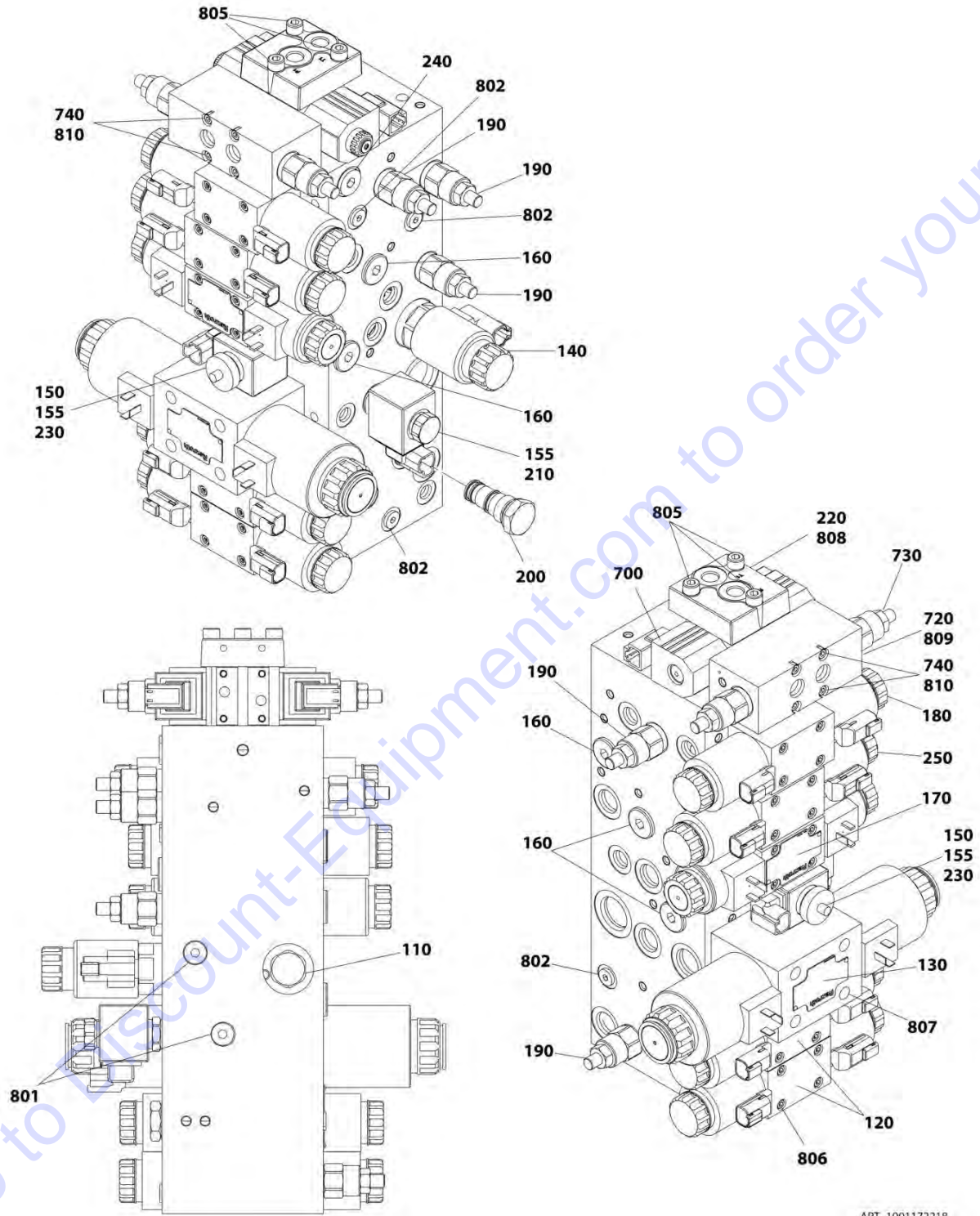
## SECTION 2 - TURNTABLE

ITEM	PART NUMBER	QTY	DESCRIPTION	REV
25	7021601	1	Cartridge, Flow Regulator (Main)	
25	7017477	1	Seal Kit - 7021601 Cartridge	
26	70000579	1	Control Valve Assembly (Main Tele)	
26	70000583	1	Seal Kit	
26A	70000582	1	Coil	
26A	70000580	1	Nut, Coil	
27	70001976	1	Control Valve Assembly (Tower Tele)	
27	7012773	1	Seal Kit - 7012770 Valve	
27A	7012772	2	Coil	
27A	7018912	2	Nut	
28	70001976	1	Control Valve Assembly (Platform Level)	
28	7012773	1	Seal Kit - 7012770 Valve	
28A	7012772	2	Coil	
28A	7018912	2	Nut	
29	70001976	1	Control Valve Assembly (Platform Rotate)	
29	7012773	1	Seal Kit - 7012770 Valve	
29A	7012772	2	Coil	
29A	7018912	2	Nut	
30	70001976	1	Control Valve Assembly (Tower Lift)	
30	7012773	1	Seal Kit - 7012770 Valve	
30A	7012772	2	Coil	
30A	7018912	2	Nut	
31	7012989	1	Cartridge, Flow Regulator (Platform Rotate)	
31	7012953	1	Seal Kit - 7012989 Cartridge	
32	7012774	1	Control Valve Assembly (Front Steer)	
32	7012773	1	Seal Kit - 7012774 Valve	
32A	7012772	2	Coil	
32A	7018912	2	Nut	
33	7021310	AR	Valve, Sandwich (Platform Rotate)	
33	7018945	2	O-Rings, Replacement - 7021310 Valve	
34	7017478	1	Cartridge, Check Valve (Main Pressure)	
34	7017477	1	Seal Kit - 7017478 Cartridge	
35	7012941	1	Cartridge without Coil (Main Dump)	
35	7010543	1	Seal Kit - 7017452 Cartridge	
35	7012944	1	Coil	
36	7017428	1	Cartridge, Relief Valve (Tower Tele)	
36	7012998	1	Seal Kit - 7017428 Cartridge	
37	7018942	28	Capscrew #10-24 x 2	
38	7018951	4	Capscrew 1/4-20 x 1-1/2	
39	7021311	4	Capscrew #10-24 x 4-1/2	
40	3931048	4	Capscrew #10-24 x 3	



# SECTION 2 - TURNTABLE

FIGURE 2-3. MAIN CONTROL VALVE ASSEMBLY (SN 0300194140 through 0300238223)



ART\_1001172218

## SECTION 2 - TURNTABLE

**FIGURE 2-3. MAIN CONTROL VALVE ASSEMBLY (SN 0300194140 through 0300238223)**

ITEM	PART NUMBER	QTY	DESCRIPTION	REV
	1001172218	Ref	MAIN CONTROL VALVE ASSEMBLY (2WS)	D
	1001172219	Ref	MAIN CONTROL VALVE ASSEMBLY (4WS)	D
110	70005194	1	Valve, Check Cartridge	
110	70004584	1	Seal Kit - 70005194 Valve	
120	70004459	2	Valve Assembly (Tower Tele and Tower Lift)	
120	7012773	2	Seal Kit - 70004459 Valve	
120	70004460	4	Coil	
120	7021375	4	Nut, Coil	
120	70004461	4	O-Ring, Pole Tube	
130	70000579	1	Valve Assembly (Upper Tele)	
130	70000583	1	Seal Kit - 70000579 Valve	
130	70000582	2	Coil	
130	70000580	2	Nut, Coil	
130	7021363	2	O-Ring, Pole Tube	
140	70004657	1	Valve, Cartridge (Flow Control)	
140	70004594	1	Seal Kit - 70004657 Valve	
140	70004595	1	Coil	
140	70004596	1	O-Ring, Pole Tube	
140	70004597	1	Nut, Coil	
150	70004598	1	Valve, Cartridge Less Coil (Steer Dump)	
150	70004055	1	Seal Kit - 70004698 Valve	
155	70004653	2	Coil	
155	70004051	2	Nut, Coil	
160	70023859	5	Valve, Shuffle Cartridge	
160	70023860	5	Seal Kit - 70023859 Valve	
170	7018992	1	Valve Assembly (Upper Lift)	
170	7012773	1	Seal Kit - 7018992 Valve	
170	7018991	2	Coil	
170	7021375	2	Nut, Coil	
170	70004461	2	O-Ring, Pole Tube	
180	70005195	1	Valve Assembly (Front Steer)	
180	7012773	1	Seal Kit - 70005195 Valve	
180	70004463	2	Coil	
180	7021375	2	Nut, Coil	
180	70004461	2	O-Ring, Pole Tube	
190	70003019	5	Valve, Relief Cartridge	
190	70004052	5	Seal kit - 70003019 Valve	
200	70004665	1	Valve, Check - Cartridge	
200	70023862	1	Seal Kit - 70004665 Valve	
210	70004457	1	Valve, Cartridge Less Coil (Main Dump)	
210	70004050	1	Seal Kit - 70004457 Valve	
220	70004667	1	Cover	
230	70005196	1	Orifice .118	
240	70005197	1	Plug (2WS)	
240	70004052	1	Seal Kit - 70004670 Plug	
250	70005198	1	Valve Assembly (Swing)	
250	7012773	1	Seal Kit - 70005198 Valve	
250	70004463	2	Coil	
250	7021375	2	Nut, Coil	
250	70004461	2	O-Ring, Pole Tube	



## SECTION 2 - TURNTABLE

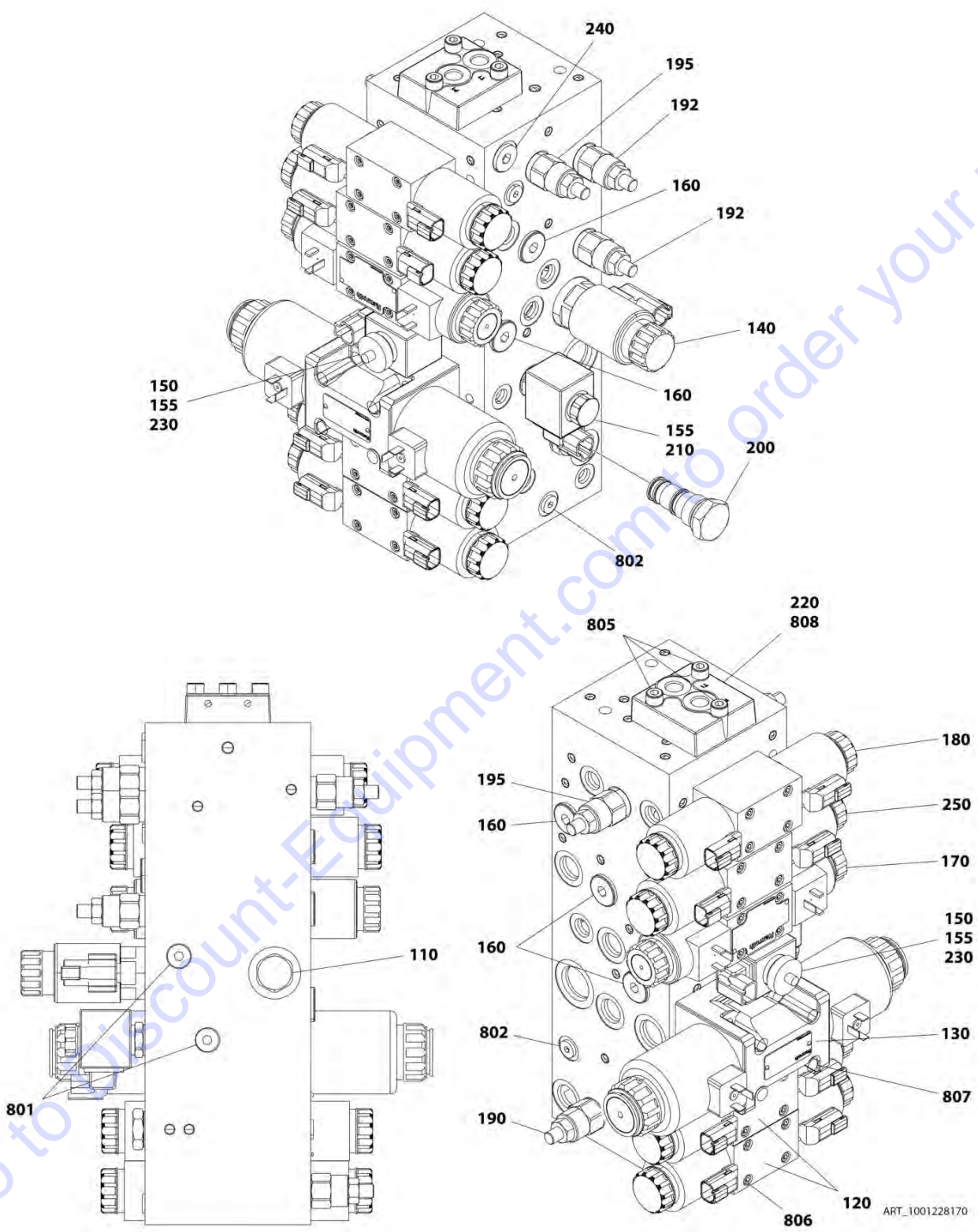
ITEM	PART NUMBER	QTY	DESCRIPTION	REV
700	70004671	1	Valve Assembly (Rear Steer) (4WS Only)	
700	70004673	2	Coil	
720	See Note	NLA	Valve Assembly (Rear Steer) (4WS Only) (Note: Not Available for Purchase)	
730	70003019	2	Valve, Pressure Relief Cartridge	
730	70004052	2	Seal Kit - 70003019 Valve	
740	70005232	4	Capscrew (4WS Only)	
801	70005199	2	Plug	
802	70005200	4	Plug	
805	70005201	3	Capscrew	
806	7018942	20	Capscrew	
807	7018951	4	Capscrew	
808	70005202	2	O-Ring	
809	91474405	2	O-Ring (4WS Only)	
810	70021202	1	Bolt Kit (4WS Only)	

Go to Discount-Equipment.com to order your parts



# SECTION 2 - TURNTABLE

## FIGURE 2-4. MAIN VALVE ASSEMBLY (SN 0300238224 to Present)



**SECTION 2 - TURNTABLE**

**FIGURE 2-4. MAIN VALVE ASSEMBLY (SN 0300238224 to Present)**

ITEM	PART NUMBER	QTY	DESCRIPTION	REV
	1001228170	Ref	MAIN VALVE ASSEMBLY	A
110	70005194	1	Valve, Check Cartridge	
110	70004584	1	Seal Kit - 70005194 Valve	
120	70004459	2	Valve Assembly (Tower Tele and Tower Lift)	
120	7012773	2	Seal Kit - 70004459 Valve	
120	70004460	4	Coil	
120	7021375	4	Nut, Coil	
120	70004461	4	O-Ring, Pole Tube	
130	70006955	1	Valve Assembly (Upper Tele)	
130	70006957	1	Seal Kit - 70006955 Valve	
130	70006956	2	Coil	
140	70004657	1	Valve, Cartridge (Flow Control)	
140	70004594	1	Seal Kit - 70004657 Valve	
140	70004595	1	Coil	
140	70004596	1	O-Ring, Pole Tube	
140	70004597	1	Nut, Coil	
150	70004598	1	Valve, Cartridge Less Coil (Steer Dump)	
150	70004055	1	Seal Kit - 70004598 Valve	
155	70004653	2	Coil	
155	70004051	2	Nut, Coil	
160	70023859	5	Valve, Shuffle Cartridge	
160	70023860	5	Seal Kit - 70023859 Valve	
170	7018992	1	Valve Assembly (Upper Lift)	
170	7024021	1	Seal Kit - 7018992 Valve	
170	7018991	2	Coil	
170	7021375	2	Nut, Coil	
170	70004461	2	O-Ring, Pole Tube	
180	70005195	1	Valve Assembly (Front Steer)	
180	7012773	1	Seal Kit - 70005195 Valve	
180	70004463	2	Coil	
180	7021375	2	Nut, Coil	
180	70004461	2	O-Ring, Pole Tube	
190	70006959	1	Valve, Relief Cartridge	
190	See Note	NSS	Seal Kit - 70006959 Valve (Note: Not Available for Purchase)	
192	70006960	2	Valve, Relief Cartridge	
192	See Note	NSS	Seal Kit - 70006960 Valve (Note: Not Available for Purchase)	
195	70006958	2	Valve, Relief Cartridge	
195	See Note	NSS	Seal Kit - 70006958 Valve (Note: Not Available for Purchase)	
200	70004665	1	Valve, Check - Cartridge	
200	70023862	1	Seal Kit - 70004665 Valve	
210	70004457	1	Valve, Cartridge Less Coil (Main Dump)	
210	70004050	1	Seal Kit - 70004665 Valve	
210	70004653	1	Coil	
220	70004667	1	Cover	
230	70005196	1	Orifice .118	
240	70005197	1	Plug (2WS)	
240	70004052	1	Seal Kit - 70005197 Plug	
250	70005198	1	Valve Assembly (Swing)	
250	70006961	1	Seal Kit - 70005198 Valve	
250	70004463	2	Coil	

## SECTION 2 - TURNTABLE

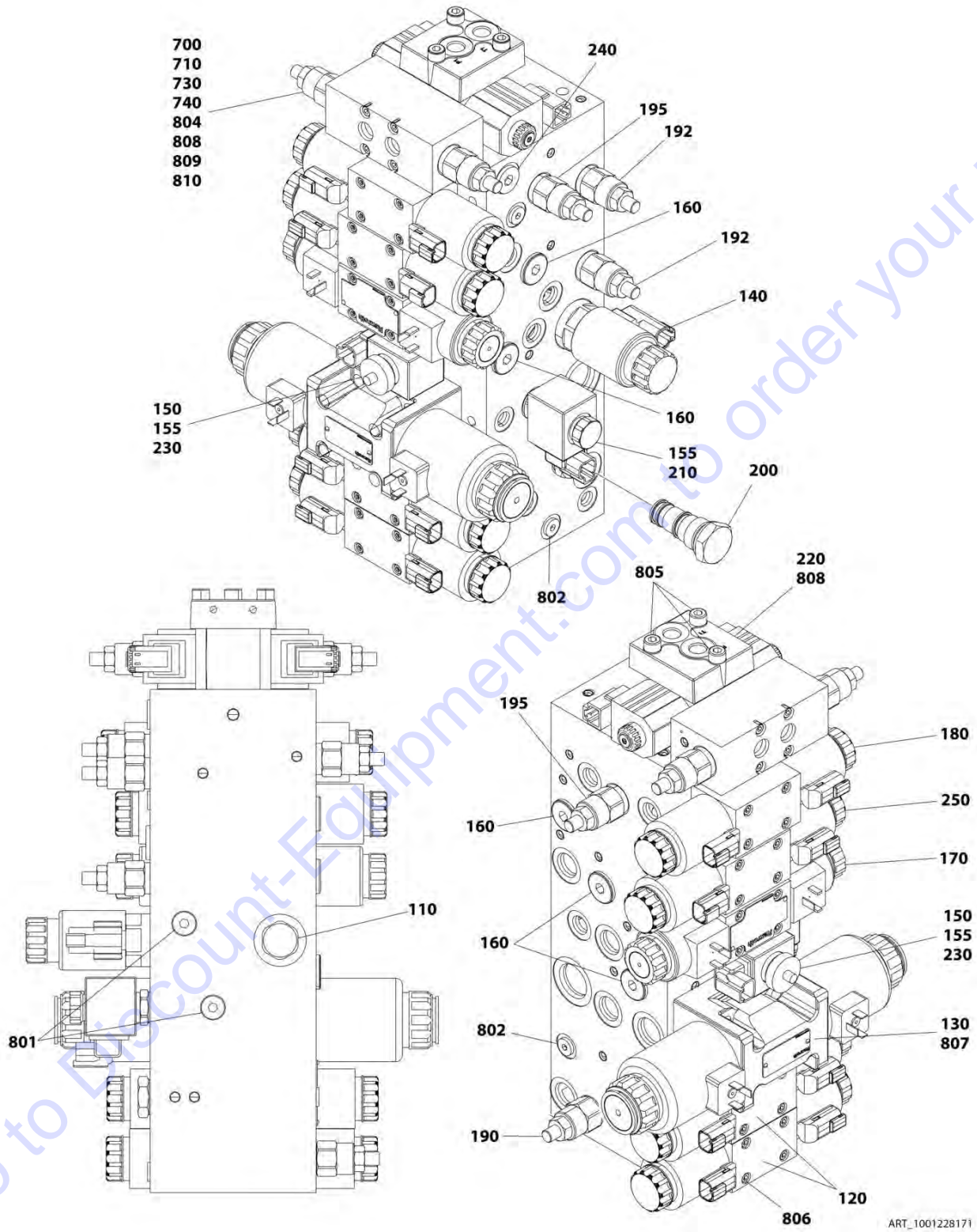
ITEM	PART NUMBER	QTY	DESCRIPTION	REV
250	7021375	2	Nut, Coil	
250	70004461	2	O-Ring, Pole Tube	
801	70005199	2	Plug	
802	70005200	4	Plug	
805	70005201	3	Capscrew	
806	7018942	20	Capscrew	
807	7018951	4	Capscrew	
808	70005202	2	O-Ring	

Go to Discount-Equipment.com to order your parts



# SECTION 2 - TURNTABLE

## FIGURE 2-5. MAIN VALVE ASSEMBLY (SN 0300238224 to Present)



ART\_1001228171

## SECTION 2 - TURNTABLE

**FIGURE 2-5. MAIN VALVE ASSEMBLY (SN 0300238224 to Present)**

ITEM	PART NUMBER	QTY	DESCRIPTION	REV
	1001228171	Ref	MAIN VALVE ASSEMBLY	A
110	70005194	1	Valve, Check Cartridge	
110	70004584	1	Seal Kit - 70005194 Valve	
120	70004459	2	Valve Assembly (Tower Tele and Tower Lift)	
120	7012773	2	Seal Kit - 70004459 Valve	
120	70004460	4	Coil	
120	7021375	4	Nut, Coil	
120	70004461	4	O-Ring, Pole Tube	
130	70006955	1	Valve Assembly (Upper Tele)	
130	70006957	1	Seal Kit - 70006955 Valve	
130	70006956	2	Coil	
140	70004657	1	Valve, Cartridge (Flow Control)	
140	70004594	1	Seal Kit - 70004657 Valve	
140	70004595	1	Coil	
140	70004596	1	O-Ring, Pole Tube	
140	70004597	1	Nut, Coil	
150	70004598	1	Valve, Cartridge Less Coil (Steer Dump)	
150	70004055	1	Seal Kit - 70004598 Valve	
155	70004653	2	Coil	
155	70004051	2	Nut, Coil	
160	70023859	5	Valve, Shuffle Cartridge	
160	70023860	5	Seal Kit - 70023859 Valve	
170	7018992	1	Valve Assembly (Upper Lift)	
170	7024021	1	Seal Kit - 7018992 Valve	
170	7018991	2	Coil	
170	7021375	2	Nut, Coil	
170	70004461	2	O-Ring, Pole Tube	
180	70005195	1	Valve Assembly (Front Steer)	
180	7012773	1	Seal Kit - 70005195 Valve	
180	70004463	2	Coil	
180	7021375	2	Nut, Coil	
180	70004461	2	O-Ring, Pole Tube	
190	70006959	1	Valve, Relief Cartridge	
190	See Note	NSS	Seal Kit - 70006959 Valve (Note: Not Available for Purchase)	
192	70006960	2	Valve, Relief Cartridge	
192	See Note	NSS	Seal Kit - 70006960 Valve (Note: Not Available for Purchase)	
195	70006962	2	Valve, Relief Cartridge	
195	See Note	NSS	Seal Kit - 70006958 Valve (Note: Not Available for Purchase)	
200	70004665	1	Valve, Check - Cartridge	
200	70023862	1	Seal Kit - 70004665 Valve	
210	70004457	1	Valve, Cartridge Less Coil (Main Dump)	
210	70004050	1	Seal Kit - 70004665 Valve	
210	70004653	1	Coil	
220	70004667	1	Cover	
230	70005196	1	Orifice .118	
240	70004670	1	Blocking Plug	
250	70005198	1	Valve Assembly (Swing)	
250	70006961	1	Seal Kit - 70005198 Valve	
250	70004463	2	Coil	
250	7021375	2	Nut, Coil	



## SECTION 2 - TURNTABLE

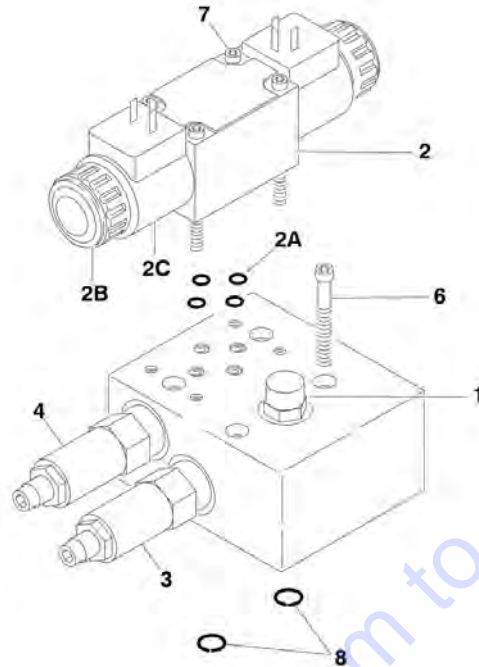
ITEM	PART NUMBER	QTY	DESCRIPTION	REV
250	70004461	2	O-Ring, Pole Tube	
700	70004671	1	Valve Assembly (Rear Steer)	
710	70004673	2	Coil	
730	70006963	2	Valve, Relief Cartridge	
740	70005232	4	Capscrew	
801	70005199	2	Plug	
802	70005200	4	Plug	
805	70005201	3	Capscrew	
806	7018942	20	Capscrew	
807	7018951	4	Capscrew	
808	70005202	2	O-Ring	
809	91474405	2	O-Ring	
810	70021202	1	Bolt Kit	

Go to Discount-Equipment.com to order your parts

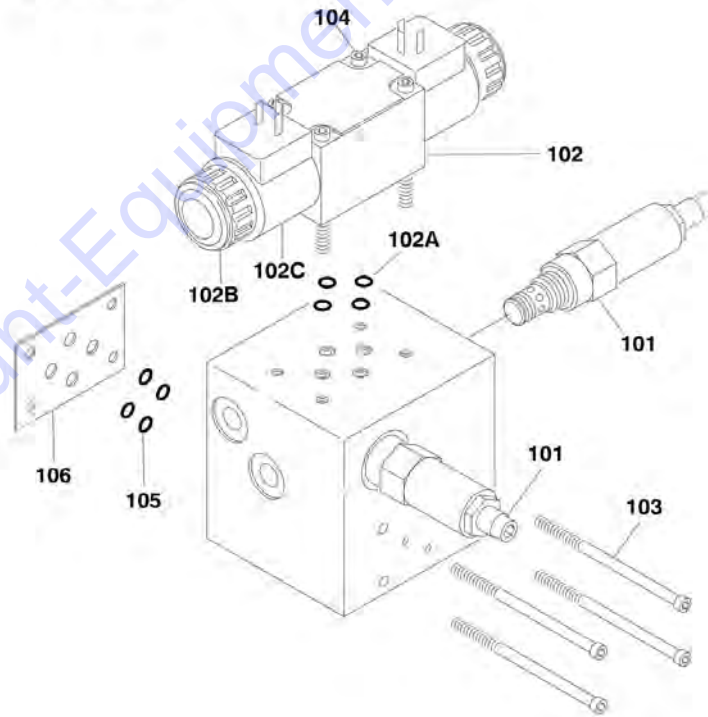


## SECTION 2 - TURNTABLE

FIGURE 2-6. ACCESSORY VALVE ASSEMBLY



**NOTE: TORQUE ITEMS 6, 7, 103 & 104 TO 60 IN/LBS.**



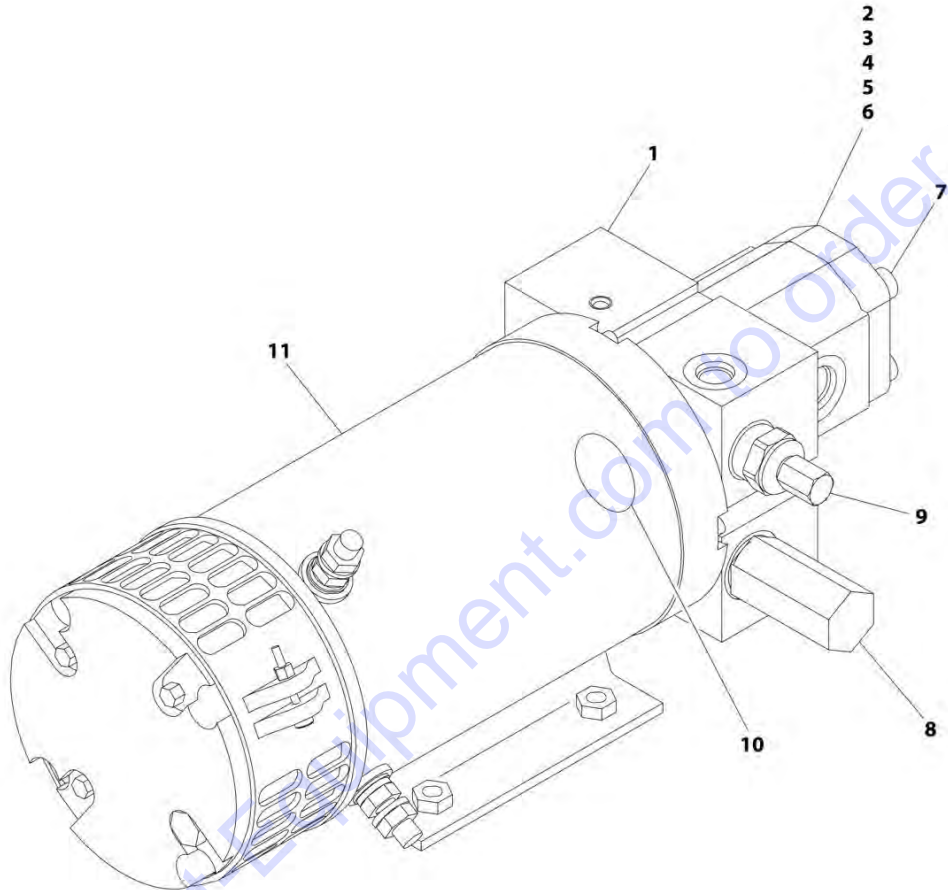
**SECTION 2 - TURNTABLE**

**FIGURE 2-6. ACCESSORY VALVE ASSEMBLY**

ITEM	PART NUMBER	QTY	DESCRIPTION	REV
		Ref	ACCESSORY VALVE ASSEMBLIES	
	4640921	Ref	ARTICULATING JIB VALVE ASSEMBLY (SN 0300183034 through 0300194139)	D
1	7012965	1	Cartridge, Flow Control	
1	7012953	1	Seal Kit - 7012965 Cartridge	
2	70001976	1	Directional Control Valve Assembly	
2	7012773	1	Seal Kit	
2A	7018945	4	O-Ring	
2B	7018912	2	Nut	
2C	7012772	2	Coil	
3	7017421	1	Cartridge, Relief	
3	7012998	1	Seal Kit - 7017421 Cartridge	
4	7017422	1	Cartridge, Relief	
4	7012998	1	Seal Kit - 7017422 Cartridge	
5	4460499	2	Connector, DIN with Diode (Not Shown - Part of Valve Harness)	
6	7012777	4	Capscrew 5/16-18 x 2-1/4 (Used to Mount Valve Assembly)	
7	7018942	4	Capscrew #10-24 x 2	
8	7012776	2	O-Ring (Used to Mount Main Valve)	
		Ref	4WS VALVE ASSEMBLY OPTIONS:	
	4640922	Ref	4WS Valve Assembly (SN 0300183034 through 0300194139)	B
101	7017420	1	Cartridge, Relief	
101	7012998	1	Seal Kit - 7017420 Cartridge	
102	7012774	1	Directional Control Valve Assembly	
102	7012773	1	Seal Kit	
102A	7018945	4	O-Ring	
102B	7018912	2	Nut	
102C	7012772	2	Coil	
103	7018946	4	Capscrew #10-24 x 5 (Used to Mount Main Valve)	
104	7018942	4	Capscrew #10-24 x 2	
105	7018948	4	O-Ring (Used to Mount Main Valve)	
106	7018947	1	Plate, O-Ring	

## SECTION 2 - TURNTABLE

FIGURE 2-7. AUXILIARY PUMP ASSEMBLY



ART\_1001137460

**SECTION 2 - TURNTABLE**

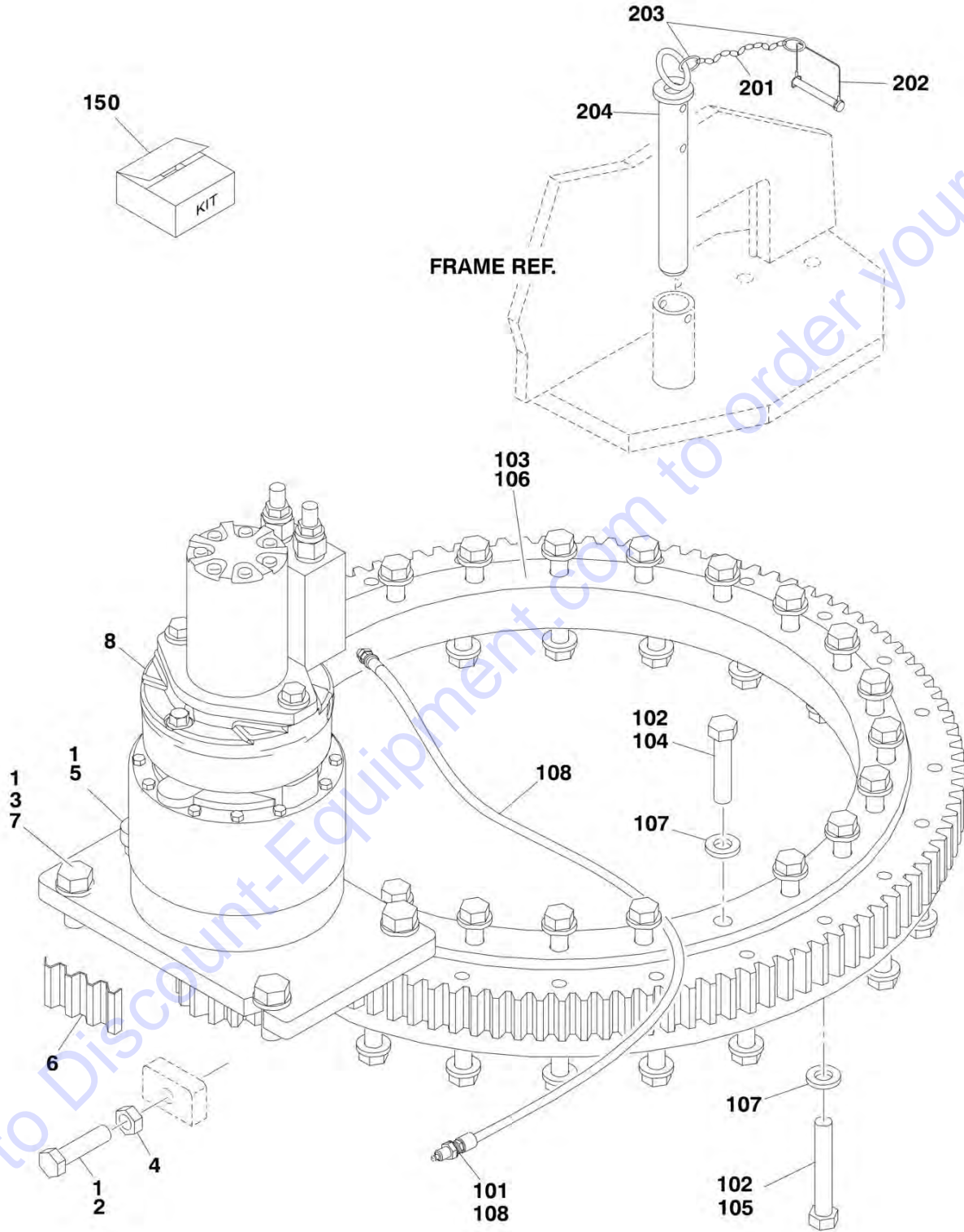
**FIGURE 2-7. AUXILIARY PUMP ASSEMBLY**

ITEM	PART NUMBER	QTY	DESCRIPTION	REV
	1001137460	Ref	AUXILIARY PUMP ASSEMBLY	A
1	70004125	1	Base Assembly	
1	70003993	1	Seal, Shaft	
2	See Note	NSS	Pin, Dowel (Note: Use Item 1)	
3	See Note	NSS	O-Ring (Note: Use Item 1)	
4	See Note	NSS	Pump (Note: Use Item 1)	
5	See Note	NSS	O-Ring (Note: Use Item 1)	
6	See Note	NSS	Cover, Rear (Note: Use Item 1)	
7	See Note	NSS	Screw (Note: Use Item 1)	
8	70003989	1	Valve, Logic	
9	See Note	1	Valve, Relief (Note: Use Item 1)	
10	See Note	1	Shaft, Intermediate (Note: Use Item 1)	
11	70003992	1	Motor	

Go to Discount-Equipment.com to order your parts

## SECTION 2 - TURNTABLE

FIGURE 2-8. TURNTABLE BEARING AND SWING DRIVE INSTALLATION



## SECTION 2 - TURNTABLE

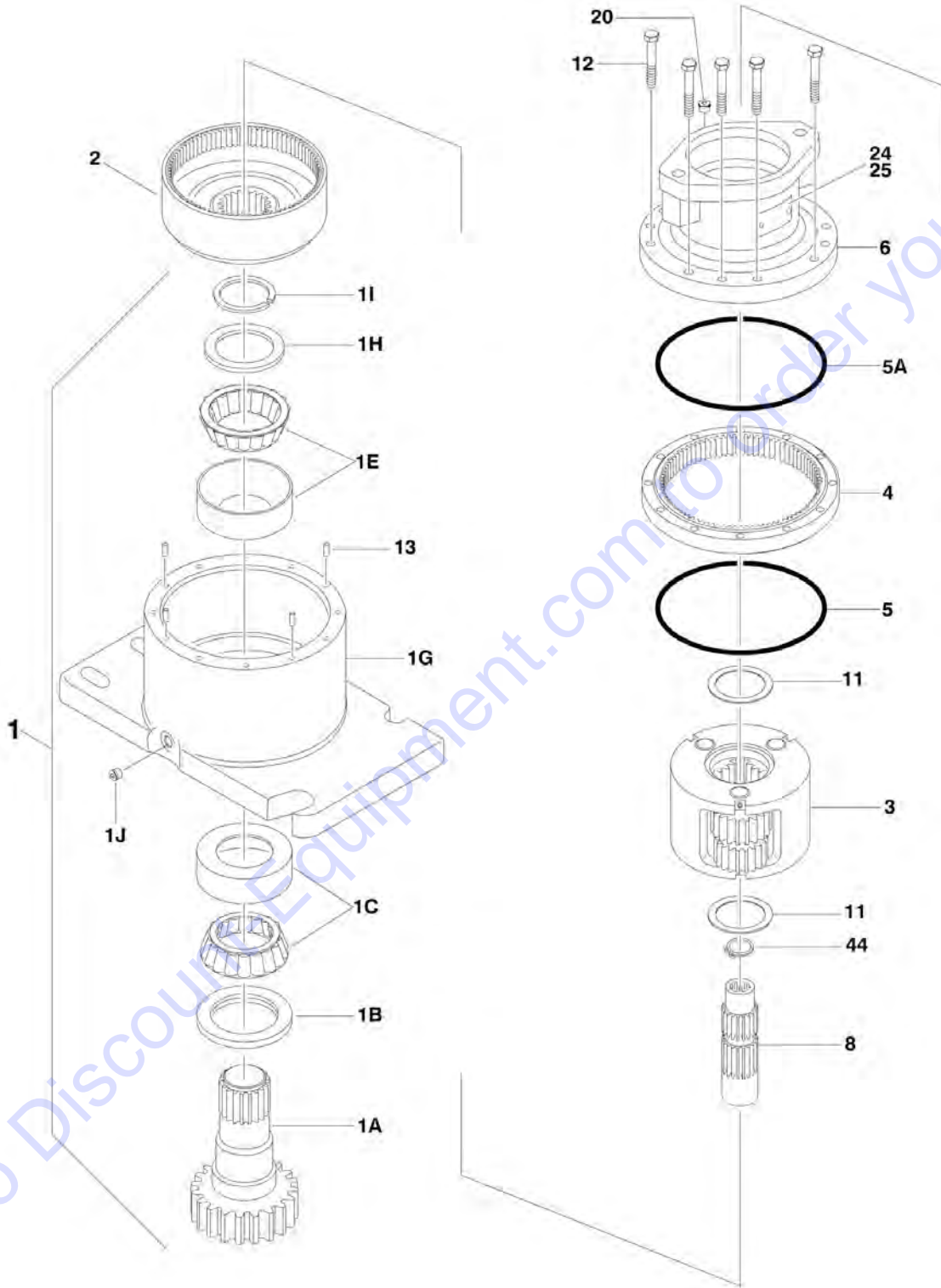
**FIGURE 2-8. TURNTABLE BEARING AND SWING DRIVE INSTALLATION**

ITEM	PART NUMBER	QTY	DESCRIPTION	REV
	1001156136	Ref	SWING DRIVE INSTALLATION	A
1	0100019	AR	Compound, Locking	
2	0642018	1	Bolt 5/8-11 x 2-1/4	
3	0682216	4	Bolt 3/4 -10 x 2 Grade 8	
4	3312002	1	Nut 5/8 - 11	
5	3900293	1	Screw 1 x 1-1/4	
6	4071009	1	Shim	
7	4740057	4	Washer	
8	1001101060	1	Motor, Swing Assembly (See SWING MOTOR/HUB ASSEMBLY for Breakdown)	
	1001157049	Ref	TURNTABLE BEARING INSTALLATION	A
101	0100011	AR	Compound, Locking	
102	0100019	AR	Compound, Locking	
103	0440244	1	Bearing, Turntable	
104	0682023	24	Bolt 5/8 -11 x 2-7/8 Grade 8	
105	0682032	24	Bolt 5/8-11 x 4 Grade 8	
106	3020029	AR	Lubricant	
107	4892000	48	Washer 5/8	
108	1001157058	1	Hose	
150	2915094	1	TURNTABLE BEARING KIT	
	1001156798	Ref	TURNTABLE LOCK INSTALLATION	A
201	1260017	9 in/23cm	Chain	
202	3421565	1	Pin, Snap	
203	3760170	2	Ring, Quick Release	
204	4844958	1	Pin	



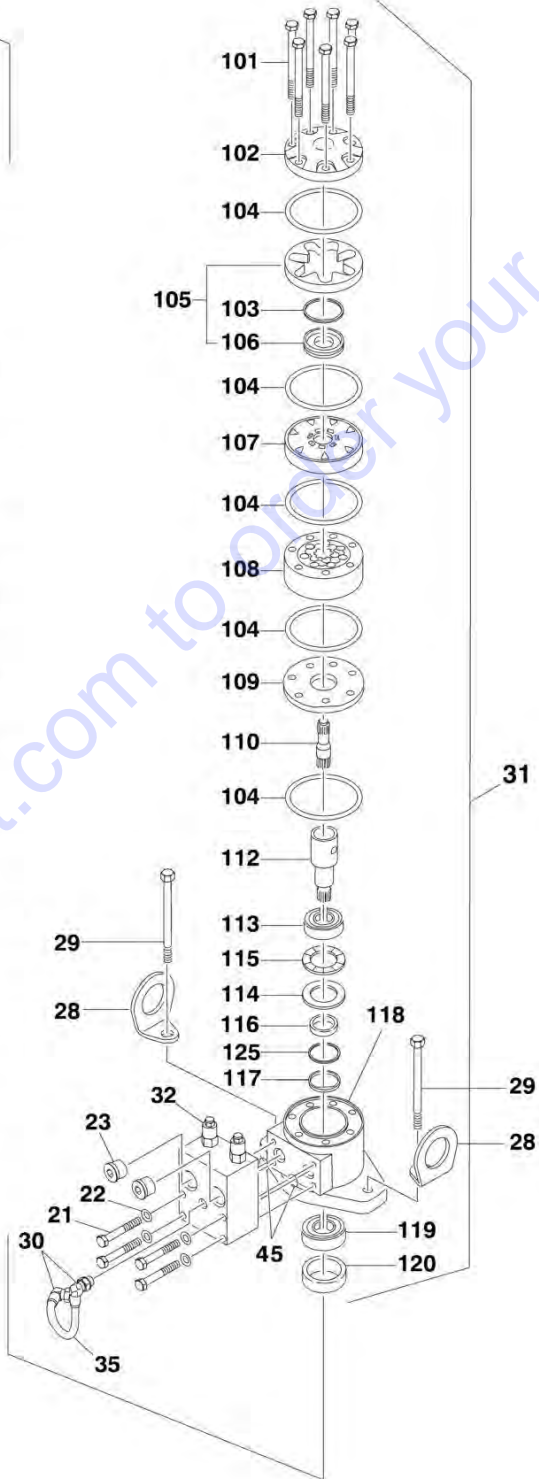
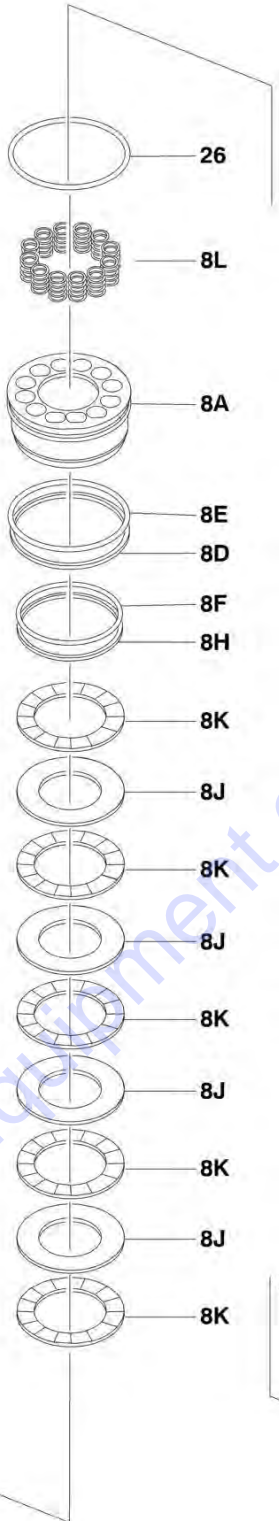
# SECTION 2 - TURNTABLE

## FIGURE 2-9. SWING MOTOR/HUB ASSEMBLY



# SECTION 2 - TURNTABLE

200A  
200B  
200C  
201  
202



Go to Discount-Equipment.com to order your parts

## SECTION 2 - TURNTABLE

FIGURE 2-9. SWING MOTOR/HUB ASSEMBLY

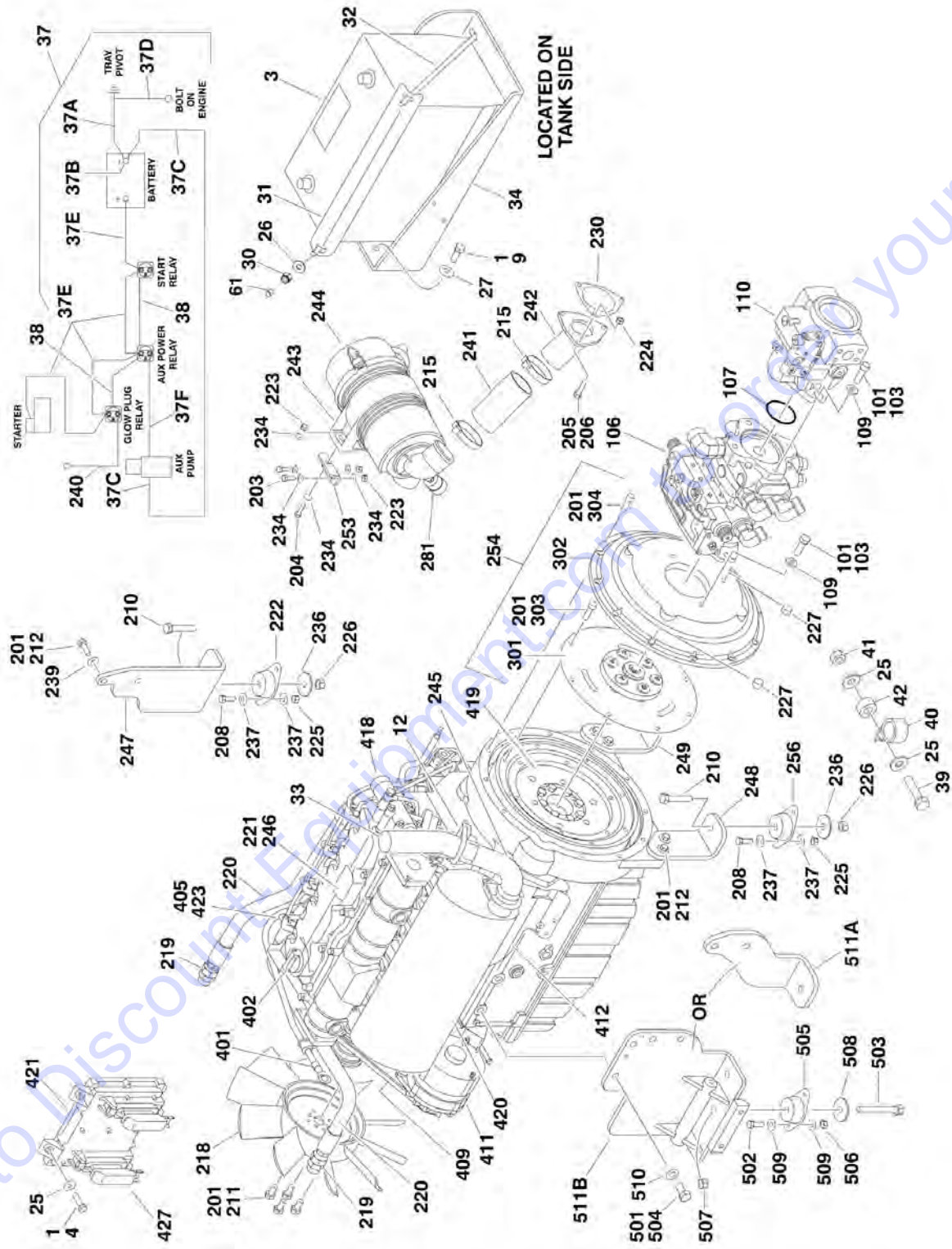
ITEM	PART NUMBER	QTY	DESCRIPTION	REV
	1001101060	Ref	SWING MOTOR/HUB ASSEMBLY	A
1	See Note	1	Housing/Shaft Assembly (Note: Not Available - Purchase Individual Components)	
1A	7010492	1	Shaft, Output	
1B	7000228	1	Seal, Lip	
1C	7000255	1	Bearing Kit (Includes Cup and Cone)	
1E	7000257	1	Bearing Kit (Includes Cup and Cone)	
1G	7024762	1	Housing	
1H	7007633	1	Washer, Thrust	
1I	7000229	1	Ring, Retaining	
1J	7017072	1	Plug, Pipe	
2	7000246	1	Gear, Internal	
3	80424002	1	Carrier Assembly	
4	7000248	1	Gear, Ring	
5	7000230	1	O-Ring	
5A	7017070	1	O-Ring	
6	See Note	1	Housing, Brake (Note: Not Available - Purchase Complete Assembly)	
8	70002065	1	Gear, Sun	
8A	70000782	1	Piston	
8D	70002070	1	O-Ring	
8E	70002071	1	Ring, Back-up	
8F	70002073	1	O-Ring	
8H	70002072	1	Ring, Back-up	
8J	70002067	4	Disc, Rotor	
8K	70002068	5	Disc, Stator	
8L	70002066	14	Spring	
11	7000253	2	Washer, Thrust	
12	7000217	12	Bolt 3/8-16 x 2-1/4 Grade 8	
13	7017080	4	Pin, Dowel	
20	7017072	1	Plug, Pipe	
21	7024704	4	Bolt 5/16-18 x 2 Grade 8	
22	See Note	4	Lockwasher (Note: Not Available for Purchase)	
23	7017023	2	Plug, Pipe	
24	See Note	1	Plate, ID (Note: Not Available for Purchase)	
25	7000281	2	Screw, Drive	
26	7024763	1	O-Ring	
28	See Note	2	Lug, Lifting (Note: Not Available for Purchase)	
29	70002069	2	Bolt 1/2-13 x 2 Grade 8	
30	7017085	2	Elbow	
31	70002075	1	Motor Assembly (See Items 101-125 for Breakdown)	
32	7024784	1	Valve Assembly - Complete (No Serviceable Parts)	
35	70002074	1	Tube	
44	7017028	1	Ring, Internal Retaining	
45	7000213	2	O-Ring	
	70002075	Ref	MOTOR ASSEMBLY	
101	7024454	5	Bolt	
102	7004035	1	Cover, End	
103	7023318	1	Seal, Commutator	
104	7004036	5	Seal, Ring	

**SECTION 2 - TURNTABLE**

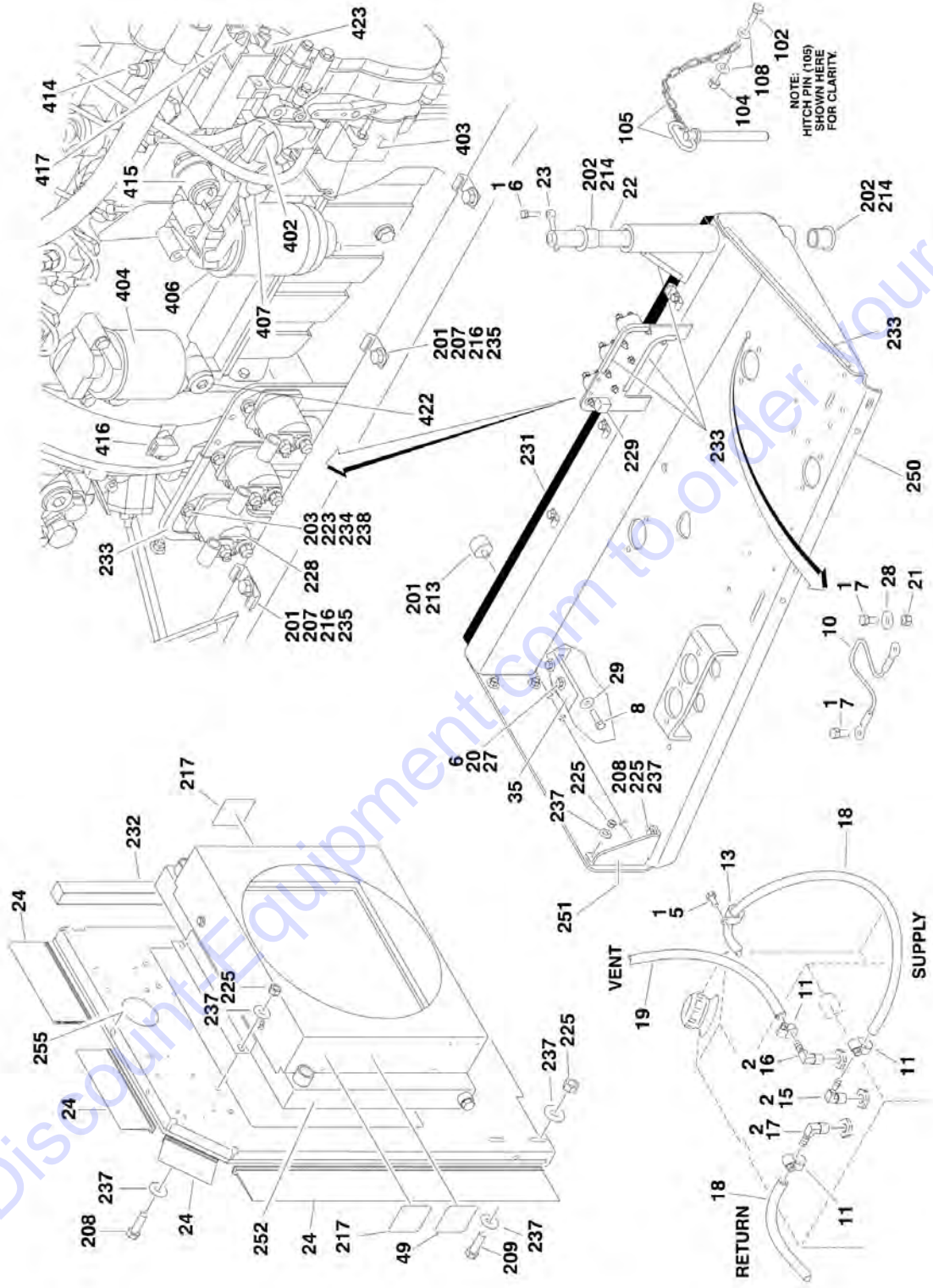
ITEM	PART NUMBER	QTY	DESCRIPTION	REV
105	7024453	1	Commutator and Ring Assembly	
106	See Note	1	Ring (Note: Use p/n 7024453)	
107	7024379	1	Manifold	
108	7024455	1	Rotor Set	
109	7024380	1	Plate, Wear	
110	7024456	1	Link, Drive	
112	7024458	1	Shaft, Coupling	
113	7024381	1	Bearing, Inner	
114	7004043	1	Washer, Thrust	
115	7004044	1	Bearing, Thrust	
116	7004049	1	Seal, Inner	
117	7004045	1	Washer, Back-up	
118	7024457	1	Housing	
119	7024390	1	Bearing, Outer	
120	7004047	1	Seal	
125	80424043	1	Washer, Back-up	
		Ref	KIT OPTIONS:	
200A	7024100	1	Kit - Swing Hub (Includes Items 1B, 1I, 5, 5A & 11)	
200A	70006437	1	Kit - Swing Hub (Includes Items 1B, 1I, 5, 5A, 12 & 26)	
200B	70002086	1	Kit - Swing Brake (Includes Items 8D, 8E, 8F, 8H & 26)	
200C	7024396	1	Kit - Swing Motor (Includes Items 103, 104, 116, 117, 120 & 125)	
201	70002085	1	Disc Kit - Swing Brake (Includes Items 8J & 8K)	
202	70006436	1	Bearing & Seal Kit (Includes Items 1B, 1C, 1E, 1I, 5, 5A, 12 & 26)	

# SECTION 2 - TURNTABLE

## FIGURE 2-10. DEUTZ D2011 ENGINE INSTALLATION



SECTION 2 - TURNTABLE



# PARTS FINDER

**Search Website  
by Part Number**



**Search Manual  
Library For Parts  
Manual & Lookup Part  
Numbers – Purchase  
or Request Quote**

A screenshot of the "Search Manuals" form. The form has a title "Search Manuals" and a subtitle "Please enter the model number or serial number of the machine you are looking for." Below the subtitle are several input fields: "Find" (with a dropdown menu), "Serial Number" (with a dropdown menu), "Year" (with a dropdown menu), "Make" (with a dropdown menu), "Part Number" (with a dropdown menu), "Part Name" (with a dropdown menu), and "Category" (with a dropdown menu). There is a "Search" button at the bottom of the form.

**Can't Find Part or  
Manual? Request Help  
by Manufacturer,  
Model & Description**

A screenshot of the "Parts Order Form". The form has a title "Parts Order Form" and a subtitle "Please fill out the form below." Below the subtitle are several input fields: "Manufacturer" (with a dropdown menu), "Model" (with a dropdown menu), "Description" (with a text area), "Part Number" (with a dropdown menu), "Part Name" (with a dropdown menu), "Quantity" (with a text input field), "Unit Price" (with a text input field), "Total Price" (with a text input field), "Customer Name" (with a text input field), "Address" (with a text input field), "City" (with a text input field), "State" (with a dropdown menu), "Zip" (with a text input field), and "Phone" (with a text input field). There is a "Submit" button at the bottom of the form.

Discount-Equipment.com is your online resource for quality parts & equipment.

Florida: **561-964-4949** Outside Florida TOLL FREE: **877-690-3101**

**Need parts?**

Click on this link: <http://www.discount-equipment.com/category/5443-parts/> and choose one of the options to help get the right parts and equipment you are looking for. Please have the machine model and serial number available in order to help us get you the correct parts. If you don't find the part on the website or on one of the online manuals, please fill out the request form and one of our experienced staff members will get back to you with a quote for the right part that your machine needs.

We sell worldwide for the brands: Genie, Terex, JLG, MultiQuip, Mikasa, Essick, Whiteman, Mayco, Toro Stone, Diamond Products, Generac Magnum, Airman, Haulotte, Barreto, Power Blanket, Nifty Lift, Atlas Copco, Chicago Pneumatic, Allmand, Miller Curber, Skyjack, Lull, Skytrak, Tsurumi, Husquvarna Target, Stow, Wacker, Sakai, Mi-T-M, Sullair, Basic, Dynapac, MBW, Weber, Bartell, Bennar Newman, Haulotte, Ditch Runner, Menegotti, Morrison, Contec, Buddy, Crown, Edco, Wyco, Bomag, Laymor, EZ Trench, Bil-Jax, F.S. Curtis, Gehl Pavers, Heli, Honda, ICS/PowerGrit, IHI, Partner, Imer, Clipper, MMD, Koshin, Rice, CH&E, General Equipment, Amida, Coleman, NAC, Gradall, Square Shooter, Kent, Stanley, Tamco, Toku, Hatz, Kohler, Robin, Wisconsin, Northrock, Oztec, Toker TK, Rol-Air, APT, Wylie, Ingersoll Rand / Doosan, Innovatech, Con X, Ammann, Mecalac, Makinex, Smith Surface Prep, Small Line, Wanco, Yanmar

## SECTION 2 - TURNTABLE

FIGURE 2-10. DEUTZ D2011 ENGINE INSTALLATION

ITEM	PART NUMBER	QTY	DESCRIPTION	REV
	1001154238	Ref	DEUTZ D2011 ENGINE INSTALLATION WITHOUT ARCTIC PACKAGE (ALL SPECS EXCEPT CE SPEC)	F
	1001160967	Ref	DEUTZ D2011 ENGINE INSTALLATION WITHOUT ARCTIC PACKAGE (CE SPEC ONLY) (SN 0300183034 through 0300199946)	B
	1001154238	Ref	DEUTZ D2011 ENGINE INSTALLATION WITHOUT ARCTIC PACKAGE (CE SPEC ONLY) (SN 0300199947 to Present)	E
	1001154239	Ref	DEUTZ D2011 ENGINE INSTALLATION WITH ARCTIC PACKAGE (ALL SPECS) (SN 0300183034 through 0300196955)	E
	1001178178	Ref	DEUTZ D2011 ENGINE INSTALLATION WITH ARCTIC PACKAGE (ALL SPECS) (SN 0300196956 to Present)	E
1	0100011	AR	Compound, Locking	
2	0100020	AR	Sealant, Pipe	
3	0400075	1	Battery (Prior to SN 0300259888)	
4	0641410	4	Bolt 1/4-20 x 1-1/4	
5	0641508	1	Bolt 5/16-18 x 1	
6	0641610	3	Bolt 3/8-16 x 1-1/4	
7	0641808	2	Bolt 1/2-13 x 1	
8	0642010	1	Bolt 5/8-11 x 1-1/4	
9	0681608	3	Bolt 3/8-16 x 1 Grade 8	
10	1060637	1	Cable, Lanyard	
11	1320022	5	Clamp, Hose	
12	1320176	1	Clamp	
13	1321339	1	Clamp	
14	1701505	1	Decal - Diesel (Not Shown - Located on Hood)	
15	2180348	1	Fitting, Straight NPT/Barbed	
16	2220313	1	Fitting, 90 NPT/Barbed	
17	2221176	1	Fitting, 90 NPT/Barbed	
18	2720058	30 ft/9m	Hose	
19	2750532	6 ft/1.8m	Hose	
20	3311605	2	Locknut 3/8-16	
21	3311801	1	Nut 1/2-13	
22	3422446	1	Pin, Pivot	
23	3841143	1	Pin, Keeper	
24	3960548	5 ft/1.5m	Seal	
25	4711400	AR	Washer 1/4	
26	4751500	2	Washer 5/16 (Prior to SN 0300259888)	
27	4751600	1	Washer 3/8	
28	4751800	1	Washer 1/2	
29	4752000	1	Washer 5/8	
30	88521205	1	Nut 5/16-18 (Prior to SN 0300259888)	
31	91401281	1	Hold-down, Battery (Prior to SN 0300259888)	
32	1001093382	2	Bolt, Battery Hold-down (Prior to SN 0300259888)	
33	1001101600	1	Tube, Exhaust	
34	1001162497	1	Bracket	
35	1001151070	1	Plate	
37	1001155143	1	Kit, Battery Cable	C
37A	7027092	1	Cable, Battery (Black) (Battery - to Tray Pivot and Relay Grd)	
37B	8270147	1	Terminal, Battery (With Boot) Cable, Battery (Black)	
37C	7027093	1	Cable, Battery (Black) (Battery - to Aux Pump Ground)	
37D	7027053	1	Cable, Battery (Black) (Engine to Tray Pivot Grd)	



## SECTION 2 - TURNTABLE

ITEM	PART NUMBER	QTY	DESCRIPTION	REV
37E	7027094	1	Cable (Red) (Battery + to Relays/Starter)	
37F	7027095	1	Cable (Red) (Aux Relay to Aux Pump)	
38	4922737	1	Harness, Engine Ground	
39	0641409	1	Bolt 1/4 x 1-1/8	
40	1320224	1	Clamp	
41	3311405	1	Nut 1/4	
42	1001110425	1	Spacer	
49	1704972	1	Decal - Warning Explosion/Fire (ANSI Spec)	
49	1706098	1	Decal - Warning Explosion/Fire (Australian and CE Spec)	
49	1706059	1	Decal - Warning Explosion/Fire (Brazilian Spec)	
49	1706060	1	Decal - Warning Explosion/Fire (Chinese Spec)	
49	1706064	1	Decal - Warning Explosion/Fire (CSA Spec)	
49	1706062	1	Decal - Warning Explosion/Fire (Japanese Spec)	
49	1706061	1	Decal - Warning Explosion/Fire (Korean Spec)	
49	1706063	1	Decal - Warning Explosion/Fire (Spanish Language)	
50		Ref	Note: Arctic Package Items 50-60 Not Shown - Used on Arctic Machines Only	
50	1060625	1	Cable, Immersion Heater (Located on bottom of Hydraulic Oil Tank) <b>(SN 0300183034 through 0300185002)</b>	
51	1060626	1	Cord, 3 Way Extension (Located on Left Front of Engine)	
52	1320223	2	Clamp	
53	1702941	1	Decal - Battery Heater (Located on Battery Heater)	
54	1702942	1	Decal - Engine Block Heater (Located on Right Side of Engine)	
55	1702943	1	Decal - Hydraulic Tank Heater (Located on bottom of Hydraulic Oil Tank)	
56	1702944	1	Decal - Heater Cord (Located on Left Front of Engine)	
57	2580024	1	Heater, Battery (Located on Battery)	
58	2580050	1	Heater, Hydraulic Tank (Located on bottom of Hydraulic Oil Tank) <b>(SN 0300183034 through 0300207789)</b>	
58	1001188972	1	Heater, Hydraulic Tank (Located on bottom of Hydraulic Oil Tank) <b>(SN 0300207790 to Present)</b>	
59	3980007	1	Seat, Battery	
60	1001150918	1	Cord, 8ft Extension (Located near Battery)	
61	1001218572	2	Cap, Vinyl <b>(SN 0300232933 to Present)</b>	
	1001154236	Ref	ENGINE AND PUMP ASSEMBLY WITHOUT ARCTIC PACKAGE (ALL SPECS EXCEPT CE SPEC)	D
	1001160966	Ref	ENGINE AND PUMP ASSEMBLY WITHOUT ARCTIC PACKAGE (CE SPEC ONLY) <b>(SN 0300183034 through 0300199946)</b>	B
	1001154236	Ref	ENGINE AND PUMP ASSEMBLY WITHOUT ARCTIC PACKAGE (CE SPEC ONLY) <b>(SN 0300199947 to Present)</b>	D
	1001154237	Ref	ENGINE AND PUMP ASSEMBLY WITH ARCTIC PACKAGE (ALL SPECS)	D
101	0100011	AR	Compound, Locking	
102	0641407	1	Bolt 1/4-20 x 7/8	
103	0641812	4	Bolt 1/2-13 x 1-1/2	
104	3311405	1	Nut 1/4-20	
105	3422532	1	Pin, Hitch	
106	1001142522	1	Hydrostatic Pump Assembly with Fittings (See HYDROSTATIC PUMP ASSEMBLY for Breakdown) <b>(SN 0300183034 through 0300207789)</b>	
106	1001187510	1	Hydrostatic Pump Assembly with Fittings (See HYDROSTATIC PUMP ASSEMBLY for Breakdown) <b>(SN 0300207790 through 03002400878)</b>	
106	1001225745	1	Hydrostatic Pump Assembly with Fittings (See HYDROSTATIC	

## SECTION 2 - TURNTABLE

ITEM	PART NUMBER	QTY	DESCRIPTION	REV
			PUMP ASSEMBLY for Breakdown) (SN 0300240879 to Present)	
107	3790044	1	O-Ring	
108	4751400	1	Washer 1/4	
109	4891800	4	Washer 1/2	
110	1001094595	1	Variable Pump Assembly with Fittings (See VARIABLE PUMP ASSEMBLY for Breakdown)	
	1001153396	Ref	ENGINE ASSEMBLY WITHOUT ARCTIC PACKAGE (ALL SPECS EXCEPT CE SPEC)	C
	1001160965	Ref	ENGINE ASSEMBLY WITHOUT ARCTIC PACKAGE (CE SPEC ONLY) (SN 0300183034 through 0300199946)	B
	1001153396	Ref	ENGINE ASSEMBLY WITHOUT ARCTIC PACKAGE (CE SPEC ONLY) (SN 0300199947 to Present)	C
	1001153779	Ref	ENGINE ASSEMBLY WITH ARCTIC PACKAGE (ALL SPECS)	D
201	0100011	AR	Compound, Locking	
202	0100062	AR	Compound, Locking	
203	0641407	8	Bolt 1/4-20 x 7/8	
204	0641410	2	Bolt 1/4-20 x 1-1/4	
205	0641510	2	Bolt 5/16-18 x 1-1/4	
206	0641512	1	Bolt 5/16-18 x 1-1/2	
207	0641606	3	Bolt 3/8-16 x 3/4	
208	0641609	14	Bolt 3/8-16 x 1-1/8	
209	0641610	4	Bolt 3/8-16 x 1-1/4	
210	0641820	2	Bolt 1/2-13 x 2-1/2	
211	0700808	4	Bolt M8 x 16mm	
212	0771414	6	Bolt M14 x 30mm Grade 10.9	
213	0940070	1	Bumper	
214	0961986	2	Bushing, Flanged	
215	1320016	2	Clamp	
216	1320223	4	J-Clip	
217	1703162	2	Decal - Caution Fan Blade	
218	2060025	1	Fan	
219	2220451	2	Fitting, Straight	
220	2720398	2	Hose, Oil Cooler	
221	3020016	AR	Oil, Motor (Without Arctic Package) (Not Shown)	
221	3020044	AR	Oil, Motor (With Arctic Package) (Not Shown)	
222	3200401	3	Mount, Motor	
223	3311405	10	Nut 1/4in-20NC	
224	3311505	3	Nut 5/16in-18NC	
225	3311605	18	Nut 3/8in-16NC	
226	3311805	3	Nut 1/2in-13NC	
227	3520054	2	Plug	
228	3740067	3	Relay	
229	3740080	1	Relay	
230	3960407	1	Gasket, Air Intake	
231	3960468	1	Seal	
232	3960469	1	Seal	
233	4060805	37 in/1m	Flex-Trim	
234	4711400	14	Washer 1/4	
235	4711600	3	Washer 3/8	
236	4740274	3	Washer, Snubbing	
237	4751600	36	Washer 3/8	
238	4791400	6	Washer, Star 1/4	

## SECTION 2 - TURNTABLE

ITEM	PART NUMBER	QTY	DESCRIPTION	REV
239	4812200	2	Washer M14	
240	4923379	1	Harness, Glow Plug (See ELECTRICAL SECTION for Breakdown)	
241	1001001939	1	Hose, Flex	
242	1001146273	1	Adapter, Air Intake	
243	1001147812	1	Clamp	
244	1001147813	1	Air Cleaner Assembly Filter Element	
244	70004020	1	Element, Filter (Not Shown)	
245	1001147820	1	Pipe, Exhaust - All Specs except CE Specs	
245	See Note	NSS	Pipe, Exhaust - CE Specs (Note: Part of Muffler - Not Sold Separately)	
246	1001147823	1	Engine, Deutz D2011 All Specs except CE Specs (See Items for 401-428 for Serviced Components)	
246	1001144319	1	Engine, Deutz D2011 CE Specs (See Items for 401-428 for Serviced Components) <b>(SN 0300183034 through 0300199946)</b>	
246	1001147823	1	Engine, Deutz D2011 CE Specs (See Items for 401-428 for Serviced Components) <b>(SN 0300199947 to Present)</b>	
247	1001149704	1	Support, Engine	
248	1001149705	1	Support, Engine	
249	1001149706	1	Support, Engine	
250	1001149793	1	Tray, Engine	
251	1001150915	1	Gusset	
252	1001150998	1	Radiator	
253	1001152459	1	Plate, Air Cleaner Mounting	
254	1001153282	1	Pump Coupling Kit (See Items 301-304 for Breakdown)	
255	1001153414	1	Plate, Radiator Mounting	
256	3200401	2	Mount, Motor - All Specs except CE Specs	
256	3200406	2	Mount, Motor - CE Specs	
280		Ref	Note: Arctic Package Items 280 Not Shown - Used on Arctic Machines Only	
280	2580062	1	Heater, Block (Not Shown - Located in Oil Pan)	
281	1001143390	1	Indicator <b>(SN 0300232933 to Present)</b>	
	1001153282	Ref	PUMP COUPLING KIT	C
301	70004183	1	Coupling, Guardian	
302	See Note	NSS	Plate, Pump Adapter (Note: Use p/n 1001153282)	
303	See Note	8	Capscrew M10 x 20 Grade 10.9 (Note: Not Available - Purchase Locally or Purchase Kit)	
304	See Note	12	Capscrew M10 x 25 Grade 10.9 (Note: Not Available - Purchase Locally or Purchase Kit)	
	1001147823	Ref	ENGINE COMPONENTS (ALL SPECS EXCEPT CE SPEC)	B
	1001144319	Ref	ENGINE COMPONENTS (CE SPEC) <b>(SN 0300183034 through 0300199946)</b>	B
	1001147823	Ref	ENGINE COMPONENTS (CE SPEC) <b>(SN 0300199947 to Present)</b>	B
401	70004287	1	Dipstick - 1001147823 Engine (All Specs except CE Specs)	
401	7026631	1	Dipstick - 1001144319 Engine (CE Specs)	
401	70000044	1	Seal, Dipstick - 1001147823 Engine (All Specs except CE Specs)	
401	7020487	1	Seal, Dipstick - 1001144319 Engine (CE Specs)	
401	70001002	1	Tube, Dipstick - 1001147823 Engine (All Specs except CE Specs)	
401	See Note	1	Tube, Dipstick - 1001144319 Engine (CE Specs) (Note: Not Available for Purchase)	
401	7020403	1	Seal, Dipstick Tube - 1001147823 Engine (All Specs except CE Specs)	
401	See Note	1	Seal, Dipstick Tube - 1001144319 Engine (CE Specs) (Note: Not Available for Purchase)	

## SECTION 2 - TURNTABLE

ITEM	PART NUMBER	QTY	DESCRIPTION	REV
402	7020465	2	Cap, Filler	
403	70001850	1	Pump, Oil Lube	
403	7020468	1	Seal Between Oil Pump and Engine Block (Not Shown)	
404	7016331	1	Filter, Oil	
404	70003472	1	Bracket, Oil Filter Mounting (1001147823 Engine Only)	
404	7027236	1	Sensor, Oil Temperature (1001147823 Engine Only)	
404	70025082	1	Ring, Sealing (1001147823 Engine Only)	
405	70000912	4	Pump, Injector - Series A Injector	
405	70000913	4	Pump, Injector - Series B Injector	
405	70000914	4	Pump, Injector - Series C Injector	
405	70000915	4	Pump, Injector - Series D Injector	
405	70003464	4	Seal/Gasket, Pump - 1001147823 Engine (All Specs except CE Specs) (1 per Injector)	
405	See Note	4	Seal/Gasket, Pump - 1001144319 Engine (CE Specs Only) (Note: Not Available for Purchase)	
405	70003478	4	Injector, Fuel - 1001147823 Engine (All Specs except CE Specs)	
405	See Note	4	Injector, Fuel - 1001144319 Engine (CE Specs Only) (Note: Not Available for Purchase)	
405	70003136	4	Seal/Gasket, Injector - 1001147823 Engine (All Specs except CE Specs) (1 per Injector)	
405	See Note	4	Seal/Gasket, Injector - 1001144319 Engine (CE Specs Only) (1 per Injector) (Note: Not Available for Purchase)	
406	7016328	1	Filter, Fuel - 1001147823 Engine (All Specs except CE Specs)	
406	8320270	1	Filter, Fuel - 1001144319 Engine (CE Specs Only)	
406	70003465	1	Sensor - 1001147823 Engine (All Specs except CE Specs)	
406	70001848	1	Sensor - 1001144319 Engine (CE Specs Only)	
406	70003466	2	Seal, Sensor - 1001147823 Engine (All Specs except CE Specs)	
406	70001132	2	Seal, Sensor - 1001144319 Engine (CE Specs Only)	
407	70000916	1	Pump, Fuel Supply	
407	70001435	1	Repair Kit for Fuel Supply Pump	
407	70000919	1	Hand Pump for Fuel Supply Pump	
407	70000917	1	O-Seal Between Fuel Pump and Engine Block	
407	70000918	1	O-Seal Between Fuel Pump and Hand Pump	
408	70001871	4	Gasket, Intake Manifold - 1001147823 Engine (All Specs except CE Specs) (Not Shown)	
408	7020449	4	Gasket, Intake Manifold - 1001144319 Engine (CE Specs Only) (Not Shown)	
409	7020408	1	V-Belt	
410		Ref	Exhaust Manifold Components (Not Shown)	
410	70001835	1	Gasket, Exhaust Adapter to Exhaust Rail	
410	70001841	1	Valve, Exhaust (Fits into Exhaust Adapter)	
410	70001836	1	Gasket, Exhaust Rail to Cylinder Head	
410	70001837	1	Gasket, Exhaust Manifold to Muffler	
410	70001838	2	Gasket, Exhaust Manifold to Engine Block (1001144319 Engine Only)	
410	7020471	4	Gasket, Exhaust Manifold to Engine Block (1001144319 Engine Only)	
410	70001874	1	Restrictor, Choke (Fits between qty 2 of p/n 70001838) (1001144319 Engine Only)	
410	70001839	2	Flange, Sealing (1001144319 Engine Only)	
410	70002200	4	Stud, Mounting - 1001147823 Engine (All Specs except CE Specs)	
410	70004270	4	Stud, Mounting - 1001144319 Engine (CE Specs Only)	
410	See Note	AR	Nut, Exhaust Manifold - 1001147823 Engine (All Specs except	

## SECTION 2 - TURNTABLE

ITEM	PART NUMBER	QTY	DESCRIPTION	REV
			CE Specs) (Note: Not Available for Purchase)	
410	70003476	AR	Nut, Exhaust Manifold - 1001144319 Engine (CE Specs Only)	
411	70004056	1	Alternator - 1001147823 Engine (All Specs except CE Specs)	
411	7000663	1	Alternator - 1001144319 Engine (CE Specs Only)	
411	70001868	1	Regulator, Voltage (Not Shown)	
411	70001866	1	Seal, Voltage Regulator (Not Shown)	
411	70002234	1	Bar, Alternator Adjustment	
412	7020479	1	Starter	
412	70004058	1	Relay - 1001147823 Engine (All Specs except CE Specs)	
412	7026608	1	Relay - 1001144319 Engine (CE Specs Only)	
413	70004060	2	Plug-In Connector - 1001147823 Engine (All Specs except CE Specs) (Not Shown)	
413	See Note	2	Plug-In Connector - 1001144319 Engine (CE Specs Only) (Not Shown) (Note: Not Available for Purchase)	
414	7027791	1	Transmitter, Temperature	
415	7027790	1	Sensor, Oil Pressure	
416	70004272	1	Sensor, Speed - 1001147823 Engine (All Specs except CE Specs)	
416	7024565	1	Sensor, Speed - 1001144319 Engine (CE Specs Only)	
417	7027792	1	Throttle Actuator	
417	7027276	2	Springs	
418	70003475	1	Thermostat - 1001147823 Engine (All Specs except CE Specs) (Located at rear of engine block - Not Shown)	
418	7020459	1	Thermostat - 1001144319 Engine (CE Specs Only) (Located at rear of engine block - Not Shown)	
419	70001870	1	Flywheel with Ring Gear	
419	7024579	1	Gear, Ring 110 Tooth	
420	7000695	1	Muffler - 1001147823 Engine (Standard on All Specs except CE Specs)	
420	1001099051	1	Muffler - 1001144319 Engine (Standard on CE Specs Only) (Note: Not Included with Engine - Must be Purchased Separately)	
420	1001101241	1	Catalytic Muffler Option on ANSI Export, Australian, CE and Japanese Specs <b>(SN 0300183034 through 0300243317)</b>	
420	1001099051	1	Spark Arresting Muffler Option on ANSI Export, Australian and CE Specs <b>(SN 0300243318 to Present)</b>	
420	70001844	1	U-Clamp (1001147823 Engine Only)	
420	7020471	1	Gasket (1001147823 Engine Only)	
421	7027795	1	Module, Control	
422	70001181	1	Valve, Pressure Control	
422	70124410	1	Spring	
422	70025082	1	Seal	
422	70124440	1	Screw, Locking	
423	70000345	4	Plug, Glow	
424	70000800	1	Camshaft Pulley Repair Kit (Not Shown) (1001147823 Engine Only)	
425	70001847	1	Breather, Front Cover (Not Shown) (1001144319 Engine Only)	
425	70001126	1	Seal, Front Cover Breather (Not Shown) (1001144319 Engine Only)	
426	70002415	1	Gasket, Head with 1 Notch (Not Shown)	
426	70002416	1	Gasket, Head with 2 Notches (Not Shown)	
426	70002417	1	Gasket, Head with 3 Notches (Not Shown)	
427	7027796	1	Harness, Engine (Connects to Item 421)	
427	70001872	1	Harness, Engine (Connects to p/n 7027796)	
428		Ref	Gaskets and Seals - Miscellaneous (Not Shown)	
428	70004289	1	Gasket Set - 1001147823 Engine (All Specs except CE Specs)	

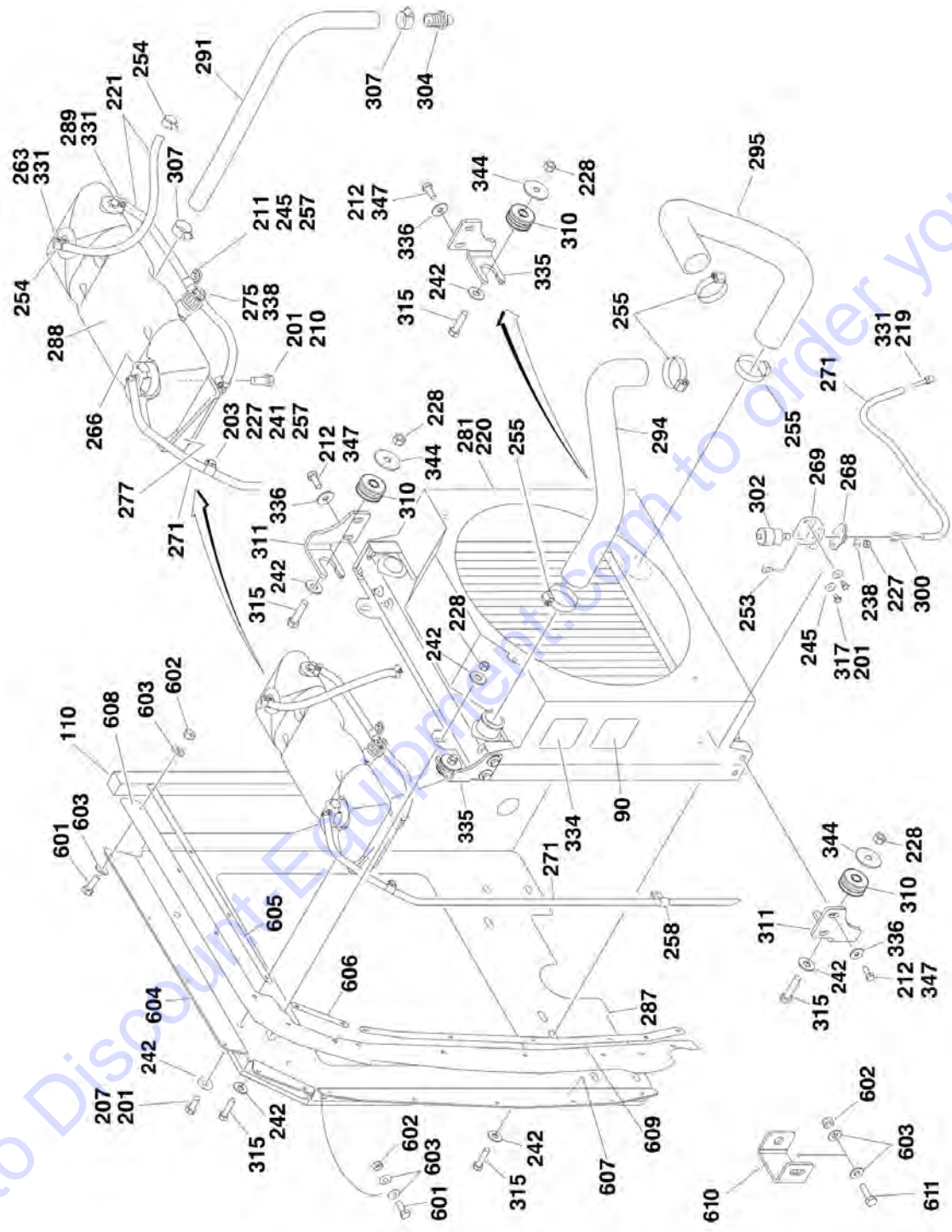
## SECTION 2 - TURNTABLE

ITEM	PART NUMBER	QTY	DESCRIPTION	REV
428	See Note	1	Gasket Set - 1001144319 Engine (CE Specs Only) (Note: Not Available for Purchase)	
428	70002718	1	Seal, Rear Main - 1001147823 Engine (All Specs except CE Specs)	
428	See Note	1	Seal, Rear Main - 1001144319 Engine (CE Specs Only) (Note: Not Available for Purchase)	
428	70004280	1	Seal, Front Main - 1001147823 Engine (All Specs except CE Specs)	
428	See Note	1	Seal, Front Main - 1001144319 Engine (CE Specs Only) (Note: Not Available for Purchase)	
429	70025752	1	Valve, Pressure Relief (Not Shown - Located at Engine Front Left)	
429	70025753	1	Spring	
429	70005916	1	Seal	
429	70005917	1	Plug, Locking	
	1001151253	Ref	RIGHT ENGINE SUPPORT INSTALLATION (MACHINES WITHOUT GENERATORS)	A
	1001151252	Ref	RIGHT ENGINE SUPPORT INSTALLATION (MACHINES WITH GENERATORS)	B
501	0100011	AR	Compound, Locking	
502	0641609	2	Bolt 3/8-16 x 1-1/8	
503	0641820	1	Bolt 1/2-13 x 2-1/2	
504	0711414	3	Bolt M14 x 30 Grade 10.9	
505	3200401	1	Mount, Motor	
506	3311605	2	Nut 3/8-16	
507	3311805	1	Nut 1/2-13	
508	4740274	1	Washer, Snubbing	
509	4751600	4	Washer 3/8	
510	4812200	3	Washer M14	
511A	1001149703	1	Support, Engine (Right Front) (Machines without Generator)	
511B	1001150890	1	Support, Engine (Right Front) (Machines with Generator)	



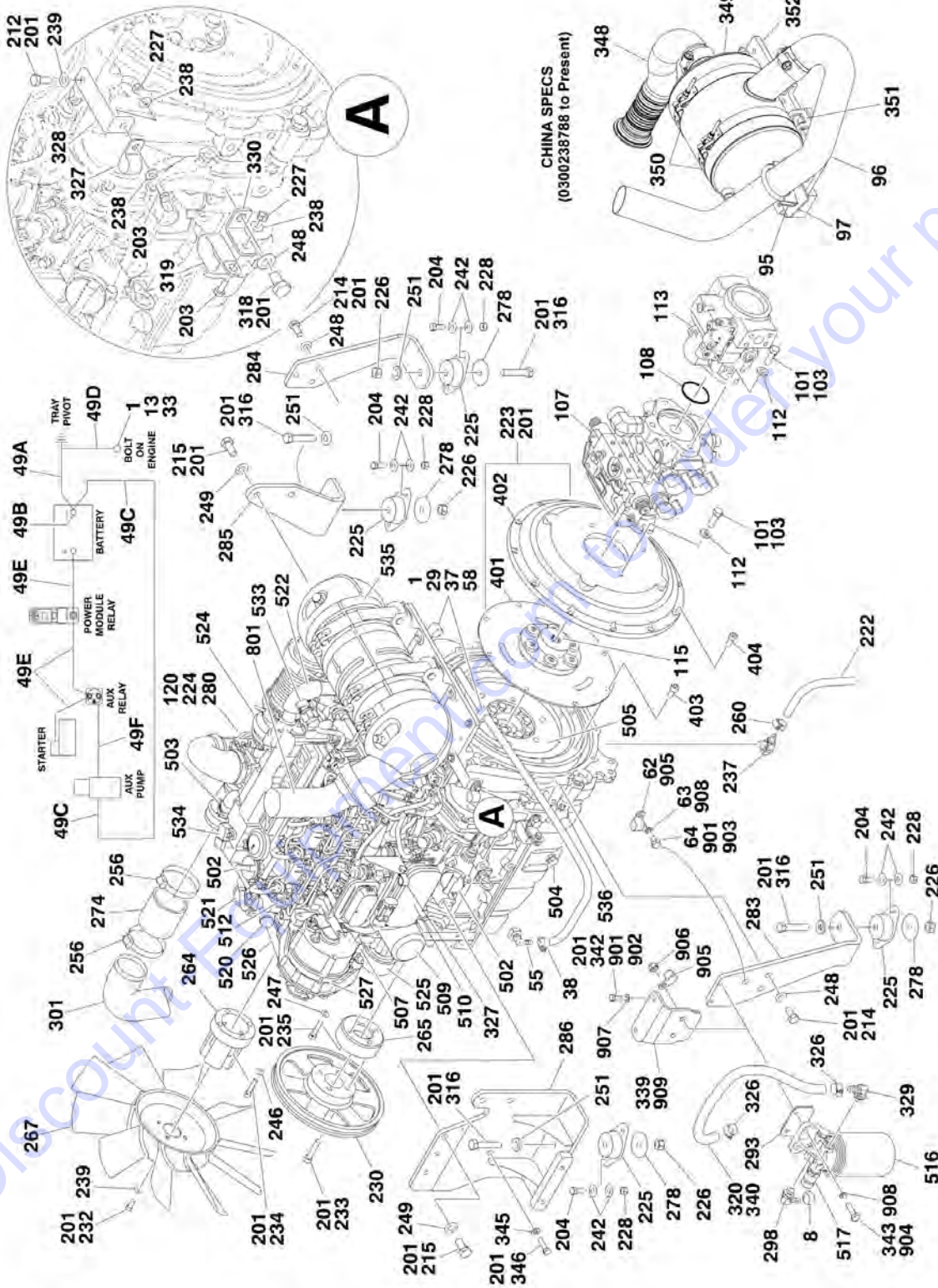
# SECTION 2 - TURNTABLE

## FIGURE 2-11. DEUTZ TD2.9L4 ENGINE INSTALLATION

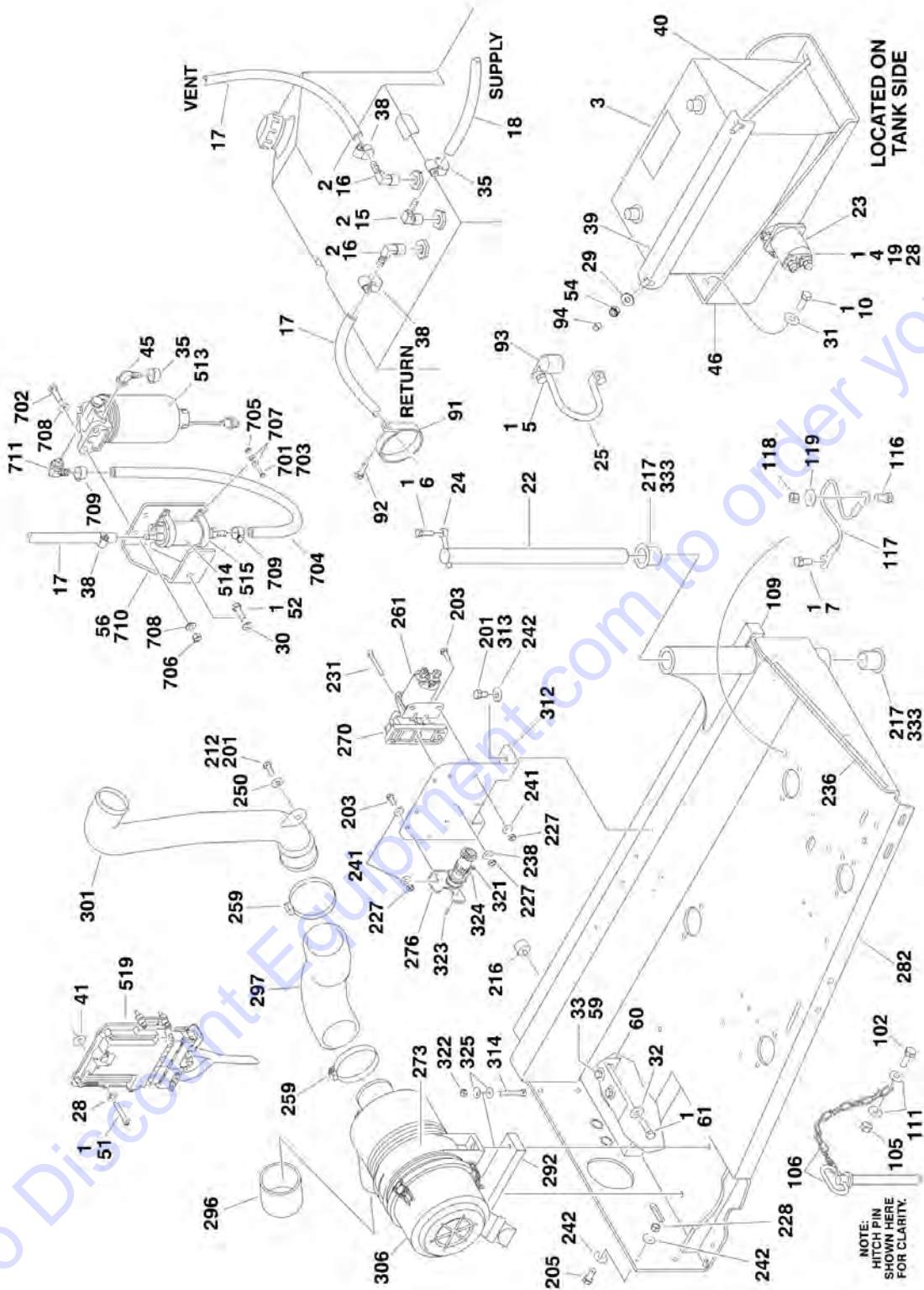




SECTION 2 - TURNTABLE



# SECTION 2 - TURNTABLE



## SECTION 2 - TURNTABLE

### FIGURE 2-11. DEUTZ TD2.9L4 ENGINE INSTALLATION

ITEM	PART NUMBER	QTY	DESCRIPTION	REV
	1001140414	Ref	DEUTZ ENGINE INSTALLATION WITHOUT ARCTIC PACKAGE (ANSI AND CSA SPECS) (SN 0300183034 through 0300196955)	K
	1001178176	Ref	DEUTZ ENGINE INSTALLATION WITHOUT ARCTIC PACKAGE (ANSI, ANSI EXPORT, CSA, CE, AND JAPANESE SPECS) (SN 0300196956 through 0300227034)	F
	1001185670	Ref	DEUTZ ENGINE INSTALLATION WITHOUT ARCTIC PACKAGE (ANSI, ANSI EXPORT, CSA AND JAPANESE SPECS) (SN 0300227035 to Present)	E
	1001185670	Ref	DEUTZ ENGINE INSTALLATION WITHOUT ARCTIC PACKAGE (CE SPECS) (SN 0300227035 through 0300257466)	D
	1001235491	Ref	DEUTZ 2.9L4 (STAGE V) ENGINE INSTALLATION WITHOUT ARCTIC PACKAGE (CE SPEC) (SN 0300257467 to Present)	C
	1001142855	Ref	DEUTZ ENGINE INSTALLATION WITH ARCTIC PACKAGE (ANSI AND CSA SPECS) (SN 0300183034 through 0300196955)	K
	1001178177	Ref	DEUTZ ENGINE INSTALLATION WITH ARCTIC PACKAGE (ANSI, ANSI EXPORT AND CSA SPECS) (SN 0300196956 through 0300227034)	G
	1001185672	Ref	DEUTZ ENGINE INSTALLATION WITH ARCTIC PACKAGE (ANSI, ANSI EXPORT AND CSA SPECS) (SN 0300227035 to Present)	F
	1001215474	Ref	DEUTZ ENGINE INSTALLATION (CHINA SPEC ONLY) (SN 0300183034 through 0300225843)	A
	1001223783	Ref	DEUTZ ENGINE INSTALLATION (CHINA SPEC) (SN 0300225843 through 0300238787)	B
	1001227616	Ref	DEUTZ ENGINE INSTALLATION (CHINA SPEC) (SN 0300238788 to Present)	C
1	0100011	AR	Compound, Locking	
2	0100020	AR	Sealant, Pipe	
3	0400075	1	Battery (Prior to SN 0300259888)	
4	0641406	AR	Bolt 1/4-20 x 3/4	
5	0641608	AR	Bolt 3/8-16 x 1	
6	0641610	1	Bolt 3/8-16 x 1-1/4	
7	0641808	1	Bolt 1/2-13 x 1	
10	0681608	3	Bolt 3/8-16 x 1 Grade 8	
13	0771212	1	Bolt M12 x 25 Grade 10.9	
14	1701505	1	Decal - Diesel Fuel (Not Shown Located on Fuel Tank)	
15	2180832	1	Fitting, 90 NPT/ Barbed	
16	2220313	2	Fitting, 90 NPT/Barbed	
17	1001165035	28 ft/ 8.5m	Hose	
17	2750532	4 ft/ 1.2m	Hose (Vent Line) (SN 0300227035 to Present)	
17	2750532	4 ft/ 1.2m	Hose (Vent Line) (China Spec)	
18	1001154405	54 in/ 1.4m	Hose	
19	3311405	AR	Nut 1/4-20	
22	3422446	1	Pin, Pivot	
23	3740067	1	Relay	
24	3841143	1	Pin, Keeper	
25	3841340	AR	Loop, Hose (SN 0300183034 through 0300196955)	
28	4711400	AR	Washer 1/4	
29	4711500	4	Washer 5/16 (Prior to SN 0300259888)	
30	4711600	2	Washer 3/8	
31	4751600	3	Washer 3/8	
32	4752000	1	Washer 5/8	

## SECTION 2 - TURNTABLE

ITEM	PART NUMBER	QTY	DESCRIPTION	REV
33	4812100	3	Washer M12	
35	8405006	2	Clamp	
37	8406112	2	Clip <b>(SN 0300183034 through 0300219143)</b>	
38	8410013	4	Clamp	
39	91401281	1	Hold-down, Battery <b>(Prior to SN 0300259888)</b>	
40	1001093382	2	Bolt, Battery Hold-down <b>(Prior to SN 0300259888)</b>	
41	1001110425	4	Spacer	
45	1001141718	1	Fitting, Straight Metric/Barbed <b>(SN 0300183034 through 0300196955)</b>	
45	1001142501	1	Fitting, Straight Metric/Barbed <b>(SN 0300196956 to Present)</b>	
46	1001162497	1	Bracket, Battery	
49	1001143736	1	Battery Cable Kit (Not Shown)	E
49A	7027084	1	Cable, Battery (Black) (Battery - to Tray Pivot Grd)	
49B	8270147	1	Terminal, Battery (With Boot)	
49C	7027085	1	Cable, Battery (Black) (Battery - to Aux Pump and Relay Grds)	
49D	7027086	1	Cable, Battery (Black) (Engine to Tray Pivot Grd)	
49E	7027087	1	Cable (Red) (Battery + to Aux Relay/Power Module/Starter)	
49F	7027088	1	Cable (Red) (Aux Relay to Aux Pump)	
50	1001138491	1	Harness, Fuel (Not Shown - See ELECTRICAL SECTION for Breakdown)	
51	0641412	4	Bolt 1/4-20 x 1-1/2	
52	0641606	AR	Bolt 3/8-16 x 3/4	
52	0641611	AR	Bolt 3/8-16 x 1-3/8	
54	88521205	1	Nut 5/16-18 <b>(Prior to SN 0300259888)</b>	
55	1001155823	1	Fitting, Quick Disconnect 90	
56	1001162335	1	Bracket Assembly Less Filter/Pump (See Items 701-711 for Breakdown)	
56	1001227224	1	Bracket Assembly Less Filter/Pump (See Items 701-711 for Breakdown) (China Specs) <b>(SN 0300238788 to Present)</b>	
57	4240033	AR	Tie-Strap (Not Shown)	
58	0760810	2	Bolt M8 x 20	
59	0641611	AR	Bolt 3/8-16 x 1-3/8	
60	1001153359	1	Mount, Engine	
61	0642012	1	Bolt 5/8-11 x 1-1/2	
62	1320061	1	Clamp <b>(SN 0300219143 to Present)</b>	
63	4812000	1	Washer M10	
64	0761008	1	Bolt M10 x 16	
70		Ref	Note: Arctic Package Items 70-81 (Not Shown - Used on Arctic Machines Only)	
70	1702941	1	Decal - Battery Heater	
71	1702942	1	Decal - Engine Block Heater	
72	1702943	1	Decal - Hydraulic Tank Heater	
73	1702944	1	Decal - Heater Cord	
74	2580050	1	Heater, Hydraulic Tank <b>(SN 0300183034 through 0300207789)</b>	
74	1001188972	1	Heater, Hydraulic Tank <b>(SN 0300207790 to Present)</b>	
75	1060625	1	Cable, Immersion Heater <b>(SN 0300183034 through 0300196955)</b>	
76	3980007	1	Seat, Battery	
77	1060626	1	Cord, 3 Way Extension	
79	2580024	1	Heater, Battery	
80	1001150918	1	Cord, 8ft Extension	
81	1001233763	Ref	Breather Heater Installation (Not Shown - See Separate Breakdown in this Section)	

## SECTION 2 - TURNTABLE

ITEM	PART NUMBER	QTY	DESCRIPTION	REV
90	1704972	1	Decal - Warning Explosion/Fire - ANSI Spec	
90	1706098	1	Decal - Warning Explosion/Fire - Australian and CE Spec	
90	1706060	1	Decal - Warning Explosion/Fire - Chinese Spec	
90	1706064	1	Decal - Warning Explosion/Fire - CSA Spec	
91	1321339	1	Clamp <b>(SN 0300207790 to Present)</b>	
92	0641508	1	Bolt 5/16 - 18 x 1 <b>(SN 0300207790 to Present)</b>	
93	8406102	1	Clip <b>(SN 0300225843 to Present)</b>	
94	1001218572	1	Cap, Vinyl <b>(SN 0300232933 through 0300259888)</b>	
95	1320011	1	Clamp, Muffler (Located on Exhaust) (China Spec Only) <b>(SN 0300238788 to Present)</b>	
95	1001221212	1	Clamp (Located on Exhaust) (China Spec Only) <b>(SN 0300238788 to Present)</b>	
96	1001227617	1	Pipe, Exhaust (Located on Exhaust) (China Spec Only) <b>(SN 0300238788 to Present)</b>	
97	1001227620	1	Plate (Located on Exhaust) (China Spec Only) <b>(SN 0300238788 to Present)</b>	
	1001140413	Ref	ENGINE AND PUMP ASSEMBLY WITHOUT ARCTIC PACKAGE (ANSI, ANSI EXPORT, CSA, CE, AND JAPANESE SPECS) <b>(SN 0300183034 through 0300227034)</b>	K
	1001185667	Ref	ENGINE AND PUMP ASSEMBLY WITHOUT ARCTIC PACKAGE (ANSI, ANSI EXPORT, CSA AND JAPANESE SPECS) <b>(SN 0300227035 to Present)</b>	E
	1001185667	Ref	ENGINE AND PUMP ASSEMBLY WITHOUT ARCTIC PACKAGE (CE SPEC) <b>(SN 0300227035 through 0300257466)</b>	E
	1001235490	Ref	ENGINE AND PUMP ASSEMBLY WITHOUT ARCTIC PACKAGE - DEUTZ 2.9L4 (STAGE V) ENGINES (CE SPEC) <b>(SN 0300257467 to Present)</b>	B
	1001142854	Ref	ENGINE AND PUMP ASSEMBLY WITH ARCTIC PACKAGE (ANSI AND CSA SPECS) <b>(SN 0300183034 through 0300227034)</b>	K
	1001185671	Ref	ENGINE AND PUMP ASSEMBLY WITH ARCTIC PACKAGE (ANSI, ANSI EXPORT AND CSA SPECS) <b>(SN 0300227035 to Present)</b>	E
	1001215474	Ref	ENGINE AND PUMP ASSEMBLY (CHINA SPEC ONLY) <b>(SN 0300183034 through 0300225842)</b>	A
	1001223782	Ref	ENGINE AND PUMP ASSEMBLY (CHINA SPEC) <b>(SN 0300225483 through 0300238787)</b>	B
	1001227615	Ref	ENGINE AND PUMP ASSEMBLY (CHINA SPEC) <b>(SN 0300238788 to Present)</b>	D
101	0100011	AR	Compound, Locking	
102	0641406	1	Bolt 1/4-20 x 3/4	
103	0641812	4	Bolt 1/2-13 x 1-1/2	
105	3311405	1	Nut 1/4-20	
106	3422532	1	Pin, Hitch	
107	1001142522	1	Hydrostatic Pump Assembly (All Specs except China Specs) (See HYDROSTATIC PUMP ASSEMBLY for Breakdown) <b>(SN 0300183034 through 0300207789)</b>	
107	1001187510	1	Hydrostatic Pump Assembly (All Specs except China Specs) (See HYDROSTATIC PUMP ASSEMBLY for Breakdown) <b>(SN 0300207790 through 0300240878)</b>	
107	1001225745	1	Hydrostatic Pump Assembly (All Specs except China Specs) (See HYDROSTATIC PUMP ASSEMBLY for Breakdown) <b>(SN 0300240879 to Present)</b>	
107	1001187510	1	Hydrostatic Pump Assembly (China Spec) (See HYDROSTATIC PUMP ASSEMBLY for Breakdown) <b>(SN 0300183034 through 0300240878)</b>	
107	1001225745	1	Hydrostatic Pump Assembly (China Spec) (See HYDROSTATIC PUMP ASSEMBLY for Breakdown) <b>(SN 0300240879 to Present)</b>	
108	3790044	1	O-Ring	

## SECTION 2 - TURNTABLE

ITEM	PART NUMBER	QTY	DESCRIPTION	REV
109	3960468	1	Seal	
110	3960469	1	Seal	
111	4751400	2	Washer 1/4	
112	4891800	4	Washer 1/2	
113	1001094595	1	Variable Pump Assembly with Fittings (See VARIABLE PUMP ASSEMBLY for Breakdown)	
115	3020037	AR	Lubricant	
116	0641808	1	Bolt 1/2-13 x 1	
117	1060637	1	Lanyard	
118	3311801	1	Nut 1/2-13	
119	4751800	1	Washer 1/2	
120	1001235488	1	Engine, Deutz TD2.9L4 (Stage V) Engines (CE Spec) (See Items 501-536 for Serviced Components) <b>(SN 0300257467 to Present)</b>	
	1001140412	Ref	ENGINE ASSEMBLY WITHOUT ARCTIC PACKAGE (ANSI, ANSI EXPORT, CSA, CE, AND JAPANESE SPECS) <b>(SN 0300183034 through 0300229742)</b>	T
	1001176027	Ref	ENGINE ASSEMBLY WITHOUT ARCTIC PACKAGE (ANSI, ANSI EXPORT, CSA AND JAPANESE SPECS) <b>(SN 0300229743 to Present)</b>	M
	1001176027	Ref	ENGINE ASSEMBLY WITHOUT ARCTIC PACKAGE (CE SPEC) <b>(SN 0300229743 through 0300257466)</b>	M
	1001235489	Ref	ENGINE ASSEMBLY WITHOUT ARCTIC PACKAGE - DEUTZ 2.9L4 (STAGE V) ENGINES (CE SPEC) <b>(SN 0300257467 to Present)</b>	C
	1001142853	Ref	ENGINE ASSEMBLY WITH ARCTIC PACKAGE (ANSI AND CSA SPECS) <b>(SN 0300183034 through 0300229742)</b>	T
	1001176035	Ref	ENGINE ASSEMBLY WITH ARCTIC PACKAGE (ANSI, ANSI EXPORT AND CSA SPECS) <b>(SN 0300229743 to Present)</b>	M
	1001214050	Ref	ENGINE ASSEMBLY (CHINA SPEC ONLY) <b>(SN 0300183034 through 0300238787)</b>	G
	1001227614	Ref	ENGINE ASSEMBLY (CHINA SPEC) <b>(SN 0300238788 to Present)</b>	F
201	0100011	AR	Compound, Locking	
203	0641406	AR	Bolt 1/4-20 x 3/4	
204	0641608	8	Bolt 3/8-16 x 1	
205	0641609	6	Bolt 3/8-16 x 1-1/8	
207	0641708	2	Bolt 7/16-14 x 1	
210	0741605	2	Screw 3/8-16 x 5/8	
211	0760606	AR	Bolt M6 x 12	
211	0760605	AR	Bolt M6 x 10	
212	0760810	AR	Bolt M8 x 20	
214	0771212	6	Bolt M12 x 25 Grade 10.9	
215	0771414	AR	Bolt M14 x 30 Grade 10.9	
215	0771415	AR	Bolt M14 x 35 Grade 10.9	
216	0940070	1	Bumper	
217	0961986	2	Bushing, Flanged	
219	2220315	1	Fitting, Straight Barbed	
220	2300004	AR	Coolant - Without Arctic Package	
220	2300041	AR	Coolant - With Arctic Package	
221	2720015	40 in/1m	Hose	
222	2720340	12 in /30.5cm	Hose	
223	1001153282	1	Pump Coupling Kit (See Items 401-403 for Breakdown)	
224	1001136079	AR	Oil, Motor - Without Arctic Package	
224	1001136172	AR	Oil, Motor - With Arctic Package	

## SECTION 2 - TURNTABLE

ITEM	PART NUMBER	QTY	DESCRIPTION	REV
225	3200401	4	Mount, Motor	
226	3271801	4	Nut 1/2-13 Grade 8	
227	3311405	AR	Nut 1/4-20	
228	3311605	AR	Nut 3/8-16	
230	3580320	1	Pulley	
231	3931432	1	Capscrew 1/4-20 x 2	
232	3931512	4	Capscrew 5/16-18 x 3/4	
233	3931628	4	Capscrew 3/8-16 x 1-3/4	
234	4031914	4	Capscrew M8 x 50	
235	4032014	4	Capscrew M10 x 50	
236	4060805	15 in /38cm	Flex-Trim	
237	4640751	1	Valve, Oil Drain	
238	4711400	AR	Washer 1/4	
239	4711500	AR	Washer 5/16	
240	4711700	2	Washer 7/16	
241	4751400	10	Washer 1/4	
242	4751600	36	Washer 3/8	
245	4811702	3	Washer M6	
246	4811900	4	Washer M8	
247	4812000	AR	Washer M10	
248	4812100	7	Washer M12	
249	4812200	5	Washer M14	
250	4891500	1	Washer 5/16	
251	4891800	4	Washer 1/2	
253	0630407	2	Screw 1/4-20 x 5/8	
254	8405009	4	Clamp	
255	8405104	4	Clamp	
256	8405204	2	Clamp	
257	8406109	2	Clip	
258	8406110	1	Clip	
259	8410011	2	Clamp	
260	8410013	1	Clamp	
261	1001117308	1	Relay	
263	1001134488	1	Fitting, 90 NPT/ Barbed (All Specs except China Specs) <b>(SN 0300183034 through 0300240878)</b>	
263	1001134488	1	Fitting, 90 NPT/ Barbed (China Specs)	
264	1001135138	1	Adapter	
265	1001135679	1	Adapter	
266	1001136834	1	Cap, Tank	
267	1001137276	1	Fan	
268	1001138173	1	Support	
269	1001138175	1	Bracket	
270	1001138228	1	Relay, Power Module	
270	70023593	1	Fuse 30Amp (Battery Output)	
270	70023592	1	Fuse 20Amp (Switch Output)	
271	1001138248	62 in/1.6m	Tube	
273	1001138557	1	Clamp	
274	1001142623	1	Hose, Inlet	
275	1001138827	1	Sensor, Coolant Level <b>(SN 0300183034 through 0300240878)</b>	
275	1001138827	1	Sensor, Coolant Level (China Specs)	
276	1001139240	1	Bracket	

## SECTION 2 - TURNTABLE

ITEM	PART NUMBER	QTY	DESCRIPTION	REV
277	1001139303	1	Bracket, Tank (All Specs except China Specs) <b>(SN 0300183034 through 0300229742)</b>	
277	1001176419	1	Bracket, Tank (All Specs except China Specs) <b>(SN 0300229743 to Present)</b>	
277	1001176419	1	Bracket, Tank (China Spec)	
278	1001139409	4	Washer, Special	
280	1001139813	1	Engine, Deutz TD2.9L4 (All Specs except CE and China Specs) (See Items 501-536 for Serviced Components)	
280	1001139813	1	Engine, Deutz TD2.9L4 (CE Spec) (See Items 501-536 for Serviced Components) <b>(SN 0300229743 through 0300257466)</b>	
280	1001214039	1	Engine, Deutz TD2.9L4 (China Spec) (See Items 501-535 for Serviced Components) <b>(SN 0300183034 through 0300238787)</b>	
280	1001223591	1	Engine, Deutz TD2.9L4 (China Spec) (See Items 501-535 for Serviced Components) <b>(SN 0300238788 to Present)</b>	
281	1001155384	1	Radiator (RCP Radiator) (All Specs except China Specs) <b>(SN 0300183034 through 0300229742)</b>	
281	70007073	1	Adapter, Hose	
281	1001167042	1	Radiator (Modine Radiator) (All Specs except China Specs) <b>(SN 0300229743 to Present)</b>	
281	1001167042	1	Radiator (Modine Radiator) (China Spec)	
282	1001140362	1	Tray <b>(SN 0300183034 through 0300229742)</b>	
282	1001190610	1	Tray (All Specs except China Specs) <b>(SN 0300229743 to Present)</b>	
282	1001190610	1	Tray (China Spec)	
283	1001140448	1	Mount, Rear Engine	
284	1001140450	1	Mount, Rear Engine	
285	1001140454	1	Mount, Front Engine	
286	1001140466	1	Mount, Generator/Engine <b>(SN 0300183034 through 0300229742)</b>	
286	1001202368	1	Mount, Generator/Engine (All Specs except China Specs) <b>(SN 0300229743 to Present)</b>	
286	1001202368	1	Mount, Generator/Engine (China Spec)	
287	1001140487	1	Plate, Mounting (RCP Radiator) <b>(SN 0300183034 through 0300229742)</b>	
287	1001186985	1	Plate, Mounting (Modine Radiator) (All Specs except China Specs) <b>(SN 0300229743 to Present)</b>	
287	1001186985	1	Plate, Mounting (China Spec)	
288	1001140535	1	Tank <b>(SN 0300183034 through 0300240878)</b>	
288	1001230635	1	Tank (Include Items 263, 275, 289 & 338) (All Specs except China Specs) <b>(SN 0300240879 to Present)</b>	
288	1001140535	1	Tank (China Specs)	
289	1001140564	1	Fitting, 90 NPT/ Barbed <b>(SN 0300183034 through 0300240878)</b>	
289	1001140564	1	Fitting, 90 NPT/ Barbed (China Specs)	
290	1001141304	1	Harness, Glow Plug (Not Shown - See ELECTRICAL SECTION for Breakdown)	
291	1001141370	1	Hose	
292	1001141419	1	Shim	
293	1001141546	1	Shim <b>(SN 0300183034 through 0300219142)</b>	
294	1001141583	1	Hose, Radiator - Upper <b>(SN 0300183034 through 0300229742)</b>	
294	1001177844	1	Hose, Radiator - Upper (All Specs except China Specs) <b>(SN 0300229743 to Present)</b>	
294	1001177844	1	Hose, Radiator - Upper (China Spec)	
295	1001141584	1	Hose, Radiator - Lower <b>(SN 0300183034 through 0300229742)</b>	
295	1001177845	1	Hose, Radiator - Lower (All Specs except China Specs) <b>(SN 0300229743 to Present)</b>	



## SECTION 2 - TURNTABLE

ITEM	PART NUMBER	QTY	DESCRIPTION	REV
295	1001177845	1	Hose, Radiator - Lower (China Spec)	
296	1001141585	1	Hose, Inlet	
297	1001141586	1	Pipe, Intake	
298	1001152489	1	Fitting, 90 Metric/ Barbed	
300	1001141995	1	Fitting, Straight NPT/Barbed	
301	1001165842	1	Pipe	
302	1001143390	1	Indicator, Service	
303	1001143726	1	Harness, Deutz Engine (Not Shown - See ELECTRICAL SECTION for Breakdown)	
304	1001143797	1	Fitting, Straight Metric/Barbed	
305	1001143907	1	Cable, Alternator Power (Not Shown - See ELECTRICAL SECTION for Breakdown)	
306	1001138489	1	Air Cleaner Assembly	
306	91403102	1	Element, Filter (Not Shown)	
307	8405007	2	Clamp	
310	1001169054	4	Pad, Isolator (All Specs except China Specs) <b>(SN 0300229743 to Present)</b>	
310	1001169054	4	Pad, Isolator (China Spec)	
311	1001204325	2	Bracket, Radiator (All Specs except China Specs) <b>(SN 0300229743 to Present)</b>	
311	1001204325	2	Bracket, Radiator (China Spec)	
312	1001145154	1	Plate, Relay Mounting	
313	0641605	2	Bolt 3/8-16 x 5/8	
314	0641518	2	Bolt 5/16-18 x 2-1/4	
315	0641607	4	Bolt 3/8-16 x 7/8	
315	0641612	4	Bolt 3/8-16 x 1-1/2	
316	0681820	4	Bolt 1/2-13 x 2-1/2 Grade 8	
316	0681822	4	Bolt 1/2-13 x 2-3/4 Grade 8	
317	0760605	1	Bolt M6 x 10	
318	0761210	1	Bolt M12 x 20	
319	1321716	1	P-Clamp <b>(SN 0300183034 through 0300195981)</b>	
319	1001181899	1	P-Clamp <b>(SN 0300195982 to Present)</b>	
320	1001154405	20 in /51cm	Hose <b>(SN 0300183034 through 0300219142)</b>	
321	3310401	3	Nut #4-40	
322	3311505	2	Locknut 5/16-18	
323	3910408	3	Screw #4-40 x 1/2	
324	4750400	3	Washer #4	
325	4751500	4	Washer 5/16	
326	8405006	2	Clamp <b>(SN 0300183034 through 0300219142)</b>	
327	8406102	AR	Clip	
328	1001138717	1	Bracket <b>(SN 0300183034 through 0300219142)</b>	
329	1001142501	1	Fitting, 90 Metric/Barbed <b>(SN 0300183034 through 0300219142)</b>	
330	1001148641	1	Bracket <b>(SN 0300183034 through 0300195981)</b>	
331	0100020	AR	Sealant	
332	4240099	AR	Tie-Strap (Not Shown)	
333	0100062	AR	Compound, Locking	
334	1703162	1	Decal - Caution Fan Blade	
335	1001178223	2	Bracket, Radiator (All Specs except China Specs) <b>(SN 0300229743 to Present)</b>	
335	1001178223	2	Bracket, Radiator (China Spec)	
336	4811902	8	Washer M8	
338	1001182997	AR	Adhesive <b>(SN 0300183034 through 0300240878)</b>	

## SECTION 2 - TURNTABLE

ITEM	PART NUMBER	QTY	DESCRIPTION	REV
338	1001182997	AR	Adhesive (China Specs Only)	
339	1001178876	1	Mount, Fuel Filter (All Specs China Specs) <b>(SN 0300229743 to Present)</b>	
339	1001224937	1	Mount, Fuel Filter (China Specs) <b>(SN 0300238788 to Present)</b>	
340	1001177359	1	Hose <b>(SN 0300229743 to Present)</b>	
342	5250810	2	Bolt M8 x 20	
343	0761015	2	Bolt M10 x 35	
344	1001169138	4	Washer	
345	5240800	1	Washer M8	
346	0700814	1	Bolt M8 x 30	
347	1001180620	AR	Adhesive	
348	1001224940	1	Pipe, Exhaust (China Specs) <b>(SN 0300238788 to Present)</b>	
348	1001221212	1	Clamp (China Specs) <b>(SN 0300238788 to Present)</b>	
348	1001221219	1	Clamp, Band (China Specs) <b>(SN 0300238788 to Present)</b>	
349	1001223593	1	Muffler (China Specs) <b>(SN 0300238788 to Present)</b>	
350	1001128901	2	Strap (China Specs) <b>(SN 0300238788 through 0300240879)</b>	
350	1001233089	2	Strap (China Specs) <b>(SN 0300240880 to Present)</b>	
351	1001224936	2	Mount (China Specs) <b>(SN 0300238788 to Present)</b>	
352	1001221203	1	Bracket (China Specs) <b>(SN 0300238788 to Present)</b>	
380		Ref	Note: Arctic Package Item 351 (Used on Arctic Machines Only) Not Shown.	
380	1001140312	1	Heater, Engine Block	
380	1001181895	AR	Adhesive	
	1001153282	Ref	PUMP COUPLING INSTALLATION	D
401	70004183	1	Coupling	
402	See Note	NSS	Plate, Pump Adapter (Note: Use p/n 1001153282)	
403	See Note	NSS	Capscrew M10 x 20 Grade 10.9 (Note: Use p/n 1001153282)	
404	See Note	NSS	Capscrew M10 x 25 Grade 10.9 (Note: Use 1001153282)	
	1001139813	Ref	ENGINE COMPONENTS (ALL SPECS EXCEPT CE AND CHINA SPECS)	J
	1001139813	Ref	ENGINE COMPONENTS (CE SPEC) <b>(SN 0300183034 through 0300257466)</b>	J
	1001235488	Ref	ENGINE COMPONENTS - STAGE V (CE SPEC) <b>(SN 0300257467 to Present)</b>	B
	1001214039	Ref	ENGINE COMPONENTS (CHINA SPEC ONLY) <b>(SN 0300183034 through 0300238787)</b>	C
	1001223591	Ref	ENGINE COMPONENTS (CHINA SPEC) <b>(SN 0300238788 to Present)</b>	B
501	70004274	1	Dipstick (Not Shown - Located On Side Left Front) (All Specs except China Specs)	
501	70024904	1	Dipstick (Not Shown - Located On Side Left Front) (China Specs Only)	
501	70024905	1	Seal	
502	7020465	2	Cap, Oil Fill	
503	70025111	2	Clamp	
503	70005920	1	Hose, Breather	
504	70025088	1	Plug (ANSI Specs)	
504	70005941	2	Plug (China Specs)	
504	7020404	1	Seal (ANSI Specs)	
504	70005942	1	Seal (China Specs)	
505	70001870	1	Flywheel with Ring Gear	
505	7024579	1	Gear, Ring	
506		Ref	Gasket and Seal Options (Not Shown):	

## SECTION 2 - TURNTABLE

ITEM	PART NUMBER	QTY	DESCRIPTION	REV
506	70024906	1	Gasket, Head	
506	70025206	1	Gasket, Small Valve Cover	
506	70025207	1	Gasket, Large Valve Cover (All Specs except China Specs)	
506	70005171	1	Gasket, Large Valve Cover (China Specs)	
506	7002508	1	Gasket, Valve Cover to Air Charge Elbow	
506	70002718	1	Seal, Rear Main	
506	70004280	1	Seal, Front Main	
506	70024907	1	Gasket, Front Cover (All Specs except China Specs)	
506	See Note	NSS	Gasket, Front Cover (China Specs) (Note: Not Available for Purchase)	
506	70025164	1	Gasket, Exhaust Manifold to Head	
506	70024912	1	Gasket, Exhaust Manifold to Turbocharger	
506	70021895	2	Gasket, Exhaust Bend (All Specs except China Specs)	
506	70005177	1	Gasket, Charge Air Pipe to Head (China Specs)	
506	70004279	1	Gasket Kit	
507	70025091	1	Plug	
507	70025082	1	Seal	
507	70025176	1	Spring	
507	70025076	1	Valve	
508	70025202	1	Pump, Oil Lube (Not Shown - Located Front Left Side) (All Specs except China Specs)	
508	70005172	1	Pump, Oil Lube (Not Shown - Located Front Left Side) (China Specs)	
508	70025135	1	O-Ring (All Specs except China Specs)	
508	See Note	NSS	O-Ring (China Specs) (Note: Use p/n 70005172)	
508	70025136	1	Seal (All Specs except China Specs)	
508	70005173	1	Gasket (China Specs)	
509	7016331	1	Filter, Oil	
510	70004275	1	Cooler, Oil (All Specs except China Specs)	
510	70024494	1	Cooler, Oil (China Specs)	
510	70024925	1	Gasket	
511	70024924	1	Pump, High Pressure (Not Shown - Located Front Left Side)	
511	70025152	1	O-Ring (Between Pump and Spacer)	
511	70024488	1	Spacer	
511	70024517	1	O-Ring (Between Spacer and Engine Block)	
512	70025181	4	Injector, Fuel	
512	70025140	4	Washer, Sealing	
512	70025146	4	Clamp (Top of Injector)	
512	70025416	4	O-Seal	
512	70025154	4	Shoe, Clamping	
512	70000345	4	Plug, Glow	
512	70025231	1	Harness, Glow Plug (Not Shown)	
513	70025153	NLA	Filter, Fuel (Use p/n 1001225430)	
513	70024513	1	Cable, Sensor	
513	70025239	1	Seal	
514	70024486	1	Pump, Fuel (All Specs except China Specs)	
514	1001226098	1	Pump, Fuel (China Specs) (was p/n 70005174)	
515	70025144	2	Clamp	
516	70025160	1	Filter with Head (All Specs except China Specs)	
516	70024961	1	Filter with Head (China Spec)	
516	70025161	NLA	Filter, Fuel (Use p/n 1001225431)	
517	70024504	1	Sensor, Pressure	

## SECTION 2 - TURNTABLE

ITEM	PART NUMBER	QTY	DESCRIPTION	REV
517	70024920	1	Seal	
518	70025151	1	Rail, Fuel (Not Shown)	
518	70025235	1	Repair Kit	
519	70025210	1	ECU (Engine Control Unit)	
520	70024910	1	Pump, Water	
520	70025200	1	Seal	
520	70025084	2	Plug	
520	7020492	2	Seal	
521	70024473	1	Thermostat (All Specs except China Specs)	
521	70005929	1	Thermostat (China Specs)	
521	70025143	1	O-Seal (All Specs except China Specs)	
521	70005184	1	O-Seal (China Specs)	
521	70025142	1	Cover, Thermostat	
522	70025178	1	Pipe	
522	70025156	1	Valve, Shuttle (All Specs except China Specs)	
522	70025768	1	Valve, Shuttle (China Specs)	
522	70025179	2	Gasket	
522	70025180	1	Gasket	
523	70025203	1	Module, EGR (Not Shown - Located on Left Side)	
524	70004276	1	Turbocharger	
524	70005527	1	Clamp (Turbocharger to Compensator) (China Specs)	
524	70004504	1	Compensator (China Specs)	
525	70025477	1	Tensioner, Belt	
526	70004277	1	Belt, Drive	
527	70024914	1	Alternator	
527	70025149	1	Regulator, Voltage	
528	70024915	1	Starter (Not Shown - Located on Left Side)	
528	70005648	1	Relay	
528	70005647	1	Solenoid	
529	70025077	1	Harness, Engine (Not Shown)	
530	70024503	2	Sensor, Speed (Not Shown - Located Left Side Front and Flywheel Housing) (All Specs except China Specs)	
530	70026210	2	Sensor, Speed (Not Shown - Located Left Side Front and Flywheel Housing) (China Specs)	
530	70024917	2	Seal	
531	70024918	1	Sender, Temperature (Not Shown - Located Top Front)	
532	70024504	1	Sensor, Pressure (Not Shown - Located Left Side Front)	
532	70024920	1	Seal	
533	70024507	1	Sensor, Pressure	
533	70025120	1	Seal	
534	70024922	1	Sender, Temperature	
534	70025212	1	Seal	
535	70025799	1	Muffler, DOC (All Specs except China Specs)	
535	70005937	1	Muffler, DOC (China Specs Only) <b>(SN 0300183034 through 0300238787)</b>	
535	70024515	1	Clamp (All Specs except China Specs)	
535	70025245	2	Clamp, Mounting (China Specs)	
535	70025877	2	Clamp, Muffler (China Specs Only) <b>(SN 0300183034 through 0300238787)</b>	
535	70025801	1	Gasket (Between Inlet and Outlet) (All Specs except China Specs)	
535	70004278	1	Outlet, Muffler (All Specs except China Specs)	
535	70025246	1	Outlet, Muffler (China Specs Only) <b>(SN 0300183034 through</b>	

## SECTION 2 - TURNTABLE

ITEM	PART NUMBER	QTY	DESCRIPTION	REV
			<b>0300238787)</b>	
536	70025660	1	Plug	
536	70104570	1	Seal	
536	70124538	1	Spring	
536	70124530	1	Valve, Pressure Relief	
	1001143483	Ref	BAFFLES INSTALLATION (STEEL HOODS) (ANSI, ANSI EXPORT, CHINA, CSA AND JAPANESE SPECS)	B
	1001143484	Ref	BAFFLES INSTALLATION (ABS HOODS) (ANSI EXPORT, CE & JAPANESE SPECS)	C
	1001215474	Ref	BAFFLES INSTALLATION (STEEL HOODS) (CHINA SPEC)	A
601	0641406	AR	Bolt 1/4-20 x 3/4	
602	3311405	19	Nut 1/4-20	
603	4711400	38	Washer 1/4	
604	1001141711	1	Bracket (SN 0300183034 through 0300199946)	
604	1001174745	1	Bracket (SN 0300199947 to Present)	
605	1001142031	1	Bracket	
606	1001142032	1	Bracket	
607	1001143449	1	Bracket	
608	1001143472	1	Baffle (SN 0300183034 through 0300199946)	
608	1001174746	1	Baffle (SN 0300199947 to Present)	
608	1001143575	1	Baffle (SN 0300183034 through 0300199946)	
608	1001195967	1	Baffle (SN 0300199947 to Present)	
609	1001143525	1	Bracket	
610	1001143860	1	Bracket, Bumper (ABS Hoods)	
611	0641407	1	Bolt 1/4 x 78	
	1001162335	Ref	BRACKET ASSEMBLY (LESS FUEL PUMP AND FILTER)	D
	1001227224	Ref	BRACKET ASSEMBLY (LESS FUEL PUMP AND FILTER) (CHINA SPECS) (SN 0300238788 to Present)	B
701	0100011	AR	Locking, Compound	
702	0641610	2	Bolt 3/8-16 x 1-1/4	
703	0721006	4	Bolt #10-24 x 3/4	
704	1001154405	1.5 ft /0.4m	Hose	
705	3311001	4	Nut #10-24	
706	3311605	2	Nut 3/8-16NC	
707	4711000	8	Washer #10	
708	4711600	4	Washer 3/8	
709	8405006	2	Clamp	
710	1001141870	1	Plate, Fuel Pump Mount	
710	1001226285	1	Plate, Fuel Pump Mount (China Specs) (SN 0300238788 to Present)	
711	1001142501	1	Fitting, 90 Metric/Barbed	
711	1001141718	1	Fitting, Straight (Not Shown) (China Specs) (SN 0300238788 to Present)	
	1001216220	Ref	EXHAUST PIPE INSTALLATION WITHOUT SPARK ARRESTER	A
	1001145750	Ref	EXHAUST PIPE INSTALLATION WITH SPARK ARRESTER	B
801	1001149908	1	Pipe, Exhaust without Spark Arrester	
801	1001145751	1	Pipe, Exhaust with Spark Arrester	
	1001202311	Ref	FUEL PUMP BRACKET INSTALLATION (MACHINES WITH ABS HOODS)	A
901	0100011	AR	Compound, Locking	
902	0760810	2	Bolt M8 x 20	
903	0761008	1	Bolt M10 x 16	

## SECTION 2 - TURNTABLE

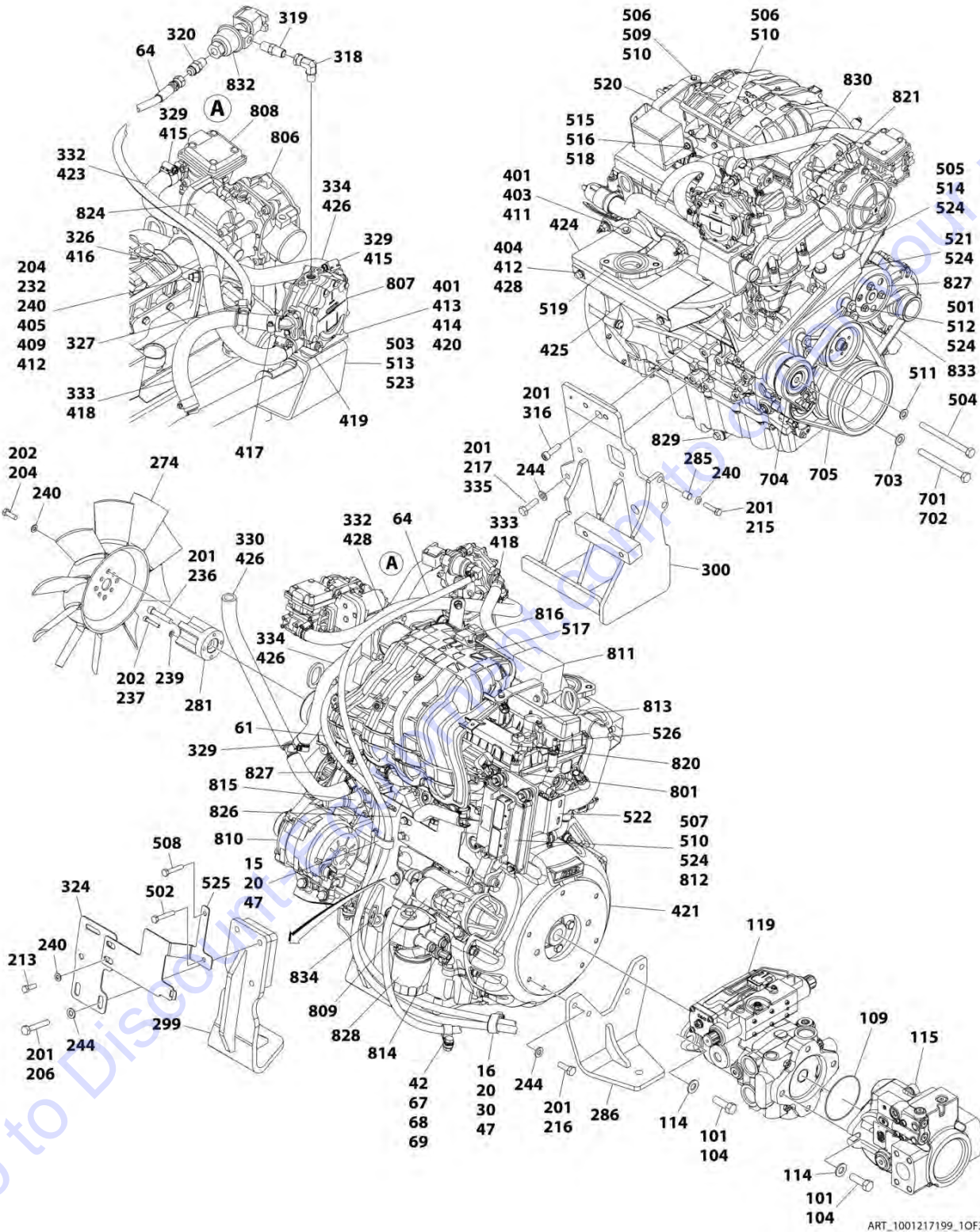
ITEM	PART NUMBER	QTY	DESCRIPTION	REV
904	0761015	2	Bolt M10 x 35	
905	1320061	2	Clamp	
906	3291005	2	Nut M10	
907	4811900	2	Washer M8	
908	4812000	5	Washer M10	
909	1001178876	1	Bracket	

Go to Discount-Equipment.com to order your parts



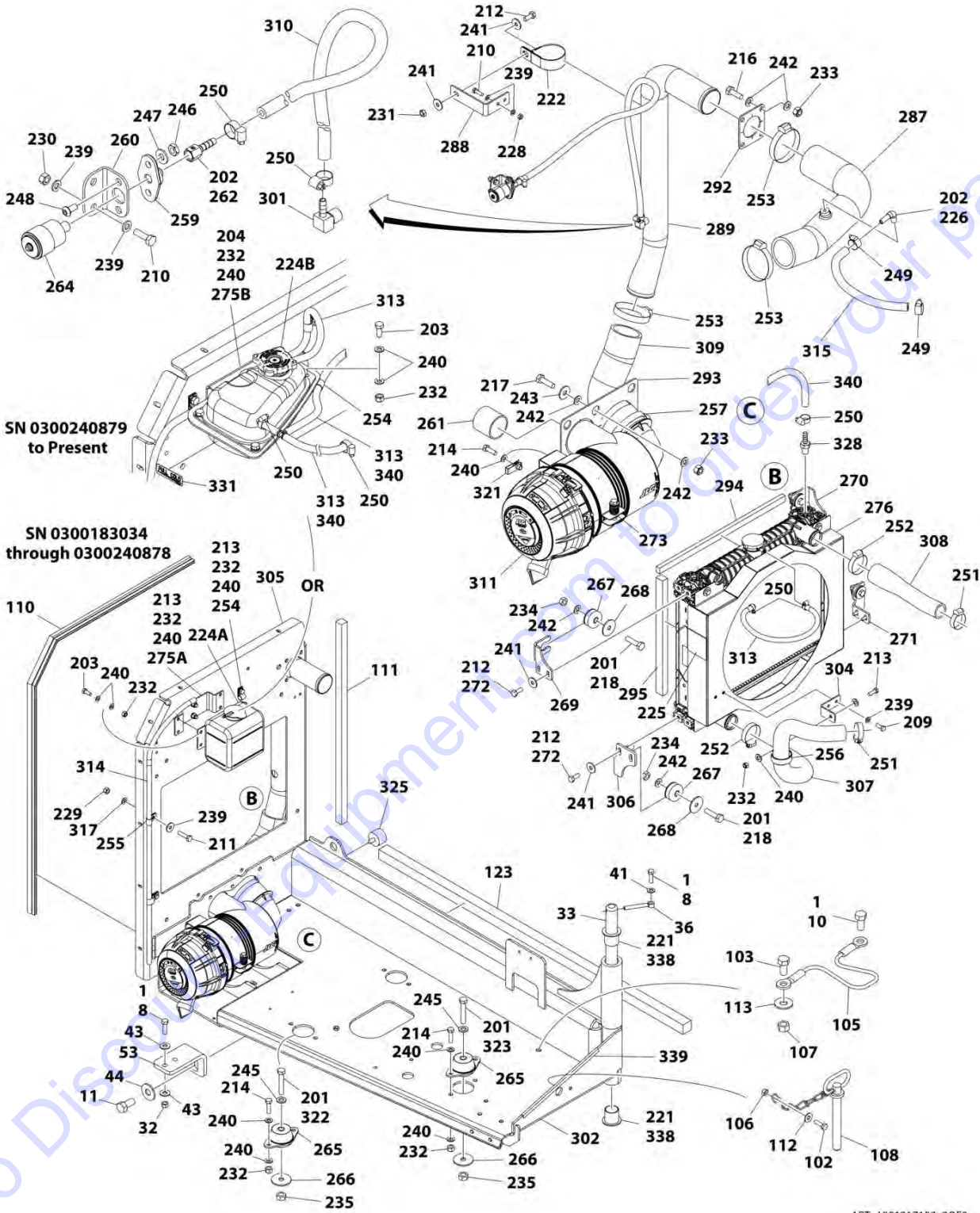
# SECTION 2 - TURNTABLE

## FIGURE 2-12. FORD ENGINE INSTALLATION



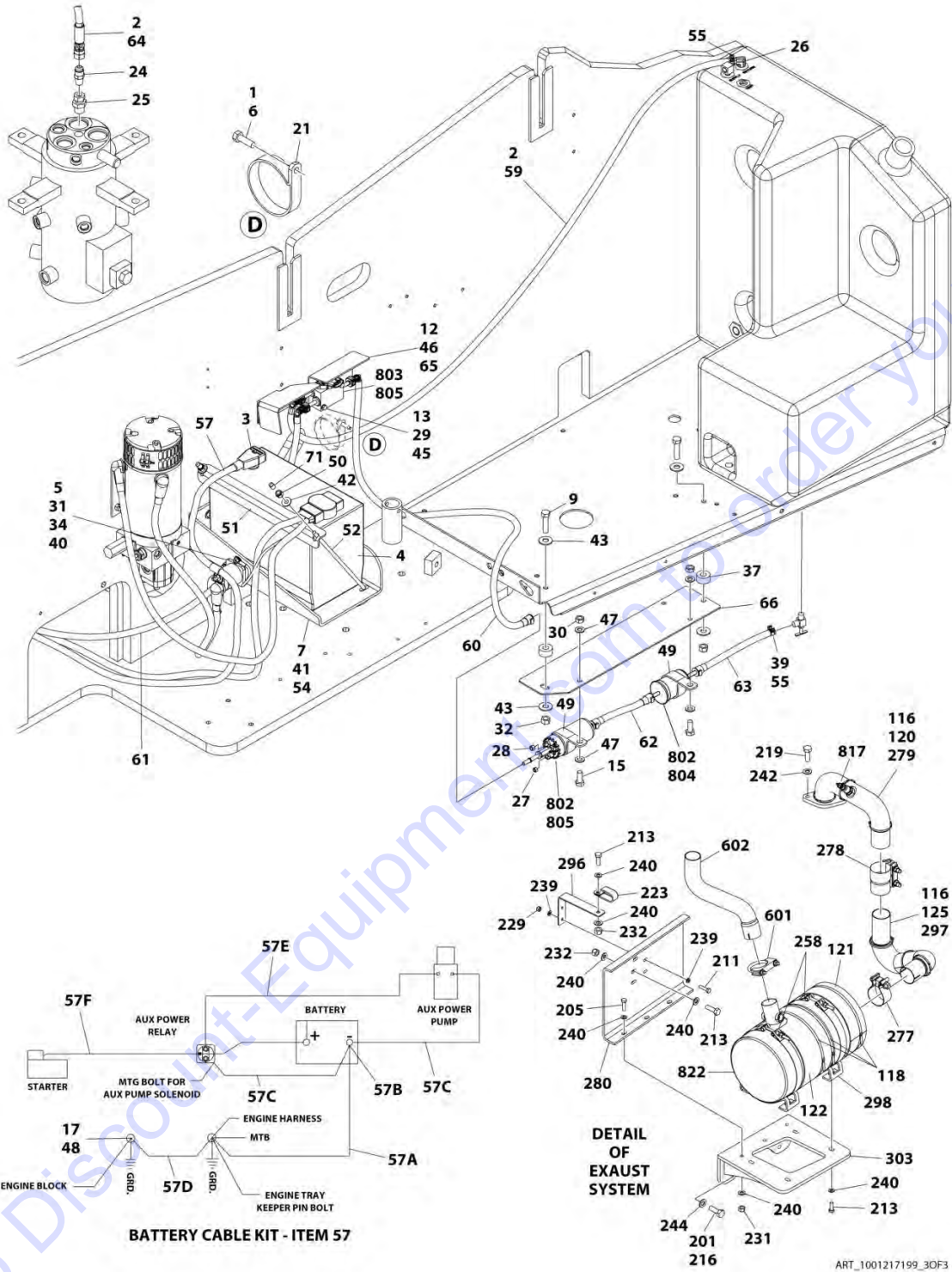


# SECTION 2 - TURNTABLE



ART\_1001217199\_20F3

# SECTION 2 - TURNTABLE



ART\_1001217199\_3OF3

## SECTION 2 - TURNTABLE

### FIGURE 2-12. FORD ENGINE INSTALLATION

ITEM	PART NUMBER	QTY	DESCRIPTION	REV
		Ref	FORD ENGINE INSTALLATION	
	1001217199	Ref	Ford Engine Installation without Arctic Package	G
	1001219610	Ref	Ford Engine Installation with Arctic Package	G
1	0100011	AR	Compound, Locking	
2	0100020	AR	Sealant	
3	0100048	AR	Grease, Terminal	
4	0400075	1	Battery ( <b>Prior to SN 0300259888</b> )	
5	0641406	AR	Bolt 1/4 x 3/4	
6	0641508	1	Bolt 5/16 x 1	
7	0641607	3	Bolt 3/8 x 7/8	
8	0641610	3	Bolt 3/8 x 1-1/4	
9	0641612	2	Bolt 3/8 x 1-1/2	
10	0641808	1	Bolt 1/2 x 1	
11	0642010	1	Bolt 5/8 x 1-1/4	
12	0760610	2	Bolt M6 x 20	
12	0641406	2	Bolt 1/4 x 3/4	
13	0760619	2	Bolt M6 x 55	
13	0641420	2	Bolt 1/4 x 2-1/2	
15	0760810	3	Bolt M8 x 20	
16	0760812	1	Bolt M8 x 25	
16	0641408	1	Bolt 1/4 x 1	
17	0761008	1	Bolt M10 x 16	
20	1321283	2	Clamp	
21	1321339	1	Clamp	
22	1701542	1	Decal - Gas (Not Shown)	
23	1701543	1	Decal - LPG (Not Shown)	
24	2180418	1	Fitting, Straight	
25	2220005	1	Fitting, Straight NPT	
26	2221176	1	Fitting, 90	
27	3290405	1	Nut M4	
28	3290505	1	Nut M5	
29	3290607	2	Nut M6	
29	3311405	2	Nut 1/4	
30	3290801	AR	Nut M8	
30	3311405	AR	Nut 1/4	
31	3311405	AR	Nut 1/4	
32	3311605	4	Nut 3/8	
33	3422446	1	Pin	
34	3740067	1	Relay	
35	3790012	1	O-Ring (Not Shown - Located on Platform Console Box)	
36	3841143	1	Keeper, Pin	
37	4071122	2	Shim	
38	4360336	1	Switch, Toggle (Not Shown - Located on Platform Console Box)	
39	1001221488	1	Tube, Fuel Line	
40	4711400	AR	Washer 1/4	
41	4711600	4	Washer 3/8	
42	4751500	AR	Washer 5/16 ( <b>Prior to SN 0300259888</b> )	
42	4751400	AR	Washer 1/4	
43	4751600	8	Washer 3/8	
44	4752000	1	Washer 5/8	

## SECTION 2 - TURNTABLE

ITEM	PART NUMBER	QTY	DESCRIPTION	REV
45	4811700	AR	Washer M6	
45	4751400	AR	Washer 1/4	
46	4811702	2	Washer M6	
46	4711400	2	Washer 1/4	
47	4811900	7	Washer M8	
47	4751400	AR	Washer 1/4	
48	4812000	1	Washer M10	
49	85941018	2	Clamp	
50	88521205	2	Nut 5/16 <b>(Prior to SN 0300259888)</b>	
51	91401281	1	Bracket, Battery Hold Down <b>(Prior to SN 0300259888)</b>	
52	1001093382	2	J-Bolt <b>(Prior to SN 0300259888)</b>	
53	1001153359	1	Mount	
54	1001162497	1	Bracket, Battery	
55	1001174486	2	Clamp	
57	1001216568	1	Battery Cable Kit	B
57A	7027084	1	Cable, Battery - Ground to Battery -	
57B	8270147	1	Terminal, Battery with Boot	
57C	7027085	1	Cable, Battery - Auxiliary Pump/Relay to Battery -	
57D	7027086	1	Cable, Battery - Engine to Ground	
57E	7027088	1	Cable, Battery - Auxiliary Relay to Auxiliary Pump	
57F	70009020	1	Cable, Battery - Starter/Auxiliary Relay to Battery +	
59	1001219364	1	Hose	
60	1001219365	1	Hose	
61	1001219366	1	Hose	
62	1001219367	1	Hose	
63	1001219368	1	Hose	
64	1001219369	1	Hose	
65	1001219370	1	Bracket	
66	1001219809	1	Bracket	
67	0771012	1	Bolt M10 x 25	
67	0641408	1	Bolt 1/4 x 1	
68	3291001	1	Nut M10	
68	3311405	1	Nut 1/4	
69	8406201	1	Clip	
70	4240099	AR	Tie-Strap (Not Shown)	
71	1001218572	2	Cap <b>(Prior to SN 0300259888)</b>	
		Ref	<b>Note: Arctic Package Items 80-88 Not Shown (Machines with Arctic Package Only)</b>	
80	1060626	1	Plug, 3 Way	
81	1702941	1	Decal - Battery Heater	
82	1702942	1	Decal - Engine Block Heater	
83	1702943	1	Decal - Hydraulic Tank Heater	
84	1702944	1	Decal - Heater Cord	
85	2560024	1	Heater, Battery	
86	3980007	1	Seal, Battery	
87	1001150918	1	Cord, Extension - 8ft	
88	1001188972	1	Heater, Hydraulic Tank Immersion	
		Ref	FORD ENGINE AND PUMP SUB-ASSEMBLY	
	1001217192	Ref	Ford Engine and Pump Sub-Assembly without Arctic Package	E
	1001219609	Ref	Ford Engine and Pump Sub-Assembly with Arctic Package	C
101	0100011	AR	Compound, Locking	
102	0641407	1	Bolt 1/4 x 7/8	

## SECTION 2 - TURNTABLE

ITEM	PART NUMBER	QTY	DESCRIPTION	REV
103	0641808	1	Bolt 1/2 x 1	
104	0641812	4	Bolt 1/2 x 1-1/2	
105	1060637	1	Cable, Lanyard	
106	3311405	1	Nut 1/4	
107	3311805	1	Nut 1/2	
108	3422532	1	Pin	
109	3790044	1	O-Ring	
110	3960389	60 in/ 1.5m	Seal <b>(SN 0300183034 through 0300240878)</b>	
111	3960469	1	Seal	
112	4751400	1	Washer 1/4	
113	4751800	1	Washer 1/2	
114	4891800	4	Washer 1/2	
115	1001094595	1	Variable Pump Assembly (See VARIABLE PUMP ASSEMBLY for Breakdown)	
116	1001100825	6	Strap	
117	1001115930	AR	Oil, Motor (Not Shown) <b>(SN 0300183034 through 0300240878)</b>	
117	1001190775	AR	Oil, Motor (Not Shown) <b>(SN 0300240879 to Present)</b>	
118	1001221464	3	Strap	
119	1001187510	1	Hydrostatic Pump Assembly (See HYDROSTATIC PUMP ASSEMBLY for Breakdown) <b>(SN 0300183034 through 0300240878)</b>	
119	1001225745	1	Hydrostatic Pump Assembly (See HYDROSTATIC PUMP ASSEMBLY for Breakdown) <b>(SN 0300240879 to Present)</b>	
120	1001216532	1	Insulate, Exhaust Pipe	
121	1001216534	1	Insulate, Muffler	
122	1001216535	1	Insulate, Muffler	
123	1001217170	1	Seal	
125	1001218085	1	Insulate, Exhaust Pipe	
		Ref	FORD ENGINE ASSEMBLY	
	1001217191	Ref	Ford Engine Assembly without Arctic Package	L
	1001219608	Ref	Ford Engine Assembly with Arctic Package	I
201	0100011	AR	Compound, Locking	
202	0100020	AR	Sealant	
203	0700810	AR	Bolt M8 x 20	
204	0700812	4	Bolt M8 x 25	
205	0700814	3	Bolt M8 x 30	
206	0711020	3	Bolt M10 x 60	
209	0760608	2	Bolt M6 x 16	
210	0760610	4	Bolt M6 x 20	
211	0760612	AR	Bolt M6 x 25	
212	0760810	AR	Bolt M8 x 20	
213	0760812	AR	Bolt M8 x 25	
214	0760814	AR	Bolt M8 x 30	
215	0760815	2	Bolt M8 x 35	
216	0761014	11	Bolt M10 x 30	
217	0761015	AR	Bolt M10 x 35	
218	0761016	4	Bolt M10 x 40	
219	0771014	2	Bolt M10 x 30	
221	0961986	2	Bearing	
222	1320110	1	Clamp	
223	1321283	AR	Clamp <b>(SN 0300183034 through 0300240878)</b>	

## SECTION 2 - TURNTABLE

ITEM	PART NUMBER	QTY	DESCRIPTION	REV
223	1001187781	AR	Tie-Strap (Not Shown) <b>(SN 0300240879 to Present)</b>	
224A	1580011	1	Container, Coolant Overflow <b>(SN 0300183034 through 0300240878)</b>	
224B	1001223584	1	Container, Coolant Overflow <b>(SN 0300240879 to Present)</b>	
225	1703162	2	Decal - Fan Blade	
226	2180467	1	Fitting, Straight NPT/Barbed	
227	2300004	AR	Coolant (Not Shown)	
228	3290601	2	Nut M6	
229	3290605	AR	Nut M6	
230	3290607	2	Nut M6	
231	3290801	4	Nut M8	
232	3290805	AR	Nut M8	
233	3291005	AR	Nut M10	
234	3291001	4	Nut M10	
235	3291201	3	Nut M12	
236	3931640	1	Capscrew 3/8 x 2-1/2	
237	4031711	4	Capscrew M6 x 35	
238	4240099	AR	Tie-Strap (Not Shown)	
239	4811700	AR	Washer M6	
240	4811900	AR	Washer M8	
241	4811902	10	Washer M8	
242	4812000	AR	Washer M10	
243	4812002	6	Washer M10	
244	5241000	15	Washer M10	
245	5241200	3	Washer M10	
246	8305401	2	Nut 1/4	
247	8307109	2	Washer 1/4	
248	8310548	2	Screw 1/4 x 1/2	
249	8405006	2	Clamp	
250	8405009	AR	Clamp	
251	8405102	2	Clamp	
252	8405104	2	Clamp	
253	8405203	3	Clamp	
254	8406109	AR	Clip	
255	8406110	2	Clip <b>(SN 0300183034 through 0300240878)</b>	
256	8410001	1	Clamp	
257	8410011	1	Clamp	
258	1001128901	2	Strap, Clamp	
259	1001138173	1	Support	
260	1001138175	1	Bracket	
261	1001141585	1	Hose, Air Cleaner Inlet	
262	1001141995	1	Fitting, Straight NPT/Barbed	
264	1001149639	1	Indicator, Restriction	
265	1001191610	3	Mount, Motor	
266	1001168018	3	Washer	
267	1001169054	4	Isolator	
268	1001169138	4	Pad	
269	1001169967	1	Bracket	
270	1001170035	1	Bracket	
271	1001176329	1	Bracket	
272	1001180620	AR	Adhesive	
273	1001186426	1	Clamp, Air Cleaner	

## SECTION 2 - TURNTABLE

ITEM	PART NUMBER	QTY	DESCRIPTION	REV
274	1001213357	1	Fan (SN 0300183034 through 0300240878)	
274	1001223042	1	Fan (SN 0300240879 to Present)	
275A	1001213482	1	Bracket (SN 0300183034 through 0300240878)	
275B	1001225442	1	Bracket (SN 0300240879 to Present)	
276	1001215674	1	Radiator (SN 0300183034 through 0300240878)	
276	1001223923	1	Radiator (SN 0300240879 to Present)	
277	1001215681	1	Clamp	
278	1001215974	1	Clamp	
279	1001216075	1	Pipe, Exhaust Inlet	
280	1001216092	1	Shield, Heat	
281	1001216201	1	Spacer, Fan	
285	1001216919	2	Sleeve	
286	1001216995	1	Mount, Engine (Rear)	
287	1001217032	1	Tube, Air Intake	
288	1001217046	1	Bracket	
289	1001217090	1	Tube, Intake (Intermediate)	
292	1001217174	1	Seal	
293	1001217175	1	Seal	
294	1001217183	2	Seal	
295	1001217185	2	Seal	
296	1001217186	1	Support	
297	1001217317	1	Pipe, Exhaust Inlet	
298	1001217543	2	Mount	
299	1001218362	1	Mount, Engine (Front Left)	
300	1001218449	1	Mount, Engine (Front Right)	
301	1001134488	1	Fitting, 90 Barbed	
302	1001219259	1	Tray	
303	1001219345	1	Bracket	
304	1001219361	1	Support	
305	1001219363	1	Plate, Radiator	
306	1001219480	1	Bracket	
307	1001219611	1	Hose, Radiator (Lower)	
308	1001219612	1	Hose, Radiator (Upper)	
309	1001219613	1	Tube, Intake (Lower)	
310	1001138248	31 in/ 77cm	Tube, Nylon	
311	1001189979	1	Air Filter Assembly	
311	70005008	1	Element, Filter	
313	2720058	12 in/ 29cm	Hose (SN 0300183034 through 0300240878)	
313	2720058	55 in/ 1.5m	Hose (SN 0300240879 to Present)	
314	2720271	3 ft/.9m	Hose (SN 0300183034 through 0300240878)	
315	1001165035	7 in/ 18cm	Hose (SN 0300183034 through 0300240878)	
315	1001165035	10 in/ 26cm	Hose (SN 0300240879 to Present)	
316	4032011	AR	Capscrew M10 x 35	
316	5272010	AR	Capscrew M10 x 30	
317	4811702	AR	Washer M6	
318	2220064	1	Fitting, 90 FSNPSM/NPTF	
319	2220261	1	Fitting, Straight	
320	2180418	1	Fitting, Straight	

## SECTION 2 - TURNTABLE

ITEM	PART NUMBER	QTY	DESCRIPTION	REV
321	1001221615	2	Nut, Tinnerman M8	
322	0701224	AR	Bolt M12 x 80	
323	1001098828	AR	Bolt M12 x 70 Grade 10.9	
323	0711223	AR	Bolt M12 x 75	
324	1001222033	1	Plate	
325	0940070	1	Bumper	
326	8406201	1	Clip <b>(SN 0300240879 to Present)</b>	
327	8410009	2	Clamp <b>(SN 0300240879 to Present)</b>	
328	2180348	1	Fitting, Straight Barbed <b>(SN 0300240879 to Present)</b>	
329	1001173535	6	Clamp <b>(SN 0300240879 to Present)</b>	
330	1001224489	1	Hose (Includes Tee) <b>(SN 0300240879 to Present)</b>	
331	1001225510	1	Decal - Full Cold <b>(SN 0300240879 to Present)</b>	
332	1001216531	1	Hose <b>(SN 0300240879 to Present)</b>	
333	1001227666	1	Hose <b>(SN 0300240879 to Present)</b>	
334	1001224486	1	Hose <b>(SN 0300240879 to Present)</b>	
335	0711014	5	Bolt M10 x 30 <b>(SN 0300240879 to Present)</b>	
338	0100062	AR	Adhesive <b>(SN 0300240879 to Present)</b>	
339	4060805	16 in/ 41cm	Flex-Trim <b>(SN 0300240879 to Present)</b>	
340	1001227667	1	Hose <b>(SN 0300240879 to Present)</b>	
350	1001216393	1	Heater, Engine Block (Arctic Package Only) (Not Shown)	
	1001216910	Ref	FORD ENGINE ASSEMBLY - PUMP COUPLING/ FUEL SYSTEM	F
401	0100011	AR	Compound, Locking	
403	0760605	4	Bolt M6 x 10	
404	0760807	2	Bolt M8 x 14	
405	0760812	AR	Bolt M8 x 25	
409	3290805	AR	Nut M8	
411	4811702	4	Washer M6	
412	4811900	AR	Washer M8	
413	5250605	3	Bolt M6 x 10	
414	5260600	1	Nut M6 Class 10	
415	1001173535	4	Clamp <b>(SN 0300183034 through 0300227034)</b>	
416	8406201	1	Clip <b>(SN 0300183034 through 0300227034)</b>	
417	8410009	2	Clamp <b>(SN 0300183034 through 0300227034)</b>	
418	82033995	10 in/ 27cm	Hose <b>(SN 0300183034 through 0300227034)</b>	
419	1001211794	3	Mount, Isolator	
420	1001213045	1	Bracket <b>(SN 0300183034 through 0300232564)</b>	
420	1001227769	1	Bracket <b>(SN 0300232565 to Present)</b>	
421	1001213810	1	Pump Coupling, Kit	
421	70006134	1	Coupling	
421	70006135	1	Housing	
421	70006136	1	Hardware Kit	
423	1001216531	1	Hose <b>(SN 0300183034 through 0300227034)</b>	
424	1001216768	1	Bracket	
425	1001216769	1	Bracket	
426	1001216810	1	Hose <b>(SN 0300183034 through 0300227034)</b>	
428	1001149160	2	Nut, Tinnerman M8	
	1001216065	Ref	FORD ENGINE ASSEMBLY - BRACKETS/EXHAUST MANIFOLD	K
501	0700816	4	Bolt M8 x 40	
502	0700818	1	Bolt M8 x 50	
503	0701014	2	Bolt M10 x 30	



## SECTION 2 - TURNTABLE

ITEM	PART NUMBER	QTY	DESCRIPTION	REV
504	0710827	1	Bolt M8 x 100 Grade 10.9	
505	0711216	2	Bolt M12 x 40	
506	0760610	3	Bolt M6 x 20	
507	0760615	4	Bolt M6 x 35	
508	0760817	1	Bolt M8 x 45	
509	3290601	1	Nut M6	
510	4811700	8	Washer M6	
511	4811900	1	Washer M8	
512	4811902	4	Washer M8	
513	4812000	1	Washer M10	
514	4812100	2	Washer M12	
515	5250605	2	Bolt M6 x 10	
516	5260600	2	Nut M6 Class 10	
517	1001210448	1	Engine, Ford 2.5L (See Ford Engine Components for Serviced Parts)	
518	1001211794	2	Mount	
519	1001214827	1	Manifold, Exhaust	
520	1001215384	1	Bracket	
521	1001216071	1	Bracket	
522	1001216144	1	Support, Muffler	
523	1001216616	1	Mount, Vaporizer (SN 0300183034 through 0300232560)	
523	1001227772	1	Mount, Vaporizer (SN 0300232561 to Present)	
524	0100011	AR	Compound, Locking	
525	1001221545	1	Plate	
526	1001222641	6	Cap	
		Ref	EXHAUST PIPE INSTALLATION	
	1001220141	Ref	Exhaust Pipe Installation without Spark Arrestor	B
	1001219906	Ref	Exhaust Pipe Installation with Spark Arrestor	B
601	1320176	1	Clamp (SN 0300183034 through 0300246269)	
601	1001221397	1	Clamp (SN 0300246270 to Present)	
602		Ref	Tail Pipe Options	
602	1001217478	1	Tail Pipe without Spark Arrestor	
602	1001217477	1	Tail Pipe with Spark Arrestor	
602	1001218089	1	Insulate	
602	1001100825	3	Strap	
	1001220404	Ref	DRIVE BELT INSTALLATION (MACHINES WITHOUT GENERATOR)	C
701	0100011	AR	Compound, Locking	
702	0701026	1	Bolt M10 x 90	
703	4812002	1	Washer M10	
704	1001216300	1	Pulley	
705	1001216619	1	V-Belt	
	1001210448	Ref	FORD ENGINE COMPONENTS	
801	70006145	4	Injector, Fuel	
801	70006147	1	Rail, Fuel	
802	70006150	1	Pump, Fuel	
802	70006154	1	Fitting M10	
803	70006151	1	Block, Fuel	
803	70006152	2	Fitting SAE6	
803	70006153	1	Fitting SAE3	
803	70006189	1	Harness, Fuel Block	
804	70006155	1	Filter, Fuel	

## SECTION 2 - TURNTABLE

ITEM	PART NUMBER	QTY	DESCRIPTION	REV
805	7022162	8	Clamp	
805	70006157	8	Clip, Fuel Quick Disconnect	
806	70006158	1	Mixer, LP	
806	70006168	1	Mixer Diaphragm Replacement Kit	
806	70006159	1	Adapter, Mixer to Governor	
806	70006160	1	O-Ring, Mixer to Adapter	
806	70006161	1	Seal, Mixer to Adapter	
807	70006162	1	Regulator, LP Vapor	
807	70006166	2	Fitting, 70	
807	70006167	1	Fitting, Straight	
807	70006165	2	Isolator, Rubber	
808	70006163	1	Regulator, Direct Electronic Pressure	
808	70006164	1	Adapter, Fitting 90	
809	70006169	1	Starter	
809	70006233	1	Harness, Alternator/Starter	
810	70006170	1	Alternator	
811	70006173	1	Cover, Relay Box	
811	70006171	2	Relay (Fuel Pump & Power)	
811	70006172	1	Relay (Starter)	
811	70006175	1	Fuse - 20AMP (Starter)	
811	70006174	1	Decal - Relay Box Cover	
811	70006188	1	Harness, Engine	
811	70006165	2	Isolator, Rubber	
812	70006176	1	Module - Engine Control Unit (ECU/GCP)	
812	70006191	1	Software & Diagnostic Cable	
813	70006177	4	Coil and Boot Assembly	
813	70006178	4	Plug, Spark	
814	70006179	1	Switch, Oil Pressure	
815	70006180	1	Sensor, Knock	
816	70006181	1	Sensor, TMAP	
817	70006182	2	Sensor, O2	
818	70006183	1	Sensor, Coolant Temperature (Not Shown - Located Rear of Engine Block)	
819	70006184	1	Sensor, Crank Position (Not Shown - Located at Front RH Side of Block)	
820	70006185	1	Sensor, Cam Position	
821	70006186	1	Solenoid, Timing	
821	70006187	1	Grommet, Rubber	
822	70006194	1	Muffler	
822	70006195	1	Plug (Located at Muffler Outlet)	
823		Ref	Gasket Options (Not Shown):	
823	70006196	1	Gasket, Exhaust Manifold to Head	
823	70006197	1	Gasket, Exhaust Manifold Outlet	
823	70006200	1	Gasket, Intake Manifold to Head	
823	70006219	1	Gasket Set - Camshaft Cover	
823	70006225	1	Gasket, Cylinder Head	
824	70006198	1	Governor	
824	7027404	1	Gasket, Governor Actuator	
824	70006199	1	Gasket, Governor to Intake Manifold Adapter	
825	70006203	1	Flywheel (Not Shown)	
826	70006205	1	Thermostat (Includes Housing)	
826	70006206	1	Gasket, Water Inlet	

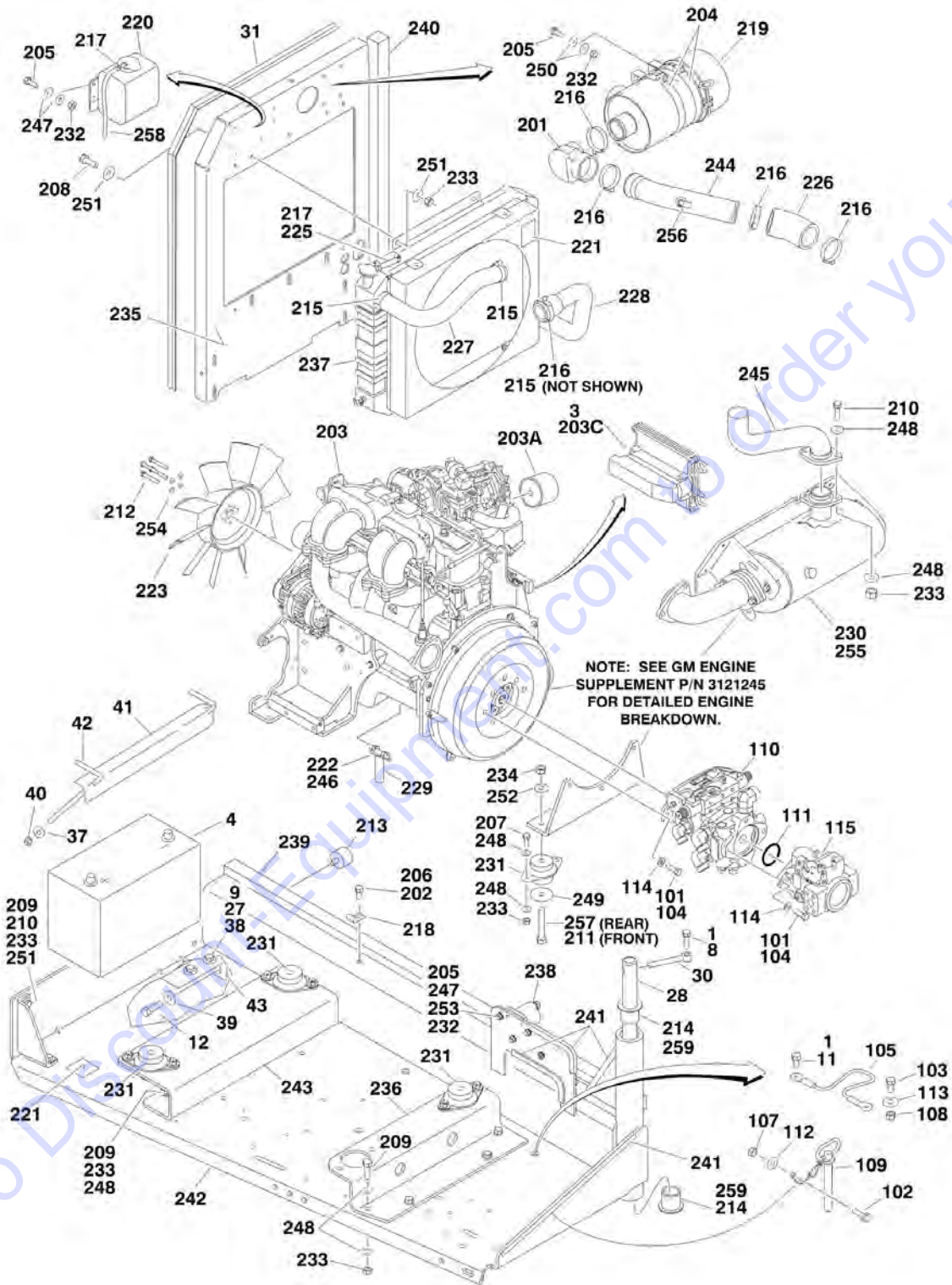
**SECTION 2 - TURNTABLE**

ITEM	PART NUMBER	QTY	DESCRIPTION	REV
827	70006207	1	Pump, Water	
827	70006208	1	O-Ring, Water Pump	
827	See Note	NSS	Pulley, Water Pump (Note: Not Available for Purchase at This Time)	
828	70006213	1	Filter, Oil	
829	70006215	1	Plug, Oil Drain	
829	70006217	1	Gasket, Oil Drain Plug	
830	70006221	1	Cap, Oil Fill	
831	70006232	1	Sensor, Crank (Not Shown)	
832	70006235	1	Valve, Lock-Off (Includes Filter)	
833	70006202	1	Belt	
834	70006236	1	Dipstick	

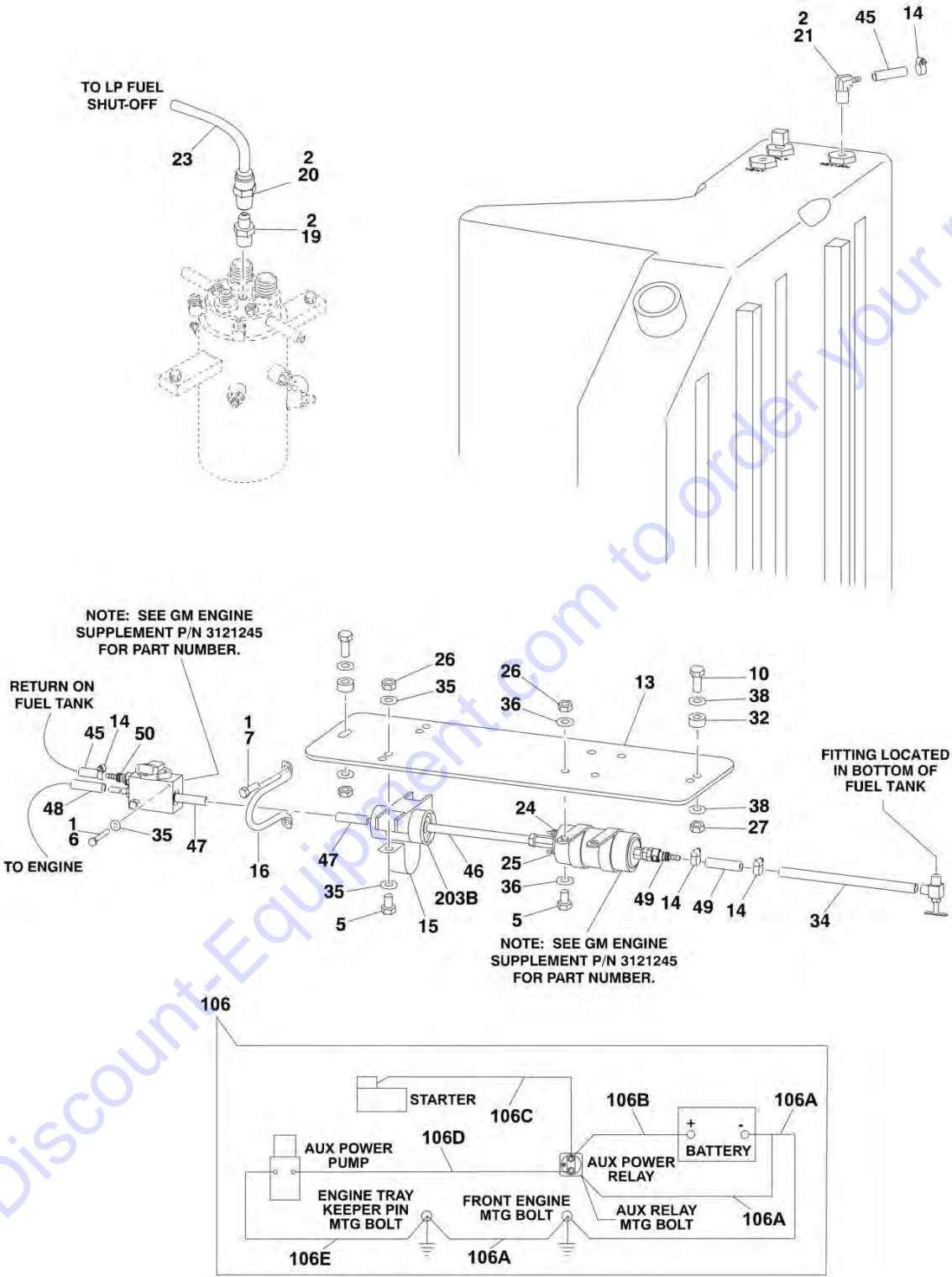
Go to Discount-Equipment.com to order your parts

# SECTION 2 - TURNTABLE

## FIGURE 2-13. GM ENGINE INSTALLATION



SECTION 2 - TURNTABLE



## SECTION 2 - TURNTABLE

FIGURE 2-13. GM ENGINE INSTALLATION

ITEM	PART NUMBER	QTY	DESCRIPTION	REV
	1001156467	Ref	GM ENGINE INSTALLATION WITHOUT ARCTIC PACKAGE (SN 0300183034 through 0300221629)	E
	1001216719	Ref	GM ENGINE INSTALLATION WITHOUT ARCTIC PACKAGE (SN 0300221630 to Present)	B
	1001156469	Ref	GM ENGINE INSTALLATION WITH ARCTIC PACKAGE (SN 0300183034 through 0300196955)	F
	1001178179	Ref	GM ENGINE INSTALLATION WITH ARCTIC PACKAGE (SN 0300196956 through 0300221629)	C
	1001216720	Ref	GM ENGINE INSTALLATION WITH ARCTIC PACKAGE (SN 0300221630 to Present)	B
1	0100011	AR	Compound, Locking	
2	0100020	AR	Sealant, Pipe	
3	0100048	AR	Grease, Dielectric	
4	0400075	1	Battery (Wet)	
5	0641406	4	Bolt 1/4-20 x 3/4	
6	0641418	2	Bolt 1/4-20 x 2-1/4	
7	0641508	1	Bolt 5/16-18 x 1	
8	0641608	1	Bolt 3/8-16 x 1	
9	0641610	2	Bolt 3/8-16 x 1-1/4	
10	0641612	2	Bolt 3/8-16 x 1-1/2	
11	0641808	1	Bolt 1/2-13 x 1	
12	0642010	1	Bolt 5/8-11 x 1-1/4	
13	0903510	1	Bracket	
14	1001174486	AR	Clamp, Fuel Line	
15	1320323	1	Clamp	
16	1321339	1	Clamp	
17	1701542	1	Decal, Gas (Not Shown - Located on Fuel Tank)	
18	1701543	2	Decal, LPG (Not Shown - Located on Frame)	
19	2180418	1	Fitting, Straight SAE	
20	2220005	1	Fitting, Straight, NPT	
21	2221176	1	Fitting, 90 NPT/Barbed	
22	2300004	AR	Coolant (Machines without Arctic Package) (Not Shown)	
22	2300041	AR	Coolant (Machines with Arctic Package) (Not Shown)	
23	2720392	1	Hose, LP	
24	3290405	1	Nut M4	
25	3290505	1	Nut M5	
26	3311405	4	Nut 1/4-20	
27	3311605	4	Nut 3/8-16	
28	3422446	1	Pin	
29	3790012	1	O-Ring (Not Shown - Located in Console Box)	
30	3841143	1	Keeper	
31	3960389	6 ft/1.5m	Seal	
32	4071122	2	Shim	
33	4360336	1	Switch, Toggle (Not Shown - Located in Console Box)	
34	4569385	1	Tube, Fuel Line	
35	4711400	12	Washer 1/4	
36	4751400	8	Washer 1/4	
37	4751500	2	Washer 5/16	
38	4751600	8	Washer 3/8	
39	4752000	1	Washer 5/8	
40	88521205	2	Nut 5/16-18	

## SECTION 2 - TURNTABLE

ITEM	PART NUMBER	QTY	DESCRIPTION	REV
41	91401281	1	Angle, Battery Hold Down	
42	1001093382	2	Bolt, Battery Hold-down	
43	1001153359	1	Mount	
45	1001156819	68 in/1.7m	Hose, Fuel Line <b>(SN 0300183034 through 0300196955)</b>	
45	1001177159	1	Hose, Fuel Line <b>(SN 0300196956 to Present)</b>	
46	1001156823	1	Hose (6in/15cm Length)	
47	1001156824	1	Hose (4ft/1.2m Length)	
48	1001156825	1	Hose	
49	1001156819	68 in /1.7m	Hose, Fuel Line <b>(SN 0300183034 through 0300196955)</b>	
49	1001177165	1	Hose, Fuel Line <b>(SN 0300196956 to Present)</b>	
50	1001174093	2	Coupling, Quick Connect	
70		Ref	Note: Arctic Package Items 70 - 82 (Used on Arctic Machines Only) (Not Shown)	
71	1060625	1	Cable, Immersion Heater <b>(SN 0300183034 through 0300207789)</b>	
71	1001150918	1	Cable, Immersion Heater <b>(SN 0300207790 to Present)</b>	
72	1060626	1	Cord, 3 Way Extension	
73	1320223	3	Clamp	
74	1702941	1	Decal - Battery Heater	
75	1702942	1	Decal - Engine Block Heater	
76	1702943	1	Decal - Hydraulic Tank Heater	
77	1702944	1	Decal - Heater Cord	
79	2580024	1	Heater, Battery	
80	2580050	1	Heater, Hydraulic Tank <b>(SN 0300183034 through 0300207789)</b>	
80	1001188972	1	Heater, Hydraulic Tank <b>(SN 0300207790 to Present)</b>	
81	2580063	1	Heater, Engine Block	
82	3980007	1	Seat, Battery	
	1001156471	Ref	GM ENGINE AND PUMP ASSEMBLY WITHOUT ARCTIC PACKAGE <b>(SN 0300183034 through 0300221629)</b>	E
	1001216715	Ref	GM ENGINE AND PUMP ASSEMBLY WITHOUT ARCTIC PACKAGE <b>(SN 0300221630 to Present)</b>	C
	1001156473	Ref	GM ENGINE AND PUMP ASSEMBLY WITH ARCTIC PACKAGE <b>(SN 0300183034 through 0300221629)</b>	D
	1001216716	Ref	GM ENGINE AND PUMP ASSEMBLY WITH ARCTIC PACKAGE <b>(SN 0300221630 to Present)</b>	C
101	0100011	AR	Compound, Locking	
102	0641407	1	Bolt 1/4-20 x 7/8	
103	0641808	1	Bolt 1/2-13 x 1	
104	0641812	4	Bolt 1/2-13 x 1-1/2	
105	1060637	1	Cable, Lanyard	
106	2902533	1	Battery Cable Kit	B
106A	7027018	1	Cable (Battery - to Ground)	
106B	7027015	1	Cable (Battery + to Auxiliary Relay)	
106C	7027017	1	Cable (Auxiliary Relay to Starter)	
106D	7016824	1	Cable (Auxiliary Relay to Auxiliary Pump)	
106E	7016825	1	Cable (Ground to Auxiliary Pump)	
107	3311405	1	Nut 1/4-20	
108	3311805	1	Nut 1/2-13	
109	3422532	1	Pin, Hitch	
110	1001142522	1	Hydrostatic Pump Assembly with Fittings (See HYDROSTATIC PUMP ASSEMBLY for Breakdown) <b>(SN 0300183034 through 0300207789)</b>	

## SECTION 2 - TURNTABLE

ITEM	PART NUMBER	QTY	DESCRIPTION	REV
110	1001187510	1	Hydrostatic Pump Assembly with Fittings (See HYDROSTATIC PUMP ASSEMBLY for Breakdown) (SN 0300207790 to Present)	
111	3790044	1	O-Ring	
112	4751400	1	Washer 1/4	
113	4751800	1	Washer 1/2	
114	4891800	4	Washer, 1/2	
115	1001094595		Variable Pump Assembly with Fittings (See VARIABLE PUMP ASSEMBLY for Breakdown)	
117	1001115930	AR	Oil, 10W-30 Motor (Machines without Arctic Package)	
117	1001115931	AR	Oil, 5W-30 Motor (Machines with Arctic Package)	
	1001114632	Ref	GM ENGINE ASSEMBLY (SN 0300183034 through 0300221629)	F
	1001216714	Ref	GM ENGINE ASSEMBLY (SN 0300221630 to Present)	B
201	0080201	1	Adapter, Elbow	
202	0100011	AR	Compound, Locking	
203	1001114595	NLA	Engine, GM 3.0L (Use p/n 1001216713) (See GM Engine Supplement P/N 3121245 for Breakdown of Additional Components) (SN 0300183034 through 0300221629)	
203	1001216713	1	Engine, GM 3.0L (See GM Engine Supplement P/N 3121245 for Breakdown of Additional Components) (SN 0300221630 to Present)	
203A	7027965	1	Filter, Oil	
203B	7027972	1	Filter, Fuel	
203C	70002895	1	Module, Control (ECU)	
203D	70000164	4	Spark Plug (Not Shown)	
204	0340041	2	Band, Mounting	
205	0641406	10	Bolt 1/4-20 x 3/4	
206	0641606	3	Bolt 3/8-16 x 3/4	
207	0641608	8	Bolt 3/8-16NC x 1	
208	0641609	4	Bolt 3/8-16 x 1-1/8	
209	0641610	10	Bolt 3/8-16 x 1-1/4	
210	0641612	4	Bolt 3/8-16 x 1-1/2	
211	0641828	2	Bolt 1/2-13 x 3-1/2	
212	0700810	4	Bolt M8 x 20	
213	0940070	1	Bumper	
214	0961986	2	Bearing, Flanged	
215	1320012	3	Clamp	
216	1320016	5	Clamp	
217	1320022	AR	Clamp	
218	1320223	3	Clamp	
219	1340060	1	Air Cleaner Assembly	
219	7012664	1	Element, Air Cleaner	
220	1580011	1	Container, Coolant Overflow	
221	1703162	2	Decal - Caution Fan	
222	0100020	AR	Locking Compound	
223	2060025	1	Fan	
225	2720058	5.5 in /14cm	Hose	
226	1001116544	1	Duct	
227	2720563	1	Hose, Radiator (Top)	
228	2720564	1	Hose, Radiator (Bottom)	
229	2750532	1 ft/0.3m	Hose	
230	1001091794	1	Insulation, Muffler	
231	3200362	4	Mount, Engine	

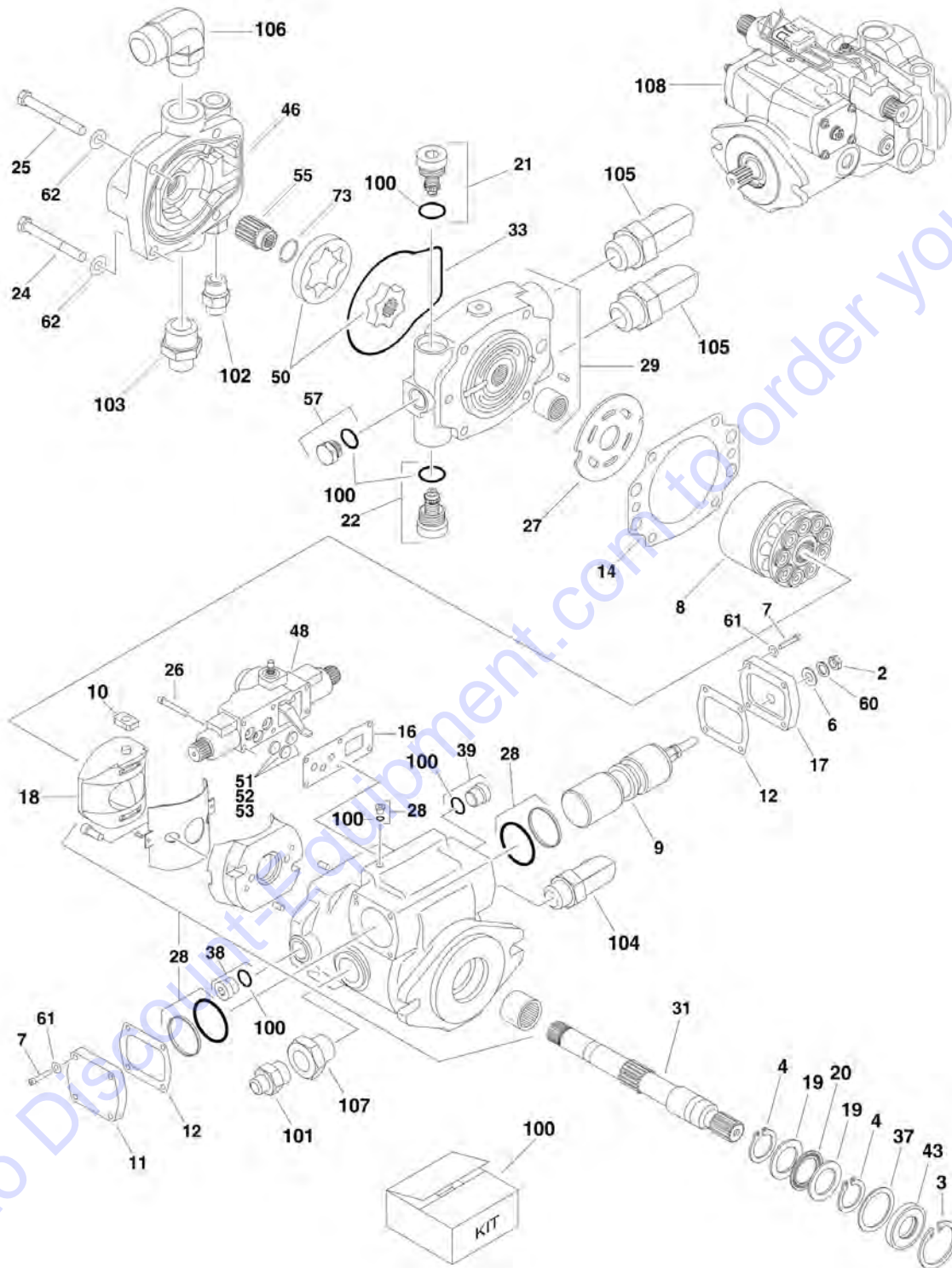


## SECTION 2 - TURNTABLE

ITEM	PART NUMBER	QTY	DESCRIPTION	REV
232	3311405	12	Nut 1/4-20	
233	3311605	26	Nut 3/8-16	
234	3311805	4	Nut 1/2-13	
235	3539872	1	Plate, Radiator Mounting	
236	3572280	1	Plate, Engine Mount	
237	3620040	1	Radiator	
237	8180311	1	Cap, Radiator (was p/n 7019656)	
238	3740067	1	Relay	
239	3960468	1	Seal	
240	3960469	1	Seal	
241	4060805	3 ft/0.9m	Flex-Trim	
242	4341239	1	Tray, Engine	
243	4341241	1	Mount, Engine (Front)	
244	1001116545	1	Tube, Intake	
245	4569394	1	Pipe, Exhaust	
246	4640952	1	Valve, Oil Drain	
247	4711400	12	Washer 1/4	
248	4711600	36	Washer 3/8	
249	4740274	4	Washer, Snubbing	
250	4751400	8	Washer 1/4	
251	4751600	16	Washer 3/8	
252	4751800	4	Washer 1/2	
253	4791400	2	Washer 1/4	
254	4831900	4	Washer M8	
255	4920385	10 ft/3m	Wire, Safety	
256	2180877	1	Fitting Elbow	
257	0641826	2	Bolt 1/2-13 x 3-1/4	
258	2720271	18 in /46cm	Hose	
259	0100062	AR	Retaining Compound	

## SECTION 2 - TURNTABLE

FIGURE 2-14. HYDROSTATIC PUMP ASSEMBLY (SN 0300183034 through 0300207789)



## SECTION 2 - TURNTABLE

**FIGURE 2-14. HYDROSTATIC PUMP ASSEMBLY (SN 0300183034 through 0300207789)**

ITEM	PART NUMBER	QTY	DESCRIPTION	REV
	1001142522	Ref	PUMP ASSEMBLY	B
2	70004329	1	Nut	
3	See Note	NSS	Ring, Retaining (Note: Use Item 100)	
4	See Note	NSS	Ring, Retaining (Note: Use Item 100)	
6	See Note	NSS	Washer, Seal (Note: Use Item 100)	
7	70004330	8	Capscrew	
8	70004331	1	Cylinder Block Assembly	
9	70004332	1	Servo Piston Assembly	
10	70004333	1	Follower, Servo Piston	
11	70004334	1	Cover	
12	70005116	2	Gasket, Cover	
14	See Note	NSS	Gasket, Housing (Note: Use Item 100)	
16	See Note	NSS	Gasket, Control Housing (Note: Use Item 100)	
17	70004335	1	Cover	
18	70004336	1	Camplate Assembly	
19	7004907	2	Race, Thrust	
20	7004908	1	Bearing, Thrust	
21	70004337	1	Relief Valve Assembly	
22	70004337	1	Relief Valve Assembly	
24	70004338	2	Capscrew	
25	70004338	2	Capscrew	
26	70004339	6	Capscrew	
27	70004340	1	Plate, Valve	
28	See Note	NSS	Housing (Note: Not Available - Purchase Assembly)	
29	70004341	1	End Cover Assembly	
31	70004342	1	Shaft, Drive	
33	See Note	NSS	O-Ring (Note: Use Item 100)	
37	7004906	1	Washer	
38	See Note	NSS	Plug (Note: Not Available for Purchase)	
39	See Note	NSS	Plug (Note: Not Available for Purchase)	
43	See Note	NSS	Seal, Shaft (Note: Use Item 100)	
46	70004343	1	Adapter, Charge Pump	
48	70004344	1	Servo Control Assembly	
50	70004345	1	Gerotor	
51	70004346	1	Orifice	
52	70004346	1	Orifice	
53	70004346	1	Orifice	
55	70004347	1	Coupler	
57	See Note	NSS	Plug (Note: Not Available for Purchase)	
60	70004348	1	Washer	
61	70004349	8	Washer	
62	70004350	4	Washer	
73	70004351	1	Ring, Retaining	
100	70004352	1	Seal Kit - Pump (Includes Items 3, 4, 6, 12, 14, 16, 33 & 43 and Valve and Plug O-Rings and Seals)	
	1001153622	Ref	PUMP AND FITTING ASSEMBLY	B
101	2220221	1	Fitting, Straight	
102	2220374	1	Fitting, Straight	
103	2220451	1	Fitting, Straight	
104	2220582	1	Fitting, Straight	

## SECTION 2 - TURNTABLE

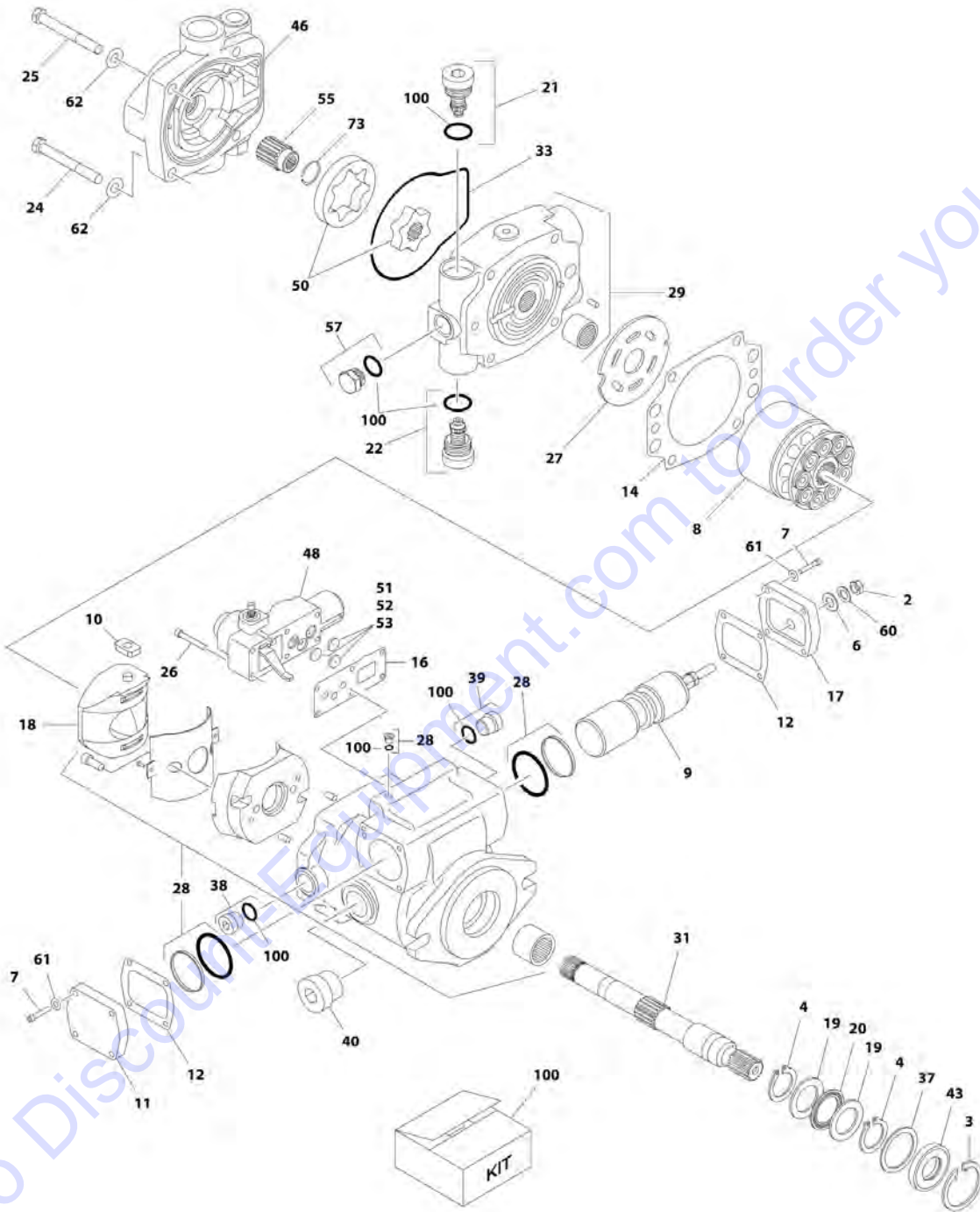
ITEM	PART NUMBER	QTY	DESCRIPTION	REV
105	2220646	2	Fitting, Elbow	
106	2220800	1	Fitting, Straight	
107	8770050	1	Fitting, Elbow	
108	1001142522	1	Pump Assembly (Includes Items 2-73) <b>(SN 0300183034 through 0300207789)</b>	
200	70005663	1	Tool, Port Plate for Pump p/n 1001142522 (Not Shown)	

Go to Discount-Equipment.com to order your parts



# SECTION 2 - TURNTABLE

## FIGURE 2-15. HYDROSTATIC PUMP ASSEMBLY (SN 0300207790 to Present)



ART\_1001107510

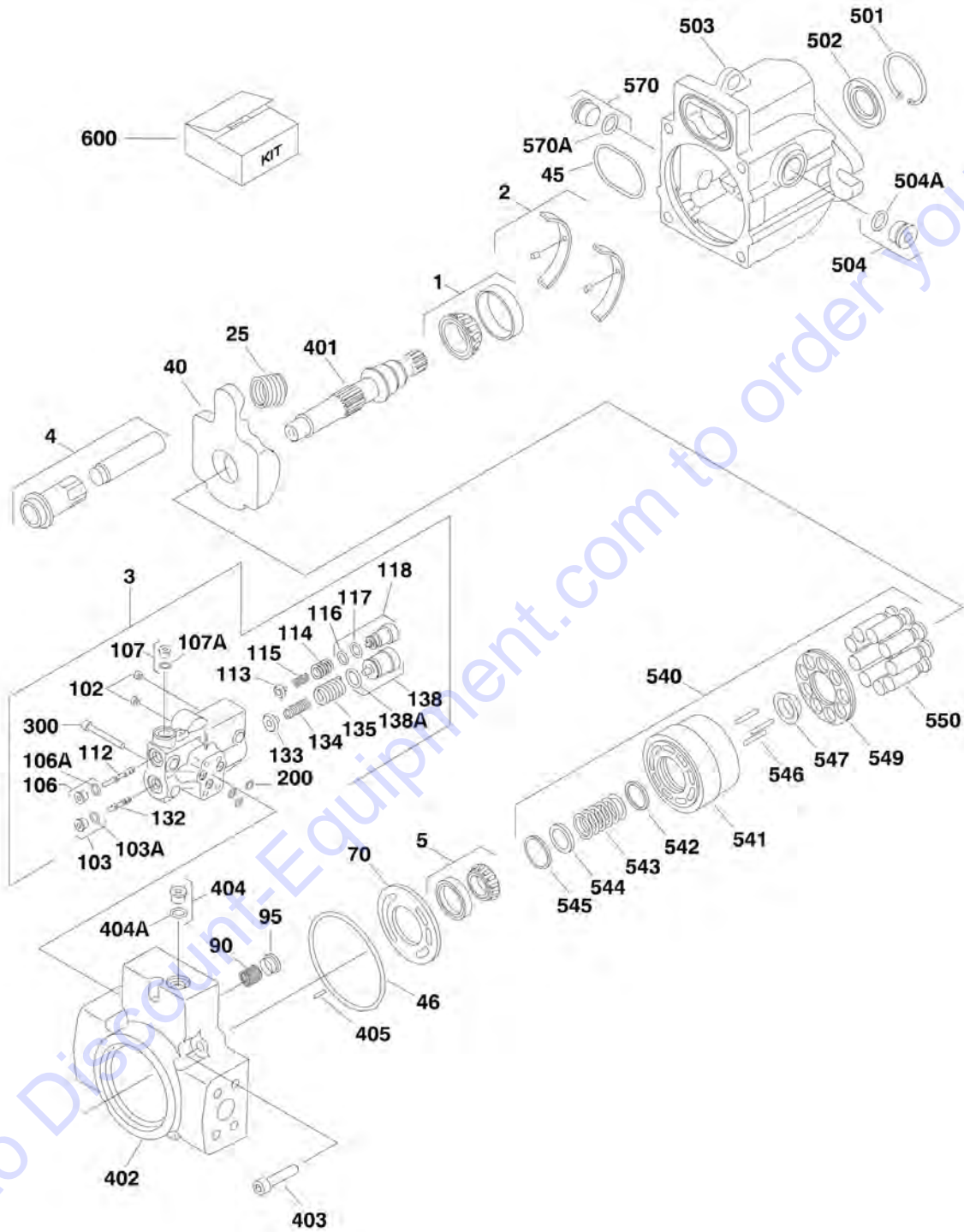
## SECTION 2 - TURNTABLE

**FIGURE 2-15. HYDROSTATIC PUMP ASSEMBLY (SN 0300207790 to Present)**

ITEM	PART NUMBER	QTY	DESCRIPTION	REV
		Ref	HYDROSTATIC PUMP ASSEMBLY	
	1001187510	Ref	HYDROSTATIC PUMP ASSEMBLY (SN 0300207790 through 0300240878)	C
	1001225745	Ref	HYDROSTATIC PUMP ASSEMBLY (SN 0300240879 to Present)	A
2	70004329	1	Nut	
3	See Note	NSS	Ring, Retaining (Note: Use Item 100)	
4	See Note	NSS	Ring, Retaining (Note: Use Item 100)	
6	See Note	NSS	Washer, Seal (Note: Use Item 100)	
7	70005464	8	Capscrew	
8	70004331	1	Cylinder Block Assembly	
9	70004332	1	Servo Piston Assembly	
10	70004333	1	Follower, Servo Piston	
11	70005458	1	Cover	
12	See Note	NSS	Gasket, Cover (Note: Use Item 100)	
14	See Note	NSS	Gasket, Housing (Note: Use Item 100)	
16	See Note	NSS	Gasket, Control Housing (Note: Use Item 100)	
17	70005459	1	Cover	
18	70004336	1	Camplate Assembly	
19	7004907	2	Race, Thrust	
20	7004908	1	Bearing, Thrust	
21	70004337	1	Relief Valve Assembly	
22	70004337	1	Relief Valve Assembly	
24	70004338	2	Capscrew	
25	70004338	2	Capscrew	
26	70005465	6	Capscrew	
27	70004340	1	Plate, Valve	
28	See Note	NSS	Housing (Note: Not Available - Purchase Assembly)	
29	70005460	1	End Cover Assembly	
31	70004342	1	Shaft, Drive	
33	See Note	NSS	O-Ring (Note: Use Item 100)	
37	7004906	1	Washer	
38	70005461	1	Plug	
39	70005461	1	Plug	
40	70005462	1	Plug	
43	See Note	NSS	Seal, Shaft (Note: Use Item 100)	
46	70004343	1	Adapter, Charge Pump	
48	70004344	1	Servo Control Assembly	
50	70004345	1	Gerotor	
51	70004346	1	Orifice	
52	70004346	1	Orifice	
53	70004346	1	Orifice	
55	70004347	1	Coupler	
57	70005463	1	Plug	
60	70004348	1	Washer	
61	70004349	8	Washer	
62	70004350	4	Washer	
73	70004351	1	Ring, Retaining	
100	70004352	1	Seal Kit - Pump (Includes Items 3, 4, 6, 12, 14, 16, 33 & 43 and Valve and Plug O-Rings and Seals)	

# SECTION 2 - TURNTABLE

## FIGURE 2-16. VARIABLE PUMP ASSEMBLY



Go to DiscountEquipment.com to order your parts



## SECTION 2 - TURNTABLE

**FIGURE 2-16. VARIABLE PUMP ASSEMBLY**

ITEM	PART NUMBER	QTY	DESCRIPTION	REV
	1001094595	Ref	PUMP ASSEMBLY	A
1	7023947	1	Bearing, Front (Includes Cup and Cone)	
2	7023948	1	Bearings, Swash Plate (Includes Both Sides and Pins)	
3	7023956	1	Control Valve Assembly (Includes Items 102-300)	
4	7023949	1	Servo Piston Assembly	
5	7023950	1	Bearing, Rear (Includes Cup and Cone)	
25	7023951	1	Spring	
40	7023952	1	Swash Plate	
45	See Note	NSS	O-Ring (Note: Use Item 600)	
46	See Note	NSS	O-Ring (Note: Use Item 600)	
70	70001954	1	Plate, Valve	
90	70001955	1	Spring, Check Valve	
95	70001956	1	Poppet, Check Valve	
102	See Note	NSS	Setscrew (Note: Use Item 3)	
103	See Note	NSS	Plug (Note: Use Item 3)	
103A	See Note	NSS	O-Ring (Note: Use Item 600)	
106	See Note	NSS	Plug (Note: Use Item 3)	
106A	See Note	NSS	O-Ring (Note: Use Item 600)	
107	See Note	NSS	Plug (Note: Use Item 3)	
107A	See Note	NSS	O-Ring (Note: Use Item 600)	
112	See Note	NSS	Spool, Control (Note: Use Item 3)	
113	See Note	NSS	Guide, Spring (Note: Use Item 3)	
114	See Note	NSS	Spring (Note: Use Item 3)	
115	See Note	NSS	Spring (Note: Use Item 3)	
116	See Note	NSS	O-Ring (Note: Use Item 600)	
117	See Note	NSS	Ring, Back-up (Note: Use Item 600)	
118	See Note	NSS	Plug, Adjusting (Note: Use Item 3)	
132	See Note	NSS	Spool, Control (Note: Use Item 3)	
133	See Note	NSS	Guide, Spring (Note: Use Item 3)	
134	See Note	NSS	Spring (Note: Use Item 3)	
135	See Note	NSS	Spring (Note: Use Item 3)	
138	See Note	NSS	Plug, PC Adjusting (Note: Use Item 3)	
138A	See Note	NSS	O-Ring (Note: Use Item 600)	
200	See Note	NSS	Ring, Seal (Note: Use Item 600)	
300	7023957	4	Screw	
401	7023958	1	Shaft	
402	70001957	1	Cap, End	
403	7023960	4	Screw	
404	7022318	1	Plug	
404A	See Note	NSS	O-Ring (Note: Use Item 600)	
405	7023961	1	Pin	
501	7023962	1	Ring, Retaining	
502	See Note	NSS	Seal, Lip (Note: Use Item 600)	
503	See Note	NSS	Housing (Note: Not Available - Purchase Assembly)	
504	7023964	1	Plug	
504A	7007415	1	O-Ring	
540	7023965	1	Cylinder Block Assembly	
541	See Note	NSS	Block, Cylinder (Note: Use Item 540)	
542	7024868	1	Washer	
543	7024867	1	Spring	

## SECTION 2 - TURNTABLE

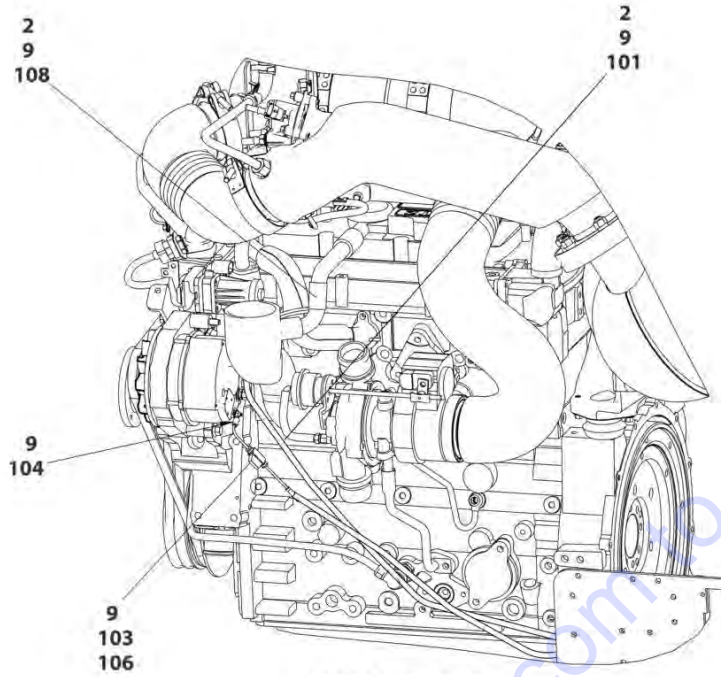
ITEM	PART NUMBER	QTY	DESCRIPTION	REV
544	7022314	1	Retainer, Spring	
545	7022311	1	Ring, Retaining	
546	7021275	3	Pin, Slipper	
547	7024864	1	Guide, Slipper	
549	7024866	1	Retainer, Slipper	
550	7023966	9	Piston Assembly	
570	7023964	1	Plug	
570A	7007415	1	O-Ring	
600	7023967	1	Seal Kit - Complete (Includes Items 45 , 46, 103A, 106A, 107A, 118, 138A, 200, 444A & 502)	

Go to Discount-Equipment.com to order your parts

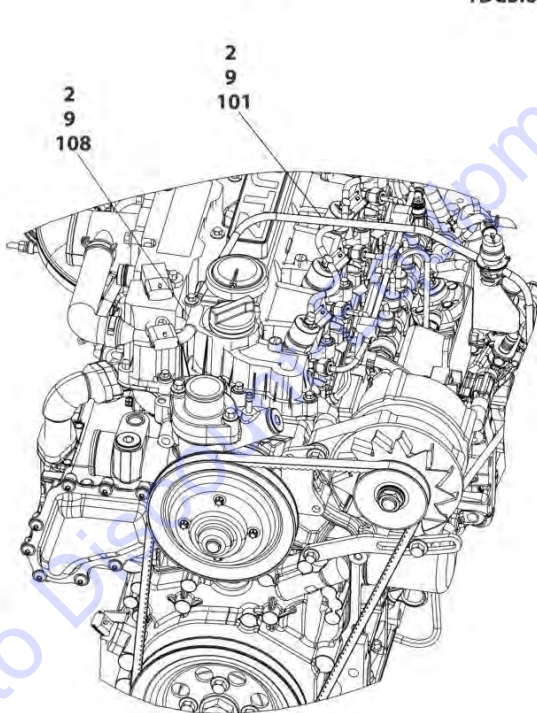


## SECTION 2 - TURNTABLE

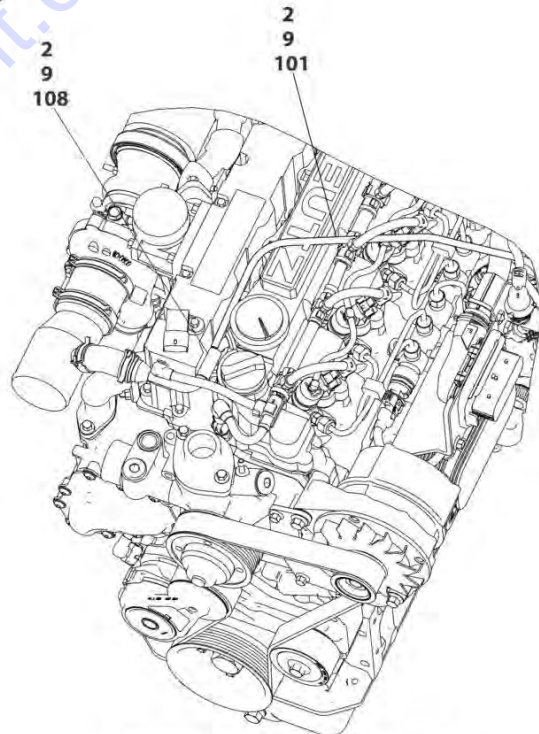
FIGURE 2-17. BREATHER HEATER INSTALLATION - DEUTZ D2.9L4 ENGINES WITH ARCTIC PACKAGE



TDC3.6 ENGINES



D2.9L4 ENGINES



TCD2.9L4 AND TD2.9L4 ENGINES

ART\_1001233763

**SECTION 2 - TURNTABLE**

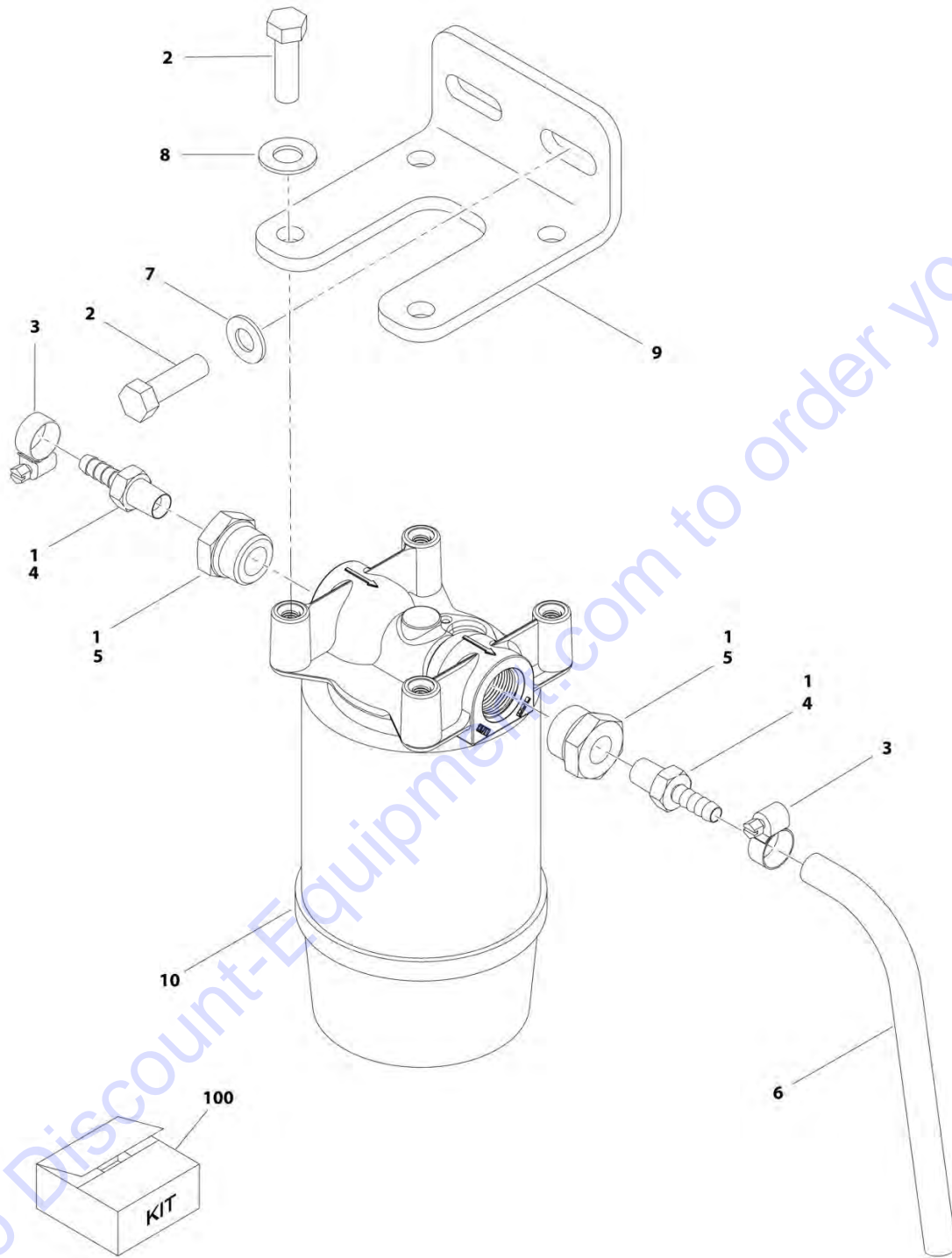
**FIGURE 2-17. BREATHER HEATER INSTALLATION - DEUTZ D2.9L4 ENGINES WITH ARCTIC PACKAGE**

ITEM	PART NUMBER	QTY	DESCRIPTION	REV
	1001233763	Ref	BREATHER HEATER INSTALLATION - DEUTZ ENGINES	C
2	4240099	AR	Tie-Strap	
9	1001243895	1	Breather Heater Harness	
101	2820035	10 ft/ 3m	Insulation	
103	2400060	1	Fuseholder with Cover	
104	4460043	1	Terminal, Ring	
105	4460722	1	Terminal, Ring (Not Shown)	
106	1001196634	1	Fuse - 2 Amp	
108	1001232842	1	Breather Heater Kit	

Go to Discount-Equipment.com to order your parts

## SECTION 2 - TURNTABLE

FIGURE 2-18. FUEL-WATER SEPARATOR INSTALLATION - DEUTZ TD2011 (OPTIONAL)



ART\_1001199733

**SECTION 2 - TURNTABLE**

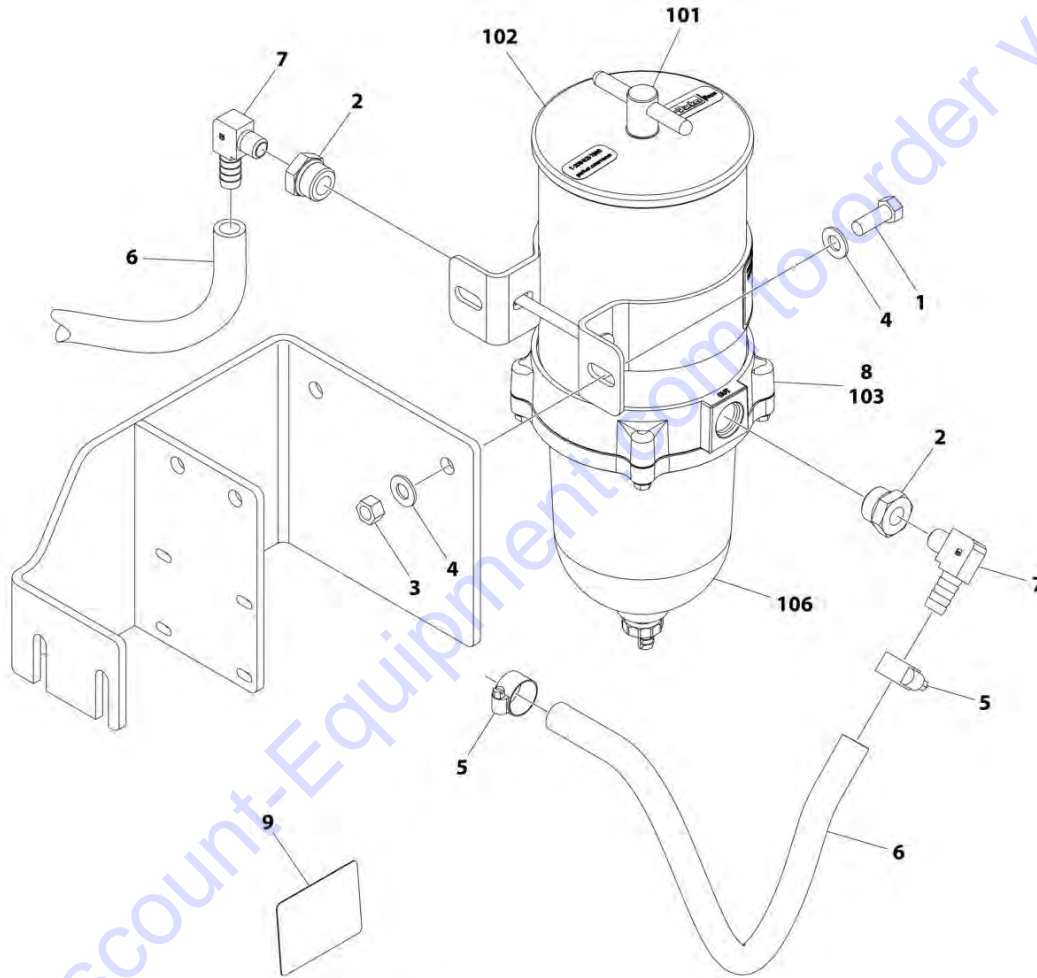
**FIGURE 2-18. FUEL-WATER SEPARATOR INSTALLATION - DEUTZ TD2011 (OPTIONAL)**

ITEM	PART NUMBER	QTY	DESCRIPTION	REV
	1001199733	Ref	FUEL-WATER SEPARATOR INSTALLATION - DEUTZ TD2011 (OPTIONAL)	A
1	0100079	1	Sealant	
2	0641610	6	Bolt 3/8-16 X 1-1/4	
3	1320022	2	Clamp	
4	2180348	2	Fitting, Straight	
5	2220816	2	Fitting, Straight	
6	2720058	35 in/ 89cm	Hose	
7	4711600	2	Washer 3/8	
8	4711700	4	Washer 7/16	
9	1001188884	1	Bracket	
10	1001188887	1	Fuel/Water Separator Assembly	
10	1001202280	1	Head	
10	1001202281	1	Element	
100	1001204667	1	Fuel/Water/Separator Add-On Kit	

Go to Discount-Equipment.com to order your parts

## SECTION 2 - TURNTABLE

FIGURE 2-19. FUEL-WATER SEPARATOR INSTALLATION (CHINA SPECS) (SN 0300238788 through 0300246968)



NOTE : LOCATED ON HOOD

ART\_1001226286



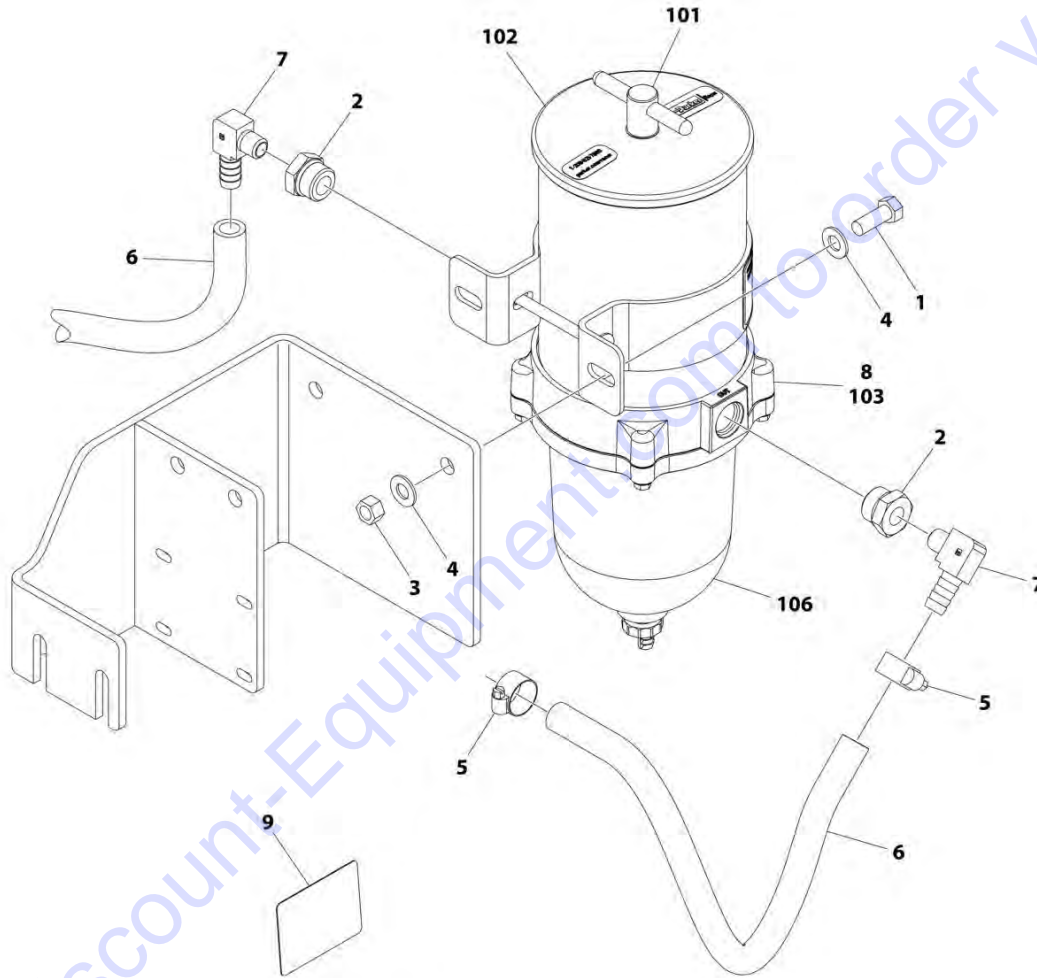
## SECTION 2 - TURNTABLE

**FIGURE 2-19. FUEL-WATER SEPARATOR INSTALLATION (CHINA SPECS) (SN 0300238788 through 0300246968)**

ITEM	PART NUMBER	QTY	DESCRIPTION	REV
	1001226286	Ref	FUEL FILTER INSTALLATION	B
1	0641608	2	Bolt 3/8 x 1	
2	2220816	2	Fitting, Straight NPT	
3	3311605	2	Nut 3/8	
4	4711600	4	Washer 3/8	
5	8405006	2	Clamp	
6	1001154405	54 in/ 1.4m	Hose	
7	1001178797	2	Fitting, 90	
8	1001222817	1	Fuel Filter Assembly (See Items 101-107 for Breakdown)	
9	1001226923	1	Decal - Fuel Water Separator	
	1001222817	Ref	FUEL FILTER ASSEMBLY	
101	70006403	1	T-Handle Kit (Includes O-Ring)	
102	70006404	1	Lid Kit (Includes Gasket)	
103	70006405	1	Element	
104	70006406	1	Checkball & Gasket Kit (Not Shown)	
105	70006407	1	Centrifuge and Baffle Kit (Not Shown)	
106	70006409	1	Bowl Kit (Includes Gasket, O-Ring and Drain)	
106	70006408	1	Gasket, Bowl	
107	70006410	1	Bowl Ring Kit (Includes Gasket & Hardware) (Not Shown)	

## SECTION 2 - TURNTABLE

FIGURE 2-20. FUEL-WATER SEPARATOR INSTALLATION (CHINA SPECS) (SN 0300246969 to Present)



NOTE : LOCATED ON HOOD

ART\_1001230032

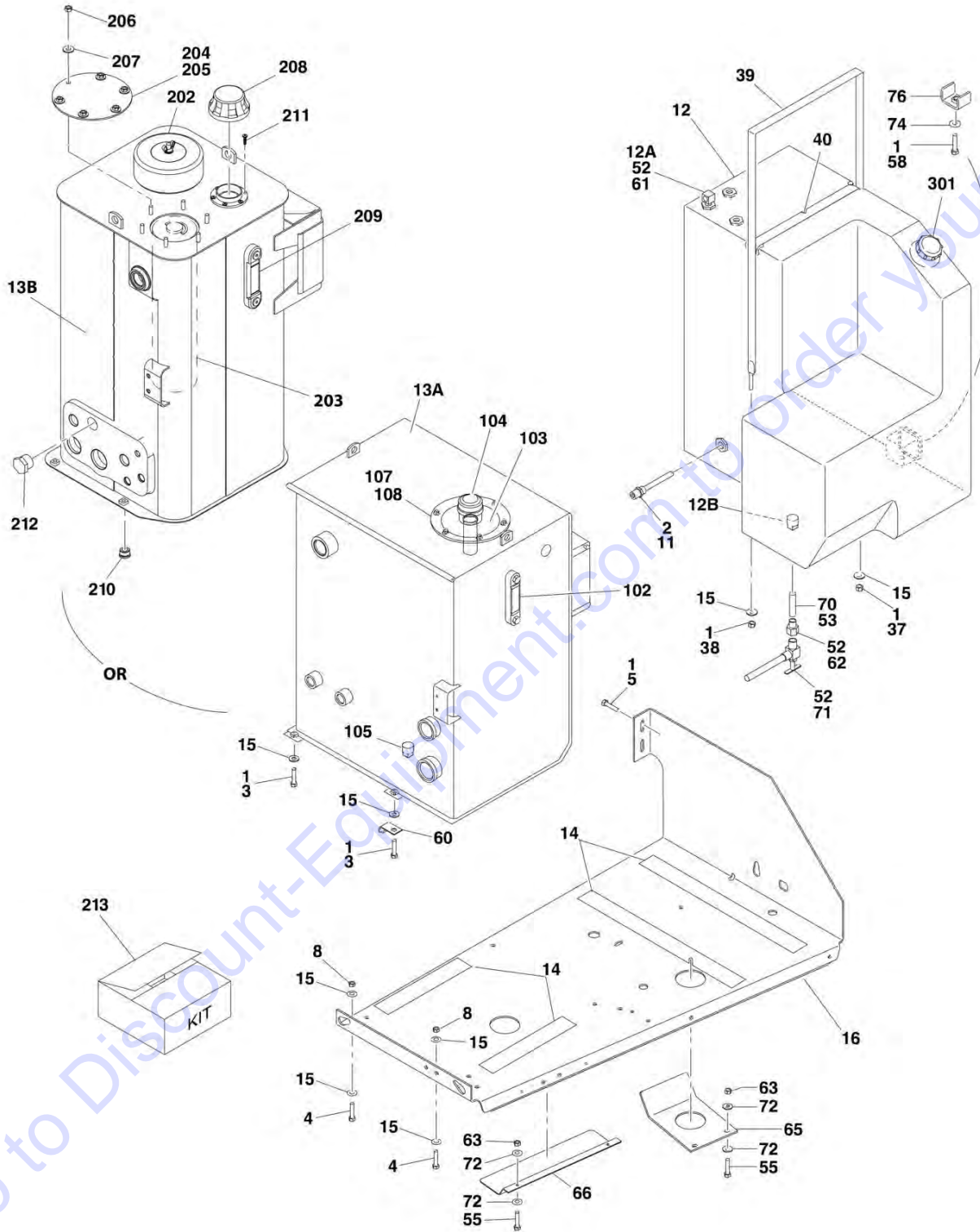
## SECTION 2 - TURNTABLE

**FIGURE 2-20. FUEL-WATER SEPARATOR INSTALLATION (CHINA SPECS) (SN 0300246969 to Present)**

ITEM	PART NUMBER	QTY	DESCRIPTION	REV
	1001230032	Ref	FUEL FILTER INSTALLATION	A
1	0641608	2	Bolt 3/8 x 1	
2	2220816	2	Fitting, Straight NPT	
3	3311605	2	Nut 3/8	
4	4711600	4	Washer 3/8	
5	8405006	2	Clamp	
6	1001154405	54 in/ 1.65m	Hose	
7	1001178797	2	Fitting, 90	
8	1001222817	1	Fuel Filter Assembly (See Items 101-107 for Breakdown)	
9	1001226923	1	Decal - Fuel Water Separator	
	1001222817	Ref	FUEL FILTER ASSEMBLY	
101	70006403	1	T-Handle Kit (Includes O-Ring)	
102	70006404	1	Lid Kit (Includes Gasket)	
103	70006405	1	Element	
104	70006406	1	Checkball & Gasket Kit (Not Shown)	
105	70006407	1	Centrifuge and Baffle Kit (Not Shown)	
106	70006409	1	Bowl Kit (Includes Gasket, O-Ring and Drain)	
106	70006408	1	Gasket, Bowl	
107	70006410	1	Bowl Ring Kit (Includes Gasket & Hardware) (Not Shown)	

# SECTION 2 - TURNTABLE

## FIGURE 2-21. TANK INSTALLATIONS



## SECTION 2 - TURNTABLE

### FIGURE 2-21. TANK INSTALLATIONS

ITEM	PART NUMBER	QTY	DESCRIPTION	REV
	1001156176	Ref	TANKS INSTALLATION - DIESEL MACHINES (SN 0300183034 through 0300196955)	D
	1001178174	Ref	TANKS INSTALLATION - DIESEL MACHINES (SN 0300196956 to Present)	D
	1001156793	Ref	TANKS INSTALLATION - GAS MACHINES (SN 0300183034 through 0300196955)	D
	1001178175	Ref	TANKS INSTALLATION - GAS MACHINES (SN 0300196956 to Present)	B
1	0100011	AR	Compound, Locking	
2	0100079	AR	Sealant (SN 0300183034 through 0300196955)	
2	1001182997	AR	Adhesive (SN 0300196956 to Present)	
3	0641607	4	Bolt 3/8-16 x 7/8	
4	0641614	2	Bolt 3/8-16 x 1-3/4	
5	0811608	2	Bolt 3/8-16 x 1	
8	3311605	2	Nut 3/8-16	
11	4360436	1	Switch, Fuel Level	
12	4400400	1	Tank, Fuel (Includes Non-Locking Cap) (Diesel Machines) (SN 0300183034 through 0300195370)	
12	1001173897	1	Tank, Fuel (Includes Non-Locking Cap) (Diesel Machines) (SN 0300195371 to Present)	
12	1001111514	1	Tank, Fuel (Includes Non-Locking Cap) (Gas Machines)	
12A	7019658	1	Fitting and Pick-up Tube (Diesel Machines) (SN 0300183034 through 0300195370)	
12A	70004148	1	Fitting and Pick-up Tube (Diesel Machines) (SN 0300195371 to Present)	
12A	70004149	1	Fitting and Pick-up Tube (Gas Machines)	
12B	2200222	1	Fitting (Diesel Machines Only)	
12B	0100020	AR	Sealant	
13A	1001161901	1	Hydraulic Tank Assembly (See Items 101-108 for Breakdown) (SN 0300183034 through 0300196955)	
13B	1001178057	1	Hydraulic Tank Assembly (See Items 201-213 for Breakdown) (SN 0300196956 to Present)	
14	4420038	73 in /1.85m	Tape, Rubber (Diesel Machines)	
14	4420038	45 in /1.14m	Tape, Rubber (Gas Machines)	
15	4751600	8	Washer 3/8	
16	1001156190	1	Tray	
30		Ref	Note: Items 38-40 Used on Diesel Machines Only.	
38	3311601	2	Nut 3/8-16 (Diesel Machines Only)	
39	1001231888	1	Strap Assembly (Includes Strap & Protective Strip)	
39	4240113	1	Strap, Tank (Diesel Machines Only)	
40	4280295	25 in /63cm	Strip, Protective (Diesel Machines Only)	
50		Ref	Note: Items 52-76 Used on Gas Machines Only.	
52	0100020	AR	Sealant, Pipe	
53	0100062	AR	Compound, Locking	
55	0641508	4	Bolt 5/16-18 x 1	
58	0641818	2	Bolt 1/2-13 x 2-1/4	
60	1320223	1	Clamp	
61	2200233	1	Plug	
62	2221270	1	Fitting, Brass (SN 0300183034 through 0300187377)	

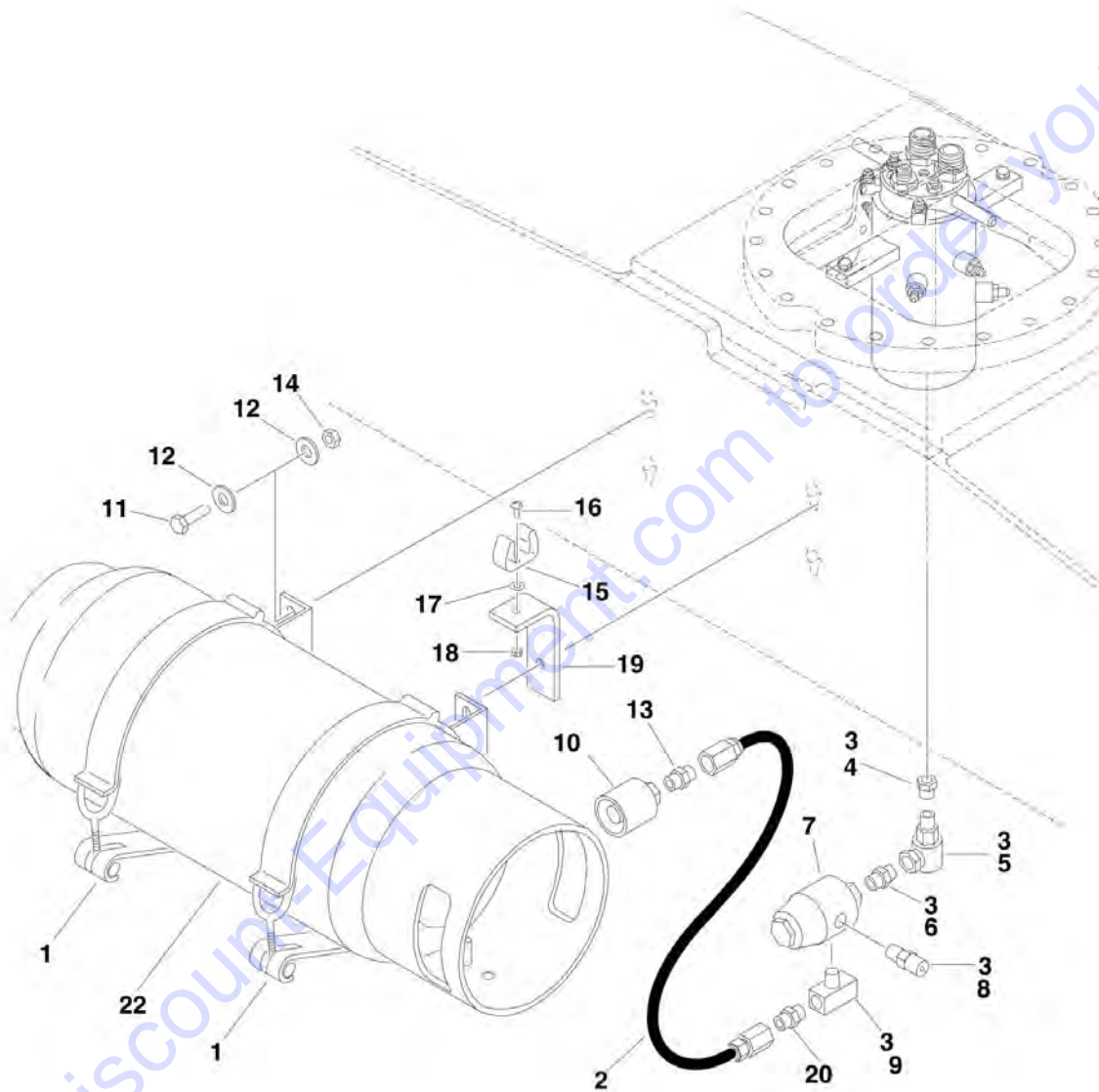
## SECTION 2 - TURNTABLE

ITEM	PART NUMBER	QTY	DESCRIPTION	REV
63	3311505	4	Nut 5/16-18	
65	3572423	1	Plate, Valve Needle	
66	3576755	1	Cover, Fuel Pump	
70	4568119	1	Tube, Fuel	
71	4641022	1	Valve, Needle	
72	4711500	8	Washer 5/16	
74	4751800	2	Washer 1/2	
76	1001118133	2	Bracket	
	1001161901	Ref	<b>HYDRAULIC TANK ASSEMBLY (SN 0300183034 through 0300196955)</b>	C
102	7024441	1	Gauge, Sight	
103	7024443	1	Neck, Fill	
103	7024445	1	Screen	
104	7024444	1	Breather/Fill Cap	
105	7024446	1	Plug, Magnetic	
107	Not Available	1	Cover	
108	7024440	1	Gasket	
	1001178057	Ref	<b>HYDRAULIC TANK ASSEMBLY (SN 0300196956 to Present)</b>	D
202	70005708	1	Breather Assembly (Includes Breather, Element and Wingnut)	
202	See Note	NSS	Element, Breather (Note: Use p/n 70005708 or Item 213)	
203	See Note	NSS	Element, Hydraulic (Note: Use Item 213)	
204	70002839	1	Gasket	
205	See Note	NSS	Cover (Note: Not Available for Purchase)	
206	4751500	6	Washer 5/16	
207	3311501	6	Nut 5/16	
208	70002838	1	Cap, Fill	
209	7024441	1	Gauge, Level	
210	70002112	1	Plug	
211	See Note	NSS	Screw #10 x 3/4 (Note: Not Available - Purchase Locally)	
212	See Note	NSS	Plug (Note: Not Available - Purchase Locally)	
213	70002814	1	Hydraulic Tank Service Kit (Includes Items 202-204)	
		Ref	<b>FUEL TANK CAP INSTALLATION</b>	
301	7016314	Ref	Cap, Standard - Diesel Machines (Part of Item 3)	
301	70002715	Ref	Cap, Standard - Gas Machines (Part of Item 3)	
301	70002716	Ref	Adapter, Cap, Standard - Gas Machines (Part of Item 3)	
301	1120487	Ref	Cap, Optional Lockable - Diesel Machines	



## SECTION 2 - TURNTABLE

FIGURE 2-22. LP TANK INSTALLATIONS (FORD AND GM ENGINE MACHINES ONLY)





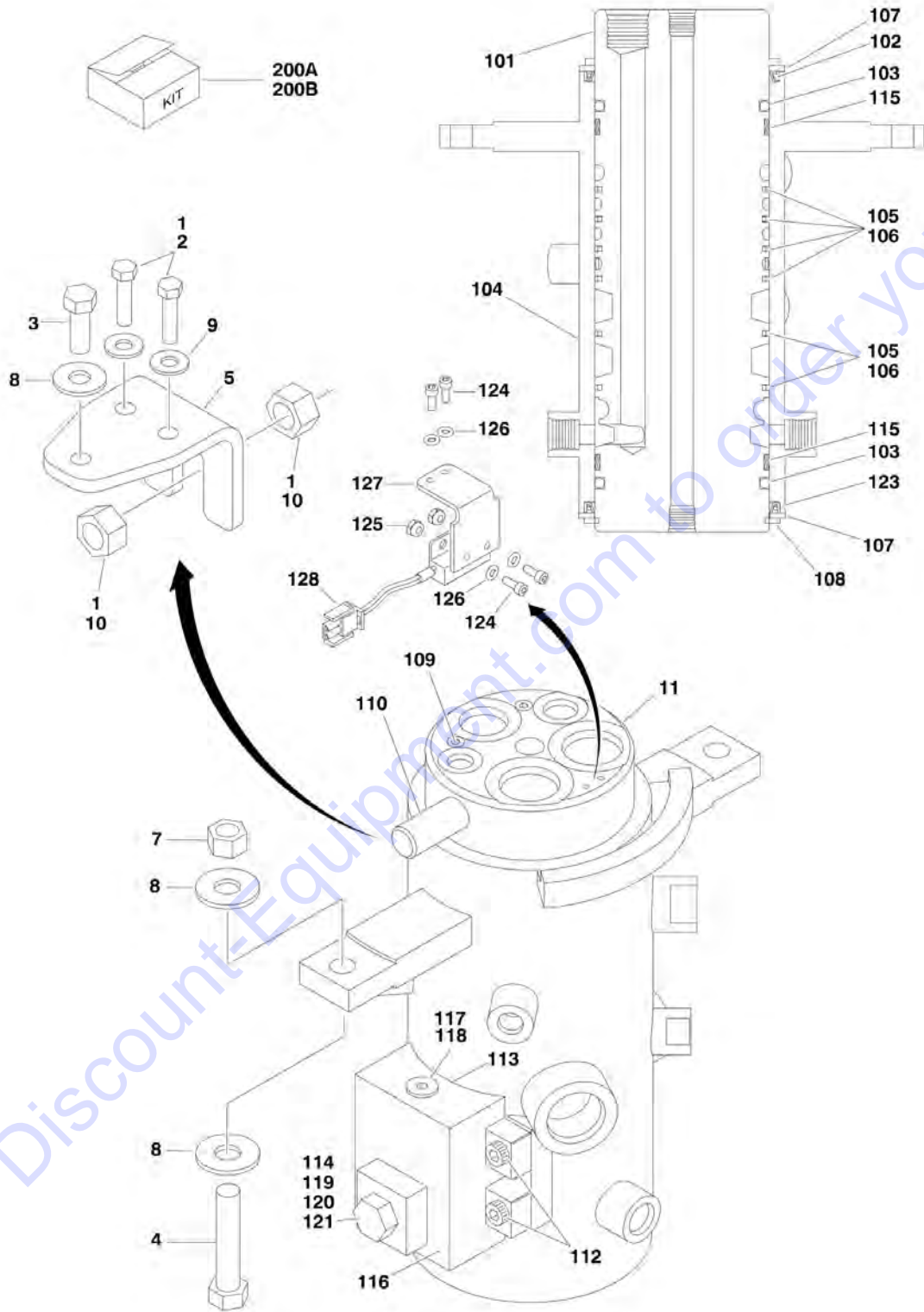
## SECTION 2 - TURNTABLE

**FIGURE 2-22. LP TANK INSTALLATIONS (FORD AND GM ENGINE MACHINES ONLY)**

ITEM	PART NUMBER	QTY	DESCRIPTION	REV
	1001151010	Ref	LP TANK AND BRACKETS INSTALLATION	D
1	1320220	2	Clamp Kit - LP	
1	1320127	2	Clamp, Toggle (1 Per Clamp)	
2	2720144	2	Hose	
3	0100020	AR	Sealant, Pipe	
4	2221197	1	Fitting, Reducer NPT/NPT	
5	2180125	1	Fitting, Elbow NPT/NPT	
6	2220261	1	Fitting, Nipple NPT/NPT	
7	2180388	1	Filter, Bulkhead NPT/NPT	
8	2180389	1	Valve, Relief	
9	2220418	1	Fitting, Tee	
10	2180387	2	Fitting, LP Tank	
11	0641617	8	Bolt 3/8-16 x 2-1/8	
12	4751600	16	Washer 3/8	
13	2180418	2	Fitting, Straight SAE	
14	3311605	8	Nut 3/8-16	
15	1320218	2	Clamp, Spring	
16	0720804	2	Screw #8-32 x 1/2	
17	4750800	4	Washer #8	
18	3310805	2	Nut #8-32	
19	0181949	2	Support, Angle	
20	2221024	2	Fitting, Ball Check SAE/NPT	
22	4400275	1	LP Tank - Aluminum	
22	4400420	1	LP Tank - Steel	

# SECTION 2 - TURNTABLE

## FIGURE 2-23. ROTARY COUPLING INSTALLATION



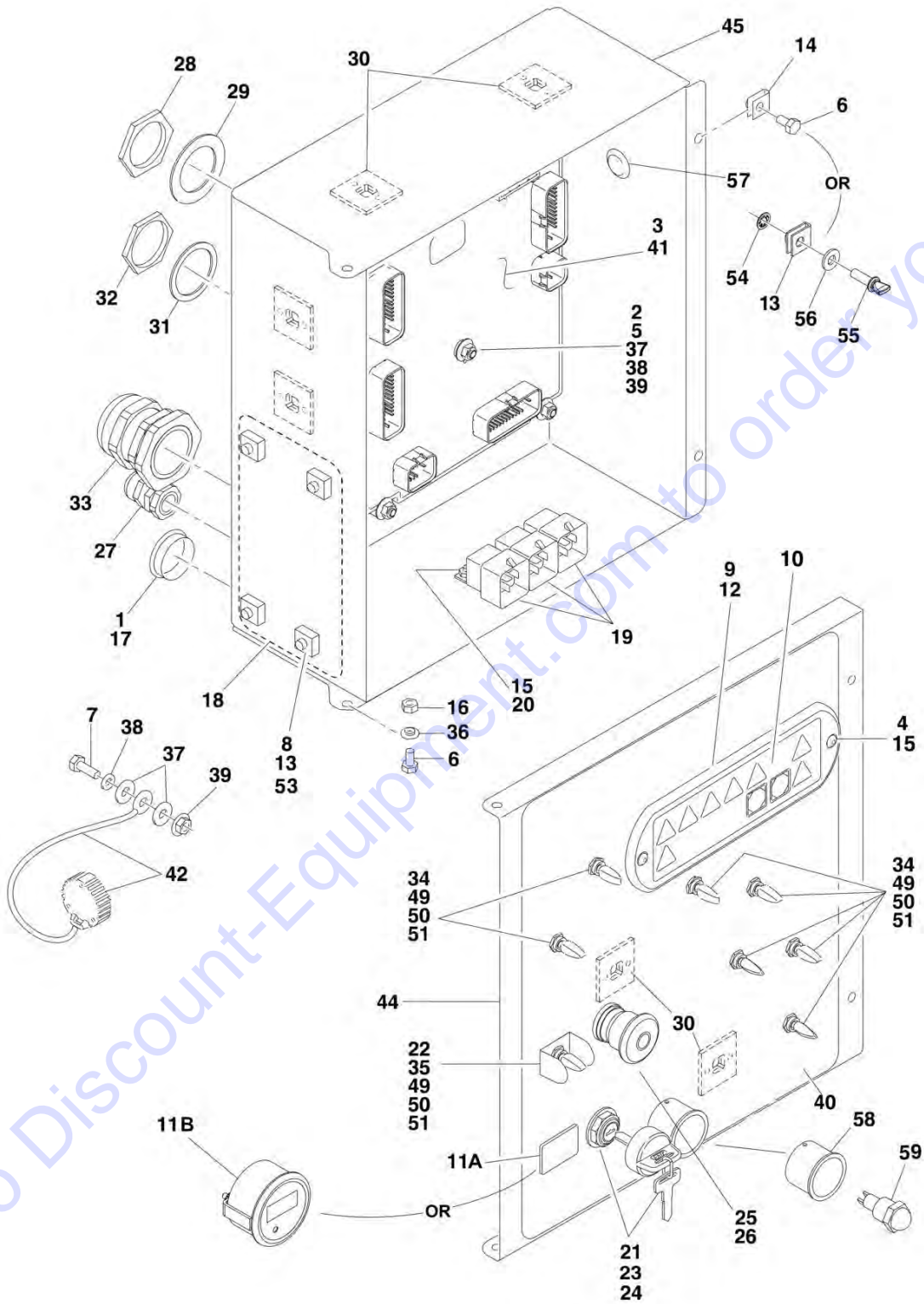
## SECTION 2 - TURNTABLE

### FIGURE 2-23. ROTARY COUPLING INSTALLATION

ITEM	PART NUMBER	QTY	DESCRIPTION	REV
	1001107529	Ref	ROTARY COUPLING INSTALLATION - 2WS	B
	1001107530	Ref	ROTARY COUPLING INSTALLATION - 4WS	B
1	0100011	AR	Compound, Locking	
2	0641611	2	Bolt 3/8-16 x 1-3/8	
3	0641812	1	Bolt 1/2-13 x 1-1/2	
4	0641820	2	Bolt 1/2-13 x 2-1/2	
5	0903056	1	Bracket (SN 0300183034 through 0300226024)	
5	0903242	1	Bracket (SN 0300226025 to Present)	
7	3271805	2	Nut 1/2-13	
8	4751800	5	Washer 1/2	
9	4891600	2	Washer 3/8	
10	3322201	2	Nut 3/4-16	
11	1001106974	1	Coupling, Rotary - 2WS (See Items 101-128 for Breakdown):	
11	1001106975	1	Coupling, Rotary - 4WS (See Items 101-128 for Breakdown):	
	1001106974	Ref	ROTARY COUPLING ASSEMBLY - 2WS	B
	1001106975	Ref	ROTARY COUPLING ASSEMBLY - 4WS	B
101	See Note	NSS	Body (Note: Not Available - Purchase Complete Assembly)	
102	See Note	NSS	Seal - 2WS (Note: Use Item 200A or 200B)	
103	See Note	NSS	O-Ring (Note: Use Item 200A or 200B)	
104	See Note	NSS	Housing (Note: Not Available - Purchase Complete Assembly)	
105	See Note	NSS	Seal, Cap (Note: Use Item 200A or 200B)	
106	See Note	NSS	O-Ring (Note: Use Item 200A or 200B)	
107	7026503	2	Ring - 2WS	
107	7026511	2	Ring - 4WS	
108	7026504	1	Ring, Retaining - 2WS	
108	7013189	1	Ring, Retaining - 4WS	
109	80934561	AR	Plug	
110	See Note	NSS	Lug, Torque (Note: Not Available for Purchase)	
112	7026197	4	Bolt 5/16-18 x 1-1/4	
113	See Note	NSS	O-Ring (Note: Use Item 200A or 200B)	
114	See Note	NSS	O-Ring (Note: Use Item 200A or 200B)	
115	See Note	NSS	Bearing (Note: Use Item 200A or 200B)	
116	7024404	1	Block Valve Assembly	
117	7026505	1	Plug	
118	7026506	1	Valve, Check	
119	7026507	1	Plug	
120	See Note	NSS	Plunger, Valve (Note Use p/n 7024404)	
121	7026509	1	Spring, Compression	
123	See Note	NSS	Seal (Note: Use Item 200A or 200B)	
124	See Note	NSS	Capscrew #10-24 x 1/2 (Note: Not Available for Purchase)	
125	See Note	NSS	Nut #10-24 (Note: Not Available for Purchase)	
126	See Note	NSS	Flatwasher #10 (Note: Not Available for Purchase)	
127	70003454	1	Bracket, Switch Mounting	
128	4360517	1	Switch, Proximity	
200A	70001248	1	Seal Kit - 2WS (Includes Items 102, 103, 105, 106, 113, 114, 115 & 123)	
200B	70002212	1	Seal Kit - 4WS (Includes Items 102, 103, 105, 106, 113, 114, 115 & 123)	

# SECTION 2 - TURNTABLE

## FIGURE 2-24. GROUND CONTROL BOX ASSEMBLY



# PARTS FINDER

**Search Website  
by Part Number**



**Search Manual  
Library For Parts  
Manual & Lookup Part  
Numbers – Purchase  
or Request Quote**

A screenshot of the "Search Manuals" form. The form has a title "Search Manuals" and a subtitle "Please enter the model number or serial number of the machine you are looking for." Below the subtitle are several input fields: "Find" (with a dropdown menu), "Serial Number" (with a dropdown menu), "Year" (with a dropdown menu), "Make" (with a dropdown menu), "Part Number" (with a dropdown menu), "Part Name" (with a dropdown menu), and "Category" (with a dropdown menu). There is a "Search" button at the bottom of the form.

**Can't Find Part or  
Manual? Request Help  
by Manufacturer,  
Model & Description**

A screenshot of the "Parts Order Form". The form has a title "Parts Order Form" and a subtitle "Please fill out the form below." Below the subtitle are several input fields: "Manufacturer" (with a dropdown menu), "Model" (with a dropdown menu), "Description" (with a dropdown menu), "Part Number" (with a dropdown menu), "Part Name" (with a dropdown menu), "Quantity" (with a dropdown menu), "Price" (with a dropdown menu), "Date" (with a dropdown menu), and "Comments" (with a text area). There is a "Submit" button at the bottom of the form.

Discount-Equipment.com is your online resource for quality parts & equipment.

Florida: **561-964-4949** Outside Florida TOLL FREE: **877-690-3101**

**Need parts?**

Click on this link: <http://www.discount-equipment.com/category/5443-parts/> and choose one of the options to help get the right parts and equipment you are looking for. Please have the machine model and serial number available in order to help us get you the correct parts. If you don't find the part on the website or on one of the online manuals, please fill out the request form and one of our experienced staff members will get back to you with a quote for the right part that your machine needs.

We sell worldwide for the brands: Genie, Terex, JLG, MultiQuip, Mikasa, Essick, Whiteman, Mayco, Toro Stone, Diamond Products, Generac Magnum, Airman, Haulotte, Barreto, Power Blanket, Nifty Lift, Atlas Copco, Chicago Pneumatic, Allmand, Miller Curber, Skyjack, Lull, Skytrak, Tsurumi, Husquvarna Target, Stow, Wacker, Sakai, Mi-T-M, Sullair, Basic, Dynapac, MBW, Weber, Bartell, Bennar Newman, Haulotte, Ditch Runner, Menegotti, Morrison, Contec, Buddy, Crown, Edco, Wyco, Bomag, Laymor, EZ Trench, Bil-Jax, F.S. Curtis, Gehl Pavers, Heli, Honda, ICS/PowerGrit, IHI, Partner, Imer, Clipper, MMD, Koshin, Rice, CH&E, General Equipment, Amida, Coleman, NAC, Gradall, Square Shooter, Kent, Stanley, Tamco, Toku, Hatz, Kohler, Robin, Wisconsin, Northrock, Oztec, Toker TK, Rol-Air, APT, Wylie, Ingersoll Rand / Doosan, Innovatech, Con X, Ammann, Mecalac, Makinex, Smith Surface Prep, Small Line, Wanco, Yanmar

## SECTION 2 - TURNTABLE

### FIGURE 2-24. GROUND CONTROL BOX ASSEMBLY

ITEM	PART NUMBER	QTY	DESCRIPTION	REV
		Ref	GROUND CONTROL BOX ASSEMBLY - 800A DEUTZ TD2.9L4 ENGINE	
	1001165774	Ref	Ground Control Box Assembly - 800A Deutz TD2.9L4 Engine (All Specs except CE Spec) <b>(SN 0300183034 through 0300194139)</b>	C
	1001171501	Ref	Ground Control Box Assembly - 800A Deutz TD2.9L4 Engine (All Specs except CE Spec) <b>(SN 0300194140 to Present)</b>	D
	1001184176	Ref	Ground Control Box Assembly - 800A Deutz TD2.9L4 Engine (CE Specs) <b>(SN 0300183034 through 0300201003)</b>	B
	1001188007	Ref	Ground Control Box Assembly - 800A Deutz TD2.9L4 Engine (CE Specs) <b>(SN 0300201004 to Present)</b>	B
		Ref	GROUND CONTROL BOX ASSEMBLY - 800A DEUTZ D2011 ENGINE	
	1001153832	Ref	Ground Control Box Assembly - 800A Deutz D2011 Engine (All Specs except CE Spec) <b>(SN 0300183034 through 0300194139)</b>	C
	1001171509	Ref	Ground Control Box Assembly - 800A Deutz D2011 Engine (All Specs except CE Spec) <b>(SN 0300194140 to Present)</b>	C
	1001153834	Ref	Ground Control Box Assembly - 800A Deutz D2011 Engine (CE Specs) <b>(SN 0300183034 through 0300194139)</b>	C
	1001171512	Ref	Ground Control Box Assembly - 800A Deutz D2011 Engine (CE Specs) <b>(SN 0300194140 through 0300201003)</b>	C
	1001193691	Ref	Ground Control Box Assembly - 800A Deutz D2011 Engine (CE Specs) <b>(SN 0300201004 to Present)</b>	A
		Ref	GROUND CONTROL BOX ASSEMBLY - 800A FORD ENGINE	
	1001218777	Ref	Ground Control Box Assembly - 800A Ford Engine	B
	1001218776	Ref	Ground Control Box Assembly - 800AJ Ford Engine	B
		Ref	GROUND CONTROL BOX ASSEMBLY - 800A GM ENGINE	
	1001153830	Ref	Ground Control Box Assembly - 800A GM Engine <b>(SN 0300183034 through 0300194139)</b>	C
	1001171506	Ref	Ground Control Box Assembly - 800A GM Engine <b>(SN 0300194140 to Present)</b>	C
		Ref	GROUND CONTROL BOX ASSEMBLY - 800AJ DEUTZ TD2.9L4 ENGINE	
	1001165775	Ref	Ground Control Box Assembly - 800AJ Deutz TD2.9L4 Engine (All Specs except CE Spec) <b>(SN 0300183034 through 0300194139)</b>	C
	1001171502	Ref	Ground Control Box Assembly - 800AJ Deutz TD2.9L4 Engine (All Specs except CE Spec) <b>(SN 0300194140 to Present)</b>	D
	1001184177	Ref	Ground Control Box Assembly - 800AJ Deutz TD2.9L4 Engine (CE Specs) <b>(SN 0300183034 through 0300201003)</b>	B
	1001188008	Ref	Ground Control Box Assembly - 800AJ Deutz TD2.9L4 Engine (CE Specs) <b>(SN 0300201004 to Present)</b>	B
		Ref	GROUND CONTROL BOX ASSEMBLY - 800AJ DEUTZ D2011 ENGINE	
	1001153833	Ref	Ground Control Box Assembly - 800AJ Deutz D2011 Engine (All Specs except CE Spec) <b>(SN 0300183034 through 0300194139)</b>	C
	1001171510	Ref	Ground Control Box Assembly - 800AJ Deutz D2011 Engine (All Specs except CE Spec) <b>(SN 0300194140 to Present)</b>	C
	1001153835	Ref	Ground Control Box Assembly - 800AJ Deutz D2011 Engine (CE Specs) <b>(SN 0300183034 through 0300194139)</b>	C
	1001171513	Ref	Ground Control Box Assembly - 800AJ Deutz D2011 Engine (CE Specs) <b>(SN 0300194140 through 0300201003)</b>	C
	1001193692	Ref	Ground Control Box Assembly - 800AJ Deutz D2011 Engine (CE Specs) <b>(SN 0300201004 to Present)</b>	A
		Ref	GROUND CONTROL BOX ASSEMBLY - 800AJ GM ENGINE	
	1001153831	Ref	Ground Control Box Assembly - 800AJ GM Engine <b>(SN 0300183034 through 0300194139)</b>	C

## SECTION 2 - TURNTABLE

ITEM	PART NUMBER	QTY	DESCRIPTION	REV
	1001171507	Ref	Ground Control Box Assembly - 800AJ GM Engine (SN <b>0300194140 to Present</b> )	C
1	0100009	AR	Sealant	
2	0100011	AR	Compound, Locking	
3	0100048	AR	Grease, Dielectric	
4	0630518	2	Capscrew, Button Head	
5	0630548	5	Bolt, 2-1/2in Tap	
6	0641404	AR	Bolt 1/4-20 x 1/2	
7	0641407	1	Bolt 1/4-20 x 7/8	
8	0641506	4	Bolt 5/16-18 x 3/4	
9	1670829	1	Bezel	
10	1706712	1	Decal - Ground Control Display	
11A	2420172	1	Gauge, Hourmeter	
11B	1001109503	1	Gauge, Hourmeter	
12	2760105	1	Housing, Display Light	
13	3300205	4	Nut, Retainer	
14	3300353	2	Nut, Tinnerman	
15	3300408	4	Locknut, Plastic Insert	
16	3311405	2	Nut 1/4-20	
17	3520035	1	Plug, Cap	
18	3539219	1	Plate, Reinforcement (SN <b>0300183034 through 0300200669</b> )	
19	3740049	AR	Relay	
20	3900268	2	Screw #10x1/2	
21	3910804	4	Screw #8-32 x 1/4	
22	4060906	1	Shield, Toggle Switch	
23	4070991	1	Shim	
24	4360469	1	Switch, Key - All Specs except CE Specs	
24	4360470	1	Switch, Key - CE Specs (SN <b>03001830034 through 0300201003</b> )	
24	4360469	1	Switch, Key - CE Specs (SN <b>0300201004 to Present</b> )	
24	2860030	1	Key Replacement - All Specs	
25	4360475	1	Switch, Emergency Stop	
25	7020175	1	Cap, Mushroom	
25	7020176	1	Block, Contact	
26	4360476	1	Switch, Contact Block	
27	4460426	1	Connector, Strain Relief	
28	4460470	1	Nut, Terminal	
29	4460471	1	Lockwasher, Terminal	
30	4460488	6	Mounting Base, Terminal	
31	4460496	1	Washer, Terminal	
32	4460497	1	Nut, Terminal	
33	4460526	1	Connector, Strain Relief	
34	4740397	7	Spacer	
35	4740444	1	Washer	
36	4740518	2	Washer	
37	4751400	12	Washer 1/4	
38	4761400	6	Washer 1/4	
39	77143013	11	Nut 1/4-20	
40	1001102599	1	Decal, Faceplate 800A (All Specs except CE)	
40	1001102599	1	Decal, Faceplate 800A (CE Spec) (SN <b>0300183034 through 0300201003</b> )	
40	1001180093	1	Decal, Faceplate 800A (CE Spec) (SN <b>0300201004 to Present</b> )	
40	1001102600	1	Decal, Faceplate 800AJ (All Specs except CE)	

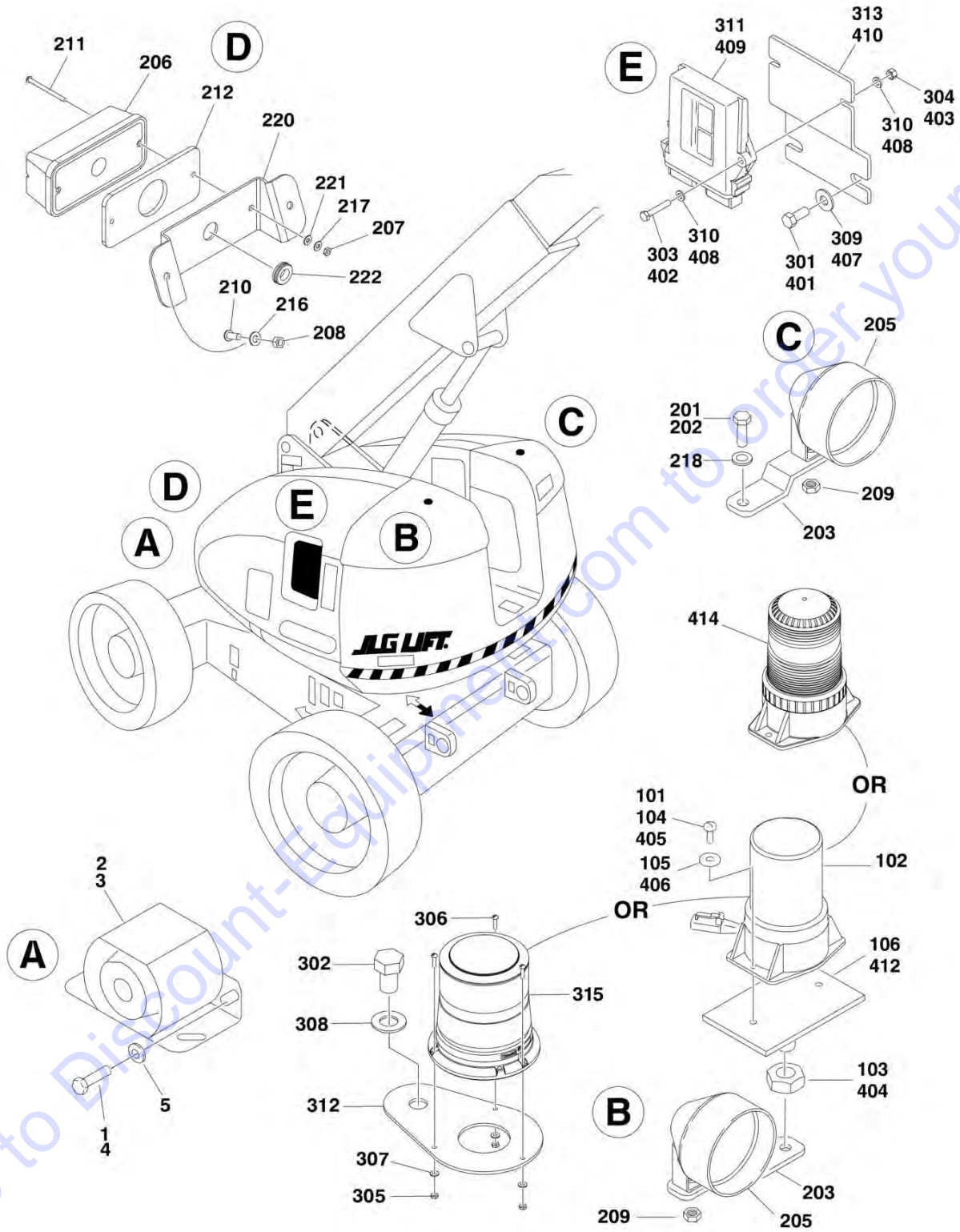
## SECTION 2 - TURNTABLE

ITEM	PART NUMBER	QTY	DESCRIPTION	REV
40	1001102600	1	Decal, Faceplate 800AJ (CE Spec) (SN 0300183034 through 0300201003)	
40	1001180094	1	Decal, Faceplate 800AJ (CE Spec) (SN 0300201004 to Present)	
41	1001103667	1	Module, Ground Control (Note: Recalibration Required When Replaced.)	
42	1001106736	1	Cap, Dust	
43	1001110225	1	Harness, Ground Control Box (Deutz D2011 Engines - All Specs except CE Specs) (Not Shown - See ELECTRICAL SECTION for Breakdown)	
43	1001110225	1	Harness, Ground Control Box (Deutz D2011 Engines - CE Specs) (Not Shown - See ELECTRICAL SECTION for Breakdown) (SN 0300183034 through 0300201003)	
43	1001185131	1	Harness, Ground Control Box (Deutz D2011 Engines - CE Specs) (Not Shown - See ELECTRICAL SECTION for Breakdown) (SN 0300201004 to Present)	
43	1001145937	1	Harness, Ground Control Box (Deutz TD2.9L4 Engines - All Specs except CE Specs) (Not Shown - See ELECTRICAL SECTION for Breakdown)	
43	1001145937	1	Harness, Ground Control Box (Deutz TD2.9L4 Engines - CE Specs) (Not Shown - See ELECTRICAL SECTION for Breakdown) (SN 0300183034 through 0300201003)	
43	1001185131	1	Harness, Ground Control Box (Deutz TD2.9L4 Engines - CE Specs) (Not Shown - See ELECTRICAL SECTION for Breakdown) (SN 0300201004 to Present)	
43	1001110225	1	Harness, Ground Control Box (Ford & GM Engines) (Not Shown - See ELECTRICAL SECTION for Breakdown)	
44	1001152173	1	Lid (All Specs except CE Spec)	
44	1001152173	1	Lid (CE Spec) (SN 0300183034 through 0300201003)	
44	1001188042	1	Lid (CE Spec) (SN 0300201004 to Present)	
45	1001152175	1	Box	
46	1001165776	1	Harness, Deutz TD2.9L4 Engine (Not Shown - See ELECTRICAL SECTION for Breakdown)	
46	1001153713	1	Harness, Deutz D2011 Engine (Not Shown - See ELECTRICAL SECTION for Breakdown)	
46	1001216230	1	Harness, Ford Engine (Not Shown - See ELECTRICAL SECTION for Breakdown)	
46	1001153712	1	Harness, GM Engine (Not Shown - See ELECTRICAL SECTION for Breakdown)	
47		Ref	Harness, Platform Valve Options: (Not Shown - See ELECTRICAL SECTION for Breakdown)	
47	1001153715	1	Harness, Valve (SN 0300183034 through 0300194139)	
47	1001170808	1	Harness, Valve (SN 0300194140 to Present)	
49	1001155043	AR	Washer	
50	1001155044	AR	Nut 15/32-32	
51	1001155045	AR	Switch, Toggle	
53	4891500	4	Washer 5/16	
54	1001188874	2	Nut	
55	1001103308	2	Screw 1/4	
56	4711400	2	Washer 1/4	
57	3520031	2	Plug	
58	1001176469	1	Shroud (CE Spec) (SN 0300201004 to Present)	
59	4360387	1	Switch, Push Button (CE Spec) (SN 0300201004 to Present)	



# SECTION 2 - TURNTABLE

FIGURE 2-25. ELECTRICAL OPTIONS INSTALLATION (TURNTABLE MOUNTED)



## SECTION 2 - TURNTABLE

**FIGURE 2-25. ELECTRICAL OPTIONS INSTALLATION (TURNTABLE MOUNTED)**

ITEM	PART NUMBER	QTY	DESCRIPTION	REV
	1001155364	Ref	ALARMS INSTALLATION	A
1	0100011	AR	Compound, Locking	
2	0100048	AR	Sealant, Silicone	
3	0140044		Alarm	
4	0641405	2	Bolt 1/4-20 x 5/8	
5	4711400	2	Washer 1/4	
	1001149955	Ref	STROBE LIGHT INSTALLATION (AMBER) (OPTIONAL) (SN <b>0300183034 through 0300190437</b> )	A
	1001160077	Ref	STROBE LIGHT INSTALLATION (AMBER) (OPTIONAL) (SN <b>0300190438 to Present</b> )	B
	1001150406	Ref	STROBE LIGHT INSTALLATION (AMBER) (OPTIONAL)	B
101	0100035	AR	Compound, Locking	
102	2920161	1	Strobe Light/Harness Assembly	
102	7016319	1	Bulb	
102	7016372	1	Lens	
103	3312602	1	Nut 1-8	
104	3900085	2	Screw #10-32 x 1/2	
105	4751000	2	Washer 1/4	
106	1001149994	1	Mount Strobe	
112	1001149818	1	Harness, Strobe Light Extension (Not Shown - See ELECTRICAL SECTION for Breakdown)	
	0271768	Ref	HEADLIGHTS AND TAILLIGHTS (ABS HOODS) (OPTIONAL)	E
	1001164786	Ref	HEADLIGHTS AND TAILLIGHTS (STEEL HOODS) (OPTIONAL)	C
201	0100011	AR	Compound, Locking	
202	0642612	2	Bolt 1-8 x 1-1/2	
203	0902206	2	Bracket, Mounting	
204	1705170	1	Decal - Lights (Not Shown - Located on Console)	
205	2920110	2	Headlight	
206	2920113	2	Taillight	
207	3311005	4	Nut #10-24	
208	3311505	4	Nut 5/16-18 (Steel Hoods Only)	
209	3311605	2	Nut 3/8-16	
210	3900210	4	Screw 5/16-18 x 3/4 (Steel Hoods Only)	
211	3911040	4	Screw #10-24 x 2-1/2	
212	3960461	2	Gasket	
213	4240032	AR	Tie-Strap (Not Shown)	
214	4360522	1	Switch, Push Button (Not Shown - Located on Console):	
215	4460234	AR	Mount, Tie-Strap (Not Shown)	
216	4711500	4	Washer 5/16 (Steel Hoods Only)	
217	4751000	4	Washer #10	
218	4892600	2	Washer 1	
220	1001165118	2	Support (Steel Hoods Only)	
221	4220162	4	Spacer (ABS Hoods Only)	
222	1001188354	2	Grommet (SN <b>0300252004 to Present</b> )	
	1001189173	Ref	STROBE LIGHT AND HARNESS INSTALLATION (BLUE) (OPTIONAL) (SN <b>0300183034 through 0300217058</b> )	B
	1001207307	Ref	STROBE LIGHT AND HARNESS INSTALLATION (RED) (OPTIONAL) (SN <b>0300183034 through 0300217058</b> )	B
301	0641610	2	Bolt 3/8 x 1-1/4	
302	0642612	1	Bolt 1 x 1-1/2	
303	0700615	2	Bolt M6 x 35	

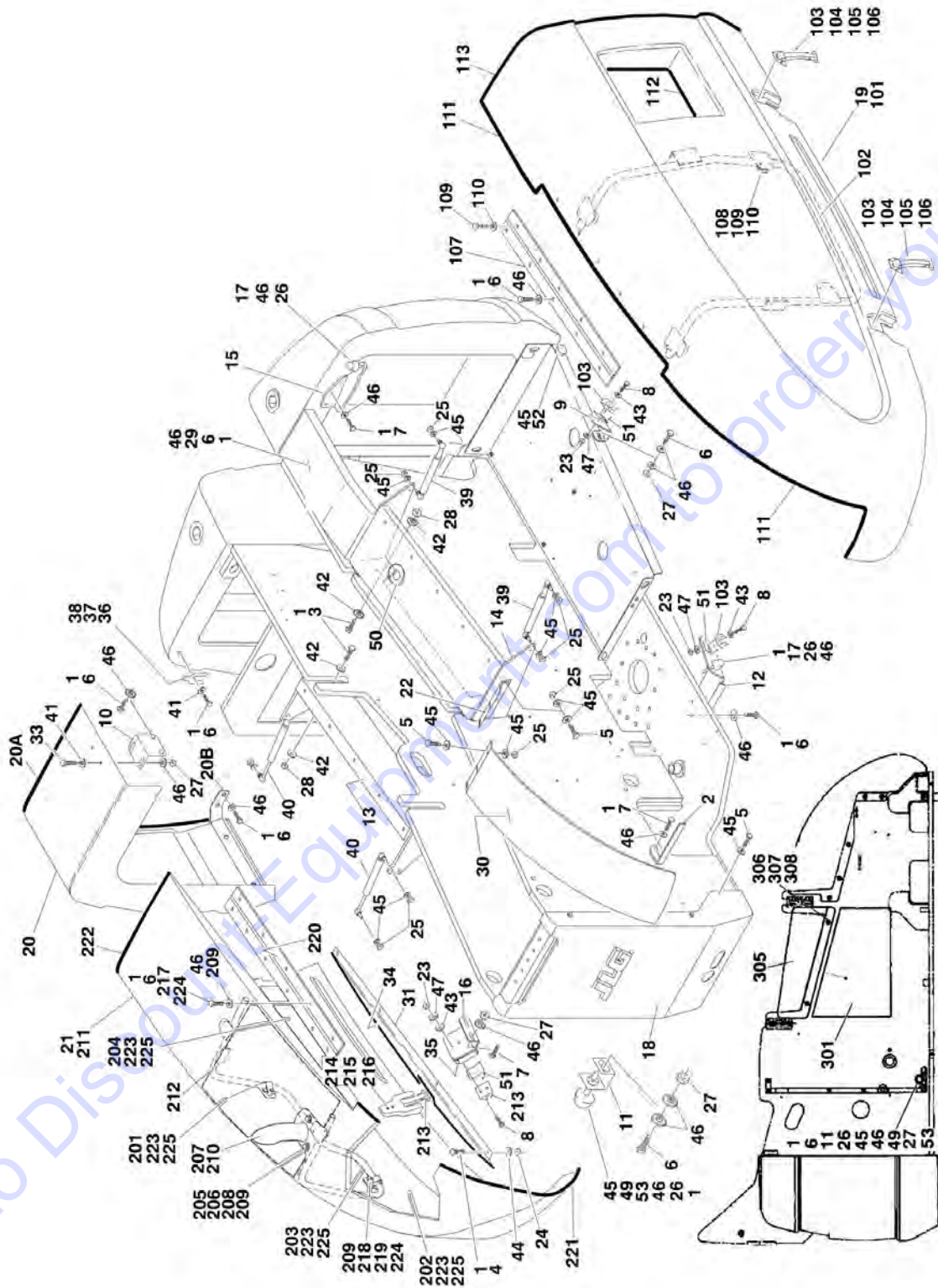
## SECTION 2 - TURNTABLE

ITEM	PART NUMBER	QTY	DESCRIPTION	REV
304	3290607	2	Nut M6	
305	3311005	3	Nut #10	
306	3911012	3	Screw #10 x 3/4	
307	4711000	3	Washer #10	
308	4712600	1	Washer 1	
309	4751600	2	Washer 3/8	
310	4811700	4	Washer M6	
311	1001142683	1	Module, Beacon Light	
312	1001142694	1	Bracket	
313	1001142722	1	Bracket	
314	1001142736	1	Harness, Beacon Control (Module to Light) (Not Shown)	
315	1001143431	1	Light, Strobe (Blue)	
315	1001197067	1	Light, Strobe (Red)	
316	1001150944	1	Harness, Beacon Control (Module to Ground Control) (Not Shown)	
	1001205493	Ref	STROBE LIGHT AND HARNESS INSTALLATION (BLUE) (OPTIONAL) (SN 0300217059 through 0300259888)	E
	1001242255	Ref	STROBE LIGHT AND HARNESS INSTALLATION (BLUE) (OPTIONAL) (SN 0300259889 to Present)	A
	1001209871	Ref	STROBE LIGHT AND HARNESS INSTALLATION (RED) (OPTIONAL) (SN 0300217059 through 0300259888)	E
	1001242256	Ref	STROBE LIGHT AND HARNESS INSTALLATION RED) (SN 0300240507 to Present)	A
401	0641610	2	Bolt 3/8 x 1-1/4	
402	0700615	2	Bolt M6 x 35	
403	3290607	2	Nut M6	
404	3312602	1	Nut 1	
405	3900085	2	Screw #10 x 1/2	
406	4751000	2	Washer #10	
407	4751600	2	Washer 3/8	
408	4811700	4	Washer M6	
409	1001142683	1	Module, Beacon Light	
410	1001142722	1	Bracket	
411	1001142736	1	Harness, Beacon Control (Module to Light) (Not Shown)	
412	1001149994	1	Mount	
414	1001200910	1	Light, Strobe (Blue)	
414	1001207004	1	Light, Strobe (Red)	
415	4240032	AR	Tie-Strap (Not Shown)	
416	4240033	AR	Tie-Strap (Not Shown)	
417	4460488	AR	Mount, Tie-Strap (Not Shown)	



# SECTION 2 - TURNTABLE

## FIGURE 2-26. HOODS INSTALLATION (ABS)



## SECTION 2 - TURNTABLE

### FIGURE 2-26. HOODS INSTALLATION (ABS)

ITEM	PART NUMBER	QTY	DESCRIPTION	REV
	1001099137	Ref	HOODS INSTALLATION (DEUTZ D2011 ENGINES)	E
	1001143609	Ref	HOODS INSTALLATION (DEUTZ TD2.9L4 ENGINES AND DEUTZ TD2.9L4 (STAGE V) ENGINES)	E
1	0100011	AR	Compound, Locking	
2	0362770	1	Bar, Panel Mounting	
3	0630507	8	Bolt, Carriage 1/2-13 x 1-1/4	
3	0811812	8	Bolt	
4	0641406	4	Bolt 1/4-20 x 3/4	
5	0641506	AR	Bolt 5/16-18 x 3/4	
5	0641508	AR	Bolt 5/16-18 x 1	
6	0641608	22	Bolt 3/8-16 x 1	
7	0641609	5	Bolt 3/8-16 x 1-1/8	
8	0721006	6	Screw #10-24 x 3/4	
9	0902143	1	Bracket, Latch (Tank Side)	
10	0902161	1	Bracket, Hood Spacer Mounting (Engine Side)	
11	0902219	2	Bracket, Bumper	
12	0902223	1	Bracket, Latch (Tank Side)	
13	0902351	1	Bracket, Hood Mounting (Engine Side) <b>(SN 0300183034 through 0300216385)</b>	
	1001207558	1	Bracket, Hood Mounting (Engine Side) <b>(SN 0300216386 to Present)</b>	
14	0902412	1	Bracket, Hood Mounting (Tank Side)	
15	0902426	1	Bracket, Bumper - Counterweight Mounted	
16	0902491	1	Bracket, Latch (Engine Side)	
17	0940071	2	Bumper	
18	1670842	1	Cover, Turntable End	
19	1671228	1	Hood Assembly - Tank Side (See Items 101-113 for Breakdown)	
19		Ref	Note: Replacement Decals Must be Ordered Separately - See DECALS SECTION.	
20	1671233	1	Spacer Assembly (Deutz D2011 Engines)	
20	1001149673	1	Spacer Assembly (Deutz TD2.9L4 Engines and Deutz TD2.9L4 (Stage V) Engines)	
20A	3960453	68 in /1.73m	Seal	
20B	0903308	1	Bracket	
21	1001099138	1	Hood Assembly - Engine Side (Deutz D2011 Engines) (See Items 201-225 for Breakdown):	
21	1001143607	1	Hood Assembly - Engine Side (Deutz TD2.9L4 Engines and Deutz TD2.9L4 (Stage V) Engines) (See Items 201-225 for Breakdown):	
21		Ref	Note: Replacement Decals Must be Ordered Separately - See DECAL SECTION.	
22	2600244	1	Adapter, Panel Hinge	
23	3311001	6	Nut #10-24	
24	3311405	4	Nut 1/4-20	
25	3311505	9	Nut 5/16-18	
26	3311601	AR	Nut 3/8-16	
27	3311605	7	Nut 3/8-16	
28	3311805	8	Nut 1/2-13	
28	1001150260	4	Plate, Hinge Block	
29	3380442	1	Cover, Top (Tank Side)	
30	3380444	1	Panel, Adapter	
31	3571712	1	Plate, Seal (Deutz D2011 Engines)	

## SECTION 2 - TURNTABLE

ITEM	PART NUMBER	QTY	DESCRIPTION	REV
31	1001143858	1	Plate, Seal (Deutz TD2.9L4 and Deutz TD2.9L4 (Stage V) Engines)	
33	3900232	2	Screw 3/8-16 x 1-1/4	
34	3960389	3.5 ft/1m	Seal	
35	3960470	1	Seal, Latch	
36	4070410	AR	Shim 1/16	
37	4070411	AR	Shim 1/8	
38	4070412	AR	Shim 3/16	
39	4160139	2	Spring, Gas (Tank Side)	
40	4160143	1	Spring, Gas (Engine Side)	
41	4740076	5	Washer, Fender	
42	4740171	8	Washer, Hardened	
43	4751000	6	Washer #10	
44	4751400	4	Washer 1/4	
45	4751500	AR	Washer 5/16	
46	4751600	AR	Washer 3/8	
47	4761000	6	Washer #10	
49	3321501	AR	Nut 5/16-24	
50	1120601	1	Cap, Plug	
51	2940188	3	Latch, Spring Clip	
52	0940049	1	Stopper, Hood	
52	3311501	2	Nut 5/16-18	
53	0940071	1	Bumper (SN 0300183034 through 0300216385)	
53	0940088	1	Bumper (SN 0300216386 to Present)	
	1671228	Ref	HOOD ASSEMBLY (TANK SIDE)	A
101	1671231	1	Hood	
102	1671232	1	Frame, Tubular	
103	2940088	2	Latch	
104	0721008	4	Screw, Machine #10-24NC x 1in	
105	4751000	4	Flatwasher #10	
106	3311005	4	Locknut #10-24NC	
107	2600233	1	Hinge	
108	1321384	4	Hold Down	
109	0641606	9	Bolt 3/8in-16NC x 3/4in	
110	4711600	9	Flatwasher 3/8in Narrow	
111	3960464	83 in /2.11m	Seal	
112	3960438	55 in/1.4m	Seal	
113	3960462	53 in /1.35m	Seal	
	1001099138	Ref	HOOD ASSEMBLY (ENGINE SIDE) (DEUTZ D2011 ENGINES)	B
	1001143607	Ref	HOOD ASSEMBLY (ENGINE SIDE) (DEUTZ TD2.9L4 AND DEUTZ TD2.9L4 (STAGE V) ENGINES)	F
201	1001101673	1	Insulation/Foam (Deutz D2011 Engines)	
202	2820233	1	Insulation, Rear Sound (Deutz D2011 Engines)	
203	2820234	1	Insulation, Center Sound (Deutz D2011 Engines)	
204	2820235	1	Insulation, Rear Sound (Deutz D2011 Engines)	
205	3311605	AR	Nut 3/8-16	
206	3900232	AR	Screw 3/8-16 x 1-1/4	
206	3900316	AR	Screw 3/8-16 x 1	
207	1001101623	1	Shield, Heat Gasket	
208	4740500	AR	Washer	

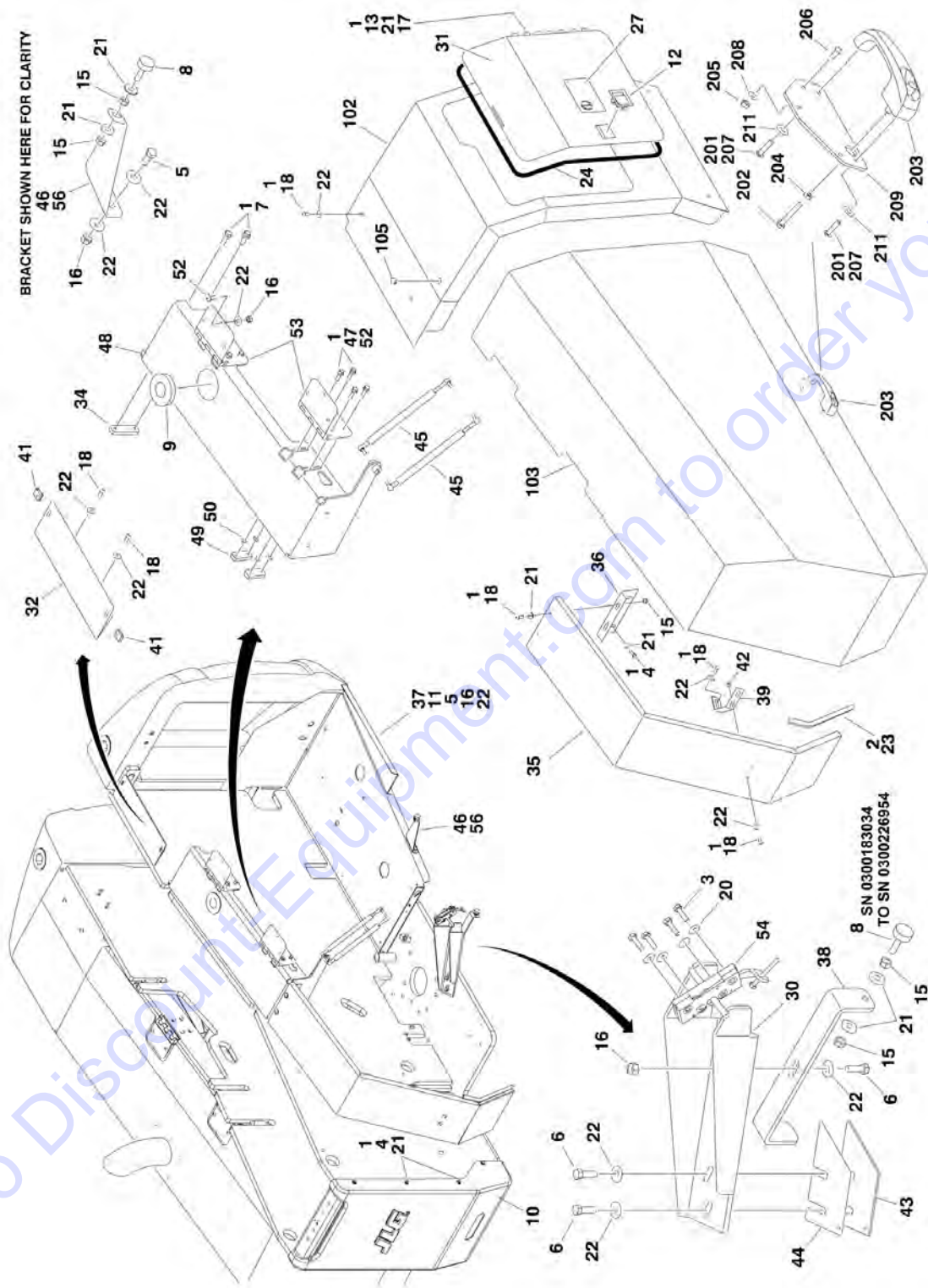
## SECTION 2 - TURNTABLE

ITEM	PART NUMBER	QTY	DESCRIPTION	REV
209	4751600	AR	Washer 3/8	
210	1001099121	1	Exhaust Tube Weldment (Deutz D2011 Engines)	
210	1001143611	1	Exhaust Tube Weldment (Deutz TD2.9L4 Engines and Deutz TD2.9L4 (Stage V) Engines)	
211	1001099139	1	Hood Kit (Must also purchase Items 201, 202, 203, 204 & 207) (Deutz D2011 Engines)	
211	1001143601	1	Hood Kit (Must also purchase Items 223 & 225) (Deutz TD2.9L4 and Deutz TD2.9L4 (Stage V) Engines)	
211		Ref	Note: Replacement Decals Must be Ordered Separately - See DECALS SECTION.	
212	1671230	1	Frame, Tubular (Deutz D2011 Engines)	
212	1001153435	1	Frame, Tubular (Deutz TD2.9L4 Engines and Deutz TD2.9L4 (Stage V) Engines)	
213	2940088	1	Latch	
214	0721008	2	Screw, Machine #10-24NC x 1in	
215	4751000	2	Washer #10	
216	3311005	2	Nut #10-24NC	
217	0641608	AR	Bolt 3/8-16 x 1	
217	0641606	AR	Bolt 3/8-16 x 3/4	
218	1321384	4	Hold Down	
219	0641606	4	Bolt 3/8-16 x 3/4	
220	2600209	1	Hinge	
221	3960464	65 in /1.67m	Seal	
222	3960462	61 in /1.55m	Seal	
223	1001117140	AR	Tape	
224	0100011	AR	Compound, Locking	
225	1001101673	1	Insulation (Deutz TD2.9L4 Engines and Deutz TD2.9L4 (Stage V) Engines)	
	0256823	Ref	NOISE REDUCTION INSTALLATION	3-C
301	2820078	1	Foam, Acoustical (Turntable Side)	
305	3539955	1	Plate, Baffle	
306	0641506	2	Bolt 5/16-18 x 3/4	
307	4751500	2	Washer 5/16	
308	0100011	AR	Compound, Locking	



# SECTION 2 - TURNTABLE

## FIGURE 2-27. HOODS INSTALLATION (STEEL)





## SECTION 2 - TURNTABLE

FIGURE 2-27. HOODS INSTALLATION (STEEL)

ITEM	PART NUMBER	QTY	DESCRIPTION	REV
		Ref	NOTE: REPLACEMENT DECALS MUST BE PURCHASED SEPARATELY - SEE DECALS SECTION.	
	1001156188	Ref	HOODS INSTALLATION (DEUTZ D2011 ENGINES MACHINES)	J
	1001173876	Ref	HOODS INSTALLATION (DEUTZ TD2.9L4 ENGINES MACHINES)	F
	1001220190	Ref	HOODS INSTALLATION (FORD ENGINES MACHINES)	B
	1001156188	Ref	HOODS INSTALLATION (GM ENGINES MACHINES)	J
1	0100011	AR	Compound, Locking	
2	0100081	AR	Adhesive	
3	0641408	12	Bolt 1/4-20 x 1	
4	0641508	8	Bolt 5/16-18 x 1	
5	0641607	AR	Bolt 3/8-16 x 7/8	
6	0641609	AR	Bolt 3/8-16 x 1-1/8	
7	0811812	AR	Bolt 1/2-13 x 2-1/4	
8	0940049	AR	Stopper, Hood	
9	1120601	1	Plug	
10	1670842	1	Cover, Turntable End	
11	2080040	AR	Fastener	
12	2940045	1	Latch, Paddle	
13	3300364	3	Nut, Tinnerman 5/16-18	
14	3311405	4	Nut 1/4-20	
15	3311501	AR	Nut 5/16-18	
16	3311605	AR	Nut 3/8-16	
17	3900210	3	Screw 5/16-18 x 3/4i	
18	3900316	AR	Screw 3/8-16 x 1	
19	3960389	4.2 ft /1.3m	Seal	
20	4751400	AR	Washer 1/4	
21	4751500	AR	Washer 5/16	
22	4751600	AR	Washer 3/8	
23	1001110166	59 in/1.5m	Seal	
24	1001113047	6.5 ft/2m	Seal	
25	1001117234	1	Bracket	
26	1001117249	1	Plate (Deutz & GM Engine Machines)	
26	1001220067	1	Plate (Ford Engine Machines)	
27	1001117307	1	Decal - Emergency Stop	
28	1001117523	1	Bracket, Striker	
29	1001117525	1	Bracket, Striker Mounting	
30	1001117568	1	Bracket, Striker	
31	1001117598	1	Door	
32	1001158175	1	Bracket, Hood Mounting	
33	1001157867	1	Bracket, Hood Mounting	
34	1001150260	4	Plate, Hinge	
35	1001155899	1	Plate, Spacer	
36	1001157612	1	Bracket, Hood Support	
37	1001157726	1	Bracket, Hood Support	
38	1001157735	1	Bracket, Stop	
39	1001158077	1	Bracket, Spacer Panel	
40	2080072	4	Retainer, Bolt	
41	88662523	4	Nut, Tinnerman	
42	3311601	AR	Nut 3/8-16NC	

## SECTION 2 - TURNTABLE

ITEM	PART NUMBER	QTY	DESCRIPTION	REV
43	1001121122	AR	Shim 3	
44	1001121123	AR	Shim 1.5	
45	4160194	4	Spring, Gas	
46	1001161089	1	Bracket, Bumper	
47	0811610	AR	Screw 3/8-16 x 1-1/4	
48	1001155895	1	Mount, Hood	
49	1001169935	4	Plate, Hinge (SN 0300183034 through 0300219218)	
49	1001186251	4	Plate, Hinge (SN 0300219219 to Present)	
50	8310070	8	Nut 3/8	
51	0630485	AR	Bolt 3/8-16 x 1	
52	0641608	AR	Bolt 3/8-16 x 1	
53	2600280	4	Hinge (SN 0300183034 through 0300219218)	
53	1001186254	4	Hinge (SN 0300219219 to Present)	
54	2940173	2	Latch, Rotary	
55	1001150253	1	Mount, Hood (SN 0300183034 through 0300219218)	
55	1001196768	1	Mount, Hood (SN 0300219219 to Present)	
56	1001161089	1	Bracket (GM Engine Machines Only)	
57	1001220002	1	Plate (Ford Engine Machines Only)	
100	1001174408	1	Kit, Hood (Includes Items 101-104) (Deutz D2011 Engine Machines)	
100	1001174277	1	Kit, Hood (Includes Items 101-104) (Deutz TD2.9L4 Engine Machines)	
100	1001174408	1	Kit, Hood (Includes Items 101-104) (Ford & GM Engine Machines)	
101	1001117219	1	Hood, Fixed Engine Side	
102	1001120962	1	Hood, Fixed Tank Side	
103	1001157209	1	Hood Assembly - Tank Side (Includes Items 201-211)	
104	1001157208	1	Hood Assembly - Engine Side (Deutz D2011 Engine Machines) (Includes Items 201-211) (Note: Heat Shield item 309 must be transferred from original hood or replaced before putting machine back in service)	
104	1001162915	1	Hood Assembly - Engine Side (Deutz TD2.9L4 Engine Machines) (Includes Items 201-211) (Note: Heat Shield item 309 must be transferred from original hood or replaced before putting machine back in service)	
104	1001157208	1	Hood Assembly - Engine Side (Ford & GM Engine Machines) (Includes Items 201-211) (Note: Heat Shield item 309 must be transferred from original hood or replaced before putting machine back in service)	
105	3250030	1	Plug	
	1001157208	Ref	HOOD ASSEMBLY - ENGINE SIDE (DEUTZ D2011 ENGINE MACHINES)	D
	1001162915	Ref	HOOD ASSEMBLY - ENGINE SIDE (DEUTZ TD2.9L4 ENGINE MACHINES)	C
	1001157208	Ref	HOOD ASSEMBLY - ENGINE SIDE (FORD & GM ENGINE MACHINES)	D
201	0100011	AR	Compound, Locking	
202	0700617	1	Bolt M6 x 45	
202	0700618	1	Bolt M6 x 50	
203	2560187	1	Handle, Push Button	
204	3290601	1	Nut M6	
205	3311505	3	Nut 5/16-18	
206	3900210	3	Screw 5/16-18 x 3/4	
207	3900363	2	Screw M6 x 25mm	
208	4711500	3	Washer 5/16	

## SECTION 2 - TURNTABLE

ITEM	PART NUMBER	QTY	DESCRIPTION	REV
209	1001116290	1	Plate, Latch Mounting	
211	4751400	2	Washer 1/4	
	1001158167	Ref	HOODS INSTALLATION (DEUTZ D2011 ENGINES MACHINES)	D
	1001173878	Ref	HOODS INSTALLATION (DEUTZ TD2.9L4 ENGINES MACHINES)	B
	1001220189	Ref	HOODS INSTALLATION (FORD ENGINE MACHINES)	A
	1001158171	Ref	HOODS INSTALLATION (GM ENGINES MACHINES)	C
302	3311605	4	Nut 3/8-16	
303	3900316	4	Screw 3/8-16 x 1	
303	0641608	4	Bolt 3/8-16 x 1	
304	4751600	AR	Washer 3/8	
305	1001116456	1	Pipe, Exhaust (Deutz D2011 Engine Machines)	
305	1001144527	1	Pipe, Exhaust (Deutz TD2.9L4 Engine Machines)	
305	1001116457	1	Pipe, Exhaust (Ford & GM Engine Machines)	
306	0641406	3	Bolt 1/4-20 x 3/4	
307	3311405	3	Nut 1/4-20	
308	4751400	3	Washer 1/4	
309	1001150561	1	Shield, Heat (Deutz D2011 Engine Machines)	
309	1001163101	1	Shield, Heat (Deutz TD2.9L4 Engine Machines)	
309	1001150561	1	Shield, Heat (Ford Engine Machines) <b>(SN 0300183034 through 0300246269)</b>	
309	1001150561	1	Shield, Heat (GM Engine Machines)	





## SECTION 2 - TURNTABLE

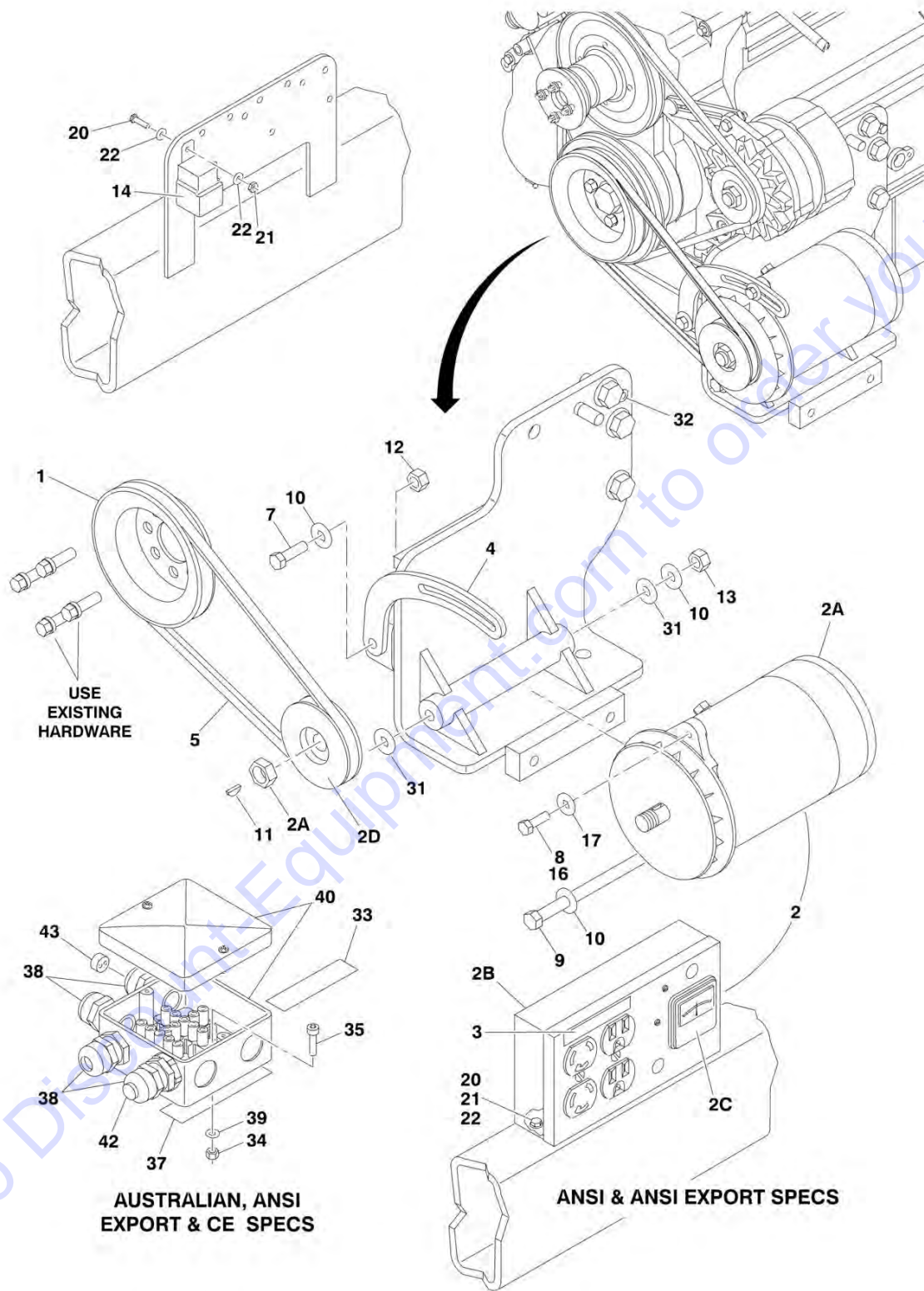
**FIGURE 2-28. ENGINE TRAY JACK INSTALLATION (OPTIONAL)**

ITEM	PART NUMBER	QTY	DESCRIPTION	REV
	0258728	Ref	ENGINE TRAY JACK INSTALLATION (DEUTZ & GM ENGINE MACHINES)	2-C
	1001219881	Ref	ENGINE TRAY JACK INSTALLATION (FORD ENGINE MACHINES)	B
1	3537445	1	Bracket (Deutz & GM Engine Machines)	
1	1001218547	1	Bracket (Ford Engine Machines)	
2	3537446	2	Bracket	
3	2840016	1	Jack and Handle Assembly	F
3A	7024598	1	Handle	
4	0962051	2	Bearing, Flange	
5	3430816	1	Pin, Clevis	
6	4891800	1	Washer 1/2	
7	4711800	6	Washer 1/2	
8	3450404	1	Pin, Cotter 1/8 x 1	
9	0641609	AR	Bolt 3/8 x 1-1/8	
9	0761014	AR	Bolt M10 x 30	
10	3311605	AR	Nut 3/8	
10	3291007	AR	Nut M10	
11	4891600	AR	Washer 3/8	
11	4812000	AR	Washer M10	
12	0641818	4	Bolt 1/2-13 x 2-1/4	
13	3311805	4	Nut 1/2-13	
15	1380147	1	Clip, Spring	
16	3910608	2	Screw #6-32 x 1	
17	3310601	2	Nut #6-32	
18	4770600	2	Washer #6	
19	4740119	2	Washer	



# SECTION 2 - TURNTABLE

FIGURE 2-29. 2500W GENERATOR INSTALLATION - DEUTZ D2011 MACHINES (OPTIONAL)



## SECTION 2 - TURNTABLE

**FIGURE 2-29. 2500W GENERATOR INSTALLATION - DEUTZ D2011 MACHINES (OPTIONAL)**

ITEM	PART NUMBER	QTY	DESCRIPTION	REV
		Ref	2500W GENERATOR INSTALLATION - DEUTZ D2011 ENGINES MACHINES (OPTIONAL)	
	1001115405	Ref	110V/60Hz (ANSI and ANSI Export Specs)	B
	1001115406	Ref	220V/50Hz (ANSI Export Specs)	A
	1001115409	Ref	220V/50Hz (Australian and CE Specs)	A
1	3580158	1	Pulley	
2		Ref	Generator and Control Box Assembly Options:	
2	2460055	1	110V/60Hz (ANSI and ANSI Export Specs)	
2	2460056	1	220V/50Hz (ANSI Export Specs):	
2	1001100321	1	220V/50Hz (Australian and CE Specs):	
2A	7012558	1	Generator Only - 110V/60Hz	
2A	1001100321	1	Generator Only - 220V/50Hz	
2A		Ref	Note: Replacement Generators come standard with p/n 3580134 pulley. This pulley may not be correct for all applications. Refer to pulley options below.	
2A		Ref	Armature with Slip Rings Options:	
2A	7026199	1	Armature with Slip Rings - 110V/60Hz	
2A	70000123	1	Armature with Slip Rings - 220V/50Hz	
2A	7012513	4	Cap, Brush Holder	
2A	7020108	4	Brush	
2A	7020109	4	Holder, Brush	
2A	7012514	1	Fan	
2A	7020110	1	Bell, Front	
2A	7020111	1	Bell, Rear	
2A	7020190	1	Bearing	
2B	7019680	1	Box, Control - 110V/60Hz	
2B	70000127	1	Box, Control - 220V/50Hz (ANSI Export Specs)	
2B	Not Required	0	Box, Control - 220V/50Hz (Australian and CE Specs)	
2B		Ref	Receptacle Options:	
2B	4460190	1	Receptacle, Standard (110V Only)	
2B	4460027	1	Receptacle, Twistlock (110V Only)	
2B	70000124	1	Receptacle, Double (220V/50Hz Only)	
2B	70000125	1	Receptacle, Single (220V/50Hz Only)	
2B		Ref	Breaker, Circuit Options:	
2B	4360542	1	Breaker 110V/60Hz	
2B	70000126	1	Breaker 220V/50Hz	
2B	3520028	1	Plug, Hole	
2C		Ref	Voltmeter Options:	
2C	2420203	1	Voltmeter - 110V	
2C	7020192	1	Voltmeter - 220V	
2D		Ref	Pulley Options:	
2D	3580276	1	Pulley - 60Hz	
2D	3580134	1	Pulley - 50Hz	
2D	7027887	1	Key, Woodruff	
3		Ref	Decal Options:	
3	3251243	1	110V/60Hz (ANSI and ANSI Export Specs)	
3	Not Required	0	220V/50Hz (ANSI Export, Australian and CE Specs)	
4	0200742	1	Arm, Adjusting	
5	0480121	1	V-Belt	
7	0641610	1	Bolt 3/8in-16NC x 1-1/4in	

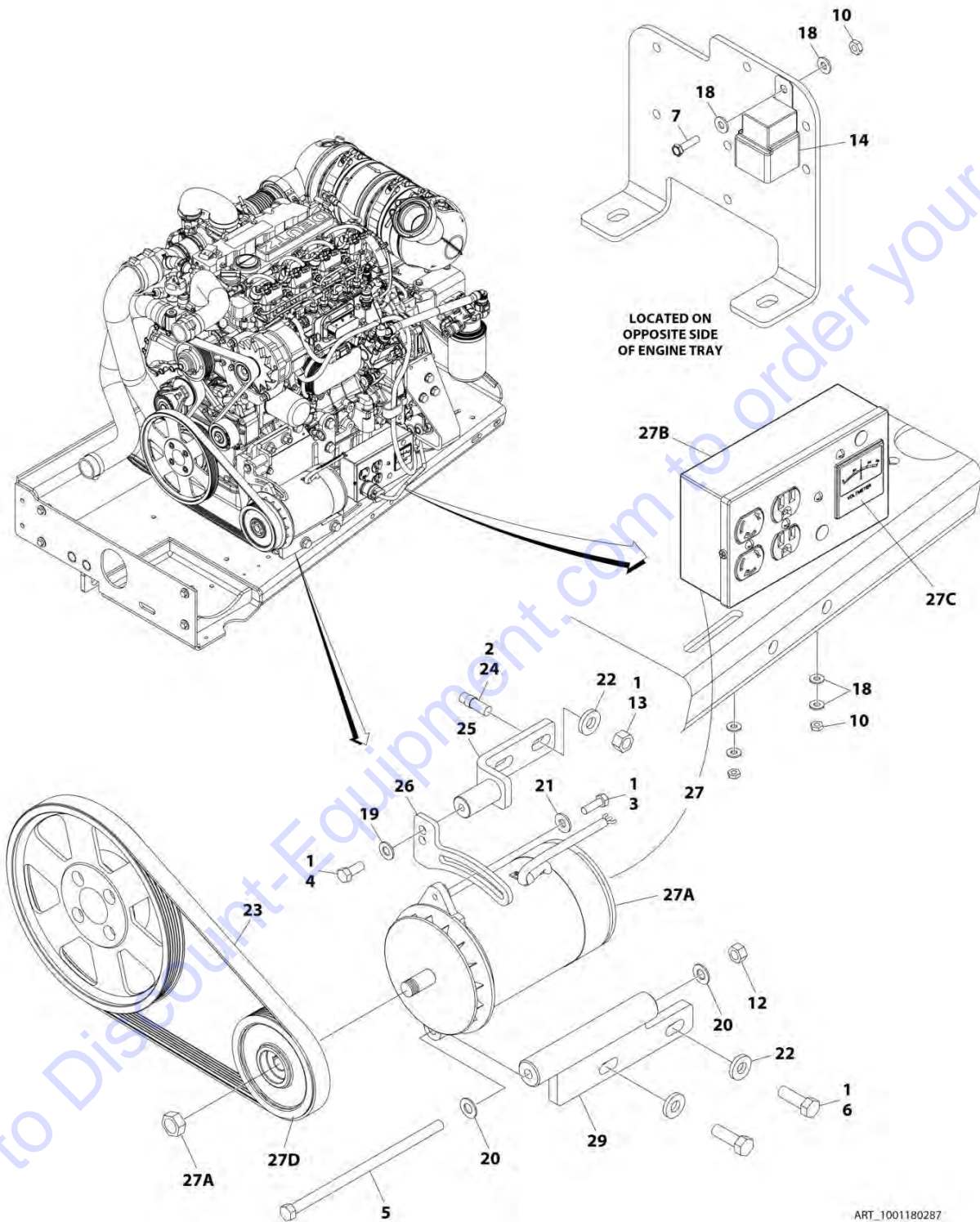
## SECTION 2 - TURNTABLE

ITEM	PART NUMBER	QTY	DESCRIPTION	REV
8	0100011	AR	Compound, Locking	
9	0641772	1	Bolt 7/16in-14NC x 9in	
10	4751600	6	Flatwasher 3/8in Regular	
11	2860012	1	Key, Woodruff	
12	3311605	1	Locknut 3/8in-16NC	
13	3311705	1	Locknut 7/16in-14NC	
14	3740080	1	Relay	
16	0641508	1	Bolt 5/16in-18NC x 1in	
17	4751500	AR	Flatwasher 5/16in Regular	
20	0721006	AR	Bolt #10-24NC x 3/4in	
21	3311005	AR	Locknut #10-24NC	
22	4751000	AR	Flatwasher #10 Regular	
25	4360336	1	Switch, Toggle (Not Shown - Located at Platform)	
26	4740397	1	Bushing (Not Shown - Located at Platform)	
27	4060802	1	Guard, Switch (Not Shown - Located at Platform)	
28	3252507	1	Decal - 220V - 50/60Hz (Not Shown - Located on Turntable)	
29	2820031	4 in/10cm	Heat Shrink (Not Shown - Located at Platform)	
30	3251102	1	Decal (Not Shown - Located at Platform)	
		Ref	Note: Items 32-43 Used on ANSI Export, Australian and CE Specs Only.	
32	0641404	1	Bolt 1/4in-20NC x 1/2	
33	3252507	2	Decal - 220V - 50Hz	
		Ref	Note: One Decal Not Shown - Located on the Inside of Platform Rail.	
34	3290505	1	Locknut M5 x 0.8mm	
35	4031608	1	Bolt M5 x 20mm	
36	4240018	1	Tie Strap (Not Shown)	
37	4420060	1	Tape, Double Coated Acrylic Foam	
38	4460968	3	Connector, Strain Relief	
39	4811600	1	Flatwasher M5	
40	1001099869	1	Box, Junction	
42		Ref	Light Red Options:	
42	1001100233	1	125 Vac	
42	1001100234	1	250 Vac	
43	0962449	1	Bushing	



## SECTION 2 - TURNTABLE

FIGURE 2-30. 2500W GENERATOR INSTALLATION - DEUTZ TD2.9L4 MACHINES (OPTIONAL)



## SECTION 2 - TURNTABLE

**FIGURE 2-30. 2500W GENERATOR INSTALLATION - DEUTZ TD2.9L4 MACHINES (OPTIONAL)**

ITEM	PART NUMBER	QTY	DESCRIPTION	REV
	1001180287	Ref	2500W GENERATOR INSTALLATION - DEUTZ TD2.9L4 (OPTIONAL)	C
1	0100011	AR	Compound, Locking	
2	0100019	AR	Compound, Locking	
3	0641508	1	Bolt 5/16 x 1	
4	0641607	1	Bolt 3/8 x 7/8	
5	0641772	1	Bolt 7/16 x 9	
6	0641812	2	Bolt 1/2 x 1-1/2	
7	0721006	1	Screw #10 x 3/4	
8	2820031	AR	Heat Shrink (Not Shown - Located at Platform)	
9	3251102	1	Name Plate - Generator On (Not Shown - Located at Platform)	
10	3311005	3	Nut #10	
12	3311705	1	Nut 7/16	
13	3311801	2	Nut 1/2	
14	3740080	1	Relay	
15	4060802	1	Guard, Switch (Not Shown - Located at Platform)	
16	4240018	AR	Strap, Cable Tie (Not Shown)	
17	4360336	1	Switch, Toggle (Not Shown - Located at Platform)	
18	4711000	6	Washer #10	
19	4711600	1	Washer 3/8	
20	4711700	2	Washer 7/16	
21	4751500	1	Washer 5/16	
22	4891800	4	Washer 1/2	
23	1001148138	1	V-Belt	
24	1001163599	2	Stud	
25	1001216015	1	Bracket	
26	1001179837	1	Arm, Adjustment	
27	1001180001	1	Generator and Control Box Assembly	
27A	7012558	1	Generator Only - 110V/60Hz	
27A		Ref	Note: Replacement Generators come standard with p/n 3580134 pulley. This pulley may not be correct for all applications. Refer to pulley options below.	
27A	7026199	1	Armature with Slip Rings	
27A	7012513	4	Cap, Brush Holder	
27A	7020108	4	Brush	
27A	7020109	4	Holder, Brush	
27A	7012514	1	Fan	
27A	7020110	1	Bell, Front	
27A	7020111	1	Bell, Rear	
27A	7020190	2	Bearing	
27B	7019680	1	Box, Control - 110V/60Hz	
27B		Ref	Receptacle Options:	
27B	4460190	1	Receptacle, Standard (110V Only)	
27B	4460027	1	Receptacle, Twistlock (110V Only)	
27B	4360542	1	Breaker, Circuit	
27B	3520028	1	Plug, Hole	
27C	2420203	1	Voltmeter	
27D	3580276	1	Pulley	
27D	7027887	1	Key, Woodruff	
28		Ref	Wiring Diagram Components (Not Shown)	

## SECTION 2 - TURNTABLE

ITEM	PART NUMBER	QTY	DESCRIPTION	REV
28	4922641	1	Generator On/Off Switch Harness (Not Shown - Located at Platform)	
28	1001180052	1	Generator Harness (Not Shown - See Separate Breakdown in ELECTRICAL SECTION)	
29	1001181243	1	Mount, Generator	

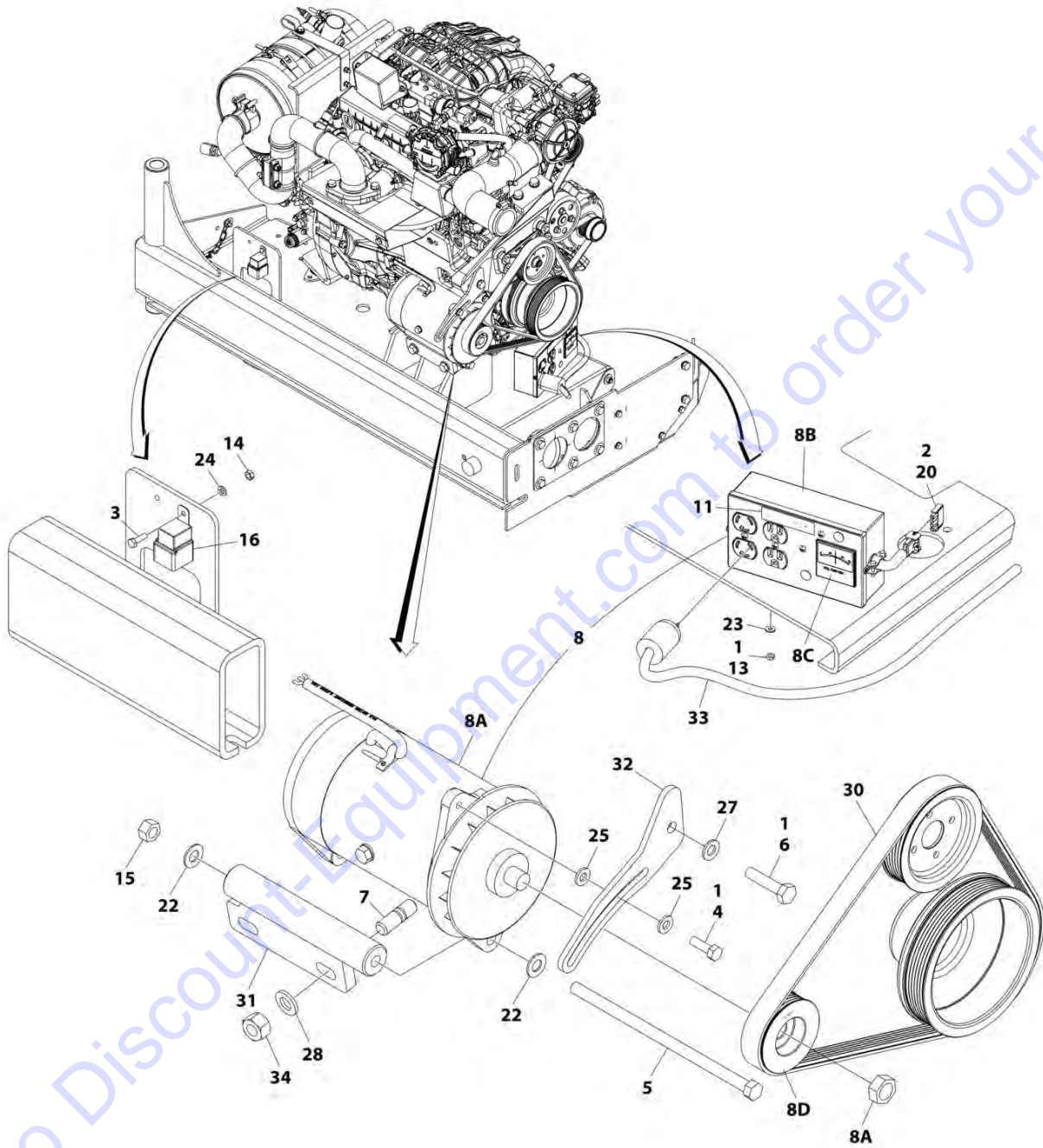
Go to Discount-Equipment.com to order your parts





## SECTION 2 - TURNTABLE

FIGURE 2-31. 2500W GENERATOR INSTALLATION - FORD MACHINES (OPTIONAL)



ART\_1001219619

## SECTION 2 - TURNTABLE

**FIGURE 2-31. 2500W GENERATOR INSTALLATION - FORD MACHINES (OPTIONAL)**

ITEM	PART NUMBER	QTY	DESCRIPTION	REV
	1001219619	Ref	2500W GENERATOR INSTALLATION - FORD MACHINES (OPTIONAL)	E
1	0100011	AR	Compound, Locking	
2	0100048	AR	Grease, Dielectric	
3	0760610	1	Bolt M6 x 20	
4	0641508	1	Bolt 5/16 x 1	
5	0641772	1	Bolt 7/16 x 9	
6	0761016	1	Bolt M10 x 40	
7	1001155041	1	Stud	
8	2460051	1	Generator and Control Box Assembly	
8A	7012558	1	Generator Only - 110V/60Hz	
		Ref	Note: Replacement Generators come standard with pin 3580134 pulley. This pulley may not be correct for all applications. Refer to pulley options below.	
8A	7026199	1	Armature with Slip Rings	
8A	7012513	4	Cap, Brush Holder	
8A	7020108	4	Brush	
8A	7020109	4	Holder, Brush	
8A	7012514	1	Fan	
8A	7020110	1	Bell, Front	
8A	7020111	1	Bell, Rear	
8A	7020190	2	Bearing	
8B	7019680	1	Box, Control - 110V/60Hz	
8B		Ref	Receptacle Options:	
8B	4460190	1	Receptacle, Standard (110V Only)	
8B	4460027	1	Receptacle, Twistlock (110V Only)	
8B	4360542	1	Breaker, Circuit	
8B	3520028	1	Plug, Hole	
8C	2420203	1	Voltmeter	
8D	3580324	1	Pulley	
8D	7027887	1	Key, Woodruff	
9	2820031	1	Heat Shrink (Not Shown - Located at Platform)	
10	3251102	1	Nameplate Generator (Not Shown - Located at Platform)	
11	3251243	1	Decal - 120V-60Hz	
13	3311005	2	Nut #10	
14	3290601	1	Nut M6	
15	3311705	1	Nut 7/16	
16	3740080	1	Relay	
17	4060802	1	Guard Switch (Not Shown - Located at Platform)	
18	4240099	AR	Tie-Strap (Not Shown)	
19	4360336	1	Switch, Toggle (Not Shown - Located at Platform)	
20	4460321	1	Plug, Male - 4 Position	
22	4711700	2	Washer 7/16	
23	4751000	2	Washer #10	
24	4811700	1	Washer M6	
25	4891500	2	Washer 5/16	
27	4812000	1	Washer M10	
28	4812200	2	Washer M14	
29		Ref	Wiring Diagram Components (Not Shown)	
29	4922641	1	Generator On/Off Switch Harness (Not Shown - Located at	

## SECTION 2 - TURNTABLE

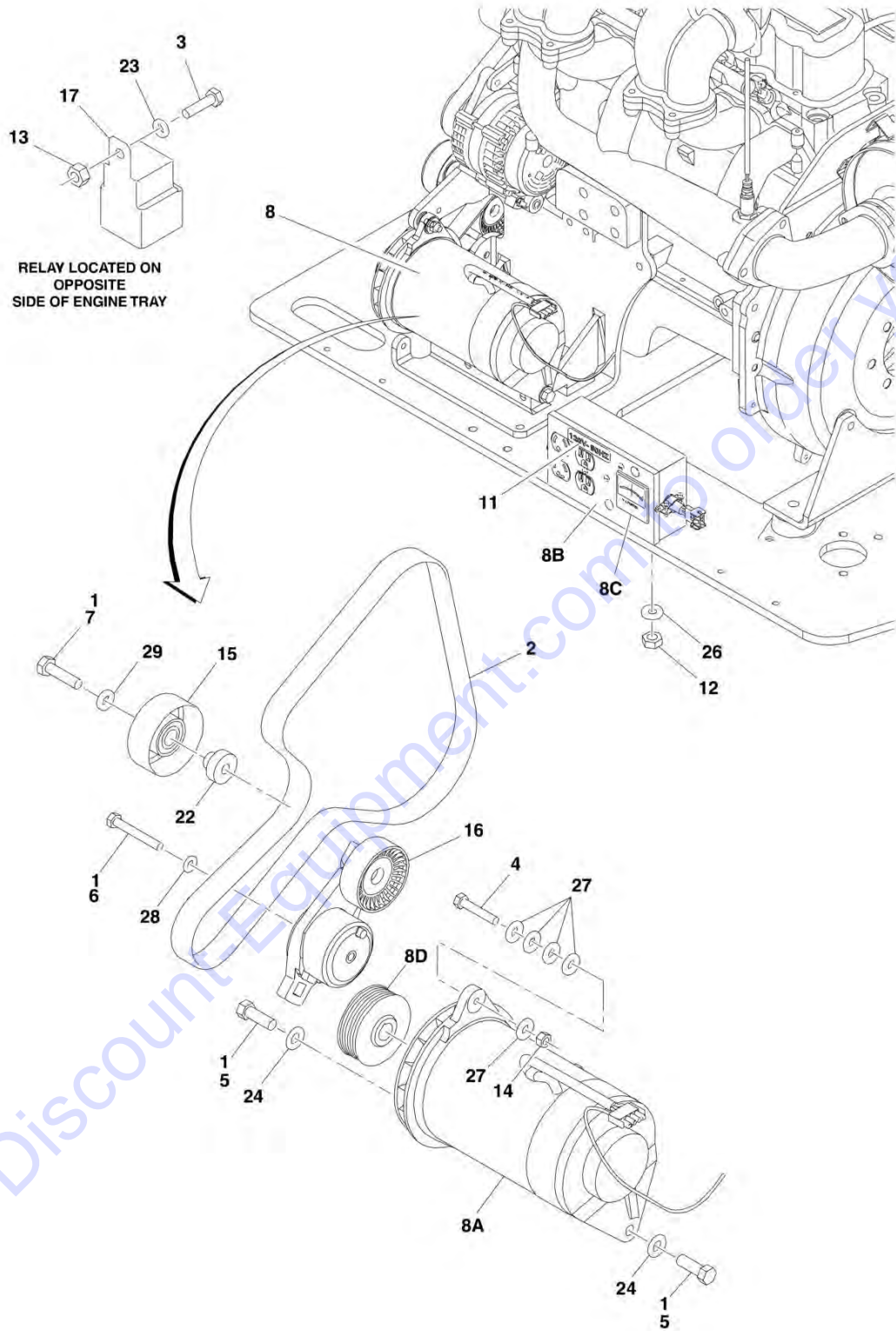
ITEM	PART NUMBER	QTY	DESCRIPTION	REV
29	4923445	1	Platform) Generator Harness (Not Shown - See Separate Breakdown in ELECTRICAL SECTION)	
30	1001216391	1	V-Belt	
31	1001219630	1	Mount, Generator	
32	1001219632	1	Arm, Adjustment	
33	4921829	1	Harness, Inverter	
34	3291201	2	Nut M12	

Go to Discount-Equipment.com to order your parts



## SECTION 2 - TURNTABLE

FIGURE 2-32. 2500W GENERATOR INSTALLATION - GM MACHINES (OPTIONAL)



## SECTION 2 - TURNTABLE

**FIGURE 2-32. 2500W GENERATOR INSTALLATION - GM MACHINES (OPTIONAL)**

ITEM	PART NUMBER	QTY	DESCRIPTION	REV
		Ref	GENERATOR INSTALLATION - GM ENGINES (OPTIONAL):	
	0275039	Ref	110V Generator	F
1	0100011	AR	Compound, Locking	
2	0480142	1	V-Belt	
3	0641405	1	Bolt 1/4in-20NC x 5/8in	
4		Ref	Bolt Options:	
4	0641514	1	Bolt 5/16in-18NC x 1-3/4in	
4	0641510	1	Bolt 5/16in-18NC x 1-1/4in	
5	0641710	2	Bolt 7/16in-14NC x 1-1/4in	
6	0700820	1	Bolt M8 x 60mm	
7	0701016	1	Bolt M10 x 340mm	
8	2460051	1	Generator and Control Box Assembly	
8A	7012558	1	Generator Only - 110V/60Hz	
		Ref	Note: Replacement Generators come standard with p/n 3580134 pulley. This pulley may not be correct for all applications. Refer to pulley options below.	
8A		Ref	Armature with Slip Rings Options:	
8A	7026199	1	Armature with Slip Rings - 110V/60Hz	
8A	70000123	1	Armature with Slip Rings - 220V/50Hz	
8A	7012513	4	Cap, Brush Holder	
8A	7020108	4	Brush	
8A	7020109	4	Holder, Brush	
8A	7012514	1	Fan	
8A	7020110	1	Bell, Front	
8A	7020111	1	Bell, Front	
8A	7020190	2	Bearing	
8B	7019680	1	Box, Control - 110V/60Hz	
8B		Ref	Receptacle Options:	
8B	4460190	1	Receptacle, Standard (110V Only)	
8B	4460027	1	Receptacle, Twistlock (110V Only)	
8B	4360542	1	Breaker, Circuit	
8B	3520028	1	Plug, Hole	
8C	2420203	1	Voltmeter	
8D	3580324	1	Pulley	
8D	7027887	1	Key, Woodruff	
9	2820031	AR	Heat Shrink (Not Shown - Located at Platform)	
10	3251102	1	Nameplate - Generator (Not Shown - Located at Platform)	
11	3251243	1	Decal - 110 Volt	
12	3311005	2	Locknut # 10-24NC	
13	3311405	1	Locknut 1/4in-20NC	
14	3311505	1	Locknut 5/16in-18NC	
15	3580312	1	Pulley, Idler	
16	3580348	1	Tensioner, Belt	
17	3740080	1	Relay, Bosch	
18	4060802	1	Guard, Switch (Not Shown - Located at Platform)	
19	4240018	AR	Tie-Strap (Not Shown)	
20	4360336	1	Switch, Toggle (Not Shown - Located at Platform)	
21	4460906	3	Terminal (Not Shown)	
22	4568735	1	Spacer, Tube (Idler Pulley Grooved)	
23	4711400	1	Flatwasher 1/4in Thin	

## SECTION 2 - TURNTABLE

ITEM	PART NUMBER	QTY	DESCRIPTION	REV
24	4711700	2	Flatwasher 7/16in Thin	
25	4740397	1	Spacer (Not Shown - Located at Platform)	
26	4751000	2	Flatwasher #10 Regular	
27	4751500	AR	Flatwasher 5/16in Regular	
28	4811900	1	Flatwasher M8	
29	4891600	1	Flatwasher 3/8in Hardened	

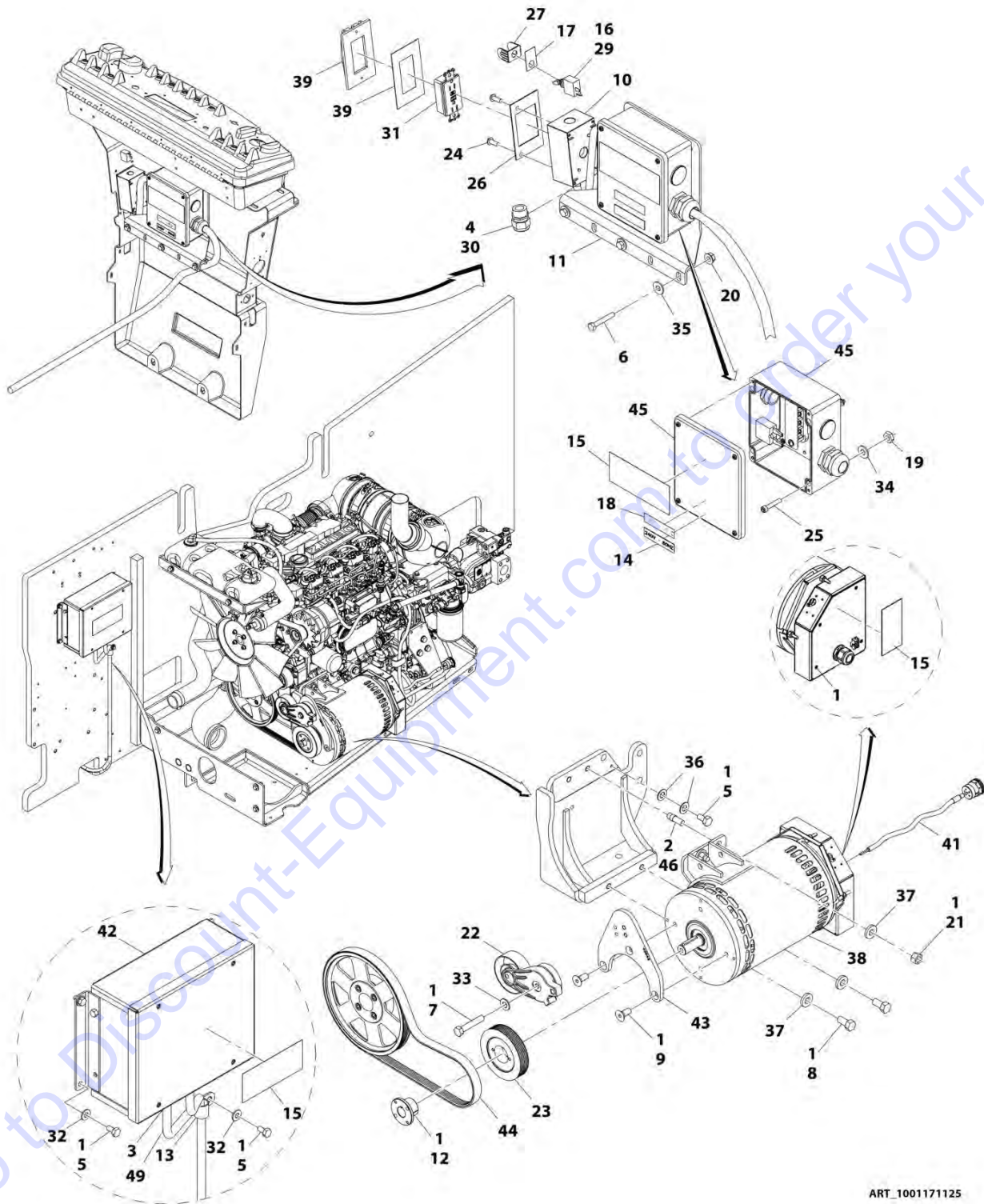
Go to Discount-Equipment.com to order your parts





# SECTION 2 - TURNTABLE

## FIGURE 2-33. 4000W GENERATOR INSTALLATION - DEUTZ TD2.9L4 ENGINES



## SECTION 2 - TURNTABLE

**FIGURE 2-33. 4000W GENERATOR INSTALLATION - DEUTZ TD2.9L4 ENGINES**

ITEM	PART NUMBER	QTY	DESCRIPTION	REV
		Ref	4000W GENERATOR INSTALLATION - DEUTZ TD2.9L4 ENGINES	
	1001171125	1	4000W/60Hz Generator Installation - Deutz TD2.9L4 Engines	B
	1001180218	1	4000W/50Hz Generator Installation - Deutz TD2.9L4 and Deutz TD2.9L4 (Stage V) Engines	D
1	0100011	AR	Compound, Locking	
2	0100019	AR	Compound, Locking	
3	0100048	AR	Grease Dielectric	
4	0100079	AR	Sealant	
5	0641404	6	Bolt 1/4 x 1/2	
6	0641516	3	Bolt 5/16 x 2	
7	0641616	1	Bolt 3/8 x 2	
8	0641808	2	Bolt 1/2 x 1	
9	0741607	3	Screw 3/8 x 7/8	
10	0860038	1	Box, Switch (60Hz)	
11	0902888	1	Bracket, Junction Box (60Hz)	
12	0962520	1	Bushing, Split	
13	1320318	1	Clamp	
14	1705374	1	Decal - 240V (60Hz)	
15	1705387	3	Decal - Hazardous Voltage (60Hz)	
15	1705389	2	Decal - Hazardous Voltage (50Hz)	
16	2820031	0.33 ft /0.1m	Heat Shrink	
17	3251102	1	Nameplate, Generator	
18	3251243	1	Decal - 120V (60Hz)	
19	3311005	4	Nut #10	
20	3311508	3	Nut 5/16	
21	3311801	2	Nut 1/2	
22	3580317	1	Tensioner, Belt with Pulley	
23	3580318	1	Pulley, Generator (60Hz)	
23	3580319	1	Pulley, Generator (50Hz)	
24	3910606	4	Screw 6 x 3/8	
25	3931016	4	Capscrew #10 x 1	
26	3960422	1	Gasket, AC Receptacle (60Hz)	
27	4060802	1	Guard, Switch	
28	4240018	AR	Tie-Strap (Not Shown)	
29	4360336	1	Switch, Toggle	
30	4460071	1	Connector, Strain Relief (60Hz)	
31	4460346	1	Receptacle (60Hz)	
32	4711400	5	Washer 1/4	
33	4711600	1	Washer 3/8	
34	4751000	4	Washer #10	
35	4751500	3	Washer 5/16	
36	4791400	2	Washer 1/4	
37	4891800	4	Washer 1/2	
38	1001140346	1	Generator Assembly (60Hz)	
38	1001140347	1	Generator Assembly (50Hz)	
38	70003709	1	Ring, Retaining (External)	
38	70003708	1	Ring, Retaining (Internal)	
38	70001966	1	Bearing	
38	70004092	1	Endbell (Shaft End)	

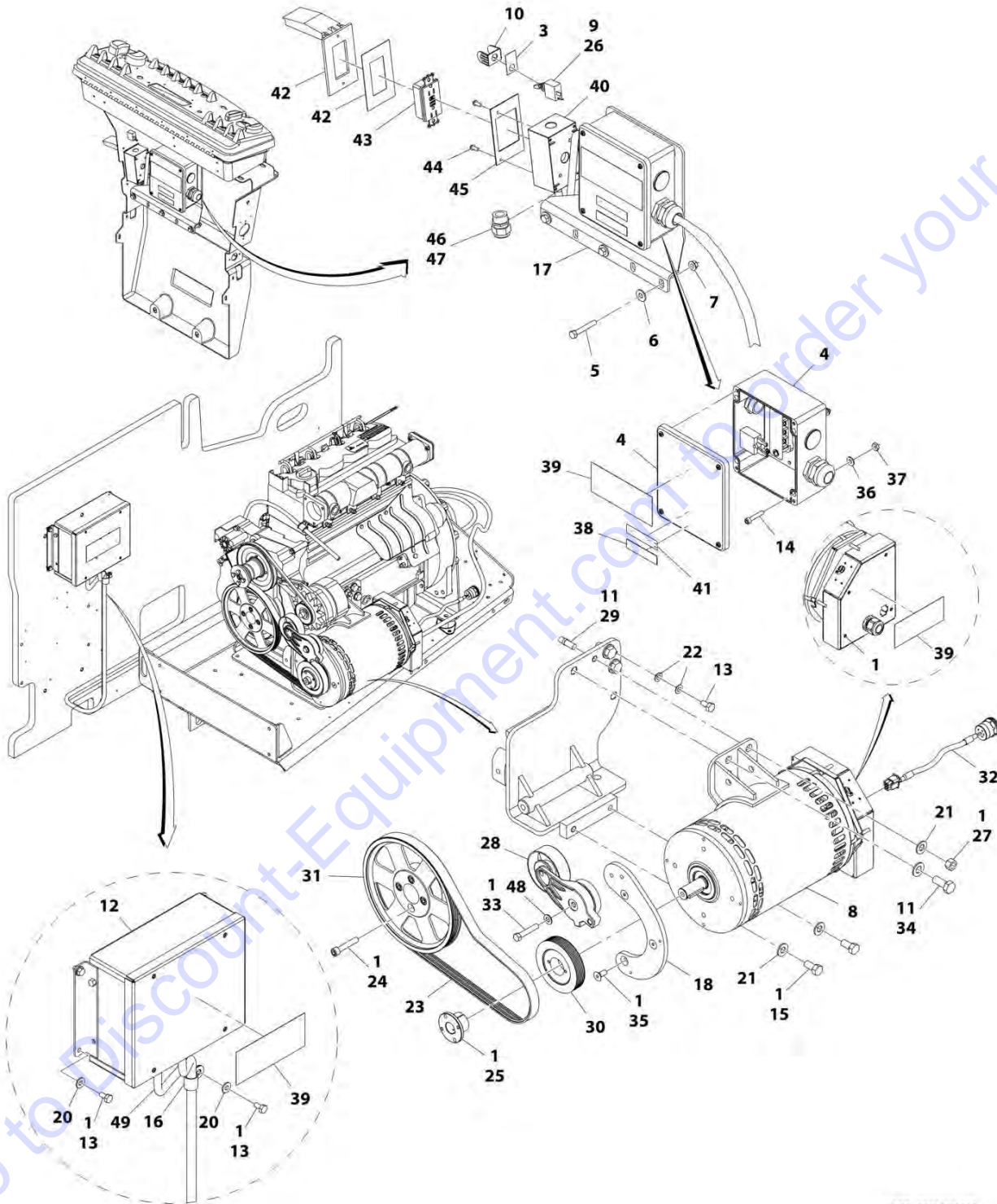
## SECTION 2 - TURNTABLE

ITEM	PART NUMBER	QTY	DESCRIPTION	REV
38	70004099	1	Key	
38	70004676	1	Rotor	
38	70004687	1	Stator (60Hz)	
38	70004686	1	Stator (50Hz)	
38	70004678	1	Endbell (Rear)	
38	70004679	1	Cover, Endbell (Rear)	
38	70004680	1	Enclosure, Wiring	
38	70004685	1	Cover, Enclosure (60Hz)	
38	70004681	1	Cover, Enclosure (50Hz)	
38	70004682	1	Switch, Reset (Located on Enclosure Cover)	
38	70004098	1	Connector, Strain Relief (60Hz) (Located on Enclosure Cover)	
38	70004683	1	Connector, Strain Relief (50Hz) (Located on Enclosure Cover)	
38	4460224	1	Connector - 6 Position (50Hz) (Located on Enclosure Cover)	
38	4460294	2	Pin, Male (50Hz) (Located on Enclosure Cover)	
39	1001110873	1	Cover, Receptacle (60Hz)	
41	1001152532	1	Harness, Generator	
42	1001138566	1	Control Box Assembly	
42	70006552	1	Capacitor	
42	70006553	1	Relay	
43	1001142643	1	Support, Tensioner	
44	1001142646	1	Belt, Generator (60Hz)	
44	1001142645	1	Belt, Generator (50Hz)	
45	1001152457	1	Junction Box Assembly (60Hz)	
45	3300396	1	Cover, Breaker	
45	4360070	1	Breaker, Circuit - 15Amp	
45	4460425	1	Connector, Strain Relief (LH Side)	
45	4460426	1	Connector, Strain Relief (RH Side)	
46	1001163599	2	Stud	
49	1001153197	1	Generator Harness (Generator Control Box to Engine Harness) <b>(SN 0300183034 through 0300213719)</b>	
49	1001153259	1	Generator Harness (Generator Control Box to Engine Harness) <b>(SN 0300213720 to Present)</b>	
75	1001096070	1	Breaker Box Kit (Not Shown) (50Hz) (See ELECTRICAL SECTION for Breakdown) <b>(SN 0300183034 through 0300214275)</b>	
75	1001165368	1	Breaker Box Kit (Not Shown) (50Hz) (See ELECTRICAL SECTION for Breakdown) <b>(SN 0300214276 to Present)</b>	
76	1001153636	1	Bracket (Used to Attach Item 75) (Not Shown) (50Hz)	



# SECTION 2 - TURNTABLE

## FIGURE 2-34. 4000W GENERATOR INSTALLATION - DEUTZ D2011 ENGINES



ART\_1001139952

## SECTION 2 - TURNTABLE

**FIGURE 2-34. 4000W GENERATOR INSTALLATION - DEUTZ D2011 ENGINES**

ITEM	PART NUMBER	QTY	DESCRIPTION	REV
		Ref	4000W GENERATOR INSTALLATION - DEUTZ D2011 ENGINES	
	1001139952	Ref	4000W/60Hz Generator Installation - Deutz D2011 Engines	B
	1001139953	Ref	4000W/50Hz Generator Installation - Deutz D2011 Engines <b>(SN 0300183034 through 0300195352)</b>	D
	1001179912	Ref	4000W/50Hz Generator Installation - Deutz D2011 Engines <b>(SN 0300195353 to Present)</b>	E
1	0100011	AR	Compound, Locking	
3	3251102	1	Nameplate - Generator	
4	1001152457	1	Junction Box Assembly (60Hz)	
4	3300396	1	Cover, Breaker	
4	4360070	1	Breaker, Circuit - 15Amp	
4	4460425	1	Connector, Strain Relief (LH Side)	
4	4460426	1	Connector, Strain Relief (RH Side)	
5	0641516	3	Bolt 5/16 x 2	
6	4751500	3	Washer 5/16	
7	3311508	3	Nut 5/16	
8	1001129858	1	Generator Assembly (60Hz)	
8	70003709	1	Ring, Retaining (External)	
8	70003708	1	Ring, Retaining (Internal)	
8	70001966	1	Bearing	
8	70004092	1	Endbell (Shaft End)	
8	70004171	1	Key	
8	70004676	1	Rotor	
8	70004684	1	Stator (60Hz)	
8	70004677	1	Stator (50Hz)	
8	70004678	1	Endbell (Rear)	
8	70004679	1	Cover, Endbell (Rear)	
8	70004680	1	Enclosure, Wiring	
8	70004685	1	Cover, Enclosure (60Hz)	
8	70004681	1	Cover, Enclosure (50Hz)	
8	70004682	1	Switch, Reset (Located on Enclosure Cover)	
8	70004098	1	Connector, Strain Relief (60Hz) (Located on Enclosure Cover)	
8	70004683	1	Connector, Strain Relief (50Hz) (Located on Enclosure Cover)	
8	1001138565	1	Generator Assembly (50Hz)	
9	4360336	1	Switch, Toggle	
10	4060802	1	Guard, Switch	
11	0100019	AR	Compound, Locking	
12	1001138566	1	Control Box Assembly	
12	70006552	1	Capacitor	
12	70006553	1	Relay	
13	0641404	6	Bolt 1/4 x 1/2	
14	3931016	4	Capscrew #10 x 1	
15	0641808	2	Bolt 1/2 x 1	
16	1320318	1	Clamp	
17	0902888	1	Bracket (60Hz)	
18	1001139357	1	Mount, Tensioner	
19	4240018	AR	Tie-Strap (Not Shown)	
20	4711400	5	Washer 1/4	
21	4711800	3	Washer 1/2	
22	4791400	2	Washer 1/4	

## SECTION 2 - TURNTABLE

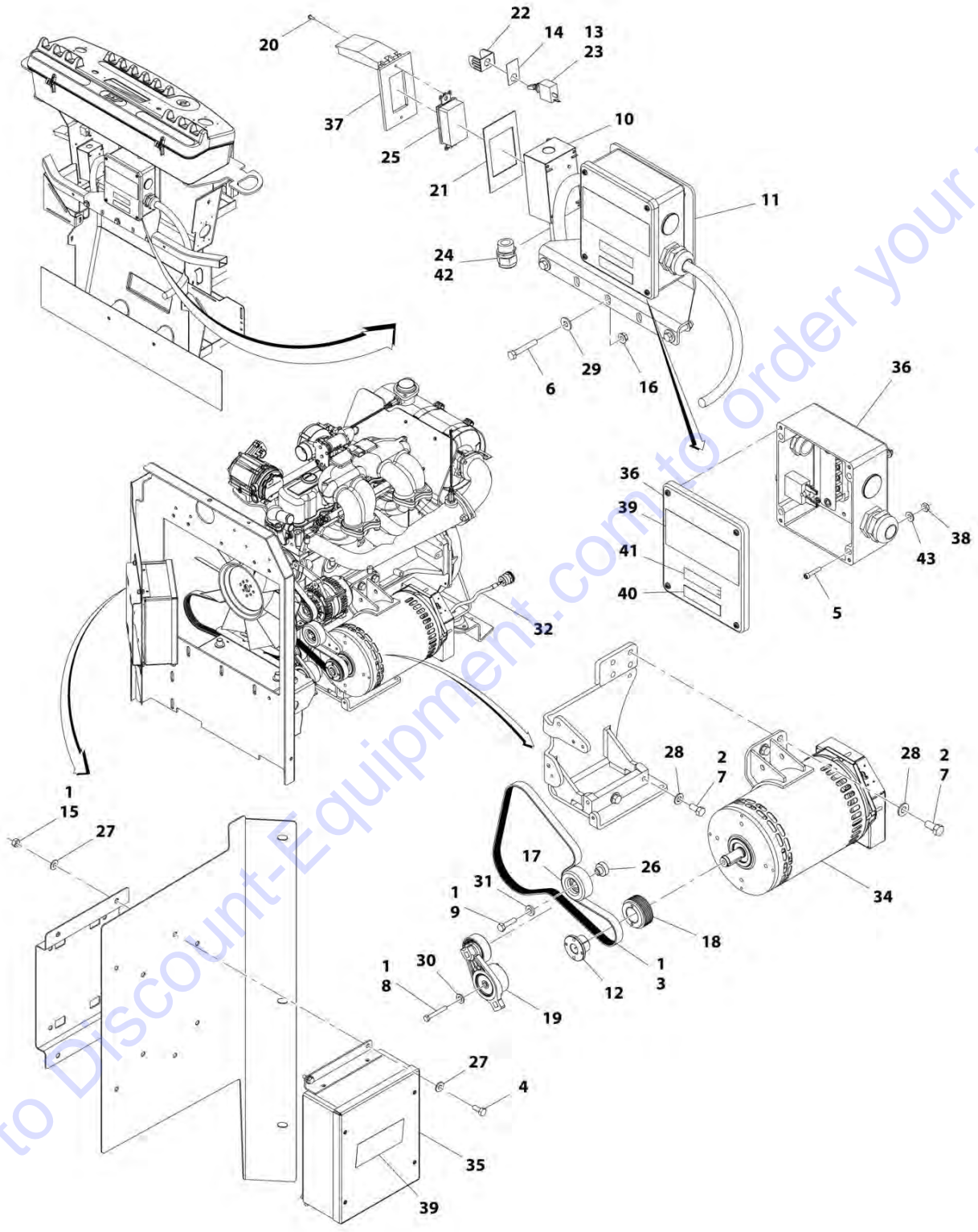
ITEM	PART NUMBER	QTY	DESCRIPTION	REV
23	0480129	1	Belt, Generator (60Hz)	
23	0480126	1	Belt, Generator (50Hz)	
24	4032015	4	Capscrew M10 x 55	
25	0962520	1	Bushing, Split	
26	2820031	0.33 ft /0.1m	Heat Shrink	
27	3311801	1	Nut 1/2	
28	3580317	1	Tensioner, Belt with Pulley	
29	4300157	1	Stud	
30	3580318	1	Pulley, Generator (60Hz)	
30	3580319	1	Pulley, Generator (50Hz)	
31	3580320	1	Pulley, Engine	
32	1001152532	1	Harness, Generator	
33	0641616	1	Bolt 3/8 x 2	
34	0771415	1	Bolt M14 x 35	
35	0741607	3	Screw 3/8 x 7/8	
36	4751000	4	Washer #10	
37	3311005	4	Nut #10	
38	1705374	1	Decal - 240V (60Hz)	
39	1705387	3	Decal - Hazardous Voltage (60Hz)	
39	1705389	1	Decal - Hazardous Voltage (50Hz)	
40	0860038	1	Box, Switch - Weatherhead (60Hz)	
41	3251243	1	Decal - 120V (60Hz)	
42	1001110873	1	Cover, Receptacle (60Hz)	
43	4460346	1	Receptacle (60Hz)	
44	3910606	4	Screw #6 x 3/8	
45	3960422	1	Gasket (60Hz)	
46	0100020	AR	Sealant #567	
47	4460071	1	Connector (60Hz)	
48	4711600	1	Washer 3/8	
49	1001153197	1	Generator Harness (Generator Control Box to Engine Harness)	
61	1001096070	1	Breaker Box Kit (Not Shown) (50Hz) (See ELECTRICAL SECTION for Breakdown) <b>(SN 0300183034 through 0300214275)</b>	
61	1001165368	1	Breaker Box Kit (Not Shown) (50Hz) (See ELECTRICAL SECTION for Breakdown) <b>(SN 0300214276 to Present)</b>	
62	1001153636	1	Bracket (Attaches Item 61) (Not Shown) (50Hz)	





# SECTION 2 - TURNTABLE

## FIGURE 2-35. 4000W GENERATOR INSTALLATION - GM ENGINES



## SECTION 2 - TURNTABLE

**FIGURE 2-35. 4000W GENERATOR INSTALLATION - GM ENGINES**

ITEM	PART NUMBER	QTY	DESCRIPTION	REV
	1001139960	Ref	4000W GENERATOR INSTALLATION - GM ENGINES	
1	0100011	AR	Compound, Locking	
2	0100019	AR	Compound, Locking	
3	0480142	1	Belt, Generator	
4	0641405	4	Bolt 1/4 x 5/8	
5	3931016	4	Capscrew #10 x 1	
6	0641516	3	Bolt 5/16 x 2	
7	0641808	4	Bolt 1/2 x 1	
8	0700820	1	Bolt M8 x 60	
9	0701016	1	Bolt M10 x 40	
10	0860038	1	Box, Switch	
11	0902888	1	Bracket, Junction Box	
12	0962520	1	Bushing, Split	
13	2820031	33 ft /10.1m	Heat Shrink	
14	3251102	1	Nameplate, Generator	
15	3311405	4	Nut 1/4	
16	3311508	3	Nut 5/16	
17	3580312	1	Pulley, Idler	
18	3580314	1	Pulley, Drive	
19	3580348	1	Tensioner, Belt with Pulley	
20	3910606	4	Screw #6 x 3/8	
21	3960422	1	Gasket	
22	4060802	1	Guard, Switch	
23	4360336	1	Switch, Toggle	
24	4460071	1	Connector, Strain Relief	
25	4460346	1	Receptacle	
26	4568735	1	Tube, Spacer	
27	4711400	8	Washer 1/4	
28	4711800	4	Washer 1/2	
29	4751500	3	Washer 5/16	
30	4811900	1	Washer M8	
31	4891600	1	Washer 3/8	
32	1001152532	1	Harness, Generator	
34	1001129858	1	Generator Assembly	
34	70003709	1	Ring, Retaining (External)	
34	70003708	1	Ring, Retaining (Internal)	
34	70001966	1	Bearing	
34	70004092	1	Endbell (Shaft End)	
34	70004171	1	Key	
34	70004676	1	Rotor	
34	70004684	1	Stator	
34	70004678	1	Endbell (Rear)	
34	70004679	1	Cover, Endbell (Rear)	
34	70004680	1	Enclosure, Wiring	
34	70004685	1	Cover, Enclosure	
34	70004682	1	Switch, Reset (Located on Enclosure Cover)	
34	70004098	1	Connector, Strain Relief (Located on Enclosure Cover)	
35	1001138566	1	Box, Control	
35	70006552	1	Capacitor	

## SECTION 2 - TURNTABLE

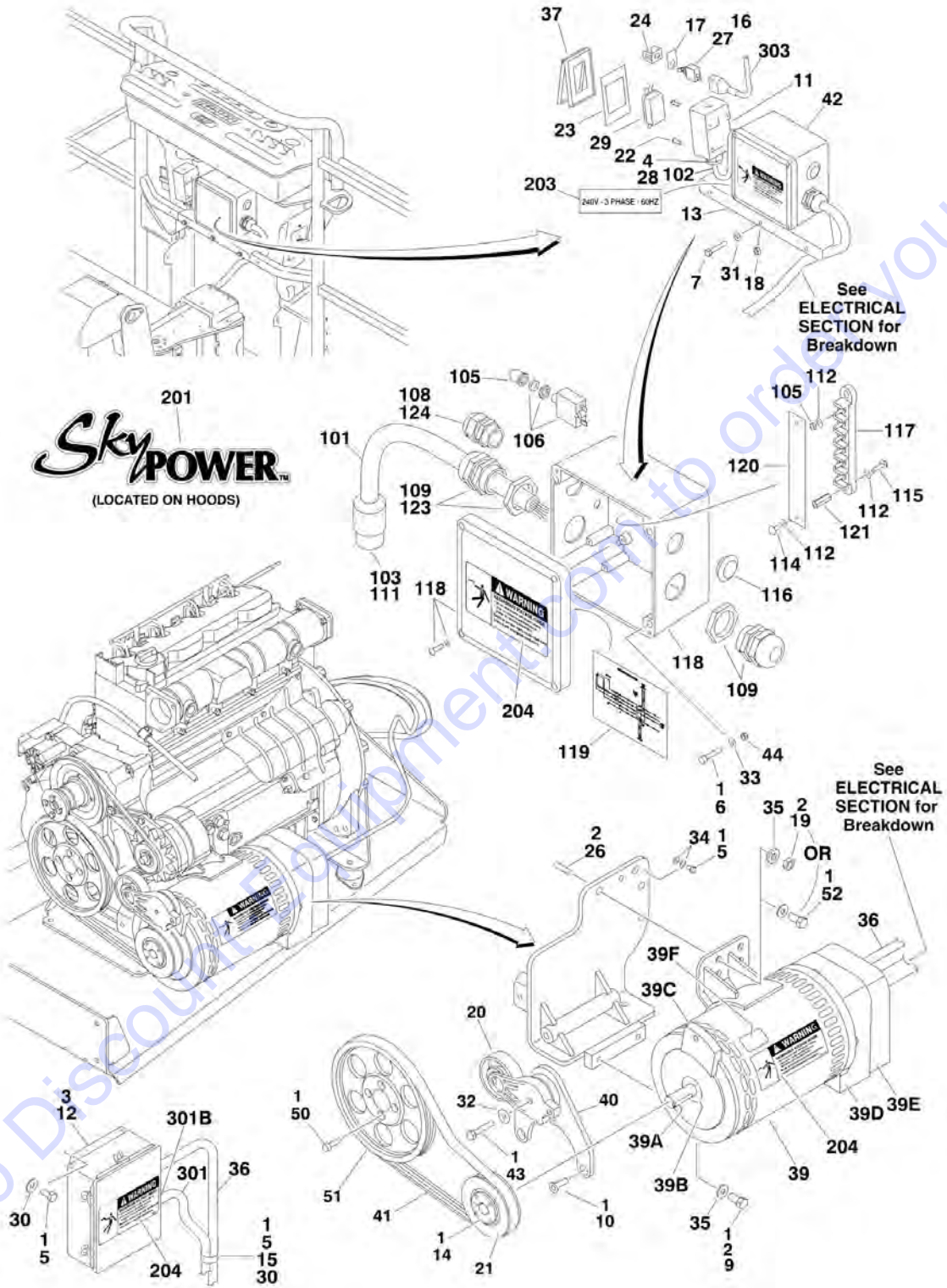
ITEM	PART NUMBER	QTY	DESCRIPTION	REV
35	70006553	1	Relay	
36	1001152457	1	Junction Box Assembly	
36	3300396	1	Cover, Breaker	
36	4360070	1	Breaker, Circuit - 15Amp	
36	4460425	1	Connector, Strain Relief (LH Side)	
36	4460426	1	Connector, Strain Relief (RH Side)	
37	1001110873	1	Cover	
38	3311005	4	Nut #10	
39	1705387	3	Decal - Hazardous Voltage	
40	1705374	1	Decal - 240V-60Hz	
41	3251243	1	Decal - 120V-60Hz	
42	0100020	AR	Sealant	
43	4751000	4	Washer #10	

Go to Discount-Equipment.com to order your parts



# SECTION 2 - TURNTABLE

## FIGURE 2-36. 7500W SKYPOWER GENERATOR INSTALLATION - DEUTZ ENGINE MACHINES



## SECTION 2 - TURNTABLE

**FIGURE 2-36. 7500W SKYPOWER GENERATOR INSTALLATION - DEUTZ ENGINE MACHINES**

ITEM	PART NUMBER	QTY	DESCRIPTION	REV
	1001115387	Ref	7500W 60HZ SKYPOWER GENERATOR INSTALLATION - DEUTZ D2011 ENGINE MACHINES	F
	1001115389	Ref	7500W 50HZ SKYPOWER GENERATOR INSTALLATION - DEUTZ D2011 ENGINE MACHINES	E
	1001141421	Ref	7500W 60HZ SKYPOWER GENERATOR INSTALLATION - DEUTZ TD2.9L4 ENGINE MACHINES	F
	1001141422	Ref	7500W 50HZ SKYPOWER GENERATOR INSTALLATION - DEUTZ TD2.9L4 ENGINE AND DEUTZ TD2.9L4 (STAGE V) ENGINE MACHINES	F
1	0100011	AR	Compound, Locking	
2	0100062	AR	Compound, Locking	
2	0100019	AR	Compound, Locking	
3	0100048	AR	Compound, Silicone	
4	0100079	AR	Sealant	
5	0641404	6	Bolt 1/4-20 x 1/2	
6	3931016	4	Capscrew 3/8-16 x 1	
7	0641516	3	Bolt 5/16in-18NC x 2in	
9	0641808	2	Bolt 1/2-13 x 1	
10	0741607	3	Screw 3/8-16 x 7/8 (Deutz TD2.9L4 Engines Only)	
11	0860038	1	Box, Switch (60Hz Spec)	
11	See Note	1	Box, Switch (50Hz Spec) (Note: Not Available - Purchase Locally)	
12	0861538	1	Control Box Assembly (60Hz Spec)	
12	0861572	1	Control Box Assembly (50Hz Spec)	
12	7024488	1	Card, Circuit - Generator Power	
12	See Note	1	Fuse (Note: Not Available - Purchase Locally)	
12	70000619	1	Harness, Control Box (Internal)	
12	7024489	1	Card, Circuit - Control	
		Ref	Note: Same Circuit Card (P/N 7024489) is used for both 60Hz & 50Hz Specs. When replacing card, rocker switch on card must be set for required application.	
13	0902888	1	Bracket, Box Mounting	
14	0962520	1	Bushing, Split Taper	
15	1320318	1	Clamp	
16	2820031	1	Insulator	
17	3252764	1	Nameplate	
18	3311505	3	Nut 5/16-18	
19	3311801	AR	Nut 1/2-13	
20	3580317	1	Tensioner, Belt	
21	3580318	1	Pulley (60Hz Specs)	
21	3580319	1	Pulley (50Hz Specs)	
22	3910606	4	Screw #6-32 x 3/8	
23	3960422	1	Gasket (60Hz Specs)	
23	See Note	1	Gasket (50Hz Specs) (Note: Not Available - Purchase Locally)	
24	4060802	1	Guard, Switch	
25	4240018	AR	Tie-Strap (Not Shown)	
26	4300157	AR	Stud (Deutz D2011 Engines)	
26	1001163599	AR	Stud (Deutz TD2.9L4 Engines)	
27	4360336	1	Switch, Toggle	
28	4460071	1	Connector, Strain Relief (60Hz Specs)	
28	See Note	1	Connector, Strain Relief (50Hz Specs) (Note: Not Available - Purchase Locally)	

## SECTION 2 - TURNTABLE

ITEM	PART NUMBER	QTY	DESCRIPTION	REV
29	4460346	1	Receptacle, Female (60Hz Specs)	
29	See Note	1	Receptacle, Female (50Hz Specs) (Note: Not Available - Purchase Locally)	
30	4711400	5	Washer 1/4	
31	4711500	6	Washer 5/16	
31	4751500	3	Washer 5/16	
32	4711600	1	Washer 3/8	
33	4751000	4	Washer #10	
34	4791400	2	Washer 1/4	
35	4711800	4	Washer 1/2 (Deutz D2011 Engines)	
35	4891800	4	Washer 1/2 (Deutz TD2.9L4 Engines)	
36	4922925	1	Harness, Generator	
37	1001110873	1	Cover, Receptacle (60Hz Specs)	
37	See Note	1	Cover, Receptacle (50Hz Specs) (Note: Not Available - Purchase Locally)	
39	2460048	1	Generator Assembly (Deutz D2011 Engines)	
39	1001136988	1	Generator Assembly (Deutz TD2.9L4 Engines) <b>(SN 0300183034 through 0300226047)</b>	
39	1001212223	1	Generator Assembly (Deutz TD2.9L4 Engines) <b>(SN 0300226048 to Present)</b>	
39	70001100	1	Rotor (Includes p/n 70001384 & 70000863) (Not Shown)	
39	70001384	1	Bearing, Ball Radial (Not Shown):	
39	70000863	1	Fan (Not Shown)	
39	70002088	1	Stator - 2460048 Generator	
39	70004093	1	Stator - 1001136988 Generator	
39	70006093	1	Stator - 1001212223 Generator	
39	70002297	1	Stud	
39	7024484	NLA	Brushholder Assembly (Not Shown) (Use p/n 70003631)	
39A	7024561	NLA	Key - 2460048 Generator (Use p/n 70004171)	
39A	70004099	1	Key - 1001136988 & 1001212223 Generators	
39B	70001966	1	Bearing, Ball Radial (Located in Belt Tensioner Endbell)	
39B	70003708	1	Ring, Internal Retaining (Located in Belt Tensioner Endbell)	
39B	70003709	1	Ring, External Retaining (Located in Belt Tensioner Endbell)	
39C	70001953	1	Endbell, Belt Tensioner - 2460048 Generator	
39C	70004092	1	Endbell, Belt Tensioner - 1001136988 & 1001212223 Generators	
39D	70001385	NLA	Endbell, Brush Block - 2460048 Generator (was p/n 70004169)	
39D	70004094	1	Endbell, Brush Block - 1001136988 & 1001212223 Generators	
39E	70002290	NLA	Shroud - 2460048 Generator (Use p/n 70004169)	
39E	70004096	1	Shroud - 1001136988 Generator	
39E	70006094	1	Shroud - 1001212223 Generator	
39E	See Note	NSS	Insulator, Endbell - 2460048 Generator (Note: Not Available for Purchase)	
39E	70004097	1	Insulator, Endbell - 1001136988 Generator	
39E	70002291	1	Insulator, Endbell - 1001212223 Generator	
39E	7027799	1	Block, Connector 6 Position (Not Shown)	
39E	70002460	1	Nut, Brass (Attaches p/n 7027799 to Cover) (Not Shown)	
39E		Ref	Breaker, Circuit 30Amp Options (Not Shown):	
39E	7024485	1	Breaker - 2460048 & 1001136988 Generators	
39E	70006095	1	Breaker - 1001212223 Generator	
39E		Ref	Boot, Breaker Options (Not Shown):	
39E	70001696	1	Boot - 2460048 & 1001136988 Generators (was p/n 7024486)	
39E	70006096	1	Boot - 1001212223 Generator	

## SECTION 2 - TURNTABLE

ITEM	PART NUMBER	QTY	DESCRIPTION	REV
39E	7026626	1	Connector, 6 Position (Includes Seal) (Not Shown - Plugs into Item 36)	
39E	7026597	1	Connector, W/Leads (Not Shown)	
39E		Ref	Clamp, Cable (Not Shown)	
39E	7026188	1	Clamp - 2460048 Generator	
39E	70004098	1	Clamp - 1001136988 & 1001212223 Generators	
39E		Ref	Plate, End Panel Options:	
39E	70004169	1	Plate, End Panel - 2460048 Generator	
39E	70004095	1	Plate, End Panel - 1001136988 Generator	
39E	70006097	1	Plate, End Panel - 1001212223 Generator	
39E	70001974	1	Decal - Terminal Connections	
39F	70001973	1	Decal - Warning Moving Parts	
40	1001142643	1	Support (Deutz TD2.9L4 Engines Only)	
41	0480129	1	Belt, Drive (Deutz D2011 Engine with 60Hz Generator)	
41	0480126	1	Belt, Drive (Deutz D2011 Engine with 50Hz Generator)	
41	1001142646	1	Belt, Drive (Deutz TD2.9L4 Engine with 60Hz Generator)	
41	1001142645	1	Belt, Drive (Deutz TD2.9L4 Engine with 50Hz Generator)	
42	1001157592	1	Junction Box Assembly (60Hz Specs) (See Items 101-124 for Breakdown)	
42	1001157525	1	Junction Box Assembly (50Hz Spec) (See Items 101-124 for Breakdown)	
43	0641618	1	Bolt 3/8-16 x 2-1/4 (Deutz D2011 Engines)	
43	0641616	1	Bolt 3/8-16 x 2 (Deutz TD2.9L4 Engines)	
44	3311005	4	Nut #10-24	
50	3931628	4	Capscrew 3/8-16 x 1-3/4 (Deutz TD2.9L4 Engines)	
50	4032015	4	Capscrew M10 x 55 (Deutz D2011 Engines)	
51	3580320	1	Pulley	
52	0771415	1	Bolt M14 x 35mm Grade 10.9 (Deutz D2011 Engine Only)	
	1001157592	Ref	JUNCTION BOX ASSEMBLY (60HZ SPECS)	C
	1001157525	Ref	JUNCTION BOX ASSEMBLY (50HZ SPEC)	B
101	1060343	1.5 ft /.46m	Cable, Electrical 10/4 (60Hz Spec Only)	
102	1060494	2 ft/61cm	Cable, Electrical 12/3 <b>(SN 0300183034 through 0300205491)</b>	
102	1001179154	2.5 ft /.76m	Cable, Electrical 12/3 <b>(SN 0300205492 to Present)</b>	
102	See Note	2 ft /61cm	Cable, Electrical 10/4 (50Hz Spec) (Note: Not Available - Purchase Locally)	
103	1671092	1	Cover (60Hz Spec Only)	
104	3300396	1	Cover, Fuse	
105	3311001	6	Nut #10-24	
106	4360070	1	Circuit Breaker - 15 Amp	
108	4460425	1	Connector, Strain Relief	
109	4460426	2	Connector, Strain Relief	
111	4460963	1	Connector (60Hz Spec Only)	
112	4711000	4	Washer #10	
114	10702077	2	Screw #10-32 x 3/8	
115	10702082	2	Screw #10-32 x 3/4	
116	1001152525	1	Plug	
117	1001157520	1	Block, Terminal	
118	1001157521	1	Box, Junction	
119	1001157528	1	Decal - Wiring Schematic	
120	1001158007	1	Cover, PVC	
121	1001158008	1	Stand-Off	



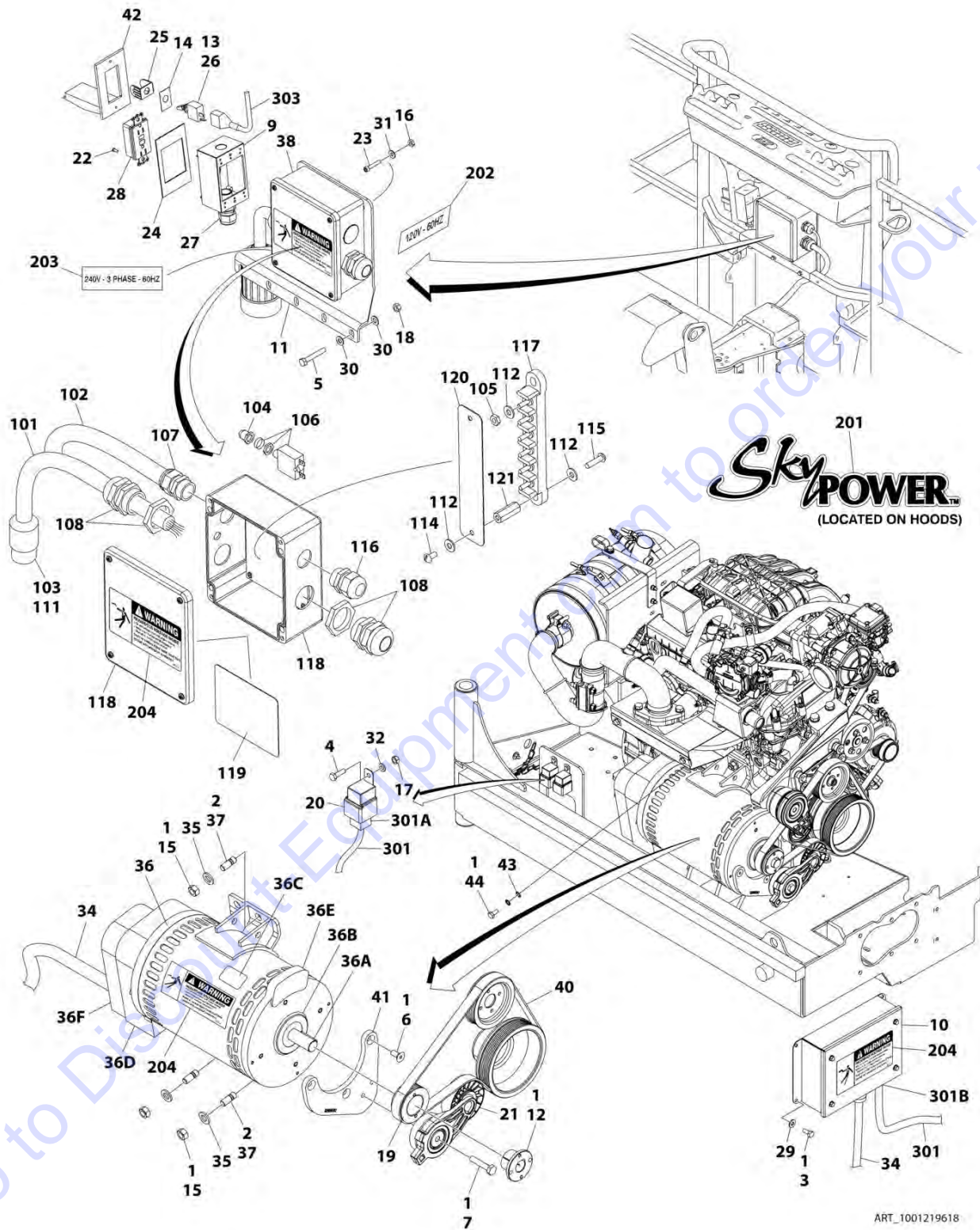
## SECTION 2 - TURNTABLE

ITEM	PART NUMBER	QTY	DESCRIPTION	REV
123	3520189	1	Plug (50Hz Spec Only)	
124	3520192	1	Plug (50Hz Spec Only)	
	0272435	Ref	DECAL INSTALLATION (60HZ SPECS)	D
	0272589	Ref	DECAL INSTALLATION (50HZ SPECS)	A
201	1705460	2	Decal - SkyPower	
202	3251243	1	Decal - 120V - 60Hz (60Hz Spec Only) (Not Shown - Located on Platform Receptacle) <b>(SN 0300222414 to Present)</b>	
203	1705375	1	Decal - 240V - 3 Phase (60Hz Spec)	
203	1705461	1	Decal - 240V - 3 Phase (50Hz Spec)	
204	1705387	3	Decal, Hazardous Voltage(60Hz Spec)	
204	1705489	3	Decal, Hazardous Voltage(50Hz Spec)	
	1001157770	Ref	ELECTRICAL DIAGRAM COMPONENTS (DEUTZ D2011 ENGINES)	A
	1001157769	Ref	ELECTRICAL DIAGRAM COMPONENTS (DEUTZ TD2.9L4 ENGINES)	B
301	1001119968	1	Generator Harness (Deutz D2011 Engines) (See ELECTRICAL SECTION for Breakdown)	C
301	1001152429	1	Generator Harness (Deutz TD2.9L4 Engines) (See ELECTRICAL SECTION for Breakdown)	C
301A	2400060	1	Fuseholder (Includes Fuse and Cap)	
301A	2400064	1	Fuse - 5 Amp (Not Shown)	
301A	1001117078	1	Fuseholder (Includes Fuse and Cap) (Deutz TD2.9L4 Engines) (Not Shown)	
301A	See Note	1	Fuse - 5 Amp (Deutz TD2.9L4 Engines) (Not Shown) (Note: Use 1001117078 Assembly or Purchase Fuse Locally)	
301A	1001096134	1	Cover, Fuseholder (Deutz TD2.9L4 Engines) (Not Shown)	
301B	4460967	1	Plug, Male - 3 Position	
301B	4460465	3	Socket, Female	
303	4922641	1	Switch Harness	



# SECTION 2 - TURNTABLE

## FIGURE 2-37. 7500W SKYPOWER GENERATOR INSTALLATION - FORD ENGINES



## SECTION 2 - TURNTABLE

### FIGURE 2-37. 7500W SKYPOWER GENERATOR INSTALLATION - FORD ENGINES

ITEM	PART NUMBER	QTY	DESCRIPTION	REV
	1001219618	Ref	7500W SKYPOWER GENERATOR INSTALLATION - FORD ENGINES	D
		Ref	Note: See ELECTRICAL SECTION for Boom Cable Components.	
1	0100011	AR	Compound, Locking	
2	0100019	AR	Compound, Locking	
3	0641405	4	Bolt 1/4 x 5/8	
4	0760610	2	Bolt M6 x 20	
5	0641516	3	Bolt 5/16 x 2	
6	0741607	3	Screw 3/8 x 7/8	
7	0761018	1	Bolt M10 x 50	
9	0860038	1	Box, Switch	
10	0861538	1	Control Box Assembly	
10	7024488	1	Card, Circuit - Generator Power	
10	See Note	1	Fuse (Note: Not Available - Purchase Locally)	
10	7024489	1	Card, Circuit - Control	
10	70000619	1	Harness, Circuit Card	
11	0902888	1	Bracket, Box Mounting	
12	0962520	1	Bushing, Split Taper	
13	2820031	1	Heat Shrink	
14	3252764	1	Nameplate - AC & Weld	
15	3291201	4	Nut M12	
16	3311005	4	Nut #10	
17	3290601	2	Nut M6	
18	3311505	3	Nut 5/16	
19	3580314	1	Pulley	
20	3740080	2	Relay	
21	3580317	1	Tensioner, Belt	
22	3910606	2	Screw #6 x 3/8	
23	3931016	4	Capscrew #10 x 1	
24	3960422	1	Gasket	
25	4060802	1	Guard, Switch	
26	4360336	1	Switch, Toggle	
27	4460071	1	Connector, Strain Relief	
28	4460346	1	Receptacle	
29	4711400	4	Washer 1/4	
30	4711500	6	Washer 5/16	
31	4751000	4	Washer #10	
32	4811700	2	Washer M6	
34	4922925	1	Harness, Generator	
35	5241200	4	Washer M12	
36	1001136104	1	Generator Assembly	
36	70003631	1	Brushholder Assembly (Not Shown) (was p/n 7024484)	
36	7024485	1	Breaker, Circuit 30Amp (Not Shown)	
36	70001696	1	Boot, Breaker (was p/n 7024486 - Not Shown)	
36	70001966	1	Bearing, Ball Radial (Located In Belt Tensioner Endbell - Not Shown)	
36	7027799	1	Block, Connector 6 Position (Not Shown)	
36	70002460	6	Nut, Brass (Attaches p/n 7027799 to Cover) (Not Shown)	
36	7026188	1	Clamp, Cable (Not Shown)	
36	7026597	1	Connector, W/Leads (Not Shown)	

## SECTION 2 - TURNTABLE

ITEM	PART NUMBER	QTY	DESCRIPTION	REV
36	7026626	1	Connector - 6 Position with Seal (Not Shown)	
36	70002088	1	Stator (Not Shown)	
36	70004169	1	Panel, End (Not Shown) (was p/n 70002255)	
36	70001974	1	Decal - Terminal Connections (Not Shown)	
36	70000863	1	Fan (Not Shown)	
36	70002297	4	Stud (Not Shown)	
36A	70004171	1	Key (was p/n 7024561)	
36A	70001100	1	Armature, Generator (Includes Radial Ball Bearing on End with Brushes and Fan)	
36A	70001384	1	Bearing, Ball Radial	
36B	70001966	1	Bearing, Radial Ball	
36B	70003708	1	Ring, Internal Retaining (Located in Belt Tensioner Endbell)	
36B	70003709	1	Ring, External Retaining (Located in Belt Tensioner Endbell)	
36C	70001973	1	Decal - Warning Moving Parts	
36D	70004169	1	Endbell, Brush Block (was p/n 70001385)	
36E	70001953	1	Endbell, Belt Tensioner	
36F	70004169	1	Endbell, Shroud Assembly (was p/n 70002290)	
37	1001196382	4	Stud	
38	1001157592	1	Junction Box Assembly (See Items 101-121 for Breakdown)	
40	1001216390	1	V-Belt	
41	1001218930	1	Mount, Tensioner	
42	1001110873	1	Cover, Receptacle	
43	4871700	2	Washer M6	
44	0760606	1	Bolt M6 x 12	
	1001157592	Ref	JUNCTION BOX ASSEMBLY	C
101	1060343	1.5 ft /0.46m	Cable, Electrical - 10/4 (60Hz Only)	
102	1001179154	2.5 ft /0.76m	Cable Electrical - 12/3	
103	1671092	1	Cover, Connector	
104	3300396	1	Cover, Fuse	
105	3311001	6	Nut #10	
106	4360070	1	Breaker, Circuit 15Amp	
107	4460425	1	Connector, Strain Relief	
108	4460426	2	Connector, Strain Relief	
111	4460963	1	Receptacle	
112	4711000	10	Washer #10	
114	10702077	2	Screw #10 x 3/8	
115	10702082	2	Screw #10 x 3/4	
116	1001152525	1	Plug, Hole	
117	1001157520	1	Block, Terminal Pole	
118	1001157521	1	Box, Junction	
119	1001157528	1	Decal - Box Junction	
120	1001158007	1	Cover	
121	1001158008	2	Standoff	
	0272435	Ref	DECAL INSTALLATION	D
201	1705460	2	Decal - SkyPower	
202	3251243	1	Decal - 120V - 60Hz (60Hz Spec Only) (Located on Opposite Side)	
203	1705375	1	Decal - 240V - 3 Phase	
204	1705387	3	Decal, Hazardous Voltage	
	1001221498	Ref	ELECTRICAL DIAGRAM COMPONENTS	A
301	1001221208	1	Generator to Engine Harness (See Separate Breakdwon in	

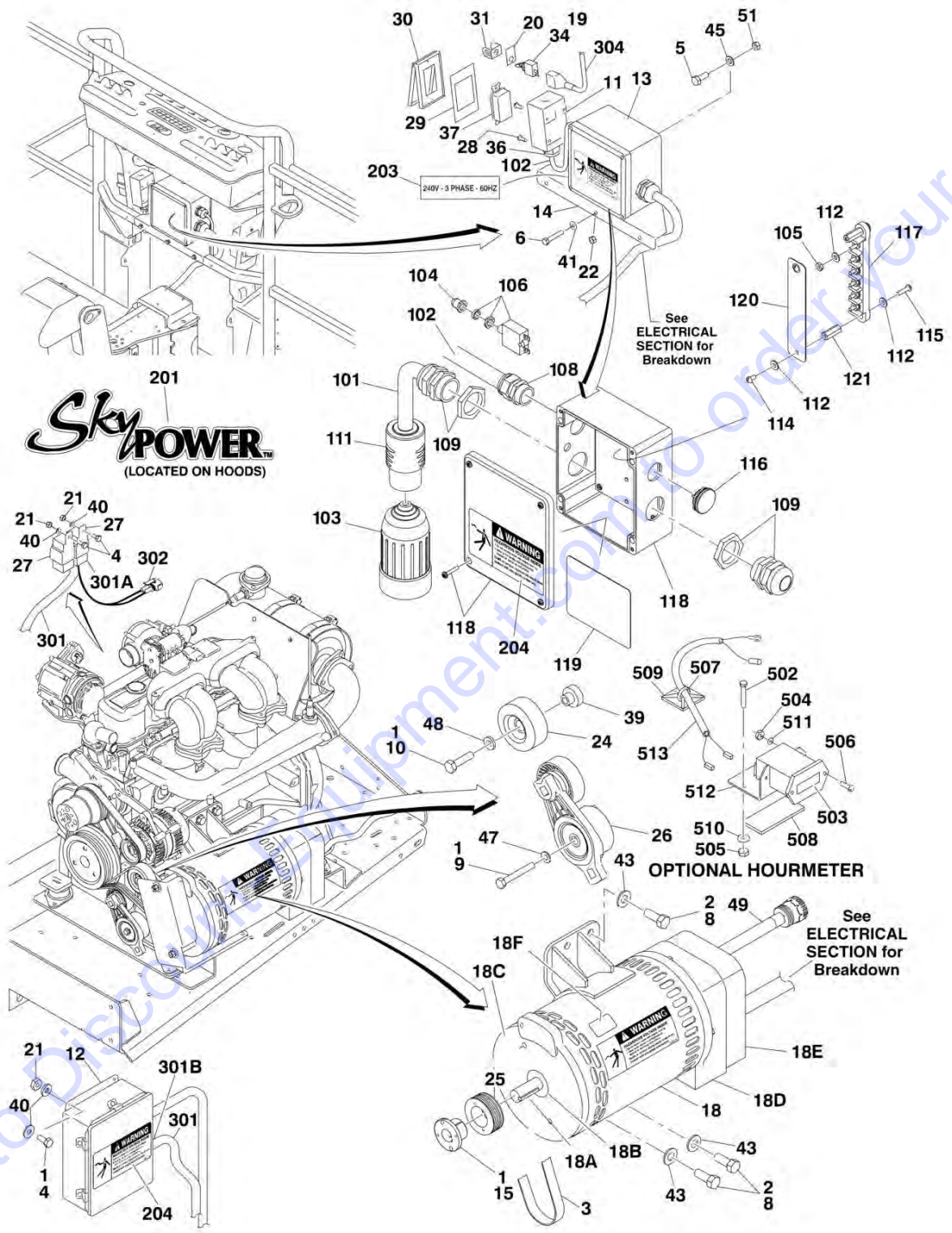
**SECTION 2 - TURNTABLE**

ITEM	PART NUMBER	QTY	DESCRIPTION	REV
			ELECTRCIAL SECTION)	
301A	4460374	2	Plug, Sealed Relay	
301A	4460375	8	Terminal	
301B	4460967	1	Plug, Male - 3 Position	
301B	4460465	3	Socket, Female	
301C	2400060	2	Fuseholder (Not Shown)	
301C	2400064	2	Fuse - 5 Amp (Not Shown)	
301D	4460742	1	Plug, Male - 2 Position (Not Shown)	
301D	4460743	2	Socket, Female (Not Shown)	
303	4922641	1	Generator On/Off Switch Harness	

Go to Discount-Equipment.com to order your parts

# SECTION 2 - TURNTABLE

FIGURE 2-38. 7500W SKYPOWER GENERATOR INSTALLATION - GM MACHINES



## SECTION 2 - TURNTABLE

**FIGURE 2-38. 7500W SKYPOWER GENERATOR INSTALLATION - GM MACHINES**

ITEM	PART NUMBER	QTY	DESCRIPTION	REV
		Ref	<b>Note: Only Available on USA Built Machines.</b>	
	0275257	Ref	7500W SKYPOWER GENERATOR INSTALLATION	G
		Ref	Note: See ELECTRICAL SECTION for Boom Cable Installation.	
1	0100011	AR	Compound, Locking	
2	0100019	AR	Compound, Locking	
3	0480142	1	Belt, Generator	
4	0641405	6	Bolt 1/4-20 x 5/8	
5	3931016	4	Bolt #10 x 1	
6	0641516	3	Bolt 5/16-18 x 2	
8	0641808	4	Bolt 1/2-13 x 1	
9	0700820	1	Bolt M8 x 60	
10	0701016	1	Bolt M10 x 40	
11	0860038	1	Box, Switch	
12	0861538	1	Control Box Assembly	
12	7024488	1	Card, Circuit - Generator Power	
12	See Note	1	Fuse (Note: Not Available - Purchase Locally)	
12	7024489	1	Card, Circuit - Control	
12	70000619	1	Harness, Control Box (Internal)	
13	1001157592	1	Junction Box Assembly (See Items 101-121 for Breakdown)	
14	0902888	1	Bracket, Box Mounting	
15	0962520	1	Bushing, Split Taper	
18	2460048	1	Generator Assembly	
18	70001100	1	Rotor (Includes p/n 70001384 & 70000863) (Not Shown)	
18	70001384	1	Bearing, Ball Radial (Not Shown)	
18	70000863	1	Fan (Not Shown)	
18	70002088	1	Stator (Not Shown)	
18	70002297	1	Stud (Not Shown)	
18	7024484	1	Brushholder Assembly (Not Shown) (Use p/n 70003631)	
18A	7024561	1	Key (Use p/n 70004171)	
18B	70001966	1	Bearing, Shaft (Front)	
18C	70001953	1	Endbell (Front)	
18D	70001385	1	Endbell, Brush Block (Use p/n 70004169)	
18E	70002290	1	Shroud (Use p/n 70004169)	
18E	7027799	1	Block, Connection - 6 Position (Not Shown)	
18E	7026626	1	Connector with Seal - 6 Position (Not Shown)	
18E	70002460	6	Nut, Brass (Attaches p/n 7027799 to Cover) (Not Shown)	
18E	7024485	1	Breaker, Circuit 30Amp (Not Shown)	
18E	70001696	1	Boot, Breaker (Not Shown)	
18E	7026597	1	Connector, W/Lead (Not Shown)	
18E	7026188	1	Connector, Clamp (Not Shown)	
18E	70002255	1	Plate, End Panel (Use p/n 70004169)	
18E	70001974	1	Decal - Terminal Connections (Not Shown)	
18F	70001973	1	Decal - Warning Moving Parts	
19	2820031	1	Insulator	
20	3252764	1	Nameplate	
21	3311405	6	Nut 1/4-20	
22	3311505	3	Nut 5/16-18	
24	3580312	1	Pulley, Idler	
25	3580314	1	Pulley, Drive Grooved	
26	3580348	1	Tensioner, Belt with Pulley	



# PARTS FINDER

**Search Website  
by Part Number**



**Search Manual  
Library For Parts  
Manual & Lookup Part  
Numbers – Purchase  
or Request Quote**

**Can't Find Part or  
Manual? Request Help  
by Manufacturer,  
Model & Description**

Discount-Equipment.com is your online resource for quality parts & equipment.

Florida: **561-964-4949** Outside Florida TOLL FREE: **877-690-3101**

## Need parts?

Click on this link: <http://www.discount-equipment.com/category/5443-parts/> and choose one of the options to help get the right parts and equipment you are looking for. Please have the machine model and serial number available in order to help us get you the correct parts. If you don't find the part on the website or on one of the online manuals, please fill out the request form and one of our experienced staff members will get back to you with a quote for the right part that your machine needs.

We sell worldwide for the brands: Genie, Terex, JLG, MultiQuip, Mikasa, Essick, Whiteman, Mayco, Toro Stone, Diamond Products, Generac Magnum, Airman, Haulotte, Barreto, Power Blanket, Nifty Lift, Atlas Copco, Chicago Pneumatic, Allmand, Miller Curber, Skyjack, Lull, Skytrak, Tsurumi, Husquvarna Target, Stow, Wacker, Sakai, Mi-T-M, Sullair, Basic, Dynapac, MBW, Weber, Bartell, Bennar Newman, Haulotte, Ditch Runner, Menegotti, Morrison, Contec, Buddy, Crown, Edco, Wyco, Bomag, Laymor, EZ Trench, Bil-Jax, F.S. Curtis, Gehl Pavers, Heli, Honda, ICS/PowerGrit, IHI, Partner, Imer, Clipper, MMD, Koshin, Rice, CH&E, General Equipment, Amida, Coleman, NAC, Gradall, Square Shooter, Kent, Stanley, Tamco, Toku, Hatz, Kohler, Robin, Wisconsin, Northrock, Oztec, Toker TK, Rol-Air, APT, Wylie, Ingersoll Rand / Doosan, Innovatech, Con X, Ammann, Mecalac, Makinex, Smith Surface Prep, Small Line, Wanco, Yanmar

## SECTION 2 - TURNTABLE

ITEM	PART NUMBER	QTY	DESCRIPTION	REV
27	3740080	2	Relay	
28	3910606	4	Screw #6-32 x 3/8	
29	3960422	1	Gasket	
30	1001110873	1	Cover, Receptacle	
31	4060802	1	Guard, Switch	
34	4360336	1	Switch, Toggle	
36	4460071	1	Connector, Strain Relief	
37	4460346	1	Receptacle	
39	4568735	1	Tube, Spacer Pulley Grooved	
40	4711400	10	Washer 1/4	
41	4711500	6	Washer 5/16	
43	4711800	4	Washer 1/2	
45	4751000	4	Washer #10	
47	4811900	1	Washer M8	
48	4891600	1	Washer 3/8	
49	4922925	1	Harness, Generator	
51	3311005	4	Nut #10	
	1001157592	Ref	JUNCTION BOX ASSEMBLY	C
101	1060343	1.5 ft /.46m	Cable, Electrical - 10/4 (60Hz Only)	
102	1060494	2 ft /.6m	Cable, Electrical - 12/3 (SN 0300183034 through 0300205491)	
102	1001179154	2.5 ft /.76m	Cable, Electrical - 12/3 (SN 0300205492 to Present)	
103	1671092	1	Cover, Connector	
104	3300396	1	Cover, Fuse	
105	3311001	6	Nut #10	
106	4360070	1	Breaker, Circuit 15 AMP	
108	4460425	1	Connector, Strain Relief	
109	4460426	2	Connector, Strain Relief	
111	4460963	1	Receptacle	
112	4711000	10	Washer #10	
114	10702077	2	Screw #10 x 3/8	
115	10702082	2	Screw #10 x 3/4	
116	1001152525	1	Plug, Hole	
117	1001157520	1	Block, Terminal Pole	
118	1001157521	1	Box, Junction	
119	1001157528	1	Decal - Box Junction	
120	1001158007	1	Cover	
121	1001158008	2	Standoff	
	0272435	Ref	DECAL INSTALLATION	D
201	1705460	2	Decal - SkyPower	
202	1705374	1	Decal - 240V - 60Hz (SN 0300183034 through 0300202003)	
202	3251243	1	Decal - 120V - 60Hz (Located on Opposite Side) (SN 0300222414 to Present)	
203	1705375	1	Decal - 240V - 3 Phase	
204	1705387	3	Decal, Hazardous Voltage	
	4933349	Ref	ELECTRICAL DIAGRAM COMPONENTS	A
301	4923420	1	Generator Harness	A
301A	4460374	2	Plug, Sealed Relay	
301A	4460375	8	Terminal	
301B	4460967	1	Plug, Male - 3 Position	
301B	4460465	3	Socket, Female	

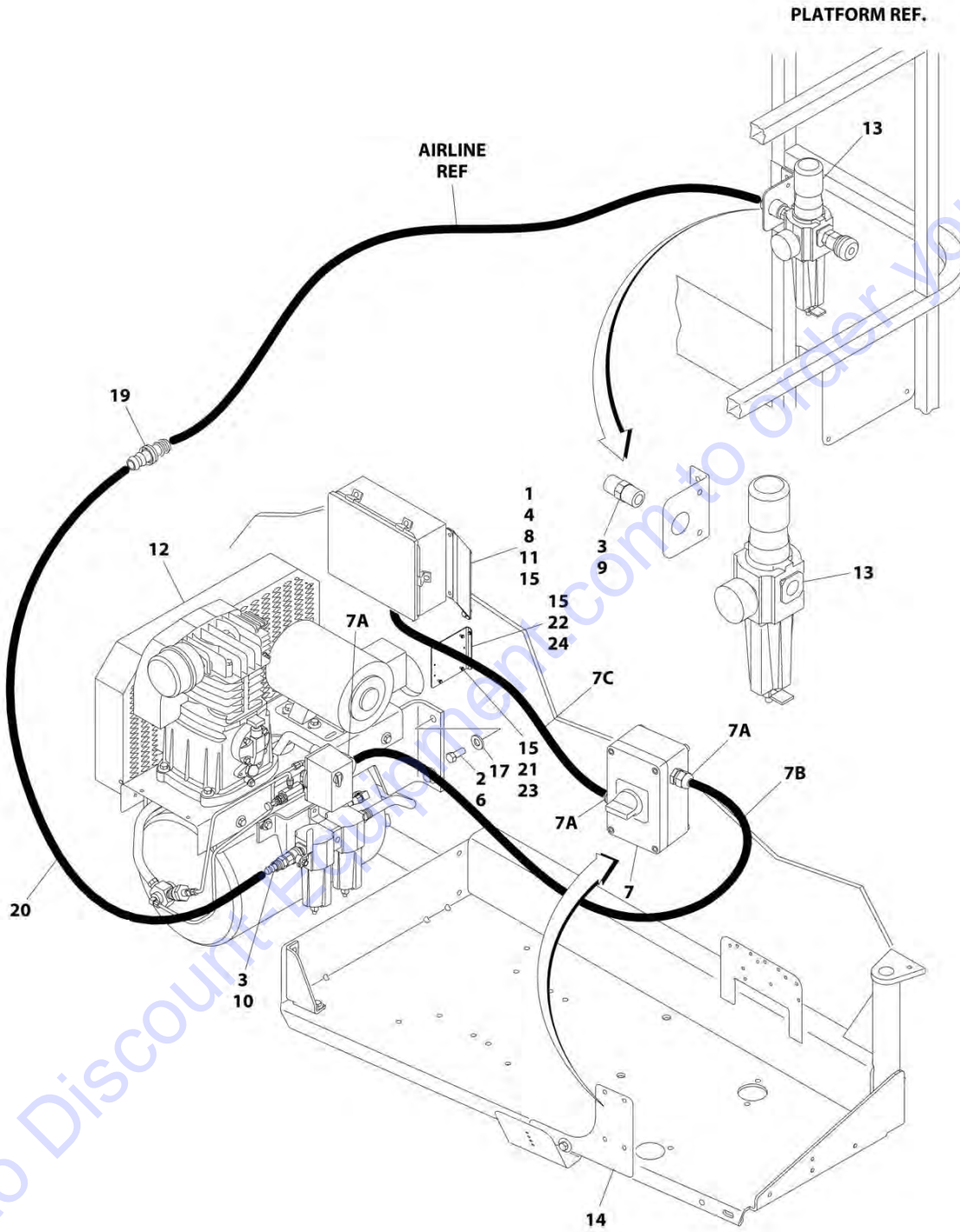
**SECTION 2 - TURNTABLE**

ITEM	PART NUMBER	QTY	DESCRIPTION	REV
301C	2400060	2	Fuseholder (Not Shown)	
301C	2400064	2	Fuse - 5 Amp (Not Shown)	
302	4460742	1	Connector - 2 Position	
302	4460743	2	Socket, Female	
302	4460458	2	Seal	
304	4922641	1	Switch Harness	
	1001094475	Ref	HOURMETER INSTALLATION (OPTIONAL)	D
502	0720808	2	Screw #8-32 x 1	
503	2420165	1	Hourmeter	
504	3310601	2	Nut #6-32	
505	3310805	2	Nut #8-32	
506	3910608	2	Screw #6-32 x 1/2	
507	4240032	4	Tie-Strap	
508	4420060	3 in/7cm	Tape, Double-Sided	
509	4460234	3	Mount, Tie-Strap	
510	4750800	2	Washer #8	
511	4760600	2	Washer #6	
512	1001094375	1	Bracket, Hourmeter	
513	1001094509	1	Harness, Hourmeter	
514	4460018	1	Connector, Butt Splice (Not Shown)	

Go to Discount-Equipment.com to order your parts

# SECTION 2 - TURNTABLE

## FIGURE 2-39. SKYAIR AIR COMPRESSOR INSTALLATION



ART\_0274031

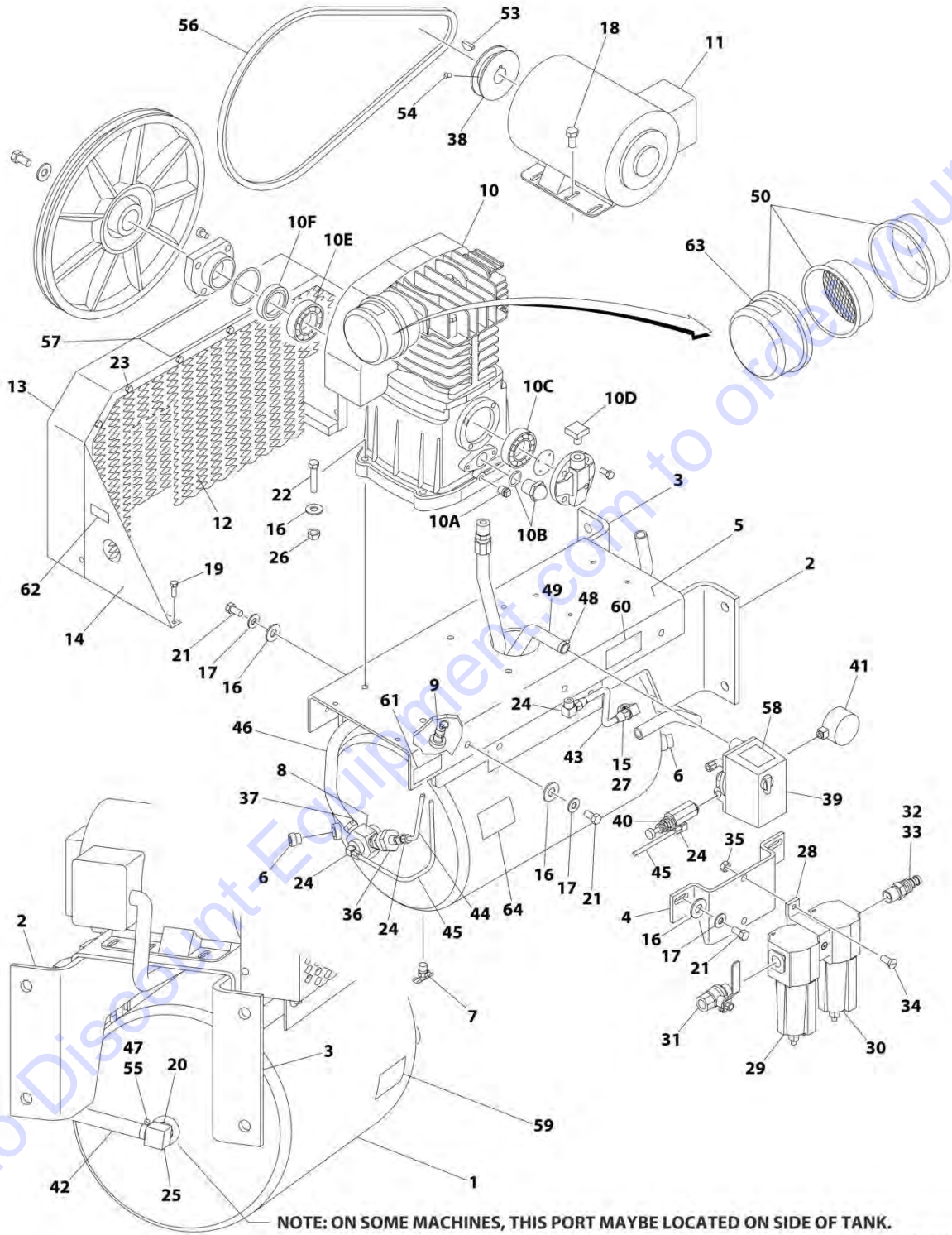
## SECTION 2 - TURNTABLE

### FIGURE 2-39. SKYAIR AIR COMPRESSOR INSTALLATION

ITEM	PART NUMBER	QTY	DESCRIPTION	REV
		Ref	<b>SKY AIR AIR COMPRESSOR INSTALLATION</b>	
	0274031	Ref	SkyAir Air Compressor Installation (Deutz D2011 & GM Engines)	D
	1001144438	1	SkyAir Air Compressor Installation (Deutz TD2.9L4 Engine)	B
		Ref	Note: ANSI, ANSI Export and CSA Specs Only.	
		Ref	Note: 60Hz Machines Only.	
1	0100011	AR	Compound, Locking	
2	0100019	AR	Compound, Locking	
3	0100020	AR	Sealant	
4	0641405	4	Bolt 1/4 x 5/8	
5	0641410	2	Bolt 1/4 x 1-1/4	
7	0641810	4	Bolt 1/2 x 1-1/4	
8	0861642	1	Control Box Assembly	
8A	4460633	3	Connector, Strain Relief	
8B	70002948	AR	Cable, Electrical - 12/4 (13ft/4m)	
8C	70002948	AR	Cable, Electrical - 12/4 (30in/76cm)	
9	0903088	2	Bracket, Generator Box	
10	2220252	1	Fitting, Adapter NPT	
11	2220750	1	Fitting	
12	2221037	1	Fitting, Barbed	
13	2720545	1	Hose, Air	
14	3300454	4	Nut, Tinnerman 1/4	
15	3311405	AR	Nut 1/4	
16	3311605	3	Nut 3/8	
17	3575874	1	Bracket, Module	
18	3600386	1	Air Compressor Assembly (See AIR COMPRESSOR ASSEMBLY for Breakdown)	
19	3720021	1	Filter/Regulator Assembly	
19	7027781	1	Service Kit (Includes Gaskets and Seals)	
19	7027782	1	Filter	
19	7027784	1	Gauge	
19	7027783	1	Valve, Drain	
20	3931424	AR	Capscrew 1/4 x 1-1/2	
20	0641409	AR	Bolt 1/4 x 1-1/8	
21	4711400	AR	Washer 1/4	
22	4711600	4	Washer 3/8	
23	4751800	4	Washer 1/2	
25	1001110425	AR	Spacer	
26		Ref	Bracket, Control Box	
26A	4340747	1	Bracket (Deutz D2011 and GM Engines)	
26B	1001144447	1	Bracket (Deutz TD2.9L4 Engines)	
27	0641606	1	Bolt 3/8 x 3/4 (Not Shown)	
28	8406201	1	Clip (Not Shown)	
29	0641609	1	Bolt 3/8 x 1-1/6	
	0273687	1	<b>DECAL INSTALLATION</b>	
101	1705836	1	Decal - Hazard Voltage	
102	1705837	1	Decal - Air Compressor	
103	1705886	1	Decal - Skyair	

# SECTION 2 - TURNTABLE

## FIGURE 2-40. AIR COMPRESSOR ASSEMBLY



NOTE: ON SOME MACHINES, THIS PORT MAYBE LOCATED ON SIDE OF TANK.

ART\_3600386

## SECTION 2 - TURNTABLE

**FIGURE 2-40. AIR COMPRESSOR ASSEMBLY**

ITEM	PART NUMBER	QTY	DESCRIPTION	REV
	3600386	Ref	AIR COMPRESSOR ASSEMBLY	B
1	7026632	1	Tank	
2	See Note	1	Bracket, Mounting (Note: Not Available for Purchase)	
3	See Note	1	Bracket, Mounting (Note: Not Available for Purchase)	
4	See Note	1	Bracket, Regulator Mounting (Note: Not Available for Purchase)	
5	See Note	1	Deck (Note: Not Available for Purchase)	
6	See Note	2	Plug (Note: Not Available for Purchase)	
7	7026633	1	Valve, Drain	
8	7026634	1	Valve, Check	
9	7026635	1	Valve, Safety	
10	7026636	1	Pump Assembly	
10	7026659	1	Gasket and Seal Kit	
10A	7026651	1	Plug, Oil Drain	
10B	7026652	1	Gauge, Oil Sight	
10C	7026653	1	Bearing	
10D	7026654	1	Cap, Oil Fill	
10E	7026655	1	Bearing	
10F	7026656	1	Seal	
11	7026637	1	Motor Assembly	
11	See Note	1	Brush Kit (Note: Not Available for Purchase)	
12	See Note	1	Screen, Inner (Note: Not Available for Purchase)	
13	See Note	1	Guard, Belt (Note: Not Available for Purchase)	
14	See Note	2	Support (Note: Not Available for Purchase)	
15	See Note	1	Bushing (Note: Not Available for Purchase)	
16	4751600	18	Washer 3/8	
17	4761600	10	Washer 3/8	
18	0641506	4	Bolt 5/16 x 3/4	
19	0641406	8	Bolt 1/4 x 3/4	
20	See Note	1	Bushing (Note: Not Available for Purchase)	
21	0641610	10	Bolt 3/8 x 1-1/4	
22	0641616	4	Bolt 3/8 x 2	
23	See Note	10	Bolt 1/4 x 1/2 (Note: Not Available for Purchase)	
24	See Note	4	Fitting (Note: Not Available for Purchase)	
25	See Note	1	Fitting, Barbed (Note: Not Available for Purchase)	
26	3311605	4	Nut 3/8	
27	See Note	1	Fitting, Compression (Note: Not Available for Purchase)	
28	See Note	1	Bracket, Mounting (Note: Not Available for Purchase)	
29	7026660	1	Filter, Oil Removal	
30	7026661	1	Filter, Water Removal	
31	70001663	1	Valve, Ball Shut-Off	
32	See Note	1	Bushing (Note: Not Available for Purchase)	
33	See Note	1	Fitting, Barbed (Note: Not Available for Purchase)	
34	See Note	2	Screw 1/4 x 1 (Note: Not Available for Purchase)	
35	3311405	2	Nut 1/4	
36	See Note	1	Unloader (Note: Not Available for Purchase)	
37	See Note	1	Fitting (Note: Not Available for Purchase)	
38	See Note	1	Pulley (Note: Not Available for Purchase)	
39	7026638	1	Switch, Pressure	
40	7026639	1	Valve, Pilot	
41	7026640	1	Gauge	

## SECTION 2 - TURNTABLE

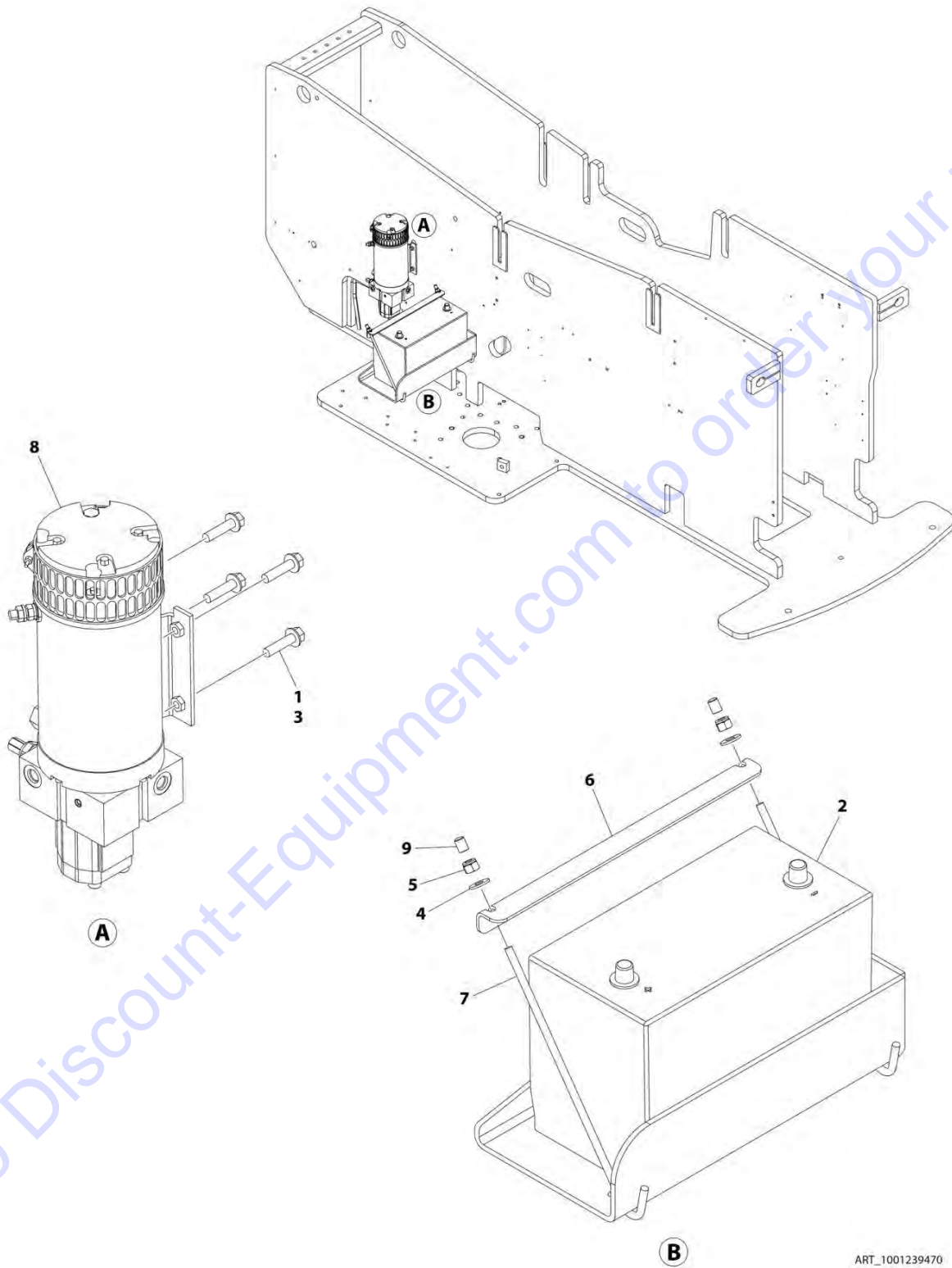
ITEM	PART NUMBER	QTY	DESCRIPTION	REV
42	See Note	1	Hose (Note: Not Available for Purchase)	
43	See Note	1	Tube, Feed (Note: Not Available for Purchase)	
44	See Note	1	Tube (Note: Not Available for Purchase)	
45	See Note	1	Tube (Note: Not Available for Purchase)	
46	See Note	1	Aftercooler (Note: Not Available for Purchase)	
47	See Note	2	Clamp (Note: Not Available for Purchase)	
48	See Note	2	Clamp (Note: Not Available for Purchase)	
49	See Note	1	Harness, Wiring (Note: Not Available for Purchase)	
50	7026658	1	Filter Assembly	
50	7026641	1	Element, Filter	
51	See Note	23 oz	Oil, Compressor (Note: Not Available for Purchase)	
52	0100020	AR	Sealant	
53	See Note	1	Key (Note: Not Available for Purchase)	
54	See Note	2	Setscrew (Note: Not Available for Purchase)	
55	See Note	2	Cover, Clamp End (Note: Not Available for Purchase)	
56	7026642	1	Belt	
57	7026643	1	Decal - Unit Warning	
58	7026644	1	Decal - Pressure Switch Warning	
59	7026645	1	Decal - Drain Tank Warning	
60	7026646	1	Decal - Compressor Maintenance	
61	7026647	1	Decal - Initial Oil Fill	
62	7026648	1	Decal - Hot Surfaces Warning	
63	7026649	1	Decal - Paper Element Cleaning	
64	7026650	1	Decal - Dual Control	





## SECTION 2 - TURNTABLE

FIGURE 2-41. AUXILIARY PUMP WITHOUT BATTERY DISCONNECT (SN 0300259889 to Present)



ART\_1001239470

**SECTION 2 - TURNTABLE**

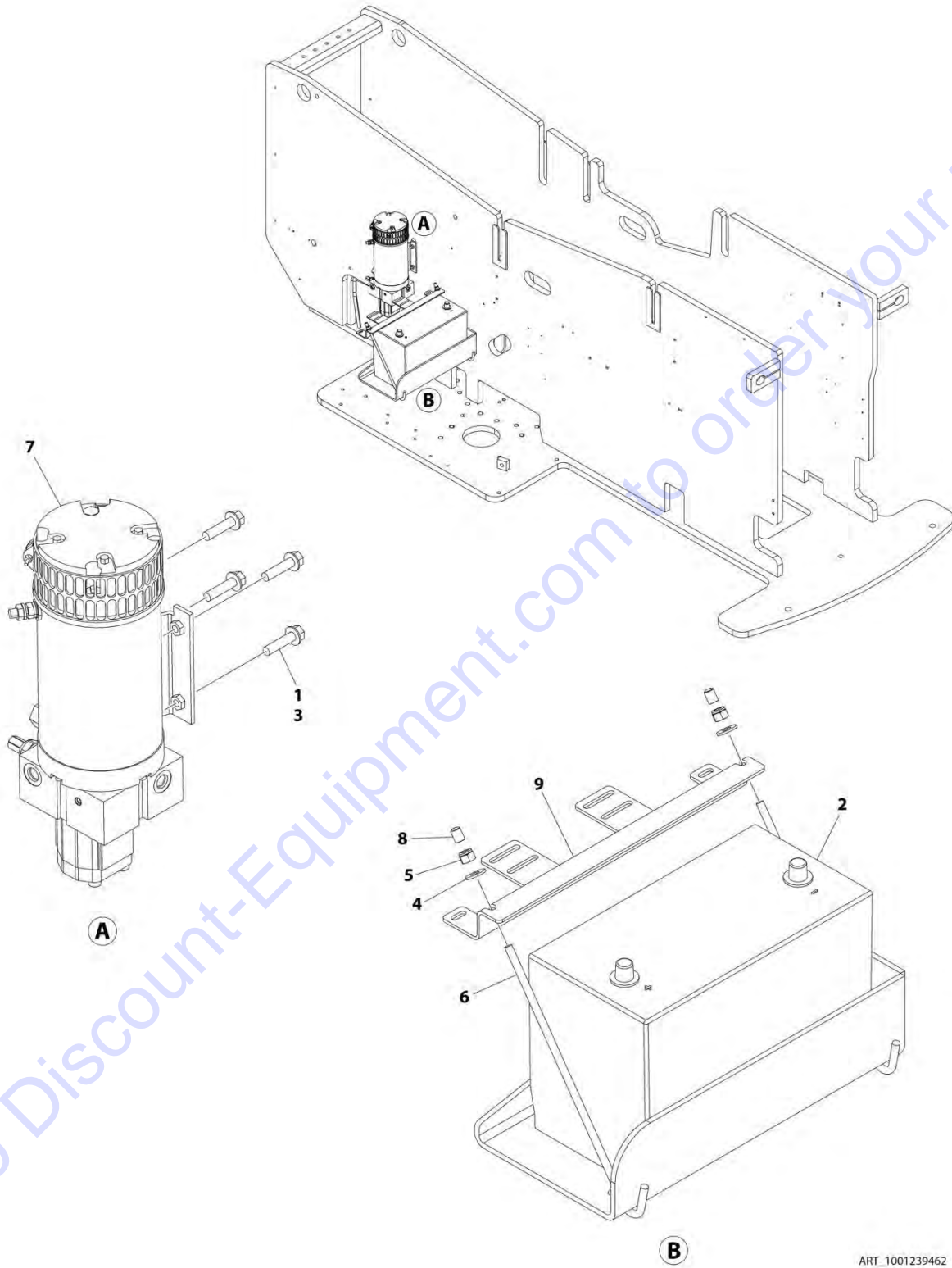
**FIGURE 2-41. AUXILIARY PUMP WITHOUT BATTERY DISCONNECT (SN 0300259889 to Present)**

ITEM	PART NUMBER	QTY	DESCRIPTION	REV
	1001239470	Ref	AUXILIARY POWER INSTALLATION	A
1	0100011	AR	Compound, Locking	
2	0400075	1	Battery	
3	0811612	4	Screw 3/8 x 1-1/2	
4	4751500	2	Washer 5/16	
5	88521205	2	Nut 5/16	
6	91401281	1	Bracket, Battery Hold Down	
7	1001093382	2	J - Bolt	
8	1001137460	1	Auxillary Power Pump/ Motor Assembly (See Separate Breakdown in this Section)	
9	1001218572	2	Cap	

Go to Discount-Equipment.com to order your parts

## SECTION 2 - TURNTABLE

FIGURE 2-42. AUXILIARY PUMP WITH BATTERY DISCONNECT (SN 0300259889 to Present)



ART\_1001239462

**SECTION 2 - TURNTABLE**

**FIGURE 2-42. AUXILIARY PUMP WITH BATTERY DISCONNECT (SN 0300259889 to Present)**

ITEM	PART NUMBER	QTY	DESCRIPTION	REV
	1001239462	Ref	AUXILIARY POWER INSTALLATION	A
1	0100011	AR	Compound, Locking	
2	0400075	1	Battery	
3	0811612	4	Screw 3/8 x 1-1/2	
4	4751500	2	Washer 5/16	
5	88521205	2	Nut 5/16	
6	1001093382	2	J - Bolt	
7	1001137460	1	Auxiliary Power Pump/Motor Assembly (See Separate Breakdown in this Section)	
8	1001218572	2	Cap	
9	1001236303	1	Bracket, Battery Hold Down	

Go to Discount-Equipment.com to order your parts

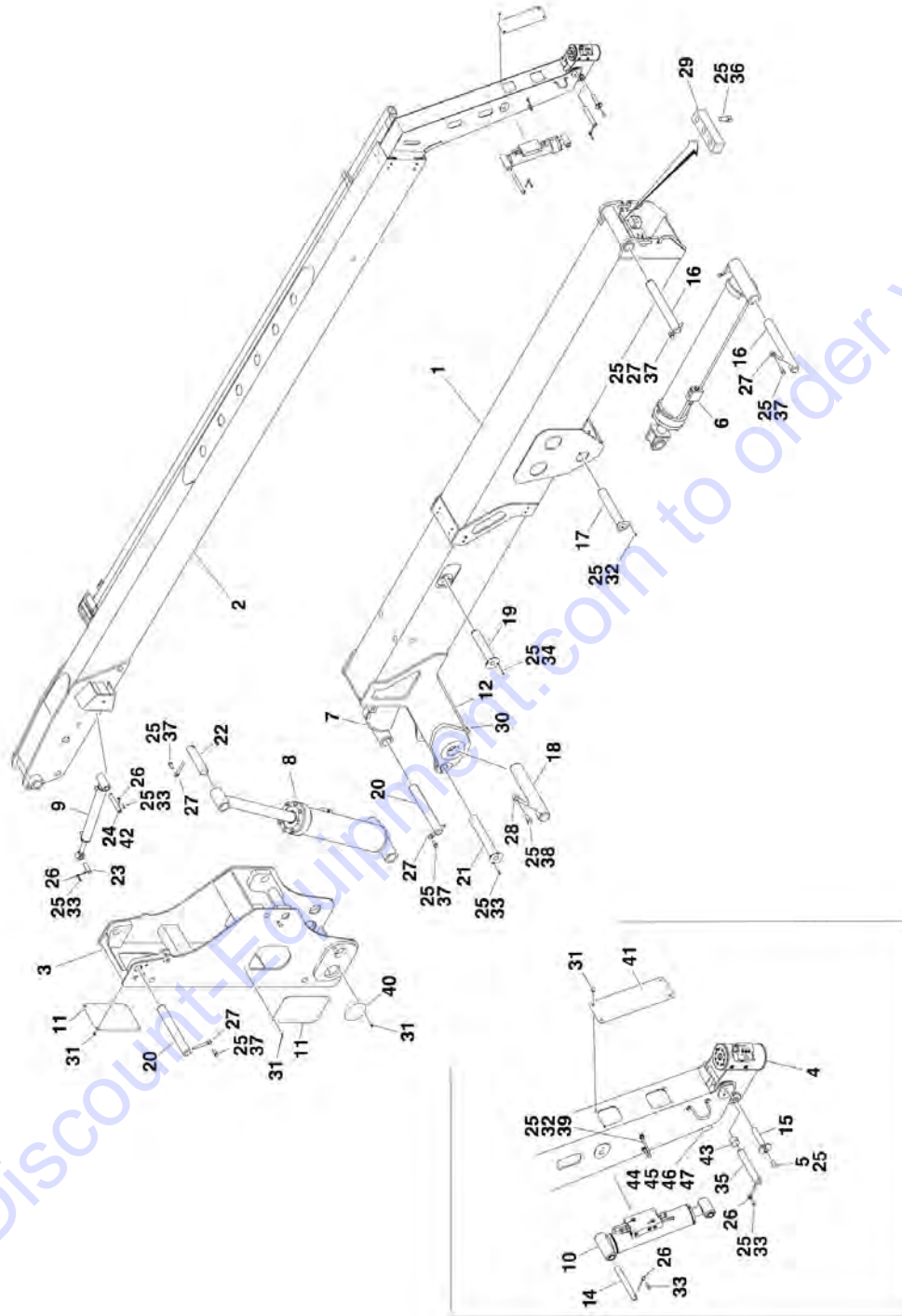


SECTION 3 - BOOM

Go to Discount-Equipment.com to order your parts

# SECTION 3 - BOOM

## FIGURE 3-1. BOOM AND CYLINDER INSTALLATION - 800A





## SECTION 3 - BOOM

### FIGURE 3-1. BOOM AND CYLINDER INSTALLATION - 800A

ITEM	PART NUMBER	QTY	DESCRIPTION	REV
		Ref	BOOMS AND CYLINDERS INSTALLATION - 800A	
	0272381	Ref	Booms and Cylinders Installation - 800A (SN 0300183034 through 0300192720)	H
	1001170987	Ref	Booms and Cylinders Installation - 800A (SN 0300192720 to Present)	H
1	0801132	1	Boom Assembly - Tower (See TOWER BOOM ASSEMBLY for Breakdown)	
2	0801135	1	Boom Assembly - Main (See MAIN BOOM ASSEMBLIES for Breakdown)	
3	4845593	1	Upright	
4		Ref	Rotator Actuator Assembly Options: (See ROTATOR ASSEMBLY for Breakdown)	
4	0060069	NLA	Rotator Actuator Assembly (Use p/n 1001170989) (SN 0300183034 through 0300192720)	
4	1001170989	1	Rotator Actuator Assembly (SN 0300192720 through 0300201336)	
4	1001181059	1	Rotator Actuator Assembly (SN 0300201337 to Present)	
5	0741607	1	Screw 3/8-16 x 7/8	
6	1683537	NLA	Tower Boom Lift Cylinder Assembly (Use p/n 1001228009) (See CYLINDER SECTION for Breakdown) (SN 0300183034 through 0300239885)	
6	1001228009	1	Tower Boom Lift Cylinder Assembly (See CYLINDER SECTION for Breakdown) (SN 0300239886 to Present)	
7	1684497	NLA	Upright Level (Slave) Cylinder Assembly (Use p/n 1001228041) (See CYLINDER SECTION for Breakdown) (SN 0300183034 through 0300239885)	
7	1001228041	1	Upright Level (Slave) Cylinder Assembly (See CYLINDER SECTION for Breakdown) (SN 0300239886 to Present)	
8	1683547	NLA	Main Boom Lift Cylinder Assembly (Use p/n 1001228010) (See CYLINDER SECTION for Breakdown) (SN 0300183034 through 0300239885)	
8	1001228010	1	Main Boom Lift Cylinder Assembly (See CYLINDER SECTION for Breakdown) (SN 0300239886 to Present)	
9	1683608	NLA	Master Cylinder Assembly (Use p/n 1001228011) (See CYLINDER SECTION for Breakdown) (SN 0300183034 through 0300245050)	
9	1001228011	1	Master Cylinder Assembly (See CYLINDER SECTION for Breakdown) (SN 0300245051 to Present)	
10	1684408	NLA	Platform Level (Slave) Cylinder Assembly (Use p/n 1001228033) (See CYLINDER SECTION for Breakdown) (SN 0300183034 through 0300245050)	
10	1001228033	1	Platform Level (Slave) Cylinder Assembly (See CYLINDER SECTION for Breakdown) (SN 0300245051 to Present)	
11	1670844	4	Cover, Upright	
12	1670850	1	Cover, Tower Fly	
14	3422578	1	Pin	
15	3422580	1	Pin	
16	3422681	2	Pin	
17	3422729	1	Pin	
18	3422683	1	Pin	
19	3422684	1	Pin	
20	3422685	2	Pin	
21	3422686	1	Pin	
22	3422687	1	Pin	

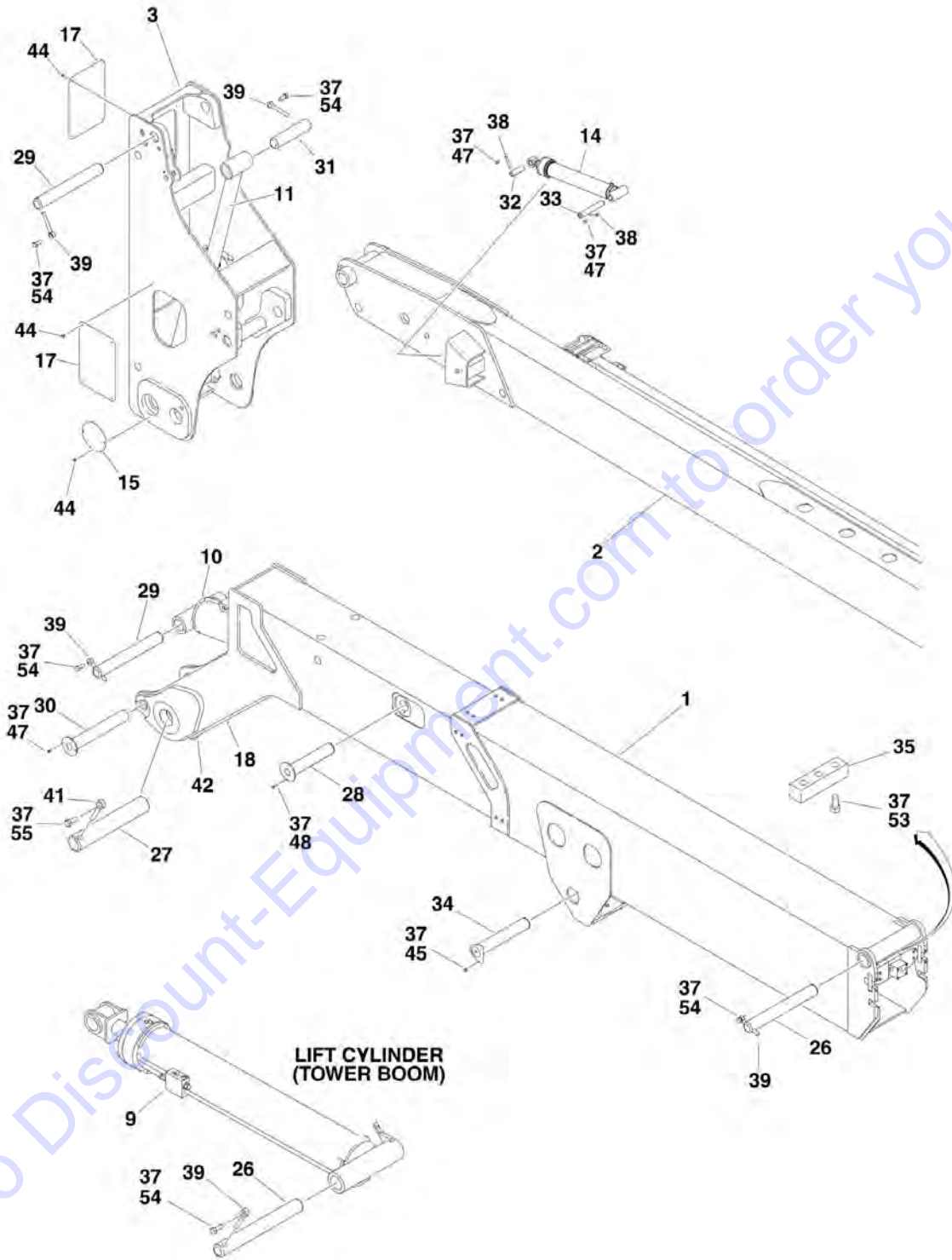
## SECTION 3 - BOOM

ITEM	PART NUMBER	QTY	DESCRIPTION	REV
23	3422688	1	Pin	
24	3422689	1	Pin	
25	0100011	AR	Compound, Locking	
26	3841143	4	Keeper, Pin	
27	3841287	5	Keeper, Pin	
28	3841356	1	Keeper, Pin	
29	3340835	1	Pad, Rest	
30	0641404	4	Bolt 1/4-20 x 1/2	
31	0641604	28	Bolt 3/8-16 x 1/2	
32	0641606	6	Bolt 3/8-16 x 3/4	
33	0641608	6	Bolt 3/8-16 x 1	
34	0641611	2	Bolt 3/8-16 x 1-3/8	
35	3422582	1	Pin	
36	0641820	3	Bolt 1/2-13 x 2-1/2	
36	0641840	3	Bolt 1/2-13 x 5	
37	0642214	5	Bolt 3/4-10 x 1-3/4	
38	0642620	1	Bolt 1-8 x 2-1/2	
39	3841340	2	Rod, Hose Loop	
40	1120510	2	Cover, Upright	
41	1670864	1	Cover, Fly Hose	
42	3900239	1	Setscrew 3/8-16 x 1/2	
43	0961951	2	Bearing	
44	0641516	1	Bolt 5/16-18 x 2	
45	1320159	1	Clamp	
46	4711500	1	Washer 5/16	
47	3311505	1	Nut 5/16-18	
48	1001213705	1	Plug (Not Shown - Located on T/T near item 16 Pin) (SN <b>0300216163 to Present</b> )	

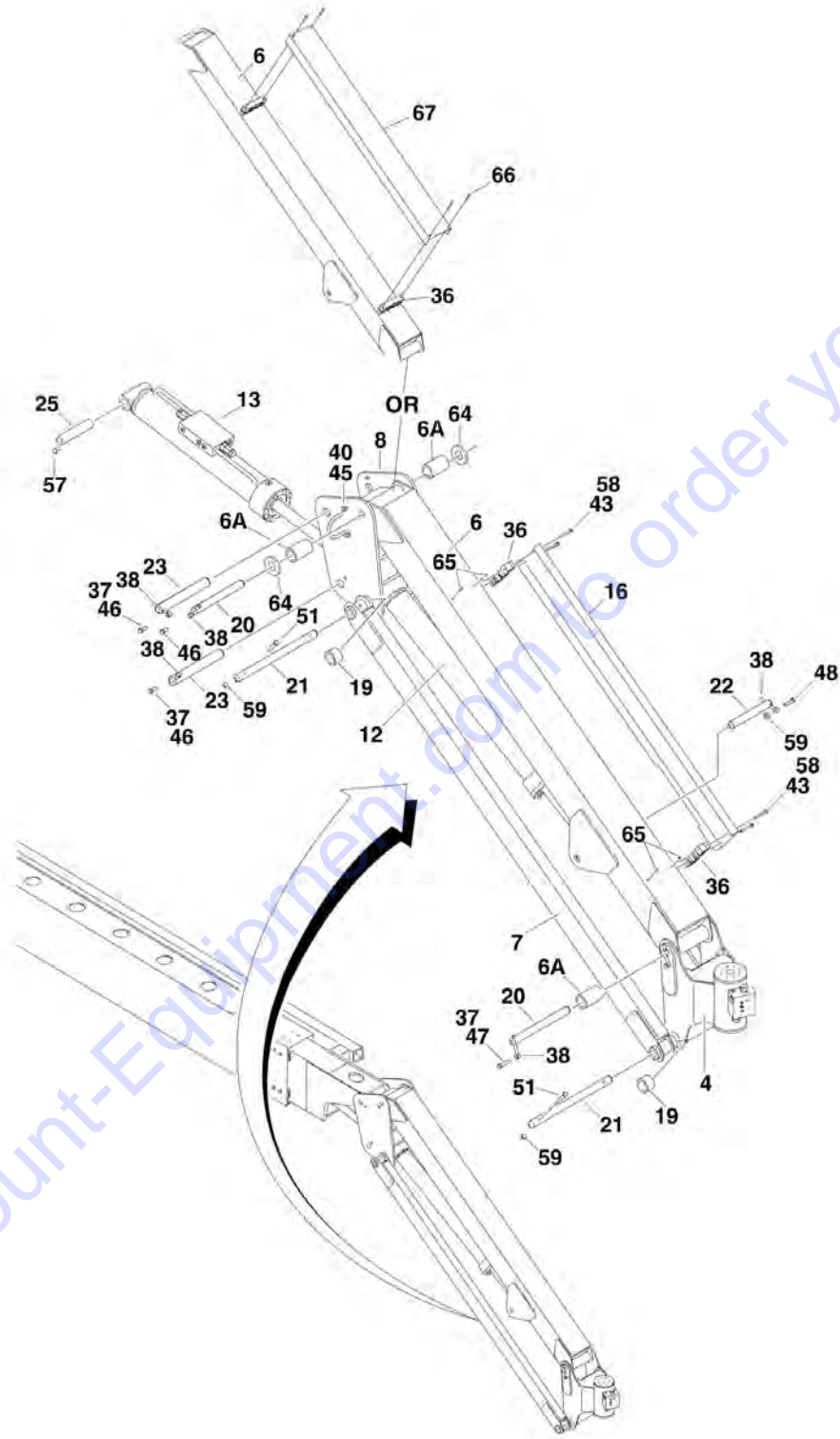


# SECTION 3 - BOOM

## FIGURE 3-2. BOOM AND CYLINDER INSTALLATION - 800AJ



SECTION 3 - BOOM



Go to Discount-Equipment.com to order your parts

## SECTION 3 - BOOM

### FIGURE 3-2. BOOM AND CYLINDER INSTALLATION - 800AJ

ITEM	PART NUMBER	QTY	DESCRIPTION	REV
	0272131	Ref	BOOMS AND CYLINDERS INSTALLATION WITHOUT ARCTIC PACKAGE (SN 0300183034 through 0300194139)	N
	1001170448	Ref	BOOMS AND CYLINDERS INSTALLATION WITHOUT ARCTIC PACKAGE (SN 0300194140 to Present)	L
	1001138790	Ref	BOOMS AND CYLINDERS INSTALLATION WITH ARCTIC PACKAGE (SN 0300183034 through 0300194139)	E
	1001170449	Ref	BOOMS AND CYLINDERS INSTALLATION WITH ARCTIC PACKAGE (SN 0300194140 to Present)	L
1	0801132	1	Boom Assembly -Tower (See TOWER BOOM ASSEMBLY for Breakdown)	
2	1001149286	1	Boom Assembly - Main (See MAIN BOOM ASSEMBLY for Breakdown)	
3	4845593	1	Upright	
4		Ref	Rotator Actuator Assembly Options: (See ROTATOR ASSEMBLY for Breakdown)	
4	0060066	NLA	Rotator Actuator Assembly (Use p/n 1001157220) (SN 0300183034 through 0300194139)	
4	1001157220	1	Rotator Actuator Assembly (SN 0300194140 through 0300201336)	
4	1001178256	NLA	Rotator Actuator Assembly (Use p/n 1001217780) (SN 0300201337 through 0300234279)	
4	1001217780	1	Rotator Actuator Assembly (SN 0300234280 to Present)	
6	4844816	1	Tube, Jib (Top)	
6A	0962335	4	Bearing	
7	4844817	2	Tube, Jib (Bottom)	
8	4845716	1	Pivot (SN 0300183034 through 0300194139)	
8	1001170548	1	Pivot (SN 0300194140 to Present)	
9	1683537	NLA	Tower Boom Lift Cylinder Assembly (Use p/n 1001228009) (See CYLINDER SECTION for Breakdown) (SN 0300183034 through 0300239885)	
9	1001228009	1	Tower Boom Lift Cylinder Assembly (See CYLINDER SECTION for Breakdown) (SN 0300239886 to Present)	
10	1684497	NLA	Upright Level (Slave) Cylinder Assembly (Use p/n 1001228041) (See CYLINDER SECTION for Breakdown) (SN 0300183034 through 0300239885)	
10	1001228041	1	Upright Level (Slave) Cylinder Assembly (See CYLINDER SECTION for Breakdown) (SN 0300239886 to Present)	
11	1683547	NLA	Main Boom Lift Cylinder Assembly (Use p/n 1001228010) (See CYLINDER SECTION for Breakdown) (SN 0300183034 through 0300239885)	
11	1001228010	1	Main Boom Lift Cylinder Assembly (See CYLINDER SECTION for Breakdown) (SN 0300239886 to Present)	
12		Ref	Jib Lift Cylinder Assembly Options (See CYLINDER SECTION for Breakdown):	
12	1683609	NLA	Jib Lift Cylinder Assembly (Machines without Arctic Package) (Use p/n 1001248012) (See CYLINDER SECTION for Breakdown) (SN 0300183034 through 0300245050)	
12	1001138792	NLA	Jib Lift Cylinder Assembly (Machines with Arctic Package) (Use p/n 1001248012) (See CYLINDER SECTION for Breakdown) (SN 0300183034 through 0300245050)	
12	1001228012	NLA	Jib Lift Cylinder Assembly (All Machines) (Usage May Vary) (Use p/n 1001248012) (SN 0300245051 through 0300245146)	
12	1001248012	1	Jib Lift Cylinder Assembly (All Machines) (Usage May Vary) (See CYLINDER SECTION for Breakdown) (SN 0300245051 through 0300245146)	

## SECTION 3 - BOOM

ITEM	PART NUMBER	QTY	DESCRIPTION	REV
12	1001248012	1	Jib Lift Cylinder Assembly (All Machines) (See CYLINDER SECTION for Breakdown) <b>(SN 0300245147 to Present)</b>	
13	1684228	NLA	Jib Level (Slave) Cylinder Assembly (Machines without Arctic Package) (Use pn 101228030)(See CYLINDER SECTION for Breakdown) <b>(SN 0300183034 through 0300240878)</b>	
13	1001138791	NLA	Jib Level (Slave) Cylinder Assembly (Machines with Arctic Package) (Use pn 101228030) (See CYLINDER SECTION for Breakdown) <b>(SN 0300183034 through 0300240878)</b>	
13	1001228030	1	Jib Level (Slave) Cylinder Assembly (See CYLINDER SECTION for Breakdown) <b>(SN 0300240879 to Present)</b>	
14	1683682	NLA	Master Cylinder Assembly (Use p/n 1001228050) (Machines without Arctic Package) (See CYLINDER SECTION for Breakdown) <b>(SN 0300183034 through 0300243317)</b>	
14	1001228050	1	Master Cylinder Assembly (Machines without Arctic Package) (See CYLINDER SECTION for Breakdown) <b>(SN 0300243318 to Present)</b>	
14	1001138793	NLA	Master Cylinder Assembly (Use p/n 1001228050) (Machines with Arctic Package) (See CYLINDER SECTION for Breakdown) <b>(SN 0300183034 through 0300243317)</b>	
14	1001228050	1	Master Cylinder Assembly (Machines with Arctic Package) (See CYLINDER SECTION for Breakdown) <b>(SN 0300243318 to Present)</b>	
15	1120510	2	Cover, Upright	
16	1670769	1	Cover, Cable <b>(SN 0300183034 through 0300194139)</b>	
17	1670844	4	Cover, Upright	
18	1670850	1	Cover, Tower Fly	
19	0961947	6	Bearing	
20	3422860	2	Pin	
21	3422861	2	Pin	
22	3422867	1	Pin	
23	3422561	2	Pin	
25	3422583	1	Pin	
26	3422681	2	Pin	
27	3422683	1	Pin	
28	3422684	1	Pin	
29	3422685	2	Pin	
30	3422686	1	Pin	
31	3422687	1	Pin	
32	3422688	1	Pin	
33	3422689	1	Pin	
34	3422729	1	Pin	
35	3340835	1	Pad, Rest	
36		Ref	Clamp, Block Options:	
36	0561237	2	Clamp, Block <b>(SN 0300183034 through 0300194139)</b>	
36	1001165350	2	Clamp, Block <b>(SN 0300194140 to Present)</b>	
37	0100011	AR	Compound, Locking	
38	3841143	7	Keeper, Pin	
39	3841287	5	Keeper, Pin	
40	3841340	1	Rod, Hose Loop	
41	3841356	1	Keeper, Pin	
42	0641404	4	Bolt 1/4-20 x 1/2	
43	0641416	4	Bolt 1/4-20 x 2	
44	0641604	24	Bolt 3/8-16 x 1/2	
45	0641606	4	Bolt 3/8-16 x 3/4	

## SECTION 3 - BOOM

ITEM	PART NUMBER	QTY	DESCRIPTION	REV
46	0641607	3	Bolt 3/8-16 x 7/8	
47	0641608	5	Bolt 3/8-16 x 1	
48	0641611	3	Bolt 3/8-16 x 1-3/8	
51	0641618	4	Bolt 3/8-16 x 2-1/4	
53	0641820	3	Bolt 1/2-13 x 2-1/2	
53	0641840	3	Bolt 1/2-13 x 5	
54	0642214	5	Bolt 3/4-10 x 1-3/4	
55	0642620	1	Bolt 1-8 x 2-1/2	
57	0741607	1	Screw 3/8-16 x 7/8	
58	2080044	4	Rivnut 1/4-20	
59	3311605	5	Nut 3/8-16	
64	4740439	2	Washer, Thrust	
65	3520034	AR	Plug	
66	0641424	4	Bolt 1/4-20 x 3	
67	1671034	1	Cover, Jib	
68	1001213705	1	Plug (Not Shown - Located on T/T near item 26 Pin) (SN 0300216163 to Present)	





# SECTION 3 - BOOM

## FIGURE 3-3. TOWER BOOM ASSEMBLY

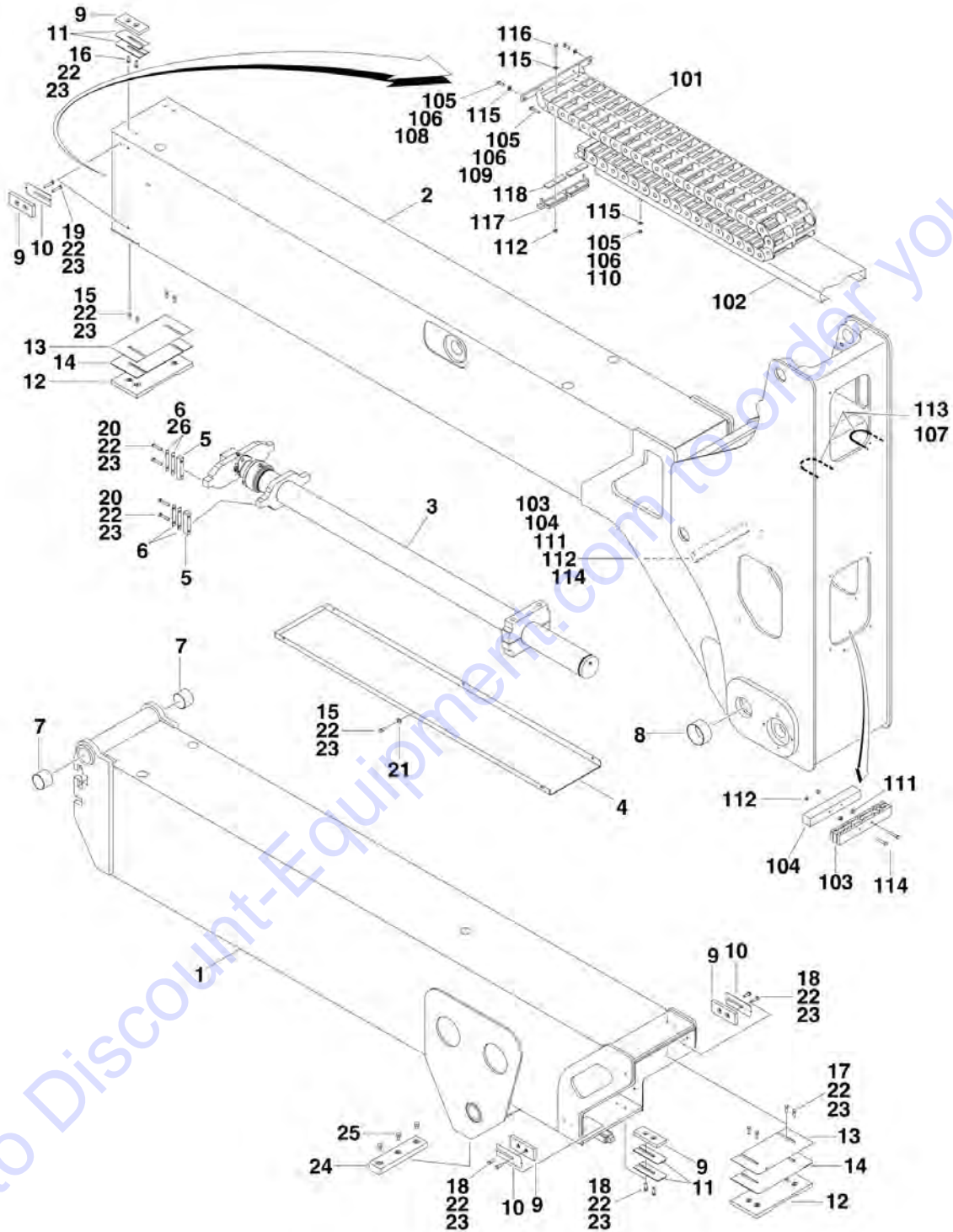


FIGURE 3-3. TOWER BOOM ASSEMBLY

ITEM	PART NUMBER	QTY	DESCRIPTION	REV
	0801132	Ref	TOWER BOOM ASSEMBLY	H
1	0801594	1	Base, Boom	
2	0801496	1	Fly, Boom	
3	1683606	1	Tower Telescope Cylinder Assembly (See CYLINDER SECTION for Breakdown) <b>(SN 0300183034 through 0300200669)</b>	
3	1001188840	NLA	Tower Telescope Cylinder Assembly (Use p/n 1001228086) (See CYLINDER SECTION for Breakdown) <b>(SN 0300200670 through 0300243317)</b>	
3	1001228086	1	Tower Telescope Cylinder Assembly (See CYLINDER SECTION for Breakdown) <b>(SN 0300243318 to Present)</b>	
4	4340706	1	Support	
5	0561185	4	Block, Attach	
6	4070929	8	Shim 1/16	
7	0962102	2	Bushing	
8	0962122	2	Bushing	
9	3340881	12	Pad, Wear	
10	4070897	8	Shim .05	
11	4070898	8	Shim .12	
12	3340828	2	Pad, Wear	
13	4070967	2	Shim .05	
14	4070968	2	Shim .12	
15	0641607	10	Bolt 3/8-16 x 7/8	
16	0641608	4	Bolt 3/8-16 x 1	
17	0641609	4	Bolt 3/8-16 x 1-1/8	
18	0641610	12	Bolt 3/8-16 x 1-1/4	
19	0641615	8	Bolt 3/8-16 x 1-7/8	
20	0641616	8	Bolt 3/8-16 x 2in	
21	4711600	6	Washer 3/8	
22	0100011	AR	Compound, Locking	
23	0100038	AR	Primer, Locking	
24	3340835	1	Pad, Boom Rest	
25	0641806	3	Bolt 1/2-13 x 3/4	
26	4071007	4	Shim 20Ga	
		Ref	POWER TRACK INSTALLATION WITHOUT ARCTIC PACKAGE	
	0257764	Ref	Power Track Installation without Arctic Package <b>(SN 0300183034 through 0300194139)</b>	I
	1001171203	Ref	Power Track Installation without Arctic Package <b>(SN 0300194140 to Present)</b>	D
		Ref	POWER TRACK INSTALLATION WITH ARCTIC PACKAGE	
	1001094661	Ref	Power Track Installation without Arctic Package <b>(SN 0300183034 through 0300194139)</b>	C
	1001171202	Ref	Power Track Installation without Arctic Package <b>(SN 0300194140 to Present)</b>	C
101	1180346	1	Track, Power	
101	7020064	1	Bracket, End (Moving)	
101	7020065	1	Bracket, End (Fixed)	
101	7020066	1	Section, Repair	
101	7020067	1	Link, Repair	
102	4845680	1	Tube, Hose	
103		Ref	Clamp, Block Options: (Without Arctic Package)	
103	1320251	2	Clamp, Block <b>(SN 0300183034 through 0300194139)</b>	

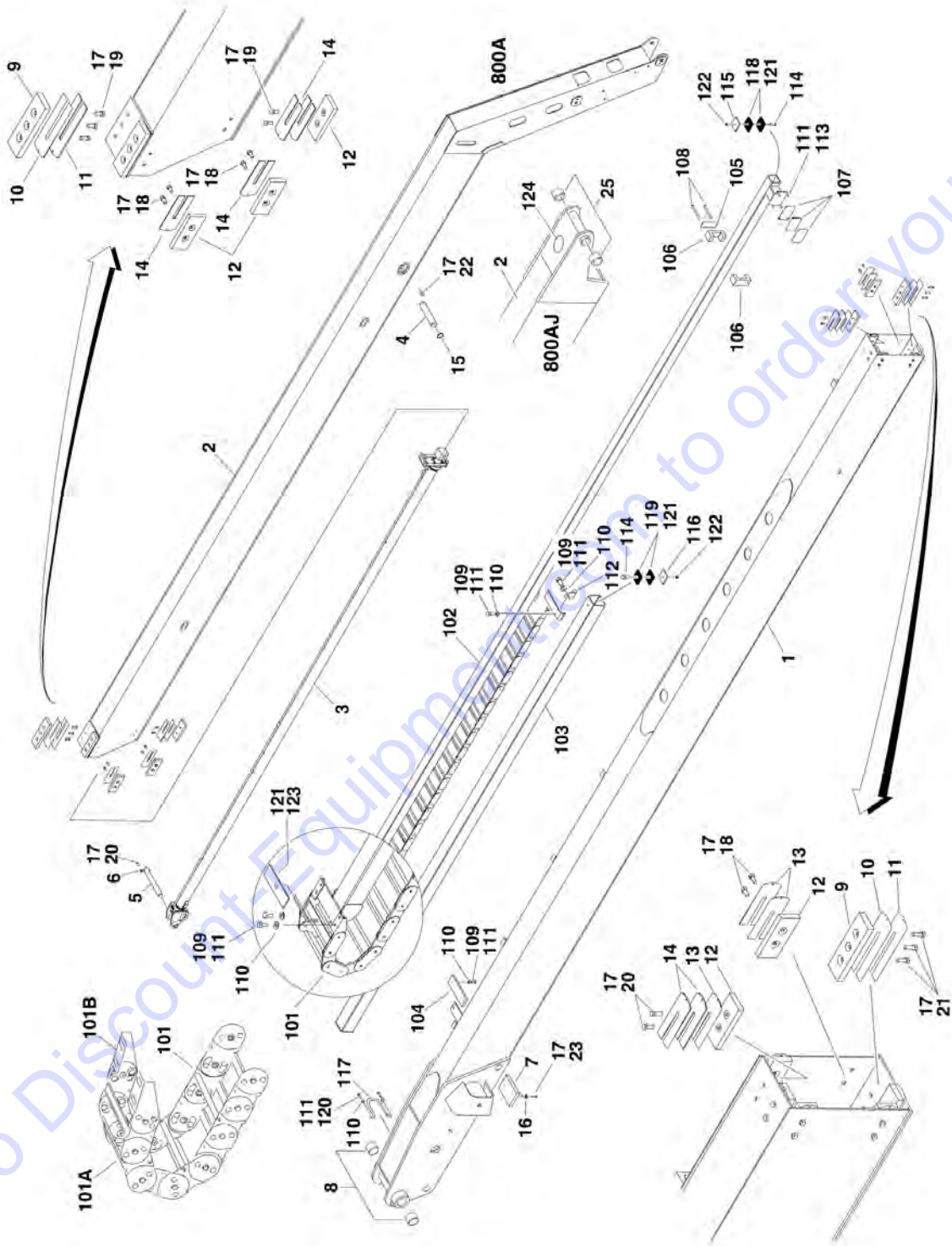
## SECTION 3 - BOOM

ITEM	PART NUMBER	QTY	DESCRIPTION	REV
103	1001172179	2	Clamp, Block (SN 0300194140 to Present)	
103		Ref	Clamp, Block Options: (With Arctic Package)	
103	1001094662	2	Clamp, Block (SN 0300183034 through 0300194139)	
103	1001172179	2	Clamp, Block (SN 0300194140 to Present)	
104	1320250	2	Bar, Clamp	
105	0100011	AR	Compound, Locking	
106	0100038	AR	Primer, Locking	
107	0641605	AR	Bolt 3/8-16 x 5/8	
108	0641606	2	Bolt 3/8-16 x 3/4	
109	0641622	2	Bolt 3/8-16 x 2-3/4	
110	3311601	4	Nut 3/8-16	
111	3311602	4	Nut 3/8-16	
112	3311605	6	Nut 3/8-16	
113	3841340	AR	Rod, Hose Loop	
114	3900262	4	Bolt 3/8-16 x 4-3/4	
115	4711600	AR	Washer 3/8	
116	0641624	2	Bolt 3/8-16 x 3	
117	0259420	1	Clamp Assembly	
117	3340859	2	Pad, Rubber	
118	3340859	2	Pad, Rubber	



# SECTION 3 - BOOM

## FIGURE 3-4. MAIN BOOM ASSEMBLY



## SECTION 3 - BOOM

### FIGURE 3-4. MAIN BOOM ASSEMBLY

ITEM	PART NUMBER	QTY	DESCRIPTION	REV
	0801135	Ref	MAIN BOOM ASSEMBLY - 800A	L
	1001149286	Ref	MAIN BOOM ASSEMBLY - 800AJ	C
1	0801585	1	Base, Boom (800A)	
1	0801591	1	Base, Boom (800AJ)	
2	0801138	1	Fly, Boom (800A)	
2	0801573	1	Fly, Boom (800AJ)	
3	1683607	1	Telescope Cylinder Assembly (800A) (Use p/n 1001228088) (See CYLINDER SECTION for Breakdown) <b>(SN 0300183034 through 0300200669)</b>	
3	1001188968	NLA	Telescope Cylinder Assembly (800A) (Use p/n 1001228088) (See CYLINDER SECTION for Breakdown) <b>(SN 0300200670 through 0300245050)</b>	
3	1001228088	1	Telescope Cylinder Assembly (800A) (See CYLINDER SECTION for Breakdown) <b>(SN 0300245051 to Present)</b>	
3	1001149284	NLA	Telescope Cylinder Assembly (800AJ) (Use p/n 1001228087) (See CYLINDER SECTION for Breakdown) <b>(SN 0300183034 through 0300243317)</b>	
3	1001228087	1	Telescope Cylinder Assembly (800AJ) (See CYLINDER SECTION for Breakdown) <b>(SN 0300243318 to Present)</b>	
4	3422457	1	Pin	
5	3422690	1	Pin	
6	3841143	1	Keeper, Pin	
7	0561295	1	Block, Boom Rest	
8	0962102	2	Bushing	
9	3340871	4	Pad, Wear	
10	4070863	4	Shim 1/8	
11	4070864	4	Shim .05	
12	1001148652	12	Pad, Wear	
13	4070897	10	Shim .05	
14	4070898	12	Shim 1/8	
15	3760133	2	Ring, Retaining	
16	4711600	2	Washer 3/8	
17	0100011	AR	Compound, Locking	
18	0641606	16	Bolt 3/8-16 x 3/4	
19	0641607	10	Bolt 3/8-16 x 7/8	
20	0641608	5	Bolt 3/8-16 x 1	
21	0641609	6	Bolt 3/8-16 x 1-1/8	
22	3900259	4	Bolt, Shoulder	
23	0641612	2	Bolt 3/8-16 x 1-1/2	
25	Not Required	0	Bushing (800A)	
25	0961951	2	Bushing (800AJ)	
	0258076	Ref	POWER TRACK INSTALLATION (800A)	L
	0258077	Ref	POWER TRACK INSTALLATION (800AJ)	K
101	1001099840	1	Track, Power (800A)	
101	1001099837	1	Track, Power (800AJ)	
101A	70002013	AR	Carrier Repair Section (Includes 1 Pin Assembly for each end)	
101B	70002014	1	Mounting Foot Kit (Includes Both Pair of Feet)	
102	4845701	1	Tube, Push (800A)	
102	4845729	1	Tube, Push (800AJ)	
103	4845702	1	Support (800A)	
103	4845730	1	Support (800AJ)	

## SECTION 3 - BOOM

ITEM	PART NUMBER	QTY	DESCRIPTION	REV
104	3340840	1	Pad	
105	3538758	1	Plate, Backing (SN 0300183034 through 0300233689)	
105	1001136400	1	Plate, Backing (SN 0300233690 to Present)	
106	3340764	2	Pad	
107	4070969	3	Shim	
108	0641640	2	Bolt 3/8-16 x 5	
109	0641606	AR	Bolt 3/8-16 x 3/4	
110	4711600	22	Washer 3/8	
111	0100011	AR	Compound, Locking	
112	1320263	1	Clamp (SN 0300183034 through 0300233689)	
112	91203039	1	Clamp (SN 0300233690 to Present)	
113	0641612	4	Bolt 3/8-16 x 1-1/2 (800A)	
113	0641607	4	Bolt 3/8-16 x 7/8 (800AJ)	
114	0641624	2	Bolt 3/8-16 x 3	
115	1320289	1	Clamp, Hose	
116	1320288	1	Clamp, Hose	
117	3841406	1	Loop, Hose	
118	3340943	2	Pad, Rubber	
119	3340941	2	Pad, Rubber	
120	3900283	2	Screw 3/8-16 x 3/4i	
121	0100081	AR	Adhesive	
122	3311605	2	Nut 3/8-16	
123	4071052	2	Shim	
124	Not Required	0	Flex-Trim (800A)	
124	4060805	8 in/20cm	Flex-Trim (800AJ)	





# SECTION 3 - BOOM

## FIGURE 3-5. ROTATOR ASSEMBLY

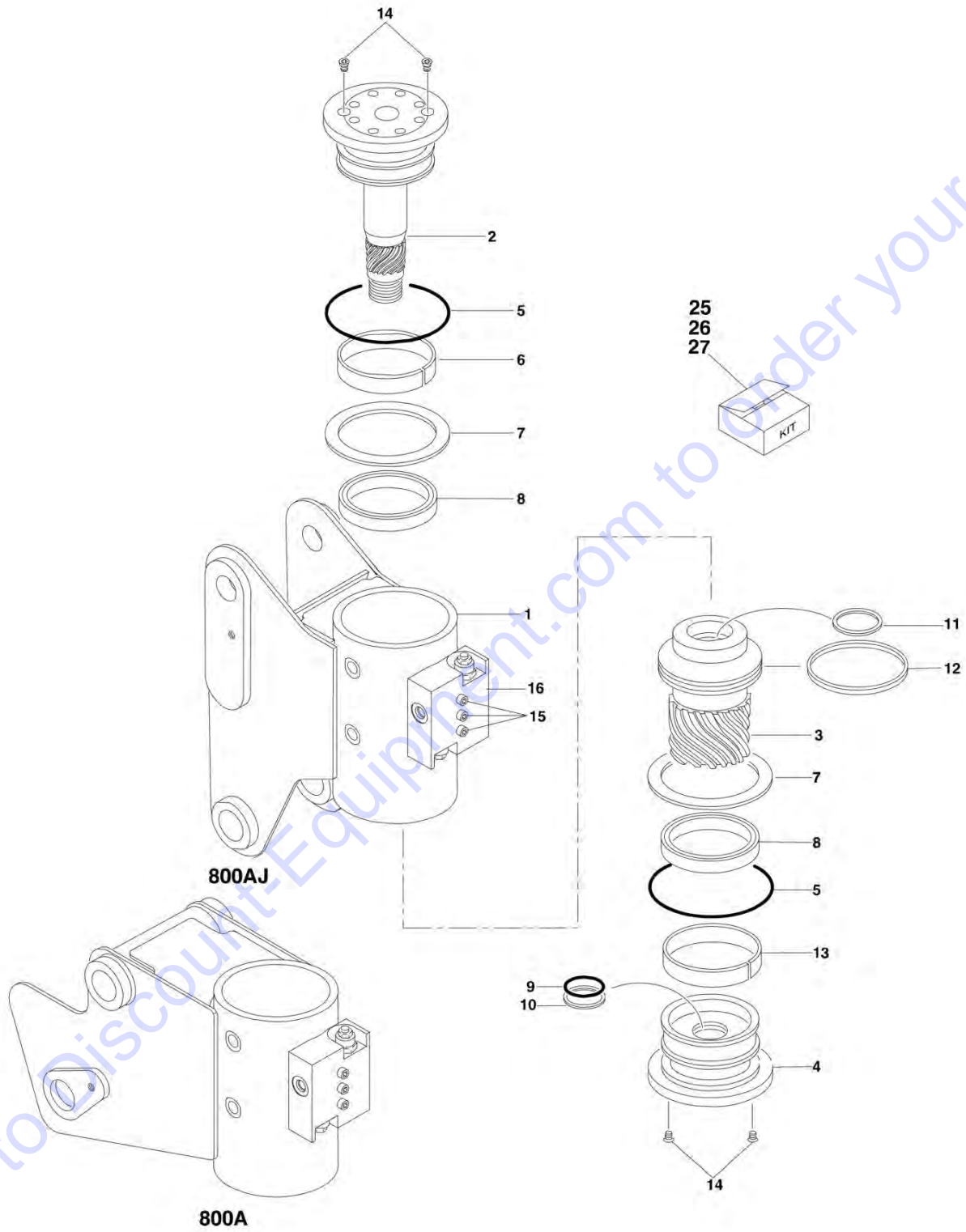
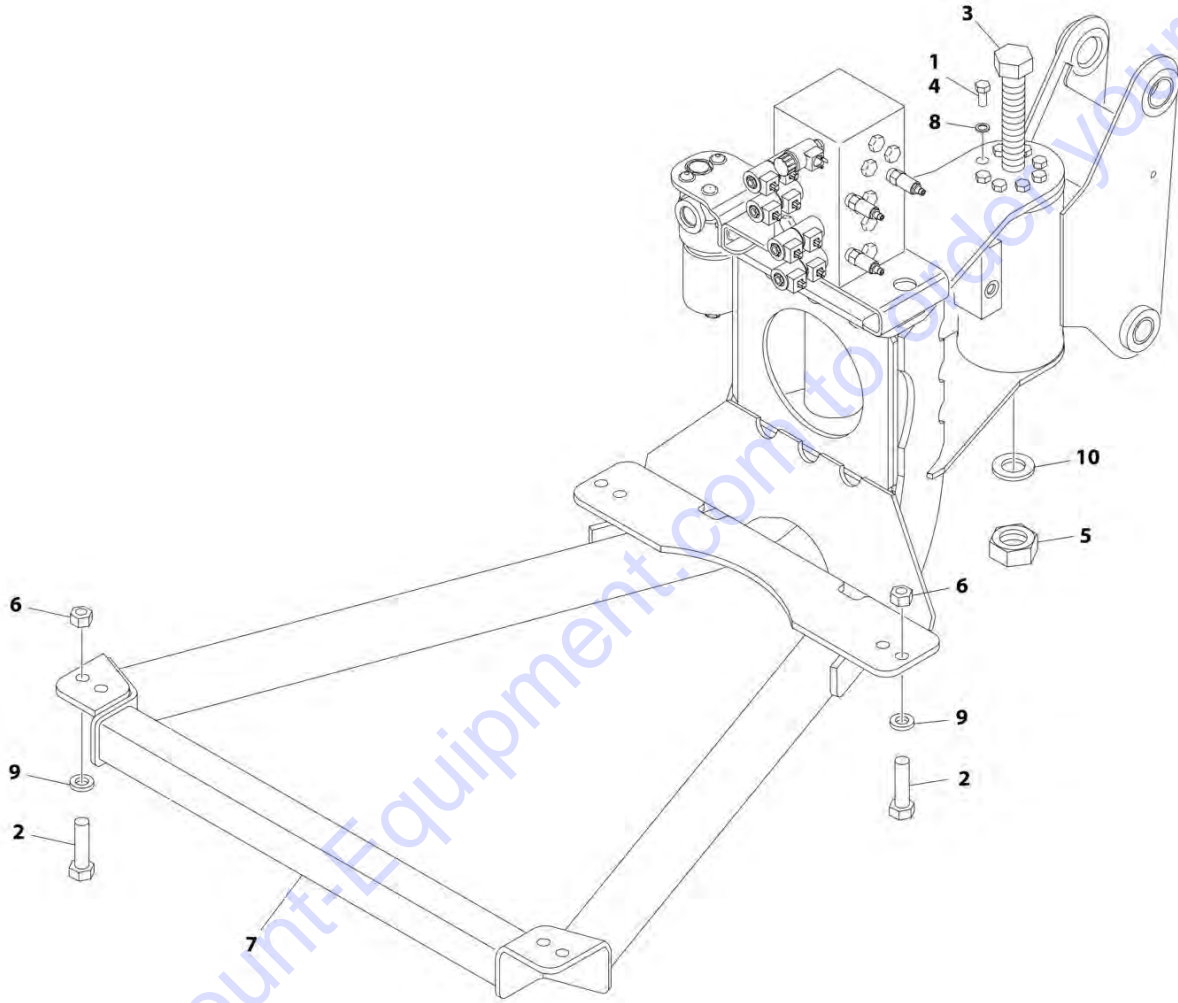


FIGURE 3-5. ROTATOR ASSEMBLY

ITEM	PART NUMBER	QTY	DESCRIPTION	REV
		Ref	ROTATOR ASSEMBLY (800A)	
	0060069	Ref	Rotator Assembly (SN 0300183034 through 0300194139)	B
	1001170989	Ref	Rotator Assembly (SN 0300194140 through 0300201336)	B
	1001181059	Ref	Rotator Assembly (SN 0300201337 to Present)	
		Ref	ROTATOR ASSEMBLY (800AJ)	
	0060066	Ref	Rotator Assembly (SN 0300183034 through 0300194139)	C
	1001157220	Ref	Rotator Assembly (SN 0300194140 through 0300201336)	B
	1001178256	Ref	Rotator Assembly (SN 0300201337 through 0300234279)	B
	1001217780	Ref	Rotator Assembly (SN 0300234280 to Present)	A
1	See Note	1	Housing/Ring Gear Assembly (Note: Not Available - Purchase Complete Assembly)	
2	7017162	1	Shaft	
2	7017195	2	Bushing, Shaft	
3	7017163	1	Piston/Sleeve Assembly	
4	7017164	1	Cap, End	
5	See Note	NSS	O-Ring (Note: Use Item 25)	
6	See Note	NSS	Bearing, Shaft (Note: Use Item 26)	
7	See Note	NSS	Washer, Thrust (Note: Use Item 26)	
8	See Note	NSS	Packing, Bearing (Note: Use Item 25)	
9	See Note	NSS	Seal, Cap (Note: Use Item 25)	
10	See Note	NSS	Ring, Back-up Cap (Note: Use Item 25)	
11	See Note	NSS	Seal, Rod (Note: Use Item 25)	
12	See Note	NSS	Seal, Piston (Note: Use Item 25)	
13	See Note	NSS	Bearing, Cap (Note: Use Item 26)	
14	70001697	6	Capscrew 1/4-20 x 3/8 Grade 8	
15	See Note	3	Bolt 1/4-20 x 1-1/2 Grade 8 (Note: Not Available - Purchase Locally)	
16	7017183	1	Valve Assembly (0060069 & 0060066 Rotators)	
16	7017172	1	Valve Assembly (1001170989, 1001157220, 1001181059, 1001178256 & 1001217780 Rotators)	
16	7017193	2	Cartridge, Valve (0060069 & 0060066 Rotators)	
16	7017192	2	Cartridge, Valve (1001170989, 1001157220, 1001181059, 1001178256 & 1001217780 Rotators)	
16	See Note	NSS	Seal Kit - 7017193 & 7017192 Valve (Note: Not Available - Purchase Cartridge)	
16	See Note	NSS	Cartridge, Valve (Not Shown - Located on Side of Block) (Note: Not Available - Purchase Complete Valve)	
16	See Note	NSS	Seal Kit - Valve Located on Side of Block (Note: Not Available - Purchase Cartridge)	
25	7017158	1	Seal Kit (Standard) (Includes Items 5, 8-12 & 27) (0060066, 0060069, 1001170989 & 1001157220 Rotators)	
25	70000342	1	Seal Kit (Low Temperature) (Includes Items 5, 8-12 & 27) (Std On 1001181059, 1001178256 & 1001217780 Rotators/Optional on All Others)	
26	7017159	1	Bearing Kit (Includes Items 6, 7 & 13)	
27	7017142	1	Hardware Kit (Includes Dowel Pins, Plugs and Item 14)	

# SECTION 3 - BOOM

## FIGURE 3-6. PLATFORM SUPPORT INSTALLATION - WITHOUT LSS



ART\_0272070

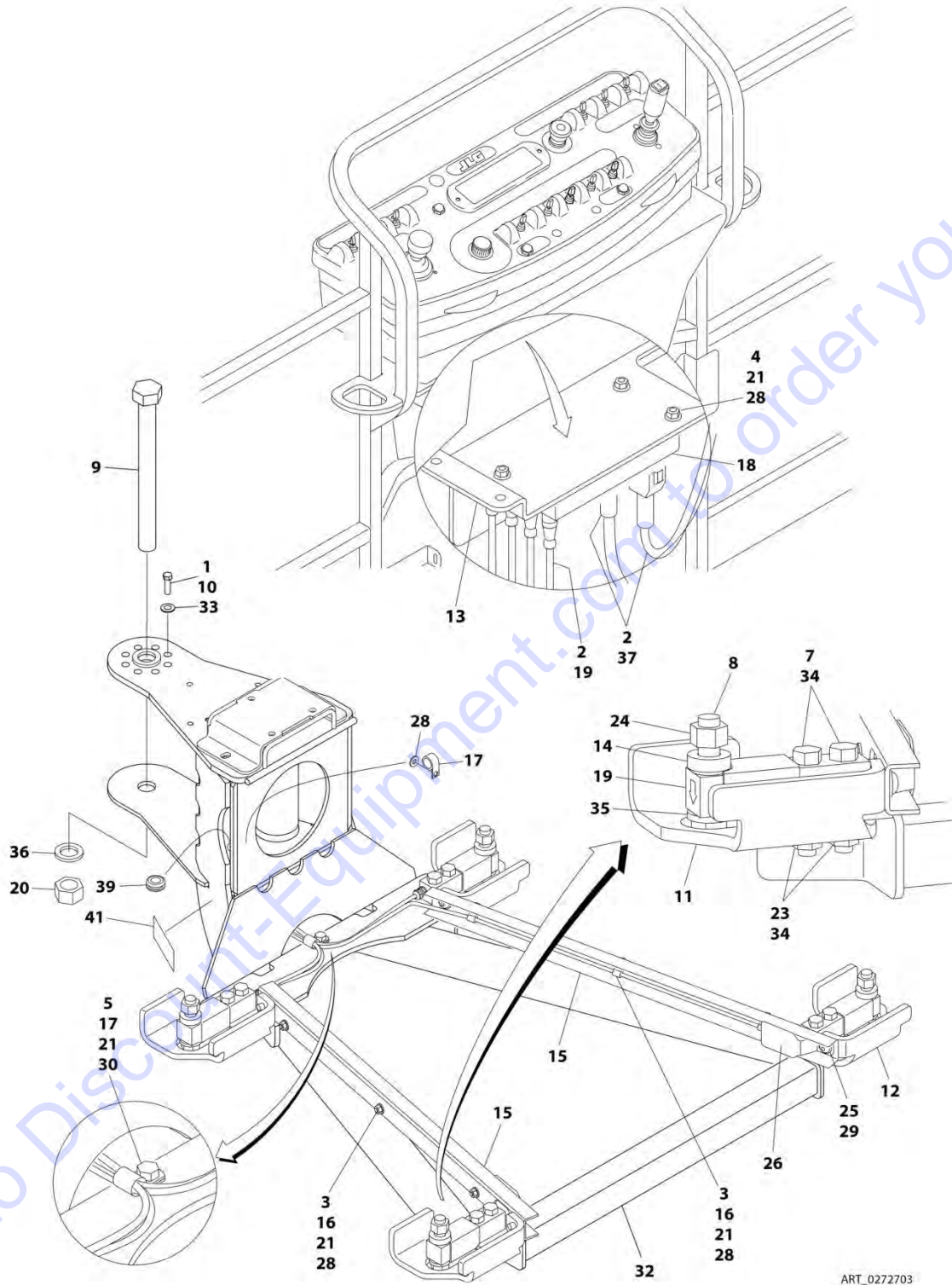
FIGURE 3-6. PLATFORM SUPPORT INSTALLATION - WITHOUT LSS

ITEM	PART NUMBER	QTY	DESCRIPTION	REV
	0272070	Ref	PLATFORM SUPPORT INSTALLATION - WITHOUT LSS	G
1	0100011	AR	Compound, Locking	
2	0641812	8	Bolt 1/2 x 1-1/2	
3	0642684	1	Bolt 1 x 10-1/4	
4	0681608	8	Bolt 3/8 x 1	
5	3300243	1	Nut 1	
6	3311805	8	Nut 1/2	
7	4846573	1	Support	
8	4891600	8	Washer 3/8	
9	4891800	8	Washer 1/2	
10	4892600	1	Washer 1	

Go to Discount-Equipment.com to order your parts

# SECTION 3 - BOOM

## FIGURE 3-7. PLATFORM SUPPORT INSTALLATION - WITH 4 CELL LSS



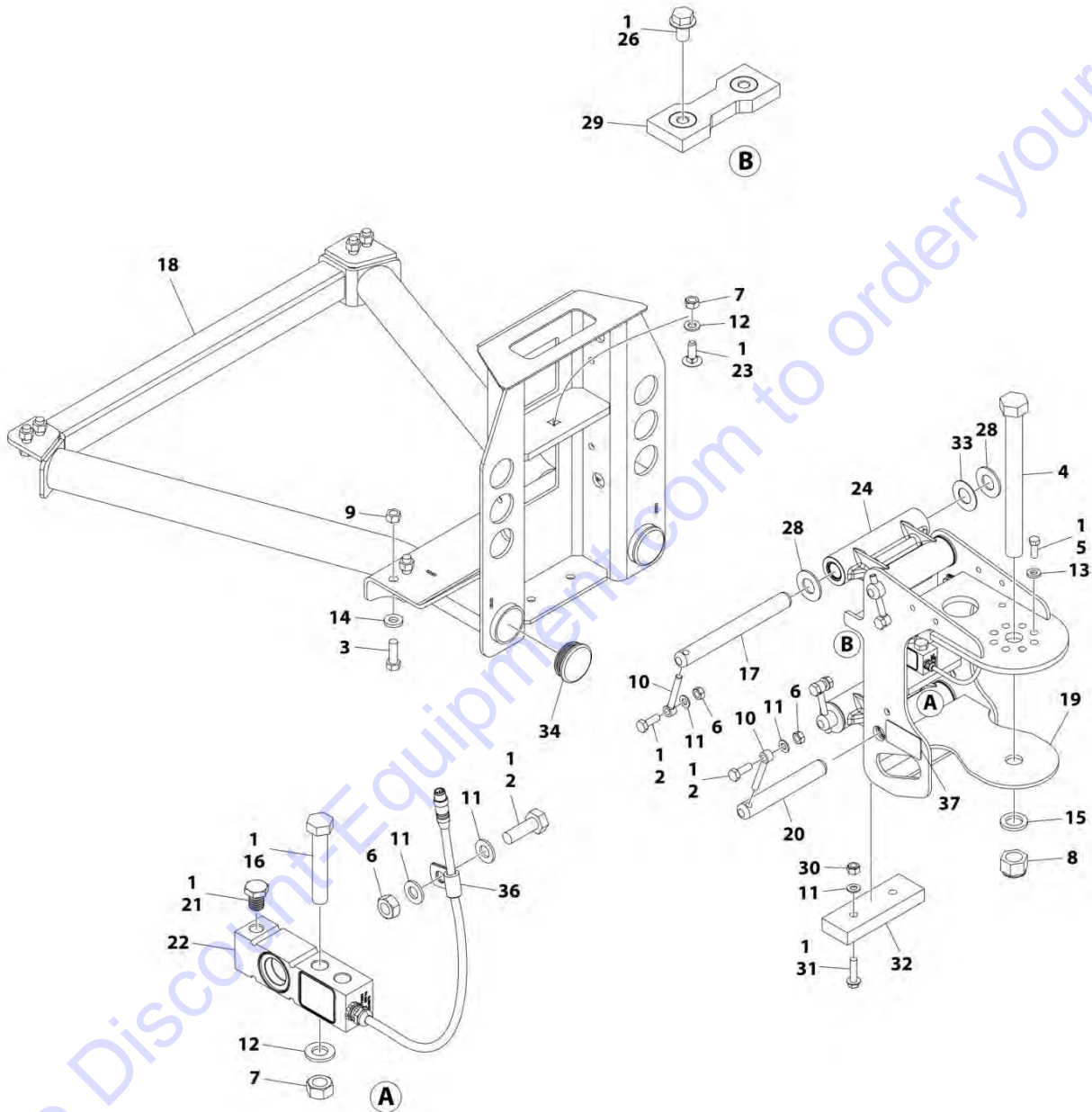
## SECTION 3 - BOOM

**FIGURE 3-7. PLATFORM SUPPORT INSTALLATION - WITH 4 CELL LSS**

ITEM	PART NUMBER	QTY	DESCRIPTION	REV
	0272703	Ref	PLATFORM SUPPORT INSTALLATION - WITH 4 CELL LSS	Q
1	0100011	AR	Compound, Locking	
2	0100048	AR	Grease, Dielectric	
3	0641405	6	Bolt 1/4 x 5/8	
4	0641416	3	Bolt 1/4 x 2	
5	0641407	1	Bolt 1/4 x 7/8	
7	0641822	8	Bolt 1/2 x 2-3/4	
8	0642024	4	Bolt 5/8 x 3	
9	0642684	1	Bolt 1 x 10-1/2	
10	0681608	8	Bolt 3/8 x 1 Grade 8	
11	0902919	2	Bracket, Cell Guard	
12	0902920	2	Bracket, Cell Guard	
13	1001113483	1	Bracket, Module Mount	
14	0962450	4	Bushing, Spacer	
15	1271538	2	Channel	
16	1320136	6	Clamp	
17	1320224	2	Clamp	
18	1600387	1	Module, Control - LSS (Note: Recalibration Required When Replaced)	
19	2420202	4	Cell, Load (Includes Cable)	
20	3272605	1	Nut 1 Grade 8	
21	3311405	10	Nut 1/4	
23	3311805	8	Nut 1/2	
24	3312005	4	Nut 5/8	
25	3900283	4	Screw 3/8 x 3/4	
26	4061054	2	Shield	
27	4240033	AR	Tie-Strap (Not Shown)	
28	4711400	10	Washer 1/4	
29	4711600	4	Washer 3/8	
30	4751400	1	Washer 1/4	
32	4846573	1	Support, Platform	
33	4891600	8	Washer 3/8	
34	4891800	8	Washer 1/2	
35	4892000	4	Washer 5/8	
36	4892600	1	Washer 1	
37	4922869	1	LSS Harness	
37	4922705	1	Analyzer Harness (Not Shown)	
37	4460761	1	Receptacle, Female - 4 Position (Not Shown)	
37	4460226	1	Socket, Female	
37	4460836	1	Connector - 12 Position (Black) (J2)	
37	4460465	1	Socket, Female	
37	4460466	1	Plug, Terminal	
37	0840055	1	Boot	
37	4460933	1	Connector - 12 Position (Grey) (J1)	
37	4460465	1	Socket, Female	
37	4460466	1	Plug, Terminal	
37	0840055	1	Boot	
39	2540038	1	Grommet	
40	2920129	1	Bulb, Light (Not Shown - Located on Ground Control Box)	
41	1001216630	2	Decal - Tie Down/No Lift	

# SECTION 3 - BOOM

## FIGURE 3-8. PLATFORM SUPPORT INSTALLATION - WITH 1 CELL LSS



ART\_1001167596



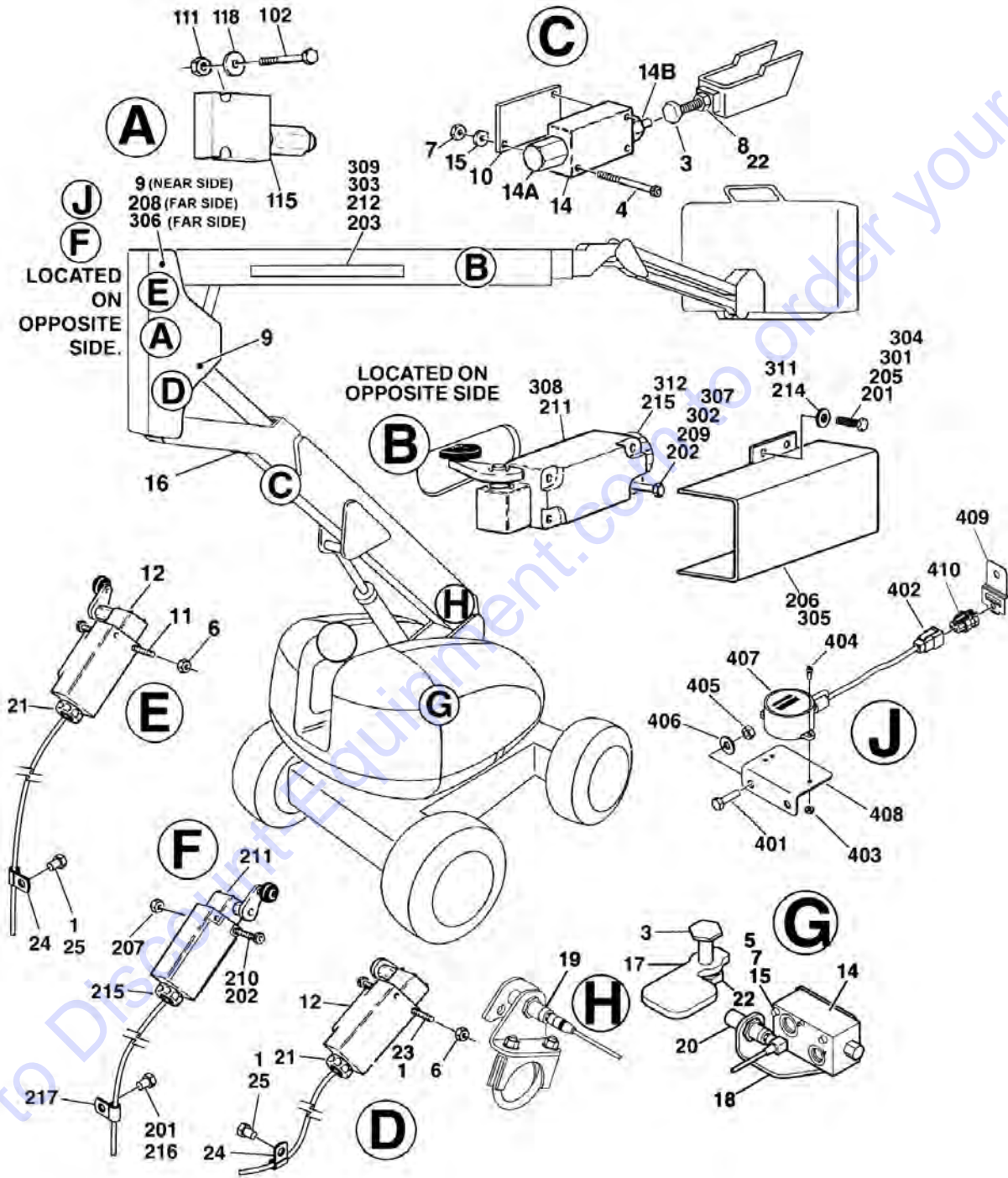
## SECTION 3 - BOOM

**FIGURE 3-8. PLATFORM SUPPORT INSTALLATION - WITH 1 CELL LSS**

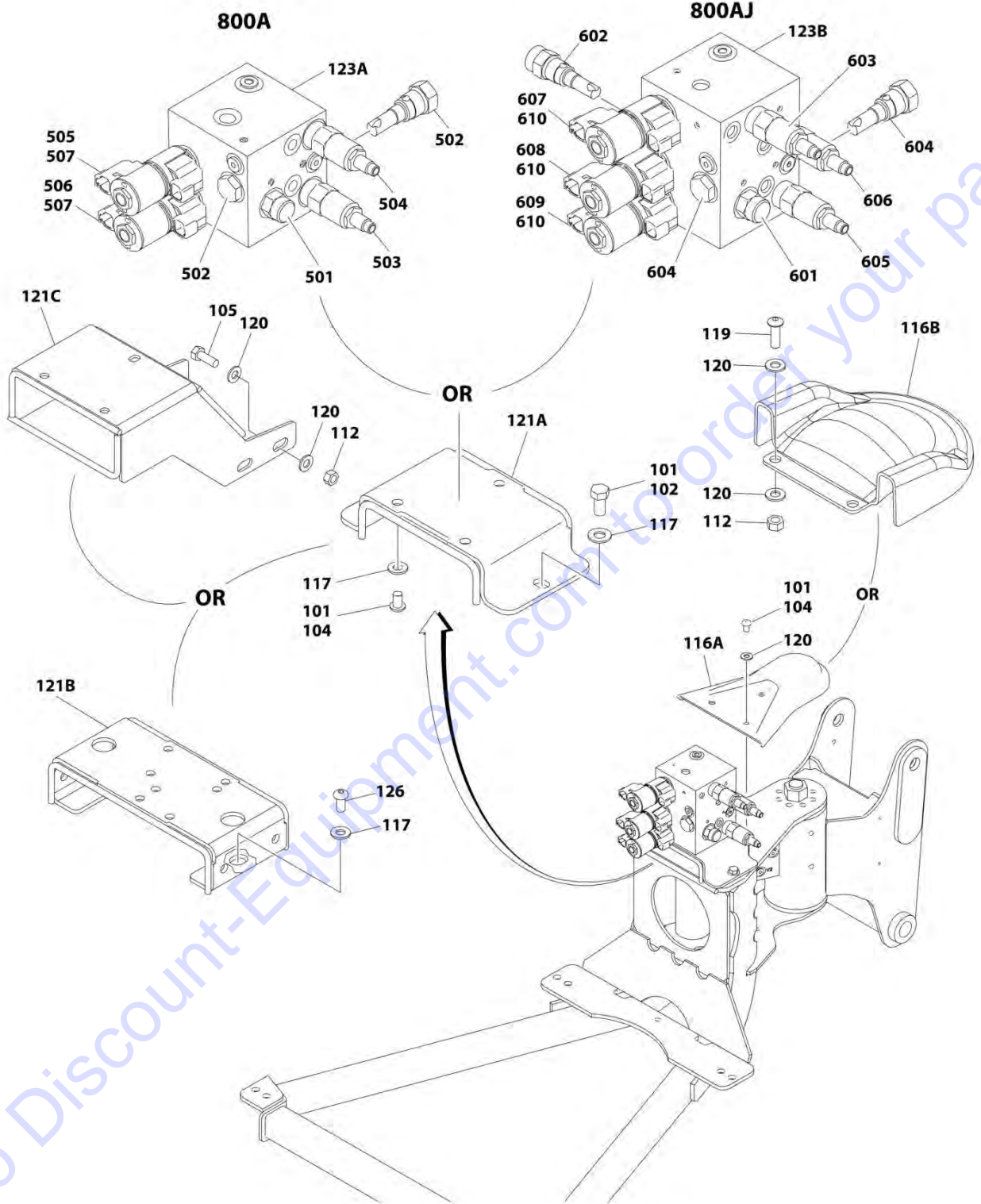
ITEM	PART NUMBER	QTY	DESCRIPTION	REV
	1001167596	Ref	PLATFORM SUPPORT INSTALLATION - WITH 1 CELL LSS	J
1	0100011	AR	Compound, Locking	
2	0761014	5	Bolt M10 x 30	
3	0641812	8	Bolt 1/2 x 1-1/2	
3	0761216	8	Bolt M12 x 40	
4	0642684	1	Bolt 1 x 10-1/2	
5	0681608	8	Bolt 3/8 x 1	
6	3291001	5	Nut M10	
7	3291201	3	Nut M12	
8	3300243	1	Nut 1	
9	3311805	8	Nut 1/2	
9	3291205	8	Nut M12	
10	3841143	4	Keeper, Pin	
11	4812000	8	Washer M10	
12	4812100	3	Washer M12	
13	4891600	8	Washer 3/8	
14	4891800	8	Washer 1/2	
14	5241200	8	Washer M12	
15	4892600	1	Washer 1	
16	1001098828	2	Bolt M12 x 70 Grade 10.9	
17	1001167565	2	Pin	
18	1001200494	1	Support, Platform	
19	1001167567	1	Support, Rotator	
20	1001168402	2	Pin	
21	1001188622	1	Screw	
22	1001172663	1	Gauge, Load Sensing	
23	1001188844	1	Bolt M12 x 35	
24	1001201351	2	Link, LSS Assembly	
26	5251008	2	Bolt M10 x 16	
28	1001189002	8	Bearing	
29	1001190985	1	Pad, Wear	
30	3291005	2	Nut M10	
31	5251016	2	Bolt M10 x 40	
32	1001200491	1	Pad, Wear	
33	1001189001	4	Bearing	
34	1001204725	2	Plug	
36	91203039	1	Clamp	
37	1001216630	2	Decal - Tie Down/No Lift	

# SECTION 3 - BOOM

## FIGURE 3-9. VALVE AND LIMIT SWITCH INSTALLATIONS (BOOM MOUNTED)



SECTION 3 - BOOM



## SECTION 3 - BOOM

### FIGURE 3-9. VALVE AND LIMIT SWITCH INSTALLATIONS (BOOM MOUNTED)

ITEM	PART NUMBER	QTY	DESCRIPTION	REV
	0258217	Ref	BOOM VALVES AND LIMIT SWITCHES INSTALLATION	S
1	0100011	AR	Compound, Locking	
3	0630427	2	Bolt, Special	
4	3931436	3	Capscrew 1/4-20 x 2-1/4	
5	3931464	3	Capscrew 1/4-20 x 4	
5	3931432	3	Capscrew 1/4 x 2	
6	3310801	4	Nut #8-32	
7	3311405	AR	Locknut 1/4-20	
8	3311801	1	Nut 1/2-13	
9	3520035	2	Plug, Cap	
10	3570928	2	Plate, Spacer	
11	3930824	2	Capscrew #8-32 x 1-1/2	
12	4360578	2	Switch, Limit	
14	4641435	2	Valve, Switch	
14A	7011342	2	Valve, Check (1 per Assembly)	
14A	7011333	2	Seal Kit - Check Valve (1 per Assembly)	
14B	See Note	NSS	Valve, Plunger (1 per Assembly) (Note: Not Available - Purchase Complete Valve Assembly)	
14B	See Note	NSS	Seal Kit (1 per Assembly) (Note: Not Available for Purchase)	
15	4751400	AR	Washer 1/4	
16	4060805	7 in/25cm	Trim, Edge	
17	3572606	1	Plate, Switch Target	
18	3572607	1	Plate, Switch Mount	
19	4360498	1	Switch Proximity	
20	4360499	1	Switch Proximity	
21	4460968	2	Connector, Strain Relief	
22	88521008	2	Nut 1/2-13	
23	3930824	2	Capscrew #8-32 x 1-1/2	
24	91203039	2	Clamp	
25	0641604	2	Bolt 3/8 x 1/2	
		Ref	VALVES INSTALLATION	
		Ref	Machines without LSS or with 4 Cell LSS:	
	1001156794	Ref	Valves Installation - 800A (2WS) (SN 0300183034 through 0300194139)	C
	1001170128	Ref	Valves Installation - 800A (2WS) (SN 0300194140 to Present)	F
	1001156795	Ref	Valves Installation - 800A (4WS) (SN 0300183034 through 0300194139)	C
	1001170129	Ref	Valves Installation - 800A (4WS) (SN 0300194140 to Present)	F
	1001156796	Ref	Valves Installation - 800AJ (2WS) (SN 0300183034 through 0300194139)	C
	1001170132	Ref	Valves Installation - 800AJ (2WS) (SN 0300194140 to Present)	F
	1001156797	Ref	Valves Installation - 800AJ (4WS) (SN 0300183034 through 0300194139)	C
	1001170134	Ref	Valves Installation - 800AJ (4WS) (SN 0300194140 to Present)	F
		Ref	Machines with 1 Cell LSS:	
	1001219983	Ref	Valves Installation - 800A (2WS)	B
	1001219984	Ref	Valves Installation - 800A (4WS)	B
	1001219985	Ref	Valves Installation - 800AJ (2WS)	A
	1001219986	Ref	Valves Installation - 800AJ (4WS)	A
101	0100011	AR	Compound, Locking	
102	0641416	2	Bolt 1/4-20 x 2	

## SECTION 3 - BOOM

ITEM	PART NUMBER	QTY	DESCRIPTION	REV
102	0641418	1	Bolt 1/4 x 2-1/4	
104	0630467	4	Screw 5/16 x 1/2	
105	0641507	4	Bolt 5/16 x 7/8	
107	0641606	2	Bolt 3/8 x 3/4	
111	3311405	2	Nut 1/4-20	
112	3311505	6	Nut 5/16	
115	4640929	1	Valve Assembly (Relief) (SN 0300183034 through 0300213730)	
115	1001200054	1	Valve Assembly (Relief) (SN 0300213731 to Present)	
115	7012970	1	Cartridge	
115	7012953	1	Seal Kit - 7012970 Cartridge	
116A	1670964	1	Cover (Machines without LSS or with 4 Cell LSS) (SN 0300194140 to Present)	
116B	1001207969	1	Cover (Machines with 1 Cell LSS)	
117	4711600	5	Washer 3/8	
118	4711400	4	Washer 1/4	
119	88261024	2	Screw 5/16 x 1	
120	4711500	AR	Washer 5/16	
121A	4846218	1	Bracket, Mounting (Machines without LSS or with 4 Cell LSS) (SN 0300194140 through 0300196955)	
121B	4341264	1	Bracket, Mounting (Machines without LSS or with 4 Cell LSS) (SN 0300196956 to Present)	
121C	1001226744	1	Bracket, Mounting (Machines with 1 Cell LSS)	
123A	1001152564	1	Control Valve Assembly - 800A (See Items 501-509 for Breakdown) (SN 0300194140 to Present)	
123B	1001152565	1	Control Valve Assembly - 800AJ (See Items 601-612 for Breakdown) (SN 0300194140 to Present)	
126	3900283	2	Screw 3/8 x 3/4	
	0258338	Ref	LIMIT SWITCHES INSTALLATION - 800A DUAL CAPACITY (ANSI, ANSI EXPORT, CSA AND JAPANESE SPECS)	I
201	0100011	AR	Compound, Locking	
202	0100035	AR	Compound, Locking	
203	1001106482	1	Bar, Fiberglass	
205	0641403	4	Bolt 1/4-20 x 3/8	
206	3380535	1	Cover	
207	3310801	2	Nut #8-32	
208	3520035	1	Plug, Cap	
209	3930816	2	Capscrew #8-32 x 1	
210	3930824	2	Capscrew #8-32 x 1-1/2	
211	4360578	2	Switch, Limit	
212	4420060	2	Tape, Double Sided	
214	4751400	4	Washer 1/4	
215	4460968	2	Connector, Strain Relief	
216	0641604	1	Bolt 3/8 x 1/2	
217	91203039	1	Clamp	
	0258384	Ref	TRANSPORT POSITION SWITCH INSTALLATION - 800A (CE SPEC)	F
	0258567	Ref	TRANSPORT POSITION SWITCH INSTALLATION - 800AJ (CE SPEC)	F
301	0100011	AR	Compound, Locking	
302	0100035	AR	Compound, Locking	
303	1001106477		Bar, Fiberglass (800A)	
303	1001106481		Bar, Fiberglass (800AJ)	

## SECTION 3 - BOOM

ITEM	PART NUMBER	QTY	DESCRIPTION	REV
304	0641403	4	Bolt 1/4-20 x 3/8	
305	3380535	1	Cover, Switch	
306	3520035	1	Plug, Cap	
307	3930816	2	Capscrew #8-32 x 1	
308	4360578	1	Switch, Limit	
309	4420060	AR	Tape, Double Sided Foam	
311	4751400	1	Washer 1/4	
312	4460968	1	Connector, Strain Relief	
	0275733	Ref	TILT SENSOR INSTALLATION	B
401	0641408	2	Bolt 1/4-20 x 1	
402	0100048	AR	Grease, Dielectric	
403	3310605	3	Nut #6-32	
404	3930606	3	Screw #6-32	
405	3311405	2	Nut 1/4-20	
406	4751400	2	Washer 1/4	
407	1001094400	1	Sensor, Dual Axis	
408	1001096736	1	Bracket, Tilt Sensor	
409	1001153749	1	Bracket <b>(SN 0300236625 to Present)</b>	
410	1001200497	1	Connector - 3 Position <b>(SN 0300236625 to Present)</b>	
	1001152564	Ref	CONTROL VALVE ASSEMBLY - 800A	D
501	7012965	1	Valve, Flow	
501	7012953	1	Seal Kit - 7012965 Valves	
502	7012914	2	Valve, Cartridge	
502	7012918	2	Seal Kit - 7012914 Valve	
503	7023911	1	Valve, Relief	
503	7012967	1	Seal Kit - 7023911 Valve	
504	7023912	1	Valve, Relief	
504	7012967	1	Seal Kit - 7023912 Valve	
505	7017452	1	Valve, Solenoid (Platform Level)	
505	7017402	1	Seal Kit - 7017452 Valve	
506	7017452	1	Valve, Solenoid (Rotator)	
506	7017402	2	Seal Kit - 7017452 Valve	
507	70002386	4	Coil	
508	70002064	2	Plug, Orifice (Not Shown)	
509	7017406	2	Plug (Not Shown)	
	1001152565	Ref	CONTROL VALVE ASSEMBLY - 800AJ	C
601	7012989	1	Valve, Flow	
601	7012953	1	Seal Kit - 7012989 Valve	
602	7012965	1	Valve, Flow	
602	7012953	1	Seal Kit - 7012965 Valve	
603	70003790	1	Valve, Relief	
603	7021653	1	Seal Kit - 70003790 Valve	
604	7012914	2	Valve, Cartridge	
604	7012918	2	Seal Kit - 7012914 Valve	
605	7023911	1	Valve, Relief	
605	7012967	1	Seal Kit - 7023911 Valve	
606	7023912	1	Valve, Relief	
606	7012967	1	Seal Kit - 7023912 Valve	
607	7017452	1	Valve, Solenoid (Jib)	
607	7017402	2	Seal Kit - 7017452 Valve	
608	7017452	1	Valve, Solenoid (Platform Level)	

**SECTION 3 - BOOM**

<b>ITEM</b>	<b>PART NUMBER</b>	<b>QTY</b>	<b>DESCRIPTION</b>	<b>REV</b>
608	7017402	1	Seal Kit - 7017452 Valve	
609	7017452	1	Valve, Solenoid (Rotator)	
609	7017402	2	Seal Kit - 7017452 Valve	
610	70002386	6	Coil	
611	70002064	2	Plug, Orifice (Not Shown)	
612	7017406	2	Plug (Not Shown)	

Go to Discount-Equipment.com to order your parts



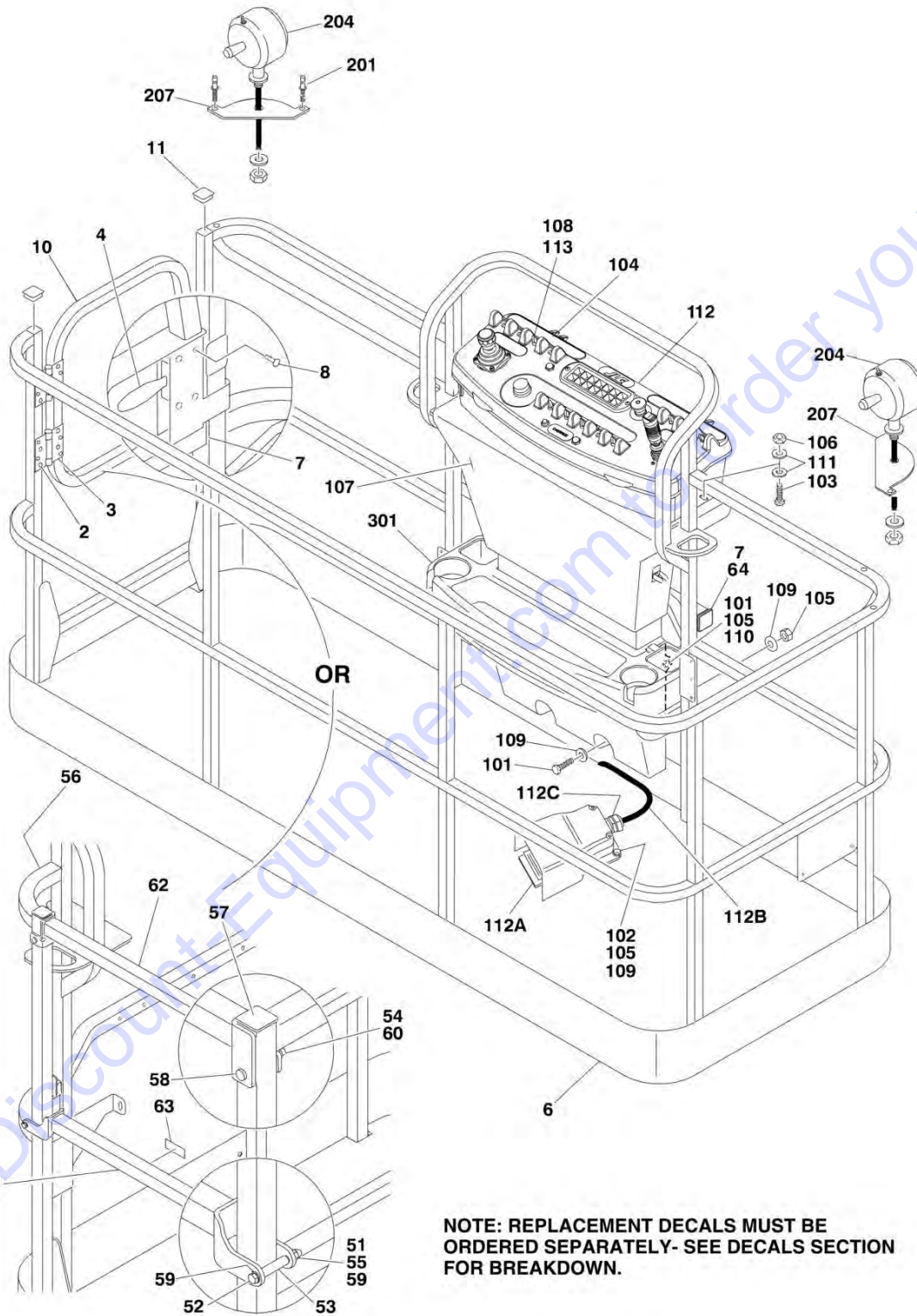


**SECTION 4 - PLATFORM**

Go to [Discount-Equipment.com](http://Discount-Equipment.com) to order your parts

# SECTION 4 - PLATFORM

## FIGURE 4-1. PLATFORM COMPONENTS INSTALLATION



## SECTION 4 - PLATFORM

**FIGURE 4-1. PLATFORM COMPONENTS INSTALLATION**

ITEM	PART NUMBER	QTY	DESCRIPTION	REV
	1001144027	Ref	PLATFORM ASSEMBLY WITH GATE - 30IN X 4FT (76CM X 1.22M) <b>(SN 0300183034 through 0300201003)</b>	D
	1001186387	Ref	PLATFORM ASSEMBLY WITH GATE - 30IN X 4FT (76CM X 1.22M) <b>(SN 0300201004 to Present)</b>	C
	1001144025	Ref	PLATFORM ASSEMBLY WITH GATE - 30IN X 6FT (76CM X 1.83M) <b>(SN 0300183034 through 0300201003)</b>	D
	1001186385	Ref	PLATFORM ASSEMBLY WITH GATE - 30IN X 6FT (76CM X 1.83M) <b>(SN 0300201004 to Present)</b>	C
	1001144024	Ref	PLATFORM ASSEMBLY WITH GATE- 36IN X 6FT (91.5CM X 1.83M) <b>(SN 0300183034 through 0300201003)</b>	D
	1001186384	Ref	PLATFORM ASSEMBLY WITH GATE- 36IN X 6FT (91.5CM X 1.83M) <b>(SN 0300201004 to Present)</b>	C
	1001228376	Ref	PLATFORM ASSEMBLY WITH 1 GATE / 2 DROP BARS (TRI-ENTRY) - 36IN X 6FT (91.5CM X 1.83M)	A
	1001144023	Ref	PLATFORM ASSEMBLY WITH GATE - 36IN X 8FT (91.5CM X 2.44M) <b>(SN 0300183034 through 0300201003)</b>	D
	1001186383	Ref	PLATFORM ASSEMBLY WITH GATE - 36IN X 8FT (91.5CM X 2.44M) <b>(SN 0300201004 to Present)</b>	D
		Ref	Note: For Platforms with Mesh, Platforms and Mesh must be ordered separately. See SPECIAL OPTIONS SECTION for Mesh Installations.	
		Ref	Note: Replacement Decals Must be purchased separately - See DECALS SECTION.	
		Ref	Note: When replacing 8ft/2.44m platform with Soft Touch option, new Soft Touch Rail p/n 4846673 must be purchased to accommodate limit switch locations.	
		Ref	Note: When replacing platform on machines with SkyCutter option, new bracket p/n 1001145405 must be purchased to accommodate SkyCutter components.	
2	2080040	16	Fastener, Huck	
3	2600281	2	Hinge, Self-Closing	
4	2940074	1	Latch	
6	See Note	1	Platform (Note: Not Available - Purchase Platform Assembly)	
7	3520072	3	Cap, Plug	
8	3820020	4	Rivet, Pop	
10	1001144629	1	Gate	
11	3520198	2	Cap, Plug	
	1001228215	Ref	PLATFORM ASSEMBLY WITH DROP-BAR - 30IN X 3FT (76CM X 1M)	A
	1001144018	Ref	PLATFORM ASSEMBLY WITH DROP-BAR - 30IN X 4FT (76CM X 1.22M) <b>(SN 0300183034 through 0300201003)</b>	D
	1001186375	Ref	PLATFORM ASSEMBLY WITH DROP-BAR - 30IN X 4FT (76CM X 1.22M) <b>(SN 0300201004 to Present)</b>	B
	1001144020	Ref	PLATFORM ASSEMBLY WITH DROP-BAR - 30IN X 6FT (76CM X 1.83M) <b>(SN 0300183034 through 0300201003)</b>	D
	1001186378	Ref	PLATFORM ASSEMBLY WITH DROP-BAR - 30IN X 6FT (76CM X 1.83M) <b>(SN 0300201004 to Present)</b>	C
	1001144021	Ref	PLATFORM ASSEMBLY WITH DROP-BAR - 36IN X 6FT (91.5CM X 1.83M) <b>(SN 0300183034 through 0300201003)</b>	D
	1001186379	Ref	PLATFORM ASSEMBLY WITH DROP-BAR - 36IN X 6FT (91.5CM X 1.83M) <b>(SN 0300201004 to Present)</b>	B
	1001228377	Ref	PLATFORM ASSEMBLY WITH DROP- BAR (TRI-ENTRY) - 36IN X 6FT (91.5CM X 1.83M)	A
	1001144022	Ref	PLATFORM ASSEMBLY WITH DROP-BAR - 36IN X 8FT (91.5CM X 2.44M) <b>(SN 0300183034 through 0300201003)</b>	D

## SECTION 4 - PLATFORM

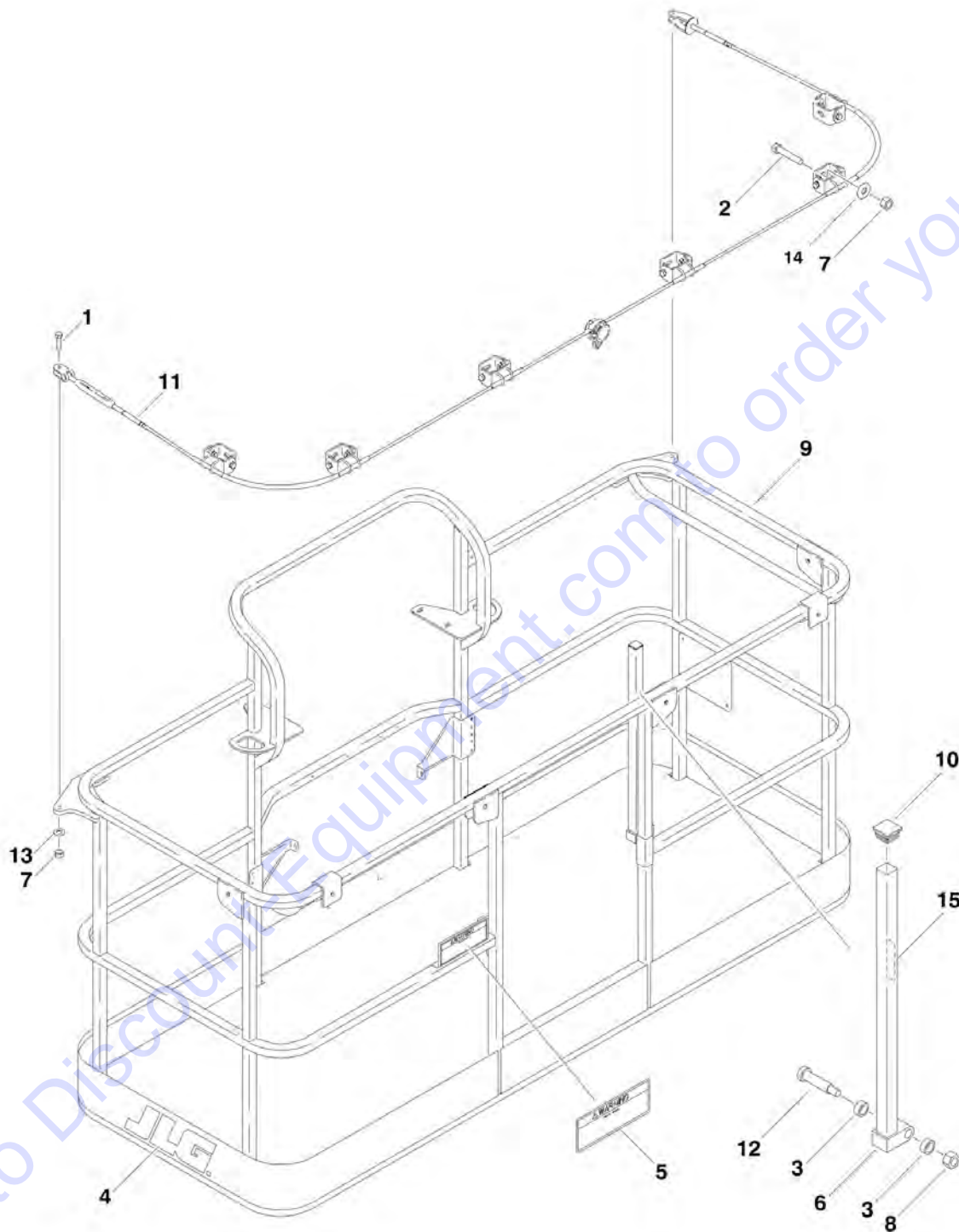
ITEM	PART NUMBER	QTY	DESCRIPTION	REV
	1001186382	1	PLATFORM ASSEMBLY WITH DROP-BAR - 36IN X 8FT (91.5CM X 2.44M) <b>(SN 0300201004 to Present)</b>	C
	1001228243	Ref	PLATFORM ASSEMBLY WITH SWING GATE (TRI-ENTRY) – 36 X 8FT (91.5 CM X 2.44M) <b>(SN 0300258190 to Present)</b>	A
	1001228375	Ref	PLATFORM ASSEMBLY WITH DROP-BAR (TRI-ENTRY) – 36 X 8FT (91.5 CM X 2.44M) <b>(SN 0300258190 to Present)</b>	A
		Ref	Note: For Platforms with Mesh, Platforms and Mesh must be ordered separately. See SPECIAL OPTIONS SECTION for Mesh Installations.	
		Ref	Note: Replacement Decals Must be Ordered Separately - See DECALS SECTION.	
		Ref	Note: When replacing 8ft/2.44m platform with Soft Touch option, new Soft Touch Rail p/n 4846673 must be purchased to accommodate limit switch locations.	
		Ref	Note: When replacing platform on machines with SkyCutter option, new bracket p/n 1001145405 must be purchased to accommodate SkyCutter components.	
51	0100011	AR	Compound, Locking	
52	0641418	2	Bolt 1/4-20 x 2-1/4	
53	0961845	2	Bushing	
54	3290606	2	Nut M6	
55	3300151	2	Nut, Acorn	
56	See Note	1	Platform (Note: Not Available - Purchase Complete Platform Assembly)	
57	3520198	2	Cap, Plug	
58	4010618	2	Screw M6 x 50	
59	4711400	4	Washer 1/4	
60	4811700	2	Washer M6	
61	1001138494	1	Bar, Drop (All except 30IN X 3FT (76CM X 1M) Platform)	
61	1001226872	1	Bar, Drop (30IN X 3FT (76CM X 1M) Platform)	
62	1001138514	1	Rail (Top)	
63	1001140429	1	Decal - Drop-Bar	
64	3520072	2	Cap, Plug	
	1001117427	Ref	CONSOLE BOX INSTALLATION WITHOUT SKYGUARD (MACHINES WITHOUT LSS OR WITH 4 CELL LSS) <b>(SN 0300183034 through 0300190139)</b>	B
	1001159096	Ref	CONSOLE BOX INSTALLATION WITHOUT SKYGUARD (MACHINES WITHOUT LSS OR WITH 4 CELL LSS) <b>(SN 0300190140 to Present)</b>	C
	1001190113	Ref	CONSOLE BOX INSTALLATION WITH SKYGUARD (MACHINES WITHOUT LSS OR WITH 4 CELL LSS)	B
	1001221703	Ref	CONSOLE BOX ASSEMBLY (MACHINES WITH 1 CELL LSS) <b>(Prior to SN 0300259888)</b>	B
	1001221719	Ref	CONSOLE BOX ASSEMBLY (MACHINES WITH 1 CELL LSS) <b>(SN 0300259889 to Present)</b>	A
101	0641406	4	Bolt 1/4-20 x 3/4	
102	0641408	3	Bolt 1/4-20 x 1	
103	0641610	4	Bolt 3/8-16 x 1-1/4	
104	1702676	1	Decal - Horn	
105	3311405	7	Nut 1/4-20	
106	3311605	4	Nut 3/8-16	
107	3380434	1	Panel, Decal Mount	
108	3790012	1	O-Ring	
109	4740362	7	Washer 1/4	
110	4751400	4	Washer 1/4	

## SECTION 4 - PLATFORM

ITEM	PART NUMBER	QTY	DESCRIPTION	REV
111	4751600	8	Washer 3/8	
112		Ref	Platform Console Box Assembly Options (See PLATFORM CONSOLE ASSEMBLY for Breakdown):	
		Ref	Machines without LSS or with 4 Cell LSS:	
112	1001117428	NLA	Platform Console Box Assembly (Without SkyGuard) (Use p/n 1001166677) <b>(SN 0300183034 through 0300188905)</b>	
112	1001166677	1	Platform Console Box Assembly (Without SkyGuard) <b>(SN 0300188906 through 0300190139)</b>	
112	1001166672	1	Platform Console Box Assembly (Without SkyGuard) <b>(SN 0300190140 through 0300219553)</b>	
112	1001202577	1	Platform Console Box Assembly (Without SkyGuard) <b>(SN 0300219554 to Present)</b>	
112	1001190089	1	Platform Console Box Assembly (With SkyGuard) <b>(SN 0300183034 through 030219553)</b>	
112	1001202573	1	Platform Console Box Assembly (With SkyGuard) <b>(SN 0300219554 to Present)</b>	
		Ref	Machines with 1 Cell LSS:	
112	1001219973	Ref	Platform Console Assembly <b>(Prior to SN 0300259888)</b>	
112	1001241715	Ref	Platform Console Assembly <b>(SN 0300259888 to Present)</b>	
112A	1001117174	1	Footswitch Assembly (Includes Footswitch and Items 112B-112E)	
112A	1001117172	1	Footswitch Less Cable	
112A	70002902	1	Switch, 20Amp	
112A	70002903	1	Gasket	
112A	70002904	4	Replacement Kit, Bolt	
112A	70002905	1	Cover, Aluminum	
112B	1060918	7 ft/2.14m	Cable, Electrical - 18/3	
112C	4460071	1	Connector, Strain Relief	
112D	4460226	2	Socket, Female (Not Shown - Used with Footswitch) (See ELECTRICAL SECTION for Location)	
112E	4460464	1	Terminal, Deutsch (Not Shown - Used with Footswitch) (See ELECTRICAL SECTION for Location)	
113	4360331	1	Switch, Toggle	
	0273484	Ref	WORKLIGHTS INSTALLATION (OPTIONAL) 800A	E
	0273485	Ref	WORKLIGHTS INSTALLATION (OPTIONAL) 800AJ	E
201	2080040	4	Blind Fastener, Huck	
204	2920140	NLA	Worklight (Use p/n 1001232838) <b>(SN 0300183034 through 0300258882)</b>	
204	7016399	2	Bulb, Replacement (1 Per Worklight)	
204	1001232838	1	Worklight W/Switch Kit <b>(SN 0300258883 to Present)</b>	
204	1001232586	1	Work W/Switch	
204	1001232799	1	Hasness, Light	
207	3536089	2	Plate, Mounting	
213	4460426		Connector, Strain Relief (Not Shown - Located at Console Box)	
217	2820035	9 ft/2.7m	Loom, Vinyl (Not Shown)	
218	4240099	10	Tie-Strap (Not Shown)	
		Ref	TRAY INSTALLATIONS (OPTIONAL)	
301	1580012	1	Tray, Storage (Center)	
302	1580013	1	Tray, Storage (Rail Mounted - Not Shown)	

# SECTION 4 - PLATFORM

FIGURE 4-2. PLATFORM COMPONENTS INSTALLATION (FALL ARREST FOR PLATFORM)



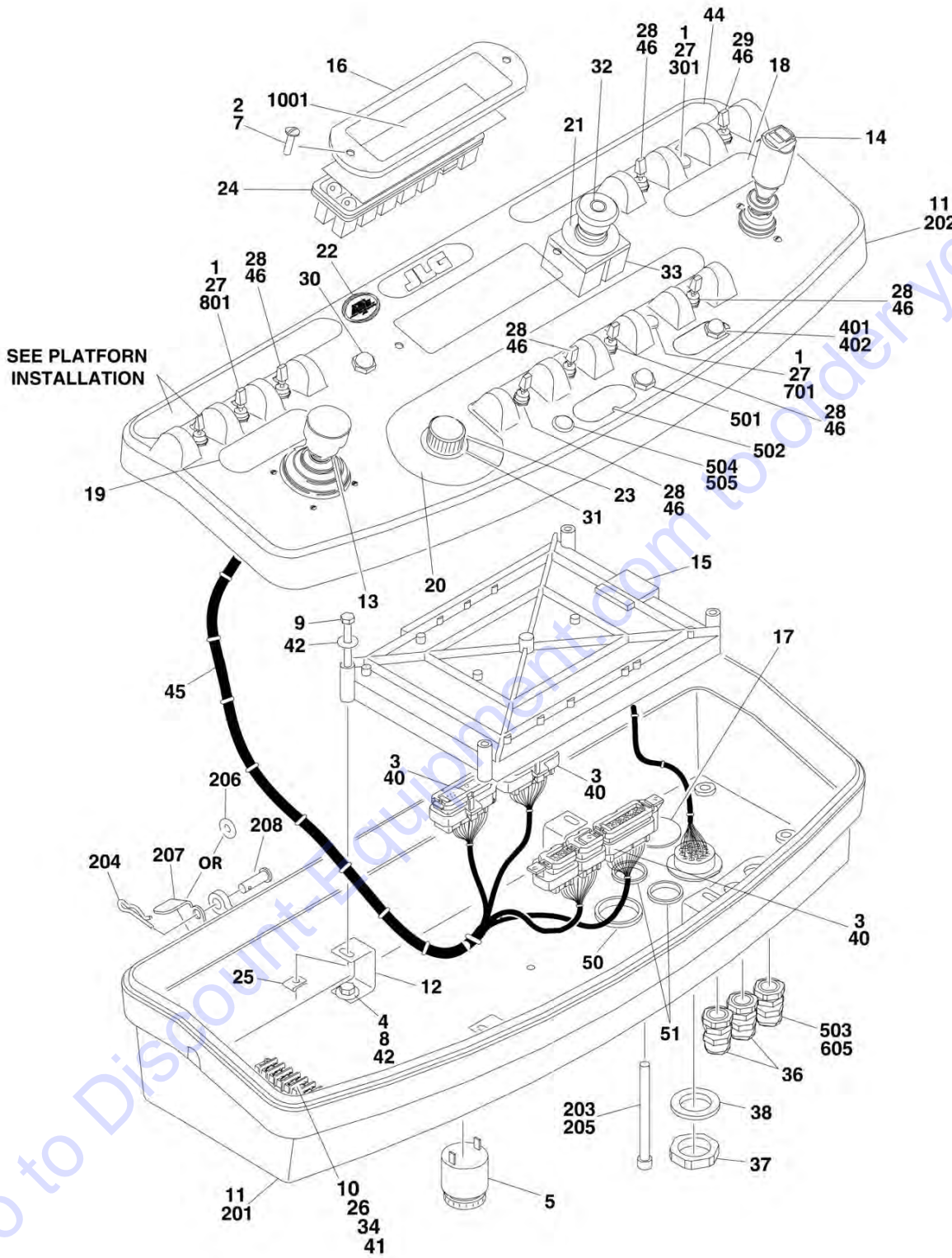
## SECTION 4 - PLATFORM

**FIGURE 4-2. PLATFORM COMPONENTS INSTALLATION (FALL ARREST FOR PLATFORM)**

ITEM	PART NUMBER	QTY	DESCRIPTION	REV
	3510884	Ref	PLATFORM ASSEMBLY WITH FALL ARREST (6FT) (SN <b>0300183034 through 0300186656</b> )	F
	1001144597	Ref	PLATFORM ASSEMBLY WITH FALL ARREST (6FT) (SN <b>0300186657 through 0300201003</b> )	D
	1001186333	Ref	PLATFORM ASSEMBLY WITH FALL ARREST (6FT) (SN <b>0300201004 to Present</b> )	C
	3510868	Ref	PLATFORM ASSEMBLY WITH FALL ARREST (8FT) (SN <b>0300183034 through 0300186656</b> )	F
	1001144596	Ref	PLATFORM ASSEMBLY WITH FALL ARREST (8FT) (SN <b>0300186657 through 0300201003</b> )	D
	1001186334	Ref	PLATFORM ASSEMBLY WITH FALL ARREST (8FT) (SN <b>0300201004 to Present</b> )	D
		Ref	Note: Replacement Decals Must be purchased separately - See DECALS SECTION.	
1	0681814	2	Bolt 1/2-13 x 1-3/4 Grade 8	
2	0681822	AR	Bolt 1/2-13 x 2-3/4 Grade 8	
3	0962270	2	Bearing	
4	1702773	1	Decal - JLG	
5	1705014	1	Decal - Safety	
6	2410014	1	Gate	
7	3271805	AR	Nut 1/2-13 Grade 8	
8	3311605	1	Nut 3/8-16	
9	See Note	1	Platform (Note: Purchase Platform Assembly)	
10	3520072	1	Cap-Plug	
11	1060919	NLA	Cable, Fall Arrest (6ft Platform) (Use p/n 1001203655) (SN <b>0300183034 through 0300214275</b> )	
11	1001203655	1	Cable, Fall Arrest (6ft Platform) (SN <b>0300214276 to Present</b> )	
11	3890040	NLA	Cable, Fall Arrest (8ft Platform) (Use p/n 1001203656) (SN <b>0300183034 through 0300215876</b> )	
11	1001203656	1	Cable, Fall Arrest (8ft Platform) (SN <b>0300215877 to Present</b> )	
12	3900054	1	Bolt 1/2in-13NC x 1-3/4in	
13	4711800	AR	Washer 1/2	
14	4751800	AR	Washer 1/2	
15	1706385	1	Decal - Drop Bar	

# SECTION 4 - PLATFORM

## FIGURE 4-3. PLATFORM CONSOLE ASSEMBLY (WITHOUT SKYGUARD)





## SECTION 4 - PLATFORM

**FIGURE 4-3. PLATFORM CONSOLE ASSEMBLY (WITHOUT SKYGUARD)**

ITEM	PART NUMBER	QTY	DESCRIPTION	REV
	1001117428	Ref	CONSOLE BOX ASSEMBLY (SN 0300183034 through 0300188905)	D
	1001166677	Ref	CONSOLE BOX ASSEMBLY (SN 0300188906 through 0300190139)	A
	1001166672	Ref	CONSOLE BOX ASSEMBLY (SN 0300180140 through 0300219553)	C
	1001202577	Ref	CONSOLE BOX ASSEMBLY (SN 0300219554 to Present)	C
1	0100009	AR	Sealant	
2	0100035	AR	Compound, Locking	
3	0100048	AR	Grease, Dielectric	
4	0100081	AR	Adhesive	
5	0140011	1	Alarm	
7	0630464	2	Screw #10-24 x 1/2	
8	0641404	4	Bolt 1/4-20 x 1/2	
9	0641414	4	Bolt 1/4-20 x 1-3/4	
10	0721006	2	Bolt #10-24 x 3/4	
11	0861537	1	Box, Console (See Items 201-208 for Breakdown) (SN 0300183034 through 0300219553)	
11	1001201890	1	Box, Console (See Items 201-208 for Breakdown) (SN 0300219554 to Present)	
12		Ref	Bracket, Card Support Options:	
12	0902751	4	Bracket, Support (SN 0300183034 through 0300188905)	
12	1001172760	4	Bracket, Support (SN 0300188906 to Present)	
13		Ref	Controller Assembly - Lift and Swing (See CONTROLLER ASSEMBLY - SWING AND LIFT for Breakdown) (Use p/n 1001129555)	
13	1001118417	NLA	Controller Assembly - Lift and Swing (Use p/n 1001129555) (SN 0300183034 through 0300188905)	
13	1001166539	NLA	Controller Assembly - Lift and Swing (Use p/n 1001129555) (SN 0300188906 to Present)	
14		Ref	Controller Assembly - Drive and Steer (See CONTROLLER ASSEMBLY - DRIVE AND STEER for Breakdown)	
14	1001118416	NLA	Controller Assembly - Drive and Steer (Use p/n 1001212415) (SN 0300183034 through 0300188905)	
14	1001166538	NLA	Controller Assembly - Drive and Steer (Use p/n 1001212415) (SN 0300188906 to Present)	
15	1001106355	1	Controller, Module (Re-calibration Required when Replaced) (SN 0300183034 through 0300190139)	
15	1001106938	1	Controller, Module (Re-calibration Required when Replaced) (SN 0300190140 to Present)	
16	1670829	1	Bezel	
17	1001110434	1	Plug	
18	1702565	1	Decal (Drive and Steer)	
19	1702566	1	Decal (Lift and Swing)	
20	1702567	1	Decal (Function Speed)	
21	1704260	1	Decal - EMS	
22	1705132	1	Decal - ADE (SN 0300183034 through 0300219553)	
23	2560136	1	Handle, Knob	
24	2760105	1	Housing, Display Light	
25	3300353	4	Nut, Tinnerman	
26	3311005	2	Nut #10-24	
27	3520054	AR	Plug, Hole	
28		Ref	Switch, Toggle Options:	

## SECTION 4 - PLATFORM

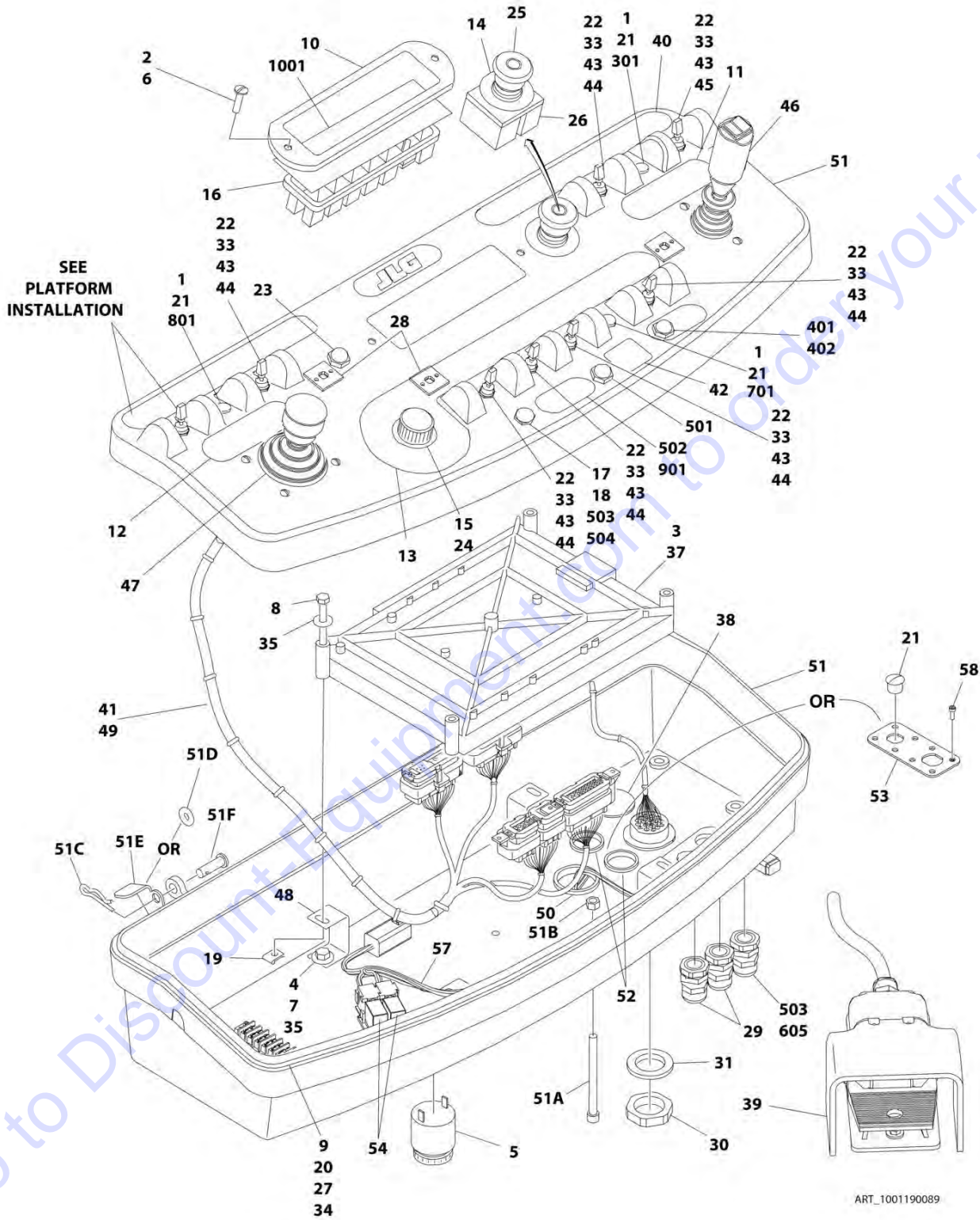
ITEM	PART NUMBER	QTY	DESCRIPTION	REV
28	4360328	6	Switch, Toggle (SN 0300183034 through 0300188905)	
28	1001155045	6	Switch, Toggle (SN 0300188906 to Present)	
29		Ref	Switch, Toggle Options:	
29	4360330	1	Switch, Toggle (SN 0300183034 through 0300188905)	
29	1001159256	1	Switch, Toggle (SN 0300188906 to Present)	
30	4360387	1	Switch, Push Button	
31	4360407	1	Controller, Speed	
31	See Note	1	Gasket "Top Hat" (Included with Switch) (Note: Not Available for Purchase)	
31	70003784	1	Seal	
32	4360475	1	Switch, Emergency Stop	
32	7020175	1	Cap, Red	
32	7020176	1	Contact Block	
33	4360476	1	Block, Contact	
34	4460007	1	Bar, Buss	
35	4460234	3	Mount, Tie-Strap (Not Shown)	
36	4460428	2	Connector, Strain Relief	
37	4460470	1	Nut	
38	4460471	1	Washer	
39	4460708	2	Terminal, 15 Pin (See ELECTRICAL SECTION for Location)	
40	4460905	5	Plug, Seal (See ELECTRICAL SECTION for Location)	
41	4751000	2	Washer #10	
42	4751400	8	Washer 1/4	
43	4922666	1	Harness, Analyzer Cable (Not Shown - See ELECTRICAL SECTION for Breakdown)	
44	1001131168	1	Decal (Stop)	
45	1001107753	1	Harness, Platform Box (See ELECTRICAL SECTION for Breakdown)	
46	3790012	7	O-Ring	
47	4740397	AR	Washer, Spacer	
48	1001155044	7	Nut, Special	
49	1001139135	1	Platform Valve Harness (Not Shown - See ELECTRICAL SECTION for Breakdown)) (SN 0300194140 to Present)	
50	3520035	1	Plug (SN 0300219554 to Present)	
51	3520033	2	Plug (SN 0300219554 through 0300224293)	
51	1001220486	2	Plug (SN 0300224294 to Present)	
	0861537	Ref	CONSOLE BOX ASSEMBLY (SN 0300183034 through 0300219553)	I
	1001201890	Ref	CONSOLE BOX ASSEMBLY (SN 0300219554 to Present)	B
201	See Note	NSS	Console Bottom (Note: Not Available for Purchase)	
202	See Note	NSS	Console Top (Note: Not Available for Purchase)	
203	3311601	1	Nut 3/8-16	
204	3470003	2	Pin, Hair	
205	0630568	1	Screw 3/8-16 x 4-1/2	
206	4711500	AR	Washer 5/16	
206	4711600	AR	Washer 3/8	
207	1001200575	2	Bracket	
208	3430616	2	Pin (SN 0300219554 to Present)	
	1001156467	Ref	DUAL FUEL SWITCH INSTALLATION (GM ENGINES ONLY)	B
301	4360336	1	Switch, Toggle	
301	3790012	1	O-Ring	
	0271768	Ref	HEAD AND TAIL LIGHTS INSTALLATION WITH ABS HOODS (OPTIONAL)	D

## SECTION 4 - PLATFORM

ITEM	PART NUMBER	QTY	DESCRIPTION	REV
	1001164786	Ref	HEAD AND TAIL LIGHTS INSTALLATION WITH STEEL HOODS (OPTIONAL)	A
401	4360522	1	Switch, Push Button	
402	1705170	1	Decal - Lights	
	0273824	Ref	SOFT TOUCH SYSTEM INSTALLATION - 6FT/1.83M PLATFORM (OPTIONAL)	B
	1001108256	Ref	SOFT TOUCH SYSTEM INSTALLATION - 6FT/1.83M FALL ARREST PLATFORM (OPTIONAL)	D
	0272427	Ref	SOFT TOUCH SYSTEM INSTALLATION - 8FT/2.44M PLATFORM (OPTIONAL)	A
	0273706	Ref	SOFT TOUCH SYSTEM INSTALLATION - 8FT/2.44M FALL ARREST PLATFORM (OPTIONAL)	B
501	4360387	1	Switch, Push Button	
502	1702938	1	Decal - Soft Touch Override	
503	4460425	1	Connector, Strain Relief	
504	2920028	1	Lamp, Indicator	
505	2920029	1	Bulb	
	0273484	Ref	PLATFORM WORKLIGHT INSTALLATION (OPTIONAL) (800A)	E
	0273485	Ref	PLATFORM WORKLIGHT INSTALLATION (OPTIONAL) (800AJ)	E
605	4460426	1	Connector, Strain Relief	
	0271340	Ref	JIB SWITCH INSTALLATION (800AJ ONLY)	1
701	4360328	1	Switch, Toggle	
701	3790012	1	O-Ring	
	0258945	Ref	STEER SWITCH (4WS) INSTALLATION (OPTIONAL)	A
801	4360331	1	Switch, Toggle	
801	3790012	1	O-Ring	
	1001108763	Ref	LIGHT PANEL DECAL INSTALLATION - ANSI, ANSI EXPORT AND CSA SPECS	A
	1001108764	Ref	LIGHT PANEL DECAL INSTALLATION - AUSTRALIAN AND CE SPECS	A
1001	1001107927	1	Decal - Light Panel Display (ANSI, ANSI Export, and CSA Specs)	
1001	1001107926	1	Decal - Light Panel Display (Australian and CE Spec)	

# SECTION 4 - PLATFORM

## FIGURE 4-4. PLATFORM CONSOLE ASSEMBLY - WITH SKYGUARD



## SECTION 4 - PLATFORM

**FIGURE 4-4. PLATFORM CONSOLE ASSEMBLY - WITH SKYGUARD**

ITEM	PART NUMBER	QTY	DESCRIPTION	REV
	1001190089	Ref	PLATFORM CONSOLE ASSEMBLY - WITH SKYGUARD (MACHINES WITHOUT LSS OR WITH 4 CELL LSS) (SN 0300183034 through 0300219553)	C
	1001202573	Ref	PLATFORM CONSOLE ASSEMBLY - WITH SKYGUARD (MACHINES WITHOUT LSS OR WITH 4 CELL LSS) (SN 0300219554 to Present)	D
	1001219973	Ref	PLATFORM CONSOLE ASSEMBLY - WITH SKYGUARD (WITH 1 CELL LSS)	B
1	0100009	AR	Sealant	
2	0100035	AR	Compound, Locking	
3	0100048	AR	Grease, Dielectric	
4	0100081	AR	Adhesive (SN 0300183034 through 0300237343)	
5	0140011	1	Alarm	
6	0630464	2	Screw #10 x 3/4	
7	0641404	4	Bolt 1/4 x 1/2	
8	0641414	4	Bolt 1/4 x 1-3/4	
9	0721006	2	Screw #10 x 3/4	
10	1670829	1	Bezel	
11	1702565	1	Decal - Drive and Steer	
12	1702566	1	Decal - Lift and Swing	
13	1702567	1	Decal - Function Speed	
14	1704260	1	Decal, Emergency Stop	
15	2560136	1	Knob	
16	2760105	1	Fixture, Light	
17	2920028	1	Light, Indicator	
18	2920029	1	Lamp, Bulb	
19	3300353	4	Nut, Tinnerman	
20	3311005	2	Nut #10	
21	3520054	AR	Plug, Hole	
22	3790012	7	O-Ring	
23	4360387	2	Switch, Push Button	
24	4360407	1	Switch, Flow Control	
24	See Note	1	Gasket "Top Hat" (Included with Switch) (Note: Not Available for Purchase)	
24	70003784	1	Seal	
25	4360475	1	Switch, Emergency Stop	
25	7020175	1	Cap, Red	
25	7020176	1	Block, Contact	
26	4360476	1	Switch, Contact	
27	4460007	1	Bussbar	
28	4460234	3	Mount Cable, Tie	
29	4460428	2	Connector, Strain Relief	
30	4460470	1	Terminal, Nut	
31	4460471	1	Terminal, Washer	
32	4460708	2	Connector - 15 Position	
33	4740397	7	Spacer, Washer	
34	4751000	2	Washer #10	
35	4751400	8	Washer 1/4	
36	4922666	1	Harness, Analyzer Cable (See ELECTRICAL SECTION for Breakdown)	
37	1001106938	1	Module, Control	

## SECTION 4 - PLATFORM

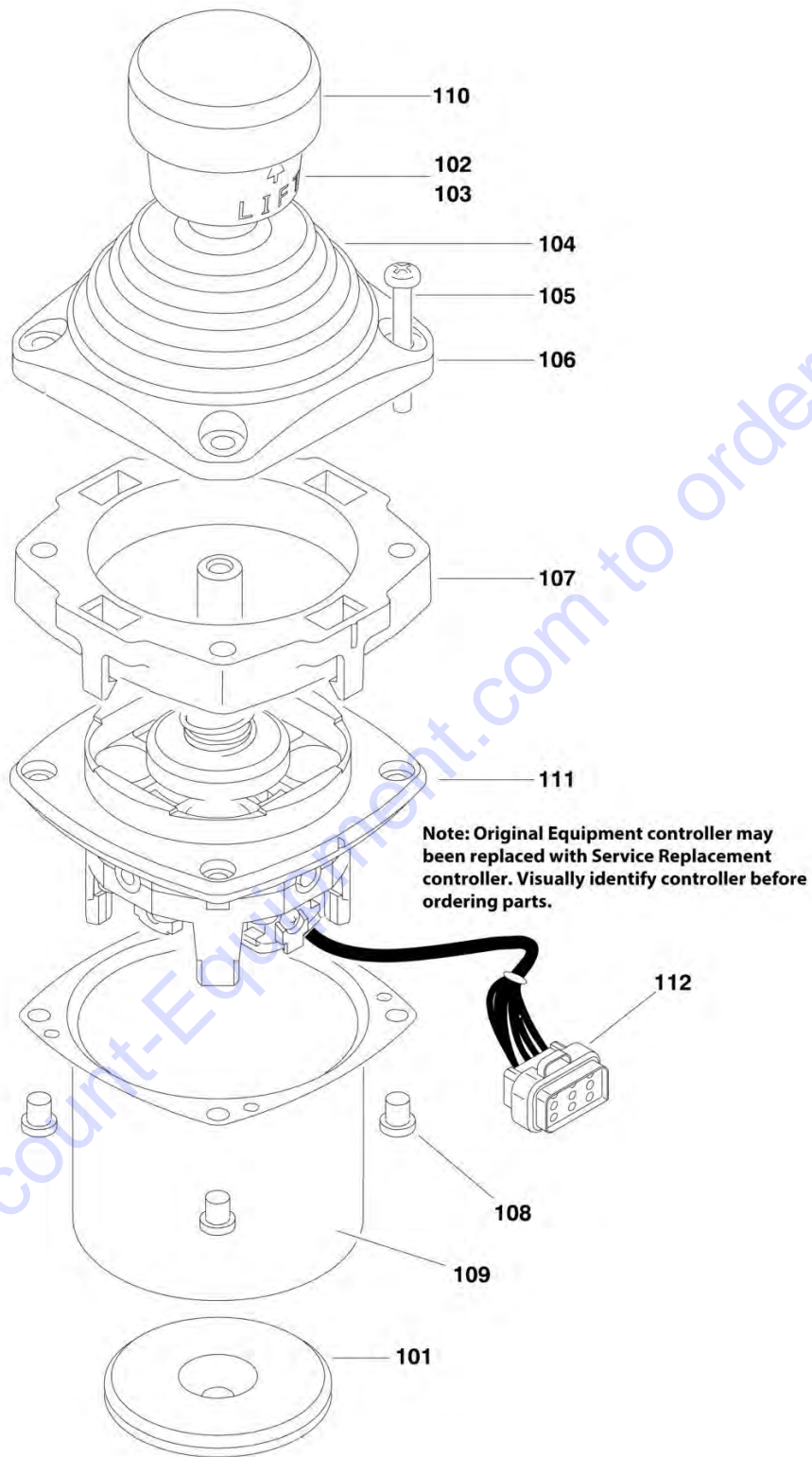
ITEM	PART NUMBER	QTY	DESCRIPTION	REV
38	1001110434	1	Plug, Hole	
39	1001117174	1	Footswitch Assembly	
39	1001117172	1	Footswitch	
39	70002902	1	Block, Contact for 1001117172 Footswitch	
39	70002903	1	Gasket for 1001117172 Footswitch	
39	70002905	1	Cover for 1001117172 Footswitch	
39	70002904	1	Bolt Replacement Kit for 1001117172 Footswitch	
39	1060918	7 ft/ 2.14m	Cable, Electrical - 18/3	
39	4460042	3	Terminal, Ring (Not Shown)	
39	4460464	1	Pin, Male	
39	4460226	2	Socket, Contact	
39	4460071	1	Connector, Strain Relief	
39	0100020	AR	Sealant	
40	1001131168	1	Decal - Stop	
41	1001139135	1	Harness, Platform Valve (See ELECTRICAL SECTION for Breakdown)	
42	1001144433	1	Decal - No Weight SkyGuard	
43	1001155044	7	Nut 15/32	
44	1001155045	6	Switch, Toggle	
45	1001159256	1	Switch, Toggle	
46	1001166538	NLA	Controller Drive/Steer (Use p/n 1001212415) (See CONTROLLER ASSEMBLY (DRIVE AND STEER) for Breakdown)	
47	1001166539	NLA	Controller Lift/Swing (Use p/n 1001129555) (See CONTROLLER ASSEMBLY (LIFT AND SWING) for Breakdown)	
48	1001172760	4	Bracket	
49	1001185280	1	Harness, Console Box (Machines without LSS or with 4 Cell LSS) (See ELECTRICAL SECTION for Breakdown)	
49	1001220281	1	Harness, Console Box (Machines with 1 Cell LSS) (See ELECTRICAL SECTION for Breakdown)	
50	1001185281	1	Plug	
51	1001189116	1	Console Box Assembly (Machines without LSS or with 4 Cell LSS) <b>(SN 0300183034 through 0300219553)</b>	D
51	1001201891	1	Console Box Assembly (Machines without LSS or with 4 Cell LSS) <b>(SN 0300219554 to Present)</b>	A
51	1001215228	1	Console Box Assembly (Machines with 1 Cell LSS)	A
51A	0630568	1	Screw 3/8in-16NC x 4-1/2in	
51B	3311601	1	Nut 3/8in-16NC	
51C	3470003	2	Hairpin	
51D	4711500	AR	Washer 5/16	
51D	4711600	AR	Washer 3/8	
51E	1001200575	2	Bracket	
51F	3430616	2	Pin <b>(SN 0300219554 to Present)</b>	
52	3520033	AR	Plug <b>(SN 0300219554 through 0300224293)</b>	
52	1001220486	AR	Plug <b>(SN 0300224294 to Present)</b>	
53	1001213882	1	Mount (Machines with 1 Cell LSS)	
54	1001186431	2	Relay (Machines with 1 Cell LSS)	
54	4240032	AR	Tie-Strap	
54	4460488	AR	Mount, Tie-Strap	
57	1001225580	1	Interface Harness (Machines with 1 Cell LSS)	
58	3900349	AR	Capscrew M2.5	
	1001156467	Ref	DUAL FUEL SWITCH INSTALLATION (GM ENGINES ONLY)	B
301	4360336	1	Swith, Toggle	

## SECTION 4 - PLATFORM

ITEM	PART NUMBER	QTY	DESCRIPTION	REV
301	3790012	1	O-Ring	
	0271768	Ref	HEAD AND TAILLIGHTS INSTALLATION WITH ABS HOODS (OPTIONAL)	E
	1001164786	Ref	HEAD AND TAILLIGHTS INSTALLATION WITH STEEL HOODS (OPTIONAL)	B
401	4360522	1	Switch, Push Button	
402	1705170	1	Decal - Lights	
	0273824	Ref	SOFT TOUCH SYSTEM INSTALLATION - 6FT/1.83M PLATFORM (OPTIONAL)	B
	1001108256	Ref	SOFT TOUCH SYSTEM INSTALLATION - 6FT/1.83M FALL ARREST PLATFORM (OPTIONAL)	D
	0272427	Ref	SOFT TOUCH SYSTEM INSTALLATION - 8FT/2.44M PLATFORM (OPTIONAL)	A
	0273706	Ref	SOFT TOUCH SYSTEM INSTALLATION - 8FT/2.44M FALL ARREST PLATFORM (OPTIONAL)	B
501	4360387	1	Switch, Push Button	
502	1702938	1	Decal - Soft Touch Override	
503	4460425	1	Connector, Strain Relief	
504	2920028	1	Lamp, Indicator	
505	2920029	1	Bulb, Light	
	0273484	Ref	PLATFORM WORKLIGHTS INSTALLATION (OPTIONAL) (800A)	E
	0273485	Ref	PLATFORM WORKLIGHTS INSTALLATION (OPTIONAL) (800AJ)	E
605	4460426	1	Connector, Strain Relief	
	0271340	Ref	JIB SWITCH INSTALLATION (800AJ ONLY)	1
701	4360328	1	Switch, Toggle	
701	3790012	1	O-Ring	
	0258945	Ref	STEER SWITCH (4WS) INSTALLATION (OPTIONAL)	A
801	4360331	1	Switch, Toggle	
801	3790012	1	O-Ring	
		Ref	SKYGUARD OVERRIDE DECALS INSTALLATION	
901	1001141300	1	Decal - SkyGuard Override	
901	1001141302	1	Decal - SkyGuard Override with Soft Touch	
	1001108763	Ref	LIGHT PANEL DECAL INSTALLATION - DUAL CAPACITY	A
	1001108764	Ref	LIGHT PANEL DECAL INSTALLATION - SINGLE CAPACITY	A
1001	1001107927	1	Decal - Light Panel Display (Dual Capacity)	
1001	1001107926	1	Decal - Light Panel Display (Single Capacity)	

## SECTION 4 - PLATFORM

FIGURE 4-5. CONTROLLER ASSEMBLY - SWING AND LIFT (SN 0300183034 through 0300188905)





## SECTION 4 - PLATFORM

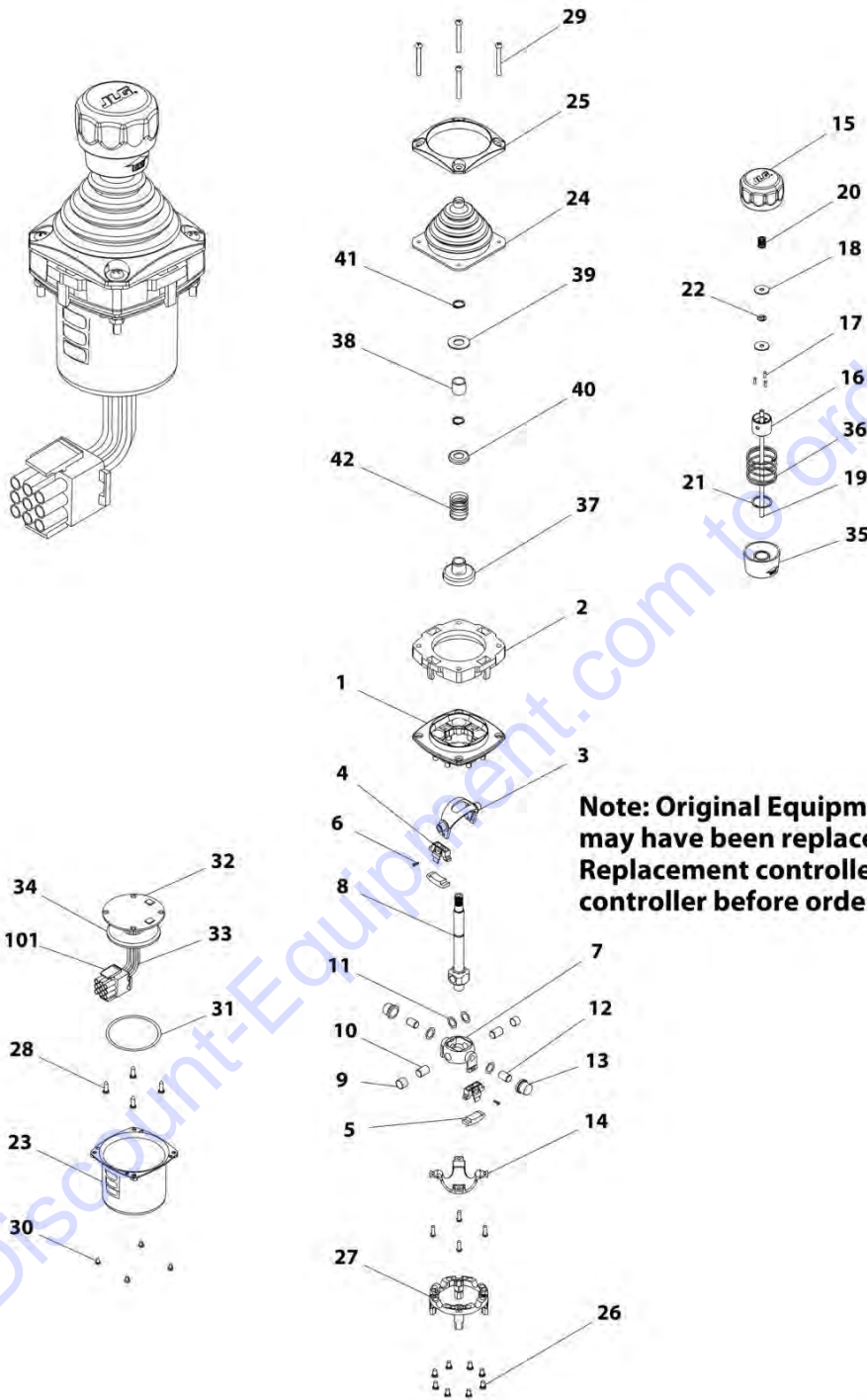
**FIGURE 4-5. CONTROLLER ASSEMBLY - SWING AND LIFT (SN 0300183034 through 0300188905)**

ITEM	PART NUMBER	QTY	DESCRIPTION	REV
		Ref	Note: Original Equipment controller may have been replaced with a Service Replacement controller. Visually identify controller before ordering parts.	
	1001118417	Ref	<b>CONTROLLER ASSEMBLY (SN 0300183034 through 0300188905)</b>	E
		Ref	Note: Use p/n 1001129555 as Replacement.	
101	70002730	1	Gasket	
102	7003928	1	Spring	
103	7022808	1	Cap, Lift	
104	70002731	1	Boot	
105	70002732	4	Screw	
106	7022815	1	Bezel	
107	70002733	1	Adapter	
108	70002734	4	Screw	
109	70002735	1	Can, Enclosure	
110	70002906	1	Cap	
111	See Note	1	Mechanical Assembly (Note: Not Available - Purchase Complete Assembly)	
112	7022819	1	Plug, Male 8 Position (Natural) (Not Shown)	
112	4460871	6	Socket, Female	

Go to Discount-Equipment.com to order your parts

# SECTION 4 - PLATFORM

FIGURE 4-6. CONTROLLER ASSEMBLY - SWING AND LIFT (SN 0300188906 to Present)



ART\_1001166539

## SECTION 4 - PLATFORM

**FIGURE 4-6. CONTROLLER ASSEMBLY - SWING AND LIFT (SN 0300188906 to Present)**

ITEM	PART NUMBER	QTY	DESCRIPTION	REV
		Ref	Note: Original Equipment controller may have been replaced with a Service Replacement controller. Visually identify controller before ordering parts.	
	1001166539	Ref	<b>CONTROLLER ASSEMBLY – SWING AND LIFT (SN 0300188906 to Present)</b>	D
		Ref	Note: Use p/n 1001129555 as replacement.	
1	See Note	1	Main Cast Body (Note: Not Available - Purchase Complete Assembly)	
2	70004752	1	Adapter	
3	See Note	1	Pivot Arm, Plastic (Note: Not Available - Purchase Complete Assembly)	
4	See Note	2	Holder, Magnet (Note: Not Available - Purchase Complete Assembly)	
5	See Note	2	Arc, Magnet (Note: Not Available - Purchase Complete Assembly)	
6	See Note	2	Screw (Note: Not Available for Purchase)	
7	See Note	1	Pivot Arm, Cast (Note: Not Available - Purchase Complete Assembly)	
8	See Note	1	Shaft, Main (Note: Not Available - Purchase Complete Assembly)	
9	See Note	2	Bearing (Note: Not Available - Purchase Complete Assembly)	
10	See Note	2	Pin (Note: Not Available - Purchase Complete Assembly)	
11	See Note	4	Shim (Note: Not Available - Purchase Complete Assembly)	
12	See Note	2	Pin (Note: Not Available - Purchase Complete Assembly)	
13	See Note	2	Bearing (Note: Not Available - Purchase Complete Assembly)	
14	See Note	1	Dome, Centering (Note: Not Available - Purchase Complete Assembly)	
15	70004753	1	Cap	
16	70004754	1	Insert, Cap	
17	70004755	3	Pin	
18	70004756	2	Washer	
19	70004757	1	Pin, Centering	
20	70004758	1	Spring	
21	70004759	1	Ring, Retaining	
22	70004760	1	E-Ring	
23	70004761	1	Can, Enclosure	
24	70004762	1	Boot	
25	70004763	1	Bezel	
26	See Note	8	Screw (Note: Not Available for Purchase)	
27	See Note	1	Base Mounting (Note: Not Available - Purchase Complete Assembly)	
28	See Note	4	Screw (Note: Not Available for Purchase)	
29	70004764	4	Screw	
30	70004765	4	Screw	
31	70004766	1	O-Ring	
32	See Note	1	Plate (Note: Not Available - Purchase Complete Assembly)	
33	See Note	1	Harness (Note: Not Available - Purchase Complete Assembly)	
34	70004767	1	Grommet, Rubber	
35	70004768	1	Housing	
36	70004769	1	Spring	
37	70004770	1	Stopper	
38	70004771	1	Spacer	
39	70004772	1	Washer	
40	70004773	1	Disc	

## SECTION 4 - PLATFORM

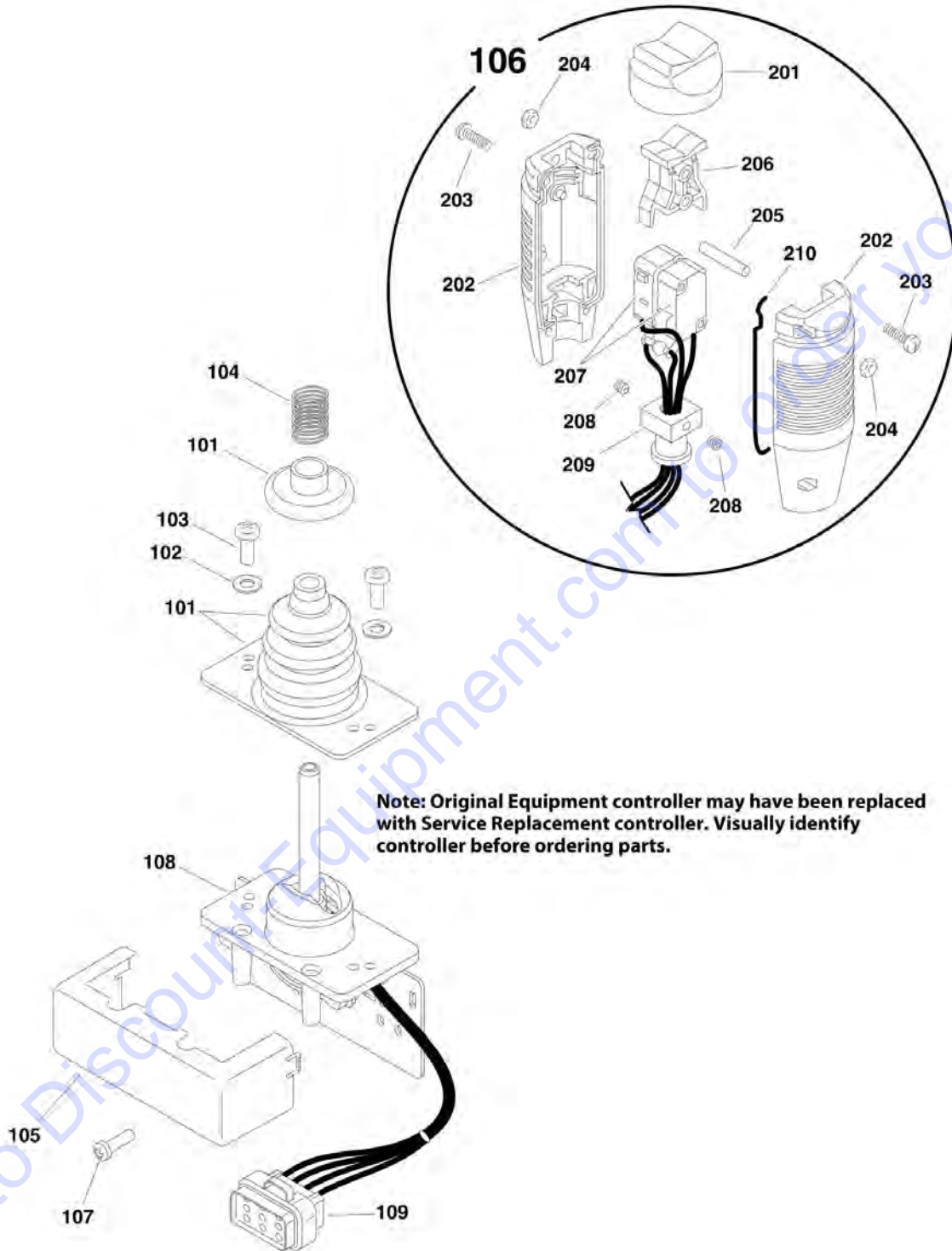
ITEM	PART NUMBER	QTY	DESCRIPTION	REV
41	70004774	2	Ring, Retaining	
42	70004775	1	Spring	
101	4460265	1	Connector - 9 Position	
101	4460226	6	Socket, Female	

Go to Discount-Equipment.com to order your parts



## SECTION 4 - PLATFORM

FIGURE 4-7. CONTROLLER ASSEMBLY - DRIVE AND STEER (SN 0300183034 through 0300188905)



# PARTS FINDER

**Search Website  
by Part Number**



**Search Manual  
Library For Parts  
Manual & Lookup Part  
Numbers – Purchase  
or Request Quote**

**Can't Find Part or  
Manual? Request Help  
by Manufacturer,  
Model & Description**

Discount-Equipment.com is your online resource for quality parts & equipment.

Florida: **561-964-4949** Outside Florida TOLL FREE: **877-690-3101**

## Need parts?

Click on this link: <http://www.discount-equipment.com/category/5443-parts/> and choose one of the options to help get the right parts and equipment you are looking for. Please have the machine model and serial number available in order to help us get you the correct parts. If you don't find the part on the website or on one of the online manuals, please fill out the request form and one of our experienced staff members will get back to you with a quote for the right part that your machine needs.

We sell worldwide for the brands: Genie, Terex, JLG, MultiQuip, Mikasa, Essick, Whiteman, Mayco, Toro Stone, Diamond Products, Generac Magnum, Airman, Haulotte, Barreto, Power Blanket, Nifty Lift, Atlas Copco, Chicago Pneumatic, Allmand, Miller Curber, Skyjack, Lull, Skytrak, Tsurumi, Husquvarna Target, Stow, Wacker, Sakai, Mi-T-M, Sullair, Basic, Dynapac, MBW, Weber, Bartell, Bennar Newman, Haulotte, Ditch Runner, Menegotti, Morrison, Contec, Buddy, Crown, Edco, Wyco, Bomag, Laymor, EZ Trench, Bil-Jax, F.S. Curtis, Gehl Pavers, Heli, Honda, ICS/PowerGrit, IHI, Partner, Imer, Clipper, MMD, Koshin, Rice, CH&E, General Equipment, Amida, Coleman, NAC, Gradall, Square Shooter, Kent, Stanley, Tamco, Toku, Hatz, Kohler, Robin, Wisconsin, Northrock, Oztec, Toker TK, Rol-Air, APT, Wylie, Ingersoll Rand / Doosan, Innovatech, Con X, Ammann, Mecalac, Makinex, Smith Surface Prep, Small Line, Wanco, Yanmar

## SECTION 4 - PLATFORM

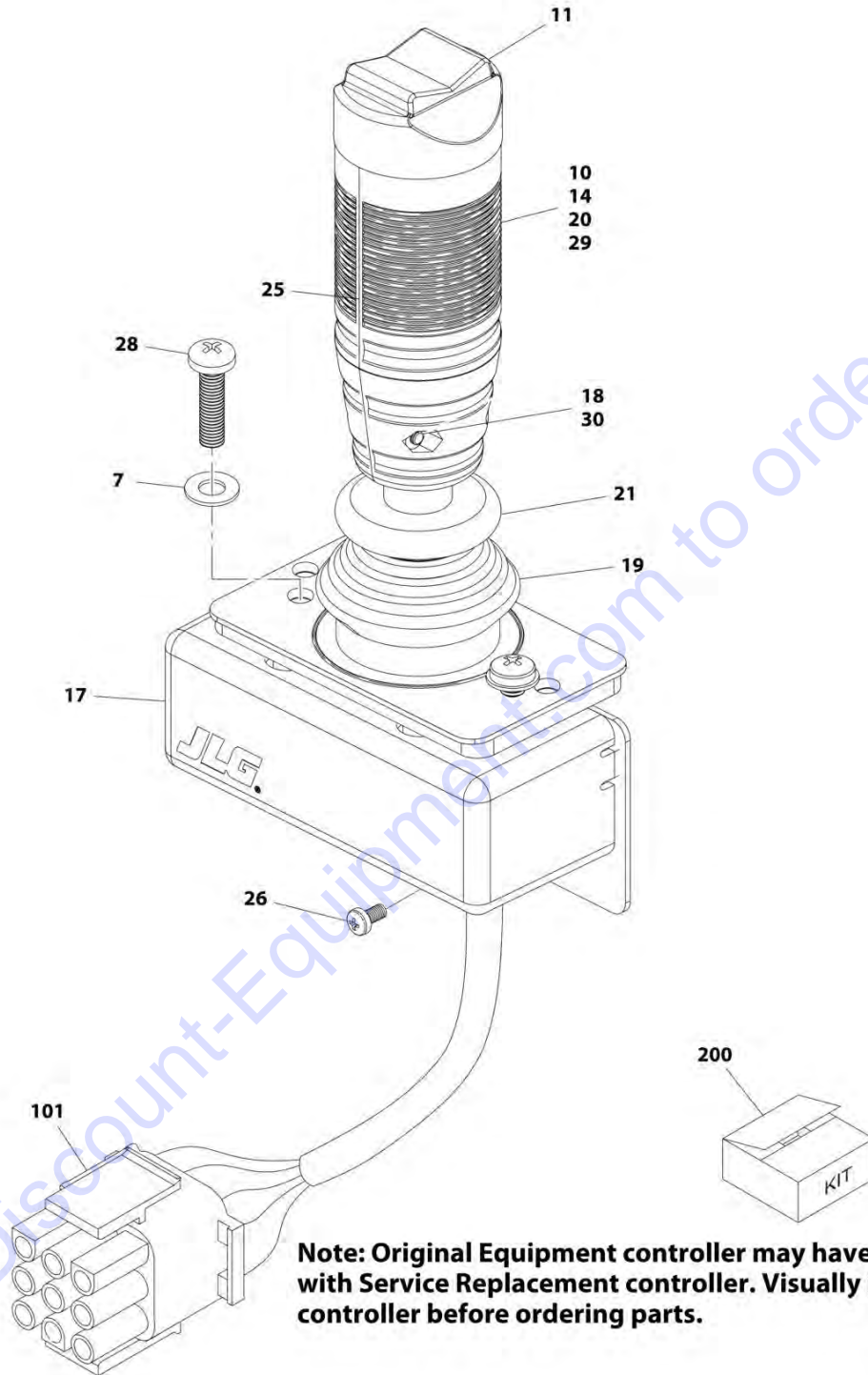
**FIGURE 4-7. CONTROLLER ASSEMBLY - DRIVE AND STEER (SN 0300183034 through 0300188905)**

ITEM	PART NUMBER	QTY	DESCRIPTION	REV
		Ref	Note: Original Equipment controller may have been replaced with a Service Replacement controller. Visually identify controller before ordering parts.	
	1001118416	Ref	<b>CONTROLLER ASSEMBLY (SN 0300183034 through 0300188905)</b>	D
		Ref	Note: Use p/n 1001212415 as Replacement.	
101	70002724	1	Boot and Control Lock Assembly	
102	7003941	2	Washer	
103	70002725	2	Screw	
104	7019162	1	Spring	
105	70002726	1	Enclosure	
106	70002727	1	Handle Assembly (See Items 201-210 for Breakdown)	
107	70002728	1	Screw	
108	See Note	1	Mechanical Assembly (Note: Not Available - Purchase Complete Assembly)	
109	1001113961	1	Plug, Male - 8 Position (Black) (was p/n 7022825)	
109	4460871	7	Socket, Female	
	70002727	Ref	HANDLE ASSEMBLY	
201	7003972	1	Boot, Switch	
202	7003973	2	Half, Handle	
203	7003980	4	Screw	
204	7019167	4	Nut	
205	7019164	1	Axle	
206	7019165	1	Rocker	
207	70002729	1	Wiring Assembly	
207	7003982	2	Switch, Micro	
208	7003983	2	Setscrew	
209	7019194	1	Coupling	
210	7003989	2	Gasket	



## SECTION 4 - PLATFORM

FIGURE 4-8. CONTROLLER ASSEMBLY - DRIVE AND STEER (SN 0300188906 to Present)



ART\_1001166538

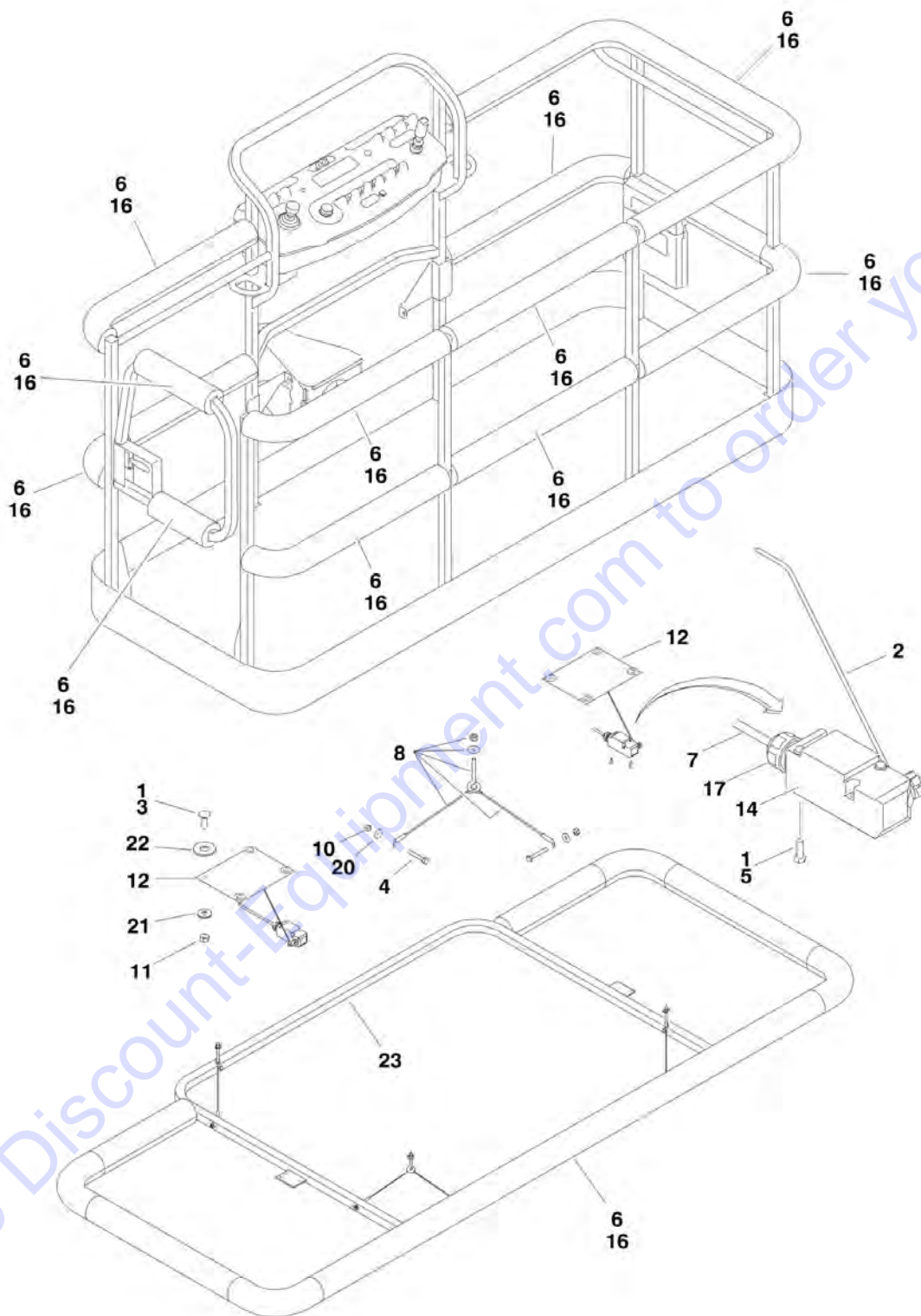
## SECTION 4 - PLATFORM

**FIGURE 4-8. CONTROLLER ASSEMBLY - DRIVE AND STEER (SN 0300188906 to Present)**

ITEM	PART NUMBER	QTY	DESCRIPTION	REV
		Ref	Note: Original Equipment controller may have been replaced with a Service Replacement controller. Visually identify controller before ordering parts.	
	1001166538	Ref	<b>CONTROLLER ASSEMBLY - DRIVE AND STEER (SN 0300188906 to Present)</b>	G
		Ref	Note: Use p/n 1001212415 as Replacement.	
7	70004738	2	Washer	
10	70004739	1	Roller	
11	70004740	1	Boot, Switch	
14	70004741	2	Half, Handle	
17	70004742	1	Enclosure	
18	70004743	4	Nut	
19	70004744	NLA	Boot, Controller (Use Item 200)	
20	70004745	NLA	Tube, Locking (Use Item 200)	
21	70004746	NLA	Disc, Locking (Use Item 200)	
25	70004747	2	Seal, Rope	
26	70004748	1	Screw, M3 x 6mm	
28	70004749	2	Screw, M5 x 20mm	
29	70004750	1	Pin, Dowel	
30	70004751	4	Screw, M3 x 16mm	
101	4460265	1	Connector - 9 Position	
101	4460226	7	Socket, Female	
200	70005230	1	Boot Kit (Includes Items 19-21)	

# SECTION 4 - PLATFORM

## FIGURE 4-9. SOFT TOUCH SYSTEM INSTALLATION (OPTIONAL)



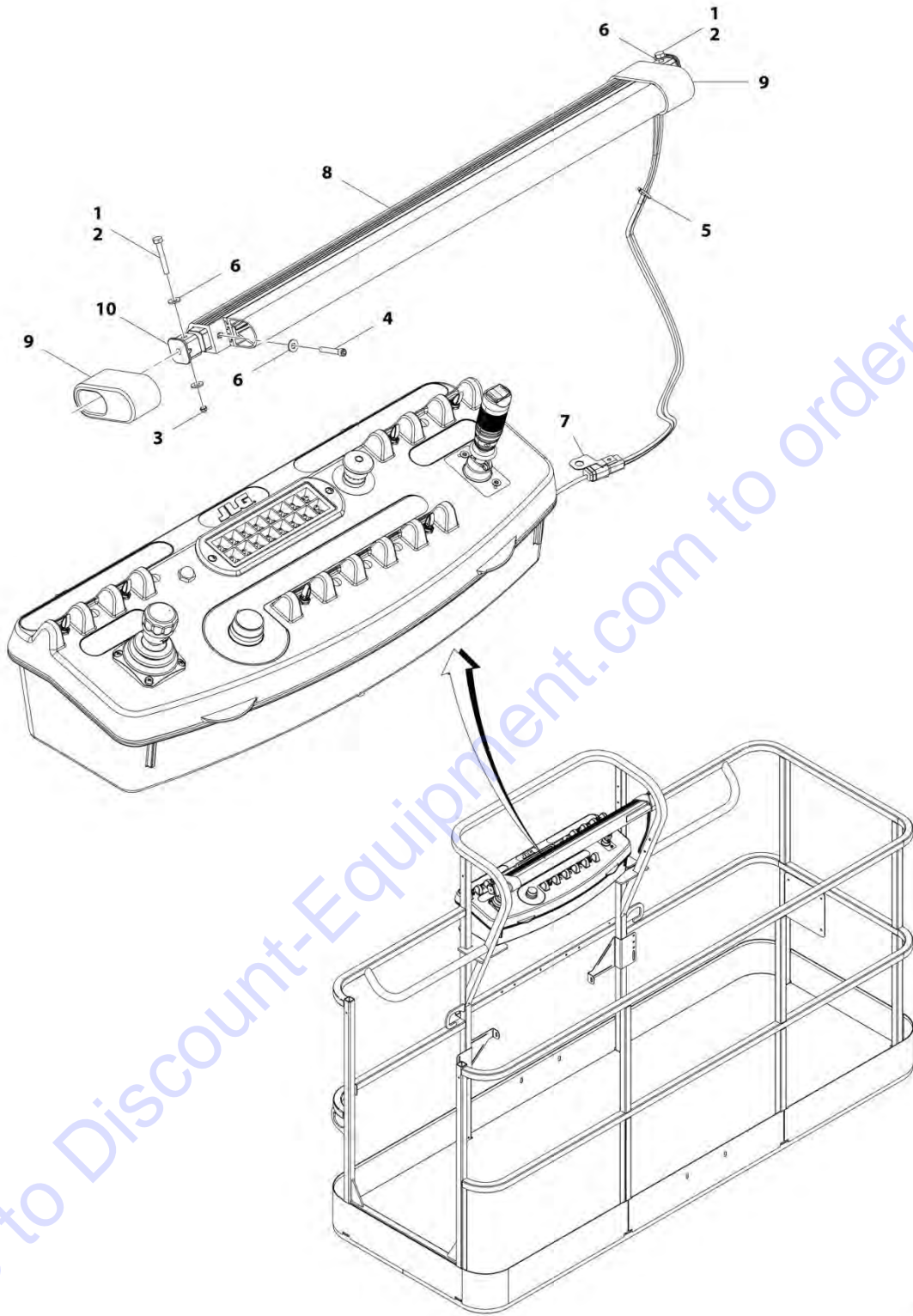
## SECTION 4 - PLATFORM

**FIGURE 4-9. SOFT TOUCH SYSTEM INSTALLATION (OPTIONAL)**

ITEM	PART NUMBER	QTY	DESCRIPTION	REV
	0273824	Ref	SOFT TOUCH SYSTEM INSTALLATION - 6FT/1.83M PLATFORM (OPTIONAL)	D
	1001108256	Ref	SOFT TOUCH SYSTEM INSTALLATION - 6FT/1.83M FALL ARREST PLATFORM (OPTIONAL)	C
	0272427	Ref	SOFT TOUCH SYSTEM INSTALLATION - 8FT/2.44M PLATFORM (OPTIONAL)	G
	0273706	Ref	SOFT TOUCH SYSTEM INSTALLATION - 8FT/2.44M FALL ARREST PLATFORM (OPTIONAL)	D
1	0100011	AR	Compound, Locking	
2	0200048	2	Arm, Switch Activator	
3	0630462	8	Bolt	
4	0641414	8	Bolt 1/4-20 x 1-3/4	
5	0731005	4	Screw #10-32 x 5/8	
6	0940134	1	Bumper Kit (6ft/1.8m Platform)	
6	0940103	1	Bumper Kit (8ft/2.4m Platform)	
6	0940177	1	Bumper Kit (6ft/1.8m Platform with Fall Arrest)	
6	0940133	1	Bumper Kit (8ft/2.4m Platform with Fall Arrest)	
7	1060341	AR	Cable, Electrical - 16/2	
8	1060903	4	Wire Rope and Eyebolt Assembly	
10	3311401	8	Nut 1/4-20	
11	3311501	8	Nut 5/16-18	
12	3575359	2	Plate, Striker (6ft/1.8m Platforms)	
12	3574091	2	Plate, Striker (8ft/2.4m Platforms)	
13	4240099	7	Tie-Strap (Not Shown)	
14	4360057	2	Switch, Limit	
16	4420068	AR	Tape, Yellow Adhesive	
16	1001197017	AR	Tie-Strap (not Shown)	
17	4460425	2	Connector, Strain Relief (6ft/1.8m Platforms)	
17	4460049	2	Connector, Strain Relief (8ft/2.4m Platforms)	
17	4460049	2	Connector, Strain Relief (All Platforms with all Arrest)	
18	4460234	AR	Base, Tie-Strap Mounting (Not Shown)	
20	4751400	8	Washer 1/4	
21	4751500	AR	Washer 5/16	
22	4751800	8	Washer 1/2	
23	3641569	1	Rail, SoftTouch (6ft/1.8m Platforms)	
23	4846673	1	Rail, SoftTouch (8ft/2.4m Platforms)	
	1001157013	Ref	SOFT TOUCH COUNTERWEIGHT INSTALLATION (NOT SHOWN)	C
	1001157012	1	Counterweight (Located in Frame)	

# SECTION 4 - PLATFORM

FIGURE 4-10. SKYGUARD SYSTEM INSTALLATION (Prior to SN 0300259888)



Go to Discount-Equipment.com to order your parts

ART\_1001187508

## SECTION 4 - PLATFORM

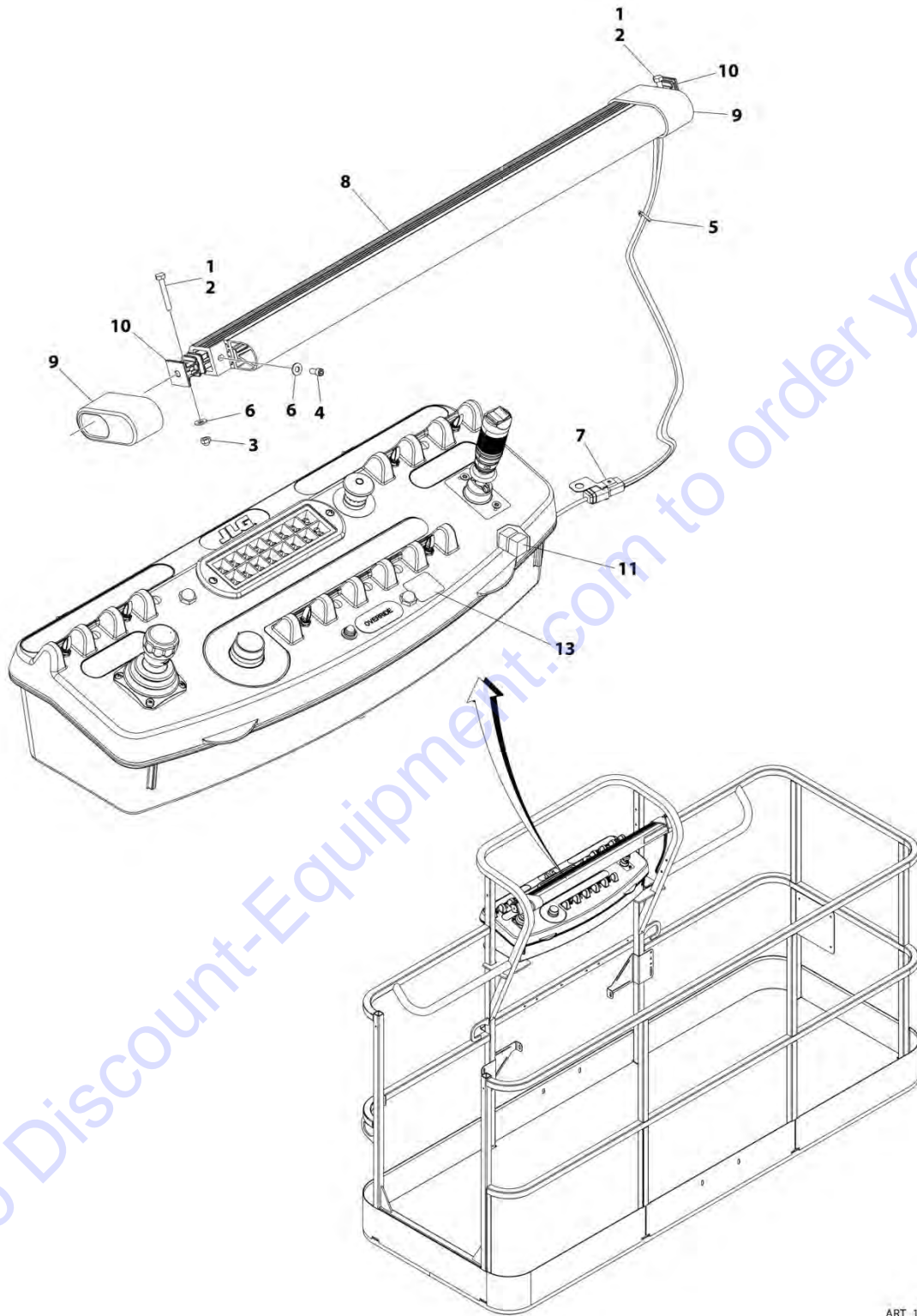
**FIGURE 4-10. SKYGUARD SYSTEM INSTALLATION (Prior to SN 0300259888)**

ITEM	PART NUMBER	QTY	DESCRIPTION	REV
	1001187508	Ref	SKYGUARD SYSTEM INSTALLATION	C
		Ref	Note: For Machines SN 0300183034 through SN 0300201003, refer to SPECIAL OPTIONS Section.	
1	0100011	AR	Compound, Locking	
2	0641414	2	Bolt, 1/4-20 x 1-3/4	
3	3300430	2	Nut, Acorn 1/4-20	
4	3931424	2	Capscrew, 1/4-20 x 1-1/2	
4	3931408	2	Capscrew 1/4 x 1/2	
5	4240033	AR	Tie-Strap	
6	4711400	AR	Washer, 1/4	
7	1001120328	1	Mount	
8	1001137673	1	Switch, SkyGuard Assembly	
9	1001186517	2	Cover, Platform Sensor	
10	1001188889	NLA	Support, Block (Use p/n 1001209664) <b>(SN 0300200809 through 0300244579)</b>	
10	1001209664	2	Support, Block <b>(SN 0300244580 to Present)</b>	

Go to Discount-Equipment.com to order your parts

# SECTION 4 - PLATFORM

FIGURE 4-11. SKYGUARD SYSTEM INSTALLATION (SN 0300259889 to Present)



ART\_1001238495

## SECTION 4 - PLATFORM

**FIGURE 4-11. SKYGUARD SYSTEM INSTALLATION (SN 0300259889 to Present)**

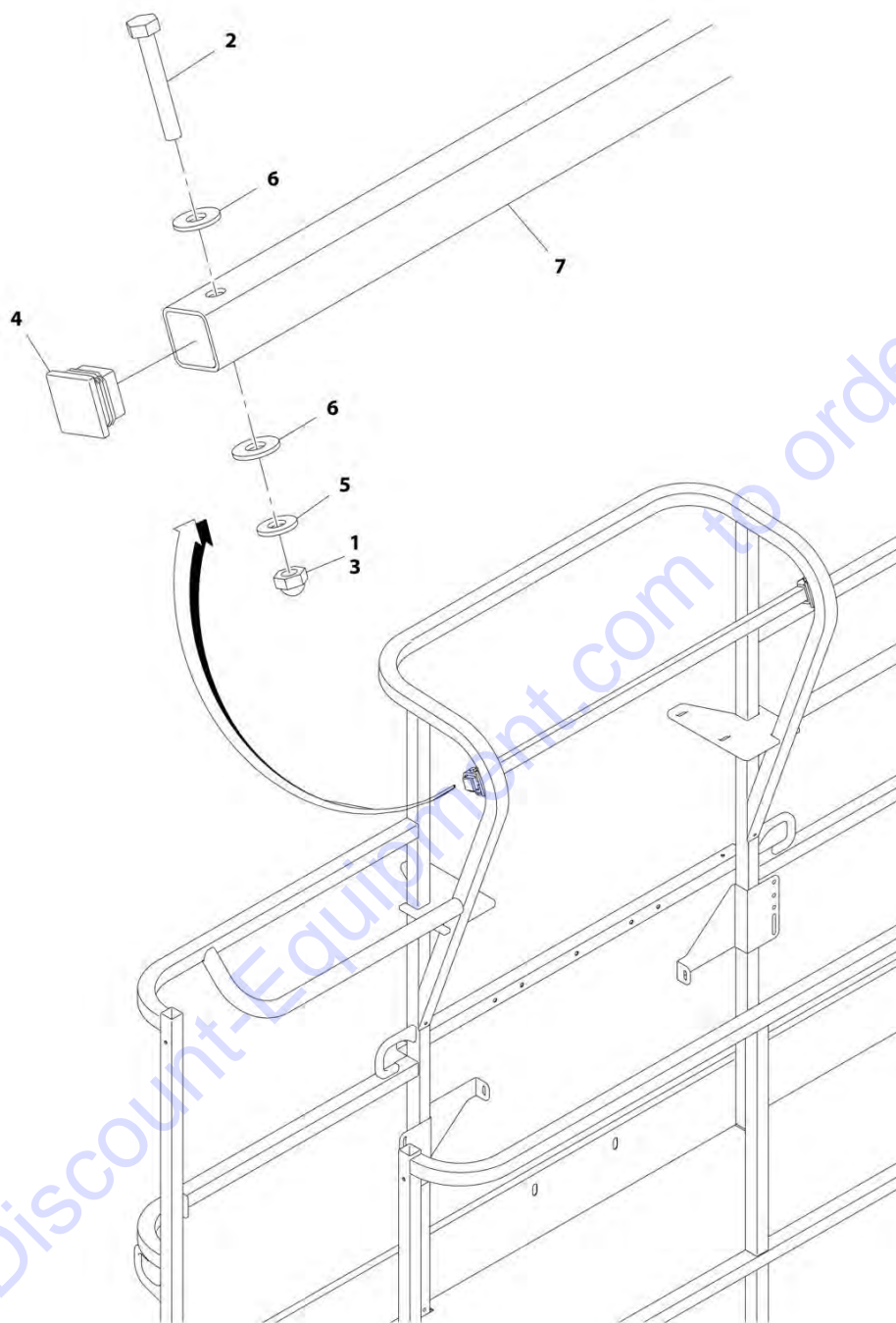
ITEM	PART NUMBER	QTY	DESCRIPTION	REV
	1001238495	Ref	SKYGUARD BAR INSTALLATION	A
1	0100011	AR	Compound, Locking	
2	0641414	2	Bolt 1/4 x 1-3/4	
3	3300430	2	Nut 1/4	
4	3931408	2	Capscrew 1/4 x 1/2	
5	4240033	8	Tie-Strap	
6	4711400	6	Washer 1/4	
7	1001120328	1	Mount	
8	1001137673	1	SkyGuard Switch Assembly	
9	1001186517	2	Cover, Platform Sensor	
10	1001209664	2	Support, Block	
11	1001186431	2	Relay	
12	1001225580	1	Interface Harness Assembly (Not Shown - Located Inside Console Box) (See Separate Breakdown in ELECTRICAL SECTION)	
13	1001144433	1	Decal - No Weight SkyGuard	

Go to Discount-Equipment.com to order your parts



# SECTION 4 - PLATFORM

## FIGURE 4-12. CROSS RAIL INSTALLATION



ART\_1001182138

## SECTION 4 - PLATFORM

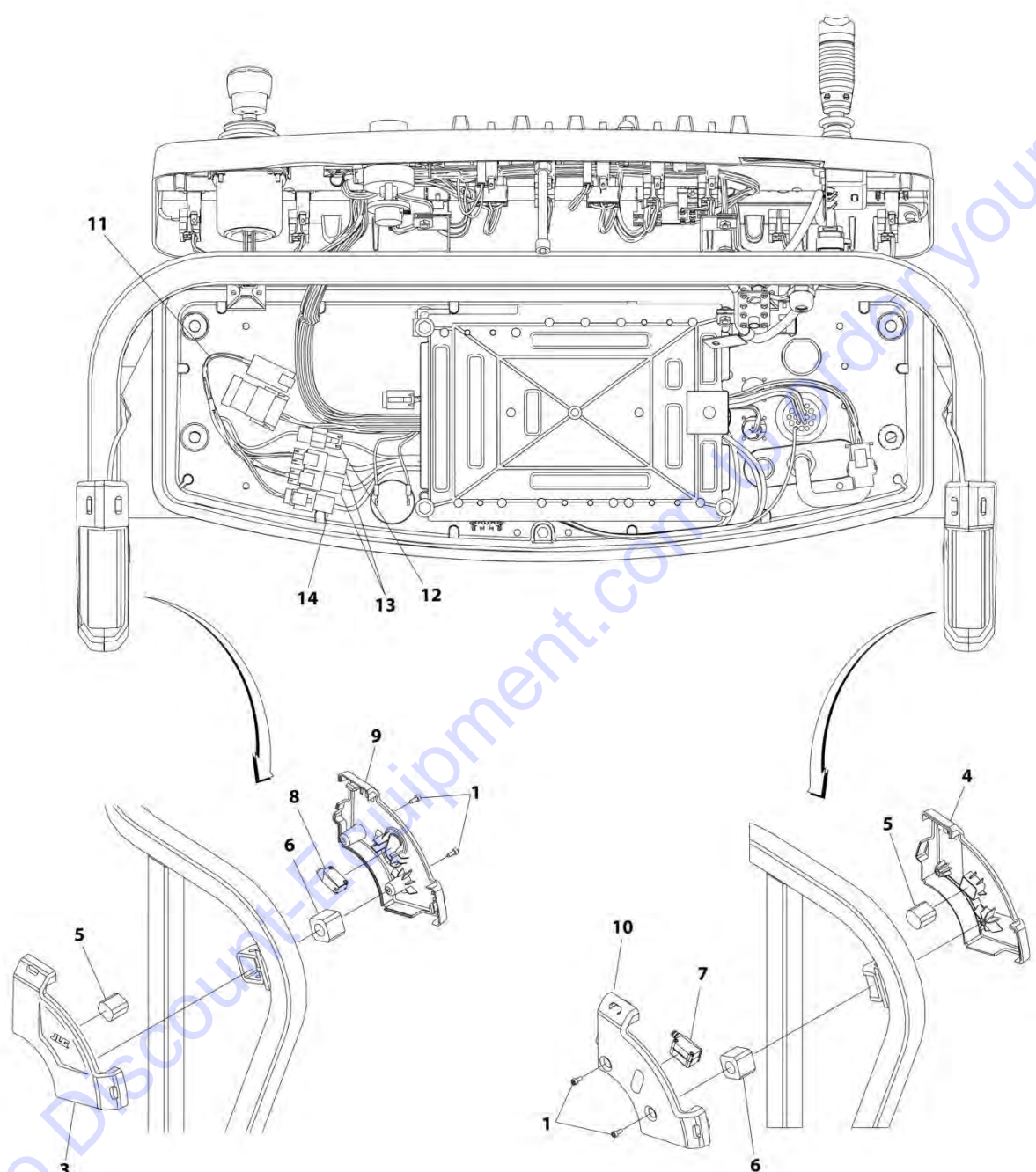
FIGURE 4-12. CROSS RAIL INSTALLATION

ITEM	PART NUMBER	QTY	DESCRIPTION	REV
	1001182138	Ref	CROSS RAIL INSTALLATION	A
1	0100071	AR	Compound, Locking	
2	0641414	2	Bolt 1/4 x 1-3/4	
3	3300430	2	Nut 1/4	
4	3520182	2	Plug	
5	4711400	2	Washer 1/4	
6	4751400	4	Washer 1/4	
7	1001191708	1	Bar	

Go to Discount-Equipment.com to order your parts

# SECTION 4 - PLATFORM

## FIGURE 4-13. SKYEYE INSTALLATION



ART\_1001229341

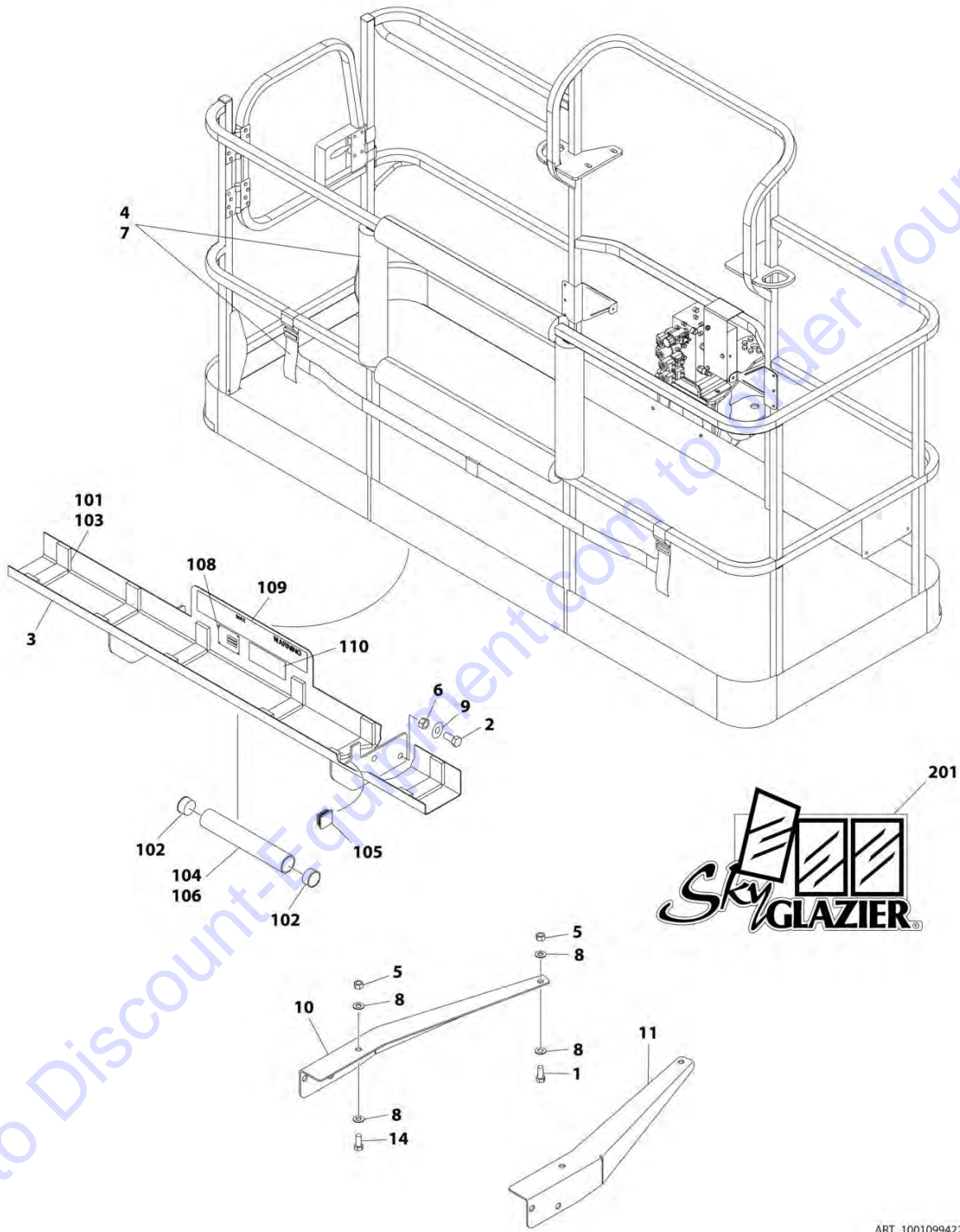
## SECTION 4 - PLATFORM

**FIGURE 4-13. SKYEYE INSTALLATION**

ITEM	PART NUMBER	QTY	DESCRIPTION	REV
	1001229341	Ref	SKYEYE INSTALLATION	A
1	4031505	4	Bolt M4 x 10	
2	4240033	AR	Tie-Strap (Not Shown)	
3	1001227633	1	Housing, LH Outer	
4	1001227634	1	Housing, RH Outer	
5	1001227985	2	Shim	
6	1001227987	2	Shim	
7	1001228224	2	Sensor, Receiver	
8	1001228225	1	Sensor, Emitter	
9	1001232164	1	Housing, LH Inner	
10	1001232165	1	Housing, RH Inner	
11	1001237865	1	Harness, Skyeye Intermediate (See Separate Breakdown in ELECTRICAL SECTION)	
12	1001238319	1	Harness, Skyeye Drain Jumper	
12	1001187674	1	Plug, Male - 2 Position	
12	4460942	1	Terminal	
12	4460466	1	Plug, Terminal	
12	4460508	1	Pin, Male	
13	1001237863	2	Harness, Skyeye Receiver (See Separate Breakdown in ELECTRICAL SECTION)	
14	1001237864	1	Harness, Skyeye Emitter (See Separate Breakdown in ELECTRICAL SECTION)	

# SECTION 4 - PLATFORM

## FIGURE 4-14. SKYGLAZIER INSTALLATION



ART\_1001099422

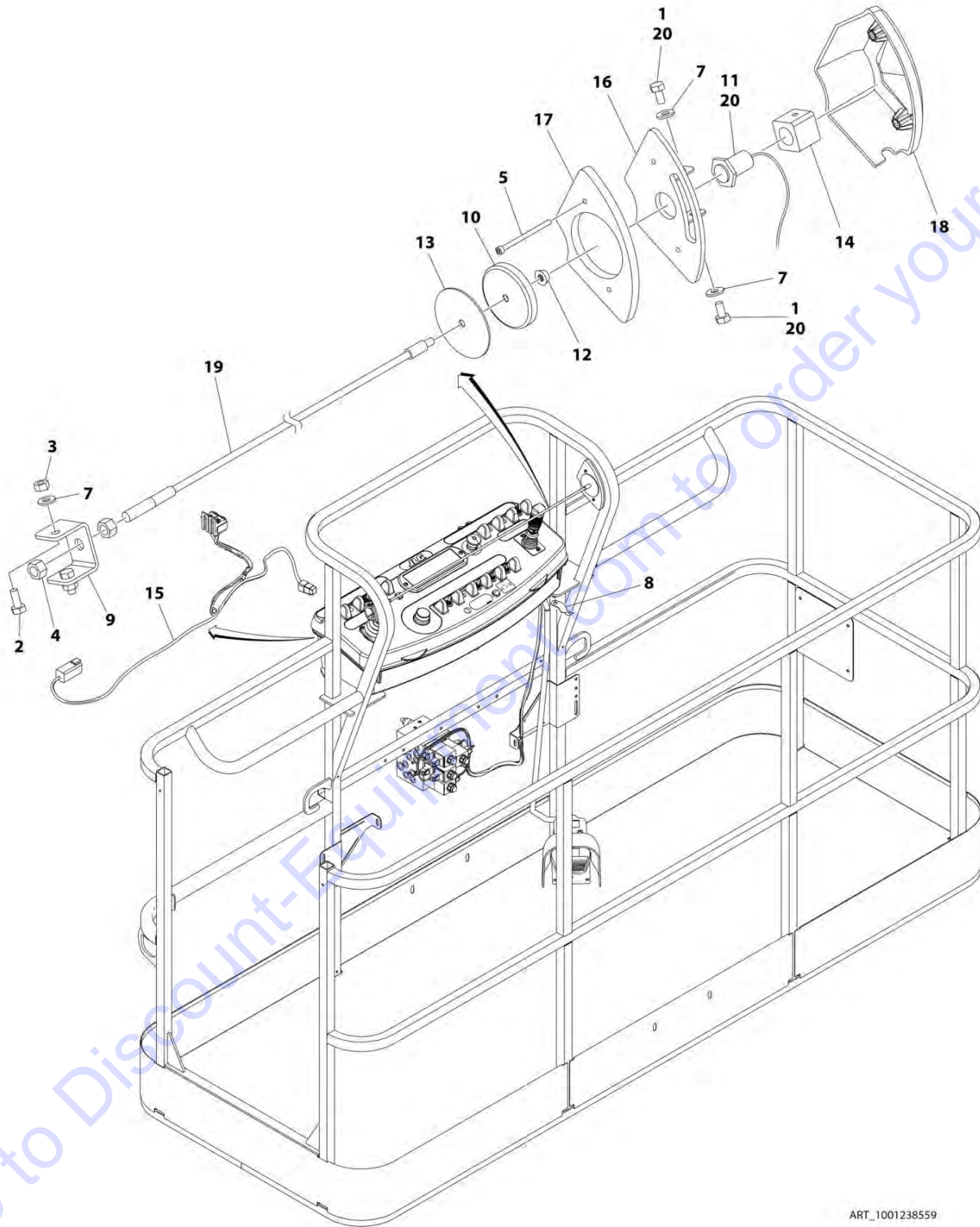
## SECTION 4 - PLATFORM

**FIGURE 4-14. SKYGLAZIER INSTALLATION**

ITEM	PART NUMBER	QTY	DESCRIPTION	REV
	1001101422	Ref	SKYGLAZIER INSTALLATION (ANSI, ANSI EXPORT AND CSA SPECS)	C
	1001102647	Ref	SKYGLAZIER INSTALLATION (AUSTRALIAN SPECS) ( <b>SN 0300183034 through 0300234279</b> )	C
	1001101422	Ref	SKYGLAZIER INSTALLATION (AUSTRALIAN SPECS) ( <b>SN 0300234280 to Present</b> )	C
	1001099422	Ref	SKYGLAZIER INSTALLATION (BRAZIL SPECS)	C
	1001099421	Ref	SKYGLAZIER INSTALLATION (LATIN AMERICAN SPECS)	C
		Ref	Note: ANSI, ANSI Export (Brazil and Latin American), Australian and CSA Specs Only.	
1	0642012	2	Bolt 5/8 x 1-1/2	
1	0642026	2	Bolt 5/8 x 3-1/4	
2	0642212	4	Bolt 3/4 x 1-1/2	
3	1001101421	1	Tray Assembly (All Spec except Brazil and Latin American Specs) (See Items 101-110 for Breakdown)	
3	0272951	1	Tray Assembly (Brazil Spec) (See Items 101-110 for Breakdown)	
3	0272948	1	Tray Assembly (Latin American Spec) (See Items 101-110 for Breakdown)	
4	2902212	1	Bumpers and Strap Kit	
4	0940102	1	Bumper Only	
4	4240149	1	Strap Only	
5	3312005	4	Nut 5/8	
5	1001149924	AR	Nut, Plastic 5/8	
6	3312205	4	Nut 3/4	
7	4420014	AR	Tape	
8	4712000	6	Washer 5/8	
9	4712200	8	Washer 3/4	
10	1001099366	1	Support	
11	1001099367	1	Support	
14	8310129	2	Bolt 5/8 x 2-1/2	
14	0642026	2	Bolt 5/8 x 3-1/4	
14	8310230	2	Bolt 5/8 x 4	
	1001101421	Ref	TRAY ASSEMBLY (ALL SPECS EXCEPT BRAZIL AND LATIN AMERICAN SPECS)	E
	0272951	Ref	TRAY ASSEMBLY (BRAZIL SPECS)	E
	0272948	Ref	TRAY ASSEMBLY (LATIN AMERICAN SPECS)	E
101	0100081	AR	Adhesive	
102	1120555	2	Cap, Tube	
103	3340956	1	Pad Kit	
104	3460334	1	Tube	
105	3520071	2	Plug	
106	4420066	AR	Tape, Double Sided	
108	See Note	NSS	Nameplate - Serial Number (Note: Not Available for Purchase)	
109	1001163131	1	Decal - Glazier Capacity (All Specs except Brazil and Latin American Specs)	
109	1001163297	2	Decal - Glazier Capacity (Brazil Specs)	
109	1001163296	2	Decal - Glazier Capacity (Latin American Specs)	
110	1701509	2	Decal - Manual	
	0272418	Ref	SKYGLAZIER DECAL INSTALLATION	4
201	1705358	2	Decal - SkyGlazier	

# SECTION 4 - PLATFORM

## FIGURE 4-15. SKYLINE INSTALLATION



ART\_1001238559

## SECTION 4 - PLATFORM

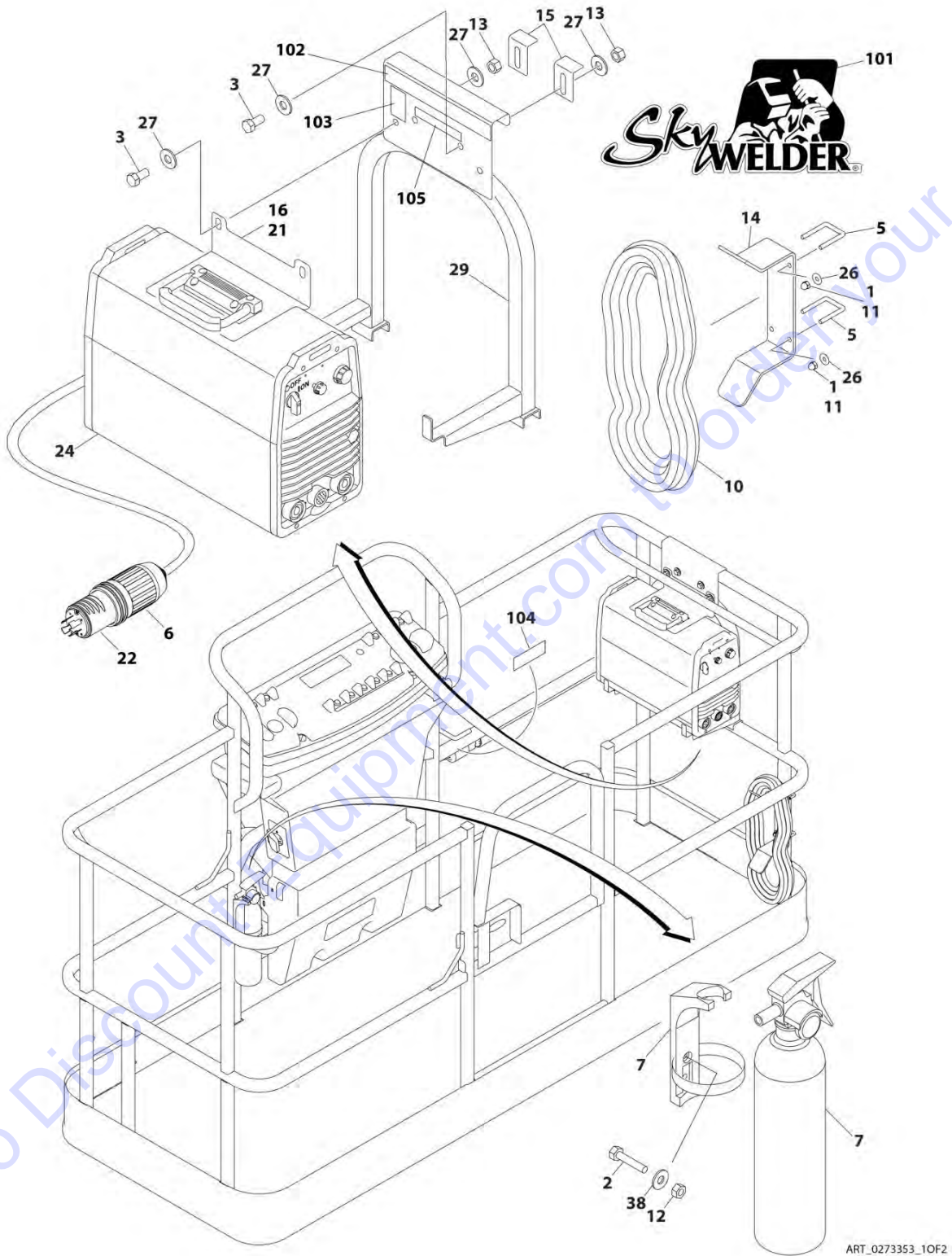
**FIGURE 4-15. SKYLINE INSTALLATION**

ITEM	PART NUMBER	QTY	DESCRIPTION	REV
	1001238559	Ref	SKYLINE INSTALLATION	B
1	0641404	2	Bolt 1/4 x 1/2	
2	0641405	2	Bolt 1/4 x 5/8	
3	3311405	2	Nut 1/4	
4	3311601	2	Nut 3/8	
5	4031516	2	Capscrew M4 x 60	
6	4240033	AR	Tie-Strap (Not Shown)	
7	4711400	4	Washer 1/4	
8	1001120328	1	Mount	
9	1001232642	1	Bracket	
10	1001232650	1	Magnet	
11	1001232667	1	Sensor, Proximity	
12	1001235011	1	Nut	
13	1001235013	1	Washer	
14	1001236552	1	Block	
15	1001238418	1	Harness, Skyline (See Separate Breakdown in ELECTRICAL SECTION)	
16	1001238472	1	Mount	
17	1001238477	1	Housing, LH	
18	1001241965	1	Housing, RH	
19	1001238824	1	Rope	
20	0100011	AR	Compound, Locking	

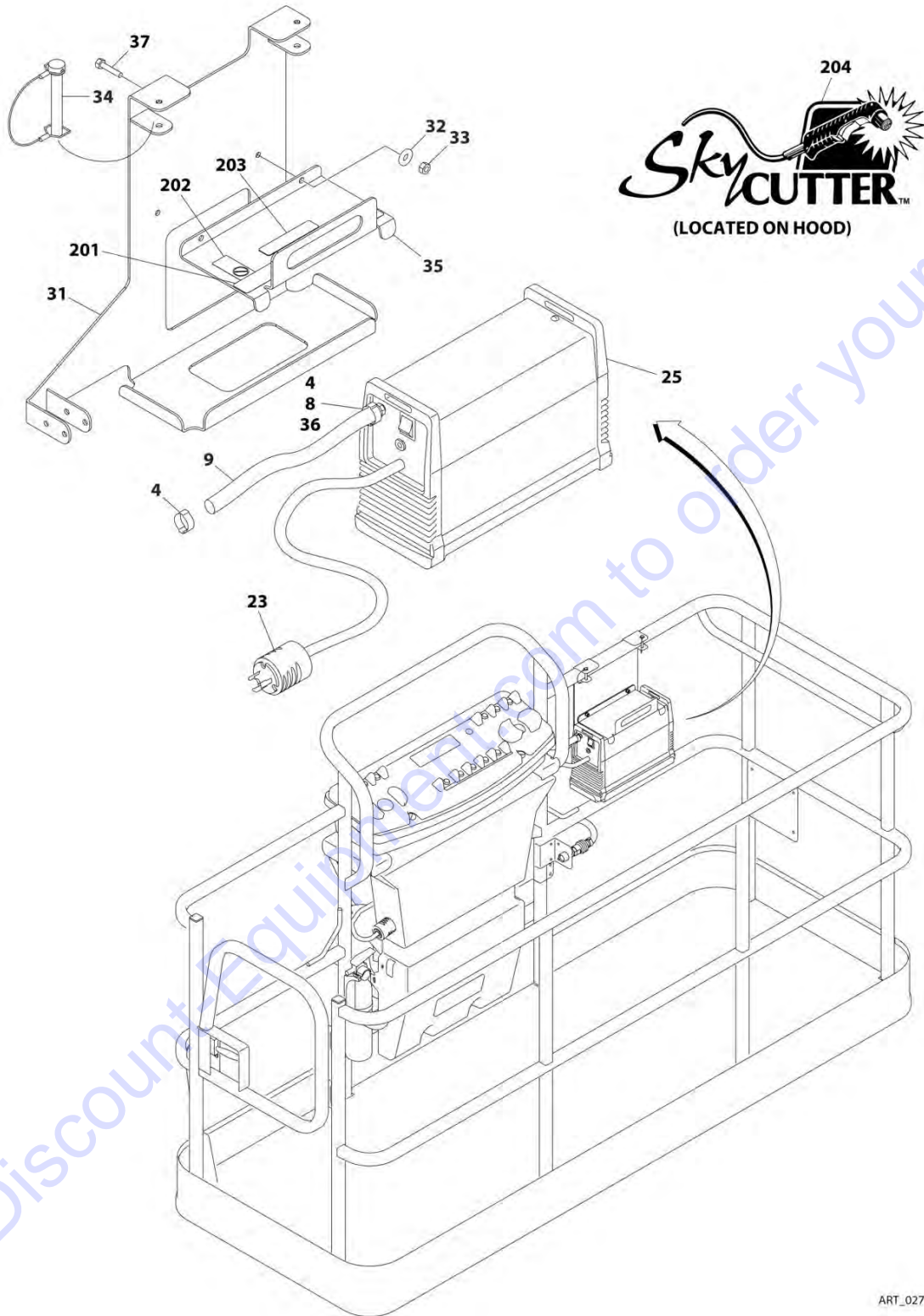


# SECTION 4 - PLATFORM

## FIGURE 4-16. SKYWELDER/SKYCUTTER COMBO INSTALLATION (60HZ)



# SECTION 4 - PLATFORM



ART\_0273353\_20F2

## SECTION 4 - PLATFORM

FIGURE 4-16. SKYWELDER/SKYCUTTER COMBO INSTALLATION (60HZ)

ITEM	PART NUMBER	QTY	DESCRIPTION	REV
	0273353	Ref	SKYWELDER/SKYCUTTER COMBO INSTALLATION (60HZ)	G
		Ref	Note: ANSI, ANSI Export and CSA Spec Only.	
1	0100011	AR	Compound, Locking	
2	0630518	2	Screw #10 x 3/4	
3	0641606	4	Bolt 3/8 x 3/4	
4	1320177	2	Clamp	
5	1320302	2	Clamp	
6	1671093	1	Cover, Plug	
7	2030010	1	Extinguisher, Fire	
8	2180832	1	Fitting, Barbed/NPT	
9	2720160	4.5 ft /1.37m	Hose	
10	2902217	1	Weld Leads Kit	
11	3300151	4	Nut 1/4	
12	3311005	2	Nut #10	
13	3311605	4	Nut 3/8	
14	3573400	1	Bracket	
15	3577121	2	Angle	
16	3573642	1	Plate	
20	4240099	AR	Tie-Strap (Not Shown)	
21	4420037	2.36 ft /.71m	Tape	
22	4460962	1	Plug, Twist Lock	
23	4460971	1	Plug, Twist Lock	
24	4530028	1	Welder Assembly (See WELDER ASSEMBLY for Breakdown)	
25	1001098012	1	Plasma Cutter Assembly (See PLASMA CUTTER ASSEMBLY for Breakdown)	
26	4751400	4	Washer 1/4	
27	4751600	8	Washer 3/8	
29	4846627	1	Support	
31	1001145405	1	Bracket	
32	4811700	2	Washer M6	
33	3290605	2	Nut M6	
34	3421453	3	Pin	
35	3576799	1	Plate, Hold-Down	
36	0100020	1	Sealant	
37	4010608	2	Screw M6 x 16	
38	4751000	2	Washer #10	
	0272448	Ref	SKYWELDER DECAL INSTALLATION	B
101	1705355	2	Decal - SkyWelder	
102	1702868	1	Decal - No Hands	
103	1705305	1	Decal - Weld Leads	
104	1705375	1	Decal - 240V - 3 Phase - 60 Hz	
105	1705466	NLA	Decal - Weight (Use p/n 1001228988) (SN 0300183034 through 0300233689)	
105	1001228988	1	Decal - Weight (SN 0300234690 to Present)	
	0272599	Ref	SKYCUTTER DECAL INSTALLATION	B
201	1702868	1	Decal - No Hands	
202	1705305	1	Decal - Weld Leads	
203	1705466	NLA	Decal - Weight (Use p/n 1001228988) (SN 0300183034 through 0300233689)	

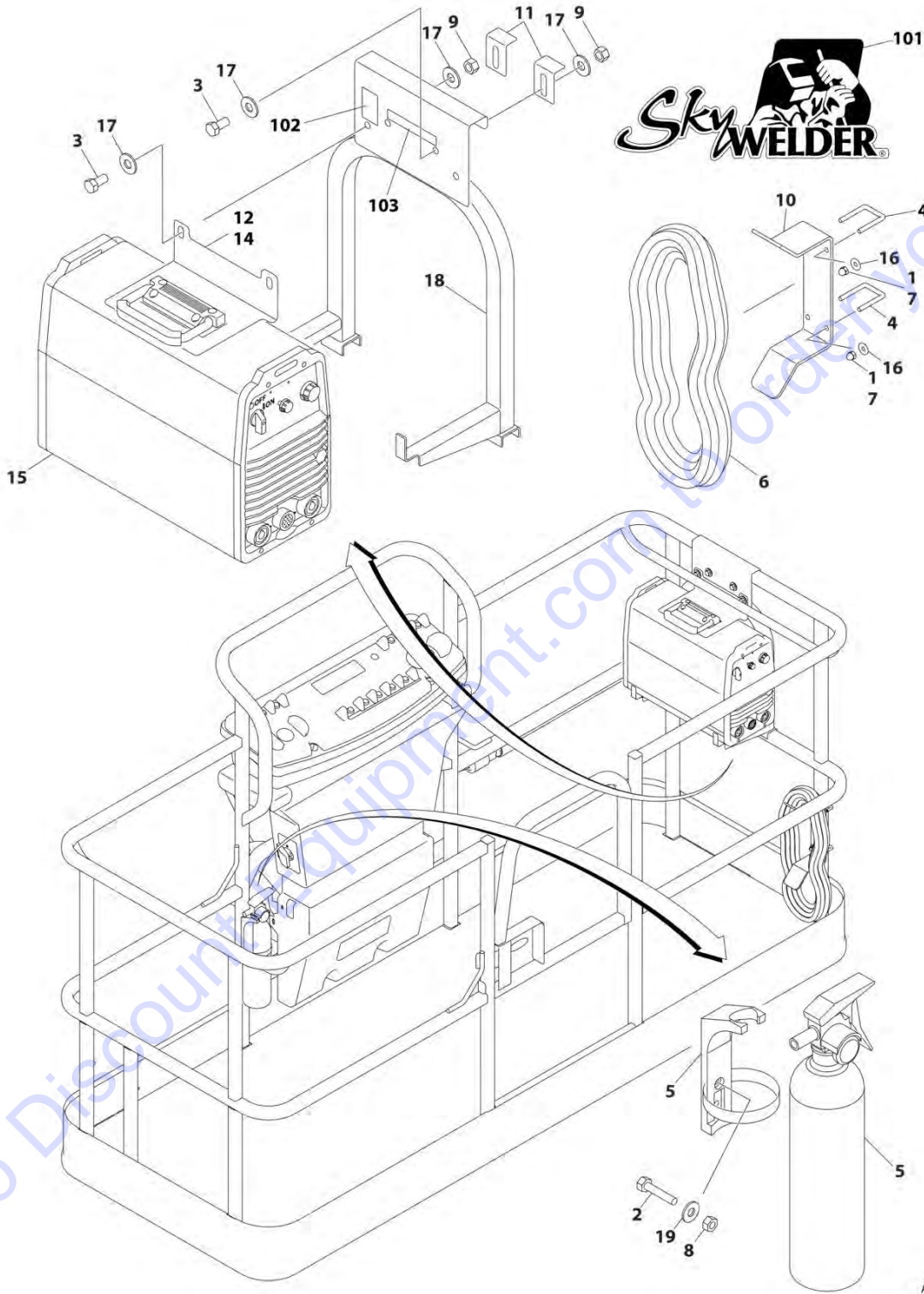
## SECTION 4 - PLATFORM

ITEM	PART NUMBER	QTY	DESCRIPTION	REV
203	1001228988	1	Decal - Weight (SN 0300234690 to Present)	
204	1705490	2	Decal - SkyCutter	

Go to Discount-Equipment.com to order your parts

# SECTION 4 - PLATFORM

## FIGURE 4-17. SKYWELDER INSTALLATION (50HZ)



Go to DiscountEquipment.com to order your parts

ART\_0272521

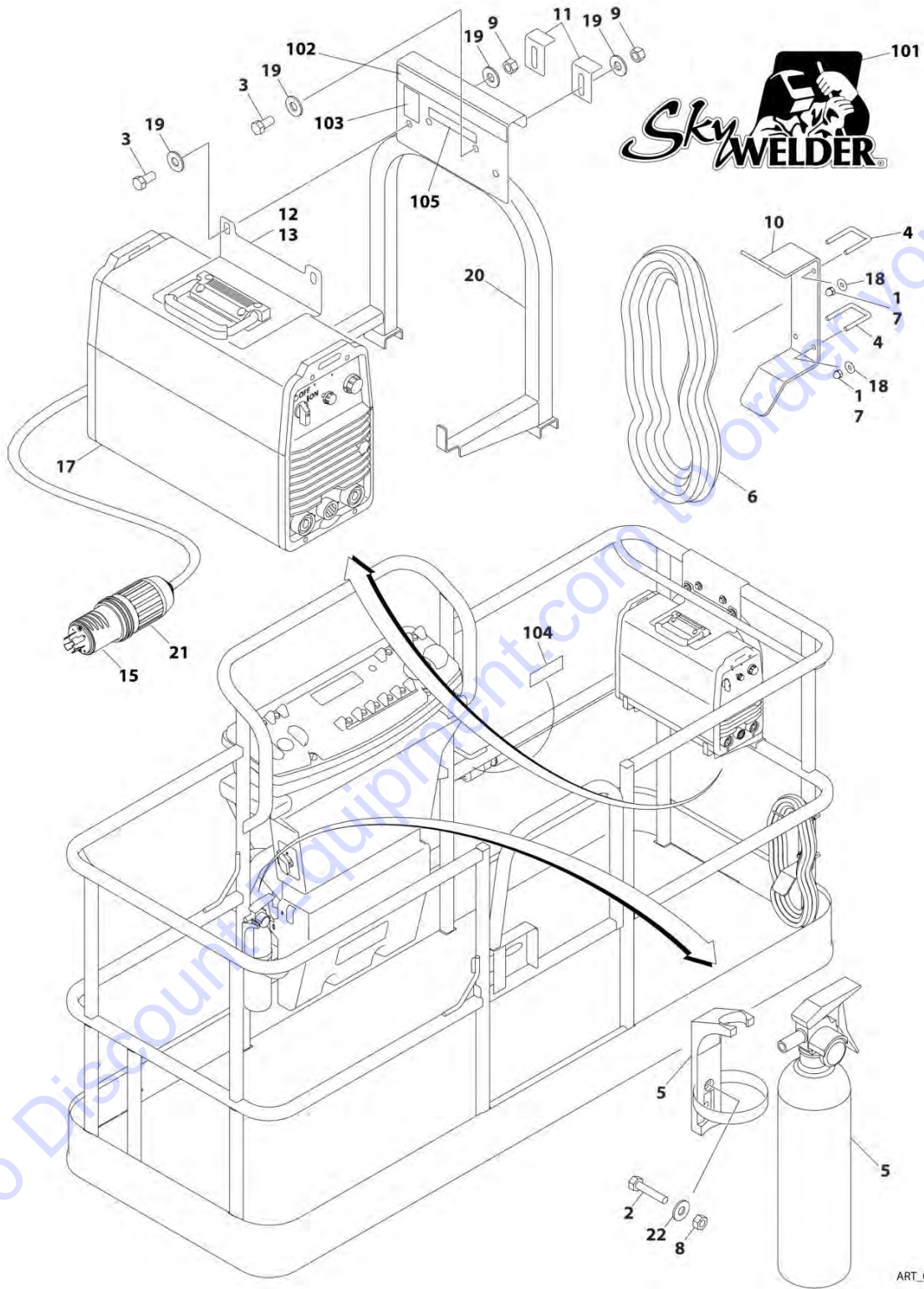
## SECTION 4 - PLATFORM

**FIGURE 4-17. SKYWELDER INSTALLATION (50HZ)**

ITEM	PART NUMBER	QTY	DESCRIPTION	REV
	0272521	Ref	SKYWELDER INSTALLATION (50HZ)	F
		Ref	Note: ANSI Export, Australian, CE and Japanese Specs Only.	
1	0100011	AR	Compound, Locking	
2	0630518	2	Screw #10 x 3/4	
3	0641606	4	Bolt 3/8 x 3/4	
4	1320302	2	U-Clamp	
5	2030010	1	Extinguisher, Fire	
6	2902217	1	Weld Leads Kit	
7	3300151	4	Nut 1/4	
8	3311005	2	Nut #10	
9	3311605	4	Nut 3/8	
10	3573400	1	Bracket	
11	3577121	2	Angle	
12	3573642	1	Plate	
13	4240099	AR	Tie-Strap (Not Shown)	
14	4420037	AR	Tape	
15	4530028	1	Welder Assembly (See WELDER ASSEMBLY for Breakdown)	
16	4751400	4	Washer 1/4	
17	4751600	8	Washer 3/8	
18	4846627	1	Support	
19	4751000	2	Washer #10	
	0272588	Ref	SKYWELDER DECAL INSTALLATION	B
101	1705355	2	Decal - SkyWelder	
102	1705305	1	Decal - Weld Lead	
103	1705466	NLA	Decal - Weight (Use p/n 1001228988) <b>(SN 0300183034 through 0300234689)</b>	
103	1001228988	1	Decal - Weight <b>(SN 0300234690 to Present)</b>	

# SECTION 4 - PLATFORM

## FIGURE 4-18. SKYWELDER INSTALLATION (60HZ)



Go to DiscountEquipment.com to order your parts

ART\_0272254

## SECTION 4 - PLATFORM

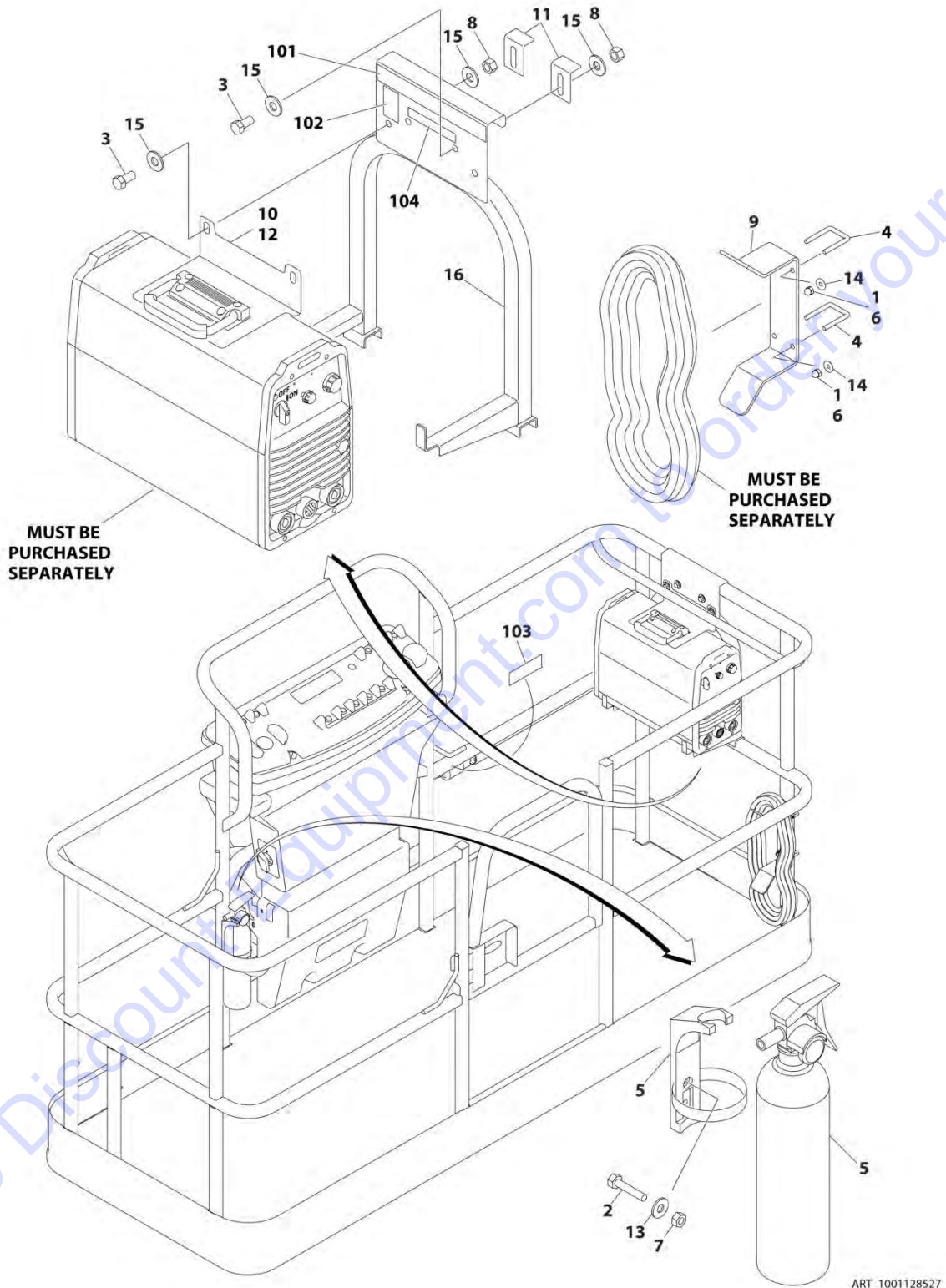
**FIGURE 4-18. SKYWELDER INSTALLATION (60HZ)**

ITEM	PART NUMBER	QTY	DESCRIPTION	REV
	0272254	Ref	SKYWELDER INSTALLATION (60HZ)	I
		Ref	Note: ANSI, ANSI Export, CSA and Japanese Specs Only.	
1	0100011	AR	Compound, Locking	
2	0630518	2	Screw #10 x 3/4	
3	0641606	4	Bolt 3/8 x 3/4	
4	1320302	2	U-Clamp	
5	2030010	1	Extinguisher, Fire	
6	2902217	1	Weld Leads Kit	
7	3300151	4	Nut 1/4	
8	3311005	2	Nut #10	
9	3311605	4	Nut 3/8	
10	3573400	1	Bracket	
11	3577121	2	Angle	
12	3573642	1	Plate	
13	4420037	AR	Tape	
14	4240099	AR	Tie-Strap (Not Shown)	
15	4460962	1	Plug, Male Twistlock	
17	4530028	1	Welder Assembly (See WELDER ASSEMBLY for Breakdown)	
18	4751400	4	Washer 1/4	
19	4751600	8	Washer 3/8	
20	4846627	1	Support	
21	1671093	1	Cover, Plug	
22	4751000	2	Washer #10	
	0272448	Ref	SKYWELDER DECAL INSTALLATION	B
101	1705355	2	Decal - SkyWelder	
102	1702868	1	Decal - No Hands	
103	1705305	1	Decal - Weld Lead	
104	1705375	1	Decal - 240V - 3 Phase - 60Hz	
105	1705466	NLA	Decal - Weight (Use p/n 1001228988) (SN 0300183034 through 0300234689)	
105	1001228988	1	Decal - Weight (SN 0300234690 to Present)	



# SECTION 4 - PLATFORM

## FIGURE 4-19. SKYWELDER PREP PACKAGE (60HZ)



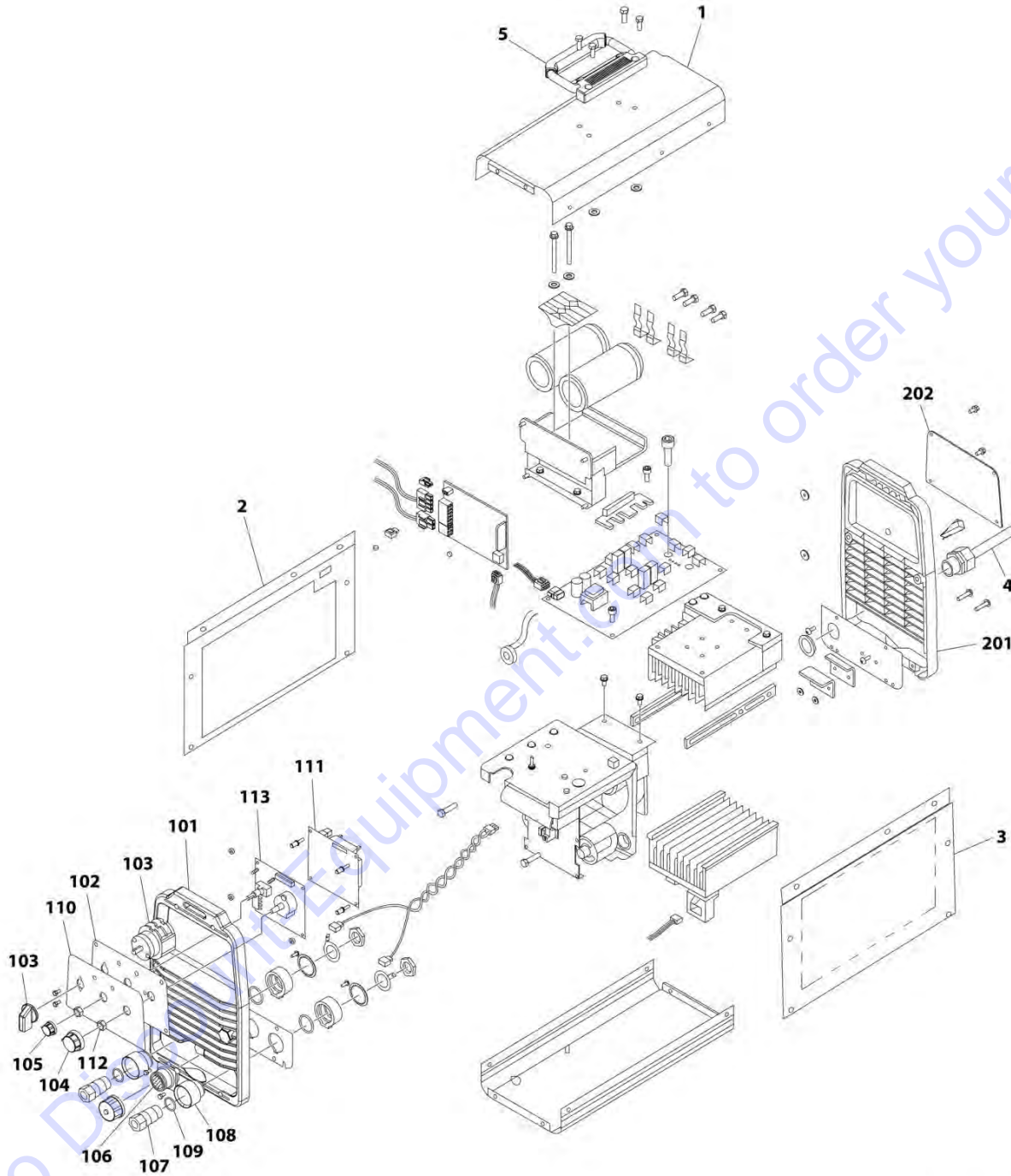
## SECTION 4 - PLATFORM

**FIGURE 4-19. SKYWELDER PREP PACKAGE (60HZ)**

ITEM	PART NUMBER	QTY	DESCRIPTION	REV
	1001128527	Ref	SKYWELDER PREP PACKAGE (60HZ)	B
		Ref	Note: ANSI, ANSI Export and CSA Specs Only.	
1	0100011	AR	Compound, Locking	
2	0630518	2	Screw #10 x 3/4	
3	0641606	4	Bolt 3/8 x 3/4	
4	1320302	2	U-Clamp	
5	2030010	1	Extinguisher, Fire	
6	3300151	4	Nut 1/4	
7	3311005	2	Nut #10	
8	3311605	4	Nut 3/8	
9	3573400	1	Bracket	
10	3573642	1	Plate	
11	3577121	2	Angle	
12	4420037	AR	Tape	
13	4751000	2	Washer #10	
14	4751400	4	Washer 1/4	
15	4751600	8	Washer 3/8	
16	4846627	1	Support	
	1001128556	Ref	SKYWELDER DECAL INSTALLATION	B
101	1702868	1	Decal - No Hands	
102	1705305	1	Decal - Weld Lead	
103	1705375	1	Decal - 240V - 3 Phase - 60Hz	
104	1705466	NLA	Decal - Weight (Use p/n 1001228988) <b>(SN 0300183034 through 0300234689)</b>	
104	1001228988	1	Decal - Weight <b>(SN 0300234690 to Present)</b>	

# SECTION 4 - PLATFORM

## FIGURE 4-20. WELDER ASSEMBLY



ART\_4530028

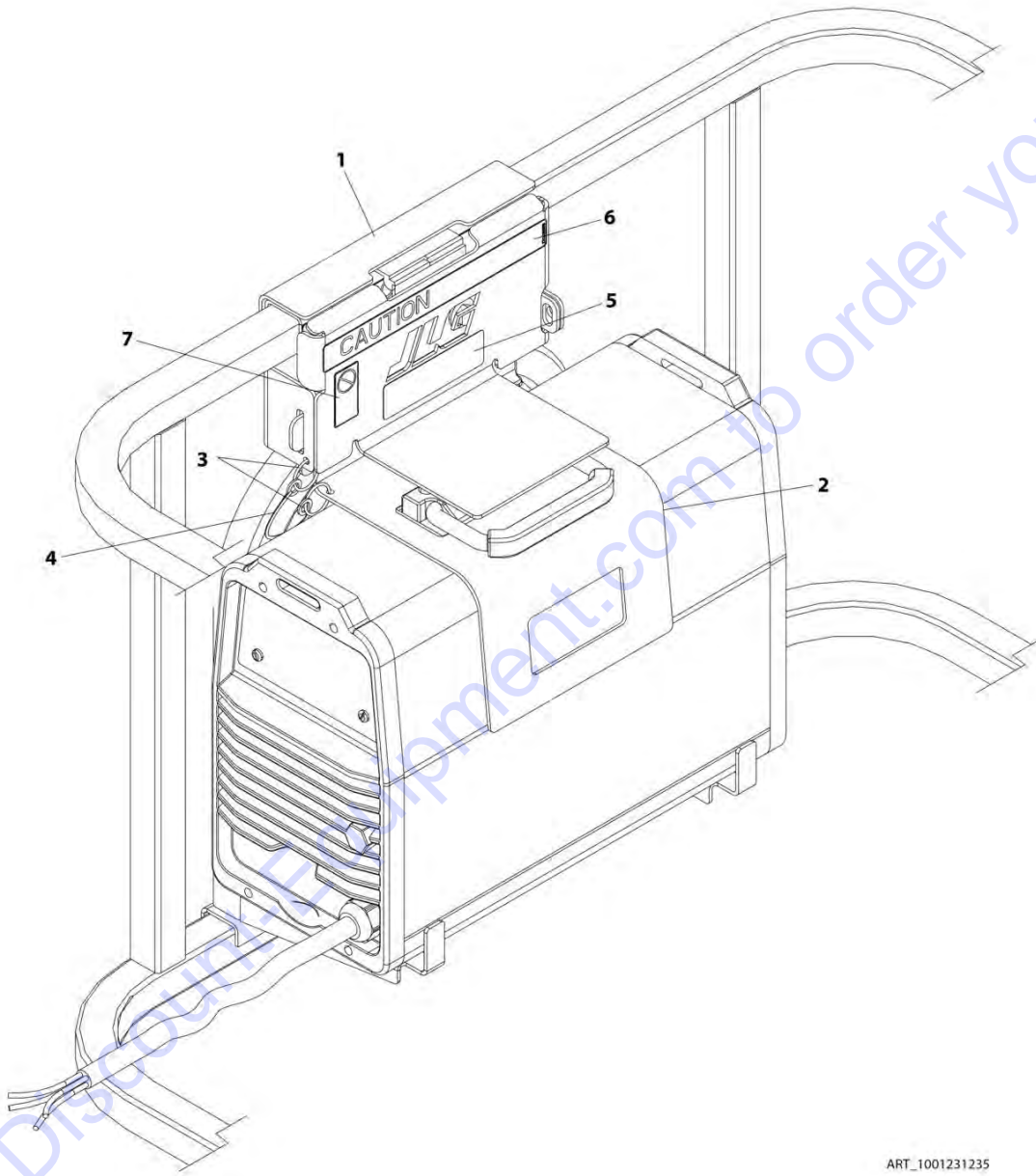
## SECTION 4 - PLATFORM

**FIGURE 4-20. WELDER ASSEMBLY**

ITEM	PART NUMBER	QTY	DESCRIPTION	REV
	4530028	Ref	WELDER ASSEMBLY	B
		Ref	Note: For Other Components, contact your Miller Welder Dealer.	
1	7027773	1	Cover, Top	
1	7027774	1	Decal - Static Precautionary Warning	
2	See Note	NSS	Panel, LH Side (Note: Part of Item 1. Purchase Item 1)	
3	See Note	NSS	Panel, RH Side (Note: Part of Item 1. Purchase Item 1)	
4	7024467	1	Cable, Power	
4	7027775	1	Decal - Electrical Shock Warning (Not Shown)	
5	7027776	1	Handle, Carrying	
101	7024462	1	Panel, Front	
102	7024463	1	Panel, Console	
103	7024469	1	Switch with Lead	
104	7024470	1	Knob	
105	7024471	1	Knob	
106	7024472	1	Receptacle with Leads and Plugs	
107	7024473	2	Receptacle, Twistlock Female	
108	7024474	2	Insulator	
109	7024475	2	O-Ring	
110	7027777	1	Nameplate	
111	7027779	1	Circuit Card Assembly (Process Control)	
112	7024478	2	Nut	
113	7027778	1	Circuit Card Assembly (Operator Interface)	
201	7024462	1	Panel, Rear	
202	7027780	1	Panel, Cover	

## SECTION 4 - PLATFORM

FIGURE 4-21. SKYWELDER LOCKING BRACKET INSTALLATION



ART\_1001231235

## SECTION 4 - PLATFORM

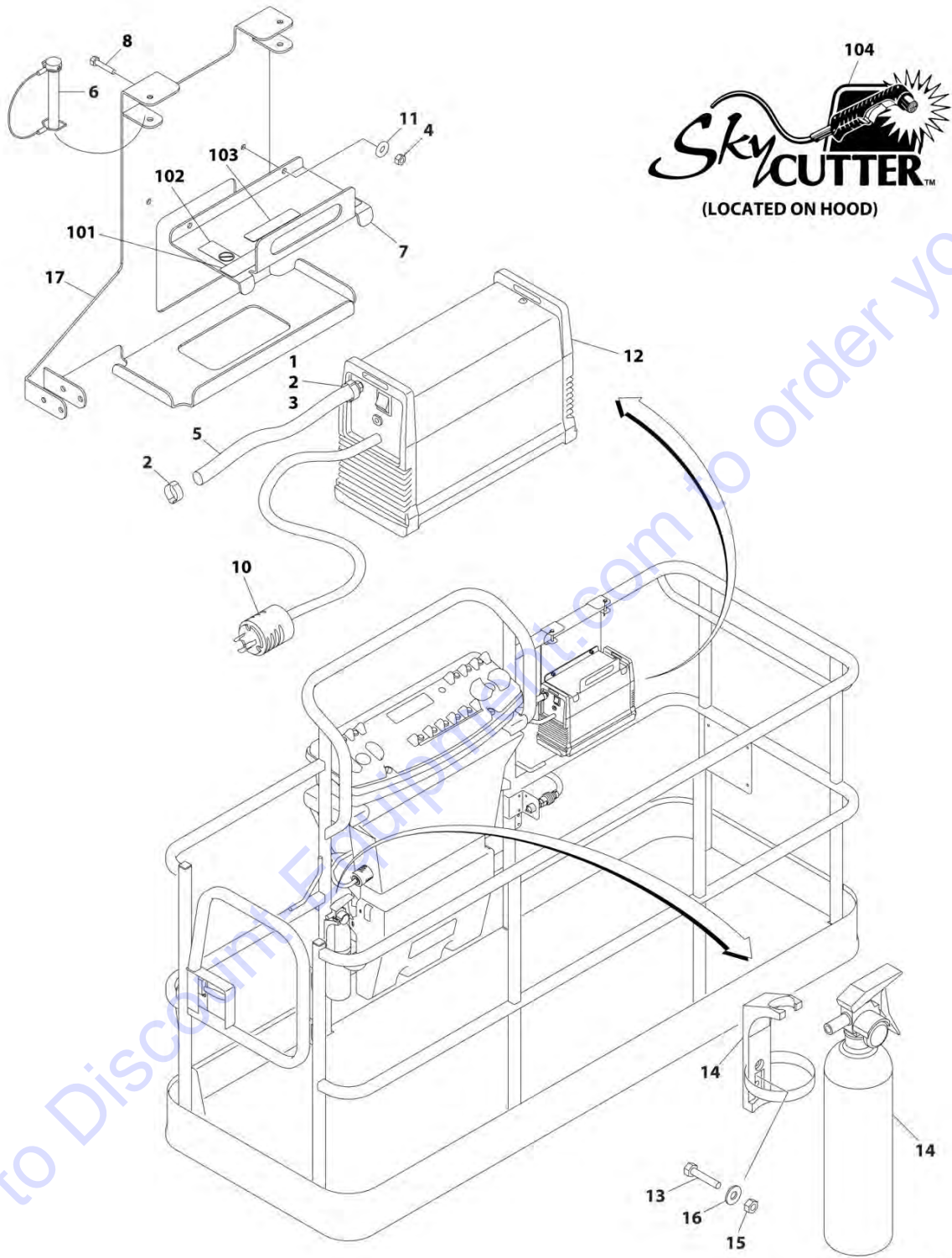
**FIGURE 4-21. SKYWELDER LOCKING BRACKET INSTALLATION**

ITEM	PART NUMBER	QTY	DESCRIPTION	REV
	1001231235	Ref	SKYWELDER LOCKING BRACKET INSTALLATION	A
1	1001231180	1	Bracket	
2	1001231183	1	Plate	
3	3760170	2	Ring	
4	1060379	1	Lanyard	
5	1001228988	1	Decal - Weight	
6	1702868	1	Decal - No Hands	
7	1705305	1	Decal - Weld Lead	

Go to Discount-Equipment.com to order your parts

**SECTION 4 - PLATFORM**

**FIGURE 4-22. SKYCUTTER INSTALLATION**



ART\_1001098149

## SECTION 4 - PLATFORM

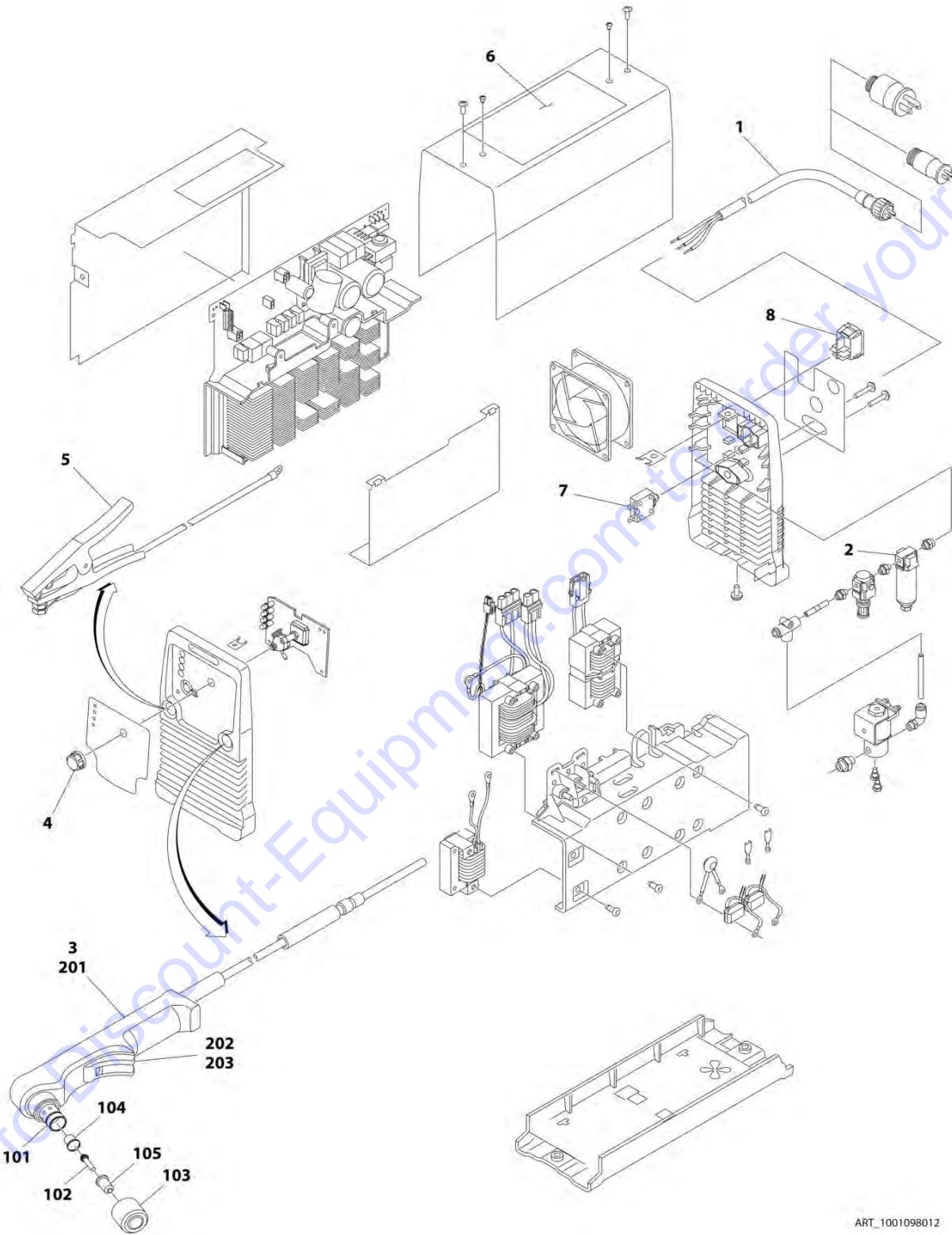
**FIGURE 4-22. SKYCUTTER INSTALLATION**

ITEM	PART NUMBER	QTY	DESCRIPTION	REV
	1001098149	Ref	SKYCUTTER INSTALLATION	D
		Ref	Note: ANSI, ANSI Export and CSA Specs Only.	
		Ref	Note: When replacing platform on machines with SkyCutter option, new bracket p/n 1001145405 must be purchased to accommodate SkyCutter components.	
1	0100020	AR	Sealant	
2	1320177	2	Clamp, Hose	
3	2180832	1	Fitting, NPT/Barbed	
4	3290605	2	Nut M6	
5	2720160	3 ft /.9m	Hose	
6	3421453	3	Pin	
7	3576799	1	Plate, Hold-Down	
8	4010608	2	Screw M6 x 16	
10	4460971	1	Plug, Twistlock	
11	4811700	2	Washer M6	
12	1001098012	1	Plasma Cutter Assembly (See PLASMA CUTTER ASSEMBLY for Breakdown)	
13	0630518	2	Screw #10 x 3/4	
14	2030010	1	Extinguisher, Fire	
15	3311005	2	Nut #10	
16	4751000	2	Washer #10	
17	1001145405	1	Support	
	0272599	Ref	SKYCUTTER DECAL INSTALLATION (ANSI, ANSI EXPORT AND CSA SPECS)	B
101	1702868	1	Decal - No Hands	
102	1705305	1	Decal - Weld Lead	
103	1705466	NLA	Decal - Weight (Use p/n 1001228988)	
103	1001228988	1	Decal - Weight	
104	1705490	1	Decal - SkyCutter	



# SECTION 4 - PLATFORM

## FIGURE 4-23. PLASMA CUTTER ASSEMBLY



ART\_1001098012

## SECTION 4 - PLATFORM

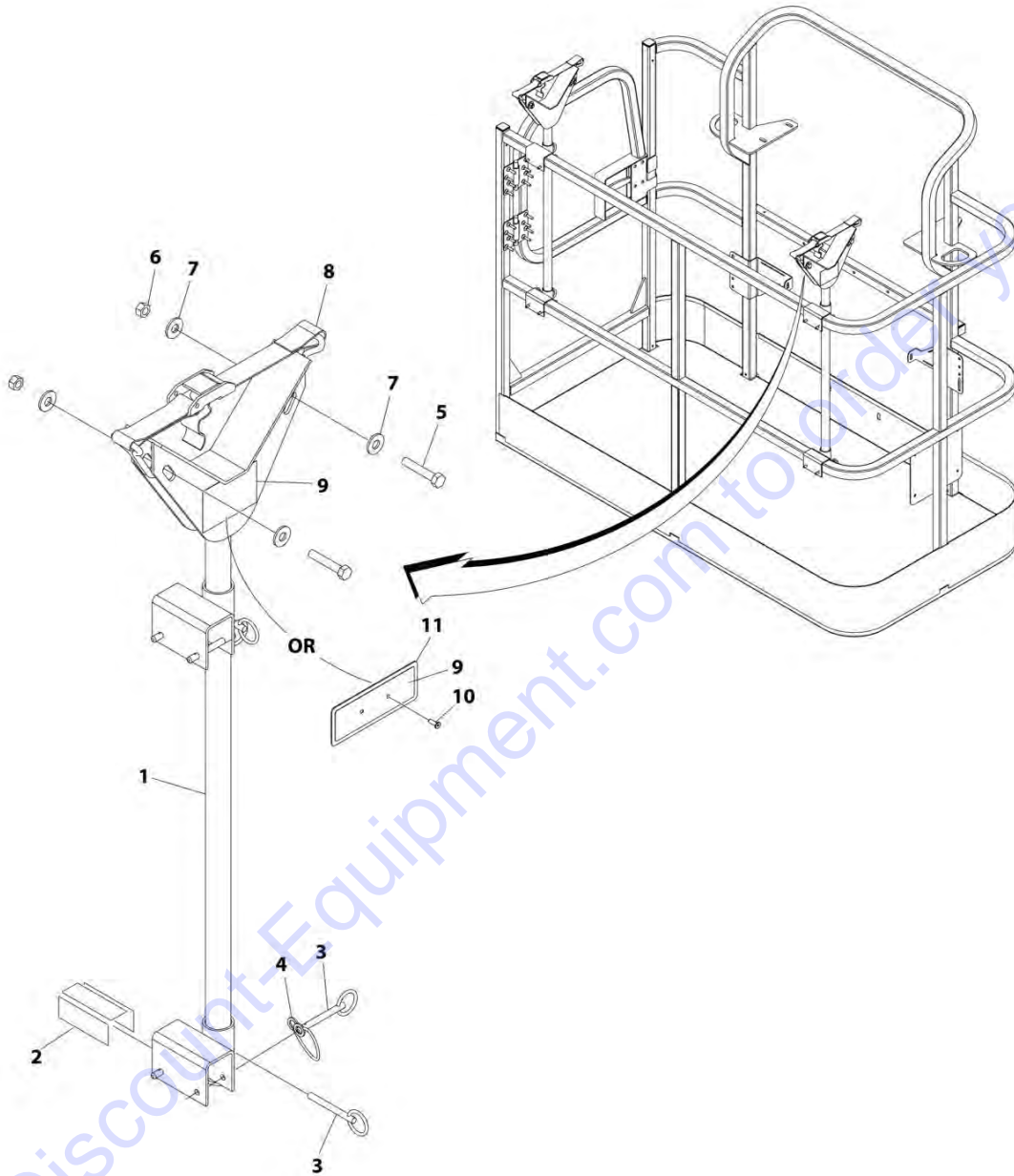
**FIGURE 4-23. PLASMA CUTTER ASSEMBLY**

ITEM	PART NUMBER	QTY	DESCRIPTION	REV
	1001098012	Ref	PLASMA CUTTER ASSEMBLY	A
		Ref	Note: For Other Components, contact your Miller Welder Dealer.	
1	70001424	1	Cable, Power	
1	70001425	1	Decal - Voltage Warning	
2	70001427	1	Filter, Regulator	
3	70001428	1	Torch Assembly (See Items 101-203 for Breakdown)	
4	7024471	1	Knob	
5	70001429	1	Clamp with Cable	
6	70001430	1	Decal - Caution	
7	70001431	1	Breaker, Circuit	
8	70001432	1	Switch, Rocker	
	70001428	Ref	TORCH ASSEMBLY	
101	7024530	1	O-Ring	
102	7024531	1	Electrode	
103	7024532	1	Cup, Retaining	
104	7024533	1	Swirl Ring	
105	7024534	1	Tip	
201	7024535	1	Handle, Torch	
202	7024536	1	Switch	
203	7024537	1	Trigger	

Go to Discount-Equipment.com to order your parts

# SECTION 4 - PLATFORM

## FIGURE 4-24. PIPE RACKS INSTALLATION



ART\_0257728

## SECTION 4 - PLATFORM

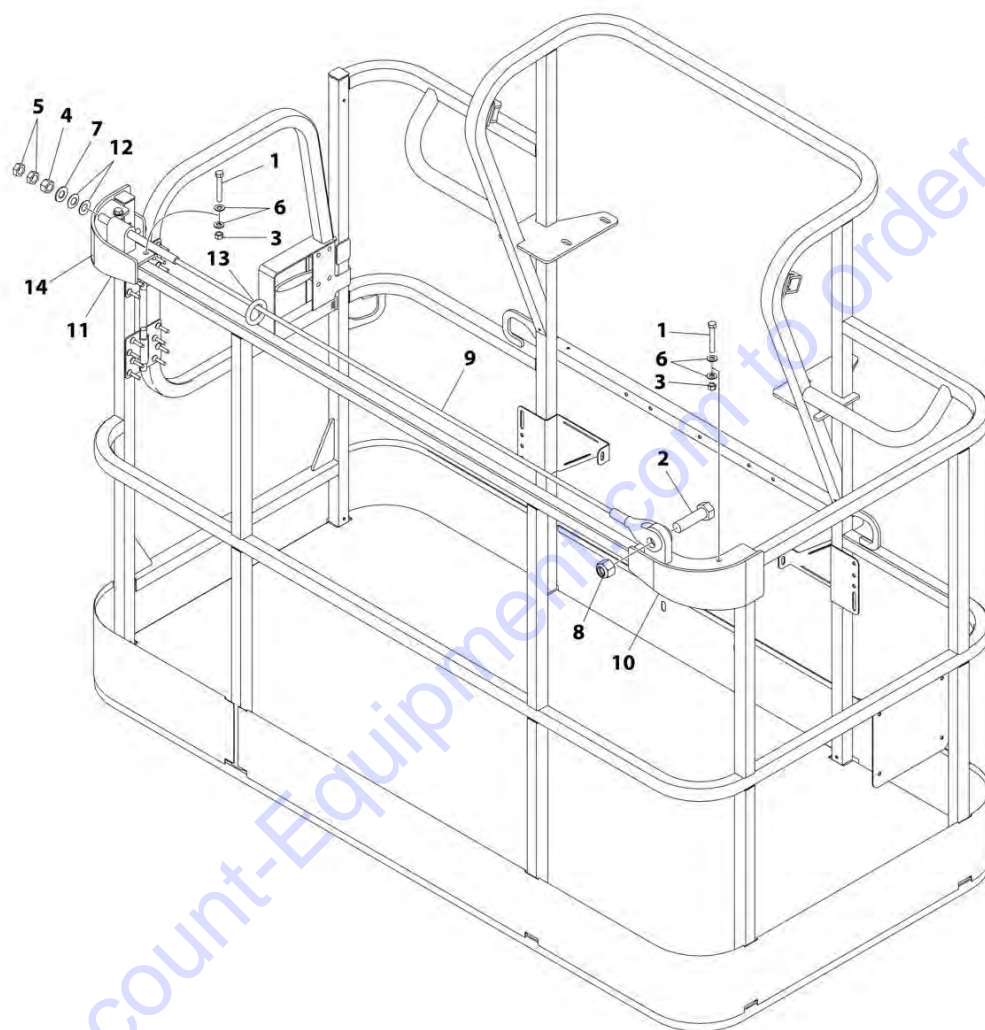
**FIGURE 4-24. PIPE RACKS INSTALLATION**

ITEM	PART NUMBER	QTY	DESCRIPTION	REV
	0257728	Ref	PIPE RACK INSTALLATION (ANSI AND CSA SPECS)	2/C
	1001107497	Ref	PIPE RACK INSTALLATION (ANSI EXPORT SPECS)	A
	0274661	Ref	PIPE RACK INSTALLATION (AUSTRALIAN SPECS)	1/A
		Ref	Note: Available on ANSI, ANSI Export, Australian and CSA Specs	
1	4845582	2	Rack, Pipe	
2	4420062	AR	Tape	
3	3422661	10	Pin	
4	1060379	4	Lanyard	
5	0641514	4	Bolt 5/16 x 1-3/4	
6	3311505	4	Nut 5/16	
7	4751500	8	Washer 5/16	
8	0480100	2	Tie-Down	
9	1703683	2	Decal - Capacity (ANSI and CSA Specs)	
9	1706510	2	Decal - Capacity (Australian Specs)	
9	1001106450	2	Decal - Capacity (ANSI Export Specs)	
10	3820001	4	Rivet	
11	1001107469	2	Plate, Mounting	

Go to Discount-Equipment.com to order your parts

## SECTION 4 - PLATFORM

FIGURE 4-25. FALL ARREST INSTALLATION (BOLT-ON EXTERNAL) (6FT/1.82M PLATFORM)



ART\_1001236747

## SECTION 4 - PLATFORM

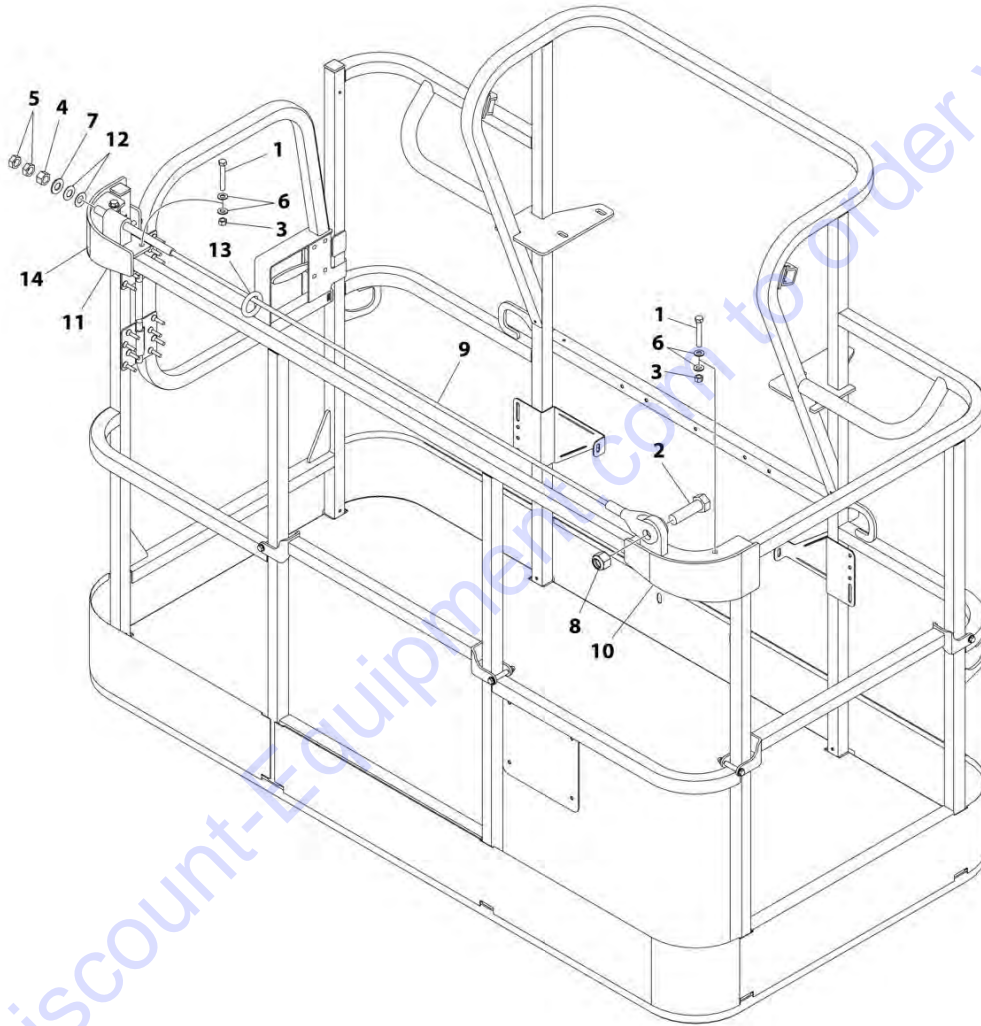
**FIGURE 4-25. FALL ARREST INSTALLATION (BOLT-ON EXTERNAL) (6FT/1.82M PLATFORM)**

ITEM	PART NUMBER	QTY	DESCRIPTION	REV
	1001236747	Ref	FALL ARREST INSTALLATION (BOLT - ON) 6FT/1.82M PLATFORM	A
1	0681620	6	Bolt 3/8 x 2-1/2	
2	0682424	1	Bolt 7/8 x 3	
3	3271605	6	Nut 3/8	
4	3272001	1	Nut 5/8	
5	3312002	2	Nut 5/8	
6	4711600	12	Washer 3/8	
7	4712000	1	Washer 5/8	
8	88521214	1	Nut 7/8	
9	1001231950	1	Rope	
10	1001232010	1	Bracket (RH)	
11	1001232011	1	Bracket (LH)	
12	1001236891	2	Washer	
13	1001236895	1	Ring	
14	1001238263	1	Decal - Warning Falling Hazard	

Go to Discount-Equipment.com to order your parts

## SECTION 4 - PLATFORM

FIGURE 4-26. FALL ARREST INSTALLATION (BOLT-ON EXTERNAL) (6FT/1.82M TRI-ENTRY PLATFORM)



ART\_1001238463

## SECTION 4 - PLATFORM

**FIGURE 4-26. FALL ARREST INSTALLATION (BOLT-ON EXTERNAL) (6FT/1.82M TRI-ENTRY PLATFORM)**

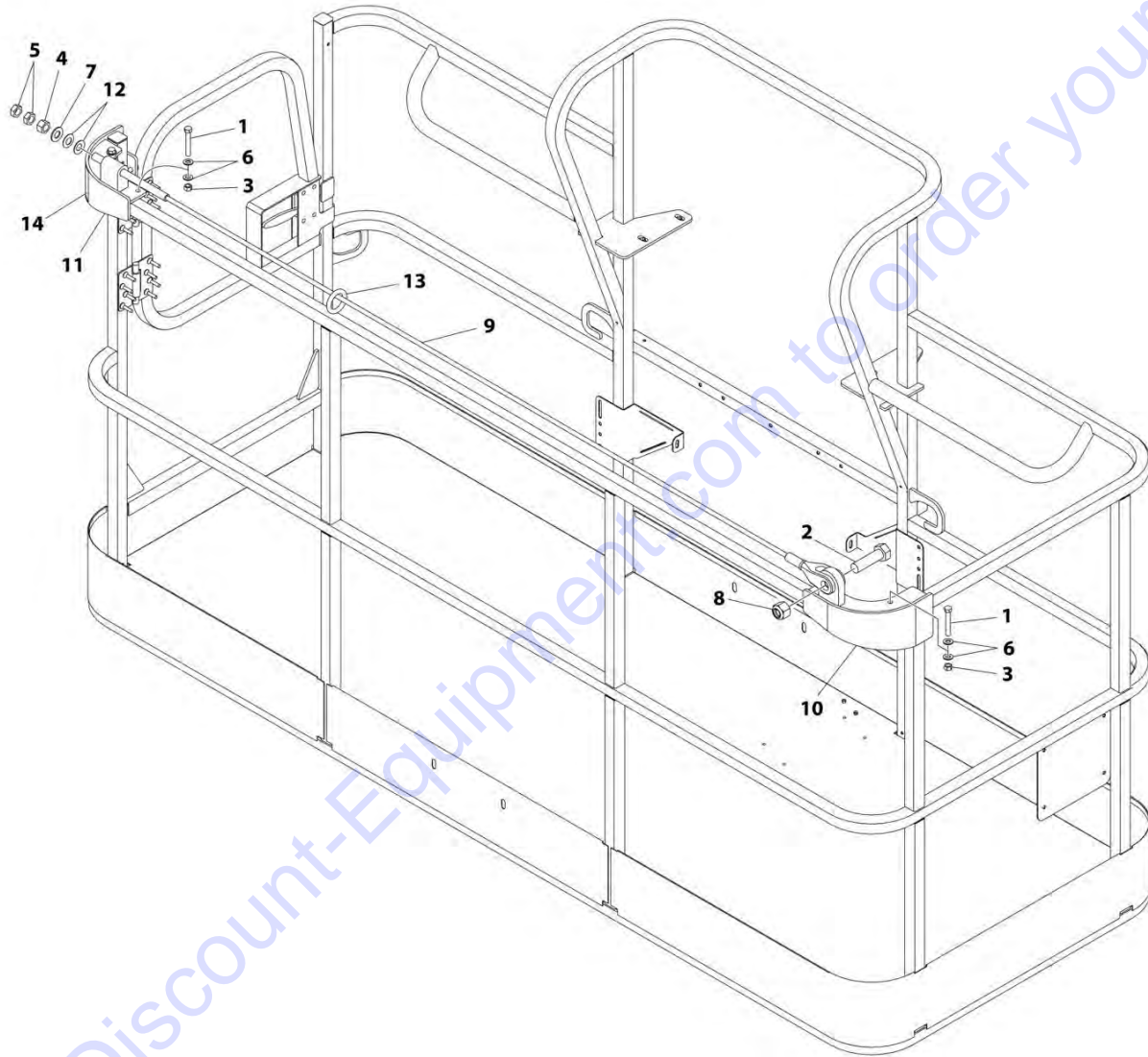
ITEM	PART NUMBER	QTY	DESCRIPTION	REV
	1001238463	Ref	FALL ARREST INSTALLATION (BOLT - ON) 6FT/1.82M PLATFORM	B
1	0681620	6	Bolt 3/8 x 2-1/2	
2	0682424	1	Bolt 7/8 x 3	
3	3271605	6	Nut 3/8	
4	3272001	1	Nut 5/8	
5	3312002	2	Nut 5/8	
6	4711600	12	Washer 3/8	
7	4712000	1	Washer 5/8	
8	88521214	1	Nut 7/8	
9	1001231950	1	Rope	
10	1001232010	1	Bracket (RH)	
11	1001232011	1	Bracket (LH)	
12	1001236891	2	Washer	
13	1001236895	1	Ring	
14	1001238263	1	Decal - Warning Falling Hazard	

Go to Discount-Equipment.com to order your parts



# SECTION 4 - PLATFORM

FIGURE 4-27. FALL ARREST INSTALLATION (BOLT-ON EXTERNAL) (8FT/2.4M PLATFORM)



ART\_1001236746

## SECTION 4 - PLATFORM

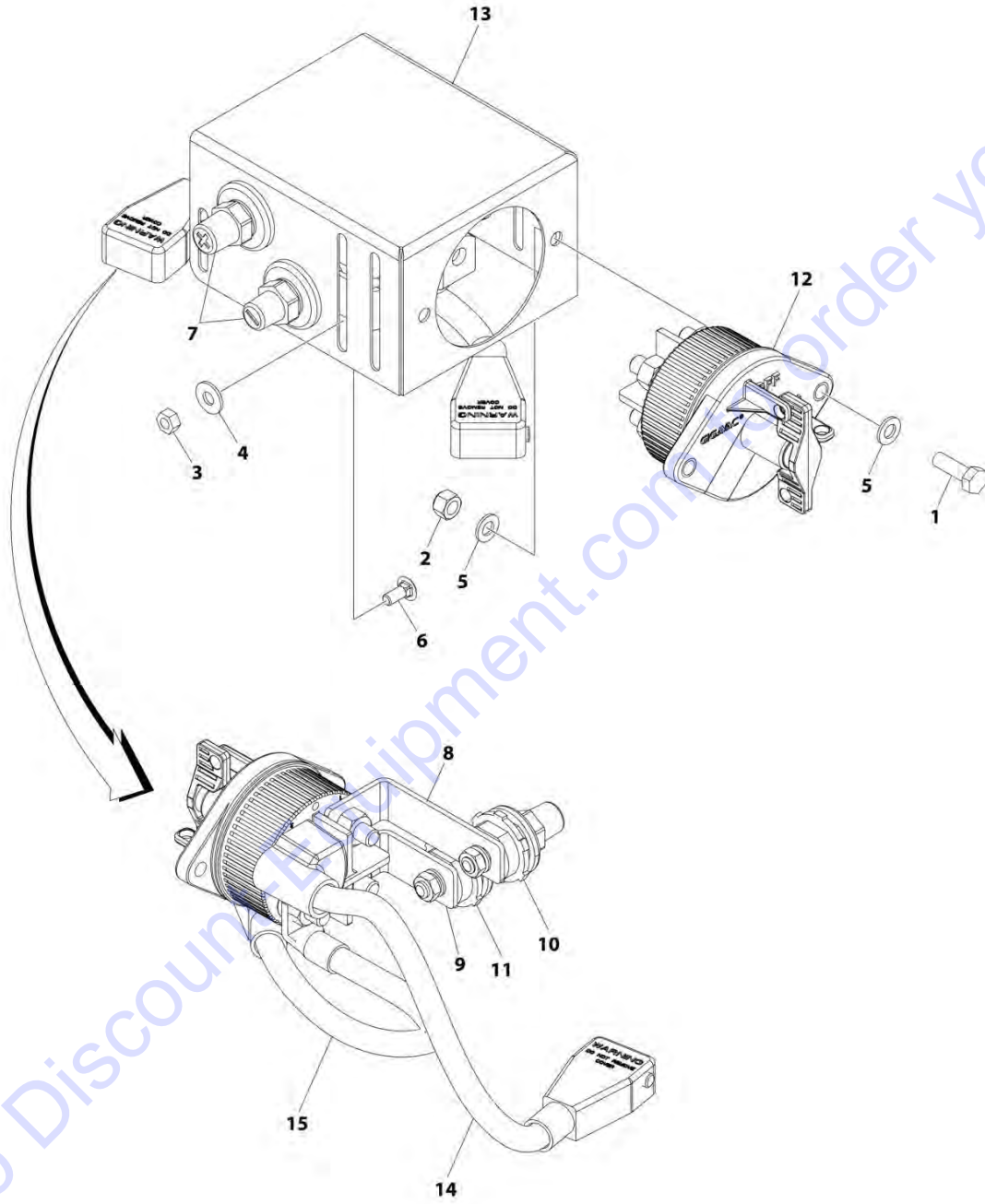
**FIGURE 4-27. FALL ARREST INSTALLATION (BOLT-ON EXTERNAL) (8FT/2.4M PLATFORM)**

ITEM	PART NUMBER	QTY	DESCRIPTION	REV
	1001236746	Ref	FALL ARREST INSTALLATION (BOLT - ON) 8FT/2.4M PLATFORM	A
1	0681620	6	Bolt 3/8 x 2-1/2	
2	0682424	1	Bolt 7/8 x 3	
3	3271605	6	Nut 3/8	
4	3272001	1	Nut 5/8	
5	3312002	2	Nut 5/8	
6	4711600	12	Washer 3/8	
7	4712000	1	Washer 5/8	
8	88521214	1	Nut 7/8	
9	1001231949	1	Rope	
10	1001232010	1	Bracket (RH)	
11	1001232011	1	Bracket (LH)	
12	1001236891	2	Washer	
13	1001236895	1	Ring	
14	1001238263	1	Decal - Warning Falling Hazard	

Go to Discount-Equipment.com to order your parts

# SECTION 4 - PLATFORM

## FIGURE 4-28. BATTERY DISCONNECT (SN 0300240507 to Present)



ART\_1001236304

## SECTION 4 - PLATFORM

**FIGURE 4-28. BATTERY DISCONNECT (SN 0300240507 to Present)**

ITEM	PART NUMBER	QTY	DESCRIPTION	REV
	1001236304	Ref	BATTERY DISCONNECT SWITCH INSTALLATION	A
1	0760812	2	Bolt M8 x 25	
2	3290805	2	Nut M8	
3	3311405	3	Nut 1/4	
4	4751400	3	Washer 1/4	
5	4811900	4	Washer M8	
6	88411013	3	Bolt 1/4 x 3/4	
7	1001206476	1	Connectors, Post	
8	1001209432	1	Bussbar	
9	1001209474	1	Bussbar	
10	1001214570	1	Connector (Red)	
11	1001214571	1	Connector (Black)	
12	1001225346	1	Switch, Battery	
13	1001226531	1	Mount	
14	1001236504	1	Cable, Battery (+)	
15	1001236505	1	Cable, Battery (-)	

Go to Discount-Equipment.com to order your parts

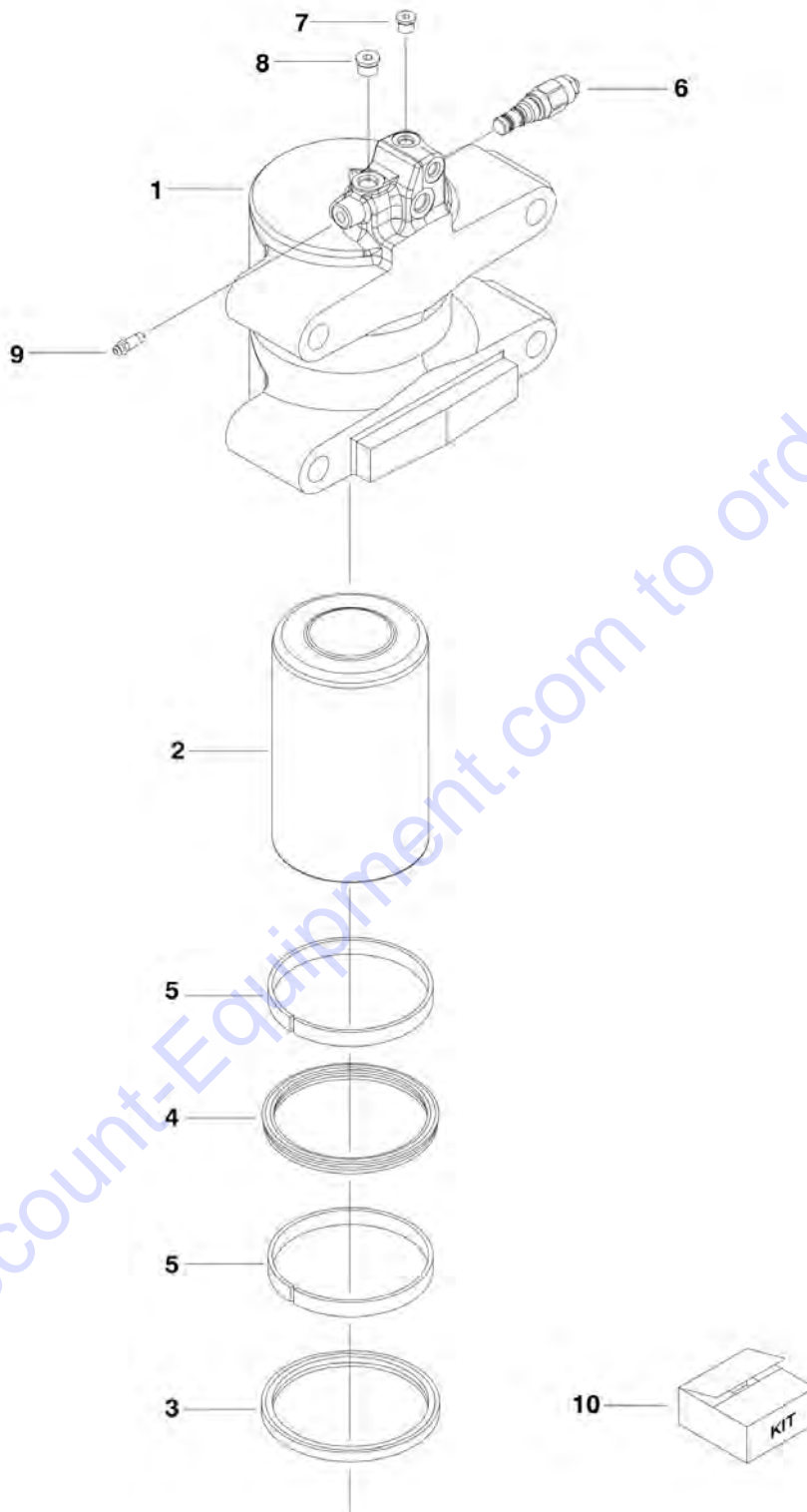


**SECTION 5 - CYLINDER**

Go to [Discount-Equipment.com](http://Discount-Equipment.com) to order your parts

# SECTION 5 - CYLINDER

## FIGURE 5-1. AXLE LOCKOUT CYLINDER ASSEMBLY



## SECTION 5 - CYLINDER

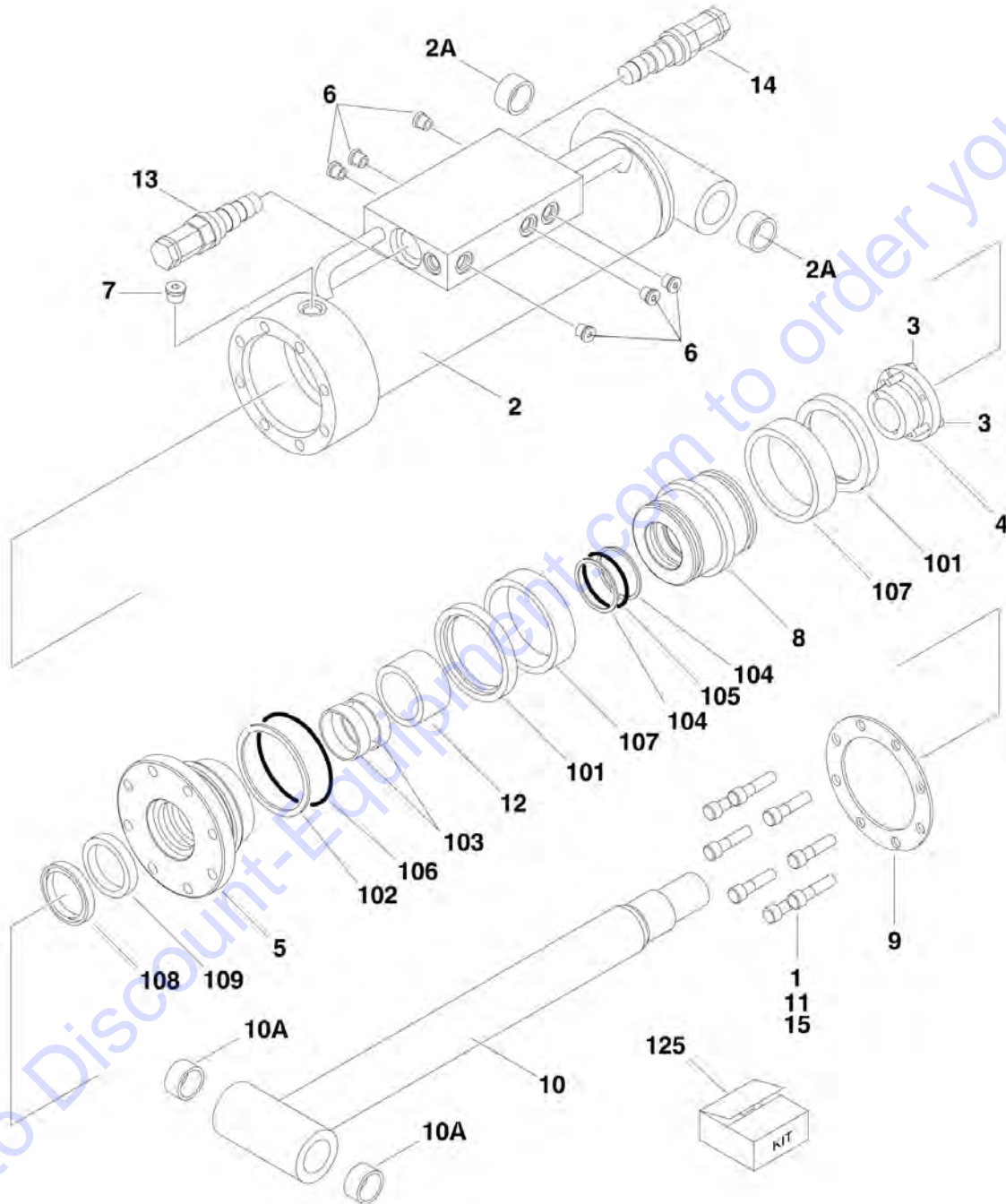
**FIGURE 5-1. AXLE LOCKOUT CYLINDER ASSEMBLY**

ITEM	PART NUMBER	QTY	DESCRIPTION	REV
	1001154258	Ref	AXLE LOCKOUT CYLINDER ASSEMBLY (SN 0300183034 through 0300214572)	D
	1001204560	Ref	AXLE LOCKOUT CYLINDER ASSEMBLY (SN 0300214573 to Present)	A
		Ref	Note: Original Cylinder may have been replaced with Service Replacement. Identify PN Stamped on Cylinder Before Ordering Parts.	
1	1001154126	1	Barrel	
2	1001154687	1	Rod	
3	See Note	NSS	Wiper (Note: Use Item 10)	
4	See Note	NSS	Seal, Rod (Note: Use Item 10)	
5	See Note	NSS	Ring, Wear (Note: Use Item 10)	
6	1001117372	1	Cartridge, Valve (Counterbalance)	
6	70002842	1	Seal Kit - 1001117372 Valve (1 Per Assembly)	
7	2220883	1	Plug, O-Ring	
8	2220885	1	Plug, O-Ring	
9	4640858	1	Valve, Bleeder	
10	1001098167	1	Seal Kit (Includes Items 3-5)	



# SECTION 5 - CYLINDER

FIGURE 5-2. LEVEL (SLAVE) CYLINDER ASSEMBLY - JIB (800AJ ONLY) (SN 0300183034 through 0300240878)



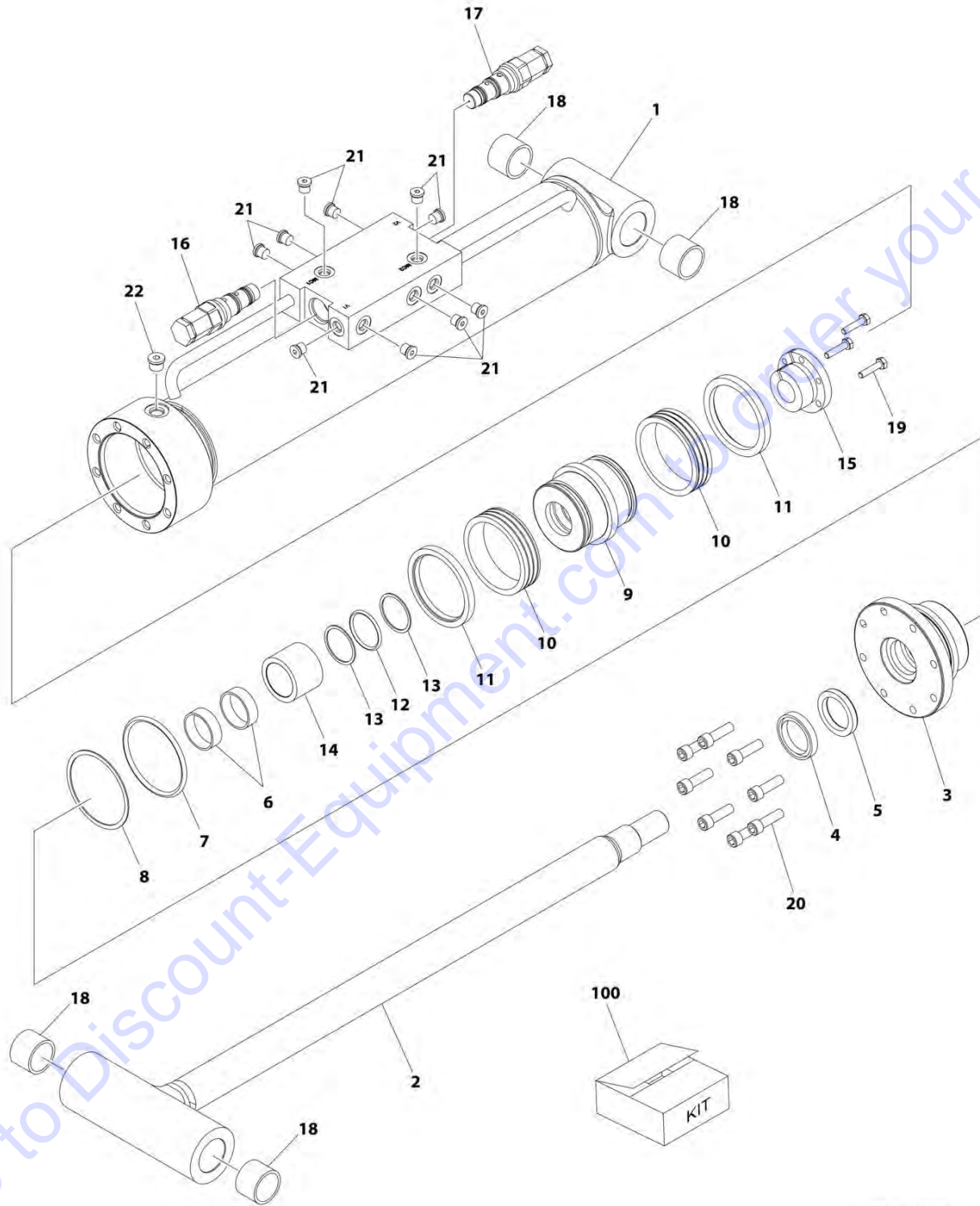
## SECTION 5 - CYLINDER

**FIGURE 5-2. LEVEL (SLAVE) CYLINDER ASSEMBLY - JIB (800AJ ONLY) (SN 0300183034 through 0300240878)**

ITEM	PART NUMBER	QTY	DESCRIPTION	REV
	1684228	Ref	LEVEL (SLAVE) CYLINDER ASSEMBLY - JIB WITHOUT ARCTIC PACKAGE (800AJ)	F
	1001138791	Ref	LEVEL (SLAVE) CYLINDER ASSEMBLY - JIB WITH ARCTIC PACKAGE (800AJ)	B
		Ref	Note: Original Cylinder may have been replaced with Service Replacement. Identify PN Stamped on Cylinder Before Ordering Parts.	
1	0100011	AR	Compound, Locking	
2	1684230	1	Barrel (Note: Includes Item 2A)	
2A	0961951	4	Bushing	
3	0630535	3	Capscrew 1/4-20 x 1	
4	0961894	1	Bushing, Tapered	
5	1683055	1	Head	
6	2220883	6	Plug	
7	2220885	1	Plug	
8	3480188	1	Piston	
9	3760369	1	Ring, Washer	
10	1684232	1	Rod (Note: Includes Item 10A)	
10A	0961951	4	Bushing	
11	3931620	8	Capscrew 3/8-16 x 1-1/4	
12	4566468	1	Spacer, Tube	
13	4640605	1	Valve, Cartridge	
13	2900792	1	Seal Kit - 4640605 Valve	
14	4640932	1	Valve, Cartridge	
14	7011112	1	Seal Kit - 4640932 Valve	
15	0100038	AR	Primer, Locking	
101	See Note	NSS	Ring, Lock (Note: Use Item 125)	
102	See Note	NSS	Ring, Back-up (Note: Use Item 125)	
103	See Note	NSS	Ring, Wear (Note: Use Item 125)	
104	See Note	NSS	Ring, Back-up (Note: Use Item 125)	
105	See Note	NSS	O-Ring (Note: Use Item 125)	
106	See Note	NSS	O-Ring (Note: Use Item 125)	
107	See Note	NSS	Seal (Note: Use Item 125)	
108	See Note	NSS	Wiper (Note: Use Item 125)	
109	See Note	NSS	Seal (Note: Use Item 125)	
125	2901301	1	Seal Kit (Machines without Arctic Package) (Includes Items 101-109)	
125	1001138796	1	Seal Kit (Machines with Arctic Package) (Includes Items 101-109)	

# SECTION 5 - CYLINDER

FIGURE 5-3. LEVEL (SLAVE) CYLINDER ASSEMBLY - JIB (800AJ ONLY) (SN 0300240879 to Present)



ART\_1001228030

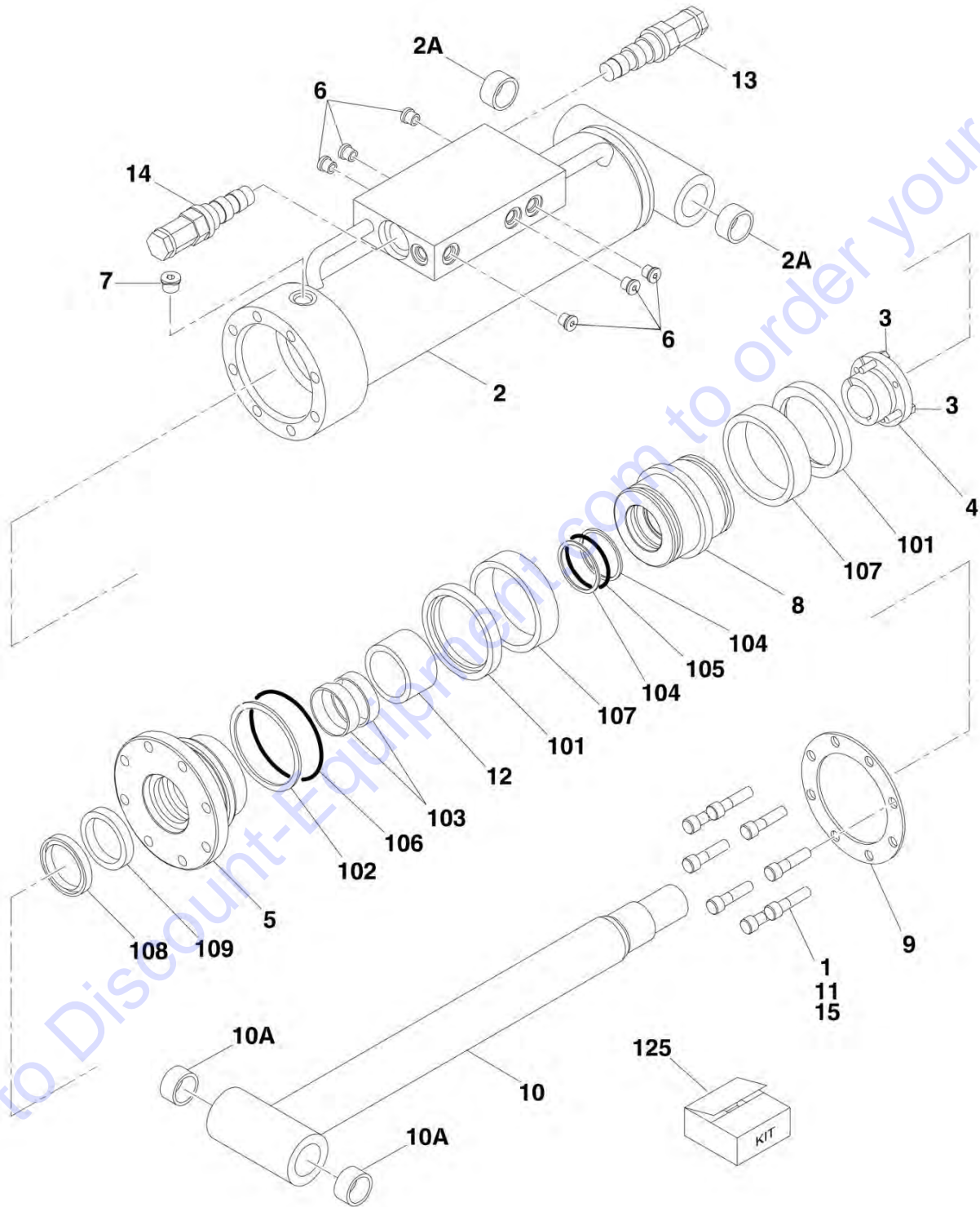
## SECTION 5 - CYLINDER

**FIGURE 5-3. LEVEL (SLAVE) CYLINDER ASSEMBLY - JIB (800AJ ONLY) (SN 0300240879 to Present)**

ITEM	PART NUMBER	QTY	DESCRIPTION	REV
	1001228030	Ref	LEVEL (SLAVE) CYLINDER ASSEMBLY	C
		Ref	Note: Original Cylinder may have been replaced with Service Replacement. Identify PN Stamped on Cylinder Before Ordering Parts.	
1	See Note	NSS	Barrel (Note: Not Available for Purchase)	
2	70006642	1	Rod	
3	70006643	1	Head	
4	See Note	NSS	Wiper (Note: Use Item 100)	
5	See Note	NSS	Seal (Note: Use Item 100)	
6	See Note	NSS	Ring, Wear (Note: Use Item 100)	
7	See Note	NSS	O-Ring (Note: Use Item 100)	
8	See Note	NSS	Ring, Back-up (Note: Use Item 100)	
9	70006644	1	Piston	
10	See Note	NSS	Seal (Note: Use Item 100)	
11	See Note	NSS	Ring, Lock (Note: Use Item 100)	
12	See Note	NSS	O-Ring (Note: Use Item 100)	
13	See Note	NSS	Ring, Back-up (Note: Use Item 100)	
14	70006645	1	Spacer, Tube	
15	0961894	1	Bushing, Tapered	
16	4640932	1	Valve, Cartridge	
16	7011112	1	Seal Kit - 4640932 Valve	
17	4640605	1	Valve, Cartridge	
17	2900792	1	Seal Kit - 4640605 Valve	
18	0961951	4	Bushing	
19	0630535	3	Bolt	
20	3931620	8	Capscrew 3/8-16 x 1-1/4	
21	2220883	10	Plug, O-Ring	
22	2220885	AR	Plug, O-Ring	
100	1001138796	1	Seal Kit (Includes Items 4-8 & 10-13)	

# SECTION 5 - CYLINDER

FIGURE 5-4. LEVEL (SLAVE) CYLINDER ASSEMBLY - PLATFORM (800A ONLY) (SN 0300183034 through 0300245050)



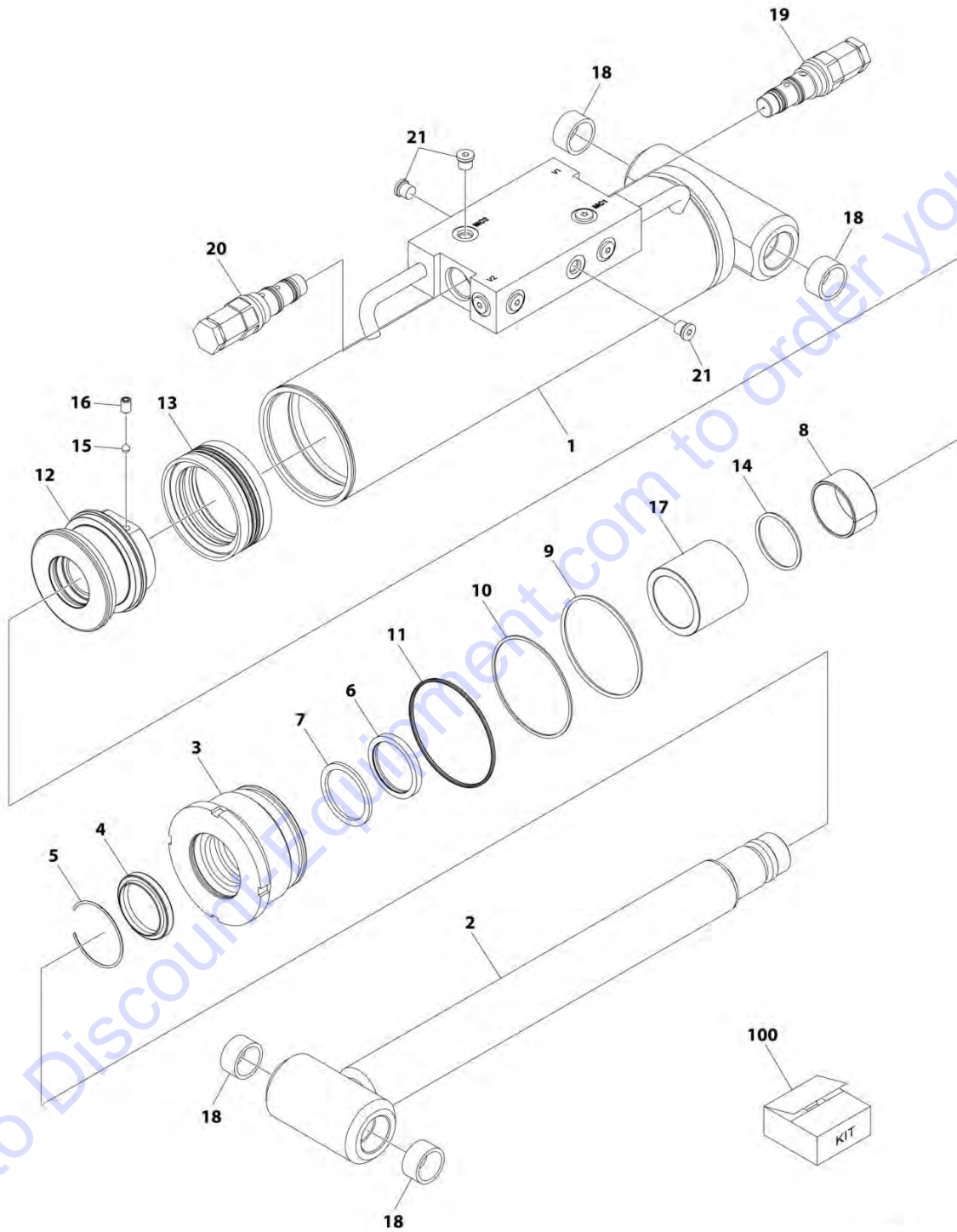
## SECTION 5 - CYLINDER

**FIGURE 5-4. LEVEL (SLAVE) CYLINDER ASSEMBLY - PLATFORM (800A ONLY) (SN 0300183034 through 0300245050)**

ITEM	PART NUMBER	QTY	DESCRIPTION	REV
	1684408	Ref	LEVEL (SLAVE) CYLINDER ASSEMBLY - PLATFORM (800A) (SN 0300183034 through 0300245050)	F
		Ref	Note: Original Cylinder may have been replaced with Service Replacement. Identify PN Stamped on Cylinder Before Ordering Parts.	
1	0100011	AR	Compound, Locking	
2	0370022	1	Barrel (Note: Includes Item 2A)	
2A	0961947	4	Bushing	
3	0630535	3	Capscrew 1/4-20 x 1	
4	0961902	1	Bushing, Tapered	
5	1683074	1	Head	
6	2220883	6	Plug	
7	2220885	1	Plug	
8	3480233	1	Piston	
9	3760369	1	Ring, Washer	
10	3850018	1	Rod (Note: Includes Item 10A)	
10A	0961947	4	Bushing	
11	3931620	8	Capscrew 3/8-16 x 1-1/4	
12	4567434	1	Spacer, Tube	
13	4640605	1	Valve, Cartridge	
13	2900792	1	Seal Kit - 4640605 Valve	
14	4640932	1	Valve, Cartridge	
14	7011112	1	Seal Kit - 4640932 Valve	
15	0100038	AR	Primer, Locking	
101	See Note	NSS	Ring, Lock (Note: Use Item 125)	
102	See Note	NSS	Ring, Back-up (Note: Use Item 125)	
103	See Note	NSS	Ring, Wear (Note: Use Item 125)	
104	See Note	NSS	Ring, Back-up (Note: Use Item 125)	
105	See Note	NSS	O-Ring (Note: Use Item 125)	
106	See Note	NSS	O-Ring (Note: Use Item 125)	
107	See Note	NSS	Seal (Note: Use Item 125)	
108	See Note	NSS	Wiper (Note: Use Item 125)	
109	See Note	NSS	Seal (Note: Use Item 125)	
125	2901556	1	Seal Kit (Includes Items 101-109)	

# SECTION 5 - CYLINDER

FIGURE 5-5. LEVEL (SLAVE) CYLINDER ASSEMBLY - PLATFORM (800A ONLY) (SN 0300245051 to Present)



ART\_1001228033

## SECTION 5 - CYLINDER

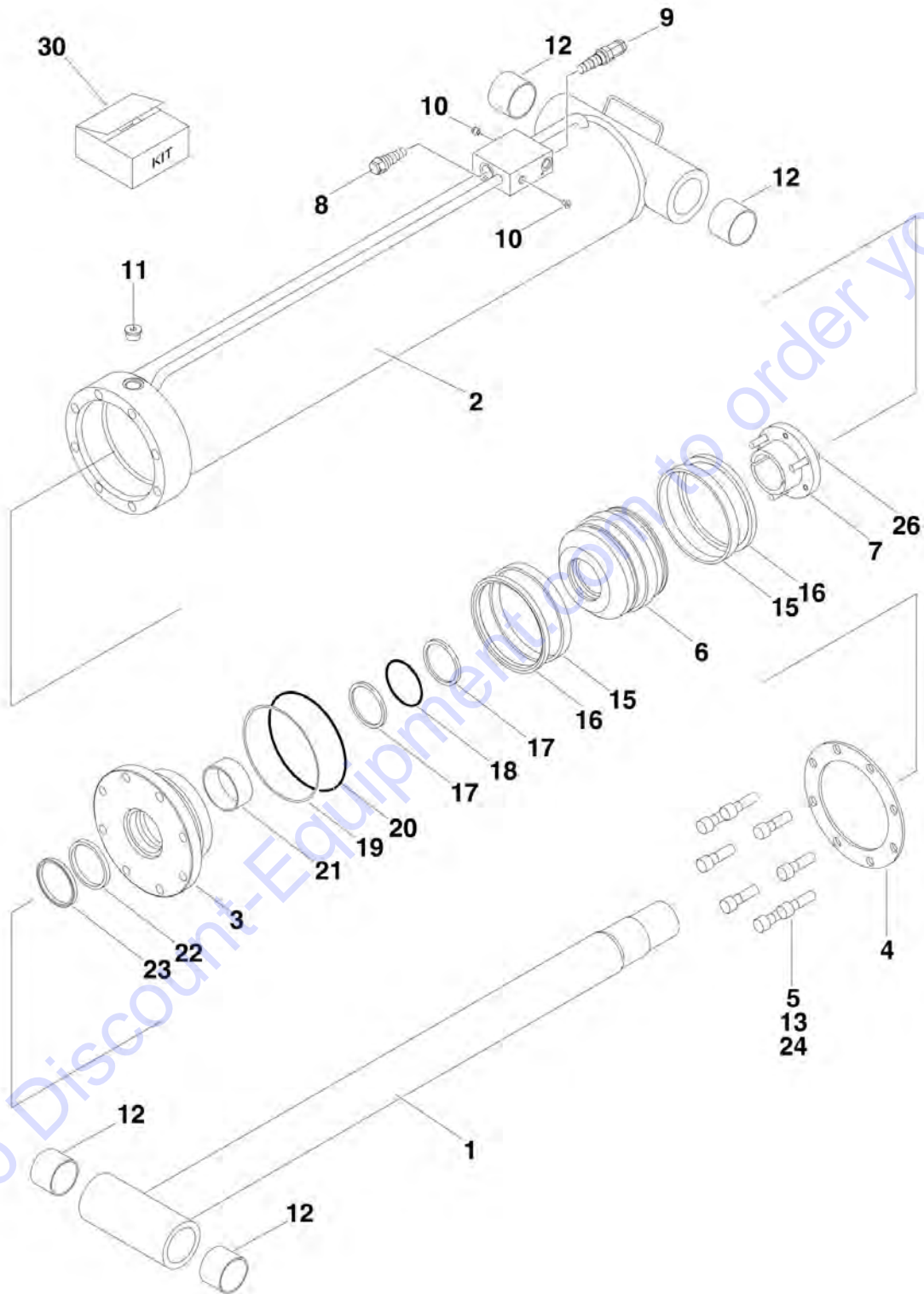
**FIGURE 5-5. LEVEL (SLAVE) CYLINDER ASSEMBLY - PLATFORM (800A ONLY) (SN 0300245051 to Present)**

ITEM	PART NUMBER	QTY	DESCRIPTION	REV
	1001228033	Ref	LEVEL (SLAVE) CYLINDER ASSEMBLY - PLATFORM	A
		Ref	Note: Original Cylinder may have been replaced with Service Replacement. Identify PN Stamped on Cylinder Before Ordering Parts.	
1	See Note	NSS	Barrel (Note: Not Available for Purchase)	
2	70006782	1	Rod	
3	70006783	1	Head	
4	See Note	NSS	Wiper (Note: Use Item 100)	
5	70002410	1	Ring, Retaining	
6	See Note	NSS	Seal, Rod (Note: Use Item 100)	
7	See Note	NSS	Ring, Back-up (Note: Use Item 100)	
8	70005793	1	Spacer	
9	See Note	NSS	O-Ring (Note: Use Item 100)	
10	See Note	NSS	Ring, Back-up (Note: Use Item 100)	
11	See Note	NSS	O-Ring (Note: Use Item 100)	
12	70006590	1	Piston	
13	See Note	NSS	Seal (Note: Use Item 100)	
14	See Note	NSS	O-Ring (Note: Use Item 100)	
15	70022564	1	Ball (Steel)	
16	70006601	1	Setscrew	
17	70006784	1	Spacer, Tube	
18	0961947	4	Bushing	
19	4640605	1	Valve, Cartridge	
19	2900792	1	Seal Kit - 4640605 Valve	
20	4640932	1	Valve, Cartridge	
20	7011112	1	Seal Kit - 4640932 Valve	
21	2220883	10	Plug	
100	2901526	1	Seal Kit (Includes Items 4, 6, 7, 9-11, 13 & 14)	



# SECTION 5 - CYLINDER

FIGURE 5-6. LEVEL (SLAVE) CYLINDER ASSEMBLY - UPRIGHT (SN 0300183034 through 0300239885)



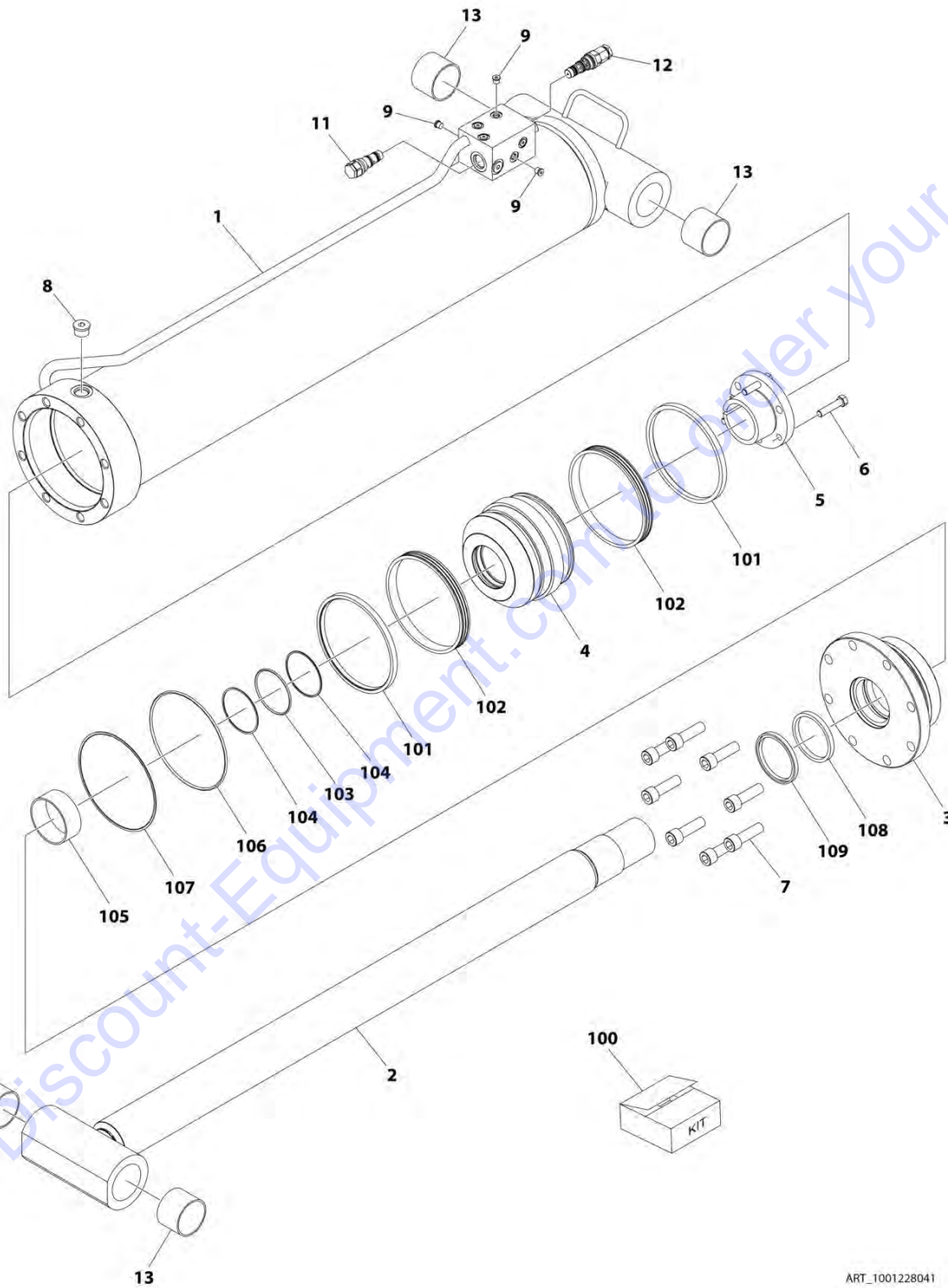
## SECTION 5 - CYLINDER

**FIGURE 5-6. LEVEL (SLAVE) CYLINDER ASSEMBLY - UPRIGHT (SN 0300183034 through 0300239885)**

ITEM	PART NUMBER	QTY	DESCRIPTION	REV
	1684497	Ref	LEVEL (SLAVE) CYLINDER ASSEMBLY - UPRIGHT	D
		Ref	Note: Original Cylinder may have been replaced with Service Replacement. Identify PN Stamped on Cylinder Before Ordering Parts.	
1	1683544	1	Rod	
2	0370034	1	Barrel	
3	1683071	1	Head	
4	3760374	1	Ring, Washer	
5	3932240	8	Capscrew 3/4 x 2-1/2	
6	3480237	1	Piston	
7	0961901	1	Bushing, Tapered	
8	4640509	1	Cartridge, Valve	
8	2900792	1	Seal Kit - 4640509 Valve	
9	4640605	1	Cartridge, Valve	
9	2900792	1	Seal Kit - 4640605 Valve	
10	2220883	2	Plug, O-Ring	
11	2220888	1	Plug, O-Ring	
12	0962102	4	Bushing	
13	0100011	AR	Compound, Locking	
15	See Note	NSS	Seal (Note: Use Item 30)	
16	See Note	NSS	Ring, Lock (Note: Use Item 30)	
17	See Note	NSS	Ring, Back-up (Note: Use Item 30)	
18	See Note	NSS	Ring, Washer (Note: Use Item 30)	
19	See Note	NSS	Ring, Back-up (Note: Use Item 30)	
20	See Note	NSS	O-Ring (Note: Use Item 30)	
21	See Note	NSS	Ring, Wear (Note: Use Item 30)	
22	See Note	NSS	Seal, Rod (Note: Use Item 30)	
23	See Note	NSS	Wiper (Note: Use Item 30)	
24	0100038	AR	Primer, Locking	
26	0630537	3	Bolt	
30	2901526	1	Seal Kit (Includes Items 15-23)	

# SECTION 5 - CYLINDER

FIGURE 5-7. LEVEL (SLAVE) CYLINDER ASSEMBLY - UPRIGHT (SN 0300239886 to Present)



ART\_1001228041

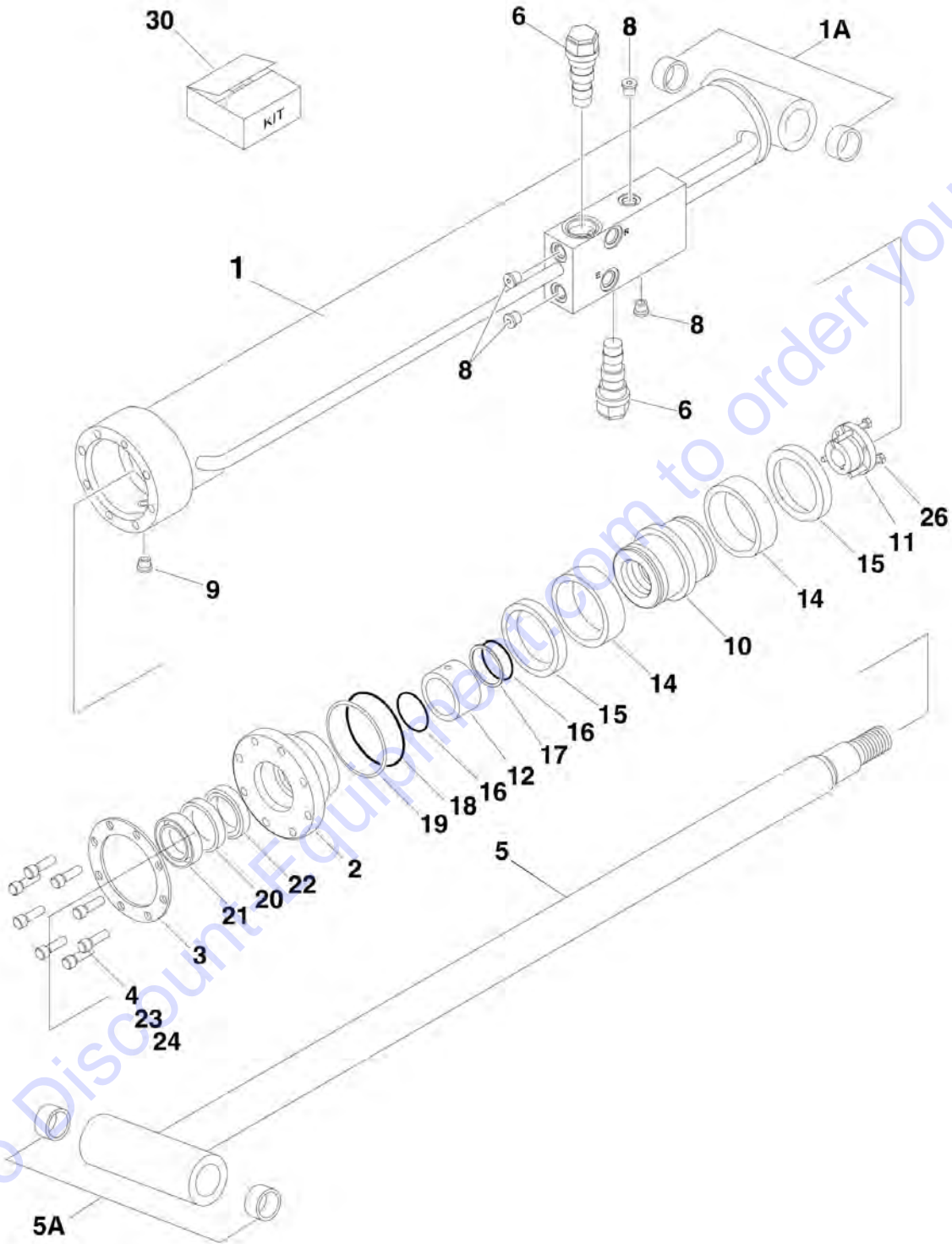
## SECTION 5 - CYLINDER

**FIGURE 5-7. LEVEL (SLAVE) CYLINDER ASSEMBLY - UPRIGHT (SN 0300239886 to Present)**

ITEM	PART NUMBER	QTY	DESCRIPTION	REV
	1001228041	Ref	LEVEL CYLINDER ASSEMBLY	B
		Ref	Note: Original Cylinder may have been replaced with Service Replacement. Identify PN Stamped on Cylinder Before Ordering Parts.	
1	See Note	NSS	Barrel (Note: Not Available for Purchase)	
2	70006391	1	Rod	
3	70006390	1	Head	
4	70006389	1	Piston	
5	70006385	1	Bushing, Tapered	
6	0630537	3	Bolt	
7	3932240	8	Capscrew 3/4 x 2-1/2	
8	2220888	1	Plug, O-Ring	
9	2220883	6	Plug, O-Ring	
11	4640509	1	Cartridge, Valve	
11	2900792	1	Seal Kit - 4640509 Valve	
12	4640605	1	Cartridge, Valve	
12	2900792	1	Seal Kit - 4640605 Valve	
13	0962102	4	Bushing	
100	2901526	1	Seal Kit (Includes Items 101-109)	
101	See Note	NSS	Ring, Lock (Note: Use Item 100)	
102	See Note	NSS	Seal (Note: Use Item 100)	
103	See Note	NSS	Ring, Washer (Note: Use Item 100)	
104	See Note	NSS	Ring, Back-up (Note: Use Item 100)	
105	See Note	NSS	Ring, Wear (Note: Use Item 100)	
106	See Note	NSS	O-Ring (Note: Use Item 100)	
107	See Note	NSS	Ring, Back-up (Note: Use Item 100)	
108	See Note	NSS	Seal, Rod (Note: Use Item 100)	
109	See Note	NSS	Wiper (Note: Use Item 100)	

# SECTION 5 - CYLINDER

FIGURE 5-8. LIFT CYLINDER ASSEMBLY - JIB (800AJ ONLY) (SN 0300183034 through 0300245050)



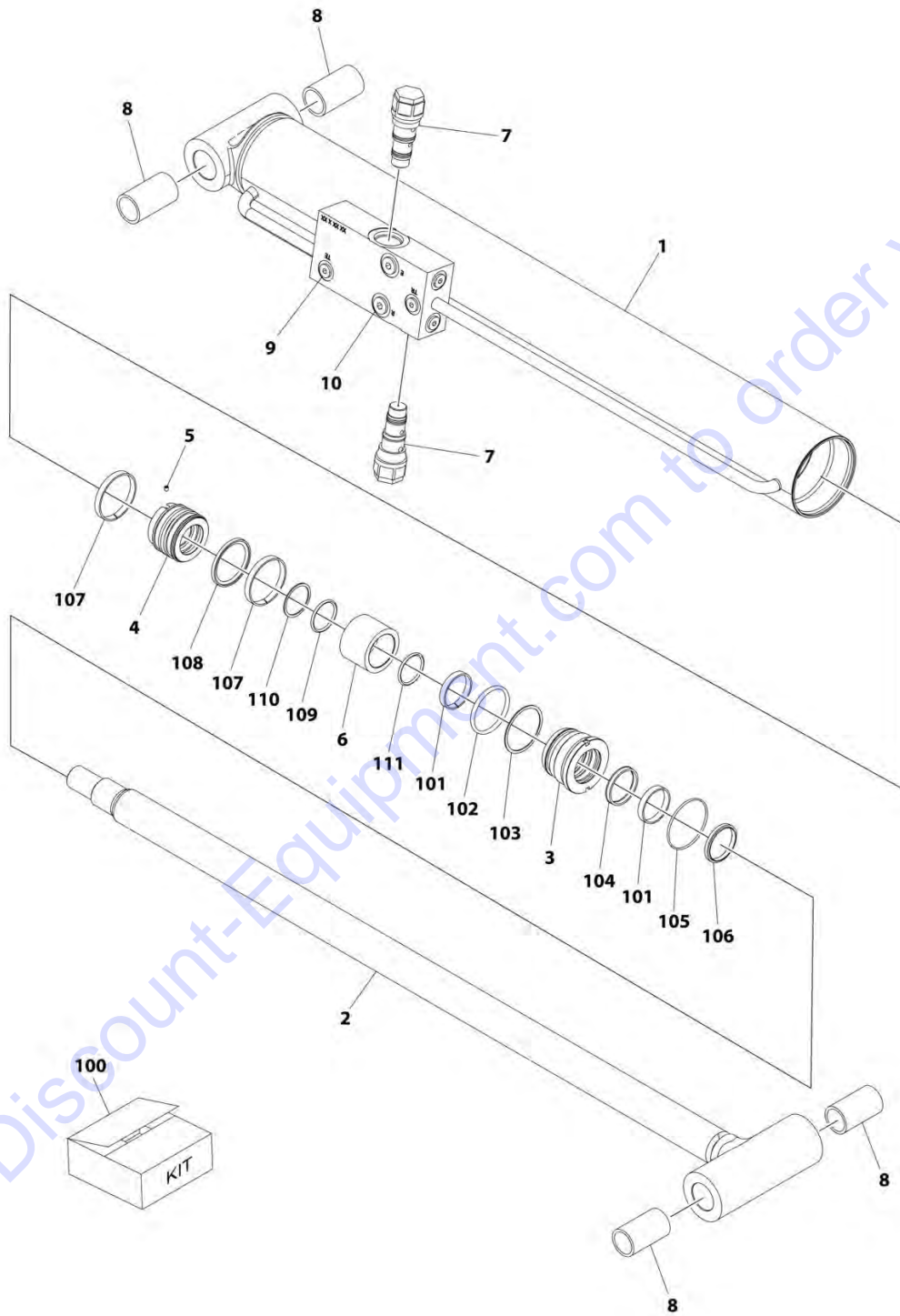
## SECTION 5 - CYLINDER

**FIGURE 5-8. LIFT CYLINDER ASSEMBLY - JIB (800AJ ONLY) (SN 0300183034 through 0300245050)**

ITEM	PART NUMBER	QTY	DESCRIPTION	REV
	1683609	Ref	JIB LIFT CYLINDER ASSEMBLY (MACHINES WITHOUT ARCTIC PACKAGE)	L
	1001138792	Ref	JIB LIFT CYLINDER ASSEMBLY (MACHINES WITH ARCTIC PACKAGE)	B
		Ref	Note: Original Cylinder may have been replaced with Service Replacement. Identify PN Stamped on Cylinder Before Ordering Parts.	
1	1684089	1	Barrel (Note: Includes Item 1A)	
1A	0962336	2	Bushing	
2	1683053	1	Head	
3	3760368	1	Washer, Ring	
4	3931516	8	Capscrew 5/16-18 x 2	
5	1684090	1	Rod (Note: Includes Item 5A)	
5A	0962336	2	Bushing	
6	4640509	2	Cartridge, Valve (Counterbalance Non-Vented)	
6	2900792	2	Seal Kit - 4640509 Valve	
8	2220883	4	Plug, O-Ring	
9	2220885	1	Plug, O-Ring	
10	3480210	1	Piston	
11	0961893	1	Bushing, Tapered	
12	4100100	1	Spacer, Tube	
14	See Note	NSS	Seal, Piston (Note: Use Item 30)	
15	See Note	NSS	Ring, Lock (Note: Use Item 30)	
16	See Note	NSS	O-Ring (Note: Use Item 30)	
17	See Note	NSS	Ring, Back-up (Note: Use Item 30)	
18	See Note	NSS	O-Ring (Note: Use Item 30)	
19	See Note	NSS	Ring, Back-up (Note: Use Item 30)	
20	See Note	NSS	Seal (Note: Use Item 30)	
21	See Note	NSS	Wiper (Note: Use Item 30)	
22	See Note	NSS	Ring, Wear (Note: Use Item 30)	
23	0100011	AR	Compound, Locking	
24	0100038	AR	Primer, Locking	
26	0630534	3	Capscrew #10-24 x 1	
30	2901303	1	Seal Kit (Machines without Arctic Package) (Includes Items 14-22)	
30	1001138795	1	Seal Kit (Machines with Arctic Package) (Includes Items 14-22)	

# SECTION 5 - CYLINDER

FIGURE 5-9. LIFT CYLINDER ASSEMBLY - JIB (800AJ ONLY) (USAGE MAY VARY) (SN 0300245051 through 0300245146)



ART\_1001228012

## SECTION 5 - CYLINDER

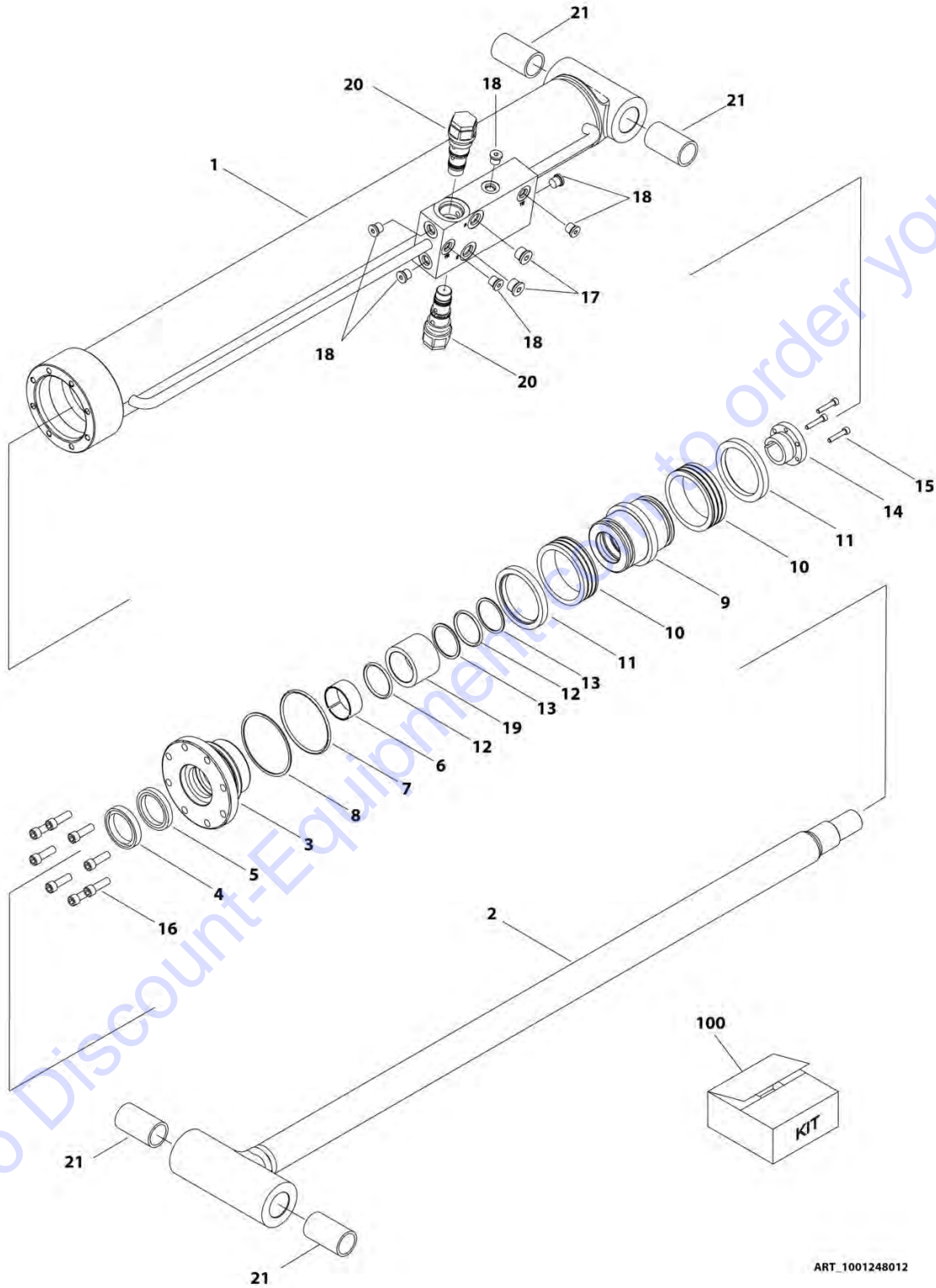
**FIGURE 5-9. LIFT CYLINDER ASSEMBLY - JIB (800AJ ONLY) (USAGE MAY VARY) (SN 0300245051 through 0300245146)**

ITEM	PART NUMBER	QTY	DESCRIPTION	REV
	1001228012	Ref	LIFT CYLINDER ASSEMBLY - JIB	C
		Ref	Note: Original Cylinder May Have Been Replaced with Service Replacement. Identify PN Stamped on Cylinder Before Ordering Parts.	
1	See Note	NSS	Barrel (Note: Not Available for Purchase)	
2	70006572	1	Rod	
3	70006571	1	Head	
4	70006570	1	Piston	
5	70023915	1	Screw	
6	70006569	1	Spacer	
7	4640509	2	Cartridge, Valve	
7	2900792	2	Seal Kit - 4640509 Valve	
8	0962336	4	Bushing	
9	2220883	6	Plug, O-Ring	
10	2220885	2	Plug, O-Ring	
100	70006568	1	Seal Kit (Includes Items 101-111)	
101	See Note	NSS	Ring, Wear (Note: Use Item 100)	
102	See Note	NSS	O-Ring (Note: Use Item 100)	
103	See Note	NSS	Ring, Back-up (Note: Use Item 100)	
104	See Note	NSS	Seal, Rod (Note: Use Item 100)	
105	See Note	NSS	O-Ring (Note: Use Item 100)	
106	See Note	NSS	Wiper (Note: Use Item 100)	
107	See Note	NSS	Ring, Wear (Note: Use Item 100)	
108	See Note	NSS	Seal (Note: Use Item 100)	
109	See Note	NSS	O-Ring (Note: Use Item 100)	
110	See Note	NSS	Ring, Back-up (Note: Use Item 100)	
111	See Note	NSS	O-Ring (Note: Use Item 100)	



# SECTION 5 - CYLINDER

FIGURE 5-10. LIFT CYLINDER ASSEMBLY - JIB (800AJ ONLY) (USAGE MAY VARY) (SN 030024501 through 0300245146)



ART\_1001248012

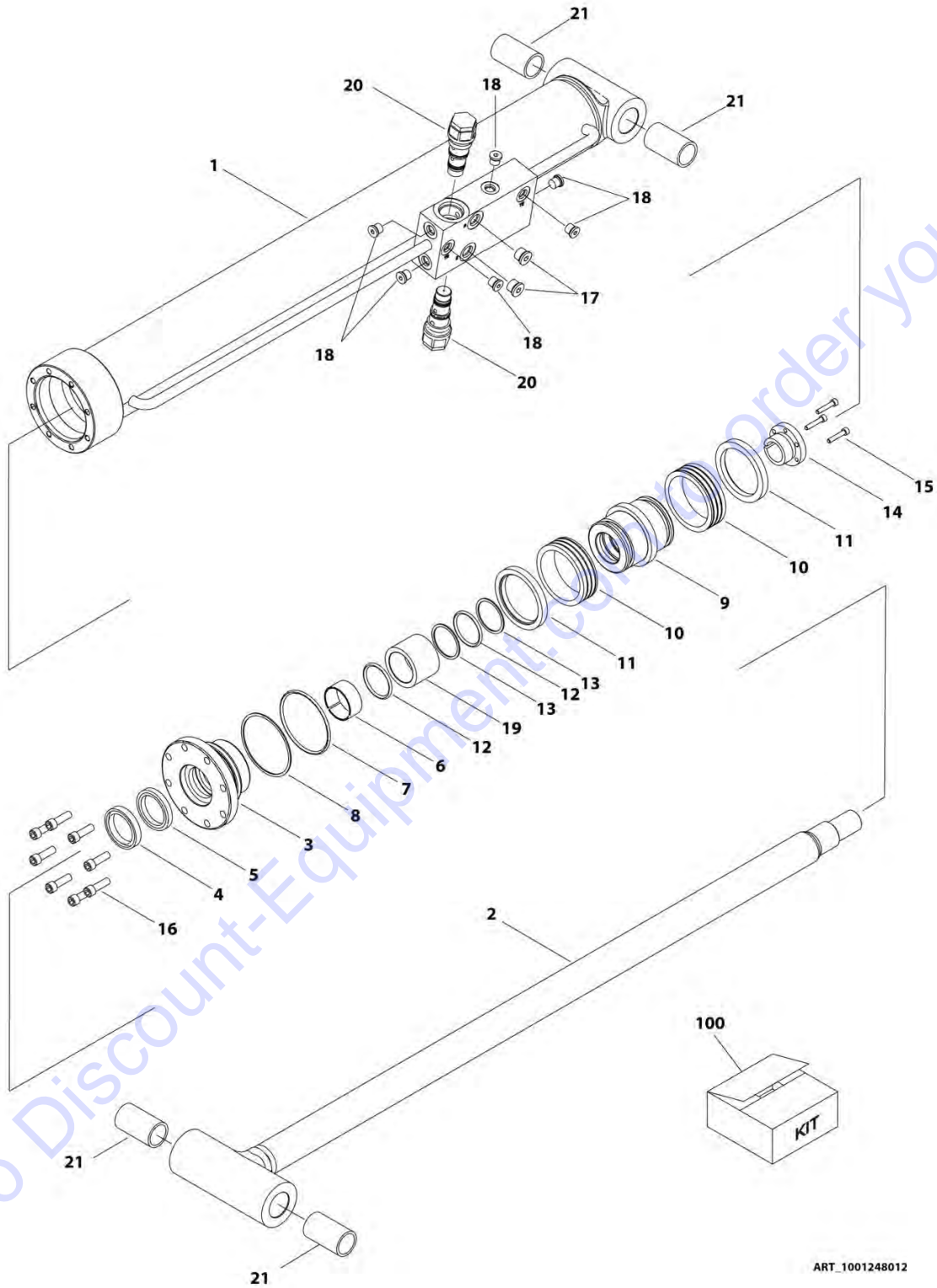
## SECTION 5 - CYLINDER

**FIGURE 5-10. LIFT CYLINDER ASSEMBLY - JIB (800AJ ONLY) (USAGE MAY VARY) (SN 0300245051 through 0300245146)**

ITEM	PART NUMBER	QTY	DESCRIPTION	REV
	1001248012	Ref	LIFT CYLINDER ASSEMBLY - JIB	B
		Ref	Note: Original Cylinder May Have Been Replaced with Service Replacement. Identify PN Stamped on Cylinder Before Ordering Parts.	
1	See Note	NSS	Barrel (Note: Not Available for Purchase)	
2	70006734	1	Rod	
3	70006649	1	Head	
4	See Note	NSS	Wiper (Note: Use Item 100)	
5	See Note	NSS	Seal, Rod (Note: Use Item 100)	
6	See Note	NSS	Ring, Wear (Note: Use Item 100)	
7	See Note	NSS	O-Ring (Note: Use Item 100)	
8	See Note	NSS	Ring, Back-up (Note: Use Item 100)	
9	70006650	1	Piston	
10	See Note	NSS	Seal (Note: Use Item 100)	
11	See Note	NSS	Ring, Lock (Note: Use Item 100)	
12	See Note	NSS	O-Ring (Note: Use Item 100)	
13	See Note	NSS	Ring, Back-up (Note: Use Item 100)	
14	0961893	1	Bushing, Tapered	
15	0630534	3	Capscrew, Socket Head #10 x 1	
16	70006735	8	Capscrew 5/16	
17	2220885	2	Plug, O-Ring	
18	2220883	6	Plug, O-Ring	
19	70006736	1	Spacer	
20	4640509	2	Cartridge, Valve	
20	2900792	2	Seal Kit - 4640509 Valve	
21	0962336	4	Bushing	
100	1001138795	1	Seal Kit (Includes Items 4-8 & 10-13)	

# SECTION 5 - CYLINDER

FIGURE 5-11. LIFT CYLINDER ASSEMBLY - JIB (800AJ ONLY) (SN 0300245147 to Present)



ART\_1001248012

## SECTION 5 - CYLINDER

**FIGURE 5-11. LIFT CYLINDER ASSEMBLY - JIB (800AJ ONLY) (SN 0300245147 to Present)**

ITEM	PART NUMBER	QTY	DESCRIPTION	REV
	1001248012	Ref	LIFT CYLINDER ASSEMBLY - JIB	B
		Ref	Note: Original Cylinder May Have Been Replaced with Service Replacement. Identify PN Stamped on Cylinder Before Ordering Parts.	
1	See Note	NSS	Barrel (Note: Not Available for Purchase)	
2	70006734	1	Rod	
3	70006649	1	Head	
4	See Note	NSS	Wiper (Note: Use Item 100)	
5	See Note	NSS	Seal, Rod (Note: Use Item 100)	
6	See Note	NSS	Ring, Wear (Note: Use Item 100)	
7	See Note	NSS	O-Ring (Note: Use Item 100)	
8	See Note	NSS	Ring, Back-up (Note: Use Item 100)	
9	70006650	1	Piston	
10	See Note	NSS	Seal (Note: Use Item 100)	
11	See Note	NSS	Ring, Lock (Note: Use Item 100)	
12	See Note	NSS	O-Ring (Note: Use Item 100)	
13	See Note	NSS	Ring, Back-up (Note: Use Item 100)	
14	0961893	1	Bushing, Tapered	
15	0630534	3	Capscrew, Socket Head #10 x 1	
16	70006735	8	Capscrew 5/16	
17	2220885	2	Plug, O-Ring	
18	2220883	6	Plug, O-Ring	
19	70006736	1	Spacer	
20	4640509	2	Cartridge, Valve	
20	2900792	2	Seal Kit - 4640509 Valve	
21	0962336	4	Bushing	
100	1001138795	1	Seal Kit (Includes Items 4-8 & 10-13)	

# PARTS FINDER

**Search Website  
by Part Number**



**Search Manual  
Library For Parts  
Manual & Lookup Part  
Numbers – Purchase  
or Request Quote**

A screenshot of the "Search Manuals" form. The form has a title "Search Manuals" and a subtitle "Please enter the model number or serial number of the machine you are looking for." Below the subtitle are several input fields: "Find" (with a dropdown menu), "Serial Number" (with a dropdown menu), "Year" (with a dropdown menu), "Make" (with a dropdown menu), "Part Number" (with a dropdown menu), "Part Name" (with a dropdown menu), and "Category" (with a dropdown menu). There is a "Search" button at the bottom of the form.

**Can't Find Part or  
Manual? Request Help  
by Manufacturer,  
Model & Description**

A screenshot of the "Parts Order Form". The form has a title "Parts Order Form" and a subtitle "Please fill out the form below." Below the subtitle are several input fields: "Manufacturer" (with a dropdown menu), "Model" (with a dropdown menu), "Description" (with a dropdown menu), "Part Number" (with a dropdown menu), "Part Name" (with a dropdown menu), "Quantity" (with a dropdown menu), "Price" (with a dropdown menu), "Date" (with a dropdown menu), and "Comments" (with a text area). There is a "Submit" button at the bottom of the form.

Discount-Equipment.com is your online resource for quality parts & equipment.

Florida: **561-964-4949** Outside Florida TOLL FREE: **877-690-3101**

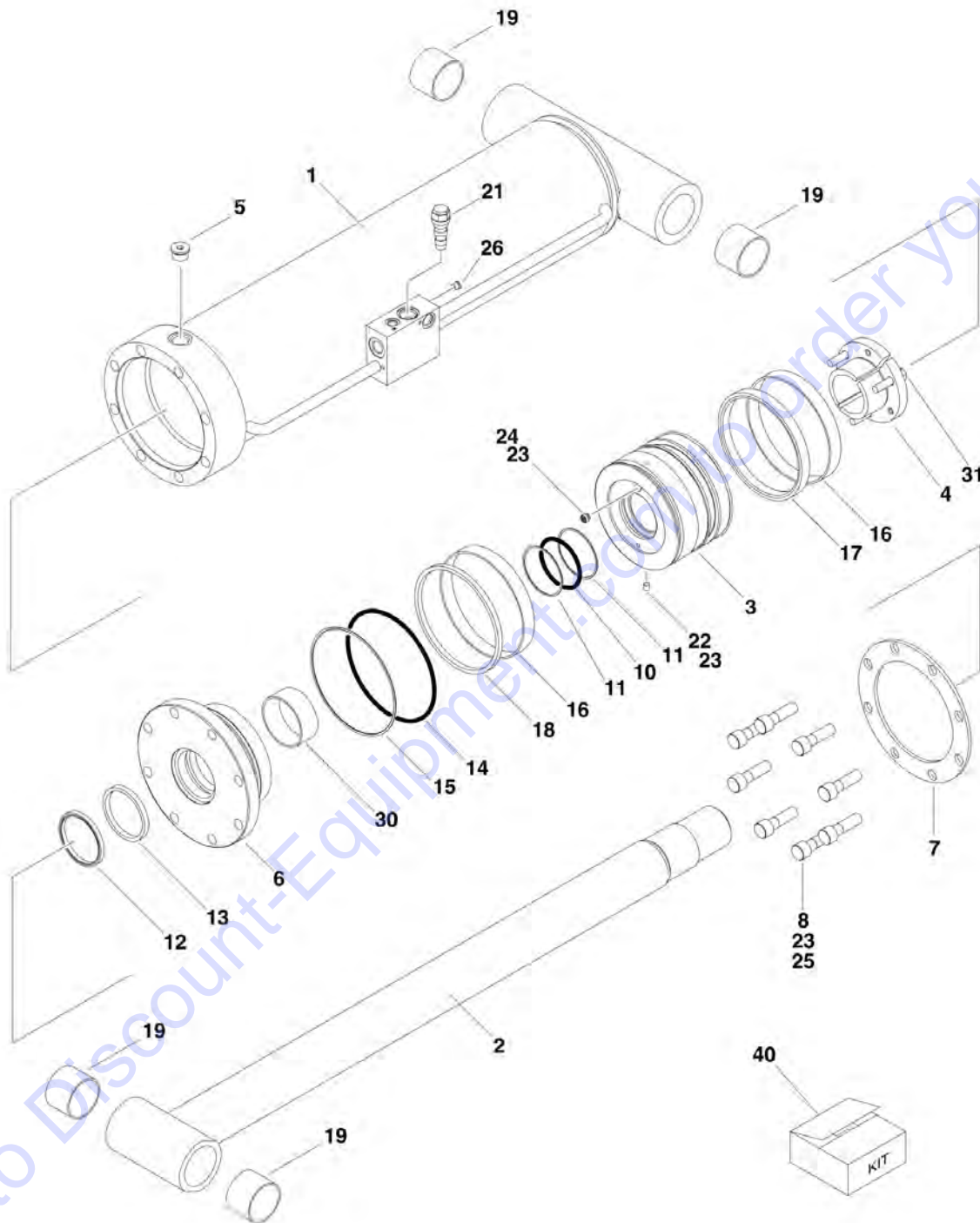
**Need parts?**

Click on this link: <http://www.discount-equipment.com/category/5443-parts/> and choose one of the options to help get the right parts and equipment you are looking for. Please have the machine model and serial number available in order to help us get you the correct parts. If you don't find the part on the website or on one of the online manuals, please fill out the request form and one of our experienced staff members will get back to you with a quote for the right part that your machine needs.

We sell worldwide for the brands: Genie, Terex, JLG, MultiQuip, Mikasa, Essick, Whiteman, Mayco, Toro Stone, Diamond Products, Generac Magnum, Airman, Haulotte, Barreto, Power Blanket, Nifty Lift, Atlas Copco, Chicago Pneumatic, Allmand, Miller Curber, Skyjack, Lull, Skytrak, Tsurumi, Husquvarna Target, Stow, Wacker, Sakai, Mi-T-M, Sullair, Basic, Dynapac, MBW, Weber, Bartell, Bennar Newman, Haulotte, Ditch Runner, Menegotti, Morrison, Contec, Buddy, Crown, Edco, Wyco, Bomag, Laymor, EZ Trench, Bil-Jax, F.S. Curtis, Gehl Pavers, Heli, Honda, ICS/PowerGrit, IHI, Partner, Imer, Clipper, MMD, Koshin, Rice, CH&E, General Equipment, Amida, Coleman, NAC, Gradall, Square Shooter, Kent, Stanley, Tamco, Toku, Hatz, Kohler, Robin, Wisconsin, Northrock, Oztec, Toker TK, Rol-Air, APT, Wylie, Ingersoll Rand / Doosan, Innovatech, Con X, Ammann, Mecalac, Makinex, Smith Surface Prep, Small Line, Wanco, Yanmar

# SECTION 5 - CYLINDER

FIGURE 5-12. LIFT CYLINDER ASSEMBLY - MAIN BOOM (SN 0300183034 through 0300239885)



Go to Discount-Equipment.com to order your parts

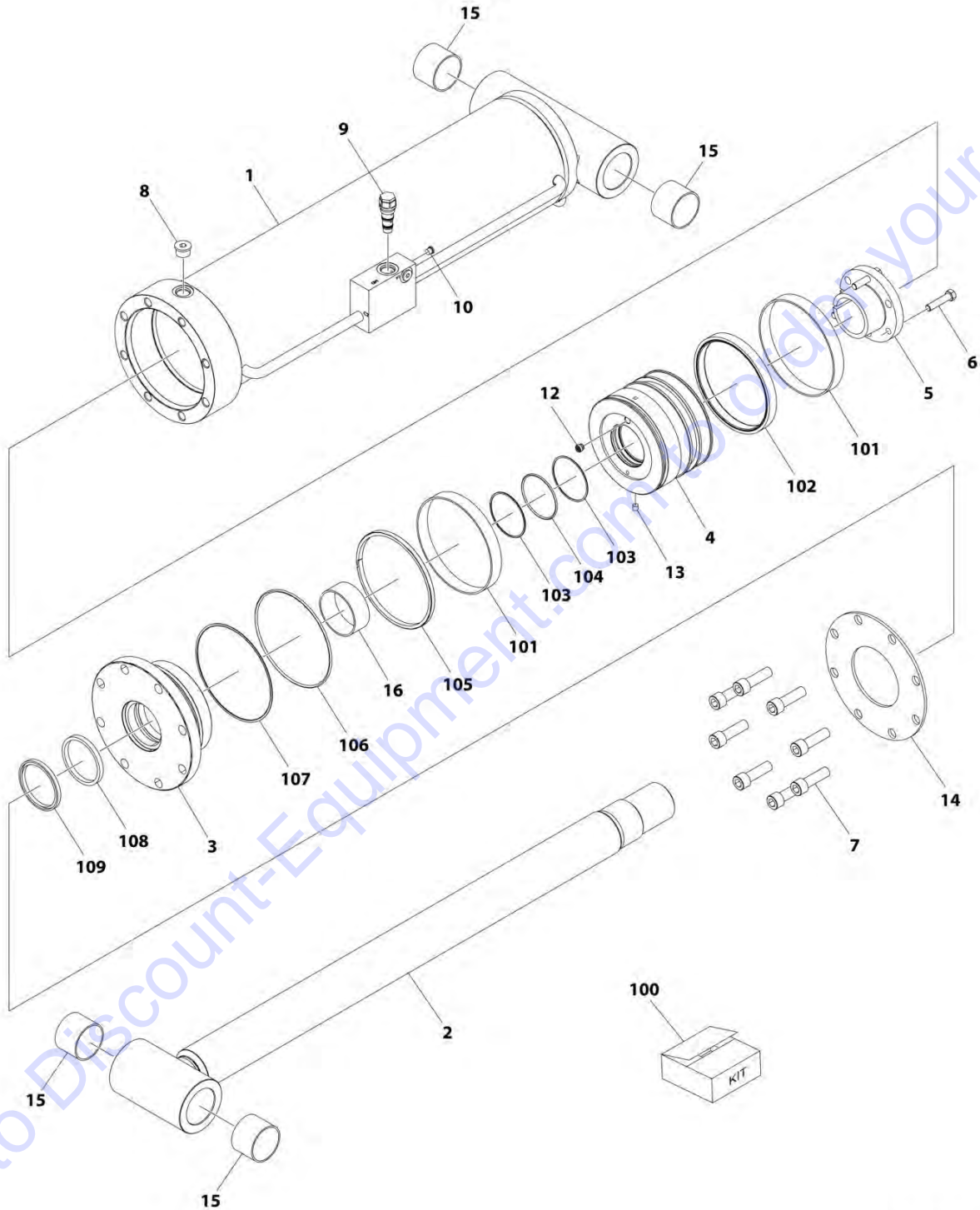
## SECTION 5 - CYLINDER

**FIGURE 5-12. LIFT CYLINDER ASSEMBLY - MAIN BOOM (SN 0300183034 through 0300239885)**

ITEM	PART NUMBER	QTY	DESCRIPTION	REV
	1683547	Ref	LIFT CYLINDER ASSEMBLY - MAIN BOOM	M
		Ref	Note: Original Cylinder may have been replaced with Service Replacement. Identify PN Stamped on Cylinder Before Ordering Parts.	
1	1683821	1	Barrel	
2	1683549	1	Rod	
3	3480238	1	Piston	
4	0961901	1	Bushing, Tapered	
5	2220888	1	Plug, O-Ring	
6	1683071	1	Head	
7	3760374	1	Washer, Ring	
8	3932240	8	Capscrew 3/4 x 2-1/2	
10	See Note	NSS	O-Ring (Note: Use Item 40)	
11	See Note	NSS	Ring, Back-up (Note: Use Item 40)	
12	See Note	NSS	Wiper (Note: Use Item 40)	
13	See Note	NSS	Seal, Rod (Note: Use Item 40)	
14	See Note	NSS	O-Ring (Note: Use Item 40)	
15	See Note	NSS	Ring, Back-up (Note: Use Item 40)	
16	See Note	NSS	Ring, Wear (Note: Use Item 40)	
17	See Note	NSS	T-Seal (Note: Use Item 40)	
18	See Note	NSS	Seal (Note: Use Item 40)	
19	0962102	4	Bushing	
21	4640509	1	Cartridge, Valve	
21	2900792	1	Seal Kit - 4640509 Valve	
22	2180615	1	Orifice	
23	0100011	AR	Compound, Locking	
24	4641027	1	Plug, Check Valve	
25	0100038	AR	Primer, Locking	
26	2220883	1	Plug	
30	See Note	NSS	Ring, Wear (Note: Use Item 40)	
31	0630537	3	Bolt	
40	2901514	1	Seal Kit (Includes Items 10-18 & 30)	

# SECTION 5 - CYLINDER

FIGURE 5-13. LIFT CYLINDER ASSEMBLY - MAIN BOOM (SN 0300239886 to Present)



ART\_1001228010



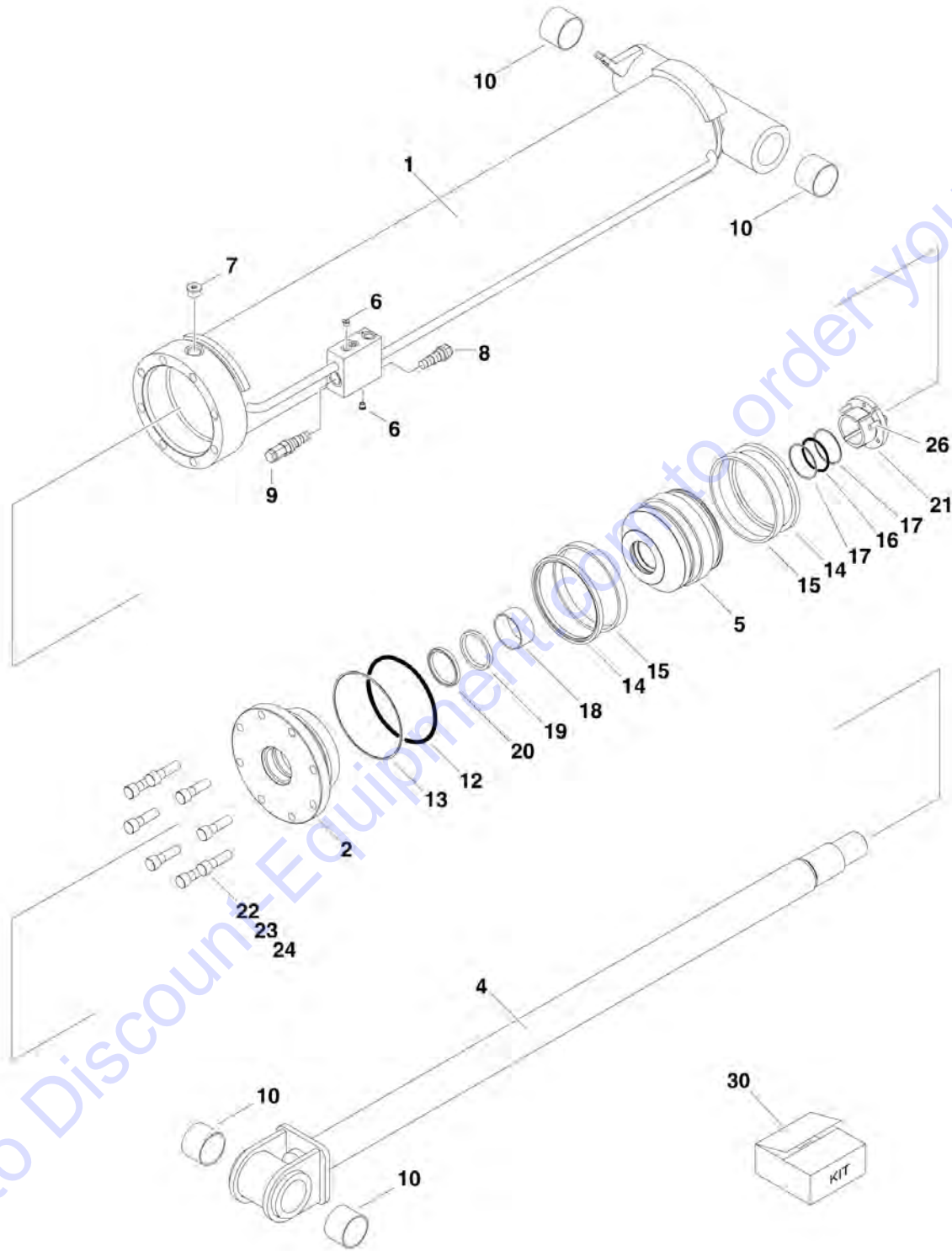
## SECTION 5 - CYLINDER

**FIGURE 5-13. LIFT CYLINDER ASSEMBLY - MAIN BOOM (SN 0300239886 to Present)**

ITEM	PART NUMBER	QTY	DESCRIPTION	REV
	1001228010	Ref	LIFT CYLINDER ASSEMBLY	B
		Ref	Note: Original Cylinder may have been replaced with Service Replacement. Identify PN Stamped on Cylinder Before Ordering Parts.	
1	See Note	NSS	Barrel (Note: Not Available for Purchase)	
2	70006388	1	Rod	
3	70006387	1	Head	
4	70006386	1	Piston	
5	70006385	1	Bushing, Tapered	
6	0630537	3	Bolt	
7	3932240	8	Capscrew 3/4 x 2-1/2	
7	See Note	AR	Compound, Locking (Note: Use Loctite 263)	
8	2220888	1	Plug	
9	4640509	1	Cartridge, Valve	
9	2900792	1	Seal Kit - 4640509 Valve	
10	2220883	1	Plug	
12	4641027	1	Plug, Check Valve	
13	2180615	1	Orifice	
14	70006384	1	Washer, Ring	
15	0962102	4	Bushing	
16	See Note	NSS	Ring, Wear (Note: Use Item 100)	
100	2901514	1	Seal Kit (Includes Items 16 and 101-109)	
101	See Note	NSS	Ring, Wear (Note: Use Item 100)	
102	See Note	NSS	T-Seal (Note: Use Item 100)	
103	See Note	NSS	Ring, Back-up (Note: Use Item 100)	
104	See Note	NSS	O-Ring (Note: Use Item 100)	
105	See Note	NSS	Seal (Note: Use Item 100)	
106	See Note	NSS	O-Ring (Note: Use Item 100)	
107	See Note	NSS	Ring Back-up (Note: Use Item 100)	
108	See Note	NSS	Seal, Rod (Note: Use Item 100)	
109	See Note	NSS	Wiper (Note: Use Item 100)	

# SECTION 5 - CYLINDER

FIGURE 5-14. LIFT CYLINDER ASSEMBLY - TOWER BOOM (SN 0300183034 through 0300239885)



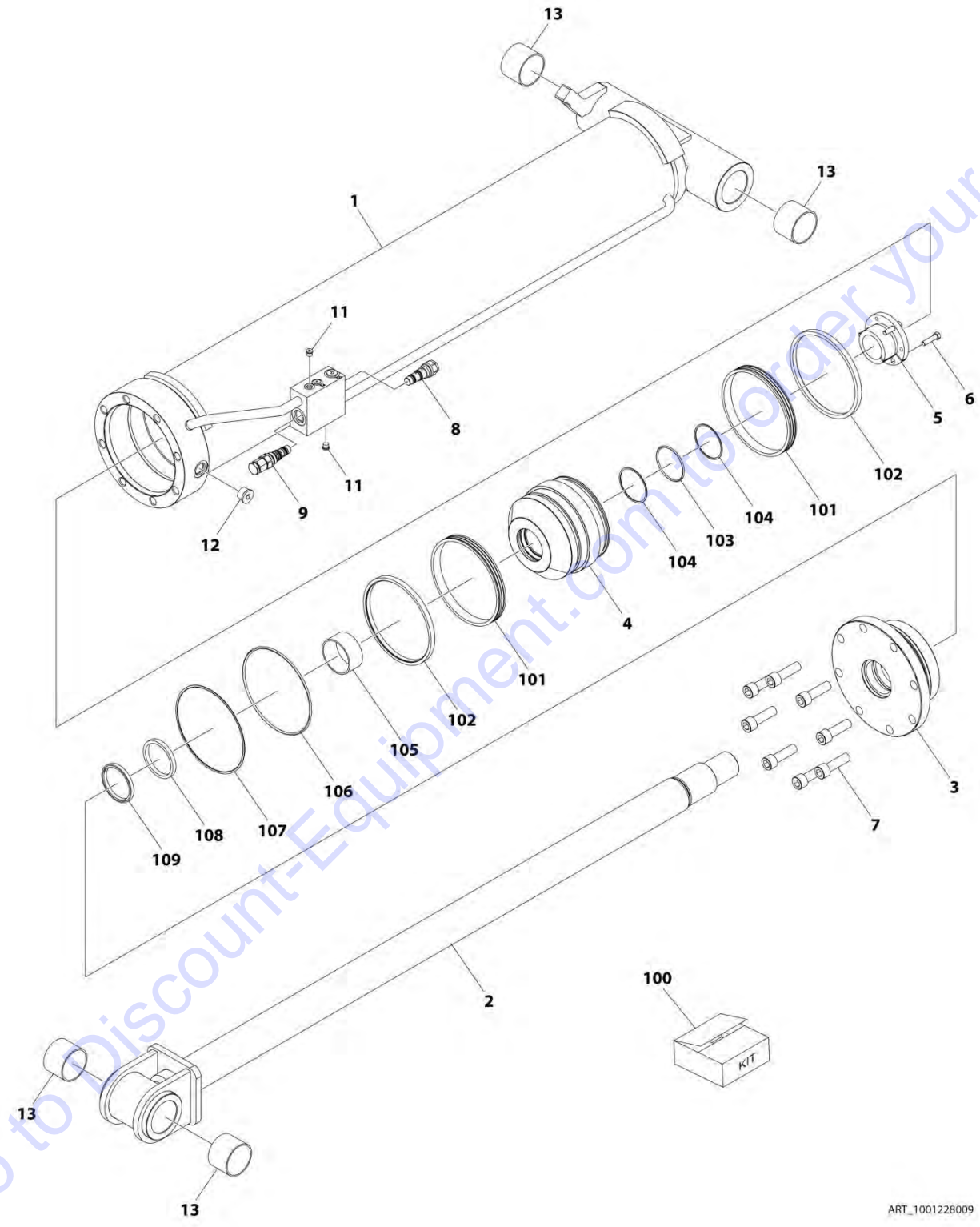
## SECTION 5 - CYLINDER

**FIGURE 5-14. LIFT CYLINDER ASSEMBLY - TOWER BOOM (SN 0300183034 through 0300239885)**

ITEM	PART NUMBER	QTY	DESCRIPTION	REV
	1683537	Ref	LIFT CYLINDER ASSEMBLY - TOWER BOOM	J
		Ref	Note: Original Cylinder may have been replaced with Service Replacement. Identify PN Stamped on Cylinder Before Ordering Parts.	
1	1683823	1	Barrel	
2	1683818	1	Head	
4	1683539	1	Rod	
5	3480236	1	Piston	
6	2220883	2	Plug, O-Ring	
7	2220888	1	Plug, O-Ring	
8	4640509	1	Cartridge, Valve	
8	2900792	1	Seal Kit - 4640999 Valve	
9	4640605	1	Cartridge, Valve	
9	2900792	1	Seal Kit - 4640605 Valve	
10	0962102	4	Bushing	
12	See Note	NSS	O-Ring (Note: Use Item 30)	
13	See Note	NSS	Ring, Back-up (Note: Use Item 30)	
14	See Note	NSS	Ring, Lock (Note: Use Item 30)	
15	See Note	NSS	Seal (Note: Use Item 30)	
16	See Note	NSS	O-Ring (Note: Use Item 30)	
17	See Note	NSS	Ring, Back-up (Note: Use Item 30)	
18	See Note	NSS	Ring, Wear (Note: Use Item 30)	
19	See Note	NSS	Seal (Note: Use Item 30)	
20	See Note	NSS	Wiper (Note: Use Item 30)	
21	0961903	1	Bushing, Tapered	
22	3932240	8	Capscrew 3/4 x 2-1/2	
23	0100011	AR	Compound, Locking	
24	0100038	AR	Primer, Locking	
26	0630536	3	Bolt	
30	2901537	1	Seal Kit (Includes Items 12-20)	

# SECTION 5 - CYLINDER

FIGURE 5-15. LIFT CYLINDER ASSEMBLY - TOWER BOOM (SN 0300239886 to Present)



ART\_1001228009

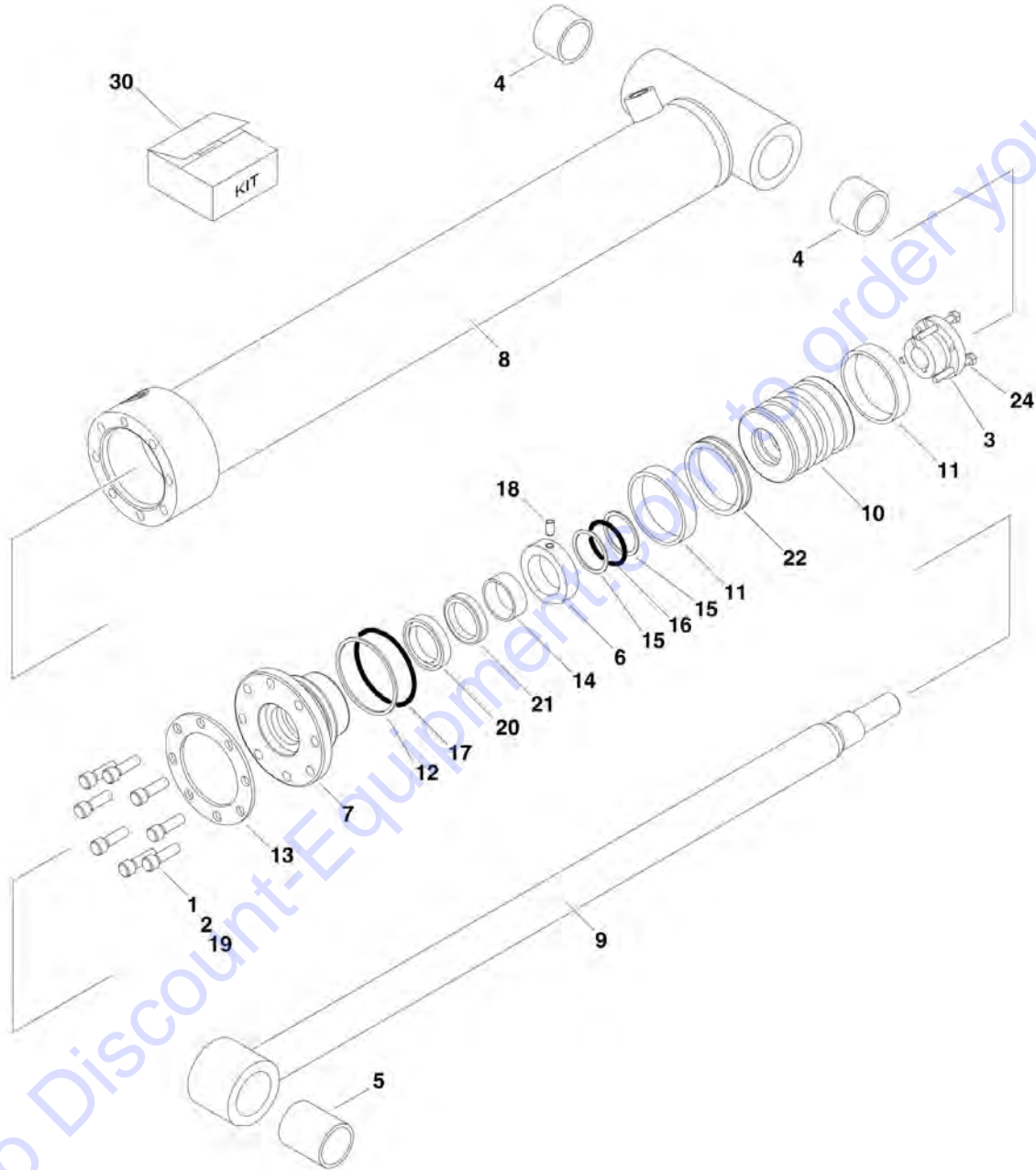
## SECTION 5 - CYLINDER

**FIGURE 5-15. LIFT CYLINDER ASSEMBLY - TOWER BOOM (SN 0300239886 to Present)**

ITEM	PART NUMBER	QTY	DESCRIPTION	REV
	1001228009	Ref	LIFT CYLINDER ASSEMBLY	B
		Ref	Note: Original Cylinder may have been replaced with Service Replacement. Identify PN Stamped on Cylinder Before Ordering Parts.	
1	See Note	NSS	Barrel (Note: Not Available for Purchase)	
2	70006378	1	Rod	
3	70006377	1	Head	
4	70006376	1	Piston	
5	70006375	1	Bushing, Tapered	
6	0630536	3	Bolt	
7	3932240	8	Capscrew 3/4 x 2-1/2	
8	4640509	1	Cartridge, Valve	
8	2900792	1	Seal Kit - 4640999 Valve	
9	4640605	1	Cartridge, Valve	
9	2900792	1	Seal Kit - 4640605 Valve	
11	2220883	4	Plug, O-Ring	
12	2220888	1	Plug, O-Ring	
13	0962102	4	Bushing	
100	2901537	1	Seal Kit (Includes Items 101-109)	
101	See Note	NSS	Seal (Note: Use Item 100)	
102	See Note	NSS	Ring, Lock (Note: Use Item 100)	
103	See Note	NSS	O-Ring (Note: Use Item 100)	
104	See Note	NSS	Ring, Back-up (Note: Use Item 100)	
105	See Note	NSS	Ring, Wear (Note: Use Item 100)	
106	See Note	NSS	O-Ring (Note: Use Item 100)	
107	See Note	NSS	Ring, Back-up (Note: Use Item 100)	
108	See Note	NSS	Seal (Note: Use Item 100)	
109	See Note	NSS	Wiper (Note: Use Item 100)	

# SECTION 5 - CYLINDER

FIGURE 5-16. MASTER CYLINDER ASSEMBLY (800A) (SN 0300183034 through 0300245050)



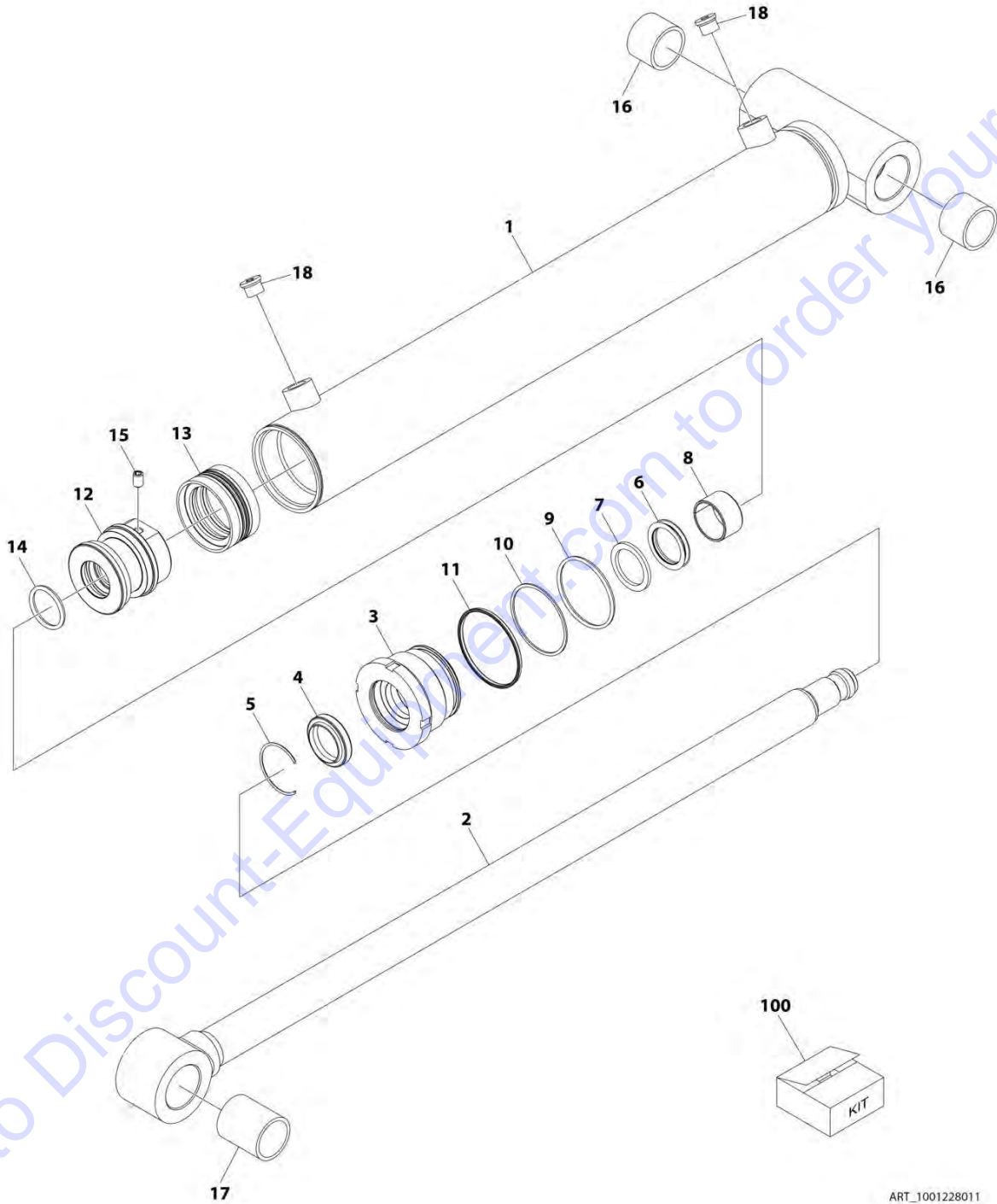
## SECTION 5 - CYLINDER

**FIGURE 5-16. MASTER CYLINDER ASSEMBLY (800A) (SN 0300183034 through 0300245050)**

ITEM	PART NUMBER	QTY	DESCRIPTION	REV
	1683608	Ref	<b>MASTER CYLINDER ASSEMBLY (800A) (SN 0300183034 through 0300245050)</b> Note: Original Cylinder may have been replaced with Service Replacement. Identify PN Stamped on Cylinder Before Ordering Parts.	J
		Ref		
1	0100011	AR	Compound, Locking	
2	0100038	AR	Primer, Locking	
3	0962185	1	Bushing, Tapered	
4	0961951	2	Bushing	
5	0962155	1	Bushing	
6	0962156	1	Spacer, Tube	
7	1683050	1	Head	
8	1684114	1	Barrel	
9	1684115	1	Rod	
10	3480232	1	Piston	
11	See Note	NSS	Ring, Wear (Note: Use Item 30)	
12	See Note	NSS	Ring, Back-up (Note: Use Item 30)	
13	3760367	1	Ring, Washer	
14	See Note	NSS	Ring, Wear (Note: Use Item 30)	
15	See Note	NSS	Ring, Back-up (Note: Use Item 30)	
16	See Note	NSS	O-Ring (Note: Use Item 30)	
17	See Note	NSS	O-Ring (Note: Use Item 30)	
18	3900139	1	Setscrew 1/4-20 x 1/2	
19	3931516	8	Capscrew 5/16-18 x 1	
20	See Note	NSS	Wiper (Note: Use Item 30)	
21	See Note	NSS	Seal (Note: Use Item 30)	
22	See Note	NSS	T-Seal (Note: Use Item 30)	
24	0630534	3	Capscrew #10-24 x 1	
30	2901549	1	Seal Kit - 1683608 Cylinder (Includes Items 11, 12, 14-17 & 20-22)	

# SECTION 5 - CYLINDER

FIGURE 5-17. MASTER CYLINDER ASSEMBLY (800A) (SN 0300245051 to Present)



ART\_1001228011



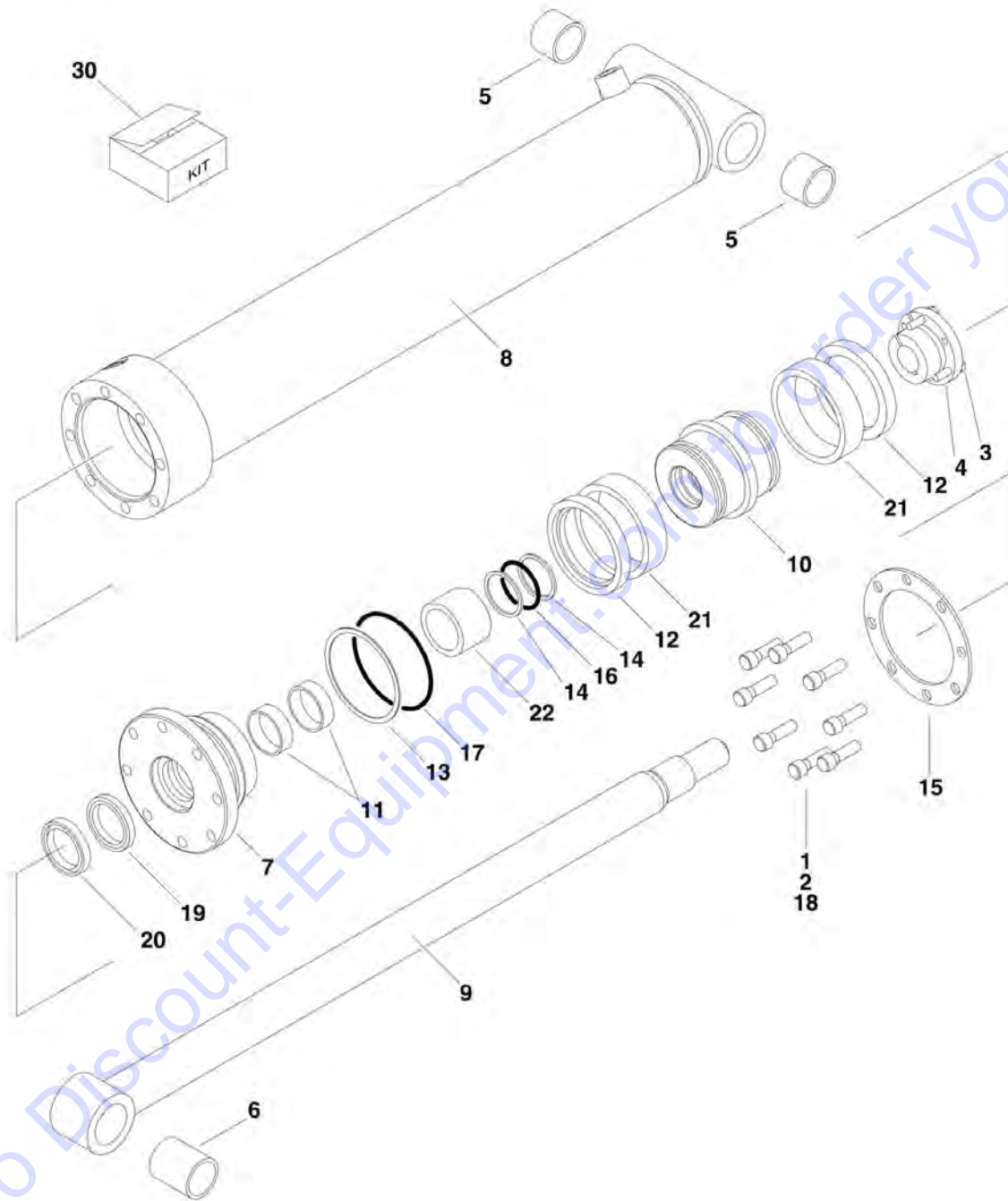
## SECTION 5 - CYLINDER

**FIGURE 5-17. MASTER CYLINDER ASSEMBLY (800A) (SN 0300245051 to Present)**

ITEM	PART NUMBER	QTY	DESCRIPTION	REV
	1001228011	Ref	MASTER CYLINDER ASSEMBLY (800A)	B
		Ref	Note: Original Cylinder may have been replaced with Service Replacement. Identify PN Stamped on Cylinder Before Ordering Parts.	
1	See Note	NSS	Barrel (Note: Not Available for Purchase)	
2	70006777	1	Rod	
3	70006778	1	Head	
4	See Note	NSS	Wiper (Note: Use Item 100)	
5	70002366	1	Ring, Retaining	
6	See Note	NSS	Seal, Rod (Note: Use Item 100)	
7	See Note	NSS	Ring, Back-up (Note: Use Item 100)	
8	70006779	1	Ring, Wear	
9	See Note	NSS	O-Ring (Note: Use Item 100)	
10	See Note	NSS	Ring, Back-up (Note: Use Item 100)	
11	70050801	NSS	O-Ring (Note: Use Item 100)	
12	70006780	1	Piston	
13	See Note	NSS	Seal (Note: Use Item 100)	
14	See Note	NSS	O-Ring (Note: Use Item 100)	
15	70006596	1	Setscrew	
16	0961951	2	Bushing	
17	0962155	1	Bushing	
18	2220885	2	Plug	
100	70006781	1	Seal Kit (Includes Items 4, 6, 7, 9-11, 13 & 14)	

# SECTION 5 - CYLINDER

FIGURE 5-18. MASTER CYLINDER ASSEMBLY (800AJ) (SN 0300183034 through 0300243317)



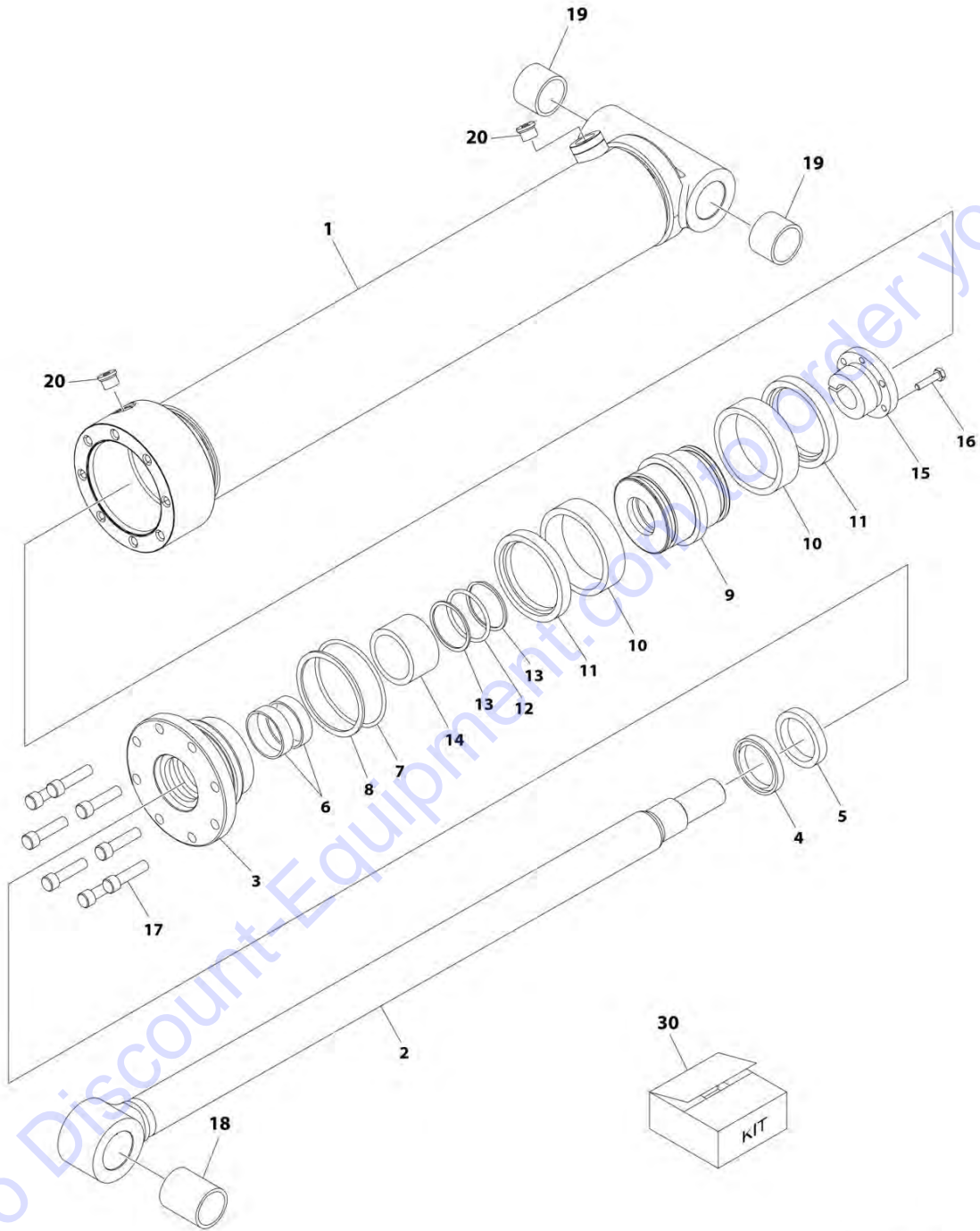
## SECTION 5 - CYLINDER

**FIGURE 5-18. MASTER CYLINDER ASSEMBLY (800AJ) (SN 0300183034 through 0300243317)**

ITEM	PART NUMBER	QTY	DESCRIPTION	REV
	1683682	Ref	MASTER CYLINDER ASSEMBLY (MACHINES WITHOUT ARCTIC PACKAGE)	H
	1001138793	Ref	MASTER CYLINDER ASSEMBLY (MACHINES WITH ARCTIC PACKAGE)	B
		Ref	Note: Original Cylinder may have been replaced with Service Replacement. Identify PN Stamped on Cylinder Before Ordering Parts.	
1	0100011	AR	Compound, Locking	
2	0100038	AR	Primer, Locking	
3	0630535	3	Capscrew 1/4-20 x 1-1/8	
4	0961894	1	Bushing, Tapered	
5	0961951	2	Bushing	
6	0962155	1	Bushing	
7	1683055	1	Head	
8	1684125	1	Barrel	
9	1684126	1	Rod	
10	3480188	1	Piston	
11	See Note	NSS	Ring, Wear (Note: Use Item 30)	
12	See Note	NSS	Ring, Lock (Note: Use Item 30)	
13	See Note	NSS	Ring, Back-up (Note: Use Item 30)	
14	See Note	NSS	Ring, Back-up (Note: Use Item 30)	
15	3760369	1	Ring, Washer	
16	See Note	NSS	O-Ring (Note: Use Item 30)	
17	See Note	NSS	O-Ring (Note: Use Item 30)	
18	3931620	8	Capscrew 3/8-16 x 1-1/4	
19	See Note	NSS	Seal, Rod (Note: Use Item 30)	
20	See Note	NSS	Wiper (Note: Use Item 30)	
21	See Note	NSS	Seal (Note: Use Item 30)	
22	4566468	1	Spacer, Tube	
30	2901301	1	Seal Kit (Machines without Arctic Package) (Includes Items 11-14, 16, 17 & 19-21)	
30	1001138796	1	Seal Kit (Machines with Arctic Package) (Includes Items 11-14, 16, 17 & 19-21)	

# SECTION 5 - CYLINDER

FIGURE 5-19. MASTER CYLINDER ASSEMBLY (800AJ) (SN 0300243318 to Present)



ART\_1001228050

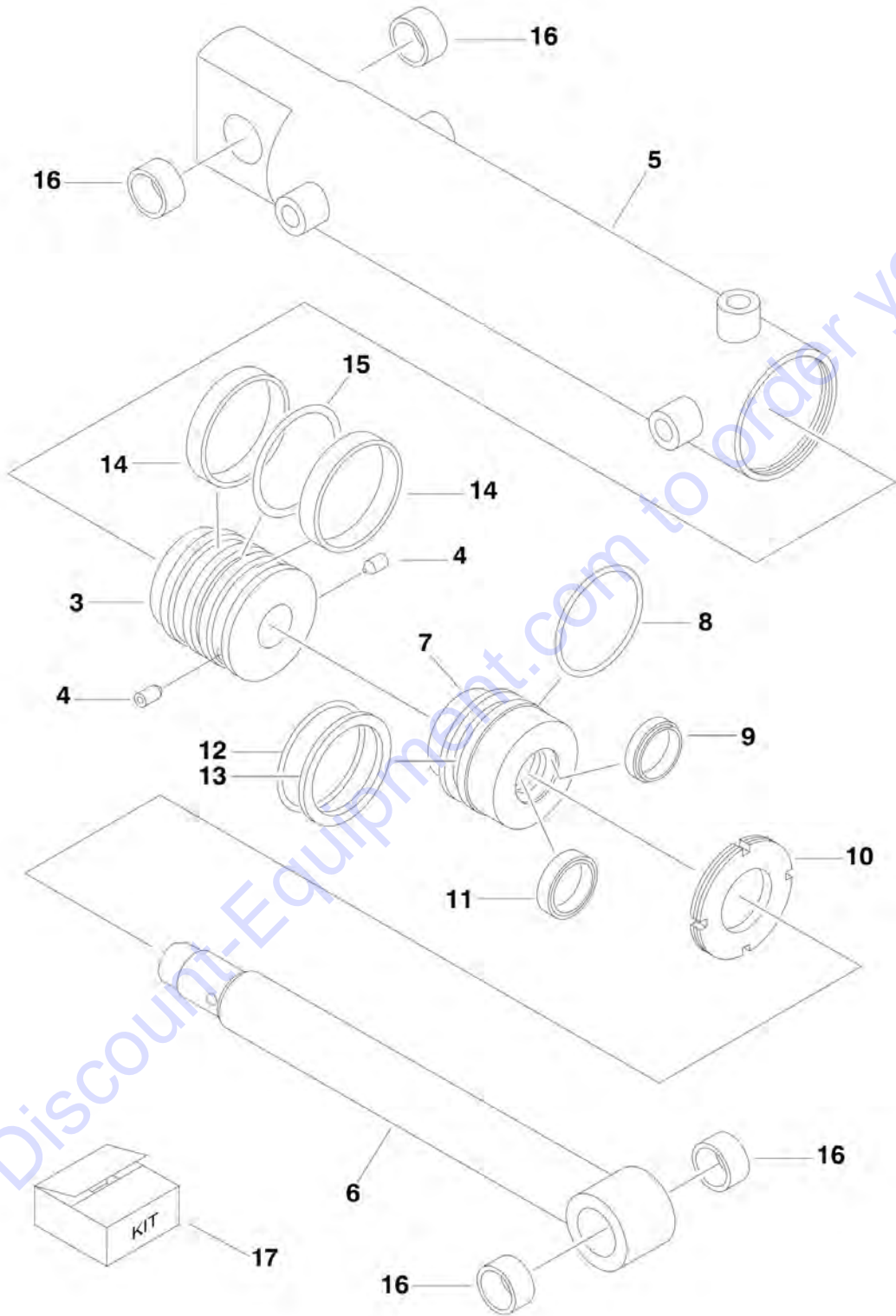
## SECTION 5 - CYLINDER

**FIGURE 5-19. MASTER CYLINDER ASSEMBLY (800AJ) (SN 0300243318 to Present)**

ITEM	PART NUMBER	QTY	DESCRIPTION	REV
	1001228050	Ref	MASTER CYLINDER ASSEMBLY (MACHINES WITHOUT ARCTIC PACKAGE)	A
		Ref	Note: Original Cylinder may have been replaced with Service Replacement. Identify PN Stamped on Cylinder Before Ordering Parts.	
1	See Note	NSS	Barrel (Note: Not Available for Purchase)	
2	70006668	1	Rod	
3	70006643	1	Head	
4	See Note	NSS	Wiper (Note: Use Item 30)	
5	See Note	NSS	Seal, Rod (Note: Use Item 30)	
6	See Note	NSS	Ring, Wear (Note: Use Item 30)	
7	See Note	NSS	O-Ring (Note: Use Item 30)	
8	See Note	NSS	Ring, Back-up (Note: Use Item 30)	
9	70006644	1	Piston	
10	See Note	NSS	Ring, Wear (Note: Use Item 30)	
11	See Note	NSS	Ring, Lock (Note: Use Item 30)	
12	See Note	NSS	O-Ring (Note: Use Item 30)	
13	See Note	NSS	Ring, Back-up (Note: Use Item 30)	
14	70006651	1	Spacer, Tube	
15	0961894	1	Bushing, Tapered	
16	0630535	3	Capscrew 1/4 x 1-1/8	
17	3931620	8	Capscrew 3/8 x 1-1/4	
18	0962155	1	Bushing	
19	0961951	2	Bushing	
20	2220885	2	Plug, O-Ring	
30	1001138796	1	Seal Kit (Machines with Arctic Package) (Includes Items 4-8 & 10-13)	

# SECTION 5 - CYLINDER

## FIGURE 5-20. STEER CYLINDER ASSEMBLY



## SECTION 5 - CYLINDER

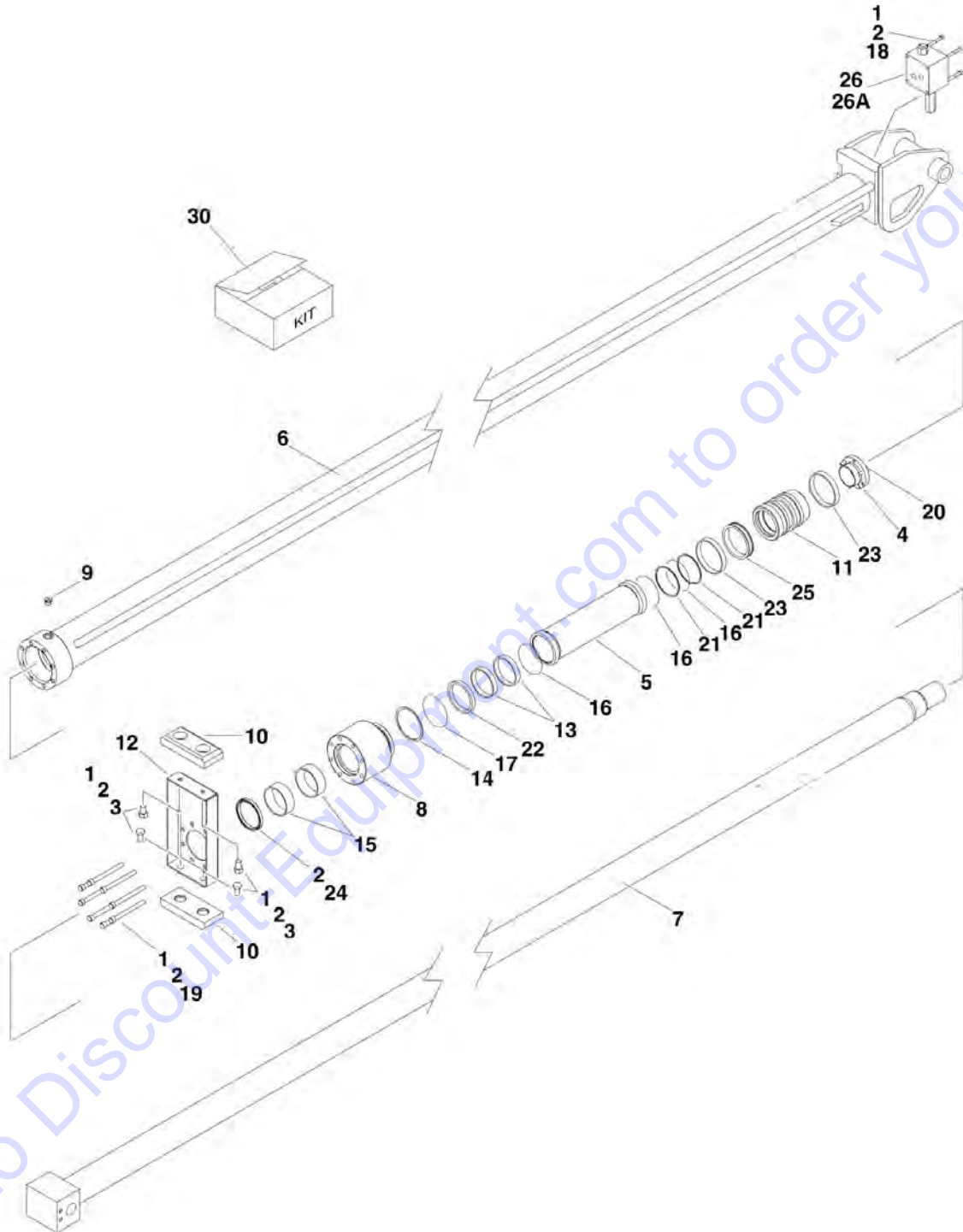
**FIGURE 5-20. STEER CYLINDER ASSEMBLY**

ITEM	PART NUMBER	QTY	DESCRIPTION	REV
	1001150539	Ref	STEER CYLINDER ASSEMBLY	F
		Ref	Note: Original Cylinder may have been replaced with Service Replacement. Identify PN Stamped on Cylinder Before Ordering Parts.	
3	70002744	1	Piston	
4	70002745	2	Setscrew M6 x 10	
5	70004381	1	Barrel	
6	70004382	1	Rod	
7	70002748	1	Head	
8	See Note	NSS	Ring (Note: Use Item 100)	
9	See Note	NSS	Wiper (Note: Use Item 100)	
10	70002749	1	Nut, Spanner	
11	See Note	NSS	Seal (Note: Use Item 100)	
12	See Note	NSS	O-Ring (Note: Use Item 100)	
13	See Note	NSS	Ring, Back-up (Note: Use Item 100)	
14	See Note	NSS	Ring, Wear (Note: Use Item 100)	
15	See Note	NSS	Seal (Note: Use Item 100)	
16	0962152	4	Bushings	
100	70002751	1	Seal Kit (Includes Items 8, 9 & 11-15)	

Go to Discount-Equipment.com to order your parts

# SECTION 5 - CYLINDER

FIGURE 5-21. TELESCOPE CYLINDER ASSEMBLY - MAIN BOOM





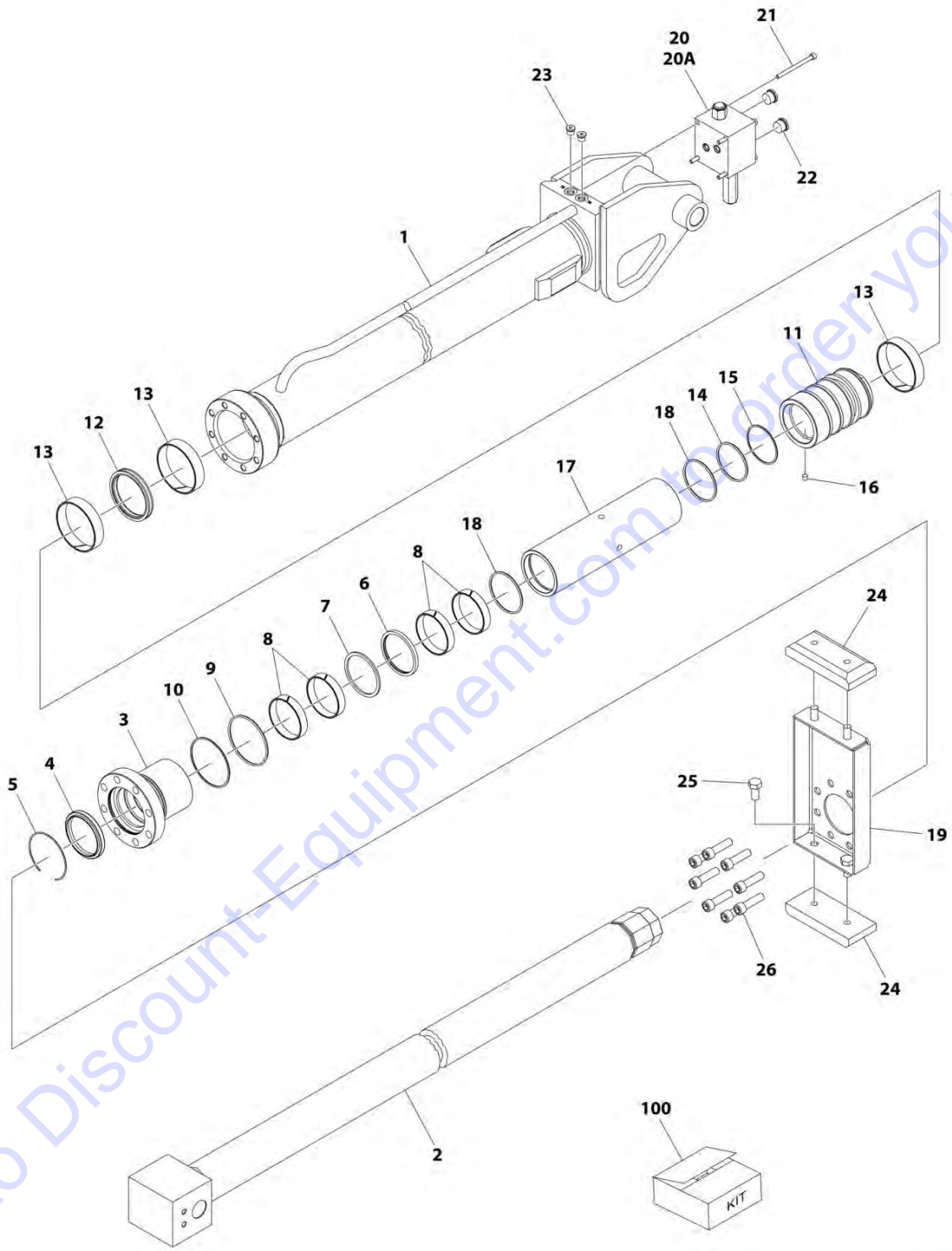
## SECTION 5 - CYLINDER

**FIGURE 5-21. TELESCOPE CYLINDER ASSEMBLY - MAIN BOOM**

ITEM	PART NUMBER	QTY	DESCRIPTION	REV
	1683607	Ref	TELESCOPE CYLINDER ASSEMBLY (800A) (SN 0300183034 through 0300200669)	I
	1001188968	Ref	TELESCOPE CYLINDER ASSEMBLY (800A) (SN 0300200670 through 0300245050)	B
	1001149284	Ref	TELESCOPE CYLINDER ASSEMBLY (800AJ) (SN 0300183034 through 0300243317)	B
		Ref	Note: Original Cylinder may have been replaced with Service Replacement. Identify PN Stamped on Cylinder Before Ordering Parts.	
1	0100011	AR	Compound, Locking	
2	0100038	AR	Primer, Locking	
3	0641806	4	Bolt 1/2-13 x 3/4	
4	0961897	1	Bushing, Tapered	
5	0962524	1	Spacer, Tube	
6	1683647	1	Barrel (800A)	
6	1683673	1	Barrel (800AJ)	
7	1683648	1	Rod (800A)	
7	1683675	1	Rod (800AJ)	
8	1683663	1	Head	
9	2220885	1	Plug, O-Ring	
10	3340838	2	Pad, Wear	
11	3480234	1	Piston	
12	3570775	1	Plate	
13	See Note	NSS	Ring, Wear (Note: Use Item 30)	
14	See Note	NSS	Ring, Back-up (Note: Use Item 30)	
15	See Note	NSS	Ring, Wear (Note: Use Item 30)	
16	See Note	NSS	O-Ring (Note: Use Item 30)	
17	See Note	NSS	O-Ring (Note: Use Item 30)	
18	3931448	4	Capscrew 1/4-20 x 3	
19	3931664	8	Capscrew 3/8-16 x 4	
20	0630535	3	Bolt 1/4-20 x 1-1/8	
21	See Note	NSS	Ring, Back-up (Note: Use Item 30)	
22	See Note	NSS	Seal, Rod (Note: Use Item 30)	
23	See Note	NSS	Ring, Wear (Note: Use Item 30)	
24	See Note	NSS	Wiper (Note: Use Item 30)	
25	See Note	NSS	T-Seal (Note: Use Item 30)	
26	4641033	1	Valve Assembly (No serviceable parts - sold as assembly only)	
26A	7024508	2	O-Ring (Between Valve and Cylinder Barrel)	
30	2901712	NLA	Seal Kit (800A) (Includes Items 13-17 & 21-25) (Use p/n 1001188843) (SN 0300183034 through 0300200669)	
30	1001188843	1	Seal Kit (800A) (Includes Items 13-17 & 21-25) (SN 0300200670 to Present)	
30	1001149391	1	Seal Kit (800AJ) (Includes Items 13-17 & 21-25)	

# SECTION 5 - CYLINDER

FIGURE 5-22. TELESCOPE CYLINDER ASSEMBLY - MAIN BOOM (800A) (SN 0300245051 to Present)



ART\_1001228088

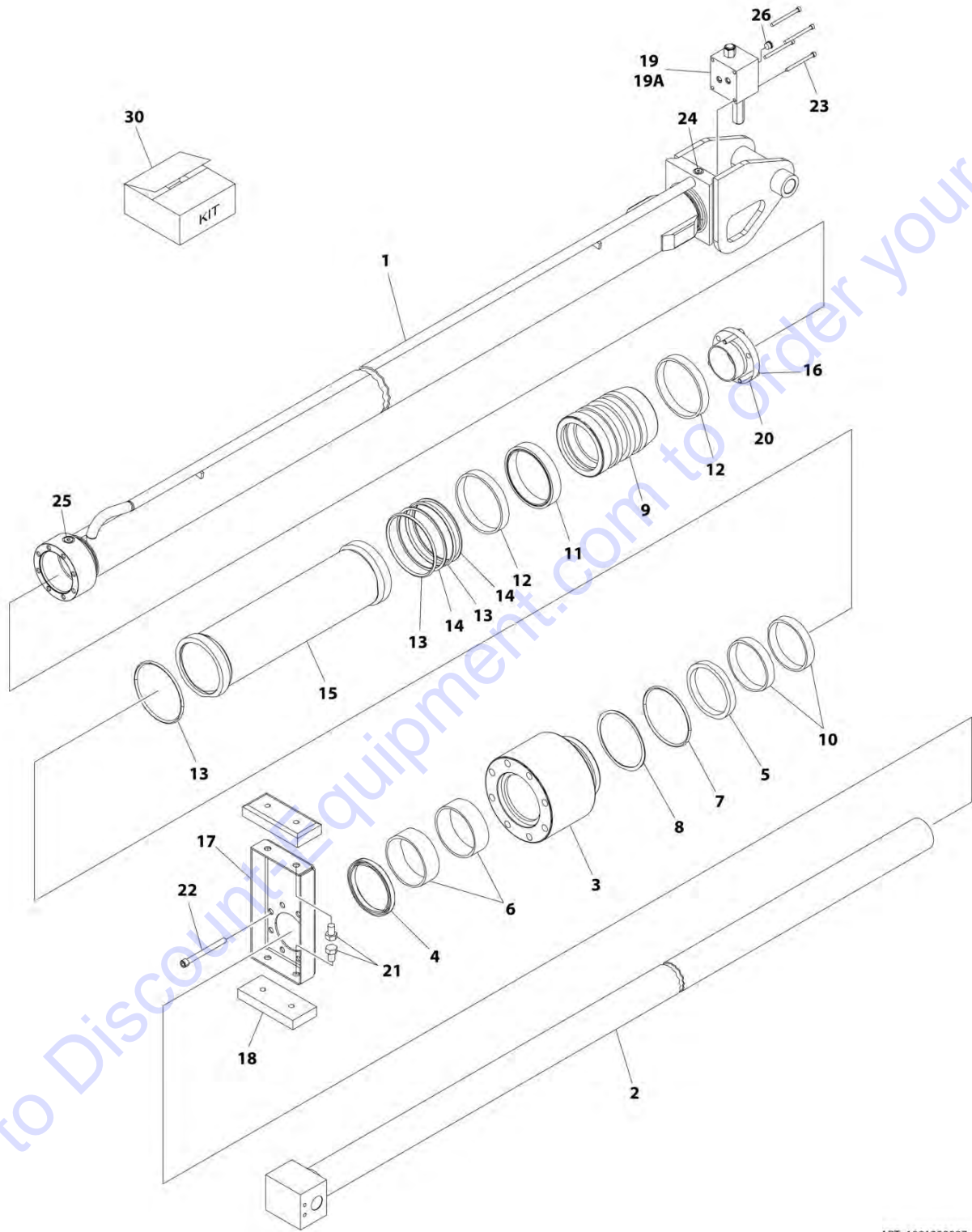
## SECTION 5 - CYLINDER

**FIGURE 5-22. TELESCOPE CYLINDER ASSEMBLY - MAIN BOOM (800A) (SN 0300245051 to Present)**

ITEM	PART NUMBER	QTY	DESCRIPTION	REV
	1001228088	Ref	TELESCOPE CYLINDER ASSEMBLY - MAIN BOOM	C
		Ref	Note: Original Cylinder may have been replaced with Service Replacement. Identify PN Stamped on Cylinder Before Ordering Parts.	
1	See Note	NSS	Barrel (Note: Not Available for Purchase)	
2	70006796	1	Rod	
3	70006797	1	Head	
4	See Note	NSS	Wiper (Note: Use Item 100)	
5	70027259	1	Ring, Retaining	
6	See Note	NSS	Seal, Rod (Note: Use Item 100)	
7	See Note	NSS	Ring, Back-up (Note: Use Item 100)	
8	See Note	NSS	Ring, Wear (Note: Use Item 100)	
9	See Note	NSS	O-Ring (Note: Use Item 100)	
10	See Note	NSS	Ring, Back-up (Note: Use Item 100)	
11	70006798	1	Piston	
12	See Note	NSS	Seal (Note: Use Item 100)	
13	See Note	NSS	Ring, Wear (Note: Use Item 100)	
14	See Note	NSS	O-Ring (Note: Use Item 100)	
15	See Note	NSS	Ring, Back-up (Note: Use Item 100)	
16	70006799	1	Setscrew	
17	70006800	1	Spacer, Tube	
18	See Note	NSS	O-Ring (Note: Use Item 100)	
19	70006801	1	Plate	
20	4641033	1	Valve Assembly (No serviceable parts - sold as assembly only)	
20A	7024508	2	O-Ring (Between Valve and Cylinder Barrel)	
21	70006802	4	Capscrew M6	
22	2220886	2	Plug, O-Ring	
23	2220883	2	Plug, O-Ring	
24	3340838	2	Pad, Wear	
25	0641806	4	Bolt 1/2 x 3/4	
26	70006803	8	Capscrew M12	
100	70006804	1	Seal Kit - 1001228088 Cylinder (Includes Items 4, 6-10, 12-15 & 18)	

# SECTION 5 - CYLINDER

FIGURE 5-23. TELESCOPE CYLINDER ASSEMBLY - MAIN BOOM (800AJ) (SN 0300243318 to Present)



ART\_1001228087

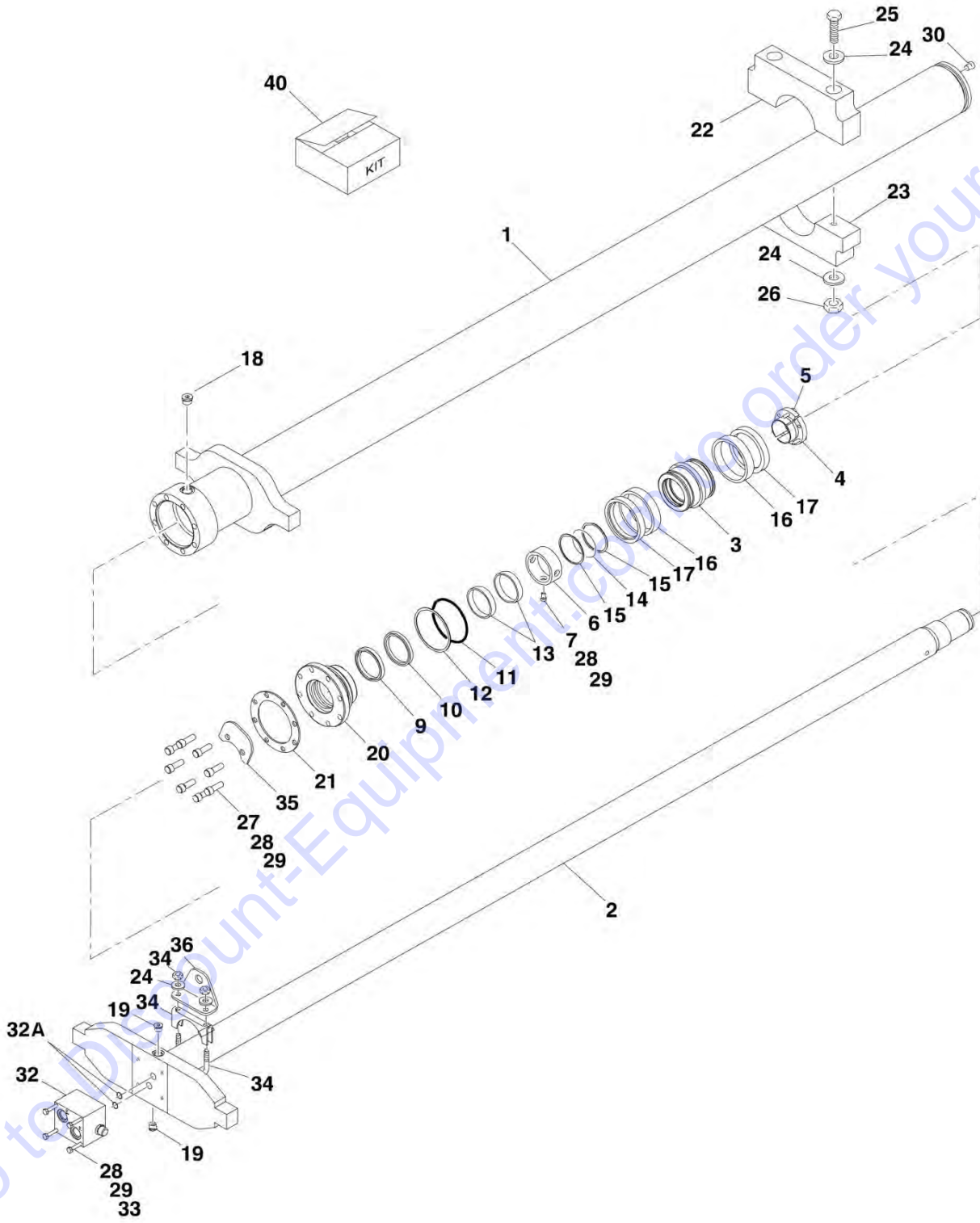
## SECTION 5 - CYLINDER

**FIGURE 5-23. TELESCOPE CYLINDER ASSEMBLY - MAIN BOOM (800AJ) (SN 0300243318 to Present)**

ITEM	PART NUMBER	QTY	DESCRIPTION	REV
	1001228087	Ref	TELESCOPE CYLINDER ASSEMBLY	D
		Ref	Note: Original Cylinder may have been replaced with Service Replacement. Identify PN Stamped on Cylinder Before Ordering Parts.	
1	See Note	NSS	Barrel (Note: Not Available for Purchase)	
2	70006669	1	Rod	
3	70006670	1	Head	
4	See Note	NSS	Wiper (Note: Use Item 30)	
5	See Note	NSS	Seal, Rod (Note: Use Item 30)	
6	See Note	NSS	Ring, Wear (Note: Use Item 30)	
7	See Note	NSS	O-Ring (Note: Use Item 30)	
8	See Note	NSS	Ring, Back-up (Note: Use Item 30)	
9	70006671	1	Piston	
10	See Note	NSS	Ring, Wear (Note: Use Item 30)	
11	See Note	NSS	Seal, Piston (Note: Use Item 30)	
12	See Note	NSS	Ring, Wear (Note: Use Item 30)	
13	See Note	NSS	O-Ring (Note: Use Item 30)	
14	See Note	NSS	Ring, Back-up (Note: Use Item 30)	
15	70006672	1	Spacer	
16	0961897	1	Bushing, Tapered	
17	3570775	1	Plate	
18	3340838	2	Pad, Wear	
19	4641033	1	Valve Assembly (No serviceable parts - sold as assembly only)	
19A	7024508	2	O-Ring (Between Valve and Cylinder Barrel)	
20	0630535	3	Bolt 1/4 x 1-1/8	
21	0641806	4	Bolt 1/2 x 3/4	
22	3931664	8	Capscrew 3/8 x 4	
23	3931448	4	Capscrew 1/4 x 3	
24	2220883	1	Plug, O-Ring	
25	2220885	1	Plug, O-Ring	
26	2220886	1	Plug, O-Ring	
30	1001149391	1	Seal Kit (Includes Items 4-8 & 10-14)	

# SECTION 5 - CYLINDER

## FIGURE 5-24. TELESCOPE CYLINDER ASSEMBLY - TOWER BOOM



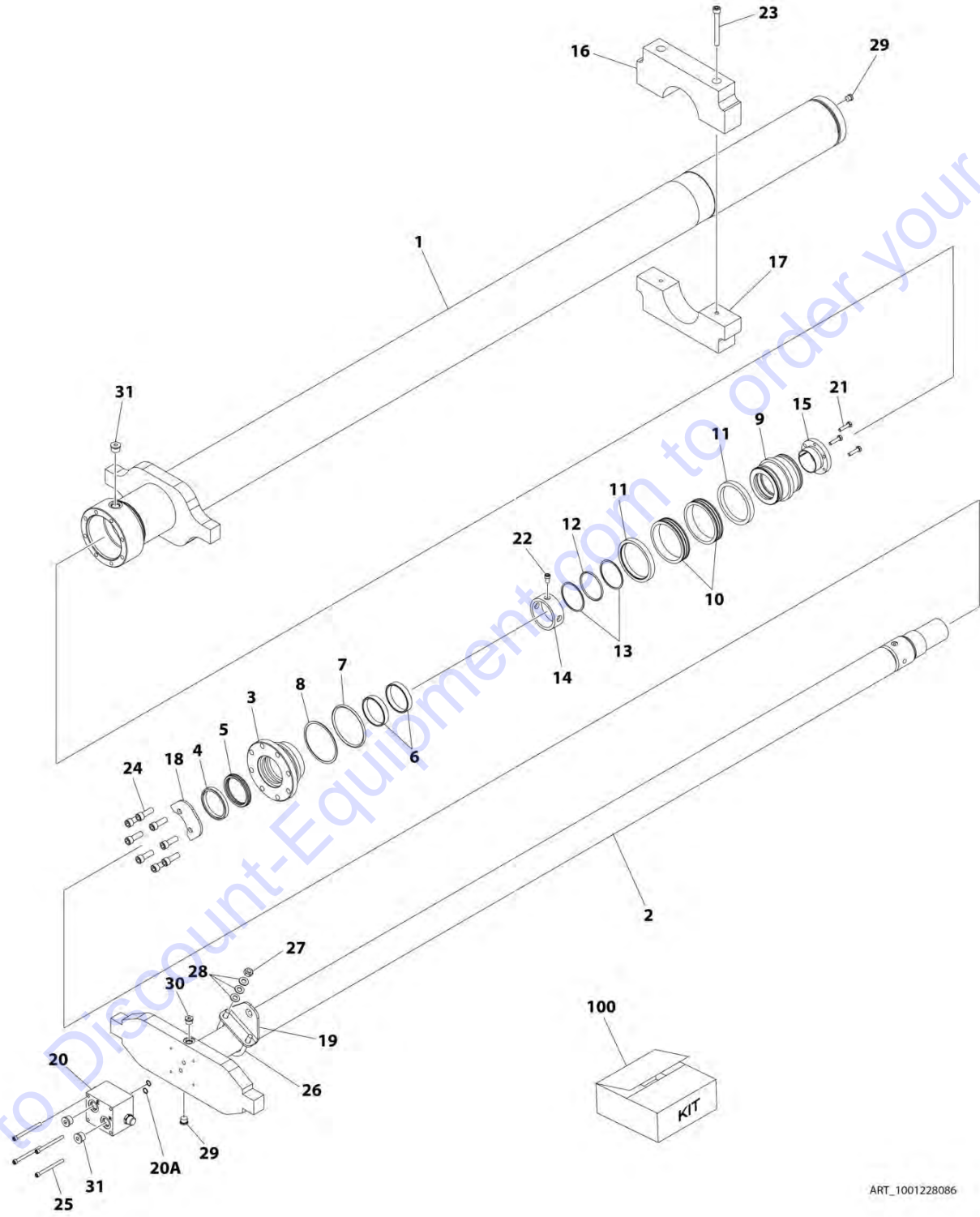
## SECTION 5 - CYLINDER

**FIGURE 5-24. TELESCOPE CYLINDER ASSEMBLY - TOWER BOOM**

ITEM	PART NUMBER	QTY	DESCRIPTION	REV
	1683606	Ref	TELESCOPE CYLINDER ASSEMBLY (SN 0300183034 through 0300200669)	L
	1001188840	Ref	TELESCOPE CYLINDER ASSEMBLY (SN 0300200670 through 0300243317)	C
		Ref	Note: Original Cylinder may have been replaced with Service Replacement. Identify PN Stamped on Cylinder Before Ordering Parts.	
1	1683632	1	Barrel	
2	1683629	1	Rod	
3	3480211	1	Piston	
4	0961897	1	Bushing, Tapered	
5	0630535	3	Bolt 1/4-20 x 1-1/8	
6	4567413	1	Spacer, Tube	
7	3931508	1	Capscrew 5/16-18 x 1/2	
9	See Note	NSS	Wiper (Note: Use Item 40)	
10	See Note	NSS	Seal (Note: Use Item 40)	
11	See Note	NSS	O-Ring (Note: Use Item 40)	
12	See Note	NSS	Ring, Back-up (Note: Use Item 40)	
13	See Note	NSS	Ring, Wear (Note: Use Item 40)	
14	See Note	NSS	O-Ring (Note: Use Item 40)	
15	See Note	NSS	Ring, Back-up (Note: Use Item 40)	
16	See Note	NSS	Seal (Note: Use Item 40)	
17	See Note	NSS	Ring, Lock (Note: use Item 40)	
18	2220886	1	Plug, O-Ring	
19	2220885	2	Plug, O-Ring	
20	1683061	1	Head	
21	3760370	1	Ring, Washer	
22	3340834	1	Pad, Support	
23	3340833	1	Pad, Support	
24	4711600	10	Washer 3/8	
25	0641652	3	Bolt, 3/8 x 6-1/2	
26	3271605	2	Nut 3/8in-16NC	
27	3931720	2	Capscrew 7/16-14 x 1-1/4	
28	0100038	AR	Primer, Locking	
29	0100011	AR	Compound, Locking	
30	2220883	1	Plug, O-Ring	
32	4641032	1	Valve Assembly (No serviceable parts - sold as assembly only)	
32A	7024397	2	O-Ring (Between Valve and Cylinder Barrel)	
33	3931448	4	Capscrew 1/4-20	
34	1320011	1	Clamp, Exhaust (SN 0300183034 through 0300240203)	
34	1001228506	1	U-Bolt (SN 0300240204 to Present)	
35	3572604	1	Plate, Proximity Switch Target	
36	3572605	1	Plate, Proximity Switch Mount	
40	2901273	1	Seal Kit (Includes Items 9-17)	

# SECTION 5 - CYLINDER

FIGURE 5-25. TELESCOPE CYLINDER ASSEMBLY - TOWER BOOM (SN 0300243318 to Present)



ART\_1001228086



## SECTION 5 - CYLINDER

**FIGURE 5-25. TELESCOPE CYLINDER ASSEMBLY - TOWER BOOM (SN 0300243318 to Present)**

ITEM	PART NUMBER	QTY	DESCRIPTION	REV
	1001228086	Ref	TELESCOPE CYLINDER ASSEMBLY	B
		Ref	Note: Original Cylinder may have been replaced with Service Replacement. Identify PN Stamped on Cylinder Before Ordering Parts.	
1	See Note	NSS	Barrel (Note: Not Available for Purchase)	
2	70006921	1	Rod	
3	70006480	1	Head	
4	See Note	NSS	Wiper (Note: Use Item 100)	
5	See Note	NSS	Seal, Rod (Note: Use Item 100)	
6	See Note	NSS	Ring, Wear (Note: Use Item 100)	
7	See Note	NSS	O-Ring (Note: Use Item 100)	
8	See Note	NSS	Ring, Back-up (Note: Use Item 100)	
9	70006479	1	Piston	
10	See Note	NSS	Seal, Piston (Note: Use Item 100)	
11	See Note	NSS	Ring, Lock (Note: use Item 100)	
12	See Note	NSS	O-Ring (Note: Use Item 100)	
13	See Note	NSS	Ring, Back-up (Note: Use Item 100)	
14	70006922	1	Spacer	
15	0961897	1	Bushing, Tapered	
16	70006923	1	Pad, Wear	
17	70006924	1	Pad, Wear	
18	70006925	1	Plate	
19	70006926	1	Plate	
20	4641032	1	Valve Assembly (No serviceable parts - sold as assembly only)	
20A	7024397	2	O-Ring (Between Valve and Cylinder Barrel)	
21	0630535	3	Bolt 1/4 x 1-1/8	
22	70006731	1	Bolt	
23	70006927	2	Bolt M10	
24	70006728	8	Bolt 7/16	
25	70006733	4	Bolt M8	
26	70006928	1	U-Bolt M10	
27	70005594	2	Nut M10	
28	70006344	6	Washer M10	
29	2220883	2	Plug, O-Ring	
30	2220885	1	Plug, O-Ring	
31	2220886	3	Plug, O-Ring	
100	1001188842	1	Seal Kit - 1001228086 Cylinder (Includes Items 4-8 & 10-13)	

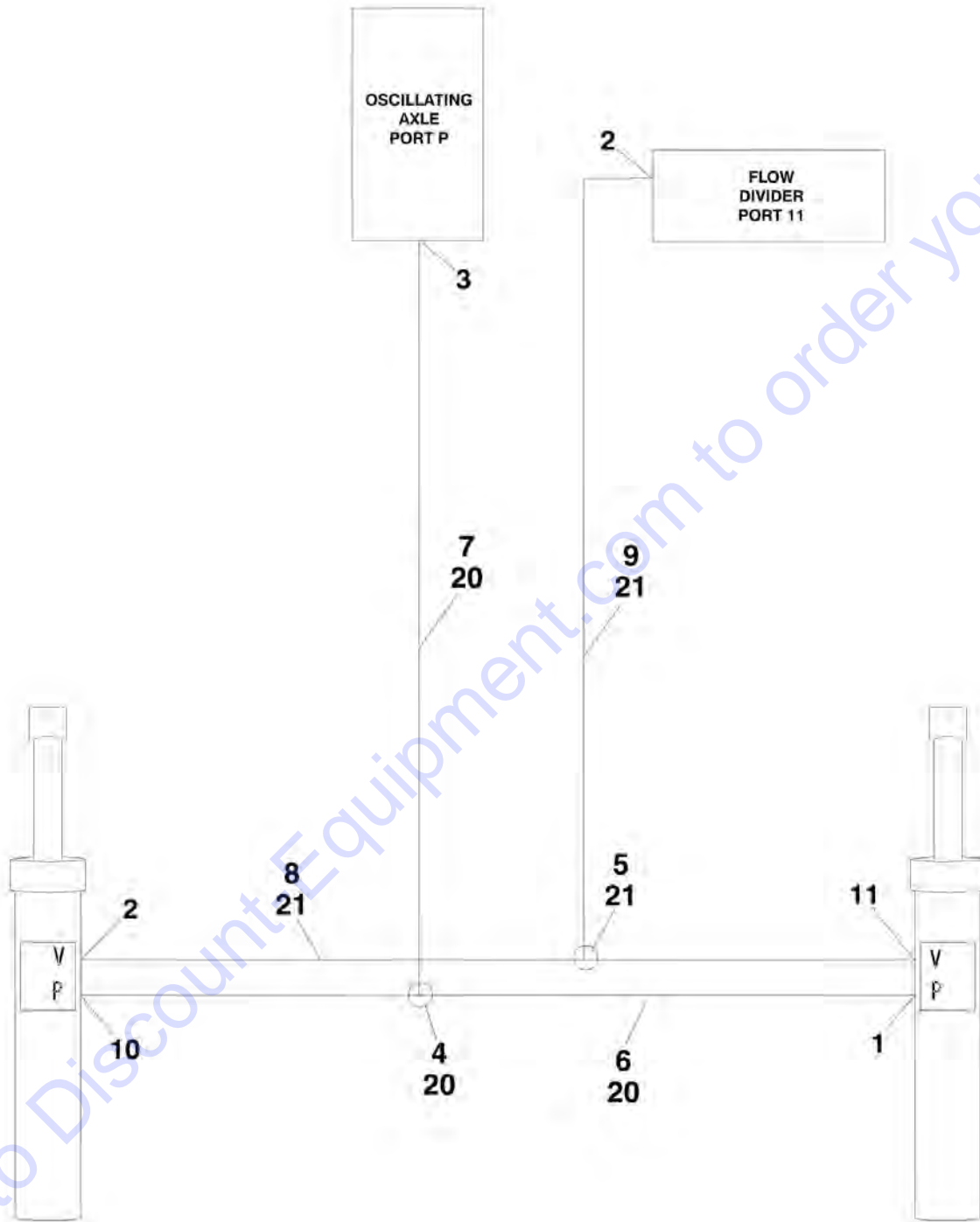


SECTION 6 - HYDRAULIC

Go to Discount-Equipment.com to order your parts

# SECTION 6 - HYDRAULIC

FIGURE 6-1. AXLE LOCKOUT HYDRAULIC DIAGRAM



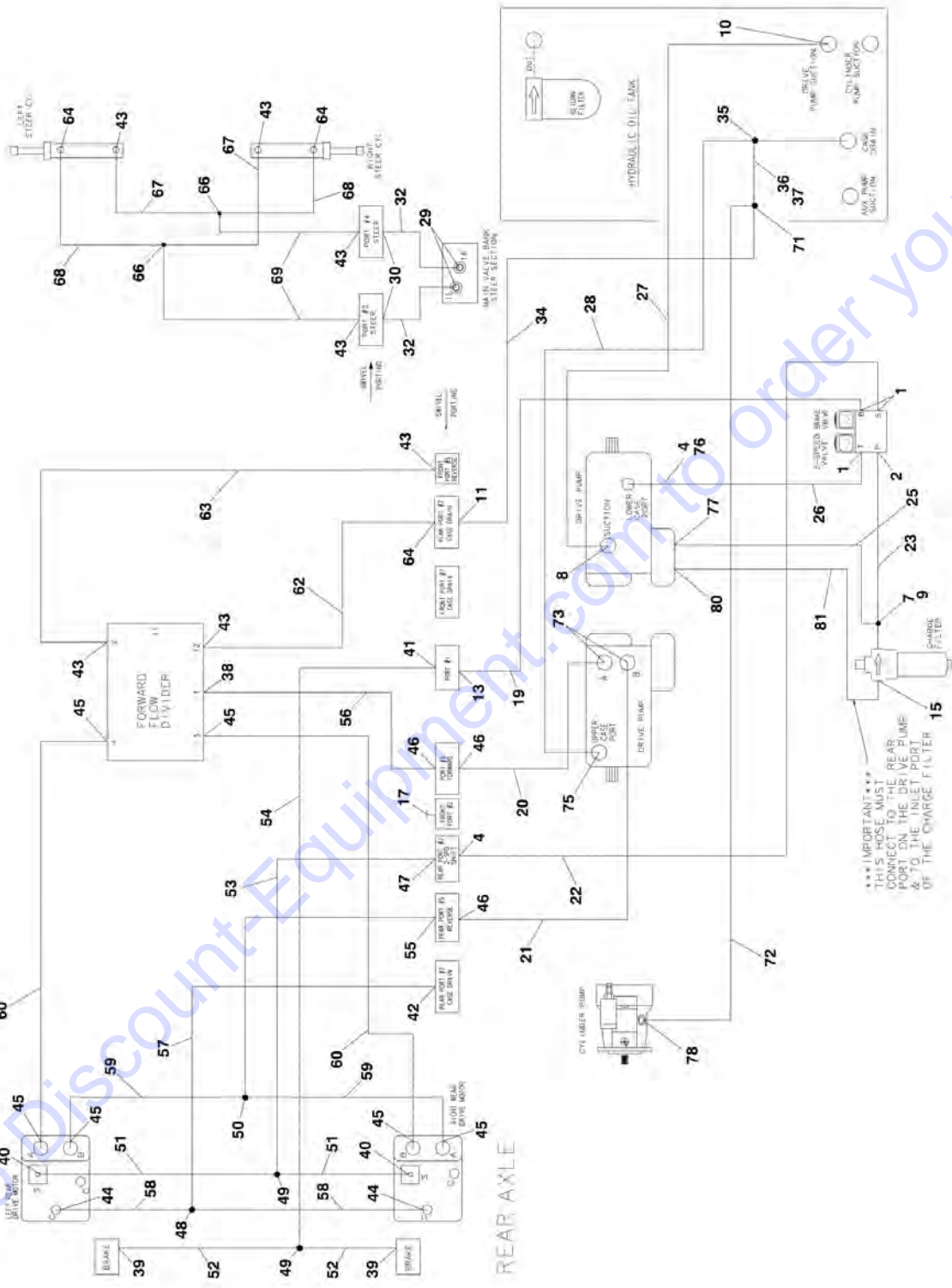
## SECTION 6 - HYDRAULIC

**FIGURE 6-1. AXLE LOCKOUT HYDRAULIC DIAGRAM**

ITEM	PART NUMBER	QTY	DESCRIPTION	REV
	1001157400	Ref	AXLE LOCKOUT HYDRAULIC DIAGRAM	F
1	2110406	1	Fitting, Straight - ORFS/ORB	
2	2110606	2	Fitting, Straight - ORFS/ORB	
3	2110408	1	Fitting, Straight - ORFS/ORB	
4	2170704	1	Fitting, Tee - ORFS/ORFS/ORFS (SN 0300183034 through 0300213730)	
5	2170706	1	Fitting, Tee - ORFS/ORFS/ORFS (SN 0300183034 through 0300213730)	
6	2754337	1	Hose (SN 0300183034 through 0300213730)	
7	1001170644	1	Hose (SN 0300183034 through 0300213730)	
8	2753979	1	Hose (SN 0300183034 through 0300213730)	
9	2753735	1	Hose (SN 0300183034 through 0300213730)	
10	2170104	1	Fitting, Straight - ORFS/ORB (SN 0300183034 through 0300227034)	
10	2110406	1	Fitting, Straight - ORFS/ORB (SN 0300227035 to Present)	
11	2170106	1	Fitting, Straight - ORFS/ORB (SN 0300183034 through 0300227034)	
11	2110606	1	Fitting, Straight - ORFS/ORB (SN 0300227035 to Present)	
20	1001198339	1	Hose with Crimped Tee (SN 0300213731 to Present)	
21	1001198336	1	Hose with Crimped Tee (SN 0300213731 to Present)	

# SECTION 6 - HYDRAULIC

FIGURE 6-2. DRIVE HYDRAULIC DIAGRAM - 2WD (SN 0300183034 through 0300196955)



Go to DiscountEquipment.com to order your parts

## SECTION 6 - HYDRAULIC

**FIGURE 6-2. DRIVE HYDRAULIC DIAGRAM - 2WD (SN 0300183034 through 0300196955)**

ITEM	PART NUMBER	QTY	DESCRIPTION	REV
	1001157448	Ref	DRIVE HYDRAULIC DIAGRAM - 2WD (SN 0300183034 through 0300196955)	E
1	2220466	3	Fitting, 90 JIC/ORB	
2	2220940	1	Fitting, 90 JIC/ORB	
4	2220582	2	Fitting, Straight JIC/ORB	
7	2220618	1	Fitting, Straight JIC/JIC	
9	2220602	1	Fitting, Tee JIC/ORB	
10	2220380	1	Fitting, Straight JIC/ORB	
11	2220375	1	Fitting, Straight JIC/ORB	
13	2220468	1	Fitting, Straight JIC/ORB	
15	2220596	1	Fitting, 90 JIC/ORB	
17	2220237	1	Fitting, Plug ORB	
19	2752997	1	Hose	
20	1001116332	1	Hose	
21	100116333	1	Hose	
22	2751399	1	Hose	
23	2752434	2	Hose	
25	2752494	1	Hose	
27	2752754	1	Hose	
28	2752651	1	Hose	
29	2220501	2	Fitting, 45 JIC/ORBL	
29	2220371	2	Fitting, Straight JIC/ORB	
30	2220473	2	Fitting, 90 JIC/ORB	
32	2752489	2	Hose	
34	2751500	1	Hose	
35	2220738	1	Fitting, Straight JIC/ORB	
36	2220386	1	Fitting, 90 JIC/JIC	
37	2220622	1	Fitting, Reducer JIC/JIC	
38	2151616	1	Fitting, 45 ORFS/ORB	
39	2110404	2	Fitting, Straight ORFS/ORB	
40	2110406	2	Fitting, Straight ORFS/ORB	
41	2110408	1	Fitting, Straight ORFS/ORB	
42	2130808	1	Fitting, 90 ORFS/ORB	
43	2110606	7	Fitting, Straight ORFS/ORB	
44	2110808	2	Fitting, Straight ORFS/ORB	
45	2111212	6	Fitting, Straight ORFS/ORB	
46	2111616	3	Fitting, Straight ORFS/ORB	
47	2150406	1	Fitting, 45 ORFS/ORB	
48	2170508	1	Fitting, Tee ORFS/ ORFS/ORB	
49	2170504	2	Fitting, Tee ORFS	
50	2170412	1	Fitting, Tee ORFS/ ORFS/ORB	
51	2754401	2	Hose	
52	2753725	2	Hose	
53	2753550	1	Hose	
54	2753622	1	Hose	
55	2220550	1	Fitting, Straight ORB/ORB	
56	2753635	1	Hose	
57	2753685	1	Hose	
58	2754240	2	Hose	
59	1001159854	2	Hose	

## SECTION 6 - HYDRAULIC

ITEM	PART NUMBER	QTY	DESCRIPTION	REV
60	2753688	2	Hose	
62	2754242	1	Hose	
63	2754243	1	Hose	
64	2130606	3	Fitting, 90 ORFS/ORB	
66	2170506	2	Fitting, Tee ORFS/ORFS/ORFS	
67	1001159340	2	Hose	
68	2753626	2	Hose	
69	2753732	2	Hose	
71	2220385	1	Fitting, Tee JIC	
72	2752934	1	Hose	
73	2131616	2	Fitting, 90 ORFS/ORB	
74	8770050	1	Fitting, 90 JIC/ORB	
75	2220578	1	Fitting, 90 JIC/ORB	
76	2220221	1	Fitting, Reducer ORB/ORB	
77	2220374	1	Fitting, Straight JIC/ORB	
78	2220671	1	Fitting, 90 JIC/ORB	
79	2220238	1	Fitting, Plug ORB	
80	2220800	1	Fitting, Straight JIC	
81	2752494	1	Hose	

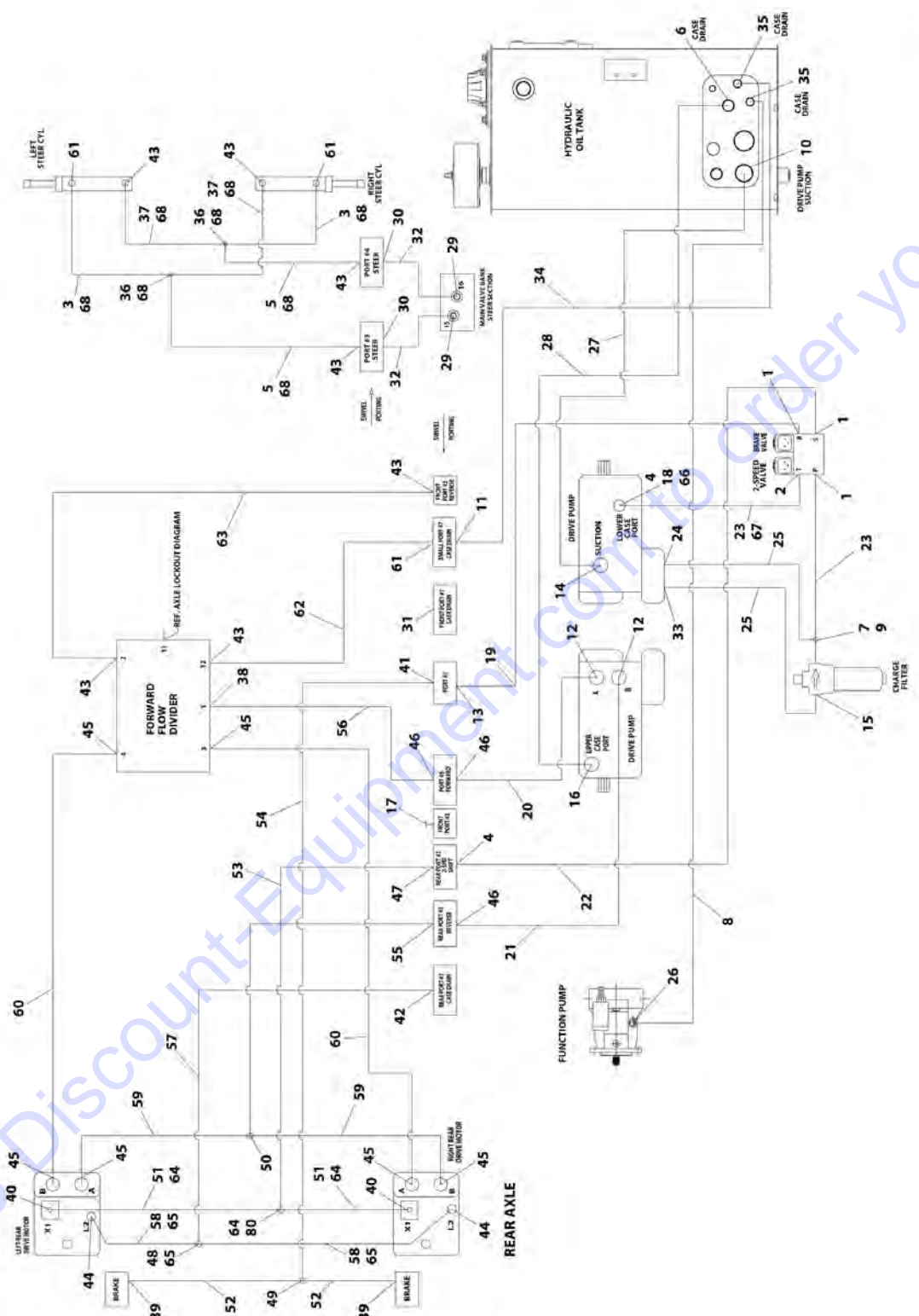
Go to Discount-Equipment.com to order your parts





# SECTION 6 - HYDRAULIC

FIGURE 6-3. DRIVE HYDRAULIC DIAGRAM - 2WD (SN 0300196956 to Present)



AHT\_000179J03

Go to Discount-Equipment.com to order your parts

## SECTION 6 - HYDRAULIC

**FIGURE 6-3. DRIVE HYDRAULIC DIAGRAM - 2WD (SN 0300196956 to Present)**

ITEM	PART NUMBER	QTY	DESCRIPTION	REV
	1001178203	Ref	DRIVE HYDRAULIC DIAGRAM - 2WD (SN 0300196956 to Present)	I
1	2220466	3	Fitting, 90 ORB/FL	
2	2220940	1	Fitting, 90 ORB/FL	
3	2753656	2	Hose (SN 0300196956 through 0300227034)	
4	2220582	AR	Fitting, Straight ORB/FL	
5	2753732	2	Hose (SN 0300196956 through 0300227034)	
6	2220451	1	Fitting, Straight JIC/ORB	
7	2220618	1	Fitting, Reducer FL/FL (SN 0300196956 through 0300213730)	
8	2752938	1	Hose	
9	2220602	1	Fitting, Tee ORB/FL (SN 0300196956 through 0300213730)	
9	1001199394	1	Fitting, Tee JIC/ORB/JIC	
10	2220380	1	Fitting, Straight ORB/FL	
11	2220375	1	Fitting, Straight ORB/FL	
12	2131616	2	Fitting, 90 ORFS/ORB	
13	2220468	1	Fitting, Straight ORB/FL	
14	8770050	1	Fitting, 90 JIC/ORB	
15	2220596	1	Fitting, 90 ORB/FL	
16	2220578	1	Fitting, 90 JIC/ORB	
17	2220237	1	Fitting, Plug ORB	
18	2220221	1	Fitting, Reducer ORB/ORB (SN 0300196956 through 0300227034)	
19	2752997	1	Hose	
20	1001156332	1	Hose	
21	1001156333	1	Hose	
22	2751399	1	Hose	
23	2752434	AR	Hose	
24	2220374	1	Fitting, Straight JIC/ORB	
25	2752494	2	Hose (SN 0300196956 through 0300227034)	
25	2752495	2	Hose (SN 0300227035 to Present)	
26	2220671	1	Fitting, 90 JIC/ORB	
27	2752754	1	Hose	
28	1001188135	1	Hose	
29	2220371	2	Fitting, Straight JIC/ORB	
30	2220473	2	Fitting, 90 ORB/FL	
31	2220238	1	Fitting, Plug ORB	
32	2752489	2	Hose	
33	2220800	1	Fitting, Straight ORB/FL	
34	2751500	1	Hose	
35	2220373	2	Fitting, Straight JIC/ORB	
36	2170506	2	Fitting, Tee ORFS (SN 0300196956 through 0300227034)	
37	1001159340	2	Hose (SN 0300196956 through 0300227034)	
38	2151616	1	Fitting, 45 ORFS/ORB	
39	2110404	2	Fitting, Straight ORFS/ORB	
40	2110406	2	Fitting, Straight ORFS/ORB	
41	2110408	1	Fitting, Straight ORFS/ORB	
42	2130808	1	Fitting, 90 ORFS/ORB	
43	2110606	7	Fitting, Straight ORFS/ORB	
44	2110808	2	Fitting, Straight ORFS/ORB	
45	2111212	6	Fitting, Straight ORFS/ORB	

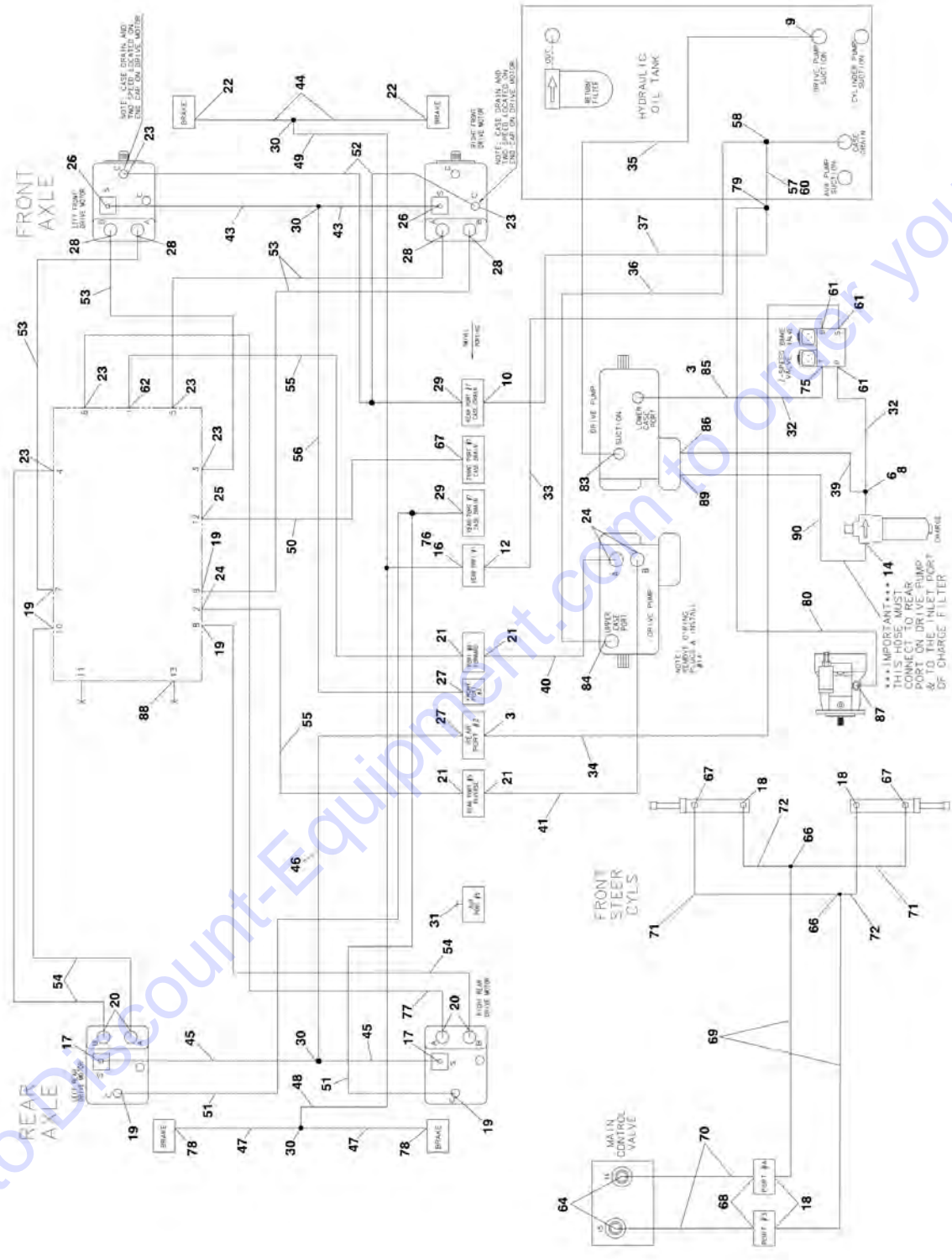
## SECTION 6 - HYDRAULIC

ITEM	PART NUMBER	QTY	DESCRIPTION	REV
46	2111616	3	Fitting, Straight ORFS/ORB	
47	2150406	1	Fitting, 45 ORFS/ORB	
48	2170508	1	Fitting, Tee ORFS/ORFS/ORB (SN 0300196956 through 0300213730)	
49	2170504	1	Fitting, Tee ORFS	
50	2170412	1	Fitting, Tee ORFS/ORB/ORFS (SN 0300196956 through 0300213730)	
50	1001199395	1	Fitting, Tee ORFS/ORFS/ORB (SN 0300213731 to Present)	
51	2754401	2	Hose (SN 0300196956 through 0300213730)	
52	2753725	2	Hose (SN 0300196956 through 0300246395)	
52	2754337	2	Hose (SN 0300246396 to Present)	
53	2753550	1	Hose (SN 0300196956 through 0300213730)	
54	2753622	1	Hose	
55	2220550	1	Fitting, Straight FORB/ORB (SN 0300196956 through 0300213730)	
56	2753635	1	Hose	
57	2753685	1	Hose (SN 0300196956 through 0300213730)	
58	2754240	2	Hose (SN 0300196956 through 0300213730)	
59	1001159854	2	Hose	
60	2753688	2	Hose	
61	2130606	3	Fitting, 90 ORFS/ORB	
62	2754242	1	Hose	
63	2754243	1	Hose	
64	1001198340	1	Hose with Crimped Tee (SN 0300213731 to Present)	
65	1001198334	1	Hose with Crimped Tee (SN 0300213731 to Present)	
66	1001215296	1	Fitting, 90 JIC/ORB (SN 0300227035 to Present)	
67	1001151354	1	Hose (SN 0300227035 to Present)	
68	1001198333	2	Hose with Crimped Tee (SN 0300227035 to Present)	
80	2170504	1	Fitting, Tee ORFS (SN 0300196956 through 0300213730)	



# SECTION 6 - HYDRAULIC

FIGURE 6-4. DRIVE HYDRAULIC DIAGRAM - 4WD/2WS (SN 0300183034 through 0300196955)



## SECTION 6 - HYDRAULIC

**FIGURE 6-4. DRIVE HYDRAULIC DIAGRAM - 4WD/2WS (SN 0300183034 through 0300196955)**

ITEM	PART NUMBER	QTY	DESCRIPTION	REV
	1001157447	Ref	DRIVE HYDRAULIC DIAGRAM - 4WD/2WS MACHINES (SN 0300183034 through 0300196955)	E
	1001157449	Ref	DRIVE HYDRAULIC DIAGRAM - 4WD/2WS MACHINES WITH ARCTIC PACKAGE (SN 0300183034 through 0300196955)	E
3	2220582	2	Fitting, Straight ORB/JIC	
6	2220618	1	Fitting, Straight JIC/JIC	
8	2220602	1	Fitting, Tee ORB/JIC	
9	2220380	1	Fitting, Straight ORB/JIC	
10	2220375	1	Fitting, Straight ORB/JIC	
12	2220468	1	Fitting, Straight ORB/JIC	
14	2220596	1	Fitting, 90 ORB/JIC	
16	2170350	1	Fitting, Tee ORFS/ORFS/OBS	
17	2110406	2	Fitting, Straight ORFS/OBS	
18	2110606	4	Fitting, Straight ORFS/OBS	
19	2110808	6	Fitting, Straight ORFS/OBS	
20	2110812	4	Fitting, Straight ORFS/OBS	
21	2111616	4	Fitting, Straight ORFS/OBS	
22	2110404	2	Fitting, Straight ORFS/OBS	
23	2130808	6	Fitting, 90 ORFS/OBS	
24	2131616	3	Fitting, 90 ORFS/OBS	
25	2130604	1	Fitting, 90 ORFS/OBS	
26	2130406	2	Fitting, 90 ORFS/OBS	
27	2150406	2	Fitting, 45 ORFS/OBS	
28	2110812	4	Fitting, 45 ORFS/OBS	
29	2170408	2	Fitting, Tee ORFS/ORFS/OBS	
30	2170504	4	Fitting, Tee ORFS/ORFS/ORFS	
31	2220237	1	Fitting, Plug OBS	
32	2752434	2	Hose	
33	2752997	1	Hose	
34	2751399	1	Hose	
35	2752754	1	Hose	
36	2752651	1	Hose	
37	2751500	1	Hose	
39	2752494	1	Hose	
40	1001156332	1	Hose	
41	1001156333	1	Hose	
43	2754678	2	Hose (Without Arctic Package)	
43	1001159294	2	Hose (With Arctic Package)	
44	2754512	2	Hose (Without Arctic Package)	
44	1001106957	2	Hose (With Arctic Package)	
45	2754401	2	Hose	
46	2753550	1	Hose	
47	2754337	2	Hose	
48	2753622	1	Hose	
49	2753542	1	Hose	
50	2753626	1	Hose	
51	2753686	2	Hose	
52	2753628	2	Hose (Without Arctic Package)	
52	2754720	2	Hose (With Arctic Package)	
53	2753970	4	Hose (Without Arctic Package)	

## SECTION 6 - HYDRAULIC

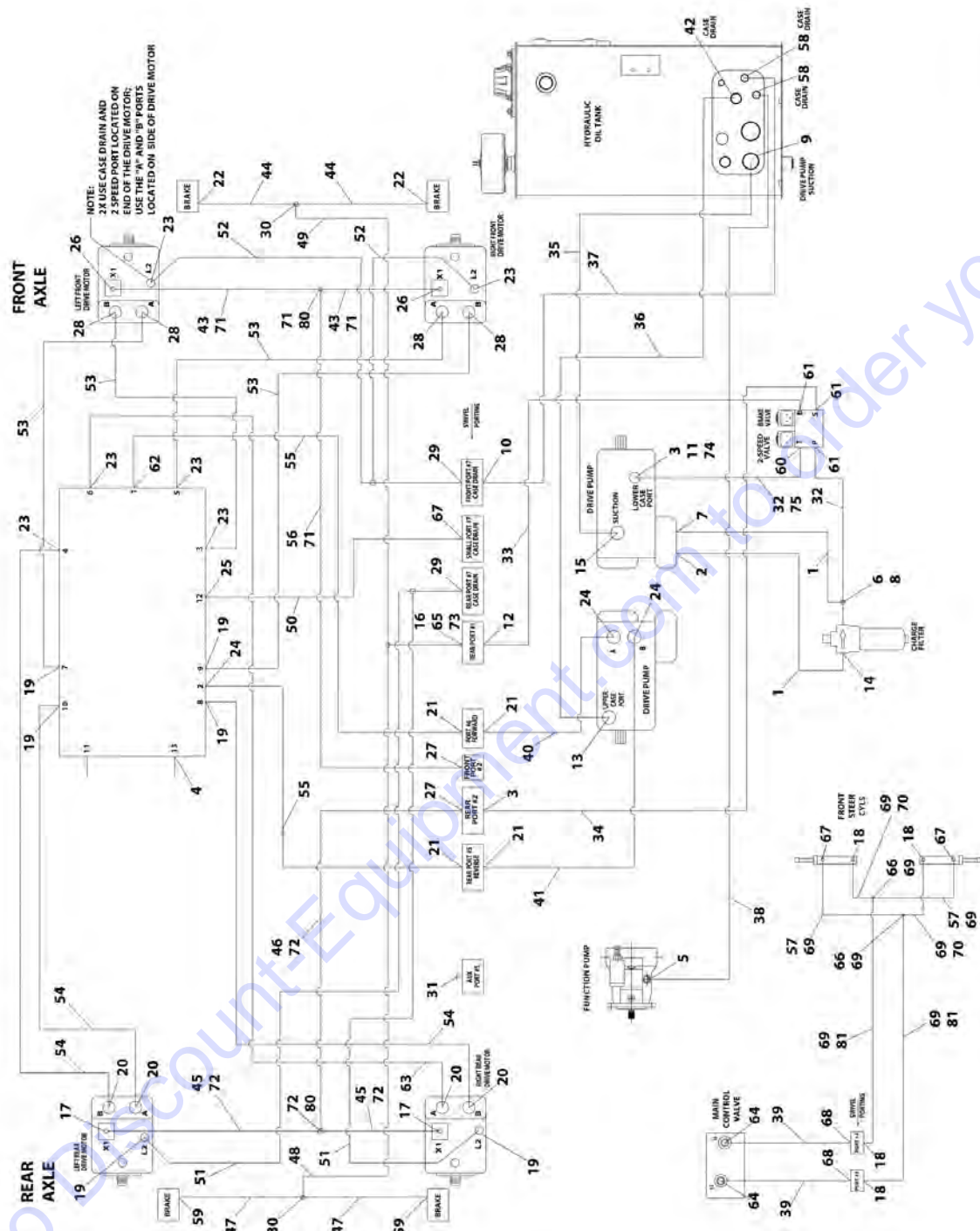
ITEM	PART NUMBER	QTY	DESCRIPTION	REV
53	2754743	4	Hose (With Arctic Package)	
54	2753971	3	Hose	
55	2753634	2	Hose	
56	2753940	1	Hose	
57	2220386	1	Fitting, 90 JIC/JIC	
58	2220738	1	Fitting, Tee ORB/JIC	
60	2220622	1	Fitting, Reducer JIC/JIC	
61	2220466	3	Fitting, 90 ORB/JIC	
62	2151616	1	Fitting, 45 ORFS/ORB	
64	2220501	2	Fitting, 45 ORB/JIC	
64	2220371	2	Fitting, Straight ORB/JIC	
66	2170506	2	Fitting, Tee ORFS/ORFS/ORFS	
67	2130606	3	Fitting, 90 ORFS/ORB	
68	2220473	2	Fitting, 90 ORB/JIC	
69	2753732	2	Hose	
70	2752489	2	Hose	
71	2753656	2	Hose	
72	1001159340	2	Hose	
75	2220940	1	Fitting, 90 ORB/JIC	
76	2220591	1	Fitting, Reducer ORB/ORB	
77	2754338	1	Hose	
78	2110404	2	Fitting, Straight ORFS/ORB	
79	2220385	1	Fitting, Tee JIC	
80	2752934	1	Hose	
83	8770050	1	Fitting, 90 JIC/ORB	
84	2220578	1	Fitting, 90 JIC/ORB	
85	2220221	1	Fitting, Reducer ORB/ORB	
86	2220374	1	Fitting, Straight JIC/ORB	
87	2220671	1	Fitting, 90 JIC/ORB	
88	2220238	1	Plug ORB	
89	2220800	1	Fitting, Straight ORB/ORB	
90	2752494	1	Hose	





# SECTION 6 - HYDRAULIC

FIGURE 6-5. DRIVE HYDRAULIC DIAGRAM - 4WD/2WS (SN 0300196956 to Present)



MT\_100178204

## SECTION 6 - HYDRAULIC

**FIGURE 6-5. DRIVE HYDRAULIC DIAGRAM - 4WD/2WS (SN 0300196956 to Present)**

ITEM	PART NUMBER	QTY	DESCRIPTION	REV
	1001178204	Ref	DRIVE HYDRAULIC DIAGRAM - 4WD/2WS MACHINES (SN 0300196956 to Present)	H
	1001178205	Ref	DRIVE HYDRAULIC DIAGRAM - 4WD/2WS MACHINES WITH ARCTIC PACKAGE (SN 0300196956 to Present)	G
1	2752494	2	Hose (SN 0300196956 through 0300227034)	
1	2752495	2	Hose (SN 0300227035 to Present)	
2	2220800	1	Fitting, Straight ORB/FL	
3	2220582	AR	Fitting, Straight ORB/FL	
4	2220238	1	Fitting, Plug ORB	
5	2220671	1	Fitting, 90 JIC/ORB	
6	2220618	1	Fitting, Reducer FL/FL (SN 0300196956 through 0300213730)	
7	2220374	1	Fitting, Straight JIC/ORB	
8	2220602	1	Fitting, Tee ORB/FL (SN 0300196956 through 0300213730)	
8	1001199394	1	Fitting, Tee JIC/ORB/JIC (SN 0300213731 to Present)	
9	2220380	1	Fitting, Straight ORB/FL	
10	2220375	1	Fitting, Straight ORB/FL	
11	2220221	1	Fitting, Reducer ORB/ORB (SN 0300196956 through 0300227034)	
12	2220468	1	Fitting, Straight ORB/FL	
13	2220578	1	Fitting, 90 JIC/ORB	
14	2220596	1	Fitting, 90 JIC/FL	
15	8770050	1	Fitting, 90 JIC/ORB	
16	2170350	1	Fitting, Tee ORFS/ORFS/ORB (SN 0300196956 through 0300227034)	
17	2110406	2	Fitting, Straight ORFS/ORB	
18	2110606	4	Fitting, Straight ORFS/ORB	
19	2110808	6	Fitting, Straight ORFS/ORB	
20	2110812	4	Fitting, Straight ORFS/ORB	
21	2111616	4	Fitting, Straight ORFS/ORB	
22	2110404	2	Fitting, Straight ORFS/ORB	
23	2130808	6	Fitting, 90 ORFS/ORB	
24	2131616	3	Fitting, 90 ORFS/ORB	
25	2130604	1	Fitting, 90 ORFS/ORB	
26	2130406	2	Fitting, 90 ORFS/ORB	
27	2150406	2	Fitting, 45 ORFS/ORB	
28	2110812	4	Fitting, 45 ORFS/ORB	
29	2170408	2	Fitting, Tee ORFS/ORFS/ORB	
30	2170504	2	Fitting, Tee ORFS	
31	2220237	1	Fitting, Plug ORB	
32	2752434	AR	Hose	
33	2752997	1	Hose	
34	2751399	1	Hose	
35	2752754	1	Hose	
36	1001188135	1	Hose	
37	2751500	1	Hose	
38	2752938	1	Hose	
39	2752489	2	Hose	
40	1001156332	1	Hose	
41	1001156333	1	Hose	
42	2220451	1	Fitting, Straight JIC/ORB	

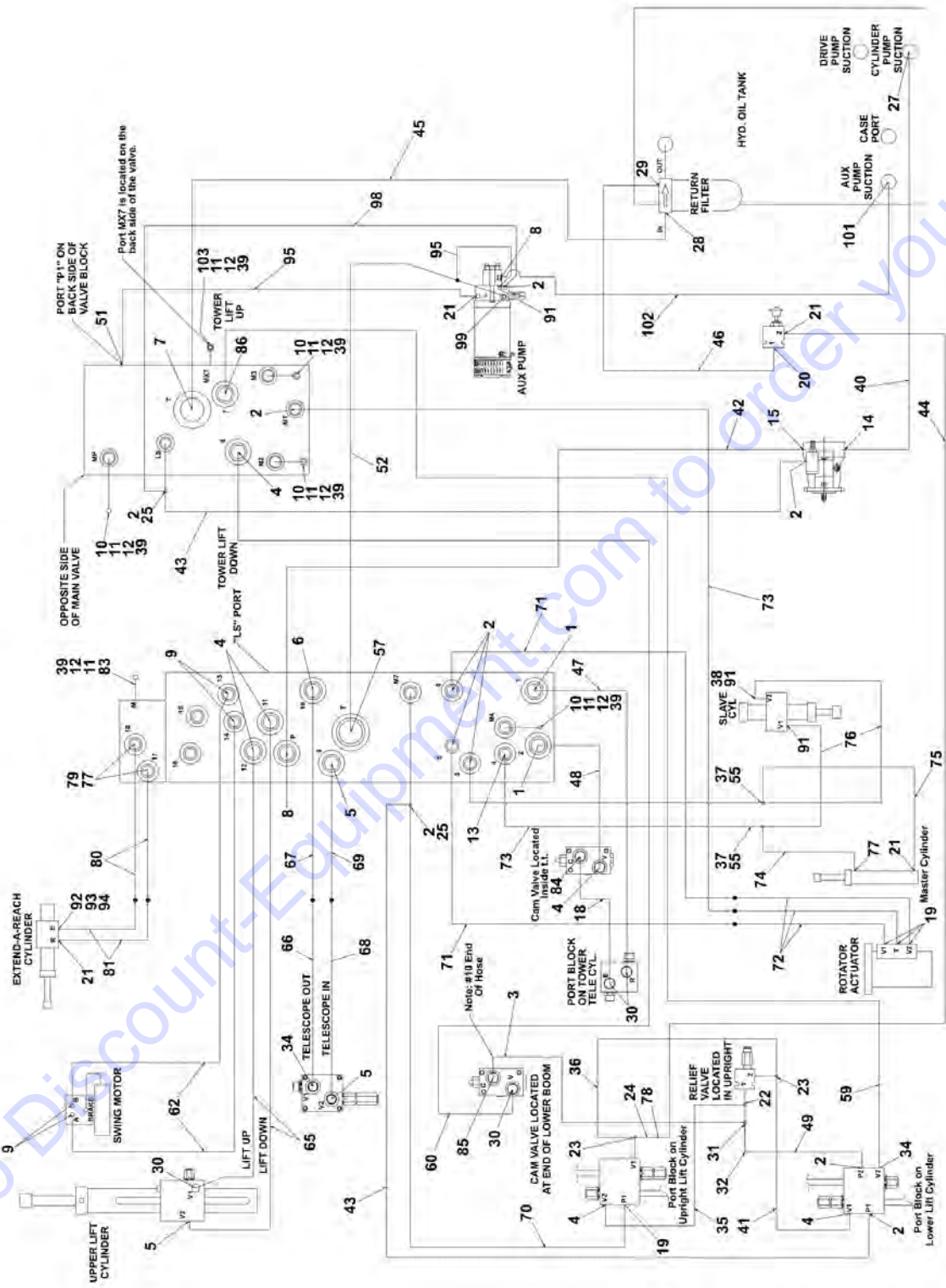
## SECTION 6 - HYDRAULIC

ITEM	PART NUMBER	QTY	DESCRIPTION	REV
43	2754678	2	Hose (Without Arctic Package) (SN 0300196956 through 0300213730)	
43	1001159294	2	Hose (With Arctic Package) (SN 0300196956 through 0300213730)	
44	2754512	2	Hose (Without Arctic Package)	
44	1001106957	2	Hose (With Arctic Package)	
45	2754401	2	Hose (SN 0300196956 through 0300213730)	
46	2753550	1	Hose (SN 0300196956 through 0300213730)	
47	2754337	2	Hose	
48	2753622	1	Hose	
49	2753542	1	Hose	
50	2753626	1	Hose	
51	2753686	2	Hose	
52	2753628	2	Hose (Without Arctic Package)	
52	2754720	2	Hose (With Arctic Package)	
53	2753970	4	Hose (Without Arctic Package)	
53	2754743	4	Hose (With Arctic Package)	
54	2753971	3	Hose	
55	2753634	2	Hose	
56	2753940	1	Hose (SN 0300196956 through 0300213730)	
57	2753656	2	Hose (SN 0300196956 through 0300213730)	
58	2220373	2	Fitting, Straight JIC/ORB	
59	2110404	2	Fitting, Straight ORFS/ORB	
60	2220940	1	Fitting, 90 ORB/FL	
61	2220466	3	Fitting, 90 ORB/FL	
62	2151616	1	Fitting, 90 ORFS/ORB	
63	2754338	1	Hose	
64	2220371	2	Fitting, Straight JIC/ORB	
65	2220591	1	Fitting, Reducer ORB (SN 0300196956 through 0300227034)	
66	2170506	2	Fitting, Tee ORFS (SN 0300196956 through 0300213730)	
67	2130606	3	Fitting, 90 ORFS/ORB	
68	2220473	2	Fitting, 90 ORB/FL	
69	1001198333	2	Hose with Crimped Tee (SN 0300213731 to Present)	
70	1001159340	2	Hose (SN 0300196956 through 0300213730)	
71	1001198341	1	Hose with Crimped Tee (Without Arctic Package) (SN 0300213731 to Present)	
71	1001204269	1	Hose with Crimped Tee (With Arctic Package) (SN 0300213731 to Present)	
72	1001198340	1	Hose with Crimped Tee (SN 0300213731 to Present)	
73	1001198338	1	Fitting, Tee ORFS/ORB (SN 0300227035 to Present)	
74	1001215296	1	Fitting, 90 JIC/ORB (SN 0300227035 to Present)	
75	1001151354	1	Hose (SN 0300227035 to Present)	
80	2170504	2	Fitting, Tee ORFS (SN 0300196956 through 0300213730)	
81	2753732	2	Hose (SN 0300196956 through 0300213730)	



# SECTION 6 - HYDRAULIC

FIGURE 6-6. STANDARD HYDRAULIC DIAGRAM (SN 0300183034 through 0300194139)



## SECTION 6 - HYDRAULIC

**FIGURE 6-6. STANDARD HYDRAULIC DIAGRAM (SN 0300183034 through 0300194139)**

ITEM	PART NUMBER	QTY	DESCRIPTION	REV
	1001156597	Ref	STANDARD HYDRAULIC DIAGRAM (800A) (SN 0300183034 through 0300194139)	C
	1001156598	Ref	STANDARD HYDRAULIC DIAGRAM (800AJ) (SN 0300183034 through 0300194139)	C
1	2220381	2	Fitting, Straight ORB/JIC	
2	2220415	10	Fitting, Straight ORB/JIC	
3	2753199	1	Hose	
4	2220373	6	Fitting, Straight ORB/JIC	
5	2220500	3	Fitting, 45 ORB/JIC	
6	2220947	1	Fitting, Straight ORB/JIC	
7	2220376	1	Fitting, Straight ORB/JIC	
8	2220593	2	Fitting, Straight ORB/JIC	
9	2220371	4	Fitting, Straight ORB/JIC	
10	2220873	4	Fitting, Straight ORB/NPT	
11	2220428	AR	Fitting, Quick Disconnect	
12	2220429	AR	Fitting, Dust Cap	
13	2220502	1	Fitting, 45 ORB/JIC	
14	2220737	1	Split Flange Kit #24	
15	2220478	1	Split Flange Kit #16	
18	2753200	1	Hose	
19	2220466	4	Fitting, 90 ORB/JIC	
20	2220582	1	Fitting, Straight ORB/JIC	
21	2220473	AR	Fitting, 90 ORB/JIC	
22	2220602	1	Fitting, Tee ORB/JIC	
23	2220999	2	Fitting, Tee ORB/JIC	
24	2220619	1	Fitting, Reducer JIC/JIC	
25	2220605	2	Fitting, Tee JIC/JIC	
27	2220765	1	Fitting, Straight ORB/JIC	
28	2220379	1	Fitting, Straight ORB/JIC	
29	2220574	1	Fitting, Straight NPT/JIC	
30	2220596	4	Fitting, 90 ORB/JIC	
31	2220385	1	Fitting, Tee JIC/JIC	
32	2220618	1	Fitting, Reducer JIC/JIC	
34	2220852	2	Fitting, Straight ORB/JIC	
35	2753197	1	Hose	
36	2753196	1	Hose	
37	2220490	2	Fitting, Tee JIC/JIC	
38	4567139	1	Tube	
39	0100020	AR	Sealant, Pipe	
40	2753216	1	Hose	
41	2753195	1	Hose	
42	2753231	1	Hose	
43	2753010	2	Hose	
44	2752468	1	Hose	
45	2752721	1	Hose	
46	2752438	1	Hose	
47	2753192	1	Hose	
48	2752494	1	Hose	
49	2753008	1	Hose	
51	4640780	1	Fitting, Check Valve	

## SECTION 6 - HYDRAULIC

ITEM	PART NUMBER	QTY	DESCRIPTION	REV
52	2753118	1	Hose	
55	2220609	2	Fitting, Reducer JIC/JIC	
57	2220577	1	Fitting, Straight ORB/JIC	
59	2752768	1	Hose	
60	2752930	1	Hose	
62	2752462	2	Hose	
65	2753189	2	Hose	
66	2752767	1	Hose	
67	2752766	1	Hose	
68	2753190	1	Hose	
69	2753191	1	Hose	
70	2752978	1	Hose	
71	2752585	2	Hose	
72	2753009	3	Hose (800A)	
72	2753006	3	Hose (800AJ)	
73	2753007	3	Hose	
74	2753124	1	Hose	
75	2753125	1	Hose	
76	2753129	2	Hose (800A)	
76	2753126	2	Hose (800AJ)	
77	2220501	AR	Fitting, 45 ORB/JIC	
78	4567757	1	Tube	
79	Not Required	0	Fitting (800A)	
79	2220591	2	Fitting, Reducer ORB/ORB (800AJ)	
80	Not Required	0	Hose (800A)	
80	2753123	2	Hose (800AJ)	
81	Not Required	0	Hose (800A)	
81	2753128	2	Hose (800AJ)	
82	4100062	4	Protection, Nylon Hose (Not Shown - Located at Tower Boom Power Track)	
83	Not Required	0	Fitting (800A)	
83	2220873	1	Fitting, Straight ORB/NPT (800AJ)	
84	2220947	1	Fitting, Straight JIC/ORB	
85	2221036	1	Fitting, 90 ORB/JIC	
86	2220950	1	Fitting, 45 ORB/JIC	
91	2220603	3	Fitting, Straight ORB/JIC	
92	Not Required	0	Fitting (800A)	
92	2180724	1	Fitting (800AJ)	
93	Not Required	0	Orifice (800A)	
93	2180380	1	Orifice (800AJ)	
94	0100019	AR	Compound, Locking	
95	1001109690	2	Hose	
98	1001143192	1	Hose	
99	2220899	1	Fitting, Tee ORB/JIC/JIC	
101	2220498	1	Fitting, 45 ORB/JIC	
102	1001149410	1	Hose	
103	1001177614	1	Hose	







## SECTION 6 - HYDRAULIC

**FIGURE 6-7. STANDARD HYDRAULIC DIAGRAM (SN 0300194140 through 0300196955)**

ITEM	PART NUMBER	QTY	DESCRIPTION	REV
	1001173292	Ref	STANDARD HYDRAULIC DIAGRAM (800A) (SN 0300194140 through 0300196955)	E
	1001173293	Ref	STANDARD HYDRAULIC DIAGRAM (800AJ) (SN 0300194140 through 0300196955)	E
1	2220381	2	Fitting, Straight ORB/JIC	
2	2220415	8	Fitting, Straight ORB/JIC	
3	2753199	1	Hose	
4	2220373	6	Fitting, Straight ORB/JIC	
5	2220500	3	Fitting, 45 ORB/JIC	
6	2220947	1	Fitting, Straight ORB/JIC	
7	2220376	1	Fitting, Straight ORB/JIC (800A)	
7	2220600	1	Adapter, Straight/JIC (800AJ)	
8	2220593	2	Fitting, Straight ORB/JIC	
9	2220371	3	Fitting, Straight ORB/JIC	
10	1001179271	2	Hose (800A)	
10	2753126	2	Hose (800AJ)	
11	1001179270	1	Hose (800A)	
11	1001179546	1	Hose (800AJ)	
12	1001179269	1	Hose (800A)	
12	1001179545	1	Hose (800AJ)	
13	1001179329	1	Hose	
14	2220737	1	Split Flange Kit #24	
15	2220478	1	Split Flange Kit #16	
16	1001161033	2	Hose (800A)	
16	1001155673	2	Hose (800AJ)	
17	1001152637	2	Hose (800A)	
17	1001119602	2	Hose (800AJ)	
18	2753200	1	Hose	
19	2220466	3	Fitting, 90 ORB/JIC	
20	2220582	1	Fitting, Straight ORB/JIC	
21	2220473	5	Fitting, 90 ORB/JIC	
22	2220602	1	Fitting, Tee ORB/JIC	
23	2220999	2	Fitting, Tee ORB/JIC	
24	2220619	1	Fitting, Reducer JIC/JIC	
25	2220605	1	Fitting, Tee JIC/JIC	
26	2751512	1	Hose (800 AJ)	
27	2220765	1	Fitting, Straight ORB/JIC	
28	2220379	1	Fitting, Straight ORB/JIC	
29	2220574	1	Fitting, Straight NPT/JIC	
30	2220596	4	Fitting, 90 ORB/JIC	
31	2220385	1	Fitting, Tee JIC/JIC	
32	2220618	1	Fitting, Reducer JIC/JIC	
33	2752484	1	Hose	
34	2220852	2	Fitting, Straight ORB/JIC	
35	2753197	1	Hose	
36	2753196	1	Hose	
37	2220490	2	Fitting, Tee JIC/JIC	
38	Not Required	0	Hose (800A)	
38	2753442	2	Hose (800AJ)	
40	2753216	1	Hose	

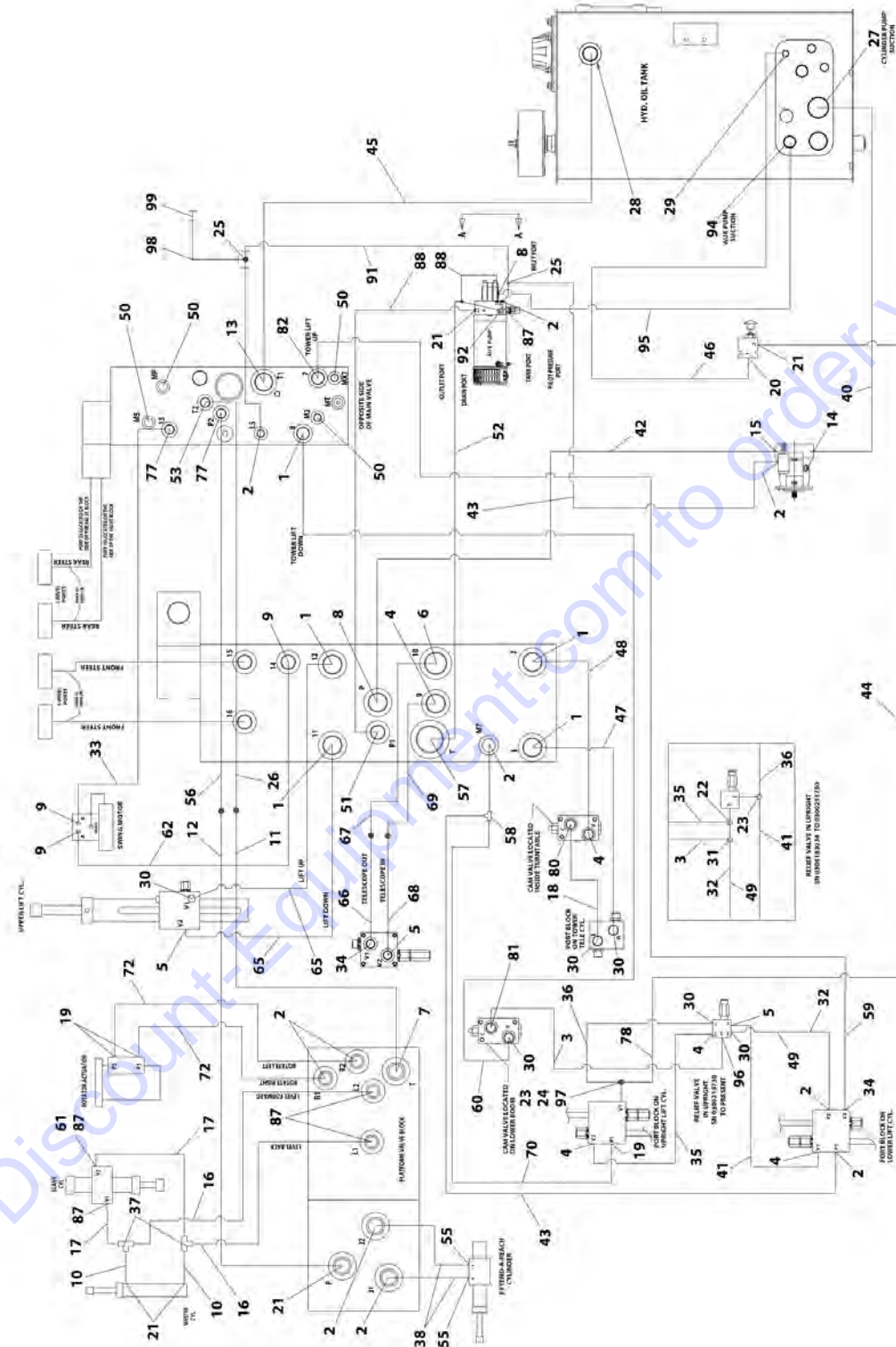
## SECTION 6 - HYDRAULIC

ITEM	PART NUMBER	QTY	DESCRIPTION	REV
41	2753195	1	Hose	
42	2753231	1	Hose	
43	2753010	2	Hose	
44	2752468	1	Hose	
45	2752721	1	Hose	
46	2752438	1	Hose	
47	2753192	1	Hose	
48	2752494	1	Hose	
49	2753008	1	Hose	
50	2221086	4	Fitting, Diagnostic Test Port	
51	4640780	1	Fitting, Check Valve	
52	2753118	1	Hose	
53	1001136881	1	Fitting, 45 ORB/JIC	
55	2220472	2	Fitting, 90 ORB/FL (800AJ)	
56	2753123	1	Hose	
57	2220577	1	Fitting, Straight ORB/JIC	
58	2221034	1	Fitting, Tee FL/FL/ORB	
59	2752768	1	Hose	
60	2752930	1	Hose	
62	2752462	2	Hose	
65	2753189	2	Hose	
66	2752767	1	Hose	
67	2752766	1	Hose	
68	2753190	1	Hose	
69	2753191	1	Hose	
70	2752978	1	Hose	
71	2752585	2	Hose (800A)	
71	Not Required	0	Hose (800AJ)	
72	1001159707	2	Hose (800A)	
72	2753006	3	Hose (800AJ)	
77	2220501	AR	Fitting, 45 ORB/JIC	
78	4567757	1	Tube	
79	4100062	4	Protection, Hose (Not Shown - Located at Tower Boom Power Track)	
80	2220947	1	Fitting, Straight JIC/ORB	
81	2221036	1	Fitting, 90 ORB/JIC	
82	2220950	1	Fitting, 45 ORB/JIC	
87	2220603	5	Fitting, Straight ORB/JIC	
88	1001109690	2	Hose	
91	2752434	1	Hose	
92	2220899	1	Fitting, Tee ORB/JIC/JIC	
94	2220498	1	Fitting, 45 ORB/JIC	
95	1001149410	1	Hose	



# SECTION 6 - HYDRAULIC

FIGURE 6-8. STANDARD HYDRAULIC DIAGRAM (SN 0300196956 to Present)



MRT 100178201

Go to DiscountHydraulics.com to Order your parts

## SECTION 6 - HYDRAULIC

**FIGURE 6-8. STANDARD HYDRAULIC DIAGRAM (SN 0300196956 to Present)**

ITEM	PART NUMBER	QTY	DESCRIPTION	REV
	1001178200	Ref	STANDARD HYDRAULIC DIAGRAM (800A) <b>(SN 0300196956 to Present)</b>	I
	1001178201	Ref	STANDARD HYDRAULIC DIAGRAM (800AJ) <b>(SN 0300196956 to Present)</b>	J
1	2220381	5	Fitting, Straight ORB/FL	
2	2220415	AR	Fitting, Straight ORB/FL	
3	2753199	1	Hose	
4	2220373	AR	Fitting, Straight ORB/FL	
5	2220500	AR	Fitting, 45 ORB/FL	
6	2220947	1	Fitting, Straight ORB/FL	
7	2220600	1	Fitting, Straight JIC/ORB	
8	2220593	2	Fitting, Straight ORB/FL	
9	2220371	3	Fitting, Straight ORB/FL	
10	1001179271	2	Hose (800A)	
10	2753126	2	Hose (800AJ)	
11	1001179270	2	Hose (800A)	
11	1001179546	1	Hose (800AJ)	
12	1001179269	1	Hose (800A)	
12	1001179545	1	Hose (800AJ)	
13	1001179329	1	Fitting, Straight JIC/ORB	
14	2220737	1	Split Flange Kit #24	
15	2220478	1	Split Flange Kit #16	
16	1001155673	2	Hose	
17	1001119602	2	Hose	
18	2753200	1	Hose	
19	2220466	3	Fitting, 90 ORB/FL	
20	2220582	1	Fitting, Straight ORB/FL	
21	2220473	5	Fitting, 90 ORB/FL	
22	2220602	1	Fitting, Tee ORB/FL <b>(SN 0300196956 through 0300213730)</b>	
23	2220999	2	Fitting, Tee ORB/FL <b>(SN 0300196956 through 0300213730)</b>	
24	2220619	1	Fitting, Reducer JIC/JIC <b>(SN 0300196956 through 0300213730)</b>	
24	1001197272	1	Fitting, Tee JIC/ORB/JIC <b>(SN 0300213731 through 0300227034)</b>	
25	2220605	1	Fitting, Tee FL/FL <b>(SN 0300183034 through 0300252003)</b>	
25	2220605	2	Fitting, Tee FL/FL <b>(SN 0300252004 to Present)</b>	
26	1001182162	1	Hose	
27	2220765	1	Fitting, Straight ORB/FL	
28	2220377	1	Fitting, Straight JIC/ORB	
29	2220582	1	Fitting, Straight JIC/ORB	
30	2220596	AR	Fitting, 90 ORB/FL	
31	2220385	1	Fitting, Tee FL/FL <b>(SN 0300196956 through 0300213730)</b>	
32	2220618	1	Fitting, Reducer JIC/JIC <b>(SN 0300196956 through 0300227034)</b>	
33	2752461	1	Hose	
34	2220852	2	Fitting, Straight ORB/FL	
35	2753197	1	Hose	
36	2753196	1	Hose	
37	2220490	2	Fitting, Tee FL/FL	
38	2753442	2	Hose (800AJ)	
40	1001179079	1	Hose	
41	2753195	1	Hose	
42	2753231	1	Hose	

## SECTION 6 - HYDRAULIC

ITEM	PART NUMBER	QTY	DESCRIPTION	REV
43	2753010	2	Hose	
44	2752468	1	Hose	
45	2752723	1	Hose	
46	2753274	1	Hose	
47	2753192	1	Hose	
48	2752494	1	Hose	
49	2753008	1	Hose	
50	2221086	4	Fitting, Diagnostic Test Port, EM3A	
51	4640780	1	Fitting, Check Valve	
52	2753118	1	Hose	
53	1001136881	1	Fitting, 45 ORB/FG	
55	2220472	AR	Fitting, 90 ORB/FL (800AJ)	
56	2753123	1	Hose	
57	2220577	1	Fitting, Straight ORB/FL	
58	2221034	1	Fitting, Tee FL/FL/ORB	
59	2752768	1	Hose	
60	2752930	1	Hose	
61	4567139	1	Tube	
62	2752484	1	Hose	
65	2753189	2	Hose	
66	2752767	1	Hose	
67	2752766	1	Hose	
68	2753190	1	Hose	
69	2753191	1	Hose	
70	2752978	1	Hose	
72	1001159707	2	Hose	
77	2220501	2	Fitting, 45 ORB/FL	
78	4567757	1	Tube	
79	4100062	4	Protection, Hose (Not Shown - Located at Tower Boom Power Track)	
80	2220947	1	Fitting, O-Ring FL	
81	2221036	1	Fitting, 90 ORB/FL	
82	2220950	1	Fitting, 45 ORB/FL	
87	2220603	5	Fitting, Straight ORB/FL	
88	1001109690	2	Hose	
91	2752434	1	Hose	
92	2220899	1	Fitting, Tee ORB/FL/FL	
94	2220451	1	Fitting, Straight JIC/ORB	
95	1001149410	1	Hose	
96	2220468	1	Fitting, Straight JIC/ORB (SN 0300213731 to Present)	
97	1001215289	1	Fitting, Tee JIC/ORB/JIC (SN 0300227035 to Present)	
98	2752995	1	Hose (SN 0300252004 to Present)	
99	91143177	1	Fitting - Diagnostic Test Port (SN 0300252004 to Present)	



# PARTS FINDER

**Search Website  
by Part Number**



**Search Manual  
Library For Parts  
Manual & Lookup Part  
Numbers – Purchase  
or Request Quote**

**Search Manuals**

Part Number:

Serial Number:

Make:

Find:

Submit:

Search:

**Can't Find Part or  
Manual? Request Help  
by Manufacturer,  
Model & Description**

**Parts Order Form**

Manufacturer:

Model:

Description:

Quantity:

Part Number:

Serial Number:

Make:

Part Name:

Part Description:

Part Location:

Part Condition:

Part Status:

Part Color:

Part Material:

Part Weight:

Part Dimensions:

Part Price:

Part Notes:

Part Reference:

Part Image:

Part Location:

Part Condition:

Part Status:

Part Color:

Part Material:

Part Weight:

Part Dimensions:

Part Price:

Part Notes:

Part Reference:

Part Image:

Discount-Equipment.com is your online resource for quality parts & equipment.

Florida: **561-964-4949** Outside Florida TOLL FREE: **877-690-3101**

**Need parts?**

Click on this link: <http://www.discount-equipment.com/category/5443-parts/> and choose one of the options to help get the right parts and equipment you are looking for. Please have the machine model and serial number available in order to help us get you the correct parts. If you don't find the part on the website or on one of the online manuals, please fill out the request form and one of our experienced staff members will get back to you with a quote for the right part that your machine needs.

We sell worldwide for the brands: Genie, Terex, JLG, MultiQuip, Mikasa, Essick, Whiteman, Mayco, Toro Stone, Diamond Products, Generac Magnum, Airman, Haulotte, Barreto, Power Blanket, Nifty Lift, Atlas Copco, Chicago Pneumatic, Allmand, Miller Curber, Skyjack, Lull, Skytrak, Tsurumi, Husquvarna Target, Stow, Wacker, Sakai, Mi-T-M, Sullair, Basic, Dynapac, MBW, Weber, Bartell, Bennar Newman, Haulotte, Ditch Runner, Menegotti, Morrison, Contec, Buddy, Crown, Edco, Wyco, Bomag, Laymor, EZ Trench, Bil-Jax, F.S. Curtis, Gehl Pavers, Heli, Honda, ICS/PowerGrit, IHI, Partner, Imer, Clipper, MMD, Koshin, Rice, CH&E, General Equipment, Amida, Coleman, NAC, Gradall, Square Shooter, Kent, Stanley, Tamco, Toku, Hatz, Kohler, Robin, Wisconsin, Northrock, Oztec, Toker TK, Rol-Air, APT, Wylie, Ingersoll Rand / Doosan, Innovatech, Con X, Ammann, Mecalac, Makinex, Smith Surface Prep, Small Line, Wanco, Yanmar



## SECTION 6 - HYDRAULIC

### FIGURE 6-9. HYDRAULIC DIAGRAM LIST

ITEM	PART NUMBER	QTY	DESCRIPTION	REV
		Ref	Note: Common diagrams shown in this parts manual. Diagrams not shown are available from Discount-equipment.com.	
	1001157400	Ref	Axle Lockout Hydraulic Diagram (Machines with Oscillating Axle)	
	1001157448	Ref	Drive Hydraulic Diagram - 2WD/2WS Machines <b>(SN 0300183034 through 0300196955)</b>	
	1001178203	Ref	Drive Hydraulic Diagram - 2WD/2WS Machines (Separate Tow Diagram) <b>(SN 0300196956 to Present)</b>	
	1001217194	Ref	Drive Hydraulic Diagram - 2WD/2WS Machines (Includes Tow Diagram) <b>(SN 0300196956 to Present)</b>	
	1001157447	Ref	Drive Hydraulic Diagram - 4WD/2WS Machines <b>(SN 0300183034 through 0300196955)</b>	
	1001178204	Ref	Drive Hydraulic Diagram - 4WD/2WS Machines (Separate Tow Diagram) <b>(SN 0300196956 to Present)</b>	
	1001217195	Ref	Drive Hydraulic Diagram - 4WD/2WS Machines (Includes Tow Diagram) <b>(SN 0300196956 to Present)</b>	
	1001157449	Ref	Drive Hydraulic Diagram - 4WD/2WS Machines with Arctic Package <b>(SN 0300183034 through 0300196955)</b>	
	1001178205	Ref	Drive Hydraulic Diagram - 4WD/2WS Machines with Arctic Package (Separate Tow Diagram) <b>(SN 0300196956 to Present)</b>	
	1001217196	Ref	Drive Hydraulic Diagram - 4WD/2WS Machines with Arctic Package (Includes Tow Diagram) <b>(SN 0300196956 to Present)</b>	
	1001157446	Ref	Drive Hydraulic Diagram - 4WD/4WS Machines <b>(SN 0300183034 through 0300196955)</b>	
	1001178202	Ref	Drive Hydraulic Diagram - 4WD/4WS Machines (Separate Tow Diagram) <b>(SN 0300196956 to Present)</b>	
	1001217197	Ref	Drive Hydraulic Diagram - 4WD/4WS Machines (Includes Tow Diagram) <b>(SN 0300196956 to Present)</b>	
	1001157450	Ref	Drive Hydraulic Diagram - 4WD/4WS Machines with Arctic Package <b>(SN 0300183034 through 0300196955)</b>	
	1001178206	Ref	Drive Hydraulic Diagram - 4WD/4WS Machines with Arctic Package (Separate Tow Diagram) <b>(SN 0300196956 to Present)</b>	
	1001156172	Ref	Oil Cooler Hydraulics - Deutz D2011 Engines	
	1001142677	Ref	Oil Cooler Hydraulics - Deutz TD2.9L4 Engines	
	1283309	Ref	Oil Cooler Hydraulics - GM Engines	
		Ref	Standard Hydraulic Diagram Options- 800A	
	1001156597	Ref	Standard Hydraulic Diagram - 800A <b>(SN 0300183034 through 0300194139)</b>	
	1001173292	Ref	Standard Hydraulic Diagram - 800A <b>(SN 0300194140 through 0300196955)</b>	
	1001178200	Ref	Standard Hydraulic Diagram - 800A <b>(SN 0300196956 to Present)</b>	
		Ref	Standard Hydraulic Diagram Options - 800AJ	
	1001156598	Ref	Standard Hydraulic Diagram - 800AJ <b>(SN 0300183034 through 0300194139)</b>	
	1001173293	Ref	Standard Hydraulic Diagram - 800AJ <b>(SN 0300194140 through 0300196955)</b>	
	1001178201	Ref	Standard Hydraulic Diagram - 800AJ <b>(SN 0300196956 to Present)</b>	
	1001159879	Ref	Standard Hydraulic Schematic <b>(SN 0300183034 through 0300196955)</b>	
	1001170855	Ref	Standard Hydraulic Schematic <b>(SN 0300196956 to Present)</b>	
		Ref	Tow Package Hydraulic Diagram Options:	
	2792700	Ref	Tow Package Hydraulic Diagram <b>(SN 0300183034 through</b>	

## SECTION 6 - HYDRAULIC

ITEM	PART NUMBER	QTY	DESCRIPTION	REV
	1001157401	Ref	<b>0300211595)</b> Tow Package Hydraulic Diagram ( <b>SN 0300211596 through 0300227034</b> )	
	See Note	Ref	Tow Package Hydraulic Diagram (Note: See Drive Hydraulic Diagrams) ( <b>SN 0300227035 to Present</b> )	

Go to Discount-Equipment.com to order your parts



**SECTION 7 - ELECTRICAL**

Go to [Discount-Equipment.com](http://Discount-Equipment.com) to order your parts

## SECTION 7 - ELECTRICAL

FIGURE 7-1. ELECTRICAL DIAGRAM LIST

ITEM	PART NUMBER	QTY	DESCRIPTION	REV
		Ref	<b>Note: Diagrams not shown are available from Discount-equipment.com. Schematics shown in the Service and Maintenance Manual.</b>	
	1282571	Ref	COLD WEATHER START ELECTRICAL DIAGRAM (GM ENGINE MACHINES)	
	4933350	Ref	GENERATOR (2500W 110V 60Hz) ELECTRICAL DIAGRAM (FORD & GM ENGINES)	
	1001112588	Ref	GENERATOR (2500W 110V 50-60Hz) ELECTRICAL DIAGRAM (DEUTZ D2011 ENGINES)	
	1001112743	Ref	GENERATOR (2500W 220V 50Hz) ELECTRICAL DIAGRAM (DEUTZ D2011 ENGINES)	
	1001180050	Ref	GENERATOR (2500W 60Hz) ELECTRICAL DIAGRAM (DEUTZ TD2.9L4 ENGINES)	
	1001132055	Ref	GENERATOR (4000W 60Hz) ELECTRICAL DIAGRAM (GM ENGINES)	
	1001132055	Ref	GENERATOR (4000W 60Hz) ELECTRICAL DIAGRAM (DEUTZ D2011 ENGINES)	
	1001153257	Ref	GENERATOR (4000W 60Hz) ELECTRICAL DIAGRAM (DEUTZ TD2.9L4 ENGINES)	
	1001153025	Ref	GENERATOR (4000W 50Hz) ELECTRICAL DIAGRAM (DEUTZ D2011 ENGINES) (ANSI EXPORT AND JAPANESE SPECS) <b>(SN 0300183034 through 0300204764)</b>	
	1001194437	Ref	GENERATOR (4000W 50Hz) ELECTRICAL DIAGRAM (DEUTZ D2011 ENGINES) (ANSI EXPORT AND JAPANESE SPECS) <b>(SN 0300204765 to Present)</b>	
	1001159648	Ref	GENERATOR (4000W 50Hz) ELECTRICAL DIAGRAM (DEUTZ D2011 ENGINES) (AUSTRALIAN SPECS)	
	1001153025	Ref	GENERATOR (4000W 50Hz) ELECTRICAL DIAGRAM (DEUTZ D2011 ENGINES) (CE SPECS)	
	1001160271	Ref	GENERATOR (4000W 50Hz) ELECTRICAL DIAGRAM (DEUTZ D2011 ENGINES) (CE UK SPECS)	
	1001221498	Ref	GENERATOR (7500W) ELECTRICAL DIAGRAM (FORD ENGINES)	
	1001157768	Ref	GENERATOR (7500W) ELECTRICAL DIAGRAM (GM ENGINES)	
	1001157769	Ref	GENERATOR (7500W) ELECTRICAL DIAGRAM (DEUTZ D2011 ENGINES)	
	1001157770	Ref	GENERATOR (7500W) ELECTRICAL DIAGRAM (DEUTZ TD2.9L4 ENGINES)	
	1001153719	Ref	GROUND CONTROL BOX ELECTRICAL DIAGRAM (DEUTZ D2011 ENGINES)	
	1001165779	Ref	GROUND CONTROL BOX ELECTRICAL DIAGRAM (DEUTZ TD2.9L4 ENGINES)	
	1001153718	Ref	GROUND CONTROL BOX ELECTRICAL DIAGRAM (FORD & GM ENGINE) <b>(SN 0300183034 through 0300232564)</b>	
	1001224137	Ref	GROUND CONTROL BOX WIRING DIAGRAM - FORD & GM ENGINE <b>(SN 0300232565 to Present)</b>	
	4933231	Ref	HEADLIGHT/TAILLIGHT ELECTRICAL DIAGRAM (ABS HOODS)	
	4933219	Ref	HEADLIGHT/TAILLIGHT LIGHTS ELECTRICAL DIAGRAM (STEEL HOODS)	
	1001094475	Ref	HOURMETER (FOR GENERATOR) ELECTRICAL DIAGRAM	
	4933278	Ref	LSS PLATFORM MODULE ELECTRICAL DIAGRAM	
	4933218	Ref	PLATFORM SOFT TOUCH SYSTEM ELECTRICAL DIAGRAM	
	0273484	Ref	PLATFORM WORKLIGHTS ELECTRICAL DIAGRAM (800A)	
	0273485	Ref	PLATFORM WORKLIGHTS ELECTRICAL DIAGRAM (800AJ)	

## SECTION 7 - ELECTRICAL

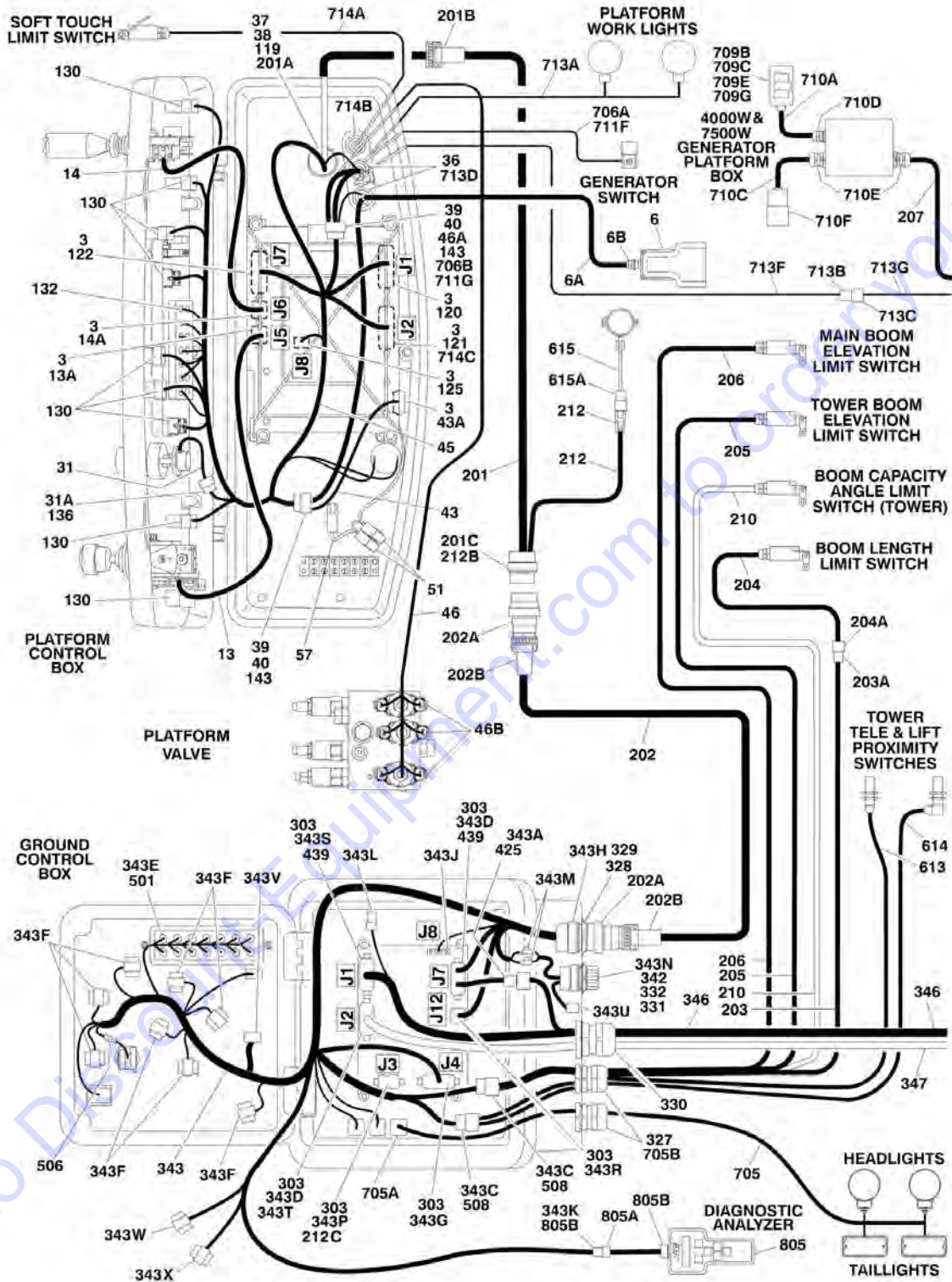
ITEM	PART NUMBER	QTY	DESCRIPTION	REV
	4933304	Ref	SKYAIR ELECTRICAL DIAGRAM	
	1001156225	Ref	STANDARD ELECTRICAL SCHEMATIC (SN 0300183034 through 0300194139)	
	1001176712	Ref	STANDARD ELECTRICAL SCHEMATIC (SN 0300194140 to Present)	
	1001131992	Ref	STANDARD ELECTRICAL SCHEMATIC - GM ENGINE SCHEMATIC (ENGINE SCHEMATIC ONLY. P/N 1001156225 & 1001176712 ARE SCHEMATIC FOR COMPLETE MACHINE)	

Go to Discount-Equipment.com to order your parts

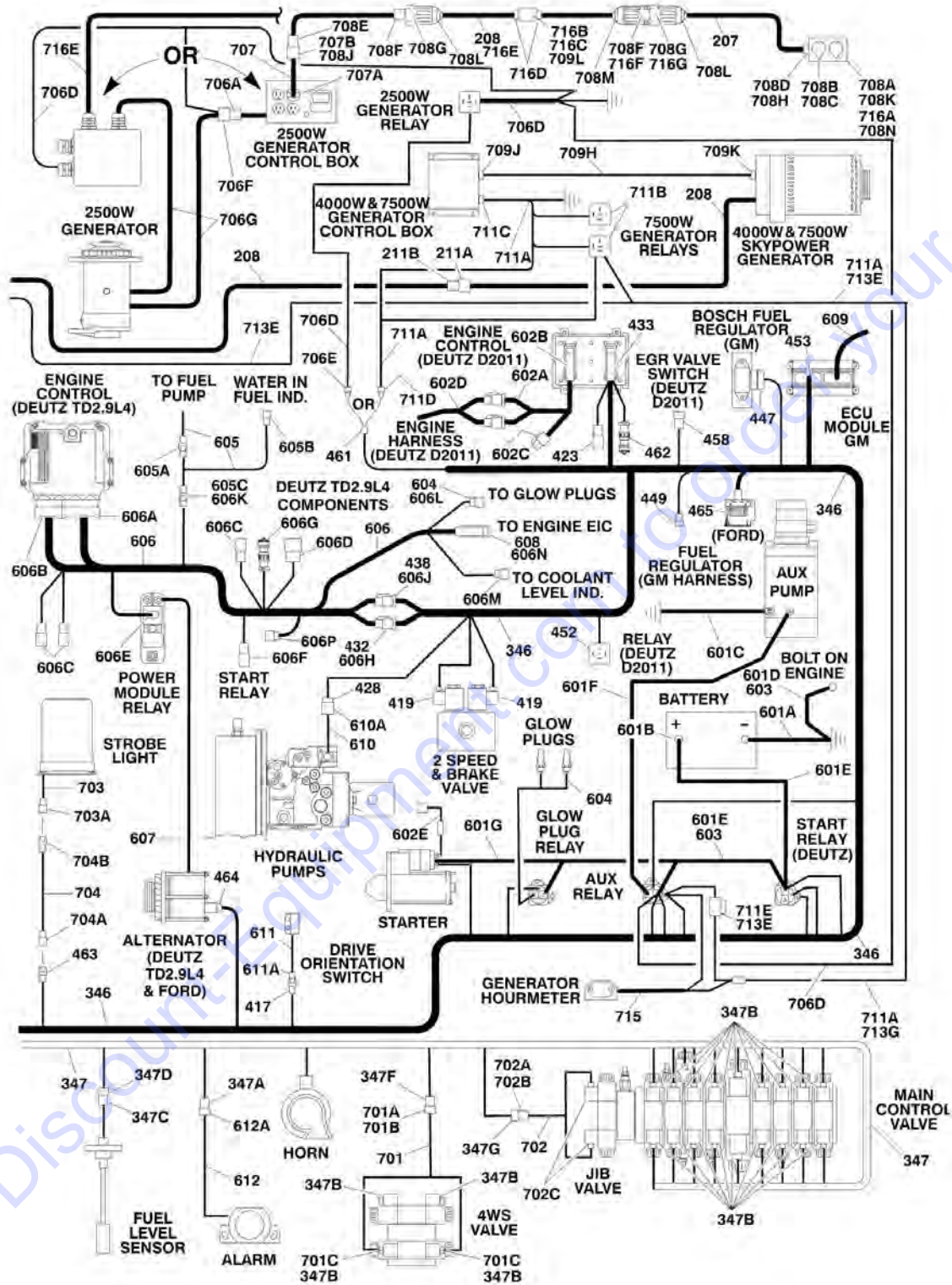


# SECTION 7 - ELECTRICAL

## FIGURE 7-2. HARNESS COMPONENTS INSTALLATION



# SECTION 7 - ELECTRICAL



## SECTION 7 - ELECTRICAL

### FIGURE 7-2. HARNESS COMPONENTS INSTALLATION

ITEM	PART NUMBER	QTY	DESCRIPTION	REV
		Ref	PLATFORM BOX ASSEMBLY COMPONENTS	
3	0100048	AR	Grease, Dielectric	
6		Ref	Footswitch Components:	
6A	1060918	7 ft/2.13m	Cable, Electrical - 18/3	
6A	1001098122	3	Terminal, Ring	
6A	4460226	2	Socket, Female	
6A	4460464	1	Pin, Male	
6B	4460071	2	Connector, Strain Relief	
13	See Note	1	Controller Harness Assembly (Lift and Swing) (Note: Not Available for Purchase)	
13A	7022819	1	Plug, Male - 8 Position (Natural)	
13A	4460871	8	Socket, Female	
14	See Note	1	Controller Harness/Circuit Board Assembly (Drive and Steer) (Note: Not Available for Purchase)	
14A	7022825	1	Plug, Male - 8 Position (Black)	
14A	4460871	7	Socket, Female	
31	See Note	1	Controller Harness (Speed Control) (Note: Not Available for Purchase)	
31A	4460224	1	Receptacle, Female - 6 Position	
31A	4460226	6	Socket, Female	
36	4460428	2	Connector, Strain Relief	
37	4460470	1	Nut, Terminal	
38	4460471	1	Washer, Terminal	
39	4460708	2	Connector, Female 15 Position	
40	4460905	5	Seal, Plug	
43	4922666	1	Harness, Analyzer Cable	C
43	4460226	4	Socket, Female (Not Shown - Located at J2)	
43A	4460761	1	Connector, Female - 4 Position	
43A	4460227	4	Pin, Male	
45	1001107753	1	Harness, Console Box (Without SkyGuard) (See Items 119-157 for Breakdown)	
45	1001185280	1	Harness, Console Box (With SkyGuard) (See Items 119-157 for Breakdown)	
46	1001139135	1	Platform Valve Harness Assembly <b>(SN 0300194140 to Present)</b>	A
46A	4460226	7	Socket, Female	
46B	4460891	6	Plug, Male - 2 Position	
46B	1001116992	12	Socket, Female	
51	1001186431	2	Relay (Machines with 1 Cell LSS)	
57	1001225580	1	Harness, Interface (Machines with 1 Cell LSS)	
	1001107753	Ref	PLATFORM BOX HARNESS ASSEMBLY (WITHOUT SKYGUARD)	F
	1001185280	Ref	PLATFORM BOX HARNESS ASSEMBLY (WITH SKYGUARD)	B
	1001220281	Ref	PLATFORM BOX HARNESS ASSEMBLY (MACHINES WITH SKYGUARD/WITH 1 CELL LSS)	E
119	4460866	1	Connector 19 Position	
119	4460464	7	Pin, Male (16 Gauge)	
119	4460508	3	Pin, Male (12 Gauge)	
120	4460874	1	Plug, Male 35 Position (Natural)	
120	4460871	29	Socket, Female	
121	4460875	1	Plug, Male 35 Position (Gray)	
121	4460871	24	Socket, Female	
122	4460873	1	Plug, Male 35 Position (Black)	

## SECTION 7 - ELECTRICAL

ITEM	PART NUMBER	QTY	DESCRIPTION	REV
122	4460871	26	Socket, Female	
125	4460879	1	Plug, Male 2 Position	
125	4460887	2	Terminal (12 Gauge)	
130	4460418	9	Connector 6 Position	
130	4460419	27	Terminal, Female	
132	4120035	13	Base, Light	
132	4460634	13	Terminal, (16 Gauge)	
132	4460635	13	Terminal, (12 Gauge)	
132	2920129	13	Lamp, Indicator	
136	4460225	1	Plug, Male 6 Position	
136	4460227	5	Pin, Male	
143	4460434	2	Plug, Male 15 Position	
143	4460227	25	Pin, Male	
150	4460884	1	Connector - 4 Position (Not Shown - To Platform Sensor) (With SkyGuard)	
150	4460944	4	Socket (Not Shown - To Platform Sensor) (With SkyGuard)	
150	4460932	1	Receptacle - 4 Position (Not Shown -To Platform Sensor) (With SkyGuard)	
154	4460536	1	Receptacle - 3 Position (Not Shown) (With SkyGuard)	
154	4460943	1	Pin, Male (Not Shown) (With SkyGuard)	
155	4460539	1	Plug - 3 Position (Not Shown) (With SkyGuard)	
155	4460944	1	Socket, Female (Not Shown) (With SkyGuard)	
157	4460708	1	Connector - 15 Position (Not Shown - Mates with Item 43) (With SkyGuard)	
157	4460226	3	Socket (Not Shown) (With SkyGuard)	
158	4460894	1	Plug, Male - 6 Position (Not Shown) (Machines with 1 Cell LSS)	
158	4460465	5	Socket, Female (Not Shown) (Machines with 1 Cell LSS)	
159	4460933	1	Plug, Male - 12 Position (Not Shown) (Machines with 1 Cell LSS)	
159	1001119020	1	Bussbar (Not Shown) (Machines with 1 Cell LSS)	
162	1001213447	1	Receptacle, Female - 5 Position (Not Shown) (Machines with 1 Cell LSS)	
	0271374	Ref	BOOM CABLE INSTALLATION (800A WITHOUT GENERATOR - ANSI, ANSI EXPORT AND CSA SPECS) (SN 0300183034 through 0300236624)	G
	1001227519	Ref	BOOM CABLE INSTALLATION (800A WITHOUT GENERATOR - ANSI, ANSI EXPORT AND CSA SPECS) (SN 0300236625 to Present)	A
	0271375	Ref	BOOM CABLE INSTALLATION (800A WITHOUT GENERATOR - CE SPECS) (SN 0300183034 through 0300236624)	F
	1001227779	Ref	BOOM CABLE INSTALLATION (800A WITHOUT GENERATOR - CE SPECS) (SN 0300236625 to Present)	A
	0271374	Ref	BOOM CABLE INSTALLATION (800A WITHOUT GENERATOR - CHINA AND JAPANESE SPECS) (SN 0300183034 through 0300236624)	
	1001232259	Ref	BOOM CABLE INSTALLATION (800A WITHOUT GENERATOR - CHINA AND JAPANESE SPECS) (SN 0300236625 to Present)	
	1001153328	Ref	BOOM CABLE INSTALLATION (800A WITH 4000W GENERATOR) (SN 0300183034 through 0300236624)	B
	1001227524	Ref	BOOM CABLE INSTALLATION (800A WITH 4000W GENERATOR) (SN 0300236625 to Present)	A
	0272429	Ref	BOOM CABLE INSTALLATION (800A WITH 7500W SKYPOWER GENERATOR - ANSI, ANSI EXPORT AND CSA SPECS) (SN 0300183034 through 0300236624)	F
	1001227780	Ref	BOOM CABLE INSTALLATION (800A WITH 7500W SKYPOWER GENERATOR - ANSI, ANSI EXPORT AND CSA SPECS) (SN	A

## SECTION 7 - ELECTRICAL

ITEM	PART NUMBER	QTY	DESCRIPTION	REV
	0272430	Ref	<b>0300236625 to Present)</b> BOOM CABLE INSTALLATION (800A WITH 7500W SKYPOWER GENERATOR - CE SPECS) (SN 0300183034 through 0300236624)	F
	1001227784	Ref	BOOM CABLE INSTALLATION (800A WITH 7500W SKYPOWER GENERATOR - CE SPECS) (SN 0300236625 to Present)	A
	1001093748	Ref	BOOM CABLE INSTALLATION (800A WITH ARCTIC PACKAGE - ANSI, ANSI EXPORT AND CSA SPECS) (SN 0300183034 through 0300236624)	B
	1001227727	Ref	BOOM CABLE INSTALLATION (800A WITH ARCTIC PACKAGE - ANSI, ANSI EXPORT AND CSA SPECS) (SN 0300236625 to Present)	A
	1001091330	Ref	BOOM CABLE INSTALLATION (800A WITH 7500W SKYPOWER GENERATOR AND ARCTIC PACKAGE - ANSI, ANSI EXPORT AND CSA SPECS) (SN 0300183034 through 0300236624)	D
	1001227611	Ref	BOOM CABLE INSTALLATION (800A WITH 7500W SKYPOWER GENERATOR AND ARCTIC PACKAGE - ANSI, ANSI EXPORT AND CSA SPECS) (SN 0300236625 to Present)	A
	0271376	Ref	BOOM CABLE INSTALLATION (800AJ WITHOUT GENERATOR - ALL SPECS EXCEPT AUSTRALIAN AND CE SPECS) (SN 0300183034 through 0300236624)	C
	1001227610	Ref	BOOM CABLE INSTALLATION (800AJ WITHOUT GENERATOR - ALL SPECS EXCEPT AUSTRALIAN AND CE SPECS) (SN 0300236625 to Present)	A
	0273434	Ref	BOOM CABLE INSTALLATION (800AJ WITHOUT GENERATOR - AUSTRALIAN SPECS) (SN 0300183034 through 0300236624)	B
	1001227800	Ref	BOOM CABLE INSTALLATION (800AJ WITHOUT GENERATOR - AUSTRALIAN SPECS) (SN 0300236625 to Present)	A
	0271377	Ref	BOOM CABLE INSTALLATION (800AJ WITHOUT GENERATOR - CE SPECS) (SN 0300183034 through 0300236624)	D
	1001227783	Ref	BOOM CABLE INSTALLATION (800AJ WITHOUT GENERATOR - CE SPECS) (SN 0300236625 to Present)	A
	1001153329	Ref	BOOM CABLE INSTALLATION (800AJ WITH 4000W GENERATOR) (SN 0300183034 through 0300236624)	B
	1001227520	Ref	BOOM CABLE INSTALLATION (800AJ WITH 4000W GENERATOR) (SN 0300236625 to Present)	A
	0272431	Ref	BOOM CABLE INSTALLATION (800AJ WITH 7500W SKYPOWER GENERATOR - ANSI, ANSI EXPORT AND CSA SPECS) (SN 0300183034 through 0300236624)	C
	1001227782	Ref	BOOM CABLE INSTALLATION (800AJ WITH 7500W SKYPOWER GENERATOR - ANSI, ANSI EXPORT AND CSA SPECS) (SN 0300236625 to Present)	B
	0272432	Ref	BOOM CABLE INSTALLATION (800AJ WITH 7500W SKYPOWER GENERATOR - AUSTRALIAN AND CE SPECS) (SN 0300183034 through 0300236624)	C
	1001227781	Ref	BOOM CABLE INSTALLATION (800AJ WITH 7500W SKYPOWER GENERATOR - AUSTRALIAN AND CE SPECS) (SN 0300236625 to Present)	A
	0275204	Ref	BOOM CABLE INSTALLATION (800AJ WITH 7500W SKYPOWER GENERATOR AND ARCTIC PACKAGE - ANSI, ANSI EXPORT AND CSA SPECS) (SN 0300183034 through 0300236624)	B
	1001227785	Ref	BOOM CABLE INSTALLATION (800AJ WITH 7500W SKYPOWER GENERATOR AND ARCTIC PACKAGE - ANSI, ANSI EXPORT AND CSA SPECS) (SN 0300236625 to Present)	A
	1001092093	Ref	BOOM CABLE INSTALLATION (800AJ WITH 7500W SKYPOWER GENERATOR AND ARCTIC PACKAGE - ANSI, ANSI EXPORT AND CSA SPECS) (SN 0300183034 through 0300236624)	B
	1001227799	Ref	BOOM CABLE INSTALLATION (800AJ WITH 7500W SKYPOWER GENERATOR AND ARCTIC PACKAGE - ANSI, ANSI EXPORT	A

## SECTION 7 - ELECTRICAL

ITEM	PART NUMBER	QTY	DESCRIPTION	REV
			AND CSA SPECS) (SN 0300236625 to Present)	
	1001116474	Ref	BOOM CABLE INSTALLATION (800AJ WITH ARCTIC PACKAGE - ANSI, ANSI EXPORT AND CSA SPECS) (SN 0300183034 through 0300236624)	B
	1001227801	Ref	BOOM CABLE INSTALLATION (800AJ WITH ARCTIC PACKAGE - ANSI, ANSI EXPORT AND CSA SPECS) (SN 0300236625 to Present)	A
201	4922575	1	Harness Assembly - Main Boom (12/4 -18/8) (800A) (SN 0300183034 through 0300236624)	F
201	1001227488	1	Harness Assembly - Main Boom (12/4 -18/8) (800A) (SN 0300236625 to Present)	A
201	1001091315	1	Harness Assembly - Main Boom (12/4 -18/8) (800A with Arctic Package) (SN 0300183034 through 0300236624)	D
201	1001227302	1	Harness Assembly - Main Boom (12/4 -18/8) (800A with Arctic Package) (SN 0300236625 to Present)	A
201	4922582	1	Harness Assembly - Main Boom (12/4 -18/8) (800AJ) (SN 0300183034 through 0300236624)	G
201	1001227518	1	Harness Assembly - Main Boom (12/4 -18/8) (800AJ) (SN 0300236625 to Present)	A
201	4923490	1	Harness Assembly - Main Boom (12/4 -18/8) (800AJ with Arctic Package) (SN 0300183034 through 0300236624)	D
201	1001227351	1	Harness Assembly - Main Boom (12/4 -18/8) (800AJ with Arctic Package) (SN 0300236625 to Present)	A
201	1060896	AR	Cable, Electrical - 4 #12 AWG, 8 #18 AWG & 1 STP #18 AWG (Without Arctic Package)	
201	4923462	67 ft/ 20.4m	Cable, Electrical - 4 #12 AWG, 8 #18 AWG & 1 STP #18 AWG (800A with Arctic Package)	
201	4923462	64 ft/ 19.5m	Cable, Electrical - 4 #12 AWG, 8 #18 AWG & 1 STP #18 AWG (800AJ with Arctic Package)	
201	0100009	AR	Sealant	
201A	4460865	1	Connector - 19 Position	
201A	4460465	11	Socket, Female	
201A	4460509	4	Socket, Female	
201A	4460466	4	Seal, Plug	
201B	4460473	1	Clamp, Cable	
201C	4460866	1	Connector - 19 Position	
201C	4460464	AR	Pin, Male (16 Gauge)	
201C	4460508	4	Pin, Male (12 Gauge)	
201C	4460466	4	Seal, Plug	
202	4922576	1	Harness Assembly - Tower Boom (12/4 - 18/8) (Without Arctic Package)	E
202	4923489	1	Harness Assembly - Tower Boom (12/4 - 18/8) (With Arctic Package)	B
202	1060896	44 ft/ 13.4m	Cable, Electrical - 4 #12 AWG, 8 #18 AWG & 1 STP #18 AWG (Without Arctic Package)	
202	4923462	44 ft/ 13.4m	Cable, Electrical - 4 #12 AWG, 8 #18 AWG & 1 STP #18 AWG (With Arctic Package)	
202A	4460865	2	Connector - 19 Position	
202A	4460465	22	Socket, Female	
202A	4460509	8	Socket, Female	
202A	4460466	8	Seal, Plug	
202B	4460473	2	Clamp, Cable	
203	4922579	1	Harness Assembly - Tower Boom (18/2) (800A - ANSI, ANSI Export and CSA Specs without Arctic Package)	
203	1001091323	1	Harness Assembly - Tower Boom (18/2) (800A - ANSI, ANSI Export and CSA Specs with Arctic Package)	

## SECTION 7 - ELECTRICAL

ITEM	PART NUMBER	QTY	DESCRIPTION	REV
203	4922579	1	Harness Assembly - Tower Boom (18/2) (800AJ - CE Specs)	
203	1060902	47 ft/ 14.3m	Cable, Electrical - 18/2 (Without Arctic Package)	
203	4923466	47 ft/ 14.3m	Cable, Electrical - 18/2 (With Arctic Package)	
203A	4460465	2	Socket, Female	
203A	4460891	1	Connector, Terminal - 2 Position	
204	4922868	1	Harness Assembly - Main Boom (18/2) (800A - ANSI, ANSI Export and CSA Specs without Arctic Package)	
204	1001091319	1	Harness Assembly - Main Boom (18/2) (800A - ANSI, ANSI Export and CSA Specs with Arctic Package)	
204	4922580	1	Harness Assembly - Main Boom (18/2) (800AJ- CE Specs)	
204	1060902	30 ft/9.1m	Cable, Electrical - 18/2 (Without Arctic Package)	
204	4923466	30 ft/9.1m	Cable, Electrical - 18/2 (With Arctic Package)	
204A	4460464	2	Pin, Male	
204A	4460897	1	Plug, Terminal - 2 Position	
205	4922578	1	Harness Assembly - Tower Boom (18/2) (800A without Arctic Package)	
205	4923487	1	Harness Assembly - Tower Boom (18/2) (800A with Arctic Package) (With 7500W Generator)	
205	4922578	1	Harness Assembly - Tower Boom (18/2) (800AJ without Arctic Package)	
205	4923487	1	Harness Assembly - Tower Boom (18/2) (800AJ with Arctic Package - without 7500W Generator)	
205	4923487	1	Harness Assembly - Tower Boom (18/2) (800AJ (With Arctic Package) - with 7500W Generator)	
206	4922578	1	Harness Assembly - Main Boom (18/2) without Arctic Package)	
206	4923487	1	Harness Assembly - Main Boom (18/2) with Arctic Package)	
207	4922215	1	Harness Assembly - Main Boom (800A - All Specs except Australian and CE Specs (10/3) without Arctic Package)	
207	4922218	1	Harness Assembly - Main Boom (800A - CE, China and Japanese Specs (10/3)	
207	1001156695	1	Harness Assembly - Main Boom (800A - All Specs (10/4) with 4000W Generator	
207	1001125127	1	Harness Assembly - Main Boom (800A - All Specs (8/5) without Arctic Package and 7500W SkyPower Generator	
207	1001091324	1	Harness Assembly - Main Boom (800A - ANSI, ANSI Export and CSA Specs (10/3) with Arctic Package	
207	1001125127	1	Harness Assembly - Main Boom (800A - ANSI, ANSI Export and CSA Specs (8/5) with Arctic Package and 7500W SkyPower Generator	
207	4922216	1	Harness Assembly - Main Boom (800AJ - All Specs except Australian Specs (10/3) without Arctic Package	
207	4922219	1	Harness Assembly - Main Boom (800AJ - Australian and CE Specs (10/3)	
207	1001156694	1	Harness Assembly - Main Boom (800AJ - All Specs (10/4) with 4000W Generator	
207	1001125126	1	Harness Assembly - Main Boom (800AJ - All Specs (8/5) with 7500W SkyPower Generator	
207	4923485	1	Harness Assembly - Main Boom (800AJ - ANSI, ANSI Export and CSA Specs (10/3) with Arctic Package	
208	4922217	1	Harness Assembly - Tower Boom - ANSI, ANSI Export and CSA Specs (10/3)	
208	4922220	1	Harness Assembly - Tower Boom - Australian and CE Specs (10/3)	
208	4922217	1	Harness Assembly - Tower Boom - China and Japanese Specs (SN 0300183034 through 0300236624)	

## SECTION 7 - ELECTRICAL

ITEM	PART NUMBER	QTY	DESCRIPTION	REV
208	4922220	1	Harness Assembly - Tower Boom - China and Japanese Specs <b>(SN 0300236625 to Present)</b>	
208	1001156693	1	Harness Assembly - Tower Boom - All Specs (10/4) 4000W Generator	
208	1001125125	1	Harness Assembly - Tower Boom - All Specs (8/5) without Arctic Package and 7500W SkyPower Generator	
208	4923486	1	Harness Assembly - Tower Boom - ANSI, ANSI Export and CSA Specs (10/3) with Arctic Package	
208	1001125125	1	All Specs except Australian and CE Specs (8/5) with Arctic Package and 7500W SkyPower Generator	
209	1320256	1	Clamp, Block (Machines without Arctic Package) (Not Shown- Located on back of T/T)	
209	1001092384	1	Clamp, Block (Machines with Arctic Package) (Not Shown-Located on back of T/T)	
210	4922578	1	Harness Assembly (18/2) (800A Only - All Specs except Australian and CE Specs (Without Arctic Package)	
210	4923487	1	Harness Assembly (18/2) (800A Only - ANSI, ANSI Export and CSA Specs (With Arctic Package)	
211	0272433	1	Cable Connector Installation (With 7500W SkyPower Generator)	D
211A	4460959	1	Connector, Male (With 7500W Generator) (SkyPower) <b>(SN 0300183034 through 0300228785)</b>	
211A	1001218622	1	Connector, Male (With 7500W Generator) (SkyPower) <b>(SN 0300228786 to Present)</b>	
211A	1671093	1	Cover, Male Connector (Optional) <b>(SN 0300183034 through 0300228785)</b>	
211B	4460960	1	Connector, Female (With 7500W Generator) (SkyPower) <b>(SN 0300183034 through 0300228785)</b>	
211B	1001218623	1	Connector, Female (With 7500W Generator) (SkyPower) <b>(SN 0300228786 to Present)</b>	
211B	1671092	1	Cover, Female Connector (Optional) <b>(SN 0300183034 through 0300228785)</b>	
212	4923613	1	Harness, Tilt Switch (Part of Main Boom Harness) <b>(SN 0300183034 through 0300236624)</b>	C
212	1001227359	1	Harness Tilt Switch <b>(SN 0300236625 to Present)</b>	A
212A	1001097051	1	Connector - 4 Position	
212A	1001097082	3	Pin, Male (Gold)	
212A	4460466	1	Seal, Plug	
212B	4460464	3	Pin, Male (4923613 Harness)	
212C	4460944	3	Pin, Male (1001227359 Harness)	
		Ref	GROUND CONTROL BOX COMPONENTS	
303	0100048	AR	Grease, Dielectric	
327	4460426	AR	Connector, Strain Relief	
328	4460470	1	Nut, Terminal	
329	4460471	1	Washer, Terminal	
331	4460496	1	Washer, Terminal	
332	4460497	1	Nut, Terminal	
333	4460526	1	Connector, Strain Relief	
342	1001106736	1	Cap, Dust	
343	1001110225	1	Harness, Ground Control Box (Deutz D2011 Engines - All Specs except CE Specs)	G
343	1001110225	1	Harness, Ground Control Box (Deutz D2011 Engines - CE Specs) <b>(SN 0300183034 through 0300201003)</b>	G
343	1001185131	1	Harness, Ground Control Box (Deutz D2011 Engines - CE Specs) <b>(SN 0300201004 to Present)</b>	E
343	1001145937	1	Harness, Ground Control Box (Deutz TD2.9L4 Engines - All Specs except CE Specs)	F



## SECTION 7 - ELECTRICAL

ITEM	PART NUMBER	QTY	DESCRIPTION	REV
343	1001145937	1	Harness, Ground Control Box (Deutz TD2.9L4 Engine - CE Specs) <b>(SN 0300183034 through 0300201003)</b>	F
343	1001185131	1	Harness, Ground Control Box (Deutz TD2.9L4 Engines - CE Specs) <b>(SN 0300201004 to Present)</b>	E
343	1001110225	1	Harness, Ground Control Box (Ford & GM Engines)	G
343A	4460536	1	Connector, Female 3 Position	
343A	4460943	3	Pin, Male	
343B	3990010	2	Diode - 6 Amp (Not Shown)	
343C	4460434	2	Plug, Male 15- Position	
343C	4460227	22	Pin	
343D	4460873	1	Connector, 35 Position (Black)	
343D	4460871	21	Socket, Female	
343D	4460905	AR	Seal, Plug	
343E	4120035	AR	Base, Light	
343E	4460634	AR	Terminal (16 Gauge)	
343E	4460635	AR	Terminal (12 Gauge)	
343F	4460418	9	Connector, Female- 6 Position	
343F	4460419	27	Socket, Female	
343G	4460876	1	Connector, 35 Position (Blue)	
343G	4460871	29	Socket, Female	
343G	4460905	AR	Seal, Plug	
343H	4460866	1	Connector - 19 Position	
343H	4460464	7	Pin, Male (16 Gauge)	
343H	4460508	3	Pin, Male (12 Gauge)	
343J	4460878	1	Housing, Terminal - 4 Position	
343J	4460887	3	Terminal (12 Gauge)	
343K	4460761	1	Connector, Female 4- Position	
343K	4460227	4	Pin, Male	
343L	4460894	3	Plug, Male - 6 Position	
343L	4460465	AR	Socket, Female	
343L	4460892	3	Terminal, Buss Connector - 6 Position	
343L	4460466	3	Plug, Terminal	
343M	8229242	2	Fuse 5A	
343M	2400060	2	Holder, Fuse	
343N	1001112612	1	Connector - 9 Position	
343N	4460943	4	Pin, Male	
343P	1001106339	1	Connector, Male - 14 Position	
343P	4460871	2	Socket, Female	
343P	4460905	AR	Plug, Seal	
343R	1001106340	1	Connector, Male - 14 Position	
343R	4460871	5	Socket, Female	
343S	4460874	1	Connector, Natural	
343S	4460871	10	Socket, Female	
343S	4460905	AR	Plug, Seal	
343T	4460875	1	Connector, Gray	
343T	4460871	2	Socket, Female	
343T	4460905	AR	Plug, Seal	
343U	4460884	1	Plug, Male - 4 Position	
343U	1001192401	1	Cap, Dust	
343U	4460365	4	Socket, Female	
343V	4460868	1	Plug, Male - 6 Position (CE Spec) <b>(SN 0300201004 to Present)</b>	
343V	4460877	4	Terminal (CE Spec) <b>(SN 0300201004 to Present)</b>	

## SECTION 7 - ELECTRICAL

ITEM	PART NUMBER	QTY	DESCRIPTION	REV
343W	1001200497	1	Plug, Male - 3 Position (SN 0300236625 to Present)	
343W	4460944	3	Socket, Female (SN 0300236625 to Present)	
343X	1001229530	1	Receptacle, Female - 3 Position (SN 0300236625 to Present)	
343X	1001229531	1	Pin, Male (SN 0300236625 to Present)	
346	1001153713	1	Engine Harness Assembly - Deutz D2011 Engine Machines (See 401 to 465 for Breakdown)	
346	1001165776	1	Engine Harness Assembly - Deutz TD2.9L4 Engine Machines (See 401 to 465 for Breakdown)	
346	1001216230	1	Engine Harness Assembly - Ford Engine Machines (See 401 to 465 for Breakdown)	
346	1001153712	1	Engine Harness Assembly - GM Engine Machines (See 401 to 465 for Breakdown)	
347	1001153715	1	Valve Harness Assembly (SN 0300183034 through 0300194139)	E
347	1001170808	1	Valve Harness Assembly (SN 0300194140 to Present)	F
347A	4460539	1	Connector, Male - 3 Position	
347A	4460465	2	Socket, Female	
347A	4460466	1	Seal, Plug	
347B	4460880	AR	Connector, DIN	
347B	4460891	13	Plug, Male - 2 Position (SN 0300194140 to Present)	
347B	4460465	26	Socket, Female (SN 0300194140 to Present)	
347C	4460320	2	Connector, Female - 2 Position (SN 0300183034 through 0300194139)	
347C	4460267	5	Pin, Male (SN 0300183034 through 0300194139)	
347D	4460424	1	Connector, Male- 2 Position	
347D	4460268	2	Pin, Female	
347E	4460871	33	Socket, Female	
347F	4460326	1	Connector, Male - 3 Position (SN 0300183034 through 0300194139)	
347F	4460267	7	Pin, Male (SN 0300183034 through 0300194139)	
347G	4460445	1	Connector, Female - 3 Position (SN 0300183034 through 0300194139)	
347G	4460268	5	Pin, Female (SN 0300183034 through 0300194139)	
348	1001153719	AR	Ground Control Box Wiring Diagram - Deutz D2011 Engine (Not Shown - See Items 501 to 510 for Breakdown)	
348	1001165779	AR	Ground Control Box Wiring Diagram - Deutz TD2.9L4 Engine (Not Shown - See Items 501 to 510 for Breakdown) (SN 0300183034 through 0300232564)	
348	1001153718	AR	Ground Control Box Wiring Diagram - Ford & GM Engine (Not Shown - See Items 501 to 510 for Breakdown) (SN 0300183034 through 0300232564)	
348	1001224137	AR	Ground Control Box Wiring Diagram - Ford & GM Engine (Not Shown - See Items 501 to 510 for Breakdown) (SN 0300232565 to Present)	
	1001153713	Ref	ENGINE HARNESS ASSEMBLY - DEUTZ D2011 ENGINE	B
	1001165776	Ref	ENGINE HARNESS ASSEMBLY - DEUTZ TD2.9L4 ENGINE	D
	1001216230	Ref	ENGINE HARNESS ASSEMBLY - FORD ENGINE	B
	1001153712	Ref	ENGINE HARNESS ASSEMBLY - GM ENGINE	B
417	4460424	1	Receptacle, Female - 2 Position	
417	4460226	2	Socket, Female	
419	4460880	2	DIN Connector without Diode	
423	4461070	1	Receptacle, Female with Resistor (3 Position) (Deutz D2011 Engine Only)	
423	4461095	1	Plug, Male - 3 Position (Deutz D2011 Engine Only)	
423	4460944	3	Socket, Female (Deutz D2011 Engine Only)	
425	4460539	1	Plug, Male - 3 Position	

## SECTION 7 - ELECTRICAL

ITEM	PART NUMBER	QTY	DESCRIPTION	REV
425	4460944	3	Socket, Female	
428	4460460	1	Connector, Male - 4 Position	
428	4460457	4	Terminal, Female	
428	4460458	4	Seal, Terminal	
432	4460899	1	Connector, Male - 6 Position (Deutz TD2.9L4 Engine Only)	
432	4460464	6	Pin, Male	
433	4461052	1	Connector, Receptacle - 25 Position (Deutz D2011 Engine Only)	
433	4461005	5	Terminal (Gold) (Deutz D2011 Engine Only)	
433	4461006	5	Seal, Terminal (Deutz D2011 Engine Only)	
433	4461060	2	Terminal (Tin) (Deutz D2011 Engine Only)	
433	4461054	2	Seal, Terminal (Deutz D2011 Engine Only)	
433	4461053	1	Cover, Plug (Deutz D2011 Engine Only)	
433	4461008	18	Plug, Hole (Deutz D2011 Engine Only)	
438	4460931	1	Connector, Male - 8 Position (Deutz TD2.9L4 Engine Only)	
438	4460464	4	Pin, Male	
438	4460466	4	Seal, Plug	
439	4460871	AR	Socket, Female	
447	4461121	1	Plug, Male - 4 Position (GM Engine Only)	
447	4461122	4	Socket, Female (GM Engine Only)	
447	4461123	4	Seal, Terminal (GM Engine Only)	
449	4461124	1	Receptacle, Female - 4 Position (GM Engine Only)	
449	4460693	4	Pin, Male (GM Engine Only)	
449	4460608	4	Seal, Terminal (GM Engine Only)	
449	4461161	1	Lock, Terminal (GM Engine Only)	
452	4460374	1	Plug, Sealed Relay (Deutz D2011 Engine)	
452	4460375	4	Terminal (Deutz D2011 Engine)	
453	4461109	1	Plug, Male - 16 Position (GM Engine Only)	
453	4461111	7	Pin, Male (GM Engine Only)	
453	4461113	7	Seal, Terminal (GM Engine Only)	
453	4461222	9	Plug, Terminal (GM Engine Only)	
458	1001102290	1	Connector, 2 Position (Deutz D2011 Engine)	
458	1001102304	2	Seal (Deutz D2011 Engine)	
458	1001102291	2	Terminal, Receptacle (Deutz D2011 Engine)	
461	4461157	1	Receptacle, Female - 2 Position (Deutz D2011 and GM Engines)	
461	4460979	2	Pin, Male (Deutz D2011 and GM Engines)	
461	4460458	2	Seal, Terminal (Deutz D2011 and GM Engines)	
462	2902443	1	Kit, Receptacle (Deutz D2011 Engine Only)	
462	4461071	8	Terminal, Female (Gold) (Deutz D2011 Engine Only)	
462	4461072	1	Connector, Flange Mount (Deutz D2011 Engine Only)	
462	4461073	1	Connector, Dust Cap (Deutz D2011 Engine Only)	
462	4461074	1	Connector, Shell (Deutz D2011 Engine Only)	
463	4460897	1	Connector, Female - 2 Position	
463	4460464	2	Pin, Male	
464	4461157	1	Plug, Male - 2 Position (Ford Engine Only)	
464	4460979	2	Terminal (Ford Engine Only)	
464	4460458	2	Seal, Terminal (Ford Engine Only)	
465	1001215016	1	Connector - 42 Position (Ford Engine Only)	
465	1001215091	5	Terminal (Ford Engine Only)	
465	1001215534	33	Plug, Terminal (Ford Engine Only)	
465	1001216212	1	Terminal (Ford Engine Only)	
465	1001216213	3	Plug, Terminal (Ford Engine Only)	

## SECTION 7 - ELECTRICAL

ITEM	PART NUMBER	QTY	DESCRIPTION	REV
	1001153719	Ref	GROUND CONTROL BOX WIRING DIAGRAM - DEUTZ D2011 ENGINE	E
	1001165779	Ref	GROUND CONTROL BOX WIRING DIAGRAM - DEUTZ TD2.9L4 ENGINE	F
	1001153718	Ref	GROUND CONTROL BOX WIRING DIAGRAM - FORD & GM ENGINE (SN 0300183034 through 0300232564)	F
	1001224137	Ref	GROUND CONTROL BOX WIRING DIAGRAM - FORD & GM ENGINE (SN 0300236625 to Present)	B
501	2920129	AR	Bulb, Light	
506	1001173590	1	Fuse Holder with Fuse - 30AMP	
506	2400065	1	Fuse, 30Amp	
506	2400066	1	Fuse, Holder	
508	4460708	2	Receptacle, Female - 15 Position	
508	4460226	AR	Socket, Female	
508	4460905	AR	Plug, Seal	
510	4922637	1	Harness, Jumper (Not Shown)	
		Ref	STANDARD HARNESS COMPONENTS	
601	1001155143	1	Battery Cable Kit - Deutz D2011 Engines Machines	C
601	1001143736	1	Battery Cable Kit - Deutz TD2.9L4 Engines Machines	E
601	2902533	1	Battery Cable Kit - GM Engine Machines	B
601A	7027092	1	Cable, Battery (Black) (Battery - to Tray Pivot and Relay Grounds) (Deutz D2011 Engines Machines)	
601A	7027084	1	Cable, Battery (Black) (Battery - to Tray Pivot and Relay Grounds) (Deutz TD2.9L4 Engines Machines)	
601A	7027018	1	Cable, Battery (Black) (Battery - to Tray Pivot and Relay Grounds) (GM Engine Machines)	
601B	8270147	1	Terminal, Battery (With Boot) Cable, Battery (Black) (Deutz Engines Only)	
601C	7027093	1	Cable, Battery (Black) (Battery - to Aux Pump Ground) (Deutz D2011 Engines Machines)	
601C	7027085	1	Cable, Battery (Black) (Battery - to Aux Pump Ground) (Deutz TD2.9L4 Engines Machines)	
601C	7016825	1	Cable, Battery (Black) (Battery - to Aux Pump Ground) (GM Engine Machines)	
601D	7027053	1	Cable, Battery (Black) (Engine to Tray Pivot Grd) (Deutz D2011 Engines Machines)	
601D	7027086	1	Cable, Battery (Black) (Engine to Tray Pivot Grd) (Deutz TD2.9L4 Engines Machines)	
601D	Not Required	0	Cable, Battery (Black) (Engine to Tray Pivot Grd) (GM Engine Machines)	
601E	7027094	1	Cable (Red) (Battery + to Relays/Starter) (Deutz D2011 Engines Machines)	
601E	7027087	1	Cable (Red) (Battery + to Relays/Starter) (Deutz TD2.9L4 Engines Machines)	
601E	7027015	1	Cable (Red) (Battery + to Relays/Starter) (GM Engine Machines) (Note: Requires Item 601G to complete run to Starter)	
601F	7027095	1	Cable (Red) (Aux Relay to Aux Pump) (Deutz D2011 Engines Machines)	
601F	7027088	1	Cable (Red) (Aux Relay to Aux Pump) (Deutz TD2.9L4 Engines Machines)	
601F	7016824	1	Cable (Red) (Aux Relay to Aux Pump) (GM Engine Machines)	
601G	See Note	1	Cable (Auxiliary Relay to Starter) (Deutz D2011 Engines Machines) (Note: Use p/n 7027094)	
601G	See Note	1	Cable (Auxiliary Relay to Starter) (Deutz TD2.9L4 Engines Machines) (Note: Use p/n 7027087)	
601G	7027017	1	Cable (Auxiliary Relay to Starter) (GM Engine Machines)	

## SECTION 7 - ELECTRICAL

ITEM	PART NUMBER	QTY	DESCRIPTION	REV
602		Ref	Deutz Engine Harness Components (Deutz Engine Machines Only)	
602A	7027796	1	Engine Harness (D2011 Engine Only)	
602B	See Note	1	Receptacle, Female - 25 Position (Note: Not Available - Purchase Complete Harness)	
602C	70004060	1	Plug-In, Connector (Deutz D2011 Engine Only)	
602D	70001872	1	Engine Harness (For other replacement parts refer to Deutz engine dealer) (D2011 Engine Only)	
602E	70004271	1	Cable, Starter Interconnect (Connects Item 602D to Starter) (D2011 Engine Only)	
603	4922737	1	Harness, Engine Grounding Harness (Deutz D2011 Engine Only)	
604	4923379		Harness, Glow Plug (Deutz D2011 Engine Only)	B
604	70025231		Harness, Glow Plug (Deutz TD2.9L4 Engine Only)	
604	70025233		Connector for 70025231 Harness Deutz TD2.9L4 Engine	
604	1001141304		Wire, Fuse Link (Not Shown) (Deutz TD2.9L4 Engine Only)	
605	1001222665	1	Fuel Harness (Deutz TD2.9L4 Engines Only) (Note: Machines requiring Ring Terminals at Pump) <b>(SN 0300183034 through 0300234681)</b>	A
605	1001138491	1	Fuel Harness (Deutz TD2.9L4 Engines and Deutz TD2.9L4 (Stage V) Engines Only) (Note: Machines requiring Push-on Terminals at Pump) <b>(SN 0300234682 to Present)</b>	D
605A	4460897	1	Receptacle, Female - 2 Position	
605A	4460941	2	Pin, Male	
605A	4460891	1	Plug, Male - 2 Position	
605A	4460942	2	Socket, Female	
605A	8220051	AR	Terminal, Ring <b>(SN 0300234682 to Present)</b>	
605B	1001116983	1	Receptacle, Female - 2 Position	
605B	1001116710	2	Terminal	
605B	4461054	2	Seal	
605C	4460932	1	Receptacle, Female - 4 Position	
605C	4460941	2	Pin, Male	
605C	4460464	2	Pin, Male	
606	1001143726	1	Deutz TD2.9L4 Engine and Deutz TD2.9L4 (Stage V) Engine Harness	K
606A	1001133956	1	Connector (Includes Cover, Locks and Retention Plate)	
606A	1001126352	6	Terminal	
606A	1001126353	6	Seal, Terminal	
606A	1001126384	19	Terminal	
606A	1001126351	3	Terminal	
606A	1001126356	63	Plug, Seal	
606A	1001126357	2	Plug, Seal	
606B	1001133957	1	Connector (Includes Cover, Locks and Retention Plate)	
606B	1001126384	17	Terminal	
606B	1001126351	13	Terminal	
606B	1001126356	19	Plug, Seal	
606B	1001126357	11	Plug, Seal	
606C	4461070	3	Receptacle, Female with Resistor (3 Position)	
606C	4461095	6	Plug, Male - 3 Position	
606C	4460944	6	Socket, Female	
606C	4460466	2	Seal, Plug	
606D	80484084	1	Receptacle, Female - 8 Position	
606D	8229242	1	Fuse - 5A	
606D	80983191	1	Fuse - 10A	

## SECTION 7 - ELECTRICAL

ITEM	PART NUMBER	QTY	DESCRIPTION	REV
606D	1001147264	1	Cap	
606D	1001116727	8	Plug	
606D	4460458	4	Seal	
606E	1001116952	1	Plug, Male - 2 Position	
606E	4460465	2	Socket, Female	
606F	1001138110	1	Plug, Male - 2 Position	
606F	1001138111	2	Socket, Female	
606F	1001138113	2	Seal	
606G	2902443	1	Kit, Receptacle	
606G	4461071	8	Terminal, Female (Gold)	
606G	4461072	1	Connector, Flange Mount	
606G	4461073	1	Connector, Dust Cap	
606G	4461074	1	Connector, Shell	
606H	4460894	1	Plug, Male - 6 Position	
606H	4460465	3	Socket, Female	
606H	4460944	2	Socket, Female	
606H	4460466	1	Seal, Plug	
606J	4460930	1	Plug, Male - 8 Position	
606J	4460465	1	Socket, Female	
606J	4460466	7	Seal, Plug	
606K	4460884	1	Plug, Male - 4 Position (SN 0300183034 through 0300224727)	
606K	1001220379	1	Plug, Male - 4 Position (SN 0300224728 to Present)	
606K	4460465	2	Socket, Female	
606K	4460942	2	Socket, Female	
606K	4460932	1	Receptacle, Female - 4 Position	
606K	4460466	4	Plug, Terminal	
606L	1001142938	1	Plug, Male - 2 Position	
606L	1001142940	2	Terminal, Female	
606L	1001142941	2	Seal	
606M	1001133714	1	Plug, Male - 4 Position	
606M	1001133715	3	Terminal, Female	
606M	1001135650	3	Seal	
606M	1001135651	1	Plug, Cavity (Use p/n 4461008)	
606N	1001126362	1	Receptacle, Female - 62 Position	
606N	1001126363	33	Terminal	
606N	1001126364	33	Seal	
606N	1001126391	23	Plug	
606N	4461008	4	Plug, Cavity	
606N	1001126365	2	Terminal	
606N	4461054	2	Seal	
606N	4460465	2	Socket, Female (Strobe Light - 2920161)	
606N	1001151856	1	Elbow, Conduct	
606P	4460891	1	Plug, Male - 2 Position	
606P	4460465	2	Socket, Female	
606P	1001171403	1	Resistor Assembly (Note: Not Available for Purchase)	
606P	4460897	1	Receptacle, Female - 2 Position	
606P	See Note	NSS	Resistor (Note: Use p/n 1001171403)	
607	1001143907	1	Alternator Power Cable (Deutz TD2.9L4 Engines and Deutz TD2.9L4 (Stage V) Engines)	
607	1001098764	1	Boot, Red (Deutz TD2.9L4 Engines and Deutz TD2.9L4 (Stage V) Engines)	
607	70004103	1	Cable, Alternator Interconnect (Not Shown - Connects item 602D)	

## SECTION 7 - ELECTRICAL

ITEM	PART NUMBER	QTY	DESCRIPTION	REV
			to Alternator) (D2011 Engine Only)	
608	70025077	1	Harness, Engine (Deutz TD2.9L4 Engines)	
609	70002898	1	Harness, GM Engine (GM Engine Machines Only)	
609	See Note	1	Box, Fuse (Note: Parts of Harness - Not Available for Purchase)	
609	70002627	1	Cover, Fuse Box	
609	70001950	2	Relay (Power and Fuel Pump)	
609	70001951	1	Relay (Starter)	
609	70001931	1	Fuse - 60 Amp (Alternator)	
609	See Note	1	Fuse - 20 Amp (Note: Not Available - Purchase Locally)	
609	See Note	3	Fuse - 15 Amp (Note: Not Available - Purchase Locally)	
609	See Note	1	Fuse - 10 Amp (Note: Not Available - Purchase Locally)	
609	See Note	1	Fuse - 5 Amp (Note: Not Available - Purchase Locally)	
610	See Note	1	Pump Harness (Note: Not Available for Purchase)	
610A	7007498	1	Plug	
611	4360517	1	Harness, Swivel Coupling Sensor (Includes Sensor)	
611A	4460320	1	Plug, Male - 2 Position	
611A	4460227	2	Pin, Male	
612	0140044	1	Alarm Harness (Includes Alarm)	
612A	4460536	1	Plug, Male - 3 Position	
612A	4460464	2	Pin, Male	
612A	4460466	1	Plug, Sealing	
613	4360498	2	Proximity Switch Harness (Includes Switch)	
614	4360499	2	Proximity Switch Harness (Includes Switch)	
615	1001094400	Ref	Tilt Sensor Harness (Includes Sensor)	C
615A	4461077	1	Plug, Male 4 Position	
615A	4460918	6	Socket, Female (Gold)	
		Ref	OPTIONAL HARNESS COMPONENTS	
701	4921928	1	4WS Valve Harness (SN 0300183034 through 0300194139)	E
701A	4460268	3	Socket, Female	
701B	4460445	1	Connector, Female - 3 Position	
701C	4460499	2	Connector, DIN with Diode	
702	4921927	1	Jib Valve Harness (800AJ Only)	H
702A	4460326	1	Plug, Male - 3 Position	
702B	4460267	3	Pin, Male	
702C	4460499	2	Connector, DIN with Diode	
703	2920161	1	Strobe (Amber) Light Harness (Includes Strobe Light)	
703A	4460891	1	Connector, Male - 2 Position (Strobe Light - 2920161)	
703A	4460465	2	Socket, Female (Strobe Light - 2920161)	
703B	1001142736	1	Strobe (Blue) Light Harness (Module to Light) (Not Shown)	
703C	1001150944	1	Strobe (Blue) Light Harness (Module to Ground Control Box) (Not Shown)	
704	1001149818	1	Strobe (Amber) Light Extension Harness	D
704A	4460320	1	Connector, Female - 2 Position	
704A	4460267	2	Pin, Male	
704B	4460897	1	Connector, Female - 2 Position	
704B	4460464	2	Pin, Male	
705	See Note	1	Headlight and Taillight/Chassis Illumination Harness (Note: Not Available for Purchase)	
705	1060341	37 ft/ 11.3m	Cable, Electrical 16/2 (ABS Hoods)	
705	1060341	48 ft/14m	Cable, Electrical 16/2 (Steel Hoods)	
705A	3740049	1	Relay	

## SECTION 7 - ELECTRICAL

ITEM	PART NUMBER	QTY	DESCRIPTION	REV
705A	4460259	3	Terminal	
705A	4460260	4	Housing, Terminal	
705A	4460297	1	Terminal	
705A	4922643	1	Lights Harness for Ground Control Box	C
705A	4460226	2	Socket, Female	
705B	4460426	1	Connector, Strain Relief	
706	1001112743	Ref	2500W Generator Electrical Diagram (50Hz - Deutz D2011 Engines)	B
706	1001112588	Ref	2500W Generator Electrical Diagram (50Hz - 60Hz - Deutz D2011 Engines)	B
706	1001180050	Ref	2500W Generator Electrical Diagram (60Hz - Deutz TD2.9L4 Engines)	B
706	4933350	Ref	2500W Generator Electrical Diagram (60Hz - GM Engines)	C
706A	4460321	1	Connector, Male - 4 Position (ANSI Spec Only)	
706A	4460906	AR	Socket, Female	
706A	4460268	AR	Socket, Female	
706B	4922641	1	Harness - On/Off Switch	
706C	4460268	2	Socket, Female	
706D	1001112589	1	Harness, Control Box to Relay (Deutz D2011 Engines)	A
706D	1001180052	1	Harness, Control Box to Relay (Deutz TD2.9L4 Engines)	
706D	4923445	1	Harness, Control Box to Relay (GM Engines)	A
706D	4460374	1	Plug, Sealed Relay	
706D	4460375	3	Terminal	
706E	4460742	1	Plug, Male - 2 Position (Deutz D2011 and GM Engines)	
706E	4460743	1	Socket, Female (Deutz D2011 and GM Engines)	
706E	4460458	1	Seal, Terminal (Deutz D2011 and GM Engines)	
706F	4460961	1	Connector, Female - 4 Position (ANSI Spec Only)	
706F	4460705	4	Pin, Male	
706G	7020193	1	Harness, Generator Power	
707	4921829	1	Generator to Rear of Boom 110V Harness	2
707	4921955	1	Generator to Rear of Boom 220V Harness	-
707		Ref	Note: Harness used to connect AC at platform harness to 2500W Generator Control Box receptacle.	
707	1060494	6 ft/1.8m	Cable, Electrical - 12/3	
707A	4460205	1	Plug, Male (110V)	
707A	4460233	1	Plug, Male (220V)	
707B	4460134	1	Receptacle, Female (110V)	
707B	4460701	1	Receptacle, Female (220V)	
708		Ref	AC to Platform Receptacle Components Options:	
708	0272259	Ref	AC Cable to 110V GFI Receptacle at Platform Installation (ANSI, ANSI Export, CSA and Japanese Specs without Generator or with 2500W Generator)	C
708	0272260	Ref	AC Cable to 220V GFI Receptacle Platform Installation (ANSI, CSA and Japanese Spec without Generator or with 2500W Generator)	C
708	1001171131	Ref	240V Receptacle with GFCI used with 4000W Generator (Not Shown)	B
708	1001159121	Ref	240V Receptacle with GFCI used with 7500W Generator (Not Shown)	B
708	0256202	Ref	AC Cable Only/ No Receptacle at Platform Installation (ANSI Export, Australian, CE and Japanese Specs without Generator or with 2500W Generator)	D
708	1001091969	Ref	AC Cable to 110V IEC Yellow Receptacle and Plug and Circuit Breaker (CE Spec without Generator or with 2500W Generator)	C



## SECTION 7 - ELECTRICAL

ITEM	PART NUMBER	QTY	DESCRIPTION	REV
			(Note: Requires 0256202 Cable Only Installation and 1001177710 Breaker Box Installation)	
708	1001194203	Ref	AC Cable to 110V IEC Yellow Receptacle and Plug and Circuit Breaker (CE Spec with 4000W Generator) <b>(SN 0300183034 through 0300213788)</b>	B
708	1001206253	Ref	AC Cable to 110V IEC Yellow Receptacle and Plug and Circuit Breaker (CE Spec with 4000W Generator) <b>(SN 0300213789 to Present)</b>	A
708	1001091970	Ref	AC Cable to 220V IEC Blue Receptacle and Plug and Circuit Breaker (CE Spec without Generator or with 2500W Generator) (Note: Requires 0256202 Cable Only Installation and 1001077710 Breaker Box Installation)	C
708	1001194204	Ref	AC Cable to 220V IEC Blue Receptacle and Plug and Circuit Breaker (CE Spec with 4000W Generator) <b>(SN 0300183034 through 0300213788)</b>	B
708	1001206254	Ref	AC Cable to 220V IEC Blue Receptacle and Plug and Circuit Breaker (CE Spec with 4000W Generator) <b>(SN 0300213789 to Present)</b>	A
708	1001091971	NLA	AC Cable to 220V CEE 7 Post Ground Receptacle and Plug and Circuit Breaker (70mm x 70mm Box) (Use p/n 1001091973) (CE Spec without Generator or with 2500W Generator) (Note: Requires 0256202 Cable Only Installation and 1001177710 Breaker Box Installation)	C
708	1001091972	NLA	AC Cable to 220V CEE 7 Side Ground Receptacle and Plug and Circuit Breaker (70mm x 70mm Box) (Use p/n 1001091974) (CE Spec without Generator or with 2500W Generator) (Note: Requires 0256202 Cable Only Installation & 1001177710 Breaker Box Installation)	C
708	1001091973	Ref	AC Cable to 220V CEE 7 Post Ground Receptacle and Plug and Circuit Breaker (2x4 Box) (CE Spec without Generator or with 2500W Generator) (Note: Requires 0256202 Cable Only Installation & 1001077710 Breaker Box Installation)	F
708	1001194197	Ref	AC Cable to 220V CEE 7 Post Ground Receptacle and Plug and Circuit Breaker (2x4 Box) (CE Spec with 4000W Generator) <b>(SN 0300183034 through 0300213788)</b>	B
708	1001206250	Ref	AC Cable to 220V CEE 7 Post Ground Receptacle and Plug and Circuit Breaker (2x4 Box) (CE Spec with 4000W Generator) <b>(SN 0300213789 to Present)</b>	A
708	1001091974	Ref	AC Cable to 220V CEE 7 Side Ground Receptacle and Plug and Circuit Breaker (2x4 Box) (CE Spec without Generator or with 2500W Generator) (Note: Requires 0256202 Cable Only Installation & 1001077710 Breaker Box Installation)	F
708	1001194198	Ref	AC Cable to 220V CEE 7 Side Ground Receptacle and Plug and Circuit Breaker (2x4 Box) (CE Spec with 4000W Generator) <b>(SN 0300183034 through 0300213788)</b>	B
708	1001206251	Ref	AC Cable to 220V CEE 7 Side Ground Receptacle and Plug and Circuit Breaker (2x4 Box) (CE Spec with 4000W Generator) <b>(SN 0300213789 to Present)</b>	A
708	1001091975	Ref	AC Cable to 220V AFSINT 107 Keyed Ground Receptacle and Plug and Circuit Breaker (2x4 Box) (CE Spec without Generator or with 2500W Generator) (Note: Requires 0256202 Cable Only Installation & 1001077710 Breaker Box Installation)	D
708	1001194200	Ref	AC Cable to 220V AFSINT 107 Keyed Ground Receptacle and Plug and Circuit Breaker (2x4 Box) (CE Spec with 4000W Generator) <b>(SN 0300183034 through 0300213788)</b>	B
708	1001206252	Ref	AC Cable to 220V AFSINT 107 Keyed Ground Receptacle and Plug and Circuit Breaker (2x4 Box) (CE Spec with 4000W Generator) <b>(SN 0300213789 to Present)</b>	A
708	1001194365	Ref	AC Receptacle - 220V (2x4 Box) (ANSI Export Spec) <b>(SN 0300183034 through 0300213788)</b>	A

## SECTION 7 - ELECTRICAL

ITEM	PART NUMBER	QTY	DESCRIPTION	REV
708	1001206255	Ref	AC Receptacle - 220V (2x4 Box) (ANSI Export Spec) (SN <b>03002137889 to Present</b> )	A
708	1001160272	Ref	AC Cable to Receptacle Platform Installation (Machines with 4000W Generator)	B
708	0272433	Ref	AC Cable to Receptacle Platform Installation (Machines with 7500W SkyPower Generator)	B
708	3251242	1	Decal - 240V/50Hz (Not Shown)	
708A	0860038	1	Box, Switch - 0272259 & 0272260 Installations	
708A	Not Required	0	Box, Switch - 0256202 Installation (Note: Use Receptacle Kit or Purchase Locally)	
708A	0861781	1	Box, Switch - 1001091969, 1001091970, 1001194203, 1001194204 Installations	
708A	0861782	NLA	Box, Switch - 1001091971, 1001091972, 1001100329 Installations (Note: Use p/n 1001141970 CEE 7 Side Ground Service Kit or p/n 1001141971 CEE 7 Post Ground Service Kit. Kits includes Box p/n 1001141967 and items 708B, 708C, 708E & 708J)	
708A	0861731	1	Box, Switch - 1001091969, 1001091970, 1001194197, 1001194198, 1001194200, 1001194365 Installations	
708A	1001141967	1	Box, Switch - 1001100343, 1001100344, 1001141970 & 1001141971 Kits	
708B	4460346	1	Receptacle - 0272259 Installation	
708B	4460125	1	Receptacle - 0272260 Installation	
708B	Not Required	0	Receptacle - 0256202 Installation (Note: Use Receptacle Kit or Purchase Locally)	
708B	4461198	1	Receptacle - 1001091969 & 1001194203 Installations	
708B	4461201	1	Receptacle - 1001091970 & 1001194204 Installations	
708B	4461204	NLA	Receptacle - 1001091971 Installations (Note: Use p/n 100110343)	
708B	4461207	NLA	Receptacle - 1001091972 Installations (Note: Use p/n 100110344)	
708B	4461244	1	Receptacle - 1001091973 & 1001194197 Installations	
708B	4461245	1	Receptacle - 1001091974 & 1001194198 Installations	
708B	4461246	1	Receptacle - 1001091975 & 1001194200 Installations	
708B	1001141968	1	Receptacle - 1001100343 & 1001141971 Kits	
708B	1001141969	1	Receptacle - 1001100344 & 1001141970 Kits	
708C	1001110873	1	Shield, Cover - 0272259 Installation	
708C	4060092	1	Shield, Cover - 0272260 Installation	
708C	Not Required	0	Shield, Cover - 0256202 Installation (Purchase Locally)	
708C	See Note	Ref	Shield, Cover - 1001091973, 1001091974, 1001091975, 1001091969, 1001091970, 1001091971, 1001091972, 1001100331, 1001100333, 1001100337, 1001100326, 1001100327, 1001100328 & 1001100329, 1001194197, 1001194198, 1001194200, 1001194203, 1001194204 Installations (Note: Shield Included with Receptacle - Purchase Item 708B)	
708C	1670603	1	Shield, Cover - 1001194365 Installation	
708C	3960422	1	Gasket, Cover (0272259 & 0272260 Installations Only)	
708D	4460051	1	Connector, Strain Relief - 0272259 & 0272260 Installations	
708D	Not Required	0	Connector, Strain Relief - 0256202 Installation (Note: Use Receptacle Kit or Purchase Locally)	
708D	1001101191	1	Connector, Strain Relief - 1001091969, 1001091970, 1001091971, 1001091972, 1001091973, 1001091974, 1001091975, 1001206250, 1001206251, 1001206252, 1001206253, 1001206254 & 1001206255 Installations	
708D	4460968	1	Connector, Strain Relief -1001194203 & 1001194204 Installations	

## SECTION 7 - ELECTRICAL

ITEM	PART NUMBER	QTY	DESCRIPTION	REV
708D	4460662	1	Connector, Strain Relief - 1001194197, 1001194198 & 1001194200 Installations	
708E	4460205	1	Plug, Male - 0272259 Installation	
708E	4460233	1	Plug, Male - 0272260 Installation	
708E	Not Required	0	Plug, Male - 0256202 Installation (Note: Use Receptacle Kit or Purchase Locally)	
708E	4461196	1	Plug, Male - 1001091969 Installation	
708E	4461199	1	Plug, Male - 1001091970 Installation	
708E	4461202	NLA	Plug, Male (Use p/n 44601205) - 1001091971, 1001091973 Installations & 1001100343 & 1001141971 Kits	
708E	4461205	1	Plug, Male - 1001091972, 1001091974 Installations & 1001100344 & 1001141970 Kits	
708E	4461249	1	Plug, Male - 1001091975 Installation	
708E	Not Required	0	Plug, Male - 1001100326, 1001100327, 1001100328, 1001100329, 1001100331, 1001100333 & 1001100337 Installations	
708F	4460205	AR	Plug, Male - 0272259 Installation	
708F	1001213584	AR	Plug, Male - 0272259 Installation	
708F	4460233	AR	Plug, Male - 0272260 Installation	
708F	1001213584	AR	Plug, Male - 0272260 Installation	
708F	4460709	AR	Plug, Male - 0256202, 1001091969, 1001100326, 1001091970, 1001100327 1001091971, 1001100328, 1001091972, 1001100329, 1001091973, 1001100331, 1001091974, 1001100333, 1001091975 & 1001100337 Installations	
708F	1001213584	AR	Plug, Male - 0256202 Installation <b>(SN 0300236850 to Present)</b>	
708F	4460692	1	Plug, Male - 1001160272 Installation	
708F	4460959	1	Plug, Male - 0272433 Installation	
708G	4460134	1	Connector, Female - 0272259 Installation <b>(SN 0300183034 through 0300236849)</b>	
708G	1001213585	1	Connector, Female - 0272259 Installation <b>(SN 0300236850 to Present)</b>	
708G	4460701	1	Connector, Female - 0272260 Installation <b>(SN 0300183034 through 0300236849)</b>	
708G	1001213585	1	Connector, Female - 0272260 Installation <b>(SN 0300236850 to Present)</b>	
708G	4460710	AR	Connector, Female - 0256202, 1001091969, 1001100326, 1001091970, 1001100327 1001091971, 1001100328, 1001091972, 1001100329, 1001091973, 1001100331, 1001091974, 1001100333, 1001091975 & 1001100337 Installations	
708G	1001213585	AR	Connector, Female - 0256202 Installation <b>(SN 0300236850 to Present)</b>	
708G	4460963	2	Connector, Female - 1001160272 Installation	
708G	4460960	2	Connector, Female - 0272433 Installation	
708H	1001101196	1	Connector, Adapter - 1001091969, 1001091970, 1001091971, 1001091972, 1001206253 & 1001206254 Installations	
708H	1001101197	1	Connector, Adapter - 1001091973, 1001091974, 1001091975, 1001206250, 1001206251, 1001206252 & 1001206255 Installations	
708J	4461197	1	Receptacle, Female - 1001100326 Installation (CE Specs with 2500W Generator Control Box Only)	
708J	4461200	1	Receptacle, Female - 1001100327 Installation (CE Specs with 2500W Generator Control Box Only)	
708J	4461203	1	Receptacle, Female - 1001100328 & 1001100331 Installations & 1001100343 & 1001141971 Kits (CE Specs with 2500W Generator Control Box Only)	
708J	4461206	1	Receptacle, Female - 1001100329 & 1001100333 Installations &	

## SECTION 7 - ELECTRICAL

ITEM	PART NUMBER	QTY	DESCRIPTION	REV
708J	4461250	1	1001100344 & 1001141970 Kits (CE Specs with 2500W Generator Control Box Only)	
708K	0275216	1	1001100337 Installation (CE Specs with 2500W Generator Control Box Only)	
708K	0275217	1	Receptacle Box Kit - 110V IEC Yellow (1001091969 Installation) (For CE Machines without 2500W Generator Only) (Includes Items 708A, 708B, 708C & 708E)	1
708K	0275218	1	Receptacle Box Kit - 220V IEC Blue (1001091970 Installation) (For CE Machines without 2500W Generator Only) (Includes Items 708A, 708B, 708C & 708E)	1
708K	0275218	NLA	Receptacle Box Kit - 220V CEE 7 Post Ground (1001091971 Installation) (Use p/n 1001100343) (For CE Machines without 2500W Generator Only) (Includes Items 708A, 708B, 708C & 708E)	C
708K	0275219	NLA	Receptacle Box Kit - 220V CEE 7 Side Ground (1001091972 Installation) (Use p/n 1001100343)	B
708K	0275452	1	Receptacle Box Kit - 220V CEE 7 Post Ground (1001091973 Installation) (For CE Machines without 2500W Generator Only) (Includes Items 708A, 708B, 708C & 708E)	C
708K	0275453	1	Receptacle Box Kit - 220V CEE 7 Side Ground (1001091974 Installation) (For CE Machines without 2500W Generator Only) (Includes Items 708A, 708B, 708C & 708E)	1
708K	0275454	1	Receptacle Box Kit - 220V AFSINT 107 Keyed Ground (1001091975 Installation) (For CE Machines without 2500W Generator Only) (Includes Items 708A, 708B, 708C & 708E)	1
708K	1001100341	1	Receptacle Box Kit - 110V IEC Yellow (1001100326 Installation) (For CE Machines with 2500W Generator Only) (Includes Items 708A, 708B, 708C, 708E & 708J)	2
708K	1001100342	1	Receptacle Box Kit - 220V IEC Blue (1001100327 Installation) (For CE Machines with 2500W Generator Only) (Includes Items 708A, 708B, 708C, 708E & 708J)	2
708K	1001091971	NLA	Receptacle Box Kit - 220V CEE 7 Post Ground (1001100328 Installation) (Use p/n 1001100343 Kit) (For CE Machines with 2500W Generator Only) (Includes Items 708A, 708B, 708C, 708E & 708J)	B
708K	1001091970	NLA	Receptacle Box Kit - 220V CEE 7 Side Ground (1001100329 Installation) (Use p/n 1001100344 Kit) (For CE Machines with 2500W Generator Only) (Includes Items 708A, 708B, 708C, 708E & 708J)	B
708K	1001100345	1	Receptacle Box Kit - 220V CEE 7 Post Ground (1001100331 Installation) (For CE Machines with 2500W Generator Only) (Includes Items 708A, 708B, 708C, 708E & 708J)	C
708K	1001100347	1	Receptacle Box Kit - 220V CEE 7 Side Ground (1001100333 Installation) (For CE Machines with 2500W Generator Only) (Includes Items 708A, 708B, 708C, 708E & 708J)	2
708K	1001100346	1	Receptacle Box Kit - 220V AFSINT 107 Keyed Ground (1001100337 Installation) (For CE Machines with 2500W Generator Only) (Includes Items 708A, 708B, 708C, 708E & 708J)	2
708L	1001156351	2	Cover, Connector - 0256202 Installation <b>(SN 0300183034 through 0300236849)</b>	
708L	1671092	1	Cover, Connector - 01001160272 & 0272433 Installations	
708M	1001156352	1	Cover, Plug - 0256202 Installation <b>(SN 0300183034 through 0300236849)</b>	
708M	1671093	1	Cover, Plug - 01001160272 & 0272433 Installations	
708N	1001193018	1	Bracket, Receptacle Box - 1001091969, 1001091970, 1001091971, 1001091972, 1001091973, 1001091974, 1001091975, 1001194203, 1001194204, 1001194197, 1001194198, 1001194200, 1001194365 Installations <b>(SN 0300201004 to Present)</b>	

## SECTION 7 - ELECTRICAL

ITEM	PART NUMBER	QTY	DESCRIPTION	REV
709	1001139952	Ref	4000W Generator Installation - Deutz D2011 Engine (60Hz)	B
709	1001139953	Ref	4000W Generator Installation - Deutz D2011 Engine (50Hz) <b>(SN 0300183034 through 0300195352)</b>	D
709	1001179912	Ref	4000W Generator Installation - Deutz D2011 Engine (50Hz) <b>(SN 0300195353 to Present)</b>	E
709	1001171125	Ref	4000W Generator Installation - Deutz TD2.9L4 Engine (60Hz)	A
709	1001180218	Ref	4000W Generator Installation - Deutz TD2.9L4 Engine and Deutz DT2.9L4 (Stage V) Engine (50Hz)	D
709	1001139960	Ref	4000W Generator Installation - GM Engine	A
709	1001115387	Ref	7500W SkyPower Generator Installation - Deutz D2011 Engine (60Hz)	F
709	1001115389	Ref	7500W SkyPower Generator Installation - Deutz D2011 Engine (50Hz)	E
709	1001141421	Ref	7500W SkyPower Generator Installation - Deutz TD2.9L4 Engine (60Hz)	E
709	1001141422	Ref	7500W SkyPower Generator Installation - Deutz TD2.9L4 Engine and Deutz DT2.9L4 (Stage V) Engine (50Hz)	E
709	0275257	Ref	7500W SkyPower Generator Installation - GM Engine	G
709B	3960422	1	Gasket - 60Hz Spec	
709B	See Note	NLA	Gasket - 50Hz Spec (Note: Not Available - Purchase Locally)	
709C	1001110873	Ref	Cover, Receptacle - 60Hz Spec (Top Hinged Cover)	
709C	See Note	NLA	Cover, Receptacle - 50Hz Spec (Note: Not Available - Purchase Locally)	
709E	4460346	Ref	Receptacle - 60Hz Spec	
709E	See Note	NLA	Receptacle - 50Hz Spec (Note: Not Available - Purchase Locally)	
709G	4460071	1	Connector, Strain Relief	
709H	1001152532	Ref	Harness, Generator - 4000W Generator	A
709H	4922925	1	Harness, Generator - 7500W SkyPower Generator	C
709J	See Note	NLA	Plug, Male - 6 Position - 7500W SkyPower Generator (Note: Not Available for Purchase)	
709J	77363233	1	Plug, Male - 6 Position - 4000W SkyPower Generator (Note: Not Available for Purchase)	
709J	77363229	6	Socket, Female - 7500W SkyPower Generator	
709J	4460465	2	Socket, Female - 4000W Generator	
709K	4460225	1	Plug, Male - 6 Position	
709K	4460226	6	Socket, Female - 7500W SkyPower Generator	
709K	4460268	2	Socket, Female - 4000W Generator	
709K	4460807	1	Seal - 4000W Generator	
709K	4460808	1	Seal - 4000W Generator	
709L		Ref	Breaker Box Assembly (50Hz) (See Items 716C-716G for Components)	
710	1001152457	Ref	4000W Generator Junction Box Components (60Hz) (Call-out # Not Shown)	B
710	1001152458	Ref	4000W Generator Junction Box Components (50Hz) (Call-out # Not Shown)	B
710	1001157592	Ref	7500W SkyPower Generator Junction Box Components (60Hz) (Call-out # Not Shown)	D
710	1001157525	Ref	7500W SkyPower Generator Junction Box Components (50Hz) (Call-out # Not Shown)	D
710A	1060494	2 ft/.6m	Cable, Electrical 12/3 - 60Hz Spec <b>(SN 0300183034 through 0300205491)</b>	
710A	1001179154	2.5 ft/.76m	Cable, Electrical 12/3 - 60Hz Spec <b>(SN 0300205492 to Present)</b>	
710C	1060343	1.5 ft/.46m	Cable, Electrical 10/4 (7500W 60Hz Spec Only)	

## SECTION 7 - ELECTRICAL

ITEM	PART NUMBER	QTY	DESCRIPTION	REV
710D	4460425	1	Connector, Strain Relief	
710E	4460426	2	Connector, Strain Relief (60Hz Spec Only)	
710E	4460426	1	Connector, Strain Relief (50Hz Spec Only)	
710E	3520189	1	Plug (50Hz Spec Only)	
710F	1671092	1	Cover (7500W 60Hz Spec Only)	
710F	4460963	1	Connector (7500W 60Hz Spec Only)	
711	1001132055	Ref	4000W Generator Electrical Diagram - 60Hz - Deutz D2011 & GM Engine Machines	A
711	1001153257	Ref	4000W Generator Electrical Diagram - 60Hz - Deutz TD2.9L4 Engine Machines	A
711	1001153025	Ref	4000W Generator Electrical Diagram - 50Hz - Deutz Engine Machines (ANSI Export & Japanese Specs) <b>(SN 0300183034 through 0300204764)</b>	C
711	1001194437	Ref	4000W Generator Electrical Diagram - 50Hz - Deutz Engine Machines (ANSI Export & Japanese Specs) <b>(SN 0300204765 to Present)</b>	B
711	1001159648	Ref	4000W Generator Electrical Diagram - 50Hz - Deutz Engine Machines with Australian Specs	C
711	1001153025	Ref	4000W Generator Electrical Diagram - 50Hz - Deutz Engine Machines with CE Specs	C
711	1001160271	Ref	4000W Generator Electrical Diagram - 50Hz - Deutz Engine Machines with CE UK Specs	C
711	1001157769	Ref	7500W SkyPower Generator Electrical Diagram - Deutz D2011 Engine Machines (Call-out # Not Shown)	B
711	1001157770	Ref	7500W SkyPower Generator Electrical Diagram - Deutz TD2.9L4 Engine Machines (Call-out # Not Shown)	A
711	1001221498	Ref	7500W SkyPower Generator Electrical Diagram - Ford Engine Machines (Call-out # Not Shown)	A
711	1001157768	Ref	7500W SkyPower Generator Electrical Diagram - GM Engine Machines (Call-out # Not Shown)	A
711A	1001153197	1	Generator Harness - 4000W Generator (Deutz D2011 & GM Engines)	B
711A	1001153197	1	Generator Harness - 4000W Generator (Deutz TD2.9L4 Engines) <b>(SN 0300183034 through 0300213719)</b>	B
711A	1001153259	1	Generator Harness - 4000W Generator (Deutz TD2.9L4 Engines) <b>(SN 0300213720 to Present)</b>	B
711A	1001152429	1	Generator Harness - 7500W/50Hz SkyPower Generator (Deutz Engine Machines)	C
711A	1001119968	1	Generator Harness - 7500W/60Hz SkyPower Generator (Deutz Engine Machines)	C
711A	1001221208	1	Generator Harness - 7500W SkyPower Generator (Ford Engine Machines)	A
711A	4923420	1	Generator Harness - 7500W SkyPower Generator (GM Engine Machines)	A
711B	4460374	2	Plug, Sealed Relay (7500W SkyPower Generator with Ford & GM Engines Only)	
711B	4460375	7	Terminal (7500W SkyPower Generator with Ford & GM Engines Only)	
711C	4460967	1	Plug, Male - 3 Position	
711C	4460465	3	Socket, Female	
711D	4460742	1	Plug, Male - 2 Position (4000W/60Hz Generator) (Deutz D2011 & GM Engines)	
711D	4460743	2	Socket, Female (4000W/60Hz Generator) (Deutz D2011 & GM Engines)	
711D	4460458	1	Seal (4000W/60Hz Generator) (Deutz D2011 & GM Engines)	
711D	1001116727	1	Seal (4000W/60Hz Generator) (Deutz D2011 & GM Engines)	
711D	4460742	1	Plug, Male - 2 Position (7500W SkyPower Generator 50Hz)	

## SECTION 7 - ELECTRICAL

ITEM	PART NUMBER	QTY	DESCRIPTION	REV
711D	4460743	2	Deutz & 60Hz - Ford & GM Engines Only) Socket, Female (7500W SkyPower Generator 550Hz Deutz & 60Hz - Ford & GM Engines Only)	
711D	4460458	2	Seal (7500W SkyPower Generator 550Hz Deutz & 60Hz - GM Engines Only)	
711E	2400060	1	Fuseholder (50Hz Deutz & 60Hz - GM Engines)	
711E	2400064	1	Fuse - 5 Amp (50Hz Deutz & 60Hz - GM Engines)	
711E	1001117078	1	Fuseholder (Includes Fuse and Cap) (60Hz - Deutz Engine)	
711E	See Note	1	Fuse - 5 Amp (60Hz - Deutz Engines) (Note: Use 1001117078 Assembly or Purchase Fuse Locally)	
711E	1001096134	1	Cover, Fuseholder (60Hz - Deutz Engines)	
711F	4922641	1	Switch Harness	
711G	4460268	2	Socket, Female	
711H	1001164091	1	Harness, Ground (4000W/50Hz) (Not Shown)	
712	See Note	1	Lights Harness (Note: Not Available for Purchase)	
712	1060341	48 ft/ 14.6m	Cable, Electrical - 16/2	
712A	3740049	1	Relay	
712B	4922643	1	Harness, Bagged (Located at Ground Control Box) (Not Shown)	
712C	4460426	1	Connector, Strain Relief	
713A	2920140	2	Platform Worklights Harness (External) Options (Includes Light and Wire Only)	
713B	1001098234	AR	Connector, Female - 3 Position	
713C	1001098349	1	Connector, Male - 3 Position (Platform Worklights Only)	
713D	4460426	1	Connector, Strain Relief	
713E	2400070	1	Fuse - 20 Amp	
713F	4922215	1	Platform Worklights Main Boom Harness (800A)	
713F	4922216	1	Platform Worklights Main Boom Harness (800AJ)	
713G	4922217	1	Platform Worklights Tower Boom Harness	
714A	1060341	23 ft/7.1m	Cable, SoftTouch System - 16/2	
714B	4460425	1	Connector, Strain Relief - 6ft Platforms	
714B	4460049	1	Connector, Strain Relief - 8ft Platforms	
714C	4460226	2	Socket, Female	
715	1001094509	1	Generator Hourmeter Harness	
716	1001206256	Ref	AC Cable to Breaker (Required Only on CE Spec)	A
716	1001177710	Ref	AC Cable to Breaker (Required Only on CE Spec without 2500W Generator Installation)	C
716	1001171016	Ref	AC Cable to Breaker (Required Only on Brazil Spec with AC to Platform without 7500W SkyPower Generator)	
716A	0903484	1	Bracket, Receptacle Box Mounting (CE Spec Only)	
716B	1001177035	1	Bracket, Circuit Breaker Mounting (CE Spec)	
716B	0903697	1	Bracket, Circuit Breaker Mounting (Brazil Spec)	
716C	1001109654	1	Breaker Box Kit ( Without Generator)	B
716C	1001109654	1	Breaker Box Kit (2500W/50Hz & 7500W/50Hz Generators)	B
716C	1001096070	1	Breaker Box Kit (4000W/50Hz Generator) <b>(SN 0300183034 through 0300214275)</b>	E
716C	1001165368	1	Breaker Box Kit (4000W/50Hz Generator) <b>(SN 0300214276 to Present)</b>	B
716C	1001109477	NLA	Circuit Breaker 10A (Use p/n 1001181046) <b>(SN 0300183034 through 0300204765)</b>	
716C	1001109475	NLA	Circuit Breaker 16A (Use p/n 1001181045) <b>(SN 0300183034 through 0300204765)</b>	
716C	1001109482	NLA	Circuit Breaker 30mA (Use p/n 1001181046 When Paired with 10A Breaker / Use p/n 1001181045 When Paired with 16A	

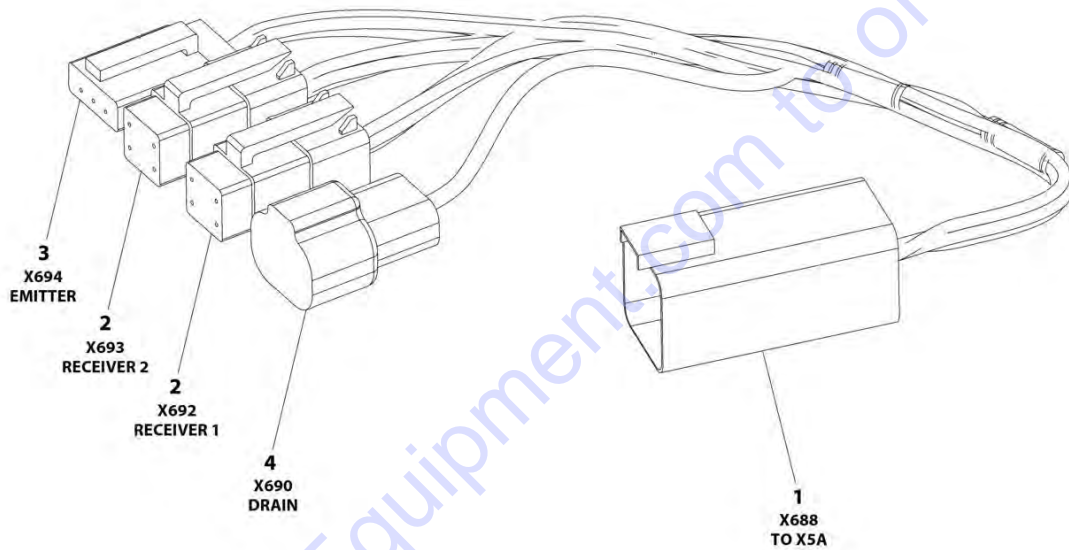
## SECTION 7 - ELECTRICAL

ITEM	PART NUMBER	QTY	DESCRIPTION	REV
716C	1001181046	1	Breaker) (SN 0300183034 through 0300204765) Circuit, Breaker 10A/30mA Combination (SN 0300204766 to Present)	
716C	1001181045	1	Circuit, Breaker 16A/30mA Combination (SN 0300204766 to Present)	
716C	0861880	1	Breaker Box	
716C	4460956	1	Terminal, Block End Barrier	
716C	1060908	6 ft/1.8m	Cable, Extension	
716C	4460957	1	Terminal Block	
716D	1001101191	1	Connector, Strain Relief (Top) (1001109654 Box)	
716D	1001097150	1	Connector, Strain Relief (Bottom) (1001109654 Box)	
716D	1001097150	2	Connector, Strain Relief (1001096070 Box)	
716D	1001101191	2	Connector, Strain Relief (1001165368 Box)	
716E	1060908	12 ft/3.6m	Cable, Electrical 12/3 ( 1001109654 & 1001096070 Boxes)	
716E	1060545	12 ft/3.6m	Cable, Electrical 10/3 (1001165368 Box)	
716F	4460709	1	Plug, Male (CE Spec Only)	
716F	1001213584	1	Plug, Male (CE Spec Only) (1001177710 Installation) (SN 0300236850 to Present)	
716G	4460710	1	Connector, Female (CE Spec Only)	
716G	1001213585	1	Connector, Female (CE Spec Only) (1001177710 Installation) (SN 0300236850 to Present)	
		Ref	TOOLS	
801	7002821	1	Crimper (For Wire to Pin/Socket Connections) (Not Shown)	
802	7002823	1	Extractor (For Removal of Pin/Socket from Connectors) (Not Shown)	
803	4460467	1	Extractor, Pin (Blue 16-18 Gauge) (For Removal of Pin/Socket from Connectors) (Not Shown)	
803	4460510	1	Extractor, Pin (Yellow 12-14 Gauge) (For Removal of Pin/Socket from Connectors) (Not Shown)	
804	7002828	1	Stripper, Wire (Not Shown)	
805	1600244	1	Analyzer	
805A	1060633	1	Cable, Analyzer	1-A
805B	4460321	2	Plug, Male	
805B	4460226	8	Socket, Female	



# SECTION 7 - ELECTRICAL

## FIGURE 7-3. SKYEYE INTERMEDIATE HARNESS



ART\_1001237865

## SECTION 7 - ELECTRICAL

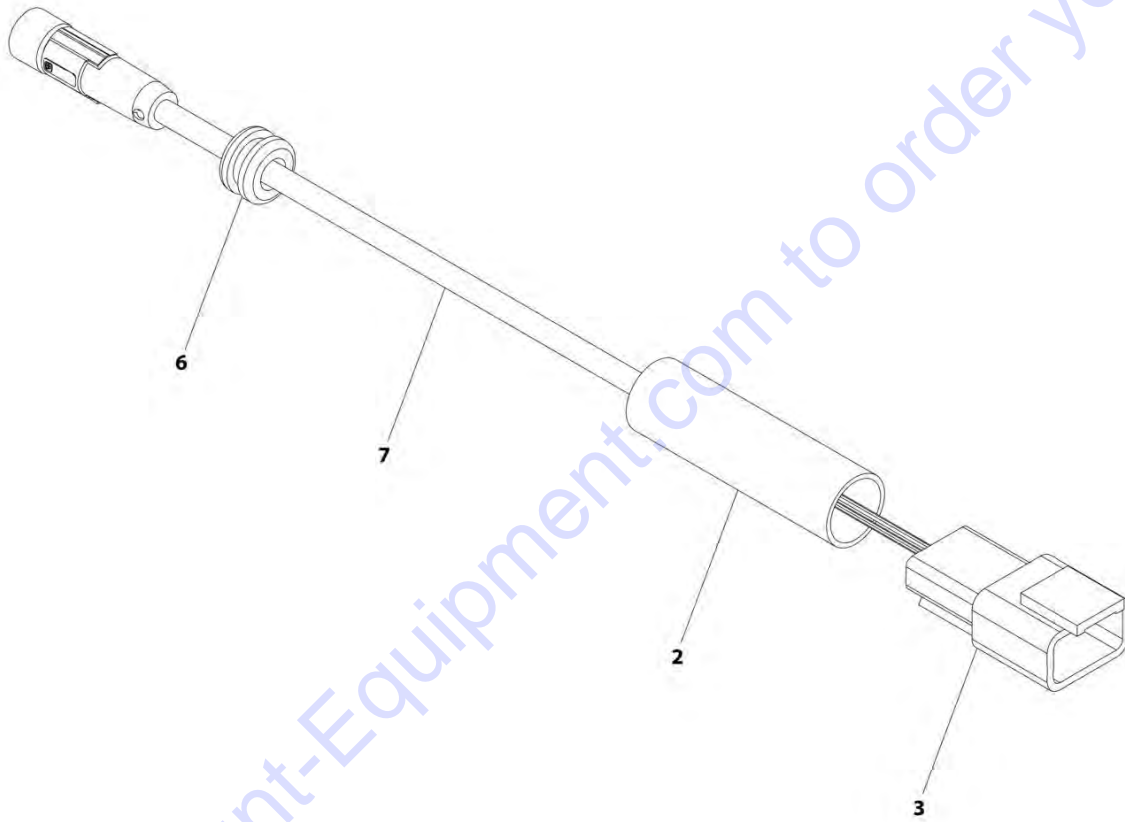
**FIGURE 7-3. SKYEYE INTERMEDIATE HARNESS**

ITEM	PART NUMBER	QTY	DESCRIPTION	REV
	1001237865	Ref	SKYEYE INTERMEDIATE HARNESS	A
1	4460899	1	Connector - 6 Position	
1	4460943	4	Pin, Male	
1	4460466	2	Plug, Terminal	
2	4461077	2	Connector - 4 Position	
2	1001119619	8	Socket, Female	
3	4460911	1	Connector - 3 Position	
3	1001119619	3	Socket, Female	
4	1001187681	1	Connector - 2 Position	
4	4460941	1	Pin, Male	
4	4460466	1	Plug, Terminal	

Go to Discount-Equipment.com to order your parts

# SECTION 7 - ELECTRICAL

## FIGURE 7-4. SKYEYE EMITTER HARNESS



ART\_1001237864

## SECTION 7 - ELECTRICAL

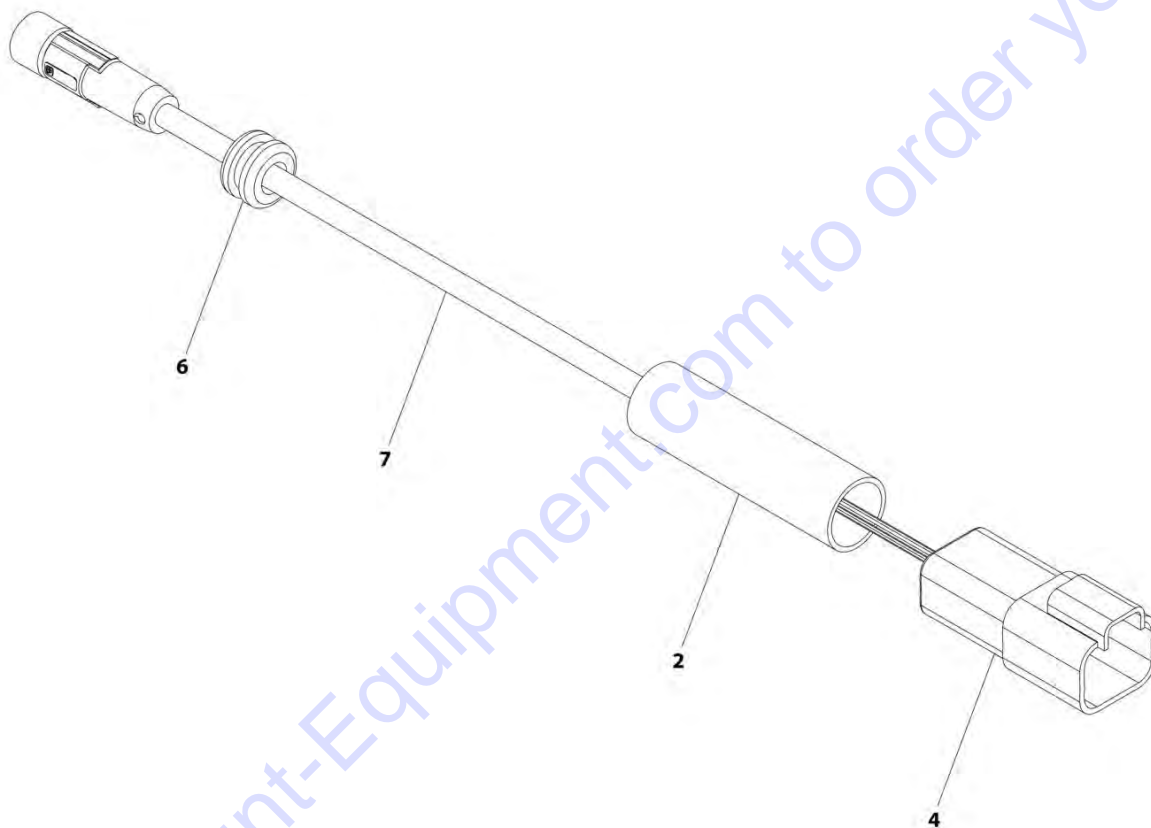
### FIGURE 7-4. SKYEYE EMITTER HARNESS

ITEM	PART NUMBER	QTY	DESCRIPTION	REV
	1001237864	Ref	SKYEYE EMITTER HARNESS	A
2	2820247	AR	Tubing, Heat Shrink	
3	4460910	1	Connector - 3 Position	
3	1001119620	3	Pin, Male	
6	1001227996	1	Grommet	
7	1001237862	1	Cable, M8 Female Cordset	

Go to Discount-Equipment.com to order your parts

# SECTION 7 - ELECTRICAL

## FIGURE 7-5. SKYEYE RECEIVER HARNESS



ART\_1001237863

## SECTION 7 - ELECTRICAL

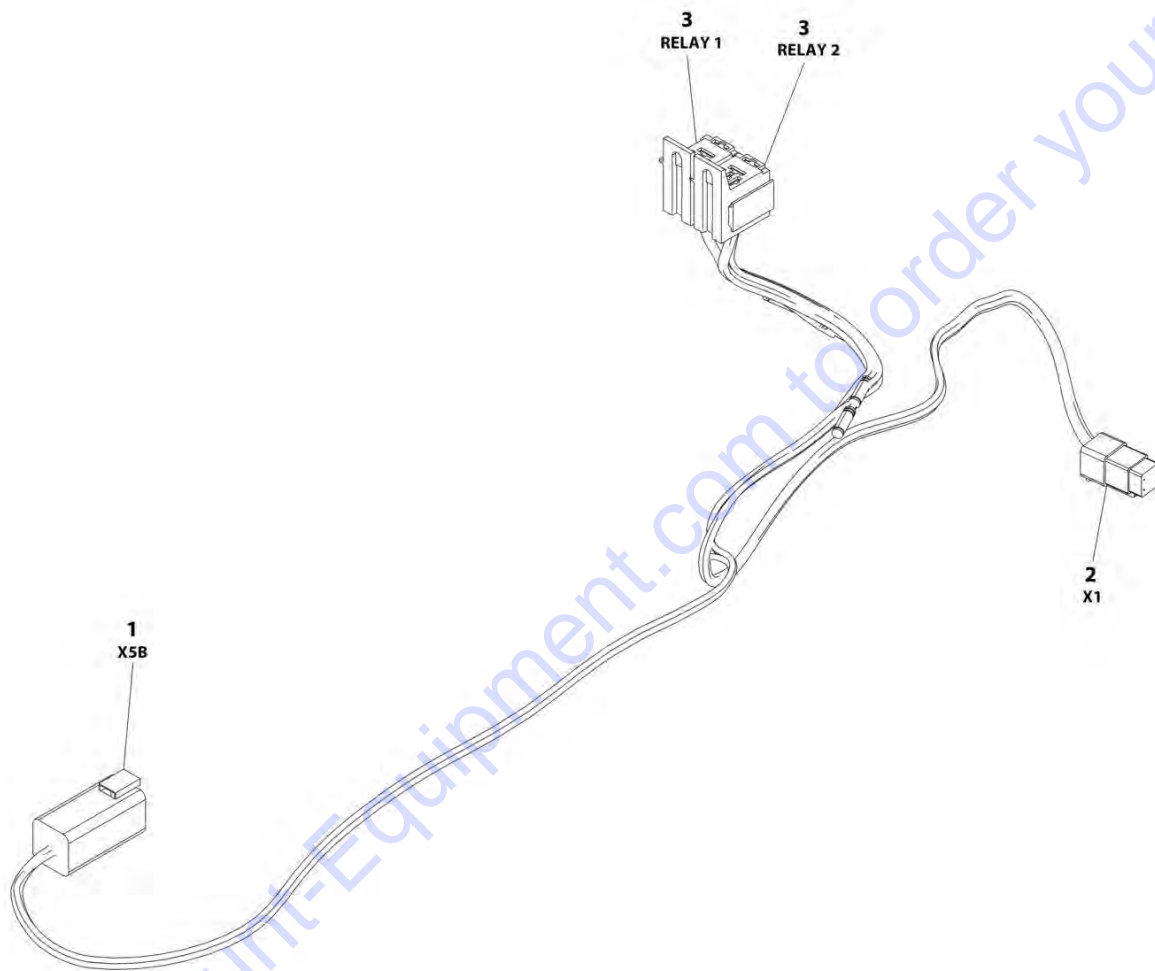
### FIGURE 7-5. SKYEYE RECEIVER HARNESS

ITEM	PART NUMBER	QTY	DESCRIPTION	REV
	1001237863	Ref	SKYEYE RECEIVER HARNESS	A
2	2820247	AR	Tubing, Heat Shrink	
4	1001097051	1	Connector - 4 Position	
4	1001119620	4	Pin, Male	
6	1001227996	1	Grommet	
7	1001237862	1	Cable, M8 Female Cordset	

Go to Discount-Equipment.com to order your parts

# SECTION 7 - ELECTRICAL

## FIGURE 7-6. SKYLINE HARNESS



ART\_1001238418

## SECTION 7 - ELECTRICAL

### FIGURE 7-6. SKYLINE HARNESS

ITEM	PART NUMBER	QTY	DESCRIPTION	REV
	1001238418	Ref	SKYLINE HARNESS	A
1	4460899	1	Connector - 6 Position	
1	4460464	4	Pin, Male	
1	4460466	2	Plug, Terminal	
2	4461077	1	Connector - 4 Position	
2	1001126009	4	Socket, Female	
3	1001186432	2	Plug, Relay	
3	1001118388	5	Terminal	
3	1001118384	3	Terminal	
3	3740086	2	Relay	
3	3990013	2	Diode	

Go to Discount-Equipment.com to order your parts





SECTION 8 - DECALS

Go to Discount-Equipment.com to order your parts



## SECTION 8 - DECALS

**FIGURE 8-1. DECAL INSTALLATION (ANSI SPEC)**

ITEM	PART NUMBER	QTY	DESCRIPTION	REV
	0274519	Ref	DECALS INSTALLATION - JLG LOGO	E
	0274460	Ref	DECALS INSTALLATION - 800A	H
	0274461	Ref	DECALS INSTALLATION - 800AJ	H
2	1701499	2	Decal - No Tie Down/Lift	
5	1701509	1	Decal - Manual	
7	1703811	4	Decal - Tie Down/Lift	
8	1703814	6	Decal - Tie Down	
9	1704277	3	Decal - Attach Lanyard Here	
10	1704412	1	Decal - Hydraulic Oil Chart	
12	1705514	1	Decal - CSA <b>(SN 0300222892 to Present)</b>	
13	3251243	1	Nameplate - 120V-60Hz	
18	1703953	5	Decal - Warning Crushing	
20	1702868	2	Decal - No Hands	
21	1703797	1	Decal - Warning/Danger	
22	1705336	1	Decal - Warning Inspection (MTB)	
23	1703804	4	Decal - Warning Crushing	
24	1703805	5	Decal - Danger Electrocution	
25	3252347	1	Decal - Footswitch	
26	3251813	1	Decal - USA	
29	1703960	4	Decal - Max Tire Load	
30	See Note	1	Decal - Bar Code (Note: Not Available for Purchase)	
31	1703772	2	Decal - 800A	
31	1703773	2	Decal - 800AJ	
32	1701501	4	Decal - Arrow	
33	1001121800	2	Decal - 500LBS Unrestricted Capacity (800A)	
33	1001121801	2	Decal - 500LBS Maximum Capacity (800AJ)	
34	1001121813	1	Decal - 500LBS Unrestricted Capacity (800A)	
34	1001121814	1	Decal - 500LBS Maximum Capacity (800AJ)	
35	1704885	1	Decal - Website	
36	See Note	1	Nameplate - Manufacturers Serial Number (Note: Not Available for Purchase)	
37	1001096141	1	Decal - Upright Level Override	
38	1703959	2	Decal - Quick Stick	
39	1001131269	1	Decal - Patent	
40	1001108495	1	Decal - Legend	
41	1001095809	1	Decal - Legend (MTB)	
43	3820001	4	Rivet	
44	1702861	2	Decal - JLG Lift (8in Height)	
45	1702774	1	Decal - JLG Lift (3-1/2in Height)	
46	1702773	1	Decal - JLG (5in Height)	
47	3250872	1	Nameplate - Steer/Tow Selector	
48	1705090	1	Decal - Towing Instructions	
49	1701505	1	Decal - Fuel (Diesel)	
49	1701542	1	Decal - Fuel (Gas)	
50	1701543	2	Decal - LP Gas (GM Engine Machines Only)	
51	1700818	2	Decal - LP Gas (Liquid) (GM Engine Machines Only)	
53	1703175	1	Decal - Lanyard Attach (GM Spec Only)	
54	1702962	1	Decal - Warning (Proposition 65) (California Spec -Diesel Machines Only) <b>(SN 0300183034 through 0300243317)</b>	
54	1001231801	1	Decal - Warning (Proposition 65) (California Spec -Diesel	

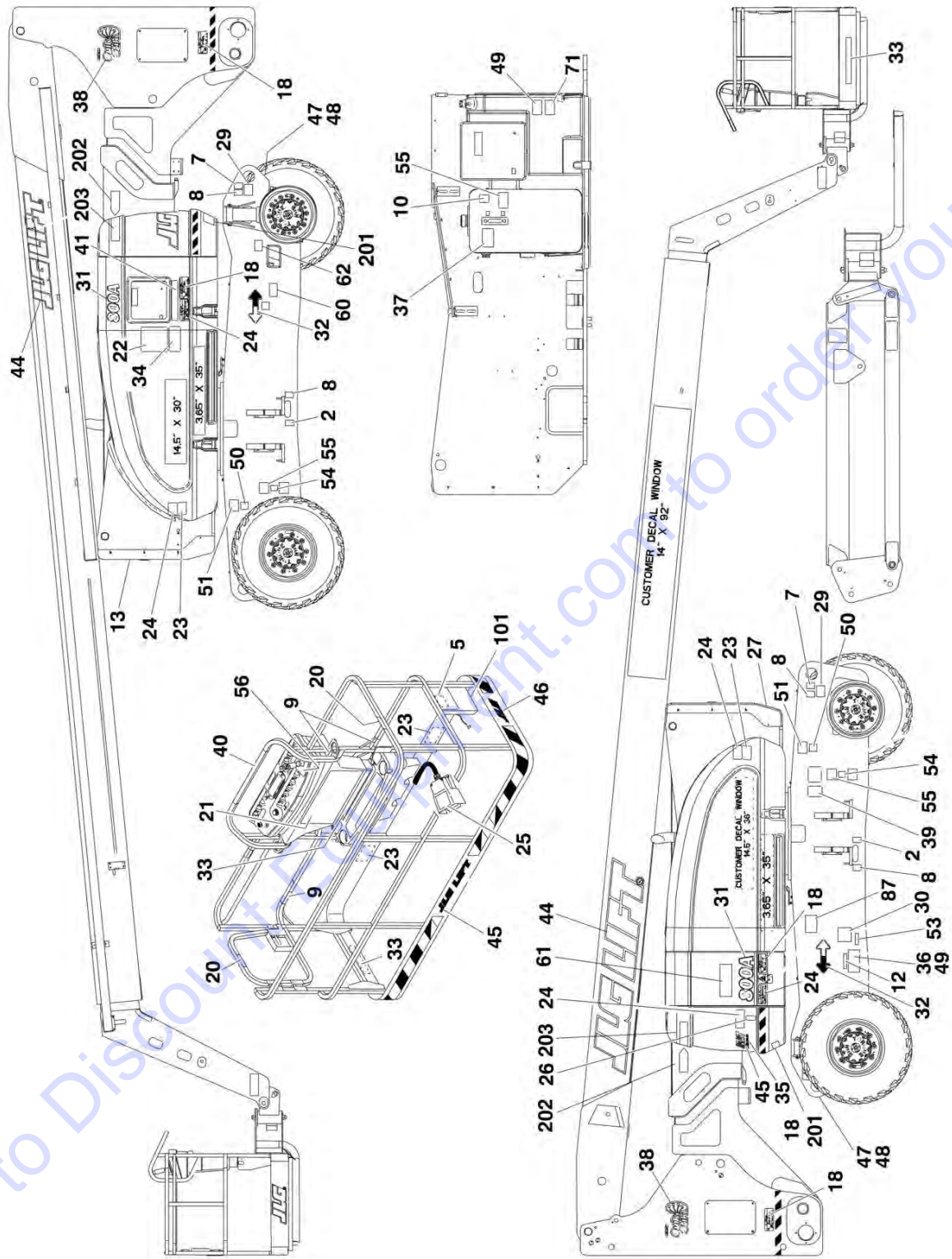
## SECTION 8 - DECALS

ITEM	PART NUMBER	QTY	DESCRIPTION	REV
54	1702961	1	Machines Only) (SN 0300243318 to Present) Decal - Warning (Proposition 65) (California Spec -Gas Machines Only) (SN 0300183034 through 0300243317)	
54	1001236338	NLA	Decal - Warning (Proposition 65) (Use p/n 1001231801) (California Spec -Gas Machines Only) (SN 0300243318 to Present)	
55	1702788	1	Decal - Bio Hydraulic Fluid	
56	1705351	1	Decal - Drive Orientation	
60	1001223055	1	Decal - Yearly Inspection (SN 0300234048 to Present)	
61	1001229113	1	Decal - Lift Diagram (SN 0300237344 to Present)	
62	1001223453	1	Decal - ICES (SN 0300243318 to Present)	
71	1001125387	1	Decal - Low Sulfur Fuel (Deutz Engine Machines)	
	0258671	Ref	MANUAL STORAGE BOX INSTALLATION	C
101	0860520	1	Box, Manual Storage	
101	0641406	4	Bolt 1/4-20 x 3/4	
101	4751400	4	Washer 1/4	
101	3311405	4	Nut 1/4-20	
	1001220864	Ref	TRANSPORT DECALS INSTALLATION (SN 0300224236 to Present)	A
201	1001220512	2	Decal - Lower Boom	
202	1001220510	2	Decal - Warning Arrow	
203	1001220511	2	Decal - Warning Stripe	



# SECTION 8 - DECALS

## FIGURE 8-2. DECAL INSTALLATION (COUNTRY SPEC)



## SECTION 8 - DECALS

**FIGURE 8-2. DECAL INSTALLATION (COUNTRY SPEC)**

ITEM	PART NUMBER	QTY	DESCRIPTION	REV
	0274519	Ref	DECAL INSTALLATION - JLG LOGO	E
	0274470	Ref	DECAL INSTALLATION - 800A DUAL LANGUAGE ENGLISH/CHINESE	F
	0274472	Ref	DECAL INSTALLATION - 800A DUAL LANGUAGE ENGLISH/FRENCH	G
	0274466	Ref	DECAL INSTALLATION - 800A DUAL LANGUAGE ENGLISH/SPANISH	F
	0274468	Ref	DECAL INSTALLATION - 800A DUAL LANGUAGE SPANISH/PORTUGUESE	E
	0274462	Ref	DECAL INSTALLATION - 800A DUAL LANGUAGE ENGLISH/JAPANESE	F
	0274464	Ref	DECAL INSTALLATION - 800A DUAL LANGUAGE ENGLISH/KOREAN	F
	0274471	Ref	DECAL INSTALLATION - 800AJ DUAL LANGUAGE CHINESE/ENGLISH	F
	0274473	Ref	DECAL INSTALLATION - 800AJ DUAL LANGUAGE ENGLISH/FRENCH	G
	0274467	Ref	DECAL INSTALLATION - 800AJ DUAL LANGUAGE ENGLISH/SPANISH	F
	0274469	Ref	DECAL INSTALLATION - 800AJ DUAL LANGUAGE SPANISH/PORTUGUESE	E
	0274463	Ref	DECAL INSTALLATION - 800AJ DUAL LANGUAGE ENGLISH/JAPANESE	F
	0274465	Ref	DECAL INSTALLATION - 800AJ DUAL LANGUAGE ENGLISH/KOREAN	F
2	1701499	2	Decal - No Tie Down/Lift	
5	1701509	1	Decal - Manual	
7	1703811	4	Decal - Tie Down/Lift	
8	1703814	6	Decal - Tie Down	
9	1704277	3	Decal - Attach Lanyard Here	
10	1704412	1	Decal - Hydraulic Oil Chart	
12	1705514	1	Decal - CSA (CSA Spec Only)	
13	Not Required	0	Nameplate - 110V - Dual Language English/Chinese	
13	3251243	1	Nameplate - 110V - Dual Language English/French	
13	3251243	1	Nameplate - 110V - Dual Language English/Spanish	
13	3251243	1	Nameplate - 110V - Dual Language Spanish/Portuguese	
13	Not Required	0	Nameplate - 110V - Dual Language English/Japanese	
13	Not Required	0	Nameplate - 110V - Dual Language English/Korean	
13	3252507	1	Nameplate - 220V - All Specs	
18	1703943	3	Decal - Warning/Crushing - Dual Language English/Chinese	
18	1703942	3	Decal - Warning/Crushing - Dual Language English/French	
18	1703941	3	Decal - Warning/Crushing - Dual Language English/Spanish	
18	1705903	3	Decal - Warning/Crushing - Dual Language Spanish/Portuguese	
18	1703944	3	Decal - Warning/Crushing - Dual Language English/Japanese	
18	1703945	3	Decal - Warning/Crushing - Dual Language English/Korean	
20	1705968	2	Decal - No Hands - Dual Language English/Simplified Chinese	
20	1001116846	2	Decal - No Hands - Dual Language English/Traditional Chinese	
20	1704000	2	Decal - No Hands - Dual Language English/French	
20	1704001	2	Decal - No Hands - Dual Language English/Spanish	
20	1705967	2	Decal - No Hands - Dual Language Spanish/Portuguese	
20	Not Required	0	Decal - No Hands - Dual Language English/Japanese	
20	1705969	2	Decal - No Hands - Dual Language English/Korean	



## SECTION 8 - DECALS

ITEM	PART NUMBER	QTY	DESCRIPTION	REV
21	1703925	1	Decal - Danger/Warning - Dual Language English/Chinese	
21	1703924	1	Decal - Danger/Warning - Dual Language English/French	
21	1703923	1	Decal - Danger/Warning - Dual Language English/Spanish	
21	1705895	1	Decal - Danger/Warning - Dual Language Spanish/Portuguese	
21	1703926	1	Decal - Danger/Warning - Dual Language English/Japanese	
21	1703927	1	Decal - Danger/Warning - Dual Language English/Korean	
22	1705348	1	Decal - Warning Inspection - Dual Language English/Simplified Chinese	
22	1001116849	1	Decal - Warning Inspection - Dual Language English/Traditional Chinese	
22	1705347	1	Decal - Warning Inspection - Dual Language English/French	
22	1705917	1	Decal - Warning Inspection - Dual Language English/Spanish	
22	1705896	1	Decal - Warning Inspection - Dual Language Spanish/Portuguese	
22	1705344	1	Decal - Warning Inspection - Dual Language English/Japanese	
22	1705345	1	Decal - Warning Inspection - Dual Language English/Korean	
23	1703949	6	Decal - Crushing - Dual Language English/Chinese	
23	1703948	6	Decal - Crushing - Dual Language English/French	
23	1703947	6	Decal - Crushing - Dual Language English/Spanish	
23	1705898	6	Decal - Crushing - Dual Language Spanish/Portuguese	
23	1703950	6	Decal - Crushing - Dual Language English/Japanese	
23	1703951	6	Decal - Crushing - Dual Language English/Korean	
24	1703937	4	Decal - Danger/Electrocution - Dual Language English/Simplified Chinese	
24	1001116851	4	Decal - Danger/Electrocution - Dual Language English/Traditional Chinese	
24	1703936	4	Decal - Danger/Electrocution - Dual Language English/French	
24	1703935	4	Decal - Danger/Electrocution - Dual Language English/Spanish	
24	1705897	4	Decal - Danger/Electrocution - Dual Language Spanish/Portuguese	
24	1703938	4	Decal - Danger/Electrocution - Dual Language English/Japanese	
24	1703939	4	Decal - Danger/Electrocution - Dual Language English/Korean	
25	1703982	1	Decal - Footswitch - Dual Language English/Chinese	
25	1703984	1	Decal - Footswitch - Dual Language English/French	
25	1703983	1	Decal - Footswitch - Dual Language English/Spanish	
25	1705902	1	Decal - Footswitch - Dual Language Spanish/Portuguese	
25	1703980	1	Decal - Footswitch - Dual Language English/Japanese	
25	1703981	1	Decal - Footswitch - Dual Language English/Korean	
26	3251813	1	Decal - USA	
29	1703960	4	Decal - Max Tire Load	
30	See Note	1	Decal - Bar Code (Note: Not Available for Purchase)	
31	1703772		Decal - 800A	
31	1703773		Decal - 800AJ	
32	1701501	4	Decal- Arrow	
33	1001121809		Decal - 500LBS Max Capacity - 800A Dual Language English/Chinese	
33	1001121810		Decal - 500LBS Max Capacity - 800AJ Dual Language English/Chinese	
33	1001121802		Decal - 500LBS Max Capacity - 800A Dual Language English/French	
33	1001121803		Decal - 500LBS Max Capacity - 800AJ Dual Language English/French	
33	1001121804		Decal - 500LBS Max Capacity - 800A Dual Language English/Spanish	
33	1001121805		Decal - 500LBS Max Capacity - 800AJ Dual Language	

## SECTION 8 - DECALS

ITEM	PART NUMBER	QTY	DESCRIPTION	REV
33	1001121806		English/Spanish Decal - 500LBS Max Capacity - 800A Dual Language Spanish/Portuguese	
33	1001121656		Decal - 500LBS Max Capacity - 800AJ Dual Language Spanish/Portuguese	
33	1001121807		Decal - 500LBS Max Capacity - 800A Dual Language English/Japanese	
33	1001121808		Decal - 500LBS Max Capacity - 800AJ Dual Language English/Japanese	
33	1001122200		Decal - 500LBS Max Capacity - 800A Dual Language English/Korean	
33	1001121918		Decal - 500LBS Max Capacity - 800AJ Dual Language English/Korean	
34	1001121822		Decal - 500LBS Max Capacity - 800A Dual Language English/Chinese Decals	
34	1001121823		Decal - 500LBS Max Capacity - 800AJ Dual Language English/Chinese Decals	
34	1001121815		Decal - 500LBS Max Capacity - 800A Dual Language English/French Decals	
34	1001121816		Decal - 500LBS Max Capacity - 800AJ Dual Language English/French Decals	
34	1001121817		Decal - 500LBS Max Capacity - 800A Dual Language English/Spanish Decals	
34	1001121818		Decal - 500LBS Max Capacity - 800AJ Dual Language English/Spanish Decals	
34	1001121819		Decal - 500LBS Max Capacity - 800A Dual Language Spanish/Portuguese Decals	
34	1001121655		Decal - 500LBS Max Capacity - 800AJ Dual Language Spanish/Portuguese Decals	
34	1001121820		Decal - 500LBS Max Capacity - 800A Dual Language English/Japanese Decals	
34	1001121821		Decal - 500LBS Max Capacity - 800AJ Dual Language English/Japanese Decals	
34	1001122201		Decal - 500LBS Max Capacity - 800A Dual Language English/Korean Decals	
34	1001121921		Decal - 500LBS Max Capacity - 800AJ Dual Language English/Korean Decals	
35	1704885	1	Decal - Website	
36	See Note	1	Nameplate, Manufacturers (Note: Not Available for Purchase)	
37	1705977	1	Decal - Upright Level Override	
38	1703959	2	Decal - Quick Stick	
39	1001131269	1	Decal - Patent	
40	1001108495	1	Decal - Legend	
41	1001095809	1	Decal - Legend (MTB)	
43	3820001	4	Rivet (Not Shown)	
44	1702861	2	Decal - JLG Lift (8in Height)	
45	1702774	2	Decal - JLG Lift (3-1/2in Height)	
46	1702773	1	Decal - JLG (5in Height)	
47	3250872	1	Nameplate - Steer/Tow Selector	
48	1705090	1	Decal - Towing Instructions	
49	1701505	1	Decal - Fuel (Diesel)	
49	1701542	1	Decal - Fuel (Gas)	
50	1701543	2	Decal - LP Gas (GM Engine Machines Only)	
51	1700818	2	Decal - LP Gas (Liquid) (GM Engine Machines Only) (ANSI Spec)	
51	1702720	2	Decal - LP Gas (Liquid) (GM Engine Machines Only) (ANSI Export)	

# PARTS FINDER

**Search Website  
by Part Number**



**Search Manual  
Library For Parts  
Manual & Lookup Part  
Numbers – Purchase  
or Request Quote**

**Can't Find Part or  
Manual? Request Help  
by Manufacturer,  
Model & Description**

Discount-Equipment.com is your online resource for quality parts & equipment.

Florida: **561-964-4949** Outside Florida TOLL FREE: **877-690-3101**

## Need parts?

Click on this link: <http://www.discount-equipment.com/category/5443-parts/> and choose one of the options to help get the right parts and equipment you are looking for. Please have the machine model and serial number available in order to help us get you the correct parts. If you don't find the part on the website or on one of the online manuals, please fill out the request form and one of our experienced staff members will get back to you with a quote for the right part that your machine needs.

We sell worldwide for the brands: Genie, Terex, JLG, MultiQuip, Mikasa, Essick, Whiteman, Mayco, Toro Stone, Diamond Products, Generac Magnum, Airman, Haulotte, Barreto, Power Blanket, Nifty Lift, Atlas Copco, Chicago Pneumatic, Allmand, Miller Curber, Skyjack, Lull, Skytrak, Tsurumi, Husquvarna Target, Stow, Wacker, Sakai, Mi-T-M, Sullair, Basic, Dynapac, MBW, Weber, Bartell, Bennar Newman, Haulotte, Ditch Runner, Menegotti, Morrison, Contec, Buddy, Crown, Edco, Wyco, Bomag, Laymor, EZ Trench, Bil-Jax, F.S. Curtis, Gehl Pavers, Heli, Honda, ICS/PowerGrit, IHI, Partner, Imer, Clipper, MMD, Koshin, Rice, CH&E, General Equipment, Amida, Coleman, NAC, Gradall, Square Shooter, Kent, Stanley, Tamco, Toku, Hatz, Kohler, Robin, Wisconsin, Northrock, Oztec, Toker TK, Rol-Air, APT, Wylie, Ingersoll Rand / Doosan, Innovatech, Con X, Ammann, Mecalac, Makinex, Smith Surface Prep, Small Line, Wanco, Yanmar

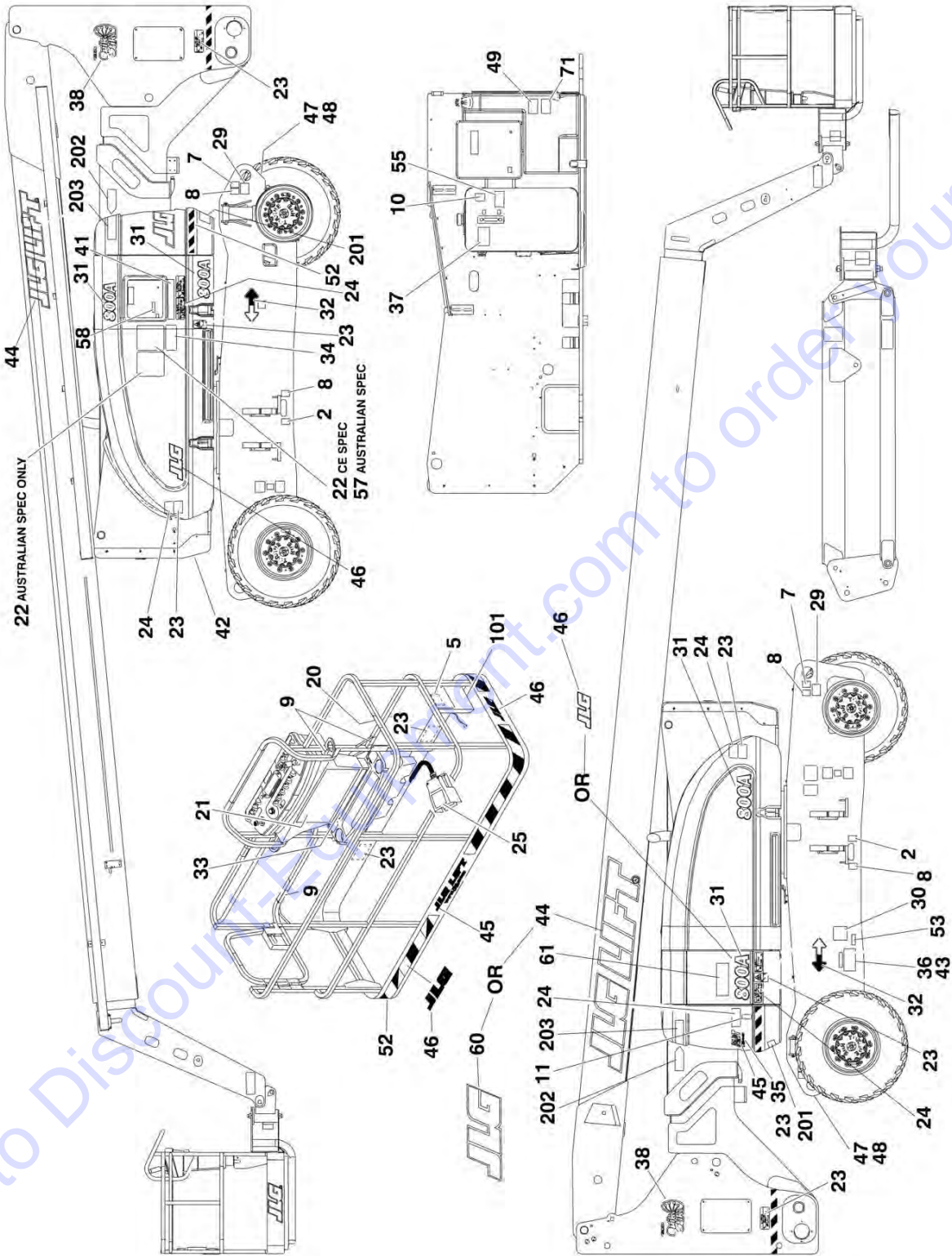
## SECTION 8 - DECALS

ITEM	PART NUMBER	QTY	DESCRIPTION	REV
			Spec)	
51	1704271	2	Decal - LP Gas (Liquid) (GM Engine Machines Only) (CSA Spec)	
53	1001143852	1	Decal - Emission Compliance	
55	1702788	1	Decal - Bio Hydraulic Fluid	
56	1705430	1	Decal - Drive Orientation - Dual Language English/Chinese	
56	1705429	1	Decal - Drive Orientation - Dual Language English/French	
56	1705910	1	Decal - Drive Orientation - Dual Language English/Spanish	
56	1705905	1	Decal - Drive Orientation - Dual Language Spanish/Portuguese	
56	1705426	1	Decal - Drive Orientation - Dual Language English/Japanese	
56	1705427	1	Decal - Drive Orientation - Dual Language English/Korean	
60	1001224050	1	Decal - Yearly Inspection - Dual Language English/Chinese <b>(SN 0300234048 to Present)</b>	
60	1001223971	1	Decal - Yearly Inspection - Dual Language English/French <b>(SN 0300234048 to Present)</b>	
60	1001224049	1	Decal - Yearly Inspection - Dual Language English/Spanish <b>(SN 0300234048 to Present)</b>	
60	1001224052	1	Decal - Yearly Inspection - Dual Language English/Portuguese <b>(SN 0300234048 to Present)</b>	
60	1001224053	1	Decal - Yearly Inspection - Dual Language English/Japanese <b>(SN 0300234048 to Present)</b>	
60	1001224048	1	Decal - Yearly Inspection - Dual Language English/Korean <b>(SN 0300234048 to Present)</b>	
61	1001229113	1	Decal - Lift Diagram <b>(SN 0300237344 to Present)</b>	
62	1001223453	1	Decal - ICES - Dual Language English/French <b>(SN 0300243318 to Present)</b>	
71	1001125387	1	Decal - Ultra Low Sulfur Fuel (CSA Spec)	
87	See Note	1	Nameplate - ECO (China Specs) (Note: Not Available for Purchase) <b>(SN B0300000100 to Present)</b>	
87	3820001	4	Rivet	
	0258671	Ref	MANUAL STORAGE BOX INSTALLATION	C
101	0860520	1	Box, Manual Storage	
101	0641406	4	Bolt 1/4-20 x 3/4	
101	4751400	4	Washer 1/4	
101	3311405	4	Nut 1/4-20	
	1001220864	Ref	TRANSPORT DECALS INSTALLATION (OPTIONAL) <b>(SN 0300224236 to Present)</b>	A
201	1001220512	2	Decal - Lower Boom	
202	1001220510	2	Decal - Warning Arrow	
203	1001220511	2	Decal - Warning Stripe	



# SECTION 8 - DECALS

FIGURE 8-3. DECAL INSTALLATION (AUSTRALIAN AND CE SPEC)



## SECTION 8 - DECALS

**FIGURE 8-3. DECAL INSTALLATION (AUSTRALIAN AND CE SPEC)**

ITEM	PART NUMBER	QTY	DESCRIPTION	REV
	0274519	Ref	STANDARD DECAL INSTALLATION - JLG LOGO (SN 0300183034 through 0300220116)	D
	1001114373	Ref	STANDARD DECAL INSTALLATION - AUSTRALIAN SPEC 800A	E
	1001114374	Ref	STANDARD DECAL INSTALLATION - AUSTRALIAN SPEC 800AJ	F
	0274474	Ref	STANDARD DECAL INSTALLATION - CE SPEC 800A	F
	0274475	Ref	STANDARD DECAL INSTALLATION - CE SPEC 800AJ	F
	1283407	Ref	STANDARD DECAL CHART - AUSTRALIAN SPECS	S
	1283407	Ref	STANDARD DECAL CHART - CE SPECS (SN 0300183034 through 0300220116)	S
	1001217649	Ref	STANDARD DECAL CHART - CE SPECS (SN 0300220117 to Present)	C
2	1701499	2	Decal - No Tie Down/Lift	
5	1701509	1	Decal - Manual	
7	1703811	4	Decal - Tie Down/Lift	
8	1703814	6	Decal - Tie Down	
9	1704277	3	Decal - Attach Lanyard Here	
10	1704412	1	Decal - Hydraulic Oil Chart	
11	1705980	1	Decal - Sound Power Level	
21	1705921	1	Decal - Tipping/Electrical (PLF)	
22	1705822	1	Decal - Electrical/Safety Manual	
23	1701518	10	Decal - Warning Crushing	
24	1705961	5	Decal - Danger Electrocutation	
25	1705828	1	Decal - Footswitch	
29	1703960	4	Decal - Max Tire Load	
30	See Note	1	Decal - Bar Code (Note: Not Available for Purchase)	
31	1703772	2	Decal - 800A	
31	1703773	2	Decal - 800AJ	
32	1701501	4	Decal - Arrow	
33	1705978	2	Decal Capacity	
34	1705978	1	Decal Capacity	
35	1704885	AR	Decal - Website	
36	See Note	1	Nameplate, Manufacturers (Note: Not Available for Purchase)	
37	1705977	1	Decal - Upright Level Override	
38	1703959	2	Decal - Quick Stick	
42	3251242	1	Nameplate 240V-50Hz	
43	3820001	2	Rivet	
44	1702861	AR	Decal - JLG Lift (8in Height)	
45	1702774	AR	Decal - JLG Lift (3-1/2in Height)	
46	1702773	AR	Decal - JLG (5in Height)	
47	3250872	1	Nameplate - Steer/Tow Selector	
48	1705090	1	Decal - Towing Instructions	
49	1701505	1	Decal - Fuel	
52	4420051	1	Decal - Safety Striping	
53	1001143852	1	Decal - Emission Compliance	
55	1702788	AR	Decal - Bio Hydraulic Fluid - CE/Australian Spec	
55	1703479	AR	Decal - Bio Hydraulic Fluid - German Spec	
57	1001112551	1	Decal - Emergency Controls - Australian Spec	
57	Not Required	0	Decal - Emergency Controls - CE Spec	
58	1001197408	1	Decal - MSSO - CE Spec	
60	1001159323	AR	Decal - JLG (8in Height)	

## SECTION 8 - DECALS

ITEM	PART NUMBER	QTY	DESCRIPTION	REV
61	1001229113	1	Decal - Lift Diagram (SN 0300237344 to Present)	
71	1001139654	1	Decal - Ultra Low Sulfur Fuel (SN 0300201004 to Present)	
	0258671	Ref	MANUAL STORAGE BOX INSTALLATION	C
101	0860520	1	Box, Manual Storage	
101	0641406	4	Bolt 1/4-20 x 3/4	
101	4751400	4	Washer 1/4	
101	3311405	4	Nut 1/4-20	
	1001220864	Ref	TRANSPORT DECAL KIT (OPTIONAL) (SN 0300224236 to Present)	A
201	1001220512	2	Decal - Lower Boom	
202	1001220510	2	Decal - Warning Arrow	
203	1001220511	2	Decal - Warning Stripe	

Go to Discount-Equipment.com to order your parts



**SECTION 9 - RECOMMENDED SERVICE PARTS STOCK**

**SECTION 9 - RECOMMENDED SERVICE PARTS STOCK**

Go to [Discount-Equipment.com](http://Discount-Equipment.com) to order your parts

## SECTION 9 - RECOMMENDED SERVICE PARTS STOCK

FIGURE 9-1. MODEL 800A/800AJ STANDARD PARTS

ITEM	PART NUMBER	QTY	DESCRIPTION	REV
	Note	Ref	<b>Note: The following list will service one machine (built to current production per date on the front cover) with emergency repair parts which can be installed in the field. Parts from the list should be replaced when inventory is depleted to keep service parts stock supplied. For further information, go to Discount-equipment.com.</b>	
		Ref	STANDARD PARTS	
	2120168	4	Element, Filter	
	2120210	4	Element Filter	
	7012944	1	Coil	
	7018991	1	Coil	
	70004460	1	Coil	
	70000582	1	Coil	
	70004595	1	Coil	
	70004653	1	Coil	
	70004463	1	Coil	
	70004673	1	Coil	
	3740067	1	Relay	
	70002814	1	Hydraulic Tank Service Kit	
	3740049	1	Relay	
	2860030	1	Key, Replacement	
	4360475	1	Switch, Mushroom	
	1001155045	1	Switch, Toggle	
	7020066	1	Power Track Repair Section	
	70002013	1	Power Track Repair Section	
	1001166539	1	Controller (Lift and Swing)	
	1001166538	1	Controller (Drive and Steer)	
	4360328	1	Switch, Toggle	
	4360330	1	Switch, Toggle	
	4360387	1	Switch, Push Button	
	4360407	1	Controller, Speed	
	3990010	2	Diode	
	2400065	2	Fuse - 30 Amp	



## SECTION 9 - RECOMMENDED SERVICE PARTS STOCK

FIGURE 9-2. MODEL 800A/800AJ VARIABLE PARTS

ITEM	PART NUMBER	QTY	DESCRIPTION	REV
		Ref	<b>Note: The following list will service one machine (built to current production per date on the front cover) with emergency repair parts which can be installed in the field. Parts from the list should be replaced when inventory is depleted to keep service parts stock supplied. For further information, go to Discount-equipment.com.</b>	
		Ref	VARIABLE PARTS	
	3740080	1	Relay (Deutz D2011 Engine Machines)	
	70004020	1 Dozen	Element, Air Cleaner (Deutz D2011 Engine Machines)	
	7016331	1 Dozen	Filter, Oil (Deutz D2011 Engine Machines)	
	7016328	1 Dozen	Filter, Fuel (Deutz D2011 Engine Machines - All Specs except CE Spec)	
	8320270	1 Dozen	Filter, Fuel (Deutz D2011 Engine Machines - CE Specs Only)	
	70004058	1	Relay (Deutz D2011 Engine Machines - All Specs except CE Spec)	
	7026608	1	Relay (Deutz D2011 Engine Machines - CE Specs Only)	
	7027795	1	Module, Engine Control (Deutz D2011 Engine Machines)	
	1001117308	1	Relay (Deutz TD2.9L4 Engine Machines)	
	1001138228	1	Module, Relay (Deutz TD2.9L4 Engine Machines)	
	91403102	1 Dozen	Element, Air Cleaner (Deutz TD2.9L4 Engine Machines)	
	7016331	1 Dozen	Filter, Oil (Deutz TD2.9L4 Engine Machines)	
	70025161	1 Dozen	Filter, Fuel (Deutz TD2.9L4 Engine Machines) (Use p/n 1001225431)	
	70025153	1 Dozen	Filter, Fuel (Deutz TD2.9L4 Engine Machines) (Use p/n 1001225430)	
	70025203	1	Module, Engine Control (Deutz TD2.9L4 Engine Machines)	
	70005008	1	Element, Air Cleaner (Ford Engine Machines)	
	70006213	1	Filter, Oil (Ford Engine Machines)	
	70006155	1	Filter, Fuel (Ford Engine Machines)	
	70006176	1	Module, Engine Control (Ford Engine Machines)	
	70006171	1	Relay (Ford Engine Machines)	
	70006172	1	Relay (Ford Engine Machines)	
	70006175	2	Fuse - 200Amp (Ford Engine Machines)	
	7012664	1 Dozen	Element, Air Cleaner (GM Engine Machines)	
	7027965	1 Dozen	Filter, Oil (GM Engine Machines)	
	7027972	1 Dozen	Filter, Fuel (GM Engine Machines)	
	70002895	1	Module, Engine Control (GM Engine Machines)	
	4360517	1	Switch, Proximity	
	4360469	1	Switch, Key (ANSI and Australian Spec)	
	4360470	1	Switch, Key (CE Spec)	
	1001103667	1	Module, Ground Control	
	4360336	1	Switch, Toggle (Machines with Generator Option)	
	4360070	1	Breaker, Circuit (Machines with SkyPower)	
	2400064	2	Fuse - 5 Amp (Deutz D2011 and GM Engine Machines with SkyPower)	
	4360578	1	Switch, Limit	
	4360498	1	Switch, Proximity	
	4360499	1	Switch, Proximity	
	1001094400	1	Sensor, Dual Axle	
	2940074	1	Latch (Platform with Gate)	
	1001106355	1	Controller, Module Platform	

## SECTION 9 - RECOMMENDED SERVICE PARTS STOCK

ITEM	PART NUMBER	QTY	DESCRIPTION	REV
	4360336	1	Switch, Toggle (Machines with Dual Fuel Option)	
	4360522	1	Switch, Toggle (Machines with Lights Option)	
	4360331	1	Switch, Toggle (Machines with 4WD or 4WS Options)	
	4360057	1	Switch, Limit (Machines with Soft Touch Option)	
	8229242	2	Fuse (Deutz TD2.9L4 Engine Machines)	
	80983191	2	Fuse (Deutz TD2.9L4 Engine Machines)	
	70001931	2	Fuse (GM Engine Machines)	
	2400070	2	Fuse (Machines with Platform Worklights)	
	1001181045	1	Circuit Breaker (CE Spec Machines with AC to Platform)	
	1001181046	1	Circuit Breaker (CE Spec Machines with AC to Platform)	

Go to Discount-Equipment.com to order your parts



**SECTION 10 - SPECIAL OPTIONS**

Go to Discount-Equipment.com to order your parts

## SECTION 10 - SPECIAL OPTIONS

FIGURE 10-1. SPECIAL OPTION

ITEM	PART NUMBER	QTY	DESCRIPTION	REV
		Ref	Note: This list is to accommodate machines ordered with special equipment. Options may not be applicable to all models. For more specific parts information go to Discount-equipment.com.	
		Ref	MISCELLANEOUS SPECIAL OPTIONS	
	1340061	Ref	Air Cleaner Pre-Cleaner ( <b>SN 0300182743 through 0300236624</b> )	
	See Note	Ref	Air Compressor Installation (Note: See SKY ACCESSORIES)	
	1001229762	Ref	Air Intake Shut-off Valve (Deutz TD2.9L4 Engines)	
	0258802	Ref	Airline to Platform Installation - 1/2in 800A	
	0258805	Ref	Airline to Platform Installation - 1/2in 800AJ	
	1001093746	Ref	Airline to Platform Installation - 1/2in 800A (With Arctic Package)	
	1001092092	Ref	Airline to Platform Installation - 1/2in 800AJ (With Arctic Package)	
	1001205026	Ref	Arctic Package Add-on Kit (800A with Deutz TD2.9L4 Engines & without SkyPower)	
	1001205025	Ref	Arctic Package Add-on Kit (800A with Deutz TD2.9L4 Engines & with SkyPower)	
	1001205029	Ref	Arctic Package Add-on Kit (800AJ with Deutz TD2.9L4 Engines & without SkyPower)	
	1001205028	Ref	Arctic Package Add-on Kit (800AJ with Deutz TD2.9L4 Engines & with SkyPower)	
	1001217005	Ref	Beacon Light Kit (Blue)	
	0258734	Ref	Bellows Installation - Boom 800A	
	0258737	Ref	Bellows Installation - Boom 800AJ	
	1001158259	Ref	Bellows Installation - Chassis (Fixed Axle 2WS)	
	1001158260	Ref	Bellows Installation - Chassis (Fixed Axle 4WS)	
	0258387	Ref	Bellows Installation - Chassis (Oscillating Axle 2WS)	
	0258758	Ref	Bellows Installation - Chassis (Oscillating Axle 4WS)	
	1001220151	Ref	Boom Cables Add-on Kit (4000W/60Hz Generators)	
	2910887	Ref	Boom Wear Pad Kit	
	0258654	Ref	Boom Wipers Installation	
	1001233047	Ref	Breather Heater Kit (Deutz TD2.9L4 Engines)	
	1001172045	Ref	Cable/Ladder Carrier Installation (800AJ Only)	
	1001230834	Ref	Cable/Hose Protection Installation (Boom/Jib) (Without LSS)	
	1001233472	Ref	Cable/Hose Protection Installation (Boom/Jib) (With LSS)	
		Ref	ClearSky Telematics Installation (Factory Installed) (Note: For ClearSky Telematics on Machines SN 0300183034 through 0300234681 Refer to ClearSky (Telematics) Manual p/n 3128499 for Service Parts.) ( <b>SN 0300183034 through 0300234681</b> )	
	1001112990	Ref	ClearSky (Telematic) Installation (Factory Installed) - ABS Hoods (ANSI Spec) (Note: Refer to Manual Supplement p/n 3128499 for available replacement parts) ( <b>SN 0300183034 through 0300234681</b> )	
	1001112991	Ref	ClearSky (Telematic) Installation (Factory Installed) - ABS Hoods (ANSI Export and Japanese Specs) ClearSky (Note: Refer to Manual Supplement p/n 3128499 for available replacement parts) ( <b>SN 0300183034 through 0300234681</b> )	
	1001112992	Ref	<b>SN 0300183034 through 0300234681</b> (Telematic) Installation (Factory Installed) - ABS Hoods (CSA Spec) (Note: Refer to Manual Supplement p/n 3128499 for available replacement parts)	
	1001118963	Ref	ClearSky (Telematic) Installation (Factory Installed) - Steel Hoods (ANSI Spec) (Note: Refer to Manual Supplement p/n 3128499 for available replacement parts) ( <b>SN 0300183034 through 0300234681</b> )	



## SECTION 10 - SPECIAL OPTIONS

ITEM	PART NUMBER	QTY	DESCRIPTION	REV
	1001134103	Ref	ClearSky (Telematic) Installation (Factory Installed) - Steel Hoods (Australian Spec) (Note: Refer to Manual Supplement p/n 3128499 for available replacement parts) <b>(SN 0300183034 through 0300234681)</b>	
	1001127087	Ref	ClearSky (Telematic) Installation (Factory Installed) - Steel Hoods (Brazil and New Zealand Specs Only) (Note: Refer to Manual Supplement p/n 3128499 for available replacement parts) <b>(SN 0300183034 through 0300234681)</b>	
	1001118964	Ref	ClearSky (Telematic) Installation (Factory Installed) - Steel Hoods (CSA Spec) (Note: Refer to Manual Supplement p/n 3128499 for available replacement parts) <b>(SN 0300183034 through 0300234681)</b>	
		Ref	ClearSky Telematics Installation (Factory Installed) <b>(SN 0300234682 to Present)</b>	
	1001227448	Ref	ClearSky Telematics Installation - Canbus Connection (Factory Installed) (ANSI & CSA Specs)	
	1001246473	Ref	ClearSky Telematics Installation - Canbus Connection (Factory Installed) (Australian Specs)	
	1001228949	Ref	ClearSky Telematics Installation - Canbus Connection (Factory Installed) (ANSI Export & CE Specs)	
	1001246474	Ref	ClearSky Telematics Installation - Canbus Connection (Factory Installed) (China Specs)	
	1001229107	Ref	ClearSky Telematics Installation - 3 Wire Connection (Factory Installed) (ANSI & CSA Specs)	
	1001242409	Ref	ClearSky Access Control Add-on Kit	
	1001243183	Ref	ClearSky Telematics Access Control Add-on Kit - Canbus (ANSI & CSA Specs)	
	1001243184	Ref	ClearSky Telematics Access Control Add-on Kit - Canbus (ANSI Export & CE Specs)	
	1001233237	Ref	ClearSky Telematics Installation - 3 Wire Connection (Factory Installed) (ANSI Export & CE Specs)	
	1001119939	Ref	ClearSky (Telematic) Kit (Dealer Installed) (ANSI Spec)	
	1001139151	Ref	ClearSky (Telematic) Kit (Dealer Installed) (Australian Spec)	
	1001234099	Ref	ClearSky (Telematic) Kit (Dealer Installed) (CE Spec)	
	1001119947	Ref	ClearSky (Telematic) Kit (Dealer Installed) (CSA Spec)	
	1001155185	Ref	Cold Weather Package Installation - Deutz D2011 Engines <b>(SN 0300183034 through 0300193955)</b>	
	1001178208	Ref	Cold Weather Package Installation - Deutz D2011 Engines <b>(SN 0300196956 to Present)</b>	
	1001151900	Ref	Cold Weather Package Installation - Deutz TD2.9L4 Engines <b>(SN 0300183034 through 0300196955)</b>	
	1001178207	Ref	Cold Weather Package Installation - Deutz TD2.9L4 Engines and Deutz TD2.9L4 (Stage V) Engines <b>(SN 0300196956 to Present)</b>	
	1001219840	Ref	Cold Weather Package Installation - Ford Engines	
	0275262	Ref	Cold Weather Package Installation - GM Engines	
	0274883	Ref	Cold Weather Transformer Installation (ANSI Export, Australian, CE and Japanese Specs Only)	
	1001109263	Ref	Communication System (David Clark) Installation (800AJ ANSI Spec Only)	
	1001232190	Ref	Control Box Kit (Includes Platform Console Box Assembly and Ground Control Box Assembly)	
	1001149126	Ref	Cover, Fan (Deutz TD2.9L4 Engines Only)	
	1001115918	Ref	Cribbing Installation	
	1702788	Ref	Decal - Biodegradable Hydraulic Fluid (All except German Spec)	
	1703479	Ref	Decal - Biodegradable Hydraulic Fluid (German Spec Only)	
	1001116565	Ref	Decal - ClearSky (ANSI Spec) (ABS Hoods)	
	1001116566	Ref	Decal - ClearSky (CSA Spec) (ABS Hoods)	

## SECTION 10 - SPECIAL OPTIONS

ITEM	PART NUMBER	QTY	DESCRIPTION	REV
	1001127094	Ref	Decal - ClearSky (Steel Hoods)	
	3252221	Ref	Decal - CSA (CSA Spec)	
	1001214030	Ref	Decal - EAC (CIS & Russian Specs)	
	0257195	Ref	Decal - Government Warranty	
	1703175	Ref	Decal - Lanyard Attach (GM K-1 Spec)	
	1702868	Ref	Decal - No Hands (ANSI/ANSI Export Spec)	
	1705968	Ref	Decal - No Hands (Chinese Specs - English/Chinese)	
	1704000	Ref	Decal - No Hands (CSA Spec)	
	1704001	Ref	Decal - No Hands (ANSI Export - English/Spanish)	
	1705969	Ref	Decal - No Hands (ANSI Export - Korean/English)	
	1705967	Ref	Decal - No Hands (ANSI Export - Portuguese/English)	
	1702962	Ref	Decal - Prop 65 Warning (Diesel Machines) (California Spec) <b>(SN 0300183034 through 0300243317)</b>	
	1001231801	Ref	Decal - Prop 65 Warning (Diesel Machines) (California Spec) <b>(SN 0300243318 to Present)</b>	
	1702961	Ref	Decal - Prop 65 Warning (Gasoline Machines) (California Spec) <b>(SN 0300183034 through 0300243317)</b>	
	1001236338	NLA	Decal - Prop 65 Warning (Gasoline Machines) (Use p/n 1001231801) (California Spec) <b>(SN 0300243318 to Present)</b>	
	1001200124	Ref	Decal - Quick Reference (Danish) (Lomax Rentals)	
	1001200121	Ref	Decal - Quick Reference (Dutch) (Lomax Rentals)	
	1001180861	Ref	Decal - Quick Reference (English) (Lomax Rentals)	
	1001200120	Ref	Decal - Quick Reference (French) (Lomax Rentals)	
	1001200122	Ref	Decal - Quick Reference (German) (Lomax Rentals)	
	1001200127	Ref	Decal - Quick Reference (Norwegian) (Lomax Rentals)	
	1001200126	Ref	Decal - Quick Reference (Spanish) (Lomax Rentals)	
	1001200125	Ref	Decal - Quick Reference (Swedish) (Lomax Rentals)	
	0258541	Ref	Decals - Warning Stripes	
		Ref	Decals Kits:	
	2902307	Ref	Decal Kit - Country Spec (ANSI Spec)	
	2902329	Ref	Decal Kit - Country Spec (Australian and CE Specs)	
	2902312	Ref	Decal Kit - Country Spec (Brazil Specs)	
	2902309	Ref	Decal Kit - Country Spec (Chinese Specs)	
	2902322	Ref	Decal Kit - Country Spec (CSA Spec)	
	2902308	Ref	Decal Kit - Country Spec (Japanese Specs)	
	2902310	Ref	Decal Kit - Country Spec (Korean Specs)	
	2902311	Ref	Decal Kit - Country Spec (Latin American Specs)	
	1001193638	Ref	Decal Kit - Machine	
	2902303	NLA	Decal Kit - Master (Common Decals) (All Specs except CE Specs) (Use p/n 1001229560) <b>(SN 0300183034 through 0300234681)</b>	
	1001229560	Ref	Decal Kit - Master (Common Decals) (All Specs except CE Specs) <b>(SN 0300234682 to Present)</b>	
	2902303	NLA	Decal Kit - Master (Common Decals) (CE Specs) (Use p/n 1001229560) <b>(SN 0300183034 through 0300211595)</b>	
	1001199949	Ref	Decal Kit - Master (Common Decals) (CE Specs) <b>(SN 0300211596 to Present)</b>	
	1001108720	Ref	Decal Kit - Platform (800A)	
	1001108721	Ref	Decal Kit - Platform (800AJ)	
	1001119563	Ref	Decal Kit - Platform Console	
	2902353	Ref	Decal Kit - Tire Load	
	2902396	Ref	Drive/Steer Cutout Kit	
	1001121800	Ref	Decal - Warning Dual Capacity (English Specs)	

## SECTION 10 - SPECIAL OPTIONS

ITEM	PART NUMBER	QTY	DESCRIPTION	REV
	1001121801	Ref	Decal - Warning Max. Capacity (English Specs)	
	1001122200	Ref	Decal - Warning Dual Capacity (Korean/English Specs)	
	1001121918	Ref	Decal - Warning 500LB Capacity (Korean/English Specs)	
	1001121804	Ref	Decal - Warning Dual Capacity (English/Spanish Specs)	
	1001121805	Ref	Decal - Warning Max. Capacity (English/Spanish Specs)	
	1001121806	Ref	Decal - Warning Dual Capacity (English/Portuguese Specs)	
	1001121656	Ref	Decal - Warning Max Capacity (English Specs)	
	1001148902	Ref	Electrical Connector Kits - Amp	
	1001148903	Ref	Electrical Connector Kits - Deutsch DT	
	1001148904	Ref	Electrical Connector Kits - Deutsch HD	
	1001148905	Ref	Electrical Connector Kits - Packard	
	1001148906	Ref	Electrical Connector Kits - Various	
	1001218022	Ref	Engine Block Heater Installation - Ford Engines	
	0275261	Ref	Engine Block Heater Installation - GM Engines	
	1001246867	Ref	Enhanced Detection System (EDS) Level 1 (2-Bar) Installation Kit	
	1001246860	Ref	Enhanced Detection System (EDS) Level 2 (3-Bar) Installation Kit	
	1001108962	Ref	Exhaust Rain Cap Installation (Australian and CE Specs)	
	1001121306	Ref	Exhaust Rain Cap Installation (Japanese Spec)	
		Ref	Fan Cover/Grille Options:	
	1001185078	Ref	Fan Cover Add-on Kit (Deutz D2011 Engines)	
	1001182599	Ref	Fan Cover Installation (Deutz D2011 Engines)	
	1001093389	Ref	Fan Grille Installation (Deutz D2011 Engines)	
	1001213223	Ref	Fan & Belt Grille Add-on Kit (Deutz D2011 Engines without Generator)	
	1001202122	Ref	Fan & Belt Grille Installation (Deutz D2011 Engines without Generator)	
	1001213222	Ref	Fan & Belt Grille Add-on Kit (Deutz D2011 Engines with Generator)	
	1001202398	Ref	Fan & Belt Grille Installation (Deutz D2011 Engines without Generator)	
	1001149126	Ref	Fan Grille Installation (Deutz TD2.9L4 Engines) (RCP Radiator)	
	1001177694	Ref	Fan Grille Installation (Deutz TD2.9L4 Engines and Deutz TD2.9L4 (Stage V) Engines) (Modine Radiator)	
	1001213219	Ref	Fan & Belt Grille Add-on Kit (Deutz TD2.9L4 Engines without Generator) (Modine Radiator)	
	1001202397	Ref	Fan & Belt Grille Installation (Deutz TD2.9L4 Engines without Generator) (Modine Radiator)	
	1001213220	Ref	Fan & Belt Grille Add-on Kit (Deutz TD2.9L4 Engines without Generator) (RCP Radiator)	
	1001202082	Ref	Fan & Belt Grille Installation (Deutz TD2.9L4 Engines without Generator) (RCP Radiator)	
	1001213227	Ref	Fan & Belt Grille Add-on Kit (Deutz TD2.9L4 Engines with Generator) (Modine Radiator)	
	1001213181	Ref	Fan & Belt Grille Installation (Deutz TD2.9L4 Engines with Generator) (Modine Radiator)	
	1001213221	Ref	Fan & Belt Grille Add-on Kit (Deutz TD2.9L4 Engines with Generator) (RCP Radiator)	
	1001202331	Ref	Fan & Belt Grille Installation (Deutz TD2.9L4 Engines with Generator) (RCP Radiator)	
	1001093389	Ref	Fan Grille Installation (Ford & GM Engines)	
	1001204616	Ref	Filter (Fuel) Relocation Kit - Deutz TD2.9L4 Engines	
		Ref	Filter Kits:	
		Ref	Combined Filter Kit Options (Hydraulic/Air and Fuel/Engine Oil)	
	1001111014	Ref	Deutz D2011 Engine Machines (SN 0300183034 through	

## SECTION 10 - SPECIAL OPTIONS

ITEM	PART NUMBER	QTY	DESCRIPTION	REV
			<b>0300185827)</b>	
	1001241773	Ref	Deutz D2011 Engine Machines (SN 0300185828 through 0300196954)	
	1001241774	Ref	Deutz D2011 Engine Machines (SN 0300196955 to Present)	
	1001181150	Ref	Deutz TD2.9L4 Engine Machines (SN 0300183034 through 0300196955)	
	1001195533	Ref	Deutz TD2.9L4 Engine Machines (SN 0300196956 to Present)	
	1001114115	Ref	Ford Engine Machines (SN 0300183034 through 0300185827)	
	1001241775	Ref	Ford Engine Machines (SN 0300185828 through 0300196954)	
	1001241776	Ref	Ford Engine Machines (SN 0300196955 to Present)	
	1001114056	Ref	GM Engine Machines (SN 0300183034 through 0300196955)	
	1001225666	Ref	GM Engine Machines (SN 0300196956 to Present)	
		Ref	Hydraulic/Air Filter Kits:	
		Ref	Deutz D2011 & GM Engines (Not Available for Purchase)	
	1001204453	1	Deutz TD2.9L4 Engines (SN 0300183034 through 0300196955)	
	1001204455	1	Deutz TD2.9L4 Engines (SN 0300196956 to Present)	
		Ref	Engine Fuel/Engine Oil Filter Kits:	
		Ref	Deutz D2011 & GM Engines (Not Available for Purchase)	
	1001204460	1	Deutz TD2.9L4 Engines	
	1001139099	Ref	Fire Extinguisher Installation (20lb)	
	2300004	Ref	Fluids - Coolant, Standard (Deutz TD2.9L4/GM Engines without Arctic Package)	
	2300041	Ref	Fluids - Coolant, Standard (Deutz TD2.9L4/GM Engines with Arctic Package)	
	3020016	Ref	Fluids - Engine Oil, (15W-40) (Deutz D2011 without Arctic Package)	
	3020044	Ref	Fluids - Engine Oil, (0W-40) (Deutz D2011 Engines with Arctic Package)	
	1001136079	Ref	Fluids - Engine Oil, (15W-40) (Deutz TD2.9L4 Engines without Arctic Package)	
	1001136172	Ref	Fluids - Engine Oil, (5W-40) (Deutz TD2.9L4 Engines with Arctic Package)	
	1001115930	Ref	Fluids - Engine Oil, (10W-30) (Ford Engine) (SN 0300183034 through 0300240878)	
	1001190775	Ref	Fluids - Engine Oil, (5W-30) (Ford Engine) (SN 0300240879 to Present)	
	1001115930	Ref	Fluids - Engine Oil, (10W-30) (GM Engine without Arctic Package)	
	1001115931	Ref	Fluids - Engine Oil, (5W-30) (GM Engines with Arctic Package)	
	2300014	Ref	Fluids - Hydraulic Fluids - Mobil 424	
	2300027	Ref	Fluids - Hydraulic Fluids - Mobil 224H Bio	
	2300016	Ref	Fluids - Hydraulic Fluids - Mobil DTE 10 Excel 32	
	2300021	Ref	Fluids - Hydraulic Fluids - Union Carbide Ucon HP5046 Fire Resistant	
	2300039	Ref	Fluids - Hydraulic Fluids - Exxon Univil HVI (Arctic Package Only)	
	3020039	Ref	Fluids - Lubricant (Axle Pivot)	
	3020029	Ref	Fluids - Lubricant (Kingpin)	
	3020037	Ref	Fluids - Lubricant (Engine Pump Coupling)	
	1001117294	Ref	Footswitch Shield (Note: Move Decal to Shield)	
	1001202749	Ref	Fuel Cap Cover Installation (Black) (Note: Lock p/n 1001102157 must be Purchased Separately)	
	1001191395	Ref	Fuel Cap Cover Installation (Green) (Diesel Machines) (Note: Lock p/n 1001102157 must be Purchased Separately)	
	1001191394	Ref	Fuel Cap Cover Installation (Red) (Gas Machines) (Note: Lock p/n 1001102157 must be Purchased Separately)	

## SECTION 10 - SPECIAL OPTIONS

ITEM	PART NUMBER	QTY	DESCRIPTION	REV
	2902085	Ref	Generator 2500W Add-on Kit (Deutz D2011 Engines)	
	1001212067	Ref	Generator 4000W 50Hz Add-on Kit (Deutz D2011 Engines)	
	1001213604	Ref	Generator 4000W 60Hz Add-on Kit (Deutz D2011 Engines)	
	1001211798	Ref	Generator 4000W 50Hz Add-on Kit (Deutz TD2.9L4 Engines)	
	1001213602	Ref	Generator 4000W 60Hz Add-on Kit (Deutz TD2.9L4 Engines)	
	1001094475	Ref	Generator Hourmeter Installation	
	1001121736	Ref	Hood Conversion Kit - Caterpillar (ABS to Steel)	
	1001121735	Ref	Hood Conversion Kit - Deutz (ABS to Steel)	
	1001121737	Ref	Hood Conversion Kit - GM (ABS to Steel)	
	1001241410	Ref	Hostile Environment - 2WD Add-on Kit (800A)	
	1001241412	Ref	Hostile Environment - 4WD Add-on Kit (800A)	
	1001241413	Ref	Hostile Environment - 2WD Add-on Kit (800AJ)	
	1001241415	Ref	Hostile Environment - 4WD Add-on Kit (800AJ)	
	1001210685	Ref	Hose Kit - Boom (Upper) (800A) <b>(SN 0300183034 through 0300194139)</b>	
	1001210683	Ref	Hose Kit - Boom (Upper) (800A) <b>(SN 0300194140 through 0300196955)</b>	
	1001210684	Ref	Hose Kit - Boom (Upper) (800A) <b>(SN 0300196956 to Present)</b>	
	1001210687	Ref	Hose Kit - Boom (Upper) (800AJ) <b>(SN 0300183034 through 0300194139)</b>	
	1001210686	Ref	Hose Kit - Boom (Upper) (800AJ) <b>(SN 0300194140 to Present)</b>	
	1001239623	Ref	Hose Kit - Platform Valve (800A) <b>(SN 0300194140 through 0300196955)</b>	
	1001209630	Ref	Hose Kit - Platform Valve (800A) <b>(SN 0300196956 to Present)</b>	
	1001209631	Ref	Hose Kit - Platform Valve (800AJ) <b>(SN 0300194140 through 0300196955)</b>	
	1001209632	Ref	Hose Kit - Platform Valve (800A) <b>(SN 0300196956 to Present)</b>	
	2902457	Ref	Hose Kit - Powertrack (Lower) (800A) <b>(SN 0300183034 through 0300194138)</b>	
	1001204901	Ref	Hose Kit - Powertrack (Lower) (800AJ) <b>(SN 0300183034 through 0300194138)</b>	
	2902456	Ref	Hose Kit - Powertrack (Upper) (800A) <b>(SN 0300183034 through 0300194139)</b>	
	1001239620	Ref	Hose Kit - Powertrack (Upper) (800A) <b>(SN 0300194140 through 0300196955)</b>	
	1001239621	Ref	Hose Kit - Powertrack (Upper) (800A) <b>(SN 0300196956 to Present)</b>	
	2902459	Ref	Hose Kit - Powertrack (Upper) (800AJ) <b>(SN 0300183034 through 0300194138)</b>	
	1001148971	Ref	Lanyard (Bolt-On) Kit Installation	
	1001236211	Ref	Leveling Cylinder Valve Cover Assembly Kit	
	1001183407	Ref	Low Temperature Cutout Installation (Russian Specs) <b>(SN 0300183034 through 0300245050)</b>	
	1001236951	Ref	Low Temperature Cutout Installation (Russian Specs) <b>(SN 0300246051 to Present)</b>	
		Ref	Oil Coller Options:	
	1001156172	Ref	Oil Cooler Installation - Deutz D2011 Engine Machines	
	1001142677	Ref	Oil Cooler Installation - Deutz TD2.9L4 Engine Machines (RCP Cooler) <b>(SN 0300183034 through 0300227034)</b>	
	1001184569	Ref	Oil Cooler Installation - Deutz TD2.9L4 Engine and Deutz TD2.9L4 (Stage V) Engine Machines (YMER Cooler) <b>(SN 0300227035 to Present)</b>	
	1001219633	Ref	Oil Cooler Installation - Ford Engine Machines	
	0272040	Ref	Oil Cooler Installation - GM Engine Machines	
	1001200700	Ref	Oil Cooler Replacement Kit (RCP to YMER)	

## SECTION 10 - SPECIAL OPTIONS

ITEM	PART NUMBER	QTY	DESCRIPTION	REV
	0257728	Ref	Pipe Racks Installation - ANSI and CSA Spec	
	0274661	Ref	Pipe Racks Installation - Australian Spec	
	1001107497	Ref	Pipe Racks Installation - ANSI Export Spec (English/Spanish Language)	
	0258703	Ref	Platform Console Cover Installation ( <b>SN 0300183034 through 0300201003</b> )	
	1001195304	Ref	Platform Console Cover Installation (Factory Installed) ( <b>SN 0300201004 to Present</b> )	
	1001110974	Ref	Platform Console Enclosure Cover Installation - Steel	
	1001122821	Ref	Platform Console Cover Installation (Chinese Spec) ( <b>SN 0300201004 through 0300233689</b> )	
	1001110974	Ref	Platform Console Cover Installation (ANSI Export, CE-LRC & Chinese Spec) ( <b>SN 0300233690 to Present</b> )	
	1001205175	Ref	Platform Console Cover Add-on Kit ( <b>SN 0300201004 to Present</b> )	
	2915228	Ref	Platform Conversion Kit (Front to Side Entry)	
	1001142504	Ref	Platform Entry Kit - Drop Bar (To Replace Swing Gate with Drop Bar)	
	1001142505	Ref	Platform Entry Kit - Swing Gate (To Replace Drop Bar with Swing Gate)	
	0273147	Ref	Platform Mesh to Top Rail Installation - 2.5ft x 4ft Platforms (ANSI/ANSI Export and CSA Specs)	
	0273149	Ref	Platform Mesh to Top Rail Installation - 3ft x 6ft Platforms (ANSI/ANSI Export and CSA Specs)	
	0273145	Ref	Platform Mesh to Top Rail Installation - 3ft x 8ft Platforms (ANSI/ANSI Export and CSA Specs)	
		Ref	Platform Mesh to Top Rail Add-on Kits:	
	1001214552	Ref	30in x 4ft (76cm x 1.22m) with Gate	
	1001214561	Ref	36in x 6ft (91.5cm x 1.83m) with Gate	
	1001214562	Ref	36in x 8ft (91.5cm x 2.44m) with Gate	
	0272733	Ref	Platform, Top Rail Extension Installation - 3ft x 6ft Platforms	
	0272725	Ref	Platform, Top Rail Extension Installation - 3ft x 8ft Platforms	
	1001209059	Ref	Platform Work Surface Installation	
	1001162546	Ref	Pump Coupling Replacement Kit	
	1001139944	Ref	Pump Mounting Bracket Kit (Sauer Danfoss)	
	1001199488	Ref	Radiator Replacement Kit (RCP to Modine Radiator)	
	1001247073	Ref	SkyEye Retrofit Kit	
	1001206477	Ref	SkyGuard Complete Add-On Kit (Blue Beacon) (UGM Machines) (Note: Requires 7500W SkyPower Generator)	
	1001143669	NLA	SkyGuard Complete Add-On Kit (Blue Beacon) (UGM Machines) (Note: Requires 7500W SkyPower Generator) (Use p/n 1001206477)	
	1001210026	Ref	SkyGuard Complete Add-On Kit (Red Beacon) (UGM Machines) (Note: Requires 7500W SkyPower Generator)	
	1001197016	Ref	SkyGuard Platform Sensor Kit (UGM Machines)	
	1001137672	Ref	SkyGuard Platform Sensor Kit (UGM Machines)	
	1001137440	1	SkyGuard Sensor Harness	
	1001186431	2	Relay	
	1001206311	Ref	SkyGuard Strobe Light Kit - Hood Mounted (Blue Beacon)	
	1001143256	NLA	SkyGuard Strobe Light Kit - Hood Mounted (Blue Beacon) (Use p/n 1001206311)	
	1001210025	Ref	SkyGuard Strobe Light Kit - Hood Mounted (Red Beacon)	
	1001176372	Ref	SkyGuard Plug Removal Kit	
	1001232643	Ref	SkyLine Kit	
	1001152965	Ref	Strobe Light Installation - Platform Mounted (Amber)	
	1001154231	Ref	Strobe Light Installation - Platform/Ground Mounted (Amber)	

## SECTION 10 - SPECIAL OPTIONS

ITEM	PART NUMBER	QTY	DESCRIPTION	REV
	1001228357	Ref	Telematics Retrofit Harness Kit	
	1001230840	Ref	Tilt Sensor Kit	
	0272324	Ref	Tire Sealant Installation (15IN385/65D 19.5 Tires) (ANSI Spec)	
	1300019	AR	Sealant	
	0272312	1	Decal - Tire Sealant	
	0273364	Ref	Tire Sealant Installation (IN445/55D 19.5 Tires) (ANSI Spec)	
	1300019	AR	Sealant	
	0272313	1	Decal - Tire Sealant	
		Ref	Tools for Service	
	1600244	1	Analyzer, Machine System	
	7002840	1	Antirotation Pin Removal Tool	
	8896941	1	Wire Stripper	
	7002821	1	Wire Crimper (To install wire ends to wires)	
	7002823	1	Pin/Socket Extractor - Universal (To Remove Pins/Sockets from Connectors)	
	4460467	1	Extractor - 16-18 Gauge (For Removal of Pin/Sockets from Deutsch Connectors)	
	4460510	1	Extractor - 12-14 Gauge (For Removal of Pin/Sockets from Deutsch Connectors)	
	7002822	1	Screwdriver, Potentiometer (To Adjust Drive Controllers)	
	7016654	1	Screwdriver, Magnetic	
	7004275	1	Seal Installation Tool - 1in	
	7004276	1	Seal Installation Tool - 1-1/2in	
	7002826	1	Seal Installation Tool - 2in	
	7016655	1	Wire Rope Sheave Gauge	
	7016652	1	Huck Bolt Fastener (For Small Huck Bolts Only)	
	70000017	1	ADE Software CD	
	1001137005	1	Software Cable Kit	
	70005663	1	Tool, Port Plate for Pump p/n 1001142522	
	0258826	Ref	Weld Leads to Platform Installation (800A)	
	0258827	Ref	Weld Leads to Platform Installation (800AJ)	
	0256196	Ref	Wheel Covers Installation	
	1001239347	Ref	White Noise, Motion Alarm	
	1001241385	Ref	White Noise, Motion Alarm Ambient	





PART NUMBER INDEX

Go to [Discount-Equipment.com](http://Discount-Equipment.com) to order your parts

# PART NUMBER INDEX

0060066.....218, 231	0258671 .... 438, 444, 448	0273485 ... 249, 255, 259,	0630535.... 317, 319, 321,
0060069.....213, 231	0258703 ..... 462	400	349, 351, 355, 359,
0080201..... 110	0258728 ..... 157	0273687 ..... 201	361, 363
0100009.... 140, 253, 257,	0258734 ..... 456	0273706 .... 255, 259, 271	0630536..... 341, 343
407	0258737 ..... 456	0273824 .... 255, 259, 271	0630537.... 325, 327, 337,
0100011.... 13, 17, 19, 33,	0258758 ..... 456	0274031 ..... 201	339
35, 39, 40, 63, 70, 71,	0258802 ..... 456	0274460 ..... 437	0630548..... 140
72, 76, 81, 83, 84, 91,	0258805 ..... 456	0274461 ..... 437	0630568..... 254, 258
97, 98, 99, 102, 103,	0258826 ..... 463	0274462 ..... 441	0641403..... 241, 242
108, 109, 110, 131,	0258827 ..... 463	0274463 ..... 441	0641404.... 140, 160, 175,
137, 140, 143, 147,	0258945 ..... 255, 259	0274464 ..... 441	179, 187, 214, 219,
149, 152, 153, 160,	0259420 ..... 224	0274465 ..... 441	253, 257, 283
163, 167, 171, 175,	0270885 ..... 19	0274466 ..... 441	0641405.... 143, 171, 183,
179, 183, 187, 193,	0270886 ..... 19	0274467 ..... 441	193, 197, 201, 235, 283
197, 201, 207, 209,	0270888 ..... 19	0274468 ..... 441	0641406.... 81, 83, 84, 91,
214, 219, 223, 224,	0271083 ..... 20	0274469 ..... 441	97, 108, 110, 147, 154,
227, 228, 233, 235,	0271084 ..... 20	0274470 ..... 441	203, 248, 438, 444, 448
237, 240, 241, 248, 271,	0271085 ..... 20	0274471 ..... 441	0641407.... 71, 72, 91, 98,
273, 275, 283, 286,	0271086 ..... 20	0274472 ..... 441	109, 140, 235
289, 291, 293, 317,	0271090 ..... 20	0274473 ..... 441	0641408 97, 98, 152, 242,
321, 325, 329, 337,	0271091 ..... 20	0274474 ..... 447	248
341, 345, 349, 355, 361	0271340 ..... 255, 259	0274475 ..... 447	0641409..... 71, 201
0100019..... 63, 163, 175,	0271374 ..... 405	0274519 .... 437, 441, 447	0641410... 33, 70, 72, 201
179, 183, 187, 193,	0271375 ..... 405	0274661 ..... 303, 462	0641412..... 82
197, 201, 386	0271376 ..... 406	0274883 ..... 457	0641414..... 40, 253, 257,
0100020.... 70, 81, 87, 97,	0271377 ..... 406	0275039 ..... 171	271, 273, 275, 277
99, 108, 110, 131, 135,	0271768 .... 143, 254, 259	0275204 ..... 406	0641416..... 39, 219, 235,
180, 184, 201, 204,	0272040 ..... 461	0275216 ..... 421	240
258, 286, 299, 385	0272070 ..... 233	0275217 ..... 421	0641418..... 39, 108, 241,
0100035.... 143, 241, 253,	0272131 ..... 218	0275218 ..... 421	248
257	0272254 ..... 291	0275219 ..... 421	0641420..... 97
0100038.... 223, 224, 317,	0272259 ..... 417	0275257 ..... 197, 422	0641424..... 220
321, 325, 329, 337,	0272260 ..... 417	0275261 ..... 459	0641504..... 35
341, 345, 349, 355, 361	0272312 ..... 463	0275262 ..... 457	0641506.... 140, 147, 149,
0100048..... 97, 108, 140,	0272313 ..... 463	0275452 ..... 421	203
143, 167, 175, 187,	0272322 ..... 19	0275453 ..... 421	0641507..... 241
235, 242, 253, 257,	0272324 ..... 463	0275454 ..... 421	0641508.... 35, 70, 83, 97,
404, 409	0272333 ..... 20	0275733 ..... 242	108, 131, 147, 152,
0100062 72, 87, 102, 111,	0272334 ..... 20	0340041 ..... 110	160, 163, 167
131, 187	0272381 ..... 213	0360406 ..... 35	0641510..... 72, 171
0100071 ..... 277	0272418 ..... 281	0362770 ..... 147	0641512..... 72
0100079.... 125, 131, 175,	0272427 ... 255, 259, 271	0370022 ..... 321	0641514..... 171, 303
187	0272429 ..... 405	0370034 ..... 325	0641516.... 175, 179, 183,
0100081.... 152, 228, 253,	0272430 ..... 406	0400075 . 70, 81, 97, 108,	187, 193, 197, 214
257, 281	0272431 ..... 406	207, 209	0641518..... 87
0140011..... 253, 257	0272432 ..... 406	0440244 ..... 63	0641542..... 33
0140044..... 143, 416	0272433 ..... 409, 419	0480100 ..... 303	0641560..... 33
0181949..... 135	0272435 ... 190, 194, 198	0480121 ..... 159	0641604.... 214, 219, 240,
0200048..... 271	0272448 ..... 286, 291	0480126 ..... 180, 189	241
0200742..... 159	0272521 ..... 289	0480129 ..... 180, 189	0641605..... 87, 224
0232121..... 35	0272588 ..... 289	0480142 .... 171, 183, 197	0641606.... 33, 39, 72, 82,
0256196..... 463	0272589 ..... 190	0561185 ..... 223	110, 148, 149, 201,
0256202..... 417	0272599 ..... 286, 299	0561237 ..... 219	214, 219, 224, 227,
0256823..... 149	0272703 ..... 235	0561295 ..... 227	228, 241, 286, 289,
0257195..... 458	0272725 ..... 462	0630407 ..... 85	291, 293
0257728..... 303, 462	0272733 ..... 462	0630427 ..... 240	0641607.... 13, 17, 40, 87,
0257764..... 223	0272948 ..... 281	0630462 ..... 271	97, 131, 152, 163, 220,
0258076..... 227	0272951 ..... 281	0630464 ..... 253, 257	223, 227, 228
0258077..... 227	0273145 ..... 462	0630467 ..... 241	0641608 81, 84, 108, 110,
0258217..... 240	0273147 ..... 462	0630485 ..... 153	127, 129, 147, 149,
0258338..... 241	0273149 ..... 462	0630507 ..... 147	153, 154, 214, 220,
0258384..... 241	0273353 ..... 286	0630518 ... 140, 286, 289,	223, 227
0258387 ..... 456	0273364 ..... 463	291, 293, 299	0641609. 72, 76, 84, 110,
0258541..... 458	0273434 ..... 406	0630534 ... 329, 333, 335,	147, 152, 157, 201,
0258567..... 241	0273484 ... 249, 255, 259,	345	223, 227
0258654..... 456	400		

## PART NUMBER INDEX

0641610 ... 40, 70, 72, 81, 91, 97, 108, 110, 125, 143, 144, 159, 203, 223, 248	0700816 ..... 102	0861538..... 187, 193, 197	0962450 ..... 235
0641611 ..... 82, 137, 214, 220	0700818 ..... 102	0861572..... 187	0962520 ... 175, 180, 183, 187, 193, 197
0641612 87, 97, 108, 110, 227, 228	0700820 .... 171, 183, 197	0861642..... 201	0962524 ..... 355
0641614 ..... 39, 131	0701014 ..... 102	0861731..... 419	1001001939 ..... 73
0641615 ..... 223	0701016 .... 171, 183, 197	0861781..... 419	1001091315 ..... 407
0641616 ... 175, 180, 189, 203, 223	0701026 ..... 103	0861782..... 419	1001091319 ..... 408
0641617 ..... 135	0701224 ..... 102	0861880..... 425	1001091323 ..... 407
0641618 ..... 39, 189, 220	0710827 ..... 103	0902143..... 147	1001091324 ..... 408
0641622 ..... 224	0711014 ..... 102	0902161..... 147	1001091330 ..... 406
0641624 ..... 224, 228	0711020 ..... 99	0902206..... 143	1001091460 ..... 27
0641640 ..... 228	0711216 ..... 103	0902219..... 147	1001091461 ..... 27
0641652 ..... 361	0711223 ..... 102	0902223..... 147	1001091794 ..... 110
0641708 ..... 84	0711414 ..... 76	0902351..... 147	1001091969 ..... 417
0641710 ..... 171	0720804 ..... 135	0902412..... 147	1001091970 ..... 418, 421
0641772 ... 160, 163, 167	0720808 ..... 199	0902426..... 147	1001091971 ..... 418, 421
0641806 ... 223, 355, 357, 359	0721006 .... 91, 147, 160, 163, 253, 257	0902491..... 147	1001091972 ..... 418
0641808 ... 70, 81, 84, 97, 99, 108, 109, 175, 179, 183, 187, 197	0721008 ..... 148, 149	0902888.... 175, 179, 183, 187, 193, 197	1001091973 ..... 418
0641810 ..... 13, 17, 201	0731005 ..... 271	0902919..... 235	1001091974 ..... 418
0641812 ... 71, 83, 99, 109, 137, 163, 233, 237	0741605 ..... 84	0902920..... 235	1001091975 ..... 418
0641818 ..... 13, 131, 157	0741607 ... 175, 180, 187, 193, 213, 220	0903056..... 137	1001092092 ..... 456
0641820 72, 76, 137, 214, 220	0741609 ..... 17	0903088..... 201	1001092093 ..... 406
0641822 ..... 235	0760605 ..... 84, 87, 102	0903242..... 137	1001092384 ..... 409
0641826 ..... 111	0760606 ..... 84, 194	0903308..... 147	1001093382 ... 70, 82, 98, 109, 207, 209
0641828 ..... 110	0760608 ..... 99	0903484..... 424	1001093389 ..... 459
0641840 ..... 214, 220	0760610 97, 99, 103, 167, 193	0903510..... 108	1001093746 ..... 456
0642010 ..... 70, 97, 108	0760612 ..... 99	0903697..... 424	1001093748 ..... 406
0642012 ..... 82, 281	0760615 ..... 103	0940049..... 148, 152	1001094375 ..... 199
0642018 ..... 63	0760619 ..... 97	0940070 72, 84, 102, 110	1001094400 .... 242, 416, 452
0642024 ..... 235	0760807 ..... 102	0940071..... 147, 148	1001094475 .... 199, 400, 461
0642026 ..... 281	0760810 ... 82, 84, 91, 97, 99	0940088..... 148	1001094509 ..... 199, 424
0642038 ..... 35	0760812 97, 99, 102, 311	0940102..... 281	1001094595 ... 72, 84, 99, 110, 119
0642212 ..... 13, 17, 281	0760814 ..... 99	0940103..... 271	1001094661 ..... 223
0642214 ..... 214, 220	0760815 ..... 99	0940133..... 271	1001094662 ..... 224
0642612 ..... 143	0760817 ..... 103	0940134..... 271	1001094662 ..... 224
0642620 ..... 214, 220	0761008 ..... 82, 91, 97	0940177..... 271	1001095809 ..... 437, 443
0642684 ... 233, 235, 237	0761014 ..... 99, 157, 237	0961845..... 248	1001096070 .... 176, 180, 424
0651406 ..... 39	0761015 ..... 88, 92, 99	0961893.... 329, 333, 335	1001096134 ..... 190, 424
0681608 ... 13, 17, 70, 81, 233, 235, 237	0761016 ..... 99, 167	0961894.... 317, 319, 349, 351	1001096141 ..... 437
0681620 ... 305, 307, 309	0761018 ..... 193	0961897 ... 355, 359, 361, 363	1001096736 ..... 242
0681814 ..... 251	0761210 ..... 87	0961901..... 325, 337	1001097051 ..... 409, 431
0681820 ..... 87	0761216 ..... 237	0961902..... 321	1001097082 ..... 409
0681822 ..... 19, 87, 251	0771012 ..... 98	0961903..... 341	1001097150 ..... 425
0682016 ..... 19	0771014 ..... 99	0961947.... 219, 321, 323	1001098012 .... 286, 299, 301
0682023 ..... 63	0771212 ..... 81, 84	0961951.... 214, 227, 317, 319, 345, 347, 349, 351	1001098122 ..... 404
0682032 ..... 63	0771414 ..... 72, 84	0961986... 72, 84, 99, 110	1001098149 ..... 299
0682216 ..... 63	0771415 ..... 84, 180, 189	0962051..... 157	1001098167 ..... 315
0682236 ..... 13, 17	0801132 ... 213, 218, 223	0962102 13, 17, 223, 227, 325, 327, 337, 339, 341, 343	1001098234 ..... 424
0682424 ... 305, 307, 309	0801135 ..... 213, 227	0962122..... 223	1001098349 ..... 424
0700615 ..... 143, 144	0801138 ..... 227	0962152..... 17, 353	1001098764 ..... 415
0700617 ..... 153	0801496 ..... 223	0962155.... 345, 347, 349, 351	1001098828 ..... 102, 237
0700618 ..... 153	0801573 ..... 227	0962156..... 345	1001099051 ..... 75
0700808 ..... 72	0801585 ..... 227	0962181..... 17	1001099121 ..... 149
0700810 ..... 99, 110	0801591 ..... 227	0962185..... 345	1001099137 ..... 147
0700812 ..... 99	0801594 ..... 223	0962270..... 251	1001099138 ..... 147, 148
0700814 ..... 88, 99	0811608 ..... 131	0962335..... 218	1001099366 ..... 281
	0811610 ..... 153	0962336.... 329, 331, 333, 335	1001099367 ..... 281
	0811612 ..... 40, 207, 209	0962348..... 17	1001099421 ..... 281
	0811812 ..... 147, 152	0962449..... 160	1001099422 ..... 281
	0840055 ..... 235		1001099837 ..... 227
	0860038 ... 175, 180, 183, 187, 193, 197, 419		1001099840 ..... 227
	0860520 ... 438, 444, 448		
	0861537 ..... 253, 254		

# PART NUMBER INDEX

1001099869..... 160	1001110225..... 141, 409, 410	1001117525..... 152	1001126363..... 415
1001099870..... 33	1001110425... 40, 71, 82, 201	1001117568..... 152	1001126364..... 415
1001100233..... 160	1001110434..... 253, 258	1001117598..... 152	1001126365..... 415
1001100234..... 160	1001110873..... 176, 180, 184, 188, 194, 198, 419, 422	1001118133..... 132	1001126384..... 414
1001100321..... 159	1001110974..... 462	1001118384..... 433	1001126391..... 415
1001100341..... 421	1001111014..... 459	1001118388..... 433	1001127087..... 457
1001100342..... 421	1001111514..... 131	1001118416..... 253, 267	1001127094..... 458
1001100345..... 421	1001112551..... 447	1001118417..... 253, 261	1001128527..... 293
1001100346..... 421	1001112588..... 400, 417	1001118963..... 456	1001128556..... 293
1001100347..... 421	1001112589..... 417	1001118964..... 457	1001128901..... 88, 100
1001100825..... 99, 103	1001112612..... 410	1001119020..... 405	1001129858..... 179, 183
1001101060..... 63, 66	1001112743..... 400, 417	1001119563..... 458	1001131168..... 254, 258
1001101191..... 419, 425	1001112990..... 456	1001119602..... 389, 393	1001131269..... 437, 443
1001101196..... 420	1001112991..... 456	1001119619..... 427	1001131992..... 401
1001101197..... 420	1001112992..... 456	1001119620..... 429, 431	1001132055..... 400, 423
1001101241..... 75	1001113047..... 152	1001119939..... 457	1001133714..... 415
1001101421..... 281	1001113483..... 235	1001119947..... 457	1001133715..... 415
1001101422..... 281	1001113961..... 267	1001119968..... 190, 423	1001133956..... 414
1001101600..... 70	1001114056..... 460	1001120328..... 273, 275, 283	1001133957..... 414
1001101623..... 148	1001114115..... 460	1001120962..... 153	1001134103..... 457
1001101673..... 148, 149	1001114373..... 447	1001121122..... 153	1001134488..... 85, 101
1001102290..... 412	1001114374..... 447	1001121123..... 153	1001135138..... 85
1001102291..... 412	1001114595..... 110	1001121306..... 459	1001135650..... 415
1001102304..... 412	1001114632..... 110	1001121655..... 443	1001135651..... 415
1001102599..... 140	1001115387..... 187, 422	1001121656..... 443, 459	1001135679..... 85
1001102600..... 140, 141	1001115389..... 187, 422	1001121735..... 461	1001136079..... 84, 460
1001102647..... 281	1001115405..... 159	1001121736..... 461	1001136104..... 193
1001103308..... 141	1001115406..... 159	1001121737..... 461	1001136172..... 84, 460
1001103667..... 141, 452	1001115409..... 159	1001121800..... 437, 458	1001136400..... 228
1001103810..... 14, 17	1001115498..... 457	1001121801..... 437, 459	1001136834..... 85
1001106339..... 410	1001115930 99, 110, 460	1001121802..... 442	1001136881..... 390, 394
1001106340..... 410	1001115931..... 110, 460	1001121803..... 442	1001136988..... 188
1001106355..... 253, 452	1001116290..... 154	1001121804..... 442, 459	1001137005..... 463
1001106450..... 303	1001116332..... 369	1001121805..... 442, 459	1001137276..... 85
1001106477..... 241	1001116456..... 154	1001121806..... 443, 459	1001137440..... 462
1001106481..... 241	1001116457..... 154	1001121807..... 443	1001137460.. 40, 61, 207, 209
1001106482..... 241	1001116474..... 407	1001121808..... 443	1001137672..... 462
1001106736..... 141, 409	1001116544..... 110	1001121809..... 442	1001137673..... 273, 275
1001106938..... 253, 257	1001116545..... 111	1001121810..... 442	1001138110..... 415
1001106957..... 377, 382	1001116565..... 457	1001121813..... 437	1001138111..... 415
1001106974..... 137	1001116566..... 457	1001121814..... 437	1001138113..... 415
1001106975..... 137	1001116710..... 414	1001121815..... 443	1001138173..... 85, 100
1001107469..... 303	1001116727..... 415, 423	1001121816..... 443	1001138175..... 85, 100
1001107497..... 303, 462	1001116846..... 441	1001121817..... 443	1001138228..... 85, 452
1001107529..... 137	1001116849..... 442	1001121818..... 443	1001138248..... 85, 101
1001107530..... 137	1001116851..... 442	1001121819..... 443	1001138489..... 87
1001107753..... 254, 404	1001116952..... 415	1001121820..... 443	1001138491..... 82, 414
1001107926..... 255, 259	1001116983..... 414	1001121821..... 443	1001138494..... 248
1001107927..... 255, 259	1001116992..... 404	1001121822..... 443	1001138514..... 248
1001108256..... 255, 259, 271	1001117078..... 190, 424	1001121823..... 443	1001138557..... 85
1001108495..... 437, 443	1001117140..... 149	1001121918..... 443, 459	1001138565..... 179
1001108720..... 458	1001117172..... 249, 258	1001121921..... 443	1001138566..... 176, 179, 183
1001108721..... 458	1001117174..... 249, 258	1001122200..... 443, 459	1001138717..... 87
1001108763..... 255, 259	1001117219..... 153	1001122201..... 443	1001138790..... 218
1001108764..... 255, 259	1001117234..... 152	1001122821..... 462	1001138791..... 219, 317
1001108962..... 459	1001117249..... 152	1001125125..... 409	1001138792..... 218, 329
1001109263..... 457	1001117294..... 460	1001125126..... 408	1001138793..... 219, 349
1001109475..... 424	1001117307..... 152	1001125387..... 438, 444	1001138795..... 329, 333, 335
1001109477..... 424	1001117308..... 85, 452	1001126009..... 433	1001138796..... 317, 319, 349, 351
1001109482..... 424	1001117372..... 315	1001126351..... 414	1001138827..... 85
1001109503..... 140	1001117427..... 248	1001126352..... 414	1001139099..... 460
1001109654..... 424	1001117428..... 249, 253	1001126353..... 414	1001139135..... 254, 258, 404
1001109690..... 386, 390, 394	1001117523..... 152	1001126356..... 414	
1001110166..... 152		1001126357..... 414	
		1001126362..... 415	

## PART NUMBER INDEX

1001139151 ..... 457	1001142940..... 415	1001149410..... 386, 390, 394	1001153622 ..... 113
1001139240 ..... 85	1001142941..... 415	1001149639..... 100	1001153636 ..... 176, 180
1001139303 ..... 86	1001143192..... 386	1001149673..... 147	1001153712 ..... 141, 411
1001139357 ..... 179	1001143256..... 462	1001149703..... 76	1001153713 ..... 141, 411
1001139409 ..... 86	1001143390..... 73, 87	1001149704..... 73	1001153715 ..... 141, 411
1001139654 ..... 448	1001143431..... 144	1001149705..... 73	1001153718 ..... 400, 411, 413
1001139813 ..... 86, 88	1001143449..... 91	1001149706..... 73	1001153719 ..... 400, 411, 413
1001139944 ..... 462	1001143472..... 91	1001149793..... 73	1001153749 ..... 242
1001139952 ..... 179, 422	1001143483..... 91	1001149818..... 143, 416	1001153779 ..... 72
1001139953 ..... 179, 422	1001143484..... 91	1001149908..... 91	1001153830 ..... 139
1001139960 ..... 183, 422	1001143525..... 91	1001149924..... 281	1001153831 ..... 139
1001140312 ..... 88	1001143575..... 91	1001149955..... 143	1001153832 ..... 139
1001140346 ..... 175	1001143601..... 149	1001149994..... 143, 144	1001153833 ..... 139
1001140347 ..... 175	1001143607..... 147, 148	1001150253..... 153	1001153834 ..... 139
1001140362 ..... 86	1001143609..... 147	1001150260..... 147, 152	1001153835 ..... 139
1001140412 ..... 84	1001143611..... 149	1001150372..... 14, 17	1001154126 ..... 315
1001140413 ..... 83	1001143669..... 462	1001150406..... 143	1001154231 ..... 462
1001140414 ..... 81	1001143726..... 87, 414	1001150539... 14, 17, 353	1001154236 ..... 71
1001140429 ..... 248	1001143736..... 82, 413	1001150561..... 154	1001154237 ..... 71
1001140448 ..... 86	1001143797..... 87	1001150890..... 76	1001154238 ..... 70
1001140450 ..... 86	1001143852..... 444, 447	1001150915..... 73	1001154239 ..... 70
1001140454 ..... 86	1001143858..... 148	1001150918... 71, 82, 98, 109	1001154258... 13, 17, 315
1001140466 ..... 86	1001143860..... 91	1001150937..... 14, 17	1001154405... 81, 87, 91, 127, 129
1001140487 ..... 86	1001143907..... 87, 415	1001150944..... 144, 416	1001154584 ..... 13
1001140535 ..... 86	1001144018..... 247	1001150998..... 73	1001154687 ..... 315
1001140564 ..... 86	1001144020..... 247	1001151010..... 135	1001154875 ..... 17
1001141300 ..... 259	1001144021..... 247	1001151034..... 13	1001154931 ..... 17
1001141302 ..... 259	1001144022..... 247	1001151035..... 13	1001155035 ..... 17
1001141304 ..... 86, 414	1001144023..... 247	1001151037..... 13	1001155041 ..... 167
1001141370 ..... 86	1001144024..... 247	1001151070..... 70	1001155043 ..... 141
1001141419 ..... 86	1001144025..... 247	1001151252..... 76	1001155044 ..... 141, 254, 258
1001141421 ..... 187, 422	1001144027..... 247	1001151253..... 76	1001155045 ..... 141, 254, 258, 450
1001141422 ..... 187, 422	1001144319..... 73	1001151354..... 374, 382	1001155143 ..... 70, 413
1001141546 ..... 86	1001144433..... 258, 275	1001151856..... 415	1001155185 ..... 457
1001141583 ..... 86	1001144438..... 201	1001151900..... 457	1001155192 ..... 17
1001141584 ..... 86	1001144447..... 201	1001151980..... 14	1001155194 ..... 17
1001141585 ..... 87, 100	1001144527..... 154	1001152173..... 141	1001155364 ..... 143
1001141586 ..... 87	1001144596..... 251	1001152175..... 141	1001155384 ..... 86
1001141711 ..... 91	1001144597..... 251	1001152429..... 190, 423	1001155673 ..... 389, 393
1001141718 ..... 82, 91	1001144629..... 247	1001152457 ..... 176, 179, 184, 422	1001155823 ..... 82
1001141783 ..... 40	1001145154..... 87	1001152458..... 422	1001155895 ..... 153
1001141870 ..... 91	1001145405..... 286, 299	1001152459..... 73	1001155899 ..... 152
1001141967 ..... 419	1001145750..... 91	1001152489..... 87	1001156136 ..... 63
1001141968 ..... 419	1001145751..... 91	1001152525..... 189, 194, 198	1001156137 ..... 40
1001141969 ..... 419	1001145937..... 141, 409, 410	1001152532..... 176, 180, 183, 422	1001156172 ..... 396, 461
1001141995 ..... 87, 100	1001146273..... 73	1001152564..... 241, 242	1001156176 ..... 131
1001142005 ..... 40	1001147264..... 415	1001152565 ..... 241, 242	1001156188 ..... 152
1001142031 ..... 91	1001147812..... 73	1001152637 ..... 389	1001156190 ..... 131
1001142032 ..... 91	1001147813..... 73	1001152719..... 13	1001156225 ..... 401
1001142501 ..... 82, 87, 91	1001147820..... 73	1001152965..... 462	1001156332 ..... 373, 377, 381
1001142504 ..... 462	1001147823..... 73	1001153025..... 400, 423	1001156333 ..... 373, 377, 381
1001142505 ..... 462	1001148138..... 163	1001153197 ..... 176, 180, 423	1001156351 ..... 421
1001142522 ..... 71, 83, 109, 113, 114	1001148641..... 87	1001153257 ..... 400, 423	1001156352 ..... 421
1001142623 ..... 85	1001148652..... 227	1001153282..... 73, 84, 88	1001156467 ..... 108, 254, 258
1001142643 ..... 176, 189	1001148902..... 459	1001153328..... 405	1001156469 ..... 108
1001142645 ..... 176, 189	1001148903..... 459	1001153329..... 406	1001156471 ..... 109
1001142646 ..... 176, 189	1001148904..... 459	1001153359... 82, 98, 109	1001156473 ..... 109
1001142677 ..... 396, 461	1001148905..... 459	1001153396..... 72	1001156597 ..... 385, 396
1001142683 ..... 144	1001148906..... 459	1001153414..... 73	1001156598 ..... 385, 396
1001142694 ..... 144	1001148971..... 461	1001153435..... 149	
1001142722 ..... 144	1001149126..... 457, 459		
1001142736 ..... 144, 416	1001149160..... 102		
1001142853 ..... 84	1001149284..... 227, 355		
1001142854 ..... 83	1001149286..... 218, 227		
1001142855 ..... 81	1001149391..... 355, 359		
1001142938 ..... 415			

# PART NUMBER INDEX

1001156693.....409	1001159256.....254, 258	1001169967.....100	1001178177.....81
1001156694.....408	1001159294.....377, 382	1001170035.....100	1001178178.....70
1001156695.....408	1001159323.....447	1001170128.....39, 240	1001178179.....108
1001156710.....13, 17	1001159340.....370, 373, 378, 382	1001170129.....39, 240	1001178200.....393, 396
1001156793.....131	1001159648.....400, 423	1001170132.....39, 240	1001178201.....393, 396
1001156794.....39, 240	1001159707.....390, 394	1001170134.....39, 240	1001178202.....396
1001156795.....39, 240	1001159854.....369, 374	1001170448.....218	1001178203.....373, 396
1001156796.....39, 240	1001159879.....396	1001170449.....218	1001178204.....381, 396
1001156797.....39, 240	1001160077.....143	1001170548.....218	1001178205.....381, 396
1001156798.....63	1001160271.....400, 423	1001170644.....367	1001178206.....396
1001156819.....109	1001160272.....419	1001170808.....141, 411	1001178207.....457
1001156823.....109	1001160780.....35	1001170855.....396	1001178208.....457
1001156824.....109	1001160965.....72	1001170987.....213	1001178223.....87
1001156825.....109	1001160966.....71	1001170989.....213, 231	1001178256.....218, 231
1001157012.....271	1001160967.....70	1001171016.....424	1001178797.....127, 129
1001157013.....271	1001161033.....389	1001171125.....175, 422	1001178876.....88, 92
1001157015.....19, 33	1001161089.....153	1001171131.....417	1001179079.....393
1001157016.....19, 33	1001161355.....14, 17	1001171202.....223	1001179154.....189, 194, 198, 422
1001157049.....63	1001161399.....14, 17	1001171203.....223	1001179269.....389, 393
1001157058.....63	1001161901.....131, 132	1001171403.....415	1001179270.....389, 393
1001157094.....19, 33	1001162335.....82, 91	1001171501.....139	1001179271.....389, 393
1001157208.....153	1001162497.....70, 82, 98	1001171502.....139	1001179329.....389, 393
1001157209.....153	1001162546.....462	1001171506.....139	1001179545.....389, 393
1001157220.....218, 231	1001162915.....153	1001171507.....140	1001179546.....389, 393
1001157400.....367, 396	1001163101.....154	1001171509.....139	1001179837.....163
1001157401.....397	1001163131.....281	1001171510.....139	1001179912.....179, 422
1001157446.....396	1001163296.....281	1001171512.....139	1001180001.....163
1001157447.....377, 396	1001163297.....281	1001171513.....139	1001180050.....400, 417
1001157448.....369, 396	100116333.....369	1001172045.....456	1001180052.....164, 417
1001157449.....377, 396	1001163599.....163, 176, 187	1001172179.....224	1001180053.....140
1001157450.....396	1001164091.....424	1001172218.....40, 47	1001180093.....140
1001157520.....189, 194, 198	1001164786.....143, 255, 259	1001172219.....40, 47	1001180094.....141
1001157521.....189, 194, 198	1001165035.....81, 101	1001172663.....237	1001180218.....175, 422
1001157525.....189, 422	1001165118.....143	1001172760.....253, 258	1001180287.....163
1001157528.....189, 194, 198	1001165350.....219	1001173292.....389, 396	1001180620.....88, 100
1001157592.....189, 194, 197, 198, 422	1001165368.....176, 180, 424	1001173293.....389, 396	1001180861.....458
1001157612.....152	1001165657.....14, 17	1001173535.....102	1001181045.....425, 453
1001157726.....152	1001165774.....139	1001173590.....413	1001181046.....425, 453
1001157735.....152	1001165775.....139	1001173876.....152	1001181059.....213, 231
1001157768.....400, 423	1001165776.....141, 411	1001173878.....154	1001181150.....460
1001157769.....190, 400, 423	1001165779.....400, 411, 413	1001173897.....131	1001181243.....164
1001157770.....190, 400, 423	1001165842.....87	1001174093.....109	1001181895.....88
1001157867.....152	1001166538.....253, 258, 269, 450	1001174277.....153	1001181899.....87
1001158007.....189, 194, 198	1001166539.....253, 258, 263, 450	1001174408.....153	1001182138.....277
1001158008.....189, 194, 198	1001166672.....249, 253	1001174486.....98, 108	1001182162.....393
1001158077.....152	1001166677.....249, 253	1001174745.....91	1001182599.....459
1001158167.....154	1001166806.....35	1001174746.....91	1001182997.....87, 88, 131
1001158171.....154	1001167042.....86	1001176027.....84	1001183407.....461
1001158175.....152	1001167565.....237	1001176035.....84	1001184176.....139
1001158187.....33	1001167567.....237	1001176329.....100	1001184177.....139
1001158188.....33	1001167596.....237	1001176372.....462	1001184569.....461
1001158203.....33	1001168018.....100	1001176419.....86	1001185078.....459
1001158204.....33	1001168402.....237	1001176469.....141	1001185131.....141, 409, 410
1001158258.....35	1001169054.....87, 100	1001176712.....401	1001185280.....258, 404
1001158259.....456	1001169138.....88, 100	1001177035.....424	1001185281.....258
1001158260.....456	1001169754.....20	1001177159.....109	1001185667.....83
1001158522.....35	1001169755.....20	1001177165.....109	1001185670.....81
1001159096.....248	1001169756.....20	1001177359.....88	1001185671.....83
1001159121.....417	1001169757.....20	1001177614.....386	1001185672.....81
	1001169935.....153	1001177694.....459	1001186251.....153
		1001177710.....424	1001186254.....153
		1001177844.....86	1001186333.....251
		1001177845.....86, 87	1001186334.....251
		1001178057.....131, 132	1001186375.....247
		1001178174.....131	1001186378.....247
		1001178175.....131	1001186379.....247
		1001178176.....81	

## PART NUMBER INDEX

1001186382 .....	248	1001197017.....	271	1001206254.....	418	1001215974 .....	101
1001186383 .....	247	1001197067.....	144	1001206255.....	419	1001216015 .....	163
1001186384 .....	247	1001197272.....	393	1001206256.....	424	1001216065 .....	102
1001186385 .....	247	1001197408.....	447	1001206311.....	462	1001216071 .....	103
1001186387 .....	247	1001198333.....	374, 382	1001206476.....	311	1001216075 .....	101
1001186426 .....	100	1001198334.....	374	1001206477.....	462	1001216092 .....	101
1001186431 .....	258, 275, 404, 462	1001198336.....	367	1001207004.....	144	1001216144 .....	103
1001186432 .....	433	1001198338.....	382	1001207307.....	143	1001216201 .....	101
1001186517 .....	273, 275	1001198339.....	367	1001207558.....	147	1001216212 .....	412
1001186985 .....	86	1001198340.....	374, 382	1001207969.....	241	1001216213 .....	412
1001187508 .....	273	1001198341.....	382	1001209059.....	462	1001216220 .....	91
1001187510 .....	71, 83, 99, 110, 117	1001199394.....	373, 381	1001209432.....	311	1001216230 .....	141, 411
1001187674 .....	279	1001199395.....	374	1001209474.....	311	1001216300 .....	103
1001187681 .....	427	1001199488.....	462	1001209630.....	461	1001216390 .....	194
1001187781 .....	100	1001199733.....	125	1001209631.....	461	1001216391 .....	168
1001188007 .....	139	1001199949.....	458	1001209632.....	461	1001216393 .....	102
1001188008 .....	139	1001200054.....	241	1001209664.....	273, 275	1001216531 .....	102
1001188042 .....	141	1001200120.....	458	1001209871.....	144	1001216532 .....	99
1001188135 .....	373, 381	1001200121.....	458	1001210025.....	462	1001216534 .....	99
1001188354 .....	143	1001200122.....	458	1001210026.....	462	1001216535 .....	99
1001188622 .....	237	1001200124.....	458	1001210448.....	103	1001216568 .....	98
1001188840 .....	223, 361	1001200125.....	458	1001210683.....	461	1001216616 .....	103
1001188842 .....	363	1001200126.....	458	1001210684.....	461	1001216619 .....	103
1001188843 .....	355	1001200127.....	458	1001210685.....	461	1001216630 .....	235, 237
1001188844 .....	237	1001200491.....	237	1001210686.....	461	1001216713 .....	110
1001188874 .....	141	1001200494.....	237	1001210687.....	461	1001216714 .....	110
1001188884 .....	125	1001200497.....	242, 411	1001211794.....	102, 103	1001216715 .....	109
1001188887 .....	125	1001200575.....	254, 258	1001211798.....	461	1001216716 .....	109
1001188889 .....	273	1001200700.....	461	1001212067.....	461	1001216719 .....	108
1001188968 .....	227, 355	1001200910.....	144	1001212223.....	188	1001216720 .....	108
1001188972 .....	71, 82, 98, 109	1001201351.....	237	1001213045.....	102	1001216768 .....	102
1001189001 .....	237	1001201890.....	253, 254	1001213181.....	459	1001216769 .....	102
1001189002 .....	237	1001201891.....	258	1001213219.....	459	1001216810 .....	102
1001189116 .....	258	1001202082.....	459	1001213220.....	459	1001216910 .....	102
1001189173 .....	143	1001202122.....	459	1001213221.....	459	1001216919 .....	101
1001189979 .....	101	1001202280.....	125	1001213222.....	459	1001216995 .....	101
1001190089 .....	249, 257	1001202281.....	125	1001213223.....	459	1001217005 .....	456
1001190113 .....	248	1001202311.....	91	1001213227.....	459	1001217032 .....	101
1001190610 .....	86	1001202331.....	459	1001213357.....	101	1001217046 .....	101
1001190775 .....	99, 460	1001202368.....	86	1001213447.....	405	1001217090 .....	101
1001190985 .....	237	1001202397.....	459	1001213482.....	101	1001217170 .....	99
1001191394 .....	460	1001202398.....	459	1001213584.....	420, 425	1001217174 .....	101
1001191395 .....	460	1001202573.....	249, 257	1001213585.....	420, 425	1001217175 .....	101
1001191610 .....	100	1001202577.....	249, 253	1001213602.....	461	1001217183 .....	101
1001191708 .....	277	1001202749.....	460	1001213604.....	461	1001217185 .....	101
1001192401 .....	410	1001203655.....	251	1001213705.....	214, 220	1001217186 .....	101
1001193018 .....	421	1001203656.....	251	1001213810.....	102	1001217191 .....	99
1001193638 .....	458	1001204269.....	382	1001213882.....	258	1001217192 .....	98
1001193691 .....	139	1001204325.....	87	1001214030.....	458	1001217194 .....	396
1001193692 .....	139	1001204453.....	460	1001214039.....	86, 88	1001217195 .....	396
1001194197 .....	418	1001204455.....	460	1001214050.....	84	1001217196 .....	396
1001194198 .....	418	1001204460.....	460	1001214552.....	462	1001217197 .....	396
1001194200 .....	418	1001204560.....	13, 17, 315	1001214561.....	462	1001217199 .....	97
1001194203 .....	418	1001204616.....	459	1001214562.....	462	1001217317 .....	101
1001194204 .....	418	1001204667.....	125	1001214570.....	311	1001217477 .....	103
1001194365 .....	418	1001204725.....	237	1001214571.....	311	1001217478 .....	103
1001194437 .....	400, 423	1001204901.....	461	1001214827.....	103	1001217543 .....	101
1001195304 .....	462	1001205025.....	456	1001215016.....	412	1001217543 .....	101
1001195533 .....	460	1001205026.....	456	1001215091.....	412	1001217649 .....	447
1001195967 .....	91	1001205028.....	456	1001215228.....	258	1001217780 .....	218, 231
1001196382 .....	194	1001205029.....	456	1001215289.....	394	1001218022 .....	459
1001196634 .....	123	1001205175.....	462	1001215296.....	374, 382	1001218085 .....	99
1001196768 .....	153	1001205493.....	144	1001215384.....	103	1001218089 .....	103
1001197016 .....	462	1001206250.....	418	1001215474.....	81, 83, 91	1001218362 .....	101
		1001206251.....	418	1001215474.....	81, 83, 91	1001218449 .....	101
		1001206252.....	418	1001215534.....	412	1001218547 .....	157
		1001206253.....	418	1001215674.....	101	1001218572 .....	71, 83, 98, 207, 209
				1001215681.....	101		

# PART NUMBER INDEX

1001218622.....	409	1001221703.....	248	1001227779.....	405	1001232259.....	405
1001218623.....	409	1001221719.....	248	1001227780.....	405	1001232586.....	249
1001218776.....	139	1001222033.....	102	1001227781.....	406	1001232642.....	283
1001218777.....	139	1001222641.....	103	1001227782.....	406	1001232643.....	462
1001218930.....	194	1001222665.....	414	1001227783.....	406	1001232650.....	283
1001219219.....	19, 27	1001222817.....	127, 129	1001227784.....	406	1001232667.....	283
1001219259.....	101	1001223042.....	101	1001227785.....	406	1001232799.....	249
1001219345.....	101	1001223055.....	438	1001227799.....	406	1001232838.....	249
1001219361.....	101	1001223453.....	438, 444	1001227800.....	406	1001232842.....	123
1001219363.....	101	1001223584.....	100	1001227801.....	407	1001233047.....	456
1001219364.....	98	1001223591.....	86, 88	1001227985.....	279	1001233089.....	88
1001219365.....	98	1001223593.....	88	1001227987.....	279	1001233237.....	457
1001219366.....	98	1001223782.....	83	1001227996.....	429, 431	1001233472.....	456
1001219367.....	98	1001223783.....	81	1001228009.....	213, 218, 343	1001233763.....	82, 123
1001219368.....	98	1001223923.....	101	1001228010.....	213, 218, 339	1001234099.....	457
1001219369.....	98	1001223971.....	444	1001228011.....	213, 347	1001235011.....	283
1001219370.....	98	1001224048.....	444	1001228012.....	218, 331	1001235013.....	283
1001219480.....	101	1001224049.....	444	1001228030.....	219, 319	1001235488.....	84, 88
1001219608.....	99	1001224050.....	444	1001228033.....	213, 323	1001235489.....	84
1001219609.....	98	1001224052.....	444	1001228041.....	213, 218, 327	1001235490.....	83
1001219610.....	97	1001224053.....	444	1001228050.....	219, 351	1001235491.....	81
1001219611.....	101	1001224137.....	400, 411, 413	1001228086.....	223, 363	1001236211.....	461
1001219612.....	101	1001224486.....	102	1001228087.....	227, 359	1001236303.....	209
1001219613.....	101	1001224489.....	102	1001228088.....	227, 357	1001236304.....	311
1001219618.....	193	1001224936.....	88	1001228170.....	40, 51	1001236338.....	438, 458
1001219619.....	167	1001224937.....	88	1001228171.....	40, 55	1001236504.....	311
1001219630.....	168	1001224940.....	88	1001228215.....	247	1001236505.....	311
1001219632.....	168	1001225346.....	311	1001228224.....	279	1001236552.....	283
1001219633.....	461	1001225442.....	101	1001228225.....	279	1001236746.....	309
1001219809.....	98	1001225510.....	102	1001228243.....	248	1001236747.....	305
1001219840.....	457	1001225580.....	258, 275, 404	1001228357.....	463	1001236891.....	305, 307, 309
1001219881.....	157	1001225666.....	460	1001228375.....	248	1001236895.....	461
1001219906.....	103	1001225745.....	71, 83, 99, 117	1001228376.....	247	1001237862.....	429, 431
1001219973.....	249, 257	1001226098.....	89	1001228377.....	247	1001237863.....	279, 431
1001219983.....	39, 240	1001226285.....	91	1001228506.....	361	1001237864.....	279, 429
1001219984.....	39, 240	1001226286.....	127	1001228949.....	457	1001237865.....	279, 427
1001219985.....	39, 240	1001226531.....	311	1001228988.....	286, 287, 289, 291, 293, 297, 299	1001238263.....	305, 307, 309
1001219986.....	39, 240	1001226744.....	241	1001229107.....	457	1001238319.....	279
1001220002.....	153	1001226872.....	248	1001229113.....	438, 444, 448	1001238418.....	283, 433
1001220067.....	152	1001226923.....	127, 129	1001229341.....	279	1001238463.....	307
1001220141.....	103	1001227224.....	82, 91	1001229530.....	411	1001238472.....	283
1001220151.....	456	1001227302.....	407	1001229531.....	411	1001238477.....	283
1001220189.....	154	1001227351.....	407	1001229533.....	411	1001238495.....	275
1001220190.....	152	1001227359.....	409	1001229560.....	458	1001238559.....	283
1001220281.....	258, 404	1001227448.....	457	1001229762.....	456	1001238824.....	283
1001220379.....	415	1001227488.....	407	1001230032.....	129	1001239347.....	463
1001220404.....	103	1001227518.....	407	1001230635.....	86	1001239462.....	209
1001220486.....	254, 258	1001227519.....	405	1001230834.....	456	1001239470.....	207
1001220510.....	438, 444, 448	1001227520.....	406	1001230840.....	463	1001239620.....	461
1001220511.....	438, 444, 448	1001227524.....	405	1001231180.....	297	1001239621.....	461
1001220512.....	438, 444, 448	1001227610.....	406	1001231183.....	297	1001239623.....	461
1001220864.....	438, 444, 448	1001227611.....	406	1001231235.....	297	1001241385.....	463
1001221203.....	88	1001227614.....	84	1001231801.....	437, 458	1001241410.....	461
1001221208.....	194, 423	1001227615.....	83	1001231888.....	131	1001241412.....	461
1001221212.....	83, 88	1001227616.....	81	1001231949.....	309	1001241413.....	461
1001221219.....	88	1001227617.....	83	1001231950.....	305, 307	1001241415.....	461
1001221397.....	103	1001227620.....	83	1001232010.....	305, 307, 309	1001241715.....	249
1001221464.....	99	1001227633.....	279	1001232011.....	305, 307, 309	1001241773.....	460
1001221488.....	97	1001227634.....	279	1001232164.....	279	1001241774.....	460
1001221498.....	194, 400, 423	1001227666.....	102	1001232165.....	279	1001241775.....	460
1001221545.....	103	1001227667.....	102	1001232190.....	457	1001241776.....	460
1001221615.....	102	1001227727.....	406			1001241965.....	283
		1001227769.....	102			1001242255.....	144
		1001227772.....	103				



## PART NUMBER INDEX

1001242256 .....	144	1320302 ... 286, 289, 291,	1684230.....	317	1703951.....	442
1001242409 .....	457	293	1684232.....	317	1703953.....	437
1001243183 .....	457	1320318 .... 175, 179, 187	1684408.....	213, 321	1703959 ....	437, 443, 447
1001243184 .....	457	1320323 .....	1684497.....	213, 218, 325	1703960 ....	437, 442, 447
1001243895 .....	123	1321283 .....	1700818.....	437, 443	1703980.....	442
1001246473 .....	457	1321339 .. 70, 83, 97, 108	1701499.....	437, 441, 447	1703981.....	442
1001246474 .....	457	1321384 .....	1701501.....	437, 442, 447	1703982.....	442
1001246860 .....	459	1321716 .....	1701505 70, 81, 437, 443,	447	1703983.....	442
1001246867 .....	459	1340060 .....	1701509.....	281, 437, 441,	1703984.....	442
1001247073 .....	462	1340061 .....	447	447	1704000.....	441, 458
1001248012 ....	218, 219,	1380147 .....	1701518.....	447	1704001.....	441, 458
333, 335		1580011 .....	1701518.....	447	1704260.....	253, 257
1060341 ....	271, 416, 424	1580012 .....	1701542.....	97, 108, 437,	1704271.....	444
1060343 ...	189, 194, 198,	1580013 .....	443	443	1704277 ....	437, 441, 447
422		1600244 .....	1701543.....	97, 108, 437,	1704412 ....	437, 441, 447
1060379 .....	297, 303	1600387 .....	443	443	1704578.....	35
1060494 ...	189, 198, 417,	1670603 .....	1702565.....	253, 257	1704885 ....	437, 443, 447
422		1670769 .....	1702566.....	253, 257	1704972.....	71, 83
1060545 .....	425	1670829 ....	1702567.....	253, 257	1705014.....	251
1060625 .....	71, 82, 109	1670842 .....	1702676.....	248	1705090 ....	35, 437, 443,
1060626 ..	71, 82, 98, 109	1670844 .....	1702701.....	20	447	
1060633 .....	425	1670850 .....	1702720.....	443	1705132.....	253
1060637 ..	70, 84, 99, 109	1670864 .....	1702773.....	251, 437, 443,	1705170 ....	143, 255, 259
1060896 .....	407	1670964 .....	447	447	1705305 ...	286, 289, 291,
1060902 .....	408	1671034 .....	1702774 ....	437, 443, 447	293, 297, 299	
1060903 .....	271	1671092 ...	1702788....	438, 444, 447,	1705336.....	437
1060908 .....	425	409, 421, 423	457	457	1705344.....	442
1060918 ....	249, 258, 404	1671093 ...	1702861....	437, 443, 447	1705345.....	442
1060919 .....	251	421	1702868....	286, 291, 293,	1705347.....	442
10702077 ..	189, 194, 198	1671228 .....	297, 299, 437, 458	297, 299, 437, 458	1705348.....	442
10702082 ..	189, 194, 198	1671230 .....	1702938.....	255, 259	1705351.....	438
1120487 .....	132	1671231 .....	1702941 ...	71, 82, 98, 109	1705355 ....	286, 289, 291
1120510 .....	214, 219	1671232 .....	1702942 ...	71, 82, 98, 109	1705358.....	281
1120552 .....	20	1671233 .....	1702943 ...	71, 82, 98, 109	1705364.....	20
1120555 .....	281	1683050 .....	1702944 ...	71, 82, 98, 109	1705374 ...	175, 180, 184,
1120601 .....	148, 152	1683053 .....	1702961.....	438, 458	198	
1180346 .....	223	1683055 .....	1702962.....	437, 458	1705375 ...	190, 194, 198,
1260017 .....	35, 63	1683061 .....	1703162. 72, 87, 100, 110	286, 291, 100, 110	286, 291, 293	
1260135 .....	35	1683071 .....	1703175.....	437, 458	1705387 ...	175, 180, 184,
1271538 .....	235	1683074 .....	1703479.....	447, 457	190, 194, 198	
1282571 .....	400	1683537 ....	1703683.....	303	1705389.....	175, 180
1283309 .....	396	213, 218, 341	1703772....	437, 442, 447	1705426.....	444
1283407 .....	447	1683539 .....	1703773....	437, 442, 447	1705427.....	444
1300019 .....	20, 463	1683544 .....	1703797.....	437	1705429.....	444
1320011 .....	83, 361	1683547 ....	1703804.....	437	1705430.....	444
1320012 .....	110	1683549 .....	1703805.....	437	1705460 ....	190, 194, 198
1320016 .....	72, 110	1683606 .....	1703811....	437, 441, 447	1705461.....	190
1320022 .....	70, 110, 125	1683607 .....	1703814....	437, 441, 447	1705466 ...	286, 289, 291,
1320061 .....	82, 92	1683608 .....	1703923.....	442	293, 299	
1320110 .....	99	1683609 .....	1703924.....	442	1705489.....	190
1320127 .....	135	1683629 .....	1703925.....	442	1705490.....	287, 299
1320136 .....	235	1683632 .....	1703926.....	442	1705514.....	437, 441
1320159 .....	214	1683647 .....	1703927.....	442	1705822.....	447
1320176 .....	70, 103	1683648 .....	1703935.....	442	1705828.....	447
1320177 .....	286, 299	1683663 .....	1703936.....	442	1705836.....	201
1320218 .....	135	1683673 .....	1703937.....	442	1705837.....	201
1320220 .....	135	1683675 .....	1703938.....	442	1705886.....	201
1320223 71, 72, 109, 110,		1683682 .....	1703939.....	442	1705895.....	442
131		1683818 .....	1703941.....	441	1705896.....	442
1320224 .....	71, 235	1683821 .....	1703942.....	441	1705897.....	442
1320250 .....	224	1683823 .....	1703943.....	441	1705898.....	442
1320251 .....	223	1684089 .....	1703944.....	441	1705902.....	442
1320256 .....	409	1684090 .....	1703945.....	441	1705903.....	441
1320263 .....	228	1684114 .....	1703947.....	442	1705905.....	444
1320288 .....	228	1684115 .....	1703948.....	442	1705910.....	444
1320289 .....	228	1684125 .....	1703949.....	442	1705917.....	442
		1684126 .....	1703950.....	442	1705921.....	447
		1684228 .....				

# PART NUMBER INDEX

1705961.....447	2180348 ..... 70, 102, 125	2220578 ... 370, 373, 378,	2400060.... 123, 190, 195,
1705967.....441, 458	2180380 ..... 386	381	199, 410, 424
1705968.....441, 458	2180387 ..... 135	2220582 ... 113, 369, 373,	2400064.... 190, 195, 199,
1705969.....441, 458	2180388 ..... 135	377, 381, 385, 389, 393	424, 452
1705977.....443, 447	2180389 ..... 135	2220591 .... 378, 382, 386	2400065.....413, 450
1705978.....447	2180418 .... 97, 101, 108,	2220593 .... 385, 389, 393	2400066.....413
1705980.....447	135	2220596 ... 369, 373, 377,	2400070.....424, 453
1706059.....71	2180467 ..... 100	381, 385, 389, 393	2410014.....251
1706060.....71, 83	2180615 ..... 337, 339	2220600 ..... 389, 393	2420165.....199
1706061.....71	2180724 ..... 386	2220602 ... 369, 373, 377,	2420172.....140
1706062.....71	2180832 ..... 81, 286, 299	381, 385, 389, 393	2420202.....235
1706063.....71	2180877 ..... 111	2220603 .... 386, 390, 394	2420203.... 159, 163, 167,
1706064.....71, 83	2200222 ..... 131	2220605 .... 385, 389, 393	171
1706098.....71, 83	2200233 ..... 131	2220609 ..... 386	2460048..... 188, 197
1706385.....251	2220005 ..... 97, 108	2220618 ... 369, 373, 377,	2460051..... 167, 171
1706510.....303	2220064 ..... 101	381, 385, 389, 393	2460055.....159
1706712.....140	2220221 ... 113, 370, 373,	2220619 .... 385, 389, 393	2460056.....159
1706957.....35	378, 381	2220622 ..... 369, 378	2540038.....235
1706960.....35	2220237 ... 369, 373, 377,	2220646 ..... 114	2560024.....98
2030010.... 286, 289, 291,	381	2220671 ... 370, 373, 378,	2560136.....253, 257
293, 299	2220238 ... 370, 373, 378,	381	2560187.....153
2060025.....72, 110	381	2220737 .... 385, 389, 393	2580024..... 71, 82, 109
2080040.... 152, 247, 249	2220252 ..... 201	2220738 ..... 369, 378	2580050..... 71, 82, 109
2080044.....220	2220261 ..... 101, 135	2220750 ..... 201	2580062.....73
2080072.....152	2220313 ..... 70, 81	2220765 .... 385, 389, 393	2580063.....109
2110404.... 369, 373, 377,	2220315 ..... 84	2220800 ... 114, 370, 373,	2600209.....149
378, 381, 382	2220371 ... 369, 373, 378,	378, 381	2600233.....148
2110406.... 367, 369, 373,	382, 385, 389, 393	2220816 .... 125, 127, 129	2600244.....147
377, 381	2220373 ... 373, 382, 385,	2220852 .... 385, 389, 393	2600280.....153
2110408.... 367, 369, 373	389, 393	2220873 ..... 385, 386	2600281.....247
2110606.... 367, 369, 373,	2220374 ... 113, 370, 373,	2220883 ..... 29, 315, 317,	2720015.....84
377, 381	378, 381	319, 321, 323, 325,	2720058..... 70, 101, 110,
2110808.... 369, 373, 377,	2220375 ... 369, 373, 377,	327, 329, 331, 333,	125
381	381	335, 337, 339, 341,	2720144.....135
2110812.....377, 381	2220376 ..... 385, 389	343, 357, 359, 361, 363	2720160.....286, 299
2111212.....369, 373	2220377 ..... 393	2220885 ... 315, 317, 319,	2720271..... 101, 111
2111616.... 369, 374, 377,	2220379 ..... 385, 389	321, 329, 331, 333,	2720340.....84
381	2220380 ... 369, 373, 377,	335, 347, 351, 355,	2720392.....108
2120167.....39	381	359, 361, 363	2720398.....72
2120168.....39, 450	2220381 .... 385, 389, 393	2220886 .... 29, 357, 359,	2720545.....201
2120209.....39	2220385 ... 370, 378, 385,	361, 363	2720563.....110
2120210.....39, 450	389, 393	2220888 .... 29, 325, 327,	2720564.....110
2130406.....377, 381	2220386 ..... 369, 378	337, 339, 341, 343	2750532..... 70, 81, 110
2130604.....377, 381	2220415 .... 385, 389, 393	2220893 ..... 39	2751399.... 369, 373, 377,
2130606.... 370, 374, 378,	2220418 ..... 135	2220899 .... 386, 390, 394	381
382	2220428 ..... 385	2220940 ... 369, 373, 378,	2751500.... 369, 373, 377,
2130808.... 369, 373, 377,	2220429 ..... 385	382	381
381	2220451 .... 72, 113, 373,	2220947 ... 385, 386, 389,	2751512.....389
2131616.... 370, 373, 377,	381, 394	390, 393, 394	2752434.... 369, 373, 377,
381	2220466 ... 369, 373, 378,	2220950 .... 386, 390, 394	381, 390, 394
2150406.... 369, 374, 377,	382, 385, 389, 393	2220999 .... 385, 389, 393	2752438..... 385, 390
381	2220468 ... 369, 373, 377,	2221024 ..... 135	2752461.....393
2151616.... 369, 373, 378,	381, 394	2221034 ..... 390, 394	2752462.....386, 390
382	2220472 ..... 390, 394	2221036 .... 386, 390, 394	2752468.... 385, 390, 394
2170104.....367	2220473 ... 369, 373, 378,	2221037 ..... 201	2752484..... 389, 394
2170106.....367	382, 385, 389, 393	2221086 ..... 390, 394	2752489.... 369, 373, 378,
2170350.....377, 381	2220478 .... 385, 389, 393	2221176 ..... 70, 97, 108	381
2170408.....377, 381	2220490 .... 385, 389, 393	2221197 ..... 135	2752494.... 369, 370, 373,
2170412.....369, 374	2220498 ..... 386, 390	2221270 ..... 131	377, 378, 381, 385,
2170504.... 369, 374, 377,	2220500 .... 385, 389, 393	2300004 ..... 84, 100, 108,	390, 394
381, 382	2220501 ... 369, 378, 386,	460	2752495..... 373, 381
2170506.... 370, 373, 378,	390, 394	2300014 ..... 460	2752585..... 386, 390
382	2220502 ..... 385	2300016 ..... 19, 460	2752651.....369, 377
2170508.....369, 374	2220550 ..... 369, 374	2300021 ..... 460	2752721.....385, 390
2170704.....367	2220574 ..... 385, 389	2300027 ..... 460	2752723.....394
2170706.....367	2220577 ... 386, 390, 394	2300039 ..... 460	2752754.... 369, 373, 377,
2180125.....135		2300041 ..... 84, 108, 460	381

## PART NUMBER INDEX

2752766 .... 386, 390, 394	2754743 ..... 378, 382	3020008.....19	171, 175, 180, 184,
2752767 .... 386, 390, 394	2760105 .... 140, 253, 257	3020016.....72, 460	189, 193, 198, 253,
2752768 .... 386, 390, 394	2780227 ..... 23	3020029... 13, 17, 63, 460	257, 286, 289, 291,
2752930 .... 386, 390, 394	2780229 ..... 19	3020037 ..... 84, 460	293, 299
2752934 ..... 370, 378	2780272 ..... 19, 23	3020039..... 13, 17, 460	3311401 ..... 35, 271
2752938 ..... 373, 381	2792700 ..... 396	3020044..... 72, 460	3311405 ... 39, 71, 72, 81,
2752978 .... 386, 390, 394	2820031 ... 160, 163, 167,	3160347 ..... 19, 29	83, 85, 91, 97, 98, 99,
2752995 ..... 394	171, 175, 180, 183,	3160348..... 19, 29	108, 109, 111, 140,
2752997 ... 369, 373, 377,	187, 193, 197	3200362..... 110	147, 152, 154, 171,
381	2820035 ..... 123, 249	3200401..... 72, 73, 76, 85	183, 197, 201, 203,
2753006 ..... 386, 390	2820078 ..... 149	3200406..... 73	235, 240, 241, 242,
2753007 ..... 386	2820233 ..... 148	3250030..... 153	248, 283, 311, 438,
2753008 .... 385, 390, 394	2820234 ..... 148	3250872..... 35, 437, 443,	444, 448
2753009 ..... 386	2820235 ..... 148	447	3311501 ... 132, 148, 152,
2753010 .... 385, 390, 394	2820247 ..... 429, 431	3251102.... 160, 163, 167,	271
2753118 .... 386, 390, 394	2840016 ..... 157	171, 175, 179, 183	3311505. 33, 72, 87, 132,
2753123 .... 386, 390, 394	2860012 ..... 160	3251242..... 419, 447	143, 147, 153, 171,
2753124 ..... 386	2860030 ..... 140, 450	3251243.... 159, 167, 171,	187, 193, 197, 214,
2753125 ..... 386	2900708 ..... 39, 43	175, 180, 184, 190,	241, 303
2753126 .... 386, 389, 393	2900756 ..... 33	194, 198, 437, 441	3311508 .... 175, 179, 183
2753128 ..... 386	2900792 ... 317, 319, 321,	3251813 ..... 437, 442	3311601... 131, 147, 152,
2753129 ..... 386	323, 325, 327, 329,	3252221..... 458	224, 254, 258, 283
2753189 .... 386, 390, 394	331, 333, 335, 337,	3252347 ..... 437	3311602 ..... 224
2753190 .... 386, 390, 394	339, 341, 343	3252507 ..... 160, 441	3311605 ... 70, 72, 76, 85,
2753191 .... 386, 390, 394	2901273 ..... 361	3252764 .... 187, 193, 197	91, 97, 108, 111, 127,
2753192 .... 385, 390, 394	2901301 ..... 317, 349	3271605.... 305, 307, 309,	129, 131, 135, 143,
2753195 .... 385, 390, 393	2901303 ..... 329	361	147, 148, 152, 154,
2753196 .... 385, 389, 393	2901514 ..... 337, 339	3271801..... 85	157, 160, 201, 203,
2753197 .... 385, 389, 393	2901526 .... 323, 325, 327	3271805..... 137, 251	220, 224, 228, 248,
2753199 .... 385, 389, 393	2901537 ..... 341, 343	3272001.... 305, 307, 309	251, 286, 289, 291, 293
2753200 .... 385, 389, 393	2901549 ..... 345	3272605..... 235	3311705 .... 160, 163, 167
2753216 ..... 385, 389	2901556 ..... 321	3290405..... 97, 108	3311801. 19, 70, 84, 163,
2753231 .... 385, 390, 393	2901712 ..... 355	3290505..... 97, 108, 160	175, 180, 187, 240
2753274 ..... 394	2902085 ..... 461	3290601.... 100, 103, 153,	3311805. 72, 76, 99, 109,
2753442 ..... 389, 393	2902212 ..... 281	167, 193	111, 147, 157, 233,
2753542 ..... 377, 382	2902217 .... 286, 289, 291	3290605.... 100, 286, 299	235, 237
2753550 ... 369, 374, 377,	2902303 ..... 458	3290606..... 248	3312001 ..... 35
382	2902307 ..... 458	3290607 ..... 97, 100, 144	3312002 .... 63, 305, 307,
2753622 ... 369, 374, 377,	2902308 ..... 458	3290801..... 97, 100	309
382	2902309 ..... 458	3290805.... 100, 102, 311	3312005 ..... 235, 281
2753626 .... 370, 377, 382	2902310 ..... 458	3291001..... 98, 100, 237	3312205 ..... 281
2753628 ..... 377, 382	2902311 ..... 458	3291005..... 92, 100, 237	3312602 ..... 143, 144
2753634 ..... 378, 382	2902312 ..... 458	3291007 ..... 157	3321501 ..... 148
2753635 ..... 369, 374	2902322 ..... 458	3291201.... 100, 168, 193,	3322201 ..... 137
2753656 .... 373, 378, 382	2902329 ..... 458	237	3340764 ..... 228
2753685 ..... 369, 374	2902353 ..... 458	3291205..... 237	3340828 ..... 223
2753686 ..... 377, 382	2902396 ..... 458	3300007 ..... 19	3340833 ..... 361
2753688 ..... 370, 374	2902443 ..... 412, 415	3300151.... 248, 286, 289,	3340834 ..... 361
2753725 ..... 369, 374	2902456 ..... 461	291, 293	3340835 .... 214, 219, 223
2753732 ... 370, 373, 378,	2902457 ..... 461	3300205..... 140	3340838 .... 355, 357, 359
382	2902459 ..... 461	3300243..... 233, 237	3340840 ..... 228
2753735 ..... 367	2902533 ..... 109, 413	3300353.... 140, 253, 257	3340859 ..... 224
2753940 ..... 378, 382	2910887 ..... 456	3300364 ..... 152	3340871 ..... 227
2753970 ..... 377, 382	2915094 ..... 63	3300396.... 176, 179, 184,	3340881 ..... 223
2753971 ..... 378, 382	2915228 ..... 462	189, 194, 198	3340941 ..... 228
2753979 ..... 367	2920028 .... 255, 257, 259	3300408..... 140	3340943 ..... 228
2754240 ..... 369, 374	2920029 .... 255, 257, 259	3300430.... 273, 275, 277	3340956 ..... 281
2754242 ..... 370, 374	2920110 ..... 143	3300454..... 201	3340966 ..... 17
2754243 ..... 370, 374	2920113 ..... 143	3310401..... 87	3380434 ..... 248
2754337 ... 367, 374, 377,	2920129 .... 235, 405, 413	3310601..... 157, 199	3380442 ..... 147
382	2920140 ..... 249, 424	3310605..... 242	3380444 ..... 147
2754338 ..... 378, 382	2920161 ..... 143, 416	3310801..... 240, 241	3380535 ..... 241, 242
2754401 ... 369, 374, 377,	2940045 ..... 152	3310805..... 135, 199	3420292 ..... 35
382	2940074 ..... 247, 452	3311001..... 91, 147, 189,	3420372 ..... 35
2754512 ..... 377, 382	2940088 ..... 148, 149	194, 198	3420447 ..... 35
2754678 ..... 377, 382	2940173 ..... 153	3311005.... 143, 144, 148,	3421453 ..... 286, 299
2754720 ..... 377, 382	2940188 ..... 148	149, 160, 163, 167,	3421565 ..... 63

# PART NUMBER INDEX

3422417.....	13, 17	3572280.....	111	3900232.....	148	4032015.....	180, 189
3422446... ..	70, 81, 97, 108	3572423.....	132	3900239.....	214	4060092.....	419
3422457.....	227	3572604.....	361	3900259.....	227	4060802... ..	160, 163, 167, 171, 175, 179, 183, 187, 193, 198
3422532... ..	71, 83, 99, 109	3572605.....	361	3900262.....	224	406080572, 85, 102, 111, 228, 240	
3422561.....	219	3572606.....	240	3900268.....	140	4060906.....	140
3422578.....	213	3572607.....	240	3900283... ..	228, 235, 241	4061054.....	235
3422580.....	213	3573400... ..	286, 289, 291, 293	3900293.....	63	4070410.....	148
3422582.....	214	3573642... ..	286, 289, 291, 293	3900316... ..	148, 152, 154	4070411.....	148
3422583.....	219	3574091.....	271	3900349.....	258	4070412.....	148
3422661.....	303	3575359.....	271	3900363.....	153	4070450.....	35
3422681.....	213, 219	3575874.....	201	3910408.....	87	4070560.....	35
3422683.....	213, 219	3576755.....	132	3910606... ..	175, 180, 183, 187, 193, 198	4070561.....	35
3422684.....	213, 219	3576799.....	286, 299	3910608.....	157, 199	4070863.....	227
3422685.....	213, 219	3577121... ..	286, 289, 291, 293	3911012.....	144	4070864.....	227
3422686.....	213, 219	3580134.....	159	3911040.....	143	4070878.....	13, 17
3422687.....	213, 219	3580158.....	159	3930606.....	242	4070879.....	13, 17
3422688.....	214, 219	3580276.....	159, 163	3930816.....	241, 242	4070897.....	223, 227
3422689.....	214, 219	3580276.....	159, 163	3930824.....	240, 241	4070898.....	223, 227
3422690.....	227	3580312... ..	171, 183, 197	3931016... ..	175, 179, 183, 187, 193, 197	4070929.....	223
3422729.....	213, 219	3580314... ..	183, 193, 197	3931048.....	44	4070944.....	13
3422790.....	13, 17	3580317... ..	175, 180, 187, 193	3931408.....	273, 275	4070945.....	13
3422848.....	17	3580318... ..	175, 180, 187	3931424.....	201, 273	4070967.....	223
3422860.....	219	3580319... ..	175, 180, 187	3931432.....	85, 240	4070968.....	223
3422861.....	219	3580320... ..	85, 180, 189	3931436.....	240	4070969.....	228
3422867.....	219	3580324.....	167, 171	3931448... ..	355, 359, 361	4070991.....	140
3430616.....	254, 258	3580348... ..	171, 183, 197	3931464.....	240	4071007.....	223
3430816.....	157	3600386.....	201, 203	3931508.....	361	4071009.....	63
3450404.....	157	3620040.....	111	3931512.....	85	4071052.....	228
3460334.....	281	3641569.....	271	3931516.....	329, 345	4071059.....	17
3470003.....	254, 258	3720021.....	201	3931620... ..	317, 319, 321, 349, 351	4071122.....	97, 108
3480188.....	317, 349	3740049... ..	140, 416, 424, 450	3931628.....	85, 189	4100062.....	386, 390, 394
3480210.....	329	3740067... ..	72, 81, 97, 111, 450	3931640.....	100	4100100.....	329
3480211.....	361	3740080... ..	72, 160, 163, 167, 171, 193, 198, 452	3931664.....	355, 359	4120035.....	405, 410
3480232.....	345	3740086.....	433	3931720.....	361	4160139.....	148
3480233.....	321	3760133.....	227	3932240... ..	325, 327, 337, 339, 341, 343	4160143.....	148
3480234.....	355	3760170.....	35, 63, 297	3960389.....	99, 108, 148, 152	4160194.....	153
3480236.....	341	3760367.....	345	3960407.....	72	4220162.....	143
3480237.....	325	3760368.....	329	3960422... ..	175, 180, 183, 187, 193, 198, 419, 422	4240018... ..	160, 163, 171, 175, 179, 187
3480238.....	337	3760369... ..	317, 321, 349	3960422... ..	175, 180, 183, 187, 193, 198, 419, 422	4240032... ..	143, 144, 199, 258
3510868.....	251	3760370.....	361	3960438.....	148	4240033... ..	82, 144, 235, 273, 275, 279, 283
3510884.....	251	3760374.....	325, 337	3960453.....	147	424009987, 98, 100, 123, 167, 249, 271, 286, 289, 291	
3520028... ..	159, 163, 167, 171	3790012... ..	97, 108, 248, 254, 255, 257, 259	3960461.....	143	4240113.....	131
3520031.....	141	3790044... ..	72, 83, 99, 110	3960462.....	148, 149	4240149.....	281
3520033.....	254, 258	3820001... ..	35, 303, 437, 443, 444, 447	3960464.....	148, 149	4280295.....	131
3520034.....	220	3820020.....	247	3960468.....	72, 84, 111	4280296.....	33
3520035... ..	140, 240, 241, 242, 254	3841143... ..	70, 81, 97, 108, 214, 219, 227, 237	3960469... ..	72, 84, 99, 111	4300157.....	180, 187
3520054.....	72, 253, 257	3841287... ..	13, 17, 214, 219	3960470.....	148	4340706.....	223
3520071.....	281	384134039, 81, 214, 219, 224		3960526.....	19	4340747.....	201
3520072... ..	247, 248, 251	3841356.....	214, 219	3960548.....	70	4341239.....	111
3520182.....	277	3841406.....	228	3980007... ..	71, 82, 98, 109	4341241.....	111
3520189.....	190, 423	3841520.....	13, 17	3990010.....	410, 450	4341264.....	241
3520192.....	190	3850018.....	321	3990013.....	433	4360057.....	271, 453
3520198.....	247, 248	3890040.....	251	3960462.....	148, 149	4360070... ..	176, 179, 184, 189, 194, 198, 452
3536089.....	249	3900054.....	251	3960464.....	148, 149	4360328... ..	254, 255, 259, 450
3537445.....	157	3900085.....	143, 144	3960468.....	72, 84, 111	4360330.....	254, 450
3537446.....	157	3900139.....	345	3960469... ..	72, 84, 99, 111	4360331... ..	249, 255, 259, 453
3538047.....	13, 17	3900210... ..	143, 152, 153	3960470.....	148		
3538758.....	228			3960526.....	19		
3539219.....	140			3960548.....	70		
3539872.....	111			3980007... ..	71, 82, 98, 109		
3539877.....	13			3990010.....	410, 450		
3539955.....	149			3990013.....	433		
3570775.....	355, 359			4010608.....	286, 299		
3570928.....	240			4010618.....	248		
3571712.....	147			4031505.....	279		
				4031516.....	283		
				4031608.....	160		
				4031711.....	100		
				4031914.....	85		
				4032011.....	101		
				4032014.....	85		

## PART NUMBER INDEX

4360336 ..... 97, 108, 160, 163, 167, 171, 175, 179, 183, 187, 193, 198, 254, 258, 452, 453	4460268 ... 411, 416, 417, 422, 424	4460708.....254, 257, 404, 405, 413	4461052 ..... 412
4360387 ... 141, 254, 255, 257, 259, 450	4460294 ..... 176	4460709.....420, 425	4461053 ..... 412
4360407 ... 254, 257, 450	4460297 ..... 417	4460710.....420, 425	4461054 ... 412, 414, 415
4360436 ..... 131	4460320 ..... 411, 416	4460722.....123	4461060 ..... 412
4360469 ..... 140, 452	4460321 ... 167, 417, 425	4460742....195, 199, 417, 423	4461070 ..... 411, 414
4360470 ..... 140, 452	4460326 ..... 411, 416	4460743....195, 199, 417, 423, 424	4461071 ..... 412, 415
4360475 ... 140, 254, 257, 450	4460346 ... 175, 180, 183, 188, 193, 198, 419, 422	4460761.....235, 404, 410	4461072 ..... 412, 415
4360476 ... 140, 254, 257	4460365 ..... 410	4460807.....422	4461073 ..... 412, 415
4360498 ... 240, 416, 452	4460374 ... 195, 198, 412, 417, 423	4460808.....422	4461074 ..... 412, 415
4360499 ... 240, 416, 452	4460375 ... 195, 198, 412, 417, 423	4460836.....235	4461077 ... 416, 427, 433
4360517 ... 137, 416, 452	4460418 ..... 405, 410	4460865.....407	4461095 ..... 411, 414
4360522 ... 143, 255, 259, 453	4460419 ..... 405, 410	4460866....404, 407, 410	4461109 ..... 412
4360542 ... 159, 163, 167, 171	4460424 ..... 411	4460868 ..... 410	4461111 ..... 412
4360578 ... 240, 241, 242, 452	4460425 ... 176, 179, 184, 189, 194, 198, 255, 259, 271, 423, 424	4460871....261, 267, 404, 405, 410, 411, 412	4461113 ..... 412
4400275 ..... 135	4460426 ... 140, 176, 179, 184, 189, 194, 198, 249, 255, 259, 409, 417, 423, 424	4460873.....404, 410	4461121 ..... 412
4400400 ..... 131	4460428 ... 254, 257, 404	4460874.....404, 410	4461122 ..... 412
4400420 ..... 135	4460434 ..... 405, 410	4460875.....404, 410	4461123 ..... 412
4420014 ..... 281	4460445 ..... 411, 416	4460876.....410	4461124 ..... 412
4420037 ... 286, 289, 291, 293	4460457 ..... 412	4460877 ..... 410	4461157 ..... 412
4420038 ..... 131	4460458 ... 199, 412, 415, 417, 423, 424	4460878 ..... 410	4461161 ..... 412
4420051 ..... 35, 447	4460460 ..... 412	4460879 ..... 405	4461196 ..... 420
4420060 ... 160, 199, 241, 242	4460464 ... 249, 258, 404, 407, 408, 409, 410, 412, 414, 416, 433	4460880 ..... 411	4461197 ..... 420
4420062 ..... 303	4460465 ... 190, 195, 198, 235, 405, 407, 408, 410, 411, 415, 416, 422, 423	4460884....405, 410, 415	4461198 ..... 419
4420066 ..... 281	4460466 ... 235, 279, 407, 409, 410, 411, 412, 414, 415, 416, 427, 433	4460887 ..... 405, 410	4461199 ..... 420
4420068 ..... 271	4460467 ..... 425, 463	4460891....404, 408, 411, 414, 415, 416	4461200 ..... 420
4460007 ..... 254, 257	4460470 ... 140, 254, 257, 404, 409	4460892 ..... 410	4461201 ..... 419
4460018 ..... 199	4460471 ... 140, 254, 257, 404, 409	4460894....405, 410, 415	4461202 ..... 420
4460027 ... 159, 163, 167, 171	4460473 ..... 407	4460897....408, 412, 414, 415, 416	4461203 ..... 420
4460042 ..... 258	4460488 ... 140, 144, 258	4460899....412, 427, 433	4461204 ..... 419
4460043 ..... 123	4460496 ..... 140, 409	4460905....254, 404, 410, 413	4461205 ..... 420
4460049 ..... 271, 424	4460497 ..... 140, 409	4460906.....171, 417	4461206 ..... 420
4460051 ..... 419	4460499 ..... 59, 416	4460910.....429	4461207 ..... 419
4460071 ... 175, 180, 183, 187, 193, 198, 249, 258, 404, 422	4460508 ... 279, 404, 407, 410	4460911.....427	4461222 ..... 412
4460125 ..... 419	4460509 ..... 407	4460918.....416	4461244 ..... 419
4460134 ..... 417, 420	4460510 ..... 425, 463	4460930.....415	4461245 ..... 419
4460190 ... 159, 163, 167, 171	4460526 ..... 140, 409	4460931 ..... 412	4461246 ..... 419
4460205 ..... 417, 420	4460536 ... 405, 410, 416	4460932....405, 414, 415	4461249 ..... 420
4460224 ..... 176, 404	4460539 ..... 405, 411	4460933....235, 405	4461250 ..... 421
4460225 ..... 405, 422	4460608 ..... 412	4460941.....414, 427	4520252 ..... 20
4460226 ... 235, 249, 258, 264, 269, 404, 405, 411, 413, 417, 422, 424, 425	4460633 ..... 201	4460942....279, 414, 415	4520253 ..... 20
4460227 ... 404, 405, 410, 416	4460634 ..... 405, 410	4460943....405, 410, 427	4530028 ... 286, 289, 291, 295
4460233 ..... 417, 420	4460635 ..... 405, 410	4460944....405, 409, 411, 412, 414, 415	4566468 ..... 317, 349
4460234 ... 143, 199, 254, 257, 271	4460662 ..... 420	4460956.....425	4567139 ..... 385, 394
4460259 ..... 417	4460692 ..... 420	4460957 ..... 425	4567413 ..... 361
4460260 ..... 417	4460693 ..... 412	4460959 ..... 409, 420	4567434 ..... 321
4460265 ..... 264, 269	4460701 ..... 417, 420	4460960.....409, 420	4567757 ... 386, 390, 394
4460267 ..... 411, 416	4460705 ..... 417	4460961.....417	4568119 ..... 132
		4460962.....286, 291	4568735 ... 171, 183, 198
		4460963....189, 194, 198, 420, 423	4569385 ..... 108
		4460967....190, 195, 198, 423	4569394 ..... 111
		4460968 ... 160, 240, 241, 242, 419	4640113 ..... 20
		4460971.....286, 299	4640261 ..... 35
		4460979.....412	4640509 ... 325, 327, 329, 331, 333, 335, 337, 339, 341, 343
		4461005.....412	4640605 ... 317, 319, 321, 323, 325, 327, 341, 343
		4461006.....412	4640751 ..... 85
		4461008.....412, 415	4640780 ... 385, 390, 394
			4640858 ..... 315
			4640866 ..... 39
			4640921 ..... 39, 59
			4640922 ..... 39, 59
			4640929 ..... 241
			4640932 ... 317, 319, 321, 323

# PART NUMBER INDEX

4640952.....111	152, 154, 235, 240,	4891800 ... 19, 72, 84, 85,	70000126.....159
4641022.....132	241, 242, 248, 254,	99, 110, 157, 163, 175,	70000127.....159
4641027.....337, 339	257, 271, 277, 286,	188, 233, 235, 237	70000164.....110
4641032.....361, 363	289, 291, 293, 311,	4892000 ..... 19, 63, 235	70000342.....231
4641033.....355, 357, 359	438, 444, 448	4892200 ..... 13, 17	70000345.....75, 89
4641122.....20	4751500. 70, 87, 97, 108,	4892600 ... 143, 233, 235,	70000579.....44, 47
4641192.....43	132, 148, 149, 152,	237	70000580.....44, 47
4641303.....33	160, 163, 172, 175,	4920385 ..... 111	70000582.....44, 47, 450
4641317.....39	179, 183, 188, 207,	4921829 ..... 168, 417	70000583.....44, 47
4641435.....240	209, 271, 303	4921927 ..... 40, 416	70000619... 187, 193, 197
4641453.....40, 43	4751600 ... 33, 40, 70, 72,	4921928 ..... 40, 416	70000781.....33
4711000.....91, 144, 163,	76, 81, 85, 97, 108,	4921955 ..... 417	70000782.....66
189, 194, 198	111, 131, 135, 144,	4922215 ..... 408, 424	70000794.....29
4711400....40, 70, 72, 81,	148, 149, 152, 154,	4922216 ..... 408, 424	70000795.....29
85, 91, 97, 98, 108,	160, 203, 249, 286,	4922217 ..... 408, 424	70000797.....29
111, 141, 143, 171,	289, 291, 293	4922218 ..... 408	70000800.....75
175, 179, 183, 188,	4751800. 70, 84, 99, 110,	4922219 ..... 408	70000863... 188, 194, 197
193, 198, 201, 235,	111, 132, 137, 201,	4922220 ..... 408, 409	70000912.....74
241, 248, 273, 275,	251, 271	4922575 ..... 407	70000913.....74
277, 283	4752000 ...70, 81, 97, 108	4922576 ..... 407	70000914.....74
4711500....33, 35, 81, 85,	4760600 ..... 199	4922578 ..... 408, 409	70000915.....74
132, 143, 153, 188,	4761000 ..... 148	4922579 ..... 407, 408	70000916.....74
193, 198, 214, 241,	4761400 ..... 140	4922580 ..... 408	70000917.....74
254, 258	4761600 ..... 203	4922582 ..... 407	70000918.....74
4711600....13, 17, 40, 72,	4762000 ..... 35	4922637 ..... 413	70000919.....74
81, 91, 97, 111, 125,	4770600 ..... 157	4922641 ... 164, 167, 190,	70000934.....39
127, 129, 148, 163,	4791400 ..... 72, 111, 175,	195, 199, 417, 424	70001002.....73
175, 180, 188, 201,	179, 188	4922643 ..... 417, 424	70001100... 188, 194, 197
223, 224, 227, 228,	4811600 ..... 160	4922666 ... 254, 257, 404	70001126.....75
235, 241, 254, 258,	4811700 ..... 98, 100, 103,	4922705 ..... 235	70001132.....74
305, 307, 309, 361	144, 167, 193, 248,	4922737 ..... 71, 414	70001181.....75
4711700.....85, 125, 163,	286, 299	4922868 ..... 408	70001248.....137
167, 172	4811702. 85, 98, 101, 102	4922869 ..... 235	70001384... 188, 194, 197
4711800....157, 179, 183,	4811900. 85, 92, 98, 100,	4922925 ... 188, 193, 198,	70001385.....188, 197
188, 198, 251	102, 103, 172, 183,	422	70001424.....301
4712000....281, 305, 307,	198, 311	4923379 ..... 73, 414	70001425.....301
309	4811902 ..... 87, 100, 103	4923420 ..... 198, 423	70001427.....301
4712200.....281	4812000 ... 82, 85, 92, 98,	4923445 ..... 168, 417	70001428.....301
4712600.....144	100, 103, 157, 167, 237	4923462 ..... 407	70001429.....301
4740036.....35	4812002 ..... 100, 103	4923466 ..... 408	70001430.....301
4740057.....63	4812100. 82, 85, 103, 237	4923485 ..... 408	70001431.....301
4740076.....148	4812200 ... 73, 76, 85, 167	4923486 ..... 409	70001432.....301
4740119.....157	4831900 ..... 111	4923487 ..... 408, 409	70001435.....74
4740155.....17	4843777 ..... 35	4923489 ..... 407	70001663.....203
4740171.....148	4844816 ..... 218	4923490 ..... 407	70001696... 188, 193, 197
4740256.....13, 17	4844817 ..... 218	4923613 ..... 409	70001697.....231
4740274.....72, 76, 111	4844958 ..... 63	4933218 ..... 400	70001835.....74
4740362.....248	4845582 ..... 303	4933219 ..... 400	70001836.....74
4740397....140, 160, 172,	4845593 ..... 213, 218	4933231 ..... 400	70001837.....74
254, 257	4845680 ..... 223	4933278 ..... 400	70001838.....74
4740439.....220	4845701 ..... 227	4933304 ..... 401	70001839.....74
4740444.....140	4845702 ..... 227	4933349 ..... 198	70001841.....74
4740463.....14, 17	4845716 ..... 218	4933350 ..... 400, 417	70001844.....75
4740472.....13, 17	4845729 ..... 227	5240800 ..... 88	70001847.....75
4740473.....14, 17	4845730 ..... 227	5241000 ..... 100	70001848.....74
4740500.....148	4846218 ..... 241	5241200 ... 100, 193, 237	70001850.....74
4740518.....140	4846573 ..... 233, 235	5250605 ..... 102, 103	70001866.....75
4750400.....87	4846627 ... 286, 289, 291,	5250810 ..... 88	70001868.....75
4750800.....135, 199	293	5251008 ..... 237	70001870.....75, 88
4751000....143, 144, 148,	4846673 ..... 271	5251016 ..... 237	70001871.....74
149, 160, 167, 172,	4860224 ..... 20	5260600 ..... 102, 103	70001872.....75, 414
175, 180, 184, 188,	4860225 ..... 20	5272010 ..... 101	70001874.....74
193, 198, 254, 257,	4871700 ..... 194	70000017 ..... 463	70001931.....416, 453
286, 289, 291, 293, 299	4891500 ..... 85, 141, 167	70000044 ..... 73	70001950.....416
4751400....33, 35, 72, 84,	4891600 ... 137, 157, 172,	70000123 ..... 159, 171	70001951.....416
85, 97, 98, 99, 108,	183, 198, 233, 235, 237	70000124 ..... 159	70001953... 188, 194, 197
110, 111, 140, 148,		70000125 ..... 159	70001954.....119

## PART NUMBER INDEX

70001955 .....	119	70002726 .....	267	70004058.....	75, 452	70004596 .....	47, 51, 55
70001956 .....	119	70002727 .....	267	70004060.....	75, 414	70004597 .....	47, 51, 55
70001957 .....	119	70002728 .....	267	70004092..	175, 179, 183, 188	70004598 .....	47, 51, 55
70001966 ..	175, 179, 183, 188, 193, 194, 197	70002729 .....	267	70004093.....	188	70004653..	47, 51, 55, 450
70001973 ..	189, 194, 197	7000273 .....	23	70004094.....	188	70004657 .....	47, 51, 55
70001974 ..	189, 194, 197	70002730 .....	261	70004094.....	188	70004665 .....	47, 51, 55
70001976 .....	44, 59	70002731 .....	261	70004095.....	189	70004667 .....	47, 51, 55
70002013 .....	227, 450	70002732 .....	261	70004096.....	188	70004670 .....	55
70002014 .....	227	70002733 .....	261	70004097.....	188	70004671.....	48, 56
70002064 .....	242, 243	70002734 .....	261	70004098..	176, 179, 183, 189	70004673.....	48, 56, 450
70002065 .....	66	70002735 .....	261	70004099.....	176, 188	70004676..	176, 179, 183
70002066 .....	66	7000274 .....	23	70004103.....	415	70004677 .....	179
70002067 .....	66	70002744 .....	353	70004103.....	415	70004678..	176, 179, 183
70002068 .....	66	70002745 .....	353	70004125.....	61	70004679..	176, 179, 183
70002069 .....	66	70002748 .....	353	70004148.....	131	70004680..	176, 179, 183
70002070 .....	66	70002749 .....	353	70004149.....	131	70004681.....	176, 179
70002071 .....	66	7000275 .....	23	70004169.....	189, 194	70004682..	176, 179, 183
70002072 .....	66	70002751 .....	353	70004171...	179, 183, 194	70004683.....	176, 179
70002073 .....	66	7000281 .....	66	70004183.....	73, 88	70004684.....	179, 183
70002073 .....	66	70002814 .....	132, 450	70004270.....	74	70004685..	176, 179, 183
70002074 .....	66	7000282 .....	23	70004271.....	414	70004686.....	176
70002075 .....	66	7000283 .....	23, 27	70004272.....	75	70004687.....	176
70002085 .....	67	70002838 .....	132	70004274.....	88	70004738 .....	269
70002086 .....	67	70002839 .....	132	70004275.....	89	70004739 .....	269
70002088 ..	188, 194, 197	7000284 .....	23, 27	70004276.....	90	70004740 .....	269
70002112 .....	132	70002842 .....	315	70004277.....	90	70004741 .....	269
7000213 .....	23, 66	7000287 .....	23	70004278.....	90	70004742 .....	269
7000217 .....	66	7000288 .....	23	70004279.....	89	70004743 .....	269
7000220 .....	23	7000289 .....	23, 27	70004280.....	76, 89	70004744 .....	269
70002200 .....	74	70002895 .....	110, 452	70004287.....	73	70004745 .....	269
70002212 .....	137	70002898 .....	416	70004289.....	75	70004746 .....	269
70002234 .....	75	7000290 .....	23	70004329.....	113, 117	70004747 .....	269
7000224 .....	23, 27	70002902 .....	249, 258	70004330.....	113	70004748 .....	269
70002255 .....	197	70002903 .....	249, 258	70004331.....	113, 117	70004749 .....	269
7000228 .....	66	70002904 .....	249, 258	70004332.....	113, 117	70004750 .....	269
7000229 .....	66	70002905 .....	249, 258	70004333.....	113, 117	70004751 .....	269
70002290 .....	188, 197	70002906 .....	261	70004334.....	113	70004752 .....	263
70002291 .....	188	70002946 .....	43	70004335.....	113	70004753 .....	263
70002297 ..	188, 194, 197	70002948 .....	201	70004336.....	113, 117	70004754 .....	263
7000230 .....	66	70003019 .....	47, 48	70004337.....	113, 117	70004755 .....	263
7000231 .....	23	70003136 .....	74	70004338.....	113, 117	70004756 .....	263
7000235 .....	23	70003454 .....	137	70004339.....	113	70004757 .....	263
7000236 .....	23	70003464 .....	74	70004340.....	113, 117	70004758 .....	263
70002366 .....	347	70003465 .....	74	70004341.....	113	70004759 .....	263
7000238 .....	23	70003466 .....	74	70004342.....	113, 117	70004760 .....	263
70002386 .....	242, 243	70003472 .....	74	70004343.....	113, 117	70004761.....	263
7000239 .....	23, 27	70003475 .....	75	70004344.....	113, 117	70004762 .....	263
70002390 .....	33	70003476 .....	75	70004345.....	113, 117	70004763 .....	263
7000240 .....	23, 27	70003478 .....	74	70004346.....	113, 117	70004764 .....	263
70002410 .....	323	70003631 .....	193	70004347.....	113, 117	70004765 .....	263
70002415 .....	75	70003708 ..	175, 179, 183, 188, 194	70004348.....	113, 117	70004766 .....	263
70002416 .....	75	70003709 ..	175, 179, 183, 188, 194	70004349.....	113, 117	70004767 .....	263
70002417 .....	75	70003784 .....	254, 257	70004350.....	113, 117	70004768 .....	263
7000246 .....	66	70003790 .....	242	70004351.....	113, 117	70004769 .....	263
70002460 ..	188, 193, 197	70003935 .....	33	70004352.....	113, 117	70004770 .....	263
7000248 .....	66	70003936 .....	33	70004381.....	353	70004771 .....	263
7000253 .....	66	70003989 .....	61	70004382.....	353	70004772 .....	263
7000255 .....	66	70003992 .....	61	70004457.....	47, 51, 55	70004773 .....	263
7000257 .....	66	70003993 .....	61	70004459.....	47, 51, 55	70004774 .....	264
70002627 .....	416	70004020 .....	73, 452	70004460..	47, 51, 55, 450	70004775 .....	264
7000265 .....	19, 23	70004050 .....	47, 51, 55	70004461..	47, 51, 52, 55, 56	70005008.....	101, 452
70002715 .....	132	70004051 .....	47, 51, 55	70004463..	47, 51, 55, 450	70005116.....	113
70002716 .....	132	70004052 .....	47, 48, 51	70004504.....	90	70005171 .....	89
70002718 .....	76, 89	70004055 .....	47, 51, 55	70004584.....	47, 51, 55	70005172 .....	89
7000272 .....	23	70004056 .....	75	70004594.....	47, 51, 55	70005173 .....	89
70002724 .....	267			70004595..	47, 51, 55, 450	70005177 .....	89
70002725 .....	267					70005184 .....	90

# PART NUMBER INDEX

70005194.....	47, 51, 55	70006174.....	104	70006480.....	363	70006832.....	27
70005195.....	47, 51, 55	70006175.....	104, 452	70006552 ..	176, 179, 183	70006833.....	27
70005196.....	47, 51, 55	70006176.....	104, 452	70006553 ..	176, 179, 184	70006921.....	363
70005197.....	47, 51	70006177.....	104	70006568.....	331	70006922.....	363
70005198.....	47, 51, 55	70006178.....	104	70006569.....	331	70006923.....	363
70005199.....	48, 52, 56	70006179.....	104	70006570.....	331	70006924.....	363
70005200.....	48, 52, 56	70006180.....	104	70006571.....	331	70006925.....	363
70005201.....	48, 52, 56	70006181.....	104	70006572.....	331	70006926.....	363
70005202.....	48, 52, 56	70006182.....	104	70006590.....	323	70006927.....	363
70005230.....	269	70006183.....	104	70006596.....	347	70006928.....	363
70005232.....	48, 56	70006184.....	104	70006601.....	323	7000695.....	75
70005458.....	117	70006185.....	104	7000663.....	75	70006955.....	51, 55
70005459.....	117	70006186.....	104	70006642.....	319	70006956.....	51, 55
70005460.....	117	70006187.....	104	70006643.....	319, 351	70006957.....	51, 55
70005461.....	117	70006188.....	104	70006644.....	319, 351	70006958.....	51
70005462.....	117	70006189.....	103	70006645.....	319	70006959.....	51, 55
70005463.....	117	70006191.....	104	70006649.....	333, 335	70006960.....	51, 55
70005464.....	117	70006194.....	104	70006650.....	333, 335	70006961.....	51, 55
70005465.....	117	70006195.....	104	70006651.....	351	70006962.....	55
70005483.....	24	70006196.....	104	70006668.....	351	70006963.....	56
70005527.....	90	70006197.....	104	70006669.....	359	70007073.....	86
70005594.....	363	70006198.....	104	70006670.....	359	7000731.....	24
70005647.....	90	70006199.....	104	70006671.....	359	70009020.....	98
70005648.....	90	70006200.....	104	70006672.....	359	7001901.....	23
70005663.....	114, 463	70006202.....	105	70006673.....	27	7001902.....	23
70005708.....	132	70006203.....	104	70006674.....	27	7001903.....	23
70005793.....	323	70006205.....	104	70006675.....	27	7001906.....	23
70005916.....	76	70006206.....	104	70006676.....	27	7001928.....	23, 27
70005917.....	76	70006207.....	105	70006677.....	27	70021202.....	48, 56
70005920.....	88	70006208.....	105	70006678.....	27	70021895.....	89
70005929.....	90	70006213.....	105, 452	70006679.....	27	70022564.....	323
70005937.....	90	70006215.....	105	70006680.....	27	70023592.....	85
70005941.....	88	70006217.....	105	70006681.....	27	70023593.....	85
70005942.....	88	70006219.....	104	70006682.....	27	70023859.....	47, 51, 55
70006093.....	188	70006221.....	105	70006683.....	27	70023860.....	47, 51, 55
70006094.....	188	70006225.....	104	70006684.....	27	70023862.....	47, 51, 55
70006095.....	188	70006232.....	105	70006685.....	27	70023915.....	331
70006096.....	188	70006233.....	104	70006686.....	27	70024473.....	90
70006097.....	189	70006235.....	105	70006687.....	27	70024486.....	89
70006134.....	102	70006236.....	105	70006688.....	27	70024488.....	89
70006135.....	102	70006344.....	363	70006689.....	27	70024494.....	89
70006136.....	102	70006375.....	343	70006690.....	27	70024503.....	90
70006145.....	103	70006376.....	343	70006691.....	27	70024504.....	89, 90
70006147.....	103	70006377.....	343	70006692.....	27	70024507.....	90
70006150.....	103	70006378.....	343	70006728.....	363	70024513.....	89
70006151.....	103	70006384.....	339	70006731.....	363	70024515.....	90
70006152.....	103	70006385.....	327, 339	70006733.....	363	70024517.....	89
70006153.....	103	70006386.....	339	70006734.....	333, 335	70024904.....	88
70006154.....	103	70006387.....	339	70006735.....	333, 335	70024905.....	88
70006155.....	103, 452	70006388.....	339	70006736.....	333, 335	70024906.....	89
70006157.....	104	70006389.....	327	70006777.....	347	70024907.....	89
70006158.....	104	70006390.....	327	70006778.....	347	70024910.....	90
70006159.....	104	70006391.....	327	70006779.....	347	70024912.....	89
70006160.....	104	70006403.....	127, 129	70006780.....	347	70024914.....	90
70006161.....	104	70006404.....	127, 129	70006781.....	347	70024915.....	90
70006162.....	104	70006405.....	127, 129	70006782.....	323	70024917.....	90
70006163.....	104	70006406.....	127, 129	70006783.....	323	70024918.....	90
70006164.....	104	70006407.....	127, 129	70006784.....	323	70024920.....	90
70006165.....	104	70006408.....	127, 129	70006796.....	357	70024922.....	90
70006166.....	104	70006409.....	127, 129	70006797.....	357	70024924.....	89
70006167.....	104	70006410.....	127, 129	70006798.....	357	70024925.....	89
70006168.....	104	70006430.....	24	70006799.....	357	70024961.....	89
70006169.....	104	70006431.....	24	70006800.....	357	70025076.....	89
70006170.....	104	70006436.....	67	70006801.....	357	70025077.....	90, 416
70006171.....	104, 452	70006437.....	67	70006802.....	357	7002508.....	89
70006172.....	104, 452	7000645.....	43	70006803.....	357	70025082.....	74, 75, 89
70006173.....	104	70006479.....	363	70006804.....	357	70025084.....	90



## PART NUMBER INDEX

70025088.....	88	7004045.....	67	7016655.....	463	7019194.....	267
70025091.....	89	7004047.....	67	7016824.....	109, 413	7019658.....	131
70025111.....	88	7004049.....	67	7016825.....	109, 413	7019680... 159, 163, 167,	171
70025120.....	90	7004275.....	463	7017023.....	66	7020020.....	39
70025135.....	89	7004276.....	463	7017027.....	23	7020021.....	39
70025136.....	89	7004906.....	113, 117	7017028.....	27, 66	7020064.....	223
70025140.....	89	7004907.....	113, 117	7017033.....	23	7020065.....	223
70025142.....	90	7004908.....	113, 117	7017047.....	23, 27	7020066.....	223, 450
70025143.....	90	70050801.....	347	7017048.....	23	7020067.....	223
70025144.....	89	7007415.....	119, 120	7017050.....	24	7020108... 159, 163, 167,	171
70025146.....	89	7007437.....	30	7017051.....	19	7020109... 159, 163, 167,	171
70025149.....	90	7007438.....	29	7017052.....	19	7020110... 159, 163, 167,	171
70025151.....	90	7007439.....	29	7017053.....	19	7020111... 159, 163, 167,	171
70025152.....	89	7007446.....	29	7017054.....	19	7020175.... 140, 254, 257	
70025153.....	89, 452	7007498.....	416	7017055.....	19	7020176.... 140, 254, 257	
70025154.....	89	7007633.....	66	7017056.....	19	7020190... 159, 163, 167,	171
70025156.....	90	7010404.....	19	7017057.....	19	7020192.....	159
70025160.....	89	7010405.....	19	7017058.....	19	7020193.....	417
70025161.....	89, 452	7010406.....	19	7017068.....	24	7020403.....	73
70025164.....	89	70104570.....	91	7017070.....	66	7020404.....	88
70025176.....	89	7010464.....	23	7017072.....	66	7020408.....	74
70025178.....	90	7010492.....	66	7017080.....	66	7020449.....	74
70025179.....	90	7010542.....	43	7017082.....	27	7020459.....	75
70025180.....	90	7010543.....	39, 43, 44	7017085.....	66	7020465.....	74, 88
70025181.....	89	7010545.....	43	7017142.....	231	7020468.....	74
70025200.....	90	7011112 ... 317, 319, 321,	323	7017158.....	231	7020471.....	74, 75
70025202.....	89	7011333.....	240	7017159.....	231	7020479.....	75
70025203.....	90, 452	7011342.....	240	7017162.....	231	7020487.....	73
70025206.....	89	70124410.....	75	7017163.....	231	7020492.....	90
70025207.....	89	70124440.....	75	7017164.....	231	7021249.....	29
70025210.....	90	70124530.....	91	7017172.....	231	7021275.....	29, 120
70025212.....	90	70124538.....	91	7017183.....	231	7021276.....	29
70025231.....	89, 414	7012513 ... 159, 163, 167,	171	7017192.....	231	7021277.....	29
70025233.....	414	7012514 ... 159, 163, 167,	171	7017193.....	231	7021310.....	44
70025235.....	90	7012558 ... 159, 163, 167,	171	7017195.....	231	7021311.....	44
70025239.....	89	7012664.....	110, 452	7017402.....	242, 243	7021363.....	47
70025245.....	90	7012772.....	43, 44, 59	7017406.....	33, 242, 243	7021375.... 47, 51, 52, 55	
70025246.....	90	7012773 ... 43, 44, 47, 51,	55, 59	7017420.....	43, 59	7021601.....	44
70025416.....	89	7012774.....	44, 59	7017421.....	59	7021602.....	43
70025477.....	90	7012775.....	43	7017422.....	59	7021625.....	33
70025660.....	91	7012776.....	59	7017423.....	43	7021639.....	33
70025752.....	76	7012777.....	59	7017427.....	43	7021653.....	242
70025753.....	76	7012914.....	43, 242	7017428.....	43, 44	7022162.....	104
70025768.....	90	7012918.....	43, 242	7017452.....	242, 243	7022302.....	29
70025799.....	90	7012941.....	39, 44	7017466.....	39	7022305.....	29
70025801.....	90	7012944.....	39, 44, 450	7017475.....	43	7022310.....	29
70025877.....	90	7012953 44, 59, 241, 242		7017477.....	44	7022311.....	29, 120
70026210.....	90	7012959.....	39	7017478.....	44	7022312.....	29
70027259.....	357	7012965.....	59, 242	7017478.....	44	7022313.....	29
7002821.....	425, 463	7012967.....	242	7017492.....	33	7022314.....	29, 120
7002822.....	463	7012970.....	241	7018912.....	43, 44, 59	7022318.....	119
7002823.....	425, 463	7012989.....	44, 242	7018941.....	43	7022326.....	30
7002826.....	463	7012998.....	43, 44, 59	7018942... 44, 48, 52, 56,	59	7022328.....	30
7002828.....	425	7013189.....	137	7018945.....	44, 59	7022368.....	29
7002840.....	463	7016314.....	132	7018946.....	59	7022371.....	30
7003928.....	261	7016319.....	143	7018947.....	59	7022372.....	29
7003941.....	267	7016328.....	74, 452	7018948.....	59	7022397.....	33
7003972.....	267	7016331.....	74, 89, 452	7018951... 44, 48, 52, 56		7022399.....	33
7003973.....	267	7016372.....	143	7018991... 43, 47, 51, 55,	450	7022808.....	261
7003980.....	267	7016399.....	249	7018992.... 43, 47, 51, 55		7022815.....	261
7003982.....	267	7016652.....	463	7018993.....	43	7022819.....	261, 404
7003983.....	267	7016654.....	463	7018994.....	43		
7003989.....	267			7019162.....	267		
7004035.....	66			7019164.....	267		
7004036.....	66			7019165.....	267		
7004043.....	67			7019167.....	267		
7004044.....	67						

## PART NUMBER INDEX

7022825.....	404	7024462.....	295	7026634.....	203	7027887....	159, 163, 167, 171
7023318.....	66	7024463.....	295	7026635.....	203	7027965.....	110, 452
7023907.....	29	7024467.....	295	7026636.....	203	7027972.....	110, 452
7023908.....	29	7024469.....	295	7026637.....	203	77143013.....	140
7023910.....	29	7024470.....	295	7026638.....	203	77363229.....	422
7023911.....	242	7024471.....	295, 301	7026639.....	203	77363233.....	422
7023912.....	242	7024472.....	295	7026640.....	203	80344004.....	27
7023917.....	33	7024473.....	295	7026641.....	204	80424002.....	66
7023933.....	33	7024474.....	295	7026642.....	204	80424043.....	67
7023947.....	119	7024475.....	295	7026643.....	204	80484084.....	414
7023948.....	119	7024478.....	295	7026644.....	204	80934561.....	137
7023949.....	119	7024484.....	188, 197	7026645.....	204	80983191.....	414, 453
7023950.....	119	7024485....	188, 193, 197	7026646.....	204	8180311.....	111
7023951.....	119	7024488....	187, 193, 197	7026647.....	204	82033995.....	102
7023952.....	119	7024489....	187, 193, 197	7026648.....	204	8220051.....	414
7023956.....	119	7024508....	355, 357, 359	7026649.....	204	8229242....	410, 414, 453
7023957.....	119	7024530.....	301	7026650.....	204	8270147... 70, 82, 98, 413	
7023958.....	119	7024531.....	301	7026651.....	203	8305401.....	100
7023960.....	119	7024532.....	301	7026652.....	203	8307109.....	100
7023961.....	119	7024533.....	301	7026653.....	203	8310070.....	153
7023962.....	119	7024534.....	301	7026654.....	203	8310129.....	281
7023964.....	119, 120	7024535.....	301	7026655.....	203	8310230.....	281
7023965.....	119	7024536.....	301	7026656.....	203	8310548.....	100
7023966.....	120	7024537.....	301	7026658.....	204	8320270.....	74, 452
7023967.....	120	7024561.....	188, 197	7026659.....	203	8405006.. 82, 87, 91, 100, 127, 129	
7024021.....	51, 55	7024565.....	75	7026660.....	203	8405007.....	87
7024100.....	67	7024579.....	75, 88	7026661.....	203	8405009.....	85, 100
7024146.....	23	7024598.....	157	7027015.....	109, 413	8405102.....	100
7024147.....	23	7024704.....	66	7027017.....	109, 413	8405104.....	85, 100
7024148.....	23	7024717.....	24	7027018.....	109, 413	8405203.....	100
7024149.....	23, 27	7024718.....	24	7027053.....	70, 413	8405204.....	85
7024151.....	23, 27	7024762.....	66	7027084.....	82, 98, 413	8406102.....	83, 87
7024154.....	23, 27	7024763.....	24, 66	7027085.....	82, 98, 413	8406109.....	85, 100
7024155.....	23	7024781.....	23	7027086.....	82, 98, 413	8406110.....	85, 100
7024182.....	24	7024782.....	23, 27	7027087.....	82, 413	8406112.....	82
7024189.....	24	7024783.....	23	7027088.....	82, 98, 413	8406201.....	98, 102, 201
7024190.....	24, 27	7024784.....	66	7027092.....	70, 413	8410001.....	100
7024191.....	24, 27	7024844.....	33	7027093.....	70, 413	8410009.....	102
7024192.....	24	7024854.....	30	7027094.....	71, 413	8410011.....	85, 100
7024193.....	24	7024862.....	29	7027095.....	71, 413	8410013.....	82, 85
7024194.....	24	7024864.....	120	7027236.....	74	8580420.....	33
7024195.....	24	7024866.....	120	7027276.....	75	85941018.....	98
7024196.....	24	7024867.....	29, 119	7027404.....	104	8770050....	114, 370, 373, 378, 381
7024197.....	24	7024868.....	29, 119	7027740.....	29	88261024.....	241
7024379.....	67	7024871.....	30	7027741.....	29	88411013.....	311
7024380.....	67	7024881.....	33	7027742.....	295	88521008.....	240
7024381.....	67	7026188....	189, 193, 197	7027773.....	295	88521205 70, 82, 98, 108, 207, 209	
7024390.....	67	7026197.....	137	7027774.....	295	88521214... 305, 307, 309	
7024396.....	67	7026199... 159, 163, 167, 171		7027775.....	295	88662523.....	152
7024397.....	361, 363	7026503.....	137	7027776.....	295	8896941.....	463
7024404.....	137	7026504.....	137	7027777.....	295	91143177.....	394
7024440.....	132	7026505.....	137	7027778.....	201	91203039.. 228, 237, 240, 241	
7024441.....	132	7026506.....	137	7027779.....	201	91401281 70, 82, 98, 109, 207	
7024443.....	132	7026507.....	137	7027780.....	295	91403102.....	87, 452
7024444.....	132	7026509.....	137	7027781.....	201	91474405.....	48, 56
7024445.....	132	7026511.....	137	7027782.....	201		
7024446.....	132	7026509.....	137	7027783.....	201		
7024453.....	67	7026511.....	137	7027784.....	201		
7024454.....	66	7026597....	189, 193, 197	7027790.....	75		
7024455.....	67	7026608.....	75, 452	7027791.....	75		
7024456.....	67	7026626....	189, 194, 197	7027792.....	75		
7024457.....	67	7026631.....	73	7027795.....	75, 452		
7024458.....	67	7026632.....	203	7027796.....	75, 414		
		7026633.....	203	7027799....	188, 193, 197		

# PARTS FINDER

**Search Website  
by Part Number**



**Search Manual  
Library For Parts  
Manual & Lookup Part  
Numbers – Purchase  
or Request Quote**

A screenshot of the "Search Manuals" form. It includes a search bar, a "Search" button, and several dropdown menus for selecting filters like "Brand" and "Model". There are also input fields for "Part Number" and "Serial Number".

**Can't Find Part or  
Manual? Request Help  
by Manufacturer,  
Model & Description**

A screenshot of the "Parts Order Form". It is a form with multiple rows and columns for entering details such as "Manufacturer", "Model", "Part Number", and "Description". There is a "Submit" button at the bottom.

Discount-Equipment.com is your online resource for quality parts & equipment.

Florida: **561-964-4949** Outside Florida TOLL FREE: **877-690-3101**

## Need parts?

Click on this link: <http://www.discount-equipment.com/category/5443-parts/> and choose one of the options to help get the right parts and equipment you are looking for. Please have the machine model and serial number available in order to help us get you the correct parts. If you don't find the part on the website or on one of the online manuals, please fill out the request form and one of our experienced staff members will get back to you with a quote for the right part that your machine needs.

We sell worldwide for the brands: Genie, Terex, JLG, MultiQuip, Mikasa, Essick, Whiteman, Mayco, Toro Stone, Diamond Products, Generac Magnum, Airman, Haulotte, Barreto, Power Blanket, Nifty Lift, Atlas Copco, Chicago Pneumatic, Allmand, Miller Curber, Skyjack, Lull, Skytrak, Tsurumi, Husquvarna Target, Stow, Wacker, Sakai, Mi-T-M, Sullair, Basic, Dynapac, MBW, Weber, Bartell, Bennar Newman, Haulotte, Ditch Runner, Menegotti, Morrison, Contec, Buddy, Crown, Edco, Wyco, Bomag, Laymor, EZ Trench, Bil-Jax, F.S. Curtis, Gehl Pavers, Heli, Honda, ICS/PowerGrit, IHI, Partner, Imer, Clipper, MMD, Koshin, Rice, CH&E, General Equipment, Amida, Coleman, NAC, Gradall, Square Shooter, Kent, Stanley, Tamco, Toku, Hatz, Kohler, Robin, Wisconsin, Northrock, Oztec, Toker TK, Rol-Air, APT, Wylie, Ingersoll Rand / Doosan, Innovatech, Con X, Ammann, Mecalac, Makinex, Smith Surface Prep, Small Line, Wanco, Yanmar