



---

# Illustrated Parts Manual

**Models**  
**800A**  
**800AJ**

SN 0300140000 through  
0300183033

P/N  
3121271

August 31, 2018 - Rev Q

**ANSI**

**CE**



---

An Oshkosh Corporation Company

# PARTS FINDER

**Search Website  
by Part Number**



**Search Manual  
Library For Parts  
Manual & Lookup Part  
Numbers – Purchase  
or Request Quote**

**Can't Find Part or  
Manual? Request Help  
by Manufacturer,  
Model & Description**

Discount-Equipment.com is your online resource for quality parts & equipment.

Florida: **561-964-4949** Outside Florida TOLL FREE: **877-690-3101**

## Need parts?

Click on this link: <http://www.discount-equipment.com/category/5443-parts/> and choose one of the options to help get the right parts and equipment you are looking for. Please have the machine model and serial number available in order to help us get you the correct parts. If you don't find the part on the website or on one of the online manuals, please fill out the request form and one of our experienced staff members will get back to you with a quote for the right part that your machine needs.

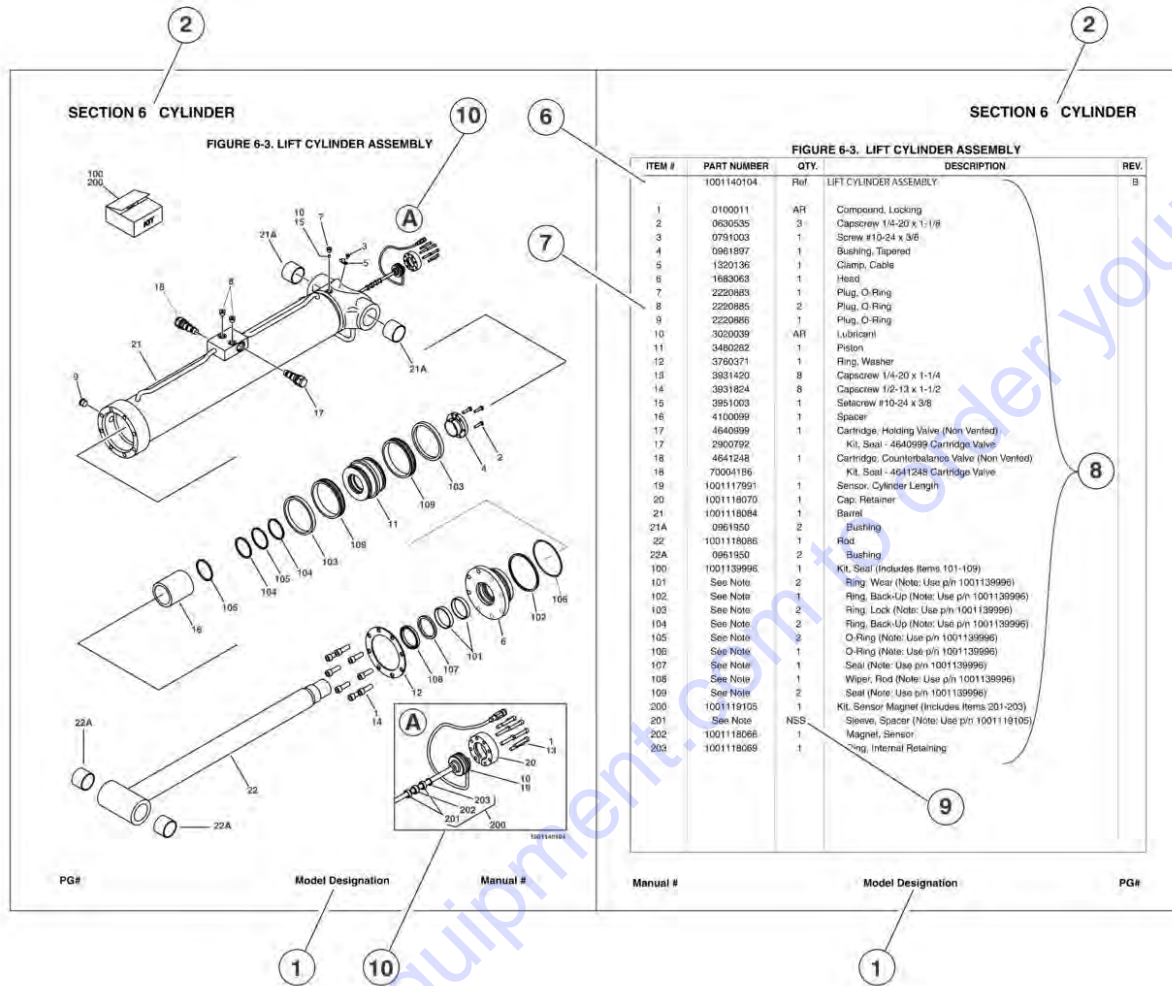
We sell worldwide for the brands: Genie, Terex, JLG, MultiQuip, Mikasa, Essick, Whiteman, Mayco, Toro Stone, Diamond Products, Generac Magnum, Airman, Haulotte, Barreto, Power Blanket, Nifty Lift, Atlas Copco, Chicago Pneumatic, Allmand, Miller Curber, Skyjack, Lull, Skytrak, Tsurumi, Husquvarna Target, Stow, Wacker, Sakai, Mi-T-M, Sullair, Basic, Dynapac, MBW, Weber, Bartell, Bennar Newman, Haulotte, Ditch Runner, Menegotti, Morrison, Contec, Buddy, Crown, Edco, Wyco, Bomag, Laymor, EZ Trench, Bil-Jax, F.S. Curtis, Gehl Pavers, Heli, Honda, ICS/PowerGrit, IHI, Partner, Imer, Clipper, MMD, Koshin, Rice, CH&E, General Equipment, Amida, Coleman, NAC, Gradall, Square Shooter, Kent, Stanley, Tamco, Toku, Hatz, Kohler, Robin, Wisconsin, Northrock, Oztec, Toker TK, Rol-Air, APT, Wylie, Ingersoll Rand / Doosan, Innovatech, Con X, Ammann, Mecalac, Makinex, Smith Surface Prep, Small Line, Wanco, Yanmar



## REVISION LOG

December 30, 2010 - A - Original Issue Of Manual (Manual edited to 0010580 Revision 153)  
April 27, 2011 - B - Revised Manual (Manual edited to 0010580 Revision 155)  
July 29, 2011 - C - Revised Manual (Manual edited to 0010580 Revision 158)  
October 21, 2011 - D - Revised Manual (Manual edited to 0010580 Revision 160)  
January 10, 2012 - E - Revised Manual (Manual edited to 0010580 Revision B)  
May 31, 2012 - F - Revised Manual (Manual edited to 0010580 Revision D)  
July 31, 2012 - G - Revised Manual (Manual edited to 0010580 Revision D)  
December 14, 2012 - H - Revised Manual (Manual edited to 0010580 Revision D)  
March 26, 2013 - I - Revised Manual (Manual edited to 0010580 Revision D)  
June 20, 2013 - J - Revised Manual (Manual edited to 0010580 Revision M)  
September 16, 2013 - K - Revised Manual (Manual edited to 0010580 Revision M)  
December 30, 2013 - L - Revised Manual (Manual edited to 0010580 Revision Z)  
April 30, 2014 - M - Revised Manual (Manual edited to 0010580 Revision AF)  
July 15, 2015 - N - Revised Manual  
December 14, 2015 - O - Revised Manual (Revision 1)  
December 9, 2016 - P - Revised Manual (Revision 1)  
August 31, 2018 - Q - Revised Manual (Revision 1)

# GENERAL INFORMATION



## 1) MACHINE IDENTIFICATION

Machines are identified by model and in some cases a combination of models, serial number (SN) or regional standard (i.e. ANSI, CE, CSA). Components may also be identified by SN or manufacturer. Common components that may be identified by these characteristics are engines and hydraulic components.

## 2) PARTS MANUAL ORGANIZATION

Product information in this manual is organized under section titles. Frame, Cylinder, Hydraulic and Electrical are a few examples. Each section is organized by figure and page number. The information within the Figure is then organized by item number, part number, description and corresponding illustration (s).

## 3) TABLE OF CONTENTS

A table of contents is found toward the beginning of the manual. Figure number, description and page number are provided for quick reference to the page containing the related information.

## 4) RECOMMENDED SPARE PARTS

The Recommended Spare Parts, located near the end of the manual, reference most frequently used maintenance parts.

## 5) PART NUMBER INDEX

A numerical index listing all part numbers and the corresponding page number(s) appears at the back of the manual.

## GENERAL INFORMATION

### 6) NON-SERVICED PARTS

In some instances, it is necessary to display non-serviced parts, assemblies or installations. In the case of assemblies and installations there will be a Ref in the Qty column. In case of parts that are not available for service within assemblies or components, there will be a NSS (Not Sold Separately) or NLA (No Longer Available) listed in the Qty. column of the manual.

### 7) PARTS LIST ITEM NUMBERS

Numbers shown in the item# column correspond to numbers used in the associated illustration (s). Item numbers which are missing from the sequence in the parts list are not used on that page

### 8) INDENTED PARTS DESCRIPTION

An indented part description is included in the item under which it is indented.

### 9) ABBREVIATION AND SYMBOLS

AC.....	Alternating Current	LCD.....	Liquid Crystal Display
ADE.....	Advanced Design Electronics	LED.....	Light Emitting Diodes
ANSI.....	American National Standards Institute	LH.....	Left Hand
AR.....	As Required	LSS.....	Load Sensing System
ASSY.....	Assembly	M(m).....	Metric/Meter
AUX.....	Auxiliary	MM (mm).....	Milimeter
AWG.....	American Wire Gauge	mA.....	Miliamps
B/M.....	Bill of Material	NLA.....	No Longer Available
CE.....	European Conformity	NPT.....	National Pipe Threads
CCW.....	Counter Clockwise	NSS.....	Not Sold Separately
cm.....	Centimeter	OD.....	Outside Diameter
CW.....	Clockwise	ORB.....	O-Ring Boss
CSA.....	Canadian Standards Association	ORFS.....	O-Ring Face Seal
CYL.....	Cylinder	OZ (oz).....	Ounces
DIA.....	Diameter	PG.....	Page
DC.....	Direct Current	P/N.....	Part Number
EMS.....	Emergency Stop	qt.....	Quarts
ENG.....	Engine	QTY.....	Quantity
FT (ft).....	Feet	REF.....	Reference
GA (Ga).....	Gauge	REV.....	Revision Level
HYD.....	Hydraulic	RH.....	Right Hand
Hz.....	Hertz	SAE.....	Society of Automotive Engineers
ID.....	Inside Diameter	SN.....	Serial Number
in.....	inches	SPEC(S).....	Specifications
ISO.....	International Organization for Standards	T/T.....	Turntable
JIC.....	Joint Industry Council	UGM.....	Universal Ground Module
KG.....	Kilogram	V.....	Volts
L.....	Liter	W.....	Watts
LB.....	Pounds	#.....	Number

### 10) ILLUSTRATION REFERENCE LETTERS

When necessary, illustrations may contain reference letters that are intended to track information (i.e. hoses, harnesses) from one point to another or to track visual enlargement of components to show details that may be located in another area on the illustration.

*Note: Due to continuous product improvements, JLG Industries, Inc. reserves the right to make specification changes without prior notification.*



# TABLE OF CONTENTS

SECTION 1 - FRAME.....	9
FIGURE 1-1. AXLE AND STEERING INSTALLATION.....	10
FIGURE 1-2. TIRE AND WHEEL INSTALLATIONS.....	14
FIGURE 1-3. DRIVE HUB ASSEMBLY.....	18
FIGURE 1-4. DRIVE MOTOR ASSEMBLY.....	22
FIGURE 1-5. DRIVE VALVES AND SHIELDS INSTALLATIONS.....	26
FIGURE 1-6. TOW PACKAGE INSTALLATION (2WS ONLY) (ANSI, ANSI EXPORT AND CE).....	28
SECTION 2 - TURNTABLE.....	31
FIGURE 2-1. CONTROL VALVES AND HORN INSTALLATIONS.....	32
FIGURE 2-2. MAIN CONTROL VALVE ASSEMBLY.....	36
FIGURE 2-3. ACCESSORY VALVE ASSEMBLY.....	40
FIGURE 2-4. AUXILIARY PUMP ASSEMBLY.....	42
FIGURE 2-5. TURNTABLE BEARING AND SWING DRIVE INSTALLATION.....	46
FIGURE 2-6. SWING MOTOR/HUB ASSEMBLY.....	48
FIGURE 2-7. CATERPILLAR ENGINE INSTALLATION.....	52
FIGURE 2-8. DEUTZ ENGINE INSTALLATION.....	60
FIGURE 2-9. GM ENGINE INSTALLATION.....	70
FIGURE 2-10. PISTON PUMP ASSEMBLY (SAUER DANFOSS).....	78
FIGURE 2-11. PISTON PUMP ASSEMBLY (EATON).....	82
FIGURE 2-12. TANK INSTALLATIONS.....	86
FIGURE 2-13. LP TANK INSTALLATIONS (GM ENGINE MACHINES ONLY).....	90
FIGURE 2-14. ROTARY COUPLING INSTALLATION.....	92
FIGURE 2-15. GROUND CONTROL BOX ASSEMBLY.....	96
FIGURE 2-16. ELECTRICAL OPTIONS INSTALLATIONS (TURNTABLE MOUNTED).....	100
FIGURE 2-17. HOODS INSTALLATION (ABS).....	104
FIGURE 2-18. HOODS INSTALLATION (STEEL).....	108
FIGURE 2-19. ENGINE TRAY JACK INSTALLATION (OPTIONAL).....	114
FIGURE 2-20. 2500W GENERATOR INSTALLATION - CATERPILLAR MACHINES (OPTIONAL).....	116
FIGURE 2-21. 2500W GENERATOR INSTALLATION - DEUTZ MACHINES (OPTIONAL).....	120
FIGURE 2-22. 2500W GENERATOR INSTALLATION - GM MACHINES (OPTIONAL).....	124
FIGURE 2-23. 7500W SKYPOWER GENERATOR INSTALLATION - CATERPILLAR AND DEUTZ MACHINES.....	128
FIGURE 2-24. 7500W SKYPOWER GENERATOR INSTALLATION - GM MACHINES.....	136
SECTION 3 - BOOM.....	141
FIGURE 3-1. BOOM AND CYLINDER INSTALLATION - 800A.....	142
FIGURE 3-2. BOOM AND CYLINDER INSTALLATION - 800AJ.....	146
FIGURE 3-3. TOWER BOOM ASSEMBLY.....	152
FIGURE 3-4. MAIN BOOM ASSEMBLIES.....	156
FIGURE 3-5. ROTATOR ASSEMBLY.....	160
FIGURE 3-6. VALVE AND LIMIT SWITCH INSTALLATIONS (BOOM MOUNTED).....	162
SECTION 4 - PLATFORM.....	165
FIGURE 4-1. PLATFORM COMPONENTS INSTALLATION.....	166
FIGURE 4-2. PLATFORM COMPONENTS INSTALLATION (FALL ARREST PLATFORM).....	170
FIGURE 4-3. PLATFORM CONSOLE ASSEMBLY.....	172
FIGURE 4-4. CONTROLLER ASSEMBLY (LIFT AND SWING).....	176
FIGURE 4-5. CONTROLLER ASSEMBLY (LIFT AND SWING).....	178
FIGURE 4-6. CONTROLLER ASSEMBLY (LIFT AND SWING).....	180
FIGURE 4-7. CONTROLLER ASSEMBLY (DRIVE AND STEER).....	184
FIGURE 4-8. CONTROLLER ASSEMBLY (DRIVE AND STEER).....	186
FIGURE 4-9. CONTROLLER ASSEMBLY (DRIVE AND STEER).....	188
FIGURE 4-10. SOFT TOUCH SYSTEM INSTALLATION (OPTIONAL).....	190
SECTION 5 - CYLINDER.....	193
FIGURE 5-1. AXLE LOCKOUT CYLINDER ASSEMBLY.....	194
FIGURE 5-2. LEVEL CYLINDER ASSEMBLY - PLATFORM SLAVE (800A) (ORIGINAL EQUIPMENT).....	196
FIGURE 5-3. LEVEL CYLINDER ASSEMBLY - PLATFORM SLAVE (800A ONLY) (SERVICE REPLACEMENT).....	198
FIGURE 5-4. LEVEL CYLINDER ASSEMBLY - PLATFORM SLAVE (800AJ).....	200
FIGURE 5-5. LEVEL CYLINDER ASSEMBLY - PLATFORM SLAVE (800AJ ONLY) (SERVICE REPLACEMENT).....	202
FIGURE 5-6. LEVEL CYLINDER ASSEMBLY - UPRIGHT (ORIGINAL EQUIPMENT).....	204



# TABLE OF CONTENTS

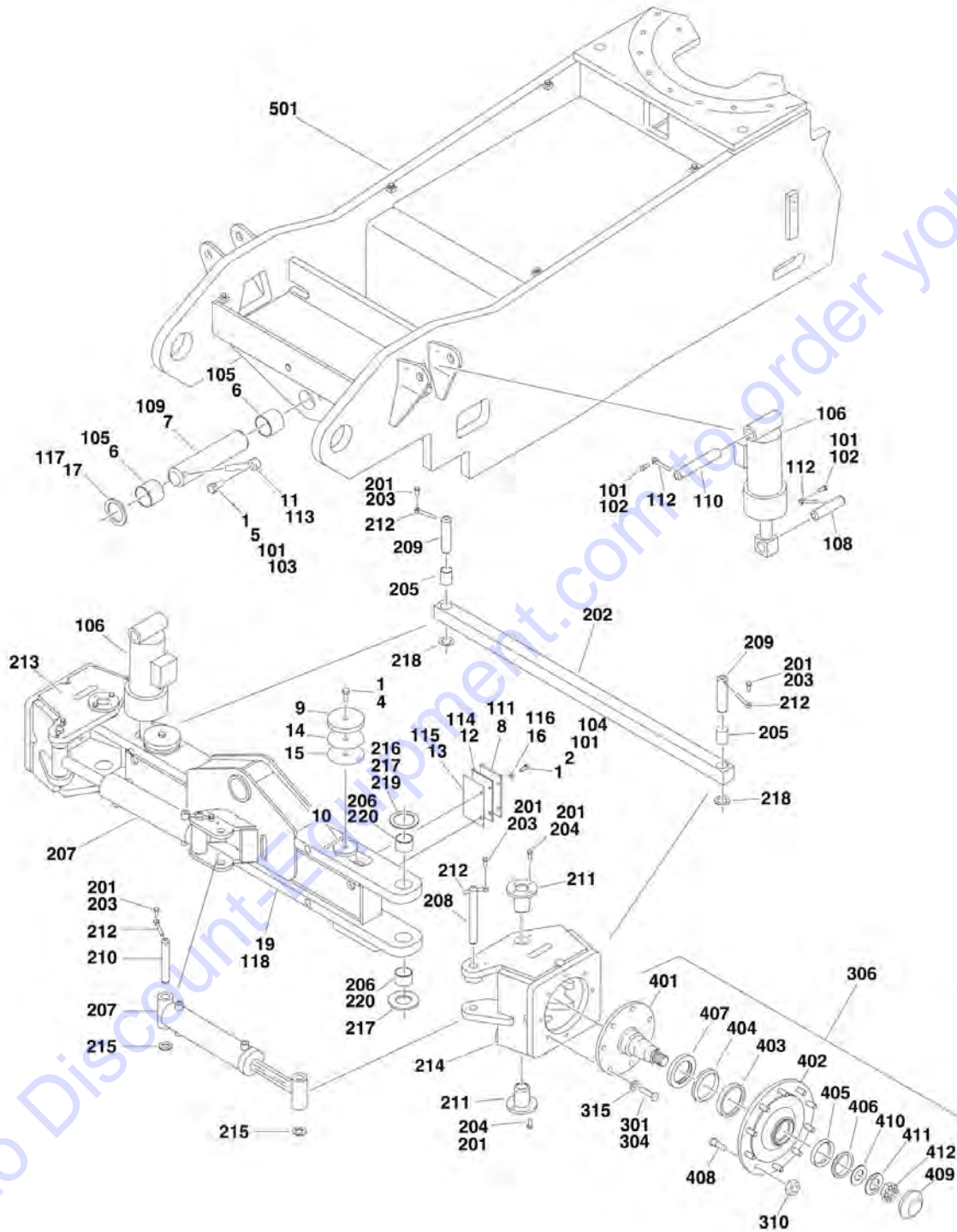
FIGURE 5-7. LEVEL CYLINDER ASSEMBLY - UPRIGHT (SERVICE REPLACEMENT) .....	206
FIGURE 5-8. LIFT CYLINDER ASSEMBLY - JIB (800AJ ONLY) .....	208
FIGURE 5-9. LIFT CYLINDER ASSEMBLY - JIB (800AJ ONLY) (USAGE MAY VARY) (SERVICE REPLACEMENT) .....	210
FIGURE 5-10. LIFT CYLINDER ASSEMBLY - JIB (800AJ ONLY) (USAGE MAY VARY) (SERVICE REPLACEMENT) .....	212
FIGURE 5-11. LIFT CYLINDER ASSEMBLY - MAIN BOOM (ORIGINAL EQUIPMENT) .....	214
FIGURE 5-12. LIFT CYLINDER ASSEMBLY - MAIN BOOM (SERVICE REPLACEMENT) .....	216
FIGURE 5-13. LIFT CYLINDER ASSEMBLY - TOWER BOOM (ORIGINAL EQUIPMENT) .....	218
FIGURE 5-14. LIFT CYLINDER ASSEMBLY - TOWER BOOM (SERVICE REPLACEMENT) .....	220
FIGURE 5-15. MASTER CYLINDER ASSEMBLY - 800A (ORIGINAL EQUIPMENT) .....	222
FIGURE 5-16. MASTER CYLINDER ASSEMBLY (800A) (SERVICE REPLACEMENT) .....	224
FIGURE 5-17. MASTER CYLINDER ASSEMBLY - 800AJ .....	226
FIGURE 5-18. MASTER CYLINDER ASSEMBLY (800AJ) (SERVICE REPLACEMENT) .....	228
FIGURE 5-19. STEER CYLINDER ASSEMBLY (SN 0300140000 through 0300142666) .....	230
FIGURE 5-20. STEER CYLINDER ASSEMBLY (SN 0300142664 through 0300183033) .....	232
FIGURE 5-21. TELESCOPE CYLINDER ASSEMBLY - MAIN BOOM .....	234
FIGURE 5-22. TELESCOPE CYLINDER ASSEMBLY - MAIN BOOM (800A) (SERVICE REPLACEMENT) .....	236
FIGURE 5-23. TELESCOPE CYLINDER ASSEMBLY - MAIN BOOM (800AJ) (SERVICE REPLACEMENT) .....	238
FIGURE 5-24. TELESCOPE CYLINDER ASSEMBLY - TOWER BOOM .....	240
FIGURE 5-25. TELESCOPE CYLINDER ASSEMBLY - TOWER BOOM (SERVICE REPLACEMENT) .....	242
SECTION 6 - HYDRAULIC .....	245
FIGURE 6-1. AXLE LOCKOUT HYDRAULIC DIAGRAM .....	246
FIGURE 6-2. DRIVE HYDRAULIC DIAGRAM - 2WD .....	248
FIGURE 6-3. DRIVE HYDRAULIC DIAGRAM - 4WD/2WS .....	252
FIGURE 6-4. STANDARD HYDRAULIC DIAGRAM (WITH HALDEX BRAND AUXILIARY PUMP) .....	256
FIGURE 6-5. STANDARD HYDRAULIC DIAGRAM (WITH BUCHER BRAND AUXILIARY PUMP) .....	260
FIGURE 6-6. HYDRAULIC DIAGRAM LIST .....	264
SECTION 7 - ELECTRICAL .....	265
FIGURE 7-1. ELECTRICAL DIAGRAM LIST .....	266
FIGURE 7-2. HARNESS COMPONENTS INSTALLATION .....	268
SECTION 8 - DECALS .....	287
FIGURE 8-1. DECAL INSTALLATION (ANSI SPEC) .....	288
FIGURE 8-2. DECAL INSTALLATION (COUNTRY SPEC) .....	292
FIGURE 8-3. DECAL INSTALLATION (AUSTRALIAN AND CE SPEC) .....	298
SECTION 9 - RECOMMENDED SERVICE PARTS STOCK .....	301
FIGURE 9-1. MODEL 800A/800AJ STANDARD PARTS .....	302
FIGURE 9-2. MODEL 800A/800AJ VARIABLE PARTS .....	304
SECTION 10 - SPECIAL OPTIONS .....	305
FIGURE 10-1. SPECIAL OPTIONS .....	306
PART NUMBER INDEX .....	313

**SECTION 1 - FRAME**

Go to Discount-Equipment.com to order your parts

# SECTION 1 - FRAME

## FIGURE 1-1. AXLE AND STEERING INSTALLATION



Go to DiscountParts.com to order your parts

# SECTION 1 - FRAME

## FIGURE 1-1. AXLE AND STEERING INSTALLATION

ITEM	PART NUMBER	QTY	DESCRIPTION	REV
	0258286	Ref	<b>FIXED AXLE INSTALLATION</b>	C
1	0100011	AR	Compound, Locking	
2	0681608	4	Bolt 3/8in-16NC x 1in (Grade 8)	
4	0641820	2	Bolt 1/2in-13NC x 2-1/2in	
5	0642212	1	Bolt 3/4in-10NC x 1-1/2in	
6	0962102	2	Bushing	
7	3422703	1	Pin, Axle Pivot	
8	3538047	2	Shim, Wear	
9	3539877	2	Plate, Stop	
10	3539878	2	Plate, Stop	
11	3841287	1	Keeper, Pin	
12	4070878	AR	Shim 1/16in	
13	4070879	AR	Shim 1/8in	
14	4070944	AR	Shim 1/16in	
15	4070945	AR	Shim 1/4in	
16	4711600	4	Flatwasher 3/8in Narrow	
17	4740472	1	Washer, Special	
19	4845658	1	Axle Weldment	
		Ref	<b>OSCILLATING AXLE INSTALLATIONS</b>	
	0274264	Ref	<b>Oscillating Axle without Tow Package</b>	E
	0274265	Ref	<b>Oscillating Axle with Tow Package</b>	D
101	0100011	AR	Compound, Locking	
102	0681608	4	Bolt 3/8in-16NC x1in (Grade 8)	
103	0642212	1	Bolt 3/4in-10NC x 1-1/2in	
104	0641608	4	Bolt 3/8in-16NC x1in	
105	0962102	2	Bushing	
106	1683078	2	Lockout Cylinder Assembly (See CYLINDER SECTION for Breakdown)	
108	3422702	2	Pin	
109	3422703	1	Pin, Main Pivot	
110	3422755	2	Pin	
111	3538047	2	Shim, Axle Wear	
112	3841143	4	Shaft, Keeper 3/8in Dia x 3in	
113	3841287	1	Shaft, Keeper 3/8in Dia x 6in	
114	4070878	2	Shim, Axle Wear	
115	4070879	2	Shim, Axle Wear	
116	4711600	4	Flatwasher 3/8in Narrow	
117	4740472	1	Washer, Special	
118		Ref	Axle Weldment Options:	
118	4845658	1	Axle without Tow Package	
118	4846413	1	Axle with Tow Package	
		Ref	<b>STEERING INSTALLATIONS</b>	
	0272003	Ref	<b>Steering Installations 2WS</b>	E
	1001100156	Ref	<b>Steering Installations 4WS (Rear Steering Typical / Double Qty Listed for 4WS)</b>	E
	1001137261	Ref	<b>King Pin Kit</b>	A
		Ref	<b>Note: Before ordering king pin kit, verify that machines is equipped with the original components (king pin with 4 bolt holes) or service kit components (king pin with 8 bolt holes).</b>	
		Ref	<b>- If the king pin hole in the axle measurement exceeds 2.252in OD or is elongated, use King Pin Kit p/n 1001137261.</b>	

# SECTION 1 - FRAME

ITEM	PART NUMBER	QTY	DESCRIPTION	REV
		Ref	<b>Note: See Tow Package Installation for Steering Components on Machines with Tow Option.</b>	
		Ref	<b>Note: Qty Shown is for 2WS Machines. Double Qty Required for 4WS Machines.</b>	
201	0100011	AR	Compound, Locking	
202	0362726	1	Tie-Rod	
203	0641608	6	Bolt 3/8in-16NC x 1in	
204	0641810	16	Bolt 1/2in-13NC x 1-1/4in	
205	0962152	2	Bearing	
206		Ref	Bearing Options:	
206	0962448	4	Bearing (SN 0300140000 through 0300150055)	
206	1001112651	4	Bearing (SN 0300150056 through 0300183033)	
207		Ref	Steer Cylinder Assembly Options (See CYLINDER SECTION for Breakdown):	
207	1683740	2	Steer Cylinder (SN 0300140000 through 0300142663)	
207	1001097243	2	Steer Cylinder (SN 0300142664 through 0300183033)	
208	3422701	2	Pin, Steer, Spindle Attach	
209	3422702	2	Pin, Tie-Rod	
210	3422754	2	Pin, Attach	
211	3422972	4	Kingpin	
212	3841143	6	Shaft, Keeper 3/8in x 3in	
213	4130389	1	Spindle Weldment (Right Side)	
214	4130390	1	Spindle Weldment (Left Side)	
215	4740111	4	Washer, Special	
216	4740256	2	Washer, Thrust (.125in)	
217	4740463	2	Washer, Thrust (.250in)	
218	4740473	2	Washer, Special	
219	1001103810	2	Washer, Thrust (.187in)	
220	3020029	AR	Lube, Bearing	
	0273378	Ref	<b>HUB INSTALLATION (2WD ONLY)</b>	E
301	0100011	AR	Compound, Locking	
304	0682016	16	Bolt 5/8in-16NC x 2in (Grade 8)	
306	2780229	2	Hub Assembly (See Items 401-412 for Breakdown)	
310	3300007	20	Lugnut	
315	4892000	16	Flatwasher 5/8in Hardened	
	2780229	Ref	<b>HUB ASSEMBLY (2WD ONLY)</b>	A
401	7017052	2	Spindle (1 per Assembly)	
402	7017053	2	Housing (1 per Assembly)	
403	7010404	2	Cup, Bearing - Inner (1 per Assembly)	
404	7010405	2	Cone, Bearing - Inner (1 per Assembly)	
405	7017056	2	Cup, Bearing - Outer (1 per Assembly)	
406	7017055	2	Cone, Bearing - Outer (1 per Assembly)	
407	7010406	2	Seal, Lip (1 per Assembly)	
408	7000265	20	Stud (10 per Assembly)	
409	7017054	2	Dust Cap (1 per Assembly)	
410	7017051	2	Washer, Special (1 per Assembly)	
411	7017057	2	Washer, Tanged (1 per Assembly)	
412	7017058	2	Nut, Bearing (1 per Assembly)	
501		Ref	<b>FRAME WELDMENT OPTIONS:</b>	
501		Ref	<b>All Spec -Frame Weldment</b>	
501	2360645	Ref	2WD/2WS with Foam-Filled Tires	
501	2360647	Ref	4WD/2WS with Foam-Filled Tires	

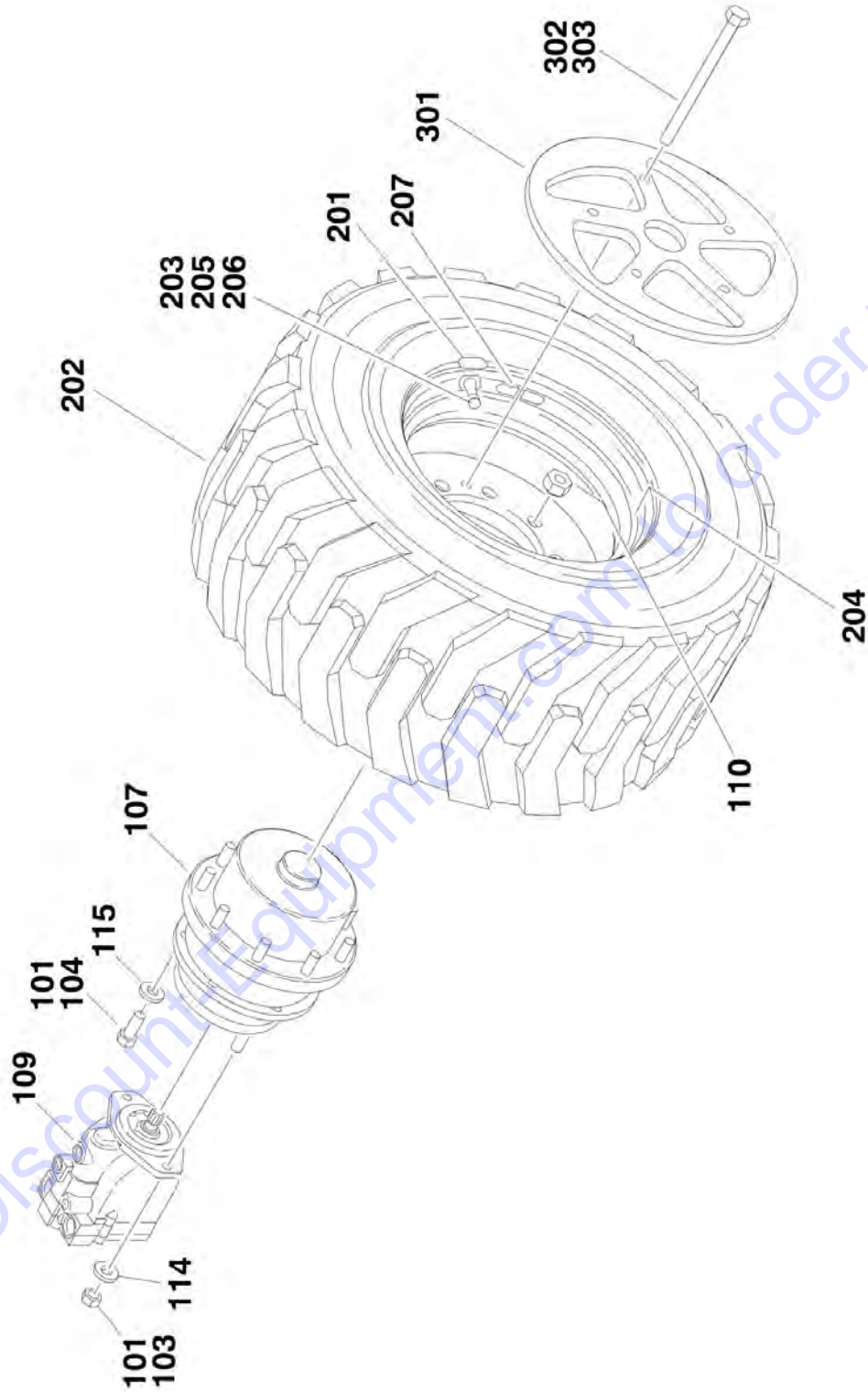
**SECTION 1 - FRAME**

ITEM	PART NUMBER	QTY	DESCRIPTION	REV
501	2360709	Ref	4WD/4WS with Foam-Filled Tires	
501		Ref	<b>All Specs Except Australian and CE Spec - Frame Weldment</b>	
501	2360644	Ref	2WD/2WS with Pneumatic Tires	
501	2360646	Ref	4WD/2WS with Pneumatic Tires	
501	2360686	Ref	4WD/4WS with Pneumatic Tires	

Go to Discount-Equipment.com to order your parts

# SECTION 1 - FRAME

## FIGURE 1-2. TIRE AND WHEEL INSTALLATIONS



# SECTION 1 - FRAME

## FIGURE 1-2. TIRE AND WHEEL INSTALLATIONS

ITEM	PART NUMBER	QTY	DESCRIPTION	REV
		Ref	<b>WHEEL DRIVE INSTALLATION</b>	
	0273378	Ref	<b>Wheel Drive Installations 2WD/2WS</b>	F
	0273704	Ref	<b>Wheel Drive Installations 4WD/2WS</b>	E
	0274232	Ref	<b>Wheel Drive Installations 4WD/4WS</b>	E
		Ref	<b>Note: Qty Shown is for 2WS Machines. Double Qty Required for 4WS Machines.</b>	
101	0100011	AR	Compound, Locking	
103	3311801	4	Nut 1/2in-13 NC	
104	0682016	16	Bolt 5/8in-11NC x 2in (Grade 8)	
105	2300016	AR	Fluid, Hydraulic (Not Shown)	
107	2780272	2	Drive Hub Assembly (See DRIVE HUB ASSEMBLY for Breakdown)	
108	3020008	AR	Lubricant (Not Shown)	
109		Ref	Drive Motor Assembly Options (See DRIVE MOTOR ASSEMBLY for Breakdown):	
109	3160347	2	Drive Motor Assembly 2WD Rear	
109	3160348	4	Drive Motor Assembly 4WD Front and Rear	
110	3300007	20	Nut, Wheel	
114	4891800	4	Flatwasher, 1/2in Hardened	
115	4892000	16	Flatwasher, 5/8in Hardened	
		Ref	<b>TIRE AND WHEEL INSTALLATIONS</b>	
	0270885	Ref	<b>15-625 Pneumatic</b>	D
	0272322	Ref	<b>15-625 Pneumatic W/Sealant</b>	D
	1001101067	Ref	<b>18-22.5 Pneumatic W/Sealant</b>	1
	0270886	Ref	<b>15-625 Foam-Filled</b>	D
	0270888	Ref	<b>18-625 Foam-Filled</b>	C
	0271083	2	15-625 Pneumatic Left Side	D
	0272334	2	15-625 Pneumatic/TS Left Side	D
	1001097519	2	18-22.5 Pneumatic/TS Left Side	A
	0271084	2	15-625 Pneumatic Right Side	D
	0272333	2	15-625 Pneumatic/TS Right Side	A
	1001097519	2	18-22.5 Pneumatic/TS Right Side	A
	0271085	2	15-625 Foam-Filled Left Side	F
	0271086	2	15-625 Foam-Filled Right Side	F
	0271090	2	18-625 Foam-Filled Left Side	A
	0271091	2	18-625 Foam-Filled Right Side	A
		Ref	<b>Note: Assemblies may require ballast/foam filling to manufacturer's specifications prior to installing on a machine. Refer to Operation and Safety or Service and Maintenance Manuals. Purchase individual tire and/or rim only if able to foam fill tire and wheel assembly, otherwise, purchase complete assembly,</b>	
201		Ref	Decal Options:	
201	1702701	1	95 PSI (15-625 Tires)	
201	1702739	1	85 PSI (18-22.5 Tires)	
202		Ref	Tire Options:	
202	4520252	1	15-625	
202	4520253	1	18.625	
202	1001097408	1	18.22.5	
203	4640113	1	Valve, Air	
204		Ref	Rim, Wheel Options:	



## SECTION 1 - FRAME

ITEM	PART NUMBER	QTY	DESCRIPTION	REV
204	4860224	1	13 x 24.5	
204	1001097407	1	14 x 22.5	
204	4860225	1	15 x 24.5	
205	1120552	1	Cap Valve Stem (Green) (W/Sealant Only)	
206	1300019	AR	Chemical, Tire Sealant (Green) (W/Sealant Only)	
207	1705364	1	Decal - Tire Sealant (W/Sealant Only)	
	0256196	Ref	<b>WHEEL COVER INSTALLATION (OPTIONAL)</b>	2-A
301	1670776	4	Cover, Wheel	
302	0641550	20	Bolt 5/16in - 18NC x 6-1/4in	
303	0100011	AR	Compound, Locking	

Go to Discount-Equipment.com to order your parts



# SECTION 1 - FRAME

## FIGURE 1-3. DRIVE HUB ASSEMBLY

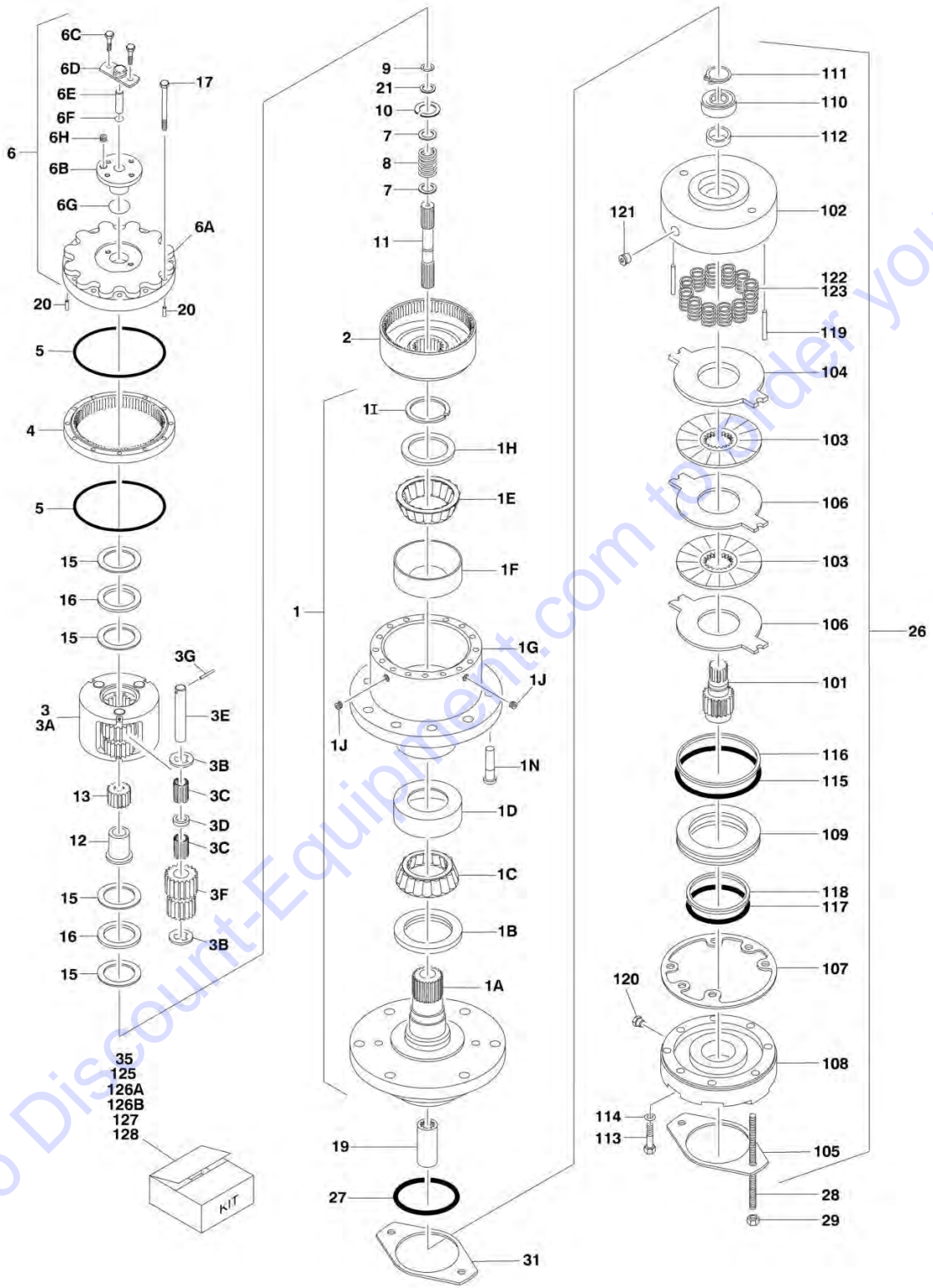


FIGURE 1-3. DRIVE HUB ASSEMBLY

ITEM	PART NUMBER	QTY	DESCRIPTION	REV
	2780272	Ref	<b>DRIVE HUB/BRAKE ASSEMBLY</b>	C
	2780227	Ref	Hub Assembly	A
1	See Note	NSS	Spindle/Housing Assembly (Note: Not Available - Purchase Individual Components)	
1A	7010464	1	Spindle	
1B	7000236	1	Seal	
1C	7000273	1	Cone, Bearing	
1D	7000272	1	Cup, Bearing	
1E	7000275	1	Cone, Bearing	
1F	7000274	1	Cup, Bearing	
1G	7017033	1	Housing	
1H	7000239	1	Washer, Thrust	
1I	7000240	1	Ring, Retaining	
1J	7001928	1	Plug, Pipe	
1N	7000265	10	Stud, Wheel	
2	7024782	1	Gear, Ring	
3	7024145	1	Carrier Assembly	
3A	7024147	NLA	Carrier (use p/n 7024145)	
3B	7001901	6	Thrustwasher, Tanged	
3C	7001902	96	Bearing, Needle	
3D	7001903	3	Spacer, Thrust	
3E	7024146	3	Shaft, Planet	
3F	7024148	3	Gear, Cluster	
3G	7001906	3	Roll Pin	
4	7024151	1	Gear, Internal	
5	7000224	2	O-Ring	
6	See Note	NSS	Cover Assembly (Note: Not Available - Purchase Individual Components)	
6A	7024155	1	Cover	
6B	7024783	1	Cap	
6C	7000220	4	Bolt 1/4in-20NC x 3/4in	
6D	7000231	1	Cap, Disengage	
6E	7000235	1	Rod, Disengage	
6F	7000213	1	O-Ring	
6G	7000238	1	O-Ring	
6H	7017048	1	Plug, Pipe	
7	7000282	2	Thrustwasher	
8	7000283	1	Spring	
9	7000284	1	Ring, Retaining	
10	7017027	1	Ring, Retaining	
11	7024781	1	Shaft, Input	
12	7024154	1	Spacer, Input	
13	7024149	1	Gear, Sun	
15	7000287	4	Thrustwasher	
16	7000288	2	Thrustwasher	
17	7000289	12	Bolt 3/8in-16NC x 2-1/2in (Grade 8)	
19	7000290	1	Coupling	
20	7017047	2	Pin, Dowel	
21	7017050	1	Thrustwasher	
26	7024182	1	Brake Assembly (Includes Items 101-123)	

## SECTION 1 - FRAME

ITEM	PART NUMBER	QTY	DESCRIPTION	REV
27	7024763	2	O-Ring	
28	7024717	2	Stud 1/2in-13NC x 4-5/8in	
29	7024718	2	Nut 1/2in-13NC	
31	70005483	1	Gasket	
35	7017068	1	Seal Kit - Hub (Includes Items 1B,1I, 5, 6F, 6G, 15 & 16)	
	7024182	Ref	<b>BRAKE ASSEMBLY</b>	
101	7024189	1	Shaft	
102	7024182	1	Housing (Note: Not Available - Purchase Complete Assembly)	
103	See Note	NSS	Plate, Friction (Note: Use Item 127)	
104	See Note	NSS	Plate, Pressure (Note: Use Item 127)	
105	7000731	1	Gasket	
106	See Note	NSS	Plate, Outer (Note: Use Item 127)	
107	See Note	NSS	Gasket (Note: Use Item 125, 127 or 128)	
108	7024191	1	Cylinder	
109	7024192	1	Piston	
110	See Note	NSS	Bearing, Ball (Note: Use Item 128)	
111	See Note	NSS	Ring, Retaining (Note: Use Item 128)	
112	See Note	NSS	Seal, Shaft (Note: Use Item 128)	
113	See Note	6	Capscrew (Note: Not Available for Purchase)	
114	See Note	6	Lockwasher (Note: Not Available for Purchase)	
115	See Note	NSS	O-Ring (Note: Use Item 125)	
116	See Note	NSS	Ring, Back-up (Note: Use Item 125)	
117	See Note	NSS	O-Ring (Note: Use Item 125)	
118	See Note	NSS	Ring, Back-up (Note: Use Item 125)	
119	7024190	2	Pin, Dowel	
120	See Note	1	Plug (Note: Not Available - Purchase Locally)	
121	See Note	2	Plug (Note: Not Available - Purchase Locally)	
122	See Note	NSS	Spring Kit (Natural) (Note: Use Item 126B)	
123	See Note	NSS	Spring Kit (Blue) (Note: Use Item 126B)	
125	7024194	1	Seal Kit - Brake (Includes Items 105, 107 & 115-118)	
126		Ref	Spring Kit - Brake Options:	
126A	7024195	NLA	Spring Kit - Includes 12 Natural Colored Springs Item 122 (Use p/n 7024196)	
126B	7024196	1	Spring Kit - Includes 12 Natural and 2 Blue Colored Springs Items 122 & 123	
127	7024193	1	Friction Disc Kit - Brake (Includes Items 103, 104, 106 & 107)	
128	7024197	1	Bearing Kit - Brake (Includes Items 107 & 110-112)	



# SECTION 1 - FRAME

## FIGURE 1-4. DRIVE MOTOR ASSEMBLY

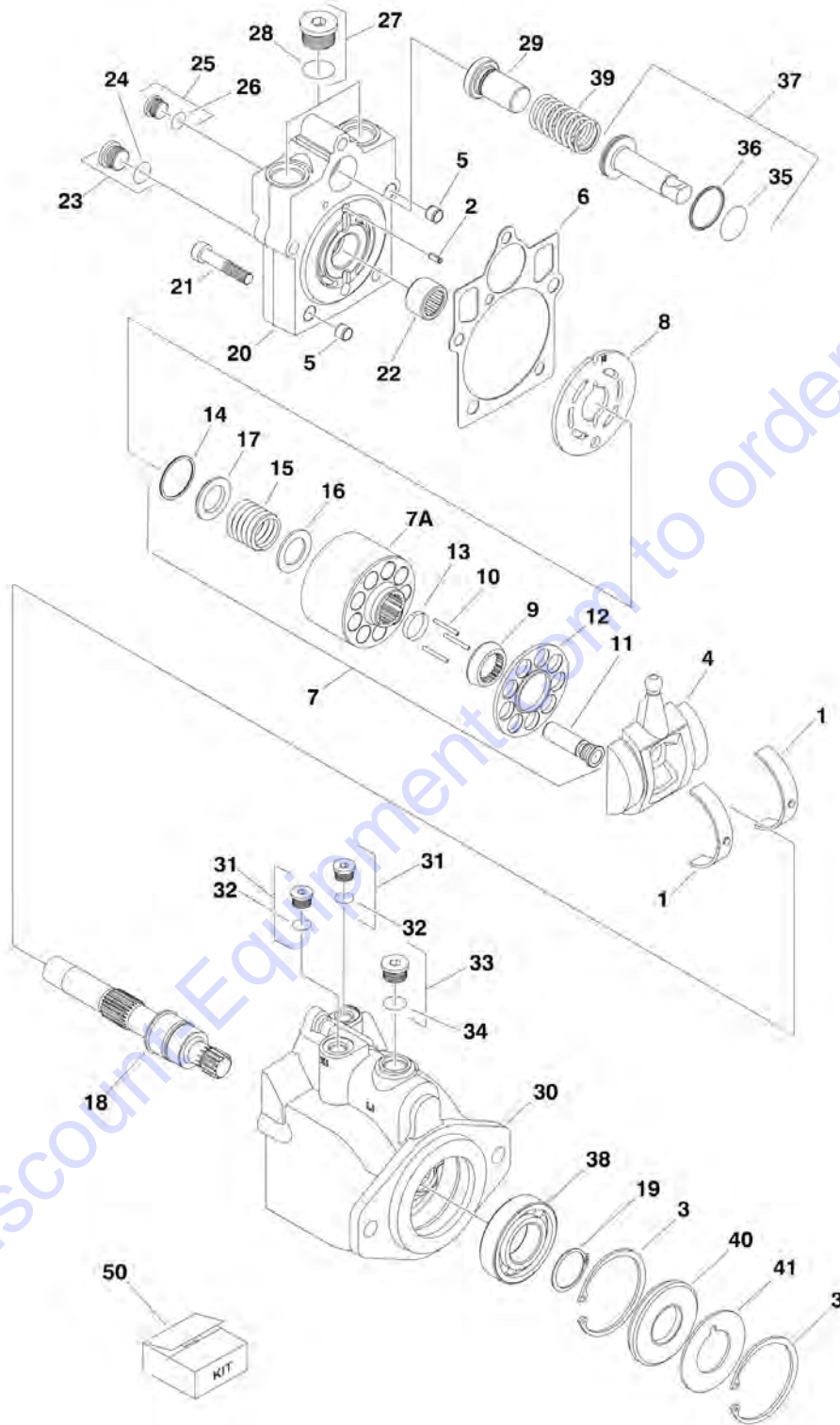


FIGURE 1-4. DRIVE MOTOR ASSEMBLY

ITEM	PART NUMBER	QTY	DESCRIPTION	REV
		Ref	<b>DRIVE MOTOR ASSEMBLIES:</b>	
	3160347	Ref	<b>Drive Motor Assemblies 2WD</b>	B
	3160348	Ref	<b>Drive Motor Assemblies 4WD</b>	C
1	7022302	2	Bearing, Journal	
2	7007446	1	Pin	
3	7007438	2	Ring, Retaining	
4		Ref	Swash Plate Options:	
4	70000794	1	Swash Plate 2WD	
4	7022305	1	Swash Plate 4WD	
5	See Note	2	Pin (Note: Not Available for Purchase)	
6	See Note	1	Gasket (Note: Use Item 50)	
7		Ref	Cylinder Block Kit (Includes Items 7A & 9-17)	
7	7027740	1	Cylinder Block Kit 2WD	
7	7023907	1	Cylinder Block Kit 4WD	
7A	See Note	NSS	Block, Cylinder (Note: Use Item 7)	
8		Ref	Plate, Valve Options:	
8	7024862	1	Plate, Valve 2WD	
8	7023908	1	Plate, Valve 4WD	
9		Ref	Guide, Slipper Retainer Options:	
9	See Note	NSS	Guide, Slipper Retainer 2WD (Note: Use Item 7)	
9	7021277	1	Guide, Slipper Retainer 4WD	
10	7021275	3	Pin, Slipper Hold Down	
11	See Note	NSS	Piston Assembly (Note: Use Item 7)	
12		Ref	Retainer, Slipper Options:	
12	See Note	NSS	Retainer, Slipper 2WD (Note: Use Item 7)	
12	7022310	1	Retainer, Slipper 4WD	
13		Ref	Retainer, Hold Down Pin Options:	
13	Not Required	0	Retainer, Hold Down Pin 2WD	
13	7021276	1	Retainer, Hold Down Pin 4WD	
14	7022311	1	Ring, Retaining	
15		Ref	Spring Options:	
15	7024867	1	Spring 2WD	
15	7022312	1	Spring 4WD	
16		Ref	Washer Options:	
16	7022313	1	Washer 2WD	
16	7024868	1	Washer 4WD	
17	7022314	1	Retainer, Spring	
18	7023910	1	Shaft	
19	7007439	1	Ring, Retaining	
20		Ref	Cap, End - Axial Options:	
20	70000795	1	Cap, End - Axial 2WD	
20	70000797	1	Cap, End - Axial 4WD	
21	7022368	5	Screw	
22	7021249	1	Bearing, Needle	
23	2220886	1	Plug (Includes Item 24)	
24	See Note	NSS	O-Ring (Note: Use Item 23 or 50)	
25	2220883	1	Plug (Includes Item 26)	
26	See Note	NSS	O-Ring (Note: Use Item 25 or 50)	
27	2220888	2	Plug (Includes Item 28)	
28	See Note	NSS	O-Ring (Note: Use Item 27 or 50)	



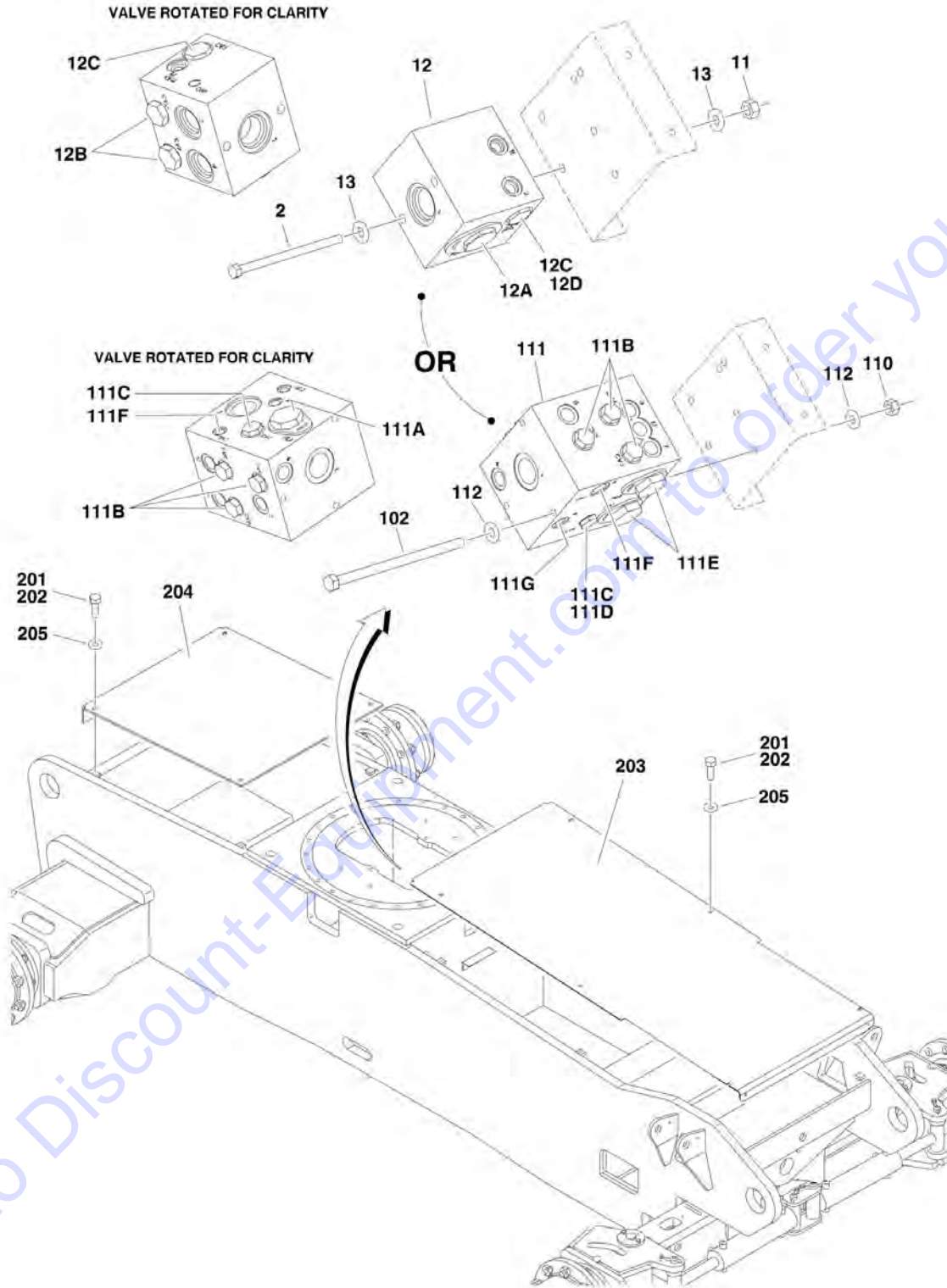
## SECTION 1 - FRAME

ITEM	PART NUMBER	QTY	DESCRIPTION	REV
29		Ref	Seat, Spring Options:	
29	7027741	1	Seat, Spring 2WD	
29	7022372	1	Seat, Spring 4WD	
30	See Note	1	Housing (Note: Not Available - Purchase Complete Assembly)	
31	2220883	2	Plug (Includes Item 32)	
32	See Note	NSS	O-Ring (Note: Use Item 31 or 50)	
33	2220886	1	Plug (Includes Item 34)	
34	See Note	NSS	O-Ring (Note: Use Item 33 or 50)	
35	See Note	NSS	O-Ring (Note: Use Item 50)	
36	See Note	NSS	Ring, Seal (Note: Use Item 50)	
37		Ref	Piston, Servo Options (Includes Items 35 & 36):	
37	7024871	1	Piston, Servo 2WD	
37	7024854	1	Piston, Servo 4WD	
38	7007437	1	Bearing	
39	7022326	1	Spring	
40	7022328	1	Seal, Lip	
40	See Note	NSS	Seal, Lip (Note: Use Item 50)	
41	7022371	1	Washer, Support	
50	7022328	1	Seal Kit (Includes Items 6, 24, 26, 28, 32, 34, 35, 36 & 40)	



# SECTION 1 - FRAME

## FIGURE 1-5. DRIVE VALVES AND SHIELDS INSTALLATIONS



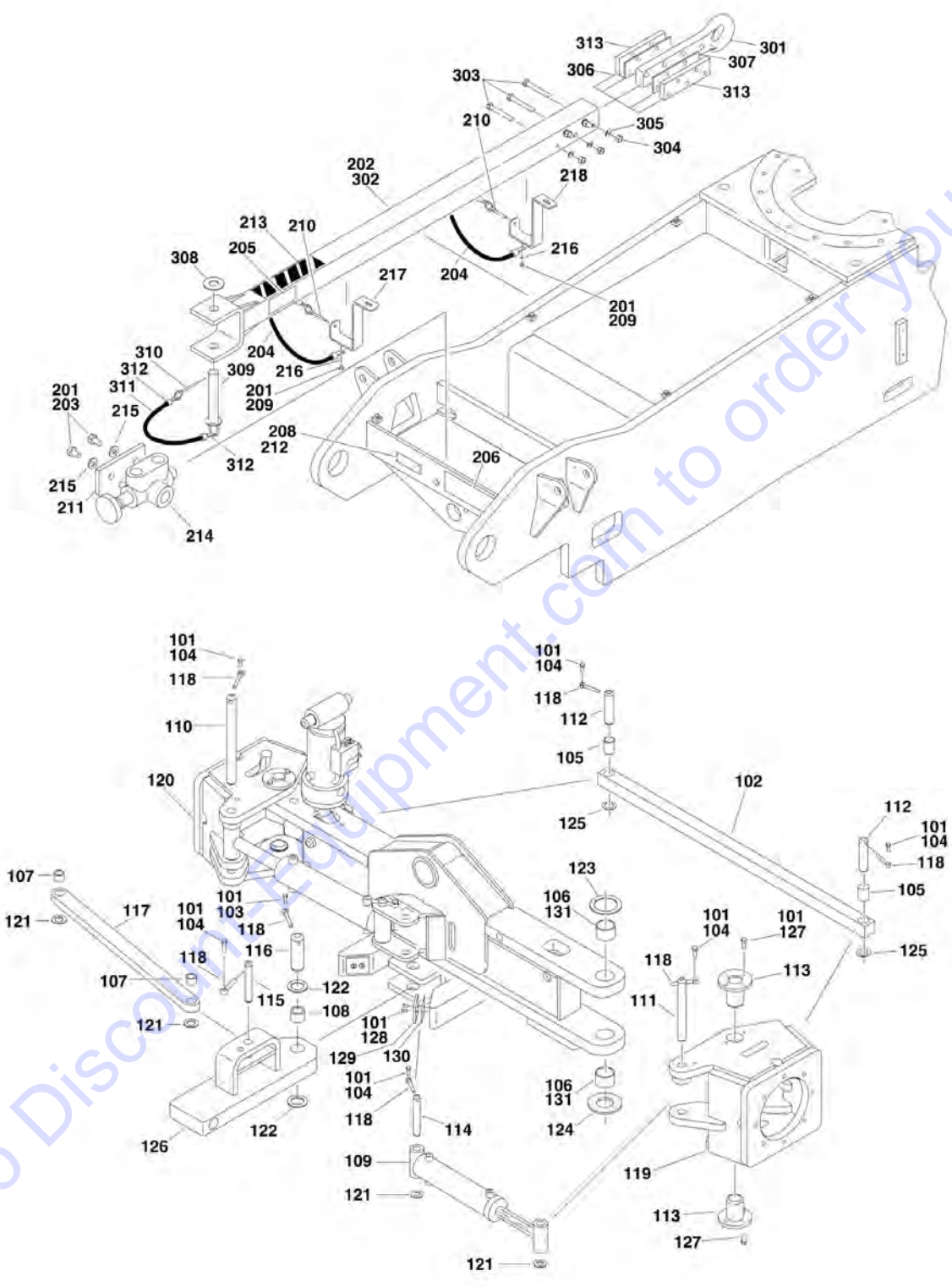
## SECTION 1 - FRAME

**FIGURE 1-5. DRIVE VALVES AND SHIELDS INSTALLATIONS**

ITEM	PART NUMBER	QTY	DESCRIPTION	REV
	0273378	Ref	<b>DRIVE VALVES INSTALLATION - 2WD</b>	E
2	0641542	2	Bolt 5/16in-18NC x 5-1/4in	
11	3311505	2	Locknut 5/16in-18NC	
12	1001099870	1	Flow Divider Valve Assembly	A
12A	7023933	1	Cartridge, Flow Divider	
12A	7021625	1	Seal Kit - 7023933 Cartridge	
12A	70000781	1	Lockdown Kit	
12B	7022397	2	Cartridge, Check	
12B	7022399	2	Seal Kit - 7022397 Cartridge	
12C	70002390	2	Cartridge, Check	
12C	7022399	2	Seal Kit - 70002390 Cartridge	
12D	7024881	1	Piston, Pilot	
13	4711500	4	Flatwasher 5/16in Narrow	
		Ref	<b>DRIVE VALVES INSTALLATION</b>	
	0273704	Ref	<b>Drive Valves Installation 4WD/2WS</b>	D
	0274232	Ref	<b>Drive Valves Installation 4WD/4WS</b>	D
102	0641560	3	Bolt 5/16in-18NC x 7-1/2in	
110	3311505	3	Locknut 5/16in-18NC	
111	4641303	1	Flow Divider Valve Assembly	B
111A	7023933	1	Cartridge, Flow Divider	
111A	7021625	1	Seal Kit - 7023933 Cartridge	
111B	7022397	6	Cartridge, Check	
111B	7022399	6	Seal Kit - 7022397 Cartridge	
111C	7021639	2	Cartridge, Check Valves	
111C	2900756	2	Seal Kit - 7022398 Cartridge	
111D	7024881	1	Piston, Pilot	
111E	7023917	2	Cartridge, Flow Divider	
111E	7021625	2	Seal Kit - 7023917 Cartridge	
111F	70003935	2	Orifice	
111G	70003936	1	Orifice	
112	4711500	6	Flatwasher 5/16in Narrow	
		Ref	<b>FRAME SHIELDS INSTALLATIONS</b>	
	0274267	Ref	<b>Frame Shields Installations 2WS</b>	A
	0274266	Ref	<b>Frame Shields Installations 4WS</b>	A
201	0100011	AR	Compound, Locking	
202	0641608	AR	Bolt, 3/8in - 16NC x 1in	
203	3575718	1	Plate, Cover Front	
204		Ref	Plate, Cover Rear Options:	
204	Not Required	0	Plate, Cover Rear 2WS	
204	3570690	1	Plate, Cover Rear 4WS	
205	4751600	AR	Flatwasher, 3/8in	

# SECTION 1 - FRAME

FIGURE 1-6. TOW PACKAGE INSTALLATION (2WS ONLY) (ANSI, ANSI EXPORT AND CE)



## SECTION 1 - FRAME

**FIGURE 1-6. TOW PACKAGE INSTALLATION (2WS ONLY) (ANSI, ANSI EXPORT AND CE)**

ITEM	PART NUMBER	QTY	DESCRIPTION	REV
	0271352	Ref	<b>STEERING INSTALLATION</b>	H
101	0100011	AR	Compound, Locking	
102	0362726	1	Tie-Rod	
103	0641508	1	Bolt 5/16in-18NC x 1in	
104	0641608	7	Bolt 3/8in-16NC x 1in	
105	0962152	2	Bearing	
106		Ref	Bearing Options:	
106	0962448	4	Bearing (SN 0300140000 through 0300150055)	
106	1001112651	4	Bearing (SN 0300150056 through 0300183033)	
107	0962292	2	Bearing	
108	0962348	1	Bearing	
109		Ref	Steer Cylinder Assembly Options (See CYLINDER SECTION for Breakdown):	
109	1683740	2	Steer Cylinder (SN 0300140000 through 0300142663)	
109	1001097243	2	Steer Cylinder (SN 0300142664 through 0300183033)	
110	3422567	1	Pin	
111	3422701	1	Pin, Steer, Spindle Attach	
112	3422702	2	Pin, Tie-Rod	
113	3422972	4	Kingpin Options:	
114	3422754	2	Pin, Attach	
115	3422813	1	Pin	
116	3422848	1	Pin, Hitch	
117	3573001	1	Plate, Connecting Link	
118	3841143	8	Shaft, Keeper 3/8in x 3in	
119	4130390	1	Spindle Weldment (Left Side)	
120	4130388	1	Spindle Weldment (Right Side)	
121	4740111	6	Washer, Special	
122	4740155	2	Washer, Thrust	
123	4740256	4	Washer, Thrust	
124	4740463	2	Washer, Thrust	
125	4740473	2	Washer, Special	
126	4846935	1	Bar, Pivot	
127	0641810	16	Bolt 1/2in-13NC x 1-1/4in	
128	0741609	4	Bolt 3/8in-16NC x 1-1/8in	
129	3340966	2	Pad, Stop	
130	4071059	AR	Shim	
131	3020029	AR	Lube, Bearing	
		Ref	<b>TOW BAR INSTALLATIONS</b>	
	0274252	Ref	<b>ANSI/ANSI Export</b>	A
	1001166806	Ref	<b>CE</b>	A
201	0100011	AR	Compound, Locking	
202	0232121	1	Tow Bar Assembly (See Items 301 to 313 For Breakdown)	
203	0641504	2	Bolt 5/16in-18NC x 1/2in	
204	1260017	2 ft/0.3m	Chain	
205		Ref	Decal - Crushing Options:	
205	1704578	2	ANSI/ANSI Export Specs	
205	1706960	2	CE Spec	
206	1705090	1	Decal - Towing Instructions (ANSI/ANSI Export Specs Only)	
208	3250872	1	Nameplate - Steer/Tow Valve (ANSI/ANSI Export Specs Only)	
209	3311401	2	Nut 1/4in-20NC	

## SECTION 1 - FRAME

ITEM	PART NUMBER	QTY	DESCRIPTION	REV
210	3420292	2	Pin	
211	3539662	1	Plate, Valve Mounting	
212	3820001	4	Rivet, Pop (ANSI/ANSI Export Specs Only)	
213	4420051	2 ft/0.3m	Tape	
214	4640261	1	Valve, Float Position	
215	4711500	2	Flatwasher 5/16in (Narrow)	
216	4751400	2	Flatwasher 1/4in (Wide)	
217	4846507	1	Bracket	
218	4846508	1	Bracket	
219	3570686	1	Plate, Cover (ANSI/ANSI Export Specs Only) (Not Shown)	
220	1706957		Decal - Tow Bar and Steer Select (CE Spec Only)	
	0232121	Ref	<b>TOW BAR ASSEMBLY</b>	7-G
301	0360406	1	Bar, Draw	
302	4843777	1	Bar, Tow	
303	0642038	5	Bolt 5/8in-11NC x 4-3/4in	
304	3312001	5	Nut 5/8in-11NC	
305	4762000	5	Lockwasher 5/8in	
306	4070450	AR	Shim, Spacer	
307	4070561	AR	Shim, Spacer	
308	4740036	1	Flatwasher 1-1/2in	
309	3420447	1	Pin	
310	3420372	1	Pin	
311	1260135	1	Chain	
312	3760170	2	Ring	
313	4070560	2	Shim	

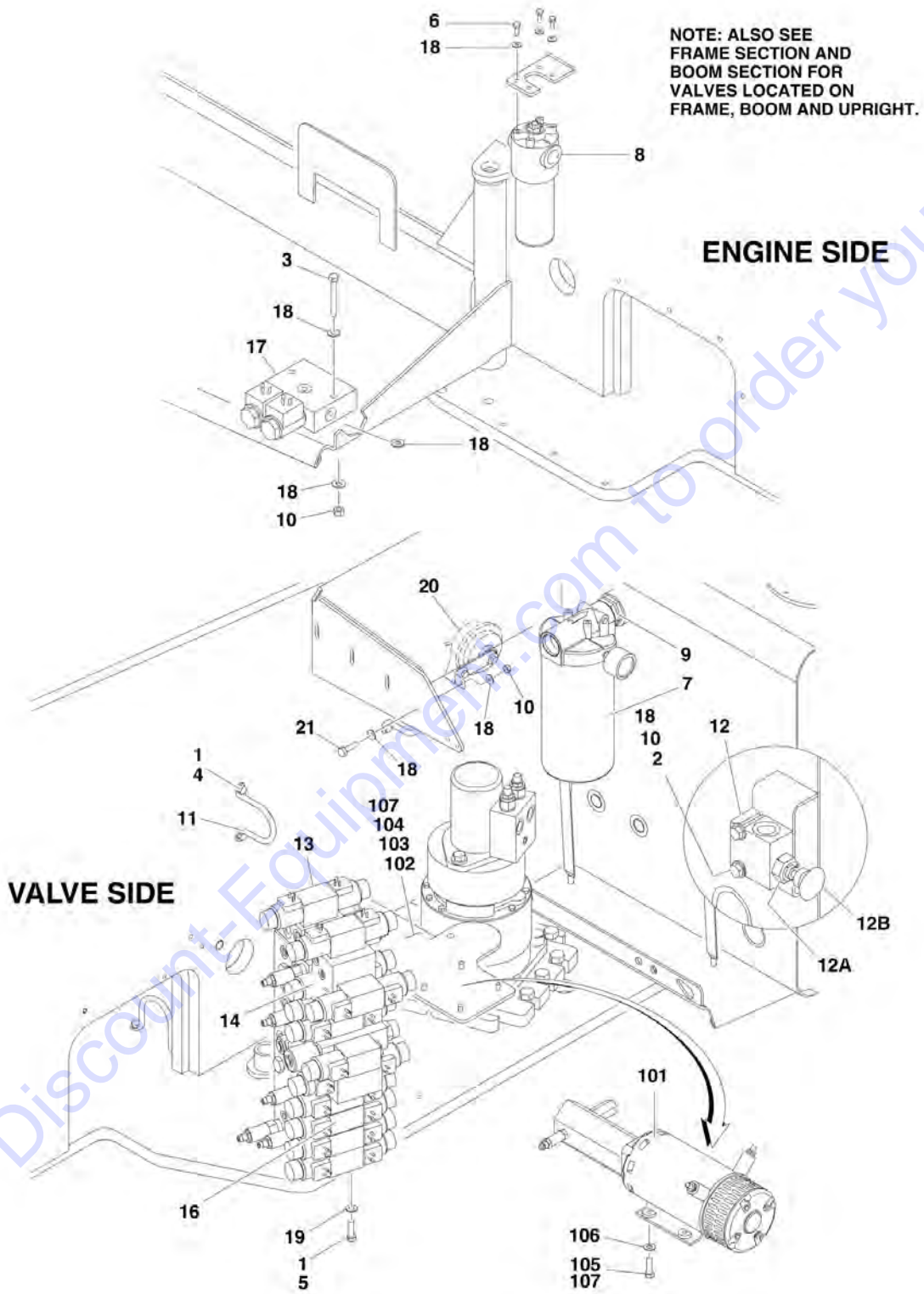
**SECTION 2 - TURNTABLE**

Go to Discount-Equipment.com to order your parts



## SECTION 2 - TURNTABLE

FIGURE 2-1. CONTROL VALVES AND HORN INSTALLATIONS



**SECTION 2 - TURNTABLE**

**FIGURE 2-1. CONTROL VALVES AND HORN INSTALLATIONS**

ITEM	PART NUMBER	QTY	DESCRIPTION	REV
		Ref	<b>VALVES INSTALLATIONS</b>	
	0274640	Ref	<b>Valves Installations 800A (2WS)</b>	D
	0274641	Ref	<b>Valves Installations 800A (4WS)</b>	E
	0274642	Ref	<b>Valves Installations 800AJ (2WS)</b>	E
	0274643	Ref	<b>Valves Installations 800AJ (4WS)</b>	E
1	0100011	AR	Compound, Locking	
2	0641416	2	Bolt 1/4in-20NC x 2in	
3	0641418	2	Bolt 1/4in-20NC x 2-1/4in	
4	0641606	8	Bolt 3/8in-16NC x 3/4in	
5	0641614	3	Bolt 3/8in-16NC x 1-3/4in	
6	0651406	3	Bolt 1/4in-28NF x 3/4in	
7	2120167	1	Return Filter Assembly	
7	2120168	1	Element, Filter	
7	7020021	1	Indicator, Clogged	
8	2120209	1	Pressure Filter Assembly	
8	2120210	1	Element, Filter	
8	70000934	1	O-Ring, Filter Bowl	
8	7020020	1	Indicator, Clog	
9	2220893	1	Fitting, Adapter	
10	3311405	5	Locknut 1/4in-20NC	
11	3841340	4	Loop, Hose	
12	4640866	1	Valve Assembly (Level)	
12A	7017466	1	Cartridge	
12A	7017496	1	Seal Kit - Cartridge (was p/n 2900708)	
12B	7012959	1	Knob	
13		Ref	Valve Assembly (Jib Control) Options: (See ACCESSORY VALVE ASSEMBLY for Breakdown)	
13	Not Required	0	Valve Assembly (Jib Control) 800A	
13	4640921	1	Valve Assembly (Jib Control) 800AJ	
14		Ref	Valve Assembly (4WS Control) Options:	
14	Not Required	0	Valve Assembly 2WS	
14	4640922	1	Valve Assembly 4WS (See ACCESSORY VALVE ASSEMBLY for Breakdown)	
16	4641453	1	Main Control Valve Assembly (See MAIN CONTROL VALVE ASSEMBLY for Breakdown)	
17		Ref	Combination Valve Assembly (Brake and 2 Speed)	
17	4641317	1	Valve Assembly	
17	7012944	2	Coil	
17	7012941	2	Cartridge without Coil	
17	7010543	2	Seal Kit - 7012941 Cartridge (1 Per Cartridge)	
18	4711400	21	Flatwasher 1/4in Narrow	
19	4711600	3	Flatwasher 3/8in Narrow	
20	0140001	1	Horn	
21	0641408	1	Bolt 1/4in-20NC x 1in	
22		Ref	Harness Assembly (Jib Control) Options (Not Shown - See Section 7 for Breakdown):	
22	Not Required	0	Harness Assembly (Jib Control) 800A	
22	4921927	1	Harness Assembly (Jib Control) 800AJ	
23		Ref	Harness Assembly (4WS Control) Options (Not Shown - See Section 7 for Breakdown):	
23	Not Required	0	Harness Assembly 2WS	

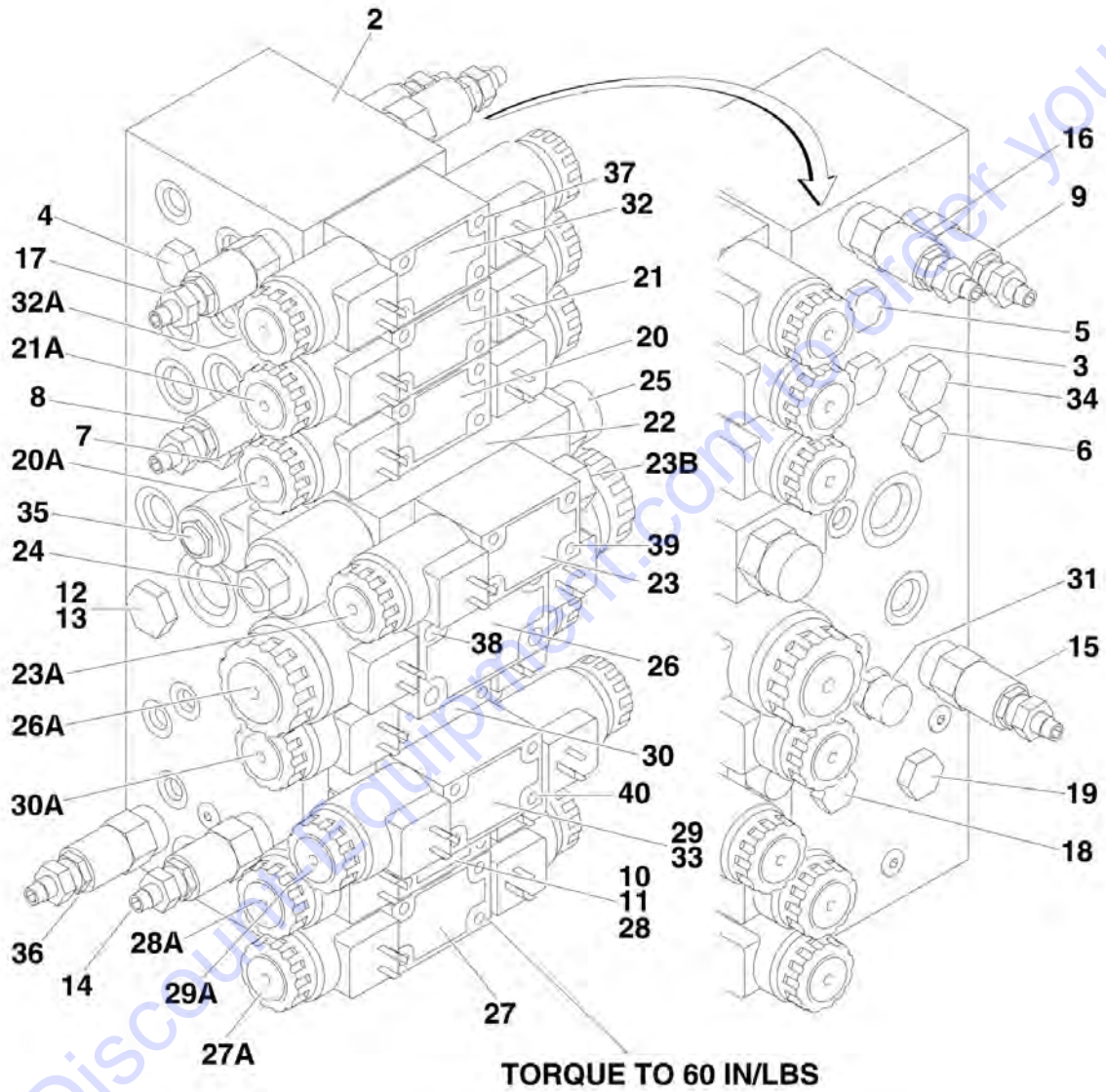
## SECTION 2 - TURNTABLE

ITEM	PART NUMBER	QTY	DESCRIPTION	REV
23	4921928	1	Harness Assembly 4WS	
		Ref	<b>AUXILIARY PUMP INSTALLATIONS</b>	
	0258670	Ref	<b>Original Equipment</b>	D
	1001143190	Ref	<b>Service Replacement</b>	A
		Ref	<b>Note: Original Equipment pump p/n 3600458 may have been replaced with p/n 1001137460 as a Service Replacement. Identify component before ordering parts.</b>	
101		Ref	Auxiliary Pump Assembly Options (See AUXILIARY PUMP ASSEMBLY for Breakdown):	
101	3600458	NLA	Haldex Brand (Original Equipment) (Use p/n 1001137460)	
101	1001137460	1	Bucher Brand (Service Replacement)	
102	0902415	1	Bracket, Pump Mounting	
103	0641610	3	Bolt 3/8in-16NC x 1-1/4in	
104	4751600	3	Flatwasher 3/8in	
105	0641506	4	Bolt 5/16in-18NC x 3/4in	
106	4711500	4	Flatwasher 5/16in Narrow	
107	0100011	AR	Compound, Locking	
	2901207	1	Band Kit, Auxiliary Power Motor (UL Machines Only)	



# SECTION 2 - TURNTABLE

## FIGURE 2-2. MAIN CONTROL VALVE ASSEMBLY



## SECTION 2 - TURNTABLE

### FIGURE 2-2. MAIN CONTROL VALVE ASSEMBLY

ITEM	PART NUMBER	QTY	DESCRIPTION	REV
	4641453	Ref	<b>MAIN CONTROL VALVE ASSEMBLY</b>	B
2	See Note	1	Block (Note: Not Available - Purchase Complete Assembly)	
3	7010542	1	Cartridge, Load Sensing (Main Lift)	
3	7010543	1	Seal Kit - 7010542 Cartridge	
4	7010542	1	Cartridge, Load Sensing	
4	7010543	1	Seal Kit - 7010542 Cartridge	
5	7010542	1	Cartridge, Load Sensing (Swing)	
5	7010543	1	Seal Kit - 7010542 Cartridge	
6	7010542	1	Cartridge, Load Sensing	
6	7010543	1	Seal Kit - 7010542 Cartridge	
7	7010542	1	Cartridge, Load Sensing (Main)	
7	7010543	1	Seal Kit - 7010542 Cartridge	
8	7017420	1	Cartridge, Relief Valve (Main Lift)	
8	7012998	1	Seal Kit - 7017420 Cartridge	
9	7017423	1	Cartridge, Relief Valve (Swing)	
9	7012998	1	Seal Kit - 7017420 Cartridge	
10	7018941	1	Orifice	
11	7018941	1	Orifice	
12	4641192	1	Cartridge, Check Valve (Tower Lift)	
12	2900708	1	Seal Kit - 4641192 Cartridge	
13	7021602	1	Piston, Pilot	
14	7017428	1	Cartridge, Relief Valve (Platform Level Down)	
14	7012998	1	Seal Kit - 7017428 Cartridge	
15	7017427	1	Cartridge, Relief Valve (Platform Level Up)	
15	7012998	1	Seal Kit - 7017427 Cartridge	
16	7017428	1	Cartridge, Relief Valve (Front Steer)	
16	7012998	1	Seal Kit - 7017428 Cartridge	
17	7017428	1	Cartridge, Relief Valve (Front Steer)	
17	7012998	1	Seal Kit - 7017428 Cartridge	
18	7012914	1	Cartridge, Pilot Check (Platform Level)	
18	7012918	1	Seal Kit - 7012914 Cartridge	
19	7012914	1	Cartridge, Pilot Check (Platform Level)	
19	7012918	1	Seal Kit - 7012914 Cartridge	
20	7018992	1	Control Valve Assembly (Main Lift)	
20	7012773	1	Seal Kit - 7018992 Valve	
20A	7018991	2	Coil	
20A	7018912	2	Nut	
21	7012775	1	Control Valve Assembly (Swing)	
21	7012773	1	Seal Kit - 7012775 Valve	
21A	7012772	2	Coil	
21A	7018912	2	Nut	
22	70002946	1	Flow Control Manifold Assembly (Main) (Includes Items 24 & 25)	
23	7018994	1	Control Valve Assembly (Main)	
23	7012773	1	Seal Kit - 7018994 Valve	
23A	7012772	1	Coil	
23A	7018912	1	Nut	
23B	7018993	1	Plug	
24	7017475	1	Cartridge without Coil	
24	7010545	1	Seal Kit - 7017475 Cartridge	
24	7000645	1	Coil	

## SECTION 2 - TURNTABLE

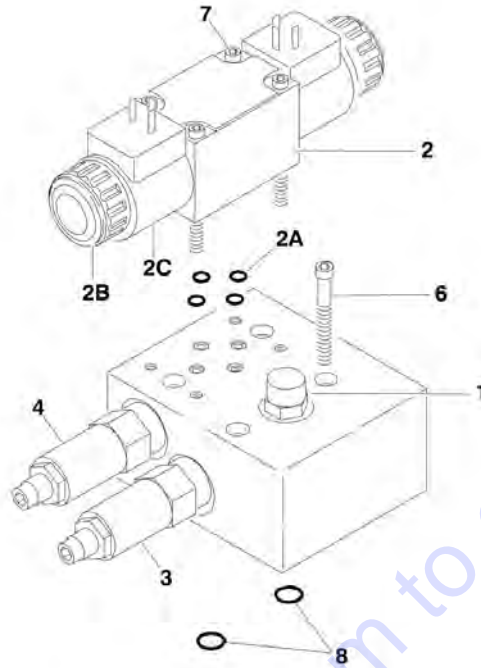
ITEM	PART NUMBER	QTY	DESCRIPTION	REV
25	7021601	1	Cartridge, Flow Regulator (Main)	
25	7017477	1	Seal Kit - 7021601 Cartridge	
26	70000579	1	Control Valve Assembly (Main Tele)	
26	70000583	1	Seal Kit	
26A	70000582	1	Coil	
26A	70000580	1	Nut, Coil	
27	70001976	1	Control Valve Assembly (Tower Tele) (was p/n 7012770)	
27	7012773	1	Seal Kit - 7012770 Valve	
27A	7012772	2	Coil	
27A	7018912	2	Nut	
28	70001976	1	Control Valve Assembly (Platform Level)	
28	7012773	1	Seal Kit - 7012770 Valve	
28A	7012772	2	Coil	
28A	7018912	2	Nut	
29	70001976	1	Control Valve Assembly (Platform Rotate) (was p/n 7012770)	
29	7012773	1	Seal Kit - 7012770 Valve	
29A	7012772	2	Coil	
29A	7018912	2	Nut	
30	70001976	1	Control Valve Assembly (Tower Lift) (was p/n 7012770)	
30	7012773	1	Seal Kit - 7012770 Valve	
30A	7012772	2	Coil	
30A	7018912	2	Nut	
31	7012989	1	Cartridge, Flow Regulator (Platform Rotate)	
31	7012953	1	Seal Kit - 7012989 Cartridge	
32	7012774	1	Control Valve Assembly (Front Steer)	
32	7012773	1	Seal Kit - 7012774 Valve	
32A	7012772	2	Coil	
32A	7018912	2	Nut	
33	7021310	AR	Valve, Sandwich (Platform Rotate)	
33	7018945	2	O-Rings, Replacement - 7021310 Valve	
34	7017478	1	Cartridge, Check Valve (Main Pressure)	
34	7017477	1	Seal Kit - 7017478 Cartridge	
35	7012941	1	Cartridge without Coil (Main Dump)	
35	7010543	1	Seal Kit - 7017452 Cartridge	
35	7012944	1	Coil	
36	7017428	1	Cartridge, Relief Valve (Tower Tele)	
36	7012998	1	Seal Kit - 7017428 Cartridge	
37	7018942	28	Capscrew #10-24NC x 2in	
38	7018951	4	Capscrew 1/4in-20NC x 1-1/2in	
39	7021311	4	Capscrew #10-24NC x 4-1/2in	
40	3931048	4	Capscrew #10-24NC x 3in	



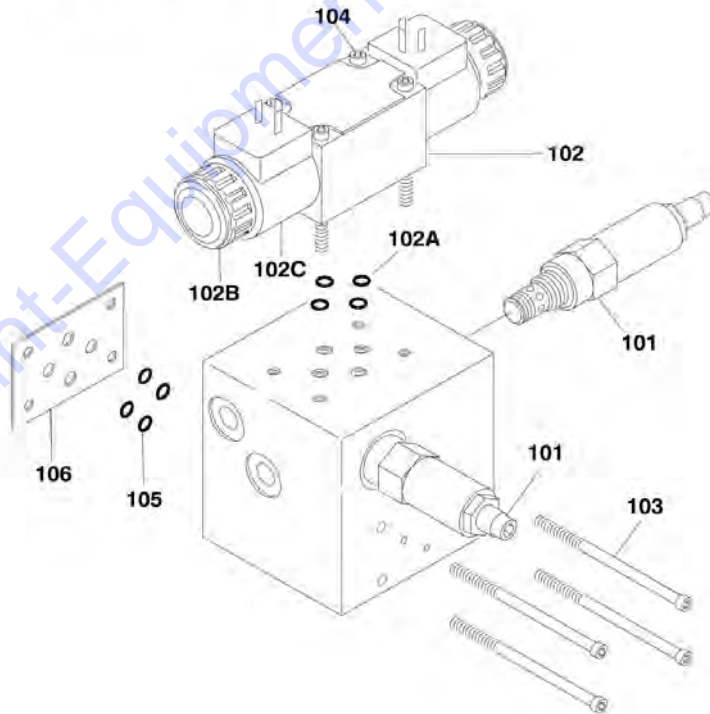


## SECTION 2 - TURNTABLE

FIGURE 2-3. ACCESSORY VALVE ASSEMBLY



**NOTE: TORQUE ITEMS 6, 7, 103 & 104 TO 60 IN/LBS.**



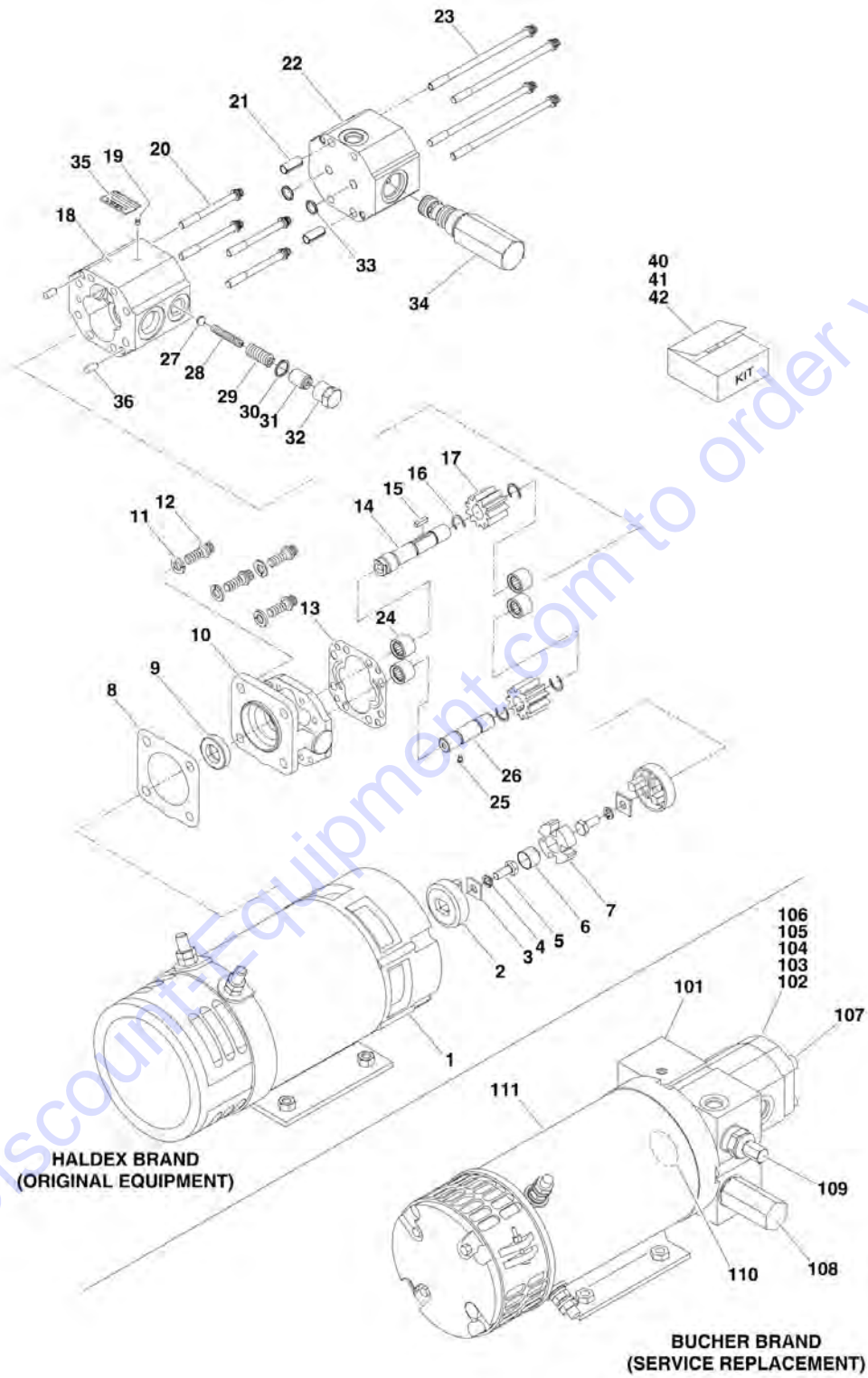
**SECTION 2 - TURNTABLE**

**FIGURE 2-3. ACCESSORY VALVE ASSEMBLY**

ITEM	PART NUMBER	QTY	DESCRIPTION	REV
		Ref	<b>ACCESSORY VALVE ASSEMBLIES</b>	
	4640921	Ref	<b>ARTICULATING JIB VALVE ASSEMBLY</b>	D
1	7012965	1	Cartridge, Flow Control	
1	7012953	1	Seal Kit - 7012965 Cartridge	
2	70001976	1	Directional Control Valve Assembly (was p/n 7012770)	
2	7012773	1	Seal Kit	
2A	7018945	4	O-Ring	
2B	7018912	2	Nut	
2C	7012772	2	Coil	
3	7017421	1	Cartridge, Relief	
3	7012998	1	Seal Kit - 7017421 Cartridge	
4	7017422	1	Cartridge, Relief	
4	7012998	1	Seal Kit - 7017422 Cartridge	
5	4460499	2	Connector, DIN with Diode (Not Shown - Part of Valve Harness)	
6	7012777	4	Capscrew, Socket Head 5/16in-18NC x 2-1/4in (Used to Mount Valve Assembly)	
7	7018942	4	Capscrew, Socket Head #10-24NC x 2in	
8	7012776	2	O-Ring (Used to Mount Main Valve)	
	4640922	Ref	<b>4WS VALVE ASSEMBLY</b>	B
101	7017420	1	Cartridge, Relief	
101	7012998	1	Seal Kit - 7017420 Cartridge	
102	7012774	1	Directional Control Valve Assembly	
102	7012773	1	Seal Kit	
102A	7018945	4	R-Ring	
102B	7018912	2	Nut	
102C	7012772	2	Coil	
103	7018946	4	Capscrew, Socket Head #10-24NC x 5in (Used to Mount Main Valve)	
104	7018942	4	Capscrew, Socket Head #10-24NC x 2in	
105	7018948	4	O-Ring (Used to Mount Main Valve)	
106	7018947	1	Plate, O-Ring	

# SECTION 2 - TURNTABLE

## FIGURE 2-4. AUXILIARY PUMP ASSEMBLY



## SECTION 2 - TURNTABLE

### FIGURE 2-4. AUXILIARY PUMP ASSEMBLY

ITEM	PART NUMBER	QTY	DESCRIPTION	REV
	3600458	Ref	<b>AUXILIARY PUMP ASSEMBLY (HALDEX BRAND) (ORIGINAL EQUIPMENT)</b>	C
1	70001059	1	Motor, DC	
2	See Note	NSS	Coupling, Half (Note: Use Item 41 or 42)	
3	See Note	NSS	Washer (Note: Use Item 41 or 42)	
4	See Note	NSS	Lockwasher (Note: Use Item 41 or 42)	
5	See Note	NSS	Screw (Note: Use Item 41 or 42)	
6	See Note	NSS	Bushing (Note: Use Item 41 or 42)	
7	See Note	NSS	Spider (Note: Use Item 41 or 42)	
8	7011044	1	Gasket, Mounting	
9	7010903	1	Seal, Shaft	
10	See Note	1	Stator (Note: Not Available - Purchase Complete Assembly)	
11	7011048	4	Washer	
12	70001060	4	Screw	
13	70001061	1	Kit Gasket	
14	70001062	1	Shaft, Drive	
15	70001063	1	Key	
16	70000970	4	Ring, Retaining	
17	70001064	2	Gear	
18	See Note	NSS	Housing, Gear (Note: Not Available - Purchase Complete Assembly)	
19	See Note	NSS	Plug (Note: Not Available - Purchase Locally)	
20	See Note	NSS	Screw (Note: Not Available for Purchase)	
21	See Note	NSS	Bushing, Dowel (Note: Not Available for Purchase)	
22	See Note	NSS	Block, Valve (Note: Not Available - Purchase Complete Assembly)	
23	7011043	4	Screw	
24	70000976	4	Bearing, Needle	
25	70001065	1	Pin	
26	70001066	1	Shaft, Idler	
27	See Note	NSS	Ball (Note: Not Available for Purchase)	
28	See Note	NSS	Spring (Note: Not Available for Purchase)	
29	7011008	1	Spring	
30	70001069	1	Gasket	
31	See Note	NSS	Screw Adjustment (Note: Not Available for Purchase)	
32	See Note	NSS	Bolt (Note: Not Available for Purchase)	
33	7011022	2	O-Ring	
34	70001067	1	Valve, Logic	
35	See Note	NSS	Label (Note: Not Available for Purchase)	
36	See Note	NSS	Pin, Shear (Note: Not Available for Purchase)	
40	70001069	1	Seal Kit, Pump (Includes Items 8, 9, 30 & 33)	
41	70001068	1	Motor and Coupling Kit, Replacement (Includes Items 1-8, 11 & 12)	
42	7010944	1	Coupling Kit (Includes Items 2-7)	
	1001137460	Ref	<b>AUXILIARY PUMP ASSEMBLY (BUCHER BRAND) (SERVICE REPLACEMENT)</b>	A
101	70004125	1	Base Assembly	
101	70003993	1	Seal, Shaft	
102	70004125	4	Pin, Dowel	
103	70004125	1	O-Ring	
104	70004125	1	Pump	

## SECTION 2 - TURNTABLE

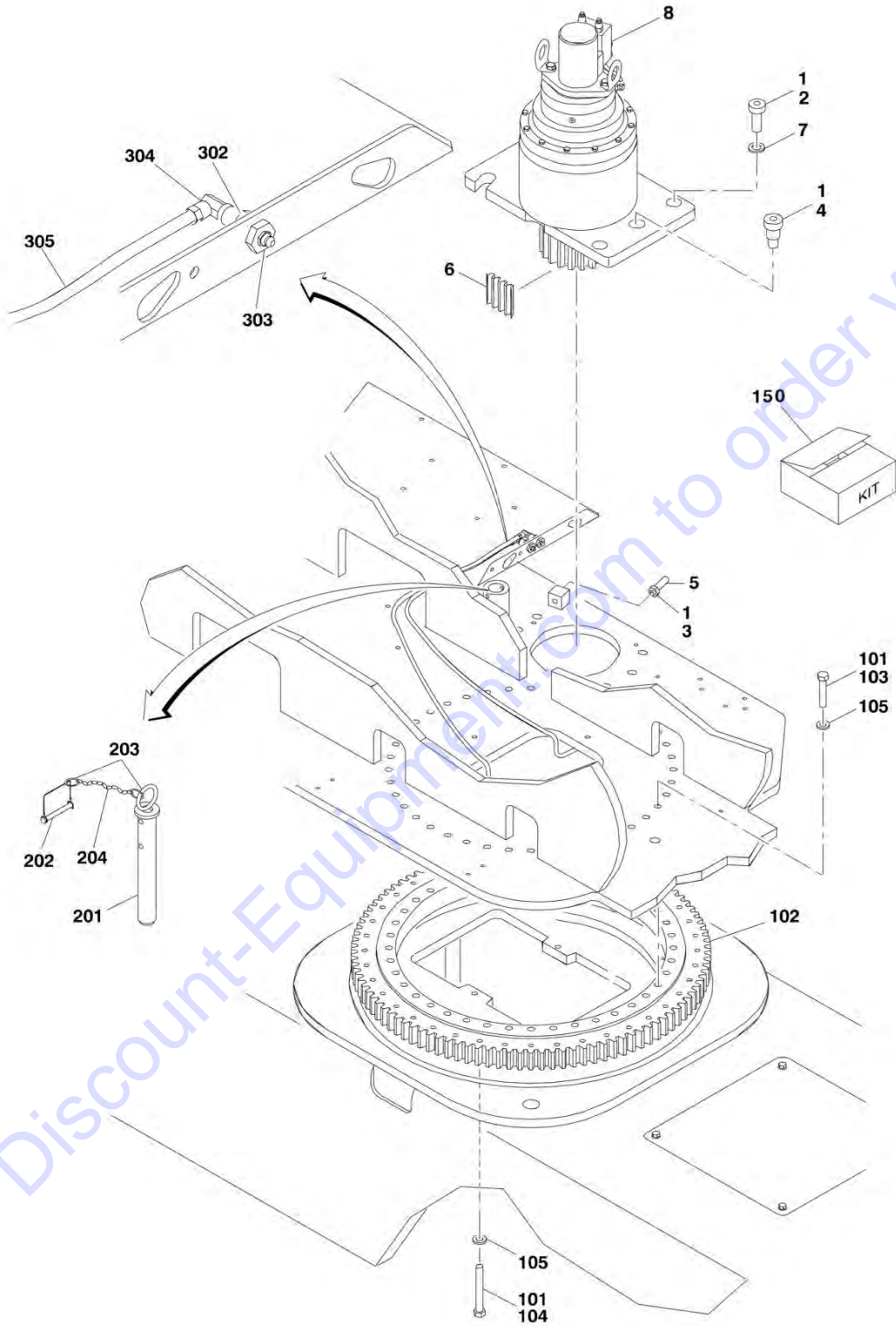
ITEM	PART NUMBER	QTY	DESCRIPTION	REV
105	70004125	1	O-Ring	
106	70004125	1	Cover, Rear	
107	70004125	4	Screw	
108	70003989	1	Valve, Logic	
109	70004125	1	Valve, Relief	
110	70004125	1	Shaft, Intermediate	
111	70003992	1	Motor	

Go to Discount-Equipment.com to order your parts



## SECTION 2 - TURNTABLE

FIGURE 2-5. TURNTABLE BEARING AND SWING DRIVE INSTALLATION



# SECTION 2 - TURNTABLE

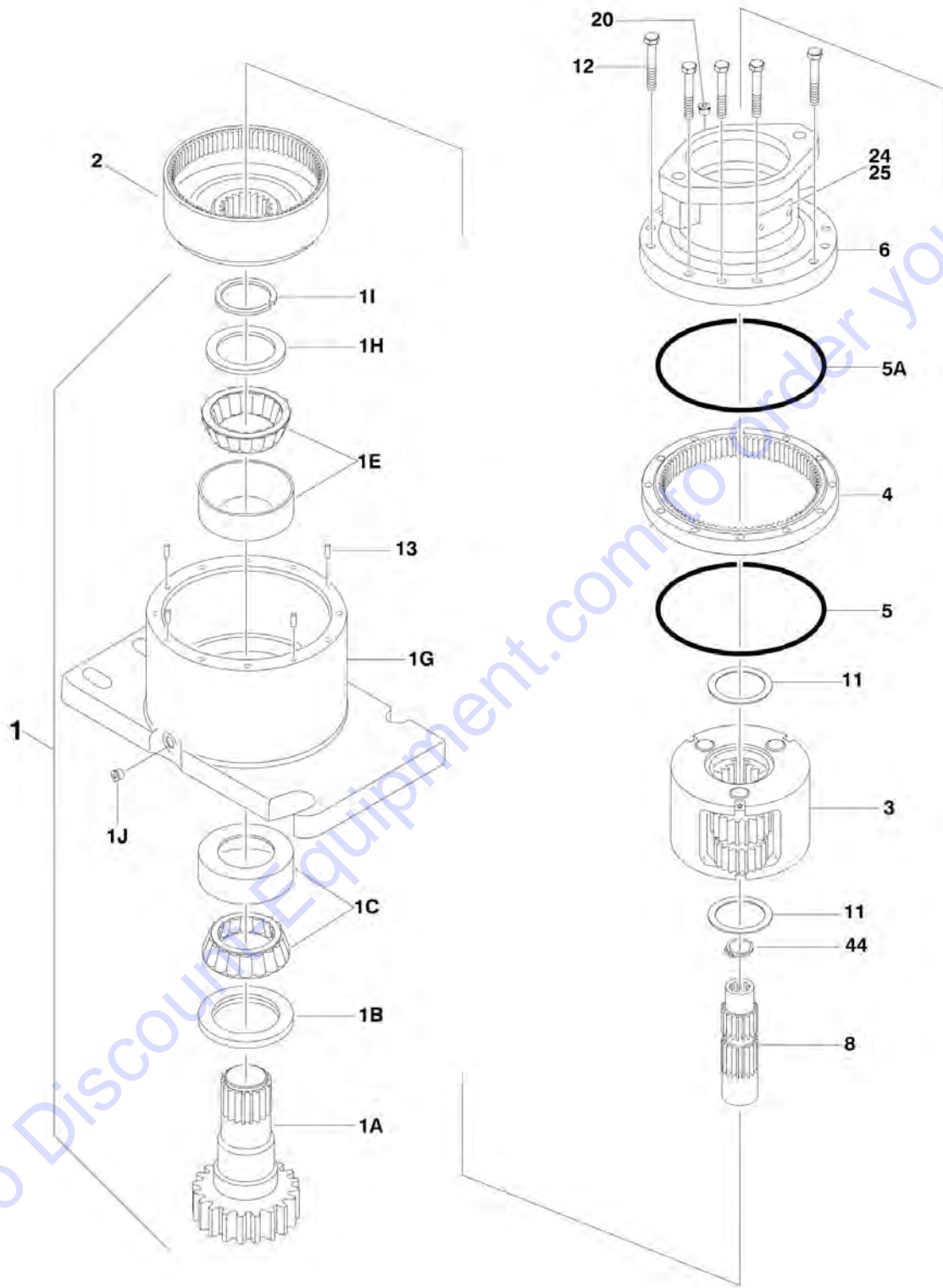
**FIGURE 2-5. TURNTABLE BEARING AND SWING DRIVE INSTALLATION**

ITEM	PART NUMBER	QTY	DESCRIPTION	REV
		Ref	<b>TURNTABLE WELDMENT</b>	
	4620135	Ref	Standard Machines	
	1001094889	Ref	<b>SWING DRIVE INSTALLATION</b>	C
1	0100019	AR	Compound, Locking	
2	0682216	4	Bolt 3/4in -10NC x 2in (Grade 8)	
3	3312002	1	Nut Jam 5/8in - 11NC	
4	3900293	1	Screw, Shoulder	
5	3952020	1	Setscrew 5/8in x 2in	
6	4071009	NLA	Shim (Use p/n 1001125492)	
7	4740057	4	Hardened, Washer	
8	1001101060	1	Swing Motor Assembly (See SWING MOTOR/HUB ASSEMBLY for Breakdown)	
	0271002	Ref	<b>SWING BEARING INSTALLATION</b>	E
101	0100019	AR	Compound, Locking	
102	0440244	1	Bearing, Turntable	
103	0682023	24	Bolt 5/8in -11NC X 2-7/8in (Grade 8)	
104	0682032	24	Bolt 5/8in-11NC x 4in (Grade 8)	
105	4892000	48	Flatwasher, Hardened	
150	2915094	1	Turntable Bearing Kit	
	0259147	Ref	<b>TURNTABLE LOCK INSTALLATION</b>	B
201	4844958	1	Weldment, Pin	
202	3421565	1	Pin, Snap	
203	3760170	2	Ring, Quick Release	
204	1260017	9 in/23cm	Chain	
	0255316	Ref	<b>REMOTE BEARING LUBE INSTALLATION</b>	3
302	2180344	1	Fitting, Bulkhead	
303	2160003	1	Fitting, Grease Elbow	
304	2220063	1	Fitting, Elbow	
305	2751032	1	Hose, Grease	



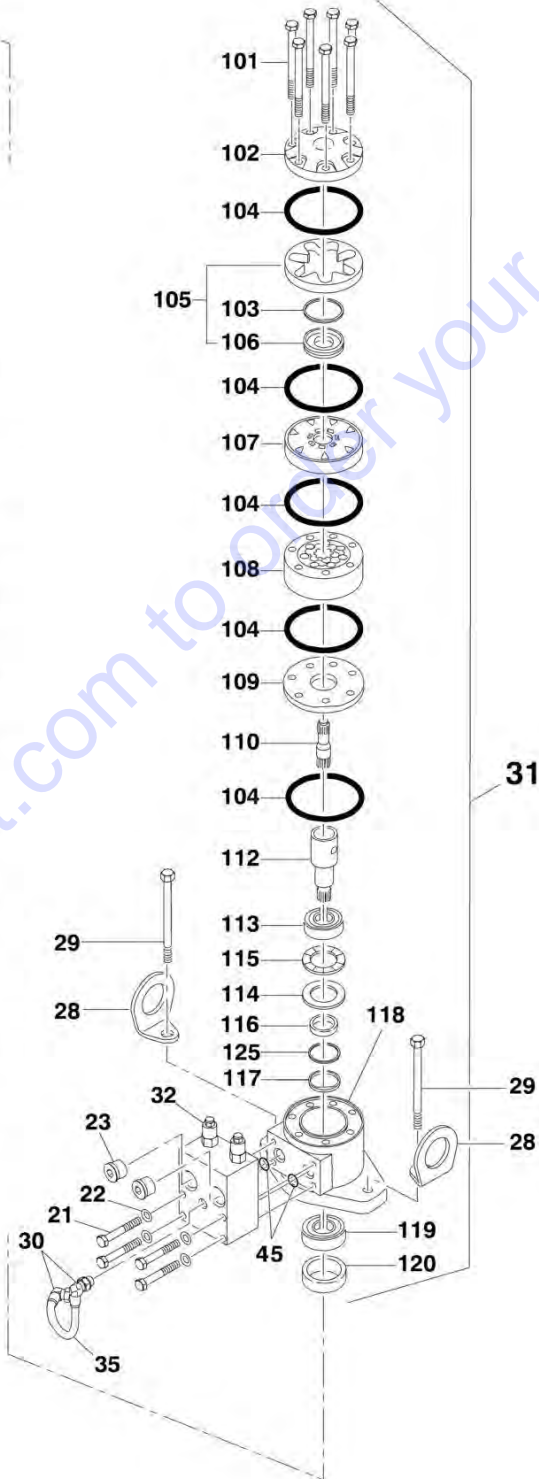
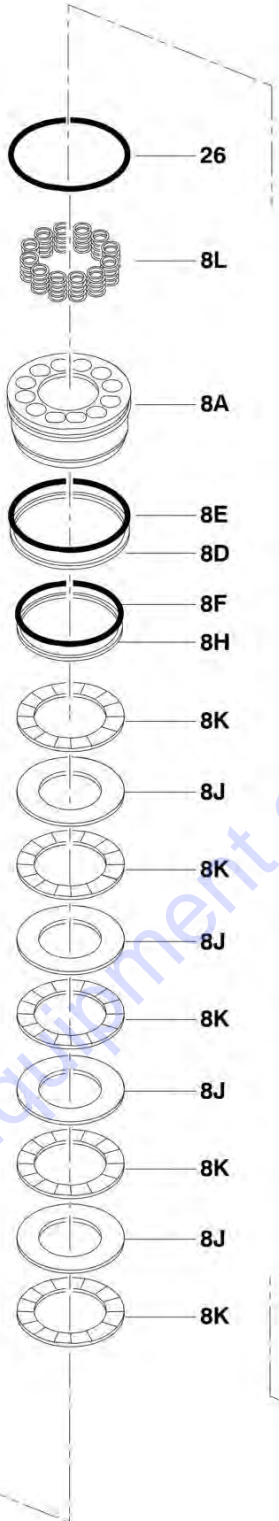
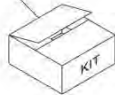
# SECTION 2 - TURNTABLE

## FIGURE 2-6. SWING MOTOR/HUB ASSEMBLY



# SECTION 2 - TURNTABLE

200A  
200B  
200C  
201



Go to Discount-Equipment.com to order your parts

# PARTS FINDER

**Search Website  
by Part Number**



**Search Manual  
Library For Parts  
Manual & Lookup Part  
Numbers – Purchase  
or Request Quote**

**Can't Find Part or  
Manual? Request Help  
by Manufacturer,  
Model & Description**

Discount-Equipment.com is your online resource for quality parts & equipment.

Florida: **561-964-4949** Outside Florida TOLL FREE: **877-690-3101**

## Need parts?

Click on this link: <http://www.discount-equipment.com/category/5443-parts/> and choose one of the options to help get the right parts and equipment you are looking for. Please have the machine model and serial number available in order to help us get you the correct parts. If you don't find the part on the website or on one of the online manuals, please fill out the request form and one of our experienced staff members will get back to you with a quote for the right part that your machine needs.

We sell worldwide for the brands: Genie, Terex, JLG, MultiQuip, Mikasa, Essick, Whiteman, Mayco, Toro Stone, Diamond Products, Generac Magnum, Airman, Haulotte, Barreto, Power Blanket, Nifty Lift, Atlas Copco, Chicago Pneumatic, Allmand, Miller Curber, Skyjack, Lull, Skytrak, Tsurumi, Husquvarna Target, Stow, Wacker, Sakai, Mi-T-M, Sullair, Basic, Dynapac, MBW, Weber, Bartell, Bennar Newman, Haulotte, Ditch Runner, Menegotti, Morrison, Contec, Buddy, Crown, Edco, Wyco, Bomag, Laymor, EZ Trench, Bil-Jax, F.S. Curtis, Gehl Pavers, Heli, Honda, ICS/PowerGrit, IHI, Partner, Imer, Clipper, MMD, Koshin, Rice, CH&E, General Equipment, Amida, Coleman, NAC, Gradall, Square Shooter, Kent, Stanley, Tamco, Toku, Hatz, Kohler, Robin, Wisconsin, Northrock, Oztec, Toker TK, Rol-Air, APT, Wylie, Ingersoll Rand / Doosan, Innovatech, Con X, Ammann, Mecalac, Makinex, Smith Surface Prep, Small Line, Wanco, Yanmar

## SECTION 2 - TURNTABLE

FIGURE 2-6. SWING MOTOR/HUB ASSEMBLY

ITEM	PART NUMBER	QTY	DESCRIPTION	REV
	1001101060	Ref	<b>SWING MOTOR/HUB ASSEMBLY</b>	A
1	See Note	1	Housing/Shaft Assembly (Note: Not Available - Purchase Individual Components)	
1A	7010492	1	Shaft, Output	
1B	7000228	1	Seal, Lip	
1C	7000255	1	Bearing Kit (Includes Cup and Cone)	
1E	7000257	1	Bearing Kit (Includes Cup and Cone)	
1G	7024762	1	Housing	
1H	7007633	1	Washer, Thrust	
1I	7000229	1	Ring, Retaining	
1J	7017072	1	Plug, Pipe	
2	7000246	1	Gear, Internal	
3	80424002	1	Carrier Assembly	
4	7000248	1	Gear, Ring	
5	7000230	1	O-Ring	
5A	7017070	1	O-Ring	
6	1001101060	1	Housing, Brake (Note: Not Available - Purchase Complete Assembly)	
8	70002065	1	Gear, Sun	
8A	70000782	1	Piston	
8D	70002070	1	O-Ring	
8E	70002071	1	Ring, Back-up	
8F	70002073	1	O-Ring	
8H	70002072	1	Ring, Back-up	
8J	70002067	4	Disc, Rotor	
8K	70002068	5	Disc, Stator	
8L	70002066	14	Spring	
11	7000253	2	Washer, Thrust	
12	7000217	12	Bolt 3/8in-16NC x 2-1/4in (Grade 8)	
13	7017080	4	Pin, Dowel	
20	7017072	1	Plug, Pipe	
21	7024704	4	Bolt 5/16in-18NC x 2in (Grade 8)	
22	See Note	4	Lockwasher (Note: Not Available for Purchase)	
23	7017023	2	Plug, Pipe	
24	See Note	1	Plate, ID (Note: Not Available for Purchase)	
25	7000281	2	Screw, Drive	
26	7024763	1	O-Ring	
28	See Note	2	Lug, Lifting (Note: Not Available for Purchase)	
29	70002069	2	Bolt 1/2in-13NC x 2in (Grade 8)	
30	7017085	2	Elbow	
31	70002075	1	Motor Assembly (See Items 101-125 for Breakdown)	
32	7024784	1	Valve Assembly - Complete (No Serviceable Parts)	
35	70002074	1	Tube	
44	7017028	1	Ring, Internal Retaining	
45	7000213	2	O-Ring	
	70002075	Ref	<b>MOTOR ASSEMBLY</b>	
101	7024454	5	Bolt	
102	7004035	1	Cover, End	
103	7023318	1	Seal, Commutator	
104	7004036	5	Seal, Ring	

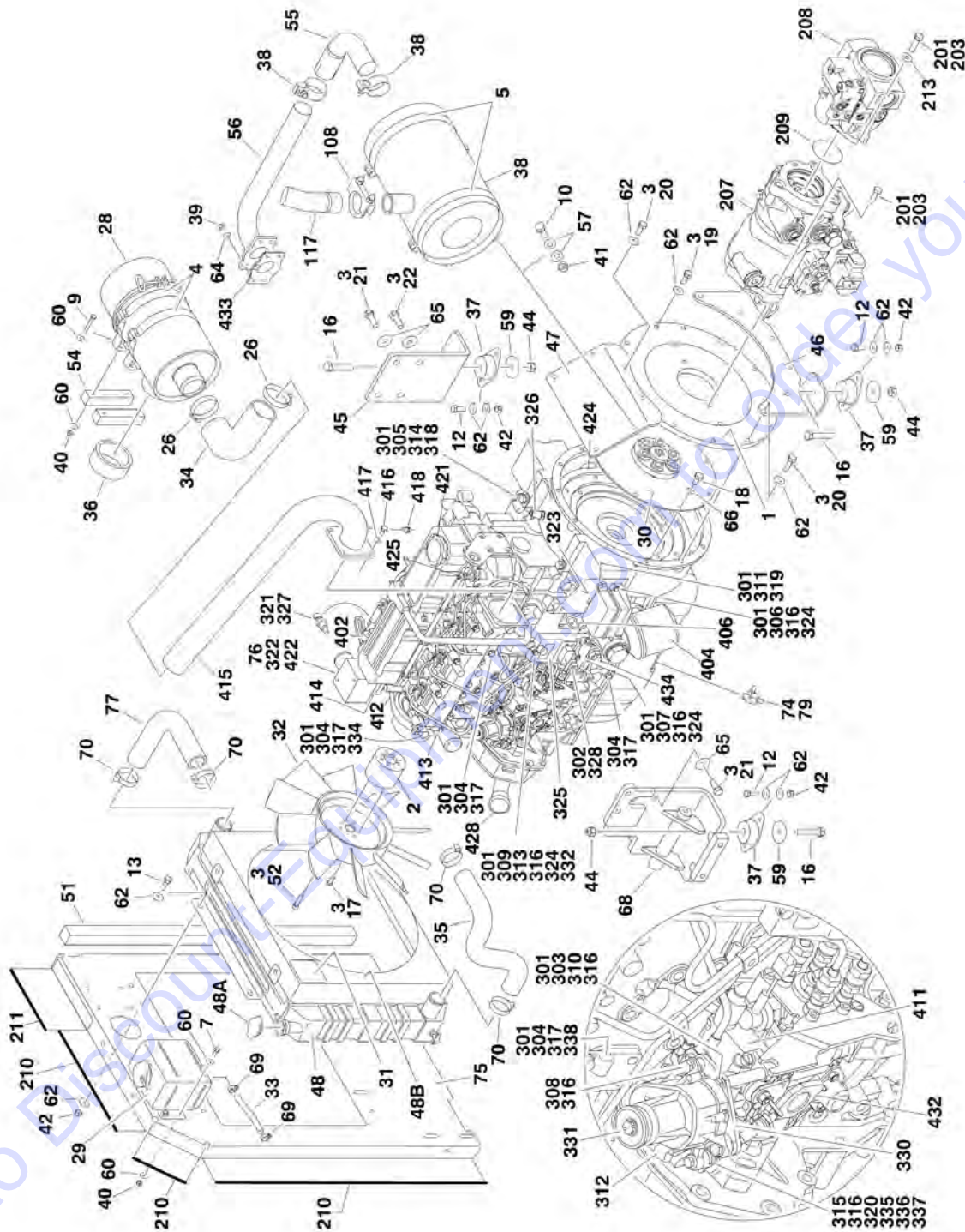
**SECTION 2 - TURNTABLE**

ITEM	PART NUMBER	QTY	DESCRIPTION	REV
105	7024453	1	Commutator and Ring Assembly	
106	7024453	1	Ring	
107	7024379	1	Manifold	
108	7024455	1	Rotor Set	
109	7024380	1	Plate, Wear	
110	7024456	1	Link, Drive	
112	7024458	1	Shaft, Coupling	
113	7024381	1	Bearing, Inner	
114	7004043	1	Washer, Thrust	
115	7004044	1	Bearing, Thrust	
116	7004049	1	Seal, Inner	
117	7004045	1	Washer, Back-up	
118	7024457	1	Housing	
119	7024390	1	Bearing, Outer	
120	7004047	1	Seal	
125	80424043	1	Washer, Back-up	
		Ref	<b>Kit Options:</b>	
200		Ref	Seal Kit Options:	
200A	7024100	1	Swing Hub (Includes Items 1B, 1I, 5, 5A & 11)	
200B	70002086	1	Swing Brake (Includes Items 8D, 8E, 8F, 8H & 26)	
200C	7024396	1	Swing Motor (Includes Items 103, 104, 116, 117, 120 & 125)	
201	70002085	1	Disc Kit - Swing Brake (Includes Items 8J & 8K)	

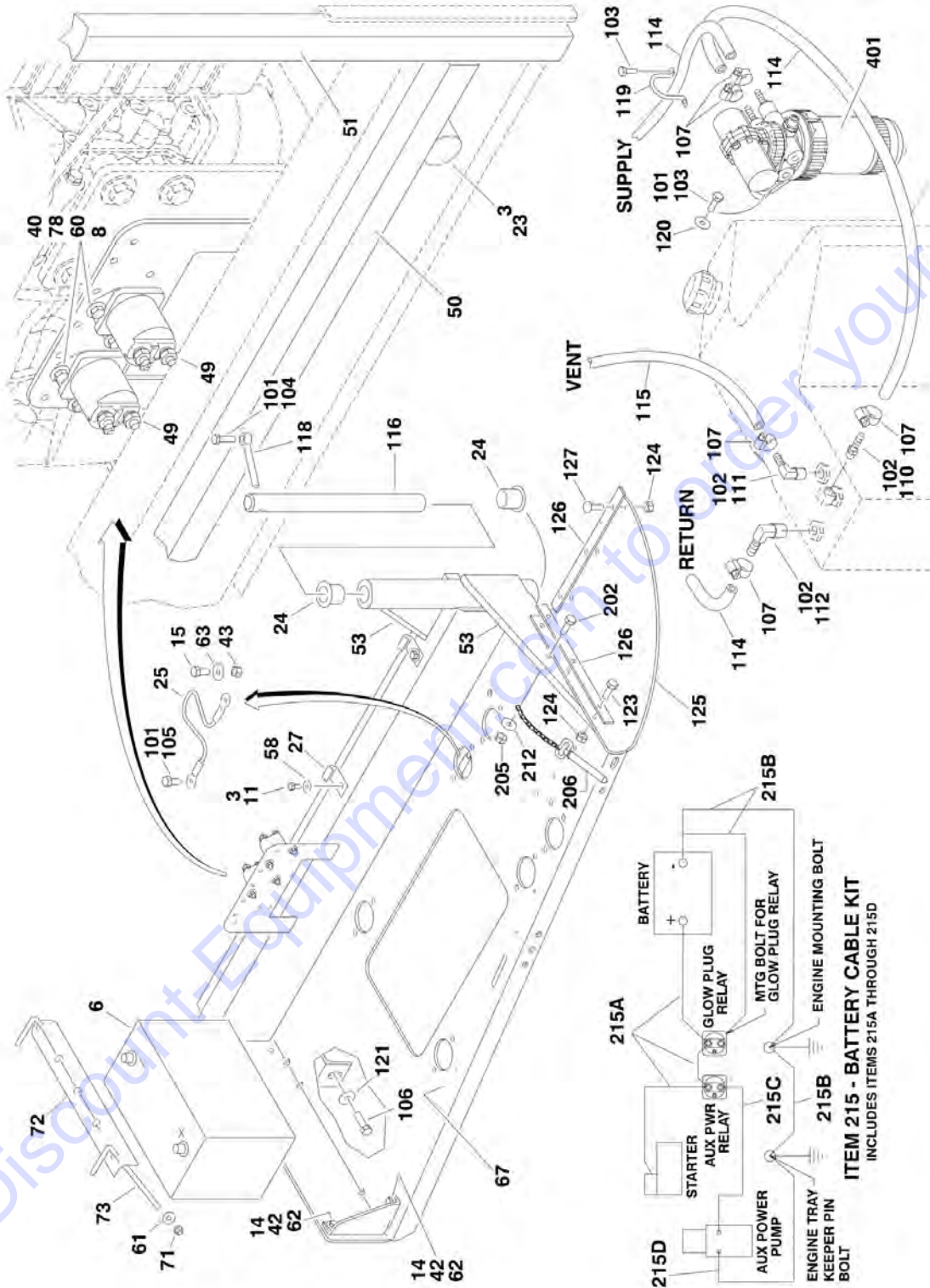
Go to Discount-Equipment.com to order your parts

# SECTION 2 - TURNTABLE

## FIGURE 2-7. CATERPILLAR ENGINE INSTALLATION



# SECTION 2 - TURNTABLE



## SECTION 2 - TURNTABLE

FIGURE 2-7. CATERPILLAR ENGINE INSTALLATION

ITEM	PART NUMBER	QTY	DESCRIPTION	REV
	1001109065	Ref	<b>CATERPILLAR TIER IVi ENGINE ASSEMBLY</b>	D
1	0080181	1	Adapter, Pump Mounting Plate	
2	0080243	1	Adapter, Fan Spacer	
3	0100011	AR	Compound, Locking	
4	0340041	2	Band, Mounting	
5	0340046	2	Band, Muffler	
6	0400075	1	Battery	
7	0641406	4	Bolt 1/4in-20NC x 3/4in	
8	0641407	4	Bolt 1/4in-20NC x 7/8in	
9	0701414	4	Bolt 1/4in-20NC x 3/4in	
10	0641507	4	Bolt 5/16in-18NC x 7/8in	
11	0641606	2	Bolt 3/8in-16NC x 3/4in	
12	0641608	8	Bolt 3/8in-16NC x 1in	
13	0641609	4	Bolt 3/8in-16NC x 1-1/8in	
14	0641610	4	Bolt 3/8in-16NC x 1-1/4in	
15	0641808	1	Bolt 1/2in-13NC x 1in	
16	0641820	4	Bolt 1/2in-13NC x 2-1/2in	
17	0700808	4	Bolt M8 x 16mm	
18	0701010	8	Bolt M10 x 20mm	
19	0701012	4	Bolt M10 x 25mm	
20	0701015	8	Bolt M10 x 35mm	
21	0711214	5	Bolt M12 x 30mm	
22	0771212	3	Bolt M12 x 25mm	
23	0940070	1	Bumper, Rubber	
24	0961986	2	Bearing, Flange	
25	1060637	1	Lanyard	
26	1320016	2	Clamp, Hose	
27	1320223	4	Clamp	
28	1340060	1	Air Cleaner Assembly	
28	7012664	1	Element, Air Cleaner	
29	1580011	1	Container, Coolant Overflow	
30	1660239	1	Coupling, Pump	
31	1703162	2	Decal - Fan Blade	
32	2060025	1	Fan	
33	2720058	0.33 ft /0.1m	Hose	
34	2720434	1	Elbow, Rubber	
35	2720509	1	Hose, Radiator (Bottom)	
36	2720515	1	Seal, Air Cleaner	
37	3200406	4	Mount, Engine	
38		Ref	Muffler Options:	
38	3220113	1	Muffler, Spark Arresting (Standard)	
38	70001017	1	Clamp (Used on p/n 3220113)	
38	1001107116	1	Muffler, Catalytic (Optional)	
38	70002705	1	Clamp	
38	70002706	1	Plug	
39	3290801	4	Nut M8	
40	3311405	12	Locknut 1/4in-20NC	
41	3311505	4	Locknut 5/16in-18NC	
42	3311605	16	Locknut 3/8in-16NC	



## SECTION 2 - TURNTABLE

ITEM	PART NUMBER	QTY	DESCRIPTION	REV
43	3311801	1	Nut 1/2in-13NC	
44	3311805	4	Locknut 1/2in-13NC	
45	3574206	1	Plate, Motor Mount	
46	3574207	1	Plate, Engine Mount (Rear)	
47	3574208	1	Bracket, Muffler	
48	3620047	1	Radiator	
48A	7027412	1	Cap, Radiator	
48B	70004182	1	Shroud, Fan	
49	3740067	2	Relay, Solenoid Assembly	
50	3960468	1	Seal, Foam Gasket	
51	3960469	1	Seal, Foam Gasket	
52	4031911	4	Bolt M8 x 35mm	
53	4060805	2 ft /0.7mm	Flex-Trim 1/4in	
54	4220191	2	Block, Spacer	
55	4567073	1	Tube, Exhaust	
56	4568721	1	Exhaust Tube Weldment	
57	4711500	8	Flatwasher 5/16in (Narrow)	
58	4711600	2	Flatwasher 3/8in Narrow	
59	4740274	4	Washer, Snubbing	
60	4751400	24	Flatwasher 1/4in	
61	4751500	2	Flatwasher 5/16in	
62	4751600	44	Flatwasher 3/8in	
63	4751800	1	Flatwasher 1/2in	
64	4811900	4	Flatwasher 8mm	
65	4812100	8	Flatwasher 12mm	
66	4832000	8	Lockwasher 10mm	
67	4846790	1	Tray Engine	
68	4846805	1	Mount, Engine/Generator - Left	
69	8405009	2	Clamp, Hose	
70	8405104	4	Clamp, Hose	
71	88521205	2	Locknut 5/16in-18NC	
72	91401281	1	Hold-down, Battery	
73	1001093382	2	Rod, Hold-Down	
74	1001105833	NLA	Valve, Oil Drain (Use p/n 4640750)	
75	1001109595	1	Plate, Radiator Mounting	
76	1001112077	1	Caterpillar Tier IVi Engine Assembly	
77	1001107705	1	Hose, Radiator (Top)	
78	4791400	4	Starwasher 1/4in	
79	0100020	AR	Sealant, Thread	
		Ref	<b>CATERPILLAR TIER IVi ENGINE INSTALLATIONS</b>	
	1001110215	Ref	<b>Without Arctic Package</b>	D
	1001110214	Ref	<b>With Arctic Package</b>	C
101	0100011	AR	Compound, Locking	
102	0100020	AR	Sealant, Thread	
103	0641608	8	Bolt 3/8in-16NC x 1in	
104	0641610	1	Bolt 3/8in-16NC x 1-1/4in	
105	0641808	1	Bolt 1/2in-13NC x 1in	
106	0642010	1	Bolt 5/8in-11NC x 1-1/4in	
107	1320022	7	Clamp, Hose	
108	1320176	1	Clamp, Saddle	
109	1701505	1	Decal - Diesel (Not Shown - Located on Hood)	

## SECTION 2 - TURNTABLE

ITEM	PART NUMBER	QTY	DESCRIPTION	REV
110	2180348	1	Fitting	
111	2220313	1	Fitting, 90	
112	2221176	1	Fitting	
113		Ref	Fluid, Anti-Freeze Options (Not Shown):	
113	2300004	2.6 gal/9.8L	Machines without Arctic Package	
113	2300041	2.6 gal/9.8L	Machines with Arctic Package	
114	2720058	30 ft/9.1m	Hose	
115	2750532	6 ft/1.8m	Hose 3/8in	
116	3422446	1	Pin, Pivot	
117	3460544	1	Pipe, Exhaust	
118	3841143	1	Keeper, Pin	
119	3841340	1	Loop, Hose	
120	4711600	2	Flatwasher 3/8in Narrow	
121	4752000	1	Flatwasher 5/8in	
123	0641508	3	Bolt 5/16in-18NC x 1in	
124	3311505	6	Locknut 5/16in-18NC	
125	3380429	1	Panel, Rubber	
126	3539957	2	Plate, Holddown	
127	3900272	3	Screw 5/16in-18NC x 1-3/4in	
		Ref	<b>Note: Arctic Package Items 150 - 153 Not Shown - Used on Arctic Machines Only.</b>	
150	1060625	1	Cable, Immersion Heater	
151	1320223	1	J-Clip 1/2in	
152	1702943	1	Decal - Hydraulic Tank Heater (Located on bottom of Hydraulic Oil Tank)	
153	2580050	1	Heater, Hydraulic Tank	
		Ref	<b>CATERPILLAR TIER IVi ENGINE W/PUMPS ASSEMBLIES</b>	
	1001110207	Ref	<b>Without Arctic Package</b>	B
	1001110204	Ref	<b>With Arctic Package</b>	B
201	0100011	AR	Compound, Locking	
202	0641407	1	Bolt 1/4in-20NC x 7/8in	
203	0641812	4	Bolt 1/2in-18NC x 1-3/4in	
204		Ref	Oil, Motor Options (Not Shown):	
204	3020016	2.5 gal/9.4L	Oil, Motor 15W-40 (Without Arctic Package)	
204	3020044	2.5 gal/9.4L	Oil, Motor 0W-40 (With Arctic Package)	
205	3311405	12	Locknut 1/4in-20NC	
206	3422532	1	Pin, Hitch	
207	3600400	1	Piston Pump Assembly (See PISTON PUMP ASSEMBLY (SAUER DANFOSS) for Breakdown)	
208	1001095354	1	Variable Displacement Pump Assembly with Fittings	
208	2220415	1	Fitting	
208	1001094595	1	Pump, Variable Displacement Less Fittings	
208	7023967	1	Seal Kit - 1001094595 Pump	
208	7023956	1	Valve Assembly Kit - 1001094595 Pump	
209	3790044	1	O-Ring	
210	3960548	44 in/1.2m	Seal, Hood	
211	3960549	11 in /28cm	Seal, Hood	
212	4751400	1	Flatwasher 1/4in	
213	4891600	2	Flatwasher 3/8in Hardened	
215	1001112762	1	Battery Cable Kit	B
215A	7027028	1	Cable, Battery (Red)	

## SECTION 2 - TURNTABLE

ITEM	PART NUMBER	QTY	DESCRIPTION	REV
215B	7027029	1	Cable, Battery (Black)	
215C	7027030	1	Cable (Red)	
215D	7027031	1	Cable (Black)	
		Ref	<b>Note: Arctic Package Items 216 - 226 Not Shown - Used on Arctic Machines Only</b>	
216	0641608	2	Bolt 3/8in-16NC x 1in	
217	1060626	1	Cord, 3-Way Extension (Located on Left Front of Engine)	
218	1320223	2	Clamp	
219	1702941	1	Decal - Battery Heater (Located on Battery Heater)	
220	1702942	1	Decal - Engine Block Heater (Located on Right Side of Engine)	
221	1702944	1	Decal - Heater Cord (Located on Left Front of Engine)	
222	2580024	1	Heater, Battery (Located on Battery)	
223	2580055	1	Heater, Block (Located on Left Side of Engine)	
224	3311605	2	Locknut 3/8in-16NC	
225	3980007	1	Seat, Battery (Located Under Battery)	
226	4751600	2	Flatwasher 3/8in Wide	
	1001112077	Ref	<b>CATERPILLAR TIER IVI ENGINE W/ECM ASSEMBLY</b>	E
301	0100011	AR	Compound, Locking	
302	0100020	AR	Sealant, Thread	
303	0700620	1	Bolt M6 x 60mm	
304	0700808	5	Bolt M8 x 16mm	
305	0701010	2	Bolt M10 x 20mm	
306	0760606	2	Bolt M6 x 12mm	
307	0760610	2	Bolt M6 x 20mm	
308	4031709	3	Bolt M6 x 25mm	
309	8303541	1	Screw M6 x 35mm	
310	0700616	2	Bolt M6 x 40mm	
311	0761210	2	Bolt M12 x 20mm	
312	8406009	1	Clamp, Cable	
313	1320224	1	Clamp, Cable	
314	8406105	2	Clip, Tube	
315	3290507	1	Locknut M5	
316	4811700	12	Flatwasher 6mm	
317	4811900	5	Flatwasher 8mm	
318	4812000	2	Flatwasher 10mm	
319	4812100	2	Flatwasher 12mm	
320	4811600	1	Flatwasher 5mm	
321	1001097553	1	Washer, Coolant Sensor	
322	1001109064	1	Caterpillar Tier IVi Engine Assembly	
323	1001112057	1	Bracket	
324	1001112059	5	Bumper	
325	1001112067	1	Module, ECM	
326	1001112068	1	Sensor, Speed	
327	1001112069	1	Sensor, Temperature	
328	1001112070	1	Switch, Oil Pressure	
329	1001112071	1	Harness, Engine (Not Shown - See ELECTRICAL SECTION for Breakdown)	
330	1001112072	1	Bracket	
331	1001112073	1	Actuator	
331	1001112849	1	Linkage Assembly	
332	1001112570	1	Spacer	
334	1320263	1	Clamp, Cable	

## SECTION 2 - TURNTABLE

ITEM	PART NUMBER	QTY	DESCRIPTION	REV
335	1001112075	1	Bolt	
336	1001112592	1	Bearing	
337	1001116595	1	Spacer	
338	8406109	1	Clip, Tube	
	1001109064	Ref	<b>ENGINE COMPONENTS</b>	B
401	7026839	1	Pump, Fuel Supply	
401	7026830	1	Filter, Fuel	
401	70002833	1	Ring, Retaining	
401	70002834	1	Bowl, Water Collection	
401	70002835	1	Kit, Seal	
402	7026831	1	Alternator	
404	7026811	1	Filter, Oil	
404	7026812	1	Seal, Oil Filter Head Bolt	
404	7026813	1	Seal, Oil Filter Head (Between Oil Filter Head and Engine Block)	
405	7026833	1	Starter (Not Shown - Located on other side of engine)	
406	70002844	1	Dipstick Oil Level	
406	70002843	1	Seal, Guide Tube	
411	See Note	1	Pump, Fuel Supply (Note: Not Available for Purchase)	
412	7026810	1	Belt	
413	70001120	1	Pump, Water	
413	70001742	1	Pulley, Water Pump	
414	7026822	1	Thermostat	
414	7026820	1	Gasket, Thermostat Housing (Between Housing and Head)	
414	7026821	1	Gasket, Coolant (Between Housing and Cover)	
414	70002765	1	Hose, Bypass	
415	4569371	1	Tube, Air Intake Weldment	
416	See Note	4	Bolt M8 x 16mm (Note: Not Available for Purchase)	
417	See Note	4	Flatwasher M8 (Note: Not Available for Purchase)	
418	70001051	1	Valve, Shutoff	
419	7026826	1	Gasket, Exhaust Manifold to Engine Block (Not Shown)	
419	70002852	4	Stud, Exhaust (Not Shown)	
420	7026819	1	Cooler, Oil (Not Shown)	
420	7026816	2	O-Ring (Not Shown - Located Between Oil Cooler and Cover)	
420	7026817	4	O-Ring (Not Shown - Located Between Oil Cooler and Cover)	
420	7026818	1	Gasket (Not Shown - Located Between Oil Cooler Cover and Engine Block)	
421	7026800	1	Cap, (Oil Filler)	
422	7026801	1	Gasket, (Valve Cover)	
422	70002761	17	Bolt, (Cylinder Head)	
422	70002762	7	Seal, (Valve Stem)	
422	7022721	1	Washer, Hard 2.5mm	
422	70002479	1	Bolt M10 x 1.5 x 20mm	
422	70002764	1	Gasket (Between Lifting Eye and Engine Head)	
423	7026829	1	Gasket, Intake Manifold to Engine Block (Not Shown)	
423	7026828	1	Gasket, Intake Manifold to Air Intake Tube	
424	7026802	1	Flywheel Assembly (With Ring Gear)	
424	7026803	1	Gear, Flywheel	
425	7026832	4	Plug, Glow	
426	7026804	1	Gasket (Not Shown - Located Between Engine Block and Bellhousing)	
427	7026805	1	Seal, Rear Main (Not Shown - Located on Rear of Engine Block)	
428	7026806	1	Cap, Filler	

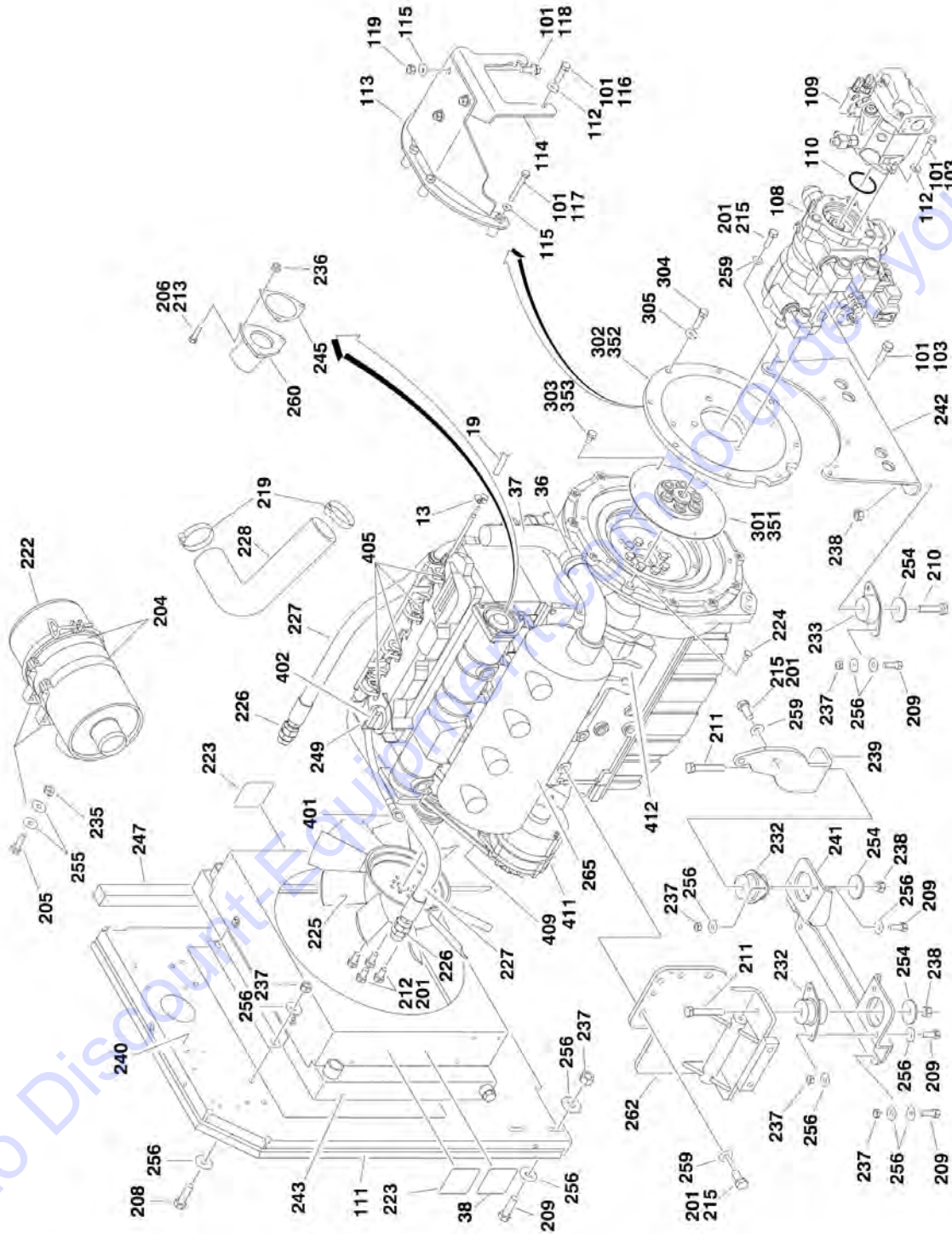
**SECTION 2 - TURNTABLE**

<b>ITEM</b>	<b>PART NUMBER</b>	<b>QTY</b>	<b>DESCRIPTION</b>	<b>REV</b>
428	70002847	1	Seal, Gear Cover	
428	70002845	1	Pump, Oil	
428	70002846	1	Seal, Oil Pump	
429	7026807	1	Seal, Front Main (Not Shown - Located on Front of Engine Block)	
430	70002763	4	Gasket, Fuel Line (Not Shown)	
431	7026808	1	Plug, Drain Oil Pan (Not Shown)	
431	7026809	1	Gasket, Drain Plug Oil Pan (Not Shown)	
432	70002849	1	Pump, Fuel Supply	
432	70002850	1	Solenoid, Fuel Shutoff	
432	70002848	1	Gasket, Fuel Pump (Between Flange and Pump)	
433	7026827	1	Gasket, Exhaust Manifold to Exhaust Pipe	
434	7026814	1	Relief Valve, Oil Pressure	
434	7026815	1	Gasket, Relief Valve	
435	70002851	1	Kit - Gasket (Not Shown)	

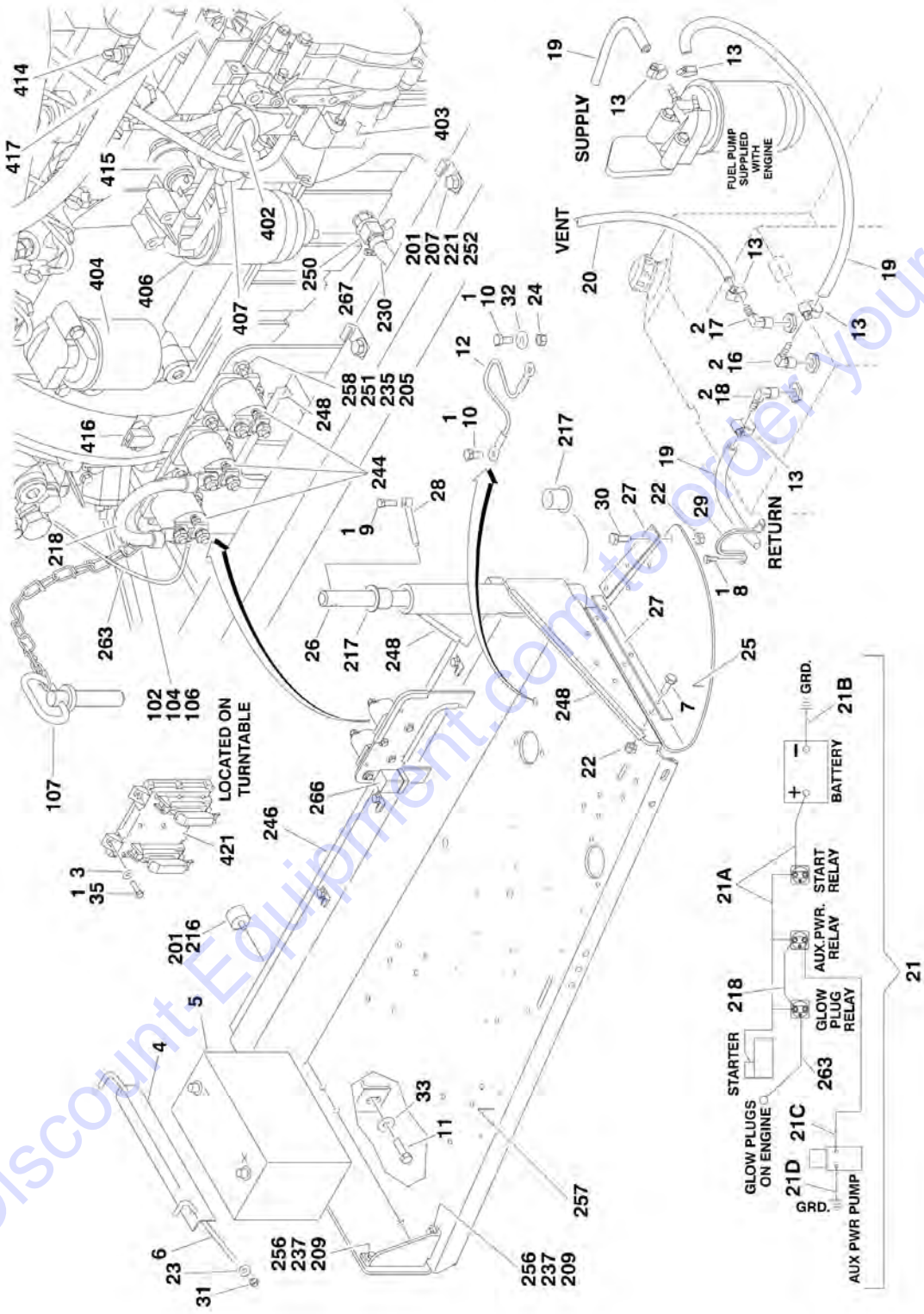
Go to Discount-Equipment.com to order your parts

# SECTION 2 - TURNTABLE

## FIGURE 2-8. DEUTZ ENGINE INSTALLATION



SECTION 2 - TURNTABLE



Go to Discount Equipment.com to get your parts

## SECTION 2 - TURNTABLE

FIGURE 2-8. DEUTZ ENGINE INSTALLATION

ITEM	PART NUMBER	QTY	DESCRIPTION	REV
		Ref	<b>DEUTZ ENGINE INSTALLATIONS</b>	
		Ref	<b>Tier IVi Engines</b>	
	1001098506	Ref	<b>Without Arctic Package (All Specs) (SN 0300140000 through 0300170337)</b>	C
	1001098506	Ref	<b>Without Arctic Package (All Specs Except ANSI, CSA and CE Specs) (SN 0300170338 through 0300183033)</b>	D
	1001099637	Ref	<b>With Arctic Package (ANSI, ANSI Export and CSA Specs) (SN 0300140000 through 0300170337)</b>	C
	1001099637	Ref	<b>With Arctic Package (ANSI Export Spec) (SN 0300170338 through 0300183033)</b>	E
		Ref	<b>Tier IVi-Flex Engines</b>	
	1001137745	Ref	<b>Without Arctic Package (ANSI, CSA and CE Specs) (SN 0300170338 through 0300183033)</b>	D
	1001137747	Ref	<b>With Arctic Package (ANSI and CSA Specs) (SN 0300170338 through 0300183033)</b>	D
	1001144324	Ref	<b>Tier IVi-Pre Engines (CE Spec Only) (SN 0300170338 through 0300183033)</b>	D
1	0100011	AR	Compound, Locking	
2	0100020	AR	Sealant, Pipe	
3	4711400	4	Flatwasher 1/4in Narrow	
4	91401281	1	Hold-down, Battery	
5	0400075	1	Battery	
6	1001093382	2	Bolt, Battery Hold-down	
7	0641508	3	Bolt 5/16in-18NC x 1in	
8	0641608	6	Bolt 3/8in-16NC x 1in	
9	0641610	1	Bolt 3/8in-16NC x 1-1/4in	
10	0641808	2	Bolt 1/2in-13NC x 1in	
11	0642010	1	Bolt 5/8in-11NC x 1-1/4in	
12	1060637	1	Cable, Lanyard	
13	1320022	5	Clamp, Hose	
14	1701505	1	Decal - Diesel (Not Shown - Located on Hood)	
16	2180348	1	Fitting, Straight Barbed	
17	2220313	1	Fitting, Elbow	
18	2221176	1	Fitting, Elbow Barbed	
19	2720058	30 ft/9.2m	Hose	
20	2750532	6 ft/1.8m	Hose	
21	2902401	1	Battery Cable Kit	C
21A	1001116288	1	Cable, Battery (Red) (Machines with 2 Relays on Engine Tray)	
21A	1001116287	1	Cable, Battery (Red) (Machines with 3 Relays on Engine Tray)	
21B	7027004	1	Cable, Battery (Black)	
21C	7016824	1	Cable (Red)	
21D	7016825	1	Cable (Black)	
22	3311505	6	Locknut 5/16in-18NC	
23	4751500	2	Flatwasher 5/16in Wide	
24	3311801	1	Nut 1/2in-13NC	
25	3380429	1	Panel, Rubber	
26	3422446	1	Pin, Pivot	
27	3539957	2	Plate, Hold-Down	
28	3841143	1	Pin, Keeper	
29	3841340	3	Loop, Hose	
30	3900272	3	Bolt 5/16in-18NC x 1-3/4in	



**SECTION 2 - TURNTABLE**

ITEM	PART NUMBER	QTY	DESCRIPTION	REV
31	88521205	2	Locknut 5/16in-18NC	
32	4751800	1	Flatwasher 1/2in Wide	
33	4752000	1	Flatwasher 5/8in Wide	
34	4922737	1	Harness, Engine Grounding (Not Shown)	
35	0641410	4	Bolt 1/4in-20NC x 1-1/8in	
36	1320176	1	Clamp, Exhaust	
37	1001101600	1	Tube, Exhaust	
38		Ref	Decal - Warning Explosion/Fire Options:	
38	1704972	1	ANSI Spec Decals	
38	1706098	1	Australian and CE Spec Decals	
38	1706064	1	CSA Spec Decals	
38	1706060	1	Dual Language English/Chinese Decals	
38	1706062	1	Dual Language English/Japanese Decals	
38	1706061	1	Dual Language English/Korean Decals	
38	1706059	1	Dual Language English/Portuguese Decals	
38	1706063	1	Dual Language English/Spanish Decals	
		Ref	<b>Note: Arctic Package Items 39 - 50 Not Shown - Used on Arctic Machines Only.</b>	
39	1060625	1	Cable, Immersion Heater (Located on bottom of Hydraulic Oil Tank)	
40	1060626	1	Cord, 3 Way Extension (Located on Left Front of Engine)	
41	1320223	AR	Clamp	
42	1702941	1	Decal - Battery Heater (Located on Battery Heater)	
43	1702942	1	Decal - Engine Block Heater (Located on Right Side of Engine)	
44	1702943	1	Decal - Hydraulic Tank Heater (Located on bottom of Hydraulic Oil Tank)	
45	1702944	1	Decal - Heater Cord (Located on Left Front of Engine)	
46	2580024	1	Heater, Battery (Located on Battery)	
47	2580050	1	Heater, Hydraulic Tank (Located on bottom of Hydraulic Oil Tank)	
48	3980007	1	Seat, Battery (Located on Battery)	
49	3311605	1	Nut 3/8in-16 NC	
50	4711600	2	Flatwasher 3/8in Narrow	
		Ref	<b>ENGINE AND PUMP ASSEMBLIES</b>	
		Ref	<b>Tier IVi Engines</b>	
	1001098507	Ref	<b>Without Arctic Package (All Specs) (SN 0300140000 through 0300170337)</b>	D
	1001098507	Ref	<b>Without Arctic Package (All Specs Except ANSI, CSA and CE Specs) (SN 0300170338 through 0300183033)</b>	F
	1001099639	Ref	<b>With Arctic Package (ANSI, ANSI Export and CSA Specs) (SN 0300140000 through 0300170337)</b>	D
	1001099639	Ref	<b>With Arctic Package (ANSI Export Spec) (SN 0300170338 through 0300183033)</b>	F
		Ref	<b>Tier IVi-Flex Engines</b>	
	1001137744	Ref	<b>Without Arctic Package (ANSI, CSA and CE Specs) (SN 0300170338 through 0300183033)</b>	D
	1001137746	Ref	<b>With Arctic Package (ANSI and CSA Specs) (SN 0300170338 through 0300183033)</b>	D
	1001144322	Ref	<b>Tier IVi-Pre Engines (CE Spec Only) (SN 0300170338 through 0300183033)</b>	D
	1001162546	Ref	<b>PUMP COUPLING REPLACEMENT KIT</b>	C
		Ref	<b>Note: See SPECIAL OPTION SECTION for machines not equipped with Pump Mounting Bracket Kit, Deutz Engine with Sauer Danfoss drive and load sensing pump combination.</b>	

## SECTION 2 - TURNTABLE

ITEM	PART NUMBER	QTY	DESCRIPTION	REV
101	0100011	AR	Compound, Locking	
102	0641407	1	Bolt 1/4in-20NC x 7/8in	
103	0641812	4	Bolt 1/2in-13NC x 1-1/2in	
103	0711025	2	Bolt M10 x 85 Grade 10.9	
104	4751400	1	Flatwasher 1/4in Wide	
106	3311405	1	Locknut 1/4in-20NC	
107	3422532	1	Pin, Hitch	
108		Ref	Piston Pump Assembly with Fittings Options:	
108	3600400	1	Piston Pump Assembly with Fittings (See PISTON PUMP ASSEMBLY (SAUER DANFOSS) for Breakdown) <b>(SN 0300140000 through 0300180776)</b>	
108	1001153622	1	Piston Pump Assembly with Fittings (See PISTON PUMP ASSEMBLY (EATON) for Breakdown) <b>(SN 0300180777 through 0300182115)</b>	
108	3600400	1	Piston Pump Assembly with Fittings (See PISTON PUMP ASSEMBLY (SAUER DANFOSS) for Breakdown) <b>(SN 0300182116 through 0300182135)</b>	
108	1001153622	1	Piston Pump Assembly with Fittings (See PISTON PUMP ASSEMBLY (EATON) for Breakdown) <b>(SN 0300182136 through 0300183033)</b>	
109	1001095354	1	Variable Displacement Pump Assembly with Fittings (Sauer Danfoss)	A
109	2220415	1	Fitting	
109	1001094595	1	Pump, Variable Displacement	
109	7023967	1	Seal Kit	
109	7023956	1	Valve Assembly Kit	
110	3790044	1	O-Ring	
111	3960389	5 ft/1.5m	Seal	
112	4891800	AR	Flatwasher, 1/2Hardened	
112	4891600	AR	Flatwasher, 3/8 Hardened	
113	1001137898	1	Bracket, Support <b>(SN 0300161435 through 0300174937)</b>	
114	1001137899	1	Plate, Mounting <b>(SN 0300161435 through 0300174937)</b>	
115	4891600	7	Flatwasher 3/8in Hardened <b>(SN 0300161435 through 0300174937)</b>	
116	0641814	2	Bolt 1/2in-13NC x 1-3/4in <b>(SN 0300161435 through 0300174937)</b>	
117	0711025	4	Bolt M10 x 85mm <b>(SN 0300161435 through 0300174937)</b>	
118	0791608	3	Bolt 3/8in-16NC x 1in <b>(SN 0300161435 through 0300174937)</b>	
119	3311605	3	Locknut 3/8in-16NC <b>(SN 0300161435 through 0300174937)</b>	
		Ref	<b>ENGINE ASSEMBLIES</b>	
		Ref	<b>Tier IVi Engines</b>	
	1001098508	Ref	<b>Without Arctic Package (All Specs) (SN 0300140000 through 0300170337)</b>	H
	1001098508	Ref	<b>Without Arctic Package (All Specs Except ANSI, CSA and CE Specs) (SN 0300170338 through 0300183033)</b>	I
	1001099640	Ref	<b>With Arctic Package (ANSI, ANSI Export and CSA Specs) (SN 0300140000 through 0300170337)</b>	G
	1001099640	Ref	<b>With Arctic Package (ANSI Export Spec) (SN 0300170338 through 0300183033)</b>	I
		Ref	<b>Tier IVi-Flex Engines</b>	
	1001137738	Ref	<b>Without Arctic Package (ANSI, CSA and CE Specs) (SN 0300170338 through 0300183033)</b>	C
	1001137741	Ref	<b>With Arctic Package (ANSI and CSA Specs) (SN 0300170338 through 0300183033)</b>	C
	1001144320	Ref	<b>Tier IVi-Pre Engines (CE Spec Only) (SN 0300170338 through</b>	D

## SECTION 2 - TURNTABLE

ITEM	PART NUMBER	QTY	DESCRIPTION	REV
			<b>0300183033)</b>	
201	0100011	AR	Compound, Locking	
204	0340041	2	Band, Air Cleaner	
205	0641407	10	Bolt 1/4in-20NC x 7/8in	
206	0641510	2	Bolt 5/16in-18NC x 1-1/4in	
207	0641606	3	Bolt 3/8in-16NC x 3/4in	
208	0641609	6	Bolt 3/8in-16NC x 1-1/8in	
209	0641610	16	Bolt 3/8in-16NC x 1-1/4in	
210	0641818	2	Bolt 1/2in-13NC x 2-1/4in	
211	0641826	2	Bolt 1/2in-13NC x 3-1/4in	
212	0700808	4	Bolt 8mm x 16mm	
213	0641512	1	Bolt 5/16in-18NC x 1-1/2in	
215	0701414	10	Bolt 14mm x 130mm	
216	0940070	1	Bumper	
217	0961986	2	Bushing, Flanged	
218	1060904	1	Cable, Jumper (SN 0300140000 through 0300140564)	
219	1320016	2	Clamp	
221	1320223	4	J-Clip	
222	1340060	1	Air Cleaner Assembly Filter Element	
222	7012664	1	Element, Filter (Not Shown)	
223	1703162	2	Decal - Caution Fan Blade	
224	3520054	2	Plug, Hole	
225	2060025	1	Fan	
226	2220451	2	Fitting, Straight	
227	2720398	2	Hose, Oil Cooler	
228	1001091179	1	Elbow, Rubber	
230	1001091892	NLA	Hose, Oil Drain (Use p/n 2750532)	
231		Ref	Oil, Motor Options (Not Shown):	
231	3020016	3.75 gal /14.1L	15W-40 (Without Arctic Package)	
231	3020044	3.75 gal /14.1L	0W-40 (With Arctic Package)	
232	3200362	2	Mount, Motor	
233	3200406	2	Mount, Motor	
235	3311405	10	Locknut 1/4in-20NC	
236	3311505	3	Locknut 5/16in-18NC	
237	3311605	22	Locknut 3/8in-16NC	
238	3311805	4	Locknut 1/2in-13NC	
239	3537416	1	Plate, Engine Mounting (Front Right Side)	
240	3539872	1	Plate, Radiator Mounting	
241	3539971	1	Plate, Engine Mounting (Front Bottom)	
242	1001093943	1	Plate, Engine Mounting (Rear)	
243	3620033	NLA	Radiator (Use p/n 1001150998)	
244	3740067	3	Relay	
245	3960407	1	Gasket, Air Intake	
246	3960468	1	Seal	
247	3960469	1	Seal	
248	4060805	37 in/1m	Flex-Trim	
249		Ref	Engine, Deutz Options:	
249	1001094101	1	Tier IVi Engines (All Specs) (SN 0300140000 through 0300170337)	
249	1001094101	1	Tier IVi Engines (All Specs Except ANSI, CSA and CE Specs)	

## SECTION 2 - TURNTABLE

ITEM	PART NUMBER	QTY	DESCRIPTION	REV
249	1001137737	1	<b>(SN 0300170338 through 0300183033)</b> Tier IVi-Flex Engines (ANSI, CSA and CE Specs) <b>(SN 0300170338 through 0300183033)</b>	
249	1001144319	Ref	Tier IVi-Pre Engines (CE Spec Only) <b>(SN 0300170338 through 0300183033)</b>	
250	1001104308	NLA	Valve, Oil Drain (Use p/n 4640751)	
251	4711400	6	Flatwasher 1/4in Narrow	
252	4711600	3	Flatwasher 3/8in Narrow	
254	4740274	4	Washer, Snubbing	
255	4751400	8	Flatwasher 1/4in Wide	
256	4751600	44	Flatwasher 3/8in Wide	
257	1001094321	1	Tray, Engine	
258	4791400	6	Starwasher 1/4in	
259	4812200	10	Flatwasher 14mm	
260	4845395	1	Adapter, Air Intake	
262	4846566	1	Plate, Engine Mounting (Front Left Side)	
263	4923379	1	Harness, Glow Plugs	
265		Ref	Muffler Options:	
265	1001099051	1	Spark Arresting (Standard)	
265	1001101241	1	Catalytic (Optional)	
265	7024560	1	Plug, Brass	
266	3740080	1	Relay, EGR	
267	1320022	1	Clamp, Hose	
		Ref	<b>Note: Arctic Package Item 268 Not Shown - Used on Arctic Machines Only.</b>	
268	2580062	1	Heater, Engine Block	
	2902065	NLA	<b>KIT PUMP COUPLING AND MOUNTING PLATE (NOTE: PURCHASE P/N 1001162546 KIT) (SN 0300140000 through 0300174936)</b>	J
301	70000793	1	Coupling, Hayes	
302	See Note	NSS	Plate, Pump Adapter (Note: Use p/n 1001162546)	
303	See Note	8	Bolt M10 x 20mm Grade 10.9 (Note: Not Available - Purchase Locally)	
304	See Note	12	Bolt M10 x 30mm Grade 10.9 (Note: Not Available - Purchase Locally)	
305	See Note	12	Flatwasher M10 (Note: Not Available - Purchase Locally)	
	1001153282	NLA	<b>KIT PUMP COUPLING AND MOUNTING PLATE (NOTE: PURCHASE P/N 1001162546 KIT) (NOT SHOWN) (SN 0300174937 through 0300183033)</b>	D
351	70004183	1	Coupling, Guardian	
352	See Note	NSS	Plate, Pump Adapter (Note: Use p/n 1001162546)	
353	See Note	8	Bolt M10 x 20mm Grade 10.9 (Note: Not Available - Purchase Locally)	
354	See Note	12	Bolt M10 x 25mm Grade 10.9 (Note: Not Available - Purchase Locally)	
		Ref	<b>ENGINE COMPONENTS</b>	
	1001094101	Ref	<b>Tier IVi Engines (All Specs) (SN 0300140000 through 0300170337)</b>	B
	1001094101	Ref	<b>Tier IVi Engines (All Specs Except ANSI, CSA and CE Specs) (SN 0300170338 through 0300183033)</b>	C
	1001137737	Ref	<b>Tier IVi-Flex Engines (ANSI, CSA and CE Specs) (SN 0300170338 through 0300183033)</b>	B
	1001144319	Ref	<b>Tier IVi-Pre Engines (CE Spec Only) (SN 0300170338 through 0300183033)</b>	B
401	7026631	1	Dipstick	

## SECTION 2 - TURNTABLE

ITEM	PART NUMBER	QTY	DESCRIPTION	REV
401	7020487	1	O-Ring, Dipstick	
402	7020465	1	Cap, Filler	
403	70001850	1	Pump, Oil Lube	
403	7020468	1	Seal Between Oil Pump and Engine Block (Not Shown)	
404	7016331	1	Filter, Oil	
404	70001848	1	Sensor at Oil Filter	
404	70001132	1	Seal, Sensor at Oil Filter	
405		Ref	Pump, Injector Options:	
405	70000912	4	Series A Injector	
405	70000913	4	Series B Injector	
405	70000914	4	Series C Injector	
405	70000915	4	Series D Injector	
406	7016328	1	Filter, Fuel	
407	70000916	1	Pump, Fuel Supply	
407	70001435	1	Repair Kit	
407	70000919	1	Hand Pump	
407	70000918	1	Seal, Hand Pump	
407	70000917	1	O-Seal Between Fuel Pump and Engine Block (Not Shown)	
408	7020449	4	Gasket, Intake Manifold (Not Shown)	
409	7020408	1	V-Belt	
410	7020471	4	Gasket, Exhaust (Manifold to Engine Block) (Not Shown)	
410	70002200	8	Stud, Muffler Attaching (Not Shown)	
410	70003476	AR	Nut, Exhaust Manifold	
410	70001836	1	Gasket, Exhaust (Engine Head to Header) (Not Shown)	
410	70001835	1	Gasket, Exhaust (Header to EGR Valve Block) (Not Shown)	
410	70001841	1	Valve, EGR (Not Shown)	
410	70001838	2	Gasket, Exhaust (EGR Valve Block to Exhaust Tube) (Not Shown)	
410	70001874	1	Plate Choke (Between 70001838 Gaskets) (Not Shown)	
410	70001837	1	Gasket, Exhaust (Exhaust Tube to Muffler) (Not Shown)	
410	70001839	1	Flange, Sealing (Near Front of Header) (includes Seal and Pin) (Not Shown)	
411	7000663	1	Alternator	
411	70001868	1	Regulator, Voltage (Not Shown)	
411	70001866	1	Gasket, Regulator (Not Shown)	
411	70002234	1	Bracket, Adjusting (Not Shown)	
412	7020479	1	Starter	
412	7026608	1	Solenoid	
413	70000345	4	Plug, Glow (Not Shown)	
414	7027791	1	Sender, Temperature	
414	See Note	1	Ring, Sealing (Note: Not Available for Purchase.)	
415	7027790	1	Sensor, Oil Pressure	
416	7024565	1	Sensor, Speed	
417	7027792	1	Actuator, Throttle	
418	7020459	1	Thermostat (Located at rear of engine block - Not Shown)	
419	70001870	1	Flywheel (Not Shown)	
419	7024579	1	Ring Gear (Located on Flywheel - Not Shown)	
421	7027795	1	Module, EMR2 Controller	
421	7027796	1	Harness. EMR2 Module	
425		Ref	Gasket, Cylinder Head Options (Not Shown):	
425	70002415	1	1 Notch	
425	70002416	1	2 Notches	

## SECTION 2 - TURNTABLE

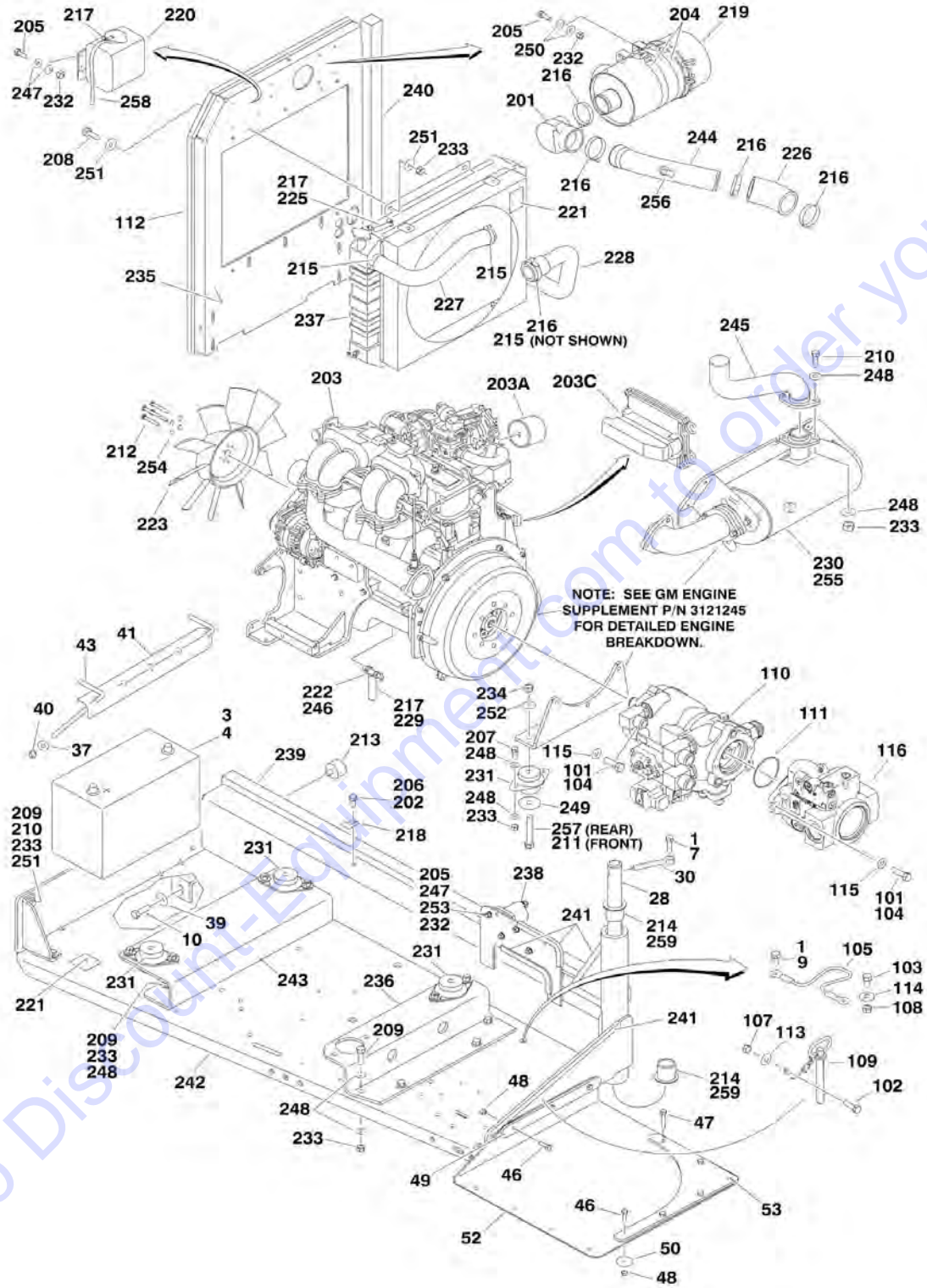
ITEM	PART NUMBER	QTY	DESCRIPTION	REV
425	70002417	1	3 Notches	
427	70001872	1	Harness. Engine Options (Not Shown):	
428	70001847	1	Breather, Valve (Not Shown - Located On Front Cover)	
428	70001126	1	Seal, Breather	

Go to Discount-Equipment.com to order your parts



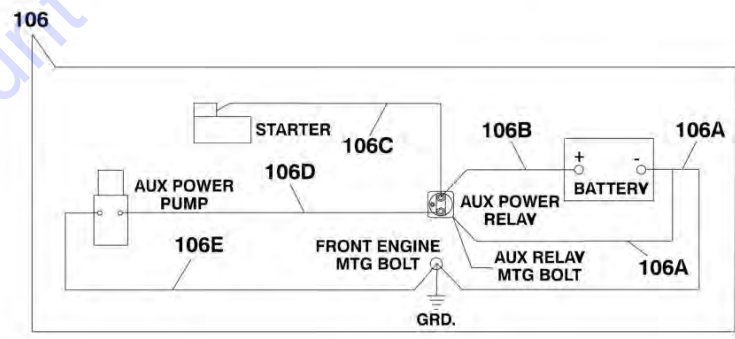
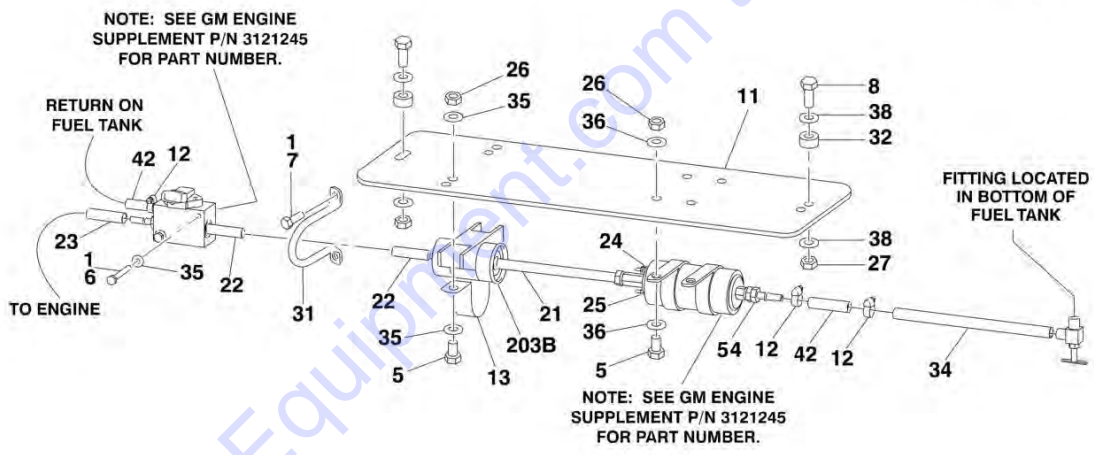
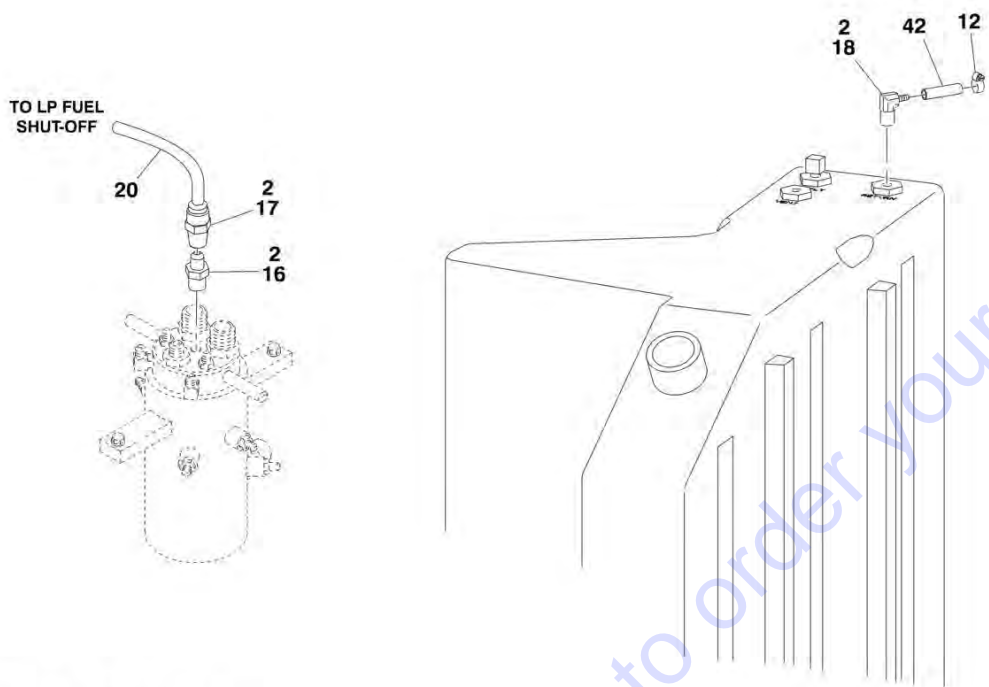
# SECTION 2 - TURNTABLE

## FIGURE 2-9. GM ENGINE INSTALLATION





# SECTION 2 - TURNTABLE



## SECTION 2 - TURNTABLE

### FIGURE 2-9. GM ENGINE INSTALLATION

ITEM	PART NUMBER	QTY	DESCRIPTION	REV
		Ref	<b>GM ENGINE INSTALLATION</b>	
	1001114636	Ref	<b>Engine 3.0L Tier III/IV without Arctic Package</b>	F
	1001114638	Ref	<b>Engine 3.0L Tier III/IV with Arctic Package</b>	F
		Ref	<b>Note: For SN 0300141585 Refer to Manual #3121176 For Breakdown.</b>	
1	0100011	AR	Compound, Locking	
2	0100020	AR	Sealant, Pipe	
3	0100048	AR	Grease, Dielectric	
4	0400075	1	Battery (Wet)	
5	0641406	4	Bolt 1/4in-20NC x 3/4in	
6	0641416	2	Bolt 1/4in-20NC x 2in	
7	0641608	7	Bolt 3/8in-16NC x 1in	
8	0641612	7	Bolt 3/8in-16NC x 1-1/2in	
9	0641808	1	Bolt 1/2in-13NC x 1in	
10	0642010	1	Bolt 5/8in-11NC x 1-1/4in	
11	0903510	1	Bracket, Fuel Filter	
12	1001174486	4	Clamp, Fuel Line	
13	1320323	1	Clamp	
14	1701542	1	Decal, Gas (Not Shown)	
15	1701543	1	Decal, LPG (Not Shown)	
16	2180418	1	Fitting, Straight	
17	2220005	1	Fitting, Straight	
18	2221176	1	Fitting, Elbow	
20	2720392	1	Hose, LP	
21		Ref	Hose (6in/15cm Length) Options:	
21	2720566	NLA	Hose (6in/15cm Length) (Use p/n 1001156823) <b>(SN 0300140000 through 0300181849)</b>	
21	1001156823	1	Hose (6in/15cm Length) <b>(SN 0300181850 through 0300183033)</b>	
22		Ref	Hose Options;	
22	2720567	NLA	Hose (48in/122cm Length) (Use p/n 1001156824) <b>(SN 0300140000 through 0300181849)</b>	
22	1001156824	1	Hose (50in/127cm Length) <b>(SN 0300181850 through 0300183033)</b>	
23		Ref	Hose, High Pressure Fuel Line Options:	
23	2720580	NLA	Hose, High Pressure Fuel Line (Use p/n 1001156825) <b>(SN 0300140000 through 0300181849)</b>	
23	1001156825	1	Hose, High Pressure Fuel Line <b>(SN 0300181850 through 0300183033)</b>	
24	3290405	1	Locknut M4 x 0.7	
25	3290505	1	Locknut M5 x 0.8	
26	3311405	4	Locknut 1/4in-20NC	
27	3311605	2	Locknut 3/8in-16NC	
28	3422446	1	Pin	
29	3790012	1	O-Ring (Not Shown - Located in Console Box)	
30	3841143	1	Keeper	
31	3841340	3	Clamp, Loop	
32	4071122	2	Shim, Spacer	
33	4360336	1	Switch, Toggle (Not Shown - Located in Console Box)	
34	4569385	1	Tube, Fuel Line	
35	4711400	6	Flatwasher 1/4in Narrow	

## SECTION 2 - TURNTABLE

ITEM	PART NUMBER	QTY	DESCRIPTION	REV
36	4711500	4	Flatwasher 5/16in Narrow	
37	4751500	2	Flatwasher 5/16in Wide	
38	4751600	4	Flatwasher 3/8in Wide	
39	4752000	1	Flatwasher 5/8in Wide	
40	88521205	2	Locknut 5/16in-18NC	
41	91401281	1	Angle, Battery Hold Down	
42		Ref	Hose, Fuel Line Options:	
42	1001091587	NLA	Hose, Fuel Line (Use p/n 1001156819) <b>(SN 0300140000 through 0300181849)</b>	
42	1001156819	68 in /1.73m	Hose, Fuel Line <b>(SN 0300181850 through 0300183033)</b>	
43	1001093382	2	Bolt, Battery Hold Down	
46	0641508	6	Bolt 5/16in-18NC x 1in (USA Built Machines) <b>(SN 0300143289 through 0300183033)</b>	
	0641508	1	Bolt 5/16in-18NC x 1in (China Built Machines) <b>(SN B300000146 to Present)</b>	
47	0641514	NLA	Bolt 5/16in-18NC x 1-3/4in (USA Built Machines) (Use p/n 3900272) <b>(SN 0300143289 through 0300183033)</b>	
47	0641514	NLA	Bolt 5/16in-18NC x 1-3/4in (China Built Machines) (Use p/n 3900272) <b>(SN B300000146 to Present)</b>	
48	3311505	8	Locknut 5/16in-18NC (USA Built Machines) <b>(SN 0300143289 through 0300183033)</b>	
48	3311505	8	Locknut 5/16in-18NC (China Built Machines) <b>(SN B300000146 to Present)</b>	
49	3539957	1	Plate, Hold Down (USA Built Machines) <b>(SN 0300143289 through 0300183033)</b>	
49	3539957	1	Plate, Hold Down (China Built Machines) <b>(SN B300000146 to Present)</b>	
50	4740508	3	Washer (USA Built Machines) <b>(SN 0300143289 through 0300183033)</b>	
50	4740508	3	Washer (China Built Machines) <b>(SN B300000146 to Present)</b>	
52	1001121891	1	Panel, Rubber (USA Built Machines) <b>(SN 0300143289 through 0300183033)</b>	
52	1001121891	1	Panel, Rubber (China Built Machines) <b>(SN B300000146 to Present)</b>	
53	1001123000	1	Bracket, Support (USA Built Machines) <b>(SN 0300143289 through 0300183033)</b>	
53	1001123000	1	Bracket, Support (China Built Machines) <b>(SN B300000146 to Present)</b>	
54	1001177165	1	Coupling, Quick Connect	
		Ref	<b>Note: Arctic Package Items 54-64 Not Shown - Used on Arctic Machines Only</b>	
55	1320223	3	J-Clamp	
56	1702941	1	Decal - Battery Heater (Located on Battery Heater)	
57	1702942	1	Decal - Engine Block Heater (Located on Right Side of Engine)	
58	1702943	1	Decal - Hydraulic Tank Heater (Located on bottom of Hydraulic Oil Tank)	
59	1702944		Decal - Heater Cord (Located on Left Front of Engine)	
60	1060625	1	Cable, Immersion Heater (Located on bottom of Hydraulic Oil Tank)	
61	2580024	1	Heater, Battery (Located on Battery)	
62	2580050	1	Heater, Hydraulic Tank (Located on bottom of Hydraulic Oil Tank)	
63	2580063	1	Heater, Engine Block (Located on Right Side of Engine)	
64	3980007	1	Seat, Battery (Located Under Battery)	

## SECTION 2 - TURNTABLE

ITEM	PART NUMBER	QTY	DESCRIPTION	REV
65	1060626	1	Cord, 3 Way Extension (Located on Left Front of Engine)	
		Ref	<b>GM ENGINE AND PUMP SUB-ASSEMBLY</b>	
	1001114635	Ref	<b>Machines without Arctic Package</b>	D
	1001114637	Ref	<b>Machines with Arctic Package</b>	D
101	0100011	AR	Compound, Locking	
102	0641407	1	Bolt 1/4in-20NC x 7/8in	
103	0641808	1	Bolt 1/2in-13NC x 1in	
104	0641812	4	Bolt 1/2in-13NC x 1-1/2in	
105	1060637	1	Cable, Lanyard	
106	2902533	1	Battery Cable Kit	B
106A	7027018	1	Cable (Battery - to Ground)	
106B	7027015	1	Cable (Battery + to Relay)	
106C	7027017	1	Cable (Relay to Starter)	
106D	7016824	1	Cable (Relay to Auxiliary Pump)	
106E	7016825	1	Cable (Ground to Auxiliary Pump)	
107	3311405	1	Locknut 1/4in-20NC	
108	3311805	1	Locknut 1/2in-13NC	
109	3422532	1	Pin, Hitch	
110		Ref	Piston Pump Assembly with Fittings Options:	
110	3600400	1	Piston Pump Assembly with Fittings (See PISTON PUMP ASSEMBLY (SAUER DANFOSS) for Breakdown) <b>(SN 0300140000 through 0300180776)</b>	
110	1001153622	1	Piston Pump Assembly with Fittings (See PISTON PUMP ASSEMBLY (EATON) for Breakdown) <b>(SN 0300180777 through 0300182115)</b>	
110	3600400	1	Piston Pump Assembly with Fittings (See PISTON PUMP ASSEMBLY (SAUER DANFOSS) for Breakdown) <b>(SN 0300182116 through 0300182135)</b>	
110	1001153622	1	Piston Pump Assembly with Fittings (See PISTON PUMP ASSEMBLY (EATON) for Breakdown) <b>(SN 0300182136 through 0300183033)</b>	
111	3790044	1	O-Ring	
112	3960389	5 ft/1.5m	Seal	
113	4751400	1	Flatwasher 1/4in Wide	
114	4751800	1	Flatwasher 1/2in Wide	
115	4891800	AR	Flatwasher, 1/2 Hardened	
116	1001095354	1	Variable Displacement Pump Assembly with Fittings	
116	2220415	1	Fitting	
116	1001094595	1	Variable Displacement Pump Less Fittings	
116	7023967	1	Seal Kit - 1001094595 Pump	
116	7023956	1	Valve Assembly Kit - 1001094595 Pump	
	1001114632	Ref	<b>GM ENGINE ASSEMBLY</b>	D
201	0080201	1	Fitting, Elbow	
202	0100011	AR	Compound, Locking	
203	1001114595	1	Engine, GM 3.0L Options (See GM Engine Supplement P/N 3121245 for Breakdown of Additional Components):	
203A	7027965	1	Filter, Oil	
203B	7027972	1	Filter, Fuel	
203C	70002895	1	Module, Control (ECU)	
203D	70000164	4	Sparkplug (Not Shown)	
204	0340041	2	Band, Mounting	
205	0641406	10	Bolt 1/4in-20NC x 3/4in	
206	0641606	3	Bolt 3/8in-16NC x 3/4in	

## SECTION 2 - TURNTABLE

ITEM	PART NUMBER	QTY	DESCRIPTION	REV
207	0641608	8	Bolt 3/8in-16NC x 1in	
208	0641609	4	Bolt 3/8in-16NC x 1-1/8in	
209	0641610	10	Bolt 3/8in-16NC x 1-1/4in	
210	0641612	4	Bolt 3/8in-16NC x 1-1/2in	
205	0641406	10	Bolt 1/4in-20NC x 3/4in	
206	0641606	3	Bolt 3/8in-16NC x 3/4in	
207	0641608	8	Bolt 3/8in-16NC x 1in	
208	0641609	4	Bolt 3/8in-16NC x 1-1/8in	
209	0641610	10	Bolt 3/8in-16NC x 1-1/4in	
210	0641612	4	Bolt 3/8in-16NC x 1-1/2in	
211	0641828	2	Bolt 1/2in-13NC x 3-1/2in	
212	0700810	4	Bolt M8 x 20mm	
213	0940070	1	Bumper	
214	0961986	2	Bearing, Flanged	
215	1320012	3	Clamp	
216	1320016	5	Clamp	
217	1320022	4	Clamp	
218	1320223	3	Clamp	
219	1340060	1	Air Cleaner Assembly	
219	7012664	1	Element, Air Cleaner	
220	1580011	1	Container, Coolant Overflow	
221	1703162	2	Decal - Caution Fan	
222	0100020	AR	Sealant, Pipe	
223	2060025	1	Fan	
225	2720058	5.5 in /14cm	Hose	
226	1001116544	1	Duct	
227	2720563	1	Hose, Radiator (Top)	
228	2720564	1	Hose, Radiator (Bottom)	
229	1001091892	NLA	Hose (Use p/n 2750532)	
230	1001091794	1	Insulation, Muffler	
231	3200362	4	Mount, Engine	
232	3311405	12	Locknut 1/4in-20NC	
233	3311605	26	Locknut 3/8in-16NC	
234	3311805	4	Locknut 1/2in-13NC	
235	3539872	1	Plate, Radiator Mounting	
236	3572280	1	Plate, Engine Mount	
237	3620040	1	Radiator	
237	8180311	1	Cap, Radiator (was p/n 7019656)	
238	3740067	1	Relay	
239	3960468	1	Seal	
240	3960469	1	Seal	
241	4060805	3 ft/0.9m	Seal	
242	4341239	1	Tray, Engine	
243	4341241	1	Mount, Engine (Front)	
244	1001116545	1	Tube, Intake	
245	1001093248	1	Pipe, Exhaust	
246	1001105872	NLA	Valve, Oil Drain (Use p/n 4640952)	
247	4711400	12	Flatwasher 1/4in Narrow	
248	4711600	36	Flatwasher 3/8in Narrow	
249	4740274	4	Flatwasher, Snubbing	
250	4751400	8	Flatwasher 1/4in Wide	

## SECTION 2 - TURNTABLE

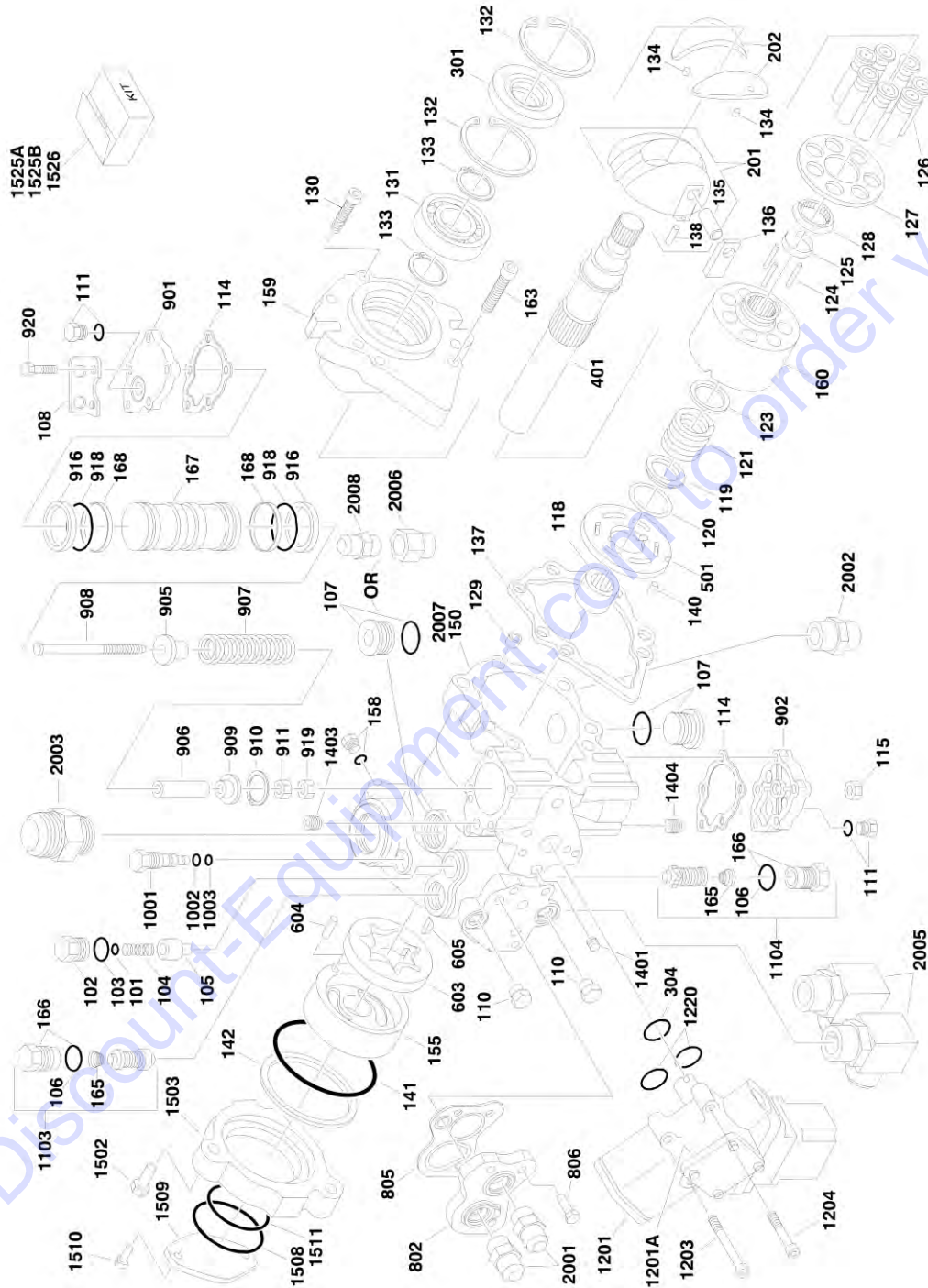
ITEM	PART NUMBER	QTY	DESCRIPTION	REV
251	4751600	16	Flatwasher 3/8in Wide	
252	4751800	4	Flatwasher 1/2in Wide	
253	4791400	2	Starwasher 1/4in	
254	4831900	4	Lockwasher 8mm	
255	4920385	10 ft/3m	Wire, Safety	
256	2180877	1	Fitting Elbow	
257	0641826	2	Bolt 1/2in-13NC x 3-1/4in	
258	2720271	18 in /46cm	Hose	
259	0100062	AR	Retaining Compound <b>(SN 0300173553 through 0300183033)</b>	

Go to Discount-Equipment.com to order your parts



# SECTION 2 - TURNTABLE

## FIGURE 2-10. PISTON PUMP ASSEMBLY (SAUER DANFOSS)





## SECTION 2 - TURNTABLE

### FIGURE 2-10. PISTON PUMP ASSEMBLY (SAUER DANFOSS)

ITEM	PART NUMBER	QTY	DESCRIPTION	REV
	3600295	Ref	<b>PISTON PUMP ASSEMBLY</b>	C
101	7007413	1	Shim Kit	
102	7007414	1	Plug	
103	See Note	NSS	O-Ring (Note: Use Item 1525A)	
104	7021200	1	Spring, Relief Valve	
105	7007417	1	Valve, Relief	
106	See Note	NSS	O-Ring (Note: Use Item 1525A)	
107	7007419	2	Plug	
108	7021201	1	Bracket, Lifting	
110	7007470	2	Plug	
111	7007470	2	Plug	
114	See Note	NSS	Gasket, Servo Cover (Note: Use Item 1525A)	
115	7007423	1	Nut, Special	
118	7007425	1	Bearing, Needle	
119	See Note	NSS	Ring, Retaining (Note: Use Item 1526)	
120	See Note	NSS	Washer (Note: Use Item 1526)	
121	See Note	NSS	Spring (Note: Use Item 1526)	
123	See Note	NSS	Washer (Note: Use Item 1526)	
124	See Note	NSS	Retainer (Note: Use Item 1526)	
125	See Note	NSS	Pin, Slipper Holddown (Note: Use Item 1526)	
126	See Note	NSS	Piston Assembly (Note: Use Item 1526)	
127	See Note	NSS	Retainer, Slipper (Note: Use Item 1526)	
128	See Note	NSS	Guide, Retainer (Note: Use Item 1526)	
129	7007435	1	Pin, Spring	
130	7021202	1	Screw, 12 Point Head	
131	7007437	1	Bearing, Ball	
132	7007438	2	Ring, Retainer	
133	7007439	2	Ring	
134	7021203	2	Pin, Spring	
135	7007441	1	Handle, Pin	
136	7007442	1	Sleeve, Bearing	
137	See Note	NSS	Gasket, Front Cover (Note: Use Item 1525A)	
138	7021205	1	Pin	
140	7007446	1	Pin	
141	See Note	NSS	O-Ring (Note: Use Item 1525A)	
142	See Note	NSS	Ring, Load Temper (Note: Use Item 1525A)	
150	7023977	1	Housing, Pump	
155	7007452	1	Cover, Gerotor	
158	7007208	1	Plug	
159	7007454	1	Cover, Front	
163	7021207	6	Screw	
165	7021208	2	Spring	
166	7021209	2	Plug, SCR	
167	7007494	1	Piston, Servo	
168	See Note	NSS	Bearing (Note: Use Item 1525A)	
201	7007457	1	Swash Plate Assembly (Includes Items 135 & 138)	
202	7021212	2	Journal, Bearing	
301	See Note	NSS	Seal, Lip (Note: Use Item 1525A)	
304	See Note	NSS	O-Ring (Note: Use Item 1525A)	
401	7021213	1	Shaft, Main Pump	

## SECTION 2 - TURNTABLE

ITEM	PART NUMBER	QTY	DESCRIPTION	REV
501	7021214	1	Plate, Valve	
603	7007463	1	Gerotor Assembly	
604	7007464	1	Pin	
605	7007465	1	Key, Woodruff	
802	7007466	1	Adaptor, Remote Filtration	
805	See Note	NSS	Seal, Filter Adapter (Note: Use Item 1525A)	
806	7021218	3	Screw	
901	7021219	1	Cover, Servo	
902	7021220	1	Cover, Servo	
905	7007483	1	Guide, Spring	
906	7007484	1	Stop, Servo	
907	7007485	1	Spring	
908	7021221	1	Screw	
909	7007487	1	Guide, Spring	
910	7007488	1	Ring, Retaining	
911	7021222	1	Nut	
916	See Note	NSS	Ring, Piston (Note: Use Item 1525A or 1525B)	
918	See Note	NSS	O-Ring (Note: Use Item 1525A or 1525B)	
919	7021206	1	Nut	
920	7021223	10	Screw	
1001	7007472	1	Valve, Bypass	
1002	See Note	NSS	Ring, Back-up (Note: Use Item 1525A)	
1003	See Note	NSS	O-Ring (Note: Use Item 1525A)	
1103	7010122	1	SCR Kit (Includes items 166, 106 & 165)	
1104	7010122	1	SCR Kit (Includes items 166, 106 & 165)	
1201	7007474	1	Control, Dual Oil-Filled	
1201	7007496	1	Coil Assembly (Pilot)	
1201	7007497	1	Plug (Pump)	
1201	7007498	1	Plug (Valve Harness)	
1201A	7024828	1	Gasket, Cover	
1203	7007478	2	Screw	
1204	7001498	2	Screw	
1220	See Note	NSS	O-Ring (Note: Use Item 1525A)	
1401	7007475	1	Plug, Orifice/Screen (.156)	
1403	7021226	1	Plug, Orifice	
1404	7021226	1	Plug, Orifice	
1502	7007453	3	Screw	
1503	7021227	1	Adapter, Flange	
1508	7021228	1	O-Ring	
1509	7021229	1	Plate, Cover	
1510	7021230	2	Screw	
1511	7021231	1	O-Ring	
1525		Ref	Seal Kit Options:	
1525A	7021232	1	Seal Kit, Complete (Includes Items 103, 106, 114, 137, 141, 142, 168, 301, 304, 805, 916, 918, 1002, 1003 & 1220)	
1525B	7007412	1	Seal Kit, Servo Piston (Includes Items 916 & 918)	
1526	7010116	1	Cylinder Block Kit (Includes Items 119-128)	
	3600400	Ref	<b>PISTON PUMP AND FITTING ASSEMBLY</b>	D
2001	2220374	2	Fitting, Straight	
2002	2220451	1	Fitting, Straight	
2003	2220479	1	Fitting, Straight	
2005	2220646	2	Fitting, 90	

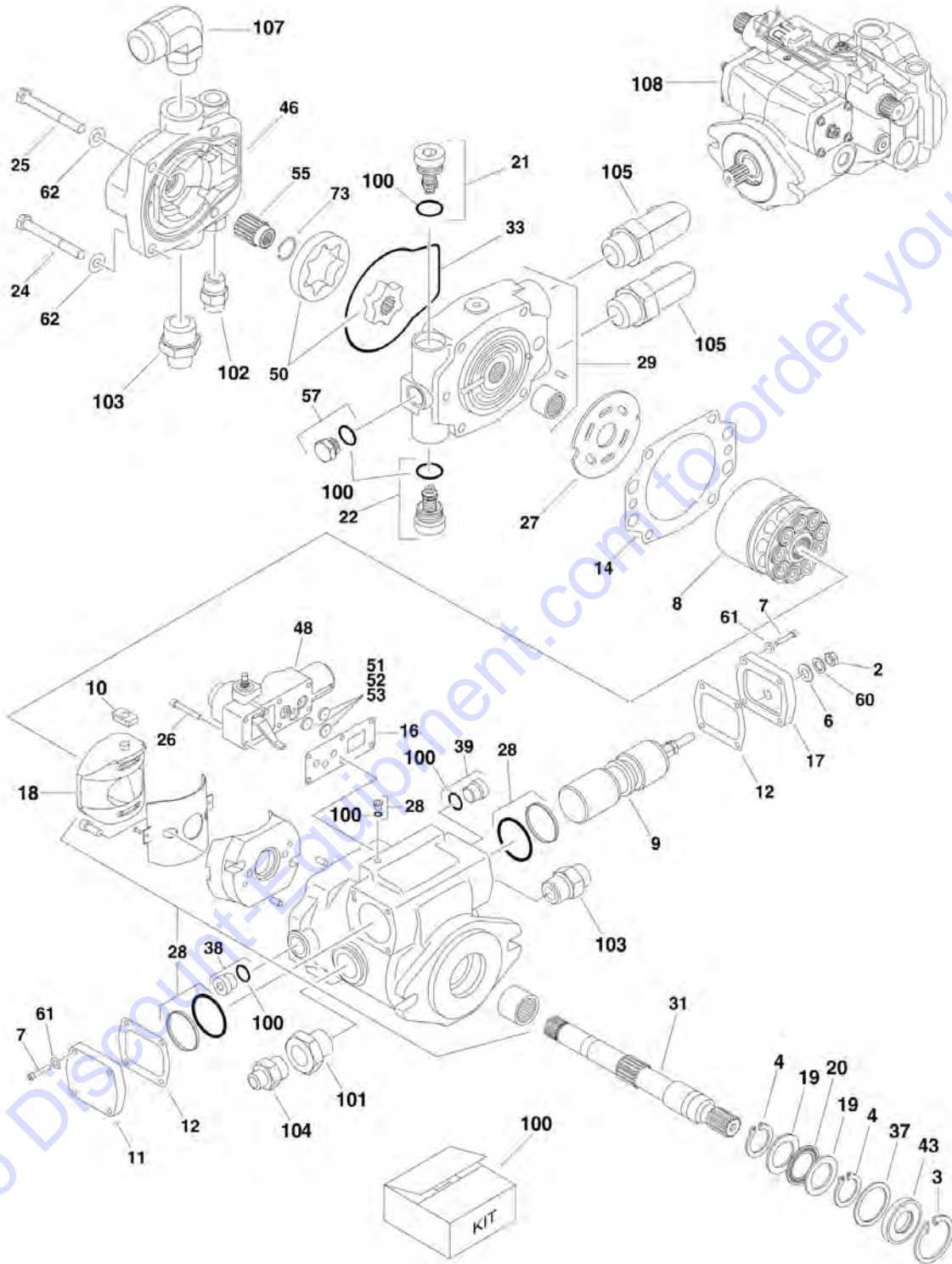
**SECTION 2 - TURNTABLE**

<b>ITEM</b>	<b>PART NUMBER</b>	<b>QTY</b>	<b>DESCRIPTION</b>	<b>REV</b>
2006	2220221	1	Fitting, Reducer	
2007	3600295	1	Pump Assembly (Includes Items 1-1511)	
2008	2220582	1	Fitting, Straight	

Go to Discount-Equipment.com to order your parts

# SECTION 2 - TURNTABLE

## FIGURE 2-11. PISTON PUMP ASSEMBLY (EATON)



## SECTION 2 - TURNTABLE

### FIGURE 2-11. PISTON PUMP ASSEMBLY (EATON)

ITEM	PART NUMBER	QTY	DESCRIPTION	REV
	1001142522	Ref	<b>PUMP ASSEMBLY</b>	B
2	See Note	1	Nut (Note: Use p/n 70004352)	
3	See Note	NSS	Ring, Retaining (Note: Use Item 100)	
4	See Note	NSS	Ring, Retaining (Note: Use Item 100)	
6	See Note	NSS	Washer, Seal (Note: Use Item 100)	
7	70004330	8	Capscrew	
8	70004331	1	Cylinder Block Assembly	
9	70004332	1	Servo Piston Assembly	
10	70004333	1	Follower, Servo Piston	
11	70004334	1	Cover	
12	70005116	2	Gasket, Cover	
14	See Note	NSS	Gasket, Housing (Note: Use Item 100)	
16	See Note	NSS	Gasket, Control Housing (Note: Use Item 100)	
17	70004335	1	Cover	
18	70004336	1	Camplate Assembly	
19	7004907	2	Race, Thrust	
20	7004908	1	Bearing, Thrust	
21	70004337	1	Relief Valve Assembly	
22	70004337	1	Relief Valve Assembly	
24	70004338	2	Capscrew	
25	70004338	2	Capscrew	
26	70004339	6	Capscrew	
27	70004340	1	Plate, Valve	
28	See Note	1	Housing (Note: Not Available - Purchase Assembly)	
29	70004341	1	End Cover Assembly	
31	70004342	1	Shaft, Drive	
33	See Note	NSS	O-Ring (Note: Use Item 100)	
37	7004906	1	Washer	
38	See Note	NSS	Plug (Note: Not Available for Purchase)	
39	See Note	NSS	Plug (Note: Not Available for Purchase)	
43	See Note	NSS	Seal, Shaft (Note: Use Item 100)	
46	70004343	1	Adapter, Charge Pump	
48	70004344	1	Servo Control Assembly	
50	70004345	1	Gerotor	
51	70004346	1	Orifice	
52	70004346	1	Orifice	
53	70004346	1	Orifice	
55	70004347	1	Coupler	
57	See Note	NSS	Plug (Note: Not Available for Purchase)	
60	70004348	1	Washer	
61	70004349	8	Washer	
62	70004350	4	Washer	
73	70004351	1	Ring, Retaining	
100	70004352	1	Seal Kit - Pump (Includes Items 3, 4, 6, 12, 14, 16, 33 & 43 and Valve and Plug O-Rings and Seals)	
	1001153622	Ref	<b>PUMP AND FITTING ASSEMBLY</b>	B
101	2220221	1	Fitting, Straight	
102	2220374	1	Fitting, Straight	
103	2220451	1	Fitting, Straight	
104	2220582	1	Fitting, Straight	

## SECTION 2 - TURNTABLE

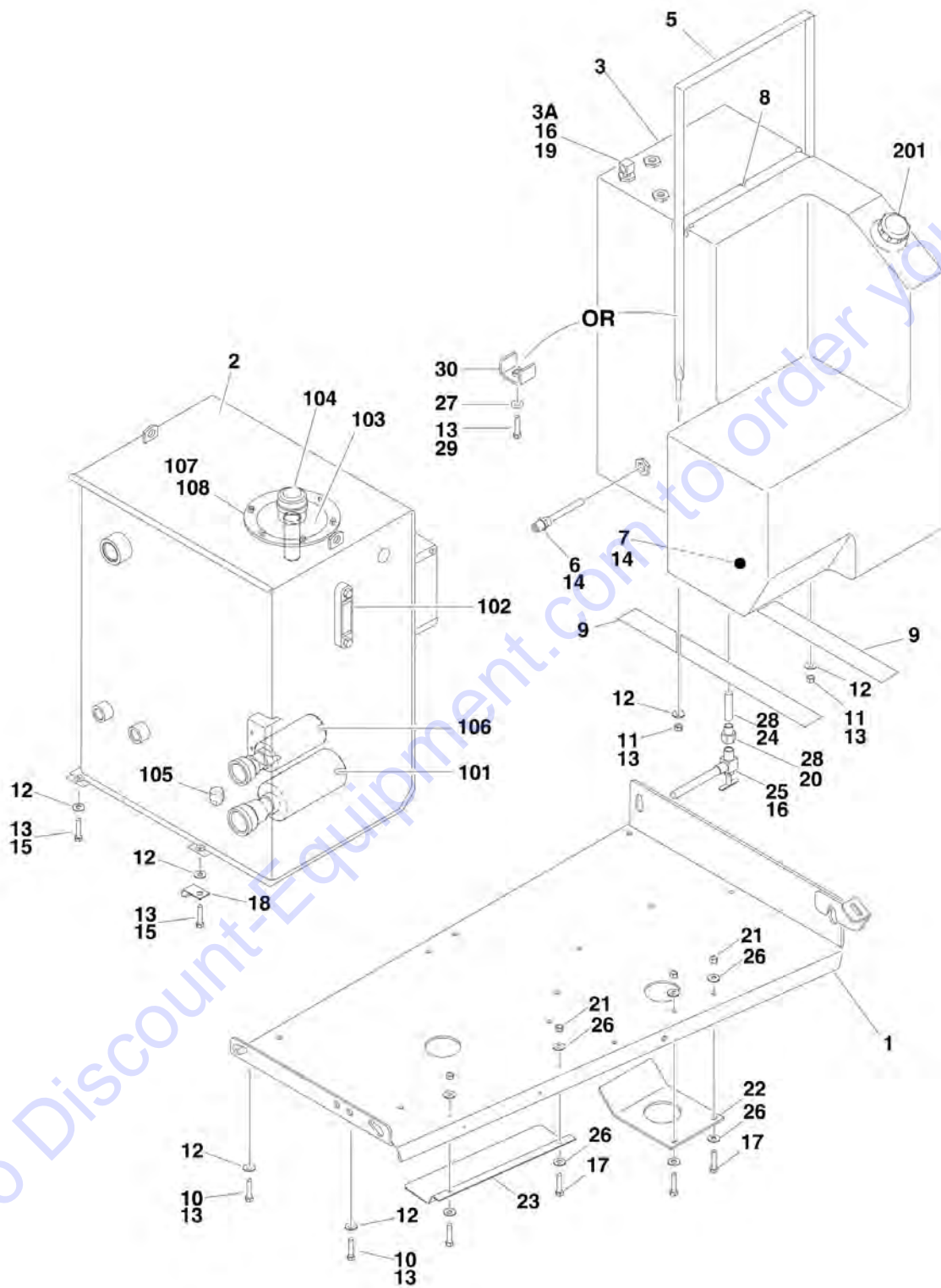
ITEM	PART NUMBER	QTY	DESCRIPTION	REV
105	2220646	2	Fitting, Elbow	
106	2220800	1	Fitting, Straight	
107	8770050	1	Fitting, Elbow	
108	1001142522	1	Pump Assembly (Includes Items 1-73)	

Go to Discount-Equipment.com to order your parts



# SECTION 2 - TURNTABLE

## FIGURE 2-12. TANK INSTALLATIONS





## SECTION 2 - TURNTABLE

### FIGURE 2-12. TANK INSTALLATIONS

ITEM	PART NUMBER	QTY	DESCRIPTION	REV
		Ref	<b>TANKS INSTALLATION OPTIONS:</b>	
	0258382	Ref	<b>Tank Installation - Diesel</b>	H
	0270396	Ref	<b>Tank Installation - Gas (SN 0300140585 through 0300141584)</b>	I
	1001116342	Ref	<b>Tank Installation - Gas (SN 0300141585 through 0300183033)</b>	B
1	1001091928	1	Tray Weldment	
2		Ref	Hydraulic Tank Assembly Options (See Items 101-108 for Breakdown):	
2	4400452	NLA	Hydraulic Tank (Use p/n 1001161901) <b>(SN 0300140000 through 0300180193)</b>	
2	1001161901	1	Hydraulic Tank <b>(SN 0300180194 through 0300183033)</b>	
3		Ref	Tank, Fuel (Includes Non-Locking Cap)	
3	4400400	1	Diesel Fuel Tank	
3	1001091562	NLA	Gas Fuel Tank (Use p/n 1001117052) <b>(SN 0300140585 through 0300141584)</b>	
3	1001111514	1	Gas Fuel Tank <b>(SN 0300141585 through 0300183033)</b>	
3A		Ref	Fitting and Pick-up Tube Options:	
3A	7019658	1	4400400 Tank	
3A	70004184	1	1001091562 Tank	
3A	70004149	1	1001111514 Tank	
5	4240113	1	Strap, Tank	
6	4360436	1	Switch, Fuel Level	
7	2200222	1	Fitting (Diesel Only)	
8	4280295	25 in /44cm	Strip, Protective (Diesel Only)	
9	4420038	70 in /1.78m	Tape, Rubber	
10	0641614	6	Bolt 3/8in-16NC x 1-3/4in	
11	3311601	2	Nut 3/8in-16NC (Diesel Only)	
12	4751600	AR	Flatwasher 3/8in	
13	0100011	AR	Compound, Locking	
14	0100079	AR	Sealant	
15	0641607	4	Bolt 3/8in-16NC x 7/8in	
		Ref	<b>Note: Items 16-30 Used on Gas Machines Only.</b>	
16	0100020	AR	Sealant, Pipe	
17	0641508	4	Bolt 5/16in-18NC x 1in	
18	1320223	1	Clamp	
19	2200233	1	Plug	
20	2221270	1	Fitting, Brass	
21	3311505	4	Locknut 5/16in-18NC	
22	3572423	1	Plate, Valve, Needle	
23	3576755	1	Cover, Fuel Pump	
24	4568119	1	Tube, Fuel	
25	4641022	1	Valve, Needle	
26	4711500	8	Flatwasher 5/16in	
27	4751800	2	Flatwasher 1/2in	
28	0100062	AR	Retaining Compound	
29	0641818	2	Bolt 1/2in-13NC x 2-1/4in	
30	1001118133	2	Bracket, Tank Clamping <b>(SN 0300141585 through 0300183033)</b>	
		Ref	<b>HYDRAULIC TANK ASSEMBLIES</b>	
	4400452	Ref	<b>Hydraulic Tank Assemblies (SN 0300140000 through</b>	E

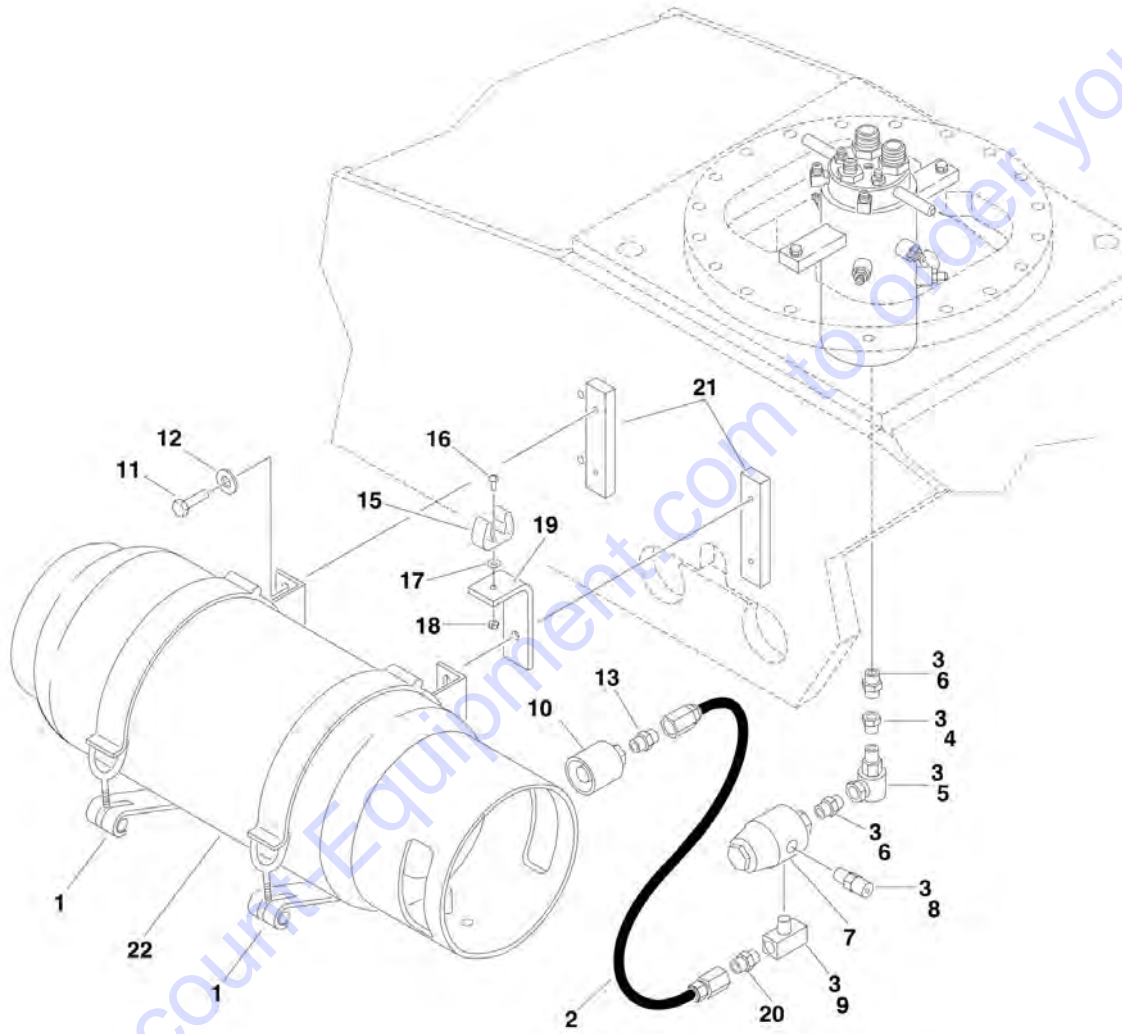
## SECTION 2 - TURNTABLE

ITEM	PART NUMBER	QTY	DESCRIPTION	REV
	1001161901	Ref	<b>0300180193)</b> <b>Hydraulic Tank Assemblies (SN 0300180194 through 0300183033)</b>	B
101	7024481	1	Strainer, 1-1/2NPT for 4400452 Tank	
101	Not Required	0	Strainer for 1001161901 Tank	
102	7024441	1	Gauge, Sight	
103	7024443	1	Neck, Fill	
103	7024445	1	Screen	
104	7024444	1	Breather/Fill Cap	
105	7024446	1	Plug, Magnetic	
106	7024442	1	Strainer 1-1/4NPT for 4400452 Tank	
106	Not Required	0	Strainer for 1001161901 Tank	
107	7024439	1	Cover for 4400452 Tank	
107	Not Available	1	Cover for 1001161901 Tank	
108	7024440	1	Gasket for 4400452 Tank	
108	Not Available	1	Gasket for 1001161901 Tank	
		Ref	<b>FUEL TANK CAP INSTALLATION</b>	
201		Ref	Cap Options:	
201		Ref	Standard Non-Locking Cap Options (Part of Item 3):	
201	7016314	1	Cap - Diesel Machines	
201	70001103	1	Cap - Gas Machines with OEM Tank (Mounts with Item 5 Strap) <b>(SN 0300140000 through 0300141584)</b>	
201	70002715	1	Cap - Gas Machines with Service Replacement Tank (Mounts with Item 18 Bracket) <b>(SN 0300140000 through 0300141584)</b>	
201	70002715	1	Cap - Gas Machines <b>(SN 0300141585 through 0300183033)</b>	
201	70002716	1	Adapter, Cap - Gas Machines with Service Replacement Tank (Mounts with Item 18 Bracket) <b>(SN 0300140000 through 0300141584)</b>	
201	70002716	1	Adapter, Cap - Gas Machines <b>(SN 0300141585 through 0300183033)</b>	
201	1120487	1	Optional Lockable (Diesel Machines)	



## SECTION 2 - TURNTABLE

FIGURE 2-13. LP TANK INSTALLATIONS (GM ENGINE MACHINES ONLY)



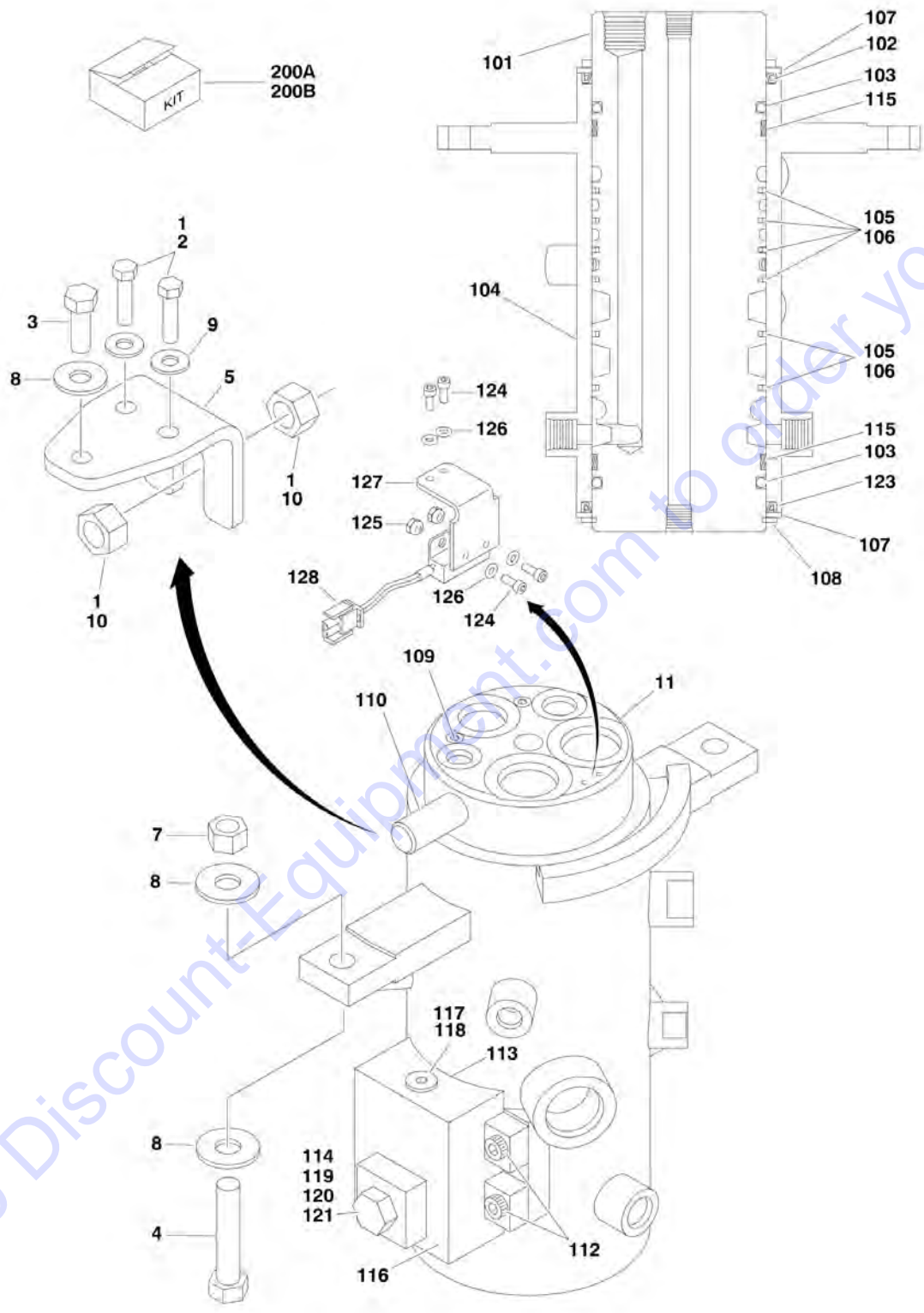
**SECTION 2 - TURNTABLE**

**FIGURE 2-13. LP TANK INSTALLATIONS (GM ENGINE MACHINES ONLY)**

ITEM	PART NUMBER	QTY	DESCRIPTION	REV
	0255524	Ref	<b>LP TANK AND BRACKETS INSTALLATION</b>	9-F
1	1320220	2	Clamp Kit - LP	
1	1320127	2	Clamp, Toggle (1 Per Clamp)	
2	2720144	2	Hose	
3	0100020	AR	Sealant, Pipe	
4	2221197	1	Fitting, Reducer	
5	2180125	1	Fitting - Elbow	
6	2220261	2	Fitting, Nipple	
7	2180388	1	Filter, Bulkhead	
8	2180389	1	Valve, Relief	
9	2220418	1	Fitting, Tee	
10	2180387	2	Fitting, LP Tank	
11	0641606	8	Bolt 3/8in-16NC x 3/4in	
12	4751600	8	Flatwasher 3/8in	
13	2180418	2	Fitting, Straight	
15	1320218	2	Clamp, Spring	
16	3910808	2	Screw, Machine #8-32NC x 1/2in	
17	4750800	4	Flatwasher #8	
18	3310805	2	Locknut #8-32NC	
19	0181949	2	Support, Angle	
20	2221024	2	Fitting, Ball Check	
21	0362519	4	Bar, Clamp	
22		Ref	LP Tank Options:	
22	4400275	1	Aluminum	
22	4400420	1	Steel	

# SECTION 2 - TURNTABLE

## FIGURE 2-14. ROTARY COUPLING INSTALLATION



## SECTION 2 - TURNTABLE

### FIGURE 2-14. ROTARY COUPLING INSTALLATION

ITEM	PART NUMBER	QTY	DESCRIPTION	REV
		Ref	<b>ROTARY COUPLING INSTALLATION</b>	
	1001107529	Ref	<b>Rotary Coupling Installation 2WS</b>	A
	1001107530	Ref	<b>Rotary Coupling Installation 4WS</b>	A
1	0100011	AR	Compound, Locking	
2	0641611	2	Bolt 3/8in-16NC x 1-3/8in	
3	0641812	1	Bolt 1/2in-13NC x 1-1/2in	
4	0641820	2	Bolt 1/2in-13NC x 2-1/2in	
5	0903056	1	Bracket	
7	3271805	2	Locknut 1/2in-13NC	
8	4751800	5	Flatwasher 1/2in	
9	4891600	2	Flatwasher 3/8in Hardened	
10	3322201	2	Locknut 3/4in x 16NF	
11		Ref	Coupling, Rotary Options (See Items 101-128 for Breakdown):	
11	1001106974	1	Coupling, Rotary 2WS	
11	1001106975	1	Coupling, Rotary 4WS	
		Ref	<b>ROTARY COUPLING ASSEMBLY</b>	
	1001106974	Ref	<b>Rotary Coupling Assembly 2WS</b>	B
	1001106975	Ref	<b>Rotary Coupling Assembly 4WS</b>	B
101	See Note	NSS	Body (Note: Not Available - Purchase Complete Assembly)	
102		Ref	Seal Options:	
102	70001248	1	Seal 2WS	
102	70002212	1	Seal 4WS	
103	See Note	NSS	O-Ring (Note: Use Item 200A or 200B)	
104	See Note	NSS	Housing (Note: Not Available - Purchase Complete Assembly)	
105		Ref	Seal, Cap	
105	70001248	6	Seal, Cap 2WS	
105	70002212	9	Seal, Cap 4WS	
106		Ref	O-Ring	
106	70001248	6	O-Ring 2WS	
106	70002212	9	O-Ring 4WS	
107		Ref	Ring Options:	
107	7026503	2	Ring 2WS	
107	7026511	2	Ring 4WS	
108		Ref	Ring, Retaining Options:	
108	7026504	1	Ring, Retaining 2WS	
108	7013189	1	Ring, Retaining 4WS	
109		Ref	Plug Options:	
109	80934561	2	Plug 2WS	
109	80934561	4	Plug 4WS	
110	See Note	1	Lug, Torque (Note: Not Available for Purchase)	
112	7026197	4	Bolt 5/16in-18NC x 1-1/4in	
113	See Note	NSS	O-Ring (Note: Use Item 200A or 200B)	
114	See Note	NSS	O-Ring (Note: Use Item 200A or 200B)	
115	See Note	NSS	Bearing (Note: Use Item 200A or 200B)	
116	7024404	1	Block Valve Assembly	
117	7026505	1	Plug	
118	7026506	1	Valve, Check	
119	7026507	1	Plug	
120	See Note	NSS	Plunger, Valve (Note: Use p/n 7024404)	
121	7026509	1	Spring, Compression	

## SECTION 2 - TURNTABLE

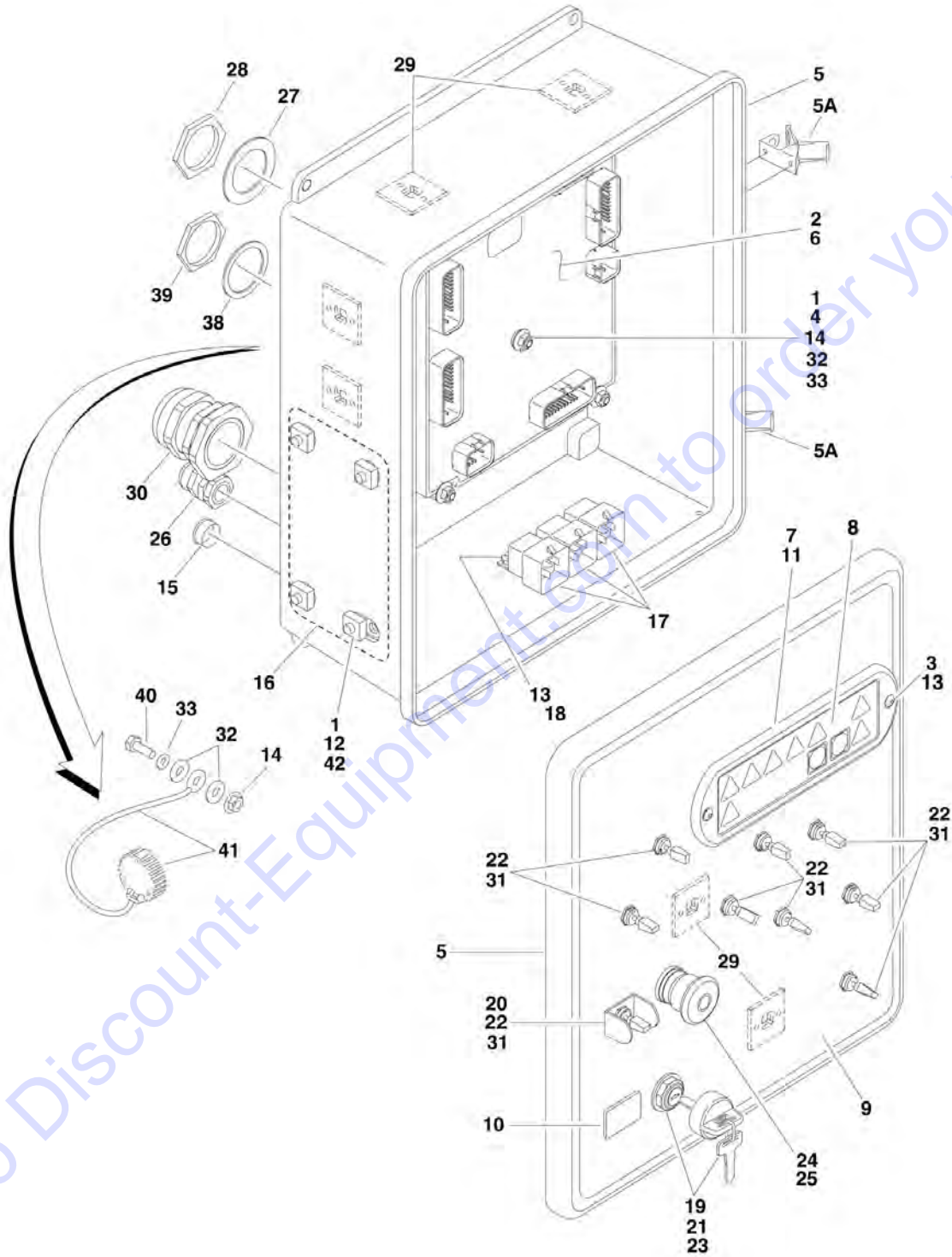
ITEM	PART NUMBER	QTY	DESCRIPTION	REV
122	See Note	AR	Protective Netting (Not Shown) (Note: Not Available for Purchase)	
123		Ref	Seal Options:	
123	70001248	1	Seal 2WS	
123	70002212	1	Seal 4WS	
124	See Note	4	Screw, Socket Head #10-24NC x 1/2in (Note: Not Available for Purchase)	
125	See Note	2	Locknut #10-24NC (Note: Not Available for Purchase)	
126	See Note	4	Flatwasher #10 (Note: Not Available for Purchase)	
127	70003454	1	Bracket, Switch Mounting	
128	4360517	1	Switch, Proximity	
200		Ref	Seal Kit Options:	
200A	70001248	1	Seal Kit 2WS (Includes Items 102, 103, 105, 106, 113, 114, 115 & 123)	
200B	70002212	1	Seal Kit 4WS (Includes Items 102, 103, 105, 106, 113, 114, 115 & 123)	





# SECTION 2 - TURNTABLE

## FIGURE 2-15. GROUND CONTROL BOX ASSEMBLY



## SECTION 2 - TURNTABLE

**FIGURE 2-15. GROUND CONTROL BOX ASSEMBLY**

ITEM	PART NUMBER	QTY	DESCRIPTION	REV
		Ref	<b>GROUND CONTROL BOX ASSEMBLIES</b>	
		Ref	<b>All Specs Except Australian and CE Specs</b>	
	1001110317	Ref	<b>All Specs Except Australian and CE Specs 800A with Caterpillar Engine</b>	B
	1001110318	Ref	<b>All Specs Except Australian and CE Specs 800AJ with Caterpillar Engine</b>	C
	1001110313	Ref	<b>All Specs Except Australian and CE Specs 800A with Deutz Engine</b>	B
	1001110314	Ref	<b>All Specs Except Australian and CE Specs 800AJ with Deutz Engine</b>	B
	1001110311	Ref	<b>All Specs Except Australian and CE Specs 800A with GM Engine</b>	A
	1001110312	Ref	<b>All Specs Except Australian and CE Specs 800AJ with GM Engine</b>	A
		Ref	<b>CE Specs</b>	
	1001110319	Ref	<b>CE Specs 800A with Caterpillar Engine</b>	B
	1001110320	Ref	<b>CE Specs 800AJ with Caterpillar Engine</b>	B
	1001110315	Ref	<b>CE Specs 800A with Deutz Engine</b>	B
	1001110316	Ref	<b>CE Specs 800AJ with Deutz Engine</b>	B
		Ref	<b>Australian CE Specs</b>	
		Ref	<b>Australian CE Specs 800AJ with Caterpillar Engine Options:</b>	
	1001110320	Ref	<b>Australian CE Specs 800AJ with Caterpillar Engine (SN 0300140000 through 0300149102)</b>	B
	1001110318	Ref	<b>Australian CE Specs 800AJ with Caterpillar Engine (SN 0300149103 through 0300183033)</b>	C
		Ref	<b>Australian CE Specs 800AJ with Deutz Engine Options:</b>	
	1001110316	Ref	<b>Australian CE Specs 800AJ with Deutz Engine (SN 0300140000 through 0300149102)</b>	B
	1001110314	Ref	<b>Australian CE Specs 800AJ with Deutz Engine (SN 0300149103 through 0300183033)</b>	B
1	0100011	AR	Compound, Locking	
2	0100048	AR	Grease, Dielectric	
3	0630518	2	Capscrew, Button Head	
4	0630548	5	Bolt, 2-1/2in Tap	
5	1001110199	1	Box, Fiberglass	
5A	7020246	2	Latch	
6	1001103667	1	Module, Ground Control (Note: Recalibration Required When Replaced.)	
7	1670829	1	Bezel	
8	1706712	1	Decal - Ground Control Display	
9		Ref	Decal - Faceplate Options:	
9	1001102599	1	Decal - Faceplate 800A	
9	1001102600	1	Decal - Faceplate 800AJ	
10	2420172	1	Gauge, Hourmeter	
11	2760105	1	Housing, Display Light	
12	3300205	4	Nut, Retainer	
13	3300408	AR	Locknut, Plastic Insert	
14	77143013	11	Nut 1/4in-20NC	
15	3520035	1	Plug, Cap	
16	3539219	1	Plate, Reinforcement	
17	3740049	Ref	Relay Options:	
17	3740049	3	Caterpillar Engine Machines	

## SECTION 2 - TURNTABLE

ITEM	PART NUMBER	QTY	DESCRIPTION	REV
17	3740049	2	Deutz and GM Engine Machines	
18	3900268	AR	Screw, Flange #10 x 1/2in	
19	3910804	6	Screw #8-32NC x 1/4in	
20	4060906	1	Shield, Toggle Switch	
21	4070987	1	Shim (.015in)	
22	4360328	Ref	Switch, Toggle	
22	4360328	8	Switch, Toggle 800A	
22	4360328	9	Switch, Toggle 800AJ	
23		Ref	Switch, Key Options:	
23	4360469	1	All Specs Except Australian and CE Specs	
23	4360470	1	CE Specs	
23	4360470	1	Australian Specs (SN 0300140000 through 0300149102)	
23	4360469	1	Australian Specs (SN 0300149103 through 0300183033)	
23	2860030	1	Key Replacement	
24	4360475	1	Switch, Emergency Stop	
24	7020175	1	Cap, Mushroom	
24	7020176	1	Block, Contact	
25	4360476	1	Switch, Contact Block	
26	4460426	1	Connector, Strain Relief	
27	4460470	1	Nut, Terminal	
28	4460471	1	Lockwasher, Terminal	
29	4460488	6	Mounting Base, Terminal	
30	4460526	1	Connector, Strain Relief	
31	4740444	AR	Washer, Special	
32	4751400	12	Flatwasher 1/4in	
33	4761400	6	Lockwasher 1/4in	
34	4922557	1	Harness, Valve (Not Shown - See ELECTRICAL SECTION for Breakdown)	
35		Ref	Harness, Engine Options (Not Shown - See ELECTRICAL SECTION for Breakdown):	
35	1001110324	1	Caterpillar Engine Machines	
35	1001110222	1	Deutz Engine Machines	
35	1001110221	1	GM Engine Machines	
36	1001110225	1	Harness, Ground Control Box Options (Not Shown - See ELECTRICAL SECTION for Breakdown):	
37		Ref	Ground Control Box Wiring Diagram (Not Shown - See ELECTRICAL SECTION for Breakdown)	
37	1001110323	1	Caterpillar Engine Machines	
37	1001110322	1	Deutz Engine Machines	
37	1001110321	1	GM Engine Machines	
38	4460496	1	Lockwasher, Terminal	
39	4460497	1	Nut, Terminal	
40	0641407	1	Bolt 1/4in-20NC x 7/8in	
41	1001106736	1	Cap, Dust	
42	0641506	4	Bolt 5/16in-18NC x 3/4in	

# PARTS FINDER

**Search Website  
by Part Number**



**Search Manual  
Library For Parts  
Manual & Lookup Part  
Numbers – Purchase  
or Request Quote**

**Can't Find Part or  
Manual? Request Help  
by Manufacturer,  
Model & Description**

Discount-Equipment.com is your online resource for quality parts & equipment.

Florida: **561-964-4949** Outside Florida TOLL FREE: **877-690-3101**

## Need parts?

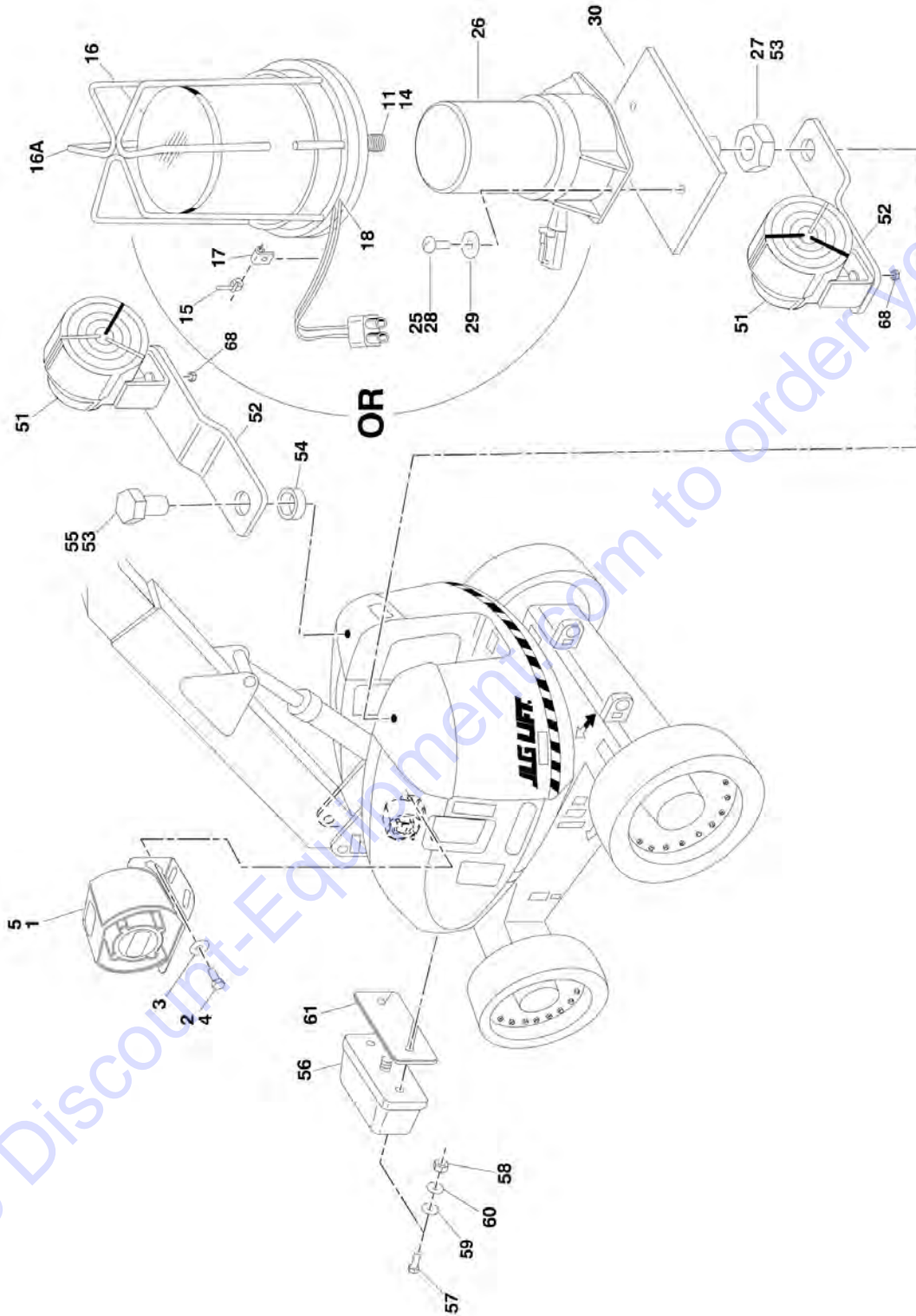
Click on this link: <http://www.discount-equipment.com/category/5443-parts/> and choose one of the options to help get the right parts and equipment you are looking for. Please have the machine model and serial number available in order to help us get you the correct parts. If you don't find the part on the website or on one of the online manuals, please fill out the request form and one of our experienced staff members will get back to you with a quote for the right part that your machine needs.

We sell worldwide for the brands: Genie, Terex, JLG, MultiQuip, Mikasa, Essick, Whiteman, Mayco, Toro Stone, Diamond Products, Generac Magnum, Airman, Haulotte, Barreto, Power Blanket, Nifty Lift, Atlas Copco, Chicago Pneumatic, Allmand, Miller Curber, Skyjack, Lull, Skytrak, Tsurumi, Husquvarna Target, Stow, Wacker, Sakai, Mi-T-M, Sullair, Basic, Dynapac, MBW, Weber, Bartell, Bennar Newman, Haulotte, Ditch Runner, Menegotti, Morrison, Contec, Buddy, Crown, Edco, Wyco, Bomag, Laymor, EZ Trench, Bil-Jax, F.S. Curtis, Gehl Pavers, Heli, Honda, ICS/PowerGrit, IHI, Partner, Imer, Clipper, MMD, Koshin, Rice, CH&E, General Equipment, Amida, Coleman, NAC, Gradall, Square Shooter, Kent, Stanley, Tamco, Toku, Hatz, Kohler, Robin, Wisconsin, Northrock, Oztec, Toker TK, Rol-Air, APT, Wylie, Ingersoll Rand / Doosan, Innovatech, Con X, Ammann, Mecalac, Makinex, Smith Surface Prep, Small Line, Wanco, Yanmar



# SECTION 2 - TURNTABLE

FIGURE 2-16. ELECTRICAL OPTIONS INSTALLATIONS (TURNTABLE MOUNTED)



## SECTION 2 - TURNTABLE

**FIGURE 2-16. ELECTRICAL OPTIONS INSTALLATIONS (TURNTABLE MOUNTED)**

ITEM	PART NUMBER	QTY	DESCRIPTION	REV
		Ref	<b>ELECTRICAL OPTIONS INSTALLATIONS (TURNTABLE MOUNTED)</b>	
	0258674	Ref	<b>ALARMS INSTALLATIONS</b>	C
1	0257887	1	Alarm/Harness Assembly	
1	0140032	1	Alarm	
1	2820035	6 in/15cm	Loom	
1	4460424	1	Plug	
1	4460268	2	Socket	
2	0641508	2	Bolt 5/16in-18NC x 1in	
3	4711500	2	Flatwasher 5/16in Narrow	
4	0100011	AR	Compound, Locking	
5	0100048	AR	Sealant, Silicone	
	0271422	Ref	<b>STROBE LIGHT INSTALLATIONS (AMBER) (OPTIONAL) (SN 0300140000 through 0300171628)</b>	C
		Ref	<b>Note: If machine is equipped with BLUE Strobe Light, See SPECIAL OPTIONS SkyGuard Kit.</b>	
11		Ref	Adapter Options:	
11	0630491	1	Adapter - Used with ECCO Model 6640 Only	
11	0080241	1	Adapter - Used with ECCO Model 6650 Only	
14	0100011	AR	Compound, Locking	
15	4240032	1	Wire-Tile	
16	0272507	1	Strobe Light/Guard/Harness Assembly (Includes Items 11 & 16A)	
16		Ref	Bulb, Replacement Options:	
16	7016380	1	Bulb - for ECCO Model 6640	
16	70001941	1	Bulb - for ECCO Model 6650	
16A		Ref	Guard Options:	
16A	4060907	1	Guard - Used with ECCO Model 6640	
16A	2920215	1	Guard - Used with ECCO Model 6650	
17	4460234	1	Clamp	
18	0100048	AR	Sealant, Silicone	
	1001150406	Ref	<b>STROBE LIGHT INSTALLATION (AMBER) (OPTIONAL) (SN 0300171629 to Present)</b>	A
		Ref	<b>Note: If machine is equipped with BLUE Strobe Light, See Section 10 SkyGuard Kit.</b>	
25	0100035	AR	Compound, Locking	
26	2920161	1	Strobe Light/Harness Assembly	
26	7016319	1	Bulb	
26	7016372	1	Lens	
27	3312602	1	Nut, Jam 1in-8NC	
28	3900085	2	Screw #10-32 x 1/2in	
29	4751000	2	Flatwasher 1/4in Thin	
30	1001149994	1	Mount Strobe	
	0271768	Ref	<b>LIGHTS INSTALLATIONS (OPTIONAL)</b>	D
51	2920110	2	Headlight	
52	0902206	2	Bracket, Mounting	
53	0642612	1	Bolt 1in-8NC x 1-1/2in	
54	4220162	2	Spacer (SN 0300140000 through 0300184391)	
54	4892600	2	Washer 1in Hardened (SN 0300184392 through 0300183033)	
55	0100011	AR	Compound, Locking	
56	2920113	2	Taillight	
57	3911040	4	Screw, Machine #10-24NC x 2-1/2in	



## SECTION 2 - TURNTABLE

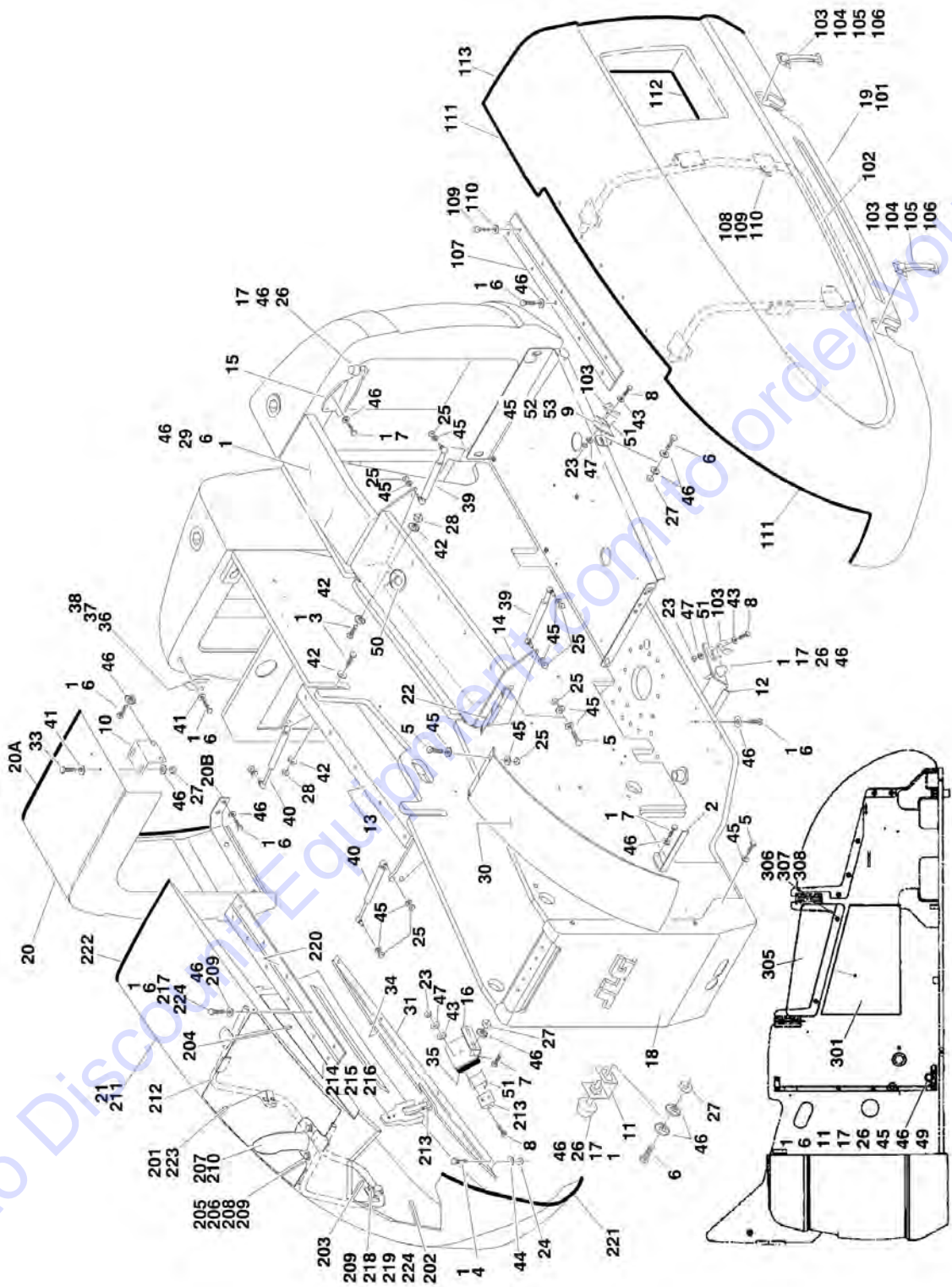
ITEM	PART NUMBER	QTY	DESCRIPTION	REV
58	3311005	4	Nut #10-24NC	
59	4751000	4	Flatwasher #10	
60	4740362	4	Washer, Fender	
61	3960461	2	Gasket	
63	4240032	12	Tie-Strap (Not Shown)	
64	4460234	12	Mount, Tie-Strap (Not Shown)	
65	4360522	1	Switch, Toggle Options (Not Shown - Located on Console)	
67	1705170	1	Decal, Lights (Not Shown)	
68	3311605	2	Locknut 3/8-16	

Go to Discount-Equipment.com to order your parts



# SECTION 2 - TURNTABLE

## FIGURE 2-17. HOODS INSTALLATION (ABS)



## SECTION 2 - TURNTABLE

### FIGURE 2-17. HOODS INSTALLATION (ABS)

ITEM	PART NUMBER	QTY	DESCRIPTION	REV
		Ref	<b>HOODS INSTALLATION</b>	
	0274759	Ref	<b>Caterpillar Engine Machines</b>	G
	1001099137	Ref	<b>Deutz Engine Machines</b>	C
	0275546	Ref	<b>GM Engine Machines</b>	G
1	0100011	AR	Compound, Locking	
2	0362770	1	Bar, Panel Mounting	
3	0630507	8	Bolt, Carriage 1/2in-13NC x 1-1/4in	
4	0641406	4	Bolt 1/4in-20NC x 3/4in	
5	0641506	AR	Bolt 5/16in-18NC x 3/4in	
5	0641508	AR	Bolt 5/16in-18NC x 1in	
6	0641608	22	Bolt 3/8in-16NC x 1in	
7	0641609	5	Bolt 3/8in-16NC x 1-1/8in	
8	0721006	6	Screw #10-24NC x 3/4in	
9	0902143	1	Bracket, Latch (Tank Side)	
10	0902161	1	Bracket, Hood Spacer Mounting (Engine Side)	
11	0902219	2	Bracket, Bumper	
12	0902223	1	Bracket, Latch (Tank Side)	
13	0902351	1	Bracket, Hood Mounting (Engine Side)	
14	0902412	1	Bracket, Hood Mounting (Tank Side)	
15	0902426	1	Bracket, Bumper - Counterweight Mounted	
16	0902491	1	Bracket, Latch (Engine Side)	
17	0940071	4	Bumper	
18	1670842	1	Cover, Turntable End	
19	1671228	1	Hood Assembly - Tank Side (See Items 101-113 for Breakdown)	
		Ref	<b>Note: Replacement decals must be ordered separately - See DECAL SECTION.</b>	
20	1671233	1	Spacer Assembly	
20A	3960453	68 in /1.73m	Seal	
20B	0903308	1	Bracket	
21		Ref	Hood Assembly - Engine Side Options (See Items 201-224 for Breakdown):	
		Ref	<b>Note: Replacement decals must be ordered separately - See DECAL SECTION</b>	
21	1671249	1	Caterpillar Engine Machines	
21	1001099138	1	Deutz Engine Machines	
21	1001117045	1	GM Engine Machines	
22	2600244	1	Adapter, Panel Hinge	
23	3311001	6	Nut #10-24NC	
24	3311405	4	Locknut 1/4in-20NC	
25	3311505	9	Locknut 5/16in-18NC	
26	3311601	AR	Nut 3/8in-16NC	
27	3311605	7	Locknut 3/8in-16NC	
28	3311805	8	Locknut 1/2in-13NC	
29	3380442	1	Cover, Top (Tank Side)	
30	3380444	1	Panel, Adapter	
31	3571712	1	Plate, Seal	
33	3900232	2	Screw, Button Head 3/8in-16NC x 1-1/4in	
34	3960389	3.5 ft/1m	Seal	
35	3960470	1	Seal, Latch	

## SECTION 2 - TURNTABLE

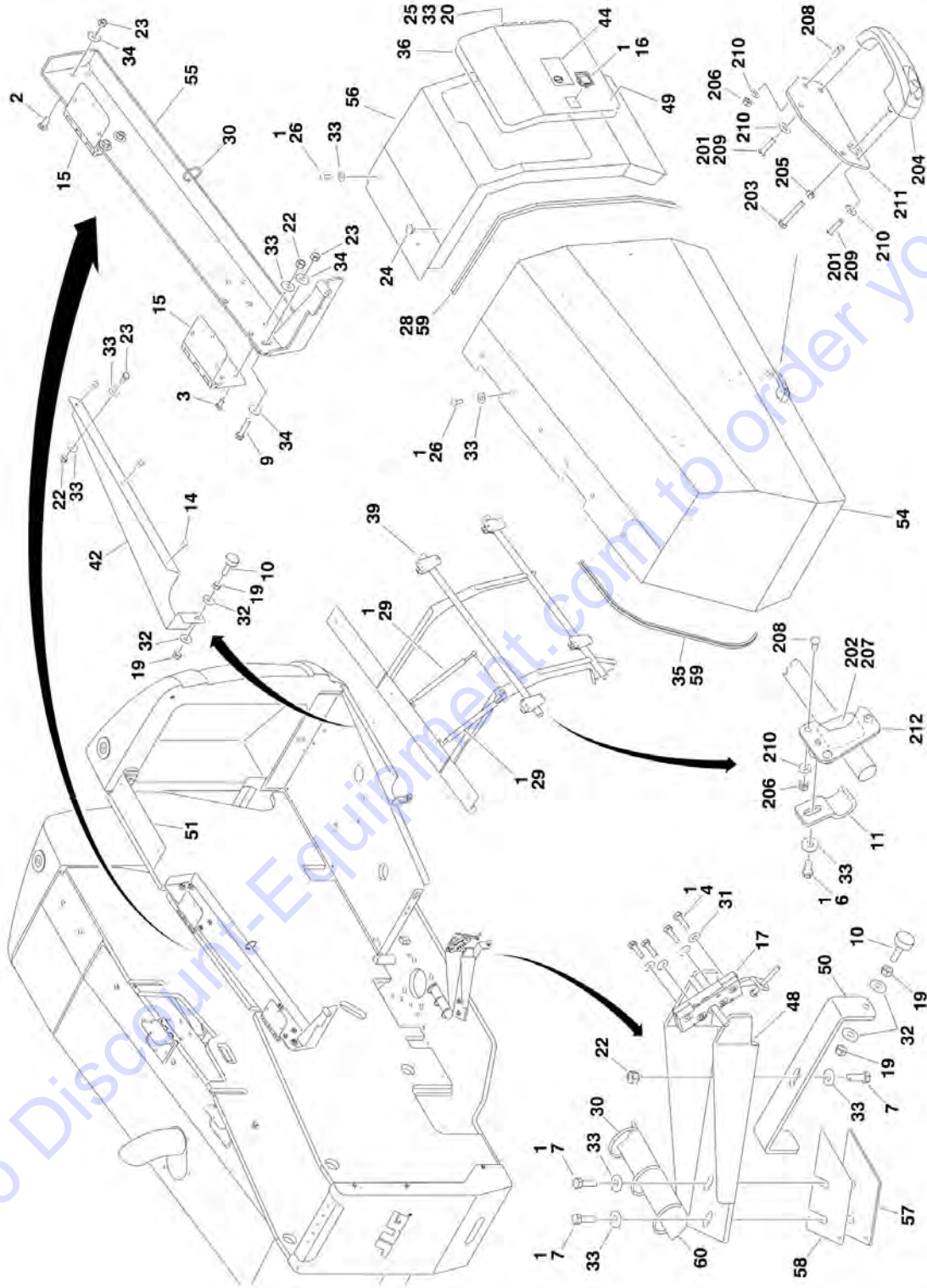
ITEM	PART NUMBER	QTY	DESCRIPTION	REV
36	4070410	AR	Shim 1/16in	
37	4070411	AR	Shim 1/8in	
38	4070412	AR	Shim 3/16in	
39	4160139	2	Spring, Gas (Tank Side)	
40	4160143	1	Spring, Gas (Engine Side)	
41	4740076	5	Washer, Fender	
42	4740171	8	Washer, Hardened	
43	4751000	6	Flatwasher #10	
44	4751400	4	Flatwasher 1/4in	
45	4751500	AR	Flatwasher 5/16in	
46	4751600	AR	Flatwasher 3/8in	
47	4761000	6	Lockwasher #10	
49	3321501	2	Nut 5/16in-24NF	
50	1120601	1	Cap, Plug	
51	2940188	3	Latch, Spring Clip	
52	0940049	1	Stopper, Hood	
53	3311501	2	Nut 5/16in-18NC	
	1671228	Ref	<b>HOOD ASSEMBLY (TANK SIDE)</b>	A
101	1671231	1	Hood	
102	1671232	1	Frame, Tubular	
103	2940088	2	Latch	
104	0721008	4	Screw, Machine #10-24NC x 1in	
105	4751000	4	Flatwasher #10	
106	3311005	4	Locknut #10-24NC	
107	2600233	1	Hinge	
108	1321384	4	Hold Down	
109	0641606	9	Bolt 3/8in-16NC x 3/4in	
110	4711600	9	Flatwasher 3/8in Narrow	
111	3960464	83 in /2.11m	Seal	
112	3960438	55 in/1.4m	Seal	
113	3960462	53 in /1.35m	Seal	
		Ref	<b>HOOD ASSEMBLIES (ENGINE SIDE)</b>	
	1671249	Ref	<b>Caterpillar Engine Machines</b>	D
	1001099138	Ref	<b>Deutz Engine Machines</b>	B
	1001117045	Ref	<b>GM Engine Machines</b>	A
201		Ref	Insulation/Foam Options:	
201	1001101391	1	Caterpillar Engine	
201	1001101673	1	Deutz Engine	
201	1001117139	1	GM Engine	
202	2820233	1	Insulation, Rear Sound (Caterpillar/Deutz Engine Only)	
203	2820234	1	Insulation, Center Sound (Caterpillar/Deutz Engine Only)	
204	2820235	1	Insulation, Rear Sound (Caterpillar/Deutz Engine Only)	
205	3311605	AR	Locknut 3/8inx16NC	
206	3900232	AR	Screw, Button Head 3/8in-16NC x 1-1/4in	
207		Ref	Shield, Heat Gasket Options:	
207	1001101392	1	Caterpillar Engine Machines	
207	1001101623	1	Deutz Engine Machines	
207	Not Required	0	GM Engine Machines	
208	4740500	AR	Washer (Special)	
209	4751600	AR	Flatwasher 3/8in	

## SECTION 2 - TURNTABLE

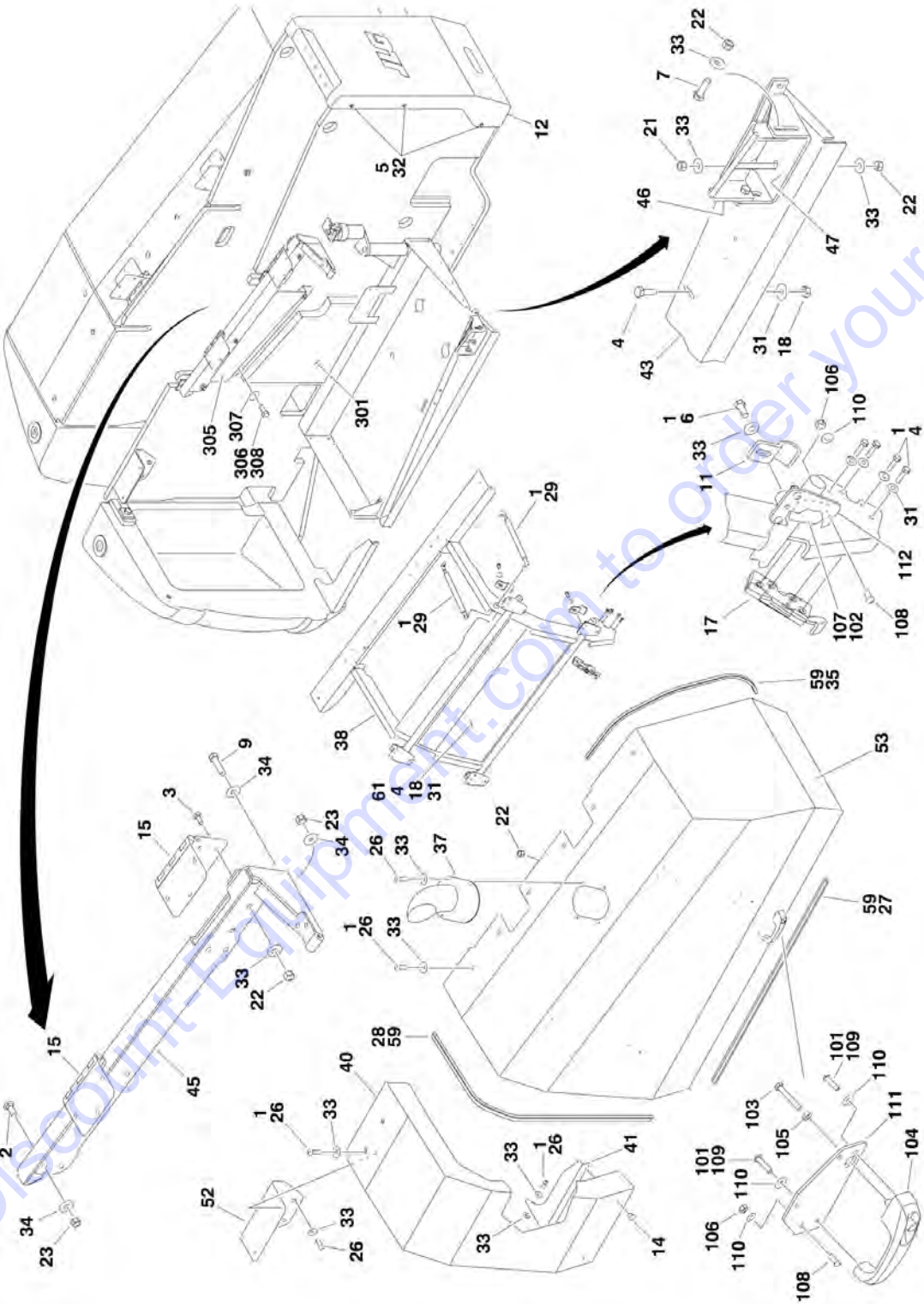
ITEM	PART NUMBER	QTY	DESCRIPTION	REV
210		Ref	Exhaust Tube Weldment Options:	
210	4845411	1	Caterpillar Engine Machines	
210	1001099121	1	Deutz Engine Machines	
210	1001117040	1	GM Engine	
211		Ref	Hood Kit Options:	
		Ref	<b>Note: Replacement decals must be ordered separately - See DECAL SECTION.</b>	
211	1001097965	1	Caterpillar Engine Machines (Includes Items 201, 202, 203, 204, 207 & 208)	
211	1001099139	1	Deutz Engine Machines (Must also purchase Items 201, 202, 203, 204, 207 & 208)	
211	1001097964	1	GM Engine Machines (Includes Items 201, 208 & 223)	
212	1671230	1	Frame, Tubular	
213	2940088	1	Latch	
214	0721008	2	Screw, Machine #10-24NC x 1in	
215	4751000	2	Flatwasher #10	
216	3311005	2	Locknut #10-24NC	
217	0641608	AR	Bolt 3/8in-16NC x 1in	
217	0641606	AR	Bolt 3/8in-16NC x 3/4in	
218	1321384	4	Hold Down	
219	0641606	4	Bolt 3/8in-16NC x 3/4in	
220	2600209	1	Hinge	
221	3960464	65 in /1.67m	Seal	
222	3960462	61 in /1.55m	Seal	
223	1001117140	AR	Tape (GM Engine Only)	
224	0100011	AR	Compound, Locking	
	0256823	Ref	<b>NOISE REDUCTION INSTALLATION (DEUTZ/CATERPILLAR ENGINE MACHINES)</b>	3-C
301	2820078	1	Foam, Acoustical (Turntable Side)	
305	3539955	1	Plate, Baffle	
306	0641506	2	Bolt 5/16in-18NC x 3/4in	
307	4751500	2	Flatwasher 5/16in	
308	0100011	AR	Compound, Locking	

# SECTION 2 - TURNTABLE

## FIGURE 2-18. HOODS INSTALLATION (STEEL)



SECTION 2 - TURNTABLE



Go to [DiscountParts.com](http://DiscountParts.com) to order your parts



## SECTION 2 - TURNTABLE

FIGURE 2-18. HOODS INSTALLATION (STEEL)

ITEM	PART NUMBER	QTY	DESCRIPTION	REV
		Ref	<b>HOODS INSTALLATION (STEEL)</b>	
	1001117504	Ref	<b>Caterpillar Engine Machines</b>	C
	1001117209	Ref	<b>Deutz Engine Machines</b>	D
	1001117503	Ref	<b>GM Engine Machines</b>	C
1	0100011	AR	Compound, Locking	
2	0630507	8	Bolt, Carriage 1/2in-13NC x 1-1/4in	
3	0630485	16	Bolt, Carriage 3/8in-16NC x 1in	
4	0641408	AR	Bolt 1/4in-20NC x 1in	
5	0641506	AR	Bolt 5/16in-18NC x 3/4in	
5	0641508	AR	Bolt 5/16in-18NC x 1in	
6	0641607	10	Bolt 3/8in-16NC x 7/8in	
7	0641609	7	Bolt 3/8in-16NC x 1-1/8in	
9	0641818	2	Bolt 1/2in-13NC x 2-1/4in	
10	0940049	2	Stopper, Hood	
11	1321384	8	Hold Down	
12	1670842	1	Cover, Turntable End	
14	2080040	6	Fastener	
15	2600280	4	Hinge	
16	2940045	1	Latch, Paddle	
17	2940173	2	Latch, Rotary	
18	3311405	AR	Locknut 1/4in-20NC	
19	3311501	4	Nut 5/16in-18NC	
20	3300364	3	Nut 5/16in-18NC (Tinnerman)	
21	3311601	1	Nut 3/8in-16NC	
22	3311605	40	Locknut 3/8in-16NC	
23	3311805	10	Locknut 1/2in-13NC	
24	3520030	1	Plug, Hole	
25	3900210	3	Screw 5/16in-18NC x 3/4in	
26	3900316	38	Screw 3/8in-16NC x 1in	
27	3960389	4.5 ft /1.4m	Seal	
28	3960462	9 ft/2.7m	Seal	
29	4160194	4	Spring, Compression	
30	4240018	4	Strap, Cable Tie	
31	4751400	AR	Flatwasher 1/4in	
32	4751500	15	Flatwasher 5/16in	
33	4751600	79	Flatwasher 3/8in	
34	4751800	12	Flatwasher 1/2in	
35	1001110166	7 ft/2.1m	Seal	
36	1001113047	6.5 ft/2m	Seal (Adhesive Back)	
37		Ref	Pipe, Exhaust Options:	
37	1001116457	1	Caterpillar and GM Engines	
37	1001116456	1	Deutz Engines	
38	1001116562	1	Support, Substructure	
39	1001116618	1	Support, Substructure	
40	1001117219	1	Hood, Engine Side (Fixed)	
41	1001117234	1	Bracket, Hood Support	
42	1001117236	1	Bracket, Hood Support	
43	1001117249	1	Plate, Seal (800A Only)	
44	1001117307	1	Decal - Emergency Stop	

## SECTION 2 - TURNTABLE

ITEM	PART NUMBER	QTY	DESCRIPTION	REV
45	1001117441	1	Bracket, Hood Support (800A Only)	
46	1001117523	1	Bracket, Striker	
47	1001117525	1	Bracket, Striker Mounting	
48	1001117568	1	Bracket, Striker (800A Only)	
49	1001117598	1	Door (800A Only)	
50	1001118236	1	Bracket, Stop Mounting	
51	1001118263	1	Bracket, Hood Mounting	
52	1001118264	1	Bracket, Hood Mounting	
53		Ref	Hood, Engine Side Assembly (See Breakdown 101-112)	
53	1001118344	1	Caterpillar and Deutz	
53	1001118716	1	GM	
		Ref	<b>Note: Replacement Decals Must be purchased separately - See DECAL SECTION.</b>	
54	1001118345	1	Hood, Tank Side Assembly (See Breakdown 201-212)	
		Ref	<b>Note: Replacement Decals Must be purchased separately - See DECAL SECTION.</b>	
55	1001119935	1	Bracket, Hinge Support	
56	1001120962	1	Hood, Tank Side (Fixed)	
57	1001121122	1	Shim 3mm (800A Only)	
58	1001121123	1	Shim 1.5mm (800A Only)	
59	0100081	AR	Adhesive (SN 0300144797 through 0300183033)	
60	4061032	1	Shield, Hose (SN 0300144797 through 0300183033)	
61	1001120508	1	Shield, Heat (Deutz Engine Only)	
		Ref	<b>HOOD ASSEMBLIES (ENGINE SIDE)</b>	
101	0100011	AR	Compound, Locking	
102	0100081	AR	Adhesive	
103	0700616	1	Bolt M6 x 40mm	
104	2560187	1	Handle, Push Button	
105	3290601	1	Nut M6	
106	3311505	15	Locknut 5/16in-18NC	
107	3340877	4	Pad	
108	3900210	15	Screw, Button Head 5/16in-18NC x 3/4in	
109	3900363	2	Screw, Button Head M6 x 25mm	
110	4711500	17	Flatwasher 5/16in Thin	
111	1001116290	1	Plate, Latch Mounting	
112	1001116292	4	Mount, Clamp	
		Ref	<b>HOOD ASSEMBLIES (TANK SIDE)</b>	
201	0100011	AR	Compound, Locking	
202	0100081	AR	Adhesive	
203	0700616	1	Bolt M6 x 40mm	
204	2560187	1	Handle, Push Button	
205	3290601	1	Nut M6	
206	3311505	15	Locknut 5/16in-18NC	
207	3340877	4	Pad	
208	3900210	15	Screw, Button Head 5/16in-18NC x 3/4in	
209	3900363	2	Screw, Button Head M6 x 25mm	
210	4711500	17	Flatwasher 5/16in Thin	
211	1001116290	1	Plate, Latch Mounting	
212	1001116292	4	Mount, Clamp	
	0256823	Ref	<b>NOISE REDUCTION INSTALLATION (DEUTZ/CATERPILLAR ENGINE MACHINES)</b>	3-C
301	2820078	1	Foam, Acoustical (Turntable Side)	

## SECTION 2 - TURNTABLE

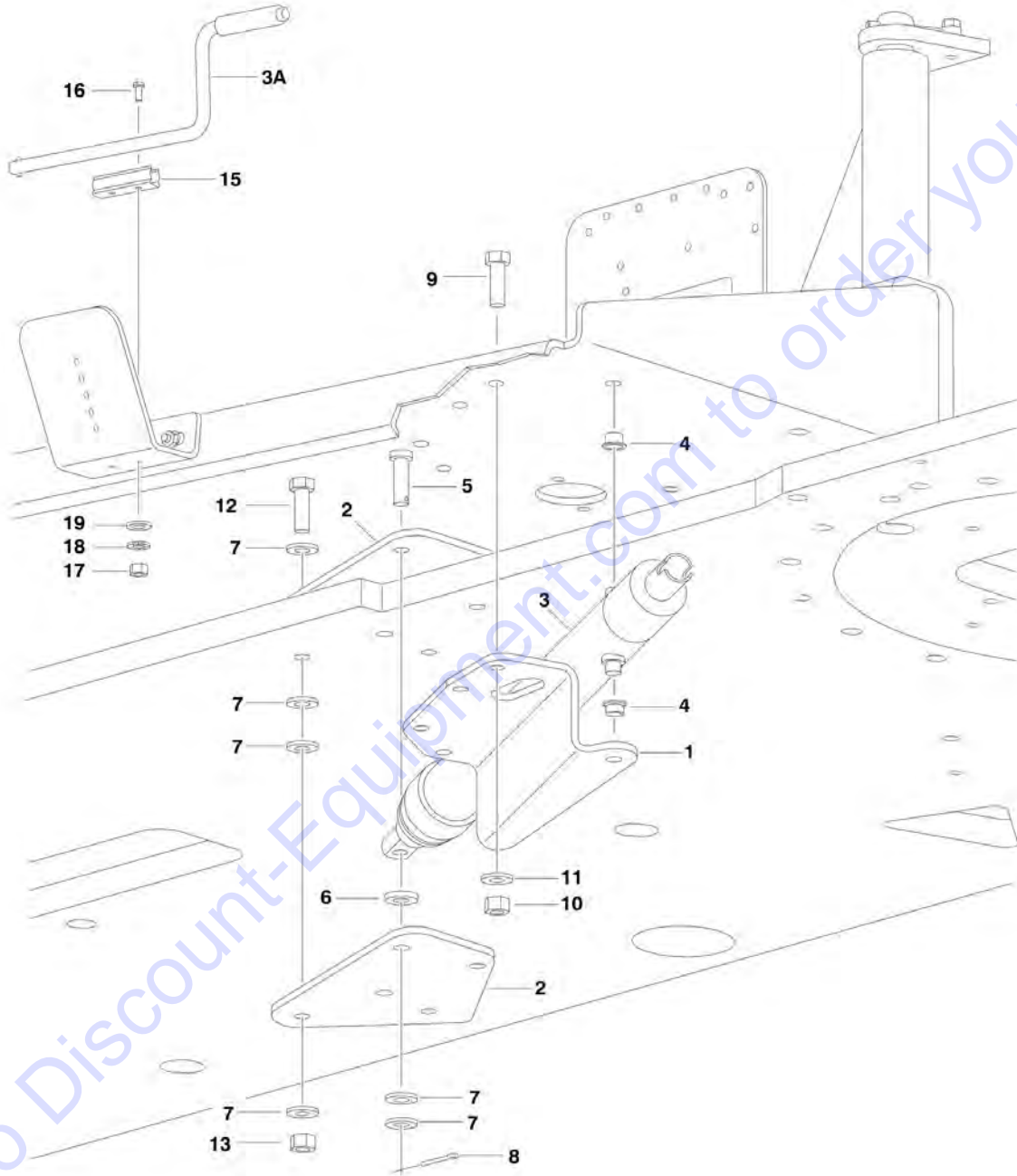
ITEM	PART NUMBER	QTY	DESCRIPTION	REV
305	3539955	1	Plate, Baffle	
306	0641506	2	Bolt 5/16in-18NC x 3/4in	
307	4751500	2	Flatwasher 5/16in	
308	0100011	AR	Compound, Locking	
		Ref	<b>HEAT SHIELD INSTALLATION (GM ENGINE MACHINES)</b>	
	1001114636	Ref	<b>Without Arctic Package</b>	E
	1001114638	Ref	<b>With Arctic Package</b>	E
401	3311405	3	Locknut 1/4in-20NC	
402	4751400	3	Flatwasher 1/4in	
403	0641408	3	Bolt 1/4in-20NC x 1in	
404	1001120508	1	Shield, Heat	

Go to Discount-Equipment.com to order your parts



## SECTION 2 - TURNTABLE

FIGURE 2-19. ENGINE TRAY JACK INSTALLATION (OPTIONAL)



**SECTION 2 - TURNTABLE**

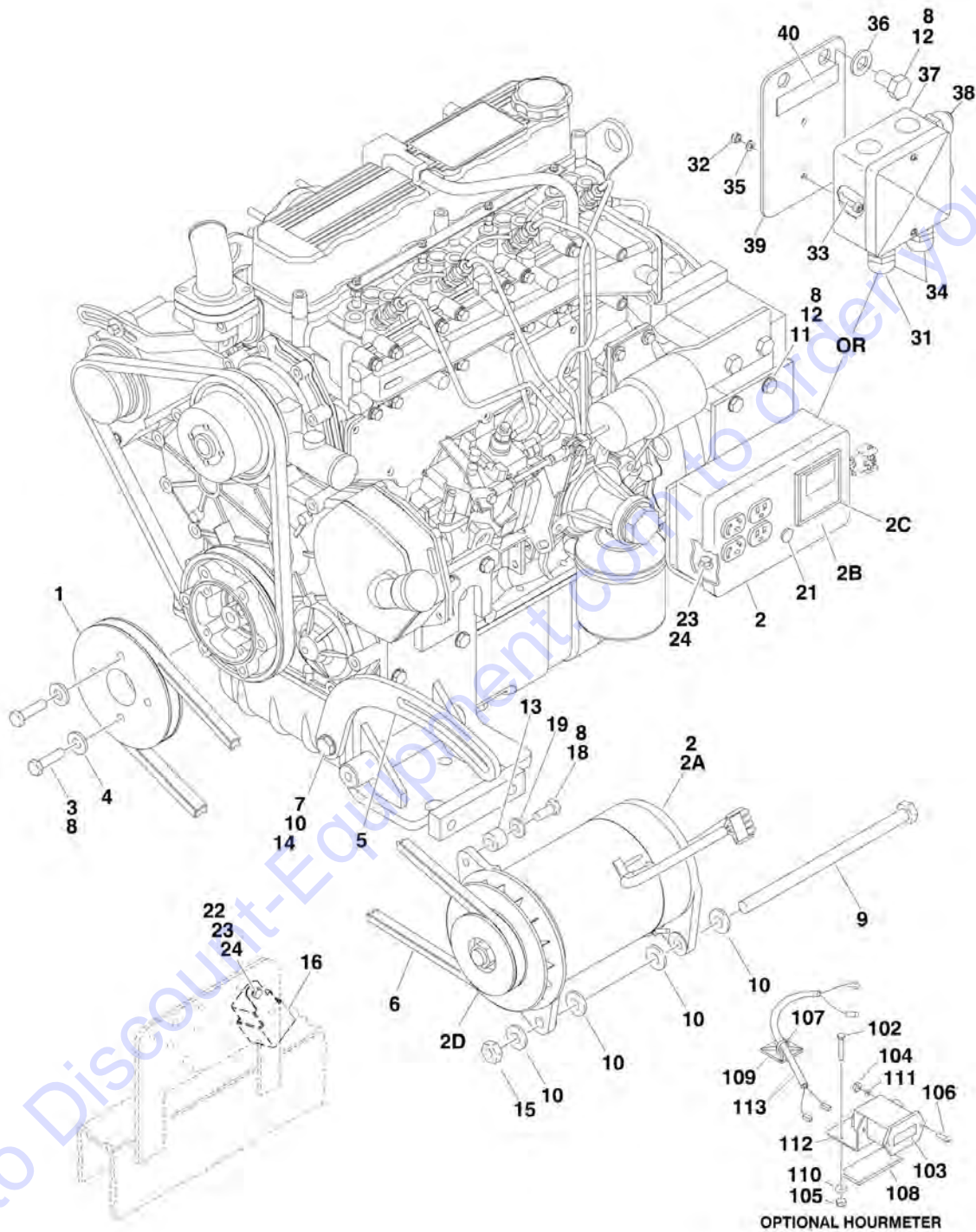
**FIGURE 2-19. ENGINE TRAY JACK INSTALLATION (OPTIONAL)**

ITEM	PART NUMBER	QTY	DESCRIPTION	REV
	0258728	Ref	<b>ENGINE TRAY JACK INSTALLATION</b>	2-C
1	3537445	1	Bracket	
2	3537446	2	Bracket	
3	2840016	1	Jack and Handle Assembly	F
3A	7024598	1	Handle	
4	0962051	2	Bearing, Flange	
5	3430816	1	Pin, Clevis	
6	4891800	1	Washer, Hardened	
7	4711800	6	Flatwasher 1/2in Narrow	
8	3450404	1	Pin, Cotter 1/8in x 1in	
9	0641609	4	Bolt 3/8in-16NC x 1-1/8in	
10	3311605	4	Locknut 3/8in-16NC	
11	4891600	4	Washer, Hardened	
12	0641818	4	Bolt 1/2in-13NC x 2-1/4in	
13	3311805	4	Locknut 1/2in-13NC	
15	1380147	1	Clip, Spring	
16	3910608	2	Screw, Round Head #6-32NC x 1in	
17	3310601	2	Nut #6-32NC	
18	4770600	2	Starwasher #6	
19	4740119	2	Washer, Aluminum	

Go to Discount-Equipment.com to order your parts

# SECTION 2 - TURNTABLE

## FIGURE 2-20. 2500W GENERATOR INSTALLATION - CATERPILLAR MACHINES (OPTIONAL)



## SECTION 2 - TURNTABLE

**FIGURE 2-20. 2500W GENERATOR INSTALLATION - CATERPILLAR MACHINES (OPTIONAL)**

ITEM	PART NUMBER	QTY	DESCRIPTION	REV
		Ref	<b>GENERATOR INSTALLATION OPTIONS:</b>	
	1001115404	Ref	<b>ANSI Specs - 110V/60Hz</b>	A
	1001115413	Ref	<b>ANSI Export and CE Specs - 110V/50Hz</b>	A
	1001115414	Ref	<b>ANSI Export, Australian and CE Specs - 220V/50Hz</b>	A
1	3580322	1	Pulley	
2		Ref	Generator and Control Box Assembly Options:	
2	2460055	1	110V/60Hz	
2	2460049	1	110V/50Hz Generator Only	
2	1001100321	1	220V/50Hz Generator Only	
2A		Ref	Generator Options:	
2A	7012558	1	110V/60Hz	
2A	2460049	1	110V/50Hz	
2A	1001100321	1	220V/50Hz	
		Ref	<b>Note: Replacement Generators come standard with p/n 3580134 pulley. This pulley may not be correct for all applications. Refer to pulley options below.</b>	
2A	7026199	1	110V/60Hz Armature with Slip Rings	
2A	70000122	1	110V/50Hz Armature with Slip Rings	
2A	70000123	1	220V/50Hz Armature with Slip Rings	
2A	7012513	4	Cap, Brush Holder	
2A	7020108	4	Brush	
2A	7020109	4	Holder, Brush	
2A	7012514	1	Fan	
2A	7020190	2	Bearing	
2A	7020110	1	End Bell, Front	
2A	7020111	1	End Bell, Rear	
2B	7019680	1	Box, Control (110V/60Hz Generator Only)	
2B	4360542	1	Breaker, Circuit	
2B	4460190	AR	Receptacle, Double (110V Box)	
2B	4460027	AR	Receptacle, Double Twist Lock (110V Box)	
2C	2420203	1	Voltmeter	
2D		Ref	Pulley Options:	
2D	3580276	1	110V/60Hz	
2D	3580134	1	110V/50Hz	
2D	3580134	1	220V/50Hz	
2D	7027887	1	Key, Woodruff	
3	0700816	4	Bolt M8 x 40mm	
4	4811900	4	Flatwasher M8	
5	0200819	1	Arm, Adjusting	
6		Ref	V-Belt Options:	
6	0480121	1	110V/60Hz	
6	0480120	1	110V/50Hz	
6	0480120	1	220V/50Hz	
7	0641610	1	Bolt 3/8in-16NC x 1-1/4in	
8	0100011	AR	Compound, Locking	
9	0641772	1	Bolt 7/16in-14NC x 9in	
10	4751600	6	Flatwasher 3/8in	
11	3574684	1	Plate, Box Mounting	
12	0701210	2	Bolt M12 x 20mm	
13	0962563	1	Bushing, Spacer	



## SECTION 2 - TURNTABLE

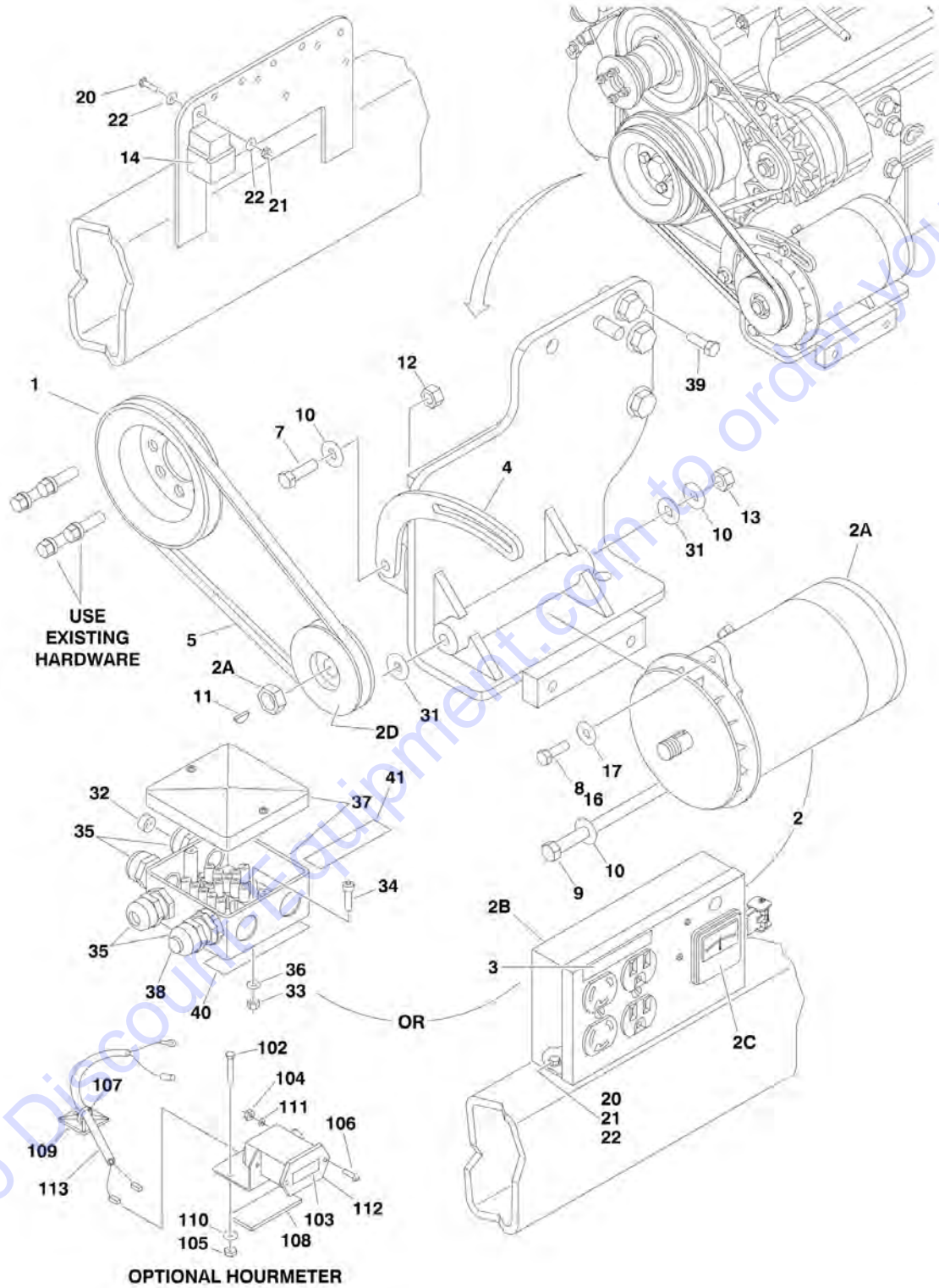
ITEM	PART NUMBER	QTY	DESCRIPTION	REV
14	3311605	1	Locknut 3/8in-16NC	
15	3311705	1	Locknut 7/16in-14NC	
16	3740080	1	Relay	
18	0641508	1	Bolt 5/16in-18NC x 1in	
19	4751500	1	Flatwasher 5/16in	
21	3520028	1	Plug, Hole	
22	0721006	AR	Bolt #10-24NC x 3/4in	
23	3311005	AR	Locknut #10-24NC	
24	4751000	AR	Flatwasher #10	
25	4360336	1	Switch, Toggle (Not Shown - Located at Platform)	
27	4060802	1	Guard, Switch (Not Shown - Located at Platform)	
28		Ref	Decal - Voltage Options (Not Shown - Located at Platform):	
28	Not Required	0	110V/60Hz	
28	1705325	1	110V/50Hz	
28	3252507	1	220V/50Hz	
29	2820031	4 in/10cm	Heat Shrink (Not Shown - Located at Platform)	
30	3251102	1	Decal (Not Shown - Located at Platform)	
		Ref	<b>Note: Items 31 thru 40 Used with 1001115413 &amp; 1001115414 Installations Only.</b>	
31	0962449	1	Bushing, Silicone	
32	3290505	1	Locknut M5	
33	4031608	2	Capscrew M5 x 20mm	
34	4460968	3	Bushing, Strain Relief	
35	4811600	2	Flatwasher M5	
36	4812100	2	Flatwasher M12	
37	1001099869	1	Box, Junction	
38		Ref	Light, Red Options:	
38	1001100233	1	110V/50Hz	
38	1001100234	1	220V/50Hz	
39	1001102644	1	Bracket, AC Junction Box	
40		Ref	Decal - Voltage Options:	
40	1705325	1	110V/50Hz	
40	3252507	1	220V/50Hz	
	1001094475	Ref	<b>HOURLY METER INSTALLATION (OPTIONAL)</b>	
102	0720808	1	Screw #8-32 x 1in	
103	2420165	1	Hourmeter	
104	3310601	2	Nut #6-32	
105	3310805	1	Locknut #8-32	
106	3910608	2	Screw #6-32 x 1/2in	
107	4240032	4	Strap, Tie	
108	4420060	3 in/7cm	Tape, Double-Sided	
109	4460234	3	Mount, Tie Strap	
110	4750800	1	Washer #8	
111	4760600	2	Lockwasher #6	
112	1001094375	1	Bracket, Hourmeter	
113	1001094509	1	Harness, Hourmeter	
114	4460018	1	Connector, Butt Splice (Not Shown)	

B



# SECTION 2 - TURNTABLE

## FIGURE 2-21. 2500W GENERATOR INSTALLATION - DEUTZ MACHINES (OPTIONAL)



# SECTION 2 - TURNTABLE

**FIGURE 2-21. 2500W GENERATOR INSTALLATION - DEUTZ MACHINES (OPTIONAL)**

ITEM	PART NUMBER	QTY	DESCRIPTION	REV
		Ref	<b>GENERATOR INSTALLATION OPTIONS:</b>	
	1001115405	Ref	<b>ANSI Specs - 110V/60Hz</b>	A
	1001115410	Ref	<b>ANSI Export Specs - 110V/50Hz</b>	A
	1001115409	Ref	<b>ANSI Export Specs - 220V/50Hz</b>	A
1	3580158	1	Pulley	
2		Ref	Generator and Control Box Assembly Options:	
2	2460055	1	110V/60Hz	
2	2460049	1	110V/50Hz Generator Only	
2	1001100321	1	220V/50Hz Generator Only	
2A		Ref	Generator Options:	
2A	7012558	1	110V/60Hz	
2A	2460049	1	110V/50Hz	
2A	1001100321	1	220V/50Hz	
		Ref	<b>Note: Replacement Generators come standard with p/n 3580134 pulley. This pulley may not be correct for all applications. Refer to pulley options below.</b>	
2A	7026199	1	110V/60Hz Armature with Slip Rings	
2A	70000122	1	110V/50Hz Armature with Slip Rings	
2A	70000123	1	220V/50Hz Armature with Slip Rings	
2A	7012513	4	Cap, Brush Holder	
2A	7020108	4	Brush	
2A	7020109	4	Holder, Brush	
2A	7012514	1	Fan	
2A	7020190	2	Bearing	
2A	7020110	1	End Bell, Front	
2A	7020111	1	End Bell, Rear	
2B	7019680	1	Box, Control - 110V/60Hz Generator Only	
2B	4360542	1	Breaker, Circuit	
2B	4460190	AR	Receptacle, Double (110V Box)	
2B	4460027	AR	Receptacle, Double Twist Lock (110V Box)	
2C	2420203	1	Voltmeter	
2D		Ref	Pulley Options:	
2D	3580276	1	110V/60Hz	
2D	3580134	1	110V/50Hz	
2D	3580134	1	220V/50Hz	
3	3251243	1	Decal - 120V - 60Hz (110V/60Hz Generator Only)	
4	0200742	1	Arm, Adjusting	
5	0480121	1	V-Belt	
7	0641610	1	Bolt 3/8in-16NC x 1-1/4in	
8	0100011	AR	Compound, Locking	
9	0641772	1	Bolt 7/16in-14NC x 9in	
10	4751600	6	Flatwasher 3/8in	
11	2860012	1	Key, Woodruff	
12	3311605	1	Locknut 3/8in-16NC	
13	3311705	1	Locknut 7/16in-14NC	
14	3740080	1	Relay	
16	0641508	1	Bolt 5/16in-18NC x 1in	
17	4751500	1	Flatwasher 5/16in	
20	0721006	AR	Bolt #10-24NC x 3/4in	
21	3311005	AR	Locknut #10-24NC	

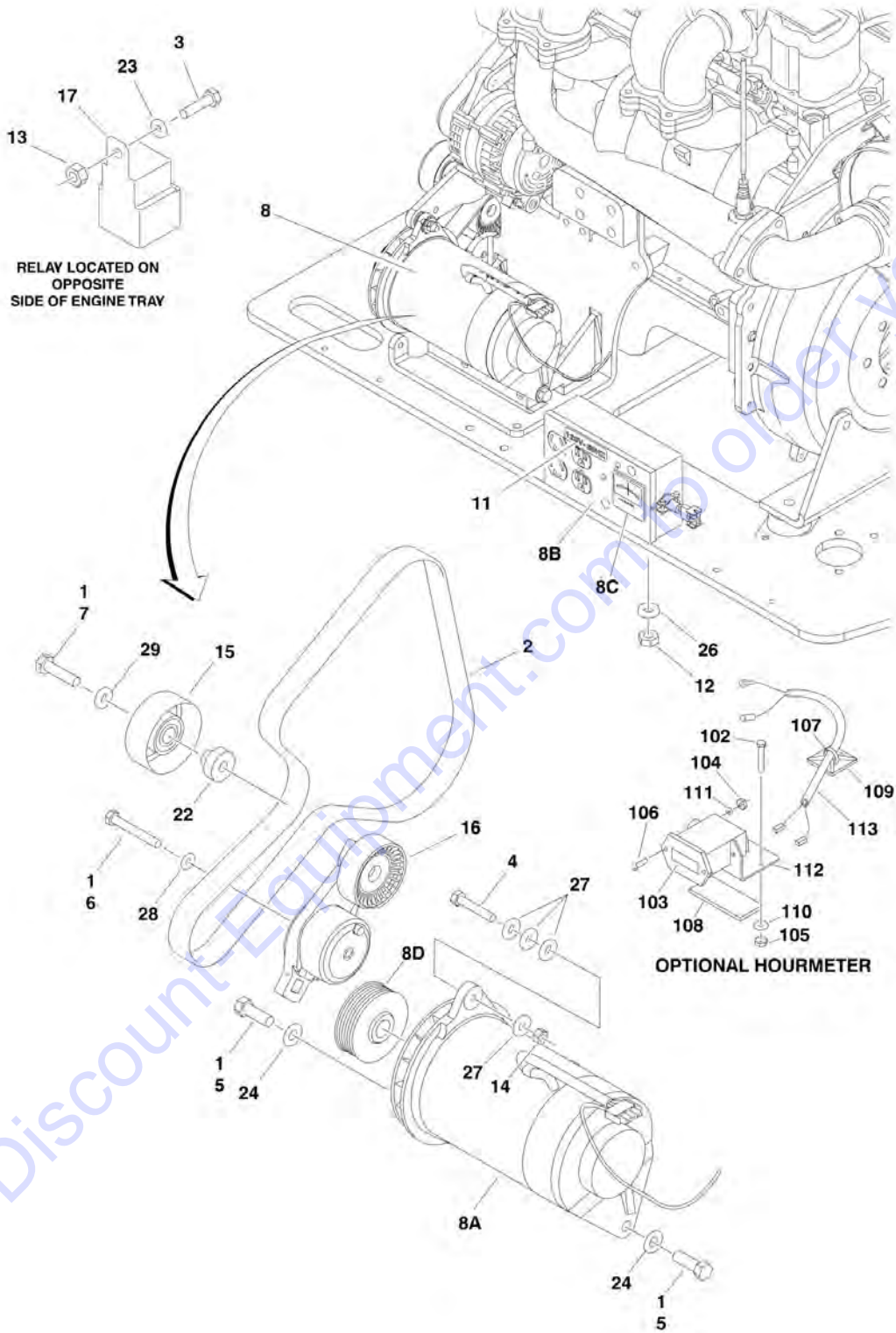
## SECTION 2 - TURNTABLE

ITEM	PART NUMBER	QTY	DESCRIPTION	REV
22	4751000	AR	Flatwasher #10	
25	4360336	1	Switch, Toggle (Not Shown - Located at Platform)	
26	4740397	1	Bushing (Not Shown - Located at Platform)	
27	4060802	1	Guard, Switch (Not Shown - Located at Platform)	
28	3252507	1	Decal - 220V-50/60Hz (Not Shown - Located on Inside Platform Rail) (220V/50Hz Generator Only)	
28	1705325	1	Decal - 120V-50Hz (Not Shown - Located on Inside Platform Rail) (110V/50Hz Generator Only)	
29	2820031	4 in/10cm	Heat Shrink (Not Shown - Located at Platform)	
30	3251102	1	Decal (Not Shown - Located at Platform)	
31	4070585	AR	Shim	
		Ref	<b>Note: Items 32 thru 41 Used with 1001115410 &amp; 1001115409 Installations Only.</b>	
32	0962449	1	Bushing, Silicone	
33	3290505	1	Locknut M5	
34	4031608	1	Capscrew M5 x 20mm	
35	4460968	4	Bushing, Strain Relief	
36	4811600	1	Flatwasher M5	
37	1001099869	1	Box, Junction	
38		Ref	Light, Red Options:	
38	1001100233	1	110V/50Hz	
38	1001100234	1	220V/50Hz	
39	0641404	1	Bolt 1/4in-20NC x 1/2in	
40	4420060	AR	Tape, Double Sided	
41		Ref	Decal Options:	
41	3252507	1	Decal - 220V-50/60Hz	
41	1705325	1	Decal - 120V-50Hz	
	1001094475	Ref	<b>HOURLY METER INSTALLATION (OPTIONAL)</b>	B
102	0720808	1	Screw #8-32 x 1in	
103	2420165	1	Hourmeter	
104	3310601	2	Nut #6-32	
105	3310805	1	Locknut #8-32	
106	3910608	2	Screw #6-32 x 1/2in	
107	4240032	4	Strap, Tie	
108	4420060	3 in/7cm	Tape, Double-Sided	
109	4460234	3	Mount, Tie Strap	
110	4750800	1	Washer #8	
111	4760600	2	Lockwasher #6	
112	1001094375	1	Bracket, Hourmeter	
113	1001094509	1	Harness, Hourmeter	
114	4460018	1	Connector, Butt Splice (Not Shown)	



## SECTION 2 - TURNTABLE

FIGURE 2-22. 2500W GENERATOR INSTALLATION - GM MACHINES (OPTIONAL)



## SECTION 2 - TURNTABLE

**FIGURE 2-22. 2500W GENERATOR INSTALLATION - GM MACHINES (OPTIONAL)**

ITEM	PART NUMBER	QTY	DESCRIPTION	REV
		Ref	<b>Note: Only Available on USA Built Machines.</b>	
		Ref	<b>GENERATOR INSTALLATION OPTIONS:</b>	
	0275039	Ref	<b>110V Generator</b>	E
	See Note	Ref	<b>220V Generator (Note: Not Available for Purchase)</b>	
1	0100011	AR	Compound, Locking	
2	0480142	1	V-Belt	
3	0641405	1	Bolt 1/4in-20NC x 5/8in	
4	0641510	1	Bolt 5/16in-18NC x 1-1/4in	
5	0641710	2	Bolt 7/16in-14NC x 1-1/4in	
6	0700820	1	Bolt 8mm x 60mm	
7	0701016	1	Bolt 10mm x 340mm	
8	2460051	1	Generator and Control Box Assembly	
8A	7012558	1	Generator	
		Ref	<b>Note: Replacement Generators come standard with p/n 3580134 pulley. This pulley may not be correct for all applications. Refer to pulley options below.</b>	
8A	7026199	1	Armature with Slip Rings	
8A	7020109	4	Holder, Brush	
8A	7020108	4	Brush	
8A	7012513	4	Cap, Brush Holder	
8A	7012514	1	Fan	
8A	7020190	2	Bearing	
8A	7020110	1	End Bell, Front	
8A	7020111	1	End Bell, Rear	
8B	7019680	1	Box Control	
8B	4360542	1	Breaker, Circuit	
8B	4460190	1	Receptacle, Double (110V Box)	
8B	4460027	1	Receptacle, Double Twist Lock (110V Box)	
8C	2420203	1	Voltmeter	
8D	3580324	1	Pulley	
8D	7027887	1	Key, Woodruff	
9	2820031	AR	Heat Shrink (Not Shown - Located at Platform)	
10	3251102	1	Nameplate - Generator (Not Shown - Located at Platform)	
11	3251243	1	Decal	
12	3311005	2	Locknut # 10-24NC	
13	3311405	1	Locknut 1/4in-20NC	
14	3311505	1	Locknut 5/16in-18NC	
15	3580312	1	Pulley, Idler	
16	3580348	1	Tensioner, Belt	
17	3740080	1	Relay, Bosch	
18	4060802	1	Guard, Switch (Not Shown - Located at Platform)	
19	4240018	AR	Tie-Strap (Not Shown)	
20	4360336	1	Switch, Toggle (Not Shown - Located at Platform)	
21	4460906	3	Terminal (Not Shown)	
22	4568735	1	Spacer, Tube (Idler Pulley Grooved)	
23	4711400	1	Flatwasher 1/4in Narrow	
24	4711700	2	Flatwasher 7/16in Narrow	
25	4740397	1	Spacer (Not Shown - Located at Platform)	
26	4751000	2	Flatwasher #10 Wide	
27	4751500	4	Flatwasher 5/16in Wide	



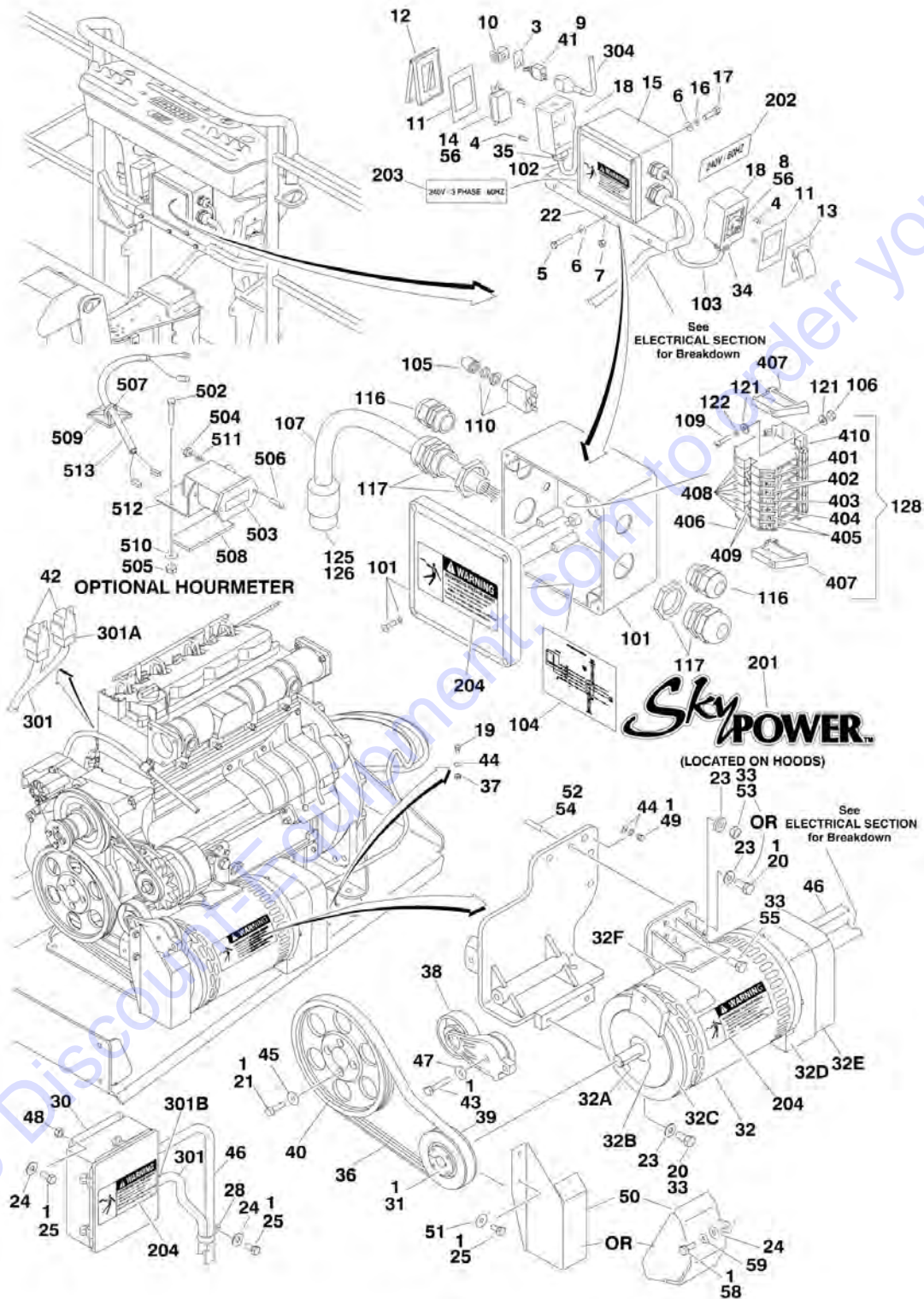
## SECTION 2 - TURNTABLE

ITEM	PART NUMBER	QTY	DESCRIPTION	REV
28	4811900	1	Flatwasher 8mm	B
29	4891600	1	Flatwasher 3/8in Hardened	
	1001094475	Ref	<b>HOURLMETER INSTALLATION (OPTIONAL)</b>	
102	0720808	1	Screw #8-32 x 1in	
103	2420165	1	Hourmeter	
104	3310601	2	Nut #6-32	
105	3310805	1	Locknut #8-32	
106	3910608	2	Screw #6-32 x 1/2in	
107	4240032	4	Strap, Tie	
108	4420060	3 in/7cm	Tape, Double-Sided	
109	4460234	3	Mount, Tie Strap	
110	4750800	1	Washer #8	
111	4760600	2	Lockwasher #6	
112	1001094375	1	Bracket, Hourmeter	
113	1001094509	1	Harness, Hourmeter	
114	4460018	1	Connector, Butt Splice (Not Shown)	



# SECTION 2 - TURNTABLE

FIGURE 2-23. 7500W SKYPOWER GENERATOR INSTALLATION - CATERPILLAR AND DEUTZ MACHINES



**SECTION 2 - TURNTABLE**

**FIGURE 2-23. 7500W SKYPOWER GENERATOR INSTALLATION - CATERPILLAR AND DEUTZ MACHINES**

ITEM	PART NUMBER	QTY	DESCRIPTION	REV
		Ref	<b>7500W SKYPOWER GENERATOR INSTALLATION</b>	
		Ref	<b>Caterpillar Engine:</b>	
	1001115398	Ref	<b>60Hz (ANSI Specs and CSA Specs)</b>	C
	1001115400	Ref	<b>50Hz (ALL Specs Except ANSI Specs and CSA Specs)</b>	C
		Ref	<b>Deutz Engine:</b>	
	1001115387	Ref	<b>60Hz (ANSI Specs and CSA Specs)</b>	D
	1001115389	Ref	<b>50Hz (ALL Specs Except ANSI Specs and CSA Specs)</b>	D
1	0100011	AR	Compound, Locking	
3	3252764	1	Nameplate	
4	3910606	AR	Screw #6-32NC x 3/8in	
5	0641516	3	Bolt 5/16in-18NC x 2in	
6		Ref	Flatwasher Options:	
6	4711500	10	Flatwasher 5/16in Narrow (Caterpillar Engine)	
6	4751500	7	Flatwasher 5/16in Wide (Deutz Engine)	
7		Ref	Locknut Options:	
7	3311505	3	Locknut 5/16in-18NC (Caterpillar Engine)	
7	3311508	3	Nut 5/16in-18NC (Deutz Engine)	
8		Ref	Receptacle, Female Twist-Lock Options:	
8	4460958	1	60Hz	
8	See Note	1	50Hz (Note: Not Available - Purchase Locally)	
9	4360336	1	Switch, Toggle	
10	4060802	1	Guard, Switch	
11		Ref	Gasket Options:	
11	3960422	AR	60Hz	
11	See Note	AR	50Hz (Note: Not Available - Purchase Locally)	
12		Ref	Cover, Receptacle Options:	
12	1001110873	1	60Hz Cover, Top Hinged	
12	See Note	1	50Hz Cover (Note: Not Available - Purchase Locally)	
13		Ref	Cover, Receptacle Options:	
13	1001110872	1	60Hz Cover, Top Hinged <b>(SN 0300140000 through 0300182752)</b>	
13	See Note	1	50Hz Cover (Note: Not Available - Purchase Locally)	
14		Ref	Receptacle, Female Options (110-120V):	
14	4460346	1	60Hz	
14	See Note	1	50Hz (Note: Not Available - Purchase Locally)	
15		Ref	Junction Box Assembly Options (See Items 101-128 for Breakdown):	
15	0861542	1	60Hz Spec <b>(SN 0300140000 through 0300182752)</b>	
15	1001157592	1	60Hz Spec <b>(SN 0300182753 through 0300183033)</b>	
15	0861567	1	50Hz Spec <b>(SN 0300140000 through 0300182752)</b>	
15	1001157525	1	50Hz Spec <b>(SN 0300182753 through 0300183033)</b>	
16	4761500	4	Flatwasher 5/16in (Caterpillar Engine Only)	
17		Ref	Bolt Options:	
17	0641505	4	Bolt 5/16in-18NC x 5/8in (Caterpillar Engine)	
17	0641508	4	Bolt 5/16in-18NC x 1in (Deutz Engine) <b>(SN 0300140000 through 0300182752)</b>	
17	3931016	4	Capscrew #10 x 1in (Deutz Engine) <b>(SN 0300182753 through 0300183033)</b>	
17	3311005	4	Locknut #10-24 <b>(SN 0300182753 through 0300183033)</b>	
18		Ref	Box, Switch Options:	

## SECTION 2 - TURNTABLE

ITEM	PART NUMBER	QTY	DESCRIPTION	REV
18	0860038	AR	60Hz Spec	
18	See Note	AR	50Hz Spec (Note: Not Available - Purchase Locally)	
19	0641406	1	Bolt 1/4in-20NC x 3/4in (Caterpillar Engine Only)	
20	0641808	AR	Bolt 1/2in-13NC x 1in	
21		Ref	Bolt, Metric Options:	
21	0700815	4	Caterpillar Engine (Bolt M8 x 35mm)	
21	4032015	4	Deutz Engine (Capscrew M10 x 55mm)	
22	0902888	1	Bracket, Box Mounting	
23	4711800	AR	Flatwasher 1/2in Narrow	
24	4711400	AR	Flatwasher 1/4in Narrow	
25	0641404	AR	Bolt 1/4in-20NC x 1/2in	
28	1320318	AR	Clamp (Caterpillar Engine)	
29	4240018	AR	Tie-Strap (Not Shown)	
30		Ref	Control Box Assembly Options:	
30	0861538	1	60Hz Control Box	
30	0861572	1	50Hz Control Box	
30	7024488	1	Card, Circuit - Generator Power	
30	See Note	1	Fuse (Note: Not Available - Purchase Locally)	
30	7024489	1	Card, Circuit - Control	
30	70000619	1	Harness, Control Box (Internal)	
		Ref	<b>Note: Same Circuit Card (P/N 7024489) is used for both 60Hz &amp; 50Hz. When replacing card, rocker switch on card must be set for required application.</b>	
31	0962520	1	Bushing, Split Taper	
32		Ref	Generator Assembly Options:	
32	2460050	1	Caterpillar Engine	
32	2460048	1	Deutz Engine	
32	70001100	1	Rotor (Includes p/n 70001384 & 70000863) (Not Shown)	
32	70001384	1	Bearing, Ball Radial (Not Shown)	
32	70000863	1	Fan (Not Shown)	
32		Ref	Stator Options (Not Shown):	
32	70001969	1	2460050 Generator	
32	70002088	1	2460048 Generator	
32	70002297	1	Stud	
32	70003631	1	Brushholder Assembly with Brushes (Not Shown) (was p/n 7024484)	
32A	70004171	1	Key (was p/n 7024561)	
32B	70001966	1	Bearing, Ball Radial (Located in Belt Tensioner Endbell)	
32B	70003708	1	Ring, Internal Retaining (Located in Belt Tensioner Endbell)	
32B	70003709	1	Ring, External Retaining (Located in Belt Tensioner Endbell)	
32C	70001953	1	Endbell, Belt Tensioner	
32D		Ref	Endbell, Brush Block Options (was p/n 70001385):	
32D	70004170	1	Caterpillar Engine Machines	
32D	70004169	1	Deutz Engine Machines	
32E		Ref	Shroud Options:	
32E	70004170	1	Caterpillar Engine (was p/ns 70001970 & 70001971)	
32E	70004169	1	Deutz Engine (was p/n 70002290)	
32E	7027799	1	Block, Connector 6 Position (Not Shown)	
32E	7026626	1	Connector with Seal - 6 Position (Not Shown)	
32E	70002460	6	Nut, Brass (Attaches p/n 7027799 to Cover) (Not Shown)	
32E	7024485	1	Breaker, Circuit 30Amp (Not Shown)	
32E	70001696	1	Boot, Breaker (was p/n 7024486 - Not Shown)	

## SECTION 2 - TURNTABLE

ITEM	PART NUMBER	QTY	DESCRIPTION	REV
32E	7026597	1	Connector, W/Leads (Not Shown)	
32E	7026188	1	Clamp, Cable (Not Shown)	
32E		Ref	Plate, End Panel Options:	
32E	70004170	1	Caterpillar Engine (was p/n 70001972)	
32E	70004169	1	Deutz Engine (was p/n 70002255)	
32E	70001974	1	Decal - Terminal Connections	
32F	70001973	1	Decal - Warning Moving Parts	
33	0100019	AR	Compound, Locking	
34		Ref	Connector, Strain Relief Options:	
34	4460051	1	60Hz	
34	See Note	1	50Hz (Note: Not Available - Purchase Locally)	
35		Ref	Connector, Strain Relief	
35	4460071	1	60Hz	
35	See Note	1	50Hz (Note: Not Available - Purchase Locally)	
36		Ref	Belt, Drive Options:	
36		Ref	60Hz Generators:	
36	0480129	1	Caterpillar Engine	
36	0480129	1	Deutz Engine	
36		Ref	50Hz Generators:	
36	0480125	1	Caterpillar Engine	
36	0480126	1	Deutz Engine	
37	3311405	1	Locknut 1/4in-20NC (Caterpillar Engine Only)	
38	3580317	1	Tensioner, Belt	
39		Ref	Pulley Options:	
39	3580318	1	60Hz	
39	3580319	1	50Hz	
40		Ref	Pulley Options:	
40	3580321	1	Caterpillar Engine	
40	3580320	1	Deutz Engine	
41	2820031	1	Insulator	
42	3740080	2	Relay	
43	0641618	1	Bolt 3/8in-16NC x 2-1/4in	
44	4791400	AR	Starwasher 1/4in	
45	4811900	4	Flatwasher 8mm (Caterpillar Engine Only)	
46	4922925	1	Harness, Generator	
47	4711600	1	Flatwasher 3/8in Narrow	
48	3311405	4	Locknut 1/4in-20NC (Deutz Engine Only)	
49	0641404	1	Bolt 1/4in-20NC x 1/2in (Deutz Engine Only)	
50		Ref	Shield Options:	
50	1001118599	1	Caterpillar Engine (SN 0300140000 through 0300172827)	
50	4061049	1	Deutz Engine (SN 0300140000 through 0300172827)	
51	4751400	2	Flatwasher 1/4in Wide (Deutz Engine Only) (SN 0300140000 through 0300172827)	
52	4300157	1	Stud (Deutz Engine Only)	
53	3311801	1	Nut 1/2in-13NC (Deutz Engine Only)	
54	0100062	1	Loctite (Deutz Engine Only)	
55	0771415	1	Bolt (Metric) M14 x 35mm (Deutz Engine Only)	
56	4460315	4	Terminal (Deutz Engine Only)	
57	0100020	AR	Pipe Sealant (Deutz Engine Only) (Not Shown)	
58	0641405	AR	Bolt 1/4in-20NC x 5/8in (Caterpillar Engine Only) (SN 0300143928 through 0300172827)	
59	4761400	2	Lockwasher 1/4in (Caterpillar Engine Only) (SN 0300143928	

## SECTION 2 - TURNTABLE

ITEM	PART NUMBER	QTY	DESCRIPTION	REV
			through 0300172827)	
		Ref	<b>JUNCTION BOX ASSEMBLY</b>	
	0861542	Ref	<b>60Hz (SN 0300140000 through 0300182752)</b>	D
	1001157592	Ref	<b>60Hz (SN 0300182753 through 0300183033)</b>	C
	0861567	Ref	<b>50Hz (SN 0300140000 through 0300182752)</b>	B
	1001157525	Ref	<b>50Hz (SN 0300182753 through 0300183033)</b>	
101	0861541	1	Box, Junction ( <b>SN 0300140000 through 0300182752</b> )	
101	1001157521	1	Box, Junction ( <b>SN 0300182753 through 0300183033</b> )	
102		Ref	Cable, Electrical 12/3 Options:	
102	1060494	2 ft/.6m	60Hz Spec	
102	See Note	2 ft/.6m	50Hz Spec (Note: Not Available - Purchase Locally)	
103		Ref	Cable, Electrical 10/3	
103	1060708	2.5 ft /.76m	60Hz Spec	
103	See Note	2.5 ft /.76m	50Hz Spec (Note: Not Available - Purchase Locally)	
104	1705376	1	Decal - Wiring Schematic ( <b>SN 0300140000 through 0300182752</b> )	
104	1001157528	1	Decal, Wiring Schematic ( <b>SN 0300182753 through 0300183033</b> )	
105	3300396	1	Cover, Fuse	
106	3310601	2	Nut 6-32NC	
107	1060343	1.5 ft /.46m	Cable, Electrical 10/4 (60Hz Spec Only)	
109	3910610	2	Bolt 6-32NC x 5/8in	
110	4360070	1	Circuit Breaker - 15 Amp	
116	4460425	2	Strain Relief, Terminal	
117	4460426	2	Connector, Strain Relief	
121	4750600	4	Flatwasher, #6 Wide	
122	4760600	2	Lockwasher #6	
125	1671092	1	Cover (60Hz Spec Only)	
126	4460963	1	Connector (60Hz Spec Only)	
128		Ref	Terminal Block Assembly Options (See Items 401-410 for Breakdown): ( <b>SN 0300140000 through 0300182752</b> )	
128	See Note	NSS	Gray Terminal Block Assembly ( <b>SN 0300140000 through 0300182752</b> )	
128	1001121340	1	Tan Terminal Block Assembly ( <b>SN 0300140000 through 0300182752</b> )	
128	1001157520	1	Block, Terminal - 6 Pole (Not Shown) ( <b>SN 0300182753 through 0300183033</b> )	
128	1001158007	1	Cover, Terminal Block (Not Shown) ( <b>SN 0300182753 through 0300183033</b> )	
		Ref	<b>DECAL INSTALLATION</b>	
	0272435	Ref	<b>60Hz Specs</b>	A
	0272589	Ref	<b>50Hz Spec</b>	A
201	1705460	2	Decal - SkyPower	
202	1705374	1	Decal - 240V - 60Hz (60Hz Specs Only)	
203		Ref	Decal - 240V - 3 Phase Options:	
203	1705375	1	60Hz Spec	
203	1705461	1	50Hz Spec	
204		Ref	Decal, Hazardous Voltage Options:	
204	1705387	3	60Hz Spec	
204	1705489	3	50Hz Spec	
	1001112586	Ref	<b>ELECTRICAL DIAGRAM COMPONENTS</b>	A

## SECTION 2 - TURNTABLE

ITEM	PART NUMBER	QTY	DESCRIPTION	REV
301	1001112587	1	Generator Harness	
301A	4460374	2	Plug, Sealed Relay	A
301A	4460375	7	Terminal	
301B	4460967	1	Plug, Male - 3 Position	
301B	4460465	3	Socket, Female	
301C	2400060	1	Fuseholder (Not Shown)	
301C	2400064	1	Fuse - 5 Amp (Not Shown)	
304	4922641	1	Switch Harness	
		Ref	<b>TERMINAL BLOCK ASSEMBLY (SN 0300140000 through 0300182752)</b>	
	See Note	Ref	<b>Gray Terminal Block Assembly (Note: Complete Assembly Not Available - Purchase Individual Components)</b>	
	1001121340	Ref	<b>Tan Terminal Block Assembly</b>	A
401		Ref	Marker Strip #1 Options:	
401	4460411	2	Gray Terminal Block Assembly	
401	70002818	2	Tan Terminal Block Assembly	
402		Ref	Marker Strip #2 Options:	
402	4460412	4	Gray Terminal Block Assembly	
402	70002819	4	Tan Terminal Block Assembly	
403		Ref	Marker Strip #3 Options:	
403	4460413	2	Gray Terminal Block Assembly	
403	70002820	2	Tan Terminal Block Assembly	
404		Ref	Marker Strip #4 Options:	
404	4460414	2	Gray Terminal Block Assembly	
404	70002821	2	Tan Terminal Block Assembly	
405		Ref	Marker Strip #5 Options:	
405	4460415	4	Gray Terminal Block Assembly	
405	70002822	4	Tan Terminal Block Assembly	
406		Ref	Terminal, End Barrier Options:	
406	4460956	1	Gray Terminal Block Assembly	
406	70002823	1	Tan Terminal Block Assembly	
407		Ref	Terminal, End Block Options:	
407	4460607	2	Gray Terminal Block Assembly	
407	70002824	2	Tan Terminal Block Assembly	
408		Ref	Terminal, Block Options:	
408	4460957	7	Gray Terminal Block Assembly	
408	70002825	7	Tan Terminal Block Assembly	
409		Ref	Terminal, Cross Connector Jumper Options:	
409	4461001	2	Gray Terminal Block Assembly	
409	70002826	2	Tan Terminal Block Assembly	
410	3641533	1	Rail, Relay	
	1001094475	Ref	<b>HOURMETER INSTALLATION (OPTIONAL)</b>	B
502	0720808	1	Screw #8-32 x 1in	
503	2420165	1	Hourmeter	
504	3310601	2	Nut #6-32	
505	3310805	1	Locknut #8-32	
506	3910608	2	Screw #6-32 x 1/2in	
507	4240032	4	Strap, Tie	
508	4420060	3 in/7cm	Tape, Double-Sided	
509	4460234	3	Mount, Tie Strap	
510	4750800	1	Washer #8	
511	4760600	2	Lockwasher #6	



## SECTION 2 - TURNTABLE

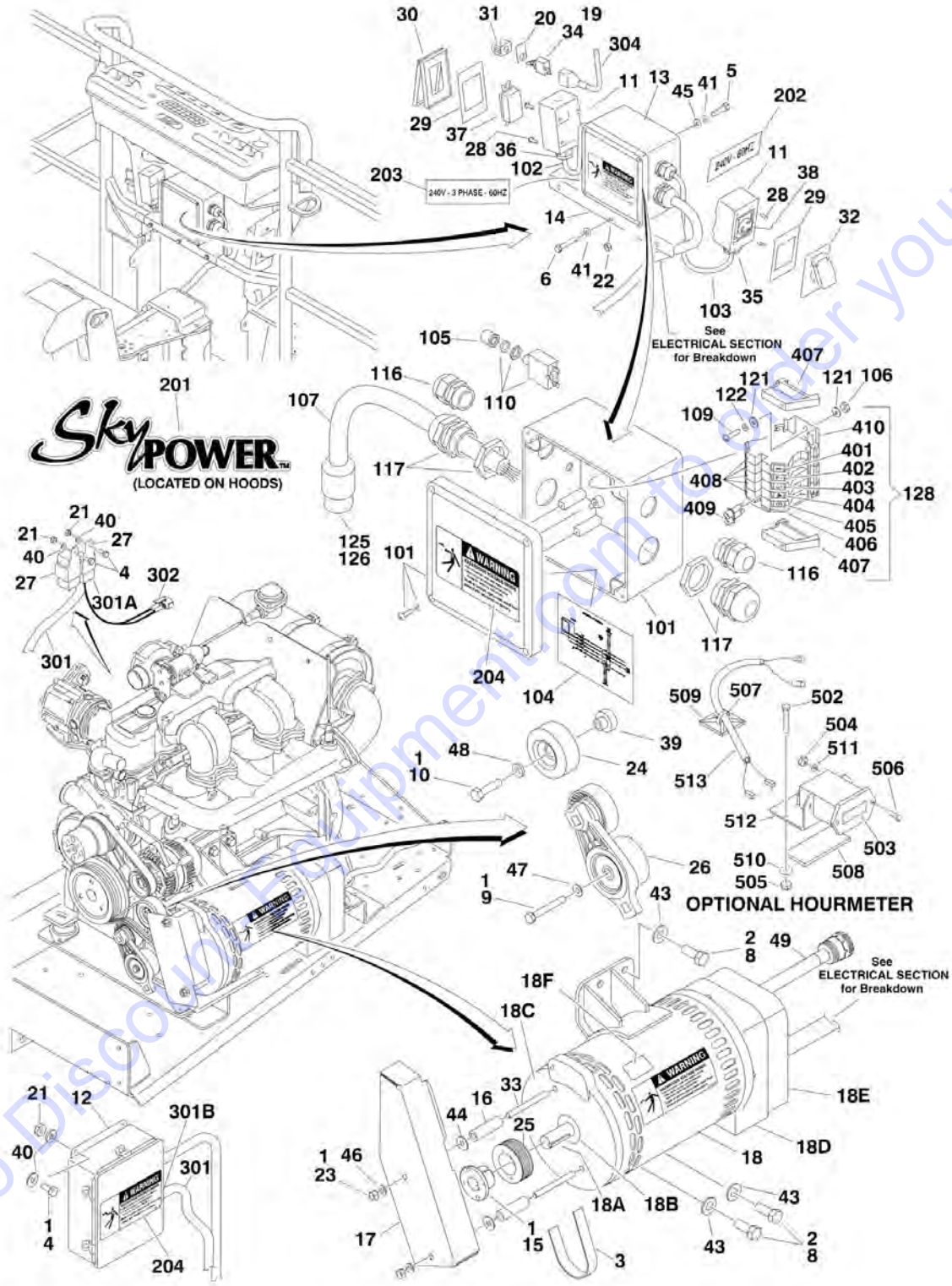
ITEM	PART NUMBER	QTY	DESCRIPTION	REV
512	1001094375	1	Bracket, Hourmeter	
513	1001094509	1	Harness, Hourmeter	
514	4460018	1	Connector, Butt Splice (Not Shown)	

Go to Discount-Equipment.com to order your parts



# SECTION 2 - TURNTABLE

FIGURE 2-24. 7500W SKYPOWER GENERATOR INSTALLATION - GM MACHINES



## SECTION 2 - TURNTABLE

**FIGURE 2-24. 7500W SKYPOWER GENERATOR INSTALLATION - GM MACHINES**

ITEM	PART NUMBER	QTY	DESCRIPTION	REV
	0275257	Ref	<b>7500W SKYPOWER GENERATOR INSTALLATION</b>	G
		Ref	<b>Note: See ELECTRICAL SECTION for Boom Cable Installation.</b>	
1	0100011	AR	Compound, Locking	
2	0100019	AR	Compound, Locking	
3	0480142	1	Belt, Generator	
4	0641405	6	Bolt 1/4in-20NC x 5/8in	
5	0641505	4	Bolt 5/16in-18NC x 5/8in	
5	3931016	4	Bolt #10 x 1in	
5	3311005	4	Nut #10	
6	0641516	3	Bolt 5/16in-18NC x 2in	
8	0641808	4	Bolt 1/2in-13NC x 1in	
9	0700820	1	Bolt M8 x 60mm	
10	0701016	1	Bolt M10 x 40mm	
11	0860038	AR	Box, Switch	
12	0861538	1	Control Box Assembly	
12	7024488	1	Card, Circuit - Generator Power	
12	See Note	1	Fuse (Note: Not Available - Purchase Locally)	
12	7024489	1	Card, Circuit - Control	
12	70000619	1	Harness, Control Box (Internal)	
13	0861542	1	Junction Box Assembly (See Items 101-128 for Breakdown) <b>(SN 0300140000 through 0300182752)</b>	
13	1001157592	1	Junction Box Assembly (See Items 101-128 for Breakdown) <b>(SN 0300182753 through 0300183033)</b>	
14	0902888	1	Bracket, Box Mounting	
15	0962520	1	Bushing, Split Taper	
16	0962521	2	Spacer, Tube <b>(SN 0300140000 through 0300172827)</b>	
17	1671311	1	Cover, Generator Belt <b>(SN 0300140000 through 0300172827)</b>	
18	2460048	1	Generator Assembly	
18	70001100	1	Rotor (Includes p/n 70001384 & 70000863) (Not Shown)	
18	70001384	1	Bearing, Ball Radial (Not Shown)	
18	70000863	1	Fan (Not Shown)	
18	70002088	1	Stator (Not Shown)	
18	70002297	1	Stud (Not Shown)	
18	70003631	1	Brushholder Assembly (Not Shown) (was p/n 7024484)	
18A	70004171	1	Key (was p/n 7024561)	
18B	70001966	1	Bearing, Shaft (Front)	
18C	70001953	1	Endbell (Front)	
18D	70004169	1	Endbell, Brush Block (was p/n 70001385)	
18E	70004169	1	Shroud (was p/n 70002290)	
18E	7027799	1	Block, Connection - 6 Position (Not Shown)	
18E	7026626	1	Connector with Seal - 6 Position (Not Shown)	
18E	70002460	6	Nut, Brass (Attaches p/n 7027799 to Cover) (Not Shown)	
18E	7024485	1	Breaker, Circuit 30Amp (Not Shown)	
18E	70001696	1	Boot, Breaker (Not Shown)	
18E	7026597	1	Connector, W/Lead (Not Shown)	
18E	7026188	1	Connector, Clamp (Not Shown)	
18E	70004169	1	Plate, End Panel (was p/n 70002255)	
18E	70001974	1	Decal - Terminal Connections (Not Shown)	
18F	70001973	1	Decal - Warning Moving Parts	
19	2820031	1	Insulator	

## SECTION 2 - TURNTABLE

ITEM	PART NUMBER	QTY	DESCRIPTION	REV
20	3252764	1	Nameplate	
21	3311405	6	Locknut 1/4in-20NC	
22	3311505	3	Locknut 5/16in-18NC	
23	3311601	2	Nut 3/8in-16NC <b>(SN 0300140000 through 0300172827)</b>	
24	3580312	1	Pulley, Idler	
25	3580314	1	Pulley, Drive Grooved	
26	3580348	1	Tensioner, Belt with Pulley	
27	3740080	2	Relay	
28	3910606	AR	Screw #6-32NC x 3/8in	
29	3960422	AR	Gasket	
30	1001110873	1	Cover, Receptacle	
31	4060802	1	Guard, Switch	
32	1001110872	1	Cover, Receptacle <b>(SN 0300140000 through 0300182752)</b>	
33	4300111	2	Stud, Chain Assembly <b>(SN 0300140000 through 0300172827)</b>	
34	4360336	1	Switch, Toggle	
35	4460051	1	Connector, Strain Relief <b>(SN 0300140000 through 0300182752)</b>	
36	4460071	1	Connector, Strain Relief	
37	4460346	1	Receptacle	
38	4460958	1	Receptacle, Female Twist-Lock <b>(SN 0300140000 through 0300182752)</b>	
39	4568735	1	Tube, Spacer Pulley Grooved	
40	4711400	10	Flatwasher 1/4in Narrow	
41	4711500	AR	Flatwasher 5/16in Narrow	
43	4711800	4	Flatwasher 1/2in Narrow	
44	4751600	2	Flatwasher 3/8in Wide <b>(SN 0300140000 through 0300172827)</b>	
45	4761500	4	Lockwasher 5/16in	
45	4751000	4	Flatwasher #10	
46	4761600	2	Lockwasher 3/8in <b>(SN 0300140000 through 0300172827)</b>	
47	4811900	1	Flatwasher 8mm	
48	4891600	1	Washer, Hardened 3/8in	
49	4922925	1	Harness, Generator	
	0861542	Ref	<b>JUNCTION BOX ASSEMBLY (SN 0300140000 through 0300182752)</b>	D
	1001157592	Ref	<b>JUNCTION BOX ASSEMBLY (SN 0300182753 through 0300183033)</b>	C
101	0861541	1	Box, Junction <b>(SN 0300140000 through 0300182752)</b>	
101	1001157521	1	Box, Junction <b>(SN 0300182753 through 0300183033)</b>	
102	1060494	2 ft/.6m	Cable, Electrical 12/3	
103	1060708	2.5 ft /.76m	Cable, Electrical 10/3 <b>(SN 0300140000 through 0300182752)</b>	
104	1705376	1	Decal - Wiring Schematic <b>(SN 0300140000 through 0300182752)</b>	
104	1001157528	1	Decal - Wiring Schematic <b>(SN 0300182753 through 0300183033)</b>	
105	3300396	1	Cover, Fuse	
106	3310601	2	Nut 6-32NC	
107	1060343	1.5 ft /.46m	Cable, Electrical 10/4	
109	3910610	2	Bolt 6-32NC x 5/8in	
110	4360070	1	Circuit Breaker - 15 Amp	
116	4460425	2	Strain Relief, Terminal	
117	4460426	2	Connector, Strain Relief	
121	4750600	4	Flatwasher, #6 Wide	
122	4760600	2	Lockwasher #6	

## SECTION 2 - TURNTABLE

ITEM	PART NUMBER	QTY	DESCRIPTION	REV
125	1671092	1	Cover	
126	4460963	1	Connector	
128		Ref	Terminal Block Assembly Options (See Items 401-410 for Breakdown): <b>(SN 0300140000 through 0300182752)</b>	
128	See Note	NSS	Gray Terminal Block Assembly <b>(SN 0300140000 through 0300182752)</b>	
128	1001121340	1	Tan Terminal Block Assembly <b>(SN 0300140000 through 0300182752)</b>	
128	1001157520	1	Block, Terminal - 6 Pole (Not Shown) <b>(SN 0300182753 through 0300183033)</b>	
128	1001158007	1	Cover, Terminal Block (Not Shown) <b>(SN 0300182753 through 0300183033)</b>	
	0272435	Ref	<b>DECAL INSTALLATION</b>	
201	1705460	2	Decal - SkyPower	
202	1705374	1	Decal - 240V - 60Hz	
203	1705375	1	Decal - 240V - 3 Phase	A
204	1705387	3	Decal, Hazardous Voltage	
	4933349	Ref	<b>ELECTRICAL DIAGRAM COMPONENTS (SN 0300140000 through 0300182752)</b>	
301	4923420	1	Generator Harness	
301A	4460374	2	Plug, Sealed Relay	
301A	4460375	8	Terminal	A
301B	4460967	1	Plug, Male - 3 Position	
301B	4460465	3	Socket, Female	
301C	2400060	2	Fuseholder (Not Shown)	A
301C	2400064	2	Fuse - 5 Amp (Not Shown)	
302	4460742	1	Connector - 2 Position	
302	4460743	2	Socket, Female	
302	4460458	2	Seal	
304	4922641	1	Switch Harness	
		Ref	<b>TERMINAL BLOCK ASSEMBLY (SN 0300140000 through 0300182752)</b>	
	See Note	1	<b>Gray Terminal Block Assembly (Note: Complete Assembly Not Available - Purchase Individual Components)</b>	
	1001121340	Ref	<b>Tan Terminal Block Assembly</b>	A
401		Ref	Marker Strip #1 Options:	
401	4460411	2	Gray Terminal Block Assembly	
401	70002818	2	Tan Terminal Block Assembly	
402		Ref	Marker Strip #2 Options:	
402	4460412	4	Gray Terminal Block Assembly	
402	70002819	4	Tan Terminal Block Assembly	
403		Ref	Marker Strip #3 Options:	
403	4460413	2	Gray Terminal Block Assembly	
403	70002820	2	Tan Terminal Block Assembly	
404		Ref	Marker Strip #4 Options:	
404	4460414	2	Gray Terminal Block Assembly	
404	70002821	2	Tan Terminal Block Assembly	
405		Ref	Marker Strip #5 Options:	
405	4460415	4	Gray Terminal Block Assembly	
405	70002822	4	Tan Terminal Block Assembly	
406		Ref	Terminal, End Barrier Options:	
406	4460956	1	Gray Terminal Block Assembly	
406	70002823	1	Tan Terminal Block Assembly	

## SECTION 2 - TURNTABLE

ITEM	PART NUMBER	QTY	DESCRIPTION	REV
407		Ref	Terminal, End Block Options:	
407	4460607	2	Gray Terminal Block Assembly	
407	70002824	2	Tan Terminal Block Assembly	
408		Ref	Terminal, Block Options:	
408	4460957	7	Gray Terminal Block Assembly	
408	70002825	7	Tan Terminal Block Assembly	
409		Ref	Terminal, Cross Connector Jumper Options:	
409	4461001	2	Gray Terminal Block Assembly	
409	70002826	2	Tan Terminal Block Assembly	
410	3641533	1	Rail, Relay	
	1001094475	Ref	<b>HOURMETER INSTALLATION (OPTIONAL)</b>	B
502	0720808	1	Screw #8-32 x 1in	
503	2420165	1	Hourmeter	
504	3310601	2	Nut #6-32	
505	3310805	1	Locknut #8-32	
506	3910608	2	Screw #6-32 x 1/2in	
507	4240032	4	Strap, Tie	
508	4420060	3 in/7cm	Tape, Double-Sided	
509	4460234	3	Mount, Tie Strap	
510	4750800	1	Washer #8	
511	4760600	2	Lockwasher #6	
512	1001094375	1	Bracket, Hourmeter	
513	1001094509	1	Harness, Hourmeter	
514	4460018	1	Connector, Butt Splice (Not Shown)	

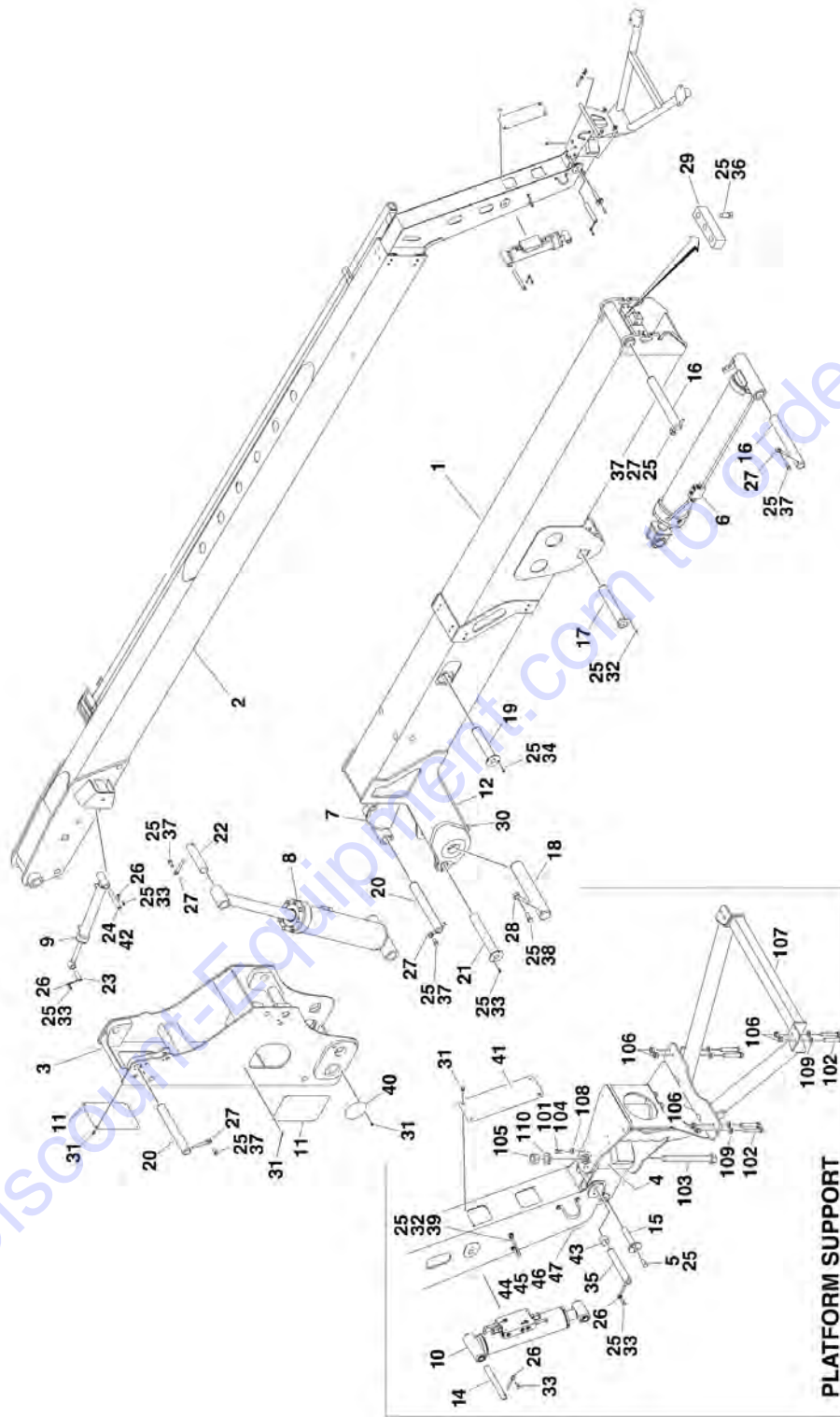
**SECTION 3 - BOOM**

Go to [Discount-Equipment.com](http://Discount-Equipment.com) to order your parts



# SECTION 3 - BOOM

## FIGURE 3-1. BOOM AND CYLINDER INSTALLATION - 800A



## SECTION 3 - BOOM

**FIGURE 3-1. BOOM AND CYLINDER INSTALLATION - 800A**

ITEM	PART NUMBER	QTY	DESCRIPTION	REV
	0272381	Ref	BOOMS AND CYLINDERS INSTALLATIONS - 800A	G
1	0801132	1	Boom Assembly -Tower (See TOWER BOOM ASSEMBLY for Breakdown)	
2	0801135	1	Boom Assembly - Main (See MAIN BOOM ASSEMBLIES for Breakdown)	
3	4845593	1	Upright Weldment	
4	0060069	1	Rotator Actuator Assembly (See ROTATOR ASSEMBLY for Breakdown)	
5	0741607	1	Screw, Countersunk 3/8in-16NC x 7/8in	
6	1683537	NLA	Lift Cylinder Assembly - Tower Boom (Use p/n 1001228009) (See CYLINDER SECTION for Breakdown) (Original Equipment)	
6	1001228009	1	Lift Cylinder Assembly - Tower Boom (See CYLINDER SECTION for Breakdown) (Service Replacement)	
7	1684497	NLA	Level Cylinder Assembly - Upright (Use p/n 1001228041) (See CYLINDER SECTION for Breakdown) (Original Equipment)	
7	1001228041	1	Level Cylinder Assembly - Upright (See CYLINDER SECTION for Breakdown) (Service Replacement)	
8	1683547	NLA	Lift Cylinder Assembly - Main Boom (Use p/n 1001228010) (See CYLINDER SECTION for Breakdown) (Original Equipment)	
8	1001228010	1	Lift Cylinder Assembly - Main Boom (See CYLINDER SECTION for Breakdown) (Service Replacement)	
9	1683608	NLA	Master Cylinder Assembly (Use p/n 1001228011) (See CYLINDER SECTION for Breakdown) (Original Equipment)	
9	1001228011	1	Master Cylinder Assembly (See CYLINDER SECTION for Breakdown) (Service Replacement)	
10	1684408	NLA	Slave Cylinder Assembly (Use p/n 1001228033) (See CYLINDER SECTION for Breakdown) (Original Equipment)	
10	1001228033	1	Slave Cylinder Assembly (See CYLINDER SECTION for Breakdown) (Service Replacement)	
11	1670844	4	Cover, Upright	
12	1670850	1	Cover, Tower Fly	
14	3422578	1	Pin	
15	3422580	1	Pin	
16	3422681	2	Pin	
17	3422729	1	Pin	
18	3422683	1	Pin	
19	3422684	1	Pin	
20	3422685	2	Pin	
21	3422686	1	Pin	
22	3422687	1	Pin	
23	3422688	1	Pin	
24	3422689	1	Pin	
25	0100011	AR	Compound, Locking	
26	3841143	4	Keeper, Pin	
27	3841287	5	Keeper, Pin	
28	3841356	1	Keeper, Pin	
29	3340835	1	Pad, Rest	
30	0641404	4	Bolt 1/4in-20NC x 1/2in	
31	0641604	28	Bolt 3/8in-16NC x 1/2in	
32	0641606	6	Bolt 3/8in-16NC x 3/4in	
33	0641608	6	Bolt 3/8in-16NC x 1in	
34	0641611	2	Bolt 3/8in-16NC x 1-3/8in	

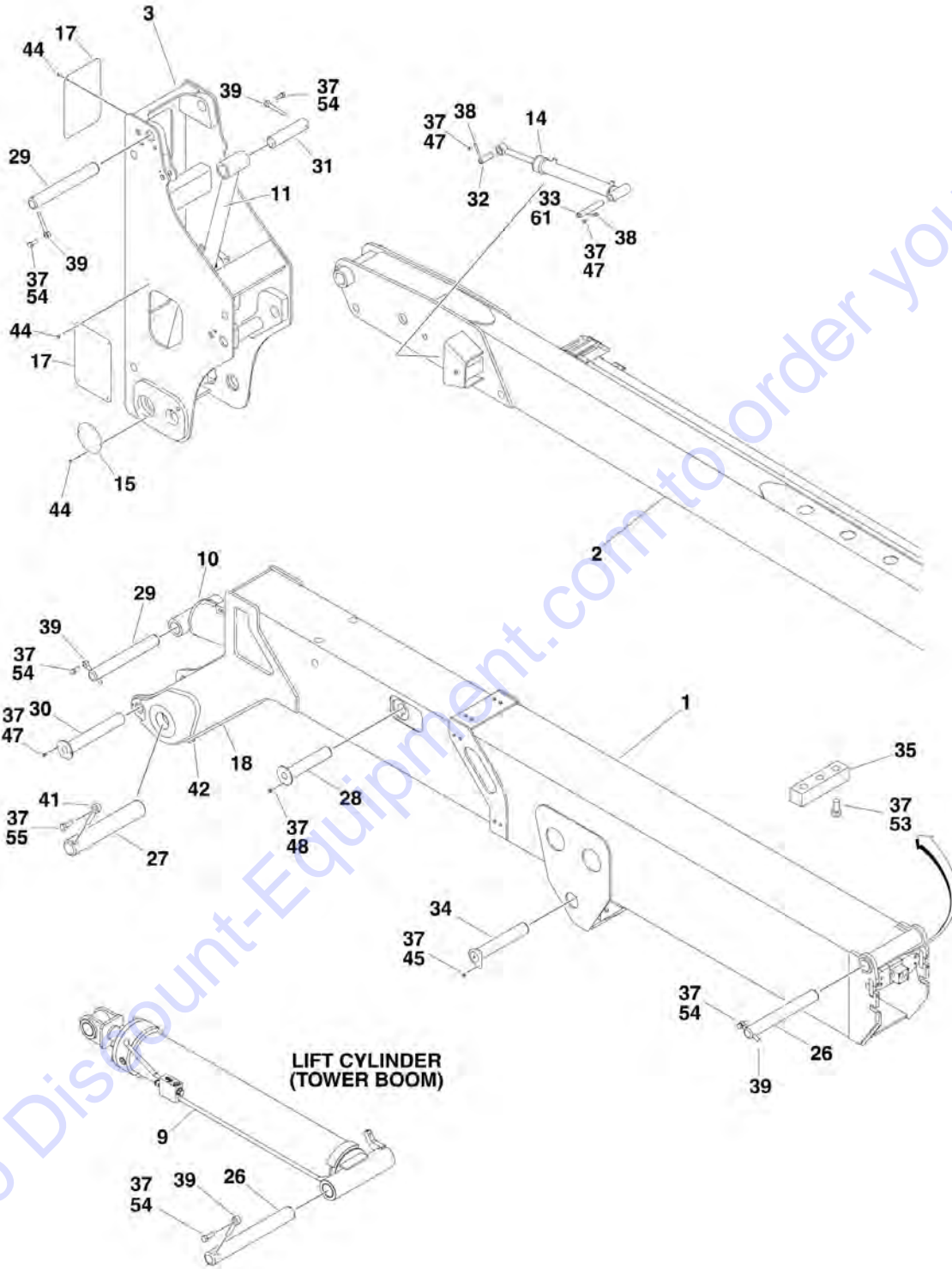
## SECTION 3 - BOOM

ITEM	PART NUMBER	QTY	DESCRIPTION	REV
35	3422582	1	Pin	
36	0641820	3	Bolt 1/2in-13NC x 2-1/2in	
37	0642214	5	Bolt 3/4in-10NC x 1-3/4in	
38	0642620	1	Bolt 1in-8NC x 2-1/2in	
39	3841340	2	Rod, Hose Loop	
40	1120510	2	Cover, Upright	
41	1670864	1	Cover, Fly Hose	
42	3900239	1	Setscrew 3/8in-16NC x 1/2in	
43	0961951	2	Bearing	
44	0641516	1	Bolt 5/16in-18NC x 2in	
45	1320159	1	Clamp	
46	4711500	1	Flatwasher 5/16in Narrow	
47	3311505	1	Locknut 5/16in x 18NC	
		Ref	<b>PLATFORM SUPPORT INSTALLATION</b>	
	0272070	Ref	<b>Machines without Load Sensing and without SkyGlazier</b>	E
	See Note	Ref	<b>Machines without Load Sensing and with SkyGlazier (Note: For Replacement Parts, Go to Discount-equipment.com and Request Manual p/n 3124242.)</b>	
	See Note	Ref	<b>Machines with Load Sensing and without SkyGlazier (Note: For Replacement Parts, Go to Discount-equipment.com and Request Manual p/n 3124287.)</b>	
	See Note	Ref	<b>Machines with Load Sensing and with SkyGlazier (Note: For Replacement Parts, Go to Discount-equipment.com and Request Manual p/n 3124287.)</b>	
101	0100011	AR	Compound, Locking	
102	0641812	8	Bolt 1/2in-13NC x 1-1/2in	
103	0642684	1	Bolt 1in-8NC x 10-1/2in	
104	0681608	8	Bolt 3/8in-16NC x 1in	
105	3300243	1	Locknut 1in-8NC	
106	3311805	8	Locknut 1/2in-13NC	
107	4846573	1	Support Weldment	
108	4891600	8	Flatwasher 3/8in (Hardened)	
109	4891800	8	Flatwasher 1/2in (Hardened)	
110	4892600	1	Flatwasher 1in (Hardened)	

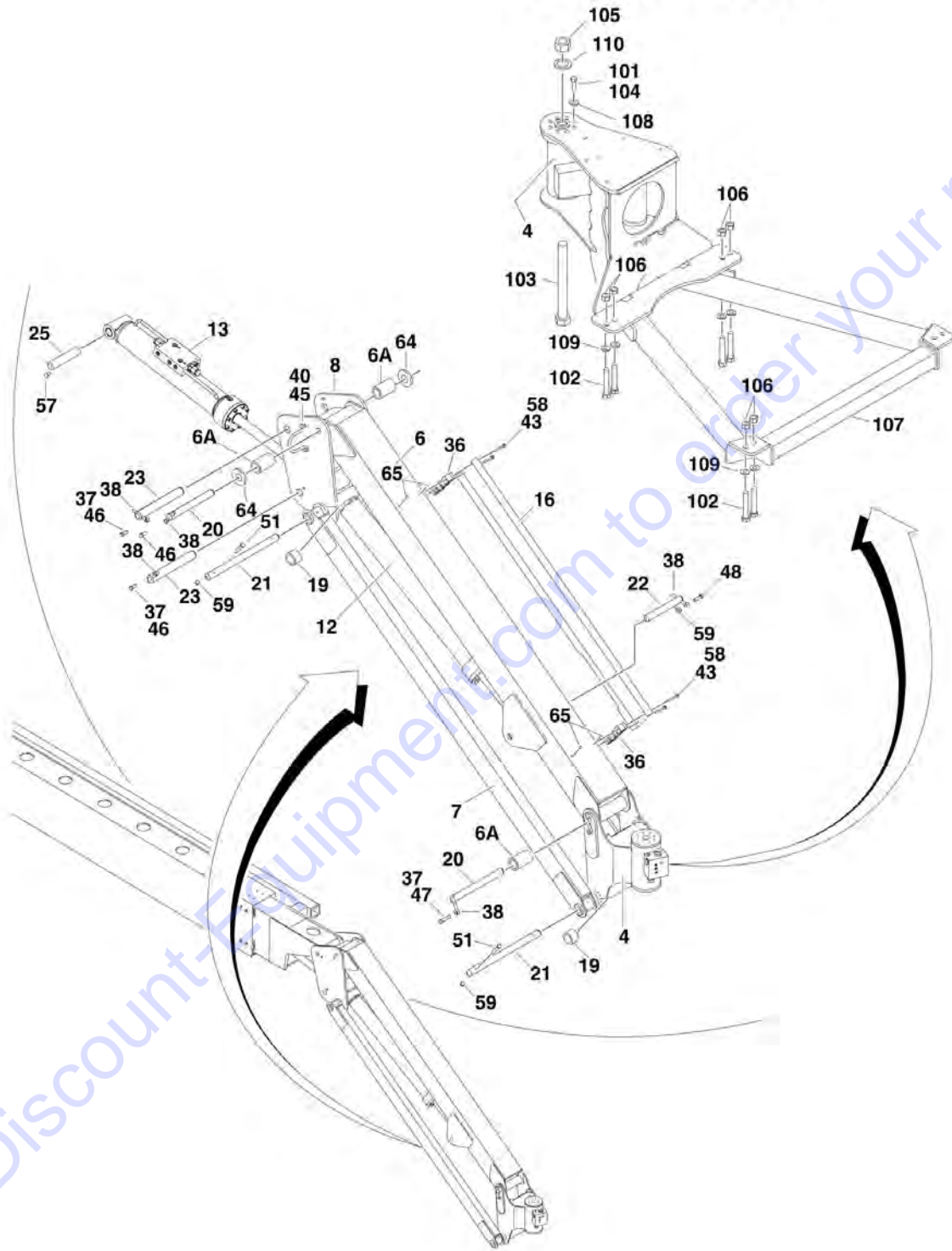


# SECTION 3 - BOOM

## FIGURE 3-2. BOOM AND CYLINDER INSTALLATION - 800AJ



PLATFORM SUPPORT



# PARTS FINDER

**Search Website  
by Part Number**



**Search Manual  
Library For Parts  
Manual & Lookup Part  
Numbers – Purchase  
or Request Quote**

**Can't Find Part or  
Manual? Request Help  
by Manufacturer,  
Model & Description**

Discount-Equipment.com is your online resource for quality parts & equipment.

Florida: **561-964-4949** Outside Florida TOLL FREE: **877-690-3101**

## Need parts?

Click on this link: <http://www.discount-equipment.com/category/5443-parts/> and choose one of the options to help get the right parts and equipment you are looking for. Please have the machine model and serial number available in order to help us get you the correct parts. If you don't find the part on the website or on one of the online manuals, please fill out the request form and one of our experienced staff members will get back to you with a quote for the right part that your machine needs.

We sell worldwide for the brands: Genie, Terex, JLG, MultiQuip, Mikasa, Essick, Whiteman, Mayco, Toro Stone, Diamond Products, Generac Magnum, Airman, Haulotte, Barreto, Power Blanket, Nifty Lift, Atlas Copco, Chicago Pneumatic, Allmand, Miller Curber, Skyjack, Lull, Skytrak, Tsurumi, Husquvarna Target, Stow, Wacker, Sakai, Mi-T-M, Sullair, Basic, Dynapac, MBW, Weber, Bartell, Bennar Newman, Haulotte, Ditch Runner, Menegotti, Morrison, Contec, Buddy, Crown, Edco, Wyco, Bomag, Laymor, EZ Trench, Bil-Jax, F.S. Curtis, Gehl Pavers, Heli, Honda, ICS/PowerGrit, IHI, Partner, Imer, Clipper, MMD, Koshin, Rice, CH&E, General Equipment, Amida, Coleman, NAC, Gradall, Square Shooter, Kent, Stanley, Tamco, Toku, Hatz, Kohler, Robin, Wisconsin, Northrock, Oztec, Toker TK, Rol-Air, APT, Wylie, Ingersoll Rand / Doosan, Innovatech, Con X, Ammann, Mecalac, Makinex, Smith Surface Prep, Small Line, Wanco, Yanmar

## SECTION 3 - BOOM

### FIGURE 3-2. BOOM AND CYLINDER INSTALLATION - 800AJ

ITEM	PART NUMBER	QTY	DESCRIPTION	REV
		Ref	BOOMS AND CYLINDERS INSTALLATIONS - 800AJ	
	0272131	Ref	Machines without Arctic Package	L
	1001138790	Ref	Machines with Arctic Package	C
1	0801132	1	Boom Assembly -Tower (See TOWER BOOM ASSEMBLY for Breakdown)	
2		Ref	Boom Assembly - Main Options (See MAIN BOOM ASSEMBLY for Breakdown):	
2	0801136	1	Boom Assembly - Main (SN 0300140000 through 0300169022)	
2	1001149286	1	Boom Assembly - Main (SN 0300169023 through 0300183033)	
3	4845593	1	Upright Weldment	
4	0060066	1	Rotator Actuator Assembly (See ROTATOR ASSEMBLY for Breakdown)	
6	4844816	1	Tube Weldment - Jib Top	
6A	0962335	4	Bearing	
7	4844817	2	Tube Weldment - Jib Bottom	
8	4845716	1	Pivot Weldment	
9	1683537	NLA	Lift Cylinder Assembly - Tower Boom (Use p/n 1001228009) (See CYLINDER SECTION for Breakdown) (Original Equipment)	
9	1001228009	1	Lift Cylinder Assembly - Tower Boom (See CYLINDER SECTION for Breakdown) (Service Replacement)	
10	1684497	NLA	Level Cylinder Assembly - Upright (Use p/n 1001228041) (See CYLINDER SECTION for Breakdown) (Original Equipment)	
10	1001228041	1	Level Cylinder Assembly - Upright (See CYLINDER SECTION for Breakdown) (Service Replacement)	
11	1683547	NLA	Lift Cylinder Assembly - Main Boom (Use p/n 1001228010) (See CYLINDER SECTION for Breakdown) (Original Equipment)	
11	1001228010	1	Lift Cylinder Assembly - Main Boom (See CYLINDER SECTION for Breakdown) (Service Replacement)	
12		Ref	Lift Cylinder Assembly - Jib Options (See CYLINDER SECTION for Breakdown):	
12	1683609	NLA	Machines without Arctic Package (Use p/n 1001248012) (Original Equipment)	
12	1001228012	NLA	Machines without Arctic Package (Use p/n 1001248012) (Service Replacement)	
12	1001248012	1	Machines without Arctic Package (Service Replacement)	
12	1001138792	NLA	Machines with Arctic Package (Use p/n 1001248012) (Original Equipment)	
12	1001228012	NLA	Machines with Arctic Package (Use p/n 1001248012) (Service Replacement)	
12	1001248012	1	Machines with Arctic Package (Service Replacement)	
13		Ref	Slave Cylinder Assembly Options (See CYLINDER SECTION for Breakdown):	
13	1684228	NLA	Machines without Arctic Package (Use p/n 1001228030) (Original Equipment)	
13	1001228030	1	Machines without Arctic Package (Service Replacement)	
13	1001138791	NLA	Machines with Arctic Package (Use p/n 1001228030) (Original Equipment)	
13	1001228030	1	Machines with Arctic Package (Service Replacement)	
14		Ref	Master Cylinder Assembly Options (See CYLINDER SECTION for Breakdown):	
14	1683682	NLA	Machines without Arctic Package (Use p/n 1001228050) (Original Equipment)	



## SECTION 3 - BOOM

ITEM	PART NUMBER	QTY	DESCRIPTION	REV
14	1001228050	1	Machines without Arctic Package (Service Replacement)	
14	1001138793	NLA	Machines with Arctic Package (Use p/n 1001228050) (Original Equipment)	
14	1001228050	1	Machines with Arctic Package (Service Replacement)	
15	1120510	2	Cover, Upright	
16	1670769	1	Cover, Cable	
17	1670844	4	Cover, Upright	
18	1670850	1	Cover, Tower Fly	
19	0961947	6	Bearing	
20	3422860	2	Pin	
21	3422861	2	Pin	
22	3422867	1	Pin	
23	3422561	2	Pin	
25	3422583	1	Pin	
26	3422681	2	Pin	
27	3422683	1	Pin	
28	3422684	1	Pin	
29	3422685	2	Pin	
30	3422686	1	Pin	
31	3422687	1	Pin	
32	3422688	1	Pin	
33	3422689	1	Pin	
34	3422729	1	Pin	
35	3340835	1	Pad, Rest	
36	0561237	2	Clamp, Block	
37	0100011	AR	Compound, Locking	
38	3841143	7	Keeper, Pin	
39	3841287	5	Keeper, Pin	
40	3841340	1	Rod, Hose Loop	
41	3841356	1	Keeper, Pin	
42	0641404	4	Bolt 1/4in-20NC x 1/2in	
43	0641416	4	Bolt 1/4in-20NC x 2in	
44	0641604	24	Bolt 3/8in-16NC x 1/2in	
45	0641606	4	Bolt 3/8in-16NC x 3/4in	
46	0641607	3	Bolt 3/8in-16NC x 7/8in	
47	0641608	5	Bolt 3/8in-16NC x 1in	
48	0641611	3	Bolt 3/8in-16NC x 1-3/8in	
51	0641618	4	Bolt 3/8in-16NC x 2-1/4in	
53	0641820	3	Bolt 1/2in-13NC x 2-1/2in	
54	0642214	5	Bolt 3/4in-10NC x 1-3/4in	
55	0642620	1	Bolt 1in-8NC x 2-1/2in	
57	0741607	1	Screw, Countersunk 3/8in-16NC x 7/8in	
58	2080044	4	Rivnut 1/4in-20NC	
59	3311605	5	Locknut 3/8in-16NC	
61	3900239	1	Setscrew 3/8in-16NC x 1/2in (SN 0300140000 through 0300172452)	
64	4740439	2	Washer, Thrust	
65	3520034	4	Plug (SN 0300176303 through 0300183033)	
		Ref	<b>PLATFORM SUPPORT INSTALLATION (SIDE ENTRY PLATFORM)</b>	
	0272070	Ref	<b>Machines without Load Sensing and without SkyGlazier.</b>	E
	See Note	Ref	<b>Machines without Load Sensing and with SkyGlazier (Note:</b>	

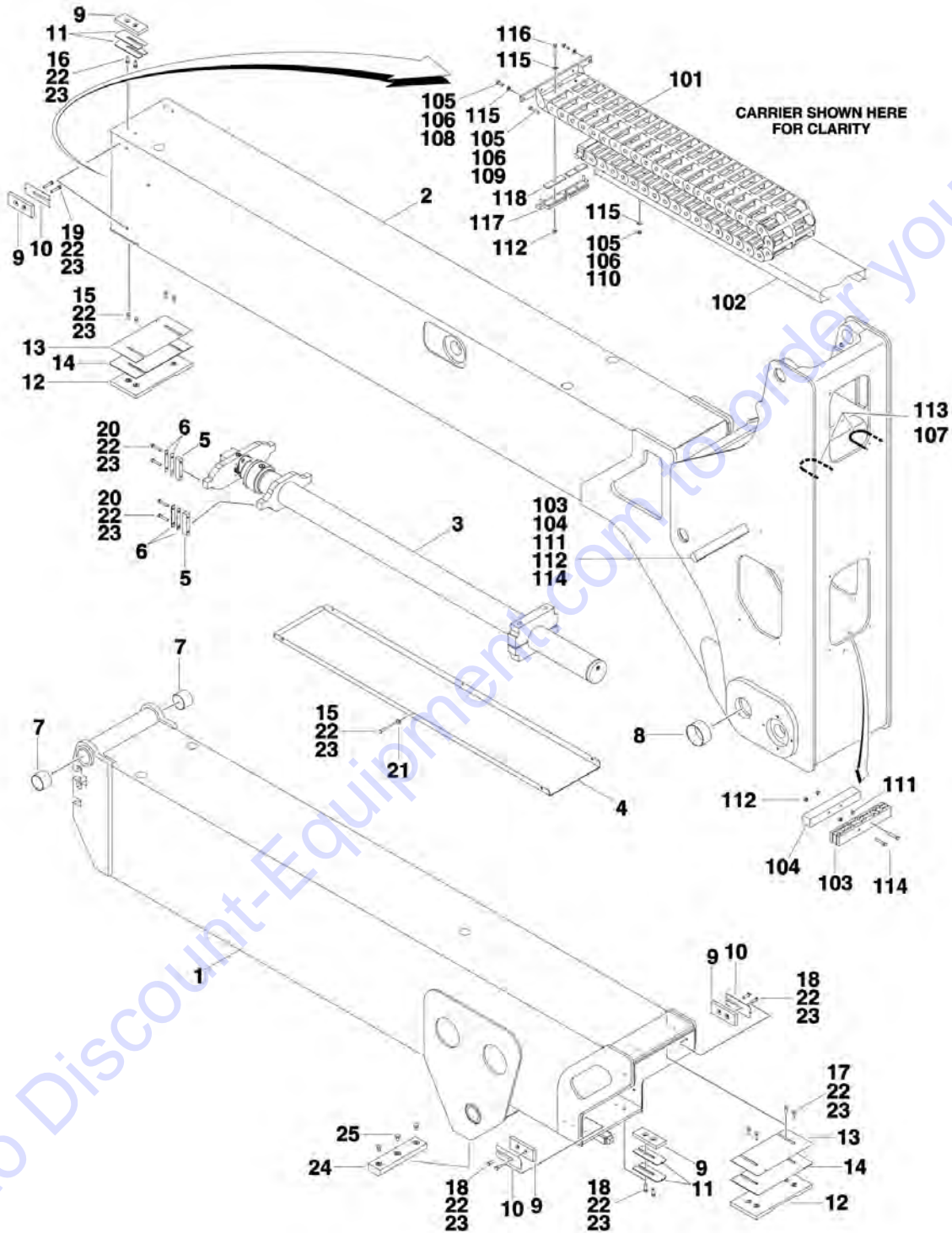
## SECTION 3 - BOOM

ITEM	PART NUMBER	QTY	DESCRIPTION	REV
	See Note	Ref	<b>For Replacement Parts, Go to Discount-equipment.com and Request Manual p/n 3124242.)</b>	
	See Note	Ref	<b>Machines with Load Sensing and without SkyGlazier (Note: For Replacement Parts, Go to Discount-equipment.com and Request Manual p/n 3124287.)</b>	
	See Note	Ref	<b>Machines with Load Sensing and with SkyGlazier (Note: For Replacement Parts, Go to Discount-equipment.com and Request Manual p/n 3124287.)</b>	
101	0100011	AR	Compound, Locking	
102	0641812	8	Bolt 1/2in-13NC x 1-1/2in	
103	0642684	1	Bolt 1in-8NC x 10-1/2in	
104	0681608	8	Bolt 3/8in-16NC x 1in	
105	3300243	1	Locknut 1in-8NC	
106	3311805	8	Locknut 1/2in-13NC	
107	4846573	1	Support Weldment	
108	4891600	8	Flatwasher 3/8in (Hardened)	
109	4891800	8	Flatwasher 1/2in (Hardened)	
110	4892600	1	Flatwasher 1in (Hardened)	



# SECTION 3 - BOOM

## FIGURE 3-3. TOWER BOOM ASSEMBLY



## SECTION 3 - BOOM

### FIGURE 3-3. TOWER BOOM ASSEMBLY

ITEM	PART NUMBER	QTY	DESCRIPTION	REV
	0801132	Ref	TOWER BOOM ASSEMBLY	F
1	0801594	1	Base Weldment	
2	0801496	1	Fly Weldment	
3	1683606	NLA	Cylinder Assembly - Tower Telescope (Use p/n 1001228086) (See CYLINDER SECTION for Breakdown) (Original Equipment)	
3	1001188840	NLA	Cylinder Assembly - Tower Telescope (Use p/n 1001228086) (See CYLINDER SECTION for Breakdown) (Service Replacement)	
3	1001228086	1	Cylinder Assembly - Tower Telescope (See CYLINDER SECTION for Breakdown) (Service Replacement)	
4	4340706	1	Support	
5	0561185	4	Block, Attach	
6	4070929	4	Shim 1/16in	
6	4071007	4	Shim 20GA	
7	0962102	2	Bushing	
8	0962122	2	Bushing	
9	3340881	12	Pad, Wear	
10	4070897	8	Shim .05	
11	4070898	8	Shim .12	
12	3340828	2	Pad, Wear	
13	4070967	2	Shim .05	
14	4070968	2	Shim .12	
15	0641607	10	Bolt 3/8in-16NC x 7/8in	
16	0641608	4	Bolt 3/8in-16NC x 1in	
17	0641609	4	Bolt 3/8in-16NC x 1-1/8in	
18	0641610	12	Bolt 3/8in-16NC x 1-1/4in	
19	0641615	8	Bolt 3/8in-16NC x 1-7/8in	
20	0641616	8	Bolt 3/8in-16NC x 2in	
21	4711600	6	Flatwasher 3/8in Narrow	
22	0100011	AR	Compound, Locking	
23	0100038	AR	Primer, Locking	
24	3340835	1	Pad, Boom Rest	
25	0641806	3	Bolt 1/2in-13NC x 3/4in	
		Ref	<b>POWER TRACK INSTALLATIONS</b>	
	0257764	Ref	<b>Without Arctic Package</b>	H
	1001094661	Ref	<b>With Arctic Package</b>	B
101	1180346	1	Carrier	
101	7020064	1	Bracket, End (Moving)	
101	7020065	1	Bracket, End (Fixed)	
101	7020066	1	Section, Repair	
101	7020067	1	Link, Repair	
102	4845680	1	Hose Tube Weldment	
103		Ref	Clamp, Block Options:	
103	1320251	2	Without Arctic Package	
103	1001094662	2	With Arctic Package	
104	1320250	2	Bar, Clamp	
105	0100011	AR	Compound, Locking	
106	0100038	AR	Primer, Locking	
107	0641605	4	Bolt 3/8in-16NC x 5/8in	
108	0641606	2	Bolt 3/8in-16NC x 3/4in	
109	0641622	2	Bolt 3/8in-16NC x 2-3/4in	

## SECTION 3 - BOOM

ITEM	PART NUMBER	QTY	DESCRIPTION	REV
110	3311601	4	Nut 3/8in-16NC	
111	3311602	4	Nut, Jam 3/8in-16NC	
112	3311605	6	Locknut 3/8in-16NC	
113	3841340	2	Rod, Hose Loop	
114	3900262	4	Bolt 3/8in16NC x 4-3/4in	
115	4711600	AR	Flatwasher 3/8in Narrow	
116	0641624	2	Bolt 3/8in-16NC x 3in	
117	0259420	1	Clamp Assembly	
117	3340859	2	Pad, Rubber	
118	3340859	2	Pad, Rubber	

Go to Discount-Equipment.com to order your parts



# SECTION 3 - BOOM

## FIGURE 3-4. MAIN BOOM ASSEMBLIES

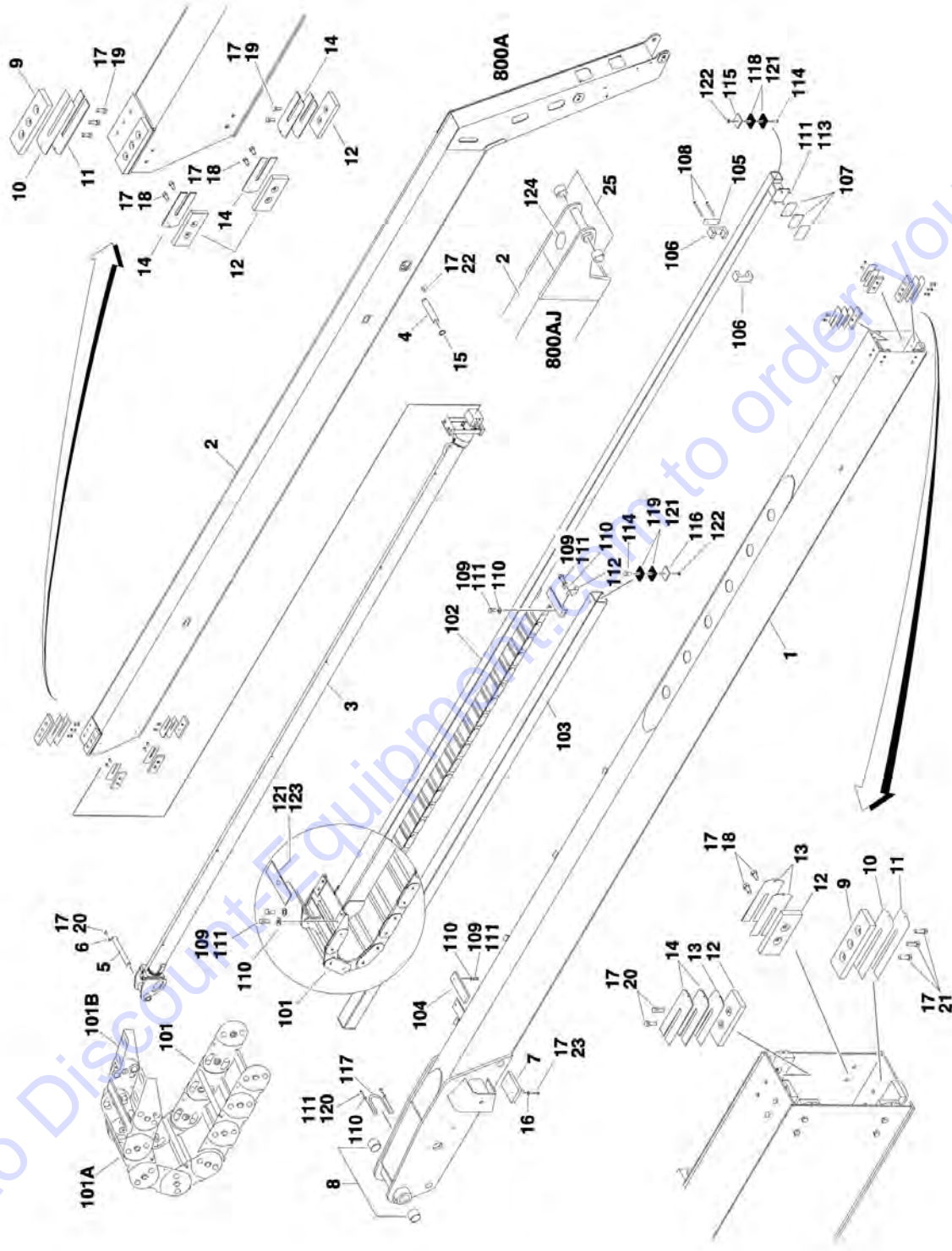




FIGURE 3-4. MAIN BOOM ASSEMBLIES

ITEM	PART NUMBER	QTY	DESCRIPTION	REV
		Ref	MAIN BOOM ASSEMBLY OPTIONS:	
	0801135	Ref	Main Boom Assembly 800A	I
	0801136	Ref	Main Boom Assembly 800AJ (SN 0300140000 through 0300169022)	J
	1001149286	Ref	Main Boom Assembly 800AJ (SN 0300169023 through 0300183033)	A
1		Ref	Base Weldment Options:	
1	0801585	1	Base Weldment 800A	
1	0801591	1	Base Weldment 800AJ	
2		Ref	Fly Weldment Options:	
2	0801138	1	Fly Weldment 800A	
2	0801573	1	Fly Weldment 800AJ	
3		Ref	Telescope Cylinder Assembly Options (See CYLINDER SECTION for Breakdown):	
3	1683607	NLA	Telescope Cylinder Assembly (Use p/n 1001228088) (800A) (Original Equipment)	
3	1001188968	NLA	Telescope Cylinder Assembly (Use p/n 1001228088) (800A) (Service Replacement)	
3	1001228088	1	Telescope Cylinder Assembly (800A) (Service Replacement)	
3	1683672	NLA	Telescope Cylinder Assembly (Use p/n 1001228087) (800AJ) (Original Equipment) (SN 0300140000 through 0300169022)	
3	1001188841	NLA	Telescope Cylinder Assembly (Use p/n 1001228087) (800AJ) (Service Replacement)	
3	1001228087	1	Telescope Cylinder Assembly (800AJ) (Service Replacement)	
3	1001149284	NLA	Telescope Cylinder Assembly (Use p/n 1001228087) (800AJ) (Original Equipment) (SN 0300169023 through 0300183033)	
3	1001228087	1	Telescope Cylinder Assembly 800AJ (Service Replacement)	
4	3422457	1	Pin	
5	3422690	1	Pin	
6	3841143	1	Keeper, Pin	
7	0561295	1	Block, Boom Rest	
8	0962102	2	Bushing	
9	3340871	4	Pad, Wear	
10	4070863	4	Shim 1/8in	
11	4070864	4	Shim .05	
12		Ref	Pad, Wear Options:	
12	3340881	12	Pad, Wear (SN 0300140000 through 0300169343)	
12	1001148652	12	Pad, Wear (SN 0300169344 through 0300183033)	
13	4070897	10	Shim .05	
14	4070898	12	Shim 1/8in	
15	3760133	2	Ring, Retaining	
16	4711600	2	Flatwasher 3/8in Narrow	
17	0100011	AR	Compound, Locking	
18	0641606	16	Bolt 3/8in-16NC x 3/4in	
19	0641607	10	Bolt 3/8in-16NC x 7/8in	
20	0641608	5	Bolt 3/8in-16NC x 1in	
21	0641609	6	Bolt 3/8in-16NC x 1-1/8in	
22	3900259	4	Bolt, Shoulder	
23	0641612	2	Bolt 3/8in-16NC x 1-1/2in	
25		Ref	Bushing	
25	Not Required	0	Bushing 800A	

## SECTION 3 - BOOM

ITEM	PART NUMBER	QTY	DESCRIPTION	REV
25	0961951	2	Bushing 800AJ	
		Ref	<b>POWER TRACK INSTALLATION OPTIONS:</b>	
	0258076	Ref	<b>Power Track Installation 800A</b>	J
	0258077	Ref	<b>Power Track Installation 800AJ</b>	H
101		Ref	Carrier Options:	
101	1001099840	1	Carrier 800A	
101	1001099837	1	Carrier 800AJ	
101A	70002013	AR	Carrier Repair Section (Includes 1 Pin Assembly for each end)	
101B	70002014	1	Mounting Foot Kit (Includes Both Pair of Feet)	
102		Ref	Push Tube Weldment	
102	4845701	1	Push Tube Weldment 800A	
102	4845729	1	Push Tube Weldment 800AJ	
103		Ref	Support	
103	4845702	1	Support 800A	
103	4845730	1	Support 800AJ	
104	3340840	1	Pad	
105	3538758	1	Plate, Backing	
106	3340764	2	Pad	
107	4070969	3	Shim	
108	0641640	2	Bolt 3/8in-16NC x 5in	
109	0641606	AR	Bolt 3/8in-16NC x 3/4in	
110	4711600	22	Flatwasher 3/8in Narrow	
111	0100011	AR	Compound, Locking	
112	1320263	1	Clamp, Loop	
113	0641612	4	Bolt Options:	
113	0641612	4	Bolt 800A (Bolt 3/8in-16NC x 1-1/2in)	
113	0641607	4	Bolt 800AJ (Bolt 3/8in-16NC x 7/8in)	
114	0641624	2	Bolt 3/8in-16NC x 3in	
115	1320289	1	Clamp, Hose	
116	1320288	1	Clamp, Hose	
117	3841406	1	Loop, Hose	
118	3340943	2	Pad, Rubber	
119	3340941	2	Pad, Rubber	
120	3900283	2	Screw, Button Head 3/8in-16NC x 3/4in	
121	0100081	AR	Adhesive	
122	3311605	2	Locknut 3/8in-16NC	
123	4071052	2	Shim	
124		Ref	Flex-Trim	
124	Not Required	0	Flex-Trim 800A	
124	4060805	8 in/20cm	Flex-Trim 800AJ	



# SECTION 3 - BOOM

## FIGURE 3-5. ROTATOR ASSEMBLY

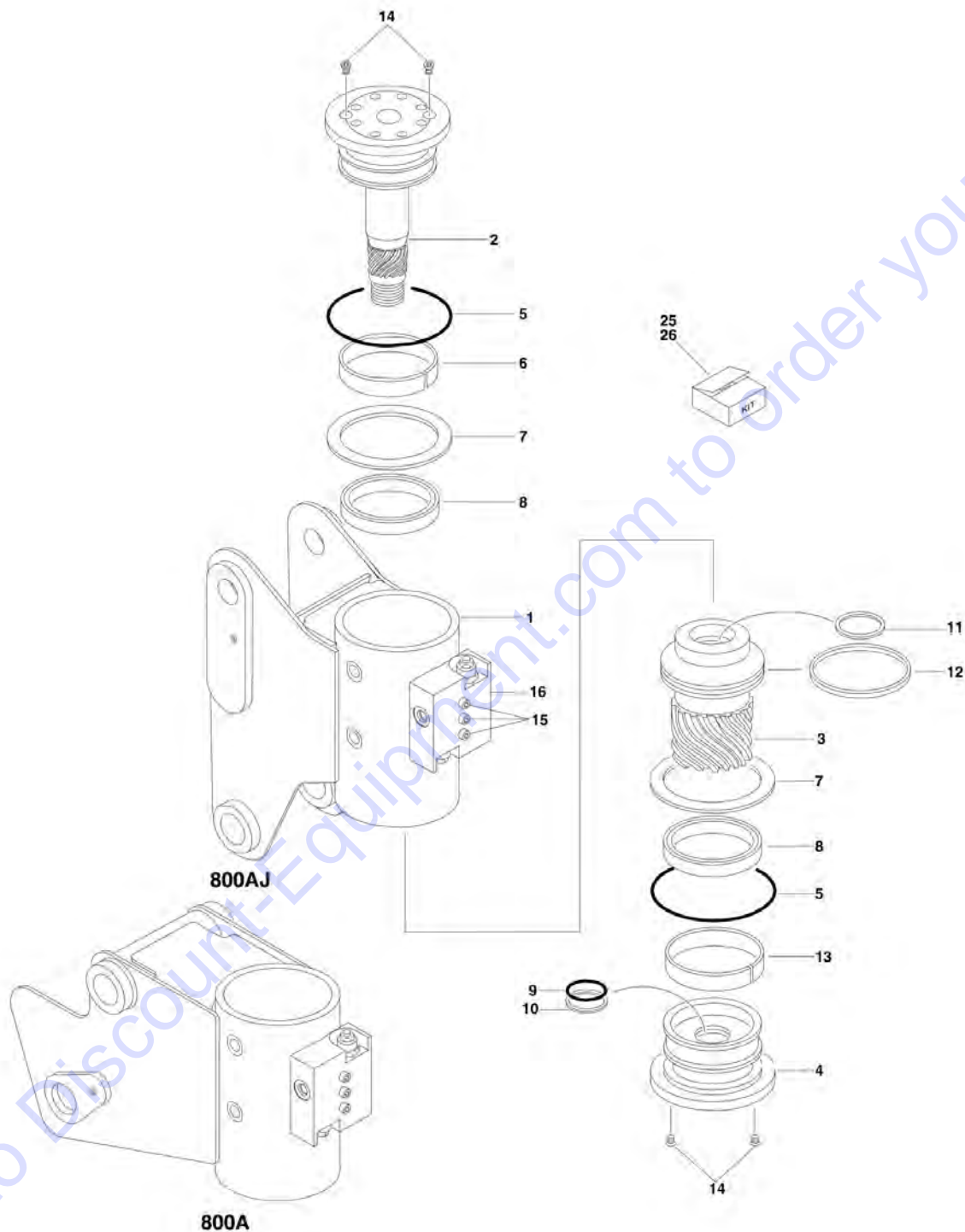
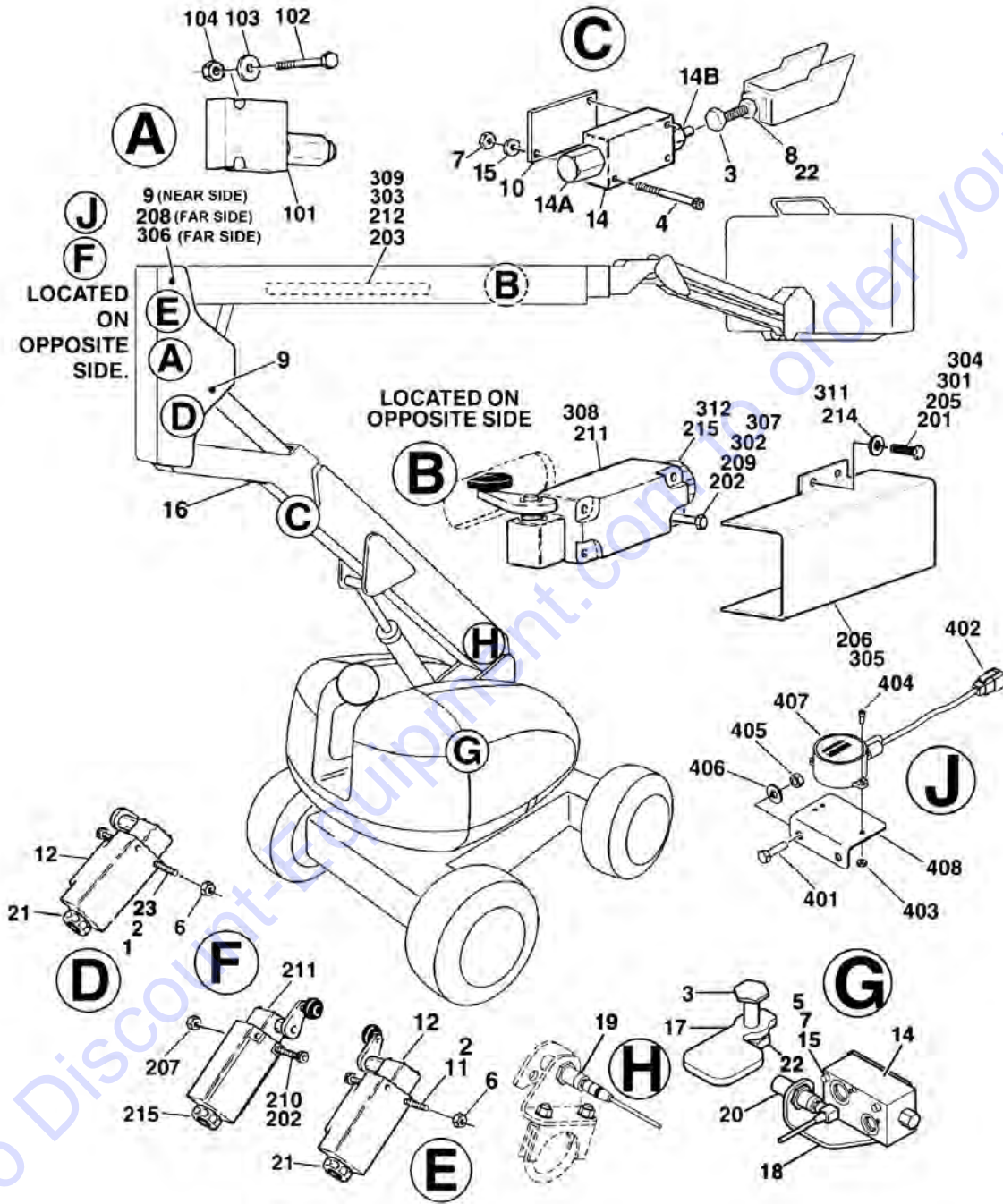


FIGURE 3-5. ROTATOR ASSEMBLY

ITEM	PART NUMBER	QTY	DESCRIPTION	REV
		Ref	<b>ROTATOR ASSEMBLIES</b>	
	0060069	Ref	<b>Rotator Assemblies 800A</b>	A
	0060066	Ref	<b>Rotator Assemblies 800AJ</b>	C
1	See Note	NSS	Housing/Ring Gear Assembly (Note: Not Available - Purchase Complete Assembly)	
2	7017162	1	Weldment, Shaft	
3	7017163	1	Piston/Sleeve Assembly	
4	7017164	1	Cap, End	
5	See Note	NSS	O-Ring (Note: Use Item 25)	
6	See Note	NSS	Bearing, Shaft (Note: Use Item 26)	
7	See Note	NSS	Washer, Thrust (Note: Use Item 26)	
8	See Note	NSS	Packing, Bearing (Note: Use Item 25)	
9	See Note	NSS	Seal, Cap (Note: Use Item 25)	
10	See Note	NSS	Ring, Back-up Cap (Note: Use Item 25)	
11	See Note	NSS	Seal, Rod (Note: Use Item 25)	
12	See Note	NSS	Seal, Piston (Note: Use Item 25)	
13	See Note	NSS	Bearing, Cap (Note: Use Item 26)	
14	70001697	6	Capscrew 1/4in-20NC x 3/8in (Grade 8)	
15	See Note	3	Bolt 1/4 x 1-1/2 (Grade 8) (Note: Not Available for Purchase)	
16	7017183	1	Valve Assembly	
16	7017193	2	Cartridge, Valve	
16	See Note	NSS	Seal Kit - 7017193 Valve (Note: Use p/n 7017193)	
16	See Note	NSS	Cartridge, Valve (Not Shown - Located on Side of Block) (Note: Use p/n 7017183)	
16	See Note	NSS	Seal Kit - Valve Located on Side of Block (Note: Use p/n 7017183)	
25		Ref	Seal Kit Options (Includes Items 5, 8-12 & Hardware Kit):	
25	7017158	1	Standard	
25	70000342	1	Low Temperature	
26	7017159	1	Bearing Kit (Includes Items 6, 7 & 13)	

# SECTION 3 - BOOM

FIGURE 3-6. VALVE AND LIMIT SWITCH INSTALLATIONS (BOOM MOUNTED)



## SECTION 3 - BOOM

**FIGURE 3-6. VALVE AND LIMIT SWITCH INSTALLATIONS (BOOM MOUNTED)**

ITEM	PART NUMBER	QTY	DESCRIPTION	REV
	0258217	Ref	<b>BOOM VALVES AND LIMIT SWITCHES INSTALLATION</b>	Q
1	0100011	AR	Compound, Locking	
2	0100035	AR	Compound, Locking (SN 0300140000 through 0300165362)	
3	0630427	2	Bolt, Special	
4	3931436	3	Bolt 1/4in-20NC x 2-1/4in	
5	3931464	3	Bolt 1/4in-20NC x 4in	
6		Ref	Nut Options:	
6	3310805	4	Locknut #8-32NC	
6	3310801	4	Nut #8-32NC	
7	3311405	6	Locknut 1/4in-20NC	
8	3311801	1	Nut 1/2in-13NC	
9	3520035	2	Plug, Cap	
10	3570928	2	Plate, Spacer	
11	3930824	2	Capscrew, Socket Head #8-32NC x 1-1/2in	
12	4360578	2	Switch, Limit	
14	4641435	2	Valve, Switch	
14A	7011342	2	Valve, Check (1 per Assembly)	
14A	7011333	2	Seal Kit - Check Valve (1 per Assembly)	
14B	See Note	2	Valve, Plunger (1 per Assembly) (Note: Not Available for Purchase)	
14B	See Note	2	Seal Kit (1 Per Assembly) (Note: Not Available for Purchase)	
15	4751400	6	Flatwasher 1/4in	
16	4060805	7 in/25cm	Trim, Edge	
17	3572606	1	Plate, Lower Boom Proximity Switch Target	
18	3572607	1	Plate, Lower Boom Proximity Switch Mount	
19	4360498	1	Switch Proximity	
20	4360499	1	Switch Proximity	
21	4460968	2	Connector, Strain Relief	
22	88521008	2	Locknut 1/2in-13NC	
23	3930824	2	Capscrew, Socket Head #8-32NC x 1-1/2in	
	0274640	Ref	<b>VALVES INSTALLATION</b>	D
101	4640929	1	Valve Assembly (Relief)	
101	7012970	1	Cartridge	
101	7012953	1	Seal Kit - 7012970 Cartridge	
102	0641416	2	Bolt 1/4in-20NC x 2in	
103	4711400	4	Flatwasher 1/4in Narrow	
104	3311405	2	Locknut 1/4in-20NC	
	0258338	Ref	<b>LIMIT SWITCHES INSTALLATION - 800A DUAL CAPACITY</b>	H
201	0100011	AR	Compound, Locking	
202	0100035	AR	Compound, Locking	
203	1001106482	1	Bar, Fiberglass	
205	0641403	4	Bolt 1/4in-20NC x 3/8in	
206	3380535	1	Cover	
207	3310801	2	Locknut #8-32NC	
208	3520035	1	Plug, Cap	
209	3930816	2	Capscrew, Socket Head #8-32NC x 1in	
210	3930824	2	Capscrew, Socket Head #8-32NC x 1-1/2in	
211	4360578	2	Switch, Limit	
212	4420060	2	Tape, Double Sided	
214	4751400	4	Flatwasher 1/4in	

## SECTION 3 - BOOM

ITEM	PART NUMBER	QTY	DESCRIPTION	REV
215	4460968	2	Connector, Strain Relief	
		Ref	<b>TRANSPORT POSITION SWITCH INSTALLATIONS (CE SPEC)</b>	
	0258384	Ref	<b>Transport Position Switch Installations 800A</b>	F
	0258567	Ref	<b>Transport Position Switch Installations 800AJ</b>	F
301	0100011	AR	Compound, Locking	
302	0100035	AR	Compound, Locking	
303		Ref	Bar, Fiberglass Options:	
303	1001106477	1	Bar, Fiberglass 800A	
303	1001106481	1	Bar, Fiberglass 800AJ	
304	0641403	4	Bolt 1/4in-20NC x 3/8in	
305	3380535	1	Cover, Switch	
306	3520035	1	Plug, Cap	
307	3930816	2	Capscrew, Socket Head #8-32NC x 1in	
308	4360578	1	Switch, Limit	
309	4420060	AR	Tape, Double Sided Foam	
311	4751400	1	Flatwasher 1/4in	
312	4460968	1	Connector, Strain Relief	
	0275733	Ref	<b>TILT SENSOR INSTALLATION</b>	A
401	0641408	2	Bolt 1/4in-20NC x 1in	
402	0100048	AR	Grease, Dielectric	
403	3310605	3	Locknut #6-32 NC	
404	3930606	3	Screw #6-32 NC	
405	3311405	2	Locknut 1/4in-20NC	
406	4751400	2	Flatwasher 1/4in	
407	1001094400	1	Sensor, Dual Axis	
408	1001096736	1	Bracket, Tilt Sensor	

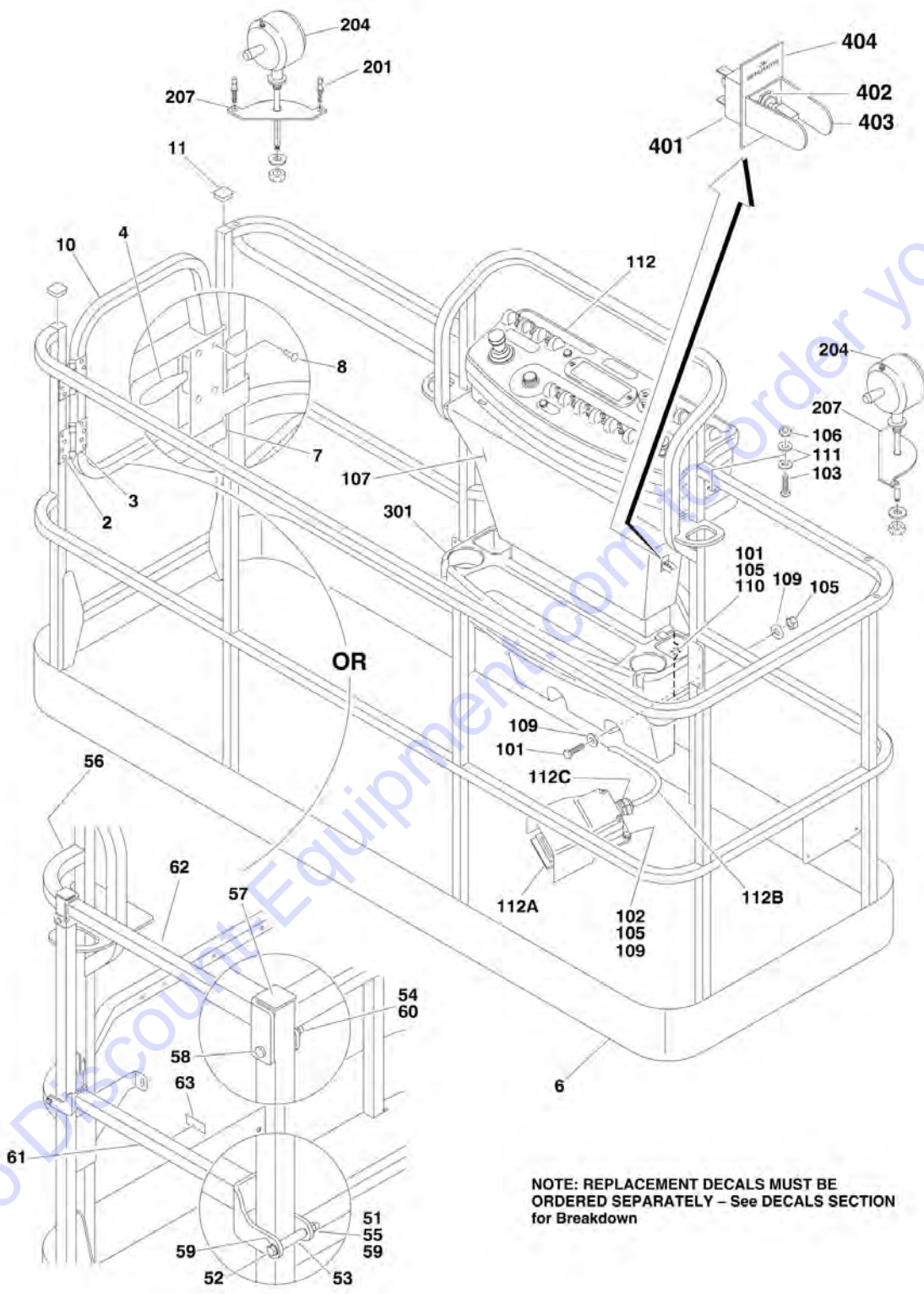


**SECTION 4 - PLATFORM**

Go to Discount-Equipment.com to order your parts

# SECTION 4 - PLATFORM

## FIGURE 4-1. PLATFORM COMPONENTS INSTALLATION



## SECTION 4 - PLATFORM

**FIGURE 4-1. PLATFORM COMPONENTS INSTALLATION**

ITEM	PART NUMBER	QTY	DESCRIPTION	REV
		Ref	<b>PLATFORM ASSEMBLIES:</b>	
	3510830	Ref	Platform 30in x 4ft (76cm x 1.22m) with No Mesh (SN 0300140000 through 0300168425)	M
	1001144027	Ref	Platform 30in x 4ft (76cm x 1.22m) with No Mesh (SN 0300168426 through 0300183033)	B
	1001144025	Ref	Platform 30in x 6ft (76cm x 1.83m) with No Mesh	A
	3510833	Ref	Platform 36in x 6ft (91.5cm x 1.83m) with No Mesh (SN 0300140000 through 0300168425)	I
	1001144024	Ref	Platform 36in x 6ft (91.5cm x 1.83m) with No Mesh (SN 0300168426 through 0300183033)	B
	3510822	Ref	Platform 36in x 8ft (91.5cm x 2.44m) with No Mesh (SN 0300140000 through 0300168425)	J
	1001144023	Ref	Platform 36in x 8ft (91.5cm x 2.44m) with No Mesh (SN 0300168426 through 0300183033)	B
		Ref	<b>Note: Original Equipment platform may have been replaced with Service Replacement platform. Identify platform before ordering parts.</b>	
		Ref	<b>Note: For Platforms with Mesh to Top Rail, Platforms and Mesh must be ordered separately. See SPECIAL OPTIONS SECTION for Mesh Installations.</b>	
		Ref	<b>Note: Replacement Decals Must be purchased separately - See DECAL SECTION.</b>	
		Ref	<b>Note: When replacing 8ft/2.44m platform with Soft Touch option, new Soft Touch Rail p/n 4846673 must be purchased to accommodate limit switch locations.</b>	
		Ref	<b>Note: When replacing platform on machines with SkyCutter option, new bracket p/n 1001145405 must be purchased to accommodate SkyCutter components.</b>	
2	2080040	16	Fastener, Huck	
3	2600281	2	Hinge, Self-Closing	
4	2940074	1	Latch	
6	See Note	1	Platform Weldment (Note: Not Available - Purchase Platform Assembly.)	
7	3520072	1	Cap-Plug	
8	3820020	4	Rivet, Pop	
10		Ref	Gate Weldment Options:	
10	4846452	1	Gate for Platform p/ns 3510822, 3510830 & 3510833	
10	1001144629	1	Gate for Platform p/ns 1001144023, 1001144024 & 1001144027	
11	3520198	2	Cap-Plug	
		Ref	<b>PLATFORM ASSEMBLY WITH DROP-BAR</b>	
	1001138431	Ref	Platform 30in x 4ft (76cm x 1.22m) with No Mesh (SN 0300140000 through 0300168425)	B
	1001144018	Ref	Platform 30in x 4ft (76cm x 1.22m) with No Mesh (SN 0300168426 through 0300183033)	B
	1001144020	Ref	Platform 30in x 6ft (76cm x 1.83m) with No Mesh	A
	1001138434	Ref	Platform 36in x 6ft (91.5cm x 1.83m) with No Mesh (SN 0300140000 through 0300168425)	B
	1001144021	Ref	Platform 36in x 6ft (91.5cm x 1.83m) with No Mesh (SN 0300168426 through 0300183033)	B
	1001138430	Ref	Platform 36in x 8ft (91.5cm x 2.44m) with No Mesh (SN 0300140000 through 0300168425)	B
	1001144022	Ref	Platform 36in x 8ft (91.5cm x 2.44m) with No Mesh (SN 0300168426 through 0300183033)	B
		Ref	<b>Note: Original Equipment platform may have been replaced</b>	

## SECTION 4 - PLATFORM

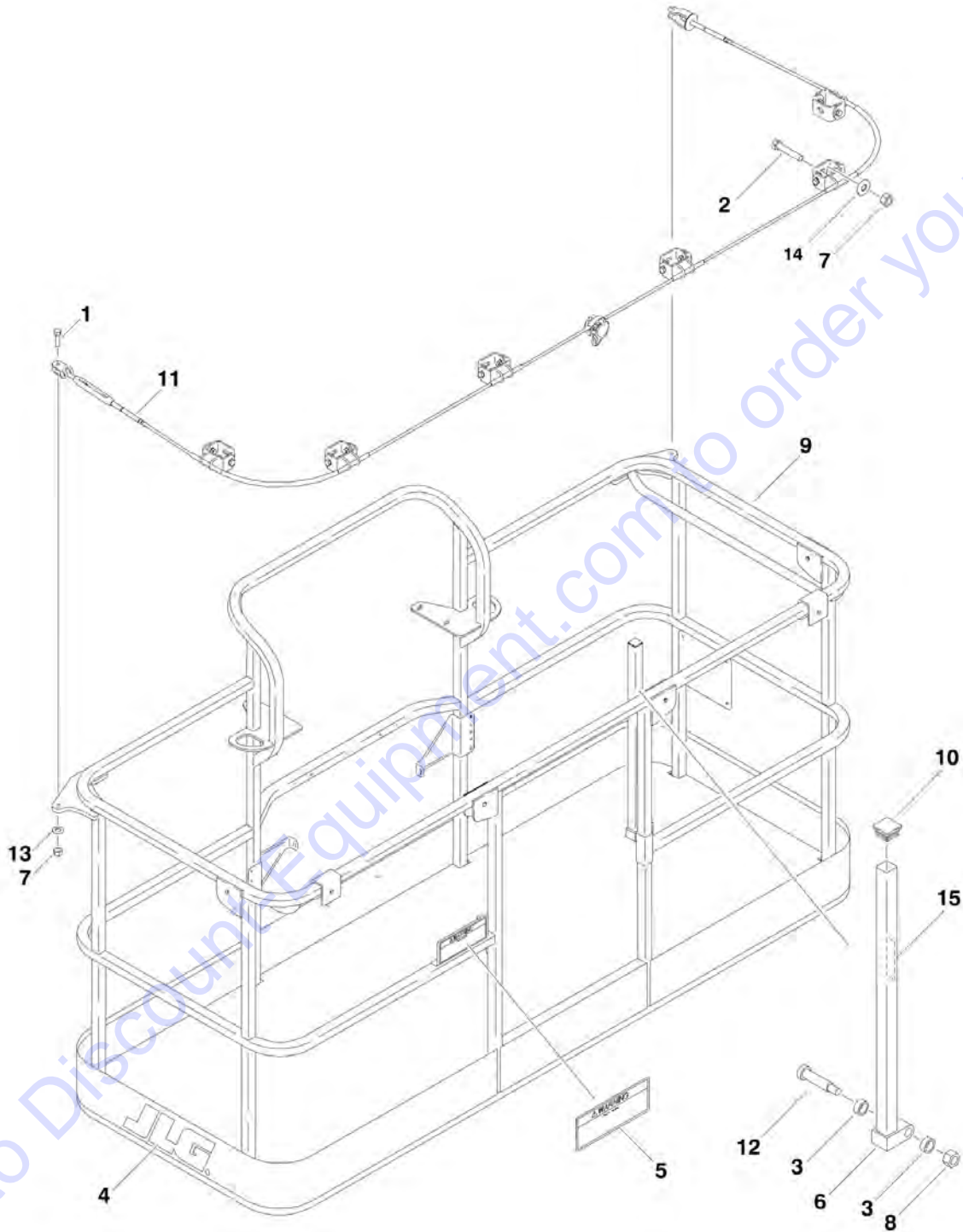
ITEM	PART NUMBER	QTY	DESCRIPTION	REV
			with Service Replacement platform. Identify platform before ordering parts.	
		Ref	<b>Note: Replacement Decals Must be Ordered Separately - See DECAL SECTION.</b>	
		Ref	<b>Note: When replacing 8ft/2.44m platform with Soft Touch option, new Soft Touch Rail p/n 4846673 must be purchased to accommodate limit switch locations.</b>	
		Ref	<b>Note: When replacing platform on machines with SkyCutter option, new bracket p/n 1001145405 must be purchased to accommodate SkyCutter components.</b>	
51	0100011	AR	Compound, Locking	
52	0641418	2	Bolt 1/4in-20NC x 2-1/4in	
53	0961845	2	Bushing	
54	3290606	2	Nut M6	
55	3300151	2	Nut, Acorn	
56	See Note	1	Platform Weldment (Note: Not Available - Purchase Complete Platform Assembly.)	
57	3520198	2	Cap-Plug	
58	4010618	2	Screw M6 x 50mm	
59	4711400	4	Flatwasher 1/4in	
60	4811700	2	Flatwasher M6	
61	1001138494	1	Bar, Drop	
62	1001138514	1	Rail (Top)	
63	1001140429	1	Decal - Drop-Bar	
		Ref	<b>CONSOLE BOX INSTALLATIONS</b>	
	1001114446	Ref	<b>Console Box Installations (SN 0300140000 through 0300143927)</b>	C
	1001117427	Ref	<b>Console Box Installations (SN 0300143928 through 0300183033)</b>	A
101	0641406	4	Bolt 1/4in-20NC x 3/4in	
102	0641408	3	Bolt 1/4in-20NC x 1in	
103	0641610	4	Bolt 3/8in-16NC x 1-1/4in	
105	3311405	7	Locknut 1/4in-20NC	
106	3311605	4	Locknut 3/8in-16NC	
107	3380434	1	Panel, Decal Mount	
109	4740362	7	Washer, Fender 1/4in	
110	4751400	4	Flatwasher 1/4in (Wide)	
111	4751600	8	Flatwasher 3/8in (Wide)	
112		Ref	Platform Console Box Assembly (See PLATFORM CONSOLE ASSEMBLY for Breakdown)	
112	1001114448	1	Platform Console Box Assembly (SN 0300140000 through 0300143927)	
112	1001117428	1	Platform Console Box Assembly (SN 0300143928 through 0300183033)	
112A		Ref	Footswitch Assembly Options (Includes Footswitch and Items 112B - 112E):	
112A	0272970	1	Footswitch Assembly (SN 0300140000 through 0300143927)	
112A	1001117174	1	Footswitch Assembly (SN 0300143928 through 0300183033)	
		Ref	<b>Note: Assembly p/n 0272970 may use either p/n 4360031 or p/n 1001117320. If Original Equipment was replaced as an "assembly," p/n 1001117320 may have been used as part of the Service Replacement. Identify component before ordering parts.</b>	

## SECTION 4 - PLATFORM

ITEM	PART NUMBER	QTY	DESCRIPTION	REV
112A		Ref	Footswitch Less Cable Options:	
112A	4360031	1	Footswitch Less Cable Original Equipment (SN 0300140000 through 0300143927)	
112A	7000625	2	Contact Block for 4360031 Footswitch	
112A	1001117320	1	Footswitch Less Cable Service Replacement for p/n 4360031 Footswitch (SN 0300140000 through 0300143927)	
112A	70003483	1	Contact Block for 1001117320 Footswitch	
112A	1001117172	Ref	Footswitch Less Cable (SN 0300143928 through 0300183033)	
112A	70002902	1	Switch, 20Amp	
112A	70002903	1	Gasket	
112A	70002904	4	Replacement Kit, Bolt	
112A	70002905	1	Cover, Aluminum	
112B	1060918	7 ft/2.14m	Cable, Electrical - 18/3	
112C	4460071	1	Connector, Strain Relief	
112D	4460226	2	Socket, Female (Not Shown - Used with Footswitch) (See ELECTRICAL SECTION for Location)	
112E	4460464	1	Terminal, Deutsch (Not Shown - Used with Footswitch) (See ELECTRICAL SECTION for Location)	
		Ref	<b>WORKLIGHTS INSTALLATIONS (optional)</b>	
	0273484	Ref	<b>Worklights Installations (Optional) 800A</b>	D
	0273485	Ref	<b>Worklights Installations (Optional) 800AJ</b>	D
201	2080040	4	Blind Fastener, Huck	
204	2920140	2	Worklight	
204	7016399	2	Bulb, Replacement (1 Per Worklight)	
207	3536089	2	Plate, Mounting	
213	4460426		Connector, Strain Relief (Not Shown - Located at Console Box)	
217	2820035	9 ft	Loom, Vinyl (Not Shown)	
218	4240099	10	Tie-Strap (Not Shown)	
		Ref	<b>TRAY INSTALLATIONS (OPTIONAL)</b>	
301	1580012	1	Tray, Storage (Center)	
302	1580013	1	Tray, Storage (Rail Mounted - Not Shown)	
		Ref	<b>GENERATOR INSTALLATION (OPTIONAL)</b>	
	1001115404	Ref	<b>110V with Caterpillar Engine</b>	A
	1001115414	Ref	<b>220V with Caterpillar Engine</b>	A
	1001115405	Ref	<b>110V with Deutz Engine</b>	A
	1001115409	Ref	<b>220V with Deutz Engine</b>	A
	0275039	Ref	<b>110V with GM Engine</b>	E
401	4360336	1	Switch, Toggle	
402	4740397	1	Bushing	
403	4060802	1	Guard, Switch	
404	3251102	1	Decal - Generator ON/OFF	
405	2820031	1	Insulator, Heat Shrink (Not Shown - Located at Platform)	

## SECTION 4 - PLATFORM

FIGURE 4-2. PLATFORM COMPONENTS INSTALLATION (FALL ARREST PLATFORM)



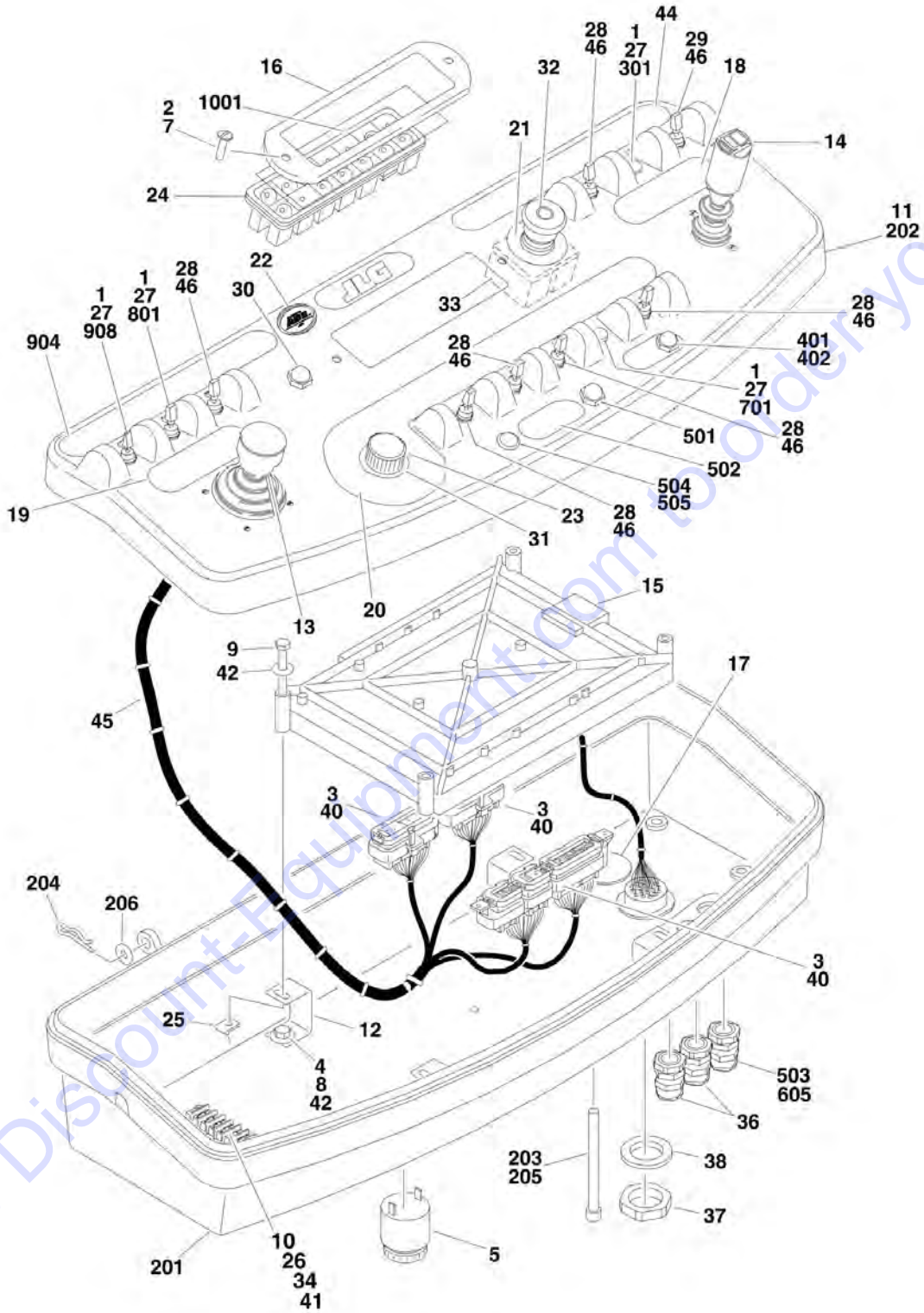
## SECTION 4 - PLATFORM

**FIGURE 4-2. PLATFORM COMPONENTS INSTALLATION (FALL ARREST PLATFORM)**

ITEM	PART NUMBER	QTY	DESCRIPTION	REV
		Ref	<b>PLATFORM ASSEMBLY (FALL ARREST)</b>	
	3510884	Ref	<b>6ft Platform</b>	E
	3510868	Ref	<b>8ft Platform</b>	E
		Ref	<b>NOTE: Replacement Decals Must be purchased separately - See DECAL SECTION.</b>	
1	0681814	2	Bolt 1/2in-13NC x 1-3/4in (Grade 8)	
2	0681822	AR	Bolt 1/2in-13NC x 2-3/4in (Grade 8)	
3	0962270	2	Bearing, Oilite	
4	1702773	1	Decal - JLG	
5	1705014	1	Decal - Safety	
6	2410014	1	Gate Weldment	
7	3271805	AR	Locknut 1/2in-13NC (Grade 8)	
8	3311605	1	Locknut 3/8in-16NC	
9	See Note	1	Platform Weldment (Note: Purchase Platform Assembly.)	
10	3520072	1	Cap-Plug	
11		Ref	Cable, Fall Arrest Options:	
11	1060919	1	6ft Platform	
11	3890040	1	8ft Platform	
12	3900054	1	Bolt 1/2in-13NC x 1-3/4in	
13	4711800	2	Flatwasher 1/2in (Narrow)	
14	4751800	AR	Flatwasher 1/2in (Wide)	
15	1706385	1	Decal - Drop Bar	

# SECTION 4 - PLATFORM

## FIGURE 4-3. PLATFORM CONSOLE ASSEMBLY





## SECTION 4 - PLATFORM

**FIGURE 4-3. PLATFORM CONSOLE ASSEMBLY**

ITEM	PART NUMBER	QTY	DESCRIPTION	REV
		Ref	<b>CONSOLE BOX AND FOOTSWITCH ASSEMBLIES</b>	
	1001114448	Ref	<b>Console Box and Footswitch Assemblies (SN 0300140000 through 0300143927)</b>	E
	1001117428	Ref	<b>Console Box and Footswitch Assemblies (SN 0300143928 through 0300183033)</b>	C
1	0100009	AR	Sealant	
2	0100035	AR	Compound, Locking	
3	0100048	AR	Grease, Dielectric	
4	0100081	AR	Adhesive	
5	0140011	1	Alarm	
7	0630464	2	Screw, Button Head #10-24NC x 1/2in	
8	0641404	4	Bolt 1/4in-20NC x 1/2in	
9	0641414	4	Bolt 1/4in-20NC x 1-3/4in	
10	0721006	2	Bolt #10-24NC x 3/4in	
11	0861537	1	Box, Console (See Items 201-206 for Breakdown)	
12	0902751	4	Bracket, Card Support	
13	1600317	NLA	Controller Assembly (Swing and Lift) (See CONTROLLER ASSEMBLY (SWING AND LIFT) for Breakdown) (Use p/n 1001129555) <b>(SN 0300140000 through 0300146306)</b>	
13	1001118417	NLA	Controller Assembly (Swing and Lift) (See CONTROLLER ASSEMBLY (SWING AND LIFT) for Breakdown) (Use p/n 1001129555) <b>(SN 0300146307 through 0300183033)</b>	
14		Ref	Controller Assembly (Drive and Steer) Options (See CONTROLLER ASSEMBLY (DRIVE AND STEER) for Breakdown):	
14	1600318	NLA	Controller Assembly (Use p/n 1001212415) <b>(SN 0300140000 through 0300146306)</b>	
14	1001118416	1	Controller Assembly (Use p/n 1001212415) <b>(SN 0300146307 through 0300183033)</b>	
15	1001106355	1	Controller, Module (Re-calibration Required when Replaced)	
16	1670829	1	Bezel	
17	1001110434	1	Plug	
18	1702565	1	Decal (Drive and Steer)	
19	1702566	1	Decal (Lift and Swing)	
20	1702567	1	Decal (Function Speed)	
21	1704260	1	Decal - EMS	
22	1705132	1	Decal - ADE	
23	2560136	1	Handle, Knob	
24	2760105	1	Housing, Display Light	
25	3300353	4	Nut, Tinnerman	
26	3311005	2	Locknut #10-24NC	
27	3520054	AR	Plug, Hole	
28	4360328	6	Switch, Toggle	
29	4360330	1	Switch, Toggle	
30	4360387	1	Switch, Pushbutton	
31	4360407	1	Controller, Speed	
31	See Note	1	Gasket "Top Hat" (Included W/Switch) (Note: Not Available for Purchase)	
31	70003784	1	Seal	
32	4360475	1	Switch, Emergency Stop	
32	7020175	1	Cap, Red	
32	7020176	1	Contact Block	

## SECTION 4 - PLATFORM

ITEM	PART NUMBER	QTY	DESCRIPTION	REV
33	4360476	1	Block, Contact	
34	4460007	1	Bar, Buss	
35	4460234	3	Mount, Tie-Strap (Not Shown)	
36	4460428	2	Connector, Strain Relief	
37	4460470	1	Nut, Terminal	
38	4460471	1	Lockwasher, Terminal	
39	4460708	2	Terminal, 15 Pin (See ELECTRICAL SECTION for Location)	
40	4460905	5	Plug, Seal (See ELECTRICAL SECTION for Location)	
41	4751000	2	Flatwasher #10	
42	4751400	8	Flatwasher 1/4in	
43	4922666	1	Harness, Analyzer Cable (See ELECTRICAL SECTION for Location)	
44		Ref	Decal - Stop Options:	
44	1001107677	NLA	Decal - Stop (Use p/n 1001131168) (SN 0300140000 through 0300150265)	
44	1001131168	1	Decal - Stop (SN 0300150266 through 0300183033)	
45	1001107753	1	Harness, Platform Box	
46	3790012	7	O-Ring	
	0861537	Ref	<b>CONSOLE BOX ASSEMBLY</b>	G
201	See Note	NSS	Console Bottom (Note: Not Available for Purchase)	
202	See Note	NSS	Console Top (Note: Not Available for Purchase)	
203	3311601	1	Nut 3/8in-16NC	
204	3470003	2	Pin, Hair	
205	0630568	1	Screw 3/8in-16NC x 4-1/2in	
206	4711500	2	Flatwasher 5/16in	
		Ref	<b>DUAL FUEL SWITCH INSTALLATION</b>	
301	4360336	1	Switch, Toggle	
301	3790012	1	O-Ring	
	0271768	Ref	<b>HEAD AND TAIL LIGHTS INSTALLATION (OPTIONAL)</b>	C
401	4360522	1	Switch, Pushbutton	
402	1705170	1	Decal - Lights	
		Ref	<b>SOFT TOUCH SYSTEM INSTALLATION (OPTIONAL)</b>	
	0273824	Ref	<b>6ft/1.8m Platforms</b>	B
	0272427	Ref	<b>8ft/2.4m Platforms</b>	E
	1001108256	Ref	<b>6ft/1.8m Platforms w/Fall Arrest</b>	A
	0273706	Ref	<b>8ft/2.4m Platforms w/Fall Arrest</b>	B
501	4360387	1	Switch, Pushbutton	
502	1702938	1	Decal - Soft Touch Override	
503	4460425	1	Connector, Strain Relief	
504	2920028	1	Lamp, Indicator	
505	2920029	1	Bulb	
		Ref	<b>PLATFORM WORKLIGHT INSTALLATION (OPTIONAL)</b>	
	0273484	Ref	<b>Platform Worklights Installations (Optional) 800A</b>	D
	0273485	Ref	<b>Platform Worklights Installations (Optional) 800AJ</b>	D
605	4460426	1	Connector, Strain Relief	
	0271340	Ref	<b>JIB SWITCH INSTALLATION (OPTIONAL)</b>	1
701	4360328	1	Switch, Toggle	
701	3790012	1	O-Ring	
	0258945	Ref	<b>STEER SWITCH (4WS) INSTALLATION (OPTIONAL)</b>	A
801	4360331	1	Switch, Toggle	
801	3790012	1	O-Ring	
	1001114446	Ref	<b>CONSOLE BOX INSTALLATION</b>	A

## SECTION 4 - PLATFORM

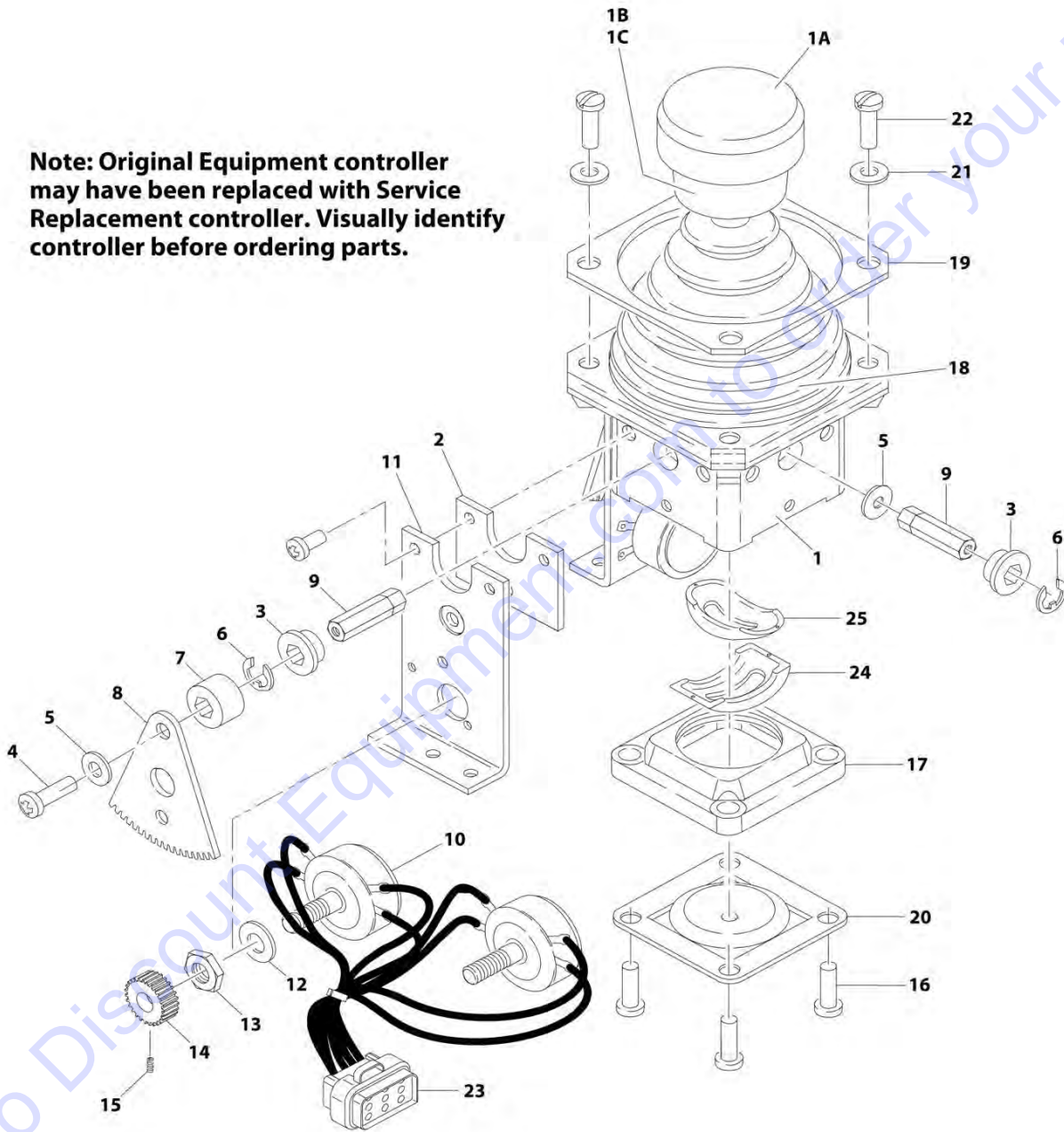
ITEM	PART NUMBER	QTY	DESCRIPTION	REV
904	1702676	1	Decal - Horn	
908	4360331	1	Switch, Toggle (4WD)	
908	3790012	1	O-Ring	
		Ref	<b>LIGHT PANEL DECAL INSTALLATION</b>	
	1001108763	Ref	<b>All Specs Except Australian and CE Specs</b>	A
	1001108764	Ref	<b>Australian and CE Specs</b>	A
1001		Ref	Decal - Light Panel Display Options:	
1001	1001107927	1	All Specs Except Australian and CE Specs	
1001	1001107926	1	Australian and CE Specs	

Go to Discount-Equipment.com to order your parts

# SECTION 4 - PLATFORM

## FIGURE 4-4. CONTROLLER ASSEMBLY (LIFT AND SWING)

**Note: Original Equipment controller may have been replaced with Service Replacement controller. Visually identify controller before ordering parts.**



ART\_1600317

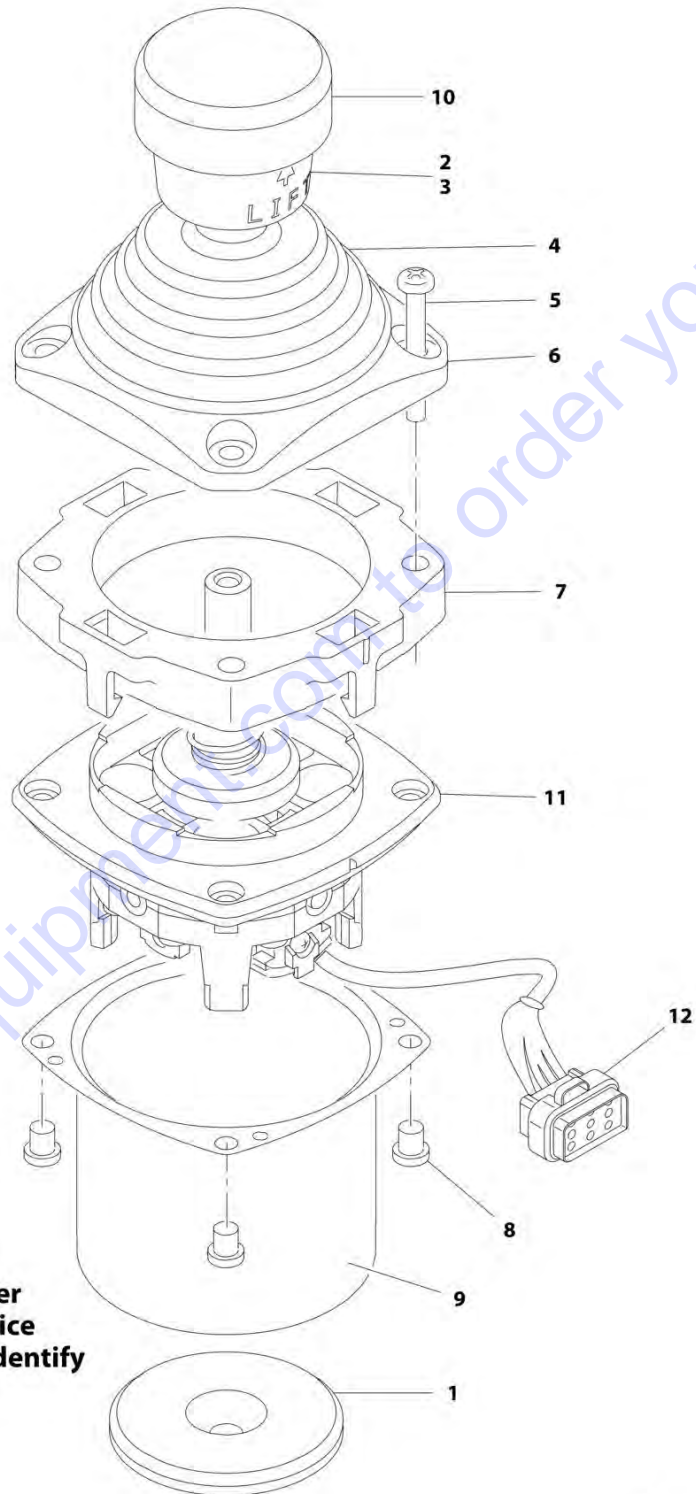
## SECTION 4 - PLATFORM

**FIGURE 4-4. CONTROLLER ASSEMBLY (LIFT AND SWING)**

ITEM	PART NUMBER	QTY	DESCRIPTION	REV
		Ref	<b>Note: Original Equipment controller may have been replaced with Service Replacement controller. Visually identify controller before ordering parts.</b>	
	1600317	Ref	<b>CONTROLLER ASSEMBLY</b>	C
		Ref	<b>Note: Use p/n 1001129555 Kit as Replacement.</b>	
1	7019141	1	Mechanical Assembly (Includes Base, Handle Stem and Items 1A, 1B, 1C & 18)	
1A	7019197	1	Handle Cap and Rod	
1B	7003928	1	Spring	
1C	7022808	1	Cap, Lift	
2	7019171	2	Plate	
3	7019111	4	Bearing, Gear	
4	7019143	2	Screw	
5	7019144	2	Spacer, Cam	
6	7019145	4	E-Clip	
7	7019174	2	Spacer	
8	7003977	2	Gear, Drive	
9		Ref	Shaft Options:	
9	7019147	2	Shaft, Short	
9	7019177	2	Shaft, Long	
10	7022818	2	Potentiometer	
11	7019142	2	Plate	
12	7003992	2	Washer	
13	7003993	2	Nut	
14	7003976	2	Gear, Slave	
15	7019149	2	Setscrew	
16	7022816	4	Screw	
17	7019150	1	Gate	
18	7022814	1	Boot	
19	7022815	1	Bezel	
20	See Note	NSS	Center, Detent (Note: Use p/n 1001129555)	
21	7003953	4	Washer	
22	7022817	4	Screw	
23	7022819	1	Plug, Male - 8 Position (Natural)	
23	4460871	8	Socket, Female	
24	7019122	1	Gimble, Outer	
25	7019123	1	Gimble, Inner	

## SECTION 4 - PLATFORM

FIGURE 4-5. CONTROLLER ASSEMBLY (LIFT AND SWING)



**Note: Original Equipment controller may have been replaced with Service Replacement controller. Visually identify controller before ordering parts.**

ART\_100118417

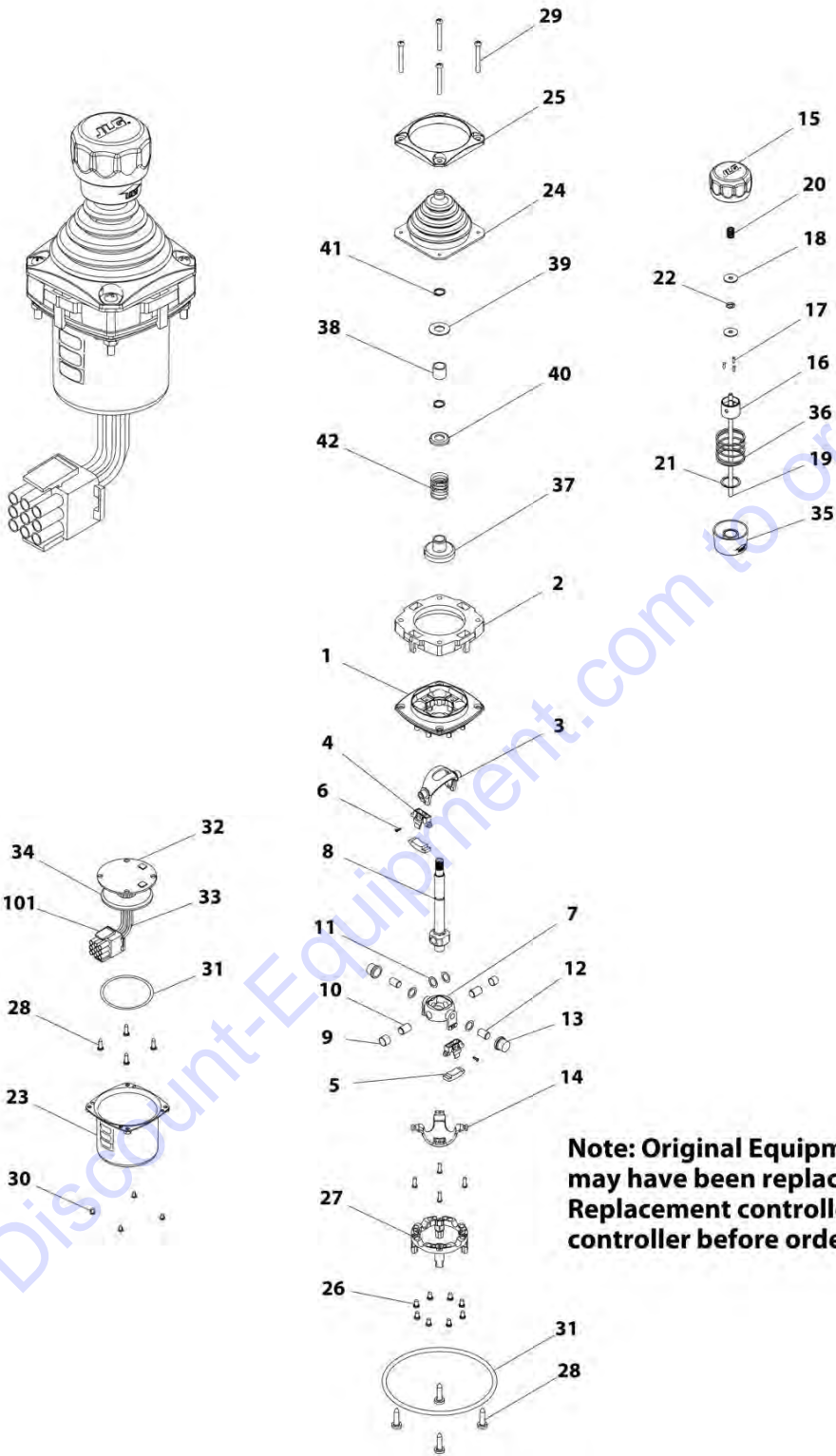
## SECTION 4 - PLATFORM

**FIGURE 4-5. CONTROLLER ASSEMBLY (LIFT AND SWING)**

ITEM	PART NUMBER	QTY	DESCRIPTION	REV
		Ref	<b>Note: Original Equipment controller may have been replaced with Service Replacement controller. Visually identify controller before ordering parts.</b>	E
	1001118417	Ref	<b>CONTROLLER ASSEMBLY</b>	
		Ref	<b>Note: Use p/n 1001129555 as Replacement.</b>	
1	70002730	1	Gasket	
2	7003928	1	Spring	
3	7022808	1	Cap, Lift	
4	70002731	1	Boot	
5	70002732	4	Screw	
6	7022815	1	Bezel	
7	70002733	1	Adapter	
8	70002734	4	Screw	
9	70002735	1	Can, Enclosure	
10	70002906	1	Cap	
11	See Note	NSS	Mechanical Assembly (Note: Use p/n 1001129555)	
12	7022819	1	Connector - 8 Position	
12	4460871	6	Socket, Female	

# SECTION 4 - PLATFORM

## FIGURE 4-6. CONTROLLER ASSEMBLY (LIFT AND SWING)



**Note: Original Equipment controller may have been replaced with Service Replacement controller. Visually identify controller before ordering parts.**

ART\_1001166539



## SECTION 4 - PLATFORM

### FIGURE 4-6. CONTROLLER ASSEMBLY (LIFT AND SWING)

ITEM	PART NUMBER	QTY	DESCRIPTION	REV
		Ref	<b>Note: Original Equipment controller may have been replaced with Service Replacement controller. Visually identify controller before ordering parts.</b>	
	1001166539	Ref	<b>CONTROLLER ASSEMBLY</b>	D
		Ref	<b>Note: Use p/n 1001129555 as Replacement.</b>	
1	See Note	NSS	Main Cast Body (Note: Not Available - Purchase Complete Assembly)	
2	70004752	1	Adapter	
3	See Note	NSS	Pivot Arm, Plastic (Note: Not Available - Purchase Complete Assembly)	
4	See Note	NSS	Holder, Magnet (Note: Not Available - Purchase Complete Assembly)	
5	See Note	NSS	Arc, Magnet (Note: Not Available - Purchase Complete Assembly)	
6	See Note	NSS	Screw (Note: Not Available for Purchase)	
7	See Note	NSS	Pivot Arm, Cast (Note: Not Available - Purchase Complete Assembly)	
8	See Note	NSS	Shaft, Main (Note: Not Available - Purchase Complete Assembly)	
9	See Note	NSS	Bearing (Note: Not Available - Purchase Complete Assembly)	
10	See Note	NSS	Pin (Note: Not Available - Purchase Complete Assembly)	
11	See Note	NSS	Shim (Note: Not Available - Purchase Complete Assembly)	
12	See Note	NSS	Pin (Note: Not Available - Purchase Complete Assembly)	
13	See Note	NSS	Bearing (Note: Not Available - Purchase Complete Assembly)	
14	See Note	NSS	Dome, Centering (Note: Not Available - Purchase Complete Assembly)	
15	70004753	1	Cap	
16	70004754	1	Insert, Cap	
17	70004755	3	Pin	
18	70004756	2	Washer	
19	70004757	1	Pin, Centering	
20	70004758	1	Spring	
21	70004759	1	Ring, Retaining	
22	70004760	1	E-Ring	
23	70004761	1	Can, Enclosure	
24	70004762	1	Boot	
25	70004763	1	Bezel	
26	See Note	NSS	Screw (Note: Not Available for Purchase)	
27	See Note	NSS	Base, Mounting (Note: Not Available - Purchase Complete Assembly)	
28	See Note	NSS	Screw (Note: Not Available for Purchase)	
29	70004764	4	Screw	
30	70004765	4	Screw	
31	70004766	1	O-Ring	
32	See Note	NSS	Plate (Note: Not Available - Purchase Complete Assembly)	
33	See Note	NSS	Harness (Note: Not Available - Purchase Complete Assembly)	
34	70004767	1	Grommet, Rubber	
35	70004768	1	Housing	
36	70004769	1	Spring	
37	70004770	1	Stopper	
38	70004771	1	Spacer	
39	70004772	1	Washer	
40	70004773	1	Disc	

## SECTION 4 - PLATFORM

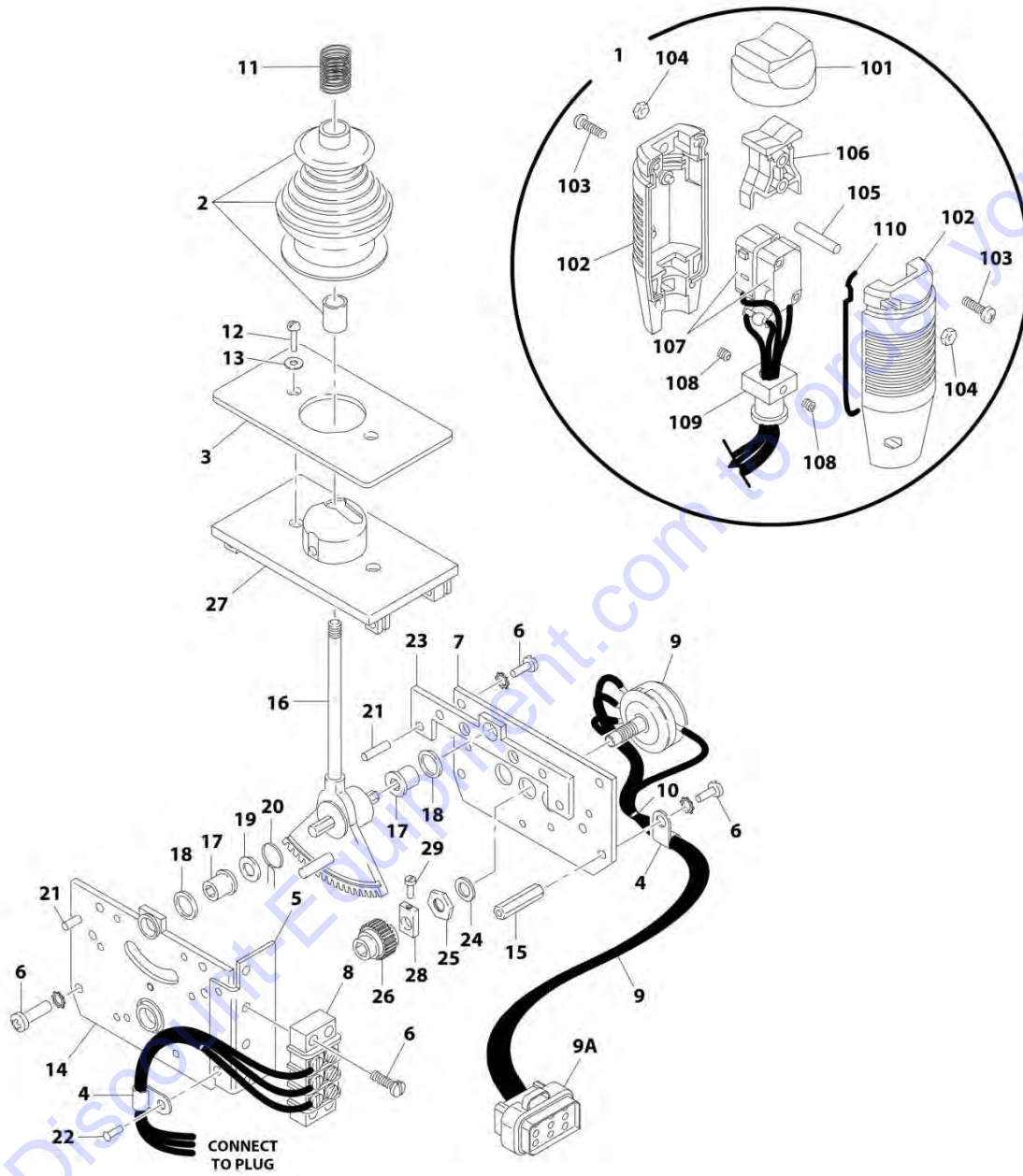
ITEM	PART NUMBER	QTY	DESCRIPTION	REV
41	70004774	2	Ring, Retaining	
42	70004775	1	Spring	
101	4460265	1	Connector - 9 Position	
101	4460226	6	Socket, Female	

Go to Discount-Equipment.com to order your parts



# SECTION 4 - PLATFORM

## FIGURE 4-7. CONTROLLER ASSEMBLY (DRIVE AND STEER)



**Note: Original Equipment controller may have been replaced with Service Replacement controller. Visually identify controller before ordering parts.**

ART\_1600318

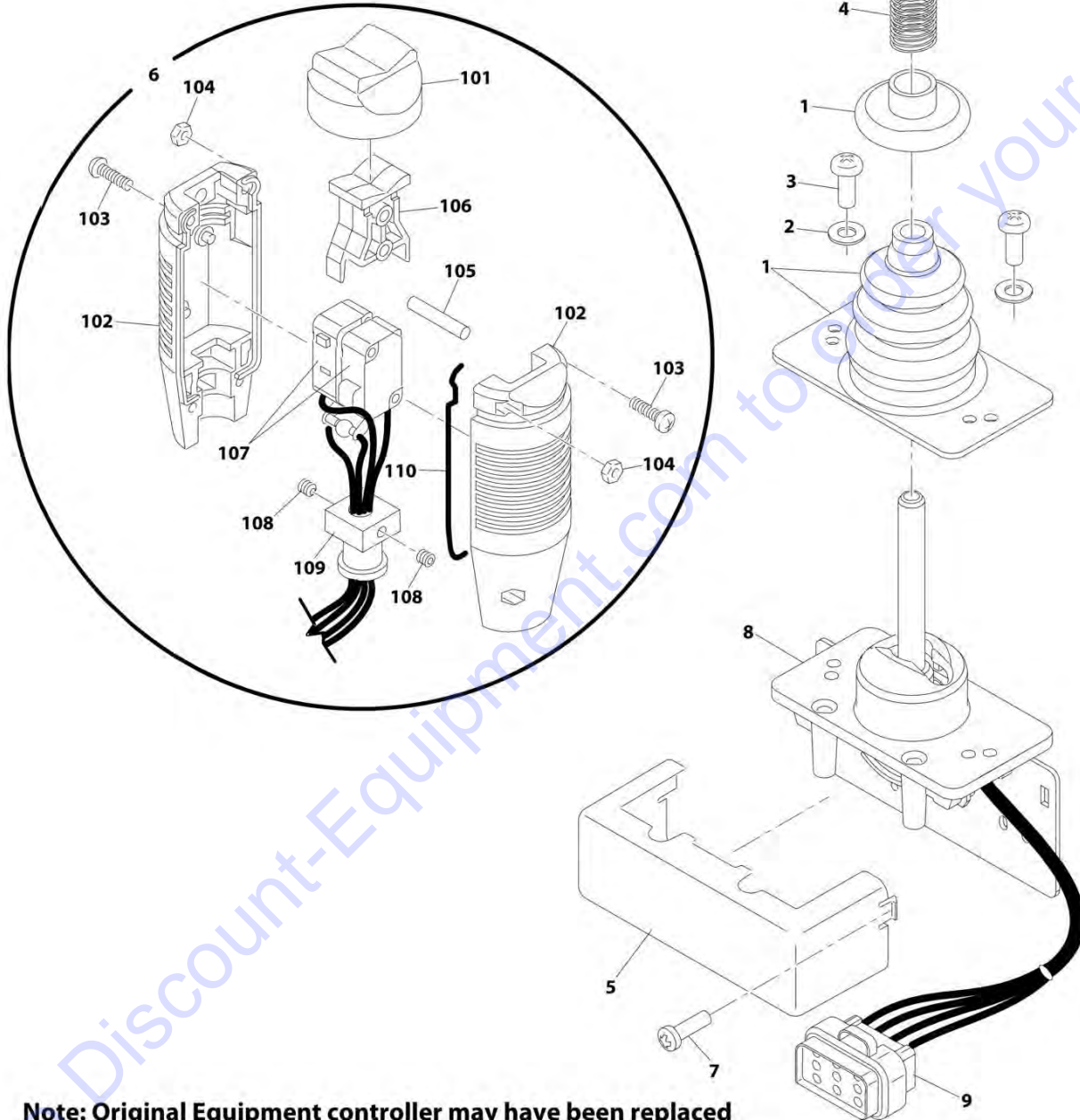
## SECTION 4 - PLATFORM

**FIGURE 4-7. CONTROLLER ASSEMBLY (DRIVE AND STEER)**

ITEM	PART NUMBER	QTY	DESCRIPTION	REV
		Ref	<b>Note: Original Equipment controller may have been replaced with Service Replacement controller. Visually identify controller before ordering parts.</b>	
	1600318	Ref	<b>CONTROLLER ASSEMBLY</b>	C
		Ref	<b>Note: Use p/n 1001212415 as Replacement.</b>	
1	7022812	1	Handle Assembly (See Items 101-110 for Breakdown)	
2	7019161	1	Boot and Sleeve	
3	7003933	1	Gasket	
4	7019154	2	Clamp, Wire	
5	7022823	1	Bracket, Mounting	
6	7003994	1	Screw	
7	7022822	1	Plate, Pot Mounting	
8	7003986	1	Strip, Terminal - 3 Position	
9	7022824	1	Electric Assembly	
9A	1001113961	1	Plug, Male - 8 Position (Black) (was p/n 7022825)	
9A	4460871	7	Socket, Female	
10	7019151	AR	Tie-Strap	
11	7019162	1	Spring	
12	7003969	2	Screw	
13	7003941	2	Washer	
14	See Note	NSS	Plate, Mounting (Left Side) (Note: Not Available for Purchase)	
15	7019115	2	Stand-off	
16	7019155	1	Shaft 8mm	
17	7019111	2	Bearing	
18	7019110	2	Spacer, Head Gear	
19	7019112	1	Washer	
20	7003946	1	Spring, Return	
21	7019103	4	Pin	
22	See Note	NSS	Rivet (Note: Not Available - Purchase Locally)	
23	7019168	1	Plate, Mounting (Right Side)	
24	7003992	1	Washer	
25	7003993	1	Nut	
26	7003935	1	Gear, Slave	
27	7019160	1	Plate, Base	
28	7019114	1	Coupling, Potentiometer	
29	See Note	NSS	Cup Point Screw (Note: Not Available for Purchase)	
	7022812	Ref	<b>HANDLE ASSEMBLY</b>	
101	7003972	1	Boot, Switch	
102	7003973	2	Half, Handle	
103	7003980	4	Screw	
104	7019167	4	Nut	
105	7019164	1	Axle	
106	7019165	1	Rocker	
107	See Note	NSS	Wiring for Controller Assembly p/n 1600318 (Note: Use p/n 1001166538)	
107	7019166	2	Switch, Micro	
108	7003983	2	Setscrew	
109	7019194	1	Coupling	
110	7003989	2	Gasket	

# SECTION 4 - PLATFORM

## FIGURE 4-8. CONTROLLER ASSEMBLY (DRIVE AND STEER)



**Note: Original Equipment controller may have been replaced with Service Replacement controller. Visually identify controller before ordering parts.**

ART\_100118416

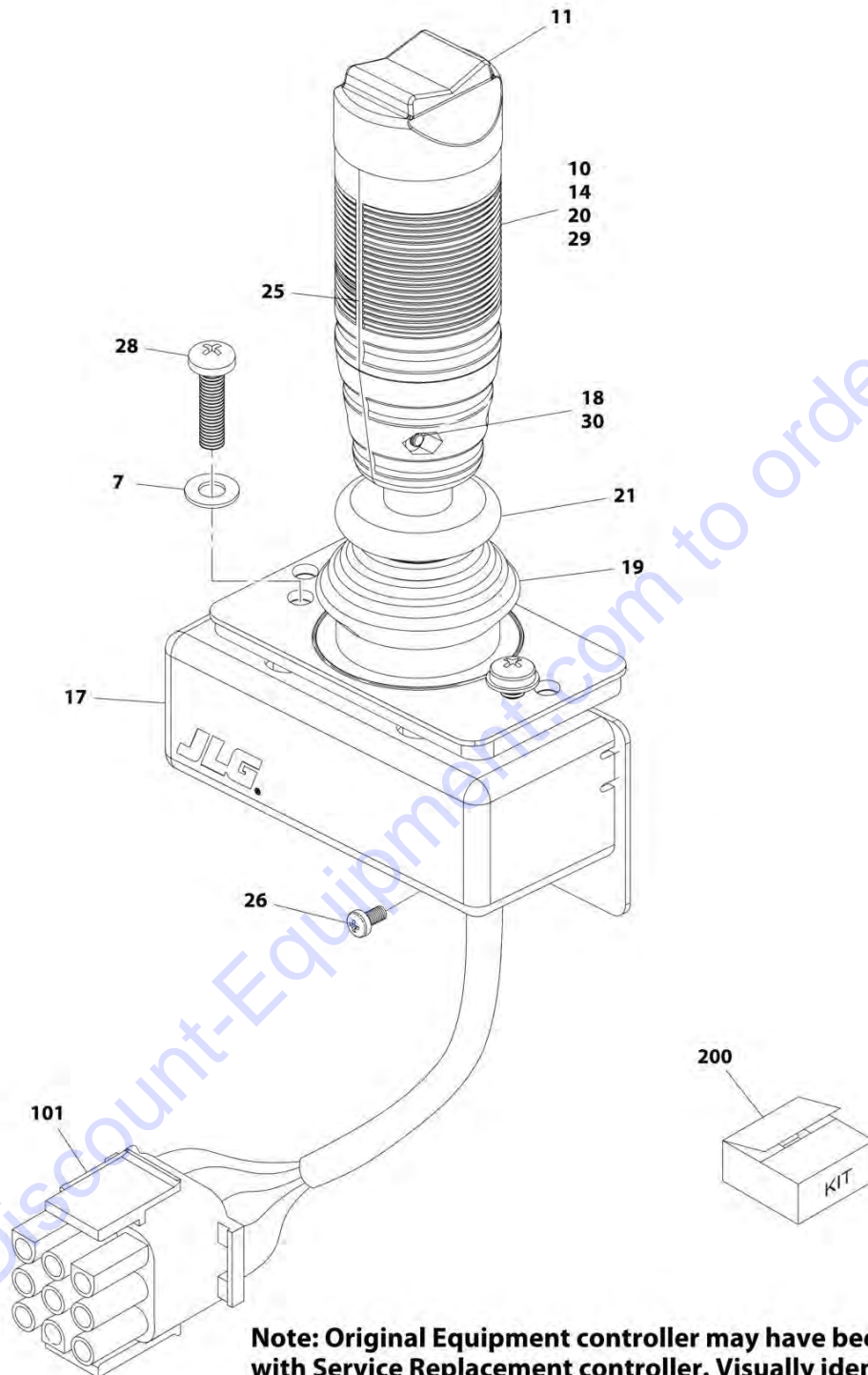
## SECTION 4 - PLATFORM

**FIGURE 4-8. CONTROLLER ASSEMBLY (DRIVE AND STEER)**

ITEM	PART NUMBER	QTY	DESCRIPTION	REV
		Ref	<b>Note: Original Equipment controller may have been replaced with Service Replacement controller. Visually identify controller before ordering parts.</b>	
	1001118416	Ref	<b>CONTROLLER ASSEMBLY</b>	D
		Ref	<b>Note: Use p/n 1001212415 as Replacement.</b>	
1	70002724	1	Boot and Control Lock Assembly	
2	7003941	2	Washer	
3	70002725	2	Screw	
4	7019162	1	Spring	
5	70002726	1	Enclosure	
6	70002727	1	Handle Assembly (See Items 101-110 for Breakdown)	
7	70002728	1	Screw	
8	See Note	NSS	Mechanical Assembly (Note: Use p/n 1001166538)	
9	1001113961	1	Plug, Male - 8 Position (Black) (was p/n 7022825)	
9	4460871	7	Socket, Female	
	70002727	Ref	<b>HANDLE ASSEMBLY</b>	
101	7003972	1	Boot, Switch	
102	7003973	2	Half, Handle	
103	7003980	4	Screw	
104	7019167	4	Nut	
105	7019164	1	Axle	
106	7019165	1	Rocker	
107	70002729	1	Wiring Assembly	
107	7003982	2	Switch, Micro	
108	7003983	2	Set Screw	
109	7019194	1	Coupling	
110	7003989	2	Gasket	

## SECTION 4 - PLATFORM

FIGURE 4-9. CONTROLLER ASSEMBLY (DRIVE AND STEER)



**Note: Original Equipment controller may have been replaced with Service Replacement controller. Visually identify controller before ordering parts.**

ART\_1001166538



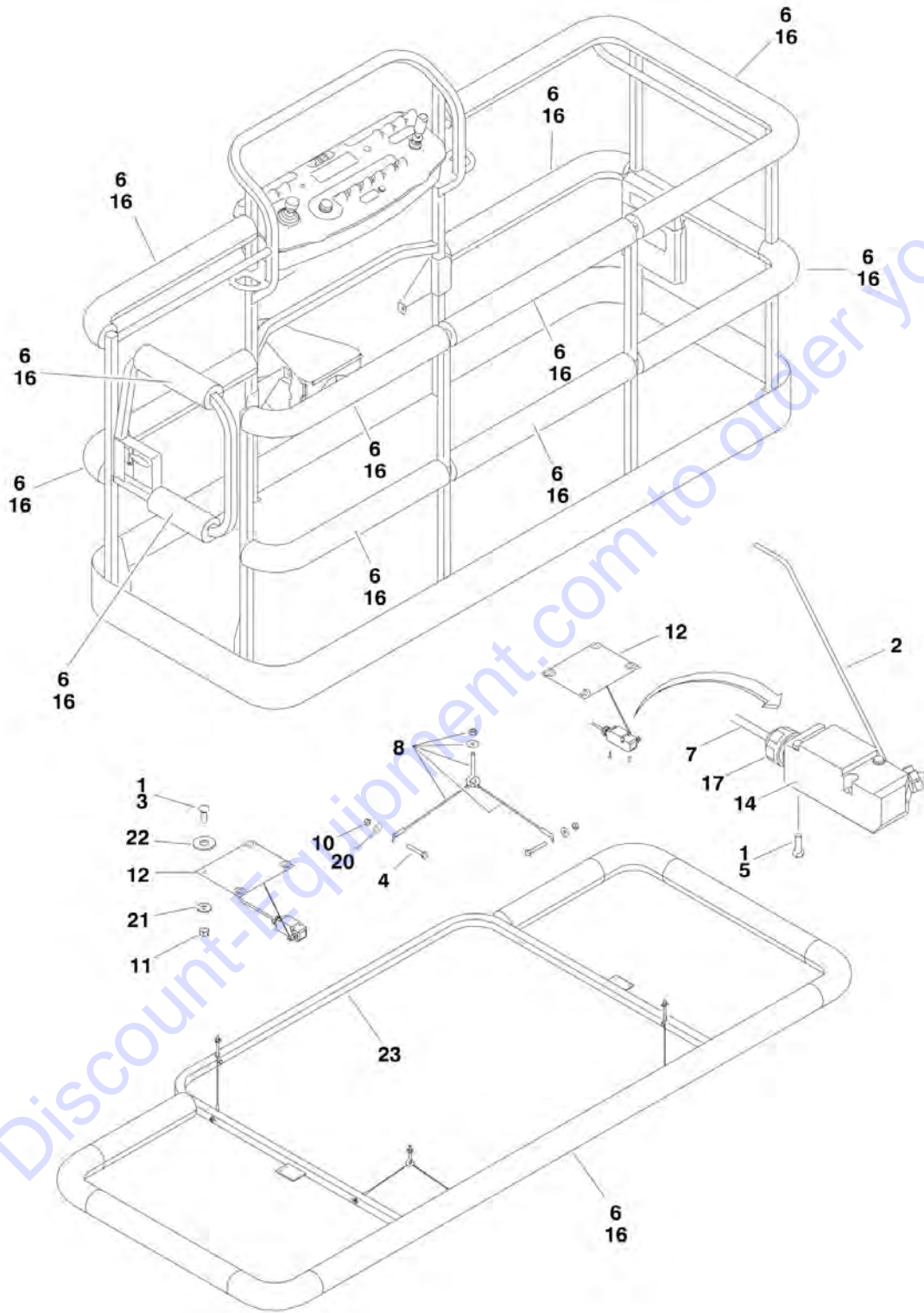
## SECTION 4 - PLATFORM

**FIGURE 4-9. CONTROLLER ASSEMBLY (DRIVE AND STEER)**

ITEM	PART NUMBER	QTY	DESCRIPTION	REV
		Ref	<b>Note: Original Equipment controller may have been replaced with Service Replacement controller. Visually identify controller before ordering parts.</b>	
	1001166538	Ref	<b>CONTROLLER ASSEMBLY</b>	E
		Ref	<b>Note: Use p/n 1001212415 as Replacement.</b>	
7	70004738	2	Washer	
10	70004739	1	Roller	
11	70004740	1	Boot, Switch	
14	70004741	2	Half, Handle	
17	70004742	1	Enclosure	
18	70004743	4	Nut	
19	70004744	NLA	Boot, Controller (Note: Use Item 200)	
20	70004745	NLA	Tube, Locking (Note: Use Item 200)	
21	70004746	NLA	Disc, Locking (Note: Use Item 200)	
25	70004747	2	Seal, Rope	
26	70004748	1	Screw, M3 x 6	
28	70004749	2	Screw, M5 x 20	
29	70004750	1	Pin, Dowel	
30	70004751	4	Screw, M3 x 16	
101	4460265	1	Connector - 9 Position	
101	4460226	7	Socket, Female	
200	70005230	1	Boot Kit (Includes Items 19-21)	

# SECTION 4 - PLATFORM

FIGURE 4-10. SOFT TOUCH SYSTEM INSTALLATION (OPTIONAL)



## SECTION 4 - PLATFORM

**FIGURE 4-10. SOFT TOUCH SYSTEM INSTALLATION (OPTIONAL)**

ITEM	PART NUMBER	QTY	DESCRIPTION	REV
		Ref	<b>SOFT TOUCH SYSTEM INSTALLATIONS OPTIONS:</b>	
	0273824	Ref	<b>6ft/1.8m Platforms</b>	B
	0272427	Ref	<b>8ft/2.4m Platforms</b>	D
	1001108256	Ref	<b>6ft/1.8m Platforms w/Fall Arrest</b>	A
	0273706	Ref	<b>8ft/2.4m Platforms w/Fall Arrest</b>	B
		Ref	<b>Note: For Overhead Soft Touch, See SPECIAL OPTIONS SECTION.</b>	
1	0100011	AR	Compound, Locking	
2	0200048	2	Arm, Switch Activator	
3	0630462	8	Bolt, Carriage	
4	0641414	8	Bolt 1/4in-20NC x 1-3/4in	
5	0731005	4	Screw, Machine #10-32 x 5/8in	
6		Ref	Bumper Kit Options:	
6	0940134	1	6ft/1.8m Platforms	
6	0940103	1	8ft/2.4m Platforms	
6	0940177	1	Cable, Electrical - 16/2	
6	0940133	1	8ft/2.4m Platforms w/Fall Arrest	
7	1060341	AR	Cable, Electrical - 16/2	
8	1060903	4	Wire Rope and Eyebolt Assembly	
10	3311401	8	Nut 1/4in-20NC	
11	3311501	8	Nut 5/16in-18NC	
12		Ref	Plate, Striker Options:	
12	3575359	2	6ft/1.8m Platforms	
12	3574091	2	8ft/2.4m Platforms	
13	4240099	7	Tie-Strap (Not Shown)	
14	4360057	2	Switch, Limit	
16	4420068	1	Tape, Yellow Adhesive	
17		Ref	Connector, Strain Relief Options:	
17	4460425	2	6ft/1.8m Platforms	
17	4460049	2	8ft/2.4m Platforms	
17	4460049	2	All Platforms w/Fall Arrest	
18	4460234	AR	Base, Tie-Strap Mounting (Not Shown)	
20	4751400	8	Flatwasher 1/4in Wide	
21	4751500	AR	Flatwasher 5/16in Wide	
22	4751800	8	Flatwasher 1/2in Wide	
23		Ref	Rail, Soft-Touch Options:	
23	3641569	1	6ft/1.8m Platforms	
23	4846673	1	8ft/2.4m Platforms	
	0272444	Ref	<b>SOFT TOUCH COUNTERWEIGHT INSTALLATION (NOT SHOWN)</b>	C
	4821397	1	Counterweight (Located in Frame)	

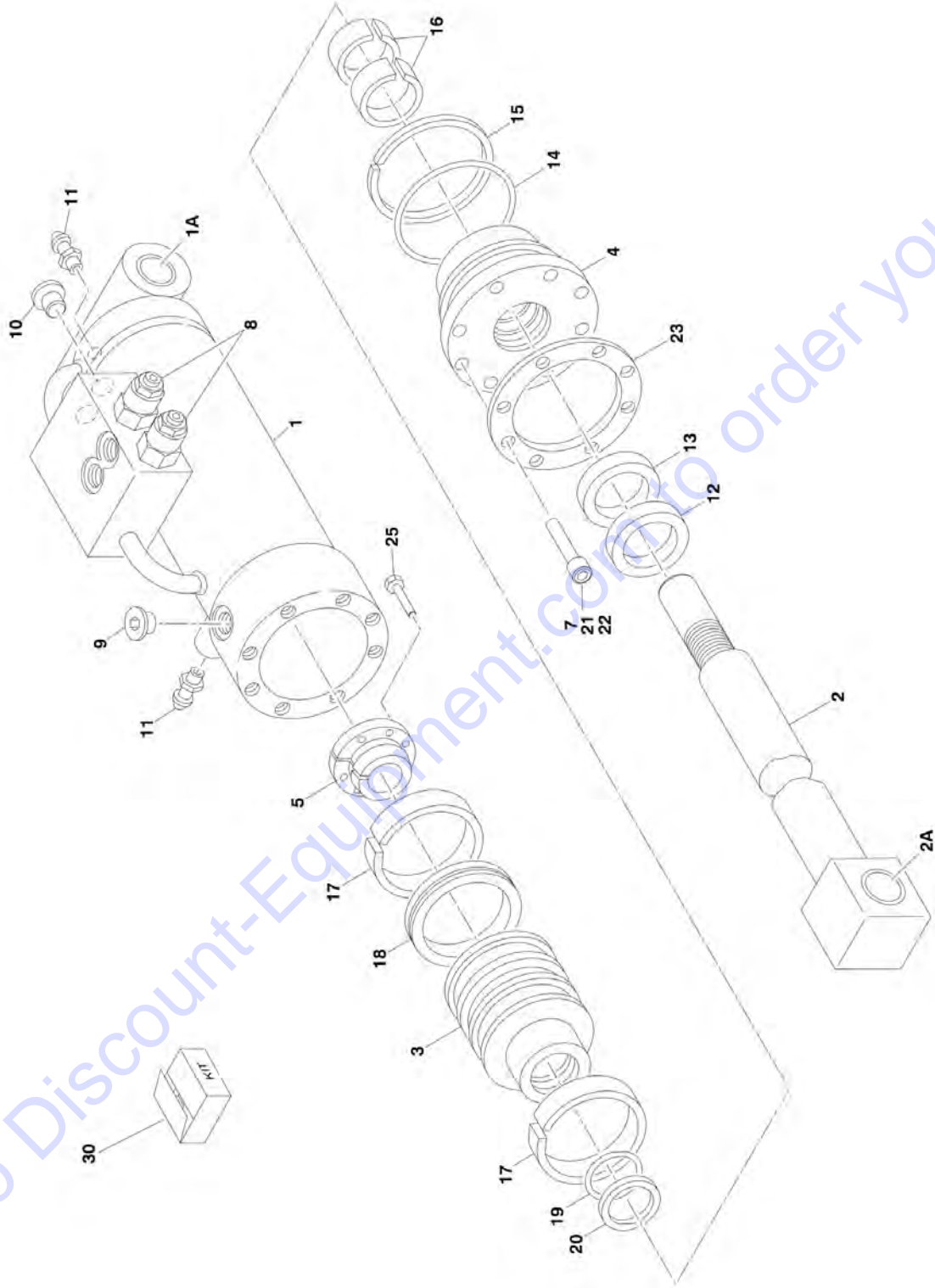


**SECTION 5 - CYLINDER**

Go to [Discount-Equipment.com](http://Discount-Equipment.com) to order your parts

# SECTION 5 - CYLINDER

## FIGURE 5-1. AXLE LOCKOUT CYLINDER ASSEMBLY



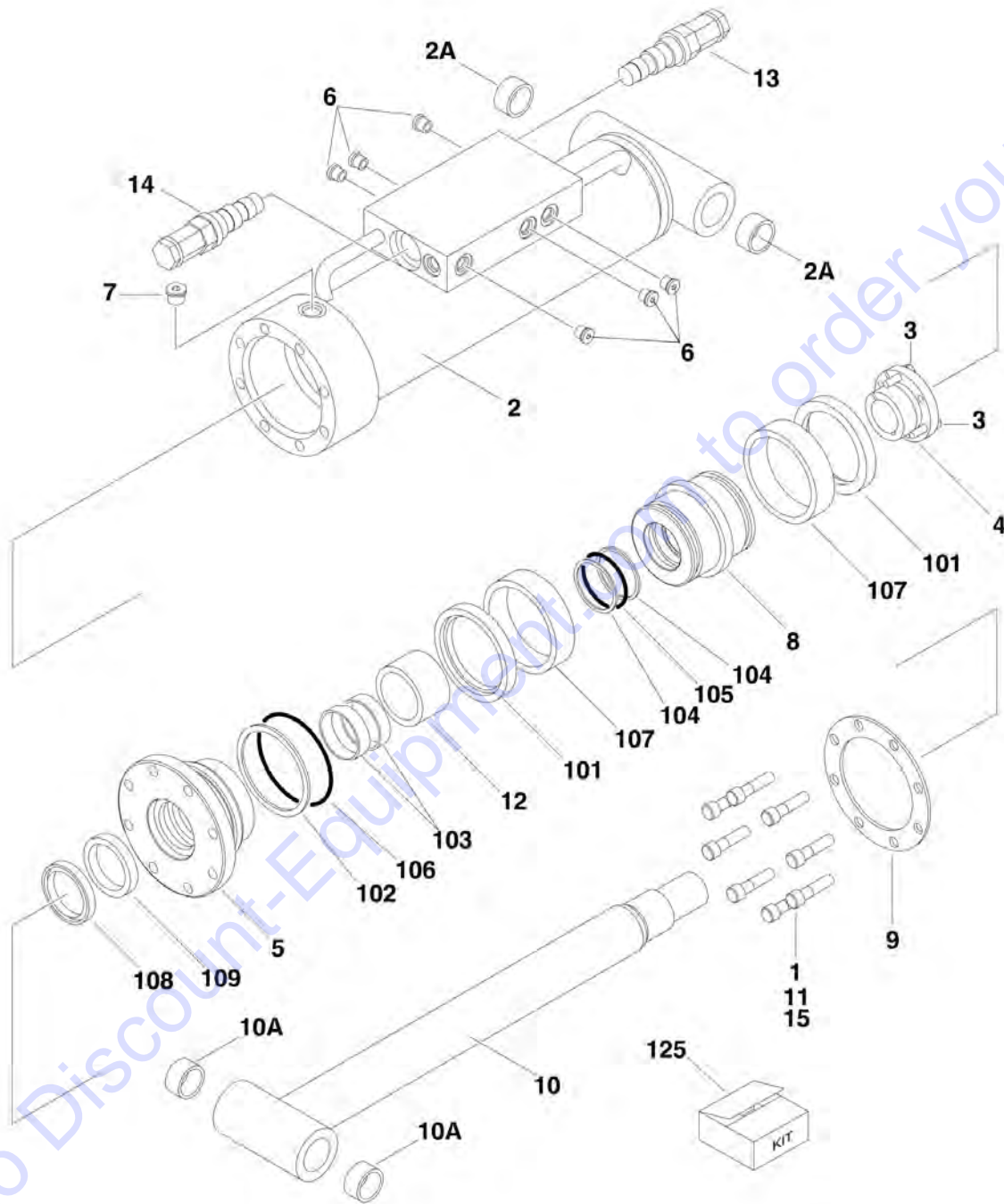
## SECTION 5 - CYLINDER

**FIGURE 5-1. AXLE LOCKOUT CYLINDER ASSEMBLY**

ITEM	PART NUMBER	QTY	DESCRIPTION	REV
	1683078	Ref	<b>AXLE LOCKOUT CYLINDER ASSEMBLY</b>	N
1	1684191	1	Barrel Weldment (Note: Includes Item 1A)	
1A	0962496	2	Bushing	
2	1683986	1	Rod Weldment (Note: Includes Item 2A)	
2A	0962496	2	Bushing	
3	3480176	1	Piston	
4	1683059	1	Head	
5	0961895	1	Bushing	
7	3931720	8	Bolt, Socket Head 7/16in-14NC x 1-1/4in	
8	4641162	2	Cartridge, Valve (Counterbalance)	
8	2900770	2	Seal Kit - 4641162 Valve (1 Per Assembly)	
9	2220886	1	Plug, O-Ring	
10	2220885	2	Plug, O-Ring	
11	4640858	3	Valve, Bleeder	
12	See Note	NSS	Wiper (Note: Use Item 30)	
13	See Note	NSS	Seal, Rod (Note: Use Item 30)	
14	See Note	NSS	O-Ring (Note: Use Item 30)	
15	See Note	NSS	Ring, Back-up (Note: Use Item 30)	
16	See Note	NSS	Ring, Wear (Note: Use Item 30)	
17	See Note	NSS	Ring, Wear (Note: Use Item 30)	
18	See Note	NSS	T-Seal (Note: Use Item 30)	
19	See Note	NSS	O-Ring (Note: Use Item 30)	
20	See Note	NSS	Ring, Back-up (Note: Use Item 30)	
21	0100011	AR	Compound, Locking	
22	0100038	AR	Primer, Locking	
23	3760370	1	Ring, Washer	
25	0630535	3	Bolt 1/4in-20NC x 1-1/8in	
30	2901271	1	Seal Kit (Includes Items 12-20)	

# SECTION 5 - CYLINDER

FIGURE 5-2. LEVEL CYLINDER ASSEMBLY - PLATFORM SLAVE (800A) (ORIGINAL EQUIPMENT)



Go to Discount-Equipment.com to order your parts



# PARTS FINDER

**Search Website  
by Part Number**



**Search Manual  
Library For Parts  
Manual & Lookup Part  
Numbers – Purchase  
or Request Quote**

**Can't Find Part or  
Manual? Request Help  
by Manufacturer,  
Model & Description**

Discount-Equipment.com is your online resource for quality parts & equipment.

Florida: **561-964-4949** Outside Florida TOLL FREE: **877-690-3101**

## Need parts?

Click on this link: <http://www.discount-equipment.com/category/5443-parts/> and choose one of the options to help get the right parts and equipment you are looking for. Please have the machine model and serial number available in order to help us get you the correct parts. If you don't find the part on the website or on one of the online manuals, please fill out the request form and one of our experienced staff members will get back to you with a quote for the right part that your machine needs.

We sell worldwide for the brands: Genie, Terex, JLG, MultiQuip, Mikasa, Essick, Whiteman, Mayco, Toro Stone, Diamond Products, Generac Magnum, Airman, Haulotte, Barreto, Power Blanket, Nifty Lift, Atlas Copco, Chicago Pneumatic, Allmand, Miller Curber, Skyjack, Lull, Skytrak, Tsurumi, Husquvarna Target, Stow, Wacker, Sakai, Mi-T-M, Sullair, Basic, Dynapac, MBW, Weber, Bartell, Bennar Newman, Haulotte, Ditch Runner, Menegotti, Morrison, Contec, Buddy, Crown, Edco, Wyco, Bomag, Laymor, EZ Trench, Bil-Jax, F.S. Curtis, Gehl Pavers, Heli, Honda, ICS/PowerGrit, IHI, Partner, Imer, Clipper, MMD, Koshin, Rice, CH&E, General Equipment, Amida, Coleman, NAC, Gradall, Square Shooter, Kent, Stanley, Tamco, Toku, Hatz, Kohler, Robin, Wisconsin, Northrock, Oztec, Toker TK, Rol-Air, APT, Wylie, Ingersoll Rand / Doosan, Innovatech, Con X, Ammann, Mecalac, Makinex, Smith Surface Prep, Small Line, Wanco, Yanmar

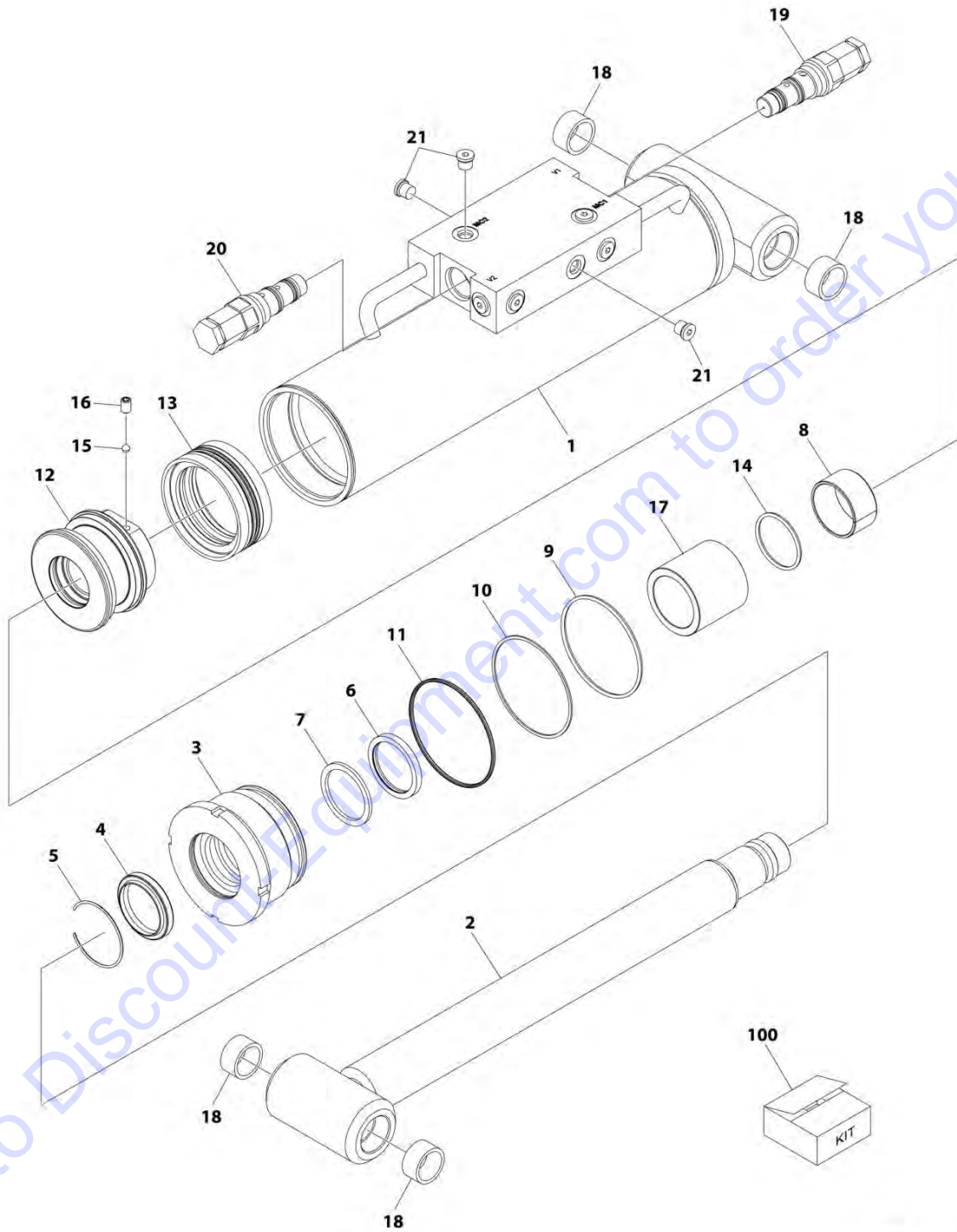
## SECTION 5 - CYLINDER

**FIGURE 5-2. LEVEL CYLINDER ASSEMBLY - PLATFORM SLAVE (800A) (ORIGINAL EQUIPMENT)**

ITEM	PART NUMBER	QTY	DESCRIPTION	REV
	1684408	Ref	<b>LEVEL CYLINDER ASSEMBLY - PLATFORM SLAVE (800A)</b> Note: Original Cylinder may have been replaced with Service Replacement. Identify PN Stamped on Cylinder Before Ordering Parts.	E
		Ref		
1	0100011	AR	Compound, Locking	
2	0370022	1	Barrel (Note: Includes Item 2A)	
2A	0961947	4	Bushing	
3	0630535	3	Capscrew, Socket Head 1/4in-20NC x 1in	
4	0961902	1	Bushing, Tapered	
5	1683074	1	Head	
6	2220883	6	Plug	
7	2220885	1	Plug	
8	3480233	1	Piston	
9	3760369	1	Ring, Washer	
10	3850018	1	Rod (Note: Includes Item 10A)	
10A	0961947	4	Bushing	
11	3931620	8	Capscrew 3/8in-16NC x 1-1/4in	
12	4567434	1	Spacer, Tube	
13	4640605	1	Valve, Cartridge	
13	2900792	1	Seal Kit - 4640605 Valve	
14	4640932	1	Valve, Cartridge	
14	7011112	1	Seal Kit - 4640932 Valve	
15	0100038	AR	Primer, Locking	
101	See Note	NSS	Ring, Lock (Note: Use Item 125)	
102	See Note	NSS	Ring, Back-up (Note: Use Item 125)	
103	See Note	NSS	Ring, Wear (Note: Use Item 125)	
104	See Note	NSS	Ring, Back-up (Note: Use Item 125)	
105	See Note	NSS	O-Ring (Note: Use Item 125)	
106	See Note	NSS	O-Ring (Note: Use Item 125)	
107	See Note	NSS	Seal (Note: Use Item 125)	
108	See Note	NSS	Wiper (Note: Use Item 125)	
109	See Note	NSS	Seal (Note: Use Item 125)	
125	2901556	1	Seal Kit (Includes Items 101-109)	

# SECTION 5 - CYLINDER

## FIGURE 5-3. LEVEL CYLINDER ASSEMBLY - PLATFORM SLAVE (800A ONLY) (SERVICE REPLACEMENT)



ART\_1001228033

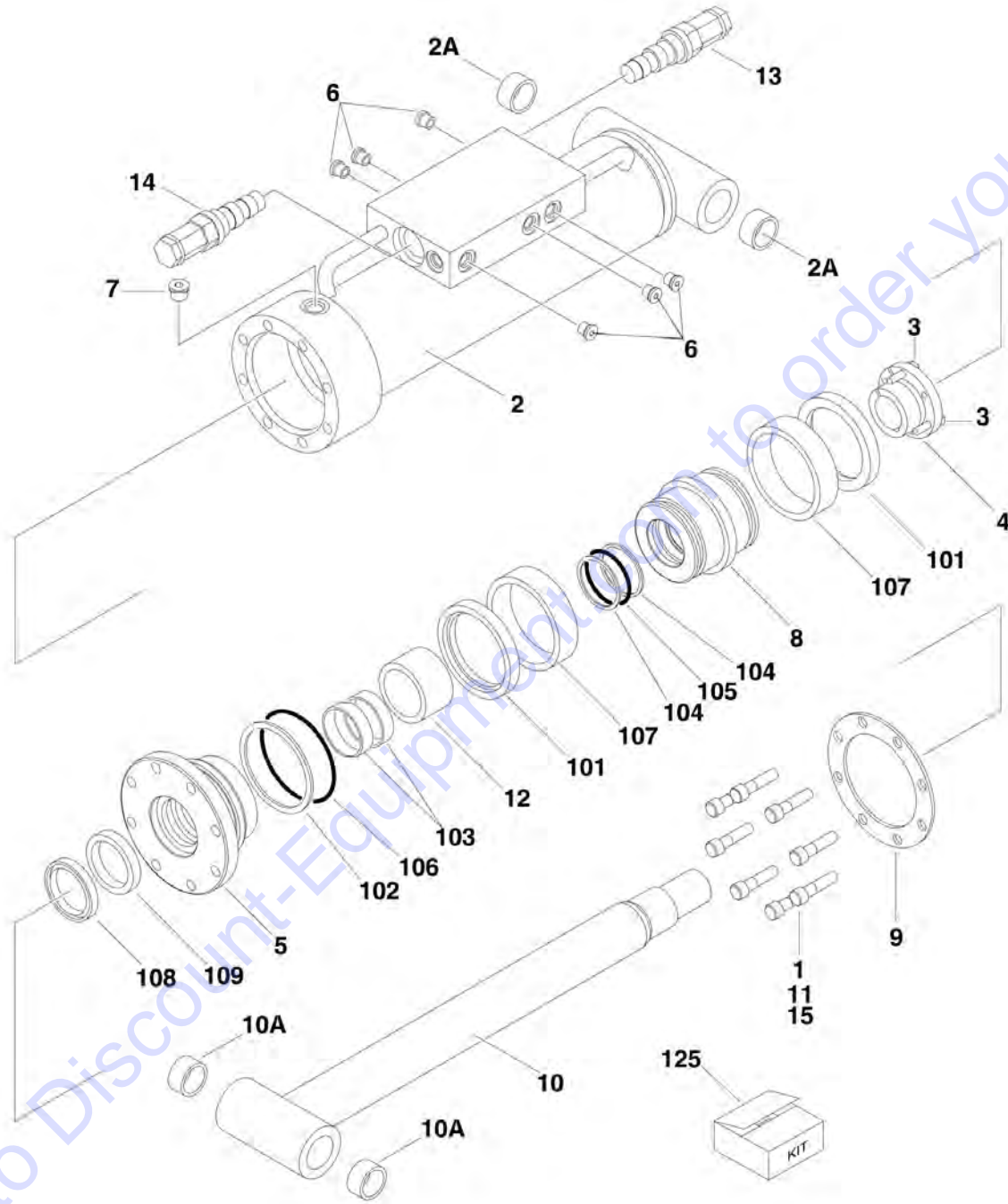
## SECTION 5 - CYLINDER

**FIGURE 5-3. LEVEL CYLINDER ASSEMBLY - PLATFORM SLAVE (800A ONLY) (SERVICE REPLACEMENT)**

ITEM	PART NUMBER	QTY	DESCRIPTION	REV
	1001228033	Ref	LEVEL (SLAVE) CYLINDER ASSEMBLY - PLATFORM	A
		Ref	Note: Original Cylinder may have been replaced with Service Replacement. Identify PN Stamped on Cylinder Before Ordering Parts.	
1	See Note	NSS	Barrel (Note: Not Available for Purchase)	
2	70006782	1	Rod	
3	70006783	1	Head	
4	See Note	NSS	Wiper (Note: Use Item 100)	
5	70002410	1	Ring, Retaining	
6	See Note	NSS	Seal, Rod (Note: Use Item 100)	
7	See Note	NSS	Ring, Back-up (Note: Use Item 100)	
8	70005793	1	Spacer	
9	See Note	NSS	O-Ring (Note: Use Item 100)	
10	See Note	NSS	Ring, Back-up (Note: Use Item 100)	
11	See Note	NSS	O-Ring (Note: Use Item 100)	
12	70006590	1	Piston	
13	See Note	NSS	Seal (Note: Use Item 100)	
14	See Note	NSS	O-Ring (Note: Use Item 100)	
15	70022564	1	Ball (Steel)	
16	70006601	1	Setscrew	
17	70006784	1	Spacer, Tube	
18	0961947	4	Bushing	
19	4640605	1	Valve, Cartridge	
19	2900792	1	Seal Kit - 4640605 Valve	
20	4640932	1	Valve, Cartridge	
20	7011112	1	Seal Kit - 4640932 Valve	
21	2220883	10	Plug	
100	2901526	1	Seal Kit (Includes Items 4, 6, 7, 9-11, 13 & 14)	

# SECTION 5 - CYLINDER

## FIGURE 5-4. LEVEL CYLINDER ASSEMBLY - PLATFORM SLAVE (800AJ)



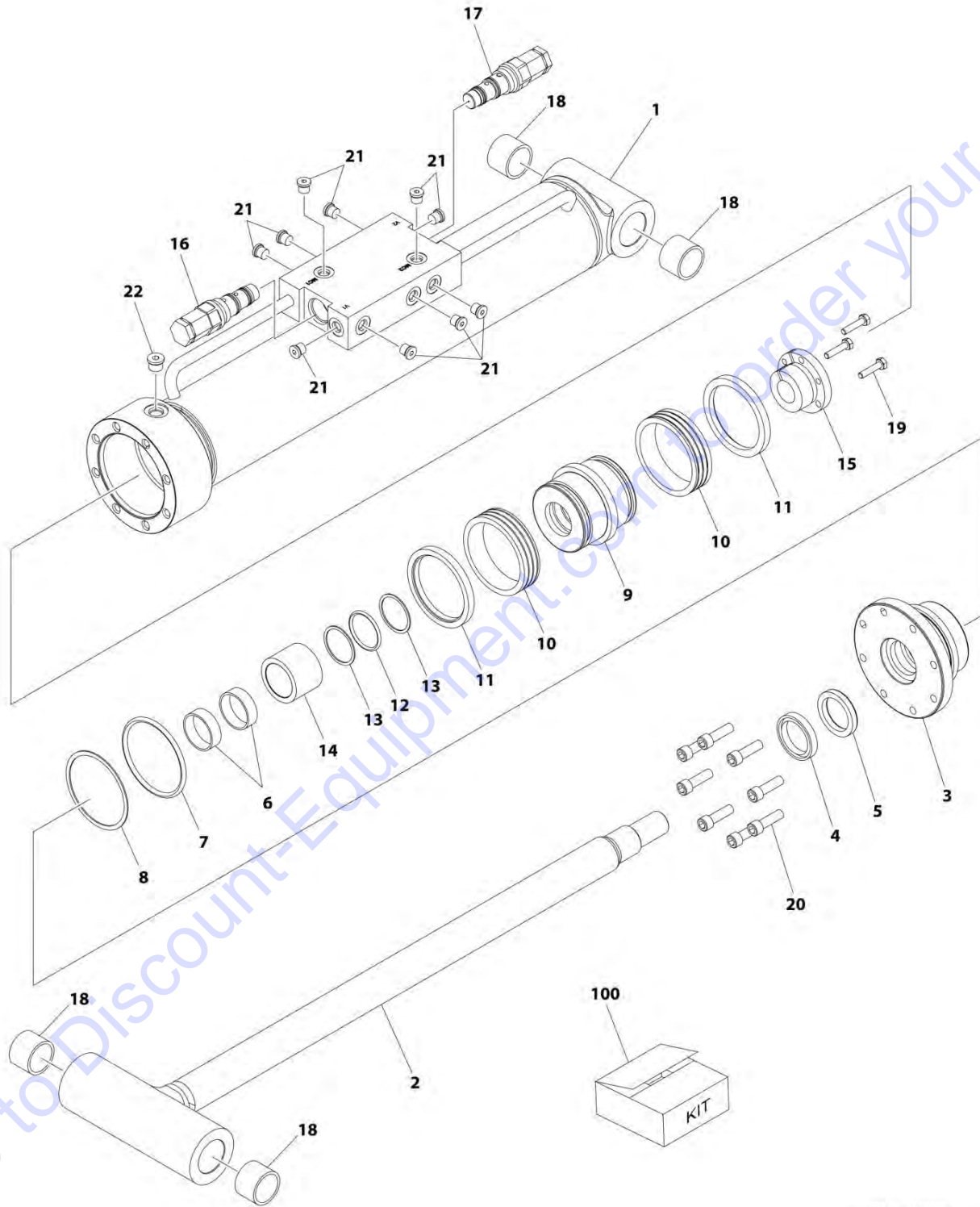
## SECTION 5 - CYLINDER

**FIGURE 5-4. LEVEL CYLINDER ASSEMBLY - PLATFORM SLAVE (800AJ)**

ITEM	PART NUMBER	QTY	DESCRIPTION	REV
		Ref	LEVEL CYLINDER ASSEMBLY - PLATFORM SLAVE (800AJ)	
	1684228	Ref	Machines without Arctic Package (Original Equipment)	E
	1001138791	Ref	Machines with Arctic Package (Original Equipment)	A
		Ref	Note: Original Cylinder may have been replaced with Service Replacement. Identify PN Stamped on Cylinder Before Ordering Parts.	
1	0100011	AR	Compound, Locking	
2	1684230	1	Barrel (Note: Includes Item 2A)	
2A	0961951	4	Bushing	
3	0630535	3	Capscrew, Socket Head 1/4in-20NC x 1in	
4	0961894	1	Bushing, Tapered	
5	1683055	1	Head	
6	2220883	6	Plug	
7	2220885	1	Plug	
8	3480188	1	Piston	
9	3760369	1	Ring, Washer	
10	1684232	1	Rod Options: (Note: Includes Item 10A)	
10A	0961951	4	Bushing	
11	3931620	8	Capscrew 3/8in-16NC x 1-1/4in	
12	4566468	1	Spacer, Tube	
13	4640605	1	Valve, Cartridge	
13	2900792	1	Seal Kit - 4640605 Valve	
14	4640932	1	Valve, Cartridge	
14	7011112	1	Seal Kit - 4640932 Valve	
15	0100038	AR	Primer, Locking	
101	See Note	NSS	Ring, Lock (Note: Use Item 125)	
102	See Note	NSS	Ring, Back-up (Note: Use Item 125)	
103	See Note	NSS	Ring, Wear (Note: Use Item 125)	
104	See Note	NSS	Ring, Back-up (Note: Use Item 125)	
105	See Note	NSS	O-Ring (Note: Use Item 125)	
106	See Note	NSS	O-Ring (Note: Use Item 125)	
107	See Note	NSS	Seal (Note: Use Item 125)	
108	See Note	NSS	Wiper (Note: Use Item 125)	
109	See Note	NSS	Seal (Note: Use Item 125)	
125		Ref	Seal Kit Options (Includes Items 101-109)	
125	2901301	1	Machines without Arctic Package	
125	1001138796	1	Machines with Arctic Package	

# SECTION 5 - CYLINDER

## FIGURE 5-5. LEVEL CYLINDER ASSEMBLY - PLATFORM SLAVE (800AJ ONLY) (SERVICE REPLACEMENT)



ART\_1001228030

## SECTION 5 - CYLINDER

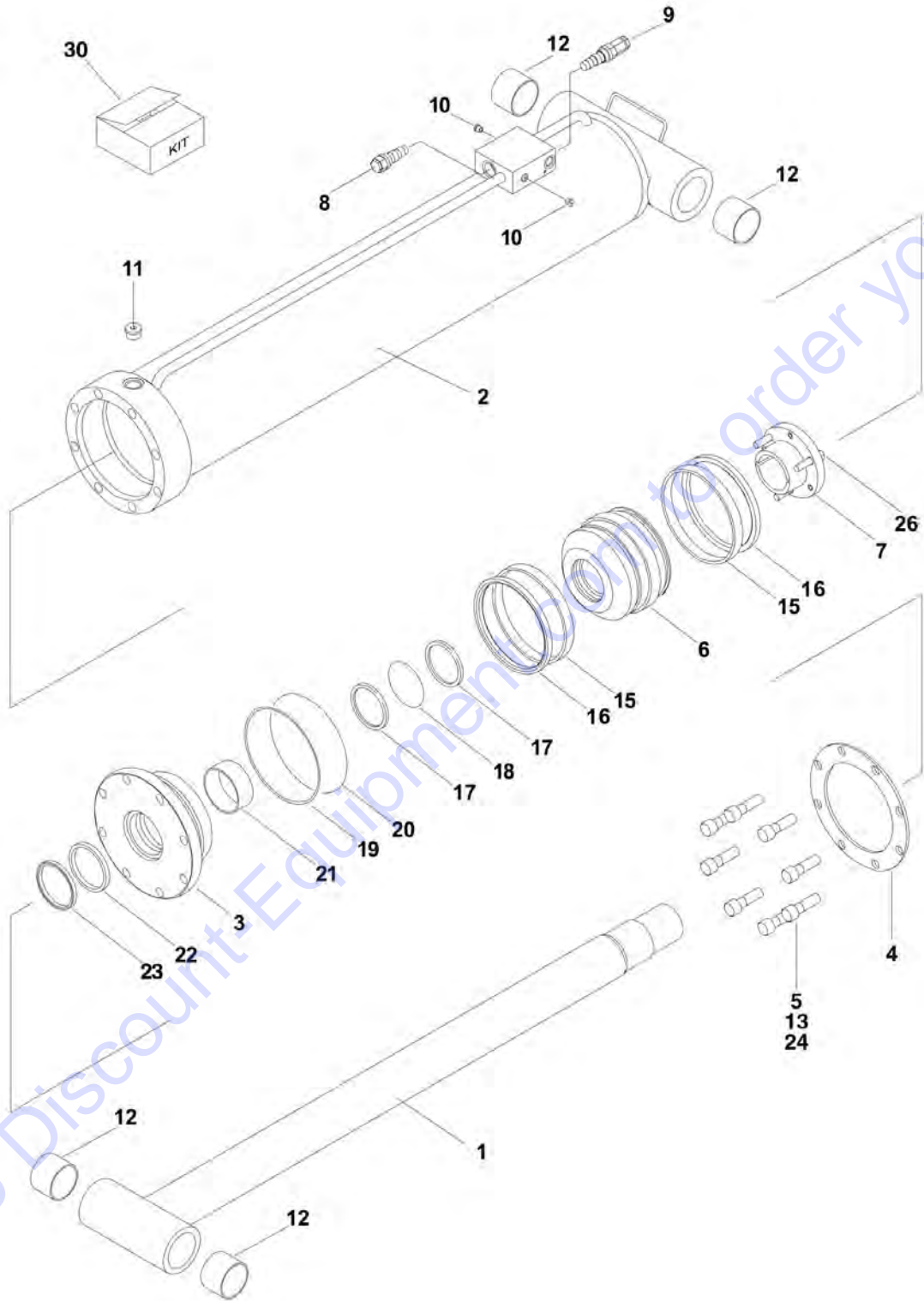
**FIGURE 5-5. LEVEL CYLINDER ASSEMBLY - PLATFORM SLAVE (800AJ ONLY) (SERVICE REPLACEMENT)**

ITEM	PART NUMBER	QTY	DESCRIPTION	REV
	1001228030	Ref	LEVEL (SLAVE) CYLINDER ASSEMBLY	B
		Ref	Note: Original Cylinder may have been replaced with Service Replacement. Identify PN Stamped on Cylinder Before Ordering Parts.	
1	See Note	NSS	Barrel (Note: Not Available for Purchase)	
2	70006642	1	Rod	
3	70006643	1	Head	
4	See Note	NSS	Wiper (Note: Use Item 100)	
5	See Note	NSS	Seal (Note: Use Item 100)	
6	See Note	NSS	Ring, Wear (Note: Use Item 100)	
7	See Note	NSS	O-Ring (Note: Use Item 100)	
8	See Note	NSS	Ring, Back-up (Note: Use Item 100)	
9	70006644	1	Piston	
10	See Note	NSS	Seal (Note: Use Item 100)	
11	See Note	NSS	Ring, Lock (Note: Use Item 100)	
12	See Note	NSS	O-Ring (Note: Use Item 100)	
13	See Note	NSS	Ring, Back-up (Note: Use Item 100)	
14	70006645	1	Spacer, Tube	
15	0961894	1	Bushing, Tapered	
16	4640932	1	Valve, Cartridge	
16	7011112	1	Seal Kit - 4640932 Valve	
17	4640605	1	Valve, Cartridge	
17	2900792	1	Seal Kit - 4640605 Valve	
18	0961951	4	Bushing	
19	0630535	3	Bolt	
20	3931620	8	Capscrew 3/8-16 x 1-1/4	
21	2220883	10	Plug, O-Ring	
22	2220885	1	Plug, O-Ring	
100	1001138796	1	Seal Kit (Includes Items 4-8 & 10-13)	



# SECTION 5 - CYLINDER

FIGURE 5-6. LEVEL CYLINDER ASSEMBLY - UPRIGHT (ORIGINAL EQUIPMENT)



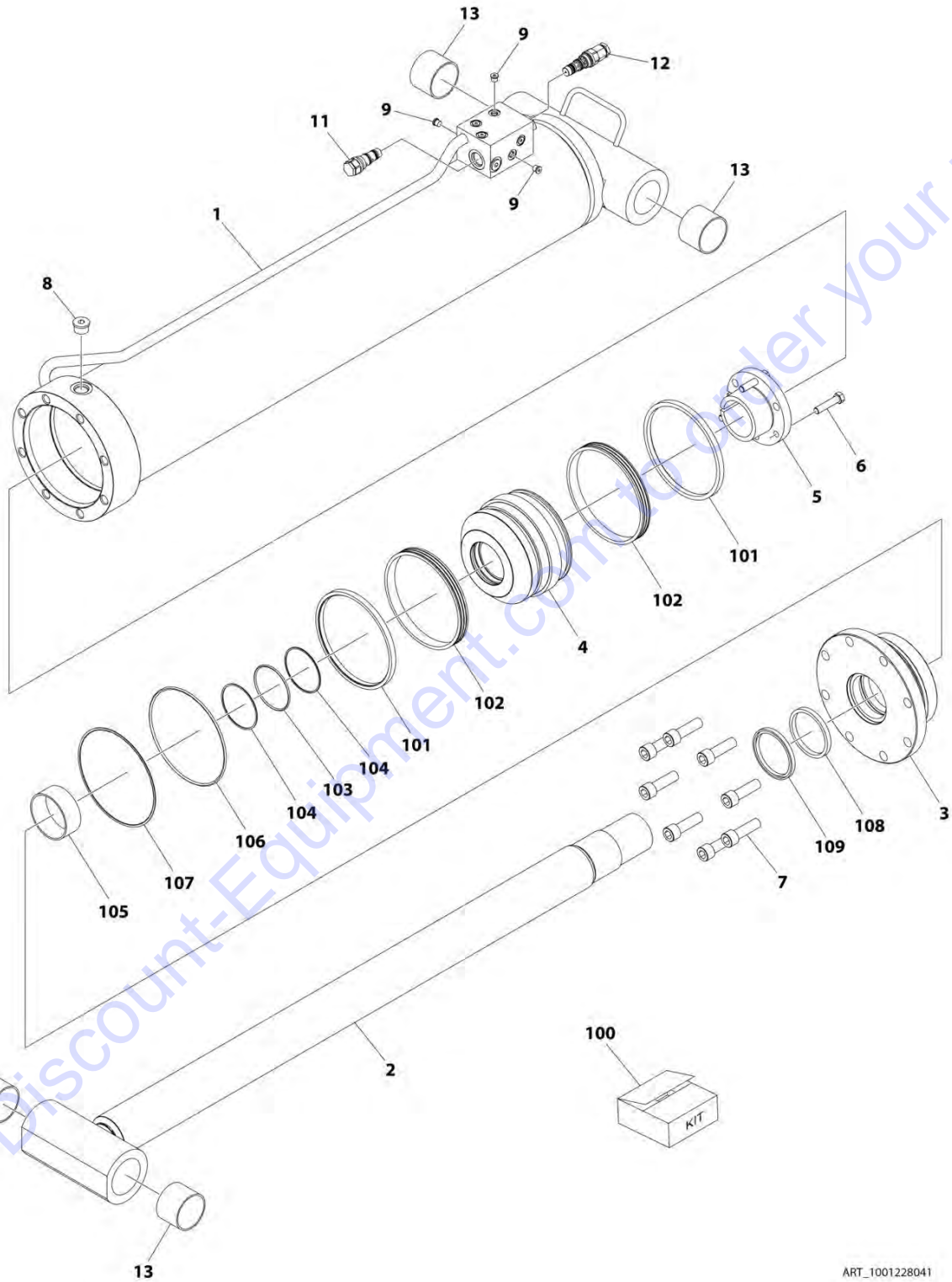
## SECTION 5 - CYLINDER

**FIGURE 5-6. LEVEL CYLINDER ASSEMBLY - UPRIGHT (ORIGINAL EQUIPMENT)**

ITEM	PART NUMBER	QTY	DESCRIPTION	REV
	1684497	Ref	LEVEL CYLINDER ASSEMBLY - UPRIGHT	C
		Ref	Note: Original Cylinder may have been replaced with Service Replacement. Identify PN Stamped on Cylinder Before Ordering Parts.	
1	1683544	1	Rod Weldment	
2	0370034	1	Barrel Weldment	
3	1683071	1	Head	
4	3760374	1	Ring, Washer	
5	3932240	8	Bolt, Socket Head 3/4in x 2-1/2in	
6	3480237	1	Piston	
7	0961901	1	Bushing, Tapered	
8	4640509	1	Cartridge, Valve	
8	2900792	1	Seal Kit - 4640509 Valve	
9	4640605	1	Cartridge, Valve	
9	2900792	1	Seal Kit - 4640605 Valve	
10	2220883	2	Plug, O-Ring	
11	2220888	1	Plug, O-Ring	
12	0962102	4	Bushing	
13	0100011	AR	Compound, Locking	
15	See Note	NSS	Seal (Note: Use Item 30)	
16	See Note	NSS	Ring, Lock (Note: Use Item 30)	
17	See Note	NSS	Ring, Back-up (Note: Use Item 30)	
18	See Note	NSS	Ring, Washer (Note: Use Item 30)	
19	See Note	NSS	Ring, Back-up (Note: Use Item 30)	
20	See Note	NSS	O-Ring (Note: Use Item 30)	
21	See Note	NSS	Ring, Wear (Note: Use Item 30)	
22	See Note	NSS	Seal, Rod (Note: Use Item 30)	
23	See Note	NSS	Wiper (Note: Use Item 30)	
24	0100038	AR	Primer, Locking	
26	0630537	3	Bolt	
30	2901526	1	Seal Kit (Includes Items 15-23)	

# SECTION 5 - CYLINDER

## FIGURE 5-7. LEVEL CYLINDER ASSEMBLY - UPRIGHT (SERVICE REPLACEMENT)



ART\_1001228041

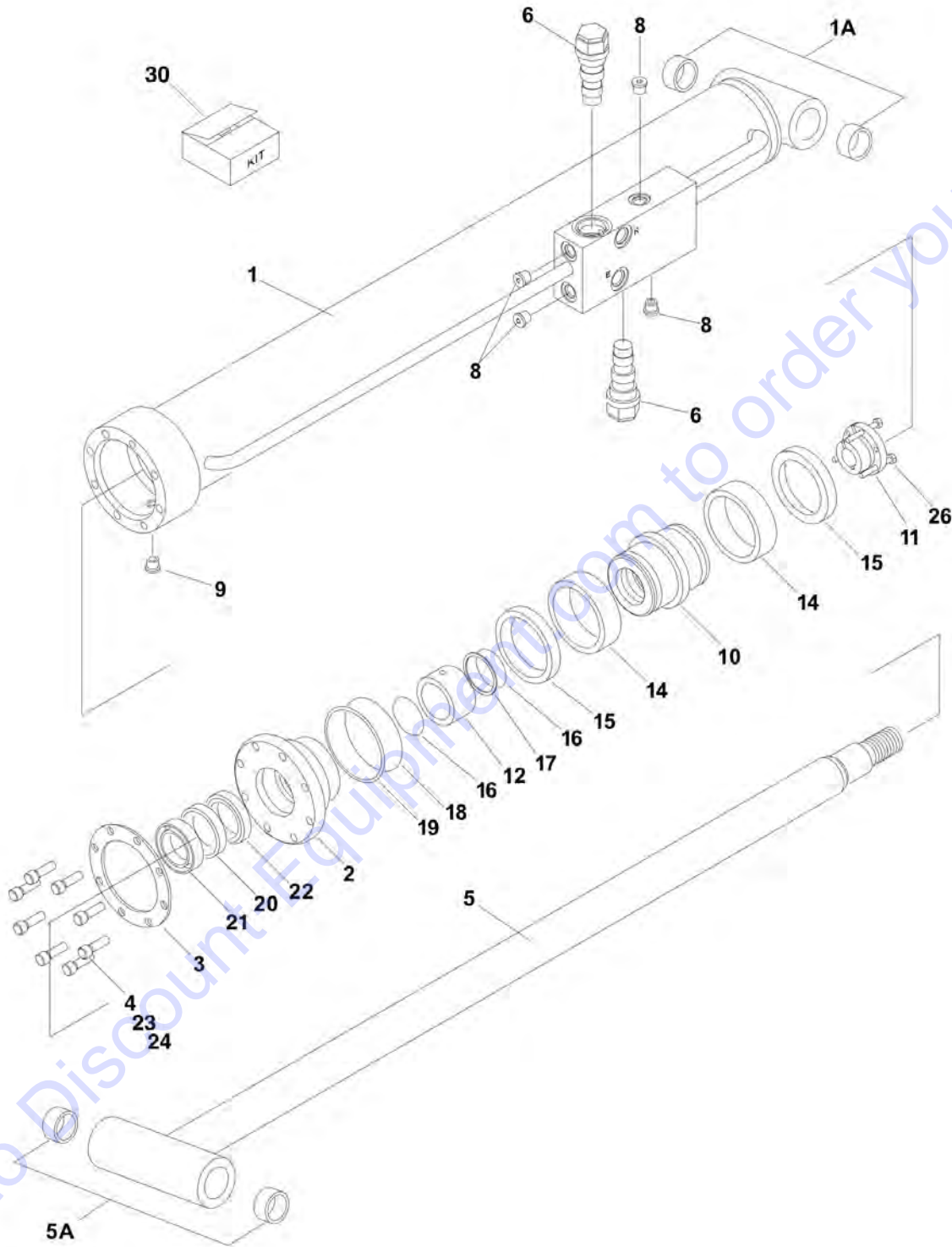
## SECTION 5 - CYLINDER

**FIGURE 5-7. LEVEL CYLINDER ASSEMBLY - UPRIGHT (SERVICE REPLACEMENT)**

ITEM	PART NUMBER	QTY	DESCRIPTION	REV
	1001228041	Ref	LEVEL CYLINDER ASSEMBLY	B
		Ref	Note: Original Cylinder may have been replaced with Service Replacement. Identify PN Stamped on Cylinder Before Ordering Parts.	
1	See Note	NSS	Barrel (Note: Not Available for Purchase)	
2	70006391	1	Rod	
3	70006390	1	Head	
4	70006389	1	Piston	
5	70006385	1	Bushing, Tapered	
6	0630537	3	Bolt	
7	3932240	8	Capscrew 3/4 x 2-1/2	
8	2220888	1	Plug, O-Ring	
9	2220883	6	Plug, O-Ring	
11	4640509	1	Cartridge, Valve	
11	2900792	1	Seal Kit - 4640509 Valve	
12	4640605	1	Cartridge, Valve	
12	2900792	1	Seal Kit - 4640605 Valve	
13	0962102	4	Bushing	
100	2901526	1	Seal Kit (Includes Items 101-109)	
101	See Note	NSS	Ring, Lock (Note: Use Item 100)	
102	See Note	NSS	Seal (Note: Use Item 100)	
103	See Note	NSS	Ring, Washer (Note: Use Item 100)	
104	See Note	NSS	Ring, Back-up (Note: Use Item 100)	
105	See Note	NSS	Ring, Wear (Note: Use Item 100)	
106	See Note	NSS	O-Ring (Note: Use Item 100)	
107	See Note	NSS	Ring, Back-up (Note: Use Item 100)	
108	See Note	NSS	Seal, Rod (Note: Use Item 100)	
109	See Note	NSS	Wiper (Note: Use Item 100)	

# SECTION 5 - CYLINDER

FIGURE 5-8. LIFT CYLINDER ASSEMBLY - JIB (800AJ ONLY)



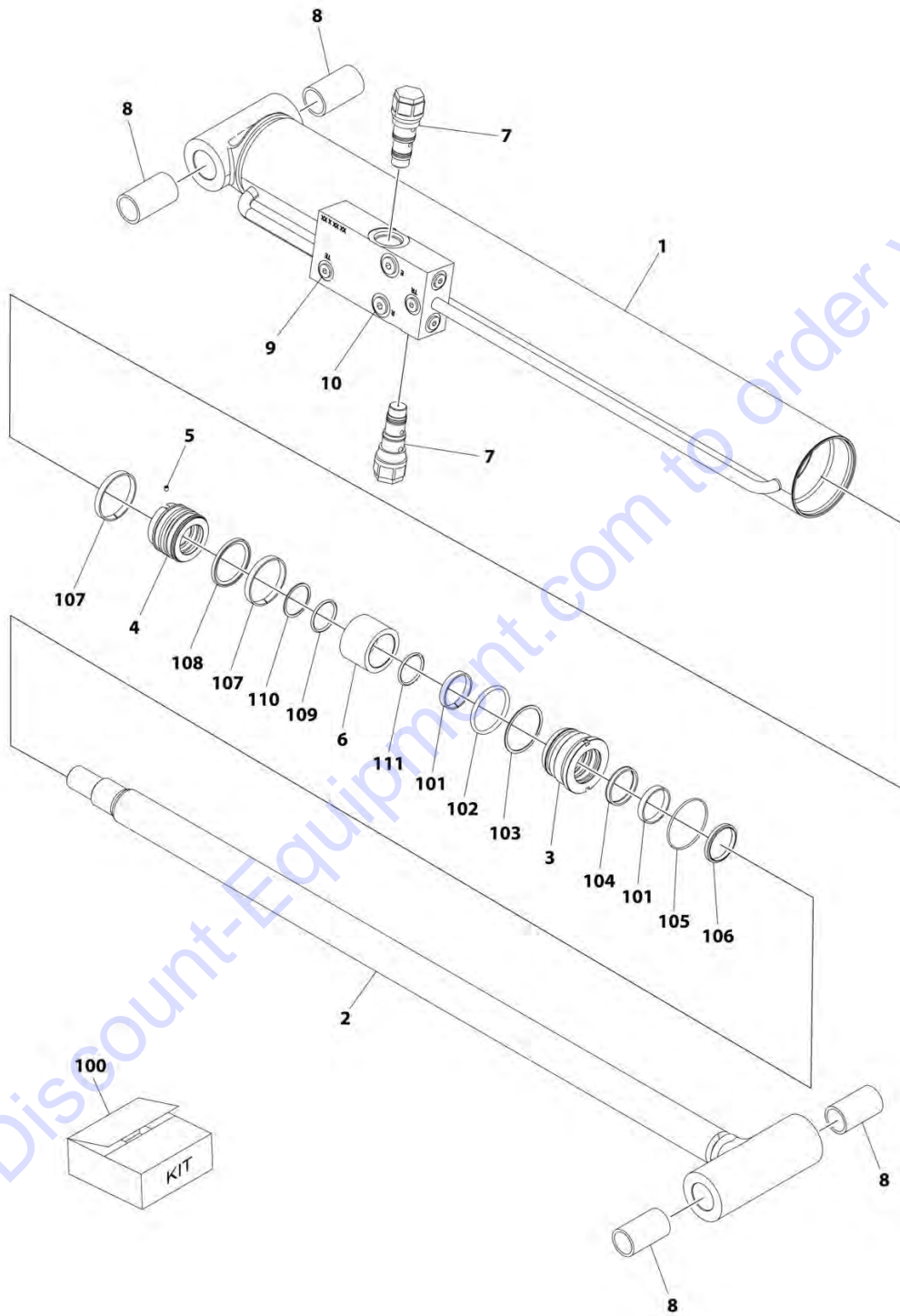
## SECTION 5 - CYLINDER

**FIGURE 5-8. LIFT CYLINDER ASSEMBLY - JIB (800AJ ONLY)**

ITEM	PART NUMBER	QTY	DESCRIPTION	REV
		Ref	LIFT CYLINDER ASSEMBLY - JIB (800AJ ONLY)	
	1683609	Ref	Machines without Arctic Package (Original Equipment)	K
	1001138792	Ref	Machines with Arctic Package (Original Equipment)	A
		Ref	Note: Original Cylinder may have been replaced with Service Replacement. Identify PN Stamped on Cylinder Before Ordering Parts.	
1	1684089	1	Barrel (Note: Includes Item 1A)	
1A	0962336	2	Bushing	
2	1683053	1	Head	
3	3760368	1	Washer, Ring	
4	3931516	8	Bolt, Socket Head 5/16in-18NC x 2in	
5	1684090	1	Rod (Note: Includes Item 5A)	
5A	0962336	2	Bushing	
6	4640509	2	Cartridge, Valve (Counterbalance Non-Vented)	
6	2900792	2	Seal Kit - 4640509 Valve	
8	2220883	4	Plug, O-Ring	
9	2220885	1	Plug, O-Ring	
10	3480210	1	Piston	
11	0961893	1	Bushing, Tapered	
12	4100100	1	Spacer, Tube	
14	See Note	NSS	Seal, Piston (Note: Use Item 30)	
15	See Note	NSS	Ring, Lock (Note: Use Item 30)	
16	See Note	NSS	O-Ring (Note: Use Item 30)	
17	See Note	NSS	Ring, Back-up (Note: Use Item 30)	
18	See Note	NSS	O-Ring (Note: Use Item 30)	
19	See Note	NSS	Ring, Back-up (Note: Use Item 30)	
20	See Note	NSS	Seal (Note: Use Item 30)	
21	See Note	NSS	Wiper (Note: Use Item 30)	
22	See Note	NSS	Ring, Wear (Note: Use Item 30)	
23	0100011	AR	Compound, Locking	
24	0100038	AR	Primer, Locking	
26	0630534	3	Capscrew, Socket Head #10-24NC x 1in	
30		Ref	Seal Kit Options (Includes Items 14-22):	
30	2901303	1	Machines without Arctic Package	
30	1001138795	1	Machines with Arctic Package	

# SECTION 5 - CYLINDER

FIGURE 5-9. LIFT CYLINDER ASSEMBLY - JIB (800AJ ONLY) (USAGE MAY VARY) (SERVICE REPLACEMENT)



ART\_1001228012

## SECTION 5 - CYLINDER

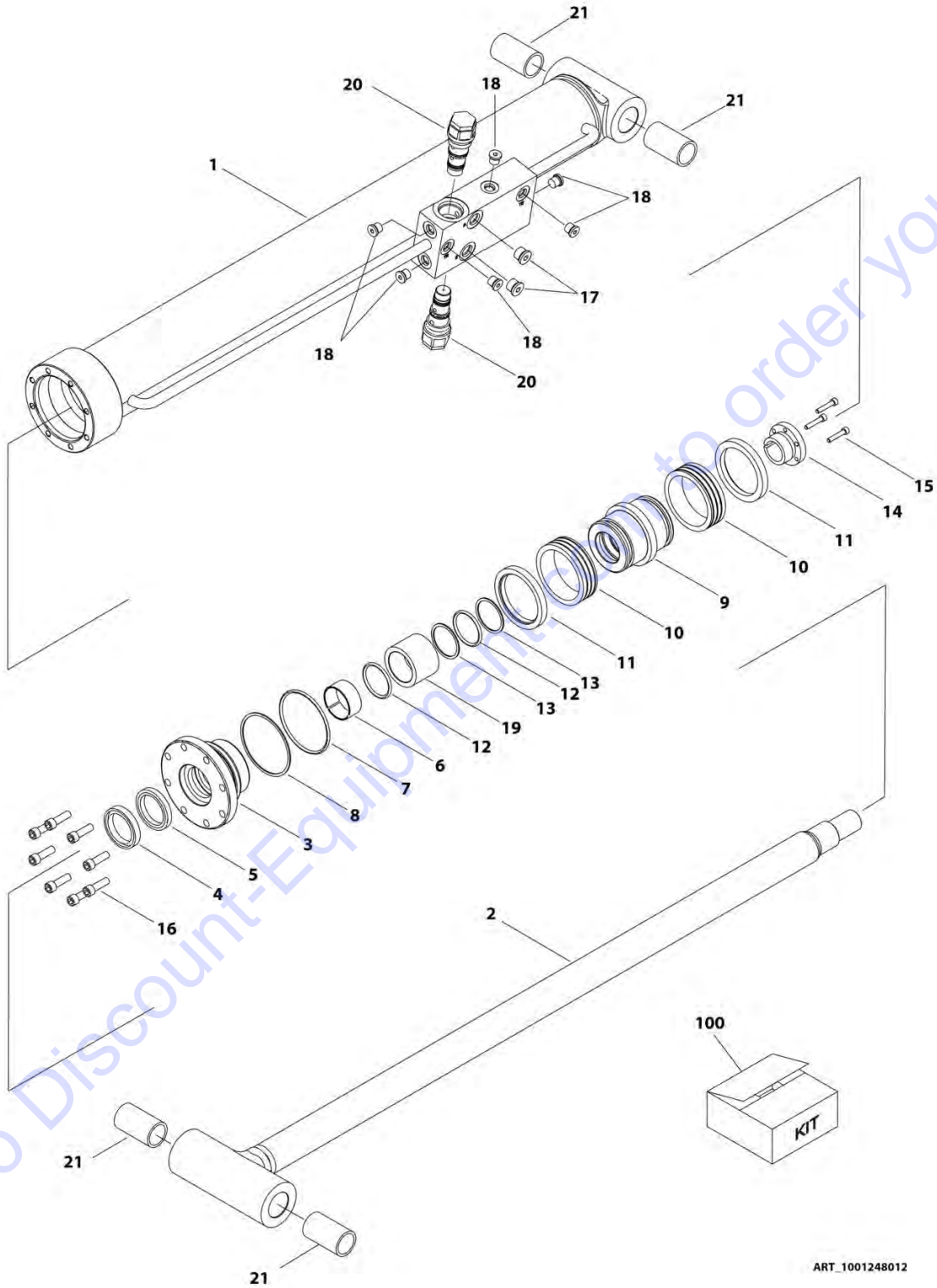
**FIGURE 5-9. LIFT CYLINDER ASSEMBLY - JIB (800AJ ONLY) (USAGE MAY VARY) (SERVICE REPLACEMENT)**

ITEM	PART NUMBER	QTY	DESCRIPTION	REV
	1001228012	Ref	LIFT CYLINDER ASSEMBLY - JIB	C
		Ref	Note: Original Cylinder May Have Been Replaced with Service Replacement. Identify PN Stamped on Cylinder Before Ordering Parts.	
1	See Note	NSS	Barrel (Note: Not Available for Purchase)	
2	70006572	1	Rod	
3	70006571	1	Head	
4	70006570	1	Piston	
5	70023915	1	Screw	
6	70006569	1	Spacer	
7	4640509	2	Cartridge, Valve	
7	2900792	2	Seal Kit - 4640509 Valve	
8	0962336	4	Bushing	
9	2220883	6	Plug, O-Ring	
10	2220885	2	Plug, O-Ring	
100	70006568	1	Seal Kit (Includes Items 101-111)	
101	See Note	NSS	Ring, Wear (Note: Use Item 100)	
102	See Note	NSS	O-Ring (Note: Use Item 100)	
103	See Note	NSS	Ring, Back-up (Note: Use Item 100)	
104	See Note	NSS	Seal, Rod (Note: Use Item 100)	
105	See Note	NSS	O-Ring (Note: Use Item 100)	
106	See Note	NSS	Wiper (Note: Use Item 100)	
107	See Note	NSS	Ring, Wear (Note: Use Item 100)	
108	See Note	NSS	Seal (Note: Use Item 100)	
109	See Note	NSS	O-Ring (Note: Use Item 100)	
110	See Note	NSS	Ring, Back-up (Note: Use Item 100)	
111	See Note	NSS	O-Ring (Note: Use Item 100)	



# SECTION 5 - CYLINDER

FIGURE 5-10. LIFT CYLINDER ASSEMBLY - JIB (800AJ ONLY) (USAGE MAY VARY) (SERVICE REPLACEMENT)



ART\_1001248012

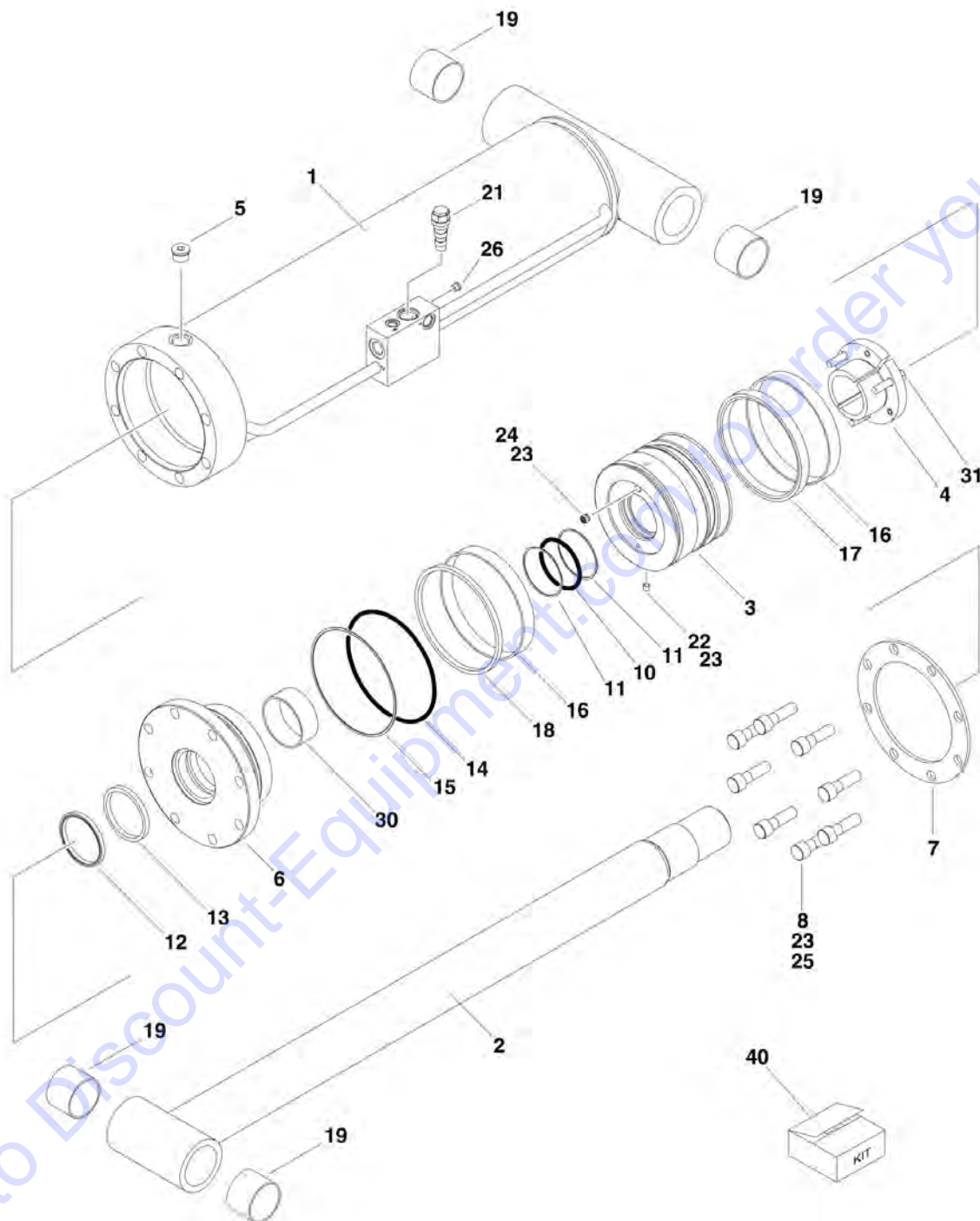
## SECTION 5 - CYLINDER

**FIGURE 5-10. LIFT CYLINDER ASSEMBLY - JIB (800AJ ONLY) (USAGE MAY VARY) (SERVICE REPLACEMENT)**

ITEM	PART NUMBER	QTY	DESCRIPTION	REV
	1001248012	Ref	LIFT CYLINDER ASSEMBLY - JIB	A
		Ref	Note: Original Cylinder May Have Been Replaced with Service Replacement. Identify PN Stamped on Cylinder Before Ordering Parts.	
1	See Note	NSS	Barrel (Note: Not Available for Purchase)	
2	70006734	1	Rod	
3	70006649	1	Head	
4	See Note	NSS	Wiper (Note: Use Item 100)	
5	See Note	NSS	Seal, Rod (Note: Use Item 100)	
6	See Note	NSS	Ring, Wear (Note: Use Item 100)	
7	See Note	NSS	O-Ring (Note: Use Item 100)	
8	See Note	NSS	Ring, Back-up (Note: Use Item 100)	
9	70006650	1	Piston	
10	See Note	NSS	Seal (Note: Use Item 100)	
11	See Note	NSS	Ring, Lock (Note: Use Item 100)	
12	See Note	NSS	O-Ring (Note: Use Item 100)	
13	See Note	NSS	Ring, Back-up (Note: Use Item 100)	
14	0961893	1	Bushing, Tapered	
15	0630534	3	Capscrew, Socket Head #10 x 1	
16	70006735	8	Capscrew 5/16	
17	2220885	2	Plug, O-Ring	
18	2220883	6	Plug, O-Ring	
19	70006736	1	Spacer	
20	4640509	2	Cartridge, Valve	
20	2900792	2	Seal Kit - 4640509 Valve	
21	0962336	4	Bushing	
100	1001138795	1	Seal Kit (Includes Items 4-8 & 10-13)	

# SECTION 5 - CYLINDER

## FIGURE 5-11. LIFT CYLINDER ASSEMBLY - MAIN BOOM (ORIGINAL EQUIPMENT)



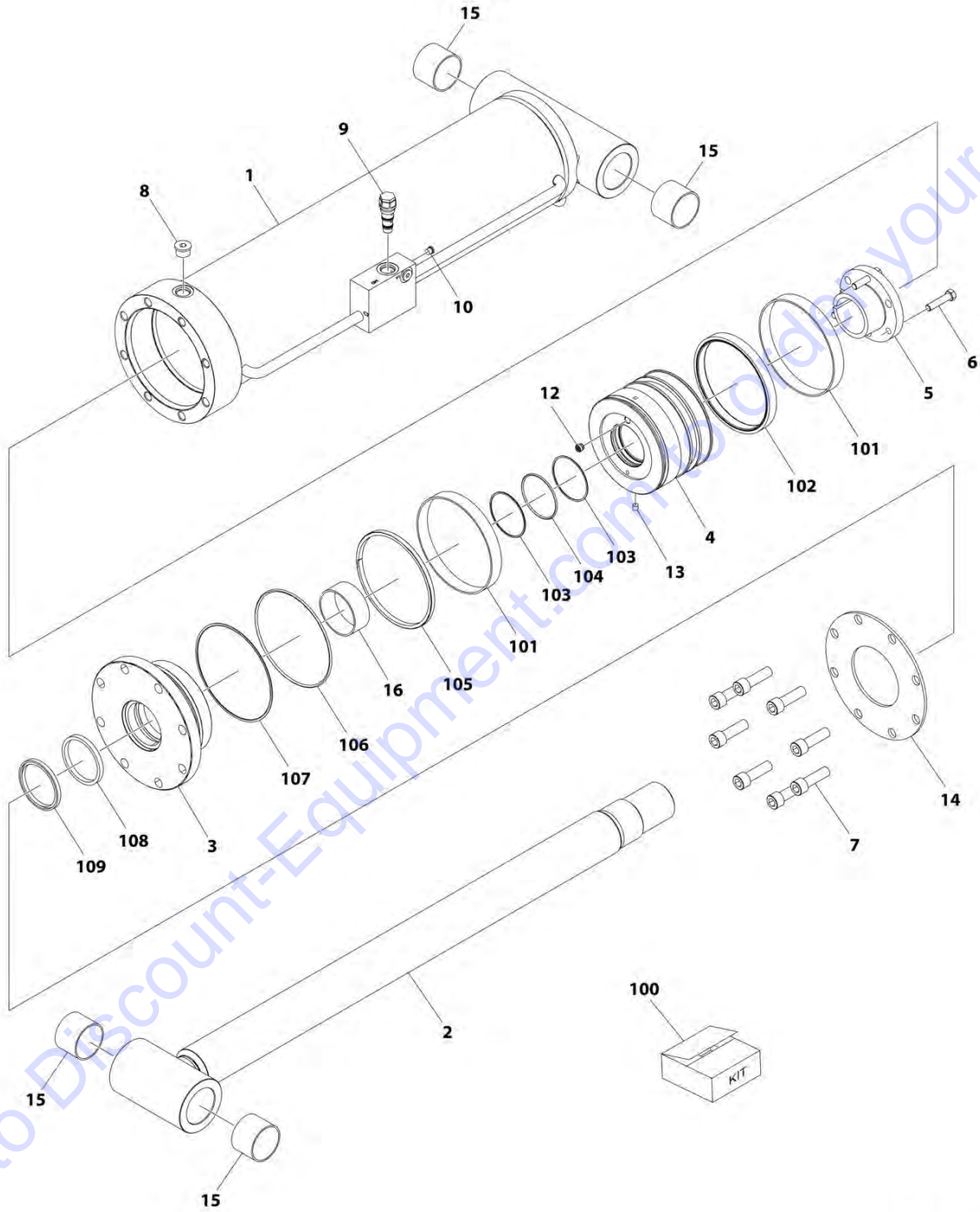
## SECTION 5 - CYLINDER

**FIGURE 5-11. LIFT CYLINDER ASSEMBLY - MAIN BOOM (ORIGINAL EQUIPMENT)**

ITEM	PART NUMBER	QTY	DESCRIPTION	REV
	1683547	Ref	LIFT CYLINDER ASSEMBLY - MAIN BOOM	L
		Ref	Note: Original Cylinder may have been replaced with Service Replacement. Identify PN Stamped on Cylinder Before Ordering Parts.	
1	1683821	1	Barrel Weldment	
2	1683549	1	Rod Weldment	
3	3480238	1	Piston	
4	0961901	1	Bushing, Tapered	
5	2220888	1	Plug, O-Ring	
6	1683071	1	Head	
7	3760374	1	Washer, Ring	
8	3932240	8	Bolt, Socket Head 3/4in x 2-1/2in	
10	See Note	NSS	O-Ring (Note: Use Item 40)	
11	See Note	NSS	Ring, Back-up (Note: Use Item 40)	
12	See Note	NSS	Wiper (Note: Use Item 40)	
13	See Note	NSS	Seal, Rod (Note: Use Item 40)	
14	See Note	NSS	O-Ring (Note: Use Item 40)	
15	See Note	NSS	Ring, Back-up (Note: Use Item 40)	
16	See Note	NSS	Ring, Wear (Note: Use Item 40)	
17	See Note	NSS	T-Seal (Note: Use Item 40)	
18	See Note	NSS	Seal (Note: Use Item 40)	
19	0962102	4	Bushing	
21	4640509	1	Cartridge, Valve	
21	2900792	1	Seal Kit - 4640509 Valve	
22	2180615	1	Orifice	
23	0100011	AR	Compound, Locking	
24	4641027	1	Plug, Check Valve	
25	0100038	AR	Primer, Locking	
26	2220883	1	Plug	
30	See Note	NSS	Ring, Wear (Note: Use Item 40)	
31	0630537	3	Bolt	
40	2901514	1	Seal Kit (Includes Items 10-18 & 30)	

# SECTION 5 - CYLINDER

## FIGURE 5-12. LIFT CYLINDER ASSEMBLY - MAIN BOOM (SERVICE REPLACEMENT)



ART\_1001228010

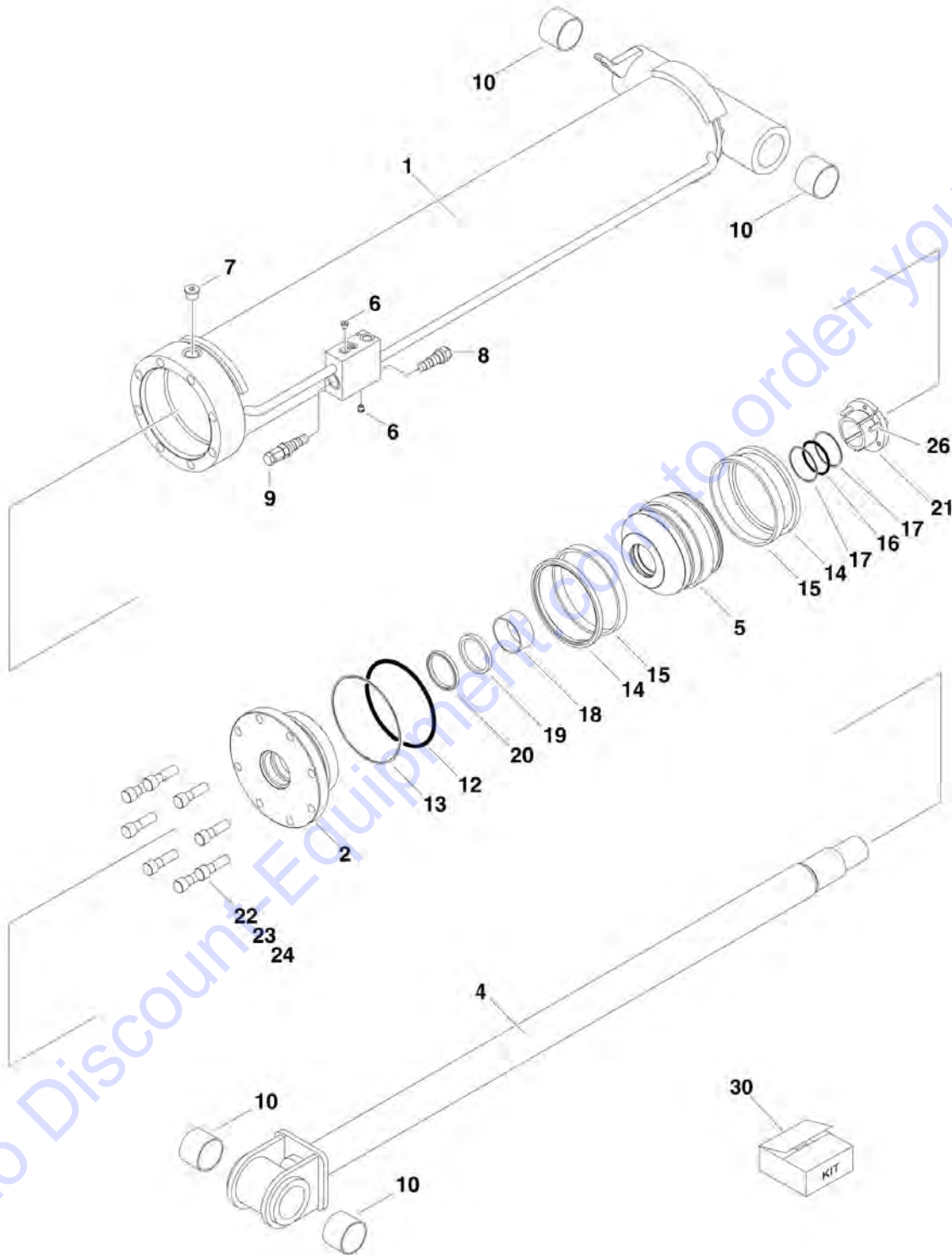
## SECTION 5 - CYLINDER

**FIGURE 5-12. LIFT CYLINDER ASSEMBLY - MAIN BOOM (SERVICE REPLACEMENT)**

ITEM	PART NUMBER	QTY	DESCRIPTION	REV
	1001228010	Ref	LIFT CYLINDER ASSEMBLY	B
		Ref	Note: Original Cylinder may have been replaced with Service Replacement. Identify PN Stamped on Cylinder Before Ordering Parts.	
1	See Note	NSS	Barrel (Note: Not Available for Purchase)	
2	70006388	1	Rod	
3	70006387	1	Head	
4	70006386	1	Piston	
5	70006385	1	Bushing, Tapered	
6	0630537	3	Bolt	
7	3932240	8	Capscrew 3/4 x 2-1/2	
7	See Note	AR	Compound, Locking (Note: Use Loctite 263)	
8	2220888	1	Plug	
9	4640509	1	Cartridge, Valve	
9	2900792	1	Seal Kit - 4640509 Valve	
10	2220883	1	Plug	
12	4641027	1	Plug, Check Valve	
13	2180615	1	Orifice	
14	70006384	1	Washer, Ring	
15	0962102	4	Bushing	
16	See Note	NSS	Ring, Wear (Note: Use Item 100)	
100	2901514	1	Seal Kit (Includes Items 16 and 101-109)	
101	See Note	NSS	Ring, Wear (Note: Use Item 100)	
102	See Note	NSS	T-Seal (Note: Use Item 100)	
103	See Note	NSS	Ring, Back-up (Note: Use Item 100)	
104	See Note	NSS	O-Ring (Note: Use Item 100)	
105	See Note	NSS	Seal (Note: Use Item 100)	
106	See Note	NSS	O-Ring (Note: Use Item 100)	
107	See Note	NSS	Ring Back-up (Note: Use Item 100)	
108	See Note	NSS	Seal, Rod (Note: Use Item 100)	
109	See Note	NSS	Wiper (Note: Use Item 100)	

# SECTION 5 - CYLINDER

FIGURE 5-13. LIFT CYLINDER ASSEMBLY - TOWER BOOM (ORIGINAL EQUIPMENT)



## SECTION 5 - CYLINDER

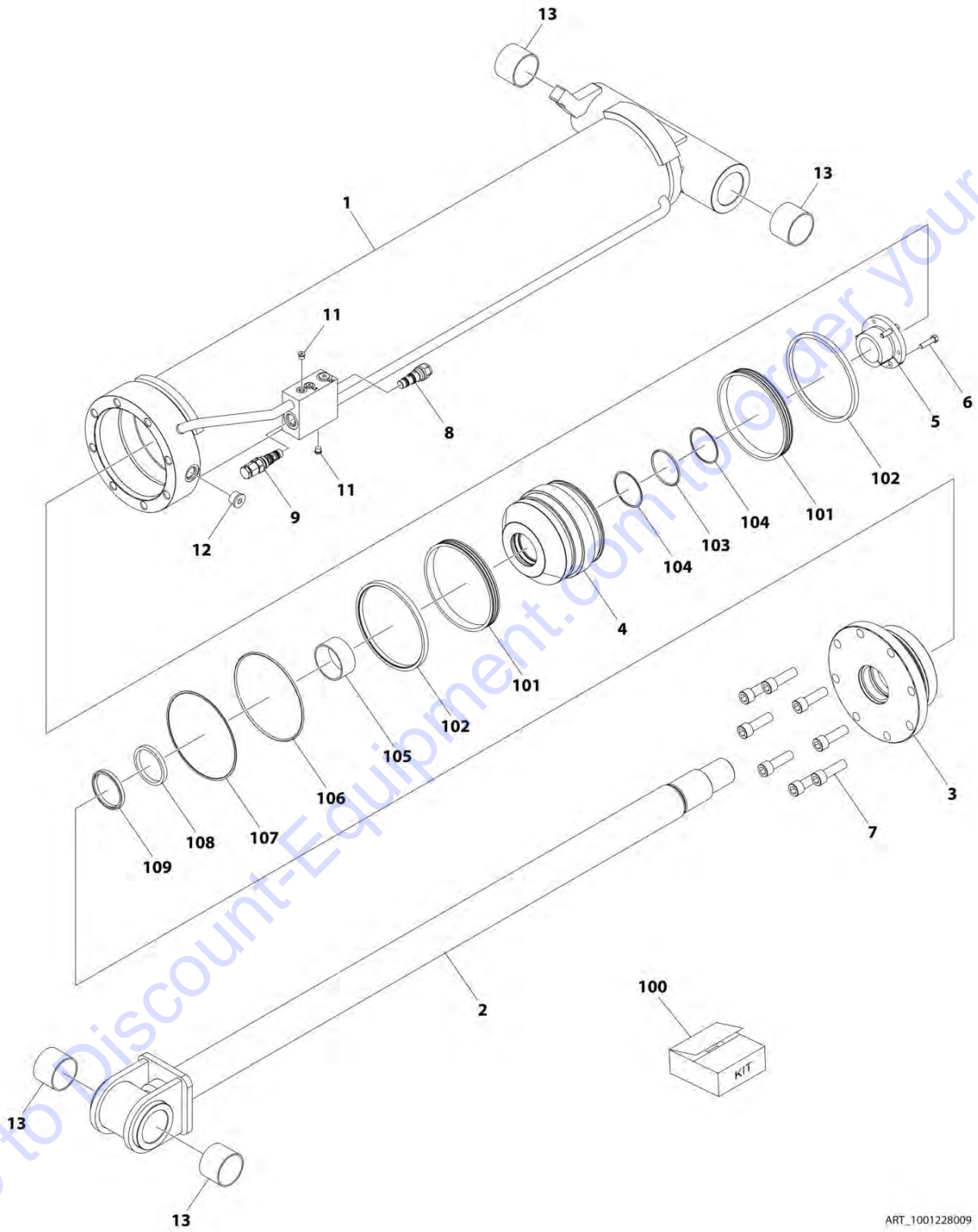
**FIGURE 5-13. LIFT CYLINDER ASSEMBLY - TOWER BOOM (ORIGINAL EQUIPMENT)**

ITEM	PART NUMBER	QTY	DESCRIPTION	REV
	1683537	Ref	LIFT CYLINDER ASSEMBLY - TOWER BOOM	I
		Ref	Note: Original Cylinder may have been replaced with Service Replacement. Identify PN Stamped on Cylinder Before Ordering Parts.	
1	1683823	1	Barrel Weldment	
2	1683818	1	Head	
4	1683539	1	Rod Weldment	
5	3480236	1	Piston	
6	2220883	2	Plug, O-Ring	
7	2220888	1	Plug, O-Ring	
8	4640509	1	Cartridge, Valve	
8	2900792	1	Seal Kit - 4640999 Valve	
9	4640605	1	Cartridge, Valve	
9	2900792	1	Seal Kit - 4640605 Valve	
10	0962102	4	Bushing	
12	See Note	NSS	O-Ring (Note: Use Item 30)	
13	See Note	NSS	Ring, Back-up (Note: Use Item 30)	
14	See Note	NSS	Ring, Lock (Note: Use Item 30)	
15	See Note	NSS	Seal (Note: Use Item 30)	
16	See Note	NSS	O-Ring (Note: Use Item 30)	
17	See Note	NSS	Ring, Back-up (Note: Use Item 30)	
18	See Note	NSS	Ring, Wear (Note: Use Item 30)	
19	See Note	NSS	Seal (Note: Use Item 30)	
20	See Note	NSS	Wiper (Note: Use Item 30)	
21	0961903	1	Bushing, Tapered	
22	3932240	8	Capscrew, Socket Head 3/4in x 2-1/2in	
23	0100011	AR	Compound, Locking	
24	0100038	AR	Primer, Locking	
26	0630536	3	Bolt	
30	2901537	1	Seal Kit (Includes Items 12-20)	



# SECTION 5 - CYLINDER

## FIGURE 5-14. LIFT CYLINDER ASSEMBLY - TOWER BOOM (SERVICE REPLACEMENT)



ART\_1001228009

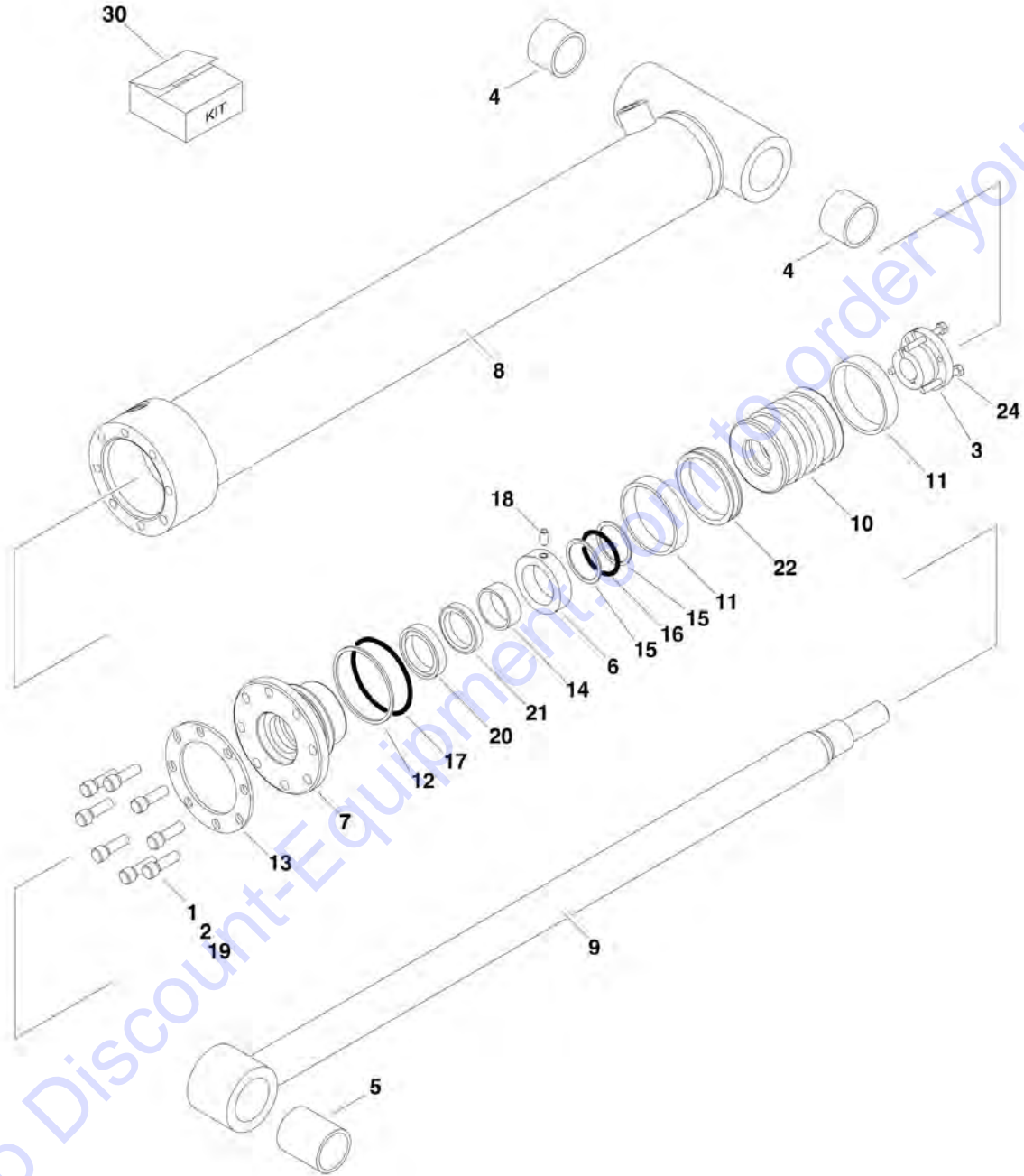
## SECTION 5 - CYLINDER

**FIGURE 5-14. LIFT CYLINDER ASSEMBLY - TOWER BOOM (SERVICE REPLACEMENT)**

ITEM	PART NUMBER	QTY	DESCRIPTION	REV
	1001228009	Ref	LIFT CYLINDER ASSEMBLY	B
		Ref	Note: Original Cylinder may have been replaced with Service Replacement. Identify PN Stamped on Cylinder Before Ordering Parts.	
1	See Note	NSS	Barrel (Note: Not Available for Purchase)	
2	70006378	1	Rod	
3	70006377	1	Head	
4	70006376	1	Piston	
5	70006375	1	Bushing, Tapered	
6	0630536	3	Bolt	
7	3932240	8	Capscrew 3/4 x 2-1/2	
8	4640509	1	Cartridge, Valve	
8	2900792	1	Seal Kit - 4640999 Valve	
9	4640605	1	Cartridge, Valve	
9	2900792	1	Seal Kit - 4640605 Valve	
11	2220883	4	Plug, O-Ring	
12	2220888	1	Plug, O-Ring	
13	0962102	4	Bushing	
100	2901537	1	Seal Kit (Includes Items 101-109)	
101	See Note	NSS	Seal (Note: Use Item 100)	
102	See Note	NSS	Ring, Lock (Note: Use Item 100)	
103	See Note	NSS	O-Ring (Note: Use Item 100)	
104	See Note	NSS	Ring, Back-up (Note: Use Item 100)	
105	See Note	NSS	Ring, Wear (Note: Use Item 100)	
106	See Note	NSS	O-Ring (Note: Use Item 100)	
107	See Note	NSS	Ring, Back-up (Note: Use Item 100)	
108	See Note	NSS	Seal (Note: Use Item 100)	
109	See Note	NSS	Wiper (Note: Use Item 100)	

# SECTION 5 - CYLINDER

FIGURE 5-15. MASTER CYLINDER ASSEMBLY - 800A (ORIGINAL EQUIPMENT)



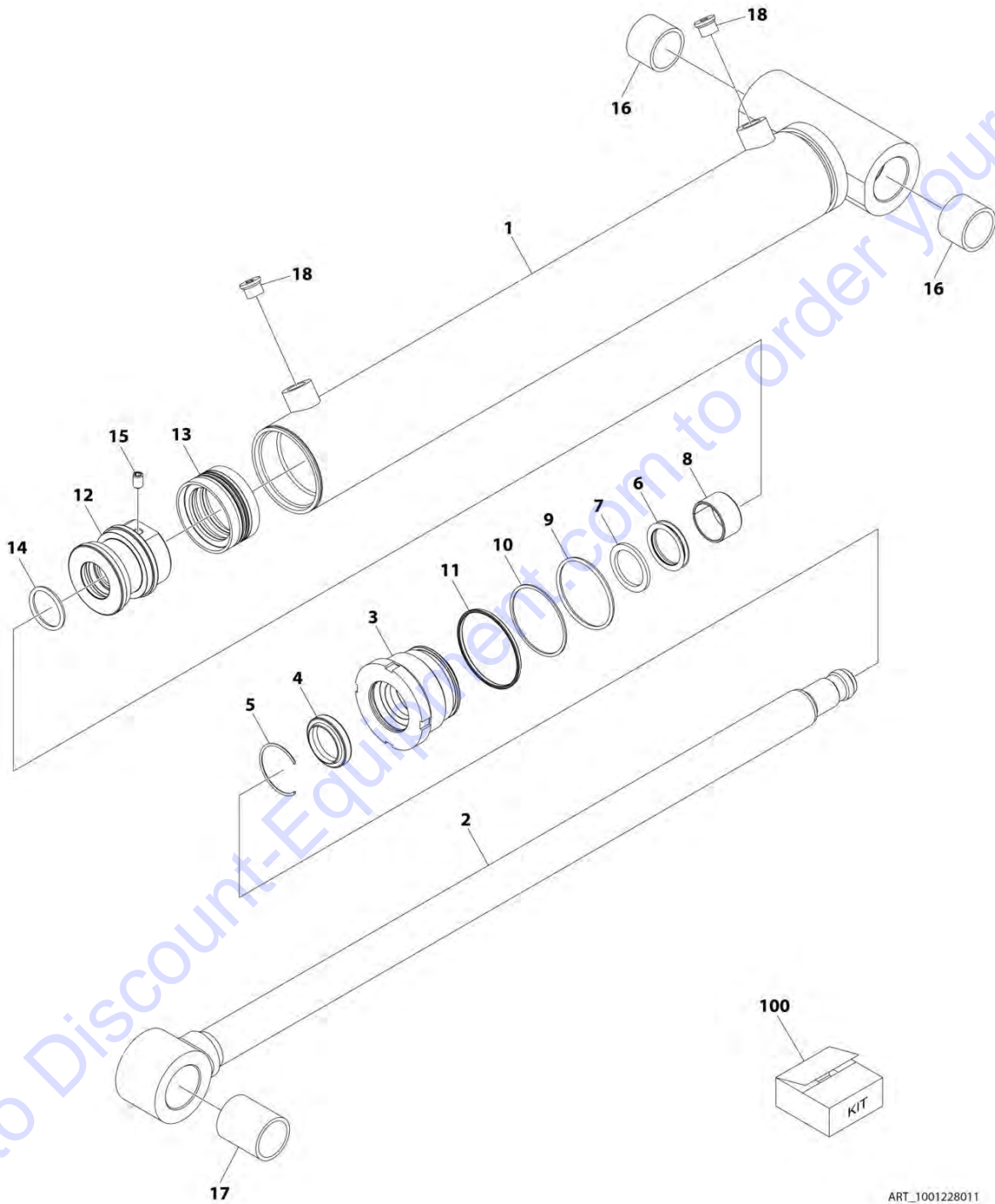
## SECTION 5 - CYLINDER

**FIGURE 5-15. MASTER CYLINDER ASSEMBLY - 800A (ORIGINAL EQUIPMENT)**

ITEM	PART NUMBER	QTY	DESCRIPTION	REV
	1683608	Ref	MASTER CYLINDER ASSEMBLY - 800A	H
		Ref	Note: Original Cylinder may have been replaced with Service Replacement. Identify PN Stamped on Cylinder Before Ordering Parts.	
1	0100011	AR	Compound, Locking	
2	0100038	AR	Primer, Locking	
3	0962185	1	Bushing, Tapered	
4	0961951	2	Bushing	
5	0962155	1	Bushing	
6	0962156	1	Spacer, Tube	
7	1683050	1	Head	
8	1684114	1	Barrel	
9	1684115	1	Rod	
10	3480232	1	Piston	
11	See Note	NSS	Ring, Wear (Note: Use Item 30)	
12	See Note	NSS	Ring, Back-up (Note: Use Item 30)	
13	3760367	1	Ring, Washer	
14	See Note	NSS	Ring, Wear (Note: Use Item 30)	
15	See Note	NSS	Ring, Back-up (Note: Use Item 30)	
16	See Note	NSS	O-Ring (Note: Use Item 30)	
17	See Note	NSS	O-Ring (Note: Use Item 30)	
18	3900139	1	Setscrew 1/4in-20NC x 1/2in	
19	3931516	8	Capscrew 5/16in-18NC x 1in	
20	See Note	NSS	Wiper (Note: Use Item 30)	
21	See Note	NSS	Seal (Note: Use Item 30)	
22	See Note	NSS	T-Seal (Note: Use Item 30)	
24	0630534	3	Capscrew, Socket Head #10-24NC x 1in	
30	2901549	1	Seal Kit - 1683608 Cylinder (Includes Items 11, 12, 14-17 & 20-22)	

# SECTION 5 - CYLINDER

## FIGURE 5-16. MASTER CYLINDER ASSEMBLY (800A) (SERVICE REPLACEMENT)



ART\_1001228011

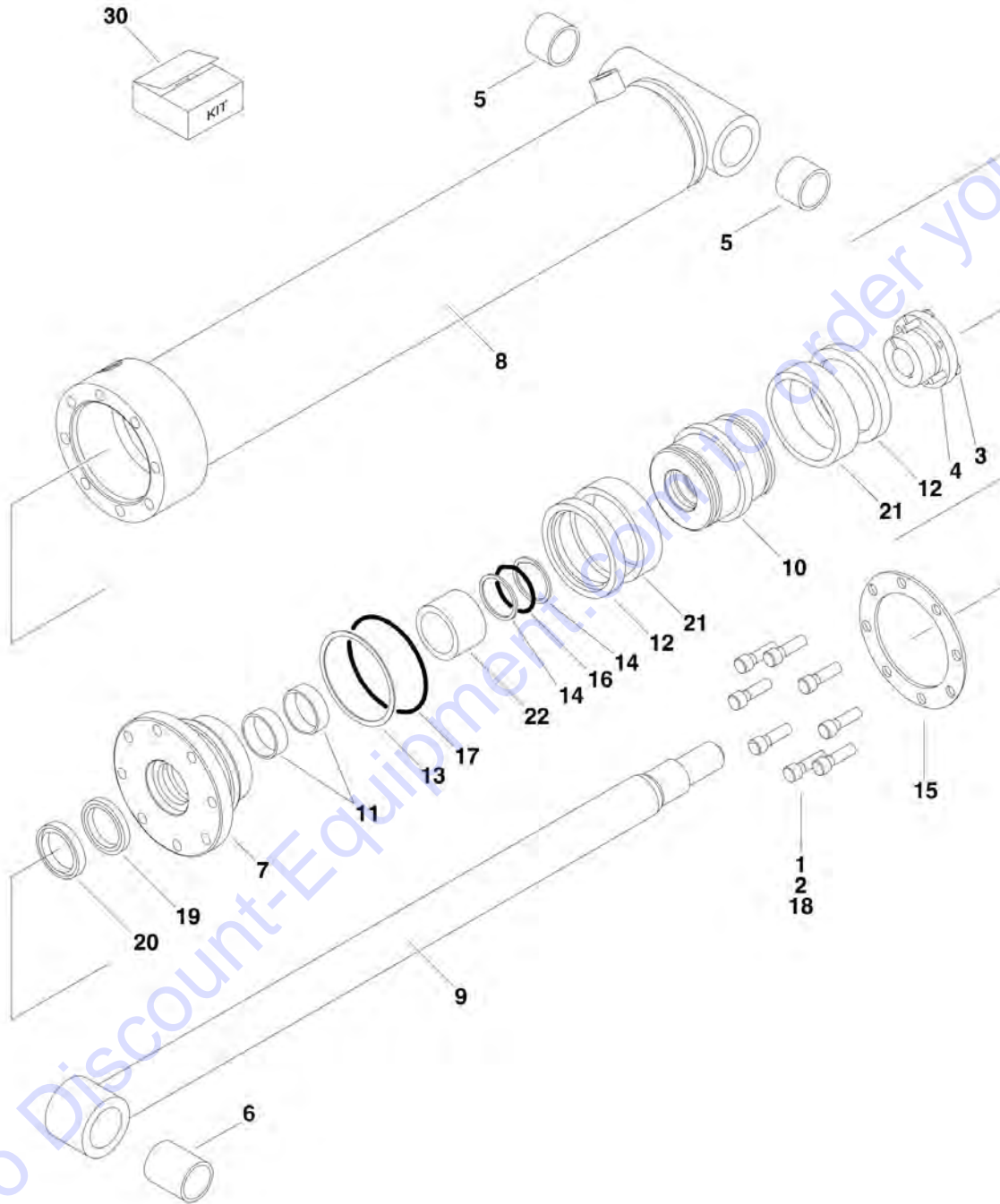
## SECTION 5 - CYLINDER

**FIGURE 5-16. MASTER CYLINDER ASSEMBLY (800A) (SERVICE REPLACEMENT)**

ITEM	PART NUMBER	QTY	DESCRIPTION	REV
	1001228011	Ref	MASTER CYLINDER ASSEMBLY (800A)	B
		Ref	Note: Original Cylinder may have been replaced with Service Replacement. Identify PN Stamped on Cylinder Before Ordering Parts.	
1	See Note	NSS	Barrel (Note: Not Available for Purchase)	
2	70006777	1	Rod	
3	70006778	1	Head	
4	See Note	NSS	Wiper (Note: Use Item 100)	
5	70002366	1	Ring, Retaining	
6	See Note	NSS	Seal, Rod (Note: Use Item 100)	
7	See Note	NSS	Ring, Back-up (Note: Use Item 100)	
8	70006779	1	Ring, Wear	
9	See Note	NSS	O-Ring (Note: Use Item 100)	
10	See Note	NSS	Ring, Back-up (Note: Use Item 100)	
11	70050801	NSS	O-Ring (Note: Use Item 100)	
12	70006780	1	Piston	
13	See Note	NSS	Seal (Note: Use Item 100)	
14	See Note	NSS	O-Ring (Note: Use Item 100)	
15	70006596	1	Setscrew	
16	0961951	2	Bushing	
17	0962155	1	Bushing	
18	2220885	2	Plug	
100	70006781	1	Seal Kit (Includes Items 4, 6, 7, 9-11, 13 & 14)	

# SECTION 5 - CYLINDER

## FIGURE 5-17. MASTER CYLINDER ASSEMBLY - 800AJ



Go to [Discount-Equipment.com](http://Discount-Equipment.com) to order your parts

## SECTION 5 - CYLINDER

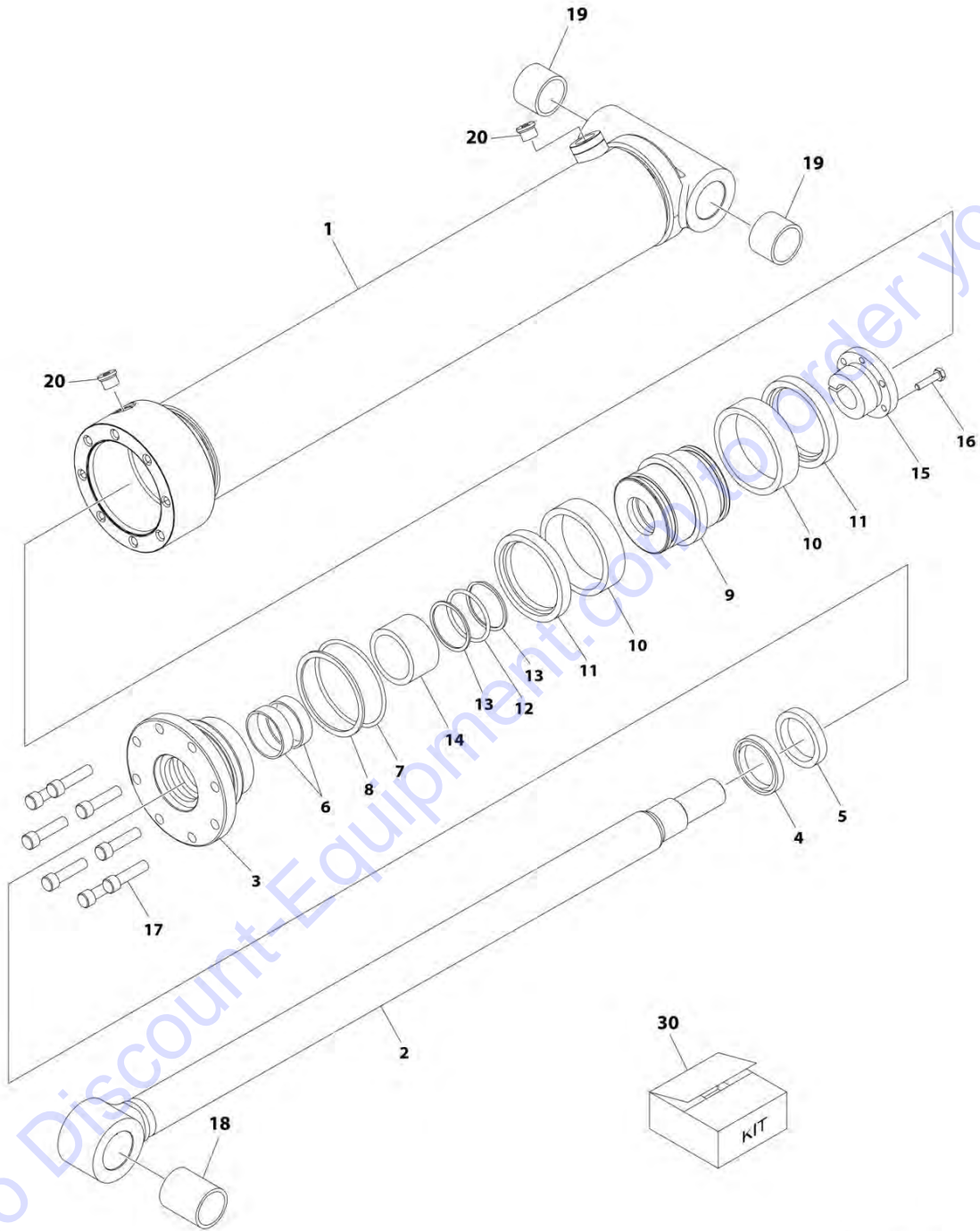
**FIGURE 5-17. MASTER CYLINDER ASSEMBLY - 800AJ**

ITEM	PART NUMBER	QTY	DESCRIPTION	REV
		Ref	MASTER CYLINDER ASSEMBLY - 800AJ	
	1683682	Ref	Machines without Arctic Package (Original Equipment)	G
	1001138793	Ref	Machines with Arctic Package (Original Equipment)	A
		Ref	Note: Original Cylinder may have been replaced with Service Replacement. Identify PN Stamped on Cylinder Before Ordering Parts.	
1	0100011	AR	Compound, Locking	
2	0100038	AR	Primer, Locking	
3	0630535	3	Capscrew, Socket Head 1/4in-20NC x 1in	
4	0961894	1	Bushing, Tapered	
5	0961951	2	Bushing	
6	0962155	1	Bushing	
7	1683055	1	Head	
8	1684125	1	Barrel	
9	1684126	1	Rod	
10	3480188	1	Piston	
11	See Note	NSS	Ring, Wear (Note: Use Item 30)	
12	See Note	NSS	Ring, Lock (Note: Use Item 30)	
13	See Note	NSS	Ring, Back-up (Note: Use Item 30)	
14	See Note	NSS	Ring, Back-up (Note: Use Item 30)	
15	3760369	1	Ring, Washer	
16	See Note	NSS	O-Ring (Note: Use Item 30)	
17	See Note	NSS	O-Ring (Note: Use Item 30)	
18	3931620	8	Capscrew 3/8in-16NC x 1-1/4in	
19	See Note	NSS	Seal, Rod (Note: Use Item 30)	
20	See Note	NSS	Wiper (Note: Use Item 30)	
21	See Note	NSS	Seal (Note: Use Item 30)	
22	4566468	1	Spacer, Tube	
30		Ref	Seal Kit Options (Includes Items 11-14, 16, 17 & 19-21):	
30	2901301	1	Machines without Arctic Package	
30	1001138796	1	Machines with Arctic Package	



# SECTION 5 - CYLINDER

## FIGURE 5-18. MASTER CYLINDER ASSEMBLY (800AJ) (SERVICE REPLACEMENT)



ART\_1001228050

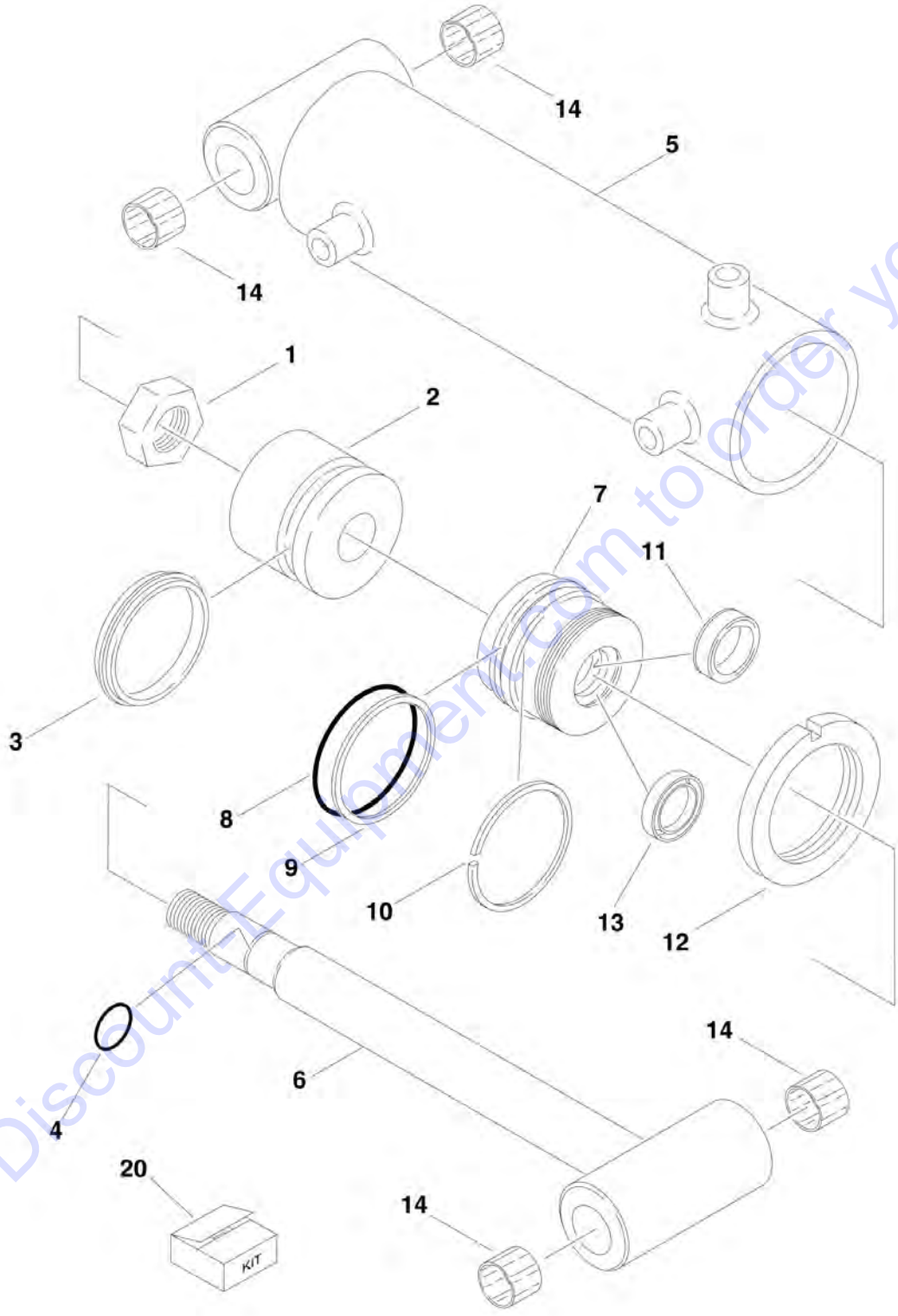
## SECTION 5 - CYLINDER

**FIGURE 5-18. MASTER CYLINDER ASSEMBLY (800AJ) (SERVICE REPLACEMENT)**

ITEM	PART NUMBER	QTY	DESCRIPTION	REV
	1001228050	Ref	MASTER CYLINDER ASSEMBLY	A
		Ref	Note: Original Cylinder may have been replaced with Service Replacement. Identify PN Stamped on Cylinder Before Ordering Parts.	
1	See Note	NSS	Barrel (Note: Not Available for Purchase)	
2	70006668	1	Rod	
3	70006643	1	Head	
4	See Note	NSS	Wiper (Note: Use Item 30)	
5	See Note	NSS	Seal, Rod (Note: Use Item 30)	
6	See Note	NSS	Ring, Wear (Note: Use Item 30)	
7	See Note	NSS	O-Ring (Note: Use Item 30)	
8	See Note	NSS	Ring, Back-up (Note: Use Item 30)	
9	70006644	1	Piston	
10	See Note	NSS	Ring, Wear (Note: Use Item 30)	
11	See Note	NSS	Ring, Lock (Note: Use Item 30)	
12	See Note	NSS	O-Ring (Note: Use Item 30)	
13	See Note	NSS	Ring, Back-up (Note: Use Item 30)	
14	70006651	1	Spacer, Tube	
15	0961894	1	Bushing, Tapered	
16	0630535	3	Capscrew 1/4 x 1-1/8	
17	3931620	8	Capscrew 3/8 x 1-1/4	
18	0962155	1	Bushing	
19	0961951	2	Bushing	
20	2220885	2	Plug, O-Ring	
30	1001138796	1	Seal Kit (Machines with Arctic Package) (Includes Items 4-8 & 10-13)	

# SECTION 5 - CYLINDER

FIGURE 5-19. STEER CYLINDER ASSEMBLY (SN 0300140000 through 0300142666)



## SECTION 5 - CYLINDER

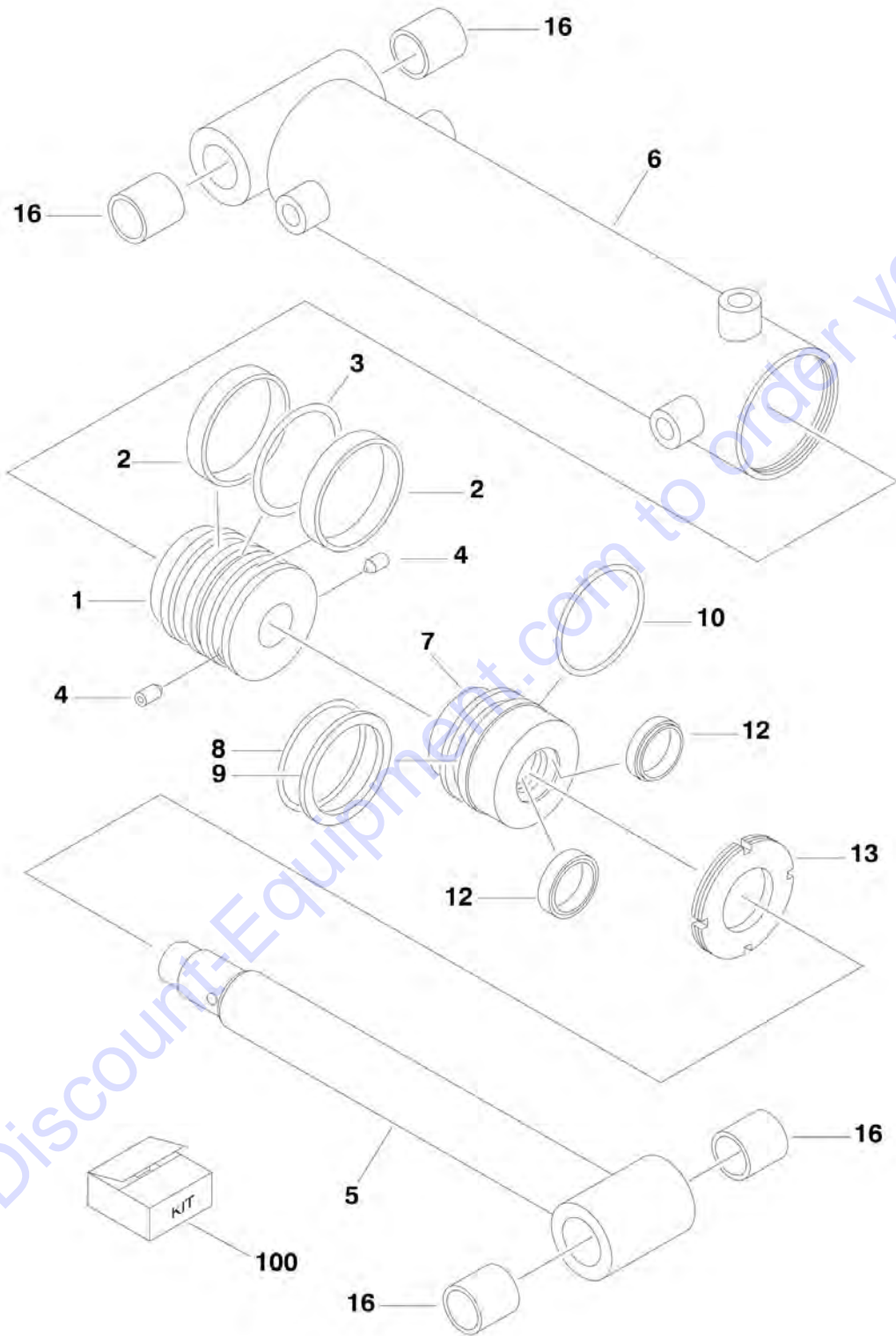
**FIGURE 5-19. STEER CYLINDER ASSEMBLY (SN 0300140000 through 0300142666)**

ITEM	PART NUMBER	QTY	DESCRIPTION	REV
	1683740	Ref	<b>STEER CYLINDER ASSEMBLY</b>	C
1	7017210	1	Locknut	
2	7017211	1	Piston	
3	See Note	NSS	Seal (Note: Use Item 20)	
4	See Note	NSS	O-Ring (Note: Use Item 20)	
5	7023023	1	Barrel Weldment	
6	7017236	1	Rod Weldment	
7	7017213	1	Head	
8	See Note	NSS	O-Ring (Note: Use Item 20)	
9	See Note	NSS	Ring, Back-up (Note: Use Item 20)	
10	See Note	NSS	Ring, Retainer (Note: Use Item 20)	
11	See Note	NSS	Seal (Note: Use Item 20)	
12	7017214	1	Nut, Spanner	
13	See Note	NSS	Wiper (Note: Use Item 20)	
14	0961977	4	Bushings	
20	7017215	1	Seal Kit (Includes Items 3, 4, 8-11 & 13)	

Go to Discount-Equipment.com to order your parts

# SECTION 5 - CYLINDER

FIGURE 5-20. STEER CYLINDER ASSEMBLY (SN 0300142664 through 0300183033)



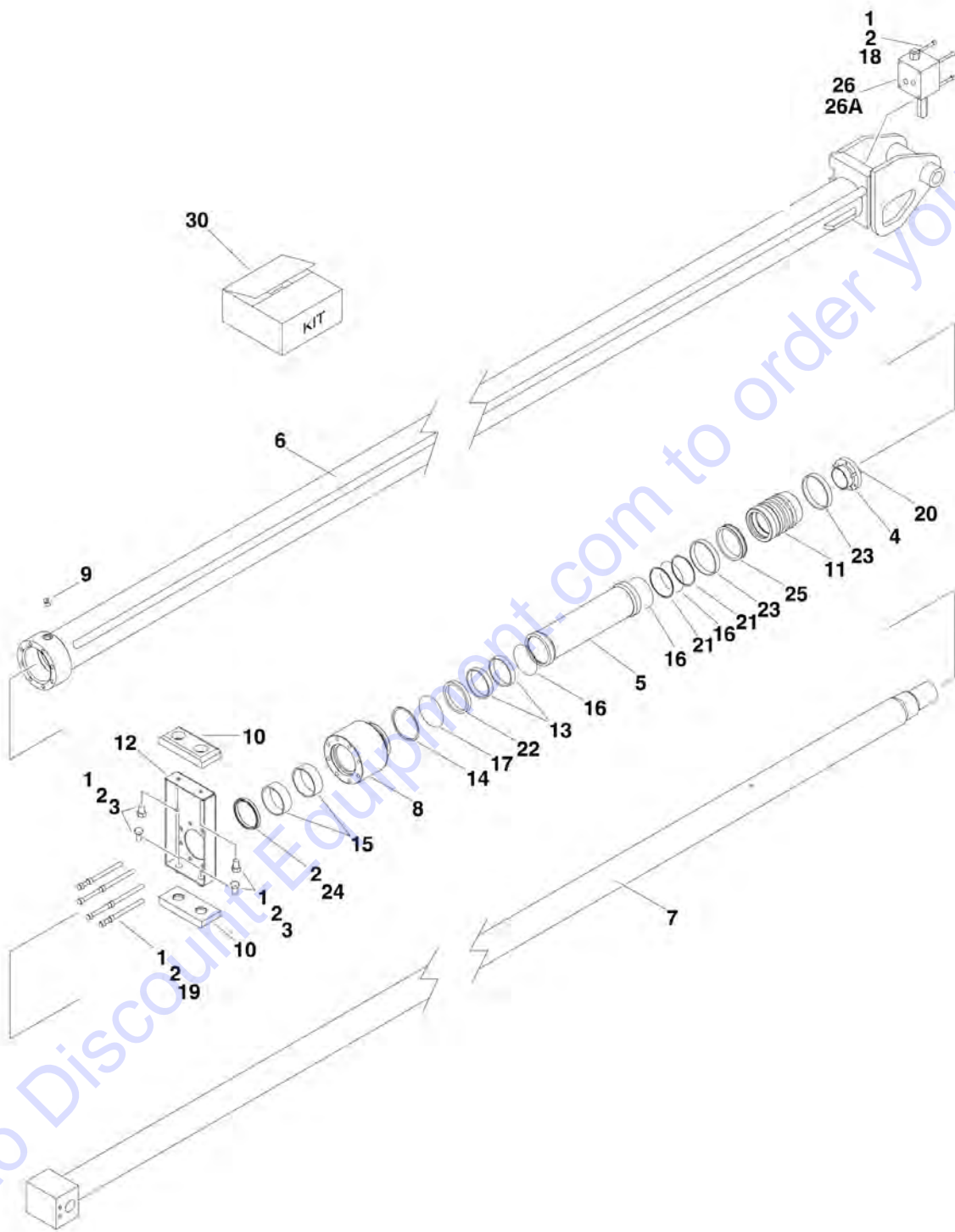
## SECTION 5 - CYLINDER

**FIGURE 5-20. STEER CYLINDER ASSEMBLY (SN 0300142664 through 0300183033)**

ITEM	PART NUMBER	QTY	DESCRIPTION	REV
	1001097243	Ref	<b>STEER CYLINDER ASSEMBLY</b>	C
1	70002744	1	Piston	
2	See Note	NSS	Seal (Note: Use Item 100)	
3	See Note	NSS	Seal (Note: Use Item 100)	
4	70002745	2	Setscrew	
5	70002746	1	Rod Weldment	
6	70002747	1	Barrel Weldment	
7	70002748	1	Head	
8	See Note	NSS	O-Ring (Note: Use Item 100)	
9	See Note	NSS	Ring, Back-up (Note: Use Item 100)	
10	See Note	NSS	Ring, Retainer (Note: Use Item 100)	
11	70002749	1	Nut, Spanner	
12	See Note	NSS	Seal (Note: Use Item 100)	
13	See Note	NSS	Wiper (Note: Use Item 100)	
14	See Note	NSS	O-Ring (Note: Use Item 100)	
15	70002750	5	Plug, Port	
16	0962356	4	Bushings	
100	70002751	1	Seal Kit (Includes Items 2, 3, 8-10 & 12-14)	

# SECTION 5 - CYLINDER

FIGURE 5-21. TELESCOPE CYLINDER ASSEMBLY - MAIN BOOM



## SECTION 5 - CYLINDER

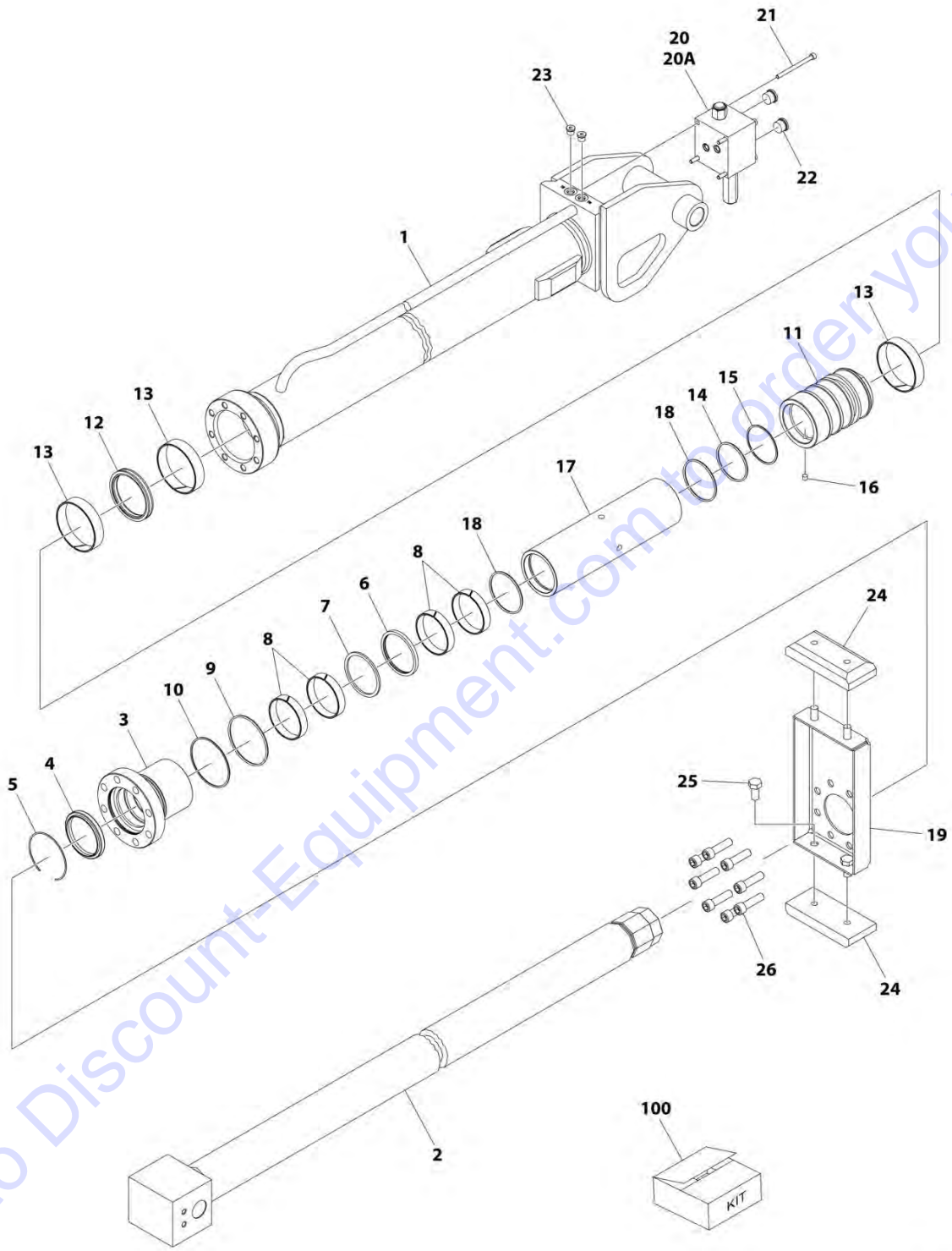
### FIGURE 5-21. TELESCOPE CYLINDER ASSEMBLY - MAIN BOOM

ITEM	PART NUMBER	QTY	DESCRIPTION	REV
		Ref	TELESCOPE CYLINDER ASSEMBLY - MAIN BOOM	
	1683607	Ref	Telescope Cylinder Assembly 800A (Original Equipment)	I
	1001188968	Ref	Telescope Cylinder Assembly 800A (Service Replacement)	
	1683672	Ref	Telescope Cylinder Assembly 800AJ (Original Equipment) <b>(SN 0300140000 through 0300169022)</b>	H
	1001188841	Ref	Telescope Cylinder Assembly 800AJ (Service Replacement)	
	1001149284	Ref	Telescope Cylinder Assembly 800AJ (Original Equipment) <b>(SN 0300169023 through 0300183033)</b>	A
		Ref	Note: Original Cylinder may have been replaced with Service Replacement. Identify PN Stamped on Cylinder Before Ordering Parts.	
1	0100011	AR	Compound, Locking	
2	0100038	AR	Primer, Locking	
3	0641806	4	Bolt 1/2in-13NC x 3/4in	
4	0961897	1	Bushing, Tapered	
5	0962524	1	Spacer, Tube	
6		Ref	Barrel Options:	
6	1683647	1	Barrel 800A	
6	1683673	1	Barrel 800AJ	
7		Ref	Rod Options:	
7	1683648	1	Rod 800A	
7	1683675	1	Rod 800AJ	
8	1683663	1	Head	
9	2220885	1	Plug, O-Ring	
10	3340838	2	Pad, Wear	
11	3480234	1	Piston	
12	3570775	1	Plate	
13	See Note	NSS	Ring, Wear (Note: Use Item 30)	
14	See Note	NSS	Ring, Back-up (Note: Use Item 30)	
15	See Note	NSS	Ring, Wear (Note: Use Item 30)	
16	See Note	NSS	O-Ring (Note: Use Item 30)	
17	See Note	NSS	O-Ring (Note: Use Item 30)	
18	3931448	4	Capscrew 1/4in-20NC x 3in	
19	3931664	8	Capscrew 3/8in-16NC x 4in	
20	0630535	3	Bolt 1/4in-20NC x 1-1/8in	
21	See Note	NSS	Ring, Back-up (Note: Use Item 30)	
22	See Note	NSS	Seal, Rod (Note: Use Item 30)	
23	See Note	NSS	Ring, Wear (Note: Use Item 30)	
24	See Note	NSS	Wiper (Note: Use Item 30)	
25	See Note	NSS	T-Seal (Note: Use Item 30)	
26	4641033	1	Valve Assembly (No serviceable parts - sold as assembly only)	
26A	7024508	2	O-Ring (Between Valve and Cylinder Barrel)	
30		Ref	Seal Kit Options (Includes Items 13-17 & 21-25):	
30	2901712	NLA	Seal Kit - 1683607 & 1683672 Cylinders (Use p/n 1001188843)	
30	1001149391	1	Seal Kit - 1001149284 Cylinder	
30	1001188843	1	Seal Kit - 1001188968 & 1001188841 Cylinders)	



# SECTION 5 - CYLINDER

## FIGURE 5-22. TELESCOPE CYLINDER ASSEMBLY - MAIN BOOM (800A) (SERVICE REPLACEMENT)



ART\_1001228088

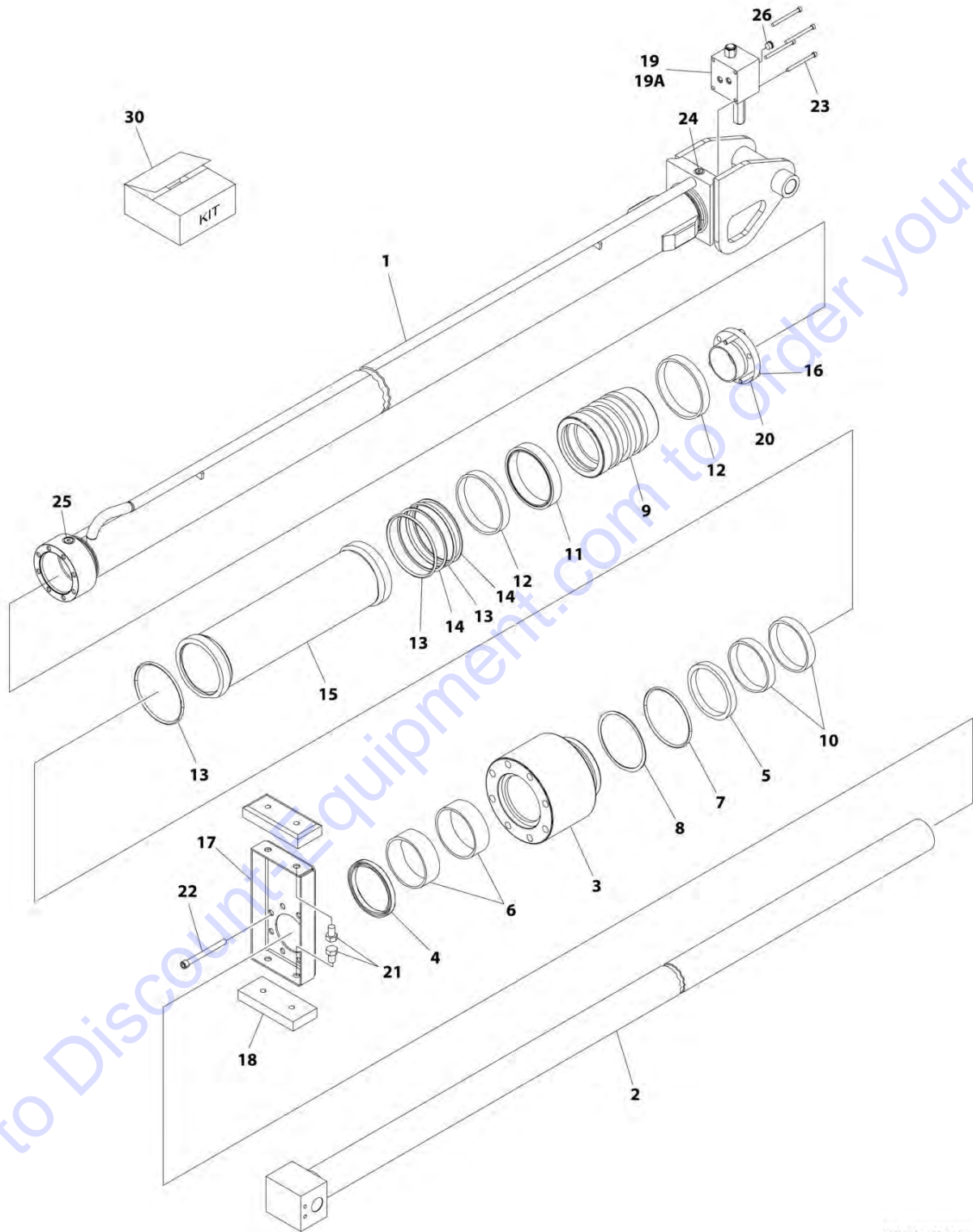
## SECTION 5 - CYLINDER

**FIGURE 5-22. TELESCOPE CYLINDER ASSEMBLY - MAIN BOOM (800A) (SERVICE REPLACEMENT)**

ITEM	PART NUMBER	QTY	DESCRIPTION	REV
	1001228088	Ref	TELESCOPE CYLINDER ASSEMBLY - MAIN BOOM	B
		Ref	Note: Original Cylinder may have been replaced with Service Replacement. Identify PN Stamped on Cylinder Before Ordering Parts.	
1	See Note	NSS	Barrel (Note: Not Available for Purchase)	
2	70006796	1	Rod	
3	70006797	1	Head	
4	See Note	NSS	Wiper (Note: Use Item 100)	
5	70027259	1	Ring, Retaining	
6	See Note	NSS	Seal, Rod (Note: Use Item 100)	
7	See Note	NSS	Ring, Back-up (Note: Use Item 100)	
8	See Note	NSS	Ring, Wear (Note: Use Item 100)	
9	See Note	NSS	O-Ring (Note: Use Item 100)	
10	See Note	NSS	Ring, Back-up (Note: Use Item 100)	
11	70006798	1	Piston	
12	See Note	NSS	Seal (Note: Use Item 100)	
13	See Note	NSS	Ring, Wear (Note: Use Item 100)	
14	See Note	NSS	O-Ring (Note: Use Item 100)	
15	See Note	NSS	Ring, Back-up (Note: Use Item 100)	
16	70006799	1	Setscrew	
17	70006800	1	Spacer, Tube	
18	See Note	NSS	O-Ring (Note: Use Item 100)	
19	70006801	1	Plate	
20	4641033	1	Valve Assembly (No serviceable parts - sold as assembly only)	
20A	7024508	2	O-Ring (Between Valve and Cylinder Barrel)	
21	70006802	4	Capscrew M6	
22	2220886	2	Plug, O-Ring	
23	2220883	2	Plug, O-Ring	
24	3340838	2	Pad, Wear	
25	0641806	4	Bolt 1/2 x 3/4	
26	70006803	8	Capscrew M12	
100	70006804	1	Seal Kit - 1001228088 Cylinder (Includes Items 4, 6-10, 12-15 & 18)	

# SECTION 5 - CYLINDER

## FIGURE 5-23. TELESCOPE CYLINDER ASSEMBLY - MAIN BOOM (800AJ) (SERVICE REPLACEMENT)



ART\_1001228087

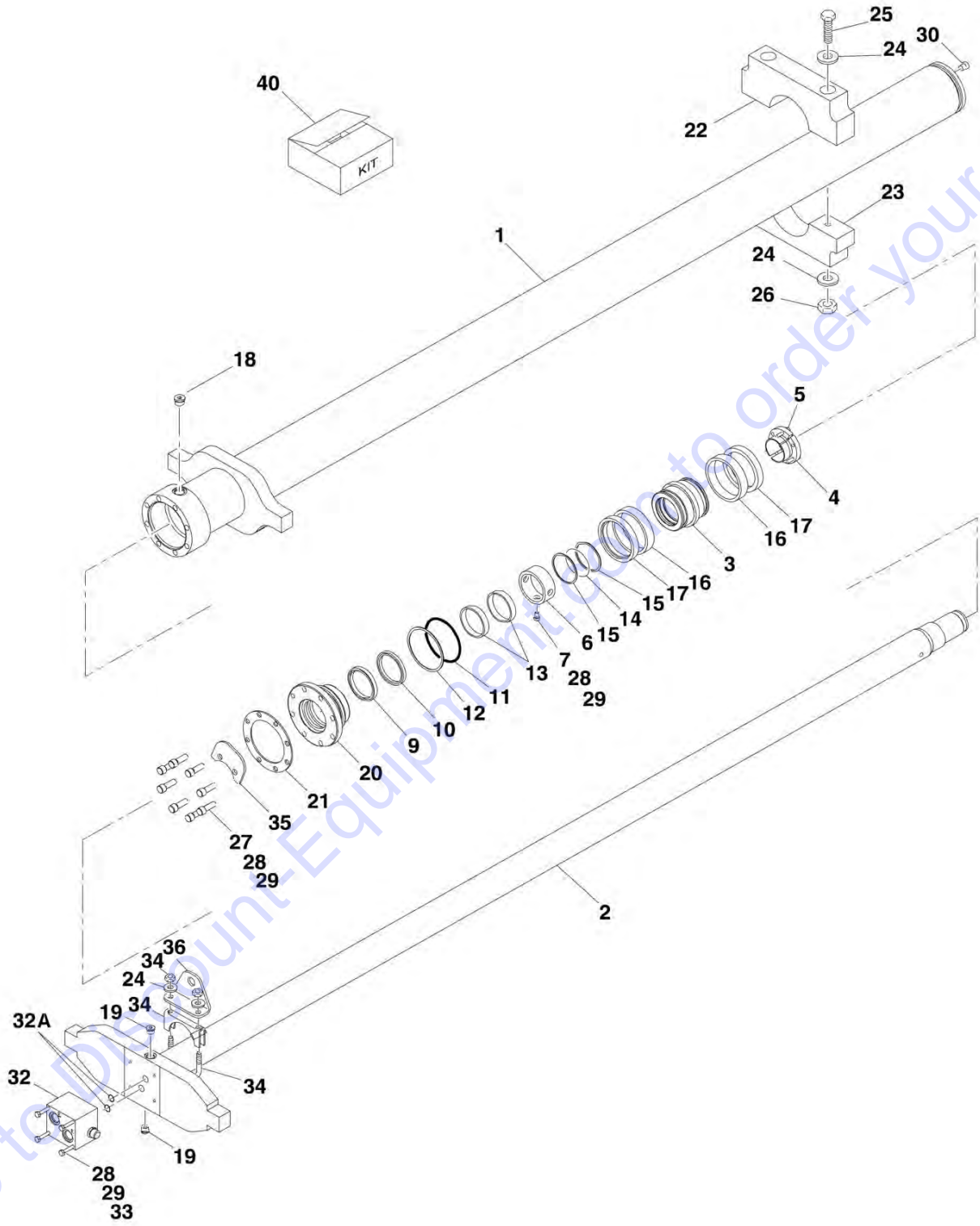
## SECTION 5 - CYLINDER

**FIGURE 5-23. TELESCOPE CYLINDER ASSEMBLY - MAIN BOOM (800AJ) (SERVICE REPLACEMENT)**

ITEM	PART NUMBER	QTY	DESCRIPTION	REV
	1001228087	Ref	TELESCOPE CYLINDER ASSEMBLY	A
		Ref	Note: Original Cylinder may have been replaced with Service Replacement. Identify PN Stamped on Cylinder Before Ordering Parts.	
1	See Note	NSS	Barrel (Note: Not Available for Purchase)	
2	70006669	1	Rod	
3	70006670	1	Head	
4	See Note	NSS	Wiper (Note: Use Item 30)	
5	See Note	NSS	Seal, Rod (Note: Use Item 30)	
6	See Note	NSS	Ring, Wear (Note: Use Item 30)	
7	See Note	NSS	O-Ring (Note: Use Item 30)	
8	See Note	NSS	Ring, Back-up (Note: Use Item 30)	
9	70006671	1	Piston	
10	See Note	NSS	Ring, Wear (Note: Use Item 30)	
11	See Note	NSS	Seal, Piston (Note: Use Item 30)	
12	See Note	NSS	Ring, Wear (Note: Use Item 30)	
13	See Note	NSS	O-Ring (Note: Use Item 30)	
14	See Note	NSS	Ring, Back-up (Note: Use Item 30)	
15	70006672	1	Spacer	
16	0961897	1	Bushing, Tapered	
17	3570775	1	Plate	
18	3340838	2	Pad, Wear	
19	4641033	1	Valve Assembly (No serviceable parts - sold as assembly only)	
19A	7024508	2	O-Ring (Between Valve and Cylinder Barrel)	
20	0630535	3	Bolt 1/4 x 1-1/8	
21	0641806	4	Bolt 1/2 x 3/4	
22	3931664	8	Capscrew 3/8 x 4	
23	3931448	4	Capscrew 1/4 x 3	
24	2220883	1	Plug, O-Ring	
25	2220885	1	Plug, O-Ring	
26	2220886	1	Plug, O-Ring	
30	1001149391	1	Seal Kit (Includes Items 4-8 & 10-14)	

# SECTION 5 - CYLINDER

## FIGURE 5-24. TELESCOPE CYLINDER ASSEMBLY - TOWER BOOM



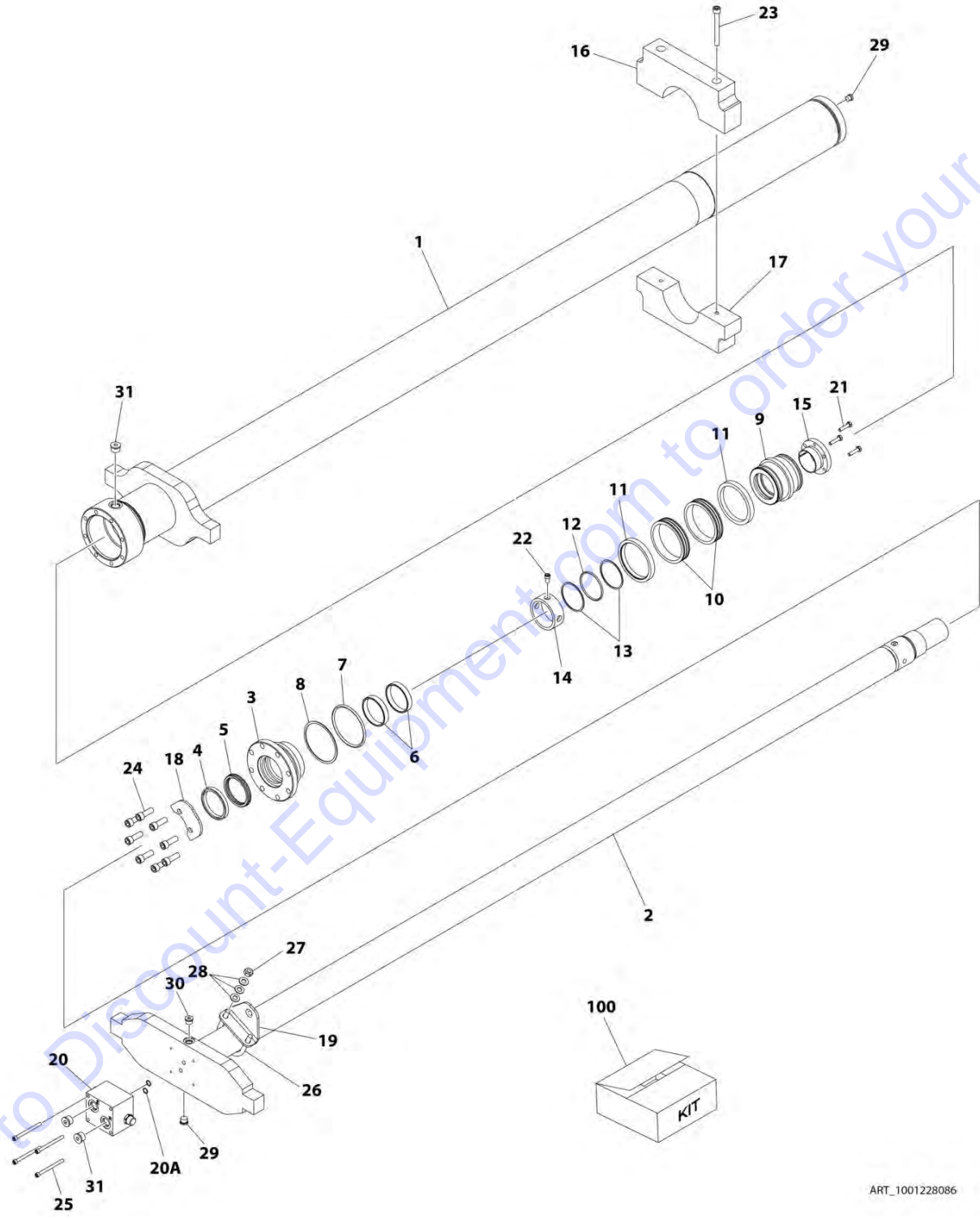
## SECTION 5 - CYLINDER

**FIGURE 5-24. TELESCOPE CYLINDER ASSEMBLY - TOWER BOOM**

ITEM	PART NUMBER	QTY	DESCRIPTION	REV
		Ref	TELESCOPE CYLINDER ASSEMBLY - TOWER BOOM	
	1683606	Ref	Telescope Cylinder Assembly - TOWER BOOM (Original Equipment)	L
	1001188840	Ref	Telescope Cylinder Assembly - TOWER BOOM (Service Replacement)	C
		Ref	Note: Original Cylinder may have been replaced with Service Replacement. Identify PN Stamped on Cylinder Before Ordering Parts.	
1	1683632	1	Barrel Weldment	
2	1683629	1	Rod Weldment	
3	3480211	1	Piston	
4	0961897	1	Bushing, Tapered	
5	0630535	3	Bolt 1/4in-20NC x 1-1/8in	
6	4567413	1	Spacer, Tube	
7	3931508	1	Bolt, Socket Head 5/16in-18NC x 1/2in	
9	See Note	NSS	Wiper (Note: Use Item 40)	
10	See Note	NSS	Seal (Note: Use Item 40)	
11	See Note	NSS	O-Ring (Note: Use Item 40)	
12	See Note	NSS	Ring, Back-up (Note: Use Item 40)	
13	See Note	NSS	Ring, Wear (Note: Use Item 40)	
14	See Note	NSS	O-Ring (Note: Use Item 40)	
15	See Note	NSS	Ring, Back-up (Note: Use Item 40)	
16	See Note	NSS	Seal (Note: Use Item 40)	
17	See Note	NSS	Ring, Lock (Note: Use Item 40)	
18	2220886	1	Plug, O-Ring	
19	2220885	2	Plug, O-Ring	
20	1683061	1	Head	
21	3760370	1	Ring, Washer	
22	3340834	1	Pad, Support	
23	3340833	1	Pad, Support	
24	4711600	10	Flatwasher 3/8in Narrow	
25	0641652	2	Bolt 3/8 x 6-1/2in	
26	3271605	2	Locknut 3/8in-16NC	
27	3931720	2	Capscrew 7/16in-14NC x 1-1/4in	
28	0100038	AR	Primer, Locking	
29	0100011	AR	Compound, Locking	
30	2220883	1	Plug, O-Ring	
32	4641032	1	Valve Assembly (No serviceable parts - sold as assembly only)	
32A	7024397	2	O-Ring	
33	3931448	4	Capscrew 1/4in-20NC	
34	1320011	1	Clamp	
35	3572604	1	Plate, Proximity Switch Target	
36	3572605	1	Plate, Proximity Switch Mount	
40	2901273	1	Seal Kit (Includes Items 9-17)	

# SECTION 5 - CYLINDER

FIGURE 5-25. TELESCOPE CYLINDER ASSEMBLY - TOWER BOOM (SERVICE REPLACEMENT)



ART\_1001228086

## SECTION 5 - CYLINDER

**FIGURE 5-25. TELESCOPE CYLINDER ASSEMBLY - TOWER BOOM (SERVICE REPLACEMENT)**

ITEM	PART NUMBER	QTY	DESCRIPTION	REV
	1001228086	Ref	TELESCOPE CYLINDER ASSEMBLY	B
		Ref	Note: Original Cylinder may have been replaced with Service Replacement. Identify PN Stamped on Cylinder Before Ordering Parts.	
1	See Note	NSS	Barrel (Note: Not Available for Purchase)	
2	70006921	1	Rod	
3	70006480	1	Head	
4	See Note	NSS	Wiper (Note: Use Item 100)	
5	See Note	NSS	Seal, Rod (Note: Use Item 100)	
6	See Note	NSS	Ring, Wear (Note: Use Item 100)	
7	See Note	NSS	O-Ring (Note: Use Item 100)	
8	See Note	NSS	Ring, Back-up (Note: Use Item 100)	
9	70006479	1	Piston	
10	See Note	NSS	Seal, Piston (Note: Use Item 100)	
11	See Note	NSS	Ring, Lock (Note: use Item 100)	
12	See Note	NSS	O-Ring (Note: Use Item 100)	
13	See Note	NSS	Ring, Back-up (Note: Use Item 100)	
14	70006922	1	Spacer	
15	0961897	1	Bushing, Tapered	
16	70006923	1	Pad, Wear	
17	70006924	1	Pad, Wear	
18	70006925	1	Plate	
19	70006926	1	Plate	
20	4641032	1	Valve Assembly (No serviceable parts - sold as assembly only)	
20A	7024397	2	O-Ring (Between Valve and Cylinder Barrel)	
21	0630535	3	Bolt 1/4 x 1-1/8	
22	70006731	1	Bolt	
23	70006927	2	Bolt M10	
24	70006728	8	Bolt 7/16	
25	70006733	4	Bolt M8	
26	70006928	1	U-Bolt M10	
27	70005594	2	Nut M10	
28	70006344	6	Washer M10	
29	2220883	2	Plug, O-Ring	
30	2220885	1	Plug, O-Ring	
31	2220886	3	Plug, O-Ring	
100	1001188842	1	Seal Kit - 1001228086 Cylinder (Includes Items 4-8 & 10-13)	





**SECTION 6 - HYDRAULIC**

Go to Discount-Equipment.com to order your parts

# PARTS FINDER

**Search Website  
by Part Number**



**Search Manual  
Library For Parts  
Manual & Lookup Part  
Numbers – Purchase  
or Request Quote**

**Can't Find Part or  
Manual? Request Help  
by Manufacturer,  
Model & Description**

Discount-Equipment.com is your online resource for quality parts & equipment.

Florida: **561-964-4949** Outside Florida TOLL FREE: **877-690-3101**

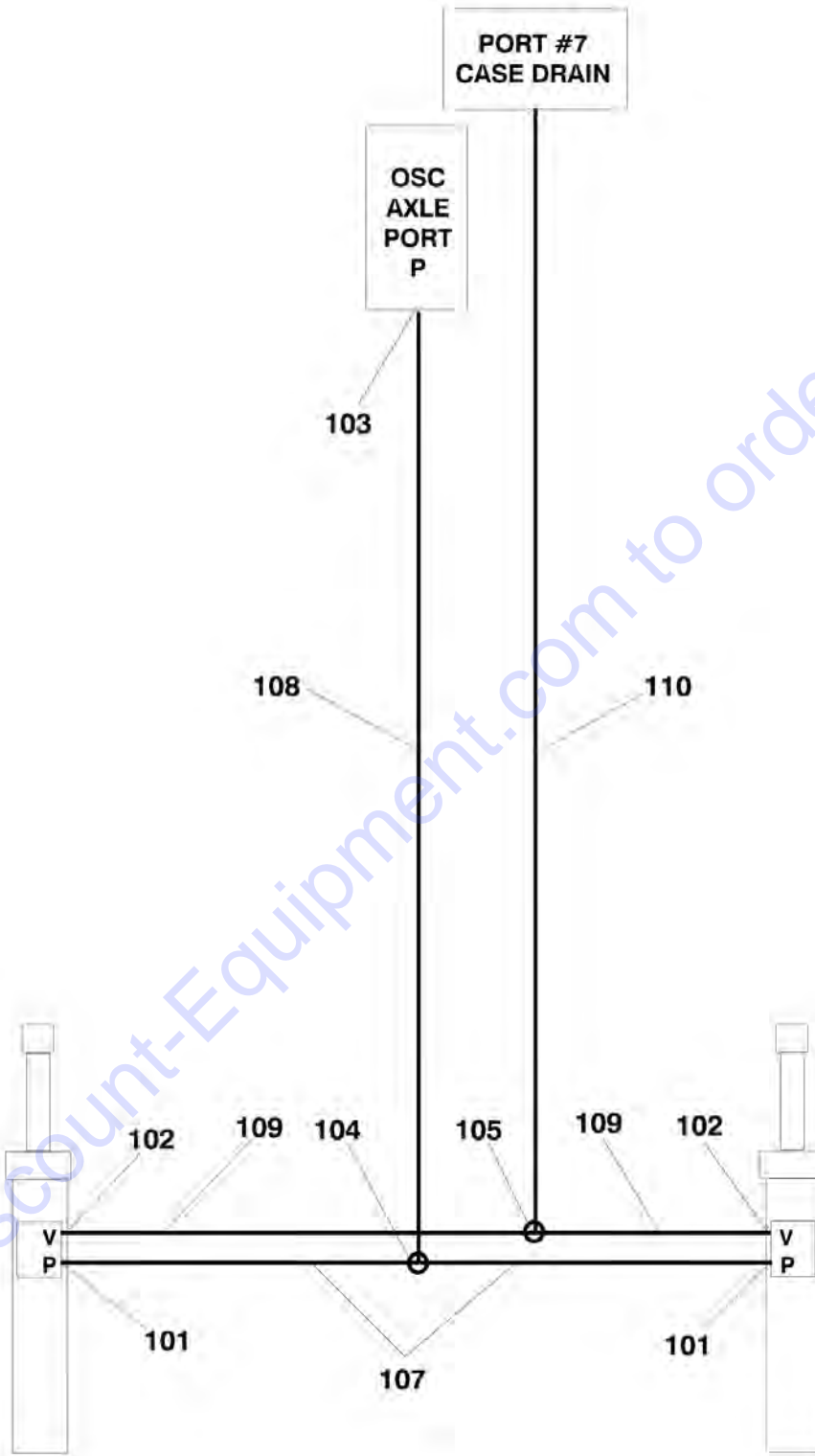
## Need parts?

Click on this link: <http://www.discount-equipment.com/category/5443-parts/> and choose one of the options to help get the right parts and equipment you are looking for. Please have the machine model and serial number available in order to help us get you the correct parts. If you don't find the part on the website or on one of the online manuals, please fill out the request form and one of our experienced staff members will get back to you with a quote for the right part that your machine needs.

We sell worldwide for the brands: Genie, Terex, JLG, MultiQuip, Mikasa, Essick, Whiteman, Mayco, Toro Stone, Diamond Products, Generac Magnum, Airman, Haulotte, Barreto, Power Blanket, Nifty Lift, Atlas Copco, Chicago Pneumatic, Allmand, Miller Curber, Skyjack, Lull, Skytrak, Tsurumi, Husquvarna Target, Stow, Wacker, Sakai, Mi-T-M, Sullair, Basic, Dynapac, MBW, Weber, Bartell, Bennar Newman, Haulotte, Ditch Runner, Menegotti, Morrison, Contec, Buddy, Crown, Edco, Wyco, Bomag, Laymor, EZ Trench, Bil-Jax, F.S. Curtis, Gehl Pavers, Heli, Honda, ICS/PowerGrit, IHI, Partner, Imer, Clipper, MMD, Koshin, Rice, CH&E, General Equipment, Amida, Coleman, NAC, Gradall, Square Shooter, Kent, Stanley, Tamco, Toku, Hatz, Kohler, Robin, Wisconsin, Northrock, Oztec, Toker TK, Rol-Air, APT, Wylie, Ingersoll Rand / Doosan, Innovatech, Con X, Ammann, Mecalac, Makinex, Smith Surface Prep, Small Line, Wanco, Yanmar

# SECTION 6 - HYDRAULIC

FIGURE 6-1. AXLE LOCKOUT HYDRAULIC DIAGRAM



## SECTION 6 - HYDRAULIC

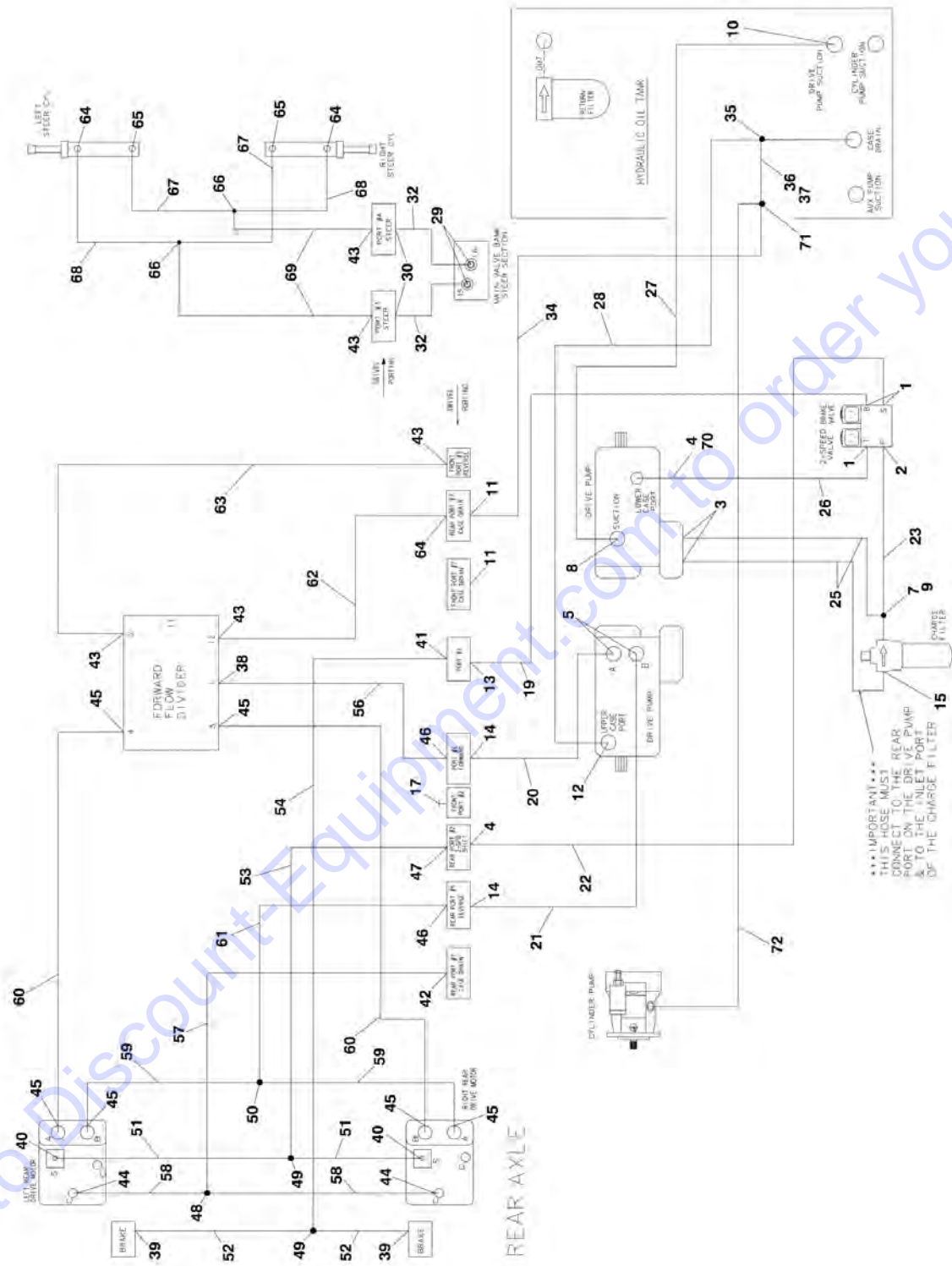
### FIGURE 6-1. AXLE LOCKOUT HYDRAULIC DIAGRAM

ITEM	PART NUMBER	QTY	DESCRIPTION	REV
	2792648	Ref	<b>AXLE LOCKOUT HYDRAULIC DIAGRAM</b>	3
101	2110406	2	Fitting, Straight	
102	2110606	2	Fitting, Straight	
103	2110408	1	Fitting, Straight	
104	2170504	1	Fitting, Tee	
105	2170506	1	Fitting, Tee	
107	2753629	2	Hose	
108	2753630	1	Hose	
109	2753624	2	Hose	
110	2753627	1	Hose	

Go to Discount-Equipment.com to order your parts

# SECTION 6 - HYDRAULIC

## FIGURE 6-2. DRIVE HYDRAULIC DIAGRAM - 2WD



## SECTION 6 - HYDRAULIC

**FIGURE 6-2. DRIVE HYDRAULIC DIAGRAM - 2WD**

ITEM	PART NUMBER	QTY	DESCRIPTION	REV
	2792712	Ref	<b>DRIVE HYDRAULIC DIAGRAM - 2WD</b>	8-G
1	2220466	3	Fitting, 90	
2	2220940	1	Fitting, 90	
3	See Note	2	Fitting, Straight (Note: See TURNTABLE SECTION for fitting)	
4	2220582	AR	Fitting, Straight	
5	See Note	2	Fitting, Elbow (Note: See TURNTABLE SECTION for fitting)	
7	2220618	1	Fitting, Straight	
8	See Note	1	Fitting, Straight (Note: See TURNTABLE SECTION for fitting)	
9	2220602	1	Fitting, Tee	
10	2220380	1	Fitting, Straight	
11	2220375	1	Fitting, Straight	
12	See Note	1	Fitting, Straight (Note: See TURNTABLE SECTION for fitting)	
13	2220468	1	Fitting, Straight	
14	2220377	2	Fitting, Straight	
15	2220596	1	Fitting, 90	
17	2220237	2	Fitting, Plug	
19	2752997	1	Hose	
20	1001110032	1	Hose	
21	1001110033	1	Hose	
22	2751399	1	Hose	
23	2752434	1	Hose	
25	2752494	2	Hose	
26	2752453	1	Hose	
27	2752754	1	Hose	
28	2752673	1	Hose	
29	2220501	2	Fitting, 45	
30	2220473	2	Fitting, 90	
32	2752489	2	Hose	
34	2751500	1	Hose	
35	2220738	1	Fitting, Straight	
36	2220386	1	Fitting, 90	
37	2220622	1	Fitting, Reducer	
38	2151616	1	Fitting	
39	2110404	2	Fitting, Straight	
40	2110406	2	Fitting, Straight	
41	2110408	1	Fitting, Straight	
42	2130808	1	Fitting, 90	
43	2110606	6	Fitting, Straight	
44	2110808	2	Fitting, Straight	
45	2111212	6	Fitting, Straight	
46	2111616	2	Fitting, Straight	
47	2150406	1	Fitting, 45	
48	2170508	1	Fitting, Tee	
49	2170504	2	Fitting, Tee	
50	2170516	1	Fitting, Tee	
51	2754401	2	Hose	
52	2753725	2	Hose	
53	2753550	1	Hose	
54	2753622	1	Hose	
56	2753635	1	Hose	

## SECTION 6 - HYDRAULIC

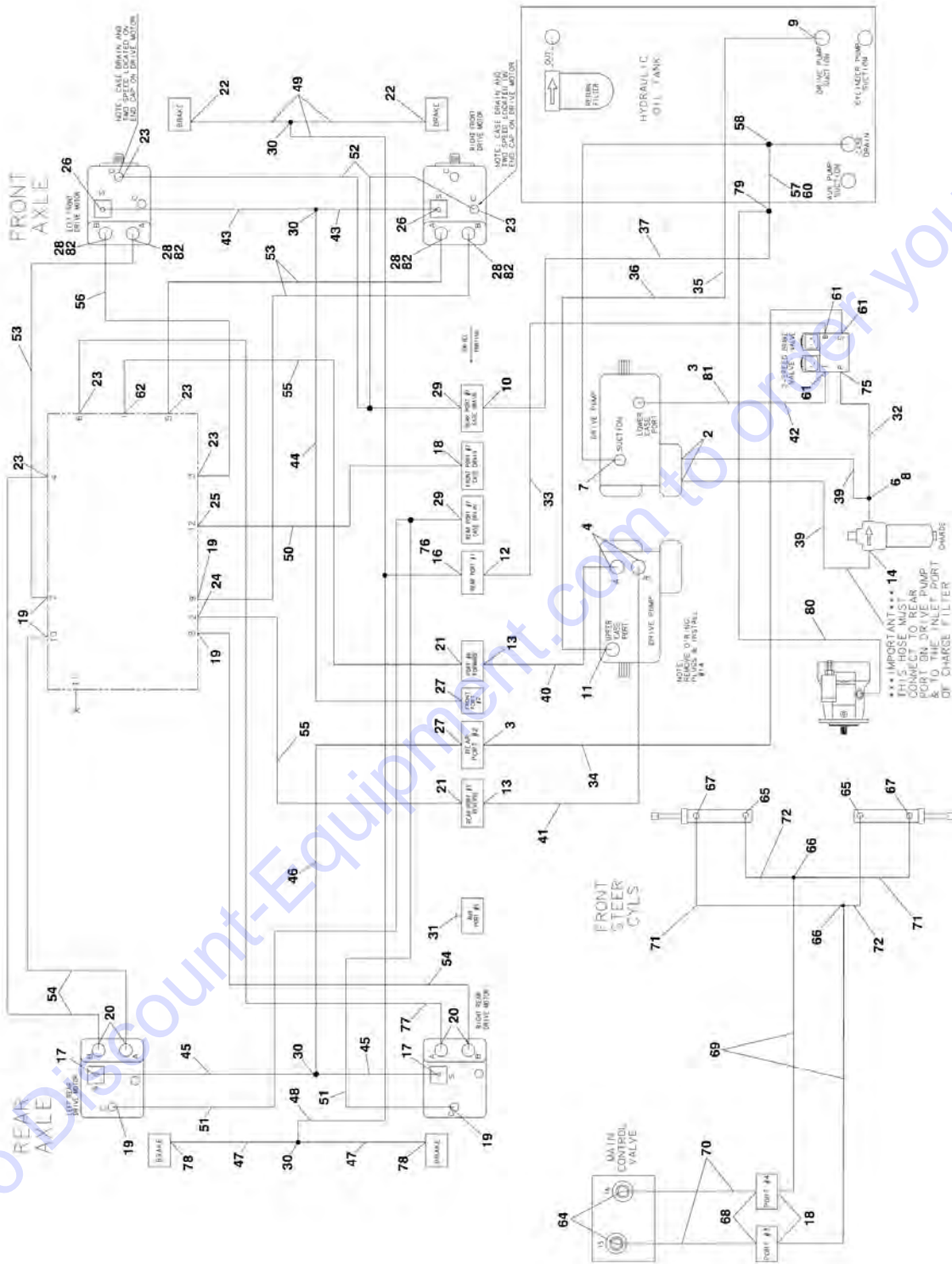
ITEM	PART NUMBER	QTY	DESCRIPTION	REV
57	2753685	1	Hose	
58	2754240	2	Hose	
59	2754238	2	Hose	
60	2753688	2	Hose	
61	2754402	1	Hose	
62	2754242	1	Hose	
63	2754243	1	Hose	
64	2130606	5	Fitting, 90	
65	2150606	2	Fitting, 45	
66	2170506	2	Fitting, Tee	
67	2753625	2	Hose	
68	2753626	2	Hose	
69	2753627	2	Hose	
70	See Note	1	Fitting, Reducer (Note: See TURNTABLE SECTION for fitting)	
71	2220385	1	Fitting, Tee	
72	2752934	1	Hose	





# SECTION 6 - HYDRAULIC

## FIGURE 6-3. DRIVE HYDRAULIC DIAGRAM - 4WD/2WS



## SECTION 6 - HYDRAULIC

### FIGURE 6-3. DRIVE HYDRAULIC DIAGRAM - 4WD/2WS

ITEM	PART NUMBER	QTY	DESCRIPTION	REV
		Ref	<b>DRIVE HYDRAULIC DIAGRAM - 4WD</b>	
	2792711	Ref	<b>Without Arctic Package</b>	8-F
	2792745	Ref	<b>With Arctic Package</b>	7-F
2	See Note	2	Fitting, Straight (Note: See TURNTABLE SECTION for fitting)	
3	2220582	1	Fitting, Straight	
4	See Note	2	Fitting, Elbow (Note: See TURNTABLE SECTION for fitting)	
6	2220618	1	Fitting, Straight	
7	See Note	1	Fitting, Straight (Note: See TURNTABLE SECTION for fitting)	
8	2220602	1	Fitting, Tee	
9	2220380	1	Fitting, Straight	
10	2220375	1	Fitting, Straight	
11	See Note	1	Fitting, Straight (Note: See TURNTABLE SECTION for fitting)	
12	2220468	1	Fitting, Straight	
13	2220377	2	Fitting, Straight	
14	2220596	1	Fitting, 90	
16	2170350	1	Fitting, Tee	
17	2110406	2	Fitting, Straight	
18	2110606	3	Fitting, Straight	
19	2110808	6	Fitting, Straight	
20	2110812	4	Fitting, Straight	
21	2111616	2	Fitting, Straight	
22	2130404	4	Fitting, 90	
23	2130808	6	Fitting, 90	
24	2131616	1	Fitting, 90	
25	2130604	1	Fitting, 90	
26	2130406	2	Fitting, 90	
27	2150406	2	Fitting, 45	
28	2150808	4	Fitting, 45	
29	2170408	2	Fitting, Tee	
30	2170504	4	Fitting, Tee	
31	2220237	1	Fitting, Plug	
32	2752434	1	Hose	
33	2752997	1	Hose	
34	2751399	1	Hose	
35	2752754	1	Hose	
36	2752673	1	Hose	
37	2751500	1	Hose	
39	2752494	2	Hose	
40	1001110032	1	Hose	
41	1001110033	1	Hose	
42	2752453	1	Hose	
43		Ref	Hose Options:	
43	2753549	2	Without Arctic Package	
43	2754718	2	With Arctic Package	
44	2753540	1	Hose	
45	2754401	2	Hose	
46	2753550	1	Hose	
47	2754337	2	Hose	
48	2754044	1	Hose	
49		Ref	Hose Options:	

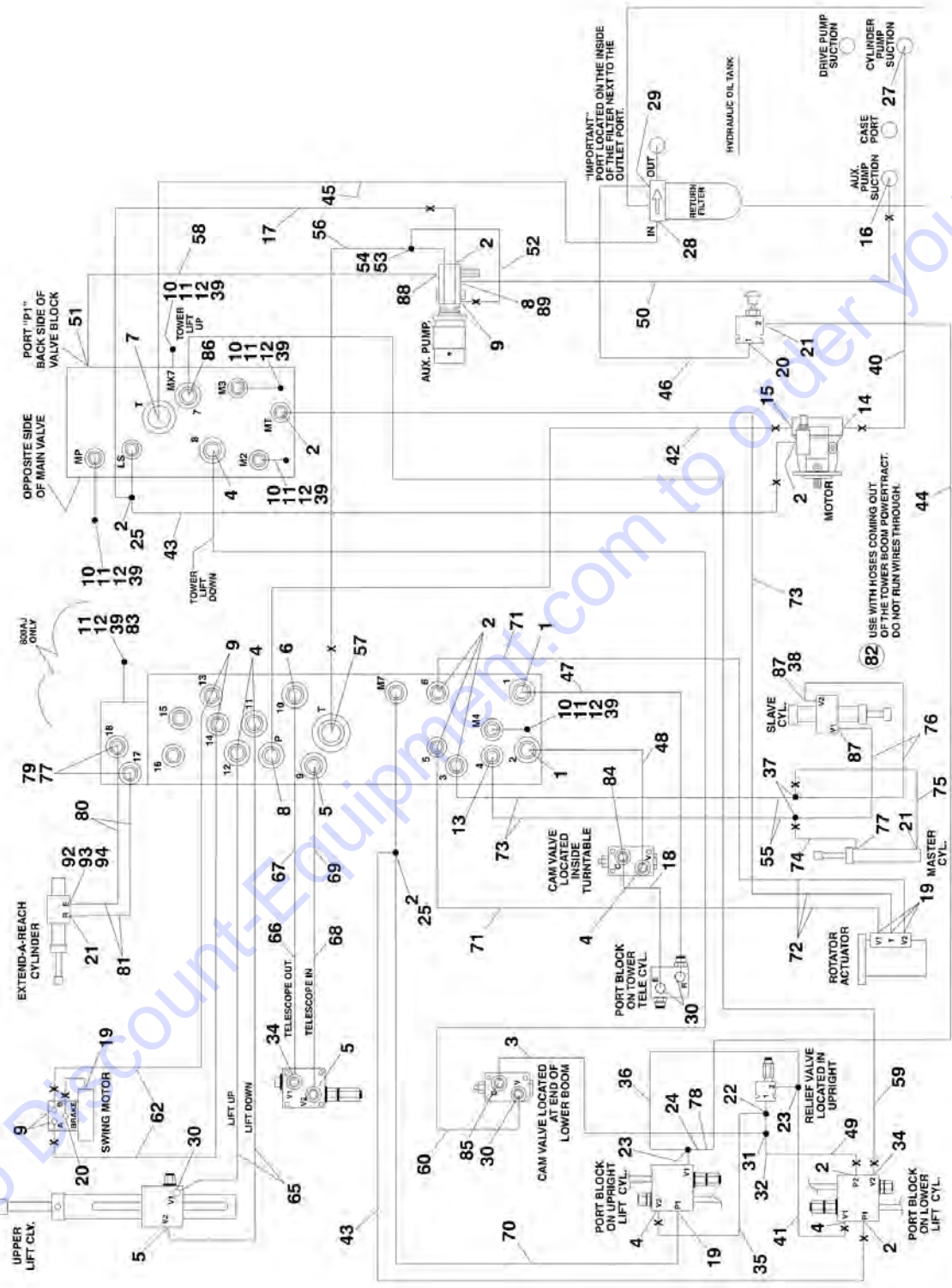
## SECTION 6 - HYDRAULIC

ITEM	PART NUMBER	QTY	DESCRIPTION	REV
49	2753622	3	Without Arctic Package	
49	2754719	3	With Arctic Package	
50	2753626	1	Hose	
51	2753686	2	Hose	
52		Ref	Hose Options:	
52	2753628	2	Without Arctic Package	
52	2754720	2	With Arctic Package	
53		Ref	Hose Options:	
53	2753970	3	Without Arctic Package	
53	2754743	3	With Arctic Package	
54	2753971	3	Hose	
55	2753634	2	Hose	
56		Ref	Hose Options:	
56	2754040	1	Without Arctic Package	
56	2754744	1	With Arctic Package	
57	2220386	1	Fitting, 90	
58	2220738	1	Fitting, Straight	
60	2220622	1	Fitting, Reducer	
61	2220466	3	Fitting, 90	
62	2151616	1	Fitting, 45	
64	2220501	2	Fitting, 45	
65	2150606	2	Fitting, 45	
66	2170506	2	Fitting, Tee	
67	2130606	4	Fitting, 90	
68	2220473	2	Fitting, 90	
69	2753627	2	Hose	
70	2752489	2	Hose	
71	2753626	2	Hose	
72	2753625	2	Hose	
75	2220940	1	Fitting, 90	
76	2220591	1	Fitting, Reducer	
77	2754338	1	Hose	
78	2110404	2	Fitting, Straight	
79	2220385	1	Fitting, Tee	
80	2752934	1	Hose	
81	See Note	1	Fitting, Reducer (Note: See TURNTABLE SECTION for fitting)	
82	2220811	4	Fitting, Reducer	



# SECTION 6 - HYDRAULIC

FIGURE 6-4. STANDARD HYDRAULIC DIAGRAM (WITH HALDEX BRAND AUXILIARY PUMP)



Go to [DacountEquipment.com](http://DacountEquipment.com) to order your parts

## SECTION 6 - HYDRAULIC

**FIGURE 6-4. STANDARD HYDRAULIC DIAGRAM (WITH HALDEX BRAND AUXILIARY PUMP)**

ITEM	PART NUMBER	QTY	DESCRIPTION	REV
		Ref	<b>STANDARD HYDRAULIC DIAGRAM</b>	
	2792365	Ref	<b>Standard Hydraulic Diagram 800A</b>	13-L
	2792366	Ref	<b>Standard Hydraulic Diagram 800AJ</b>	16-P
1	2220381	2	Fitting, Straight	
2	2220415	AR	Fitting, Straight	
3	2753199	1	Hose	
4	2220373	6	Fitting, Straight	
5	2220500	3	Fitting, 45	
6	2220947	1	Fitting, Straight	
7	2220376	1	Fitting, Straight	
8	2220593	2	Fitting, Straight	
9	2220371	AR	Fitting, Straight	
10	2220873	4	Fitting, Straight	
11	2220428	AR	Fitting, Quick Disconnect	
12	2220429	AR	Fitting, Dust Cap	
13	2220502	1	Fitting, 45	
14	2220737	1	Split Flange Kit #24	
15	2220478	1	Split Flange Kit #16	
16	2220451	1	Fitting, Straight	
17	2752453	1	Hose	
18	2753200	1	Hose	
19	2220466	AR	Fitting, 90	
20	2220582	AR	Fitting, Straight	
21	2220473	AR	Fitting, 90	
22	2220602	1	Fitting, Tee	
23	2220999	2	Fitting, Tee	
24	2220619	1	Fitting, Reducer	
25	2220605	2	Fitting, Tee	
27	2220765	1	Fitting, Straight	
28	2220379	1	Fitting, Straight	
29	2220574	1	Fitting, Straight	
30	2220596	AR	Fitting, 90	
31	2220385	1	Fitting, Tee	
32	2220618	1	Fitting, Reducer	
34	2220852	2	Fitting, Straight	
35	2753197	1	Hose	
36	2753196	1	Hose	
37	2220490	2	Fitting, Tee	
38	4567139	1	Tube	
39	0100020	AR	Sealant, Pipe	
40	2753216	1	Hose	
41	2753195	1	Hose	
42	2753231	1	Hose	
43	2753010	2	Hose	
44	2752468	1	Hose	
45	2752721	1	Hose	
46	2752438	1	Hose	
47	2753192	1	Hose	
48	2752494	1	Hose	
49	2753008	1	Hose	

## SECTION 6 - HYDRAULIC

ITEM	PART NUMBER	QTY	DESCRIPTION	REV
50	2752671	1	Hose	
51	4640780	1	Fitting, Check Valve	
52	2753118	1	Hose	
53	2220775	1	Fitting, 90	
54	2220635	1	Fitting, Tee	
55	2220609	2	Fitting, Reducer	
56	2752463	1	Hose	
57	2220577	1	Fitting, Straight	
58	2753118	1	Hose	
59	2752768	1	Hose	
60	2752930	1	Hose	
62	2752462	2	Hose	
65	2753189	2	Hose	
66	2752767	1	Hose	
67	2752766	1	Hose	
68	2753190	1	Hose	
69	2753191	1	Hose	
70	2752978	1	Hose	
71	2752585	2	Hose	
72		Ref	Hose Options:	
72	2753009	3	Hose 800A	
72	2753006	3	Hose 800AJ	
73	2753007	3	Hose	
74	2753124	1	Hose	
75	2753125	1	Hose	
76		Ref	Hose Options:	
76	2753129	2	Hose 800A	
76	2753126	2	Hose 800AJ	
77	2220501	AR	Fitting, 45	
78	4567757	1	Tube	
79		Ref	Fitting, Reducer Options:	
79	Not Required	0	Fitting, Reducer 800A	
79	2220591	2	Fitting, Reducer 800AJ	
80		Ref	Hose Options:	
80	Not Required	0	Hose 800A	
80	2753123	2	Hose 800AJ	
81		Ref	Hose Options:	
81	Not Required	0	Hose 800A	
81	2753128	2	Hose 800AJ	
82	4100062	4	Protection, Nylon Hose (24in/61cm per piece)	
83	2220873	1	Fitting (800AJ Only)	
84	2220947	1	Fitting, Straight	
85	2221036	1	Fitting, 90	
86	2220950	1	Fitting, 45	
87	2220603	2	Fitting, Straight	
88	2220501	1	Fitting	
89	2220655	1	Fitting, 90	
92	2180724	1	Fitting, Modified	
93	2180380	1	Fitting, Orifice	
94	0100019	AR	Compound, Locking	
		Ref	Hose Kit Options:	



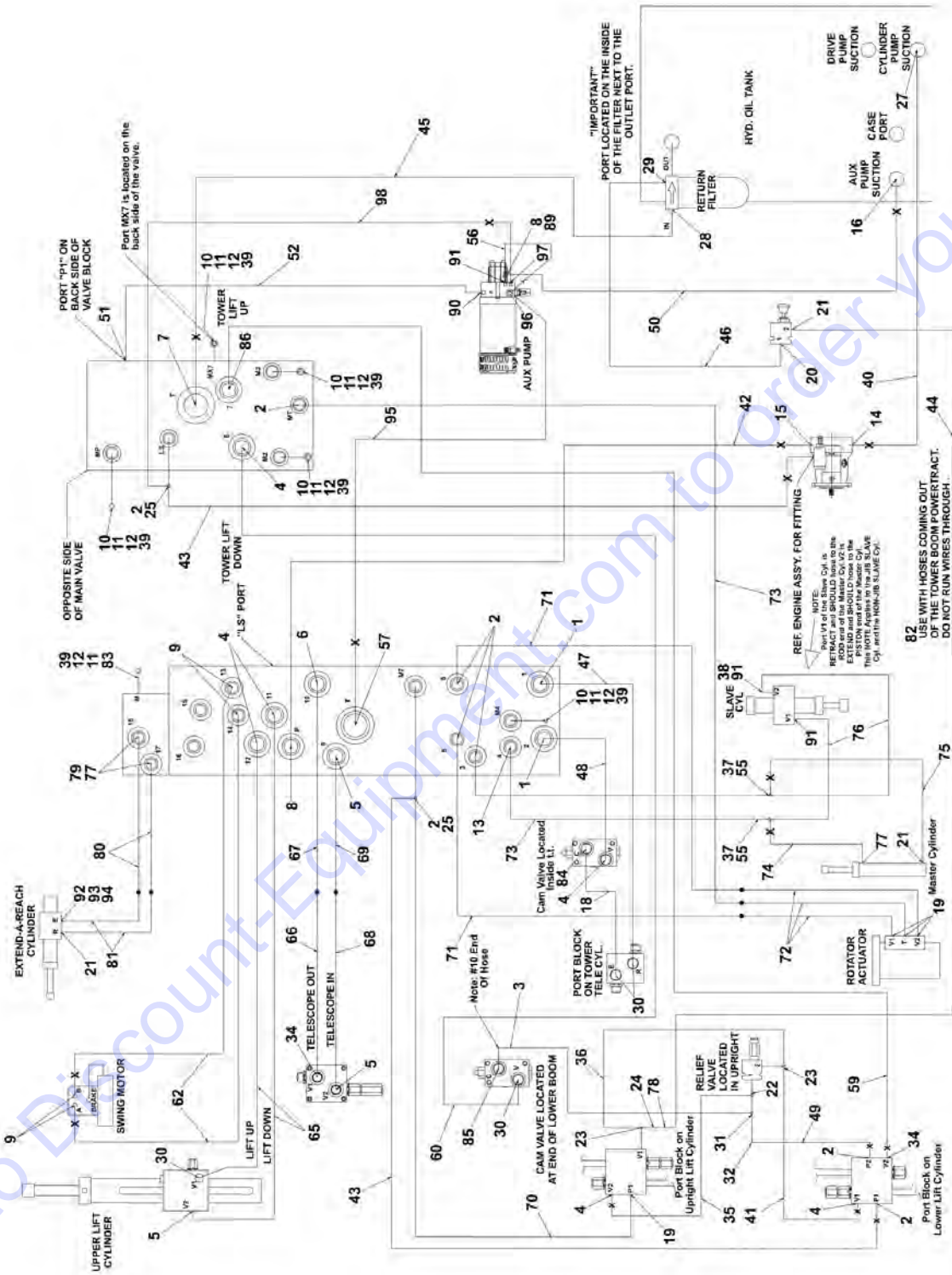
## SECTION 6 - HYDRAULIC

ITEM	PART NUMBER	QTY	DESCRIPTION	REV
		Ref	Hose Kit 800A	
	2902456	1	Hose Kit (Includes Items 72 & 76)	
	2902457	1	Hose Kit (Includes Items 3, 35, 36, 41, 44, 49, 60, 65, 67, 69, 70, 71 & 73)	
		Ref	Hose Kit 800AJ	
	2902459	1	Hose Kit (Includes Items 72, 76 & 81)	
	1001204901	1	Hose Kit (Includes Items 3, 35, 36, 41, 44, 49, 60, 65, 67, 69, 70, 71, 73 & 80)	

Go to Discount-Equipment.com to order your parts

# SECTION 6 - HYDRAULIC

## FIGURE 6-5. STANDARD HYDRAULIC DIAGRAM (WITH BUCHER BRAND AUXILIARY PUMP)



## SECTION 6 - HYDRAULIC

**FIGURE 6-5. STANDARD HYDRAULIC DIAGRAM (WITH BUCHER BRAND AUXILIARY PUMP)**

ITEM	PART NUMBER	QTY	DESCRIPTION	REV
		Ref	<b>STANDARD HYDRAULIC DIAGRAM</b>	
	1001143187	Ref	<b>Standard Hydraulic Diagram 800A</b>	A
	1001143188	Ref	<b>Standard Hydraulic Diagram 800AJ</b>	B
1	2220381	2	Fitting, Straight	
2	2220415	8	Fitting, Straight	
3	2753199	1	Hose	
4	2220373	6	Fitting, Straight	
5	2220500	3	Fitting, Elbow	
6	2220947	1	Fitting, Straight	
7	2220376	1	Fitting, Straight	
8	2220593	2	Fitting, Straight	
9	2220371	4	Fitting, Straight	
10	2220873	5	Fitting, Straight	
11	2220428	AR	Fitting, Quick Disconnect	
12	2220429	AR	Fitting, Dust Cap	
13	2220502	1	Fitting, Elbow	
14	2220737	1	Split Flange Kit #24	
15	2220478	1	Split Flange Kit #16	
16	2220451	1	Fitting, Straight	
18	2753200	1	Hose	
19	2220466	4	Fitting, Elbow	
20	2220582	1	Fitting, Straight	
21	2220473	AR	Fitting, Elbow	
22	2220602	1	Fitting, Tee	
23	2220999	2	Fitting, Tee	
24	2220619	1	Fitting, Reducer	
25	2220605	2	Fitting, Tee	
27	2220765	1	Fitting, Straight	
28	2220379	1	Fitting, Straight	
29	2220574	1	Fitting, Straight	
30	2220596	4	Fitting, Elbow	
31	2220385	1	Fitting, Tee	
32	2220618	1	Fitting, Reducer	
34	2220852	2	Fitting, Straight	
35	2753197	1	Hose	
36	2753196	1	Hose	
37	2220490	2	Fitting, Tee	
38	4567139	1	Tube	
39	0100020	AR	Sealant, Pipe	
40	2753216	1	Hose	
41	2753195	1	Hose	
42	2753231	1	Hose	
43	2753010	2	Hose	
44	2752468	1	Hose	
45	2752721	1	Hose	
46	2752438	1	Hose	
47	2753192	1	Hose	
48	2752494	1	Hose	
49	2753008	1	Hose	
50	2752671	1	Hose	

## SECTION 6 - HYDRAULIC

ITEM	PART NUMBER	QTY	DESCRIPTION	REV
51	4640780	1	Fitting, Check Valve	
52	2753118	1	Hose	
55	2220609	2	Fitting, Reducer	
56	2752463	1	Hose	
57	2220577	1	Fitting, Straight	
59	2752768	1	Hose	
60	2752930	1	Hose	
62	2752462	2	Hose	
65	2753189	2	Hose	
66	2752767	1	Hose	
67	2752766	1	Hose	
68	2753190	1	Hose	
69	2753191	1	Hose	
70	2752978	1	Hose	
71	2752585	2	Hose	
72		Ref	Hose Options:	
72	2753009	3	Hose 800A	
72	2753006	3	Hose 800AJ	
73	2753007	3	Hose	
74	2753124	1	Hose	
75	2753125	1	Hose	
76		Ref	Hose Options:	
76	2753129	2	Hose 800A	
76	2753126	2	Hose 800AJ	
77	2220501	1	Fitting, Elbow	
78	4567757	1	Tube	
79		Ref	Fitting, Reducer Options:	
79	Not Required	0	Fitting, Reducer 800A	
79	2220591	2	Fitting, Reducer 800AJ	
80		Ref	Hose Options:	
80	Not Required	0	Hose 800A	
80	2753123	2	Hose 800AJ	
81		Ref	Hose Options:	
81	Not Required	1	Hose 800A	
81	2753128	2	Hose 800AJ	
82	4100062	4	Protection, Nylon Hose (24in/61cm per piece)	
83	2220873	1	Fitting (800AJ Only)	
84	2220947	1	Fitting, Straight	
85	2221036	1	Fitting, Elbow	
86	2220950	1	Fitting, Elbow	
89	2220655	1	Fitting, Elbow	
90	2220501	1	Fitting	
91	2220603	3	Fitting, Straight	
92		Ref	Fitting, Modified Options:	
92	Not Required	0	Fitting, Modified 800A	
92	2180724	1	Fitting, Modified 800AJ	
93		Ref	Fitting, Orifice Options:	
93	Not Required	1	Fitting, Orifice 800A	
93	2180380	1	Fitting, Orifice 800AJ	
94	0100019	AR	Compound, Locking	
95	1001109690	1	Hose	

## SECTION 6 - HYDRAULIC

ITEM	PART NUMBER	QTY	DESCRIPTION	REV
96	2220606	1	Fitting, Tee	
97	2220923	1	Fitting, Straight	
98	1001143192	1	Hose	
		Ref	Hose Kit Options:	
		Ref	Hose Kit 800A	
	2902456	1	Hose Kit (Includes Items 72 & 76)	
	2902457	1	Hose Kit (Includes Items 3, 35, 36, 41, 44, 49, 60, 65, 67, 69, 70, 71 & 73)	
		Ref	Hose Kit 800AJ	
	2902459	1	Hose Kit (Includes Items 72, 76 & 81)	
	1001204901	1	Hose Kit (Includes Items 3, 35, 36, 41, 44, 49, 60, 65, 67, 69, 70, 71, 73 & 80)	

Go to Discount-Equipment.com to order your parts

## SECTION 6 - HYDRAULIC

FIGURE 6-6. HYDRAULIC DIAGRAM LIST

ITEM	PART NUMBER	QTY	DESCRIPTION	REV
		Ref	<b>Note: Diagrams not shown is available from Discount-equipment.com.</b>	
	2792648	Ref	<b>Axle Lockout Hydraulic Diagram (Machines with Oscillating Axle)</b>	
	1283387	Ref	<b>Axle Lockout Hydraulic Diagram (Machines with Oscillating Axle)</b>	
		Ref	<b>Drive Hydraulic Diagrams:</b>	
	2792712	Ref	Drive Hydraulic 2WD/2WS Machines	
	2792711	Ref	Drive Hydraulic 4WD/2WS Machines	
	2792745	Ref	Drive Hydraulic 4WD/2WS Machines (With Arctic Package)	
	2792710	Ref	Drive Hydraulic 4WD/4WS Machines	
	1001106992	Ref	Drive Hydraulic 4WD/4WS Machines (With Arctic Package)	
		Ref	<b>Oil Cooler Hydraulic Schematic</b>	
	1001108701	Ref	<b>Deutz Engine (SN 0300140000 through 0300161434)</b>	
	1001143950	Ref	<b>Deutz Engine (SN 0300161435 through 0300183033)</b>	
	1283309	Ref	<b>GM Engine</b>	
		Ref	<b>Standard Hydraulic Diagrams:</b>	
	2792365	Ref	Standard Hydraulic Diagrams 800A (Haldex Brand Auxiliary Pump)	
	1001143187	Ref	Standard Hydraulic Diagrams 800A (Bucher Brand Auxiliary Pump)	
	2792366	Ref	Standard Hydraulic Diagrams 800AJ (Haldex Brand Auxiliary Pump)	
	1001143188	Ref	Standard Hydraulic Diagrams 800AJ (Bucher Brand Auxiliary Pump)	
	2792629	Ref	<b>Standard Hydraulic Schematic</b>	
	2792700	Ref	<b>Tow Bar Hydraulic Diagram</b>	

SECTION 7 - ELECTRICAL

Go to Discount-Equipment.com to order your parts

## SECTION 7 - ELECTRICAL

FIGURE 7-1. ELECTRICAL DIAGRAM LIST

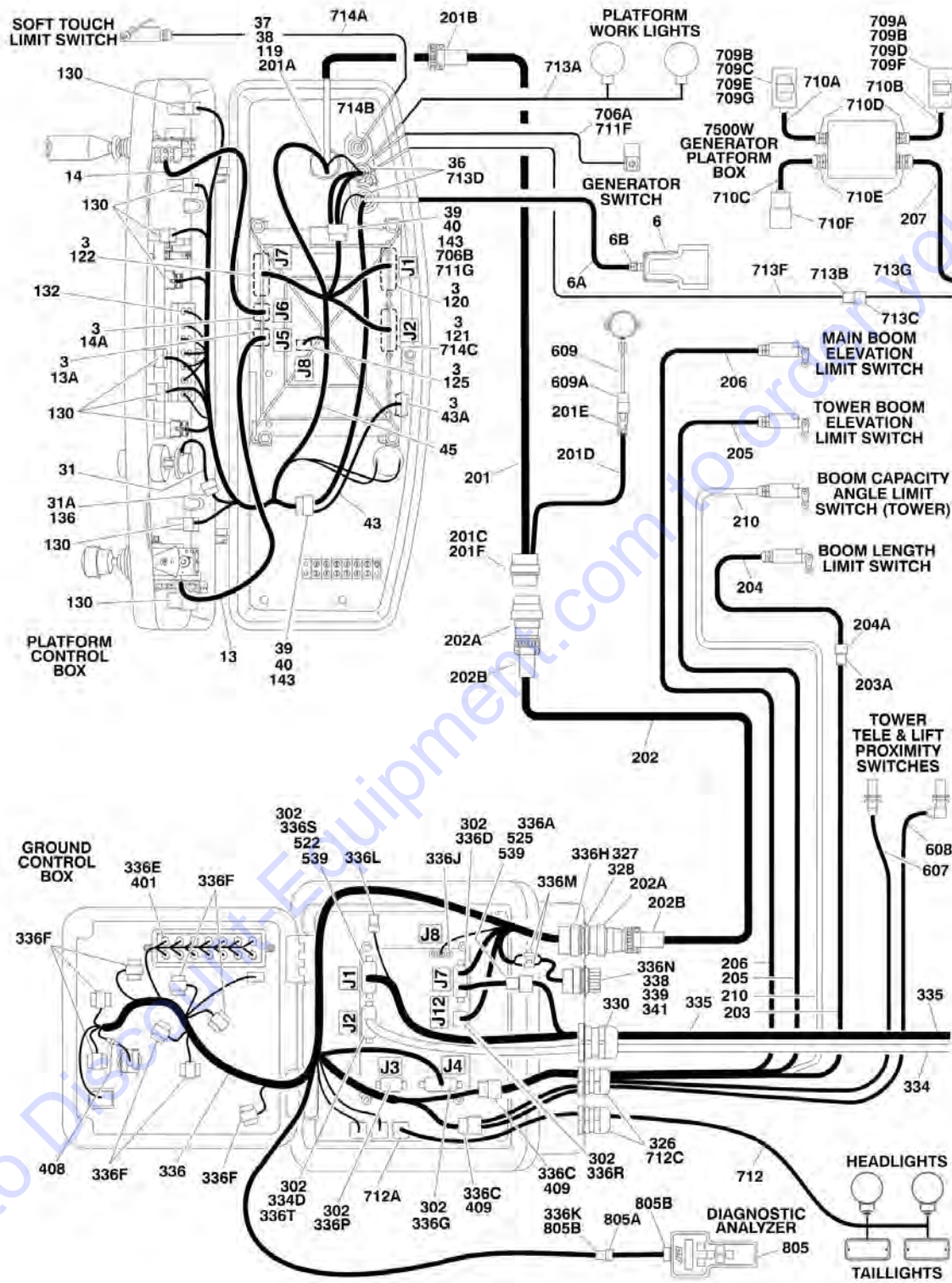
ITEM	PART NUMBER	QTY	DESCRIPTION	REV
		Ref	<b>Note: Diagrams not shown are available from Discount-equipment.com. Schematics shown in the Service and Maintenance Manual.</b>	
	1282571	Ref	<b>COLD WEATHER START ELECTRICAL DIAGRAM</b>	
	4933307	Ref	<b>DRIVE/STEER CUT-OUT ELECTRICAL DIAGRAMS</b>	
		Ref	<b>GENERATOR ELECTRICAL DIAGRAMS</b>	
		Ref	<b>2500W</b>	
		Ref	<b>Caterpillar and Deutz Engines</b>	
	1001112588	Ref	<b>60Hz</b>	
	1001112743	Ref	<b>50Hz</b>	
	4933350	Ref	<b>GM Engines</b>	
		Ref	<b>4000W Options:</b>	
	1001159648	Ref	<b>Australian Specs</b>	
	1001153025	Ref	<b>CE Specs</b>	
	1001160271	Ref	<b>UK Specs</b>	
		Ref	<b>7500W Options:</b>	
	1001112586	Ref	<b>Caterpillar and Deutz Engines</b>	
	4933349	Ref	<b>GM Engines</b>	
	1001098508	Ref	<b>GLOW PLUG DIAGRAM</b>	
	4923379	1	Harness	
	4933231	Ref	<b>LIGHTS ELECTRICAL DIAGRAMS</b>	
	4922643	1	Harness (Located in Ground Console Box)	
	3740049	1	Relay	
	4933218	Ref	<b>PLATFORM SOFT TOUCH SYSTEM ELECTRICAL DIAGRAM</b>	
		Ref	<b>PLATFORM WORKLIGHTS ELECTRICAL DIAGRAMS</b>	
	0273484	Ref	<b>Platform Worklights Electrical Diagrams 800A</b>	
	0273485	Ref	<b>Platform Worklights Electrical Diagrams 800AJ</b>	
	0274207	Ref	<b>SLOPE SENSOR ELECTRICAL DIAGRAM</b>	
		Ref	<b>STANDARD ELECTRICAL DIAGRAMS:</b>	
	1001110323	Ref	<b>Caterpillar Engine</b>	
	1001110322	Ref	<b>Deutz Engine</b>	
	1001110321	Ref	<b>GM Engine</b>	
		Ref	<b>STANDARD ELECTRICAL SCHEMATICS</b>	
	1001110310	Ref	<b>Caterpillar, Deutz and GM Engines</b>	
	1001131992	Ref	<b>GM Engine Schematic (Engine Schematic Only. P/N 1001110310 is schematic for complete machine)</b>	



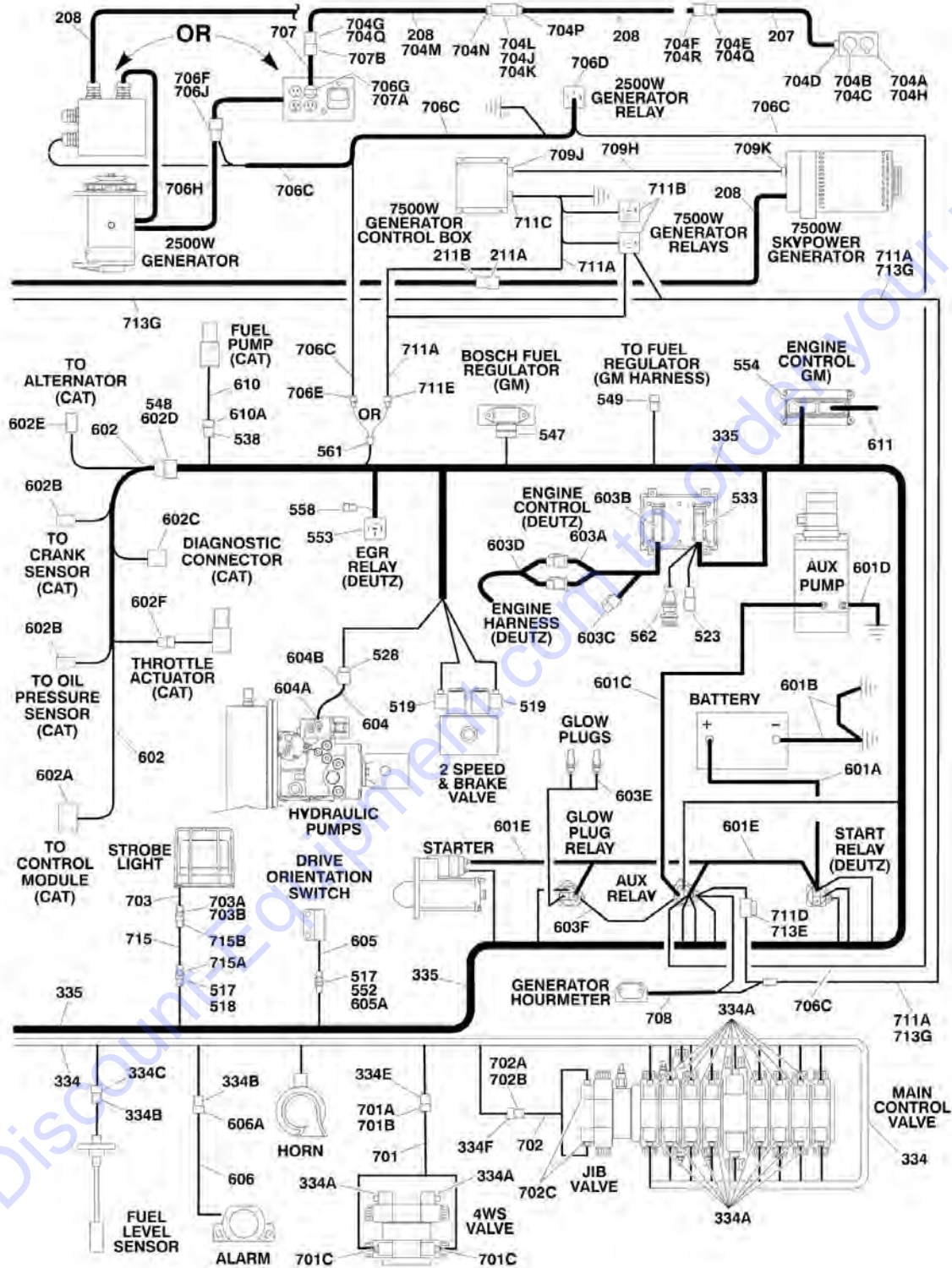


# SECTION 7 - ELECTRICAL

## FIGURE 7-2. HARNESS COMPONENTS INSTALLATION



# SECTION 7 - ELECTRICAL



# SECTION 7 - ELECTRICAL

## FIGURE 7-2. HARNESS COMPONENTS INSTALLATION

ITEM	PART NUMBER	QTY	DESCRIPTION	REV
		Ref	<b>PLATFORM BOX ASSEMBLY COMPONENTS</b>	
	1001114448	Ref	<b>Platform Box Assembly Components (SN 0300140000 through 0300143927)</b>	C
	1001117428	Ref	<b>Platform Box Assembly Components (SN 0300143928 through 0300183033)</b>	B
3	0100048	AR	Grease, Dielectric	
6		Ref	Footswitch Components:	
6A	1060918	7 ft/2.13m	Cable, Electrical - 18/3	
6A	4460042	3	Terminal, Ring	
6A	4460226	2	Socket, Female	
6A	4460464	1	Pin, Male (16 Gauge)	
6B	4460071	2	Connector, Strain Relief	
13	See Note	1	Controller Harness Assembly (Lift and Swing) (Note: Not Available for Purchase)	
13A	7022819	1	Plug, Male - 8 Position (Natural)	
13A	4460871	8	Socket, Female	
14	See Note	1	Controller Harness/Circuit Board Assembly (Drive and Steer) (Note: Not Available for Purchase)	
14A	7022825	1	Plug, Male - 8 Position (Black)	
14A	4460871	7	Socket, Female	
31	See Note	1	Controller Harness (Speed Control) (Note: Not Available for Purchase)	
31A	4460224	1	Receptacle, Female - 6 Position	
31A	4460226	6	Socket, Female	
36	4460428	2	Connector, Strain Relief	
37	4460470	1	Nut, Terminal	
38	4460471	1	Lockwasher, Terminal	
39	4460708	2	Connector, Female 15 Position	
40	4460905	5	Seal, Plug	
43	4922666	1	Harness, Analyzer Cable	2-B
43	4460226	4	Socket, Female (Not Shown - Located at J2)	
43A	4460761	1	Connector, Female - 4 Position	
43A	4460227	4	Pin, Male	
45	1001107753	1	Harness, Console Box (See Items 101-143 for Breakdown)	
	1001107753	Ref	<b>PLATFORM BOX HARNESS ASSEMBLY</b>	E
119	4460866	1	Connector 19 Position	
119	4460464	7	Pin, Male (16 Gauge)	
119	4460508	3	Pin, Male (12 Gauge)	
120	4460874	1	Plug, Male 35 Position (Natural)	
120	4460871	29	Socket, Female	
121	4460875	1	Plug, Male 35 Position (Gray)	
121	4460871	24	Socket, Female	
122	4460873	1	Plug, Male 35 Position (Black)	
122	4460871	26	Socket, Female	
125	4460879	1	Plug, Male 2 Position	
125	4460887	2	Terminal (12 Gauge)	
130	4460418	9	Connector 6 Position	
130	4460419	27	Terminal, Female	
132	4120035	13	Base, Light	
132	4460634	13	Terminal, (16 Gauge)	
132	4460635	13	Terminal, (12 Gauge)	

## SECTION 7 - ELECTRICAL

ITEM	PART NUMBER	QTY	DESCRIPTION	REV
132	2920129	13	Lamp, Indicator	
136	4460225	1	Plug, Male 6 Position	
136	4460227	6	Pin, Male	
143	4460434	2	Plug, Male 15 Position	
143	4460227	25	Pin, Male	
		Ref	<b>BOOM CABLES INSTALLATION</b>	
		Ref	<b>Boom Cables Installation 800A</b>	
	0271374	Ref	<b>All Specs Except Australian and CE Specs</b>	F
	0271375	Ref	<b>CE Specs</b>	E
	0272429	Ref	<b>ANSI, ANSI Export and CSA Specs (With 7500W Generator) (SkyPower)</b>	E
	0273431	Ref	<b>Australian Specs (With 7500W Generator) (SkyPower)</b>	B
	0272430	Ref	<b>CE Specs (With 7500W Generator) (SkyPower)</b>	E
	1001093748	Ref	<b>ANSI, ANSI Export and CSA Specs (With Arctic Package)</b>	A
	1001091330	Ref	<b>ANSI, ANSI Export and CSA Specs (With Arctic Package and 7500W Generator) (SkyPower)</b>	C
		Ref	<b>Boom Cables Installation 800AJ</b>	
	0271376	Ref	<b>All Specs Except Australian and CE Specs</b>	4-B
	0273434	Ref	<b>Australian Specs</b>	1-A
	0271377	Ref	<b>CE Specs</b>	4-C
	0272431	Ref	<b>ANSI, ANSI Export and CSA Specs (With 7500W Generator) (SkyPower)</b>	4-B
	0273432	Ref	<b>Australian Specs (With 7500W Generator) (SkyPower)</b>	2
	0272432	Ref	<b>CE Specs (With 7500W Generator) (SkyPower)</b>	4
	0275204	Ref	<b>ANSI, ANSI Export and CSA Specs (With Arctic Package)</b>	2
	1001092093	Ref	<b>ANSI, ANSI Export and CSA Specs (With Arctic Package and 7500W Generator) (SkyPower)</b>	3
	1001116474	Ref	<b>ANSI Spec (With David Clark Communication System and 7500W Generator) (SkyPower) (Note: Not Shown - Contact Discount-equipment.)</b>	2
		Ref	<b>Note: See SPECIAL OPTIONS SPECIAL for Machines with 4000W Generator.</b>	
201		Ref	Harness Assembly - Main Boom (12/4 - 18/8) Options:	
201	4922575	1	Harness Assembly - Main Boom (12/4 -18/8), 800A	5-E
201	1001091315	1	Harness Assembly - Main Boom (12/4 -18/8), 800A (With Arctic Package)	C
201	4922582	1	Harness Assembly - Main Boom (12/4 -18/8), 800AJ	F
201	4923490	1	Harness Assembly - Main Boom (12/4 -18/8), 800AJ (With Arctic Package)	2-C
201	1060896	AR	Cable, Electrical - 4 #12 AWG, 8 #18 AWG and 1 STP #18 AWG (Without Arctic Package)	
201	4923462	Ref	Cable, Electrical - 4 #12 AWG, 8 #18 AWG and 1 STP #18 AWG Options (With Arctic Package):	
201	4923462	67 ft /20.4m	Cable, Electrical - 4 #12 AWG, 8 #18 AWG and 1 STP #18 AWG Options (With Arctic Package) 800A (With Arctic Package)	
201	4923462	64 ft /19.5m	Cable, Electrical - 4 #12 AWG, 8 #18 AWG and 1 STP #18 AWG Options (With Arctic Package) 800AJ (With Arctic Package)	
201	0100009	AR	Sealant	
201A	4460865	1	Connector - 19 Position	
201A	4460465	11	Socket, Female	
201A	4460509	4	Socket, Female	
201A	4460466	4	Seal, Plug	
201B	4460473	1	Clamp. Cable	

## SECTION 7 - ELECTRICAL

ITEM	PART NUMBER	QTY	DESCRIPTION	REV
201C	4460866	1	Connector - 19 Position	
201C	4460464	11	Pin, Male (16 Gauge)	
201C	4460508	4	Pin, Male (12 Gauge)	
201C	4460466	4	Seal, Plug	
201D	4923613	1	Harness, Tilt Switch	C
201D	1060978	2 ft/0.6m	Cable, Electrical - 18/3	
201E	1001097051	1	Connector - 4 Position	
201E	1001097082	3	Pin, Male (Gold)	
201E	4460466	1	Seal, Plug	
201F	4460464	3	Pin, Male (16 Gauge)	
202		Ref	Harness Assembly - Tower Boom (12/4 - 18/8) Options:	
202	4922576	1	Without Arctic Package	4-D
202	4923489	1	With Arctic Package	1-A
202	1060896	44 ft /13.4m	Cable, Electrical - 4 #12 AWG, 8 #18 AWG and 1 STP #18 AWG (Without Arctic Package)	
202	4923462	44 ft /13.4m	Cable, Electrical - 4 #12 AWG, 8 #18 AWG and 1 STP #18 AWG (With Arctic Package)	
202A	4460865	2	Connector - 19 Position	
202A	4460465	22	Socket, Female	
202A	4460509	8	Socket, Female	
202A	4460466	8	Seal, Plug	
202B	4460473	2	Clamp. Cable	
203		Ref	Harness Assembly - Tower Boom (18/2) Options:	
203		Ref	Harness Assembly - Tower Boom (18/2), 800A	
203	Not Required	0	Australian Specs (Without Arctic Package)	
203	4922579	1	All Specs Except Australian Specs (Without Arctic Package)	
203	1001091323	1	ANSI, ANSI Export and CSA Specs (With Arctic Package)	
203		Ref	Harness Assembly - Tower Boom (18/2), 800AJ	
203	4922579	1	CE Specs	
203	1060902	47 ft /14.3m	Cable, Electrical - 18/2 (Without Arctic Package)	
203	4923466	47 ft /14.3m	Cable, Electrical - 18/2 (With Arctic Package)	
203A	4460465	2	Socket, Female	
203A	4460891	1	Connector, Terminal - 2 Position	
204		Ref	Harness Assembly - Main Boom (18/2) Options:	
204		Ref	Harness Assembly - Main Boom (18/2), 800A	
204	Not Required	0	Australian Specs (Without Arctic Package)	
204	4922868	1	All Specs Except Australian Specs (Without Arctic Package)	
204	1001091319	1	ANSI, ANSI Export and CSA Specs (With Arctic Package)	
204		Ref	Harness Assembly - Main Boom (18/2), 800AJ	
204	4922580	1	CE Specs	
204	1060902	30 ft/9.1m	Cable, Electrical - 18/2 (Without Arctic Package)	
204	4923466	30 ft/9.1m	Cable, Electrical - 18/2 (With Arctic Package)	
204A	4460464	2	Pin, Male	
204A	4460897	1	Plug, Terminal - 2 Position	
205		Ref	Harness Assembly - Tower Boom (18/2) Options:	
205	4922578	1	Harness Assembly - Tower Boom (18/2), 800A (Without Arctic Package)	
205	4923487	1	Harness Assembly - Tower Boom (18/2), 800A (With Arctic Package) (With 7500W Generator)	
205	4922578	1	Harness Assembly - Tower Boom (18/2), 800AJ (Without Arctic Package)	

## SECTION 7 - ELECTRICAL

ITEM	PART NUMBER	QTY	DESCRIPTION	REV
205	4923488	NLA	Harness Assembly - Tower Boom (18/2), 800AJ (With Arctic Package) (Without 7500W Generator) (Use p/n 4923487)	
205	4923487	1	Harness Assembly - Tower Boom (18/2), 800AJ (With Arctic Package) (With 7500W Generator)	
206		Ref	Harness Assembly - Main Boom (18/2) Options:	
206	4922578	1	Without Arctic Package	
206	4923487	1	With Arctic Package	
207		Ref	Harness Assembly - Main Boom Options:	
207		Ref	Harness Assembly - Main Boom 800A:	
207	4922215	1	All Specs Except Australian and CE Specs (10/3) (Without Arctic Package)	
207	4922218	1	CE Spec (10/3)	
207	4922773	NLA	ANSI, ANSI Export and CSA Specs (8/5) (With Arctic Package and 7500W Generator) (SkyPower) (Use p/n 1001125127)	
207	1001091324	1	ANSI, ANSI Export and CSA Specs (10/3) (With Arctic Package)	
207	4922773	NLA	ANSI, ANSI Export and CSA Specs (8/5) (With Arctic Package and 7500W Generator) (SkyPower) (Use p/n 1001125127)	
207		Ref	Harness Assembly - Main Boom 800AJ:	
207	4922216	1	All Specs Except Australian Specs (10/3) (Without Arctic Package)	
207	4922219	1	Australian and CE Specs (10/3)	
207	4922775	NLA	All Specs (8/5) (With 7500W Generator) (SkyPower) (Use p/n 1001125126)	
207	4923485	1	ANSI, ANSI Export and CSA Specs (10/3) (With Arctic Package)	
208		Ref	Harness Assembly - Tower Boom Options:	
208	4922217	1	All Specs Except Australian CE Specs (10/3)	
208	4922220	1	Australian and CE Specs (10/3)	
208	4922774	NLA	All Specs (8/5) (Without Arctic Package and 7500W Generator) (SkyPower) (Use p/n 1001125125)	
208	4923486	1	ANSI, ANSI Export and CSA Specs (10/3) (With Arctic Package)	
208	4922774	NLA	All Specs Except Australian and CE Specs (8/5) (With Arctic Package and 7500W Generator) (SkyPower) (Use p/n 1001125125)	
209		Ref	Clamp, Block Options (Not Shown-Located on back of T/T):	
209	1320256	1	Clamp, Block (All Except Machines with Arctic Package)	
209	1001092384	1	With Arctic Package	
210		Ref	Harness Assembly (18/2) (800A Only) Options:	
210	4922578	1	All Specs Except Australian and CE Specs (Without Arctic Package)	
210	4923487	1	ANSI, ANSI Export and CSA Specs (With Arctic Package)	
211	0272433	1	Cable Connector Installation (With 7500W Generator) (SkyPower)	C
211A	4460959	1	Connector, Male (With 7500W Generator) (SkyPower)	
211A	1671093	1	Cover, Male Connector (Optional)	
211B	4460960	1	Connector, Female (With 7500W Generator) (SkyPower)	
211B	1671092	1	Cover, Female Connector (Optional)	
		Ref	<b>GROUND CONTROL BOX COMPONENTS</b>	
302	0100048	AR	Grease, Dielectric	
326	4460426	1	Connector, Strain Relief	
327	4460470	1	Nut, Terminal	

## SECTION 7 - ELECTRICAL

ITEM	PART NUMBER	QTY	DESCRIPTION	REV
328	4460471	1	Lockwasher, Terminal	
330	4460526	1	Connector, Strain Relief	
334	4922557	1	VALVE HARNESS ASSEMBLY	1-A
334A	4460880	19	Connector, DIN	
334B	4460320	2	Connector, Female- 2 Position	
334B	4460267	7	Pin, Male	
334C	4460424	1	Connector, Male- 2 Position	
334C	4460268	5	Pin, Female	
334D	4460871	31	Socket, Female	
334E	4460326	1	Connector, Male - 3 Position	
334E	4460267	7	Pin, Male	
334F	4460445	1	Connector, Female - 3 Position	
334F	4460268	5	Pin, Female	
335		Ref	Engine Harness Assembly (See 501 to 562 for Breakdown)	
335	1001110324	1	Caterpillar Engine Machines	
335	1001110222	1	Deutz Engine Machines	
335	1001110221	1	GM Engine Machines	
336	1001110225	1	Ground Control Box Harness Assembly	C
336A	4460536	1	Connector, Female 3 Position	
336A	4460943	3	Pin, Male	
336B	3990010	2	Diode - 6 Amp (Not Shown)	
336C	4460434	2	Plug, Male 15- Position	
336C	4460227	22	Pin	
336D	4460873	1	Connector, 35 Position (Black)	
336D	4460871	21	Socket, Female	
336D	4460905	AR	Seal, Plug	
336E	4120035	7	Base, Light	
336E	4460634	7	Terminal (16 Gauge)	
336E	4460635	6	Terminal (12 Gauge)	
336F	4460418	9	Connector, Female- 6 Position	
336F	4460419	27	Socket, Female	
336G	4460876	1	Connector, 35 Position (Blue)	
336G	4460871	29	Socket, Female	
336G	4460905	AR	Seal, Plug	
336H	4460866	1	Connector - 19 Pin	
336H	4460464	7	Pin, Male (16 Gauge)	
336H	4460508	3	Pin, Male (12 Gauge)	
336J	4460878	1	Housing, Terminal - 4 Position	
336J	4460887	3	Terminal (12 Gauge)	
336K	4460761	1	Connector, Female 4- Position	
336K	4460227	4	Pin, Male	
336L	4460894	3	Plug, Male - 6 Position	
336L	4460465	AR	Socket, Female	
336L	4460892	3	Terminal, Buss Connector - 6 Position	
336M	8229242	2	Fuse 5A	
336M	2400060	2	Holder, Fuse	
336N	1001112612	1	Connector - 9 Position	
336N	4460943	4	Pin, Male	
336P	1001106339	1	Connector, Male - 14 Position	
336P	4460871	2	Socket, Female	
336P	4460905	AR	Plug, Seal	



## SECTION 7 - ELECTRICAL

ITEM	PART NUMBER	QTY	DESCRIPTION	REV
336R	1001106340	1	Connector, Male - 14 Position	
336R	4460871	5	Socket, Female	
336S	4460874	1	Connector, Natural	
336S	4460871	10	Socket, Female	
336S	4460905	AR	Plug, Seal	
336T	4460875	1	Connector, Gray	
336T	4460871	2	Socket, Female	
336T	4460905	AR	Plug, Seal	
337		Ref	Ground Control Box Wiring Diagram (Not Shown - See Items 401-409 for Breakdown)	
337	1001110323	Ref	Caterpillar Engine	
337	1001110322	Ref	Deutz Engine	
337	1001110321	Ref	GM Engine	
338	4460471	1	Lockwasher, Terminal	
339	4460470	1	Nut, Terminal	
341	1001106736	1	Cap, Dust	
		Ref	<b>GROUND CONTROL BOX WIRING DIAGRAMS</b>	
	1001110323	Ref	<b>Caterpillar Engine</b>	C
	1001110322	Ref	<b>Deutz Engine</b>	C
	1001110321	Ref	<b>GM Engine</b>	A
401	2920129	AR	Bulb, Light	
408	2400065	1	Fuse, 30Amp	
408	2400066	1	Fuse, Holder	
409	4460708	2	Receptacle, Female - 15 Position	
409	4460226	AR	Socket, Female	
409	4460905	AR	Plug, Seal	
409	4922637	1	Harness, Jumper (Not Shown)	
409		Ref	<b>ENGINE HARNESS ASSEMBLY</b>	
409	1001110324	Ref	<b>Caterpillar Engine Machines</b>	B
409	1001110222	Ref	<b>Deutz Engine Machines</b>	B
409	1001110221	Ref	<b>GM Engine All Machines</b>	A
517	4460424	2	Receptacle, Female - 2 Position	
518	4460268	AR	Socket, Female	
519	4460880	2	DIN Connector without Diode	
522	3990001	1	Diode (Caterpillar Engines Only)	
523	4461070	1	Receptacle, Female With Resistor (3 Position) (Deutz Engine Only)	
523	4461095	1	Plug, Male - 3 Position (Deutz Engine Only)	
523	4460944	3	Socket, Female (Deutz Engine Only)	
525	4460539	1	Connector, Male - 3 Position	
525	4460944	3	Socket, Female	
528	4460460	1	Plug, Male - 4 Position	
528	4460457	4	Terminal, Female	
528	4460458	4	Seal, Terminal	
533	4461052	1	Connector, Receptacle - 25 Position (Deutz Engine Only)	
533	4461005	5	Terminal (Gold) (Deutz Engine Only)	
533	4461006	5	Seal, Terminal (Deutz Engine Only)	
533	4461060	2	Terminal (Tin) (Deutz Engine Only)	
533	4461054	2	Seal, Terminal (Deutz Engine Only)	
533	4461053	1	Cover, Plug (Deutz Engine Only)	
533	4461008	18	Plug, Hole (Deutz Engine Only)	
538	4460891	1	Connector, Male - 2 Position (Caterpillar Engine Only)	

## SECTION 7 - ELECTRICAL

ITEM	PART NUMBER	QTY	DESCRIPTION	REV
538	4460465	2	Socket, Female	
539	4460871	AR	Socket, Female	
539	4460226	AR	Socket, Female	
547	4461121	1	Plug, Male - 4 Position (GM Engine Only)	
547	4461122	4	Socket, Female (GM Engine Only)	
547	4461123	4	Seal, Terminal (GM Engine Only)	
548	4460899	1	Receptacle, Female - 6 Position (Caterpillar Engine Only)	
548	4460464	6	Pin, Male (Caterpillar Engine Only)	
548	4460466	1	Seal, Plug (Caterpillar Engine Only)	
549	4461124	1	Receptacle, Female - 4 Position (GM Engine Only)	
549	4460693	4	Pin, Male (GM Engine Only)	
549	4460608	4	Seal, Terminal (GM Engine Only)	
549	4461161	1	Lock, Terminal (GM Engine Only)	
552	4460268	2	Socket, Female	
553	4460374	1	Connector, Relay (Deutz Engine Only)	
553	4460375	4	Terminal, Female (Deutz Engine Only)	
554	4461109	1	Plug, Male - 16 Position (GM Engine Only)	
554	4461111	7	Pin, Male (GM Engine Only)	
554	4461113	7	Seal, Terminal (GM Engine Only)	
554	4461222	9	Plug, Terminal (GM Engine Only)	
558	1001102290	1	Receptacle, Female - 2 Position (Deutz Engine Only)	
558	1001102291	2	Socket, Female (Deutz Engine Only)	
558	1001102304	2	Seal, Terminal (Deutz Engine Only)	
561	4461157	1	Receptacle, Female - 2 Position	
561	4460979	2	Pin, Male	
561	4460458	2	Seal, Terminal	
562	2902443	1	Receptacle Kit (Deutz Engine Only)	
562	4461071	8	Socket, Female (Gold)	
562	4461072	1	Receptacle 8 Position with Mounting Flange	
562	4461073	1	Cap, Dust	
562	4461074	1	Shell	
		Ref	<b>STANDARD HARNESS COMPONENTS</b>	
601		Ref	Battery Cable Kit Options:	
601	1001112762	1	Caterpillar Engines	
601	2902401	1	Deutz Engines	
601	2902533	1	GM Engines	
601A		Ref	Cable, Battery (Red) Options:	
601A	7027028	1	Caterpillar Engines (Kit p/n 1001112762) (Includes Item 601E)	
601A	1001116288	1	Deutz Engines (Kit p/n 2902401) (Includes Item 601E)	
601A	7027015	1	GM Engines (Kit p/n 2902533)	
601B		Ref	Cable, Battery (Black) Options:	
601B	7027029	1	Caterpillar Engines (Kit p/n 1001112762)	
601B	7027004	1	Deutz Engines (Kit p/n 2902401)	
601B	7027018	1	GM Engines (Kit p/n 2902533)	
601C		Ref	Cable, Battery (Red) Options:	
601C	7027030	1	Caterpillar Engines (Kit p/n 1001112762)	
601C	7016824	1	Deutz Engines (Kit p/n 2902401)	
601C	7016824	1	GM Engines (Kit p/n 2902533)	
601D		Ref	Cable, Battery (Black) Options:	
601D	7027031	1	Caterpillar Engines (Kit p/n 1001112762)	
601D	7016825	1	Deutz Engines (Kit p/n 2902401)	

## SECTION 7 - ELECTRICAL

ITEM	PART NUMBER	QTY	DESCRIPTION	REV
601D	7016825	1	GM Engines (Kit p/n 2902533)	
601E		Ref	Cable, Battery (Red) Options:	
601E	See Note	1	Caterpillar Engines (Kit p/n 1001112762) (Note: Use Item 601A)	
601E	See Note	1	Deutz Engines (Kit p/n 2902401) (Note: Use Item 601A)	
601E	7027017	1	GM Engines (Kit p/n 2902533)	
602	1001112071	1	Harness, Caterpillar Engine	B
602	70004318	1	Fuse 5 Amp (at Fuse Box F1)	
602	70004319	3	Fuse 10Amp (at Fuse Box F2, F3 and F4)	
602	70004316	1	Relay, Starter (at Fuse Box)	
602	70004317	2	Relay, Shut-Off and Glow Plug Control 25Amp (at Fuse Box)	
602A	70020808	1	Plug, Male 23 Position	
602A	4460871	16	Socket, Female	
602B	4460891	2	Plug, Male 2 Position	
602B	4460465	4	Socket, Female	
602C	See Note	1	Connector 8 Position (Note: Not Available for Purchase)	
602C	See Note	2	Terminal (Note: Not Available for Purchase)	
602C	See Note	1	Lock (Note: Not Available for Purchase)	
602C	See Note	1	Cap (Note: Not Available for Purchase)	
602C	4460916	6	Seal, Plug	
602D	4460894	1	Plug, Male 6 Position	
602D	4460465	5	Socket, Female	
602D	4460466	1	Plug, Seal	
602E	See Note	1	Connector 3 Position (Note: Not Available for Purchase)	
602E	See Note	3	Terminal (Note: Not Available for Purchase)	
602F	See Note	1	Connector 5 Position (Note: Not Available for Purchase)	
602F	See Note	5	Terminal (Note: Not Available for Purchase)	
602F	See Note	AR	Seal (Note: Not Available for Purchase)	
603	See Note	AR	Deutz Engine Harness Components (Deutz Engine Machines Only) (Note: Not Available for Purchase)	
603A	7027796	1	Deutz Engine Harness	
603B	See Note	1	Receptacle, Female - 25 Position (Note: Not Available for Purchase)	
603C	7027793	1	Plug-In, Connector	
603D	70001872	1	Deutz Engine Harness (For other replacement parts refer to Deutz engine dealer)	
603E	4923379	1	Deutz Glow Plugs Harness	
603F	1060904	1	Deutz Jumper Harness	
604	See Note	1	Pump Harness (Note: Not Available for Purchase)	
604A	7007497	1	Plug (Pump End)	
604B	7007498	1	Plug (Engine Harness End)	
605	4360517	1	Proximity Harness (Includes Switch)	
605A	4460320	1	Plug, Male 2 Position	
605A	4460227	2	Pin, Male	
606	0257887	1	Alarm Harness (Includes Alarm)	
606A	4460424	1	Plug, Male - 2 Position	
606A	4460268	2	Socket, Female	
607	4360498	2	Proximity Switch Harness (Includes Switch)	
608	4360499	2	Proximity Switch Harness (Includes Switch)	
609	1001094400	Ref	Tilt Sensor Harness (Includes Sensor)	C
609A	4461077	1	Plug, Male 4 Position	
609A	4460918	6	Socket, Female (Gold)	

## SECTION 7 - ELECTRICAL

ITEM	PART NUMBER	QTY	DESCRIPTION	REV
610	See Note	1	Fuel Pump Harness (Caterpillar Engines Only) (Note: Not Available for Purchase)	
610A	4460897	1	Receptacle, Female -2 Position (Caterpillar Engines Only)	
610A	4460464	2	Pin, Male (Caterpillar Engines Only)	
611		Ref	GM Engine Harness Options:	
611	7027991	1	Tier 1 Engines	
611	70000718	1	Tier 2 Engines	
611	70002898	1	Tier 3 & 4 interim	
611	7027989	1	Connector, Male - 10 Position (Not Shown)	
611	See Note	1	Box, Fuse (Note: Parts of Harness - Not Available for Purchase)	
611	70002627	1	Cover, Fuse Box	
611	70001950	2	Relay (Power and Fuel Pump)	
611	70001951	1	Relay (Starter)	
611	70001931	1	Fuse - 60 Amp (Alternator)	
611	See Note	1	Fuse - 20 Amp (Note: Not Available - Purchase Locally)	
611	See Note	3	Fuse - 15 Amp (Note: Not Available - Purchase Locally)	
611	See Note	1	Fuse - 10 Amp (Note: Not Available - Purchase Locally)	
611	See Note	1	Fuse - 5 Amp (Note: Not Available - Purchase Locally)	
		Ref	<b>OPTIONAL HARNESS COMPONENTS</b>	
701	4921928	1	4WS Valve Harness	E
701A	4460268	3	Socket, Female	
701B	4460445	1	Connector, Female - 3 Position	
701C	4460499	2	Connector, DIN with Diode	
702	4921927	1	Jib Valve Harness (800AJ Only)	F
702A	4460326	1	Plug, Male - 3 Position	
702B	4460267	3	Pin, Male	
702C	4460499	2	Connector, DIN with Diode	
703		Ref	Strobe Light Harness (Includes Strobe Light) Options:	
703	0272507	1	USA Built Machines ( <b>SN 0300140000 through 0300171628</b> )	
703	0272507	1	China Built Machines ( <b>SN B300000100 through B300000766</b> )	
703	2920161	1	USA Built Machines ( <b>SN 0300171629 through 0300183033</b> )	
703	2920161	1	China Built Machines ( <b>SN B300000767 to Present</b> )	
703A	4460320	1	Connector, Female - 2 Position (Strobe Light - 0272507)	
703A	4460267	2	Pin, Male (Strobe Light - 0272507)	
703B	4460891	1	Connector, Male - 2 Position (Strobe Light - 2920161)	
703B	4460465	2	Socket, Female (Strobe Light - 2920161)	
704		Ref	AC to Platform Receptacle Components Options:	
		Ref	<b>Note: See SPECIAL OPTIONS SPECIAL for Machines with 4000W Generator.</b>	
704	0272259	Ref	110V/60Hz GFI Receptacle (All Specs Except Australian and CE Specs)	B
704	0256202	Ref	110V/50Hz Receptacle (Plug and Receptacle Supplied Locally) (Australian, Brazilian, Latin America Specs)	C
704	0272260	Ref	220V Receptacle All Specs Except ANSI Export, Australian and CE Specs	B
704	0274619	Ref	Dual 110V GFI Receptacles (Note: Double qty listed for Dual V	2-B
704	0272433	Ref	Mid Boom Connection Only/No Receptacle (Includes Items V	C
704		Ref	CE SPECS OPTIONS ONLY (CE SPEC ARE USA BUILT MACHINES):	
704		Ref	Without Generator:	
704	0256202	Ref	110/220V Receptacle (Locally Supplied Box and Receptacle)	C
704	1001091969	Ref	110V with IEC Yellow Receptacle and Plug and Circuit Breaker	B

## SECTION 7 - ELECTRICAL

ITEM	PART NUMBER	QTY	DESCRIPTION	REV
704	1001091970	Ref	220V with IEC Blue Receptacle and Plug and Circuit Breaker	B
704	1001091971	Ref	220V with CEE 7 Post Ground Receptacle and Plug and Circuit Breaker (70mm x 70mm Box)	B
704	1001091972	Ref	220V with CEE 7 Side Ground Receptacle and Plug and Circuit Breaker (70mm x 70mm Box)	B
704	1001091973	Ref	220V with CEE 7 Post Ground Receptacle and Plug and Circuit Breaker (2x4 Box)	C
704	1001091974	Ref	220V with CEE 7 Side Ground Receptacle and Plug and Circuit Breaker (2x4 Box)	C
704	1001091975	Ref	220V with AFSINT 107 Keyed Ground Receptacle and Plug and Circuit Breaker (2x4 Box)	C
704	1001092145	Ref	AC Cable With Breaker	D
704		Ref	With Generator:	
704	1001100326	Ref	110V with IEC Yellow Receptacle and Plug and Circuit Breaker	B
704	1001092145	Ref	110V AC Cable With Breaker	D
704	1001100327	Ref	220V with IEC Blue Receptacle and Plug and Circuit Breaker	B
704	1001100328	Ref	220V with CEE 7 Post Ground Receptacle and Plug and Circuit Breaker (70mm x 70mm Box)	B
704	1001100329	Ref	220V with CEE 7 Side Ground Receptacle and Plug and Circuit Breaker (70mm x 70mm Box)	B
704	1001100331	Ref	220V with CEE 7 Post Ground Receptacle and Plug and Circuit Breaker (2x4 Box)	B
704	1001100333	Ref	220V with CEE 7 Side Ground Receptacle and Plug and Circuit Breaker (2x4 Box)	B
704	1001100337	Ref	220V with AFSINT 107 Keyed Ground Receptacle and Plug and Circuit Breaker (2x4 Box)	B
704	1001109558	Ref	220V AC Cable With Breaker	A
704A		Ref	Box, Switch Options:	
704A	0860038	1	0256202, 0272259, 0272260 & 0274619 Installations	
704A	0861781	1	1001091969, 1001091970, 1001100326 & 1001100327 Installations	
704A	See Note	1	1001091971, 1001091972, 1001100328 & 1001100329 Installations (Note: Was p/n 0861782 which is no longer available. Use p/n 1001100344 CEE 7 Side Ground Service Kit or p/n 1001100343 CEE 7 Post Ground Service Kit. Kit include Box p/n 1001141967 and items 704B, 704C & 704G.)	
704A	0861731	1	1001091973, 1001091972, 1001091974, 1001091975, 1001100331, 1001100333 & 1001100337 Installations	
704A	1001141967	1	1001100343, 1001100344, 1001141970 & 1001141971 Kits	
704B		Ref	Receptacle Options:	
704B	See Note	1	0256202 Installation (Note: Not Available - Purchase Locally)	
704B	4460346	1	0272259 & 0274619 Installations	
704B	4460125	1	0272260 Installation	
704B	4461198	1	1001091969 & 1001100326 Installations	
704B	4461201	1	1001091970 & 1001100327 Installations	
704B	4461204	NLA	1001091971 & 1001100328 Installations (Use p/n 1001100343)	
704B	4461207	NLA	1001091972 & 1001100329 Installations (Use p/n 1001100344)	
704B	1001141968	1	1001100343 & 1001141971 Kits	
704B	1001141969	1	1001100344 & 1001141970 Kits	
704B	4461244	1	1001091973 & 1001100331 Installations	
704B	4461245	1	1001091974 & 1001100333 Installations	
704B	4461246	1	1001091975 & 1001100337 Installations	

## SECTION 7 - ELECTRICAL

ITEM	PART NUMBER	QTY	DESCRIPTION	REV
704C		Ref	Shield, Cover Options:	
704C	See Note	1	0256202 Installation (Note: Not Available - Purchase Locally)	
704C	1001110873	1	0272259 & 0274619 Installations	
704C	4060092	1	0272260 Installation	
704C	4461198	1	1001091969 & 1001100326 Installations	
704C	4461201	1	1001091970 & 1001100327 Installations	
704C	4461204	NLA	1001091971 & 1001100328 Installations (Use p/n 1001100343)	
704C	4461207	NLA	1001091972 & 1001100329 Installations (Use p/n 1001100344)	
704C	1001141968	1	1001100343 & 1001141971 Kits	
704C	1001141969	1	1001100344 & 1001141970 Kits	
704C	4461244	1	1001091973 & 1001100331 Installations	
704C	4461245	1	1001091974 & 1001100333 Installations	
704C	4461246	1	1001091975 & 1001100337 Installations	
704D		Ref	Connector, Strain Relief Options:	
704D	4460051	1	0256202, 0272259 & 0272260 Installations	
704D	4460071	1	0274619 Installation	
704D	1001101191	1	1001091969, 1001091970, 1001091971, 1001101172, 1001091973, 1001091974, 1001091975, 1001100331, 1001100333 & 1001100337 Installations	
704D		Ref	Adapter, Strain Relief Connector Options:	
704D	1001101196	1	1001091969, 1001091970, 1001091971, 1001091972, 1001100326, 1001100327, 1001100328 & 1001100329 Installations	
704D	1001101197	1	1001091973, 1001091974, 1001091975, 1001100331, 1001100333 & 1001100337 Installations	
704E		Ref	Plug, Male Options:	
704E	4460205	1	0272259 & 0274619 Installations	
704E	4460233	1	0272260 Installation	
704E	4460709	1	0256202, 1001092145, 1001109558 Installations	
704F		Ref	Connector, Female Options:	
704F	4460134	1	0272259 & 0274619 Installations	
704F	4460701	1	0272260 Installation	
704F	4460710	1	0256202, 1001092145, 1001109558 Installations	
704G		Ref	Plug, Male Options:	
704G	See Note	1	0256202 Installation (Note: Not Available for Purchase.)	
704G	4460205	1	0272259 & 0274619 Installations	
704G	4460233	1	0272260 Installation	
704G	4461196	1	1001091969 Installation	
704G	4461199	1	1001091970 Installation	
704G	4461202	1	1001091971, 1001091973 Installations and 1001100343 & 1001141971 Kits	
704G	4461205	1	1001091972, 1001091974 Installations and 1001100344 & 1001141970 Kits	
704G	4461249	1	1001091975 Installation	
704G	Not Required	0	1001100326, 1001100327, 1001100328, 1001100329, 1001100331, 1001100333 & 1001100337 Installations	
704H	0903484	1	Bracket, Receptacle Box Mounting (Required Only on CE Spec Installations Except 0256202 Installation)	
704J	0903697	1	Bracket, Circuit Breaker Mounting (Required Only on CE Spec Installations Except 0256202 Installation)	
704K		Ref	Kit, Box and Breaker (Includes Items Indented Below and Items 704L, 704M, 704N & 704P) (Required on All CE Spec	

## SECTION 7 - ELECTRICAL

ITEM	PART NUMBER	QTY	DESCRIPTION	REV
			Installations Except 0256202 Installation):	
704K	1001109654	AR	Without Generator	A
704K	1001109654	AR	With 110V Generator	A
704K	1001109648	AR	With 220V Generator	A
704K		Ref	Circuit Breaker Options:	
704K	See Note	1	Circuit Breaker - Machines without Generator (Note: Use p/n 1001181045)	
704K	1001109475	NLA	Circuit Breaker, 16A (Use p/n 1001181045)	
704K	1001109482	NLA	Circuit Breaker, 30MA RCD (Use p/n 1001181045)	
704K		Ref	With 110V Generator	
704K	1001109475	NLA	Circuit Breaker, 16A (Use p/n 1001181045)	
704K	1001109482	NLA	Circuit Breaker, 30MA RCD (Use p/n 1001181045)	
704K		Ref	With 220V Generator	
704K	1001109477	NLA	Circuit Breaker, 10A (Use p/n 1001181046)	
704K	1001109482	NLA	Circuit Breaker, 30MA RCD (Use p/n 1001181046)	
704K	0861880	1	Breaker Box	
704K	4460956	1	Barrier, Terminal Block End	
704L	4460957	1	Block, Terminal	
704M	1060908	12 ft/3.6m	Cable, 12/3 Extension	
704N	1001097150	1	Connector, Strain Relief	
704P	1001101191	1	Connector, Strain Relief	
704Q		Ref	Cover, Connector 0256202 Installation Options:	
704Q	1671092	2	Cover (SN 0300167883 through 0300175277)	
704Q	1001156351	2	Cover (SN 0300175278 through 0300183033)	
704R		Ref	Cover, Plug 0256202 Installation Options:	
704R	1671093	1	Cover (SN 0300167883 through 0300175277)	
704R	1001156352	1	Cover (SN 0300175278 through 0300183033)	
704S		Ref	Kit, Plug and Socket Options:	
704S		Ref	Without Generator:	
704S	0275216	1	Receptacle Box Kit (110V IEC Yellow) (Includes Items 704A, 704B, 704C & 704G) (1001091969 Installation)	1
704S	0275217	1	Receptacle Box Kit (220V IEC Blue) (Includes Items 704A, 704B, 704C & 704G) (1001091970 Installation)	1
704S	0275218	NLA	Receptacle Box Kit (220V CEE 7 Post Ground) (Includes Items 704A, 704B, 704C & 704G) (1001091971 Installation) (Use p/n 1001100343)	B
704S	0275219	NLA	Receptacle Box Kit (220V CEE 7 Side Ground) (Includes Items 704A, 704B, 704C & 704G) (1001091972 Installation) (Use p/n 1001100344)	B
704S	0275452	1	Receptacle Box Kit (220V CEE 7 Post Ground) (Includes Items 704A, 704B, 704C & 704G) (1001091973 Installation)	1
704S	0275453	1	Receptacle Box Kit (220V CEE 7 Side Ground) (Includes Items 704A, 704B, 704C & 704G) (1001091974 Installation)	1
704S	0275454	1	Receptacle Box Kit (220V AFSINT 107 Keyed Ground) (Includes Items 704A, 704B, 704C & 704G) (1001091975 Installation)	1
704S		Ref	With Generator:	
704S	1001100341	1	Receptacle Box Kit (110V IEC Yellow) (Includes Items 704A, 704B, 704C & 704G) (1001100326 Installation)	2
704S	1001100342		Receptacle Box Kit (220V IEC Blue) (Includes Items 704A, 704B, 704C & 704G) (1001100327 Installation)	2
704S	1001091971	NLA	Receptacle Box Kit (220V CEE 7 Post Ground) (Includes Items 704A, 704B, 704C & 704G) (1001100328 Installation) (Use p/n 1001100343)	B
704S	1001091970	NLA	Receptacle Box Kit (220V CEE 7 Side Ground) (Includes	B

## SECTION 7 - ELECTRICAL

ITEM	PART NUMBER	QTY	DESCRIPTION	REV
			Items 704A, 704B, 704C & 704G (1001100329 Installation) (Use p/n 1001100344)	
704S	1001100345	1	Receptacle Box Kit (220V CEE 7 Post Ground) (Includes Items 704A, 704B, 704C & 704G) (1001100331 Installation)	2
704S	1001100347	1	Receptacle Box Kit (220V CEE 7 Side Ground) (Includes Items 704A, 704B, 704C & 704G) (1001100333 Installation)	3
	1001100346	1	Receptacle Box Kit (220V AFSINT 107 Keyed Ground) (Includes Items 704A, 704B, 704C & 704G) (1001100337 Installation)	2
706		Ref	2500W Generator Electrical Components	
		Ref	<b>Note: See SPECIAL OPTIONS SPECIAL for Machines with 4000W Generator.</b>	
706	1001112743	AR	50Hz (Caterpillar and Deutz Engines)	B
706	1001112588	AR	60Hz (Caterpillar and Deutz Engines)	A
706	4933350	AR	60Hz (GM Engine)	B
706A	4922641	1	Harness - On/Off Switch	A
706B	4460226	2	Socket, Female	
706C		Ref	Harness, Powermite Control Box to Relay Options:	
706C	1001112589	1	Caterpillar and Deutz Engines	A
706C	4923445	1	GM Engine	A
706D	4460374	1	Connector, Seal Relay	
706D	4460705	4	Terminal	
706E	4460742	1	Connector, Male - 2 Position	
706E	4460743	2	Socket, Female	
706E	4460458	2	Seal	
706F	4460321	1	Connector, Male - 4 Position (60Hz Only)	
706F	4460906	4	Socket, Female (60Hz Only)	
706G	4460027	1	Receptacle, Twist Lock (110V Only)	
706H	7020193	1	Harness, Generator Power	
706J	4460961	1	Connector, Female - 4 Position	
706J	4460705	4	Pin, Male	
707	4921829	1	Generator to Rear of Boom Harness (110V)	
707	4921955	1	Generator to Rear of Boom Harness (220V)	
		Ref	<b>Note: Harness used to connect AC at platform harness to generator receptacle to power platform receptacle.</b>	
707	1060494	6 ft/1.8m	Cable, Electrical - 12/3	
707A	4460205	1	Plug, Male (110V)	
707A	4460233	1	Plug, Male (220V)	
707B	4460134	1	Receptacle, Female (110V)	
707B	4460701	1	Receptacle, Female (220V)	
708	1001094509	1	Generator Hourmeter Harness	A
709		Ref	7500W SkyPower Generator Installation	
		Ref	<b>Note: See SPECIAL OPTIONS SPECIAL for Machines with 4000W Generator.</b>	
709	1001115398	Ref	60Hz Spec and Caterpillar Engine	C
709	1001115400	Ref	50Hz Spec and Caterpillar Engine	C
709	1001115387	Ref	60Hz Spec and Deutz Engine	D
709	1001115389	Ref	50Hz Spec and Deutz Engine	D
709	0275257	Ref	60Hz Spec and GM Engine	G
		Ref	<b>Note: SkyPower Generator is Standard On ANSI and CSA Specs. Optional on All Other Specs.</b>	
709A		Ref	Receptacle, Female Twist-Lock Options: <b>(SN 0300140000 through 0300182752)</b>	
709A	4460958	1	60Hz Spec	



## SECTION 7 - ELECTRICAL

ITEM	PART NUMBER	QTY	DESCRIPTION	REV
709A	See Note	1	50Hz Spec (Note: Not Available - Purchase Locally)	
709B		Ref	Gasket Options:	
709B	3960422	2	60Hz Spec	
709B	See Note	2	50Hz Spec (Note: Not Available - Purchase Locally)	
709C		Ref	Cover, Receptacle Options:	
709C	4060700	1	60Hz Spec (Side Hinged)	
709C	1001110873	1	60Hz Spec (Top Hinged)	
709C	See Note	1	50Hz Spec (Note: Not Available - Purchase Locally)	
709D		Ref	Cover, Receptacle Options: <b>(SN 0300140000 through 0300182752)</b>	
709D	1001110872	1	60Hz Spec	
709D	See Note	1	50Hz Spec (Note: Not Available - Purchase Locally)	
709E		Ref	Receptacle Options:	
709E	4460346	1	60Hz Spec	
709E	See Note	1	50Hz Spec (Note: Not Available - Purchase Locally)	
709F	4460051	1	Connector, Strain Relief <b>(SN 0300140000 through 0300182752)</b>	
709G	4460071	1	Connector, Strain Relief	
709H	4922925	1	Harness, Generator	C
709J	4460225	1	Plug, Male - 6 Position	
709J	4460226	6	Socket, Female	
709K	See Note	1	Plug, Male - 6 Position (Note: Not Available for Purchase)	
709K	4460942	6	Socket, Female	
710		Ref	7500W SkyPower Generator Junction Box Components	
710	0861542	Ref	60Hz Spec <b>(SN 0300140000 through 0300182752)</b>	C
710	1001157592	Ref	60Hz Spec <b>(SN 0300182753 through 0300183033)</b>	D
710	0861567	Ref	50Hz Specs <b>(SN 0300140000 through 0300182752)</b>	B
710	1001157525	Ref	50Hz Specs <b>(SN 0300182753 through 0300183033)</b>	D
710A		Ref	Cable, Electrical 12/3	
710A	1060494	2 ft/.6m	60Hz Spec	
710A	See Note	2 ft/.6m	50Hz Spec (Note: Not Available - Purchase Locally)	
710B		Ref	Cable, Electrical 10/3 <b>(SN 0300140000 through 0300182752)</b>	
710B	1060708	2.5 ft /.76m	60Hz Spec	
710B	See Note	2.5 ft /.76m	50Hz Spec (Note: Not Available - Purchase Locally)	
710C	1060343	1.5 ft /.46m	Cable, Electrical 10/4 (60Hz Spec Only)	
710D	4460425	2	Connector, Strain Relief	
710E		Ref	Component Options:	
710E	4460426	2	Connector, Strain Relief (60Hz Spec Only)	
710E	4460426	1	Connector, Strain Relief (50Hz Spec Only)	
710E	3520189	1	Plug (50Hz Spec Only)	
710F	1671092	1	Cover (60Hz Spec Only)	
710F	4460963	1	Connector (60Hz Spec Only)	
711		Ref	7500W Generator Electrical Diagram Components	
711	1001112586	Ref	Caterpillar and Deutz Engine Machines	C
711	4933349	Ref	GM Engine Machines	1-A
711A		Ref	Generator Harness Options:	
711A	1001112587	1	Caterpillar and Deutz Engine Machines	A
711A	4923420	1	GM Engine Machines	1-A
711B	4460374	2	Plug, Sealed Relay	

## SECTION 7 - ELECTRICAL

ITEM	PART NUMBER	QTY	DESCRIPTION	REV
711B	4460375	AR	Terminal	
711C	4460967	1	Plug, Male - 3 Position	
711C	4460465	3	Socket, Female	
711D	2400060	1	Fuseholder	
711D	2400064	1	Fuse - 5 Amp	
711E	4460742	1	Connector, Male - 2 Position	
711E	4460743	2	Socket, Female	
711E	4460458	2	Seal	
711F	4922641	1	Switch Harness	A
711G	4460226	2	Socket, Female	
712	See Note	1	Lights Harness (Note: Not Available for Purchase)	
712	1060341	48 ft/14.6m	Cable, Electrical - 16/2	
712A	3740049	1	Relay	
712B	4922643	1	Harness, Bagged (Located at Ground Control Box) (Not Shown)	
712C	4460426	1	Connector, Strain Relief	
713		Ref	Platform Worklights Components	
713A		Ref	Platform Worklights Harness (External) Options (Includes Light and Wire Only):	
713A	2920140	2	Non-UL Spec Machines	
713A	2920095	2	UL Machines	
713B	1001098234	AR	Connector, Female - 3 Position	
713C	1001098349	1	Connector, Male - 3 Position (Platform Worklights Only)	
713D		Ref	Connector, Strain Relief Options:	
713D	4460426	1	Non-UL Spec Machines	
713D	4460598	1	UL Machines	
713E	2400070	1	Fuse - 20 Amp	
713F		Ref	Platform Worklights Main Boom Harness Options:	
713F	4922215	1	Platform Worklights Main Boom Harness 800A	
713F	4922216	1	Platform Worklights Main Boom Harness 800AJ	
713F	1060708	Ref	Cable, Electrical - 10/3 Options:	
713F	1060708	67 ft /20.4m	Cable, Electrical - 10/3, 800A	
713F	1060708	64 ft /19.5m	Cable, Electrical - 10/3, 800AJ	
713G	4922217	1	Platform Worklights Tower Boom Harness	
713G	1060708	39 ft /11.9m	Cable, Electrical - 10/3	
714	See Note	1	Soft-Touch System Harness (Note: Not Available for Purchase)	
714A	1060341	23 ft/7.1m	Cable, Electrical - 16/2	
714B		Ref	Connector, Strain Relief Options:	
714B	4460425	1	6ft Platforms	
714B	4460049	1	8ft Platforms	
714C	4460226	2	Socket, Female	
715	1001149818	1	Strobe Light Harness (USA Built Machines) <b>(SN 0300171629 through 0300183033)</b>	A
715	1001149818	1	Strobe Light Harness (China Built Machines) <b>(SN B300000767 to Present)</b>	
715A	4460320	1	Connector, Female - 2 Position	
715A	4460267	2	Pin, Male	
715B	4460897	1	Connector, Female - 2 Position	
715B	4460464	2	Pin, Male	
		Ref	<b>TOOLS</b>	

## SECTION 7 - ELECTRICAL

ITEM	PART NUMBER	QTY	DESCRIPTION	REV
801	7002821	1	Crimper (For Wire to Pin/Socket Connections) (Not Shown)	
802	7002823	1	Extractor (For Removal of Pin/Socket from Connectors) (Not Shown)	
803	4460467	1	Extractor, Pin (Blue 16-18 Gauge) (For Removal of Pin/Socket from Connectors) (Not Shown)	
803	4460510	1	Extractor, Pin (Yellow 12-14 Gauge) (For Removal of Pin/Socket from Connectors) (Not Shown)	
804	7002828	1	Stripper, Wire (Not Shown)	
805	1600244	1	Analyzer	
805A	1060633	1	Cable, Analyzer	1-A
805B	4460321	2	Plug, Male	
805B	4460226	8	Socket, Female	

Go to Discount-Equipment.com to order your parts

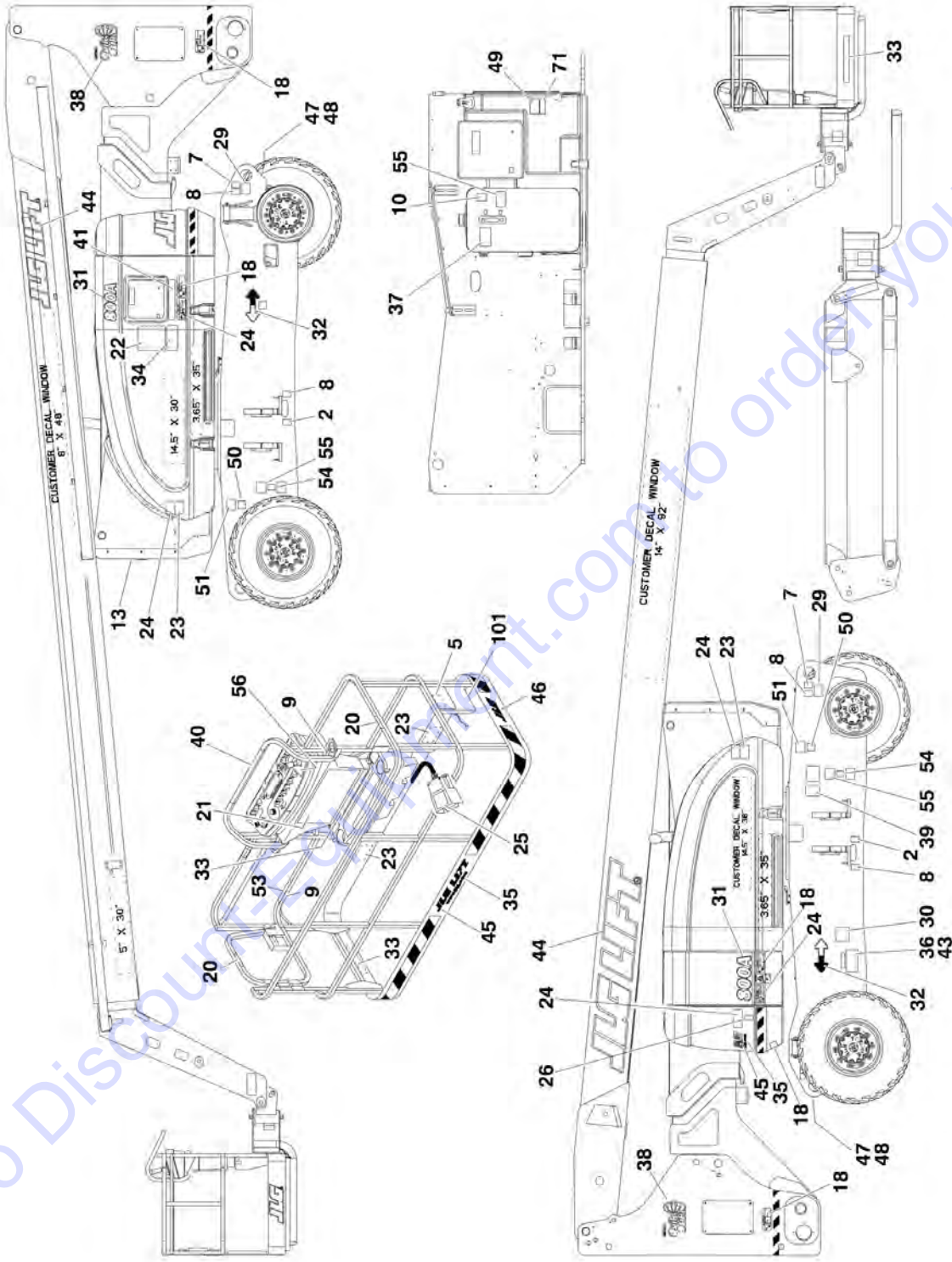


SECTION 8 - DECALS

Go to Discount-Equipment.com to order your parts

# SECTION 8 - DECALS

## FIGURE 8-1. DECAL INSTALLATION (ANSI SPEC)



## SECTION 8 - DECALS

**FIGURE 8-1. DECAL INSTALLATION (ANSI SPEC)**

ITEM	PART NUMBER	QTY	DESCRIPTION	REV
		Ref	<b>DECALS INSTALLATION</b>	
	0274519	Ref	<b>Decals Installation - JLG Logo</b>	B
	0274460	Ref	<b>Decals Installation - 800A</b>	B
	0274461	Ref	<b>Decals Installation - 800AJ</b>	B
2	1701499	2	Decal - No Tie Down/Lift	
5	1701509	1	Decal - Manual	
7	1703811	4	Decal - Tie Down/Lift	
8	1703814	6	Decal - Tie Down	
9	1704277	3	Decal - Attach Lanyard Here	
10	1704412	1	Decal - Hydraulic Oil Chart	
13	3251243	1	Nameplate - 120V-60Hz	
18	1703953	5	Decal - Warning Crushing	
20	1702868	2	Decal - No Hands	
21	1703797	1	Decal - Warning/Danger	
22	1705336	1	Decal - Warning Inspection (MTB)	
23	1703804	4	Decal - Warning Crushing	
24	1703805	5	Decal - Danger Electrocution	
25	3252347	1	Decal - Footswitch	
26	3251813	1	Decal - USA	
29	1703960	4	Decal - Max Tire Load	
30	See Note	1	Decal - Bar Code (Note: Not Available for Purchase)	
31		Ref	Decal Options:	
31	1703772	2	Decal - 800A	
31	1703773	2	Decal - 800AJ	
32	1701501	4	Decal - Arrow	
33		Ref	Decal Capacity Options:	
33		Ref	Decal Capacity 800A - Decal - 500LBS Unrestricted Capacity	
33	1704096	2	Decal - Capacity <b>(SN 0300140000 through 0300142649)</b>	
33	1001121800	2	Decal - Capacity <b>(SN 0300142650 through 0300183033)</b>	
33		Ref	Decal Capacity 800AJ - Decal - 500LBS Maximum Capacity	
33	1701645	2	Decal - Capacity <b>(SN 0300140000 through 0300142649)</b>	
33	1001121801	2	Decal - Capacity <b>(SN 0300142650 through 0300183033)</b>	
34		Ref	Decal Capacity Options:	
34		Ref	Decal Capacity 800A - Decal - 500LBS Unrestricted Capacity	
34	1707014	1	Decal - Capacity <b>(SN 0300140000 through 0300142649)</b>	
34	1001121813	1	Decal - Capacity <b>(SN 0300142650 through 0300183033)</b>	
34		Ref	Decal Capacity 800AJ - Decal - 500LBS Maximum Capacity	
34	1707013	1	Decal - Capacity <b>(SN 0300140000 through 0300142649)</b>	
34	1001121814	1	Decal - Capacity <b>(SN 0300142650 through 0300183033)</b>	
35	1704885	AR	Decal - Website	
36	See Note	1	Nameplate, Manufacturers (Note: Not Available for Purchase)	
37	1001096141	1	Decal - Upright Level Override	
38	1703959	2	Decal - Quick Stik	
39		Ref	Decal - Patent Options:	
39	1700584	1	Decal - Patent <b>(SN 0300140000 through 0300151568)</b>	
39	1001131269	1	Decal - Patent <b>(SN 0300151569 through 0300183033)</b>	
40	1001108495	1	Decal - Legend	
41	1001095809	1	Decal - Legend (MTB)	
43	3820001	4	Rivet	
44	1702861	2	Decal - JLG Lift (8in Height)	

## SECTION 8 - DECALS

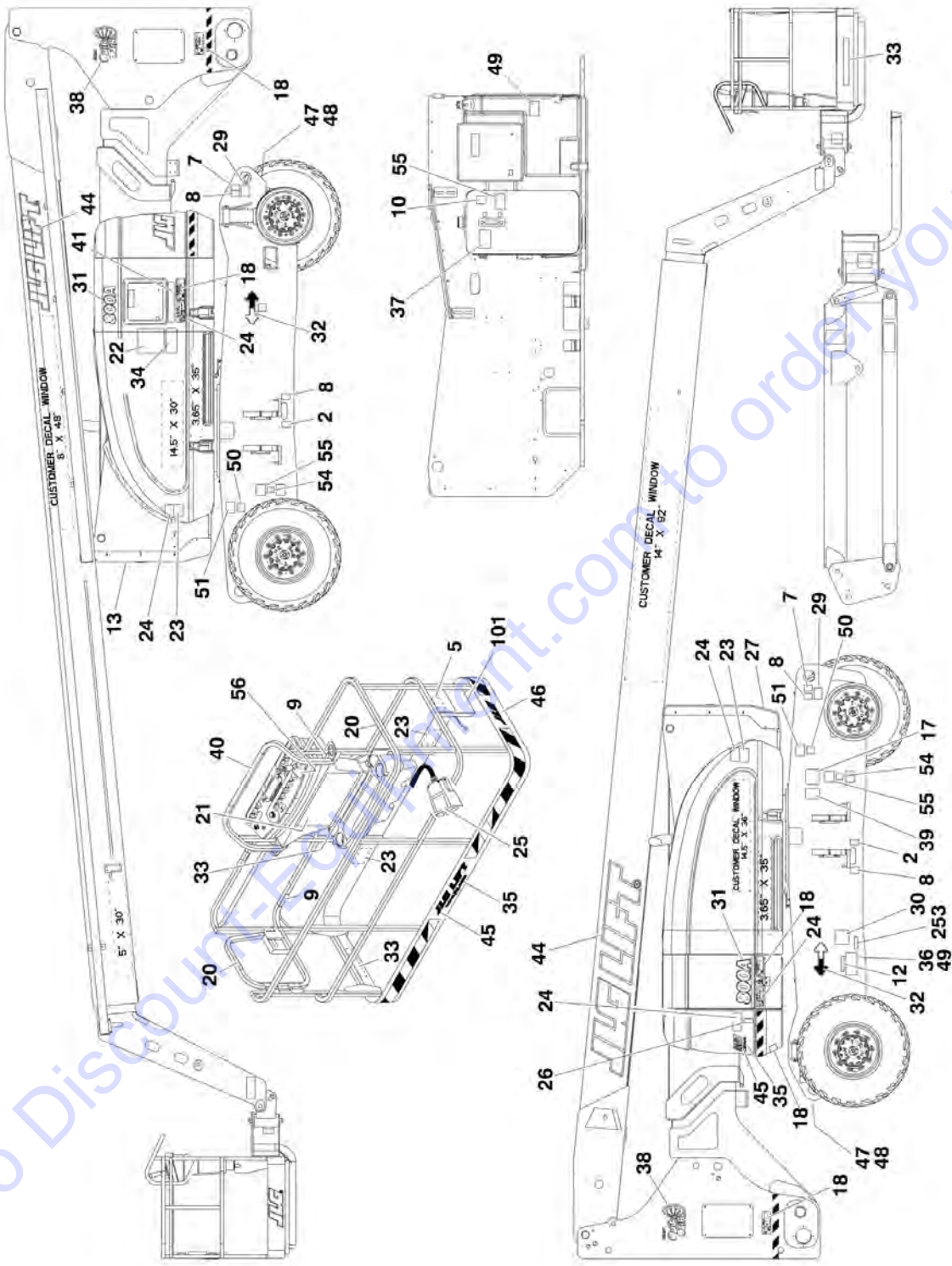
ITEM	PART NUMBER	QTY	DESCRIPTION	REV
45	1702774	1	Decal - JLG Lift (3-1/2in Height)	
46	1702773	1	Decal - JLG (5in Height)	
47	3250872	1	Nameplate - Steer/Tow Selector	
48	1705090	1	Decal - Towing Instructions	
49		Ref	Decal - Fuel	
49	1701505	1	Diesel	
49	1701542	1	Gas	
50	1701543	2	Decal - LP Gas (GM Engine Machines Only)	
51	1700818	2	Decal - LP Gas (Liquid) (GM Engine Machines Only)	
53	1703175	1	Decal - Lanyard Attach (GM Spec Only)	
54		Ref	Decal - Warning (Proposition 65) (California Spec Only)	
54	1702962	1	Diesel	
54	1702961	1	Gas	
55	1702788	1	Decal - Bio Hydraulic Fluid	
56	1705351	1	Decal - Drive Orientation	
71	1001108923	1	Decal - Low Sulfur Fuel (Caterpillar and Deutz Engine Machines)	
	0258671	Ref	<b>MANUAL STORAGE BOX INSTALLATION</b>	C
101	0860520	1	Box, Manual Storage	
101	1060279	1	Cable, Lanyard (SN 0300140000 through 0300179246)	
101	0641408	1	Bolt 1/4in-20NC x 1in (SN 0300140000 through 0300179246)	
101	0641406	4	Bolt 1/4in-20NC x 3/4in	
101	4751400	AR	Flatwasher 1/4in	
101	3311405	AR	Locknut 1/4in-20NC	





# SECTION 8 - DECALS

## FIGURE 8-2. DECAL INSTALLATION (COUNTRY SPEC)



## SECTION 8 - DECALS

**FIGURE 8-2. DECAL INSTALLATION (COUNTRY SPEC)**

ITEM	PART NUMBER	QTY	DESCRIPTION	REV
		Ref	<b>DECAL INSTALLATIONS</b>	
	0274519	Ref	<b>JLG Logo</b>	B
	0274470	Ref	<b>Decal Installations 800A Dual Language English/Chinese Decals</b>	B
	0274472	Ref	<b>Decal Installations 800A Dual Language English/French Decals</b>	B
	0274466	Ref	<b>Decal Installations 800A Dual Language English/Spanish Decals</b>	B
	0274468	Ref	<b>Decal Installations 800A Dual Language English/Portuguese Decals</b>	B
	0274462	Ref	<b>Decal Installations 800A Dual Language English/Japanese Decals</b>	B
	0274464	Ref	<b>Decal Installations 800A Dual Language English/Korean Decals</b>	B
	0274471	Ref	<b>Decal Installations 800AJ Dual Language Chinese/English Decals</b>	B
	0274473	Ref	<b>Decal Installations 800AJ Dual Language English/French Decals</b>	B
	0274467	Ref	<b>Decal Installations 800AJ Dual Language English/Spanish Decals</b>	B
	0274469	Ref	<b>Decal Installations 800AJ Dual Language English/Portuguese Decals</b>	B
	0274463	Ref	<b>Decal Installations 800AJ Dual Language English/Japanese Decals</b>	B
	0274465	Ref	<b>Decal Installations 800AJ Dual Language English/Korean Decals</b>	B
2	1701499	2	Decal - No Tie Down/Lift	
5	1701509	1	Decal - Manual	
7	1703811	4	Decal - Tie Down/Lift	
8	1703814	6	Decal - Tie Down	
9	1704277	3	Decal - Attach Lanyard Here	
10	1704412	1	Decal - Hydraulic Oil Chart	
12	1705514	1	Decal - CSA (CSA Machines Only)	
13		Ref	Nameplate - 110V/220V Options:	
13	Not Required	0	110V - Dual Language English/Chinese Decals	
13	3251243	1	110V - Dual Language English/French Decals	
13	3251243	1	110V - Dual Language English/Spanish Decals	
13	3251243	1	110V - Dual Language English/Portuguese Decals	
13	Not Required	0	110V - Dual Language English/Japanese Decals	
13	Not Required	0	110V - Dual Language English/Korean Decals	
13	3252507	1	220V - All Specs	
17		Ref	Decal - Inspection Options:	
17	Not Required	0	Dual Language English/Chinese Decals	
17	1704006	1	Dual Language English/French Decals <b>(SN 0300140000 through 0300151569)</b>	
17	1704007	1	Dual Language English/Spanish Decals <b>(SN 0300140000 through 0300151569)</b>	
17	1705901	1	Dual Language English/Portuguese Decals <b>(SN 0300140000 through 0300151569)</b>	
17	Not Required	0	Dual Language English/Japanese Decals	
17	Not Required	0	Dual Language English/Korean Decals	
18		Ref	Decal - Warning/Crushing Options:	
18	1703943	3	Dual Language English/Chinese Decals	

## SECTION 8 - DECALS

ITEM	PART NUMBER	QTY	DESCRIPTION	REV
18	1703942	3	Dual Language English/French Decals	
18	1703941	3	Dual Language English/Spanish Decals	
18	1705903	3	Dual Language English/Portuguese Decals	
18	1703944	3	Dual Language English/Japanese Decals	
18	1703945	3	Dual Language English/Korean Decals	
20		Ref	Decal - No Hands Options:	
20		Ref	Dual Language English/Chinese Decals	
20	1705968	2	Simplified	
20	1001116846	2	Traditional	
20	1704000	2	Dual Language English/French Decals	
20	1704001	2	Dual Language English/Spanish Decals	
20	1705967	2	Dual Language English/Portuguese Decals	
20	Not Required	0	Dual Language English/Japanese Decals	
20	1705969	2	Dual Language English/Korean Decals	
21		Ref	Decal - Danger/Warning Options:	
21	1703925	1	Dual Language English/Chinese Decals	
21	1703924	1	Dual Language English/French Decals	
21	1703923	1	Dual Language English/Spanish Decals	
21	1705895	1	Dual Language English/Portuguese Decals	
21	1703926	1	Dual Language English/Japanese Decals	
21	1703927	1	Dual Language English/Korean Decals	
22		Ref	Decal - Warning Inspection Options:	
22		Ref	Dual Language English/Chinese Decals	
22	1705348	1	Simplified	
22	1001116849	1	Traditional	
22	1705347	1	Dual Language English/French Decals	
22	1705917	1	Dual Language English/Spanish Decals	
22	1705896	1	Dual Language English/Portuguese Decals	
22	1705344	1	Dual Language English/Japanese Decals	
22	1705345	1	Dual Language English/Korean Decals	
23		Ref	Decal - Crushing Options:	
23	1703949	6	Dual Language English/Chinese Decals	
23	1703948	6	Dual Language English/French Decals	
23	1703947	6	Dual Language English/Spanish Decals	
23	1705898	6	Dual Language English/Portuguese Decals	
23	1703950	6	Dual Language English/Japanese Decals	
23	1703951	6	Dual Language English/Korean Decals	
24		Ref	Decal - Danger/Electrocution Options:	
24		Ref	Dual Language English/Chinese Decals	
24	1703937	4	Simplified	
24	1001116851	4	Traditional	
24	1703936	4	Dual Language English/French Decals	
24	1703935	4	Dual Language English/Spanish Decals	
24	1705897	4	Dual Language English/Portuguese Decals	
24	1703938	4	Dual Language English/Japanese Decals	
24	1703939	4	Dual Language English/Korean Decals	
25		Ref	Decal - Footswitch Options:	
25	1703982	1	Dual Language English/Chinese Decals	
25	1703984	1	Dual Language English/French Decals	
25	1703983	1	Dual Language English/Spanish Decals	
25	1705902	1	Dual Language English/Portuguese Decals	

# PARTS FINDER

**Search Website  
by Part Number**



**Search Manual  
Library For Parts  
Manual & Lookup Part  
Numbers – Purchase  
or Request Quote**

**Can't Find Part or  
Manual? Request Help  
by Manufacturer,  
Model & Description**

Discount-Equipment.com is your online resource for quality parts & equipment.

Florida: **561-964-4949** Outside Florida TOLL FREE: **877-690-3101**

## Need parts?

Click on this link: <http://www.discount-equipment.com/category/5443-parts/> and choose one of the options to help get the right parts and equipment you are looking for. Please have the machine model and serial number available in order to help us get you the correct parts. If you don't find the part on the website or on one of the online manuals, please fill out the request form and one of our experienced staff members will get back to you with a quote for the right part that your machine needs.

We sell worldwide for the brands: Genie, Terex, JLG, MultiQuip, Mikasa, Essick, Whiteman, Mayco, Toro Stone, Diamond Products, Generac Magnum, Airman, Haulotte, Barreto, Power Blanket, Nifty Lift, Atlas Copco, Chicago Pneumatic, Allmand, Miller Curber, Skyjack, Lull, Skytrak, Tsurumi, Husquvarna Target, Stow, Wacker, Sakai, Mi-T-M, Sullair, Basic, Dynapac, MBW, Weber, Bartell, Bennar Newman, Haulotte, Ditch Runner, Menegotti, Morrison, Contec, Buddy, Crown, Edco, Wyco, Bomag, Laymor, EZ Trench, Bil-Jax, F.S. Curtis, Gehl Pavers, Heli, Honda, ICS/PowerGrit, IHI, Partner, Imer, Clipper, MMD, Koshin, Rice, CH&E, General Equipment, Amida, Coleman, NAC, Gradall, Square Shooter, Kent, Stanley, Tamco, Toku, Hatz, Kohler, Robin, Wisconsin, Northrock, Oztec, Toker TK, Rol-Air, APT, Wylie, Ingersoll Rand / Doosan, Innovatech, Con X, Ammann, Mecalac, Makinex, Smith Surface Prep, Small Line, Wanco, Yanmar

## SECTION 8 - DECALS

ITEM	PART NUMBER	QTY	DESCRIPTION	REV
25	1703980	1	Dual Language English/Japanese Decals	
25	1703981	1	Dual Language English/Korean Decals	
26		Ref	Decal - USA Options:	
26	3251813	1	Dual Language English/Chinese Decals	
26	3251813	1	Dual Language English/French Decals	
26	3251813	1	Dual Language English/Spanish Decals	
26	3251813	1	Dual Language English/Portuguese Decals	
26	3251813	1	Dual Language English/Japanese Decals	
26	Not Required	0	Dual Language English/Korean Decals	
29	1703960	4	Decal - Max Tire Load	
30	See Note	1	Decal - Bar Code (Note: Not Available for Purchase)	
31		Ref	Decal Options:	
31	1703772	2	Decal - 800A	
31	1703773	2	Decal - 800AJ	
32	1701501	4	Decal- Arrow	
33		Ref	Decal - 500LBS Max Capacity Options:	
33		Ref	Decal - 500LBS Max Capacity <b>(SN 0300140000 through 0300142649)</b>	
33	1704101	2	Decal - 500LBS Max Capacity 800A Dual Language English/Chinese Decals	
33	1707060	2	Decal - 500LBS Max Capacity 800AJ Dual Language English/Chinese Decals	
33	1704099	2	Decal - 500LBS Max Capacity 800A Dual Language English/French Decals	
33	1707055	2	Decal - 500LBS Max Capacity 800AJ Dual Language English/French Decals	
33	1704098	2	Decal - 500LBS Max Capacity 800A Dual Language English/Spanish Decals	
33	1707056	2	Decal - 500LBS Max Capacity 800AJ Dual Language English/Spanish Decals	
33	1706380	2	Decal - 500LBS Max Capacity 800A Dual Language English/Portuguese Decals	
33	1707057	2	Decal - 500LBS Max Capacity 800AJ Dual Language English/Portuguese Decals	
33	1704102	2	Decal - 500LBS Max Capacity 800A Dual Language English/Japanese Decals	
33	1707059	2	Decal - 500LBS Max Capacity 800AJ Dual Language English/Japanese Decals	
33	1704103	2	Decal - 500LBS Max Capacity 800A Dual Language English/Korean Decals	
33	1707058	2	Decal - 500LBS Max Capacity 800AJ Dual Language English/Korean Decals	
33		Ref	Decal - 500LBS Max Capacity <b>(SN 0300142650 through 0300183033)</b>	
33	1001121809	2	Decal - 500LBS Max Capacity 800A Dual Language English/Chinese Decals	
33	1001121810	2	Decal - 500LBS Max Capacity 800AJ Dual Language English/Chinese Decals	
33	1001121802	2	Decal - 500LBS Max Capacity 800A Dual Language English/French Decals	
33	1001121803	2	Decal - 500LBS Max Capacity 800AJ Dual Language English/French Decals	
33	1001121804	2	Decal - 500LBS Max Capacity 800A Dual Language English/Spanish Decals	
33	1001121805	2	Decal - 500LBS Max Capacity 800AJ Dual Language English/Spanish Decals	

## SECTION 8 - DECALS

ITEM	PART NUMBER	QTY	DESCRIPTION	REV
33	1001121806	2	Decal - 500LBS Max Capacity 800A Dual Language English/Portuguese Decals	
33	1001121656	2	Decal - 500LBS Max Capacity 800AJ Dual Language English/Portuguese Decals	
33	1001121807	2	Decal - 500LBS Max Capacity 800A Dual Language English/Japanese Decals	
33	1001121808	2	Decal - 500LBS Max Capacity 800AJ Dual Language English/Japanese Decals	
33	1001122200	2	Decal - 500LBS Max Capacity 800A Dual Language English/Korean Decals	
33	1001121918	2	Decal - 500LBS Max Capacity 800AJ Dual Language English/Korean Decals	
34		Ref	Decal - 500LBS Max Capacity Options:	
34		Ref	Decal - 500LBS Max Capacity ( <b>SN 0300140000 through 0300142649</b> )	
34	1707045	1	Decal - 500LBS Max Capacity 800A Dual Language English/Chinese Decals	
34	1707044	1	Decal - 500LBS Max Capacity 800AJ Dual Language English/Chinese Decals	
34	1707046	1	Decal - 500LBS Max Capacity 800A Dual Language English/French Decals	
34	1707047	1	Decal - 500LBS Max Capacity 800AJ Dual Language English/French Decals	
34	1707048	1	Decal - 500LBS Max Capacity 800A Dual Language English/Spanish Decals	
34	1707049	1	Decal - 500LBS Max Capacity 800AJ Dual Language English/Spanish Decals	
34	1707051	1	Decal - 500LBS Max Capacity 800A Dual Language English/Portuguese Decals	
34	1707052	1	Decal - 500LBS Max Capacity 800AJ Dual Language English/Portuguese Decals	
34	1707053	1	Decal - 500LBS Max Capacity 800A Dual Language English/Japanese Decals	
34	1707054	1	Decal - 500LBS Max Capacity 800AJ Dual Language English/Japanese Decals	
34	1707043	1	Decal - 500LBS Max Capacity 800A Dual Language English/Korean Decals	
34	1707042	1	Decal - 500LBS Max Capacity 800AJ Dual Language English/Korean Decals	
34		Ref	Decal - 500LBS Max Capacity ( <b>SN 0300142650 through 0300183033</b> )	
34	1001121822	1	Decal - 500LBS Max Capacity 800A Dual Language English/Chinese Decals	
34	1001121823	1	Decal - 500LBS Max Capacity 800AJ Dual Language English/Chinese Decals	
34	1001121815	1	Decal - 500LBS Max Capacity 800A Dual Language English/French Decals	
34	1001121816	1	Decal - 500LBS Max Capacity 800AJ Dual Language English/French Decals	
34	1001121817	1	Decal - 500LBS Max Capacity 800A Dual Language English/Spanish Decals	
34	1001121818	1	Decal - 500LBS Max Capacity 800AJ Dual Language English/Spanish Decals	
34	1001121819	1	Decal - 500LBS Max Capacity 800A Dual Language English/Portuguese Decals	
34	1001121655	1	Decal - 500LBS Max Capacity 800AJ Dual Language English/Portuguese Decals	

## SECTION 8 - DECALS

ITEM	PART NUMBER	QTY	DESCRIPTION	REV
34	1001121820	1	Decal - 500LBS Max Capacity 800A Dual Language English/Japanese Decals	
34	1001121821	1	Decal - 500LBS Max Capacity 800AJ Dual Language English/Japanese Decals	
34	1001122201	1	Decal - 500LBS Max Capacity 800A Dual Language English/Korean Decals	
34	1001121921	1	Decal - 500LBS Max Capacity 800AJ Dual Language English/Korean Decals	
35	1704885	AR	Decal - Website	
36	See Note	1	Nameplate, Manufacturers (Note: Not Available for Purchase)	
37	1705977	1	Decal - Upright Level Override	
38	1703959	2	Decal - Quick Stik	
39		Ref	Decal - Patent Options:	
39	1700584	1	All Specs ( <b>SN 0300140000 through 0300151568</b> )	
39	1001131269	1	CSA Spec ( <b>SN 0300151569 through 0300183033</b> )	
40	1001108495	1	Decal - Legend	
41	1001095809	1	Decal - Legend (MTB)	
43	3820001	4	Rivet	
44	1702861	2	Decal - JLG Lift (8in Height)	
45	1702774	1	Decal - JLG Lift (3-1/2in Height)	
46	1702773	1	Decal - JLG (5in Height)	
47	3250872	1	Nameplate - Steer/Tow Selector	
48	1705090	1	Decal - Towing Instructions	
49		Ref	Decal - Fuel	
49	1701505	1	Diesel	
49	1701542	1	Gas	
50	1701543	2	Decal - LP Gas (GM Engine Machines Only)	
51		Ref	Decal - LP Gas (Liquid) (GM Engine Machines Only) Options:	
51	1700818	2	ANSI Spec	
51	1702720	2	ANSI Export	
51	1704271	2	CSA Spec	
55	1702788	1	Decal - Bio Hydraulic Fluid	
56		Ref	Decal - Drive Orientation Options:	
56	1705430	1	Dual Language English/Chinese Decals	
56	1705429	1	Dual Language English/French Decals	
56	1705910	1	Dual Language English/Spanish Decals	
56	1705905	1	Dual Language English/Portuguese Decals	
56	1705426	1	Dual Language English/Japanese Decals	
56	1705427	1	Dual Language English/Korean Decals	
	0258671	Ref	<b>MANUAL STORAGE BOX INSTALLATION</b>	C
101	0860520	1	Box, Manual Storage	
101	1060279	1	Cable, Lanyard ( <b>SN 0300140000 through 0300179246</b> )	
101	0641408	1	Bolt 1/4in-20NC x 1in ( <b>SN 0300140000 through 0300179246</b> )	
101	0641406	4	Bolt 1/4in-20NC x 3/4in	
101	4751400	AR	Flatwasher 1/4in	
101	3311405	AR	Locknut 1/4in-20NC	
	0010580	Ref	<b>ADDITIONAL DECAL COMPONENTS</b>	
253	1001143852	1	Decal - Emission Compliance ( <b>SN 0300181347 through 0300183033</b> )	





## SECTION 8 - DECALS

**FIGURE 8-3. DECAL INSTALLATION (AUSTRALIAN AND CE SPEC)**

ITEM	PART NUMBER	QTY	DESCRIPTION	REV
		Ref	<b>STANDARD DECAL INSTALLATIONS</b>	
	0274519	Ref	<b>JLG Logo</b>	B
	1001114373	Ref	<b>Australian Spec 800A</b>	B
	1001114374	Ref	<b>Australian Spec 800AJ</b>	B
	0274474	Ref	<b>CE Spec 800A</b>	B
	0274475	Ref	<b>CE Spec 800AJ</b>	B
2	1701499	2	Decal - No Tie Down/Lift	
5	1701509	1	Decal - Manual	
7	1703811	4	Decal - Tie Down/Lift	
8	1703814	6	Decal - Tie Down	
9	1704277	3	Decal - Attach Lanyard Here	
10	1704412	1	Decal - Hydraulic Oil Chart	
11		Ref	Decal - Sound Power Level Options:	
11	1705084	1	Decal - Sound Power Level ( <b>SN 0300140000 through 0300179245</b> )	
11	1705980	1	Decal - Sound Power Level ( <b>SN 0300179246 through 0300183033</b> )	
21	1705921	1	Decal - Tipping/Electrical (PLF)	
22	1705822	1	Decal - Electrical/Safety Manual	
23	1701518	10	Decal - Warning Crushing	
24	1705961	5	Decal - Danger Electrocution	
25	1705828	1	Decal - Footswitch	
29	1703960	4	Decal - Max Tire Load	
30	See Note	1	Decal - Bar Code Options (Note: Not Available for Purchase)	
31		Ref	Decal Options:	
31	1703772	2	Decal - 800A	
31	1703773	2	Decal - 800AJ	
32	1701501	4	Decal - Arrow	
33	1705978	2	Decal Capacity	
34	1705978	1	Decal Capacity	
35	1704885	AR	Decal - Website	
36	See Note	1	Nameplate, Manufacturers (Note: Not Available for Purchase)	
37	1705977	1	Decal - Upright Level Override	
38	1703959	2	Decal - Quick Stik	
39	1700584	1	Decal - Patent ( <b>SN 0300140000 through 0300151569</b> )	
42	3251242	1	Nameplate 240V-50Hz	
43	3820001	2	Rivet	
44	1702861	2	Decal - JLG Lift (8in Height)	
45	1702774	1	Decal - JLG Lift (3-1/2in Height)	
46	1702773	1	Decal - JLG (5in Height)	
47	3250872	1	Nameplate - Steer/Tow Selector	
48	1705090	1	Decal - Towing Instructions	
49	1701505	1	Decal - Fuel	
52	4420051	1	Decal - Safety Striping	
55		Ref	Decal - Bio Hydraulic Fluid Options:	
55	1702788	1	CE/Australian Spec	
55	1703479	1	German Spec	
57		Ref	Decal - Emergency Controls Options:	
57	100112551	AR	Australian Spec	
57	Not Required	0	CE Spec	

## SECTION 8 - DECALS

ITEM	PART NUMBER	QTY	DESCRIPTION	REV
	0258671	Ref	<b>MANUAL STORAGE BOX INSTALLATION</b>	C
101	0860520	1	Box, Manual Storage	
101	1060279	1	Cable, Lanyard (SN 0300140000 through 0300179246)	
101	0641408	1	Bolt 1/4in-20NC x 1in (SN 0300140000 through 0300179246)	
101	0641406	4	Bolt 1/4in-20NC x 3/4in	
101	4751400	AR	Flatwasher 1/4in	
101	3311405	AR	Locknut 1/4in-20NC	
	0010580	Ref	<b>ADDITIONAL DECAL COMPONENTS</b>	
253	1001143852	1	Decal - Emission Compliance (SN 0300181347 through 0300183033)	

Go to Discount-Equipment.com to order your parts

**SECTION 9 - RECOMMENDED SERVICE PARTS STOCK**

**SECTION 9 - RECOMMENDED SERVICE PARTS STOCK**

Go to [Discount-Equipment.com](http://Discount-Equipment.com) to order your parts

## SECTION 9 - RECOMMENDED SERVICE PARTS STOCK

FIGURE 9-1. MODEL 800A/800AJ STANDARD PARTS

ITEM	PART NUMBER	QTY	DESCRIPTION	REV
	Note	Ref	<b>Note: The following list will service one machine (built to current production per date on the front cover) with emergency repair parts which can be installed in the field. Parts from the list should be replaced when inventory is depleted to keep service parts stock supplied. For further information, go to Discount-equipment.com.</b>	
		Ref	<b>STANDARD PARTS</b>	
	2120168	4	Element, Filter	
	2120210	4	Element Filter	
	7012944	1	Coil	
	7018991	1	Coil	
	7012772	1	Coil	
	7000645	1	Coil	
	70000582	1	Coil	
	7012664	1 Dozen	Element, Air Cleaner	
	3740067	1	Relay	
	3740080	1	Relay	
	7024444	1	Breather, Hydraulic Tank	
	4360475	1	Switch, Mushroom	
	4360469	1	Switch, Key (ANSI and Australian Spec)	
	4360470	1	Switch, Key (CE Spec)	
	2860030	1	Key, Replacement	
	4360476	1	Contact, Switch Block	
	4360328	1	Switch, Toggle	
	3740049	1	Relay	
	2940074	1	Latch	
	4360387	1	Switch, Push Button	
	1001129555	1	Controller (Lift and Swing)	
	1001212415	1	Controller (Drive and Steer)	
	4360330	1	Switch, Toggle	
	4360407	1	Controller, Speed	
	2400065	2	Fuse - 30 Amp	
	3990010	2	Diode	
	70002013	1	Powertrack Repair Section	
	7020066	2	Powertrack Repair Section	



## SECTION 9 - RECOMMENDED SERVICE PARTS STOCK

FIGURE 9-2. MODEL 800A/800AJ VARIABLE PARTS

ITEM	PART NUMBER	QTY	DESCRIPTION	REV
	Note	Ref	<b>Note: The following list will service one machine (built to current production per date on the front cover) with emergency repair parts which can be installed in the field. Parts from the list should be replaced when inventory is depleted to keep service parts stock supplied. For further information, go to Discount-equipment.com.</b>	
		Ref	<b>VARIABLE PARTS</b>	
	7026811	1 Dozen	Filter, Oil (Caterpillar Engine Machines)	
	7026830	1 Dozen	Filter, Fuel (Caterpillar Engine Machines)	
	1001112067	1	Module, Engine Control (Caterpillar Engine Machines)	
	7016331	1 Dozen	Filter, Oil (Deutz Engine Machines)	
	8320270	1 Dozen	Filter, Fuel (Deutz Engine Machines)	
	7027795	1	Module, Engine Control (Deutz Engine Machines)	
	7027965	1 Dozen	Filter, Oil (GM Engine Machines)	
	7027972	1 Dozen	Filter, Fuel (GM Engine Machines)	
	70002895	1	Module, Engine Control (GM Engine Machines)	
	4360336	1	Switch, Toggle (Machines with Dual Fuel Option)	
	4360517	1	Switch, Proximity	
	1001103667	1	Module, Ground Control (Caterpillar, Deutz and GM Engines)	
	4360522	1	Switch, Toggle (Machines with Lights Option)	
	3740080	1	Relay (Machines with Generator Option)	
	4360336	1	Switch, Toggle (Machines with Generator Option)	
	4360070	1	Breaker, Circuit (Machines with SkyPower)	
	2400064	2	Fuse - 5 Amp (Machines with SkyPower)	
	4360578	1	Switch, Limit	
	4360498	1	Switch, Proximity	
	4360499	1	Switch, Proximity	
	1001094400	1	Sensor, Dual Axle	
	4360328	1	Switch, Toggle (Machines with JLG)	
	4360387	1	Switch, Push Button (Machines with Soft Touch Option)	
	1001106355	1	Controller, Module Platform	
	4360331	1	Switch, Toggle (Machines with 4WD or 4WS Options)	
	4360057	1	Switch, Limit (Machines with Soft Touch Option)	
	2400070	2	Fuse (Machines with Platform Worklights)	

**SECTION 10 - SPECIAL OPTIONS**

Go to Discount-Equipment.com to order your parts



## SECTION 10 - SPECIAL OPTIONS

FIGURE 10-1. SPECIAL OPTIONS

ITEM	PART NUMBER	QTY	DESCRIPTION	REV
	Note	Ref	<b>Note: This list is to accommodate machines ordered with special equipment. Options may not be applicable to all models. For more specific parts information go to Discount-equipment.com.</b>	
		Ref	<b>MISCELLANEOUS SPECIAL OPTIONS</b>	
	1340061	Ref	<b>Air Cleaner Pre-Cleaner</b>	
		Ref	<b>Airline to Platform Installation Options:</b>	
	0258802	Ref	1/2in 800A	
	0258805	Ref	1/2in 800AJ	
	1001093746	Ref	1/2in 800A (With Arctic Package)	
	1001092092	Ref	1/2in 800AJ (With Arctic Package)	
		Ref	<b>Bellows Installation Options:</b>	
	0258734	Ref	Boom 800A	
	0258737	Ref	Boom 800AJ	
	0258757	Ref	Chassis (Fixed Axle 2WS)	
	0258759	Ref	Chassis (Fixed Axle 4WS)	
	0258387	Ref	Chassis (Oscillating Axle 2WS)	
	0258758	Ref	Chassis (Oscillating Axle 4WS)	
	1001116474	Ref	<b>Boom Cable Installation with Communication System (800AJ ANSI Spec Only)</b>	
	2910887	Ref	<b>Boom Wear Pad Kit</b>	
	0258654	Ref	<b>Boom Wipers Installation</b>	
	0256789	Ref	<b>Camera Mount Assembly</b>	
		Ref	<b>ClearSky (Telematic) Installation (Factory Installed)</b>	
		Ref	<b>Note: Refer to Manual Supplement p/n 3128499 for available replacement parts.</b>	
		Ref	<b>ABS Hoods</b>	
	1001112990	Ref	<b>ANSI Spec</b>	
	1001112991	Ref	<b>ANSI Export and Japanese Specs</b>	
	1001112992	Ref	<b>CSA Spec</b>	
		Ref	<b>Steel Hoods</b>	
	1001118963	Ref	<b>ANSI SPEC</b>	
	1001134103	Ref	<b>Australian Spec</b>	
	1001127087	Ref	<b>Brazil and New Zealand Specs Only</b>	
	1001118964	Ref	<b>CSA SPEC</b>	
		Ref	<b>ClearSky (Telematic) Kit (Dealer Installed)</b>	
	1001119939	Ref	<b>ANSI Spec</b>	
	1001139151	Ref	<b>Australian Spec</b>	
	1001119947	Ref	<b>CSA Spec</b>	
		Ref	<b>Cold Weather Package Installation Options:</b>	
	0273575	Ref	Caterpillar Engine	
	0271912	Ref	Deutz with Glow Plugs	
	0275262	Ref	GM	
	0274883	Ref	<b>Cold Weather Transformer Installation (ANSI Export Only)</b>	
		Ref	<b>Note: Cold Weather Transformer Installation used on Deutz Engines with Cold Weather Package.</b>	
	1001109263	Ref	<b>Communication System (David Clark) Installation (800AJ ANSI Spec Only)</b>	
	1001093389	Ref	<b>Cover, Fan</b>	
	1001115918	Ref	<b>Cribbing Installation</b>	

## SECTION 10 - SPECIAL OPTIONS

ITEM	PART NUMBER	QTY	DESCRIPTION	REV
		Ref	<b>Decal Installations Options:</b>	
	1702788	Ref	Decal - Biodegradable Hydraulic Fluid (All except German Spec)	
	1001154504	Ref	Decals - Boels Rental	
	1703479	Ref	Decal - Biodegradable Hydraulic Fluid (German Spec Only)	
	1001116565	Ref	Decal - ClearSky (ANSI Spec) (ABS Hoods)	
	1001116566	Ref	Decal - ClearSky (CSA Spec) (ABS Hoods)	
	1001127094	Ref	Decal - ClearSky (ANSI, ANSI Export, CSA and Australian Spec) (Steel Hoods)	
	3252221	Ref	Decal - CSA (CSA Spec)	
	1703175	Ref	Decal - Lanyard Attach (GM K-1 Spec)	
	1702962	Ref	Decal - Prop 65 Warning (Diesel Machines) (California Spec)	
	1702961	Ref	Decal - Prop 65 Warning (Gasoline Machines) (California Spec)	
	0257195	Ref	Decals - Government Warranty	
	0274528	Ref	Decals - Head and Engquist Equipment L.L.C. (H and E)	
		Ref	Decals - Hertz Options:	
	0273249	Ref	Decals - Hertz <b>(SN 0300140000 through 0300147419)</b>	
	1001128995	Ref	Decals - Hertz <b>(SN 0300147420 through 0300183033)</b>	
	1001143077	Ref	Decals - Hewitt the Rental Store (English)	
	1001143512	Ref	Decals - Hewitt the Rental Store (French)	
	1001140644	Ref	Decals - Leavitt	
	0274248	Ref	Decals - National Equipment Services	
	1001095391	Ref	Decals - RSC Equipment Rental	
	1001120207	Ref	Decals - Sunbelt	
	0273687	Ref	Decal - SkyAir	
	0272599	Ref	Decal - SkyCutter (ANSI/ANSI Export/CSA Specs)	
	0272607	Ref	Decal - SkyCutter (Japanese Specs)	
	0272418	Ref	Decal - SkyGlazier (ANSI/ANSI Export/Australian/CSA Specs)	
	0272435	Ref	Decal - SkyPower (ANSI/ANSI Export/CSA Specs)	
	0272589	Ref	Decal - SkyPower (ANSI Export/Australian/CE/Japanese Specs)	
	1001161314	Ref	Decal - SkyPower (Brazil Specs)	
	1001161315	Ref	Decal - SkyPower (Latin American Specs)	
	0272448	Ref	Decal - SkyWelder (ANSI/ANSI Export/CSA Specs)	
	0272588	Ref	Decal - SkyWelder (ANSI Export/Australian/CE/Japanese Specs)	
	1001151081	Ref	Decals - Titan Rentals (ANSI and CSA Specs)	
	0273122	Ref	Decals - United Rentals	
	1001140293	Ref	Decals - Volvo	
	0258541	Ref	Decals - Warning Stripes	
	1282946	Ref	Decals - Warning Stripes	
		Ref	<b>Decal Kits:</b>	
	2902307	Ref	Decal Kit - Country Spec (ANSI Spec)	
	2902329	Ref	Decal Kit - Country Spec (Australian and CE Specs)	
	2902312	Ref	Decal Kit - Country Spec (Brazil Specs)	
	2902309	Ref	Decal Kit - Country Spec (Chinese Specs)	
	2902322	Ref	Decal Kit - Country Spec (CSA Specs)	
	2902308	Ref	Decal Kit - Country Spec (Japanese Specs)	
	2902310	Ref	Decal Kit - Country Spec (Korean Specs)	
	2902311	Ref	Decal Kit - Country Spec (Latin American Specs)	
	2902303	Ref	Decal Kit - Master (Common Decals)	
	1001108720	Ref	Decal Kit - Platform Decal Kit (800A)	
	1001108721	Ref	Decal Kit - Platform Decal Kit (800AJ)	
	2910872	Ref	Decal Kit - Platform Console <b>(SN 0300140000 through 0300137974)</b>	

## SECTION 10 - SPECIAL OPTIONS

ITEM	PART NUMBER	QTY	DESCRIPTION	REV
	1001119563	Ref	Decal Kit - Platform Console (SN 0300137975 through 0300183033)	
	2902353	Ref	Decal Kit - Tire Load	
	2300040	Ref	<b>Diesel Fuel - Anti-Gel</b>	
	2902396	Ref	<b>Drive/Steer Cutout Kit</b>	
	0274619	Ref	<b>Dual AC 110V GFI Installation (ANSI Export Only)</b>	
		Ref	<b>Electrical Connector Kits</b>	
	1001148902	Ref	Amp Electrical Connector Kit	
	1001148903	Ref	Deutsch DT Electrical Connector Kit	
	1001148904	Ref	Deutsch HD Electrical Connector Kit	
	1001148905	Ref	Packard Electrical Connector Kit	
	1001148906	Ref	Various Electrical Connectors Kit	
		Ref	<b>Exhaust Rain Cap Installation</b>	
	1001108962	Ref	ABS Hoods	
	1001121294	Ref	Steel Hoods (Caterpillar Engine)	
	1001121306	Ref	Steel Hoods (Deutz Engine)	
		Ref	<b>Filter Kits:</b>	
		Ref	Combined Filter Kit Options (Hydraulic/Air and Fuel/Engine Oil):	
	1001111014	1	Deutz Engine Machines	
	1001111015	1	Caterpillar Engine Machines	
	1001114056	1	GM Engine Machines	
		Ref	Hydraulic/Air Filter Options:	
	1001109717	1	Deutz Engine Machines	
	1001109717	1	Caterpillar Engine Machines	
	See Note	1	GM Engine Machines (Note: Not Available for Purchase)	
		Ref	Engine - Fuel/Engine Oil Filter Options:	
	1001110133	1	Deutz Engine Machines	
	1001110137	1	Caterpillar Engine Machines	
	See Note	1	GM Engine Machines (Note: Not Available for Purchase)	
	1001139099	Ref	<b>Fire Extinguisher Installation (20lb)</b>	
		Ref	<b>Footswitch Shield Options (Note: Move Decal to Shield):</b>	
	3380652	Ref	<b>Footswitch Shield (SN 0300140000 through 0300143927)</b>	
	1001117294	Ref	<b>Footswitch Shield (SN 0300143928 through 0300183033)</b>	
	1001139952	Ref	<b>Generator - 4000W Components:</b>	
		Ref	<b>60Hz:</b>	
	1001139952	Ref	<b>Generator 4000W 60Hz Installation (ANSI, ANSI Export, CSA and Japanese Specs)</b>	
	1001213603	Ref	<b>Generator 4000W 60 Hz Add-on Kit</b>	
	1001153328	Ref	<b>Boom Cables Installation (800A)</b>	
	1001153329	Ref	<b>Boom Cables Installation (800AJ)</b>	
	1001160272	Ref	<b>AC Cable Connector</b>	
		Ref	<b>50Hz:</b>	
	1001139953	Ref	<b>Generator 4000W 50Hz Installation (ANSI Export, Australian and Japanese Specs)</b>	
	1001211931	Ref	<b>Generator 4000W 50 Hz Add-on Kit</b>	
	0271374	Ref	<b>Boom Cables Installation (800A)</b>	
	0271376	Ref	<b>Boom Cables Installation (800AJ All Specs Except Australian Specs)</b>	
	0273434	Ref	<b>Boom Cables Installation (800AJ Australian Spec)</b>	
	1001160272	Ref	<b>AC Cable Connector</b>	
	0275261	Ref	<b>GM Engine Block Heater Installations</b>	
		Ref	<b>Hood Kit Installations (ABS to Steel)</b>	

## SECTION 10 - SPECIAL OPTIONS

ITEM	PART NUMBER	QTY	DESCRIPTION	REV
	1001121736	Ref	<b>Caterpillar Engine Machines</b>	
	1001121735	Ref	<b>Deutz Engine Machines</b>	
	1001121737	Ref	<b>GM Engine Machines</b>	
		Ref	<b>Hose Kits:</b>	
	1001210685	Ref	Hose Kit - Boom (Upper) (800A)	
	1001210687	Ref	Hose Kit - Boom (Upper) (800AJ)	
	1001241410	Ref	<b>Hostile Environment Add-on Kit (2WS with Fixed Axle) (800A)</b>	
	1001241411	Ref	<b>Hostile Environment Add-on Kit (2WS with Oscillating Axle) (800A)</b>	
	1001241412	Ref	<b>Hostile Environment Add-on Kit (4WS with Fixed Axle) (800A)</b>	
	1001204927	Ref	<b>Hostile Environment Add-on Kit (4WS with Oscillating Axle) (800A)</b>	
	1001241413	Ref	<b>Hostile Environment Add-on Kit (2WS with Fixed Axle) (800AJ)</b>	
	1001241414	Ref	<b>Hostile Environment Add-on Kit (2WS with Oscillating Axle) (800AJ)</b>	
	1001241415	Ref	<b>Hostile Environment Add-on Kit (4WS with Fixed Axle) (800AJ)</b>	
	1001204928	Ref	<b>Hostile Environment Add-on Kit (4WS with Oscillating Axle) (800AJ)</b>	
		Ref	<b>Hydraulic Fluids</b>	
	2300014	Ref	Mobil 424	
	2300027	Ref	Mobil 224H Bio	
	2300016	Ref	Mobil DTE 10 Excel 32	
	2300029	Ref	Mobil EAL ISO 46 Bio	
	2300021	Ref	Union Carbide Ucon HP5046 Fire Resistant	
	2300039	Ref	Exxon Univis Hvl (Arctic Package Only)	
	1001148971	Ref	<b>Lanyard (Bolt-On) Kit Installation</b>	
		Ref	<b>Oil Cooler Installations</b>	
	1001108701	Ref	<b>Deutz Engine Machines (SN 0300140000 through 0300161434)</b>	
	1001143950	Ref	<b>Deutz Engine Machines (SN 0300161435 through 0300183033)</b>	
	0272040	Ref	<b>GM Engine Machines</b>	
	1283309	Ref	<b>GM Engine Machines</b>	
		Ref	<b>Pipe Racks Installations</b>	
	0257728	Ref	<b>ANSI and CSA Spec</b>	
	0274661	Ref	<b>Australian Spec</b>	
	1001107497	Ref	<b>ANSI Export Spec (English/Spanish Language)</b>	
	0258703	Ref	<b>Platform Console Cover Installation</b>	
	2902232	Ref	<b>Platform Conversion Kit (Front to Side Entry) (For SkyGlazier)</b>	
	2915228	Ref	<b>Platform Conversion Kit (Front to Side Entry)</b>	
		Ref	<b>Platform Entry Kits</b>	
	1001142504	Ref	<b>Drop Bar (Replacing Swing Gate with Drop Bar)</b>	
	1001142505	Ref	<b>Swing Gate (Replacing Drop Bar with Swing Gate)</b>	
		Ref	<b>Platform Ladder Carrier Installation Options (Australian Spec Only):</b>	
	1001116419	Ref	<b>30in Platform</b>	
	1001116420	Ref	<b>36in Platform</b>	
		Ref	<b>Platform Mesh to Mid Rail Add-on Kits:</b>	
	1001214478	Ref	<b>2.5ft x 4ft Platforms with Gate (ANSI/ANSI Export and Australian Specs)</b>	
	1001214540	Ref	<b>3ft x 6ft Platforms with Gate (ANSI/ANSI Export and Australian Specs)</b>	

## SECTION 10 - SPECIAL OPTIONS

ITEM	PART NUMBER	QTY	DESCRIPTION	REV
	1001214548	Ref	<b>3ft x 8ft Platforms with Gate (ANSI/ANSI Export and Australian Specs)</b>	
		Ref	<b>Platform Mesh to Mid Rail Installations</b>	
	1001140318	Ref	<b>2.5ft x 4ft Platforms (ANSI/ANSI Export and Australian Specs)</b>	
	1001138772	Ref	<b>3ft x 6ft Platforms (ANSI/ANSI Export and Australian Specs)</b>	
	1001138773	Ref	<b>3ft x 8ft Platforms (ANSI/ANSI Export and Australian Specs)</b>	
		Ref	<b>Platform Mesh to Top Rail Add-on Kits:</b>	
	1001214552	Ref	<b>2.5ft x 4ft Platforms with Gate (ANSI/ANSI Export and Australian Specs)</b>	
	1001214561	Ref	<b>3ft x 6ft Platforms with Gate (ANSI/ANSI Export and Australian Specs)</b>	
	1001214562	Ref	<b>3ft x 8ft Platforms with Gate (ANSI/ANSI Export and Australian Specs)</b>	
		Ref	<b>Platform Mesh to Top Rail Installations</b>	
	0273147	Ref	<b>2.5ft x 4ft Platforms (ANSI/ANSI Export and CSA Specs)</b>	
	0273149	Ref	<b>3ft x 6ft Platforms (ANSI/ANSI Export and CSA Specs)</b>	
	0273145	Ref	<b>3ft x 8ft Platforms (ANSI/ANSI Export and CSA Specs)</b>	
	1702868	Ref	Decal - NO HANDS (ANSI/ANSI Export Spec)	
	1704000	Ref	Decal - NO HANDS (CSA Spec)	
	1704001	Ref	Decal - NO HANDS (ANSI Export - English/Spanish)	
	1705969	Ref	Decal - NO HANDS (ANSI Export - Korean/English)	
	1705967	Ref	Decal - NO HANDS (ANSI Export - Portuguese/English)	
		Ref	<b>Platform, Top Rail Extension</b>	
	0272733	Ref	<b>3ft x 6ft Platforms (Standard Design)</b>	
	1001110058	Ref	<b>3ft x 6ft Platforms (Raised Height Design)</b>	
	0272725	Ref	<b>3ft x 8ft Platforms (Standard Design)</b>	
	0861682	Ref	<b>Platform, Remote Control Box</b>	
	1001139944	NLA	<b>Pump Mounting Bracket Kit (Sauer Danfoss) (Use p/n 1001162546)</b>	
		Ref	<b>Sky Accessory:</b>	
		Ref	<b>Note: For Breakdown of Sky Accessories Refer to Accessory Manual p/n 3124242</b>	
	0274031	Ref	SkyAir	
		Ref	SkyGlazier Options:	
	1001101422	Ref	ANSI and CSA Specs w/o LSS	
	1001102647	Ref	Australian Specs w/o LSS	
	1001099421	Ref	ANSI Export - Spanish Language	
	1001099422	Ref	ANSI Export - Portuguese Language	
	1001115398	Ref	SkyPower - 7500W 60Hz (Caterpillar Engine) (ANSI/ANSI Export and CSA Specs)	
	1001115400	Ref	SkyPower - 7500W 50Hz (Caterpillar Engine) (ANSI Export/Australian/CE and Japanese)	
	1001115387	Ref	SkyPower - 7500W 60Hz (Deutz Engine) (ANSI/ANSI Export and CSA Specs)	
	1001115389	Ref	SkyPower - 7500W 50Hz (Deutz Engine) (ANSI Export/Australian/CE and Japanese)	
	0275257	Ref	SkyPower - 7500W 60Hz (GM Engine) (ANSI/ANSI Export and CSA Specs)	
	1001098149	Ref	SkyCutter Plasma Cutter (ANSI/ANSI Export/CSA and Japanese Specs)	
	0272254	Ref	SkyWelder (ANSI, ANSI Export and CSA Specs)	
	0272521	Ref	SkyWelder (ANSI Export and Japanese Specs)	
	0273353	Ref	SkyCutter/SkyWelder Combo (ANSI, ANSI Export and CSA)	

## SECTION 10 - SPECIAL OPTIONS

ITEM	PART NUMBER	QTY	DESCRIPTION	REV
			Specs)	
		Ref	<b>SkyGuard Component Options:</b>	
	1001143669	NLA	SkyGuard Complete Add-On Kit (UGM Machines) (Use p/n 1001206477)	
	1001206477	Ref	SkyGuard Complete Add-On Kit (Blue Beacon) (UGM Machines) (Note: Requires 7500W SkyPower Generator)	
	1001210026	Ref	SkyGuard Complete Add-On Kit (Red Beacon) (UGM Machines) (Note: Requires 7500W SkyPower Generator)	
	1001137672	Ref	SkyGuard Platform Sensor Kit (UGM Machines)	
	1001186431	2	Relay	
	1001143256	NLA	SkyGuard Blue Beacon Kit (Use p/n 1001206311)	
	1001206311	Ref	SkyGuard Strobe Light Kit - Hood Mounted (Blue Beacon)	
	1001210025	Ref	SkyGuard Strobe Light Kit - Hood Mounted (Red Beacon)	
	1001116163	Ref	<b>SkyPower Kit, Deutz 7500W (800A Only)</b>	
	0274207	Ref	<b>Slope Sensor Installation</b>	
	1001125124	Ref	<b>Soft Touch (Overhead) Installation (Chinese/Korean Specs Only)</b>	
	1001125393	Ref	<b>Soft Touch (Overhead) Kit (Chinese/Korean Specs Only)</b>	
		Ref	<b>Strobe Light Installations (Amber)</b>	
	1001152965	Ref	<b>Platform Mounted</b>	
	1001154231	Ref	<b>Platform/Ground Mounted</b>	
	1001228357	Ref	<b>Telematics Retrofit Harness Kit (Machines with UGM)</b>	
		Ref	<b>Tire Sealant Installation</b>	
	0272324	AR	Sealant, Tire (IN385/65D 19.5)	
	1300019	AR	Sealant	
	0272312	1	Decal - Tire Sealant	
	0273364	AR	Sealant, Tire (IN445/55D 19.5)	
	1300019	AR	Sealant	
	0272313	1	Decal - Tire Sealant	
		Ref	<b>Tools for Service</b>	
	1600244	1	Analyzer, Machine System	
	7002840	1	Antirotation Pin Removal Tool	
	8896941	1	Wire Stripper	
	7002821	1	Wire Crimper (To install wire ends to wires)	
	7002823	1	Pin/Socket Extractor - Universal (To Remove Pins/Sockets from Connectors)	
	4460467	1	Extractor - 16-18 Gauge (For Removal of Pin/Sockets from Deutsch Connectors)	
	4460510	1	Extractor - 12-14 Gauge (For Removal of Pin/Sockets from Deutsch Connectors)	
	7002822	1	Screwdriver, Potentiometer (To Adjust Drive Controllers)	
	7016654	1	Screwdriver, Magnetic	
	7004275	1	Seal Installation Tool - 1in	
	7004276	1	Seal Installation Tool - 1-1/2in	
	7002826	1	Seal Installation Tool - 2in	
	7016655	1	Wire Rope Sheave Gauge	
	7016652	1	Huck Bolt Fastener (For Small Huck Bolts Only)	
	70000017	1	ADE Software CD	
	1001137005	1	Software Cable Kit	
	0258918	Ref	<b>Utility Rack Installation</b>	
	1001149676	Ref	<b>UGM Conversion Kit</b>	
		Ref	<b>Weld Leads to Platform Installation Options:</b>	
	0258826	Ref	Weld Leads to Platform Installation 800A	

## SECTION 10 - SPECIAL OPTIONS

ITEM	PART NUMBER	QTY	DESCRIPTION	REV
	0258827	Ref	Weld Leads to Platform Installation 800AJ	

Go to Discount-Equipment.com to order your parts

PART NUMBER INDEX

Go to [Discount-Equipment.com](http://Discount-Equipment.com) to order your parts



# PART NUMBER INDEX

0010580.....297, 300	0258674 ..... 101	0272725 ..... 310	0275453.....281
0060066.....148, 161	0258703 ..... 309	0272733 ..... 310	0275454.....281
0060069.....143, 161	0258728 ..... 115	0272970 ..... 168	0275546.....105
0080181.....54	0258734 ..... 306	0273122 ..... 307	0275733.....164
0080201.....74	0258737 ..... 306	0273145 ..... 310	0340041.....54, 65, 74
0080241.....101	0258757 ..... 306	0273147 ..... 310	0340046.....54
0080243.....54	0258758 ..... 306	0273149 ..... 310	0360406.....30
0100009.....173, 271	0258759 ..... 306	0273249 ..... 307	0362519.....91
0100011.....11, 12, 15, 16, 27, 29, 33, 34, 54, 55, 56, 57, 62, 64, 65, 72, 74, 87, 93, 97, 101, 105, 107, 110, 111, 112, 117, 121, 125, 129, 137, 143, 144, 149, 150, 153, 157, 158, 163, 164, 168, 191, 195, 197, 201, 205, 209, 215, 219, 223, 227, 235, 241	0258802 ..... 306	0273353 ..... 310	0362726.....12, 29
0100019.....47, 131, 137, 258, 262	0258805 ..... 306	0273364 ..... 311	0362770.....105
0100020.....55, 57, 62, 72, 75, 87, 91, 131, 257, 261	0258826 ..... 311	0273378 ..... 12, 15, 27	0370022.....197
0100035.....101, 163, 164, 173	0258827 ..... 312	0273431 ..... 271	0370034.....205
0100038.....153, 195, 197, 201, 205, 209, 215, 219, 223, 227, 235, 241	0258918 ..... 311	0273432 ..... 271	0400075.....54, 62, 72
0100048 72, 97, 101, 164, 173, 270, 273	0258945 ..... 174	0273434 ..... 271, 308	0440244.....47
0100062.....76, 87, 131	0259147 ..... 47	0273484 .... 169, 174, 266	0480120.....117
0100079.....87	0259420 ..... 154	0273485 .... 169, 174, 266	0480121.....117, 121
0100081.....111, 158, 173	0270396 ..... 87	0273575 ..... 306	0480125.....131
0140001.....33	0270885 ..... 15	0273687 ..... 307	0480126.....131
0140011.....173	0270886 ..... 15	0273704 ..... 15, 27	0480129.....131
0140032.....101	0270888 ..... 15	0273706 ..... 174, 191	0480142.....125, 137
0181949.....91	0271002 ..... 47	0273824 ..... 174, 191	0561185.....153
0200048.....191	0271083 ..... 15	0274031 ..... 310	0561237.....149
0200742.....121	0271084 ..... 15	0274207 ..... 266, 311	0561295.....157
0200819.....117	0271085 ..... 15	0274232 ..... 15, 27	0630427.....163
0232121.....29, 30	0271086 ..... 15	0274248 ..... 307	0630462.....191
0255316.....47	0271090 ..... 15	0274252 ..... 29	0630464.....173
0255524.....91	0271091 ..... 15	0274264 ..... 11	0630485.....110
0256196.....16	0271340 ..... 174	0274265 ..... 11	0630491.....101
0256202.....278	0271352 ..... 29	0274266 ..... 27	0630507.....105, 110
0256789.....306	0271374 ..... 271, 308	0274267 ..... 27	0630518.....97
0256823.....107, 111	0271375 ..... 271	0274460 ..... 289	0630534.....209, 213, 223
0257195.....307	0271376 ..... 271, 308	0274461 ..... 289	0630535.....195, 197, 201, 203, 227, 229, 235, 239, 241, 243
0257728.....309	0271377 ..... 271	0274462 ..... 293	0630536.....219, 221
0257764.....153	0271422 ..... 101	0274463 ..... 293	0630537.....205, 207, 215, 217
0257887.....101, 277	0271768 ..... 101, 174	0274464 ..... 293	0630548.....97
0258076.....158	0271912 ..... 306	0274465 ..... 293	0630568.....174
0258077.....158	0272003 ..... 11	0274466 ..... 293	0641403.....163, 164
0258217.....163	0272040 ..... 309	0274467 ..... 293	0641404....122, 130, 131, 143, 149, 173
0258286.....11	0272070 ..... 144, 149	0274468 ..... 293	0641405....125, 131, 137
0258338.....163	0272131 ..... 148	0274469 ..... 293	0641406....54, 72, 74, 75, 105, 130, 168, 290, 297, 300
0258382.....87	0272254 ..... 310	0274470 ..... 293	0641407....54, 56, 64, 65, 74, 98
0258384.....164	0272259 ..... 278	0274471 ..... 293	0641408.....33, 110, 112, 164, 168, 290, 297, 300
0258387.....306	0272260 ..... 278	0274472 ..... 293	0641410.....63
0258541.....307	0272312 ..... 311	0274473 ..... 293	0641414.....173, 191
0258567.....164	0272313 ..... 311	0274474 ..... 299	0641416.33, 72, 149, 163
0258654.....306	0272322 ..... 15	0274475 ..... 299	0641418.....33, 168
0258670.....34	0272324 ..... 311	0274519 .... 289, 293, 299	0641504.....29
0258671.....290, 297, 300	0272333 ..... 15	0274528 ..... 307	0641505.....129, 137
	0272334 ..... 15	0274619 ..... 278, 308	0641506 34, 98, 105, 107, 110, 112
	0272381 ..... 143	0274640 ..... 33, 163	0641507.....54
	0272418 ..... 307	0274641 ..... 33	0641508....29, 56, 62, 73, 87, 101, 105, 110, 118, 121, 129
	0272427 ..... 174, 191	0274642 ..... 33	0641510.....65, 125
	0272429 ..... 271	0274643 ..... 33	0641512.....65
	0272430 ..... 271	0274661 ..... 309	0641514.....73
	0272431 ..... 271	0274759 ..... 105	0641516....129, 137, 144
	0272432 ..... 271	0274883 ..... 306	
	0272433 ..... 273, 278	0275039 ..... 125, 169	
	0272435 .... 132, 139, 307	0275204 ..... 271	
	0272444 ..... 191	0275216 ..... 281	
	0272448 ..... 307	0275217 ..... 281	
	0272507 ..... 101, 278	0275218 ..... 281	
	0272521 ..... 310	0275219 ..... 281	
	0272588 ..... 307	0275257 .... 137, 282, 310	
	0272589 ..... 132, 307	0275261 ..... 308	
	0272599 ..... 307	0275262 ..... 306	
	0272607 ..... 307	0275452 ..... 281	

## PART NUMBER INDEX

0641542.....	27	0701012.....	54	0961845.....	168	1001094321.....	66
0641550.....	16	0701015.....	54	0961893.....	209, 213	1001094375.....	118, 122, 126, 134, 140
0641560.....	27	0701016.....	125, 137	0961894.....	201, 203, 227, 229	1001094400.....	164, 277, 304
0641604.....	143, 149	0701210.....	117	0961895.....	195	1001094475.....	118, 122, 126, 133, 140
0641605.....	153	0701414.....	54, 65	0961897.....	235, 239, 241, 243	1001094509.....	118, 122, 126, 134, 140, 282
0641606... 33, 54, 65, 74, 75, 91, 106, 107, 143, 149, 153, 157, 158		0711025.....	64	0961901.....	205, 215	1001094595.....	56, 64, 74
0641607..... 87, 110, 149, 153, 157, 158		0711214.....	54	0961902.....	197	1001094661.....	153
0641608... 11, 12, 27, 29, 54, 55, 57, 62, 72, 75, 105, 107, 143, 149, 153, 157		0720808... 118, 122, 126, 133, 140		0961903.....	219	1001094662.....	153
0641609... 54, 65, 75, 105, 110, 115, 153, 157		0721006... 105, 118, 121, 173		0961947.....	149, 197, 199	1001094889.....	47
0641610... 34, 54, 55, 62, 65, 75, 117, 121, 153, 168		0721008.....	106, 107	0961951.....	144, 158, 201, 203, 223, 225, 227, 229	1001095354... 56, 64, 74	
0641611..... 93, 143, 149		0731005.....	191	0961977.....	231	1001095391.....	307
0641612... 72, 75, 157, 158		0741607.....	143, 149	0961986.....	54, 65, 75	1001095809.....	289, 297
0641614..... 33, 87		0741609.....	29	0962051.....	115	1001096141.....	289
0641615..... 153		0760606.....	57	0962102.....	11, 153, 157, 205, 207, 215, 217, 219, 221	1001096736.....	164
0641616..... 153		0760610.....	57	0962122.....	153	1001097051.....	272
0641618..... 131, 149		0761210.....	57	0962152.....	12, 29	1001097082.....	272
0641622..... 153		0771212.....	54	0962155.....	223, 225, 227, 229	1001097150.....	281
0641624..... 154, 158		0771415.....	131	0962156.....	223	1001097243... 12, 29, 233	
0641640..... 158		0791608.....	64	0962185.....	223	1001097407.....	16
0641652..... 241		0801132... 143, 148, 153		0962270.....	171	1001097408.....	15
0641710..... 125		0801135..... 143, 157		0962270.....	171	1001097519.....	15
0641772..... 117, 121		0801136..... 148, 157		0962292.....	29	1001097553.....	57
0641806... 153, 235, 237, 239		0801138..... 157		0962335.....	148	1001097964.....	107
0641808... 54, 55, 62, 72, 74, 130, 137		0801496..... 153		0962336.....	209, 211, 213	1001097965.....	107
0641810..... 12, 29		0801573..... 157		0962348.....	29	1001098149.....	310
0641812... 56, 64, 74, 93, 144, 150		0801585..... 157		0962356.....	233	1001098234.....	284
0641814..... 64		0801594..... 153		0962448.....	12, 29	1001098349.....	284
0641818... 65, 87, 110, 115		0860038... 130, 137, 279		0962449.....	118, 122	1001098506.....	62
0641820... 11, 54, 93, 144, 149		0860520... 290, 297, 300		0962496.....	195	1001098507.....	63
0641826..... 65, 76		0861537..... 173, 174		0962496.....	195	1001098508.....	64, 266
0641828..... 75		0861538..... 130, 137		0962520.....	130, 137	1001099051.....	66
0642010..... 55, 62, 72		0861541..... 132, 138		0962521.....	137	1001099121.....	107
0642038..... 30		0861542... 129, 132, 137, 138, 283		0962524.....	235	1001099137.....	105
0642212..... 11		0861567... 129, 132, 283		0962563.....	117	1001099138.....	105, 106
0642214..... 144, 149		0861572..... 130		1001091179.....	65	1001099139.....	107
0642612..... 101		0861682..... 310		1001091315.....	271	1001099421.....	310
0642620..... 144, 149		0861731..... 279		1001091319.....	272	1001099422.....	310
0642684..... 144, 150		0861781..... 279		1001091323.....	272	1001099637.....	62
0651406..... 33		0861880..... 281		1001091324.....	273	1001099639.....	63
0681608..... 11, 144, 150		0902143..... 105		1001091330.....	271	1001099640.....	64
0681814..... 171		0902161..... 105		1001091562.....	87	1001099837.....	158
0681822..... 171		0902206..... 101		1001091587.....	73	1001099840.....	158
0682016..... 12, 15		0902219..... 105		1001091794.....	75	1001099869.....	118, 122
0682023..... 47		0902223..... 105		1001091892.....	65, 75	1001099870.....	27
0682032..... 47		0902351..... 105		1001091928.....	87	1001100156.....	11
0682216..... 47		0902412..... 105		1001091969.....	278	1001100233.....	118, 122
0700616..... 57, 111		0902415..... 34		1001091970.....	279, 281	1001100234.....	118, 122
0700620..... 57		0902426..... 105		1001091971.....	279, 281	1001100321.....	117, 121
0700808..... 54, 57, 65		0902491..... 105		1001091972.....	279	1001100326.....	279
0700810..... 75		0902751..... 173		1001091973.....	279	1001100327.....	279
0700815..... 130		0902888..... 130, 137		1001091974.....	279	1001100328.....	279
0700816..... 117		0903056..... 93		1001091975.....	279	1001100329.....	279
0700820..... 125, 137		0903308..... 105		1001092092.....	306	1001100331.....	279
0701010..... 54, 57		0903484..... 280		1001092093.....	271	1001100333.....	279
		0903510..... 72		1001092145.....	279	1001100337.....	279
		0903697..... 280		1001092384.....	273	1001100341.....	281
		0940049..... 106, 110		1001093248.....	75	1001100342.....	281
		0940070..... 54, 65, 75		1001093382.....	55, 62, 73	1001100345.....	282
		0940071..... 105		1001093389.....	306	1001100346.....	282
		0940103..... 191		1001093746.....	306	1001100347.....	282
		0940133..... 191		1001093748.....	271	1001101060.....	47, 50
		0940134..... 191		1001093943.....	65	1001101067.....	15
		0940177..... 191		1001094101.....	65, 66	1001101191.....	280, 281

# PART NUMBER INDEX

1001101196.....280	1001110199..... 97	1001114632 ..... 74	1001118263.....111
1001101197.....280	1001110204..... 56	1001114635 ..... 74	1001118264.....111
1001101241..... 66	1001110207..... 56	1001114636 ..... 72, 112	1001118344.....111
1001101391.....106	1001110214..... 55	1001114637 ..... 74	1001118345.....111
1001101392.....106	1001110215..... 55	1001114638 ..... 72, 112	1001118416..... 173, 187
1001101422.....310	1001110221 98, 274, 275	1001115387 ..... 129, 282,	1001118417..... 173, 179
1001101600.....63	1001110222 98, 274, 275	310	1001118599..... 131
1001101623.....106	1001110225 ..... 98, 274	1001115389 ..... 129, 282,	1001118716.....111
1001101673.....106	1001110310..... 266	310	1001118963.....306
1001102290.....276	1001110311..... 97	1001115398 ..... 129, 282,	1001118964.....306
1001102291.....276	1001110312..... 97	310	1001119563.....308
1001102304.....276	1001110313..... 97	1001115400 ..... 129, 282,	1001119935.....111
1001102599..... 97	1001110314..... 97	310	1001119939.....306
1001102600.....97	1001110315..... 97	1001115404 ..... 117, 169	1001119947.....306
1001102644.....118	1001110316..... 97	1001115405 ..... 121, 169	1001120207.....307
1001102647.....310	1001110317..... 97	1001115409 ..... 121, 169	1001120508..... 111, 112
1001103667..... 97, 304	1001110318..... 97	1001115410 ..... 121	1001120962.....111
1001103810..... 12	1001110319..... 97	1001115413 ..... 117	1001121122.....111
1001104308.....66	1001110320..... 97	1001115414 ..... 117, 169	1001121123.....111
1001105833.....55	1001110321 98, 266, 275	1001115918 ..... 306	1001121294.....308
1001105872..... 75	1001110322 98, 266, 275	1001116163 ..... 311	1001121306.....308
1001106339.....274	1001110323 98, 266, 275	1001116287 ..... 62	1001121340..... 132, 133,
1001106340.....275	1001110324 98, 274, 275	1001116288 ..... 62, 276	139
1001106355..... 173, 304	1001110434 ..... 173	1001116290 ..... 111	1001121655.....296
1001106477..... 164	1001110872 ..... 129, 138,	1001116292 ..... 111	1001121656.....296
1001106481..... 164	283	1001116342 ..... 87	1001121735.....309
1001106482..... 163	1001110873 ..... 129, 138,	1001116419 ..... 309	1001121736.....309
1001106736..... 98, 275	280, 283	1001116420 ..... 309	1001121737.....309
1001106974.....93	1001111014 ..... 308	1001116456 ..... 110	1001121800.....289
1001106975.....93	1001111015 ..... 308	1001116457 ..... 110	1001121801.....289
1001106992.....264	1001111514 ..... 87	1001116474 ..... 271, 306	1001121802.....295
1001107116..... 54	1001112057 ..... 57	1001116544 ..... 75	1001121803.....295
1001107497.....309	1001112059 ..... 57	1001116545 ..... 75	1001121804.....295
1001107529.....93	1001112067 ..... 57, 304	1001116562 ..... 110	1001121805.....295
1001107530.....93	1001112068 ..... 57	1001116565 ..... 307	1001121806.....296
1001107677..... 174	1001112069 ..... 57	1001116566 ..... 307	1001121807.....296
1001107705.....55	1001112070 ..... 57	1001116595 ..... 58	1001121808.....296
1001107753..... 174, 270	1001112071 ..... 57, 277	1001116618 ..... 110	1001121809.....295
1001107926.....175	1001112072 ..... 57	1001116846 ..... 294	1001121810.....295
1001107927.....175	1001112073 ..... 57	1001116849 ..... 294	1001121813.....289
1001108256..... 174, 191	1001112075 ..... 58	1001116851 ..... 294	1001121814.....289
1001108495..... 289, 297	1001112077 ..... 55, 57	1001117040 ..... 107	1001121815.....296
1001108701..... 264, 309	1001112551 ..... 299	1001117045 ..... 105, 106	1001121816.....296
1001108720.....307	1001112570 ..... 57	1001117139 ..... 106	1001121817.....296
1001108721.....307	1001112586 ..... 132, 266,	1001117140 ..... 107	1001121818.....296
1001108763.....175	283	1001117172 ..... 169	1001121819.....296
1001108764.....175	1001112587 ..... 133, 283	1001117174 ..... 168	1001121820.....297
1001108923.....290	1001112588 ..... 266, 282	1001117209 ..... 110	1001121821.....297
1001108962.....308	1001112589 ..... 282	1001117219 ..... 110	1001121822.....296
1001109064.....57, 58	1001112592 ..... 58	1001117234 ..... 110	1001121823.....296
1001109065..... 54	1001112612 ..... 274	1001117236 ..... 110	1001121891..... 73
1001109263.....306	1001112651 ..... 12, 29	1001117249 ..... 110	1001121918.....296
1001109475.....281	1001112743 ..... 266, 282	1001117294 ..... 308	1001121921.....297
1001109477.....281	1001112762 ..... 56, 276	1001117307 ..... 110	1001122200.....296
1001109482.....281	1001112849 ..... 57	1001117320 ..... 169	1001122201.....297
1001109558.....279	1001112990 ..... 306	1001117427 ..... 168	1001123000..... 73
1001109595.....55	1001112991 ..... 306	1001117428 ..... 168, 173,	1001125124.....311
1001109648.....281	1001112992 ..... 306	270	1001125393.....311
1001109654.....281	1001113047 ..... 110	1001117441 ..... 111	1001127087.....306
1001109690.....262	1001113961 ..... 185, 187	1001117503 ..... 110	1001127094.....307
1001109717.....308	1001114056 ..... 308	1001117504 ..... 110	1001128995.....307
1001110032..... 249, 253	1001114373 ..... 299	1001117523 ..... 111	1001129555.....302
1001110033..... 249, 253	1001114374 ..... 299	1001117525 ..... 111	1001131168..... 174
1001110058.....310	1001114446 ..... 168, 174	1001117568 ..... 111	1001131269..... 289, 297
1001110133.....308	1001114448 ..... 168, 173,	1001117598 ..... 111	1001131992.....266
1001110137.....308	270	1001118133 ..... 87	1001134103.....306
1001110166.....110	1001114595 ..... 74	1001118236 ..... 111	1001137005.....311

## PART NUMBER INDEX

1001137261 .....	11	1001148904.....	308	1001214552.....	310	1320224.....	57
1001137460 .....	34, 43	1001148905.....	308	1001214561.....	310	1320250.....	153
1001137672 .....	311	1001148906.....	308	1001214562.....	310	1320251.....	153
1001137737 .....	66	1001148971.....	309	1001228009.....	143, 148, 221	1320256.....	273
1001137738 .....	64	1001149284.....	157, 235	1001228010.....	143, 148, 217	1320263.....	57, 158
1001137741 .....	64	1001149286.....	148, 157	1001228011.....	143, 225	1320288.....	158
1001137744 .....	63	1001149391.....	235, 239	1001228012.....	148, 211	1320289.....	158
1001137745 .....	62	1001149676.....	311	1001228030.....	148, 203	1320318.....	130
1001137746 .....	63	1001149818.....	284	1001228033.....	143, 199	1320323.....	72
1001137747 .....	62	1001149994.....	101	1001228041.....	143, 148, 207	1321384....	106, 107, 110
1001137898 .....	64	1001150406.....	101	1001228050.....	149, 229	1340060.....	54, 65, 75
1001137899 .....	64	1001151081.....	307	1001228086.....	153, 243	1340061.....	306
1001138430 .....	167	1001152965.....	311	1001228088.....	157, 237	1380147.....	115
1001138431 .....	167	1001153025.....	266	1001228357.....	311	1580011.....	54, 75
1001138434 .....	167	1001153282.....	66	1001241410.....	309	1580012.....	169
1001138494 .....	168	1001153328.....	308	1001241411.....	309	1580013.....	169
1001138514 .....	168	1001153329.....	308	1001241412.....	309	1600244.....	285, 311
1001138772 .....	310	1001153622.....	64, 74, 83	1001241413.....	309	1600317.....	173, 177
1001138773 .....	310	1001154231.....	311	1001241414.....	309	1600318.....	173, 185
1001138790 .....	148	1001154504.....	307	1001241415.....	309	1660239.....	54
1001138791 .....	148, 201	1001156351.....	281	1001248012.....	148, 213	1670769.....	149
1001138792 .....	148, 209	1001156352.....	281	1060279.....	290, 297, 300	1670776.....	16
1001138793 .....	149, 227	1001156819.....	73	1060341.....	191, 284	1670829.....	97, 173
1001138795 .....	209, 213	1001156823.....	72	1060343.....	132, 138, 283	1670842.....	105, 110
1001138796 .....	201, 203, 227, 229	1001156824.....	72	1060494.....	132, 138, 282, 283	1670844.....	143, 149
1001139099 .....	308	1001156825.....	72	1060625.....	56, 63, 73	1670850.....	143, 149
1001139151 .....	306	1001157520.....	132, 139	1060626.....	57, 63, 74	1670864.....	144
1001139944 .....	310	1001157521.....	132, 138	1060633.....	285	1671092... ..	132, 139, 273, 281, 283
1001139952 .....	308	1001157525.....	129, 132, 283	1060637.....	54, 62, 74	1671093.....	273, 281
1001139953 .....	308	1001157528.....	132, 138	1060708.....	132, 138, 283, 284	1671228.....	105, 106
1001140293 .....	307	1001157592.....	129, 132, 137, 138, 283	1060896.....	271, 272	1671230.....	107
1001140318 .....	310	1001158007.....	132, 139	1060902.....	272	1671231.....	106
1001140429 .....	168	1001159648.....	266	1060903.....	191	1671232.....	106
1001140644 .....	307	1001160271.....	266	1060904.....	65, 277	1671233.....	105
1001141967 .....	279	1001160272.....	308	1060908.....	281	1671249.....	105, 106
1001141968 .....	279, 280	1001161314.....	307	1060918.....	169, 270	1671311.....	137
1001141969 .....	279, 280	1001161315.....	307	1060919.....	171	1683050.....	223
1001142504 .....	309	1001161901.....	87, 88	1060978.....	272	1683053.....	209
1001142505 .....	309	1001162546.....	63	1120487.....	88	1683055.....	201, 227
1001142522 .....	83, 84	1001166538.....	189	1120510.....	144, 149	1683059.....	195
1001143077 .....	307	1001166539.....	181	1120552.....	16	1683061.....	241
1001143187 .....	261, 264	1001166539.....	181	1120601.....	106	1683071.....	205, 215
1001143188 .....	261, 264	1001166806.....	29	1180346.....	153	1683074.....	197
1001143190 .....	34	1001174486.....	72	1260017.....	29, 47	1683078.....	11, 195
1001143192 .....	263	1001177165.....	73	1260135.....	30	1683537 ... ..	143, 148, 219
1001143256 .....	311	1001186431.....	311	1282571.....	266	1683539.....	219
1001143512 .....	307	1001188840.....	153, 241	1282946.....	307	1683544.....	205
1001143669 .....	311	1001188841.....	157, 235	1283309.....	264, 309	1683547 ... ..	143, 148, 215
1001143852 .....	297, 300	1001188842.....	243	1283387.....	264	1683549.....	215
1001143950 .....	264, 309	1001188843.....	235	1300019.....	16, 311	1683606.....	153, 241
1001144018 .....	167	1001188968.....	157, 235	1320011.....	241	1683607.....	157, 235
1001144020 .....	167	1001204901.....	259, 263	1320012.....	75	1683608.....	143, 223
1001144021 .....	167	1001204927.....	309	1320016.....	54, 65, 75	1683609.....	148, 209
1001144022 .....	167	1001204928.....	309	1320022.....	55, 62, 66, 75	1683629.....	241
1001144023 .....	167	1001206311.....	311	1320127.....	91	1683632.....	241
1001144024 .....	167	1001206477.....	311	1320159.....	144	1683647.....	235
1001144025 .....	167	1001210025.....	311	1320176.....	55, 63	1683648.....	235
1001144027 .....	167	1001210026.....	311	1320218.....	91	1683663.....	235
1001144319 .....	66	1001210685.....	309	1320220.....	91	1683666.....	235
1001144320 .....	64	1001210687.....	309	1320223.....	54, 56, 57, 63, 65, 73, 75, 87	1683672.....	157, 235
1001144322 .....	63	1001211931.....	308			1683673.....	235
1001144324 .....	62	1001212415.....	302			1683675.....	235
1001144629 .....	167	1001213603.....	308			1683682.....	148, 227
1001148652 .....	157	1001214478.....	309			1683740.....	12, 29, 231
1001148902 .....	308	1001214540.....	309			1683818.....	219
1001148903 .....	308	1001214548.....	310			1683821.....	215
						1683823.....	219

# PART NUMBER INDEX

1683986.....	195	1703943.....	293	1705903.....	294	2150808.....	253
1684089.....	209	1703944.....	294	1705905.....	297	2151616.....	249, 254
1684090.....	209	1703945.....	294	1705910.....	297	2160003.....	47
1684114.....	223	1703947.....	294	1705917.....	294	2170350.....	253
1684115.....	223	1703948.....	294	1705921.....	299	2170408.....	253
1684125.....	227	1703949.....	294	1705961.....	299	2170504.....	247, 249, 253
1684126.....	227	1703950.....	294	1705967.....	294, 310	2170506.....	247, 250, 254
1684191.....	195	1703951.....	294	1705968.....	294	2170508.....	249
1684228.....	148, 201	1703953.....	289	1705969.....	294, 310	2170516.....	249
1684230.....	201	1703959.....	289, 297, 299	1705977.....	297, 299	2180125.....	91
1684232.....	201	1703960.....	289, 295, 299	1705978.....	299	2180344.....	47
1684408.....	143, 197	1703980.....	295	1705980.....	299	2180348.....	56, 62
1684497.....	143, 148, 205	1703981.....	295	1706059.....	63	2180380.....	258, 262
1700584.....	289, 297, 299	1703982.....	294	1706060.....	63	2180387.....	91
1700818.....	290, 297	1703983.....	294	1706061.....	63	2180388.....	91
1701499.....	289, 293, 299	1703984.....	294	1706062.....	63	2180389.....	91
1701501.....	289, 295, 299	1704000.....	294, 310	1706063.....	63	2180418.....	72, 91
170150555, 62, 290, 297, 299		1704001.....	294, 310	1706064.....	63	2180615.....	215, 217
1701509.....	289, 293, 299	1704006.....	293	1706098.....	63	2180724.....	258, 262
1701518.....	299	1704007.....	293	1706380.....	295	2180877.....	76
1701542.....	72, 290, 297	1704096.....	289	1706385.....	171	2200222.....	87
1701543.....	72, 290, 297	1704098.....	295	1706712.....	97	2200233.....	87
1701645.....	289	1704099.....	295	1706957.....	30	2220005.....	72
1702565.....	173	1704101.....	295	1706960.....	29	2220063.....	47
1702566.....	173	1704102.....	295	1707013.....	289	2220221.....	81, 83
1702567.....	173	1704103.....	295	1707014.....	289	2220237.....	249, 253
1702676.....	175	1704260.....	173	1707042.....	296	2220261.....	91
1702701.....	15	1704271.....	297	1707043.....	296	2220313.....	56, 62
1702720.....	297	1704277.....	289, 293, 299	1707044.....	296	2220371.....	257, 261
1702739.....	15	1704412.....	289, 293, 299	1707045.....	296	2220373.....	257, 261
1702773.....	171, 290, 297, 299	1704578.....	29	1707046.....	296	2220374.....	80, 83
1702774.....	290, 297, 299	1704885.....	289, 297, 299	1707047.....	296	2220375.....	249, 253
1702788.....	290, 297, 299, 307	1704972.....	63	1707048.....	296	2220376.....	257, 261
1702861.....	289, 297, 299	1705014.....	171	1707049.....	296	2220377.....	249, 253
1702868.....	289, 310	1705084.....	299	1707051.....	296	2220379.....	257, 261
1702938.....	174	1705090.....	29, 290, 297, 299	1707052.....	296	2220380.....	249, 253
1702941.....	57, 63, 73	1705132.....	173	1707053.....	296	2220381.....	257, 261
1702942.....	57, 63, 73	1705170.....	102, 174	1707054.....	296	2220385.....	250, 254, 257, 261
1702943.....	56, 63, 73	1705325.....	118, 122	1707055.....	295	2220386.....	249, 254
1702944.....	57, 63, 73	1705336.....	289	1707056.....	295	2220415.....	56, 64, 74, 257, 261
1702961.....	290, 307	1705336.....	289	1707057.....	295	2220418.....	91
1702962.....	290, 307	1705344.....	294	1707058.....	295	2220428.....	257, 261
1703162.....	54, 65, 75	1705345.....	294	1707059.....	295	2220451.....	65, 80, 83, 257, 261
1703175.....	290, 307	1705347.....	294	1707060.....	295	2220466.....	249, 254, 257, 261
1703479.....	299, 307	1705348.....	294	2060025.....	54, 65, 75	2220468.....	249, 253
1703772.....	289, 295, 299	1705351.....	290	2080040.....	110, 167, 169	2220473.....	249, 254, 257, 261
1703773.....	289, 295, 299	1705364.....	16	2080044.....	149	2220478.....	257, 261
1703797.....	289	1705374.....	132, 139	2110404.....	249, 254	2220479.....	80
1703804.....	289	1705375.....	132, 139	2110406.....	247, 249, 253	2220490.....	257, 261
1703805.....	289	1705376.....	132, 138	2110408.....	247, 249	2220500.....	257, 261
1703811.....	289, 293, 299	1705387.....	132, 139	2110606.....	247, 249, 253	2220501.....	249, 254, 258, 262
1703814.....	289, 293, 299	1705426.....	297	2110808.....	249, 253	2220502.....	257, 261
1703923.....	294	1705427.....	297	2110812.....	253	2220574.....	257, 261
1703924.....	294	1705429.....	297	2111212.....	249	2220577.....	258, 262
1703925.....	294	1705430.....	297	2111616.....	249, 253	222058281, 83, 249, 253, 257, 261	
1703926.....	294	1705460.....	132, 139	2120167.....	33	2220591.....	254, 258, 262
1703927.....	294	1705461.....	132	2120168.....	33, 302	2220593.....	257, 261
1703935.....	294	1705489.....	132	2120209.....	33	2220596.....	249, 253, 257, 261
1703936.....	294	1705514.....	293	2120210.....	33, 302	261	
1703937.....	294	1705822.....	299	2130404.....	253		
1703938.....	294	1705828.....	299	2130406.....	253		
1703939.....	294	1705895.....	294	2130604.....	253		
1703941.....	294	1705896.....	294	2130606.....	250, 254		
1703942.....	294	1705897.....	294	2130808.....	249, 253		
		1705898.....	294	2131616.....	253		
		1705901.....	293	2150406.....	249, 253		
		1705902.....	294	2150606.....	250, 254		

## PART NUMBER INDEX

2220602 ... 249, 253, 257, 261	2400066 ..... 275	2753118..... 258, 262	2820035 ..... 101, 169
2220603 ..... 258, 262	2400070 ..... 284, 304	2753123..... 258, 262	2820078 ..... 107, 111
2220605 ..... 257, 261	2410014 ..... 171	2753124..... 258, 262	2820233 ..... 106
2220606 ..... 263	2420165 ... 118, 122, 126, 133, 140	2753125..... 258, 262	2820234 ..... 106
2220609 ..... 258, 262	2420172 ..... 97	2753126..... 258, 262	2820235 ..... 106
2220618 ... 249, 253, 257, 261	2420203 .... 117, 121, 125	2753128..... 258, 262	2840016 ..... 115
2220619 ..... 257, 261	2460048 ..... 130, 137	2753129..... 258, 262	2860012 ..... 121
2220622 ..... 249, 254	2460049 ..... 117, 121	2753189..... 258, 262	2860030 ..... 98, 302
2220635 ..... 258	2460050 ..... 130	2753190..... 258, 262	2900708 ..... 37
2220646 ..... 80, 84	2460051 ..... 125	2753191..... 258, 262	2900756 ..... 27
2220655 ..... 258, 262	2460055 ..... 117, 121	2753192..... 257, 261	2900770 ..... 195
2220737 ..... 257, 261	2560136 ..... 173	2753195..... 257, 261	2900792 ... 197, 199, 201, 203, 205, 207, 209, 211, 213, 215, 217, 219, 221
2220738 ..... 249, 254	2560187 ..... 111	2753196..... 257, 261	2901207 ..... 34
2220765 ..... 257, 261	2580024 ..... 57, 63, 73	2753197..... 257, 261	2901271 ..... 195
2220775 ..... 258	2580050 ..... 56, 63, 73	2753199..... 257, 261	2901273 ..... 241
2220800 ..... 84	2580055 ..... 57	2753200..... 257, 261	2901301 ..... 201, 227
2220811 ..... 254	2580062 ..... 66	2753216..... 257, 261	2901303 ..... 209
2220852 ..... 257, 261	2580063 ..... 73	2753231 ..... 257, 261	2901514 ..... 215, 217
2220873 ... 257, 258, 261, 262	2600209 ..... 107	2753540..... 253	2901526 ... 199, 205, 207
2220883 23, 24, 197, 199, 201, 203, 205, 207, 209, 211, 213, 215, 217, 219, 221, 237, 239, 241, 243	2600233 ..... 106	2753549..... 253	2901537 ..... 219, 221
2220885 ... 195, 197, 201, 203, 209, 211, 213, 225, 229, 235, 239, 241, 243	2600244 ..... 105	2753550..... 249, 253	2901549 ..... 223
2220886 23, 24, 195, 237, 239, 241, 243	2600280 ..... 110	2753622..... 249, 254	2901556 ..... 197
2220888 ..... 23, 205, 207, 215, 217, 219, 221	2600281 ..... 167	2753624..... 247	2901712 ..... 235
2220893 ..... 33	2720058 .... 54, 56, 62, 75	2753625..... 250, 254	2902065 ..... 66
2220923 ..... 263	2720144 ..... 91	2753626..... 250, 254	2902232 ..... 309
2220940 ..... 249, 254	2720271 ..... 76	2753627 .... 247, 250, 254	2902303 ..... 307
2220947 ... 257, 258, 261, 262	2720392 ..... 72	2753628 ..... 254	2902307 ..... 307
2220950 ..... 258, 262	2720398 ..... 65	2753629 ..... 247	2902308 ..... 307
2220999 ..... 257, 261	2720434 ..... 54	2753630 ..... 247	2902309 ..... 307
2221024 ..... 91	2720509 ..... 54	2753634 ..... 254	2902310 ..... 307
2221036 ..... 258, 262	2720515 ..... 54	2753635 ..... 249	2902311 ..... 307
2221176 ..... 56, 62, 72	2720563 ..... 75	2753685 ..... 250	2902312 ..... 307
2221197 ..... 91	2720564 ..... 75	2753686 ..... 254	2902322 ..... 307
2221270 ..... 87	2720566 ..... 72	2753688 ..... 250	2902329 ..... 307
2300004 ..... 56	2720567 ..... 72	2753725 ..... 249	2902353 ..... 308
2300014 ..... 309	2720580 ..... 72	2753970 ..... 254	2902396 ..... 308
2300016 ..... 15, 309	2720580 ..... 72	2753971 ..... 254	2902401 ..... 62, 276
2300021 ..... 309	2750532 ..... 56, 62	2754040 ..... 254	2902443 ..... 276
2300027 ..... 309	2751032 ..... 47	2754044 ..... 253	2902456 ..... 259, 263
2300029 ..... 309	2751399 ..... 249, 253	2754238 ..... 250	2902457 ..... 259, 263
2300039 ..... 309	2751500 ..... 249, 253	2754240 ..... 250	2902459 ..... 259, 263
2300040 ..... 308	2752434 ..... 249, 253	2754242 ..... 250	2902533 ..... 74, 276
2300041 ..... 56	2752438 ..... 257, 261	2754243 ..... 250	2910872 ..... 307
2360644 ..... 13	2752453 ... 249, 253, 257	2754337 ..... 253	2910887 ..... 306
2360645 ..... 12	2752462 ..... 258, 262	2754338 ..... 254	2915094 ..... 47
2360646 ..... 13	2752463 ..... 258, 262	2754401 ..... 249, 253	2915228 ..... 309
2360647 ..... 12	2752468 ..... 257, 261	2754402 ..... 250	2920028 ..... 174
2360686 ..... 13	2752489 ..... 249, 254	2754718 ..... 253	2920029 ..... 174
2360709 ..... 13	2752494 ... 249, 253, 257, 261	2754719 ..... 254	2920095 ..... 284
2400060 ... 133, 139, 274, 284	2752494 ... 249, 253, 257, 261	2754720 ..... 254	2920110 ..... 101
2400064 ... 133, 139, 284, 304	2752585 ..... 258, 262	2754743 ..... 254	2920113 ..... 101
2400065 ..... 275, 302	2752671 ..... 258, 261	2754744 ..... 254	2920129 ..... 271, 275
	2752673 ..... 249, 253	2760105 ..... 97, 173	2920140 ..... 169, 284
	2752721 ..... 257, 261	2780227 ..... 19	2920161 ..... 101, 278
	2752754 ..... 249, 253	2780229 ..... 12	2920215 ..... 101
	2752766 ..... 258, 262	2780272 ..... 15, 19	2940045 ..... 110
	2752767 ..... 258, 262	2792365 ..... 257, 264	2940074 ..... 167, 302
	2752768 ..... 258, 262	2792366 ..... 257, 264	2940088 ..... 106, 107
	2752930 ..... 258, 262	2792629 ..... 264	2940173 ..... 110
	2752934 ..... 250, 254	2792648 ..... 247, 264	2940188 ..... 106
	2752978 ..... 258, 262	2792700 ..... 264	3020008 ..... 15
	2752997 ..... 249, 253	2792710 ..... 264	3020016 ..... 56, 65
	2753006 ..... 258, 262	2792711 ..... 253, 264	3020029 ..... 12, 29
	2753007 ..... 258, 262	2792712 ..... 249, 264	3020044 ..... 56, 65
	2753008 ..... 257, 261	2792745 ..... 253, 264	
	2753009 ..... 258, 262	2820031 .... 118, 122, 125, 131, 137, 169	
	2753010 ..... 257, 261		

## PART NUMBER INDEX

3160347.....	15, 23	3312001.....	30	3480232.....	223	3600400.....	56, 64, 74, 80
3160348.....	15, 23	3312002.....	47	3480233.....	197	3600458.....	34, 43
3200362.....	65, 75	3312602.....	101	3480234.....	235	3620033.....	65
3200406.....	54, 65	3321501.....	106	3480236.....	219	3620040.....	75
3220113.....	54	3322201.....	93	3480237.....	205	3620047.....	55
3250872.....	29, 290, 297, 299	3340764.....	158	3480238.....	215	3641533.....	133, 140
3251102.....	118, 122, 125, 169	3340828.....	153	3510822.....	167	3641569.....	191
3251242.....	299	3340833.....	241	3510830.....	167	37400497, 98, 266, 284, 302	
3251243.....	121, 125, 289, 293	3340834.....	241	3510833.....	167	3740067.....	55, 65, 75, 302
3251813.....	289, 295	3340835.....	143, 149, 153	3510868.....	171	3740080.....	66, 118, 121, 125, 131, 138, 302, 304
3252221.....	307	3340838.....	235, 237, 239	3510884.....	171	3760133.....	157
3252347.....	289	3340840.....	158	3520028.....	118	3760170.....	30, 47
3252507.....	118, 122, 293	3340859.....	154	3520030.....	110	3760367.....	223
3252764.....	129, 138	3340871.....	157	3520034.....	149	3760368.....	209
3271605.....	241	3340877.....	111	3520035.....	97, 163, 164	3760369.....	197, 201, 227
3271805.....	93, 171	3340881.....	153, 157	3520054.....	65, 173	3760370.....	195, 241
3290405.....	72	3340941.....	158	3520072.....	167, 171	3760374.....	205, 215
3290505.....	72, 118, 122	3340943.....	158	3520189.....	283	3790012.....	72, 174, 175
3290507.....	57	3340966.....	29	3520198.....	167, 168	3790044.....	56, 64, 74
3290601.....	111	3380429.....	56, 62	3536089.....	169	3820001.....	30, 289, 297, 299
3290606.....	168	3380434.....	168	3537416.....	65	3820020.....	167
3290801.....	54	3380442.....	105	3537445.....	115	3841143.....	11, 12, 29, 56, 62, 72, 143, 149, 157
3300007.....	12, 15	3380444.....	105	3537446.....	115	3841287.....	11, 143, 149
3300151.....	168	3380535.....	163, 164	3538047.....	11	3841340.....	33, 56, 62, 72, 144, 149, 154
3300205.....	97	3380652.....	308	3538758.....	158	3841356.....	143, 149
3300243.....	144, 150	3420292.....	30	3539219.....	97	3841406.....	158
3300353.....	173	3420372.....	30	3539662.....	30	3850018.....	197
3300364.....	110	3420447.....	30	3539872.....	65, 75	3890040.....	171
3300396.....	132, 138	3421565.....	47	3539877.....	11	3900054.....	171
3300408.....	97	3422446.....	56, 62, 72	3539878.....	11	3900085.....	101
3310601.....	115, 118, 122, 126, 132, 133, 138, 140	3422457.....	157	3539955.....	107, 112	3900139.....	223
3310605.....	164	3422532.....	56, 64, 74	3539957.....	56, 62, 73	3900210.....	110, 111
3310801.....	163	3422561.....	149	3539971.....	65	3900232.....	105, 106
3310805.....	91, 118, 122, 126, 133, 140, 163	3422567.....	29	3570686.....	30	3900239.....	144, 149
3311001.....	105	3422578.....	143	3570690.....	27	3900259.....	157
3311005.....	102, 106, 107, 118, 121, 125, 129, 137, 173	3422580.....	143	3570775.....	235, 239	3900262.....	154
3311401.....	29, 191	3422582.....	144	3570928.....	163	3900268.....	98
3311405.....	33, 54, 56, 64, 65, 72, 74, 75, 105, 110, 112, 125, 131, 138, 163, 164, 168, 290, 297, 300	3422583.....	149	3571712.....	105	3900272.....	56, 62
3311501.....	106, 110, 191	3422681.....	143, 149	3572280.....	75	3900283.....	158
3311505.....	27, 54, 56, 62, 65, 73, 87, 105, 111, 125, 129, 138, 144	3422683.....	143, 149	3572423.....	87	3900293.....	47
3311508.....	129	3422684.....	143, 149	3572604.....	241	3900316.....	110
3311601.....	87, 105, 110, 138, 154, 174	3422685.....	143, 149	3572605.....	241	3900363.....	111
3311602.....	154	3422686.....	143, 149	3572606.....	163	3910606.....	129, 138
3311605.....	54, 57, 63, 64, 65, 72, 75, 102, 105, 106, 110, 115, 118, 121, 149, 154, 158, 168, 171	3422687.....	143, 149	3572607.....	163	3910608.....	115, 118, 122, 126, 133, 140
3311705.....	118, 121	3422688.....	143, 149	3573001.....	29	3910610.....	132, 138
3311801.....	15, 55, 62, 131, 163	3422689.....	143, 149	3574091.....	191	3910804.....	98
3311805.....	55, 65, 74, 75, 105, 110, 115, 144, 150	3422690.....	157	3574206.....	55	3910808.....	91
		3422701.....	12, 29	3574207.....	55	3911040.....	101
		3422702.....	11, 12, 29	3574208.....	55	3930606.....	164
		3422703.....	11	3574684.....	117	3930816.....	163, 164
		3422729.....	143, 149	3575359.....	191	3930824.....	163
		3422754.....	12, 29	3575718.....	27	3931016.....	129, 137
		3422755.....	11	3576755.....	87	3931048.....	38
		3422813.....	29	3580134.....	117, 121	3931436.....	163
		3422848.....	29	3580158.....	121	3931448.....	235, 239, 241
		3422860.....	149	3580276.....	117, 121	3931464.....	163
		3422861.....	149	3580312.....	125, 138	3931508.....	241
		3422867.....	149	3580314.....	138	3931516.....	209, 223
		3422972.....	12, 29	3580317.....	131	3931620.....	197, 201, 203, 227, 229
		3430816.....	115	3580318.....	131	3931664.....	235, 239
		3450404.....	115	3580319.....	131		
		3460544.....	56	3580320.....	131		
		3470003.....	174	3580321.....	131		
		3480176.....	195	3580322.....	117		
		3480188.....	201, 227	3580324.....	125		
		3480210.....	209	3580348.....	125, 138		
		3480211.....	241	3600295.....	79, 81		

## PART NUMBER INDEX

3931720 .....	195, 241	4160143 .....	106	4460226.....	169, 182, 189,	4460598 .....	284
3932240 ...	205, 207, 215,	4160194 .....	110	270, 275, 276, 282,		4460607 .....	133, 140
217, 219, 221		4220162 .....	101	283, 284, 285		4460608 .....	276
3952020 .....	47	4220191 .....	55	4460227 ....	270, 271, 274,	4460634 .....	270, 274
3960389	64, 74, 105, 110	4240018 ....	110, 125, 130	277		4460635 .....	270, 274
3960407 .....	65	4240032 ...	101, 102, 118,	4460233.....	280, 282	4460693 .....	276
3960422 ....	129, 138, 283	122, 126, 133, 140		4460234.....	101, 102, 118,	4460701 .....	280, 282
3960438 .....	106	4240099 .....	169, 191	122, 126, 133, 140,		4460705 .....	282
3960453 .....	105	4240113 .....	87	174, 191		4460708 ....	174, 270, 275
3960461 .....	102	4280295 .....	87	4460265.....	182, 189	4460709 .....	280
3960462 ....	106, 107, 110	4300111 .....	138	4460267 ....	274, 278, 284	4460710 .....	280
3960464 .....	106, 107	4300157 .....	131	4460268.....	101, 274, 275,	4460742 ....	139, 282, 284
3960468 .....	55, 65, 75	4340706 .....	153	276, 277, 278		4460743 ....	139, 282, 284
3960469 .....	55, 65, 75	4341239 .....	75	4460315.....	131	4460761 .....	270, 274
3960470 .....	105	4341241 .....	75	4460320.....	274, 277, 278,	4460865 .....	271, 272
3960548 .....	56	4360031 .....	169	284		4460866 ....	270, 272, 274
3960549 .....	56	4360057 .....	191, 304	4460321.....	282, 285	4460871 ...	177, 179, 185,
3980007 .....	57, 63, 73	4360070 ....	132, 138, 304	4460326.....	274, 278	187, 270, 274, 275,	
3990001 .....	275	4360328 ....	98, 173, 174,	4460346.....	129, 138, 279,	276, 277	
3990010 .....	274, 302	302, 304		283		4460873 .....	270, 274
4010618 .....	168	4360330 .....	173, 302	4460374 ....	133, 139, 276,	4460874 .....	270, 275
4031608 .....	118, 122	4360331 ....	174, 175, 304	282, 283		4460875 .....	270, 275
4031709 .....	57	4360336 ....	72, 118, 122,	4460375.....	133, 139, 276,	4460876 .....	274
4031911 .....	55	125, 129, 138, 169,		284		4460878 .....	274
4032015 .....	130	174, 304		4460411 .....	133, 139	4460879 .....	270
4060092 .....	280	4360387 ...	173, 174, 302,	4460412 .....	133, 139	4460880 .....	274, 275
4060700 .....	283	304		4460413 .....	133, 139	4460887 .....	270, 274
4060802 ...	118, 122, 125,	4360407 .....	173, 302	4460414 .....	133, 139	4460891 ...	272, 275, 277,
129, 138, 169		4360436 .....	87	4460415.....	133, 139	278	
4060805 .	55, 65, 75, 158,	4360469 .....	98, 302	4460418.....	270, 274	4460892 .....	274
163		4360470 .....	98, 302	4460419.....	270, 274	4460894 .....	274, 277
4060906 .....	98	4360475 ....	98, 173, 302	4460424 ....	101, 274, 275,	4460897 ...	272, 278, 284
4060907 .....	101	4360476 ....	98, 174, 302	277		4460899 .....	276
4061032 .....	111	4360498 ....	163, 277, 304	4460425.....	132, 138, 174,	4460905 ...	174, 270, 274,
4061049 .....	131	4360499 ....	163, 277, 304	191, 283, 284		275	
4070410 .....	106	4360517 ....	94, 277, 304	4460426.....	98, 132, 138,	4460906 .....	125, 282
4070411 .....	106	4360522 ....	102, 174, 304	169, 174, 273, 283, 284		4460916 .....	277
4070412 .....	106	4360542 ....	117, 121, 125	4460428.....	174, 270	4460918 .....	277
4070450 .....	30	4360578 ....	163, 164, 304	4460434.....	271, 274	4460942 .....	283
4070560 .....	30	4400275 .....	91	4460445.....	274, 278	4460943 .....	274
4070561 .....	30	4400400 .....	87	4460457.....	275	4460944 .....	275
4070585 .....	122	4400420 .....	91	4460458....	139, 275, 276,	4460956 ...	133, 139, 281
4070863 .....	157	4400452 .....	87	282, 284		4460957 ....	133, 140, 281
4070864 .....	157	4420038 .....	87	4460460.....	275	4460958 ....	129, 138, 282
4070878 .....	11	4420051 .....	30, 299	4460464....	169, 270, 272,	4460959 .....	273
4070879 .....	11	4420060 ...	118, 122, 126,	274, 276, 278, 284		4460960 .....	273
4070897 .....	153, 157	133, 140, 163, 164		4460465....	133, 139, 271,	4460961 .....	282
4070898 .....	153, 157	4420068 .....	191	272, 274, 276, 277,		4460963 ....	132, 139, 283
4070929 .....	153	4460007 .....	174	278, 284		4460967 ....	133, 139, 284
4070944 .....	11	4460018 ...	118, 122, 126,	4460466....	271, 272, 276,	4460968 ...	118, 122, 163,
4070945 .....	11	134, 140		277		164	
4070967 .....	153	4460027 ...	117, 121, 125,	4460467.....	285, 311	4460979 .....	276
4070968 .....	153	282		4460470.....	98, 174, 270,	4461001 .....	133, 140
4070969 .....	158	4460042 .....	270	273, 275		4461005 .....	275
4070987 .....	98	4460049 .....	191, 284	4460471.....	98, 174, 270,	4461006 .....	275
4071007 .....	153	4460051 ...	131, 138, 280,	274, 275		4461008 .....	275
4071009 .....	47	283		4460473.....	271, 272	4461052 .....	275
4071052 .....	158	4460071 ...	131, 138, 169,	4460488.....	98	4461053 .....	275
4071059 .....	29	270, 280, 283		4460496.....	98	4461054 .....	275
4071122 .....	72	4460125 .....	279	4460497.....	98	4461060 .....	275
4100062 .....	258, 262	4460134 .....	280, 282	4460499.....	41, 278	4461070 .....	275
4100100 .....	209	4460190 ....	117, 121, 125	4460508.....	270, 272, 274	4461071 .....	276
4120035 .....	270, 274	4460205 .....	280, 282	4460509.....	271, 272	4461072 .....	276
4130388 .....	29	4460224 .....	270	4460510.....	285, 311	4461073 .....	276
4130389 .....	12	4460225 .....	271, 283	4460526.....	98, 274	4461074 .....	276
4130390 .....	12, 29			4460536.....	274	4461077 .....	277
4160139 .....	106			4460539.....	275	4461095 .....	275



# PART NUMBER INDEX

4461109.....276	4711600... 11, 33, 55, 56,	4845395 ..... 66	4923490.....271
4461111.....276	63, 66, 75, 106, 131,	4845411 ..... 107	4923613.....272
4461113.....276	153, 154, 157, 158, 241	4845593 ..... 143, 148	4933218.....266
4461121.....276	4711700 ..... 125	4845658 ..... 11	4933231.....266
4461122.....276	4711800... 115, 130, 138,	4845680 ..... 153	4933307.....266
4461123.....276	171	4845701 ..... 158	4933349.... 139, 266, 283
4461124.....276	4740036 ..... 30	4845702 ..... 158	4933350.....266, 282
4461157.....276	4740057 ..... 47	4845716 ..... 148	7000017.....311
4461161.....276	4740076 ..... 106	4845729 ..... 158	70000122..... 117, 121
4461196.....280	4740111 ..... 12, 29	4845730 ..... 158	70000123..... 117, 121
4461198.....279, 280	4740119 ..... 115	4846413 ..... 11	70000164..... 74
4461199.....280	4740155 ..... 29	4846452 ..... 167	70000342.....161
4461201.....279, 280	4740171 ..... 106	4846507 ..... 30	70000345..... 67
4461202.....280	4740256 ..... 12, 29	4846508 ..... 30	70000579..... 38
4461204.....279, 280	4740274 ..... 55, 66, 75	4846566 ..... 66	70000580..... 38
4461205.....280	4740362 ..... 102, 168	4846573 ..... 144, 150	70000582..... 38, 302
4461207.....279, 280	4740397 ... 122, 125, 169	4846673 ..... 191	70000583.....38
4461222.....276	4740439 ..... 149	4846790 ..... 55	70000619..... 130, 137
4461244.....279, 280	4740444 ..... 98	4846805 ..... 55	70000718.....278
4461245.....279, 280	4740463 ..... 12, 29	4846935 ..... 29	70000781..... 27
4461246.....279, 280	4740472 ..... 11	4860224 ..... 16	70000782.....50
4461249.....280	4740473 ..... 12, 29	4860225 ..... 16	70000793.....66
4520252..... 15	4740500 ..... 106	4891600 . 56, 64, 93, 115,	70000794..... 23
4520253..... 15	4740508 ..... 73	126, 138, 144, 150	70000795..... 23
4566468.....201, 227	4750600 ..... 132, 138	4891800 . 15, 64, 74, 115,	70000797..... 23
4567073.....55	4750800 .... 91, 118, 122,	144, 150	70000863..... 130, 137
4567139.....257, 261	126, 133, 140	4892000 ..... 12, 15, 47	70000912.....67
4567413.....241	4751000... 101, 102, 106,	4892600 .... 101, 144, 150	70000913.....67
4567434.....197	107, 118, 122, 125,	4920385 ..... 76	70000914.....67
4567757.....258, 262	138, 174	4921829 ..... 282	70000915.....67
4568119.....87	4751400 ... 30, 55, 56, 64,	4921927 ..... 33, 278	70000916.....67
4568721.....55	66, 74, 75, 98, 106,	4921928 ..... 34, 278	70000917.....67
4568735..... 125, 138	110, 112, 131, 163,	4921955 ..... 282	70000918.....67
4569371.....58	164, 168, 174, 191,	4922215 ..... 273, 284	70000919.....67
4569385.....72	290, 297, 300	4922216 ..... 273, 284	70000934.....33
4620135.....47	4751500 . 55, 62, 73, 106,	4922217 ..... 273, 284	70000970.....43
4640113..... 15	107, 110, 112, 118,	4922218 ..... 273	70000976.....43
4640261.....30	121, 125, 129, 191	4922219 ..... 273	70001017.....54
4640509....205, 207, 209,	4751600 ... 27, 34, 55, 57,	4922220 ..... 273	70001051.....58
211, 213, 215, 217,	66, 73, 76, 87, 91, 106,	4922557 ..... 98, 274	70001059.....43
219, 221	110, 117, 121, 138, 168	4922575 ..... 271	70001060.....43
4640605....197, 199, 201,	4751800 ... 55, 63, 74, 76,	4922576 ..... 272	70001061.....43
203, 205, 207, 219, 221	87, 93, 110, 171, 191	4922578 ..... 272, 273	70001062.....43
4640780.....258, 262	4752000 ..... 56, 63, 73	4922579 ..... 272	70001063.....43
4640858.....195	4760600 ... 118, 122, 126,	4922580 ..... 272	70001064.....43
4640866.....33	132, 133, 138, 140	4922582 ..... 271	70001065.....43
4640921.....33, 41	4761000 ..... 106	4922637 ..... 275	70001066.....43
4640922.....33, 41	4761400 ..... 98, 131	4922641 ... 133, 139, 282,	70001067.....43
4640929.....163	4761500 ..... 129, 138	284	70001068.....43
4640932....197, 199, 201,	4761600 ..... 138	4922643 ..... 266, 284	70001069.....43
203	4762000 ..... 30	4922666 ..... 174, 270	70001100..... 130, 137
4641022.....87	4770600 ..... 115	4922737 ..... 63	70001103.....88
4641027..... 215, 217	4791400...55, 66, 76, 131	4922773 ..... 273	70001120.....58
4641032.....241, 243	4811600 .... 57, 118, 122	4922774 ..... 273	70001126.....68
4641033....235, 237, 239	4811700 ..... 57, 168	4922775 ..... 273	70001132.....67
4641162.....195	481190055, 57, 117, 126,	4922868 ..... 272	70001248..... 93, 94
4641192.....37	131, 138	4922925 ... 131, 138, 283	70001384..... 130, 137
4641303.....27	4812000 ..... 57	4923379 .... 66, 266, 277	70001435.....67
4641317.....33	4812100 ..... 55, 57, 118	4923420 ..... 139, 283	70001696..... 130, 137
4641435.....163	4812200 ..... 66	4923445 ..... 282	70001697.....161
4641453.....33, 37	4821397 ..... 191	4923462 ..... 271, 272	70001742.....58
4711400....33, 62, 66, 72,	4831900 ..... 76	4923466 ..... 272	70001835.....67
75, 125, 130, 138, 163,	4832000 ..... 55	4923485 ..... 273	70001836.....67
168	4843777 ..... 30	4923486 ..... 273	70001837.....67
4711500....27, 30, 34, 55,	4844816 ..... 148	4923487 ..... 272, 273	70001838.....67
73, 87, 101, 111, 129,	4844817 ..... 148	4923488 ..... 273	70001839.....67
138, 144, 174	4844958 ..... 47	4923489 ..... 272	70001841.....67

## PART NUMBER INDEX

70001847 ..... 68	70002706 ..... 54	70002905 ..... 169	70004755 ..... 181
70001848 ..... 67	70002715 ..... 88	70002906 ..... 179	70004756 ..... 181
70001850 ..... 67	70002716 ..... 88	70002946 ..... 37	70004757 ..... 181
70001866 ..... 67	7000272 ..... 19	70003454 ..... 94	70004758 ..... 181
70001868 ..... 67	70002724 ..... 187	70003476 ..... 67	70004759 ..... 181
70001870 ..... 67	70002725 ..... 187	70003483 ..... 169	70004760 ..... 181
70001872 ..... 68, 277	70002726 ..... 187	70003631 ..... 130, 137	70004761 ..... 181
70001874 ..... 67	70002727 ..... 187	70003708 ..... 130	70004762 ..... 181
70001931 ..... 278	70002728 ..... 187	70003709 ..... 130	70004763 ..... 181
70001941 ..... 101	70002729 ..... 187	70003784 ..... 173	70004764 ..... 181
70001950 ..... 278	7000273 ..... 19	70003935 ..... 27	70004765 ..... 181
70001951 ..... 278	70002730 ..... 179	70003936 ..... 27	70004766 ..... 181
70001953 ..... 130, 137	70002731 ..... 179	70003989 ..... 44	70004767 ..... 181
70001966 ..... 130, 137	70002732 ..... 179	70003992 ..... 44	70004768 ..... 181
70001969 ..... 130	70002733 ..... 179	70003993 ..... 43	70004769 ..... 181
70001973 ..... 131, 137	70002734 ..... 179	70004125 ..... 43, 44	70004770 ..... 181
70001974 ..... 131, 137	70002735 ..... 179	70004149 ..... 87	70004771 ..... 181
70001976 ..... 38, 41	7000274 ..... 19	70004169... 130, 131, 137	70004772 ..... 181
70002013 ..... 158, 302	70002744 ..... 233	70004170 ..... 130, 131	70004773 ..... 181
70002014 ..... 158	70002745 ..... 233	70004171 ..... 130, 137	70004774 ..... 182
70002065 ..... 50	70002746 ..... 233	70004182 ..... 55	70004775 ..... 182
70002066 ..... 50	70002747 ..... 233	70004183 ..... 66	70005116 ..... 83
70002067 ..... 50	70002748 ..... 233	70004184 ..... 87	70005230 ..... 189
70002068 ..... 50	70002749 ..... 233	70004316 ..... 277	70005483 ..... 20
70002069 ..... 50	7000275 ..... 19	70004317 ..... 277	70005594 ..... 243
70002070 ..... 50	70002750 ..... 233	70004318 ..... 277	70005793 ..... 199
70002071 ..... 50	70002751 ..... 233	70004319 ..... 277	7000625 ..... 169
70002072 ..... 50	70002761 ..... 58	70004330 ..... 83	70006344 ..... 243
70002073 ..... 50	70002762 ..... 58	70004331 ..... 83	70006375 ..... 221
70002074 ..... 50	70002763 ..... 59	70004332 ..... 83	70006376 ..... 221
70002075 ..... 50	70002764 ..... 58	70004333 ..... 83	70006377 ..... 221
70002085 ..... 51	70002765 ..... 58	70004334 ..... 83	70006378 ..... 221
70002086 ..... 51	7000281 ..... 50	70004335 ..... 83	70006384 ..... 217
70002088 ..... 130, 137	70002818 ..... 133, 139	70004336 ..... 83	70006385 ..... 207, 217
7000213 ..... 19, 50	70002819 ..... 133, 139	70004337 ..... 83	70006386 ..... 217
7000217 ..... 50	7000282 ..... 19	70004338 ..... 83	70006387 ..... 217
7000220 ..... 19	70002820 ..... 133, 139	70004339 ..... 83	70006388 ..... 217
70002200 ..... 67	70002821 ..... 133, 139	70004340 ..... 83	70006389 ..... 207
70002212 ..... 93, 94	70002822 ..... 133, 139	70004341 ..... 83	70006390 ..... 207
70002234 ..... 67	70002823 ..... 133, 139	70004342 ..... 83	70006391 ..... 207
7000224 ..... 19	70002824 ..... 133, 140	70004343 ..... 83	7000645 ..... 37, 302
7000228 ..... 50	70002825 ..... 133, 140	70004344 ..... 83	70006479 ..... 243
7000229 ..... 50	70002826 ..... 133, 140	70004345 ..... 83	70006480 ..... 243
70002297 ..... 130, 137	7000283 ..... 19	70004346 ..... 83	70006568 ..... 211
7000230 ..... 50	70002833 ..... 58	70004347 ..... 83	70006569 ..... 211
7000231 ..... 19	70002834 ..... 58	70004348 ..... 83	70006570 ..... 211
7000235 ..... 19	70002835 ..... 58	70004349 ..... 83	70006571 ..... 211
7000236 ..... 19	7000284 ..... 19	70004350 ..... 83	70006572 ..... 211
70002366 ..... 225	70002843 ..... 58	70004351 ..... 83	70006590 ..... 199
7000238 ..... 19	70002844 ..... 58	70004352 ..... 83	70006596 ..... 225
7000239 ..... 19	70002845 ..... 59	70004738 ..... 189	70006601 ..... 199
70002390 ..... 27	70002846 ..... 59	70004739 ..... 189	7000663 ..... 67
7000240 ..... 19	70002847 ..... 59	70004740 ..... 189	70006642 ..... 203
70002410 ..... 199	70002848 ..... 59	70004741 ..... 189	70006643 ..... 203, 229
70002415 ..... 67	70002849 ..... 59	70004742 ..... 189	70006644 ..... 203, 229
70002416 ..... 67	70002850 ..... 59	70004743 ..... 189	70006645 ..... 203
70002417 ..... 68	70002851 ..... 59	70004744 ..... 189	70006649 ..... 213
7000246 ..... 50	70002852 ..... 58	70004745 ..... 189	70006650 ..... 213
70002460 ..... 130, 137	7000287 ..... 19	70004746 ..... 189	70006651 ..... 229
70002479 ..... 58	7000288 ..... 19	70004747 ..... 189	70006668 ..... 229
7000248 ..... 50	7000289 ..... 19	70004748 ..... 189	70006669 ..... 239
7000253 ..... 50	70002895 ..... 74, 304	70004749 ..... 189	70006670 ..... 239
7000255 ..... 50	70002898 ..... 278	70004750 ..... 189	70006671 ..... 239
7000257 ..... 50	7000290 ..... 19	70004751 ..... 189	70006672 ..... 239
70002627 ..... 278	70002902 ..... 169	70004752 ..... 181	70006728 ..... 243
7000265 ..... 12, 19	70002903 ..... 169	70004753 ..... 181	70006731 ..... 243
70002705 ..... 54	70002904 ..... 169	70004754 ..... 181	70006733 ..... 243

# PART NUMBER INDEX

70006734.....213	7004044.....51	7011333.....163	7017236.....231
70006735.....213	7004045.....51	7011342.....163	7017420.....37, 41
70006736.....213	7004047.....51	7012513 .... 117, 121, 125	7017421.....41
70006777.....225	7004049.....51	7012514 .... 117, 121, 125	7017422.....41
70006778.....225	7004275.....311	7012558 .... 117, 121, 125	7017423.....37
70006779.....225	7004276.....311	7012664 .. 54, 65, 75, 302	7017427.....37
70006780.....225	7004906.....83	7012772 .. 37, 38, 41, 302	7017428.....37, 38
70006781.....225	7004907.....83	7012773 ..... 37, 38, 41	7017466.....33
70006782.....199	7004908.....83	7012774 ..... 38, 41	7017475.....37
70006783.....199	70050801.....225	7012775 ..... 37	7017477.....38
70006784.....199	7007208.....79	7012776 ..... 41	7017478.....38
70006796.....237	7007412.....80	7012777 ..... 41	7017496.....33
70006797.....237	7007413.....79	7012914 ..... 37	7018912.....37, 38, 41
70006798.....237	7007414.....79	7012918 ..... 37	7018941.....37
70006799.....237	7007417.....79	7012941 ..... 33, 38	7018942.....38, 41
70006800.....237	7007419.....79	7012944 ..... 33, 38, 302	7018945.....38, 41
70006801.....237	7007423.....79	7012953 ..... 38, 41, 163	7018946.....41
70006802.....237	7007425.....79	7012959 ..... 33	7018947.....41
70006803.....237	7007435.....79	7012965 ..... 41	7018948.....41
70006804.....237	7007437.....24, 79	7012970 ..... 163	7018951.....38
70006921.....243	7007438.....23, 79	7012989 ..... 38	7018991.....37, 302
70006922.....243	7007439.....23, 79	7012998 ..... 37, 38, 41	7018992.....37
70006923.....243	7007441.....79	7013189 ..... 93	7018993.....37
70006924.....243	7007442.....79	7016314 ..... 88	7018994.....37
70006925.....243	7007446.....23, 79	7016319 ..... 101	7019103.....185
70006926.....243	7007452.....79	7016328 ..... 67	7019110.....185
70006927.....243	7007453.....80	7016331 ..... 67, 304	7019111.....177, 185
70006928.....243	7007454.....79	7016372 ..... 101	7019112.....185
7000731.....20	7007457.....79	7016380 ..... 101	7019114.....185
7001498.....80	7007463.....80	7016399 ..... 169	7019115.....185
7001901.....19	7007464.....80	7016652 ..... 311	7019122.....177
7001902.....19	7007465.....80	7016654 ..... 311	7019123.....177
7001903.....19	7007466.....80	7016655 ..... 311	7019141.....177
7001906.....19	7007470.....79	7016824 ..... 62, 74, 276	7019142.....177
7001928.....19	7007472.....80	7016825 62, 74, 276, 277	7019143.....177
70020808.....277	7007474.....80	7017023 ..... 50	7019144.....177
70022564.....199	7007475.....80	7017027 ..... 19	7019145.....177
70023915.....211	7007478.....80	7017028 ..... 50	7019147.....177
70027259.....237	7007483.....80	7017033 ..... 19	7019149.....177
7002821.....285, 311	7007484.....80	7017047 ..... 19	7019150.....177
7002822.....311	7007485.....80	7017048 ..... 19	7019151.....185
7002823.....285, 311	7007487.....80	7017050 ..... 19	7019154.....185
7002826.....311	7007488.....80	7017051 ..... 12	7019155.....185
7002828.....285	7007494.....79	7017052 ..... 12	7019160.....185
7002840.....311	7007496.....80	7017053 ..... 12	7019161.....185
7003928.....177, 179	7007497.....80, 277	7017054 ..... 12	7019162.....185, 187
7003933.....185	7007498.....80, 277	7017055 ..... 12	7019164.....185, 187
7003935.....185	7007633.....50	7017056 ..... 12	7019165.....185, 187
7003941.....185, 187	7010116.....80	7017057 ..... 12	7019166.....185
7003946.....185	7010122.....80	7017058 ..... 12	7019167.....185, 187
7003953.....177	7010404.....12	7017068 ..... 20	7019168.....185
7003969.....185	7010405.....12	7017070 ..... 50	7019171.....177
7003972.....185, 187	7010406.....12	7017072 ..... 50	7019174.....177
7003973.....185, 187	7010464.....19	7017080 ..... 50	7019177.....177
7003976.....177	7010492.....50	7017085 ..... 50	7019194.....185, 187
7003977.....177	7010542.....37	7017158 ..... 161	7019197.....177
7003980.....185, 187	7010543.....33, 37, 38	7017159 ..... 161	7019658.....87
7003982.....187	7010545.....37	7017162 ..... 161	7019680.... 117, 121, 125
7003983.....185, 187	7010903.....43	7017163 ..... 161	7020020.....33
7003986.....185	7010944.....43	7017164 ..... 161	7020021.....33
7003989.....185, 187	7011008.....43	7017183 ..... 161	7020064.....153
7003992.....177, 185	7011022.....43	7017193 ..... 161	7020065.....153
7003993.....177, 185	7011043.....43	7017210 ..... 231	7020066.....153, 302
7003994.....185	7011044.....43	7017211 ..... 231	7020067.....153
7004035.....50	7011048.....43	7017213 ..... 231	7020108.... 117, 121, 125
7004036.....50	7011112 ... 197, 199, 201,	7017214 ..... 231	7020109.... 117, 121, 125
7004043.....51	203	7017215 ..... 231	7020110.... 117, 121, 125

## PART NUMBER INDEX

7020111 .... 117, 121, 125	7022372 ..... 24	7024453..... 51	7026815 ..... 59
7020175 ..... 98, 173	7022397 ..... 27	7024454..... 50	7026816 ..... 58
7020176 ..... 98, 173	7022399 ..... 27	7024455..... 51	7026817 ..... 58
7020190 .... 117, 121, 125	7022721 ..... 58	7024456..... 51	7026818 ..... 58
7020193 ..... 282	7022808 ..... 177, 179	7024457..... 51	7026819 ..... 58
7020246 ..... 97	7022812 ..... 185	7024458..... 51	7026820 ..... 58
7020408 ..... 67	7022814 ..... 177	7024481..... 88	7026821 ..... 58
7020449 ..... 67	7022815 ..... 177, 179	7024485..... 130, 137	7026822 ..... 58
7020459 ..... 67	7022816 ..... 177	7024488..... 130, 137	7026826 ..... 58
7020465 ..... 67	7022817 ..... 177	7024489..... 130, 137	7026827 ..... 59
7020468 ..... 67	7022818 ..... 177	7024508..... 235, 237, 239	7026828 ..... 58
7020471 ..... 67	7022819 .... 177, 179, 270	7024560..... 66	7026829 ..... 58
7020479 ..... 67	7022822 ..... 185	7024565..... 67	7026830 ..... 58, 304
7020487 ..... 67	7022823 ..... 185	7024579..... 67	7026831 ..... 58
7021200 ..... 79	7022824 ..... 185	7024598..... 115	7026832 ..... 58
7021201 ..... 79	7022825 ..... 270	7024704..... 50	7026833 ..... 58
7021202 ..... 79	7023023 ..... 231	7024717..... 20	7026839 ..... 58
7021203 ..... 79	7023318 ..... 50	7024718..... 20	7027004 ..... 62, 276
7021205 ..... 79	7023907 ..... 23	7024762..... 50	7027015 ..... 74, 276
7021206 ..... 80	7023908 ..... 23	7024763..... 20, 50	7027017 ..... 74, 277
7021207 ..... 79	7023910 ..... 23	7024781..... 19	7027018 ..... 74, 276
7021208 ..... 79	7023917 ..... 27	7024782..... 19	7027028 ..... 56, 276
7021209 ..... 79	7023933 ..... 27	7024783..... 19	7027029 ..... 57, 276
7021212 ..... 79	7023956 ..... 56, 64, 74	7024784..... 50	7027030 ..... 57, 276
7021213 ..... 79	7023967 ..... 56, 64, 74	7024828..... 80	7027031 ..... 57, 276
7021214 ..... 80	7023977 ..... 79	7024854..... 24	7027412 ..... 55
7021218 ..... 80	7024100 ..... 51	7024862..... 23	7027740 ..... 23
7021219 ..... 80	7024145 ..... 19	7024867..... 23	7027741 ..... 24
7021220 ..... 80	7024146 ..... 19	7024868..... 23	7027790 ..... 67
7021221 ..... 80	7024147 ..... 19	7024871..... 24	7027791 ..... 67
7021222 ..... 80	7024148 ..... 19	7024881..... 27	7027792 ..... 67
7021223 ..... 80	7024149 ..... 19	7026188..... 131, 137	7027793 ..... 277
7021226 ..... 80	7024151 ..... 19	7026197..... 93	7027795 ..... 67, 304
7021227 ..... 80	7024154 ..... 19	7026199..... 117, 121, 125	7027796 ..... 67, 277
7021228 ..... 80	7024155 ..... 19	7026503..... 93	7027799 ..... 130, 137
7021229 ..... 80	7024182 ..... 19, 20	7026504..... 93	7027887 ..... 117, 125
7021230 ..... 80	7024189 ..... 20	7026505..... 93	7027965 ..... 74, 304
7021231 ..... 80	7024190 ..... 20	7026506..... 93	7027972 ..... 74, 304
7021232 ..... 80	7024191 ..... 20	7026507..... 93	7027989 ..... 278
7021249 ..... 23	7024192 ..... 20	7026509..... 93	7027991 ..... 278
7021275 ..... 23	7024193 ..... 20	7026511..... 93	77143013 ..... 97
7021276 ..... 23	7024194 ..... 20	7026597 ..... 131, 137	80424002 ..... 50
7021277 ..... 23	7024195 ..... 20	7026608..... 67	80424043 ..... 51
7021310 ..... 38	7024196 ..... 20	7026626..... 130, 137	80934561 ..... 93
7021311 ..... 38	7024197 ..... 20	7026631..... 66	8180311 ..... 75
7021601 ..... 38	7024379 ..... 51	7026800..... 58	8229242 ..... 274
7021602 ..... 37	7024380 ..... 51	7026801..... 58	8303541 ..... 57
7021625 ..... 27	7024381 ..... 51	7026802..... 58	8320270 ..... 304
7021639 ..... 27	7024390 ..... 51	7026803..... 58	8405009 ..... 55
7022302 ..... 23	7024396 ..... 51	7026804..... 58	8405104 ..... 55
7022305 ..... 23	7024397 ..... 241, 243	7026805..... 58	8406009 ..... 57
7022310 ..... 23	7024404 ..... 93	7026806..... 58	8406105 ..... 57
7022311 ..... 23	7024439 ..... 88	7026807..... 59	8406109 ..... 58
7022312 ..... 23	7024440 ..... 88	7026808..... 59	8770050 ..... 84
7022313 ..... 23	7024441 ..... 88	7026809..... 59	88521008 ..... 163
7022314 ..... 23	7024442 ..... 88	7026810..... 58	88521205 ..... 55, 63, 73
7022326 ..... 24	7024443 ..... 88	7026811..... 58, 304	8896941 ..... 311
7022328 ..... 24	7024444 ..... 88, 302	7026812..... 58	91401281 ..... 55, 62, 73
7022368 ..... 23	7024445 ..... 88	7026813..... 58	
7022371 ..... 24	7024446 ..... 88	7026814..... 59	

# PARTS FINDER

**Search Website  
by Part Number**



**Search Manual  
Library For Parts  
Manual & Lookup Part  
Numbers – Purchase  
or Request Quote**

**Can't Find Part or  
Manual? Request Help  
by Manufacturer,  
Model & Description**

Discount-Equipment.com is your online resource for quality parts & equipment.

Florida: **561-964-4949** Outside Florida TOLL FREE: **877-690-3101**

## Need parts?

Click on this link: <http://www.discount-equipment.com/category/5443-parts/> and choose one of the options to help get the right parts and equipment you are looking for. Please have the machine model and serial number available in order to help us get you the correct parts. If you don't find the part on the website or on one of the online manuals, please fill out the request form and one of our experienced staff members will get back to you with a quote for the right part that your machine needs.

We sell worldwide for the brands: Genie, Terex, JLG, MultiQuip, Mikasa, Essick, Whiteman, Mayco, Toro Stone, Diamond Products, Generac Magnum, Airman, Haulotte, Barreto, Power Blanket, Nifty Lift, Atlas Copco, Chicago Pneumatic, Allmand, Miller Curber, Skyjack, Lull, Skytrak, Tsurumi, Husquvarna Target, Stow, Wacker, Sakai, Mi-T-M, Sullair, Basic, Dynapac, MBW, Weber, Bartell, Bennar Newman, Haulotte, Ditch Runner, Menegotti, Morrison, Contec, Buddy, Crown, Edco, Wyco, Bomag, Laymor, EZ Trench, Bil-Jax, F.S. Curtis, Gehl Pavers, Heli, Honda, ICS/PowerGrit, IHI, Partner, Imer, Clipper, MMD, Koshin, Rice, CH&E, General Equipment, Amida, Coleman, NAC, Gradall, Square Shooter, Kent, Stanley, Tamco, Toku, Hatz, Kohler, Robin, Wisconsin, Northrock, Oztec, Toker TK, Rol-Air, APT, Wylie, Ingersoll Rand / Doosan, Innovatech, Con X, Ammann, Mecalac, Makinex, Smith Surface Prep, Small Line, Wanco, Yanmar