



Illustrated Parts Manual

**Model
740AJ**

**With ADE or UGM
CONTROL MODULE
SN 0300185828
to Present**

P/N
3121652

December 28, 2018 - Rev K

ANSI

CE



An Oshkosh Corporation Company

PARTS FINDER

**Search Website
by Part Number**



**Search Manual
Library For Parts
Manual & Lookup Part
Numbers – Purchase
or Request Quote**

**Can't Find Part or
Manual? Request Help
by Manufacturer,
Model & Description**

Discount-Equipment.com is your online resource for quality parts & equipment.

Florida: **561-964-4949** Outside Florida TOLL FREE: **877-690-3101**

Need parts?

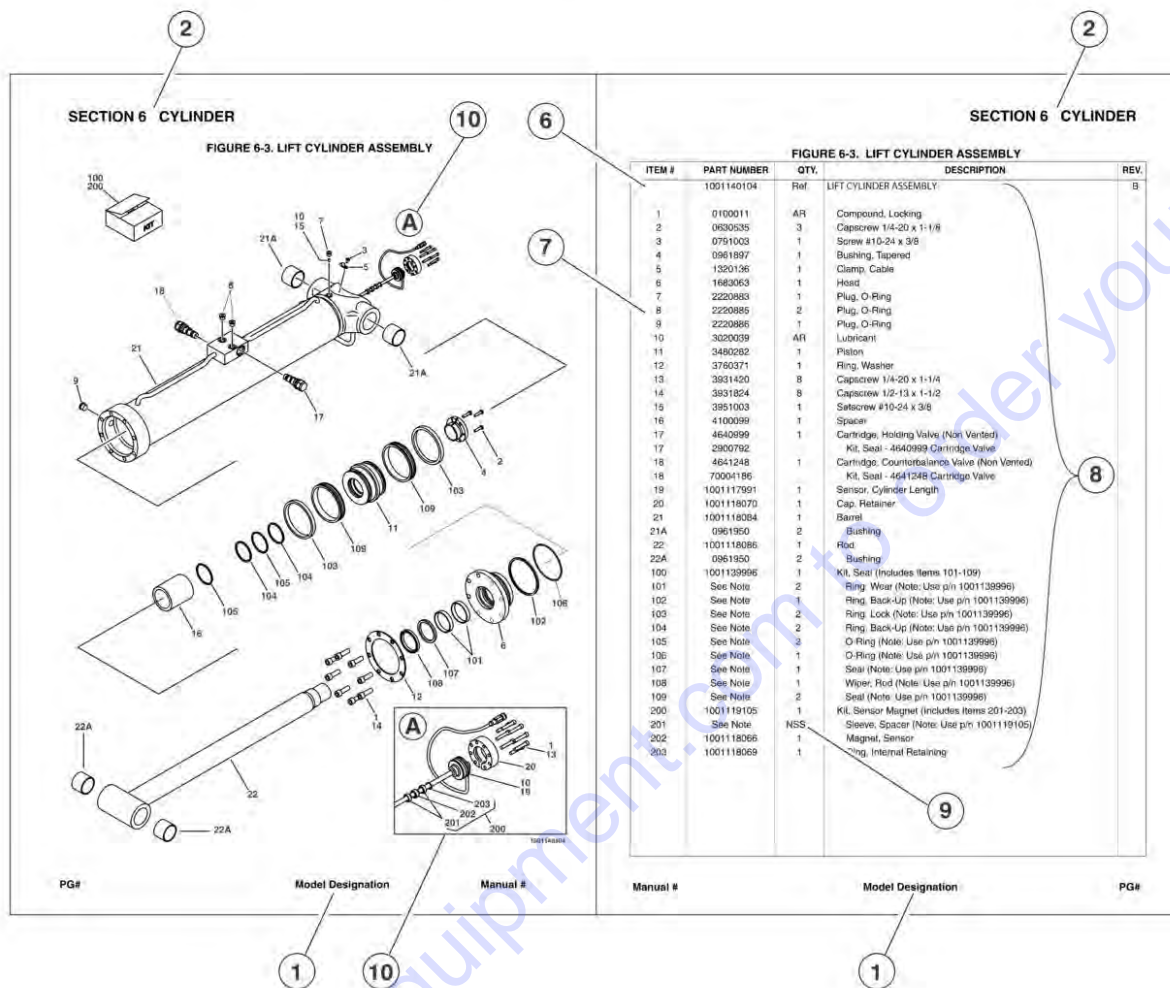
Click on this link: <http://www.discount-equipment.com/category/5443-parts/> and choose one of the options to help get the right parts and equipment you are looking for. Please have the machine model and serial number available in order to help us get you the correct parts. If you don't find the part on the website or on one of the online manuals, please fill out the request form and one of our experienced staff members will get back to you with a quote for the right part that your machine needs.

We sell worldwide for the brands: Genie, Terex, JLG, MultiQuip, Mikasa, Essick, Whiteman, Mayco, Toro Stone, Diamond Products, Generac Magnum, Airman, Haulotte, Barreto, Power Blanket, Nifty Lift, Atlas Copco, Chicago Pneumatic, Allmand, Miller Curber, Skyjack, Lull, Skytrak, Tsurumi, Husquvarna Target, Stow, Wacker, Sakai, Mi-T-M, Sullair, Basic, Dynapac, MBW, Weber, Bartell, Bennar Newman, Haulotte, Ditch Runner, Menegotti, Morrison, Contec, Buddy, Crown, Edco, Wyco, Bomag, Laymor, EZ Trench, Bil-Jax, F.S. Curtis, Gehl Pavers, Heli, Honda, ICS/PowerGrit, IHI, Partner, Imer, Clipper, MMD, Koshin, Rice, CH&E, General Equipment, Amida, Coleman, NAC, Gradall, Square Shooter, Kent, Stanley, Tamco, Toku, Hatz, Kohler, Robin, Wisconsin, Northrock, Oztec, Toker TK, Rol-Air, APT, Wylie, Ingersoll Rand / Doosan, Innovatech, Con X, Ammann, Mecalac, Makinex, Smith Surface Prep, Small Line, Wanco, Yanmar

REVISION LOG

April 30, 2014 - A - Original Issue Of Manual (Manual edited to 1001156800 Revision J)
November 17, 2014 - B - Revised Manual
July 31, 2015 - C - Revised Manual
April 5, 2017 - D - Revised Manual
August 31, 2017 - E - Revised Manual (Edited to B/M 1001156800 Revision AI) (Revision 1)
December 29, 2017 - F - Revised Manual (Edited to B/M 1001156800 Revision AZ) (Revision 2)
March 1, 2018 - G - Revised Manual (Edited to B/M 1001156800 Revision CD) (Revision 2)
May 23, 2018 - H - Revised Manual (Edited to B/M 1001156800 Revision CD)
June 29, 2018 - I - Revised Manual (Edited to B/M 1001156800 Revision CK) (Revision 1)
September 20, 2018 - J - Revised Manual (Edited to B/M 1001156800 Revision CL)
December 28, 2018 - K - Revised Manual (Edited to B/M 1001156800 Revision CN) (Revision 1)

GENERAL INFORMATION



1) MACHINE IDENTIFICATION

Machines are identified by model and in some cases a combination of models, serial number (SN) or regional standard (i.e. ANSI, CE, CSA). Components may also be identified by SN or manufacturer. Common components that may be identified by these characteristics are engines and hydraulic components.

2) PARTS MANUAL ORGANIZATION

Product information in this manual is organized under section titles. Frame, Cylinder, Hydraulic and Electrical are a few examples. Each section is organized by figure and page number. The information within the Figure is then organized by item number, part number, description and corresponding illustration(s).

3) TABLE OF CONTENTS

A table of contents is found toward the beginning of the manual. Figure number, description and page number are provided for quick reference to the page containing the related information.

4) RECOMMENDED SPARE PARTS

The Recommended Spare Parts, located near the end of the manual, reference most frequently used maintenance parts.

5) PART NUMBER INDEX

A numerical index listing all part numbers and the corresponding page number(s) appears at the back of the manual.

GENERAL INFORMATION

6) NON-SERVICED PARTS

In some instances, it is necessary to display non-serviced parts, assemblies or installations. In the case of assemblies and installations there will be a Ref in the Qty column. In case of parts that are not available for service within assemblies or components, there will be a NSS (Not Sold Separately) or NLA (No Longer Available) listed in the Qty. column of the manual.

7) PARTS LIST ITEM NUMBERS

Numbers shown in the item# column correspond to numbers used in the associated illustration (s). Item numbers which are missing from the sequence in the parts list are not used on that page

8) INDENTED PARTS DESCRIPTION

An indented part description is included in the item under which it is indented.

9) ABBREVIATION AND SYMBOLS

AC.....	Alternating Current	LCD.....	Liquid Crystal Display
ADE.....	Advanced Design Electronics	LED.....	Light Emitting Diodes
ANSI.....	American National Standards Institute	LH.....	Left Hand
AR.....	As Required	LSS.....	Load Sensing System
ASSY.....	Assembly	M(m).....	Metric/Meter
AUX.....	Auxiliary	MM (mm).....	Millimeter
AWG.....	American Wire Gauge	mA.....	Miliamps
B/M.....	Bill of Material	NLA.....	No Longer Available
CE.....	European Conformity	NPT.....	National Pipe Threads
CCW.....	Counter Clockwise	NSS.....	Not Sold Separately
cm.....	Centimeter	OD.....	Outside Diameter
CW.....	Clockwise	ORB.....	O-Ring Boss
CSA.....	Canadian Standards Association	ORFS.....	O-Ring Face Seal
CYL.....	Cylinder	OZ (oz).....	Ounces
DIA.....	Diameter	PG.....	Page
DC.....	Direct Current	P/N.....	Part Number
EMS.....	Emergency Stop	qt.....	Quarts
ENG.....	Engine	QTY.....	Quantity
FT (ft).....	Feet	REF.....	Reference
GA (Ga).....	Gauge	REV.....	Revision Level
HYD.....	Hydraulic	RH.....	Right Hand
Hz.....	Hertz	SAE.....	Society of Automotive Engineers
ID.....	Inside Diameter	SN.....	Serial Number
in.....	Inches	SPEC(S).....	Specifications
ISO.....	International Organization for Standards	T/T.....	Turntable
JIC.....	Joint Industry Council	UGM.....	Universal Ground Module
KG.....	Kilogram	V.....	Volts
L.....	Liter	W.....	Watts
LB.....	Pounds	#.....	Number

10) ILLUSTRATION REFERENCE LETTERS

When necessary, illustrations may contain reference letters that are intended to track information (i.e. hoses, harnesses) from one point to another or to track visual enlargement of components to show details that may be located in another area on the illustration.

Note: Due to continuous product improvements, JLG Industries, Inc. reserves the right to make specification changes without prior notification.

TABLE OF CONTENTS

SECTION 1 - FRAME.....	9
FIGURE 1-1. AXLE AND STEERING INSTALLATION WITHOUT TOW PACKAGE	10
FIGURE 1-2. AXLE AND STEERING INSTALLATION WITH TOW PACKAGE (SN 0300185828 through 0300201336).....	12
FIGURE 1-3. AXLE AND STEERING INSTALLATION WITH TOW PACKAGE (SN 0300201337 to Present)	16
FIGURE 1-4. TIRE AND WHEEL DRIVE INSTALLATIONS.....	20
FIGURE 1-5. DRIVE HUB/BRAKE ASSEMBLY (SN 0300185828 through 0300244579).....	22
FIGURE 1-6. DRIVE HUB/BRAKE ASSEMBLY (SN 0300244580 to Present).....	26
FIGURE 1-7. DRIVE MOTOR ASSEMBLY	28
FIGURE 1-8. FRAME VALVES AND SHIELDS INSTALLATIONS	30
FIGURE 1-9. TOW PACKAGE INSTALLATION	32
SECTION 2 - TURNTABLE.....	35
FIGURE 2-1. CONTROL VALVES AND AUXILIARY PUMP INSTALLATIONS	36
FIGURE 2-2. MAIN CONTROL VALVE ASSEMBLY (SN 0300185828 through 0300194175).....	40
FIGURE 2-3. MAIN CONTROL VALVE ASSEMBLY (SN 0300194176 through 0300240506).....	44
FIGURE 2-4. MAIN CONTROL VALVE ASSEMBLY (SN 0300240507 to Present)	48
FIGURE 2-5. ACCESSORY VALVE ASSEMBLY.....	52
FIGURE 2-6. AUXILIARY PUMP ASSEMBLY.....	54
FIGURE 2-7. TURNTABLE BEARING AND SWING DRIVE INSTALLATION.....	56
FIGURE 2-8. SWING MOTOR/HUB ASSEMBLY.....	58
FIGURE 2-9. DEUTZ D2011 ENGINE INSTALLATION	62
FIGURE 2-10. DEUTZ TD2.9L4 ENGINE INSTALLATION	70
FIGURE 2-11. FORD ENGINE INSTALLATION.....	82
FIGURE 2-12. GM ENGINE INSTALLATION	94
FIGURE 2-13. HYDROSTATIC PUMP ASSEMBLY (SN 0300185828 through 0300207789).....	100
FIGURE 2-14. HYDROSTATIC PUMP ASSEMBLY (SN 0300207790 through 0300240878).....	104
FIGURE 2-15. HYDROSTATIC PUMP ASSEMBLY (SN 0300240879 to Present)	106
FIGURE 2-16. VARIABLE PUMP ASSEMBLY.....	108
FIGURE 2-17. FUEL-WATER SEPARATOR INSTALLATION - DEUTZ TD2011 (OPTIONAL).....	112
FIGURE 2-18. FUEL-WATER SEPARATOR INSTALLATION (DEUTZ TD2.9L4 ENGINE) (SN 0300236625 to Present)	114
FIGURE 2-19. TANK INSTALLATIONS.....	116
FIGURE 2-20. LP TANK INSTALLATIONS (GM ENGINE MACHINES ONLY).....	120
FIGURE 2-21. ROTARY COUPLING INSTALLATION	122
FIGURE 2-22. GROUND CONTROL BOX ASSEMBLY.....	124
FIGURE 2-23. ELECTRICAL OPTIONS INSTALLATION (TURNTABLE MOUNTED).....	128
FIGURE 2-24. HOODS INSTALLATION (ABS).....	132
FIGURE 2-25. HOODS INSTALLATION (STEEL).....	138
FIGURE 2-26. ENGINE TRAY JACK INSTALLATION (OPTIONAL).....	144
FIGURE 2-27. 2500W 110V/60HZ GENERATOR INSTALLATION - DEUTZ D2011 MACHINES (OPTIONAL) (ANSI AND ANSI EXPORT SPECS).....	146
FIGURE 2-28. 2500W GENERATOR INSTALLATION - DEUTZ TD2.9L4 MACHINES (OPTIONAL).....	148
FIGURE 2-29. 2500W GENERATOR INSTALLATION - FORD MACHINES (OPTIONAL)	150
FIGURE 2-30. 2500W GENERATOR INSTALLATION - GM MACHINES (OPTIONAL)	154
FIGURE 2-31. 4000W GENERATOR INSTALLATION - DEUTZ D2011 ENGINES.....	158
FIGURE 2-32. 4000W GENERATOR INSTALLATION - DEUTZ TD2.9L4 ENGINES.....	162
FIGURE 2-33. 4000W GENERATOR INSTALLATION - GM ENGINES.....	166
FIGURE 2-34. 7500W SKYPOWER GENERATOR INSTALLATION - DEUTZ ENGINE MACHINES	170
FIGURE 2-35. 7500W SKYPOWER GENERATOR INSTALLATION - FORD ENGINES.....	174
FIGURE 2-36. SKYAIR AIR COMPRESSOR INSTALLATION.....	178
FIGURE 2-37. AIR COMPRESSOR ASSEMBLY	180
FIGURE 2-38. AUXILIARY PUMP WITHOUT BATTERY DISCONNECT (SN 0300240507 to Present).....	184
FIGURE 2-39. AUXILIARY PUMP WITH BATTERY DISCONNECT (SN 0300240507 to Present)	186
FIGURE 2-40. BATTERY DISCONNECT (SN 0300240507 to Present)	188
SECTION 3 - BOOM.....	191
FIGURE 3-1. BOOM AND CYLINDERS INSTALLATION.....	192
FIGURE 3-2. MAIN BOOM ASSEMBLY.....	198
FIGURE 3-3. ROTATOR ASSEMBLY	202
FIGURE 3-4. PLATFORM SUPPORT INSTALLATION - WITH 4 CELL LSS.....	204
FIGURE 3-5. PLATFORM SUPPORT INSTALLATION - WITH 1 CELL LSS.....	206
FIGURE 3-6. VALVE AND LIMIT SWITCH INSTALLATIONS (BOOM MOUNTED).....	208
SECTION 4 - PLATFORM.....	213

TABLE OF CONTENTS

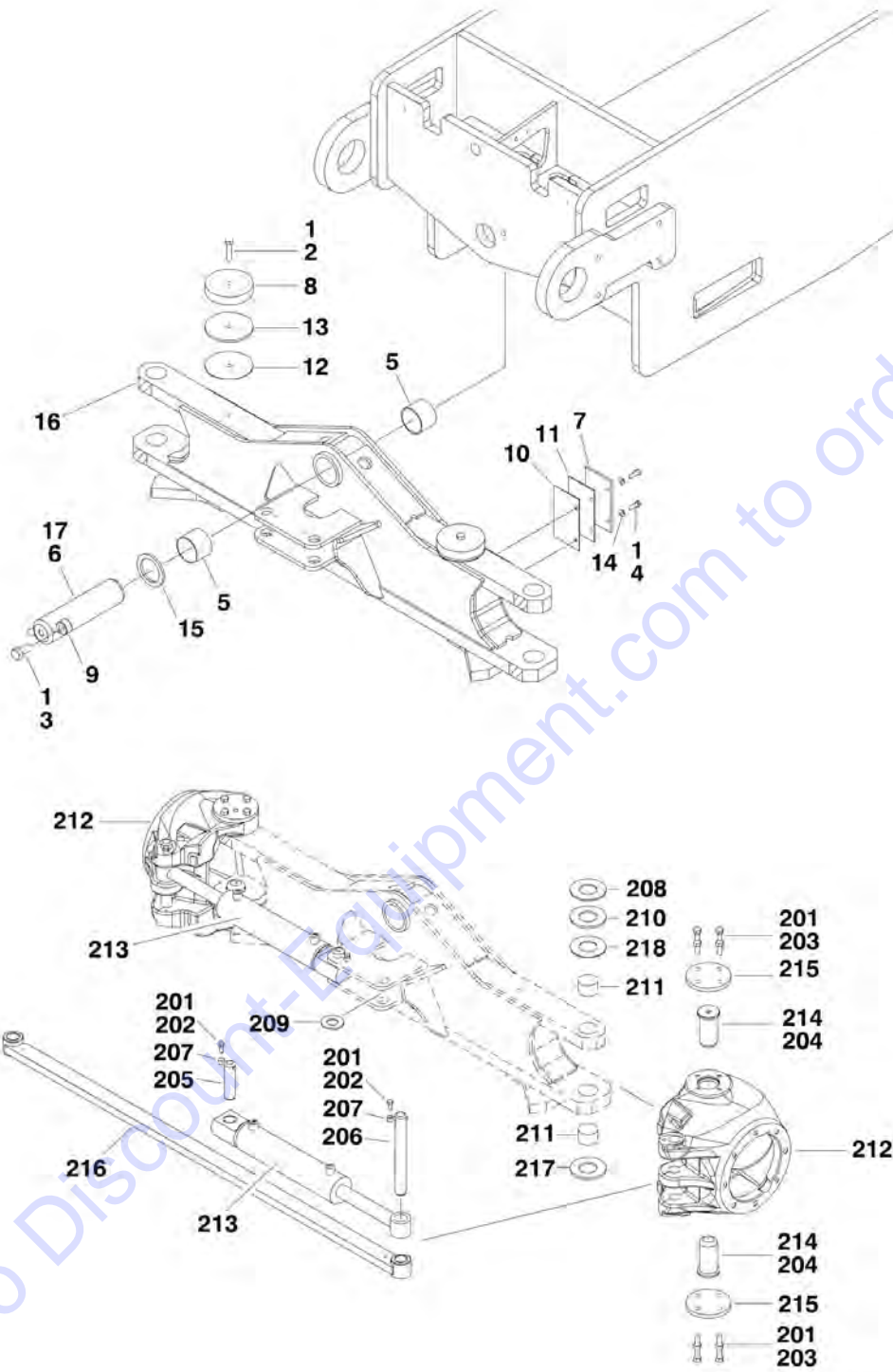
FIGURE 4-1. PLATFORM COMPONENTS INSTALLATION	214
FIGURE 4-2. PLATFORM CONSOLE ASSEMBLY (WITHOUT SKYGUARD)	218
FIGURE 4-3. PLATFORM CONSOLE ASSEMBLY (WITH SKYGUARD)	222
FIGURE 4-4. CONTROLLER ASSEMBLY - SWING AND LIFT (SN 0300185828 through 0300194175).....	226
FIGURE 4-5. CONTROLLER ASSEMBLY - SWING AND LIFT (SN 0300194176 to Present)	228
FIGURE 4-6. CONTROLLER ASSEMBLY - DRIVE AND STEER (SN 0300185828 through 0300194175)	232
FIGURE 4-7. CONTROLLER ASSEMBLY - DRIVE AND STEER (SN 0300194176 to Present).....	234
FIGURE 4-8. SOFT TOUCH SYSTEM INSTALLATION (OPTIONAL).....	236
FIGURE 4-9. SKYEYE INSTALLATION	238
FIGURE 4-10. SKYGUARD SYSTEM INSTALLATION	240
FIGURE 4-11. SKYLINE INSTALLATION	242
FIGURE 4-12. CROSS RAIL INSTALLATION	244
SECTION 5 - CYLINDER.....	247
FIGURE 5-1. LEVEL (SLAVE) CYLINDER ASSEMBLY - JIB (SN 0300185828 through 0300240878).....	248
FIGURE 5-2. LEVEL (SLAVE) CYLINDER ASSEMBLY - JIB (SN 0300240879 to Present)	250
FIGURE 5-3. LEVEL (SLAVE) CYLINDER ASSEMBLY - UPRIGHT (SN 0300185828 through 0300240506).....	252
FIGURE 5-4. LEVEL (SLAVE) CYLINDER ASSEMBLY - UPRIGHT (SN 0300240507 to Present)	254
FIGURE 5-5. LIFT CYLINDER ASSEMBLY - JIB (SN 0300185828 through 0300245050)	256
FIGURE 5-6. LIFT CYLINDER ASSEMBLY - JIB (SN 0300245051 to Present).....	258
FIGURE 5-7. LIFT CYLINDER ASSEMBLY - MAIN BOOM (SN 0300185828 through 0300240506).....	260
FIGURE 5-8. LIFT CYLINDER ASSEMBLY - MAIN BOOM (SN 0300240507 to Present)	262
FIGURE 5-9. LIFT CYLINDER ASSEMBLY - TOWER BOOM (SN 0300185828 through 0300240506)	264
FIGURE 5-10. LIFT CYLINDER ASSEMBLY - TOWER BOOM (SN 030040507 to Present)	266
FIGURE 5-11. MASTER CYLINDER ASSEMBLY (SN 0300185828 through 0300243317)	268
FIGURE 5-12. MASTER CYLINDER ASSEMBLY (SN 0300243318 to Present).....	270
FIGURE 5-13. STEER CYLINDER ASSEMBLY	272
FIGURE 5-14. STEER CYLINDER ASSEMBLY (SN 0300185828 through 0300201336).....	274
FIGURE 5-15. TELESCOPE CYLINDER ASSEMBLY - MAIN BOOM.....	276
FIGURE 5-16. TELESCOPE CYLINDER ASSEMBLY - MAIN BOOM (SN 0300243318 to Present)	278
SECTION 6 - HYDRAULIC	281
FIGURE 6-1. DRIVE HYDRAULIC DIAGRAM (SN 0300185828 through 0300196955)	282
FIGURE 6-2. DRIVE HYDRAULIC DIAGRAM (SN 0300196956 to Present).....	286
FIGURE 6-3. STANDARD HYDRAULIC DIAGRAM (SN 0300185828 through 0300194139)	290
FIGURE 6-4. STANDARD HYDRAULIC DIAGRAM (SN 0300194140 through 0300196855)	294
FIGURE 6-5. STANDARD HYDRAULIC DIAGRAM (SN 0300196956 to Present)	298
FIGURE 6-6. HYDRAULIC DIAGRAM LIST.....	302
SECTION 7 - ELECTRICAL.....	303
FIGURE 7-1. ELECTRICAL DIAGRAM LIST	304
FIGURE 7-2. HARNESS COMPONENTS INSTALLATION	306
FIGURE 7-3. SKYEYE INTERMEDIATE HARNESS	324
FIGURE 7-4. SKYEYE EMITTER HARNESS	326
FIGURE 7-5. SKYEYE RECEIVER HARNESS.....	328
FIGURE 7-6. SKYLINE HARNESS	330
SECTION 8 - DECALS	333
FIGURE 8-1. DECAL INSTALLATION (ANSI AND CSA SPEC).....	334
FIGURE 8-2. DECAL INSTALLATION (AUSTRALIAN AND CE SPECS).....	338
SECTION 9 - RECOMMENDED SERVICE PARTS STOCK	341
FIGURE 9-1. MODEL 740AJ STANDARD PARTS	342
FIGURE 9-2. MODEL 740AJ VARIABLE PARTS	344
SECTION 10 - SPECIAL OPTIONS	345
FIGURE 10-1. SPECIAL OPTIONS	346
PART NUMBER INDEX.....	351

SECTION 1 - FRAME

Go to Discount-Equipment.com to order your parts

SECTION 1 - FRAME

FIGURE 1-1. AXLE AND STEERING INSTALLATION WITHOUT TOW PACKAGE



Go to DiscountEquipment.com to order your parts

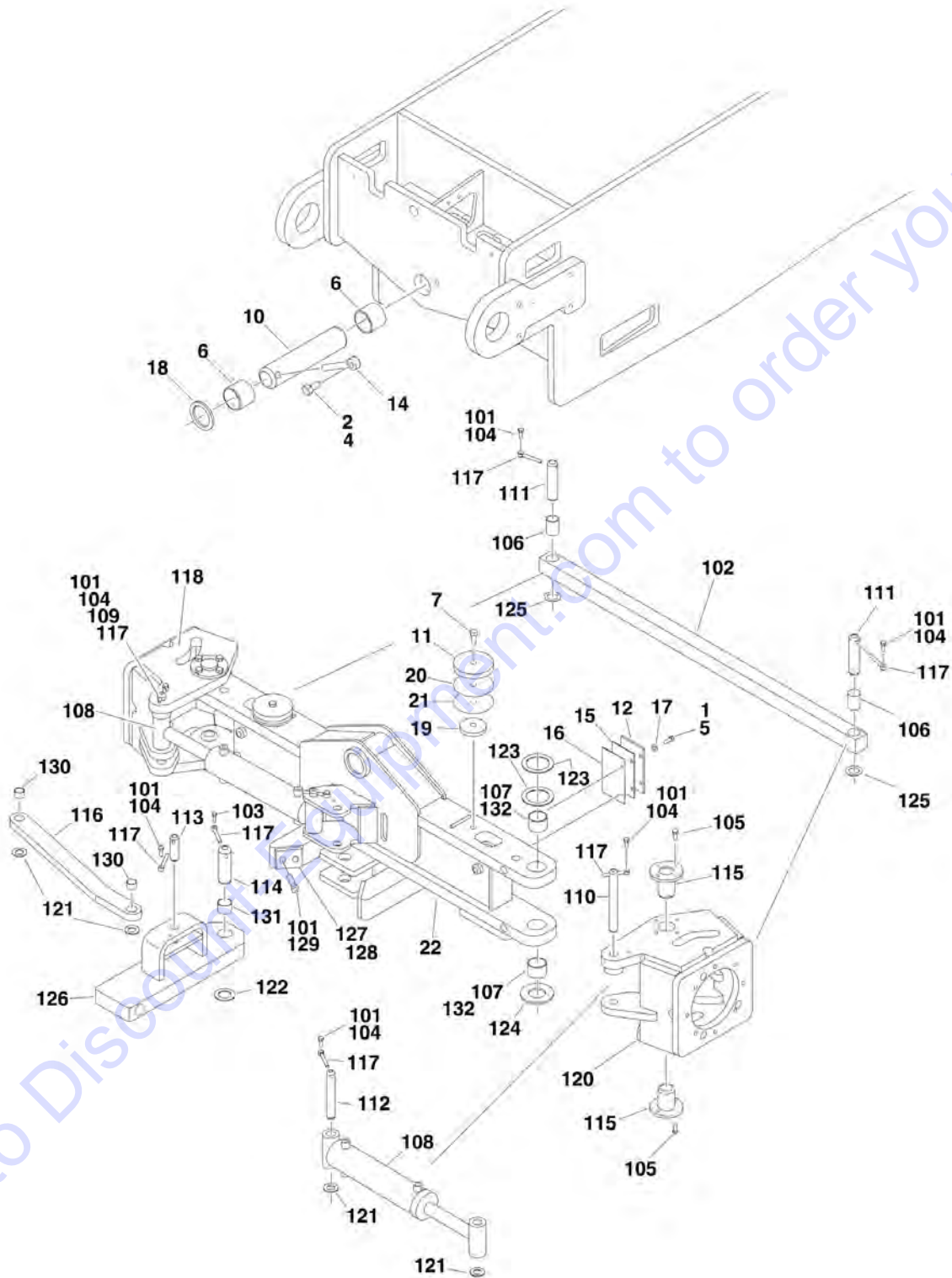
SECTION 1 - FRAME

FIGURE 1-1. AXLE AND STEERING INSTALLATION WITHOUT TOW PACKAGE

ITEM	PART NUMBER	QTY	DESCRIPTION	REV
	1001151037	Ref	FIXED AXLE INSTALLATION	C
1	0100011	AR	Compound, Locking	
2	0641818	2	Bolt 1/2-13 x 2-1/4	
3	0642212	1	Bolt 3/4-10 x 1-1/2	
4	0681608	4	Bolt 3/8-16 x 1 Grade 8	
5	0962102	2	Bushing	
6	3020039	AR	Lubricant	
7	3538047	2	Shim, Wear	
8	3539877	2	Plate, Stop	
9	3841287	1	Keeper, Pin	
10	4070878	AR	Shim 1/16	
11	4070879	AR	Shim 1/8	
12	4070944	AR	Shim 1/16	
13	4070945	AR	Shim 1/4	
14	4711600	4	Washer 3/8	
15	4740472	1	Washer, Special	
16	1001152719	1	Axle	
17	1001156710	1	Pin	
	1001151035	Ref	STEERING INSTALLATIONS (4WS)	E
201	0100011	AR	Compound, Locking	
202	0641607	8	Bolt 3/8-16 x 7/8	
203	0641810	32	Bolt 1/2-13 x 1-1/4	
204	3020029	AR	Lubricant	
205	3422417	4	Pin	
206	3422790	4	Pin	
207	3841520	8	Keeper, Pin	
208	4740256	AR	Washer, Thrust	
209	4740473	4	Washer, Special	
210	1001103810	4	Washer, Thrust	
211	1001165657	8	Bearing	
212	1001150372	4	Spindle	
213	1001150539	4	Steer Cylinder Assembly (See CYLINDER SECTION for Breakdown)	
214	1001161355	8	Kingpin	
215	1001150937	8	Plate	
216	1001151980	2	Tie-Rod	
217	1001161399	4	Washer, Thrust	
218	4740463	AR	Washer, Thrust	

SECTION 1 - FRAME

FIGURE 1-2. AXLE AND STEERING INSTALLATION WITH TOW PACKAGE (SN 0300185828 through 0300201336)



Go to www.goodyear.com to order your parts

SECTION 1 - FRAME

FIGURE 1-2. AXLE AND STEERING INSTALLATION WITH TOW PACKAGE (SN 0300185828 through 0300201336)

ITEM	PART NUMBER	QTY	DESCRIPTION	REV
	0271654	Ref	FIXED AXLE INSTALLATION WITH TOW PACKAGE	B
1	0100011	AR	Compound, Locking	
2	0100019	AR	Compound, Locking	
4	0642212	1	Bolt 3/4-10 x 1-1/2	
5	0681608	4	Bolt 3/8-16 x1 (Grade 8)	
6	0962102	2	Bushing	
7	0641820	2	Bolt 1/2-13 x 2-1/2	
10	3422703	1	Pin, Main Pivot	
11	3539877	2	Plate, Stop	
12	3538047	2	Shim, Axle Wear	
14	3841287	1	Shaft, Keeper	
15	4070878	2	Shim, Axle Wear	
16	4070879	2	Shim, Axle Wear	
17	4711600	4	Washer 3/8	
18	4740472	1	Washer, Special	
19	3539878	2	Plate, Stop	
20	4070944	AR	Shim 1/16	
21	4070945	AR	Shim 1/4	
22	4846413	1	Axle Weldment	
	0272319	Ref	STEERING INSTALLATION WITH TOW	E
	1001137261	Ref	KING PIN KIT	A
		Ref	Note: Before ordering king pin kit, verify that machines is equipped with the original components (king pin with 4 bolt holes) or service kit components (king pin with 8 bolt holes).- If the king pin hole in the axle measurement exceeds 2.252in OD or is elongated, use King Pin Kit p/n 1001137261.	
		Ref	Note: Front Axle Shown. Rear Steer Typical. Double Qty Listed for Complete Machine.	
101	0100011	AR	Compound, Locking	
102	0362726	1	Tie-Rod	
103	0641508	1	Bolt 5/16-18 x 1	
104	0641608	7	Bolt 3/8-16 x 1	
105	0641810	16	Bolt 1/2-13 x 1-1/4	
106	0962152	2	Bushing	
107	100112651	4	Bushing	
108	1001097243	2	Steer Cylinder Assembly (See CYLINDER SECTION for Breakdown)	
109	3422587	1	Pin	
110	3422701	1	Pin	
111	3422702	2	Pin	
112	3422754	2	Pin	
113	3422813	1	Pin	
114	3422848	1	Pin	
115	3422972	4	Kingpin	
116	3573001	1	Link	
117	3841143	8	Keeper, Pin	
118	4130388	1	Spindle (Front Right)	
119	4130389	1	Spindle (Left Rear) (Not Shown)	
120	4130390	1	Spindle (Left Front and Right Rear)	
121	4740111	6	Washer, Thrust	

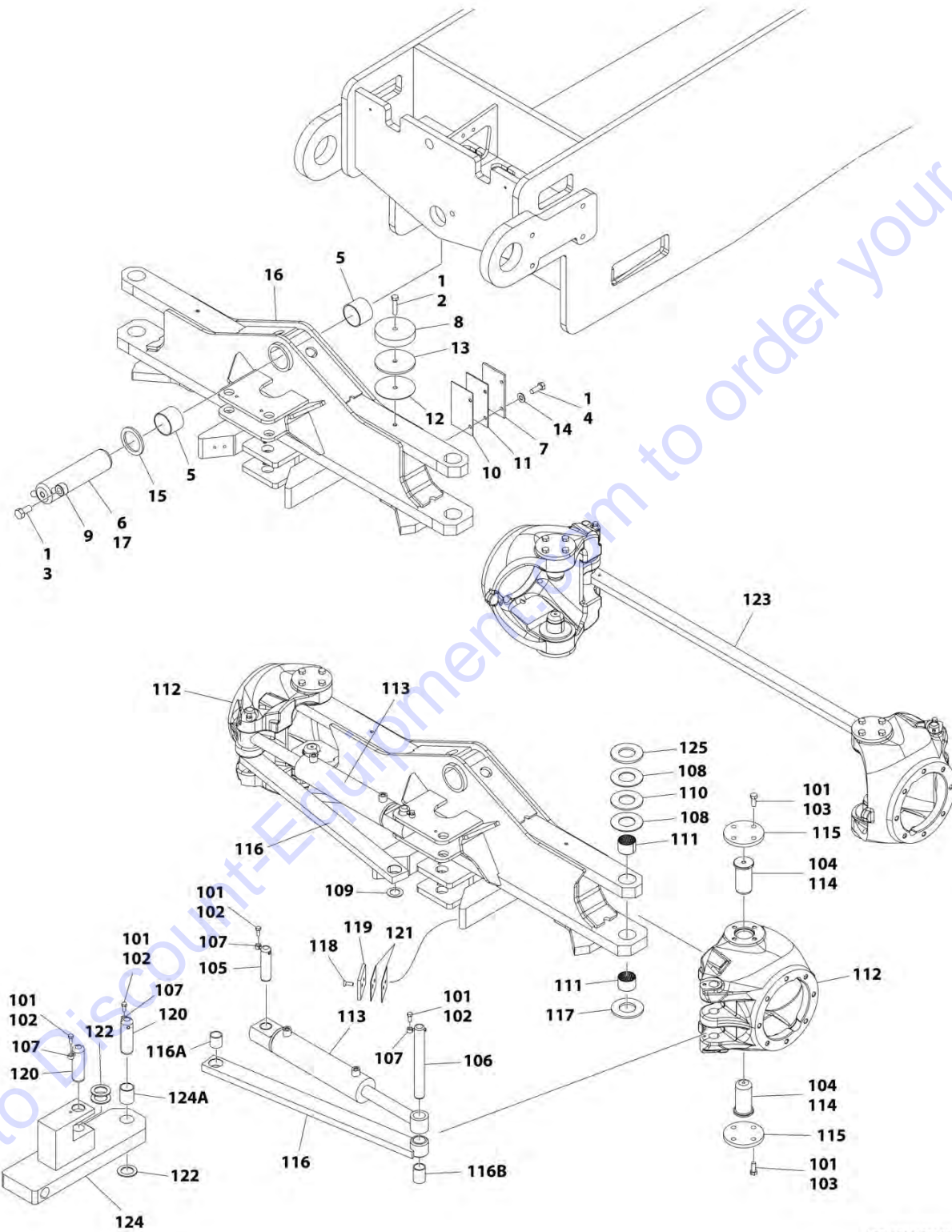
SECTION 1 - FRAME

ITEM	PART NUMBER	QTY	DESCRIPTION	REV
122	4740155	AR	Washer, Thrust	
123	4740256	4	Washer, Thrust	
124	4740463	2	Washer, Thrust	
125	4740473	2	Washer	
126	4846935	1	Bar, Pivot	
127	3340966	2	Pad, Stop	
128	4071059	AR	Shim	
129	0741609	4	Screw 3/8-16 x 1-1/8	
130	0962292	2	Bushing	
131	0962348	1	Bushing	
132	3020029	AR	Lube, Bearing	

Go to Discount-Equipment.com to order your parts

SECTION 1 - FRAME

FIGURE 1-3. AXLE AND STEERING INSTALLATION WITH TOW PACKAGE (SN 0300201337 to Present)



ART_1001155195

SECTION 1 - FRAME

FIGURE 1-3. AXLE AND STEERING INSTALLATION WITH TOW PACKAGE (SN 0300201337 to Present)

ITEM	PART NUMBER	QTY	DESCRIPTION	REV
	1001155195	Ref	FIXED AXLE INSTALLATION WITH TOW PACKAGE	B
1	0100011	AR	Compound, Locking	
2	0641818	2	Bolt 1/2 x 2-1/4	
3	0642212	1	Bolt 3/4 x 1-1/2	
4	0681608	4	Bolt 3/8 x1 (Grade 8)	
5	0962102	2	Bushing	
6	3020039	AR	Lubricant	
7	3538047	AR	Shim, Axle Wear	
8	3539877	2	Plate, Stop	
9	3841287	1	Shaft, Keeper	
10	4070878	AR	Shim, Axle Wear	
11	4070879	AR	Shim, Axle Wear	
12	4070944	AR	Shim 1/16	
13	4070945	AR	Shim 1/4	
14	4711600	4	Washer 3/8	
15	4740472	1	Washer, Special	
16	1001154875	1	Axle Weldment	
17	1001156710	1	Pin, Main Pivot	
	1001155193	Ref	STEERING INSTALLATION WITH TOW	E
		Ref	Note: Front Axle Shown. Rear Steer Typical. Double Qty Listed for Complete Machine.	
101	0100011	AR	Compound, Locking	
102	0641607	10	Bolt 3/8 x 7/8	
103	0641810	16	Bolt 1/2 x 1-1/4	
104	3020029	AR	Lube, Bearing	
105	3422417	4	Pin	
106	3422790	4	Pin	
107	3841520	10	Keeper	
108	4740256	AR	Washer	
109	4740473	4	Washer	
110	1001103810	4	Washer	
111	1001165657	8	Bushing	
112	1001150372	4	Spindle	
113	1001150539	4	Steer Cylinder Assembly (See CYLINDER SECTION for Breakdown)	
114	1001161355	8	Kingpin	
115	1001150937	8	Plate, Retaining	
116	1001154931	2	Link	
116A	0962181	1	Bushing	
116B	0962152	1	Bushing	
117	1001161399	4	Washer	
118	0741609	4	Screw 3/8 x 1-1/8	
119	3340966	2	Pad, Stop	
120	3422848	2	Pin	
121	4071059	AR	Shim	
122	4740155	3	Washer, Thrust	
123	1001151980	1	Tie-Rod	
124	1001155035	1	Link	
124A	0962348	1	Bushing	

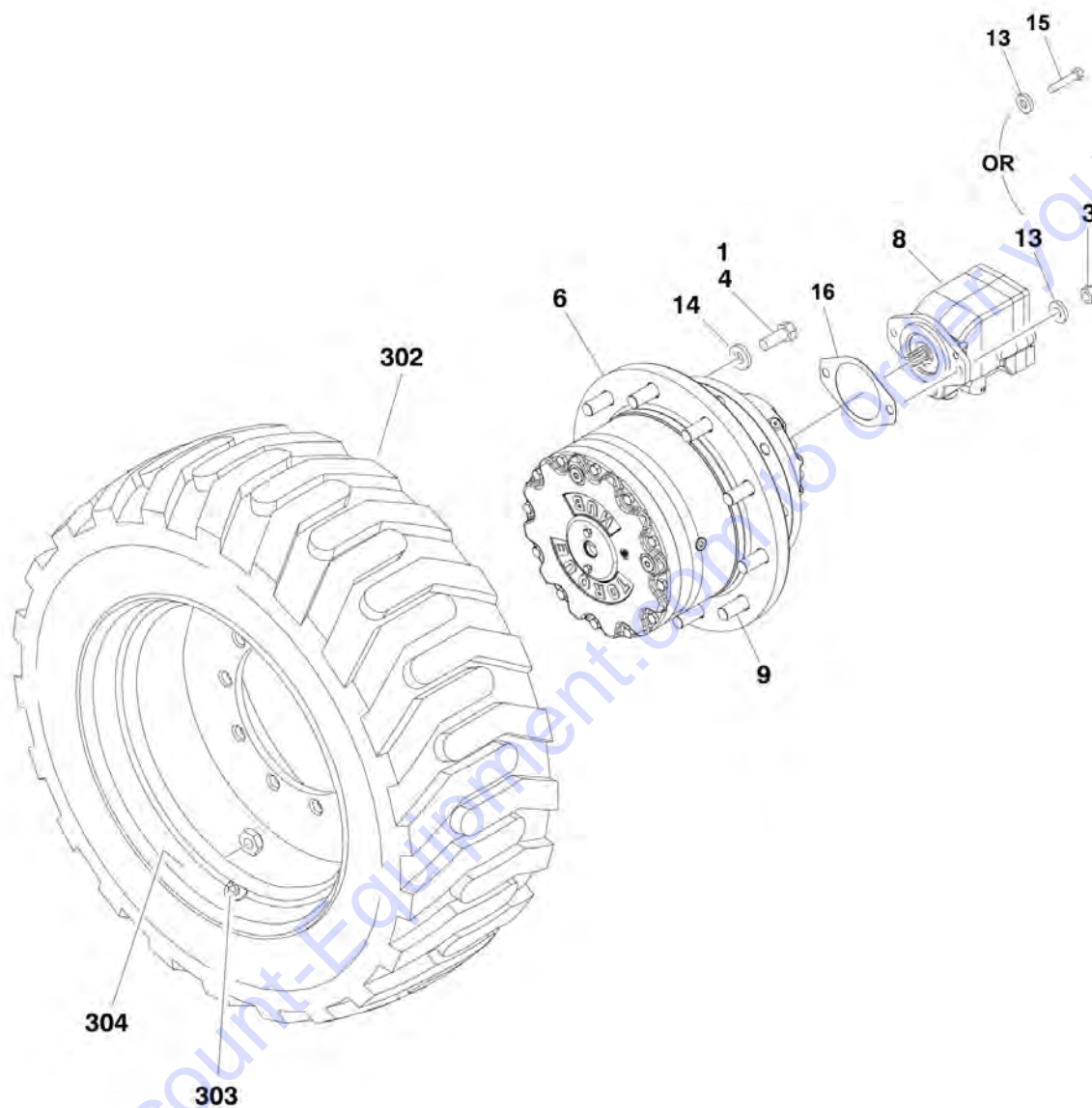
SECTION 1 - FRAME

ITEM	PART NUMBER	QTY	DESCRIPTION	REV
125	4740463	AR	Washer	

Go to Discount-Equipment.com to order your parts

SECTION 1 - FRAME

FIGURE 1-4. TIRE AND WHEEL DRIVE INSTALLATIONS



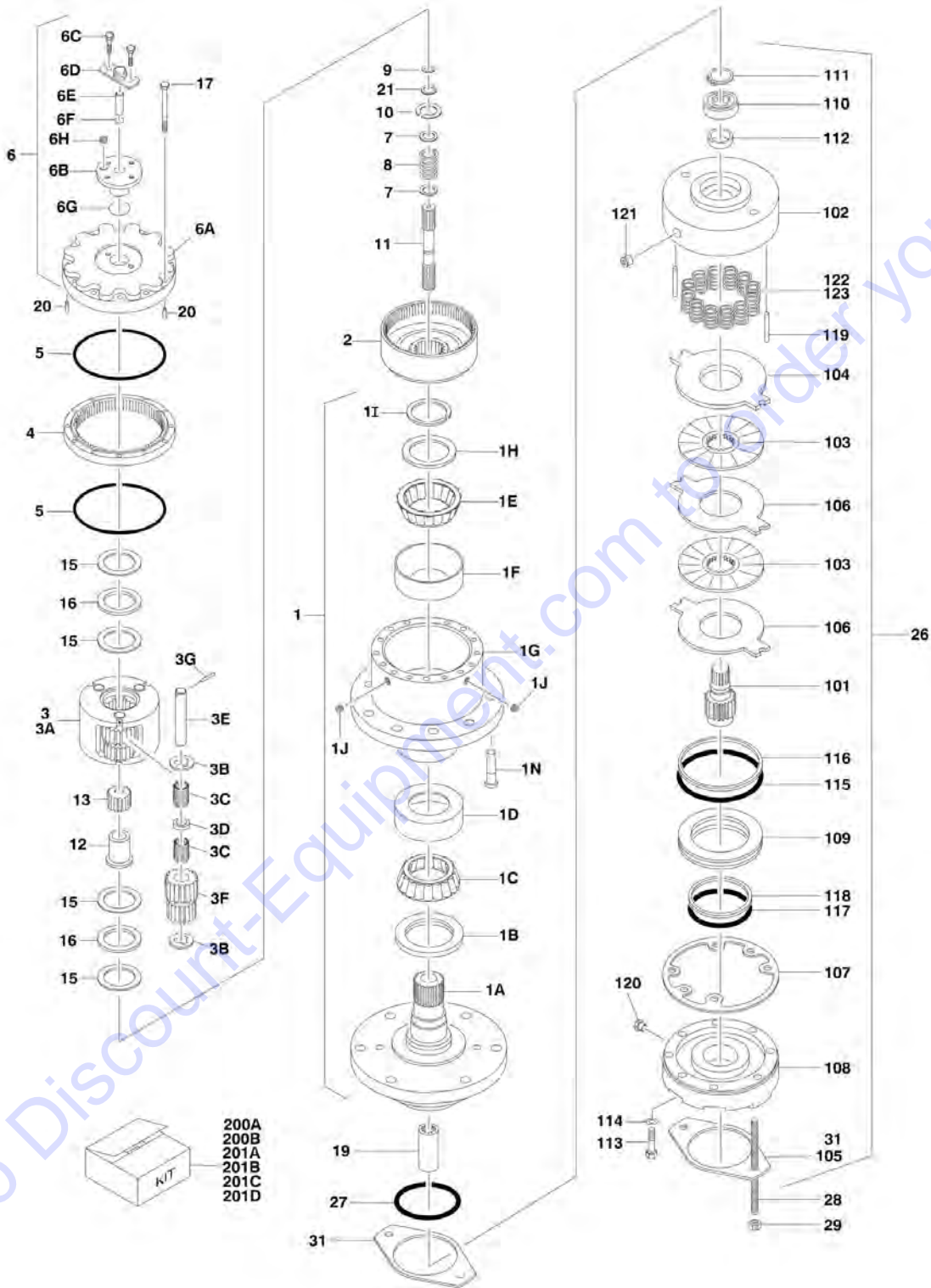
SECTION 1 - FRAME

FIGURE 1-4. TIRE AND WHEEL DRIVE INSTALLATIONS

ITEM	PART NUMBER	QTY	DESCRIPTION	REV
	1001157094	Ref	WHEEL DRIVE INSTALLATION (4WD/4WS)	C
1	0100011	AR	Compound, Locking	
3	3311801	8	Nut 1/2 (SN 0300185828 through 0300244579)	
4	0682016	32	Bolt 5/8-11 x 2 Grade 8	
5	2300016	AR	Fluid, Hydraulic (Not Shown) (SN 0300185828 through 0300244579)	
6	2780272	NLA	Drive Hub Assembly (Use p/n 1001228544) (See DRIVE HUB ASSEMBLY for Breakdown) (SN 0300185828 through 0300244579)	
6	1001219219	2	Drive Hub Assembly (See DRIVE HUB ASSEMBLY for Breakdown) (SN 0300244580 to Present)	
7	3020008	AR	Lubricant (Not Shown)	
8	3160348	4	Drive Motor Assembly (See DRIVE MOTOR ASSEMBLY for Breakdown)	
9	3300007	40	Nut, Wheel	
13	4891800	8	Washer 1/2	
14	4892000	32	Washer 5/8	
15	0681822	4	Bolt 1/2 x 2-3/4 Grade 8 (SN 0300244580 to Present)	
16	3960526	2	Gasket (SN 0300244580 to Present)	
	0270888	Ref	TIRE AND WHEEL INSTALLATION -18-625 NHS FOAM-FILLED	C
	0271090	2	Tire and Wheel Assembly - 18-625 NHS Foam-Filled Left Side	
	0271091	2	Tire and Wheel Assembly - 18-625 NHS Foam-Filled Right Side	
		Ref	Note: Assemblies may require ballast/foam filling to manufacturer's specifications prior to installing on a machine. Refer to Operation and Safety or Service and Maintenance Manuals. Purchase individual tire and/or rim only if able to foam fill tire and wheel assembly, otherwise, purchase complete assembly.	
302	4520253	1	Tire	
303	4640113	1	Valve, Air	
304	4860225	1	Rim, Wheel	

SECTION 1 - FRAME

FIGURE 1-5. DRIVE HUB/BRAKE ASSEMBLY (SN 0300185828 through 0300244579)



SECTION 1 - FRAME

FIGURE 1-5. DRIVE HUB/BRAKE ASSEMBLY (SN 0300185828 through 0300244579)

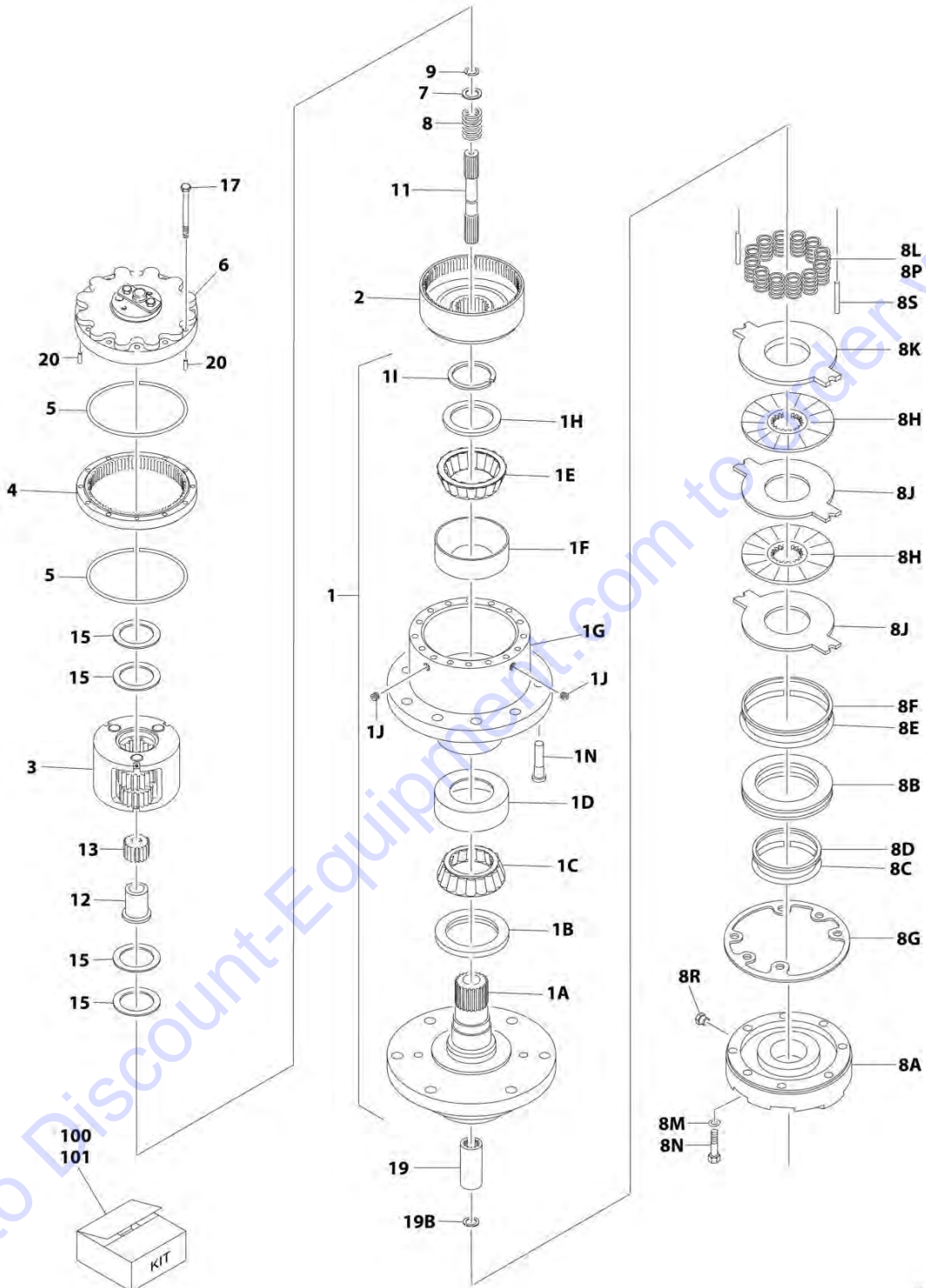
ITEM	PART NUMBER	QTY	DESCRIPTION	REV
	2780272	Ref	DRIVE HUB/BRAKE ASSEMBLY (SN 0300185828 through 0300244579)	E
	2780227	Ref	Hub Assembly	B
1	See Note	1	Spindle/Housing Assembly (Note: Not Available - Purchase Individual Components)	
1A	7010464	1	Spindle	
1B	7000236	1	Seal	
1C	7000273	1	Cone, Bearing	
1D	7000272	1	Cup, Bearing	
1E	7000275	1	Cone, Bearing	
1F	7000274	1	Cup, Bearing	
1G	7017033	1	Housing	
1H	7000239	1	Washer, Thrust	
1I	7000240	1	Ring, Retaining	
1J	7001928	1	Plug, Pipe	
1N	7000265	10	Stud, Wheel	
2	7024782	1	Gear, Ring	
3	7024145	1	Carrier Assembly	
3A	7024147	NLA	Carrier (Use p/n 7024145)	
3B	7001901	6	Washer, Thrust, Tanged	
3C	7001902	96	Bearing, Needle	
3D	7001903	3	Spacer, Thrust	
3E	7024146	3	Shaft, Planet	
3F	7024148	3	Gear, Cluster	
3G	7001906	3	Roll Pin	
4	7024151	1	Gear, Internal	
5	7000224	1	O-Ring	
6	See Note	1	Cover Assembly (Note: Not Available - Purchase Individual Components)	
6A	7024155	1	Cover	
6B	7024783	1	Cap	
6C	7000220	4	Bolt 1/4-20 x 3/4	
6D	7000231	1	Cap, Disengage	
6E	7000235	1	Rod, Disengage	
6F	7000213	1	O-Ring	
6G	7000238	1	O-Ring	
6H	7017048	1	Plug, Pipe	
7	7000282	2	Washer, Thrust	
8	7000283	1	Spring	
9	7000284	1	Ring, Retaining	
10	7017027	1	Ring, Retaining	
11	7024781	1	Shaft, Input	
12	7024154	1	Spacer, Input	
13	7024149	1	Gear, Sun	
15	7000287	4	Washer, Thrust	
16	7000288	2	Washer, Thrust	
17	7000289	12	Bolt 3/8-16 x 2-1/2 Grade 8	
19	7000290	1	Coupling	
20	7017047	2	Pin, Dowel	
21	7017050	1	Washer, Thrust	

SECTION 1 - FRAME

ITEM	PART NUMBER	QTY	DESCRIPTION	REV
26	7024182	1	Brake Assembly (Includes Items 101-123)	
27	7024763	2	O-Ring	
28	7024717	2	Stud 1/2-13 x 4-5/8	
29	7024718	2	Nut 1/2-13	
31	7000731	1	Gasket	
	7024182	Ref	BRAKE ASSEMBLY	
101	7024189	1	Shaft	
102	See Note	NSS	Housing (Note: Not Available - Purchase Complete Assembly)	
103	See Note	NSS	Plate, Friction (Note: Use Item 201C)	
104	See Note	NSS	Plate, Pressure (Note: Use Item 201C)	
105	7000731	1	Gasket	
106	See Note	NSS	Plate, Outer (Note: Use Item 201C)	
107	See Note	NSS	Gasket (Note: Use Item 200B, 201C or 201D)	
108	7024191	1	Cylinder	
109	7024192	1	Piston	
110	See Note	NSS	Bearing, Ball (Note: Use Item 201D)	
111	See Note	NSS	Ring, Retaining (Note: Use Item 201D)	
112	See Note	NSS	Seal, Shaft (Note: Use Item 201D)	
113	See Note	NSS	Capscrew (Note: Not Available for Purchase)	
114	See Note	NSS	Washer, Lock (Note: Not Available for Purchase)	
115	See Note	NSS	O-Ring (Note: Use Item 200B)	
116	See Note	NSS	Ring, Back-up (Note: Use Item 200B)	
117	See Note	NSS	O-Ring (Note: Use Item 200B)	
118	See Note	NSS	Ring, Back-up (Note: Use Item 200B)	
119	7024190	2	Pin, Dowel	
120	See Note	NSS	Plug (Note: Not Available for Purchase)	
121	See Note	NSS	Plug (Note: Not Available for Purchase)	
122	See Note	NSS	Spring Kit (Natural) (Note: Use Item 201B)	
123	See Note	NSS	Spring Kit (Blue) (Note: Use Item 201B)	
		Ref	KIT OPTIONS:	
200A	7017068	1	Seal Kit - Hub (Includes Items 1B, 1I, 5, 6F, 6G, 15 & 16)	
200B	7024194	1	Seal Kit - 7024182 Brake (Includes Items 105, 107 & 115-118)	
201A	7024195	NLA	Spring Kit - 7024182 Brake (Includes 12 Natural Colored Springs) (Note: Use p/n 7024196)	
201B	7024196	1	Spring Kit - 7024182 Brake (Includes 12 Natural and 2 Blue Colored Springs) (Includes Items 122 & 123)	
201C	7024193	1	Friction Disc Kit - 7024182 Brake (Includes Items 103, 104, 106 & 107)	
201D	7024197	1	Bearing Kit - 7024182 Brake (Includes Items 107 & 110-112)	

SECTION 1 - FRAME

FIGURE 1-6. DRIVE HUB/BRAKE ASSEMBLY (SN 0300244580 to Present)



ART 1001219219

SECTION 1 - FRAME

FIGURE 1-6. DRIVE HUB/BRAKE ASSEMBLY (SN 0300244580 to Present)

ITEM	PART NUMBER	QTY	DESCRIPTION	REV
	1001219219	Ref	DRIVE HUB/BRAKE ASSEMBLY (SN 0300244580 to Present)	C
1	See Note	NSS	Spindle/Housing Assembly (Note: Not Available - Purchase Individual Components)	
1A	70006677	1	Spindle	
1B	70006678	1	Seal	
1C	1001091460	1	Cone, Bearing	
1D	1001091460	1	Cup, Bearing	
1E	1001091461	1	Cone, Bearing	
1F	1001091461	1	Cup, Bearing	
1G	See Note	NSS	Housing (Note: Not Available - Not Available for Purchase)	
1H	7000239	1	Thrustwasher	
1I	7000240	1	Ring, Retaining	
1J	7001928	1	Plug, Pipe	
1N	See Note	NSS	Stud, Wheel (Note: Not Available - Not Available for Purchase)	
2	7024782	1	Gear, Ring	
3	70006673	1	Carrier Assembly	
4	7024151	1	Gear, Internal	
5	7000224	2	O-Ring	
6	70006674	NSS	Cover Assembly (Note: Not Available - Purchase Individual Components)	
7	70006691	1	Thrustwasher	
8	7000283	1	Spring	
8A	7024191	1	Housing, Piston	
8B	70006684	1	Piston	
8C	70006688	NSS	O-Ring (Note: Use Item 101)	
8D	70006689	NSS	Ring, Back-up (Note: Use Item 101)	
8E	70006686	NSS	O-Ring (Note: Use Item 101)	
8F	70006687	NSS	Ring, Back-up (Note: Use Item 101)	
8G	70006679	NSS	Gasket (Note: Use Items 100 & 101)	
8H	70006683	NSS	Brake, Stator (Note: Use Item 100)	
8J	70006681	NSS	Brake, Rotor (Note: Use Item 100)	
8K	70006682	NSS	Plate, Pressure (Note: Use Item 100)	
8L	80344004	10	Spring	
8M	70006685	6	Capscrew	
8N	70006690	6	Lockwasher	
8P	70006680	2	Spring	
8R	7017082	2	Plug	
8S	7024190	2	Pin, Dowel	
9	7000284	1	Ring, Retaining	
11	70006675	1	Shaft, Input	
12	7024154	1	Spacer, Input	
13	7024149	1	Gear, Sun	
15	70006692	2	Thrustwasher	
17	7000289	12	Bolt 3/8 x 2-1/2in (Grade 8)	
19	70006676	1	Coupling	
19B	7017028	1	Ring, Retaining	
20	7017047	2	Pin, Dowel	
100	70006832	1	Friction Disc Kit	
101	70006833	1	Seal Kit	

SECTION 1 - FRAME

FIGURE 1-7. DRIVE MOTOR ASSEMBLY

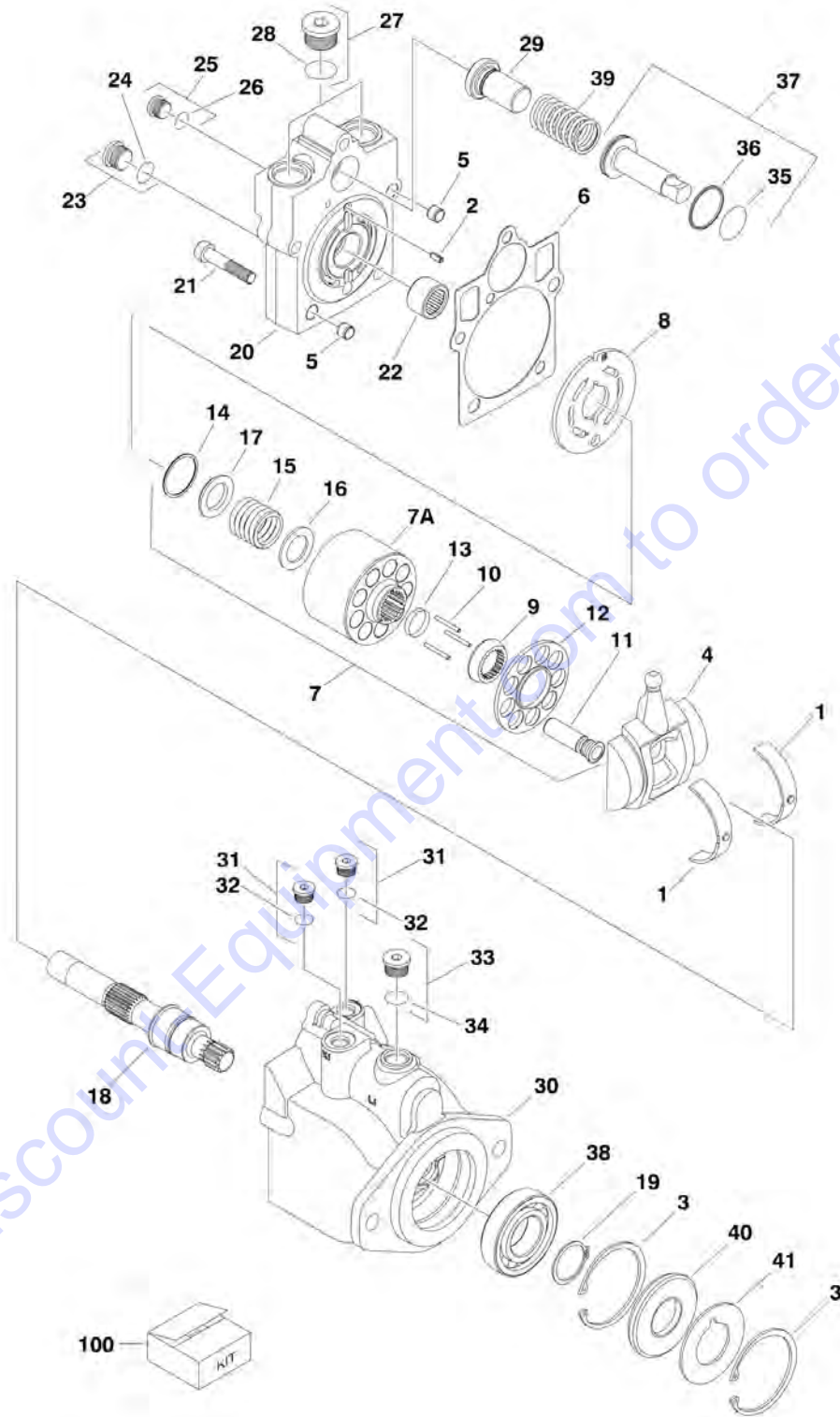
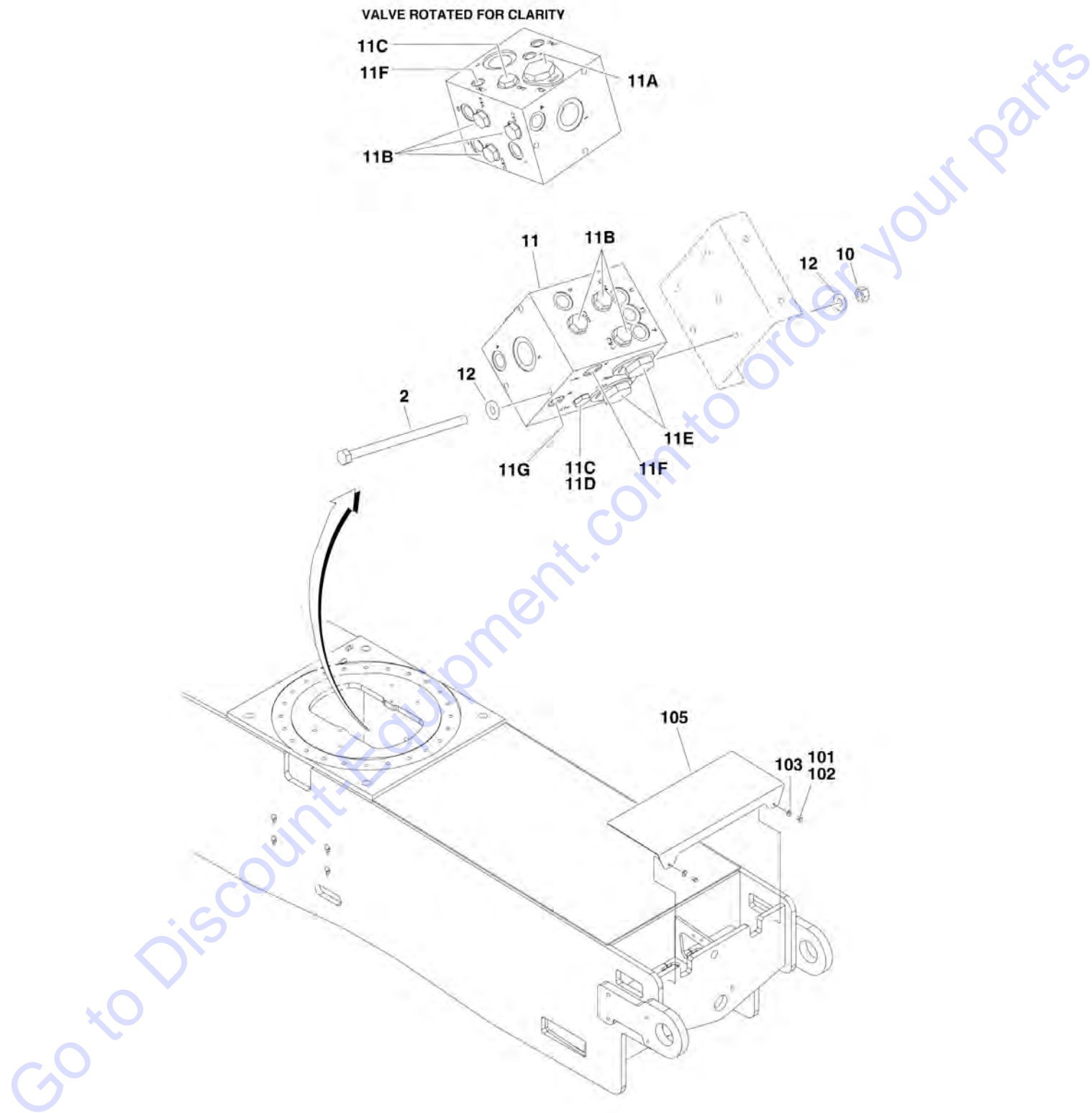


FIGURE 1-7. DRIVE MOTOR ASSEMBLY

ITEM	PART NUMBER	QTY	DESCRIPTION	REV
	3160348	Ref	DRIVE MOTOR ASSEMBLY	D
1	7022302	2	Bearing, Journal	
2	7007446	1	Pin	
3	7007438	2	Ring, Retaining	
4	7022305		Swash Plate	
5	See Note	NSS	Pin (Note: Not Available for Purchase)	
6	See Note	NSS	Gasket (Note: Use Item 100)	
7	7023907	1	Cylinder Block Kit (Includes Items 7A & 9-17)	
7A	See Note	NSS	Block, Cylinder (Note: Use Item 7)	
8	7023908	1	Plate, Valve	
9	7021277	1	Guide, Slipper Retainer	
10	7021275	3	Pin, Slipper Hold Down	
11	See Note	NSS	Piston Assembly (Note: Use Item 7)	
12	7022310	1	Retainer, Slipper	
13	7021276	1	Retainer, Hold Down Pin	
14	7022311	1	Ring, Retaining	
15	7022312	1	Spring	
16	7024868	1	Washer	
17	7022314	1	Retainer, Spring	
18	7023910	1	Shaft	
19	7007439	1	Ring, Retaining	
20	70000797	1	Cap, End - Axial	
21	7022368	5	Screw	
22	7021249	1	Bearing, Needle	
23	2220886	1	Plug (Includes Item 24)	
24	See Note	NSS	O-Ring (Note: Use Item 23 or 100)	
25	2220883	1	Plug (Includes Item 26)	
26	See Note	NSS	O-Ring (Note: Use Item 25 or 100)	
27	2220888	2	Plug (Includes Item 28)	
28	See Note	NSS	O-Ring (Note: Use Item 27 or 100)	
29	7022372	1	Seat, Spring	
30	See Note	NSS	Housing (Note: Not Available - Purchase Complete Assembly)	
31	2220883	2	Plug (Includes Item 32)	
32	See Note	NSS	O-Ring (Note: Use Item 31 or 100)	
33	2220886	1	Plug (Includes Item 34)	
34	See Note	NSS	O-Ring (Note: Use Item 33 or 100)	
35	See Note	NSS	O-Ring (Note: Use Item 100)	
36	See Note	NSS	Ring, Seal (Note: Use Item 100)	
37	7024854	1	Piston, Servo (Includes Items 35 & 36)	
38	7007437	1	Bearing	
39	7022326	1	Spring	
40	See Note	NSS	Seal, Lip (Note: Use Item 100)	
41	7022371	1	Washer, Support	
100	7022328	1	Seal Kit (Includes Items 6, 24, 26, 28, 32, 34, 35, 36 & 40)	

SECTION 1 - FRAME

FIGURE 1-8. FRAME VALVES AND SHIELDS INSTALLATIONS



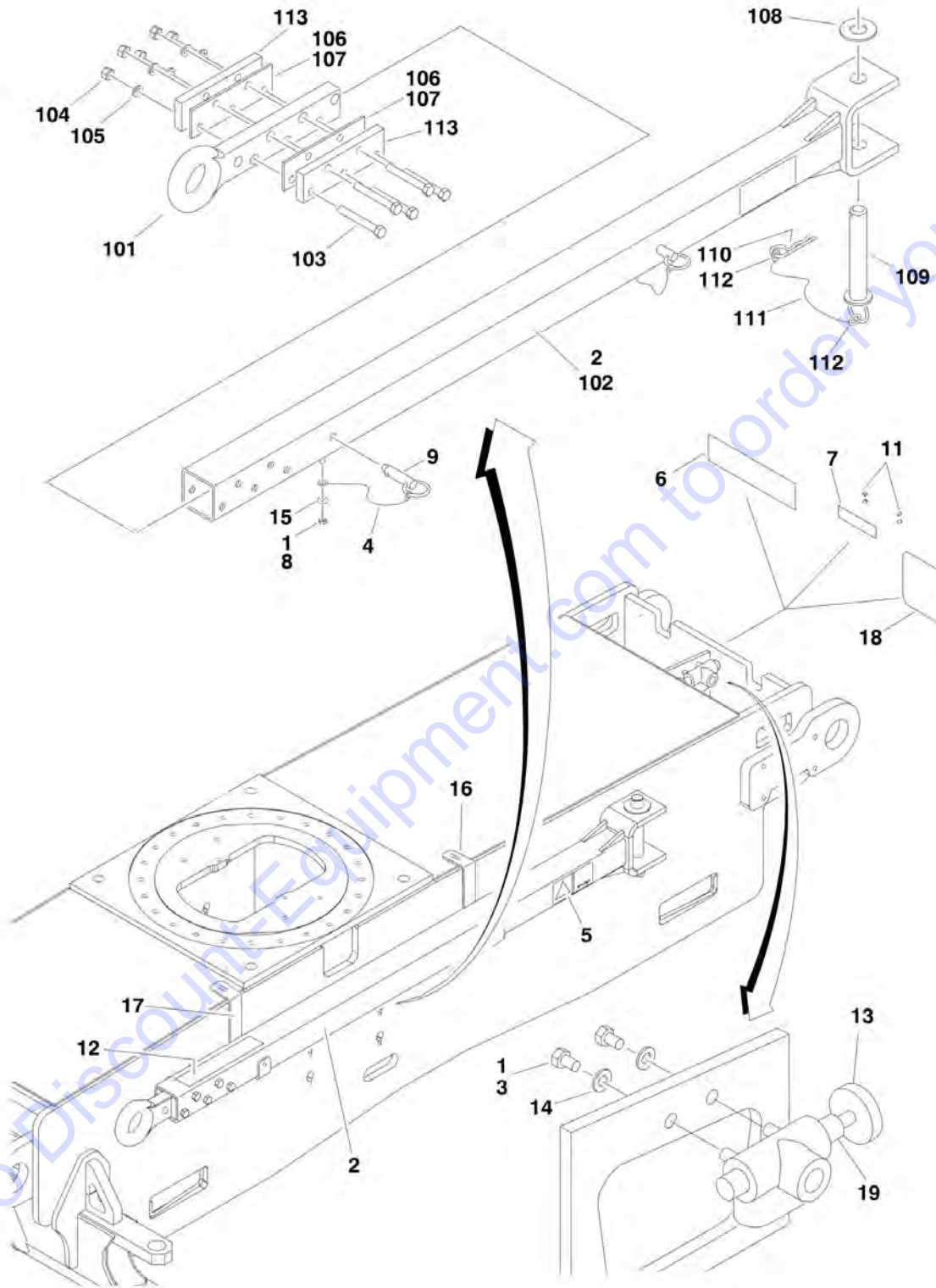
SECTION 1 - FRAME

FIGURE 1-8. FRAME VALVES AND SHIELDS INSTALLATIONS

ITEM	PART NUMBER	QTY	DESCRIPTION	REV
	1001157094	Ref	DRIVE VALVES INSTALLATION - 4WD/4WS	C
2	0641560	3	Bolt 5/16-18 x 7-1/2	
10	3311505	3	Nut 5/16-18	
11	4641303	1	Flow Divider Valve Assembly	
11A	7023933	1	Cartridge, Flow Divider	
11A	7021625	1	Seal Kit - 7023933 Cartridge	
11B	7022397	6	Cartridge, Check	
11B	7022399	6	Seal Kit - 7022397 Cartridge	
11C	7021639	2	Cartridge, Check Valves	
11C	2900756	2	Seal Kit - 7022398 Cartridge	
11D	7024881	1	Piston, Pilot	
11E	7023917	2	Cartridge, Flow Divider	
11E	7021625	2	Seal Kit - 7023917 Cartridge	
11F	70003935	2	Orifice	
11G	70003936	1	Orifice	
12	4711500	6	Washer 5/16	
	1001158204	Ref	FRAME SHIELDS INSTALLATION (4WS)	C
101	0100011	AR	Compound, Locking	
102	0641606	2	Bolt, 3/8-16 x 3/4	
103	4751600	2	Washer 3/8	
104	1001158187	1	Cover	
105	4280296	27 in/ 68cm	Trim	

SECTION 1 - FRAME

FIGURE 1-9. TOW PACKAGE INSTALLATION



SECTION 1 - FRAME

FIGURE 1-9. TOW PACKAGE INSTALLATION

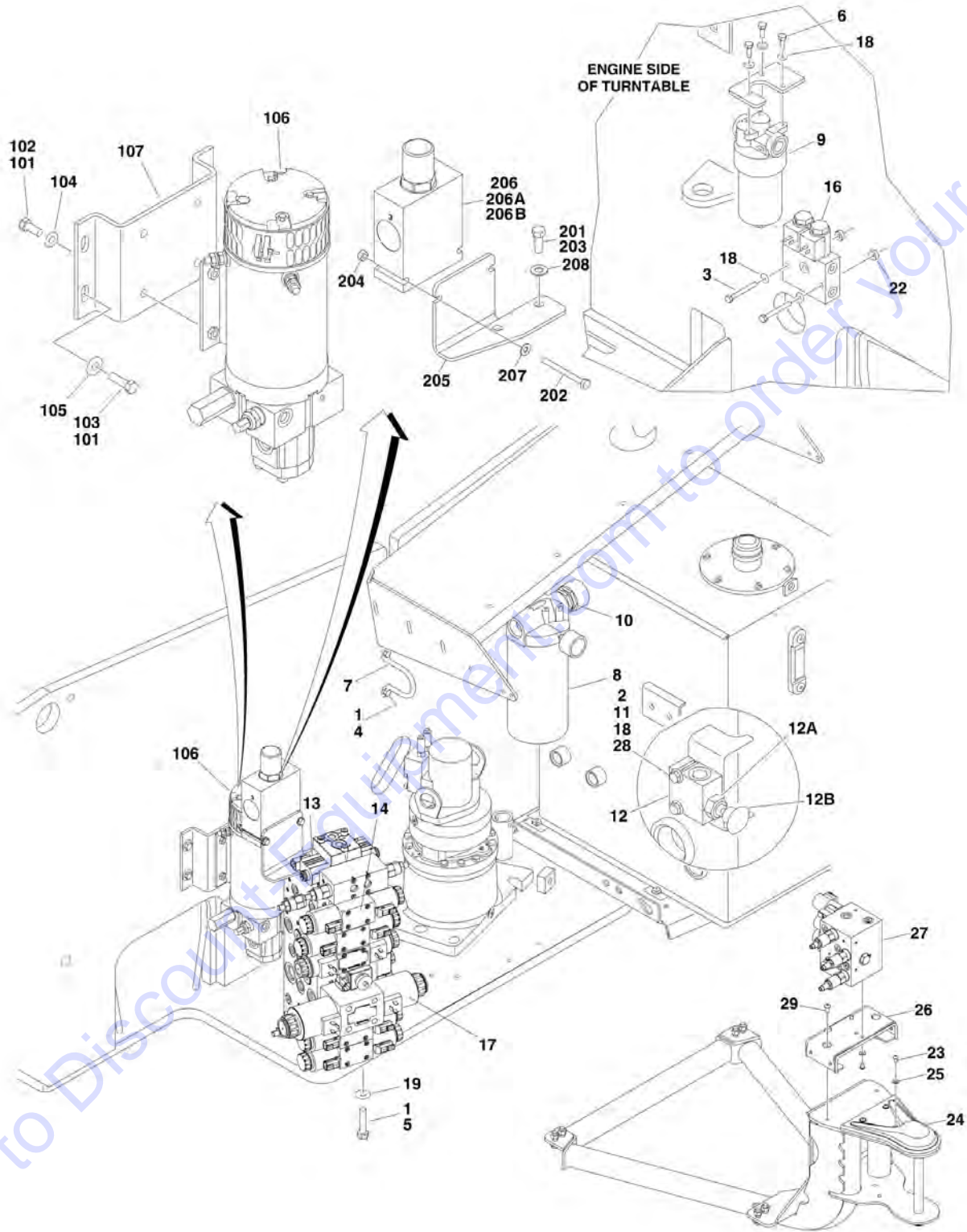
ITEM	PART NUMBER	QTY	DESCRIPTION	REV
		Ref	TOW BAR INSTALLATIONS	
	0272373	Ref	ANSI, CSA and Australian Specs (SN 0300185828 through 0300201336)	B
	1001187675	Ref	ANSI, CSA and Australian Specs (SN 0300201337 to Present)	A
	1001166807	Ref	CE Specs	B
1	0100011	AR	Compound, Locking	
2	0232121	1	Tow Bar Assembly (See Items 101-113 for Breakdown)	
3	0641504	2	Bolt 5/16-18 x 1/2	
3	0641508	2	Bolt 5/16-18 x 1	
4	1260017	2	Chain	
5	1704578	2	Decal - Crushing (ANSI, CSA and Australian Specs)	
5	1706960	2	Decal - Crushing (CE Spec)	
6	1705090	1	Decal - Towing Instructions (ANSI, CSA and Australian Specs Only)	
7	3250872	1	Nameplate - Steer/Tow Select Valve (ANSI, CSA and Australian Specs Only)	
8	3311401	2	Nut 1/4-20	
9	3420292	2	Pin	
11	3820001	4	Rivet (ANSI, CSA and Australian Specs Only)	
12	4420051	AR	Tape, Safety	
13	4640261	1	Valve, Select	
14	4711500	2	Washer 5/16	
14	4751500	4	Washer 5/16	
15	4751400	2	Washer 1/4	
16	4846507	1	Bracket (Right Front) (SN 0300185828 through 0300201336)	
16	1001158522	1	Bracket (Right Front) (SN 0300201337 to Present)	
17	4846508	1	Bracket (Right Rear) (SN 0300185828 through 0300201336)	
17	1001158522	1	Bracket (Right Rear) (SN 0300201337 to Present)	
18	1706957		Decal - Tow Bar and Steer Select (CE Spec Only)	
19	1001160780	1	Rod, Extension (SN 0300201337 to Present)	
	0232121	Ref	TOW BAR ASSEMBLY	7-G
101	0362910	1	Pintle, Draw Eye	
102	See Note	NSS	Tow Bar (Note: Use p/n 0232121)	
103	0642038	5	Bolt 5/8-11 x 4-3/4	
104	3312001	5	Nut 5/8-11	
105	4762000	5	Washer, Lock 5/8	
106	4070450	AR	Shim	
107	4070561	AR	Shim	
108	4740036	1	Washer, Special	
109	3420447	1	Pin, Towing	
110	3420372	1	Pin, Cotter	
111	1260135	1	Chain	
112	3760170	2	Ring, Split	
113	4070560	2	Shim	

SECTION 2 - TURNTABLE

Go to Discount-Equipment.com to order your parts

SECTION 2 - TURNTABLE

FIGURE 2-1. CONTROL VALVES AND AUXILIARY PUMP INSTALLATIONS



SECTION 2 - TURNTABLE

FIGURE 2-1. CONTROL VALVES AND AUXILIARY PUMP INSTALLATIONS

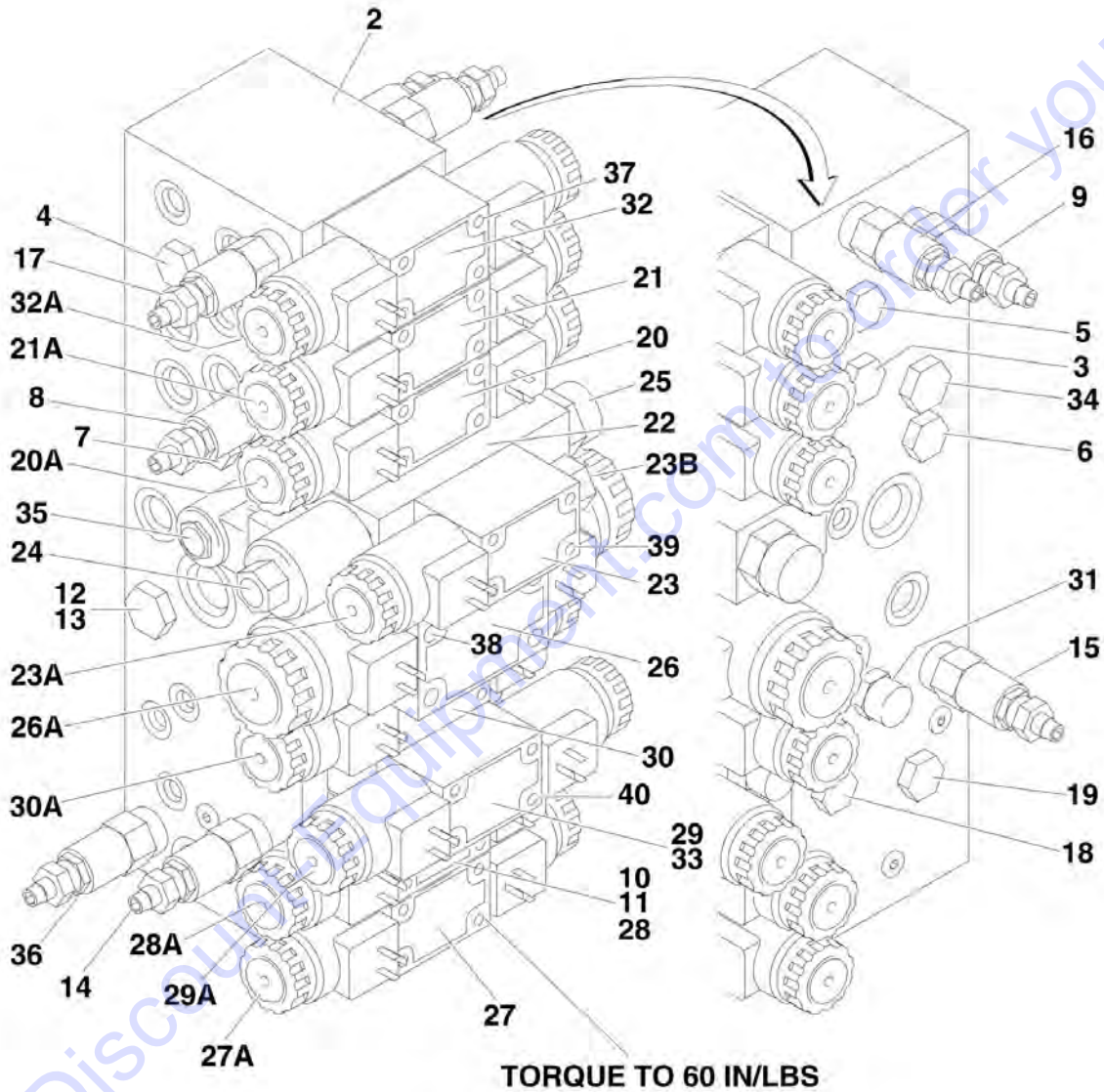
ITEM	PART NUMBER	QTY	DESCRIPTION	REV
		Ref	VALVES INSTALLATION	
		Ref	Machines without LSS or with 4 Cell LSS:	
	1001156797	Ref	Valves Installation (SN 0300185828 through 0300194175)	C
	1001170134	Ref	Valves Installation (SN 0300194176 to Present)	F
		Ref	Machines with 1 Cell LSS:	
	1001219986	Ref	Valves Installation	B
1	0100011	AR	Compound, Locking	
2	0641416	2	Bolt 1/4-20 x 2	
3	0641418	2	Bolt 1/4-20 x 2-1/4	
4	0641606	AR	Bolt 3/8-16 x 3/4	
5	0641614	3	Bolt 3/8-16 x 1-3/4	
6	0651406	3	Bolt 1/4-28 x 3/4	
7	3841340	1	Loop, Hose	
8	2120167	1	Return Filter Assembly (SN 0300185828 through 0300196955)	
8	2120168	1	Element, Filter	
8	7020021	1	Indicator, Clogged	
9	2120209	1	Pressure Filter Assembly	
9	2120210	1	Element, Filter	
9	70000934	1	O-Ring, Filter Bowl	
9	7020020	1	Indicator, Clog	
10	2220893	1	Fitting, Adapter (SN 0300185828 through 0300196955)	
11	3311405	2	Nut 1/4-20	
12	4640866	1	Valve Assembly (Level)	
12A	7017466	1	Cartridge	
12A	2900708	NLA	Seal Kit - Cartridge (Use p/n 7017496)	
12B	7012959	1	Knob	
13	4640921	1	Valve Assembly - Jib (See ACCESSORY VALVE ASSEMBLY for Breakdown) (SN 0300185828 through 0300194175)	
14		Ref	Valve Assembly Options: (4WS Only) (See ACCESSORY VALVE ASSEMBLY for Breakdown)	
14	4640922	1	Main Control Valve Assembly (4WS) (SN 0300185828 through 0300194139)	
16	4641317	1	Valve Assembly (Brake and 2 Speed)	
16	7012944	2	Coil	
16	7012941	2	Cartridge without Coil	
16	7010543	2	Seal Kit - 7012941 Cartridge (1 Per Cartridge)	
17		Ref	Main Control Valve Assembly Options: (See MAIN CONTROL VALVE ASSEMBLY for Breakdown)	
17	4641453	1	Main Control Valve Assembly (4WS) (SN 0300185828 through 0300194175)	
17	1001172219	NLA	Main Control Valve Assembly (4WS) (Use p/n 1001228171) (SN 0300194176 through 0300240506)	
17	1001228171	1	Main Control Valve Assembly (4WS) (SN 0300240507 to Present)	
18	4711400	AR	Washer 1/4	
19	4711600	3	Washer 3/8	
20	4921927	1	Harness Assembly (Jib Control) (Not Shown - See ELECTRICAL SECTION for Breakdown)	
21	4921928	1	Harness Assembly (4WS) (Not Shown - See ELECTRICAL SECTION for Breakdown)	
22	1001110425	2	Spacer	
23	0630467	AR	Screw, Button head 5/16-18 x 1/2	

SECTION 2 - TURNTABLE

ITEM	PART NUMBER	QTY	DESCRIPTION	REV
24	1670964	1	Cover, Support/Rotator	
25	4711500	1	Washer 5/16, Narrow	
26	4341264	1	Mount, Valve	
27	1001152565	1	Manifold, Platform Valve, Non-Jib	
28	0641414	AR	Bolt 1/4-20 x 1-3/4	
29	3900283	AR	Screw, Button head 3/8-16 x 3/4	
	1001142005	Ref	AUXILIARY PUMP INSTALLATION WITH BRACKET	C
	1001156137	Ref	AUXILIARY PUMP INSTALLATION WITHOUT BRACKET	A
101	0100011	AR	Compound, Locking	
102	0641607	4	Bolt 3/8-16 x 7/8 (Pump without Bracket)	
102	0811612	4	Bolt 3/8-16 x 1-1/2 Grade 8 (Pump with Bracket)	
103	0641610	4	Bolt 3/8-16 x 1-1/4 (Pump without Bracket Only)	
104	4711600	4	Washer 3/8 (Pump without Bracket Only)	
105	4751600	4	Washer 3/8 (Pump without Bracket Only)	
106	1001137460	1	Pump, Auxiliary (See AUXILIARY PUMP ASSEMBLY for Breakdown)	
107	1001141783	1	Bracket, Pump Mounting	
		Ref	SKYAIR AIR COMPRESSOR INSTALLATION	
	0272741	Ref	SkyAir Air Compressor Installation (Deutz D2011 & GM Engines)	K
	1001154411	Ref	SkyAir Air Compressor Installation (Deutz TD2.9L4 Engines)	C
201	0100011	AR	Compound, Locking	
202	0641422	2	Bolt 1/4 x 2-3/4	
203	0641608	2	Bolt 3/8 x 1	
204	33311405	2	Nut 1/4	
205	3574131	1	Bracket (SN 0300185828 through 0300242931)	
205	1001213844	1	Bracket (SN 0300242932 to Present)	
206	4641259	1	Valve, Priority	
206A	7024847	1	Cartridge	
206B	7024848	1	Seal Kit - 7024847 Cartridge	
207	4711400	4	Washer 1/4	
208	4711600	2	Washer 3/8	

SECTION 2 - TURNTABLE

FIGURE 2-2. MAIN CONTROL VALVE ASSEMBLY (SN 0300185828 through 0300194175)



SECTION 2 - TURNTABLE

FIGURE 2-2. MAIN CONTROL VALVE ASSEMBLY (SN 0300185828 through 0300194175)

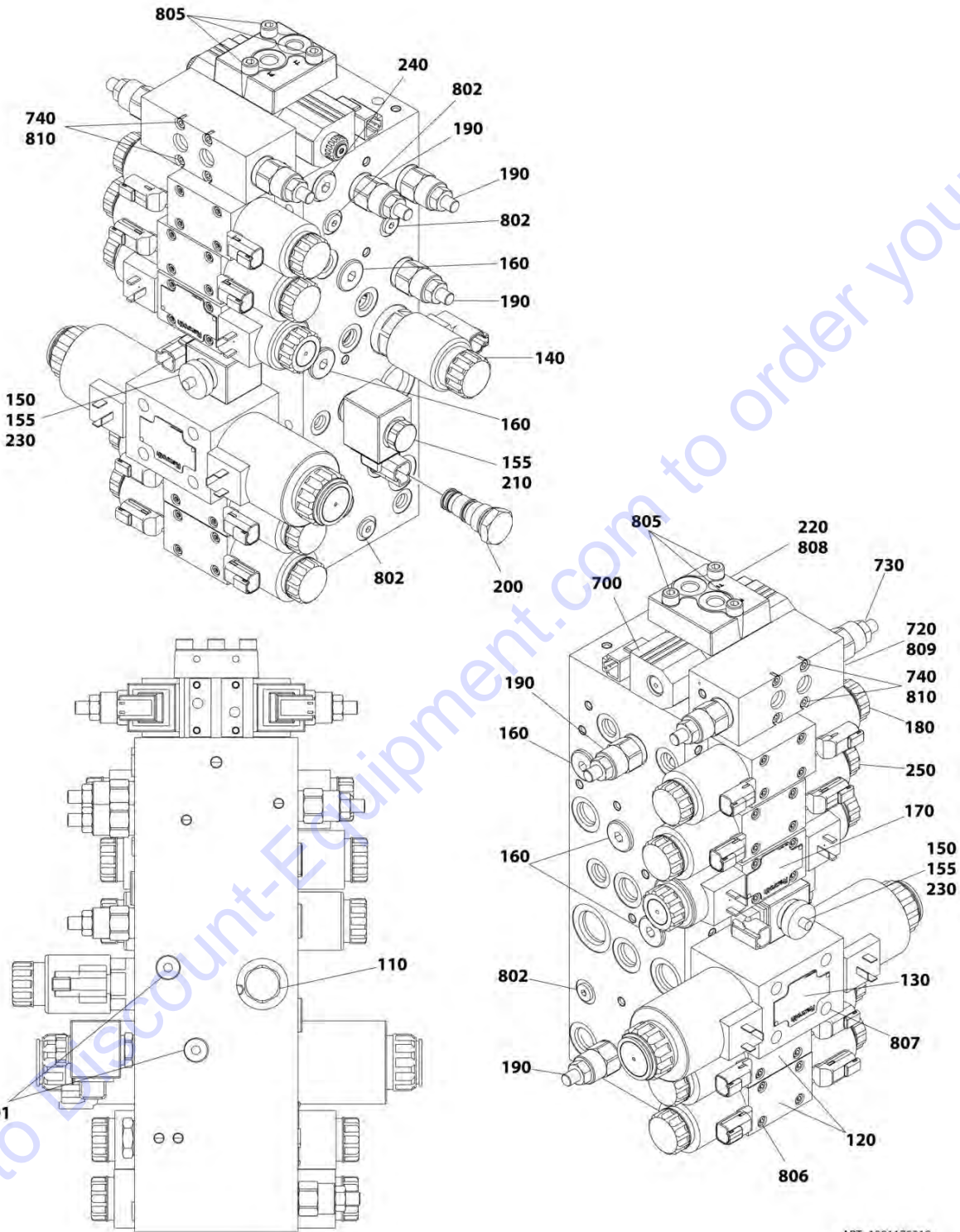
ITEM	PART NUMBER	QTY	DESCRIPTION	REV
	4641453	Ref	MAIN CONTROL VALVE ASSEMBLY (SN 0300185828 through 0300194175)	B
2	See Note	1	Block (Note: Not Available - Purchase Complete Assembly)	
3	7010542	1	Cartridge, Load Sensing (Main Lift)	
3	7010543	1	Seal Kit - 7010542 Cartridge	
4	7010542	1	Cartridge, Load Sensing	
4	7010543	1	Seal Kit - 7010542 Cartridge	
5	7010542	1	Cartridge, Load Sensing (Swing)	
5	7010543	1	Seal Kit - 7010542 Cartridge	
6	7010542	1	Cartridge, Load Sensing	
6	7010543	1	Seal Kit - 7010542 Cartridge	
7	7010542	1	Cartridge, Load Sensing (Main)	
7	7010543	1	Seal Kit - 7010542 Cartridge	
8	7017420	1	Cartridge, Relief Valve (Main Lift)	
8	7012998	1	Seal Kit - 7017420 Cartridge	
9	7017423	1	Cartridge, Relief Valve (Swing)	
9	7012998	1	Seal Kit - 7017420 Cartridge	
10	7018941	1	Orifice	
11	7018941	1	Orifice	
12	4641192	1	Cartridge, Check Valve (Tower Lift)	
12	2900708	1	Seal Kit - 4641192 Cartridge	
13	7021602	1	Piston, Pilot	
14	7017428	1	Cartridge, Relief Valve (Platform Level Down)	
14	7012998	1	Seal Kit - 7017428 Cartridge	
15	7017427	1	Cartridge, Relief Valve (Platform Level Up)	
15	7012998	1	Seal Kit - 7017427 Cartridge	
16	7017428	1	Cartridge, Relief Valve (Front Steer)	
16	7012998	1	Seal Kit - 7017428 Cartridge	
17	7017428	1	Cartridge, Relief Valve (Front Steer)	
17	7012998	1	Seal Kit - 7017428 Cartridge	
18	7012914	1	Cartridge, Pilot Check (Platform Level)	
18	7012918	1	Seal Kit - 7012914 Cartridge	
19	7012914	1	Cartridge, Pilot Check (Platform Level)	
19	7012918	1	Seal Kit - 7012914 Cartridge	
20	7018992	1	Control Valve Assembly (Main Lift)	
20	7012773	1	Seal Kit - 7018992 Valve	
20A	7018991	2	Coil	
20A	7018912	2	Nut	
21	7012775	1	Control Valve Assembly (Swing)	
21	7012773	1	Seal Kit - 7012775 Valve	
21A	7012772	2	Coil	
21A	7018912	2	Nut	
22	70002946	1	Flow Control Manifold Assembly (Main) (Includes Items 24 & 25)	
23	7018994	1	Control Valve Assembly (Main)	
23	7012773	1	Seal Kit - 7018994 Valve	
23A	7012772	1	Coil	
23A	7018912	1	Nut	
23B	7018993	1	Plug	
24	7017475	1	Cartridge without Coil	
24	7010545	1	Seal Kit - 7017475 Cartridge	

SECTION 2 - TURNTABLE

ITEM	PART NUMBER	QTY	DESCRIPTION	REV
24	7000645	1	Coil	
25	7021601	1	Cartridge, Flow Regulator (Main)	
25	7017477	1	Seal Kit - 7021601 Cartridge	
26	70000579	1	Control Valve Assembly (Main Tele)	
26	70000583	1	Seal Kit	
26A	70000582	1	Coil	
26A	70000580	1	Nut, Coil	
27	70001976	1	Control Valve Assembly (Tower Tele)	
27	7012773	1	Seal Kit - 7012770 Valve	
27A	7012772	2	Coil	
27A	7018912	2	Nut	
28	70001976	1	Control Valve Assembly (Platform Level)	
28	7012773	1	Seal Kit - 7012770 Valve	
28A	7012772	2	Coil	
28A	7018912	2	Nut	
29	70001976	1	Control Valve Assembly (Platform Rotate)	
29	7012773	1	Seal Kit - 7012770 Valve	
29A	7012772	2	Coil	
29A	7018912	2	Nut	
30	70001976	1	Control Valve Assembly (Tower Lift)	
30	7012773	1	Seal Kit - 7012770 Valve	
30A	7012772	2	Coil	
30A	7018912	2	Nut	
31	7012989	1	Cartridge, Flow Regulator (Platform Rotate)	
31	7012953	1	Seal Kit - 7012989 Cartridge	
32	7012774	1	Control Valve Assembly (Front Steer)	
32	7012773	1	Seal Kit - 7012774 Valve	
32A	7012772	2	Coil	
32A	7018912	2	Nut	
33	7021310	AR	Valve, Sandwich (Platform Rotate)	
33	7018945	2	O-Rings, Replacement - 7021310 Valve	
34	7017478	1	Cartridge, Check Valve (Main Pressure)	
34	7017477	1	Seal Kit - 7017478 Cartridge	
35	7012941	1	Cartridge without Coil (Main Dump)	
35	7010543	1	Seal Kit - 7017452 Cartridge	
35	7012944	1	Coil	
36	7017428	1	Cartridge, Relief Valve (Tower Tele)	
36	7012998	1	Seal Kit - 7017428 Cartridge	
37	7018942	28	Capscrew #10-24 x 2	
38	7018951	4	Capscrew 1/4-20 x 1-1/2	
39	7021311	4	Capscrew #10-24 x 4-1/2	
40	3931048	4	Capscrew #10-24 x 3	

SECTION 2 - TURNTABLE

FIGURE 2-3. MAIN CONTROL VALVE ASSEMBLY (SN 0300194176 through 0300240506)



ART_1001172218

SECTION 2 - TURNTABLE

FIGURE 2-3. MAIN CONTROL VALVE ASSEMBLY (SN 0300194176 through 0300240506)

ITEM	PART NUMBER	QTY	DESCRIPTION	REV
	1001172219	Ref	MAIN CONTROL VALVE ASSEMBLY (SN 0300194176 through 0300240506)	D
110	70005194	1	Valve, Check Cartridge	
110	70004584	1	Seal Kit - 70005194 Valve	
120	70004459	2	Valve Assembly (Tower Tele and Tower Lift)	
120	7012773	2	Seal Kit - 70004459 Valve	
120	70004460	4	Coil	
120	7021375	4	Nut, Coil	
120	70004461	4	O-Ring, Pole Tube	
130	70000579	1	Valve Assembly (Upper Tele)	
130	70000583	1	Seal Kit - 70000579 Valve	
130	70000582	2	Coil	
130	70000580	2	Nut, Coil	
130	7021363	2	O-Ring, Pole Tube	
140	70004657	1	Valve, Cartridge (Flow Control)	
140	70004594	1	Seal Kit - 70004657 Valve	
140	70004595	1	Coil	
140	70004596	1	O-Ring, Pole Tube	
140	70004597	1	Nut, Coil	
150	70004698	1	Valve, Cartridge Less Coil (Steer Dump)	
150	70004055	1	Seal Kit - 70004598 Valve	
155	70004653	2	Coil	
155	70004051	2	Nut, Coil	
160	70023859	5	Valve, Shuffle Cartridge	
160	70023860	5	Seal Kit - 70023859 Valve	
170	7018992	1	Valve Assembly (Upper Lift)	
170	7012773	1	Seal Kit - 7018992 Valve	
170	7018991	2	Coil	
170	7021375	2	Nut, Coil	
170	70004461	2	O-Ring, Pole Tube	
180	70005195	1	Valve Assembly (Front Steer)	
180	7012773	1	Seal Kit - 70005195 Valve	
180	70004463	2	Coil	
180	7021375	2	Nut, Coil	
180	70004461	2	O-Ring, Pole Tube	
190	70003019	5	Valve, Relief Cartridge	
190	70004052	5	Seal kit - 70003019 Valve	
200	70004665	1	Valve, Check - Cartridge	
200	70023862	1	Seal Kit - 70004665 Valve	
210	70004457	1	Valve, Cartridge Less Coil (Main Dump)	
210	70004050	1	Seal Kit - 70004457 Valve	
220	70004667	1	Cover	
230	70005196	1	Orifice .118	
240	70005197	1	Plug (2WS)	
240	70004052	1	Seal Kit - 70004670 Plug	
250	70005198	1	Valve Assembly (Swing)	
250	7012773	1	Seal Kit - 70005198 Valve	
250	70004463	2	Coil	
250	7021375	2	Nut, Coil	
250	70004461	2	O-Ring, Pole Tube	

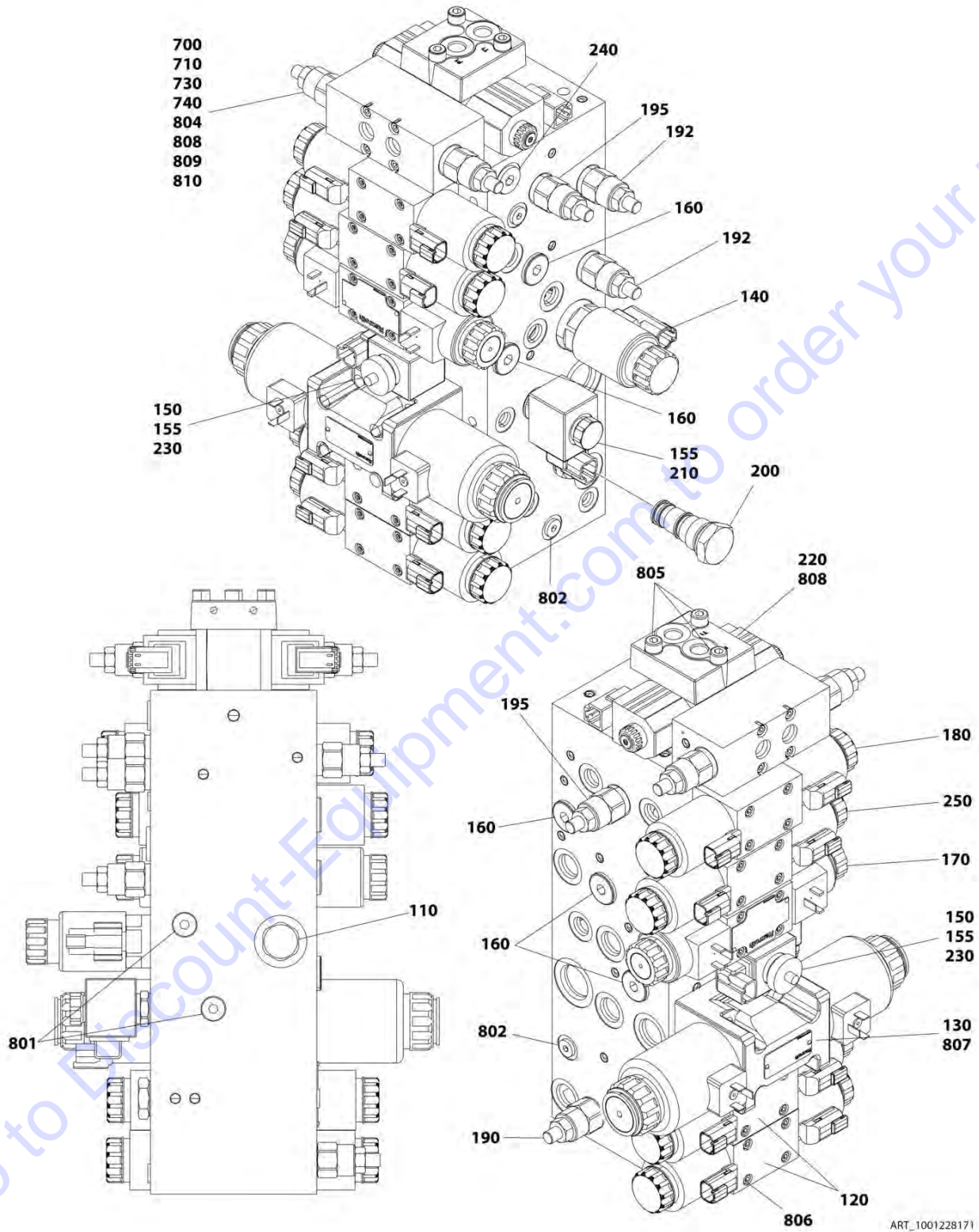
SECTION 2 - TURNTABLE

ITEM	PART NUMBER	QTY	DESCRIPTION	REV
700	70004671	1	Valve Assembly (Rear Steer) (4WS Only)	
700	70004673	2	Coil	
720	See Note	NLA	Valve Assembly (Rear Steer) (4WS Only) (Note: Not Available for Purchase)	
730	70003019	2	Valve, Pressure Relief Cartridge	
730	70004052	2	Seal Kit - 70003019 Valve	
740	70005232	4	Capscrew (4WS Only)	
801	70005199	2	Plug	
802	70005200	4	Plug	
805	70005201	3	Capscrew	
806	7018942	20	Capscrew	
807	7018951	4	Capscrew	
808	70005202	2	O-Ring	
809	91474405	2	O-Ring (4WS Only)	
810	70021202	1	Bolt Kit (4WS Only)	

Go to Discount-Equipment.com to order your parts

SECTION 2 - TURNTABLE

FIGURE 2-4. MAIN CONTROL VALVE ASSEMBLY (SN 0300240507 to Present)



SECTION 2 - TURNTABLE

FIGURE 2-4. MAIN CONTROL VALVE ASSEMBLY (SN 0300240507 to Present)

ITEM	PART NUMBER	QTY	DESCRIPTION	REV
	1001228171	Ref	MAIN VALVE ASSEMBLY	A
110	70005194	1	Valve, Check Cartridge	
110	70004584	1	Seal Kit - 70005194 Valve	
120	70004459	2	Valve Assembly (Tower Tele and Tower Lift)	
120	7012773	2	Seal Kit - 70004459 Valve	
120	70004460	4	Coil	
120	7021375	4	Nut, Coil	
120	70004461	4	O-Ring, Pole Tube	
130	70006955	1	Valve Assembly (Upper Tele)	
130	70006957	1	Seal Kit - 70006955 Valve	
130	70006956	2	Coil	
140	70004657	1	Valve, Cartridge (Flow Control)	
140	70004594	1	Seal Kit - 70004657 Valve	
140	70004595	1	Coil	
140	70004596	1	O-Ring, Pole Tube	
140	70004597	1	Nut, Coil	
150	70004598	1	Valve, Cartridge Less Coil (Steer Dump)	
150	70004055	1	Seal Kit - 70004598 Valve	
155	70004653	2	Coil	
155	70004051	2	Nut, Coil	
160	70023859	5	Valve, Shuffle Cartridge	
160	70023860	5	Seal Kit - 70023859 Valve	
170	7018992	1	Valve Assembly (Upper Lift)	
170	7024021	1	Seal Kit - 7018992 Valve	
170	7018991	2	Coil	
170	7021375	2	Nut, Coil	
170	70004461	2	O-Ring, Pole Tube	
180	70005195	1	Valve Assembly (Front Steer)	
180	7012773	1	Seal Kit - 70005195 Valve	
180	70004463	2	Coil	
180	7021375	2	Nut, Coil	
180	70004461	2	O-Ring, Pole Tube	
190	70006959	1	Valve, Relief Cartridge	
190	See Note	NSS	Seal Kit - 70006959 Valve (Note: Not Available for Purchase)	
192	70006960	2	Valve, Relief Cartridge	
192	See Note	NSS	Seal Kit - 70006960 Valve (Note: Not Available for Purchase)	
195	70006962	2	Valve, Relief Cartridge	
195	See Note	NSS	Seal Kit - 70006958 Valve (Note: Not Available for Purchase)	
200	70004665	1	Valve, Check - Cartridge	
200	70023862	1	Seal Kit - 70004665 Valve	
210	70004457	1	Valve, Cartridge Less Coil (Main Dump)	
210	70004050	1	Seal Kit - 70004665 Valve	
210	70004653	1	Coil	
220	70004667	1	Cover	
230	70005196	1	Orifice .118	
240	70004670	1	Blocking Plug	
250	70005198	1	Valve Assembly (Swing)	
250	70006961	1	Seal Kit - 70005198 Valve	
250	70004463	2	Coil	
250	7021375	2	Nut, Coil	

PARTS FINDER

**Search Website
by Part Number**



**Search Manual
Library For Parts
Manual & Lookup Part
Numbers – Purchase
or Request Quote**

**Can't Find Part or
Manual? Request Help
by Manufacturer,
Model & Description**

Discount-Equipment.com is your online resource for quality parts & equipment.

Florida: **561-964-4949** Outside Florida TOLL FREE: **877-690-3101**

Need parts?

Click on this link: <http://www.discount-equipment.com/category/5443-parts/> and choose one of the options to help get the right parts and equipment you are looking for. Please have the machine model and serial number available in order to help us get you the correct parts. If you don't find the part on the website or on one of the online manuals, please fill out the request form and one of our experienced staff members will get back to you with a quote for the right part that your machine needs.

We sell worldwide for the brands: Genie, Terex, JLG, MultiQuip, Mikasa, Essick, Whiteman, Mayco, Toro Stone, Diamond Products, Generac Magnum, Airman, Haulotte, Barreto, Power Blanket, Nifty Lift, Atlas Copco, Chicago Pneumatic, Allmand, Miller Curber, Skyjack, Lull, Skytrak, Tsurumi, Husquvarna Target, Stow, Wacker, Sakai, Mi-T-M, Sullair, Basic, Dynapac, MBW, Weber, Bartell, Bennar Newman, Haulotte, Ditch Runner, Menegotti, Morrison, Contec, Buddy, Crown, Edco, Wyco, Bomag, Laymor, EZ Trench, Bil-Jax, F.S. Curtis, Gehl Pavers, Heli, Honda, ICS/PowerGrit, IHI, Partner, Imer, Clipper, MMD, Koshin, Rice, CH&E, General Equipment, Amida, Coleman, NAC, Gradall, Square Shooter, Kent, Stanley, Tamco, Toku, Hatz, Kohler, Robin, Wisconsin, Northrock, Oztec, Toker TK, Rol-Air, APT, Wylie, Ingersoll Rand / Doosan, Innovatech, Con X, Ammann, Mecalac, Makinex, Smith Surface Prep, Small Line, Wanco, Yanmar

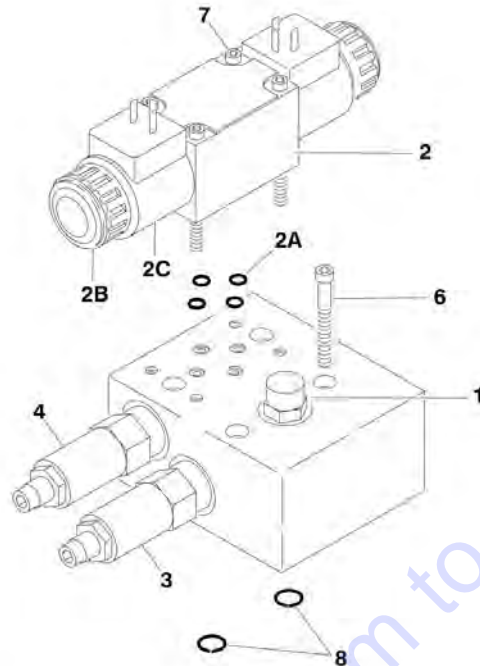
SECTION 2 - TURNTABLE

ITEM	PART NUMBER	QTY	DESCRIPTION	REV
250	70004461	2	O-Ring, Pole Tube	
700	70004671	1	Valve Assembly (Rear Steer)	
710	70004673	2	Coil	
730	70006963	2	Valve, Relief Cartridge	
740	70005232	4	Capscrew	
801	70005199	2	Plug	
802	70005200	4	Plug	
805	70005201	3	Capscrew	
806	7018942	20	Capscrew	
807	7018951	4	Capscrew	
808	70005202	2	O-Ring	
809	91474405	2	O-Ring	
810	70021202	1	Bolt Kit	

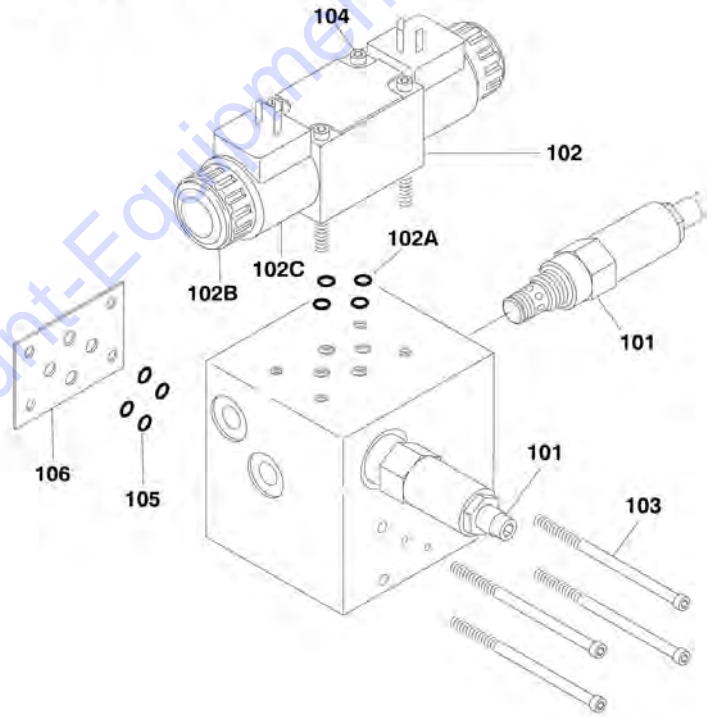
Go to Discount-Equipment.com to order your parts

SECTION 2 - TURNTABLE

FIGURE 2-5. ACCESSORY VALVE ASSEMBLY



NOTE: TORQUE ITEMS 6, 7, 103 & 104 TO 60 IN/LBS.



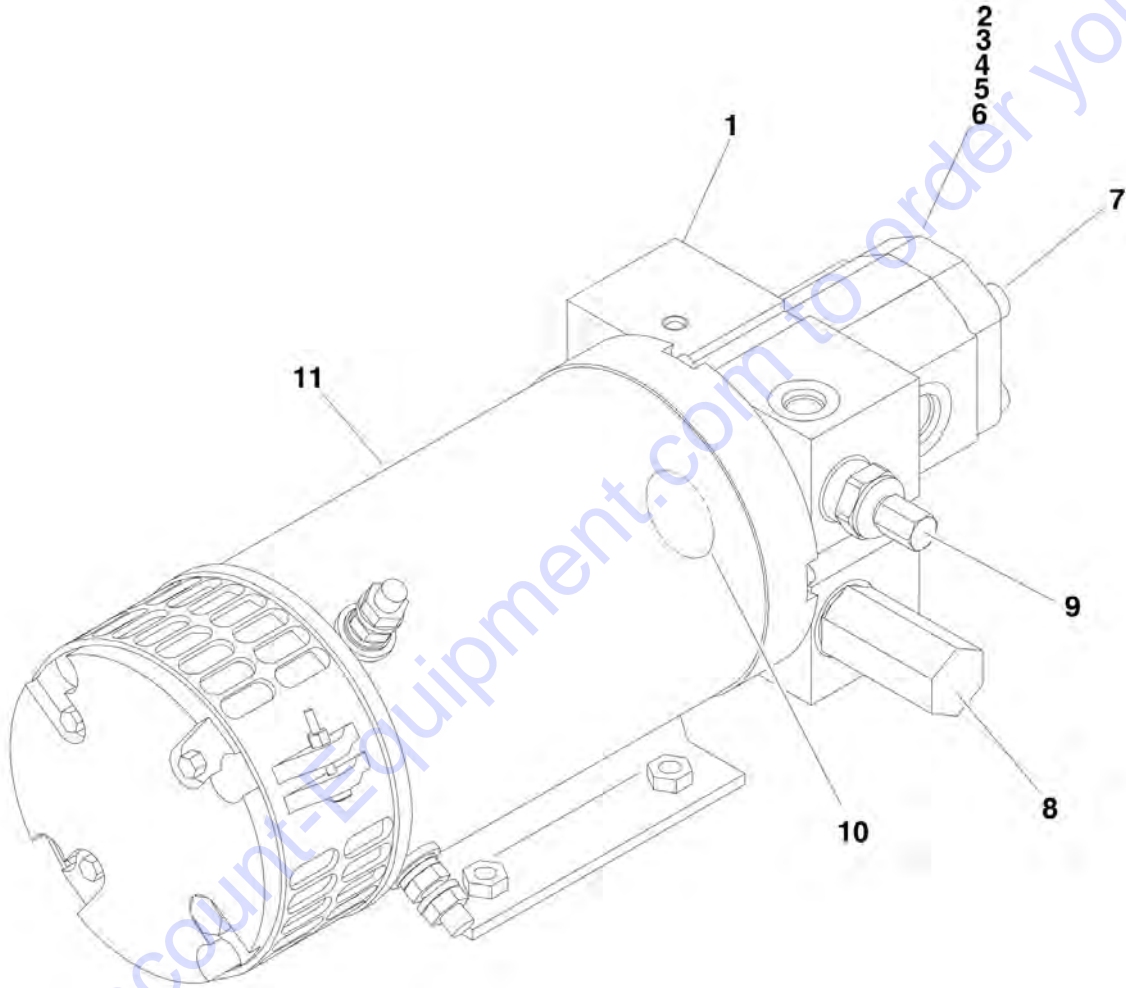
SECTION 2 - TURNTABLE

FIGURE 2-5. ACCESSORY VALVE ASSEMBLY

ITEM	PART NUMBER	QTY	DESCRIPTION	REV
		Ref	ACCESSORY VALVE ASSEMBLIES	
	4640921	Ref	ARTICULATING JIB VALVE ASSEMBLY (SN 0300185828 through 0300194175)	D
1	7012965	1	Cartridge, Flow Control	
1	7012953	1	Seal Kit - 7012965 Cartridge	
2	70001976	1	Directional Control Valve Assembly	
2	7012773	1	Seal Kit	
2A	7018945	4	O-Ring	
2B	7018912	2	Nut	
2C	7012772	2	Coil	
3	7017421	1	Cartridge, Relief	
3	7012998	1	Seal Kit - 7017421 Cartridge	
4	7017422	1	Cartridge, Relief	
4	7012998	1	Seal Kit - 7017422 Cartridge	
5	4460499	2	Connector, DIN with Diode (Not Shown - Part of Valve Harness)	
6	7012777	4	Capscrew 5/16-18 x 2-1/4 (Used to Mount Valve Assembly)	
7	7018942	4	Capscrew #10-24 x 2	
8	7012776	2	O-Ring (Used to Mount Main Valve)	
		Ref	4WS VALVE ASSEMBLY OPTIONS:	
	4640922	Ref	4WS Valve Assembly (SN 0300185828 through 0300194175)	B
101	7017420	1	Cartridge, Relief	
101	7012998	1	Seal Kit - 7017420 Cartridge	
102	7012774	1	Directional Control Valve Assembly	
102	7012773	1	Seal Kit	
102A	7018945	4	R-Ring	
102B	7018912	2	Nut	
102C	7012772	2	Coil	
103	7018946	4	Capscrew #10-24 x 5 (Used to Mount Main Valve)	
104	7018942	4	Capscrew #10-24 x 2	
105	7018948	4	O-Ring (Used to Mount Main Valve)	
106	7018947	1	Plate, O-Ring	

SECTION 2 - TURNTABLE

FIGURE 2-6. AUXILIARY PUMP ASSEMBLY



Go to Discount-Equipment.com to order your parts

SECTION 2 - TURNTABLE

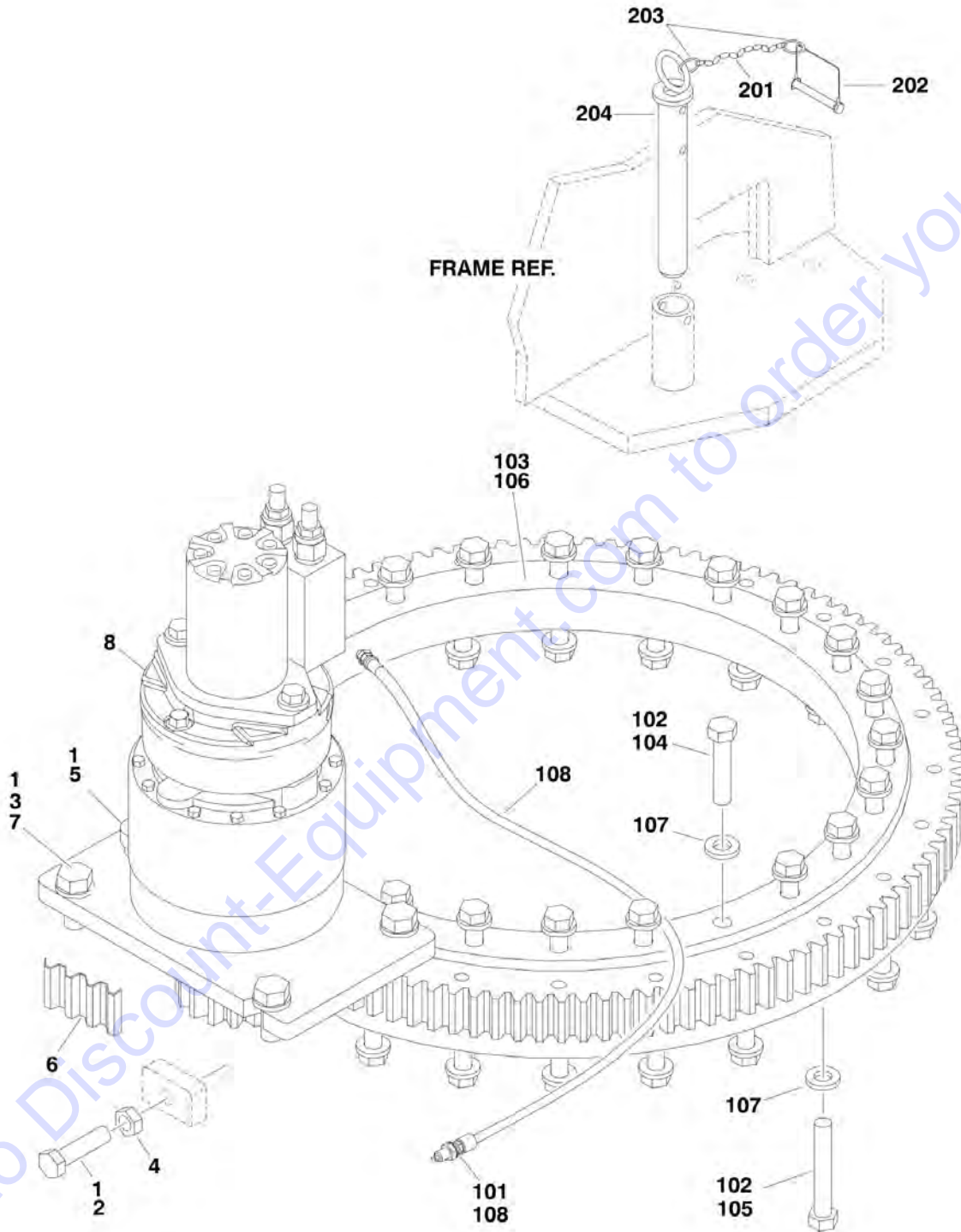
FIGURE 2-6. AUXILIARY PUMP ASSEMBLY

ITEM	PART NUMBER	QTY	DESCRIPTION	REV
	1001137460	Ref	AUXILIARY PUMP ASSEMBLY	A
1	70004125	1	Base Assembly	
1	70003993	1	Seal, Shaft	
2	See Note	NSS	Pin, Dowel (Note: Use Item 1)	
3	See Note	NSS	O-Ring (Note: Use Item 1)	
4	See Note	NSS	Pump (Note: Use Item 1)	
5	See Note	NSS	O-Ring (Note: Use Item 1)	
6	See Note	NSS	Cover, Rear (Note: Use Item 1)	
7	See Note	NSS	Screw (Note: Use Item 1)	
8	70003989	1	Valve, Logic	
9	See Note	NSS	Valve, Relief (Note: Use Item 1)	
10	See Note	NSS	Shaft, Intermediate (Note: Use Item 1)	
11	70003992	1	Motor	

Go to Discount-Equipment.com to order your parts

SECTION 2 - TURNTABLE

FIGURE 2-7. TURNTABLE BEARING AND SWING DRIVE INSTALLATION



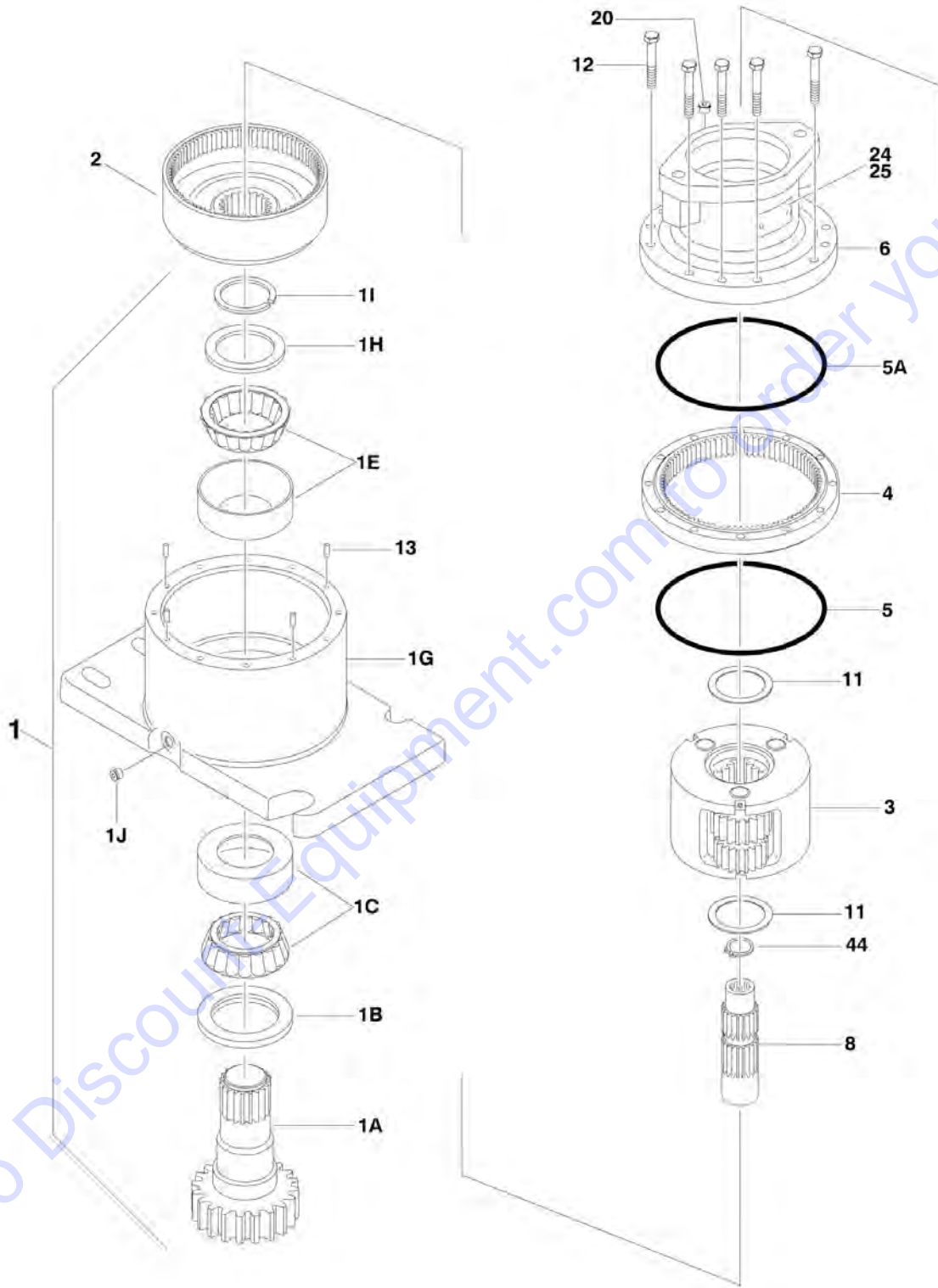
SECTION 2 - TURNTABLE

FIGURE 2-7. TURNTABLE BEARING AND SWING DRIVE INSTALLATION

ITEM	PART NUMBER	QTY	DESCRIPTION	REV
	1001156136	Ref	SWING DRIVE INSTALLATION	A
1	0100019	AR	Compound, Locking	
2	0642016	1	Bolt 5/8-11 x 2-1/4	
3	0682216	4	Bolt 3/4 -10 x 2 Grade 8	
4	3312002	1	Nut 5/8 - 11	
5	3900293	1	Screw 1 x 1-1/4	
6	4071009	1	Shim	
7	4740057	4	Washer	
8	1001101060	1	Motor, Swing Assembly (See SWING MOTOR/HUB ASSEMBLY for Breakdown)	
	1001157049	Ref	SWING BEARING INSTALLATION	A
101	0100011	AR	Compound, Locking	
102	0100019	AR	Compound, Locking	
103	0440244	1	Bearing, Turntable	
104	0682023	24	Bolt 5/8 -11 x 2-7/8 Grade 8	
105	0682032	24	Bolt 5/8-11 x 4 Grade 8	
106	3020029	AR	Lubricant	
107	4892000	48	Washer 5/8	
108	1001157058	1	Hose	
	1001156798	Ref	TURNTABLE LOCK INSTALLATION	A
201	1260017	9 in/23cm	Chain	
202	3421565	1	Pin, Snap	
203	3760170	2	Ring, Quick Release	
204	4844958	1	Pin	

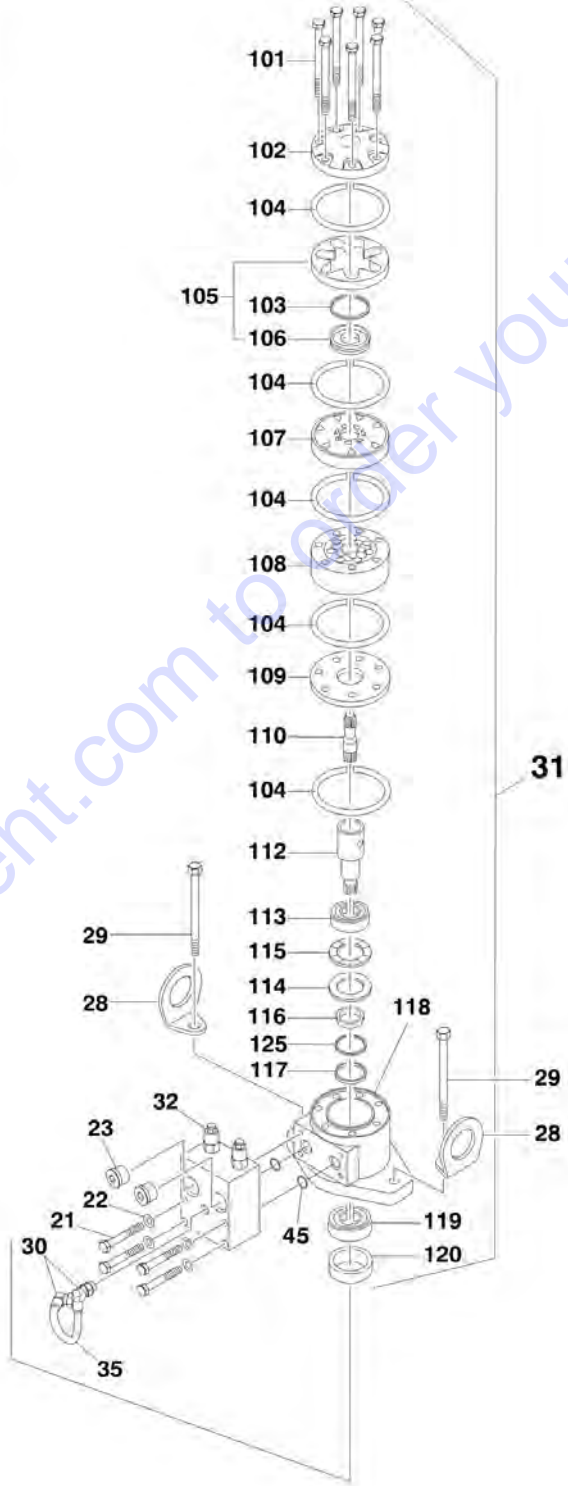
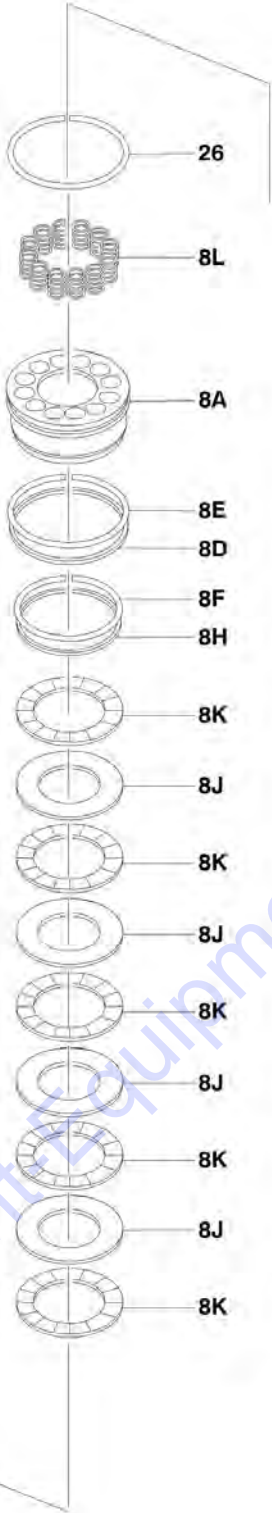
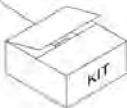
SECTION 2 - TURNTABLE

FIGURE 2-8. SWING MOTOR/HUB ASSEMBLY



SECTION 2 - TURNTABLE

200A
200B
200C
201



Go to DiscountedEquipment.com to order your parts

SECTION 2 - TURNTABLE

FIGURE 2-8. SWING MOTOR/HUB ASSEMBLY

ITEM	PART NUMBER	QTY	DESCRIPTION	REV
	1001101060	Ref	SWING MOTOR/HUB ASSEMBLY	A
1	See Note	NSS	Housing/Shaft Assembly (Note: Not Available - Purchase Individual Components)	
1A	7010492	1	Shaft, Output	
1B	7000228	1	Seal, Lip	
1C	7000255	1	Bearing Kit (Includes Cup and Cone)	
1E	7000257	1	Bearing Kit (Includes Cup and Cone)	
1G	7024762	1	Housing	
1H	7007633	1	Washer, Thrust	
1I	7000229	1	Ring, Retaining	
1J	7017072	1	Plug, Pipe	
2	7000246	1	Gear, Internal	
3	80424002	1	Carrier Assembly	
4	7000248	1	Gear, Ring	
5	7000230	1	O-Ring	
5A	7017070	1	O-Ring	
6	See Note	1	Housing, Brake (Note: Not Available - Purchase Complete Assembly)	
8	70002065	1	Gear, Sun	
8A	70000782	1	Piston	
8D	70002070	1	O-Ring	
8E	70002071	1	Ring, Back-up	
8F	70002073	1	O-Ring	
8H	70002072	1	Ring, Back-up	
8J	70002067	4	Disc, Rotor	
8K	70002068	5	Disc, Stator	
8L	70002066	14	Spring	
11	7000253	2	Washer, Thrust	
12	7000217	12	Bolt 3/8-16 x 2-1/4 Grade 8	
13	7017080	4	Pin, Dowel	
20	7017072	1	Plug, Pipe	
21	7024704	4	Bolt 5/16-18 x 2 Grade 8	
22	See Note	4	Washer (Note: Not Available for Purchase)	
23	7017023	2	Plug, Pipe	
24	See Note	1	Plate, ID (Note: Not Available for Purchase)	
25	7000281	2	Screw, Drive	
26	7024763	1	O-Ring	
28	See Note	2	Lug, Lifting (Note: Not Available for Purchase)	
29	70002069	2	Bolt 1/2-13 x 2 Grade 8	
30	7017085	2	Elbow	
31	70002075	1	Motor Assembly (See Items 101-125 for Breakdown)	
32	7024784	1	Valve Assembly - Complete (No Serviceable Parts)	
35	70002074	1	Tube	
44	7017028	1	Ring, Internal Retaining	
45	7000213	2	O-Ring	
	70002075	Ref	MOTOR ASSEMBLY	
101	7024454	5	Bolt	
102	7004035	1	Cover, End	
103	7023318	1	Seal, Commutator	
104	7004036	5	Seal, Ring	

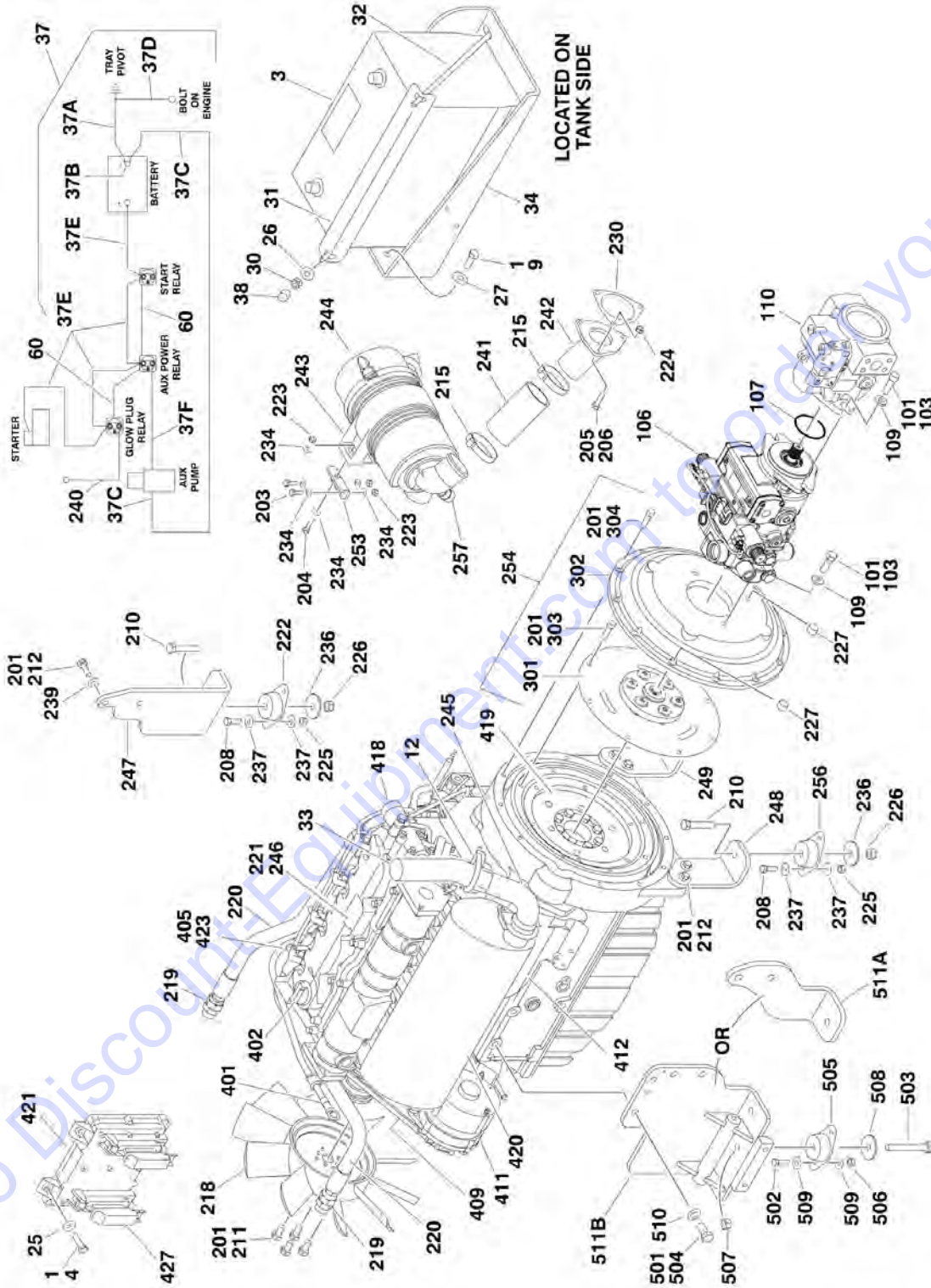
SECTION 2 - TURNTABLE

ITEM	PART NUMBER	QTY	DESCRIPTION	REV
105	7024453	1	Commutator and Ring Assembly	
106	See Note	NSS	Ring (Note: Use Item 105)	
107	7024379	1	Manifold	
108	7024455	1	Rotor Set	
109	7024380	1	Plate, Wear	
110	7024456	1	Link, Drive	
112	7024458	1	Shaft, Coupling	
113	7024381	1	Bearing, Inner	
114	7004043	1	Washer, Thrust	
115	7004044	1	Bearing, Thrust	
116	7004049	1	Seal, Inner	
117	7004045	1	Washer, Back-up	
118	7024457	1	Housing	
119	7024390	1	Bearing, Outer	
120	7004047	1	Seal	
125	80424043	1	Washer, Back-up	
		Ref	KIT OPTIONS:	
200A	7024100	1	Kit, Swing Hub (Includes Items 1B, 1I, 5, 5A & 11)	
200B	70002086	1	Kit, Swing Brake (Includes Items 8D, 8E, 8F, 8H & 26)	
200C	7024396	1	Kit, Swing Motor (Includes Items 103, 104, 116, 117, 120 & 125)	
201	70002085	1	Disc Kit - Swing Brake (Includes Items 8J & 8K)	

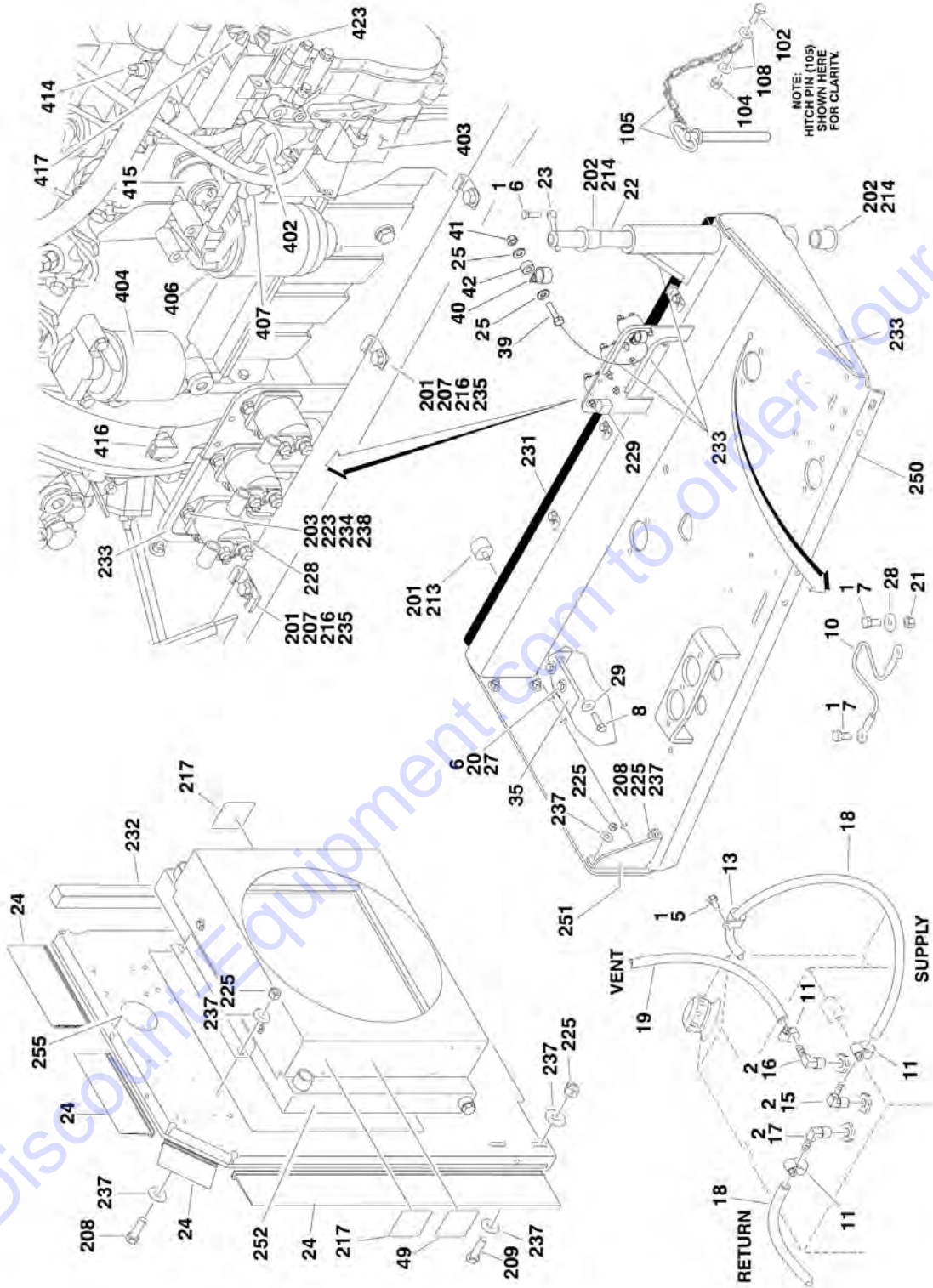
Go to Discount-Equipment.com to order your parts

SECTION 2 - TURNTABLE

FIGURE 2-9. DEUTZ D2011 ENGINE INSTALLATION



SECTION 2 - TURNTABLE



SECTION 2 - TURNTABLE

FIGURE 2-9. DEUTZ D2011 ENGINE INSTALLATION

ITEM	PART NUMBER	QTY	DESCRIPTION	REV
	1001154238	Ref	DEUTZ D2011 ENGINE INSTALLATION	F
1	0100011	AR	Compound, Locking	
2	0100020	AR	Sealant, Pipe	
3	0400075	1	Battery (Prior to SN 0300240507)	
4	0641410	4	Bolt 1/4-20 x 1-1/4	
5	0641508	1	Bolt 5/16-18 x 1	
6	0641610	3	Bolt 3/8-16 x 1-1/4	
7	0641808	2	Bolt 1/2-13 x 1	
8	0642010	1	Bolt 5/8-11 x 1-1/4	
9	0681608	3	Bolt 3/8-16 x 1 Grade 8	
10	1060637	1	Cable, Lanyard	
11	1320022	5	Clamp, Hose	
12	1320176	1	Clamp	
13	1321339	1	Clamp	
14	1701505	1	Decal - Diesel (Not Shown - Located on Hood)	
15	2180348	1	Fitting, Straight NPT/Barbed	
16	2220313	1	Fitting, 90 NPT/Barbed	
17	2221176	1	Fitting, 90 NPT/Barbed	
18	2720058	30 ft /9m	Hose	
19	2750532	6 ft /1.8m	Hose	
20	3311605	2	Locknut 3/8-16	
21	3311801	1	Nut 1/2-13	
22	3422446	1	Pin, Pivot	
23	3841143	1	Pin, Keeper	
24	3960548	5 ft /1.5m	Seal	
25	4711400	AR	Washer 1/4	
26	4751500	2	Washer 5/16 (Prior to SN 0300240507)	
27	4751600	1	Washer 3/8	
28	4751800	1	Washer 1/2	
29	4752000	1	Washer 5/8	
30	88521205		Nut 5/16-18 (Prior to SN 0300240507)	
31	91401281	1	Hold-down, Battery (Prior to SN 0300240507)	
32	1001093382	2	Bolt, Battery Hold-down (Prior to SN 0300240507)	
33	1001101600	1	Tube, Exhaust	
34	1001162497	1	Bracket	
35	1001151070	1	Plate	
37	1001155143		Battery Cable Kit	C
37A	7027092	1	Cable, Battery (Black) (Battery - to Tray Pivot and Relay Grds)	
37B	8270147	1	Terminal, Battery (With Boot) Cable, Battery (Black)	
37C	7027093	1	Cable, Battery (Black) (Battery - to Aux Pump Ground)	
37D	7027053	1	Cable, Battery (Black) (Engine to Tray Pivot Grd)	
37E	7027094	1	Cable (Red) (Battery + to Relays/Starter)	
37F	7027095	1	Cable (Red) (Aux Relay to Aux Pump)	
38	1001218572	2	Cap, Vinyl (SN 0300232933 to Present)	
39	0641409	1	Bolt 1/4 x 1-1/8 (SN 0300245054 to Present)	
40	1320224	1	Clamp (SN 0300245054 to Present)	
41	3311405	1	Nut 1/4 (SN 0300245054 to Present)	
42	1001110425	1	Spacer (SN 0300245054 to Present)	
49	1704972	1	Decal - Warning Explosion/Fire (ANSI Spec)	
49	1706098	1	Decal - Warning Explosion/Fire (Australian and CE Spec)	

SECTION 2 - TURNTABLE

ITEM	PART NUMBER	QTY	DESCRIPTION	REV
49	1706064	1	Decal - Warning Explosion/Fire (CSA Spec)	
49	1706062	1	Decal - Warning Explosion/Fire (Japanese Spec) (SN 0300185828 through 0300204546)	
60	4922737	1	Harness, Engine Ground	
	1001154236	Ref	ENGINE AND PUMP ASSEMBLY	D
101	0100011	AR	Compound, Locking	
102	0641407	1	Bolt 1/4-20 x 7/8	
103	0641812	4	Bolt 1/2-13 x 1-1/2	
104	3311405	1	Nut 1/4-20	
105	3422532	1	Pin, Hitch	
106	1001142522	1	Hydrostatic Pump Assembly with Fittings (See HYDROSTATIC PUMP ASSEMBLY for Breakdown) (SN 0300185828 through 0300207789)	
106	1001187510	NLA	Hydrostatic Pump Assembly with Fittings (Use p/n 1001225745) (See HYDROSTATIC PUMP ASSEMBLY for Breakdown) (SN 0300207790 through 0300240878)	
106	1001225745	1	Hydrostatic Pump Assembly with Fittings (See HYDROSTATIC PUMP ASSEMBLY for Breakdown) (SN 0300240879 to Present)	
107	3790044	1	O-Ring	
108	4751400	1	Washer 1/4	
109	4891800	4	Washer 1/2	
110	1001094595		Variable Pump Assembly with Fittings (See VARIABLE PUMP ASSEMBLY for Breakdown)	
	1001153396	Ref	ENGINE ASSEMBLY	C
201	0100011	AR	Compound, Locking	
202	0100062	AR	Compound, Locking	
203	0641407	8	Bolt 1/4-20 x 7/8	
204	0641410	2	Bolt 1/4-20 x 1-1/4	
205	0641510	2	Bolt 5/16-18 x 1-1/4	
206	0641512	1	Bolt 5/16-18 x 1-1/2	
207	0641606	3	Bolt 3/8-16 x 3/4	
208	0641609	14	Bolt 3/8-16 x 1-1/8	
209	0641610	4	Bolt 3/8-16 x 1-1/4	
210	0641820	2	Bolt 1/2-13 x 2-1/2	
211	0700808	4	Bolt M8 x 16mm	
212	0771414	6	Bolt M14 x 30mm Grade 10.9	
213	0940070	1	Bumper	
214	0961986	2	Bushing, Flanged	
215	1320016	2	Clamp	
216	1320223	4	J-Clip	
217	1703162	2	Decal - Caution Fan Blade	
218	2060025	1	Fan	
219	2220451	2	Fitting, Straight	
220	2720398	2	Hose, Oil Cooler	
221	3020016	15 qt/ 14.2L	Oil, Motor (Not Shown)	
222	3200106	1	Mount, Motor	
223	3311405	10	Nut 1/4in-20NC	
224	3311505	3	Nut 5/16in-18NC	
225	3311605	18	Nut 3/8in-16NC	
226	3311805	3	Nut 1/2in-13NC	
227	3520054	2	Plug	
228	3740067	3	Relay	

SECTION 2 - TURNTABLE

ITEM	PART NUMBER	QTY	DESCRIPTION	REV
229	3740080	1	Relay	
230	3960407	1	Gasket, Air Intake	
231	3960468	1	Seal	
232	3960469	1	Seal	
233	4060805	37 in/1m	Flex-Trim	
234	4711400	14	Washer 1/4	
235	4711600	3	Washer 3/8	
236	4740274	3	Washer, Snubbing	
237	4751600	36	Washer 3/8	
238	4791400	6	Washer, Star 1/4	
239	4812200	2	Washer M14	
240	4923379	1	Harness, Glow Plug (See ELECTRICAL SECTION for Breakdown)	
241	1001001939	1	Hose, Flex	
242	1001146273	1	Adapter, Air Intake	
243	1001147812	1	Clamp	
244	1001147813	1	Air Cleaner Assembly Filter Element	
244	70004020	1	Element, Filter (Not Shown)	
245	1001147820	1	Pipe, Exhaust	
246	1001147823	1	Engine, Deutz D2011 (See Items for 401-428 for Serviced Components)	
247	1001149704	1	Support, Engine	
248	1001149705	1	Support, Engine	
249	1001149706	1	Support, Engine	
250	1001149793	1	Tray, Engine	
251	1001150915	1	Gusset	
252	1001150998	1	Radiator	
253	1001152459	1	Plate, Air Cleaner Mounting	
254	1001153282	1	Pump Coupling Kit (See Items 301-304 for Breakdown)	
255	1001153414	1	Plate, Radiator Mounting	
256	3200401	2	Mount, Motor	
257	1001143390	1	Indicator, Air Filter	
	1001153282	Ref	PUMP COUPLING KIT	C
301	70004183	1	Coupling, Guardian	
302	See Note	NSS	Plate, Pump Adapter (Note: Use p/n 1001153282)	
303	See Note	8	Capscrew M10 x 20mm Grade 10.9 (Note: Not Available - Purchase Locally or Purchase Kit)	
304	See Note	12	Capscrew M10 x 25mm Grade 10.9 (Note: Not Available - Purchase Locally or Purchase Kit)	
	1001147823	Ref	ENGINE COMPONENTS	B
401	70004287	1	Dipstick	
401	70000044	1	Seal, Dipstick	
401	70001002	1	Tube, Dipstick	
401	7020403	1	Seal, Dipstick Tube	
402	7020465	2	Cap, Filler	
403	70001850	1	Pump, Oil Lube	
403	7020468	1	Seal Between Oil Pump and Engine Block (Not Shown)	
404	7016331	1	Filter, Oil	
404	70003472	1	Bracket, Oil Filter Mounting	
404	7027236	1	Sensor, Oil Temperature	
404	70025082	1	Ring, Sealing	
405	70000912	4	Pump, Injector - Series A Injector	

SECTION 2 - TURNTABLE

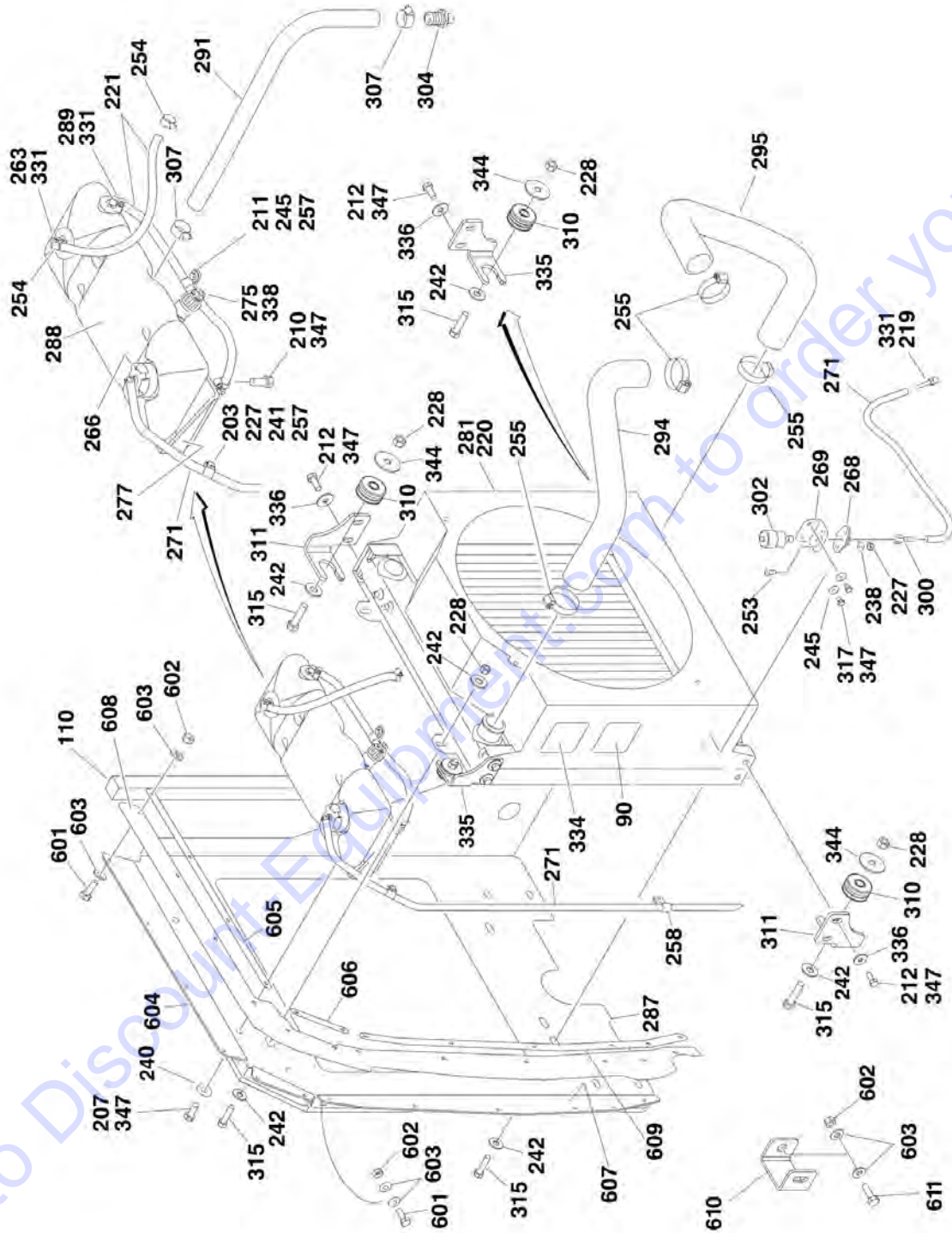
ITEM	PART NUMBER	QTY	DESCRIPTION	REV
405	70000913	4	Pump, Injector - Series B Injector	
405	70000914	4	Pump, Injector - Series C Injector	
405	70000915	4	Pump, Injector - Series D Injector	
405	70003464	4	Seal/Gasket, Pump (1 per Injector)	
405	70003478	4	Injector, Fuel	
405	70003136	4	Seal/Gasket, Injector (1 per Injector)	
406	7016328	1	Filter, Fuel	
406	70003465	1	Sensor	
406	70003466	2	Seal, Sensor	
407	70000916	1	Pump, Fuel Supply	
407	70001435	1	Repair Kit for Fuel Supply Pump	
407	70000919	1	Hand Pump for Fuel Supply Pump	
407	70000917	1	O-Seal Between Fuel Pump and Engine Block	
407	70000918	1	O-Seal Between Fuel Pump and Hand Pump	
408	70001871	4	Gasket, Intake Manifold (Not Shown)	
409	7020408	1	V-Belt	
410		Ref	Exhaust Manifold Components (Not Shown)	
410	70001835	1	Gasket, Exhaust Adapter to Exhaust Rail	
410	70001841	1	Valve, Exhaust (Fits into Exhaust Adapter)	
410	70001836	1	Gasket, Exhaust Rail to Cylinder Head	
410	70001837	1	Gasket, Exhaust Manifold to Muffler	
410	70002200	4	Stud, Mounting	
410	See Note	AR	Nut, Exhaust Manifold	
411	70004056	1	Alternator	
411	70001868	1	Regulator, Voltage (Not Shown)	
411	70001866	1	Seal, Voltage Regulator (Not Shown)	
411	70002234	1	Bar, Alternator Adjustment	
412	7020479	1	Starter	
412	70004058	1	Relay	
413	70004060	2	Plug-In Connector (Not Shown)	
414	7027791	1	Transmitter, Temperature	
415	7027790	1	Sensor, Oil Pressure	
416	70004272	1	Sensor, Speed	
417	7027792	1	Throttle Actuator	
417	7027276	2	Springs	
418	70003475	1	Thermostat (Located at rear of engine block - Not Shown)	
419	70001870	1	Flywheel with Ring Gear	
419	7024579	1	Gear, Ring 110 Tooth	
420	7000695	1	Muffler (Standard)	
420	1001101241	1	Catalytic Muffler Option on ANSI Export, Australian, CE and Japanese Specs (SN 0300185828 through 0300243317)	
420	1001099051	1	Spark Arresting Muffler Option on ANSI Export, Australian and CE Specs (SN 0300243318 to Present)	
420	70001844	1	U-Clamp	
420	7020471	1	Gasket	
421	7027795	1	Module, Control	
422	70001181	1	Valve (Not Shown)	
423	70000345	4	Plug, Glow	
424	70000800	1	Camshaft Pulley Repair Kit (Not Shown)	
426	70002415	1	Gasket, Head with 1 Notch (Not Shown)	
426	70002416	1	Gasket, Head with 2 Notches (Not Shown)	
426	70002417	1	Gasket, Head with 3 Notches (Not Shown)	

SECTION 2 - TURNTABLE

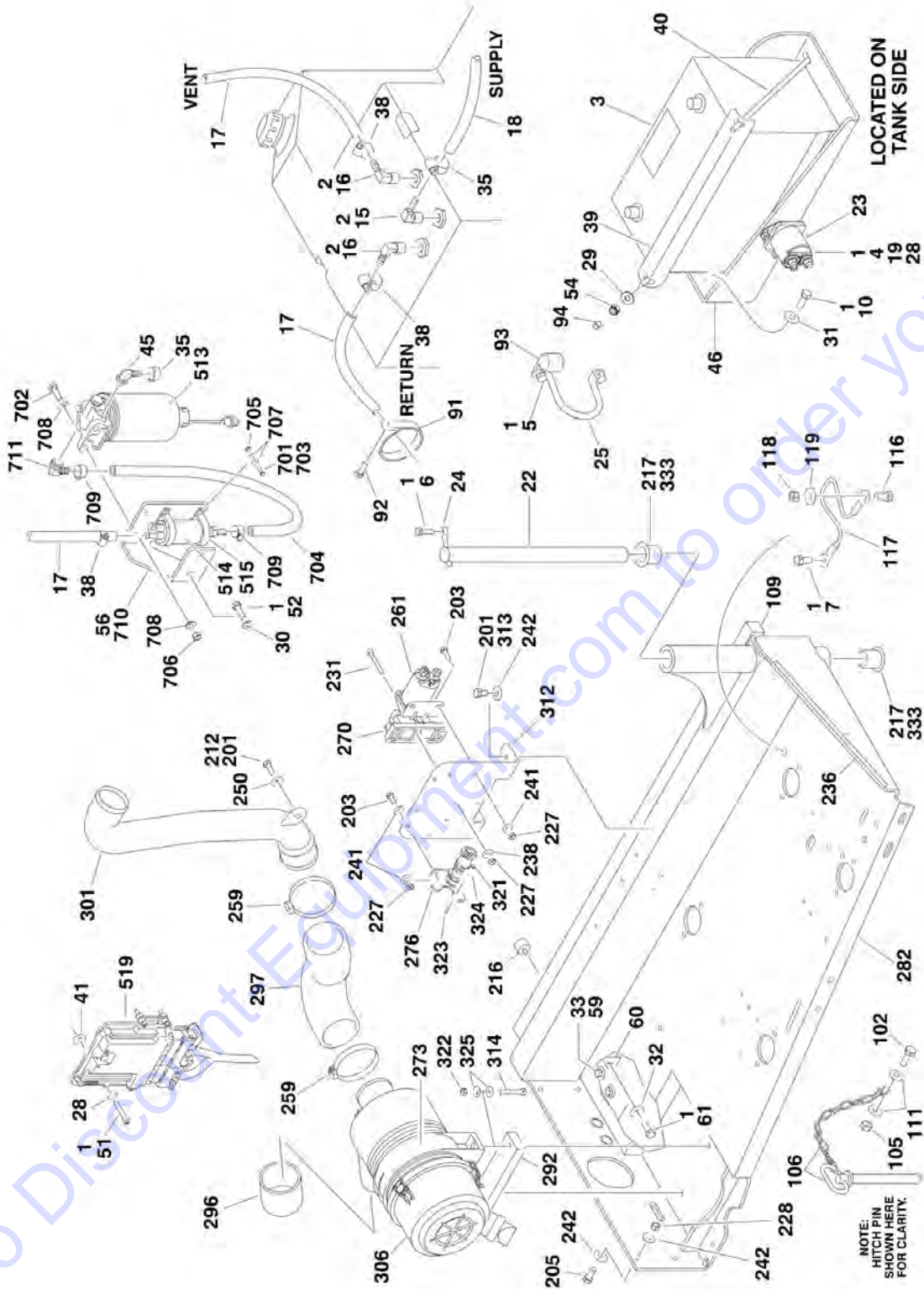
ITEM	PART NUMBER	QTY	DESCRIPTION	REV
427	7027796	1	Harness, Engine (Connects to Item 421)	
427	70001872	1	Harness, Engine (Connects to p/n 7027796)	
428		Ref	Gaskets and Seals - Miscellaneous (Not Shown)	
428	70004289	1	Gasket Set	
428	70002718	1	Seal, Rear Main	
428	70004280	1	Seal, Front Main	
429	70025752	1	Valve, Pressure Relief (Not Shown - Located at Engine Front Left)	
429	70025753	1	Spring	
429	70005916	1	Seal	
429	70005917	1	Plug, Locking	
	1001151253	Ref	RIGHT ENGINE SUPPORT INSTALLATION (MACHINES WITHOUT GENERATORS)	A
	1001151252	Ref	RIGHT ENGINE SUPPORT INSTALLATION (MACHINES WITH GENERATORS)	B
501	0100011	AR	Compound, Locking	
502	0641609	2	Bolt 3/8-16 x 1-1/8	
503	0641820	1	Bolt 1/2-13 x 2-1/2	
504	0711414	3	Bolt M14 x 30 Grade 10.9	
505	3200401	1	Mount, Motor	
506	3311605	2	Nut 3/8-16	
507	3311805	1	Nut 1/2-13	
508	4740274	1	Washer, Snubbing	
509	4751600	4	Washer 3/8	
510	4812200	3	Washer M14	
511A	1001149703	1	Support, Engine (Right Front) (Machines without Generator)	
511B	1001150890	1	Support, Engine (Right Front) (Machines with Generator)	

SECTION 2 - TURNTABLE

FIGURE 2-10. DEUTZ TD2.9L4 ENGINE INSTALLATION



SECTION 2 - TURNTABLE



NOTE:
HITCH PIN
SHOWN HERE
FOR CLARITY.

SECTION 2 - TURNTABLE

FIGURE 2-10. DEUTZ TD2.9L4 ENGINE INSTALLATION

ITEM	PART NUMBER	QTY	DESCRIPTION	REV
	1001140414	Ref	DEUTZ ENGINE INSTALLATION (SN 0300185828 through 0300196955)	K
	1001178176	Ref	DEUTZ ENGINE INSTALLATION (SN 0300196956 through 0300227034)	F
	1001185670	Ref	DEUTZ ENGINE INSTALLATION (SN 0300227035 to Present)	E
	1001235491	Ref	DEUTZ ENGINE INSTALLATION - STAGE V	C
1	0100011	AR	Compound, Locking	
2	0100020	AR	Sealant, Pipe	
3	0400075	1	Battery (Prior to SN 0300240507)	
4	0641406	AR	Bolt 1/4-20 x 3/4	
5	0641608	AR	Bolt 3/8-16 x 1	
6	0641610	1	Bolt 3/8-16 x 1-1/4	
7	0641808	1	Bolt 1/2-13 x 1	
10	0681608	3	Bolt 3/8-16 x 1 Grade 8	
13	0771212	1	Bolt M12 x 25 Grade 10.9	
14	1701505	1	Decal - Diesel Fuel (Not Shown Located on Fuel Tank)	
15	2180832	1	Fitting, 90 NPT/ Barbed	
16	2220313	2	Fitting, 90 NPT/Barbed	
17	1001165035	28 ft/8.5m	Hose	
17	2750532	4 ft/1.2m	Hose (Vent Line) (SN 0300227035 to Present)	
17	2750532	4 ft/1.2m	Hose (Vent Line) (China Spec)	
18	1001154405	54 in/1.4m	Hose	
19	3311405	AR	Nut 1/4-20	
22	3422446	1	Pin, Pivot	
23	3740067	1	Relay	
24	3841143	1	Pin, Keeper	
25	3841340	AR	Loop, Hose (SN 0300185828 through 0300196955)	
28	4711400	AR	Washer 1/4	
29	4711500	4	Washer 5/16 (Prior to SN 0300240507)	
30	4711600	2	Washer 3/8	
31	4751600	3	Washer 3/8	
32	4752000	1	Washer 5/8	
33	4812100	3	Washer M12	
35	8405006	2	Clamp	
37	8406112	2	Clip (SN 0300185828 through 0300219143)	
38	8410013	4	Clamp	
39	91401281	1	Hold-down, Battery (Prior to SN 0300240507)	
40	1001093382	2	Bolt, Battery Hold-down (Prior to SN 0300240507)	
41	1001110425	4	Spacer	
45	1001141718	1	Fitting, Straight Metric/Barbed (SN 0300185828 through 0300196955)	
45	1001142501	1	Fitting, Straight Metric/Barbed (SN 0300196956 to Present)	
46	1001162497	1	Bracket, Battery	
49	1001143736	1	Battery Cable Kit (Not Shown)	E
49A	7027084	1	Cable, Battery (Black) (Battery - to Tray Pivot Grd)	
49B	8270147	1	Terminal, Battery (With Boot)	
49C	7027085	1	Cable, Battery (Black) (Battery - to Aux Pump and Relay Grds)	
49D	7027086	1	Cable, Battery (Black) (Engine to Tray Pivot Grd)	
49E	7027087	1	Cable (Red) (Battery + to Aux Relay/Power Module/Starter)	
49F	7027088	1	Cable (Red) (Aux Relay to Aux Pump)	

SECTION 2 - TURNTABLE

ITEM	PART NUMBER	QTY	DESCRIPTION	REV
50	1001138491	1	Harness, Fuel (Not Shown - See ELECTRICAL SECTION for Breakdown)	
51	0641412	4	Bolt 1/4-20 x 1-1/2	
52	0641606	AR	Bolt 3/8-16 x 3/4	
52	0641611	AR	Bolt 3/8-16 x 1-3/8	
54	88521205	1	Nut 5/16-18 (Prior to SN 0300240507)	
55	1001155823	1	Fitting, Quick Disconnect 90	
56	1001162335	1	Bracket Assembly Less Filter/Pump (See Items 701-711 for Breakdown)	
57	4240033	AR	Tie-Strap (Not Shown)	
58	0760810	2	Bolt M8 x 20	
59	0641611	AR	Bolt 3/8-16 x 1-3/8	
60	1001153359	1	Mount, Engine	
61	0642012	1	Bolt 5/8-11 x 1-1/2	
62	4812000	1	Washer M10 (SN 0300219143 to Present)	
63	1320061	1	Clamp (SN 0300219143 to Present)	
64	0761008	1	Bolt M10 x 16 (SN 0300219143 to Present)	
90	1704972	1	Decal - Warning Explosion/Fire - ANSI Spec	
90	1706098	1	Decal - Warning Explosion/Fire - Australian and CE Spec	
90	1706064	1	Decal - Warning Explosion/Fire - CSA Spec	
91	1321339	1	Clamp (SN 0300207790 to Present)	
92	0641508	1	Bolt 5/16 - 18 x 1 (SN 0300207790 to Present)	
93	8406102	1	Clip (SN 0300225843 to Present)	
94	1001218572	1	Cap, Vinyl (SN 0300232933 through 0300240507)	
	1001140413	Ref	ENGINE AND PUMP ASSEMBLY (SN 0300185828 through 0300227034)	K
	1001185667	Ref	ENGINE AND PUMP ASSEMBLY (SN 0300227035 to Present)	E
	1001235490	Ref	ENGINE AND PUMP ASSEMBLY - STAGE V	B
101	0100011	AR	Compound, Locking	
102	0641406	1	Bolt 1/4-20 x 3/4	
103	0641812	4	Bolt 1/2-13 x 1-1/2	
105	3311405	1	Nut 1/4-20	
106	3422532	1	Pin, Hitch	
107	1001142522	1	Hydrostatic Pump Assembly with Fitting (See HYDROSTATIC PUMP ASSEMBLY for Breakdown) (SN 0300185828 through 0300207789)	
107	1001187510	NLA	Hydrostatic Pump Assembly with Fittings (Use p/n 1001225745) (See HYDROSTATIC PUMP ASSEMBLY for Breakdown) (SN 0300207790 through 0300240878)	
107	1001225745	1	Hydrostatic Pump Assembly with Fittings (See HYDROSTATIC PUMP ASSEMBLY for Breakdown) (SN 0300240879 to Present)	
108	3790044	1	O-Ring	
109	3960468	1	Seal	
110	3960469	1	Seal	
111	4751400	2	Washer 1/4	
112	4891800	4	Washer 1/2	
113	1001094595	1	Variable Pump Assembly with Fittings (See VARIABLE PUMP ASSEMBLY for Breakdown)	
115	3020037	AR	Lubricant	
116	0641808	1	Bolt 1/2-13 x 1	
117	1060637	1	Lanyard	
118	3311801	1	Nut 1/2-13	
119	4751800	1	Washer 1/2	

SECTION 2 - TURNTABLE

ITEM	PART NUMBER	QTY	DESCRIPTION	REV
120	1001235488	1	Engine, Deutz TD2.9L4 - STAGE V (See Items 501-536 for Serviced Components) (SN 0300240508 to Present)	
	1001140412	Ref	ENGINE ASSEMBLY (SN 0300185828 through 0300229742)	T
	1001176027	Ref	ENGINE ASSEMBLY (SN 0300229743 to Present)	M
	1001235489	Ref	ENGINE ASSEMBLY - STAGE V	C
201	0100011	AR	Compound, Locking	
203	0641406	AR	Bolt 1/4-20 x 3/4	
204	0641608	AR	Bolt 3/8-16 x 1	
205	0641609	6	Bolt 3/8-16 x 1-1/8	
207	0641708	2	Bolt 7/16-14 x 1	
210	0741605	4	Screw 3/8-16 x 5/8	
211	0760606	1	Bolt M6 x 12	
212	0760810	AR	Bolt M8 x 20	
214	0771212	6	Bolt M12 x 25 Grade 10.9	
215	0771414	AR	Bolt M14 x 30 Grade 10.9	
215	0771415	AR	Bolt M14 x 35 Grade 10.9	
216	0940070	1	Bumper	
217	0961986	2	Bushing, Flanged	
219	2220315	1	Fitting, Straight Barbed	
220	2300004	AR	Coolant	
221	2720015	40 in /1m	Hose	
222	2720340	12 in/ 30.5cm	Hose	
223	1001153282	1	Pump Coupling Kit (See Items 401-403 for Breakdown)	
224	1001136079	AR	Oil, Motor	
225	3200401	AR	Mount, Motor	
226	3271801	AR	Nut 1/2-13 Grade 8	
227	3311405	AR	Nut 1/4-20	
228	3311605	AR	Nut 3/8-16	
230	3580320	1	Pulley	
231	3931432	1	Capscrew 1/4-20 x 2	
232	3931512	4	Capscrew 5/16-18 x 3/4	
233	3931628	4	Capscrew 3/8-16 x 1-3/4	
234	4031914	4	Capscrew M8 x 50	
235	4032014	4	Capscrew M10 x 50	
236	4060805	15 in/ 38cm	Flex-Trim	
237	4640751	1	Valve, Oil Drain	
238	4711400	AR	Washer 1/4	
239	4711500	AR	Washer 5/16	
240	4711700	2	Washer 7/16	
241	4751400	10	Washer 1/4	
242	4751600	AR	Washer 3/8	
245	4811702	3	Washer M6	
246	4811900	4	Washer M8	
247	4812000	AR	Washer M10	
248	4812100	7	Washer M12	
249	4812200	AR	Washer M14	
250	4891500	1	Washer 5/16	
251	4891800	AR	Washer 1/2	
253	0630407	2	Screw 1/4-20 x 5/8	
254	8405009	4	Clamp	

SECTION 2 - TURNTABLE

ITEM	PART NUMBER	QTY	DESCRIPTION	REV
255	8405104	4	Clamp	
256	8405204	2	Clamp	
257	8406109	2	Clip	
258	8406110	1	Clip	
259	8410011	2	Clamp	
260	8410013	1	Clamp	
261	1001117308	1	Relay	
263	1001134488	1	Fitting, 90 NPT/ Barbed	
264	1001135138	1	Adapter	
265	1001135679	1	Adapter	
266	1001136834	1	Cap, Tank	
267	1001137276	1	Fan	
268	1001138173	1	Support	
269	1001138175	1	Bracket	
270	1001138228	1	Relay, Power Module	
270	70023593	1	Fuse 30Amp (Battery Output)	
270	70023592	1	Fuse 20Amp (Switch Output)	
271	1001138248	62 in/ 1.6m	Tube	
273	1001138557	1	Clamp	
274	1001142623	1	Hose, Inlet	
275	1001138827	1	Sensor, Coolant Level	
276	1001139240	1	Bracket	
277	1001139303	1	Bracket, Tank (SN 0300185828 through 0300229742)	
277	1001176419	1	Bracket, Tank (SN 0300229743 to Present)	
278	1001139409	AR	Washer, Special	
280	1001139813	1	Engine, Deutz TD2.9L4 (See Items 501-536 for Serviced Components)	
280	1001235488	1	Engine, Deutz TD2.9L4 - STAGE V (See Items 501-536 for Serviced Components) (SN 0300185828 through 0300240507)	
281	1001155384	1	Radiator (RCP Radiator) (SN 0300185828 through 0300229742)	
281	70007073	1	Adapter, Hose	
281	1001167042	1	Radiator (Modine Radiator) (SN 0300229743 to Present)	
282	1001140362	1	Tray (ANSI Spec) (SN 0300185828 through 0300229743)	
282	1001190610	1	Tray (ANSI Spec) (SN 0300229743 to Present)	
283	1001140448	1	Mount, Rear Engine	
284	1001140450	1	Mount, Rear Engine	
285	1001140454	1	Mount, Front Engine	
286	1001140466	1	Mount, Generator/Engine (SN 0300185828 through 0300229742)	
286	1001202368	1	Mount, Generator/Engine (SN 0300229743 to Present)	
287	1001140487	1	Plate, Mounting (RCP Radiator) (SN 0300185828 through 0300229742)	
287	1001186985	1	Plate, Mounting (Modine Radiator) (SN 0300229743 to Present)	
288	1001140535	1	Tank, Surge (SN 0300185828 through 0300240878)	
288	1001230635	1	Tank, Surge (Includes Items 201, 263, 275 & 289) (SN 0300240879 to Present)	
289	1001140564	1	Fitting, 90 NPT/ Barbed	
290	1001141304	1	Harness, Glow Plug (Not Shown - See ELECTRICAL SECTION for Breakdown)	
291	1001141370	1	Hose	
292	1001141419	1	Shim	
293	1001141546	1	Shim (SN 0300185828 through 0300229742)	

SECTION 2 - TURNTABLE

ITEM	PART NUMBER	QTY	DESCRIPTION	REV
294	1001141583	1	Hose, Radiator - Upper (SN 0300185828 through 0300229742)	
294	1001177844	1	Hose, Radiator - Upper (SN 0300229743 to Present)	
295	1001141584	1	Hose, Radiator - Lower (SN 0300185828 through 0300229742)	
295	1001177845	1	Hose, Radiator - Lower (SN 0300229743 to Present)	
296	1001141585	1	Hose, Inlet	
297	1001141586	1	Pipe, Intake	
298	1001152489	1	Fitting, 90 Metric/ Barbed	
300	1001141995	1	Fitting, Straight NPT/Barbed	
301	1001165842	1	Pipe	
302	1001143390	1	indicator, Service	
303	1001143726	1	Harness, Deutz Engine (Not Shown - See ELECTRICAL SECTION for Breakdown)	
304	1001143797	1	Fitting, Straight Metric/Barbed	
305	1001143907	1	Cable, Alternator Power (Not Shown - See ELECTRICAL SECTION for Breakdown)	
306	1001138489	1	Air Cleaner Assembly Filter Element	
306	91403102	1	Element, Filter (Not Shown)	
307	8405007	2	Clamp	
310	1001169054	1	Pad, Isolator (SN 0300229743 to Present)	
311	1001204325	2	Bracket, Radiator (SN 0300229743 to Present)	
312	1001145154	1	Plate, Relay Mounting	
313	0641605	2	Bolt 3/8-16 x 5/8	
314	0641518	2	Bolt 5/16-18 x 2-1/4	
315	0641607	4	Bolt 3/8-16 x 7/8	
315	0641612	4	Bolt 3/8-16 x 1-1/2	
316	0681820	AR	Bolt 1/2-13 x 2-1/2 Grade 8	
316	0681822	4	Bolt 1/2-13 x 2-3/4 Grade 8	
317	0760605	2	Bolt M6 x 10	
318	0761210	1	Bolt M12 x 20	
319	1321716	1	P-Clamp (SN 0300185828 through 0300195981)	
319	1001181899	1	P-Clamp (SN 0300195982 to Present)	
320	1001154405	20 in/ 51cm	Hose (SN 0300185828 through 0300219142)	
321	3310401	3	Nut #4-40	
322	3311505	2	Locknut 5/16-18	
323	3910408	3	Screw #4-40 x 1/2	
324	4750400	3	Washer #4	
325	4751500	4	Washer 5/16	
326	8405006	2	Clamp (SN 0300185828 through 0300219142)	
327	8406102	AR	Clip	
328	1001138717	1	Bracket (SN 0300185828 through 0300219142)	
329	1001142501	1	Fitting, 90 Metric/Barbed (SN 0300185828 through 0300219142)	
330	1001148641	1	Bracket (SN 0300185828 through 0300195981)	
331	0100020	AR	Sealant	
332	4240099	AR	Tie-Strap (Not Shown)	
333	0100062	AR	Compound, Locking	
334	1703162	1	Decal - Caution Fan Blade	
335	1001178223	2	Bracket, Radiator (SN 0300229743 to Present)	
336	4811902	8	Washer M8	
338	1001182997	AR	Adhesive (SN 0300185828 through 0300240878)	
339	1001178876	1	Mount, Fuel Filter (SN 0300229743 to Present)	
340	1001177359	1	Hose (SN 0300229743 to Present)	

SECTION 2 - TURNTABLE

ITEM	PART NUMBER	QTY	DESCRIPTION	REV
342	5250810	2	Bolt M8 x 20	
343	0761015	2	Bolt M10 x 35	
344	1001169138	4	Washer (SN 0300229743 to Present)	
345	5240800	1	Washer M8	
346	0700814	1	Bolt M8 x 30	
347	1001180620	AR	Adhesive	
	1001153282	Ref	PUMP COUPLING INSTALLATION	D
401	70004183	1	Coupling	
402	See Note	NSS	Plate, Pump Adapter (Note: Use p/n 1001153282)	
403	See Note	NSS	Capscrew M10 x 20 Grade 10.9 (Note: Use p/n 1001153282)	
404	See Note	NSS	Capscrew M10 x 25 Grade 10.9 (Note: Use p/n 1001153282)	
	1001139813	Ref	ENGINE COMPONENTS	J
	1001235488	Ref	ENGINE COMPONENTS - STAGE V	B
501	70004274	1	Dipstick (Not Shown - Located On Side Left Front)	
501	70024905	1	Seal	
502	7020465	2	Cap, Oil Fill	
503	70025111	2	Clamp	
503	70005920	1	Hose, Breather	
504	70025088	1	Plug	
504	7020404	1	Seal	
505	70001870	1	Flywheel with Ring Gear	
505	7024579	1	Gear, Ring	
506		Ref	Gasket and Seal Options (Not Shown):	
506	70024906	1	Gasket, Head	
506	70025206	1	Gasket, Small Valve Cover	
506	70025207	1	Gasket, Large Valve Cover	
506	7002508	1	Gasket, Valve Cover to Air Charge Elbow	
506	70002718	1	Seal, Rear Main	
506	70004280	1	Seal, Front Main	
506	70024907	1	Gasket, Front Cover	
506	70025164	1	Gasket, Exhaust Manifold to Head	
506	70024912	1	Gasket, Exhaust Manifold to Turbocharger	
506	70004279	1	Gasket Kit	
507	70025091	1	Plug	
507	70025082	1	Seal	
507	70025176	1	Spring	
507	70025076	1	Valve	
508	70025202	1	Pump, Oil Lube (Not Shown - Located Front Left Side)	
508	70025135	1	O-Ring	
508	70025136	1	Seal	
509	7016331	1	Filter, Oil	
510	70004275	1	Cooler, Oil	
510	70024925	1	Gasket	
511	70024924	1	Pump, High Pressure (Not Shown - Located Front Left Side)	
511	70025152	1	O-Ring (Between Pump and Spacer)	
511	70024488	1	Spacer	
511	70025152	1	O-Ring (Between Spacer and Engine Block)	
512	70025181	4	Injector, Fuel	
512	70025140	4	Washer, Sealing	
512	70025146	4	Clamp (Top of Injector)	
512	70025416	4	O-Seal	

SECTION 2 - TURNTABLE

ITEM	PART NUMBER	QTY	DESCRIPTION	REV
512	70025154	4	Shoe, Clamping	
512	70000345	4	Plug, Glow	
512	70025231	1	Harness, Glow Plug (Not Shown)	
513	70025153	NLA	Filter, Fuel (Use p/n 1001225430)	
513	70024513	1	Cable, Sensor	
513	70025239	1	Seal	
514	70024486	1	Pump, Fuel	
515	70025144	2	Clamp	
516	70025160	1	Filter with Head	
516	70025161	NLA	Filter, Fuel (Use p/n 1001225431)	
517	70024504	1	Sensor, Pressure	
517	70024920	1	Seal	
518	70025151	1	Rail, Fuel (Not Shown)	
518	70025235	1	Repair Kit	
519	70025210	1	ECU (Engine Control Unit)	
520	70024910	1	Pump, Water	
520	70025200	1	Seal	
520	70025084	2	Plug	
520	7020492	2	Seal	
521	70024473	1	Thermostat	
521	70025143	1	O-Seal	
521	70025142	1	Cover, Thermostat	
522	70025178	1	Pipe	
522	70025156	1	Valve, Shuttle	
522	70025179	2	Gasket	
522	70025180	1	Gasket	
523	70025203	1	Module, EGR (Not Shown - Located on Left Side)	
524	70004276	1	Turbocharger	
525	70025477	1	Tensioner, Belt	
526	70004277	1	Belt, Drive	
527	70024914	1	Alternator	
527	70025149	1	Regulator, Voltage	
528	70024915	1	Starter (Not Shown - Located on Left Side)	
528	70005648	1	Relay	
528	70005647	1	Solenoid	
529	70025077	1	Harness, Engine (Not Shown)	
530	70024503	2	Sensor, Speed (Not Shown - Located Left Side Front and Flywheel Housing)	
530	70024917	2	Seal	
531	70024918	1	Sender, Temperature (Not Shown - Located Top Front)	
532	70024504	1	Sensor, Pressure (Not Shown - Located Left Side Front)	
532	70024920	1	Seal	
533	70024507	1	Sensor, Pressure	
533	70025120	1	Seal	
534	70024922	1	Sender, Temperature	
534	70025212	1	Seal	
535	70025799	1	Muffler, DOC	
535	70024515	1	Clamp	
535	70025801	1	Gasket (Between Inlet and Outlet)	
535	70004278	1	Outlet, Muffler	
536	70025660	1	Plug	
536	70104570	1	Seal	

SECTION 2 - TURNTABLE

ITEM	PART NUMBER	QTY	DESCRIPTION	REV
536	70124538	1	Spring	
536	70124530	1	Valve, Pressure Relief	
	1001143483	Ref	BAFFLES INSTALLATION (STEEL HOODS)	B
	1001143484	Ref	BAFFLE INSTALLATION (ABS HOODS)	C
601	0641406	AR	Bolt 1/4-20 x 3/4	
602	3311405	19	Nut 1/4-20	
603	4711400	38	Washer 1/4	
604	1001141711	1	Bracket (SN 0300185828 through 0300199946)	
604	1001174745	1	Bracket (SN 0300199947 to Present)	
605	1001142031	1	Bracket	
606	1001142032	1	Bracket	
607	1001143449	1	Bracket	
608	1001143472	1	Baffle (SN 0300185828 through 0300199946)	
608	1001174746	1	Baffle (SN 0300199947 to Present)	
608	1001143575	1	Baffle (SN 0300185828 through 0300199946)	
608	1001195967	1	Baffle (SN 0300199947 to Present)	
609	1001143525	1	Bracket	
610	1001143860	1	Bracket, Bumper (ABS Hoods)	
611	0641407	1	Bolt 1/4 x 7/8	
	1001162335	Ref	BRACKET ASSEMBLY (LESS FUEL PUMP AND FILTER)	D
701	0100011	AR	Locking, Compound	
702	0641610	2	Bolt 3/8-16 x 1-1/4	
703	0721006	4	Bolt #10-24 x 3/4	
704	1001154405	1.5 ft/ 0.4m	Hose	
705	3311001	4	Nut #10-20	
706	3311605	2	Nut 3/8-16NC	
707	4711000	8	Washer #10	
708	4711600	4	Washer 3/8	
709	8405006	2	Clamp	
710	1001141870	1	Plate, Fuel Pump Mount	
711	1001142501	1	Fitting, 90 Metric/Barbed	
	1001216220	Ref	EXHAUST PIPE INSTALLATION WITHOUT SPARK ARRESTER	A
	1001145750	Ref	EXHAUST PIPE INSTALLATION WITH SPARK ARRESTER	B
801	1001149908	1	Pipe, Exhaust without Spark Arrester	
801	1001145751	1	Pipe, Exhaust with Spark Arrester	
	1001202311	Ref	FUEL PUMP BRACKET INSTALLATION (MACHINES WITH ABS HOODS)	A
901	0100011	AR	Compound, Locking	
902	0760810	2	Bolt M8 x 20	
903	0761008	1	Bolt M10 x 16	
904	0761015	2	Bolt M10 x 35	
905	1320061	2	Clamp	
906	3291005	2	Nut M10	
907	4811900	2	Washer M8	
908	4812000	5	Washer M10	
909	1001178876	1	Bracket	
	1001177043	Ref	RIGHT ENGINE SUPPORT INSTALLATION (MACHINES WITHOUT GENERATORS)	A
	1001177399	Ref	RIGHT ENGINE SUPPORT INSTALLATION (MACHINES WITH GENERATORS)	B
951	0100011	AR	Compound, Locking	

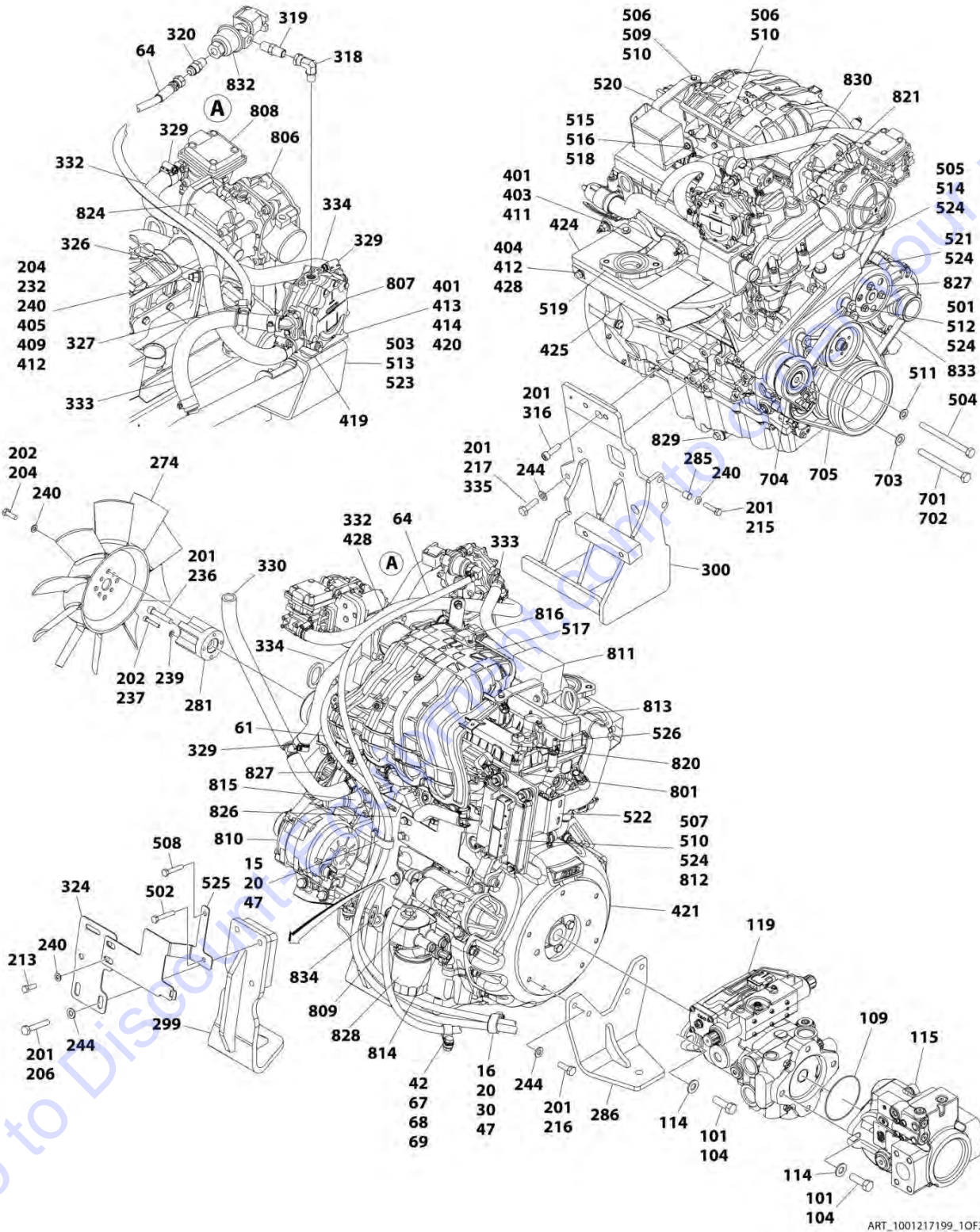
SECTION 2 - TURNTABLE

ITEM	PART NUMBER	QTY	DESCRIPTION	REV
952	0641608	2	Bolt 3/8-16 x 1	
953	0641820	1	Bolt 1/2-13 x 2-1/2 (Without Generator)	
953	0641822	1	Bolt 1/2-13 x 2-3/4 (With Generator)	
954	0711414	2	Bolt M14 x 30 Grade 10.9 (Without Generator)	
954	0771415	3	Bolt M14 x 35 Grade 10.9 (With Generator)	
955	3200401	1	Mount, Motor	
956	3271801	1	Nut 1/2-13	
957	3311605	2	Nut 3/8-16	
958	4751600	4	Washer 3/8	
959	4812200	AR	Washer M14	
960	4891800	1	Washer 1/2	
961	1001139409	1	Washer, Snubbing	
962A	1001177038	1	Support, Engine (Right Front) (Machines without Generator) (Not Shown)	
962B	1001202368	1	Support, Engine (Right Front) (Machines with Generator)	
963	5240800	1	Washer M8	
964	0700814	1	Bolt M8 x 30	

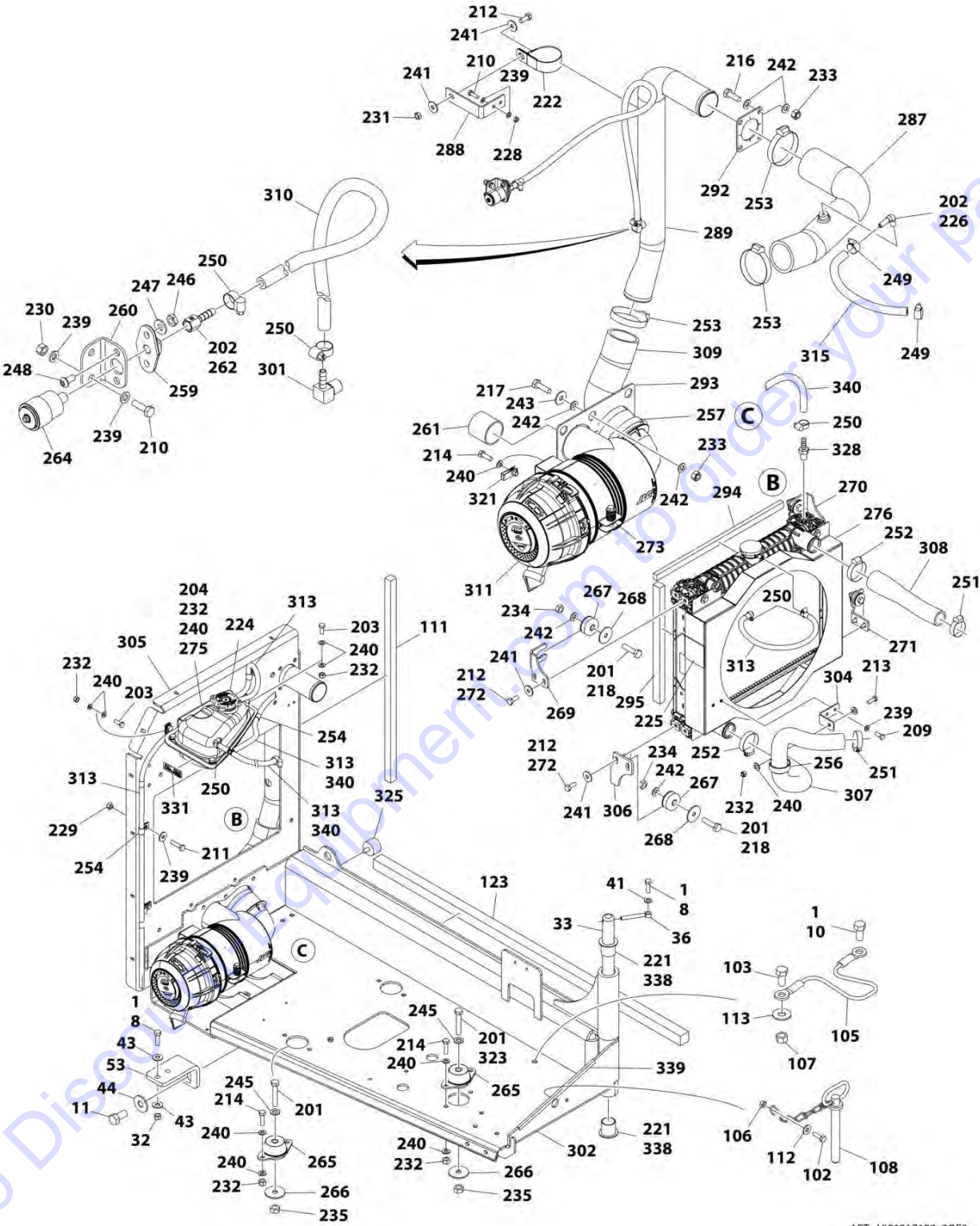
Go to Discount-Equipment.com to order your parts

SECTION 2 - TURNTABLE

FIGURE 2-11. FORD ENGINE INSTALLATION

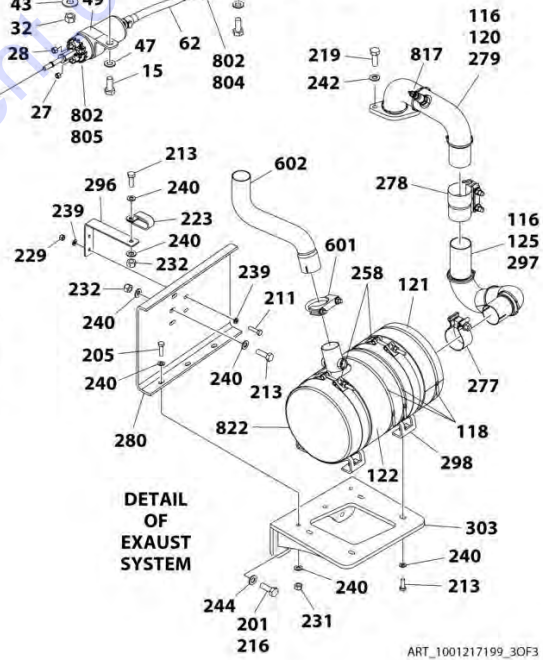
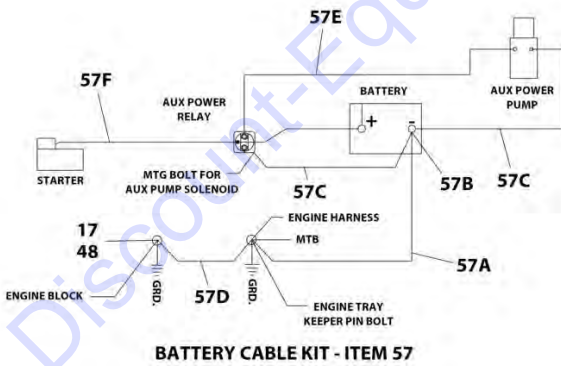
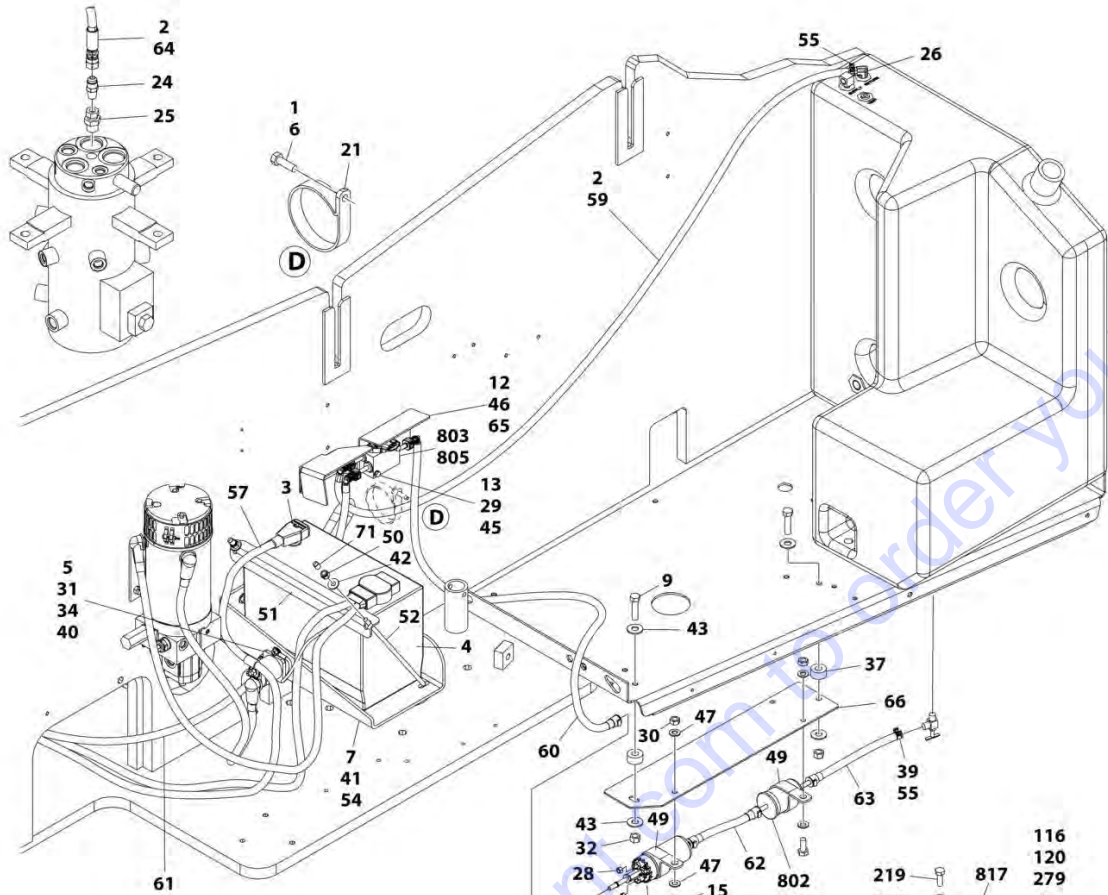


SECTION 2 - TURNTABLE



ART_1001217199_20F3

SECTION 2 - TURNTABLE



ART_1001217199_3OF3

SECTION 2 - TURNTABLE

FIGURE 2-11. FORD ENGINE INSTALLATION

ITEM	PART NUMBER	QTY	DESCRIPTION	REV
		Ref	FORD ENGINE INSTALLATION	
	1001217199	Ref	Ford Engine Installation without Arctic Package	G
	1001219610	Ref	Ford Engine Installation with Arctic Package	G
1	0100011	AR	Compound, Locking	
2	0100020	AR	Sealant	
3	0100048	AR	Grease, Terminal	
4	0400075	1	Battery (Prior to SN 0300240507)	
5	0641406	AR	Bolt 1/4 x 3/4	
6	0641508	1	Bolt 5/16 x 1	
7	0641607	3	Bolt 3/8 x 7/8	
8	0641610	3	Bolt 3/8 x 1-1/4	
9	0641612	2	Bolt 3/8 x 1-1/2	
10	0641808	1	Bolt 1/2 x 1	
11	0642010	1	Bolt 5/8 x 1-1/4	
12	0760610	2	Bolt M6 x 20	
12	0641406	2	Bolt 1/4 x 3/4	
13	0760619	2	Bolt M6 x 55	
13	0641420	2	Bolt 1/4 x 2-1/2	
15	0760810	3	Bolt M8 x 20	
16	0760812	1	Bolt M8 x 25	
16	0641408	1	Bolt 1/4 x 1	
17	0761008	1	Bolt M10 x 16	
20	1321283	2	Clamp	
21	1321339	1	Clamp	
22	1701542	1	Decal - Gas (Not Shown)	
23	1701543	1	Decal - LPG (Not Shown)	
24	2180418	1	Fitting, Straight	
25	2220005	1	Fitting, Straight NPT	
26	2221176	1	Fitting, 90	
27	3290405	1	Nut M4	
28	3290505	1	Nut M5	
29	3290607	2	Nut M6	
29	3311405	2	Nut 1/4	
30	3290801	AR	Nut M8	
30	3311405	AR	Nut 1/4	
31	3311405	AR	Nut 1/4	
32	3311605	4	Nut 3/8	
33	3422446	1	Pin	
34	3740067	1	Relay	
35	3790012	1	O-Ring (Not Shown - Located on Platform Console Box)	
36	3841143	1	Keeper, Pin	
37	4071122	2	Shim	
38	4360336	1	Switch, Toggle (Not Shown - Located on Platform Console Box)	
39	1001221488	1	Tube, Fuel Line	
40	4711400	AR	Washer 1/4	
41	4711600	4	Washer 3/8	
42	4751500	AR	Washer 5/16 (Prior to SN 0300240507)	
42	4751400	AR	Washer 1/4	
43	4751600	8	Washer 3/8	
44	4752000	1	Washer 5/8	

SECTION 2 - TURNTABLE

ITEM	PART NUMBER	QTY	DESCRIPTION	REV
45	4811700	AR	Washer M6	
45	4751400	AR	Washer 1/4	
46	4811702	2	Washer M6	
46	4711400	2	Washer 1/4	
47	4811900	7	Washer M8	
47	4751400	AR	Washer 1/4	
48	4812000	1	Washer M10	
49	85941018	2	Clamp	
50	88521205	2	Nut 5/16 (Prior to SN 0300240507)	
51	91401281	1	Bracket, Battery Hold Down (Prior to SN 0300240507)	
52	1001093382	2	J-Bolt (Prior to SN 0300240507)	
53	1001153359	1	Mount	
54	1001162497	1	Bracket, Battery	
55	1001174486	2	Clamp	
57	1001216568	1	Battery Cable Kit	B
57A	7027084	1	Cable, Battery - Ground to Battery -	
57B	8270147	1	Terminal, Battery with Boot	
57C	7027085	1	Cable, Battery - Auxiliary Pump/Relay to Battery -	
57D	7027086	1	Cable, Battery - Engine to Ground	
57E	7027088	1	Cable, Battery - Auxiliary Relay to Auxiliary Pump	
57F	70009020	1	Cable, Battery - Starter/Auxiliary Relay to Battery +	
59	1001219364	1	Hose	
60	1001219365	1	Hose	
61	1001219366	1	Hose	
62	1001219367	1	Hose	
63	1001219368	1	Hose	
64	1001219369	1	Hose	
65	1001219370	1	Bracket	
66	1001219809	1	Bracket	
67	0771012	1	Bolt M10 x 25	
67	0641408	1	Bolt 1/4 x 1	
68	3291001	1	Nut M10	
68	3311405	1	Nut 1/4	
69	8406201	1	Clip	
70	4240099	AR	Tie-Strap (Not Shown)	
71	1001218572	2	Cap (Prior to SN 0300240507)	
		Ref	Note: Arctic Package Items 80-88 Not Shown (Machines with Arctic Package Only)	
80	1060626	1	Plug, 3 Way	
81	1702941	1	Decal - Battery Heater	
82	1702942	1	Decal - Engine Block Heater	
83	1702943	1	Decal - Hydraulic Tank Heater	
84	1702944	1	Decal - Heater Cord	
85	2560024	1	Heater, Battery	
86	3980007	1	Seal, Battery	
87	1001150918	1	Cord, Extension - 8ft	
88	1001188972	1	Heater, Hydraulic Tank Immersion	
		Ref	FORD ENGINE AND PUMP SUB-ASSEMBLY	
	1001217192	Ref	Ford Engine and Pump Sub-Assembly without Arctic Package	E
	1001219609	Ref	Ford Engine and Pump Sub-Assembly with Arctic Package	C
101	0100011	AR	Compound, Locking	
102	0641407	1	Bolt 1/4 x 7/8	

SECTION 2 - TURNTABLE

ITEM	PART NUMBER	QTY	DESCRIPTION	REV
103	0641808	1	Bolt 1/2 x 1	
104	0641812	4	Bolt 1/2 x 1-1/2	
105	1060637	1	Cable, Lanyard	
106	3311405	1	Nut 1/4	
107	3311805	1	Nut 1/2	
108	3422532	1	Pin	
109	3790044	1	O-Ring	
111	3960469	1	Seal	
112	4751400	1	Washer 1/4	
113	4751800	1	Washer 1/2	
114	4891800	4	Washer 1/2	
115	1001094595	1	Variable Pump Assembly (See VARIABLE PUMP ASSEMBLY for Breakdown)	
116	1001100825	6	Strap	
117	1001190775	AR	Oil, Motor (Not Shown)	
118	1001221464	3	Strap	
119	1001225745	1	Hydrostatic Pump Assembly (See HYDROSTATIC PUMP ASSEMBLY for Breakdown)	
120	1001216532	1	Insulate, Exhaust Pipe	
121	1001216534	1	Insulate, Muffler	
122	1001216535	1	Insulate, Muffler	
123	1001217170	1	Seal	
125	1001218085	1	Insulate, Exhaust Pipe	
		Ref	FORD ENGINE ASSEMBLY	
	1001217191	Ref	Ford Engine Assembly without Arctic Package	K
	1001219608	Ref	Ford Engine Assembly with Arctic Package	H
201	0100011	AR	Compound, Locking	
202	0100020	AR	Sealant	
203	0700810	3	Bolt M8 x 20	
204	0700812	7	Bolt M8 x 25	
205	0700814	3	Bolt M8 x 30	
206	0711020	3	Bolt M10 x 60	
209	0760608	2	Bolt M6 x 16	
210	0760610	4	Bolt M6 x 20	
211	0760612	2	Bolt M6 x 25	
212	0760810	11	Bolt M8 x 20	
213	0760812	12	Bolt M8 x 25	
214	0760814	2	Bolt M8 x 30	
215	0760815	2	Bolt M8 x 35	
216	0761014	11	Bolt M10 x 30	
217	0761015	12	Bolt M10 x 35	
218	0761016	4	Bolt M10 x 40	
219	0771014	2	Bolt M10 x 30	
221	0961986	2	Bearing	
222	1320110	1	Clamp	
223	1001187781	1	Clamp	
224	1001223584	1	Container, Coolant Overflow	
225	1703162	2	Decal - Fan Blade	
226	2180467	1	Fitting, Straight NPT/Barbed	
227	2300004	AR	Coolant (Without Arctic Package) (Not Shown)	
227	2300041	AR	Coolant (With Arctic Package) (Not Shown)	
228	3290601	2	Nut M6	

SECTION 2 - TURNTABLE

ITEM	PART NUMBER	QTY	DESCRIPTION	REV
229	3290605	2	Nut M6	
230	3290607	2	Nut M6	
231	3290801	4	Nut M8	
232	3290805	14	Nut M8	
233	3291005	16	Nut M10	
234	3291001	4	Nut M10	
235	3291201	3	Nut M12	
236	3931640	1	Capscrew 3/8 x 2-1/2	
237	4031711	4	Capscrew M6 x 35	
238	4240099	AR	Tie-Strap (Not Shown)	
239	4811700	18	Washer M6	
240	4811900	48	Washer M8	
241	4811902	10	Washer M8	
242	4812000	38	Washer M10	
243	4812002	6	Washer M10	
244	5241000	15	Washer M10	
245	5241200	3	Washer M10	
246	8305401	2	Nut 1/4	
247	8307109	2	Washer 1/4	
248	8310548	2	Screw 1/4 x 1/2	
249	8405006	2	Clamp	
250	8405009	5	Clamp	
251	8405102	2	Clamp	
252	8405104	2	Clamp	
253	8405203	3	Clamp	
254	8406109	6	Clip	
256	8410001	1	Clamp	
257	8410011	1	Clamp	
258	1001128901	2	Strap, Clamp	
259	1001138173	1	Support	
260	1001138175	1	Bracket	
261	1001141585	1	Hose, Air Cleaner Inlet	
262	1001141995	1	Fitting, Straight NPT/Barbed	
264	1001149639	1	Indicator, Restriction	
265	1001191610	3	Mount, Motor	
266	1001168018	3	Washer	
267	1001169054	4	Isolator	
268	1001169138	4	Pad	
269	1001169967	1	Bracket	
270	1001170035	1	Bracket	
271	1001176329	1	Bracket	
272	1001180620	AR	Adhesive	
273	1001186426	1	Clamp, Air Cleaner	
274	1001223042	1	Fan	
275	1001225442	1	Bracket	
276	1001223923	1	Radiator	
277	1001215681	1	Clamp	
278	1001215974	1	Clamp	
279	1001216075	1	Pipe, Exhaust Inlet	
280	1001216092	1	Shield, Heat	
281	1001216201	1	Spacer, Fan	

SECTION 2 - TURNTABLE

ITEM	PART NUMBER	QTY	DESCRIPTION	REV
285	1001216919	2	Sleeve	
286	1001216995	1	Mount, Engine (Rear)	
287	1001217032	1	Tube, Air Intake	
288	1001217046	1	Bracket	
289	1001217090	1	Tube, Intake (Intermediate)	
292	1001217174	1	Seal	
293	1001217175	1	Seal	
294	1001217183	2	Seal	
295	1001217185	2	Seal	
296	1001217186	1	Support	
297	1001217317	1	Pipe, Exhaust Inlet	
298	1001217543	2	Mount	
299	1001218362	1	Mount, Engine (Front Left)	
300	1001218449	1	Mount, Engine (Front Right)	
301	1001134488	1	Fitting, 90 Barbed	
302	1001219259	1	Tray	
303	1001219345	1	Bracket	
304	1001219361	1	Support	
305	1001219363	1	Plate, Radiator	
306	1001219480	1	Bracket	
307	1001219611	1	Hose, Radiator (Lower)	
308	1001219612	1	Hose, Radiator (Upper)	
309	1001219613	1	Tube, Intake (Lower)	
310	1001138248	31 in/ 77cm	Tube, Nylon	
311	1001189979	1	Air Filter Assembly	
311	70005008	1	Element, Filter	
313	2720058	56 in/ 142cm	Hose	
315	1001165035	AR	Hose	
316	5272010	1	Capscrew M10 x 35	
318	2220064	1	Fitting, 90 FSNPSM/NPTF	
319	2220261	1	Fitting, Straight	
320	2180418	1	Fitting, Straight	
321	1001221615	2	Nut, Tinnerman M8	
323	0711223	3	Bolt M12 x 75 Grade 10.9	
324	1001222033	1	Plate	
325	0940070	1	Bumper	
326	8406201	1	Clip	
327	8410009	2	Clamp	
328	2180348	1	Fitting	
329	1001173535	6	Clamp	
330	1001224489	1	Hose	
331	1001225510	1	Decal - Fill Level	
332	1001216531	2 ft/ 0.61m	Hose	
333	1001227666	1	Hose	
334	1001224486	1	Hose	
335	0711014	5	Bolt M10 x 30	
338	0100062	AR	Compound, Locking	
339	4060805	16 in/ 40.6cm	Flex-Trim	

SECTION 2 - TURNTABLE

ITEM	PART NUMBER	QTY	DESCRIPTION	REV
340	1001227667	1	Hose	
350	1001216393	1	Heater, Engine Block (Arctic Package Only) (Not Shown)	
	1001216910	Ref	FORD ENGINE ASSEMBLY - PUMP COUPLING/ FUEL SYSTEM	F
401	0100011	AR	Compound, Locking	
403	0760605	4	Bolt M6 x 10	
404	0760807	2	Bolt M8 x 14	
405	0760812	AR	Bolt M8 x 25	
409	3290805	AR	Nut M8	
411	4811702	4	Washer M6	
412	4811900	AR	Washer M8	
413	5250605	3	Bolt M6 x 10	
414	5260600	1	Nut M6 Class 10	
419	1001211794	3	Mount, Isolator	
420	1001227769	1	Bracket	
421	1001213810	1	Pump Coupling, Kit	
421	70006134	1	Coupling	
421	70006135	1	Housing	
421	70006136	1	Hardware Kit	
424	1001216768	1	Bracket	
425	1001216769	1	Bracket	
428	1001149160	2	Nut, Tinnerman M8	
	1001216065	Ref	FORD ENGINE ASSEMBLY - BRACKETS/EXHAUST MANIFOLD	K
501	0700816	4	Bolt M8 x 40	
502	0700818	1	Bolt M8 x 50	
503	0701014	2	Bolt M10 x 30	
504	0710827	1	Bolt M8 x 100 Grade 10.9	
505	0711216	2	Bolt M12 x 40	
506	0760610	3	Bolt M6 x 20	
507	0760615	4	Bolt M6 x 35	
508	0760817	1	Bolt M8 x 45	
509	3290601	1	Nut M6	
510	4811700	8	Washer M6	
511	4811900	1	Washer M8	
512	4811902	4	Washer M8	
513	4812000	1	Washer M10	
514	4812100	2	Washer M12	
515	5250605	2	Bolt M6 x 10	
516	5260600	2	Nut M6 Class 10	
517	1001210448	1	Engine, Ford 2.5L (See Ford Engine Components for Serviced Parts)	
518	1001211794	2	Mount	
519	1001214827	1	Manifold, Exhaust	
520	1001215384	1	Bracket	
521	1001216071	1	Bracket	
522	1001216144	1	Support, Muffler	
523	1001227772	1	Mount, Vaporizer	
524	0100011	AR	Compound, Locking	
525	1001221545	1	Plate	
526	1001222641	6	Cap	
		Ref	EXHAUST PIPE INSTALLATION	
	1001220141	Ref	Exhaust Pipe Installation without Spark Arrestor	A
	1001219906	Ref	Exhaust Pipe Installation with Spark Arrestor	A

SECTION 2 - TURNTABLE

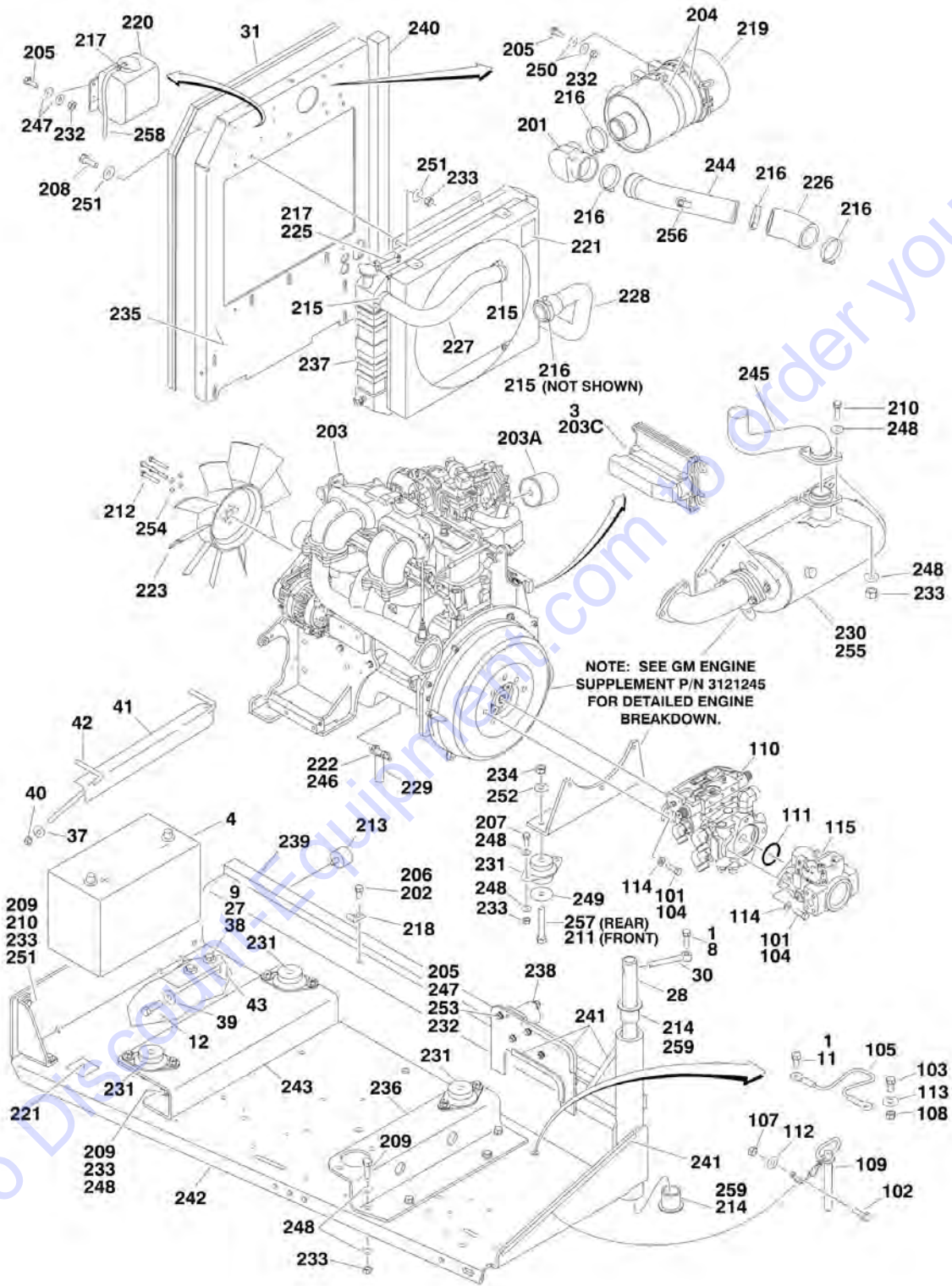
ITEM	PART NUMBER	QTY	DESCRIPTION	REV
601	1320176	1	Clamp	
602		Ref	Tail Pipe Options	
602	1001217478	1	Tail Pipe without Spark Arrestor	
602	1001217477	1	Tail Pipe with Spark Arrestor	
602	1001218089	1	Insulate	
602	1001100825	3	Strap	
	1001220404	Ref	DRIVE BELT INSTALLATION (MACHINES WITHOUT GENERATOR)	B
701	0100011	AR	Compound, Locking	
702	0701026	1	Bolt M10 x 90	
703	4812000	1	Washer M10	
704	1001216300	1	Pulley	
705	1001216619	1	V-Belt	
	1001210448	Ref	FORD ENGINE COMPONENTS	F
801	70006145	4	Injector, Fuel	
801	70006147	1	Rail, Fuel	
802	70006150	1	Pump, Fuel	
802	70006154	1	Fitting M10	
803	70006151	1	Block, Fuel	
803	70006152	2	Fitting SAE6	
803	70006153	1	Fitting SAE3	
803	70006189	1	Harness, Fuel Block	
804	70006155	1	Filter, Fuel	
805	7022162	8	Clamp	
805	70006157	8	Clip, Fuel Quick Disconnect	
806	70006158	1	Mixer, LP	
806	70006168	1	Mixer Diaphragm Replacement Kit	
806	70006159	1	Adapter, Mixer to Governor	
806	70006160	1	O-Ring, Mixer to Adapter	
806	70006161	1	Seal, Mixer to Adapter	
807	70006162	1	Regulator, LP Vapor	
807	70006166	2	Fitting, 70	
807	70006167	1	Fitting, Straight	
807	70006165	2	Isolator, Rubber	
808	70006163	1	Regulator, Direct Electronic Pressure	
808	70006164	1	Adapter, Fitting 90	
809	70006169	1	Starter	
809	70006233	1	Harness, Alternator/Starter	
810	70006170	1	Alternator	
811	70006173	1	Cover, Relay Box	
811	70006171	2	Relay (Fuel Pump & Power)	
811	70006172	1	Relay (Starter)	
811	70006175	1	Fuse - 20AMP (Starter)	
811	70006174	1	Decal - Relay Box Cover	
811	70006188	1	Harness, Engine	
811	70006165	2	Isolator, Rubber	
812	70006176	1	Module - Engine Control Unit (ECU/GCP)	
812	70006191	1	Software & Diagnostic Cable	
813	70006177	4	Coil and Boot Assembly	
813	70006178	4	Plug, Spark	
814	70006179	1	Switch, Oil Pressure	
815	70006180	1	Sensor, Knock	

SECTION 2 - TURNTABLE

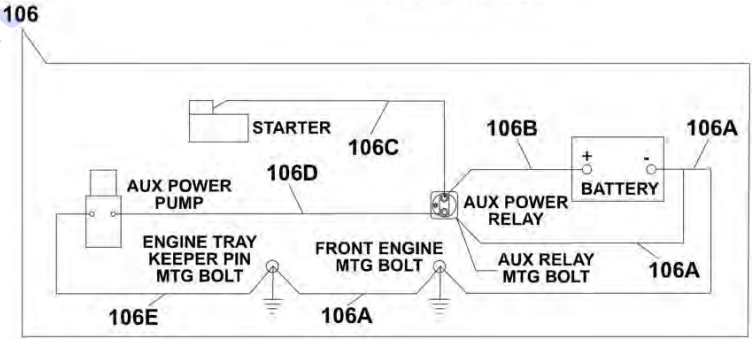
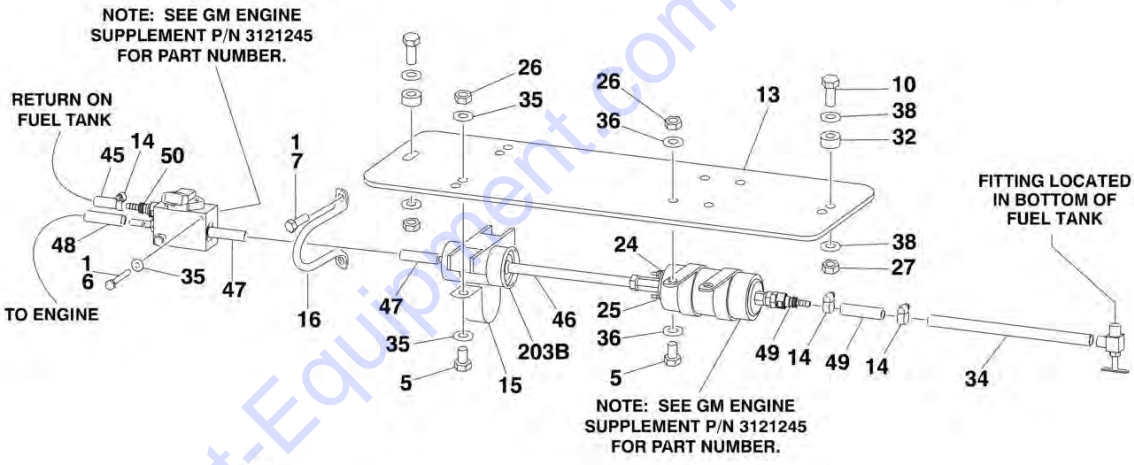
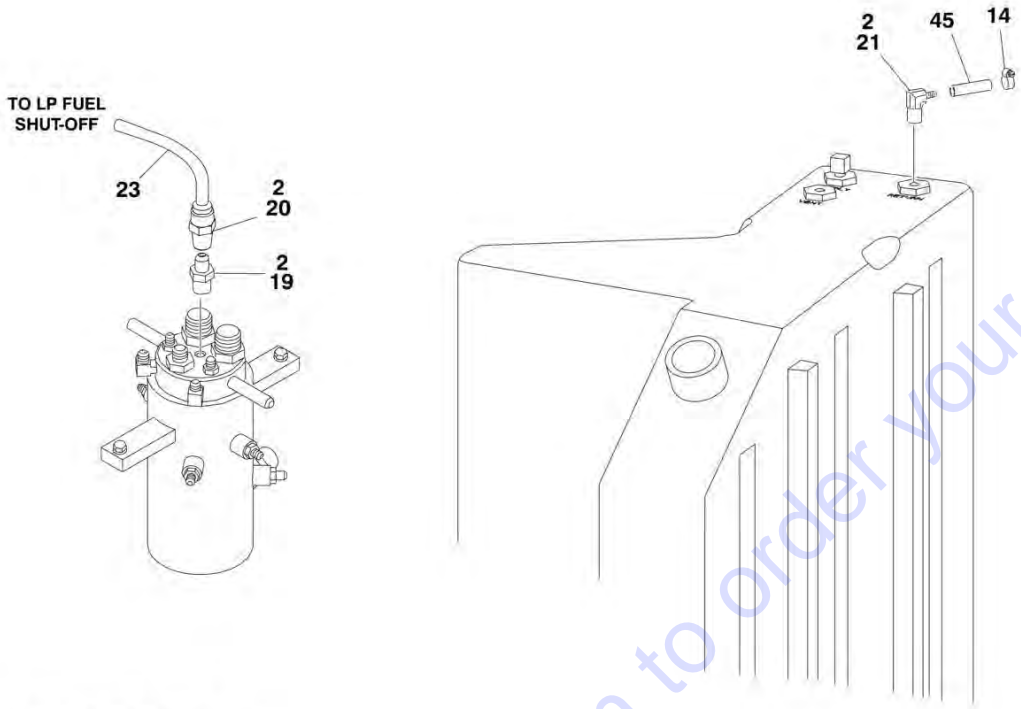
ITEM	PART NUMBER	QTY	DESCRIPTION	REV
816	70006181	1	Sensor, TMAP	
817	70006182	2	Sensor, O2	
818	70006183	1	Sensor, Coolant Temperature (Not Shown - Located Rear of Engine Block)	
819	70006184	1	Sensor, Crank Position (Not Shown - Located at Front RH Side of Block)	
820	70006185	1	Sensor, Cam Position	
821	70006186	1	Solenoid, Timing	
821	70006187	1	Grommet, Rubber	
822	70006194	1	Muffler	
822	70006195	1	Plug (Located at Muffler Outlet)	
823		Ref	Gasket Options (Not Shown):	
823	70006196	1	Gasket, Exhaust Manifold to Head	
823	70006197	1	Gasket, Exhaust Manifold Outlet	
823	70006200	1	Gasket, Intake Manifold to Head	
823	70006219	1	Gasket Set - Camshaft Cover	
823	70006225	1	Gasket, Cylinder Head	
824	70006198	1	Governor	
824	7027404	1	Gasket, Governor Actuator	
824	70006199	1	Gasket, Governor to Intake Manifold Adapter	
825	70006203	1	Flywheel (Not Shown)	
826	70006205	1	Thermostat (Includes Housing)	
826	70006206	1	Gasket, Water Inlet	
827	70006207	1	Pump, Water	
827	70006208	1	O-Ring, Water Pump	
827	See Note	NSS	Pulley, Water Pump (Note: Not Available for Purchase at This Time)	
828	70006213	1	Filter, Oil	
829	70006215	1	Plug, Oil Drain	
829	70006217	1	Gasket, Oil Drain Plug	
830	70006221	1	Cap, Oil Fill	
831	70006232	1	Sensor, Crank (Not Shown)	
832	70006235	1	Valve, Lock-Off (Includes Filter)	
833	70006202	1	Belt	
834	70006236	1	Dipstick	

SECTION 2 - TURNTABLE

FIGURE 2-12. GM ENGINE INSTALLATION



SECTION 2 - TURNTABLE



SECTION 2 - TURNTABLE

FIGURE 2-12. GM ENGINE INSTALLATION

ITEM	PART NUMBER	QTY	DESCRIPTION	REV
	1001156467	Ref	GM ENGINE INSTALLATION (SN 0300185828 through 0300221608)	E
	1001216719	Ref	GM ENGINE INSTALLATION (SN 0300221609 to Present)	B
1	0100011	AR	Compound, Locking	
2	0100020	AR	Sealant, Pipe	
3	0100048	AR	Grease, Dielectric	
4	0400075	1	Battery (Wet)	
5	0641406	4	Bolt 1/4-20 x 3/4	
6	0641418	2	Bolt 1/4-20 x 2-1/4	
7	0641508	1	Bolt 5/16-18 x 1	
8	0641608	1	Bolt 3/8-16 x 1	
9	0641610	2	Bolt 3/8-16 x 1-1/4	
10	0641612	2	Bolt 3/8-16 x 1-1/2	
11	0641808	1	Bolt 1/2-13 x 1	
12	0642010	1	Bolt 5/8-11 x 1-1/4	
13	0903510	1	Bracket	
14	1001174486	AR	Clamp, Fuel Line	
15	1320323	1	Clamp	
16	1321339	1	Clamp	
17	1701542	1	Decal, Gas (Not Shown - Located on Fuel Tank)	
18	1701543	2	Decal, LPG (Not Shown - Located on Frame)	
19	2180418	1	Fitting, Straight SAE	
20	2220005	1	Fitting, Straight, NPT	
21	2221176	1	Fitting, 90 NPT/Barbed	
22	2300004	AR	Coolant (Not Shown)	
23	2720392	1	Hose, LP	
24	3290405	1	Nut M4	
25	3290505	1	Nut M5	
26	3311405	4	Nut 1/4-20	
27	3311605	4	Nut 3/8-16	
28	3422446	1	Pin	
29	3790012	1	O-Ring (Not Shown - Located in Console Box)	
30	3841143	1	Keeper	
31	3960389	6 ft/1.5m	Seal	
32	4071122	2	Shim	
33	4360336	1	Switch, Toggle (Not Shown - Located in Console Box)	
34	4569385	1	Tube, Fuel Line	
35	4711400	12	Washer 1/4	
36	4751400	8	Washer 1/4	
37	4751500	2	Washer 5/16	
38	4751600	8	Washer 3/8	
39	4752000	1	Washer 5/8	
40	88521205	2	Nut 5/16-18	
41	91401281	1	Angle, Battery Hold Down	
42	1001093382	2	Bolt, Battery Hold-down	
43	1001153359	1	Mount	
45	1001156819	68 in/1.7m	Hose, Fuel Line (SN 0300185828 through 0300196955)	
45	1001177159	1	Hose, Fuel Line (SN 0300196956 to Present)	
46	1001156823	1	Hose (6in/15cm Length)	
47	1001156824	1	Hose (4ft/1.2m Length)	

SECTION 2 - TURNTABLE

ITEM	PART NUMBER	QTY	DESCRIPTION	REV
48	1001156825	1	Hose	
49	1001156819	69 in/ 1.7m	Hose, Fuel Line (SN 0300185828 through 0300196955)	
49	1001177165	1	Hose, Fuel Line (SN 0300196956 to Present)	
50	1001174093	2	Coupling, Quick Connect	
	1001156471	Ref	GM ENGINE AND PUMP ASSEMBLY (SN 0300185828 through 0300221608)	E
	1001216715	Ref	GM ENGINE AND PUMP ASSEMBLY (SN 0300221609 to Present)	C
101	0100011	AR	Compound, Locking	
102	0641407	1	Bolt 1/4-20 x 7/8	
103	0641808	1	Bolt 1/2-13 x 1	
104	0641812	4	Bolt 1/2-13 x 1-1/2	
105	1060637	1	Cable, Lanyard	
106	2902533	1	Battery Cable Kit	D
106A	7027018	1	Cable (Battery - to Ground)	
106B	7027015	1	Cable (Battery + to Auxiliary Relay)	
106C	7027017	1	Cable (Auxiliary Relay to Starter)	
106D	7016824	1	Cable (Auxiliary Relay to Auxiliary Pump)	
106E	7016825	1	Cable (Ground to Auxiliary Pump)	
107	3311405	1	Nut 1/4-20	
108	3311805	1	Nut 1/2-13	
109	3422532	1	Pin, Hitch	
110	1001152522	1	Hydrostatic Pump Assembly with Fittings (See HYDROSTATIC PUMP ASSEMBLY for Breakdown) (SN 0300185828 through 0300207789)	
110	1001187510	1	Hydrostatic Pump Assembly with Fitting (See HYDROSTATIC PUMP ASSEMBLY for Breakdown) (SN 0300207790 to Present)	
111	3790044	1	O-Ring	
112	4751400	1	Washer 1/4	
113	4751800	1	Washer 1/2	
114	4891800	4	Washer, 1/2	
115	1001094595	1	Variable Pump Assembly with Fittings (See VARIABLE PUMP ASSEMBLY for Breakdown)	
117	1001115930	AR	Oil, 10W-30 Motor (Machines without Arctic Package) (Not Shown)	
117	1001115931	AR	Oil, 5W-30 Motor (Machines with Arctic Package) (Not Shown)	
	1001114632	Ref	GM ENGINE ASSEMBLY (SN 0300185828 through 0300221608)	F
	1001216714	Ref	GM ENGINE ASSEMBLY (SN 0300221609 to Present)	B
201	0080201	1	Adapter, Elbow	
202	0100011	AR	Compound, Locking	
203	1001114595	NLA	Engine, GM 3.0L (Use p/n 1001216713) (See GM Engine Supplement p/n 3121245 for Breakdown of Additional Components) (SN 0300185828 through 0300221608)	
203	1001216713	1	Engine, GM 3.0L (See GM Engine Supplement P/N 3121245 for Breakdown of Additional Components) (SN 0300221609 to Present)	
203A	7027965	1	Filter, Oil	
203B	7027972	1	Filter, Fuel	
203C	70002895	1	Module, Control (ECU)	
203D	70000164	4	Spark Plug (Not Shown)	
204	0340041	2	Band, Mounting	
205	0641406	10	Bolt 1/4-20 x 3/4	
206	0641606	3	Bolt 3/8-16 x 3/4	
207	0641608	8	Bolt 3/8-16NC x 1	
208	0641609	4	Bolt 3/8-16 x 1-1/8	

SECTION 2 - TURNTABLE

ITEM	PART NUMBER	QTY	DESCRIPTION	REV
209	0641610	10	Bolt 3/8-16 x 1-1/4	
210	0641612	4	Bolt 3/8-16 x 1-1/2	
211	0641828	2	Bolt 1/2-13 x 3-1/2	
212	0700810	4	Bolt M8 x 20	
213	0940070	1	Bumper	
214	0961986	2	Bearing, Flanged	
215	1320012	3	Clamp	
216	1320016	5	Clamp	
217	1320022	AR	Clamp	
218	1320223	3	Clamp	
219	1340060	1	Air Cleaner Assembly	
219	7012664	1	Element, Air Cleaner	
220	1580011	1	Container, Coolant Overflow	
221	1703162	2	Decal - Caution Fan	
222	0100020	AR	Locking Compound	
223	2060025	1	Fan	
225	2720058	5.5 in/ 14cm	Hose	
226	1001116544	1	Duct	
227	2720563	1	Hose, Radiator (Top)	
228	2720564	1	Hose, Radiator (Bottom)	
229	2750532	1 ft/0.3m	Hose	
230	1001091794	1	Insulation, Muffler	
231	3200362	4	Mount, Engine	
232	3311405	12	Nut 1/4-20	
233	3311605	26	Nut 3/8-16	
234	3311805	4	Nut 1/2-13	
235	3539872	1	Plate, Radiator Mounting	
236	3572280	1	Plate, Engine Mount	
237	3620040	1	Radiator	
237	8180311	1	Cap, Radiator (was p/n 7019656)	
238	3740067	1	Relay	
239	3960468	1	Seal	
240	3960469	1	Seal	
241	4060805	3 ft/0.9m	Flex-Trim	
242	4341239	1	Tray, Engine	
243	4341241	1	Mount, Engine (Front)	
244	1001116545	1	Tube, Intake	
245	4569394	1	Pipe, Exhaust	
246	4640952	1	Valve, Oil Drain	
247	4711400	12	Washer 1/4	
248	4711600	36	Washer 3/8	
249	4740274	4	Washer, Snubbing	
250	4751400	8	Washer 1/4	
251	4751600	16	Washer 3/8	
252	4751800	4	Washer 1/2	
253	4791400	2	Washer 1/4	
254	4831900	4	Washer M8	
255	4920385	10 ft/3m	Wire, Safety	
256	2180877	1	Fitting Elbow	
257	0641826	2	Bolt 1/2-13 x 3-1/4	
258	2720271	18 in/	Hose	

PARTS FINDER

**Search Website
by Part Number**



**Search Manual
Library For Parts
Manual & Lookup Part
Numbers – Purchase
or Request Quote**

**Can't Find Part or
Manual? Request Help
by Manufacturer,
Model & Description**

Discount-Equipment.com is your online resource for quality parts & equipment.

Florida: **561-964-4949** Outside Florida TOLL FREE: **877-690-3101**

Need parts?

Click on this link: <http://www.discount-equipment.com/category/5443-parts/> and choose one of the options to help get the right parts and equipment you are looking for. Please have the machine model and serial number available in order to help us get you the correct parts. If you don't find the part on the website or on one of the online manuals, please fill out the request form and one of our experienced staff members will get back to you with a quote for the right part that your machine needs.

We sell worldwide for the brands: Genie, Terex, JLG, MultiQuip, Mikasa, Essick, Whiteman, Mayco, Toro Stone, Diamond Products, Generac Magnum, Airman, Haulotte, Barreto, Power Blanket, Nifty Lift, Atlas Copco, Chicago Pneumatic, Allmand, Miller Curber, Skyjack, Lull, Skytrak, Tsurumi, Husquvarna Target, Stow, Wacker, Sakai, Mi-T-M, Sullair, Basic, Dynapac, MBW, Weber, Bartell, Bennar Newman, Haulotte, Ditch Runner, Menegotti, Morrison, Contec, Buddy, Crown, Edco, Wyco, Bomag, Laymor, EZ Trench, Bil-Jax, F.S. Curtis, Gehl Pavers, Heli, Honda, ICS/PowerGrit, IHI, Partner, Imer, Clipper, MMD, Koshin, Rice, CH&E, General Equipment, Amida, Coleman, NAC, Gradall, Square Shooter, Kent, Stanley, Tamco, Toku, Hatz, Kohler, Robin, Wisconsin, Northrock, Oztec, Toker TK, Rol-Air, APT, Wylie, Ingersoll Rand / Doosan, Innovatech, Con X, Ammann, Mecalac, Makinex, Smith Surface Prep, Small Line, Wanco, Yanmar

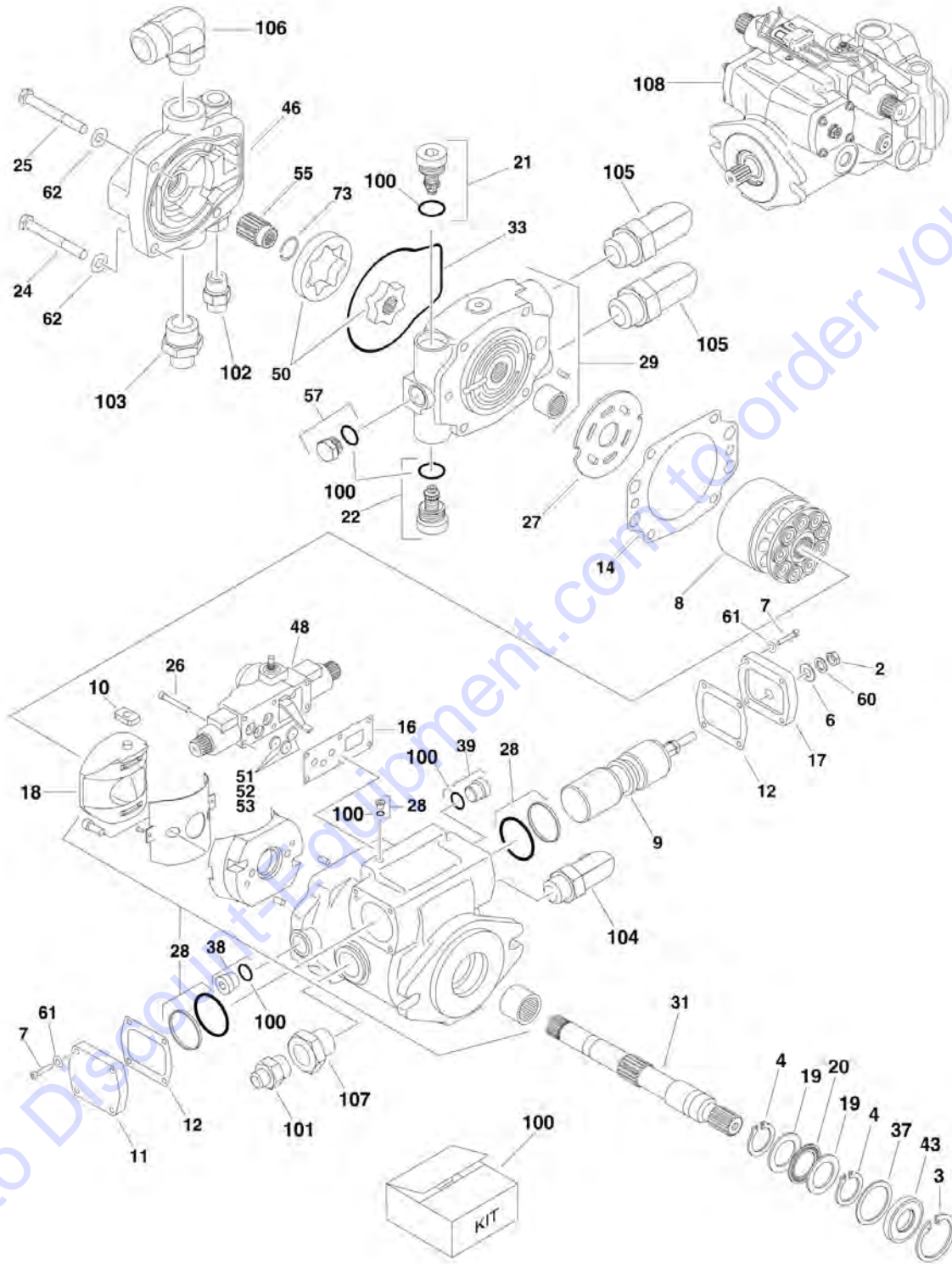
SECTION 2 - TURNTABLE

ITEM	PART NUMBER	QTY	DESCRIPTION	REV
259	0100062	46cm AR	Retaining Compound	

Go to Discount-Equipment.com to order your parts

SECTION 2 - TURNTABLE

FIGURE 2-13. HYDROSTATIC PUMP ASSEMBLY (SN 0300185828 through 0300207789)



SECTION 2 - TURNTABLE

FIGURE 2-13. HYDROSTATIC PUMP ASSEMBLY (SN 0300185828 through 0300207789)

ITEM	PART NUMBER	QTY	DESCRIPTION	REV
	1001142522	Ref	PUMP ASSEMBLY (SN 0300185828 through 0300207789)	B
2	See Note	1	Nut (Note: Use p/n 70004352)	
3	See Note	NSS	Ring, Retaining (Note: Use Item 100)	
4	See Note	NSS	Ring, Retaining (Note: Use Item 100)	
6	See Note	NSS	Washer, Seal (Note: Use Item 100)	
7	70004330	8	Capscrew	
8	70004331	1	Cylinder Block Assembly	
9	70004332	1	Servo Piston Assembly	
10	70004333	1	Follower, Servo Piston	
11	70004334	1	Cover	
12	70005116	2	Gasket, Cover	
14	See Note	NSS	Gasket, Housing (Note: Use Item 100)	
16	See Note	NSS	Gasket, Control Housing (Note: Use Item 100)	
17	70004335	1	Cover	
18	70004336	1	Camplate Assembly	
19	7004907	2	Race, Thrust	
20	7004908	1	Bearing, Thrust	
21	70004337	1	Relief Valve Assembly	
22	70004337	1	Relief Valve Assembly	
24	70004338	2	Capscrew	
25	70004338	2	Capscrew	
26	70004339	6	Capscrew	
27	70004340	1	Plate, Valve	
28	See Note	NSS	Housing (Note: Not Available - Purchase Assembly)	
29	70004341	1	End Cover Assembly	
31	70004342	1	Shaft, Drive	
33	See Note	NSS	O-Ring (Note: Use Item 100)	
37	7004906	1	Washer	
38	See Note	NSS	Plug (Note: Not Available for Purchase)	
39	See Note	NSS	Plug (Note: Not Available for Purchase)	
43	See Note	NSS	Seal, Shaft (Note: Use Item 100)	
46	70004343	1	Adapter, Charge Pump	
48	70004344	1	Servo Control Assembly	
50	70004345	1	Gerotor	
51	70004346	1	Orifice	
52	70004346	1	Orifice	
53	70004346	1	Orifice	
55	70004347	1	Coupler	
57	See Note	NSS	Plug (Note: Not Available for Purchase)	
60	70004348	1	Washer	
61	70004349	8	Washer	
62	70004350	4	Washer	
73	70004351	1	Ring, Retaining	
100	70004352	1	Seal Kit - Pump (Includes Items 3, 4, 6, 12, 14, 16, 33 & 43 and Valve and Plug O-Rings and Seals)	
	1001153622	Ref	PUMP AND FITTING ASSEMBLY	B
101	2220221	1	Fitting, Straight	
102	2220374	1	Fitting, Straight	
103	2220451	1	Fitting, Straight	
104	2220582	1	Fitting, Straight	

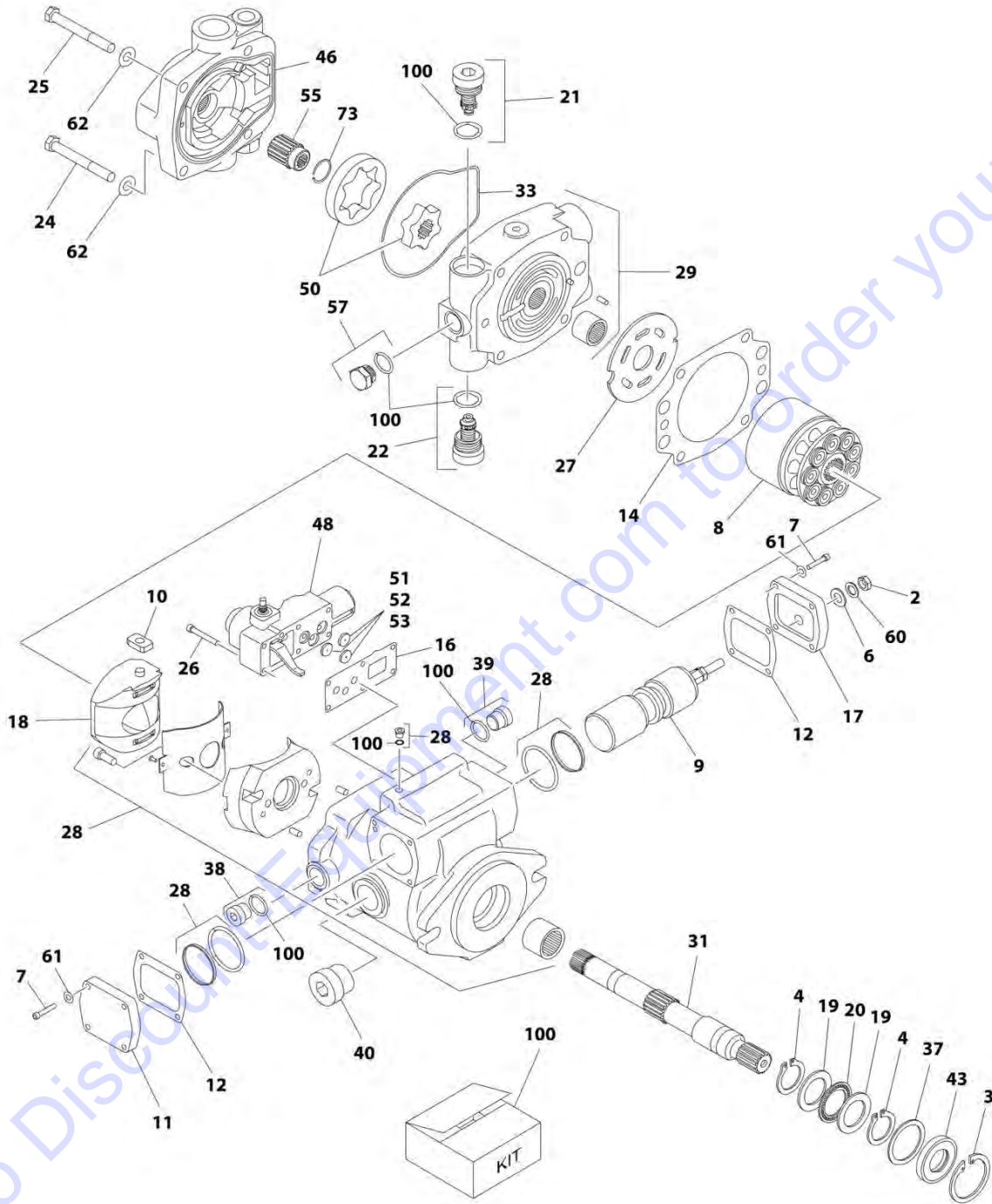
SECTION 2 - TURNTABLE

ITEM	PART NUMBER	QTY	DESCRIPTION	REV
105	2220646	2	Fitting, Elbow	
106	2220800	1	Fitting, Straight	
107	8770050	1	Fitting, Elbow	
108	1001142522	1	Pump Assembly (Includes Items 2-73) (SN 0300185828 through 0300207789)	
200	70005663	1	Tool, Port Plate for Pump p/n 1001142522 (Not Shown)	

Go to Discount-Equipment.com to order your parts

SECTION 2 - TURNTABLE

FIGURE 2-14. HYDROSTATIC PUMP ASSEMBLY (SN 0300207790 through 0300240878)



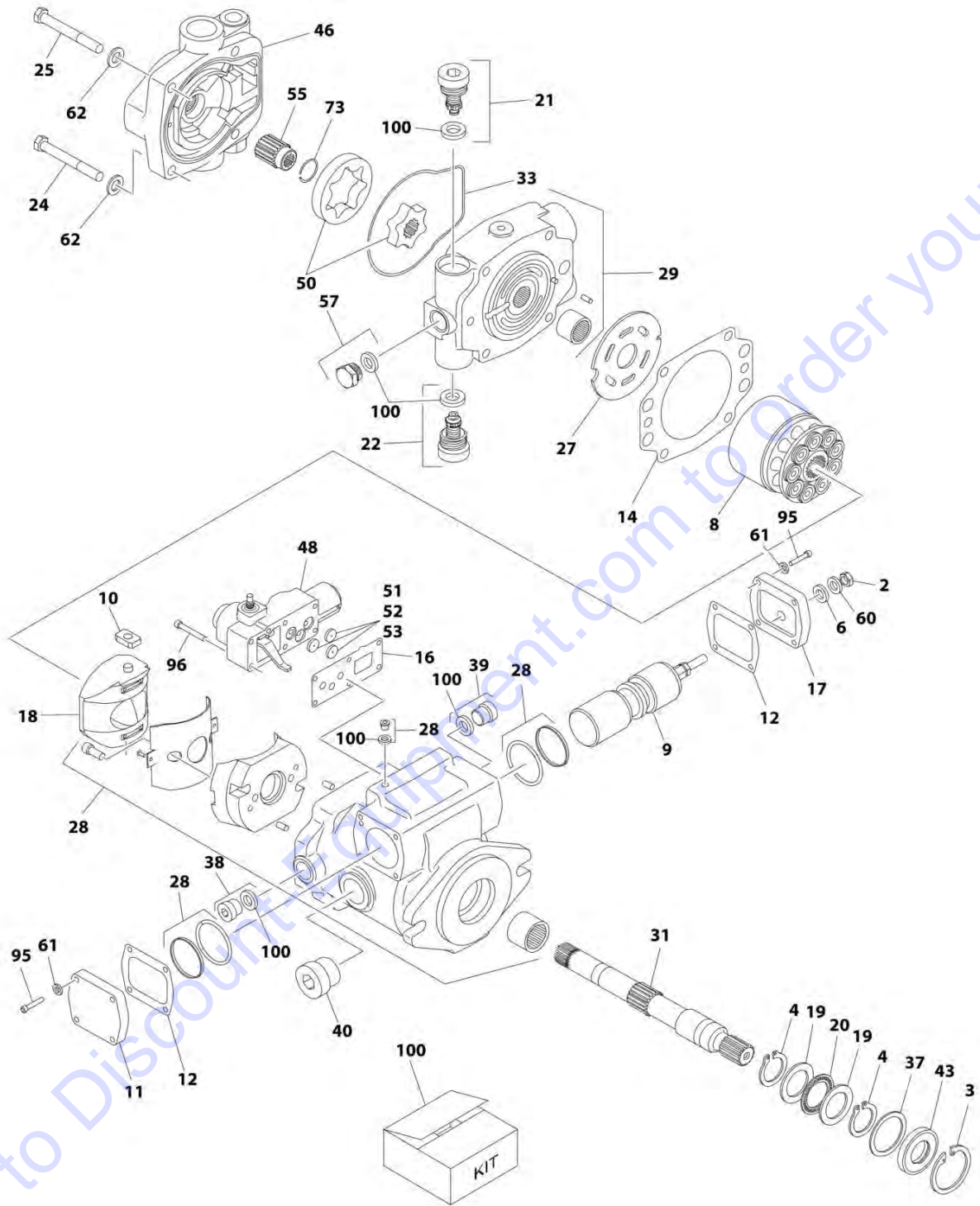
SECTION 2 - TURNTABLE

FIGURE 2-14. HYDROSTATIC PUMP ASSEMBLY (SN 0300207790 through 0300240878)

ITEM	PART NUMBER	QTY	DESCRIPTION	REV
	1001187510	Ref	HYDROSTATIC PUMP ASSEMBLY (SN 0300207790 through 0300240878)	C
2	See Note	NSS	Nut (Note: Use Item 100)	
3	See Note	NSS	Ring, Retaining (Note: Use Item 100)	
4	See Note	NSS	Ring, Retaining (Note: Use Item 100)	
6	See Note	NSS	Washer, Seal (Note: Use Item 100)	
7	70005464	8	Capscrew	
8	70004331	1	Cylinder Block Assembly	
9	70004332	1	Servo Piston Assembly	
10	70004333	1	Follower, Servo Piston	
11	70005458	1	Cover	
12	See Note	NSS	Gasket, Cover (Note: Use Item 100)	
14	See Note	NSS	Gasket, Housing (Note: Use Item 100)	
16	See Note	NSS	Gasket, Control Housing (Note: Use Item 100)	
17	70005459	1	Cover	
18	70004336	1	Camplate Assembly	
19	7004907	2	Race, Thrust	
20	7004908	1	Bearing, Thrust	
21	70004337	1	Relief Valve Assembly	
22	70004337	1	Relief Valve Assembly	
24	70004338	2	Capscrew	
25	70004338	2	Capscrew	
26	70005465	6	Capscrew	
27	70004340	1	Plate, Valve	
28	See Note	NSS	Housing (Note: Not Available - Purchase Assembly)	
29	70005460	1	End Cover Assembly	
31	70004342	1	Shaft, Drive	
33	See Note	NSS	O-Ring (Note: Use Item 100)	
37	7004906	1	Washer	
38	70005461	1	Plug	
39	70005461	1	Plug	
40	70005462	1	Plug	
43	See Note	NSS	Seal, Shaft (Note: Use Item 100)	
46	70004343	1	Adapter, Charge Pump	
48	70004344	1	Servo Control Assembly	
50	70004345	1	Gerotor	
51	70004346	1	Orifice	
52	70004346	1	Orifice	
53	70004346	1	Orifice	
55	70004347	1	Coupler	
57	70005463	1	Plug	
60	70004348	1	Washer	
61	70004349	8	Washer	
62	70004350	4	Washer	
73	70004351	1	Ring, Retaining	
100	70004352	1	Seal Kit - Pump (Includes Items 2, 3, 4, 6, 12, 14, 16, 33 & 43 and Valve and Plug O-Rings and Seals)	

SECTION 2 - TURNTABLE

FIGURE 2-15. HYDROSTATIC PUMP ASSEMBLY (SN 0300240879 to Present)



ART_1001225745

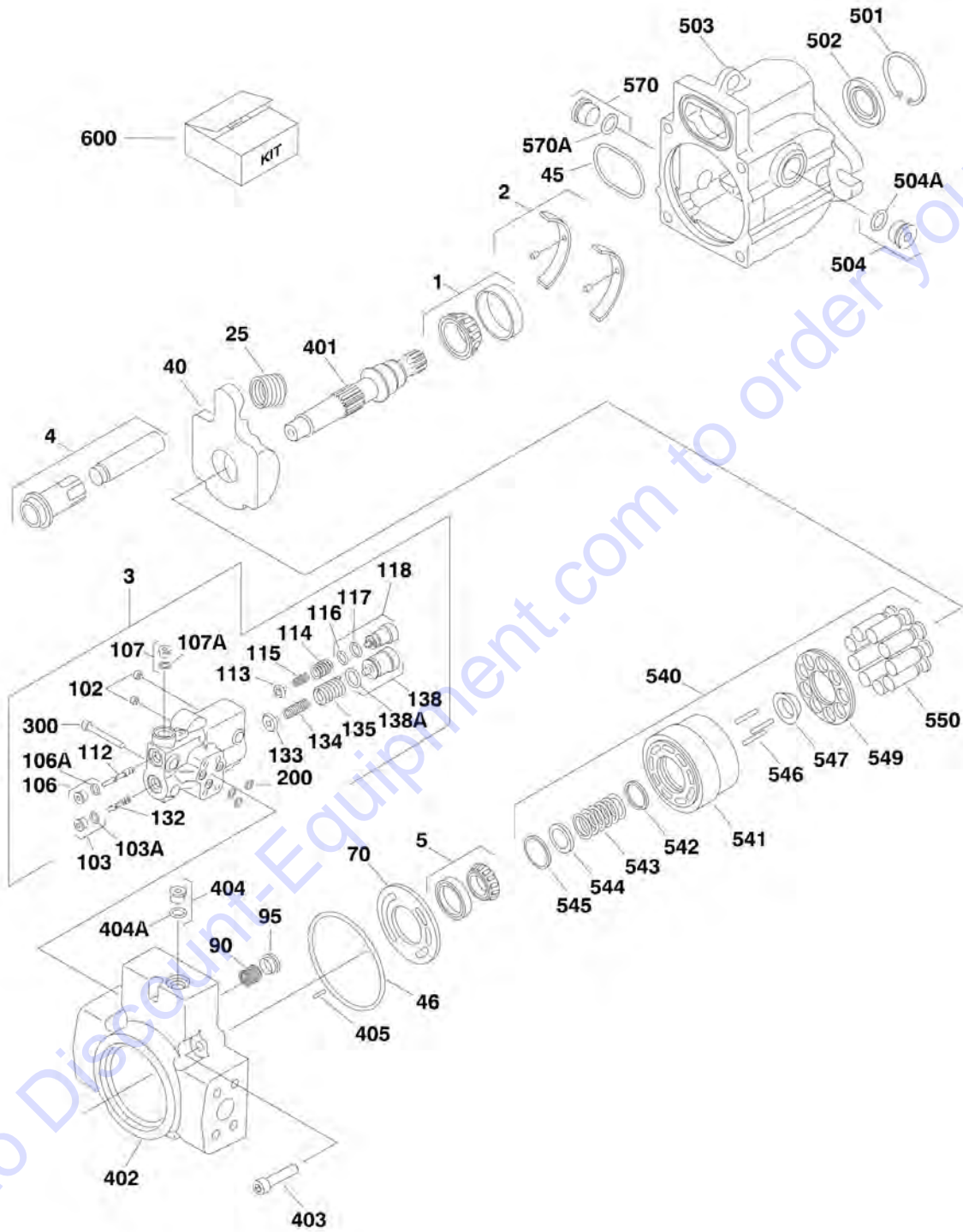
SECTION 2 - TURNTABLE

FIGURE 2-15. HYDROSTATIC PUMP ASSEMBLY (SN 0300240879 to Present)

ITEM	PART NUMBER	QTY	DESCRIPTION	REV
	1001225745	Ref	HYDROSTATIC PUMP ASSEMBLY	A
2	70004329	1	Nut	
3	See Note	NSS	Ring, Retaining (Note: Use Item 100)	
4	See Note	NSS	Ring, Retaining (Note: Use Item 100)	
6	See Note	NSS	Washer, Seal (Note: Use Item 100)	
8	70004331	1	Cylinder Block Assembly	
9	70004332	1	Servo Piston Assembly	
10	70004333	1	Follower, Servo Piston	
11	70005458	1	Cover	
12	See Note	NSS	Gasket, Cover (Note: Use Item 100)	
14	See Note	NSS	Gasket, Housing (Note: Use Item 100)	
16	See Note	NSS	Gasket, Control Housing (Note: Use Item 100)	
17	70005459	1	Cover	
18	70004336	1	Camplate Assembly	
19	7004907	2	Race, Thrust	
20	7004908	1	Bearing, Thrust	
21	70004337	1	Relief Valve Assembly	
22	70004337	1	Relief Valve Assembly	
24	70004338	2	Capscrew	
25	70004338	2	Capscrew	
27	70004340	1	Plate, Valve	
28	See Note	NSS	Housing (Note: Not Available - Purchase Assembly)	
29	70005460	1	End Cover Assembly	
31	70004342	1	Shaft, Drive	
33	See Note	NSS	O-Ring (Note: Use Item 100)	
37	7004906	1	Washer	
38	70005461	1	Plug	
39	70005461	1	Plug	
40	70005462	1	Plug	
43	See Note	NSS	Seal, Shaft (Note: Use Item 100)	
46	70004343	1	Adapter, Charge Pump	
48	70004344	1	Servo Control Assembly	
50	70004345	1	Gerotor	
51	70004346	1	Orifice	
52	70004346	1	Orifice	
53	70004346	1	Orifice	
55	70004347	1	Coupler	
57	70005463	1	Plug	
60	70004348	1	Washer	
61	70004349	8	Washer	
62	70004350	4	Washer	
73	70004351	1	Ring, Retaining	
95	70005464	8	Capscrew	
96	70005465	6	Capscrew	
100	70004352	1	Seal Kit - Pump (Includes Items 3, 4, 6, 12, 14, 16, 33 & 43 and Valve and Plug O-Rings and Seals)	

SECTION 2 - TURNTABLE

FIGURE 2-16. VARIABLE PUMP ASSEMBLY



SECTION 2 - TURNTABLE

FIGURE 2-16. VARIABLE PUMP ASSEMBLY

ITEM	PART NUMBER	QTY	DESCRIPTION	REV
	1001094595	Ref	PUMP ASSEMBLY	A
1	7023947	1	Bearing, Front (Includes Cup and Cone)	
2	7023948	1	Bearings, Swash Plate (Includes Both Sides and Pins)	
3	7023956	1	Control Valve Assembly (Includes Items 102-300)	
4	7023949	1	Servo Piston Assembly	
5	7023950	1	Bearing, Rear (Includes Cup and Cone)	
25	7023951	1	Spring	
40	7023952	1	Swash Plate	
45	See Note	1	O-Ring (Note: Use Item 600)	
46	See Note	1	O-Ring (Note: Use Item 600)	
70	70001954	1	Plate, Valve	
90	70001955	1	Spring, Check Valve	
95	70001956	1	Poppet, Check Valve	
102	See Note	NSS	Setscrew (Note: Use Item 3)	
103	See Note	NSS	Plug (Note: Use Item 3)	
103A	See Note	NSS	O-Ring (Note: Use Item 600)	
106	See Note	NSS	Plug (Note: Use Item 3)	
106A	See Note	NSS	O-Ring (Note: Use Item 600)	
107	See Note	NSS	Plug (Note: Use Item 3)	
107A	See Note	NSS	O-Ring (Note: Use Item 600)	
112	See Note	NSS	Spool, Control (Note: Use Item 3)	
113	See Note	NSS	Guide, Spring (Note: Use Item 3)	
114	See Note	NSS	Spring (Note: Use Item 3)	
115	See Note	NSS	Spring (Note: Use Item 3)	
116	See Note	NSS	O-Ring (Note: Use Item 600)	
117	See Note	NSS	Ring, Back-up (Note: Use Item 600)	
118	See Note	NSS	Plug, Adjusting (Note: Use Item 3)	
132	See Note	NSS	Spool, Control (Note: Use Item 3)	
133	See Note	NSS	Guide, Spring (Note: Use Item 3)	
134	See Note	NSS	Spring (Note: Use Item 3)	
135	See Note	NSS	Spring (Note: Use Item 3)	
138	See Note	NSS	Plug, PC Adjusting (Note: Use Item 3)	
138A	See Note	NSS	O-Ring (Note: Use Item 600)	
200	See Note	NSS	Ring, Seal (Note: Use Item 600)	
300	7023957	4	Screw	
401	7023958	1	Shaft	
402	70001957	1	Cap, End	
403	7023960	4	Screw	
404	7022318	1	Plug	
404A	See Note	NSS	O-Ring (Note: Use Item 404 or 600)	
405	7023961	1	Pin	
501	7023962	1	Ring, Retaining	
502	See Note	NSS	Seal, Lip (Note: Use Item 600)	
503	See Note	NSS	Housing (Note: Not Available - Purchase Assembly)	
504	7023964	1	Plug	
504A	7007415	1	O-Ring	
540	7023965	1	Cylinder Block Assembly	
541	See Note	NSS	Block, Cylinder (Note: Use Item 540)	
542	7024868	1	Washer	
543	7024867	1	Spring	

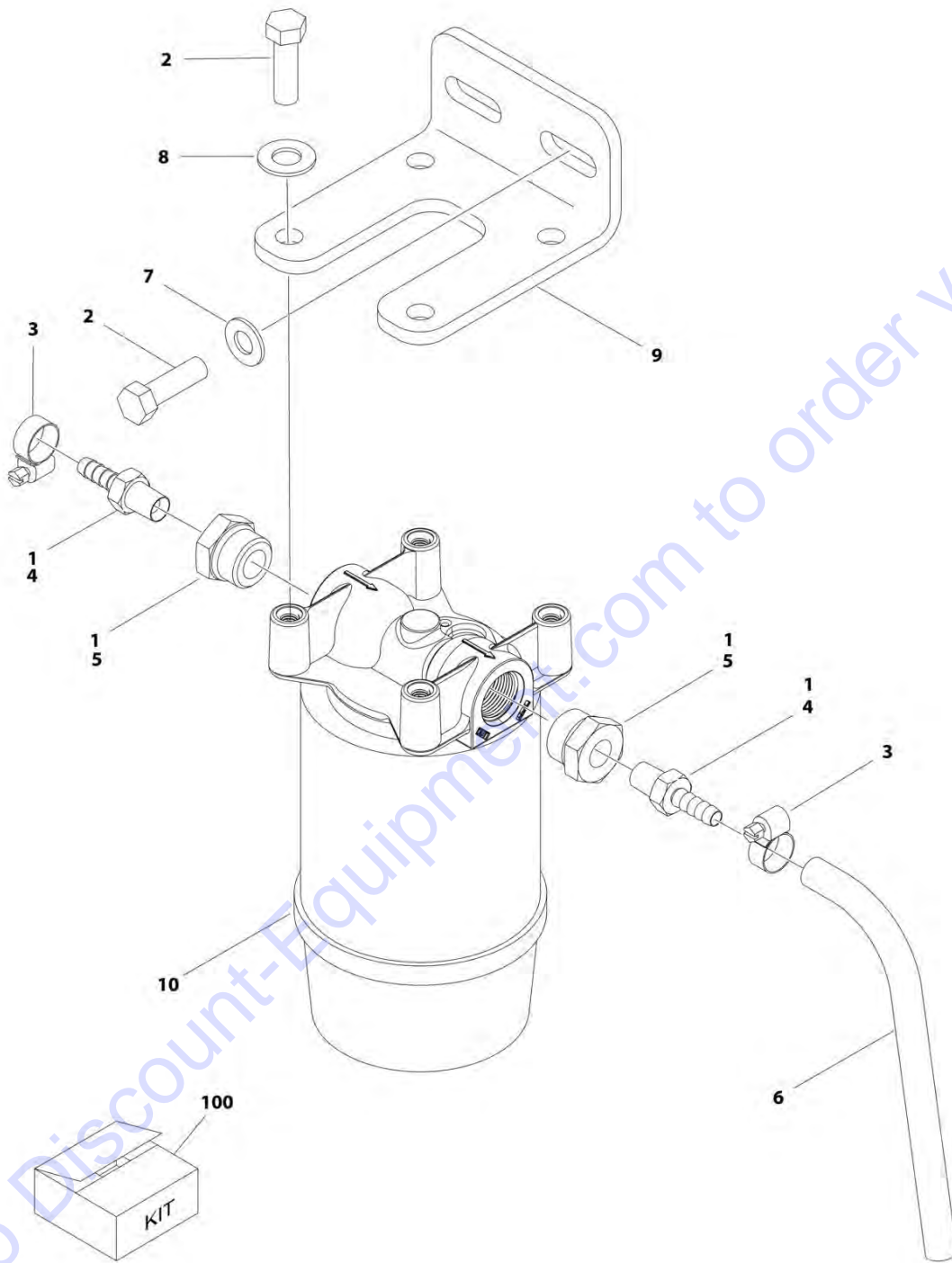
SECTION 2 - TURNTABLE

ITEM	PART NUMBER	QTY	DESCRIPTION	REV
544	7022314	1	Retainer, Spring	
545	7022311	1	Ring, Retaining	
546	7021275	3	Pin, Slipper	
547	7024864	1	Guide, Slipper	
549	7024866	1	Retainer, Slipper	
550	7023966	9	Piston Assembly	
570	7023964	1	Plug	
570A	7007415	1	O-Ring	
600	7023967	1	Seal Kit - Complete (Includes Items 45, 46, 103A, 106A, 107A, 118, 138A, 200, 444A & 502)	

Go to Discount-Equipment.com to order your parts

SECTION 2 - TURNTABLE

FIGURE 2-17. FUEL-WATER SEPARATOR INSTALLATION - DEUTZ TD2011 (OPTIONAL)



ART_1001199733

SECTION 2 - TURNTABLE

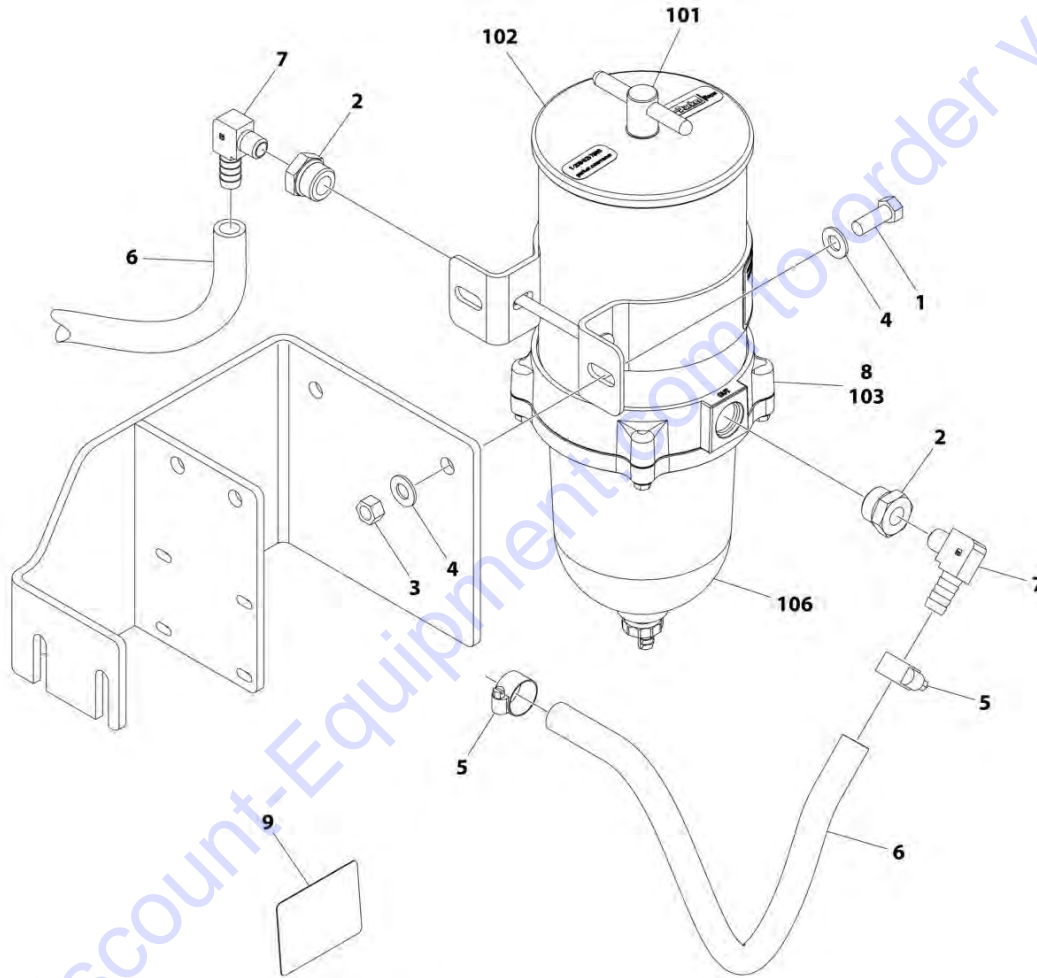
FIGURE 2-17. FUEL-WATER SEPARATOR INSTALLATION - DEUTZ TD2011 (OPTIONAL)

ITEM	PART NUMBER	QTY	DESCRIPTION	REV
	1001199733	Ref	FUEL-WATER SEPARATOR INSTALLATION - DEUTZ TD2011 (OPTIONAL)	A
1	0100079	1	Sealant	
2	0641610	6	Bolt 3/8-16 X 1-1/4	
3	1320022	2	Clamp	
4	2180348	2	Fitting, Straight	
5	2220816	2	Fitting, Straight	
6	2720058	35 in/ 89cm	Hose	
7	4711600	2	Washer 3/8	
8	4711700	4	Washer 7/16	
9	1001188884	1	Bracket	
10	1001188887	1	Fuel/Water Separator Assembly	
10	1001202280	1	Head	
10	1001202281	1	Element	
100	1001204666	1	Fuel/Water/Separator Add-On Kit	

Go to Discount-Equipment.com to order your parts

SECTION 2 - TURNTABLE

FIGURE 2-18. FUEL-WATER SEPARATOR INSTALLATION (DEUTZ TD2.9L4 ENGINE) (SN 0300236625 to Present)



NOTE : LOCATED ON HOOD

ART_1001226286

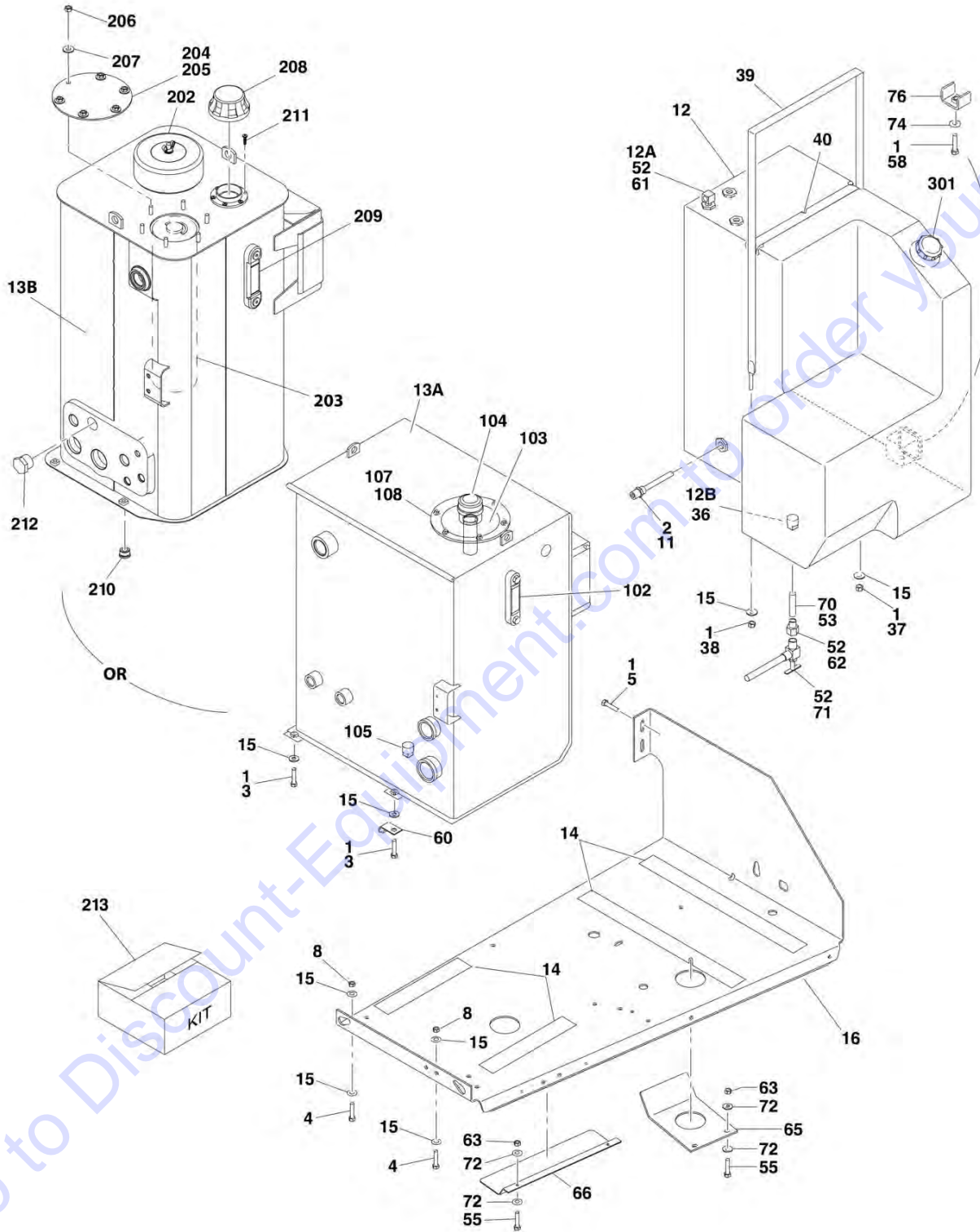
SECTION 2 - TURNTABLE

FIGURE 2-18. FUEL-WATER SEPARATOR INSTALLATION (DEUTZ TD2.9L4 ENGINE) (SN 0300236625 to Present)

ITEM	PART NUMBER	QTY	DESCRIPTION	REV
	1001226286	Ref	FUEL FILTER INSTALLATION	B
1	0641608	2	Bolt 3/8 x 1	
2	2220816	2	Fitting, Straight NPT	
3	3311605	2	Nut 3/8	
4	4711600	4	Washer 3/8	
5	8405006	2	Clamp	
6	1001154405	54 in/ 1.4m	Hose	
7	1001178797	2	Fitting, 90	
8	1001222817	1	Fuel Filter Assembly (See Items 101-107 for Breakdown)	
9	1001226923	1	Decal - Fuel Water Separator	
	1001222817	Ref	FUEL FILTER ASSEMBLY	
101	70006403	1	T-Handle Kit (Includes O-Ring)	
102	70006404	1	Lid Kit (Includes Gasket)	
103	70006405	1	Element	
104	70006406	1	Checkball & Gasket Kit (Not Shown)	
105	70006407	1	Centrifuge and Baffle Kit (Not Shown)	
106	70006409	1	Bowl Kit (Includes Gasket, O-Ring and Drain)	
106	70006408	1	Gasket, Bowl	
107	70006410	1	Bowl Ring Kit (Includes Gasket & Hardware) (Not Shown)	

SECTION 2 - TURNTABLE

FIGURE 2-19. TANK INSTALLATIONS



SECTION 2 - TURNTABLE

FIGURE 2-19. TANK INSTALLATIONS

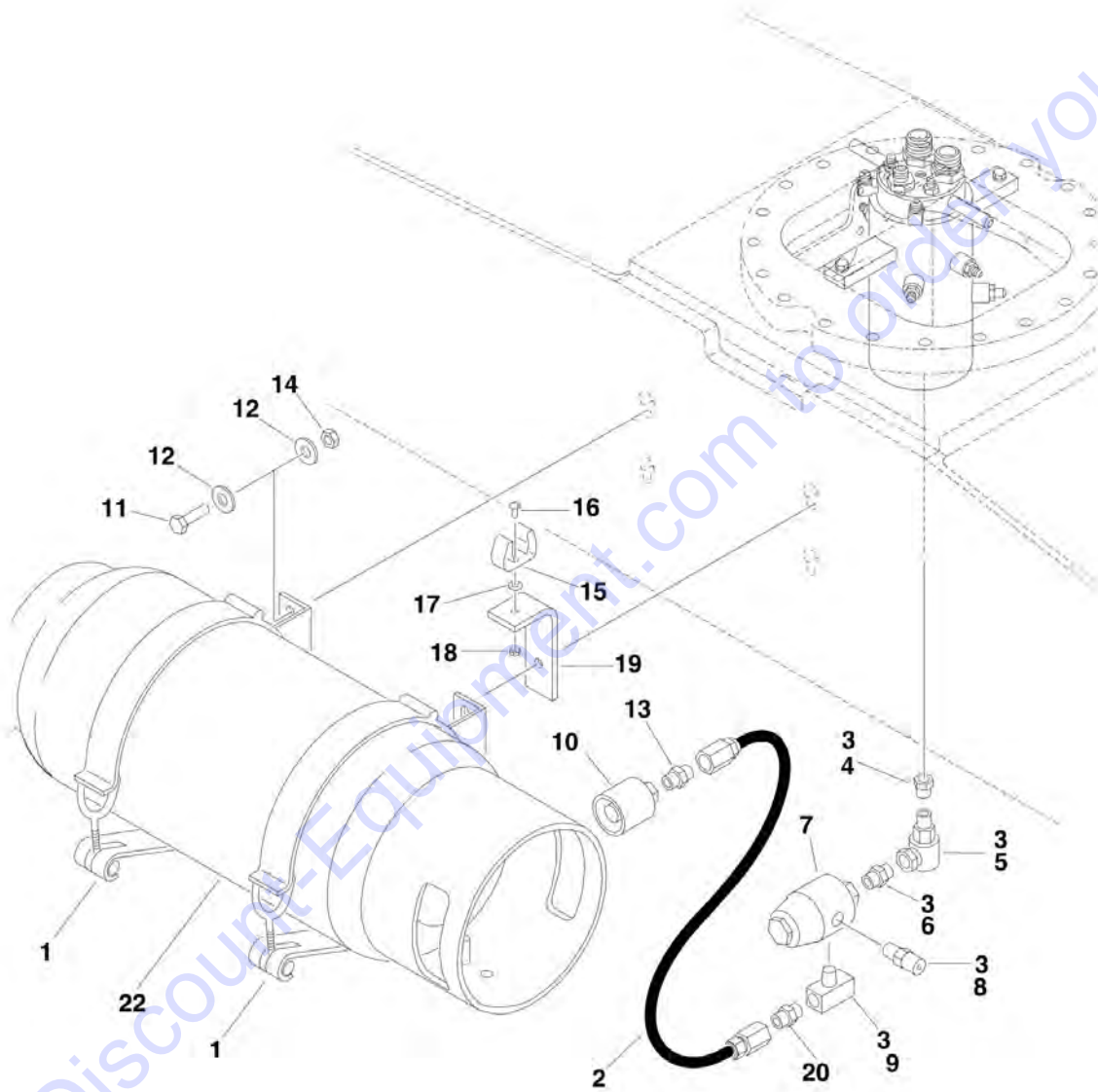
ITEM	PART NUMBER	QTY	DESCRIPTION	REV
	1001156176	Ref	TANKS INSTALLATION - DIESEL MACHINES (SN 0300185828 through 0300196955)	D
	1001178174	Ref	TANKS INSTALLATION - DIESEL MACHINES (SN 0300196956 to Present)	D
	1001156793	Ref	TANKS INSTALLATION - GAS MACHINES (SN 0300185828 through 0300196955)	D
	1001178175	Ref	TANKS INSTALLATION - GAS MACHINES (SN 0300196956 to Present)	B
1	0100011	AR	Compound, Locking	
2	0100079	AR	Sealant (SN 0300185828 through 0300196955)	
2	1001182997	AR	Adhesive (SN 0300196956 to Present)	
3	0641607	4	Bolt 3/8-16 x 7/8	
4	0641614	2	Bolt 3/8-16 x 1-3/4	
5	0811608	2	Bolt 3/8-16 x 1	
8	3311605	2	Nut 3/8-16	
11	4360436	1	Switch, Fuel Level	
12	4400400	1	Tank, Fuel (Includes Non-Locking Cap) (Diesel Machines) (SN 0300185828 through 0300195370)	
12	1001173897	1	Tank, Fuel (Includes Non-Locking Cap) (Diesel Machines) (SN 0300195371 to Present)	
12	1001111514	1	Tank, Fuel (Includes Non-Locking Cap) (Gas Machines)	
12A	7019658	1	Fitting and Pick-up Tube (Diesel Machines) (SN 0300185828 through 0300195370)	
12A	70004184	1	Fitting and Pick-up Tube (Diesel Machines) (SN 0300195371 to Present)	
12A	70004149	1	Fitting and Pick-up Tube (Gas Machines)	
12B	2200222	1	Fitting (Diesel Machines Only)	
12B	0100020	1	Sealant	
13A	1001161901	1	Hydraulic Tank Assembly (See Items 101-108 for Breakdown) (SN 03001835828 through 0300196955)	
13B	1001178057	1	Hydraulic Tank Assembly (See Items 201-213 for Breakdown) (SN 0300196956 to Present)	
14	4420038	73 in/ 1.85m	Tape, Rubber (Diesel Machines)	
14	4420038	45 in/ 1.14m	Tape, Rubber (Gas Machines)	
15	4751600	8	Washer 3/8	
16	1001156190	1	Tray	
30		Ref	Note: Items 36-40 Used on Diesel Machines Only.	
36	2200222	1	Fitting (Diesel Machines Only) (SN 0300185828 through 0300220177)	
38	3311601	2	Nut 3/8-16 (Diesel Machines Only)	
39	4240113	1	Strap, Tank (Diesel Machines Only) (SN 0300185828 through 0300240506)	
39	1001231888	1	Strap (SN 0300240507 to Present)	
40	4280295	25 in/ 63cm	Strip, Protective (Diesel Machines Only) (SN 0300185828 through 0300240506)	
50		Ref	Note: Items 52-76 Used on Gas Machines Only.	
52	0100020	AR	Sealant, Pipe	
53	0100062	AR	Compound, Locking	
55	0641508	4	Bolt 5/16-18 x 1	
58	0641818	2	Bolt 1/2-13 x 2-1/4	
60	1320223	1	Clamp	

SECTION 2 - TURNTABLE

ITEM	PART NUMBER	QTY	DESCRIPTION	REV
61	2200233	1	Plug	
62	2221270	1	Fitting, Brass (SN 0300185828 through 0300187377)	
63	3311505	4	Nut 5/16-18	
65	3572423	1	Plate, Valve, Needle	
66	3576755	1	Cover, Fuel Pump	
70	4568119	1	Tube, Fuel	
71	4641022	1	Valve, Needle	
72	4711500	8	Washer 5/16	
74	4751800	2	Washer 1/2i	
76	1001118133	2	Bracket	
	1001161901	Ref	HYDRAULIC TANK ASSEMBLY (SN 0300185828 through 0300196955)	C
102	7024441	1	Gauge, Sight	
103	7024443	1	Neck, Fill	
103	7024445	1	Screen	
104	7024444	1	Breather/Fill Cap	
105	7024446	1	Plug, Magnetic	
107	Not Available	1	Cover	
108	7024440	1	Gasket	
	1001178057	Ref	HYDRAULIC TANK ASSEMBLY (SN 0300196956 to Present)	D
202	70005708	1	Breather Assembly (Includes Breather, Element and Wingnut)	
202	See Note	NSS	Element, Breather (Note: Use p/n 70005708 or Item 213)	
203	See Note	NSS	Element, Hydraulic (Note: Use Item 213)	
204	70002839	1	Gasket	
205	See Note	NSS	Cover (Note: Not Available for Purchase)	
206	4751500	6	Washer 5/16	
207	3311501	6	Nut 5/16	
208	70002838	1	Cap, Fill	
209	7024441	1	Gauge, Level	
210	70002112	1	Plug	
211	See Note	NSS	Screw #10 x 3/4 (Note: Not Available - Purchase Locally)	
212	See Note	NSS	Plug (Note: Not Available - Purchase Locally)	
213	70002814	1	Hydraulic Tank Service Kit (Includes Items 202-204)	
		Ref	FUEL TANK CAP INSTALLATION	
301	7016314	Ref	Cap, Standard - Diesel Machines (Part of Item 3)	
301	70002716	Ref	Cap, Standard - Gas Machines (Part of Item 3)	
301	1120487	Ref	Cap, Optional Lockable - Diesel Machines	

SECTION 2 - TURNTABLE

FIGURE 2-20. LP TANK INSTALLATIONS (GM ENGINE MACHINES ONLY)



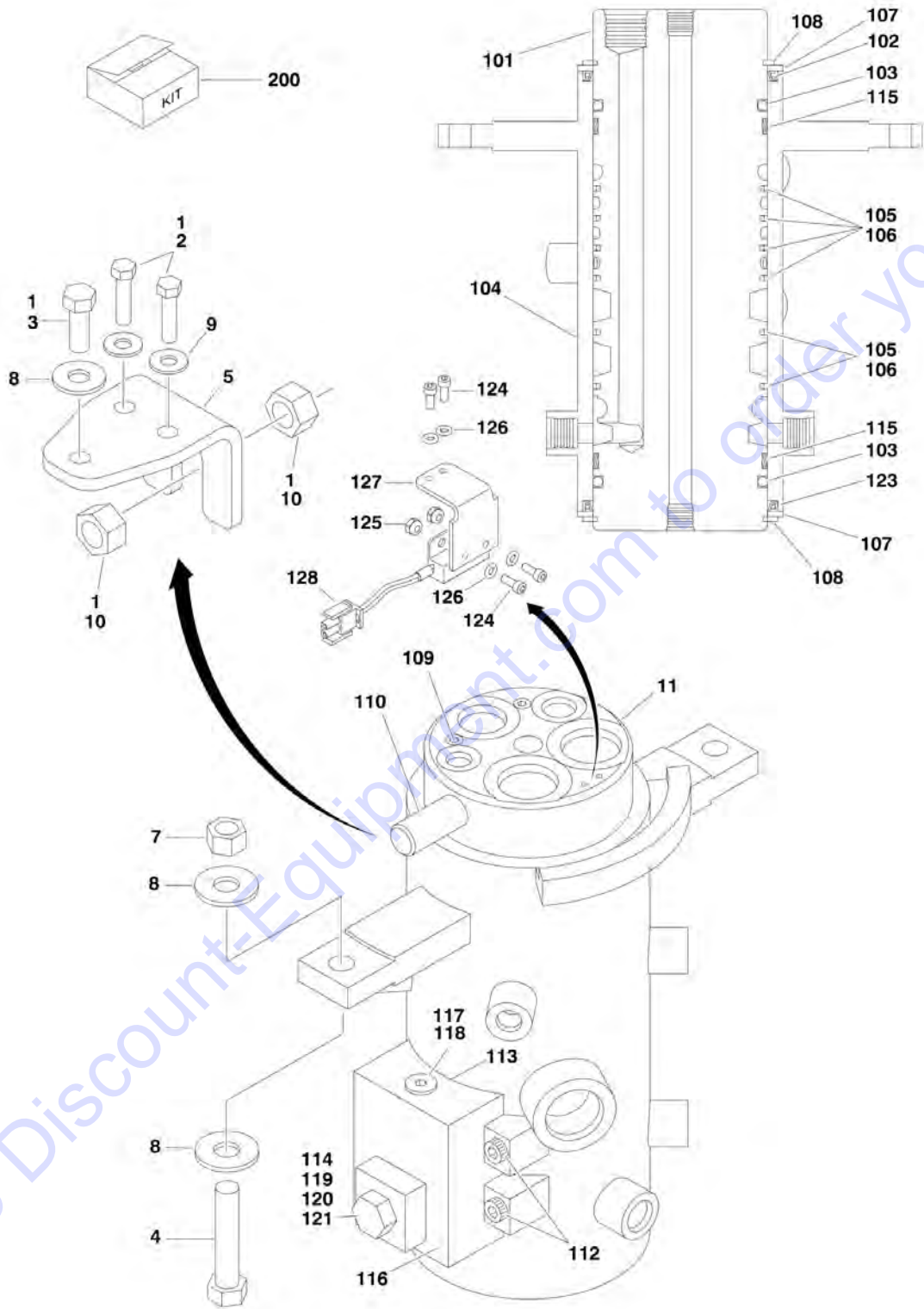
SECTION 2 - TURNTABLE

FIGURE 2-20. LP TANK INSTALLATIONS (GM ENGINE MACHINES ONLY)

ITEM	PART NUMBER	QTY	DESCRIPTION	REV
	1001151010	Ref	LP TANK AND BRACKETS INSTALLATION	D
1	1320220	2	Clamp Kit - LP	
1	1320127	2	Clamp, Toggle (1 Per Clamp)	
2	2720144	2	Hose	
3	0100020	AR	Sealant, Pipe	
4	2221197	1	Fitting, Reducer NPT/NPT	
5	2180125	1	Fitting - Elbow NPT/NPT	
6	2220261	1	Fitting, Nipple NPT/NPT	
7	2180388	1	Filter, Bulkhead NPT/NPT	
8	2180389	1	Valve, Relief	
9	2220418	1	Fitting, Tee	
10	2180387	2	Fitting, LP Tank	
11	0641617	8	Bolt 3/8-16 x 2-1/8	
12	4751600	8	Washer 3/8	
13	2180418	2	Fitting, Straight SAE	
14	3311605	8	Nut 3/8-16	
15	1320218	2	Clamp, Spring	
16	0720804	2	Screw #8-32 x 1/2	
17	4750800	4	Washer #8	
18	3310805	2	Nut #8-32	
19	0181949	2	Support, Angle	
20	2221024	2	Fitting, Ball Check SAE/NPT	
22	4400275	1	LP Tank - Aluminum	
22	4400420	1	LP Tank - Steel	

SECTION 2 - TURNTABLE

FIGURE 2-21. ROTARY COUPLING INSTALLATION



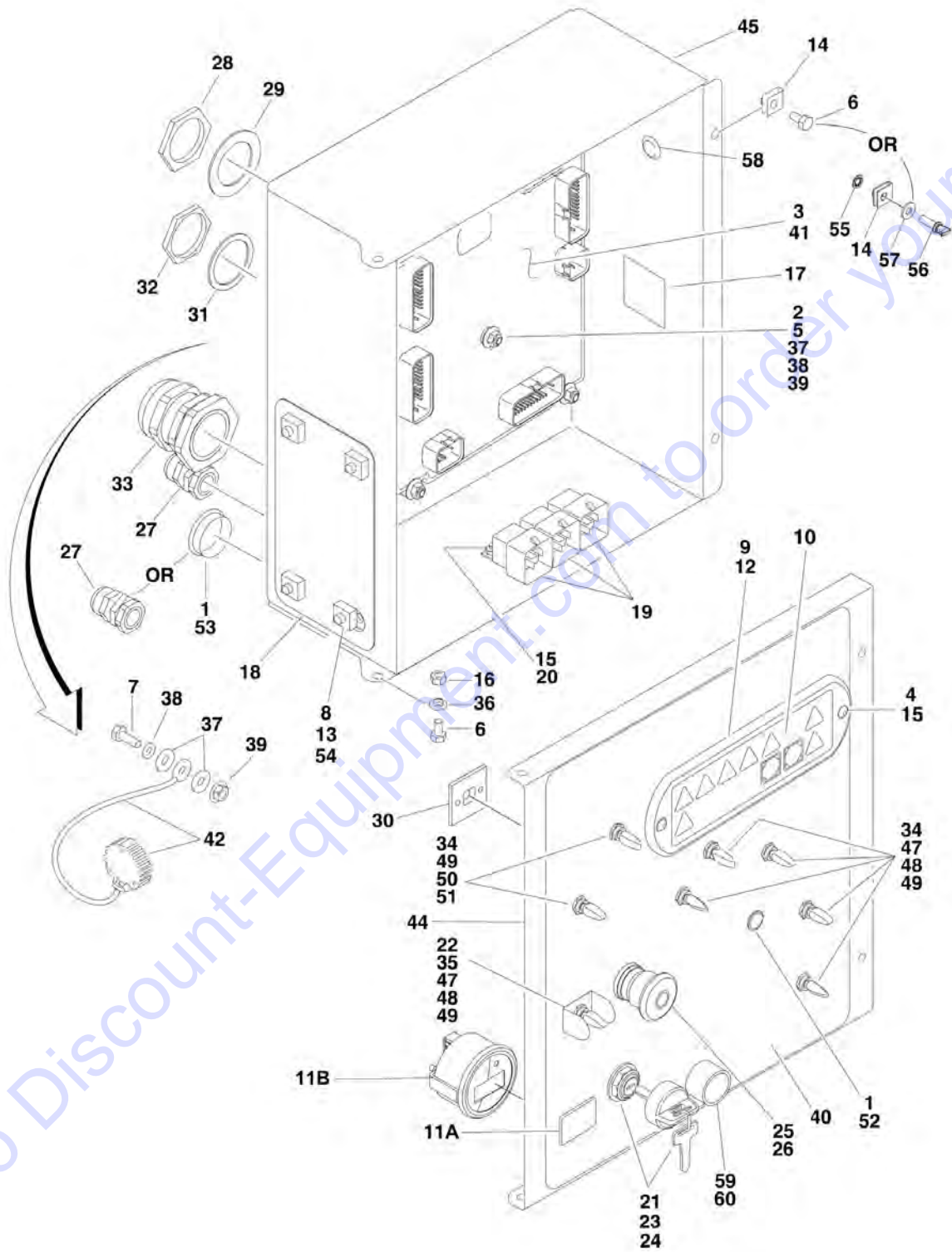
SECTION 2 - TURNTABLE

FIGURE 2-21. ROTARY COUPLING INSTALLATION

ITEM	PART NUMBER	QTY	DESCRIPTION	REV
	1001107530	Ref	ROTARY COUPLING INSTALLATION	B
1	0100011	AR	Compound, Locking	
2	0641611	2	Bolt 3/8-16 x 1-3/8	
3	0641812	1	Bolt 1/2-13 x 1-1/2	
4	0641820	2	Bolt 1/2-13 x 2-1/2	
5	0903056	1	Bracket (SN 0300185828 through 0300226024)	
5	0903242	1	Bracket (SN 0300226025 to Present)	
7	3271805	2	Locknut 1/2-13	
8	4751800	5	Washer 1/2	
9	4891600	2	Washer 3/8	
10	3322201	2	Nut 3/4-16	
11	1001106975	1	Coupling, Rotary (See Items 101-128 for Breakdown)	
	1001106975	Ref	ROTARY COUPLING ASSEMBLY	A
101	See Note	NSS	Body (Note: Not Available - Purchase Complete Assembly)	
102	See Note	NSS	Seal (Note: Use Item 200)	
103	See Note	NSS	O-Ring (Note: Use Item 200)	
104	See Note	NSS	Housing (Note: Not Available - Purchase Complete Assembly)	
105	See Note	NSS	Seal, Cap (Note: Use Item 200)	
106	See Note	NSS	O-Ring (Note: Use Item 200)	
107	7026511	2	Ring	
108	7013189	1	Ring, Retaining	
109	80934561	4	Plug	
110	See Note	1	Lug, Torque (Note: Not Available for Purchase)	
112	7026197	4	Bolt 5/16in-18NC x 1-1/4in	
113	See Note	NSS	O-Ring (Note: Use Item 200)	
114	See Note	NSS	O-Ring (Note: Use Item 200)	
115	See Note	NSS	Bearing (Note: Use Item 200)	
116	7024404	1	Block Valve Assembly	
117	7026505	1	Plug	
118	7026506	1	Valve, Check	
119	7026507	1	Plug	
120	See Note	NSS	Plunger, Valve (Note: Use Item 16)	
121	7026509	1	Spring, Compression	
122	See Note	AR	Protective Netting (Not Shown) (Note: Not Available for Purchase)	
123	See Note	NSS	Seal (Note: Use Item 200)	
124	See Note	4	Screw, Socket Head #10-24NC x 1/2in (Note: Not Available for Purchase)	
125	See Note	2	Locknut #10-24NC (Note: Not Available for Purchase)	
126	See Note	4	Flatwasher #10 (Note: Not Available for Purchase)	
127	See Note	1	Bracket, Switch Mounting (Note: Not Available for Purchase)	
128	4360517	1	Switch, Proximity	
200	70002212		Seal Kit (Includes Items 102, 103, 105, 106, 113, 114, 115 & 123)	

SECTION 2 - TURNTABLE

FIGURE 2-22. GROUND CONTROL BOX ASSEMBLY



SECTION 2 - TURNTABLE

FIGURE 2-22. GROUND CONTROL BOX ASSEMBLY

ITEM	PART NUMBER	QTY	DESCRIPTION	REV
		Ref	GROUND CONTROL BOX ASSEMBLY - DEUTZ TD2.9L4 ENGINE	
	1001170281	Ref	Ground Control Box Assembly - Deutz TD2.9L4 Engine (ANSI, CSA and Japanese Specs) (SN 0300185828 through 0300194175)	B
	1001171503	Ref	Ground Control Box Assembly - Deutz TD2.9L4 Engine (ANSI and CSA Specs) (SN 0300194176 to Present)	C
	1001184178	Ref	Ground Control Box Assembly - Deutz TD2.9L4 Engine (CE Specs) (SN 0300198013 through 0300201003)	A
	1001188009	Ref	Ground Control Box Assembly - Deutz TD2.9L4 Engine (CE Specs) (SN 0300201004 to Present)	B
		Ref	GROUND CONTROL BOX ASSEMBLY - DEUTZ D2011 ENGINE	
	1001153841	Ref	Ground Control Box Assembly - Deutz D2011 Engine (Australian Specs) (SN 0300185828 through 0300194175)	C
	1001171505	Ref	Ground Control Box Assembly - Deutz D2011 Engine (Australian Specs) (SN 0300194176 to Present)	C
	1001194118	Ref	Ground Control Box Assembly - Deutz D2011 Engine (CE Specs) (SN 0300201004 to Present)	A
		Ref	GROUND CONTROL BOX ASSEMBLY - FORD ENGINE	
	1001232150	Ref	Ground Control Box Assembly - Ford Engine (ANSI and CSA Specs) (SN 0300236336 to Present)	A
		Ref	GROUND CONTROL BOX ASSEMBLY - GM ENGINE	
	1001153840	Ref	Ground Control Box Assembly - GM Engine (SN 0300185828 through 0300194175)	C
	1001171504	Ref	Ground Control Box Assembly - GM Engine (SN 0300194176 to Present)	C
1	0100009	AR	Sealant	
2	0100011	AR	Compound, Locking	
3	0100048	AR	Grease, Dielectric	
4	0630518	2	Capscrew, Button Head	
5	0630548	5	Bolt, 2-1/2in Tap	
6	0641404	AR	Bolt 1/4-20 x 1/2	
7	0641407	1	Bolt 1/4-20 x 7/8	
8	0641506	4	Bolt 5/16-18 x 3/4	
9	1670829	1	Bezel	
10	1706712	1	Decal - Ground Control Display	
11A	2420172	1	Gauge, Hourmeter	
11B	1001109503	1	Gauge, Hourmeter	
12	2760105	1	Housing, Display Light	
13	3300205	4	Nut, Retainer	
14	3300353	2	Nut, Tinnerman	
15	3300408	AR	Locknut, Plastic Insert	
16	3311405	2	Nut 1/4-20	
17	1705566	1	Decal - Machine Set-up	
18	3539219	1	Plate, Reinforcement (SN 0300185828 through 0300200669)	
18	3539219	1	Plate, Reinforcement (CE Specs) (SN 0300198013 to Present)	
19	3740049	AR	Relay	
20	3900268	AR	Screw #10 x 1/2	
21	3910804	AR	Screw #8-32 x 1/4	
22	4060906	1	Shield, Toggle Switch	
23	4070991	1	Shim	
24	4360469	1	Switch, Key	
24	2860030	1	Key Replacement - All Specs	

SECTION 2 - TURNTABLE

ITEM	PART NUMBER	QTY	DESCRIPTION	REV
25	4360475	1	Switch, Emergency Stop	
25	7020175	1	Cap, Mushroom	
25	7020176	1	Block, Contact	
26	4360476	1	Switch, Contact Block	
27	4460426	AR	Connector, Strain Relief	
28	4460470	1	Nut, Terminal	
29	4460471	1	Lockwasher, Terminal	
30	4460488	6	Mounting Base, Terminal	
31	4460496	1	Washer, Terminal	
32	4460497	1	Nut, Terminal	
33	4460526	1	Connector, Strain Relief	
34	4740397	7	Spacer	
35	4740444	1	Washer	
36	4740518	2	Washer	
37	4751400	12	Washer 1/4	
38	4761400	6	Washer 1/4	
39	77143013	11	Nut 1/4-20	
40	1001102600	1	Decal - Faceplate (All Specs except CE)	
40	1001102600	1	Decal - Faceplate - Deutz TD2.9L4 Engine (CE Specs) (SN 0300198013 through 0300201003)	
40	1001180094	1	Decal - Faceplate - Deutz TD2.9L4 Engine (CE Specs) (SN 0300201004 to Present)	
41	1001103667	1	Module, Ground Control	
42	1001106736	1	Cap, Dust	
43	1001110225	1	Harness, Ground Control Box (Deutz D2011, Ford and GM Engines - All Specs except CE) (Not Shown - See ELECTRICAL SECTION for Breakdown)	
43	1001185131	1	Harness, Ground Control Box (Deutz D2011 Engines - CE Specs) (Not Shown - See ELECTRICAL SECTION for Breakdown) (SN 0300201004 to Present)	
43	1001145937	1	Harness, Ground Control Box (Deutz TD2.9L4 Engines - All Specs except CE Specs) (Not Shown - See ELECTRICAL SECTION for Breakdown)	
43	1001145937	1	Harness, Ground Control Box (Deutz DT2.9L4 Engines - CE Specs) (Not Shown - See ELECTRICAL SECTION for Breakdown) (SN 0300198013 through 0300201003)	
43	1001185131	1	Harness, Ground Control Box (Deutz DT2.9L4 Engines - CE Specs) (Not Shown - See ELECTRICAL SECTION for Breakdown) (SN 0300201004 to Present)	
44	1001152173	1	Lid (All Specs except CE Spec)	
44	1001152173	1	Lid (CE Spec) (SN 0300198013 through 0300201003)	
44	1001188042	1	Lid (CE Spec) (SN 0300201004 to Present)	
45	1001152175	1	Box	
46		Ref	Harness, Valve Options: (Not Shown - See ELECTRICAL SECTION for Breakdown)	
	1001153715	1	Harness, Valve (SN 0300185828 through 0300194175)	
	1001170808	1	Harness, Valve (SN 0300194176 to Present)	
47	1001155043	8	Washer	
48	1001155044	8	Nut 15/32-32	
49	1001155045	8	Switch, Toggle	
50	1001165776	1	Harness, Deutz TD2.9L4 Engine (Not Shown - See ELECTRICAL SECTION for Breakdown)	
50	1001153713	1	Harness, Deutz D2011 Engine (Not Shown - See ELECTRICAL SECTION for Breakdown)	
50	1001216230	1	Harness, Ford Engine (Not Shown - See ELECTRICAL SECTION	

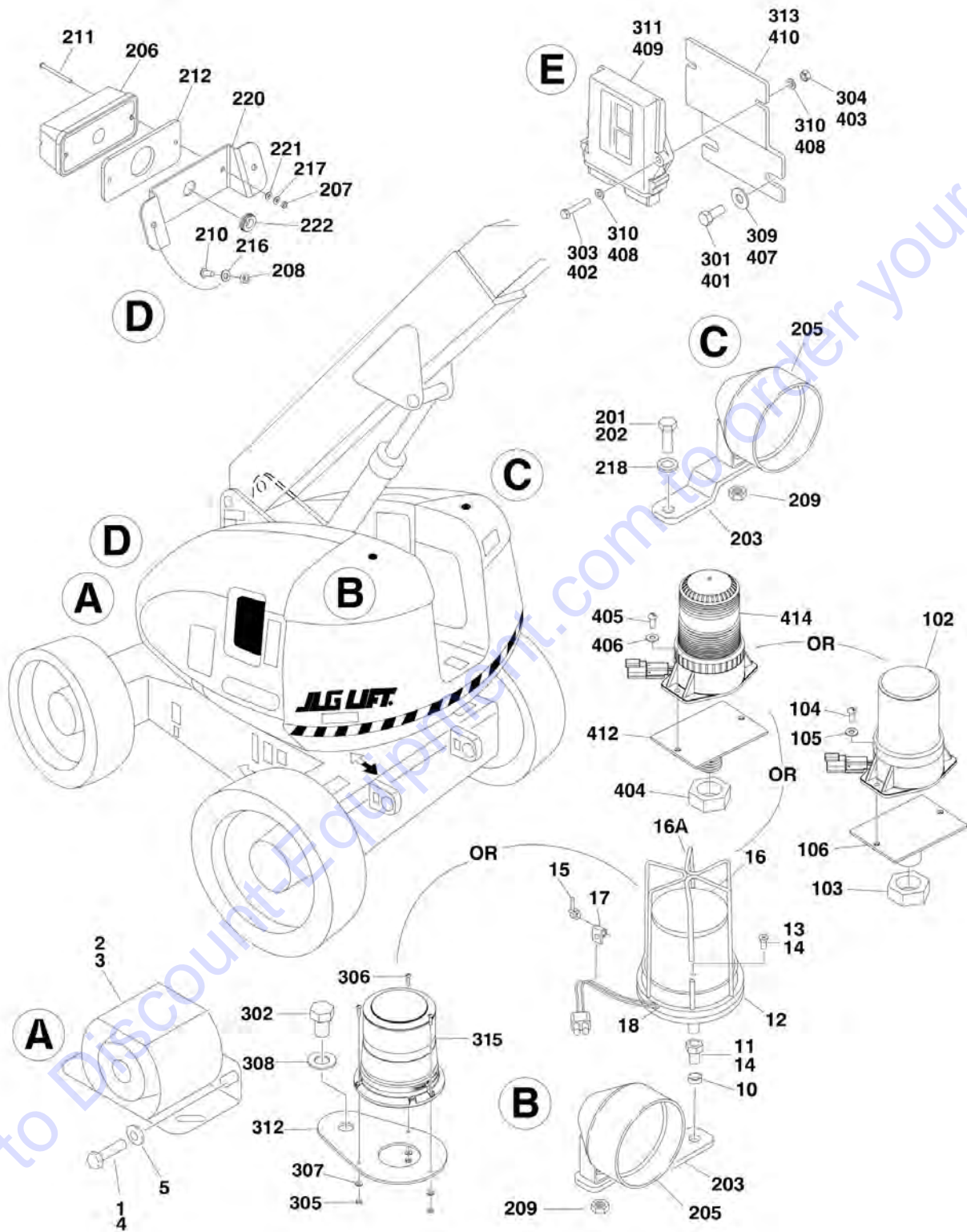
SECTION 2 - TURNTABLE

ITEM	PART NUMBER	QTY	DESCRIPTION	REV
50	1001153712	1	for Breakdown) Harness, GM Engine (Not Shown - See ELECTRICAL SECTION for Breakdown)	
52	3520028	1	Plug	
53	3520035	1	Plug, Cap	
54	4891500	4	Washer 5/16 (SN 0300200670 to Present)	
55	1001188874	2	Nut, Push (SN 0300200670 to Present)	
56	1001103308	2	Screw 1/4 x 3/4 (SN 0300200670 to Present)	
57	4711400	2	Washer 1/4 (SN 0300200670 to Present)	
58	3520031	2	Plug (SN 0300200670 to Present)	
59	1001176469	1	Shroud (CE Spec) (SN 0300201004 to Present)	
60	4360387	1	Switch, Push Button (CE Spec) (SN 0300201004 to Present)	

Go to Discount-Equipment.com to order your parts

SECTION 2 - TURNTABLE

FIGURE 2-23. ELECTRICAL OPTIONS INSTALLATION (TURNTABLE MOUNTED)



SECTION 2 - TURNTABLE

FIGURE 2-23. ELECTRICAL OPTIONS INSTALLATION (TURNTABLE MOUNTED)

ITEM	PART NUMBER	QTY	DESCRIPTION	REV
	1001155364	Ref	ALARMS INSTALLATIONS	A
1	0100011	AR	Compound, Locking	
2	0100048	AR	Sealant, Silicone	
3	0140044		Alarm	
4	0641405	2	Bolt 1/4-20 x 5/8	
5	4711400	2	Washer 1/4	
	0271422	Ref	STROBE LIGHT INSTALLATIONS (AMBER) (OPTIONAL) (SN 0300185828 through 0300190437)	C
		Ref	Note: If machine is equipped with BLUE Strobe Light, See SPECIAL OPTIONS SECTION SkyGuard Kit.	
10	4220162	1	Spacer, Stop (Used with ECCO Model 6640 Only)	
11	0630491	1	Adapter - Used with ECCO Model 6640	
11	0080241	1	Adapter - Used with ECCO Model 6650	
12	3539281	1	Plate, Mounting (Used with ECCO Model 6640 Only)	
13	0741606	1	Screw, Flathead Countersunk 3/8-16 x 3/4 (Used with ECCO Model 6640 Only)	
14	0100011	AR	Compound, Locking	
15	4240032	1	Wire-Tie	
16	0272507	1	Strobe Light/Guard/Harness Assembly	
16	7016380	1	Bulb, Replacement for ECCO Model 6640	
16	70001941	1	Bulb, Replacement for with ECCO Model 6650	
16A	4060907	1	Guard - Used with ECCO Model 6640	
16A	2920215	1	Guard - Used with ECCO Model 6650	
17	4460234	1	Clamp	
18	0100048	AR	Sealant, Silicone	
	1001160077	Ref	STROBE LIGHT INSTALLATION (AMBER) (OPTIONAL) (SN 0300190438 to Present)	B
	1001150406	Ref	STROBE LIGHT INSTALLATION (AMBER) (OPTIONAL)	B
102	2920161	1	Light, Strobe (Amber)	
102	7016319	1	Bulb	
102	7016372	1	Lens	
103	3312602	1	Nut 1	
104	3900085	2	Screw #10 x 1/2	
105	4751000	2	Washer 10	
106	1001149994	1	Mount	
	0271768	Ref	HEADLIGHTS AND TAILLIGHTS (ABS HOODS) (OPTIONAL)	E
	1001164786	Ref	HEADLIGHTS AND TAILLIGHTS (STEEL HOODS) (OPTIONAL)	C
201	0100011	AR	Compound, Locking	
202	0642612	2	Bolt 1-8 x 1-1/2	
203	0902206	2	Bracket, Mounting	
204	1705170	1	Decal - Lights (Not Shown - Located on Console)	
205	2920110	2	Headlight	
206	2920113	2	Taillight	
207	3311005	4	Nut #10-24	
208	3311505	4	Nut 5/16-18 (Steel Hoods Only)	
209	3311605	2	Nut 3/8-16	
210	3900210	4	Screw 5/16-18 x 3/4 (Steel Hoods Only)	
211	3911040	4	Screw #10-24 x 2-1/2	
212	3960461	2	Gasket	
213	4240032	AR	Tie-Strap (Not Shown)	

SECTION 2 - TURNTABLE

ITEM	PART NUMBER	QTY	DESCRIPTION	REV
214	4360522	1	Switch, Push Button (Not Shown - Located on Console):	
215	4460234	AR	Mount, Tie-Strap (Not Shown)	
216	4711500	4	Washer 5/16 (Steel Hoods Only)	
217	4751000	4	Washer #10	
218	4892600	2	Washer 1	
220	1001165118	2	Support (Steel Hoods Only)	
221	4220162	4	Spacer (ABS Hoods Only)	
222	1001188354	2	Grommet (SN 0300217058 to Present)	
	1001189173	Ref	STROBE LIGHT AND HARNESS INSTALLATION (BLUE) OPTIONAL) (SN 0300185828 through 0300217058)	B
	1001207307	Ref	STROBE LIGHT AND HARNESS INSTALLATION (RED) OPTIONAL) (SN 0300185828 through 0300217058)	B
301	0641610	2	Bolt 3/8 x 1-1/4	
302	0642612	1	Bolt 1 x 1-1/2	
303	0700615	2	Bolt M6 x 35	
304	3290607	2	Nut M6	
305	3311005	3	Nut #10	
306	3911012	3	Screw #10 x 3/4	
307	4711000	3	Washer #10	
308	4712600	1	Washer 1	
309	4751600	2	Washer 3/8	
310	4811700	4	Washer M6	
311	1001142683	1	Module, Beacon Light	
312	1001142694	1	Bracket	
313	1001142722	1	Bracket	
314	1001142736	1	Harness, Beacon Control (Module to Light) (Not Shown)	
315	1001143431	1	Light, Strobe (Blue)	
315	1001197067	1	Light, Strobe (Red)	
316	1001150944	1	Harness, Beacon Control (Module to Ground Control) (Not Shown)	
	1001205493	Ref	STROBE LIGHT AND HARNESS INSTALLATION (BLUE) (OPTIONAL) (SN 0300217059 through 0300240507)	E
	1001242255	Ref	STROBE LIGHT AND HARNESS INSTALLATION (BLUE) (OPTIONAL) (SN 0300240507 to Present)	A
	1001209871	Ref	STROBE LIGHT AND HARNESS INSTALLATION (RED) (OPTIONAL) (SN 0300217059 through 0300240507)	E
	1001242256	Ref	STROBE LIGHT AND HARNESS INSTALLATION RED) (OPTIONAL) (SN 0300240507 to Present)	A
401	0641610	2	Bolt 3/8 x 1-1/4	
402	0700615	2	Bolt M6 x 35	
403	3290607	2	Nut M6	
404	3312602	1	Nut 1	
405	3900085	2	Screw #10 x 1/2	
406	4751000	2	Washer #10	
407	4751600	2	Washer 3/8	
408	4811700	4	Washer M6	
409	1001142683	1	Module, Beacon Light	
410	1001142722	1	Bracket	
411	1001142736	1	Harness, Beacon Control (Module to Light) (Not Shown)	
412	1001149994	1	Mount	
414	1001200910	1	Light, Strobe (Blue)	
414	1001207004	1	Light, Strobe (Red)	
415	4240032	AR	Tie-Strap (Not Shown)	
416	4240033	AR	Tie-Strap (Not Shown)	

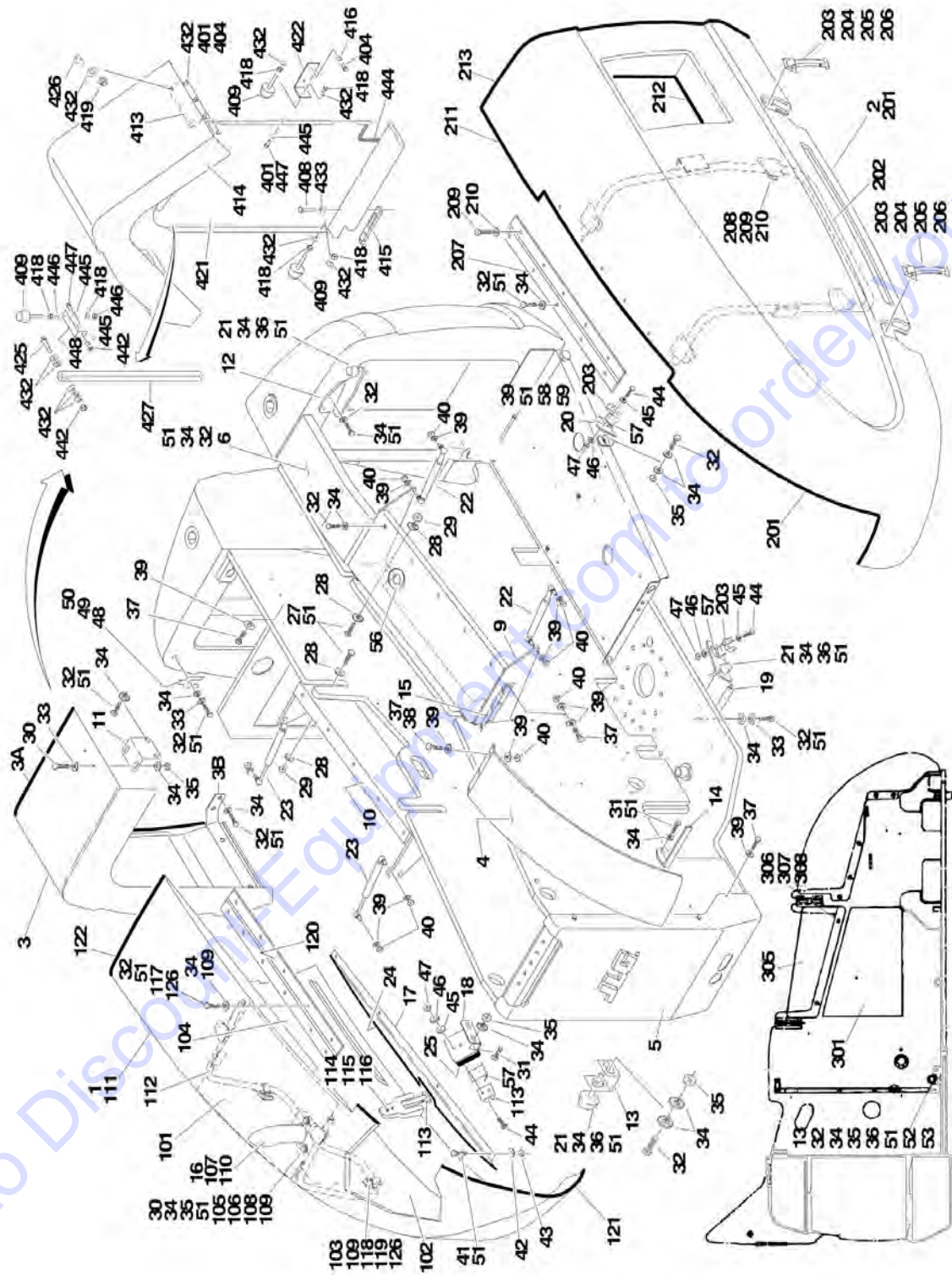
SECTION 2 - TURNTABLE

ITEM	PART NUMBER	QTY	DESCRIPTION	REV
417	4460488	AR	Mount, Tie-Strap (Not Shown)	
418	1001217005	1	Strobe Light Kit (Blue) (Includes Items 404, 405, 406, 412 & 414) (Not Shown)	

Go to Discount-Equipment.com to order your parts

SECTION 2 - TURNTABLE

FIGURE 2-24. HOODS INSTALLATION (ABS)



SECTION 2 - TURNTABLE

FIGURE 2-24. HOODS INSTALLATION (ABS)

ITEM	PART NUMBER	QTY	DESCRIPTION	REV
	1001099137	Ref	HOOD INSTALLATION WITHOUT COMPRESSOR - DEUTZ D2011 ENGINES	E
	1001101905	Ref	HOOD INSTALLATION WITH COMPRESSOR - DEUTZ D2011 ENGINES	C
	1001143609	Ref	HOOD INSTALLATION WITHOUT COMPRESSOR - DEUTZ TD2.9L4 ENGINES	E
1	1001099138	1	Hood Assembly without Compressor - Engine Side (Deutz D2011 Engines) (See Items 101-126 for Breakdown):	
1	1001143607	1	Hood Assembly without Compressor - Engine Side (Deutz TD2.9L4 Engines) (See Items 101-126 for Breakdown):	
1	1001117045	1	Hood Assembly with Compressor - Engine Side (Deutz D2011 Engines) (See Items 101- 126 for Breakdown):	
1		Ref	Note: Replacement Decals Must be Ordered Separately - See DECALS SECTION.	
2	1671228	1	Hood Assembly - Tank Side (See Items 201-213 for Breakdown)	
2		Ref	Note: Replacement Decals Must be Ordered Separately - See DECALS SECTION.	
3	1671233	1	Hood Assembly without Compressor - Engine Spacer (Deutz D2011 Engines)	
3	1001149673	1	Hood Assembly without Compressor - Engine Spacer (Deutz TD2.9L4 Engines)	
3	See Note	AR	Hood Assembly with Compressor (Note: See Items 401-448 for Breakdown)	
3A	3960453	68 in/ 1.73m	Seal	
3B	0903308	1	Bracket - Use with p/n 1671233	
4	3380444	1	Panel, Adapter	
5	1670842	1	Cover, Turntable End	
6	3380442	1	Cover, Top (Tank Side)	
9	0902412	1	Bracket, Hood Mounting (Tank Side)	
10	0902351	1	Bracket, Hood Mounting (Engine Side) (SN 0300185828 through 0300216685)	
10	1001207558	1	Bracket, Hood Mounting (Engine Side) (SN 0300216686 to Present)	
11	0902161	1	Bracket, Hood Spacer Mounting (Engine Side) (Hood without Compressor)	
11	Not Required	0	Bracket, Hood Spacer Mounting (Engine Side) (Hood with Compressor)	
12	0902426	1	Bracket, Bumper - Counterweight Mounted	
13	0902219	2	Bracket, Bumper	
14	0362770	1	Bar, Panel Mounting	
15	2600244	1	Adapter, Panel Hinge	
17	3571712	1	Plate, Seal (Deutz D2011 Engines)	
17	1001143858	1	Plate, Seal (Deutz TD2.9L4 Engines)	
18	0902491	1	Bracket, Latch (Engine Side)	
19	0902223	1	Bracket, Latch (Tank Side)	
20	0902143	1	Bracket, Latch (Tank Side)	
21	0940071	AR	Bumper	
22	4160139	2	Spring, Gas (Tank Side)	
23	4160143	AR	Spring, Gas (Engine Side)	
24	3960389	3.5 ft/1m	Seal	
25	3960470	1	Seal, Latch	
27	0630507	AR	Bolt 1/2-13 x 1-1/4	

SECTION 2 - TURNTABLE

ITEM	PART NUMBER	QTY	DESCRIPTION	REV
27	0811812	AR	Bolt 1/2-13 x 1-1/2	
28	4740171	AR	Washer	
29	3311801	AR	Nut 1/2-13	
29	3311805	AR	Nut 1/2-13	
29	1001150260	4	Plate, Hinge Block	
30	3900232	AR	Screw 3/8-16 x 1-1/4	
31	0641609	5	Bolt 3/8-16 x 1-1/8	
32	0641608	AR	Bolt 3/8-16 x 1	
33	4740076	AR	Washer	
34	4751600	AR	Washer 3/8	
35	3311605	AR	Locknut 3/8-16	
36	3311601	AR	Nut 3/8-16	
37	0641506	AR	Bolt 5/16-18 x 3/4	
38	0641508	AR	Bolt 5/16-18 x 1	
39	4751500	AR	Washer 5/16	
40	3311505	AR	Nut 5/16-18	
41	0641406	4	Bolt 1/4-20 x 3/4	
42	4751400	AR	Washer 1/4	
43	3311405	AR	Nut 1/4-20	
44	0721006	6	Screw #10-24 x 3/4	
45	4751000	6	Washer #10	
46	4761000	6	Washer #10	
47	3311001	6	Nut #10-24NC	
48	4070410	AR	Shim 1/16 (Hood without Compressor Only)	
49	4070411	AR	Shim 1/8 (Hood without Compressor Only)	
50	4070412	AR	Shim 3/16 (Hood without Compressor Only)	
51	0100011	AR	Compound, Locking	
52	0940071	1	Bumper (Deutz D2011 Engines)	
52	0940088	AR	Bumper (Deutz TD2.9L4 Engines)	
53	3321501	AR	Nut 5/16-24	
56	1120601	1	Cap, Plug	
57	2940188	3	Latch, Spring Clip	
58	0940049	1	Stopper	
59	3311501	2	Nut 5/16-18	
		Ref	HOOD ASSEMBLY (ENGINE SIDE) OPTIONS:	
	1001099138	Ref	Hood Assembly Without Compressor (Deutz D2011 Engines)	B
	1001117045	Ref	Hood Assembly With Compressor (Deutz D2011 Engines)	A
	1001143607	Ref	Hood Assembly Without Compressor (Deutz TD2.9L4 Engines)	F
101	1001101673	1	Insulation/Foam Without Compressor	
101	1001152566	1	Insulation/Foam With Compressor	
102	2820233	1	Insulation, Rear Sound	
103	2820234	1	Insulation, Center Sound	
104	2820235	1	Insulation, Rear Sound	
105	3311605	AR	Nut 3/8-16	
106	3900232	AR	Screw 3/8-16 x 1-1/4	
106	3900316	AR	Screw 3/8-16 x 1	
107	1001101623	1	Shield, Heat Gasket	
108	4740500	AR	Washer	
109	4751600	AR	Washer 3/8	
110	1001099121	1	Exhaust Tube Weldment Without Compressor (Deutz D2011 Engines)	
110	1001117040	1	Exhaust Tube Weldment With Compressor (Deutz D2011	

SECTION 2 - TURNTABLE

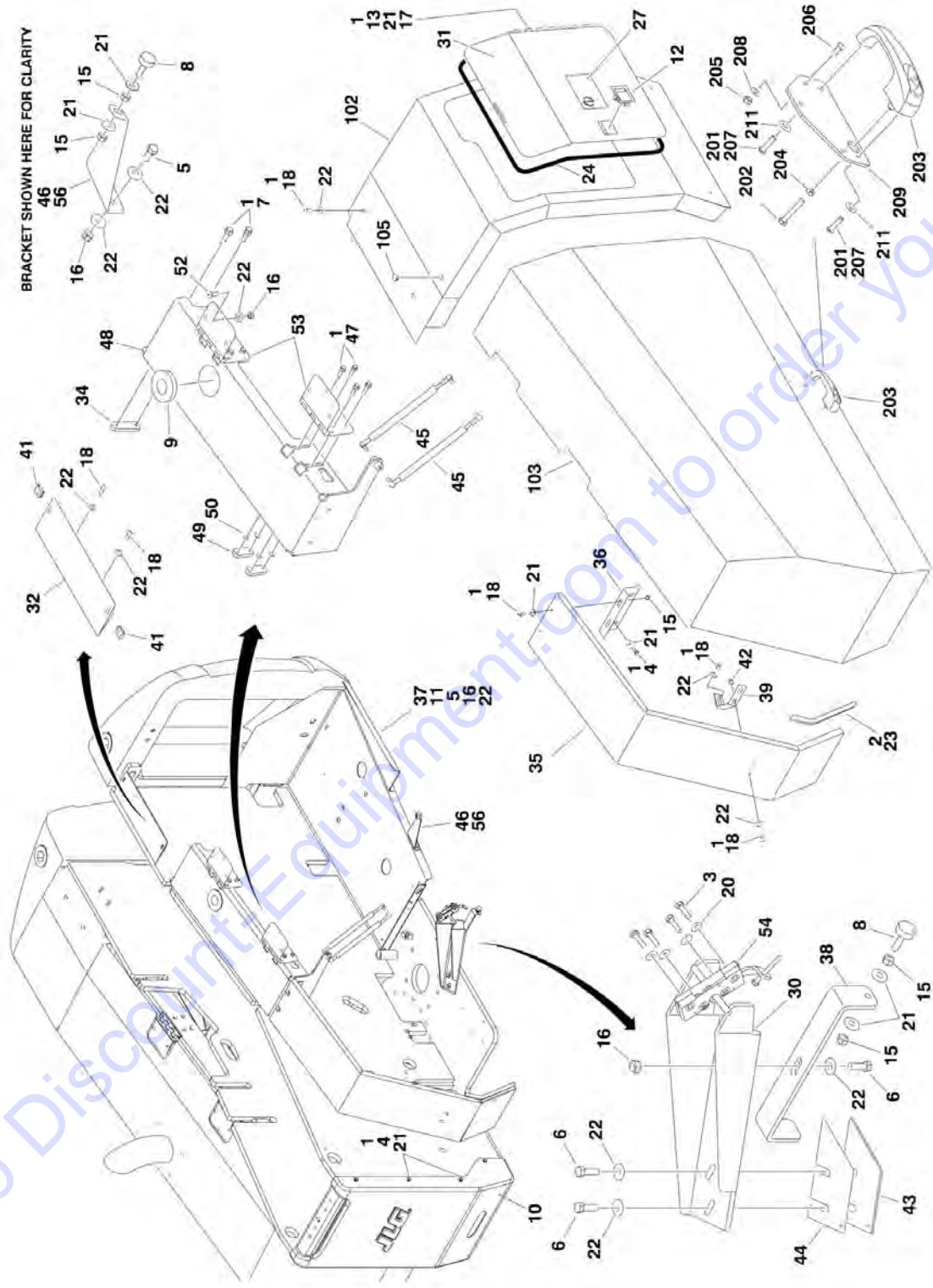
ITEM	PART NUMBER	QTY	DESCRIPTION	REV
110	1001143611	1	Engines) Exhaust Tube Weldment Without Compressor (Deutz TD2.9L4 Engines)	
111	1001099139	1	Hood Kit Without Compressor (Engine Side) (Deutz D2011 Engines)	
111	1671237	1	Hood Kit With Compressor (Engine Side) (Deutz D2011 Engines)	
111	1001143601	1	Hood Kit Without Compressor (Engine Side) (Deutz TD2.9L4 Engines)	
111		Ref	Note: Replacement Decals Must be Ordered Separately - See DECALS SECTION.	
112	1671230	1	Frame, Tubular (Deutz D2011 Engines)	
112	1001153435	1	Frame, Tubular (Deutz TD2.9L4 Engines)	
113	2940088	1	Latch	
114	0721008	2	Screw #10-24 x 1	
115	4751000	2	Washer #10	
116	3311001	2	Nut #10-24NC	
116	3311005	2	Nut #10-24	
117	0641608	AR	Bolt 3/8-16 x 1	
117	0641606	AR	Bolt 3/8-16 x 3/4	
118	1321384	4	Hold Down	
119	0641606	4	Bolt 3/8-16 x 3/4	
120	2600209	1	Hinge	
121	3960464	65 in/ 1.67m	Seal	
122	3960462	61 in/ 1.55m	Seal	
126	0100011	AR	Compound, Locking	
127	1001117140	AR	Tape, Aluminized (Not Shown)	
	1671228	Ref	HOOD ASSEMBLY (TANK SIDE)	A
201	1671231	1	Hood	
202	1671232	1	Frame, Tubular	
203	2940088	2	Latch	
204	0721008	4	Screw #10-24 x 1	
205	4751000	4	Washer #10	
206	3311005	4	Nut #10-24	
207	2600233	1	Hinge	
208	1321384	4	Hold Down	
209	0641606	9	Bolt 3/8-16 x 3/4	
210	4711600	9	Washer 3/8	
211	3960464	83 in/ 2.11m	Seal	
212	3960438	55 in/ 1.4m	Seal	
213	3960462	53 in/ 1.35m	Seal	
	0256823	Ref	NOISE REDUCTION INSTALLATION (DEUTZ ENGINE MACHINES)	3-C
301	2820078	1	Foam, Acoustical (Turntable Side)	
305	3539955	1	Plate, Baffle	
306	0641506	2	Bolt 5/16-18 x 3/4	
307	4751500	2	Washer 5/16	
308	0100011	AR	Compound, Locking	
	0272741	Ref	HOOD WITH COMPRESSOR INSTALLATION (OPTIONAL)	J
401	0100011	AR	Compound, Locking	

SECTION 2 - TURNTABLE

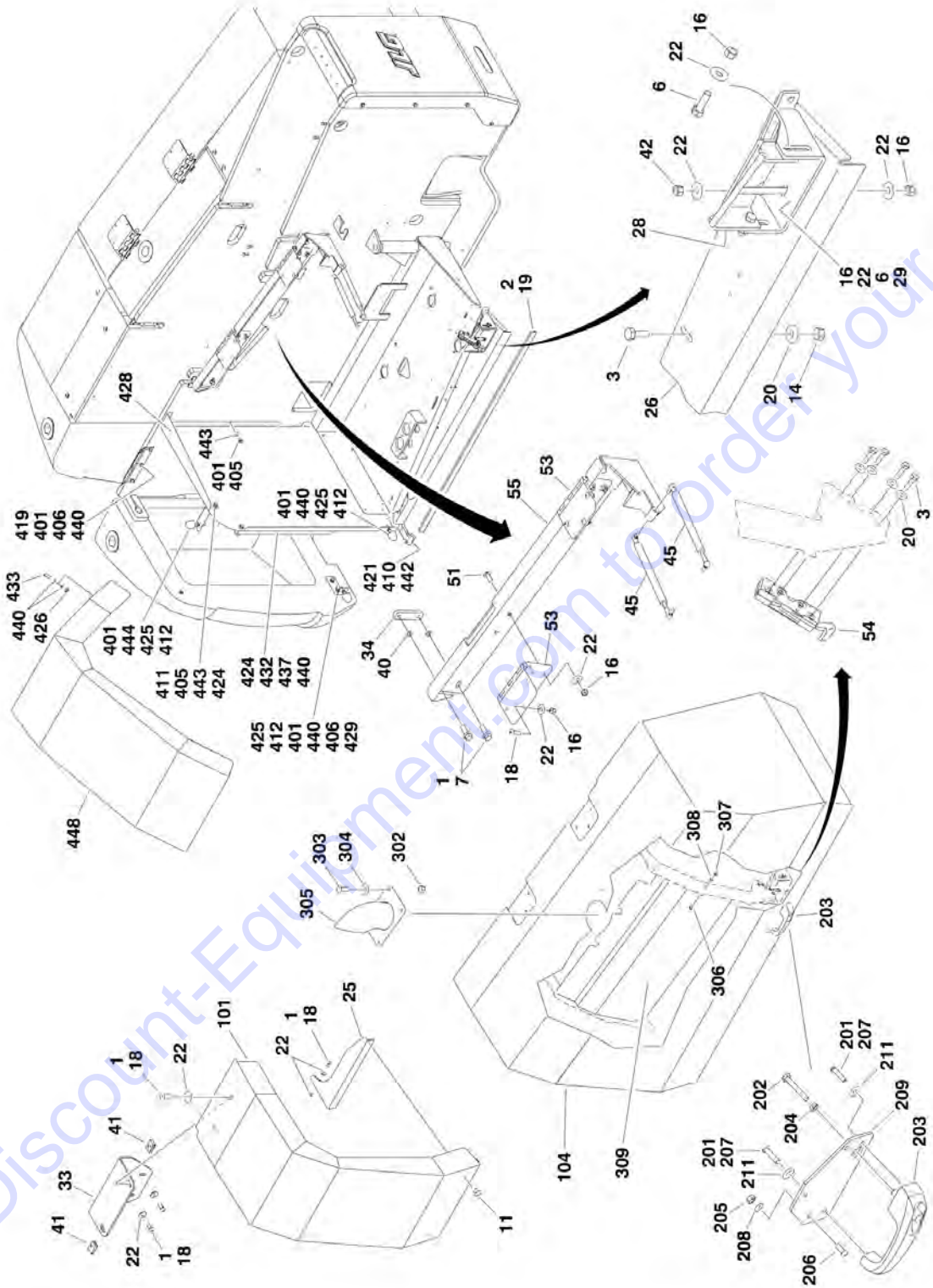
ITEM	PART NUMBER	QTY	DESCRIPTION	REV
404	0641608	5	Bolt 3/8-16 x 1	
408	0721005	3	Screw, Machine #10-24 x 5/8	
409	0940071	3	Bumper	
413	2600244	1	Hinge	
414	2680515	1	Hood	
415	2940080	1	Latch	
418	3311601	6	Nut 3/8-16N	
419	3311605	5	Nut 3/8-16	
421	3574156	1	Plate, Baffle	
422	3574157	1	Bracket	
425	3900032	1	Screw, Shoulder	
426	3900316	3	Screw 3/8-16 x 1	
427	4567627	1	Prop	
432	4711600	18	Washer 3/8	
433	4751000	3	Washer #10	
442	3311505	2	Nut 5/16-18	
444	4060803	8 in/ 21cm	Flex-Trim, 1/8	
445	4751500	8	Washer 5/16	
446	4751600	4	Washer 3/8	
447	0641506	7	Bolt 5/16-18 x 3/4	
448	0901921	1	Bracket	

SECTION 2 - TURNTABLE

FIGURE 2-25. HOODS INSTALLATION (STEEL)



SECTION 2 - TURNTABLE



Go to Discount-Equipment.com to order your parts

SECTION 2 - TURNTABLE

FIGURE 2-25. HOODS INSTALLATION (STEEL)

ITEM	PART NUMBER	QTY	DESCRIPTION	REV
		Ref	NOTE: REPLACEMENT DECALS MUST BE PURCHASED SEPARATELY - SEE DECALS SECTION	
	1001173876	Ref	HOODS INSTALLATION WITHOUT AIR COMPRESSOR (DEUTZ ENGINES MACHINES)	F
	1001173877	Ref	HOODS INSTALLATION WITH AIR COMPRESSOR (DEUTZ ENGINES MACHINES)	E
	1001156188	Ref	HOODS INSTALLATION WITHOUT AIR COMPRESSOR (GM ENGINES MACHINES)	J
	1001159264	Ref	HOODS INSTALLATION WITH AIR COMPRESSOR (GM ENGINES MACHINES)	H
1	0100011	AR	Compound, Locking	
2	0100081	AR	Adhesive	
3	0641408	12	Bolt 1/4-20 x 1	
4	0641508	8	Bolt 5/16-18 x 1	
5	0641607	AR	Bolt 3/8-16 x 7/8	
6	0641609	AR	Bolt 3/8-16 x 1-1/8 (Machines without Air Compressor)	
6	0681618	AR	Bolt 3/8-16 x 2-1/4 Grade 8 (Machines with Air Compressor)	
6	3271605	AR	Nut 3/8-16 Grade 8 (Machines with Air Compressor)	
7	0811812	8	Bolt 1/2-13 x 2-1/4	
8	0940049	2	Stopper, Hood	
9	1120601	1	Plug	
10	1670842	1	Cover, Turntable End	
11	2080040	AR	Fastener	
12	2940045	1	Latch, Paddle	
13	3300364	3	Nut, Tinnerman 5/16-18	
14	3311405	4	Nut 1/4-20	
15	3311501	AR	Nut 5/16-18	
16	3311605	AR	Nut 3/8-16	
17	3900210	3	Screw 5/16-18 x 3/4i	
18	3900316	AR	Screw 3/8-16 x 1	
19	3960389	4.2 ft/ 1.3m	Seal	
20	4751400	AR	Washer 1/4	
21	4751500	AR	Washer 5/16	
22	4751600	AR	Washer 3/8	
23	1001110166	59 in/1.5m	Seal	
24	1001113047	6.5 ft/2m	Seal	
25	1001117234	1	Bracket (Machines without Air Compressor Only)	
26	1001117249	1	Plate	
27	1001117307	1	Decal - Emergency Stop	
28	1001117523	1	Bracket, Striker	
29	1001117525	1	Bracket, Striker Mounting	
30	1001117568	1	Bracket, Striker	
31	1001117598	1	Door	
32	1001158175	1	Bracket, Hood Mounting	
33	1001157867	1	Bracket, Hood Mounting (Machines without Air Compressor Only)	
34	1001150260	4	Plate, Hinge	
35	1001155899	1	Plate, Spacer	
36	1001157612	1	Bracket, Hood Support	
37	1001157726	1	Bracket, Hood Support	
38	1001157735	1	Bracket, Stop	

SECTION 2 - TURNTABLE

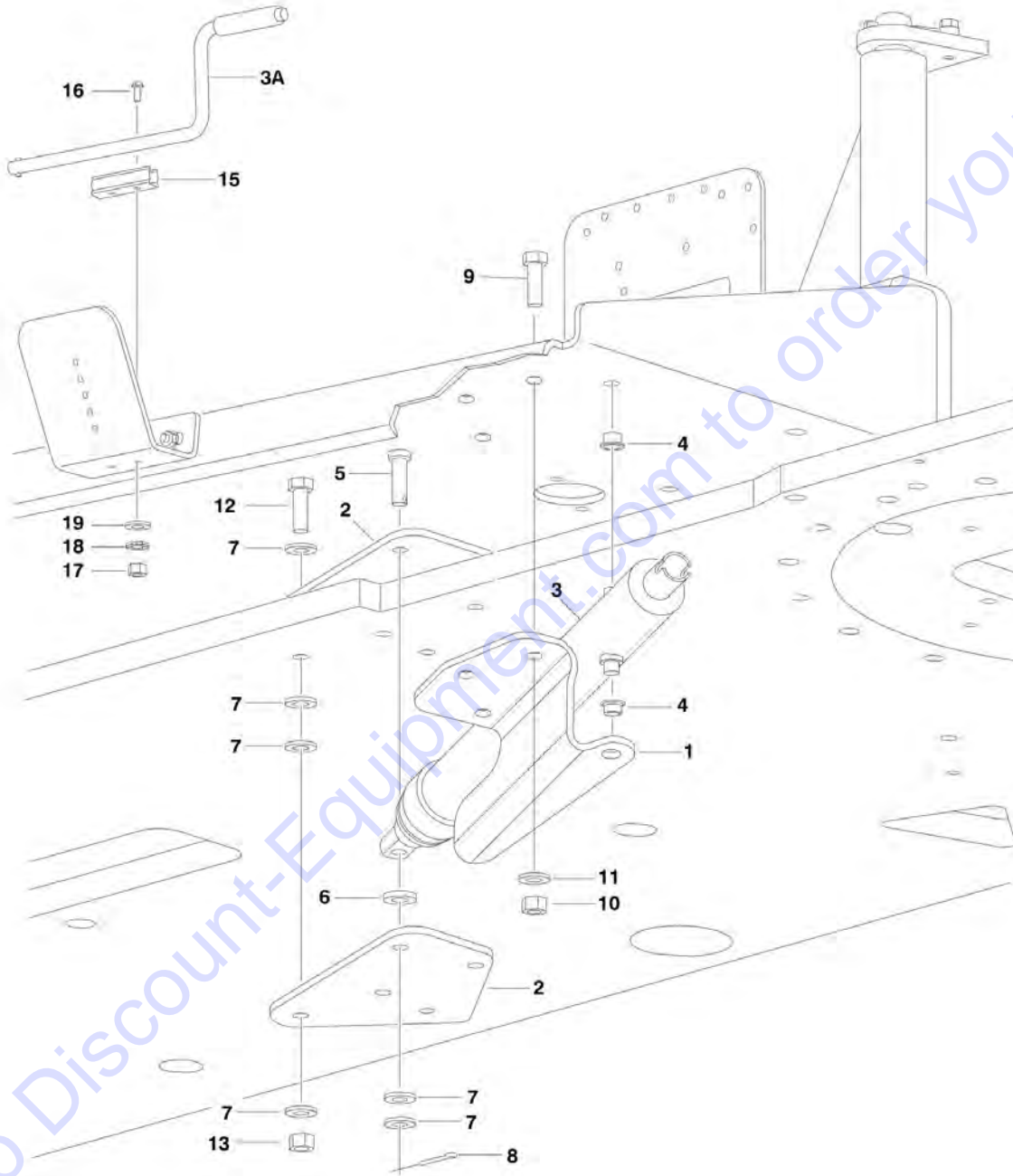
ITEM	PART NUMBER	QTY	DESCRIPTION	REV
39	1001158077	1	Bracket, Spacer Panel	
40	2080072	4	Retainer, Bolt	
41	88662523	4	Nut, Tinnerman	
42	3311601	AR	Nut 3/8-16NC	
43	1001121122	AR	Shim 3	
44	1001121123	AR	Shim 1.5	
45	4160194	4	Spring, Gas	
46	1001161089	1	Bracket, Bumper (Machines without Air Compressor Only)	
47	0811610	AR	Screw 3/8-16 x 1-1/4	
48	1001155895	1	Mount, Hood	
49	1001169935	4	Plate, Hinge (SN 0300185828 through 0300219218)	
49	1001186251	4	Plate, Hinge (SN 0300219219 to Present)	
50	8310070	8	Nut 3/8	
51	0630485	AR	Bolt 3/8-16 x 1	
52	0641608	AR	Bolt 3/8-16 x 1 (Deutz Engine Machines Only)	
53	2600280	4	Hinge (SN 0300185828 through 0300219218)	
53	1001186254	4	Hinge (SN 0300219219 to Present)	
54	2940173	2	Latch, Rotary	
55	1001150253	1	Mount, Hood (SN 0300185828 through 0300219218)	
55	1001196768	1	Mount, Hood (SN 0300219219 to Present)	
56	1001161089	1	Bracket (GM Engine Machines Only)	
100	1001174277	1	Kit, Hood (Includes Items 101-104) (Deutz Engine Machines without Air Compressor)	
100	1001174279	1	Kit, Hood (Includes Items 101-104) (Deutz Engine Machines with Air Compressor)	
100	1001174408	1	Kit, Hood (Includes Items 101-104) (GM Engine Machines without Air Compressor)	
100	1001174409	1	Kit, Hood (Includes Items 101-104) (GM Engine Machines with Air Compressor)	
101	1001117219	1	Hood, Fixed Engine Side (Machines without Air Compressor)	
101	Not Required	0	Hood, Fixed Engine Side (Machines with Air Compressor)	
102	1001120962	1	Hood, Fixed Tank Side	
103	1001157209	1	Hood Assembly - Tank Side (Includes Items 201-211)	
104	1001162915	1	Hood Assembly - Engine Side (Deutz Engine Machines) (Includes Items 201-211) (Note: Heat Shield Item 309 must be transferred from original hood or replaced before putting machine back in service)	
104	1001157208	1	Hood Assembly - Engine Side (GM Engine Machines) (Includes Items 201-211) (Note: Heat Shield Item 309 must be transferred from original hood or replaced before putting machine back in service)	
105	3250030	1	Plug	
	1001162915	Ref	HOOD ASSEMBLY - ENGINE SIDE (DEUTZ ENGINE MACHINES)	C
	1001157208	Ref	HOOD ASSEMBLY - ENGINE SIDE (GM ENGINE MACHINES)	D
201	0100011	AR	Compound, Locking	
202	0700617	1	Bolt M6 x 45	
202	0700618	1	Bolt M6 x 50	
203	2560187	1	Handle, Push Button	
204	3290601	1	Nut M6	
205	3311505	3	Nut 5/16-18	
206	3900210	3	Screw 5/16-18 x 3/4	
207	3900363	2	Screw M6 x 25mm	
208	4711500	3	Washer 5/16	
209	1001116290	1	Plate, Latch Mounting	

SECTION 2 - TURNTABLE

ITEM	PART NUMBER	QTY	DESCRIPTION	REV
211	4751400	2	Washer 1/4	
	1001173878	Ref	HOODS INSTALLATION WITHOUT AIR COMPRESSOR (DEUTZ ENGINES MACHINES)	B
	1001173879	Ref	HOODS INSTALLATION WITH AIR COMPRESSOR (DEUTZ ENGINES MACHINES)	B
	1001220189	Ref	HOODS INSTALLATION (FORD ENGINE MACHINES)	A
	1001158171	Ref	HOODS INSTALLATION WITHOUT AIR COMPRESSOR (GM ENGINES MACHINES)	C
	1001159523	Ref	HOODS INSTALLATION WITH AIR COMPRESSOR (GM ENGINES MACHINES)	C
302	3311605	4	Nut 3/8-16	
303	3900316	4	Screw 3/8-16 x 1	
303	0641608	4	Bolt 3/8-16 x 1	
304	4751600	AR	Washer 3/8	
305	1001144527	1	Pipe, Exhaust (Deutz Engine Machines)	
305	1001116457	1	Pipe, Exhaust (Ford & GM Engine Machines)	
306	0641406	3	Bolt 1/4-20 x 3/4	
307	3311405	3	Nut 1/4-20	
308	4751400	3	Washer 1/4	
309	1001163101	1	Shield, Heat (Deutz TD2.9L4 Engine Machines)	
309	1001150561	1	Shield, Heat (Deutz D2011, Ford & GM Engine Machines)	
	1001154411	Ref	AIR COMPRESSOR HOOD INSTALLATION (DEUTZ ENGINE MACHINES)	C
	0272741	Ref	AIR COMPRESSOR HOOD INSTALLATION (GM ENGINE MACHINES)	K
401	0100011	AR	Compound, Locking	
405	0641506	7	Bolt 5/16-18 x 3/4	
406	0641608	5	Bolt 3/8-16 x 1	
410	0721005	3	Screw, Machine #10-24 x 5/8	
411	0901921	1	Bracket	
412	0940071	3	Bumper	
419	2600244	1	Hinge	
421	2940080	1	Latch	
424	3311505	10	Nut 5/16-18	
425	3311601	6	Nut 3/8-16	
426	3311605	5	Nut 3/8-16	
428	3574156	1	Plate, Baffle	
429	3574157	1	Bracket	
432	3900032	1	Screw 3/8-16 x 1-1/4	
433	3900316	3	Screw 3/8-16 x 1	
437	4567627	1	Prop	
440	4711600	12	Washer 3/8	
442	4751000	3	Washer #10	
443	4751500	8	Washer 5/16	
444	4751600	10	Washer 3/8	
448	1001121314	1	Hood (Deutz Engine Machines)	
448	2680515	1	Hood (GM Engine Machines)	

SECTION 2 - TURNTABLE

FIGURE 2-26. ENGINE TRAY JACK INSTALLATION (OPTIONAL)



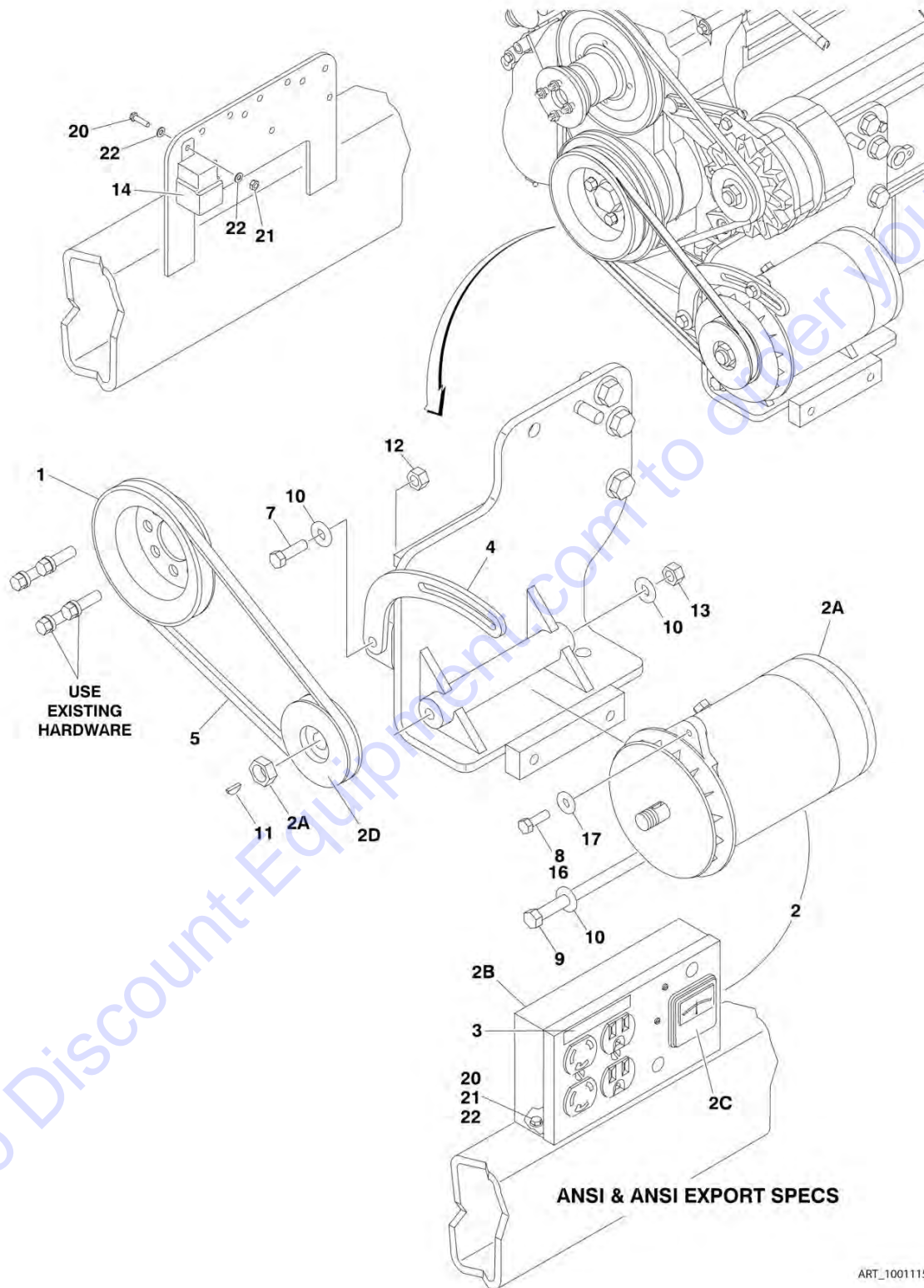
SECTION 2 - TURNTABLE

FIGURE 2-26. ENGINE TRAY JACK INSTALLATION (OPTIONAL)

ITEM	PART NUMBER	QTY	DESCRIPTION	REV
	0258728	Ref	ENGINE TRAY JACK INSTALLATION	2-C
	1001219881	Ref	ENGINE TRAY JACK INSTALLATION (FORD ENGINE MACHINES)	B
1	3537445	1	Bracket (Deutz & GM Engine Machines)	
1	1001218547	1	Bracket (Ford Engine Machines)	
2	3537446	2	Bracket	
3	2840016	1	Jack and Handle Assembly	F
3A	7024598	1	Handle	
4	0962051	2	Bearing, Flange	
5	3430816	1	Pin, Clevis	
6	4891800	1	Washer 1/2	
7	4711800	6	Washer 1/2	
8	3450404	1	Pin, Cotter 1/8 x 1	
9	0641609	4	Bolt 3/8-16 x 1-1/8	
9	0761014	AR	Bolt M10 x 30	
10	3311605	4	Nut 3/8-16	
10	3291007	AR	Nut M10	
11	4891600	4	Washer 3/8	
11	4812000	AR	Washer M10	
12	0641818	4	Bolt 1/2-13 x 2-1/4	
13	3311805	4	Nut 1/2-13	
15	1380147	1	Clip, Spring	
16	3910608	2	Screw #6-32 x 1	
17	3310601	2	Nut #6-32	
18	4770600	2	Washer #6	
19	4740119	2	Washer	

SECTION 2 - TURNTABLE

FIGURE 2-27. 2500W 110V/60HZ GENERATOR INSTALLATION - DEUTZ D2011 MACHINES
(OPTIONAL) (ANSI AND ANSI EXPORT SPECS)



SECTION 2 - TURNTABLE

**FIGURE 2-27. 2500W 110V/60HZ GENERATOR INSTALLATION - DEUTZ D2011 MACHINES
(OPTIONAL) (ANSI AND ANSI EXPORT SPECS)**

ITEM	PART NUMBER	QTY	DESCRIPTION	REV
	1001115405	Ref	2500W 110V/60HZ GENERATOR INSTALLATION - DEUTZ D2011 MACHINES (OPTIONAL) (ANSI AND ANSI EXPORT SPECS)	A
1	3580158	1	Pulley	
2	2460055	1	Generator and Control Box Assembly	
2A	7012558	1	Generator Only	
2A		Ref	Note: Replacement Generators Come Standard with p/n 3580134 pulley. This Pulley may not be correct for all applications. Refer to pulley options below.	
2A	7026199	1	Armature with Slip Rings	
2A	7012513	4	Cap, Brush Holder	
2A	7020108	4	Brush	
2A	7020109	4	Holder, Brush	
2A	7012514	1	Fan	
2A	7020110	1	Bell, Front	
2A	7020111	1	Bell, Rear	
2A	7020190	1	Bearing	
2B	7019680	1	Box, Control - 110V/60Hz	
2B		Ref	Receptacle Options:	
2B	4460190	1	Receptacle, Standard	
2B	4460027	1	Receptacle, Twistlock	
2B	4360542	1	Breaker, Circuit	
2B	3520028	1	Plug, Hole	
2C	2420203	1	Voltmeter	
2D	3580276	1	Pulley	
2D	7027887	1	Key, Woodruff	
3	3251243	1	Decal - 110V/60Hz	
4	0200742	1	Arm, Adjusting	
5	0480121	1	V-Belt	
7	0641610	1	Bolt 3/8 x 1-1/4	
8	0100011	AR	Compound, Locking	
9	0641772	1	Bolt 7/16 x 9	
10	4751600	6	Washer 3/8	
11	2860012	1	Key, Woodruff	
12	3311605	1	Nut 3/8	
13	3311705	1	Nut 7/16	
14	3740080	1	Relay	
16	0641508	1	Bolt 5/16 x 1	
17	4751500	AR	Washer 5/16	
20	0721006	AR	Bolt #10 x 3/4	
21	3311005	AR	Nut #10	
22	4751000	AR	Washer #10	
25	4360336	1	Switch, Toggle (Not Shown - Located at Platform)	
26	4740397	1	Bushing (Not Shown - Located at Platform)	
27	4060802	1	Guard, Switch (Not Shown - Located at Platform)	
29	2820031	4 in/10cm	Heat Shrink (Not Shown - Located at Platform)	
30	3251102	1	Decal (Not Shown - Located at Platform)	

PARTS FINDER

**Search Website
by Part Number**



**Search Manual
Library For Parts
Manual & Lookup Part
Numbers – Purchase
or Request Quote**

A screenshot of the "Search Manuals" form. The form has a title "Search Manuals" and a subtitle "Please enter the model number or part number to search for a part". It includes fields for "Find" (with a dropdown menu), "Serial Number" (with a dropdown menu), "Year" (with a dropdown menu), "Make" (with a dropdown menu), "Part Number" (with a dropdown menu), "Part Name" (with a dropdown menu), and "Category" (with a dropdown menu). There is a "Search" button at the bottom of the form.

**Can't Find Part or
Manual? Request Help
by Manufacturer,
Model & Description**

A screenshot of the "Parts Order Form". The form has a title "Parts Order Form" and a subtitle "Please fill out the form below to request help finding a part or manual". It includes fields for "Manufacturer", "Model", "Description", "Part Number", "Part Name", "Quantity", "Unit of Measure", "Notes", and "Requester Name". There is a "Submit" button at the bottom of the form.

Discount-Equipment.com is your online resource for quality parts & equipment.

Florida: **561-964-4949** Outside Florida TOLL FREE: **877-690-3101**

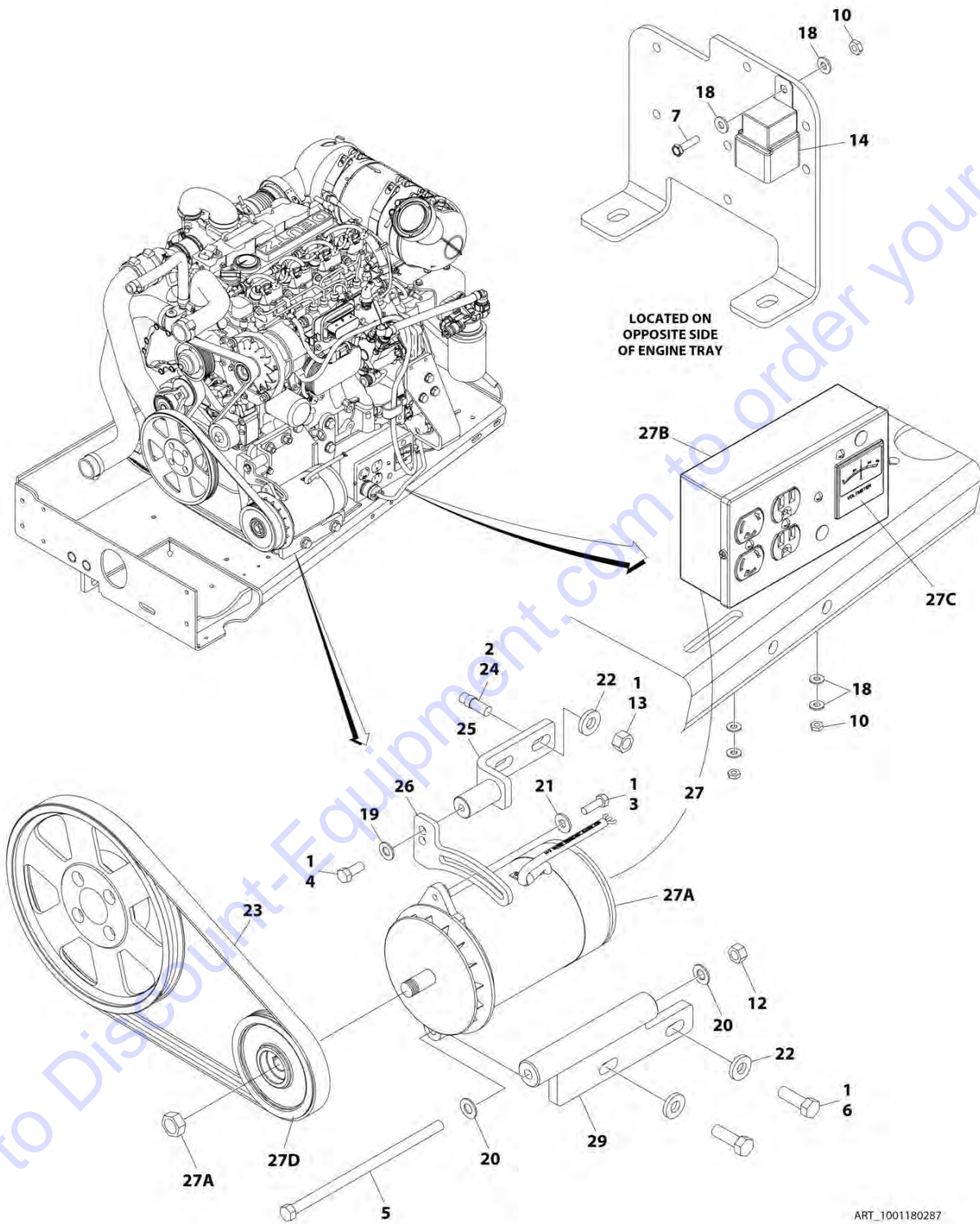
Need parts?

Click on this link: <http://www.discount-equipment.com/category/5443-parts/> and choose one of the options to help get the right parts and equipment you are looking for. Please have the machine model and serial number available in order to help us get you the correct parts. If you don't find the part on the website or on one of the online manuals, please fill out the request form and one of our experienced staff members will get back to you with a quote for the right part that your machine needs.

We sell worldwide for the brands: Genie, Terex, JLG, MultiQuip, Mikasa, Essick, Whiteman, Mayco, Toro Stone, Diamond Products, Generac Magnum, Airman, Haulotte, Barreto, Power Blanket, Nifty Lift, Atlas Copco, Chicago Pneumatic, Allmand, Miller Curber, Skyjack, Lull, Skytrak, Tsurumi, Husquvarna Target, Stow, Wacker, Sakai, Mi-T-M, Sullair, Basic, Dynapac, MBW, Weber, Bartell, Bennar Newman, Haulotte, Ditch Runner, Menegotti, Morrison, Contec, Buddy, Crown, Edco, Wyco, Bomag, Laymor, EZ Trench, Bil-Jax, F.S. Curtis, Gehl Pavers, Heli, Honda, ICS/PowerGrit, IHI, Partner, Imer, Clipper, MMD, Koshin, Rice, CH&E, General Equipment, Amida, Coleman, NAC, Gradall, Square Shooter, Kent, Stanley, Tamco, Toku, Hatz, Kohler, Robin, Wisconsin, Northrock, Oztec, Toker TK, Rol-Air, APT, Wylie, Ingersoll Rand / Doosan, Innovatech, Con X, Ammann, Mecalac, Makinex, Smith Surface Prep, Small Line, Wanco, Yanmar

SECTION 2 - TURNTABLE

FIGURE 2-28. 2500W GENERATOR INSTALLATION - DEUTZ TD2.9L4 MACHINES (OPTIONAL)



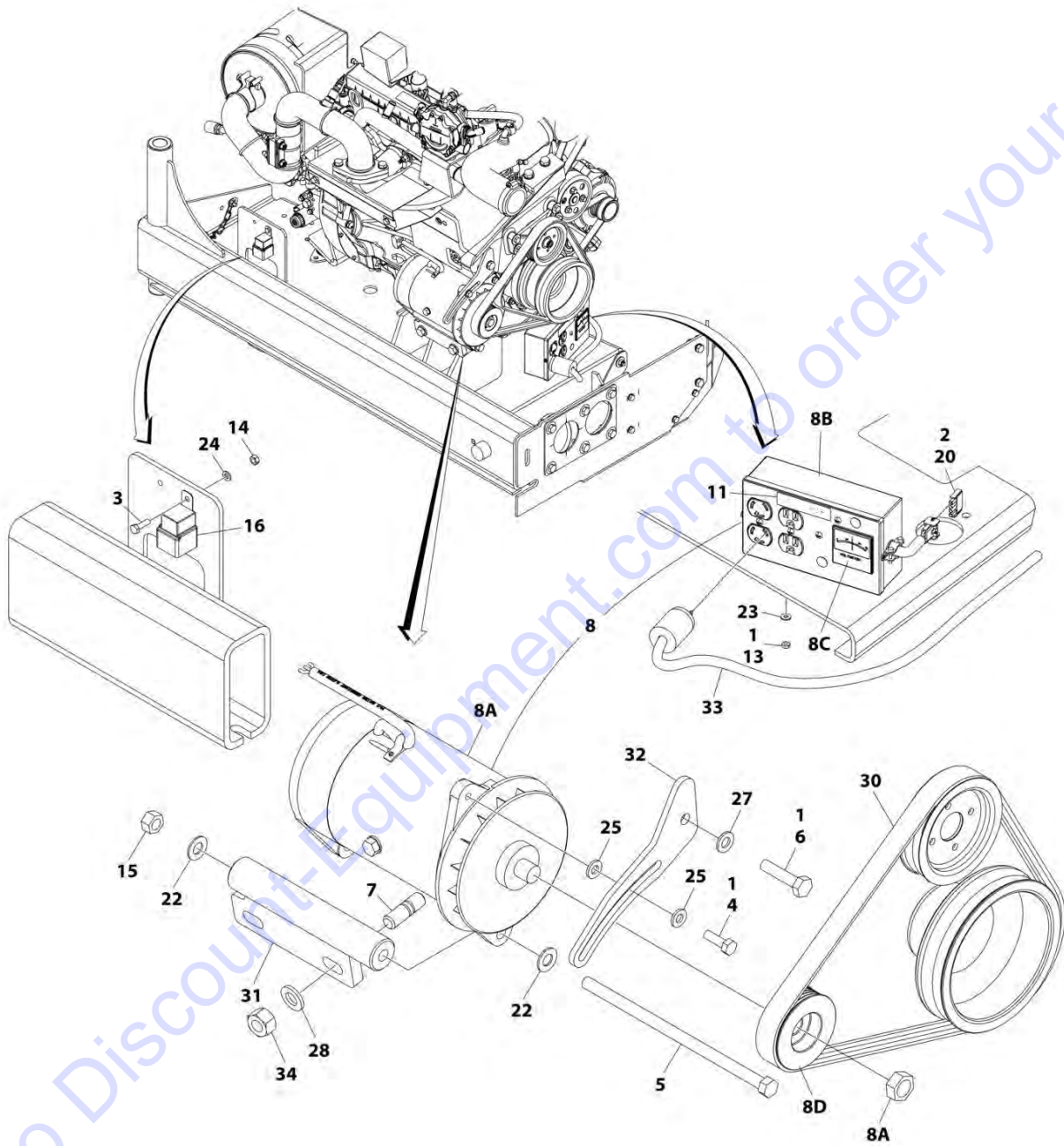
SECTION 2 - TURNTABLE

FIGURE 2-28. 2500W GENERATOR INSTALLATION - DEUTZ TD2.9L4 MACHINES (OPTIONAL)

ITEM	PART NUMBER	QTY	DESCRIPTION	REV
	1001180287	Ref	2500W GENERATOR INSTALLATION - DEUTZ TD2.9L4 MACHINES (OPTIONAL)	C
1	0100011	AR	Compound, Locking	
2	0100019	AR	Compound, Locking	
3	0641508	1	Bolt 5/16 x 1	
4	0641607	1	Bolt 3/8 x 7/8	
5	0641772	1	Bolt 7/16 x 9	
6	0641812	2	Bolt 1/2 x 1-1/2	
7	0721006	1	Screw #10 x 3/4	
8	2820031	AR	Heat Shrink (Not Shown - Located at Platform)	
9	3251102	1	Name Plate - Generator On (Not Shown - Located at Platform)	
10	3311005	3	Nut #10	
12	3311705	1	Nut 7/16	
13	3311801	2	Nut 1/2	
14	3740080	1	Relay	
15	4060802	1	Guard, Switch (Not Shown - Located at Platform)	
16	4240018	AR	Strap, Cable Tie (Not Shown)	
17	4360336	1	Switch, Toggle (Not Shown - Located at Platform)	
18	4711000	6	Washer #10	
19	4711600	1	Washer 3/8	
20	4711700	2	Washer 7/16	
21	4751500	1	Washer 5/16	
22	4891800	4	Washer 1/2	
23	1001148138	1	V-Belt	
24	1001163599	2	Stud	
25	1001216015	1	Bracket	
26	1001179837	1	Arm, Adjustment	
27	1001180001	1	Generator and Control Box Assembly	
27A	7012558	1	Generator Only - 110V/60Hz	
27A		Ref	Note: Replacement Generators come standard with p/n 3580134 pulley. This pulley may not be correct for all applications. Refer to pulley options below.	
27A	7026199	1	Armature with Slip Rings	
27A	7012513	4	Cap, Brush Holder	
27A	7020108	4	Brush	
27A	7020109	4	Holder, Brush	
27A	7012514	1	Fan	
27A	7020110	1	Bell, Front	
27A	7020111	1	Bell, Rear	
27A	7020190	2	Bearing	
27B	7019680	1	Box, Control - 110V/60Hz	
27B		Ref	Receptacle Options:	
27B	4460190	1	Receptacle, Standard (110V Only)	
27B	4460027	1	Receptacle, Twistlock (110V Only)	
27B	4360542	1	Breaker, Circuit	
27B	3520028	1	Plug, Hole	
27C	2420203	1	Voltmeter	
27D	3580276	1	Pulley	
27D	7027887	1	Key, Woodruff	
29	1001181243	1	Mount, Generator	

SECTION 2 - TURNTABLE

FIGURE 2-29. 2500W GENERATOR INSTALLATION - FORD MACHINES (OPTIONAL)



ART_1001219619

SECTION 2 - TURNTABLE

FIGURE 2-29. 2500W GENERATOR INSTALLATION - FORD MACHINES (OPTIONAL)

ITEM	PART NUMBER	QTY	DESCRIPTION	REV
	1001219619	Ref	2500W GENERATOR INSTALLATION - FORD MACHINES (OPTIONAL)	D
1	0100011	AR	Compound, Locking	
2	0100048	AR	Grease, Dielectric	
3	0760610	1	Bolt M6 x 20	
4	0641508	1	Bolt 5/16 x 1	
5	0641772	1	Bolt 7/16 x 9	
6	0761016	1	Bolt M10 x 40	
7	1001155041	1	Stud	
8	2460051	1	Generator and Control Box Assembly	
8A	7012558	1	Generator Only - 110V/60Hz	
		Ref	Note: Replacement Generators come standard with pin 3580134 pulley. This pulley may not be correct for all applications. Refer to pulley options below.	
8A	7026199	1	Armature with Slip Rings	
8A	7012513	4	Cap, Brush Holder	
8A	7020108	4	Brush	
8A	7020109	4	Holder, Brush	
8A	7012514	1	Fan	
8A	7020110	1	Bell, Front	
8A	7020111	1	Bell, Rear	
8A	7020190	2	Bearing	
8B	7019680	1	Box, Control - 110V/60Hz	
8B		Ref	Receptacle Options:	
8B	4460190	1	Receptacle, Standard (110V Only)	
8B	4460027	1	Receptacle, Twistlock (110V Only)	
8B	4360542	1	Breaker, Circuit	
8B	3520028	1	Plug, Hole	
8C	2420203	1	Voltmeter	
8D	3580324	1	Pulley	
8D	7027887	1	Key, Woodruff	
9	2820031	1	Heat Shrink (Not Shown - Located at Platform)	
10	3251102	1	Nameplate Generator (Not Shown - Located at Platform)	
11	3251243	1	Decal - 120V-60Hz	
13	3311005	2	Nut #10	
14	3290601	1	Nut M6	
15	3311705	1	Nut 7/16	
16	3740080	1	Relay	
17	4060802	1	Guard Switch (Not Shown - Located at Platform)	
18	4240099	AR	Tie-Strap (Not Shown)	
19	4360336	1	Switch, Toggle (Not Shown - Located at Platform)	
20	4460321	1	Plug, Male - 4 Position	
21	4460906	1	Socket, Female (Not Shown)	
22	4711700	2	Washer 7/16	
23	4751000	2	Washer #10	
24	4811700	1	Washer M6	
25	4891500	2	Washer 5/16	
27	4812000	1	Washer M10	
28	4812200	2	Washer M14	
30	1001216391	1	V-Belt	

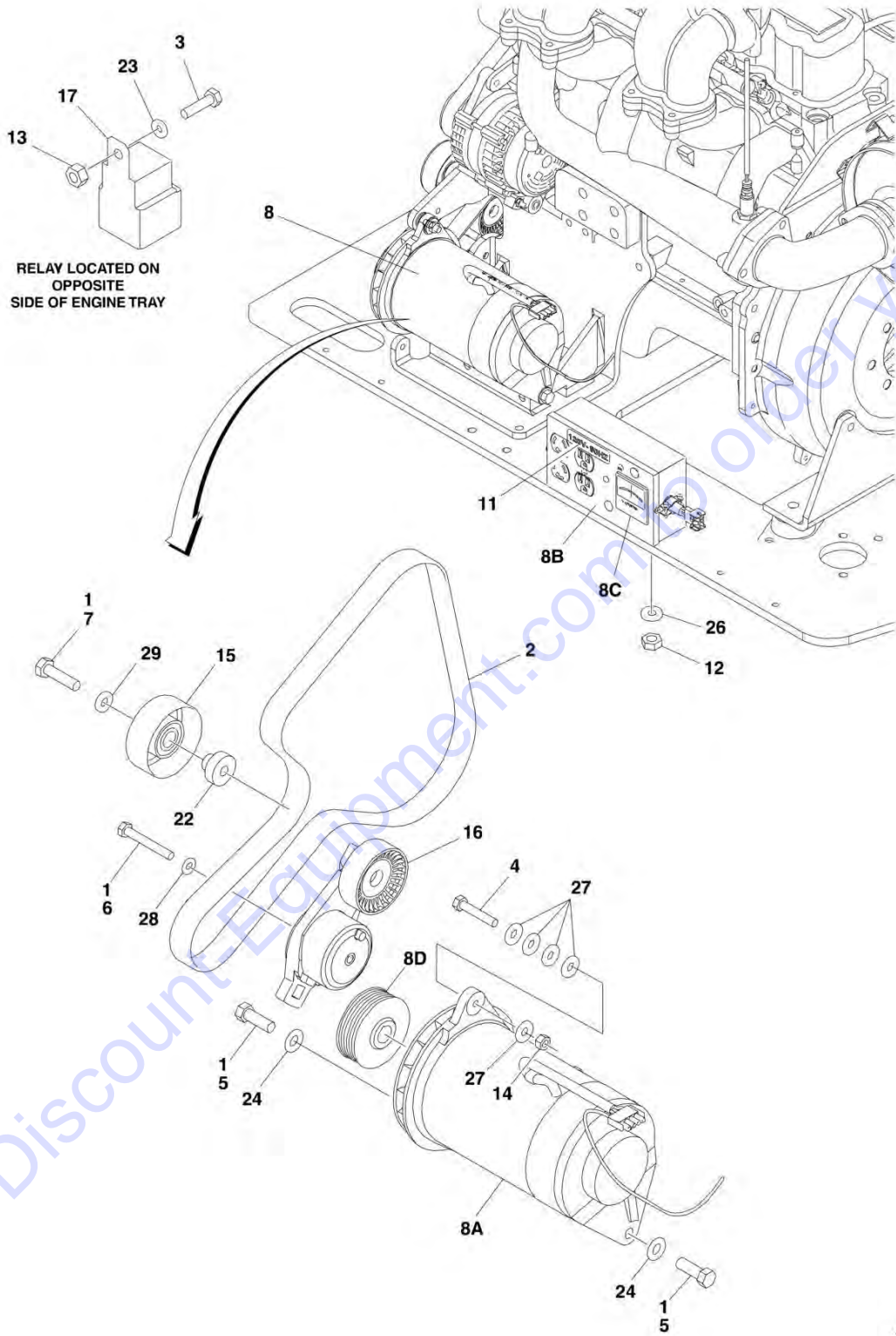
SECTION 2 - TURNTABLE

ITEM	PART NUMBER	QTY	DESCRIPTION	REV
31	1001219630	1	Mount, Generator	
32	1001219632	1	Arm, Adjustment	
33	4921829	1	Harness, Inverter	
34	3291201	2	Nut M12	

Go to Discount-Equipment.com to order your parts

SECTION 2 - TURNTABLE

FIGURE 2-30. 2500W GENERATOR INSTALLATION - GM MACHINES (OPTIONAL)



SECTION 2 - TURNTABLE

FIGURE 2-30. 2500W GENERATOR INSTALLATION - GM MACHINES (OPTIONAL)

ITEM	PART NUMBER	QTY	DESCRIPTION	REV
		Ref	GENERATOR INSTALLATION - GM ENGINES (OPTIONAL):	
	0275039	Ref	110V Generator	F
1	0100011	AR	Compound, Locking	
2	0480142	1	V-Belt	
3	0641405	1	Bolt 1/4 x 5/8	
4		Ref	Bolt Options:	
4	0641514	1	Bolt 5/16 x 1-3/4	
4	0641510	1	Bolt 5/16 x 1-1/4	
5	0641710	2	Bolt 7/16 x 1-1/4	
6	0700820	1	Bolt M8 x 60	
7	0701016	1	Bolt M10 x 340	
8	2460051	1	Generator and Control Box Assembly	
8A	7012558	1	Generator Only - 110V/60Hz	
		Ref	Note: Replacement Generators come standard with p/n 3580134 pulley. This pulley may not be correct for all applications. Refer to pulley options below.	
		Ref	Armature with Slip Rings Options:	
8A	7026199	1	Armature with Slip Rings - 110V/60Hz	
8A	70000123	1	Armature with Slip Rings - 220V/50Hz	
8A	7012513	4	Cap, Brush Holder	
8A	7020108	4	Brush	
8A	7020109	4	Holder, Brush	
8A	7012514	1	Fan	
8A	7020110	1	Bell, Front	
8A	7020111	1	Bell, Front	
8A	7020190	2	Bearing	
8B	7019680	1	Box, Control - 110V/60Hz	
8B		Ref	Receptacle Options:	
8B	4460190	1	Receptacle, Standard (110V Only)	
8B	4460027	1	Receptacle, Twistlock (110V Only)	
8B	4360542	1	Breaker, Circuit	
8B	3520028	1	Plug, Hole	
8C	2420203	1	Voltmeter	
8D	3580324	1	Pulley	
8D	7027887	1	Key, Woodruff	
9	2820031	AR	Heat Shrink (Not Shown - Located at Platform)	
10	3251102	1	Nameplate - Generator (Not Shown - Located at Platform)	
11	3251243	1	Decal - 110 Volt	
12	3311005	2	Nut #10	
13	3311405	1	Nut 1/4	
14	3311505	1	Nut 5/16	
15	3580312	1	Pulley, Idler	
16	3580348	1	Tensioner, Belt	
17	3740080	1	Relay, Bosch	
18	4060802	1	Guard, Switch (Not Shown - Located at Platform)	
19	4240018	AR	Tie-Strap (Not Shown)	
20	4360336	1	Switch, Toggle (Not Shown - Located at Platform)	
21	4460906	3	Terminal (Not Shown)	
22	4568735	1	Spacer, Tube (Idler Pulley Grooved)	
23	4711400	1	Washer 1/4	

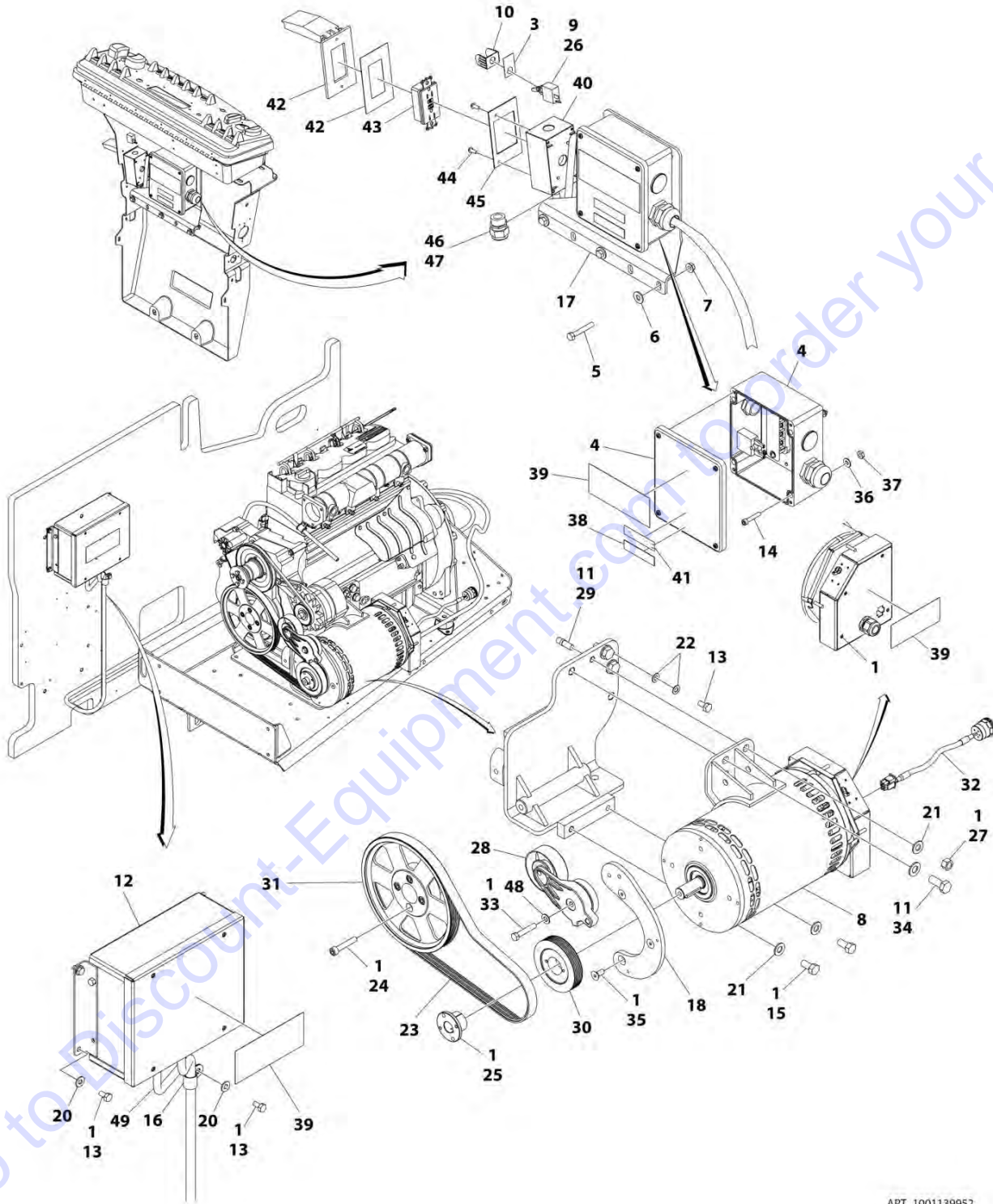
SECTION 2 - TURNTABLE

ITEM	PART NUMBER	QTY	DESCRIPTION	REV
24	4711700	2	Washer 7/16	
25	4740397	1	Spacer (Not Shown - Located at Platform)	
26	4751000	2	Washer #10	
27	4751500	AR	Washer 5/16	
28	4811900	1	Washer M8	
29	4891600	1	Washer 3/8	

Go to Discount-Equipment.com to order your parts

SECTION 2 - TURNTABLE

FIGURE 2-31. 4000W GENERATOR INSTALLATION - DEUTZ D2011 ENGINES



ART_1001139952

SECTION 2 - TURNTABLE

FIGURE 2-31. 4000W GENERATOR INSTALLATION - DEUTZ D2011 ENGINES

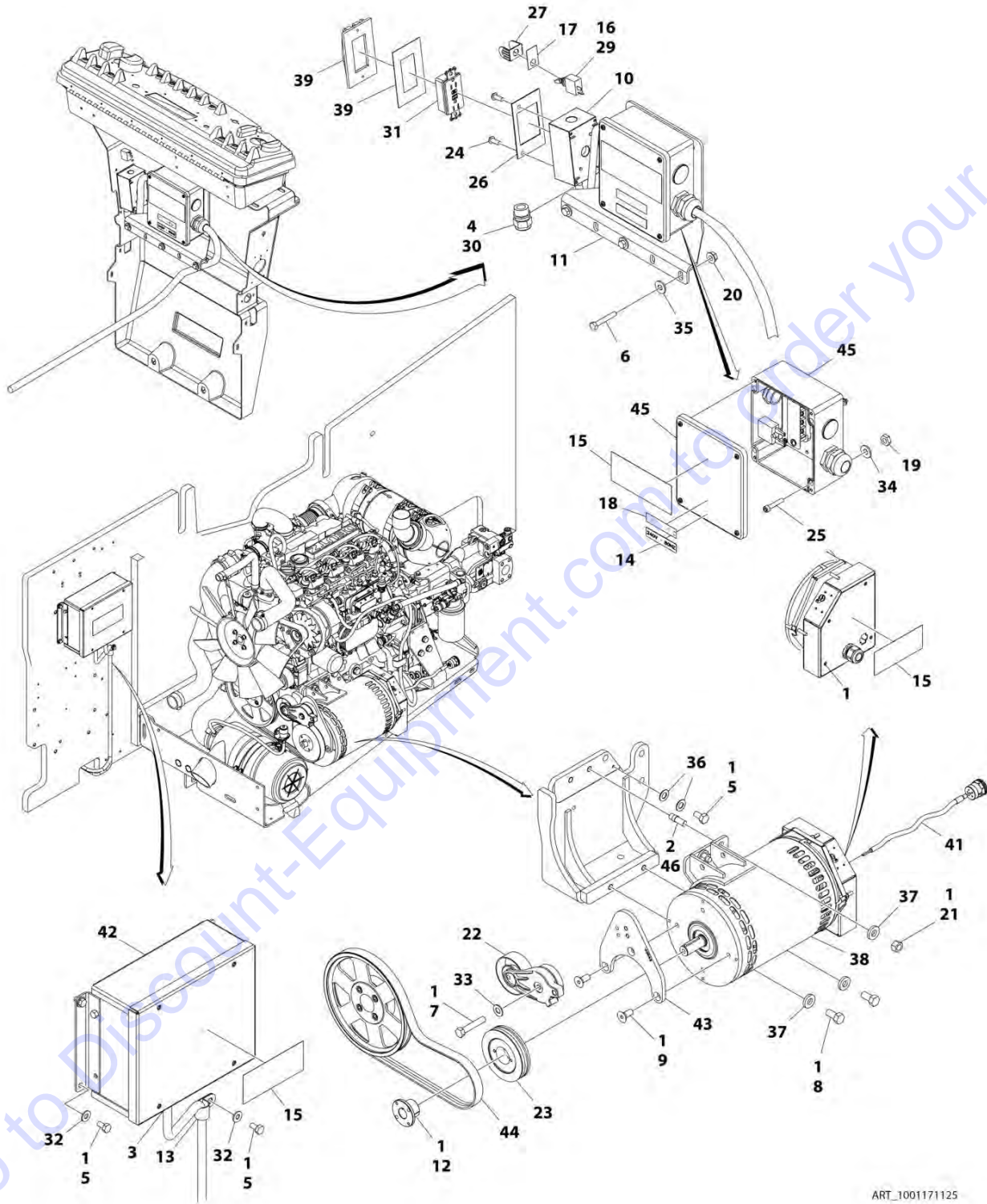
ITEM	PART NUMBER	QTY	DESCRIPTION	REV
		Ref	4000W GENERATOR INSTALLATION - DEUTZ D2011 ENGINES	
	1001139952	Ref	4000W/60Hz Generator Installation - Deutz D2011 Engines	B
	1001139953	Ref	4000W/50Hz Generator Installation - Deutz D2011 Engines (SN 0300185828 through 0300195352)	D
	1001179912	Ref	4000W/50Hz Generator Installation - Deutz D2011 Engines (SN 0300195353 to Present)	E
1	0100011	AR	Compound, Locking	
3	3251102	1	Nameplate - Generator	
4	1001152457	1	Junction Box Assembly (60Hz)	
4	3300396	1	Cover, Breaker	
4	4360070	1	Breaker, Circuit - 15Amp	
4	4460425	1	Connector, Strain Relief (LH Side)	
4	4460426	1	Connector, Strain Relief (RH Side)	
5	0641516	3	Bolt 5/16 x 2	
6	4751500	3	Washer 5/16	
7	3311508	3	Nut 5/16	
8	1001129858	1	Generator Assembly (60Hz)	
8	70003709	1	Ring, Retaining (External)	
8	70003708	1	Ring, Retaining (Internal)	
8	70001966	1	Bearing	
8	70004092	1	Endbell (Shaft End)	
8	70004171	1	Key	
8	70004676	1	Rotor	
8	70004684	1	Stator (60Hz)	
8	70004677	1	Stator (50Hz)	
8	70004678	1	Endbell (Rear)	
8	70004679	1	Cover, Endbell (Rear)	
8	70004680	1	Enclosure, Wiring	
8	70004685	1	Cover, Enclosure (60Hz)	
8	70004681	1	Cover, Enclosure (50Hz)	
8	70004682	1	Switch, Reset (Located on Enclosure Cover)	
8	70004098	1	Connector, Strain Relief (60Hz) (Located on Enclosure Cover)	
8	70004683	1	Connector, Strain Relief (50Hz) (Located on Enclosure Cover)	
8	1001138565	1	Generator Assembly (50Hz)	
9	4360336	1	Switch, Toggle	
10	4060802	1	Guard, Switch	
11	0100019	AR	Compound, Locking	
12	1001138566	1	Control Box Assembly	
12	70006552	1	Capacitor	
12	70006553	1	Relay	
13	0641404	6	Bolt 1/4 x 1/2	
14	3931016	4	Capscrew #10 x 1	
15	0641808	2	Bolt 1/2 x 1	
16	1320318	1	Clamp	
17	0902888	1	Bracket (60Hz)	
18	1001139357	1	Mount, Tensioner	
19	4240018	AR	Tie-Strap (Not Shown)	
20	4711400	5	Washer 1/4	
21	4711800	3	Washer 1/2	
22	4791400	2	Washer 1/4	

SECTION 2 - TURNTABLE

ITEM	PART NUMBER	QTY	DESCRIPTION	REV
23	0480129	1	Belt, Generator (60Hz)	
23	0480126	1	Belt, Generator (50Hz)	
24	4032015	4	Capscrew M10 x 55	
25	0962520	1	Bushing, Split	
26	2820031	0.33 ft/ 0.1m	Heat Shrink	
27	3311801	1	Nut 1/2	
28	3580317	1	Tensioner, Belt with Pulley	
29	4300157	1	Stud	
30	3580318	1	Pulley, Generator (60Hz)	
30	3580319	1	Pulley, Generator (50Hz)	
31	3580320	1	Pulley, Engine	
32	1001152532	1	Harness, Generator	
33	0641616	1	Bolt 3/8 x 2	
34	0771415	1	Bolt M14 x 35	
35	0741607	3	Screw 3/8 x 7/8	
36	4751000	4	Washer #10	
37	3311005	4	Nut #10	
38	1705374	1	Decal - 240V (60Hz)	
39	1705387	3	Decal - Hazardous Voltage (60Hz)	
39	1705389	1	Decal - Hazardous Voltage (50Hz)	
40	0860038	1	Box, Switch - Weatherhead (60Hz)	
41	3251243	1	Decal - 120V (60Hz)	
42	1001110873	1	Cover, Receptacle (60Hz)	
43	4460346	1	Receptacle (60Hz)	
44	3910606	4	Screw #6 x 3/8	
45	3960422	1	Gasket (60Hz)	
46	0100020	AR	Sealant #567	
47	4460071	1	Connector (60Hz)	
48	4711600	1	Washer 3/8	
49	1001153197	1	Generator Harness (Generator Control Box to Engine Harness)	
61	1001096070	1	Breaker Box Kit (Not Shown) (50Hz) (See ELECTRICAL SECTION for Breakdown) (SN 0300185828 through 0300214275)	
61	1001165368	1	Breaker Box Kit (Not Shown) (50Hz) (See ELECTRICAL SECTION for Breakdown) (SN 0300214276 to Present)	
62	1001153636	1	Bracket (Attaches Item 61) (Not Shown) (50Hz)	

SECTION 2 - TURNTABLE

FIGURE 2-32. 4000W GENERATOR INSTALLATION - DEUTZ TD2.9L4 ENGINES



ART_1001171125

SECTION 2 - TURNTABLE

FIGURE 2-32. 4000W GENERATOR INSTALLATION - DEUTZ TD2.9L4 ENGINES

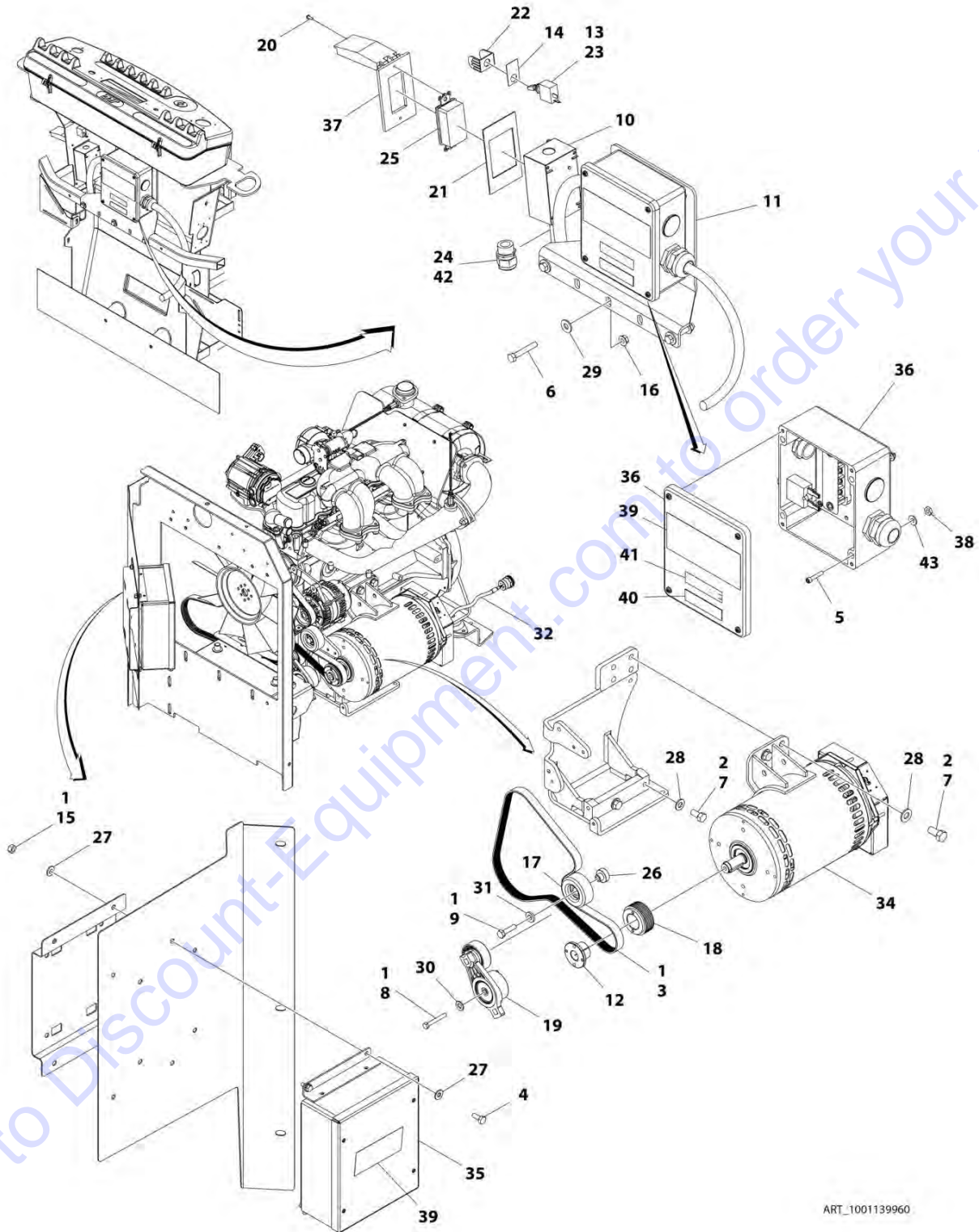
ITEM	PART NUMBER	QTY	DESCRIPTION	REV
		Ref	4000W GENERATOR INSTALLATION - DEUTZ TD2.9L4 ENGINES	
	1001171125	Ref	4000W/60Hz Generator Installation - Deutz TD2.9L4 Engines	B
	1001180218	Ref	4000W/50Hz Generator Installation - Deutz TD2.9L4 Engines	D
1	0100011	AR	Compound, Locking	
2	0100019	AR	Compound, Locking	
3	0100048	AR	Grease Dielectric	
4	0100079	AR	Sealant	
5	0641404	6	Bolt 1/4 x 1/2	
6	0641516	3	Bolt 5/16 x 2	
7	0641616	1	Bolt 3/8 x 2	
8	0641808	2	Bolt 1/2 x 1	
9	0741607	3	Screw 3/8 x 7/8	
10	0860038	1	Box, Switch (60Hz)	
11	0902888	1	Bracket, Junction Box (60Hz)	
12	0962520	1	Bushing, Split	
13	1320318	1	Clamp	
14	1705374	1	Decal - 240V (60Hz)	
15	1705387	3	Decal - Hazardous Voltage (60Hz)	
15	1705389	2	Decal - Hazardous Voltage (50Hz)	
16	2820031	0.33 ft/ 0.1m	Heat Shrink	
17	3251102	1	Nameplate, Generator	
18	3251243	1	Decal - 120V (60Hz)	
19	3311005	4	Nut #10	
20	3311508	3	Nut 5/16	
21	3311801	2	Nut 1/2	
22	3580317	1	Tensioner, Belt with Pulley	
23	3580318	1	Pulley, Generator (60Hz)	
23	3580319	1	Pulley, Generator (50Hz)	
24	3910606	4	Screw 6 x 3/8	
25	3931016	4	Capscrew #10 x 1	
26	3960422	1	Gasket, AC Receptacle (60Hz)	
27	4060802	1	Guard, Switch	
28	4240018	AR	Tie-Strap (Not Shown)	
29	4360336	1	Switch, Toggle	
30	4460071	1	Connector, Strain Relief (60Hz)	
31	4460346	1	Receptacle (60Hz)	
32	4711400	5	Washer 1/4	
33	4711600	1	Washer 3/8	
34	4751000	4	Washer #10	
35	4751500	3	Washer 5/16	
36	4791400	2	Washer 1/4	
37	4891800	4	Washer 1/2	
38	1001140346	1	Generator Assembly (60Hz)	
38	1001140347	1	Generator Assembly (50Hz)	
38	70003709	1	Ring, Retaining (External)	
38	70003708	1	Ring, Retaining (Internal)	
38	70001966	1	Bearing	
38	70004092	1	Endbell (Shaft End)	
38	70004099	1	Key	

SECTION 2 - TURNTABLE

ITEM	PART NUMBER	QTY	DESCRIPTION	REV
38	70004676	1	Rotor	
38	70004687	1	Stator (60Hz)	
38	70004686	1	Stator (50Hz)	
38	70004678	1	Endbell (Rear)	
38	70004679	1	Cover, Endbell (Rear)	
38	70004680	1	Enclosure, Wiring	
38	70004685	1	Cover, Enclosure (60Hz)	
38	70004681	1	Cover, Enclosure (50Hz)	
38	70004682	1	Switch, Reset (Located on Enclosure Cover)	
38	70004098	1	Connector, Strain Relief (60Hz) (Located on Enclosure Cover)	
38	70004683	1	Connector, Strain Relief (50Hz) (Located on Enclosure Cover)	
39	1001110873	1	Cover, Receptacle (60Hz)	
41	1001152532	1	Harness, Generator	
42	1001138566	1	Control Box Assembly	
42	70006552	1	Capacitor	
42	70006553	1	Relay	
43	1001142643	1	Support, Tensioner	
44	1001142646	1	Belt, Generator (60Hz)	
44	1001142645	1	Belt, Generator (50Hz)	
45	1001152457	1	Junction Box Assembly (60Hz)	
45	3300396	1	Cover, Breaker	
45	4360070	1	Breaker, Circuit - 15Amp	
45	4460425	1	Connector, Strain Relief (LH Side)	
45	4460426	1	Connector, Strain Relief (RH Side)	
46	1001163599	2	Stud	
49	1001153197	1	Generator Harness (Generator Control Box to Engine Harness) (SN 0300185828 through 0300213719)	
49	1001153259	1	Generator Harness (Generator Control Box to Engine Harness) (SN 0300213720 to Present)	
75	1001096070	1	Breaker Box Kit (Not Shown) (50Hz) (See ELECTRICAL SECTION for Breakdown) (SN 0300185828 through 0300214275)	
75	1001165368	1	Breaker Box Kit (Not Shown) (50Hz) (See ELECTRICAL SECTION for Breakdown) (SN 0300214276 to Present)	
76	1001153636	1	Bracket (Used to Attach Item 75) (Not Shown) (50Hz)	

SECTION 2 - TURNTABLE

FIGURE 2-33. 4000W GENERATOR INSTALLATION - GM ENGINES



ART_1001139960

SECTION 2 - TURNTABLE

FIGURE 2-33. 4000W GENERATOR INSTALLATION - GM ENGINES

ITEM	PART NUMBER	QTY	DESCRIPTION	REV
	1001139960	Ref	4000W GENERATOR INSTALLATION - GM ENGINES	B
1	0100011	AR	Compound, Locking	
2	0100019	AR	Compound, Locking	
3	0480142	1	Belt, Generator	
4	0641405	4	Bolt 1/4 x 5/8	
5	3931016	4	Capscrew #10 x 1	
6	0641516	3	Bolt 5/16 x 2	
7	0641808	4	Bolt 1/2 x 1	
8	0700820	1	Bolt M8 x 60	
9	0701016	1	Bolt M10 x 40	
10	0860038	1	Box, Switch	
11	0902888	1	Bracket, Junction Box	
12	0962520	1	Bushing, Split	
13	2820031	33 ft/ 10.1m	Heat Shrink	
14	3251102	1	Nameplate, Generator	
15	3311405	4	Nut 1/4	
16	3311508	3	Nut 5/16	
17	3580312	1	Pulley, Idler	
18	3580314	1	Pulley, Drive	
19	3580348	1	Tensioner, Belt with Pulley	
20	3910606	4	Screw #6 x 3/8	
21	3960422	1	Gasket	
22	4060802	1	Guard, Switch	
23	4360336	1	Switch, Toggle	
24	4460071	1	Connector, Strain Relief	
25	4460346	1	Receptacle	
26	4568735	1	Tube, Spacer	
27	4711400	8	Washer 1/4	
28	4711800	4	Washer 1/2	
29	4751500	3	Washer 5/16	
30	4811900	1	Washer M8	
31	4891600	1	Washer 3/8	
32	1001152532	1	Harness, Generator	
34	1001129858	1	Generator Assembly	
34	70003709	1	Ring, Retaining (External)	
34	70003708	1	Ring, Retaining (Internal)	
34	70001966	1	Bearing	
34	70004092	1	Endbell (Shaft End)	
34	70004171	1	Key	
34	70004676	1	Rotor	
34	70004684	1	Stator	
34	70004678	1	Endbell (Rear)	
34	70004679	1	Cover, Endbell (Rear)	
34	70004680	1	Enclosure, Wiring	
34	70004685	1	Cover, Enclosure	
34	70004682	1	Switch, Reset (Located on Enclosure Cover)	
34	70004098	1	Connector, Strain Relief (Located on Enclosure Cover)	
35	1001138566	1	Box, Control	
35	70006552	1	Capacitor	

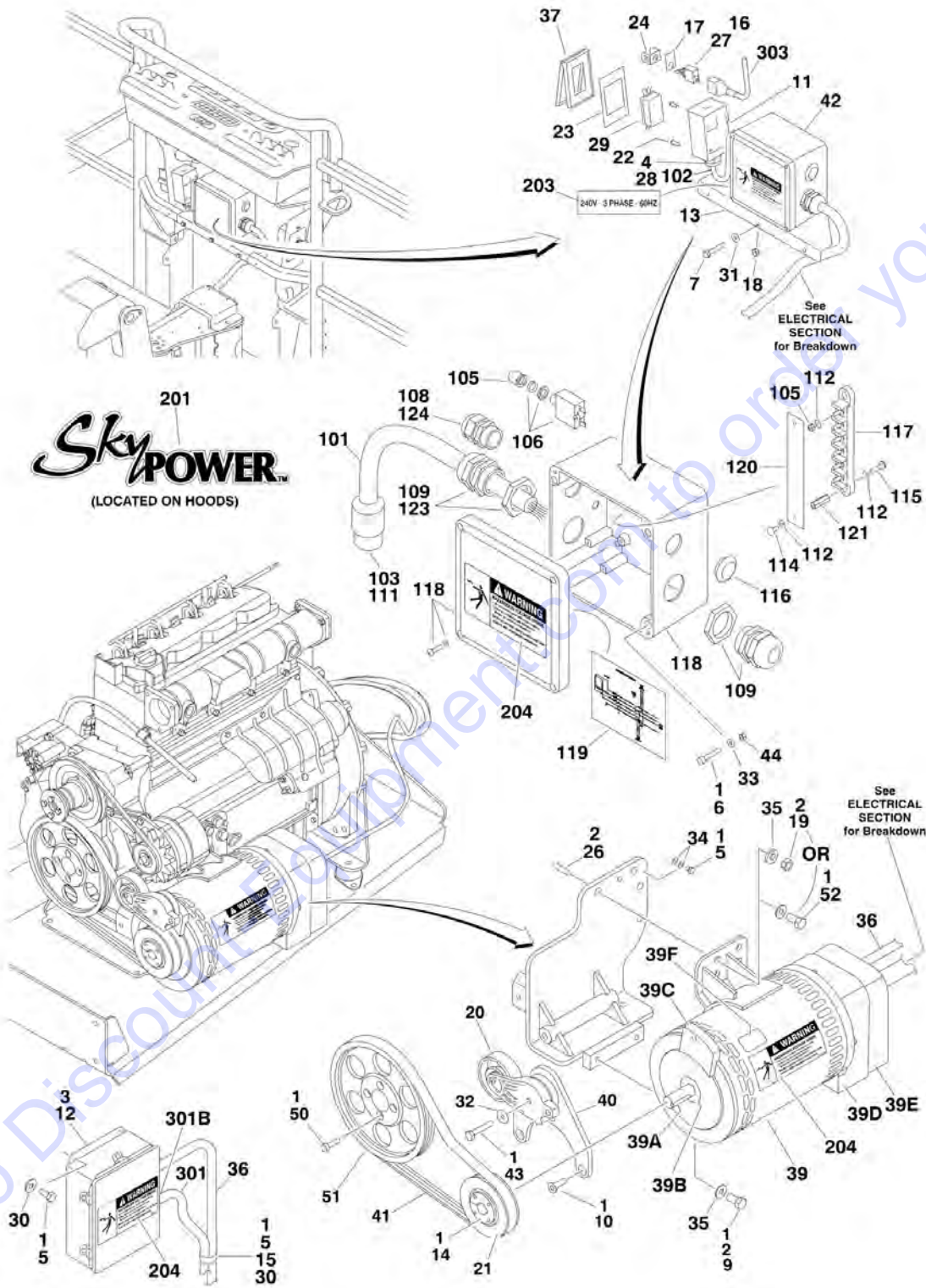
SECTION 2 - TURNTABLE

ITEM	PART NUMBER	QTY	DESCRIPTION	REV
35	70006553	1	Relay	
36	1001152457	1	Junction Box Assembly	
36	3300396	1	Cover, Breaker	
36	4360070	1	Breaker, Circuit - 15Amp	
36	4460425	1	Connector, Strain Relief (LH Side)	
36	4460426	1	Connector, Strain Relief (RH Side)	
37	1001110873	1	Cover	
38	3311005	4	Nut #10	
39	1705387	3	Decal - Hazardous Voltage	
40	1705374	1	Decal - 240V-60Hz	
41	3251243	1	Decal - 120V-60Hz	
42	0100020	AR	Sealant	
43	4751000	4	Washer #10	

Go to Discount-Equipment.com to order your parts

SECTION 2 - TURNTABLE

FIGURE 2-34. 7500W SKYPOWER GENERATOR INSTALLATION - DEUTZ ENGINE MACHINES



SECTION 2 - TURNTABLE

FIGURE 2-34. 7500W SKYPOWER GENERATOR INSTALLATION - DEUTZ ENGINE MACHINES

ITEM	PART NUMBER	QTY	DESCRIPTION	REV
	1001141421	Ref	7500W 60HZ SKYPOWER GENERATOR INSTALLATION - DEUTZ TD2.9L4 ENGINE MACHINES (ANSI, CSA AND CHINA SPECS)	F
	1001141422	Ref	7500W 50HZ SKYPOWER GENERATOR INSTALLATION - DEUTZ TD2.9L4 ENGINE MACHINES	F
1	0100011	AR	Compound, Locking	
2	0100062	AR	Compound, Locking	
2	0100019	AR	Compound, Locking	
3	0100048	AR	Compound, Silicone	
4	0100079	AR	Sealant	
5	0641404	6	Bolt 1/4-20 x 1/2	
6	3931016	4	Capscrew 3/8-16 x 1	
7	0641516	3	Bolt 5/16in-18NC x 2in	
9	0641808	2	Bolt 1/2-13 x 1	
10	0741607	3	Screw 3/8-16 x 7/8	
11	0860038	1	Box, Switch (60Hz Spec)	
11	See Note	1	Box, Switch (50Hz Spec) (Note: Not Available - Purchase Locally)	
12	0861538	1	Control Box Assembly (60Hz Spec)	
12	0861572	1	Control Box Assembly (50Hz Spec)	
12	7024488	1	Card, Circuit - Generator Power	
12	See Note	1	Fuse (Note: Not Available - Purchase Locally)	
12	70000619	1	Harness, Control Box (Internal)	
12	7024489	1	Card, Circuit - Control	
		Ref	Note: Same Circuit Card (P/N 7024489) is used for both 60Hz & 50Hz Specs When replacing card, rocker switch on card must be set for required application.	
13	0902888	1	Bracket, Box Mounting	
14	0962520	1	Bushing, Split Taper	
15	1320318	1	Clamp	
16	2820031	1	Insulator	
17	3252764	1	Nameplate	
18	3311505	3	Nut 5/16-18	
19	3311801	AR	Nut 1/2-13	
20	3580317	1	Tensioner, Belt	
21	3580318	1	Pulley (60Hz Specs)	
21	3580319	1	Pulley (50Hz Specs)	
22	3910606	4	Screw #6-32 x 3/8	
23	3960422	1	Gasket (60Hz Specs)	
23	See Note	1	Gasket (50Hz Specs) (Note: Not Available - Purchase Locally)	
24	4060802	1	Guard, Switch	
25	4240018	AR	Tie-Strap (Not Shown)	
26	1001163599	AR	Stud	
27	4360336	1	Switch, Toggle	
28	4460071	1	Connector, Strain Relief (60Hz Specs)	
28	See Note	1	Connector, Strain Relief (50Hz Specs) (Note: Not Available - Purchase Locally)	
29	4460346	1	Receptacle, Female (60Hz Specs)	
29	See Note	1	Receptacle, Female (50Hz Specs) (Note: Not Available - Purchase Locally)	
30	4711400	5	Washer 1/4	
31	4711500	6	Washer 5/16	
31	4751500	3	Washer 5/16	

SECTION 2 - TURNTABLE

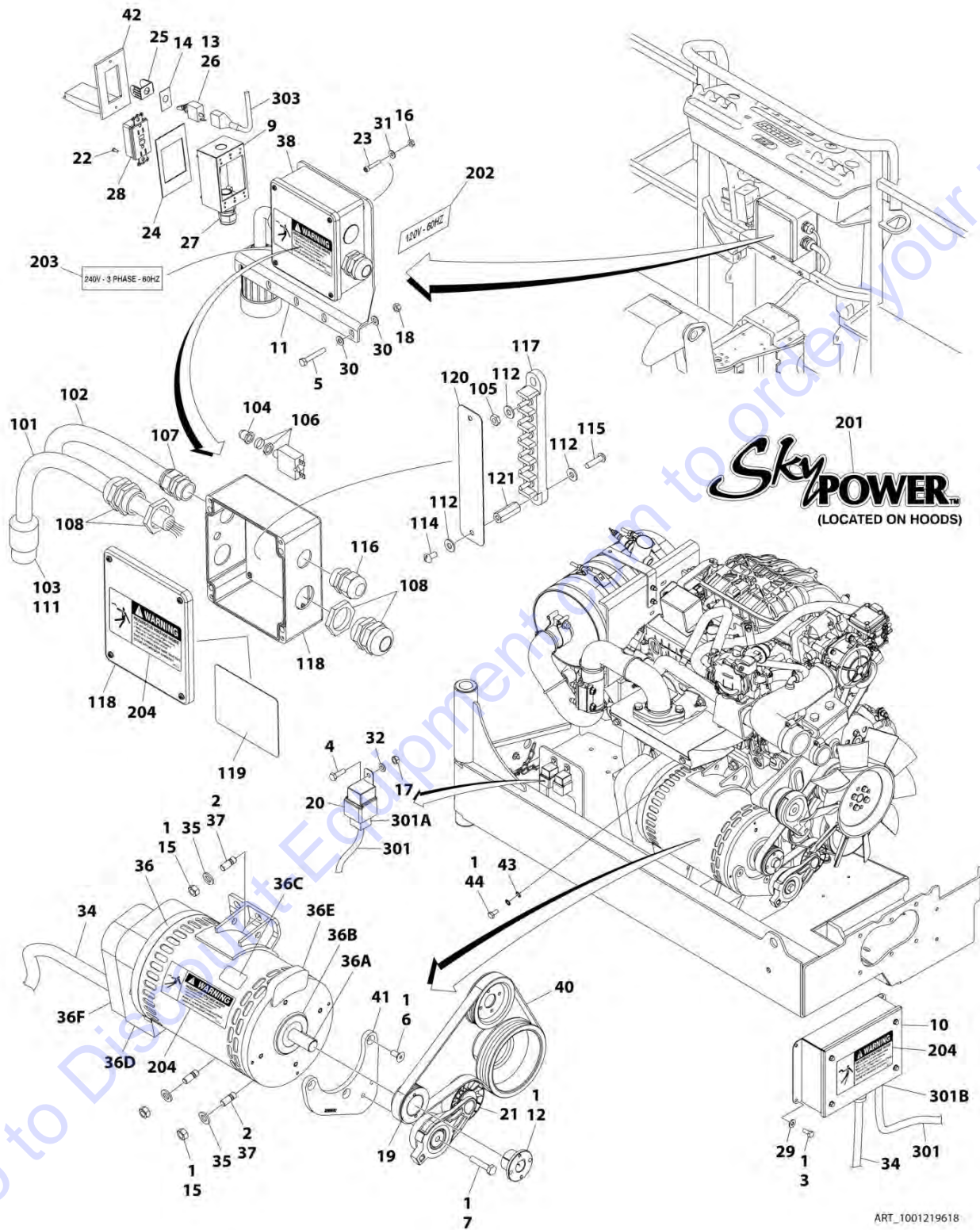
ITEM	PART NUMBER	QTY	DESCRIPTION	REV
32	4711600	1	Washer 3/8	
33	4751000	4	Washer #10	
34	4791400	2	Washer 1/4	
35	4891800	4	Washer 1/2	
36	4922925	1	Harness, Generator	
37	1001110873	1	Cover, Receptacle (60Hz Specs)	
37	See Note	1	Cover, Receptacle (50Hz Specs) (Note: Not Available - Purchase Locally)	
39	1001136988	1	Generator Assembly (SN 0300185828 through 0300226047)	
39	1001212223	1	Generator Assembly (SN 0300226048 to Present)	
39	70001100	1	Rotor (Includes p/n 70001384 & 70000863) (Not Shown)	
39	70001384	1	Bearing, Ball Radial (Not Shown)	
39	70000863	1	Fan (Not Shown)	
39	70004093	1	Stator - 1001136988 Generator	
39	70006093	1	Stator - 1001212223 Generator	
39	70002297	1	Stud	
39	7024484	NLA	Brushholder Assembly (Not Shown) (Use p/n 70003631)	
39A	70004099	1	Key	
39B	70001966	1	Bearing, Ball Radial (Located in Belt Tensioner Endbell)	
39B	70003708	1	Ring, Internal Retaining (Located in Belt Tensioner Endbell)	
39B	70003709	1	Ring, External Retaining (Located in Belt Tensioner Endbell)	
39C	70004092		Endbell, Belt Tensioner	
39D	70004094	1	Endbell, Brush Block	
39E	70004096	1	Shroud - 1001136988 Generator	
39E	70006094	1	Shroud - 1001212223 Generator	
39E	70004097	1	Insulator, Endbell - 1001136988 Generator	
39E	70002291	1	Insulator, Endbell - 1001212223 Generator	
39E	7027799	1	Block, Connector 6 Position (Not Shown)	
39E	70002460	1	Nut, Brass (Attaches p/n 7027799 to Cover) (Not Shown)	
39E	7024485	1	Breaker, Circuit 30Amp - 1001136988 Generator (Not Shown)	
39E	70006095	1	Breaker, Circuit 30Amp - 1001212223 Generator (Not Shown)	
39E	70001696	1	Boot, Breaker- 1001136988 Generator (was p/n 7024486 - Not Shown)	
39E	70006096	1	Boot, Breaker - 1001212223 Generator (Not Shown)	
39E	7026626	1	Connector, 6 Position (Includes Seal) (Not Shown - Plugs into Item 36)	
39E	7026597	1	Connector, with Leads (Not Shown)	
39E	70004098		Insulator, Endbell (Not Shown)	
39E	70004095		Plate, End Panel - 1001136988 Generator	
39E	70006097	1	Plate, End Panel - 1001212223 Generator	
39E	70001974	1	Decal - Terminal Connections	
39F	70001973	1	Decal - Warning Moving Parts	
40	1001142643	1	Support	
41	1001142646	1	Belt, Drive (60Hz Generator)	
41	1001142645	1	Belt, Drive (50Hz Generator)	
42	1001157592	1	Junction Box Assembly (60Hz Specs) (See Items 101-124 for Breakdown)	
42	1001157525	1	Junction Box Assembly (50Hz Spec) (See Items 101-124 for Breakdown)	
43	0641616	1	Bolt 3/8-16 x 2	
44	3311005	4	Nut #10-24	
50	3931628	4	Capscrew 3/8-16 x 1-3/4	

SECTION 2 - TURNTABLE

ITEM	PART NUMBER	QTY	DESCRIPTION	REV
51	3580320	1	Pulley	
52	0771415	1	Bolt M14 x 35mm Grade 10.9	
	1001157592	Ref	JUNCTION BOX ASSEMBLY (60HZ SPECS)	A
	1001157525	Ref	JUNCTION BOX ASSEMBLY (50HZ SPEC)	B
101	1060343	1.5 ft/ .46m	Cable, Electrical 10/4	
102	1060494	2 ft/61cm	Cable, Electrical 12/3 (SN 0300185828 through 0300205491)	
102	1001179154	2.5 ft/ .76m	Cable, Electrical 12/3 (SN 0300205492 to Present)	
102	See Note	2 ft/61cm	Cable, Electrical 10/4 (50Hz Spec) (Note: Not Available - Purchase Locally)	
103	1671092	1	Cover (60Hz Spec Only)	
104	3300396	1	Cover, Fuse	
105	3311001	6	Nut #10-24	
106	4360070	1	Circuit Breaker - 15 Amp	
108	4460425	1	Connector, Strain Relief	
109	4460426	2	Connector, Strain Relief	
111	4460963	1	Connector (60Hz Spec Only)	
112	4711000	4	Washer, #10	
114	10702077	2	Screw #10-32 x 3/8	
115	10702082	2	Screw #10-32 x 3/4	
116	1001152525	1	Plug	
117	1001157520	1	Block, Terminal	
118	1001157521	1	Box, Junction	
119	1001157528	1	Decal - Wiring Schematic	
120	1001158007	1	Cover, PVC	
121	1001158008	1	Stand-Off	
123	3520189	1	Plug (50Hz Spec Only)	
124	3520192	1	Plug (50Hz Spec Only)	
	0272435	Ref	DECAL INSTALLATION (60HZ SPECS)	D
	0272589	Ref	DECAL INSTALLATION (50HZ SPECS)	A
201	1705460	2	Decal - SkyPower	
202	3251243	1	Decal - 120V - 60Hz (60Hz Spec Only) (Not Shown - Located on Platform Receptacle) (SN 0300222414 to Present)	
203	1705375	1	Decal - 240V - 3 Phase (60Hz Spec)	
203	1705461	1	Decal - 240V - 3 Phase (50Hz Spec)	
204	1705387	3	Decal, Hazardous Voltage (60Hz Spec)	
204	1705489	3	Decal, Hazardous Voltage(50Hz Spec)	
	1001157769	Ref	ELECTRICAL DIAGRAM COMPONENTS	A
301	1001152429	1	Generator Harness (See ELECTRICAL SECTION for Breakdown)	C
301A	2400060	1	Fuseholder (Includes Fuse and Cap)	
301A	2400064	1	Fuse - 5 Amp (Not Shown)	
301A	1001117078	1	Fuseholder (Includes Fuse and Cap) (Deutz 2.9L4 Engines) (Not Shown)	
301A	See Note	1	Fuse - 5 Amp (Deutz 2.9L4 Engines) (Not Shown) (Note: Use 1001117078 Assembly or Purchase Fuse Locally)	
301A	1001096134	1	Cover, Fuseholder (Deutz 2.9L4 Engines) (Not Shown)	
301B	4460967	1	Plug, Male - 3 Position	
301B	4460465	3	Socket, Female	
303	4922641	1	Switch Harness	

SECTION 2 - TURNTABLE

FIGURE 2-35. 7500W SKYPOWER GENERATOR INSTALLATION - FORD ENGINES



SECTION 2 - TURNTABLE

FIGURE 2-35. 7500W SKYPOWER GENERATOR INSTALLATION - FORD ENGINES

ITEM	PART NUMBER	QTY	DESCRIPTION	REV
	1001219618	Ref	7500W SKYPOWER GENERATOR INSTALLATION - FORD ENGINES	D
		Ref	Note: See ELECTRICAL SECTION for Boom Cable Components.	
1	0100011	AR	Compound, Locking	
2	0100019	AR	Compound, Locking	
3	0641405	4	Bolt 1/4 x 5/8	
4	0760610	2	Bolt M6 x 20	
5	0641516	3	Bolt 5/16 x 2	
6	0741607	3	Screw 3/8 x 7/8	
7	0761018	1	Bolt M10 x 50	
9	0860038	1	Box, Switch	
10	0861538	1	Control Box Assembly	
10	7024488	1	Card, Circuit - Generator Power	
10	See Note	1	Fuse (Note: Not Available - Purchase Locally)	
10	7024489	1	Card, Circuit - Control	
10	70000619	1	Harness, Circuit Card	
11	0902888	1	Bracket, Box Mounting	
12	0962520	1	Bushing, Split Taper	
13	2820031	1	Heat Shrink	
14	3252764	1	Nameplate - AC & Weld	
15	3291201	4	Nut M12	
16	3311005	4	Nut #10	
17	3290601	2	Nut M6	
18	3311505	3	Nut 5/16	
19	3580314	1	Pulley	
20	3740080	2	Relay	
21	3580317	1	Tensioner, Belt	
22	3910606	2	Screw #6 x 3/8	
23	3931016	4	Capscrew #10 x 1	
24	3960422	1	Gasket	
25	4060802	1	Guard, Switch	
26	4360336	1	Switch, Toggle	
27	4460071	1	Connector, Strain Relief	
28	4460346	1	Receptacle	
29	4711400	4	Washer 1/4	
30	4711500	6	Washer 5/16	
31	4751000	4	Washer #10	
32	4811700	2	Washer M6	
34	4922925	1	Harness, Generator	
35	5241200	4	Washer M12	
36	1001136104	1	Generator Assembly	
36	70003631	1	Brushholder Assembly (Not Shown) (was p/n 7024484)	
36	7024485	1	Breaker, Circuit 30Amp (Not Shown)	
36	70001696	1	Boot, Breaker (was p/n 7024486 - Not Shown)	
36	70001966	1	Bearing, Ball Radial (Located In Belt Tensioner Endbell - Not Shown)	
36	7027799	1	Block, Connector 6 Position (Not Shown)	
36	70002460	6	Nut, Brass (Attaches p/n 7027799 to Cover) (Not Shown)	
36	7026188	1	Clamp, Cable (Not Shown)	
36	7026597	1	Connector, W/Leads (Not Shown)	

SECTION 2 - TURNTABLE

ITEM	PART NUMBER	QTY	DESCRIPTION	REV
36	7026626	1	Connector - 6 Position with Seal (Not Shown)	
36	70002088	1	Stator (Not Shown)	
36	70004169	1	Panel, End (Not Shown) (was p/n 70002255)	
36	70001974	1	Decal - Terminal Connections (Not Shown)	
36	70000863	1	Fan (Not Shown)	
36	70002297	4	Stud (Not Shown)	
36A	70004171	1	Key (was p/n 7024561)	
36A	70001100	1	Armature, Generator (Includes Radial Ball Bearing on End with Brushes and Fan)	
36A	70001384	1	Bearing, Ball Radial	
36B	70001966	1	Bearing, Radial Ball	
36B	70003708	1	Ring, Internal Retaining (Located in Belt Tensioner Endbell)	
36B	70003709	1	Ring, External Retaining (Located in Belt Tensioner Endbell)	
36C	70001973	1	Decal - Warning Moving Parts	
36D	70004169	1	Endbell, Brush Block (was p/n 70001385)	
36E	70001953	1	Endbell, Belt Tensioner	
36F	70004169	1	Endbell, Shroud Assembly (was p/n 70002290)	
37	1001196382	4	Stud	
38	1001157592	1	Junction Box Assembly (See Items 101-121 for Breakdown)	
40	1001216390	1	V-Belt	
41	1001218930	1	Mount, Tensioner	
42	1001110873	1	Cover, Receptacle	
43	4871700	2	Washer M6	
44	0760606	1	Bolt M6 x 12	
	1001157592	Ref	JUNCTION BOX ASSEMBLY	C
101	1060343	1.5 ft /0.46m	Cable, Electrical - 10/4 (60Hz Only)	
102	1001179154	2.5 ft /0.76m	Cable Electrical - 12/3	
103	1671092	1	Cover, Connector	
104	3300396	1	Cover, Fuse	
105	3311001	6	Nut #10	
106	4360070	1	Breaker, Circuit 15Amp	
107	4460425	1	Connector, Strain Relief	
108	4460426	2	Connector, Strain Relief	
111	4460963	1	Receptacle	
112	4711000	10	Washer #10	
114	10702077	2	Screw #10 x 3/8	
115	10702082	2	Screw #10 x 3/4	
116	1001152525	1	Plug, Hole	
117	1001157520	1	Block, Terminal Pole	
118	1001157521	1	Box, Junction	
119	1001157528	1	Decal - Box Junction	
120	1001158007	1	Cover	
121	1001158008	2	Standoff	
	0272435	Ref	DECAL INSTALLATION	D
201	1705460	2	Decal - SkyPower	
202	3251243	1	Decal - 120V - 60Hz (60Hz Spec Only) (Located on Opposite Side)	
203	1705375	1	Decal - 240V - 3 Phase	
204	1705387	3	Decal, Hazardous Voltage	
	1001221498	Ref	ELECTRICAL DIAGRAM COMPONENTS	A
301	1001221208	1	Generator Harness	A

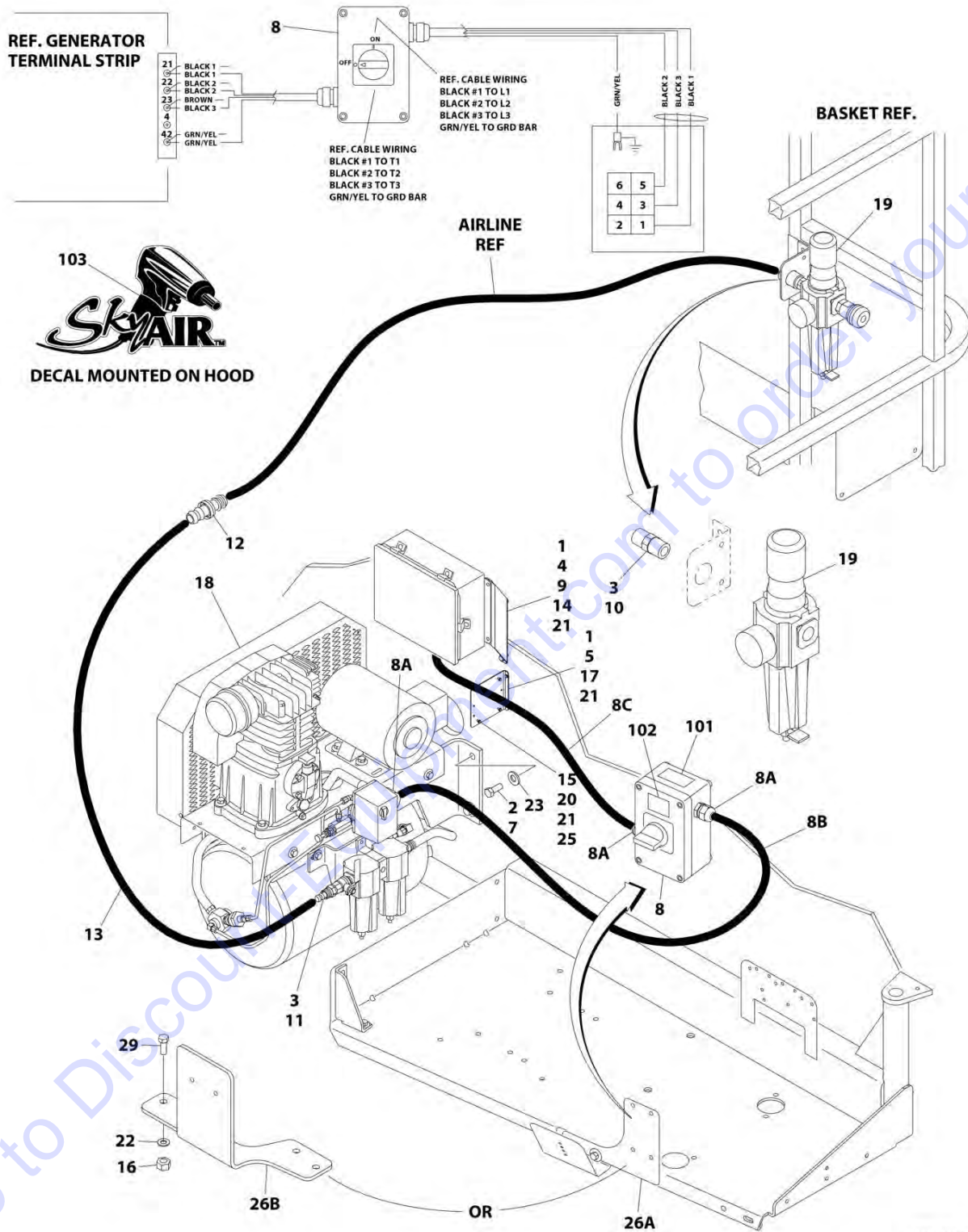
SECTION 2 - TURNTABLE

ITEM	PART NUMBER	QTY	DESCRIPTION	REV
301A	4460374	2	Plug, Sealed Relay	
301A	4460375	8	Terminal	
301B	4460967	1	Plug, Male - 3 Position	
301B	4460465	3	Socket, Female	
301C	2400060	2	Fuseholder (Not Shown)	
301C	2400064	2	Fuse - 5 Amp (Not Shown)	
301D	4460742	1	Plug, Male - 2 Position (Not Shown)	
301D	4460743	2	Socket, Female (Not Shown)	
303	4922641	1	Switch Harness	

Go to Discount-Equipment.com to order your parts

SECTION 2 - TURNTABLE

FIGURE 2-36. SKYAIR AIR COMPRESSOR INSTALLATION



ART_0272741

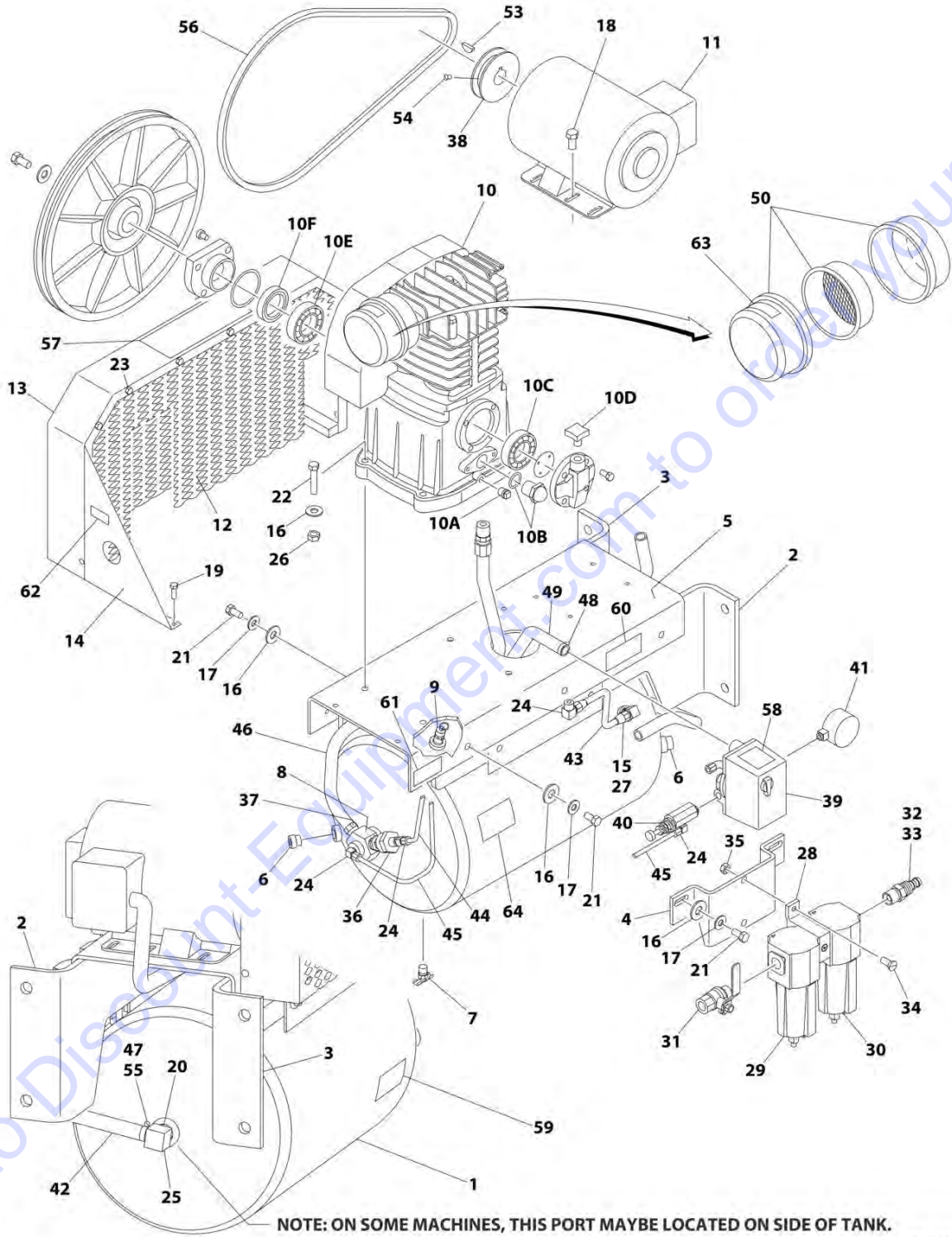
SECTION 2 - TURNTABLE

FIGURE 2-36. SKYAIR AIR COMPRESSOR INSTALLATION

ITEM	PART NUMBER	QTY	DESCRIPTION	REV
		Ref	SKYAIR AIR COMPRESSOR INSTALLATION	
	0272741	Ref	SkyAir Air Compressor Installation (Deutz D2011 & GM Engines)	K
	1001154411	Ref	SkyAir Air Compressor Installation (Deutz TD2.9L4 Engines)	C
		Ref	Note: ANSI, ANSI Export and CSA Specs Only.	
		Ref	Note: 60Hz Machines Only.	
1	0100011	AR	Compound, Locking	
2	0100019	AR	Compound, Locking	
3	0100020	AR	Sealant	
4	0641405	4	Bolt 1/4 x 5/8	
5	0641410	2	Bolt 1/4 x 1-1/4	
7	0641810	4	Bolt 1/2 x 1-1/4	
8	0861642	1	Control Box Assembly	
8A	4460633	3	Connector, Strain Relief	
8B	70002948	AR	Cable, Electrical - 12/4 (13ft/4m)	
8C	70002948	AR	Cable, Electrical - 12/4 (30in/76cm)	
9	0903088	2	Bracket, Generator Box	
10	2220252	1	Fitting, Adapter NPT	
11	2220750	1	Fitting	
12	2221037	1	Fitting, Barbed	
13	2720545	1	Hose, Air	
14	3300454	4	Nut, Tinnerman 1/4	
15	3311405	AR	Nut 1/4	
16	3311605	3	Nut 3/8	
17	3575874	1	Bracket, Module	
18	3600386	1	Air Compressor Assembly (See AIR COMPRESSOR ASSEMBLY for Breakdown)	
19	3720021	1	Filter/Regulator Assembly	
19	7027781	1	Service Kit (Includes Gaskets and Seals)	
19	7027782	1	Filter	
19	7027784	1	Gauge	
19	7027783	1	Valve, Drain	
20	3931424	AR	Capscrew 1/4 x 1-1/2	
20	0641409	AR	Bolt 1/4 x 1-1/8	
21	4711400	AR	Washer 1/4	
22	4711600	4	Washer 3/8	
23	4751800	4	Washer 1/2	
25	1001110425	AR	Spacer (SN 0300185828 through 0300242931)	
26		Ref	Bracket, Control Box	
26A	4340747	1	Bracket (Deutz D2011 and GM Engines)	
26B	1001144447	1	Bracket (Deutz TD2.9L4 Engines)	
27	0641606	1	Bolt 3/8 x 3/4 (Not Shown)	
28	8406201	1	Clip (Not Shown)	
29	0641609	3	Bolt 3/8 x 1-1/8	
	0273687	Ref	DECAL INSTALLATION	A
101	1705836	1	Decal - Hazard Voltage	
102	1705837	1	Decal - Air Compressor	
103	1705886	2	Decal - SkyAir	

SECTION 2 - TURNTABLE

FIGURE 2-37. AIR COMPRESSOR ASSEMBLY



ART_3600386

SECTION 2 - TURNTABLE

FIGURE 2-37. AIR COMPRESSOR ASSEMBLY

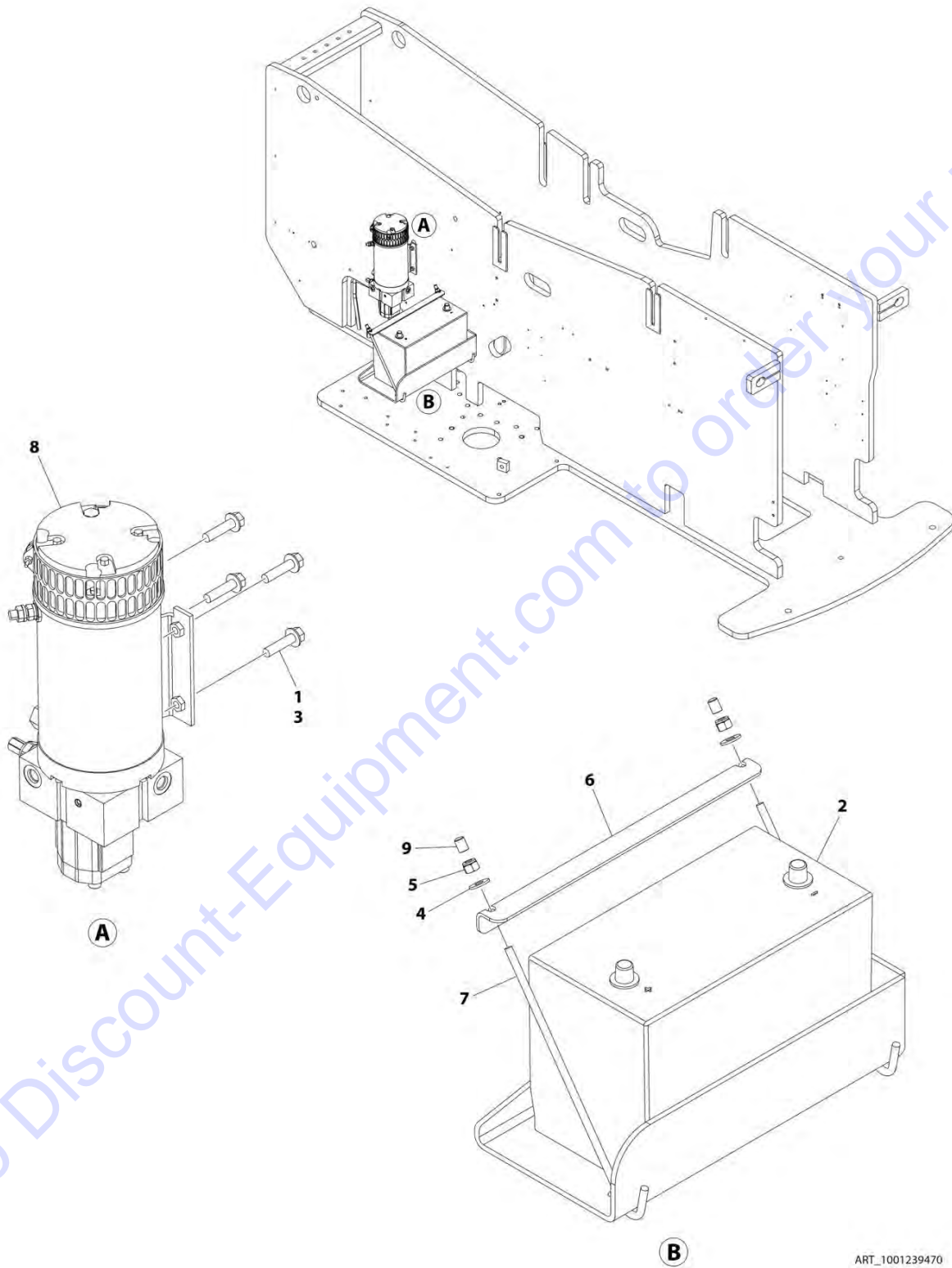
ITEM	PART NUMBER	QTY	DESCRIPTION	REV
	3600386	Ref	AIR COMPRESSOR ASSEMBLY	B
1	7026632	1	Tank	
2	See Note	1	Bracket, Mounting (Note: Not Available for Purchase)	
3	See Note	1	Bracket, Mounting (Note: Not Available for Purchase)	
4	See Note	1	Bracket, Regulator Mounting (Note: Not Available for Purchase)	
5	See Note	1	Deck (Note: Not Available for Purchase)	
6	See Note	2	Plug (Note: Not Available for Purchase)	
7	7026633	1	Valve, Drain	
8	7026634	1	Valve, Check	
9	7026635	1	Valve, Safety	
10	7026636	1	Pump Assembly	
10	7026659	1	Gasket and Seal Kit	
10A	7026651	1	Plug, Oil Drain	
10B	7026652	1	Gauge, Oil Sight	
10C	7026653	1	Bearing	
10D	7026654	1	Cap, Oil Fill	
10E	7026655	1	Bearing	
10F	7026656	1	Seal	
11	7026637	1	Motor Assembly	
11	See Note	1	Brush Kit (Note: Not Available for Purchase)	
12	See Note	1	Screen, Inner (Note: Not Available for Purchase)	
13	See Note	1	Guard, Belt (Note: Not Available for Purchase)	
14	See Note	2	Support (Note: Not Available for Purchase)	
15	See Note	1	Bushing (Note: Not Available for Purchase)	
16	4751600	18	Washer 3/8	
17	4761600	10	Washer 3/8	
18	0641506	4	Bolt 5/16 x 3/4	
19	0641406	8	Bolt 1/4 x 3/4	
20	See Note	1	Bushing (Note: Not Available for Purchase)	
21	0641610	10	Bolt 3/8 x 1-1/4	
22	0641616	4	Bolt 3/8 x 2	
23	See Note	10	Bolt 1/4 x 1/2 (Note: Not Available for Purchase)	
24	See Note	4	Fitting (Note: Not Available for Purchase)	
25	See Note	1	Fitting, Barbed (Note: Not Available for Purchase)	
26	3311605	4	Nut 3/8	
27	See Note	1	Fitting, Compression (Note: Not Available for Purchase)	
28	See Note	1	Bracket, Mounting (Note: Not Available for Purchase)	
29	7026660	1	Filter, Oil Removal	
30	7026661	1	Filter, Water Removal	
31	70001663	1	Valve, Ball Shut-Off	
32	See Note	1	Bushing (Note: Not Available for Purchase)	
33	See Note	1	Fitting, Barbed (Note: Not Available for Purchase)	
34	See Note	2	Screw 1/4 x 1 (Note: Not Available for Purchase)	
35	3311405	2	Nut 1/4	
36	See Note	1	Unloader (Note: Not Available for Purchase)	
37	See Note	1	Fitting (Note: Not Available for Purchase)	
38	See Note	1	Pulley (Note: Not Available for Purchase)	
39	7026638	1	Switch, Pressure	
40	7026639	1	Valve, Pilot	
41	7026640	1	Gauge	

SECTION 2 - TURNTABLE

ITEM	PART NUMBER	QTY	DESCRIPTION	REV
42	See Note	1	Hose (Note: Not Available for Purchase)	
43	See Note	1	Tube, Feed (Note: Not Available for Purchase)	
44	See Note	1	Tube (Note: Not Available for Purchase)	
45	See Note	1	Tube (Note: Not Available for Purchase)	
46	See Note	1	Aftercooler (Note: Not Available for Purchase)	
47	See Note	2	Clamp (Note: Not Available for Purchase)	
48	See Note	2	Clamp (Note: Not Available for Purchase)	
49	See Note	1	Harness, Wiring (Note: Not Available for Purchase)	
50	7026658	1	Filter Assembly	
50	7026641	1	Element, Filter	
51	See Note	23 oz	Oil, Compressor (Note: Not Available for Purchase) (Not Shown)	
52	0100020	AR	Sealant (Not Shown)	
53	See Note	1	Key (Note: Not Available for Purchase)	
54	See Note	2	Setscrew (Note: Not Available for Purchase)	
55	See Note	2	Cover, Clamp End (Note: Not Available for Purchase)	
56	7026642	1	Belt	
57	7026643	1	Decal - Unit Warning	
58	7026644	1	Decal - Pressure Switch Warning	
59	7026645	1	Decal - Drain Tank Warning	
60	7026646	1	Decal - Compressor Maintenance	
61	7026647	1	Decal - Initial Oil Fill	
62	7026648	1	Decal - Hot Surfaces Warning	
63	7026649	1	Decal - Paper Element Cleaning	
64	7026650	1	Decal - Dual Control	

SECTION 2 - TURNTABLE

FIGURE 2-38. AUXILIARY PUMP WITHOUT BATTERY DISCONNECT (SN 0300240507 to Present)



ART_1001239470

SECTION 2 - TURNTABLE

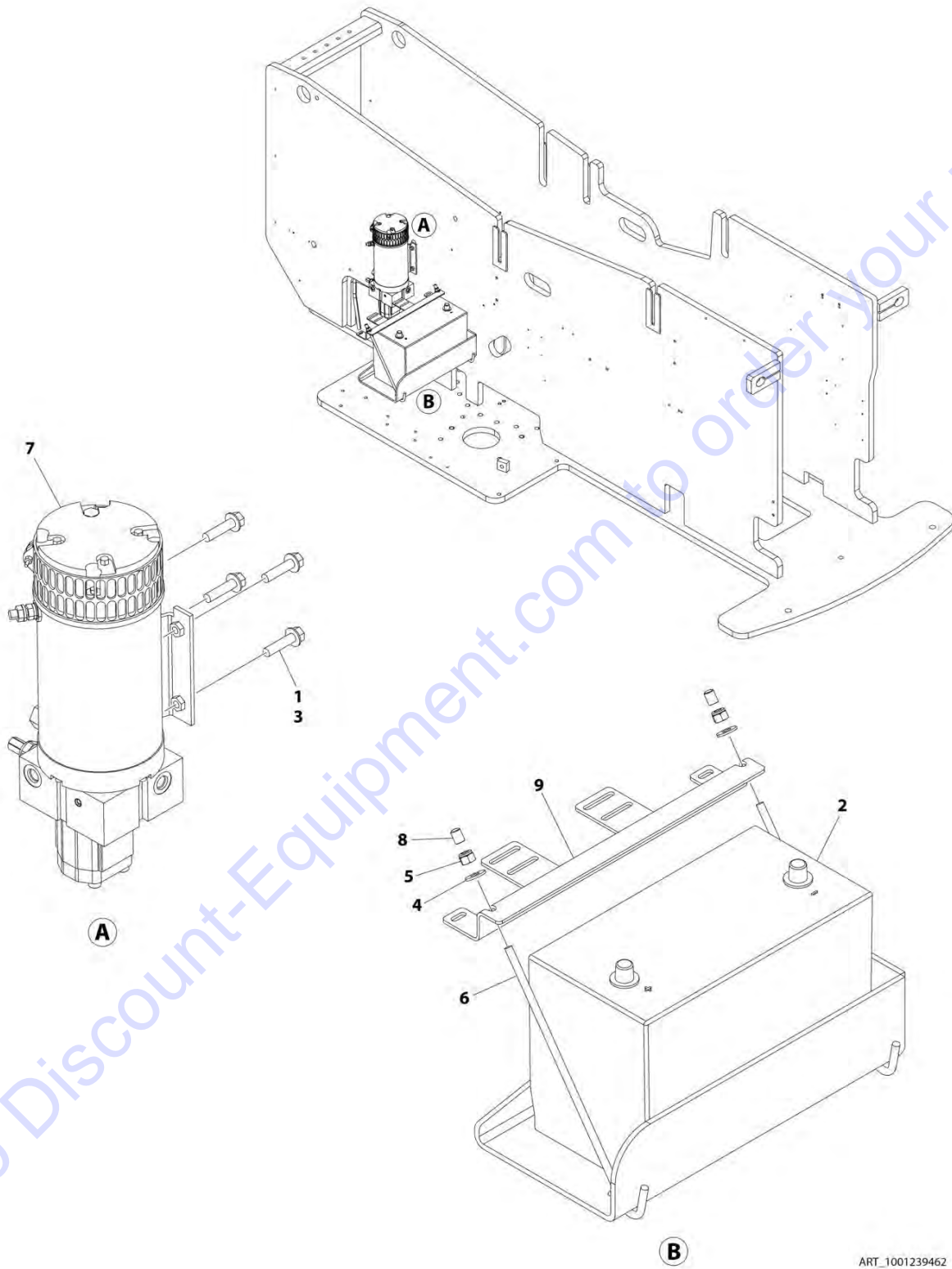
FIGURE 2-38. AUXILIARY PUMP WITHOUT BATTERY DISCONNECT (SN 0300240507 to Present)

ITEM	PART NUMBER	QTY	DESCRIPTION	REV
	1001239470	Ref	AUXILIARY PUMP WITHOUT BATTERY DISCONNECT	A
1	0100011	AR	Compound, Locking	
2	0400075	1	Battery	
3	0811612	4	Bolt 3/8 x 1-1/2 Grade 8	
4	4751500	2	Washer 5/16	
5	88521205	2	Nut 5/16	
6	91401281	1	Hold-down, Battery	
7	1001093382	2	Bolt, Battery Hold-down	
8	1001137460	1	Pump, Auxiliary (See AUXILIARY PUMP ASSEMBLY for Breakdown)	
9	1001218572	2	Cap, Vinyl	

Go to Discount-Equipment.com to order your parts

SECTION 2 - TURNTABLE

FIGURE 2-39. AUXILIARY PUMP WITH BATTERY DISCONNECT (SN 0300240507 to Present)



SECTION 2 - TURNTABLE

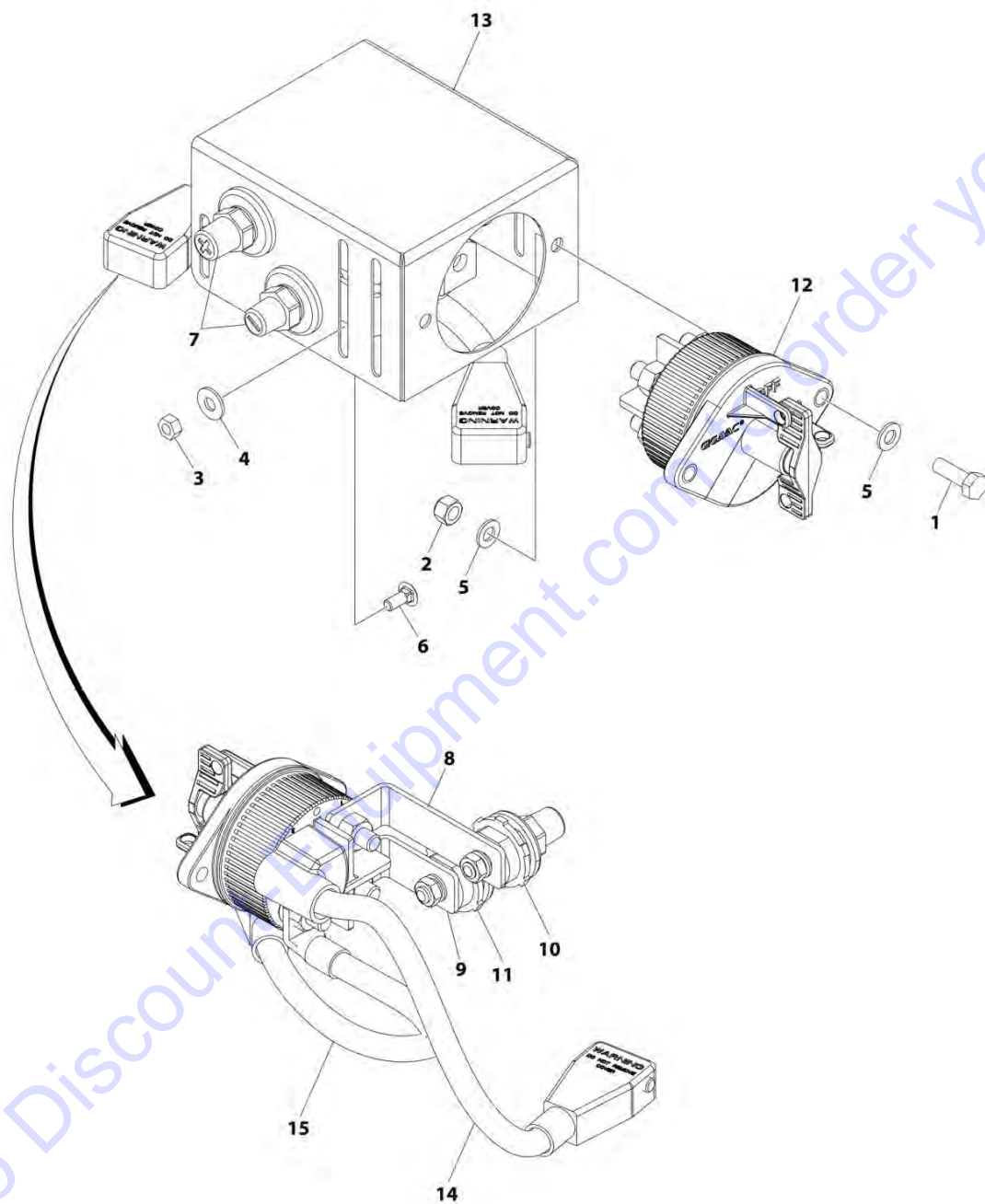
FIGURE 2-39. AUXILIARY PUMP WITH BATTERY DISCONNECT (SN 0300240507 to Present)

ITEM	PART NUMBER	QTY	DESCRIPTION	REV
	1001239462	Ref	AUXILIARY PUMP WITH BATTERY DISCONNECT	A
1	0100011	AR	Compound, Locking	
2	0400075	1	Battery	
3	0811612	4	Bolt 3/8 x 1-1/2 Grade 8	
4	4751500	2	Washer 5/16	
5	88521205	2	Nut 5/16	
6	1001093382	2	Bolt, Battery Hold-down	
7	1001137460	1	Pump, Auxiliary (See AUXILIARY PUMP ASSEMBLY for Breakdown)	
8	1001218572	2	Cap, Vinyl	
9	1001236303	1	Plate, Battery Hold Down	

Go to Discount-Equipment.com to order your parts

SECTION 2 - TURNTABLE

FIGURE 2-40. BATTERY DISCONNECT (SN 0300240507 to Present)



ART_1001236304

SECTION 2 - TURNTABLE

FIGURE 2-40. BATTERY DISCONNECT (SN 0300240507 to Present)

ITEM	PART NUMBER	QTY	DESCRIPTION	REV
	1001236304	Ref	BATTERY DISCONNECT SWITCH INSTALLATION	A
1	0760812	2	Bolt M8 x 25	
2	3290805	2	Nut M8	
3	3311405	3	Nut 1/4	
4	4751400	3	Washer 1/4	
5	4811900	4	Washer M8	
6	88411013	3	Bolt 1/2 x 3/4	
7	1001206476	1	Connector	
8	1001209432	1	Buss bar	
9	1001209474	1	Buss bar	
10	1001214570	1	Connector (Red)	
11	1001214571	1	Connector (Black)	
12	1001225346	1	Switch	
13	1001226531	1	Mount	
14	1001236504	1	Cable (Positive)	
15	1001236505	1	Cable (Negative)	

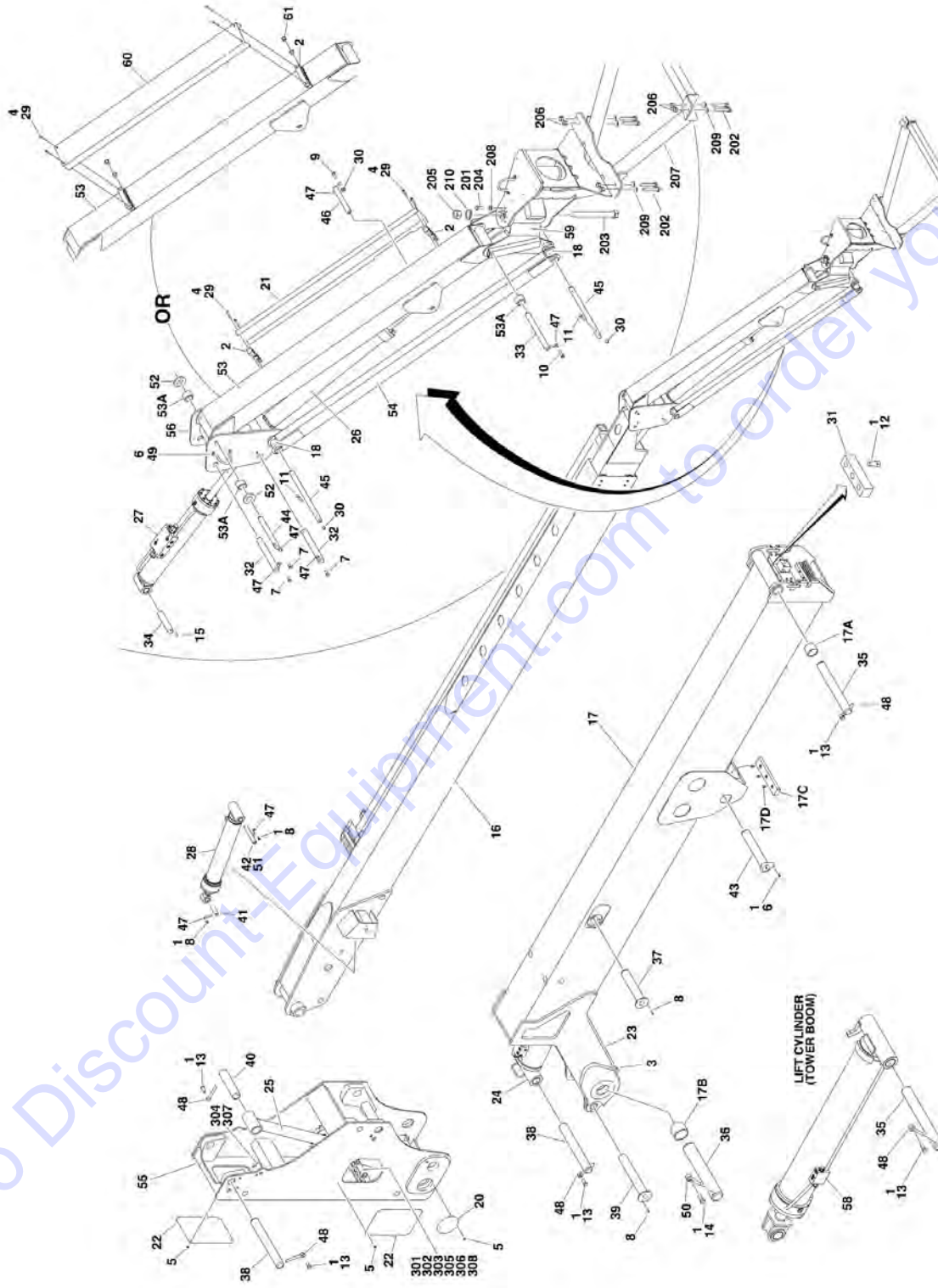
Go to Discount-Equipment.com to order your parts

SECTION 3 - BOOM

Go to Discount-Equipment.com to order your parts

SECTION 3 - BOOM

FIGURE 3-1. BOOM AND CYLINDERS INSTALLATION



SECTION 3 - BOOM

FIGURE 3-1. BOOM AND CYLINDERS INSTALLATION

ITEM	PART NUMBER	QTY	DESCRIPTION	REV
		Ref	BOOMS AND CYLINDERS INSTALLATION WITHOUT AIRCRAFT DE-ICING PACKAGE	
	0271505	Ref	Booms and Cylinders Installation without Aircraft De-icing Package (SN 0300185828 through 0300194175)	J
	1001170450	Ref	Booms and Cylinders Installation without Aircraft De-icing Package (SN 0300194176 to Present)	L
		Ref	BOOMS AND CYLINDERS INSTALLATION WITH AIRCRAFT DE-ICING PACKAGE	
	1001107299	Ref	Booms and Cylinders Installation with Aircraft De-icing Package (SN 0300185828 through 0300194175)	E
	1001170451	Ref	Booms and Cylinders Installation with Aircraft De-icing Package (SN 0300194176 to Present)	L
1	0100011	AR	Compound, Locking	
2		Ref	Block, Clamp Options:(Without Aircraft De-icing Package)	
2	0561237	2	Block, Clamp (SN 0300185828 through 0300194175)	
2	1001165350	2	Block, Clamp (SN 0300194176 to Present)	
2		Ref	Block, Clamp Options: (With Aircraft De-icing Package)	
2	1001107300	2	Block, Clamp (SN 0300185828 through 0300194175)	
2	1001171958	2	Block, Clamp (SN 0300194176 to Present)	
3	0641404	4	Bolt 1/4-20NC x 1/2	
4	0641416	4	Bolt 1/4-20 x 2 (Without Aircraft De-icing Package)	
4	0641420	4	Bolt 1/4-20 x 2-1/2 (With Aircraft De-icing Package)	
5	0641604	24	Bolt 3/8-16 x 1/2	
6	0641606	4	Bolt 3/8-16 x 3/4	
7	0641607	3	Bolt 3/8-16 x 7/8	
8	0641608	6	Bolt 3/8-16 x 1	
9	0641611	1	Bolt 3/8-16 x 1-3/8	
10	0641614	1	Bolt 3/8-16 x 1-3/4	
10	0641608	1	Bolt 3/8-16 x 1	
11	0641618	4	Bolt 3/8-16 x 2-1/4	
12	0641820	3	Bolt 1/2-13 x 2-1/2	
12	0641840	3	Bolt 1/2-13 x 5	
13	0642214	5	Bolt 3/4 x 10 x 1-3/4	
14	0642620	1	Bolt 1-8 x 2-1/2	
15	0741607	1	Screw 3/8-16 x 7/8	
16	0801136	1	Boom Assembly - Upper (See MAIN BOOM ASSEMBLY for Breakdown)	
17	0801314	1	Boom Assembly - Tower	
17A	0962102	2	Bushing (2-3/4)	
17B	0962122	2	Bushing (4)	
17C	3340835	1	Pad (SN 0300215553 to Present)	
17D	0641806	3	Bolt 1/2-13 x 3/4 (SN 0300215553 to Present)	
18	0961947	6	Bearing	
20	1120510	2	Cover, Upright	
21	1670769	1	Cover, Cable (Without Aircraft De-icing Package) (SN 0300185828 through 0300194175)	
21	1001107419	1	Cover, Cable (With Aircraft De-icing Package) (SN 0300185828 through 0300194175)	
22	1670844	4	Cover, Upright	
23	1670850	1	Cover, Tower Fly	
24	1684497	NLA	Upright Level (Slave) Cylinder Assembly (Use p/n 1001228041) (See CYLINDER SECTION for Breakdown) (SN 0300185828)	

SECTION 3 - BOOM

ITEM	PART NUMBER	QTY	DESCRIPTION	REV
24	1001228041	1	through 0300240506) Upright Level (Slave) Cylinder Assembly (See CYLINDER SECTION for Breakdown) (SN 0300240507 to Present)	
25	1683547	NLA	Upper Lift Cylinder Assembly (Use p/n 1001228010) (See CYLINDER SECTION for Breakdown) (SN 0300185828 through 0300240506)	
25	1001228010	1	Upper Lift Cylinder Assembly (See CYLINDER SECTION for Breakdown) (SN 0300240507 to Present)	
26	1683609	NLA	Jib Lift Cylinder Assembly (Machines without Arctic Package) (Use p/n 1001248012) (See CYLINDER SECTION for Breakdown) (SN 0300185828 through 0300245050)	
26	1001248012	1	Jib Lift Cylinder Assembly (Machines without Arctic Package) (See CYLINDER SECTION for Breakdown) (SN 0300245051 to Present)	
27	1684228	NLA	Jib Level Cylinder Assembly (Use p/n 1001228030) (See CYLINDER SECTION for Breakdown) (SN 0300185828 through 0300240878)	
27	1001228030	1	Jib Level Cylinder Assembly (See CYLINDER SECTION for Breakdown) (SN 0300240879 to Present)	
28	1683682	NLA	Master Cylinder Assembly (Use p/n 1001228050) (See CYLINDER SECTION for Breakdown) (SN 0300185828 through 0300243317)	
28	1001228050	1	Master Cylinder Assembly (See CYLINDER SECTION for Breakdown) (SN 0300243318 to Present)	
29	2080044	4	Fastener	
30	3311605	5	Nut, 3/8-16	
31	3340835	1	Pad, Boom Rest	
32	3422561	2	Pin	
33	3422860	1	Pin	
34	3422583	1	Pin	
35	3422681	2	Pin	
36	3422683	1	Pin	
37	3422684	1	Pin	
38	3422685	2	Pin	
39	3422686	1	Pin	
40	3422687	1	Pin	
41	3422688	1	Pin	
42	3422689	1	Pin	
43	3422729	1	Pin	
44	3422860	1	Pin	
45	3422861	2	Pin	
46	3422867	1	Pin	
47	3841143	7	Shaft, Keeper	
48	3841287	5	Shaft, Keeper	
49	3841340	1	Rod, Hose Loop	
50	3841356	1	Shaft, Keeper	
51	3900239	1	Screw, Nylon	
52	4740439	2	Washer, Thrust	
53	4844816	1	Tube, Top	
53A	0962335	4	Bushing	
54	4844817	2	Tube, Bottom	
55	4845593	1	Upright	
56		Ref	Pivot Options:	
56	4845716	NLA	Pivot (Use p/n 1001170548) (SN 0300185828 through 0300194175)	

SECTION 3 - BOOM

ITEM	PART NUMBER	QTY	DESCRIPTION	REV
56	1001170548	1	Pivot (SN 0300194176 to Present)	
58	1683537	NLA	Tower Lift Cylinder Assembly (Use p/n 1001228009) (See CYLINDER SECTION for Breakdown) (SN 0300185828 through 0300240506)	
58	1001228009	1	Tower Lift Cylinder Assembly (See CYLINDER SECTION for Breakdown) (SN 0300240507 to Present)	
59		Ref	Rotator Actuator Assembly Options: (See ROTATOR ASSEMBLY for Breakdown)	
59	0060066	NLA	Rotator Actuator Assembly (Use p/n 1001217780) (SN 0300185828 through 0300194175)	
59	1001157220	NLA	Rotator Actuator Assembly (Use p/n 1001217780) (SN 0300194176 through 0300201336)	
59	1001178256	1	Rotator Actuator Assembly (Use p/n 1001217780) (SN 0300201337 through 0300237343)	
59	1001217780	1	Rotator Actuator Assembly (SN 0300237344 to Present)	
60	1671034	1	Cover, Jib	
61	3520034	AR	Plug	
62	1001213705	1	Plug (Not Shown - Located on T/T near item 26 Pin) (SN 0300216163 to Present)	
	0272070	Ref	ROTATOR AND SUPPORT INSTALLATION WITHOUT LSS	E
201	0100011	AR	Compound, Locking	
202	0641812	8	Bolt 1/2-13 x 1-1/2	
203	0642684	1	Bolt 1-8 x 10-1/2	
204	0681608	8	Bolt 3/8-16 x 1 Grade 8	
205	3300243	1	Nut 1-8	
206	3311805	8	Nut 1/2-13	
207	4846573	1	Support	
208	4891600	8	Washer 3/8	
209	4891800	8	Washer 1/2	
210	4892600	1	Washer	
		Ref	TOWER BOOM HOSE AND CABLES INSTALLATION WITHOUT AIRCRAFT DE-ICING / COMMUNICATION SYSTEM PACKAGE	
	0271519	Ref	Tower Boom Hose and Cables Installation without Aircraft De-icing / Communication Package (SN 0300185828 through 0300194175)	D
	1001171201	Ref	Tower Boom Hose and Cables Installation without Aircraft De-icing / Communication Package (SN 0300194176 to Present)	D
		Ref	TOWER BOOM HOSE AND CABLES INSTALLATION WITH AIRCRAFT DE-ICING / COMMUNICATION SYSTEM PACKAGE	
	1001106329	Ref	Tower Boom Hose and Cables Installation with Aircraft De-icing / Communication Package (SN 0300185828 through 0300194175)	B
	1001171204	Ref	Tower Boom Hose and Cables Installation with Aircraft De-icing / Communication Package (SN 0300194176 to Present)	C
301	1320250	3	Clamp, Bar	
302		Ref	Clamp, Block Options: (Without Aircraft De-icing / Communication System Package)	
302	1320251	3	Clamp, Block (SN 0300185828 through 0300194175)	
302	1001172179	3	Clamp, Block (SN 0300194176 to Present)	
302		Ref	Clamp, Block Options: (With Aircraft De-icing / Communication System Package)	
302	1001106328	3	Clamp, Block (SN 0300185828 through 0300194175)	
302	1001172199	3	Clamp, Block (SN 0300194176 to Present)	
303	3311605	6	Nut 3/8-16	
304	3841340	AR	Rod, Hose Loop	
305	3900262	6	Bolt 3/8-16 x 4-3/4	

SECTION 3 - BOOM

ITEM	PART NUMBER	QTY	DESCRIPTION	REV
306	3311605	5	Jam nut 3/8-16	
307	0641605	2	Bolt 3/8 x 5/8	
308	3311602	6	Nut 3/8 (With Aircraft De-icing / Communication System Package)	

Go to Discount-Equipment.com to order your parts

PARTS FINDER

**Search Website
by Part Number**



**Search Manual
Library For Parts
Manual & Lookup Part
Numbers – Purchase
or Request Quote**

**Can't Find Part or
Manual? Request Help
by Manufacturer,
Model & Description**

Discount-Equipment.com is your online resource for quality parts & equipment.

Florida: **561-964-4949** Outside Florida TOLL FREE: **877-690-3101**

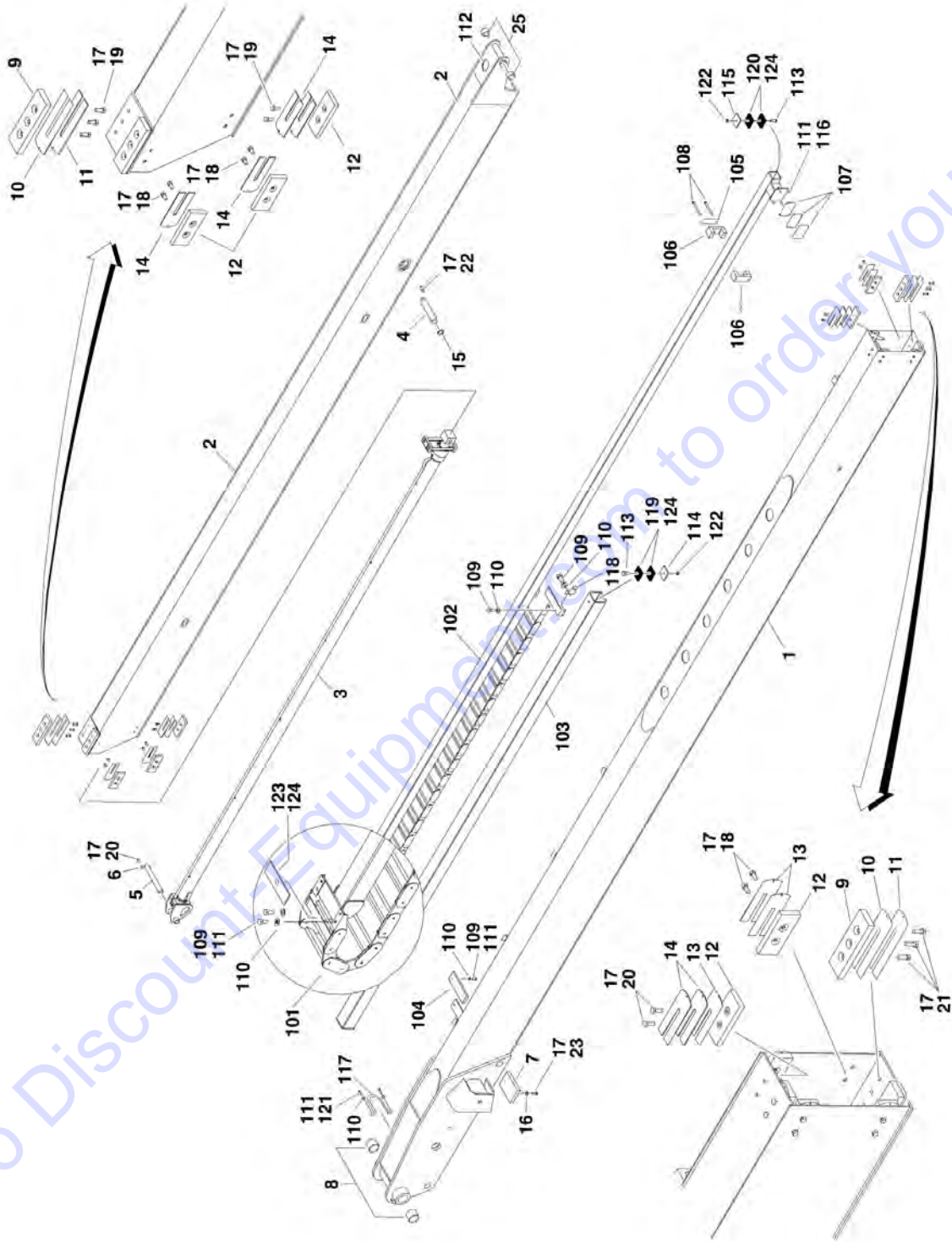
Need parts?

Click on this link: <http://www.discount-equipment.com/category/5443-parts/> and choose one of the options to help get the right parts and equipment you are looking for. Please have the machine model and serial number available in order to help us get you the correct parts. If you don't find the part on the website or on one of the online manuals, please fill out the request form and one of our experienced staff members will get back to you with a quote for the right part that your machine needs.

We sell worldwide for the brands: Genie, Terex, JLG, MultiQuip, Mikasa, Essick, Whiteman, Mayco, Toro Stone, Diamond Products, Generac Magnum, Airman, Haulotte, Barreto, Power Blanket, Nifty Lift, Atlas Copco, Chicago Pneumatic, Allmand, Miller Curber, Skyjack, Lull, Skytrak, Tsurumi, Husquvarna Target, Stow, Wacker, Sakai, Mi-T-M, Sullair, Basic, Dynapac, MBW, Weber, Bartell, Bennar Newman, Haulotte, Ditch Runner, Menegotti, Morrison, Contec, Buddy, Crown, Edco, Wyco, Bomag, Laymor, EZ Trench, Bil-Jax, F.S. Curtis, Gehl Pavers, Heli, Honda, ICS/PowerGrit, IHI, Partner, Imer, Clipper, MMD, Koshin, Rice, CH&E, General Equipment, Amida, Coleman, NAC, Gradall, Square Shooter, Kent, Stanley, Tamco, Toku, Hatz, Kohler, Robin, Wisconsin, Northrock, Oztec, Toker TK, Rol-Air, APT, Wylie, Ingersoll Rand / Doosan, Innovatech, Con X, Ammann, Mecalac, Makinex, Smith Surface Prep, Small Line, Wanco, Yanmar

SECTION 3 - BOOM

FIGURE 3-2. MAIN BOOM ASSEMBLY



SECTION 3 - BOOM

FIGURE 3-2. MAIN BOOM ASSEMBLY

ITEM	PART NUMBER	QTY	DESCRIPTION	REV
	0801136	Ref	MAIN BOOM ASSEMBLY	M
1	0801591	1	Base, Boom	
2	0801573	1	Fly, Boom	
3	1683672	NLA	Telescope Cylinder Assembly (Use p/n 1001228087) (See CYLINDER SECTION for Breakdown) (SN 0300185828 through 0300200669)	
3	1001188841	NLA	Telescope Cylinder Assembly (Use p/n 1001228087) (See CYLINDER SECTION for Breakdown) (SN 0300200670 through 0300243317)	
3	1001228087	1	Telescope Cylinder Assembly (See CYLINDER SECTION for Breakdown) (SN 0300243318 to Present)	
4	3422457	1	Pin	
5	3422690	1	Pin	
6	3841143	1	Keeper, Pin	
7	0561295	1	Block, Boom Rest	
8	0962102	2	Bushing	
9	3340871	4	Pad, Wear	
10	4070863	4	Shim 1/8in	
11	4070864	4	Shim.05	
12	1001148652	12	Pad, Wear	
13	4070897	10	Shim .05	
14	4070898	12	Shim 1/8	
15	3760133	2	Ring, Retaining	
16	4711600	2	Washer 3/8	
17	0100011	AR	Compound, Locking	
18	0641606	16	Bolt 3/8-16 x 3/4	
19	0641607	10	Bolt 3/8-16 x 7/8	
20	0641608	5	Bolt 3/8-16 x 1	
21	0641609	6	Bolt 3/8-16 x 1-1/8	
22	3900259	4	Bolt, Shoulder	
23	0641612	2	Bolt 3/8-16 x 1-1/2	
25	0961951	2	Bushing	
	0258077	Ref	POWER TRACK INSTALLATION	K
101	1001099837	1	Track, Power	
101	70002013	AR	Repair Section (Includes 1 Pin Assembly for each end)	
101	70002014	1	Mounting Foot Kit (Includes Both Pair of Feet)	
102	4845729	1	Tube, Push (SN 0300285828 through 0300200669)	
102	1001170527	1	Tube, Push (SN 0300200670 to Present)	
103	4845730	1	Support	
104	3340840	1	Pad	
105	3538758	1	Plate, Backing (SN 0300285828 through 0300233689)	
105	1001136400	1	Plate, Backing (SN 0300233690 to Present)	
106	3340764	2	Pad	
107	4070969	3	Shim	
108	0641640	2	Bolt 3/8-16 x 5	
109	0641606	18	Bolt 3/8-16 x 3/4	
110	4711600	22	Washer 3/8	
111	0100011	AR	Compound, Locking	
112	4060805	8 in/ 20cm	Flex-Trim	
113	0641624	2	Bolt 3/8-16 x 3	
114	1320289	1	Clamp, Hose	

SECTION 3 - BOOM

ITEM	PART NUMBER	QTY	DESCRIPTION	REV
115	1320288	1	Clamp, Hose	
116	0641607	4	Bolt 3/8-16 x 7/8	
117	3841406	1	Loop, Hose	
118	1320263	1	Clamp (SN 0300185828 through 0300233689)	
118	91203039	1	Clamp (SN 0300233690 to Present)	
119	3340943	2	Pad, Rubber	
120	3340941	2	Pad, Rubber	
121	3900283	2	Screw 3/8-16 x 3/4	
122	3311605	2	Nut 3/8-18	
123	0100081	AR	Adhesive	
124	4071052	2	Shim	

Go to Discount-Equipment.com to order your parts

SECTION 3 - BOOM

FIGURE 3-3. ROTATOR ASSEMBLY

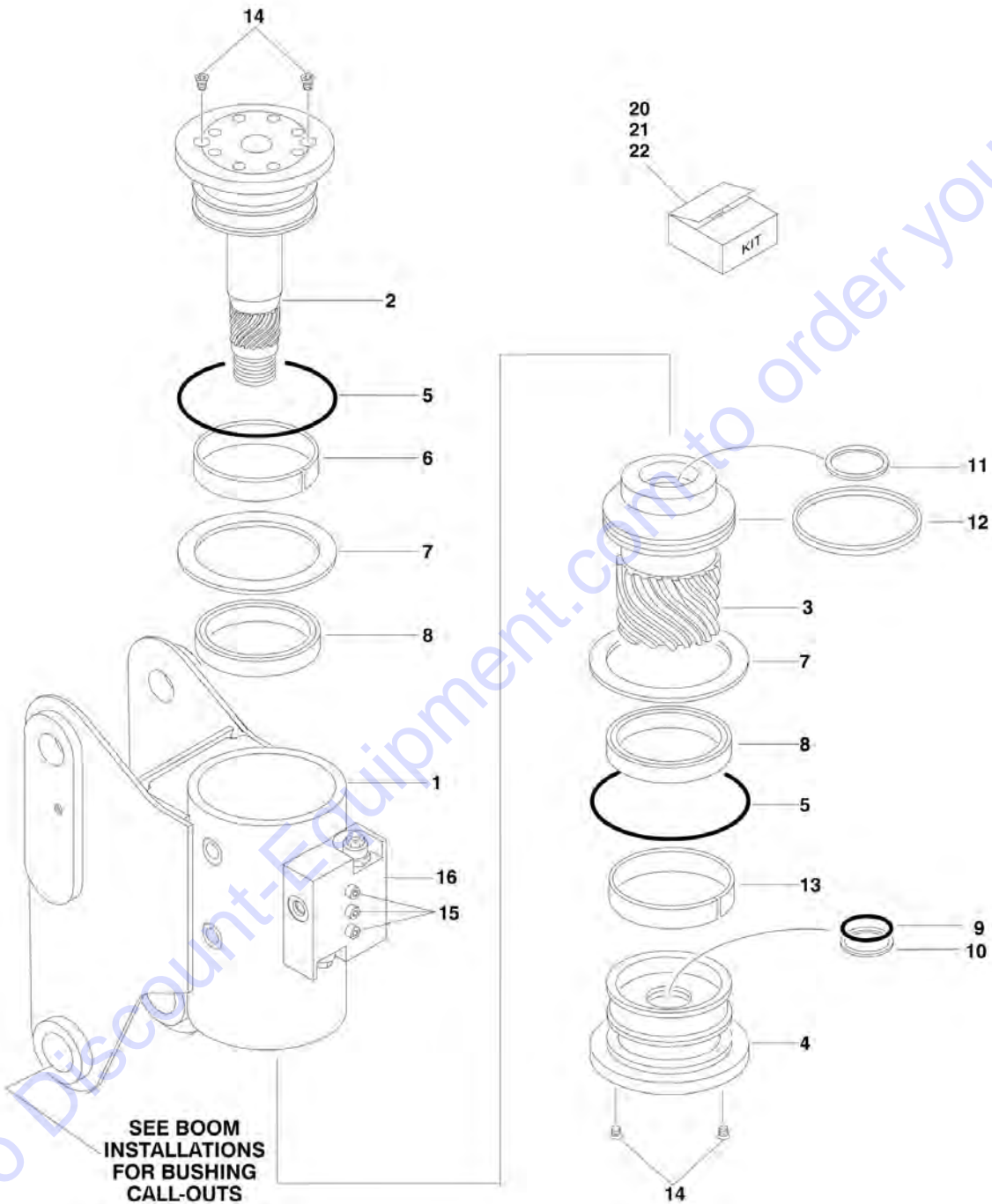
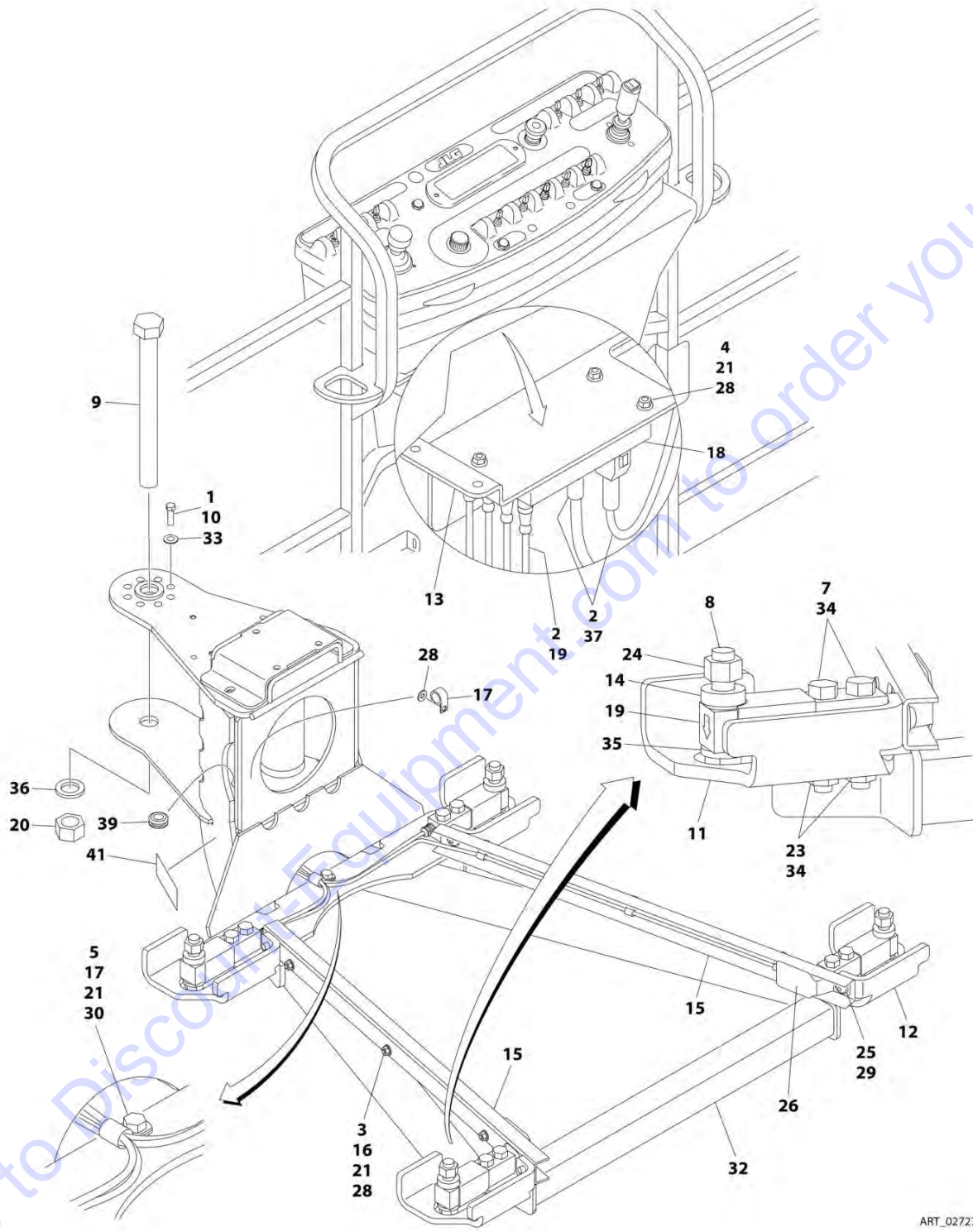


FIGURE 3-3. ROTATOR ASSEMBLY

ITEM	PART NUMBER	QTY	DESCRIPTION	REV
		Ref	ROTATOR ASSEMBLY	
	0060066	Ref	Rotator Assembly (SN 0300185828 through 0300194175)	D
	1001157220	Ref	Rotator Assembly (SN 0300194176 through 0300201336)	B
	1001178256	Ref	Rotator Assembly (SN 0300201337 through 0300237343)	B
	1001217780	Ref	Rotator Assembly (SN 0300237344 to Present)	A
1	See Note	1	Housing/Ring Gear Assembly (Note: Not Available - Purchase Complete Assembly)	
2	7017162	1	Weldment, Shaft	
2	7017195	2	Bushing, Shaft	
3	7017163	1	Piston/Sleeve Assembly	
4	7017164	1	Cap, End	
5	See Note	NSS	O-Ring (Note: Use Item 20)	
6	See Note	NSS	Bearing, Shaft (Note: Use Item 21)	
7	See Note	NSS	Washer, Thrust (Note: Use Item 21)	
8	See Note	NSS	Packing, Bearing (Note: Use Item 20)	
9	See Note	NSS	Seal, Cap (Note: Use Item 20)	
10	See Note	NSS	Ring, Back-up Cap (Note: Use Item 20)	
11	See Note	NSS	Seal, Rod (Note: Use Item 20)	
12	See Note	NSS	Seal, Piston (Note: Use Item 20)	
13	See Note	NSS	Bearing, Cap (Note: Use Item 21)	
14	70001697	6	Capscrew 1/4-2C x 3/8 Grade 8	
15	See Note	3	Bolt 1/4-20 Grade 8 (Note: Not Available for Purchase)	
16	7017183	1	Valve Assembly (0060066 Rotator)	
16	7017172	1	Valve Assembly (1001157220, 1001178256 & 1001217780 Rotators)	
16	7017193	2	Cartridge, Valve (0060066 Rotator)	
16	7017192	2	Cartridge, Valve (1001157220, 1001178256 & 1001217780 Rotators)	
16	See Note	NSS	Seal Kit - 7017193 & 7017192 Valve (Note: Not Available - Purchase Complete Cartridge)	
16	See Note	NSS	Cartridge, Valve (Not Shown - Located on Side of Block) (Note: Not Available - Purchase Complete Assembly)	
16	See Note	NSS	Seal Kit - Valve Located on Side of Block (Note: Not Available - Purchase Complete Cartridge)	
20	7017158	1	Seal Kit - Standard (Includes Items 5 & 8-12) (0060066 & 1001157220 Rotators)	
20	70000342	1	Seal Kit - Low Temperature (Includes Items 5 & 8-12) (Std On 1001178256 & 1001217780 Rotator/Optional on All Others)	
21	7017159	1	Bearing Kit (Includes Items 6, 7 & 13)	
22	7017142	1	Hardware Kit (Includes Dowel Pins, Plugs and Item 14)	

SECTION 3 - BOOM

FIGURE 3-4. PLATFORM SUPPORT INSTALLATION - WITH 4 CELL LSS



ART_0272703

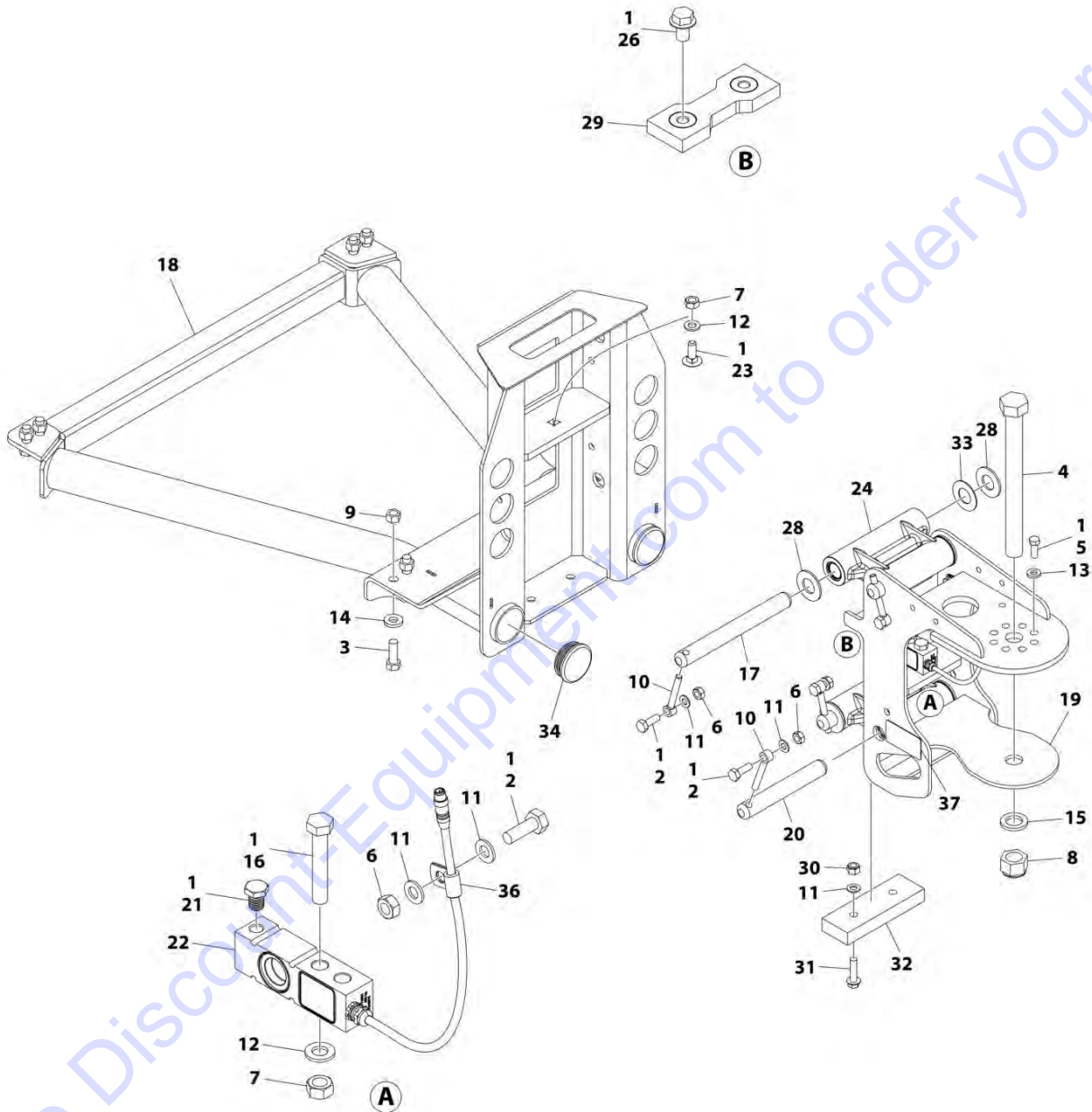
SECTION 3 - BOOM

FIGURE 3-4. PLATFORM SUPPORT INSTALLATION - WITH 4 CELL LSS

ITEM	PART NUMBER	QTY	DESCRIPTION	REV
	0272703	Ref	PLATFORM SUPPORT INSTALLATION - WITH 4 CELL LSS	Q
1	0100011	AR	Compound, Locking	
2	0100048	AR	Grease, Dielectric	
3	0641405	6	Bolt 1/4 x 5/8	
4	0641416	3	Bolt 1/4 x 2	
5	0641407	1	Bolt 1/4 x 7/8	
7	0641822	8	Bolt 1/2 x 2-3/4	
8	0642024	4	Bolt 5/8 x 3	
9	0642684	1	Bolt 1 x 10-1/2	
10	0681608	8	Bolt 3/8 x 1 Grade 8	
11	0902919	2	Bracket, Cell Guard	
12	0902920	2	Bracket, Cell Guard	
13	1001113483	1	Bracket, Module Mount	
14	0962450	4	Bushing, Spacer	
15	1271538	2	Channel	
16	1320136	6	Clamp	
17	1320224	2	Clamp	
18	1600387	1	Module, Control - LSS (Note: Recalibration Required When Replaced)	
19	2420202	4	Cell, Load (Includes Cable)	
20	3272605	1	Nut 1 Grade 8	
21	3311405	10	Nut 1/4	
23	3311805	8	Nut 1/2	
24	3312005	4	Nut 5/8	
25	3900283	4	Screw 3/8 x 3/4	
26	4061054	2	Shield	
27	4240033	AR	Tie-Strap (Not Shown)	
28	4711400	10	Washer 1/4	
29	4711600	4	Washer 3/8	
30	4751400	1	Washer 1/4	
32	4846573	1	Support, Platform	
33	4891600	8	Washer 3/8	
34	4891800	8	Washer 1/2	
35	4892000	4	Washer 5/8	
36	4892600	1	Washer 1	
37	4922869	1	LSS Harness	
37	4922705	1	Analyzer Harness (Not Shown)	
37	4460761	1	Receptacle, Female - 4 Position (Not Shown)	
37	4460226	1	Socket, Female	
37	4460836	1	Connector - 12 Position (Black) (J2)	
37	4460465	1	Socket, Female	
37	4460466	1	Plug, Terminal	
37	0840055	1	Boot	
37	4460933	1	Connector - 12 Position (Grey) (J1)	
37	4460465	1	Socket, Female	
37	4460466	1	Plug, Terminal	
37	0840055	1	Boot	
39	2540038	1	Grommet	
40	2920129	1	Bulb, Light (Not Shown - Located on Ground Control Box)	
41	1001216630	2	Decal - Tie Down/No Lift	

SECTION 3 - BOOM

FIGURE 3-5. PLATFORM SUPPORT INSTALLATION - WITH 1 CELL LSS



ART_1001167596

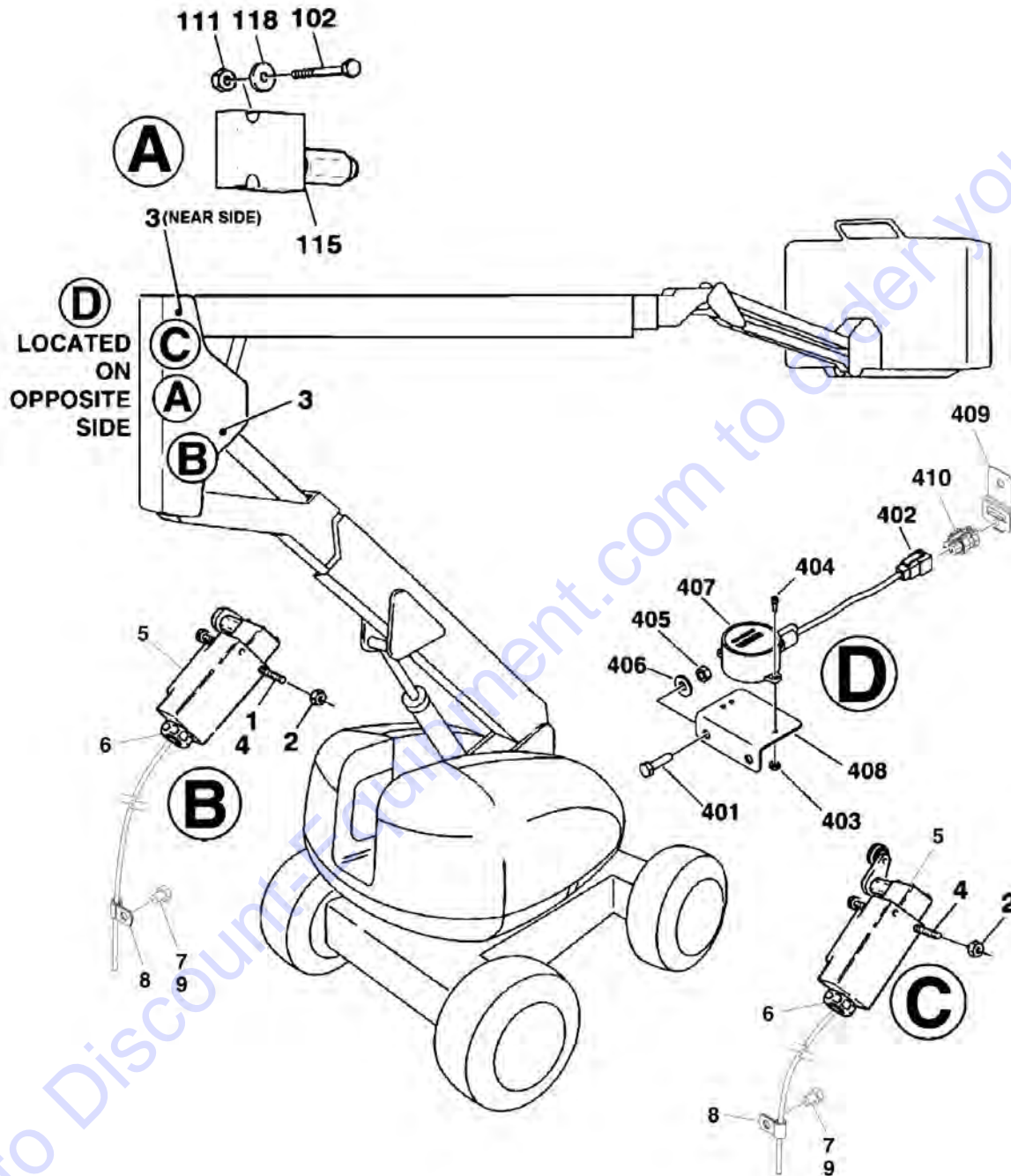
SECTION 3 - BOOM

FIGURE 3-5. PLATFORM SUPPORT INSTALLATION - WITH 1 CELL LSS

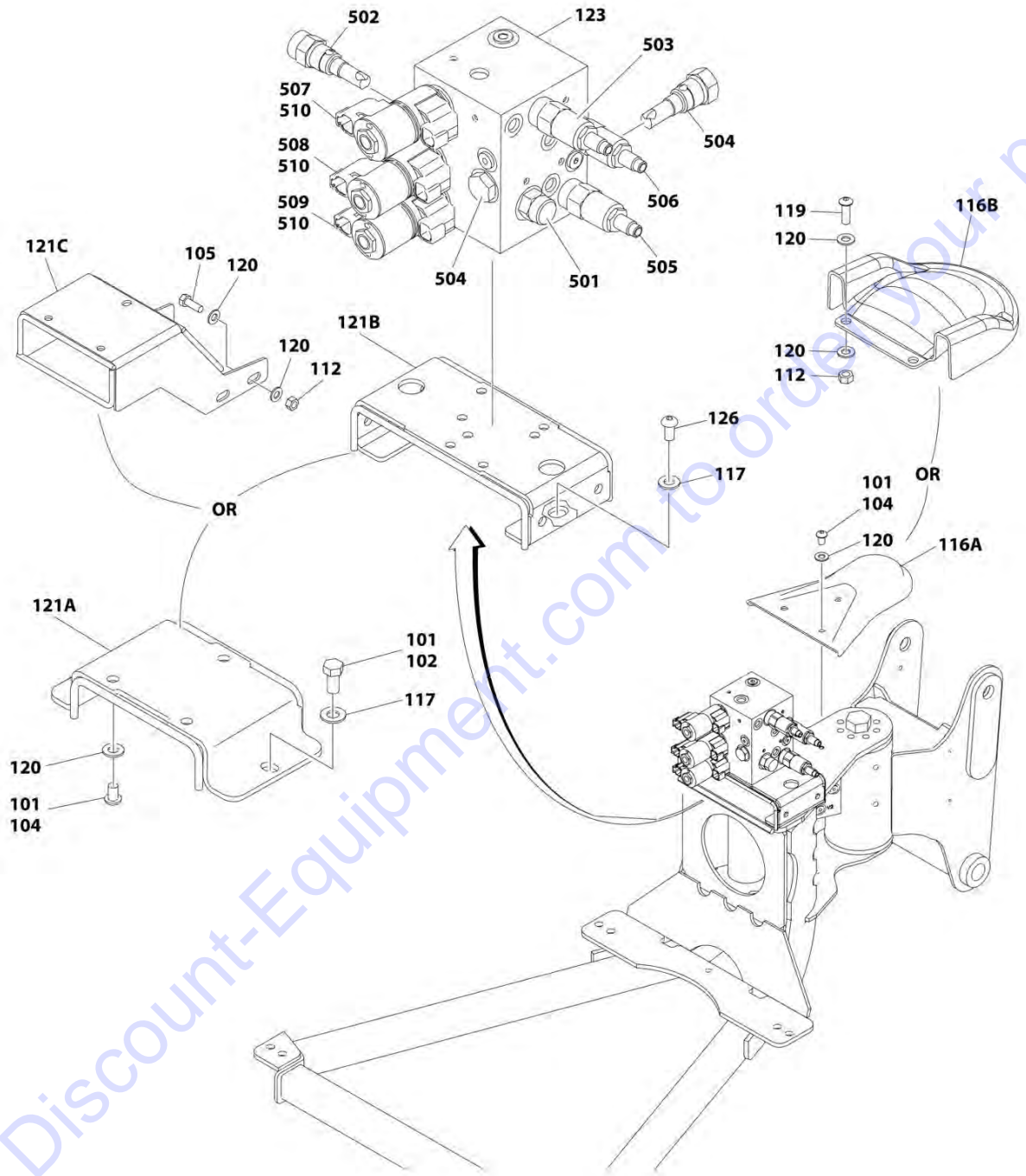
ITEM	PART NUMBER	QTY	DESCRIPTION	REV
	1001167596	Ref	PLATFORM SUPPORT INSTALLATION - WITH 1 CELL LSS	J
1	0100011	AR	Compound, Locking	
2	0761014	5	Bolt M10 x 30	
3	0641812	8	Bolt 1/2 x 1-1/2	
3	0761216	8	Bolt M12 x 40	
4	0642684	1	Bolt 1 x 10-1/2	
5	0681608	8	Bolt 3/8 x 1	
6	3291001	5	Nut M10	
7	3291201	3	Nut M12	
8	3300243	1	Nut 1	
9	3311805	8	Nut 1/2	
9	3291205	8	Nut M12	
10	3841143	4	Keeper, Pin	
11	4812000	8	Washer M10	
12	4812100	3	Washer M12	
13	4891600	8	Washer 3/8	
14	4891800	8	Washer 1/2	
14	5241200	8	Washer M12	
15	4892600	1	Washer 1	
16	1001098828	2	Bolt M12 x 70 Grade 10.9	
17	1001167565	2	Pin	
18	1001200494	1	Support, Platform	
19	1001167567	1	Support, Rotator	
20	1001168402	2	Pin	
21	1001188622	1	Screw	
22	1001172663	1	Gauge, Load Sensing	
23	1001188844	1	Bolt M12 x 35	
24	1001201351	2	Link, LSS Assembly	
26	5251008	2	Bolt M10 x 16	
28	1001189002	8	Bearing	
29	1001190985	1	Pad, Wear	
30	3291005	2	Nut M10	
31	5251016	2	Bolt M10 x 40	
32	1001200491	1	Pad, Wear	
33	1001189001	4	Bearing	
34	1001204725	2	Plug	
36	91203039	1	Clamp	
37	1001216630	2	Decal - Tie Down/No Lift	

SECTION 3 - BOOM

FIGURE 3-6. VALVE AND LIMIT SWITCH INSTALLATIONS (BOOM MOUNTED)



SECTION 3 - BOOM



Go to Discount-Equipment.com to order your parts

SECTION 3 - BOOM

FIGURE 3-6. VALVE AND LIMIT SWITCH INSTALLATIONS (BOOM MOUNTED)

ITEM	PART NUMBER	QTY	DESCRIPTION	REV
	0271989	Ref	BOOM VALVES AND LIMIT SWITCHES INSTALLATION	D
1	0100035	AR	Compound, Locking	
2	3310805	4	Nut #8-32	
3	3520035	2	Plug, Cap	
4	3930824	4	Capscrew #8-32 x 1-1/2	
5	4360578	2	Switch, Limit	
6	4460968	2	Connector, Strain Relief	
7	0641604	2	Bolt 3/8 x 1/2	
8	91203039	2	Clamp (SN 0300233690 to Present)	
9	0100011	AR	Compound, Locking	
		Ref	VALVES INSTALLATIONS	
		Ref	Machines without LSS or with 4 Cell LSS:	
	1001156797	Ref	Valves Installation (SN 0300185828 through 0300194139)	C
	1001170134	Ref	Valves Installation (SN 0300194140 to Present)	F
		Ref	Machines with 1 Cell LSS:	
	1001219986	Ref	Valves Installation	B
101	0100011	AR	Compound, Locking	
102	0641416	2	Bolt 1/4-20 x 2	
102	0641418	2	Bolt 1/4 x 2-1/4	
104	0630467	AR	Screw 5/16 x 1/2	
105	0641507	4	Bolt 5/16 x 7/8	
111	3311405	2	Nut 1/4-20	
112	3311505	6	Nut 5/16	
115	4640929	1	Valve Assembly (Relief) (SN 0300185828 through 0300213730)	
115	1001200054	1	Valve Assembly (Relief) (SN 0300213731 to Present)	
115	7012970	1	Cartridge	
115	7012953	1	Seal Kit - 7012970 Cartridge	
116A	1670964	1	Cover (Machines without LSS or with 4 Cell LSS) (SN 0300194140 to Present)	
116B	1001207969	1	Cover (Machines with 1 Cell LSS)	
117	4711600	2	Washer 3/8	
118	4711400	4	Washer 1/4	
119	88261024	2	Screw 5/16 x 1	
120	4711500	AR	Washer 5/16	
121A	4846218	1	Bracket, Mounting (Machines without LSS or with 4 Cell LSS) (SN 0300194140 through 0300196955)	
121B	4341264	1	Bracket, Mounting (Machines without LSS or with 4 Cell LSS) (SN 0300196956 to Present)	
121C	1001208994	1	Bracket, Mounting (Machines with 1 Cell LSS)	
123	1001152565	1	Control Valve Assembly (See Items 501-512 for Breakdown) (SN 0300194140 to Present)	
126	3900283	2	Screw 3/8 x 3/4	
	0275733	Ref	TILT SENSOR INSTALLATION	B
401	0641408	2	Bolt 1/4-20 x 1	
402	0100048	AR	Grease, Dielectric	
403	3310605	3	Nut #6-32	
404	3930606	3	Screw #6-32	
405	3311405	2	Nut 1/4-20	
406	4751400	2	Washer 1/4	
407	1001094400	1	Sensor, Dual Axis	

SECTION 3 - BOOM

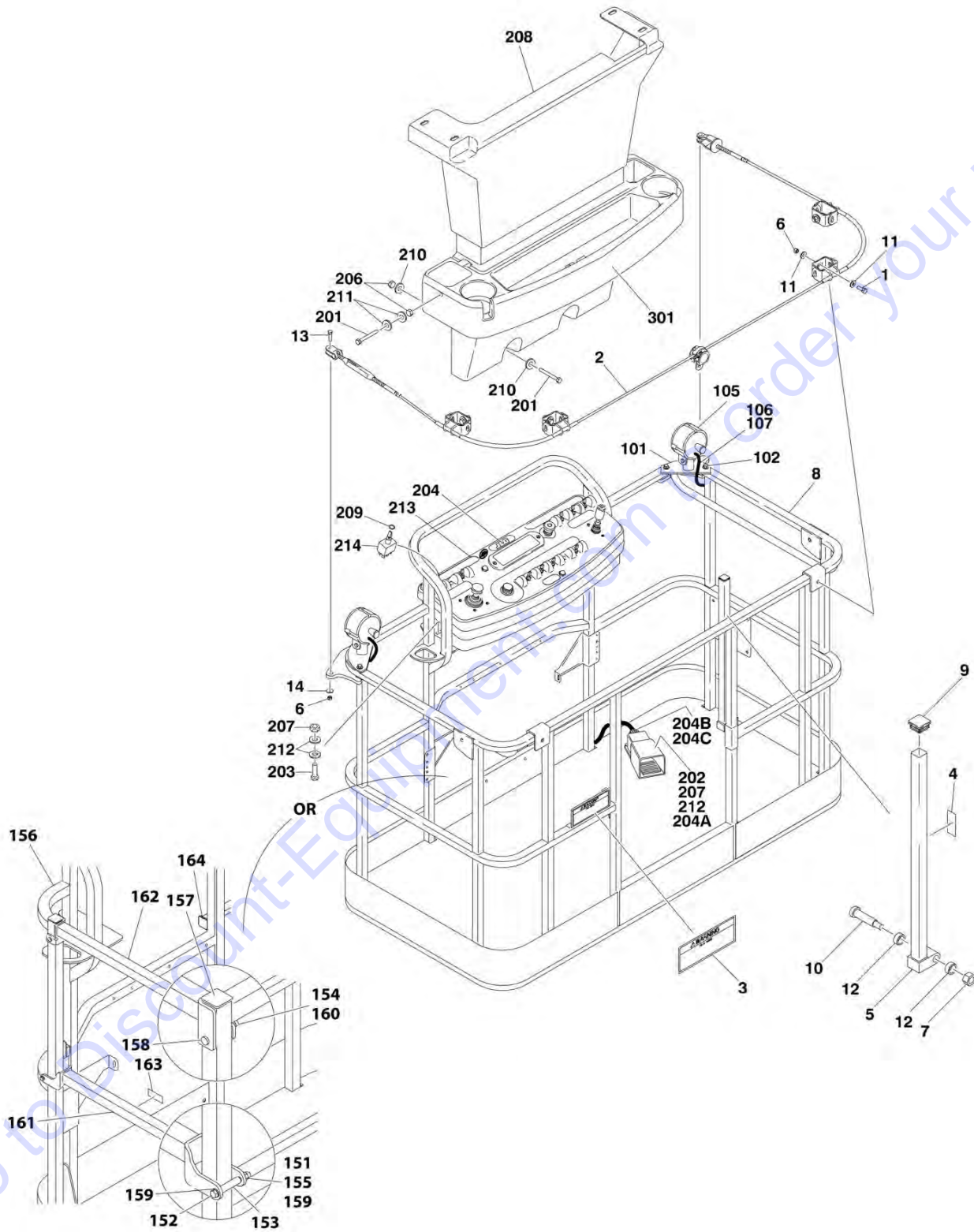
ITEM	PART NUMBER	QTY	DESCRIPTION	REV
408	1001096736	1	Bracket, Tilt Sensor	
409	1001153749	1	Bracket (SN 0300236625 to Present)	
410	1001200497	1	Connector - 3 Position (SN 0300236625 to Present)	
	1001152565	Ref	CONTROL VALVE ASSEMBLY (SN 0300194140 to Present)	C
501	7012989	1	Valve, Flow	
501	7012953	1	Seal Kit - 7012989 Valve	
502	7012965	1	Valve, Flow	
502	7012953	1	Seal Kit - 7012965 Valve	
503	70003790	1	Valve, Relief	
503	7021653	1	Seal Kit - 70003790 Valve	
504	7012914	2	Valve, Cartridge	
504	7012918	2	Seal Kit - 7012914 Valve	
505	7023911	1	Valve, Relief	
505	7012967	1	Seal Kit - 7023911 Valve	
506	7023912	1	Valve, Relief	
506	7012967	1	Seal Kit - 7023912 Valve	
507	7017452	1	Valve, Solenoid (Jib)	
507	7017402	2	Seal Kit - 7017452 Valve	
508	7017452	1	Valve, Solenoid (Platform Level)	
508	7017402	1	Seal Kit - 7017452 Valve	
509	7017452	1	Valve, Solenoid (Rotator)	
509	7017402	2	Seal Kit - 7017452 Valve	
510	70002386	6	Coil	
511	70002064	2	Plug, Orifice (Not Shown)	
512	7017406	2	Plug (Not Shown)	

SECTION 4 - PLATFORM

Go to Discount-Equipment.com to order your parts

SECTION 4 - PLATFORM

FIGURE 4-1. PLATFORM COMPONENTS INSTALLATION



SECTION 4 - PLATFORM

FIGURE 4-1. PLATFORM COMPONENTS INSTALLATION

ITEM	PART NUMBER	QTY	DESCRIPTION	REV
	3510884	Ref	PLATFORM ASSEMBLY WITH FALL ARREST (6FT) (ANSI SPECS) (SN 0300185828 through 0300186171)	F
	1001144597	Ref	PLATFORM ASSEMBLY WITH FALL ARREST (6FT) (ANSI SPECS) (SN 0300186172 through 0300201003)	D
	1001186333	Ref	PLATFORM ASSEMBLY WITH FALL ARREST (6FT) (ANSI SPECS) (SN 0300201004 to Present)	C
	1001182359	Ref	PLATFORM ASSEMBLY WITH FALL ARREST (6FT) (CE SPECS) (SN 0300194792 through 0300201003)	B
	1001186390	Ref	PLATFORM ASSEMBLY WITH FALL ARREST (6FT) (CE SPECS) (SN 0300201004 to Present)	D
		Ref	Note: Replacement Decals Must be purchased separately - See DECALS SECTION.	
1	0681822	4	Bolt 1/2-13 x 2-3/4 Grade 8	
2	1060919	NLA	Cable, Fall Arrest (Use p/n 1001203655) (SN 0300185828 through 0300214275)	
2	1001203655	1	Cable, Fall Arrest (6ft Platform) (SN 0300214276 to Present)	
3	1705014	1	Decal, Safety (ANSI Specs)	
3	1001182348	1	Decal, Safety (CE Specs)	
4	1706385	1	Decal, Drop Bar (ANSI Specs)	
4	1706493	1	Decal, Drop Bar (CE Specs)	
5	2410014	1	Drop Bar	
6	3271805	6	Nut 1/2-13 Grade 8	
7	3311605	1	Nut 3/8-16	
8	See Note	1	Platform (Note: Purchase Complete Platform Assembly)	
9	3520072	1	Cap, Plug	
10	3900054	1	Bolt 1/2- 13 x 1-3/4	
11	4751800	AR	Flatwasher 1/2in (Wide)	
12	0962270	2	Bearing	
13	0681814	2	Bolt 1/2-13 x 1-3/4 Grade 8	
14	4711800	AR	Washer 1/2	
	0273485	Ref	WORKLIGHTS INSTALLATION (OPTIONAL)	D
101	3536089	2	Plate, Mounting	
102	2080040	4	Fastener, Huck	
105	2920140	2	Worklight	
105	7016399	2	Bulb, Replacement (1 Per Worklight)	
106	4240099	10	Tie-Strap	
107	2820035	9	Loom, Vinyl	
109	4460598	1	Connector, Strain Relief (Not Shown - Located at Console Box)	
	1001228215	Ref	PLATFORM ASSEMBLY WITH DROP-BAR - 30IN X 3FT (76CM X 1M)	A
	1001228376	Ref	PLATFORM ASSEMBLY WITH 1 GATE / 2 DROP BARS (TRI-ENTRY) - 36IN X 6FT (91.5CM X 1.83M)	A
	1001228377	Ref	PLATFORM ASSEMBLY WITH 3 DROP BARS (TRI-ENTRY) - 36IN X 6FT (91.5CM X 1.83M)	A
		Ref	Note: For Platforms with Mesh, Platforms and Mesh must be ordered separately. See SPECIAL OPTIONS SECTION for Mesh Installations.	
		Ref	Note: Replacement Decals Must be Ordered Separately - See DECALS SECTION.	
151	0100011	AR	Compound, Locking	
152	0641418	2	Bolt 1/4 x 2-1/4	
153	0961845	2	Bushing	

SECTION 4 - PLATFORM

ITEM	PART NUMBER	QTY	DESCRIPTION	REV
154	3290606	2	Nut M6	
155	3300151	2	Nut, Acorn	
156	See Note	1	Platform (Note: Not Available - Purchase Complete Platform Assembly)	
157	3520198	2	Cap, Plug	
158	4010618	2	Screw M6 x 50	
159	4711400	4	Washer 1/4	
160	4811700	2	Washer M6	
161	1001138494	1	Bar, Drop (All except 30IN X 3FT (76CM X 1M) Platform)	
161	1001226872	1	Bar, Drop (30IN X 3FT (76CM X 1M) Platform)	
162	1001138514	1	Rail (Top)	
163	1001140429	1	Decal - Drop-Bar	
164	3520072	2	Cap, Plug	
	1001145904	Ref	CONSOLE BOX INSTALLATION WITHOUT SKYGUARD (MACHINES WITHOUT LSS OR WITH 4 CELL LSS) (SN 0300185828 through 0300194791)	C
	1001174448	Ref	CONSOLE BOX INSTALLATION WITHOUT SKYGUARD (MACHINES WITHOUT LSS OR WITH 4 CELL LSS) (SN 0300194792 through 0300226048)	C
	1001190114	Ref	CONSOLE BOX INSTALLATION WITH SKYGUARD (MACHINES WITHOUT LSS OR WITH 4 CELL LSS)	C
	1001221705	Ref	CONSOLE BOX ASSEMBLY (MACHINES WITH 1 CELL LSS) (Prior to SN 0300240507)	B
	1001241721	Ref	CONSOLE BOX ASSEMBLY (MACHINES WITH 1 CELL LSS) (SN 0300240507 to Present)	A
201	0641406	4	Bolt 1/4-20 x 3/4	
202	0641408	3	Bolt 1/4-20 x 1	
203	0641610	4	Bolt 3/8-16 x 1-1/4	
204		Ref	Platform Console Box Assembly (See PLATFORM CONSOLE ASSEMBLY for Breakdown)	
204		Ref	Machines without LSS or with 4 Cell LSS:	
204	1001145905	NLA	Platform Console Box Assembly (Use p/n 1001166677) (Without SkyGuard) (SN 0300185828 through 0300194175)	
204	1001166676	Ref	Platform Console Box Assembly (Without SkyGuard) (SN 0300194176 through 0300194791)	
204	1001174440	NLA	Platform Console Box Assembly (Use p/n 1001202583) (Without SkyGuard) (SN 0300194792 through 0300219553)	
204	1001202583	Ref	Platform Console Box Assembly (Without SkyGuard) (SN 0300219554 through 0300226048)	
204	1001190090	Ref	Platform Console Box Assembly (With SkyGuard) (SN 0300185828 through 0300219553)	
204	1001202579	Ref	Platform Console Box Assembly (With SkyGuard) (SN 0300219554 to Present)	
204		Ref	Machines with 1 Cell LSS:	
204	1001219982	Ref	Platform Console Assembly (Prior to SN 0300240507)	
204	1001241717	Ref	Platform Console Assembly (SN 0300240507 to Present)	
204A	1001117174	1	Footswitch Assembly (Includes Footswitch and Items 204B & 204C)	
204A	1001117172	1	Footswitch Less Cable	
204A	70002902	1	Switch, 20Amp	
204A	70002903	1	Gasket	
204A	70002904	4	Replacement Kit, Bolt	
204A	70002905	1	Cover, Aluminum	
204B	1060918	7 ft/ 2.14m	Cable, Electrical - 18/3	

SECTION 4 - PLATFORM

ITEM	PART NUMBER	QTY	DESCRIPTION	REV
204C	4460071	1	Connector, Strain Relief	
206	3311405	7	Nut 1/4-20	
207	3311605	4	Nut 3/8-16	
208	3380434	1	Panel, Decal Mount	
209	3790012	1	O-Ring	
210	4740362	7	Washer 1/4	
211	4751400	4	Washer 1/4	
212	4751600	8	Washer 3/8	
213	1702676	1	Decal - Horn	
214	4360331	1	Switch, Toggle	
		Ref	TRAY INSTALLATIONS (OPTIONAL)	
301	1580012	1	Tray, Storage (Center)	

Go to Discount-Equipment.com to order your parts

SECTION 4 - PLATFORM

FIGURE 4-2. PLATFORM CONSOLE ASSEMBLY (WITHOUT SKYGUARD)

ITEM	PART NUMBER	QTY	DESCRIPTION	REV
		Ref	CONSOLE BOX ASSEMBLY (WITHOUT SKYGUARD)	
	1001145905	Ref	Console Box Assembly (SN 0300185828 through 0300194175)	B
	1001166676	Ref	Console Box Assembly (SN 0300194176 through 0300194791)	A
	1001174440	Ref	Console Box Assembly (SN 0300194792 through 0300219553)	C
	1001202583	Ref	Console Box Assembly (SN 0300219554 to Present)	C
1	0100009	AR	Sealant	
2	0100035	AR	Compound, Locking	
3	0100048	AR	Grease, Dielectric	
4	0100081	AR	Adhesive	
5	0140011	1	Alarm	
7	0630464	2	Screw, Button Head #10-24NC x 1/2in	
8	0641404	4	Bolt 1/4-20 x 1/2	
9	0641414	4	Bolt 1/4-20 x 1-3/4	
10	0861537	1	Box, Console (See Items 201-206 for Breakdown) (SN 0300185828 through 0300219553)	
10	1001201890	1	Box, Console (See Items 201-206 for Breakdown) (SN 0300219554 to Present)	
11		Ref	Bracket, Card Support Options:	
11	0902751	NLA	Bracket, Support (Use p/n 1001172760) (SN 0300185828 through 0300194175)	
11	1001172760	4	Bracket, Support (SN 0300194176 to Present)	
12		Ref	Controller Assembly - Swing and Lift (See CONTROLLER ASSEMBLY - SWING AND LIFT for Breakdown)	
	1001118417	NLA	Controller Assembly - Lift and Swing (Use p/n 1001129555) (SN 0300185828 through 0300194175)	
	1001166539	NLA	Controller Assembly - Lift and Swing (Use p/n 1001129555) (SN 0300194176 to Present)	
13		Ref	Controller Assembly - Drive and Steer (See CONTROLLER ASSEMBLY - DRIVE AND STEER for Breakdown)	
	1001118416	NLA	Controller Assembly - Drive and Steer (Use p/n 1001212415) (SN 0300185828 through 0300194175)	
	1001166538	NLA	Controller Assembly - Drive and Steer (Use p/n 1001212415) (SN 0300194176 to Present)	
14	1001106355	1	Controller, Module (Re-calibration Required when Replaced) (SN 0300185828 through 0300194791)	
14	1001106938	1	Controller, Module (Re-calibration Required when Replaced) (SN 0300194792 to Present)	
15	1670829	1	Bezel	
16	1001110434	1	Plug	
17	1702565	1	Decal (Drive and Steer)	
18	1702566	1	Decal (Lift and Swing)	
19	1702567	1	Decal (Function Speed)	
20	1704260	1	Decal - EMS	
21	1705132	1	Decal - ADE (SN 0300185828 through 0300194175)	
22	2560136	1	Handle, Knob	
23	2760105	1	Housing, Display Light	
24	3300353	4	Nut, Tinnerman	
25	3520054	AR	Plug, Hole	
26		Ref	Switch, Toggle Options:	
	4360328	5	Switch, Toggle (SN 0300185828 through 0300194175)	
	1001155045	5	Switch, Toggle (SN 0300194176 to Present)	
27		Ref	Switch, Toggle Options:	

SECTION 4 - PLATFORM

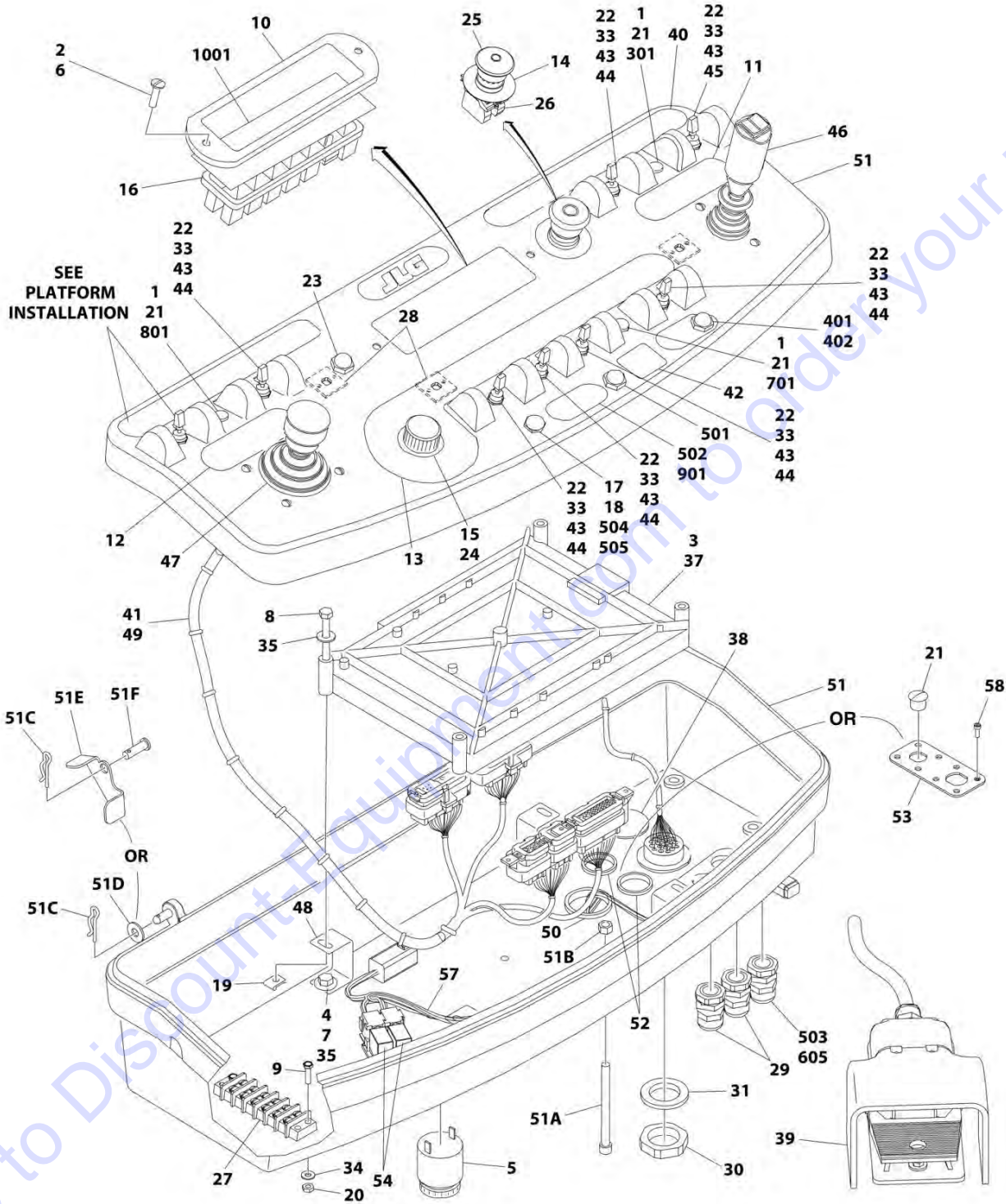
ITEM	PART NUMBER	QTY	DESCRIPTION	REV
	4360330	1	Switch, Toggle (SN 0300185828 through 0300194175)	
	1001159256	1	Switch, Toggle (SN 0300194176 to Present)	
28	4360387	1	Switch, Pushbutton	
29	4360407	1	Controller, Speed	
29	See Note	1	Gasket "Top Hat" (Included with Switch) (Note: Not Available for Purchase)	
29	70003784	1	Seal	
30	4360475	1	Switch, Emergency Stop	
30	7020175	1	Cap, Red	
30	7020176	1	Contact Block	
31	4360476	1	Block, Contact	
32	4460234	3	Tie-Strap (Not Shown)	
33	4460428	2	Connector, Strain Relief	
34	4460470	1	Nut	
35	4460471	1	Washer	
36	4460488	1	Base, Mounting (Not Shown)	
37	4460708	2	Terminal, 15 Pin (Not Shown - See ELECTRICAL SECTION for Location)	
38	4460905	5	Plug, Seal (Not Shown - See ELECTRICAL SECTION for Location)	
39	4751400	8	Washer 1/4	
40	4922666	1	Harness, Analyzer Cable (Not Shown - See ELECTRICAL SECTION for Breakdown)	
41	1001131168	1	Decal (Stop)	
42	1001107753	1	Harness, Platform Box (Not Shown - See ELECTRICAL SECTION for Breakdown)	
43	3790012	AR	O-Ring	
44	4740397	AR	Washer, Spacer	
45	1001155044	6	Nut, Special	
46	0721006	2	Screw #10-24 x 3/4 (SN 0300194792 to Present)	
47	3311005	2	Nut #10-24 (SN 0300194792 to Present)	
48	4460007	1	Buss, Bar (SN 0300194792 to Present)	
49	4751000	2	Washer #10 (SN 0300194792 to Present)	
50	1001139135	1	Platform Valve Harness (Not Shown - See ELECTRICAL SECTION for Breakdown) (SN 0300194792 to Present)	
51	3520033	2	Plug (SN 0300219554 through 0300224293)	
51	1001220486	2	Plug (SN 0300224294 to Present)	
52	3520035	1	Plug (SN 0300219554 to Present)	
	0861537	Ref	CONSOLE BOX ASSEMBLY (SN 0300185828 through 0300219553)	I
	1001201890	Ref	CONSOLE BOX ASSEMBLY (SN 0300219554 to Present)	B
201	See Note	NSS	Console Bottom (Note: Not Available for Purchase)	
202	See Note	NSS	Console Top (Note: Not Available for Purchase)	
203	3311601	1	Nut 3/8-16	
204	3470003	2	Pin, Hair	
205	0630568	1	Screw 3/8-16 x 4-1/2	
206	4711500	AR	Washer 5/16	
206	4711600	AR	Washer 3/8	
207	1001200575	2	Bracket (SN 0300185828 through 0300219553)	
208	3430616	2	Pin (SN 0300219554 to Present)	
	1001156467	Ref	DUAL FUEL SWITCH INSTALLATION (GM ENGINES WITHOUT ARCTIC PACKAGE ONLY)	B
	1001156469	Ref	DUAL FUEL SWITCH INSTALLATION (GM ENGINES WITH	B

SECTION 4 - PLATFORM

ITEM	PART NUMBER	QTY	DESCRIPTION	REV
301	4360336	1	ARCTIC PACKAGE ONLY) Switch, Toggle	
301	3790012	1	O-Ring	
	0271768	Ref	HEAD AND TAIL LIGHTS INSTALLATION (OPTIONAL)	E
401	4360522	1	Switch, Push Button	
402	1705170	1	Decal - Lights	
	1001108256	Ref	SOFT TOUCH SYSTEM INSTALLATION (OPTIONAL)	A
501	4360387	1	Switch, Push Button	
502	1702938	1	Decal - Soft Touch Override	
503	4460425	1	Connector, Strain Relief	
504	2920028	1	Lamp, Indicator	
505	2920029	1	Bulb	
	0273485	Ref	PLATFORM WORKLIGHT INSTALLATION (OPTIONAL)	D
601	4460426	1	Connector, Strain Relief	
	0271340	Ref	JIB SWITCH INSTALLATION	1
701	4360328	1	Switch, Toggle	
701	3790012	1	O-Ring	
	0258945	Ref	STEER SWITCH (4WS) INSTALLATION	1
801	4360331	1	Switch, Toggle	
801	3790012	1	O-Ring	
	1001108763	Ref	LIGHT PANEL DECAL INSTALLATION - ANSI, AUSTRALIAN, CSA AND JAPANESE SPECS	A
	1001108764	Ref	LIGHT PANEL DECAL INSTALLATION - CE SPEC	A
1001	1001107927		Decal - Light Panel Display (ANSI, Australian and CSA Specs)	
1001	1001107926		Decal - Light Panel Display (CE Spec)	

SECTION 4 - PLATFORM

FIGURE 4-3. PLATFORM CONSOLE ASSEMBLY (WITH SKYGUARD)



ART_T001190090

SECTION 4 - PLATFORM

FIGURE 4-3. PLATFORM CONSOLE ASSEMBLY (WITH SKYGUARD)

ITEM	PART NUMBER	QTY	DESCRIPTION	REV
	1001190090	Ref	PLATFORM CONSOLE ASSEMBLY (WITH SKYGUARD) (MACHINES WITHOUT LSS OR WITH 4 CELL LSS) (SN 0300185828 through 0300219553)	C
	1001202579	Ref	PLATFORM CONSOLE ASSEMBLY (WITH SKYGUARD) (MACHINES WITHOUT LSS OR WITH 4 CELL LSS) (SN 0300219554 to Present)	D
	1001219982	Ref	PLATFORM CONSOLE ASSEMBLY - WITH SKYGUARD (WITH 1 CELL LSS) (Prior to SN 0300240507)	C
	1001241717	Ref	PLATFORM CONSOLE ASSEMBLY - WITH SKYGUARD (WITH 1 CELL LSS) (SN 0300240507 to Present)	A
1	0100009	AR	Sealant	
2	0100035	AR	Compound, Locking	
3	0100048	AR	Grease, Dielectric	
4	0100081	AR	Adhesive	
5	0140011	1	Alarm	
6	0630464	2	Screw #10 x 3/4	
7	0641404	4	Bolt 1/4 x 1/2	
8	0641414	4	Bolt 1/4 x 1-3/4	
9	0721006	2	Screw #10 x 3/4	
10	1670829	1	Bezel	
11	1702565	1	Decal - Drive and Steer	
12	1702566	1	Decal - Lift and Swing	
13	1702567	1	Decal - Function Speed	
14	1704260	1	Decal, Emergency Stop	
15	2560136	1	Knob	
16	2760105	1	Fixture, Light	
17	2920028	1	Light, Indicator	
18	2920029	1	Lamp, Bulb	
19	3300353	4	Nut, Tinnerman	
20	3311005	2	Nut #10	
21	3520054	AR	Plug, Hole	
22	3790012	7	O-Ring	
23	4360387	2	Switch, Push Button	
24	4360407	1	Switch, Flow Control	
24	See Note	1	Gasket "Top Hat" (Included with Switch) (Note: Not Available for Purchase)	
24	70003784	1	Seal	
25	4360475	1	Switch, Emergency Stop	
25	7020175	1	Cap, Red	
25	7020176	1	Block, Contact	
26	4360476	1	Switch, Contact	
27	4460007	1	Bussbar	
28	4460234	3	Mount Cable, Tie	
29	4460428	2	Connector, Strain Relief	
30	4460470	1	Terminal, Nut	
31	4460471	1	Terminal, Washer	
32	4460708	2	Connector - 15 Position (Not Shown)	
33	4740397	6	Spacer, Washer	
34	4751000	2	Washer #10	
35	4751400	8	Washer 1/4	
36	4922666	1	Harness, Analyzer Cable (Not Shown - See ELECTRICAL	

SECTION 4 - PLATFORM

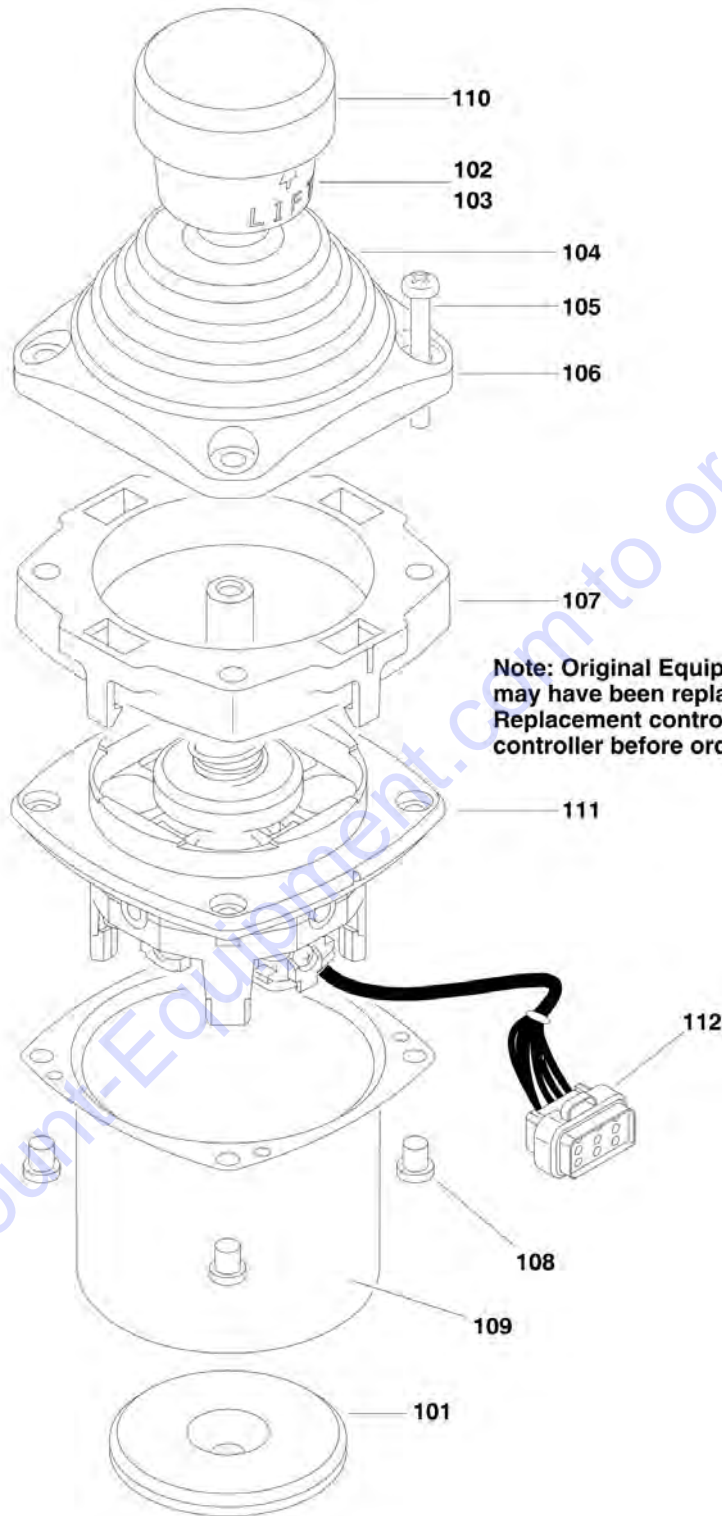
ITEM	PART NUMBER	QTY	DESCRIPTION	REV
			SECTION for Breakdown)	
37	1001106938	1	Module, Control	
38	1001110434	1	Plug, Hole	
39	1001117174	1	Footswitch Assembly	
39	1001117172	1	Footswitch	
39	70002902	1	Block, Contact for 1001117172 Footswitch	
39	70002903	1	Gasket for 1001117172 Footswitch	
39	70002905	1	Cover for 1001117172 Footswitch	
39	70002904	1	Bolt Replacement Kit for 1001117172 Footswitch	
39	1060918	7 ft/ 2.14m	Cable, Electrical - 18/3	
39	4460042	3	Terminal, Ring (Not Shown)	
39	4460464	1	Pin, Male	
39	4460226	2	Socket, Contact	
39	4460071	1	Connector, Strain Relief	
39	0100020	AR	Sealant	
40	1001131168	1	Decal - Stop	
41	1001139135	1	Harness, Platform Valve (See ELECTRICAL SECTION for Breakdown)	
42	1001144433	1	Decal - No Weight SkyGuard	
43	1001155044	6	Nut 15/32	
44	1001155045	5	Switch, Toggle	
45	1001159256	1	Switch, Toggle	
46	1001166538	NLA	Controller Drive/Steer (Use p/n 1001212415) (See CONTROLLER ASSEMBLY (DRIVE AND STEER) for Breakdown)	
47	1001166539	NLA	Controller Lift/Swing (Use p/n 1001129555) (See CONTROLLER ASSEMBLY (LIFT AND SWING) for Breakdown)	
48	1001172760	4	Bracket	
49	1001185280	1	Harness, Console Box (Machines without LSS or with 4 Cell LSS) (See ELECTRICAL SECTION for Breakdown)	
49	1001220281	1	Harness, Console Box (Machines with 1 Cell LSS) (See ELECTRICAL SECTION for Breakdown)	
50	1001185281	1	Plug	
51	1001189116	NLA	Console Box Assembly (Use p/n 1001201891) (Machines without LSS or with 4 Cell LSS) (SN 0300185828 through 0300219553)	D
51	1001201891	1	Console Box Assembly (Machines without LSS or with 4 Cell LSS) (SN 0300219554 to Present)	B
51	1001215228	1	Console Box Assembly (Machines with 1 Cell LSS)	A
51A	0630568	1	Screw 3/8in-16NC x 4-1/2in	
51B	3311601	1	Nut 3/8in-16NC	
51C	3470003	2	Hairpin	
51D	4711500	AR	Washer 5/16	
51D	4711600	AR	Washer 3/8	
51E	1001200575	2	Bracket	
51F	3430616	2	Pin (SN 0300219554 to Present)	
52	3520033	2	Plug (SN 0300219554 through 0300224293)	
52	1001220486	2	Plug (SN 0300224294 to Present)	
53	1001213882	1	Mount (Machines with 1 Cell LSS)	
54	1001186431	2	Relay (Machines with 1 Cell LSS)	
54	4240032	AR	Tie-Strap	
54	4460488	AR	Mount, Tie-Strap	
57	1001225580	1	Interface Harness (Machines with 1 Cell LSS)	
58	3900349	AR	Capscrew M2.5	

SECTION 4 - PLATFORM

ITEM	PART NUMBER	QTY	DESCRIPTION	REV
	1001156467	Ref	DUAL FUEL SWITCH INSTALLATION (GM ENGINES ONLY)	B
301	4360336	1	Switch, Toggle	
301	3790012	1	O-Ring	
	0271768	Ref	HEAD AND TAILLIGHTS INSTALLATION WITH ABS HOODS (OPTIONAL)	E
	1001164786	Ref	HEAD AND TAILLIGHTS INSTALLATION WITH STEEL HOODS (OPTIONAL)	B
401	4360522	1	Switch, Push Button	
402	1705170	1	Decal - Lights	
	1001108256	Ref	SOFT TOUCH SYSTEM INSTALLATION - 6FT/1.83M FALL ARREST PLATFORM (OPTIONAL)	A
501	4360387	1	Switch, Push Button	
502	1702938	1	Decal - Soft Touch Override	
503	4460425	1	Connector, Strain Relief	
504	2920028	1	Lamp, Indicator	
505	2920029	1	Bulb, Light	
	0273485	Ref	PLATFORM WORKLIGHTS INSTALLATION (OPTIONAL)	D
605	4460426	1	Connector, Strain Relief	
	0271340	Ref	JIB SWITCH INSTALLATION (800AJ ONLY)	1
701	4360328	1	Switch, Toggle	
701	3790012	1	O-Ring	
	0258945	Ref	STEER SWITCH (4WS) INSTALLATION (OPTIONAL)	A
801	4360331	1	Switch, Toggle	
801	3790012	1	O-Ring	
		Ref	SKYGUARD OVERRIDE DECALS INSTALLATION	
901	1001141300	1	Decal - SkyGuard Override	
901	1001141302	1	Decal - SkyGuard Override with Soft Touch	
	1001108763	Ref	LIGHT PANEL DECAL INSTALLATION - ANSI, AUSTRALIAN AND CSA SPECS	A
	1001108764	Ref	LIGHT PANEL DECAL INSTALLATION - CE AND JAPANESE SPECS	A
1001	1001107927	1	Decal - Light Panel Display (ANSI, Australian and CSA Specs)	
1001	1001107926	1	Decal - Light Panel Display (CE Specs)	

SECTION 4 - PLATFORM

FIGURE 4-4. CONTROLLER ASSEMBLY - SWING AND LIFT (SN 0300185828 through 0300194175)



SECTION 4 - PLATFORM

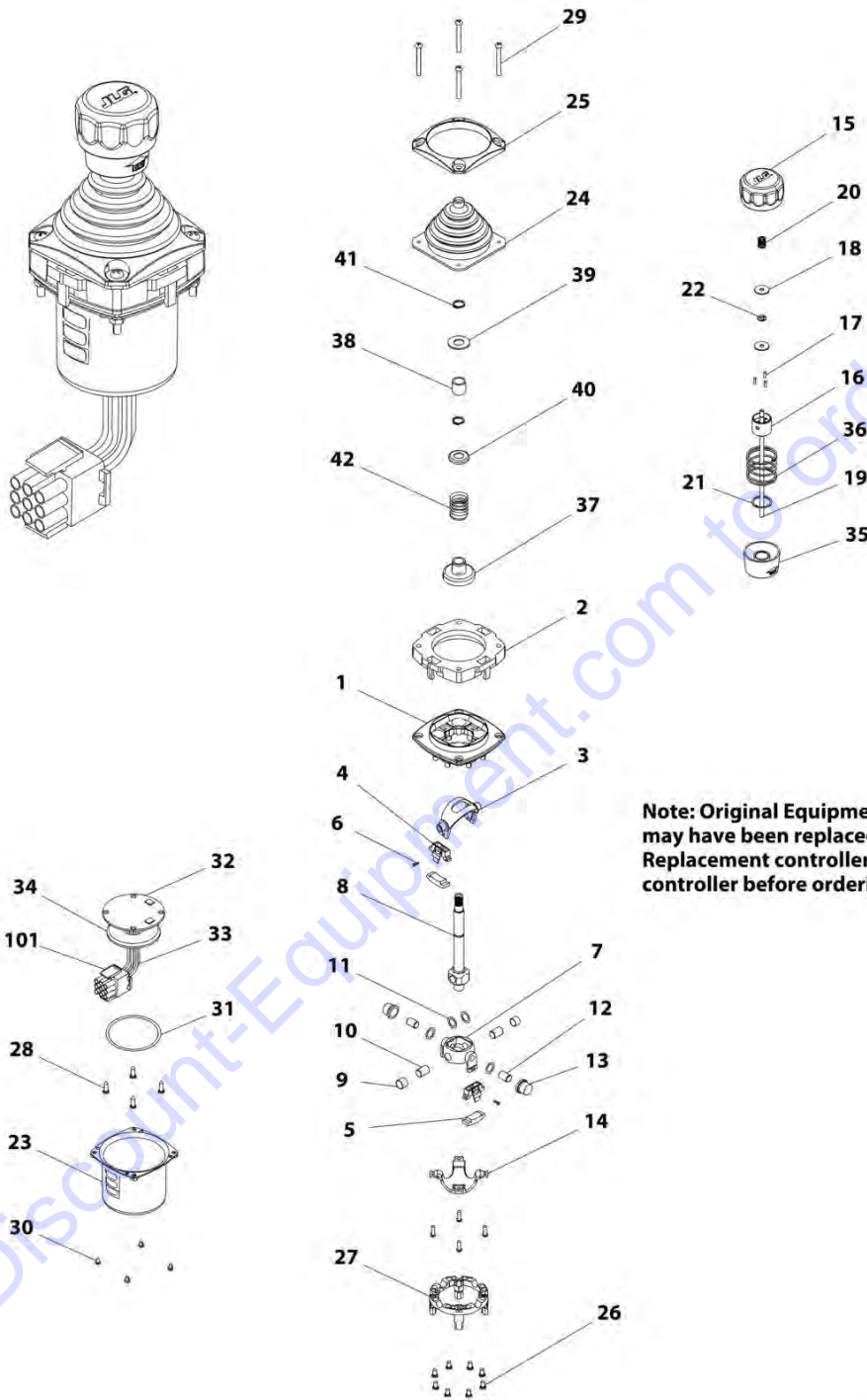
FIGURE 4-4. CONTROLLER ASSEMBLY - SWING AND LIFT (SN 0300185828 through 0300194175)

ITEM	PART NUMBER	QTY	DESCRIPTION	REV
		Ref	Note: Original Equipment controller may have been replaced with a Service Replacement controller. Visually identify controller before ordering parts.	
	1001118417	Ref	CONTROLLER ASSEMBLY (SN 0300185828 through 0300194175)	E
		Ref	Note: Use p/n 1001129555 as Replacement.	
101	70002730	1	Gasket	
102	7003928	1	Spring	
103	7022808	1	Cap, Lift	
104	70002731	1	Boot	
105	70002732	4	Screw	
106	7022815	1	Bezel	
107	70002733	1	Adapter	
108	70002734	4	Screw	
109	70002735	1	Can, Enclosure	
110	70002906	1	Cap	
111	See Note	1	Mechanical Assembly (Note: Not Available - Purchase Complete Assembly)	
112	7022819	1	Plug, Male 8 Position (Natural)	
112	4460871	6	Socket, Female	

Go to Discount-Equipment.com to order your parts

SECTION 4 - PLATFORM

FIGURE 4-5. CONTROLLER ASSEMBLY - SWING AND LIFT (SN 0300194176 to Present)



Note: Original Equipment controller may have been replaced with a Service Replacement controller. Visually identify controller before ordering parts.

ART_1001166539

SECTION 4 - PLATFORM

FIGURE 4-5. CONTROLLER ASSEMBLY - SWING AND LIFT (SN 0300194176 to Present)

ITEM	PART NUMBER	QTY	DESCRIPTION	REV
		Ref	Note: Original Equipment controller may have been replaced with a Service Replacement controller. Visually identify controller before ordering parts.	
	1001166539	Ref	CONTROLLER ASSEMBLY - SWING AND LIFT (SN 0300194176 to Present)	D
		Ref	Note: Use p/n 1001129555 as replacement.	
1	See Note	1	Main Cast Body (Note: Not Available - Purchase Complete Assembly)	
2	70004752	1	Adapter	
3	See Note	1	Pivot Arm, Plastic (Note: Not Available - Purchase Complete Assembly)	
4	See Note	2	Holder, Magnet (Note: Not Available - Purchase Complete Assembly)	
5	See Note	2	Arc, Magnet (Note: Not Available - Purchase Complete Assembly)	
6	See Note	2	Screw (Note: Not Available for Purchase)	
7	See Note	1	Pivot Arm, Cast (Note: Not Available - Purchase Complete Assembly)	
8	See Note	1	Shaft, Main (Note: Not Available - Purchase Complete Assembly)	
9	See Note	2	Bearing (Note: Not Available - Purchase Complete Assembly)	
10	See Note	2	Pin (Note: Not Available - Purchase Complete Assembly)	
11	See Note	4	Shim (Note: Not Available - Purchase Complete Assembly)	
12	See Note	2	Pin (Note: Not Available - Purchase Complete Assembly)	
13	See Note	2	Bearing (Note: Not Available - Purchase Complete Assembly)	
14	See Note	1	Dome, Centering (Note: Not Available - Purchase Complete Assembly)	
15	70004753	1	Cap	
16	70004754	1	Insert, Cap	
17	70004755	3	Pin	
18	70004756	2	Washer	
19	70004757	1	Pin, Centering	
20	70004758	1	Spring	
21	70004759	1	Ring, Retaining	
22	70004760	1	E-Ring	
23	70004761	1	Can, Enclosure	
24	70004762	1	Boot	
25	70004763	1	Bezel	
26	See Note	8	Screw (Note: Not Available for Purchase)	
27	See Note	1	Base Mounting (Note: Not Available - Purchase Complete Assembly)	
28	See Note	4	Screw (Note: Not Available for Purchase)	
29	70004764	4	Screw	
30	70004765	4	Screw	
31	70004766	1	O-Ring	
32	See Note	1	Plate (Note: Not Available - Purchase Complete Assembly)	
33	See Note	1	Harness (Note: Not Available - Purchase Complete Assembly)	
34	70004767	1	Grommet, Rubber	
35	70004768	1	Housing	
36	70004769	1	Spring	
37	70004770	1	Stopper	
38	70004771	1	Spacer	
39	70004772	1	Washer	

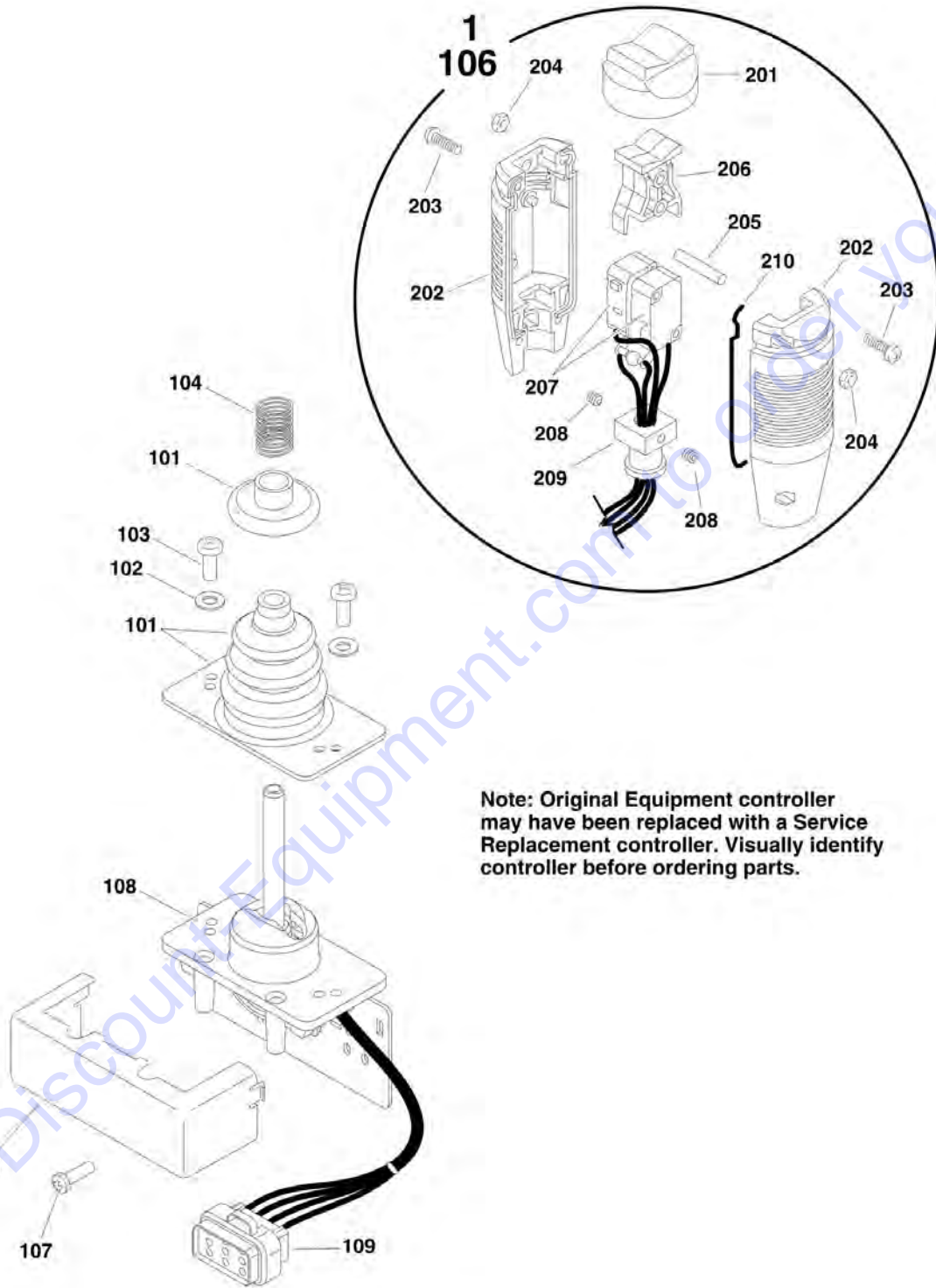
SECTION 4 - PLATFORM

ITEM	PART NUMBER	QTY	DESCRIPTION	REV
40	70004773	1	Disc	
41	70004774	2	Ring, Retaining	
42	70004775	1	Spring	
101	4460265	1	Connector - 9 Position	
101	4460226	6	Socket, Female	

Go to Discount-Equipment.com to order your parts

SECTION 4 - PLATFORM

FIGURE 4-6. CONTROLLER ASSEMBLY - DRIVE AND STEER (SN 0300185828 through 0300194175)



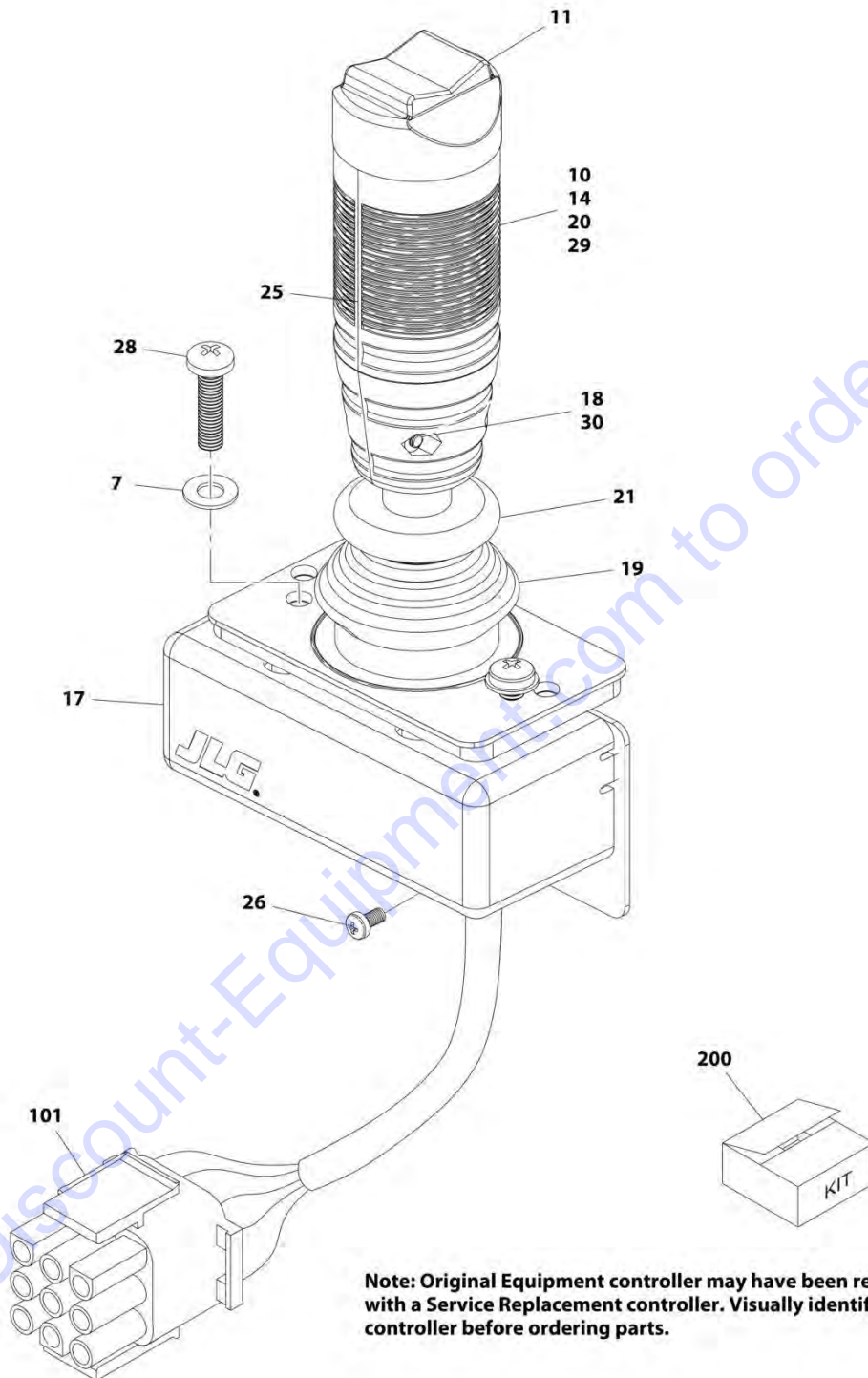
SECTION 4 - PLATFORM

FIGURE 4-6. CONTROLLER ASSEMBLY - DRIVE AND STEER (SN 0300185828 through 0300194175)

ITEM	PART NUMBER	QTY	DESCRIPTION	REV
		Ref	Note: Original Equipment controller may have been replaced with a Service Replacement controller. Visually identify controller before ordering parts.	
	1001118416	Ref	CONTROLLER ASSEMBLY (SN 0300185828 through 0300194175)	D
		Ref	Note: Use p/n 1001212415 as Replacement.	
101	70002724	1	Boot and Control Lock Assembly	
102	7003941	2	Washer	
103	70002725	2	Screw	
104	7019162	1	Spring	
105	70002726	1	Enclosure	
106	70002727	1	Handle Assembly (See Items 201-210 for Breakdown)	
107	70002728	1	Screw	
108	See Note	1	Mechanical Assembly (Note: Not Available - Purchase Complete Assembly)	
109	1001113961	1	Plug, Male - 8 Position (Black) (was p/n 7022825)	
109	4460871	7	Socket, Female	
	70002727	Ref	HANDLE ASSEMBLY	
201	7003972	1	Boot, Switch	
202	7003973	2	Half, Handle	
203	7003980	4	Screw	
204	7019167	4	Nut	
205	7019164	1	Axle	
206	7019165	1	Rocker	
207	70002729	1	Wiring Assembly	
207	7003982	2	Switch, Micro	
208	7003983	2	Setscrew	
209	7019194	1	Coupling	
210	7003989	2	Gasket	

SECTION 4 - PLATFORM

FIGURE 4-7. CONTROLLER ASSEMBLY - DRIVE AND STEER (SN 0300194176 to Present)



ART_1001166538

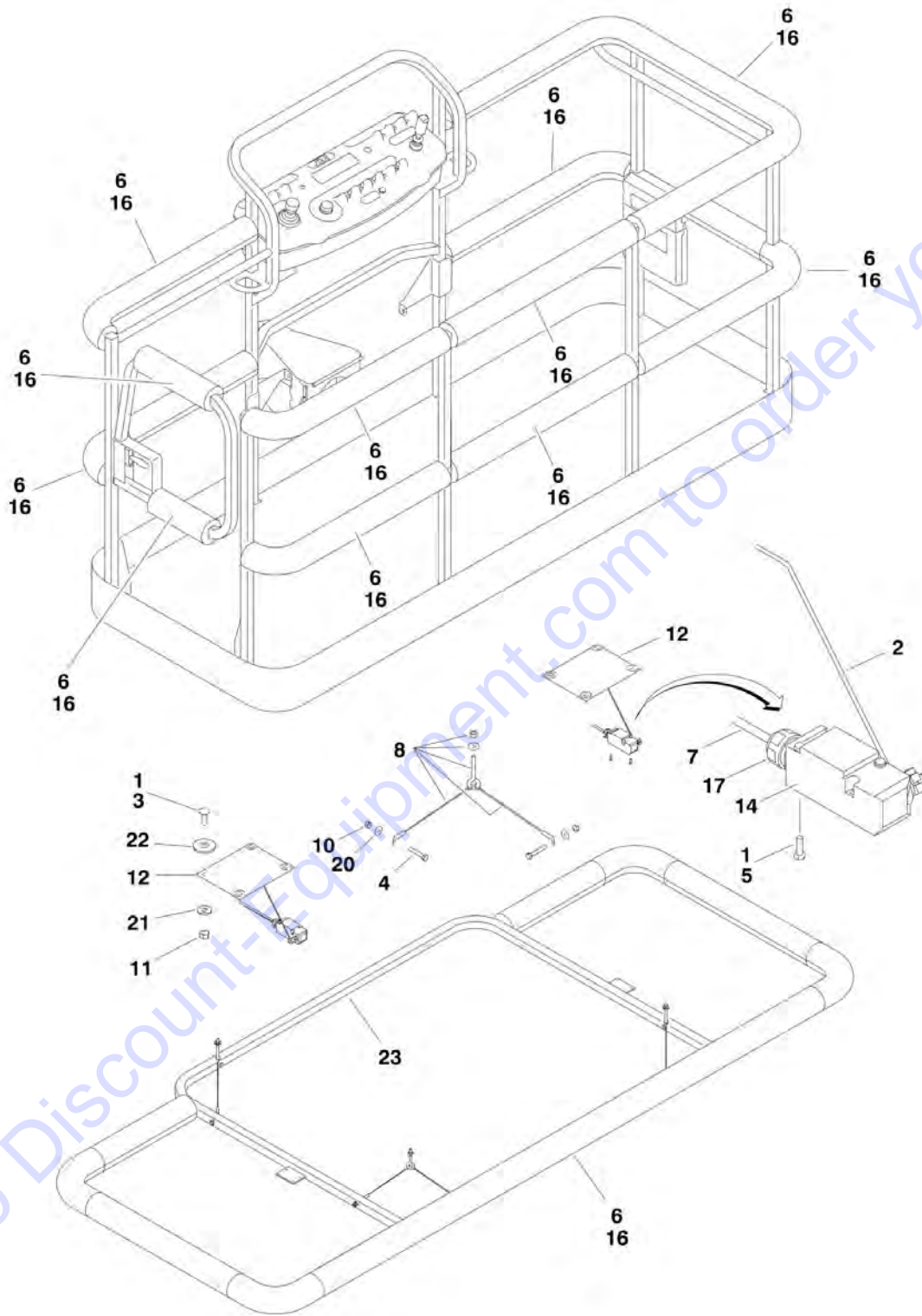
SECTION 4 - PLATFORM

FIGURE 4-7. CONTROLLER ASSEMBLY - DRIVE AND STEER (SN 0300194176 to Present)

ITEM	PART NUMBER	QTY	DESCRIPTION	REV
		Ref	Note: Original Equipment controller may have been replaced with a Service Replacement controller. Visually identify controller before ordering parts.	
	1001166538	Ref	CONTROLLER ASSEMBLY - DRIVE AND STEER (SN 0300194176 to Present)	G
		Ref	Note: Use p/n 1001212415 as Replacement.	
7	70004738	2	Washer	
10	70004739	1	Roller	
11	70004740	1	Boot, Switch	
14	70004741	2	Half, Handle	
17	70004742	1	Enclosure	
18	70004743	4	Nut	
19	70004744	NLA	Boot, Controller (Use Item 200)	
20	70004745	NLA	Tube, Locking (Use Item 200)	
21	70004746	NLA	Disc, Locking (Use Item 200)	
25	70004747	2	Seal, Rope	
26	70004748	1	Screw, M3 x 6mm	
28	70004749	2	Screw, M5 x 20mm	
29	70004750	1	Pin, Dowel	
30	70004751	4	Screw, M3 x 16mm	
101	4460265	1	Connector - 9 Position	
101	4460226	7	Socket, Female	
200	70005230	1	Boot Kit (Includes Items 19-21)	

SECTION 4 - PLATFORM

FIGURE 4-8. SOFT TOUCH SYSTEM INSTALLATION (OPTIONAL)



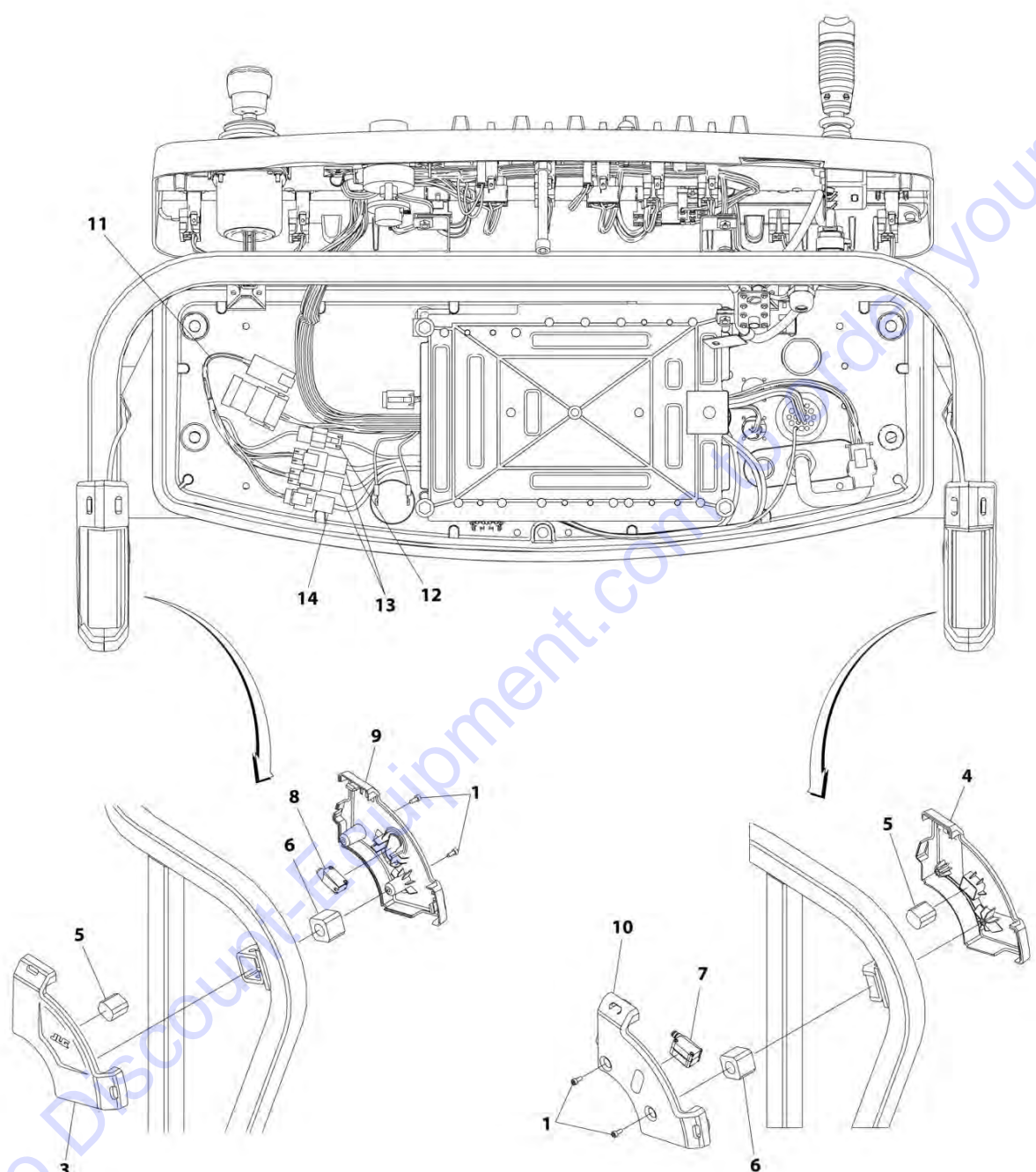
SECTION 4 - PLATFORM

FIGURE 4-8. SOFT TOUCH SYSTEM INSTALLATION (OPTIONAL)

ITEM	PART NUMBER	QTY	DESCRIPTION	REV
	1001108256	Ref	SOFT TOUCH SYSTEM INSTALLATION (FALL ARREST)	A
1	0100011	AR	Compound, Locking	
2	0200048	2	Arm, Switch Activator	
3	0630462	8	Bolt	
4	0641414	8	Bolt 1/4-20 x 1-3/4	
5	0731005	4	Screw #10-32 x 5/8	
6	0940177	1	Bumper Kit	
7	1060341	23 ft/7.0m	Cable, Electrical - 16/2	
8	1060903	4	Wire Rope and Eyebolt Assembly	
9	1702938	1	Decal, Soft Touch Override (Not Shown - Located on Platform Box)	
10	3311401	8	Nut 1/4-20	
11	3311501	8	Nut 5/16-18	
12	3575359	2	Plate, Striker	
13	4240099	7	Tie-Strap (Not Shown)	
14	4360057	2	Switch, Limit	
15	4360387	1	Switch, Push Button (Not Shown - Located on Platform Box)	
16	4420068	1	Tape, Yellow Adhesive	
17	4460049	2	Connector, Strain Relief	
18	4460234	AR	Base, Tie-Strap Mounting (Not Shown)	
19	4460425	1	Connector, Strain Relief (Not Shown - Located in Platform Box)	
20	4751400	8	Washer 1/4	
21	4751500	9	Washer 5/16	
22	4751800	8	Washer 1/2	
23	3641569	1	Rail, Soft Touch	
25	2920028	1	Lamp, Indicator (Not Shown - Located on Platform Box)	
26	2920029	1	Bulb (Not Shown - Located on Platform Box)	

SECTION 4 - PLATFORM

FIGURE 4-9. SKYEYE INSTALLATION



ART_1001229341

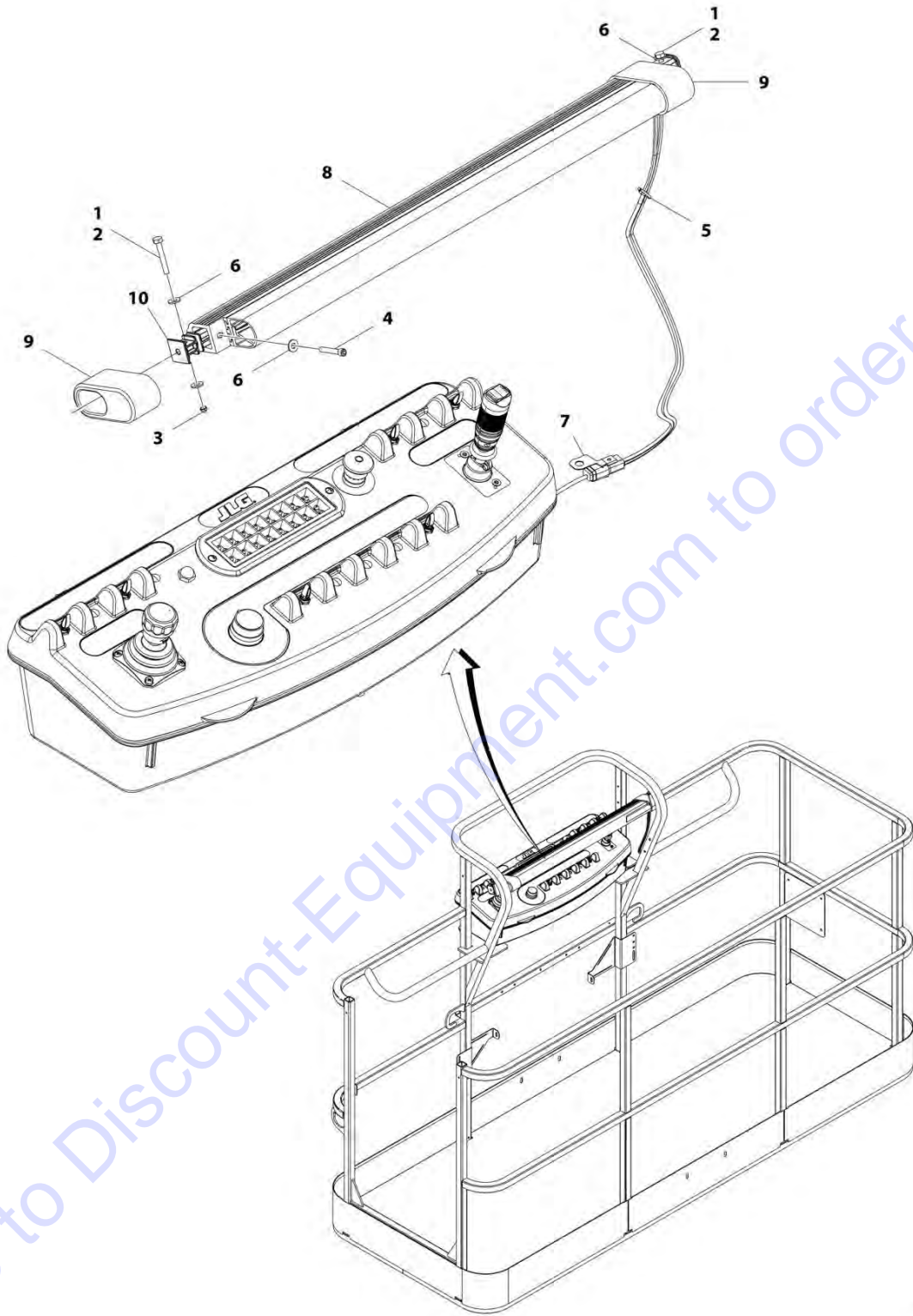
SECTION 4 - PLATFORM

FIGURE 4-9. SKYEYE INSTALLATION

ITEM	PART NUMBER	QTY	DESCRIPTION	REV
	1001229341	Ref	SKYEYE INSTALLATION	A
1	4031505	4	Bolt M4 x 10	
2	4240033	AR	Tie-Strap (Not Shown)	
3	1001227633	1	Housing, LH Outer	
4	1001227634	1	Housing, RH Outer	
5	1001227985	2	Shim	
6	1001227987	2	Shim	
7	1001228224	2	Sensor, Receiver	
8	1001228225	1	Sensor, Emitter	
9	1001232164	1	Housing, LH Inner	
10	1001232165	1	Housing, RH Inner	
11	1001237865	1	Harness, Skyeeye Intermediate (See Separate Breakdown in ELECTRICAL SECTION)	
12	1001238319	1	Harness, Skyeeye Drain Jumper	
12	1001187674	1	Plug, Male - 2 Position	
12	4460942	1	Terminal	
12	4460466	1	Plug, Terminal	
12	4460508	1	Pin, Male	
13	1001237863	2	Harness, Skyeeye Receiver (See Separate Breakdown in ELECTRICAL SECTION)	
14	1001237864	1	Harness, Skyeeye Emitter (See Separate Breakdown in ELECTRICAL SECTION)	

SECTION 4 - PLATFORM

FIGURE 4-10. SKYGUARD SYSTEM INSTALLATION



Go to Discount-Equipment.com to order your parts

ART_1001187508

SECTION 4 - PLATFORM

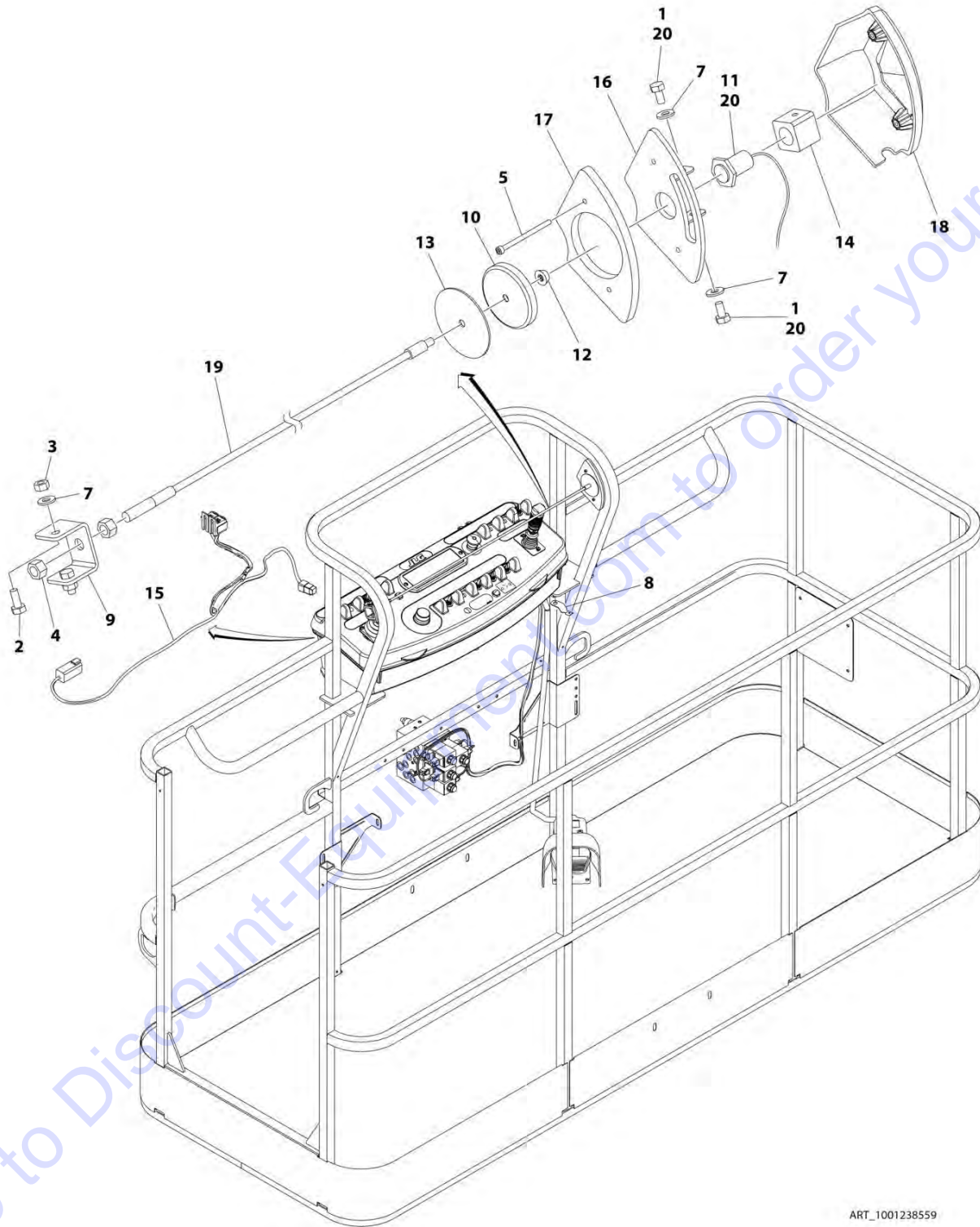
FIGURE 4-10. SKYGUARD SYSTEM INSTALLATION

ITEM	PART NUMBER	QTY	DESCRIPTION	REV
	1001187508	Ref	SKYGUARD SYSTEM INSTALLATION	C
1	0100011	AR	Compound, Locking	
2	0641414	2	Bolt, 1/4-20 x 1-3/4	
3	3300430	2	Nut, Acorn 1/4-20	
4	3931424	2	Capscrew, 1/4-20 x 1-1/2	
4	3931408	2	Capscrew 1/4 x 1/2	
5	4240033	AR	Tie-Strap	
6	4711400	AR	Washer, 1/4	
7	1001120328	1	Mount	
8	1001137673	1	Switch, SkyGuard Assembly	
9	1001186517	2	Cover, Platform Sensor	
10	1001188889	2	Support, Block (SN 0300185828 through 0300244579)	
10	1001209664	2	Support, Block (SN 0300244580 to Present)	

Go to Discount-Equipment.com to order your parts

SECTION 4 - PLATFORM

FIGURE 4-11. SKYLINE INSTALLATION



ART_1001238559

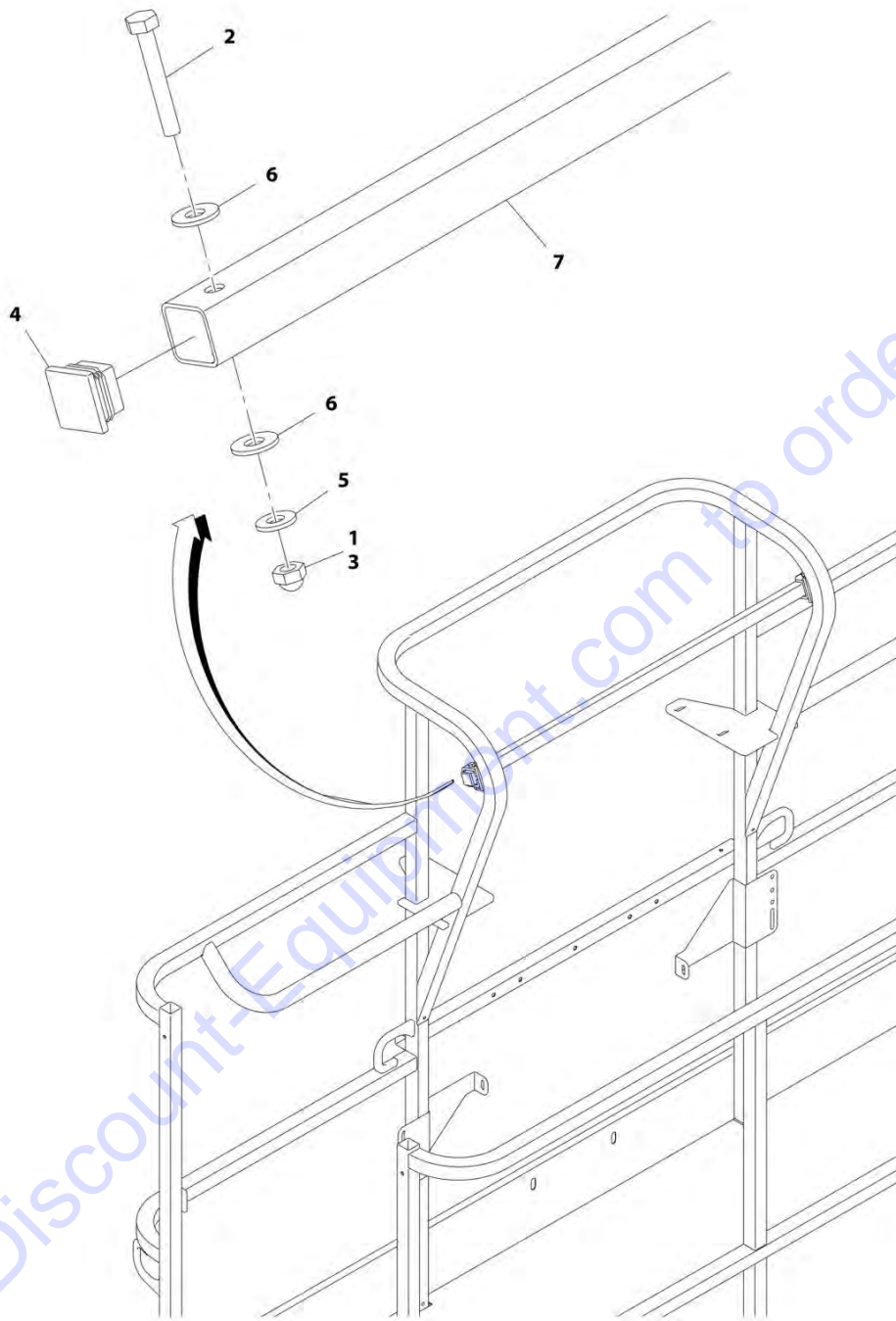
SECTION 4 - PLATFORM

FIGURE 4-11. SKYLINE INSTALLATION

ITEM	PART NUMBER	QTY	DESCRIPTION	REV
	1001238559	Ref	SKYLINE INSTALLATION	B
1	0641404	2	Bolt 1/4 x 1/2	
2	0641405	2	Bolt 1/4 x 5/8	
3	3311405	2	Nut 1/4	
4	3311601	2	Nut 3/8	
5	4031516	2	Capscrew M4 x 60	
6	4240033	AR	Tie-Strap (Not Shown)	
7	4711400	4	Washer 1/4	
8	1001120328	1	Mount	
9	1001232642	1	Bracket	
10	1001232650	1	Magnet	
11	1001232667	1	Sensor, Proximity	
12	1001235011	1	Nut	
13	1001235013	1	Washer	
14	1001236552	1	Block	
15	1001238418	1	Harness, Skyline (See Separate Breakdown in ELECTRICAL SECTION)	
16	1001238472	1	Mount	
17	1001238477	1	Housing, LH	
18	1001241965	1	Housing, RH	
19	1001238824	1	Rope	
20	0100011	AR	Compound, Locking	

SECTION 4 - PLATFORM

FIGURE 4-12. CROSS RAIL INSTALLATION



ART_1001182138

SECTION 4 - PLATFORM

FIGURE 4-12. CROSS RAIL INSTALLATION

ITEM	PART NUMBER	QTY	DESCRIPTION	REV
	1001182138	Ref	CROSS RAIL INSTALLATION	A
1	0100071	AR	Compound, Locking	
2	0641414	2	Bolt 1/4 x 1-3/4	
3	3300430	2	Nut 1/4	
4	3520182	2	Plug	
5	4711400	2	Washer 1/4	
6	4751400	4	Washer 1/4	
7	1001191708	1	Bar	

Go to Discount-Equipment.com to order your parts

PARTS FINDER

**Search Website
by Part Number**



**Search Manual
Library For Parts
Manual & Lookup Part
Numbers – Purchase
or Request Quote**

**Can't Find Part or
Manual? Request Help
by Manufacturer,
Model & Description**

Discount-Equipment.com is your online resource for quality parts & equipment.

Florida: **561-964-4949** Outside Florida TOLL FREE: **877-690-3101**

Need parts?

Click on this link: <http://www.discount-equipment.com/category/5443-parts/> and choose one of the options to help get the right parts and equipment you are looking for. Please have the machine model and serial number available in order to help us get you the correct parts. If you don't find the part on the website or on one of the online manuals, please fill out the request form and one of our experienced staff members will get back to you with a quote for the right part that your machine needs.

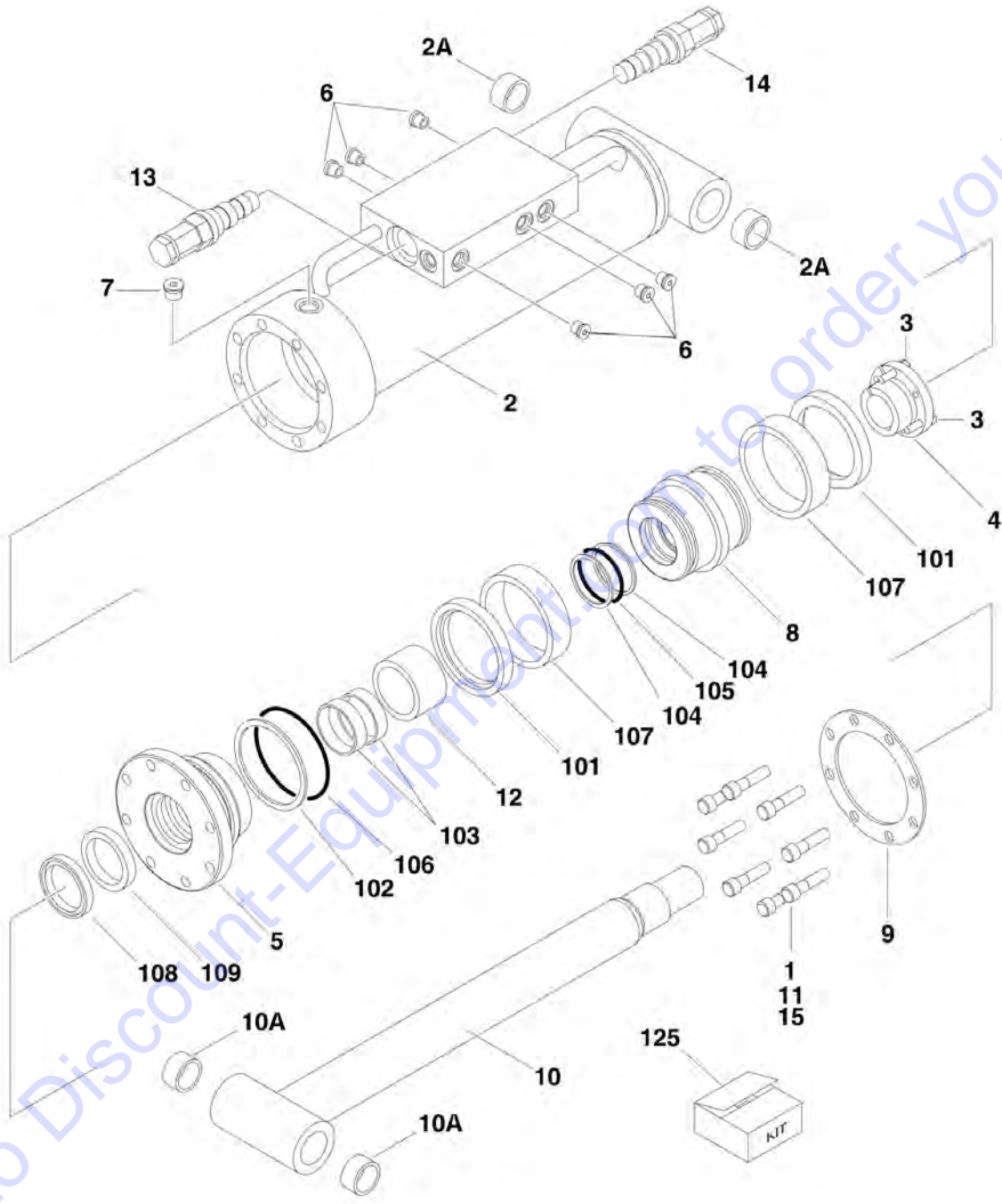
We sell worldwide for the brands: Genie, Terex, JLG, MultiQuip, Mikasa, Essick, Whiteman, Mayco, Toro Stone, Diamond Products, Generac Magnum, Airman, Haulotte, Barreto, Power Blanket, Nifty Lift, Atlas Copco, Chicago Pneumatic, Allmand, Miller Curber, Skyjack, Lull, Skytrak, Tsurumi, Husquvarna Target, Stow, Wacker, Sakai, Mi-T-M, Sullair, Basic, Dynapac, MBW, Weber, Bartell, Bennar Newman, Haulotte, Ditch Runner, Menegotti, Morrison, Contec, Buddy, Crown, Edco, Wyco, Bomag, Laymor, EZ Trench, Bil-Jax, F.S. Curtis, Gehl Pavers, Heli, Honda, ICS/PowerGrit, IHI, Partner, Imer, Clipper, MMD, Koshin, Rice, CH&E, General Equipment, Amida, Coleman, NAC, Gradall, Square Shooter, Kent, Stanley, Tamco, Toku, Hatz, Kohler, Robin, Wisconsin, Northrock, Oztec, Toker TK, Rol-Air, APT, Wylie, Ingersoll Rand / Doosan, Innovatech, Con X, Ammann, Mecalac, Makinex, Smith Surface Prep, Small Line, Wanco, Yanmar

SECTION 5 - CYLINDER

Go to Discount-Equipment.com to order your parts

SECTION 5 - CYLINDER

FIGURE 5-1. LEVEL (SLAVE) CYLINDER ASSEMBLY - JIB (SN 0300185828 through 0300240878)



Go to Discount-Equipment.com to order your parts

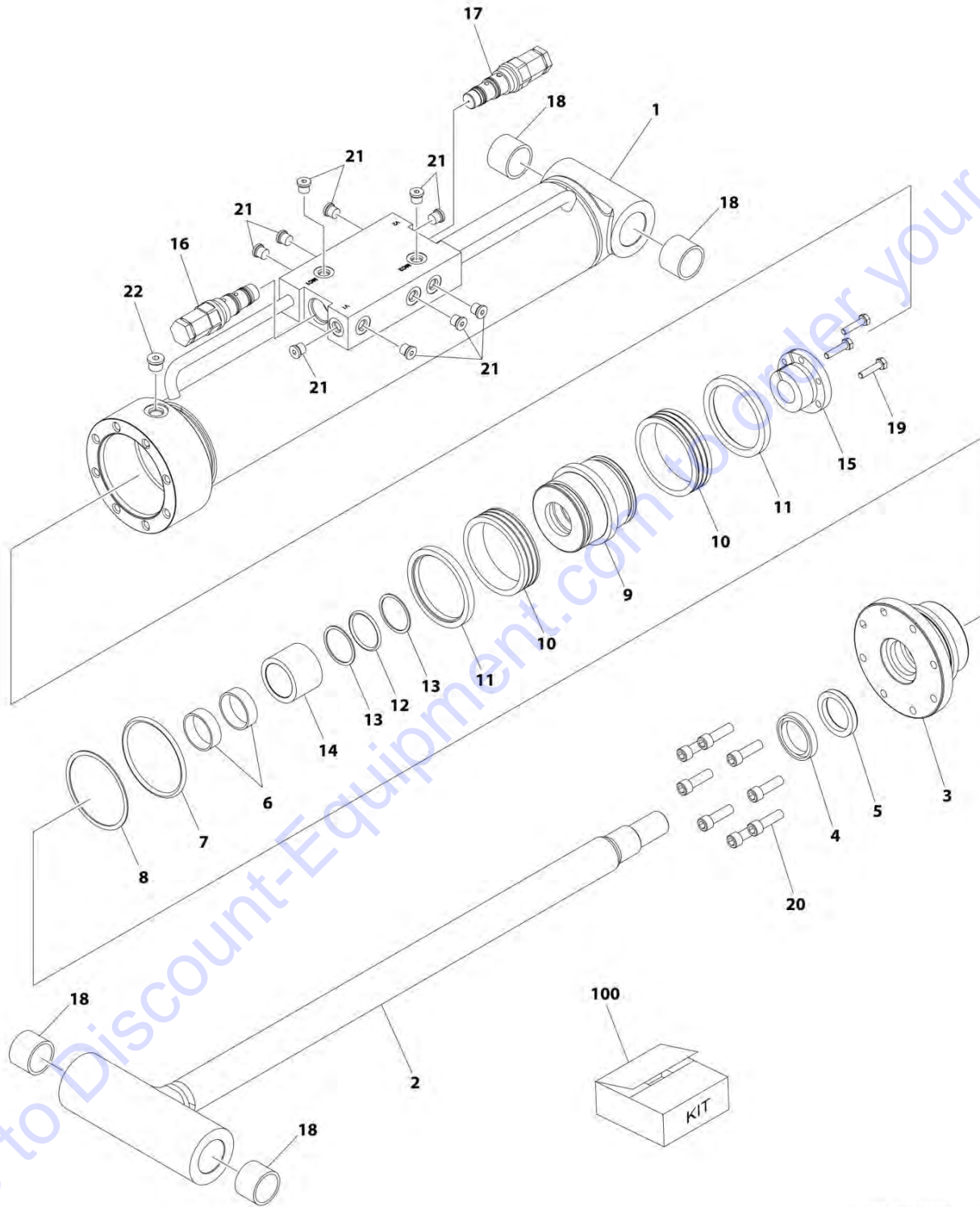
SECTION 5 - CYLINDER

FIGURE 5-1. LEVEL (SLAVE) CYLINDER ASSEMBLY - JIB (SN 0300185828 through 0300240878)

ITEM	PART NUMBER	QTY	DESCRIPTION	REV
	1684228	Ref	LEVEL (SLAVE) CYLINDER ASSEMBLY - JIB	F
		Ref	Note: Original Cylinder may have been replaced with Service Replacement. Identify PN Stamped on Cylinder Before Ordering Parts.	
1	0100011	AR	Compound, Locking	
2	1684230	1	Barrel (Note: Includes Item 2A)	
2A	0961951	4	Bushing	
3	0630535	3	Capscrew 1/4-20 x 1	
4	0961894	1	Bushing, Tapered	
5	1683055	1	Head	
6	2220883	6	Plug	
7	2220885	1	Plug	
8	3480188	1	Piston	
9	3760369	1	Ring, Washer	
10	1684232	1	Rod (Note: Includes Item 10A)	
10A	0961951	4	Bushing	
11	3931620	8	Capscrew 3/8-16 x 1-1/4	
12	4566468	1	Spacer, Tube	
13	4640605	1	Valve, Cartridge	
13	2900792	1	Seal Kit - 4640605 Valve	
14	4640932	1	Valve, Cartridge	
14	7011112	1	Seal Kit - 4640932 Valve	
15	0100038	AR	Primer, Locking	
101	See Note	NSS	Ring, Lock (Note: Use Item 125)	
102	See Note	NSS	Ring, Back-up (Note: Use Item 125)	
103	See Note	NSS	Ring, Wear (Note: Use Item 125)	
104	See Note	NSS	Ring, Back-up (Note: Use Item 125)	
105	See Note	NSS	O-Ring (Note: Use Item 125)	
106	See Note	NSS	O-Ring (Note: Use Item 125)	
107	See Note	NSS	Seal (Note: Use Item 125)	
108	See Note	NSS	Wiper (Note: Use Item 125)	
109	See Note	NSS	Seal (Note: Use Item 125)	
125	2901301	1	Seal Kit (Includes Items 101-109)	

SECTION 5 - CYLINDER

FIGURE 5-2. LEVEL (SLAVE) CYLINDER ASSEMBLY - JIB (SN 0300240879 to Present)



ART_1001228030

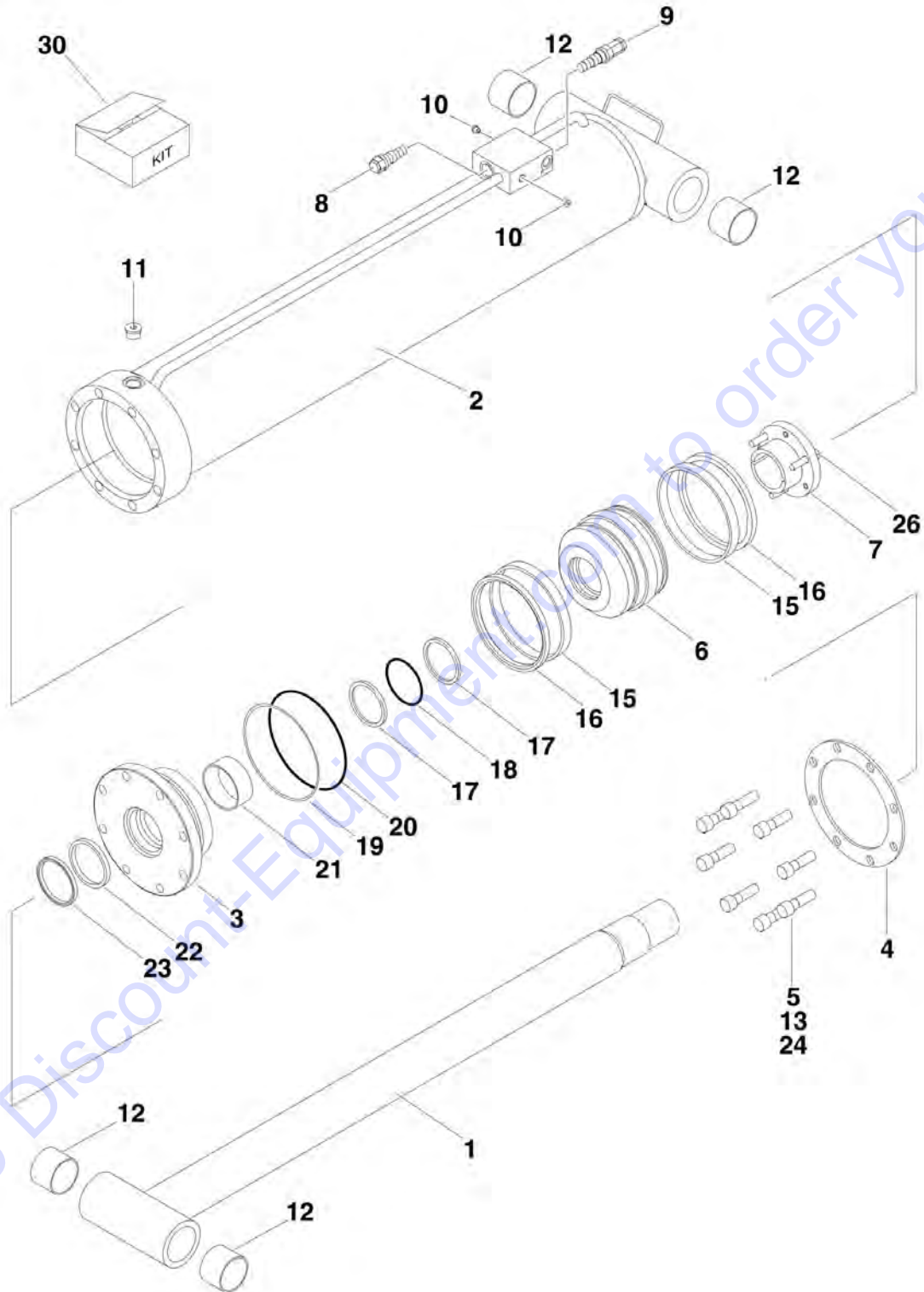
SECTION 5 - CYLINDER

FIGURE 5-2. LEVEL (SLAVE) CYLINDER ASSEMBLY - JIB (SN 0300240879 to Present)

ITEM	PART NUMBER	QTY	DESCRIPTION	REV
	1001228030	Ref	LEVEL (SLAVE) CYLINDER ASSEMBLY	C
		Ref	Note: Original Cylinder may have been replaced with Service Replacement. Identify PN Stamped on Cylinder Before Ordering Parts.	
1	See Note	NSS	Barrel (Note: Not Available for Purchase)	
2	70006642	1	Rod	
3	70006643	1	Head	
4	See Note	NSS	Wiper (Note: Use Item 100)	
5	See Note	NSS	Seal (Note: Use Item 100)	
6	See Note	NSS	Ring, Wear (Note: Use Item 100)	
7	See Note	NSS	O-Ring (Note: Use Item 100)	
8	See Note	NSS	Ring, Back-up (Note: Use Item 100)	
9	70006644	1	Piston	
10	See Note	NSS	Seal (Note: Use Item 100)	
11	See Note	NSS	Ring, Lock (Note: Use Item 100)	
12	See Note	NSS	O-Ring (Note: Use Item 100)	
13	See Note	NSS	Ring, Back-up (Note: Use Item 100)	
14	70006645	1	Spacer, Tube	
15	0961894	1	Bushing, Tapered	
16	4640932	1	Valve, Cartridge	
16	7011112	1	Seal Kit - 4640932 Valve	
17	4640605	1	Valve, Cartridge	
17	2900792	1	Seal Kit - 4640605 Valve	
18	0961951	4	Bushing	
19	0630535	3	Bolt	
20	3931620	8	Capscrew 3/8-16 x 1-1/4	
21	2220883	10	Plug, O-Ring	
22	2220885	AR	Plug, O-Ring	
100	1001138796	1	Seal Kit (Includes Items 4-8 & 10-13)	

SECTION 5 - CYLINDER

FIGURE 5-3. LEVEL (SLAVE) CYLINDER ASSEMBLY - UPRIGHT (SN 0300185828 through 0300240506)



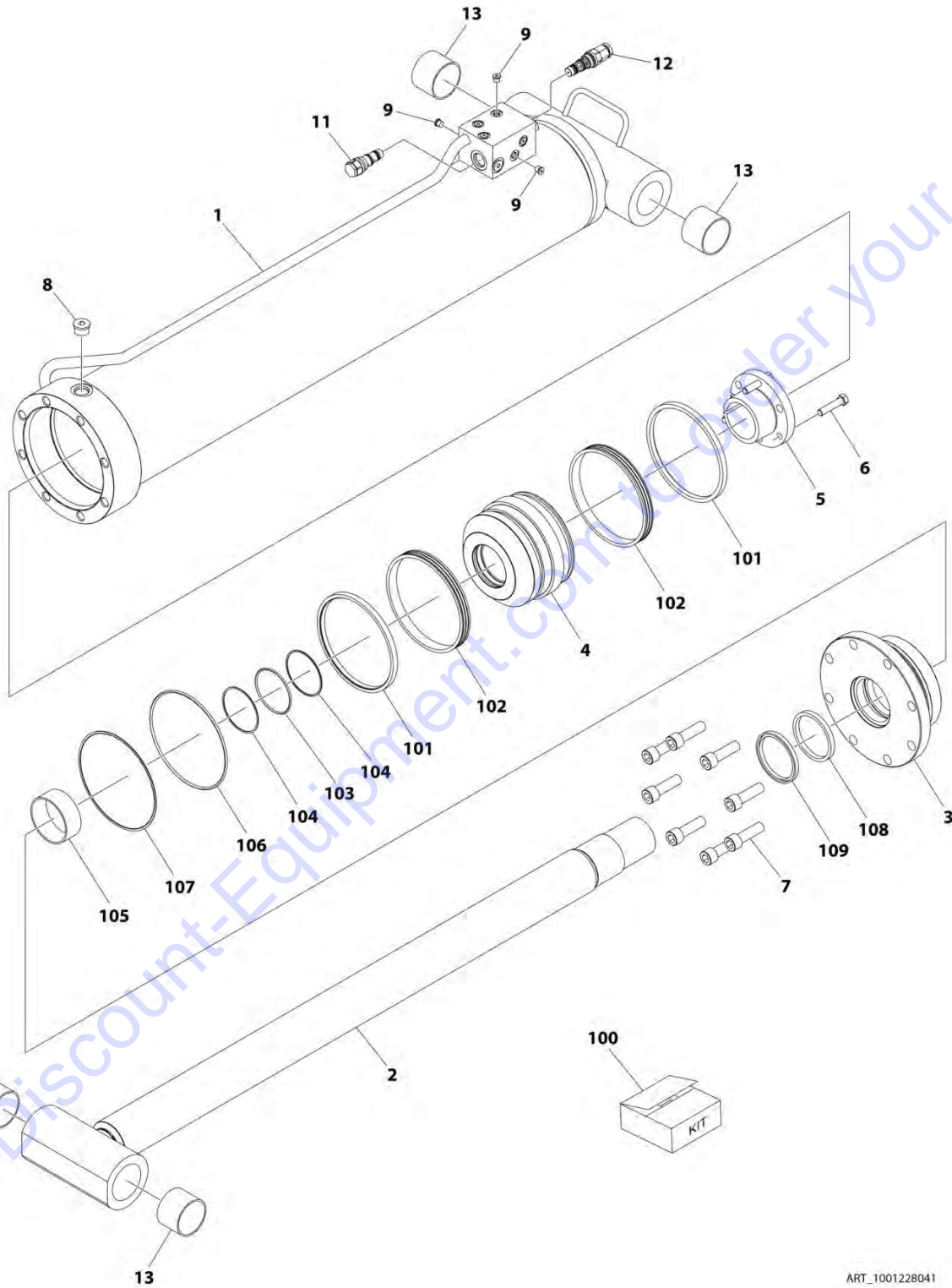
SECTION 5 - CYLINDER

FIGURE 5-3. LEVEL (SLAVE) CYLINDER ASSEMBLY - UPRIGHT (SN 0300185828 through 0300240506)

ITEM	PART NUMBER	QTY	DESCRIPTION	REV
	1684497	Ref	LEVEL (SLAVE) CYLINDER ASSEMBLY - UPRIGHT	D
		Ref	Note: Original Cylinder may have been replaced with Service Replacement. Identify PN Stamped on Cylinder Before Ordering Parts.	
1	1683544	1	Rod	
2	0370034	1	Barrel	
3	1683071	1	Head	
4	3760374	1	Ring, Washer	
5	3932240	8	Capscrew 3/4 x 2-1/2	
6	3480237	1	Piston	
7	0961901	1	Bushing, Tapered	
8	4640509	1	Cartridge, Valve	
8	2900792	1	Seal Kit - 4640509 Valve	
9	4640605	1	Cartridge, Valve	
9	2900792	1	Seal Kit - 4640605 Valve	
10	2220883	2	Plug, O-Ring	
11	2220888	1	Plug, O-Ring	
12	0962102	4	Bushing	
13	0100011	AR	Compound, Locking	
15	See Note	NSS	Seal (Note: Use Item 30)	
16	See Note	NSS	Ring, Lock (Note: Use Item 30)	
17	See Note	NSS	Ring, Back-up (Note: Use Item 30)	
18	See Note	NSS	Ring, Washer (Note: Use Item 30)	
19	See Note	NSS	Ring, Back-up (Note: Use Item 30)	
20	See Note	NSS	O-Ring (Note: Use Item 30)	
21	See Note	NSS	Ring, Wear (Note: Use Item 30)	
22	See Note	NSS	Seal, Rod (Note: Use Item 30)	
23	See Note	NSS	Wiper (Note: Use Item 30)	
24	0100038	AR	Primer, Locking	
26	0630537	3	Bolt	
30	2901526	1	Seal Kit (Includes Items 15-23)	

SECTION 5 - CYLINDER

FIGURE 5-4. LEVEL (SLAVE) CYLINDER ASSEMBLY - UPRIGHT (SN 0300240507 to Present)



ART_1001228041

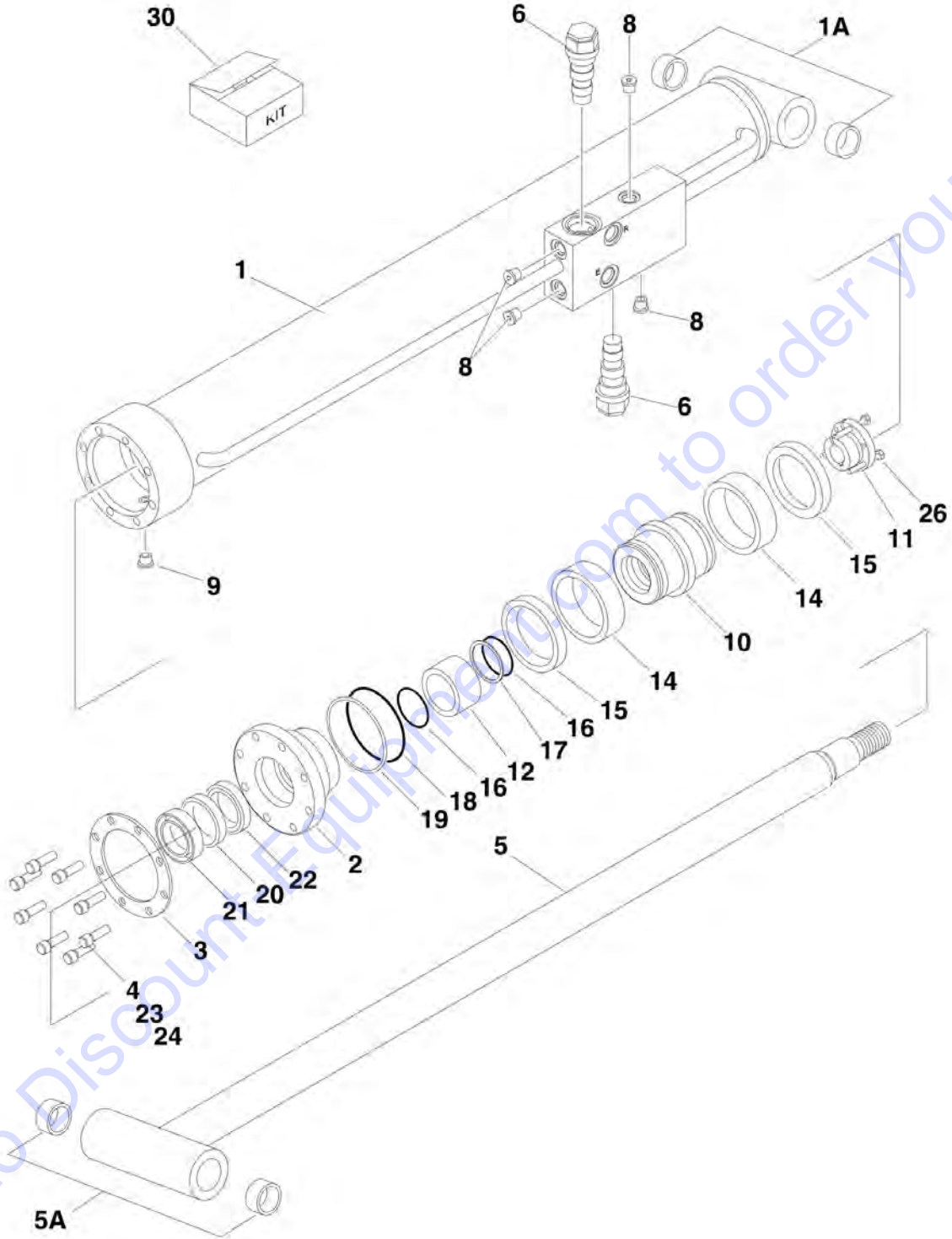
SECTION 5 - CYLINDER

FIGURE 5-4. LEVEL (SLAVE) CYLINDER ASSEMBLY - UPRIGHT (SN 0300240507 to Present)

ITEM	PART NUMBER	QTY	DESCRIPTION	REV
	1001228041	Ref	LEVEL CYLINDER ASSEMBLY	B
		Ref	Note: Original Cylinder may have been replaced with Service Replacement. Identify PN Stamped on Cylinder Before Ordering Parts.	
1	See Note	NSS	Barrel (Note: Not Available for Purchase)	
2	70006391	1	Rod	
3	70006390	1	Head	
4	70006389	1	Piston	
5	70006385	1	Bushing, Tapered	
6	0630537	3	Bolt	
7	3932240	8	Capscrew 3/4 x 2-1/2	
8	2220888	1	Plug, O-Ring	
9	2220883	6	Plug, O-Ring	
11	4640509	1	Cartridge, Valve	
11	2900792	1	Seal Kit - 4640509 Valve	
12	4640605	1	Cartridge, Valve	
12	2900792	1	Seal Kit - 4640605 Valve	
13	0962102	4	Bushing	
100	2901526	1	Seal Kit (Includes Items 101-109)	
101	See Note	NSS	Ring, Lock (Note: Use Item 100)	
102	See Note	NSS	Seal (Note: Use Item 100)	
103	See Note	NSS	Ring, Washer (Note: Use Item 100)	
104	See Note	NSS	Ring, Back-up (Note: Use Item 100)	
105	See Note	NSS	Ring, Wear (Note: Use Item 100)	
106	See Note	NSS	O-Ring (Note: Use Item 100)	
107	See Note	NSS	Ring, Back-up (Note: Use Item 100)	
108	See Note	NSS	Seal, Rod (Note: Use Item 100)	
109	See Note	NSS	Wiper (Note: Use Item 100)	

SECTION 5 - CYLINDER

FIGURE 5-5. LIFT CYLINDER ASSEMBLY - JIB (SN 0300185828 through 0300245050)



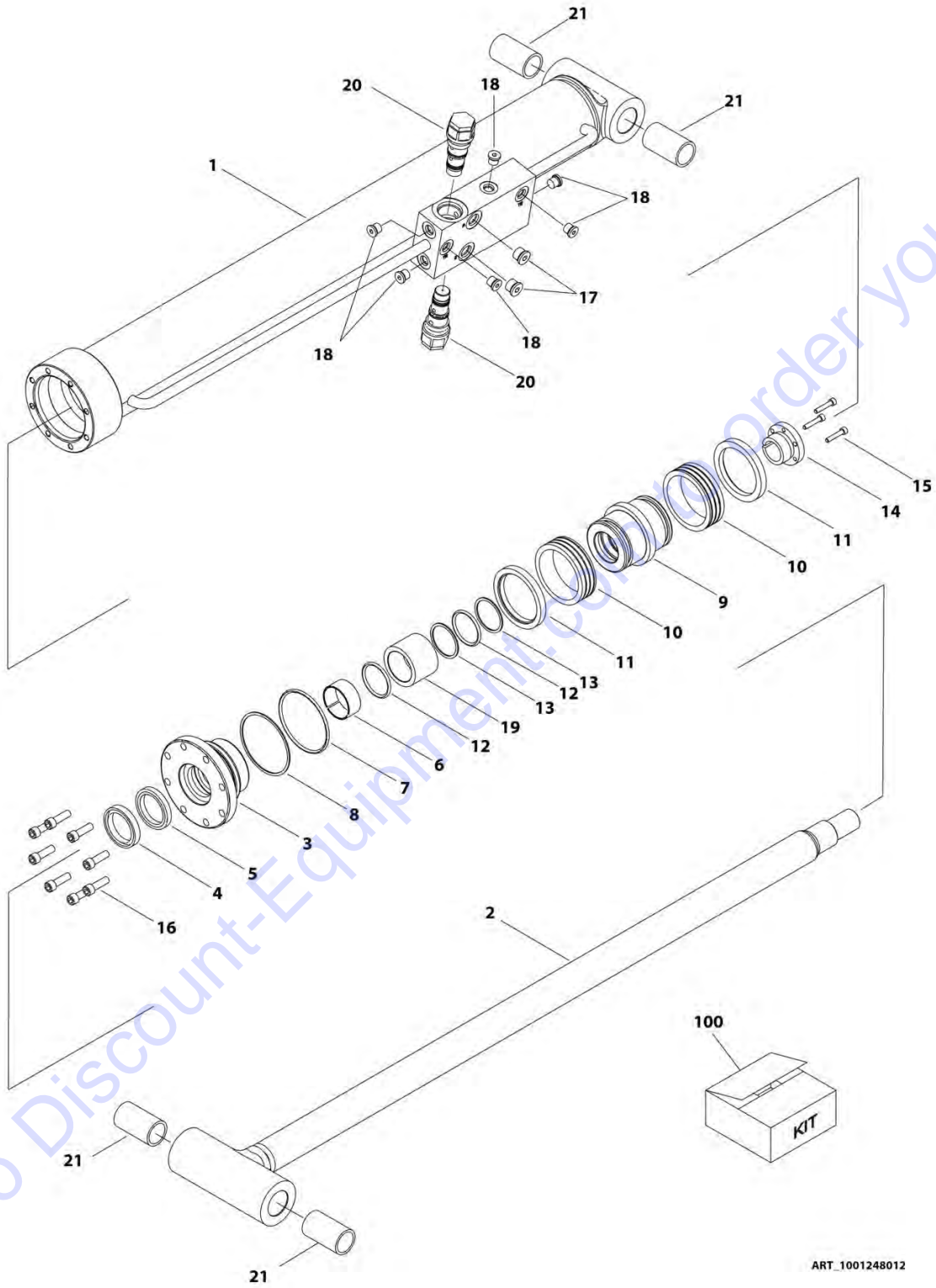
SECTION 5 - CYLINDER

FIGURE 5-5. LIFT CYLINDER ASSEMBLY - JIB (SN 0300185828 through 0300245050)

ITEM	PART NUMBER	QTY	DESCRIPTION	REV
	1683609	Ref	LIFT CYLINDER ASSEMBLY - JIB	L
1	1684089	1	Barrel (Note: Includes Item 1A)	
1A	0962336	2	Bushing	
2	1683053	1	Head	
3	3760368	1	Washer, Ring	
4	3931516	8	Capscrew 5/16-18 x 2	
5	1684090	1	Rod (Note: Includes Item 5A)	
5A	0962336	2	Bushing	
6	4640509	2	Cartridge, Valve (Counterbalance Non-Vented)	
6	2900792	2	Seal Kit - 4640509 Valve	
8	2220883	4	Plug, O-Ring	
9	2220885	1	Plug, O-Ring	
10	3480210	1	Piston	
11	0961893	1	Bushing, Tapered	
12	4100100	1	Spacer, Tube	
14	See Note	NSS	Seal, Piston (Note: Use Item 30)	
15	See Note	NSS	Ring, Lock (Note: Use Item 30)	
16	See Note	NSS	O-Ring (Note: Use Item 30)	
17	See Note	NSS	Ring, Back-up (Note: Use Item 30)	
18	See Note	NSS	O-Ring (Note: Use Item 30)	
19	See Note	NSS	Ring, Back-up (Note: Use Item 30)	
20	See Note	NSS	Seal (Note: Use Item 30)	
21	See Note	NSS	Wiper (Note: Use Item 30)	
22	See Note	NSS	Ring, Wear (Note: Use Item 30)	
23	0100011	AR	Compound, Locking	
24	0100038	AR	Primer, Locking	
26	0630534	3	Capscrew #10-24 x 1	
30	2901303	1	Seal Kit (Includes Items 14-22)	

SECTION 5 - CYLINDER

FIGURE 5-6. LIFT CYLINDER ASSEMBLY - JIB (SN 0300245051 to Present)



ART_1001248012

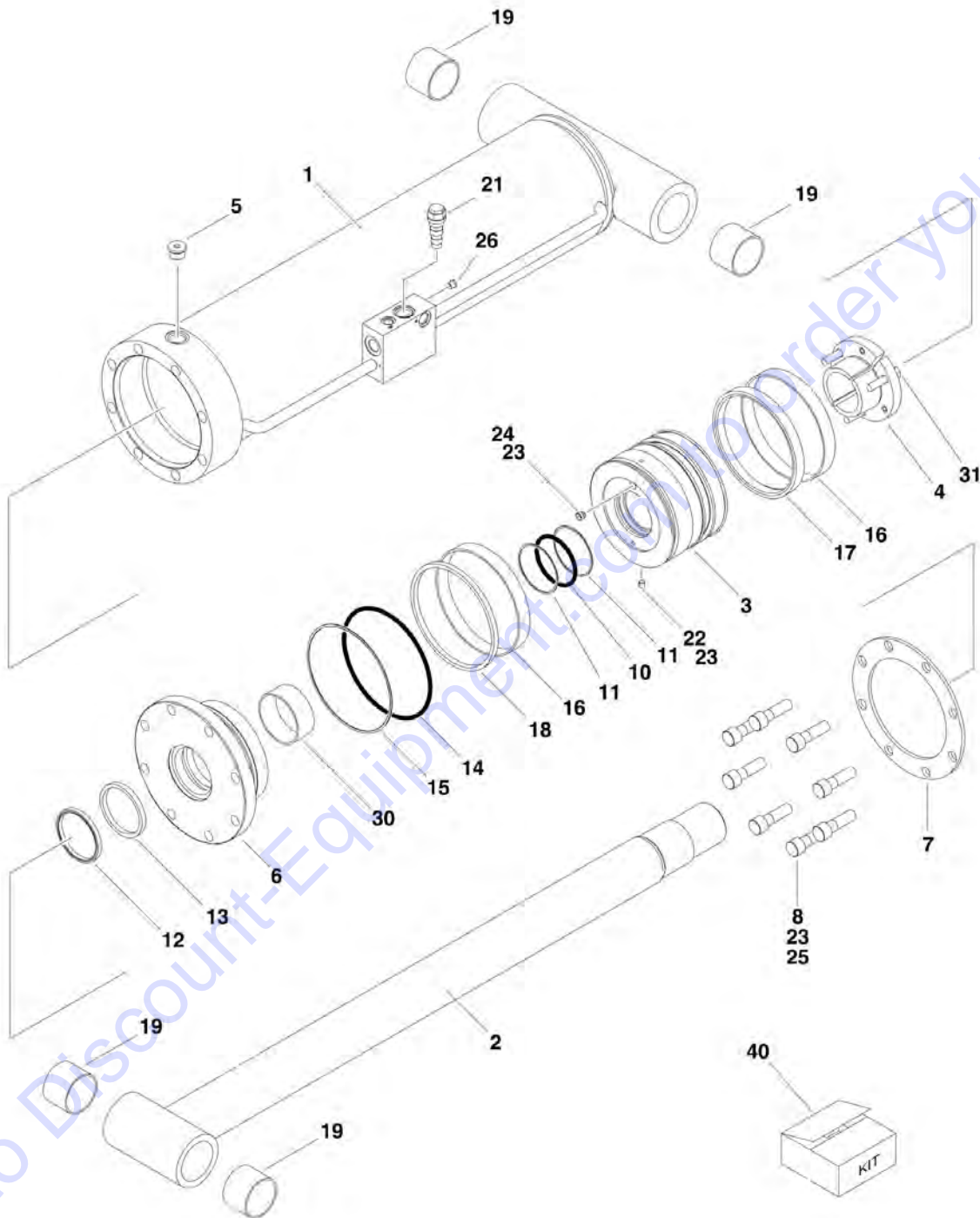
SECTION 5 - CYLINDER

FIGURE 5-6. LIFT CYLINDER ASSEMBLY - JIB (SN 0300245051 to Present)

ITEM	PART NUMBER	QTY	DESCRIPTION	REV
	1001248012	Ref	LIFT CYLINDER ASSEMBLY - JIB	B
		Ref	Note: Original Cylinder May Have Been Replaced with Service Replacement. Identify PN Stamped on Cylinder Before Ordering Parts.	
1	See Note	NSS	Barrel (Note: Not Available for Purchase)	
2	70006734	1	Rod	
3	70006649	1	Head	
4	See Note	NSS	Wiper (Note: Use Item 100)	
5	See Note	NSS	Seal, Rod (Note: Use Item 100)	
6	See Note	NSS	Ring, Wear (Note: Use Item 100)	
7	See Note	NSS	O-Ring (Note: Use Item 100)	
8	See Note	NSS	Ring, Back-up (Note: Use Item 100)	
9	70006650	1	Piston	
10	See Note	NSS	Seal (Note: Use Item 100)	
11	See Note	NSS	Ring, Lock (Note: Use Item 100)	
12	See Note	NSS	O-Ring (Note: Use Item 100)	
13	See Note	NSS	Ring, Back-up (Note: Use Item 100)	
14	0961893	1	Bushing, Tapered	
15	0630534	3	Capscrew, Socket Head #10 x 1	
16	70006735	8	Capscrew 5/16	
17	2220885	2	Plug, O-Ring	
18	2220883	6	Plug, O-Ring	
19	70006736	1	Spacer	
20	4640509	2	Cartridge, Valve	
20	2900792	2	Seal Kit - 4640509 Valve	
21	0962336	4	Bushing	
100	1001138795	1	Seal Kit (Includes Items 4-8 & 10-13)	

SECTION 5 - CYLINDER

FIGURE 5-7. LIFT CYLINDER ASSEMBLY - MAIN BOOM (SN 0300185828 through 0300240506)



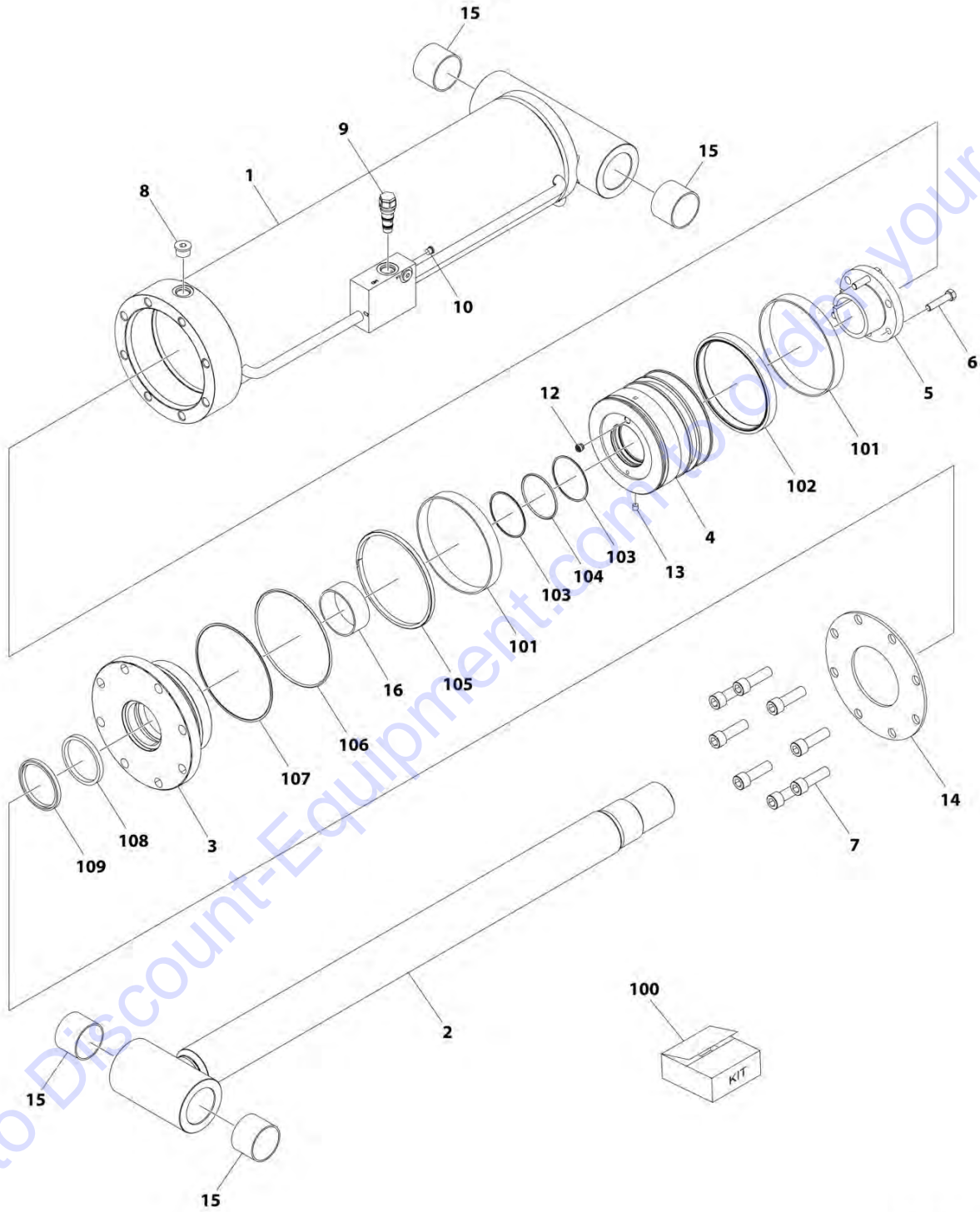
SECTION 5 - CYLINDER

FIGURE 5-7. LIFT CYLINDER ASSEMBLY - MAIN BOOM (SN 0300185828 through 0300240506)

ITEM	PART NUMBER	QTY	DESCRIPTION	REV
	1683547	Ref	LIFT CYLINDER ASSEMBLY - MAIN BOOM	M
		Ref	Note: Original Cylinder may have been replaced with Service Replacement. Identify PN Stamped on Cylinder Before Ordering Parts.	
1	1683821	1	Barrel	
2	1683549	1	Rod	
3	3480238	1	Piston	
4	0961901	1	Bushing, Tapered	
5	2220888	1	Plug, O-Ring	
6	1683071	1	Head	
7	3760374	1	Washer, Ring	
8	3932240	8	Capscrew 3/4 x 2-1/2	
10	See Note	NSS	O-Ring (Note: Use Item 40)	
11	See Note	NSS	Ring, Back-up (Note: Use Item 40)	
12	See Note	NSS	Wiper (Note: Use Item 40)	
13	See Note	NSS	Seal, Rod (Note: Use Item 40)	
14	See Note	NSS	O-Ring (Note: Use Item 40)	
15	See Note	NSS	Ring, Back-up (Note: Use Item 40)	
16	See Note	NSS	Ring, Wear (Note: Use Item 40)	
17	See Note	NSS	T-Seal (Note: Use Item 40)	
18	See Note	NSS	Seal (Note: Use Item 40)	
19	0962102	4	Bushing	
21	4640509	1	Cartridge, Valve	
21	2900792	1	Seal Kit - 4640509 Valve	
22	2180615	1	Orifice	
23	0100011	AR	Compound, Locking	
24	4641027	1	Plug, Check Valve	
25	0100038	AR	Primer, Locking	
26	2220883	1	Plug	
30	See Note	NSS	Ring, Wear (Note: Use Item 40)	
31	0630537	3	Bolt	
40	2901514	1	Seal Kit (Includes Items 10-18 & 30)	

SECTION 5 - CYLINDER

FIGURE 5-8. LIFT CYLINDER ASSEMBLY - MAIN BOOM (SN 0300240507 to Present)



ART_1001228010

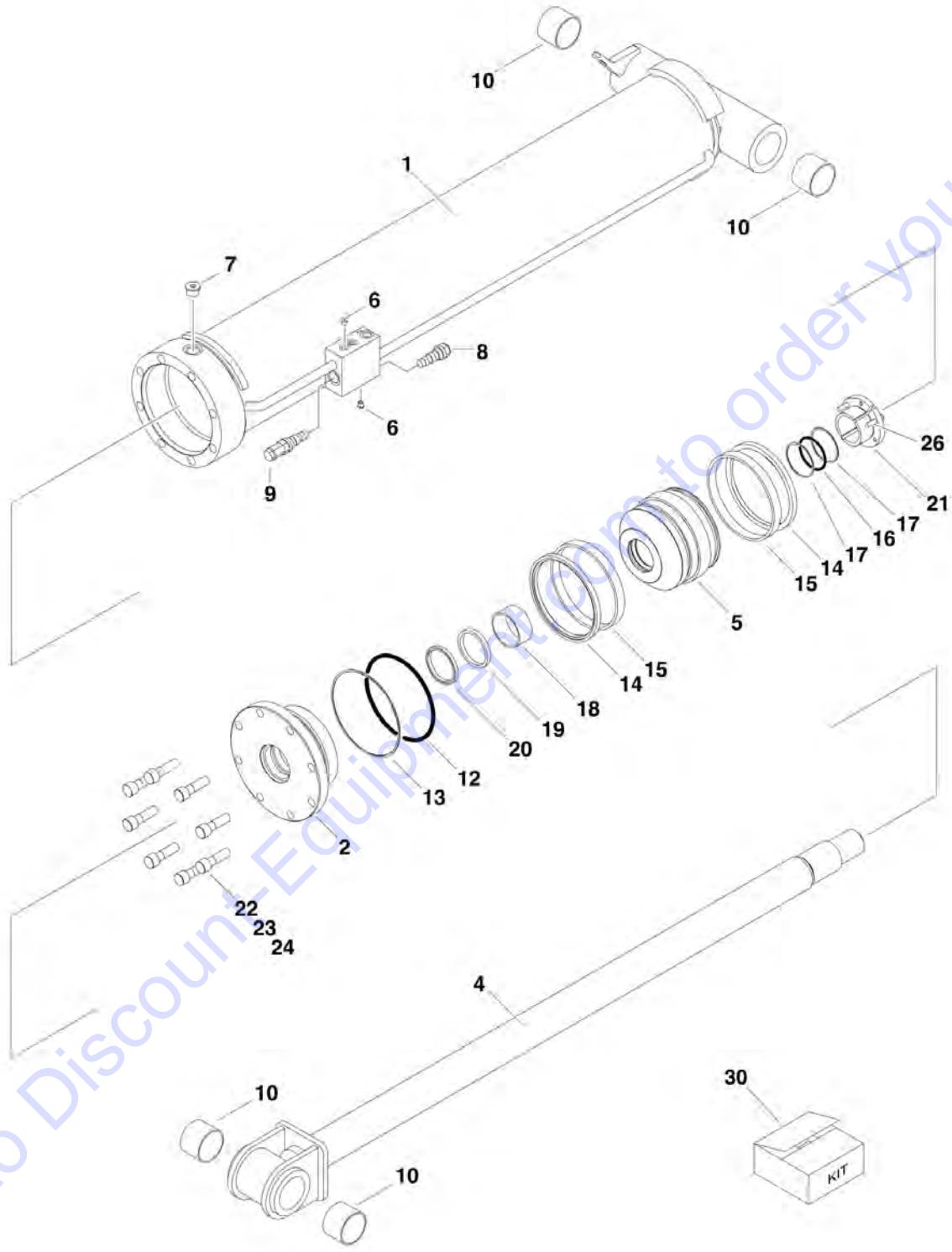
SECTION 5 - CYLINDER

FIGURE 5-8. LIFT CYLINDER ASSEMBLY - MAIN BOOM (SN 0300240507 to Present)

ITEM	PART NUMBER	QTY	DESCRIPTION	REV
	1001228010	Ref	LIFT CYLINDER ASSEMBLY	B
		Ref	Note: Original Cylinder may have been replaced with Service Replacement. Identify PN Stamped on Cylinder Before Ordering Parts.	
1	See Note	NSS	Barrel (Note: Not Available for Purchase)	
2	70006388	1	Rod	
3	70006387	1	Head	
4	70006386	1	Piston	
5	70006385	1	Bushing, Tapered	
6	0630537	3	Bolt	
7	3932240	8	Capscrew 3/4 x 2-1/2	
7	See Note	AR	Compound, Locking (Note: Use Loctite 263)	
8	2220888	1	Plug	
9	4640509	1	Cartridge, Valve	
9	2900792	1	Seal Kit - 4640509 Valve	
10	2220883	1	Plug	
12	4641027	1	Plug, Check Valve	
13	2180615	1	Orifice	
14	70006384	1	Washer, Ring	
15	0962102	4	Bushing	
16	See Note	NSS	Ring, Wear (Note: Use Item 100)	
100	2901514	1	Seal Kit (Includes Items 16 and 101-109)	
101	See Note	NSS	Ring, Wear (Note: Use Item 100)	
102	See Note	NSS	T-Seal (Note: Use Item 100)	
103	See Note	NSS	Ring, Back-up (Note: Use Item 100)	
104	See Note	NSS	O-Ring (Note: Use Item 100)	
105	See Note	NSS	Seal (Note: Use Item 100)	
106	See Note	NSS	O-Ring (Note: Use Item 100)	
107	See Note	NSS	Ring Back-up (Note: Use Item 100)	
108	See Note	NSS	Seal, Rod (Note: Use Item 100)	
109	See Note	NSS	Wiper (Note: Use Item 100)	

SECTION 5 - CYLINDER

FIGURE 5-9. LIFT CYLINDER ASSEMBLY - TOWER BOOM (SN 0300185828 through 0300240506)



Go to Discount-Equipment.com to order your parts

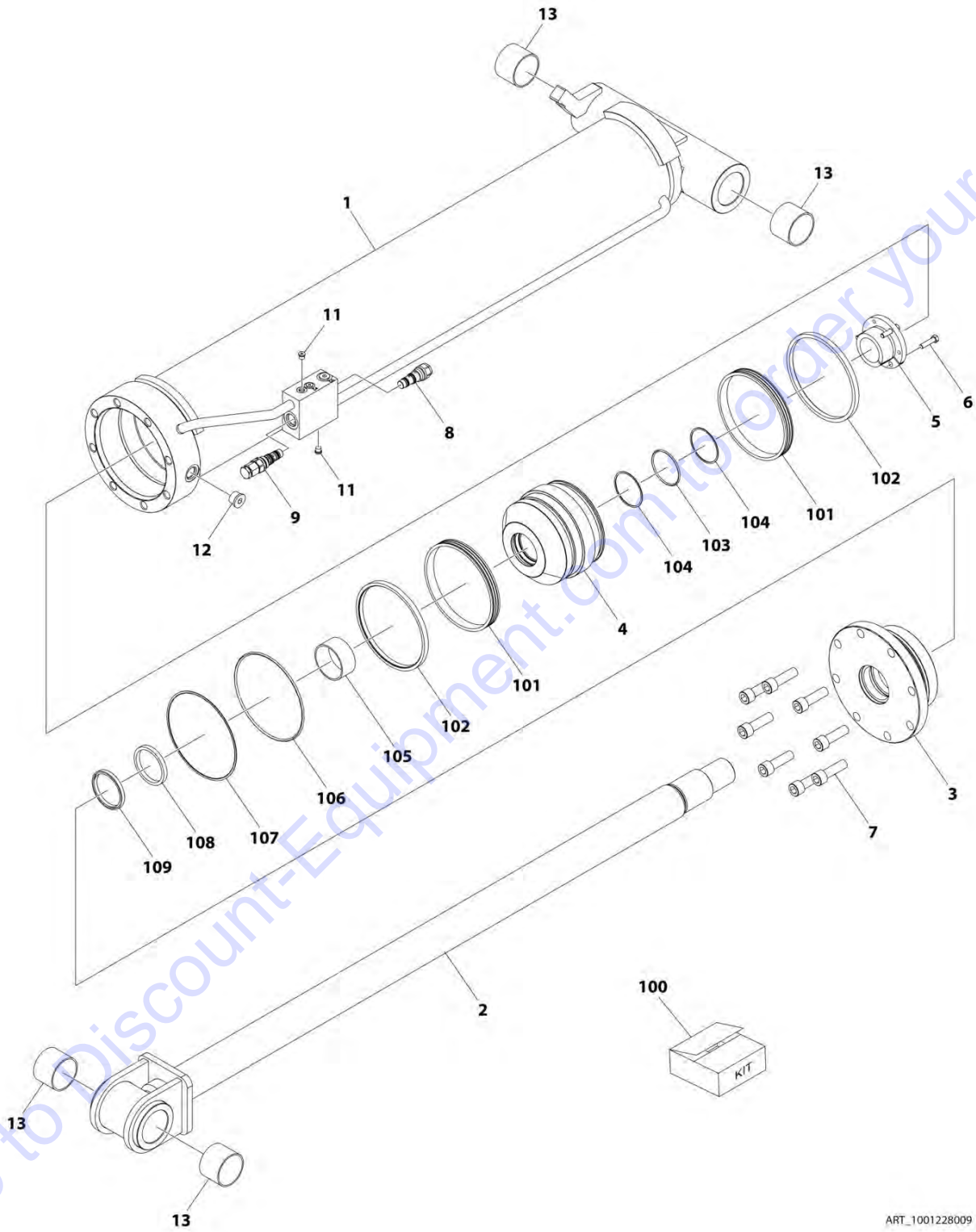
SECTION 5 - CYLINDER

FIGURE 5-9. LIFT CYLINDER ASSEMBLY - TOWER BOOM (SN 0300185828 through 0300240506)

ITEM	PART NUMBER	QTY	DESCRIPTION	REV
	1683537	Ref	LIFT CYLINDER ASSEMBLY - TOWER BOOM	J
		Ref	Note: Original Cylinder may have been replaced with Service Replacement. Identify PN Stamped on Cylinder Before Ordering Parts.	
1	1683823	1	Barrel	
2	1683818	1	Head	
4	1683539	1	Rod	
5	3480236	1	Piston	
6	2220883	2	Plug, O-Ring	
7	2220888	1	Plug, O-Ring	
8	4640509	1	Cartridge, Valve	
8	2900792	1	Seal Kit - 4640999 Valve	
9	4640605	1	Cartridge, Valve	
9	2900792	1	Seal Kit - 4640605 Valve	
10	0962102	4	Bushing	
12	See Note	NSS	O-Ring (Note: Use Item 30)	
13	See Note	NSS	Ring, Back-up (Note: Use Item 30)	
14	See Note	NSS	Ring, Lock (Note: Use Item 30)	
15	See Note	NSS	Seal (Note: Use Item 30)	
16	See Note	NSS	O-Ring (Note: Use Item 30)	
17	See Note	NSS	Ring, Back-up (Note: Use Item 30)	
18	See Note	NSS	Ring, Wear (Note: Use Item 30)	
19	See Note	NSS	Seal (Note: Use Item 30)	
20	See Note	NSS	Wiper (Note: Use Item 30)	
21	0961903	1	Bushing, Tapered	
22	3932240	8	Capscrew 3/4 x 2-1/2	
23	0100011	AR	Compound, Locking	
24	0100038	AR	Primer, Locking	
26	0630536	3	Bolt	
30	2901537	1	Seal Kit (Includes Items 12-20)	

SECTION 5 - CYLINDER

FIGURE 5-10. LIFT CYLINDER ASSEMBLY - TOWER BOOM (SN 030040507 to Present)



ART_1001228009

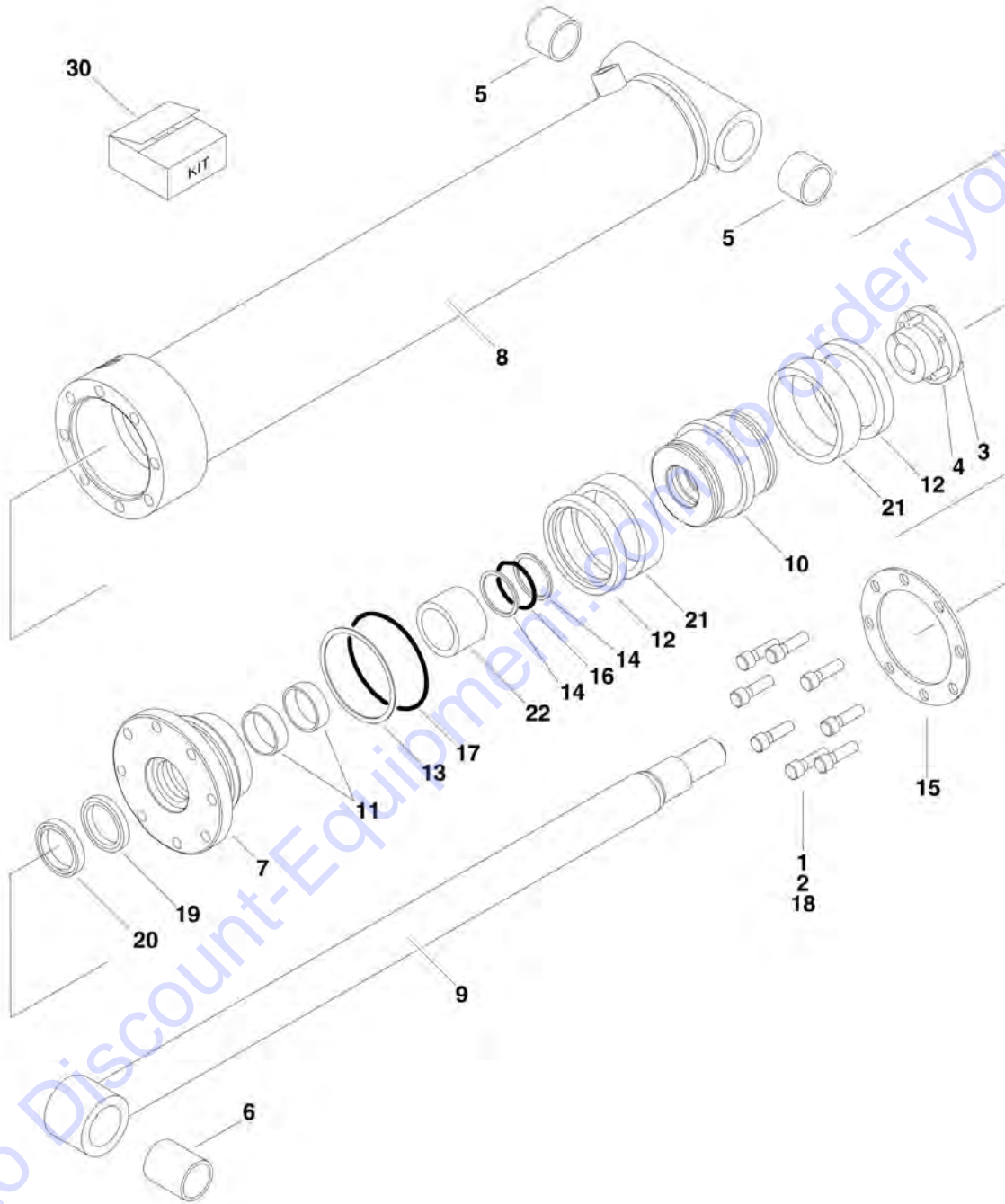
SECTION 5 - CYLINDER

FIGURE 5-10. LIFT CYLINDER ASSEMBLY - TOWER BOOM (SN 030040507 to Present)

ITEM	PART NUMBER	QTY	DESCRIPTION	REV
	1001228009	Ref	LIFT CYLINDER ASSEMBLY	B
		Ref	Note: Original Cylinder may have been replaced with Service Replacement. Identify PN Stamped on Cylinder Before Ordering Parts.	
1	See Note	NSS	Barrel (Note: Not Available for Purchase)	
2	70006378	1	Rod	
3	70006377	1	Head	
4	70006376	1	Piston	
5	70006375	1	Bushing, Tapered	
6	0630536	3	Bolt	
7	3932240	8	Capscrew 3/4 x 2-1/2	
8	4640509	1	Cartridge, Valve	
8	2900792	1	Seal Kit - 4640999 Valve	
9	4640605	1	Cartridge, Valve	
9	2900792	1	Seal Kit - 4640605 Valve	
11	2220883	4	Plug, O-Ring	
12	2220888	1	Plug, O-Ring	
13	0962102	4	Bushing	
100	2901537	1	Seal Kit (Includes Items 101-109)	
101	See Note	NSS	Seal (Note: Use Item 100)	
102	See Note	NSS	Ring, Lock (Note: Use Item 100)	
103	See Note	NSS	O-Ring (Note: Use Item 100)	
104	See Note	NSS	Ring, Back-up (Note: Use Item 100)	
105	See Note	NSS	Ring, Wear (Note: Use Item 100)	
106	See Note	NSS	O-Ring (Note: Use Item 100)	
107	See Note	NSS	Ring, Back-up (Note: Use Item 100)	
108	See Note	NSS	Seal (Note: Use Item 100)	
109	See Note	NSS	Wiper (Note: Use Item 100)	

SECTION 5 - CYLINDER

FIGURE 5-11. MASTER CYLINDER ASSEMBLY (SN 0300185828 through 0300243317)



Go to Discount-Equipment.com to order your parts

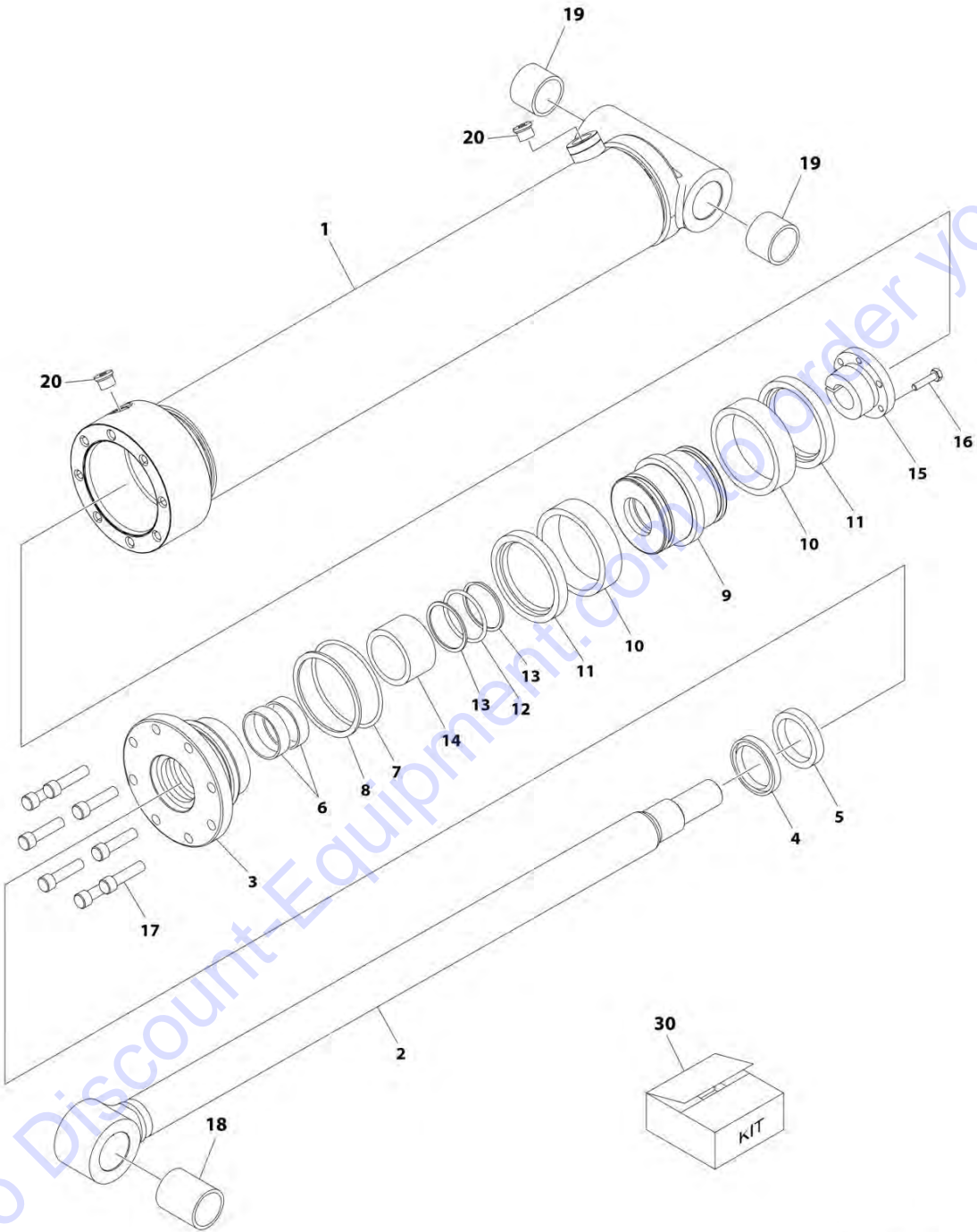
SECTION 5 - CYLINDER

FIGURE 5-11. MASTER CYLINDER ASSEMBLY (SN 0300185828 through 0300243317)

ITEM	PART NUMBER	QTY	DESCRIPTION	REV
	1683682	Ref	MASTER CYLINDER ASSEMBLY (MACHINES WITHOUT ARCTIC PACKAGE)	H
		Ref	Note: Original Cylinder may have been replaced with Service Replacement. Identify PN Stamped on Cylinder Before Ordering Parts.	
1	0100011	AR	Compound, Locking	
2	0100038	AR	Primer, Locking	
3	0630535	3	Capscrew 1/4-20 x 1-1/8	
4	0961894	1	Bushing, Tapered	
5	0961951	2	Bushing	
6	0962155	1	Bushing	
7	1683055	1	Head	
8	1684125	1	Barrel	
9	1684126	1	Rod	
10	3480188	1	Piston	
11	See Note	NSS	Ring, Wear (Note: Use Item 30)	
12	See Note	NSS	Ring, Lock (Note: Use Item 30)	
13	See Note	NSS	Ring, Back-up (Note: Use Item 30)	
14	See Note	NSS	Ring, Back-up (Note: Use Item 30)	
15	3760369	1	Ring, Washer	
16	See Note	NSS	O-Ring (Note: Use Item 30)	
17	See Note	NSS	O-Ring (Note: Use Item 30)	
18	3931620	8	Capscrew 3/8-16 x 1-1/4	
19	See Note	NSS	Seal, Rod (Note: Use Item 30)	
20	See Note	NSS	Wiper (Note: Use Item 30)	
21	See Note	NSS	Seal (Note: Use Item 30)	
22	4566468	1	Spacer, Tube	
30	2901301	1	Seal Kit (Includes Items 11-14, 16, 17 & 19-21)	

SECTION 5 - CYLINDER

FIGURE 5-12. MASTER CYLINDER ASSEMBLY (SN 0300243318 to Present)



ART_1001228050

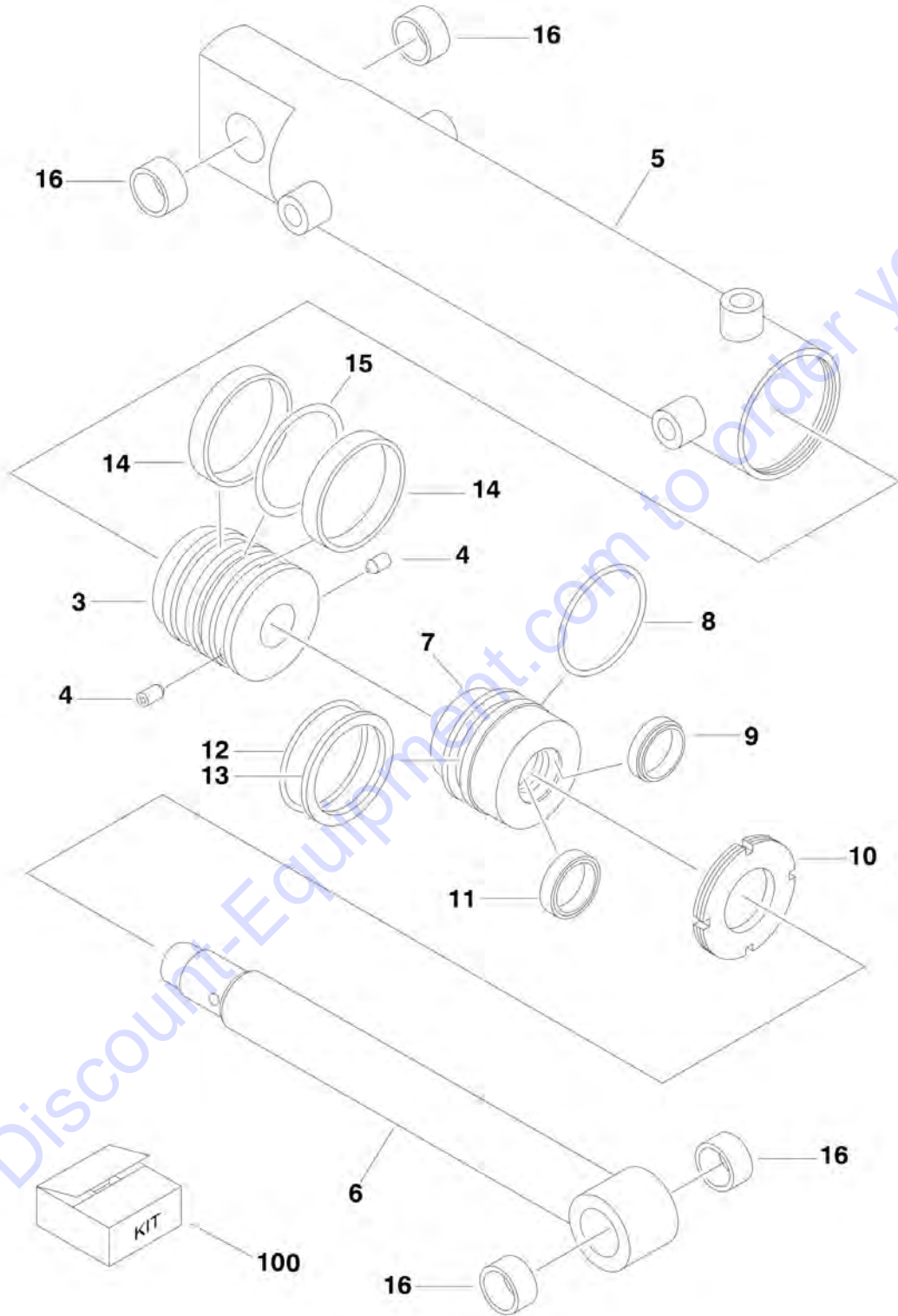
SECTION 5 - CYLINDER

FIGURE 5-12. MASTER CYLINDER ASSEMBLY (SN 0300243318 to Present)

ITEM	PART NUMBER	QTY	DESCRIPTION	REV
	1001228050	Ref	MASTER CYLINDER ASSEMBLY (MACHINES WITHOUT ARCTIC PACKAGE)	A
		Ref	Note: Original Cylinder may have been replaced with Service Replacement. Identify PN Stamped on Cylinder Before Ordering Parts.	
1	See Note	NSS	Barrel (Note: Not Available for Purchase)	
2	70006668	1	Rod	
3	70006643	1	Head	
4	See Note	NSS	Wiper (Note: Use Item 30)	
5	See Note	NSS	Seal, Rod (Note: Use Item 30)	
6	See Note	NSS	Ring, Wear (Note: Use Item 30)	
7	See Note	NSS	O-Ring (Note: Use Item 30)	
8	See Note	NSS	Ring, Back-up (Note: Use Item 30)	
9	70006644	1	Piston	
10	See Note	NSS	Ring, Wear (Note: Use Item 30)	
11	See Note	NSS	Ring, Lock (Note: Use Item 30)	
12	See Note	NSS	O-Ring (Note: Use Item 30)	
13	See Note	NSS	Ring, Back-up (Note: Use Item 30)	
14	70006651	1	Spacer, Tube	
15	0961894	1	Bushing, Tapered	
16	0630535	3	Capscrew 1/4 x 1-1/8	
17	3931620	8	Capscrew 3/8 x 1-1/4	
18	0962155	1	Bushing	
19	0961951	2	Bushing	
20	2220885	2	Plug, O-Ring	
30	1001138796	1	Seal Kit (Machines with Arctic Package) (Includes Items 4-8 & 10-13)	

SECTION 5 - CYLINDER

FIGURE 5-13. STEER CYLINDER ASSEMBLY



SECTION 5 - CYLINDER

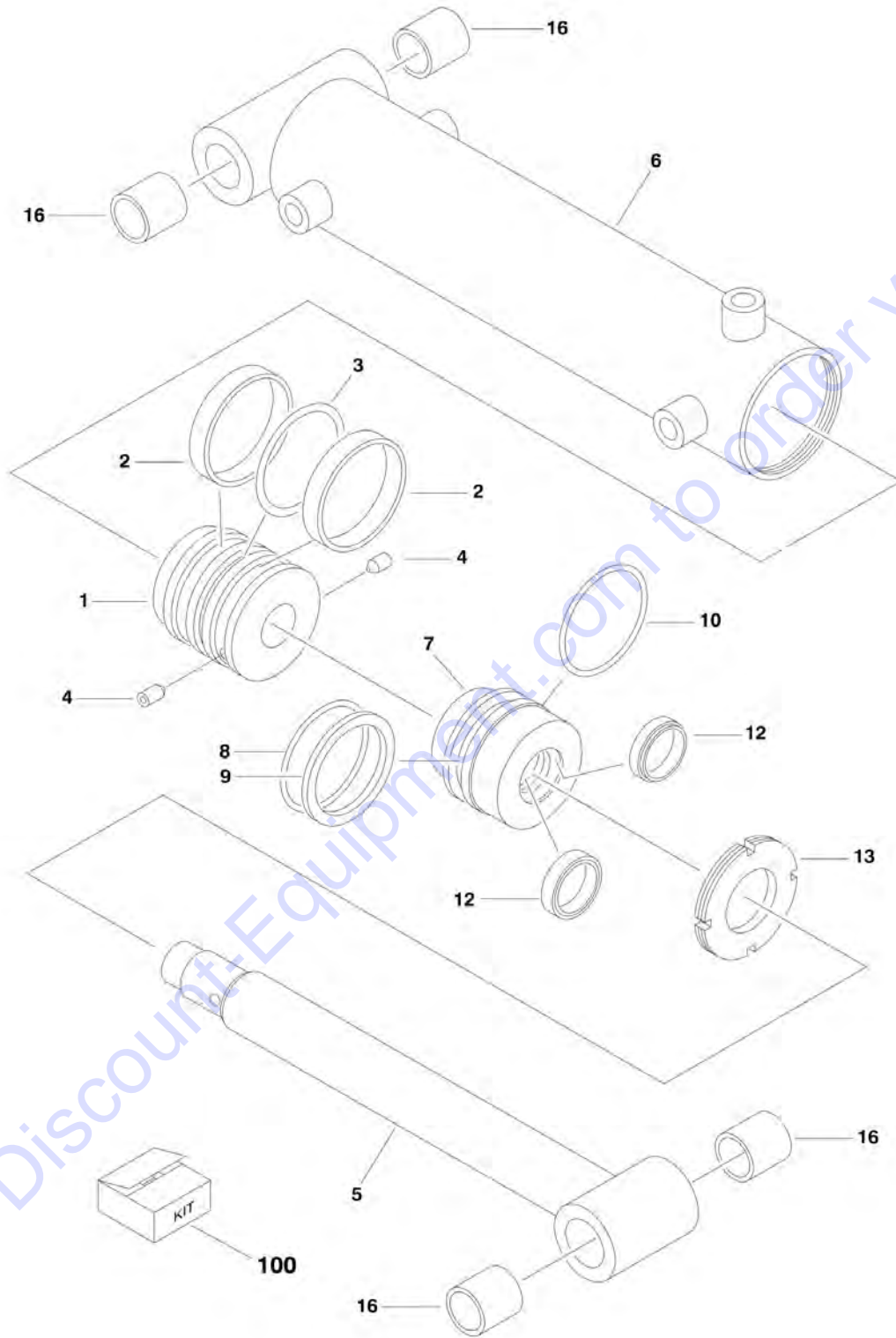
FIGURE 5-13. STEER CYLINDER ASSEMBLY

ITEM	PART NUMBER	QTY	DESCRIPTION	REV
		Ref	STEER CYLINDER ASSEMBLIES	
	1001150539	1	Without Tow Package	F
	1001150539	1	With Tow Package (SN 0300201337 to Present)	F
3	70002744	1	Piston	
4	70002745	2	Setscrew M6 x 10	
5	70004381	1	Barrel	
6	70004382	1	Rod	
7	70002748	1	Head	
8	See Note	NSS	Ring (Note: Use Item 100)	
9	See Note	NSS	Wiper (Note: Use Item 100)	
10	70002749	1	Nut, Spanner	
11	See Note	NSS	Seal (Note: Use Item 100)	
12	See Note	NSS	O-Ring (Note: Use Item 100)	
13	See Note	NSS	Ring, Back-up (Note: Use Item 100)	
14	See Note	NSS	Ring, Wear (Note: Use Item 100)	
15	See Note	NSS	Seal (Note: Use Item 100)	
16	0962152	4	Bushings	
100	70002751	1	Seal Kit (Includes Items 8, 9 & 11-15)	

Go to Discount-Equipment.com to order your parts

SECTION 5 - CYLINDER

FIGURE 5-14. STEER CYLINDER ASSEMBLY (SN 0300185828 through 0300201336)



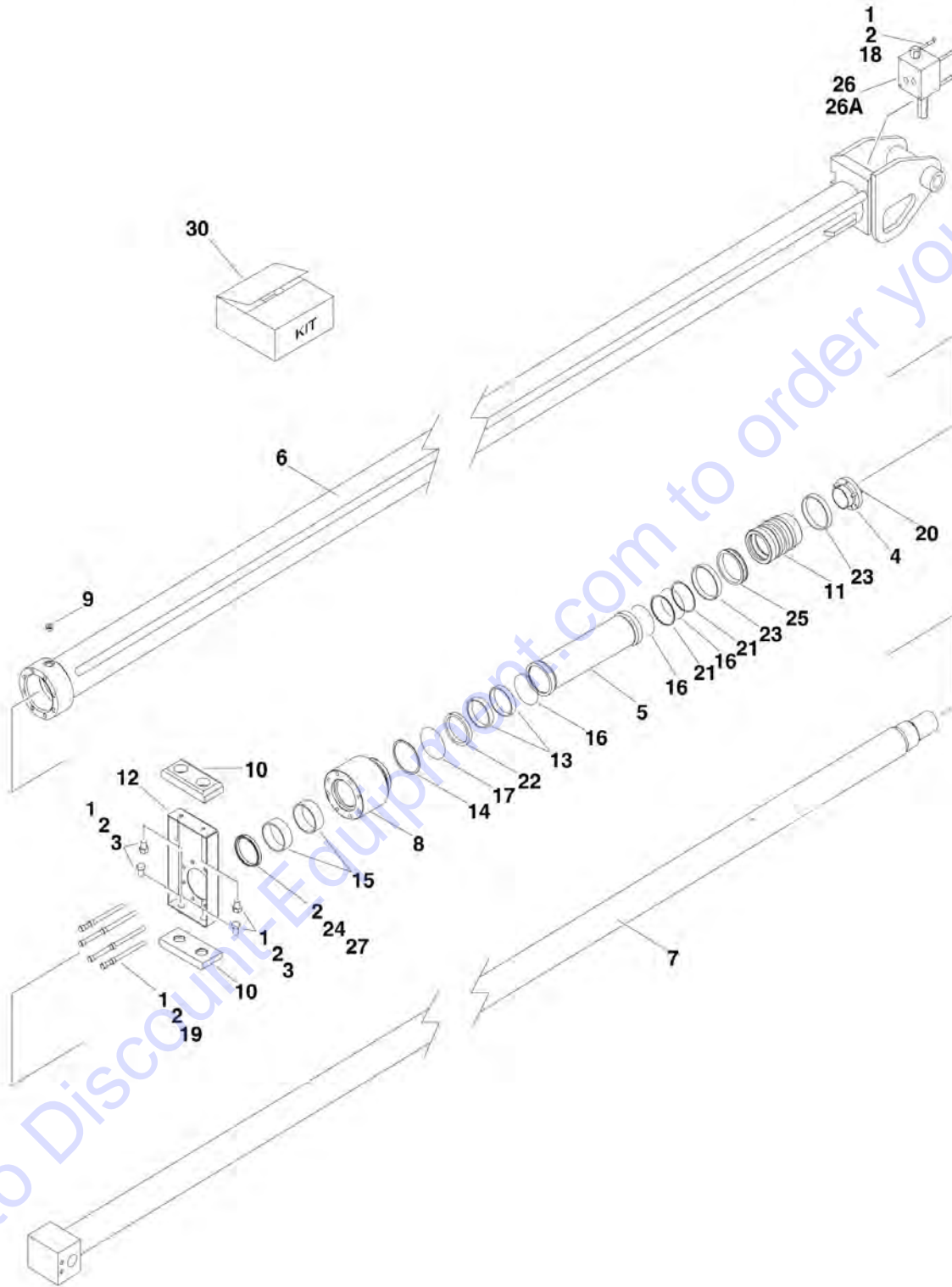
SECTION 5 - CYLINDER

FIGURE 5-14. STEER CYLINDER ASSEMBLY (SN 0300185828 through 0300201336)

ITEM	PART NUMBER	QTY	DESCRIPTION	REV
	1001097243	Ref	STEER CYLINDER ASSEMBLY WITH TOW PACKAGE (SN 0300185828 through 0300201336)	C
1	70002744	1	Piston	
2	See Note	NSS	Seal (Note: Use Item 100)	
3	See Note	NSS	Seal (Note: Use Item 100)	
4	70002745	2	Setscrew	
5	70002746	1	Rod	
6	70002747	1	Barrel	
7	70002748	1	Head	
8	See Note	NSS	O-Ring (Note: Use Item 100)	
9	See Note	NSS	Ring, Back-up (Note: Use Item 100)	
10	See Note	NSS	Ring, Retainer (Note: Use Item 100)	
11	70002749	1	Nut, Spanner	
12	See Note	NSS	Seal (Note: Use Item 100)	
13	See Note	NSS	Wiper (Note: Use Item 100)	
14	See Note	NSS	O-Ring (Note: Use Item 100)	
15	70002750	5	Plug, Port	
16	0962356	4	Bushings	
100	70002751	1	Seal Kit (Includes Items 2, 3, 8-10 & 12-14)	

SECTION 5 - CYLINDER

FIGURE 5-15. TELESCOPE CYLINDER ASSEMBLY - MAIN BOOM



Go to DiscountEquipment.com to order your parts

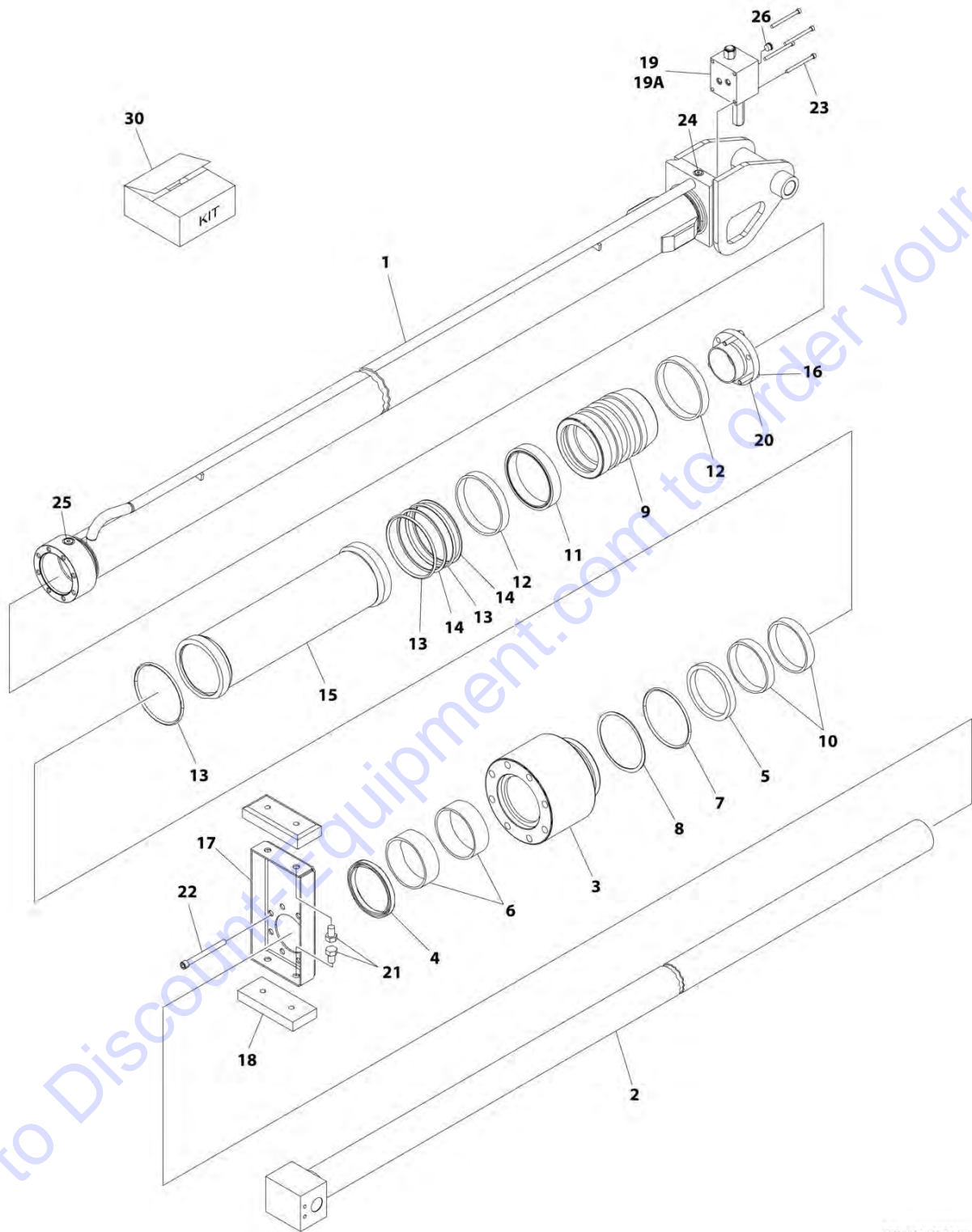
SECTION 5 - CYLINDER

FIGURE 5-15. TELESCOPE CYLINDER ASSEMBLY - MAIN BOOM

ITEM	PART NUMBER	QTY	DESCRIPTION	REV
		Ref	TELESCOPE CYLINDER ASSEMBLY - MAIN BOOM	
	1683672	Ref	Telescope Cylinder Assembly (SN 0300185828 through 0300200669)	H
	1001188841	Ref	Telescope Cylinder Assembly (SN 0300200670 through 0300243317)	B
		Ref	Note: Original Cylinder may have been replaced with Service Replacement. Identify PN Stamped on Cylinder Before Ordering Parts.	
1	0100011	AR	Compound, Locking	
2	0100038	AR	Primer, Locking	
3	0641806	4	Bolt 1/2-13 x 3/4	
4	0961897	1	Bushing, Tapered	
5	0962524	1	Spacer, Tube	
6	1683673	1	Barrel	
7	1683675	1	Rod	
8	1683663	1	Head	
9	2220885	1	Plug, O-Ring	
10	3340838	2	Pad, Wear	
11	3480234	1	Piston	
12	3570775	1	Plate	
13	See Note	NSS	Ring, Wear (Note: Use Item 30)	
14	See Note	NSS	Ring, Back-up (Note: Use Item 30)	
15	See Note	NSS	Ring, Wear (Note: Use Item 30)	
16	See Note	NSS	O-Ring (Note: Use Item 30)	
17	See Note	NSS	O-Ring (Note: Use Item 30)	
18	3931448	4	Capscrew 1/4-20 x 3	
19	3931664	8	Capscrew 3/8-16 x 4	
20	0630535	3	Bolt 1/4-20 x 1-1/8	
21	See Note	NSS	Ring, Back-up (Note: Use Item 30)	
22	See Note	NSS	Seal, Rod (Note: Use Item 30)	
23	See Note	NSS	Ring, Wear (Note: Use Item 30)	
24	See Note	NSS	Wiper (Note: Use Item 30)	
25	See Note	NSS	T-Seal (Note: Use Item 30)	
26	4641033	1	Valve Assembly (No serviceable parts - sold as assembly only)	
26A	7024508	2	O-Ring	
27	0100063	AR	Loctite #RC 609	
30		Ref	Seal Kit Options:	
30	2901712	1	Seal Kit (Includes Items 13-17 & 21-25) (1683672 Cylinder)	
30	1001188843	1	Seal Kit (Includes Items 13-17 & 21-25) (1001188841 Cylinder)	

SECTION 5 - CYLINDER

FIGURE 5-16. TELESCOPE CYLINDER ASSEMBLY - MAIN BOOM (SN 0300243318 to Present)



ART_1001228087

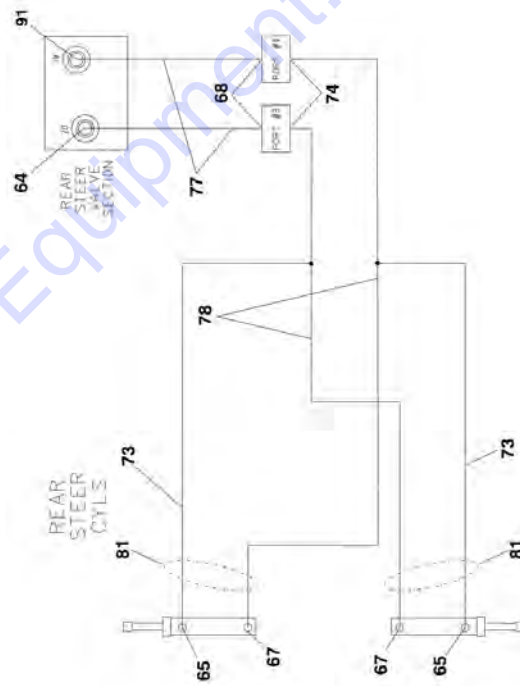
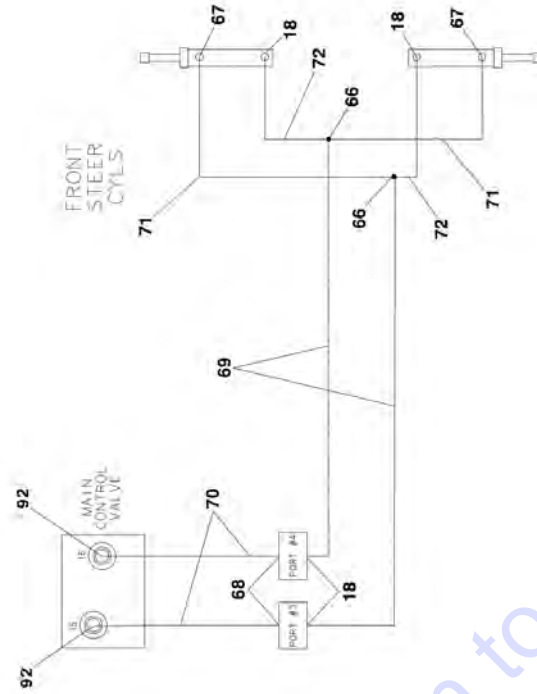
SECTION 5 - CYLINDER

FIGURE 5-16. TELESCOPE CYLINDER ASSEMBLY - MAIN BOOM (SN 0300243318 to Present)

ITEM	PART NUMBER	QTY	DESCRIPTION	REV
	1001228087	Ref	TELESCOPE CYLINDER ASSEMBLY	D
		Ref	Note: Original Cylinder may have been replaced with Service Replacement. Identify PN Stamped on Cylinder Before Ordering Parts.	
1	See Note	NSS	Barrel (Note: Not Available for Purchase)	
2	70006669	1	Rod	
3	70006670	1	Head	
4	See Note	NSS	Wiper (Note: Use Item 30)	
5	See Note	NSS	Seal, Rod (Note: Use Item 30)	
6	See Note	NSS	Ring, Wear (Note: Use Item 30)	
7	See Note	NSS	O-Ring (Note: Use Item 30)	
8	See Note	NSS	Ring, Back-up (Note: Use Item 30)	
9	70006671	1	Piston	
10	See Note	NSS	Ring, Wear (Note: Use Item 30)	
11	See Note	NSS	Seal, Piston (Note: Use Item 30)	
12	See Note	NSS	Ring, Wear (Note: Use Item 30)	
13	See Note	NSS	O-Ring (Note: Use Item 30)	
14	See Note	NSS	Ring, Back-up (Note: Use Item 30)	
15	70006672	1	Spacer	
16	0961897	1	Bushing, Tapered	
17	3570775	1	Plate	
18	3340838	2	Pad, Wear	
19	4641033	1	Valve Assembly (No serviceable parts - sold as assembly only)	
19A	7024508	2	O-Ring (Between Valve and Cylinder Barrel)	
20	0630535	3	Bolt 1/4 x 1-1/8	
21	0641806	4	Bolt 1/2 x 3/4	
22	3931664	8	Capscrew 3/8 x 4	
23	3931448	4	Capscrew 1/4 x 3	
24	2220883	1	Plug, O-Ring	
25	2220885	1	Plug, O-Ring	
26	2220886	1	Plug, O-Ring	
30	1001149391	1	Seal Kit (Includes Items 4-8 & 10-14)	

SECTION 6 - HYDRAULIC

Go to Discount-Equipment.com to order your parts



Go to Discount-Equipment.com to order your parts

SECTION 6 - HYDRAULIC

FIGURE 6-1. DRIVE HYDRAULIC DIAGRAM (SN 0300185828 through 0300196955)

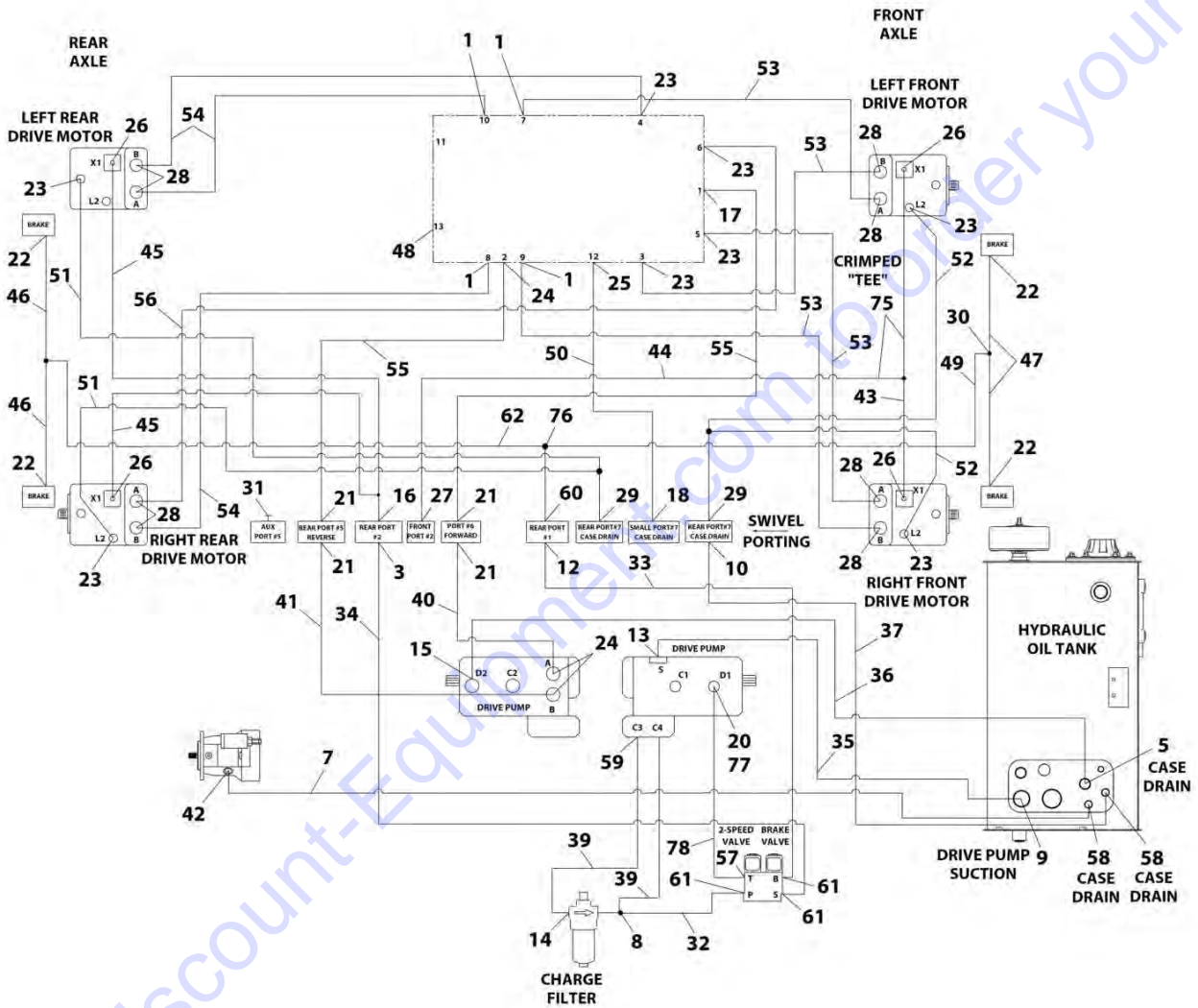
ITEM	PART NUMBER	QTY	DESCRIPTION	REV
	1001157446	Ref	DRIVE HYDRAULIC DIAGRAM (SN 0300185828 through 0300196955)	G
1	2110808	2	Fitting, Straight ORFS/ORB	
3	2220582	2	Fitting, Straight ORB/JIC	
6	2220618	1	Fitting, Straight JIC/JIC	
8	2220602	1	Fitting, Tee ORB/JIC	
9	2220380	1	Fitting, Straight ORB/JIC	
10	2220375	1	Fitting, Straight ORB/JIC	
12	2220468	1	Fitting, Straight ORB/JIC	
14	2220596	1	Fitting, 90 ORB/JIC	
16	2170350	2	Fitting, Tee ORFS/ORFS/OBS	
17	2151616	1	Fitting, 45 ORFS/OBS	
18	2110606	5	Fitting, Straight ORFS/OBS	
19	2110808	2	Fitting, Straight ORFS/OBS	
21	2111616	4	Fitting, Straight ORFS/OBS	
22	2110404	4	Fitting, Straight ORFS/OBS	
23	2130808	8	Fitting, 90 ORFS/OBS	
24	2131616	3	Fitting, 90 ORFS/OBS	
25	2130604	1	Fitting, 90 ORFS/OBS	
26	2130406	4	Fitting, 90 ORFS/OBS	
27	2150406	1	Fitting, 45 ORFS/OBS	
28	2110812	8	Fitting, 45 ORFS/OBS	
29	2170408	2	Fitting, Tee ORFS/ORFS/OBS	
30	2170504	2	Fitting, Tee ORFS/ORFS/ORFS	
31	2220237	1	Fitting, Plug OBS	
32	2752434	2	Hose	
33	2752997	1	Hose	
34	2751399	1	Hose	
35	2752754	1	Hose	
36	2752651	1	Hose	
37	2751500	1	Hose	
39	2752494	1	Hose	
40	1001156332	1	Hose	
41	1001156333	1	Hose	
43	2754678	2	Hose	
44	2753940	1	Hose	
45	1001159338	2	Hose	
46	2753544	2	Hose	
47	2754512	2	Hose	
49	2753542	1	Hose	
50	2753626	1	Hose	
51	2753753	2	Hose	
52	2753628	2	Hose	
53	2753970	4	Hose	
54	1001159339	3	Hose	
55	2753634	2	Hose	
56	2753971	1	Hose	
57	2220386	1	Fitting, 90 JIC/JIC	
58	2220738	1	Fitting, Tee ORB/JIC	
60	2220622	1	Fitting, Reducer JIC/JIC	

SECTION 6 - HYDRAULIC

ITEM	PART NUMBER	QTY	DESCRIPTION	REV
61	2220466	3	Fitting, 90 ORB/JIC	
62	2170804	1	Fitting, Tee ORFS/ORB/ORFS	
64	2220501	4	Fitting, 45 ORB/JIC (SN 0300185828 through 0300195058)	
65	2150606	2	Fitting, 45 ORFS/ORB	
66	2170506	2	Fitting, Tee ORFS/ORFS/ORFS	
67	2130606	4	Fitting, 90 ORFS/ORB	
68	2220473	AR	Fitting, 90 ORB/JIC	
69	2753732	2	Hose	
70	2752489	2	Hose	
71	2753656	2	Hose	
72	1001159340	2	Hose	
73	2717235	2	Hose	
74	2170306	2	Fitting, Tee ORFS/ORB/ORFS	
75	2220940	1	Fitting, 90 ORB/JIC	
76	2220591	1	Fitting, Reducer ORB/ORB	
77	2752466	2	Hose	
78	2752727	2	Hose	
79	2220385	1	Fitting, Tee JIC	
80	2752934	1	Hose	
81	4100062	1	Protection, Nylon Hose (24in/61cm per piece)	
83	8770050	1	Fitting, 90 JIC/ORB	
84	2220578	1	Fitting, 90 JIC/ORB	
85	2220221	1	Fitting, Reducer ORB/ORB	
86	2220374	1	Fitting, Straight JIC/ORB	
87	2220671	1	Fitting, 90 JIC/ORB	
88	2220238	1	Plug ORB	
89	2220800	1	Sitting, Straight ORB/ORB	
90	2752494	1	Hose	
91	2220819	1	Fitting, 90 JIC/ORB (SN 0300195059 to Present)	
92	2220371	2	Fitting, Straight ORB/JIC (SN 0300195059 to Present)	

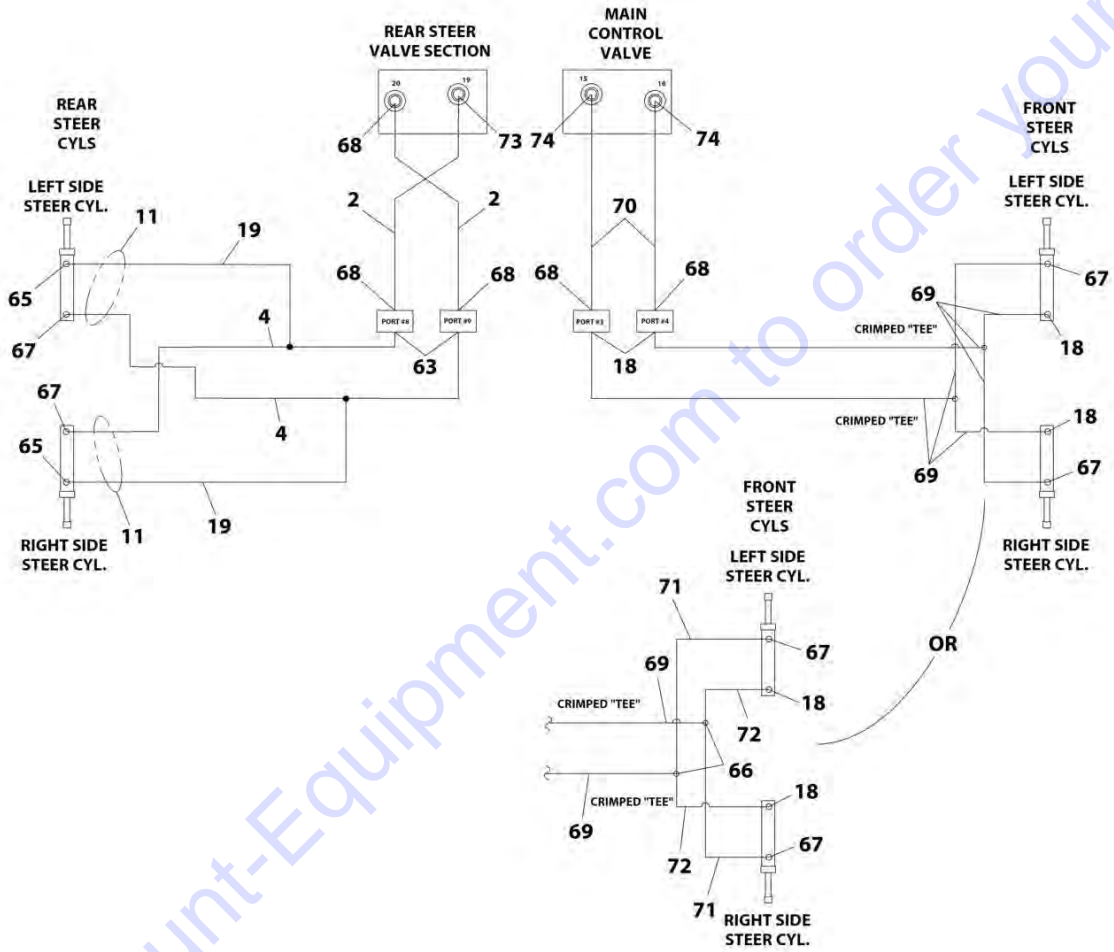
SECTION 6 - HYDRAULIC

FIGURE 6-2. DRIVE HYDRAULIC DIAGRAM (SN 0300196956 to Present)



ART_1001178202_10F2

SECTION 6 - HYDRAULIC



ART_1001178202_20F2

SECTION 6 - HYDRAULIC

FIGURE 6-2. DRIVE HYDRAULIC DIAGRAM (SN 0300196956 to Present)

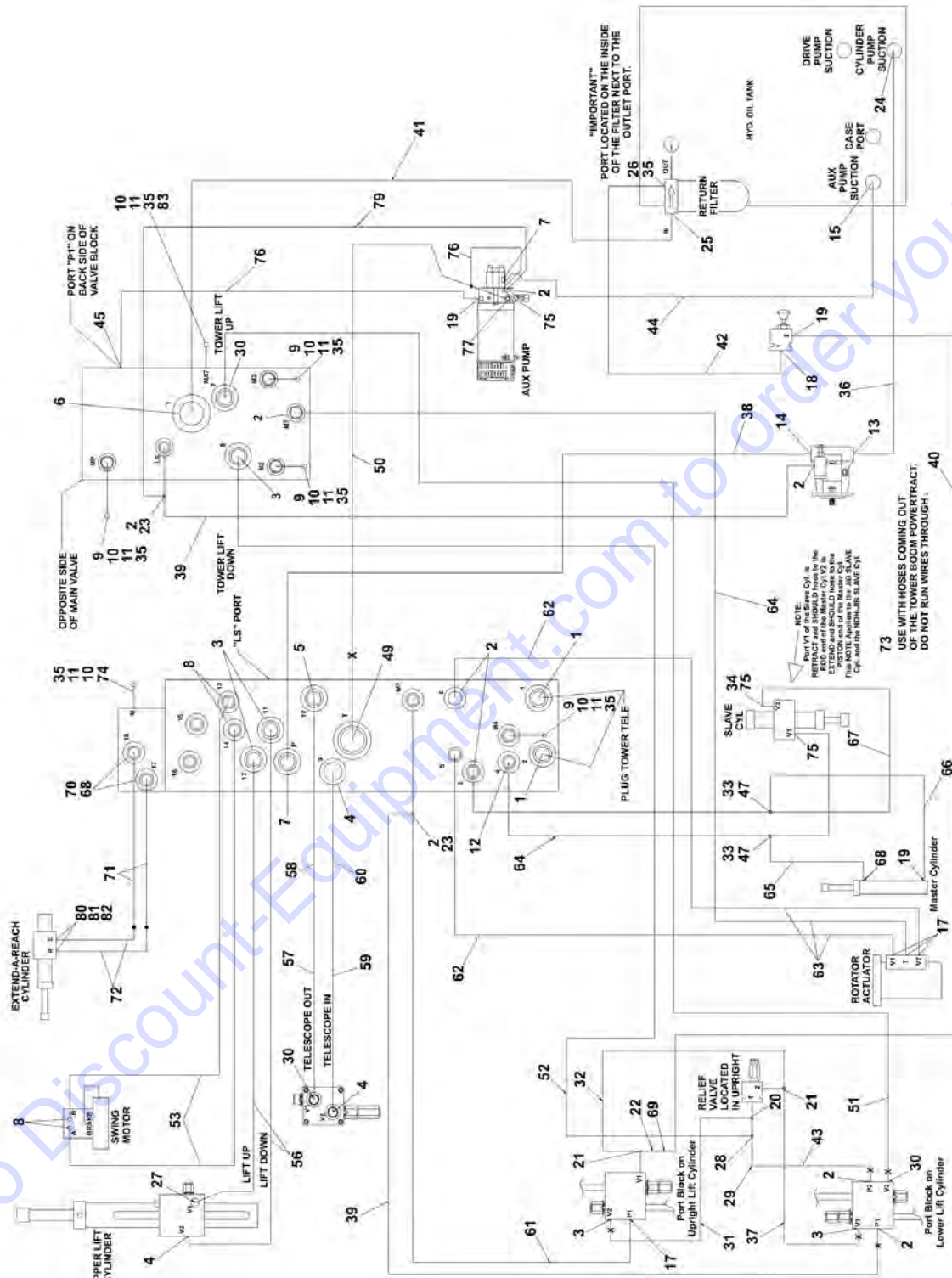
ITEM	PART NUMBER	QTY	DESCRIPTION	REV
	1001178202	Ref	DRIVE HYDRAULIC DIAGRAM (SN 0300196956 to Present)	H
1	2110808	4	Fitting, Straight ORFS/ORB	
2	2752466	2	Hose	
3	2220582	AR	Fitting, Straight ORB/JIC	
4	2753727	2	Hose	
5	2220451	1	Fitting, Straight ORB/JIC	
6	2220618	1	Fitting, Straight JIC/JIC (SN 0300196956 through 03002137310)	
7	2752938	1	Hose	
8	2220602	1	Fitting, Tee ORB/JIC (SN 0300196956 through 0300213730)	
8	1001199394	1	Fitting, Tee JIC/ORB/JIC (SN 0300213731 to Present)	
9	2220380	1	Fitting, Straight ORB/JIC	
10	2220375	1	Fitting, Straight ORB/JIC	
11	4100026	2 ft/0.61m	Sleeve	
12	2220468	1	Fitting, Straight ORB/JIC	
13	8770050	1	Fitting, 90 JIC/ORB	
14	2220596	1	Fitting, 90 ORB/JIC	
15	2220578	1	Fitting, 90 JIC/ORB	
16	2170350	AR	Fitting, Tee ORFS/ORFS/OBS	
17	2151616	1	Fitting, 45 ORFS/OBS	
18	2110606	5	Fitting, Straight ORFS/OBS	
19	2717235	2	Hose	
20	2220221	1	Fitting, Reducer ORB/ORB (SN 0300196956 through 0300227034)	
21	2111616	4	Fitting, Straight ORFS/OBS	
22	2110404	4	Fitting, Straight ORFS/OBS	
23	2130808	8	Fitting, 90 ORFS/OBS	
24	2131616	3	Fitting, 90 ORFS/OBS	
25	2130604	1	Fitting, 90 ORFS/OBS	
26	2130406	4	Fitting, 90 ORFS/OBS	
27	2150406	1	Fitting, 45 ORFS/OBS	
28	2110812	8	Fitting, 45 ORFS/OBS	
29	2170408	2	Fitting, Tee ORFS/ORFS/OBS	
30	2170504	AR	Fitting, Tee ORFS/ORFS/ORFS	
31	2220237	1	Fitting, Plug OBS	
32	2752434	AR	Hose	
33	2752997	1	Hose	
34	2751399	1	Hose	
35	2752754	1	Hose	
36	1001188135	1	Hose	
37	2751500	1	Hose	
39	2752494	2	Hose (SN 0300196956 through 0300227034)	
39	2752495	2	Hose (SN 0300227035 to Present)	
40	1001156332	1	Hose	
41	1001156333	1	Hose	
42	2220671	1	Fitting, 90 JIC/ORB	
43	2754678	2	Hose (SN 0300196956 through 03002137310)	
44	2753940	1	Hose (SN 0300196956 through 03002137310)	
45	1001159338	2	Hose	
46	2753544	2	Hose	
47	2754512	2	Hose	

SECTION 6 - HYDRAULIC

ITEM	PART NUMBER	QTY	DESCRIPTION	REV
48	2220238	1	Plug ORB	
49	2753542	1	Hose	
50	2753626	1	Hose	
51	2753753	2	Hose	
52	2753628	2	Hose	
53	2753970	4	Hose	
54	1001159339	3	Hose	
55	2753634	2	Hose	
56	2753971	1	Hose	
57	2220940	1	Fitting, 90 JIC/JIC	
58	2220373	2	Fitting, Straight ORB/JIC	
59	2220800	1	Sitting, Straight ORB/ORB	
60	2220591	1	Fitting, Reducer ORB/ORB (SN 0300196956 through 0300227034)	
61	2220466	3	Fitting, 90 ORB/JIC	
62	2170804	1	Fitting, Tee ORFS/ORB/ORFS	
63	2170306	2	Fitting, Tee ORFS/ORB/ORFS	
65	2150606	2	Fitting, 45 ORFS/ORB	
66	2170506	2	Fitting, Tee ORFS/ORFS/ORFS (SN 0300196956 through 03002137310)	
67	2130606	4	Fitting, 90 ORFS/ORB	
68	2220473	5	Fitting, 90 ORB/JIC	
69	2753732	2	Hose (SN 0300196956 through 0300213730)	
69	1001198333	2	Hose (SN 0300213731 to Present)	
70	2752489	2	Hose	
71	2753656	2	Hose (SN 0300196956 through 03002137310)	
72	1001159340	2	Hose (SN 0300196956 through 03002137310)	
73	2220819	1	Fitting, 90 JIC/ORB	
74	2220371	2	Fitting, Straight ORB/JIC	
75	1001198341	1	Hose (SN 0300213731 to Present)	
76	1001198338	1	Fitting, Tee ORFS/ORB (SN 0300227035 to Present)	
77	1001215296	1	Fitting, 90 JIC/ORB (SN 0300227035 to Present)	
78	1001151354	1	Hose (SN 0300227035 to Present)	

SECTION 6 - HYDRAULIC

FIGURE 6-3. STANDARD HYDRAULIC DIAGRAM (SN 0300185828 through 0300194139)



SECTION 6 - HYDRAULIC

FIGURE 6-3. STANDARD HYDRAULIC DIAGRAM (SN 0300185828 through 0300194139)

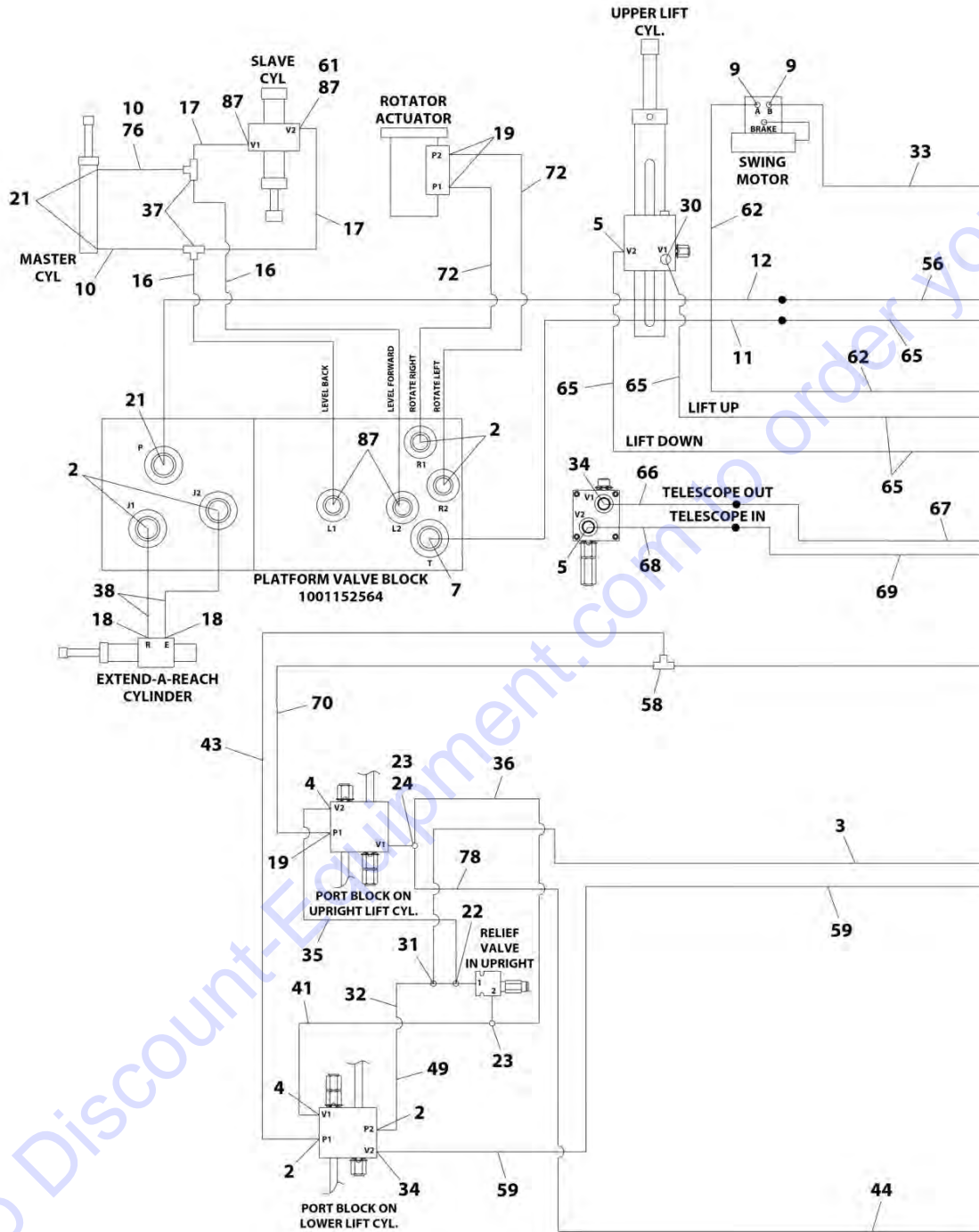
ITEM	PART NUMBER	QTY	DESCRIPTION	REV
	1001157451	Ref	STANDARD HYDRAULIC DIAGRAM (SN 0300185828 through 0300198139)	C
1	2220238	2	Fitting, Plug ORB	
2	2220415	10	Fitting, Straight ORB/JIC	
3	2220373	5	Fitting, Straight ORB/JIC	
4	2220500	3	Fitting, 45 ORB/JIC	
5	2220947	1	Fitting, Straight ORB/JIC	
6	2220376	1	Fitting, Straight ORB/JIC	
7	2220593	2	Fitting, Straight ORB/JIC	
8	2220371	4	Fitting, Straight ORB/JIC	
9	2220873	4	Fitting, Straight ORB/NPT	
10	2220428	6	Fitting, Quick Disconnect	
11	2220429	6	Fitting, Dust Cap	
12	2220502	1	Fitting, 45 ORB/JIC	
13	2220737	1	Split Flange Kit #24	
14	2220478	1	Split Flange Kit #16	
15	2220498	1	Fitting, 45 ORB/JIC	
17	2220466	4	Fitting, 90 ORB/JIC	
18	2220582	1	Fitting, Straight ORB/JIC	
19	2220473	4	Fitting, 90 ORB/JIC	
20	2220602	1	Fitting, Tee ORB/JIC	
21	2220999	2	Fitting, Tee ORB/JIC	
22	2220619	1	Fitting, Reducer JIC/JIC	
23	2220605	2	Fitting, Tee JIC/JIC	
24	2220765	1	Fitting, Straight ORB/JIC	
25	2220379	1	Fitting, Straight ORB/JIC	
26	2220574	1	Fitting, Straight NPT/JIC	
27	2220596	1	Fitting, 90 ORB/JIC	
28	2220385	1	Fitting, Tee JIC/JIC	
29	2220618	1	Fitting, Reducer JIC/JIC	
30	2220852	3	Fitting, Straight ORB/JIC	
31	2753197	1	Hose	
32	2753196	1	Hose	
33	2220490	2	Fitting, Tee JIC/JIC	
34	4567139	1	Tube	
35	0100020	AR	Sealant, Pipe	
36	2753216	1	Hose	
37	2753641	1	Hose	
38	2753231	1	Hose	
39	2753010	2	Hose	
40	2753639	1	Hose	
41	2752721	1	Hose	
42	2752438	1	Hose	
43	2753644	1	Hose	
44	1001149410	1	Hose	
45	4640780	1	Fitting, Check Valve	
47	2220609	2	Fitting, Reducer JIC/JIC	
49	2220577	1	Fitting, Straight ORB/JIC	
50	2753118	1	Hose	
51	2752768	1	Hose	

SECTION 6 - HYDRAULIC

ITEM	PART NUMBER	QTY	DESCRIPTION	REV
52	2752930	1	Hose	
53	2752462	2	Hose	
56	2753637	2	Hose	
57	2752767	1	Hose	
58	2753642	1	Hose	
59	2753190	1	Hose	
60	2753640	1	Hose	
61	2753643	1	Hose	
62	2753638	2	Hose	
63	2753006	3	Hose	
64	2753636	3	Hose	
65	2753124	1	Hose	
66	2753125	1	Hose	
67	2753126	2	Hose	
68	2220501	3	Fitting, 45 ORB/JIC	
69	4567757	1	Tube	
70	2220591	2	Fitting, Reducer ORB/ORB	
71	2753645	2	Hose	
72	2753128	2	Hose	
73	4100062	2	Protection, Nylon Hose (24in/61cm per piece)	
74	2220873	1	Fitting, Straight ORB/NPT	
75	2220603	3	Fitting, Straight ORB/JIC	
76	1001109690	2	Hose	
77	2220899	1	Fitting, Tee ORB/JIC/JIC	
79	1001143192	1	Hose	
80	2180724	1	Fitting, Modified	
81	2180380	1	Orifice	
82	0100019	AR	Compound, Locking	
83	1001177614	1	Hose	

SECTION 6 - HYDRAULIC

FIGURE 6-4. STANDARD HYDRAULIC DIAGRAM (SN 0300194140 through 0300196855)



ART_1001173291_10F2

PARTS FINDER

**Search Website
by Part Number**



**Search Manual
Library For Parts
Manual & Lookup Part
Numbers – Purchase
or Request Quote**

**Can't Find Part or
Manual? Request Help
by Manufacturer,
Model & Description**

Discount-Equipment.com is your online resource for quality parts & equipment.

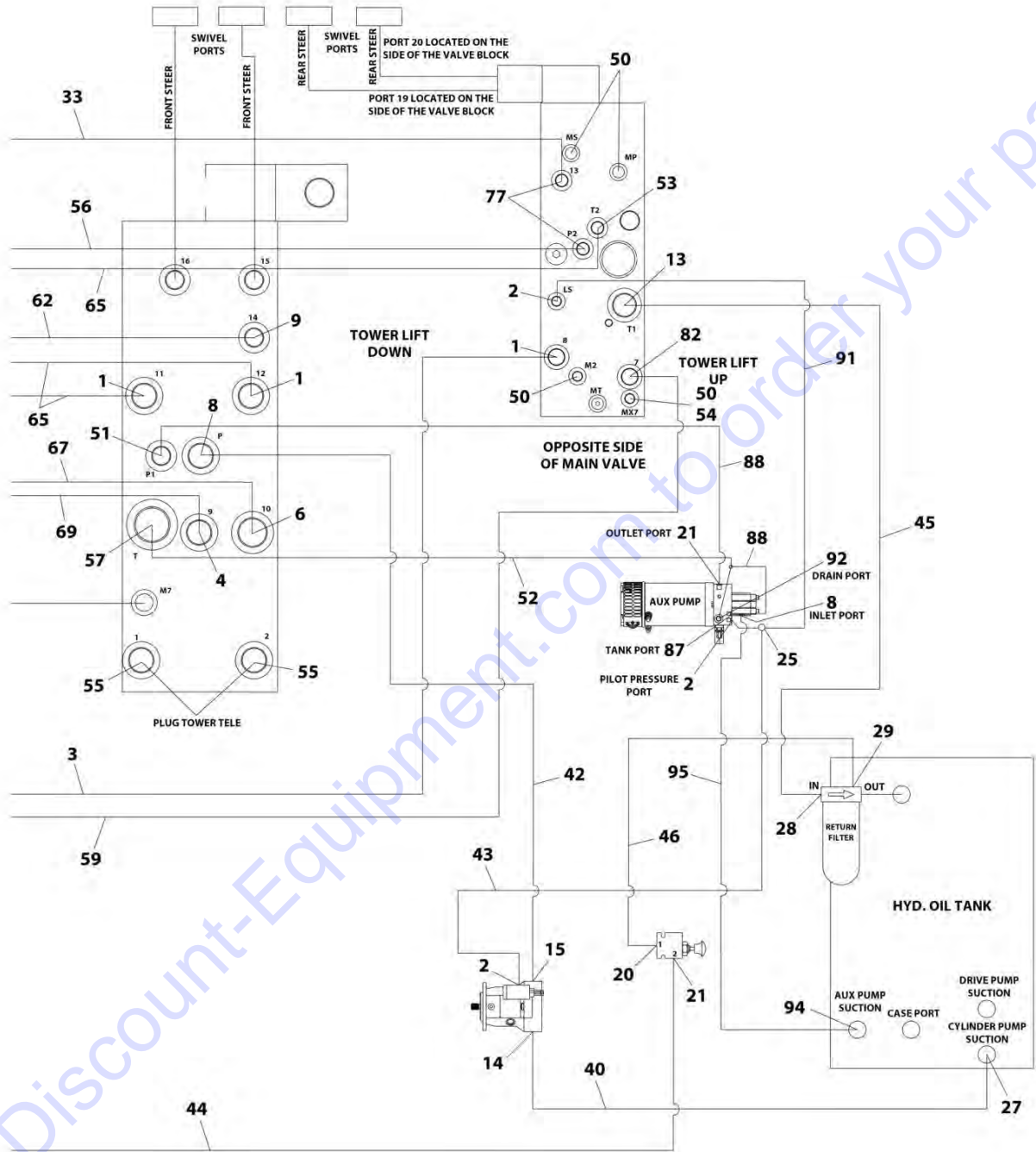
Florida: **561-964-4949** Outside Florida TOLL FREE: **877-690-3101**

Need parts?

Click on this link: <http://www.discount-equipment.com/category/5443-parts/> and choose one of the options to help get the right parts and equipment you are looking for. Please have the machine model and serial number available in order to help us get you the correct parts. If you don't find the part on the website or on one of the online manuals, please fill out the request form and one of our experienced staff members will get back to you with a quote for the right part that your machine needs.

We sell worldwide for the brands: Genie, Terex, JLG, MultiQuip, Mikasa, Essick, Whiteman, Mayco, Toro Stone, Diamond Products, Generac Magnum, Airman, Haulotte, Barreto, Power Blanket, Nifty Lift, Atlas Copco, Chicago Pneumatic, Allmand, Miller Curber, Skyjack, Lull, Skytrak, Tsurumi, Husquvarna Target, Stow, Wacker, Sakai, Mi-T-M, Sullair, Basic, Dynapac, MBW, Weber, Bartell, Bennar Newman, Haulotte, Ditch Runner, Menegotti, Morrison, Contec, Buddy, Crown, Edco, Wyco, Bomag, Laymor, EZ Trench, Bil-Jax, F.S. Curtis, Gehl Pavers, Heli, Honda, ICS/PowerGrit, IHI, Partner, Imer, Clipper, MMD, Koshin, Rice, CH&E, General Equipment, Amida, Coleman, NAC, Gradall, Square Shooter, Kent, Stanley, Tamco, Toku, Hatz, Kohler, Robin, Wisconsin, Northrock, Oztec, Toker TK, Rol-Air, APT, Wylie, Ingersoll Rand / Doosan, Innovatech, Con X, Ammann, Mecalac, Makinex, Smith Surface Prep, Small Line, Wanco, Yanmar

SECTION 6 - HYDRAULIC



ART_1001173291_20F2

SECTION 6 - HYDRAULIC

FIGURE 6-4. STANDARD HYDRAULIC DIAGRAM (SN 0300194140 through 0300196855)

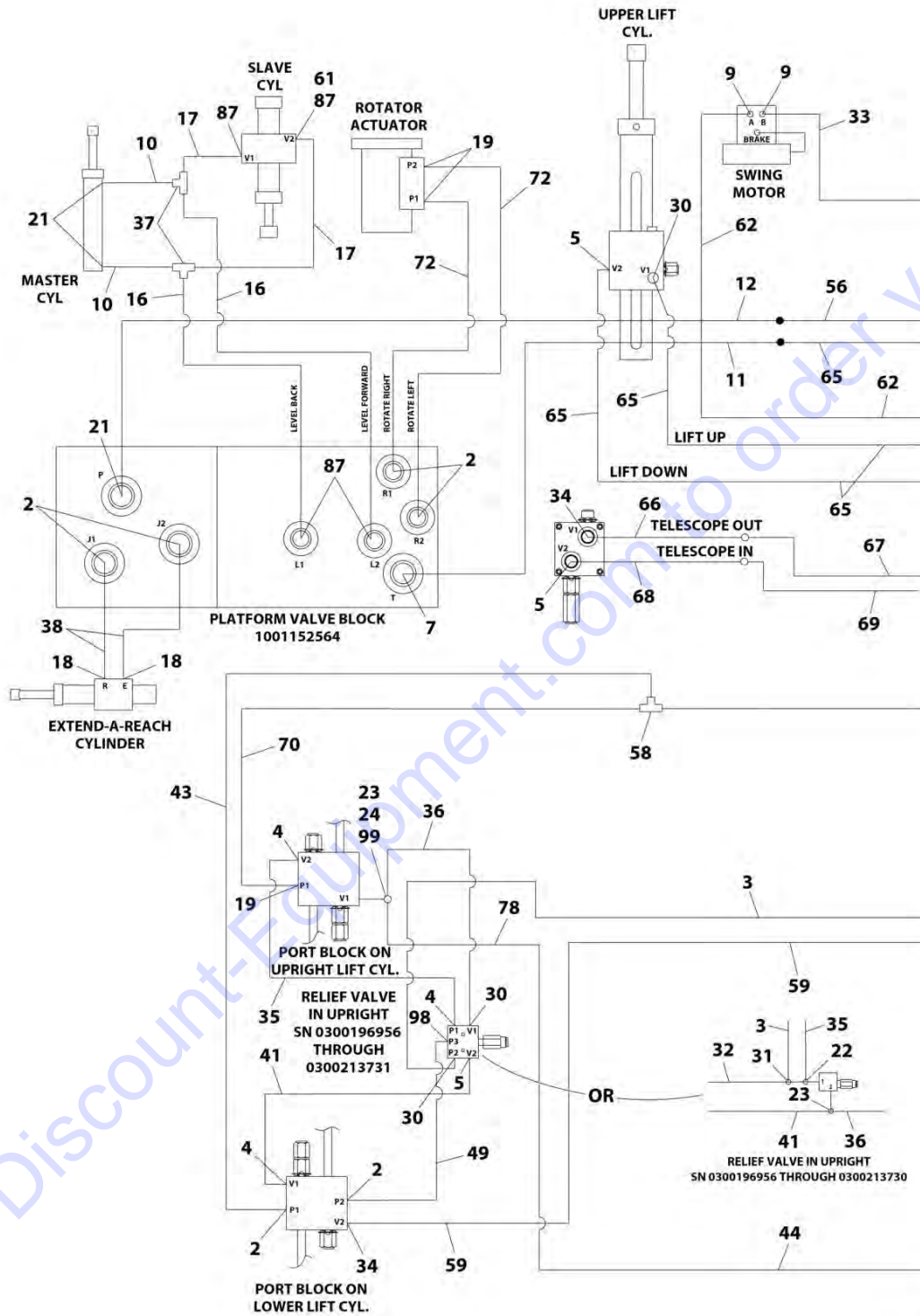
ITEM	PART NUMBER	QTY	DESCRIPTION	REV
	1001173291	Ref	STANDARD HYDRAULIC DIAGRAM (SN 0300194140 through 0300196955)	C
1	2220381	3	Fitting, Straight ORB/JIC	
2	2220415	AR	Fitting, Straight ORB/JIC	
3	2753199	1	Hose	
4	2220373	3	Fitting, Straight ORB/JIC	
5	2220500	2	Fitting, 45 ORB/JIC	
6	2220947	1	Fitting, Straight ORB/JIC	
7	2220600	1	Adapter, Straight/JIC	
8	2220593	2	Fitting, Straight ORB/JIC	
9	2220371	AR	Fitting, Straight ORB/JIC	
10	2753126	AR	Hose	
11	1001179546	1	Hose	
12	1001179545	1	Hose	
13	1001179329	1	Hose	
14	2220737	1	Split Flange Kit #24	
15	2220478	1	Split Flange Kit #16	
16	1001161033	2	Hose (SN 0300194140 through 0300195058)	
16	1001155673	2	Hose (SN 0300195059 through 0300196955)	
17	1001155670	2	Hose (SN 0300194140 through 0300195058)	
17	1001119602	2	Hose (SN 0300195059 through 0300196955)	
18	2220472	2	Fitting, 90 ORB/JIC (SN 0300195059 through 0300196955)	
19	2220466	3	Fitting, 90 ORB/JIC	
20	2220582	1	Fitting, Straight ORB/JIC	
21	2220473	AR	Fitting, 90 ORB/JIC	
22	2220602	1	Fitting, Tee ORB/JIC	
23	2220999	2	Fitting, Tee ORB/JIC	
24	2220619	1	Fitting, Reducer JIC/JIC	
25	2220605	AR	Fitting, Tee JIC/JIC	
27	2220765	1	Fitting, Straight ORB/JIC	
28	2220379	1	Fitting, Straight ORB/JIC	
29	2220574	1	Fitting, Straight NPT/JIC	
30	2220596	1	Fitting, 90 ORB/JIC	
31	2220385	1	Fitting, Tee JIC/JIC	
32	2220618	1	Fitting, Reducer JIC/JIC	
33	2752484	1	Hose	
34	2220852	2	Fitting, Straight ORB/JIC	
35	2753197	1	Hose	
36	2753196	1	Hose	
37	2220490	2	Fitting, Tee JIC/JIC	
38	1001155672	2	Hose (SN 0300194140 through 0300195058)	
38	2753442	2	Hose (SN 0300195059 through 0300196955)	
40	2753216	1	Hose	
41	2753641	1	Hose	
42	2753231	1	Hose	
43	2753010	2	Hose	
44	2753639	1	Hose	
45	2752721	1	Hose	
46	2752438	1	Hose	
49	2753008	1	Hose	

SECTION 6 - HYDRAULIC

ITEM	PART NUMBER	QTY	DESCRIPTION	REV
50	2221086	AR	Fitting, Diagnostic Test Port	
51	4640780	1	Fitting, Check Valve	
52	2753118	1	Hose	
53	1001136881	1	Fitting, 45 ORB/JIC	
54	91143172	1	Fitting, Test Port Coupling (SN 0300194140 through 0300195058)	
55	2220238	2	Fitting, Plug ORB	
56	2751161	1	Hose	
57	2220577	AR	Fitting, Straight ORB/JIC	
58	2221034	1	Fitting, Tee JIC/ORB/JIC (SN 0300195059 through 0300196955)	
59	2752768	1	Hose	
61	4567139	1	Tube (SN 0300195059 through 0300196955)	
62	2752462	1	Hose	
65	2753637	3	Hose	
66	2752767	1	Hose	
67	2753642	1	Hose	
68	2753190	1	Hose	
69	2753640	1	Hose	
70	2753643	1	Hose	
72	1001155672	2	Hose (SN 0300194140 through 0300195058)	
72	1001159707	2	Hose (SN 0300195059 through 0300196955)	
76	2753129	1	Hose (SN 0300194140 through 0300195058)	
77	2220501	2	Fitting, 45 ORB/JIC	
78	4567757	1	Tube	
79	4100062	2	Protection, Hose (Not Shown - Located at Tower Boom Power Track)	
82	2220950	1	Fitting, 45 ORB/JIC	
87	2220603	5	Fitting, Straight ORB/JIC	
88	1001109690	2	Hose	
91	1001143192	1	Hose (SN 0300194140 through 0300195058)	
91	2752434	1	Hose (SN 0300195059 through 0300196955)	
92	2220899	1	Fitting, Tee ORB/JIC/JIC	
94	2220498	1	Fitting, 45 ORB/JIC	
95	1001149410	1	Hose	

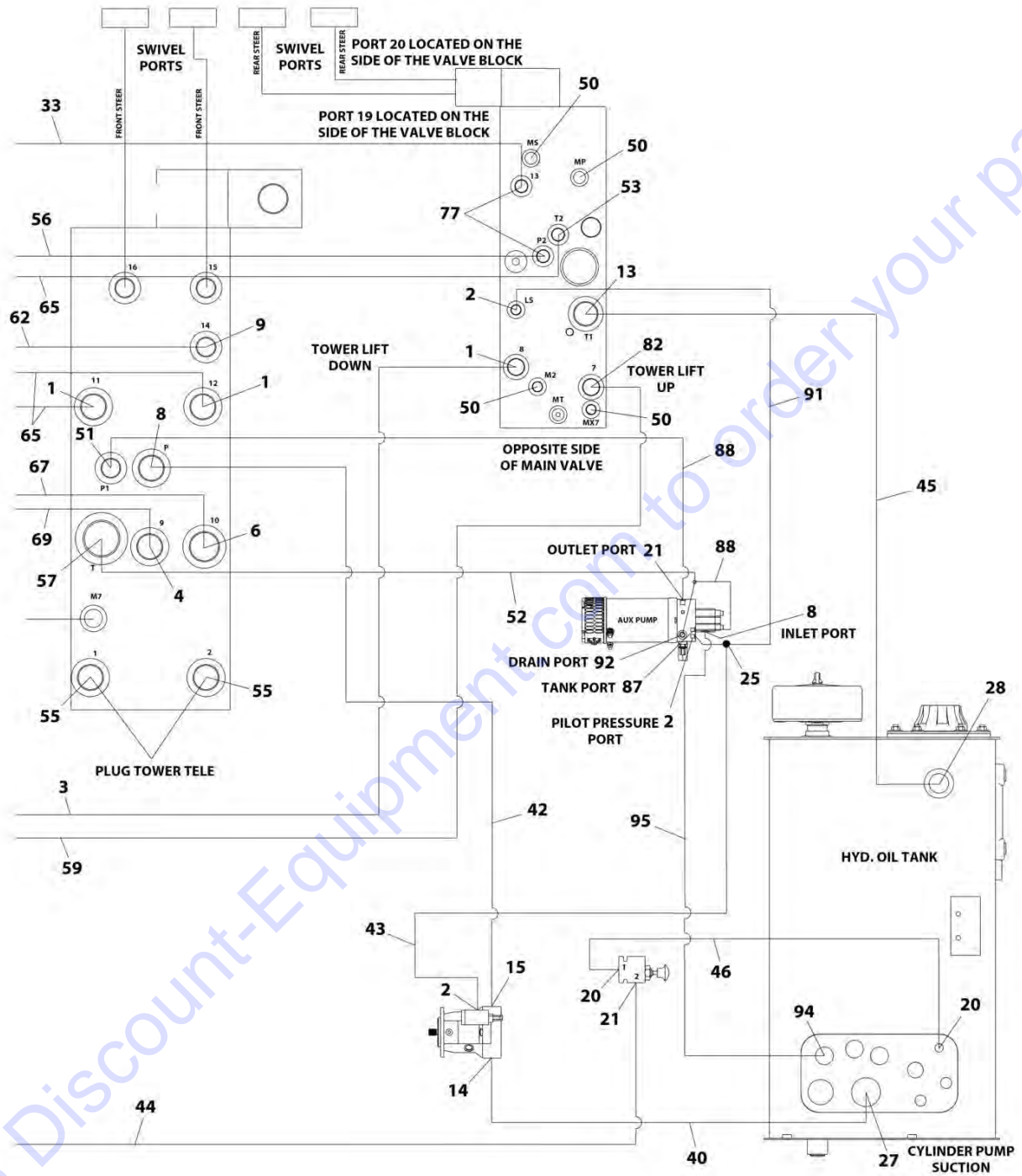
SECTION 6 - HYDRAULIC

FIGURE 6-5. STANDARD HYDRAULIC DIAGRAM (SN 0300196956 to Present)



ART_1001178199_10F2

SECTION 6 - HYDRAULIC



ART_1001178199_20F2

SECTION 6 - HYDRAULIC

FIGURE 6-5. STANDARD HYDRAULIC DIAGRAM (SN 0300196956 to Present)

ITEM	PART NUMBER	QTY	DESCRIPTION	REV
	1001178199	Ref	STANDARD HYDRAULIC DIAGRAM (SN 0300196956 to Present)	J
1	2220381	3	Fitting, Straight ORB/JIC	
2	2220415	9	Fitting, Straight ORB/JIC	
3	2753199	1	Hose (SN 0300196956 through 0300210401)	
3	2752930	1	Hose (SN 0300210402 to Present)	
4	2220373	AR	Fitting, Straight ORB/JIC	
5	2220500	AR	Fitting, 45 ORB/JIC	
6	2220947	1	Fitting, Straight ORB/JIC	
7	2220600	1	Adapter, Straight/JIC	
8	2220593	2	Fitting, Straight ORB/JIC	
9	2220371	3	Fitting, Straight ORB/JIC	
10	2753126	2	Hose	
11	1001179546	1	Hose	
12	1001179545	1	Hose	
13	1001179329	1	Hose	
14	2220737	1	Split Flange Kit #24	
15	2220478	1	Split Flange Kit #16	
16	1001155673	2	Hose	
17	1001119602	2	Hose	
18	2220472	2	Fitting, 90 ORB/JIC	
19	2220466	3	Fitting, 90 ORB/JIC	
20	2220582	2	Fitting, Straight ORB/JIC	
21	2220473	5	Fitting, 90 ORB/JIC	
22	2220602	1	Fitting, Tee ORB/JIC (SN 0300196956 through 0300213730)	
23	2220999	2	Fitting, Tee ORB/JIC (SN 0300196956 through 0300213730)	
24	2220619	1	Fitting, Reducer JIC/JIC (SN 0300196956 through 0300213730)	
24	1001197272	1	Fitting, Tee JIC/ORB/JIC (SN 0300213731 through 0300227035)	
25	2220605	1	Fitting, Tee JIC/JIC	
27	2220765	1	Fitting, Straight ORB/JIC	
28	2220377	1	Fitting, Straight JIC/ORB	
30	2220596	AR	Fitting, 90 ORB/JIC	
31	2220385	1	Fitting, Tee JIC/JIC (Not Shown) (SN 0300196956 through 0300213730)	
32	2220618	1	Fitting, Reducer JIC/JIC (Not Shown)	
33	2752461	1	Hose	
34	2220852	2	Fitting, Straight ORB/JIC	
35	2753197	1	Hose	
36	2753196	1	Hose	
37	2220490	2	Fitting, Tee JIC/JIC	
38	2753442	2	Hose	
40	1001179079	1	Hose	
41	2753641	1	Hose	
42	2753231	1	Hose	
43	2753010	2	Hose	
44	2753639	1	Hose	
45	2752723	1	Hose	
46	2753274	1	Hose	
49	2753008	1	Hose (SN 0300196956 through 0300210401)	
49	2753644	1	Hose (SN 0300210402 to Present)	
50	2221086	4	Fitting, Diagnostic Test Port	

SECTION 6 - HYDRAULIC

ITEM	PART NUMBER	QTY	DESCRIPTION	REV
51	4640780	1	Fitting, Check Valve	
52	2753118	1	Hose	
53	1001136881	1	Fitting, 45 ORB/JIC	
55	2220238	2	Fitting, Plug ORB	
56	2753645	1	Hose (SN 0300196956 through 0300210401)	
56	2751161	1	Hose (SN 0300210402 to Present)	
57	2220577	1	Fitting, Straight ORB/JIC	
58	2221034	1	Fitting, Tee JIC/ORB/JIC	
59	2752768	1	Hose	
61	4567139	1	Tube	
62	2752484	1	Hose	
65	2753637	3	Hose	
66	2752767	1	Hose	
67	2753642	1	Hose	
68	2753190	1	Hose	
69	2753640	1	Hose	
70	2753643	1	Hose	
72	1001159707	2	Hose	
77	2220501	2	Fitting, 45 ORB/JIC	
78	4567757	1	Tube	
79	4100062	2	Protection, Hose (Not Shown - Located at Tower Boom Power Track)	
82	2220950	1	Fitting, 45 ORB/JIC	
87	2220603	5	Fitting, Straight ORB/JIC	
88	1001109690	2	Hose	
91	2752434	1	Hose	
92	2220899	1	Fitting, Tee ORB/JIC/JIC	
94	2220451	1	Fitting, Straight ORB/JIC	
95	1001149410	1	Hose	
98	2220468	1	Fitting, Straight ORB/JIC (SN 0300213731 to Present)	
99	1001215289	1	Fitting, Tee JIC/ORB/JIC (SN 0300227035 to Present)	

SECTION 6 - HYDRAULIC

FIGURE 6-6. HYDRAULIC DIAGRAM LIST

ITEM	PART NUMBER	QTY	DESCRIPTION	REV
		Ref	Note: Common diagrams shown in this parts manual. Diagrams not shown are available from Discount-equipment.com.	
	2792589	Ref	Air Compressor Hydraulic Diagram	
	1001157446	Ref	Drive Hydraulic Diagram - 4WD/4WS Machines (SN 0300185828 through 0300196955)	
	1001178202	Ref	Drive Hydraulic Diagram - 4WD/4WS Machines (SN 0300196956 to Present)	
	1001216853	Ref	Drive Hydraulic Diagram - 4WD/4WS Machines (Includes Tow Diagram) (SN 0300196956 to Present)	
	1001156172	Ref	Oil Cooler Hydraulics - Deutz D2011 Engines	
	1001142677	Ref	Oil Cooler Hydraulics - Deutz TD2.9L4 Engines (SN 0300185828 through 0300227034)	
	1001184569	Ref	Oil Cooler Hydraulics - Deutz TD2.9L4 Engines (SN 0300227035 to Present)	
	1283309	Ref	Oil Cooler Hydraulics - GM Engines	
	1001157451	Ref	Standard Hydraulic Diagram (SN 0300185828 through 0300198139)	
	1001173291	Ref	Standard Hydraulic Diagram (SN 0300194140 through 0300196955)	
	1001178199	Ref	Standard Hydraulic Diagram (SN 0300196956 to Present)	
	1001160251	Ref	Standard Hydraulic Schematic (SN 0300185828 through 0300194139)	
	1001171791	Ref	Standard Hydraulic Schematic (SN 0300194140 to Present)	
	1283387	Ref	Tow Bar Hydraulic Diagram	
	2792700	Ref	Tow Bar Hydraulic Diagram Parts List (SN 0300185828 through 0300211595)	
	1001157401	Ref	Tow Package Hydraulic Diagram (SN 0300211596 through 0300227034)	
	See Note	Ref	Tow Package Hydraulic Diagram (Note: See Drive Hydraulic Diagrams) (SN 0300227035 to Present)	

SECTION 7 - ELECTRICAL

Go to Discount-Equipment.com to order your parts

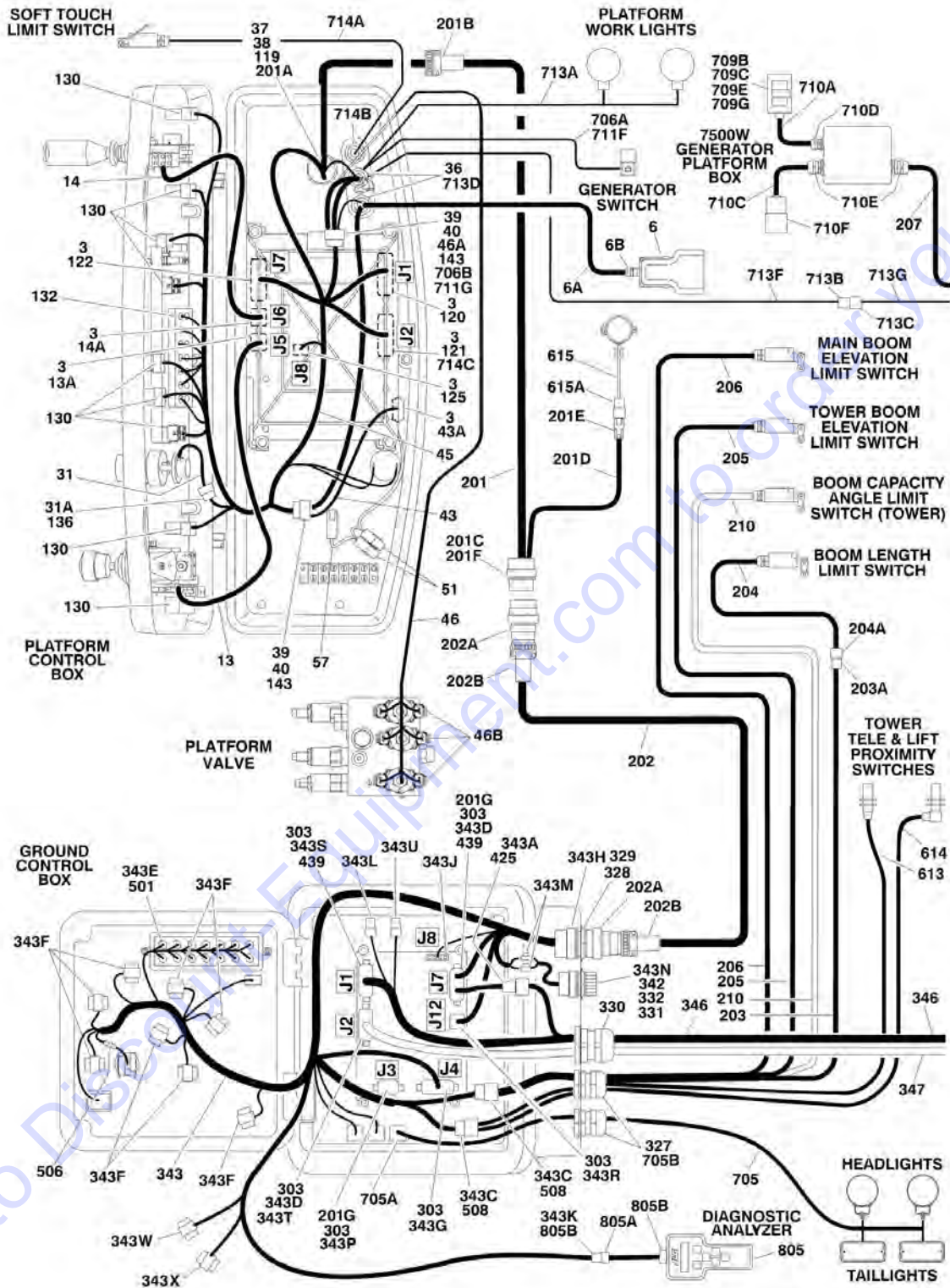
SECTION 7 - ELECTRICAL

FIGURE 7-1. ELECTRICAL DIAGRAM LIST

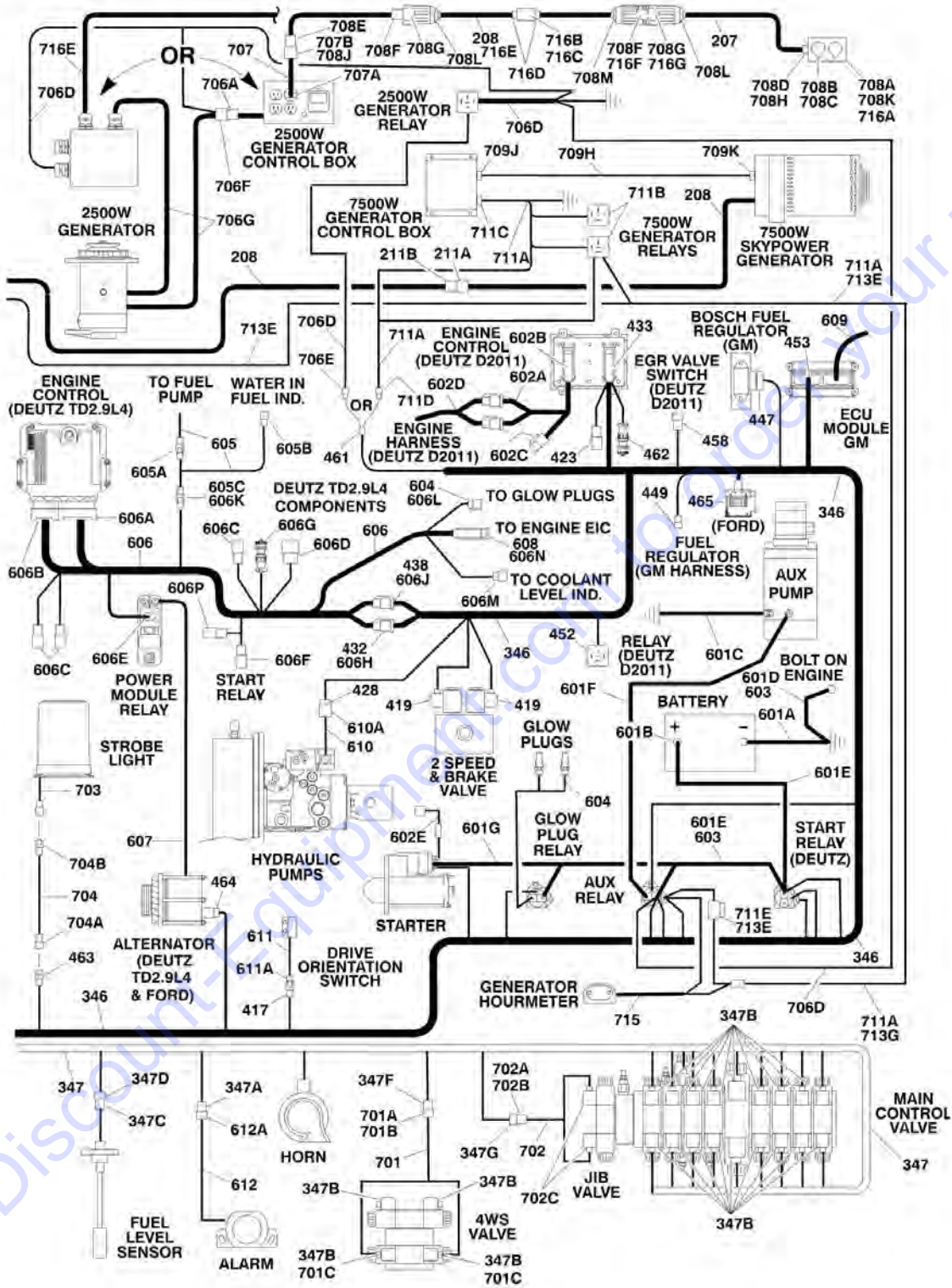
ITEM	PART NUMBER	QTY	DESCRIPTION	REV
	4933345	Ref	AIR COMPRESSOR ELECTRICAL DIAGRAM	
	1282571	Ref	COLD WEATHER START ELECTRICAL DIAGRAM (GM ENGINE MACHINES)	
	4933350	Ref	GENERATOR (2500W 110V 60HZ) ELECTRICAL DIAGRAM (GM ENGINES)	
	1001112588	Ref	GENERATOR (2500W 110V 60HZ) ELECTRICAL DIAGRAM (DEUTZ D2011 ENGINES)	
	1001180050	Ref	GENERATOR (2500W 60HZ) ELECTRICAL DIAGRAM (DEUTZ TD2.9L4 ENGINES)	
	1001132055	Ref	GENERATOR (4000W 60HZ) ELECTRICAL DIAGRAM (GM ENGINES)	
	1001132055	Ref	GENERATOR (4000W 60HZ) ELECTRICAL DIAGRAM (DEUTZ ENGINES)	
	1001153025	Ref	GENERATOR (4000W 50HZ) ELECTRICAL DIAGRAM (DEUTZ ENGINES) (ANSI EXPORT, CE AND JAPANESE SPECS)	
	1001160271	Ref	GENERATOR (4000W 50HZ) ELECTRICAL DIAGRAM (DEUTZ ENGINES) (CE UK SPECS)	
	1001159648	Ref	GENERATOR (4000W 50HZ) ELECTRICAL DIAGRAM (DEUTZ ENGINES) (AUSTRALIAN SPECS)	
	1001157768	Ref	GENERATOR (7500W) ELECTRICAL DIAGRAM (GM ENGINES)	
	1001157769	Ref	GENERATOR (7500W) ELECTRICAL DIAGRAM (DEUTZ D2011 ENGINES)	
	1001157770	Ref	GENERATOR (7500W) ELECTRICAL DIAGRAM (DEUTZ DT2.9L4 ENGINES)	
	1001153717	Ref	GROUND CONTROL BOX ELECTRICAL DIAGRAM (DEUTZ D2011 ENGINES)	
	1001170216	Ref	GROUND CONTROL BOX ELECTRICAL DIAGRAM (DEUTZ TD2.9L4 ENGINES)	
	1001224137	Ref	GROUND CONTROL BOX ELECTRICAL DIAGRAM (FORD ENGINE)	
	1001153716	Ref	GROUND CONTROL BOX ELECTRICAL DIAGRAM (GM ENGINE)	
	4933231	Ref	HEADLIGHT/TAILLIGHT ELECTRICAL DIAGRAM (ABS HOODS)	
	4933219	Ref	HEADLIGHT/TAILLIGHT LIGHTS ELECTRICAL DIAGRAM (STEEL HOODS)	
	4933218	Ref	PLATFORM SOFT TOUCH SYSTEM ELECTRICAL DIAGRAM	
	0273485	Ref	PLATFORM WORKLIGHTS ELECTRICAL DIAGRAM (800AJ)	
	1001153793	Ref	STANDARD ELECTRICAL SCHEMATIC	
	1001131992	Ref	STANDARD ELECTRICAL SCHEMATIC - GM ENGINE SCHEMATIC (ENGINE SCHEMATIC ONLY. P/N 1001153793 IS SCHEMATIC FOR COMPLETE MACHINE)	

SECTION 7 - ELECTRICAL

FIGURE 7-2. HARNESS COMPONENTS INSTALLATION



SECTION 7 - ELECTRICAL



SECTION 7 - ELECTRICAL

FIGURE 7-2. HARNESS COMPONENTS INSTALLATION

ITEM	PART NUMBER	QTY	DESCRIPTION	REV
		Ref	PLATFORM BOX ASSEMBLY COMPONENTS	
3	0100048	AR	Grease, Dielectric	
6		Ref	Footswitch Components:	
6A	1060918	7 ft/2.13m	Cable, Electrical - 18/3	
6A	1001098122	3	Terminal, Ring	
6A	4460226	2	Socket, Female	
6A	4460464	1	Pin, Male	
6B	4460071	2	Connector, Strain Relief	
13	See Note	1	Controller Harness Assembly (Lift and Swing) (Note: Not Available for Purchase)	
13A	7022819	1	Plug, Male - 8 Position (Natural)	
13A	4460871	8	Socket, Female	
14	See Note	1	Controller Harness/Circuit Board Assembly (Drive and Steer) (Note: Not Available for Purchase)	
14A	7022825	1	Plug, Male - 8 Position (Black)	
14A	4460871	7	Socket, Female	
31	See Note	1	Controller Harness (Speed Control) (Note: Not Available for Purchase)	
31A	4460224	1	Receptacle, Female - 6 Position	
31A	4460226	6	Socket, Female	
36	4460428	2	Connector, Strain Relief	
37	4460470	1	Nut, Terminal	
38	4460471	1	Washer, Terminal	
39	4460708	2	Connector, Female 15 Position	
40	4460905	5	Seal, Plug	
43	4922666	1	Harness, Analyzer Cable	C
43	4460226	4	Socket, Female (Not Shown - Located at J2)	
43A	4460761	1	Connector, Female - 4 Position	
43A	4460227	4	Pin, Male	
45	1001107753	1	Harness, Console Box (Without SkyGuard) (See Items 119-143 for Breakdown)	
45	1001185280	1	Harness, Console Box (With SkyGuard) (See Items 119-143 for Breakdown)	
46	1001139135	1	Platform Valve Harness Assembly (SN 0300194792 to Present)	A
46A	4460226	7	Socket, Female	
46B	4460891	6	Plug, Male - 2 Position	
46B	1001116992	12	Socket, Female	
51	1001186431	2	Relay (Machines with 1 Cell LSS)	
57	1001225580	1	Harness, Interface (Machines with 1 Cell LSS)	
		Ref	PLATFORM BOX HARNESS ASSEMBLY	
	1001107753	Ref	PLATFORM BOX HARNESS ASSEMBLY (WITHOUT SKYGUARD)	F
	1001185280	Ref	PLATFORM BOX HARNESS ASSEMBLY (WITH SKYGUARD)	B
	1001220281	Ref	PLATFORM BOX HARNESS ASSEMBLY (MACHINES WITH SKYGUARD/WITH 1 CELL LSS)	E
119	4460866	1	Connector - 19 Position	
119	4460464	7	Pin, Male (16 Gauge)	
119	4460508	3	Pin, Male (12 Gauge)	
120	4460874	1	Plug, Male - 35 Position (Natural)	
120	4460871	29	Socket, Female	
120	4460905	6	Seal	

SECTION 7 - ELECTRICAL

ITEM	PART NUMBER	QTY	DESCRIPTION	REV
121	4460875	1	Plug, Male - 35 Position (Gray)	
121	4460871	24	Socket, Female	
121	4460905	11	Seal	
122	4460873	1	Plug, Male - 35 Position (Black)	
122	4460871	26	Socket, Female	
122	4460905	9	Seal	
125	4460879	1	Plug, Male - 2 Position	
125	4460887	2	Terminal (12 Gauge)	
130	4460418	9	Connector - 6 Position	
130	4460419	27	Terminal, Female	
132	4120035	13	Base, Light	
132	4460634	13	Terminal (16 Gauge)	
132	4460635	13	Terminal (12 Gauge)	
132	2920129	13	Lamp, Indicator	
136	4460225	1	Plug, Male - 6 Position	
136	4460227	5	Pin, Male	
143	4460434	2	Plug, Male - 15 Position	
143	4460227	25	Pin, Male	
150	4460884	1	Connector - 4 Position (Not Shown - To Platform Sensor) (With SkyGuard)	
150	4460944	4	Socket (Not Shown - To Platform Sensor) (With SkyGuard)	
150	4460932	1	Receptacle - 4 Position (Not Shown -To Platform Sensor) (With SkyGuard)	
154	4460536	1	Receptacle - 3 Position (Not Shown) (With SkyGuard)	
154	4460943	1	Pin, Male (Not Shown) (With SkyGuard)	
155	4460539	1	Plug - 3 Position (Not Shown) (With SkyGuard)	
155	4460944	1	Socket, Female (Not Shown) (With SkyGuard)	
157	4460708	1	Connector - 15 Position (Not Shown - Mates with Item 143) (With SkyGuard)	
157	4460226	3	Socket (Not Shown) (With SkyGuard)	
158	4460894	1	Plug, Male - 6 Position (Not Shown) (Machines with 1 Cell LSS)	
158	4460465	5	Socket, Female (Not Shown) (Machines with 1 Cell LSS)	
159	4460933	1	Plug, Male - 12 Position (Not Shown) (Machines with 1 Cell LSS)	
159	1001119020	1	Bussbar (Not Shown) (Machines with 1 Cell LSS)	
162	1001213447	1	Receptacle, Female - 5 Position (Not Shown) (Machines with 1 Cell LSS)	
	0272028	Ref	BOOM CABLE INSTALLATION - ANSI, CSA AND JAPANESE SPECS WITHOUT AIRCRAFT DE-ICING PACKAGE (SN 0300185828 through 0300236624)	D
	1001227729	Ref	BOOM CABLE INSTALLATION - ANSI, CSA AND JAPANESE SPECS WITHOUT AIRCRAFT DE-ICING PACKAGE (SN 0300236625 to Present)	A
	1001107763	Ref	BOOM CABLES INSTALLATION - ANSI AND JAPANESE SPECS WITH COMMUNICATION SYSTEM AND AIRCRAFT DE-ICING PACKAGE (SN 0300185828 through 0300236624)	B
	1001227577	Ref	BOOM CABLES INSTALLATION - ANSI AND JAPANESE SPECS WITH COMMUNICATION SYSTEM AND AIRCRAFT DE-ICING PACKAGE (SN 0300236625 to Present)	A
	1001160273	Ref	BOOM CABLE INSTALLATION - ANSI, CSA AND JAPANESE SPECS WITH 4000W GENERATOR (SN 0300185828 through 0300236624)	B
	1001227587	Ref	BOOM CABLE INSTALLATION - ANSI, CSA AND JAPANESE SPECS WITH 4000W GENERATOR (SN 0300236625 to Present)	A
	1001156846	Ref	BOOM CABLE INSTALLATION - ANSI, CSA AND JAPANESE SPECS WITH 7500W SKYPOWER GENERATOR (SN 0300185828)	B

SECTION 7 - ELECTRICAL

ITEM	PART NUMBER	QTY	DESCRIPTION	REV
	1001227586	Ref	through 0300236624) BOOM CABLE INSTALLATION - ANSI, CSA AND JAPANESE SPECS WITH 7500W SKYPOWER GENERATOR (SN 0300236625 to Present)	A
	0272787	Ref	BOOM CABLES INSTALLATION - AUSTRALIAN, CE AND JAPANESE SPECS (SN 0300185828 through 0300236624)	B
	1001227588	Ref	BOOM CABLES INSTALLATION - AUSTRALIAN, CE AND JAPANESE SPECS (SN 0300236625 to Present)	A
201	4922582	1	Harness Assembly - Main Boom (12/4 -18/8) (SN 0300185828 through 0300236624)	G
201	1001227518	1	Harness Assembly - Main Boom (12/4 -18/8) (SN 0300236625 to Present)	A
201	1060896	AR	Cable, Electrical - 4 #12 AWG, 8 #18 AWG and 1 STP #18 AWG	
201	0100009	AR	Sealant	
201A	4460865	1	Connector - 19 Position	
201A	4460465	11	Socket, Female	
201A	4460509	4	Socket, Female	
201A	4460466	4	Seal, Plug	
201B	4460473	1	Clamp. Cable	
201C	4460866	1	Connector - 19 Position	
201C	4460464	11	Pin, Male (16 Gauge)	
201C	4460508	4	Pin, Male (12 Gauge)	
201C	4460466	4	Seal, Plug	
201D	4923613	1	Harness, Tilt Switch (SN 0300185828 through 0300236624)	D
201D	1001227360	1	Harness, Tilt Switch (SN 0300236625 to Present)	A
201D	1060978	2 ft /0.6m	Cable, Electrical - 18/3	
201E	1001097051	1	Connector - 4 Position	
201E	1001097082	3	Pin, Male (Gold)	
201E	4460466	1	Seal, Plug (SN 0300185828 through 0300236624)	
201E	4460518	1	Seal, Plug (SN 0300236625 to Present)	
201F	4460464	3	Pin, Male (16 Gauge) (4923613 Harness) (SN 0300185828 through 0300236624)	
201F	4460943	3	Pin, Male (16 Gauge) (4923613 Harness) (SN 0300236625 to Present)	
201G	4460944	3	Socket, Female (1001227360 Harness)	
202	4922853	1	Harness Assembly - Tower Boom (12/4 - 18/8)	B
202	1060896	37 ft/ 11.3m	Cable, Electrical - 4 #12 AWG, 8 #18 AWG and 1 STP #18 AWG	
202A	4460865	2	Connector - 19 Position	
202A	4460465	22	Socket, Female	
202A	4460509	8	Socket, Female	
202A	4460466	8	Seal, Plug	
202B	4460473	2	Clamp. Cable	
203	Not Required	0	Harness	
204	Not Required	0	Harness	
205	4922854	1	Harness Assembly - Tower Boom (18/2)	
206	4922578	1	Harness Assembly - Main Boom (18/2)	
207	4922216	1	Harness Assembly - Main Boom (10/3) - ANSI and CSA Specs	
207	1001156694	1	Harness Assembly - Main Boom (10/4) - ANSI and CSA Specs with 4000W Generator	
207	1001125126	1	Harness Assembly - Main Boom (8/5) - ANSI and CSA Specs with 7500W SkyPower Generator	
207	4922219	1	Harness Assembly - Main Boom (10/3) - CE Spec	
208	4922681	1	Harness Assembly - Tower Boom (10/3) - ANSI and CSA Specs	

SECTION 7 - ELECTRICAL

ITEM	PART NUMBER	QTY	DESCRIPTION	REV
208	1001156693	1	Harness Assembly - Tower Boom (10/4) - ANSI and CSA Specs with 4000W Generator	
208	1001125125	1	Harness Assembly - Tower Boom (8/5) - ANSI and CSA Specs with 7500W SkyPower Generator	
208	4922860	1	Harness Assembly - Tower Boom (10/3) - CE Spec	
209	1320256	1	Clamp, Block (Without Aircraft De-icing Package)	
209	1001112652	1	Clamp, Block (With Aircraft De-icing Package)	
211	0272433	1	Cable Connector Installation (With 7500W SkyPower Generator)	C
211A	4460959	1	Connector, Male (With 7500W Generator) (SkyPower)	
211A	1671093	1	Cover, Male Connector (Optional)	
211B	4460960	1	Connector, Female (With 7500W Generator) (SkyPower)	
211B	1671092	1	Cover, Female Connector (Optional)	
212	1001107754	1	Harness Assembly - Tower Boom Communication (18/4 Shielded) (Not Shown - Machines with Aircraft De-icing Package Only)	
212	1001111128	1	Cable, Electrical - 18/4 Individually Shielded	
212	4460464	5	Pin, Male (16 Gauge)	
212	4460466	1	Seal, Plug	
212	4460899	1	Terminal, Receptacle - 6 Position	
212	1001111136	1	Plug, 4 Position Cannon	
213	1001107755	1	Harness Assembly - Main Boom Communication (18/4 Shielded) (Not Shown - Machines with Aircraft De-icing Package Only)	
213	1001111128	1	Cable, Electrical - 18/4 Individually Shielded	
213	4460464	5	Pin, Male (16 Gauge)	
213	4460466	1	Seal, Plug	
213	4460894	1	Terminal, Plug - 6 Position	
213	1001111136	1	Plug, 4 Position Cannon	
		Ref	GROUND CONTROL BOX COMPONENTS	
303	0100048	AR	Grease, Dielectric	
327	4460426	AR	Connector, Strain Relief	
328	4460470	1	Nut, Terminal	
329	4460471	1	Washer, Terminal	
331	4460496	1	Washer, Terminal	
332	4460497	1	Nut, Terminal	
333	4460526	1	Connector, Strain Relief	
342	1001106736	1	Cap, Dust	
343	1001110225	1	Ground Control Box Harness Assembly - Deutz D2011 Engine Machines	G
343	1001145937	1	Ground Control Box Harness Assembly - Deutz TD2.9L4 Engine Machines - All Specs except CE Specs	F
343	1001145937	1	Ground Control Box Harness Assembly - Deutz TD2.9L4 Engine Machines - CE Specs (SN 0300198013 through 0300201003)	D
343	1001185131	1	Ground Control Box Harness Assembly - Deutz TD2.9L4 Engine Machines - CE Specs) (SN 0300201004 to Present)	E
343	1001110225	1	Ground Control Box Harness Assembly - Ford Engine Machines	G
343	1001110225	1	Ground Control Box Harness Assembly - GM Engine Machines	G
343A	4460536	1	Connector, Female 3 Position	
343A	4460943	3	Pin, Male	
343B	3990010	2	Diode - 6 Amp (Not Shown)	
343C	4460434	2	Plug, Male 15 - Position	
343C	4460227	22	Pin	
343D	4460873	1	Connector, 35 Position (Black)	
343D	4460871	21	Socket, Female	
343D	4460905	AR	Seal, Plug	

SECTION 7 - ELECTRICAL

ITEM	PART NUMBER	QTY	DESCRIPTION	REV
343E	4120035	AR	Base, Light	
343E	4460634	AR	Terminal (16 Gauge)	
343E	4460635	AR	Terminal (12 Gauge)	
343F	4460418	9	Connector, Female- 6 Position	
343F	4460419	27	Socket, Female	
343G	4460876	1	Connector, 35 Position (Blue)	
343G	4460871	29	Socket, Female	
343G	4460905	AR	Seal, Plug	
343H	4460866	1	Connector - 19 Position	
343H	4460464	7	Pin, Male (16 Gauge)	
343H	4460508	3	Pin, Male (12 Gauge)	
343J	4460878	1	Housing, Terminal - 4 Position	
343J	4460887	3	Terminal (12 Gauge)	
343K	4460761	1	Connector, Female 4- Position	
343K	4460227	4	Pin, Male	
343L	4460894	3	Plug, Male - 6 Position	
343L	4460465	AR	Socket, Female	
343L	4460892	3	Terminal, Buss Connector - 6 Position	
343L	4460466	3	Seal, Plug	
343M	8229242	2	Fuse 5A	
343M	2400060	2	Holder, Fuse	
343N	1001112612	1	Connector - 9 Position	
343N	4460943	4	Pin, Male	
343P	1001106339	1	Connector, Male - 14 Position	
343P	4460871	2	Socket, Female	
343P	4460905	AR	Plug, Seal	
343R	1001106340	1	Connector, Male - 14 Position	
343R	4460871	5	Socket, Female	
343S	4460874	1	Connector, Natural	
343S	4460871	10	Socket, Female	
343S	4460905	AR	Plug, Seal	
343T	4460875	1	Connector, Gray	
343T	4460871	2	Socket, Female	
343T	4460905	AR	Plug, Seal	
343U	4460884	1	Plug, Male - 4 Position	
343U	4460465	1	Socket, Female	
343U	1001192401	1	Cap, Dust	
343V	4460868	1	Plug, Male - 6 Position (CE Spec) (SN 0300201004 to Present)	
343V	4460877	4	Terminal (CE Spec) (SN 0300201004 to Present)	
343W	1001200497	1	Connector - 3 Position (SN 0300236625 to Present)	
343W	4460944	3	Socket, Female (SN 0300236625 to Present)	
343X	1001229530	1	Receptacle, Female - 3 Position (SN 0300236625 to Present)	
343X	1001229531	3	Pin, Male (SN 0300236625 to Present)	
346	1001153713	1	Engine Harness Assembly - Deutz D2011 Engine Machines (See 417-463 for Breakdown)	
346	1001165776	1	Engine Harness Assembly - Deutz TD2.9L4 Engine Machines (See 417-463 for Breakdown)	
346	1001216230	1	Engine Harness Assembly - GM Engine Machines (See 417-463 for Breakdown)	
346	1001153712	1	Engine Harness Assembly - GM Engine Machines (See 417-463 for Breakdown)	
347	1001153715	1	Valve Harness Assembly (SN 0300185828 through 0300194175)	D

SECTION 7 - ELECTRICAL

ITEM	PART NUMBER	QTY	DESCRIPTION	REV
347	1001170808	1	Valve Harness Assembly (SN 0300194176 to Present)	F
347A	4460539	1	Connector, Male - 3 Position	
347A	4460465	2	Socket, Female	
347A	4460466	1	Seal, Plug	
347B	4460880	AR	Connector, DIN	
347B	4460891	13	Plug, Male - 2 Position (SN 0300194140 to Present)	
347B	4460465	26	Socket, Female (SN 0300194140 to Present)	
347C	4460320	2	Connector, Female - 2 Position (SN 0300185828 through 0300194139)	
347C	4460267	5	Pin, Male (SN 0300185828 through 0300194139)	
347D	4460424	1	Connector, Male- 2 Position	
347D	4460268	2	Pin, Female	
347E	4460871	33	Socket, Female	
347F	4460326	1	Connector, Male - 3 Position (SN 0300185828 through 0300194139)	
347F	4460267	7	Pin, Male (SN 0300185828 through 0300194139)	
347G	4460445	1	Connector, Female - 3 Position (SN 0300185828 through 0300194139)	
347G	4460268	5	Pin, Female (SN 0300185828 through 0300194139)	
348	1001153717	AR	Ground Control Box Wiring Diagram - Deutz D2011 Engine (Not Shown - See Items 501-510 for Breakdown)	
348	1001170216	AR	Ground Control Box Wiring Diagram - Deutz TD2.9L4 Engine (Not Shown - See Items 501-510 for Breakdown)	
348	1001224137	AR	Ground Control Box Wiring Diagram - Ford Engine (Not Shown - See Items 501-510 for Breakdown)	
348	1001153716	AR	Ground Control Box Wiring Diagram - GM Engine (Not Shown - See Items 501-510 for Breakdown)	
	1001153713	Ref	ENGINE HARNESS ASSEMBLY - DEUTZ D2011 ENGINE	B
	1001165776	Ref	ENGINE HARNESS ASSEMBLY - DEUTZ TD2.9L4 ENGINE	D
	1001216230	Ref	ENGINE HARNESS ASSEMBLY - FORD ENGINE	B
	1001153712	Ref	ENGINE HARNESS ASSEMBLY - GM ENGINE	B
417	4460424	1	Receptacle, Female - 2 Position	
417	4460226	2	Socket, Female	
419	4460880	2	DIN Connector without Diode	
423	4461070	1	Receptacle, Female with Resistor (3 Position) (Deutz D2011 Engine Only)	
423	4461095	1	Plug, Male - 3 Position (Deutz D2011 Engine Only)	
423	4460944	3	Socket, Female (Deutz D2011 Engine Only)	
425	4460539	1	Plug, Male - 3 Position	
425	4460944	3	Socket, Female	
428	4460460	1	Connector, Male - 4 Position	
428	4460457	4	Terminal, Female	
428	4460458	4	Seal, Terminal	
432	4460899	1	Connector, Male - 6 Position (Deutz TD2.9L4 Engine Only)	
432	4460464	6	Pin, Male	
433	4461052	1	Connector, Receptacle - 25 Position (Deutz D2011 Engine Only)	
433	4461005	5	Terminal (Gold) (Deutz D2011 Engine Only)	
433	4461006	5	Seal, Terminal (Deutz D2011 Engine Only)	
433	4461060	2	Terminal (Tin) (Deutz D2011 Engine Only)	
433	4461054	2	Seal, Terminal (Deutz D2011 Engine Only)	
433	4461053	1	Cover, Plug (Deutz D2011 Engine Only)	
433	4461008	18	Plug, Hole (Deutz D2011 Engine Only)	
438	4460931	1	Connector, Male - 8 Position (Deutz TD2.9L4 Engine Only)	

SECTION 7 - ELECTRICAL

ITEM	PART NUMBER	QTY	DESCRIPTION	REV
438	4460464	4	Pin, Male	
438	4460466	4	Seal, Plug	
439	4460871	AR	Socket, Female	
447	4461121	1	Plug, Male - 4 Position (GM Engine Only)	
447	4461122	NLA	Socket, Female (GM Engine Only) (Use p/n 1001126484)	
447	4461123	NLA	Seal, Terminal (GM Engine Only) (Use p/n 1001126485)	
449	4461124	1	Receptacle, Female - 4 Position (GM Engine Only)	
449	4460693	4	Pin, Male (GM Engine Only)	
449	4460608	4	Seal, Terminal (GM Engine Only)	
449	4461161	1	Lock, Terminal (GM Engine Only)	
452	4460374	1	Plug, Sealed Relay (Deutz D2011 Engine)	
452	4460375	4	Terminal (Deutz D2011 Engine)	
453	4461109	1	Plug, Male - 16 Position (GM Engine Only)	
453	4461111	7	Pin, Male (GM Engine Only)	
453	4461113	7	Seal, Terminal (GM Engine Only)	
453	4461222	9	Plug, Terminal (GM Engine Only)	
458	1001102290	1	Connector, 2 Position (Deutz D2011 Engine)	
458	1001102304	2	Seal (Deutz D2011 Engine)	
458	1001102291	2	Terminal, Receptacle (Deutz D2011 Engine)	
461	4461157	1	Receptacle, Female - 2 Position (Deutz D2011 and GM Engines)	
461	4460979	2	Pin, Male (Deutz D2011 and GM Engines)	
461	4460458	2	Seal, Terminal (Deutz D2011 and GM Engines)	
462	2902443	1	Kit, Receptacle (Deutz D2011 Engine Only)	
462	4461071	8	Terminal, Female (Gold) (Deutz D2011 Engine Only)	
462	4461072	1	Connector, Flange Mount (Deutz D2011 Engine Only)	
462	4461073	1	Connector, Dust Cap (Deutz D2011 Engine Only)	
462	4461074	1	Connector, Shell (Deutz D2011 Engine Only)	
463	4460897	1	Connector, Female - 2 Position	
463	4460464	2	Pin, Male (SN 0300185828 through 0300194175)	
463	1001116693	AR	Socket, Female (SN 0300194176 to Present)	
464	4461157	1	Connector - 2 Position (Ford Engine Only)	
464	4460979	2	Pin, Male (Ford Engine Only)	
464	4460458	2	Seal, Terminal (Ford Engine Only)	
465	1001215016	1	Connector - 42 Position (Ford Engine Only)	
465	1001216212	1	Pin, Male (Ford Engine Only)	
465	1001215091	5	Pin, Male (Ford Engine Only)	
465	1001216213	3	Plug, Terminal (Ford Engine Only)	
465	1001215534	33	Plug, Terminal (Ford Engine Only)	
	1001153717	Ref	GROUND CONTROL BOX WIRING DIAGRAM - DEUTZ D2011 ENGINE	E
	1001170216	Ref	GROUND CONTROL BOX WIRING DIAGRAM - DEUTZ TD2.9L4 ENGINE	E
	1001224137	Ref	GROUND CONTROL BOX WIRING DIAGRAM - FORD ENGINE	C
	1001153716	Ref	GROUND CONTROL BOX WIRING DIAGRAM - GM ENGINE	E
501	2920129	AR	Bulb, Light	
506	1001173590	1	Fuse Holder with Fuse - 30Amp	
506	2400065	1	Fuse, 30Amp	
506	2400066	1	Fuse, Holder	
508	4460708	2	Receptacle, Female - 15 Position	
508	4460226	AR	Socket, Female	
508	4460905	AR	Plug, Seal	
510	4922637	1	Harness, Jumper (Not Shown)	

SECTION 7 - ELECTRICAL

ITEM	PART NUMBER	QTY	DESCRIPTION	REV
		Ref	STANDARD HARNESS COMPONENTS	
601	1001155143	1	Battery Cable Kit - Deutz D2011 Engines Machines	C
601	1001143736	1	Battery Cable Kit - Deutz TD2.9L4 Engines Machines	E
601	2902533	1	Battery Cable Kit - GM Engine Machines	D
601A	7027092	1	Cable, Battery (Black) (Battery - to Tray Pivot and Relay Grounds) (Deutz D2011 Engines Machines)	
601A	7027084	1	Cable, Battery (Black) (Battery - to Tray Pivot and Relay Grounds) (Deutz TD2.9L4 Engines Machines)	
601A	7027018	1	Cable, Battery (Black) (Battery - to Tray Pivot and Relay Grounds) (GM Engine Machines)	
601B	8270147	1	Terminal, Battery (With Boot) Cable, Battery (Black) (Deutz Engines Only)	
601C	7027093	1	Cable, Battery (Black) (Battery - to Aux Pump Ground) (Deutz D2011 Engines Machines)	
601C	7027085	1	Cable, Battery (Black) (Battery - to Aux Pump Ground) (Deutz TD2.9L4 Engines Machines)	
601C	7016825	1	Cable, Battery (Black) (Battery - to Aux Pump Ground) (GM Engine Machines)	
601D	7027053	1	Cable, Battery (Black) (Engine to Tray Pivot Grd) (Deutz D2011 Engines Machines)	
601D	7027086	1	Cable, Battery (Black) (Engine to Tray Pivot Grd) (Deutz TD2.9L4 Engines Machines)	
601D	Not Required	0	Cable, Battery (Black) (Engine to Tray Pivot Grd) (GM Engine Machines)	
601E	7027094	1	Cable (Red) (Battery + to Relays/Starter) (Deutz D2011 Engines Machines)	
601E	7027087	1	Cable (Red) (Battery + to Relays/Starter) (Deutz TD2.9L4 Engines Machines)	
601E	7027015	1	Cable (Red) (Battery + to Relays/Starter) (GM Engine Machines) (Note: Requires Item 601G to complete run to Starter)	
601F	7027095	1	Cable (Red) (Aux Relay to Aux Pump) (Deutz D2011 Engines Machines)	
601F	7027088	1	Cable (Red) (Aux Relay to Aux Pump) (Deutz TD2.9L4 Engines Machines)	
601F	7016824	1	Cable (Red) (Aux Relay to Aux Pump) (GM Engine Machines)	
601G	See Note	1	Cable (Auxiliary Relay to Starter) (Deutz D2011 Engines Machines) (Note: Use p/n 7027094)	
601G	See Note	1	Cable (Auxiliary Relay to Starter) (Deutz TD2.9L4 Engines Machines) (Note: Use p/n 7027087)	
601G	7027017	1	Cable (Auxiliary Relay to Starter) (GM Engine Machines)	
602	7027796	AR	Deutz Engine Harness Components (Deutz Engine Machines Only)	
602A	See Note	1	Engine Harness (D2011 Engine Only)	
602B	70004060	1	Receptacle, Female - 25 Position (Note: Not Available - Purchase Complete Harness)	
602C	70001872	1	Plug-In, Connector (Deutz D2011 Engine Only)	
602D	70004271	1	Engine Harness (For other replacement parts refer to Deutz engine dealer) (D2011 Engine Only)	
602E	4922737	1	Cable, Starter Interconnect (Connects Item 602D to Starter) (D2011 Engine Only)	
603		Ref	Harness, Engine Grounding Harness (Deutz D2011 Engine Only)	
604	4923379	1	Harness, Glow Plug (Deutz D2011 Engine Only)	B
604	70025231	1	Harness, Glow Plug (Deutz TD2.9L4 Engine Only)	
604	70025233	1	Connector for 70025231 Harness Deutz TD2.9L4 Engine	
604	1001141304	1	Wire, Fuse Link (Not Shown) (Deutz TD2.9L4 Engine Only)	
605	1001138491	NLA	Fuel Harness (Deutz TD2.9L4 Engines Only) (Note: Use Service	D

SECTION 7 - ELECTRICAL

ITEM	PART NUMBER	QTY	DESCRIPTION	REV
			Kit p/n 1001222665)	
605A	4460897	1	Receptacle, Female - 2 Position	
605A	4460941	2	Pin, Male	
605A	4460891	1	Plug, Male - 2 Position	
605A	4460942	2	Socket, Female	
605A	8220051	AR	Terminal, Ring (SN 0300234682 to Present)	
605B	1001116983	1	Receptacle, Female - 2 Position	
605B	1001116710	2	Terminal	
605B	4461054	2	Seal	
605C	4460932	1	Receptacle, Female - 4 Position	
605C	4460941	2	Pin, Male	
605C	4460464	2	Pin, Male	
606	1001143726	1	Deutz TD2.9L4 Engine Harness	K
606A	1001133956	1	Connector (Includes Cover, Locks and Retention Plate)	
606A	1001126352	6	Terminal	
606A	1001126353	6	Seal, Terminal	
606A	1001126384	19	Terminal	
606A	1001126351	3	Terminal	
606A	1001126356	63	Plug, Seal	
606A	1001126357	2	Plug, Seal	
606B	1001133957	1	Connector (Includes Cover, Locks and Retention Plate)	
606B	1001126384	17	Terminal	
606B	1001126351	13	Terminal	
606B	1001126356	19	Plug, Seal	
606B	1001126357	11	Plug, Seal	
606C	4461070	3	Receptacle, Female with Resistor (3 Position)	
606C	4461095	6	Plug, Male - 3 Position	
606C	4460944	6	Socket, Female	
606C	4460466	2	Seal, Plug	
606D	80484084	1	Receptacle, Female - 8 Position	
606D	8229242	1	Fuse - 5A	
606D	80983191	1	Fuse - 10A	
606D	1001147264	1	Cap	
606D	1001116727	8	Plug	
606D	4460458	4	Seal	
606E	1001116952	1	Plug, Male - 2 Position	
606E	4460465	2	Socket, Female	
606F	1001138110	1	Plug, Male - 2 Position	
606F	1001138111	2	Socket, Female	
606F	1001138113	2	Seal	
606G	2902443	1	Kit, Receptacle	
606G	4461071	8	Terminal, Female (Gold)	
606G	4461072	1	Connector, Flange Mount	
606G	4461073	1	Connector, Dust Cap	
606G	4461074	1	Connector, Shell	
606H	4460894	1	Plug, Male - 6 Position	
606H	4460465	3	Socket, Female	
606H	4460944	2	Socket, Female	
606H	4460466	1	Seal, Plug	
606J	4460930	1	Plug, Male - 8 Position	
606J	4460465	1	Socket, Female	

SECTION 7 - ELECTRICAL

ITEM	PART NUMBER	QTY	DESCRIPTION	REV
606J	4460466	7	Seal, Plug	
606K	4460884	1	Plug, Male - 4 Position (SN 0300185828 through 0300224727)	
606K	1001220379	1	Plug, Male - 4 Position (SN 0300224728 to Present)	
606K	4460465	2	Socket, Female	
606K	4460942	2	Socket, Female	
606K	4460932	1	Receptacle, Female - 4 Position	
606K	4460466	4	Plug, Terminal	
606L	1001142938	1	Plug, Male - 2 Position	
606L	1001142940	2	Terminal, Female	
606L	1001142941	2	Seal	
606M	1001133714	1	Plug, Male - 4 Position	
606M	1001133715	1	Terminal, Female	
606M	1001135650	3	Seal	
606M	1001135651	1	Plug, Cavity	
606N	1001126362	1	Receptacle, Female - 62 Position	
606N	1001126363	1	Terminal	
606N	1001126364	33	Seal	
606N	1001126391	33	Plug	
606N	4461008	23	Plug, Cavity	
606N	1001126365	4	Terminal	
606N	4461054	2	Seal	
606N	4460465	2	Socket, Female (Strobe Light - 2920161)	
606N	1001151856	1	Elbow, Conduct	
606P	4460891	1	Plug, Male - 2 Position	
606P	4460465	2	Socket, Female	
606P	1001171403	1	Resistor Assembly (Note: Not Available for Purchase)	
606P	4460897	1	Receptacle, Female - 2 Position	
606P	See Note	NSS	Resistor (Note: Use p/n 1001171403)	
607	1001143907	2	Alternator Power Cable (Deutz TD2.9L4 Engines)	
607	1001098764	1	Boot, Red (Deutz TD2.9L4 Engines)	
607	70004103	1	Cable, Alternator Interconnect (Not Shown - Connects Item 602D to Alternator) (D2011 Engine Only)	
608	70025077	1	Harness, Engine (Deutz TD2.9L4 Engines)	
608	7027989	1	Connector - 10 Pin	
609	70002898	1	Harness, GM Engine (GM Engine Machines Only)	
609	7027989	1	Connector, Male - 10 Position (Not Shown)	
609	See Note	1	Box, Fuse (Note: Parts of Harness - Not Available for Purchase)	
609	70002627	1	Cover, Fuse Box	
609	70001950	2	Relay (Power and Fuel Pump)	
609	70001951	1	Relay (Starter)	
609	70001931	1	Fuse - 60 Amp (Alternator)	
609	See Note	1	Fuse - 20 Amp (Note: Not Available - Purchase Locally)	
609	See Note	3	Fuse - 15 Amp (Note: Not Available - Purchase Locally)	
609	See Note	1	Fuse - 10 Amp (Note: Not Available - Purchase Locally)	
609	See Note	1	Fuse - 5 Amp (Note: Not Available - Purchase Locally)	
610	See Note	1	Pump Harness (Note: Not Available for Purchase)	
610A	7007498	1	Plug	
611	4360517	1	Harness, Swivel Coupling Sensor (Includes Sensor)	
611A	4460320	1	Plug, Male - 2 Position	
611A	4460227	2	Pin, Male	
612	0140044	1	Alarm Harness (Includes Alarm)	
612A	4460536	1	Plug, Male - 3 Position	

SECTION 7 - ELECTRICAL

ITEM	PART NUMBER	QTY	DESCRIPTION	REV
612A	4460464	2	Pin, Male	
612A	4460466	1	Plug, Sealing	
613	4360498	2	Proximity Switch Harness (Includes Switch)	
614	4360499	2	Proximity Switch Harness (Includes Switch)	
615	1001094400	Ref	Tilt Sensor Harness (Includes Sensor)	C
615A	4461077	1	Plug, Male 4 Position	
615A	4460918	6	Socket, Female (Gold)	
		Ref	OPTIONAL HARNESS COMPONENTS	
701	4921928	1	4WS Valve Harness	E
701A	4460268	3	Socket, Female	
701B	4460445	1	Connector, Female - 3 Position	
701C	4460499	2	Connector, DIN with Diode	
702	4921927	1	Jib Valve Harness	H
702A	4460326	1	Plug, Male - 3 Position	
702B	4460267	3	Pin, Male	
702C	4460499	2	Connector, DIN with Diode	
703		Ref	Strobe Light Harness (Includes Strobe Light) Options:	
703	0272507	1	Strobe Light Harness (SN 0300185828 through 0300190437)	
703	4460320	1	Connector, Female - 2 Position	
703	4460267	2	Pin, Male	
703	2920161	1	Strobe Light Harness (SN 0300190438 to Present)	
703	4460891	1	Connector, Male - 2 Position	
703	4460465	2	Socket, Female	
703B	1001142736	1	Strobe (Blue) Light Harness (Module to Light) (Not Shown)	
703C	1001150944	1	Strobe (Blue) Light Harness (Module to Ground Control Box) (Not Shown)	
704	Not Required	0	Strobe Light Extension Harness	
704A	Not Required	0	Connector, Female - 2 Position	
704B	Not Required	0	Connector, Female - 2 Position	
705	See Note	1	Headlight and Taillight/Chassis Illumination Harness (Note: Not Available for Purchase)	
705	1060341	37 ft/ 11.3m	Cable, Electrical 16/2 (ABS Hoods)	
705	1060341	48 ft/ 14m	Cable, Electrical 16/2 (Steel Hoods)	
705A	3740049	1	Relay	
705A	4460259	3	Terminal	
705A	4460260	4	Housing, Terminal	
705A	4460297	1	Terminal	
705A	4922643	1	Lights Harness for Ground Control Box	1-A
705A	4460226	2	Socket, Female	
705B	4460426	1	Connector, Strain Relief	
706	1001112588	Ref	2500W Generator Electrical Diagram (60Hz - Deutz D2011 Engines)	B
706	1001180050	Ref	2500W Generator Electrical Diagram (60Hz - Deutz TD2.9L4 Engines)	B
706	4933350	Ref	2500W Generator Electrical Diagram (60Hz - GM Engines)	C
706A	4460321	1	Connector, Male - 4 Position (ANSI Spec Only)	
706A	4460906	AR	Socket, Female	
706A	4460268	AR	Socket, Female	
706B	4922641	1	Harness - On/Off Switch	
706C	4460226	2	Socket, Female	
706D	1001112589	Ref	Harness, Control Box to Relay (Deutz Engines)	A

SECTION 7 - ELECTRICAL

ITEM	PART NUMBER	QTY	DESCRIPTION	REV
706D	1001180052	1	Harness, Control Box to Relay (Deutz DT2.9L4 Engines)	
706D	4923445	Ref	Harness, Control Box to Relay (GM Engines)	A
706D	4460374	1	Plug, Sealed Relay	
706D	4460375	3	Terminal	
706E	4460742	1	Plug, Male - 2 Position (Deutz D2011 and GM Engines)	
706E	4460743	1	Socket, Female (Deutz D2011 and GM Engines)	
706E	4460458	1	Seal, Terminal (Deutz D2011 and GM Engines)	
706F	4460961	1	Connector, Female - 4 Position (ANSI Spec Only)	
706F	4460705	4	Pin, Male	
706G	7020193	1	Harness, Generator Power	
707	4921829	1	Generator to Rear of Boom 110V Harness	2
707		Ref	Note: Harness used to connect AC at platform harness to Powermite Generator Control Box receptacle.	
707	1060494	6 ft /1.8m	Cable, Electrical - 12/3	
707A	4460205	1	Plug, Male (110V)	
707B	4460134	1	Receptacle, Female (110V)	
708		Ref	AC to Platform Receptacle Components Options:	
708	0272259	Ref	AC Cable to 110V GFI Receptacle at Platform Installation (ANSI, ANSI Export, CSA and Japanese Specs without Generator or with 2500W Generator)	C
708	0272260	Ref	AC Cable to 220V GFI Receptacle Platform Installation (ANSI, CSA and Japanese Spec without Generator or with 2500W Generator)	C
708	1001171131	Ref	240V Receptacle with GFCI used with 4000W Generator (Not Shown)	B
708	1001159121	Ref	240V Receptacle with GFCI used with 7500W Generator (Not Shown)	B
708	0256202	Ref	AC Cable Only/No Receptacle at Platform Installation (ANSI Export, Australian, CE and Japanese Specs without Generator or with 2500W Generator)	D
708	1001160272	Ref	AC Cable to Receptacle Platform Installation (Machines with 4000W Generator)	B
708A	0860038	1	Box, Switch - 0272259 & 0272260 Installations	
708A	Not Required	0	Box, Switch - 0256202 Installation (Note: Use Receptacle Kit or Purchase Locally)	
708B	4460346	1	Receptacle - 0272259 Installation	
708B	4460125	1	Receptacle - 0272260 Installation	
708B	Not Required	0	Receptacle - 0256202 Installation (Note: Purchase Locally)	
708C	1001110873	1	Shield, Cover - 0272259 Installation	
708C	4060092	1	Shield, Cover - 0272260 Installation	
708C	Not Required	0	Shield, Cover - 0256202 Installation (Purchase Locally)	
708D	4460051	1	Connector, Strain Relief - 0272259 & 0272260 Installations	
708D	Not Required	0	Connector, Strain Relief - 0256202 Installation (Note: Purchase Locally)	
708E	4460205	1	Plug, Male - 0272259 Installation	
708E	4460233	1	Plug, Male - 0272260 Installation	
708E	Not Required	0	Plug, Male - 0256202 Installation (Note: Use Receptacle Kit or Purchase Locally)	
708F	4460205	AR	Plug, Male - 0272259 Installation (SN 0300185828 through 0300236849)	
708F	1001213584	AR	Plug, Male - 0272259 Installation (SN 0300236850 to Present)	
708F	4460233	AR	Plug, Male - 0272260 Installation (SN 0300185828 through 0300236849)	
708F	1001213584	AR	Plug, Male - 0272260 Installation (SN 0300236850 to Present)	
708F	4460709	AR	Plug, Male - 0256206 Installation (SN 0300185828 through	

SECTION 7 - ELECTRICAL

ITEM	PART NUMBER	QTY	DESCRIPTION	REV
708F	1001213584	AR	0300236849) Plug, Male - 0256202 Installation (SN 0300236850 to Present)	
708G	4460134	1	Connector, Female - 0272259 Installation (SN 0300185828 through 0300236849)	
708G	1001213585	1	Connector, Female - 0272259 Installation (SN 0300236850 to Present)	
708G	4460701	1	Connector, Female - 0272260 Installation (SN 0300185828 through 0300236849)	
708G	1001213585	1	Connector, Female - 0272260 Installation (SN 0300236850 to Present)	
708G	4460710	1	Connector, Female - 0256202 Installation (SN 0300185828 through 0300236849)	
708G	1001213585	1	Connector, Female - 0256202 Installation (SN 0300236850 to Present)	
708G	4460963	2	Connector, Female - 1001160272 Installation	
708H	Not Required	0	Connector, Adapter	
708J	Not Required	0	Receptacle, Female	
708K	Not Available	NLA	Receptacle Box Kit	
708L	1001156351	2	Cover, Connector - 0256202 Installation (SN 0300185828 through 0300236849)	
708L	1671092	1	Cover, Connector - 1001160272 Installations	
708M	1001156352	1	Cover, Plug - 0256202 Installation (SN 0300185828 through 0300236849)	
708M	1671093	1	Cover, Plug - 1001160272 Installation	
709	1001139952	Ref	4000W Generator Installation - Deutz Engine (60Hz)	B
709	1001139953	Ref	4000W Generator Installation - Deutz D2011 Engine (50Hz) (SN 0300185828 through 0300195352)	D
709	1001179912	Ref	4000W Generator Installation - Deutz D2011 Engine (50Hz) (SN 0300195353 to Present)	E
709	1001171125	Ref	4000W Generator Installation - Deutz DT2.9L4 Engine (60Hz)	B
709	1001180218	Ref	4000W Generator Installation - Deutz DT2.9L4 Engine (50Hz)	D
709	1001139960	Ref	4000W Generator Installation - GM Engine	B
709	1001115387	Ref	7500W SkyPower Generator Installation - Deutz D2011 Engine (60Hz)	E
709	1001115389	Ref	7500W SkyPower Generator Installation - Deutz D2011 Engine (50Hz)	E
709	1001141421	Ref	7500W SkyPower Generator Installation - Deutz DT2.9L4 Engine (60Hz)	F
709	1001141422	Ref	7500W SkyPower Generator Installation - Deutz DT2.9L4 Engine (50Hz)	F
709	0275257	Ref	7500W SkyPower Generator Installation - GM Engine	G
709B	3960422	1	Gasket - 60Hz Spec	
709B	See Note	NLA	Gasket - 50Hz Spec (Note: Not Available - Purchase Locally)	
709C	1001110873	Ref	Cover, Receptacle - 60Hz Spec (Top Hinged Cover)	
709C	See Note	NLA	Cover, Receptacle - 50Hz Spec (Note: Not Available - Purchase Locally)	
709E	4460346	Ref	Receptacle - 60Hz Spec	
709E	See Note	NLA	Receptacle - 50Hz Spec (Note: Not Available - Purchase Locally)	
709G	4460071	1	Connector, Strain Relief	
709H	1001152532	Ref	Harness, Generator - 4000W Generator	A
709H	4922925	1	Harness, Generator - 7500W SkyPower Generator	C
709J	See Note	NLA	Plug, Male - 6 Position - 7500W SkyPower Generator (Note: Not Available for Purchase)	
709J	77363233	1	Plug, Male - 6 Position - 4000W SkyPower Generator (Note: Not Available for Purchase)	

SECTION 7 - ELECTRICAL

ITEM	PART NUMBER	QTY	DESCRIPTION	REV
709J	77363229	6	Socket, Female - 7500W SkyPower Generator	
709J	4460465	2	Socket, Female - 4000W Generator	
709K	4460225	1	Plug, Male - 6 Position	
709K	4460226	6	Socket, Female - 7500W SkyPower Generator	
709K	4460268	2	Socket, Female - 4000W Generator	
709K	4460807	1	Seal - 4000W Generator	
709K	4460808	1	Seal - 4000W Generator	
709L		Ref	Breaker Box Assembly (50Hz) (See Items 716C-716G for Components)	
710	1001152457	Ref	4000W Generator Junction Box Components (60Hz) (Call-out # Not Shown)	A
710	1001152458	Ref	4000W Generator Junction Box Components (50Hz) (Call-out # Not Shown)	A
710	0861542	Ref	7500W SkyPower Generator Junction Box Components (60Hz) (Call-out # Not Shown)	C
710	0861567	Ref	7500W SkyPower Generator Junction Box Components (50Hz) (Call-out # Not Shown)	B
710A	1060494	2 ft /.6m	Cable, Electrical 12/3 - 60Hz Spec	
710A	See Note	AR	Cable, Electrical 12/3 - 50Hz Spec (Note: Not Available - Purchase Locally)	
710C	1060343	1.5 ft /.46m	Cable, Electrical 10/4 (7500W 60Hz Spec Only)	
710D	4460425	1	Connector, Strain Relief	
710E	4460426	2	Connector, Strain Relief (60Hz Spec Only)	
710E	4460426	1	Connector, Strain Relief (50Hz Spec Only)	
710E	3520189	1	Plug (50Hz Spec Only)	
710F	1671092	1	Cover (7500W 60Hz Spec Only)	
710F	4460963	1	Connector (7500W 60Hz Spec Only)	
711	1001132055	Ref	4000W Generator Electrical Diagram - 60Hz - Deutz Engine Machines (Call-out # Not Shown)	A
711	1001153025	Ref	4000W Generator Electrical Diagram - 50Hz - Deutz Engine Machines (Call-out # Not Shown) (ANSI Export, CE & Japanese Specs)	C
711	1001159648	Ref	4000W Generator Electrical Diagram - 50Hz - Deutz Engine Machines (Call-out # Not Shown) (Australian Specs)	C
711	1001160271	Ref	4000W Generator Electrical Diagram - 50Hz - Deutz Engine Machines (Call-out # Not Shown) (CE UK Specs)	C
711	1001194437	Ref	4000W Generator Electrical Diagram - 50Hz - Deutz Engine Machines (ANSI Export, China & Japanese Specs) (SN 0300204765 to Present)	B
711	1001157769	Ref	7500W SkyPower Generator Electrical Diagram - 50Hz - Deutz Engine Machines (Call-out # Not Shown)	A
711	1001157770	Ref	7500W SkyPower Generator Electrical Diagram - 60Hz - Deutz Engine Machines (Call-out # Not Shown)	A
711	1001157768	Ref	7500W SkyPower Generator Electrical Diagram - 60Hz - GM Engine Machines (Call-out # Not Shown)	A
711A	1001153197	1	Generator Harness - 4000W/60Hz Generator (Deutz D2011 & GM Engines)	B
711A	1001153197	1	Generator Harness - 4000W Generator (Deutz DT2.9L4 Engines) (SN 0300185828 through 0300213719)	B
711A	1001153259	1	Generator Harness - 4000W Generator (Deutz DT2.9L4 Engines) (SN 0300213720 to Present)	B
711A	1001152429	1	Generator Harness - 7500W/50Hz SkyPower Generator (Deutz Engine Machines)	C
711A	1001119968	1	Generator Harness - 7500W/60Hz SkyPower Generator (Deutz Engine Machines)	C

SECTION 7 - ELECTRICAL

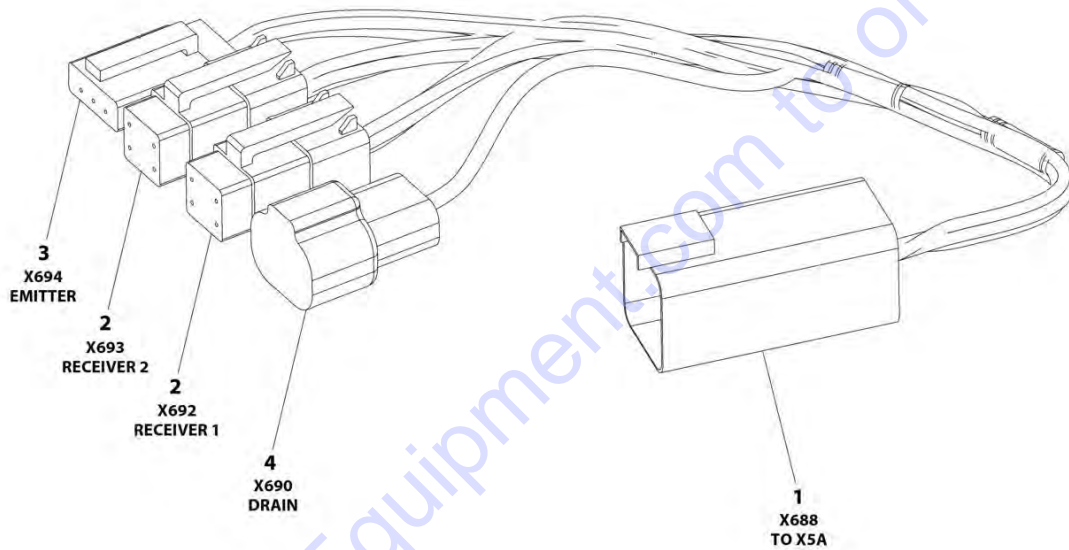
ITEM	PART NUMBER	QTY	DESCRIPTION	REV
711A	4923420	1	Generator Harness - 7500W SkyPower Generator (GM Engine Machines)	A
711B	4460374	2	Plug, Sealed Relay (7500W SkyPower Generator with GM Engines Only)	
711B	4460375	7	Terminal (7500W SkyPower Generator with GM Engines Only)	
711C	4460967	1	Plug, Male - 3 Position	
711C	4460465	3	Socket, Female	
711D	4460742	1	Plug, Male - 2 Position (4000W/60Hz Generator)	
711D	4460743	2	Socket, Female (4000W/60Hz Generator)	
711D	4460458	2	Seal (4000W/60Hz Generator)	
711D	1001116727	1	Seal (4000W/60Hz Generator)	
711D	4460742	1	Plug, Male - 2 Position (7500W SkyPower Generator 50Hz Deutz and 60Hz - GM Engines Only)	
711D	4460743	2	Socket, Female (7500W SkyPower Generator 550Hz Deutz and 60Hz - GM Engines Only)	
711D	4460458	2	Seal (7500W SkyPower Generator 550Hz Deutz and 60Hz - GM Engines Only)	
711E	2400060	1	Fuseholder (50Hz Deutz and 60Hz - GM Engines)	
711E	2400064	1	Fuse - 5 Amp (50Hz Deutz and 60Hz - GM Engines)	
711E	1001117078	1	Fuseholder (Includes Fuse and Cap) (60Hz - Deutz Engine)	
711E	See Note	1	Fuse - 5 Amp (60Hz - Deutz Engines) (Note: Use 1001117078 Assembly or Purchase Fuse Locally)	
711E	1001096134	1	Cover, Fuseholder (60Hz - Deutz Engines)	
711F	4922641	1	Switch Harness	
711G	4460226	2	Socket, Female	
711H	1001164091	1	Harness, Ground (4000W/50Hz) (Not Shown)	
712	See Note	1	Lights Harness (Note: Not Available for Purchase)	
712	1060341	48 ft/ 14.6m	Cable, Electrical - 16/2	
712A	3740049	1	Relay	
712B	4922643	1	Harness, Bagged (Located at Ground Control Box) (Not Shown)	
712C	4460426	1	Connector, Strain Relief	
713A	2920140	2	Platform Worklights Harness (External) Options (Includes Light and Wire Only)	
713B	1001098234	AR	Connector, Female - 3 Position	
713C	1001098349	1	Connector, Male - 3 Position (Platform Worklights Only)	
713D	4460426	1	Connector, Strain Relief	
713E	2400070	1	Fuse - 20 Amp	
713F	4922216	1	Platform Worklights Main Boom Harness	
713G	4922217	1	Platform Worklights Tower Boom Harness	
714A	1060341	23 ft/ 7.1m	Cable, Soft Touch System - 16/2	
714B	4460425	1	Connector, Strain Relief - 6ft Platforms	
714B	4460049	1	Connector, Strain Relief - 8ft Platforms	
714C	4460226	2	Socket, Female	
715	1001094509	1	Generator Hourmeter Harness	D
716	Not Required	0	AC Cable to Breaker	
716A	Not Required	0	Bracket, Receptacle Box Mounting	
716B	Not Required	0	Bracket, Circuit Breaker Mounting	
716C	Not Required	0	Kit, Box and Breaker (Required on CE Spec Installations):	A
716C	1001096070	1	Breaker Box Kit (4000W/50Hz Generator) (SN 0300185828 through 0300214275)	E
716C	1001165368	1	Breaker Box Kit (4000W/50Hz Generator) (SN 0300214276 to Present)	B

SECTION 7 - ELECTRICAL

ITEM	PART NUMBER	QTY	DESCRIPTION	REV
716C	1001109475	NLA	Circuit Breaker 16A (Use p/n 1001181045) (SN 0300185828 through 0300204765)	
716C	1001109482	NLA	Circuit Breaker 30mA (Use p/n 1001181046 When Paired with 10A Breaker / Use p/n 1001181045 When Paired with 16A Breaker) (SN 0300185828 through 0300204765)	
716C	1001181045	1	Circuit, Breaker 16A/30mA Combination (SN 0300204766 to Present)	
716C	0861880	1	Breaker Box	
716C	4460956	1	Terminal, Block End Barrier	
716C	4460957	1	Terminal Block	
716D	1001097150	2	Connector, Strain Relief (1001096070 Box)	
716D	1001101191	2	Connector, Strain Relief (1001165368 Box)	
716E	1060908	12 ft/ 3.6m	Cable, Electrical 12/3 (1001109654 & 1001096070 Boxes)	
716E	1060545	12 ft/ 3.6m	Cable, Electrical 10/3 (1001165368 Box)	
716F	Not Required	0	Plug, Male	
716G	Not Required	0	Connector, Female	
		Ref	TOOLS	
801	7002821	1	Crimper (For Wire to Pin/Socket Connections) (Not Shown)	
802	7002823	1	Extractor (For Removal of Pin/Socket from Connectors) (Not Shown)	
803	4460467	1	Extractor, Pin (Blue 16-18 Gauge) (For Removal of Pin/Socket from Connectors) (Not Shown)	
803	4460510	1	Extractor, Pin (Yellow 12-14 Gauge) (For Removal of Pin/Socket from Connectors) (Not Shown)	
804	7002828	1	Stripper, Wire (Not Shown)	
805	1600244	1	Analyzer	
805A	1060633	1	Cable, Analyzer	1-A
805B	4460321	2	Plug, Male	
805B	4460226	8	Socket, Female	

SECTION 7 - ELECTRICAL

FIGURE 7-3. SKYEYE INTERMEDIATE HARNESS



ART_1001237865

SECTION 7 - ELECTRICAL

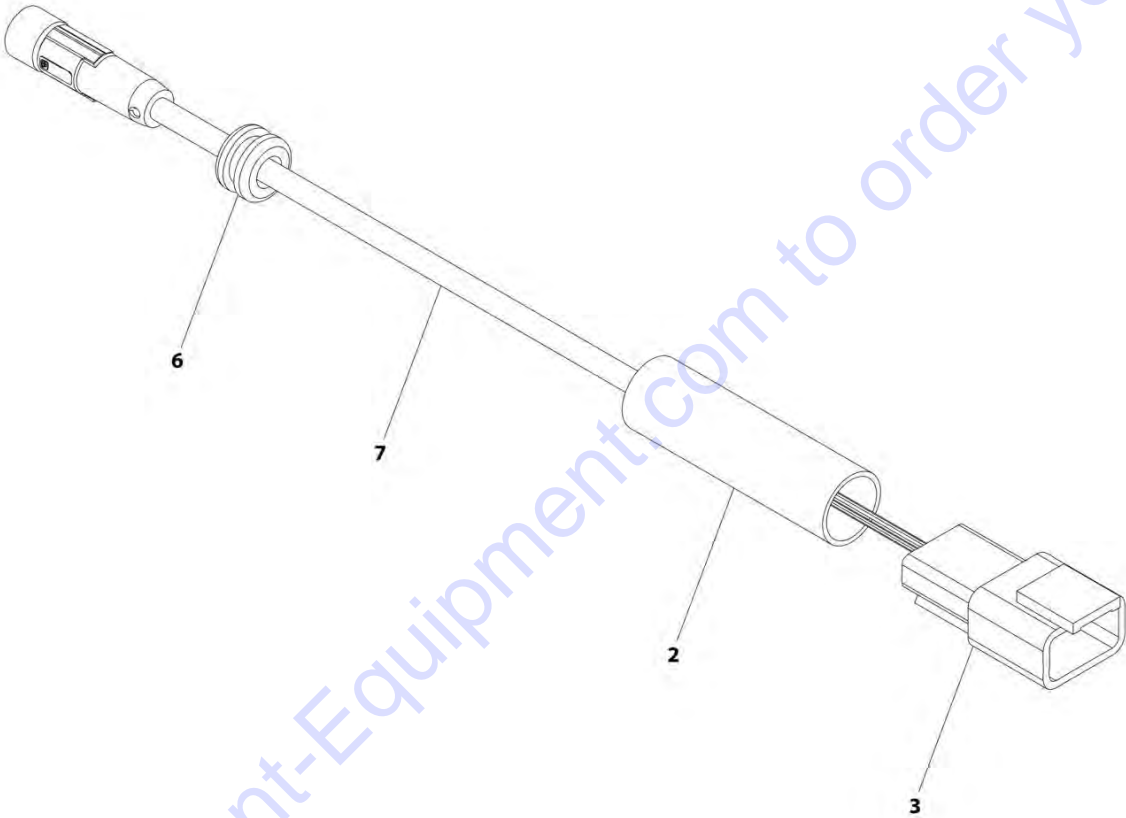
FIGURE 7-3. SKYEYE INTERMEDIATE HARNESS

ITEM	PART NUMBER	QTY	DESCRIPTION	REV
	1001237865	Ref	SKYEYE INTERMEDIATE HARNESS	A
1	4460899	1	Connector - 6 Position	
1	4460943	4	Pin, Male	
1	4460466	2	Plug, Terminal	
2	4461077	2	Connector - 4 Position	
2	1001119619	8	Socket, Female	
3	4460911	1	Connector - 3 Position	
3	1001119619	3	Socket, Female	
4	1001187681	1	Connector - 2 Position	
4	4460941	1	Pin, Male	
4	4460466	1	Plug, Terminal	

Go to Discount-Equipment.com to order your parts

SECTION 7 - ELECTRICAL

FIGURE 7-4. SKYEYE EMITTER HARNESS



ART_1001237864

SECTION 7 - ELECTRICAL

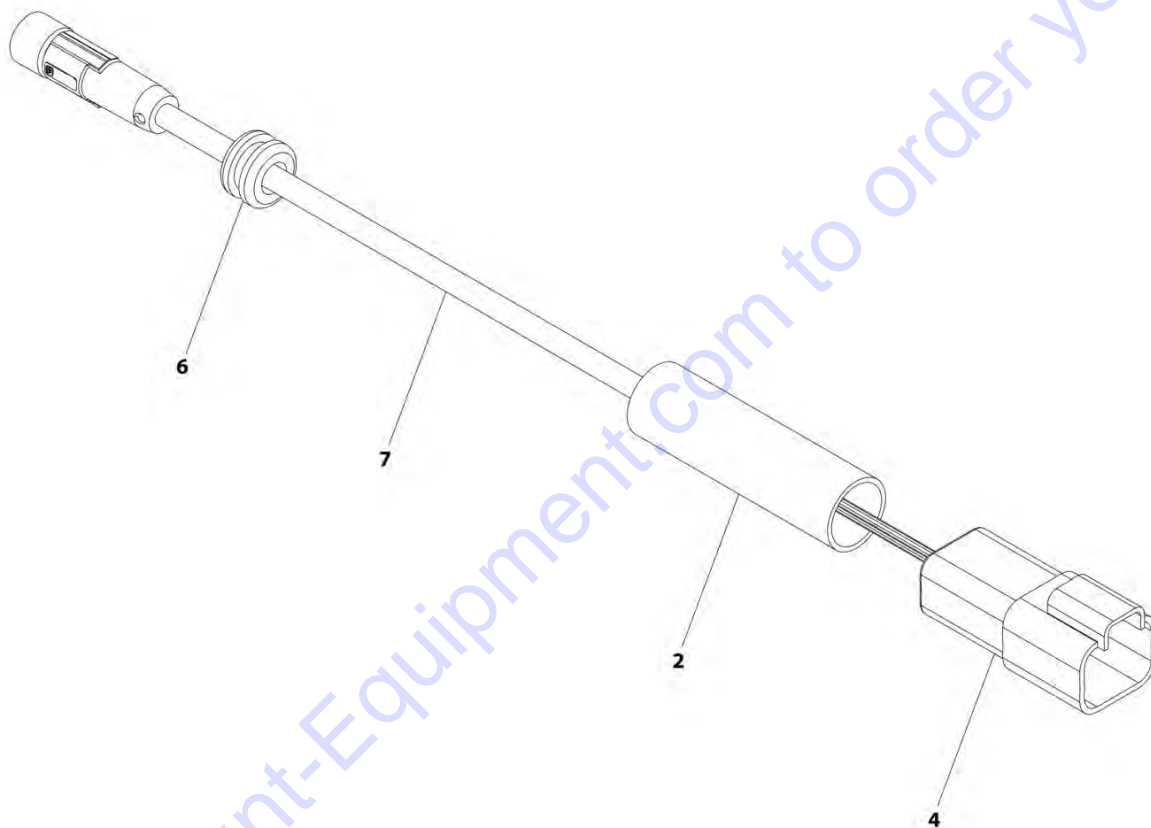
FIGURE 7-4. SKYEYE EMITTER HARNESS

ITEM	PART NUMBER	QTY	DESCRIPTION	REV
	1001237864	Ref	SKYEYE EMITTER HARNESS	A
2	2820247	AR	Tubing, Heat Shrink	
3	4460910	1	Connector - 3 Position	
3	1001119620	3	Pin, Male	
6	1001227996	1	Grommet	
7	1001237862	1	Cable, M8 Female Cordset	

Go to Discount-Equipment.com to order your parts

SECTION 7 - ELECTRICAL

FIGURE 7-5. SKYEYE RECEIVER HARNESS



ART_1001237863

SECTION 7 - ELECTRICAL

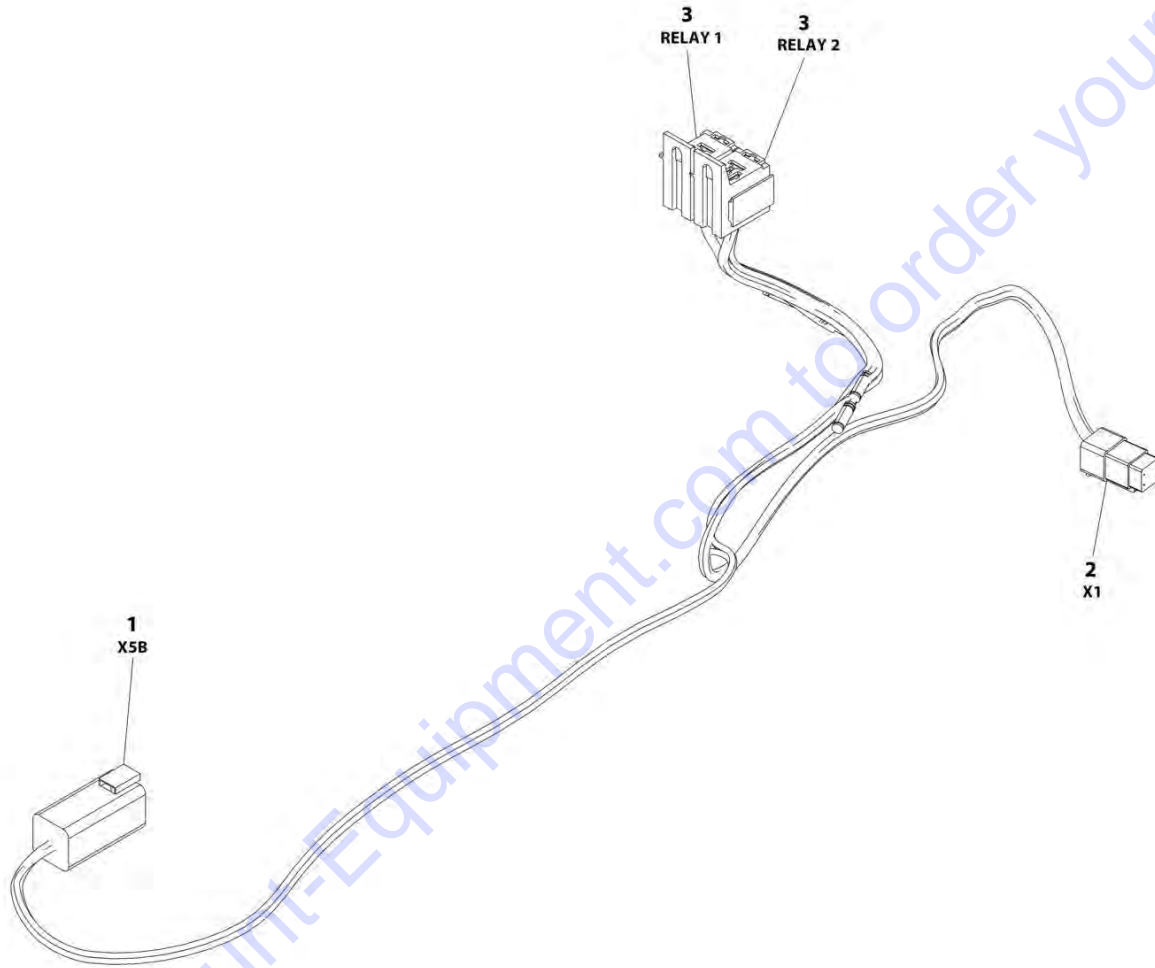
FIGURE 7-5. SKYEYE RECEIVER HARNESS

ITEM	PART NUMBER	QTY	DESCRIPTION	REV
	1001237863	Ref	SKYEYE RECEIVER HARNESS	A
2	2820247	AR	Tubing, Heat Shrink	
4	1001097051	1	Connector - 4 Position	
4	1001119620	4	Pin, Male	
6	1001227996	1	Grommet	
7	1001237862	1	Cable, M8 Female Cordset	

Go to Discount-Equipment.com to order your parts

SECTION 7 - ELECTRICAL

FIGURE 7-6. SKYLINE HARNESS



ART_1001238418

SECTION 7 - ELECTRICAL

FIGURE 7-6. SKYLINE HARNESS

ITEM	PART NUMBER	QTY	DESCRIPTION	REV
	1001238418	Ref	SKYLINE HARNESS	A
1	4460899	1	Connector - 6 Position	
1	4460464	4	Pin, Male	
1	4460466	2	Plug, Terminal	
2	4461077	1	Connector - 4 Position	
2	1001126009	4	Socket, Female	
3	1001186432	2	Plug, Relay	
3	1001118388	5	Terminal	
3	1001118384	3	Terminal	
3	3740086	2	Relay	
3	3990013	2	Diode	

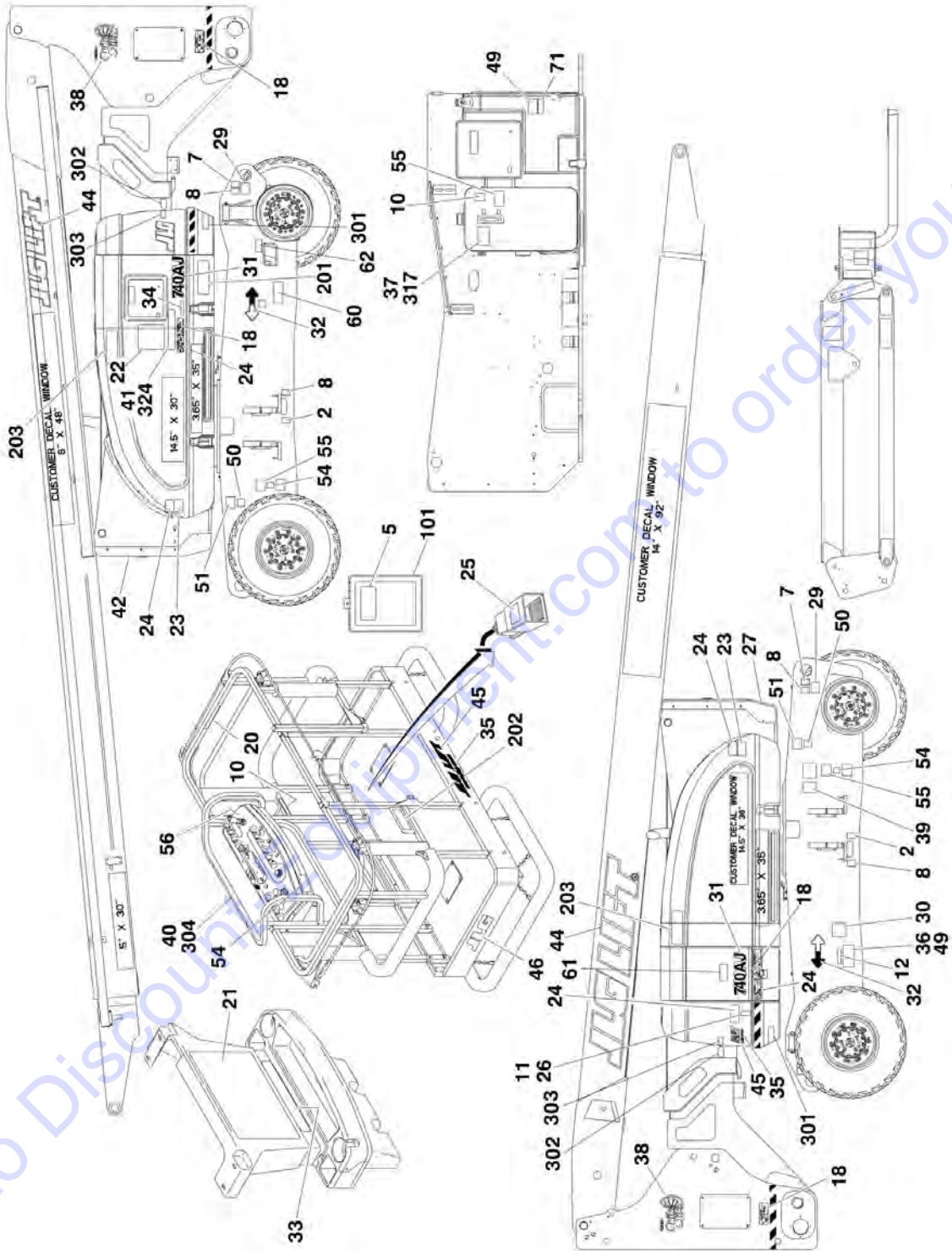
Go to Discount-Equipment.com to order your parts

SECTION 8 - DECALS

Go to Discount-Equipment.com to order your parts

SECTION 8 - DECALS

FIGURE 8-1. DECAL INSTALLATION (ANSI AND CSA SPEC)



SECTION 8 - DECALS

FIGURE 8-1. DECAL INSTALLATION (ANSI AND CSA SPEC)

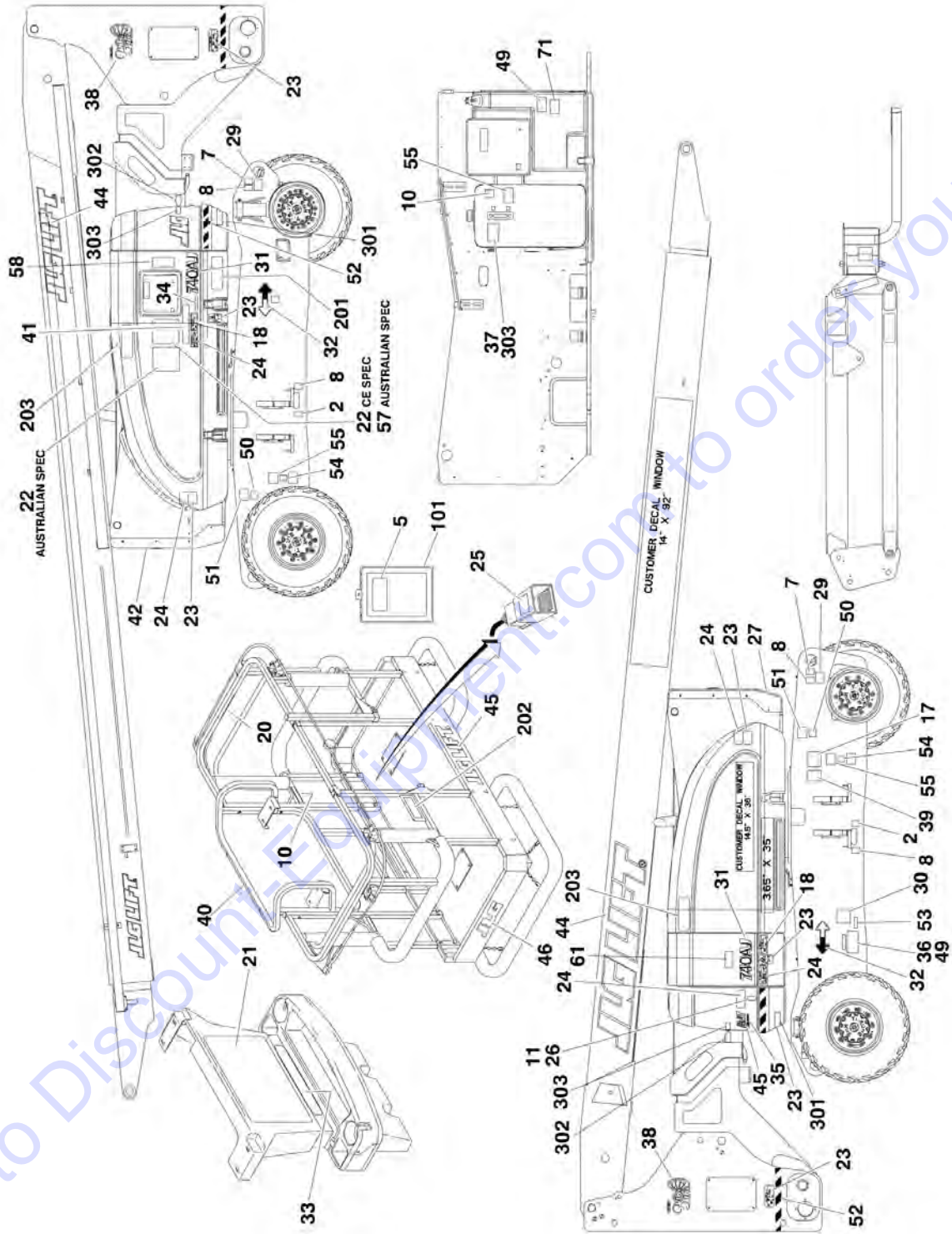
ITEM	PART NUMBER	QTY	DESCRIPTION	REV
	0274519	Ref	DECALS INSTALLATION - JLG LOGO	E
	0274483	Ref	DECALS INSTALLATION - 740AJ DECALS - ANSI SPEC	F
	0274488	Ref	DECALS INSTALLATION - 740AJ DECALS - CSA SPEC	F
2	1701499	2	Decal - No Tie Down/Lift	
5	1701509	1	Decal - Manual	
7	1703811	4	Decal - Tie Down/Lift	
8	1703814	6	Decal - Tie Down	
9	1704277	3	Decal - Attach Lanyard Here	
10	1704412	1	Decal - Hydraulic Oil Chart	
12	1705514	1	Decal - CSA (CSA Machines Only)	
13	3251243	1	Nameplate - 120V-60HZ	
18	1703953	4	Decal - Warning/Crushing - ANSI Spec	
18	1703942	4	Decal - Warning/Crushing - CSA Spec	
20	1702868	2	Decal - No Hands - ANSI Spec	
20	1704000	2	Decal - No Hands - CSA Spec	
21	1703797	1	Decal - Warning/Danger (ANSI Spec)	
21	1703924	1	Decal - Danger/Warning (CSA Spec)	
22	1705336	1	Decal - Warning Inspection (MTB) - ANSI Spec	
22	1705347	1	Decal - Warning Inspection (MTB) - CSA Spec	
23	1703804	6	Decal - Crushing - ANSI Spec	
23	1703948	6	Decal - Crushing - CSA Spec	
24	1703805	4	Decal - Danger/Electrocution - ANSI Spec	
24	1703936	4	Decal - Danger/Electrocution - CSA Spec	
25	3252347	1	Decal - Footswitch - ANSI Spec	
25	1703984	1	Decal - Footswitch - CSA Spec	
26	3251813	1	Decal - USA	
29	1703477	4	Decal - Max Tire Load	
30	See Note	1	Decal - Bar Code (Note: Not Available for Purchase)	
32	1701501	4	Decal - Arrow	
33	1001121801	2	Decal - Capacity - ANSI Spec (500LBS Maximum Capacity)	
33	1001121803	2	Decal - Capacity - CSA Spec (230kg/500LBS Max Capacity)	
34	1001121814	1	Decal - Capacity - ANSI Spec (500LBS Maximum Capacity)	
34	1001121816	1	Decal - Capacity - CSA Spec (230kg/500LBS Max Capacity)	
35	1704885	1	Decal - Website	
36	See Note	1	Nameplate, Manufacturers (Note: Not Available for Purchase)	
37	1001096141	1	Decal - Upright Level Override - ANSI Spec	
37	1705977	1	Decal - Upright Level Override - CSA Spec	
38	1703959	2	Decal - Quick Stick	
39	1001131269	1	Decal - Patent	
40	1001108495	1	Decal - Legend	
41	1001095809	1	Decal - Legend (MTB)	
43	3820001	4	Rivet	
44	1702861	2	Decal - JLG Lift (8in Height)	
45	1702774	AR	Decal - JLG Lift (3-1/2in Height)	
46	1702773	1	Decal - JLG (5in Height)	
47	3250872	1	Nameplate - Steer/Tow Selector	
48	1705090	1	Decal - Towing Instructions	
49	1701505	1	Decal - Fuel (Diesel)	
49	1701542	1	Decal - Fuel (Gas)	
50	1701543	2	Decal - LP Gas (GM Engine Machines Only)	

SECTION 8 - DECALS

ITEM	PART NUMBER	QTY	DESCRIPTION	REV
51	1700818	2	Decal - LP Gas (Liquid) Options (ANSI Spec GM Engine Machines Only)	
51	1704271	2	Decal - LP Gas (Liquid) Options (CSA Spec GM Engine Machines Only)	
53	1703175	1	Decal - Lanyard Attach (GM Spec Only)	
54	1702962	1	Decal - Warning (Proposition 65) (California Spec Diesel Machines Only) (SN 0300185828 through 0300243317)	
54	1001231801	1	Decal - Warning (Proposition 65) (California Spec -Diesel Machines Only) (SN 0300243318 to Present)	
54	1702961	1	Decal - Warning (Proposition 65) (California Spec Gas Machines Only) (SN 0300185828 through 0300243317)	
54	1001236338	NLA	Decal - Warning (Proposition 65) (California Spec -Gas Machines Only) (Use p/n 1001231801) (SN 0300243318 through 0300240507)	
54	1001231801	1	Decal - Warning (Proposition 65) (California Spec Only) (SN 0300240508 to Present)	
55	1702788	1	Decal - Bio Hydraulic Fluid	
56	1705351	1	Decal - Drive/Steer Instruction - ANSI Spec	
56	1705429	1	Decal - Drive/Steer Instruction - CSA Spec	
60	1001223055	1	Decal - Yearly Inspection (ANSI Specs) (SN 0300234048 to Present)	
60	1001223971	1	Decal - Yearly Inspection (CSA Specs) (SN 0300234048 to Present)	
61	1001229113	1	Decal - Lift Diagram (SN 0300237344 to Present)	
62	1001223453	1	Decal - ICES (SN 0300243318 to Present)	
71	1001108923	1	Decal - Low Sulfur Fuel (Deutz Engine Machines)	
	0258671	Ref	MANUAL STORAGE BOX INSTALLATION	C
101	0860520	1	Box, Manual Storage	
101	0641406	4	Bolt 1/4-20 x 3/4	
101	4751400	4	Washer 1/4	
101	3311405	4	Nut 1/4-20	
	0010551	Ref	DECAL INSTALLATIONS (OPTIONS)	
201	0271585	Ref	Decal Installation	A
201	1705012	2	Decal - Fall Arrest	
202	0271674	Ref	Decal Installation	A
202	1705014	2	Decal - Safety	
203	0271584	Ref	Decal Installation	A
203	1705006	2	Decal - Jet Blast	
	1001220864	Ref	TRANSPORT DECALS INSTALLATION (SN 0300224236 to Present)	A
301	1001220512	2	Decal - Lower Boom	
302	1001220510	2	Decal - Warning Arrow	
303	1001220511	2	Decal - Warning Stripe	

SECTION 8 - DECALS

FIGURE 8-2. DECAL INSTALLATION (AUSTRALIAN AND CE SPECS)



SECTION 8 - DECALS

FIGURE 8-2. DECAL INSTALLATION (AUSTRALIAN AND CE SPECS)

ITEM	PART NUMBER	QTY	DESCRIPTION	REV
	0274519	Ref	DECAL INSTALLATION - JLG LOGO	E
	1001114464	Ref	DECAL INSTALLATION - AUSTRALIAN SPEC	D
	0274484	Ref	DECAL INSTALLATION - CE SPEC	D
2	1701499	2	Decal - No Tie Down/Lift	
5	1701509	1	Decal - Manual	
7	1703811	4	Decal - Tie Down/Lift	
8	1703814	6	Decal - Tie Down	
9	1704277	3	Decal - Attach Lanyard Here	
10	1704412	1	Decal - Hydraulic Oil Chart	
11	1705980	1	Decal - Sound Power Level (Deutz D2011 Machines)	
11	1705368	1	Decal - Sound Power Level (Deutz TD2.9L4 Machines)	
21	1705921	1	Decal - Tipping/Electrical	
22	1705822	1	Decal - Electrical/Safety Manual	
23	1701518	10	Decal - Crushing	
24	1705961	5	Decal - Danger/Electrocution	
25	1705828	1	Decal - Footswitch	
29	1703960	4	Decal - Max Tire Load	
30	See Note	1	Decal - Bar Code (Note: Not Available for Purchase)	
31	1705007	2	Decal - 740AJ	
32	1701501	4	Decal- Arrow	
33	1705978	2	Decal Capacity (230kg Capacity)	
34	1705978	1	Decal Capacity (230kg Capacity)	
35	1704885	1	Decal - Website	
36	See Note	1	Nameplate, Manufacturers (Note: Not Available for Purchase)	
37	1705977	1	Decal - Upright Level Override	
38	1703959	2	Decal - Quick Stick	
39	1700584	1	Decal - Patent	
43	3820001	2	Rivet	
44	1702861	2	Decal - JLG Lift (8in Height)	
45	1702774	AR	Decal - JLG Lift (3-1/2in Height)	
46	1702773	1	Decal - JLG (5in Height)	
47	3250872	1	Nameplate - Steer/Tow Selector	
48	1705090	1	Decal - Towing Instructions	
49	1701505	1	Decal - Fuel (Diesel)	
49	1701542	1	Decal - Fuel (Gas)	
50	1701543	2	Decal - LP Gas (GM Engine Machines Only)	
51	1700818	2	Decal - LP Gas (Liquid) (GM Engine Machines Only)	
52	4420051	23.1 ft/7m	Decal - Warning Stripes	
53	1001143852	1	Decal - Emission Compliance	
55	1702788	1	Decal - Bio Hydraulic Fluid	
57	1001112551	1	Decal - Emergency Controls (Australian Spec Only)	
58	1001197408	1	Decal - MSSO (CE Spec Only) (SN 0300185828 through 0300206943)	
58	1001189882	1	Decal - MSSO (CE Spec Only) (SN 0300206944 to Present)	
61	1001229113	1	Decal - Lift Diagram (SN 0300237344 to Present)	
71	1001139654	1	Decal - Ultra Low Sulfur Fuel (SN 0300201004 to Present)	
	0258671	Ref	MANUAL STORAGE BOX INSTALLATION	C
101	0860520	1	Box, Manual Storage	
101	0641406	4	Bolt 1/4-20 x 3/4	
101	4751400	AR	Washer 1/4	

SECTION 8 - DECALS

ITEM	PART NUMBER	QTY	DESCRIPTION	REV
101	3311405	AR	Nut 1/4-20	
	0010551	Ref	DECAL INSTALLATIONS (OPTIONS)	
201	0271585	Ref	Decal Installation	A
201	1705012	2	Decal - Fall Arrest	
202	0271674	Ref	Decal Installation	A
202	1705014	2	Decal - Safety	
203	0271584	Ref	Decal Installation	A
203	1705006	2	Decal - Jet Blast	
	1001220864	Ref	TRANSPORT DECALS INSTALLATION (SN 0300224236 to Present)	A
301	1001220512	2	Decal - Lower Boom	
302	1001220510	2	Decal - Warning Arrow	
303	1001220511	2	Decal - Warning Stripe	

Go to Discount-Equipment.com to order your parts

SECTION 9 - RECOMMENDED SERVICE PARTS STOCK

SECTION 9 - RECOMMENDED SERVICE PARTS STOCK

Go to Discount-Equipment.com to order your parts

SECTION 9 - RECOMMENDED SERVICE PARTS STOCK

FIGURE 9-1. MODEL 740AJ STANDARD PARTS

ITEM	PART NUMBER	QTY	DESCRIPTION	REV
	Note	Ref	Note: The following list will service one machine (built to current production per date on the front cover) with emergency repair parts which can be installed in the field. Parts from the list should be replaced when inventory is depleted to keep service parts stock supplied. For further information, go to Discount-equipment.com.	
		Ref	STANDARD PARTS	
	2120168	4	Element, Filter	
	2120210	4	Element Filter	
	7012944	1	Coil	
	7018991	1	Coil	
	7012772	1	Coil	
	7000645	1	Coil	
	70000582	1	Coil	
	3740067	1	Relay	
	7024444	1	Breather, Hydraulic Tank	
	3740049	1	Relay	
	4360469	1	Switch, Key	
	2860030	1	Key, Replacement	
	4360475	1	Switch, Mushroom	
	1001155045	1	Switch, Toggle	
	7020066	1	Power Track Repair Section	
	70002013	1	Power Track Repair Section	
	1001166539	1	Controller (Lift and Swing)	
	1001166538	1	Controller (Drive and Steer)	
	4360328	1	Switch, Toggle	
	4360330	1	Switch, Toggle	
	4360387	1	Switch, Push Button	
	4360407	1	Controller, Speed	
	3990010	2	Diode	
	2400065	2	Fuse - 30 Amp	

PARTS FINDER

**Search Website
by Part Number**



**Search Manual
Library For Parts
Manual & Lookup Part
Numbers – Purchase
or Request Quote**

**Can't Find Part or
Manual? Request Help
by Manufacturer,
Model & Description**

Discount-Equipment.com is your online resource for quality parts & equipment.

Florida: **561-964-4949** Outside Florida TOLL FREE: **877-690-3101**

Need parts?

Click on this link: <http://www.discount-equipment.com/category/5443-parts/> and choose one of the options to help get the right parts and equipment you are looking for. Please have the machine model and serial number available in order to help us get you the correct parts. If you don't find the part on the website or on one of the online manuals, please fill out the request form and one of our experienced staff members will get back to you with a quote for the right part that your machine needs.

We sell worldwide for the brands: Genie, Terex, JLG, MultiQuip, Mikasa, Essick, Whiteman, Mayco, Toro Stone, Diamond Products, Generac Magnum, Airman, Haulotte, Barreto, Power Blanket, Nifty Lift, Atlas Copco, Chicago Pneumatic, Allmand, Miller Curber, Skyjack, Lull, Skytrak, Tsurumi, Husquvarna Target, Stow, Wacker, Sakai, Mi-T-M, Sullair, Basic, Dynapac, MBW, Weber, Bartell, Bennar Newman, Haulotte, Ditch Runner, Menegotti, Morrison, Contec, Buddy, Crown, Edco, Wyco, Bomag, Laymor, EZ Trench, Bil-Jax, F.S. Curtis, Gehl Pavers, Heli, Honda, ICS/PowerGrit, IHI, Partner, Imer, Clipper, MMD, Koshin, Rice, CH&E, General Equipment, Amida, Coleman, NAC, Gradall, Square Shooter, Kent, Stanley, Tamco, Toku, Hatz, Kohler, Robin, Wisconsin, Northrock, Oztec, Toker TK, Rol-Air, APT, Wylie, Ingersoll Rand / Doosan, Innovatech, Con X, Ammann, Mecalac, Makinex, Smith Surface Prep, Small Line, Wanco, Yanmar

SECTION 9 - RECOMMENDED SERVICE PARTS STOCK

FIGURE 9-2. MODEL 740AJ VARIABLE PARTS

ITEM	PART NUMBER	QTY	DESCRIPTION	REV
	Note	Ref	Note: The following list will service one machine (built to current production per date on the front cover) with emergency repair parts which can be installed in the field. Parts from the list should be replaced when inventory is depleted to keep service parts stock supplied. For further information, go to Discount-equipment.com.	
		Ref	VARIABLE PARTS	
	3740080	1	Relay (Deutz D2011 Engine Machines)	
	70004020	1/doz	Element, Air Cleaner (Deutz D2011 Engine Machines)	
	7016331	1/doz	Filter, Oil (Deutz D2011 Engine Machines)	
	7016328	1/doz	Filter, Fuel (Deutz D2011 Engine Machines - All Specs except CE Spec)	
	8320270	1/doz	Filter, Fuel (Deutz D2011 Engine Machines - CE Specs Only)	
	70004058	1	Relay (Deutz D2011 Engine Machines - All Specs except CE Spec)	
	7026608	1	Relay (Deutz D2011 Engine Machines - CE Specs Only)	
	7027795	1	Module, Engine Control (Deutz D2011 Engine Machines)	
	1001117308	1	Relay (Deutz TD2.9L4 Engine Machines)	
	1001138228	1	Module, Relay (Deutz TD2.9L4 Engine Machines)	
	91403102	1/doz	Element, Air Cleaner (Deutz TD2.9L4 Engine Machines)	
	7016331	1/doz	Filter, Oil (Deutz TD2.9L4 Engine Machines)	
	70025161	1/doz	Filter, Fuel (Deutz TD2.9L4 Engine Machines)	
	70025203	1	Module, Engine Control (Deutz TD2.9L4 Engine Machines)	
	7012664	1/doz	Element, Air Cleaner (GM Engine Machines)	
	7027965	1/doz	Filter, Oil (GM Engine Machines)	
	7027972	1/doz	Filter, Fuel (GM Engine Machines)	
	70002895	1	Module, Engine Control (GM Engine Machines)	
	4360517	1	Switch, Proximity	
	1001103667	1	Module, Ground Control	
	4360336	1	Switch, Toggle (Machines with Generator Option)	
	4360070	1	Breaker, Circuit (Machines with SkyPower)	
	2400064	2	Fuse - 5 Amp (Deutz D2011 and GM Engine Machines with SkyPower)	
	4360578	1	Switch, Limit	
	4360498	1	Switch, Proximity	
	4360499	1	Switch, Proximity	
	1001094400	1	Sensor, Dual Axle	
	2940074	1	Latch (Platform with Gate)	
	1001106355	1	Controller, Module Platform	
	4360336	1	Switch, Toggle (Machines with Dual Fuel Option)	
	4360522	1	Switch, Toggle (Machines with Lights Option)	
	4360331	1	Switch, Toggle (Machines with 4WD or 4WS Options)	
	4360057	1	Switch, Limit (Machines with Soft Touch Option)	
	8229242	2	Fuse (Deutz TD2.9L4 Engine Machines)	
	80983191	2	Fuse (Deutz TD2.9L4 Engine Machines)	
	70001931	2	Fuse (GM Engine Machines)	
	2400070	2	Fuse (Machines with Platform Worklights)	

SECTION 10 - SPECIAL OPTIONS

Go to Discount-Equipment.com to order your parts

SECTION 10 - SPECIAL OPTIONS

FIGURE 10-1. SPECIAL OPTIONS

ITEM	PART NUMBER	QTY	DESCRIPTION	REV
	Note	Ref	Note: This list is to accommodate machines ordered with special equipment. Options may not be applicable to all models. For more specific parts information go to Discount-equipment.com.	
		Ref	MISCELLANEOUS SPECIAL OPTIONS	
	1340061	Ref	Air Cleaner Pre-Cleaner	
	0271511	Ref	Airline to Platform Installation	
	1001229762	Ref	Air Intake Shut-off Valve (Deutz TD2.9L4 Engines)	
	0258737	Ref	Bellows Installation - Boom	
	1001158260	Ref	Bellows Installation - Chassis	
	1001231820	Ref	Boom Wipers Installation	
	1001233047	Ref	Breather Heater Kit (Deutz TD2.9L4 Engines)	
	1001172045	Ref	Cable/Ladder Carrier Installation (SN 0300185828 through 0300215553)	
	1001230834	Ref	Cable/Hose Protection Installation (Boom/Jib)	
		Ref	ClearSky Telematics Installation (Factory Installed) (SN 0300185828 through 0300240506)	
	1001112990	Ref	ClearSky (Telematic) Installation (Factory Installed) - ABS Hoods (ANSI Spec) (Note: Refer to Manual Supplement p/n 3128499 for available replacement parts) (SN 0300185828 through 0300240506)	
	1001112991	Ref	ClearSky (Telematic) Installation (Factory Installed) - ABS Hoods (ANSI Export and Japanese Specs) ClearSky (Note: Refer to Manual Supplement p/n 3128499 for available replacement parts) (SN 0300185828 through 0300240506)	
	1001112992	Ref	ClearSky (Telematic) Installation (Factory Installed) - ABS Hoods (CSA Spec) (Note: Refer to Manual Supplement p/n 3128499 for available replacement parts) (SN 0300185828 through 0300240506)	
	1001118963	Ref	ClearSky (Telematic) Installation (Factory Installed) - Steel Hoods (ANSI Spec) (Note: Refer to Manual Supplement p/n 3128499 for available replacement parts) (SN 0300185828 through 0300234681)	
	1001134103	Ref	ClearSky (Telematic) Installation (Factory Installed) - Steel Hoods (Australian Spec) (Note: Refer to Manual Supplement p/n 3128499 for available replacement parts) (SN 0300185828 through 0300234681)	
	1001127087	Ref	ClearSky (Telematic) Installation (Factory Installed) - Steel Hoods (New Zealand Specs Only) (Note: Refer to Manual Supplement p/n 3128499 for available replacement parts) (SN 0300185828 through 0300234681)	
	1001118964	Ref	ClearSky (Telematic) Installation (Factory Installed) - Steel Hoods (CSA Spec) (Note: Refer to Manual Supplement p/n 3128499 for available replacement parts) (SN 0300185828 through 0300234681)	
		Ref	ClearSky Telematics Installation (Factory Installed) (SN 0300240507 to Present)	
	1001227448	Ref	ClearSky Telematics Installation - Canbus Connection (Factory Installed) (ANSI & CSA Specs) (SN 0300234682 to Present)	
	1001228949	Ref	ClearSky Telematics Installation - Canbus Connection (Factory Installed) (ANSI Export & CE Specs) (SN 0300240507 to Present)	
	1001246473	Ref	ClearSky Telematics Installation - Canbus Connection (Factory Installed) (Australian Specs) (SN 0300240508 to Present)	
	1001246474	Ref	ClearSky Telematics Installation - Canbus Connection (Factory	

SECTION 10 - SPECIAL OPTIONS

ITEM	PART NUMBER	QTY	DESCRIPTION	REV
			Installed) (China Specs) (SN 0300240508 to Present)	
	1001229107	Ref	ClearSky Telematics Installation - 3 Wire Connection (Factory Installed) (ANSI & CSA Specs) (SN 0300234682 to Present)	
	1001233237	Ref	ClearSky Telematics Installation - 3 Wire Connection (Factory Installed) (ANSI Export & CE Specs) (SN 0300240507 to Present)	
	1001119939	Ref	ClearSky (Telematic) Kit (Dealer Installed) (ANSI Spec)	
	1001139151	Ref	ClearSky (Telematic) Kit (Dealer Installed) (Australian Spec)	
	1001234099	Ref	ClearSky (Telematic) Kit (Dealer Installed) (CE Spec)	
	1001119947	Ref	ClearSky (Telematic) Kit (Dealer Installed) (CSA Spec)	
	1001151900	Ref	Cold Weather Package Installation - Deutz TD2.9L4 Engines (SN 0300185828 through 0300196955)	
	1001178207	Ref	Cold Weather Package Installation - Deutz TD2.9L4 Engines (SN 0300196956 to Present)	
	1001219840	Ref	Cold Weather Package Installation - Ford Engines	
	0255386	Ref	Cold Weather Package Installation - GM Engines	
	1001109263	Ref	Communication System (David Clark) Installation (ANSI Spec Only)	
	1702788	Ref	Decal - Biodegradable Hydraulic Fluid (All except German Spec)	
	1703479	Ref	Decal - Biodegradable Hydraulic Fluid (German Spec Only)	
	1001116565	Ref	Decal - ClearSky (ANSI Spec) (ABS Hoods)	
	1001116566	Ref	Decal - ClearSky (CSA Spec) (ABS Hoods)	
	1001127094	Ref	Decal - ClearSky (Steel Hoods)	
	3252221	Ref	Decal - CSA (CSA Spec)	
	1001214030	Ref	Decal - EAC (CIS & Russian Specs)	
	0271585	Ref	Decal - Fall Arrest	
	0257195	Ref	Decal - Government Warranty	
	1703175	Ref	Decal - Lanyard Attach (GM K-1 Spec)	
	1702962	Ref	Decal - Prop 65 Warning (Diesel Machines) (California Spec) (SN 0300185828 through 0300243317)	
	1001231801	Ref	Decal - Prop 65 Warning (Diesel Machines) (California Spec) (SN 0300243318 to Present)	
	1702961	Ref	Decal - Prop 65 Warning (Gasoline Machines) (California Spec) (SN 0300185828 through 0300243317)	
	1001236338	Ref	Decal - Prop 65 Warning (Gasoline Machines) (California Spec) (SN 0300243318 to Present)	
	1001200124	Ref	Decal - Quick Reference (Danish) (Lomax Rentals)	
	1001200121	Ref	Decal - Quick Reference (Dutch) (Lomax Rentals)	
	1001180861	Ref	Decal - Quick Reference (English) (Lomax Rentals)	
	1001200120	Ref	Decal - Quick Reference (French) (Lomax Rentals)	
	1001200122	Ref	Decal - Quick Reference (German) (Lomax Rentals)	
	1001200127	Ref	Decal - Quick Reference (Norwegian) (Lomax Rentals)	
	1001200126	Ref	Decal - Quick Reference (Spanish) (Lomax Rentals)	
	1001200125	Ref	Decal - Quick Reference (Swedish) (Lomax Rentals)	
	0272435	Ref	Decal - SkyPower - 60Hz (ANSI/ANSI Export/CSA Specs)	
		Ref	Decal Kits:	
	2902307	Ref	Decal Kit - Country Spec (ANSI Spec)	
	2902329	Ref	Decal Kit - Country Spec (Australian and CE Specs)	
	1001193636	Ref	Decal Kit - Machine	
	2902303	NLA	Decal Kit - Master (Common Decals) (All Specs except CE Specs) (Use p/n 1001229560) (SN 0300185828 through 0300234681)	
	1001229560	Ref	Decal Kit - Master (Common Decals) (All Specs except CE Specs) (SN 0300234682 to Present)	

SECTION 10 - SPECIAL OPTIONS

ITEM	PART NUMBER	QTY	DESCRIPTION	REV
	2902358	Ref	Decal Kit - Tire Load	
	1001106503	Ref	De-icing Nozzle Installation	
	1001148902	Ref	Electrical Connector Kits - Amp	
	1001148903	Ref	Electrical Connector Kits - Deutsch DT	
	1001148904	Ref	Electrical Connector Kits - Deutsch HD	
	1001148905	Ref	Electrical Connector Kits - Packard	
	1001148906	Ref	Electrical Connector Kits - Various	
	1001218022	Ref	Engine Block Heater Installation - Ford Engines	
	0258696	Ref	Engine Block Heater Installation - GM Engines	
		Ref	Fan Cover/Grille Options:	
	1001185078	Ref	Fan Cover Add-on Kit (Deutz D2011 Engines)	
	1001182599	Ref	Fan, Cover (Deutz D2011 Engines)	
	1001149126	Ref	Fan, Cover (Deutz TD2.9L4 Engines) (SN 0300185828 through 0300227034)	
	1001177694	Ref	Fan, Cover (Deutz TD2.9L4 Engines) (SN 0300227035 to Present)	
		Ref	Filter Kits:	
		Ref	Combined Filter Kit Options (Hydraulic/Air and Fuel/Engine Oil)	
	1001111014	Ref	Deutz D2011 Engine Machines	
	1001181150	Ref	Deutz TD2.9L4 Engine Machines	
	1001195533	Ref	Deutz TD2.9L4 Engine Machines (UL Specs Only)	
	1001114056	Ref	GM Engine Machines (SN 0300185828 through 0300196955)	
	1001225666	Ref	GM Engine Machines (SN 0300196956 to Present)	
		Ref	Hydraulic/Air Filter Kits:	
		Ref	Deutz D2011 & GM Engines (Not Available for Purchase)	
	1001204453	1	Deutz DT2.9L4 Engines (SN 0300185828 through 0300196955)	
	1001204455	1	Deutz DT2.9L4 Engines (SN 0300196956 to Present)	
		Ref	Engine Fuel/Engine Oil Filter Kits:	
		Ref	Deutz D2011 & GM Engines (Not Available for Purchase)	
	1001204460	1	Deutz DT2.9L4 Engines	
	2300004	Ref	Fluids - Antifreeze, Standard (Deutz TD2.9L4/GM Engines without Arctic Package)	
	2300041	Ref	Fluids - Antifreeze, Standard (Deutz TD2.9L4/GM Engines with Arctic Package)	
	3020016	Ref	Fluids - Engine Oil (15W-40) (Deutz D2011 without Arctic Package)	
	3020044	Ref	Fluids - Engine Oil (0W-40) (Deutz D2011 Engines with Arctic Package)	
	1001136079	Ref	Fluids - Engine Oil (15W-40) (Deutz TD2.9L4 Engines without Arctic Package)	
	1001136172	Ref	Fluids - Engine Oil (5W-40) (Deutz TD2.9L4 Engines with Arctic Package)	
	1001115930	Ref	Fluids - Engine Oil (10W-30) (GM Engine without Arctic Package)	
	1001115931	Ref	Fluids - Engine Oil (5W-30) (GM Engines with Arctic Package)	
	2300014	Ref	Fluids - Hydraulic Fluids - Mobil 424	
	2300027	Ref	Fluids - Hydraulic Fluids - Mobil 224H Bio	
	2300016	Ref	Fluids - Hydraulic Fluids - Mobil DTE 10 Excel 32	
	2300021	Ref	Fluids - Hydraulic Fluids - Union Carbide Ucon HP5046 Fire Resistant	
	3020039	Ref	Fluids - Lubricant (Axle Pivot)	
	3020029	Ref	Fluids - Lubricant (Kingpin)	
	3020037	Ref	Fluids - Lubricant (Engine Pump Coupling)	
	1001117294	Ref	Footswitch Shield (Note: Move Decal to Shield)	

SECTION 10 - SPECIAL OPTIONS

ITEM	PART NUMBER	QTY	DESCRIPTION	REV
	1001202749	Ref	Fuel Cap Cover Installation (Black) (Note: Lock p/n 1001102157 must be Purchased Separately)	
	1001191395	Ref	Fuel Cap Cover Installation (Green) (Diesel Machines) (Note: Lock p/n 1001102157 must be Purchased Separately)	
	1001191394	Ref	Fuel Cap Cover Installation (Red) (Gas Machines) (Note: Lock p/n 1001102157 must be Purchased Separately)	
		Ref	Generator Add-on Kits:	
	1001175816	Ref	4000W/50Hz Generator Add-on Kit (Deutz D2011 Engines)	
	1001148971	Ref	Lanyard (Bolt-On) Kit Installation	
	1001183407	Ref	Low Temperature Cutout Installation (Russian Specs) (SN 0300185828 through 0300245050)	
	1001236951	Ref	Low Temperature Cutout Installation (Russian Specs) (SN 0300245051 to Present)	
	1001142677	Ref	Oil Cooler Installation - Deutz TD2.9L4 Engine Machines (SN 0300185828 through 0300227034)	
	1001184569	Ref	Oil Cooler Installation - Deutz TD2.9L4 Engine Machines (SN 0300227035 to Present)	
	1001219633	Ref	Oil Cooler Installation - Ford Engine Machines	
	0272040	Ref	Oil Cooler Installation - GM Engine Machines	
	1001200700	Ref	Oil Cooler Replacement Kit (RCP to YMER)	
	0258703	Ref	Platform Console Cover Installation (SN 0300185828 through 0300201003)	
	1001195304	Ref	Platform Console Cover Installation (Factory Installed) (SN 0300204766 to Present)	
	1001112821	Ref	Platform Console Cover Installation - Steel (ANSI Export, CE-LRC & Chinese Spec) (SN 0300206208 through 0300233720)	
	1001110974	Ref	Platform Console Cover Installation (All Specs) (SN 0300233721 to Present)	
	1001241334	Ref	Platform Decal Service Kit	
	1001142504	Ref	Platform Entry Kit - Drop Bar (To Replace Swing Gate with Drop Bar)	
	1001142505	Ref	Platform Entry Kit - Swing Gate (To Replace Drop Bar with Swing Gate)	
	1001209059	Ref	Platform Work Surface Installation	
	1001162546	Ref	Pump Coupling Kit (Sauer Danfoss)	
	1001199488	Ref	Radiator Replacement Kit (RCP to Modine Radiator)	
	1001143669	NLA	SkyGuard Complete Add-On Kit (Blue Beacon) (Note: Requires 7500W SkyPower Generator) (Use p/n 1001206477)	
	1001206477	Ref	SkyGuard Complete Add-On Kit (Blue Beacon) (UGM Machines) (Note: Requires 7500W SkyPower Generator)	
	1001210026	Ref	SkyGuard Complete Add-On Kit (Red Beacon) (UGM Machines) (Note: Requires 7500W SkyPower Generator)	
	1001137672	Ref	SkyGuard Platform Sensor Kit	
	1001137440	1	SkyGuard Sensor Harness	
	1001186431	2	Relay	
	1001176372	Ref	SkyGuard Plug Removal Kit	
	1001143256	NLA	SkyGuard Strobe Light Kit - Hood Mounted (Blue Beacon) (Use p/n 1001206311)	
	1001206311	Ref	SkyGuard Strobe Light Kit - Hood Mounted (Blue Beacon)	
	1001210025	Ref	SkyGuard Strobe Light Kit - Hood Mounted (Red Beacon)	
	1001228357	Ref	Telematics Retrofit Harness Kit (Machines with UGM)	
	1001230863	Ref	Tilt Sensor Kit	
		Ref	Tools for Service	
	1001239619	Ref	Upper Powertrack Service Kit	
	1001241271	Ref	Wear Pad Service Kit (Prior to 0300169344)	

SECTION 10 - SPECIAL OPTIONS

ITEM	PART NUMBER	QTY	DESCRIPTION	REV
	1001241272	Ref	Wear Pad Service Kit (0300169344 to Present)	
	1600244	1	Analyzer, Machine System	
	7002840	1	Anti-rotation Pin Removal Tool	
	8896941	1	Wire Stripper	
	7002821	1	Wire Crimper (To install wire ends to wires)	
	7002823	1	Pin/Socket Extractor - Universal (To Remove Pins/Sockets from Connectors)	
	4460467	1	Extractor - 16-18 Gauge (For Removal of Pin/Sockets from Deutsch Connectors)	
	4460510	1	Extractor - 12-14 Gauge (For Removal of Pin/Sockets from Deutsch Connectors)	
	7002822	1	Screwdriver, Potentiometer (To Adjust Drive Controllers)	
	7016654	1	Screwdriver, Magnetic	
	7004275	1	Seal Installation Tool - 1in	
	7004276	1	Seal Installation Tool - 1-1/2in	
	7002826	1	Seal Installation Tool - 2in	
	7016655	1	Wire Rope Sheave Gauge	
	70000017	1	ADE Software CD	
	1001137005	1	Software Cable Kit	
	0256196	Ref	Wheel Covers Installation	

PART NUMBER INDEX

Go to Discount-Equipment.com to order your parts

PART NUMBER INDEX

0010551.....	336, 340	0271519.....	195	0641406 ...	73, 74, 75, 80, 85, 96, 97, 134, 142, 181, 216, 336, 339	0641812....	65, 74, 87, 97, 123, 149, 195, 207
0060066.....	195, 203	0271584.....	336, 340	0641407 ...	65, 80, 86, 97, 125, 205	0641818.11, 17, 117, 145	
0080201.....	97	0271585 ...	336, 340, 347	0641408 85, 86, 140, 210, 216		0641820....	13, 65, 68, 81, 123, 193
0080241.....	129	0271654.....	13	0641409.....	64, 179	0641822.....	81, 205
0100009....	125, 219, 223, 310	0271674.....	336, 340	0641410.....	64, 65, 179	0641826.....	98
0100011....	11, 13, 17, 21, 31, 33, 37, 38, 57, 64, 65, 68, 73, 74, 75, 80, 85, 86, 87, 90, 91, 96, 97, 117, 123, 125, 129, 134, 135, 140, 141, 142, 147, 149, 151, 155, 159, 163, 167, 171, 175, 179, 185, 187, 193, 195, 199, 205, 207, 210, 215, 237, 241, 243, 249, 253, 257, 261, 265, 269, 277	0271768....	129, 221, 225	0641412.....	74	0641840.....	193
0100019 13, 57, 149, 159, 163, 167, 171, 175, 179, 292		0271989.....	210	0641414.....	38, 219, 223, 237, 241, 245	0642010.....	64, 85, 96
0100020....	64, 73, 77, 85, 87, 96, 98, 117, 121, 160, 168, 179, 182, 224, 291	0272028.....	309	0641416.....	37, 193, 205, 210	0642012.....	74
0100035.....	210, 219, 223	0272040.....	349	0641418 37, 96, 210, 215		0642016.....	57
0100038....	249, 253, 257, 261, 265, 269, 277	0272070.....	195	0641420.....	85, 193	0642024.....	205
0100048 85, 96, 125, 129, 151, 163, 171, 205, 210, 219, 223, 308, 311		0272259.....	319	0641422.....	38	0642038.....	33
0100062....	65, 77, 89, 99, 117, 171	0272260.....	319	0641504.....	33	0642212.....	11, 13, 17
0100063.....	277	0272319.....	13	0641506 ...	125, 134, 135, 136, 142, 181	0642214.....	193
0100071.....	245	0272373.....	33	0641507.....	210	0642612.....	129, 130
0100079....	113, 117, 163, 171	0272433.....	311	0641508 ...	13, 33, 64, 74, 85, 96, 117, 134, 140, 147, 149, 151	0642620.....	193
0100081....	140, 200, 219, 223	0272435....	173, 176, 347	0641510.....	65, 155	0642684....	195, 205, 207
0140011.....	219, 223	0272507.....	129, 318	0641512.....	65	0651406.....	37
0140044.....	129, 317	0272589.....	173	0641514.....	155	0681608....	11, 13, 17, 64, 73, 195, 205, 207
0181949.....	121	0272703.....	205	0641516 ...	159, 163, 167, 171, 175	0681618.....	140
0200048.....	237	0272741....	38, 135, 142, 179	0641518.....	77	0681814.....	215
0200742.....	147	0273485 ...	215, 221, 225, 304	0641560.....	31	0681820.....	77
0232121.....	33	0273687.....	179	0641604.....	193, 210	0681822.....	21, 77, 215
0255386.....	347	0274483.....	335	0641605.....	77, 196	0682016.....	21
0256196.....	350	0274484.....	339	0641606 ...	31, 37, 65, 74, 97, 135, 179, 193, 199	0682023.....	57
0256202.....	319	0274488.....	335	0641607 ...	11, 17, 38, 77, 85, 117, 140, 149, 193, 199, 200	0682032.....	57
0256823.....	135	0274519.....	335, 339	0641608 ...	13, 38, 73, 75, 81, 96, 97, 115, 134, 135, 136, 141, 142, 193, 199	0682216.....	57
0257195.....	347	0275039.....	155	0641609 ...	65, 68, 75, 97, 134, 140, 145, 179, 199	0700615.....	130
0258077.....	199	0275257.....	320	0641610 ...	38, 64, 65, 73, 80, 85, 96, 98, 113, 130, 147, 181, 216	0700617.....	141
0258671.....	336, 339	0275733.....	210	0641611.....	74, 123, 193	0700618.....	141
0258696.....	348	0340041.....	97	0641612 ...	77, 85, 96, 98, 199	0700808.....	65
0258703.....	349	0362726.....	13	0641614.....	37, 117, 193	0700810.....	87, 98
0258728.....	145	0362770.....	133	0641616 ...	160, 163, 172, 181	0700812.....	87
0258737.....	346	0362910.....	33	0641617.....	121	0700816.....	90
0258945.....	221, 225	0370034.....	253	0641618.....	193	0700818.....	90
0270888.....	21	0400075 ...	64, 73, 85, 96, 185, 187	0641624.....	199	0700820.....	155, 167
0271090.....	21	0440244.....	57	0641640.....	199	0701014.....	90
0271091.....	21	0480121.....	147	0641708.....	75	0701016.....	155, 167
0271340.....	221, 225	0480126.....	160	0641710.....	155	0701026.....	91
0271422.....	129	0480129.....	160	0641772....	147, 149, 151	0711014.....	89
0271505.....	193	0480142.....	155, 167	0641806....	193, 277, 279	0711020.....	87
0271511.....	346	0561237.....	193	0641808 ...	64, 73, 74, 85, 87, 96, 97, 159, 163, 167, 171	0711216.....	90
		0561295.....	199	0641810 ..	11, 13, 17, 179	0711223.....	89
		0630407.....	75			0711414.....	68, 81
		0630462.....	237			0720804.....	121
		0630464.....	219, 223			0721005.....	136, 142
		0630467.....	37, 210			0721006....	80, 134, 147, 149, 220, 223
		0630485.....	141			0721008.....	135
		0630491.....	129			0731005.....	237
		0630507.....	133			0741605.....	75
		0630518.....	125			0741606.....	129
		0630534.....	257, 259			0741607....	160, 163, 171, 175, 193
		0630535 ...	249, 251, 269, 271, 277, 279			0741609.....	14, 17
		0630536.....	265, 267			0760605.....	77, 90
		0630537 ...	253, 255, 261, 263			0760606.....	75, 176
		0630548.....	125			0760608.....	87
		0630568.....	220, 224			0760610..	85, 87, 90, 151, 175
		0641404 ...	125, 159, 163, 171, 193, 219, 223, 243			0760612.....	87
		0641405 ...	129, 155, 167, 175, 179, 205, 243				

PART NUMBER INDEX

1001236304	189	1320251	195	1701543.85, 96, 335, 339	1705837	179
1001236338	336, 347	1320256	311	1702565	1705886	179
1001236504	189	1320263	200	1702566	1705921	339
1001236505	189	1320288	200	1702567	1705961	339
1001236552	243	1320289	199	1702676	1705977	335, 339
1001236951	349	1320318	159, 163, 171	1702773	1705978	339
1001237862	327, 329	1320323	96	1702774	1705980	339
1001237863	239, 329	1321283	85	1702788	1706062	65
1001237864	239, 327	1321339	64, 74, 85, 96	1702861	1706064	65, 74
1001237865	239, 325	1321384	135	1702868	1706098	64, 74
1001238319	239	1321716	77	1702938	1706385	215
1001238418	243, 331	1340060	98	1702941	1706493	215
1001238472	243	1340061	346	1702942	1706712	125
1001238477	243	1380147	145	1702943	1706957	33
1001238559	243	1580011	98	1702944	1706960	33
1001238824	243	1580012	217	1702961	2060025	65, 98
1001239462	187	1600244	323, 350	1702962	2080040	140, 215
1001239470	185	1600387	205	1703162	2080044	194
1001239619	349	1670769	193	1703175	2080072	141
1001241271	349	1670829	125, 219, 223	1703477	2110404	284, 288
1001241272	350	1670842	133, 140	1703479	2110606	284, 288
1001241334	349	1670844	193	1703797	2110808	284, 288
1001241717	216, 223	1670850	193	1703804	2110812	284, 288
1001241721	216	1670964	38, 210	1703805	2111616	284, 288
1001241965	243	1671034	195	1703811	2120167	37
1001242255	130	1671092 ...	173, 176, 311, 320, 321	1703814	2120168	37, 342
1001242256	130	1671093	311, 320	1703924	2120209	37
1001246473	346	16711228	133, 135	1703936	2120210	37, 342
1001246474	346	1671230	135	1703942	2130406	284, 288
1001248012	194, 259	1671231	135	1703948	2130604	284, 288
1060341	237, 318, 322	1671232	135	1703953	2130606	285, 289
1060343	173, 176, 321	1671233	133	1703959	2130808	284, 288
1060494	173, 319, 321	1671237	135	1703960	2131616	284, 288
1060545	323	1683053	257	1703984	2150406	284, 288
1060626	86	1683055	249, 269	1704000	2150606	285, 289
1060633	323	1683071	253, 261	1704260	2151616	284, 288
1060637	64, 74, 87, 97	1683537	195, 265	1704271	2170306	285, 289
1060896	310	1683539	265	1704277	2170350	284, 288
1060903	237	1683544	253	1704412	2170408	284, 288
1060908	323	1683547	194, 261	1704578	2170504	284, 288
1060918	216, 224, 308	1683549	261	1704885	2170506	285, 289
1060919	215	1683609	194, 257	1704972	2170804	285, 289
1060978	310	1683663	277	1705006	2180125	121
10702077	173, 176	1683672	199, 277	1705007	2180348	64, 89, 113
10702082	173, 176	1683673	277	1705012	2180380	292
1120487	118	1683675	277	1705014	2180387	121
1120510	193	1683682	194, 269	1705090	2180388	121
1120601	134, 140	1683688	265	1705132	2180389	121
1260017	33, 57	1683818	261	1705170	2180418	85, 89, 96, 121
1260135	33	1683821	261	1705336	2180467	87
1271538	205	1683823	265	1705347	2180615	261, 263
1282571	304	1684089	257	1705351	2180724	292
1283309	302	1684090	257	1705368	2180832	73
1283387	302	1684125	269	1705374	2180877	98
1320012	98	1684126	269	1705375	2200222	117
1320016	65, 98	1684228	194, 249	1705387	2200233	118
1320022	64, 98, 113	1684230	249	1705387	2220005	85, 96
1320061	74, 80	1684232	249	1705387	2220064	89
1320110	87	1684497	193, 253	1705429	2220221 ...	101, 285, 288
1320127	121	1700584	339	1705460	2220237	284, 288
1320136	205	1700818	336, 339	1705461	2220238 ...	285, 289, 291, 297, 301
1320176	64, 91	1701499	335, 339	1705489	2220252	179
1320218	121	1701501	335, 339	1705514	2220261	89, 121
1320220	121	1701505	64, 73, 335, 339	1705566	2220313	64, 73
1320223	65, 98, 117	1701509	335, 339	1705822	2220315	75
1320224	64, 205	1701518	339	1705828		
1320250	195	1701542	85, 96, 335, 339	1705836		

PART NUMBER INDEX

4640113	21	151, 156, 160, 163,	4920385	98	70001384	172, 176	
4640261	33	168, 172, 175, 220, 223	4921829	152, 319	70001435	67	
4640509 ...	253, 255, 257,	4751400 ...	33, 65, 74, 75,	4921927	37, 318	70001663	181
	259, 261, 263, 265, 267		85, 86, 87, 96, 97, 98,	4921928	37, 318	70001696	172, 175
4640605 ...	249, 251, 253,		126, 134, 140, 142,	4922216	310, 322	70001697	203
	255, 265, 267		189, 205, 210, 217,	4922217	322	70001835	67
4640751	75		220, 223, 237, 245,	4922219	310	70001836	67
4640780	291, 297, 301		336, 339	4922578	310	70001837	67
4640866	37	4751500 ...	33, 64, 77, 85,	4922582	310	70001841	67
4640921	37, 53		96, 118, 134, 135, 136,	4922637	314	70001844	67
4640922	37, 53		140, 142, 147, 149,	4922641	173, 177, 318,	70001850	66
4640929	210		156, 159, 163, 167,		322	70001866	67
4640932	249, 251		171, 185, 187, 237	4922643	318, 322	70001868	67
4640952	98	4751600 ...	31, 38, 64, 66,	4922666	220, 223, 308	70001870	67, 78
4641022	118		68, 73, 75, 81, 85, 96,	4922681	310	70001871	67
4641027	261, 263		98, 117, 121, 130, 134,	4922705	205	70001872	68, 315
4641033	277, 279		136, 140, 142, 147,	4922737	65, 315	70001931	317, 344
4641192	41		181, 217	4922853	310	70001941	129
4641259	38	4751800 ...	64, 74, 87, 97,	4922854	310	70001950	317
4641303	31		98, 118, 123, 179, 215,	4922860	311	70001951	317
4641317	37		237	4922869	205	70001953	176
4641453	37, 41	4752000	64, 73, 85, 96	4922925	172, 175, 320	70001954	109
4711000	80, 130, 149,	4761000	134	4923379	66, 315	70001955	109
	173, 176	4761400	126	4923420	322	70001956	109
4711400 ...	37, 38, 64, 66,	4761600	181	4923445	319	70001957	109
	73, 75, 80, 85, 86, 96,	4762000	33	4923613	310	70001966 .	159, 163, 167,
	98, 127, 129, 155, 159,	4770600	145	4933218	304		172, 175, 176
	163, 167, 171, 175,	4791400	66, 98, 159, 163,	4933219	304	70001973	172, 176
	179, 205, 210, 216,		172	4933231	304	70001974	172, 176
	241, 243, 245	4811700 .	86, 88, 90, 130,	4933345	304	70001976	42, 53
4711500 ...	31, 33, 38, 73,		151, 175, 216	4933350	304, 318	70002013	199, 342
	75, 118, 130, 141, 171,	4811702	75, 86, 90	5240800	78, 81	70002014	199
	175, 210, 220, 224	4811900 ...	75, 80, 86, 88,	5241000	88	70002064	211
4711600 ...	11, 13, 17, 37,		90, 156, 167, 189	5241200	88, 175, 207	70002065	60
	38, 66, 73, 80, 85, 98,	4811902	77, 88, 90	5250605	90	70002066	60
	113, 115, 135, 136,	4812000 ...	74, 75, 80, 86,	5250810	78	70002067	60
	142, 149, 160, 163,		88, 90, 91, 145, 151,	5251008	207	70002068	60
	172, 179, 199, 205,		207	5251016	207	70002069	60
	210, 220, 224	4812002	88	5260600	90	70002070	60
4711700	75, 113, 149,	4812100 ..	73, 75, 90, 207	5272010	89	70002071	60
	151, 156	4812200 ...	66, 68, 75, 81,	70000017	350	70002072	60
4711800 ...	145, 159, 167,		151	70000044	66	70002073	60
	215	4831900	98	70000123	155	70002074	60
4712600	130	4844816	194	70000164	97	70002075	60
4740036	33	4844817	194	70000342	203	70002085	61
4740057	57	4844958	57	70000345	67, 79	70002086	61
4740076	134	4845593	194	70000579	42, 45	70002088	176
4740111	13	4845716	194	70000580	42, 45	70002112	118
4740119	145	4845729	199	70000582	42, 45, 342	70002113	23, 60
4740155	14, 17	4845730	199	70000583	42, 45	7000217	60
4740171	134	4846218	210	70000583	42, 45	7000217	60
4740256	11, 14, 17	4846218	210	70000619	171, 175	7000220	23
4740274	66, 68, 98	4846413	13	70000782	60	70002200	67
4740362	217	4846507	33	70000797	29	70002212	123
4740397 ...	126, 147, 156,	4846508	33	70000800	67	70002234	67
	220, 223	4846573	195, 205	70000863	172, 176	7000224	23, 27
4740439	194	4846935	14	70000912	66	7000228	60
4740444	126	4860225	21	70000913	67	7000229	60
4740463	11, 14, 18	4871700	176	70000914	67	70002291	172
4740472	11, 13, 17	4891500	75, 127, 151	70000915	67	70002297	172, 176
4740473	11, 14, 17	4891600 ...	123, 145, 156,	70000916	67	7000230	60
4740500	134		167, 195, 205, 207	70000917	67	7000231	23
4740518	126	4891800 ...	21, 65, 74, 75,	70000918	67	7000235	23
4750400	77		81, 87, 97, 145, 149,	70000919	67	7000236	23
4750800	121		163, 172, 195, 205, 207	70000934	37	7000238	23
4751000 ...	129, 130, 134,	4892000	21, 57, 205	70001002	66	70002386	211
	135, 136, 142, 147,	4892600 ...	130, 195, 205,	70001100	172, 176	7000239	23, 27
			207	70001181	67	7000240	23, 27

PART NUMBER INDEX

70002415.....67	70003708 .. 159, 163, 167, 172, 176	70004349 .. 101, 105, 107	70004768.....229
70002416.....67	70003709 .. 159, 163, 167, 172, 176	70004350 .. 101, 105, 107	70004769.....229
70002417.....67	70003784 220, 223	70004351 .. 101, 105, 107	70004770.....229
7000246.....60	70003790 211	70004352 .. 101, 105, 107	70004771.....229
70002460..... 172, 175	70003935 31	70004381 273	70004772.....229
7000248.....60	70003936 31	70004382 273	70004773.....230
7000253.....60	70003989 55	70004457 45, 49	70004774.....230
7000255.....60	70003992 55	70004459 45, 49	70004775.....230
7000257.....60	70003993 55	70004460 45, 49	70005008..... 89
70002627.....317	70004020 66, 344	70004461 45, 49, 50	70005116..... 101
7000265.....23	70004050 45, 49	70004463 45, 49	70005194..... 45, 49
70002716..... 118	70004051 45, 49	70004584 45, 49	70005195..... 45, 49
70002718..... 68, 78	70004052 45, 46	70004594 45, 49	70005196..... 45, 49
7000272.....23	70004055 45, 49	70004595 45, 49	70005197..... 45
70002724.....233	70004056 67	70004596 45, 49	70005198..... 45, 49
70002725.....233	70004058 67, 344	70004597 45, 49	70005199..... 46, 50
70002726.....233	70004060 67, 315	70004598 49	70005200..... 46, 50
70002727.....233	70004092 .. 159, 163, 167, 172	70004653 45, 49	70005201..... 46, 50
70002728.....233	70004093 172	70004657 45, 49	70005202..... 46, 50
70002729.....233	70004094 172	70004665 45, 49	70005230.....235
7000273.....23	70004099 172	70004667 45, 49	70005232..... 46, 50
70002730.....227	7000409A 172	70004670 49	70005458..... 105, 107
70002731.....227	70004095 172	70004671 46, 50	70005459..... 105, 107
70002732.....227	70004096 172	70004673 46, 50	70005460..... 105, 107
70002733.....227	70004097 172	70004676 .. 159, 164, 167	70005461..... 105, 107
70002734.....227	70004098 .. 159, 164, 167, 172	70004677 159	70005462..... 105, 107
70002735.....227	70004099 163, 172	70004678 .. 159, 164, 167	70005463..... 105, 107
7000274.....23	70004103 317	70004679 .. 159, 164, 167	70005464..... 105, 107
70002744..... 273, 275	70004125 55	70004680 .. 159, 164, 167	70005465..... 105, 107
70002745..... 273, 275	70004149 117	70004681 159, 164	70005647..... 79
70002746..... 275	70004169 176	70004682 .. 159, 164, 167	70005648..... 79
70002747..... 275	70004171 .. 159, 167, 176	70004683 159, 164	70005663..... 102
70002748..... 273, 275	70004183 66, 78	70004684 159, 167	70005708..... 118
70002749..... 273, 275	70004184 117	70004685 .. 159, 164, 167	70005916..... 68
7000275.....23	7000418A 117	70004686 164	70005917..... 68
70002750..... 275	70004271 315	70004687 164	70005920..... 78
70002751..... 273, 275	70004272 67	70004698 45	70006093..... 172
7000281.....60	70004274 78	70004738 235	70006094..... 172
70002814..... 118	70004275 78	70004739 235	70006095..... 172
7000282.....23	70004276 79	70004740 235	70006096..... 172
7000283..... 23, 27	70004277 79	70004741 235	70006097..... 172
70002838..... 118	70004278 79	70004742 235	70006134..... 90
70002839..... 118	70004279 78	70004743 235	70006135..... 90
7000284..... 23, 27	70004280 68, 78	70004744 235	70006136..... 90
7000287.....23	70004287 66	70004745 235	70006145..... 91
7000288.....23	70004289 68	70004746 235	70006147..... 91
7000289..... 23, 27	70004329 107	70004747 235	70006150..... 91
70002895..... 97, 344	70004330 101	70004748 235	70006151..... 91
70002898..... 317	70004331 .. 101, 105, 107	70004749 235	70006152..... 91
7000290.....23	70004332 .. 101, 105, 107	70004750 235	70006153..... 91
70002902..... 216, 224	70004333 .. 101, 105, 107	70004751 235	70006154..... 91
70002903..... 216, 224	70004334 101	70004752 229	70006155..... 91
70002904..... 216, 224	70004335 101	70004753 229	70006157..... 91
70002905..... 216, 224	70004336 .. 101, 105, 107	70004754 229	70006158..... 91
70002906..... 227	70004337 .. 101, 105, 107	70004755 229	70006159..... 91
70002946..... 41	70004338 .. 101, 105, 107	70004756 229	70006160..... 91
70002948..... 179	70004339 101	70004757 229	70006161..... 91
70003019..... 45, 46	70004340 .. 101, 105, 107	70004758 229	70006162..... 91
70003136..... 67	70004341 101	70004759 229	70006163..... 91
70003464..... 67	70004342 .. 101, 105, 107	70004760 229	70006164..... 91
70003465..... 67	70004343 .. 101, 105, 107	70004761 229	70006165..... 91
70003466..... 67	70004344 .. 101, 105, 107	70004762 229	70006166..... 91
70003472..... 66	70004345 .. 101, 105, 107	70004763 229	70006167..... 91
70003475..... 67	70004346 .. 101, 105, 107	70004764 229	70006168..... 91
70003478..... 67	70004347 .. 101, 105, 107	70004765 229	70006169..... 91
70003631..... 175	70004348 .. 101, 105, 107	70004766 229	70006170..... 91
		70004767 229	70006171..... 91

PART NUMBER INDEX

70006172	91	70006644	251, 271	70024906	78	7003941	233
70006173	91	70006645	251	70024907	78	7003972	233
70006174	91	70006649	259	70024910	79	7003973	233
70006175	91	70006650	259	70024912	78	7003980	233
70006176	91	70006651	271	70024914	79	7003982	233
70006177	91	70006668	271	70024915	79	7003983	233
70006178	91	70006669	279	70024917	79	7003989	233
70006179	91	70006670	279	70024918	79	7004035	60
70006180	91	70006671	279	70024920	79	7004036	60
70006181	92	70006672	279	70024922	79	7004043	61
70006182	92	70006673	27	70024924	78	7004044	61
70006183	92	70006674	27	70024925	78	7004045	61
70006184	92	70006675	27	70025076	78	7004047	61
70006185	92	70006676	27	70025077	79, 317	7004049	61
70006186	92	70006677	27	7002508	78	7004275	350
70006187	92	70006678	27	70025082	66, 78	7004276	350
70006188	91	70006679	27	70025084	79	7004906	101, 105, 107
70006189	91	70006680	27	70025088	78	7004907	101, 105, 107
70006191	91	70006681	27	70025091	78	7004908	101, 105, 107
70006194	92	70006682	27	70025111	78	7007415	109, 110
70006195	92	70006683	27	70025120	79	7007437	29
70006196	92	70006684	27	70025135	78	7007438	29
70006197	92	70006685	27	70025136	78	7007439	29
70006198	92	70006686	27	70025140	78	7007446	29
70006199	92	70006687	27	70025142	79	7007498	317
70006200	92	70006688	27	70025143	79	7007633	60
70006202	92	70006689	27	70025144	79	70104570	79
70006203	92	70006690	27	70025146	78	7010464	23
70006205	92	70006691	27	70025149	79	7010492	60
70006206	92	70006692	27	70025151	79	7010542	41
70006207	92	70006734	259	70025152	78	7010543	37, 41, 42
70006208	92	70006735	259	70025153	79	7010545	41
70006213	92	70006736	259	70025154	79	7011112	249, 251
70006215	92	70006832	27	70025156	79	70124530	80
70006217	92	70006833	27	70025160	79	70124538	80
70006219	92	7000695	67	70025161	79, 344	7012513	147, 149, 151, 155
70006221	92	70006955	49	70025164	78	7012514	147, 149, 151, 155
70006225	92	70006956	49	70025176	78	7012558	147, 149, 151, 155
70006232	92	70006957	49	70025178	79	7012664	98, 344
70006233	91	70006959	49	70025179	79	7012772	41, 42, 53, 342
70006235	92	70006960	49	70025180	79	7012773	41, 42, 45, 49, 53
70006236	92	70006961	49	70025181	78	7012774	42, 53
70006375	267	70006962	49	70025200	79	7012775	41
70006376	267	70006963	50	70025202	78	7012776	53
70006377	267	70007073	76	70025203	79, 344	7012777	53
70006378	267	7000731	24	70025206	78	7012914	41, 211
70006384	263	70009020	86	70025207	78	7012918	41, 211
70006385	255, 263	7001901	23	70025210	79	7012941	37, 42
70006386	263	7001902	23	70025212	79	7012944	37, 42, 342
70006387	263	7001903	23	70025231	79, 315	7012953	42, 53, 210, 211
70006388	263	7001906	23	70025233	315	7012959	37
70006389	255	7001928	23, 27	70025235	79	7012965	53, 211
70006390	255	70021202	46, 50	70025239	79	7012967	211
70006391	255	70023592	76	70025416	78	7012970	210
70006403	115	70023593	76	70025477	79	7012989	42, 211
70006404	115	70023859	45, 49	70025660	79	7012998	41, 42, 53
70006405	115	70023860	45, 49	70025752	68	7013189	123
70006406	115	70023862	45, 49	70025753	68	7016314	118
70006407	115	70024473	79	70025799	79	7016319	129
70006408	115	70024486	79	70025801	79	7016328	67, 344
70006409	115	70024488	78	7002821	323, 350	7016331	66, 78, 344
70006410	115	70024503	79	7002822	350	7016372	129
7000645	42, 342	70024504	79	7002823	323, 350	7016380	129
70006552	159, 164, 167	70024507	79	7002826	350		
70006553	159, 164, 168	70024513	79	7002828	323		
70006642	251	70024515	79	7002840	350		
70006643	251, 271	70024905	78	7003928	227		

PART NUMBER INDEX

7016399.....	215	7020109 ...	147, 149, 151, 155	7023958	109	7024867.....	109
7016654.....	350	7020110 ...	147, 149, 151, 155	7023960	109	7024868.....	29, 109
7016655.....	350	7020111 ...	147, 149, 151, 155	7023961	109	7024881.....	31
7016824.....	97, 315	7020175	126, 220, 223	7023962	109	7026188.....	175
7016825.....	97, 315	7020176	126, 220, 223	7023964	109, 110	7026197.....	123
7017023.....	60	7020190 ...	147, 149, 151, 155	7023965	109	7026199....	147, 149, 151, 155
7017027.....	23	7020193	319	7023966	110	7026505.....	123
7017028.....	27, 60	7020403	66	7023967	110	7026506.....	123
7017033.....	23	7020404	78	7024021	49	7026507.....	123
7017047.....	23, 27	7020408	67	7024100	61	7026509.....	123
7017048.....	23	7020465	66, 78	7024145	23	7026511.....	123
7017050.....	23	7020468	66	7024146	23	7026597.....	172, 175
7017068.....	24	7020471	67	7024147	23	7026608.....	344
7017070.....	60	7020479	67	7024148	23	7026626.....	172, 176
7017072.....	60	7020492	79	7024149	23, 27	7026632.....	181
7017080.....	60	7021249	29	7024151	23, 27	7026633.....	181
7017082.....	27	7021275	29, 110	7024154	23, 27	7026634.....	181
7017085.....	60	7021276	29	7024155	23	7026635.....	181
7017142.....	203	7021277	29	7024182	24	7026636.....	181
7017158.....	203	7021310	42	7024189	24	7026637.....	181
7017159.....	203	7021311	42	7024190	24, 27	7026638.....	181
7017162.....	203	7021363	45	7024191	24, 27	7026639.....	181
7017163.....	203	7021375	45, 49	7024192	24	7026640.....	181
7017164.....	203	7021601	42	7024193	24	7026641.....	182
7017172.....	203	7021602	41	7024194	24	7026642.....	182
7017183.....	203	7021625	31	7024195	24	7026643.....	182
7017192.....	203	7021639	31	7024196	24	7026644.....	182
7017193.....	203	7021653	211	7024197	24	7026645.....	182
7017195.....	203	7022162	91	7024379	61	7026646.....	182
7017402.....	211	7022302	29	7024380	61	7026647.....	182
7017406.....	211	7022305	29	7024381	61	7026648.....	182
7017420.....	41, 53	7022310	29	7024390	61	7026649.....	182
7017421.....	53	7022311	29, 110	7024396	61	7026650.....	182
7017422.....	53	7022312	29	7024404	123	7026651.....	181
7017423.....	41	7022314	29, 110	7024440	118	7026652.....	181
7017427.....	41	7022318	109	7024441	118	7026653.....	181
7017428.....	41, 42	7022326	29	7024443	118	7026654.....	181
7017452.....	211	7022328	29	7024444	118, 342	7026655.....	181
7017466.....	37	7022368	29	7024445	118	7026656.....	181
7017475.....	41	7022371	29	7024446	118	7026658.....	182
7017477.....	42	7022372	29	7024453	61	7026659.....	181
7017478.....	42	7022397	31	7024454	60	7026660.....	181
7018912.....	41, 42, 53	7022399	31	7024455	61	7026661.....	181
7018941.....	41	7022808	227	7024456	61	7027015.....	97, 315
7018942.....	42, 46, 50, 53	7022815	227	7024457	61	7027017.....	97, 315
7018945.....	42, 53	7022819	227, 308	7024458	61	7027018.....	97, 315
7018946.....	53	7022825	308	7024484	172	7027053.....	64, 315
7018947.....	53	7023318	60	7024485	172, 175	7027084.....	73, 86, 315
7018948.....	53	7023907	29	7024488	171, 175	7027085.....	73, 86, 315
7018951.....	42, 46, 50	7023908	29	7024489	171, 175	7027086.....	73, 86, 315
7018991... ..	41, 45, 49, 342	7023910	29	7024508	277, 279	7027087.....	73, 315
7018992.....	41, 45, 49	7023911	211	7024579	67, 78	7027088.....	73, 86, 315
7018993.....	41	7023912	211	7024598	145	7027092.....	64, 315
7018994.....	41	7023917	31	7024704	60	7027093.....	64, 315
7019162.....	233	7023933	31	7024717	24	7027094.....	64, 315
7019164.....	233	7023947	109	7024718	24	7027095.....	64, 315
7019165.....	233	7023948	109	7024762	60	7027236.....	66
7019167.....	233	7023949	109	7024763	24, 60	7027276.....	67
7019194.....	233	7023950	109	7024781	23	7027404.....	92
7019658.....	117	7023951	109	7024782	23, 27	7027781.....	179
7019680....	147, 149, 151, 155	7023952	109	7024783	23	7027782.....	179
7020020.....	37	7023956	109	7024784	60	7027783.....	179
7020021.....	37	7023957	109	7024847	38	7027784.....	179
7020066.....	342			7024848	38	7027790.....	67
7020108....	147, 149, 151, 155			7024854	29	7027791.....	67
				7024864	110	7027792.....	67
				7024866	110		

PART NUMBER INDEX

7027795	67, 344	80934561	123	8405102.....	88	88261024.....	210
7027796	68, 315	80983191	316, 344	8405104.....	76, 88	88411013.....	189
7027799	172, 175	8180311	98	8405203.....	88	88521205 ..	64, 74, 86, 96,
7027887 ...	147, 149, 151,	8220051	316	8405204.....	76	185, 187	
155		8229242 ...	312, 316, 344	8406102.....	74, 77	88662523.....	141
7027965	97, 344	8270147 ..	64, 73, 86, 315	8406109.....	76, 88	8896941	350
7027972	97, 344	8305401	88	8406110.....	76	91143172	297
7027989	317	8307109	88	8406112.....	73	91203039 ..	200, 207, 210
77143013	126	8310070	141	8406201.....	86, 89, 179	91401281 ..	64, 73, 86, 96,
77363229	321	8310548	88	8410001.....	88	185	
77363233	320	8320270	344	8410009.....	89	91403102.....	77, 344
80344004	27	8405006 ...	73, 77, 80, 88,	8410011.....	76, 88	91474405.....	46, 50
80424002	60	115		8410013.....	73, 76		
80424043	61	8405007	77	85941018.....	86		
80484084	316	8405009	75, 88	8770050.....	102, 285, 288		

Go to Discount-Equipment.com to order your parts

PARTS FINDER

**Search Website
by Part Number**



**Search Manual
Library For Parts
Manual & Lookup Part
Numbers – Purchase
or Request Quote**

**Can't Find Part or
Manual? Request Help
by Manufacturer,
Model & Description**

Discount-Equipment.com is your online resource for quality parts & equipment.

Florida: **561-964-4949** Outside Florida TOLL FREE: **877-690-3101**

Need parts?

Click on this link: <http://www.discount-equipment.com/category/5443-parts/> and choose one of the options to help get the right parts and equipment you are looking for. Please have the machine model and serial number available in order to help us get you the correct parts. If you don't find the part on the website or on one of the online manuals, please fill out the request form and one of our experienced staff members will get back to you with a quote for the right part that your machine needs.

We sell worldwide for the brands: Genie, Terex, JLG, MultiQuip, Mikasa, Essick, Whiteman, Mayco, Toro Stone, Diamond Products, Generac Magnum, Airman, Haulotte, Barreto, Power Blanket, Nifty Lift, Atlas Copco, Chicago Pneumatic, Allmand, Miller Curber, Skyjack, Lull, Skytrak, Tsurumi, Husquvarna Target, Stow, Wacker, Sakai, Mi-T-M, Sullair, Basic, Dynapac, MBW, Weber, Bartell, Bennar Newman, Haulotte, Ditch Runner, Menegotti, Morrison, Contec, Buddy, Crown, Edco, Wyco, Bomag, Laymor, EZ Trench, Bil-Jax, F.S. Curtis, Gehl Pavers, Heli, Honda, ICS/PowerGrit, IHI, Partner, Imer, Clipper, MMD, Koshin, Rice, CH&E, General Equipment, Amida, Coleman, NAC, Gradall, Square Shooter, Kent, Stanley, Tamco, Toku, Hatz, Kohler, Robin, Wisconsin, Northrock, Oztec, Toker TK, Rol-Air, APT, Wylie, Ingersoll Rand / Doosan, Innovatech, Con X, Ammann, Mecalac, Makinex, Smith Surface Prep, Small Line, Wanco, Yanmar