



---

# Illustrated Parts Manual

## Models

**680S**

**800S**

**810SJ**

**860SJ**

SN 0300182743 to Present &  
SN B300001092 to Present

**P/N**

**3121632**

October 18, 2018 - Rev O

**ANSI**



**AS/NZS**



An Oshkosh Corporation Company

# PARTS FINDER

**Search Website  
by Part Number**



**Search Manual  
Library For Parts  
Manual & Lookup Part  
Numbers – Purchase  
or Request Quote**

**Can't Find Part or  
Manual? Request Help  
by Manufacturer,  
Model & Description**

Discount-Equipment.com is your online resource for quality parts & equipment.

Florida: **561-964-4949** Outside Florida TOLL FREE: **877-690-3101**

**Need parts?**

Click on this link: <http://www.discount-equipment.com/category/5443-parts/> and choose one of the options to help get the right parts and equipment you are looking for. Please have the machine model and serial number available in order to help us get you the correct parts. If you don't find the part on the website or on one of the online manuals, please fill out the request form and one of our experienced staff members will get back to you with a quote for the right part that your machine needs.

We sell worldwide for the brands: Genie, Terex, JLG, MultiQuip, Mikasa, Essick, Whiteman, Mayco, Toro Stone, Diamond Products, Generac Magnum, Airman, Haulotte, Barreto, Power Blanket, Nifty Lift, Atlas Copco, Chicago Pneumatic, Allmand, Miller Curber, Skyjack, Lull, Skytrak, Tsurumi, Husquvarna Target, Stow, Wacker, Sakai, Mi-T-M, Sullair, Basic, Dynapac, MBW, Weber, Bartell, Bennar Newman, Haulotte, Ditch Runner, Menegotti, Morrison, Contec, Buddy, Crown, Edco, Wyco, Bomag, Laymor, EZ Trench, Bil-Jax, F.S. Curtis, Gehl Pavers, Heli, Honda, ICS/PowerGrit, IHI, Partner, Imer, Clipper, MMD, Koshin, Rice, CH&E, General Equipment, Amida, Coleman, NAC, Gradall, Square Shooter, Kent, Stanley, Tamco, Toku, Hatz, Kohler, Robin, Wisconsin, Northrock, Oztec, Toker TK, Rol-Air, APT, Wylie, Ingersoll Rand / Doosan, Innovatech, Con X, Ammann, Mecalac, Makinex, Smith Surface Prep, Small Line, Wanco, Yanmar



## REVISION LOG

### NOTES:

Note: SN 0300174290, 0300180894 & 0300181347 also built to the same specs as machines built SN 0300182743 to Present.

Note: The 800S & 860SJ Boom Lifts are manufactured by JLG Industries in the following countries: USA and China. Refer to the Serial Number Tag to identify the country of manufacture. The country of manufacture may be determined by the Serial Number. Machines manufactured in the USA will have a serial number prefix of 03 (i.e. 03XXXXXXXX). Machines manufactured in China will have a serial number prefix of B3 (i.e. B3XXXXXXXX).

Note: Model 810SJ - All components are the same as used on the 860SJ models with the exception of the Decal & Boom Installations. These components can be found in Section 10 - Special Options.

### REVISION LOG:

January 17, 2014 - A - Original Issue of Manual (Edited to B/M 1001160050 Rev E & B/M 1001156802 Rev D)

October 6, 2014 - B - Revised Manual (Edited to B/M 1001156802 Rev D)

November 25, 2015 - C - Revised Manual (Edited to B/M 1001156802 Rev D)

January 8, 2016 - D - Revised Manual (Edited to B/M 1001156802 Rev AM) (Revision 4)

April 29, 2016 - E - Revised Manual (Edited to B/M 1001156802 Rev AP) (Revision 2)

July 22, 2016 - F - Revised Manual (Edited to B/M 1001156802 Rev AP) (Revision 3)

October 21, 2016 - G - Revised Manual (Edited to B/M 1001156802 Rev AP) (Revision 2)

January 16, 2017 - H - Revised Manual (Edited to B/M 1001156802 Rev BL) (Revision 2)

April 20, 2017 - I - Revised Manual (Edited to B/M 1001156802 Rev BL) (Revision 2)

July 28, 2017 - J - Revised Manual (Edited to B/M 1001156802 Rev BL) (Revision 2)

October 6, 2017 - K - Revised Manual (Edited to B/M 1001156802 Rev BM) (Revision 2)

January 31, 2018 - L - Revised Manual (Edited to B/M 1001156802 Rev BZ) (Revision 2)

April 12, 2018 - M - Revised Manual (Edited to B/M 1001156802 Rev CE) (Revision 2)

July 27, 2018 - N - Revised Manual (Edited to B/M 1001156802 Rev CE) (Revision 2)

October 18, 2018 - O - Revised Manual (Edited to B/M 1001156802 Rev CT) (Revision 5)

## GENERAL INFORMATION

**SECTION 6 CYLINDER**

**FIGURE 6-3. LIFT CYLINDER ASSEMBLY**

PG#      Model Designation      Manual #

1      10

ITEM #	PART NUMBER	QTY.	DESCRIPTION	REV.
<b>FIGURE 6-3. LIFT CYLINDER ASSEMBLY</b>				
	1001140104	Ref.	LIFT CYLINDER ASSEMBLY	B
1	0100011	AR	Compound, Locking	
2	0630535	3	Capscrew 1/4-20 x 1-1/8	
3	0791003	1	Screw #10-24 x 3/8	
4	0961897	1	Bushing, Tapered	
5	1320136	1	Clamp, Cable	
6	1663063	1	Head	
7	2220883	1	Plug, O-Ring	
8	2220885	2	Plug, O-Ring	
9	2220886	1	Plug, O-Ring	
10	3020039	AR	Lubricant	
11	3480282	1	Piston	
12	3760371	1	Ring, Washer	
13	3931420	8	Capscrew 1/4-20 x 1-1/4	
14	3931824	8	Capscrew 1/2-13 x 1-1/2	
15	3951003	1	Screw #10-24 x 3/8	
16	4100099	1	Spacer	
17	4640999	1	Cartridge, Holding Valve (Non Vented)	
17	2900792		Kit, Seal - 4640999 Cartridge Valve	
18	4641248	1	Cartridge, Countbalance Valve (Non Vented)	
18	7000186		Kit, Seal - 4641248 Cartridge Valve	
19	1001117991	1	Sensor, Cylinder Length	
20	100118070	1	Cap, Retainer	
21	100118054	1	Barrel	
21A	0961950	2	Bushing	
22	100118086	1	Rod	
22A	0961950	2	Bushing	
100	1001139996	1	Kit, Seal (Includes Items 101-109)	
101	See Note	2	Ring, Wear (Note: Use p/n 1001139996)	
102	See Note	1	Ring, Back-Up (Note: Use p/n 1001139996)	
103	See Note	2	Ring, Lock (Note: Use p/n 1001139996)	
104	See Note	2	Ring, Back-Up (Note: Use p/n 1001139996)	
105	See Note	3	O-Ring (Note: Use p/n 1001139996)	
106	See Note	1	O-Ring (Note: Use p/n 1001139996)	
107	See Note	1	Seal (Note: Use p/n 1001139996)	
108	See Note	1	Wiper, Rod (Note: Use p/n 1001139996)	
109	See Note	2	Seal (Note: Use p/n 1001139996)	
200	100118105	1	Kit, Sensor Magnet (Includes Items 201-203)	
201	See Note	NSS	Sleeve, Spacer (Note: Use p/n 100118105)	
202	100118066	1	Magnet, Sensor	
203	100118069	1	Ring, Internal Retaining	

Manual #      Model Designation      PG#

1      10

### 1) MACHINE IDENTIFICATION

Machines are identified by model and in some cases a combination of models, serial number (SN) or regional standard (i.e. ANSI, CE, CSA). Components may also be identified by SN or manufacturer. Common components that may be identified by these characteristics are engines and hydraulic components.

### 2) PARTS MANUAL ORGANIZATION

Product information in this manual is organized under section titles. Frame, Cylinder, Hydraulic and Electrical are a few examples. Each section is organized by figure and page number. The information within the Figure is then organized by item number, part number, description and corresponding illustration(s).

### 3) TABLE OF CONTENTS

A table of contents is found toward the beginning of the manual. Figure number, description and page number are provided for quick reference to the page containing the related information.

### 4) RECOMMENDED SPARE PARTS

The Recommended Spare Parts, located near the end of the manual, reference most frequently used maintenance parts.

### 5) PART NUMBER INDEX

A numerical index listing all part numbers and the corresponding page number(s) appears at the back of the manual.

## GENERAL INFORMATION

### 6) NON-SERVICED PARTS

In some instances, it is necessary to display non-serviced parts, assemblies or installations. In the case of assemblies and installations there will be a Ref in the Qty column. In case of parts that are not available for service within assemblies or components, there will be a NSS (Not Sold Separately) or NLA (No Longer Available) listed in the Qty. column of the manual.

### 7) PARTS LIST ITEM NUMBERS

Numbers shown in the item# column correspond to numbers used in the associated illustration (s). Item numbers which are missing from the sequence in the parts list are not used on that page

### 8) INDENTED PARTS DESCRIPTION

An indented part description is included in the item under which it is indented.

### 9) ABB REVIATION AND SYMBOLS

AC.....	Alternating Current	LCD.....	Liquid Crystal Display
ADE.....	Advanced Design Electronics	LED.....	Light Emitting Diodes
ANSI.....	American National Standards Institute	LH.....	Left Hand
AR.....	As Required	LSS.....	Load Sensing System
ASSY.....	Assembly	M(m).....	Metric/Meter
AUX.....	Auxiliary	MM (mm).....	Milimeter
AWG.....	American WireGauge	mA.....	Miliamps
B/M.....	Bill of Material	NLA.....	No Longer Available
CE.....	European Conformity	NPT.....	National Pipe Threads
CCW.....	Counter Clockwise	NSS.....	Not So Id Separately
cm.....	Centimeter	OD.....	Outside Diameter
CW.....	Clockwise	ORB.....	O-Ring Boss
CSA.....	Canadian Standards Association	ORFS.....	O-Ring Face Seal
CYL.....	Cylinder	OZ (oz).....	Ounces
DIA.....	Diameter	PG.....	Page
DC.....	Direct Current	P/N.....	Part Number
EMS.....	Emergency Stop	qt.....	Quarts
ENG.....	Engine	QTY.....	Quantity
FT (ft).....	Feet	REF.....	Reference
GA (Ga).....	Gauge	REV.....	Revision Level
HYD.....	Hydraulic	RH.....	Right Hand
Hz.....	Hertz	SAE.....	Society of Automotive Engineers
ID.....	Inside Diameter	SN.....	Serial Number
in.....	inches	SPEC(S).....	Specifications
ISO.....	International Organization for Standards	T/T.....	Turntable
JIC.....	Joint Industry Council	UGM.....	Universal Ground Module
KG.....	Kilogram	V.....	Volts
L.....	Liter	W.....	Watts
LB.....	Pounds	#.....	Number

### 10) ILLUSTRATION REFERENCE LETTERS

When necessary, illustrations may contain reference letters that are intended to track information (i. e. hoses, harnesses) from one point to another or to track visual enlargement of components to show details that may be located in another area on the illustration.

*Note: Due to continuous product improvements, JLG Industries, Inc. reserves the right to make specification changes without prior notification.*



# TABLE OF CONTENTS

SECTION 1 - FRAME.....	11
FIGURE 1-1. AXLE AND STEERING INSTALLATION WITHOUT TOW PACKAGE .....	12
FIGURE 1-2. AXLE AND STEERING INSTALLATION WITH TOW PACKAGE .....	16
FIGURE 1-3. TIRE AND WHEEL DRIVE INSTALLATIONS .....	20
FIGURE 1-4. DRIVE HUB/BRAKE ASSEMBLY (SN 0300182743 through 0300244559, SN B300001092 through B300002866) .....	24
FIGURE 1-5. DRIVE HUB/BRAKE ASSEMBLY (SN 0300244560 to Present, SN B300002867 to Present) .....	28
FIGURE 1-6. DRIVE MOTOR ASSEMBLY .....	32
FIGURE 1-7. FRAME VALVES AND SHIELDS INSTALLATIONS .....	36
FIGURE 1-8. TOW PACKAGE INSTALLATION .....	38
SECTION 2 - TURNTABLE .....	41
FIGURE 2-1. CONTROL VALVES AND AUXILIARY PUMP INSTALLATIONS .....	42
FIGURE 2-2. MAIN CONTROL VALVE ASSEMBLY (SN 0300182743 through 0300190436).....	46
FIGURE 2-3. MAIN CONTROL VALVE ASSEMBLY (SN 0300190437 through 0300263834, SN B300001092 through B300003943).....	48
FIGURE 2-4. MAIN CONTROL VALVE ASSEMBLY (SN 0300263835 to Present, SN B300003944 to Present).....	50
FIGURE 2-5. AUXILIARY PUMP WITH BATTERY WITHOUT BATTERY DISCONNECT SWITCH INSTALLATION .....	52
FIGURE 2-6. AUXILIARY PUMP WITH BATTERY WITH BATTERY DISCONNECT SWITCH INSTALLATION .....	54
FIGURE 2-7. TURNTABLE BEARING AND SWING DRIVE INSTALLATION .....	56
FIGURE 2-8. SWING MOTOR/HUB ASSEMBLY .....	58
FIGURE 2-9. DEUTZ D2011 ENGINE INSTALLATION .....	62
FIGURE 2-10. DEUTZ TD2.9L4 ENGINE INSTALLATION .....	72
FIGURE 2-11. FORD ENGINE INSTALLATION .....	90
FIGURE 2-12. GM ENGINE INSTALLATION .....	102
FIGURE 2-13. HYDROSTATIC PUMP ASSEMBLY (SN 0300182743 through 0300208405, SN B300001092 through B300001325).....	108
FIGURE 2-14. HYDROSTATIC PUMP ASSEMBLY (SN 0300208406 through 0300240852, SN B300001326 through B300002584).....	112
FIGURE 2-15. HYDROSTATIC PUMP ASSEMBLY (SN 0300240853 to Present, SN B300002585 to Present).....	114
FIGURE 2-16. VARIABLE PUMP ASSEMBLY .....	116
FIGURE 2-17. FUEL-WATER SEPARATOR INSTALLATION - DEUTZ D2011.....	120
FIGURE 2-18. FUEL-WATER SEPARATOR INSTALLATION - DEUTZ TD2.9L4.....	122
FIGURE 2-19. FUEL FILTER ASSEMBLY (DEUTZ TD2.9L4 ENGINES) .....	124
FIGURE 2-20. BREATHER HEATER INSTALLATION - DEUTZ D2.9L4 ENGINE WITH ARCTIC PACKAGE .....	126
FIGURE 2-21. TANK INSTALLATIONS.....	128
FIGURE 2-22. LP TANK INSTALLATIONS (FORD & GM ENGINE MACHINES ONLY) .....	132
FIGURE 2-23. ROTARY COUPLING INSTALLATION .....	134
FIGURE 2-24. GROUND CONTROL BOX ASSEMBLY .....	136
FIGURE 2-25. LIMIT SWITCHES, LIGHTS AND ALARM INSTALLATIONS .....	142
FIGURE 2-26. HOODS INSTALLATION (ABS).....	148
FIGURE 2-27. HOODS (STEEL) AND LIFTING PLATE INSTALLATIONS .....	154
FIGURE 2-28. HOOD ASSEMBLY - ENGINE SIDE REAR (DEUTZ DT2.9L4 (STAGE V) ENGINES) (SN B300004395 to Present).....	160
FIGURE 2-29. HOOD ASSEMBLY - TANK SIDE REAR (DEUTZ DT2.9L4 (STAGE V) ENGINES) (SN B300004395 to Present).....	162
FIGURE 2-30. ENGINE TRAY JACK INSTALLATION (OPTIONAL).....	164
FIGURE 2-31. 2500W GENERATOR INSTALLATION - DEUTZ D2011 MACHINES (OPTIONAL).....	166
FIGURE 2-32. 2500W GENERATOR INSTALLATION - DEUTZ TD2.9L4 MACHINES (OPTIONAL).....	170
FIGURE 2-33. 2500W GENERATOR INSTALLATION - FORD MACHINES (OPTIONAL) .....	172
FIGURE 2-34. 2500W GENERATOR INSTALLATION - GM MACHINES (OPTIONAL) .....	176
FIGURE 2-35. 4000W GENERATOR INSTALLATION - DEUTZ D2011 ENGINES.....	180
FIGURE 2-36. 4000W GENERATOR INSTALLATION - DEUTZ TD2.9L4 ENGINES.....	184
FIGURE 2-37. 4000W GENERATOR INSTALLATION - GM ENGINES.....	188
FIGURE 2-38. 7500W SKYPOWER GENERATOR INSTALLATION - DEUTZ ENGINES.....	192
FIGURE 2-39. 7500W SKYPOWER GENERATOR INSTALLATION - FORD ENGINES.....	198
FIGURE 2-40. 7500W SKYPOWER GENERATOR INSTALLATION - GM ENGINES .....	202
FIGURE 2-41. SKYAIR AIR COMPRESSOR INSTALLATION.....	206
FIGURE 2-42. AIR COMPRESSOR ASSEMBLY .....	208
SECTION 3 - BOOM .....	211
FIGURE 3-1. TOWER BOOM, UPRIGHT AND CYLINDERS INSTALLATION .....	212
FIGURE 3-2. MAIN BOOM INSTALLATION - 800S/680S.....	216
FIGURE 3-3. MAIN BOOM INSTALLATION - 860SJ .....	220



# TABLE OF CONTENTS

FIGURE 3-4. MAIN BOOM ASSEMBLIES .....	224
FIGURE 3-5. ROTATOR ASSEMBLY .....	228
FIGURE 3-6. PLATFORM SUPPORT AND CONTROL VALVES INSTALLATIONS .....	232
FIGURE 3-7. PLATFORM VALVE ASSEMBLIES (860SJ ONLY) (SN 0300182743 through 0300190436) .....	236
FIGURE 3-8. PLATFORM VALVE ASSEMBLIES (800S/680S) (SN 0300190437 through 0300263834, SN B300001092 through B300003943).....	238
FIGURE 3-9. PLATFORM VALVE ASSEMBLY (800S/680S) (SN 0300263835 to Present, SN B300003944 to Present) .....	240
FIGURE 3-10. PLATFORM VALVE ASSEMBLY (860SJ) (SN 0300263835 to Present, SN B300003944 to Present) .....	242
FIGURE 3-11. PLATFORM SUPPORT INSTALLATION - WITH 4 CELL LSS .....	244
FIGURE 3-12. PLATFORM SUPPORT INSTALLATION - WITH 1 CELL LSS .....	248
FIGURE 3-13. BOOM CABLE CLAMPS INSTALLATIONS .....	250
 SECTION 4 - PLATFORM .....	 253
FIGURE 4-1. PLATFORM COMPONENTS INSTALLATION .....	254
FIGURE 4-2. PLATFORM COMPONENTS INSTALLATION (FALL ARREST PLATFORM) .....	260
FIGURE 4-3. PLATFORM CONSOLE ASSEMBLY (WITHOUT SKYGUARD) .....	262
FIGURE 4-4. PLATFORM CONSOLE ASSEMBLY (WITH SKYGUARD).....	266
FIGURE 4-5. CONTROLLER ASSEMBLY (LIFT AND SWING) .....	270
FIGURE 4-6. CONTROLLER ASSEMBLY (LIFT AND SWING) .....	272
FIGURE 4-7. CONTROLLER ASSEMBLY (DRIVE AND STEER) .....	276
FIGURE 4-8. CONTROLLER ASSEMBLY (DRIVE AND STEER) .....	278
FIGURE 4-9. SOFT TOUCH SYSTEM INSTALLATION (OPTIONAL).....	280
FIGURE 4-10. PLATFORM BUMPER PADDING INSTALLATION (OPTIONAL).....	282
FIGURE 4-11. SKYGUARD SYSTEM INSTALLATION (SN 0300182743 through 0300255782, SN B300001092 through B300004484).....	284
FIGURE 4-12. SKYGUARD BAR INSTALLATION (SN 0300255783 to Present, SN B300004485 to Present).....	286
FIGURE 4-13. CROSS RAIL INSTALLATION .....	288
FIGURE 4-14. SKYEYE INSTALLATION.....	290
FIGURE 4-15. SKYGLAZIER INSTALLATION.....	292
FIGURE 4-16. SKYLINE INSTALLATION.....	294
FIGURE 4-17. SKYWELDER/SKYCUTTER COMBO INSTALLATION (60HZ) .....	296
FIGURE 4-18. SKYWELDER INSTALLATION (50HZ).....	300
FIGURE 4-19. SKYWELDER INSTALLATION (60HZ).....	302
FIGURE 4-20. SKYWELDER PREP PACKAGE (60HZ) .....	304
FIGURE 4-21. WELDER ASSEMBLY .....	306
FIGURE 4-22. SKYCUTTER INSTALLATION .....	308
FIGURE 4-23. PLASMA CUTTER ASSEMBLY .....	310
FIGURE 4-24. PIPE RACKS INSTALLATION.....	312
FIGURE 4-25. FALL ARREST INSTALLATION (BOLT-ON EXTERNAL) (6FT/1.82M PLATFORM).....	314
FIGURE 4-26. FALL ARREST INSTALLATION (BOLT-ON EXTERNAL) (6FT/1.82M TRI-ENTRY PLATFORM).....	316
FIGURE 4-27. FALL ARREST INSTALLATION (BOLT-ON EXTERNAL) (8FT/2.4M PLATFORM).....	318
 SECTION 5 - CYLINDER.....	 321
FIGURE 5-1. AXLE LOCKOUT CYLINDER ASSEMBLY (SN 0300182743 to Present, SN B300001092 through B300002483).....	322
FIGURE 5-2. AXLE LOCKOUT CYLINDER ASSEMBLY (SN B300002484 to Present).....	324
FIGURE 5-3. LEVEL CYLINDER ASSEMBLY - PLATFORM SLAVE (800S/680S) (SN 0300182743 through 0300183962).....	326
FIGURE 5-4. LEVEL CYLINDER ASSEMBLY - PLATFORM SLAVE (800S/680S) (SN 0300183963 through 0300193126).....	328
FIGURE 5-5. LEVEL CYLINDER ASSEMBLY - PLATFORM SLAVE (800S/680S) (SN 0300193127 through 0300198300).....	330
FIGURE 5-6. LEVEL CYLINDER ASSEMBLY - PLATFORM SLAVE (800S/680S) (SN 0300198301 through 0300198660).....	332
FIGURE 5-7. LEVEL CYLINDER ASSEMBLY - PLATFORM SLAVE (800S/680S) (SN 0300198661 through 0300243278, SN B300001092 through B300002584) .....	334
FIGURE 5-8. LEVEL CYLINDER ASSEMBLY - PLATFORM SLAVE (800S/680S) (SN 0300243279 to Present, SN B300002585 to Present).....	336
FIGURE 5-9. LEVEL CYLINDER ASSEMBLY - PLATFORM SLAVE (860SJ) (SN 0300182743 through 0300244707, SN B300001092 through B300002483) .....	338
FIGURE 5-10. LEVEL CYLINDER ASSEMBLY - PLATFORM SLAVE (860SJ) (SN 0300244708 to Present).....	340
FIGURE 5-11. LEVEL CYLINDER ASSEMBLY - PLATFORM SLAVE (860SJ) (SN B300002484 to Present).....	342
FIGURE 5-12. LEVEL CYLINDER ASSEMBLY - JIB (860SJ ONLY) (SN 0300182743 through 0300244707, SN B300001092 through B300002483).....	344
FIGURE 5-13. LEVEL CYLINDER ASSEMBLY - JIB (860SJ ONLY) (SN 0300244708 to Present) .....	346
FIGURE 5-14. LEVEL CYLINDER ASSEMBLY - JIB (860SJ) (SN B300002484 to Present) .....	348
FIGURE 5-15. LIFT CYLINDER ASSEMBLY - MAIN BOOM (800S/680S) (SN 0300182743 through 0300239593, SN B300001092 through B300002483) .....	350
FIGURE 5-16. LIFT CYLINDER ASSEMBLY - MAIN BOOM (800S/680S) (SN 0300239594 to Present, SN B300002484 to Present).....	352

# TABLE OF CONTENTS

FIGURE 5-17. LIFT CYLINDER ASSEMBLY - MAIN BOOM (860SJ) (SN 0300182743 through 0300239858, SN B300001092 through B300002483) .....	354
FIGURE 5-18. LIFT CYLINDER ASSEMBLY - MAIN BOOM (860SJ) (SN 0300239859 to Present) .....	356
FIGURE 5-19. LIFT CYLINDER ASSEMBLY - MAIN BOOM (860SJ) (SN B300002484 to Present) .....	358
FIGURE 5-20. STEER CYLINDER ASSEMBLY (SN 0300182743 to Present, SN B300001092 through B300002483) .....	360
FIGURE 5-21. STEER CYLINDER ASSEMBLY (SN B300002484 to Present) .....	362
FIGURE 5-22. TELESCOPE CYLINDER ASSEMBLY .....	364
FIGURE 5-23. TELESCOPE CYLINDER ASSEMBLY (680S) (SN 0300244880 to Present) .....	368
FIGURE 5-24. TELESCOPE CYLINDER ASSEMBLY (800S) (SN 0300243279 to Present, SN B300002585 to Present) .....	370
FIGURE 5-25. TELESCOPE CYLINDER ASSEMBLY (860SJ) (SN 030024708 to Present, SN B300002588 to Present) .....	372
<b>SECTION 6 - HYDRAULIC</b> .....	<b>375</b>
FIGURE 6-1. AXLE LOCKOUT HYDRAULIC DIAGRAM .....	376
FIGURE 6-2. DRIVE HYDRAULIC DIAGRAM - 2WD (SN 0300182743 through 0300196954, SN B300001092 through B300001096) .....	378
FIGURE 6-3. DRIVE HYDRAULIC DIAGRAM - 2WD (SN 0300196955 to Present, SN B300001097 to Present) .....	382
FIGURE 6-4. DRIVE HYDRAULIC DIAGRAM - 4WD (SN 0300182743 through 0300196954, SN B300001092 through B300001096) .....	386
FIGURE 6-5. DRIVE HYDRAULIC DIAGRAM - 4WD (SN 0300196955 to Present, SN B300001097 to Present) .....	390
FIGURE 6-6. MANUAL DESCENT HYDRAULIC DIAGRAM (OPTIONAL) .....	396
FIGURE 6-7. STANDARD HYDRAULIC DIAGRAM (SN 0300182743 through 0300190436) .....	398
FIGURE 6-8. STANDARD HYDRAULIC DIAGRAM (SN 0300190437 through 0300196954, SN B300001092 through B300001096) .....	402
FIGURE 6-9. STANDARD HYDRAULIC DIAGRAM (SN 0300196955 to Present, SN B300001097 to Present) .....	406
FIGURE 6-10. HYDRAULIC DIAGRAM LIST .....	410
<b>SECTION 7 - ELECTRICAL</b> .....	<b>413</b>
FIGURE 7-1. ELECTRICAL DIAGRAM LIST .....	414
FIGURE 7-2. HARNESS COMPONENTS INSTALLATION .....	416
FIGURE 7-3. BATTERY DISCONNECT SWITCH INSTALLATION .....	442
FIGURE 7-4. SKYEYE INTERMEDIATE HARNESS .....	444
FIGURE 7-5. SKYEYE RECEIVER HARNESS .....	446
FIGURE 7-6. SKYEYE EMITTER HARNESS .....	448
FIGURE 7-7. SKYLINE HARNESS .....	450
FIGURE 7-8. INTERFACE HARNESS - WITH 1 CELL LSS .....	452
<b>SECTION 8 - DECALS</b> .....	<b>455</b>
FIGURE 8-1. DECAL INSTALLATION (ANSI SPEC) .....	456
FIGURE 8-2. DECAL INSTALLATION (COUNTRY SPEC) .....	460
FIGURE 8-3. DECAL INSTALLATION (AUSTRALIAN AND CE SPEC) .....	466
FIGURE 8-4. DECAL INSTALLATION (CE SPEC) .....	470
<b>SECTION 9 - RECOMMENDED SERVICE PARTS STOCK</b> .....	<b>473</b>
FIGURE 9-1. MODEL 800S/860SJ STANDARD PARTS .....	474
FIGURE 9-2. MODEL 800S/860SJ VARIABLE PARTS .....	476
<b>SECTION 10 - SPECIAL OPTIONS</b> .....	<b>477</b>
FIGURE 10-1. SPECIAL OPTIONS .....	478
<b>PART NUMBER INDEX</b> .....	<b>487</b>



**SECTION 1 - FRAME**

Go to Discount-Equipment.com to order your parts



# SECTION 1 - FRAME

## FIGURE 1-1. AXLE AND STEERING INSTALLATION WITHOUT TOW PACKAGE

ITEM	PART NUMBER	QTY	DESCRIPTION	REV
	1001151037	Ref	<b>FIXED AXLE INSTALLATION</b>	B
1	0100011	AR	Compound, Locking	
2	0641818	2	Bolt 1/2in-13NC x 2-1/4in	
3	0642212	1	Bolt 3/4in-10NC x 1-1/2in	
4	0681608	4	Bolt 3/8in-16NC x 1in Grade 8	
5	0962102	2	Bushing	
6	3020039	AR	Lubricant	
7	3538047	AR	Shim, Wear	
8	3539877	2	Plate, Stop	
9	3841287	1	Keeper, Pin	
10	4070878	AR	Shim 1/16in	
11	4070879	AR	Shim 1/8in	
12	4070944	AR	Shim 1/16in	
13	4070945	AR	Shim 1/4in	
14	4711600	4	Flatwasher 3/8in Thin	
15	4740472	1	Washer, Special	
16	1001152719	1	Axle	
17	1001156710	1	Pin	
		Ref	<b>OSCILLATING AXLE INSTALLATION</b>	
	1001154584	Ref	Oscillating Axle Installation (SN 0300182743 to Present)	D
	1001154584	Ref	Oscillating Axle Installation (SN B300001092 through B300002483)	D
	1001231147	Ref	Oscillating Axle Installation (SN B300002484 to Present)	A
101	0100011	AR	Compound, Locking	
102	0642212	1	Bolt 3/4in-10NC x 1-1/2in	
103	0681608	4	Bolt 3/8in-16NC x1in Grade 8	
104	0682236	8	Bolt 3/4in-10NC x 4-1/2in Grade 8	
105	0962102	2	Bushing	
106	3020039	AR	Lubricant	
107	3538047	AR	Shim, Axle Wear	
108	3841287	1	Shaft, Keeper 3/8in Dia x 6in	
109	4070878	AR	Shim, Axle Wear	
110	4070879	AR	Shim, Axle Wear	
111	4711600	4	Flatwasher 3/8in Thin	
112	4740472	1	Washer, Special	
113	4892200	8	Flatwasher 3/4in Hardened	
114	1001152719	1	Axle	
115		Ref	Axle Lockout Cylinder Assembly Options (See CYLINDER SECTION for Breakdown):	
115	1001154258	NLA	Axle Lockout Cylinder (Use p/n 1001204560) (SN 0300182743 through 0300214570)	
115	1001204560	2	Axle Lockout Cylinder (SN 0300214571 to Present)	
115	1001154258	NLA	Axle Lockout Cylinder (Use p/n 1001204560) (SN B300001092 through B300001499)	
115	1001204560	2	Axle Lockout Cylinder (SN B300001500 through B300002483)	
115	1001230374	2	Axle Lockout Cylinder (SN B300002484 to Present)	
116	1001156710	1	Pin	
		Ref	<b>STEER INSTALLATIONS</b>	
	1001151034	Ref	Steer Installation (SN 0300182743 to Present)	F
	1001151034	Ref	Steer Installation (SN B300001092 through B300002483)	F

## SECTION 1 - FRAME

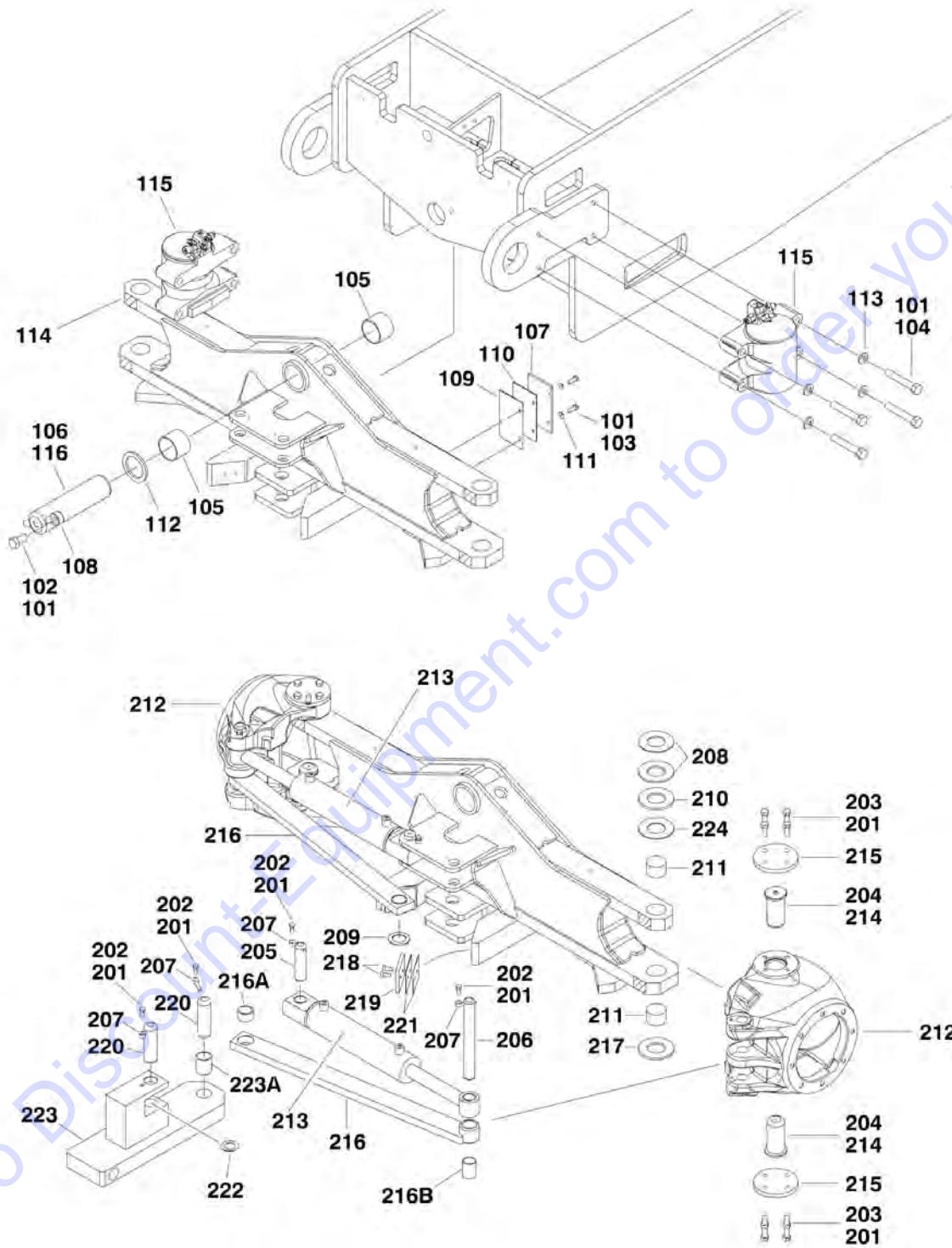
ITEM	PART NUMBER	QTY	DESCRIPTION	REV
	1001230783	Ref	Steer Installation (SN B300002484 to Present)	A
201	0100011	AR	Compound, Locking	
202	0641607	4	Bolt 3/8in-16NC x 7/8in	
203	0641810	16	Bolt 1/2in-13NC x 1-1/4in	
204	3020029	AR	Lubricant	
205	3422417	2	Pin	
206	3422790	2	Pin	
207	3841520	4	Keeper, Pin	
208	4740256	AR	Thrustwasher	
209	4740473	2	Washer, Special	
210	1001103810	2	Thrustwasher	
211	1001165657	4	Bearing	
212	1001150372	2	Spindle	
213		Ref	Steer Cylinder Assembly (See CYLINDER SECTION for Breakdown)	
213	1001150539	1	Steer Cylinder (SN 0300182743 to Present)	
213	1001150539	1	Steer Cylinder (SN B300001092 through B300002483)	
213	1001230375	1	Steer Cylinder (SN B300002484 to Present)	
214	1001161355	4	Kingpin	
215	1001150937	4	Plate	
216	1001151980	1	Tie-Rod	
217	1001161399	2	Thrustwasher	
218	4740463	AR	Thrustwasher	





# SECTION 1 - FRAME

## FIGURE 1-2. AXLE AND STEERING INSTALLATION WITH TOW PACKAGE



## SECTION 1 - FRAME

**FIGURE 1-2. AXLE AND STEERING INSTALLATION WITH TOW PACKAGE**

ITEM	PART NUMBER	QTY	DESCRIPTION	REV
		Ref	<b>OSCILLATING AXLE INSTALLATION</b>	
	1001155194	Ref	Oscillating Axle Installation (SN 0300182743 to Present)	D
	1001155194	Ref	Oscillating Axle Installation (SN B300001092 through B300002483)	D
	1001232540	Ref	Oscillating Axle Installation (SN B300002484 to Present)	A
101	0100011	AR	Compound, Locking	
102	0642212	1	Bolt 3/4in-10NC x 1-1/2in	
103	0681608	4	Bolt 3/8in-16NC x1in Grade 8	
104	0682236	8	Bolt 3/4in-10NC x 4-1/2in Grade 8	
105	0962102	2	Bushing	
106	3020039	AR	Lubricant	
107	3538047	AR	Shim, Axle Wear	
108	3841287	1	Shaft, Keeper 3/8in Dia x 6in	
109	4070878	AR	Shim, Axle Wear	
110	4070879	AR	Shim, Axle Wear	
111	4711600	4	Flatwasher 3/8in Thin	
112	4740472	1	Washer, Special	
113	4892200	8	Flatwasher 3/4in Hardened	
114	1001154875	1	Axle	
115		Ref	Axle Lockout Cylinder Assembly (See CYLINDER SECTION for Breakdown):	
115	1001154258	NLA	Axle Lockout Cylinder (Use p/n 1001204560) (SN 0300182743 through 0300214570)	
115	1001204560	1	Axle Lockout Cylinder (SN 0300214571 to Present)	
115	1001154258	NLA	Axle Lockout Cylinder (Use p/n 1001204560) (SN B300001092 through B300001499)	
115	1001204560	1	Axle Lockout Cylinder (SN B300001500 through B300002483)	
115	1001230374	1	Axle Lockout Cylinder (SN B300002484 to Present)	
116	1001156710	1	Pin	
		Ref	<b>STEER INSTALLATION</b>	
	1001155192	Ref	Steer Installation (SN 0300182743 to Present)	F
	1001155192	Ref	Steer Installation (SN B300001092 through B300002483)	F
	1001232539	Ref	Steer Installation (SN B300002484 to Present)	A
201	0100011	AR	Compound, Locking	
202	0641607	6	Bolt 3/8in-16NC x 7/8in	
203	0641810	16	Bolt 1/2in-13NC x 1-1/4in	
204	3020029	AR	Lubricant	
205	3422417	2	Pin	
206	3422790	2	Pin	
207	3841520	6	Keeper, Pin	
208	4740256	AR	Thrustwasher	
209	4740473	2	Washer, Special	
210	1001103810	2	Thrustwasher	
211	1001165657	4	Bearing	
212	1001150372	2	Spindle	
213		Ref	Steer Cylinder Assembly (See CYLINDER SECTION for Breakdown)	
213	1001150539	1	Steer Cylinder (SN 0300182743 to Present)	
213	1001150539	1	Steer Cylinder (SN B300001092 through B300002483)	
213	1001230375	1	Steer Cylinder (SN B300002484 to Present)	
214	1001161355	4	Kingpin	

## SECTION 1 - FRAME

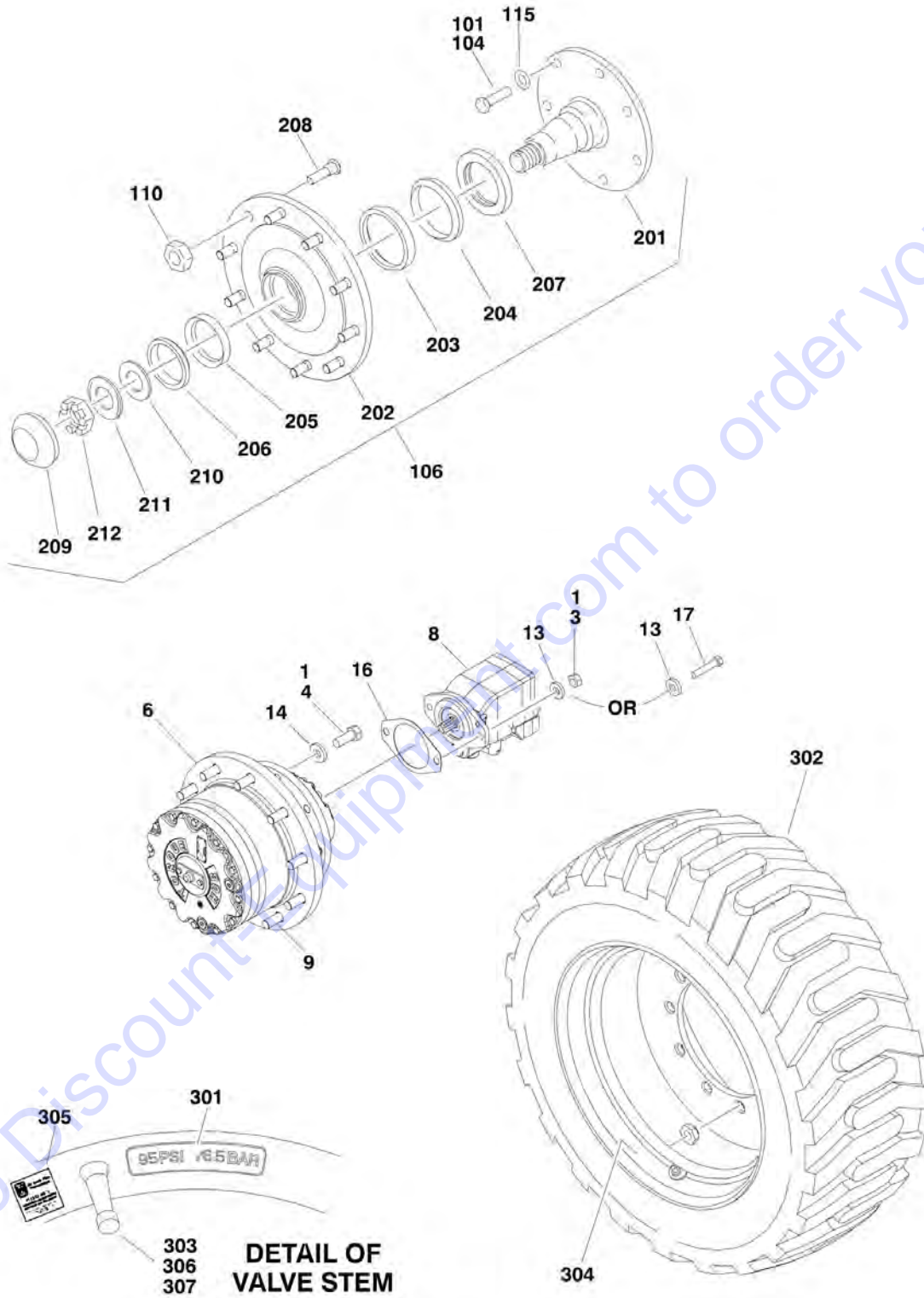
ITEM	PART NUMBER	QTY	DESCRIPTION	REV
215	1001150937	4	Plate	
216	1001154931	2	Tie-Rod	
216A	0962181	1	Bushing	
216B	0962152	1	Bushing	
217	1001161399	2	Thrustwasher	
218	0741609	4	Screw 3/8in-16NC x 1-1/8in	
219	3340966	2	Pad, Stop	
220	3422848	2	Pin, Hitch	
221	4071059	AR	Shim	
222	4740155	3	Thrustwasher	
223	1001155035	1	Link	
223A	0962348	1	Bushing	
224	4740463	AR	Thrustwasher	

Go to Discount-Equipment.com to order your parts



# SECTION 1 - FRAME

## FIGURE 1-3. TIRE AND WHEEL DRIVE INSTALLATIONS



# SECTION 1 - FRAME

## FIGURE 1-3. TIRE AND WHEEL DRIVE INSTALLATIONS

ITEM	PART NUMBER	QTY	DESCRIPTION	REV
		Ref	<b>WHEEL DRIVE INSTALLATION</b>	
	1001157015	Ref	<b>Wheel Drive Installation 2WD</b>	C
	1001157016	Ref	<b>Wheel Drive Installation 4WD</b>	C
		Ref	<b>Note: 2WD Qty Shown. For 4WD, Double Qty Shown.</b>	
1	0100011	AR	Compound, Locking	
3	3311801	4	Nut 1/2in-13 NC (SN 0300182743 through 0300244559, SN B300001092 through B300002866)	
4	0682016	16	Bolt 5/8in-11NC x 2in Grade 8	
5	2300016	AR	Fluid, Hydraulic (Not Shown) (SN 0300182743 through 0300244559, SN B300001092 through B300002866)	
6	2780272	2	Drive Hub Assembly (See DRIVE HUB ASSEMBLY for Breakdown) (SN 0300182743 through 0300244559, SN B300001092 through B300002866)	
6	1001219219	2	Drive Hub Assembly (See DRIVE HUB ASSEMBLY for Breakdown) (SN 0300244560 to Present, SN B300002867 to Present)	
7	3020008	AR	Lubricant (Not Shown)	
8		Ref	Drive Motor Assembly Options (See DRIVE MOTOR ASSEMBLY for Breakdown):	
8	3160347	2	2WD Rear	
8	3160348	4	4WD Front and Rear	
9	3300007	20	Nut, Wheel	
13	4891800	4	Flatwasher, 1/2in Hardened	
14	4892000	16	Flatwasher 5/8in Hardened	
16	3960526	2	Gasket (SN 0300244560 to Present, SN B300002867 to Present)	
17	0681822	4	Bolt 1/2 x 2-3/4 Grade 8 (SN 0300244560 to Present, SN B300002867 to Present)	
50	1001228544	1	Drive Hub Assembly Kit (Not Shown - Includes Items 6, 16 & 17)	
	1001157015	Ref	<b>HUB INSTALLATION (2WD ONLY)</b>	C
101	0100011	AR	Compound, Locking	
104	0682016	16	Bolt 5/8in-16NC x 2in Grade 8	
106	2780229	2	Hub Assembly (See Items 201-212 for Breakdown)	
110	3300007	20	Lugnut	
115	4892000	16	Flatwasher 5/8in Hardened	
	2780229	Ref	<b>HUB ASSEMBLY (2WD ONLY)</b>	A
201	7017052	2	Spindle (1 per Assembly)	
202	7017053	2	Housing (1 per Assembly)	
203	7010404	2	Cup, Bearing - Inner (1 per Assembly)	
204	7010405	2	Cone, Bearing - Inner (1 per Assembly)	
205	7017056	2	Cup, Bearing - Outer (1 per Assembly)	
206	7017055	2	Cone, Bearing - Outer (1 per Assembly)	
207	7010406	2	Seal, Lip (1 per Assembly)	
208	7000265	20	Stud (10 per Assembly)	
209	7017054	2	Dust Cap (1 per Assembly)	
210	7017051	2	Washer, Special (1 per Assembly)	
211	7017057	2	Washer, Tanged (1 per Assembly)	
212	7017058	2	Nut, Bearing (1 per Assembly)	
		Ref	<b>TIRE AND WHEEL INSTALLATIONS</b>	
	0270885	Ref	<b>15-625 NHS Pneumatic Tire (Available on All Specs except Australian and CE Specs)</b>	D

## SECTION 1 - FRAME

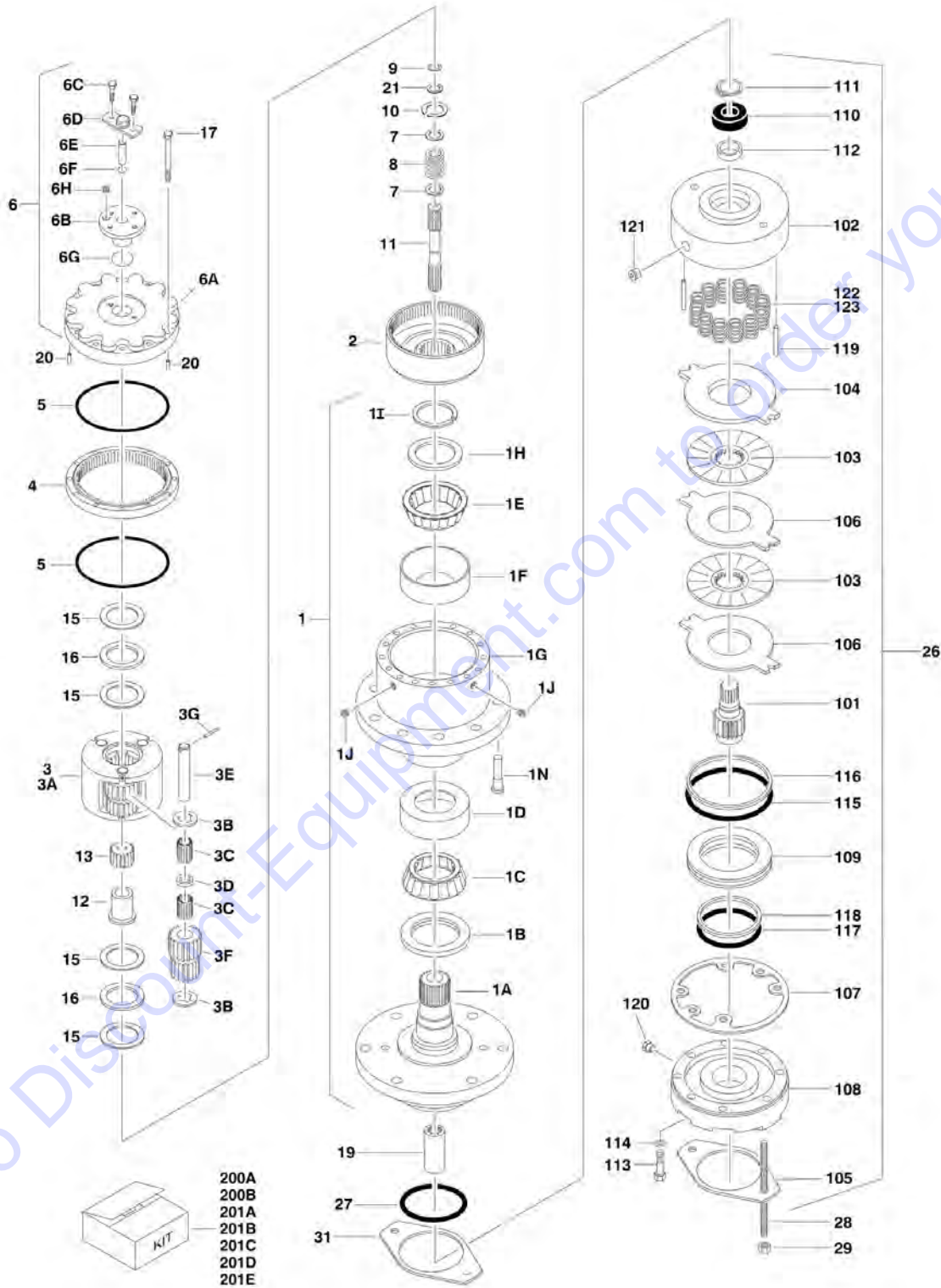
ITEM	PART NUMBER	QTY	DESCRIPTION	REV
	0272322	Ref	<b>15-625 NHS Pneumatic Tire with Sealant (Available on ANSI Specs Only)</b>	D
	1001209983	Ref	<b>41/18LL x 22.5 Pneumatic Sand Tire (Note: For Model 810SJ, See Special Options Section)</b>	C
	0270886	Ref	<b>15-625 NHS Foam-Filled Tire (Available on All Specs)</b>	D
	0270888	Ref	<b>18-625 NHS Foam-Filled Tire (Available on All Specs)</b>	C
	1001169757	Ref	<b>18-625 NHS Foam-Filled Tire (Non-Marking) (Available on All Specs)</b>	A
	0271083	2	15-625 NHS Pneumatic Left Side Tire	D
	0271084	2	15-625 NHS Pneumatic Right Side Tire	D
	0272334	2	15-625 NHS Pneumatic with Sealant Left Side Tire	D
	0272333	2	15-625 NHS Pneumatic with Sealant Right Side Tire	D
	1001209983	4	41/18LL x 22.5 Pneumatic Sand Tire	C
	0271085	2	15-625 NHS Foam-Filled Left Side Tire	H
	0271086	2	15-625 NHS Foam-Filled Right Side Tire	H
	0271090	2	18-625 NHS Foam-Filled Left Side Tire	F
	1001169755	2	18-625 NHS Foam-Filled Non-Marking Left Side Tire	C
	0271091	2	18-625 NHS Foam-Filled Right Side Tire	F
	1001169756	2	18-625 NHS Foam-Filled Non-Marking Right Side Tire	C
		Ref	<b>Note: Assemblies may require ballast/foam filling to manufacturer's specifications prior to installing on a machine. Refer to Operation and Safety or Service and Maintenance Manuals. Purchase individual tire and/or rim only if able to foam fill tire and wheel assembly, otherwise, purchase complete assembly.</b>	
301	1702701	1	Decal - 95psi/6.5 Bar (15-625 Tires) (Pneumatic NHS Tires Only)	
301	1701643	1	Decal - 70psi/5 Bar (Pneumatic Sand Tires Only)	
302		Ref	Tire Options:	
302	4520252	1	15-625 Tire	
302	4520253	1	18-625 Tire	
302	1001169754	1	18-625 Tire - Non-Marking	
302	4520256	1	41/18LL x 22.5 Sand Tire	
303	4640113	1	Valve, Air (Pneumatic Tires)	
303	4640113	1	Valve, Air (41/18LL x 22.5 Pneumatic Sand Tires) <b>(SN 0300182743 through 0300258577)</b>	
303	4641122	1	Valve, Air (41/18LL x 22.5 Pneumatic Sand Tires) <b>(SN 0300258578 to Present)</b>	
303	4641122	1	Valve, Air (Foam-Filled Tires)	
304		Ref	Rim, Wheel Options:	
304	4860224	1	13 x 24.5 Rim (Use with 15-625 Tires)	
304	4860225	1	15 x 24.5 Rim (Use with 18-625 Tires)	
304	1001209982	1	14 x 22.5 Rim (Used with Sand Tires)	
305	1705364	AR	Decal - Tire Sealant (With Sealant Only)	
306	1300019	AR	Chemical, Tire Sealant (Green) (With Sealant Only)	
307	1120552	AR	Cap, Valve Stem (Green) (With Sealant Only)	





# SECTION 1 - FRAME

FIGURE 1-4. DRIVE HUB/BRAKE ASSEMBLY (SN 0300182743 through 0300244559, SN B300001092 through B300002866)



## SECTION 1 - FRAME

**FIGURE 1-4. DRIVE HUB/BRAKE ASSEMBLY (SN 0300182743 through 0300244559, SN B300001092 through B300002866)**

ITEM	PART NUMBER	QTY	DESCRIPTION	REV
	2780272	Ref	<b>DRIVE HUB/BRAKE ASSEMBLY (SN 0300182743 through 0300244559, SN B300001092 through B300002866)</b>	F
	2780227	Ref	Hub Assembly	B
1	See Note	NSS	Spindle/Housing Assembly (Note: Not Available - Purchase Individual Components)	
1A	7010464	1	Spindle	
1B	7000236	1	Seal	
1C	7000273	1	Cone, Bearing	
1D	7000272	1	Cup, Bearing	
1E	7000275	1	Cone, Bearing	
1F	7000274	1	Cup, Bearing	
1G	7017033	1	Housing	
1H	7000239	1	Thrustwasher	
1I	7000240	1	Ring, Retaining	
1J	7001928	1	Plug, Pipe	
1N	7000265	10	Stud, Wheel	
2	7024782	1	Gear, Ring	
3	7024145	1	Carrier Assembly	
3A	7024147	NLA	Carrier (use p/n 7024145)	
3B	7001901	6	Thrustwasher, Tanged	
3C	7001902	96	Bearing, Needle	
3D	7001903	3	Spacer, Thrust	
3E	7024146	3	Shaft, Planet	
3F	7024148	3	Gear, Cluster	
3G	7001906	3	Rollpin	
4	7024151	1	Gear, Internal	
5	7000224	1	O-Ring	
6	See Note	NSS	Cover Assembly (Note: Not Available - Purchase Individual Components)	
6A	7024155	1	Cover	
6B	7024783	1	Cap	
6C	7000220	4	Bolt 1/4in-20NC x 3/4in	
6D	7000231	1	Cap, Disengage	
6E	7000235	1	Rod, Disengage	
6F	7000213	1	O-Ring	
6G	7000238	1	O-Ring	
6H	7017048	1	Plug, Pipe	
7	7000282	2	Thrustwasher	
8	7000283	1	Spring	
9	7000284	1	Ring, Retaining	
10	7017027	1	Ring, Retaining	
11	7024781	1	Shaft, Input	
12	7024154	1	Spacer, Input	
13	7024149	1	Gear, Sun	
15	7000287	4	Thrustwasher	
16	7000288	2	Thrustwasher	
17	7000289	12	Bolt 3/8in-16NC x 2-1/2in (Grade 8)	
19	7000290	1	Coupling	
20	7017047	2	Pin, Dowel	

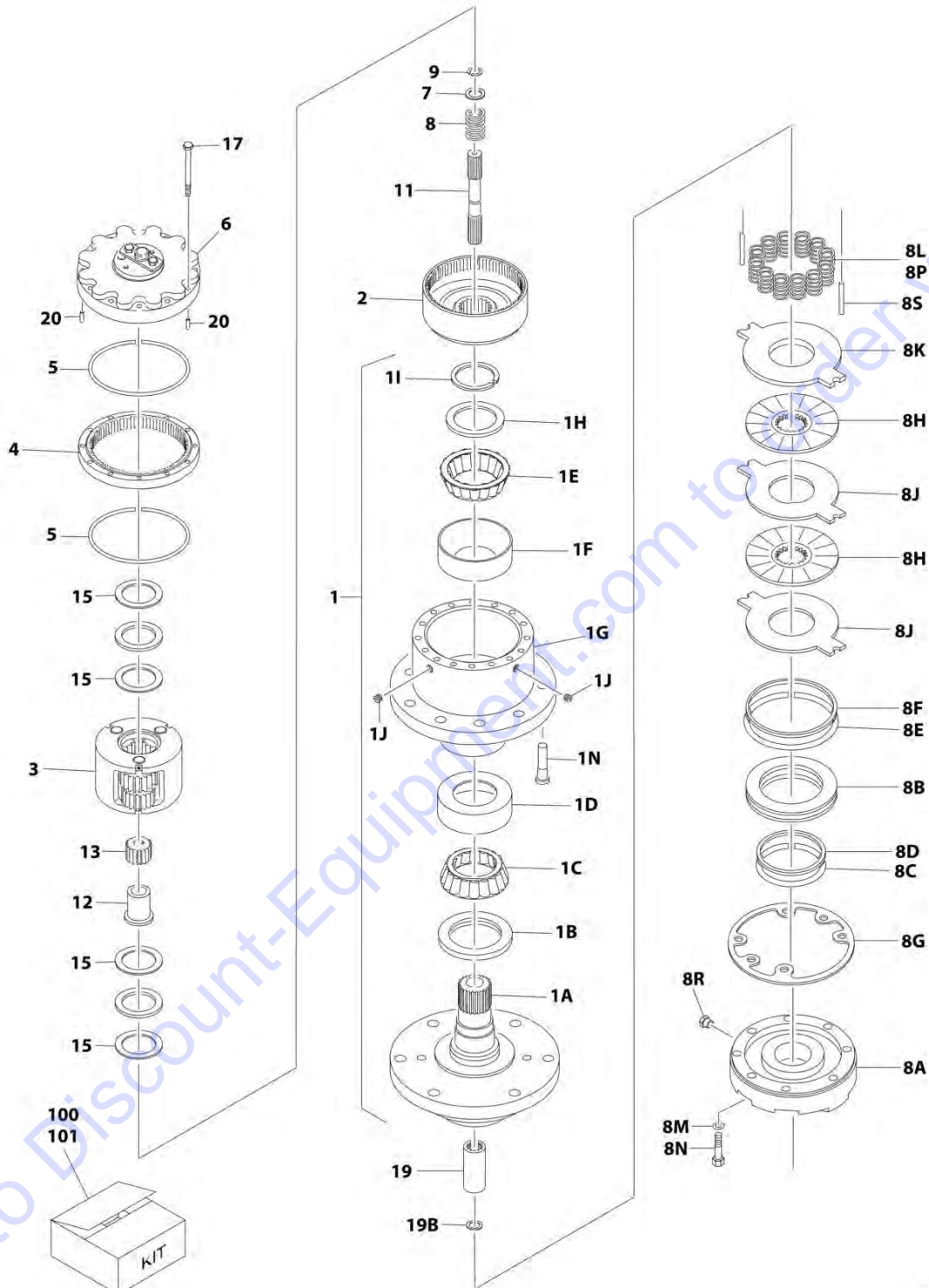
## SECTION 1 - FRAME

ITEM	PART NUMBER	QTY	DESCRIPTION	REV
21	7017050	1	Thrustwasher	
26	7024182	1	Brake Assembly (Includes Items 101-123)	
27	7024763	2	O-Ring	
28	7024717	2	Stud 1/2in-13NC x 4-5/8in	
29	7024718	2	Nut 1/2in-13NC	
31	70005483	1	Gasket	
	7024182	Ref	<b>BRAKE ASSEMBLY</b>	
101	7024189	1	Shaft	
102	See Note	NSS	Housing (Note: Use p/n 7024182)	
103	See Note	NSS	Plate, Friction (Note: Use Item 201C)	
104	See Note	NSS	Plate, Pressure (Note: Use Item 201C)	
105	7000731	1	Gasket	
106	See Note	NSS	Plate, Outer (Note: Use Item 201C)	
107	See Note	NSS	Gasket (Note: Use Items 200B, 201C or 201D)	
108	7024191	1	Cylinder	
109	7024192	1	Piston	
110	See Note	NSS	Bearing, Ball (Note: Use Item 201D)	
111	See Note	NSS	Ring, Retaining (Note: Use Item 201D)	
112	See Note	NSS	Seal, Shaft (Note: Use Item 201D)	
113	See Note	NSS	Capscrew (Note: Purchase Locally)	
114	See Note	NSS	Lockwasher (Note: Purchase Locally)	
115	See Note	NSS	O-Ring (Note: Use Item 200B)	
116	See Note	NSS	Ring, Back-up (Note: Use Item 200B)	
117	See Note	NSS	O-Ring (Note: Use Item 200B)	
118	See Note	NSS	Ring, Back-up (Note: Use Item 200B)	
119	7024190	2	Pin, Dowel	
120	See Note	NSS	Plug (Note: Purchase Locally)	
121	See Note	NSS	Plug (Note: Purchase Locally)	
122	See Note	NSS	Spring Kit (Natural) (Note: Use Item 201B)	
123	See Note	NSS	Spring Kit (Blue) (Note: Use Item 201B)	
		Ref	<b>KIT OPTIONS:</b>	
200		Ref	Seal Kit Options:	
200A	7017068	1	Seal Kit - Hub (Includes Items 1B,1I, 5, 6F, 6G, 15 & 16)	
200A	70006431	1	Seal Kit - Hub (Includes Items 1B,1I, 5, 6F & 17)	
200B	7024194	1	Seal Kit - 7024182 Brake (Includes Items 105, 107 & 115-118)	
201		Ref	Repair Kit Options:	
201A	7024195	NLA	Spring Kit - 7024182 Brake (Includes 12 Natural Colored Springs) (Use p/n 7024196)	
201B	7024196	1	Spring Kit - 7024182 Brake (Includes 12 Natural and 2 Blue Colored Springs)	
201C	7024193	1	Friction Disc Kit - 7024182 Brake (Includes Items 103, 104, 106 & 107)	
201D	7024197	1	Bearing Kit - 7024182 Brake (Includes Items 107 & 110-112)	
201E	70006430	1	Bearing Kit - Hub (Includes Items 1B-1F, 1I, 5, 6F & 17)	



# SECTION 1 - FRAME

FIGURE 1-5. DRIVE HUB/BRAKE ASSEMBLY (SN 0300244560 to Present, SN B300002867 to Present)



ART\_1001219219

## SECTION 1 - FRAME

**FIGURE 1-5. DRIVE HUB/BRAKE ASSEMBLY (SN 0300244560 to Present, SN B300002867 to Present)**

ITEM	PART NUMBER	QTY	DESCRIPTION	REV
	1001219219	Ref	DRIVE HUB/BRAKE ASSEMBLY (SN 0300244560 to Present, SN B300002867 to Present)	C
		Ref	Note: No Service Parts Breakdown at Time of Printing.	
1	See Note	NSS	Spindle/Housing Assembly (Note: Not Available - Purchase Individual Components)	
1A	70006677	1	Spindle	
1B	70006678	1	Seal	
1C	1001091460	1	Cone, Bearing	
1D	1001091460	1	Cup, Bearing	
1E	1001091461	1	Cone, Bearing	
1F	1001091461	1	Cup, Bearing	
1G	See Note	NSS	Housing (Note: Not Available - Not Available for Purchase)	
1H	7000239	1	Thrustwasher	
1I	7000240	1	Ring, Retaining	
1J	7001928	1	Plug, Pipe	
1N	See Note	NSS	Stud, Wheel (Note: Not Available - Not Available for Purchase)	
2	7024782	1	Gear, Ring	
3	70006673	1	Carrier Assembly	
4	7024151	1	Gear, Internal	
5	7000224	2	O-Ring	
6	70006674	NSS	Cover Assembly (Note: Not Available - Not Available for Purchase)	
7	70006691	1	Thrustwasher	
8	7000283	1	Spring	
8A	7024191	1	Housing, Piston	
8B	70006684	1	Piston	
8C	See Note	NSS	O-Ring (Note: Use Item 101)	
8D	See Note	NSS	Ring, Back-up (Note: Use Item 101)	
8E	See Note	NSS	O-Ring (Note: Use Item 101)	
8F	See Note	NSS	Ring, Back-up (Note: Use Item 101)	
8G	See Note	NSS	Gasket (Note: Use Items 100 & 101)	
8H	See Note	NSS	Brake, Stator (Note: Use Item 100)	
8J	See Note	NSS	Brake, Rotor (Note: Use Item 100)	
8K	See Note	NSS	Plate, Pressure	
8L	80344004	10	Spring	
8M	70006685	6	Capscrew	
8N	70006690	6	Lockwasher	
8P	70006680	2	Spring	
8R	7017082	2	Plug	
8S	7024190	2	Pin, Dowel	
9	7000284	1	Ring, Retaining	
11	70006675	1	Shaft, Input	
12	7024154	1	Spacer, Input	
13	7024149	1	Gear, Sun	
15	70006692	2	Thrustwasher	
17	7000289	12	Bolt 3/8 x 2-1/2in (Grade 8)	
19	70006676	1	Coupling	
19B	7017028	1	Ring, Retaining	
20	7017047	2	Pin, Dowel	
100	70006832	1	Friction Disc Kit	

## SECTION 1 - FRAME

ITEM	PART NUMBER	QTY	DESCRIPTION	REV
101	70006833	1	Seal Kit	

Go to Discount-Equipment.com to order your parts





# SECTION 1 - FRAME

## FIGURE 1-6. DRIVE MOTOR ASSEMBLY

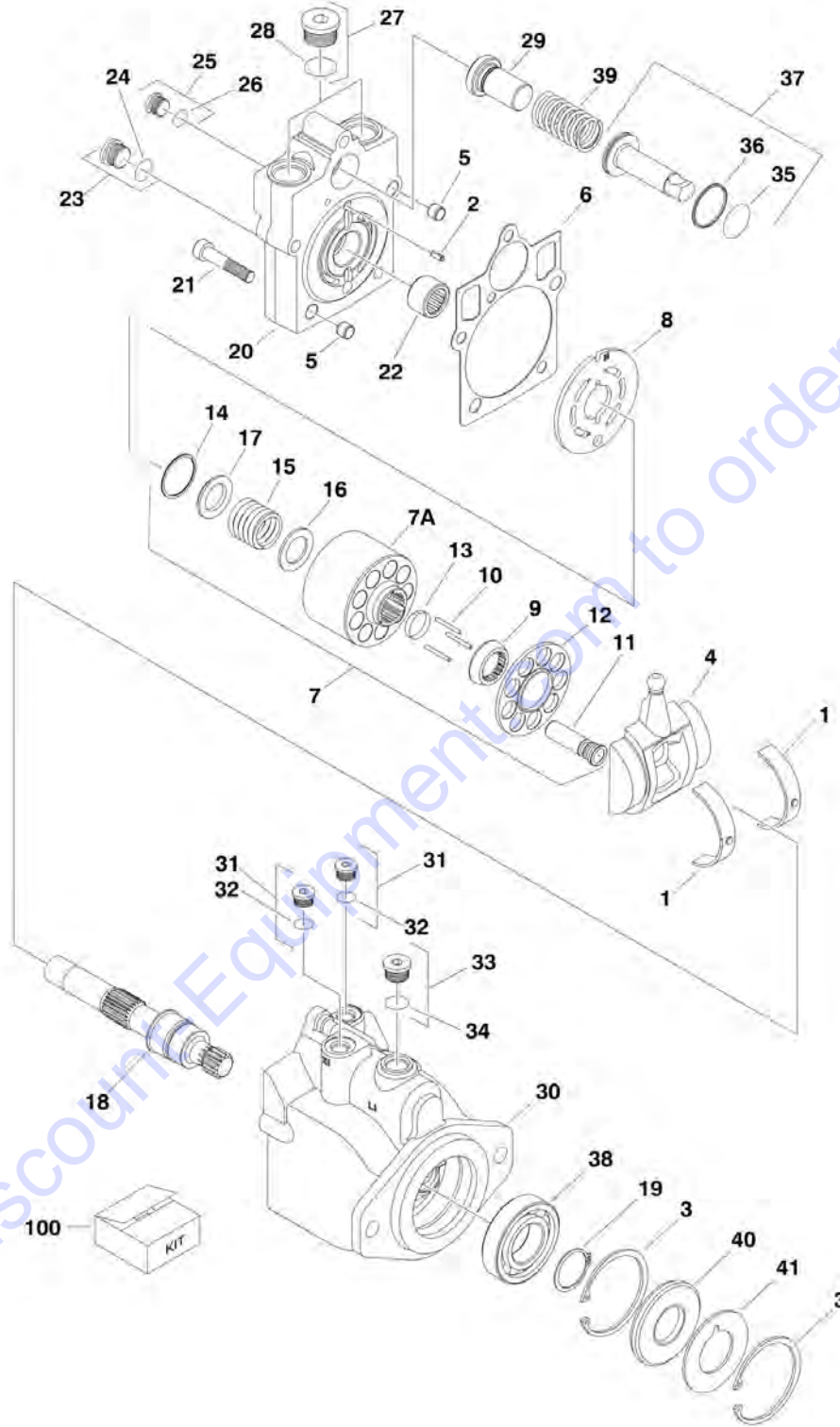


FIGURE 1-6. DRIVE MOTOR ASSEMBLY

ITEM	PART NUMBER	QTY	DESCRIPTION	REV
		Ref	<b>DRIVE MOTOR ASSEMBLIES:</b>	
	3160347	Ref	<b>Drive Motor Assemblies 2WD</b>	B
	3160348	Ref	<b>Drive Motor Assemblies 4WD</b>	D
1	7022302	2	Bearing, Journal	
2	7007446	1	Pin	
3	7007438	2	Ring, Retaining	
4		Ref	Swash Plate Options:	
4	70000794	1	Swash Plate 2WD	
4	7022305	1	Swash Plate 4WD	
5	See Note	NSS	Pin (Note: Not Available for Purchase)	
6	See Note	NSS	Gasket (Note: Use Item 100)	
7		Ref	Cylinder Block Kit (Includes Items 7A & 9-17)	
7	7027740	1	Cylinder Block Kit 2WD	
7	7023907	1	Cylinder Block Kit 4WD	
7A	See Note	NSS	Block, Cylinder (Note: Purchase Item 7)	
8		Ref	Plate, Valve Options:	
8	7024862	1	Plate, Valve 2WD	
8	7023908	1	Plate, Valve 4WD	
9		Ref	Guide, Slipper Retainer Options:	
9	See Note	NSS	Guide, Slipper Retainer 2WD (Note: Purchase Item 7)	
9	7021277	1	Guide, Slipper Retainer 4WD	
10	7021275	3	Pin, Slipper Hold Down	
11	See Note	NSS	Piston Assembly (Note: Purchase Item 7)	
12		Ref	Retainer, Slipper Options:	
12	See Note	NSS	Retainer, Slipper 2WD (Note: Purchase Item 7)	
12	7022310	1	Retainer, Slipper 4WD	
13		Ref	Retainer, Hold Down Pin Options:	
13	Not Required	0	Retainer, Hold Down Pin 2WD	
13	7021276	1	Retainer, Hold Down Pin 4WD	
14	7022311	1	Ring, Retaining	
15		Ref	Spring Options:	
15	7024867	1	Spring 2WD	
15	7022312	1	Spring 4WD	
16		Ref	Washer Options:	
16	7022313	1	Washer 2WD	
16	7024868	1	Washer 4WD	
17	7022314	1	Retainer, Spring	
18	7023910	1	Shaft	
19	7007439	1	Ring, Retaining	
20		Ref	Cap, End - Axial Options:	
20	70000795	1	Cap, End - Axial 2WD	
20	70000797	1	Cap, End - Axial 4WD	
21	7022368	5	Screw	
22	7021249	1	Bearing, Needle	
23	2220886	1	Plug (Includes Item 24)	
24	See Note	NSS	O-Ring (Note: Use Item 23 or 100)	
25	2220883	1	Plug (Includes Item 26)	
26	See Note	NSS	O-Ring (Note: Use Item 25 or 100)	
27	2220888	2	Plug (Includes Item 28)	
28	See Note	NSS	O-Ring (Note: Use Item 27 or 100)	

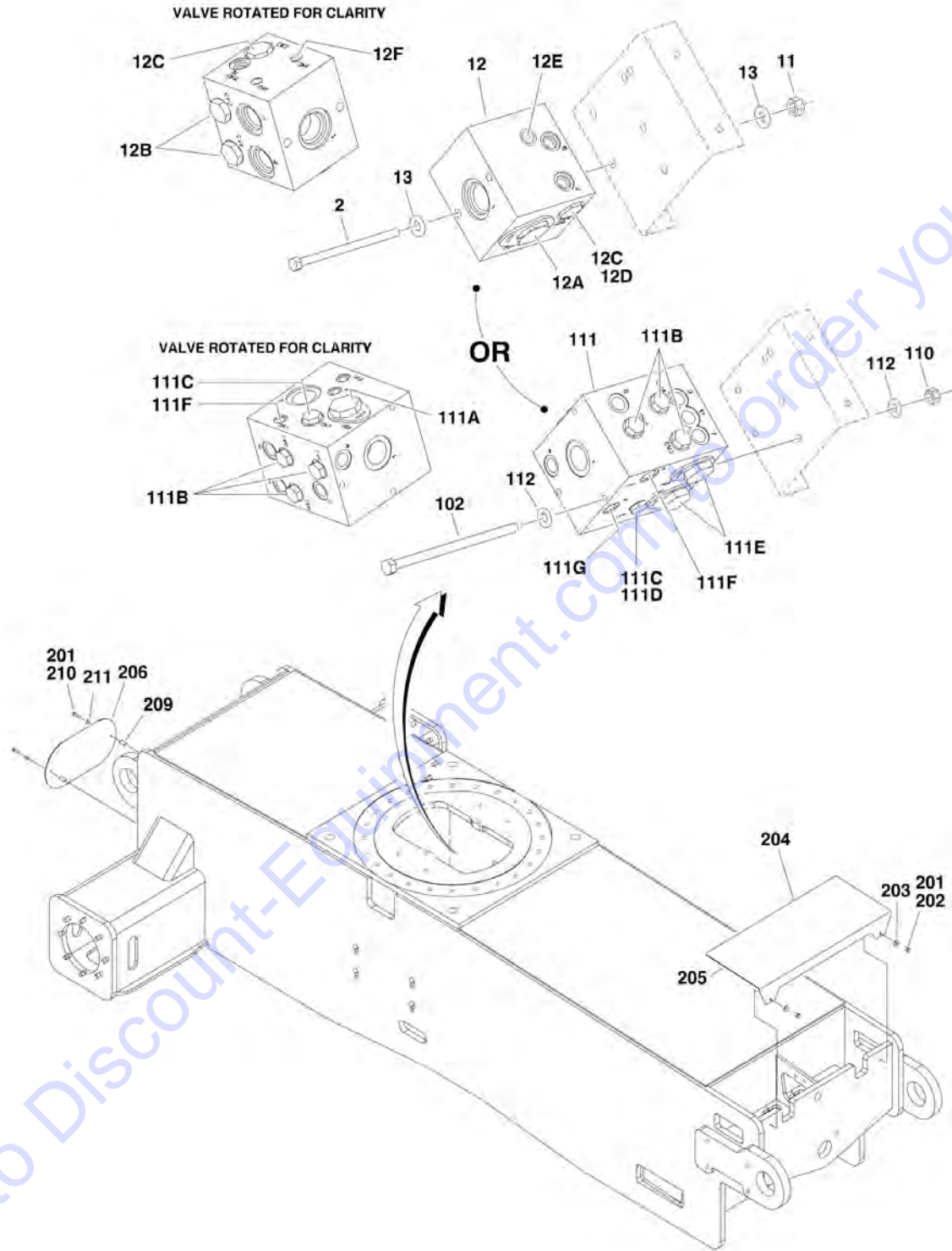
## SECTION 1 - FRAME

ITEM	PART NUMBER	QTY	DESCRIPTION	REV
29		Ref	Seat, Spring Options:	
29	7027741	1	Seat, Spring 2WD	
29	7022372	1	Seat, Spring 4WD	
30	See Note	NSS	Housing (Note: Not Available - Purchase Complete Assembly)	
31	2220883	2	Plug (Includes Item 32)	
32	See Note	NSS	O-Ring (Note: Use Item 31 or 100)	
33	2220886	1	Plug (Includes Item 34)	
34	See Note	NSS	O-Ring (Note: Use Item 33 or 100)	
35	See Note	NSS	O-Ring (Note: Use Item 100)	
36	See Note	NSS	Ring, Seal (Note: Use Item 100)	
37		Ref	Piston, Servo Options (Includes Items 35 & 36):	
37	7024871	1	Piston, Servo 2WD	
37	7024854	1	Piston, Servo 4WD	
38	7007437	1	Bearing	
39	7022326	1	Spring	
40	See Note	NSS	Seal, Lip (Note: Use Item 100)	
41	7022371	1	Washer, Support	
		Ref	<b>KIT OPTIONS:</b>	
100	7022328	1	Seal Kit (Includes Items 6, 24, 26, 28, 32, 34, 35, 36 & 40)	



# SECTION 1 - FRAME

## FIGURE 1-7. FRAME VALVES AND SHIELDS INSTALLATIONS



Go to Discount-Equipment.com to order your parts

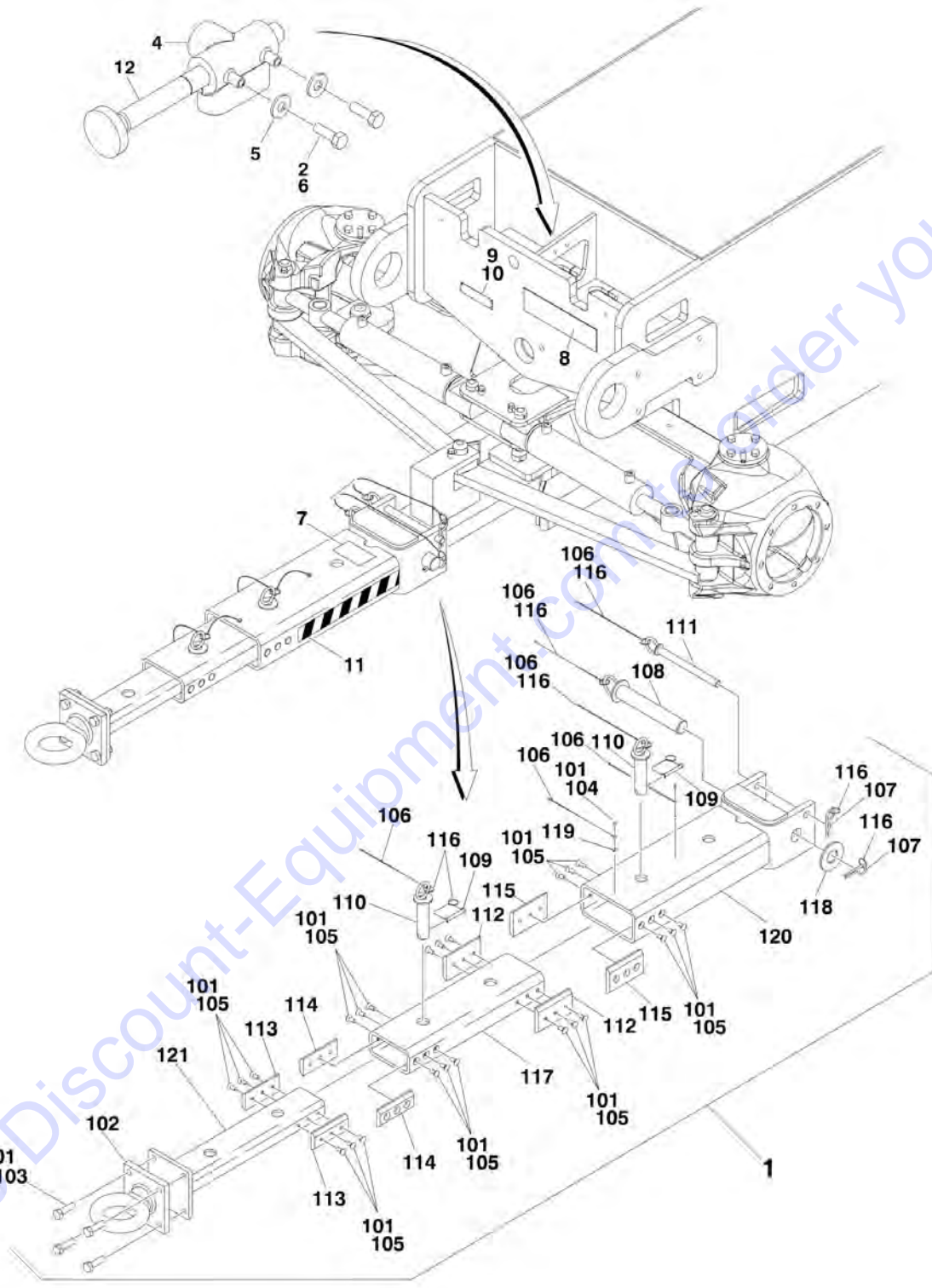
## SECTION 1 - FRAME

**FIGURE 1-7. FRAME VALVES AND SHIELDS INSTALLATIONS**

ITEM	PART NUMBER	QTY	DESCRIPTION	REV
	1001157015	Ref	<b>DRIVE VALVES INSTALLATION - 2WD</b>	C
2	0641542	2	Bolt 5/16in-18NC x 5-1/4in	
11	3311505	2	Locknut 5/16in-18NC	
12	1001099870	1	Flow Divider Valve Assembly	B
12A	7023933	1	Cartridge, Flow Divider	
12A	7021625	1	Seal Kit - 7023933 Cartridge	
12A	70000781	1	Lockdown Kit	
12B	7022397	2	Cartridge, Check	
12B	7022399	2	Seal Kit - 7022397 Cartridge	
12C	70002390	2	Cartridge, Check	
12C	7022399	2	Seal Kit - 70002390 Cartridge	
12D	7024881	1	Piston, Pilot	
12E	7017406	1	Plug	
12F	7024844	1	Plug	
12F	7017492	1	Orifice	
13	4711500	4	Flatwasher 5/16in Thin	
	1001157016	Ref	<b>DRIVE VALVES INSTALLATION - 4WD</b>	C
102	0641560	3	Bolt 5/16in-18NC x 7-1/2in	
110	3311505	3	Locknut 5/16in-18NC	
111	4641303	1	Flow Divider Valve Assembly	
111A	7023933	1	Cartridge, Flow Divider	
111A	7021625	1	Seal Kit - 7023933 Cartridge	
111B	7022397	6	Cartridge, Check	
111B	7022399	6	Seal Kit - 7022397 Cartridge	
111C	7021639	2	Cartridge, Check Valves	
111C	2900756	2	Seal Kit - 7021639 Cartridge	
111D	7024881	1	Piston, Pilot	
111E	7023917	2	Cartridge, Flow Divider	
111E	7021625	2	Seal Kit - 7023917 Cartridge	
111F	70003935	2	Orifice	
111G	70003936	1	Orifice	
112	4711500	6	Flatwasher 5/16in Thin	
	1001158203	Ref	<b>FRAME SHIELDS INSTALLATIONS</b>	D
201	0100011	AR	Compound, Locking	
202	0641606	2	Bolt, 3/8in - 16NC x 3/4in	
203	4751600	2	Flatwasher 3/8in Regular	
204	1001158187	1	Cover	
205	4280296	27 in /68cm	Trim	
206	1001158188	1	Cover	
209	8580420	2	Nut, Well	
210	0641410	2	Bolt 1/4in-20NC x 1-1/4in	
211	4751400	2	Flatwasher 1/4in Regular	

# SECTION 1 - FRAME

## FIGURE 1-8. TOW PACKAGE INSTALLATION



Go to Discount-Equipment.com to order your parts

## SECTION 1 - FRAME

### FIGURE 1-8. TOW PACKAGE INSTALLATION

ITEM	PART NUMBER	QTY	DESCRIPTION	REV
	1001158436	Ref	<b>TOW BAR INSTALLATION (ENGLISH DECALS)</b>	B
	1001220283	Ref	<b>TOW BAR INSTALLATION (FRENCH/ENGLISH DECALS)</b>	A
1	0250528	1	Tow Bar Assembly (See Items 101-121 for Breakdown)	
2	0641508	2	Bolt 5/16in-18NC x 1in	
4	4640261	1	Valve, Select	
5	4751500	4	Flatwasher 5/16in Regular	
6	0100011	AR	Compound, Locking	
7	1704578	2	Decal - Crushing (English Language)	
7	1706593	2	Decal - Crushing (English/French Dual Language)	
8	1705090	1	Decal - Towing Instructions (English Language)	
8	1705820	1	Decal - Towing Instructions (English/French Dual Language)	
9	3250872	1	Decal/Nameplate - Steer/Tow Select Valve (English Language)	
9	1704272	1	Decal/Nameplate - Steer/Tow Select Valve (English/French Dual Language)	
10	3820001	AR	Rivet	
11	4420051	AR	Tape, Safety	
12	1001160780	1	Extension, Rod	
	0270528	Ref	<b>TOW BAR ASSEMBLY</b>	A
101	0100011	AR	Compound, Locking	
102	0362910	1	Pintle, Draw Eye	
103	0642010	4	Bolt 5/8in-11NC x 1-1/4in	
104	0721004	2	Screw, Hex Machine	
105	0741607	24	Screw, Countersunk 3/8in-16NC x 7/8in	
106	1060584	6	Cable, Lanyard	
107	3420372	2	Pin, Cotter	
108	3420447	1	Pin, Towing	
109	3421565	2	Pin, Snap	
110	3422841	2	Pin	
111	3422847	1	Pin	
112	3572009	2	Plate, Slide Stop	
113	3572010	2	Plate, Slide Stop	
114	3572011	2	Plate, Slide Stop	
115	3572012	2	Plate, Slide Stop	
116	3760170	8	Ring, Split	
117	4568133	1	Tube, Tow Bar	
118	4740036	1	Flatwasher	
119	4751000	2	Flatwasher #10 Regular	
120	4846295	1	Tow Bar Attach Weldment	
121	4846296	1	Pintle Attach Weldment	



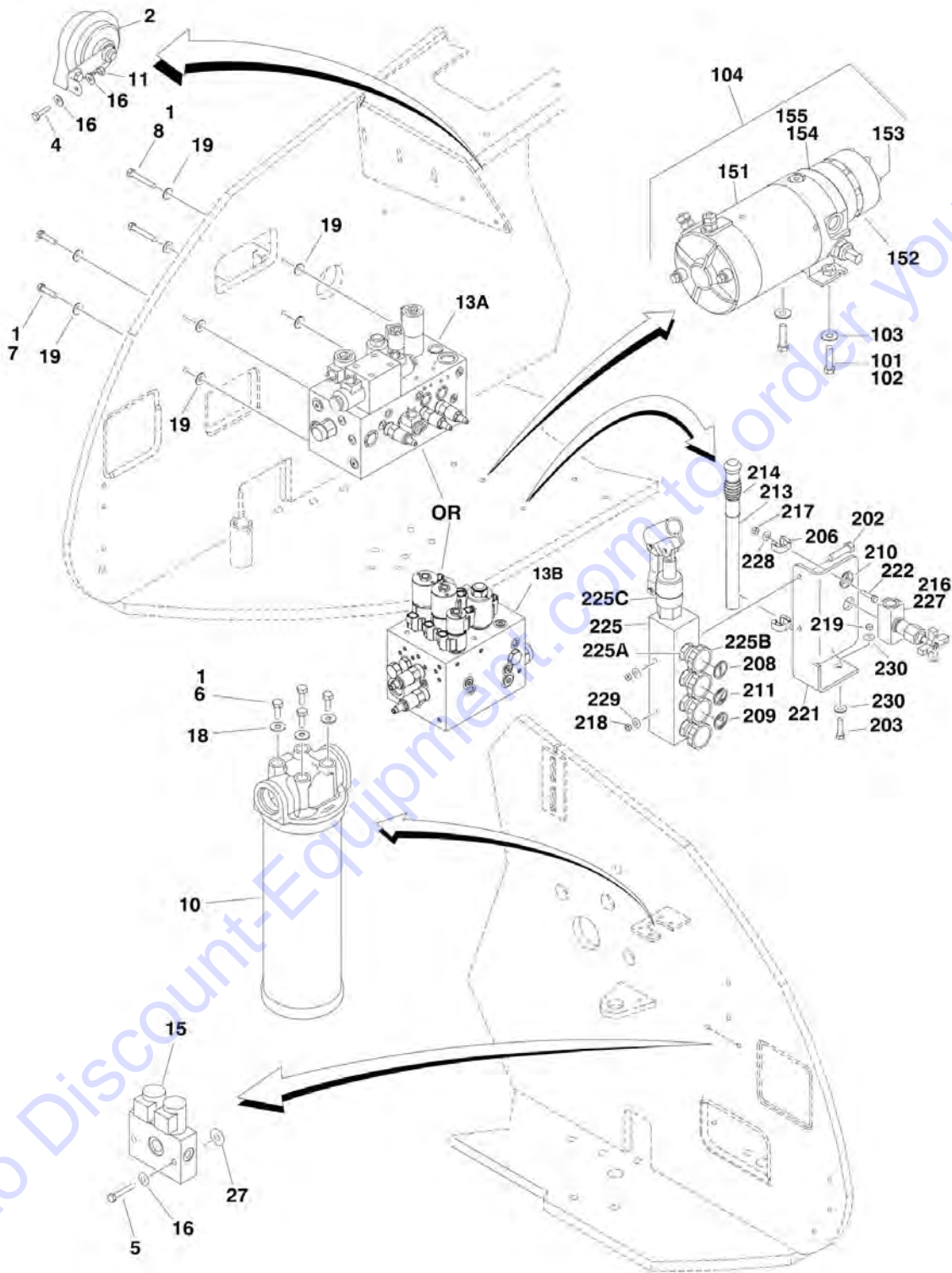


SECTION 2 - TURNTABLE

Go to Discount-Equipment.com to order your parts

# SECTION 2 - TURNTABLE

## FIGURE 2-1. CONTROL VALVES AND AUXILIARY PUMP INSTALLATIONS



## SECTION 2 - TURNTABLE

**FIGURE 2-1. CONTROL VALVES AND AUXILIARY PUMP INSTALLATIONS**

ITEM	PART NUMBER	QTY	DESCRIPTION	REV
		Ref	<b>VALVES INSTALLATIONS</b>	
		Ref	<b>Valves Installations 800S/680S without Hostile Environment/without LSS or with 4 Cell LSS</b>	
	1001161980	Ref	<b>Machines with Deutz D2011 &amp; GM Engines (SN 0300182743 through 0300190436)</b>	C
	1001149531	Ref	<b>Machines with Deutz TD2.9L4 Engines (SN 0300182743 through 0300190436)</b>	D
	1001167198	Ref	<b>Machines with All Deutz, Ford &amp; GM Engines (SN 0300190437 to Present)</b>	B
	1001167198	Ref	<b>Machines with All Deutz &amp; GM Engines (SN B300001092 to Present)</b>	B
		Ref	<b>Valves Installation 800S without Hostile Environment/with 1 Cell LSS</b>	
	1001219979	Ref	<b>Machines with All Deutz &amp; Ford Engines</b>	A
		Ref	<b>Valves Installations 800S with Hostile Environment/without LSS or with 4 Cell LSS</b>	
	1001161982	Ref	<b>Machines with Deutz D2011 &amp; GM Engines (SN 0300182743 through 0300190436)</b>	C
	1001149531	Ref	<b>Machines with Deutz TD2.9L4 Engines (SN 0300182743 through 0300190436)</b>	D
	1001167200	Ref	<b>Machines with All Deutz, Ford &amp; GM Engines (SN 0300190437 to Present)</b>	B
	1001167200	Ref	<b>Machines with All Deutz &amp; GM Engines (SN B300001092 to Present)</b>	B
		Ref	<b>Valves Installations 860SJ without LSS or with 4 Cell LSS</b>	
	1001161981	Ref	<b>Machines with Deutz D2011 &amp; GM Engines (SN 0300182743 through 0300190436)</b>	C
	1001149532	Ref	<b>Machines with Deutz TD2.9L4 Engines (SN 0300182743 through 0300190436)</b>	D
	1001167199	Ref	<b>Machines with All Deutz, Ford &amp; GM Engines (SN 0300190437 to Present)</b>	B
	1001167199	Ref	<b>Machines with All Deutz &amp; GM Engines (SN B300001092 to Present)</b>	B
		Ref	<b>Valves Installation 860SJ with 1 Cell LSS</b>	
	1001219980	Ref	<b>Machines with All Deutz &amp; Ford Engines</b>	B
1	0100011	AR	Compound, Locking	
2	0140001	1	<b>Horn (Deutz TD2.9L4 Machines Only) (SN 0300190437 to Present)</b>	
4	0641408	1	Bolt 1/4in-20NC x 1in	
5	0641418	2	Bolt 1/4in-20NC x 2-1/4in	
6	0641606	6	Bolt 3/8in-16NC x 3/4in	
7	0641612	4	Bolt 3/8in-16NC x 1-1/2in	
7	0641613	4	Bolt 3/8in-16NC x 1-5/8in	
10	1001108617	AR	Hydraulic Filter Assembly Options:	
10	70002231	1	Element, Filter	
11	3311405	1	Locknut 1/4in-20NC	
13A	4641432	1	<b>Main Control Valve Assembly (See MAIN CONTROL VALVE ASSEMBLY for Breakdown) (SN 0300182743 through 0300190436)</b>	
13B	1001154598	1	<b>Main Control Valve Assembly (See MAIN CONTROL VALVE ASSEMBLY for Breakdown) (SN 0300190437 through 030026383400)</b>	
13B	1001235900	1	<b>Main Control Valve Assembly (See MAIN CONTROL VALVE ASSEMBLY for Breakdown) (SN 0300263835 to Present)</b>	

## SECTION 2 - TURNTABLE

ITEM	PART NUMBER	QTY	DESCRIPTION	REV
13B	1001154598	1	Main Control Valve Assembly (See MAIN CONTROL VALVE ASSEMBLY for Breakdown) (SN B300001092 through B300003943)	
13B	1001235900	1	Main Control Valve Assembly (See MAIN CONTROL VALVE ASSEMBLY for Breakdown) (SN B300003944 to Present)	
15	4641317	1	Dual Select Valve Assembly	C
15	7012944	2	Coil	
15	7012941	2	Cartridge Less Coil	
15	7010543	2	Seal Kit - 7012941 Valve (1 Per Cartridge)	
16	4711400	AR	Flatwasher 1/4in Thin	
18	4711600	10	Flatwasher 3/8in Thin	
19	4751600	12	Flatwasher 3/8in Regular	
27	1001110425	1	Spacer	
	1001157262	Ref	<b>AUXILIARY PUMP INSTALLATION</b>	B
101	0100011	AR	Compound, Locking	
102	0641606	2	Bolt 3/8in-16NC x 3/4in	
103	4751600	2	Flatwasher 3/8in Regular	
104	1001137459	1	Auxiliary Pump Assembly (See Items 151-155 for Breakdown)	
	1001137459	Ref	<b>AUXILIARY PUMP ASSEMBLY</b>	A
151	70003998	1	Motor	
152	70004266	1	Pump	
153	70001020	4	Screw	
154	70003612	2	O-Ring	
155	70004267	1	O-Ring	
	1001157261	Ref	<b>MANUAL DESCENT INSTALLATION (OPTIONAL) (SN 0300182743 through 0300187355)</b>	A
202	0641420	2	Bolt 1/4in-20NC x 2-1/2in	
203	0641507	2	Bolt 5/16in-18NC x 7/8in	
206	1380136	2	Clip, Gripper	
207	1702901	1	Decal - Manual Descent (Not Shown - Located on hood)	
208	1702903	1	Decal - #1	
209	1702924	1	Decal - #3	
210	1702925	1	Decal - #4	
211	1702927	1	Decal - #2	
212	1705589	1	Decal - Manual Descent (Not Shown - Located on Hydraulic Tank)	
213	2560122	1	Handle	
214	2560123	1	Handle, Grip	
216	2900062	1	Kit, Valve Mounting	
217	3311005	2	Locknut #10-24NC	
218	3311405	2	Locknut 1/4in-20NC	
219	3311505	4	Locknut 5/16in-18NC	
221	3574179	1	Plate, Valve Mounting	
222	3911008	2	Screw #10-24NC x 1/2in	
225	4640930	1	Manifold, Manual Descent Assembly	
225A		Ref	Cartridge, Needle Options:	
225A	4640902	4	Cartridge, Needle (was p/n 7012954) (Original Equipment)	
225A	7012953	4	Seal, Kit - 7012954 Cartridge	
225A	4640902	4	Cartridge, Needle (Service Replacement)	
225A	7012953	4	Seal, Kit - 4640902 Cartridge	
225B	7012961	4	Knob	
225C		Ref	Cartridge, Pump Options:	
225C	70004019	1	Cartridge, Pump (was p/n 7012694) (Original Equipment)	

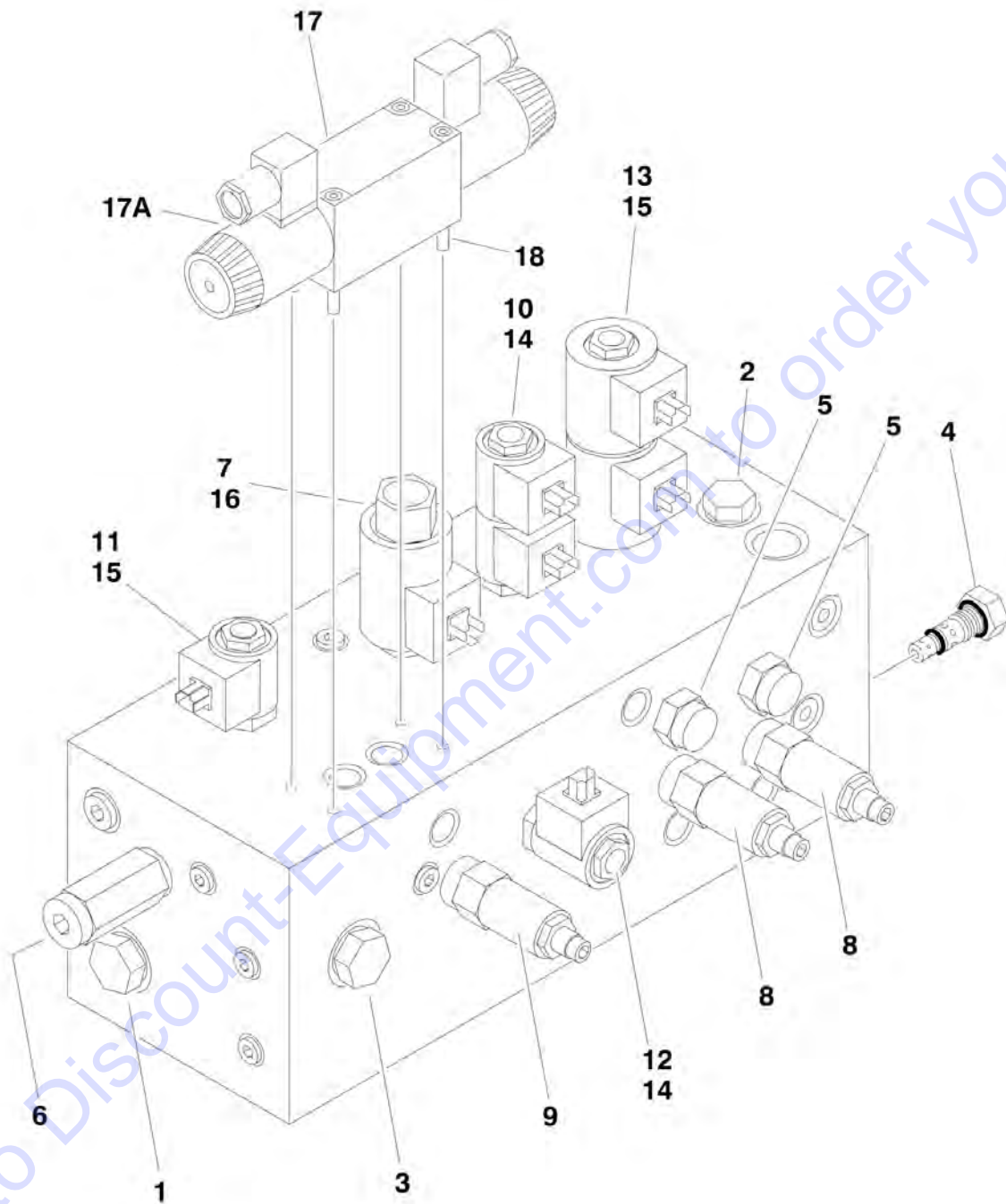
**SECTION 2 - TURNTABLE**

<b>ITEM</b>	<b>PART NUMBER</b>	<b>QTY</b>	<b>DESCRIPTION</b>	<b>REV</b>
225C	7012699	1	Seal, Kit - 7012694 Cartridge	
225C	70004019	1	Cartridge, Pump (Service Replacement)	
225C	7017496	1	Seal, Kit - 70004019 Cartridge (was p/n 2900756)	
227	4641263	1	Valve, Metering	
228	4751000	2	Flatwasher #10 Regular	
229	4751400	2	Flatwasher 1/4in Regular	
230	4751500	6	Flatwasher 5/16in Regular	

Go to Discount-Equipment.com to order your parts

## SECTION 2 - TURNTABLE

FIGURE 2-2. MAIN CONTROL VALVE ASSEMBLY (SN 0300182743 through 0300190436)



## SECTION 2 - TURNTABLE

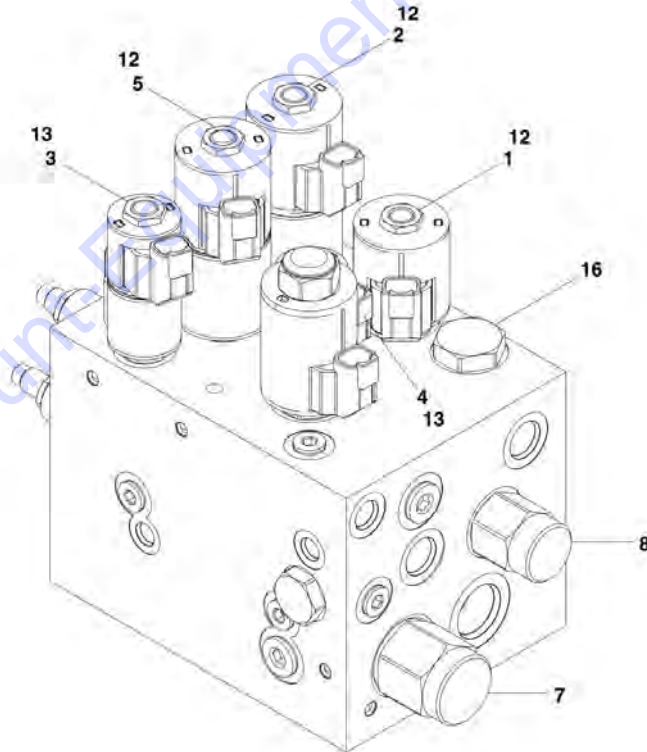
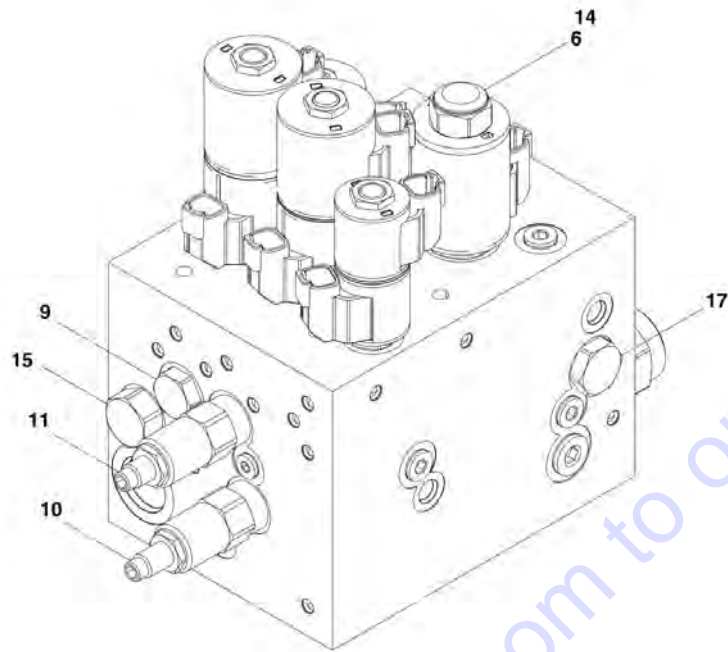
**FIGURE 2-2. MAIN CONTROL VALVE ASSEMBLY (SN 0300182743 through 0300190436)**

ITEM	PART NUMBER	QTY	DESCRIPTION	REV
	4641432	Ref	<b>MAIN CONTROL VALVE ASSEMBLY</b>	D
1	70004581	1	Cartridge, Check Valve	
1	70004571	1	Seal Kit - 70004581 Cartridge	
2	7012975	1	Cartridge, Check Valve	
2	7012967	1	Seal Kit - 7012975 Cartridge	
3	7023985	1	Cartridge, Check Valve	
3	7017496	1	Seal Kit - 7023985 Cartridge	
4	70004579	1	Cartridge, Flow Regulator (Steer)	
4	70004580	1	Seal Kit - 70004579 Cartridge	
5	10837580	2	Cartridge, Load Sensing (Steer and Swing) (was p/n 7010542)	
5	7010543	2	Seal Kit - 7010542 Cartridge	
6	70004576	1	Cartridge, Pilot	
6	70004577	1	Seal Kit - 70004576 Cartridge	
7	70004693	1	Cartridge, Proportional Flow (Tele)	
7	70004694	1	Seal Kit - 70004693 Cartridge	
8	7017422	2	Cartridge, Relief Valve (Steer and Swing)	
8	7012998	2	Seal Kit - 7017422 Cartridge	
9	7017489	1	Cartridge, Relief Valve (Tele Out Relief)	
9	7012998	1	Seal Kit - 7017489 Cartridge	
10	7023922	1	Cartridge, Solenoid (Swing)	
10	7017402	1	Seal Kit - 7023922 Cartridge	
11	70004570	1	Cartridge, Solenoid (Main Dump)	
11	70004571	1	Seal Kit - 70004570 Cartridge	
12	7021612	1	Cartridge, Solenoid (Lift Up Dump)	
12	7010543	1	Seal Kit - 7021612 Cartridge	
13	7023925	1	Cartridge, Solenoid (Steer Direction)	
13	7012903	1	Seal Kit - 7023925 Cartridge	
14	7012944	3	Coil	
15	7012943	3	Coil	
15	70003024	1	Spacer, Coil	
16	7017451	1	Coil	
17	70000579	1	Control Valve Assembly (Tele Direction)	
17	70000583	1	Seal Kit	
17A	70000582	1	Coil	
17A	70000580	1	Nut, Coil	
18	See Note	NSS	Capscrew (Note: Not Available for Purchase)	



## SECTION 2 - TURNTABLE

FIGURE 2-3. MAIN CONTROL VALVE ASSEMBLY (SN 0300190437 through 0300263834, SN B300001092 through B300003943)



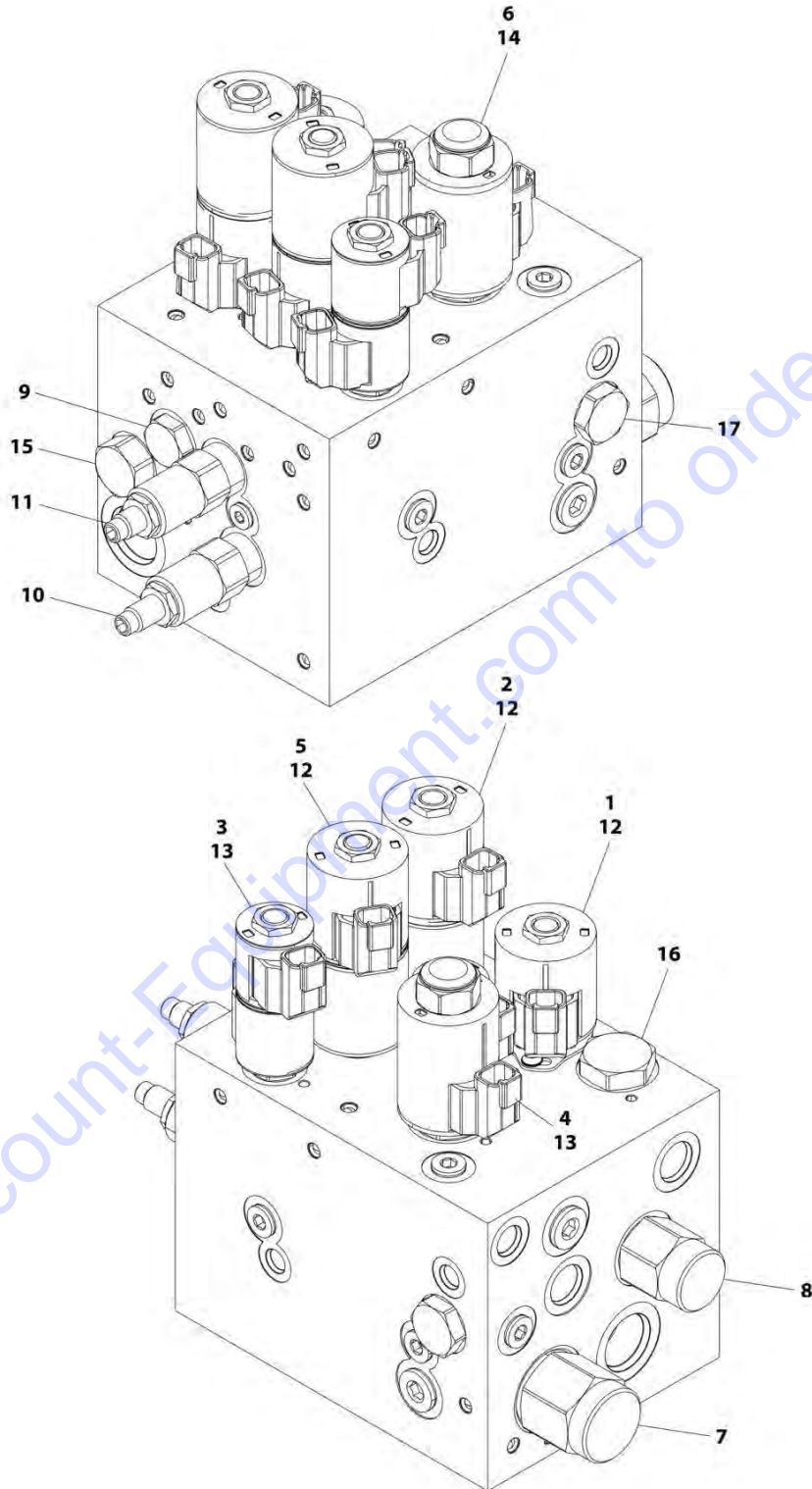
**SECTION 2 - TURNTABLE**

**FIGURE 2-3. MAIN CONTROL VALVE ASSEMBLY (SN 0300190437 through 0300263834, SN B300001092 through B300003943)**

ITEM	PART NUMBER	QTY	DESCRIPTION	REV
	1001154598	Ref	MAIN CONTROL VALVE ASSEMBLY	D
1	70004570	1	Cartridge, Solenoid Valve (Main Dump)	
1	70004571	1	Seal Kit - 70004570 Valve	
1	70005725	1	Lock Down Kit	
2	7023925	1	Cartridge, Solenoid Valve (Steer)	
2	7012903	1	Seal Kit - 7023925 Valve	
3	7017452	1	Cartridge, Solenoid Valve (Tele)	
3	7017402	1	Seal Kit - 7017452 Valve	
4	7021612	1	Cartridge, Solenoid Valve (Lift)	
4	7012907	1	Seal Kit - 7021612 Valve	
5	70003022	1	Cartridge, Solenoid Valve (Swing)	
5	7012903	1	Seal Kit - 70003022 Valve	
6	70004572	1	Cartridge, Solenoid Valve (Tele)	
6	70004573	1	Seal Kit - 70004572 Valve	
7	70004574	1	Cartridge, Valve	
7	70004575	1	Seal Kit - 70004574 Valve	
8	70004576	1	Cartridge, Valve	
8	70004577	1	Seal Kit - 70004576 Valve	
9	10837580	1	Cartridge, Valve	
9	7010543	1	Seal Kit - 10837580 Valve	
10	7017422	1	Cartridge, Valve	
10	7012998	1	Seal Kit - 7017422 Valve	
11	70004578	1	Cartridge, Valve	
11	7021653	1	Seal Kit - 70004578 Valve	
12	70003788	5	Coil	
13	70002386	3	Coil	
14	70003789	1	Coil	
15	70004579	1	Cartridge, Valve	
15	70004580	1	Seal Kit - 70004579 Valve	
16	70004581	1	Cartridge, Valve	
16	70004571	1	Seal Kit - 70004581 Valve	
17	7023985	1	Cartridge, Valve	
17	7017496	1	Seal Kit - 7023985 Valve	

## SECTION 2 - TURNTABLE

FIGURE 2-4. MAIN CONTROL VALVE ASSEMBLY (SN 0300263835 to Present, SN B300003944 to Present)



ART\_1001235900

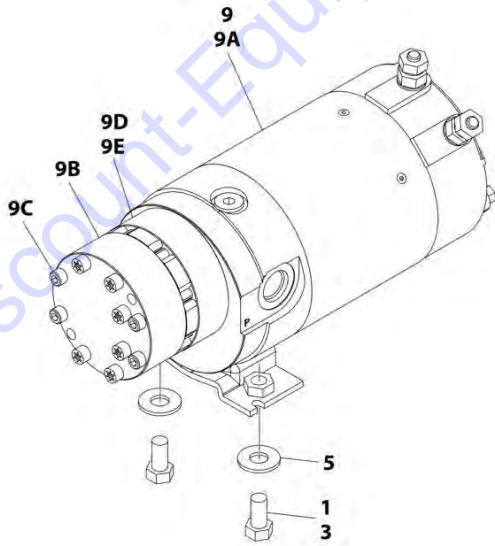
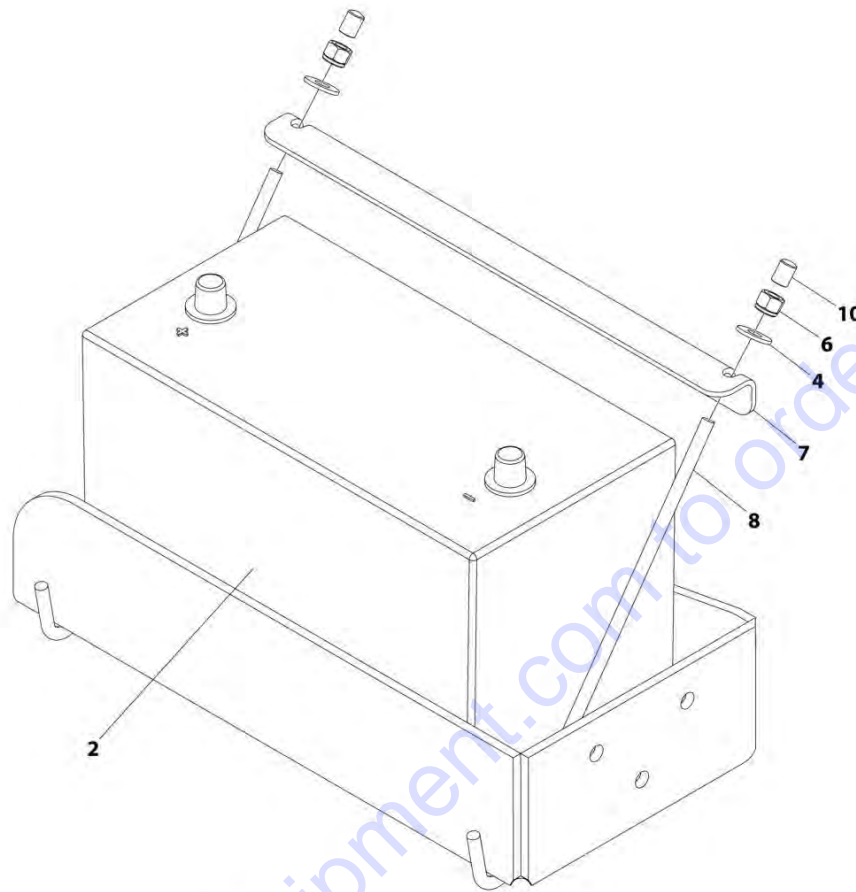
## SECTION 2 - TURNTABLE

**FIGURE 2-4. MAIN CONTROL VALVE ASSEMBLY (SN 0300263835 to Present, SN B300003944 to Present)**

ITEM	PART NUMBER	QTY	DESCRIPTION	REV
	1001235900	Ref	MAIN CONTROL VALVE ASSEMBLY	A
1	70004570	1	Cartridge, Solenoid Valve (Main Dump)	
1	70004571	1	Seal Kit - 70004570 Valve	
1	70005725	1	Lock Down Kit	
2	7023925	1	Cartridge, Solenoid Valve (Steer)	
2	7012903	1	Seal Kit - 7023925 Valve	
3	7017452	1	Cartridge, Solenoid Valve (Tele)	
3	7017402	1	Seal Kit - 7017452 Valve	
4	7021612	1	Cartridge, Solenoid Valve (Lift)	
4	7012907	1	Seal Kit - 7021612 Valve	
5	70003022	1	Cartridge, Solenoid Valve (Swing)	
5	7012903	1	Seal Kit - 70003022 Valve	
6	70004572	1	Cartridge, Solenoid Valve (Tele)	
6	70004573	1	Seal Kit - 70004572 Valve	
7	70004574	1	Cartridge, Valve	
7	70004575	1	Seal Kit - 70004574 Valve	
8	70004576	1	Cartridge, Valve	
8	70004577	1	Seal Kit - 70004576 Valve	
9	10837580	1	Cartridge, Valve	
9	7010543	1	Seal Kit - 10837580 Valve	
10	7017422	1	Cartridge, Valve	
10	7012998	1	Seal Kit - 7017422 Valve	
11	70004578	1	Cartridge, Valve	
11	7021653	1	Seal Kit - 70004578 Valve	
12	70003788	5	Coil	
13	70002386	3	Coil	
14	70003789	1	Coil	
15	70004579	1	Cartridge, Valve	
15	70004580	1	Seal Kit - 70004579 Valve	
16	70004581	1	Cartridge, Valve	
16	70004571	1	Seal Kit - 70004581 Valve	
17	7023985	1	Cartridge, Valve	
17	7017496	1	Seal Kit - 7023985 Valve	

## SECTION 2 - TURNTABLE

FIGURE 2-5. AUXILIARY PUMP WITH BATTERY WITHOUT BATTERY DISCONNECT SWITCH INSTALLATION



ART\_1001239472

**SECTION 2 - TURNTABLE**

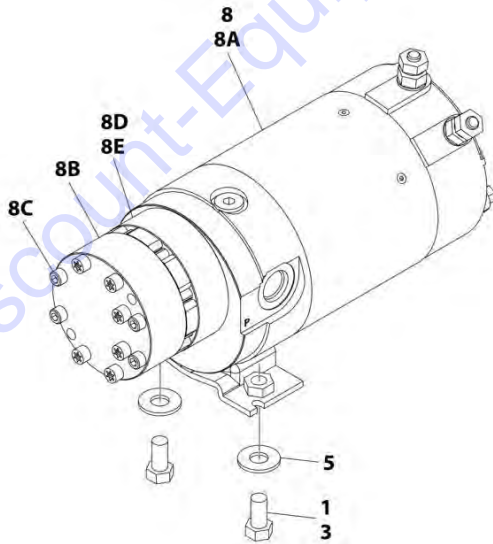
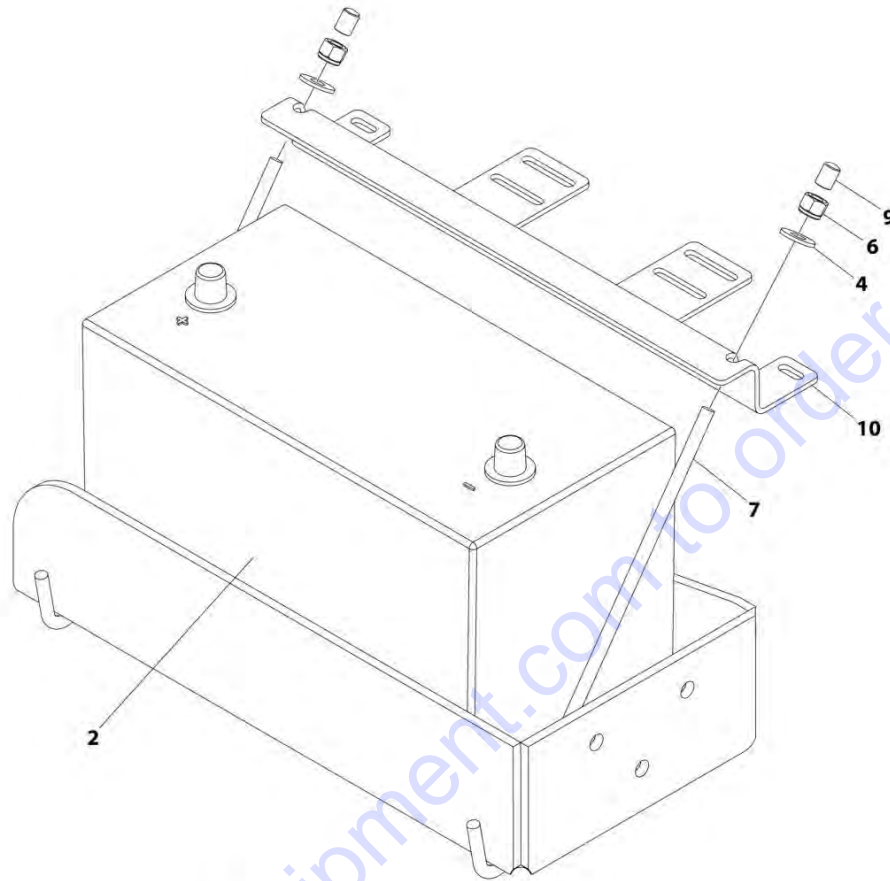
**FIGURE 2-5. AUXILIARY PUMP WITH BATTERY WITHOUT BATTERY DISCONNECT SWITCH INSTALLATION**

ITEM	PART NUMBER	QTY	DESCRIPTION	REV
	1001239472	Ref	AUXILIARY PUMP WITH BATTERY WITHOUT BATTERY DISCONNECT SWITCH INSTALLATION	A
1	0100011	AR	Compound, Locking	
2	0400075	1	Battery	
3	0641606	2	Bolt 3/8 x 3/4	
4	4751500	2	Washer 5/16	
5	4751600	2	Washer 3/8	
6	88521205	2	Nut 5/16	
7	91401281	1	Hold-down, Battery	
8	1001093382	2	Bolt, Battery Hold-down	
9	1001137459	1	Auxiliary Pump Assembly	
9A	70003998	1	Motor	
9B	70004266	1	Pump	
9C	70001020	4	Screw	
9D	70003612	2	O-Ring	
9E	70004267	1	O-Ring	
10	1001218572	2	Cap, Vinyl	

Go to Discount-Equipment.com to order your parts

## SECTION 2 - TURNTABLE

FIGURE 2-6. AUXILIARY PUMP WITH BATTERY WITH BATTERY DISCONNECT SWITCH INSTALLATION



ART\_1001239471

**SECTION 2 - TURNTABLE**

**FIGURE 2-6. AUXILIARY PUMP WITH BATTERY WITH BATTERY DISCONNECT SWITCH INSTALLATION**

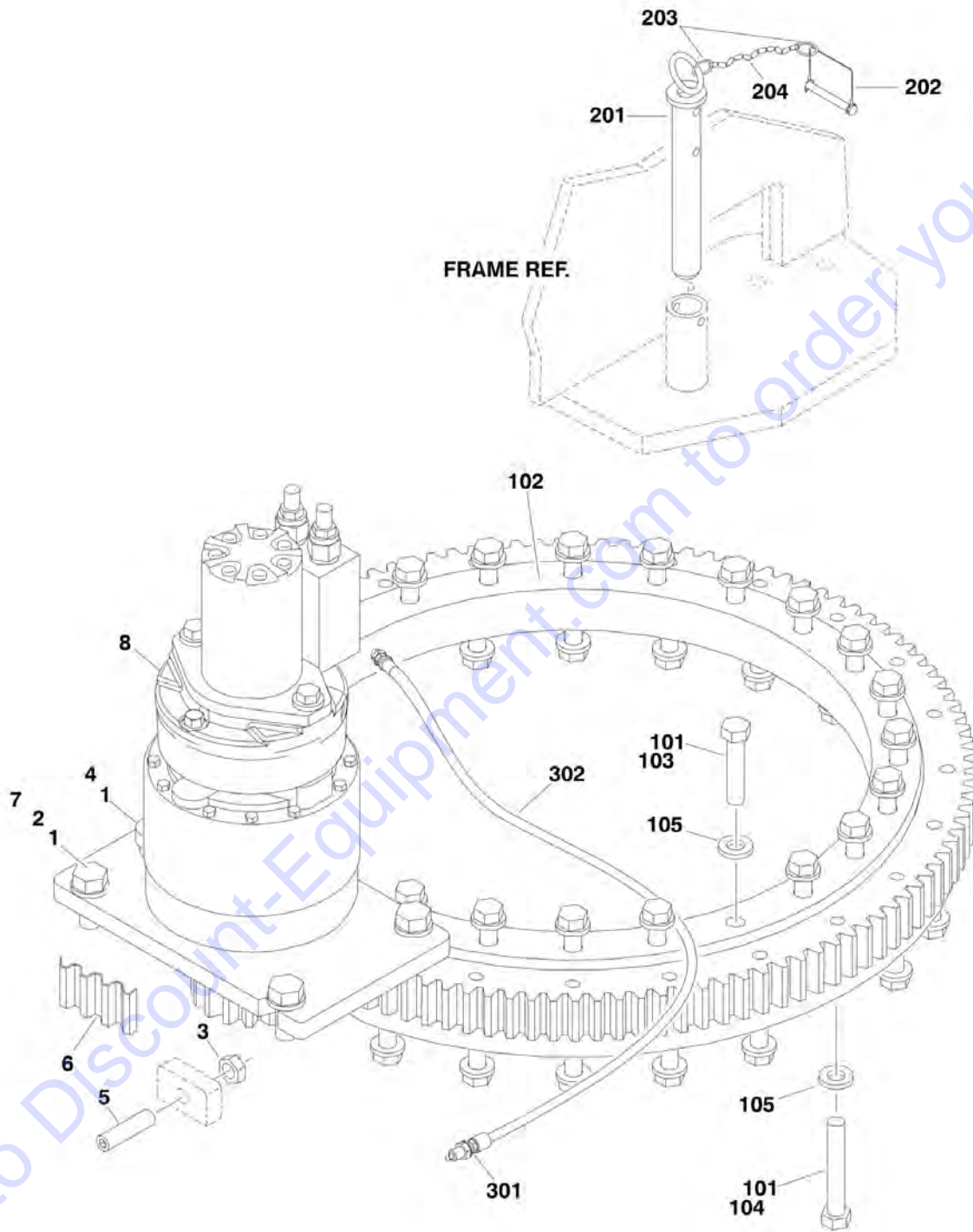
ITEM	PART NUMBER	QTY	DESCRIPTION	REV
	1001239471	Ref	AUXILIARY PUMP WITH BATTERY WITH BATTERY DISCONNECT SWITCH INSTALLATION	A
1	0100011	AR	Compound, Locking	
2	0400075	1	Battery	
3	0641606	2	Bolt 3/8 x 3/4	
4	4751500	2	Washer 5/16	
5	4751600	2	Washer 3/8	
6	88521205	2	Nut 5/16	
7	1001093382	2	Bolt, Battery Hold-down	
8	1001137459	1	Auxiliary Pump Assembly	
8A	70003998	1	Motor	
8B	70004266	1	Pump	
8C	70001020	4	Screw	
8D	70003612	2	O-Ring	
8E	70004267	1	O-Ring	
9	1001218572	2	Cap, Vinyl	
10	1001236303	1	Hold-down, Battery	

Go to Discount-Equipment.com to order your parts



# SECTION 2 - TURNTABLE

## FIGURE 2-7. TURNTABLE BEARING AND SWING DRIVE INSTALLATION



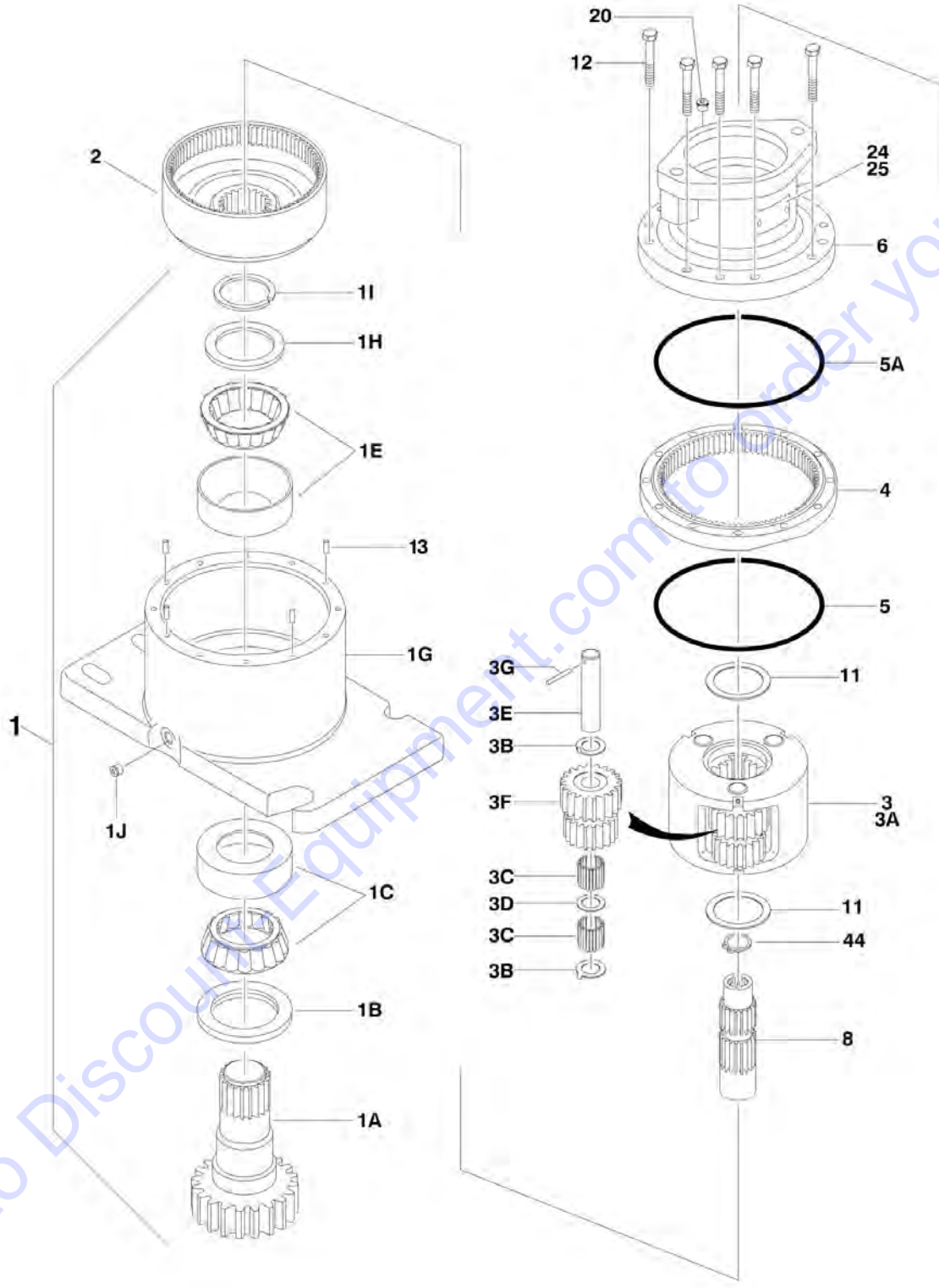
## SECTION 2 - TURNTABLE

**FIGURE 2-7. TURNTABLE BEARING AND SWING DRIVE INSTALLATION**

ITEM	PART NUMBER	QTY	DESCRIPTION	REV
	1001094899	Ref	<b>SWING DRIVE INSTALLATION</b>	D
1	0100019	AR	Compound, Locking	
2	0682216	4	Bolt 3/4in-10NC x 2in Grade 8	
3	3312002	1	Nut, Jam 3/4in-10NC	
4	3900293	1	Bolt, Shoulder	
5	3952020	2	Setscrew 5/8in-11NC x 2-1/2in	
6	4071009	1	Shim <b>(SN 0300182743 through 0300189311)</b>	
6	1001125492	1	Shim <b>(SN 0300189312 to Present)</b>	
6	1001125492	1	Shim <b>(SN B300001092 to Present)</b>	
7	4740057	4	Flatwasher 3/4in Hardened	
8	1001101060	1	Swing Motor/Swing Hub Assembly (See SWING MOTOR/HUB ASSEMBLY for Breakdown)	
	0271002	Ref	<b>TURNTABLE BEARING INSTALLATION</b>	E
101	0100019	AR	Compound, Locking	
102	0440244	1	Bearing, Turntable	
103	0682023	24	Bolt 5/8in - 11NC x 2-7/8in Grade 8	
104	0682032	24	Bolt 5/8in - 11NC x 4in Grade 8	
105	4892000	48	Flatwasher, 5/8in Hardened	
	0259147	Ref	<b>TURNTABLE LOCK INSTALLATION</b>	B
201	4844958	1	Pin	
202	3421565	1	Pin, Snap	
203	3760170	2	Ring, Quick Release	
204	1260017	9 in/23cm	Chain	
	1001161076	Ref	<b>REMOTE BEARING LUBE INSTALLATION</b>	A
301	0100011	AR	Compound, Locking	
302	1001157058	1	Hose and Fitting Assembly	

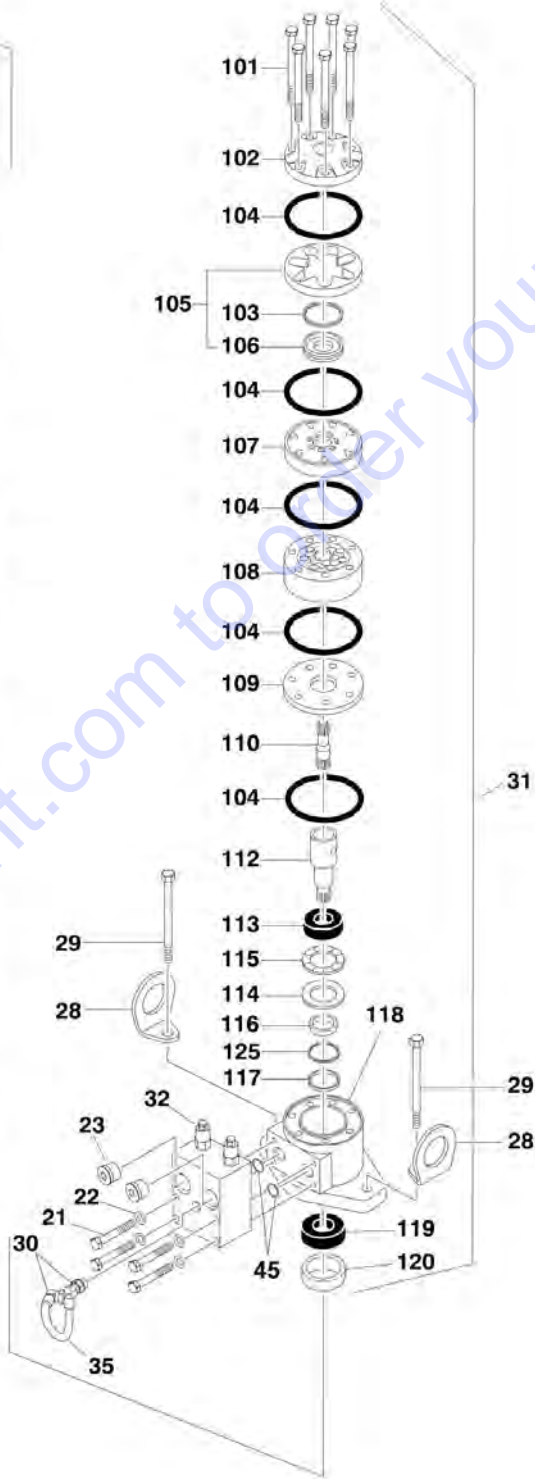
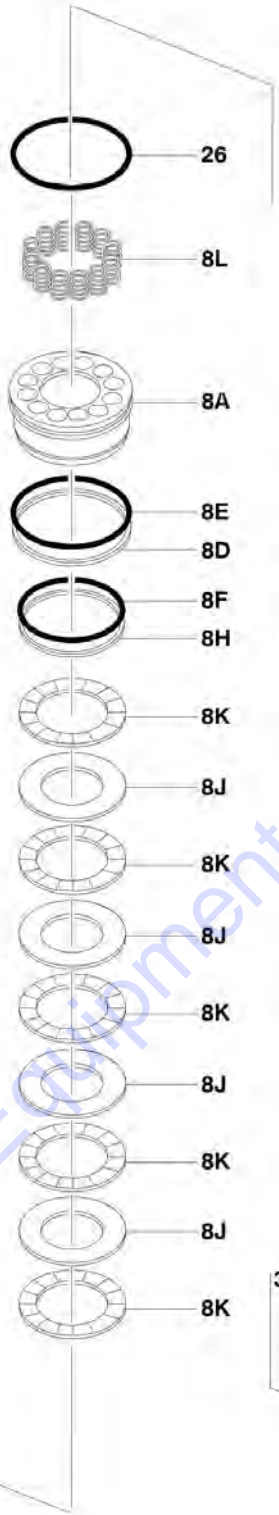
# SECTION 2 - TURNTABLE

## FIGURE 2-8. SWING MOTOR/HUB ASSEMBLY



# SECTION 2 - TURNTABLE

200A  
200B  
200C  
201  
202



Go to Discount-Equipment.com to order your parts

## SECTION 2 - TURNTABLE

FIGURE 2-8. SWING MOTOR/HUB ASSEMBLY

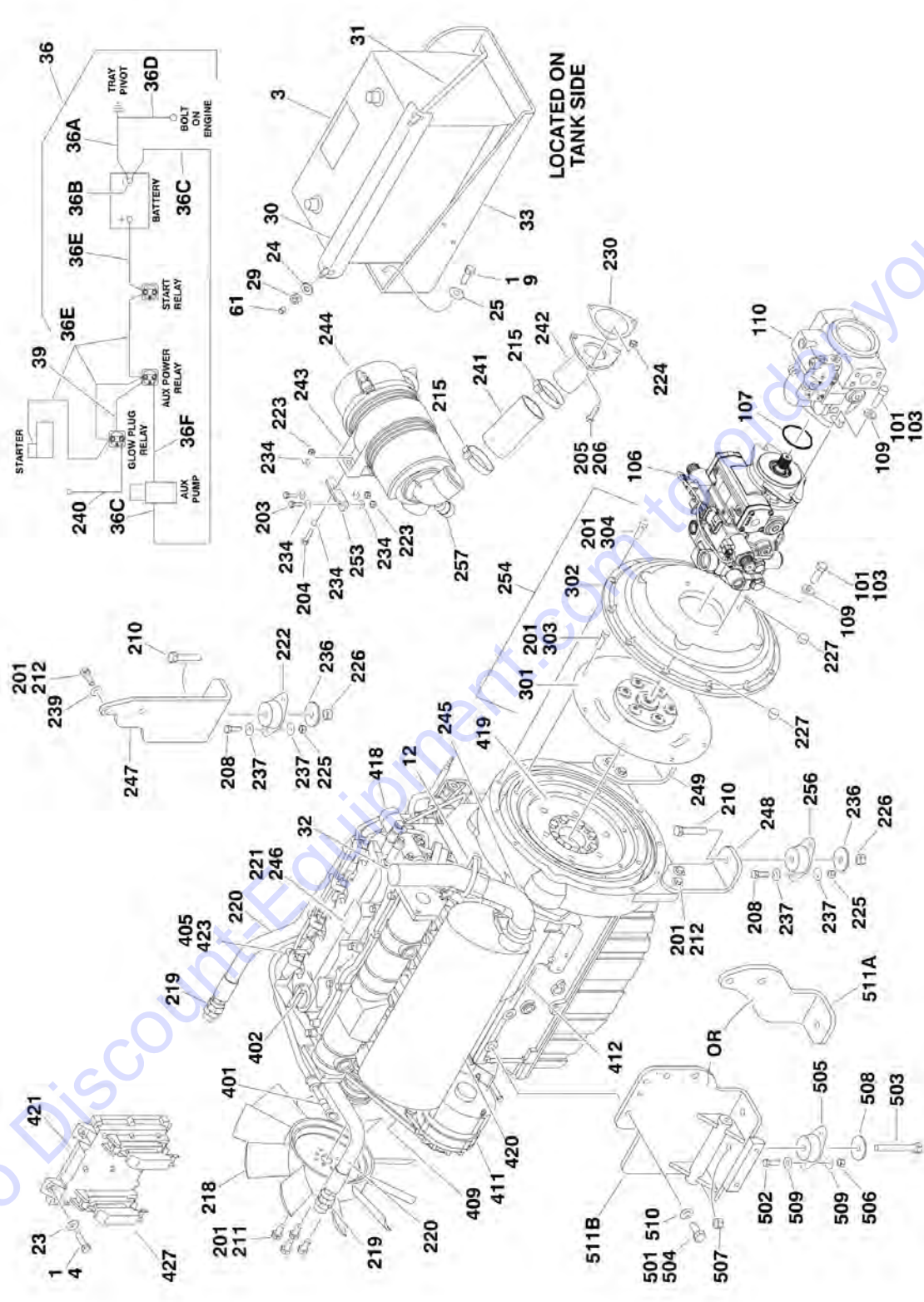
ITEM	PART NUMBER	QTY	DESCRIPTION	REV
	1001101060	Ref	<b>SWING MOTOR/HUB ASSEMBLY</b>	B
1	See Note	NSS	Housing/Shaft Assembly (Note: Not Available - Purchase Individual Components)	
1A	7010492	1	Shaft, Output	
1B	7000228	1	Seal, Lip	
1C	7000255	1	Bearing Kit (Includes Cup and Cone)	
1E	7000257	1	Bearing Kit (Includes Cup and Cone)	
1G	7024762	1	Housing	
1H	7007633	1	Thrustwasher	
1I	7000229	1	Ring, Retaining	
1J	7017072	1	Plug, Pipe	
2	7000246	1	Gear, Internal	
3	80424002	1	Carrier Assembly	
3A	7001931	1	Carrier	
3B	7001985	6	Washer, Tanged	
3C	7001909	84	Bearing, Needle	
3D	7000263	3	Thrustwasher	
3E	7001911	3	Shaft, Planet	
3F	7001912	3	Gear, Cluster	
3G	7010474	3	Rollpin	
4	7000248	1	Gear, Ring	
5	7000230	1	O-Ring	
5A	7017070	1	O-Ring	
6	See Note	NSS	Housing, Brake (Note: Not Available - Purchase Complete Assembly)	
8	70002065	1	Gear, Sun	
8A	70000782	1	Piston	
8D	70002070	1	O-Ring	
8E	70002071	1	Ring, Back-up	
8F	70002073	1	O-Ring	
8H	70002072	1	Ring, Back-up	
8J	70002067	4	Disc, Rotor	
8K	70002068	5	Disc, Stator	
8L	70002066	14	Spring	
11	7000253	2	Thrustwasher	
12	7000217	12	Bolt 3/8in-16NC x 2-1/4in (Grade 8)	
13	7017080	4	Pin, Dowel	
20	7017072	1	Plug, Pipe	
21	7024704	4	Bolt 5/16in-18NC x 2in (Grade 8)	
22	See Note	NSS	Lockwasher (Note: Not Available for Purchase)	
23	7017023	2	Plug, Pipe	
24	See Note	NSS	Plate, ID (Note: Not available for purchase)	
25	7000281	2	Screw, Drive	
26	7024763	1	O-Ring	
28	See Note	NSS	Lug, Lifting (Note: Not Available for Purchase)	
29	70002069	2	Bolt 1/2in-13NC x 2in (Grade 8)	
30	7017085	2	Elbow	
31	70002075	1	Motor Assembly (See Items 101-125 for Breakdown)	
32	7024784	1	Valve Assembly - Complete (No Serviceable Parts)	
35	70002074	1	Tube	

**SECTION 2 - TURNTABLE**

ITEM	PART NUMBER	QTY	DESCRIPTION	REV
44	7017028	1	Ring, Internal Retaining	
45	70000213	2	O-Ring	
	70002075	Ref	<b>MOTOR ASSEMBLY</b>	
101	7024454	5	Bolt	
102	7004035	1	Cover, End	
103	7023318	1	Seal, Commutator	
104	7004036	5	Seal, Ring	
105	7024453	1	Commutator and Ring Assembly	
106	7024453	1	Ring	
107	7024379	1	Manifold	
108	7024455	1	Rotor Set	
109	7024380	1	Plate, Wear	
110	7024456	1	Link, Drive	
112	7024458	1	Shaft, Coupling	
113	7024381	1	Bearing, Inner	
114	7004043	1	Thrustwasher	
115	7004044	1	Bearing, Thrust	
116	7004049	1	Seal, Inner	
117	7004045	1	Washer, Back-up	
118	7024457	1	Housing	
119	7024390	1	Bearing, Outer	
120	7004047	1	Seal	
125	80424043	1	Washer, Back-up	
		Ref	<b>KIT OPTIONS:</b>	
200		Ref	Seal Kit Options:	
200A	7024100	1	Swing Hub (Includes Items 1B, 1I, 5, 5A & 11)	
200A	70006437	1	Swing Hub (Includes Items 1B, 1I, 5, 5A, 12 & 26)	
200B	70002086	1	Swing Brake (Includes Items 8D, 8E, 8F, 8H & 26)	
200C	7024396	1	Swing Motor (Includes Items 103, 104, 116, 117, 120 & 125)	
201	70002085	1	Disc Kit - Swing Brake (Includes Items 8J & 8K)	
202	70006436	1	Bearing and Seal Kit (Includes Items 1B, 1C, 1E, 1I, 5, 5A, 12 & 26)	

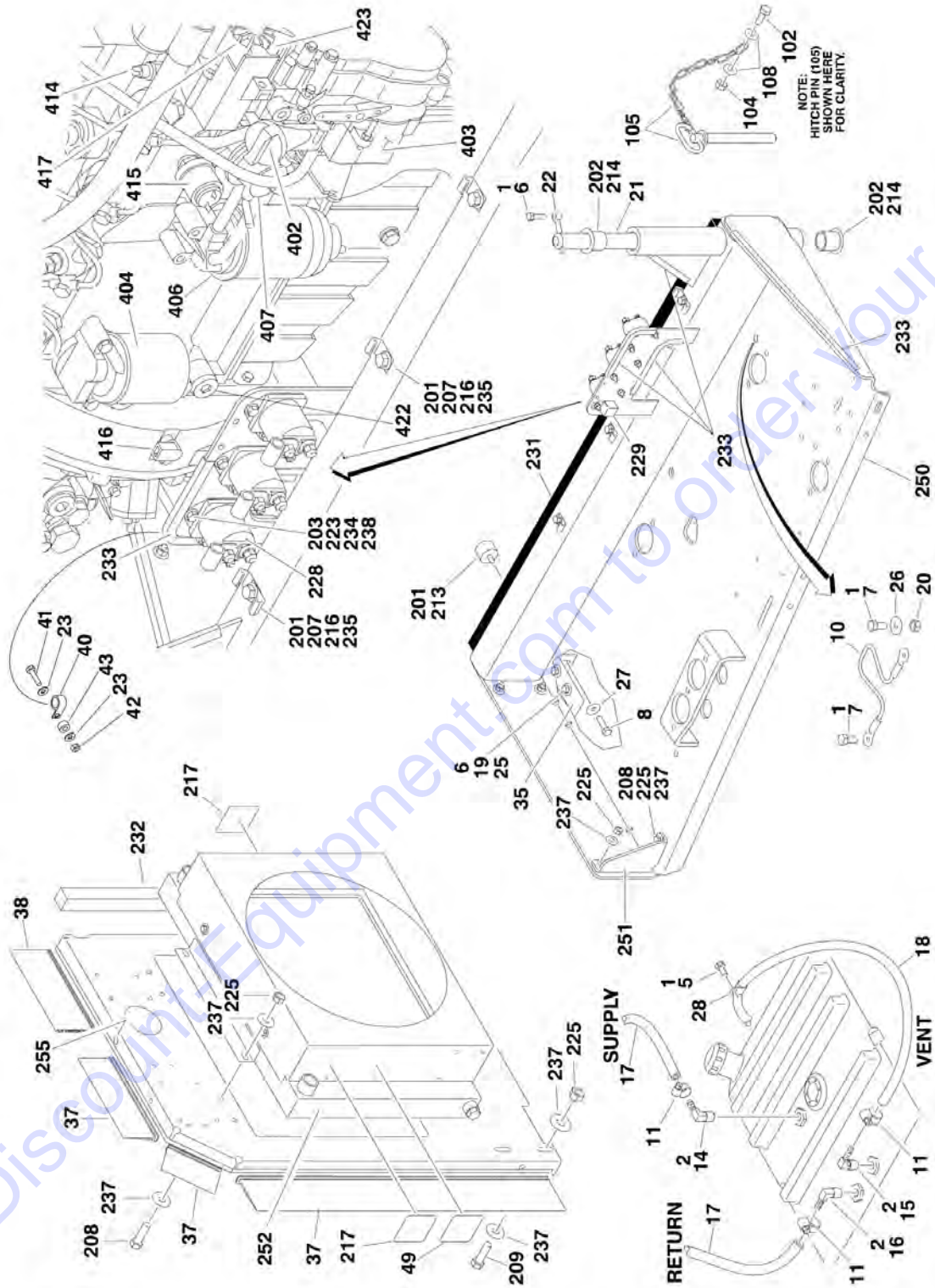
# SECTION 2 - TURNTABLE

FIGURE 2-9. DEUTZ D2011 ENGINE INSTALLATION



Go to [DiscoverParts.com](http://www.DiscoverParts.com) for your parts

# SECTION 2 - TURNTABLE





## SECTION 2 - TURNTABLE

FIGURE 2-9. DEUTZ D2011 ENGINE INSTALLATION

ITEM	PART NUMBER	QTY	DESCRIPTION	REV
		Ref	<b>DEUTZ D2011 ENGINE INSTALLATION</b>	
	1001156170	Ref	<b>Without Arctic Package (All Specs except CE Spec)</b>	H
	1001160977	Ref	<b>Without Arctic Package (CE Spec Only)</b>	C
	1001156171	Ref	<b>With Arctic Package (All Specs) (SN 0300182743 through 0300196954)</b>	F
	1001178212	Ref	<b>With Arctic Package (All Specs) (SN 0300196955 to Present, SN B300001097 to Present)</b>	F
1	0100011	AR	Compound, Locking	
2	0100020	AR	Sealant, Pipe	
3	0400075	1	Battery (SN 0300182743 through 0300259989, SN B300001092 through B300004169)	
4	0641410	4	Bolt 1/4in-20NC x 1-1/4in	
5	0641608	1	Bolt 3/8in-16NC x 1in	
6	0641610	3	Bolt 3/8in-16NC x 1-1/4in	
7	0641808	2	Bolt 1/2in-13NC x 1in	
8	0642010	1	Bolt 5/8in-11NC x 1-1/4in	
9	0681608	3	Bolt 3/8in-16NC x 1in Grade 8	
10	1060637	1	Cable, Lanyard	
11	1320022	5	Clamp, Hose	
12	1320176	1	Clamp	
13	1701505	1	Decal - Diesel (Not Shown - Located on Hood)	
14	2180348	1	Fitting, Straight Barbed	
15	2220313	1	Fitting, Elbow	
16	2221176	1	Fitting, Elbow Barbed	
17	2720058	30 ft/9.2m	Hose	
18	2750532	7 ft/2.1m	Hose	
19	3311605	4	Locknut 3/8in-16NC	
20	3311801	1	Nut 1/2in-13NC	
21	3422446	1	Pin, Pivot	
22	3841143	1	Pin, Keeper	
23	4711400	AR	Flatwasher 1/4in Thin	
24	4751500	AR	Flatwasher 5/16in Regular	
25	4751600	7	Flatwasher 3/8in Regular	
26	4751800	1	Flatwasher 1/2in Regular	
27	4752000	1	Flatwasher 5/8in Regular	
28	8406102	1	Clip	
29	88521205	AR	Locknut 5/16in-18NC	
30	91401281	1	Hold-down, Battery (SN 0300182743 through 0300259989, SN B300001092 through B300004169)	
31	1001093382	2	Bolt, Battery Hold-down (SN 0300182743 through 0300259989, SN B300001092 through B300004169)	
32	1001101600	1	Tube, Exhaust	
33	1001162497	1	Bracket	
35	1001151070	1	Plate	
36	1001155143	1	Battery Cable Kit	C
36A	7027092	1	Cable, Battery (Black) (Battery - to Tray Pivot and Relay Grds)	
36B	8270147	1	Terminal, Battery (With Boot) Cable, Battery (Black)	
36C	7027093	1	Cable, Battery (Black) (Battery - to Aux Pump Ground)	
36D	7027053	1	Cable, Battery (Black) (Engine to Tray Pivot Grd)	
36E	7027094	1	Cable (Red) (Battery + to Relays/Starter)	
36F	7027095	1	Cable (Red) (Aux Relay to Aux Pump)	

**SECTION 2 - TURNTABLE**

ITEM	PART NUMBER	QTY	DESCRIPTION	REV
37	3960548	44 in/1.1m	Seal	
38	3960549	11 in /28cm	Seal	
39	4922737	1	Harness, Engine Ground (SN 0300182743 through 0300259989, SN B300001092 through B300004169)	
40	1320224	1	Clamp (SN 0300247153 to Present, SN B300003181 to Present)	
41	0641409	1	Bolt ¼ x 1-1/8	
42	3311405	1	Nut 1/4	
43	1001110425	1	Spacer (SN 0300247153 to Present, SN B300003181 to Present)	
49		Ref	Decal - Warning Explosion/Fire	
49	1704972	1	ANSI Spec	
49	1706098	1	Australian and CE Spec	
49	1706059	1	Brazilian Spec	
49	1706060	1	Chinese Spec	
49	1706064	1	CSA Spec	
49	1706062	1	Japanese Spec	
49	1706061	1	Korean Spec	
49	1706063	1	Spanish Language	
		Ref	<b>Note: Arctic Package Items 50-59 Not Shown - Used on Arctic Machines Only.</b>	
50	1060625	1	Cable, Immersion Heater (Located on bottom of Hydraulic Oil Tank) (SN 0300182743 through 0300185003)	
51	1060626	1	Cord, 3 Way Extension (Located on Left Front of Engine)	
52	1320223	2	Clamp (SN 0300182743 through 0300196954)	
53	1702941	1	Decal - Battery Heater (Located on Battery Heater)	
54	1702942	1	Decal - Engine Block Heater (Located on Right Side of Engine)	
55	1702943	1	Decal - Hydraulic Tank Heater (Located on bottom of Hydraulic Oil Tank)	
56	1702944	1	Decal - Heater Cord (Located on Left Front of Engine)	
57	2580024	1	Heater, Battery (Located on Battery)	
58	2580050	1	Heater, Hydraulic Tank (Located on bottom of Hydraulic Oil Tank) (SN 0300182743 through 0300208405)	
58	1001188972	1	Heater, Hydraulic Tank (Located on bottom of Hydraulic Oil Tank) (SN 0300208406 to Present)	
58	2580050	1	Heater, Hydraulic Tank (Located on bottom of Hydraulic Oil Tank) (SN B300001097 through B300001323)	
58	1001188972	1	Heater, Hydraulic Tank (Located on bottom of Hydraulic Oil Tank) (SN B300001324 to Present)	
59	3980007	1	Seat, Battery	
60	1001150918	1	Cable, Immersion Heater (Located on bottom of Hydraulic Oil Tank) (SN 0300196955 to Present)	
60	1001150918	1	Cable, Immersion Heater (Located on bottom of Hydraulic Oil Tank) (SN B300001097 to Present)	
61	1001218572	AR	Cap, Vinyl (SN 0300232903 to Present)	
		Ref	<b>ENGINE AND PUMP ASSEMBLIES</b>	
	1001154236	Ref	<b>Without Arctic Package (All Specs except CE Spec)</b>	D
	1001160966	Ref	<b>Without Arctic Package (CE Spec Only)</b>	B
	1001154237	Ref	<b>With Arctic Package (All Specs)</b>	D
101	0100011	AR	Compound, Locking	
102	0641407	1	Bolt 1/4in-20NC x 7/8in	
103	0641812	4	Bolt 1/2in-13NC x 1-1/2in	
104	3311405	1	Locknut 1/4in-20NC	

## SECTION 2 - TURNTABLE

ITEM	PART NUMBER	QTY	DESCRIPTION	REV
105	3422532	1	Pin, Hitch	
106	1001152522	1	Hydrostatic Pump Assembly with Fittings (See HYDROSTATIC PUMP ASSEMBLY for Breakdown) <b>(SN 0300182743 through 0300208405)</b>	
106	1001187510	NLA	Hydrostatic Pump Assembly with Fittings (Use p/n 1001225745) (See HYDROSTATIC PUMP ASSEMBLY for Breakdown) <b>(SN 0300208406 through 0300240852)</b>	
106	1001225745	1	Hydrostatic Pump Assembly with Fittings (See HYDROSTATIC PUMP ASSEMBLY for Breakdown) <b>(SN 0300240853 to Present)</b>	
106	1001152522	1	Hydrostatic Pump Assembly with Fittings (See HYDROSTATIC PUMP ASSEMBLY for Breakdown) <b>(SN B300001092 through B300001325)</b>	
106	1001187510	NLA	Hydrostatic Pump Assembly with Fittings (Use p/n 1001225745) (See HYDROSTATIC PUMP ASSEMBLY for Breakdown) <b>(SN B300001326 through B300002584)</b>	
106	1001225745	1	Hydrostatic Pump Assembly with Fittings (See HYDROSTATIC PUMP ASSEMBLY for Breakdown) <b>(SN B300002585 to Present)</b>	
107	3790044	1	O-Ring	
108	4751400	1	Flatwasher 1/4in Regular	
109	4891800	4	Flatwasher 1/2in Hardened	
110	1001094595		Variable Pump Assembly with Fittings (See VARIABLE PUMP ASSEMBLY for Breakdown)	
		Ref	<b>ENGINE ASSEMBLIES</b>	
	1001153396	Ref	<b>Without Arctic Package (All Specs except CE Spec)</b>	C
	1001160965	Ref	<b>Without Arctic Package (CE Spec Only)</b>	B
	1001153779	Ref	<b>With Arctic Package (All Specs)</b>	D
201	0100011	AR	Compound, Locking	
202	0100062	AR	Compound, Locking	
203	0641407	8	Bolt 1/4in-20NC x 7/8in	
204	0641410	2	Bolt 1/4in-20NC x 1-1/4in	
205	0641510	2	Bolt 5/16in-18NC x 1-1/4in	
206	0641512	1	Bolt 5/16in-18NC x 1-1/2in	
207	0641606	3	Bolt 3/8in-16NC x 3/4in	
208	0641609	14	Bolt 3/8in-16NC x 1-1/8in	
209	0641610	4	Bolt 3/8in-16NC x 1-1/4in	
210	0641820	2	Bolt 1/2in-13NC x 2-1/2in	
211	0700808	4	Bolt M8 x 16mm	
212	0771414	6	Bolt M14 x 30mm Grade 10.9	
213	0940070	1	Bumper	
214	0961986	2	Bushing, Flanged	
215	1320016	2	Clamp	
216	1320223	4	J-Clip	
217	1703162	2	Decal - Caution Fan Blade	
218	2060025	1	Fan	
219	2220451	2	Fitting, Straight	
220	2720398	2	Hose, Oil Cooler	
221		Ref	Oil, Motor Options (Not Shown):	
221	3020016	15 qts/ 14.2L	Without Arctic Package	
221	3020044	15 qts/ 14.2L	With Arctic Package	
222	3200406	1	Mount, Motor	
223	3311405	10	Locknut 1/4in-20NC	

**SECTION 2 - TURNTABLE**

ITEM	PART NUMBER	QTY	DESCRIPTION	REV
224	3311505	3	Locknut 5/16in-18NC	
225	3311605	18	Locknut 3/8in-16NC	
226	3311805	3	Locknut 1/2in-13NC	
227	3520054	2	Plug	
228	3740067	3	Relay	
229	3740080	1	Relay	
230	3960407	1	Gasket, Air Intake	
231	3960468	1	Seal	
232	3960469	1	Seal	
233	4060805	37 in/1m	Flex-Trim	
234	4711400	14	Flatwasher 1/4in Thin	
235	4711600	3	Flatwasher 3/8in Thin	
236	4740274	3	Washer, Snubbing	
237	4751600	36	Flatwasher 3/8in Regular	
238	4791400	6	Starwasher 1/4in	
239	4812200	2	Flatwasher M14	
240	4923379	1	Harness, Glow Plug (See ELECTRICAL SECTION for Breakdown)	
241	1001001939	1	Hose, Flex	
242	1001146273	1	Adapter, Air Intake	
243	1001147812	1	Clamp	
244	1001147813	1	Air Cleaner Assembly Filter Element	
244	70004020	1	Element, Filter (Not Shown)	
245		Ref	Pipe, Exhaust Options:	
245	1001147820	AR	Pipe - All Specs except CE Specs	
245	See Note	NSS	Pipe - CE Specs (Note: Part of Muffler - Not Sold Separately)	
246		Ref	Engine, Deutz D2011 (See Items for 401-428 for Serviced Components)	
246	1001147823	1	Engine - All Specs except CE Specs	
246	1001144319	1	Engine - CE Specs	
247	1001149704	1	Support, Engine	
248	1001149705	1	Support, Engine	
249	1001149706	1	Support, Engine	
250	1001149793	1	Tray, Engine	
251	1001150915	1	Gusset	
252	1001150998	1	Radiator	
253	1001152459	1	Plate, Air Cleaner Mounting	
254	1001153282	1	Pump Coupling Kit (See Items 301-304 for Breakdown)	
255	1001153414	1	Plate, Radiator Mounting	
256		Ref	Mount, Motor Options:	
256	3200401	2	Mount - All Specs except CE Specs	
256	3200106	2	Mount - CE Specs	
257	1001143390	1	Indicator ( <b>SN 0300232903 to Present</b> )	
		Ref	<b>Note: Arctic Package Items 280 Not Shown - Used on Arctic Machines Only.</b>	
280	2580062		Heater, Block (Not Shown - Located in Oil Pan)	
	1001153282	Ref	<b>PUMP COUPLING KIT</b>	D
301	70004183	1	Coupling, Guardian	
302	See Note	NSS	Plate, Pump Adapter (Note: Use p/n 1001153282)	
303	See Note	NSS	Capscrew M10 x 20mm Grade 10.9 (Note: Purchase Locally)	
304	See Note	NSS	Capscrew M10 x 25mm Grade 10.9 (Note: Purchase Locally)	
		Ref	<b>ENGINE COMPONENTS</b>	

## SECTION 2 - TURNTABLE

ITEM	PART NUMBER	QTY	DESCRIPTION	REV
	1001147823	Ref	<b>All Specs except CE Spec</b>	B
	1001144319	Ref	<b>CE Spec Only</b>	B
401		Ref	Dipstick Options:	
401	70004287	1	1001147823 Engine (All Specs except CE Specs)	
401	7026631	1	1001144319 Engine (CE Specs Only)	
401		Ref	Seal, Dipstick Options:	
401	70000044	1	1001147823 Engine (All Specs except CE Specs)	
401	7020487	1	1001144319 Engine (CE Specs Only)	
401		Ref	Tube, Dipstick Options:	
401	70001002	1	1001147823 Engine (All Specs except CE Specs)	
401	See Note	NSS	1001144319 Engine (CE Specs Only) (Note: Not Available for Purchase)	
401		Ref	Seal, Dipstick Tube Options:	
401	7020403	1	1001147823 Engine (All Specs except CE Specs)	
401	See Note	NSS	1001144319 Engine (CE Specs Only) (Note: Not Available for Purchase)	
402	7020465	2	Cap, Filler	
403	70001850	1	Pump, Oil Lube	
403	7020468	1	Seal Between Oil Pump and Engine Block (Not Shown)	
404	7016331	1	Filter, Oil	
404	70003472	1	Bracket, Oil Filter Mounting (1001147823 Engine Only)	
404	7027236	1	Sensor, Oil Temperature (1001147823 Engine Only)	
404	70025082	1	Ring, Sealing (1001147823 Engine Only)	
405		Ref	Pump, Injector Options:	
405	70000912	4	Series A Injector	
405	70000913	4	Series B Injector	
405	70000914	4	Series C Injector	
405	70000915	4	Series D Injector	
405		Ref	Seal/Gasket, Pump (1 per Injector) Options:	
405	70003464	4	1001147823 Engine (All Specs except CE Specs)	
405	See Note	NSS	1001144319 Engine (CE Specs Only) (Note: Not Available for Purchase)	
405		Ref	Injector, Fuel	
405	70003478	4	1001147823 Engine (All Specs except CE Specs)	
405	See Note	NSS	1001144319 Engine (CE Specs Only) (Note: Not Available for Purchase)	
405		Ref	Seal/Gasket, Injector (1 per Injector) Options:	
405	70003136	4	1001147823 Engine (All Specs except CE Specs)	
405	See Note	NSS	1001144319 Engine (CE Specs Only) (Note: Not Available for Purchase)	
406	7016328	1	Filter, Fuel	
406		Ref	Sensor Options:	
406	70003465	1	1001147823 Engine (All Specs except CE Specs)	
406	70001848	1	1001144319 Engine (CE Specs Only)	
406		Ref	Seal, Sensor Options:	
406	70003466	2	1001147823 Engine (All Specs except CE Specs)	
406	70001132	2	1001144319 Engine (CE Specs Only)	
407	70000916	1	Pump, Fuel Supply	
407	70001435	1	Repair Kit for Fuel Supply Pump	
407	70000919	1	Hand Pump for Fuel Supply Pump	
407	70000917	1	O-Seal Between Fuel Pump and Engine Block	
407	70000918	1	O-Seal Between Fuel Pump and Hand Pump	

## SECTION 2 - TURNTABLE

ITEM	PART NUMBER	QTY	DESCRIPTION	REV
408		Ref	Gasket, Intake Manifold Options (Not Shown):	
408	70001871	4	1001147823 Engine (All Specs except CE Specs)	
408	7020449	4	1001144319 Engine (CE Specs Only)	
409	7020408	1	V-Belt	
410		Ref	Exhaust Manifold Components (Not Shown)	
410	70001835	1	Gasket, Exhaust Adapter to Exhaust Rail	
410	70001841	1	Valve, Exhaust (Fits into Exhaust Adapter)	
410	70001836	1	Gasket, Exhaust Rail to Cylinder Head	
410	70001837	1	Gasket, Exhaust Manifold to Muffler	
410	70001838	2	Gasket, Exhaust Manifold to Engine Block (1001144319 Engine Only)	
410	7020471	4	Gasket, Exhaust Manifold to Engine Block (1001144319 Engine Only)	
410	70001874	1	Restrictor, Choke (Fits between Qty 2 of p/n 70001838) (1001144319 Engine Only)	
410	70001839	2	Flange, Sealing (1001144319 Engine Only)	
410		Ref	Stud, Mounting Options:	
410	70002200	4	1001147823 Engine (All Specs except CE Specs)	
410	70004270	4	1001144319 Engine (CE Specs Only)	
410		Ref	Nut, Exhaust Manifold	
410	See Note	NSS	1001147823 Engine (All Specs except CE Specs) (Note: Not Available for Purchase)	
410	70003476	AR	1001144319 Engine (CE Specs Only)	
411		Ref	Alternator Options:	
411	70004056	1	1001147823 Engine (All Specs except CE Specs)	
411	7000663	1	1001144319 Engine (CE Specs Only)	
411	70001868	1	Regulator, Voltage (Not Shown)	
411	70001866	1	Seal, Voltage Regulator (Not Shown)	
411	70002234	1	Bar, Alternator Adjustment	
412	7020479	1	Starter	
412		Ref	Relay Options:	
412	70004058	1	1001147823 Engine (All Specs except CE Specs)	
412	7026608	1	1001144319 Engine (CE Specs Only)	
413		Ref	Plug-In Connector (Not Shown) Options:	
413	70004060	2	1001147823 Engine (All Specs except CE Specs)	
413	See Note	NSS	1001144319 Engine (CE Specs Only) (Note: Not Available for Purchase)	
414	7027791	1	Transmitter, Temperature	
415	7027790	1	Sensor, Oil Pressure	
416		Ref	Sensor, Speed Options:	
416	70004272	1	1001147823 Engine (All Specs except CE Specs)	
416	7024565	1	1001144319 Engine (CE Specs Only)	
417	7027792	1	Throttle Actuator	
417	7027276	2	Springs	
418		Ref	Thermostat Options (Located at rear of engine block - Not Shown):	
418	70003475	1	1001147823 Engine (All Specs except CE Specs)	
418	7020459	1	1001144319 Engine (CE Specs Only)	
419	70001870	1	Flywheel with Ring Gear	
419	7024579	1	Gear, Ring 110 Tooth	
420		Ref	Muffler Options:	
420	7000695	1	1001147823 Engine (Standard on All Specs except CE Specs)	
420	1001099051	1	1001144319 Engine (Standard on CE Specs Only) (Note: Not	

## SECTION 2 - TURNTABLE

ITEM	PART NUMBER	QTY	DESCRIPTION	REV
420	1001101241	1	Included with Engine - Must be Purchased Separately) Catalytic Muffler Option on ANSI Export, Australian, CE and Japanese Specs (SN 0300183034 through 0300243317, SN B300001097 through B300243279)	
420	1001099051	1	Spark Arresting Muffler Option on ANSI Export, Australian and CE Specs (SN 0300243318 to Present, SN B300243280 to Present)	
420	70001844	1	U-Clamp (1001147823 Engine Only)	
420	7020471	1	Gasket (1001147823 Engine Only)	
421	7027795	1	Module, Control	
422	70001181	1	Valve, Pressure Control	
422	70124410	1	Spring	
422	70025082	1	Seal	
422	70124440	1	Screw, Locking	
423	70000345	4	Plug, Glow	
424	70000800	1	Camshaft Pulley Repair Kit (Not Shown) (1001147823 Engine Only)	
425	70001847	1	Breather, Front Cover (Not Shown) (1001144319 Engine Only)	
425	70001126	1	Seal, Front Cover Breather (Not Shown) (1001144319 Engine Only)	
426		Ref	Gasket, Head Options (Not Shown):	
426	70002415	1	Gasket with 1 Notch	
426	70002416	1	Gasket with 2 Notches	
426	70002417	1	Gasket with 3 Notches	
427	7027796	1	Harness, Engine (Connects to Item 421)	
427	70001872	1	Harness, Engine (Connects to p/n 7027796)	
428		Ref	Gaskets and Seals - Miscellaneous (Not Shown)	
428		Ref	Gasket Set	
428	70004289	1	1001147823 Engine (All Specs except CE Specs)	
428	See Note	NSS	1001144319 Engine (CE Specs Only) (Note: Not Available for Purchase)	
428		Ref	Seal, Rear Main	
428	70002718	1	1001147823 Engine (All Specs except CE Specs)	
428	See Note	NSS	1001144319 Engine (CE Specs Only) (Note: Not Available for Purchase)	
428		Ref	Seal, Front Main	
428	70004280	1	1001147823 Engine (All Specs except CE Specs)	
428	See Note	NSS	1001144319 Engine (CE Specs Only) (Note: Not Available for Purchase)	
429	70025752	1	Valve, Pressure Relief (Not Shown - Located at Engine Front Left )	
429	70025753	1	Spring	
429	70005916	1	Seal	
429	70005917	1	Screw, Locking	
		Ref	<b>RIGHT ENGINE SUPPORT INSTALLATIONS</b>	
	1001151253	Ref	<b>Machines without Generator</b>	A
	1001151252	Ref	<b>Machines with Generator</b>	B
501	0100011	AR	Compound, Locking	
502	0641609	2	Bolt 3/8in-16NC x 1-1/8in	
503	0641818	1	Bolt 1/2in-13NC x 2-1/4in	
504	0771414	3	Bolt 14mm x 30mm Grade 10.9	
505	3200401	1	Mount, Motor	
506	3311605	2	Locknut 3/8in-16NC	
507	3311805	1	Locknut 1/2in-13NC	

**SECTION 2 - TURNTABLE**

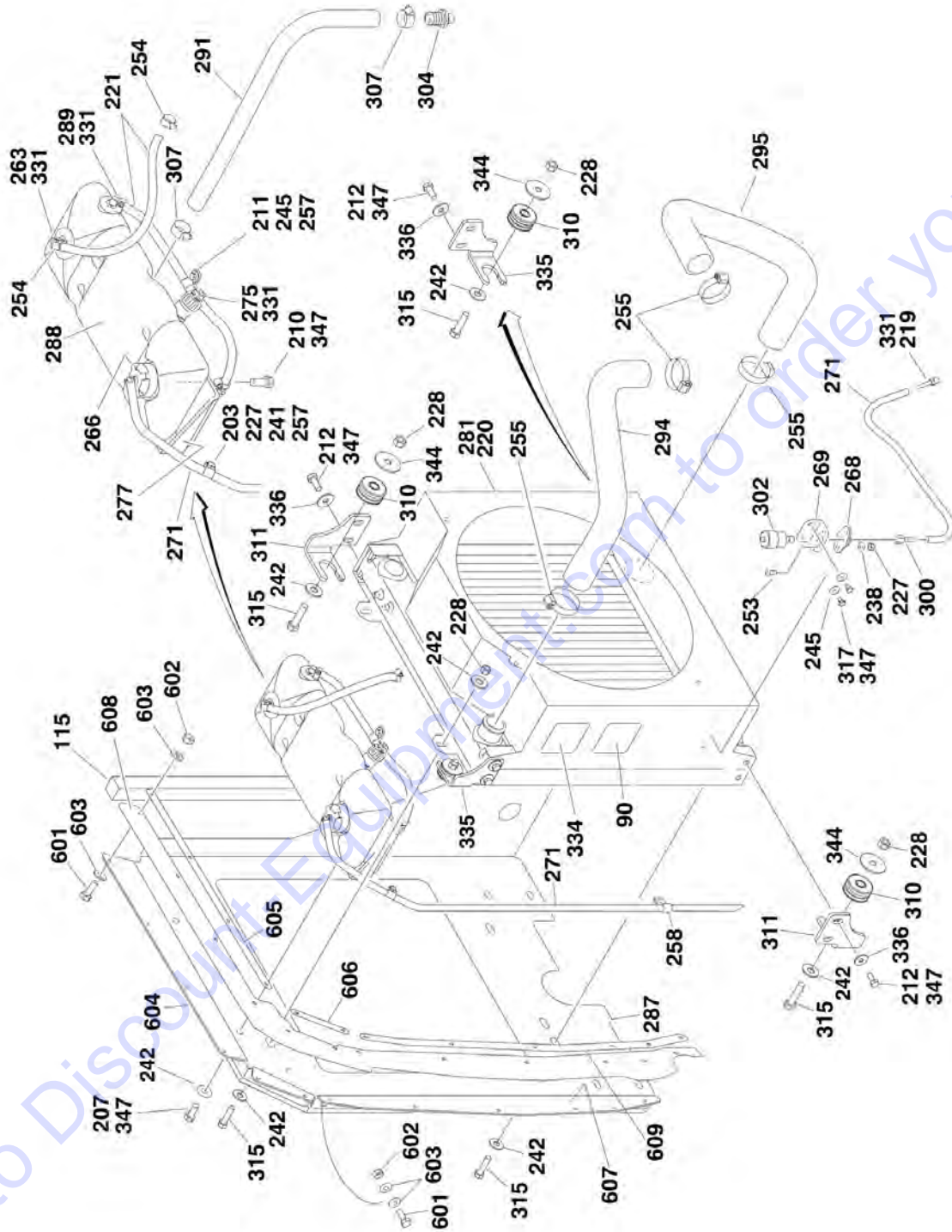
<b>ITEM</b>	<b>PART NUMBER</b>	<b>QTY</b>	<b>DESCRIPTION</b>	<b>REV</b>
508	4740274	1	Washer, Snubbing	
509	4751600	4	Flatwasher 3/8in Regular	
510	4812200	3	Flatwasher M14	
511		Ref	Support, Engine (Right Front)	
511A	1001149703	1	Machines without Generator	
511B	1001150890	1	Machines with Generator	

Go to Discount-Equipment.com to order your parts

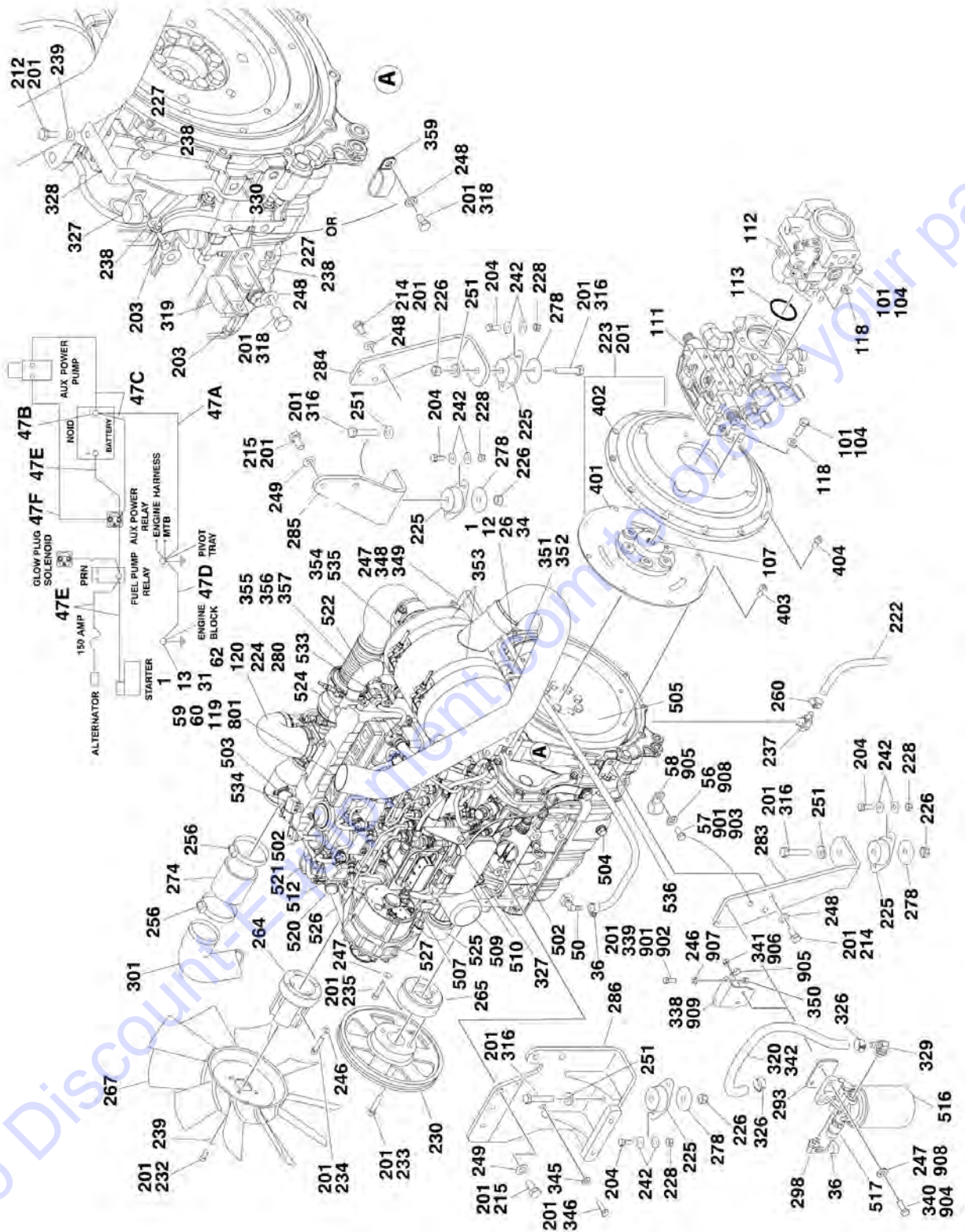


# SECTION 2 - TURNTABLE

## FIGURE 2-10. DEUTZ TD2.9L4 ENGINE INSTALLATION



SECTION 2 - TURNTABLE





## SECTION 2 - TURNTABLE

### FIGURE 2-10. DEUTZ TD2.9L4 ENGINE INSTALLATION

ITEM	PART NUMBER	QTY	DESCRIPTION	REV
		Ref	<b>DEUTZ TD2.9L4 ENGINE INSTALLATION</b>	
		Ref	<b>800S/680S</b>	
	1001173971	Ref	<b>800S/680S without Arctic Package (SN 0300182743 through 0300227014)</b>	E
	1001185674	Ref	<b>800S/680S without Arctic Package (SN 0300227015 to Present, SN B300001599 to Present)</b>	G
	1001173979	Ref	<b>800S with Arctic Package (SN 0300182743 through 0300196954)</b>	C
	1001178227	Ref	<b>800S with Arctic Package (SN 0300196955 through 0300227014)</b>	E
	1001185676	Ref	<b>800S with Arctic Package (SN 0300227015 to Present, SN B300001599 to Present)</b>	I
	1001214778	Ref	<b>800S (China III Engines) (SN B300001092 through B300001738)</b>	A
	1001223784	Ref	<b>800S (China III Engines) (SN B300001739 through B300002369)</b>	B
	1001223758	Ref	<b>800S (China III Engines) (SN B300002370 to Present)</b>	E
	1001235492	Ref	<b>800S (Stage V Engines) (SN 0300257533 to Present, SN B300003809 to Present)</b>	B
		Ref	<b>860SJ</b>	
	1001148560	Ref	<b>860SJ without Arctic Package (SN 0300182743 through 0300227014)</b>	K
	1001185674	Ref	<b>860SJ without Arctic Package (SN 0300227015 to Present, SN B300001599 to Present)</b>	G
	1001148567	Ref	<b>860SJ with Arctic Package (SN 0300182743 through 0300196954)</b>	K
	1001178214	Ref	<b>860SJ with Arctic Package (SN 0300196955 through 0300227014)</b>	E
	1001185676	Ref	<b>860SJ with Arctic Package (SN 0300227015 to Present, SN B300001599 to Present)</b>	I
	1001178214	Ref	<b>860SJ with Arctic Package (SN B300001092 through B300001749)</b>	E
	1001223784	Ref	<b>860SJ (China III Engines) (SN B300001739 through B300002369)</b>	B
	1001223758	Ref	<b>860SJ (China III Engines) (SN B300002370 to Present)</b>	E
	1001235492	Ref	<b>860SJ (Stage V Engines) (SN 0300257533 to Present, SN B300003809 to Present)</b>	B
1	0100011	AR	Compound, Locking	
2	0100020	AR	Sealant, Pipe	
3	0400075	AR	Battery (SN 0300182743 through 0300259989, SN B300001092 through B300004169)	
4	0641406	AR	Bolt 1/4in-20NC x 3/4in	
5	0641412	4	Bolt 1/4in-20NC x 1-1/2in	
6	0641606	3	Screw 3/8in-16NC x 3/4in	
7	0641608	AR	Screw 3/8in-16NC x 1in	
8	0641610	1	Screw 3/8in-16NC x 1-1/4in	
9	0642010	1	Bolt 5/8in-11NC x 1-1/4in	
10	0681608	3	Screw 3/8in-16NC x 1in Grade 8	
12	0760810	AR	Bolt M8 x 20mm	
13	0771212	1	Bolt M12 x 25mm Grade 10.9	
14	1701505	1	Decal - Diesel Fuel (Not Shown Located on Fuel Tank or Hood)	
15	2180832	1	Fitting, Elbow Barbed	
16	2200222	1	Plug (Not Shown - Located in Bottom of Fuel Tank)	

## SECTION 2 - TURNTABLE

ITEM	PART NUMBER	QTY	DESCRIPTION	REV
17	2220313	2	Fitting, Elbow	
18	3311405	AR	Locknut 1/4in-20NC	
20	3422446	1	Pin, Pivot	
21	3740067	1	Relay	
22	3841143	1	Pin, Keeper	
23	3841340	1	Loop, Hose (SN 0300182743 through 0300227014)	
23	3841340	1	Loop, Hose (SN B300001092 through B300001749)	
25	4711400	AR	Flatwasher 1/4in Thin	
26	4711500	AR	Flatwasher 5/16in Thin	
27	4711600	3	Flatwasher 3/8in Thin	
29	4751600	3	Flatwasher 3/8in Regular	
30	4752000	1	Flatwasher 5/8in Regular	
31	4812100	1	Flatwasher M12	
32	8405006	2	Clamp	
33	8406102	AR	Clip	
34	8406112	AR	Clip (SN 0300182743 through 0300219104)	
35	8406201	1	Clip	
36	8410013	AR	Clamp	
37	88521205	AR	Locknut 5/16in-18NC	
38	91401281	AR	Hold-down, Battery (SN 0300182743 through 0300259989, SN B300001092 through B300004169)	
39	1001093382	AR	Bolt, Battery Hold-down (SN 0300182743 through 0300259989, SN B300001092 through B300004169)	
40	1001110425	4	Spacer	
41	1001162497	1	Bracket, Battery	
43	1001142501	1	Fitting, Elbow Barbed	
44	1001148149	1	Bracket (SN 0300182743 through 0300185387)	
46	1001222665	1	Fuel Pump Harness requiring Ring Terminals (Not Shown - See ELECTRICAL SECTION for Breakdown) (SN 0300182743 through 0300234668, SN B300001092 through B300002065)	
46	1001138491	1	Fuel Pump Harness requiring Push-on Terminals (Not Shown - See ELECTRICAL SECTION for Breakdown) (SN 0300134669 to Present, SN B300002066 to Present)	
47	1001143736	1	Battery Cable Kit (Not Shown)	E
47A	7027084	1	Cable, Battery (Black) (Battery - to Tray Pivot Grd)	
47B	8270147	1	Terminal, Battery (With Boot)	
47C	7027085	1	Cable, Battery (Black) (Battery - to Aux Pump and Relay Grds)	
47D	7027086	1	Cable, Battery (Black) (Engine to Tray Pivot Grd)	
47E	7027087	1	Cable (Red) (Battery + to Aux Relay/Power Module/Starter)	
47F	7027088	1	Cable (Red) (Aux Relay to Aux Pump)	
48	1001165035	AR	Hose	
48	2750532	AR	Hose (Vent Line - USA Built Machines) (SN 0300227015 to Present)	
48	2750532	AR	Hose (Vent Line - China Built Machines)	
50	1001155823	1	Fitting, Quick Disconnect Elbow	
51	1001154405	AR	Hose	
52	0641814	1	Bolt 1/2in-13NC x 1-3/4in	
53	4751800	1	Flatwasher 1/2in Regular	
54		Ref	Bracket Assembly Less Filter/Pump (See Items 701-711 for Breakdown)	
54	1001162335	1	All Machines Except China III Engines	
54	1001227224	1	China III Engines Only	

## SECTION 2 - TURNTABLE

ITEM	PART NUMBER	QTY	DESCRIPTION	REV
55	3311805	1	Locknut 1/2in-13NC	
56	4812000	AR	Washer M10	
57	0761008	AR	Bolt M10 x 16	
58	1320061	1	Clamp (SN 0300219105 to Present)	
58	1320061	1	Clamp (SN B300001739 to Present)	
59	1001223704	1	Pipe Exhaust (SN 0300240853 to Present)	
59	1001223704	1	Pipe Exhaust (SN B300002633 to Present)	
60	1001221212	1	Clamp (SN 0300240853 to Present)	
60	1001221212	1	Clamp (SN B300002370 to Present)	
61	1001218572	AR	Cap, Vinyl (SN 0300232903 to Present)	
62	1001233763	1	Deutz Breather Heater Installation (with Arctic Package) (See BREATHER HEATER INSTALLATION – DEUTZ TD2.9L4 ENGINE WITH ARCTIC PACKAGE for Breakdown) (SN 0300246356 to Present, SN B300002607 to Present)	
62	1001196634	1	Fuse, 2 Amp	
62	1001232842	1	Breather Heater Kit	
62	2400060	1	Holder, Fuse	
		Ref	<b>Note: Arctic Package Items 70 - 79 (Not Shown - Used on Arctic Machines Only)</b>	
70	1702941	1	Decal - Battery Heater	
71	1702942	1	Decal - Engine Block Heater	
72	1702943	1	Decal - Hydraulic Tank Heater	
73	1702944	1	Decal - Heater Cord	
74		Ref	Heater, Hydraulic Tank Options:	
74	2580050	1	Heater (SN 0300182743 through 0300208405)	
74	1001188972	1	Heater (SN 0300208406 to Present)	
74	2580050	1	Heater (SN B300001092 through B300001323)	
74	1001188972	1	Heater (SN B300001324 to Present)	
75	3980007	1	Seat, Battery	
76	1060626	1	Cord, 3 Way Extension	
77	2580024	1	Heater, Battery	
79	1001150918	1	Cord, 8ft Extension	
90		Ref	Decal - Warning Explosion/Fire Options:	
90	1704972	1	ANSI Spec	
90	1706098	1	Australian and CE Spec	
90	1706060	1	China Spec	
90	1706064	1	CSA Spec	
		Ref	<b>ENGINE AND PUMP ASSEMBLY</b>	
		Ref	<b>800S/680S</b>	
	1001173972	Ref	<b>800S/680S without Arctic Package (SN 0300182743 through 0300227014)</b>	F
	1001185673	Ref	<b>800S/680S without Arctic Package (SN 0300227015 through 0300232902)</b>	D
	1001185667	Ref	<b>800S/680S without Arctic Package (SN 0300232903 to Present, SN B300001599 to Present)</b>	E
	1001173980	Ref	<b>800S with Arctic Package (SN 0300182743 through 0300227014)</b>	F
	1001185675	Ref	<b>800S with Arctic Package (SN 0300227015 through 0300232902)</b>	D
	1001185671	Ref	<b>800S with Arctic Package (SN 0300232903 to Present, SN B300001599 to Present)</b>	E
	1001173972	Ref	<b>800S (China III Engines) (SN B300001092 through B300001738)</b>	F
	1001223782	Ref	<b>800S (China III Engines) (SN B300001739 through</b>	B

## SECTION 2 - TURNTABLE

ITEM	PART NUMBER	QTY	DESCRIPTION	REV
	1001226257	Ref	<b>B300002369)</b> <b>800S (China III Engines) (SN B300002370 through B300002584)</b>	D
	1001227615	Ref	<b>800S (China III Engines) (SN B300002585 to Present)</b>	C
	1001235490	Ref	<b>800S (Stage V Engines) (SN 0300257533 to Present, SN B300003809 to Present)</b>	B
		Ref	<b>860SJ</b>	
	1001148550	Ref	<b>860SJ without Arctic Package (SN 0300182743 through 0300227014)</b>	H
	1001185673	Ref	<b>860SJ without Arctic Package (SN 0300227015 to Present)</b>	D
	1001185667	Ref	<b>860SJ without Arctic Package (SN 0300232903 to Present, SN B300001599 to Present)</b>	E
	1001148566	Ref	<b>860SJ with Arctic Package (SN 0300182743 through 0300227014)</b>	H
	1001185675	Ref	<b>860SJ with Arctic Package (SN 0300227015 through 0300232902)</b>	D
	1001185671	Ref	<b>860SJ with Arctic Package (SN 0300232903 to Present, SN B300001599 to Present)</b>	E
	1001148550	Ref	<b>860SJ (China III Engines) (SN B300001092 through B300001738)</b>	H
	1001223782	Ref	<b>860SJ (China III Engines) (SN B300001739 through B300002369)</b>	B
	1001226257	Ref	<b>860SJ (China III Engines) (SN B300002370 through B300002584)</b>	D
	1001227615	Ref	<b>860SJ (China III Engines) (SN B300002585 to Present)</b>	C
	1001235490	Ref	<b>860SJ (Stage V Engines) (SN 0300257533 to Present, SN B300003809 to Present)</b>	B
101	0100011	AR	Compound, Locking	
102	0641406	AR	Bolt 1/4in-20NC x 3/4in	
103	0641808	1	Bolt 1/2in-13NC x 1in	
104	0641812	4	Bolt 1/2in-13NC x 1-1/2in	
106	1060637	1	Lanyard	
107	3020037	AR	Lubricant	
108	3311405	1	Locknut 1/4in-20NC	
109	3311801	AR	Nut 1/2in-13NC	
110	3422532	1	Pin, Hitch	
111		Ref	Hydrostatic Pump Assembly with Fittings (See HYDROSTATIC PUMP ASSEMBLY for Breakdown)	
111	1001152522	1	Pump Assembly with Fittings ( <b>SN 0300182743 through 0300208405</b> )	
111	1001187510	NLA	Pump Assembly with Fittings (Use p/n 1001225745) ( <b>SN 0300208406 through 0300240852, SN B300001092 through B300002584</b> )	
111	1001225745	1	Pump Assembly with Fittings ( <b>SN 0300240853 to Present, SN B300002585 to Present</b> )	
111	1001152522	1	Pump Assembly with Fittings (China III Engines) ( <b>SN B300001092 through B300001323</b> )	
111	1001187510	1	Pump Assembly with Fittings (Use p/n 1001225745) (China III Engines) ( <b>SN B30001324 through B300002605</b> )	
111	1001225745	1	Pump Assembly with Fittings (China III Engines) ( <b>SN B30002606 to Present</b> )	
112	1001094595		Variable Pump Assembly with Fittings (See VARIABLE PUMP ASSEMBLY for Breakdown)	
113	3790044	1	O-Ring	
114	3960468	1	Seal	
115	3960469	1	Seal	

## SECTION 2 - TURNTABLE

ITEM	PART NUMBER	QTY	DESCRIPTION	REV
116	4751400	2	Flatwasher 1/4in Regular	
117	4751800	1	Flatwasher 1/2in Regular	
118	4891800	4	Flatwasher 1/2in Hardened	
119	1001158145	1	Pipe, Exhaust (SN 0300182743 through 0300232902)	
120	1001235488	1	Engine, Deutz TD2.9L4 (Stage V) (See Items 501-535 for Serviced Components)	
		Ref	<b>ENGINE ASSEMBLY</b>	
		Ref	<b>800S/680S USA Built Machines</b>	
	1001173974	Ref	<b>800S/680S without Arctic Package (SN 0300182743 through 0300227014)</b>	I
	1001176027	Ref	<b>800S/680S without Arctic Package (SN 0300227015 to Present, SN B300001599 to Present)</b>	M
	1001173981	Ref	<b>800S with Arctic Package (SN 0300182743 through 0300227014)</b>	K
	1001176035	Ref	<b>800S with Arctic Package (SN 0300227015 to Present, SN B300001599 to Present)</b>	M
	1001214050	Ref	<b>800S (China III Engines) (SN B300001092 through B300002369)</b>	G
	1001223592	Ref	<b>800S (China III Engines) (SN B300002370 through B300002584)</b>	G
	1001227614	Ref	<b>800S (China III Engines) (SN B300002585 to Present)</b>	F
	1001235489	Ref	<b>800S (Stage V Engines) (SN 0300257533 to Present, SN B300003809 to Present)</b>	C
		Ref	<b>860SJ</b>	
	1001140412	Ref	<b>860SJ without Arctic Package (SN 0300182743 through 0300227014)</b>	T
	1001176027	Ref	<b>860SJ without Arctic Package (SN 0300227015 to Present, SN B300001599 to Present)</b>	M
	1001142853	Ref	<b>860SJ with Arctic Package (SN 0300182743 through 0300227014)</b>	T
	1001176035	Ref	<b>860SJ with Arctic Package (SN 0300227015 to Present, SN B300001599 to Present)</b>	M
	1001214050	Ref	<b>860SJ (China III Engines) (SN B300001092 through B300002369)</b>	G
	1001223592	Ref	<b>860SJ (China III Engines) (SN B300002370 through B300002584)</b>	G
	1001227614	Ref	<b>860SJ (China III Engines) (SN B300002585 to Present)</b>	F
	1001235489	Ref	<b>860SJ (Stage V Engines) (SN 0300257533 to Present, SN B300003809 to Present)</b>	C
201	0100011	AR	Compound, Locking	
203	0641406	AR	Bolt 1/4in-20NC x 3/4in	
204	0641608	8	Bolt 3/8in-16NC x 1in	
205	0641609	6	Bolt 3/8in-16NC x 1-1/8in	
207	0641708	2	Bolt 7/16in-14NC x 1in	
210	0741605	AR	Screw, Flathead 3/8in-16NC x 5/8in	
211	0760606	1	Bolt M6 x 12mm	
212	0760810	AR	Bolt M8 x 20mm	
214	0771212	6	Bolt M12 x 25 Grade 10.9	
215	0771414	AR	Bolt M14 x 30mm Grade 10.9	
215	0771415	AR	Bolt M14 x 35mm Grade 10.9	
216	0940070	1	Bumper	
217	0961986	2	Bushing, Flanged	
219	2220315	1	Fitting, Straight Barbed	
220		Ref	Coolant Options:	
220	2300004	AR	Without Arctic Package	



## SECTION 2 - TURNTABLE

ITEM	PART NUMBER	QTY	DESCRIPTION	REV
220	2300041	AR	With Arctic Package	
221	2720015	40 in/1m	Hose	
222	2720340	12 in / 30.5cm	Hose	
223	1001153282	1	Pump Coupling Kit (See Items 401-403 for Breakdown)	
224		Ref	Oil, Motor Options:	
224	1001136079	AR	Without Arctic Package	
224	1001136172	AR	With Arctic Package	
225	3200401	4	Mount, Motor	
226	3271801	4	Nut 1/2in-13NC Grade 8	
227	3311405	AR	Locknut 1/4in-20NC	
228	3311605	16	Locknut 3/8in-16NC	
230	3580320	1	Pulley	
231	3931432	1	Capscrew 1/4in-20NC x 2in	
232	3931512	4	Capscrew 5/16in-18NC x 3/4in	
233	3931628	4	Capscrew 3/8in-16NC x 1-3/4in	
234	4031914	4	Capscrew M8 x 50mm	
235	4032014	4	Capscrew M10 x 50mm	
236	4060805	15 in / 38cm	Flex-Trim	
237	4640751	1	Valve, Oil Drain	
238	4711400	AR	Flatwasher 1/4in Thin	
239	4711500	AR	Flatwasher 5/16in Thin	
240	4711700	2	Flatwasher 7/16in Thin	
241	4751400	10	Flatwasher 1/4in Regular	
241	4791400	AR	Starwasher 1/4	
242	4751600	AR	Flatwasher 3/8in Regular	
245	4811702	AR	Flatwasher M6	
246	4811900	AR	Flatwasher M8	
247	4812000	AR	Flatwasher M10	
248	4812100	7	Flatwasher M12	
249	4812200	5	Flatwasher M14	
250	4891500	1	Flatwasher 5/16in Hardened	
251	4891800	4	Flatwasher 1/2in Hardened	
253	0630407	2	Screw 1/4in-20 x 5/8in	
254	8405009	4	Clamp	
255	8405104	4	Clamp	
256	8405204	2	Clamp	
257	8406109	AR	Clip	
258	8406110	1	Clip	
259	8410011	2	Clamp	
260	8410013	1	Clamp	
261	1001117308	1	Relay	
263	1001134488	1	Fitting, Elbow Barbed (Part of Item 288)	
264	1001135138	1	Adapter	
265	1001135679	1	Adapter	
266	1001136834	1	Cap, Tank	
267	1001137276	1	Fan	
268	1001138173	1	Support	
269	1001138175	1	Bracket	
270	1001138228	1	Relay, Power Module	
270	70023593	1	Fuse 30Amp (Battery Output)	

## SECTION 2 - TURNTABLE

ITEM	PART NUMBER	QTY	DESCRIPTION	REV
270	70023592	1	Fuse 20Amp (Switched Output)	
271	1001138248	62 in/1.6m	Tube	
273	1001138557	1	Clamp	
274	1001142623	1	Hose, Inlet	
275	1001138827	1	Sensor, Coolant Level (Part of Item 288)	
276	1001139240	1	Bracket	
277	1001139303	1	Bracket, Tank <b>(SN 0300182743 through 0300229742)</b>	
277	1001176419	1	Bracket, Tank <b>(SN 0300229743 to Present)</b>	
277	1001176419	1	Bracket, Tank (China III Engines)	
278	1001139409	4	Washer, Special	
280	1001139813	1	Engine, Deutz TD2.9L4 (See Items 501-535 for Serviced Components)	
280	1001214039	1	Engine, Deutz TD2.9L4 (China III Engines) (See Items 501-535 for Serviced Components) <b>(SN B300001092 through B300002369)</b>	
280	1001223591	1	Engine, Deutz TD2.9L4 (China III Engines) (See Items 501-535 for Serviced Components) <b>(SN B300002370 to Present)</b>	
281	1001155384	1	Radiator (RCP) <b>(SN 0300182743 through 0300229742)</b>	
281	70007073	1	Adapter, Hose	
281	1001167042	1	Radiator (Modine) <b>(SN 0300229743 to Present, SN B300001092 to Present)</b>	
281	1001167042	1	Radiator (Modine) (China III Engines)	
282		Ref	Tray Options:	
282	1001173976	1	Tray (800S/680S) <b>(SN 0300182743 through 0300229742)</b>	
282	1001190610	1	Tray (800S/680S) <b>(SN 0300229743 to Present, SN B300001092 to Present)</b>	
282	1001140362	1	Tray (860SJ) <b>(SN 0300182743 through 0300229742)</b>	
282	1001190610	1	Tray (860SJ) <b>(SN 0300229743 to Present, SN B300001092 to Present)</b>	
282	1001190610	1	Tray (800S/860SJ) (China III Engines)	
283	1001140448	1	Mount, Rear Engine	
284	1001140450	1	Mount, Rear Engine	
285	1001140454	1	Mount, Front Engine	
286	1001140466	1	Mount, Generator/Engine <b>(SN 0300182743 through 0300229742)</b>	
286	1001202368	1	Mount, Generator/Engine <b>(SN 0300229743 to Present, SN B300001092 to Present)</b>	
286	1001202368	1	Mount, Generator/Engine (China III Engines)	
287		Ref	Plate, Mounting Options:	
287	1001173978	1	Plate, Mounting (800S/680S) (RCP Radiator) <b>(SN 0300182743 through 0300229742)</b>	
287	1001186985	1	Plate, Mounting (800S/680S) (Modine Radiator) <b>(SN 0300229743 to Present, SN B300001092 to Present)</b>	
287	1001140487	1	Plate, Mounting (860SJ) (RCP Radiator) <b>(SN 0300182743 through 0300229742)</b>	
287	1001186985	1	Plate, Mounting (860SJ) (Modine Radiator) <b>(SN 0300229743 to Present, SN B300001092 to Present)</b>	
287	1001186985	1	Plate, Mounting (800S/860SJ) (China III Engines)	
288	1001140535	NLA	Tank (Use p/n 1001230635) <b>(SN 0300182743 through 0300241332, SN B300001092 through B300002584)</b>	
288	1001230635	1	Tank (Includes Items 263, 275 & 289) <b>(SN 0300241333 to Present, SN B300002585 to Present)</b>	
289	1001140564	1	Fitting, Elbow Barbed (Part of Item 288)	
290	1001141304	1	Harness, Glow Plug (Not Shown - See ELECTRICAL SECTION for Breakdown)	

## SECTION 2 - TURNTABLE

ITEM	PART NUMBER	QTY	DESCRIPTION	REV
291	1001141370	1	Hose	
292	1001141419	1	Shim	
293	1001141546	1	Shim (860SJ) <b>(SN 0300182743 through 0300219104)</b>	
294	1001141583	1	Hose, Radiator - Upper <b>(SN 0300182743 through 0300229742)</b>	
294	1001177844	1	Hose, Radiator - Upper <b>(SN 0300229743 to Present, SN B300001092 to Present)</b>	
294	1001177844	1	Hose, Radiator - Upper (China III Engines)	
295	1001141584	1	Hose, Radiator - Lower <b>(SN 0300182743 through 0300229742)</b>	
295	1001177845	1	Hose, Radiator - Lower <b>(SN 0300229743 to Present, SN B300001092 to Present)</b>	
295	1001177845	1	Hose, Radiator - Lower (China III Engines)	
296	1001141585	1	Hose, Inlet	
297	1001141586	1	Pipe, Intake	
298	1001152489	1	Fitting, Elbow Barbed	
300	1001141995	1	Fitting, Straight Barbed	
301		Ref	Pipe Options:	
301	1001142733	1	Pipe <b>(SN 0300182743 through 0300187749)</b>	
301	1001165842	1	Pipe <b>(SN 0300187750 to Present)</b>	
301	1001165842	1	Pipe <b>(SN B300001092 to Present)</b>	
302	1001143390	1	Indicator, Service	
303	1001143726	1	Harness, Deutz Engine (Not Shown - See ELECTRICAL SECTION for Breakdown)	
304	1001143797	1	Fitting, Straight Barbed	
305	1001143907	1	Cable, Alternator Power (Not Shown - See ELECTRICAL SECTION for Breakdown)	
306	1001138489	1	Air Cleaner Assembly Filter Element	
306	91403102	1	Element, Filter (Not Shown)	
307	8405007	2	Clamp	
310	1001169054	4	Pad, Isolator <b>(SN 0300229743 to Present, SN B300001092 to Present)</b>	
310	1001169054	4	Pad, Isolator (China III Engines)	
311	1001204325	2	Bracket, Radiator (USA Built Machines) <b>(SN 0300229743 to Present, SN B300001092 to Present)</b>	
311	1001204325	2	Bracket, Radiator (China III Engines)	
312	1001145154	1	Plate, Relay Mounting	
313	0641605	2	Bolt 3/8in-16NC x 5/8in	
314	0641518	2	Bolt 5/16in-18NC x 2-1/4in	
315	0641607	4	Bolt 3/8in-16NC x 7/8in	
315	0641612	4	Bolt 3/8in-16NC x 1-1/2in	
316	0681820	4	Bolt 1/2in-13NC x 2-1/2in Grade 8	
316	0681822	4	Bolt 1/2in-13NC x 2-3/4in Grade 8	
317	0760605	2	Bolt M6 x 10mm	
318	0761210	1	Bolt M12 x 20mm	
319	1321716	1	P-Clamp <b>(SN 0300182743 through 0300196000)</b>	
320	1001154405	20 in / 51cm	Hose <b>(SN 0300182743 through 0300219104)</b>	
321	3310401	3	Nut #4-40NC	
322	3311505	2	Locknut 5/16in-18NC	
323	3910408	3	Screw #4-40NC x 1/2in	
324	4750400	3	Flatwasher #4 Regular	
325	4751500	4	Flatwasher 5/16in Regular	

## SECTION 2 - TURNTABLE

ITEM	PART NUMBER	QTY	DESCRIPTION	REV
326	8405006	2	Clamp (SN 0300182743 through 0300219104)	
327	8406102	AR	Clip	
328	1001138717	1	Bracket (SN 0300182743 through 0300219104)	
329	1001142501	1	Fitting, Elbow Barbed (SN 0300182743 through 0300219104)	
330	1001148641	1	Bracket (SN 0300182742 through 0300196000)	
331	0100020	AR	Sealant	
332	4240099	AR	Tie-Strap (Not Shown)	
333	0100062	AR	Compound, Locking	
334	1703162	1	Decal - Caution Fan Blade	
335	1001178223	2	Bracket, Radiator (SN 0300229743 to Present, SN B300001092 to Present)	
335	1001178223	2	Bracket, Radiator (China III Engines)	
336	4811902	8	Washer M8	
338	1001178876	1	Bracket (SN 0300219105 to Present, SN B300001092 to Present)	
338	1001178876	1	Bracket (China III Engines) (SN B300001092 through B300002369)	
338	1001224937	1	Bracket (China III Engines) (SN B300002370 to Present)	
339	5250810	AR	Bolt M8 x 20	
339	0760815	AR	Bolt M8 x 35	
340	0761015	AR	Bolt M10 x 35	
341	3291005	2	Nut M10	
342	1001177359	1	Hose (SN 0300219105 to Present, SN B300001092 to Present)	
344	1001169138	4	Washer (SN 0300229743 to Present, SN B300001092 to Present)	
344	1001169138	4	Washer (China III Engines)	
345	5240800	1	Washer M8	
346	0700814	1	Bolt M8 x 30	
347	1001180620	AR	Adhesive	
348	1001221203	1	Muffler Bracket Assembly (China III Engines) (SN B300002370 to Present)	
349	0701025	4	Bolt M10 x 85 (China III Engines) (SN B300002370 to Present)	
350	3290801	2	Nut M8 (China III Engines) (SN B300002370 to Present)	
351	1001224936	2	Mount (China III Engines) (SN B300002370 to Present)	
352	0760814	4	Bolt M8 x 30 (China III Engines) (SN B300002370 to Present)	
353	1001128901	2	Strap (China III Engines) (SN B300002370 through B300002584)	
353	1001233089	2	Strap (China III Engines) (SN B300002585 to Present)	
354	1001223593	1	Muffler (China III Engines) (SN B300002370 to Present)	
355	1001224940	1	Pipe, Flex (China III Engines) (SN B300002370 to Present)	
356	1001221212	1	Clamp (China III Engines) (SN B300002370 to Present)	
357	1001221219	1	Clamp (China III Engines) (SN B300002370 to Present)	
359	1001181899	1	Clamp (China III Engines) (SN B300002370 to Present)	
		Ref	<b>Note: Arctic Package Item 361 (Used on Arctic Machines Only) Not Shown.</b>	
361	1001181895	AR	Adhesive	
361	1001140312	1	Heater, Engine Block	
	1001153282	Ref	<b>PUMP COUPLING INSTALLATION</b>	D
401	70004183	1	Coupling	
402	See Note	NSS	Plate, Pump Adapter (Note: Use p/n 1001153282)	
403	See Note	NSS	Capscrew M10 x 20mm Grade 10.9 (Note: Purchase Locally)	
404	See Note	NSS	Capscrew M10 x 25mm Grade 10.9 (Note: Purchase Locally)	

## SECTION 2 - TURNTABLE

ITEM	PART NUMBER	QTY	DESCRIPTION	REV
	1001139813	Ref	<b>ENGINE COMPONENTS</b>	J
	1001214039	Ref	<b>ENGINE COMPONENTS (CHINA III ENGINES) (SN B300001092 through B300002369)</b>	C
	1001223591	Ref	<b>ENGINE COMPONENTS (CHINA III ENGINES) (SN B300002370 to Present)</b>	B
	1001235488	Ref	<b>ENGINE COMPONENTS (STAGE V ENGINE) (SN 0300257533 to Present, SN B300003809 to Present)</b>	B
501	70004274	1	Dipstick (Not Shown - Located On Side Left Front) (Includes Seal)	
501	70024904	1	Dipstick (Not Shown - Located On Side Left Front) (Includes Seal) (China III Engines)	
501	70024905	1	Seal	
502	7020465	2	Cap, Oil Fill	
503	70025111	2	Clamp	
503	70005920	1	Hose, Breather	
504	70025088	1	Plug	
504	70005941	1	Plug (China III Engines)	
504	7020404	1	Seal	
504	70005942	1	Seal (China III Engines)	
505	70001870	1	Flywheel with Ring Gear	
505	7024579	1	Gear, Ring	
506		Ref	Gasket and Seal Options (Not Shown):	
506	70024906	1	Gasket, Head	
506	70025206	1	Gasket, Small Valve Cover	
506	70025207	1	Gasket, Large Valve Cover	
506	70005171	1	Gasket, Valve Cover (China III Engines)	
506	7002508	1	Gasket, Valve Cover to Air Charge Elbow	
506	70002718	1	Seal, Rear Main	
506	See Note	NSS	Seal, Front Main (Note: Not Available for Purchase)	
506	70004280	1	Seal, Front Main (China III Engines)	
506	70024907	1	Gasket, Front Cover	
506	70028185	1	Gasket, Front Cover (China III Engines)	
506	70005177	1	Gasket, Air Charge Manifold to Head/Block (Not Shown) (China III Engines)	
506	70025164	1	Gasket, Exhaust Manifold to Head	
506	70024912	1	Gasket, Exhaust Manifold to Turbocharger	
506	70021895	2	Gasket, Exhaust Manifold (Outlet) (China III Engines)	
506	70004279	1	Gasket Kit (1001139813 & 1001235488 Engine)	
506	See Note	NSS	Gasket Kit (1001214039 Engine) (Note: Not Available for Purchase)	
506	70005938	1	Gasket Kit (1001223591 Engine)	
507	70025076	1	Valve, Pressure Control (1001139813, 1001214039 & 1001235488 Engines)	
507	70025176	1	Spring	
507	70025082	1	Seal	
507	70025091	1	Screw, Locking	
507	See Note	NSS	Valve, Pressure Control (1001223591 Engine) (Note: Not Available for Purchase)	
507	70025082	1	Seal	
508	70025202	1	Pump, Oil Lube (Not Shown - Located Front Left Side)	
508	70005172	1	Pump, Oil Lube (Not Shown - Located Front Left Side) (China III Engines)	
508	70025135	1	O-Ring	
508	70025135	1	O-Ring (China III Engines)	

## SECTION 2 - TURNTABLE

ITEM	PART NUMBER	QTY	DESCRIPTION	REV
508	70025136	1	Seal	
508	70005173	1	Gasket (China III Engines)	
509	7016331	1	Filter, Oil	
510	70004275	1	Cooler, Oil	
510	70024494	1	Cooler, Oil (China III Engines)	
510	70024925	1	Gasket	
511	70024924	1	Pump, High Pressure (Not Shown - Located Front Left Side)	
511	70025152	1	O-Ring (Between Pump and Spacer)	
511	70024488	1	Spacer	
511	70024517	1	O-Ring (Between Spacer and Engine Block)	
512	70025181	4	Injector, Fuel	
512	70025140	4	Washer, Sealing	
512	70025146	4	Clamp (Top of Injector)	
512	70025145	4	O-Seal	
512	70025154	4	Shoe, Clamping	
512	70000345	4	Plug, Glow	
512	70025231	1	Harness, Glow Plug (Not Shown)	
513	70024961	1	Filter with Head	
513	70025153	NLA	Filter, Fuel (Use p/n 1001225430)	
513	70024513	1	Sensor with Cable	
513	70025239	1	Seal	
514	70024486	1	Pump, Fuel (1001139813 & 1001235488 Engine)	
514	1001226098	1	Pump, Fuel (1001214039 Engine)	
514	70006144	1	Pump, Fuel (1001223591 Engine)	
515	70025144	2	Clamp	
516	70025160	1	Filter with Head (1001139813, 1001214039 & 1001235488 Engines)	
516	70004511	1	Filter with Head (1001223591 Engine)	
516	70025161	NLA	Filter, Fuel (Use p/n 1001225431) (1001139813, 1001214039 & 1001235488 Engines)	
516	1001225432	1	Filter, Fuel (1001223591 Engine)	
517	70024504	1	Sensor, Pressure (1001139813, 1001214039 & 1001235488 Engines)	
517	70028538	1	Sensor, Pressure (1001223591 Engine)	
517	70024920	1	Seal	
518	70025151	1	Rail, Fuel (Not Shown)	
518	70025235	1	Repair Kit	
519	70025210	1	ECU (Engine Control Unit)	
520	70024910	1	Pump, Water (1001139813, 1001214039 & 1001235488 Engines)	
520	70028802	1	Pump, Water (1001223591 Engine)	
520	70025200	1	Seal	
520	70025084	2	Plug	
520	7020492	2	Seal	
521	70024473	1	Thermostat (USA Built Machines)	
521	70005929	1	Thermostat (China Built Machines)	
521	70025143	1	O-Seal (USA Built Machines)	
521	70005184	1	O-Seal (China Built Machines)	
521	70005931	1	Gasket, Cover	
521	70025142	1	Cover, Thermostat	
522	70025178	1	Pipe (1001139813, 1001214039 & 1001235488 Engines)	
522	See Note	NSS	Pipe (1001223591 Engine) (Note: Not Available for Purchase)	
522	70025156	1	Valve, Shuttle (1001139813 & 1001235488 Engine)	

## SECTION 2 - TURNTABLE

ITEM	PART NUMBER	QTY	DESCRIPTION	REV
522	70025768	1	Valve, Shuttle (1001214039 Engine)	
522	See Note	NSS	Valve, Shuttle (1001223591 Engine) (Note: Not Available for Purchase)	
522	70025179	2	Gasket	
522	70025180	1	Gasket	
523	70025203	1	Module, EGR (Not Shown - Located on Left Side)	
524	70004276	1	Turbocharger	
525	70025477	1	Tensioner, Belt	
526	70004277	1	Belt, Drive	
527	70024914	1	Alternator (1001139813, 1001214039 & 1001235488 Engines)	
527	70025149	1	Regulator, Voltage	
527	70006652	1	Alternator (1001139813 & 1001235488 Engines)	
527	70006653	1	Regulator, Voltage	
528	70024915	1	Starter (Not Shown - Located on Left Side)	
528	70005647	1	Solenoid	
528	70005648	1	Relay	
529	70025077	1	Harness, Engine (Not Shown)	
530	70024503	2	Sensor, Speed (Not Shown - Located Left Side Front and Flywheel Housing)	
530	70026210	2	Sensor, Speed (Not Shown - Located Left Side Front and Flywheel Housing) (China III Engines)	
530	70024917	1	Seal (Flywheel Housing Location)	
530	70005191	1	O-Ring (Front Engine Block Location)	
531	70024918	1	Sender, Temperature (Not Shown - Located Top Front)	
532	70024504	1	Sensor, Pressure (Not Shown - Located Left Side Front)	
532	70024920	1	Seal	
533	70024507	1	Sensor, Pressure	
533	70025120	1	Seal	
534	70024922	1	Sender, Temperature	
534	70025212	1	Seal	
535	70025799	1	Muffler	
535	70005937	1	Muffler (China III Engines) (SN B300001092 through B300002632)	
535	70004278	1	Outlet, Muffler	
535	70025246	1	Outlet, Muffler (China III Engines) (SN B300001092 through B300002632)	
535	70024515	2	Clamp	
535	70025245	2	Clamp (China III Engines) (SN B300001092 through B300002632)	
535	70025801	3	Gasket	
535	70025242	3	Gasket (China III Engines) (SN B300001092 through B300002632)	
536	70124530	1	Valve, Pressure Relief	
536	70124538	1	Spring	
536	70104570	1	Seal	
536	70025660	1	Screw, Locking	
	1001143483	Ref	<b>BAFFLES INSTALLATION - STEEL HOODS</b>	B
	1001143484	Ref	<b>BAFFLES INSTALLATION - ABS HOODS</b>	C
601	0641406	AR	Bolt 1/4in-20NC x 3/4in	
601	0641407	AR	Bolt 1/4in-20NC x 7/8in	
602	3311405	19	Locknut 1/4in-20NC	
603	4711400	38	Flatwasher 1/4in Thin	
604		Ref	Bracket Options:	

## SECTION 2 - TURNTABLE

ITEM	PART NUMBER	QTY	DESCRIPTION	REV
604	1001141711	1	Bracket (Steel Hoods) (SN 0300182743 through 0300199944)	
604	1001174745	1	Bracket (Steel Hoods) (SN 0300199945 to Present)	
604	1001141711	1	Bracket (Steel Hoods) (SN B300001092 through B300001153)	
604	1001174745	1	Bracket (Steel Hoods) (SN B300001154 to Present)	
604	1001141711	1	Bracket (ABS Hoods) (SN 0300182743 through 0300205490)	
604	1001174745	1	Bracket (ABS Hoods) (SN 0300205491 to Present)	
604	1001141711	1	Bracket (ABS Hoods) (SN B300001092 through B300001245)	
604	1001174745	1	Bracket (ABS Hoods) (SN B300001246 to Present)	
605	1001142031	1	Bracket	
606	1001142032	1	Bracket	
607	1001143449	1	Bracket	
608		Ref	Seal Options:	
608	1001143472	1	Seal (Steel Hoods) (SN 0300182743 through 0300199944)	
608	1001174746	1	Seal (Steel Hoods) (SN 0300199945 to Present)	
608	1001143472	1	Seal (Steel Hoods) (SN B300001092 through B300001153)	
608	1001174746	1	Seal (Steel Hoods) (SN B300001154 to Present)	
608	1001143575	1	Seal (ABS Hoods) (SN 0300182743 through 0300205490)	
608	1001195967	1	Seal (ABS Hoods) (SN 0300205491 to Present)	
608	1001143575	1	Seal (ABS Hoods) (SN B300001092 through B300001245)	
608	1001195967	1	Seal (ABS Hoods) (SN B300001246 to Present)	
609	1001143525	1	Bracket	
		Ref	<b>BRACKET ASSEMBLY (LESS FUEL PUMP AND FILTER)</b>	
	1001162335	Ref	All Machines Except China III Engines	D
	1001227224	Ref	China III Engines Only	B
701	0100011	AR	Locking, Compound	
702	0641610	2	Bolt 3/8in-16NC x 1-1/4in	
703	0721006	4	Bolt #10-24NC x 3/4in	
704	1001154405	1.5 ft/ 0.4m	Hose	
705	3311001	4	Nut #10-20NC	
706	3311605	2	Locknut 3/8in-16NC	
707	4711000	8	Flatwasher #10 Thin	
708	4711600	4	Flatwasher 3/8in Thin	
709	8405006	2	Clamp	
710A	1001141870	1	Plate, Fuel Pump Mount (SN 0300182743 to Present, SN B300001092 through B300002369)	
710B	1001226285	1	Plate, Fuel Pump Mount (SN B300002370 to Present)	
711	1001142501	1	Fitting, Elbow Barbed	
712	1001141718	1	Fitting, Straight Barbed (China III Engines) (SN B300002867 to Present)	
	1001216221	Ref	<b>EXHAUST PIPE INSTALLATION WITHOUT SPARK ARRESTOR</b>	A
	1001145750	Ref	<b>EXHAUST PIPE INSTALLATION WITH SPARK ARRESTER (SN 0300182743 through 0300232902, SN B300001092 through B300001960)</b>	B
	1001216167	Ref	<b>EXHAUST PIPE INSTALLATION WITH SPARK ARRESTOR (SN 0300232903 to Present, SN B300001961 to Present)</b>	A
801	1001158145	1	Pipe, Exhaust without Spark Arrestor	
801	1001145751	1	Pipe, Exhaust with Spark Arrestor (SN 0300182743 through 0300232902, SN B300001092 through B300001960)	
801	1001216166	1	Pipe, Exhaust with Spark Arrestor (SN 0300232903 to Present, SN B300001961 to Present)	
	1001202311	Ref	<b>FUEL PUMP BRACKET INSTALLATION (MACHINES WITH ABS HOODS)</b>	A



## SECTION 2 - TURNTABLE

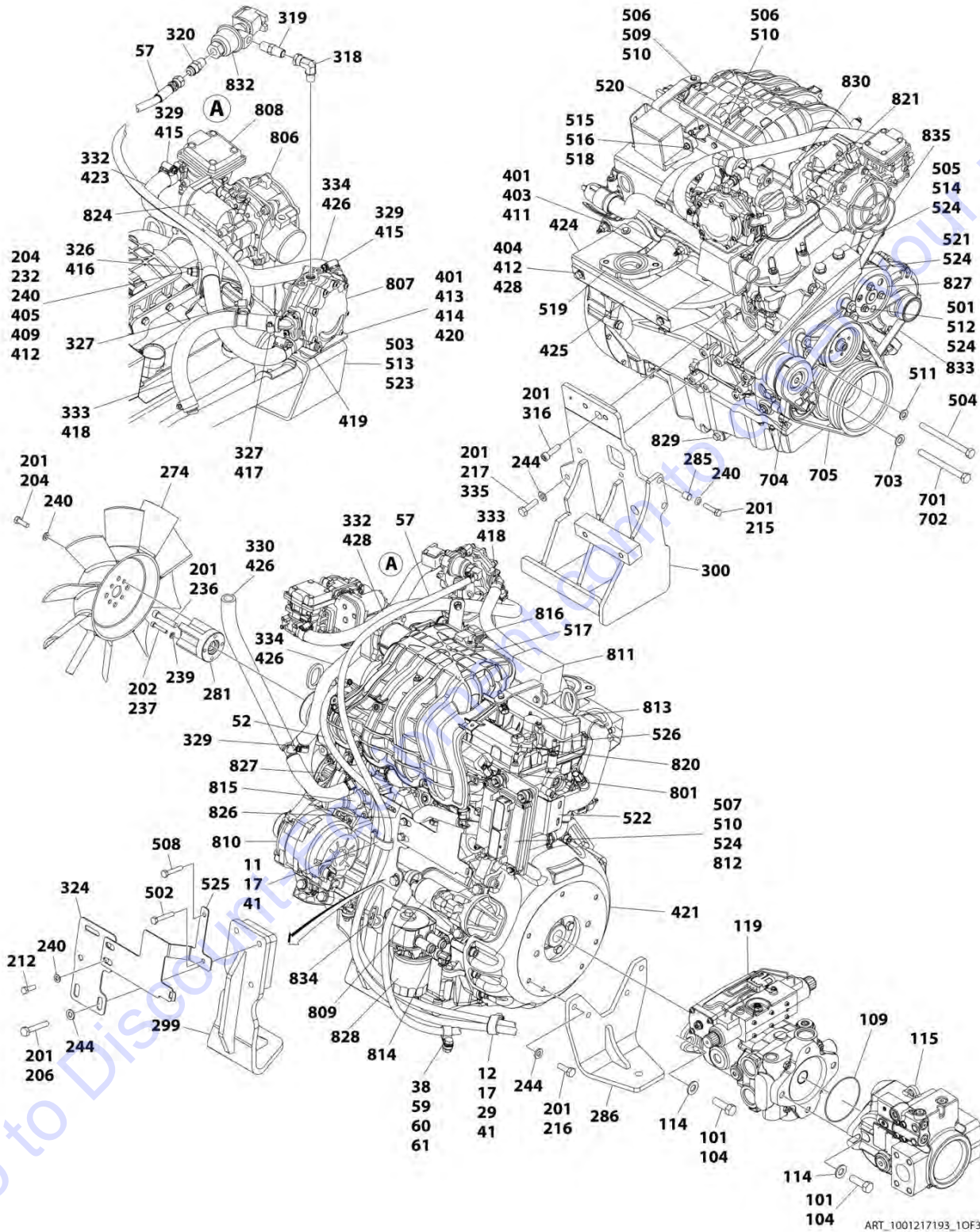
ITEM	PART NUMBER	QTY	DESCRIPTION	REV
901	0100011	AR	Compound, Locking	
902	0760810	2	Bolt M8 x 20	
903	0761008	1	Bolt M10 x 16	
904	0761015	2	Bolt M10 x 35	
905	1320061	2	Clamp	
906	3291005	2	Nut M10	
907	4811900	2	Washer M8	
908	4812000	5	Washer M10	
909	1001178876	1	Bracket	

Go to Discount-Equipment.com to order your parts

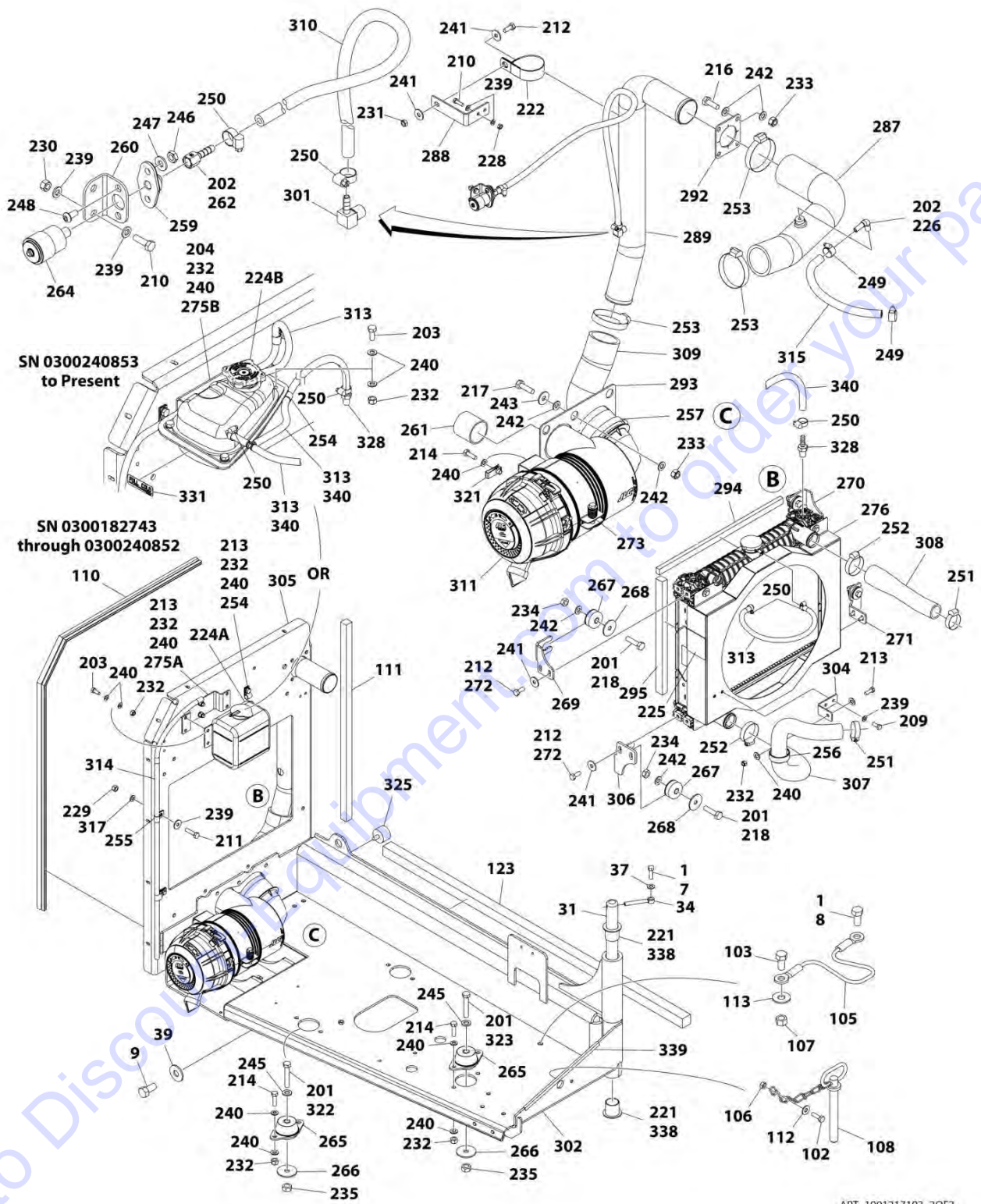


# SECTION 2 - TURNTABLE

## FIGURE 2-11. FORD ENGINE INSTALLATION

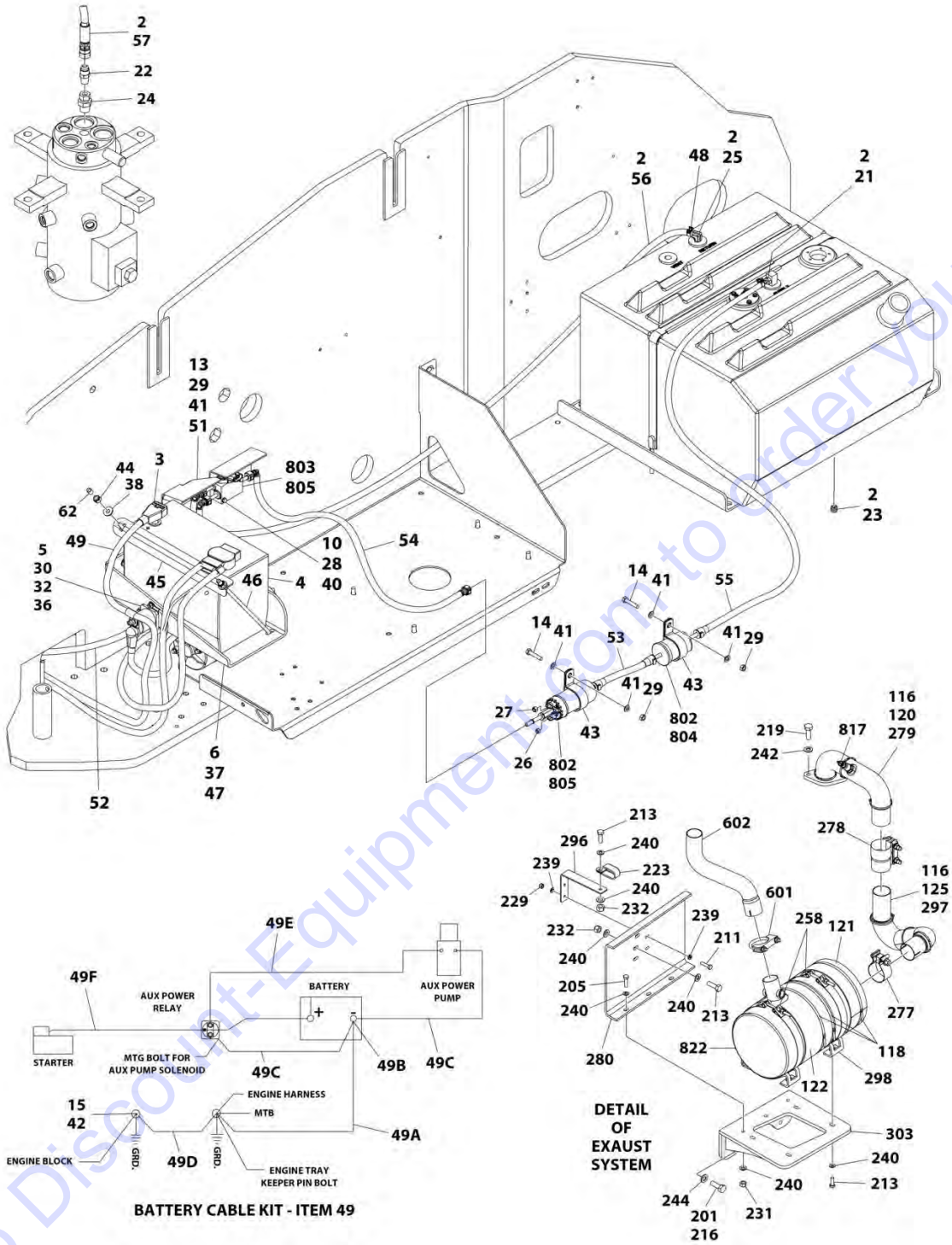


# SECTION 2 - TURNTABLE



ART\_1001217193\_20F3

# SECTION 2 - TURNTABLE



ART\_1001217193\_30F3

## SECTION 2 - TURNTABLE

### FIGURE 2-11. FORD ENGINE INSTALLATION

ITEM	PART NUMBER	QTY	DESCRIPTION	REV
		Ref	<b>FORD ENGINE INSTALLATION</b>	
	1001217193	Ref	<b>Ford Engine Installation</b>	H
1	0100011	AR	Compound, Locking	
2	0100020	AR	Sealant	
3	0100048	AR	Grease, Terminal	
4	0400075	1	<b>Battery (SN 0300182743 through 0300259989, SN B300001092 through B300004169)</b>	
5	0641406	2	Bolt 1/4 x 3/4	
6	0641607	3	Bolt 3/8 x 7/8	
7	0641610	1	Bolt 3/8 x 1-1/4	
8	0641808	1	Bolt 1/2 x 1	
9	0642010	1	Bolt 5/8 x 1-1/4	
10	0760619	2	Bolt M6 x 55	
11	0760810	1	Bolt M8 x 20	
12	0760812	1	Bolt M8 x 25	
12	0641408	1	Bolt 1/4 x 1	
13	0760820	2	Bolt M8 x 60	
13	0641412	2	Bolt 1/4 x 1-1/2	
14	0760816	2	Bolt M8 x 40	
15	0761008	1	Bolt M10 x 16	
17	1321283	2	Clamp	
18	1700818	1	<b>Decal - LP Gas (Not Shown) (SN 0300182743 through 0300259989, SN B30001092 to Present)</b>	
19	1701542	1	Decal - Gas (Not Shown)	
20	1701543	AR	Decal - LPG (Not Shown)	
21	2180348	1	Fitting, Straight NPT/Barbed	
22	2180418	1	Fitting, Straight	
23	2200222	1	Plug	
24	2220005	1	Fitting, Straight NPT	
25	2221176	1	Fitting, 90	
26	3290405	1	Nut M4	
27	3290505	1	Nut M5	
28	3290607	2	Nut M6	
28	3311405	2	Nut 1/4	
29	3290801	5	Nut M8	
29	3311405	AR	Nut 1/4	
30	3311405	AR	Nut 1/4	
31	3422446	1	Pin	
32	3740067	1	Relay	
33	3790012	1	O-Ring (Not Shown - Located on Platform Console Box)	
34	3841143	1	Keeper, Pin	
35	4360336	1	Switch, Toggle (Not Shown - Located on Platform Console Box)	
36	4711400	4	Washer 1/4	
37	4711600	4	Washer 3/8	
38	4751500	AR	Washer 5/16	
38	4751400	AR	Washer 1/4	
39	4752000	1	Washer 5/8	
40	4811700	4	Washer M6	
40	4751400	AR	Washer 1/4	
41	4811900	AR	Washer M8	

## SECTION 2 - TURNTABLE

ITEM	PART NUMBER	QTY	DESCRIPTION	REV
41	4751400	AR	Washer 1/4	
42	4812000	1	Washer M10	
43	85941018	2	Clamp	
44	88521205	AR	Nut 5/16	
45	91401281	1	Bracket, Battery Hold Down <b>(SN 0300182743 through 0300259989, SN B300001092 through B300004169)</b>	
46	1001093382	2	J-Bolt <b>(SN 0300182743 through 0300259989, SN B300001092 through B300004169)</b>	
47	1001162497	1	Bracket, Battery	
48	1001174486	2	Clamp	
49	1001216568	1	Battery Cable Kit	
49A	7027084	1	Cable, Battery - Ground to Battery -	
49B	8270147	1	Terminal, Battery with Boot	
49C	7027085	1	Cable, Battery - Auxiliary Pump/Relay to Battery -	
49D	7027086	1	Cable, Battery - Engine to Ground	
49E	7027088	1	Cable, Battery - Auxiliary Relay to Auxiliary Pump	
49F	70009020	1	Cable, Battery - Starter/Auxiliary Relay to Battery +	
51	1001219370	1	Bracket	
52	1001219634	1	Hose	
53	1001219635	1	Hose <b>(SN 0300182743 through 0300247152)</b>	
53	1001156823	1	Hose <b>(SN 0300247153 to Present)</b>	
54	1001219636	1	Hose	
55	1001219637	1	Hose	
56	1001219638	1	Hose	
57	1001219639	1	Hose	
58	4240099	AR	Tie-Strap (Not Shown)	
59	0771012	1	Bolt M10 x 25	
59	0641408	1	Bolt 1/4 x 1	
60	3291001	1	Nut M10	
60	3311405	1	Nut 1/4	
61	8406201	1	Clip	
62	1001218572	AR	Cap	
		Ref	FORD ENGINE AND PUMP SUB-ASSEMBLY	
	1001217192	Ref	Ford Engine and Pump Sub-Assembly	E
101	0100011	AR	Compound, Locking	
102	0641407	1	Bolt 1/4 x 7/8	
103	0641808	1	Bolt 1/2 x 1	
104	0641812	4	Bolt 1/2 x 1-1/2	
105	1060637	1	Cable, Lanyard	
106	3311405	1	Nut 1/4	
107	3311805	1	Nut 1/2	
108	3422532	1	Pin	
109	3790044	1	O-Ring	
110	3960389	60 in/1.5m	Seal <b>(SN 0300182743 through 0300240852)</b>	
111	3960469	1	Seal	
112	4751400	1	Washer 1/4	
113	4751800	1	Washer 1/2	
114	4891800	4	Washer 1/2	
115	1001094595	1	Variable Pump Assembly (See VARIABLE PUMP ASSEMBLY for Breakdown)	
116	1001100825	6	Strap	
117	1001115930	AR	Oil, Motor (Not Shown) <b>(SN 0300182743 through 0300240852)</b>	

## SECTION 2 - TURNTABLE

ITEM	PART NUMBER	QTY	DESCRIPTION	REV
117	1001190775	AR	Oil, Motor (Not Shown) <b>(SN 0300240853 to Present)</b>	
118	1001221464	3	Strap	
119	1001187510	NLA	Hydrostatic Pump Assembly (Use p/n 1001225745) (See HYDROSTATIC PUMP ASSEMBLY for Breakdown) <b>(SN 0300182743 through 0300240852)</b>	
119	1001225745	1	Hydrostatic Pump Assembly (See HYDROSTATIC PUMP ASSEMBLY for Breakdown) <b>(SN 0300240853 to Present)</b>	
120	1001216532	1	Insulate, Exhaust Pipe	
121	1001216534	1	Insulate, Muffler	
122	1001216535	1	Insulate, Muffler	
123	1001217170	1	Seal	
125	1001218085	1	Insulate, Exhaust Pipe	
		Ref	<b>FORD ENGINE ASSEMBLY</b>	
	1001217191	Ref	<b>Ford Engine Assembly</b>	K
201	0100011	AR	Compound, Locking	
202	0100020	AR	Sealant	
203	0700810	AR	Bolt M8 x 20	
204	0700812	AR	Bolt M8 x 25	
205	0700814	AR	Bolt M8 x 30	
206	0711020	3	Bolt M10 x 60	
209	0760608	2	Bolt M6 x 16	
210	0760610	4	Bolt M6 x 20	
211	0760612	AR	Bolt M6 x 25	
211	0760812	AR	Bolt M8 x 25	
212	0760810	AR	Bolt M8 x 20	
213	0760812	AR	Bolt M8 x 25	
214	0760814	AR	Bolt M8 x 30	
214	0761015	AR	Bolt M10 x 35	
215	0760815	2	Bolt M8 x 35	
216	0761014	11	Bolt M10 x 30	
217	0761015	AR	Bolt M10 x 35	
218	0761016	4	Bolt M10 x 40	
219	0771014	2	Bolt M10 x 30	
221	0961986	2	Bearing	
222	1320110	1	Clamp	
223	1321283	1	Clamp <b>(SN 0300182743 through 0300240852)</b>	
223	1001187781	1	Clamp <b>(SN 0300240853 to Present)</b>	
224A	1580011	1	Container, Coolant Overflow <b>(SN 0300182743 through 0300240852)</b>	
224B	1001223584	1	Container, Coolant Overflow <b>(SN 0300240853 to Present)</b>	
225	1703162	2	Decal - Fan Blade	
226	2180467	1	Fitting, Straight NPT/Barbed	
227	2300004	AR	Coolant (Not Shown)	
228	3290601	2	Nut M6	
229	3290605	AR	Nut M6	
229	3290805	AR	Nut M8	
230	3290607	2	Nut M6	
231	3290801	4	Nut M8	
232	3290805	AR	Nut M8	
232	3291005	AR	Nut M10	
233	3291005	AR	Nut M10	
234	3291001	4	Nut M10	



## SECTION 2 - TURNTABLE

ITEM	PART NUMBER	QTY	DESCRIPTION	REV
235	3291201	3	Nut M12	
236	3931640	1	Capscrew 3/8 x 2-1/2	
237	4031711	4	Capscrew M6 x 35	
238	4240099	AR	Tie-Strap (Not Shown)	
239	4811700	AR	Washer M6	
239	4811900	AR	Washer M8	
240	4811900	AR	Washer M8	
240	4812000	AR	Washer M10	
241	4811902	10	Washer M8	
242	4812000	AR	Washer M10	
243	4812002	6	Washer M10	
244	5241000	15	Washer M10	
245	5241200	3	Washer M10	
246	8305401	2	Nut 1/4	
247	8307109	2	Washer 1/4	
248	8310548	2	Screw 1/4 x 1/2	
249	8405006	2	Clamp	
250	8405009	AR	Clamp	
251	8405102	2	Clamp	
252	8405104	2	Clamp	
253	8405203	3	Clamp	
254	8406109	AR	Clip	
255	8406110	2	Clip	
255	8406109	2	Clip	
256	8410001	1	Clamp	
257	8410011	1	Clamp	
258	1001128901	2	Strap, Clamp	
259	1001138173	1	Support	
260	1001138175	1	Bracket	
261	1001141585	1	Hose, Air Cleaner Inlet	
262	1001141995	1	Fitting, Straight NPT/Barbed	
264	1001149639	1	Indicator, Restriction	
265	1001191610	3	Mount, Motor	
266	1001168018	3	Washer	
267	1001169054	4	Isolator	
268	1001169138	4	Pad	
269	1001169967	1	Bracket	
270	1001170035	1	Bracket	
271	1001176329	1	Bracket	
272	1001180620	AR	Adhesive	
273	1001186426	1	Clamp, Air Cleaner	
274	1001213357	1	Fan (SN 0300182743 through 0300240852)	
274	1001223042	1	Fan (SN 0300240853 to Present)	
275A	1001213482	1	Bracket (SN 0300182743 through 0300240852)	
275B	1001225442	1	Bracket (SN 0300240853 to Present)	
276	1001215674	1	Radiator (SN 0300182743 through 0300240852)	
276	1001223923	1	Radiator (SN 0300240853 to Present)	
277	1001215681	1	Clamp	
278	1001215974	1	Clamp	
279	1001216075	1	Pipe, Exhaust Inlet	
280	1001216092	1	Shield, Heat	

## SECTION 2 - TURNTABLE

ITEM	PART NUMBER	QTY	DESCRIPTION	REV
281	1001216201	1	Spacer, Fan	
285	1001216919	2	Sleeve	
286	1001216995	1	Mount, Engine (Rear)	
287	1001217032	1	Tube, Air Intake	
288	1001217046	1	Bracket	
289	1001217090	1	Tube, Intake (Intermediate)	
292	1001217174	1	Seal	
293	1001217175	1	Seal	
294	1001217183	2	Seal	
295	1001217185	2	Seal	
296	1001217186	1	Support	
297	1001217317	1	Pipe, Exhaust Inlet	
298	1001217543	2	Mount	
299	1001218362	1	Mount, Engine (Front Left)	
300	1001218449	1	Mount, Engine (Front Right)	
301	1001134488	1	Fitting, 90 Barbed	
302	1001219259	1	Tray	
303	1001219345	1	Bracket	
304	1001219361	1	Support	
305	1001219363	1	Plate, Radiator	
306	1001219480	1	Bracket	
307	1001219611	1	Hose, Radiator (Lower)	
308	1001219612	1	Hose, Radiator (Upper)	
309	1001219613	1	Tube, Intake (Lower)	
310	1001138248	31 in/ 77cm	Tube, Nylon	
311	1001189979	1	Air Filter Assembly	
311	70005008	1	Element, Filter	
313	2720058	AR	Hose	
314	2720271	3 ft/.9m	Hose (SN 0300182743 through 0300240852)	
315	1001165035	AR	Hose	
316	4032011	1	Capscrew M10 x 35	
316	5272010	1	Capscrew M10 x 35	
317	4811702	2	Washer M6	
317	4811900	2	Washer M8	
318	2220064	1	Fitting, 90 FSNPSM/NPTF	
319	2220261	1	Fitting, Straight	
320	2180418	1	Fitting, Straight	
321	1001221615	2	Nut, Tinnerman M8	
322	0701224	1	Bolt M12 x 80	
322	1001098828	1	Bolt M12 x 70 Grade 10.9	
323	1001098828	2	Bolt M12 x 70 Grade 10.9	
323	0711223	3	Bolt M12 x 75 Grade 10.9	
324	1001222033	1	Plate	
325	0940070	1	Bumper	
326	8406201	1	Clip (SN 0300240853 to Present)	
327	8410009	2	Clamp (SN 0300240853 to Present)	
328	2180348	1	Fitting (SN 0300240853 to Present)	
329	1001173535	6	Clamp (SN 0300240853 to Present)	
330	1001224489	1	Hose (SN 0300240853 to Present)	
331	1001225510	1	Decal - Fill Level (SN 0300240853 to Present)	
332	1001216531	1	Hose (SN 0300240853 to Present)	

## SECTION 2 - TURNTABLE

ITEM	PART NUMBER	QTY	DESCRIPTION	REV
333	1001227666	13 in/ 33cm	Hose (SN 0300240853 to Present)	
334	1001224486	1	Hose (SN 0300240853 to Present)	
335	0761015	5	Bolt M10 x 35 (SN 0300182743 through 0300240852)	
335	0711014	5	Bolt M10 x 30 (SN 0300240853 to Present)	
338	0100062	AR	Compound, Locking (SN 0300240853 to Present)	
339	4060805	16 in/ 40.6cm	Flex-Trim (SN 0300240853 to Present)	
340	1001227667	1	Hose (SN 0300240853 to Present)	
	1001216910	Ref	<b>FORD ENGINE ASSEMBLY - PUMP COUPLING/ FUEL SYSTEM</b>	F
401	0100011	AR	Compound, Locking	
403	0760605	4	Bolt M6 x 10	
404	0760807	2	Bolt M8 x 14	
405	0760812	AR	Bolt M8 x 25	
409	3290805	AR	Nut M8	
411	4811702	4	Washer M6	
412	4811900	4	Washer M8	
413	5250605	3	Bolt M6 x 10	
414	5260600	1	Nut M6 Class 10	
415	1001173535	4	Clamp (SN 0300182743 through 030022715)	
416	8406201	1	Clip (SN 0300182743 through 030022715)	
417	8410009	2	Clamp (SN 0300182743 through 030022715)	
418	82033995	10 in/ 27cm	Hose (SN 0300182743 through 030022715)	
419	1001211794	3	Mount, Isolator	
420	1001213045	1	Bracket (SN 0300182743 through 0300232537)	
420	1001227769	1	Bracket (SN 0300232538 to Present)	
421	1001213810	1	Pump Coupling, Kit	
421	70006134	1	Coupling	
421	70006135	1	Housing	
421	70006136	1	Hardware Kit	
423	1001216531	1	Hose (SN 0300182743 through 030022715)	
424	1001216768	1	Bracket	
425	1001216769	1	Bracket	
426	1001216810	1	Hose (SN 0300182743 through 030022715)	
428	1001149160	2	Nut, Tinnerman M8	
	1001216065	Ref	<b>FORD ENGINE ASSEMBLY - BRACKETS/EXHAUST MANIFOLD</b>	K
501	0700816	4	Bolt M8 x 40	
502	0700818	1	Bolt M8 x 50	
503	0701014	2	Bolt M10 x 30	
504	0710827	1	Bolt M8 x 100 Grade 10.9	
505	0711216	2	Bolt M12 x 40	
506	0760610	3	Bolt M6 x 20	
507	0760615	4	Bolt M6 x 35	
508	0760817	1	Bolt M8 x 45	
509	3290601	1	Nut M6	
510	4811700	8	Washer M6	
511	4811900	1	Washer M8	
512	4811902	4	Washer M8	
513	4812000	1	Washer M10	
514	4812100	2	Washer M12	
515	5250605	2	Bolt M6 x 10	

## SECTION 2 - TURNTABLE

ITEM	PART NUMBER	QTY	DESCRIPTION	REV
516	5260600	2	Nut M6 Class 10	
517	1001210448	1	Engine, Ford 2.5L (See Ford Engine Components for Serviced Parts)	
518	1001211794	2	Mount	
519	1001214827	1	Manifold, Exhaust	
520	1001215384	1	Bracket	
521	1001216071	1	Bracket	
522	1001216144	1	Support, Muffler	
523	1001216616	1	Mount, Vaporizer (SN 0300182743 through 0300232535)	
523	1001227772	1	Mount, Vaporizer (SN 0300232536 to Present)	
524	0100011	AR	Compound, Locking	
525	1001221545	1	Plate	
526	1001222641	6	Cap	
		Ref	<b>EXHAUST PIPE INSTALLATION</b>	
	1001220142	Ref	<b>Exhaust Pipe Installation without Spark Arrestor</b>	B
	1001219907	Ref	<b>Exhaust Pipe Installation with Spark Arrestor</b>	B
601	1320176	1	Clamp (SN 0300182743 through 0300245226)	
601	1001221397	1	Clamp (SN 0300245227 to Present)	
602		Ref	Tail Pipe Options	
602	1001217350	1	Tail Pipe without Spark Arrestor	
602	1001217476	1	Tail Pipe with Spark Arrestor	
602	1001218087	1	Insulate	
602	1001100825	3	Strap	
	1001220404	Ref	<b>DRIVE BELT INSTALLATION (MACHINES WITHOUT GENERATOR)</b>	C
701	0100011	AR	Compound, Locking	
702	0701026	1	Bolt M10 x 90	
703	4812000	1	Washer M10	
703	4812002	1	Washer M10	
704	1001216300	1	Pulley	
705	1001216619	1	V-Belt	
	1001210448	Ref	<b>FORD ENGINE COMPONENTS</b>	F
801	70006145	4	Injector, Fuel	
801	70006147	1	Rail, Fuel	
802	70006150	1	Pump, Fuel	
802	70006154	1	Fitting M10	
803	70006151	1	Block, Fuel	
803	70006152	2	Fitting SAE6	
803	70006153	1	Fitting SAE3	
803	70006189	1	Harness, Fuel Block	
804	70006155	1	Filter, Fuel	
805	7022162	8	Clamp	
805	70006157	8	Clip, Fuel Quick Disconnect	
806	70006158	1	Mixer, LP	
806	70006168	1	Mixer Diaphragm Replacement Kit	
806	70006159	1	Adapter, Mixer to Governor	
806	70006160	1	O-Ring, Mixer to Adapter	
806	70006161	1	Seal, Mixer to Adapter	
807	70006162	1	Regulator, LP Vapor	
807	70006166	2	Fitting, 70	
807	70006167	1	Fitting, Straight	
807	70006165	2	Isolator, Rubber	

# PARTS FINDER

**Search Website  
by Part Number**



**Search Manual  
Library For Parts  
Manual & Lookup Part  
Numbers – Purchase  
or Request Quote**

**Can't Find Part or  
Manual? Request Help  
by Manufacturer,  
Model & Description**

Discount-Equipment.com is your online resource for quality parts & equipment.

Florida: **561-964-4949** Outside Florida TOLL FREE: **877-690-3101**

## Need parts?

Click on this link: <http://www.discount-equipment.com/category/5443-parts/> and choose one of the options to help get the right parts and equipment you are looking for. Please have the machine model and serial number available in order to help us get you the correct parts. If you don't find the part on the website or on one of the online manuals, please fill out the request form and one of our experienced staff members will get back to you with a quote for the right part that your machine needs.

We sell worldwide for the brands: Genie, Terex, JLG, MultiQuip, Mikasa, Essick, Whiteman, Mayco, Toro Stone, Diamond Products, Generac Magnum, Airman, Haulotte, Barreto, Power Blanket, Nifty Lift, Atlas Copco, Chicago Pneumatic, Allmand, Miller Curber, Skyjack, Lull, Skytrak, Tsurumi, Husquvarna Target, Stow, Wacker, Sakai, Mi-T-M, Sullair, Basic, Dynapac, MBW, Weber, Bartell, Bennar Newman, Haulotte, Ditch Runner, Menegotti, Morrison, Contec, Buddy, Crown, Edco, Wyco, Bomag, Laymor, EZ Trench, Bil-Jax, F.S. Curtis, Gehl Pavers, Heli, Honda, ICS/PowerGrit, IHI, Partner, Imer, Clipper, MMD, Koshin, Rice, CH&E, General Equipment, Amida, Coleman, NAC, Gradall, Square Shooter, Kent, Stanley, Tamco, Toku, Hatz, Kohler, Robin, Wisconsin, Northrock, Oztec, Toker TK, Rol-Air, APT, Wylie, Ingersoll Rand / Doosan, Innovatech, Con X, Ammann, Mecalac, Makinex, Smith Surface Prep, Small Line, Wanco, Yanmar

## SECTION 2 - TURNTABLE

ITEM	PART NUMBER	QTY	DESCRIPTION	REV
808	70006163	1	Regulator, Direct Electronic Pressure	
808	70006164	1	Adapter, Fitting 90	
809	70006169	1	Starter	
809	70006233	1	Harness, Alternator/Starter	
810	70006170	1	Alternator	
811	70006173	1	Cover, Relay Box	
811	70006171	2	Relay (Fuel Pump & Power)	
811	70006172	1	Relay (Starter)	
811	70006175	1	Fuse - 20AMP (Starter)	
811	70006174	1	Decal - Relay Box Cover	
811	70006188	1	Harness, Engine	
811	70006165	2	Isolator, Rubber	
812	70006176	1	Module - Engine Control Unit (ECU/GCP)	
812	70006191	1	Software & Diagnostic Cable	
813	70006177	4	Coil and Boot Assembly	
813	70006178	4	Plug, Spark	
814	70006179	1	Switch, Oil Pressure	
815	70006180	1	Sensor, Knock	
816	70006181	1	Sensor, TMAP	
817	70006182	2	Sensor, O2	
818	70006183	1	Sensor, Coolant Temperature (Not Shown - Located Rear of Engine Block)	
819	70006184	1	Sensor, Crank Position (Not Shown - Located at Front RH Side of Block)	
820	70006185	1	Sensor, Cam Position	
821	70006186	1	Solenoid, Timing	
821	70006187	1	Grommet, Rubber	
822	70006194	1	Muffler	
822	70006195	1	Plug (Located at Muffler Outlet)	
823		Ref	Gasket Options (Not Shown)	
823	70006196	1	Gasket, Exhaust Manifold to Head	
823	70006197	1	Gasket, Exhaust Manifold Outlet	
823	70006200	1	Gasket, Intake Manifold to Head	
823	70006219	1	Gasket Set - Camshaft Cover	
823	70006225	1	Gasket, Cylinder Head	
824	70006198	1	Governor	
824	7027404	1	Gasket, Governor Actuator	
824	70006199	1	Gasket, Governor to Intake Manifold Adapter	
825	70006203	1	Flywheel (Not Shown)	
826	70006205	1	Thermostat (Includes Housing)	
826	70006206	1	Gasket, Water Inlet	
827	70006207	1	Pump, Water	
827	70006208	1	O-Ring, Water Pump	
827	See Note	NSS	Pulley, Water Pump (Note: Not Available for Purchase at This Time)	
828	70006213	1	Filter, Oil	
829	70006215	1	Plug, Oil Drain	
829	70006217	1	Gasket, Oil Drain Plug	
830	70006221	1	Cap, Oil Fill	
831	70006232	1	Sensor, Crank (Not Shown)	
832	70006235	1	Valve, Lock-Off (Includes Filter)	
833	70006202	1	Belt	

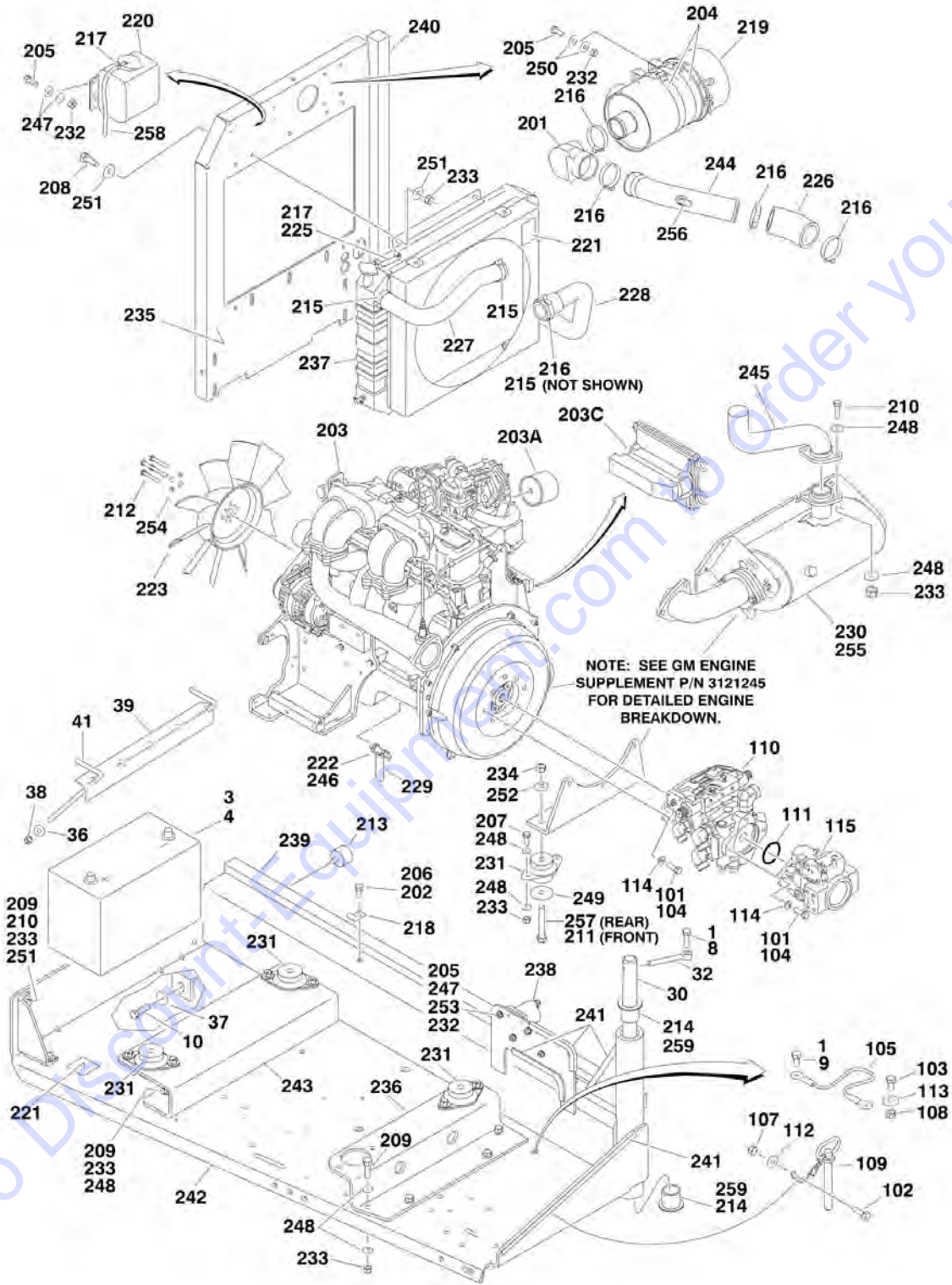
**SECTION 2 - TURNTABLE**

<b>ITEM</b>	<b>PART NUMBER</b>	<b>QTY</b>	<b>DESCRIPTION</b>	<b>REV</b>
834	70006236	1	Dipstick	
835	70007108	1	Belt Tensioner	

Go to Discount-Equipment.com to order your parts

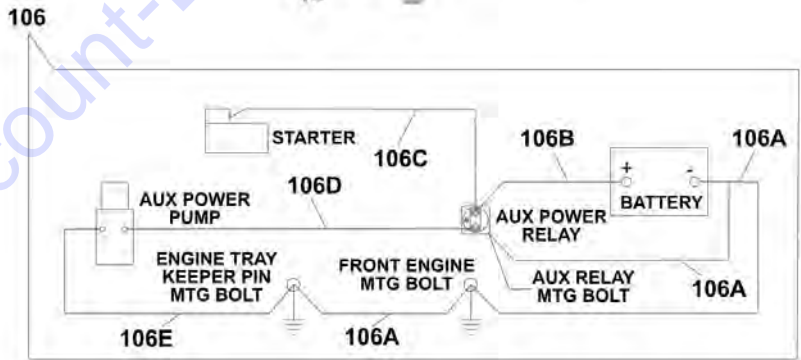
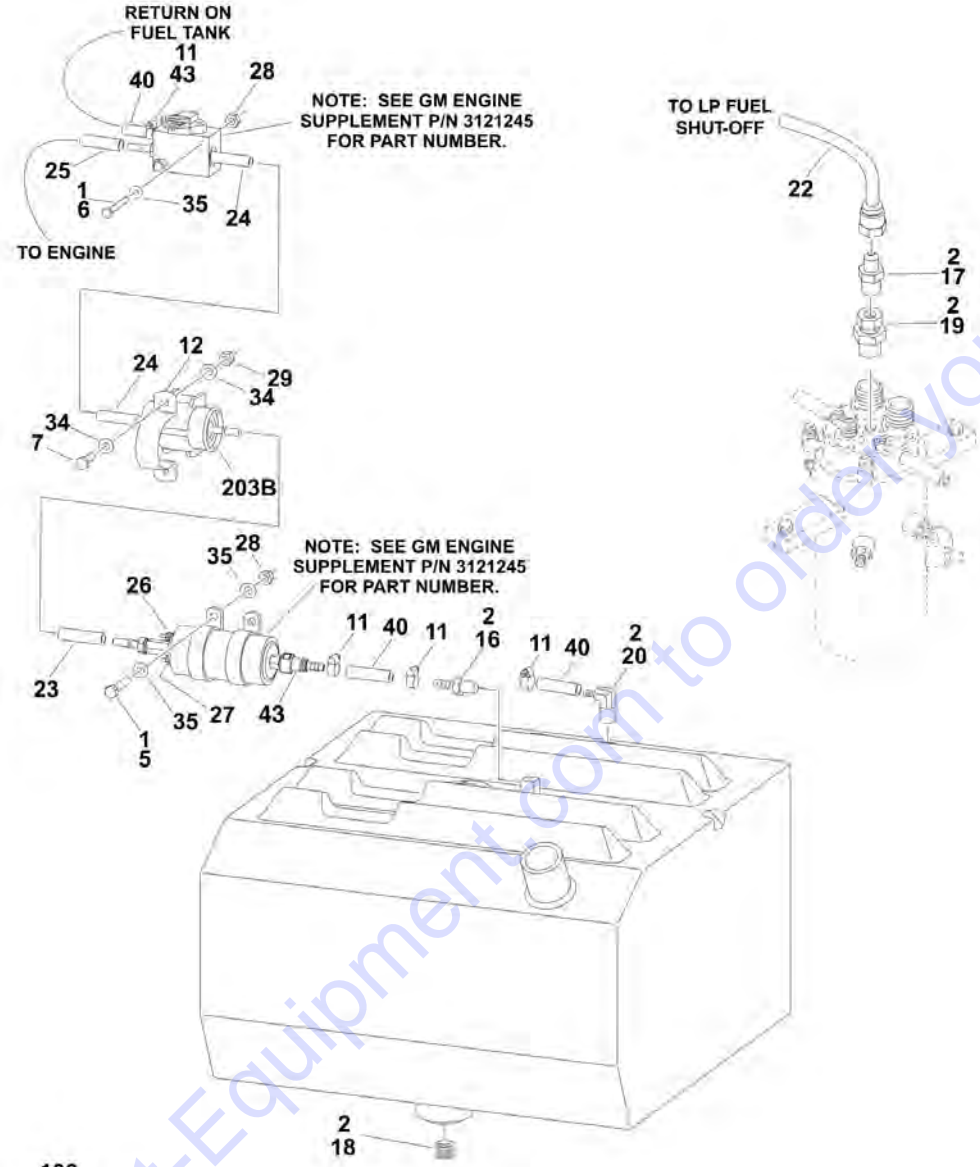
# SECTION 2 - TURNTABLE

## FIGURE 2-12. GM ENGINE INSTALLATION





# SECTION 2 - TURNTABLE



## SECTION 2 - TURNTABLE

FIGURE 2-12. GM ENGINE INSTALLATION

ITEM	PART NUMBER	QTY	DESCRIPTION	REV
	1001156470	Ref	<b>GM ENGINE INSTALLATION (SN 0300182743 through 0300221608)</b>	F
	1001216721	Ref	<b>GM ENGINE INSTALLATION (SN 0300221609 to Present)</b>	B
	1001156470	Ref	<b>GM ENGINE INSTALLATION (SN B300001092 through B300001575)</b>	F
	1001216721	Ref	<b>GM ENGINE INSTALLATION (SN B300001576 to Present)</b>	B
1	0100011	AR	Compound, Locking	
2	0100020	AR	Sealant, Pipe	
3	0100048	AR	Grease, Dielectric	
4	0400075	1	Battery (Wet)	
5	0641412	2	Bolt 1/4in-20NC x 1-1/2in	
6	0641422	2	Bolt 1/4in-20NC x 2-3/4in	
7	0641511	2	Bolt 5/16in-18NC x 1-3/8in	
8	0641608	1	Bolt 3/8in-16NC x 1in	
9	0641808	1	Bolt 1/2in-13NC x 1in	
10	0642010	1	Bolt 5/8in-11NC x 1-1/4in	
11	1001174486	AR	Clamp, Fuel Line	
12	1320323	1	Clamp	
13	1700818	2	Decal - LP Gas (Liquid) (Not Shown)	
14	1701542	1	Decal, Gas (Not Shown)	
15	1701543	2	Decal, LPG (Not Shown)	
16	2180348	1	Fitting, Barbed	
17	2180418	1	Fitting, Straight	
18	2200222	1	Fitting, Plug	
19	2220005	1	Fitting, Straight	
20	2221176	1	Fitting, Elbow	
21	2300004	AR	Fluid, Anti-Freeze (Not Shown)	
22	2720392	1	Hose, LP	
23	2720566	1	Hose, Hi Pressure Fuel Line (6in/15cm Length) <b>(SN 0300182743 through 0300183271)</b>	
23	1001156823	1	Hose, Hi Pressure Fuel Line (6in/15cm Length) <b>(SN 0300183272 to Present)</b>	
23	1001156823	1	Hose, Hi Pressure Fuel Line (6in/15cm Length) <b>(SN B300001092 to Present)</b>	
24	2720567	1	Hose, Hi Pressure Fuel Line (4ft/1.2m Length) <b>(SN 0300182743 through 0300183271)</b>	
24	1001156824	1	Hose, Hi Pressure Fuel Line (4ft/1.2m Length) <b>(SN 0300183272 to Present)</b>	
24	1001156824	1	Hose, Hi Pressure Fuel Line (4ft/1.2m Length) <b>(SN B300001092 to Present)</b>	
25	2720580	1	Hose <b>(SN 0300182743 through 0300183271)</b>	
25	1001156825	1	Hose <b>(SN 0300183272 to Present)</b>	
25	1001156825	1	Hose <b>(SN B300001092 to Present)</b>	
26	3290405	1	Locknut M4 x 0.7	
27	3290505	1	Locknut M5 x 0.8	
28	3311405	4	Locknut 1/4in x 20NC	
29	3311505	2	Locknut 5/16in-18NC	
30	3422446	1	Pin	
31	3790012	1	O-Ring (Not Shown - Located in Console Box)	
32	3841143	1	Keeper	
33	4360336	1	Switch, Toggle (Not Shown - Located in Console Box)	

## SECTION 2 - TURNTABLE

ITEM	PART NUMBER	QTY	DESCRIPTION	REV
34	4711500	4	Flatwasher 5/16in Thin	
35	4751400	8	Flatwasher 1/4in Regular	
36	4751500	2	Flatwasher 5/16in Regular	
37	4752000	1	Flatwasher 5/8in Regular	
38	88521205	2	Locknut, Nylon Insert 5/16in-18NC	
39	91401281	1	Angle, Battery Hold Down	
40	1001091587	1	Hose, Fuel Line (SN 0300182743 through 0300183271)	
40	1001156819	1	Hose, Fuel Line (SN 0300183272 through 0300196954)	
40	1001177228	1	Hose, Fuel Line (SN 0300196955 to Present)	
40	1001156819	1	Hose, Fuel Line (SN B300001092 through B300001102)	
40	1001177228	1	Hose, Fuel Line (SN B300001103 to Present)	
41	1001093382	2	Bolt, Battery Hold-down	
43	1001174093	2	Coupling, Quick Disconnect (SN 0300183272 through 0300196954)	
43	1001177155	1	Hose, Fuel (SN 0300196955 to Present)	
43	1001174093	1	Coupling, Quick Disconnect (SN B300001092 through B300001102)	
43	1001177155	1	Hose, Fuel (SN B300001103 to Present)	
	1001156471	Ref	GM ENGINE AND PUMP ASSEMBLIES (SN 0300182743 through 0300221608)	E
	1001216715	Ref	GM ENGINE AND PUMP ASSEMBLIES (SN 0300221609 to Present)	C
	1001156471	Ref	GM ENGINE AND PUMP ASSEMBLIES (SN B300001092 through B300001575)	E
	1001216715	Ref	GM ENGINE AND PUMP ASSEMBLIES (SN B300001576 to Present)	C
101	0100011	AR	Compound, Locking	
102	0641407	1	Bolt 1/4in-20NC x 7/8in	
103	0641808	1	Bolt 1/2in-13NC x 1in	
104	0641812	4	Bolt 1/2in-13NC x 1-1/2in	
105	1060637	1	Cable, Lanyard	
106	2902533	1	Battery Cable Kit	D
106A	7027018	1	Cable (Battery - to Ground)	
106B	7027015	1	Cable (Battery + to Auxiliary Relay)	
106C	7027017	1	Cable (Auxiliary Relay to Starter)	
106D	7016824	1	Cable (Auxiliary Relay to Auxiliary Pump)	
106E	7016825	1	Cable (Ground to Auxiliary Pump)	
107	3311405	1	Locknut 1/4in-20NC	
108	3311805	1	Locknut 1/2in-13NC	
109	3422532	1	Pin, Hitch	
110	1001152522	1	Hydrostatic Pump Assembly with Fittings (See HYDROSTATIC PUMP ASSEMBLY for Breakdown) (SN 0300182743 through 0300208405)	
110	1001187510	1	Hydrostatic Pump Assembly with Fittings (See HYDROSTATIC PUMP ASSEMBLY for Breakdown) (SN 0300208406 to Present)	
110	1001152522	1	Hydrostatic Pump Assembly with Fittings (See HYDROSTATIC PUMP ASSEMBLY for Breakdown) (SN B300001092 through B300001327)	
110	1001187510	1	Hydrostatic Pump Assembly with Fittings (See HYDROSTATIC PUMP ASSEMBLY for Breakdown) (SN B300001328 to Present)	
111	3790044	1	O-Ring	
112	4751400	1	Flatwasher 1/4in Regular	
113	4751800	1	Flatwasher 1/2in Regular	
114	4891800	4	Flatwasher, 1/2in Hardened	

## SECTION 2 - TURNTABLE

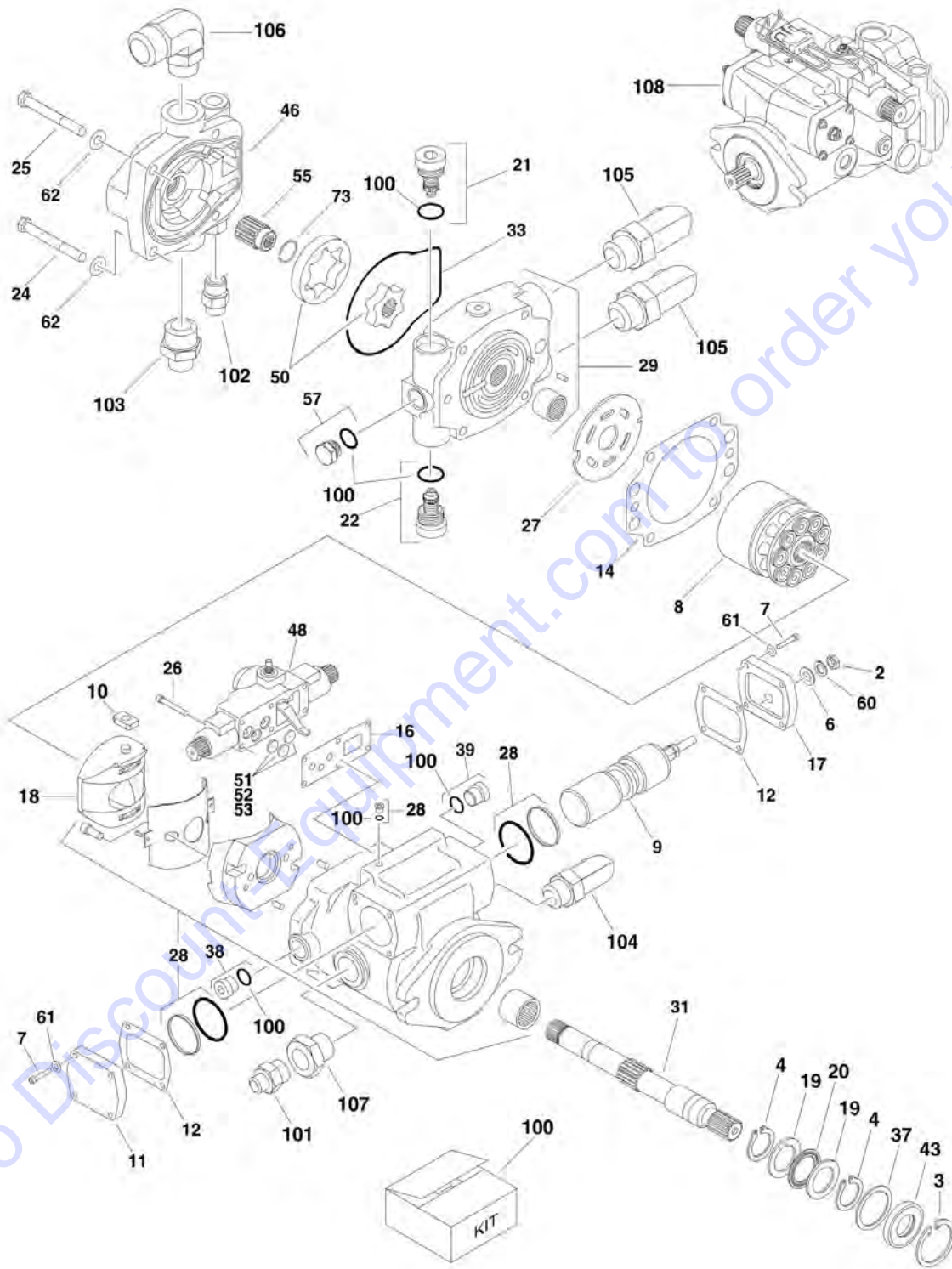
ITEM	PART NUMBER	QTY	DESCRIPTION	REV
115	1001094595		Variable Pump Assembly with Fittings (See VARIABLE PUMP ASSEMBLY for Breakdown)	
117	1001115930	AR	Oil, 10W-30 Motor	
	1001114632	Ref	<b>GM ENGINE ASSEMBLY (SN 0300182743 through 0300221608)</b>	F
	1001216714	Ref	<b>GM ENGINE ASSEMBLY (SN 0300221609 to Present)</b>	B
	1001114632	Ref	<b>GM ENGINE ASSEMBLY (SN B300001092 through B300001575)</b>	F
	1001216714	Ref	<b>GM ENGINE ASSEMBLY (SN B300001576 to Present)</b>	B
201	0080201	1	Adapter, Elbow	
202	0100011	AR	Compound, Locking	
203	1001114595	1	Engine, GM 3.0L (See GM Engine Supplement P/N 3121245 for Breakdown of Additional Components) <b>(SN 0300182743 through 0300221608)</b>	
203	1001214862	1	Engine, GM 3.0L without Mounting Brackets (See GM Engine Supplement P/N 3121245 for Breakdown of Additional Components) <b>(SN 0300221609 to Present)</b>	
203	1001216713	1	Engine, GM 3.0L with Mounting Brackets(See GM Engine Supplement P/N 3121245 for Breakdown of Additional Components) <b>(SN 0300221609 to Present)</b>	
203	1001114595	1	Engine, GM 3.0L (See GM Engine Supplement P/N 3121245 for Breakdown of Additional Components) <b>(SN B300001092 through 0300001575)</b>	
203	1001214862	1	Engine, GM 3.0L without Mounting Brackets (See GM Engine Supplement P/N 3121245 for Breakdown of Additional Components) <b>(SN B300001576 to Present)</b>	
203	1001216713	1	Engine, GM 3.0L with Mounting Brackets (See GM Engine Supplement P/N 3121245 for Breakdown of Additional Components) <b>(SN B300001576 to Present)</b>	
203A	7027965	1	Filter, Oil	
203B	7027972	1	Filter, Fuel	
203C	70002895	1	Module, Control (ECU)	
203D	70000164	4	Sparkplug (Not Shown)	
204	0340041	2	Band, Mounting	
205	0641406	10	Bolt 1/4in-20NC x 3/4in	
206	0641606	3	Bolt 3/8in-16NC x 3/4in	
207	0641608	8	Bolt 3/8in-16NC x 1in	
208	0641609	4	Bolt 3/8in-16NC x 1-1/8in	
209	0641610	10	Bolt 3/8in-16NC x 1-1/4in	
210	0641612	4	Bolt 3/8in-16NC x 1-1/2in	
211	0641828	2	Bolt 1/2in-13NC x 3-1/2in	
212	0700810	4	Bolt M8 x 20mm	
213	0940070	1	Bumper	
214	0961986	2	Bearing, Flanged	
215	1320012	3	Clamp	
216	1320016	5	Clamp	
217	1320022	AR	Clamp	
218	1320223	3	Clamp	
219	1340060	1	Air Cleaner Assembly	
219	7012664	1	Element, Air Cleaner	
220	1580011	1	Container, Coolant Overflow	
221	1703162	2	Decal - Caution Fan	
222	0100020	AR	Locking Compound	
223	2060025	1	Fan	
225	2720058	5.5 in /14cm	Hose	

## SECTION 2 - TURNTABLE

ITEM	PART NUMBER	QTY	DESCRIPTION	REV
226	1001116544	1	Duct	
227	2720563	1	Hose, Radiator (Top)	
228	2720564	1	Hose, Radiator (Bottom)	
229	2750532	1 ft/0.3m	Hose	
230	1001091794	1	Insulation, Muffler	
231	3200362	4	Mount, Engine	
232	3311405	12	Locknut 1/4in-20NC	
233	3311605	26	Locknut 3/8in-16NC	
234	3311805	4	Locknut 1/2in-13NC	
235	3539872	1	Plate, Radiator Mounting	
236	3572280	1	Plate, Engine Mount	
237	3620040	1	Radiator	
237	8180311	1	Cap, Radiator (was p/n 7019656)	
238	3740067	1	Relay	
239	3960468	1	Seal	
240	3960469	1	Seal	
241	4060805	3 ft/0.9m	Flex-Trim	
242	4341239	1	Tray, Engine	
243	4341241	1	Mount, Engine (Front)	
244	1001116545	1	Tube, Intake	
245	4569394	1	Pipe, Exhaust	
246	4640952	1	Valve, Oil Drain	
247	4711400	12	Flatwasher 1/4in Thin	
248	4711600	36	Flatwasher 3/8in Thin	
249	4740274	4	Flatwasher, Snubbing	
250	4751400	8	Flatwasher 1/4in Regular	
251	4751600	16	Flatwasher 3/8in Regular	
252	4751800	4	Flatwasher 1/2in Regular	
253	4791400	2	Starwasher 1/4in	
254	4831900	4	Lockwasher M8	
255	4920385	10 ft/3m	Wire, Safety	
256	2180877	1	Fitting Elbow	
257	0641826	2	Bolt 1/2in-13NC x 3-1/4in	
258	2720271	18 in /46cm	Hose	
259	0100062	AR	Retaining Compound	

## SECTION 2 - TURNTABLE

FIGURE 2-13. HYDROSTATIC PUMP ASSEMBLY (SN 0300182743 through 0300208405, SN B300001092 through B300001325)



## SECTION 2 - TURNTABLE

**FIGURE 2-13. HYDROSTATIC PUMP ASSEMBLY (SN 0300182743 through 0300208405, SN B300001092 through B300001325)**

ITEM	PART NUMBER	QTY	DESCRIPTION	REV
	1001142522	Ref	<b>PUMP ASSEMBLY (SN 0300182743 through 0300208405, SN B300001092 through B300001325)</b>	C
2	See Note	NSS	Nut (Note: Not Available for Purchase)	
3	See Note	NSS	Ring, Retaining (Note: Use Item 100)	
4	See Note	NSS	Ring, Retaining (Note: Use Item 100)	
6	See Note	NSS	Washer, Seal (Note: Use Item 100)	
7	70004330	8	Capscrew	
8	70004331	1	Cylinder Block Assembly	
9	70004332	1	Servo Piston Assembly	
10	70004333	1	Follower, Servo Piston	
11	70004334	1	Cover	
12	70005116	2	Gasket, Cover	
14	See Note	NSS	Gasket, Housing (Note: Use Item 100)	
16	See Note	NSS	Gasket, Control Housing (Note: Use Item 100)	
17	70004335	1	Cover	
18	70004336	1	Camplate Assembly	
19	7004907	2	Race, Thrust	
20	7004908	1	Bearing, Thrust	
21	70004337	1	Relief Valve Assembly	
22	70004337	1	Relief Valve Assembly	
24	70004338	2	Capscrew	
25	70004338	2	Capscrew	
26	70004339	6	Capscrew	
27	70004340	1	Plate, Valve	
28	See Note	NSS	Housing (Note: Not Available for Purchase)	
29	70004341	1	End Cover Assembly	
31	70004342	1	Shaft, Drive	
33	See Note	NSS	O-Ring (Note: Use Item 100)	
37	7004906	1	Washer	
38	See Note	NSS	Plug (Note: Not Available for Purchase)	
39	See Note	NSS	Plug (Note: Not Available for Purchase)	
43	See Note	NSS	Seal, Shaft (Note: Use Item 100)	
46	70004343	1	Adapter, Charge Pump	
48	70004344	1	Servo Control Assembly	
50	70004345	1	Gerotor	
51	70004346	1	Orifice	
52	70004346	1	Orifice	
53	70004346	1	Orifice	
55	70004347	1	Coupler	
57	See Note	NSS	Plug (Note: Not Available for Purchase)	
60	70004348	1	Washer	
61	70004349	8	Washer	
62	70004350	4	Washer	
73	70004351	1	Ring, Retaining	
100	70004352	1	Seal Kit - Pump (Includes Items 3, 4, 6, 12, 14, 16, 33 & 43 and Valve and Plug O-Rings and Seals)	
	1001152522	Ref	<b>PUMP AND FITTING ASSEMBLY</b>	C
101	2110408	1	Fitting, Straight	
102	2110810	1	Fitting, Straight	

## SECTION 2 - TURNTABLE

ITEM	PART NUMBER	QTY	DESCRIPTION	REV
103	2111016	1	Fitting, Straight	
104	2131212	1	Fitting, Elbow	
105	2131616	2	Fitting, Elbow	
106	2132016	1	Fitting, Elbow	
107	2220811	1	Fitting, Reducer	
108	1001142522	1	Pump Assembly (Includes Items 1-73)	
200	70005663	1	Tool, Port Plate for Pump p/n 1001142522 (Not Shown)	

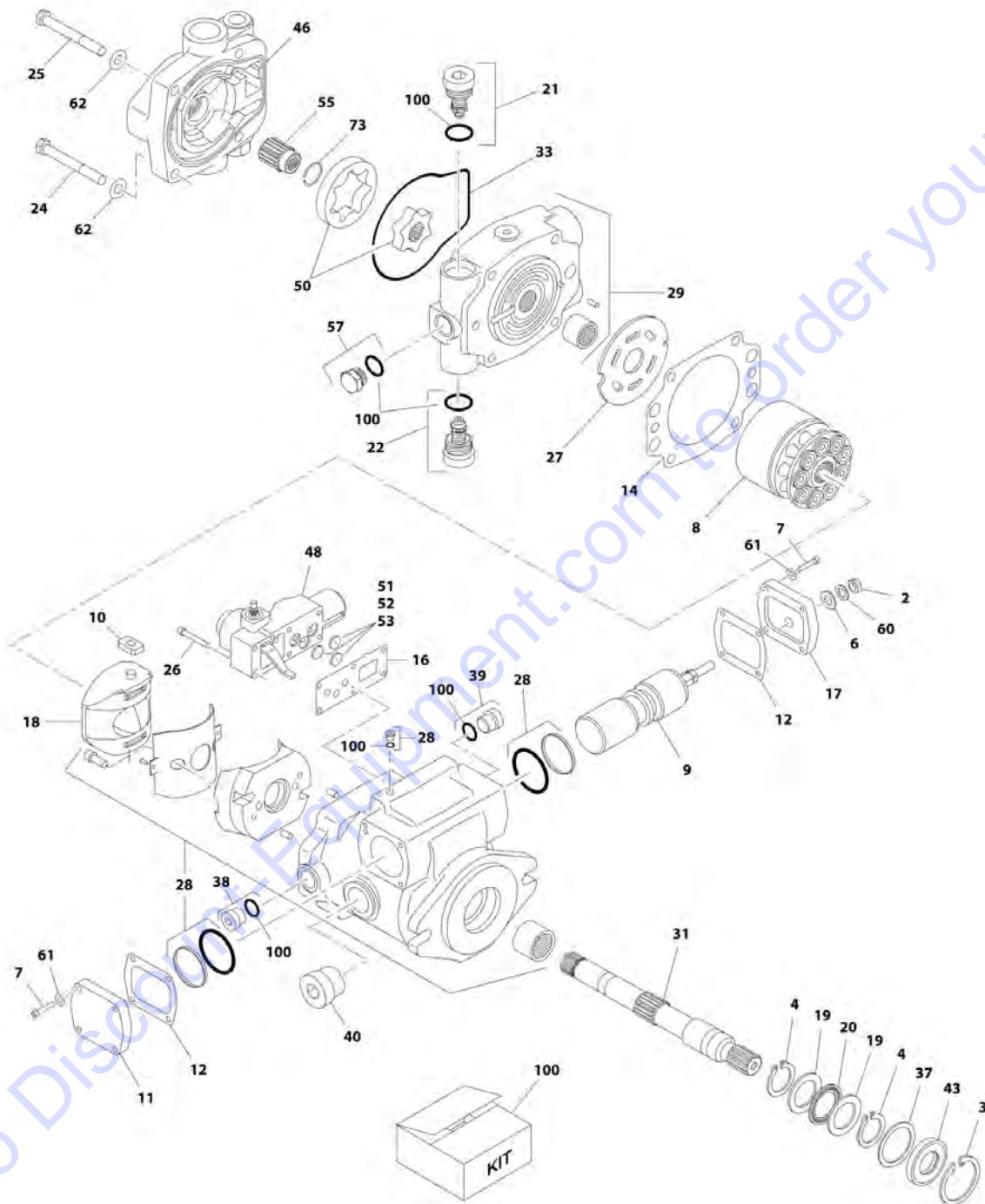
Go to Discount-Equipment.com to order your parts





## SECTION 2 - TURNTABLE

FIGURE 2-14. HYDROSTATIC PUMP ASSEMBLY (SN 0300208406 through 0300240852, SN B300001326 through B300002584)



ART\_1001187510-A

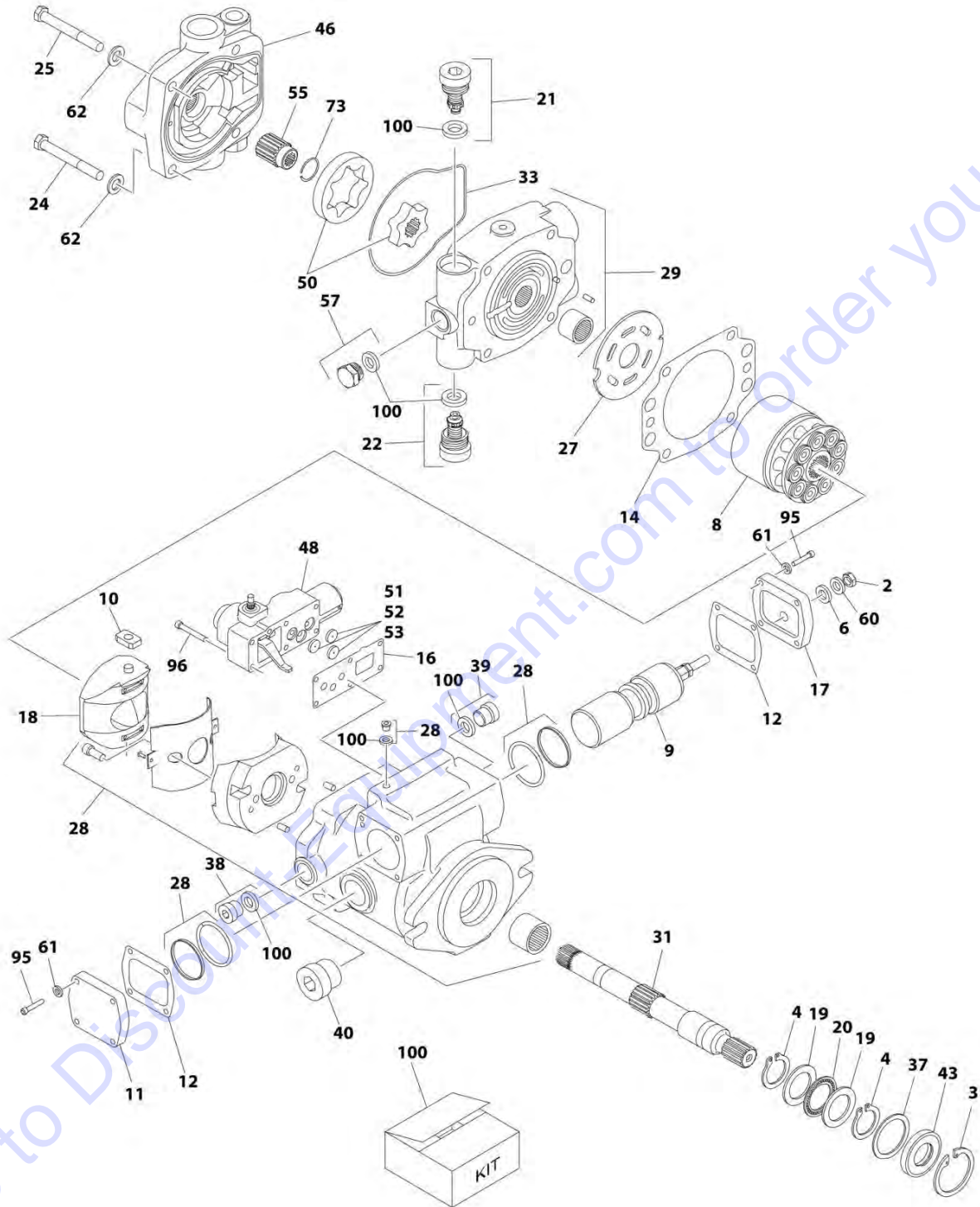
## SECTION 2 - TURNTABLE

**FIGURE 2-14. HYDROSTATIC PUMP ASSEMBLY (SN 0300208406 through 0300240852, SN B300001326 through B300002584)**

ITEM	PART NUMBER	QTY	DESCRIPTION	REV
	1001187510	Ref	<b>HYDROSTATIC PUMP ASSEMBLY (SN 0300208406 through 0300240852, SN B300001326 through B300002584)</b>	C
2	See Note	NSS	Nut (Note: Use Item 100)	
3	See Note	NSS	Ring, Retaining (Note: Use Item 100)	
4	See Note	NSS	Ring, Retaining (Note: Use Item 100)	
6	See Note	NSS	Washer, Seal (Note: Use Item 100)	
7	70005464	8	Capscrew	
8	70004331	1	Cylinder Block Assembly	
9	70004332	1	Servo Piston Assembly	
10	70004333	1	Follower, Servo Piston	
11	70005458	1	Cover	
12	See Note	NSS	Gasket, Cover (Note: Use Item 100)	
14	See Note	NSS	Gasket, Housing (Note: Use Item 100)	
16	See Note	NSS	Gasket, Control Housing (Note: Use Item 100)	
17	70005459	1	Cover	
18	70004336	1	Camplate Assembly	
19	7004907	2	Race, Thrust	
20	7004908	1	Bearing, Thrust	
21	70004337	1	Relief Valve Assembly	
22	70004337	1	Relief Valve Assembly	
24	70004338	2	Capscrew	
25	70004338	2	Capscrew	
26	70005465	6	Capscrew	
27	70004340	1	Plate, Valve	
28	See Note	NSS	Housing (Note: Not Available - Purchase Assembly)	
29	70005460	1	End Cover Assembly	
31	70004342	1	Shaft, Drive	
33	See Note	NSS	O-Ring (Note: Use Item 100)	
37	7004906	1	Washer	
38	70005461	1	Plug	
39	70005461	1	Plug	
40	70005462	1	Plug	
43	See Note	NSS	Seal, Shaft (Note: Use Item 100)	
46	70004343	1	Adapter, Charge Pump	
48	70004344	1	Servo Control Assembly	
50	70004345	1	Gerotor	
51	70004346	1	Orifice	
52	70004346	1	Orifice	
53	70004346	1	Orifice	
55	70004347	1	Coupler	
57	70005463	1	Plug	
60	70004348	1	Washer	
61	70004349	8	Washer	
62	70004350	4	Washer	
73	70004351	1	Ring, Retaining	
100	70004352	1	Seal Kit - Pump (Includes Items 2, 3, 4, 6, 12, 14, 16, 33 & 43 and Valve and Plug O-Rings and Seals)	

# SECTION 2 - TURNTABLE

FIGURE 2-15. HYDROSTATIC PUMP ASSEMBLY (SN 0300240853 to Present, SN B300002585 to Present)



ART\_1001225745

## SECTION 2 - TURNTABLE

**FIGURE 2-15. HYDROSTATIC PUMP ASSEMBLY (SN 0300240853 to Present, SN B300002585 to Present)**

ITEM	PART NUMBER	QTY	DESCRIPTION	REV
	1001225745	Ref	<b>HYDROSTATIC PUMP ASSEMBLY</b>	A
2	70004329	1	Nut	
3	See Note	NSS	Ring, Retaining (Note: Use Item 100)	
4	See Note	NSS	Ring, Retaining (Note: Use Item 100)	
6	See Note	NSS	Washer, Seal (Note: Use Item 100)	
8	70004331	1	Cylinder Block Assembly	
9	70004332	1	Servo Piston Assembly	
10	70004333	1	Follower, Servo Piston	
11	70005458	1	Cover	
12	See Note	NSS	Gasket, Cover (Note: Use Item 100)	
14	See Note	NSS	Gasket, Housing (Note: Use Item 100)	
16	See Note	NSS	Gasket, Control Housing (Note: Use Item 100)	
17	70005459	1	Cover	
18	70004336	1	Camplate Assembly	
19	7004907	2	Race, Thrust	
20	7004908	1	Bearing, Thrust	
21	70004337	1	Relief Valve Assembly	
22	70004337	1	Relief Valve Assembly	
24	70004338	2	Capscrew	
25	70004338	2	Capscrew	
27	70004340	1	Plate, Valve	
28	See Note	NSS	Housing (Note: Not Available - Purchase Assembly)	
29	70005460	1	End Cover Assembly	
31	70004342	1	Shaft, Drive	
33	See Note	NSS	O-Ring (Note: Use Item 100)	
37	7004906	1	Washer	
38	70005461	1	Plug	
39	70005461	1	Plug	
40	70005462	1	Plug	
43	See Note	NSS	Seal, Shaft (Note: Use Item 100)	
46	70004343	1	Adapter, Charge Pump	
48	70004344	1	Servo Control Assembly	
50	70004345	1	Gerotor	
51	70004346	1	Orifice	
52	70004346	1	Orifice	
53	70004346	1	Orifice	
55	70004347	1	Coupler	
57	70005463	1	Plug	
60	70004348	1	Washer	
61	70004349	8	Washer	
62	70004350	4	Washer	
73	70004351	1	Ring, Retaining	
95	70005464	8	Capscrew	
96	70005465	6	Capscrew	
100	70004352	1	Seal Kit - Pump (Includes Items 3, 4, 6, 12, 14, 16, 33 & 43 and Valve and Plug O-Rings and Seals)	



## SECTION 2 - TURNTABLE

### FIGURE 2-16. VARIABLE PUMP ASSEMBLY

ITEM	PART NUMBER	QTY	DESCRIPTION	REV
	1001094595	Ref	<b>PUMP ASSEMBLY</b>	A
1	7023947	1	Bearing, Front (Includes Cup and Cone)	
2	7023948	1	Bearings, Swash Plate (Includes Both Sides and Pins)	
3	7023956	1	Control Valve Assembly (Includes Items 102-300)	
4	7023949	1	Servo Piston Assembly	
5	7023950	1	Bearing, Rear (Includes Cup and Cone)	
25	7023951	1	Spring	
40	7023952	1	Swash Plate	
45	See Note	NSS	O-Ring (Note: Use Item 600)	
46	See Note	NSS	O-Ring (Note: Use Item 600)	
70	70001954	1	Plate, Valve	
90	70001955	1	Spring, Check Valve	
95	70001956	1	Poppet, Check Valve	
102	See Note	NSS	Setscrew (Note: Use Item 3)	
103	See Note	NSS	Plug (Note: Use Item 3)	
103A	See Note	NSS	O-Ring (Note: Use Item 103 or 600)	
106	See Note	NSS	Plug (Note: Use Item 3)	
106A	See Note	NSS	O-Ring (Note: Use Item 106 or 600)	
107	See Note	NSS	Plug (Note: Use Item 3)	
107A	See Note	NSS	O-Ring (Note: Use Item 107 or 600)	
112	See Note	NSS	Spool, Control (Note: Use Item 3)	
113	See Note	NSS	Guide, Spring (Note: Use Item 3)	
114	See Note	NSS	Spring (Note: Use Item 3)	
115	See Note	NSS	Spring (Note: Use Item 3)	
116	See Note	NSS	O-Ring (Note: Use Item 600)	
117	See Note	NSS	Ring, Back-up (Note: Use Item 600)	
118	See Note	NSS	Plug, Adjusting (Note: Use Item 3)	
132	See Note	NSS	Spool, Control (Note: Use Item 3)	
133	See Note	NSS	Guide, Spring (Note: Use Item 3)	
134	See Note	NSS	Spring (Note: Use Item 3)	
135	See Note	NSS	Spring (Note: Use Item 3)	
138	See Note	NSS	Plug, PC Adjusting (Note: Use Item 3)	
138A	See Note	NSS	O-Ring (Note: Use Item 138 or 600)	
200	See Note	NSS	Ring, Seal (Note: Use Item 600)	
300	7023957	4	Screw	
401	7023958	1	Shaft	
402	70001957	1	Cap, End	
403	7023960	4	Screw	
404	7022318	1	Plug	
404A	See Note	NSS	O-Ring (Note: Use Item 404 or 600)	
405	7023961	1	Pin	
501	7023962	1	Ring, Retaining	
502	See Note	NSS	Seal, Lip (Note: Use Item 600)	
503	See Note	NSS	Housing (Note: Purchase Complete Assembly)	
504	7023964	1	Plug	
504A	7007415	1	O-Ring	
540	7023965	1	Cylinder Block Assembly	
541	See Note	NSS	Block, Cylinder (Note: Use Item 540)	
542	7024868	1	Washer	
543	7024867	1	Spring	

## SECTION 2 - TURNTABLE

ITEM	PART NUMBER	QTY	DESCRIPTION	REV
544	7022314	1	Retainer, Spring	
545	7022311	1	Ring, Retaining	
546	7021275	3	Pin, Slipper	
547	7024864	1	Guide, Slipper	
549	7024866	1	Retainer, Slipper	
550	7023966	9	Piston Assembly	
570	7023964	1	Plug	
570A	7007415	1	O-Ring	
600	7023967	1	Seal Kit - Complete (Includes Items 45, 46, 103A, 106A, 107A, 116, 117, 138A, 200, 404A & 502)	

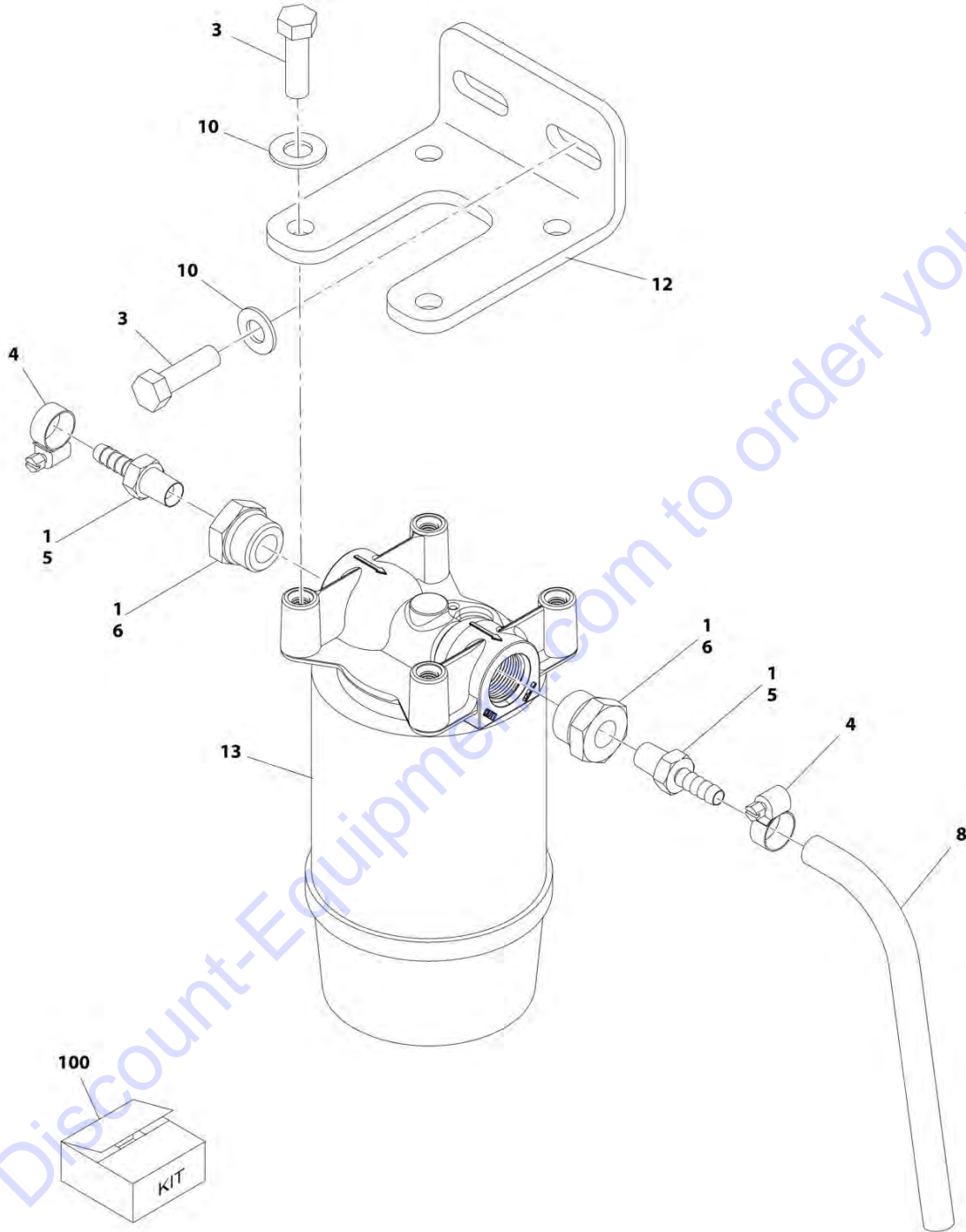
Go to Discount-Equipment.com to order your parts





## SECTION 2 - TURNTABLE

FIGURE 2-17. FUEL-WATER SEPARATOR INSTALLATION - DEUTZ D2011



ART\_1001196428

**SECTION 2 - TURNTABLE**

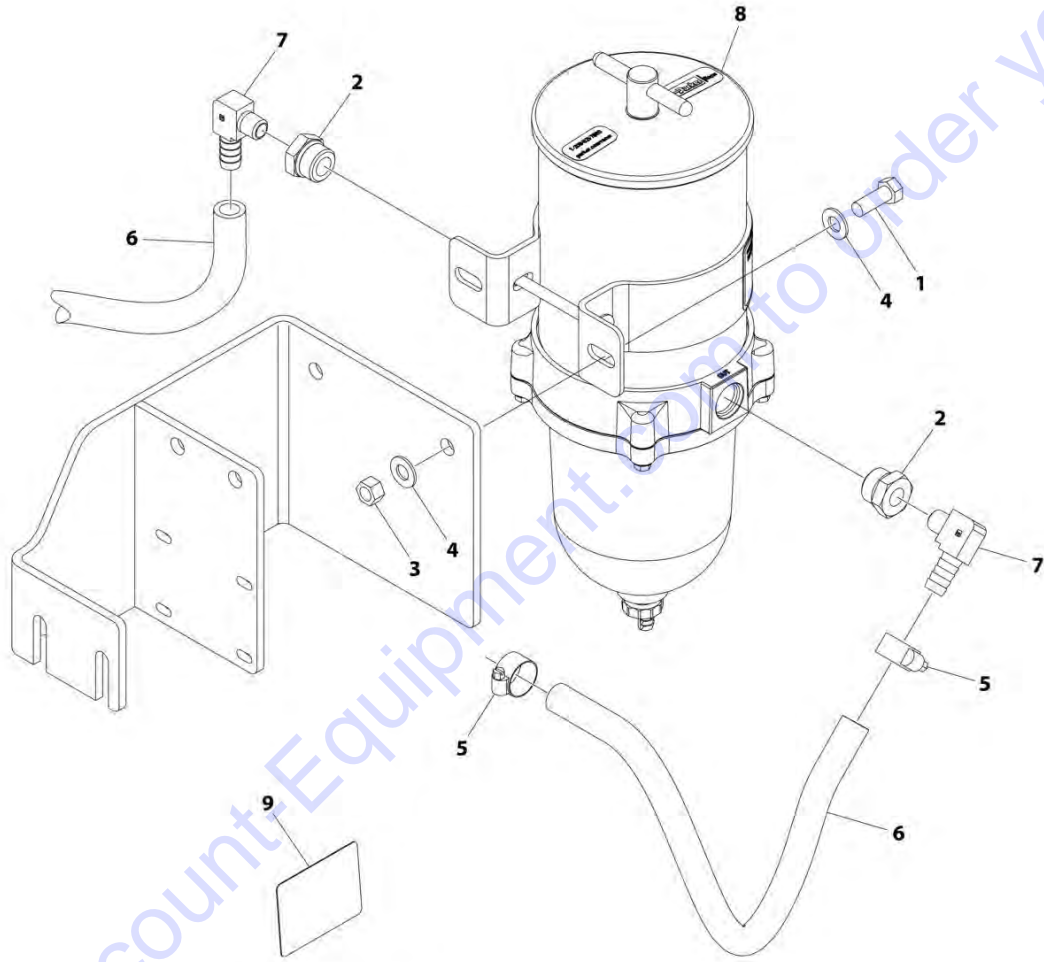
**FIGURE 2-17. FUEL-WATER SEPARATOR INSTALLATION - DEUTZ D2011**

ITEM	PART NUMBER	QTY	DESCRIPTION	REV
	1001196428	Ref	<b>FUEL-WATER SEPARATOR INSTALLATION - DEUTZ D2011 (OPTIONAL)</b>	B
1	0100020	AR	Sealant	
3	0641610	6	Bolt 3/8 x 1-1/4	
4	1320022	2	Clamp	
5	2180348	2	Fitting, Straight	
6	2220816	2	Fitting, Straight	
8	2720058	12 in /31cm	Hose	
10	4751600	6	Washer 3/8	
12	1001188884	1	Bracket	
13	1001188887	1	Fuel/Water Separator Assembly	
13	1001202280	1	Head	
13	1001202281	1	Element	
100	1001204667	1	Fuel/Water Separator Add-on Kit	

Go to Discount-Equipment.com to order your parts

## SECTION 2 - TURNTABLE

FIGURE 2-18. FUEL-WATER SEPARATOR INSTALLATION - DEUTZ TD2.9L4



NOTE : LOCATED ON HOOD

ART\_1001226286

**SECTION 2 - TURNTABLE**

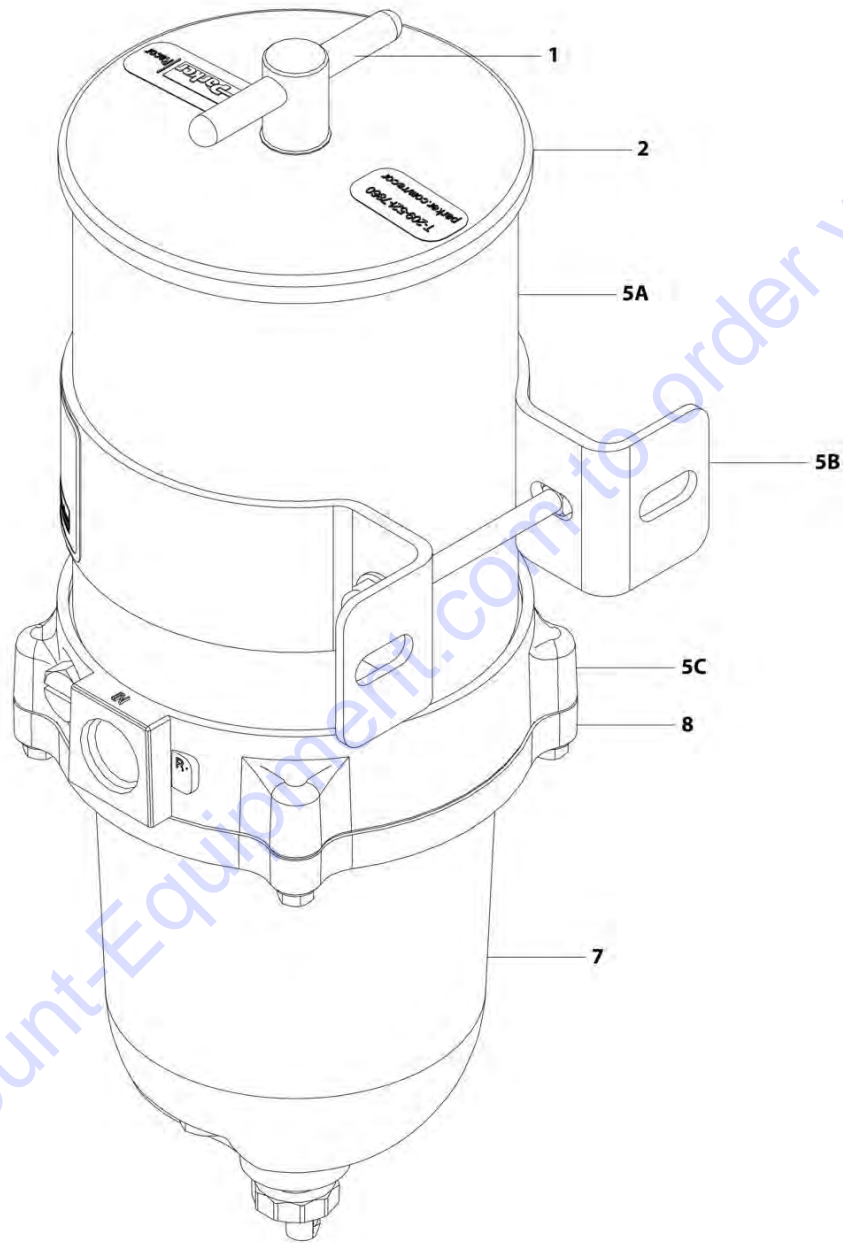
**FIGURE 2-18. FUEL-WATER SEPARATOR INSTALLATION - DEUTZ TD2.9L4**

ITEM	PART NUMBER	QTY	DESCRIPTION	REV
	1001226286	Ref	FUEL-WATER SEPARATOR INSTALLATION - DEUTZ TD2.9L4	B
1	0641608	2	Bolt 3/8 x 1	
2	2220816	2	Fitting, Straight	
3	3311605	2	Nut 3/8	
4	4711600	4	Washer 3/8	
5	8405006	2	Clamp	
6	1001154405	7 ft/ 213m	Hose	
7	1001178797	2	Fitting, Elbow	
8	1001222817	1	Filter, Fuel (See Separate Breakdown in this Section)	
9	1001226923	1	Decal - Fuel Water Separator	

Go to Discount-Equipment.com to order your parts

## SECTION 2 - TURNTABLE

FIGURE 2-19. FUEL FILTER ASSEMBLY (DEUTZ TD2.9L4 ENGINES)



ART\_1001222817

## SECTION 2 - TURNTABLE

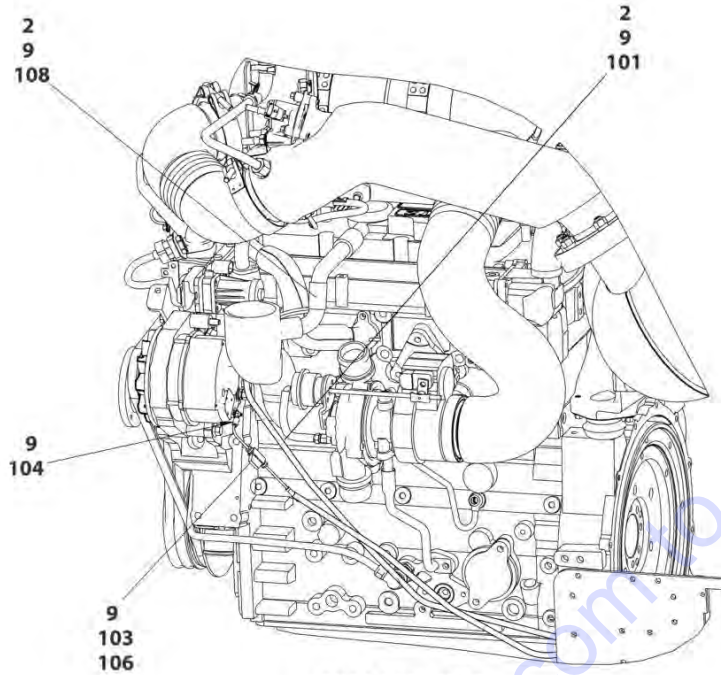
**FIGURE 2-19. FUEL FILTER ASSEMBLY (DEUTZ TD2.9L4 ENGINES)**

ITEM	PART NUMBER	QTY	DESCRIPTION	REV
	1001222817	Ref	FUEL FILTER ASSEMBLY	A
1	70006403	1	Handle Kit (Includes Handle, Handle O-Ring & Lid Gasket)	
2	70006404	1	Lid Kit (Includes Lid, Handle O-Ring & Lid Gasket)	
3	70006405	1	Element, Filter (Not Shown)	
5A	See Note	NSS	Housing (Note: Use p/n 1001222817)	
5B	See Note	NSS	Bracket (Note: Use p/n 1001222817)	
5C	See Note	NSS	Tube, Return ((Note: Use p/n 1001222817))	
6	70006407	1	Certrfuge & Baffle Kit (Not Shown - Located at Bottom of 5C) (Also Includes p/n 70006406 & Bowl Gasket)	
6	70006406	1	Checkball & Gasket Kit (Not Shown - Located at Bottom of 5C)	
7	70006409	1	Bowl Kit (Includes Bowl Gasket, Plug with O-Ring & Drain)	
7	70006408	1	Gasket, Bowl	
8	70006410	1	Bowl Ring Kit (Includes Bowl Gasket & Bolts)	

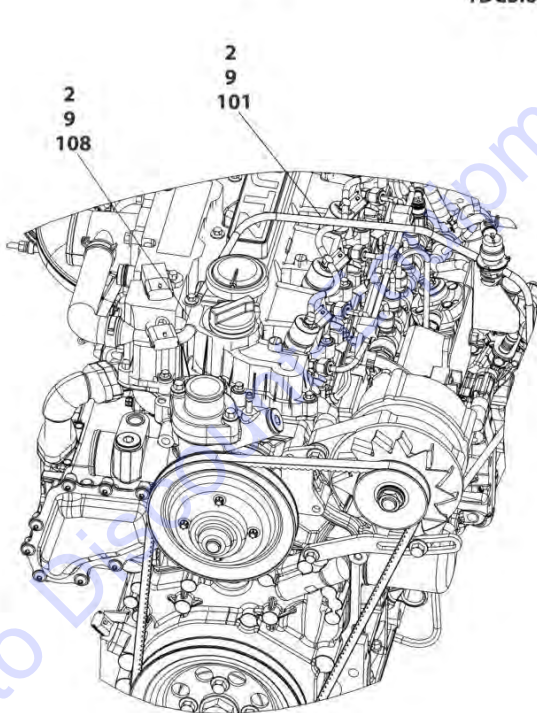
Go to Discount-Equipment.com to order your parts

## SECTION 2 - TURNTABLE

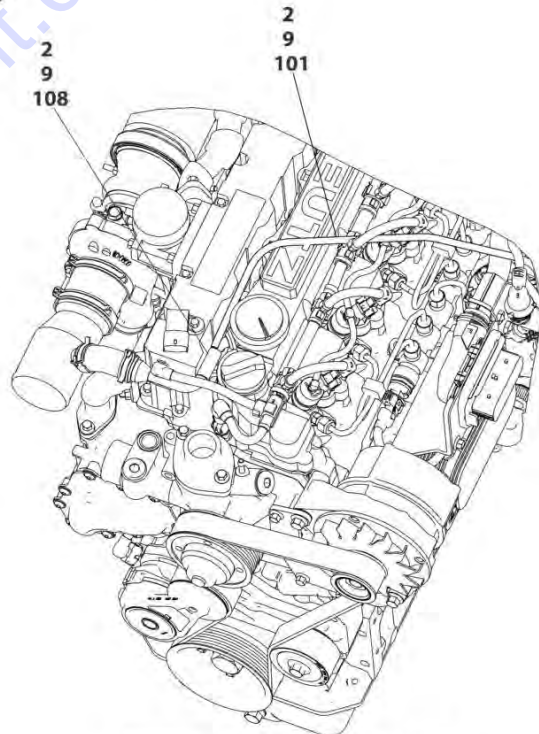
FIGURE 2-20. BREATHER HEATER INSTALLATION - DEUTZ D2.9L4 ENGINE WITH ARCTIC PACKAGE



TDC3.6 ENGINES



D2.9L4 ENGINES



TCD2.9L4 AND TD2.9L4 ENGINES

ART\_1001233763



**SECTION 2 - TURNTABLE**

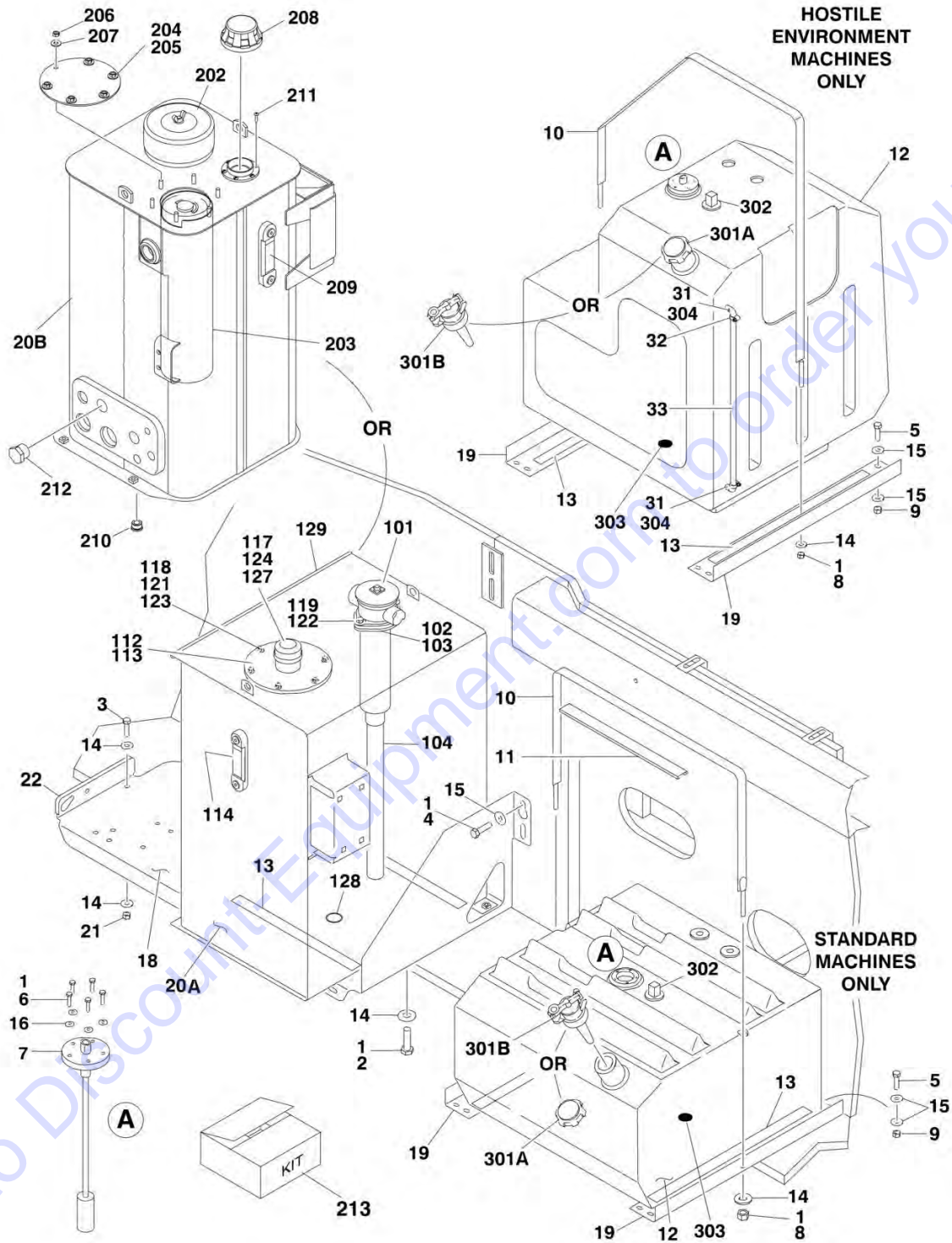
**FIGURE 2-20. BREATHER HEATER INSTALLATION - DEUTZ D2.9L4 ENGINE WITH ARCTIC PACKAGE**

ITEM	PART NUMBER	QTY	DESCRIPTION	REV
	1001233763	Ref	BREATHER HEATER INSTALLATION - DEUTZ ENGINES	C
2	4240099	AR	Tie-Strap	
9	1001243895	1	Breather Heater Harness	
101	2820035	10 ft/ 3m	Insulation	
103	2400060	1	Fuseholder with Cover	
104	4460043	1	Terminal, Ring	
105	4460722	1	Terminal, Ring (Not Shown)	
106	1001196634	1	Fuse - 2 Amp	
108	1001232842	1	Breather Heater Kit	

Go to Discount-Equipment.com to order your parts

# SECTION 2 - TURNTABLE

## FIGURE 2-21. TANK INSTALLATIONS



## SECTION 2 - TURNTABLE

### FIGURE 2-21. TANK INSTALLATIONS

ITEM	PART NUMBER	QTY	DESCRIPTION	REV
		Ref	<b>TANKS INSTALLATION</b>	
		Ref	<b>USA Built Machines</b>	
	1001157258	Ref	<b>Deutz Engine Machines (SN 0300182743 through 0300196954)</b>	E
	1001178209	Ref	<b>Deutz Engine Machines (SN 0300169955 to Present)</b>	A
	1001157260	Ref	<b>Deutz Engine Machines with Hostile Environment Package (SN 0300182743 through 0300196954)</b>	E
	1001178211	Ref	<b>Deutz Engine Machines with Hostile Environment Package (SN 0300196955 to Present)</b>	B
	1001157259	Ref	<b>Ford &amp; GM Engine Machines (SN 0300182743 through 0300196954)</b>	B
	1001178210	Ref	<b>Ford &amp; GM Engine Machines (SN 0300196955 to Present)</b>	A
		Ref	<b>China Built Machines</b>	
	1001157258	Ref	<b>Deutz Engine Machines (SN B300001092 through B300001096)</b>	E
	1001178209	Ref	<b>Deutz Engine Machines (SN B300001097 to Present)</b>	A
	1001157260	Ref	<b>Deutz Engine Machines with Hostile Environment Package (SN B300001092 through B300001096)</b>	E
	1001178211	Ref	<b>Deutz Engine Machines with Hostile Environment Package (SN B300001097 to Present)</b>	A
1	0100011	AR	Compound, Locking	
2	0641607	4	Bolt 3/8in-16NC x 7/8in	
3	0641614	2	Bolt 3/8in-16NC x 1-3/4in	
4	0641808	2	Bolt 1/2in-13NC x 1in	
5	0641816	4	Bolt 1/2in-13NC x 2in	
6	0731007	AR	Capscrew #10-32NF x 7/8in	
6	0731005	AR	Capscrew #10-32NF x 5/8in	
7		Ref	Gauge, Fuel Level Options:	
7	1001148607	1	Standard Machines	
7	1001109048	1	Hostile Environment Machines	
7	4460834	1	Connector - 2 Position (Hostile Environment Machines Only)	
7	4460842	2	Terminal (Hostile Environment Machines Only)	
8	3311601	2	Nut 3/8in-16NC	
9	3311805	4	Locknut 1/2in-13NC	
10		Ref	Strap, Tank Mounting Options:	
10	4240139	1	Standard Machines	
10	1001110059	1	Hostile Environment Machines	
11		Ref	Strip, Protector Options:	
11	4280295	30 in /76cm	Standard Machines <b>(SN 0300182743 through 0300207673)</b>	
11	4280295	30 in /76cm	Standard Machines <b>(SN B300001092 through B300001300)</b>	
11	Not Required	0	Hostile Environment Machines	
12		Ref	Fuel Tank Assembly Options (See Items 301-303 for Breakdown):	
12	4400439	1	Deutz Engines (USA Built Machines) <b>(SN 0300182743 through 0300189714)</b>	
12	1001160567	1	Deutz Engines (USA Built Machines) <b>(SN 0300189715 to Present)</b>	
12	1001160567	1	Deutz Engines (USA Built Machines) <b>(SN B300001092 to Present)</b>	
12	1001108579	1	Deutz Engines with Hostile Environment Package	

## SECTION 2 - TURNTABLE

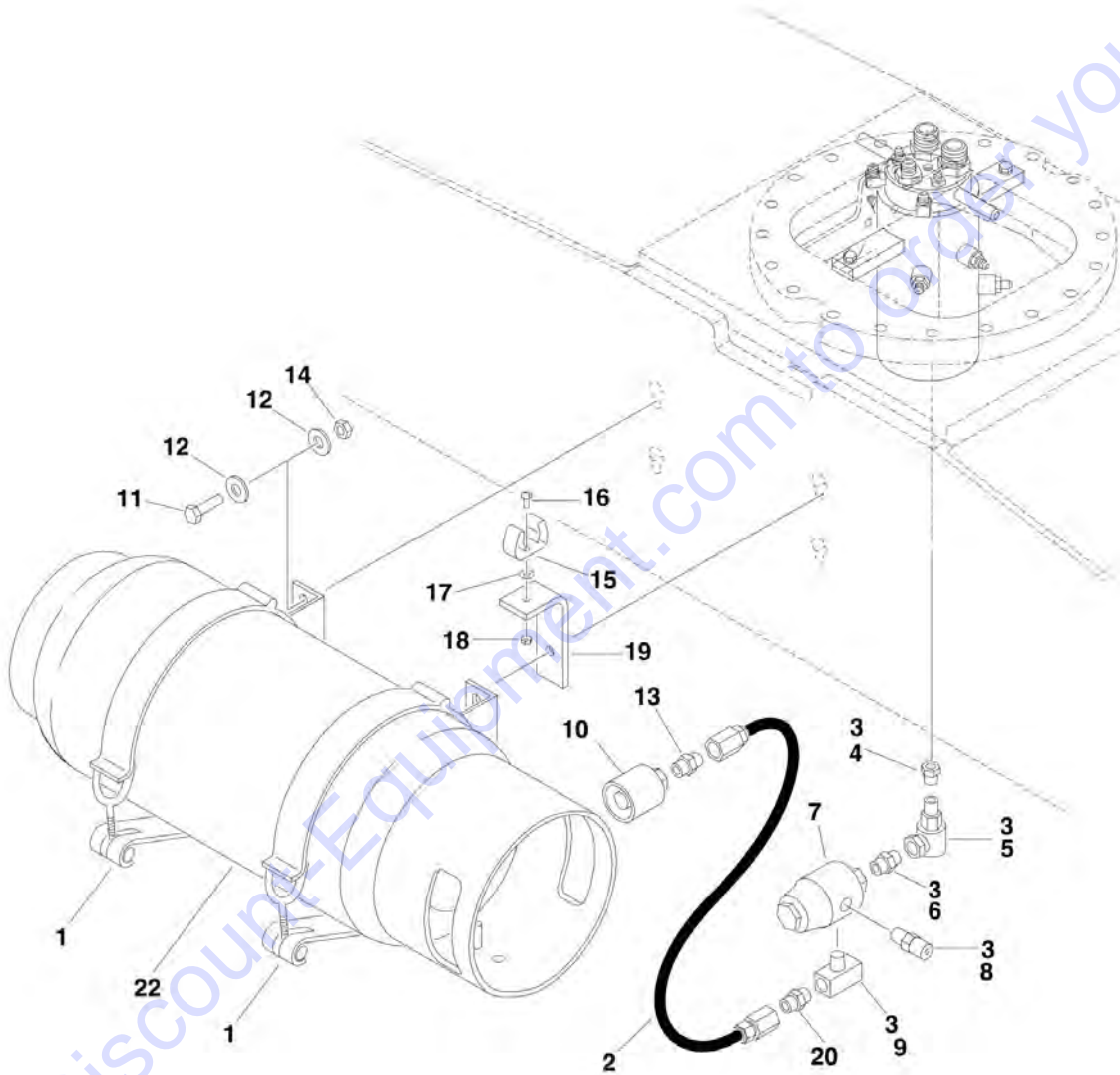
ITEM	PART NUMBER	QTY	DESCRIPTION	REV
12	1001091563	1	Ford & GM Engine Machines (SN 0300182743 through 0300185779)	
12	1001160559	1	Ford & GM Engine Machines (SN 0300185780 to Present)	
13	4420038	6 ft/1.7m	Tape, Rubber	
14	4711600	10	Flatwasher 3/8in Thin	
14	4751600	AR	Flatwasher 3/8in Regular	
15	4711800	10	Flatwasher 1/2in Thin	
16	4751000	AR	Flatwasher #10 Regular	
18	1001156805	1	Tray, Tank	
19	1001157056	2	Mount	
20		Ref	Hydraulic Tank Assembly Options:	
20A	1001158290	1	Tank Assembly (See Items 101-113 for Breakdown) (SN 0300182743 through 0300196954)	
20B	1001178057	1	Tank Assembly (See Items 151-155 for Breakdown) (SN 0300196955 to Present)	
20A	1001158290	1	Tank Assembly (See Items 101-113 for Breakdown) (SN B300001092 through B300001096)	
20B	1001178057	1	Tank Assembly (See Items 151-155 for Breakdown) (SN B300001097 to Present)	
21	3311605	2	Locknut 3/8in-16NC	
22		Ref	Flex-Trim Options:	
22	4060804	9 in /23cm	Flex-Trim (SN 0300201336 to Present)	
22	4060804	9 in /23cm	Flex-Trim (SN B300001189 to Present)	
		Ref	<b>Note: Items 31-33 Used on Hostile Environment Machines Only.</b>	
31	2180467	2	Fitting, Barb	
32	8405009	2	Clamp, Gear	
33	1001113103	1	Tube, Fuel Sight	
	1001158290	Ref	<b>HYDRAULIC TANK ASSEMBLY (SN 0300182743 through 0300196954)</b>	B
	1001158290	Ref	<b>HYDRAULIC TANK ASSEMBLY (SN B300001092 through B300001096)</b>	B
101	7024374	1	Filter Assembly	
101	7024375	1	Element, Filter	
102	7023306	1	Seal, Cover	
103	7023347	1	Gasket, Flange to Tank	
104	Not Available	1	Pipe, CPVC	
112	7024439	1	Cover	
113	7024440	1	Gasket	
114	7024441	1	Gauge, Sight	
117	7024443	1	Neck, Fill	
118	83304174	6	Nut 1/4in-20NC	
119	4751600	2	Flatwasher 3/8in Regular	
121	83304173	6	Flatwasher 1/4in	
122	83304170	2	Bolt 3/8in-16NC x 1-1/2in	
123	83304172	6	Stud 1/4in-20NC	
124	7024445	1	Screen	
127	7024444	1	Breather/Fill Cap	
128	7024446	1	Plug, Magnetic	
129	Not Available	22 in /55cm	Trim	
	1001178057	Ref	<b>HYDRAULIC TANK ASSEMBLY (SN 0300196955 to Present)</b>	D
	1001178057	Ref	<b>HYDRAULIC TANK ASSEMBLY (SN B300001097 to Present)</b>	D

## SECTION 2 - TURNTABLE

ITEM	PART NUMBER	QTY	DESCRIPTION	REV
202	70005708	1	Breather Assembly (Includes Breather, Element & Wingnut)	
202	See Note	NSS	Breather (Note: Use p/n 70005708 or Item 213)	
203	See Note	NSS	Element, Hydraulic (Note: Use Item 213)	
204	70002839	1	Gasket	
205	See Note	NSS	Cover (Note: Not Available for Purchase)	
206	4751500	6	Washer 5/16	
207	3311501	6	Nut 5/16	
208	70002838	1	Cap, Fill	
209	7024441	1	Gauge, Level	
210	70002112	1	Plug	
211	See Note	NSS	Screw #10 x 3/4 (Note: Not Available - Purchase Locally)	
212	See Note	NSS	Plug (Note: Not Available - Purchase Locally)	
213	70002814	1	Hydraulic Tank Service Kit (Includes Items 202-204)	
		Ref	<b>FUEL TANK ASSEMBLY</b>	
	4400439	Ref	<b>Deutz Engines (USA Built Machines) (SN 0300182743 through 0300189714)</b>	H
	1001160567	Ref	<b>Deutz Engines (USA Built Machines) (SN 0300189715 to Present)</b>	E
	1001160567	Ref	<b>Deutz Engines (USA Built Machines) (SN B300001092 to Present)</b>	E
	1001108579	Ref	<b>Deutz Engines with Hostile Environment Package</b>	F
	1001091563	Ref	<b>Ford &amp; GM Engine Machines (SN 0300182743 through 0300185779)</b>	C
	1001160559	Ref	<b>Ford &amp; GM Engine Machines (SN 0300185780 to Present)</b>	C
301		Ref	Cap Options:	
301A	7016314	1	Cap (Standard Non-Locking) (4400439 Tank)	
301A	70004414	1	Cap (Standard Non-Locking) (1001160567 Tank)	
301A	7016314	1	Cap (Standard Non-Locking) (1001108579 Tank)	
301A	70001103	1	Cap (Standard Non-Locking) (1001091563 Tank)	
301A	1001211336	1	Cap (Standard Non-Locking) (1001160559 Tank)	
301B	1120487	1	Optional Lockable (Diesel Machines Only) (Note: Lock Not Included) <b>(SN 0300182743 through 0300199155)</b>	
301B		Ref	Optional Lockable (Diesel Machines Only) <b>(SN 0300199156 to Present)</b>	
301B	1120487	1	Optional Lockable (Diesel Machines Only) (Note: Lock Not Included) <b>(SN B300001092 through B300001150)</b>	
301B		Ref	Optional Lockable (Diesel Machines Only) <b>(SN B300001151 to Present)</b>	
302		Ref	Tube, Fuel Pickup Options:	
302	7020048	1	Tube, Pickup (4400439 Tank)	
302	7020043	1	Tube, Pickup (1001160567 Tank)	
302	70004413	1	Tube, Pickup (1001108579 Tank)	
302	7020043	1	Tube, Pickup (1001091563 Tank)	
302	7020043	1	Tube, Pickup (1001160559 Tank)	
303	See Note	1	Plug (Note: See Engine Installation for Callout)	
304	2200222	2	Plug (1001108579 Tank)	
304	0100020	AR	Sealant (1001108579 Tank)	

## SECTION 2 - TURNTABLE

FIGURE 2-22. LP TANK INSTALLATIONS (FORD & GM ENGINE MACHINES ONLY)



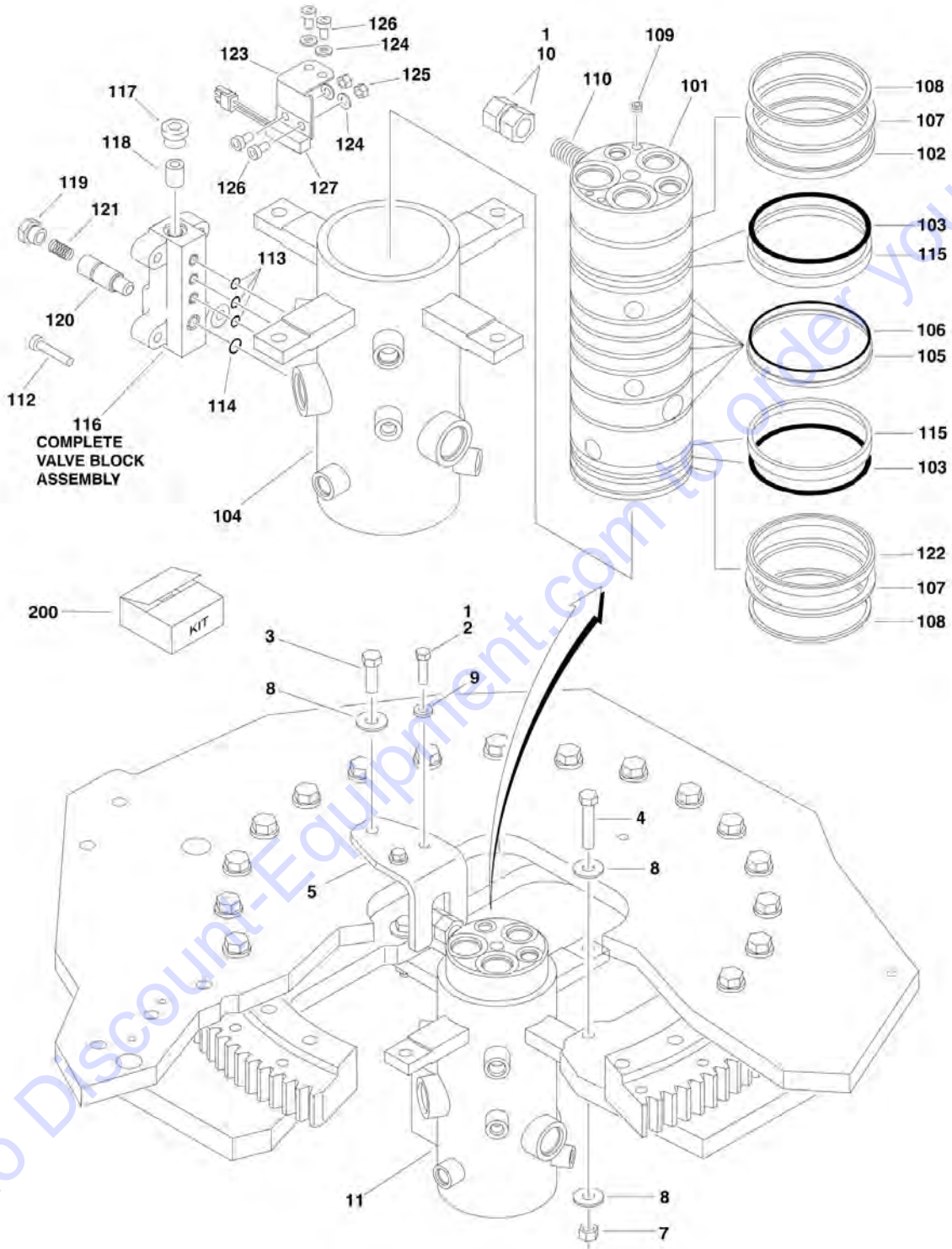
**SECTION 2 - TURNTABLE**

**FIGURE 2-22. LP TANK INSTALLATIONS (FORD & GM ENGINE MACHINES ONLY)**

ITEM	PART NUMBER	QTY	DESCRIPTION	REV
	1001151010	Ref	<b>LP TANK AND BRACKETS INSTALLATION</b>	D
1	1320220	2	Clamp Kit - LP	
1	1320127	2	Clamp, Toggle (1 Per Clamp)	
2	2720144	2	Hose	
3	0100020	AR	Sealant, Pipe	
4	2221197	1	Fitting, Reducer	
5	2180125	1	Fitting - Elbow	
6	2220261	1	Fitting, Nipple	
7	2180388	1	Filter, Bulkhead	
8	2180389	1	Valve, Relief	
9	2220418	1	Fitting, Tee	
10	2180387	2	Fitting, LP Tank	
11	0641617	8	Bolt 3/8in-16NC x 2-1/8in	
12	4751600	8	Flatwasher 3/8in Regular	
13	2180418	2	Fitting, Straight	
14	3311605	8	Locknut 3/8in-16NC	
15	1320218	2	Clamp, Spring	
16	0720804	2	Screw #8-32NC x 1/2in	
17	4750800	4	Flatwasher #8 Regular	
18	3310805	2	Locknut #8-32NC	
19	0181949	2	Support, Angle	
20	2221024	2	Fitting, Ball Check	
22		Ref	LP Tank Options:	
22	4400275	1	Aluminum	
22	4400420	1	Steel	

# SECTION 2 - TURNTABLE

## FIGURE 2-23. ROTARY COUPLING INSTALLATION





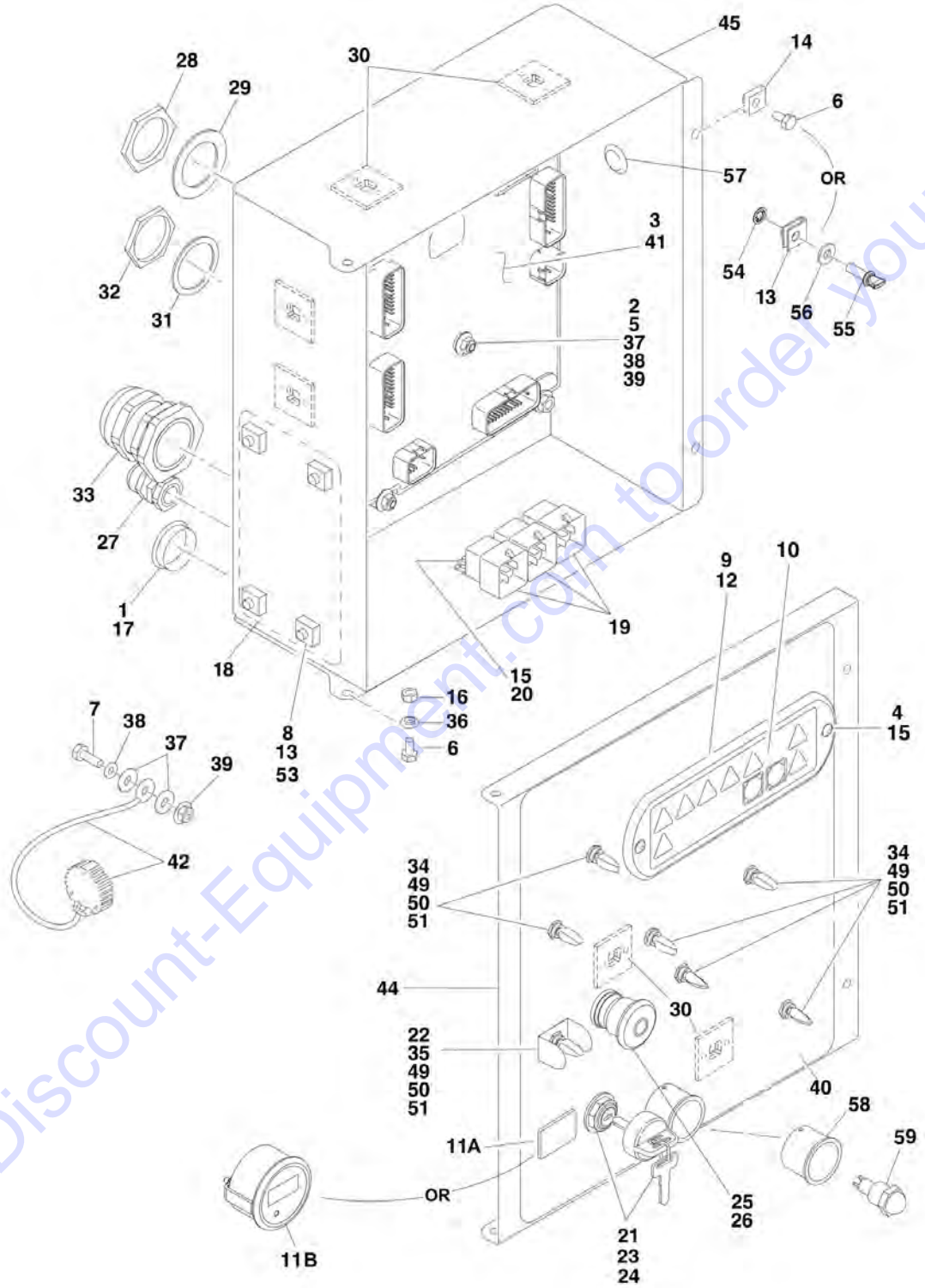
## SECTION 2 - TURNTABLE

**FIGURE 2-23. ROTARY COUPLING INSTALLATION**

ITEM	PART NUMBER	QTY	DESCRIPTION	REV
	1001107531	Ref	<b>ROTARY COUPLING INSTALLATION</b>	A
1	0100011	AR	Compound, Locking	
2	0641611	2	Bolt 3/8in-16NC x 1-3/8in	
3	0641812	1	Bolt 1/2in-13NC x 1-1/2in	
4	0641820	2	Bolt 1/2in-13NC x 2-1/2in	
5	0903242	1	Bracket	
7	3271805	2	Locknut 1/2in-13NC	
8	4751800	5	Flatwasher 1/2in Regular	
9	4891600	2	Flatwasher 3/8in Hardened	
10	3322201	2	Locknut 3/4in x 16NF	
11	1001106974	1	Coupling, Rotary (See Items 101-128 for Breakdown)	
	1001106974	Ref	<b>ROTARY COUPLING ASSEMBLY</b>	B
101	1001106974	1	Body (Note: Not Available - Purchase Complete Assembly)	
102	70001248	1	Seal, Poly	
103	70001248	2	O-Ring/Seal	
104	See Note	NSS	Housing (Note: Not Available - Purchase Complete Assembly)	
105	70001248	6	Seal, Cap	
106	70001248	6	O-Ring	
107	7026503	2	Ring, Thrust	
108	7026504	2	Ring, Retaining	
109	80934561	2	Plug	
110	See Note	NSS	Lug, Torque (Note: Not Available for Purchase)	
112	7026197	4	Capscrew	
113	70001248	3	O-Ring	
114	70001248	1	O-Ring	
115	70001248	2	Bearing	
116	7024404	1	Block Valve Assembly	
117	7026505	1	Plug	
118	7026506	1	Valve, Check	
119	7026507	1	Plug	
120	7024404	1	Plunger, Valve (Note: Not Available for Purchase)	
121	7026509	1	Spring	
122	70001248	1	Seal, Oil	
123	70003454	1	Bracket, Switch Mounting	
124	4711000	4	Flatwasher #10 Thin	
125	See Note	NSS	Locknut 1/4in-24NF (Note: Not Available for Purchase)	
126	See Note	NSS	Capscrew 1/4in-24NF (Note: Not Available for Purchase)	
127	4360517	1	Switch, Proximity	
128	See Note	AR	Protective Netting (Not Shown) (Note: Not Available for Purchase)	
200	70001248	Ref	Seal Kit - (Includes Items 102, 103, 105, 106, 113, 114, 115 & 122)	

# SECTION 2 - TURNTABLE

## FIGURE 2-24. GROUND CONTROL BOX ASSEMBLY



## SECTION 2 - TURNTABLE

**FIGURE 2-24. GROUND CONTROL BOX ASSEMBLY**

ITEM	PART NUMBER	QTY	DESCRIPTION	REV
		Ref	<b>GROUND CONTROL BOX ASSEMBLY - 800S/680S DEUTZ TD2.9L4 ENGINE</b>	
		Ref	<b>USA Built Machines:</b>	
	1001165772	Ref	<b>Ground Control Box Assembly - 800S/680S Deutz TD2.9L4 Engine (All Specs except CE Spec) (SN 0300182743 through 0300190436)</b>	E
	1001168339	Ref	<b>Ground Control Box Assembly - 800S/680S Deutz TD2.9L4 Engine (All Specs except CE Spec) (SN 0300190437 to Present)</b>	D
	1001184181	Ref	<b>Ground Control Box Assembly - 800S/680S Deutz TD2.9L4 Engine (CE Specs) (SN 0300182743 through 0300201002)</b>	B
	1001188004	Ref	<b>Ground Control Box Assembly - 800S/680S Deutz TD2.9L4 and Deutz TD2.9L4 (Stage V) Engines (CE Specs) (SN 0300201003 to Present)</b>	B
		Ref	<b>China Built Machines:</b>	
	1001168339	Ref	<b>Ground Control Box Assembly - 800S Deutz TD2.9L4 Engine (All Specs except CE Spec) (SN B300001092 to Present)</b>	D
	1001184181	Ref	<b>Ground Control Box Assembly - 800S Deutz TD2.9L4 Engine (CE Specs) (SN B300001092 through B300001179)</b>	B
	1001188004	Ref	<b>Ground Control Box Assembly - 800S Deutz TD2.9L4 and Deutz TD2.9L4 (Stage V) Engines (CE Specs) (SN B300001180 to Present)</b>	B
		Ref	<b>GROUND CONTROL BOX ASSEMBLY - 800S/680S DEUTZ D2011 ENGINE</b>	
		Ref	<b>USA Built Machines:</b>	
	1001158928	Ref	<b>Ground Control Box Assembly - 800S/680S Deutz D2011 Engine (All Specs except CE Spec) (SN 0300182743 through 0300190436)</b>	D
	1001168335	Ref	<b>Ground Control Box Assembly - 800S/680S Deutz D2011 Engine (All Specs except CE Spec) (SN 0300190437 to Present)</b>	C
	1001158930	Ref	<b>Ground Control Box Assembly - 800S/680S Deutz D2011 Engine (CE Specs) (SN 0300182743 through 0300190436)</b>	D
	1001168337	Ref	<b>Ground Control Box Assembly - 800S/680S Deutz D2011 Engine (CE Specs) (SN 0300190437 through 0300201002)</b>	C
	1001193809	Ref	<b>Ground Control Box Assembly - 800S/680S Deutz D2011 Engine (CE Specs) (SN 0300201003 to Present)</b>	A
		Ref	<b>China Built Machines:</b>	
	1001168335	Ref	<b>Ground Control Box Assembly - 800S Deutz D2011 Engine (All Specs except CE Spec) (SN B300001092 to Present)</b>	C
	1001168337	Ref	<b>Ground Control Box Assembly - 800S Deutz D2011 Engine (CE Specs) (SN B300001092 through B300001179)</b>	C
	1001193809	Ref	<b>Ground Control Box Assembly - 800S Deutz D2011 Engine (CE Specs) (SN B300001180 to Present)</b>	A
		Ref	<b>GROUND CONTROL BOX ASSEMBLY - 800S FORD ENGINE</b>	
		Ref	<b>USA Built Machines:</b>	
	1001218775	Ref	<b>Ground Control Box Assembly - 800S Ford Engine</b>	B
		Ref	<b>GROUND CONTROL BOX ASSEMBLY - 800S GM ENGINE</b>	
		Ref	<b>USA Built Machines:</b>	
	1001158926	Ref	<b>Ground Control Box Assembly - 800S GM Engine (SN 0300182743 through 0300190436)</b>	D
	1001168292	Ref	<b>Ground Control Box Assembly - 800S GM Engine (SN 0300190437 to Present)</b>	C
		Ref	<b>China Built Machines:</b>	
	1001168292	Ref	<b>Ground Control Box Assembly - 800S GM Engine</b>	C

## SECTION 2 - TURNTABLE

ITEM	PART NUMBER	QTY	DESCRIPTION	REV
		Ref	<b>GROUND CONTROL BOX ASSEMBLY - 860SJ DEUTZ TD2.9L4 ENGINE</b>	
		Ref	<b>USA Built Machines:</b>	
	1001165773	Ref	Ground Control Box Assembly - 860SJ Deutz TD2.9L4 Engine (All Specs except CE Spec) (SN 0300182743 through 0300190436)	D
	1001168340	Ref	Ground Control Box Assembly - 860SJ Deutz TD2.9L4 Engine (All Specs except CE Spec) (SN 0300190437 to Present)	C
	1001184182	Ref	Ground Control Box Assembly - 860SJ Deutz TD2.9L4 Engine (CE Specs) (SN 0300182743 through 0300201002)	B
	1001188005	Ref	Ground Control Box Assembly - 860SJ Deutz TD2.9L4 and Deutz TD2.9L4 (Stage V) Engines (CE Specs) (SN 0300201003 to Present)	A
		Ref	<b>China Built Machines:</b>	
	1001168340	Ref	Ground Control Box Assembly - 860SJ Deutz TD2.9L4 Engine (All Specs except CE Spec) (SN B300001092 to Present)	C
	1001184182	Ref	Ground Control Box Assembly - 860SJ Deutz TD2.9L4 Engine (CE Specs) (SN B300001092 through B300001179)	B
	1001188005	Ref	Ground Control Box Assembly - 860SJ Deutz TD2.9L4 and Deutz TD2.9L4 (Stage V) Engines (CE Specs) (SN B300001180 to Present)	A
		Ref	<b>GROUND CONTROL BOX ASSEMBLY - 860SJ DEUTZ D2011 ENGINE</b>	
		Ref	<b>USA Built Machines:</b>	
	1001158929	Ref	Ground Control Box Assembly - 860SJ Deutz D2011 Engine (All Specs except CE Spec) (SN 0300182743 through 0300190436)	D
	1001168336	Ref	Ground Control Box Assembly - 860SJ Deutz D2011 Engine (All Specs except CE Spec) (SN 0300190437 to Present)	C
	1001158931	Ref	Ground Control Box Assembly - 860SJ Deutz D2011 Engine (CE Specs) (SN 0300182743 through 0300190436)	D
	1001168338	Ref	Ground Control Box Assembly - 860SJ Deutz D2011 Engine (CE Specs) (SN 0300190437 through 0300201002)	C
	1001193690	Ref	Ground Control Box Assembly - 860SJ Deutz D2011 Engine (CE Specs) (SN 0300201003 to Present)	A
		Ref	<b>China Built Machines:</b>	
	1001168336	Ref	Ground Control Box Assembly - 860SJ Deutz D2011 Engine (All Specs except CE Spec) (SN B300001092 to Present)	C
	1001168338	Ref	Ground Control Box Assembly - 860SJ Deutz D2011 Engine (CE Specs) (SN B300001092 through B300001179)	C
	1001193690	Ref	Ground Control Box Assembly - 860SJ Deutz D2011 Engine (CE Specs) (SN B300001180 to Present)	A
		Ref	<b>GROUND CONTROL BOX ASSEMBLY - 860SJ FORD ENGINE</b>	
		Ref	<b>USA Built Machines:</b>	
	1001218774	Ref	Ground Control Box Assembly - 860SJ Ford Engine	B
		Ref	<b>GROUND CONTROL BOX ASSEMBLY - 860SJ GM ENGINE</b>	
		Ref	<b>USA Built Machines:</b>	
	1001158927	Ref	Ground Control Box Assembly - 860SJ GM Engine (SN 0300182743 through 0300190436)	D
	1001168334	Ref	Ground Control Box Assembly - 860SJ GM Engine (SN 0300190437 to Present)	C
		Ref	<b>China Built Machines:</b>	
	1001168334	Ref	Ground Control Box Assembly - 860SJ GM Engine	C
1	0100009	AR	Sealant	
2	0100011	AR	Compound, Locking	

## SECTION 2 - TURNTABLE

ITEM	PART NUMBER	QTY	DESCRIPTION	REV
3	0100048	AR	Grease, Dielectric	
4	0630518	2	Capscrew, Button Head	
5	0630548	5	Bolt, 2-1/2in Tap	
6	0641404	AR	Bolt 1/4-20 x 1/2	
7	0641407	1	Bolt 1/4-20 x 7/8	
8	0641506	4	Bolt 5/16-18 x 3/4	
9	1670829	1	Bezel	
10	1706712	1	Decal - Ground Control Display	
11A	2420172	1	Gauge, Hourmeter	
11B	1001109503	1	Gauge, Hourmeter	
12	2760105	1	Housing, Display Light	
13	3300205	4	Nut, Retainer	
14	3300353	2	Nut, Tinnerman	
15	3300408	4	Locknut, Plastic Insert	
16	3311405	2	Nut 1/4-20	
17	3520035	1	Plug, Cap	
18	3539219	1	Plate, Reinforcement (SN 0300182743 through 0300199945)	
18	3539219	1	Plate, Reinforcement (SN B300001092 through B300001154)	
19	3740049	AR	Relay	
20	3900268	2	Screw #10 x 1/2	
21	3910804	4	Screw #8-32 x 1/4	
22	4060906	1	Shield, Toggle Switch	
23	4070991	1	Shim	
24	4360469	1	Switch, Key - All Specs except CE Specs	
24	4360470	1	Switch, Key - CE Specs (SN 0300182743 through 0300201002)	
24	4360469	1	Switch, Key - CE Specs (SN 0300201003 to Present)	
24	4360470	1	Switch, Key - CE Specs (SN B300001092 through B300001179)	
24	4360469	1	Switch, Key - CE Specs (SN B300001180 to Present)	
24	2860030	1	Key Replacement - All Specs	
25	4360475	1	Switch, Emergency Stop	
25	7020175	1	Cap, Mushroom	
25	7020176	1	Block, Contact	
26	4360476	1	Switch, Contact Block	
27	4460426	1	Connector, Strain Relief	
28	4460470	1	Nut, Terminal	
29	4460471	1	Lockwasher, Terminal	
30	4460488	6	Mounting Base, Terminal	
31	4460496	1	Washer, Terminal	
32	4460497	1	Nut, Terminal	
33	4460526	1	Connector, Strain Relief	
34	4740397	7	Spacer	
35	4740444	1	Washer	
36	4740518	2	Washer	
37	4751400	12	Washer 1/4	
38	4761400	6	Washer 1/4	
39	77143013	11	Nut 1/4-20	
40	1001102601	1	Decal - Faceplate 800S/680S (All Specs except CE)	
40	1001102601	1	Decal - Faceplate 800S/680S (CE Spec) (SN 0300182743 through 0300201002)	
40	1001180091	1	Decal - Faceplate 800S/680S (CE Spec) (SN 0300201003 to	

## SECTION 2 - TURNTABLE

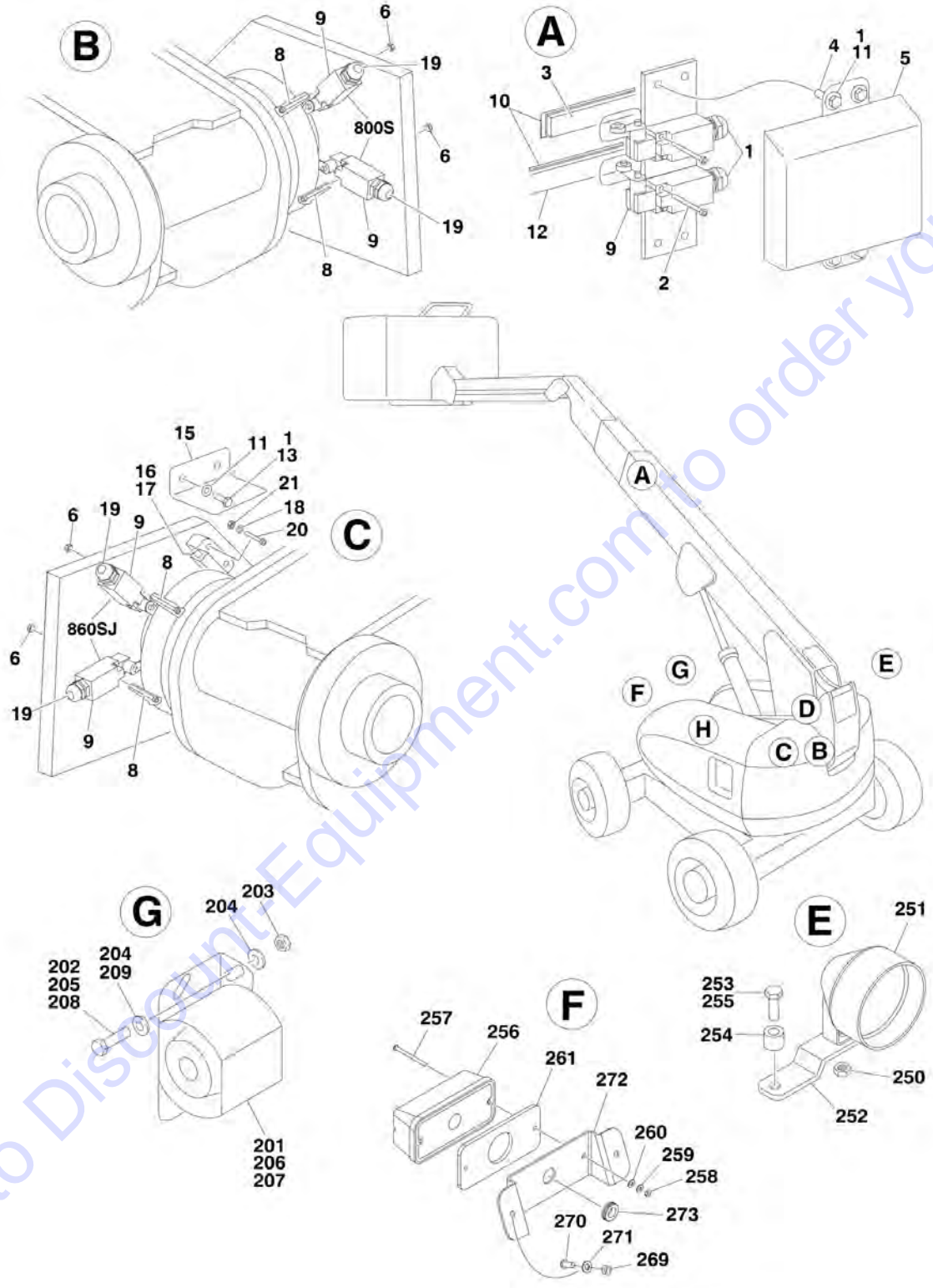
ITEM	PART NUMBER	QTY	DESCRIPTION	REV
			<b>Present)</b>	
40	1001102601	1	Decal - Faceplate 800S/680S (CE Spec) <b>(SN B300001092 through B300001179)</b>	
40	1001180091	1	Decal - Faceplate 800S/680S (CE Spec) <b>(SN B300001180 to Present)</b>	
40	1001102602	1	Decal - Faceplate 860SJ (All Specs except CE)	
40	1001102602	1	Decal - Faceplate 860SJ (CE Spec) <b>(SN 0300182743 through 0300201002)</b>	
40	1001180092	1	Decal - Faceplate 860SJ (CE Spec) <b>(SN 0300201003 to Present)</b>	
40	1001102602	1	Decal - Faceplate 860SJ (CE Spec) <b>(SN B300001092 through B300001179)</b>	
40	1001180092	1	Decal - Faceplate 860SJ (CE Spec) <b>(SN B300001180 to Present)</b>	
41	1001103667	1	Module, Ground Control (Note: Re-calibration Required when Replaced)	
42	1001106736	1	Cap, Dust	
43	1001110339	1	Harness, Ground Control Box (Deutz D2011 Engines - All Specs except CE Specs) (Not Shown - See ELECTRICAL SECTION for Breakdown)	
43	1001110339	1	Harness, Ground Control Box (Deutz D2011 Engines - CE Specs) (Not Shown - See ELECTRICAL SECTION for Breakdown) <b>(SN 0300182743 through 0300201002)</b>	
43	1001186236	1	Harness, Ground Control Box (Deutz D2011 Engines - CE Specs) (Not Shown - See ELECTRICAL SECTION for Breakdown) <b>(SN 0300201003 to Present)</b>	
43	1001110339	1	Harness, Ground Control Box (Deutz D2011 Engines - CE Specs) (Not Shown - See ELECTRICAL SECTION for Breakdown) <b>(SN B300001092 through B300001179)</b>	
43	1001186236	1	Harness, Ground Control Box (Deutz D2011 Engines - CE Specs) (Not Shown - See ELECTRICAL SECTION for Breakdown) <b>(SN B300001180 to Present)</b>	
43	1001146010	1	Harness, Ground Control Box (Deutz DT2.9L4 Engines - All Specs except CE Specs) (Not Shown - See ELECTRICAL SECTION for Breakdown)	
43	1001146010	1	Harness, Ground Control Box (Deutz DT2.9L4 Engines - CE Specs) (Not Shown - See ELECTRICAL SECTION for Breakdown) <b>(SN 0300182743 through 0300201002)</b>	
43	1001186236	1	Harness, Ground Control Box (Deutz DT2.9L4 and Deutz DT2.9L4 (Stage V) Engines - CE Specs) (Not Shown - See ELECTRICAL SECTION for Breakdown) <b>(SN 0300201003 to Present)</b>	
43	1001146010	1	Harness, Ground Control Box (Deutz DT2.9L4 Engines - CE Specs) (Not Shown - See ELECTRICAL SECTION for Breakdown) <b>(SN B300001092 through B300001179)</b>	
43	1001186236	1	Harness, Ground Control Box (Deutz DT2.9L4 and Deutz DT2.9L4 (Stage V) Engines - CE Specs) (Not Shown - See ELECTRICAL SECTION for Breakdown) <b>(SN B300001180 to Present)</b>	
43	1001110339	1	Harness, Ground Control Box (Ford & GM Engines) (Not Shown - See ELECTRICAL SECTION for Breakdown)	
44	1001152174	1	Lid (All Specs except CE Spec)	
44	1001152174	1	Lid (CE Spec) <b>(SN 0300182743 through 0300201002)</b>	
44	1001188041	1	Lid (CE Spec) <b>(SN 0300201003 to Present)</b>	
44	1001152174	1	Lid (CE Spec) <b>(SN B300001092 through B300001179)</b>	
44	1001188041	1	Lid (CE Spec) <b>(SN B300001180 to Present)</b>	
45	1001169234	1	Box Less Lid	
46	1001165776	1	Harness, Deutz TD2.9L4 and Deutz DT2.9L4 (Stage V) Engine	

## SECTION 2 - TURNTABLE

ITEM	PART NUMBER	QTY	DESCRIPTION	REV
			(Not Shown - See ELECTRICAL SECTION for Breakdown)	
46	1001154324	1	Harness, Deutz D2011 Engine (Not Shown - See ELECTRICAL SECTION for Breakdown)	
46	1001216327	1	Harness , Ford Engine (Not Shown - See ELECTRICAL SECTION for Breakdown)	
46	1001154323	1	Harness, GM Engine (Not Shown - See ELECTRICAL SECTION for Breakdown)	
47		Ref	Harness, Platform Valve Options: (Not Shown - See ELECTRICAL SECTION for Breakdown)	
47	1001154327	1	Harness, Valve <b>(SN 0300182743 through 0300190436)</b>	
47	1001168024	1	Harness, Valve <b>(SN 0300190437 to Present)</b>	
47	1001168024	1	Harness, Valve <b>(SN B300001092 to Present)</b>	
49	1001155043	AR	Washer	
50	1001155044	AR	Nut 15/32-32	
51	1001155045	AR	Switch, Toggle	
53	4891500	4	Washer 5/16	
54	1001188874	2	Nut	
55	1001103308	2	Screw 1/4	
56	4711400	2	Washer 1/4	
57	3520031	2	Plug	
58	1001176469	1	Shroud (CE Spec) <b>(SN 0300201003 to Present)</b>	
58	1001176469	1	Shroud (CE Spec) <b>(SN B300001180 to Present)</b>	
59	4360387	1	Switch, Push Button (CE Spec) <b>(SN 0300201003 to Present)</b>	
59	4360387	1	Switch, Push Button (CE Spec) <b>(SN B300001180 to Present)</b>	

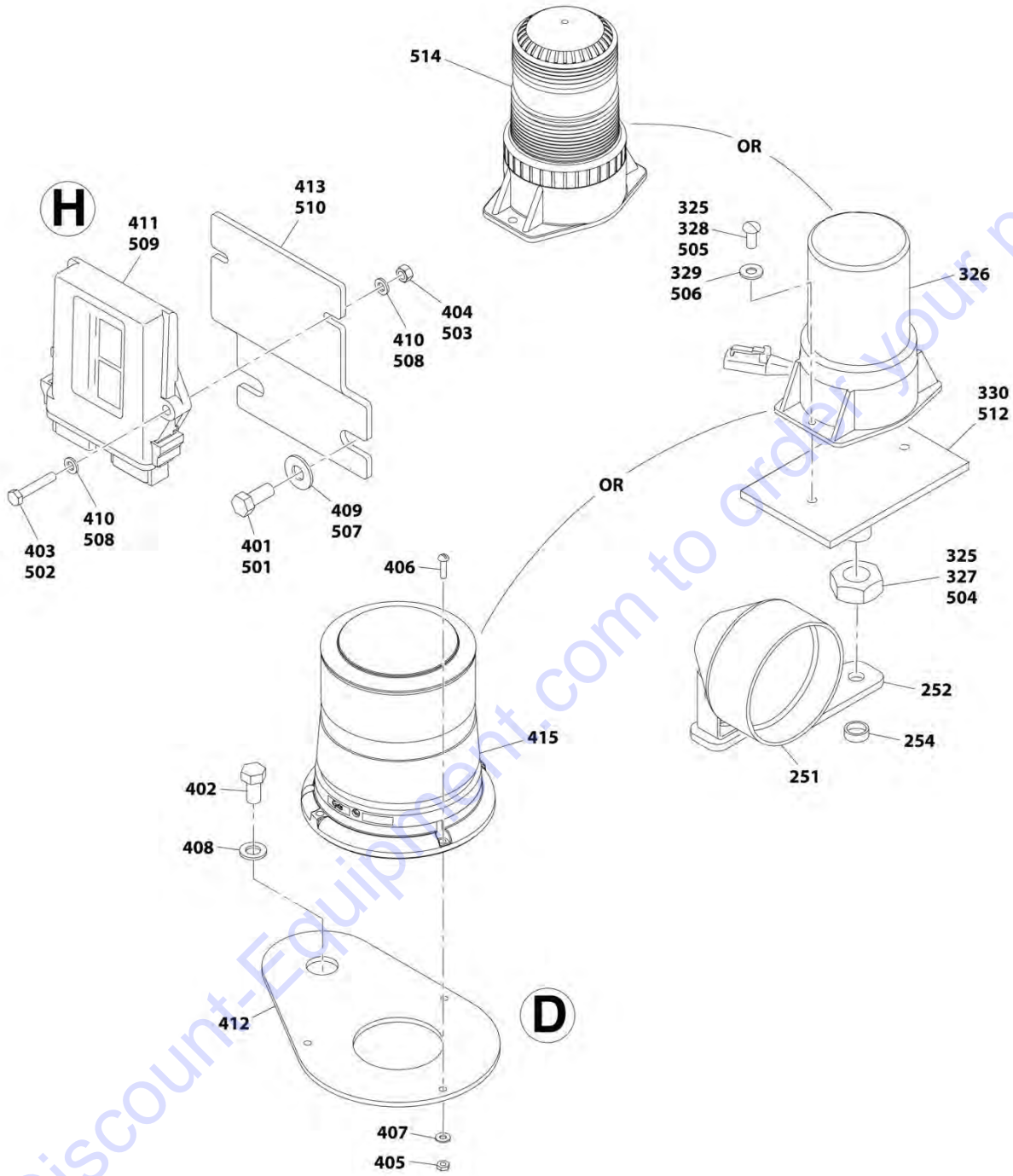
# SECTION 2 - TURNTABLE

## FIGURE 2-25. LIMIT SWITCHES, LIGHTS AND ALARM INSTALLATIONS





SECTION 2 - TURNTABLE



## SECTION 2 - TURNTABLE

FIGURE 2-25. LIMIT SWITCHES, LIGHTS AND ALARM INSTALLATIONS

ITEM	PART NUMBER	QTY	DESCRIPTION	REV
		Ref	<b>LIMIT SWITCHES INSTALLATION</b>	
		Ref	<b>USA Built Machines: (SN 0300182743 through 0300236015)</b>	
	0271360	Ref	<b>Limit Switches Installation 800S/680S (All Specs except Australian and CE Specs)</b>	K
	1001091187	Ref	<b>Limit Switches Installation 800S/680S (Australian and CE Specs Only)</b>	E
	0271362	Ref	<b>Limit Switches Installation 860SJ (All Specs except Australian and CE Specs)</b>	K
	1001091188	Ref	<b>Limit Switches Installation 860SJ (Australian and CE Specs Only)</b>	E
		Ref	<b>USA Built Machines: (SN 0300236016 to Present)</b>	
	1001224902	Ref	<b>Limit Switches Installation 800S/680S (All Specs except Australian, CE and China Specs)</b>	A
	1001224900	Ref	<b>Limit Switches Installation 800S/680S (Australian, CE and China Specs Only)</b>	A
	1001224903	Ref	<b>Limit Switches Installation 860SJ (All Specs except Australian and CE Specs)</b>	A
	1001224901	Ref	<b>Limit Switches Installation 860SJ (Australian and CE Specs Only)</b>	A
		Ref	<b>China Built Machines:</b>	
	0271360	Ref	<b>Limit Switches Installation 800S (All Specs except Australian and CE Specs)</b>	K
	1001091187	Ref	<b>Limit Switches Installation 800S (Australian and CE Specs Only)</b>	E
	0271362	Ref	<b>Limit Switches Installation 860SJ (All Specs except Australian and CE Specs)</b>	K
	1001091188	Ref	<b>Limit Switches Installation 860SJ (Australian and CE Specs Only)</b>	E
1	0100011	AR	Compound, Locking	
2	0100035	AR	Compound, Locking	
3	1001106480	Ref	Bar, Fiberglass (Top)	
3	1001106480	1	All Specs except Australian and CE Specs	
3	Not Required	0	Australian and CE Specs Only	
4	0641403	4	Bolt 1/4 x 3/8	
5	1671022	1	Cover, Limit Switch	
6	3310805	AR	Nut #8	
7	3930816	AR	Capscrew #8 x 1	
8	3930828	AR	Capscrew #8 x 1-3/4	
8	1001223804	AR	Capscrew #8 x 2-1/4	
9	4360578	Ref	Switch, Limit Options: (Note: P/N 4360578 does not include #19 Connector - Purchase Separately)	
9	4360578	4	All Specs except Australian and CE Specs	
9	4360578	2	Australian and CE Specs Only	
10	4420060	Ref	Tape, Double Sided Options:	
10	4420060	31.2 ft /9.5m	All Specs except Australian and CE Specs	
10	4420060	12.3 ft /3.8m	Australian and CE Specs Only	
11	4751400	6	Washer 1/4	
12	1001106449	1	Bar, Fiberglass (Bottom)	
13	0641406	2	Bolt 1/4 x 3/4	
15	1671059	1	Cover, Proximity Switch	
16	4071043	1	Shim	

## SECTION 2 - TURNTABLE

ITEM	PART NUMBER	QTY	DESCRIPTION	REV
17	4360517	1	Switch, Proximity	
18	1001097942	4	Washer #8	
19	4460968	Ref	Connector, Strain Relief Options:	
19	4460968	4	All Specs except Australian and CE Specs	
19	4460968	2	Australian and CE Specs Only	
20	1001097939	AR	Capscrew #8 x 1-3/4	
20	1001223804	AR	Capscrew #8 x 2-1/4	
21	1001097945	2	Nut #8	
		Ref	<b>ALARM INSTALLATION</b>	
	0271999	Ref	<b>Deutz DT2.9L4 Engines (SN 0300182743 through 0300185779)</b>	A
201	0257887	1	Alarm/Harness Assembly	
201	0140032	1	Alarm	
201	2820035	6 in/15cm	Loom	
201	4460424	1	Plug	
201	4460268	2	Socket	
202	0641410	2	Bolt 1/4 x 1-1/4	
203	3311405	2	Nut 1/4	
204	4711400	4	Washer 1/4	
	1001158364	Ref	<b>Deutz D2011 &amp; GM Engines</b>	A
	1001158364	Ref	<b>Deutz TD2.9L4 Engines (SN 0300185780 to Present)</b>	A
	1001158364	Ref	<b>Deutz TD2.9L4 Engines (SN B300001092 to Present)</b>	A
205	0100011	AR	Compound, Locking	
206	0100048	AR	Grease, Dielectric	
207	0140044	1	Alarm	
208	0641405	2	Bolt 1/4 x 5/8	
209	4711400	2	Washer 1/4	
		Ref	<b>LIGHTS INSTALLATIONS (OPTIONAL)</b>	
	0271552	Ref	<b>Headlights and Taillights (ABS Hoods)</b>	E
	1001164786	Ref	<b>Headlights and Taillights (Steel Hoods)</b>	C
	0272057	Ref	<b>Floodlights (ABS Hoods) (Not Shown)</b>	C
	1001184259	Ref	<b>Floodlights (Steel Hoods) (Not Shown)</b>	B
250	3311605	2	Nut 3/8	
251		Ref	Light Options:	
251	2920110	2	Headlight	
251	2920157	2	Floodlight (Not Shown)	
252	0902206	2	Bracket, Mounting	
253	0642612	1	Bolt 1 x 1-1/2	
254		Ref	Spacer Options:	
254	4220162	2	Spacer	
254	4892600	2	Washer 1	
255	0100011	AR	Compound, Locking	
256		Ref	Light Options:	
256	2920113	2	Taillight	
256	2920157	2	Floodlight (Not Shown)	
257	3911040	4	Screw #10 x 2-1/2	
258	3311005	4	Nut #10	
259	4751000	4	Washer #10	
260	4740362	4	Washer, Fender	
261	3960461	2	Gasket	
263	4240032	AR	Tie-Strap (Not Shown)	
264	4460234	AR	Mount, Tie-Strap (Not Shown)	

## SECTION 2 - TURNTABLE

ITEM	PART NUMBER	QTY	DESCRIPTION	REV
265	4360522	1	Switch, Push Button (Not Shown - Located on Console)	
267	3820001	11	Rivet, Pop (Not Shown)	
268	1705170	1	Decal - Lights (Not Shown - Located on Console)	
269	3311505	4	Nut 5/16 (Steel Hoods Only)	
270	3900210	4	Screw 5/16 x 3/4 (Steel Hoods Only)	
271	4711500	4	Washer 5/16 (Steel Hoods Only)	
272	1001165118	2	Support (Steel Hoods Only)	
273	1001188354	2	Grommet (Steel Hoods Only) (SN 0300251468 to Present, SN B300003219 to Present)	
	1001149955	Ref	<b>STROBE LIGHT INSTALLATION (AMBER) (OPTIONAL) (SN 0300182743 through 0300190436)</b>	A
	1001160077	Ref	<b>STROBE LIGHT INSTALLATION (SN 0300190437 to Present)</b>	B
	1001160077	Ref	<b>STROBE LIGHT INSTALLATION (SN B300001092 to Present)</b>	B
	1001150406	Ref	Strobe Light Sub-Assembly (Amber)	B
325	0100035	AR	Compound, Locking	
326	2920161	1	Strobe Light/Harness Assembly	
326	7016319	1	Bulb	
326	7016372	1	Lens	
327	3312602	1	Nut 1	
328	3900085	2	Screw #10 x 1/2	
329	4751000	2	Washer 1/4	
330	1001149994	1	Mount Strobe	
331	1001149818	1	Harness, Strobe Light Extension (Not Shown - See ELECTRICAL SECTION for Breakdown) (SN 0300182743 through 0300190436)	
	1001189174	Ref	<b>STROBE LIGHT INSTALLATION (BLUE) (OPTIONAL) (Use p/n 1001242253) (SN 0300182743 through 0300217034)</b>	B
	1001189174	Ref	<b>STROBE LIGHT INSTALLATION (BLUE) (OPTIONAL) (Use p/n 1001205494) (SN B300001092 through B300001698)</b>	B
	1001207308	Ref	<b>STROBE LIGHT INSTALLATION (RED) (OPTIONAL) (Use p/n 1001242254) (SN 0300182743 through 0300217034)</b>	B
	1001207308	Ref	<b>STROBE LIGHT INSTALLATION (RED) (OPTIONAL) (Use p/n 1001205494) (SN B300001092 through B300001698)</b>	B
401	0641610	2	Bolt 3/8 x 1-1/4	
402	0642612	1	Bolt 1 x 1-1/2	
403	0700615	2	Bolt M6 x 35	
404	3290607	2	Nut M6	
405	3311005	3	Nut #10	
406	3911012	3	Screw #10 x 3/4	
407	4711000	3	Washer #10	
408	4712600	1	Washer 1	
409	4751600	2	Washer 3/8	
410	4811700	4	Washer M6	
411	1001142683	1	Module, Beacon Light	
412	1001142694	1	Bracket	
413	1001142722	1	Bracket	
414	1001142736	1	Harness, Beacon Control (Module to Light) (Not Shown - See ELECTRICAL SECTION for Breakdown)	
415	1001143431	1	Light, Strobe (Blue)	
415	1001197067	1	Light, Strobe (Red)	
416	1001150944	1	Harness, Beacon Control (Module to Ground Control Box) (Not Shown - See ELECTRICAL SECTION for Breakdown)	
	1001205494	NLA	<b>STROBE LIGHT INSTALLATION (BLUE) (OPTIONAL) (Use p/n 1001242253) (SN 0300217035 through 0300255782)</b>	E

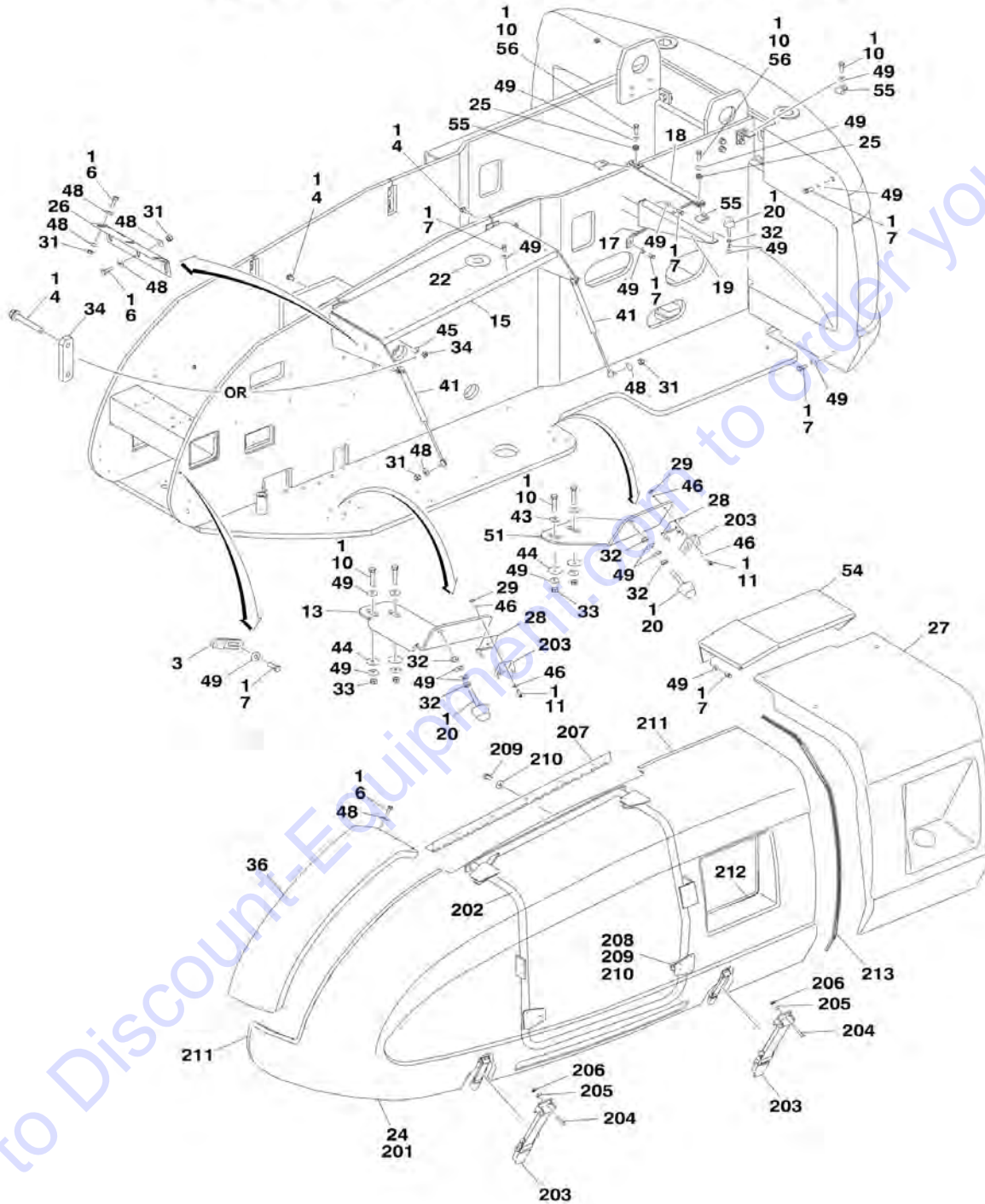
## SECTION 2 - TURNTABLE

ITEM	PART NUMBER	QTY	DESCRIPTION	REV
	1001242253	Ref	<b>STROBE LIGHT INSTALLATION (BLUE) (OPTIONAL) (SN 0300255783 to Present)</b>	A
	1001205494	NLA	<b>STROBE LIGHT INSTALLATION (BLUE) (OPTIONAL) (Use p/n 1001242253) (SN B300001699 through B300004484)</b>	E
	1001242253	Ref	<b>STROBE LIGHT INSTALLATION (BLUE) (OPTIONAL) (SN B300004485 to Present)</b>	A
	1001209872	NLA	<b>STROBE LIGHT INSTALLATION (RED) (OPTIONAL) (Use p/n 1001242254) (SN 0300217035 through 0300255782)</b>	E
	1001242254	Ref	<b>STROBE LIGHT INSTALLATION (RED) (OPTIONAL) (SN 0300255783 to Present)</b>	A
	1001209872	NLA	<b>STROBE LIGHT INSTALLATION (RED) (OPTIONAL) (Use p/n 1001242254) (SN B300001699 through B300004484)</b>	E
	1001242254	Ref	<b>STROBE LIGHT INSTALLATION (RED) (OPTIONAL) (SN B300004485 to Present)</b>	A
501	0641610	2	Bolt 3/8 x 1-1/4	
502	0700615	2	Bolt M6 x 35	
503	3290607	2	Nut M6	
504	3312602	1	Nut 1	
505	3900085	2	Screw #10 x 1/2	
506	4751000	2	Washer #10	
507	4751600	2	Washer 3/8	
508	4811700	4	Washer M6	
509	1001142683	1	Module, Beacon Light	
510	1001142722	1	Bracket	
511	1001142736	1	Harness, Beacon Control (Module to Light) (Not Shown - See ELECTRICAL SECTION for Breakdown)	
512	1001149994	1	Mount, Strobe	
514	1001200910	1	Light, Strobe (Blue)	
514	1001207004	1	Light, Strobe (Red)	
515	4240032	AR	Tie-Strap (Not Shown)	
516	4460488	AR	Mount, Tie-Strap (Not Shown)	
517	1001217005	1	Beacon Light Kit – Blue (Not Shown - Includes Items 504-506, 512 & 514) <b>(SN 0300255783 to Present, SN B300004485 to Present)</b>	

# SECTION 2 - TURNTABLE

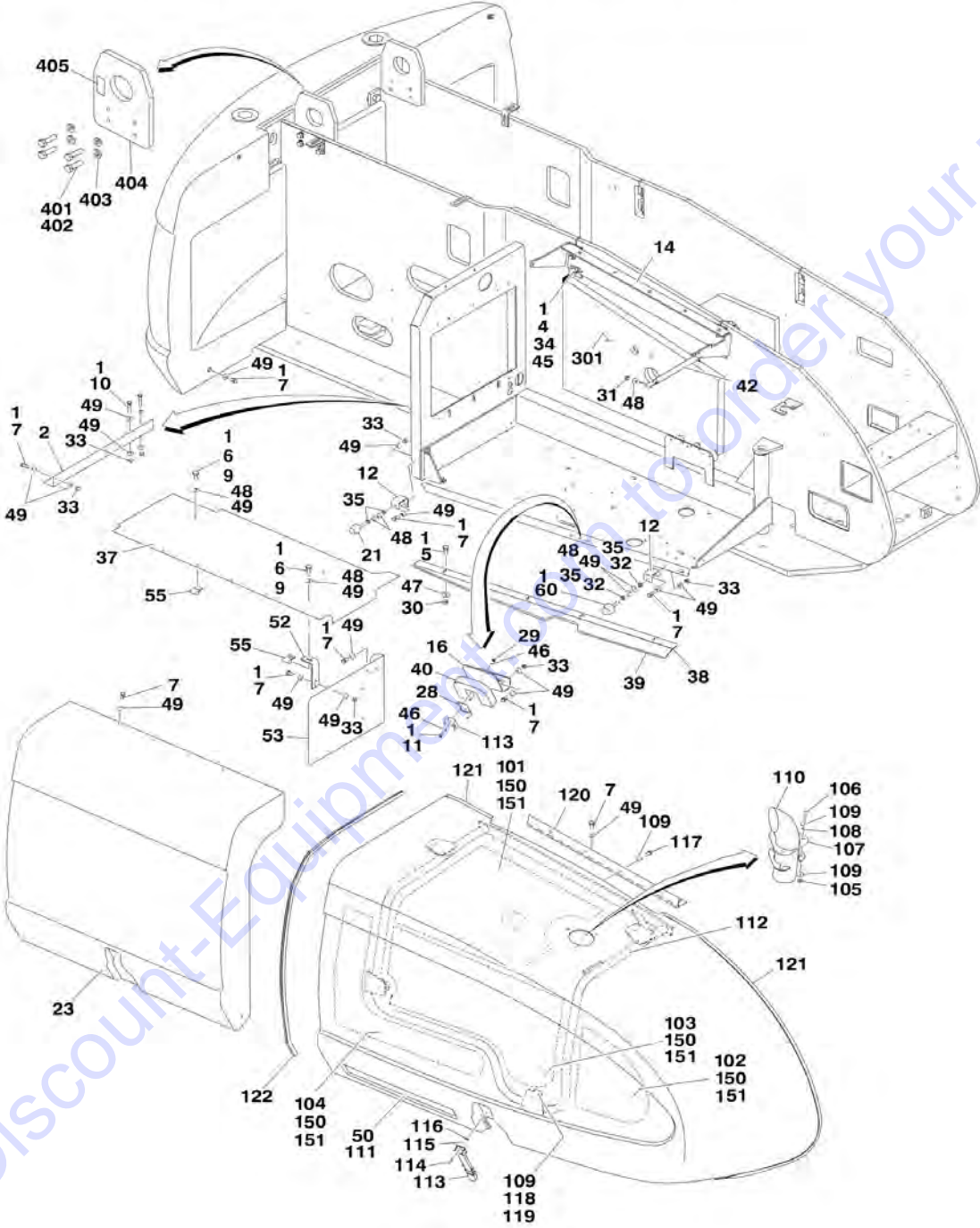
## FIGURE 2-26. HOODS INSTALLATION (ABS)

NOTE: REPLACEMENT DECALS MUST BE PURCHASED SEPARATELY.



SECTION 2 - TURNTABLE

NOTE: REPLACEMENT DECALS MUST BE PURCHASED SEPARATELY.



## SECTION 2 - TURNTABLE

FIGURE 2-26. HOODS INSTALLATION (ABS)

ITEM	PART NUMBER	QTY	DESCRIPTION	REV
		Ref	<b>NOTE: REPLACEMENT DECALS MUST BE PURCHASED SEPARATELY - SEE DECALS SECTION.</b>	
	1001157415	Ref	<b>HOODS INSTALLATION - DEUTZ D2011 &amp; GM ENGINES</b>	F
	1001148561	Ref	<b>HOODS INSTALLATION - DEUTZ DT2.9L4 AND DEUTZ DT2.9L4 (STAGE V) ENGINES</b>	E
1	0100011	AR	Compound, Locking	
2	0182077	1	Angle, Hood Support ( <b>SN 0300182743 through 0300196638</b> )	
2	1001161711	1	Angle, Hood Support ( <b>SN 0300196639 to Present</b> )	
2	1001161711	1	Angle, Hood Support ( <b>SN B300001092 to Present</b> )	
3	0362770	1	Bar, Panel Mounting	
4	0630507	8	Bolt, Carriage 1/2in-13NC x 1-1/4in	
4	0811812	8	Bolt 1/2 x 1-1/2	
5	0641406	4	Bolt 1/4in-20NC x 3/4in	
6	0641508	AR	Bolt 5/16in-18NC x 1in	
7	0641608	AR	Bolt 3/8in-16NC x 1in	
8	0641609	2	Bolt 3/8in-16NC x 1-1/8in	
9	0641610	AR	Bolt 3/8in-16NC x 1-1/4in	
10	0641616	AR	Bolt 3/8in-16NC x 2in	
11	0721006	6	Screw #10-24NC x 3/4in	
12	0902219	2	Bracket, Bumper	
13	0902223	1	Bracket, Latch	
14	0902351	1	Bracket, Hood Mounting ( <b>SN 0300183034 through 0300216489</b> )	
14	1001207558	1	Bracket, Hood Mounting ( <b>SN 0300216490 to Present</b> )	
14	0902351	1	Bracket, Hood Mounting ( <b>SN B300001092 through B300001499</b> )	
14	1001207558	1	Bracket, Hood Mounting ( <b>SN B300001500 to Present</b> )	
15	0902412	1	Bracket, Hood Mounting	
16	0902491	1	Bracket, Latch	
17	0902673	1	Bracket, Support (Front Cover)	
18	0902674	1	Bracket, Support (Front Cover)	
19	0902769	1	Bracket, Bumper Support	
20	0940071	3	Bumper	
21	0940088	1	Bumper	
22	1120601	1	Plug, Cap	
23	1671201	1	Cover	
24	1671228	1	Hood Assembly (See Items 201-213 for Breakdown)	
25	2540035	AR	Grommet	
26	2600244	1	Hinge, Adapter Panel	
27	2680490	1	Hood, Right Cover	
28	2940188	3	Latch, Spring Clip	
29	3311005	6	Locknut #10-24NC	
30	3311405	4	Locknut 1/4in-20NC	
31	3311505	9	Locknut 5/16in-18NC	
32	3311601	AR	Nut 3/8in-16NC	
33	3311605	12	Locknut 3/8in-16NC	
34	3311805	8	Locknut 1/2in-13NC	
34	1001150260	4	Plate	
35	3321501	AR	Nut 5/16in-24NF	
36	3380444	1	Panel, Adapter	
37	3380575	1	Panel, Cover	
38	3571712	1	Plate, Seal (Deutz D2011 & GM Engines) ( <b>SN 0300183034</b> )	



## SECTION 2 - TURNTABLE

ITEM	PART NUMBER	QTY	DESCRIPTION	REV
38	1001208024	1	<b>through 0300216489)</b> Plate, Seal (Deutz D2011 & GM Engines) <b>(SN 0300216490 to Present)</b>	
38	3571712	1	Plate, Seal (Deutz D2011 & GM Engines) <b>(SN B300001092 through B300001499)</b>	
38	1001208024	1	Plate, Seal (Deutz D2011 & GM Engines) <b>(SN B300001500 to Present)</b>	
38	1001143858	1	Plate, Seal (Deutz DT2.9L4 Engines) <b>(SN 0300183034 through 0300216489)</b>	
38	1001204648	1	Plate, Seal (Deutz DT2.9L4 Engines) <b>(SN 0300216490 to Present)</b>	
38	1001143858	1	Plate, Seal (Deutz DT2.9L4 Engines) <b>(SN B300001092 through B300001499)</b>	
38	1001204648	1	Plate, Seal (Deutz DT2.9L4 Engines) <b>(SN B300001500 to Present)</b>	
39	3960389	3.5 ft/ 1.1m	Seal	
40	3960470	1	Seal, Latch	
41	4160139	2	Spring, Gas (Tank Side)	
42	4160143	1	Spring, Gas (Engine Side)	
43	4711600	2	Flatwasher 3/8in Thin	
44	4740076	AR	Washer, Fender	
45	4740171	8	Washer, Hardened	
46	4751000	12	Flatwasher #10 Regular	
47	4751400	4	Flatwasher 1/4in Regular	
48	4751500	AR	Flatwasher 5/16in Regular	
49	4751600	AR	Flatwasher 3/8in Regular	
50	1001099138	1	Hood Assembly (Deutz D2011 & GM Engines) (See Items 101-151 for Breakdown)	
50	1001143607	1	Hood Assembly (Deutz DT2.9L4 Engines) (See Items 101-151 for Breakdown)	
51	1001157021	1	Bracket	
52	1001157474	1	Bracket	
53	1001157475	1	Panel	
54	1001157736	1	Panel	
55	1001126828	6	Nut, Tinnerman	
56	0641614	AR	Bolt 3/8in-16NC x 1-3/4in	
60	0940071	1	Bumper <b>(SN 0300183034 through 0300216489)</b>	
60	0940088	1	Bumper <b>(SN 0300216490 to Present)</b>	
60	0940071	1	Bumper <b>(SN B300001092 through B300001527)</b>	
60	0940088	1	Bumper <b>(SN B300001528 to Present)</b>	
	1001099138	Ref	<b>HOOD ASSEMBLY (ENGINE SIDE) (DEUTZ D2011 &amp; GM ENGINES)</b>	B
	1001143607	Ref	<b>HOOD ASSEMBLY (ENGINE SIDE) (DEUTZ DT2.9L4 ENGINES AND DEUTZ DT2.9L4 (STAGE V) ENGINES)</b>	F
101	1001101673	1	Insulation (Deutz D2011 & GM Engines)	
102	2820233	1	Insulation, Rear Sound (Deutz D2011 & GM Engines)	
103	2820234	1	Insulation, Center Sound (Deutz D2011 & GM Engines)	
104	2820235	1	Insulation, Rear Sound (Deutz D2011 & GM Engines)	
105	3311605	AR	Locknut 3/8in x 16NC	
106	3900232	AR	Screw, Button Head 3/8in-16NC x 1-1/4in	
106	3900316	AR	Screw, Button Head 3/8in-16NC x 1in	
107	1001101623	1	Shield, Heat Gasket (Deutz D2011 & GM Engines)	
108	4740500	AR	Washer (Special)	

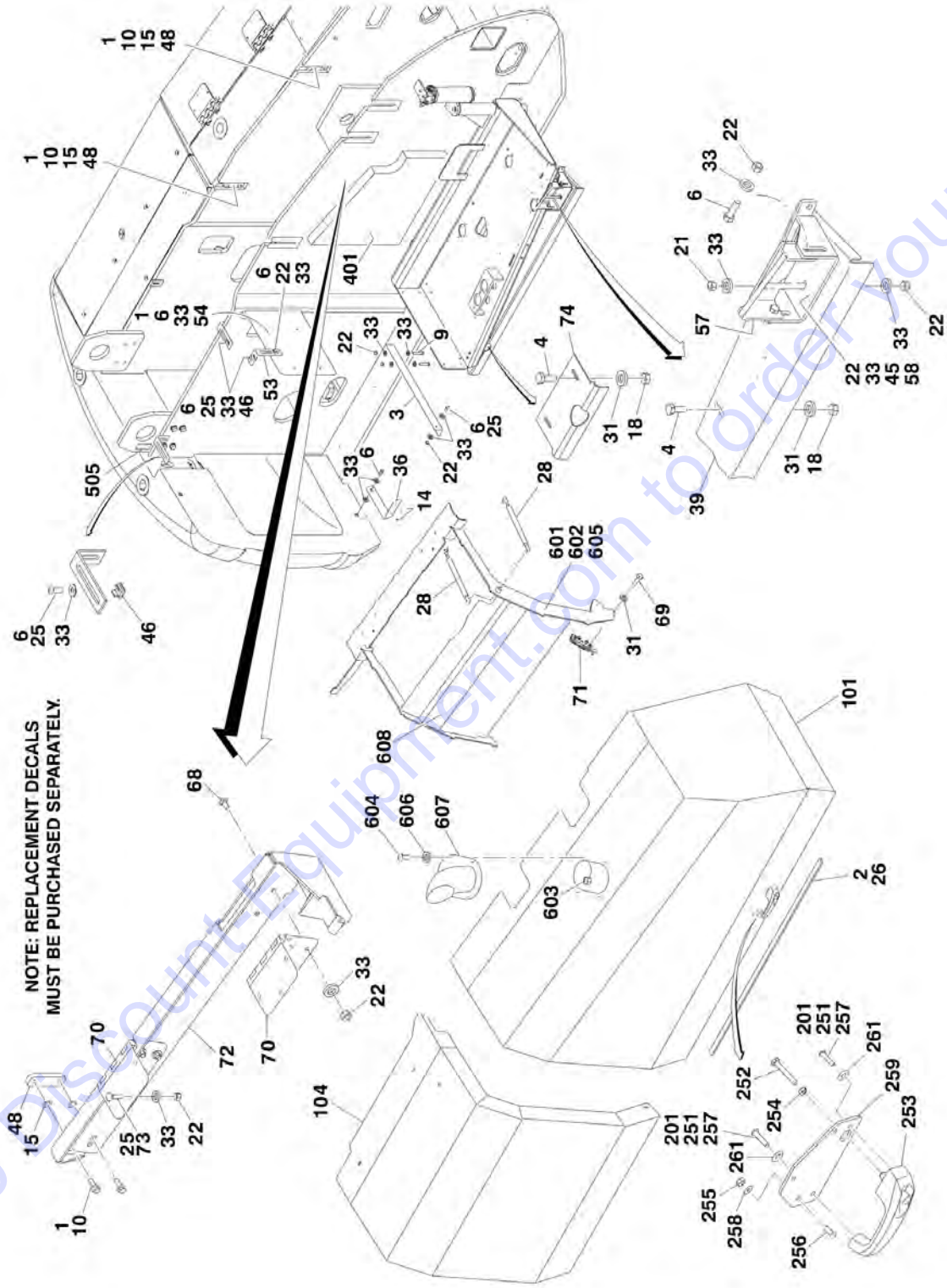
## SECTION 2 - TURNTABLE

ITEM	PART NUMBER	QTY	DESCRIPTION	REV
109	4751600	AR	Flatwasher 3/8in Regular	
110	1001099121	1	Tube, Exhaust (Deutz D2011 & GM Engines)	
110	1001143611	1	Tube, Exhaust (Deutz DT2.9L4 Engines)	
111	1001099139	1	Hood (Deutz D2011 & GM Engines) (Note: Must Install Insulation Before Putting Machine Back in Service - Items 101-104, 107 & 110)	
111	1001143601	1	Hood (Deutz DT2.9L4 Engines) (Note: Must Install Insulation Before Putting Machine Back in Service - Items 110, 150 & 151)	
112	1671230	1	Frame, Tubular (Deutz D2011 & GM Engines)	
112	1001153435	1	Frame, Tubular (Deutz DT2.9L4 Engines)	
113	2940088	1	Latch	
114	0721008	2	Screw, Machine #10-24NC x 1in	
115	4751000	2	Flatwasher #10 Regular	
116	3311005	2	Locknut #10-24NC	
117	0641608	6	Bolt 3/8in-16NC x 1in	
118	1321384	4	Hold Down	
119	0641606	4	Bolt 3/8in-16NC x 3/4in	
120	2600209	1	Hinge	
121	3960464	65 in/ 1.67m	Seal	
122	3960462	61 in/ 1.55m	Seal	
150	1001152566	AR	Insulation, Heat (Deutz DT2.9L4 Engines)	
151	1001117140	AR	Tape, Aluminum (Deutz DT2.9L4 Engines)	
	1671228	Ref	<b>HOOD ASSEMBLY (TANK SIDE)</b>	A
201	1671231	1	Hood	
202	1671232	1	Frame, Tubular	
203	2940088	2	Latch	
204	0721008	4	Screw, Machine #10-24NC x 1in	
205	4751000	4	Flatwasher #10 Regular	
206	3311005	4	Locknut #10-24NC	
207	2600233	1	Hinge	
208	1321384	4	Hold Down	
209	0641606	9	Bolt 3/8in-16NC x 3/4in	
210	4711600	9	Flatwasher 3/8in Thin	
211	3960464	83 in/ 2.11m	Seal	
212	3960438	55 in/1.4m	Seal	
213	3960462	53 in/ 1.35m	Seal	
	0272081	Ref	<b>NOISE REDUCTION INSTALLATION (DEUTZ ENGINE MACHINES)</b>	4-D
301	2820078	1	Foam, Acoustical	
	1001158084	Ref	<b>LIFTING PLATE INSTALLATION</b>	B
401	0100019	AR	Compound, Locking	
402	0682016	8	Bolt 5/8in-11NC x 2in Grade 8	
403	4892000	8	Flatwasher 5/8in Hardened	
404	1001157870	2	Plate, Lifting	
405	1703811	2	Decal - Lift	

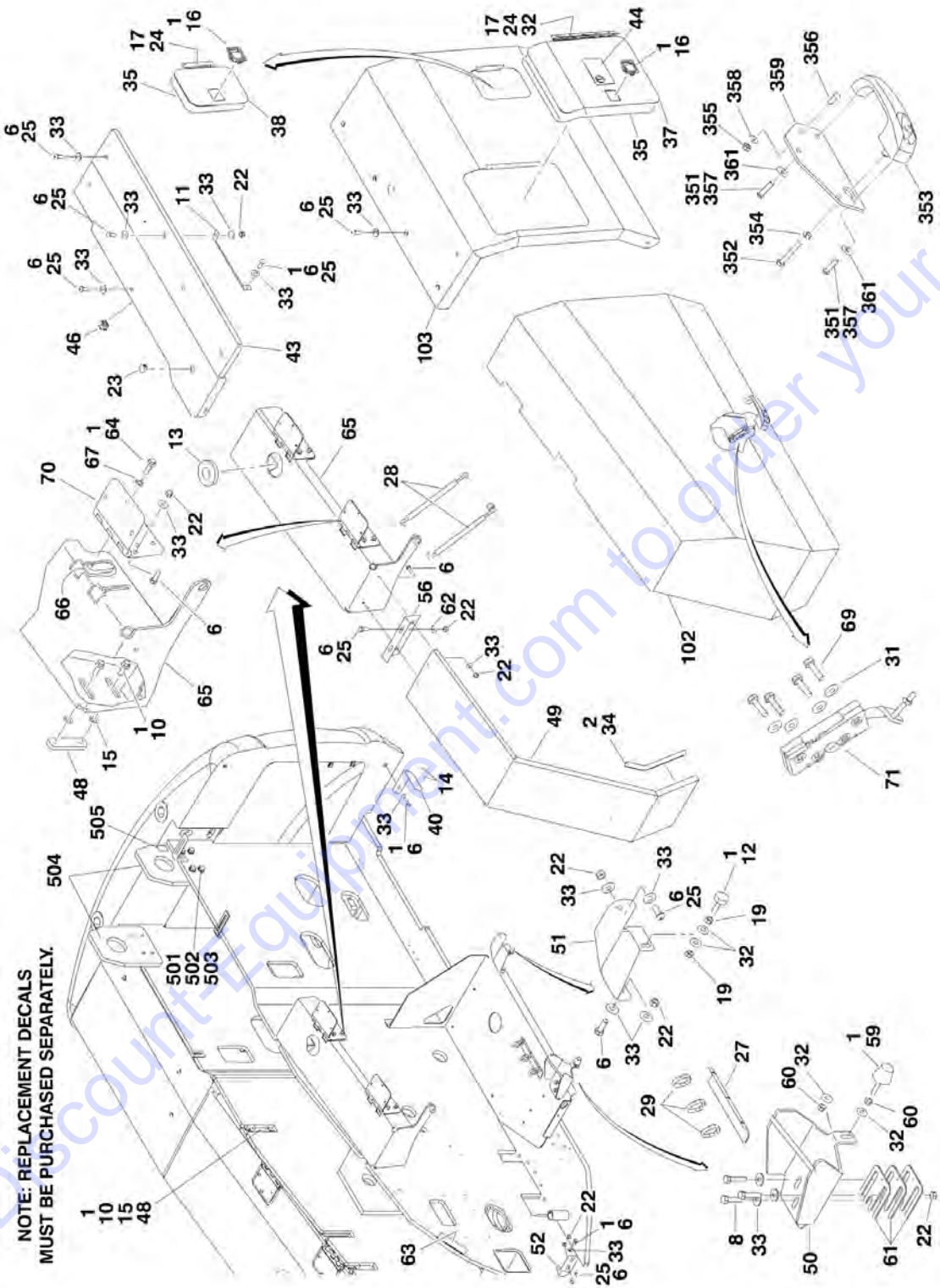


# SECTION 2 - TURNTABLE

## FIGURE 2-27. HOODS (STEEL) AND LIFTING PLATE INSTALLATIONS



# SECTION 2 - TURNTABLE



NOTE: REPLACEMENT DECALS  
MUST BE PURCHASED SEPARATELY.

## SECTION 2 - TURNTABLE

FIGURE 2-27. HOODS (STEEL) AND LIFTING PLATE INSTALLATIONS

ITEM	PART NUMBER	QTY	DESCRIPTION	REV
		Ref	<b>NOTE: REPLACEMENT DECALS MUST BE PURCHASED SEPARATELY - SEE DECALS SECTION.</b>	
		Ref	<b>HOODS INSTALLATIONS</b>	
	1001157416	Ref	<b>Standard Machines - Deutz D2011 &amp; GM Engine Machines</b>	G
	1001173872	Ref	<b>Standard Machines - Deutz DT2.9L4 Engine Machines (USA Built Machines)</b>	E
	1001173872	Ref	<b>Standard Machines - Deutz DT2.9L4 Engine Machines (China Built Machines) (SN B300001092 through B300004394)</b>	E
	1001244466	Ref	<b>Standard Machines - Deutz DT2.9L4 (Stage V) Engine Machines (China Built Machines) (SN B300004395 to Present)</b>	A
	1001220393	Ref	<b>Standard Machines - Ford Engine Machines</b>	A
	1001157753	Ref	<b>Hostile Environment Machines - Deutz D2011 &amp; GM Engine Machines</b>	F
	1001173870	Ref	<b>Hostile Environment Machines - Deutz DT2.9L4 Engine Machines</b>	D
1	0100011	AR	Compound, Locking	
2	0100081	AR	Adhesive	
3	1001161711	1	Mount	
4	0641406	AR	Bolt 1/4in-20NC x 3/4in	
6	0641608	AR	Bolt 3/8in-16NC x 7/8in	
8	0641613	3	Bolt 3/8in-16NC x 1-5/8in	
9	0641616	2	Bolt 3/8in-16NC x 2in	
10	0811812	8	Bolt 1/2in-13NC x 1-1/2in	
11	0902673	1	Bracket	
12	0940049	AR	Stopper, Hood	
13	1120601	1	Plug	
14	2080040	4	Fastener, Huck	
15	2080072	4	Retainer	
16	2940045	2	Latch, Paddle	
17	3300364	5	Nut, Tinnerman	
18	3311405	AR	Locknut 1/4in-20NC	
19	3311501	2	Nut 5/16in-18NC	
21	3311601	1	Nut 3/8in-16NC	
22	3311605	42	Locknut 3/8in-16NC	
23	3520030	1	Plug, Hole	
24	3900210	5	Screw, Button Head 5/16in-18 x 3/4in	
25	3900316	AR	Screw, Button Head 3/8in-16NC x 1in	
26	3960389	54 in/1.4m	Seal	
27	4061032	1	Shield (SN 0300182743 through 0300226928)	
27	4061032	1	Shield (SN B300001092 through B300001749)	
28	4160194	4	Spring, Gas	
29	4240018	3	Tie-Strap (Not Shown)	
31	4751400	AR	Flatwasher 1/4in Regular	
32	4751500	7	Flatwasher 5/16in Regular	
33	4751600	AR	Flatwasher 3/8in Regular	
34	1001110166	59 in /1.5mm	Seal	
35	1001113047	84 in /2.14m	Seal	
36	1001116280	1	Bracket, Hood	
37	1001116322	1	Door	

## SECTION 2 - TURNTABLE

ITEM	PART NUMBER	QTY	DESCRIPTION	REV
38		Ref	Door Options:	
38	1001116344	1	Standard Machines	
38	1001125501	1	Hostile Environment Machines (Not Shown)	
39	1001117249	1	Plate, Seal (Deutz and GM Engine Machines)	
39	1001220067	1	Plate, Seal (Ford Engine Machines)	
40	1001116358	1	Bracket	
43	1001117027	1	Bracket	
44	1001117307	1	Decal - Emergency Stop	
45	1001117525	1	Bracket, Striker Plate (SN 0300182743 through 0300219203)	
45	1001186501	1	Bracket, Striker Plate (SN 0300219204 to Present)	
45	1001117525	1	Bracket, Striker Plate (SN B300001092 through B300001753)	
45	1001186501	1	Bracket, Striker Plate (SN B300001754 to Present)	
46	1001126828	5	Nut, Tinnerman	
		Ref	<b>Note: Customer must transfer Item 108 Heat Shield to Hood Assembly before putting machine back in service.</b>	
48	1001150260	4	Plate	
49		Ref	Plate, Spacer Options:	
49	1001155899	1	Plate (SN 0300182743 through 0300187375)	
49	1001173580	1	Plate (SN 0300187376 to Present)	
49	1001173580	1	Plate (SN B300001092 to Present)	
50	1001157024	1	Bracket, Striker	
51	1001157025	1	Bracket	
52	1001157344	1	Bracket	
53	1001157474	1	Bracket	
54	1001157475	1	Panel	
56	1001157612	1	Bracket	
57	1001117523	1	Bracket (SN 0300182743 through 0300219203)	
57	1001186502	1	Bracket (SN 0300219204 to Present)	
57	1001117523	1	Bracket (SN B300001092 through B300001753)	
57	1001186502	1	Bracket (SN B300001754 to Present)	
58	0641611	2	Bolt 3/8in-16NC x 1-3/8in	
59	0940088	1	Bumper	
60	3321501	2	Nut 5/16in-24NF	
61	4071048	3	Shim	
62	4711600	4	Flatwasher 3/8in Thin	
63	4420038	6 in/16cm	Tape	
64	0811610	8	Screw 3/8in-16NC x 1-1/4in	
65	1001157284	1	Mount	
66	1001169935	4	Plate (SN 0300182743 through 0300219203)	
66	1001186251	1	Plate (SN 0300219204 to Present)	
66	1001169935	1	Plate (SN B300001092 through B300001753)	
66	1001186251	1	Plate (SN B300001754 to Present)	
67	8310070	8	Pushnut 3/8in	
68	0630485	8	Bolt, Carriage	
69	0641408	8	Bolt 1/4in-20NC x 1in	
70	2600280	4	Hinge (SN 0300182743 through 0300219203)	
70	1001186254	4	Hinge (SN 0300219204 to Present)	
70	2600280	4	Hinge (SN B300001092 through B300001753)	
70	1001186254	1	Hinge (SN B300001754 to Present)	
71	2940173	2	Latch	
72	1001150253	1	Bracket (SN 0300182743 through 0300219203)	
72	1001196768	1	Bracket (SN 0300219204 to Present)	

## SECTION 2 - TURNTABLE

ITEM	PART NUMBER	QTY	DESCRIPTION	REV
72	1001150253	1	Bracket (SN B300001092 through B300001753)	
72	1001196768	1	Bracket (SN B300001754 to Present)	
73	0641609	6	Bolt 3/8 x 1-1/8	
74	1001220002	1	Baffle (Ford Engine Machines)	
100	1001174283	1	Hood Kit - Standard Machines (Deutz D2011, Ford & GM Engines) (Not Shown - Includes Items 101-104)	C
100	1001174282	1	Hood Kit - Hostile Environment Machines (Deutz D2011 & GM Engines) (Not Shown - Includes Items 101-104)	C
100	1001174143	1	Hood Kit - Standard Machines (Deutz DT2.9L4 Engines) (Not Shown - Includes Items 101-104)	C
100	1001174101	1	Hood Kit - Hostile Environment Machines (Deutz DT2.9L4 Engines) (Not Shown - Includes Items 101-104)	C
100	See Note	Ref	Hood Kit - Deutz DT2.9L4 (Stage V) Engines (Not Available for Purchase)	
101		Ref	<b>Note: Customer must transfer Item 607 (Stack) &amp; 608 (Heat Shield) to new Hood before putting machine back in service.</b>	
101	1001157208	1	Hood Assembly - Engine Side Rear (Deutz D2011, Ford & GM Engines) (See Items 251-261 for Breakdown)	
101	1001162915	1	Hood Assembly - Engine Side Rear (Deutz DT2.9L4 Engines) (See Items 251-261 for Breakdown) (USA Built Machines)	
101	1001162915	1	Hood Assembly - Engine Side Rear (Deutz DT2.9L4 Engines) (See Items 251-261 for Breakdown) (China Built Machines) (SN B300001092 through B300004394)	
101	1001244463	1	Hood Assembly - Engine Side Rear (Deutz DT2.9L4 (Stage V) Engines) (China Built Machines) (See Separate Breakdown in This Section) (SN B300004395 to Present)	
102	1001157209	1	Hood Assembly - Tank Side Rear (See Items 351-361 for Breakdown) (USA Built Machines)	
102	1001157209	1	Hood Assembly - Tank Side Rear (See Items 351-361 for Breakdown) (China Built Machines) (SN B300001092 through B300004394)	
102	1001244465	1	Hood Assembly - Tank Side Rear (China Built Machines) (See Separate Breakdown in This Section) (SN B300004395 to Present)	
103	1001116558	1	Hood - Tank Side Front (Standard Machines)	
103	1001125502	1	Hood - Tank Side Front (Hostile Environment Machines) (Not Shown)	
104	1001116620	1	Hood - Engine Side Front	
	1001157208	Ref	<b>HOOD ASSEMBLY - ENGINE SIDE REAR (DEUTZ D2011, FORD &amp; GM ENGINE)</b>	D
	1001162915	Ref	<b>HOOD ASSEMBLY - ENGINE SIDE REAR (DEUTZ TD2.9L4 ENGINES)</b>	C
		Ref	<b>Note: Customer must transfer Item 607 (Stack) &amp; 608 (Heat Shield) to new Hood before putting machine back in service.</b>	
251	0100011	AR	Compound, Locking	
252	0700617	AR	Bolt M6 x 45mm	
252	0700618	AR	Bolt M6 x 50mm	
253	2560187	1	Handle, Push Button	
254	3290601	1	Nut M6	
255	3311505	3	Locknut 5/16in-18NC	
256	3900210	3	Screw, Button Head 5/16in-18NC x 3/4in	
257	3900363	2	Screw, Button Head M6 x 25mm	
258	4711500	3	Flatwasher 5/16in Thin	
259	1001116290	1	Plate, Latch Mounting	
261	4751400	2	Flatwasher 1/4in Regular	

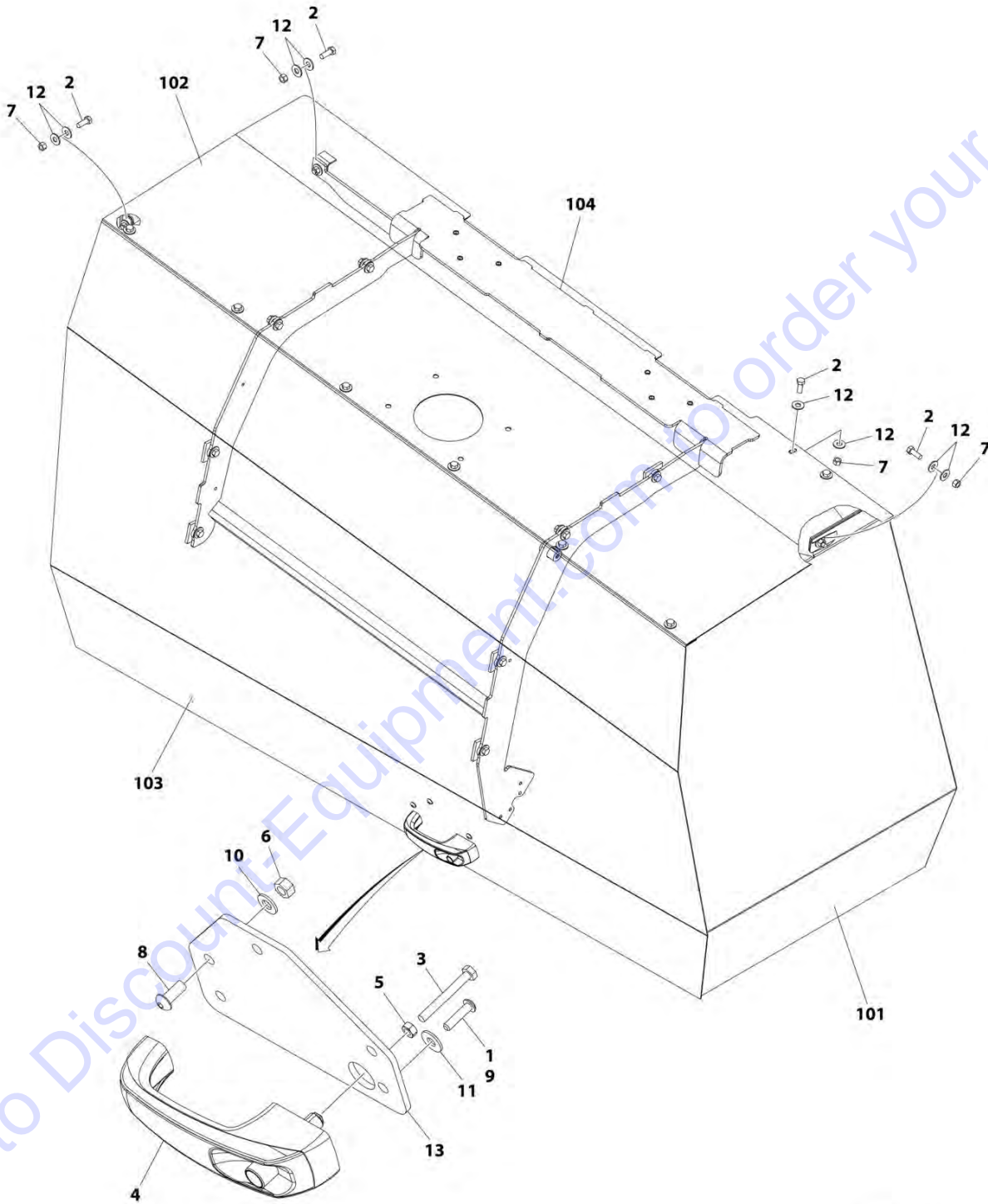


## SECTION 2 - TURNTABLE

ITEM	PART NUMBER	QTY	DESCRIPTION	REV
	1001157209	Ref	<b>HOOD ASSEMBLY - TANK SIDE REAR</b>	B
351	0100011	AR	Compound, Locking	
352	0700617	1	Bolt M6 x 45mm	
353	2560187	1	Handle, Push Button	
354	3290601	1	Nut M6	
355	3311505	3	Locknut 5/16in-18NC	
356	3900210	3	Screw, Button Head 5/16in-18NC x 3/4in	
357	3900363	2	Screw, Button Head M6 x 25mm	
358	4711500	3	Flatwasher 5/16in Thin	
359	1001116290	1	Plate, Latch Mounting	
361	4751400	2	Flatwasher 1/4in Regular	
	0272081	Ref	<b>NOISE REDUCTION INSTALLATION (DEUTZ ENGINE MACHINES)</b>	4-D
401	2820078	1	Foam, Acoustical	
	1001158084	Ref	<b>LIFTING PLATE INSTALLATION</b>	B
501	0100019	AR	Compound, Locking	
502	0682016	8	Bolt 5/8in-11NC x 2in Grade 8	
503	4892000	8	Flatwasher 5/8in Hardened	
504	1001157870	2	Plate, Lifting	
505	1703811	2	Decal - Lift	
		Ref	<b>HOODS INSTALLATIONS</b>	
	1001157752	Ref	<b>Deutz D2011 Engine Machines</b>	C
	1001157755	Ref	<b>Deutz D2011 Engine Machines with Hostile Environment Package</b>	C
	1001173871	Ref	<b>Deutz DT2.9L4 and Deutz DT2.9L4 (Stage V) Engine Machines (USA Built Machines)</b>	B
	1001173871	Ref	<b>Deutz DT2.9L4 and Deutz DT2.9L4 (Stage V) Engine Machines (China Built Machines) (SN B300001092 through B300004394)</b>	B
	1001244467	Ref	<b>Deutz DT2.9L4 (Stage V) Engine Machines (China Built Machines) (SN B300004395 to Present)</b>	A
	1001173869	Ref	<b>Deutz DT2.9L4 Engine Machines with Hostile Environment Package</b>	B
	1001220392	Ref	<b>Ford Engine Machines</b>	A
	1001157751	Ref	<b>GM Engine Machines</b>	C
601	0641406	3	Bolt 1/4in-20NC x 3/4in	
602	3311405	3	Locknut 1/4in-20NC	
603	3311605	4	Locknut 3/8in-16NC	
604	3900316	AR	Screw, Button Head 3/8in-16NC x 1in	
604	0641608	AR	Bolt 3/8 x 1	
605	4751400	3	Flatwasher 1/4in Regular	
606	4751600	8	Flatwasher 3/8in Regular	
607		Ref	Stack, Exhaust Options:	
607	1001116456	1	Deutz D2011 Engine Machines	
607	1001144527	1	Deutz DT2.9L4 Engine Machines	
607	1001116457	1	Ford & GM Engine Machines	
608		Ref	Shield, Heat Options:	
608	1001150561	1	Shield - Deutz D2011 & GM Engine Machines	
608	1001163101	1	Shield - Deutz DT2.9L4 Engine Machines	

## SECTION 2 - TURNTABLE

FIGURE 2-28. HOOD ASSEMBLY - ENGINE SIDE REAR (DEUTZ DT2.9L4 (STAGE V) ENGINES) (SN B300004395 to Present)



ART\_1001244463

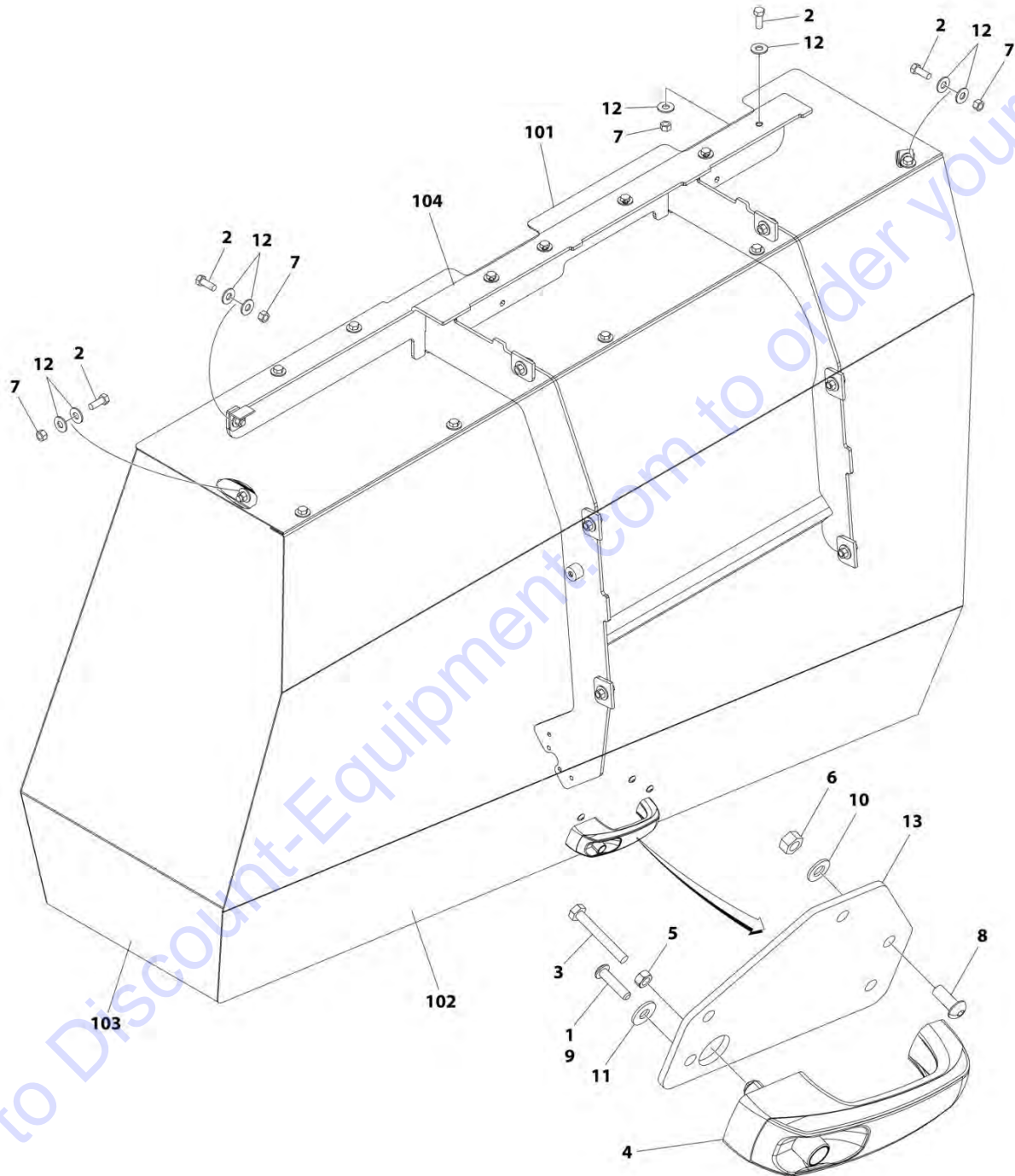
## SECTION 2 - TURNTABLE

**FIGURE 2-28. HOOD ASSEMBLY - ENGINE SIDE REAR (DEUTZ DT2.9L4 (STAGE V) ENGINES) (SN B300004395 to Present)**

ITEM	PART NUMBER	QTY	DESCRIPTION	REV
	1001244463	Ref	HOOD ASSEMBLY - ENGINE SIDE REAR (DEUTZ DT2.9L4 (STAGE V) ENGINES)	A
1	0100011	AR	Compound, Locking	
2	0641608	28	Bolt 3/8 x 7/8	
3	0700618	1	Bolt M6 x 50	
4	2560187	1	Handle, Push Button	
5	3290601	1	Nut M6	
6	3311505	3	Nut 5/16	
7	3311605	28	Nut 3/8	
8	3900210	3	Screw, Button Head 5/16 x 3/4	
9	3900363	2	Screw, Button Head M6 x 25	
10	4711500	3	Washer 5/16	
11	4751400	2	Washer 1/4	
12	4751600	56	Washer 3/8	
13	1001116290	1	Plate, Latch Mounting	
100	1001243985	1	Hood Engine Side Kit (Not Shown - Includes Items 101-104)	
101	1001239688	1	End Panel	
102	1001239689	1	Top Panel	
103	1001239690	1	Side Panel	
104	1001239691	1	Support	

## SECTION 2 - TURNTABLE

FIGURE 2-29. HOOD ASSEMBLY - TANK SIDE REAR (DEUTZ DT2.9L4 (STAGE V) ENGINES) (SN B300004395 to Present)



ART\_1001244465

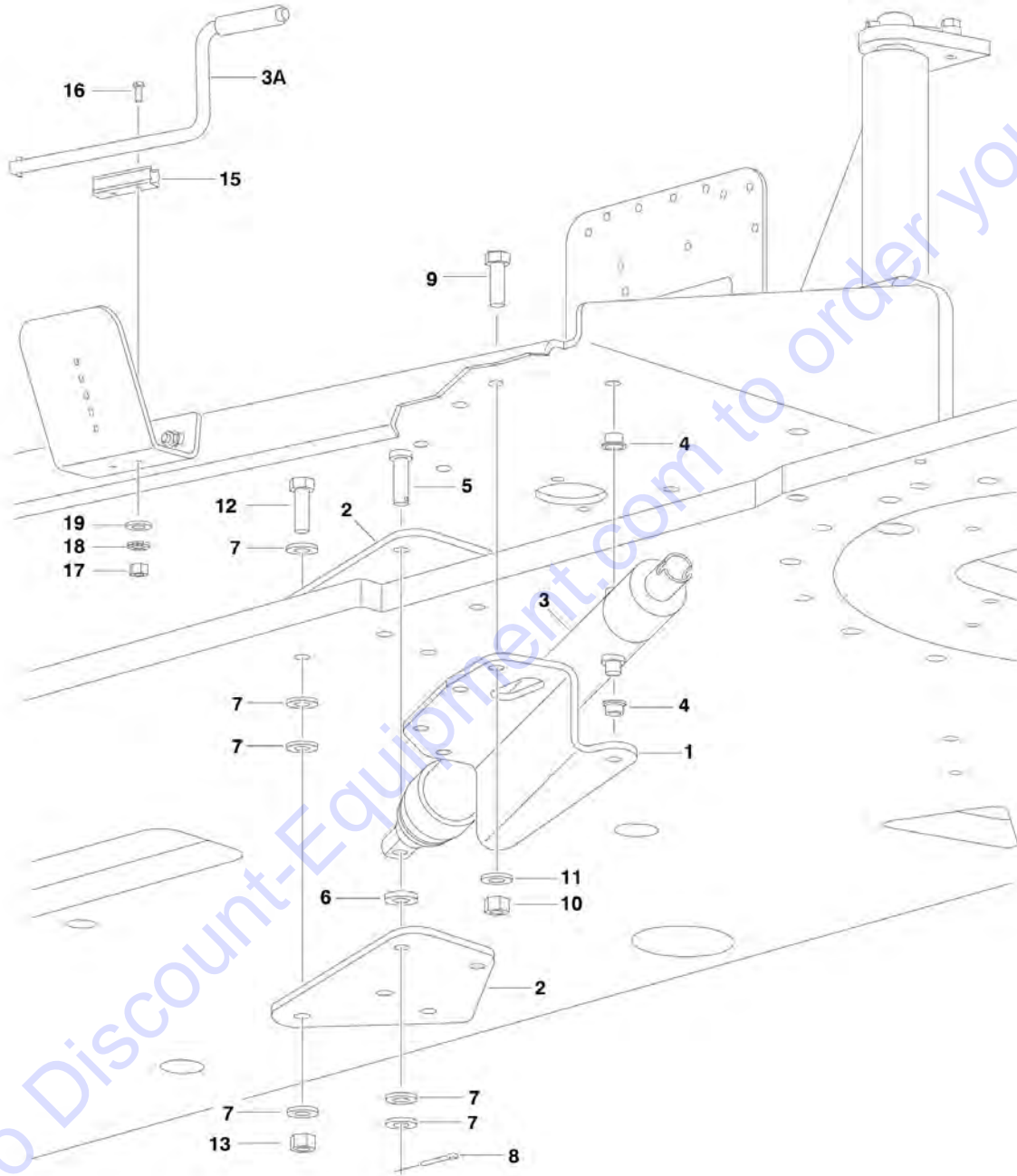
## SECTION 2 - TURNTABLE

**FIGURE 2-29. HOOD ASSEMBLY - TANK SIDE REAR (DEUTZ DT2.9L4 (STAGE V) ENGINES) (SN B300004395 to Present)**

ITEM	PART NUMBER	QTY	DESCRIPTION	REV
	1001244465	Ref	HOOD ASSEMBLY – TANK SIDE REAR (DEUTZ DT2.9L4 (STAGE V) ENGINES)	A
1	0100011	AR	Compound, Locking	
2	0641608	28	Bolt 3/8 x 7/8	
3	0700617	1	Bolt M6 x 45	
4	2560187	1	Handle, Push Button	
5	3290601	1	Nut M6	
6	3311505	3	Nut 5/16	
7	3311605	28	Nut 3/8	
8	3900210	3	Screw, Button Head 5/16 x 3/4	
9	3900363	2	Screw, Button Head M6 x 25	
10	4711500	3	Washer 5/16	
11	4751400	2	Washer 1/4	
12	4751600	56	Washer 3/8	
13	1001116290	1	Plate, Latch Mounting	
100	1001243986	1	Hood Tank Side Kit (Not Shown - Includes Items 101-104)	
101	1001239721	1	Top Panel	
102	1001239722	1	Side Panel	
103	1001239723	1	End Panel	
104	1001239724	1	Support	

## SECTION 2 - TURNTABLE

FIGURE 2-30. ENGINE TRAY JACK INSTALLATION (OPTIONAL)



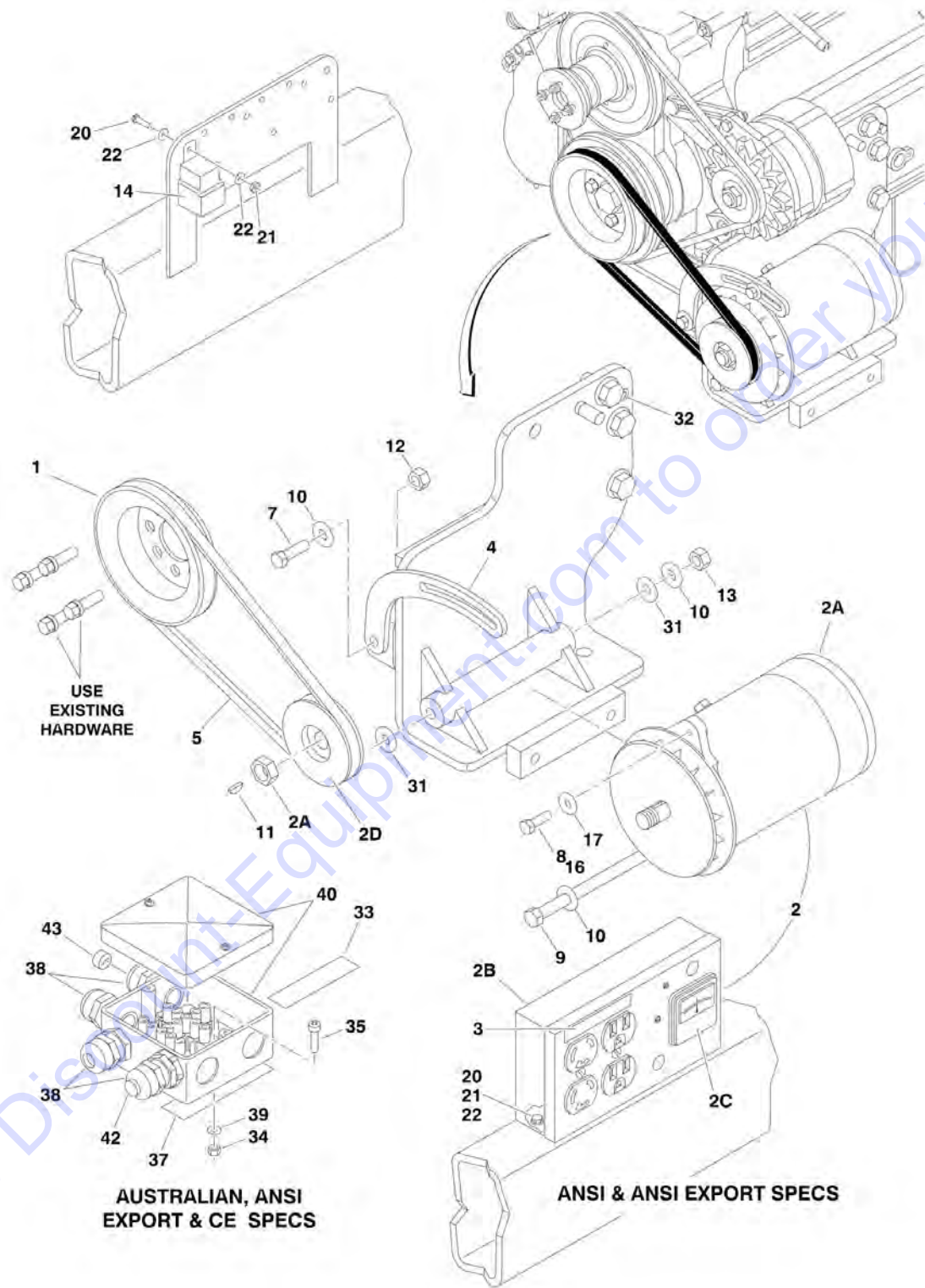
**SECTION 2 - TURNTABLE**

**FIGURE 2-30. ENGINE TRAY JACK INSTALLATION (OPTIONAL)**

ITEM	PART NUMBER	QTY	DESCRIPTION	REV
	0258728	Ref	<b>ENGINE TRAY JACK INSTALLATION (DEUTZ &amp; GM ENGINES)</b>	2-C
	1001219881	Ref	<b>ENGINE TRAY JACK INSTALLATION (FORD ENGINES)</b>	B
1	3537445	1	Bracket (Deutz & GM Engines)	
1	1001218547	1	Bracket (Ford Engines)	
2	3537446	2	Bracket	
3	2840016	1	Jack and Handle Assembly	F
3A	7024598	1	Handle	
4	0962051	2	Bearing, Flange	
5	3430816	1	Pin, Clevis	
6	4891800	1	Flatwasher 1/2in Hardened	
7	4711800	6	Flatwasher 1/2in Thin	
8	3450404	1	Pin, Cotter 1/8in x 1in	
9	0641609	4	Bolt 3/8in-16NC x 1-1/8in	
10	3311605	4	Locknut 3/8in-16NC	
11	4891600	4	Flatwasher 3/8in Hardened	
12	0641818	4	Bolt 1/2in-13NC x 2-1/4in	
13	3311805	4	Locknut 1/2in-13NC	
15	1380147	1	Clip, Spring	
16	3910608	2	Screw, Round Head #6-32NC x 1in	
17	3310601	2	Nut #6-32NC	
18	4770600	2	Starwasher #6	
19	4740119	2	Washer, Aluminum	

## SECTION 2 - TURNTABLE

FIGURE 2-31. 2500W GENERATOR INSTALLATION - DEUTZ D2011 MACHINES (OPTIONAL)





## SECTION 2 - TURNTABLE

**FIGURE 2-31. 2500W GENERATOR INSTALLATION - DEUTZ D2011 MACHINES (OPTIONAL)**

ITEM	PART NUMBER	QTY	DESCRIPTION	REV
		Ref	<b>2500 W GENERATOR INSTALLATION - Deutz D2011 Machines (Optional)</b>	
	1001115405	Ref	<b>110V/60Hz (ANSI and ANSI Export Specs)</b>	B
	1001115406	Ref	<b>220V/50Hz (ANSI Export Specs)</b>	B
	1001115409	Ref	<b>220V/50Hz (Australian and CE Specs)</b>	B
1	3580158	1	Pulley	
2		Ref	Generator and Control Box Assembly Options:	
2	2460055	1	110V/60Hz (ANSI and ANSI Export Specs)	
2	2460056	1	220V/50Hz (ANSI Export Specs)	
2	1001100321	1	220V/50Hz (Australian and CE Specs)	
2A	7012558	1	Generator Only - 110V/60Hz	
2A	1001100321	1	Generator Only - 220V/50Hz	
2A		Ref	<b>Note: Replacement Generators come standard with p/n 3580134 pulley. This pulley may not be correct for all applications. Refer to pulley options below.</b>	
2A		Ref	Armature with Slip Rings Options:	
2A	7026199	1	Armature with Slip Rings - 110V/60Hz	
2A	70000123	1	Armature with Slip Rings - 220V/50Hz	
2A	7012513	4	Cap, Brush Holder	
2A	7020108	4	Brush	
2A	7020109	4	Holder, Brush	
2A	7012514	1	Fan	
2A	7020110	1	Bell, Front	
2A	7020111	1	Bell, Rear	
2A	7020190	2	Bearing	
2B	7019680	1	Box, Control - 110V/60Hz	
2B	70000127	1	Box, Control - 220V/50Hz (ANSI Export Specs)	
2B	Not Required	0	Box, Control - 220V/50Hz (Australian and CE Specs)	
2B		Ref	Receptacle Options:	
2B	4460190	1	Receptacle, Standard (110V Only)	
2B	4460027	1	Receptacle, Twistlock (110V Only)	
2B	70000124	1	Receptacle, Double (220V/50Hz Only)	
2B	70000125	1	Receptacle, Single (220V/50Hz Only)	
2B		Ref	Breaker, Circuit Options:	
2B	4360542	1	Breaker 110V/60Hz	
2B	70000126	1	Breaker 220V/50Hz	
2B	3520028	1	Plug, Hole	
2C		Ref	Voltmeter Options:	
2C	2420203	1	Voltmeter - 110V	
2C	7020192	1	Voltmeter - 220V	
2D		Ref	Pulley Options:	
2D	3580276	1	Pulley - 60Hz	
2D	3580134	1	Pulley - 50Hz	
2D	7027887	1	Key, Woodruff	
3		Ref	Decal Options:	
3	3251243	1	110V/60Hz (ANSI and ANSI Export Specs)	
3	Not Required	0	220V/50Hz (ANSI Export, Australian and CE Specs)	
4	0200742	1	Arm, Adjusting	
5	0480121	1	V-Belt	
7	0641610	1	Bolt 3/8in-16NC x 1-1/4in	

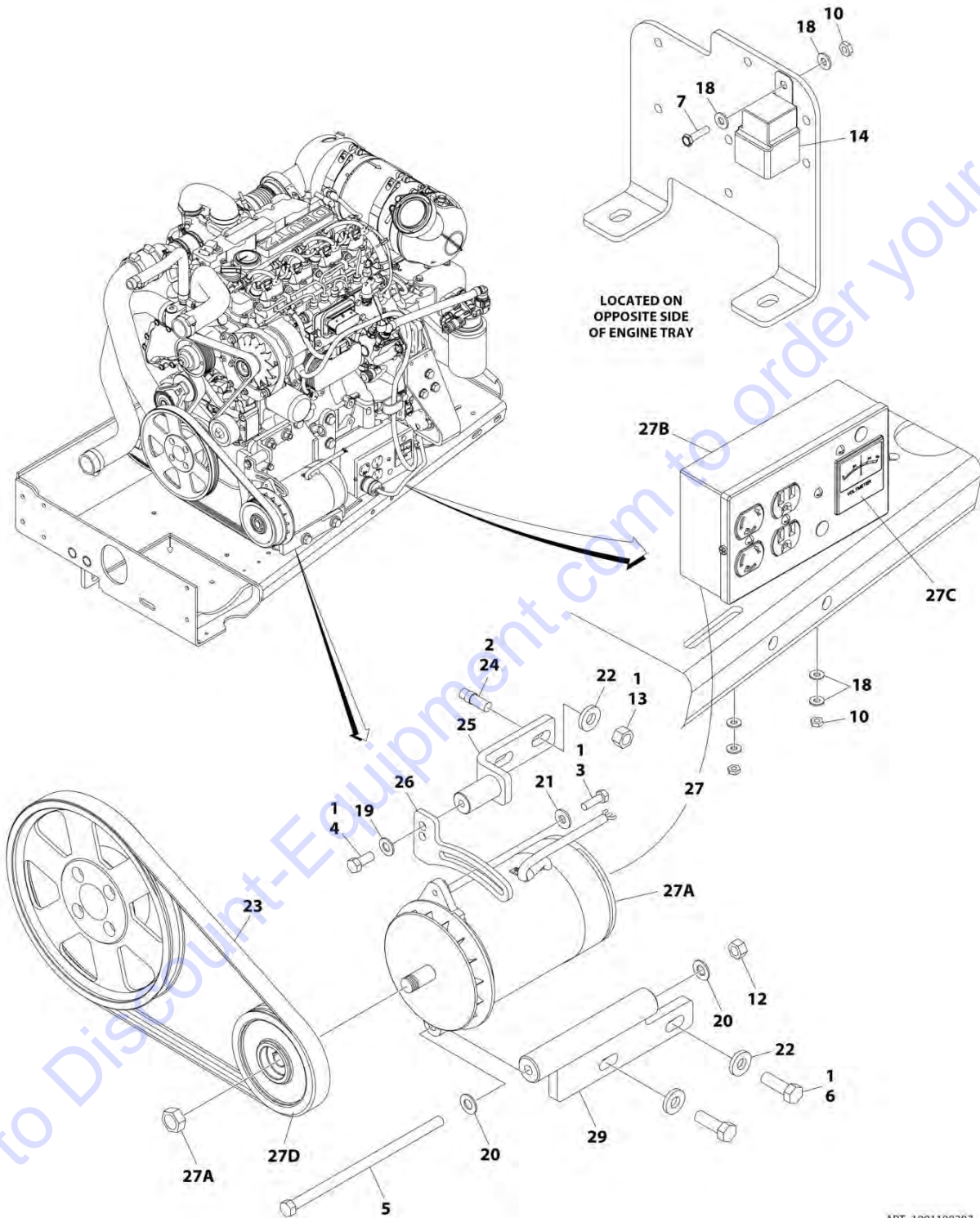
## SECTION 2 - TURNTABLE

ITEM	PART NUMBER	QTY	DESCRIPTION	REV
8	0100011	AR	Compound, Locking	
9	0641772	1	Bolt 7/16in-14NC x 9in	
10	4751600	6	Flatwasher 3/8in Regular	
11	2860012	1	Key, Woodruff	
12	3311605	1	Locknut 3/8in-16NC	
13	3311705	1	Locknut 7/16in-14NC	
14	3740080	1	Relay	
16	0641508	1	Bolt 5/16in-18NC x 1in	
17	4751500	AR	Flatwasher 5/16in Regular	
20	0721006	AR	Bolt #10-24NC x 3/4in	
21	3311005	AR	Locknut #10-24NC	
22	4751000	AR	Flatwasher #10 Regular	
25	4360336	1	Switch, Toggle (Not Shown - Located at Platform)	
26	4740397	1	Bushing (Not Shown - Located at Platform)	
27	4060802	1	Guard, Switch (Not Shown - Located at Platform)	
28	3252507	1	Decal - 220V-50/60Hz (Not Shown - Located on Turntable)	
29	2820031	4 in/10cm	Heat Shrink (Not Shown - Located at Platform)	
30	3251102	1	Decal (Not Shown - Located at Platform)	
		Ref	<b>Note: Items 32-43 Used on ANSI Export, Australian and CE Specs Only.</b>	
32	0641404	1	Bolt 1/4in-20NC x 1/2in	
33	3252507	2	Decal - 220V-50Hz	
		Ref	<b>Note: One Decal Not Shown - Located on the Inside of Platform Rail.</b>	
34	3290505	1	Locknut M5 x 0.8mm	
35	4031608	1	Bolt M5 x 20mm	
36	4240018	1	Tie-Strap (Not Shown)	
37	4420060	1	Tape, Double Coated Acrylic Foam	
38	4460968	3	Connector, Strain Relief	
39	4811600	1	Flatwasher M5	
40	1001099869	1	Box, Junction	
42		Ref	Light Red Options:	
42	1001100233	1	125 Vac	
42	1001100234	1	250 Vac	
43	0962449	1	Bushing	
44	2902085	1	Kit, Powermite Generator Mounting (Not Shown)	



## SECTION 2 - TURNTABLE

FIGURE 2-32. 2500W GENERATOR INSTALLATION - DEUTZ TD2.9L4 MACHINES (OPTIONAL)



ART\_1001180287

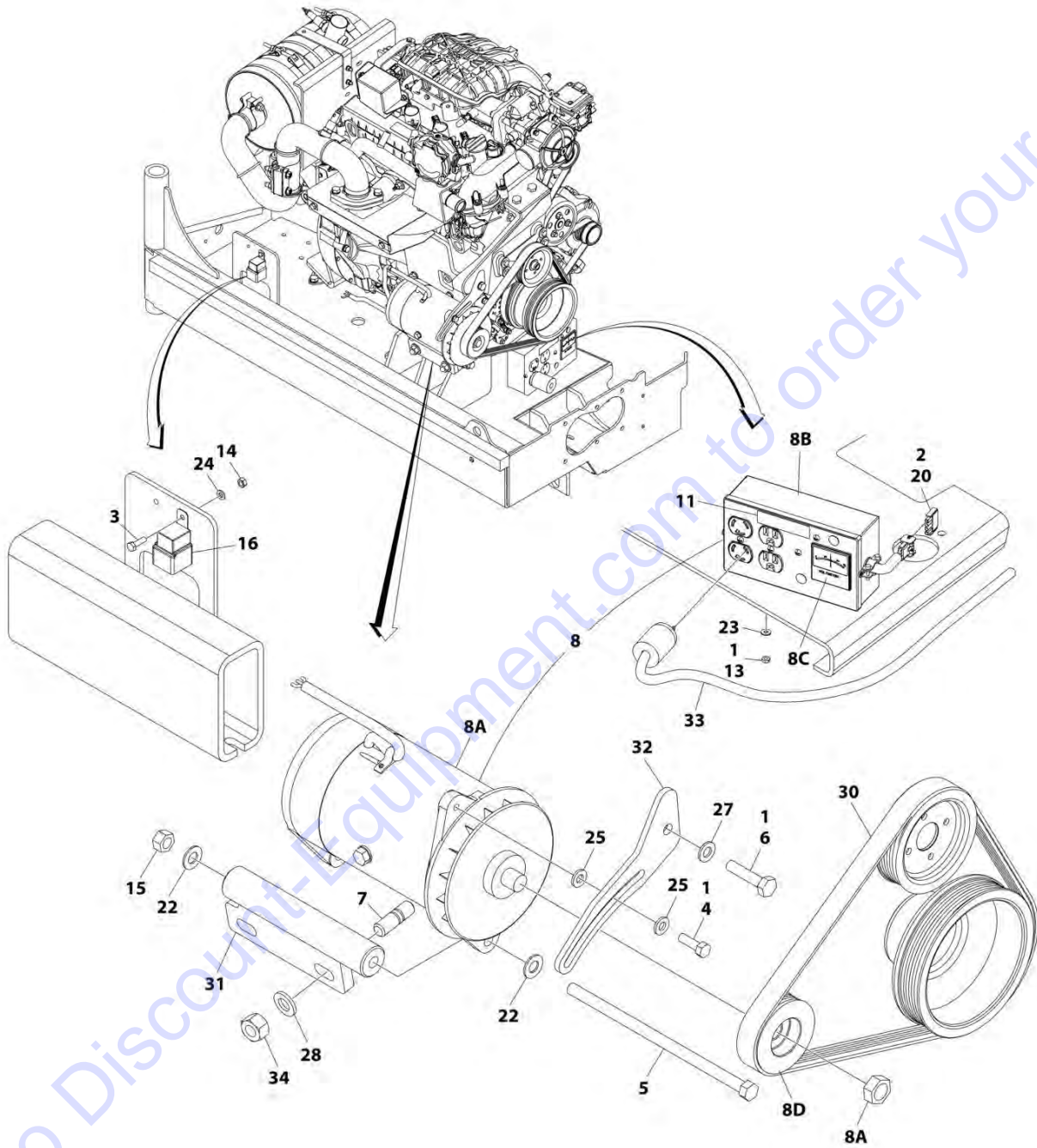
## SECTION 2 - TURNTABLE

**FIGURE 2-32. 2500W GENERATOR INSTALLATION - DEUTZ TD2.9L4 MACHINES (OPTIONAL)**

ITEM	PART NUMBER	QTY	DESCRIPTION	REV
	1001180287	Ref	<b>2500W GENERATOR INSTALLATION - DEUTZ TD2.9L4 MACHINES (OPTIONAL)</b>	C
1	0100011	AR	Compound, Locking	
2	0100019	AR	Compound, Locking	
3	0641508	1	Bolt 5/16 x 1	
4	0641607	1	Bolt 3/8 x 7/8	
5	0641772	1	Bolt 7/16 x 9	
6	0641812	2	Bolt 1/2 x 1-1/2	
7	0721006	1	Screw #10 x 3/4	
8	2820031	AR	Heat Shrink (Not Shown - Located at Platform)	
9	3251102	1	Name Plate - Generator On (Not Shown - Located at Platform)	
10	3311005	3	Nut #10	
12	3311705	1	Nut 7/16	
13	3311801	2	Nut 1/2	
14	3740080	1	Relay	
15	4060802	1	Guard, Switch (Not Shown - Located at Platform)	
16	4240018	AR	Strap, Cable Tie (Not Shown)	
17	4360336	1	Switch, Toggle (Not Shown - Located at Platform)	
18	4711000	6	Washer #10	
19	4711600	1	Washer 3/8	
20	4711700	2	Washer 7/16	
21	4751500	1	Washer 5/16	
22	4891800	4	Washer 1/2	
23	1001148138	1	V-Belt	
24	1001163599	2	Stud	
25	1001216015	1	Bracket	
26	1001179837	1	Arm, Adjustment	
27	1001180001	1	Generator and Control Box Assembly	
27A	7012558	1	Generator Only - 110V/60Hz	
27A		Ref	<b>Note: Replacement Generators come standard with p/n 3580134 pulley. This pulley may not be correct for all applications. Refer to pulley options below.</b>	
27A	7026199	1	Armature with Slip Rings	
27A	7012513	4	Cap, Brush Holder	
27A	7020108	4	Brush	
27A	7020109	4	Holder, Brush	
27A	7012514	1	Fan	
27A	7020110	1	Bell, Front	
27A	7020111	1	Bell, Rear	
27A	7020190	2	Bearing	
27B	7019680	1	Box, Control - 110V/60Hz	
27B		Ref	Receptacle Options:	
27B	4460190	1	Receptacle, Standard (110V Only)	
27B	4460027	1	Receptacle, Twistlock (110V Only)	
27B	4360542	1	Breaker, Circuit	
27B	3520028	1	Plug, Hole	
27C	2420203	1	Voltmeter	
27D	3580276	1	Pulley	
27D	7027887	1	Key, Woodruff	
29	1001181243	1	Mount, Generator	

## SECTION 2 - TURNTABLE

FIGURE 2-33. 2500W GENERATOR INSTALLATION - FORD MACHINES (OPTIONAL)



ART\_1001219619

## SECTION 2 - TURNTABLE

**FIGURE 2-33. 2500W GENERATOR INSTALLATION - FORD MACHINES (OPTIONAL)**

ITEM	PART NUMBER	QTY	DESCRIPTION	REV
	1001219619	Ref	<b>2500W GENERATOR INSTALLATION - FORD MACHINES (OPTIONAL)</b>	E
1	0100011	AR	Compound, Locking	
2	0100048	AR	Grease, Dielectric	
3	0760610	1	Bolt M6 x 20	
4	0641508	1	Bolt 5/16 x 1	
5	0641772	1	Bolt 7/16 x 9	
6	0761016	1	Bolt M10 x 40	
7	1001155041	1	Stud	
8	2460051	1	Generator and Control Box Assembly	
8A	7012558	1	Generator Only - 110V/60Hz	
		Ref	<b>Note: Replacement Generators come standard with pin 3580134 pulley. This pulley may not be correct for all applications. Refer to pulley options below.</b>	
8A	7026199	1	Armature with Slip Rings	
8A	7012513	4	Cap, Brush Holder	
8A	7020108	4	Brush	
8A	7020109	4	Holder, Brush	
8A	7012514	1	Fan	
8A	7020110	1	Bell, Front	
8A	7020111	1	Bell, Rear	
8A	7020190	2	Bearing	
8B	7019680	1	Box, Control - 110V/60Hz	
8B		Ref	Receptacle Options:	
8B	4460190	1	Receptacle, Standard (110V Only)	
8B	4460027	1	Receptacle, Twistlock (110V Only)	
8B	4360542	1	Breaker, Circuit	
8B	3520028	1	Plug, Hole	
8C	2420203	1	Voltmeter	
8D	3580324	1	Pulley	
8D	7027887	1	Key, Woodruff	
9	2820031	1	Heat Shrink (Not Shown - Located at Platform)	
10	3251102	1	Nameplate Generator (Not Shown - Located at Platform)	
11	3251243	1	Decal - 120V-60Hz	
13	3311005	2	Nut #10	
14	3290601	1	Nut M6	
15	3311705	1	Nut 7/16	
16	3740080	1	Relay	
17	4060802	1	Guard Switch (Not Shown - Located at Platform)	
18	4240099	AR	Tie-Strap (Not Shown)	
19	4360336	1	Switch, Toggle (Not Shown - Located at Platform)	
20	4460321	1	Plug, Male - 4 Position	
21	4460906	1	Socket, Female (Not Shown) (SN 0300182743 through 0300245227)	
22	4711700	2	Washer 7/16	
23	4751000	2	Washer #10	
24	4811700	1	Washer M6	
25	4891500	2	Washer 5/16	
27	4812000	1	Washer M10	
28	4812200	2	Washer M14	

## SECTION 2 - TURNTABLE

ITEM	PART NUMBER	QTY	DESCRIPTION	REV
30	1001216391	1	V-Belt	
31	1001219630	1	Mount, Generator	
32	1001219632	1	Arm, Adjustment	
33	4921829	1	Harness, Inverter	
34	3291201	2	Nut M12	

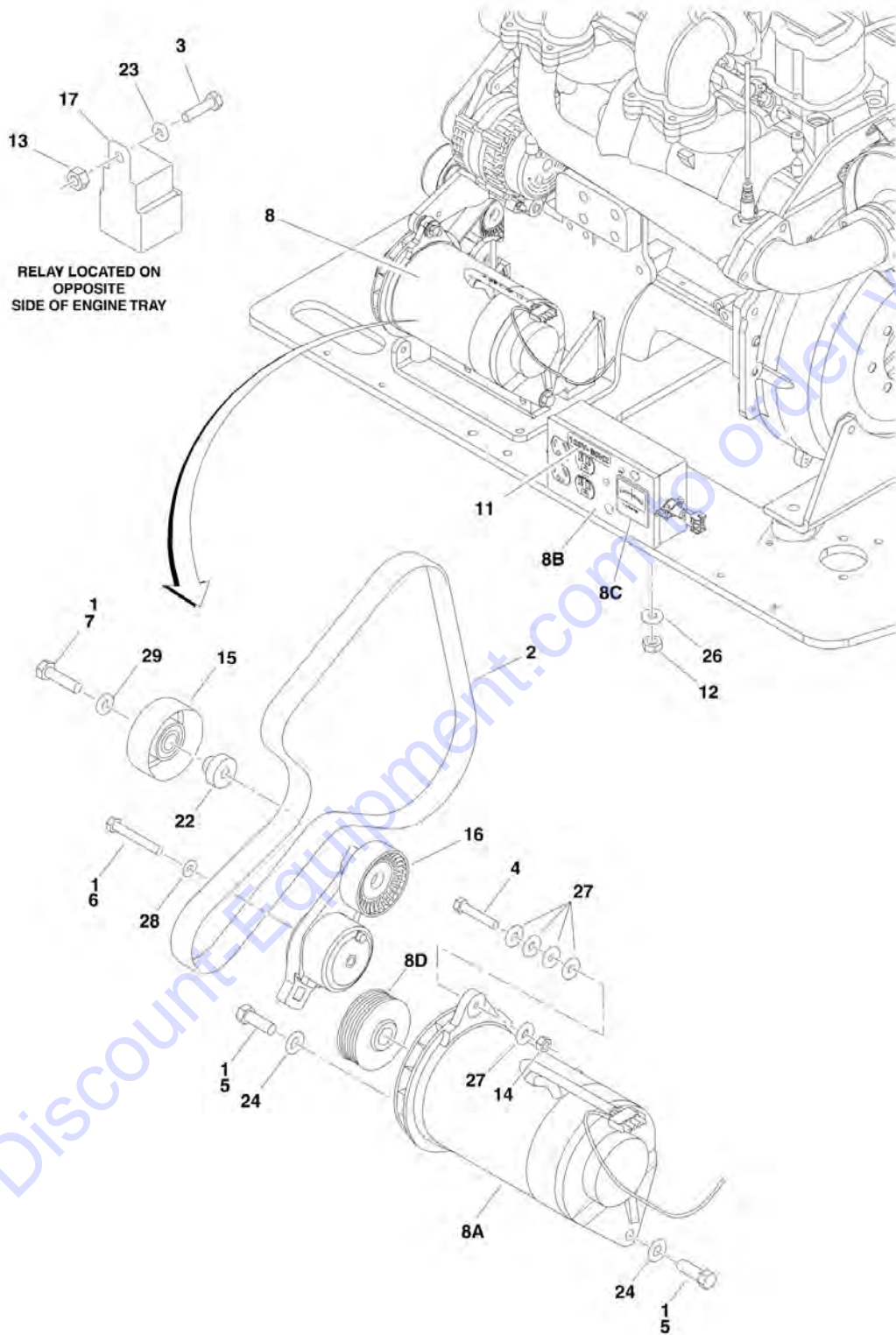
Go to Discount-Equipment.com to order your parts





## SECTION 2 - TURNTABLE

FIGURE 2-34. 2500W GENERATOR INSTALLATION - GM MACHINES (OPTIONAL)



## SECTION 2 - TURNTABLE

**FIGURE 2-34. 2500W GENERATOR INSTALLATION - GM MACHINES (OPTIONAL)**

ITEM	PART NUMBER	QTY	DESCRIPTION	REV
		Ref	<b>2500W GENERATOR INSTALLATION (GM ENGINES) (OPTIONAL):</b>	
	0275039	Ref	<b>110V Generator</b>	F
1	0100011	AR	Compound, Locking	
2	0480142	1	V-Belt	
3	0641405	1	Bolt 1/4in-20NC x 5/8in	
4		Ref	Bolt Options:	
4	0641514	1	Bolt 5/16in-18NC x 1-3/4in	
4	0641510	1	Bolt 5/16in-18NC x 1-1/4in	
5	0641710	2	Bolt 7/16in-14NC x 1-1/4in	
6	0700820	1	Bolt M8 x 60mm	
7	0701016	1	Bolt M10 x 40mm	
8	2460051	1	Generator and Control Box Assembly	
8A	7012558	1	Generator Only - 110V/60Hz	
		Ref	<b>Note: Replacement Generators come standard with p/n 3580134 pulley. This pulley may not be correct for all applications. Refer to pulley options below.</b>	
8A		Ref	Armature with Slip Rings Options:	
8A	7026199	1	Armature with Slip Rings - 110V/60Hz	
8A	70000123	1	Armature with Slip Rings - 220V/50Hz	
8A	7012513	4	Cap, Brush Holder	
8A	7020108	4	Brush	
8A	7020109	4	Holder, Brush	
8A	7012514	1	Fan	
8A	7020110	1	Bell, Front	
8A	7020111	1	Bell, Rear	
8A	7020190	2	Bearing	
8B	7019680	1	Box, Control - 110V/60Hz	
8B		Ref	Receptacle Options:	
8B	4460190	1	Receptacle, Standard (110V Only)	
8B	4460027	1	Receptacle, Twistlock (110V Only)	
8B	4360542	1	Breaker, Circuit	
8B	3520028	1	Plug, Hole	
8C	2420203	1	Voltmeter	
8D	3580324	1	Pulley	
8D	7027887	1	Key, Woodruff	
9	2820031	AR	Heat Shrink (Not Shown - Located at Platform)	
10	3251102	1	Nameplate - Generator (Not Shown - Located at Platform)	
11	3251243	1	Decal - 110 Volt	
12	3311005	2	Locknut #10-24NC	
13	3311405	1	Locknut 1/4in-20NC	
14	3311505	1	Locknut 5/16in-18NC	
15	3580312	1	Pulley, Idler	
16	3580348	1	Tensioner, Belt	
17	3740080	1	Relay, Bosch	
18	4060802	1	Guard, Switch (Not Shown - Located at Platform)	
19	4240018	AR	Tie-Strap (Not Shown)	
20	4360336	1	Switch, Toggle (Not Shown - Located at Platform)	
21	4460906	3	Terminal (Not Shown)	
22	4568735	1	Spacer, Tube (Idler Pulley Grooved)	

## SECTION 2 - TURNTABLE

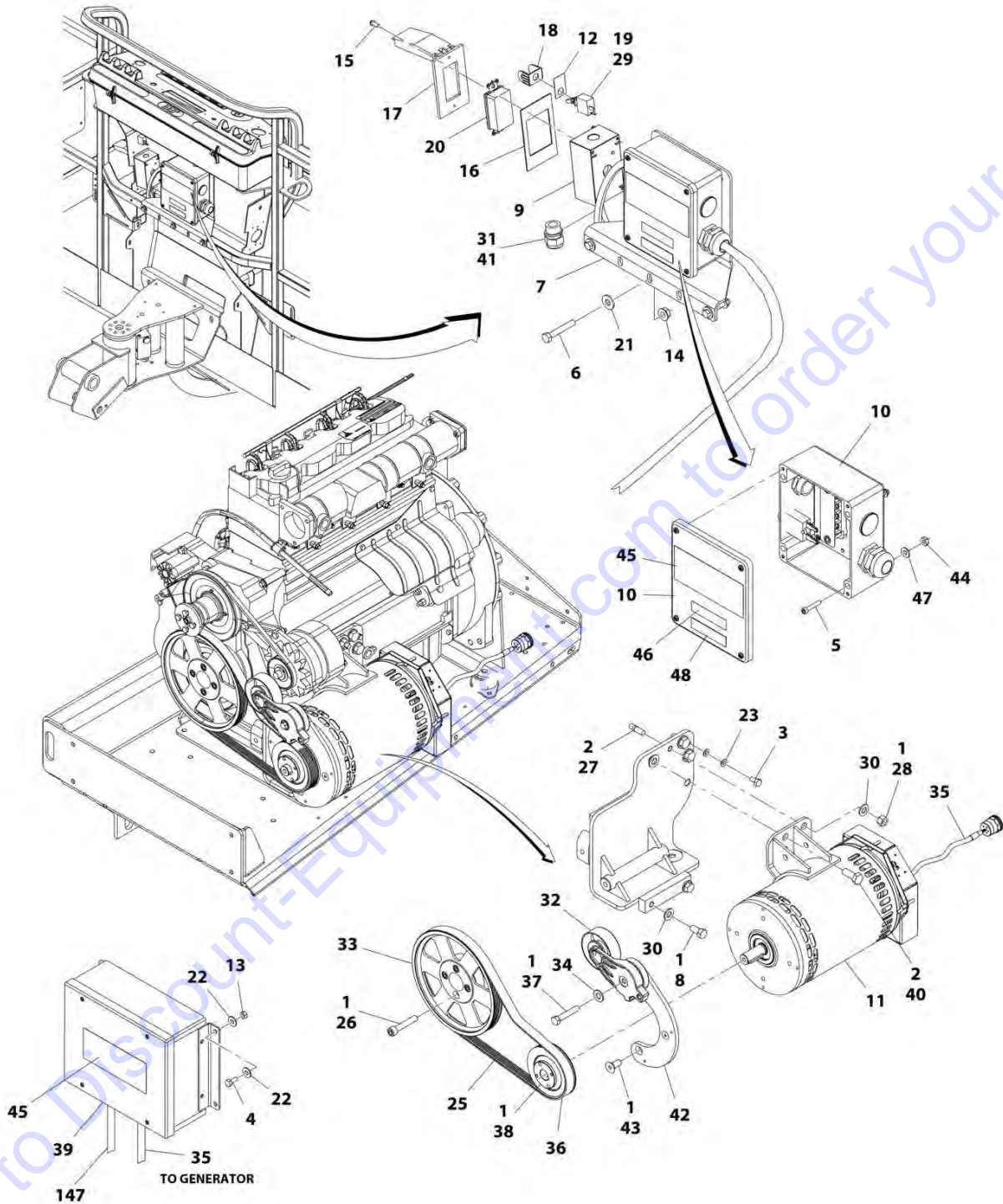
ITEM	PART NUMBER	QTY	DESCRIPTION	REV
23	4711400	1	Flatwasher 1/4in Thin	
24	4711700	2	Flatwasher 7/16in Thin	
25	4740397	1	Spacer (Not Shown - Located at Platform)	
26	4751000	2	Flatwasher #10 Regular	
27	4751500	AR	Flatwasher 5/16in Regular	
28	4811900	1	Flatwasher M8	
29	4891600	1	Flatwasher 3/8in Hardened	

Go to Discount-Equipment.com to order your parts



# SECTION 2 - TURNTABLE

## FIGURE 2-35. 4000W GENERATOR INSTALLATION - DEUTZ D2011 ENGINES



ART\_1001153309

## SECTION 2 - TURNTABLE

**FIGURE 2-35. 4000W GENERATOR INSTALLATION - DEUTZ D2011 ENGINES**

ITEM	PART NUMBER	QTY	DESCRIPTION	REV
		Ref	<b>4000W GENERATOR INSTALLATION - DEUTZ D2011 ENGINES</b>	
	1001153309	Ref	<b>4000W/60Hz Generator Installation - Deutz D2011 Engines</b>	B
	1001153310	Ref	<b>4000W/50Hz Generator Installation - Deutz D2011 Engines</b>	F
1	0100011	AR	Compound, Locking	
2	0100019	AR	Compound, Locking	
3	0641404	1	Bolt 1/4 x 1/2	
4	0641405	4	Bolt 1/4 x 5/8	
5	3931016	4	Capscrew #10 x 1	
6	0641516	3	Bolt 5/16 x 2	
7	0902888	1	Bracket	
8	0641808	2	Bolt 1/2 x 1	
9	0860038	1	Box, Receptacle (60Hz)	
10	1001152457	1	Junction Box Assembly (60Hz)	
10	3300396	1	Cover, Breaker	
10	4360070	1	Breaker, Circuit - 15Amp	
10	4460425	1	Connector, Strain Relief (LH Side)	
10	4460426	1	Connector, Strain Relief (RH Side)	
10	1001152530	1	Block, Terminal	
10	1001158363	1	Cover, Terminal Block	
10	1001153260	1	Decal - Wiring Diagram	
11	1001129858	1	Generator Assembly (60Hz)	
11	1001138565	1	Generator Assembly (50Hz)	
11	70003709	1	Ring, Retaining (External)	
11	70003708	1	Ring, Retaining (Internal)	
11	70001966	1	Bearing	
11	70004092	1	Endbell (Shaft End)	
11	70004171	1	Key	
11	70004676	1	Rotor	
11	70004684	1	Stator (60Hz)	
11	70004677	1	Stator (50Hz)	
11	70004678	1	Endbell (Rear)	
11	70004679	1	Cover, Endbell (Rear)	
11	70004680	1	Enclosure, Wiring	
11	70004685	1	Cover, Enclosure (60Hz)	
11	70004681	1	Cover, Enclosure (50Hz)	
11	70004682	1	Switch, Reset (Located on Enclosure Cover)	
11	70004098	1	Connector, Strain Relief (60Hz) (Located on Enclosure Cover)	
11	70004683	1	Connector, Strain Relief (50Hz) (Located on Enclosure Cover)	
12	3251102	1	Nameplate - Generator	
13	3311405	AR	Nut 1/4	
14	3311508	3	Nut 5/16	
15	3910606	4	Screw #6 x 3/8	
16	3960422	1	Gasket, Receptacle (60Hz)	
17	1001110873	1	Cover, Receptacle (60Hz)	
18	4060802	1	Guard, Switch	
19	4360336	1	Switch, Toggle	
20	4460346	1	Receptacle	
21	4751500	3	Washer 5/16	
22	4751400	8	Washer 1/4	
23	4791400	2	Washer 1/4	

## SECTION 2 - TURNTABLE

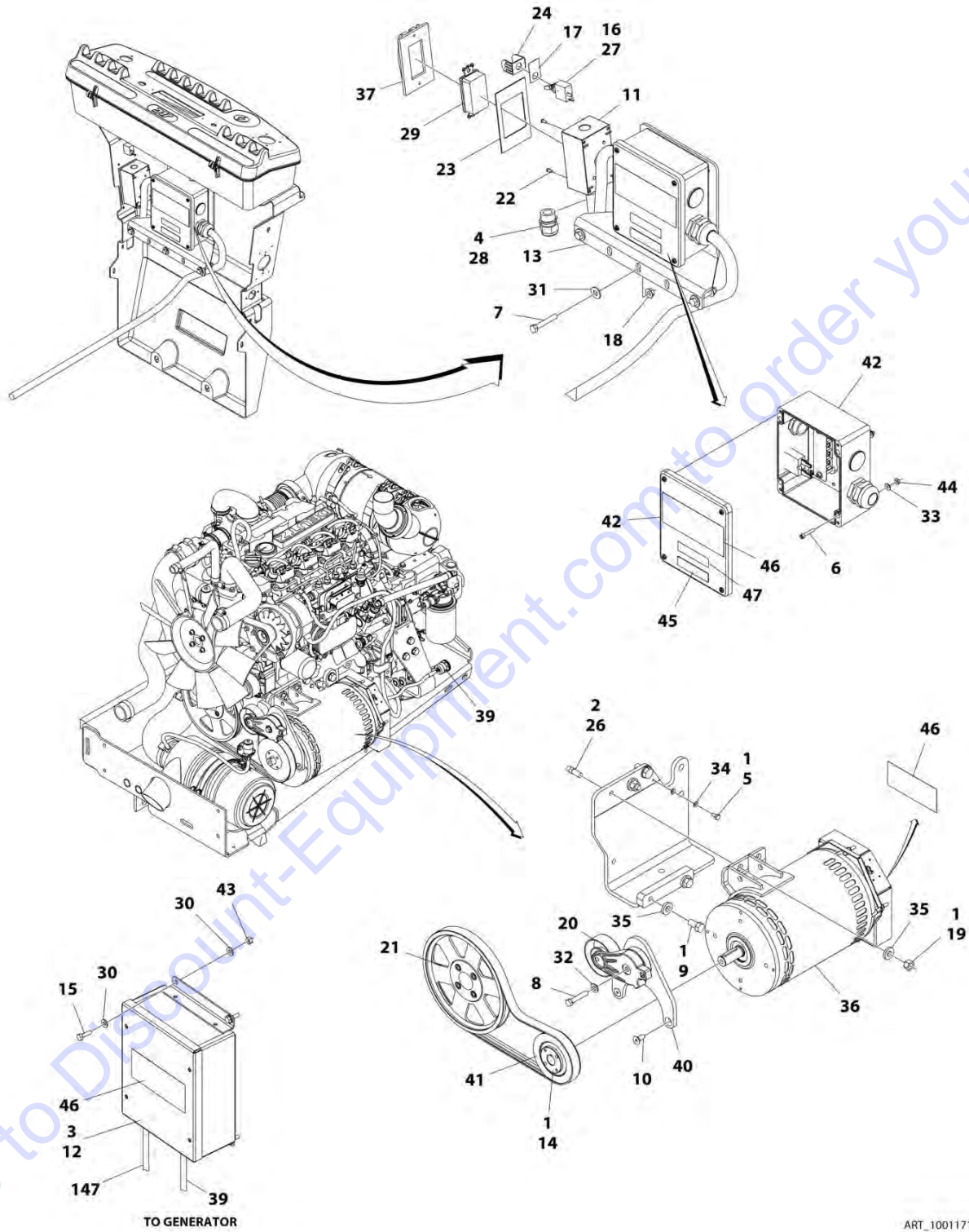
ITEM	PART NUMBER	QTY	DESCRIPTION	REV
25	0480129	1	Belt, Generator (60Hz)	
25	0480126	1	Belt, Generator (50Hz)	
26	4032015	4	Capscrew M10 x 55	
27	4300157	1	Stud	
28	3311801	1	Nut 1/2	
29	2820031	AR	Heat Shrink	
30	4711800	3	Washer 1/2	
31	4460071	1	Connector, Strain Relief (60Hz)	
32	3580317	1	Pulley, Tensioner	
33	3580320	1	Pulley, Engine	
34	4711600	1	Washer 3/8	
35	1001152532	1	Harness, Generator	
36	3580318	1	Pulley, Generator (60Hz)	
36	3580319	1	Pulley, Generator (50Hz)	
37	0641616	1	Bolt 3/8 x 2	
38	0962520	1	Bushing	
39	1001138566	1	Box, Control	
39	70006552	1	Capacitor	
39	70006553	1	Relay	
40	0771415	1	Bolt M14 x 35	
41	0100020	AR	Sealant	
42	1001139357	1	Mount, Tensioner	
43	0741607	3	Screw 3/8 x 7/8	
44	3311005	4	Nut #10	
45	1705387	3	Decal - Hazardous Voltage (60Hz)	
45	1705489	2	Decal - Hazardous Voltage (50Hz)	
46	3251243	1	Decal - 120V-60Hz (60Hz)	
47	4751000	4	Washer #10	
48	1705374	1	Decal - 240V-60Hz (60Hz)	
140	1001096070	1	Breaker Box Kit (Not Shown) (50Hz) (See ELECTRICAL SECTION for Breakdown) <b>(SN 0300182743 through 0300214274)</b>	
140	1001165368	1	Breaker Box Kit (Not Shown) (50Hz) (See ELECTRICAL SECTION for Breakdown) <b>(SN 0300214275 to Present)</b>	
140	1001096070	1	Breaker Box Kit (Not Shown) (50Hz) (See ELECTRICAL SECTION for Breakdown) <b>(SN B300001092 through B300001596)</b>	
140	1001165368	1	Breaker Box Kit (Not Shown) (50Hz) (See ELECTRICAL SECTION for Breakdown) <b>(SN B300001597 to Present)</b>	
141	0641406	2	Bolt 1/4 x 3/4 (Attaches Item 140 to Item 142) (Not Shown)	
142	1001177910	1	Bracket (Attaches Item 140) (Not Shown) (50Hz)	
147	1001153197	1	Generator Harness (See ELECTRICAL SECTION for Breakdown)	





# SECTION 2 - TURNTABLE

## FIGURE 2-36. 4000W GENERATOR INSTALLATION - DEUTZ TD2.9L4 ENGINES



## SECTION 2 - TURNTABLE

**FIGURE 2-36. 4000W GENERATOR INSTALLATION - DEUTZ TD2.9L4 ENGINES**

ITEM	PART NUMBER	QTY	DESCRIPTION	REV
		Ref	<b>4000W GENERATOR INSTALLATION - DEUTZ TD2.9L4 ENGINES</b>	
	1001171127	Ref	<b>4000W/60Hz Generator Installation - Deutz TD2.9L4 engines</b>	C
	1001171269	Ref	<b>4000W/50Hz Generator Installation - Deutz TD2.9L4 engines and Deutz TD2.9L4 (Stage V) engines</b>	E
1	0100011	AR	Compound, Locking	
2	0100019	AR	Compound, Locking	
3	0100048	AR	Grease, Dielectric	
4	0100079	AR	Sealant	
5	0641404	1	Bolt 1/4 x 1/2	
6	3931016	4	Capscrew #10 x 1	
7	0641516	3	Bolt 5/16 x 2	
8	0641618	1	Bolt 3/8 x 2-1/4	
9	0641808	2	Bolt 1/2 x 1	
10	0741607	3	Screw 3/8 x 7/8	
11	0860038	1	Box, Switch (60Hz)	
12	1001138566	1	Box, Control	
12	70006552	1	Capacitor	
12	70006553	1	Relay	
13	0902888	1	Bracket, Junction Box (60Hz)	
14	0962520	1	Bushing, Split	
15	0641405	4	Bolt 1/4 x 5/8	
16	2820031	AR	Heat Shrink	
17	3251102	1	Nameplate - Generator	
18	3311508	3	Nut 5/16	
19	3311801	2	Nut 1/2	
20	3580317	1	Tensioner, Belt with Pulley	
21	3580318	1	Pulley, Generator (60Hz)	
21	3580319	1	Pulley, Generator (50Hz)	
22	3910606	4	Screw #6 x 3/8	
23	3960422	1	Gasket, AC Receptacle (60Hz)	
24	4060802	1	Guard, Switch	
25	4240018	AR	Tie-Strap (Not Shown)	
26	1001163599	2	Stud	
27	4360336	1	Switch, Toggle	
28	4460071	1	Connector, Strain Relief (60Hz)	
29	4460346	1	Receptacle (60Hz)	
30	4711400	AR	Washer 1/4	
31	4751500	3	Washer 5/16	
32	4711600	1	Washer 3/8	
33	4751000	4	Washer #10	
34	4791400	2	Washer 1/4	
35	4891800	4	Washer 1/2	
36	1001140346	1	Generator Assembly (60Hz)	
36	1001140347	1	Generator Assembly (50Hz)	
36	70003709	1	Ring, Retaining (External)	
36	70003708	1	Ring, Retaining (Internal)	
36	70001966	1	Bearing	
36	70004092	1	Endbell (Shaft End)	
36	70004099	1	Key	

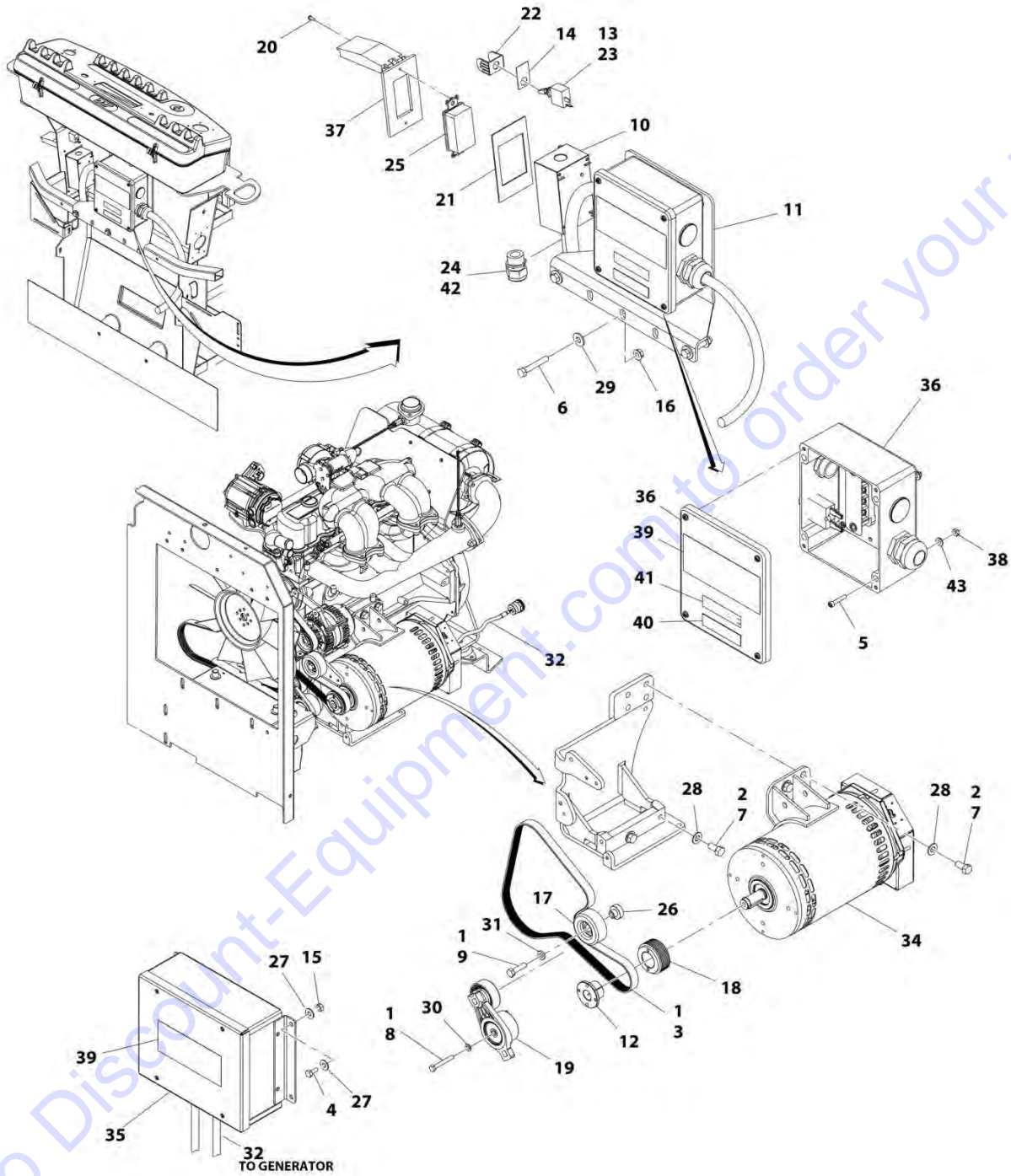
## SECTION 2 - TURNTABLE

ITEM	PART NUMBER	QTY	DESCRIPTION	REV
36	70004676	1	Rotor	
36	70004687	1	Stator (60Hz)	
36	70004686	1	Stator (50Hz)	
36	70004678	1	Endbell (Rear)	
36	70004679	1	Cover, Endbell (Rear)	
36	70004680	1	Enclosure, Wiring	
36	70004685	1	Cover, Enclosure (60Hz)	
36	70004681	1	Cover, Enclosure (50Hz)	
36	70004682	1	Switch, Reset (Located on Enclosure Cover)	
36	70004098	1	Connector, Strain Relief (60Hz) (Located on Enclosure Cover)	
36	70004683	1	Connector, Strain Relief (50Hz) (Located on Enclosure Cover)	
36	4460224	1	Connector - 6 Position (50Hz) (Located on Enclosure Cover)	
36	4460294	2	Pin, Male (50Hz) (Located on Enclosure Cover)	
37	1001110873	1	Cover, Receptacle (60Hz)	
39	1001152532	1	Harness, Generator	
40	1001142643	1	Support, Gen Tensioner	
41	1001142646	1	Belt, Generator (60Hz)	
41	1001142645	1	Belt, Generator (50Hz)	
42	1001152457	1	Junction Box Assembly (60Hz)	
42	3300396	1	Cover, Breaker	
42	4360070	1	Breaker, Circuit - 15Amp	
42	4460425	1	Connector, Strain Relief (LH Side)	
42	4460426	1	Connector, Strain Relief (RH Side)	
42	1001152530	1	Block, Terminal	
42	1001158363	1	Cover, Terminal Block	
42	1001153260	1	Decal - Wiring Diagram	
43	3311405	4	Nut 1/4	
44	3311005	4	Nut #10	
45	1705374	1	Decal - 240V (60Hz)	
46	1705387	3	Decal - Hazardous Voltage (60Hz)	
46	1705489	2	Decal - Hazardous Voltage (50Hz)	
47	3251243	1	Decal - 120V-60Hz (60Hz)	
106	0641406	2	Bolt 1/4 x 3/4 (Used to Attach Item 133 to Item 140) (Not Shown) (50Hz)	
133		Ref	Breaker Box Kit (Not Shown) (50Hz) (See ELECTRICAL SECTION for Breakdown)	
133	1001096070	1	Breaker Box Kit (SN 0300182743 through 0300214274)	
133	1001165368	1	Breaker Box Kit (SN 0300214275 to Present)	
133	1001096070	1	Breaker Box Kit (SN B300001092 through B300001596)	
133	1001165368	1	Breaker Box Kit (SN B300001597 to Present)	
140	1001177910	1	Bracket (Used to Attach Item 133) (Not Shown) (50Hz)	
147		Ref	Generator Harness (See ELECTRICAL SECTION for Breakdown)	
147	1001153197	1	Generator Harness (SN 0300182743 through 0300213719)	
147	1001153259	1	Generator Harness (SN 0300213720 to Present)	
147	1001153197	1	Generator Harness (SN B300001092 through B300001596)	
147	1001153259	1	Generator Harness (SN B300001597 to Present)	



# SECTION 2 - TURNTABLE

## FIGURE 2-37. 4000W GENERATOR INSTALLATION - GM ENGINES



ART\_1001139960

## SECTION 2 - TURNTABLE

**FIGURE 2-37. 4000W GENERATOR INSTALLATION - GM ENGINES**

ITEM	PART NUMBER	QTY	DESCRIPTION	REV
	1001139960	Ref	<b>4000W GENERATOR INSTALLATION - GM ENGINES</b>	B
1	0100011	AR	Compound, Locking	
2	0100019	AR	Compound, Locking	
3	0480142	1	Belt, Generator	
4	0641405	4	Bolt 1/4 x 5/8	
5	3931016	4	Capscrew #10 x 1	
6	0641516	3	Bolt 5/16 x 2	
7	0641808	4	Bolt 1/2 x 1	
8	0700820	1	Bolt M8 x 60	
9	0701016	1	Bolt M10 x 40	
10	0860038	1	Box, Switch	
11	0902888	1	Bracket, Junction Box	
12	0962520	1	Bushing, Split	
13	2820031	AR	Heat Shrink	
14	3251102	1	Nameplate - Generator	
15	3311405	4	Nut 1/4	
16	3311508	3	Nut 5/16	
17	3580312	1	Pulley, Idler	
18	3580314	1	Pulley, Drive	
19	3580348	1	Tensioner, Belt with Pulley	
20	3910606	4	Screw #6 x 3/8	
21	3960422	1	Gasket	
22	4060802	1	Guard, Switch	
23	4360336	1	Switch, Toggle	
24	4460071	1	Connector, Strain Relief	
25	4460346	1	Receptacle	
26	4568735	1	Tube, Spacer	
27	4711400	8	Washer 1/4	
28	4711800	4	Washer 1/2	
29	4751500	3	Washer 5/16	
30	4811900	1	Washer M8	
31	4891600	1	Washer 3/8	
32	1001152532	1	Harness, Generator	
34	1001129858	1	Generator, Assembly	
34	70003709	1	Ring, Retaining (External)	
34	70003708	1	Ring, Retaining (Internal)	
34	70001966	1	Bearing	
34	70004092	1	Endbell (Shaft End)	
34	70004171	1	Key	
34	70004676	1	Rotor	
34	70004684	1	Stator	
34	70004678	1	Endbell (Rear)	
34	70004679	1	Cover, Endbell (Rear)	
34	70004680	1	Enclosure, Wiring	
34	70004685	1	Cover, Enclosure	
34	70004682	1	Switch, Reset (Located on Enclosure Cover)	
34	70004098	1	Connector, Strain Relief (Located on Enclosure Cover)	
35	1001138566	1	Box, Control	
35	70006552	1	Capacitor	
35	70006553	1	Relay	

## SECTION 2 - TURNTABLE

ITEM	PART NUMBER	QTY	DESCRIPTION	REV
36	1001152457	1	Junction Box Assembly	
36	3300396	1	Cover, Breaker	
36	4360070	1	Breaker, Circuit - 15Amp	
36	4460425	1	Connector, Strain Relief (LH Side)	
36	4460426	1	Connector, Strain Relief (RH Side)	
36	1001152530	1	Block, Terminal	
36	1001158363	1	Cover, Terminal Block	
36	1001153260	1	Decal - Wiring Diagram	
37	1001110873	1	Cover	
38	3311005	4	Nut #10	
39	1705387	3	Decal - Hazardous Voltage	
40	1705374	1	Decal - 240V-60Hz	
41	3251243	1	Decal - 120V-60Hz	
42	0100020	AR	Sealant	
43	4751000	4	Washer #10	

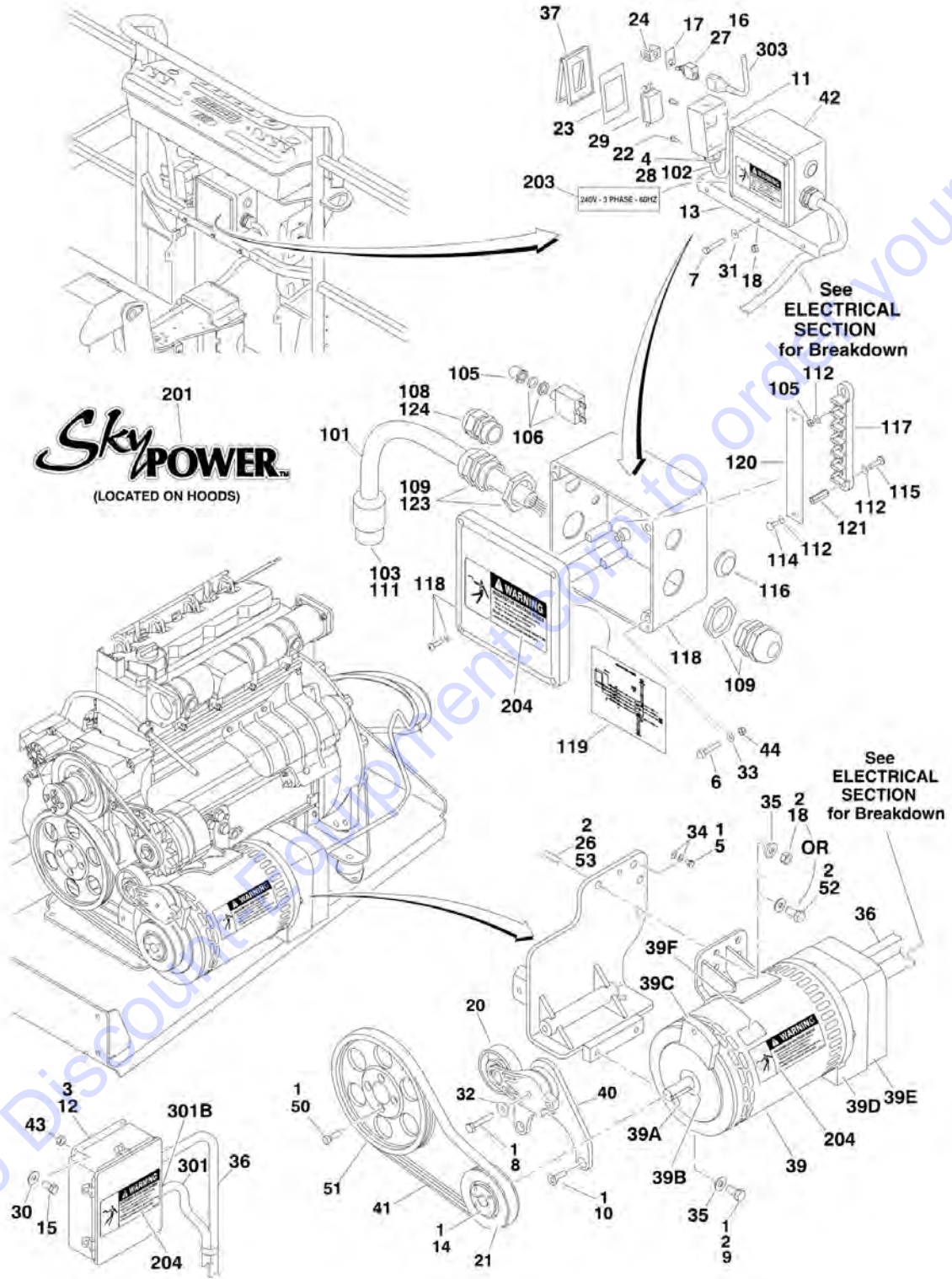
Go to Discount-Equipment.com to order your parts





# SECTION 2 - TURNTABLE

## FIGURE 2-38. 7500W SKYPOWER GENERATOR INSTALLATION - DEUTZ ENGINES



## SECTION 2 - TURNTABLE

### FIGURE 2-38. 7500W SKYPOWER GENERATOR INSTALLATION - DEUTZ ENGINES

ITEM	PART NUMBER	QTY	DESCRIPTION	REV
		Ref	<b>7500W SKYPOWER GENERATOR INSTALLATION</b>	
	1001115388	Ref	<b>60Hz (Deutz D2011 Engine)</b>	F
	1001148563	Ref	<b>60Hz (Deutz TD2.9L4 Engine)</b>	F
	1001115394	Ref	<b>50Hz (Deutz D2011 Engine)</b>	F
	1001148564	Ref	<b>50Hz (Deutz TD2.9L4 Engine and Deutz TD2.9L4 (Stage V) Engine)</b>	F
1	0100011	AR	Compound, Locking	
2	0100019	AR	Compound, Locking	
3	0100048	AR	Compound, Silicone	
4	0100079	AR	Sealant	
4	0100020	AR	Sealant	
5		Ref	Bolt Options:	
5	0641403	1	Bolt 1/4in-20NC x 3/8in	
5	0641404	1	Bolt 1/4in-20NC x 1/2in	
6	3931016	4	Capscrew 3/8in-16NC x 1in	
7	0641516	3	Bolt 5/16in-18NC x 2in	
8	0641618	1	Bolt 3/8in-16NC x 2-1/4in	
9	0641808	2	Bolt 1/2in-13NC x 1in	
10	0741607	3	Screw 3/8in-16NC x 7/8in (Deutz TD2.9L4 Engines Only)	
11		Ref	Box, Switch Options:	
11	0860038	AR	60Hz Spec	
11	See Note	NLA	50Hz Spec (Note: Not Available - Purchase Locally)	
12		Ref	Control Box Assembly Options:	
12	0861538	1	60Hz Control Box	
12	0861572	1	50Hz Control Box	
12	7024488	1	Card, Circuit - Generator Power	
12	See Note	NLA	Fuse (Note: Not Available - Purchase Locally)	
12	7024489	1	Card, Circuit - Control	
12	70000619	1	Harness, Control Box (Internal)	
		Ref	<b>Note: Same Circuit Card (P/N 7024489) is used for both 60Hz and 50Hz. When replacing card, rocker switch on card must be set for required application.</b>	
13	0902888	1	Bracket, Box Mounting	
14	0962520	1	Bushing, Split Taper	
15	0641405	4	Bolt 1/4in-20NC x 5/8in	
16	2820031	1	Heat Shrink	
17	3252764	1	Nameplate	
18	3311505	3	Locknut 5/16in-18NC	
18	3311508	3	Nut, Flange 5/16in-18NC	
19	3311801	AR	Nut 1/2in-13NC	
20	3580317	1	Tensioner, Belt with Pulley	
21		Ref	Pulley Options:	
21	3580318	1	60Hz	
21	3580319	1	50Hz	
22	3910606	4	Screw #6-32NC x 3/8in	
23		Ref	Gasket Options:	
23	3960422	2	60Hz	
23	See Note	NLA	50Hz (Note: Not Available - Purchase Locally)	
24	4060802	1	Guard, Switch	
25	4240018	AR	Tie-Strap (Not Shown)	

## SECTION 2 - TURNTABLE

ITEM	PART NUMBER	QTY	DESCRIPTION	REV
26	4300157	AR	Stud (Deutz D2011 Engines)	
26	1001163599	AR	Stud (Deutz DT2.9L4 Engines)	
27	4360336	1	Switch, Toggle	
28		Ref	Connector, Strain Relief	
28	4460071	1	60Hz	
28	See Note	NLA	50Hz (Note: Not Available - Purchase Locally)	
29		Ref	Receptacle, Female Options (110-120V):	
29	4460346	1	60Hz	
29	See Note	NLA	50Hz (Note: Not Available - Purchase Locally)	
30		Ref	Flatwasher Options:	
30	4711400	8	Flatwasher 1/4in Thin	
30	4751400	8	Flatwasher 1/4in Regular	
31	4711500	6	Flatwasher 5/16in Thin	
32	4711600	1	Flatwasher 3/8in Thin	
33	4751000	2	Flatwasher #10 Regular	
34	4791400	AR	Starwasher 1/4in	
35	4711800	AR	Flatwasher 1/2in Thin (Deutz D2011 Engines)	
35	4891800	AR	Flatwasher 1/2in Hardened (Deutz DT2.9L4 Engines)	
36	4922925	1	Harness, Generator	
37		Ref	Cover, Receptacle Options:	
37	1001110873	1	60Hz Cover, Top Hinged	
37	See Note	NLA	50Hz Cover (Note: Not Available - Purchase Locally)	
39		Ref	Generator Assembly Options:	
39	2460048	1	Deutz D2011 Engines	
39	1001136988	1	Deutz TD2.9L4 Engines (SN 0300182743 through 0300226024, SN B300001092 through B300001738)	
39	1001212223	1	Deutz TD2.9L4 Engines (SN 0300226025 to Present, SN B30001739 to Present)	
39	70001100	1	Rotor (Includes p/n 70001384 & 70000863) (Not Shown)	
39	70001384	1	Bearing, Ball Radial (Not Shown):	
39	70000863	1	Fan (Not Shown)	
39		Ref	Stator Options (Not Shown):	
39	70002088	1	2460048 Generator	
39	70004093	1	1001136988 Generator	
39	70006093	1	1001212223 Generator	
39	70002297	1	Stud	
39	70003631	1	Brushholder Assembly (Not Shown) (was p/n 7024484)	
39A		Ref	Key Options:	
39A	70004171	1	2460048 Generator (was p/n 7024561)	
39A	70004099	1	1001136988 & 1001212223 Generators	
39B	70001966	1	Bearing, Ball Radial (Located in Belt Tensioner Endbell)	
39B	70003708	1	Ring, Internal Retaining (Located in Belt Tensioner Endbell)	
39B	70003709	1	Ring, External Retaining (Located in Belt Tensioner Endbell)	
39C		Ref	Endbell, Belt Tensioner Options:	
39C	70001953	1	2460048 Generator	
39C	70004092	1	1001136988 & 1001212223 Generators	
39D		Ref	Endbell, Brush Block Options:	
39D	70004169	1	2460048 Generator (was p/n 70001385)	
39D	70004094	1	1001136988 & 1001212223 Generators	
39E		Ref	Shroud (was p/n 70002290)	
39E	70004169	1	2460048 Generator (was p/n 70002290)	
39E	70004096	1	1001136988 Generator	

## SECTION 2 - TURNTABLE

ITEM	PART NUMBER	QTY	DESCRIPTION	REV
39E	70006094	1	1001212223 Generator	
39E		Ref	Insulator, Endbell Options:	
39E	See Note	NSS	2460048 Generator (Note: Not Available for Purchase)	
39E	70004097	1	1001136988 Generator	
39E	70002291	1	1001212223 Generator	
39E	7027799	1	Block, Connector 6 Position (Not Shown)	
39E	70002460	1	Nut, Brass (Attaches p/n 7027799 to Cover) (Not Shown)	
39E		Ref	Breaker, Circuit 30Amp Options (Not Shown):	
39E	7024485	1	2460048 & 1001136988 Generators	
39E	70006095	1	1001212223 Generator	
39E		Ref	Boot, Breaker Options (Not Shown):	
39E	70001696	1	2460048 & 1001136988 Generators (was p/n 7024486)	
39E	70006096	1	1001212223 Generator	
39E	7026626	1	Connector, 6 Position (Includes Seal) (Not Shown - Plugs into Item 36)	
39E	7026597	1	Connector, with Leads (Not Shown)	
39E		Ref	Clamp, Cable Options (Not Shown):	
39E	7026188	1	2460048 Generator	
39E	70004098	1	1001136988 & 1001212223 Generators	
39E		Ref	Plate, End Panel Options:	
39E	70004169	1	2460048 Generator	
39E	70004095	1	1001136988 Generator	
39E	70006097	1	1001212223 Generator	
39E	70001974	1	Decal - Terminal Connections	
39F	70001973	1	Decal - Warning Moving Parts	
40	1001142643	1	Support (Deutz TD2.9L4 Engines Only)	
41		Ref	Belt, Drive Options:	
41	0480129	1	60Hz (Deutz D2011 Engines)	
41	1001142646	1	60Hz (Deutz TD2.9L4 Engines)	
41	0480126	1	50Hz (Deutz D2011 Engines)	
41	1001142645	1	50Hz (Deutz TD2.9L4 Engines)	
42		Ref	Junction Box Assembly Options (See Items 101-124 for Breakdown):	
42	1001157592	1	60Hz Spec	
42	1001157525	1	50Hz Spec	
43	3311405	4	Locknut 1/4in-20NC	
44	3311005	4	Locknut #10-24NC	
50		Ref	Capscrew Options:	
50	3931628		Deutz TD2.9L4 Engines	
50	4032015		Deutz D2011 Engines	
51	3580320	1	Pulley	
52	0771415	1	Bolt M14 x 35mm Grade 10.9 (Deutz D2011 Engine Only)	
53	0100062	AR	Adhesive	
		Ref	<b>JUNCTION BOX ASSEMBLY</b>	
	1001157592	Ref	<b>60Hz Control Box</b>	C
	1001157525	Ref	<b>50Hz Control Box</b>	B
101	1060343	1.5 ft /.46m	Cable, Electrical 10/4 (60Hz Spec Only)	
102		Ref	Cable, Electrical 12/3	
102	1060494	2 ft/61cm	60Hz Spec (SN 0300182743 through 0300205490)	
102	1001179154	2.5 ft /76cm	60Hz Spec (SN 0300205491 to Present)	

## SECTION 2 - TURNTABLE

ITEM	PART NUMBER	QTY	DESCRIPTION	REV
102	1060494	2 ft/61cm	60Hz Spec (SN B300001092 through B300001245)	
102	1001179154	2.5 ft /76cm	60Hz Spec (SN B300001246 to Present)	
102	See Note	2.5 ft /76cm	50Hz Spec (Note: Not Available - Purchase Locally)	
103	1671092	1	Cover (60Hz Spec Only)	
104	3300396	1	Cover, Fuse	
105	3311001	6	Nut #10-24NC	
106	4360070	1	Circuit Breaker - 15Amp	
108	4460425	1	Connector, Strain Relief	
109	4460426	2	Connector, Strain Relief	
111	4460963	1	Connector (60Hz Spec Only)	
112	4711000	4	Flatwasher, #10 Thin	
114	10702077	2	Screw #10-32NF x 3/8in	
115	10702082	2	Screw #10-32NF x 3/4in	
116	1001152525	1	Plug	
117	1001157520	1	Block, Terminal	
118	1001157521	1	Box, Junction	
119	1001157528	1	Decal - Wiring Schematic	
120	1001158007	1	Cover, PVC	
121	1001158008	1	Stand-Off	
123	3520189	1	Plug (50Hz Spec Only)	
124	3520192	1	Plug (50Hz Spec Only)	
		Ref	<b>DECAL INSTALLATION</b>	
	0272435	Ref	<b>60Hz Specs</b>	D
	0272589	Ref	<b>50Hz Spec</b>	A
201	1705460	2	Decal - SkyPower	
202	3251243	1	Decal - 120V - 60Hz (60Hz Spec Only) (Not Shown - Located at Platform Receptacle) (SN 0300222414 to Present, SN B300001594 to Present)	
203		Ref	Decal - 240V - 3 Phase Options:	
203	1705375	1	60Hz Spec	
203	1705461	1	50Hz Spec	
204		Ref	Decal, Hazardous Voltage Options:	
204	1705387	3	60Hz Spec	
204	1705489	3	50Hz Spec	
		Ref	<b>ELECTRICAL DIAGRAM COMPONENTS</b>	
	1001157769	Ref	<b>Deutz D2011 Engines</b>	B
	1001157770	Ref	<b>Deutz TD2.9L4 and Deutz TD2.9L4 (Stage V) Engines</b>	A
301		Ref	Generator Harness Options (See ELECTRICAL SECTION for Breakdown):	
301	1001119968	1	Deutz D2011 Engines	C
301	1001152429	1	Deutz TD2.9L4 Engines	A
301A		Ref	Component Options:	
301A	2400060	1	Fuseholder (Includes Fuse and Cap) (Deutz D2011 Engines) (Not Shown)	
301A	2400064	1	Fuse - 5Amp (Deutz D2011 Engines) (Not Shown)	
301A	1001117078	1	Fuseholder (Includes Fuse and Cap) (Deutz TD2.9L4 Engines) (Not Shown)	
301A	See Note	NSS	Fuse - 5Amp (Deutz TD2.9L4 Engines) (Not Shown) (Note: Use 1001117078 Assembly or Purchase Fuse Locally)	
301A	1001096134	1	Cover, Fuseholder (Deutz TD2.9L4 Engines) (Not Shown)	
301B	4460967	1	Plug, Male - 3 Position	

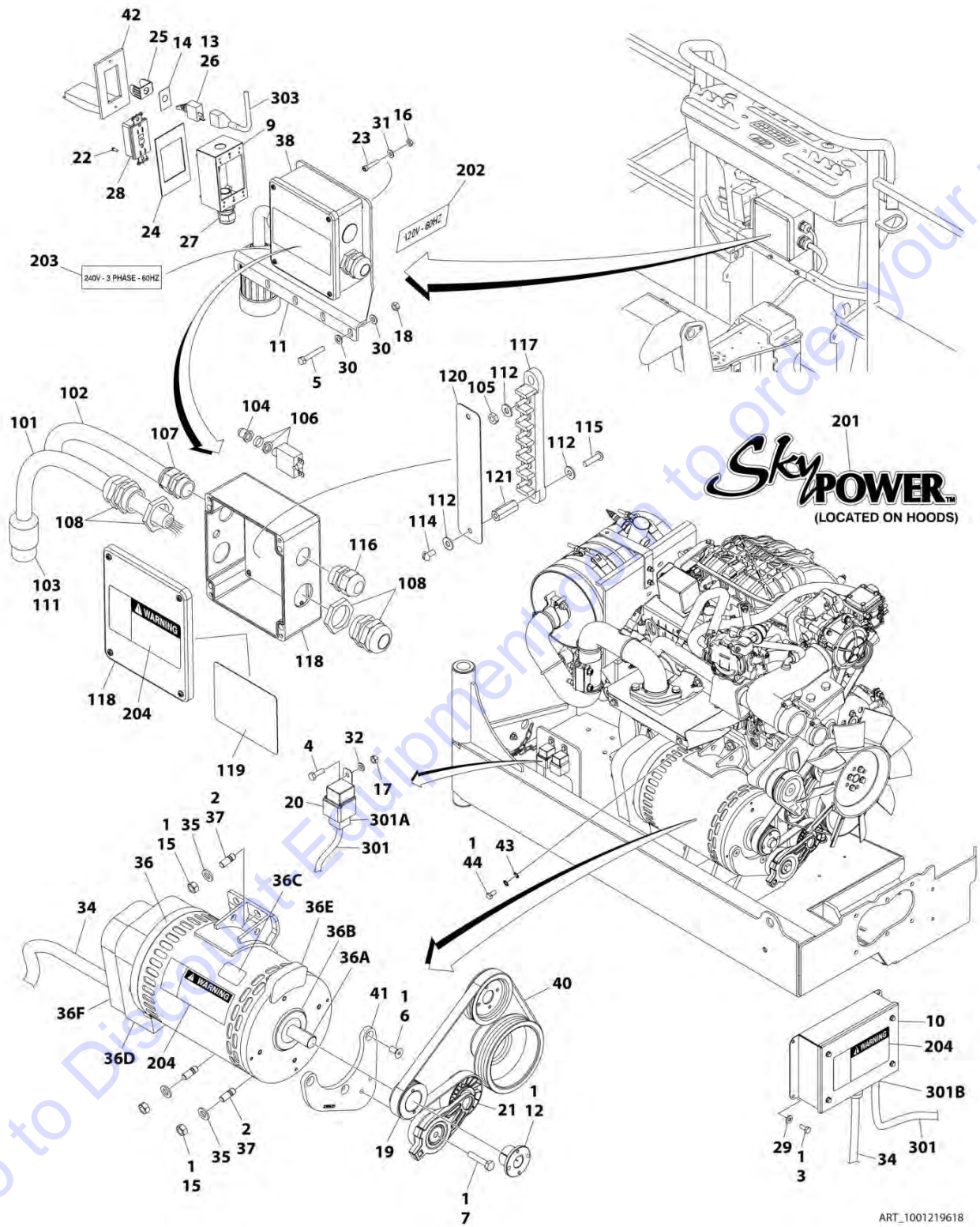
**SECTION 2 - TURNTABLE**

<b>ITEM</b>	<b>PART NUMBER</b>	<b>QTY</b>	<b>DESCRIPTION</b>	<b>REV</b>
301B	4460465	3	Socket, Female	
303	4922641	1	Switch Harness	

Go to Discount-Equipment.com to order your parts

# SECTION 2 - TURNTABLE

## FIGURE 2-39. 7500W SKYPOWER GENERATOR INSTALLATION - FORD ENGINES





# PARTS FINDER

**Search Website  
by Part Number**



**Search Manual  
Library For Parts  
Manual & Lookup Part  
Numbers – Purchase  
or Request Quote**

**Can't Find Part or  
Manual? Request Help  
by Manufacturer,  
Model & Description**

Discount-Equipment.com is your online resource for quality parts & equipment.

Florida: **561-964-4949** Outside Florida TOLL FREE: **877-690-3101**

**Need parts?**

Click on this link: <http://www.discount-equipment.com/category/5443-parts/> and choose one of the options to help get the right parts and equipment you are looking for. Please have the machine model and serial number available in order to help us get you the correct parts. If you don't find the part on the website or on one of the online manuals, please fill out the request form and one of our experienced staff members will get back to you with a quote for the right part that your machine needs.

We sell worldwide for the brands: Genie, Terex, JLG, MultiQuip, Mikasa, Essick, Whiteman, Mayco, Toro Stone, Diamond Products, Generac Magnum, Airman, Haulotte, Barreto, Power Blanket, Nifty Lift, Atlas Copco, Chicago Pneumatic, Allmand, Miller Curber, Skyjack, Lull, Skytrak, Tsurumi, Husquvarna Target, Stow, Wacker, Sakai, Mi-T-M, Sullair, Basic, Dynapac, MBW, Weber, Bartell, Bennar Newman, Haulotte, Ditch Runner, Menegotti, Morrison, Contec, Buddy, Crown, Edco, Wyco, Bomag, Laymor, EZ Trench, Bil-Jax, F.S. Curtis, Gehl Pavers, Heli, Honda, ICS/PowerGrit, IHI, Partner, Imer, Clipper, MMD, Koshin, Rice, CH&E, General Equipment, Amida, Coleman, NAC, Gradall, Square Shooter, Kent, Stanley, Tamco, Toku, Hatz, Kohler, Robin, Wisconsin, Northrock, Oztec, Toker TK, Rol-Air, APT, Wylie, Ingersoll Rand / Doosan, Innovatech, Con X, Ammann, Mecalac, Makinex, Smith Surface Prep, Small Line, Wanco, Yanmar

## SECTION 2 - TURNTABLE

### FIGURE 2-39. 7500W SKYPOWER GENERATOR INSTALLATION - FORD ENGINES

ITEM	PART NUMBER	QTY	DESCRIPTION	REV
	1001219618	Ref	<b>7500W SKYPOWER GENERATOR INSTALLATION - FORD ENGINES</b>	D
		Ref	Note: See ELECTRICAL SECTION for Boom Cable Components.	
1	0100011	AR	Compound, Locking	
2	0100019	AR	Compound, Locking	
3	0641405	4	Bolt 1/4 x 5/8	
4	0760610	2	Bolt M6 x 20	
5	0641516	3	Bolt 5/16 x 2	
6	0741607	3	Screw 3/8 x 7/8	
7	0761018	1	Bolt M10 x 50	
9	0860038	1	Box, Switch	
10	0861538	1	Control Box Assembly	
10	7024488	1	Card, Circuit - Generator Power	
10	See Note	1	Fuse (Note: Not Available - Purchase Locally)	
10	7024489	1	Card, Circuit - Control	
10	70000619	1	Harness, Circuit Card	
11	0902888	1	Bracket, Box Mounting	
12	0962520	1	Bushing, Split Taper	
13	2820031	1	Heat Shrink	
14	3252764	1	Nameplate - AC & Weld	
15	3291201	4	Nut M12	
16	3311005	4	Nut #10	
17	3290601	2	Nut M6	
18	3311505	3	Nut 5/16	
19	3580314	1	Pulley	
20	3740080	2	Relay	
21	3580317	1	Tensioner, Belt	
22	3910606	2	Screw #6 x 3/8	
23	3931016	4	Capscrew #10 x 1	
24	3960422	1	Gasket	
25	4060802	1	Guard, Switch	
26	4360336	1	Switch, Toggle	
27	4460071	1	Connector, Strain Relief	
28	4460346	1	Receptacle	
29	4711400	4	Washer 1/4	
30	4711500	6	Washer 5/16	
31	4751000	4	Washer #10	
32	4811700	2	Washer M6	
34	4922925	1	Harness, Generator	
35	5241200	4	Washer M12	
36	1001136104	1	Generator Assembly	
36	70003631	1	Brushholder Assembly (Not Shown) (was p/n 7024484)	
36	7024485	1	Breaker, Circuit 30Amp (Not Shown)	
36	70001696	1	Boot, Breaker (was p/n 7024486 - Not Shown)	
36	70001966	1	Bearing, Ball Radial (Located In Belt Tensioner Endbell - Not Shown)	
36	7027799	1	Block, Connector 6 Position (Not Shown)	
36	70002460	6	Nut, Brass (Attaches p/n 7027799 to Cover) (Not Shown)	
36	7026188	1	Clamp, Cable (Not Shown)	
36	7026597	1	Connector, W/Leads (Not Shown)	

## SECTION 2 - TURNTABLE

ITEM	PART NUMBER	QTY	DESCRIPTION	REV
36	7026626	1	Connector - 6 Position with Seal (Not Shown)	
36	70002088	1	Stator (Not Shown)	
36	70004169	1	Panel, End (Not Shown) (was p/n 70002255)	
36	70001974	1	Decal - Terminal Connections (Not Shown)	
36	70000863	1	Fan (Not Shown)	
36	70002297	4	Stud (Not Shown)	
36A	70004171	1	Key (was p/n 7024561)	
36A	70001100	1	Armature, Generator (Includes Radial Ball Bearing on End with Brushes and Fan)	
36A	70001384	1	Bearing, Ball Radial	
36B	70001966	1	Bearing, Radial Ball	
36B	70003708	1	Ring, Internal Retaining (Located in Belt Tensioner Endbell)	
36B	70003709	1	Ring, External Retaining (Located in Belt Tensioner Endbell)	
36C	70001973	1	Decal - Warning Moving Parts	
36D	70004169	1	Endbell, Brush Block (was p/n 70001385)	
36E	70001953	1	Endbell, Belt Tensioner	
36F	70004169	1	Endbell, Shroud Assembly (was p/n 70002290)	
37	1001196382	4	Stud	
38	1001157592	1	Junction Box Assembly (See Items 101-121 for Breakdown)	
40	1001216390	1	V-Belt	
41	1001218930	1	Mount, Tensioner	
42	1001110873	1	Cover, Receptacle	
43	4871700	2	Washer M6	
44	0760606	1	Bolt M6 x 12	
	1001157592	Ref	<b>JUNCTION BOX ASSEMBLY</b>	C
101	1060343	1.5 ft /0.46m	Cable, Electrical - 10/4 (60Hz Only)	
102	1001179154	2.5 ft /0.76m	Cable Electrical - 12/3	
103	1671092	1	Cover, Connector	
104	3300396	1	Cover, Fuse	
105	3311001	6	Nut #10	
106	4360070	1	Breaker, Circuit 15Amp	
107	4460425	1	Connector, Strain Relief	
108	4460426	2	Connector, Strain Relief	
111	4460963	1	Receptacle	
112	4711000	10	Washer #10	
114	10702077	2	Screw #10 x 3/8	
115	10702082	2	Screw #10 x 3/4	
116	1001152525	1	Plug, Hole	
117	1001157520	1	Block, Terminal Pole	
118	1001157521	1	Box, Junction	
119	1001157528	1	Decal - Box Junction	
120	1001158007	1	Cover	
121	1001158008	2	Standoff	
	0272435	Ref	<b>DECAL INSTALLATION</b>	D
201	1705460	2	Decal - SkyPower	
202	3251243	1	Decal - 120V - 60Hz (60Hz Spec Only) (Located on Opposite Side)	
203	1705375	1	Decal - 240V - 3 Phase	
204	1705387	3	Decal, Hazardous Voltage	
	1001221498	Ref	<b>ELECTRICAL DIAGRAM COMPONENTS</b>	A
301	1001221208	1	Generator Harness	A

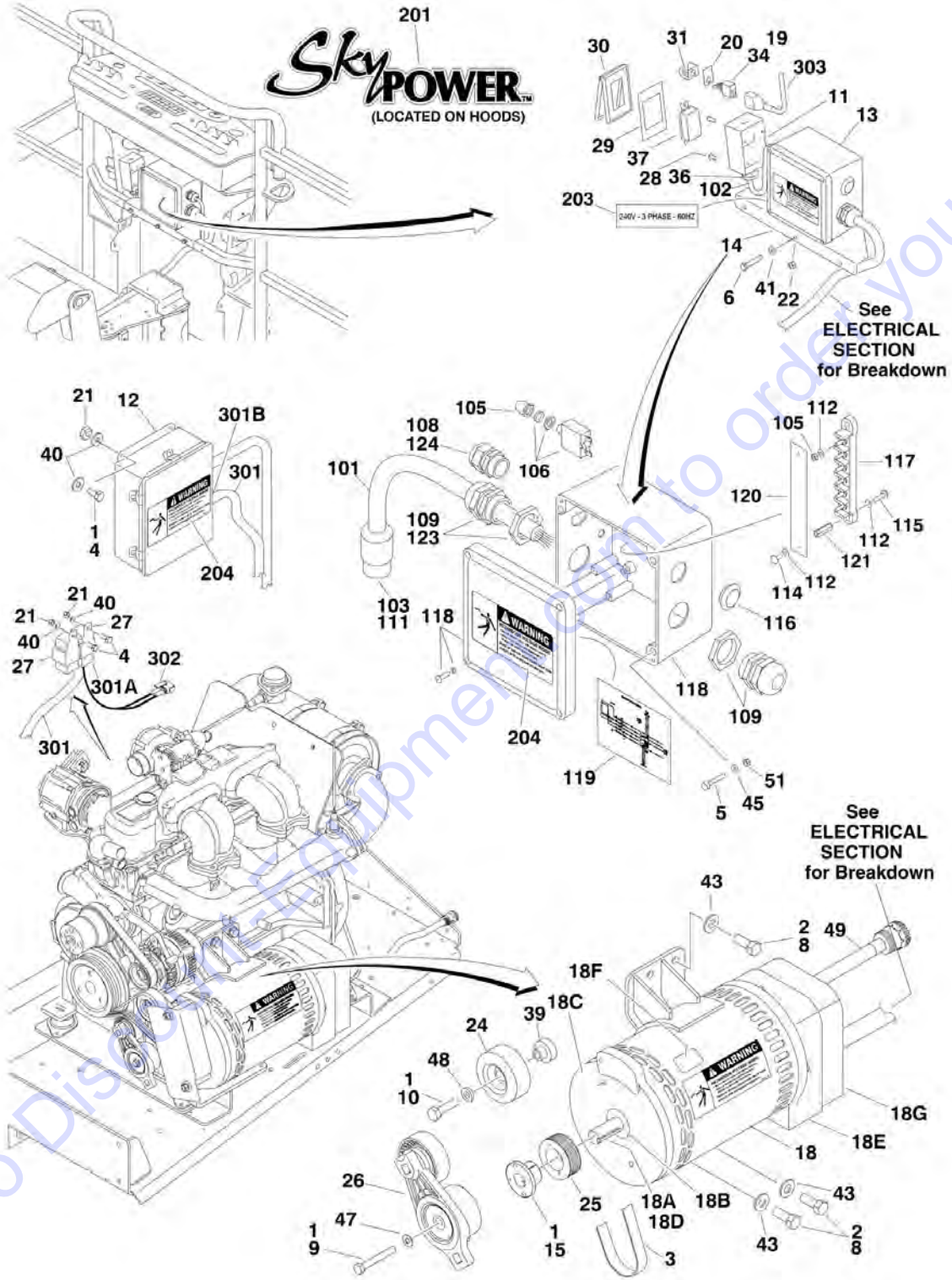
**SECTION 2 - TURNTABLE**

<b>ITEM</b>	<b>PART NUMBER</b>	<b>QTY</b>	<b>DESCRIPTION</b>	<b>REV</b>
301A	4460374	2	Plug, Sealed Relay	
301A	4460375	8	Terminal	
301B	4460967	1	Plug, Male - 3 Position	
301B	4460465	3	Socket, Female	
301C	2400060	2	Fuseholder (Not Shown)	
301C	2400064	2	Fuse - 5 Amp (Not Shown)	
301D	4460742	1	Plug, Male - 2 Position (Not Shown)	
301D	4460743	2	Socket, Female (Not Shown)	
303	4922641	1	Switch Harness	

Go to Discount-Equipment.com to order your parts

# SECTION 2 - TURNTABLE

## FIGURE 2-40. 7500W SKYPOWER GENERATOR INSTALLATION - GM ENGINES



## SECTION 2 - TURNTABLE

**FIGURE 2-40. 7500W SKYPOWER GENERATOR INSTALLATION - GM ENGINES**

ITEM	PART NUMBER	QTY	DESCRIPTION	REV
	0275257	Ref	<b>7500W SKYPOWER GENERATOR INSTALLATION</b>	H
		Ref	<b>Note: SkyPower Generator is Standard On ANSI and CSA Specs. Optional on All Other Specs.</b>	
		Ref	<b>Note: See ELECTRICAL SECTION for Boom Cable Installation.</b>	
1	0100011	AR	Compound, Locking	
2	0100019	AR	Compound, Locking	
3	0480142	1	Belt, Generator	
4	0641405	6	Bolt 1/4in-20NC x 5/8in	
5	3931016	4	Capscrew #10-24NC x 1in	
6	0641516	3	Bolt 5/16in-18NC x 2in	
8	0641808	4	Bolt 1/2in-13NC x 1in	
9	0700820	1	Bolt M8 x 60mm	
10	0701016	1	Bolt M10 x 40mm	
11	0860038	AR	Box, Switch	
12	0861538	1	Control Box Assembly	
12	7024488	1	Card, Circuit - Generator Power	
12	See Note	NSS	Fuse (Note: Not Available - Purchase Locally)	
12	7024489	1	Card, Circuit - Control	
12	70000619	1	Harness, Control Box (Internal)	
13	1001157592	1	Junction Box Assembly Options (See Items 101-121 for Breakdown):	
14	0902888	1	Bracket, Box Mounting	
15	0962520	1	Bushing, Split Taper	
18	2460048	1	Generator Assembly	
18	7024484	1	Brushholder Assembly (Not Shown)	
18	7024485	1	Breaker, Circuit 30Amp (Not Shown)	
18	70001696	1	Boot, Breaker (Not Shown)	
18	7027799	1	Block, Connection - 6 Position (Not Shown)	
18	70002460	6	Nut, Brass (Attaches p/n 7027799 to Cover) (Not Shown)	
18	7026626	1	Connector, 6 Position (Includes Seal) (Not Shown - Plugs into Item 49)	
18	7026597	1	Connector, with Lead (Not Shown)	
18	7026188	1	Connector, Clamp (Not Shown)	
18	70004169	1	Plate, End Panel (was p/n 70002255)	
18	70002088	1	Stator (Not Shown)	
18	70001974	1	Decal - Terminal Connections (Not Shown)	
18	70000863	1	Fan (Not Shown)	
18	70002297	4	Stud (Not Shown)	
18A	70004171	1	Key (was p/n 7024561)	
18B	70001966	1	Bearing, Shaft (Front)	
18C	70001953	1	Endbell (Front)	
18D	70001100	1	Shaft/Rotor/Windings/Fan/Rear Bearing Assembly	
18D	70001384	1	Bearing, Shaft (Rear)	
18E	70004169	1	Endbell, Brush Block (was p/n 70001385)	
18F	70001973	1	Decal - Warning Moving Parts	
18G	70004169	1	Shroud (was p/n 70002290)	
19	2820031	1	Insulator	
20	3252764	1	Nameplate	
21	3311405	6	Locknut 1/4in-20NC	
22	3311505	3	Locknut 5/16in-18NC	

## SECTION 2 - TURNTABLE

ITEM	PART NUMBER	QTY	DESCRIPTION	REV
24	3580312	1	Pulley, Idler	
25	3580314	1	Pulley, Drive Grooved	
26	3580348	1	Pulley, Belt Tensioner	
27	3740080	2	Relay	
28	3910606	4	Screw #6-32NC x 3/8in	
29	3960422	1	Gasket	
30	1001110873	1	Cover, Receptacle	
31	4060802	1	Guard, Switch	
34	4360336	1	Switch, Toggle	
36	4460071	1	Connector, Strain Relief	
37	4460346	1	Receptacle	
39	4568735	1	Tube, Spacer Pulley Grooved	
40	4711400	10	Flatwasher 1/4in Thin	
41	4711500	6	Flatwasher 5/16in Thin	
43	4711800	4	Flatwasher 1/2in Thin	
45	4751000	4	Flatwasher #10 Regular	
47	4811900	1	Flatwasher M8	
48	4891600	1	Flatwasher 3/8in Hardened	
49	4922925	1	Harness, Generator	
51	3311005	4	Locknut #10-24NC	
	1001157592	Ref	<b>JUNCTION BOX ASSEMBLY</b>	C
101	1060343	1.5 ft /.46m	Cable, Electrical 10/4	
102	1060494	2 ft/61cm	Cable, Electrical 12/3 (SN 0300182743 through 0300205490)	
102	1001179154	2.5 ft /76cm	Cable, Electrical 12/3 (SN 0300205491 to Present)	
103	1671092	1	Cover	
104	3300396	1	Cover, Fuse	
105	3311001	6	Nut #10-24NC	
106	4360070	1	Circuit Breaker - 15Amp	
108	4460425	1	Connector, Strain Relief	
109	4460426	2	Connector, Strain Relief	
111	4460963	1	Connector	
112	4711000	4	Flatwasher, #10 Thin	
114	10702077	2	Screw #10-32NF x 3/8in	
115	10702082	2	Screw #10-32NF x 3/4in	
116	1001152525	1	Plug	
117	1001157520	1	Block, Terminal	
118	1001157521	1	Box, Junction	
119	1001157528	1	Decal - Wiring Schematic	
120	1001158007	1	Cover, PVC	
121	1001158008	1	Stand-Off	
	0272435	Ref	<b>DECAL INSTALLATION</b>	D
201	1705460	2	Decal - SkyPower	
202	3251243	1	Decal - 120V - 60Hz (60Hz Spec Only) (Not Shown - Located at Platform Receptacle) (SN 0300222414 to Present)	
203	1705375	1	Decal - 240V - 3 Phase	
204	1705387	3	Decal, Hazardous Voltage	
	1001157768	Ref	<b>ELECTRICAL DIAGRAM COMPONENTS</b>	A
301	4923420	1	Generator Harness	A
301A	4460374	2	Plug, Sealed Relay	
301A	4460375	8	Terminal	

**SECTION 2 - TURNTABLE**

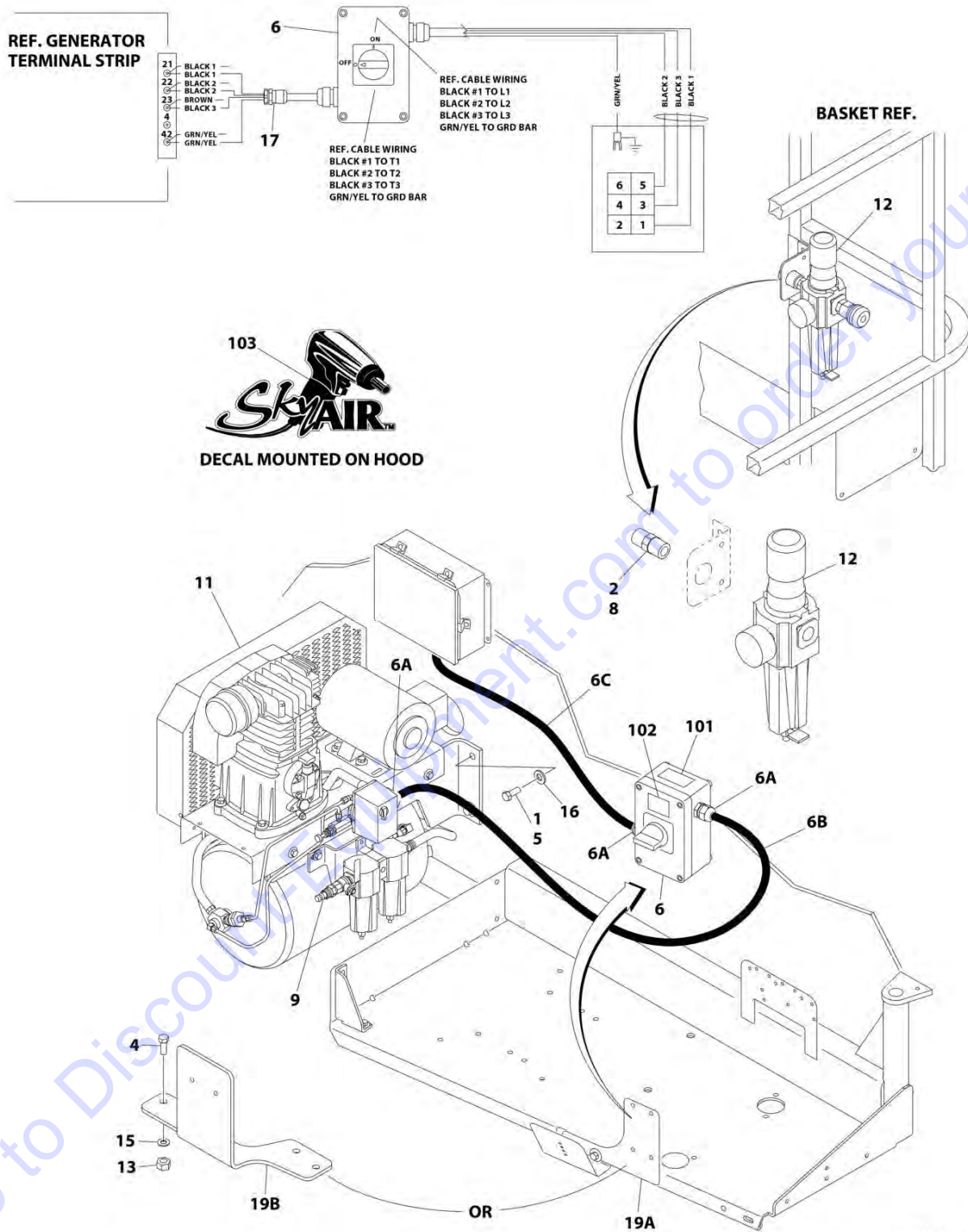
<b>ITEM</b>	<b>PART NUMBER</b>	<b>QTY</b>	<b>DESCRIPTION</b>	<b>REV</b>
301B	4460967	1	Plug, Male - 3 Position	
301B	4460465	3	Socket, Female	
301C	2400060	2	Fuseholder (Not Shown)	
301C	2400064	2	Fuse - 5Amp (Not Shown)	
302	4460742	1	Connector - 2 Position	
302	4460743	2	Socket, Female	
302	4460458	2	Seal	
303	4922641	1	Switch Harness	

Go to Discount-Equipment.com to order your parts



# SECTION 2 - TURNTABLE

## FIGURE 2-41. SKYAIR AIR COMPRESSOR INSTALLATION



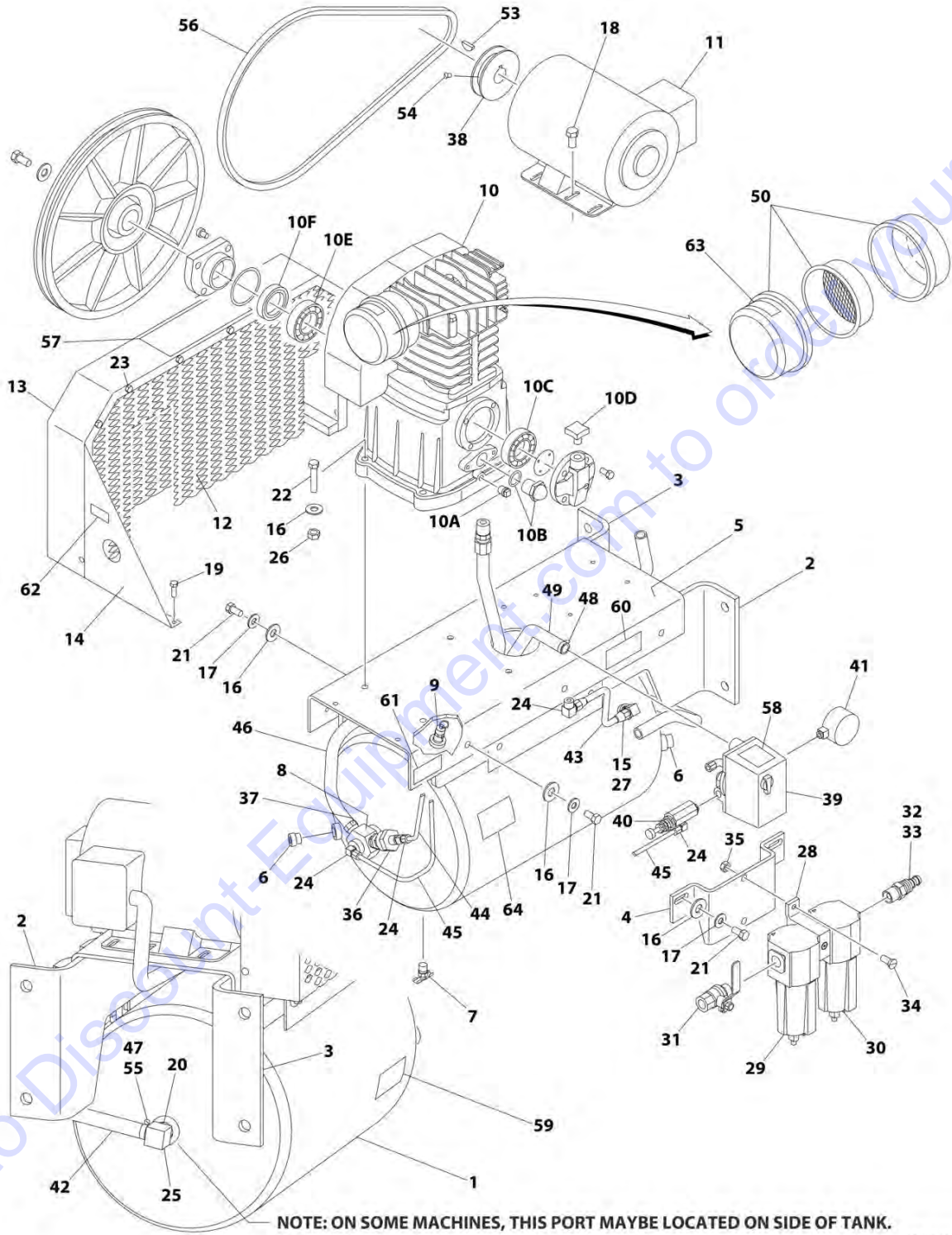
## SECTION 2 - TURNTABLE

### FIGURE 2-41. SKYAIR AIR COMPRESSOR INSTALLATION

ITEM	PART NUMBER	QTY	DESCRIPTION	REV
		Ref	<b>SKYAIR AIR COMPRESSOR INSTALLATION</b>	
	0273596	Ref	<b>SkyAir Air Compressor Installation (Deutz D2011 &amp; GM Engines)</b>	B
	1001148565	Ref	<b>SkyAir Air Compressor Installation (Deutz TD2.9L4 Engines and Deutz TD2.9L4 (Stage V) Engines)</b>	B
		Ref	<b>Note: ANSI, ANSI Export and CSA Specs Only.</b>	
		Ref	<b>Note: 60Hz Machines Only.</b>	
1	0100019	AR	Compound, Locking	
2	0100020	AR	Sealant #567	
3	0641406	2	Bolt 1/4 x 3/4 (Not Shown)	
4	0641608	3	Bolt 3/8 x 1	
5	0641810	4	Bolt 1/2 x 1-1/4	
6	0861642	1	Control Box Assembly	
6A	4460633	3	Connector, Strain Relief	
6B	70002948	AR	Cable, Electrical - 12/4 (13ft/4m)	
6C	70002948	AR	Cable, Electrical - 12/4 (30in/76cm)	
7	1320224	1	Clamp (Not Shown)	
8	2220252	1	Fitting	
9	2220750	1	Fitting	
10	3311405	2	Nut 1/4 (Not Shown)	
11	3600386	3	Compressor Assembly (See AIR COMPRESSOR ASSEMBLY for Breakdown)	
12	3720021	1	Filter/Regulator Assembly	
12	7027781	1	Service Kit (Includes Gaskets and Seals)	
12	7027782	1	Filter	
12	7027784	1	Gauge	
12	7027783	1	Valve, Drain	
13	3311605	3	Nut 3/8	
14	4711400	4	Washer 1/4 (Not Shown)	
15	4711600	3	Washer 3/8	
16	4751800	4	Washer 1/2	
17	4460428	1	Connector, Strain Relief	
19		Ref	Bracket, Control Box Options:	
19A	4340747		Bracket (Deutz D2011 and GM Engines)	
19B	1001144447		Bracket (Deutz TD2.9L4 Engines)	
	0273687	Ref	<b>DECAL INSTALLATION</b>	A
101	1705836	1	Decal - Hazard Voltage	
102	1705837	1	Decal - Air Compressor	
103	1705886	2	Decal - SkyAir	

# SECTION 2 - TURNTABLE

## FIGURE 2-42. AIR COMPRESSOR ASSEMBLY



NOTE: ON SOME MACHINES, THIS PORT MAYBE LOCATED ON SIDE OF TANK.

ART\_3600386

## SECTION 2 - TURNTABLE

**FIGURE 2-42. AIR COMPRESSOR ASSEMBLY**

ITEM	PART NUMBER	QTY	DESCRIPTION	REV
	3600386	Ref	<b>AIR COMPRESSOR ASSEMBLY</b>	B
1	7026632	1	Tank	
2	See Note	1	Bracket, Mounting (Note: Not Available for Purchase)	
3	See Note	1	Bracket, Mounting (Note: Not Available for Purchase)	
4	See Note	1	Bracket, Regulator Mounting (Note: Not Available for Purchase)	
5	See Note	1	Deck (Note: Not Available for Purchase)	
6	See Note	2	Plug (Note: Not Available for Purchase)	
7	7026633	1	Valve, Drain	
8	7026634	1	Valve, Check	
9	7026635	1	Valve, Safety	
10	7026636	1	Pump Assembly	
10	7026659	1	Gasket and Seal Kit	
10A	7026651	1	Plug, Oil Drain	
10B	7026652	1	Gauge, Oil Sight	
10C	7026653	1	Bearing	
10D	7026654	1	Cap, Oil Fill	
10E	7026655	1	Bearing	
10F	7026656	1	Seal	
11	7026637	1	Motor Assembly	
11	See Note	1	Brush Kit (Note: Not Available for Purchase)	
12	See Note	1	Screen, Inner (Note: Not Available for Purchase)	
13	See Note	1	Guard, Belt (Note: Not Available for Purchase)	
14	See Note	2	Support (Note: Not Available for Purchase)	
15	See Note	1	Bushing (Note: Not Available for Purchase)	
16	4751600	18	Washer 3/8	
17	4761600	10	Washer 3/8	
18	0641506	4	Bolt 5/16 x 3/4	
19	0641406	8	Bolt 1/4 x 3/4	
20	See Note	1	Bushing (Note: Not Available for Purchase)	
21	0641610	10	Bolt 3/8 x 1-1/4	
22	0641616	4	Bolt 3/8 x 2	
23	See Note	10	Bolt 1/4 x 1/2 (Note: Not Available for Purchase)	
24	See Note	4	Fitting (Note: Not Available for Purchase)	
25	See Note	1	Fitting, Barbed (Note: Not Available for Purchase)	
26	3311605	4	Nut 3/8	
27	See Note	1	Fitting, Compression (Note: Not Available for Purchase)	
28	See Note	1	Bracket, Mounting (Note: Not Available for Purchase)	
29	7026660	1	Filter, Oil Removal	
30	7026661	1	Filter, Water Removal	
31	70001663	1	Valve, Ball Shut-Off	
32	See Note	1	Bushing (Note: Not Available for Purchase)	
33	See Note	1	Fitting, Barbed (Note: Not Available for Purchase)	
34	See Note	2	Screw 1/4 x 1 (Note: Not Available for Purchase)	
35	3311405	2	Nut 1/4	
36	See Note	1	Unloader (Note: Not Available for Purchase)	
37	See Note	1	Fitting (Note: Not Available for Purchase)	
38	See Note	1	Pulley (Note: Not Available for Purchase)	
39	7026638	1	Switch, Pressure	
40	7026639	1	Vale, Pilot	
41	7026640	1	Gauge	

## SECTION 2 - TURNTABLE

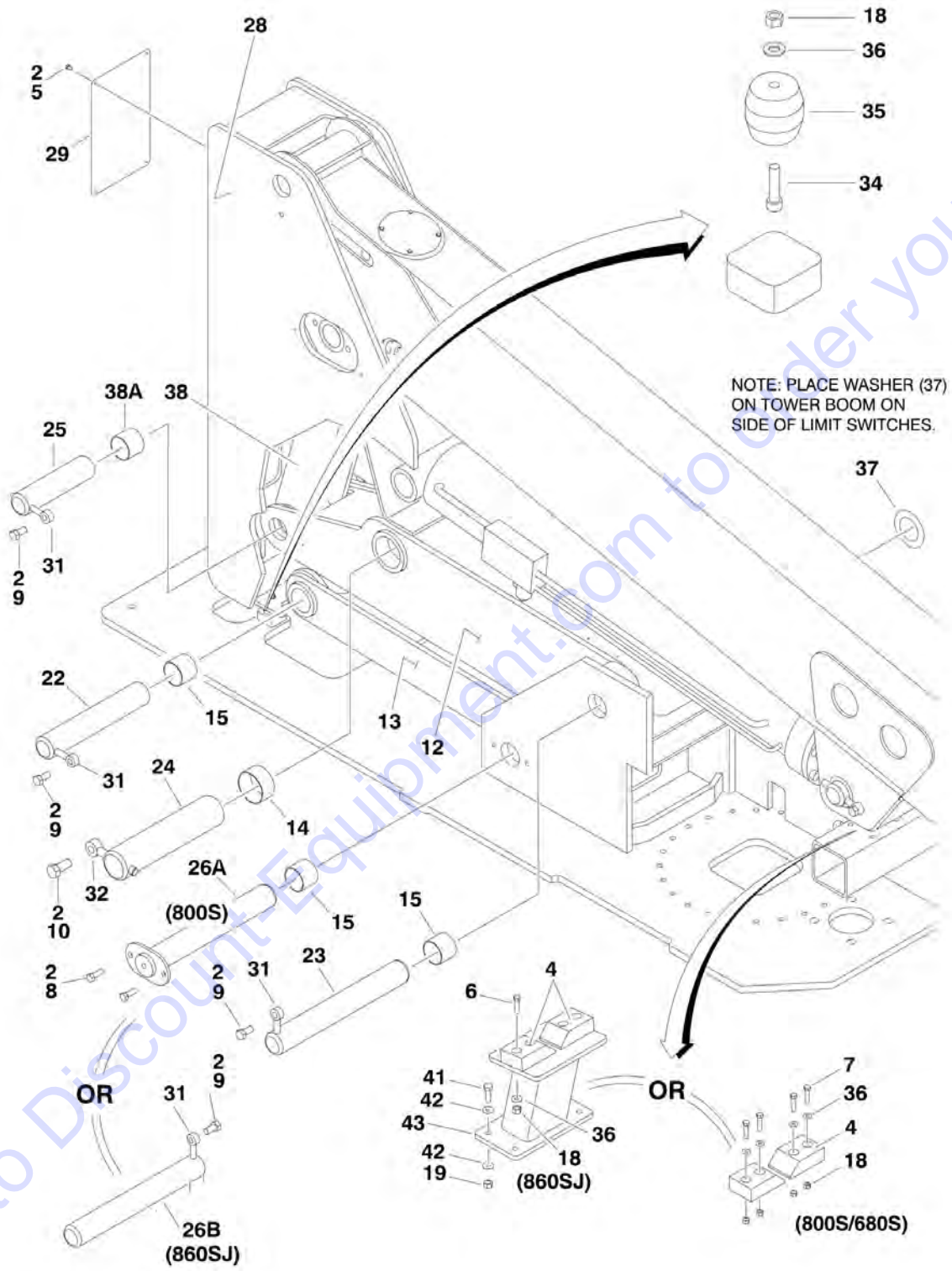
ITEM	PART NUMBER	QTY	DESCRIPTION	REV
42	See Note	1	Hose (Note: Not Available for Purchase)	
43	See Note	1	Tube, Feed (Note: Not Available for Purchase)	
44	See Note	1	Tube (Note: Not Available for Purchase)	
45	See Note	1	Tube (Note: Not Available for Purchase)	
46	See Note	1	Aftercooler (Note: Not Available for Purchase)	
47	See Note	2	Clamp (Note: Not Available for Purchase)	
48	See Note	2	Clamp (Note: Not Available for Purchase)	
49	See Note	1	Harness, Wiring (Note: Not Available for Purchase)	
50	7026658	1	Filter Assembly	
50	7026641	1	Element, Filter	
51	See Note	23 oz	Oil, Compressor (Note: Not Available for Purchase)	
52	0100020	AR	Sealant	
53	See Note	1	Key (Note: Not Available for Purchase)	
54	See Note	2	Setscrew (Note: Not Available for Purchase)	
55	See Note	2	Cover, Clamp End (Note: Not Available for Purchase)	
56	7026642	1	Belt	
57	7026643	1	Decal - Unit Warning	
58	7026644	1	Decal - Pressure Switch Warning	
59	7026645	1	Decal - Drain Tank Warning	
60	7026646	1	Decal - Compressor Maintenance	
61	7026647	1	Decal - Initial Oil Fill	
62	7026648	1	Decal - Hot Surfaces Warning	
63	7026649	1	Decal - Paper Element Cleaning	
64	7026650	1	Decal - Dual Control	

**SECTION 3 - BOOM**

Go to Discount-Equipment.com to order your parts

# SECTION 3 - BOOM

FIGURE 3-1. TOWER BOOM, UPRIGHT AND CYLINDERS INSTALLATION



## SECTION 3 - BOOM

**FIGURE 3-1. TOWER BOOM, UPRIGHT AND CYLINDERS INSTALLATION**

ITEM	PART NUMBER	QTY	DESCRIPTION	REV
		Ref	<b>TOWER BOOM, UPRIGHT AND CYLINDERS INSTALLATIONS</b>	
	1001155751	Ref	<b>Tower Boom, Upright and Cylinders Installations 800S</b>	J
	1001155752	Ref	<b>Tower Boom, Upright and Cylinders Installations 860SJ (SN 0300182743 to Present)</b>	K
	1001155752	Ref	<b>Tower Boom, Upright and Cylinders Installations 860SJ (SN B300001092 through B300002483)</b>	H
	1001231103	Ref	<b>Tower Boom, Upright and Cylinders Installations 860SJ (SN B300002484 to Present)</b>	B
	1001155753	Ref	<b>Tower Boom, Upright and Cylinders Installations 680S</b>	I
2	0100011	AR	Compound, Locking	
4	0561380	1	Block, Boom Rest	
5	0641504	4	Bolt 5/16in-18NC x 5/8in	
6	0641615	4	Bolt 3/8in-16NC x 1-7/8in (860SJ Only)	
7	0641613	4	Bolt 3/8in-16NC x 1-5/8in (800S/680S Only)	
8	0642014	AR	Bolt 5/8in-11NC x 1-3/4in	
9	0642212	3	Bolt 3/4in-10NC x 1-1/2in	
10	0642618	1	Bolt 1in-8NC x 2-1/4in	
12		Ref	Tower Weldment Options:	
12	0801279	1	Tower (800S//680S)	
12	0801306	1	Tower (860SJ)	
13		Ref	Link (Tower) Weldment Options:	
13	0801280	1	Link (Tower) (800S/680S) (SN 0300182743 through 0300216719)	
13	1001201602	1	Link (Tower) (800S/680S) (SN 0300216720 to Present)	
13	0801280	1	Link (Tower) (800S) (SN B300001092 through B300001498)	
13	1001201602	1	Link (Tower) (800S) (SN B300001499 to Present)	
13	0801307	1	Link (Tower) (860SJ) (Except SN 0300182743 through 0300211623)	
13	1001194573	1	Link (Tower) (860SJ) (SN 0300211624 to Present)	
13	0801307	1	Link (Tower) (860SJ) (SN B300001092 through B300001431)	
13	1001194573	1	Link (Tower) (860SJ) (SN B300001432 to Present)	
14	0962122	2	Bushing	
15	0962297	AR	Bushing	
18	3311605	6	Locknut 3/8in-16NC	
19	3311805	4	Locknut 1/2in-13NC	
22	3422908	1	Pin	
23	3422909	1	Pin	
24	3422910	1	Pin	
25	3422920	1	Pin	
26		Ref	Pin Options:	
26A	3422930	1	Pin 800S/680S	
26B	3422909	1	Pin 860SJ	
28	1001157180	1	Upright	
29	3573050	1	Cover, Upright Rear	
31	3841287	AR	Keeper, Pin	
32	3841356	1	Keeper, Pin	
34	3931624	2	Capscrew, Socket Head 3/8in-16NC x 1-1/2in	
35	4160187	2	Spring, Rubber	
36	4711600	6	Flatwasher 3/8in Thin	
37	4740492	1	Thrustwasher	
38		Ref	Power Link Weldment Options:	



## SECTION 3 - BOOM

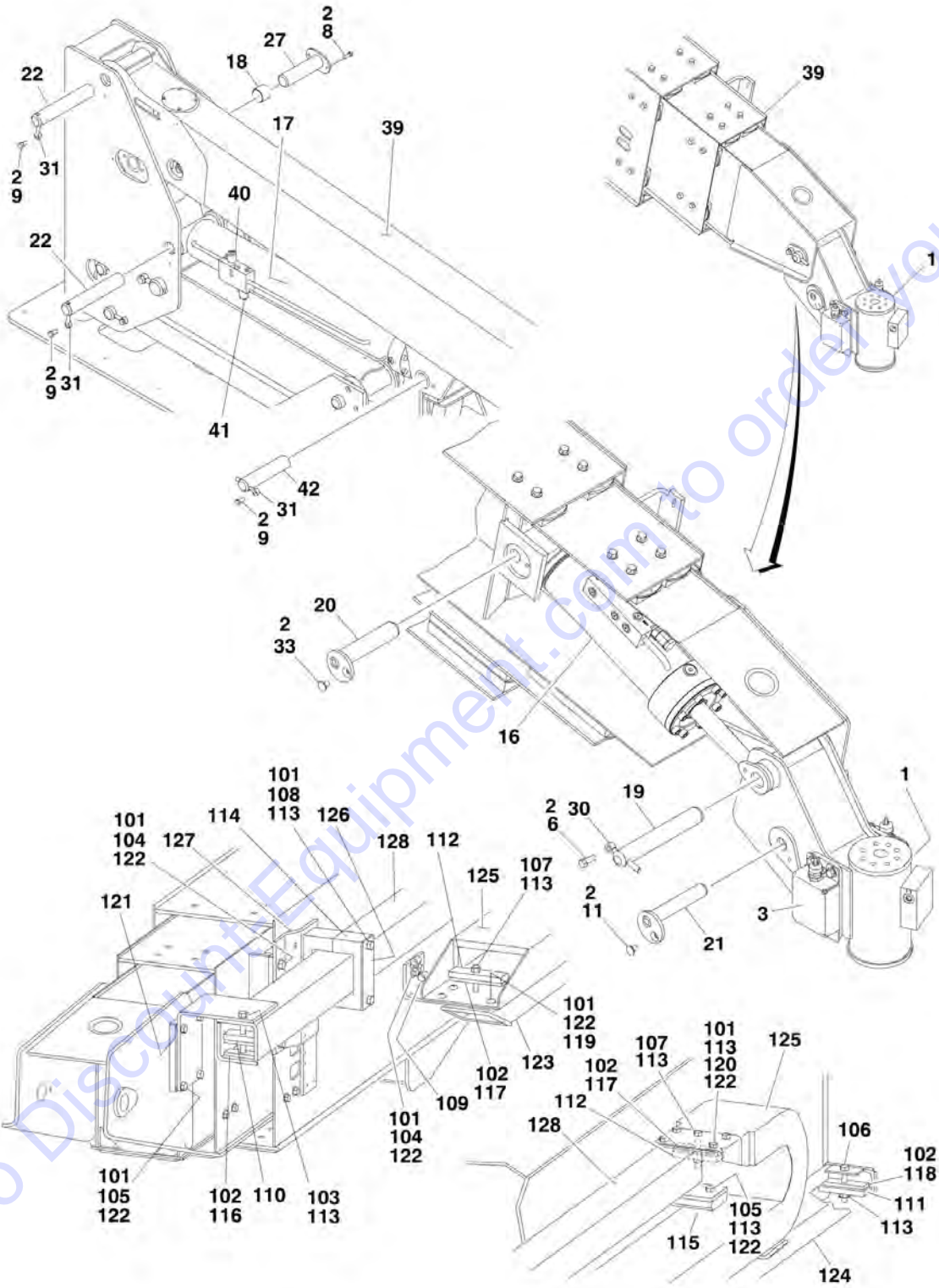
ITEM	PART NUMBER	QTY	DESCRIPTION	REV
38	1001117804	1	Power Link (800S/680S)	
38	1001117805	1	Power Link (860SJ)	
38A	0962297	4	Bushing	
41	0641812	4	Bolt 1/2in-13NC x 1-1/2in (860SJ Only)	
42	4711800	8	Flatwasher 1/2in Thin (860SJ Only)	
43	1001157837	1	Rest, Boom (860SJ Only)	

Go to Discount-Equipment.com to order your parts



# SECTION 3 - BOOM

## FIGURE 3-2. MAIN BOOM INSTALLATION - 800S/680S



## SECTION 3 - BOOM

### FIGURE 3-2. MAIN BOOM INSTALLATION - 800S/680S

ITEM	PART NUMBER	QTY	DESCRIPTION	REV
	1001155751	Ref	<b>BOOM AND CYLINDERS INSTALLATION - 800S</b>	J
	1001155753	Ref	<b>BOOM AND CYLINDERS INSTALLATION - 680S</b>	I
1		Ref	Rotator Options (See ROTATOR ASSEMBLY for Breakdown):	
1	0060061	NLA	Rotator (Use p/n 1001181060) (800S) <b>(SN 0300182743 through 0300202002)</b>	
1	1001181060	1	Rotator (800S) <b>(SN 0300202003 to Present)</b>	
1	0060061	NLA	Rotator (Use p/n 1001181060) (800S) <b>(SN B300001092 through B300001179)</b>	
1	1001181060	1	Rotator (800S) <b>(SN B300001180 to Present)</b>	
1	1001091625	NLA	Rotator (Use p/n 1001181061) (680S) <b>(SN 0300182743 through 0300202002)</b>	
1	1001181061	1	Rotator (680S) <b>(SN 0300202003 to Present)</b>	
2	0100011	AR	Compound, Locking	
3	0273695	1	Platform Level Sensor Switch Assembly (See PLATFORM SUPPORT AND CONTROL VALVES INSTALLATION for Breakdown)	
6	0641608	1	Bolt 3/8in-16NC x 1in	
8	0642014	2	Bolt 5/8in-11NC x 1-3/4in	
9	0642212	3	Bolt 3/4in-10NC x 1-1/2in	
11	0741605	1	Bolt 3/8in-16NC x 5/8in	
16		Ref	Level Cylinder Assembly - Platform Slave Options (See CYLINDER SECTION for Breakdown):	
16	1684189	NLA	Level Cylinder (Use p/n 1001228027) <b>(SN 0300182743 through 0300183962)</b>	
16	1001140460	1	Level Cylinder <b>(SN 0300183963 through 0300193126)</b>	
16	1684189	NLA	Level Cylinder (Use p/n 1001228027) <b>(SN 0300193127 through 0300198300)</b>	
16	1001140460	1	Level Cylinder <b>(SN 0300198301 through 0300198660)</b>	
16	1684189	NLA	Level Cylinder (Use p/n 1001228027) <b>(SN 0300198661 through 0300243278)</b>	
16	1001228027	1	Level Cylinder <b>(SN 0300243279 to Present)</b>	
16	1684189	NLA	Level Cylinder (Use p/n 1001228027) <b>(SN B300001092 through B300002584)</b>	
16	1001228027	1	Level Cylinder <b>(SN B300002585 to Present)</b>	
17		Ref	Main Lift Cylinder Assembly Options (See CYLINDER SECTION for Breakdown)	
17	1684199	NLA	Main Lift Cylinder (Use p/n 1001228028) <b>(SN 0300182743 through 0300239593)</b>	
17	1001228028	1	Main Lift Cylinder <b>(SN 0300239594 to Present)</b>	
17	1684199	NLA	Main Lift Cylinder (Use p/n 1001228028) <b>(SN B300001092 through B300002483)</b>	
17	1001228028	1	Main Lift Cylinder <b>(SN B300002484 to Present)</b>	
18	0962297	2	Bushing (Part of Timing Link)	
19	3422562	1	Pin	
20	3422569	1	Pin	
21	3422580	1	Pin	
22	3422908	2	Pin	
25	3422920	1	Pin	
27	3422931	1	Pin	
30	3841143	1	Keeper, Pin	
31	3841287	3	Keeper, Pin	
33	3900192	1	Screw 3/8in-16NC x 1/2in	

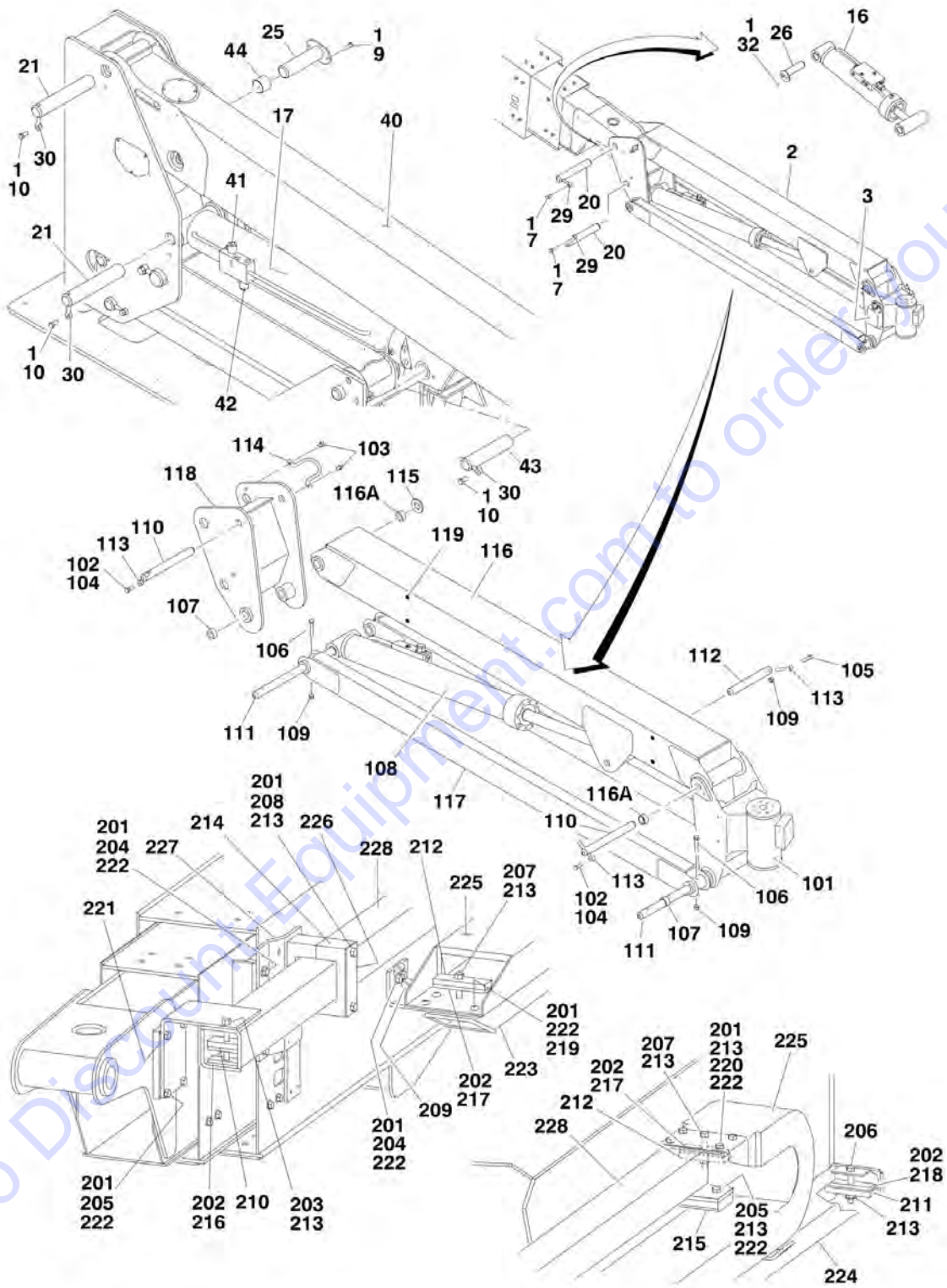
## SECTION 3 - BOOM

ITEM	PART NUMBER	QTY	DESCRIPTION	REV
39	1001155760	1	Main Boom Assembly (800S) (See MAIN BOOM ASSEMBLY for Breakdown)	
39	1001155763	1	Main Boom Assembly (680S) (See MAIN BOOM ASSEMBLY for Breakdown)	
40	4641188	1	Cartridge, Lift Holding Solenoid (SN 0300182743 through 0300257002, SN B300001092 through B300003767)	
40	7023923	1	Cartridge - 4641188 Valve	
40	7023919	1	Seal Kit - 4641188 Valve	
40	7012943	1	Coil - 4641188 Valve	
41	4641234	1	Cartridge, Lift Relief Proportional Solenoid (SN 0300182743 through 0300257002, SN B300001092 through B300003767)	
41	7023982	1	Cartridge - 4641234 Valve	
41	7012925	1	Seal Kit - 4641234 Valve	
41	7017451	1	Coil - 4641234 Valve	
42		Ref	Pin Options	
42	3422920	1	Pin (SN 0300182743 through 0300206896)	
42	1001196221	1	Pin (SN 0300206897 to Present)	
42	3422920	1	Pin (SN B300001091 through B300001327)	
42	1001196221	1	Pin (SN B300001328 to Present)	
	1001156965	Ref	<b>POWER TRACK INSTALLATION</b>	B
101	0100011	AR	Compound, Locking	
102	0100081	AR	Adhesive	
103	0630539	1	Bolt 3/8in-16NC x 3-1/2in	
104	0641606	12	Bolt 3/8in-16NC x 3/4in	
105	0641608	6	Bolt 3/8in-16NC x 1in	
106	0641620	1	Bolt 3/8in-16NC x 2-1/2in	
107	0641622	2	Bolt 3/8in-16NC x 2-3/4in	
108	0641644	2	Bolt 3/8in-16NC x 5-1/2in	
109	1320263	2	Clamp, Cable	
110	1320288	1	Clamp, Hose	
111	1320289	1	Clamp, Hose	
112	1320294	2	Bar, Clamping	
113	3311605	12	Locknut 3/8in-16NC	
114	3340764	2	Pad, Wear	
115	3340787	1	Pad, Wear	
116	3340941	2	Pad, Push Tube	
117	3340942	2	Pad, Rubber	
118	3340943	2	Pad, Rubber	
119	3900283	4	Screw, Button Head 3/8in-16NC x 3/4in	
120	3900316	4	Screw, Button Head 3/8in-16NC x 1in	
121	4070969	2	Shim	
122	4711600	28	Flatwasher 3/8in Thin	
123	4846553	2	Support, Push Tube	
124	4846554	1	Tube, Push	
125	1001131731	1	Power Track	
125	70003921	AR	Repair Section (Includes 1 Pin Assembly for each end)	
125	70003922	1	Mounting Feet (Includes Both Pair of Feet)	
126	1001136400	1	Plate	
127	1001156439	1	Plate	
128	1001156443	1	Tube, Push	



# SECTION 3 - BOOM

## FIGURE 3-3. MAIN BOOM INSTALLATION - 860SJ



## SECTION 3 - BOOM

**FIGURE 3-3. MAIN BOOM INSTALLATION - 860SJ**

ITEM	PART NUMBER	QTY	DESCRIPTION	REV
	1001155752	Ref	<b>BOOM AND CYLINDERS INSTALLATION (SN 0300182743 to Present)</b>	K
	1001155752	Ref	<b>TOWER BOOM, UPRIGHT AND CYLINDERS INSTALLATION (SN B300001092 through B300002483)</b>	H
	1001231103	Ref	<b>TOWER BOOM, UPRIGHT AND CYLINDERS INSTALLATION (SN B300002484 to Present)</b>	B
1	0100011	AR	Compound, Locking	
2		Ref	Jib Assembly (See Items 101-120 for Breakdown)	
2	0271444	NLA	Jib Assembly (Use p/n 1001247055) <b>(SN 0300182743 through 0300261695)</b>	
2	1001247055	1	Jib Assembly <b>(SN 0300261696 to Present)</b>	
2	0271444	1	Jib Assembly <b>(SN B300001092 through B300002483)</b>	
2	1001231056	NLA	Jib Assembly (Use p/n 1001247055) <b>(SN B300002484 through B300004253)</b>	
2	1001247049	1	Jib Assembly <b>(SN B300004254 to Present)</b>	
3	0273695	1	Platform Level Sensor Switch Assembly (See PLATFORM SUPPORT AND CONTROL VALVES INTSTALLATION for Breakdown)	
7	0641808	2	Bolt 1/2in-13NC x 1in	
9	0642014	2	Bolt 5/8in-11NC x 1-3/4in	
10	0642212	3	Bolt 3/4in-10NC x 1-1/2in	
16		Ref	Platform Level Cylinder Assembly (See CYLINDER SECTION for Breakdown)	
16	1684136	NLA	Platform Level Cylinder (Use p/n 1001228022) <b>(SN 0300182743 through 0300244707)</b>	
16	1001228022	1	Platform Level Cylinder <b>(SN 0300244708 to Present)</b>	
16	1684136	NLA	Platform Level Cylinder (Use p/n 1001228022) <b>(SN B300001092 through B300002483)</b>	
16	1001230372	1	Platform Level Cylinder <b>(SN B300002484 to Present)</b>	
17		Ref	Main Lift Cylinder Assembly (See CYLINDER SECTION for Breakdown)	
17	1684202	NLA	Main Lift Cylinder (Use p/n 1001228029) <b>(SN 0300182743 through 0300239858)</b>	
17	1001228029	1	Main Lift Cylinder <b>(SN 0300239859 to Present)</b>	
17	1684202	NLA	Main Lift Cylinder (Use p/n 1001228029) <b>(SN B300001092 through B300002483)</b>	
17	1001230373	1	Main Lift Cylinder <b>(SN B300002484 to Present)</b>	
20	3422793	2	Pin	
21	3422908	2	Pin	
24	3422920	1	Pin	
25	3422931	1	Pin	
26	3422932	1	Pin	
29	3841203	2	Keeper, Pin	
30	3841287	3	Keeper, Pin	
32	3900192	1	Screw 3/8in-16NC x 1/2in	
40	1001155762	1	Main Boom Assembly (See MAIN BOOM ASSEMBLY for Breakdown)	
41	4641188	1	Cartridge, Lift Holding Solenoid <b>(SN 0300182743 through 0300244708, SN B300001092 to Present)</b>	
41	7023923	1	Cartridge - 4641188 Valve	
41	7023919	1	Seal Kit - 4641188 Valve	
41	7012943	1	Coil - 4641188 Valve	
42	4641234	1	Cartridge, Lift Relief Proportional Solenoid <b>(SN 0300182743</b>	



## SECTION 3 - BOOM

ITEM	PART NUMBER	QTY	DESCRIPTION	REV
			<b>through 0300244708, SN B300001092 to Present)</b>	
42	7023982	1	Cartridge - 4641234 Valve	
42	7012925	1	Seal Kit - 4641234 Valve	
42	7017451	1	Coil - 4641234 Valve	
43		Ref	Pin Options	
43	3422920	1	Pin (SN 0300182743 through 0300206896)	
43	1001196221	1	Pin (SN 0300206897 to Present)	
43	3422920	1	Pin (SN B300001091 through B300001327)	
43	1001196221	1	Pin (SN B300001328 to Present)	
43	0962297	2	Bushing (Part of Timing Link)	
		Ref	<b>JIB ASSEMBLY</b>	
	0271444	Ref	Jib Assembly (SN 0300182743 through 0300261695)	L
	1001247055	Ref	Jib Assembly (SN 0300261696 to Present)	A
	0271444	Ref	Jib Assembly (SN B300001092 through B300002483)	J
	1001231056	Ref	Jib Assembly (SN B300002484 through B300004253)	B
	1001247049	Ref	Jib Assembly (SN B300004254 to Present)	A
101		Ref	Rotator Options (See ROTATOR ASSEMBLY for Breakdown):	
101	0060048	NLA	Rotator (Use p/n 1001181051) (SN 0300182743 through 0300202002)	
101	1001181051	1	Rotator (SN 0300202003 to Present)	
101	0060048	NLA	Rotator (Use p/n 1001181051) (SN B300001092 through B300001179)	
101	1001181051	1	Rotator (SN B300001180 to Present)	
102	0100011	AR	Compound, Locking	
103	0641604	2	Bolt 3/8in-16NC x 1/2in	
104	0641608	2	Bolt 3/8in-16NC x 1in	
105	0641610	1	Bolt 3/8in-16NC x 1-1/4in	
106	0641618	4	Bolt 3/8in-16NC x 2-1/4in	
107	0961947	AR	Bushing	
108		Ref	Jib Lift Cylinder Assembly (See CYLINDER SECTION for Breakdown)	
108	1683609	NLA	Jib Lift Cylinder (Use p/n 1001248012) (SN 0300182743 through 0300244707)	
108	1001248012	1	Jib Lift Cylinder (SN 0300244708 to Present)	
108	1683609	NLA	Jib Lift Cylinder (Use p/n 1001248012) (SN B300001092 through B300002483)	
108	1001230371	1	Jib Lift Cylinder (SN B300002484 to Present)	
109	3311605	5	Locknut 3/8in-16NC	
110	3422860	2	Pin	
111	3422861	2	Pin (SN 0300182743 through 0300261695)	
111	1001182064	2	Pin (SN 0300261696 to Present)	
111	3422861	2	Pin (SN B300001092 through B300004253)	
111	1001182064	2	Pin (SN B300004254 to Present)	
112	3422867	1	Pin	
113	3841143	3	Keeper, Pin	
114	3841340	1	Loop, Hose	
115	4740439	2	Thrustwasher	
116	4844816	1	Link, Jib (Upper)	
116A	0962335	4	Bushing	
117	4844817	2	Link, Jib (Lower) (SN 0300182743 through 0300261695)	
117	1001181960	2	Link, Jib (Lower) (SN 0300261696 to Present)	
117	4844817	2	Link, Jib (Lower) (SN B300001092 through B300004253)	

## SECTION 3 - BOOM

ITEM	PART NUMBER	QTY	DESCRIPTION	REV
117	1001181960	2	Link, Jib (Lower) (SN B300004254 to Present)	
118	4846435	1	Pivot, Jib	
119	3520034	AR	Plug, Hole	
	1001156966	Ref	<b>POWER TRACK INSTALLATION</b>	B
201	0100011	AR	Compound, Locking	
202	0100081	AR	Adhesive	
203	0630539	1	Bolt 3/8in-16NC x 3-1/2in	
204	0641606	12	Bolt 3/8in-16NC x 3/4in	
205	0641608	6	Bolt 3/8in-16NC x 1in	
206	0641620	1	Bolt 3/8in-16NC x 2-1/2in	
207	0641622	2	Bolt 3/8in-16NC x 2-3/4in	
208	0641644	2	Bolt 3/8in-16NC x 5-1/2in	
209	1320263	2	Clamp, Cable	
210	1320288	1	Clamp, Hose	
211	1320289	1	Clamp, Hose	
212	1320294	2	Bar, Clamping	
213	3311605	12	Locknut 3/8in-16NC	
214	3340764	2	Pad, Wear	
215	3340787	1	Pad, Wear	
216	3340941	2	Pad, Push Tube	
217	3340942	2	Pad, Rubber	
218	3340943	2	Pad, Rubber	
219	3900283	4	Screw, Button Head 3/8in-16NC x 3/4in	
220	3900316	4	Screw, Button Head 3/8in-16NC x 1in	
221	4070969	2	Shim	
222	4711600	28	Flatwasher 3/8in Thin	
223	4846553	1	Support, Push Tube	
224	4846558	1	Tube, Push	
225	1001131731	1	Power Track	
225	70003921	AR	Repair Section (Includes 1 Pin Assembly for each end)	
225	70003922	1	Mounting Feet (Includes Both Pair of Feet)	
226	1001136400	1	Plate	
227	1001156439	1	Plate	
228	1001156914	1	Tube, Push	

# SECTION 3 - BOOM

## FIGURE 3-4. MAIN BOOM ASSEMBLIES

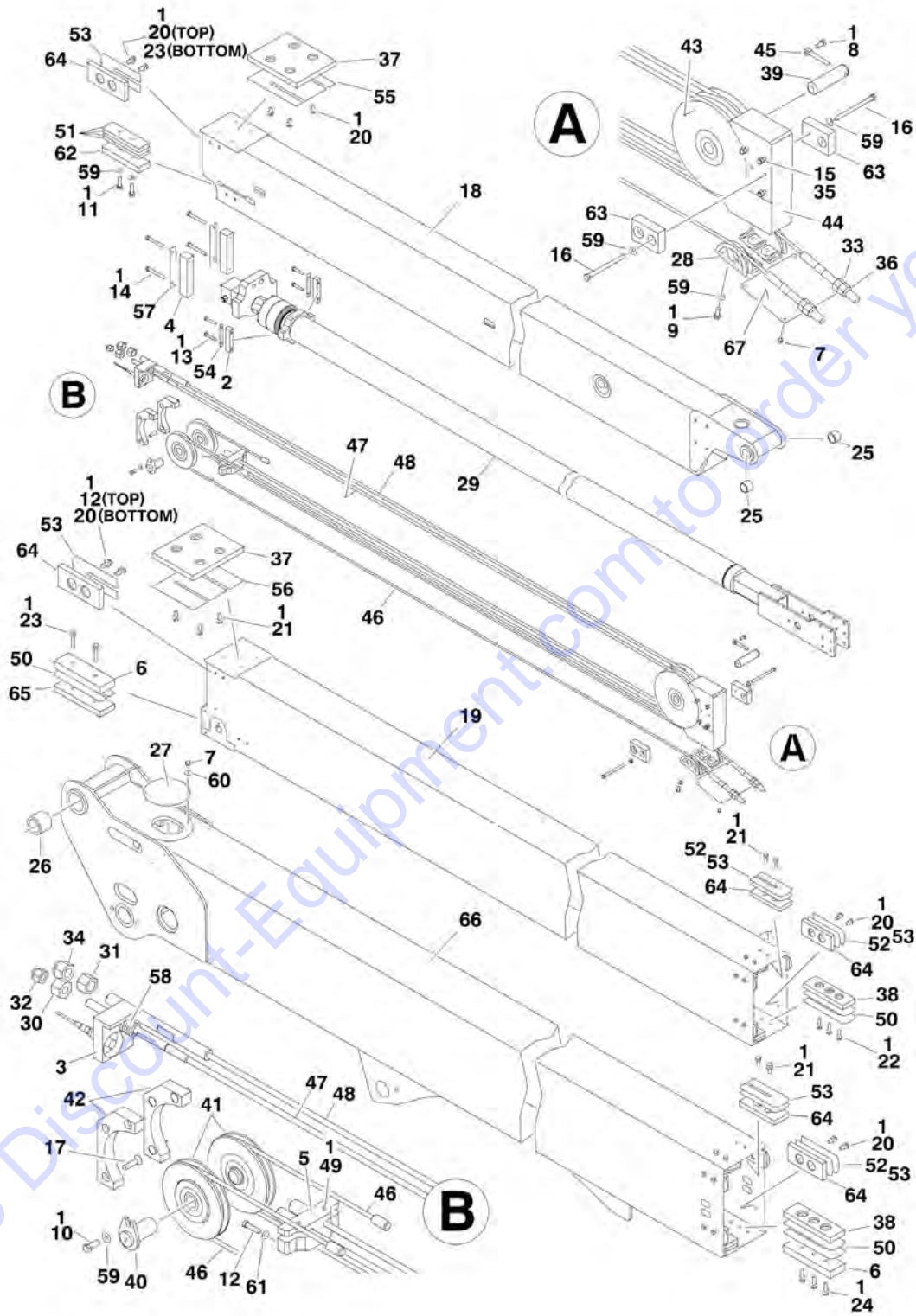


FIGURE 3-4. MAIN BOOM ASSEMBLIES

ITEM	PART NUMBER	QTY	DESCRIPTION	REV
		Ref	<b>MAIN BOOM ASSEMBLY OPTIONS:</b>	
	1001155760	Ref	<b>Main Boom Assembly 800S</b>	D
	1001155762	Ref	<b>Main Boom Assembly 860SJ</b>	E
	1001155763	Ref	<b>Main Boom Assembly 680S</b>	E
1	0100011	AR	Compound, Locking	
2	0561185	2	Block, Telescope Attach	
3	0561445	1	Block, Spring Mounting	
4	0561446	2	Block, Tele Mount	
5	0561447	1	Block, Cable Mount	
6	0561449	3	Block, Spacer	
7	0641403	8	Bolt 1/4in-20NC x 3/8in	
8	0641606	1	Bolt 3/8in-16NC x 3/4in	
9	0641607	2	Bolt 3/8in-16NC x 7/8in	
10	0641608	2	Bolt 3/8in-16NC x 1in	
11	0641610	4	Bolt 3/8in-16NC x 1-1/4in	
12	0641613	6	Bolt 3/8in-16NC x 1-5/8in	
13	0641616	4	Bolt 3/8in-16NC x 2in	
14	0641626	4	Bolt 3/8in-16NC x 3-1/4in	
15	0641634	4	Bolt 3/8in-16NC x 4 1/4in	
16	0641640	2	Bolt 3/8in-16NC x 5in	
17	0741612	6	Screw, Flathead 3/8in-16NC x 1-1/2in	
18		Ref	Fly Weldment Options:	
18	0801275	1	Fly Weldment 800S	
18	0801282	1	Fly Weldment 860SJ	
18	0801275	1	Fly Weldment 680S (SN 0300182743 through 0300229061)	
18	1001212012	1	Fly Weldment 680S (SN 0300229062 to Present)	
19		Ref	Mid Weldment Options:	
19	0801649	1	Mid Weldment 800S/680S	
19	0801647	1	Mid Weldment 860SJ	
20	0811606	28	Screw 3/8in-16NC x 3/4in	
21	0811607	12	Screw 3/8in-16NC x 7/8in	
22	0811608	6	Screw 3/8in-16NC x 1in	
23	0811614	6	Screw 3/8in-16NC x 1-3/4in	
24	0811616	6	Screw 3/8in-16NC x 2in	
25	0961948	2	Bearing (860SJ Only)	
26	0962297	2	Bearing	
27	1120510	1	Cover, Pin	
28	1220078	2	Sheave, Block	
29		Ref	Telescope Cylinder Assembly Options (See CYLINDER SECTION for Breakdown):	
29	1684041	NLA	Telescope Cylinder (800S) (Use p/n 1001228081) (SN 0300182743 through 0300196954)	
29	1001177317	NLA	Telescope Cylinder (800S) (Use p/n 1001228081) (SN 0300196955 through 0300243278)	
29	1001228081	1	Telescope Cylinder (800S) (SN 0300243279 to Present)	
29	1684041	NLA	Telescope Cylinder (800S) (Use p/n 1001228081) (SN B300001092 through B300001096)	
29	1001177317	NLA	Telescope Cylinder (800S) (Use p/n 1001228081) (SN B300001097 through B300002584)	
29	1001228081	1	Telescope Cylinder (800S) (SN B300002585 to Present)	
29	1684043	1	Telescope Cylinder (860SJ) (SN 0300182743 through	

## SECTION 3 - BOOM

ITEM	PART NUMBER	QTY	DESCRIPTION	REV
			<b>0300196954)</b>	
29	1001181588	1	Telescope Cylinder (860SJ) (Use p/n 1001228083) (SN <b>0300196955 through 0300244707)</b> )	
29	1001228083	1	Telescope Cylinder (860SJ) (SN <b>0300244708 to Present)</b> )	
29	1684043	1	Telescope Cylinder (860SJ) (SN <b>B300001092 through B300001096)</b> )	
29	1001181588	1	Telescope Cylinder (860SJ) (Use p/n 1001228083) (SN <b>B300001097 through B300002587)</b> )	
29	1001228083	1	Telescope Cylinder (860SJ) (SN <b>B300002588 to Present)</b> )	
29	1684519	1	Telescope Cylinder (680S) (SN <b>0300182743 through 0300196954)</b> )	
29	1001181589	NLA	Telescope Cylinder (680S) (Use p/n 1001228085) (SN <b>0300196955 through 0300244879)</b> )	
29	1001228085	1	Telescope Cylinder (680S) (SN <b>0300244880 to Present)</b> )	
30	3272001	1	Nut 5/8in-11NC	
31	3272401	1	Nut 7/8in-9NC	
32	3300240	1	Nut	
33	3300241	2	Locknut 3/4in-10NC	
34	3300242	1	Locknut 7/8in-9NC	
35	3311605	4	Locknut 3/8in-16NC	
36	3312201	2	Nut 3/4in-10NC	
37	3340757	2	Pad, Wear	
38	3340871	4	Pad, Wear	
39	3422417	1	Pin, Extend Sheave	
40	3422424	2	Pin	
41	3580243	2	Sheave, Retract	
41	0961951	1	Bushing	
42	3580249	2	Guard, Sheave	
43	3580288	1	Sheave, Extend	
43	0961951	2	Bushing	
44	3580289	1	Guard, Sheave	
45	3841143	1	Keeper, Pin	
46		Ref	Cable, Wire Rope	
46	3890013	2	Cable, Wire Rope 800S/680S	
46	3890016	2	Cable, Wire Rope 860SJ	
47		Ref	Cable, Wire Rope	
47	3890014	1	Cable, Wire Rope 800S/680S	
47	3890017	1	Cable, Wire Rope 860SJ	
48		Ref	Cable, Wire Rope	
48	3890015	1	Cable, Wire Rope 800S/680S	
48	3890018	1	Cable, Wire Rope 860SJ	
49	3951608	2	Setscrew 3/8in-16NC x 1in	
50	4070863	5	Shim (#11 Gauge)	
51	4070895	8	Shim (#16 Gauge)	
52	4070897	10	Shim (#18 Gauge)	
53	4070898	22	Shim (#11 Gauge)	
54	4070929	2	Shim (#16 Gauge)	
55	4070939	1	Shim (#16 Gauge)	
56	4070940	1	Shim (#16 Gauge)	
57	4071020	2	Shim (#16 Gauge)	
58	4160149	1	Spring, Torsion	
59	4711600	12	Flatwasher 3/8in Thin	

## SECTION 3 - BOOM

ITEM	PART NUMBER	QTY	DESCRIPTION	REV
60	4751400	4	Flatwasher 1/4in Regular	
61	4891600	2	Flatwasher 3/8in Hardened	
62	1001148650	2	Pad, Wear	
63	1001148651	2	Pad, Wear	
64	1001148652	20	Pad, Wear	
65	1001148653	1	Pad, Wear	
66		Ref	Base Weldment Options:	
66	1001155770	1	Base Weldment 800S/680S	
66	1001155771	1	Base Weldment 860SJ	
67	3539622	1	Plate, Cover	

Go to Discount-Equipment.com to order your parts

# SECTION 3 - BOOM

## FIGURE 3-5. ROTATOR ASSEMBLY

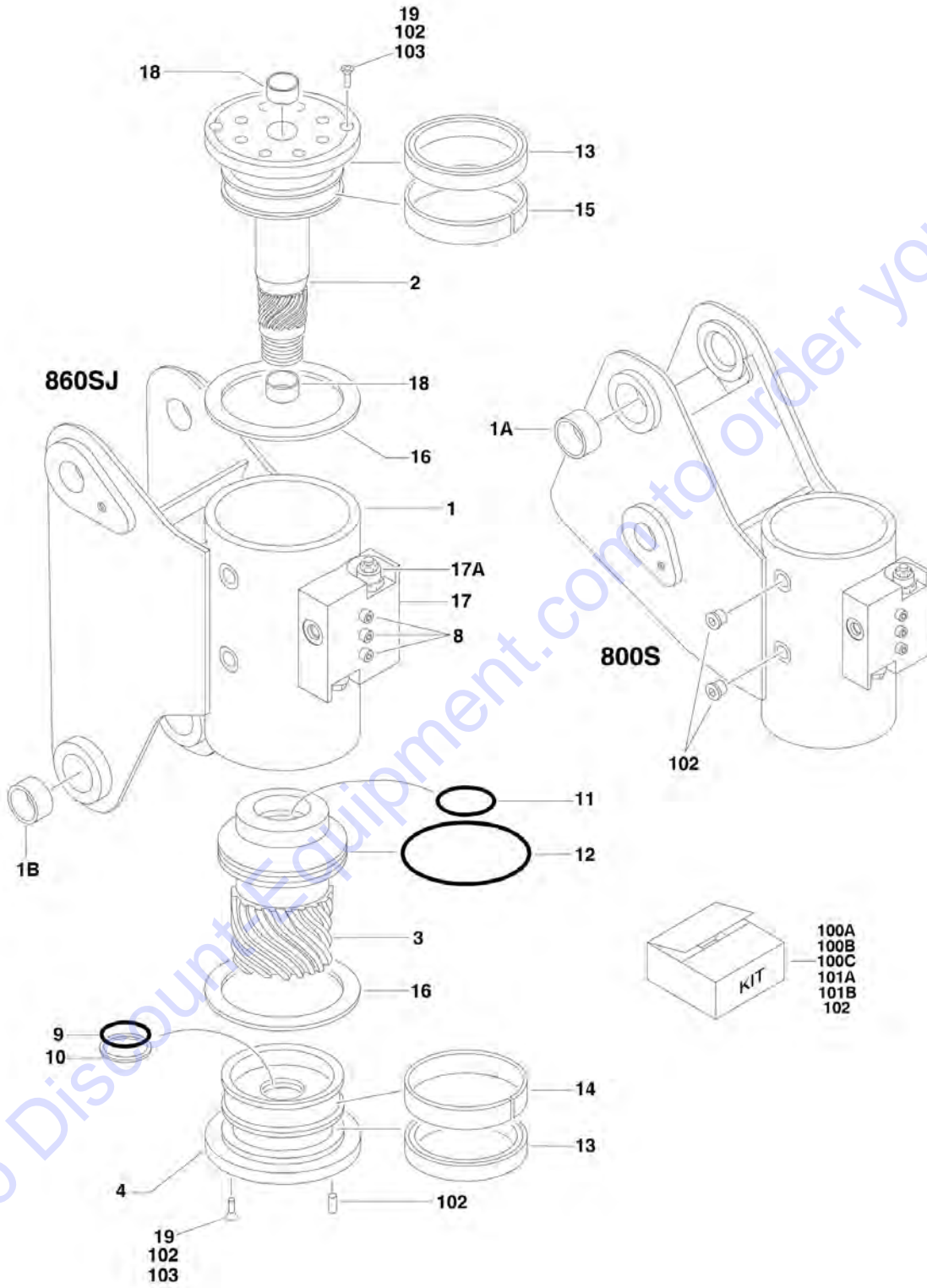


FIGURE 3-5. ROTATOR ASSEMBLY

ITEM	PART NUMBER	QTY	DESCRIPTION	REV
		Ref	<b>ROTATOR ASSEMBLY</b>	
	0060061	Ref	<b>Rotator Assembly (800S) (SN 0300182743 through 0300202002)</b>	J
	1001181060	Ref	<b>Rotator Assembly (800S) (SN 0300202003 to Present)</b>	A
	0060061	Ref	<b>Rotator Assembly (800S) (SN B300001092 through B300001199)</b>	J
	1001181060	Ref	<b>Rotator Assembly (800S) (SN B300001200 to Present)</b>	A
	0060048	Ref	<b>Rotator Assembly (860SJ) (SN 0300182743 through 0300202002)</b>	J
	1001181051	Ref	<b>Rotator Assembly (860SJ) (SN 0300202003 to Present)</b>	A
	0060048	Ref	<b>Rotator Assembly (860SJ) (SN B300001092 through B300001179)</b>	J
	1001181051	Ref	<b>Rotator Assembly (860SJ) (SN B300001180 to Present)</b>	A
	1001091625	Ref	<b>Rotator Assembly (680S) (SN 0300182743 through 0300202002)</b>	C
	1001181061	Ref	<b>Rotator Assembly (680S) (SN 0300202003 to Present)</b>	A
1		Ref	Case/Bracket Weldment	
1	7017175	1	0060061 Rotator	
1	7017141	1	0060048 Rotator	
1	See Note	NSS	1001091625, 1001181059, 1001181060 & 1001181061, Rotator (Note: Purchase Complete Assembly)	
1A		Ref	Bushing Options: (Top)	
1A	0961951	2	0060061 & 1001091625 Rotator	
1A	Not Required	0	0060048 Rotator	
1B		Ref	Bushing Options: (Bottom)	
1B	7017150	2	0060061 & 1001181051 Rotator	
1B	0961947	2	0060048 & 1001181060 Rotator	
2		Ref	Shaft Options:	
2	7017162	1	0060061, 1001181051, 1001091625 & 1001181060 Rotator	
2	7017140	1	0060048 Rotator	
3		Ref	Sleeve, Piston Options:	
3	7017163	1	0060061, 1001091625, 1001181051, 1001181060 & 1001181061 Rotator	
3	7017139	1	0060048 Rotator	
4	7017164	1	Cap, End	
8	See Note	NSS	Bolt 1/4 x 1-1/2 (Grade 8) (Note: Not Available - Purchase Locally)	
9	See Note	NSS	Seal, Cap (Note: Use Items 100A, 100B & 100C)	
10	See Note	NSS	Ring, Back-up Cap (Note: Use Items 100A, 100B & 100C)	
11	See Note	NSS	Seal, Rod (Note: Use Items 100A, 100B & 100C)	
12	See Note	NSS	Seal, Piston (Note: Use Items 100A, 100B & 100C)	
13	See Note	NSS	Packing, Bearing (Note: Use Items 100A, 100B & 100C)	
14	See Note	NSS	Bearing, Cap (Note: Use Items 101A & 101B)	
15	See Note	NSS	Bearing, Shaft (Note: Use Items 101A & 101B)	
16	See Note	NSS	Thrustwasher (Note: Use Items 101A & 101B)	
17		Ref	Counterbalance Valve Assembly Options:	
17	7017172	1	0060061, 1001091625, 1001181051, 1001181060 & 1001181061 Rotator	
17	7017125	1	0060048 Rotator	
17A		Ref	Valve, Cartridge Options:	
17A	7017192	2	0060061, 100109625, 1001181051, 1001181060 & 1001181061 Rotator	



## SECTION 3 - BOOM

ITEM	PART NUMBER	QTY	DESCRIPTION	REV
17A	7011323	2	0060048 Rotator	
17A		Ref	Seal Kit (1 Per Assembly)	
17A	See Note	NSS	7017192 Cartridge (Note: Use p/n 7017192)	
17A	2900770	2	7011323 Cartridge	
18	7017195	2	Bushing	
19	70001697	6	Screw, Countersunk (0060048 Rotator)	
		Ref	<b>KIT OPTIONS:</b>	
100		Ref	Seal Kit Options: (Includes Items 9-13 & 102)	
100A	7017158	1	0060061 & 1001091625 Rotator (Standard)	
100B	70000342	1	0060061, 1001091625, 1001181051, 1001181060 & 1001181061 Rotator (Low Temperature)	
100C	7017137	1	0060048 Rotator	
101		Ref	Bearing Kit Options: (Includes Items 14-16)	
101A	7017159	1	0060061, 1001091625, 1001181051 & 1001181060 Rotator	
101B	7017138	1	0060048 Rotator	
102	7017142	1	Hardware Kit (0060061, 1001091625, 1001181051, 1001181060 & 1001181061 Rotator) (Includes End Cap Dowel Pins, Plugs and 103)	
103	70001697	4	Screw, Countersunk 1/4in-20NC x 3/8in (Grade 8)	



# SECTION 3 - BOOM

## FIGURE 3-6. PLATFORM SUPPORT AND CONTROL VALVES INSTALLATIONS

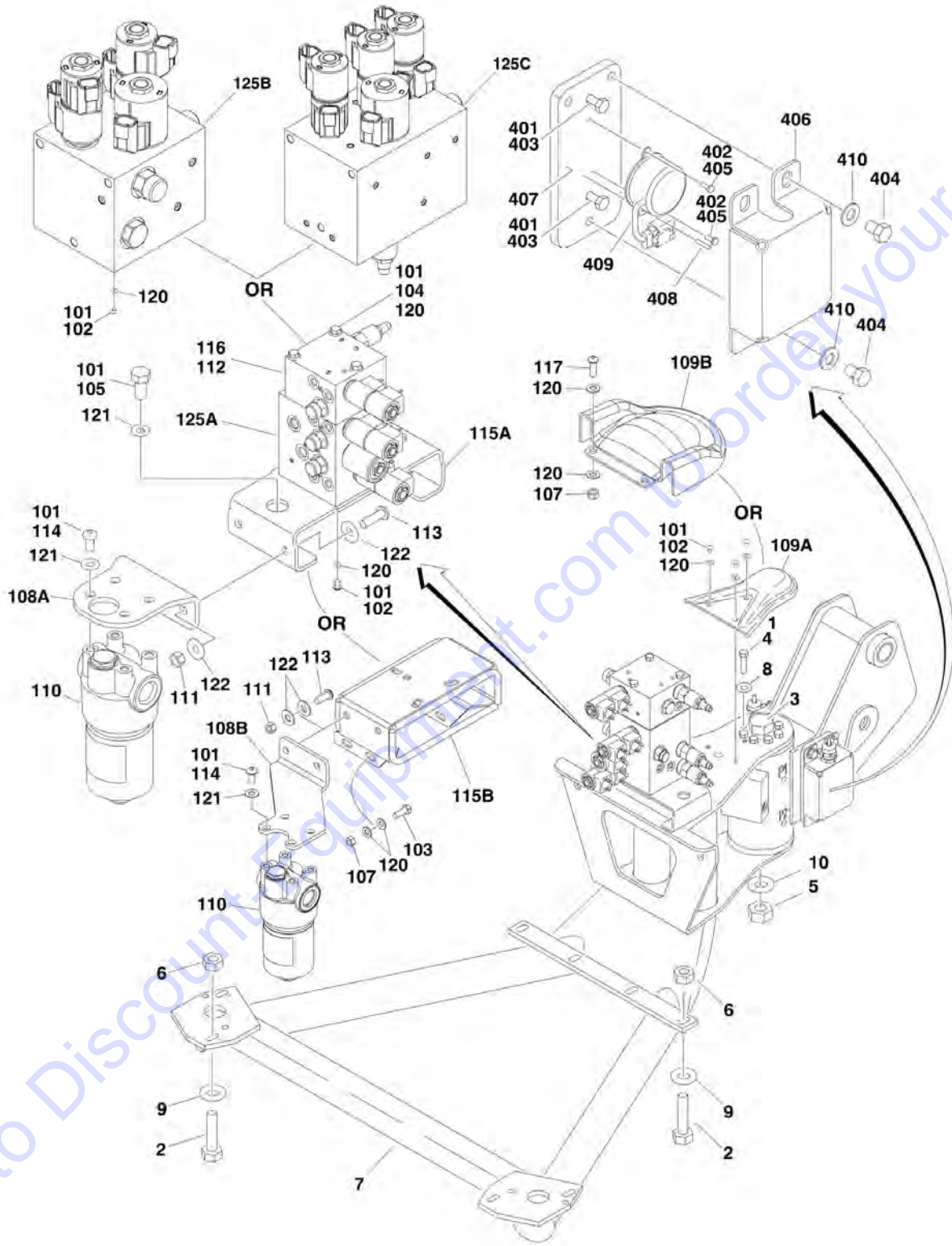


FIGURE 3-6. PLATFORM SUPPORT AND CONTROL VALVES INSTALLATIONS

ITEM	PART NUMBER	QTY	DESCRIPTION	REV
		Ref	<b>PLATFORM SUPPORT INSTALLATION</b>	
	0272070	Ref	<b>Machines without LSS</b>	F
	See Note	Ref	<b>Machines with LSS (Note: See Separate Breakdown in this Section)</b>	
1	0100011	AR	Compound, Locking	
2	0641812	8	Bolt 1/2in-13NC x 1-1/2in	
3	0642684	1	Bolt 1in-8NC x 10-1/2in	
4	0681608	8	Bolt 3/8in-16NC x 1in (Grade 8)	
5	3300243	1	Locknut 1in-8NC	
6	3311805	8	Locknut 1/2in-13NC	
7	4846573	1	Support	
8	4891600	8	Flatwasher 3/8in Hardened	
9	4891800	8	Flatwasher 1/2in Hardened	
10	4892600	1	Flatwasher 1in Hardened	
		Ref	<b>VALVE INSTALLATIONS</b>	
		Ref	<b>Valve Installations 800S/680S without Hostile Environment/without LSS or with 4 Cell LSS</b>	
	1001161980	Ref	<b>Machines with Deutz D2011 and GM Engines (SN 0300182743 through 0300190436)</b>	C
	1001149531	Ref	<b>Machines with Deutz TD2.9L4 Engines (SN 0300182743 through 0300190436)</b>	D
	1001167198	Ref	<b>Machines with All Deutz, Ford and GM Engines (SN 0300190437 to Present)</b>	B
	1001167198	Ref	<b>Machines with All Deutz and GM Engines (SN B300001092 to Present)</b>	B
		Ref	<b>Valves Installation 800S without Hostile Environment/with 1 Cell LSS</b>	
	1001219979	Ref	<b>Machines with All Deutz &amp; Ford Engines</b>	B
		Ref	<b>Valves Installations 800S with Hostile Environment/without LSS or with 4 Cell LSS</b>	
	1001161982	Ref	<b>Machines with Deutz D2011 and GM Engines (SN 0300182743 through 0300190436)</b>	C
	1001149531	Ref	<b>Machines with Deutz TD2.9L4 Engines (SN 0300182743 through 0300190436)</b>	D
	1001167200	Ref	<b>Machines with All Deutz, Ford and GM Engines (SN 0300190437 to Present)</b>	B
	1001167200	Ref	<b>Machines with All Deutz and GM Engines (SN B300001092 to Present)</b>	B
		Ref	<b>Valves Installations 860SJ without LSS with 4 Cell LSS</b>	
	1001161981	Ref	<b>Machines with Deutz D2011 and GM Engines (SN 0300182743 through 0300190436)</b>	C
	1001149532	Ref	<b>Machines with Deutz TD2.9L4 Engines (SN 0300182743 through 0300190436)</b>	D
	1001167199	Ref	<b>Machines with All Deutz, Ford and GM Engines (SN 0300190437 to Present)</b>	B
	1001167199	Ref	<b>Machines with All Deutz and GM Engines (SN B300001092 to Present)</b>	B
		Ref	<b>Valves Installation 860SJ with 1 Cell LSS</b>	
	1001219980	Ref	<b>Machines with All Deutz &amp; Ford Engines</b>	B
101	0100011	AR	Compound, Locking	
102	0630467	6	Screw, Button Head	
103	0641507	4	Bolt 5/16 x 7/8	
104	0641526	3	Bolt 5/16in-18NC x 3-1/4in (860SJ Only) (SN 0300182743	

## SECTION 3 - BOOM

ITEM	PART NUMBER	QTY	DESCRIPTION	REV
			<b>through 0300190436)</b>	
105	0641606	2	Bolt 3/8in-16NC x 3/4in	
107	3311505	6	Nut 5/16	
108A	0903530	1	Bracket, Filter Mounting (Machines without LSS or with 4 Cell LSS)	
108B	1001222314	1	Bracket, Filter Mounting (Machines with 1 Cell LSS)	
109A	1670964	1	Cover (Required on all Machines without LSS or with 4 Cell LSS except 800S with Hostile Environment Machines with Deutz D2011, Ford and GM Engines)	
109B	1001207969	1	Cover (Machines with 1 Cell LSS)	
110	2120217	1	Filter, High Pressure	
110	70002097	1	Element, Filter	
110	70001499	1	Kit, Seal	
110	70004328	1	Plug, Indicator	
111	3311605	2	Locknut 3/8in-16NC	
112	3780117	2	O-Ring (860SJ Only) <b>(SN 0300182743 through 0300190436)</b>	
113	3900232	AR	Screw 3/8in-16NC x 1-1/4in	
113	3900316	AR	Screw 3/8 x 1	
114	3900283	4	Screw 3/8in-16NC x 3/4in	
115A	4341264	1	Plate, Valve Mounting (Machines without LSS or with 4 Cell LSS)	
115B	1001208944	1	Plate, Valve Mounting (Machines with 1 Cell LSS)	
116	4641186	1	Valve, Jib (860SJ Only) (See PLATFORM VALVE ASSEMBLY for Breakdown) <b>(SN 0300182743 through 0300190436)</b>	
117	88261024	2	Screw 5/16 x 1	
120	4711500	AR	Flatwasher 5/16in Thin	
121	4711600	6	Flatwasher 3/8in Thin	
122	4751600	4	Flatwasher 3/8in Regular	
125A	1001118473	1	Valve, Level/Rotate (See PLATFORM VALVE ASSEMBLIES for Breakdown) <b>(SN 0300182743 through 0300190436)</b>	
125B	1001154600	1	Valve, Platform (800S/680S) (See PLATFORM VALVE ASSEMBLIES for Breakdown) <b>(SN 0300190437 through 0300263834)</b>	
125B	1001244114	1	Valve, Platform (800S/680S) (See PLATFORM VALVE ASSEMBLIES for Breakdown) <b>(SN 0300263835 to Present)</b>	
125B	1001154600	1	Valve, Platform (800S/680S) (See PLATFORM VALVE ASSEMBLIES for Breakdown) <b>(SN B300001092 through B300003943)</b>	
125B	1001244114	1	Valve, Platform (800S/680S) (See PLATFORM VALVE ASSEMBLIES for Breakdown) <b>(SN B300003944 to Present)</b>	
125C	1001154599	1	Valve, Platform (860SJ) (See PLATFORM VALVE ASSEMBLIES for Breakdown) <b>(SN 0300190437 through 0300263834)</b>	
125C	1001235901	1	Valve, Platform (860SJ) (See PLATFORM VALVE ASSEMBLIES for Breakdown) <b>(SN 0300263835 to Present)</b>	
125C	1001154599	1	Valve, Platform (860SJ) (See PLATFORM VALVE ASSEMBLIES for Breakdown) <b>(SN B300001092 through B300003943)</b>	
125C	1001235901	1	Valve, Platform (860SJ) (See PLATFORM VALVE ASSEMBLIES for Breakdown) <b>(SN B300003944 to Present)</b>	
126	1001141137	1	Harness, Upper Valve (Not Shown - See ELECTRICAL SECTION for Breakdown) <b>(SN 0300182743 through 0300190436)</b>	
126	1001168025	1	Harness, Upper Valve (Not Shown - See ELECTRICAL SECTION for Breakdown) <b>(SN 0300190437 to Present)</b>	
126	1001168025	1	Harness, Upper Valve (Not Shown - See ELECTRICAL	

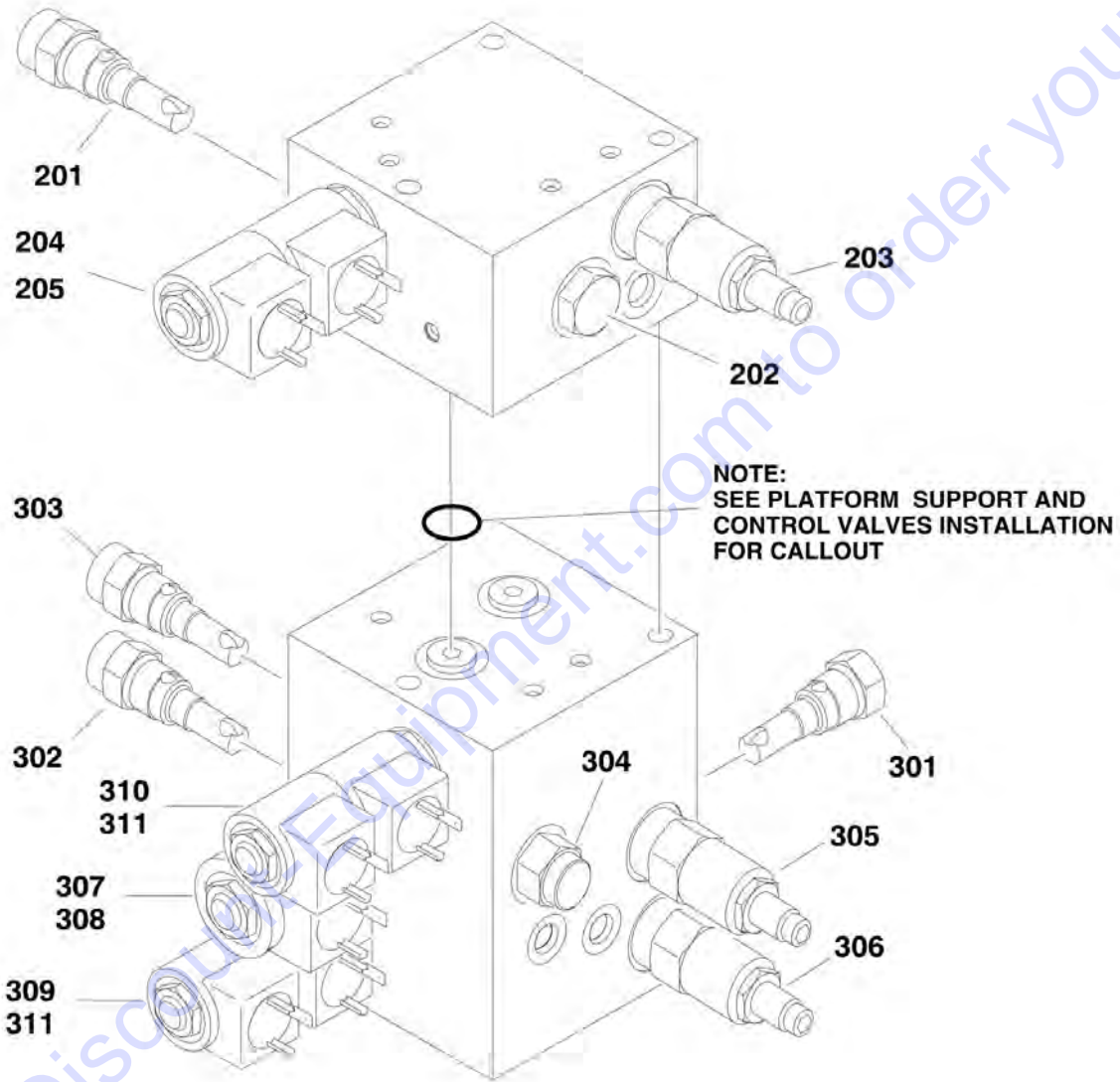
## SECTION 3 - BOOM

ITEM	PART NUMBER	QTY	DESCRIPTION	REV
			SECTION for Breakdown) (SN B300001092 to Present)	
	0273695	Ref	<b>LEVEL SENSOR SWITCH INSTALLATION</b>	D
401	0100011	AR	Compound, Locking	
402	0100035	AR	Compound, Locking	
403	0641406	4	Bolt 1/4in-20NC x 3/4in	
404	0641604	6	Bolt 3/8in-16NC x 1/2in	
405	3930606	4	Capscrew #6-32NC x 3/8in	
406	1671044	2	Cover, Sensor	
407	3200449	2	Mount, Sensor	
408	3440410	2	Rollpin	
409	1001133329	2	Sensor (SN 0300182743 through 0300184647)	
409	1001147479	2	Sensor (SN 0300184648 to Present)	
409	1001147479	2	Sensor (SN B300001092 to Present)	
410	4711600	6	Flatwasher 3/8in Thin	

Go to Discount-Equipment.com to order your parts

## SECTION 3 - BOOM

FIGURE 3-7. PLATFORM VALVE ASSEMBLIES (860SJ ONLY) (SN 0300182743 through 0300190436)



## SECTION 3 - BOOM

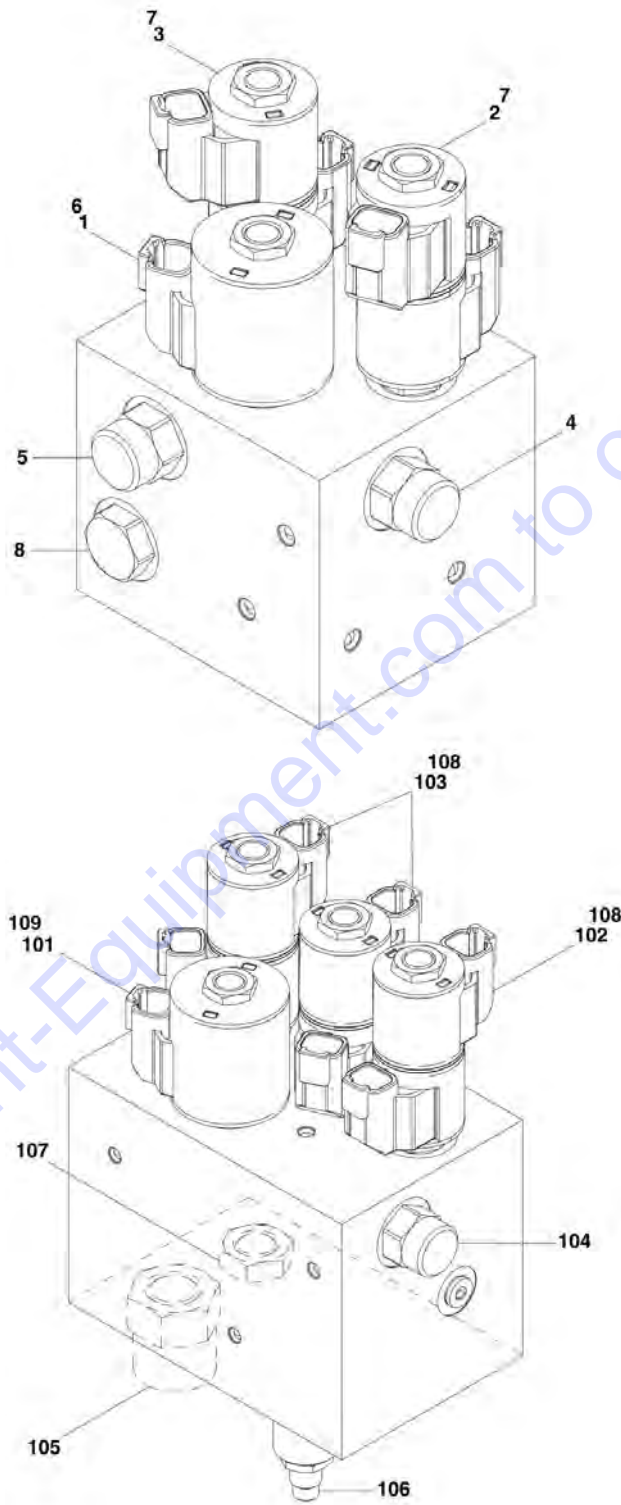
**FIGURE 3-7. PLATFORM VALVE ASSEMBLIES (860SJ ONLY) (SN 0300182743 through 0300190436)**

ITEM	PART NUMBER	QTY	DESCRIPTION	REV
	4641186	Ref	<b>JIB VALVE ASSEMBLY (860SJ ONLY)</b>	C
201	7012965	1	Valve, Cartridge	
201	7012953	1	Seal Kit - 7012965 Valve	
202	7010542	1	Valve, Load Shuttle	
202	7010543	1	Seal Kit - 7010542 Valve	
203	7023915	1	Valve, Relief	
203	7012967	1	Seal Kit - 7023915 Valve	
204	7023922	1	Valve, Solenoid	
204	7017402	1	Seal Kit - 7017452 Valve	
205	7012944	2	Coil	
	1001118473	Ref	<b>LEVEL/ROTATE VALVE ASSEMBLY</b>	C
301	7012955	1	Valve, Check	
301	7012967	1	Seal Kit - 7012955 Valve	
302	7023984	1	Valve, Flow Regulator	
302	7012953	1	Seal Kit - 023984 Valves	
303	7012989	1	Valve, Flow Regulator	
303	7012953	1	Seal Kit - 7012989 Valve	
304	7012965	1	Valve, Flow Regulator	
304	7012953	1	Seal Kit - 7012965 Valves	
305	7023983	1	Valve, Relief (Level Up)	
305	7012967	1	Seal Kit - 7023983 Valve	
306	7023911	1	Valve, Relief (Level Down)	
306	7012967	1	Seal Kit - 7023911 Valve	
307	7017479	1	Valve, Solenoid (Pressure)	
307	7012518	1	Seal Kit - 7017479 Valve	
308	7012943	1	Coil	
309	7023922	1	Valve, Solenoid (Platform Level)	
309	7017402	1	Seal Kit - 7023922 Valve	
310	7017452	1	Valve, Solenoid (Rotator)	
310	7017402	2	Seal Kit - 7017452 Valve	
311	7012944	4	Coil	



## SECTION 3 - BOOM

FIGURE 3-8. PLATFORM VALVE ASSEMBLIES (800S/680S) (SN 0300190437 through 0300263834, SN B300001092 through B300003943)



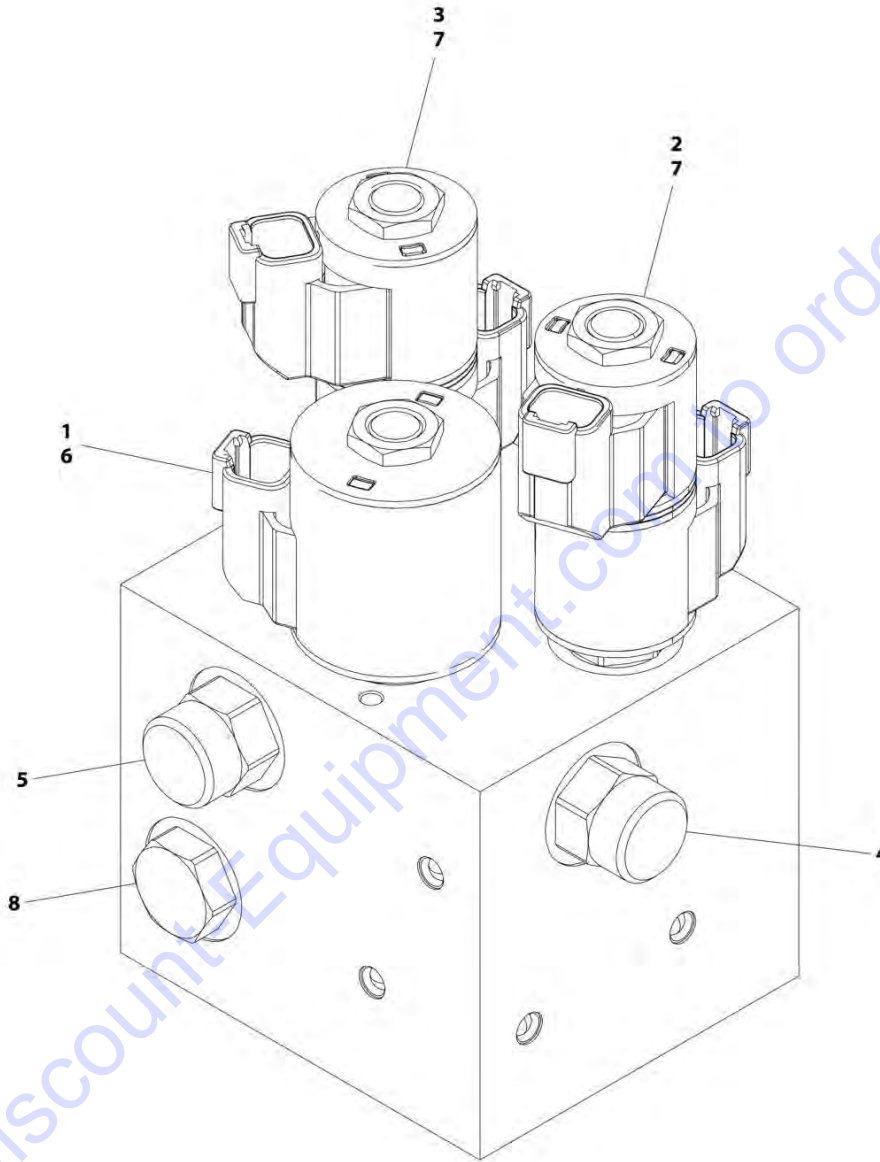
## SECTION 3 - BOOM

**FIGURE 3-8. PLATFORM VALVE ASSEMBLIES (800S/680S) (SN 0300190437 through 0300263834, SN B300001092 through B300003943)**

ITEM	PART NUMBER	QTY	DESCRIPTION	REV
		Ref	<b>PLATFORM VALVE ASSEMBLIES</b>	
	1001154600	Ref	<b>PLATFORM VALVE ASSEMBLY (800S/680S) (SN 0300190437 through 0300263834, SN B300001092 through B300003943)</b>	D
1	7012995	1	Cartridge, Solenoid Valve (Pressure)	
1	7012518	1	Seal Kit - 7012995 Valve	
2	7017452	1	Cartridge, Solenoid Valve (Platform Rotator)	
2	7017402	1	Seal Kit - 7017452 Valve	
3	7023922	1	Cartridge, Solenoid Valve (Platform Level)	
3	7017402	1	Seal Kit - 7023922 Valve	
4	7012989	1	Cartridge, Valve (Flow Regulator)	
4	7012953	1	Seal Kit - 7012989 Valve	
5	7023984	NLA	Cartridge, Valve (use p/n 7017446)	
5	7017446	1	Cartridge, Valve (Flow Regulator)	
5	7012953	1	Seal Kit - 7023984 & 7017446 Valves	
6	70003788	1	Coil	
7	70002386	4	Coil	
8	7012955	1	Cartridge, Valve (Check Valve)	
8	7012967	1	Seal Kit - 7012955 Valve	
9	70004582	1	Orifice (Not Shown - Located on Back at Port T)	
	1001154599	Ref	<b>PLATFORM VALVE ASSEMBLY (860SJ) (SN 0300190437 through 0300263834, SN B300001092 through B300003943)</b>	E
101	7012995	1	Cartridge, Solenoid Valve (Pressure)	
101	7012518	1	Seal Kit - 7012955 Valve	
102	7017452	1	Cartridge, Solenoid Valve (Platform Rotator)	
102	7017402	1	Seal Kit - 7017452 Valve	
103	7023922	2	Cartridge, Solenoid Valve (Platform Jib & Platform Level)	
103	7017402	2	Seal Kit - 7023922 Valve	
104	7012989	1	Cartridge, Valve (Flow Regulator)	
104	7012953	1	Seal Kit - 7012989 Valve	
105	7023984	NLA	Cartridge, Valve (use p/n 7017446)	
105	7017446	1	Cartridge, Valve (Flow Regulator)	
105	7012953	1	Seal Kit - 7023984 Valve	
106	70004578	1	Cartridge, Valve	
106	7011653	1	Seal Kit - 70004578 Valve	
107	7012955	1	Cartridge, Valve (Check Valve)	
107	7012967	1	Seal Kit - 7012955 Valve	
108	70002386	6	Coil	
109	70003788	1	Coil	
110	70004582	1	Orifice (Not Shown - Located on Back at Port T)	

## SECTION 3 - BOOM

FIGURE 3-9. PLATFORM VALVE ASSEMBLY (800S/680S) (SN 0300263835 to Present, SN B300003944 to Present)



ART\_1001244114

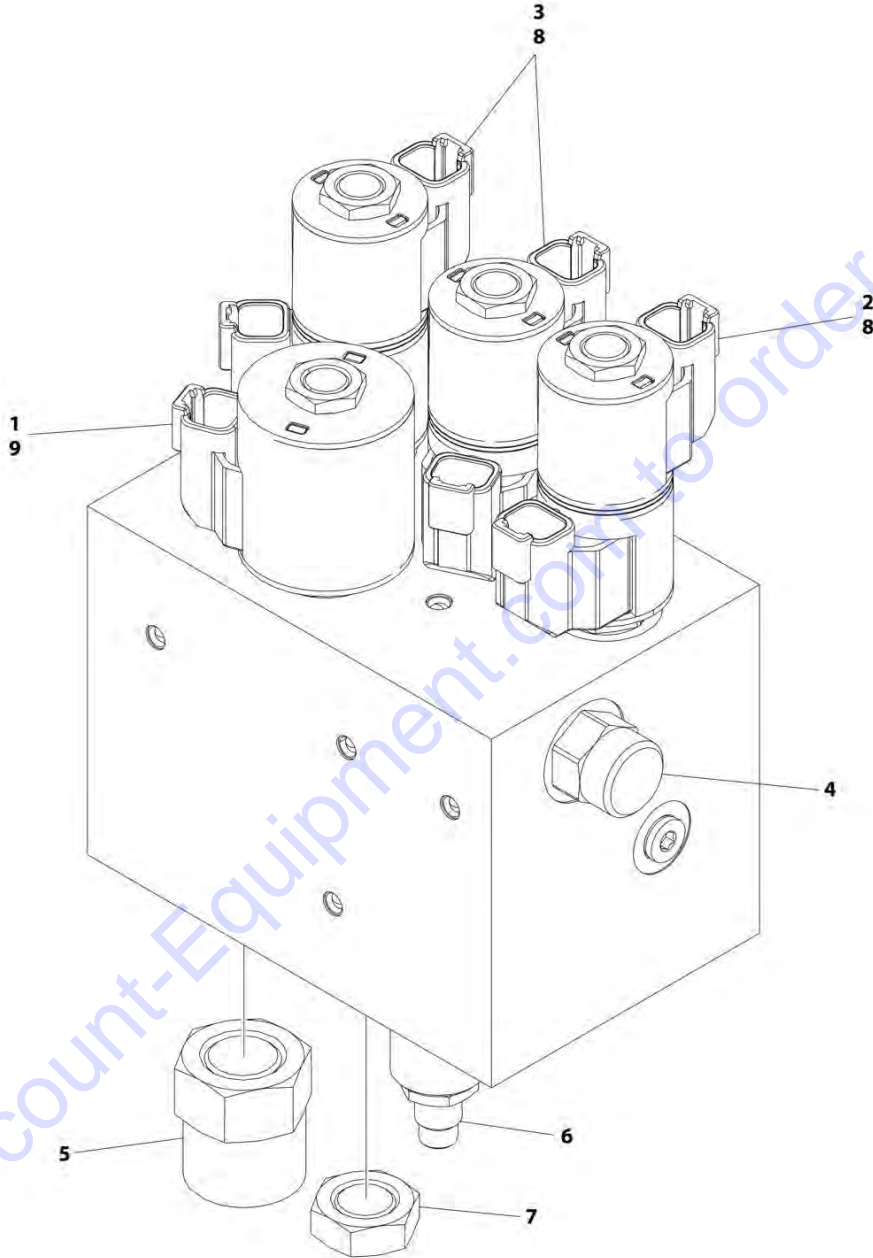
## SECTION 3 - BOOM

**FIGURE 3-9. PLATFORM VALVE ASSEMBLY (800S/680S) (SN 0300263835 to Present, SN B300003944 to Present)**

ITEM	PART NUMBER	QTY	DESCRIPTION	REV
	1001244114	Ref	PLATFORM VALVE ASSEMBLY	A
1	7012995	1	Cartridge, Solenoid Valve (Pressure)	
1	7012518	1	Seal Kit - 7012995 Valve	
2	7017452	1	Cartridge, Solenoid Valve (Platform Rotator)	
2	7017402	1	Seal Kit - 7017452 Valve	
3	7023922	1	Cartridge, Solenoid Valve (Platform Level)	
3	7017402	1	Seal Kit - 7023922 Valve	
4	7012989	1	Cartridge, Valve (Flow Regulator)	
4	7012953	1	Seal Kit - 7012989 Valve	
5	7017446	1	Cartridge, Valve (Flow Regulator)	
5	7012953	1	Seal Kit - 7023984 & 7017446 Valves	
6	70003788	1	Coil	
7	70002386	4	Coil	
8	7012955	1	Cartridge, Valve (Check Valve)	
8	7012967	1	Seal Kit - 7012955 Valve	
9	70004582	1	Orifice (Not Shown - Located on Back at Port T)	

## SECTION 3 - BOOM

FIGURE 3-10. PLATFORM VALVE ASSEMBLY (860SJ) (SN 0300263835 to Present, SN B300003944 to Present)



ART\_1001235901

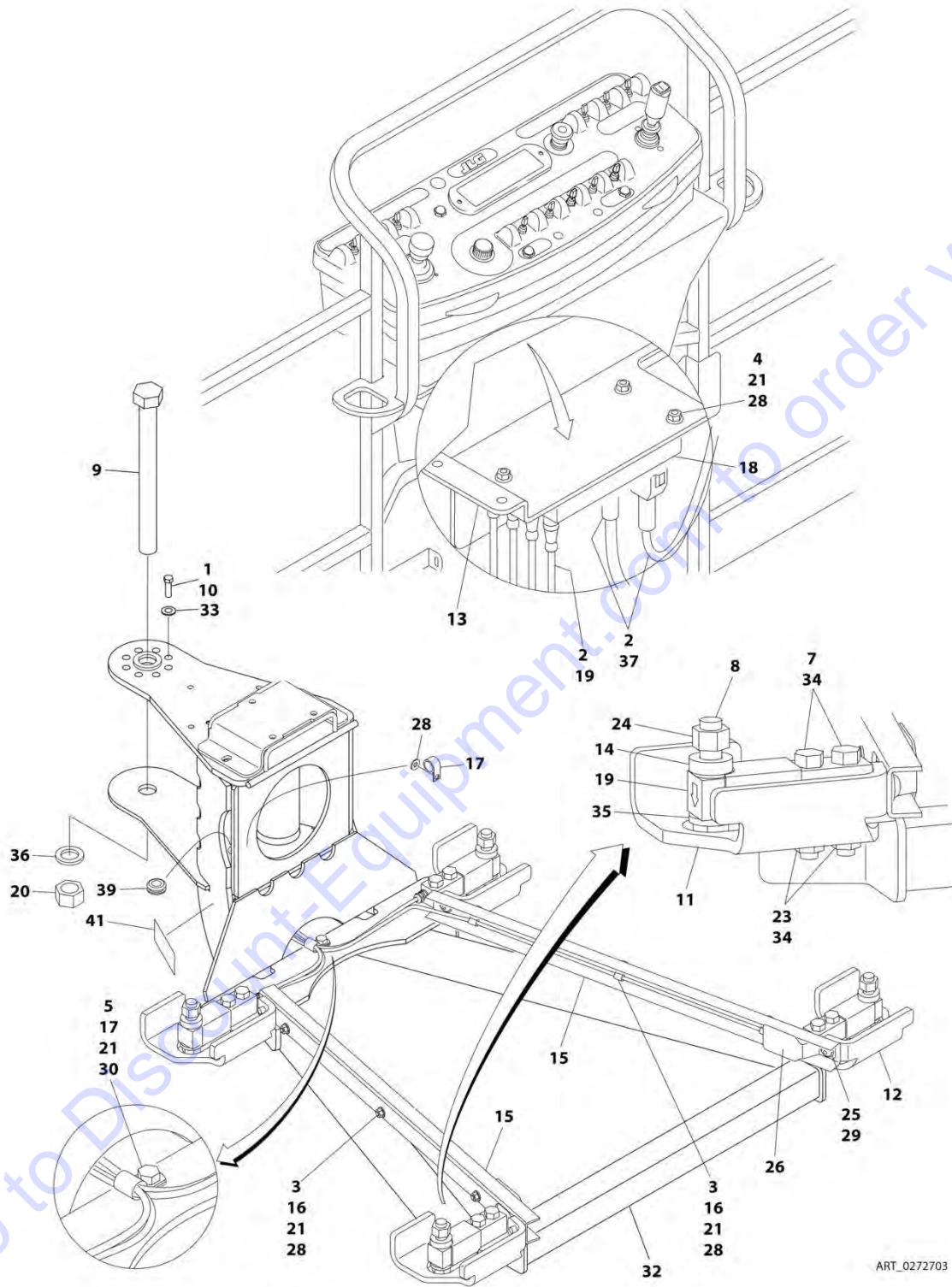
## SECTION 3 - BOOM

**FIGURE 3-10. PLATFORM VALVE ASSEMBLY (860SJ) (SN 0300263835 to Present, SN B300003944 to Present)**

ITEM	PART NUMBER	QTY	DESCRIPTION	REV
	1001235901	Ref	PLATFORM VALVE ASSEMBLY	A
1	7012995	1	Cartridge, Solenoid Valve (Pressure)	
1	7012518	1	Seal Kit - 7012955 Valve	
2	7017452	1	Cartridge, Solenoid Valve (Platform Rotator)	
2	7017402	1	Seal Kit - 7017452 Valve	
3	7023922	2	Cartridge, Solenoid Valve (Platform Jib & Platform Level)	
3	7017402	2	Seal Kit - 7023922 Valve	
4	7012989	1	Cartridge, Valve (Flow Regulator)	
4	7012953	1	Seal Kit - 7012989 Valve	
5	7023984	NLA	Cartridge, Valve (use p/n 7017446)	
5	7017446	1	Cartridge, Valve (Flow Regulator)	
5	7012953	1	Seal Kit - 7023984 Valve	
6	70004578	1	Cartridge, Valve	
6	7011653	1	Seal Kit - 70004578 Valve	
7	7012955	1	Cartridge, Valve (Check Valve)	
7	7012967	1	Seal Kit - 7012955 Valve	
8	70002386	6	Coil	
9	70003788	1	Coil	
10	70004582	1	Orifice (Not Shown - Located on Back at Port T)	

# SECTION 3 - BOOM

## FIGURE 3-11. PLATFORM SUPPORT INSTALLATION - WITH 4 CELL LSS



## SECTION 3 - BOOM

**FIGURE 3-11. PLATFORM SUPPORT INSTALLATION - WITH 4 CELL LSS**

ITEM	PART NUMBER	QTY	DESCRIPTION	REV
	0272703	Ref	<b>PLATFORM SUPPORT INSTALLATION - WITH 4 CELL LSS (800S/860SJ)</b>	Q
	0275574	Ref	<b>PLATFORM SUPPORT INSTALLATION - WITH 4 CELL LSS (680S)</b>	F
1	0100011	AR	Compound, Locking	
2	0100048	AR	Grease, Dielectric	
3	0641405	AR	Bolt 1/4 x 5/8	
4	0641416	3	Bolt 1/4 x 2	
5	0641407	AR	Bolt 1/4 x 7/8	
5	3941406	AR	Screw 1/4 x 3/4	
7	0641822	AR	Bolt 1/2 x 2-3/4	
7	0641820	AR	Bolt 1/2 x 2-1/2	
8	0642024	4	Bolt 5/8 x 3	
9	0642684	1	Bolt 1 x 10-1/2	
10	0681608	8	Bolt 3/8 x 1 Grade 8	
11	0902919	2	Bracket, Cell Guard (800S/860SJ) (LH)	
11	3576903	1	Bracket, Cell Guard (680S) (LH Front)	
11	3576931	1	Bracket, Cell Guard (680S) (LH Rear)	
12	0902920	2	Bracket, Cell Guard (800S/860SJ) (RH)	
12	3576904	1	Bracket, Cell Guard (680S) (RH Front)	
12	3577017	1	Bracket, Cell Guard (680S) (RH Rear)	
13	1001113483	1	Bracket, Module Mount	
14	0962450	4	Bushing, Spacer	
15	1271538	2	Channel (800S/800SJ)	
15	1271651	2	Channel (680S)	
16	1320136	AR	Clamp	
17	1320224	AR	Clamp	
18	1600387	1	Module, Control - LSS (Note: Recalibration Required When Replaced)	
19	2420202	4	Cell, Load (Includes Cable)	
20	3272605	1	Nut 1 Grade 8	
20	3300243	1	Nut 1 Grade 8	
21	3311405	AR	Nut 1/4	
23	3311805	8	Nut 1/2	
24	3312005	4	Nut 5/8	
25	3900283	4	Screw 3/8 x 3/4	
26	4061054	2	Shield	
27	4240033	AR	Tie-Strap (Not Shown)	
28	4711400	10	Washer 1/4	
29	4711600	4	Washer 3/8	
30	4751400	1	Washer 1/4	
32	4846573	1	Support, Platform (800S/860SJ)	
32	4341327	1	Support, Platform (680S)	
33	4891600	8	Washer 3/8	
34	4891800	8	Washer 1/2	
35	4892000	4	Washer 5/8	
36	4892600	1	Washer 1	
37	4922869	1	LSS Harness	
37	4922705	1	Analyzer Harness (Not Shown)	
37	4460761	1	Receptacle, Female - 4 Position (Not Shown)	



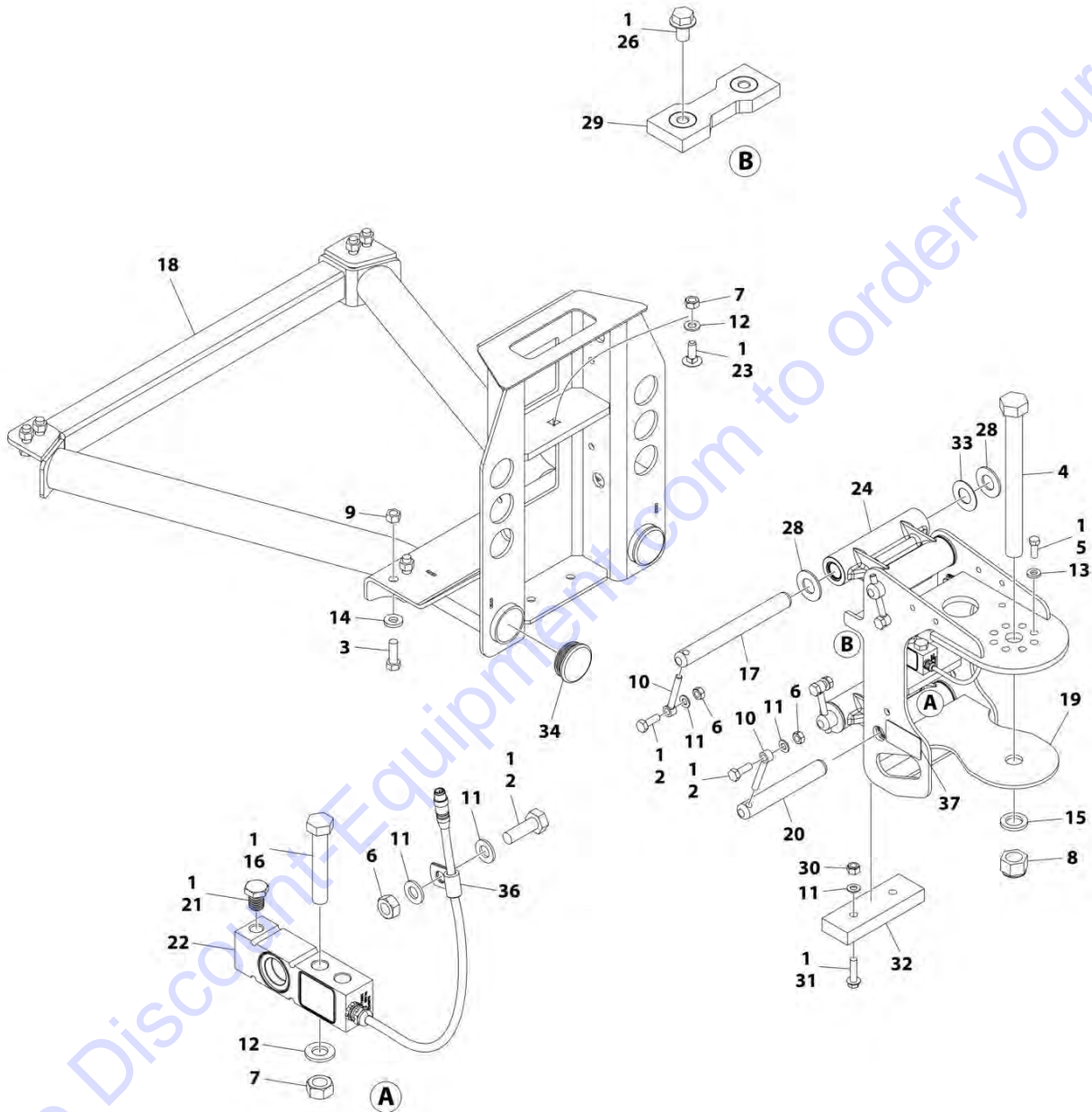
## SECTION 3 - BOOM

ITEM	PART NUMBER	QTY	DESCRIPTION	REV
37	4460226	1	Socket, Female	
37	4460836	1	Connector - 12 Position (Black) (J2)	
37	4460465	1	Socket, Female	
37	4460466	1	Plug, Terminal	
37	0840055	1	Boot	
37	4460933	1	Connector - 12 Position (Grey) (J1)	
37	4460465	1	Socket, Female	
37	4460466	1	Plug, Terminal	
37	0840055	1	Boot	
38	1061020	2	Cable, Extension (Not Shown) (680S)	
39	2540038	1	Grommet	
40	2920129	1	Bulb, Light (Not Shown - Located on Ground Control Box)	
41	1001216630	2	Decal - Tie Down/No Lift	



# SECTION 3 - BOOM

## FIGURE 3-12. PLATFORM SUPPORT INSTALLATION - WITH 1 CELL LSS



ART\_1001167596

## SECTION 3 - BOOM

**FIGURE 3-12. PLATFORM SUPPORT INSTALLATION - WITH 1 CELL LSS**

ITEM	PART NUMBER	QTY	DESCRIPTION	REV
	1001167596	Ref	PLATFORM SUPPORT INSTALLATION - WITH 1 CELL LSS	J
1	0100011	AR	Compound, Locking	
2	0761014	5	Bolt M10 x 30	
3	0641812	8	Bolt 1/2 x 1-1/2	
3	0761216	8	Bolt M12 x 40	
4	0642684	1	Bolt 1 x 10-1/2	
5	0681608	8	Bolt 3/8 x 1	
6	3291001	5	Nut M10	
7	3291201	3	Nut M12	
8	3300243	1	Nut 1	
9	3311805	8	Nut 1/2	
9	3291205	8	Nut M12	
10	3841143	4	Keeper, Pin	
11	4812000	8	Washer M10	
12	4812100	3	Washer M12	
13	4891600	8	Washer 3/8	
14	4891800	8	Washer 1/2	
14	5241200	8	Washer M12	
15	4892600	1	Washer 1	
16	1001098828	2	Bolt M12 x 70 Grade 10.9	
17	1001167565	2	Pin	
18	1001200494	1	Support, Platform	
19	1001167567	1	Support, Rotator	
20	1001168402	2	Pin	
21	1001188622	1	Screw	
22	1001172663	1	Gauge, Load Sensing	
23	1001188844	1	Bolt M12 x 35	
24	1001201351	2	Link, LSS Assembly	
26	5251008	2	Bolt M10 x 16	
28	1001189002	8	Bearing	
29	1001190985	1	Pad, Wear	
30	3291005	2	Nut M10	
31	5251016	2	Bolt M10 x 40	
32	1001200491	1	Pad, Wear	
33	1001189001	4	Bearing	
34	1001204725	2	Plug	
36	91203039	1	Clamp	
37	1001216630	2	Decal - Tie Down/No Lift	

# SECTION 3 - BOOM

## FIGURE 3-13. BOOM CABLE CLAMPS INSTALLATIONS

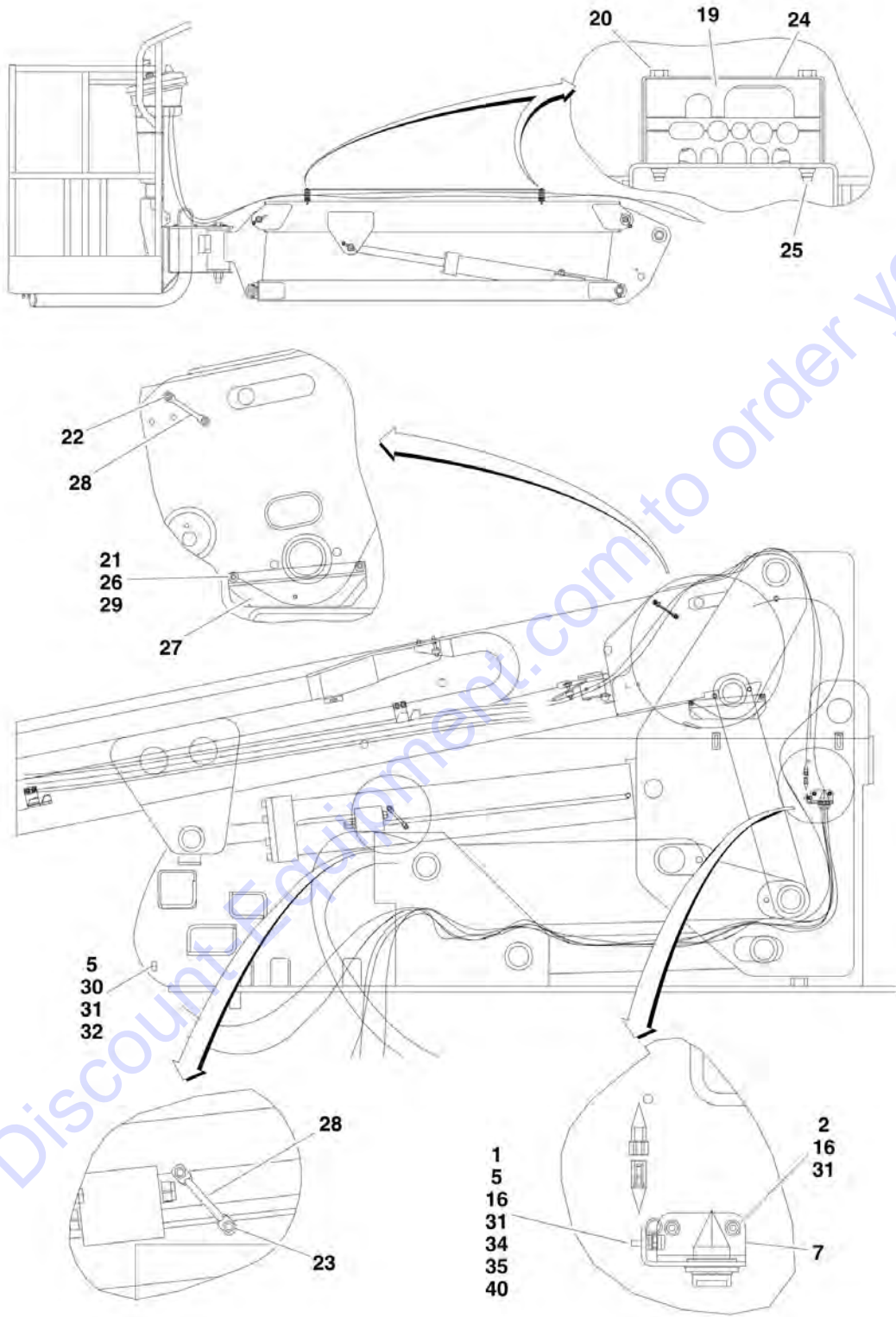


FIGURE 3-13. BOOM CABLE CLAMPS INSTALLATIONS

ITEM	PART NUMBER	QTY	DESCRIPTION	REV
		Ref	<b>BOOM CABLE CLAMPS INSTALLATION</b>	
		Ref	<b>Boom Cable Clamps Installation 800S</b>	
	0271322	Ref	<b>All Specs except Australian and CE Specs</b>	I
	0271323	Ref	<b>Australian and CE Specs Only</b>	I
	1001243557	Ref	<b>China Specs without AC Cables</b>	A
	0271323	Ref	<b>All Machines with 4000W/50Hz Generators</b>	I
	1001153324	Ref	<b>All Machines with 4000W/60Hz Generators</b>	A
	0272388	Ref	<b>All Specs except Australian and CE Specs with 7500W Generator and without Arctic Package</b>	I
	1001117399	Ref	<b>Australian and CE Specs Only with 7500W Generator and without Arctic Package</b>	D
	1001091609	Ref	<b>All Specs except Australian, CE and Japanese Specs without 7500W Generator and with Arctic Package</b>	C
	1001091664	Ref	<b>All Specs except Australian, CE and Japanese Specs with 7500W Generator and Arctic Package</b>	G
		Ref	<b>Boom Cable Clamps Installation 860SJ</b>	
	0271324	Ref	<b>All Specs except Australian and CE Specs</b>	I
	0271325	Ref	<b>Australian and CE Specs Only</b>	K
	1001243558	Ref	<b>China Specs without AC Cables</b>	A
	0271325	Ref	<b>All Machines with 4000W/50Hz Generators</b>	K
	1001153325	Ref	<b>All Machines with 4000W/60Hz Generators</b>	A
	0272389	Ref	<b>All Specs except Australian and CE Specs with 7500W Generator and without Arctic Package</b>	H
	1001117400	Ref	<b>Australian and CE Specs Only with 7500W Generator and without Arctic Package</b>	D
	0275586	Ref	<b>All Specs except Australian, CE and Japanese Specs without 7500W Generator and with Arctic Package</b>	B
	1001091665	Ref	<b>All Specs except Australian, CE and Japanese Specs with 7500W Generator and with Arctic Package</b>	G
1	0641408	1	Bolt 1/4in-20NC x 1in	
2	0641412	2	Bolt 1/4in-20NC x 1-1/2in	
5		Ref	Clamp Options:	
5	1320223	2	Machines without 4000W or 7500W Generator	
5	Not Required	0	Machines with 4000W or 7500W Generator	
7	3573047	1	Plate, Terminal Mounting	
16	4711400	5	Flatwasher 1/4in Thin	
19		Ref	Block, Clamp (860SJ Only) Options:	
19	0561484	2	0271324, 0271325, 0272389, 1001117400 & 1001153325 Installations	
19	1001091472	2	0275586 & 1001091665 Installations	
20	0641424	4	Bolt 1/4in-20NC x 3in (860SJ Only)	
21	0641511	2	Bolt 5/16in-18NC x 1-3/8in	
22	0641604	2	Bolt 3/8in-16NC x 1/2in	
23	0641607	2	Bolt 3/8in-16NC x 7/8in	
24	1671034	1	Cover, Jib (860SJ Only)	
25	2080044	4	Rivnut (860SJ Only)	
26	3311505	2	Locknut 5/16in-18NC	
27	3573296	1	Plate, Hose Cover	
28	3841340	2	Loop, Hose	
29	4751500	4	Flatwasher 5/16in Regular	
30		Ref	Bolt 1/4in-20NC x 1-1/4in Options:	
30	0641410	1	Machines without 4000W or 7500W Generator	

## SECTION 3 - BOOM

ITEM	PART NUMBER	QTY	DESCRIPTION	REV
30	Not Required	0	Machines with 4000W or 7500W Generator	
31	3311405	AR	Locknut 1/4in-20NC	
32		Ref	Flatwasher 1/4in Regular Options:	
32	4751400	1	Machines without 4000W or 7500W Generator	
32	Not Required	0	Machines with 4000W or 7500W Generator	
34	1320061	1	Clamp	
35	1320041	1	Clamp (Machines with 4000W or 7500W Generator Only)	
35	1320202	1	Clamp (Machines with 4000W or 7500W Generator Only)	
40	4751400	1	Washer 1/4	

Go to Discount-Equipment.com to order your parts

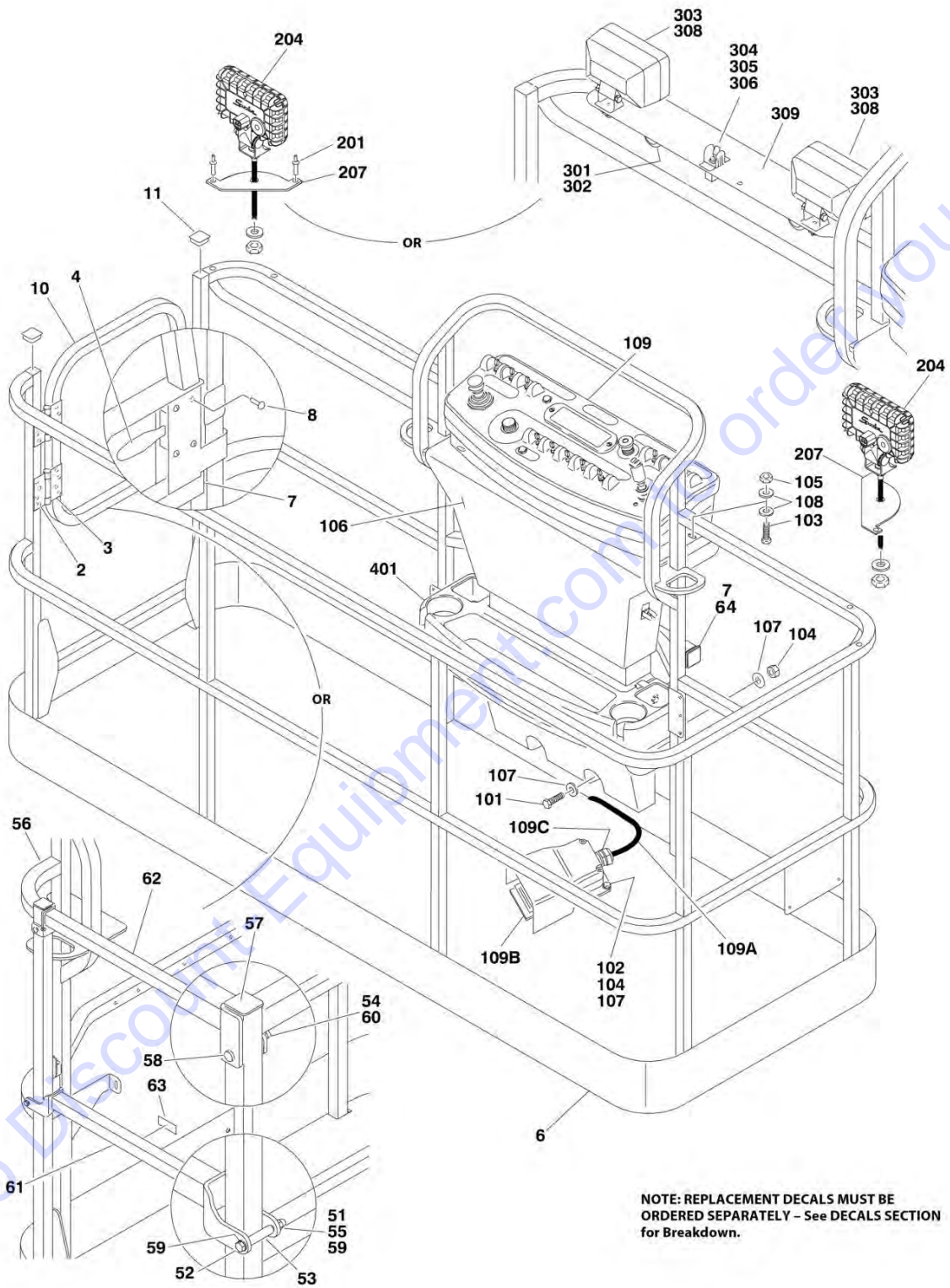
**SECTION 4 - PLATFORM**

Go to Discount-Equipment.com to order your parts



# SECTION 4 - PLATFORM

## FIGURE 4-1. PLATFORM COMPONENTS INSTALLATION



NOTE: REPLACEMENT DECALS MUST BE ORDERED SEPARATELY - See DECALS SECTION for Breakdown.

## SECTION 4 - PLATFORM

**FIGURE 4-1. PLATFORM COMPONENTS INSTALLATION**

ITEM	PART NUMBER	QTY	DESCRIPTION	REV
		Ref	<b>PLATFORM ASSEMBLY WITH GATE</b>	
		Ref	<b>USA Built Machines:</b>	
	1001144027	Ref	Platform 30in x 4ft (76cm x 1.22m) (SN 0300182743 through 0300201002)	D
	1001186387	Ref	Platform 30in x 4ft (76cm x 1.22m) (SN 0300201003 to Present)	C
	1001144026	Ref	Platform 30in x 5ft (76cm x 1.52m) (SN 0300182743 through 0300201002)	D
	1001186386	Ref	Platform 30in x 5ft (76cm x 1.52m) (SN 0300201003 to Present)	C
	1001144024	Ref	Platform 36in x 6ft (91.5cm x 1.83m) (SN 0300182743 through 0300201002)	D
	1001186384	Ref	Platform 36in x 6ft (91.5cm x 1.83m) (SN 0300201003 to Present)	C
	1001228376	Ref	Platform 36in x 6ft (91.5cm x 1.83m) with Tri-Entry (1 Gate/2 Drop Bars)	C
	1001144023	Ref	Platform 36in x 8ft (91.5cm x 2.44m) (SN 0300182743 through 0300201002)	D
	1001186383	Ref	Platform 36in x 8ft (91.5cm x 2.44m) (SN 0300201003 to Present)	D
	1001228243	Ref	Platform 36in x 8ft (91.5cm x 2.44m) with Tri-Entry (1 Gate/2 Drop Bars)	A
		Ref	<b>China Built Machines:</b>	
	1001144027	Ref	Platform 30in x 4ft (76cm x 1.22m) (SN B300001092 through B300001179)	D
	1001186387	Ref	Platform 30in x 4ft (76cm x 1.22m) (SN B300001180 to Present)	C
	1001144026	Ref	Platform 30in x 5ft (76cm x 1.52m) (SN B300001092 through B300001179)	D
	1001186386	Ref	Platform 30in x 5ft (76cm x 1.52m) (SN B300001180 to Present)	C
	1001144024	Ref	Platform 36in x 6ft (91.5cm x 1.83m) (SN B300001092 through B300001179)	D
	1001186384	Ref	Platform 36in x 6ft (91.5cm x 1.83m) (SN B300001180 to Present)	C
	1001228376	Ref	Platform 36in x 6ft (91.5cm x 1.83m) with Tri-Entry (1 Gate/2 Drop Bars)	C
	1001144023	Ref	Platform 36in x 8ft (91.5cm x 2.44m) (SN B300001092 through B300001179)	D
	1001186383	Ref	Platform 36in x 8ft (91.5cm x 2.44m) (SN B300001180 to Present)	D
	1001228243	Ref	Platform 36in x 8ft (91.5cm x 2.44m) with Tri-Entry (1 Gate/2 Drop Bars)	A
	1001186335	Ref	Platform 48in x 160in (1.22cm x 4cm) (680S Only)	C
		Ref	<b>Note: Original Equipment platform may have been replaced with Service Replacement platform. Identify platform before ordering parts.</b>	
		Ref	<b>Note: For Platforms with Mesh to the Top Rail, customer must order Platforms and Mesh separately. See SPECIAL OPTIONS SECTION for Mesh Installations.</b>	
		Ref	<b>Note: Replacement Decals Must Be Ordered Separately - See DECALS SECTION.</b>	
		Ref	<b>Note: When Replacing 8ft/2.44m platform with Soft Touch option, new Soft Touch Rail p/n 4846673 must be purchased to accommodate limit switch locations.</b>	

## SECTION 4 - PLATFORM

ITEM	PART NUMBER	QTY	DESCRIPTION	REV
		Ref	<b>Note: When replacing platform on machines with SkyCutter option, new bracket p/n 1001145405 must be purchased to accomodate SkyCutter components.</b>	
2	2080040	16	Fastener, Huck	
3	2600281	2	Hinge, Self-Closing	
4	2940074	1	Latch	
6	See Note	NSS	Platform (Note: Purchase Complete Platform Assembly.)	
7	3520072	3	Cap, Plug	
8	3820020	4	Rivet	
10	1001144629	1	Gate	
11	3520198	2	Cap-Plug	
		Ref	<b>PLATFORM ASSEMBLY WITH DROP-BAR</b>	
		Ref	<b>USA Built Machines:</b>	
	1001144018	Ref	<b>Platform 30in x 4ft (76cm x 1.22m) (SN 0300182743 through 0300201002)</b>	D
	1001186375	Ref	<b>Platform 30in x 4ft (76cm x 1.22m) (SN 0300201003 to Present)</b>	B
	1001144019	Ref	<b>Platform 30in x 5ft (76cm x 1.52m) (SN 0300182743 through 0300201002)</b>	D
	1001186377	Ref	<b>Platform 30in x 5ft (76cm x 1.52m) (SN 0300201003 to Present)</b>	C
	1001144021	Ref	<b>Platform 36in x 6ft (91.5cm x 1.83m) (SN 0300182743 through 0300201002)</b>	D
	1001186379	Ref	<b>Platform 36in x 6ft (91.5cm x 1.83m) (SN 0300201003 to Present)</b>	B
	1001228377	Ref	<b>Platform 36in x 6ft (91.5cm x 1.83m) with Tri-Entry (3 Drop Bars)</b>	B
	1001128598	Ref	<b>Platform 36in x 6ft (91.5cm x 1.83m) (Machines with Shipyard Package) (Not Shown) (SN 0300182743 through 0300201002)</b>	D
	1001186374	Ref	<b>Platform 36in x 6ft (91.5cm x 1.83m) (Machines with Shipyard Package) (Not Shown) (SN 0300201003 to Present)</b>	A
	1001128479	Ref	<b>Platform 36in x 6ft (91.5cm x 1.83m) (Machines with Shipyard Package with Platform Bumpers) (Not Shown) (SN 0300182743 through 0300201002)</b>	D
	1001186371	Ref	<b>Platform 36in x 6ft (91.5cm x 1.83m) (Machines with Shipyard Package with Platform Bumpers) (Not Shown) (SN 0300201003 to Present)</b>	A
	1001144022	Ref	<b>Platform 36in x 8ft (91.5cm x 2.44m) (SN 0300182743 through 0300201002)</b>	D
	1001186382	Ref	<b>Platform 36in x 8ft (91.5cm x 2.44m) (SN 0300201003 to Present)</b>	B
	1001228375	Ref	<b>Platform 36in x 8ft (91.5cm x 2.44m) with Tri-Entry (3 Drop Bars)</b>	A
		Ref	<b>China Built Machines:</b>	
	1001144018	Ref	<b>Platform 30in x 4ft (76cm x 1.22m) (SN B300001092 through B300001179)</b>	D
	1001186375	Ref	<b>Platform 30in x 4ft (76cm x 1.22m) (SN B300001180 to Present)</b>	B
	1001144019	Ref	<b>Platform 30in x 5ft (76cm x 1.52m) (SN B300001092 through B300001179)</b>	D
	1001186377	Ref	<b>Platform 30in x 5ft (76cm x 1.52m) (SN B300001180 to Present)</b>	C
	1001144021	Ref	<b>Platform 36in x 6ft (91.5cm x 1.83m) (SN B300001092 through B300001179)</b>	D
	1001186379	Ref	<b>Platform 36in x 6ft (91.5cm x 1.83m) (SN B300001180 to Present)</b>	B
	1001228377	Ref	<b>Platform 36in x 6ft (91.5cm x 1.83m) with Tri-Entry (3 Drop</b>	B

## SECTION 4 - PLATFORM

ITEM	PART NUMBER	QTY	DESCRIPTION	REV
			<b>Bars)</b>	
	1001128598	Ref	<b>Platform 36in x 6ft (91.5cm x 1.83m) (Machines with Shipyard Package) (Not Shown) (SN B300001092 through B300001179)</b>	D
	1001186374	Ref	<b>Platform 36in x 6ft (91.5cm x 1.83m) (Machines with Shipyard Package) (Not Shown) (SN B300001180 to Present)</b>	A
	1001128479	Ref	<b>Platform 36in x 6ft (91.5cm x 1.83m) (Machines with Shipyard Package with Platform Bumpers) (Not Shown) (SN B300001092 through B300001179)</b>	D
	1001186371	Ref	<b>Platform 36in x 6ft (91.5cm x 1.83m) (Machines with Shipyard Package with Platform Bumpers) (Not Shown) (SN B300001180 to Present)</b>	A
	1001144022	Ref	<b>Platform 36in x 8ft (91.5cm x 2.44m) (SN B300001092 through B300001179)</b>	D
	1001186382	Ref	<b>Platform 36in x 8ft (91.5cm x 2.44m) (SN B300001180 to Present)</b>	B
	1001228375	Ref	<b>Platform 36in x 8ft (91.5cm x 2.44m) with Tri-Entry (3 Drop Bars)</b>	A
		Ref	<b>Note: Original Equipment platform may have been replaced with Service Replacement platform. Identify platform before ordering parts.</b>	
		Ref	<b>Note: Replacement Decals Must Be Ordered Separately - See DECALS SECTION.</b>	
		Ref	<b>Note: When replacing 8ft/2.44m platform with Soft Touch option, new Soft Touch Rail p/n 4846673 must be purchased to accomodate limit switch locations.</b>	
		Ref	<b>Note: When Replacing platform on machines with SkyCutter option, new bracket p/n 1001145405 must be purchased to accomodate SkyCutter components.</b>	
51	0100011	AR	Compound, Locking	
52	0641418	AR	Bolt 1/4 x 2-1/4	
52	0641420	AR	Bolt 1/4 x 2-1/2	
53	0961845	AR	Bushing	
54	3290606	2	Nut M6	
55	3300151	AR	Nut, Acorn	
56	See Note	NSS	Platform (Note: Purchase Platform Assembly.)	
57	3520198	2	Cap-Plug	
58	4010618	2	Screw M6 x 50mm	
59	4711400	AR	Flatwasher 1/4in Thin	
60	4811700	2	Flatwasher M6	
61		Ref	Bar, Drop Options:	
61	1001138494	AR	Drop Bar (Machines without Shipyard Package)	
61	1001111346	1	Drop Bar (Machines with Shipyard Package) (Not Shown)	
62	1001138514	1	Rail (Top)	
63	1001140429	AR	Decal - Drop-Bar	
64	3520072	2	Cap, Plug	
		Ref	<b>CONSOLE BOX INSTALLATION</b>	
		Ref	<b>USA Built Machines:</b>	
	1001114897	Ref	<b>Console Box Installation (Without SkyGuard)</b>	E
	1001190019	Ref	<b>Console Box Installation (With SkyGuard/without LSS or with 4 Cell LSS)</b>	C
	1001221704	NLA	<b>Console Box Installation (Use p/n 1001241720) (With SkyGuard/with 1 Cell LSS)</b>	B
	1001241720	Ref	<b>Console Box Installation (With SkyGuard Bar/with 1 Cell LSS)</b>	A
		Ref	<b>China Built Machines:</b>	

## SECTION 4 - PLATFORM

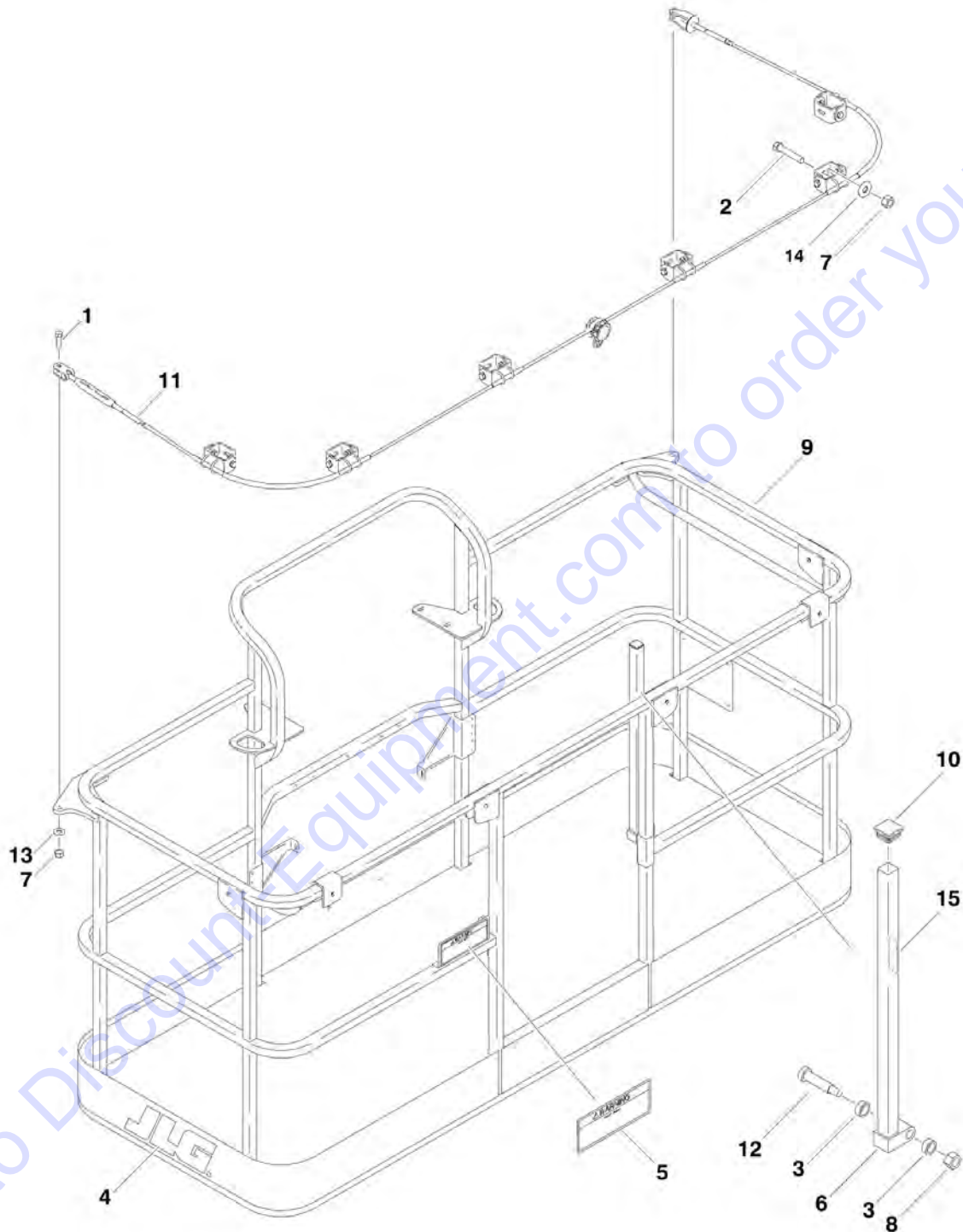
ITEM	PART NUMBER	QTY	DESCRIPTION	REV
	1001114897	Ref	<b>Console Box Installation (Without SkyGuard)</b>	D
	1001190019	Ref	<b>Console Box Installation (With SkyGuard/without LSS or with 4 Cell LSS)</b>	C
	1001221704	NLA	<b>Console Box Installation (Use p/n 1001241720) (With SkyGuard/with 1 Cell LSS)</b>	B
	1001241720	Ref	<b>Console Box Installation (With SkyGuard Bar/with 1 Cell LSS)</b>	A
101	0641406	4	Bolt 1/4in-20NC x 3/4in	
102	0641408	3	Bolt 1/4in-20NC x 1in	
103	0641610	4	Bolt 3/8in-16NC x 1-1/4in	
104	3311405	7	Locknut 1/4in-20NC	
105	3311605	4	Locknut 3/8in-16NC	
106	3380434	1	Panel, Decal Mount	
107	4740362	7	Flatwasher 1/4in Fender	
108	4751600	8	Flatwasher 3/8in Regular	
109		Ref	Platform Console Assembly Options (See PLATFORM CONSOLE ASSEMBLY for Breakdown):	
109		Ref	USA Built Machines without LSS or with 4 Cell LSS	
109	1001141140	1	Platform Console Assembly (Without SkyGuard) <b>(SN 0300182743 through 0300188906)</b>	
109	1001166675	1	Platform Console Assembly (Without SkyGuard) <b>(SN 0300188907 through 0300219490)</b>	
109	1001202571	1	Platform Console Assembly (Without SkyGuard) <b>(SN 0300219941 to Present)</b>	
109	1001190018	1	Platform Console Box Assembly (With SkyGuard) <b>(SN 0300201003 through 0300219490)</b>	
109	1001204511	1	Platform Console Assembly (With SkyGuard) <b>(SN 0300219491 to Present)</b>	
109		Ref	China Built Machines without LSS or with 4 Cell LSS	
109	1001166675	1	Platform Console Box (Without SkyGuard) <b>(SN B300001092 through B300001598)</b>	
109	1001202571	1	Platform Console Box (Without SkyGuard) <b>(SN B300001599 to Present)</b>	
109	1001190018	1	Platform Console Box (With SkyGuard) <b>(SN B300001181 through B300001598)</b>	
109	1001204511	1	Platform Console Box (With SkyGuard) <b>(SN B300001599 to Present)</b>	
		Ref	All Machines with 1 Cell LSS	
	1001221719	NLA	Platform Console Box (With SkyGuard) (Use p/n 1001241716) <b>(SN 0300227324 through 0300255782)</b>	
	1001241716	Ref	Platform Console Box (With SkyGuard Bar) <b>(SN 0300255783 to Present)</b>	
	1001221719	NLA	Platform Console Box (With SkyGuard) (Use p/n 1001241716) <b>(SN B300002206 through B300004484)</b>	
	1001241716	Ref	Platform Console Box (With SkyGuard Bar) <b>(SN B300004485 to Present)</b>	
109	1001117174	1	Footswitch Assembly	
109A	1060918	7 ft/2.14m	Cable, Electrical - 18/3	
109B	1001117172	1	Footswitch	
109B	70002902	1	Block, Contact	
109B	70002903	1	Gasket	
109B	70002905	1	Cover	
109B	70002904	1	Bolt Replacement Kit	
109C	4460071	1	Connector, Strain Relief	
		Ref	<b>WORKLIGHTS INSTALLATIONS (OPTIONAL)</b>	

## SECTION 4 - PLATFORM

ITEM	PART NUMBER	QTY	DESCRIPTION	REV
	0273472	Ref	<b>Worklights Installations 800S</b>	E
	0273483	Ref	<b>Worklights Installations 860SJ</b>	E
	1001128153	Ref	<b>Worklights Installations 860SJ (Worklights/Double Qty Listed for 4 Corner Worklight)</b>	B
201	2080040	AR	Huck Fastener	
204	2920140	NLA	Worklight (Use p/n 1001222838) <b>(SN 0300182743 through 0300258641, SN B300001092 through B300003937)</b>	
204	7016399	2	Bulb, Replacement (1 Per Worklight)	
204	1001232838	1	Worklight w/Switch Kit <b>(SN 0300258642 to Present, SN B300003938 to Present)</b>	
204	1001232586	1	Worklight w/Switch	
204	1001232799	1	Harness, Light	
207	3536089	2	Plate, Mounting	
213	4460426	1	Connector, Strain Relief (Not Shown - Located at Console Box)	
217		Ref	Hardware Options (Not Shown):	
217	2820035	9 ft/2.74m	Loom, Vinly (2 Worklights)	
217	2820020	1 ft/0.30m	Shrink, Heat (4 Worklights)	
218	4240099	10	Tie-Strap (Not Shown)	
	0272058	Ref	<b>FLOODLIGHTS INSTALLATION</b>	B
301	0641518	2	Bolt 5/16in-18NC x 2-1/4in	
302	2560173	2	Handle, Star Knob	
303	2920157	2	Floodlight	
303	7024452	2	Bulb, Replacement (1 Per Light)	
304	3250585	1	Nameplate - Lights On	
305	4060802	1	Guard, Switch	
306	4360336	1	Switch, Toggle	
307	4420037	AR	Tape, Insulation (Not Shown)	
308	4751800	2	Flatwasher 1/2in Regular	
309	4846561	1	Mount, Light	
		Ref	<b>TRAY INSTALLATIONS (OPTIONAL)</b>	
401	1580012	1	Tray, Storage (Center)	
402	1580013	1	Tray, Storage (Rail Mounted - Not Shown)	

# SECTION 4 - PLATFORM

FIGURE 4-2. PLATFORM COMPONENTS INSTALLATION (FALL ARREST PLATFORM)



## SECTION 4 - PLATFORM

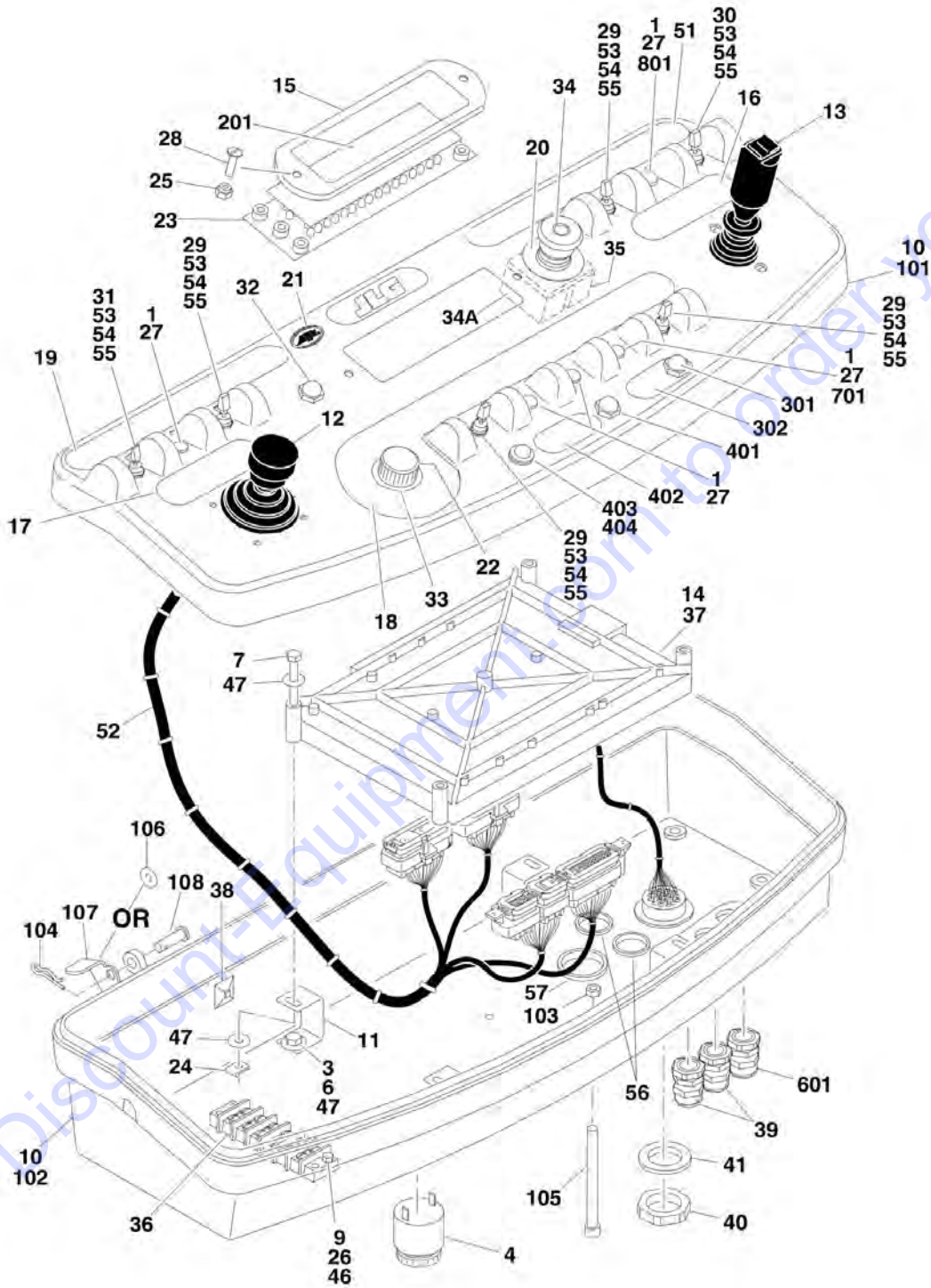
**FIGURE 4-2. PLATFORM COMPONENTS INSTALLATION (FALL ARREST PLATFORM)**

ITEM	PART NUMBER	QTY	DESCRIPTION	REV
		Ref	<b>PLATFORM ASSEMBLY (FALL ARREST)</b>	
	3510884	Ref	<b>Platform (3ft x 6ft) (SN 0300182743 through 0300186658)</b>	F
	1001144597	Ref	<b>Platform (3ft x 6ft) (SN 0300186659 through 0300201002)</b>	D
	1001186333	Ref	<b>Platform (3ft x 6ft) (SN 0300201003 to Present)</b>	C
	3510868	Ref	<b>Platform (3ft x 8ft) (SN 0300182743 through 0300186658)</b>	F
	1001144596	Ref	<b>Platform (3ft x 8ft) (SN 0300186659 through 0300201002)</b>	D
	1001186334	Ref	<b>Platform (3ft x 8ft) (SN 0300201003 to Present)</b>	B
	1001144597	Ref	<b>Platform (3ft x 6ft) (SN B300001092 through B300001179)</b>	D
	1001186333	Ref	<b>Platform (3ft x 6ft) (SN B300001180 to Present)</b>	C
	1001144596	Ref	<b>Platform (3ft x 8ft) (SN B300001092 through B300001179)</b>	E
	1001186334	Ref	<b>Platform (3ft x 8ft) (SN B300001180 to Present)</b>	B
		Ref	<b>Note: Replacement Decals Must be Ordered Separately - See DECALS SECTION for Breakdown.</b>	
		Ref	<b>Note: Fall Arrest Not Available on Australian or CE Spec Machines.</b>	
1	0681814	2	Bolt 1/2in-13NC x 1-3/4in (Grade 8)	
2	0681822	AR	Bolt 1/2in-13NC x 2-3/4in (Grade 8)	
3	0962270	2	Bearing, Oilite	
4	1702773	1	Decal - JLG	
5	1705014	1	Decal - Safety	
6	2410014	1	Gate	
7	3271805	AR	Locknut 1/2in-13NC (Grade 8)	
8	3311605	1	Locknut 3/8in-16NC	
9	See Note	NSS	Platform (Note: Purchase Platform Assembly)	
10	3520072	1	Cap-Plug	
11		Ref	Cable, Fall Arrest Options:	
11	1060919	NLA	Cable (3ft x 6ft Platform) (Use p/n 1001203655) <b>(SN 0300182743 through 0300214274)</b>	
11	1001203655	1	Cable (3ft x 6ft Platform) <b>(SN 0300214275 to Present)</b>	
11	1060919	NLA	Cable (3ft x 6ft Platform) (Use p/n 1001203655) <b>(SN B300001092 through B300001464)</b>	
11	1001203655	1	Cable (3ft x 6ft Platform) <b>(SN B300001465 to Present)</b>	
11	3890040	NLA	Cable (3ft x 8ft Platform) (Use p/n 1001203656) <b>(SN 0300182743 through 0300215844)</b>	
11	1001203656	1	Cable (3ft x 8ft Platform) <b>(SN 0300215845 to Present)</b>	
11	3890040	NLA	Cable (3ft x 8ft Platform) (Use p/n 1001203656) <b>(SN B300001092 through B300001484)</b>	
11	1001203656	1	Cable (3ft x 8ft Platform) <b>(SN B300001485 to Present)</b>	
12	3900054	1	Bolt 1/2in-13NC x 1-3/4in	
13	4711800	2	Flatwasher 1/2in Thin	
14	4751800	AR	Flatwasher 1/2in Regular	
15	1706385	1	Decal - Drop Bar	



# SECTION 4 - PLATFORM

## FIGURE 4-3. PLATFORM CONSOLE ASSEMBLY (WITHOUT SKYGUARD)



## SECTION 4 - PLATFORM

**FIGURE 4-3. PLATFORM CONSOLE ASSEMBLY (WITHOUT SKYGUARD)**

ITEM	PART NUMBER	QTY	DESCRIPTION	REV
		Ref	<b>PLATFORM CONSOLE ASSEMBLY (WITHOUT SKYGUARD)</b>	
	1001141140	Ref	<b>Platform Console Assembly (SN 0300182743 through 0300188906)</b>	C
	1001166675	Ref	<b>Platform Console Assembly (SN 0300188907 through 0300219490)</b>	C
	1001202571	Ref	<b>Platform Console Assembly (SN 0300219491 to Present)</b>	C
	1001166675	Ref	<b>Platform Console Assembly (SN B300001092 through B300001598)</b>	C
	1001202571	Ref	<b>Platform Console Assembly (SN B300001599 to Present)</b>	C
1	0100009	AR	Sealant	
3	0100081	AR	Compound, Loctite	
4	0140011	1	Alarm	
6	0641406	4	Bolt 1/4in-20NC x 3/4in	
7	0641414	4	Bolt 1/4in-20NC x 1-3/4in	
8	0721003	2	Bolt #10-24NC x 3/8in	
9	0721006	2	Screw #10-24NC x 3/4in	
10	0861441	1	Box, Console (See Items 101-108 for Breakdown) <b>(SN 0300182743 through 0300219490)</b>	
10	1001201886	1	Box, Console (See Items 101-108 for Breakdown) <b>(SN 0300219491 to Present)</b>	
10	0861441	1	Box, Console (See Items 101-108 for Breakdown) <b>(SN B300001092 through B300001598)</b>	
10	1001201886	1	Box, Console (See Items 101-108 for Breakdown) <b>(SN B300001599 to Present)</b>	
11	0902751	4	Bracket, Support <b>(SN 0300182743 through 0300188906)</b>	
11	1001172760	4	Bracket, Support <b>(SN 0300188907 to Present)</b>	
11	1001172760	4	Bracket, Support <b>(SN B300001092 to Present)</b>	
12	1001118417	NLA	Controller Assembly (Lift and Swing) (See CONTROLLER ASSEMBLY (LIFT AND SWING) for Breakdown) (Use p/n 1001129555) <b>(SN 0300182743 through 0300188906)</b>	
12	1001166539	NLA	Controller Assembly (Lift and Swing) (See CONTROLLER ASSEMBLY (LIFT AND SWING) for Breakdown) (Use p/n 1001129555) <b>(SN 0300188907 to Present)</b>	
12	1001166539	NLA	Controller Assembly (Lift and Swing) (See CONTROLLER ASSEMBLY (LIFT AND SWING) for Breakdown) (Use p/n 1001129555) <b>(SN B300001092 to Present)</b>	
13	1001118416	NLA	Controller Assembly (Drive and Steer) (See CONTROLLER ASSEMBLY (DRIVE AND STEER) for Breakdown) (Use p/n 1001212415) <b>(SN 0300182743 through 0300188906)</b>	
13	1001166538	NLA	Controller Assembly (Drive and Steer) (See CONTROLLER ASSEMBLY (DRIVE AND STEER) for Breakdown) (Use p/n 1001212415) <b>(SN 0300188907 to Present)</b>	
13	1001166538	NLA	Controller Assembly (Drive and Steer) (See CONTROLLER ASSEMBLY (DRIVE AND STEER) for Breakdown) (Use p/n 1001212415) <b>(SN B300001092 to Present)</b>	
14	1001141138	1	Controller, Module (Note: Re-calibration Required when Replaced)	
15	1671176	1	Bezel	
16	1702565	1	Decal (Drive and Steer)	
17	1702566	1	Decal (Lift and Swing)	
18	1702567	1	Decal (Function Speed)	
19	1702676	1	Decal (Horn)	
20	1704260	1	Decal - EMS	
21	1705132	1	Decal - Control ADE <b>(SN 0300182743 through 0300188906)</b>	

## SECTION 4 - PLATFORM

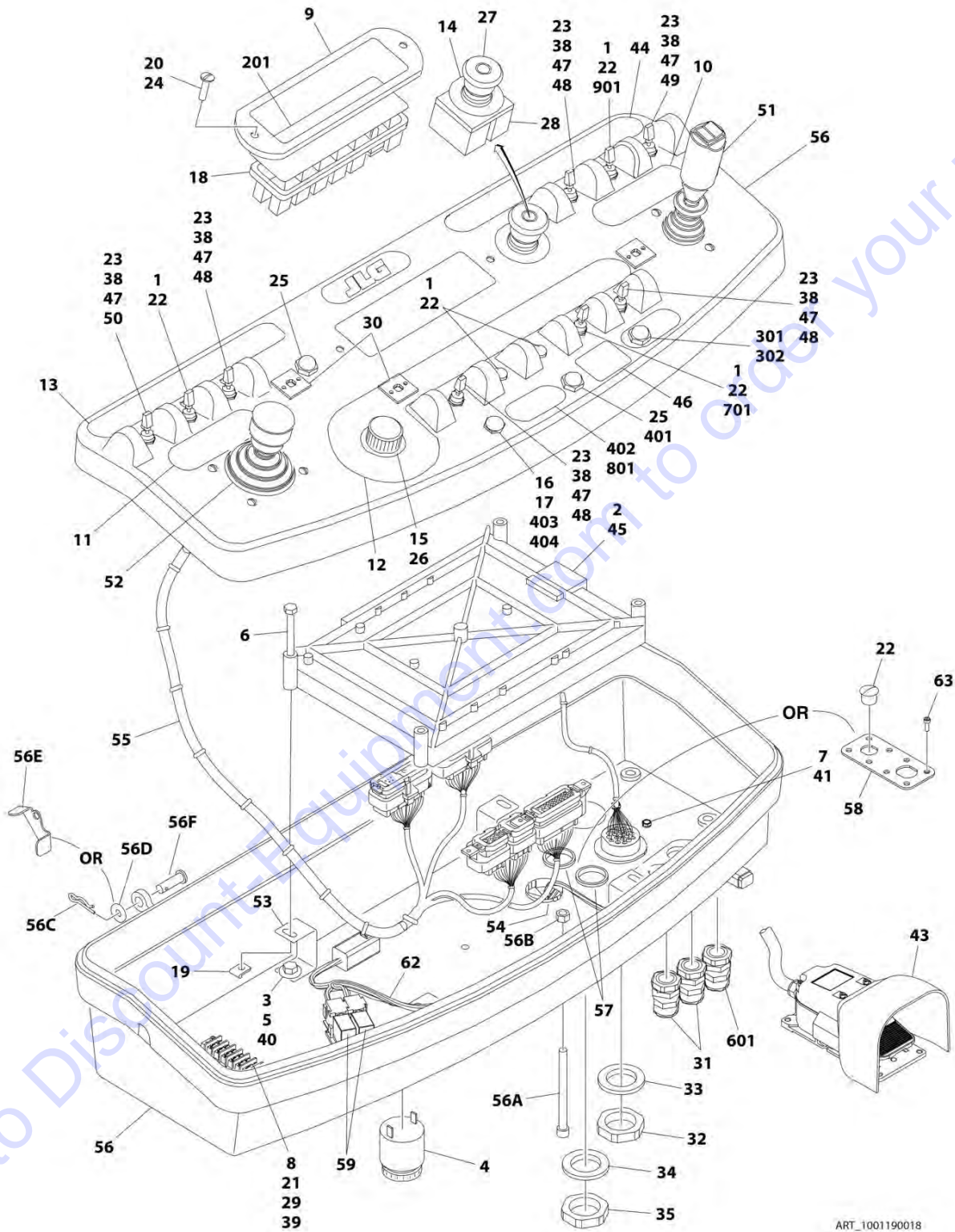
ITEM	PART NUMBER	QTY	DESCRIPTION	REV
22	2560136	1	Handle, Knob	
23	2920154	1	Panel, LED Light	
24	3300353	4	Nut, Tinnermen	
25	3300408	2	Insert, Nylon	
26	3311005	2	Locknut #10-24NC	
27	3520054	5	Plug, Hole	
28	3911018	2	Screw, Round Head #10	
29	4360328	4	Switch, Toggle (SN 0300182743 through 0300188906)	
29	1001155045	4	Switch, Toggle (SN 0300188907 to Present)	
29	1001155045	4	Switch, Toggle (SN B300001092 to Present)	
30	4360330	1	Switch, Toggle (SN 0300182743 through 0300188906)	
30	1001159256	1	Switch, Toggle (SN 0300188907 to Present)	
30	1001159256	1	Switch, Toggle (SN B300001092 to Present)	
31	4360331	1	Switch, Toggle (SN 0300182743 through 0300188906)	
31	1001161709	1	Switch, Toggle (SN 0300188907 to Present)	
31	1001161709	1	Switch, Toggle (SN B300001092 to Present)	
32	4360387	1	Switch, Pushbutton	
33	4360407	1	Controller, Speed	
33	See Note	NSS	Gasket "Top Hat" (Included with Switch) (Note: Not Available - Purchase Complete Controller)	
33	70003784	1	Seal	
34	4360475	1	Switch, Emergency Stop	
34	7020175	1	Cap, Red	
34A	7020176	1	Contact Block	
35	4360476	1	Block, Contact	
36	4460007	1	Bar, Buss - Ground	
37	0100048	AR	Grease, Dielectric	
38	4460234	3	Base, Mounting	
39	4460428	2	Connector, Strain Relief	
40	4460470	1	Nut, Terminal	
41	4460471	1	Lockwasher, Terminal	
42	4460496	1	Nut, Terminal (Not Shown - See ELECTRICAL SECTION for Location)	
43	4460497	1	Lockwasher, Terminal (Not Shown - See ELECTRICAL SECTION for Location)	
44	4460708	2	Connector, Female - 15 Position (Not Shown - See ELECTRICAL SECTION for Location)	
45	4460905	5	Seal, Plug (Not Shown - See ELECTRICAL SECTION for Location)	
46	4751000	2	Flatwasher #10 Regular	
47	4751400	8	Flatwasher 1/4in Regular	
48	4761000	2	Lockwasher #10	
49	4922666	1	Harness, Analyzer Cable (Not Shown - See ELECTRICAL SECTION for Breakdown)	
51	1001131168	1	Decal (Stop)	
52	1001141136	1	Harness, Platform Box (See ELECTRICAL SECTION for Breakdown)	
53	3790012	AR	O-Ring	
54	1001155044	AR	Nut 15/32 (SN 0300188907 to Present)	
54	1001155044	AR	Nut 15/32 (SN B300001092 to Present)	
55	4740397	AR	Spacer (SN 0300188907 to Present)	
55	4740397	AR	Spacer (SN B300001092 to Present)	
56	3520033	AR	Plug (SN 0300219491 through 0300224209)	

## SECTION 4 - PLATFORM

ITEM	PART NUMBER	QTY	DESCRIPTION	REV
56	1001220486	2	Plug (SN 0300224210 to Present)	
56	3520033	2	Plug (SN B300001599 through B300001629)	
56	1001200486	2	Plug (SN B300001630 to Present)	
57	3520035	AR	Plug (SN 0300219491 to Present)	
	0861441	Ref	<b>CONSOLE BOX ASSEMBLY (SN 0300182743 through 0300219490)</b>	H
	1001201886	Ref	<b>CONSOLE BOX ASSEMBLY (SN 0300219491 to Present)</b>	B
	0861441	Ref	<b>CONSOLE BOX ASSEMBLY (SN B300001092 through B300001598)</b>	H
	1001201886	Ref	<b>CONSOLE BOX ASSEMBLY (SN B300001599 to Present)</b>	B
101	See Note	NSS	Console Top (Note: Not Available for Purchase)	
102	See Note	NSS	Console Bottom (Note: Not Available for Purchase)	
103	3311601	1	Nut 3/8in-16NC	
104	3470003	2	Pin, Hairpin	
105	0630568	1	Screw 3/8in-16NC x 4-1/2in	
106	4711500	AR	Washer 5/16	
106	4711600	AR	Washer 3/8	
107	1001200575	AR	Bracket	
108	3430616	1	Pin (SN 0300219491 to Present, SN B300001599 to Present)	
		Ref	<b>LIGHT PANEL DECAL INSTALLATION</b>	
		Ref	<b>Light Panel Decal Installation 800S/680S</b>	
	1001125008	Ref	<b>All Specs except Australian and CE Specs</b>	A
	1001108992	Ref	<b>Australian and CE Specs Only</b>	A
		Ref	<b>Light Panel Decal Installation 860SJ</b>	
	1001125009	Ref	<b>All Specs except Australian and CE Specs</b>	A
	1001108992	Ref	<b>Australian and CE Specs Only</b>	A
201		Ref	Decal - Display	
201	1001125010	1	Decal - Display 800S/680S - All Specs except Australian and CE Specs	
201	1001107952	1	Decal - Display 800S/680S - Australian Spec Only Options	
201	1001107952	1	Decal - Display 800S/680S - CE Spec Only	
201	1001125011	1	Decal - Display 860SJ - All Specs except Australian and CE Specs	
201	1001107952	1	Decal - Display 860SJ - Australian Spec Only Options	
201	1001107952	1	Decal - Display 860SJ - CE Spec Only	
	0271552	Ref	<b>HEAD AND TAIL LIGHTS INSTALLATION (OPTIONAL)</b>	C
301	4360522	1	Switch, Push Button	
302	1705170	1	Decal - Lights	
		Ref	<b>SOFT TOUCH SYSTEM INSTALLATION (OPTIONAL)</b>	
401	4360387	1	Switch, Pushbutton	
402	1702938	1	Decal - Soft Touch Override	
403	2920028	1	Light, Indicator	
404	2920029	1	Bulb, Light	
		Ref	<b>PLATFORM WORKLIGHT INSTALLATION (OPTIONAL)</b>	
601	4460426	1	Connector, Strain Relief	
	0258608	Ref	<b>JIB SWITCH INSTALLATION (860SJ ONLY)</b>	B
701	4360328	1	Switch, Toggle	
		Ref	<b>DUAL FUEL SWITCH INSTALLATION</b>	
801	4360336	1	Switch, Toggle	
801	3790012	1	O-Ring	

# SECTION 4 - PLATFORM

## FIGURE 4-4. PLATFORM CONSOLE ASSEMBLY (WITH SKYGUARD)



ART\_1001190018

## SECTION 4 - PLATFORM

**FIGURE 4-4. PLATFORM CONSOLE ASSEMBLY (WITH SKYGUARD)**

ITEM	PART NUMBER	QTY	DESCRIPTION	REV
	1001190018	Ref	PLATFORM CONSOLE ASSEMBLY (WITH SKYGUARD) (MACHINES WITHOUT LSS OR WITH 4 CELL LSS) (SN 0300201003 through 0300219490)	C
	1001204511	Ref	PLATFORM CONSOLE ASSEMBLY (WITH SKYGUARD) (MACHINES WITHOUT LSS OR WITH 4 CELL LSS) (SN 0300219491 to Present)	D
	1001190018	Ref	PLATFORM CONSOLE ASSEMBLY (WITH SKYGUARD) (MACHINES WITHOUT LSS OR WITH 4 CELL LSS) (SN B300001181 through B300001598)	B
	1001204511	Ref	PLATFORM CONSOLE ASSEMBLY (WITH SKYGUARD) (MACHINES WITHOUT LSS OR WITH 4 CELL LSS) (SN B300001599 to Present)	D
	1001221719	Ref	PLATFORM CONSOLE ASSEMBLY (WITH SKYGUARD) (MACHINES WITH 1 CELL LSS) (SN 0300227324 through 0300255782)	C
	1001241716	Ref	PLATFORM CONSOLE ASSEMBLY (WITH SKYGUARD BAR) (MACHINES WITH 1 CELL LSS) (SN 0300255783 to Present)	A
	1001221719	Ref	PLATFORM CONSOLE ASSEMBLY (WITH SKYGUARD) (MACHINES WITH 1 CELL LSS) (SN B300002206 through B300004484)	C
	1001241716	Ref	PLATFORM CONSOLE ASSEMBLY (WITH SKYGUARD BAR) (MACHINES WITH 1 CELL LSS) (SN B300004485 to Present)	A
		Ref	<b>Note: For Machines Built SN 0300182743 through 0300201002 &amp; SN B300001092 through B300001180, Refer to SPECIAL OPTIONS SECTION.</b>	
1	0100009	AR	Sealant	
2	0100048	AR	Grease, Dielectric	
3	0100035	AR	Compound, Locking	
4	0140011	1	Alarm	
5	0641406	4	Bolt 1/4 x 3/4	
6	0641414	4	Bolt 1/4 x 1-3/4	
7	0721003	2	Screw #10 x 3/8	
8	0721006	2	Screw #10 x 3/4	
9	1671176	1	Bezel	
10	1702565	1	Decal - Drive and Steer	
11	1702566	1	Decal - Lift and Swing	
12	1702567	1	Decal - Function Speed	
13	1702676	1	Decal - Horn	
14	1704260	1	Decal - Emergency Stop	
15	2560136	1	Knob	
16	2920028	1	Light, Indicator	
17	2920029	1	Lamp, Bulb	
18	2920154	1	Fixture, LED Light	
19	3300353	4	Nut, Tinnerman	
20	3300408	2	Nut, Insert #10	
21	3311005	2	Nut #10	
22	3520054	AR	Plug, Hole	
23	3790012	6	O-Ring	
24	3911018	2	Screw #10 x 1-1/8	
25	4360387	2	Switch, Push Button	
26	4360407	1	Switch, Flow Control	
26	See Note	1	Gasket "Top Hat" (Included with Switch) (Note: Not Available for Purchase)	

## SECTION 4 - PLATFORM

ITEM	PART NUMBER	QTY	DESCRIPTION	REV
26	70003784	1	Seal	
27	4360475	1	Switch, Emergency Stop	
27	7020175	1	Cap, Red	
27	7020176	1	Block, Contact	
28	4360476	1	Switch, Contact	
29	4460007	1	Bussbar	
30	4460234	3	Mount, Tie-Strap	
31	4460428	2	Connector, Strain Relief	
32	4460470	1	Nut	
33	4460471	1	Washer	
34	4460496	1	Washer	
35	4460497	1	Nut	
36	4460708	2	Connector - 15 Position (Not Shown)	
37	4460905	AR	Plug, Terminal (Not Shown)	
38	4740397	6	Spacer, Washer	
39	4751000	2	Washer #10	
40	4751400	8	Washer 1/4	
41	4761000	2	Washer #10	
42	4922666	1	Harness, Analyzer Cable (Not Shown - See ELECTRICAL SECTION for Breakdown)	
43	1001117174	1	Footswitch Assembly (See PLATFORM COMPONENTS INSTALLATION for Breakdown)	
44	1001131168	1	Decal - Stop	
45	1001141138	1	Module, Platform (Note: Re-calibration Required when Replaced)	
46	1001144433	1	Decal - No Weight SkyGuard <b>(SN 0300201003 through 0300255782)</b>	
46	1001144433	1	Decal - No Weight SkyGuard <b>(SN B300001181 through B30004484)</b>	
47	1001155044	AR	Nut 15/32	
48	1001155045	AR	Switch, Toggle	
49	1001159256	1	Switch, Toggle	
50	1001161709	1	Switch, Toggle	
51	1001166538	NLA	Controller Drive/Steer (Use p/n 1001212415) (See CONTROLLER ASSEMBLY (DRIVE AND STEER) for Breakdown)	
52	1001166539	NLA	Controller Lift/Swing (Use p/n 1001129555) (See CONTROLLER ASSEMBLY (LIFT AND SWING) for Breakdown)	
53	1001172760	4	Bracket	
54	1001185281	1	Plug	
55	1001186237	1	Harness, Console Box (Machines without LSS or with 4 Cell LSS) (See ELECTRICAL SECTION for Breakdown)	
55	1001220282	1	Harness, Console Box (Machines with 1 Cell LSS) (See ELECTRICAL SECTION for Breakdown)	
56	1001190017	1	Console Box Assembly (Machines without LSS or with 4 Cell LSS) <b>(SN 0300201003 through 0300219490)</b>	D
56	1001201887	1	Console Box Assembly (Machines without LSS or with 4 Cell LSS) <b>(SN 0300219491 to Present)</b>	B
56	1001190017	1	Console Box Assembly (Machines without LSS or with 4 Cell LSS) <b>(SN B300001183 through B300001598)</b>	D
56	1001201887	1	Console Box Assembly (Machines without LSS or with 4 Cell LSS) <b>(SN B300001599 to Present)</b>	B
56	1001218068	1	Console Box Assembly (Machines with 1 Cell LSS)	C
56A	0630568	1	Capscrew 3/8 x 4-1/2	
56B	3311601	1	Nut 3/8	

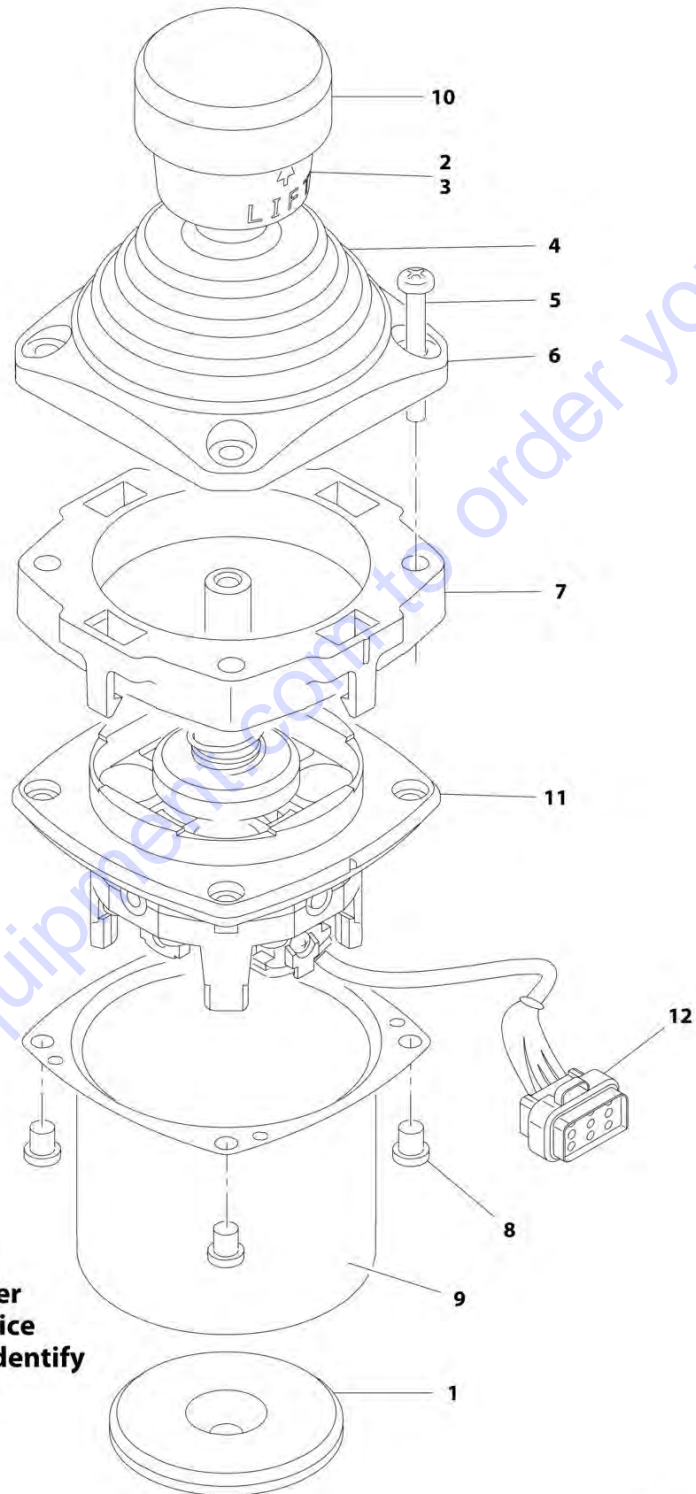
## SECTION 4 - PLATFORM

ITEM	PART NUMBER	QTY	DESCRIPTION	REV
56C	3470003	2	Hairpin	
56D	4711500	AR	Washer 5/16	
56D	4711600	AR	Washer 3/8	
56E	1001200575	AR	Bracket, Stop	
56F	3430616	2	Pin (SN 0300219491 to Present, SN B300001599 to Present)	
57	3520033	AR	Plug (SN 0300219491 through 0300224209)	
57	1001220486	AR	Plug (SN 0300224210 to Present)	
57	3520033	AR	Plug (SN B300001599 through B300001629)	
57	1001220486	AR	Plug (SN B300001630 to Present)	
58	1001213882	1	Mount (Machines with 1 Cell LSS)	
59	1001186431	2	Relay (Machines with 1 Cell LSS)	
59	4240032	AR	Tie-Strap	
59	4460488	AR	Mount, Tie-Strap	
62	1001225580	1	Interface Harness (Machines with 1 Cell LSS) (SN 0300201003 through 0300255782)	
62	1001225580	1	Interface Harness (Machines with 1 Cell LSS) (SN B300001181 through B300004484)	
63	3900349	AR	Capscrew M2.5	
		Ref	<b>LIGHT PANEL DECAL INSTALLATION</b>	
		Ref	<b>Light Panel Decal Installation 800S/680S</b>	
	1001125008	Ref	<b>All Spec Except Australian and CE Specs</b>	A
	1001108992	Ref	<b>Australian and CE Specs Only</b>	A
		Ref	<b>Light Panel Decal Installation 860SJ</b>	
	1001125009	Ref	<b>All Specs Except Australian and CE Specs</b>	A
	1001108992	Ref	<b>Australian and CE Specs Only</b>	A
201		Ref	Decal - Display	
201	1001125010	1	Decal - Display 800S/680S - All Specs Except Australian and CE Specs	
201	1001107952	1	Decal - Display 800S/680S - Australian Spec Only	
201	1001107952	1	Decal - Display 800S/680S - CE Spec Only	
201	1001125011	1	Decal - Display 860SJ - All Specs Except Australian and CE Specs	
201	1001107952	1	Decal - Display 860SJ - Australian Spec Only	
201	1001107952	1	Decal - Display 860SJ - CE Spec Only	
	0271552	Ref	<b>HEAD AND TAIL LIGHTS INSTALLATION (OPTIONAL)</b>	E
301	4360522	1	Switch, Push Button	
302	1705170	1	Decal - Lights	
		Ref	<b>SOFT TOUCH SYSTEM INSTALLATION (OPTIONAL)</b>	
401	4360387	1	Switch, Push Button	
402	1702938	1	Decal - Soft Touch Override	
403	2920028	1	Light, Indicator	
404	2920029	1	Bulb, Light	
		Ref	<b>PLATFORM WORKLIGHT INSTALLATION (OPTIONAL)</b>	
601	4460426	1	Connector, Strain Relief	
	0258608	Ref	<b>JIB SWITCH INSTALLATION (860SJ ONLY)</b>	B
701	4360328	1	Switch, Toggle	
		Ref	<b>SKYGUARD OVERRIDE DECALS INSTALLATION</b>	
801	1001141300	1	Decal - SkyGuard Override	
801	1001141302	1	Decal - SkyGuard Override with Soft Touch	
		Ref	<b>DUAL FUEL SWITCH INSTALLATION</b>	
901	4360336	1	Switch, Toggle	
901	3790012	1	O-Ring	



## SECTION 4 - PLATFORM

FIGURE 4-5. CONTROLLER ASSEMBLY (LIFT AND SWING)



**Note: Original Equipment controller may have been replaced with Service Replacement controller. Visually identify controller before ordering parts.**

ART\_100118417

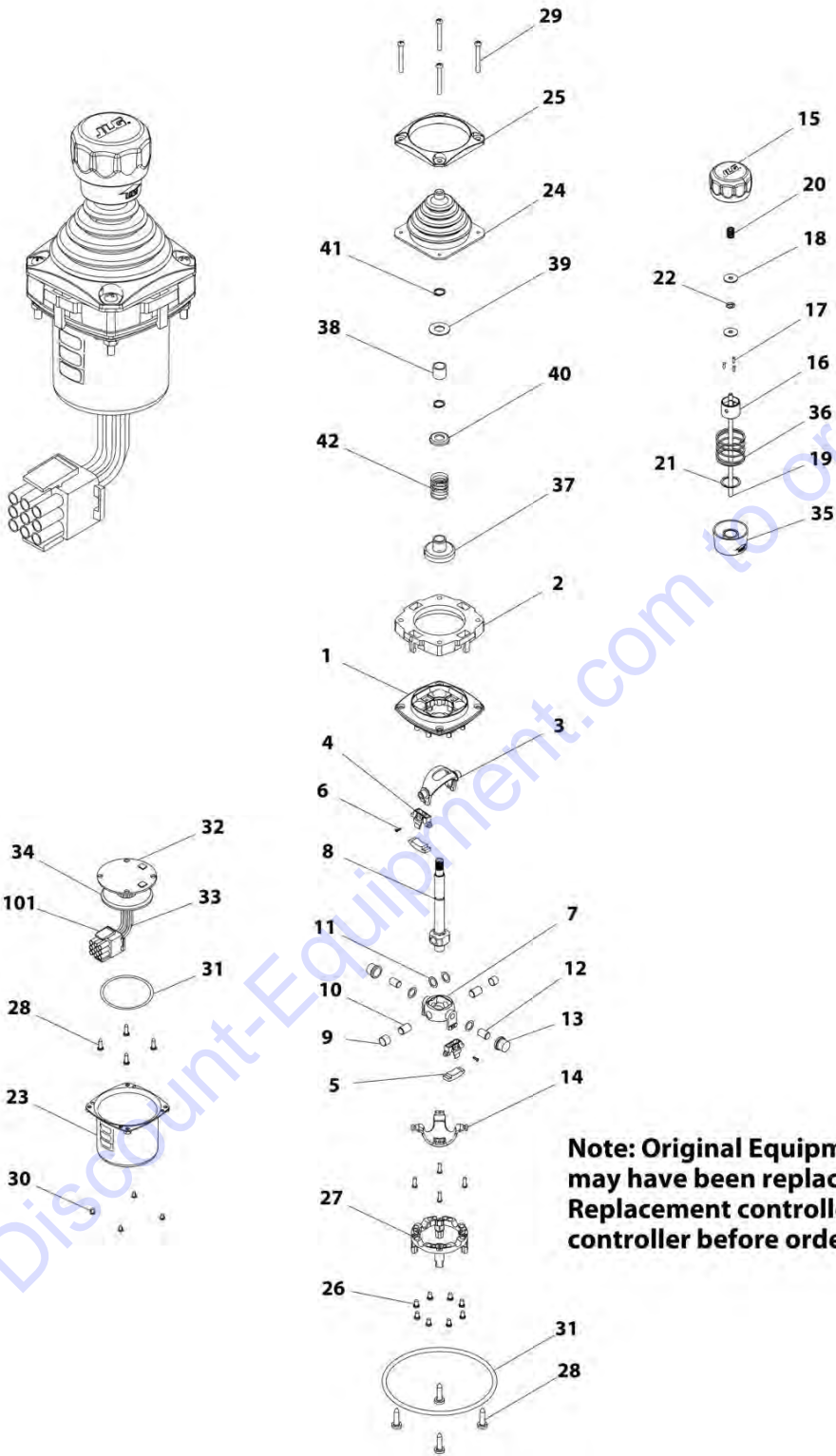
## SECTION 4 - PLATFORM

**FIGURE 4-5. CONTROLLER ASSEMBLY (LIFT AND SWING)**

ITEM	PART NUMBER	QTY	DESCRIPTION	REV
		Ref	<b>Note: Original Equipment controller may have been replaced with Service Replacement controller. Visually Identify controller before ordering parts.</b>	
	1001118417	Ref	<b>CONTROLLER ASSEMBLY (LIFT AND SWING) (SN 0300182743 through 0300188906)</b>	E
	1001118417	Ref	<b>CONTROLLER ASSEMBLY (LIFT AND SWING) (SN B300001092 to Present)</b>	E
		Ref	<b>Note: Use p/n 1001129555 Kit as replacement.</b>	
1	70002730	1	Gasket	
2	7003928	1	Spring	
3	7022808	1	Cap, Lift	
4	70002731	1	Boot	
5	70002732	4	Screw	
6	7022815	1	Bezel	
7	70002733	1	Adapter	
8	70002734	4	Screw	
9	70002735	1	Can, Enclosure	
10	70002906	1	Cap	
11	See Note	NSS	Mechanical Assembly (Note: Purchase p/n 1001129555)	
12	7022819	1	Connector - 8 Position	
12	4460871	6	Socket, Female	

# SECTION 4 - PLATFORM

## FIGURE 4-6. CONTROLLER ASSEMBLY (LIFT AND SWING)



**Note: Original Equipment controller may have been replaced with Service Replacement controller. Visually identify controller before ordering parts.**

ART\_1001166539

## SECTION 4 - PLATFORM

### FIGURE 4-6. CONTROLLER ASSEMBLY (LIFT AND SWING)

ITEM	PART NUMBER	QTY	DESCRIPTION	REV
		Ref	<b>Note: Original Equipment controller may have been replaced with Service Replacement controller. Visually identify controller before ordering parts.</b>	
	1001166539	Ref	<b>CONTROLLER ASSEMBLY (LIFT AND SWING) (SN 0300188907 to Present)</b>	D
		Ref	<b>Note: Use p/n 1001129555 as Replacement.</b>	
1	See Note	1	Main Cast Body (Note: Not Available - Purchase Complete Assembly)	
2	70004752	1	Adapter	
3	See Note	NSS	Pivot Arm, Plastic (Note: Not Available - Purchase Complete Assembly)	
4	See Note	NSS	Holder, Magnet (Note: Not Available - Purchase Complete Assembly)	
5	See Note	NSS	Arc, Magnet (Note: Not Available - Purchase Complete Assembly)	
6	See Note	NSS	Screw (Note: Not Available for Purchase)	
7	See Note	NSS	Pivot Arm, Cast (Note: Not Available - Purchase Complete Assembly)	
8	See Note	NSS	Shaft, Main (Note: Not Available - Purchase Complete Assembly)	
9	See Note	NSS	Bearing (Note: Not Available - Purchase Complete Assembly)	
10	See Note	NSS	Pin (Note: Not Available - Purchase Complete Assembly)	
11	See Note	NSS	Shim (Note: Not Available - Purchase Complete Assembly)	
12	See Note	NSS	Pin (Note: Not Available - Purchase Complete Assembly)	
13	See Note	NSS	Bearing (Note: Not Available - Purchase Complete Assembly)	
14	See Note	NSS	Dome, Centering (Note: Not Available - Purchase Complete Assembly)	
15	70004753	1	Cap	
16	70004754	1	Insert, Cap	
17	70004755	3	Pin	
18	70004756	2	Washer	
19	70004757	1	Pin, Centering	
20	70004758	1	Spring	
21	70004759	1	Ring, Retaining	
22	70004760	1	E-Ring	
23	70004761	1	Can, Enclosure	
24	70004762	1	Boot	
25	70004763	1	Bezel	
26	See Note	NSS	Screw (Note: Not Available for Purchase)	
27	See Note	NSS	Base Mounting (Note: Not Available - Purchase Complete Assembly)	
28	See Note	NSS	Screw (Note: Not Available for Purchase)	
29	70004764	4	Screw	
30	70004765	4	Screw	
31	70004766	1	O-Ring	
32	See Note	NSS	Plate (Note: Not Available - Purchase Complete Assembly)	
33	See Note	NSS	Harness (Note: Not Available - Purchase Complete Assembly)	
34	70004767	1	Grommet, Rubber	
35	70004768	1	Housing	
36	70004769	1	Spring	
37	70004770	1	Stopper	
38	70004771	1	Spacer	
39	70004772	1	Washer	
40	70004773	1	Disc	

## SECTION 4 - PLATFORM

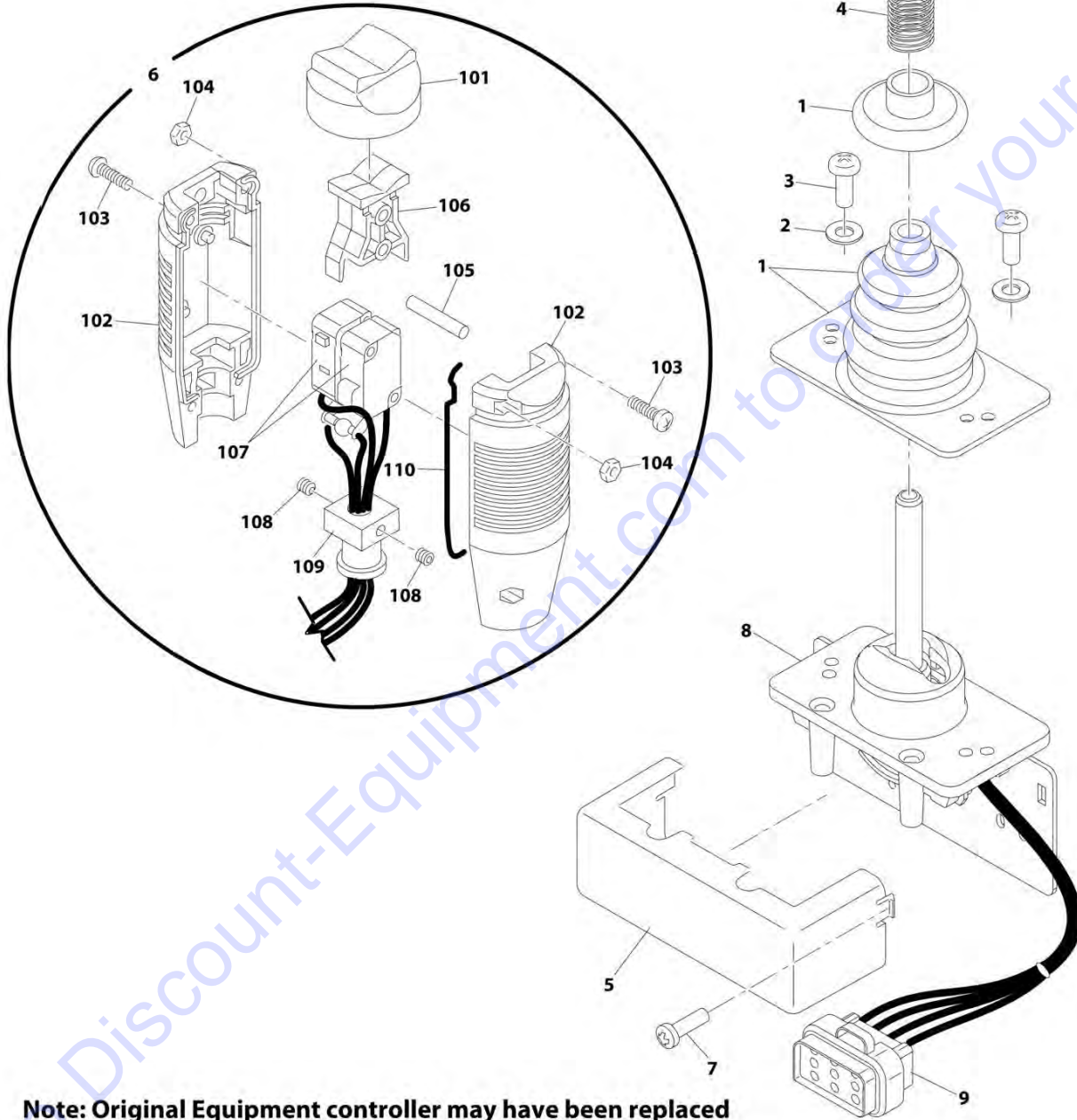
ITEM	PART NUMBER	QTY	DESCRIPTION	REV
41	70004774	2	Ring, Retaining	
42	70004775	1	Spring	
101	4460265	1	Connector - 9 Position	
101	4460226	6	Socket, Female	

Go to Discount-Equipment.com to order your parts



## SECTION 4 - PLATFORM

FIGURE 4-7. CONTROLLER ASSEMBLY (DRIVE AND STEER)



**Note: Original Equipment controller may have been replaced with Service Replacement controller. Visually identify controller before ordering parts.**

ART\_1001118416

## SECTION 4 - PLATFORM

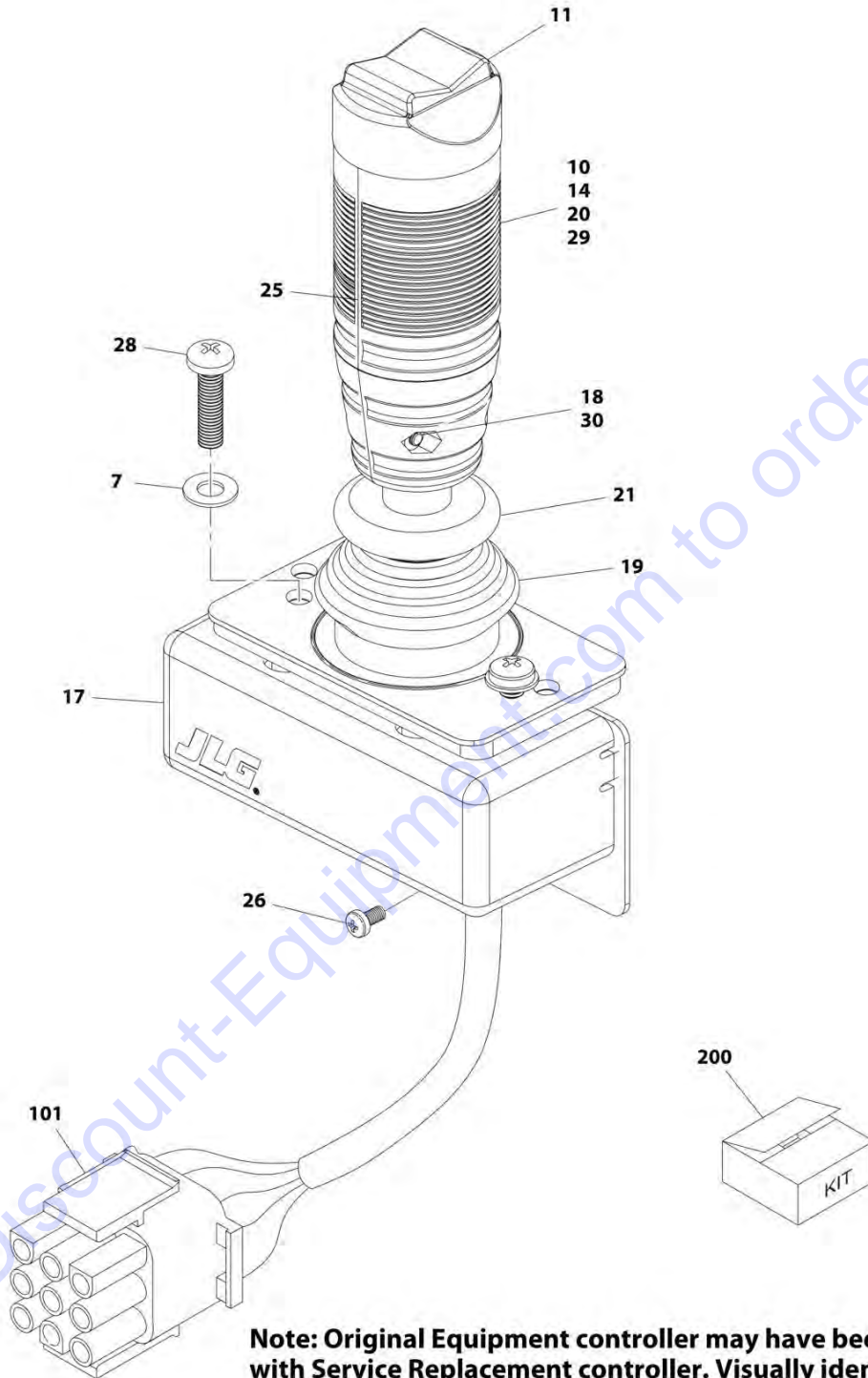
**FIGURE 4-7. CONTROLLER ASSEMBLY (DRIVE AND STEER)**

ITEM	PART NUMBER	QTY	DESCRIPTION	REV
		Ref	<b>Note: Original Equipment controller may have been replaced with Service Replacement controller. Visually identify controller before ordering parts.</b>	
	1001118416	Ref	<b>CONTROLLER ASSEMBLY (DRIVE AND STEER) (SN 0300182743 through 0300188906)</b>	D
	1001118416	Ref	<b>CONTROLLER ASSEMBLY (DRIVE AND STEER) (SN B300001092 to Present)</b>	D
		Ref	<b>Note: Use p/n 1001212415 as replacement.</b>	
1	70002724	1	Boot and Control Lock Assembly	
2	7003941	2	Washer	
3	70002725	2	Screw	
4	7019162	1	Spring	
5	70002726	1	Enclosure	
6	70002727	1	Handle Assembly (See Items 101-110 for Breakdown)	
7	70002728	1	Screw	
8	See Note	NSS	Mechanical Assembly (Note: Use p/n 1001166538)	
9	1001113961	1	Plug, Male - 8 Position (Black) (was p/n 7022825)	
9	4460871	7	Socket, Female	
	70002727	Ref	<b>HANDLE ASSEMBLY</b>	
101	7003972	1	Boot, Switch	
102	7003973	2	Half, Handle	
103	7003980	4	Screw	
104	7019167	4	Nut	
105	7019164	1	Axle	
106	7019165	1	Rocker	
107	7002729	1	Wiring Assembly	
107	7003982	2	Switch, Micro	
108	7003983	2	Setscrew	
109	7019194	1	Coupling	
110	7003989	2	Gasket	



## SECTION 4 - PLATFORM

FIGURE 4-8. CONTROLLER ASSEMBLY (DRIVE AND STEER)



**Note: Original Equipment controller may have been replaced with Service Replacement controller. Visually identify controller before ordering parts.**

ART\_1001166538

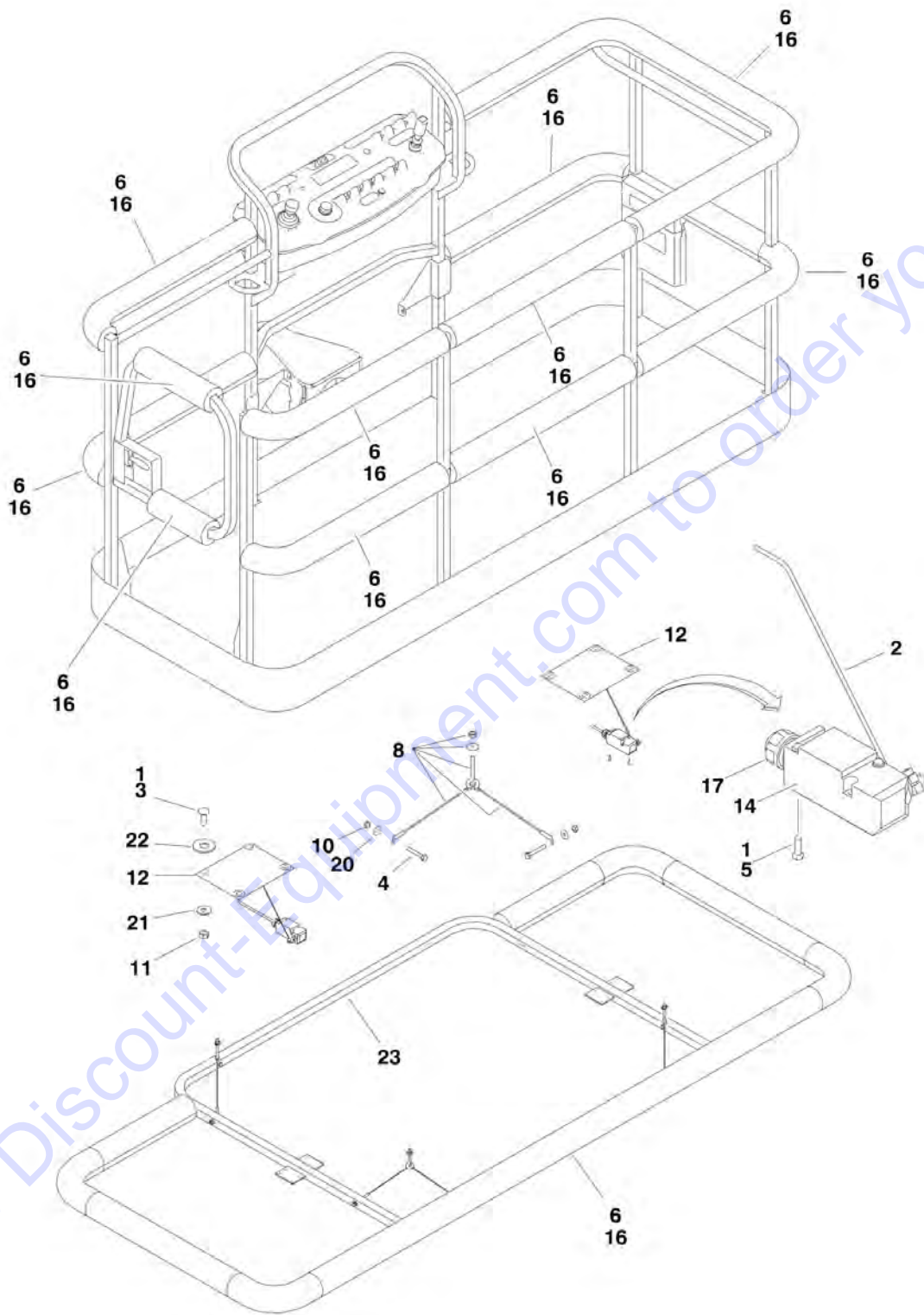
## SECTION 4 - PLATFORM

**FIGURE 4-8. CONTROLLER ASSEMBLY (DRIVE AND STEER)**

ITEM	PART NUMBER	QTY	DESCRIPTION	REV
		Ref	<b>Note: Original Equipment controller may have been replaced with Service Replacement controller. Visually identify controller before ordering parts.</b>	
	1001166538	Ref	<b>CONTROLLER ASSEMBLY (DRIVE AND STEER) (SN 0300188907 to Present)</b>	G
		Ref	Note: Use p/n 1001212415 as replacement.	
7	70004738	2	Washer	
10	70004739	1	Roller	
11	70004740	1	Boot, Switch	
14	70004741	2	Half, Handle	
17	70004742	1	Enclosure	
18	70004743	4	Nut	
19	70004744	NLA	Boot, Controller (Note: Use Item 200)	
20	70004745	NLA	Tube, Locking (Note: Use Item 200)	
21	70004746	NLA	Disc, Locking (Note: Use Item 200)	
25	70004747	2	Seal, Rope	
26	70004748	1	Screw, M3 x 6	
28	70004749	2	Screw, M5 x 20	
29	70004750	1	Pin, Dowel	
30	70004751	4	Screw, M3 x 16	
101	4460265	1	Connector - 9 Position	
101	4460226	7	Socket, Female	
200	70005230	1	Boot Kit (Includes Items 19-21)	

# SECTION 4 - PLATFORM

## FIGURE 4-9. SOFT TOUCH SYSTEM INSTALLATION (OPTIONAL)



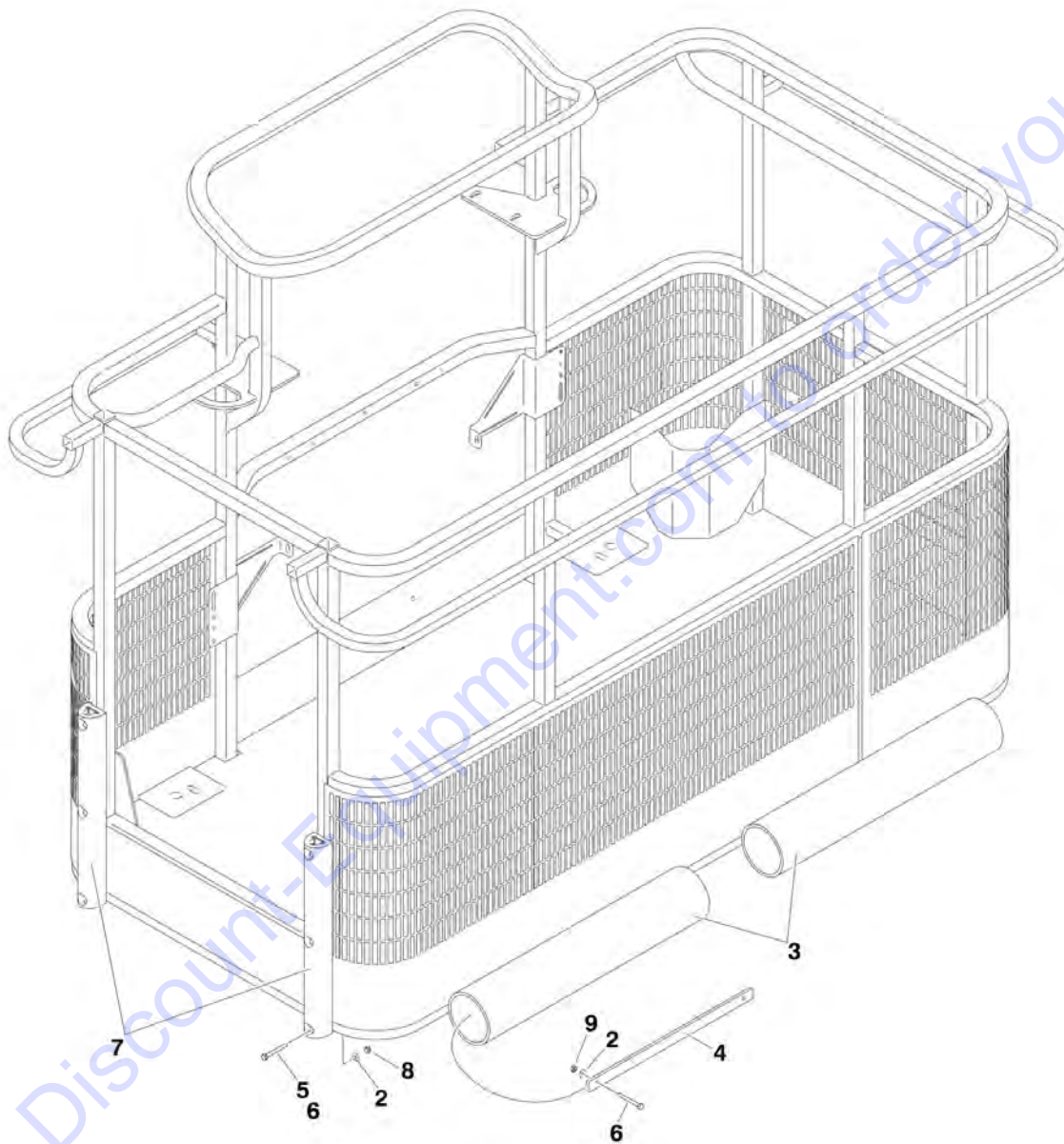
## SECTION 4 - PLATFORM

**FIGURE 4-9. SOFT TOUCH SYSTEM INSTALLATION (OPTIONAL)**

ITEM	PART NUMBER	QTY	DESCRIPTION	REV
		Ref	<b>SOFT TOUCH SYSTEM INSTALLATIONS</b>	
	0273824	Ref	<b>6ft Platforms</b>	D
	0272427	Ref	<b>8ft Platforms</b>	G
	1001108256	Ref	<b>6ft/1.8m Platforms with Fall Arrest</b>	C
	0273706	Ref	<b>8ft/2.4m Platforms with Fall Arrest</b>	D
1	0100011	AR	Compound, Locking	
2	0200048	2	Arm, Switch	
3	0630462	8	Bolt, Carriage	
4	0641414	8	Bolt 1/4in-20NC x 1-3/4in	
5	0721005	4	Bolt #10-24NC x 5/8in	
6		Ref	Bumper Kits (Includes Corners and Enough Straight Material for One Platform)	
6	0940134	1	6ft Platform	
6	0940103	1	8ft Platform	
6	0940177	1	6ft/1.8m Platforms with Fall Arrest	
6	0940133	1	8ft/2.4m Platforms with Fall Arrest	
6	0940092	Ref	Bumper (Corner) Options:	
6	0940092	12	Standard Platform	
6	0940092	8	Fall Arrest Platforms	
6	0940094	AR	Bumper (12ft Length)	
7	1060341	Ref	Cable, Electrical - 16/2 Options:	
7	1060341	22 ft/6.7m	6ft Platform	
7	1060341	23 ft/7m	8ft Platform	
8	1060903	4	Wire Rope and Eyebolt Assembly	
9	1702938	1	Decal - Soft Touch Override	
10	3311401	8	Nut 1/4in-20NC	
11	3311501	8	Nut 5/16in-18NC	
12		Ref	Plate, Switch Strike Options:	
12	3575359	2	6ft Platform	
12	3574091	2	8ft Platform	
13	4240099	7	Tie-Strap	
14	4360057	2	Switch, Limit	
15	4360387	1	Switch, Push Button	
16	4420068	AR	Tape, Adhesive	
16	1001197017	AR	Tie-Strap	
17	4460049	2	Connector, Strain Relief	
18	4460234	7	Tie-Strap	
19	4460425	1	Connector, Strain Relief	
20	4751400	8	Flatwasher 1/4in Regular	
21	4751500	AR	Flatwasher 5/16in Regular	
22	4751800	8	Flatwasher 1/2in Regular	
23		Ref	Rail, Soft Touch Options:	
23	3641569	1	6ft Platform	
23	4846673	1	8ft Platform	
25	2920028	1	Light, Indicator	
26	2920028	1	Bulb, Light	

## SECTION 4 - PLATFORM

FIGURE 4-10. PLATFORM BUMPER PADDING INSTALLATION (OPTIONAL)



## SECTION 4 - PLATFORM

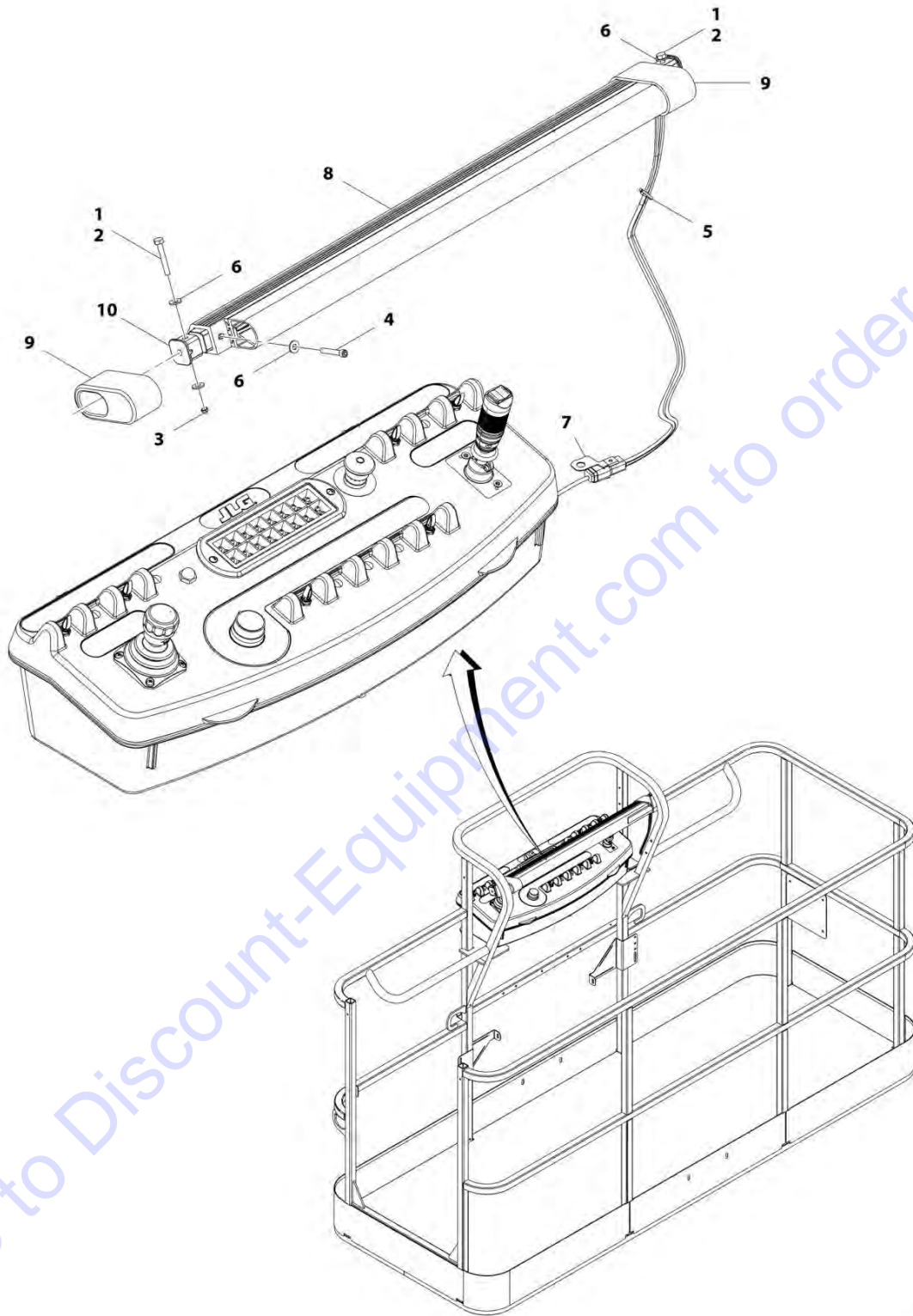
**FIGURE 4-10. PLATFORM BUMPER PADDING INSTALLATION (OPTIONAL)**

ITEM	PART NUMBER	QTY	DESCRIPTION	REV
	1001110982	Ref	<b>BUMPER INSTALLATION</b>	D
2	4711400	10	Flatwasher 1/4in Thin	
3	1001110979	3	Bumper	
4	1001110980	3	Clamp, Bumper	
5	0100011	AR	Compound, Locking	
6	0641418	10	Bolt 1/4in-20NC x 2-1/4in	
7	0940159	2	Bumper	
8	3300430	4	Nut, Acorn 1/4in-20NC	
9	3311405	6	Locknut 1/4in-20NC	

Go to Discount-Equipment.com to order your parts

## SECTION 4 - PLATFORM

FIGURE 4-11. SKYGUARD SYSTEM INSTALLATION (SN 0300182743 through 0300255782, SN B300001092 through B300004484)



ART\_1001187508

## SECTION 4 - PLATFORM

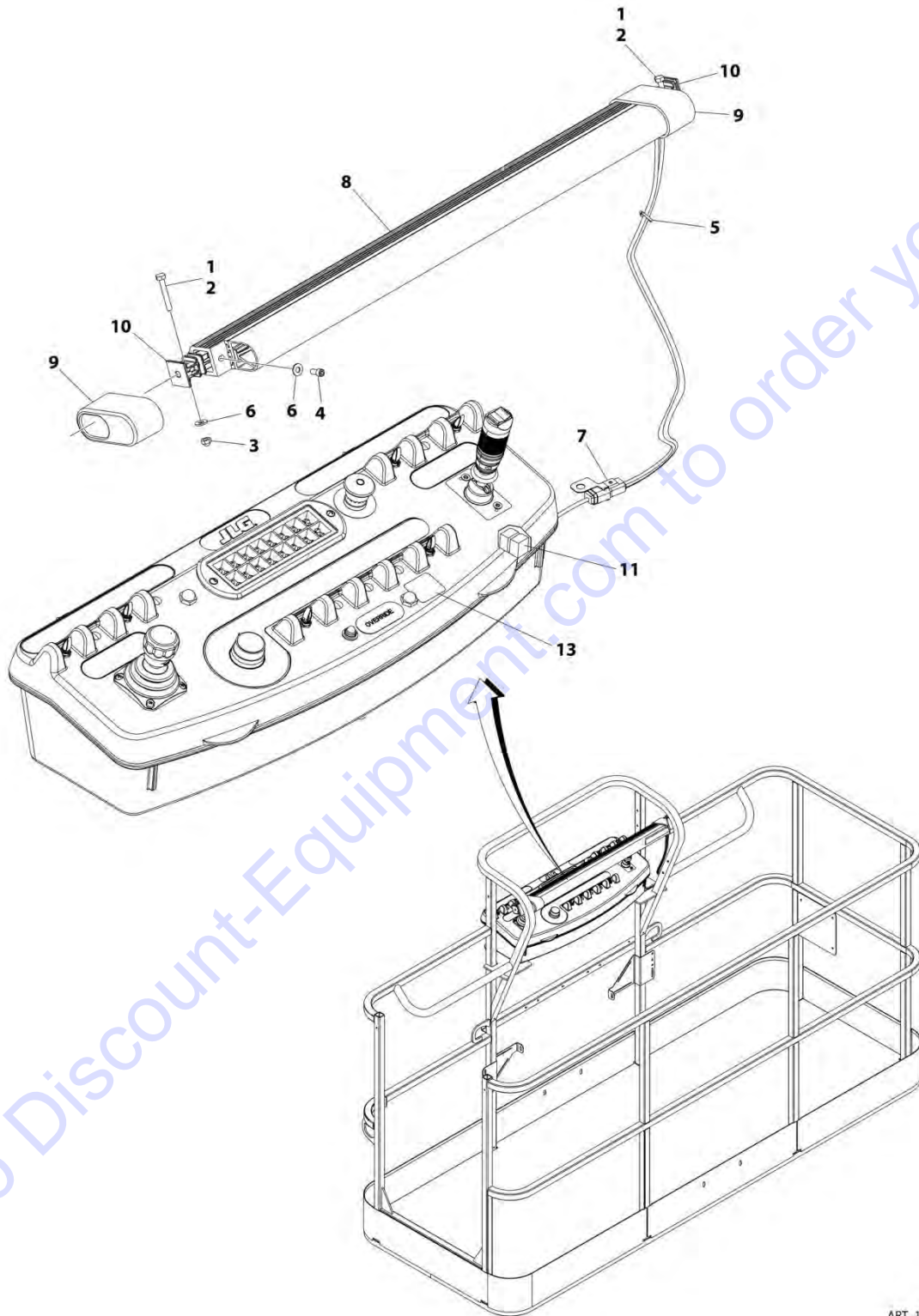
**FIGURE 4-11. SKYGUARD SYSTEM INSTALLATION (SN 0300182743 through 0300255782, SN B300001092 through B300004484)**

ITEM	PART NUMBER	QTY	DESCRIPTION	REV
	1001187508	Ref	<b>SKYGUARD SYSTEM INSTALLATION</b>	C
		Ref		
1	0100011	AR	Compound, Locking	
2	0641414	2	Bolt, 1/4-20 x 1-3/4	
3	3300430	2	Nut, Acorn 1/4-20	
4	3931424	2	Capscrew, 1/4-20 x 1-1/2	
4	3931408	2	Capscrew 1/4 x 1/2	
5	4240033	AR	Tie-Strap	
6	4711400	AR	Washer, 1/4	
7	1001120328	1	Mount	
8	1001137673	1	Switch, SkyGuard Assembly	
9	1001186517	2	Cover, Platform Sensor	
10	1001188889	NLA	Support, Block (Use p/n 1001209664) <b>(SN 0300182743 through 0300244559, SN B300001180 through B300002766)</b>	
10	1001209664	2	Support, Block <b>(SN 0300244560 through 0300255782, SN B300002767 through B300004484)</b>	



## SECTION 4 - PLATFORM

FIGURE 4-12. SKYGUARD BAR INSTALLATION (SN 0300255783 to Present, SN B300004485 to Present)



ART\_1001238495

## SECTION 4 - PLATFORM

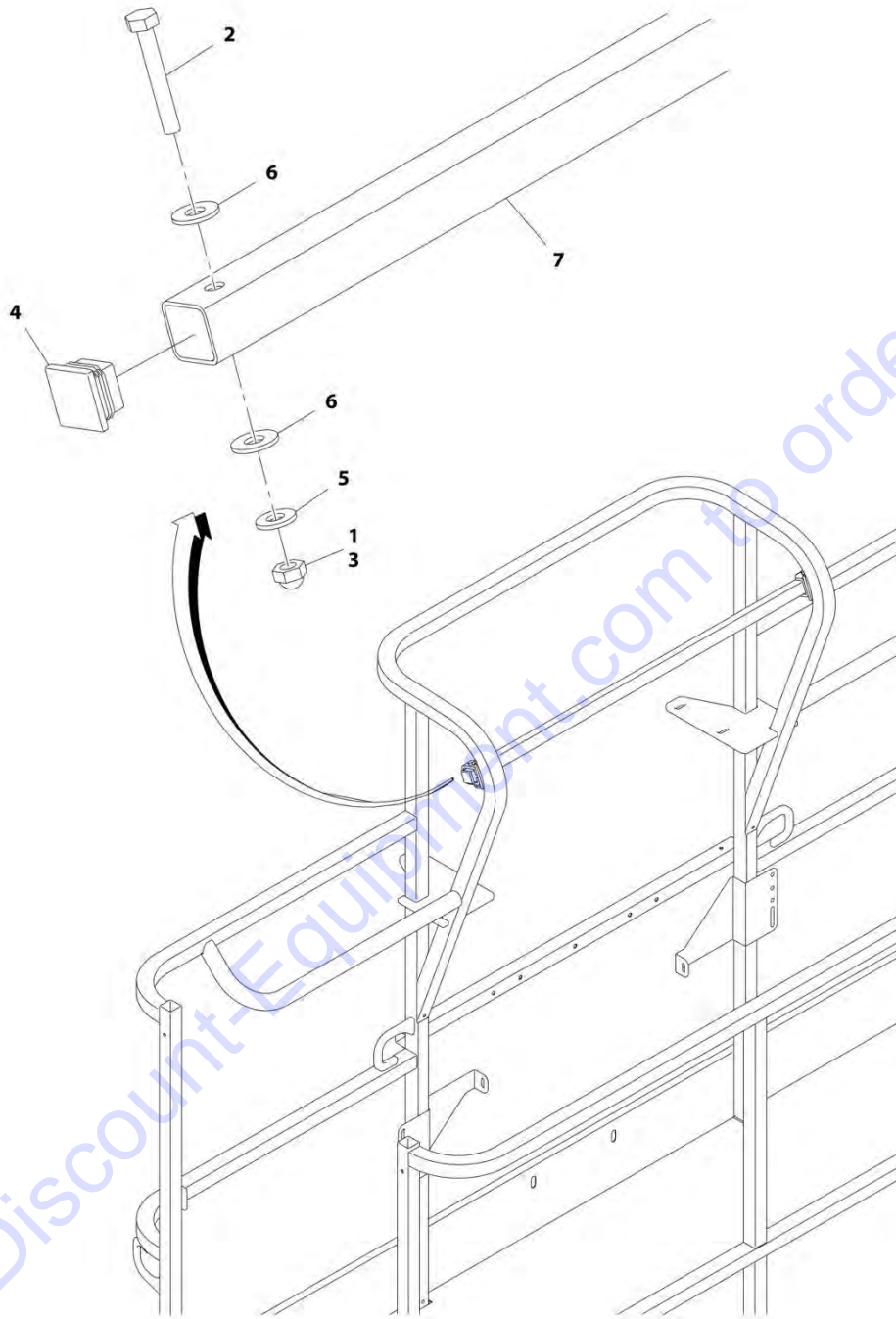
**FIGURE 4-12. SKYGUARD BAR INSTALLATION (SN 0300255783 to Present, SN B300004485 to Present)**

ITEM	PART NUMBER	QTY	DESCRIPTION	REV
	1001238495	Ref	SKYGUARD BAR INSTALLATION	A
1	0100011	AR	Compound, Locking	
2	0641414	2	Bolt 1/4 x 1-3/4	
3	3300430	2	Nut 1/4	
4	3931408	2	Capscrew 1/4 x 1/2	
5	4240033	8	Tie-Strap	
6	4711400	6	Washer 1/4	
7	1001120328	1	Mount	
8	1001137673	1	SkyGuard Switch Assembly	
9	1001186517	2	Cover, Platform Sensor	
10	1001209664	2	Support, Block	
11	1001186431	2	Relay	
12	1001225580	1	Interface Harness Assembly (Not Shown - Located Inside Console Box) (See Separate Breakdown in ELECTRICAL SECTION)	
13	1001144433	1	Decal - No Weight SkyGuard	

Go to Discount-Equipment.com to Order your parts

# SECTION 4 - PLATFORM

## FIGURE 4-13. CROSS RAIL INSTALLATION



ART\_1001182138

## SECTION 4 - PLATFORM

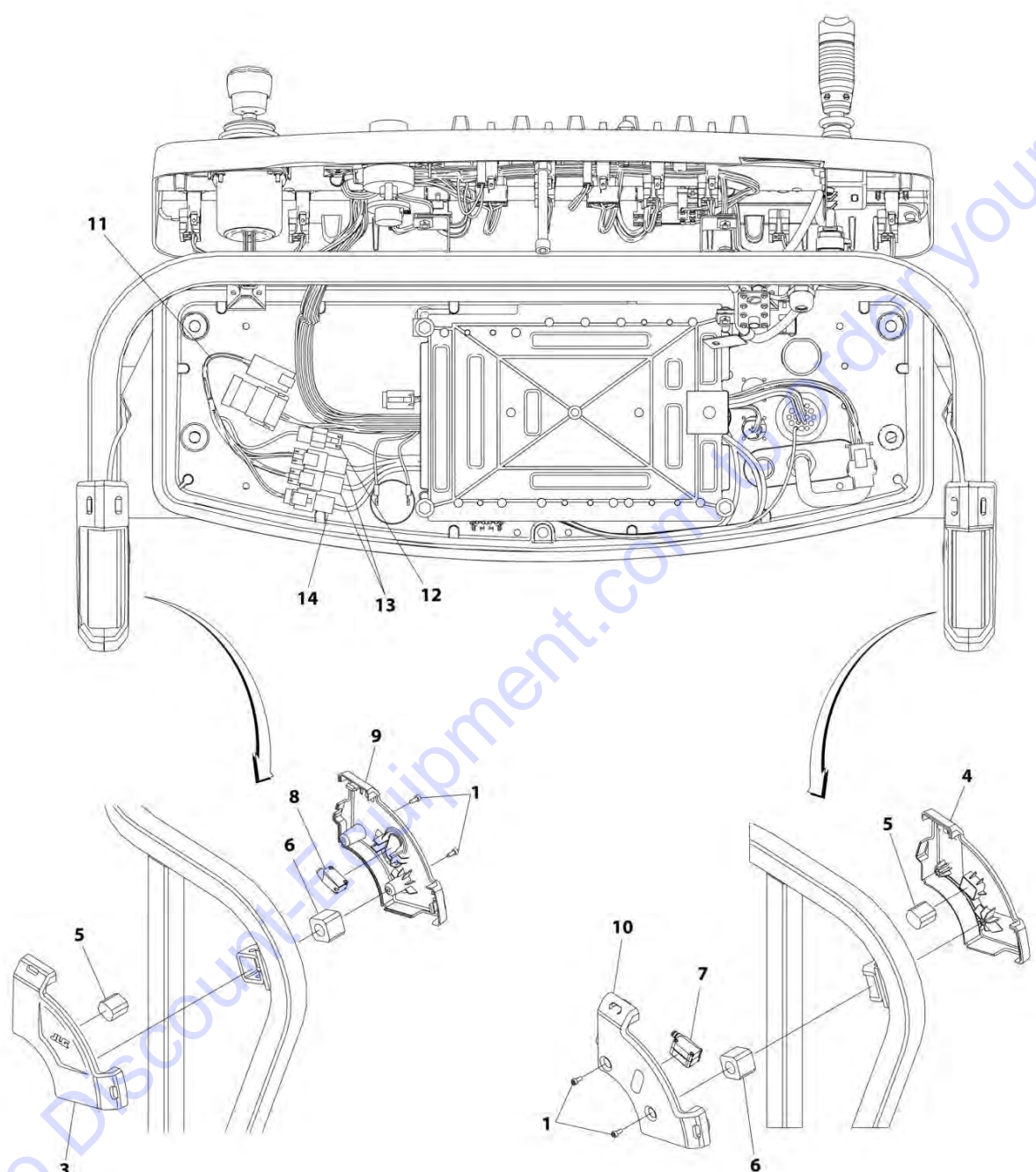
**FIGURE 4-13. CROSS RAIL INSTALLATION**

ITEM	PART NUMBER	QTY	DESCRIPTION	REV
	1001182138	Ref	<b>CROSS RAIL INSTALLATION</b>	A
1	0100071	AR	Compound, Locking	
2	0641414	2	Bolt 1/4 x 1-3/4	
3	3300430	2	Nut 1/4	
4	3520182	2	Plug	
5	4711400	2	Washer 1/4	
6	4751400	4	Washer 1/4	
7	1001191708	1	Bar	

Go to Discount-Equipment.com to order your parts

# SECTION 4 - PLATFORM

## FIGURE 4-14. SKYEYE INSTALLATION



ART\_1001229341

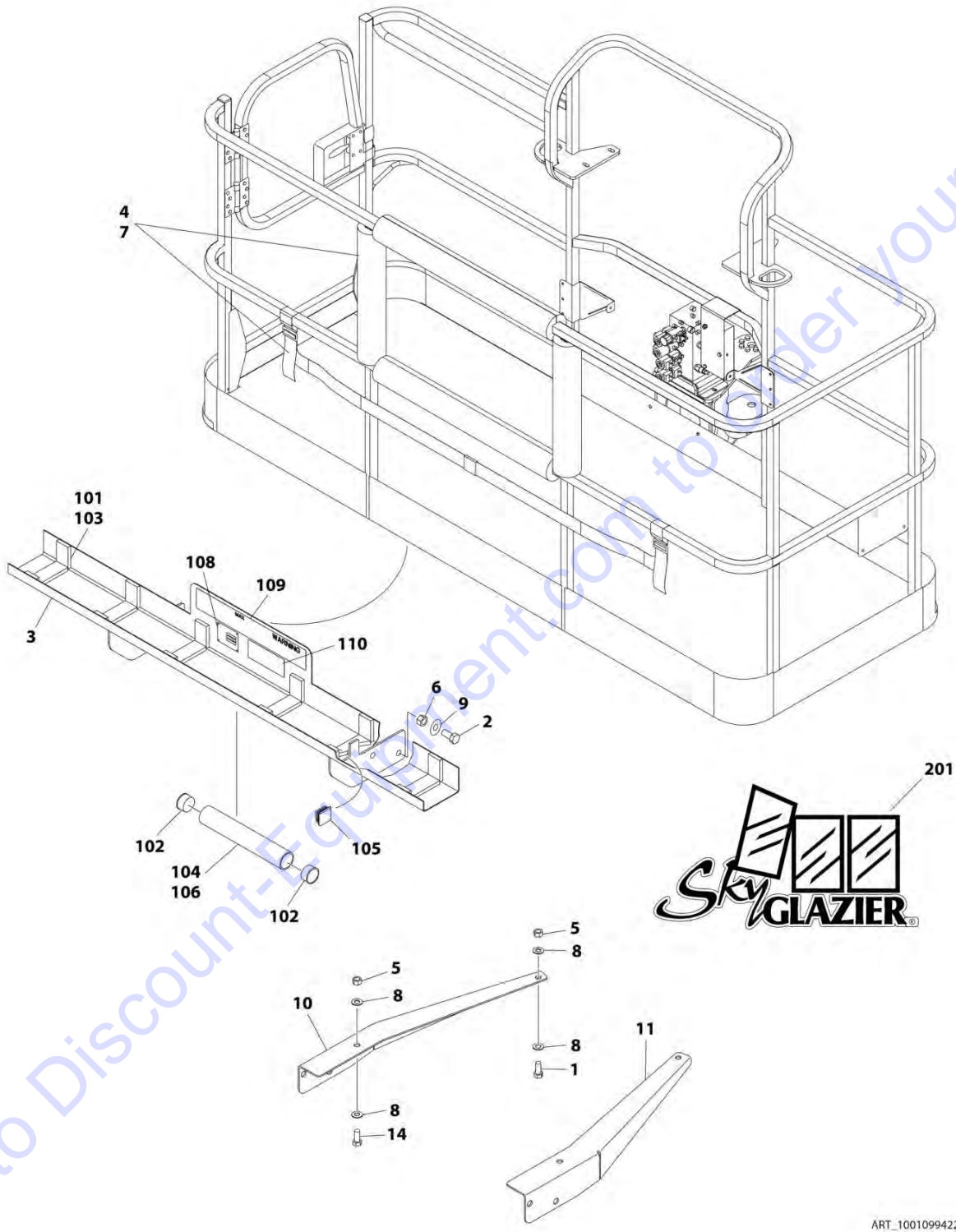
## SECTION 4 - PLATFORM

**FIGURE 4-14. SKYEYE INSTALLATION**

ITEM	PART NUMBER	QTY	DESCRIPTION	REV
	1001229341	Ref	SKYEYE INSTALLATION	A
1	4031505	4	Bolt M4 x 10	
2	4240033	AR	Tie-Strap (Not Shown)	
3	1001227633	1	Housing, LH Outer	
4	1001227634	1	Housing, RH Outer	
5	1001227985	2	Shim	
6	1001227987	2	Shim	
7	1001228224	2	Sensor, Receiver	
8	1001228225	1	Sensor, Emitter	
9	1001232164	1	Housing, LH Inner	
10	1001232165	1	Housing, RH Inner	
11	1001237865	1	Harness, Skyeye Intermediate (See Separate Breakdown in ELECTRICAL SECTION)	
12	1001238319	1	Harness, Skyeye Drain Jumper	
12	1001187674	1	Plug, Male - 2 Position	
12	4460942	1	Terminal	
12	4460466	1	Plug, Terminal	
12	4460508	1	Pin, Male	
13	1001237863	2	Harness, Skyeye Receiver (See Separate Breakdown in ELECTRICAL SECTION)	
14	1001237864	1	Harness, Skyeye Emitter (See Separate Breakdown in ELECTRICAL SECTION)	

# SECTION 4 - PLATFORM

## FIGURE 4-15. SKYGLAZIER INSTALLATION



ART\_1001099422

## SECTION 4 - PLATFORM

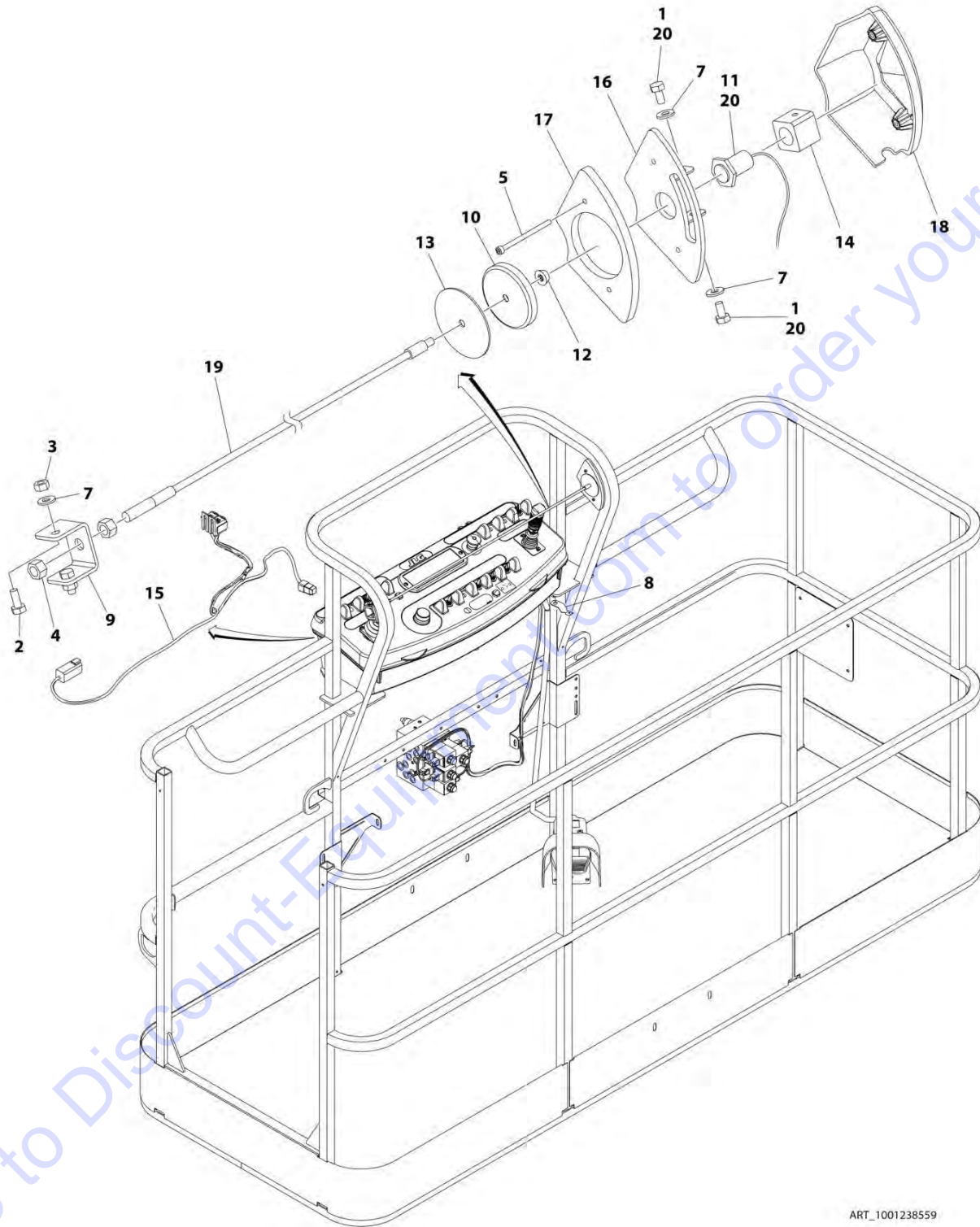
**FIGURE 4-15. SKYGLAZIER INSTALLATION**

ITEM	PART NUMBER	QTY	DESCRIPTION	REV
	1001101422	Ref	<b>SKYGLAZIER INSTALLATION (ANSI, ANSI EXPORT AND CSA SPECS)</b>	C
	1001102647	Ref	<b>SKYGLAZIER INSTALLATION (AUSTRALIAN SPECS)</b>	C
	1001099422	Ref	<b>SKYGLAZIER INSTALLATION (BRAZIL SPECS)</b>	C
	1001099421	Ref	<b>SKYGLAZIER INSTALLATION (LATIN AMERICAN SPECS)</b>	C
		Ref	<b>Note: Only Available on 860SJ for Brazil and Latin American Specs. Available on 800S &amp; 860SJ for ANSI, Australian and CSA Specs.</b>	
1	0642012	2	Bolt 5/8 x 1-1/2	
1	0642026	2	Bolt 5/8 x 3-1/4	
2	0642212	4	Bolt 3/4 x 1-1/2	
3	1001101421	1	Tray Assembly (All Spec except Brazil and Latin American Specs) (See Items 101-110 for Breakdown)	
3	0272951	1	Tray Assembly (Brazil Spec) (See Items 101-110 for Breakdown)	
3	0272948	1	Tray Assembly (Latin American Spec) (See Items 101-110 for Breakdown)	
4	2902212	1	Bumpers and Strap Kit	
4	0940102	1	Bumper Only	
4	4240149	1	Strap Only	
5	3312005	4	Nut 5/8	
5	1001149924	AR	Nut, Plastic 5/8	
6	3312205	4	Nut 3/4	
7	4420014	AR	Tape	
8	4712000	6	Washer 5/8	
9	4712200	8	Washer 3/4	
10	1001099366	1	Support	
11	1001099367	1	Support	
14	8310129	2	Bolt 5/8 x 2-1/2	
14	0642026	2	Bolt 5/8 x 3-1/4	
14	8310230	2	Bolt 5/8 x 4	
	1001101421	Ref	<b>TRAY ASSEMBLY (ALL SPECS EXCEPT BRAZIL AND LATIN AMERICAN SPECS)</b>	E
	0272951	Ref	<b>TRAY ASSEMBLY (BRAZIL SPECS)</b>	E
	0272948	Ref	<b>TRAY ASSEMBLY (LATIN AMERICAN SPECS)</b>	E
101	0100081	AR	Adhesive	
102	1120555	2	Cap, Tube	
103	3340956	1	Pad Kit	
104	3460334	1	Tube	
105	3520071	2	Plug	
106	4420066	AR	Tape, Double Sided	
108	See Note	NSS	Nameplate - Serial Number (Note: Not Available for Purchase)	
109	1001163131	1	Decal - Glazier Capacity (All Specs except Brazil and Latin American Specs)	
109	1001163297	2	Decal - Glazier Capacity (Brazil Specs)	
109	1001163296	2	Decal - Glazier Capacity (Latin American Specs)	
110	1701509	2	Decal - Manual	
	0272418	Ref	<b>SKYGLAZIER DECAL INSTALLATION</b>	4
201	1705358	2	Decal - SkyGlazier	



# SECTION 4 - PLATFORM

## FIGURE 4-16. SKYLINE INSTALLATION



ART\_1001238559

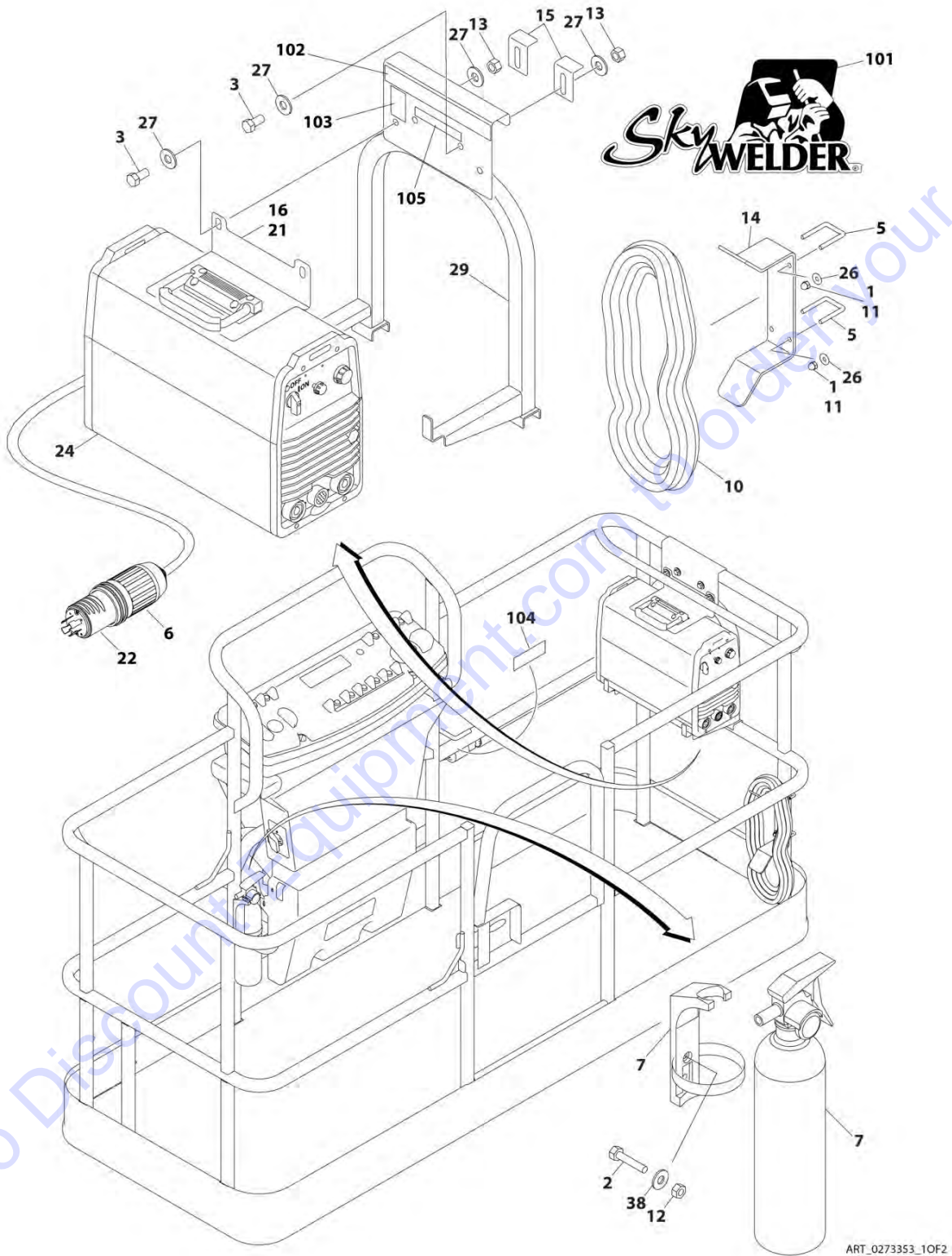
## SECTION 4 - PLATFORM

**FIGURE 4-16. SKYLINE INSTALLATION**

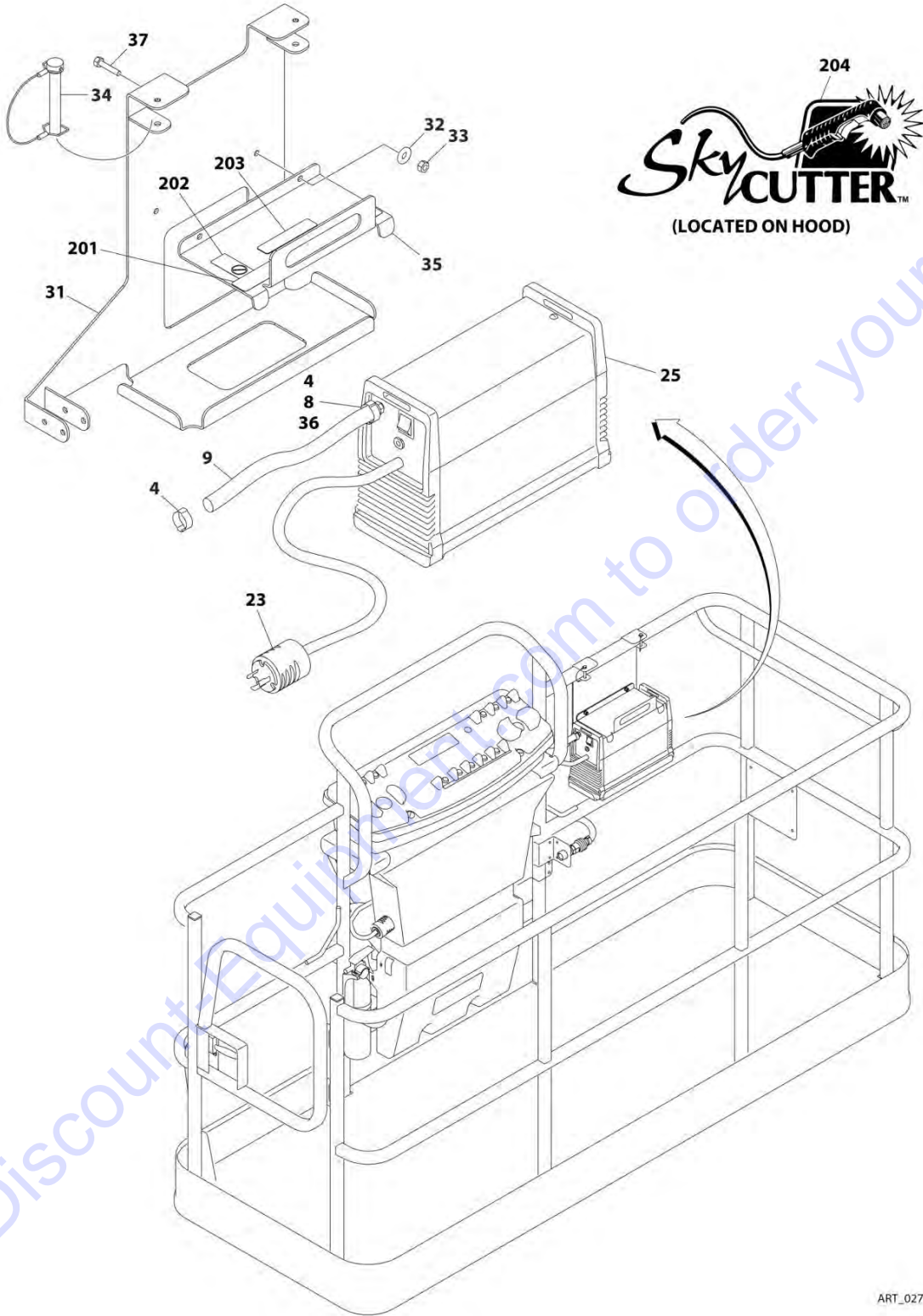
ITEM	PART NUMBER	QTY	DESCRIPTION	REV
	1001238559	Ref	SKYLINE INSTALLATION	B
1	0641404	2	Bolt 1/4 x 1/2	
2	0641405	2	Bolt 1/4 x 5/8	
3	3311405	2	Nut 1/4	
4	3311601	2	Nut 3/8	
5	4031516	2	Capscrew M4 x 60	
6	4240033	AR	Tie-Strap (Not Shown)	
7	4711400	4	Washer 1/4	
8	1001120328	1	Mount	
9	1001232642	1	Bracket	
10	1001232650	1	Magnet	
11	1001232667	1	Sensor, Proximity	
12	1001235011	1	Nut	
13	1001235013	1	Washer	
14	1001236552	1	Block	
15	1001238418	1	Harness, Skyline (See Separate Breakdown in ELECTRICAL SECTION)	
16	1001238472	1	Mount	
17	1001238477	1	Housing, LH	
18	1001241965	1	Housing, RH	
19	1001238824	1	Rope	
20	0100011	AR	Compound, Locking	

# SECTION 4 - PLATFORM

## FIGURE 4-17. SKYWELDER/SKYCUTTER COMBO INSTALLATION (60HZ)



# SECTION 4 - PLATFORM



Go to DiscountEquipment.com to order your parts

ART\_0273353\_20F2

# PARTS FINDER

**Search Website  
by Part Number**



**Search Manual  
Library For Parts  
Manual & Lookup Part  
Numbers – Purchase  
or Request Quote**

**Can't Find Part or  
Manual? Request Help  
by Manufacturer,  
Model & Description**

Discount-Equipment.com is your online resource for quality parts & equipment.

Florida: **561-964-4949** Outside Florida TOLL FREE: **877-690-3101**

## Need parts?

Click on this link: <http://www.discount-equipment.com/category/5443-parts/> and choose one of the options to help get the right parts and equipment you are looking for. Please have the machine model and serial number available in order to help us get you the correct parts. If you don't find the part on the website or on one of the online manuals, please fill out the request form and one of our experienced staff members will get back to you with a quote for the right part that your machine needs.

We sell worldwide for the brands: Genie, Terex, JLG, MultiQuip, Mikasa, Essick, Whiteman, Mayco, Toro Stone, Diamond Products, Generac Magnum, Airman, Haulotte, Barreto, Power Blanket, Nifty Lift, Atlas Copco, Chicago Pneumatic, Allmand, Miller Curber, Skyjack, Lull, Skytrak, Tsurumi, Husquvarna Target, Stow, Wacker, Sakai, Mi-T-M, Sullair, Basic, Dynapac, MBW, Weber, Bartell, Bennar Newman, Haulotte, Ditch Runner, Menegotti, Morrison, Contec, Buddy, Crown, Edco, Wyco, Bomag, Laymor, EZ Trench, Bil-Jax, F.S. Curtis, Gehl Pavers, Heli, Honda, ICS/PowerGrit, IHI, Partner, Imer, Clipper, MMD, Koshin, Rice, CH&E, General Equipment, Amida, Coleman, NAC, Gradall, Square Shooter, Kent, Stanley, Tamco, Toku, Hatz, Kohler, Robin, Wisconsin, Northrock, Oztec, Toker TK, Rol-Air, APT, Wylie, Ingersoll Rand / Doosan, Innovatech, Con X, Ammann, Mecalac, Makinex, Smith Surface Prep, Small Line, Wanco, Yanmar

## SECTION 4 - PLATFORM

FIGURE 4-17. SKYWELDER/SKYCUTTER COMBO INSTALLATION (60HZ)

ITEM	PART NUMBER	QTY	DESCRIPTION	REV
	0273353	Ref	<b>SKYWELDER/SKYCUTTER COMBO INSTALLATION (60HZ)</b>	G
		Ref	<b>Note: ANSI, ANSI Export and CSA Spec Only.</b>	
		Ref	<b>Note: Not Available on 800S Shipyard Machines/680S.</b>	
1	0100011	AR	Compound, Locking	
2	0630518	2	Screw #10 x 3/4	
3	0641606	4	Bolt 3/8 x 3/4	
4	1320177	2	Clamp	
5	1320302	2	Clamp	
6	1671093	1	Cover, Plug	
7	2030010	1	Extinguisher, Fire	
8	2180832	1	Fitting, Barbed/NPT	
9	2720160	4.5 ft /1.37m	Hose	
10	2902217	1	Weld Leads Kit	
11	3300151	4	Nut 1/4	
12	3311005	2	Nut #10	
13	3311605	4	Nut 3/8	
14	3573400	1	Bracket	
15	3577121	2	Angle	
16	3573642	1	Plate	
20	4240099	AR	Tie-Strap (Not Shown)	
21	4420037	2.36 ft /.71m	Tape	
22	4460962	1	Plug, Twist Lock	
23	4460971	1	Plug, Twist Lock	
24	4530028	1	Welder Assembly (See WELDER ASSEMBLY for Breakdown)	
25	1001098012	1	Plasma Cutter Assembly (See PLASMA CUTTER ASSEMBLY for Breakdown)	
26	4751400	4	Washer 1/4	
27	4751600	8	Washer 3/8	
29	4846627	1	Support	
31	1001145405	1	Bracket	
32	4811700	2	Washer M6	
33	3290605	2	Nut M6	
34	3421453	3	Pin	
35	3576799	1	Plate, Hold-Down	
36	0100020	1	Sealant	
37	4010608	2	Screw M6 x 16	
38	4751000	2	Washer #10	
	0272448	Ref	<b>SKYWELDER DECAL INSTALLATION</b>	B
101	1705355	2	Decal - SkyWelder	
102	1702868	1	Decal - No Hands	
103	1705305	1	Decal - Weld Leads	
104	1705375	1	Decal - 240V - 3 Phase - 60 Hz	
105	1705466	NLA	Decal - Weight (Use p/n 1001228988) (SN 0300182743 through 0300233654, SN B300001092 through B300001996)	
105	1001228988	1	Decal - Weight (SN 0300233655 to Present, SN B300001997 to Present)	
	0272599	Ref	<b>SKYCUTTER DECAL INSTALLATION</b>	B
201	1702868	1	Decal - No Hands	
202	1705305	1	Decal - Weld Leads	

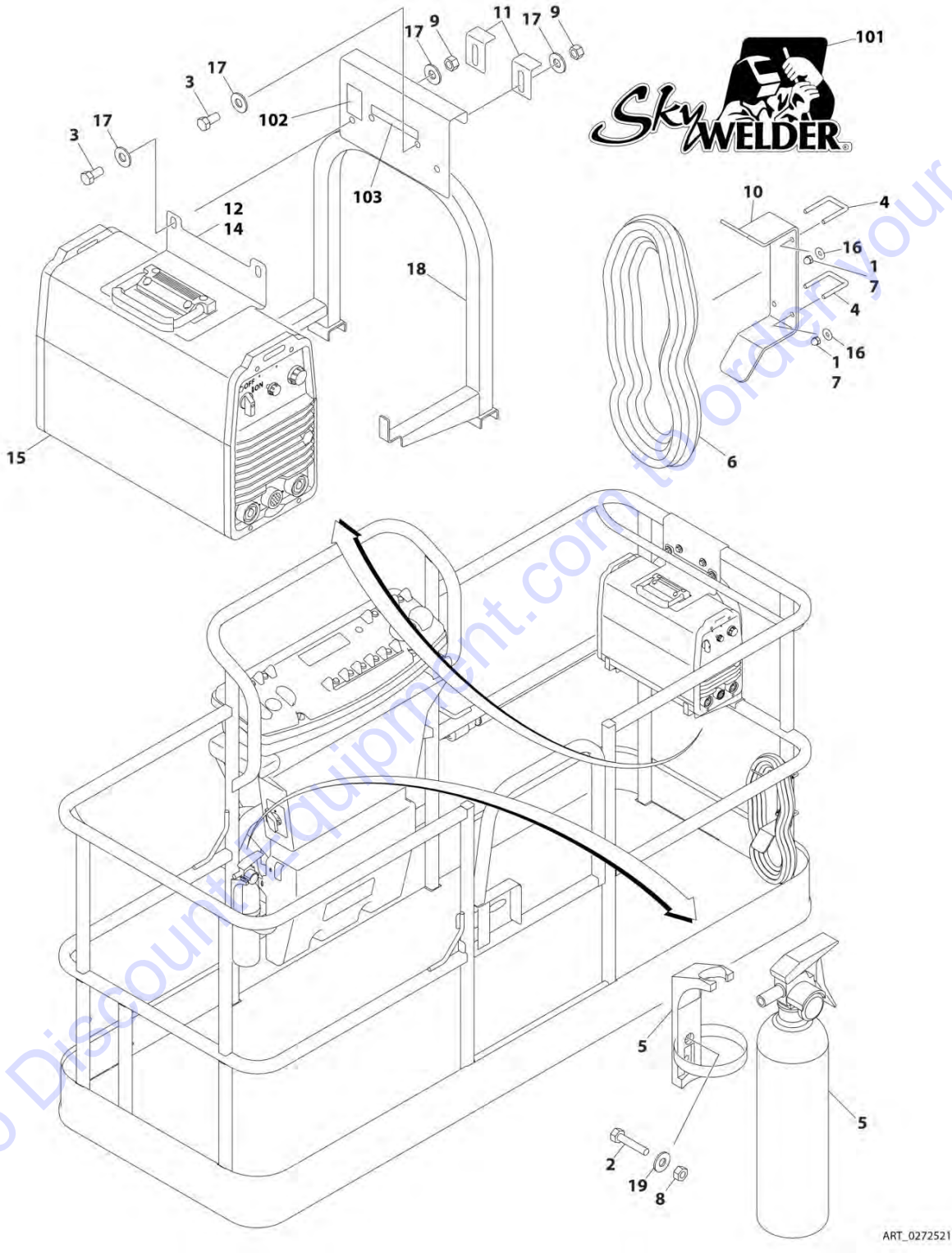
## SECTION 4 - PLATFORM

ITEM	PART NUMBER	QTY	DESCRIPTION	REV
203	1705466	NLA	Decal - Weight (Use p/n 1001228988) (SN 0300182743 through 0300233654, SN B300001092 through B300001996)	
203	1001228988	1	Decal - Weight (SN 0300233655 to Present, SN B300001997 to Present)	
204	1705490	2	Decal - SkyCutter	

Go to Discount-Equipment.com to order your parts

# SECTION 4 - PLATFORM

## FIGURE 4-18. SKYWELDER INSTALLATION (50HZ)



ART\_0272521



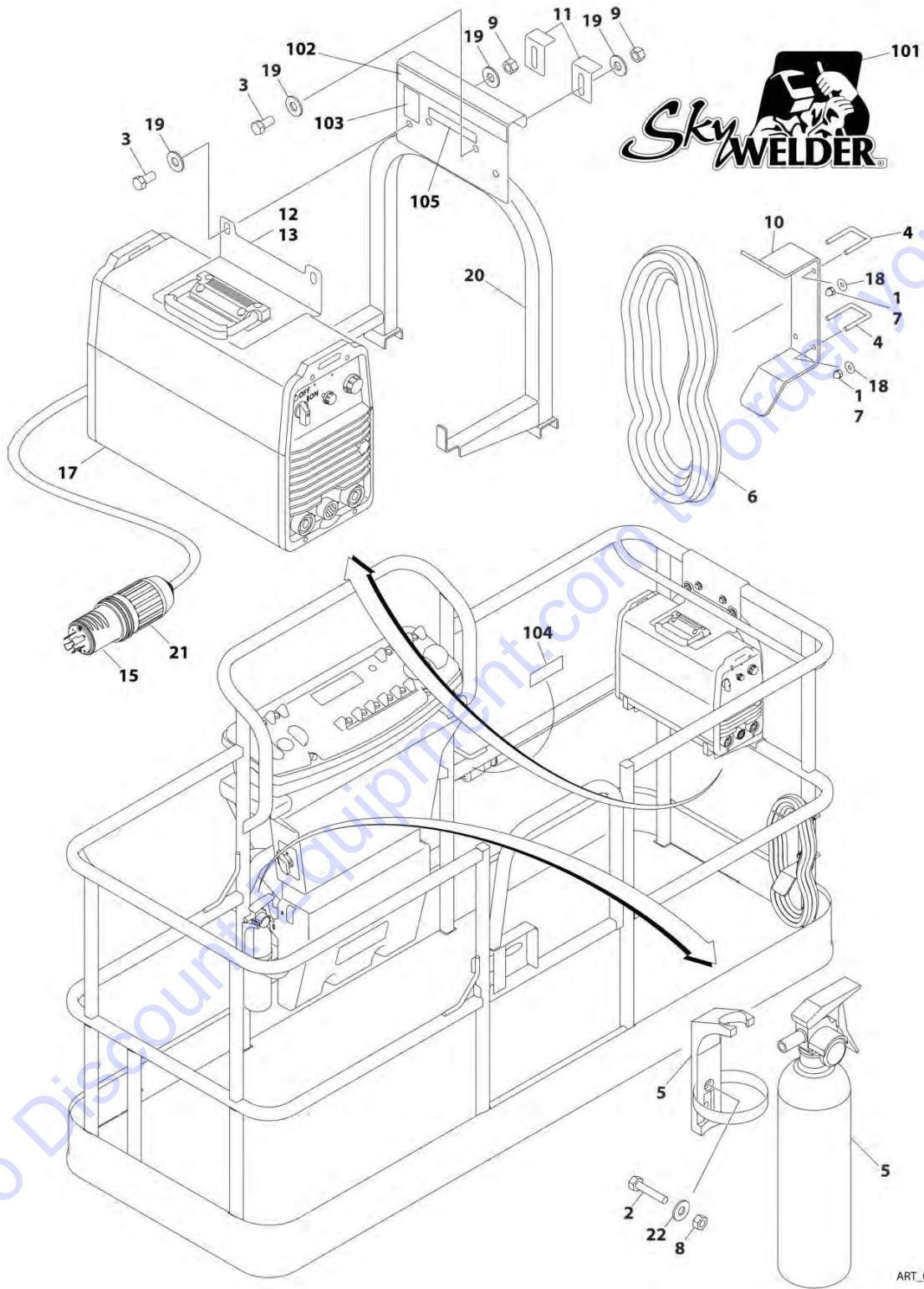
## SECTION 4 - PLATFORM

**FIGURE 4-18. SKYWELDER INSTALLATION (50HZ)**

ITEM	PART NUMBER	QTY	DESCRIPTION	REV
	0272521	Ref	<b>SKYWELDER INSTALLATION (50HZ)</b>	F
		Ref	<b>Note: CE Specs Only.</b>	
		Ref	<b>Note: Not Available on 800S Shipyard Machines/680S.</b>	
1	0100011	AR	Compound, Locking	
2	0630518	2	Screw #10 x 3/4	
3	0641606	4	Bolt 3/8 x 3/4	
4	1320302	2	U-Clamp	
5	2030010	1	Extinguisher, Fire	
6	2902217	1	Weld Leads Kit	
7	3300151	4	Nut 1/4	
8	3311005	2	Nut #10	
9	3311605	4	Nut 3/8	
10	3573400	1	Bracket	
11	3577121	2	Angle	
12	3573642	1	Plate	
13	4240099	AR	Tie-Strap (Not Shown)	
14	4420037	AR	Tape	
15	4530028	1	Welder Assembly (See WELDER ASSEMBLY for Breakdown)	
16	4751400	4	Washer 1/4	
17	4751600	8	Washer 3/8	
18	4846627	1	Support	
19	4751000	2	Washer #10	
	0272588	Ref	<b>SKYWELDER DECAL INSTALLATION</b>	B
101	1705355	2	Decal - SkyWelder	
102	1705305	1	Decal - Weld Lead	
103	1705466	NLA	Decal - Weight (Use p/n 1001228988) (SN 0300182743 through 0300233654, SN B300001092 through B300001996)	
103	1001228988	1	Decal - Weight (SN 0300233655 to Present, SN B300001997 to Present)	

# SECTION 4 - PLATFORM

## FIGURE 4-19. SKYWELDER INSTALLATION (60HZ)



ART\_0272254

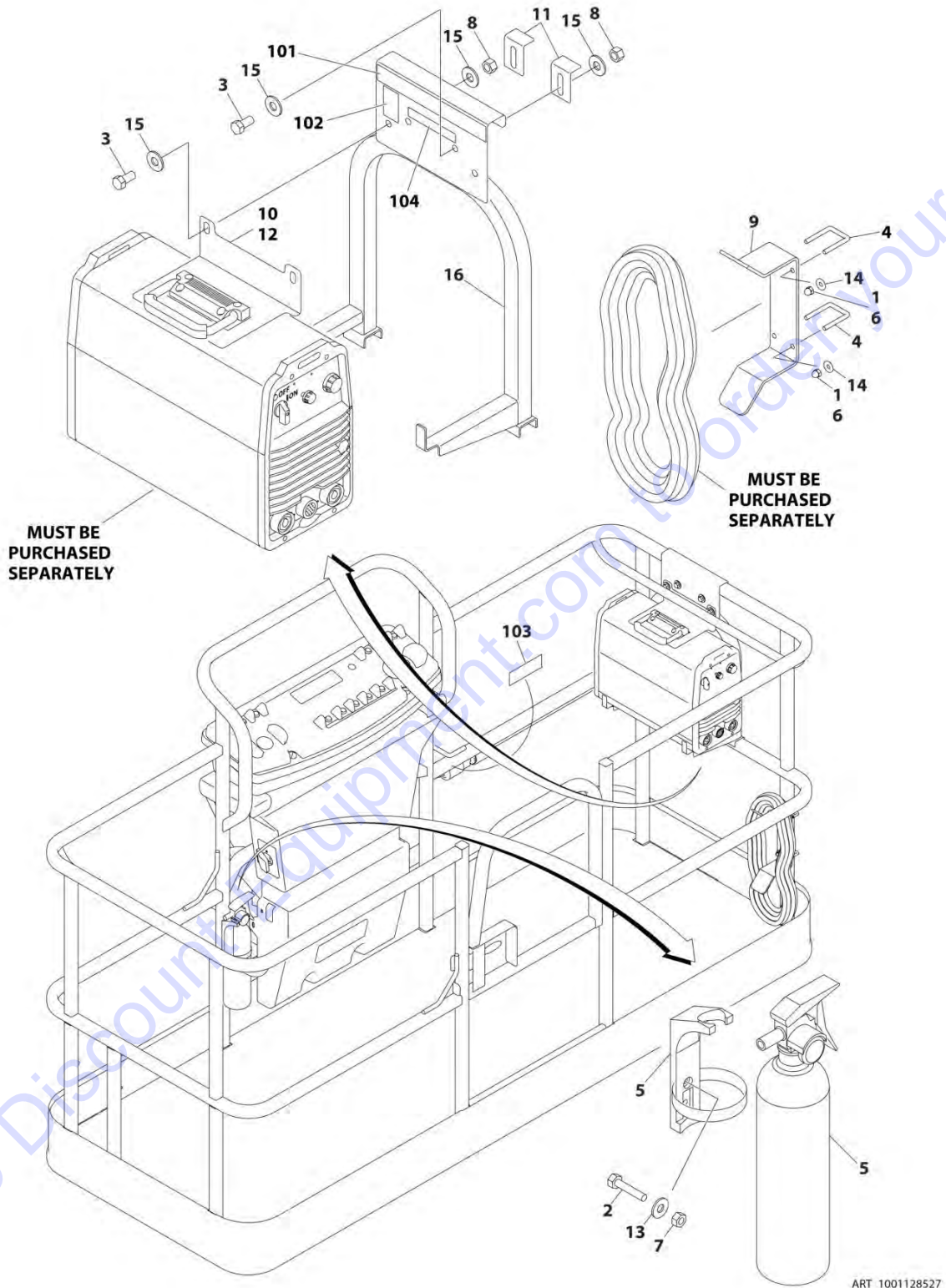
## SECTION 4 - PLATFORM

**FIGURE 4-19. SKYWELDER INSTALLATION (60HZ)**

ITEM	PART NUMBER	QTY	DESCRIPTION	REV
	0272254	Ref	<b>SKYWELDER INSTALLATION (60HZ)</b>	I
		Ref	<b>Note: ANSI, ANSI Export, Australian, CSA and Japanese Specs Only. Not Available on 680S.</b>	
1	0100011	AR	Compound, Locking	
2	0630518	2	Screw #10 x 3/4	
3	0641606	4	Bolt 3/8 x 3/4	
4	1320302	2	U-Clamp	
5	2030010	1	Extinguisher, Fire	
6	2902217	1	Weld Leads Kit	
7	3300151	4	Nut 1/4	
8	3311005	2	Nut #10	
9	3311605	4	Nut 3/8	
10	3573400	1	Bracket	
11	3577121	2	Angle	
12	3573642	1	Plate	
13	4420037	AR	Tape	
14	4240099	AR	Tie-Strap (Not Shown)	
15	4460962	1	Plug, Male Twistlock	
17	4530028	1	Welder Assembly (See WELDER ASSEMBLY for Breakdown)	
18	4751400	4	Washer 1/4	
19	4751600	8	Washer 3/8	
20	4846627	1	Support	
21	1671093	1	Cover, Plug	
22	4751000	2	Washer #10	
	0272448	Ref	<b>SKYWELDER DECAL INSTALLATION</b>	B
101	1705355	2	Decal - SkyWelder	
102	1702868	1	Decal - No Hands	
103	1705305	1	Decal - Weld Lead	
104	1705375	1	Decal - 240V - 3 Phase - 60Hz	
105	1705466	NLA	Decal - Weight (Use p/n 1001228988) (SN 0300182743 through 0300233654, SN B300001092 through B300001996)	
105	1001228988	1	Decal - Weight (SN 0300233655 to Present, SN B300001997 to Present)	

# SECTION 4 - PLATFORM

## FIGURE 4-20. SKYWELDER PREP PACKAGE (60HZ)



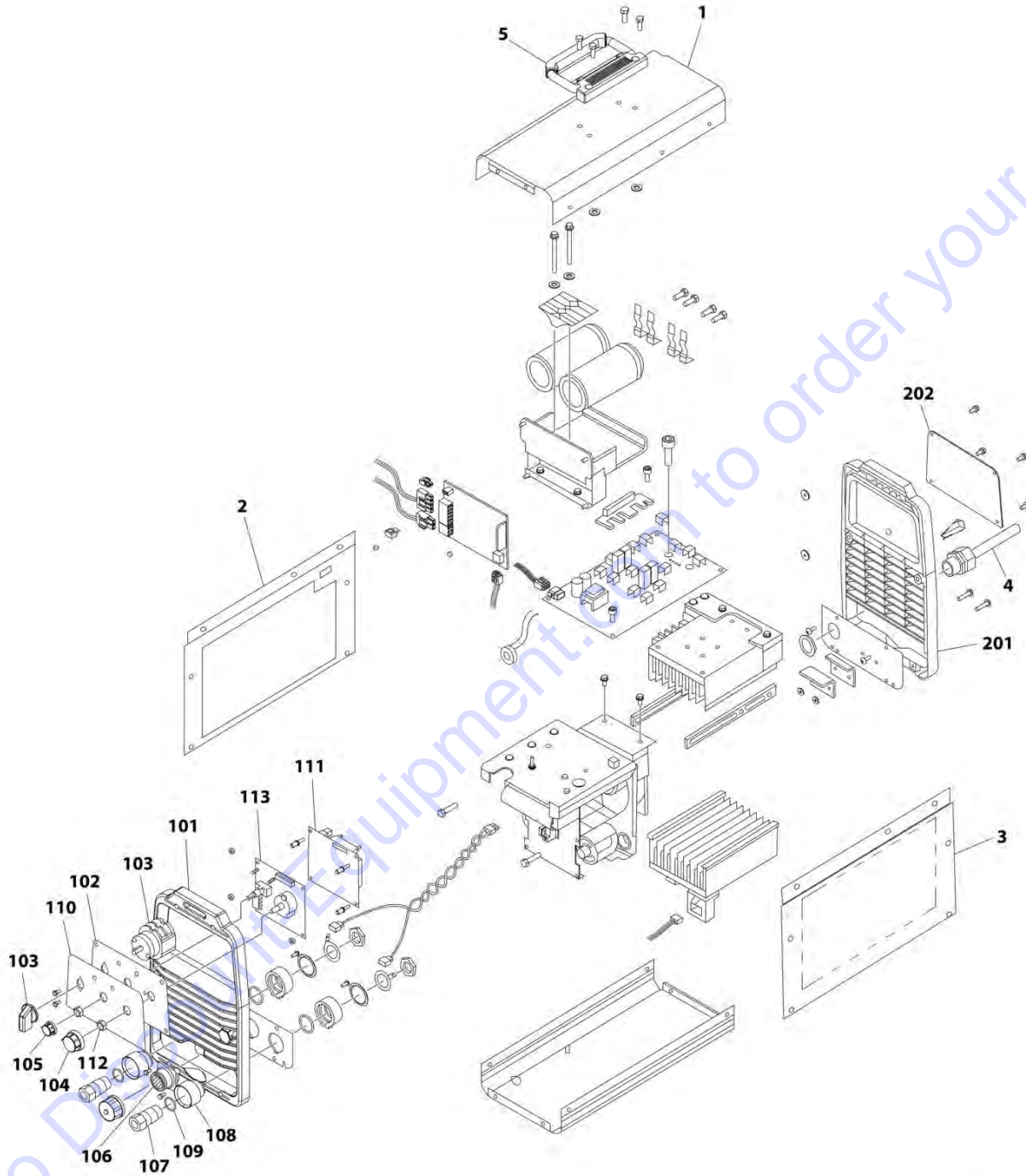
## SECTION 4 - PLATFORM

**FIGURE 4-20. SKYWELDER PREP PACKAGE (60HZ)**

ITEM	PART NUMBER	QTY	DESCRIPTION	REV
	1001128527	Ref	<b>SKYWELDER PREP PACKAGE (60HZ)</b>	B
		Ref	<b>Note: ANSI, ANSI Export, Australian, CSA and Japanese Specs Only. Not Available on 680S.</b>	
1	0100011	AR	Compound, Locking	
2	0630518	2	Screw #10 x 3/4	
3	0641606	4	Bolt 3/8 x 3/4	
4	1320302	2	U-Clamp	
5	2030010	1	Extinguisher, Fire	
6	3300151	4	Nut 1/4	
7	3311005	2	Nut #10	
8	3311605	4	Nut 3/8	
9	3573400	1	Bracket	
10	3573642	1	Plate	
11	3577121	2	Angle	
12	4420037	AR	Tape	
13	4751000	2	Washer #10	
14	4751400	4	Washer 1/4	
15	4751600	8	Washer 3/8	
16	4846627	1	Support	
	1001128556	Ref	<b>SKYWELDER DECAL INSTALLATION</b>	B
101	1702868	1	Decal - No Hands	
102	1705305	1	Decal - Weld Lead	
103	1705375	1	Decal - 240V - 3 Phase - 60Hz	
104	1705466	NLA	Decal - Weight (Use p/n 1001228988) (SN 0300182743 through 0300233654, SN B300001092 through B300001996)	
104	1001228988	1	Decal - Weight (SN 0300233655 to Present, SN B300001997 to Present)	

# SECTION 4 - PLATFORM

## FIGURE 4-21. WELDER ASSEMBLY



ART\_4530028

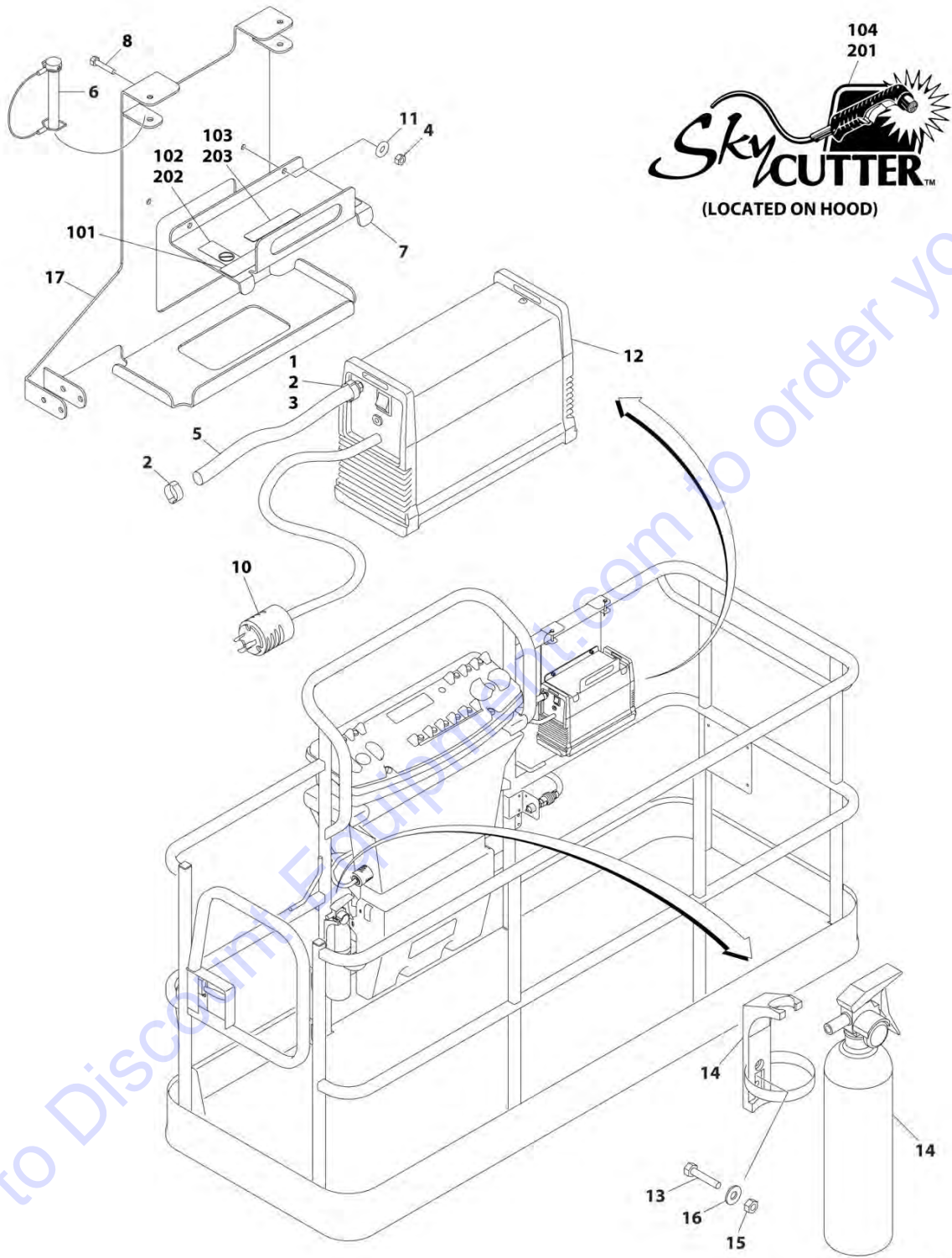
## SECTION 4 - PLATFORM

### FIGURE 4-21. WELDER ASSEMBLY

ITEM	PART NUMBER	QTY	DESCRIPTION	REV
	4530028	Ref	<b>WELDER ASSEMBLY</b>	B
		Ref	<b>Note: For Other Components, contact your Miller Welder Dealer.</b>	
1	7027773	1	Cover, Top	
1	7027774	1	Decal - Static Precautionary Warning	
2	See Note	NSS	Panel, LH Side (Note: Part of Item 1. Purchase Item 1)	
3	See Note	NSS	Panel, RH Side (Note: Part of Item 1. Purchase Item 1)	
4	7024467	1	Cable, Power	
4	7027775	1	Decal - Electrical Shock Warning (Not Shown)	
5	7027776	1	Handle, Carrying	
101	7024462	1	Panel, Front	
102	7024463	1	Panel, Console	
103	7024469	1	Switch with Lead	
104	7024470	1	Knob	
105	7024471	1	Knob	
106	7024472	1	Receptacle with Leads and Plugs	
107	7024473	2	Receptacle, Twistlock Female	
108	7024474	2	Insulator	
109	7024475	2	O-Ring	
110	7027777	1	Nameplate	
111	7027779	1	Circuit Card Assembly (Process Control)	
112	7024478	2	Nut	
113	7027778	1	Circuit Card Assembly (Operator Interface)	
201	7024462	1	Panel, Rear	
202	7027780	1	Panel, Cover	

# SECTION 4 - PLATFORM

## FIGURE 4-22. SKYCUTTER INSTALLATION



ART\_1001098149



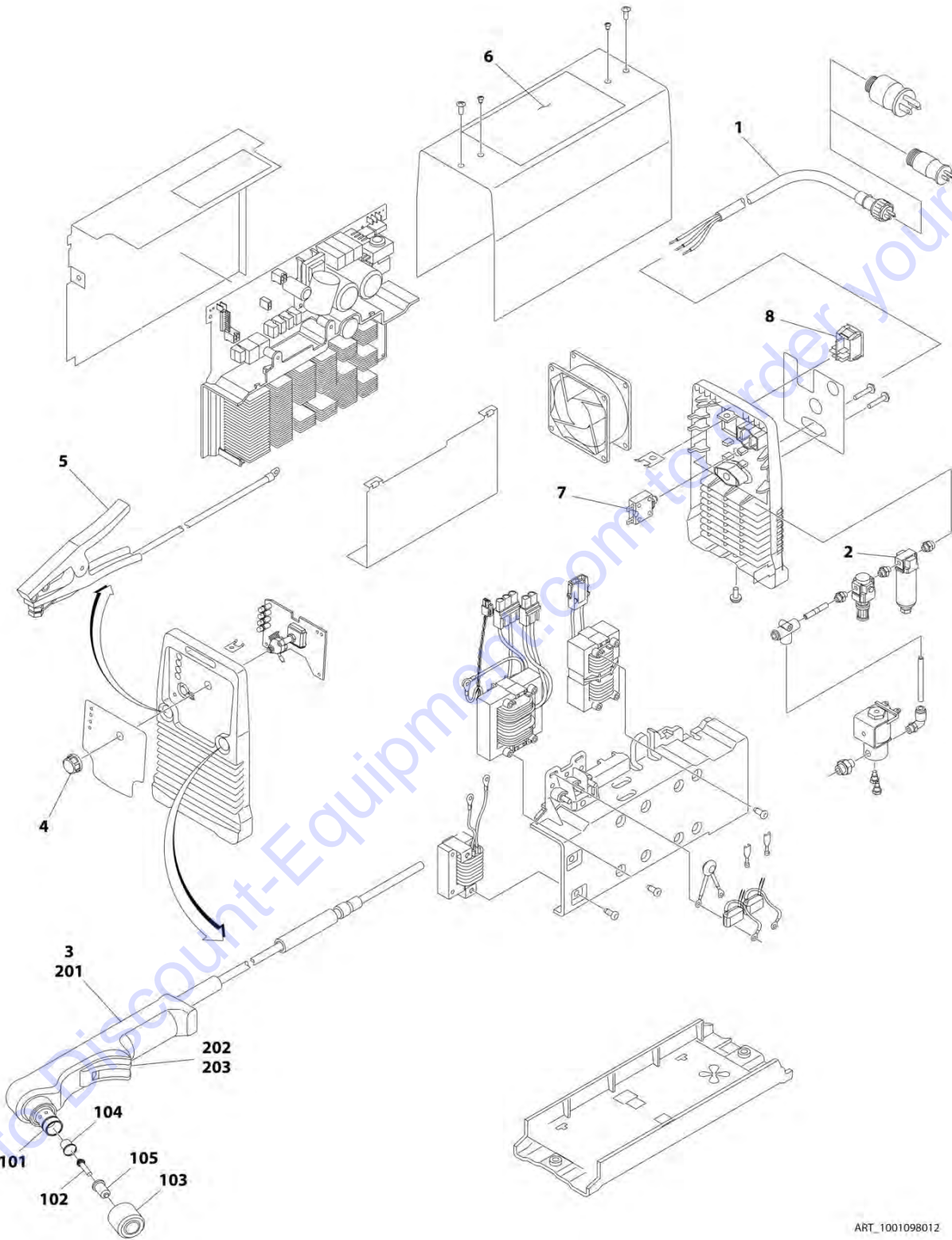
## SECTION 4 - PLATFORM

**FIGURE 4-22. SKYCUTTER INSTALLATION**

ITEM	PART NUMBER	QTY	DESCRIPTION	REV
	1001098149	Ref	<b>SKYCUTTER INSTALLATION</b>	D
		Ref	<b>Note: SkyCutter Installation ANSI, ANSI Export &amp; CSA and Japanese Specs Only.</b>	
		Ref	<b>Note: Not Available on 800S Shipyard Machines/680S.</b>	
		Ref	<b>Note: When replacing platform on machines with SkyCutter option, new bracket p/n 1001145405 must be purchased to accommodate SkyCutter components.</b>	
1	0100020	AR	Sealant	
2	1320177	2	Clamp, Hose	
3	2180832	1	Fitting, NPT/Barbed	
4	3290605	2	Nut M6	
5	2720160	3 ft/.9m	Hose	
6	3421453	3	Pin	
7	3576799	1	Plate, Hold-Down	
8	4010608	2	Screw M6 x 16	
10	4460971	1	Plug, Twistlock	
11	4811700	2	Washer M6	
12	1001098012	1	Plasma Cutter Assembly (See PLASMA CUTTER ASSEMBLY for Breakdown)	
13	0630518	2	Screw #10 x 3/4	
14	2030010	1	Extinguisher, Fire	
15	3311005	2	Nut #10	
16	4751000	2	Washer #10	
17	1001145405	1	Support	
	0272599	Ref	<b>SKYCUTTER DECAL INSTALLATION (ANSI, ANSI EXPORT AND CSA SPECS)</b>	B
101	1702868	1	Decal - No Hands	
102	1705305	1	Decal - Weld Lead	
103	1705466	NLA	Decal - Weight (Use p/n 1001228988) (SN 0300182743 through 0300233654, SN B300001092 through B300001996)	
103	1001228988	1	Decal - Weight (SN 0300233655 to Present, SN B300001997 to Present)	
104	1705490	2	Decal - SkyCutter	
	0272607	Ref	<b>SKYCUTTER DECAL INSTALLATION (JAPANESE SPECS)</b>	B
201	1705490	2	Decal - SkyCutter	
202	1705305	1	Decal - Weld Lead	
203	1705466	NLA	Decal - Weight (Use p/n 1001228988) (SN 0300182743 through 0300233654, SN B300001092 through B300001996)	
203	1001228988	1	Decal - Weight (SN 0300233655 to Present, SN B300001997 to Present)	

# SECTION 4 - PLATFORM

## FIGURE 4-23. PLASMA CUTTER ASSEMBLY



ART\_1001098012

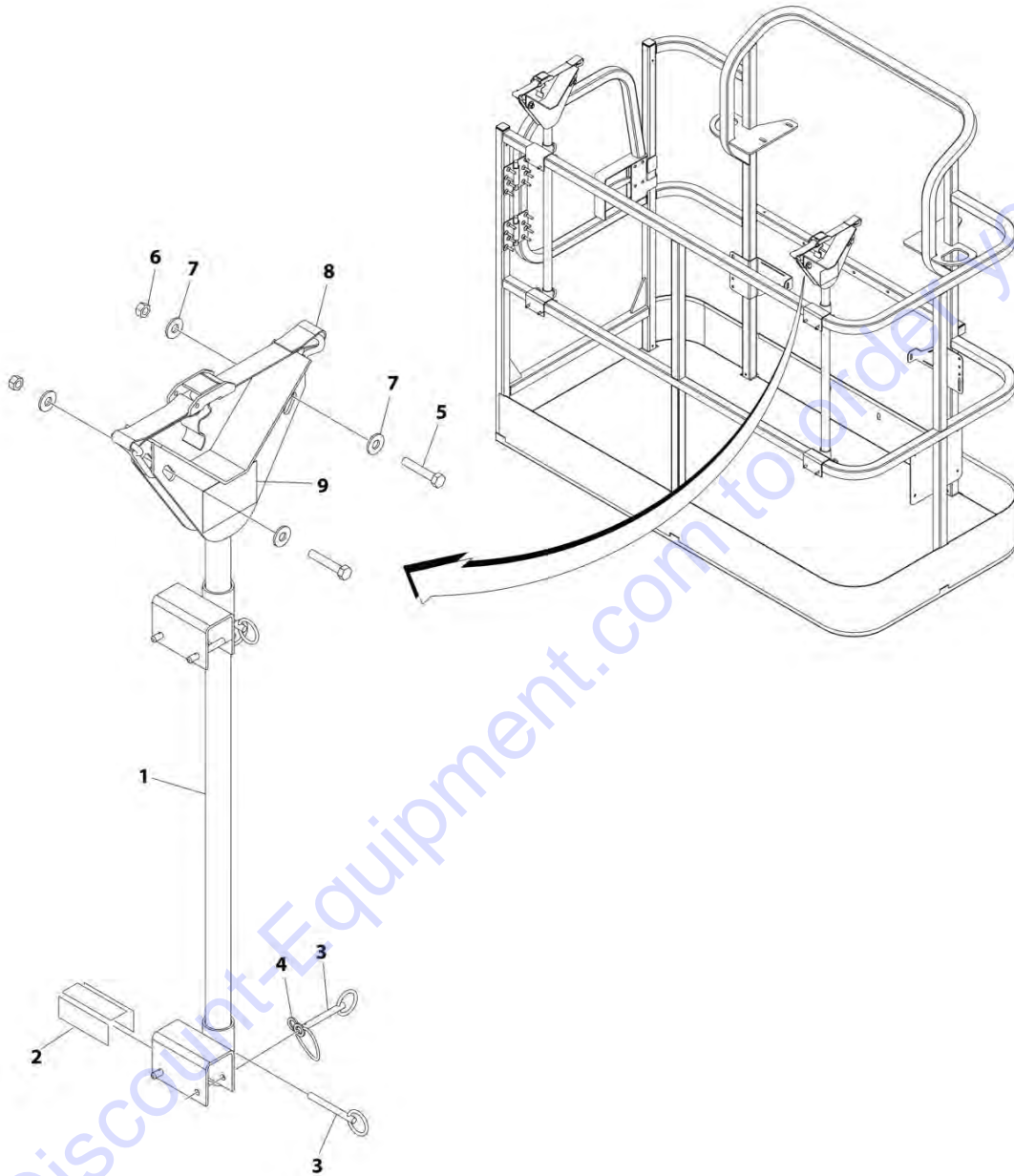
## SECTION 4 - PLATFORM

**FIGURE 4-23. PLASMA CUTTER ASSEMBLY**

ITEM	PART NUMBER	QTY	DESCRIPTION	REV
	1001098012	Ref	<b>PLASMA CUTTER ASSEMBLY</b>	A
		Ref	<b>Note: For Other Components, contact your Miller Welder Dealer.</b>	
1	70001424	1	Cable, Power	
1	70001425	1	Decal - Voltage Warning	
2	70001427	1	Filter, Regulator	
3	70001428	1	Torch Assembly (See Items 101-203 for Breakdown)	
4	7024471	1	Knob	
5	70001429	1	Clamp with Cable	
6	70001430	1	Decal - Caution	
7	70001431	1	Breaker, Circuit	
8	70001432	1	Switch, Rocker	
	70001428	Ref	<b>TORCH ASSEMBLY</b>	
101	7024530	1	O-Ring	
102	7024531	1	Electrode	
103	7024532	1	Cup, Retaining	
104	7024533	1	Swirl Ring	
105	7024534	1	Tip	
201	7024535	1	Handle, Torch	
202	7024536	1	Switch	
203	7024537	1	Trigger	

# SECTION 4 - PLATFORM

## FIGURE 4-24. PIPE RACKS INSTALLATION



ART\_0257728

## SECTION 4 - PLATFORM

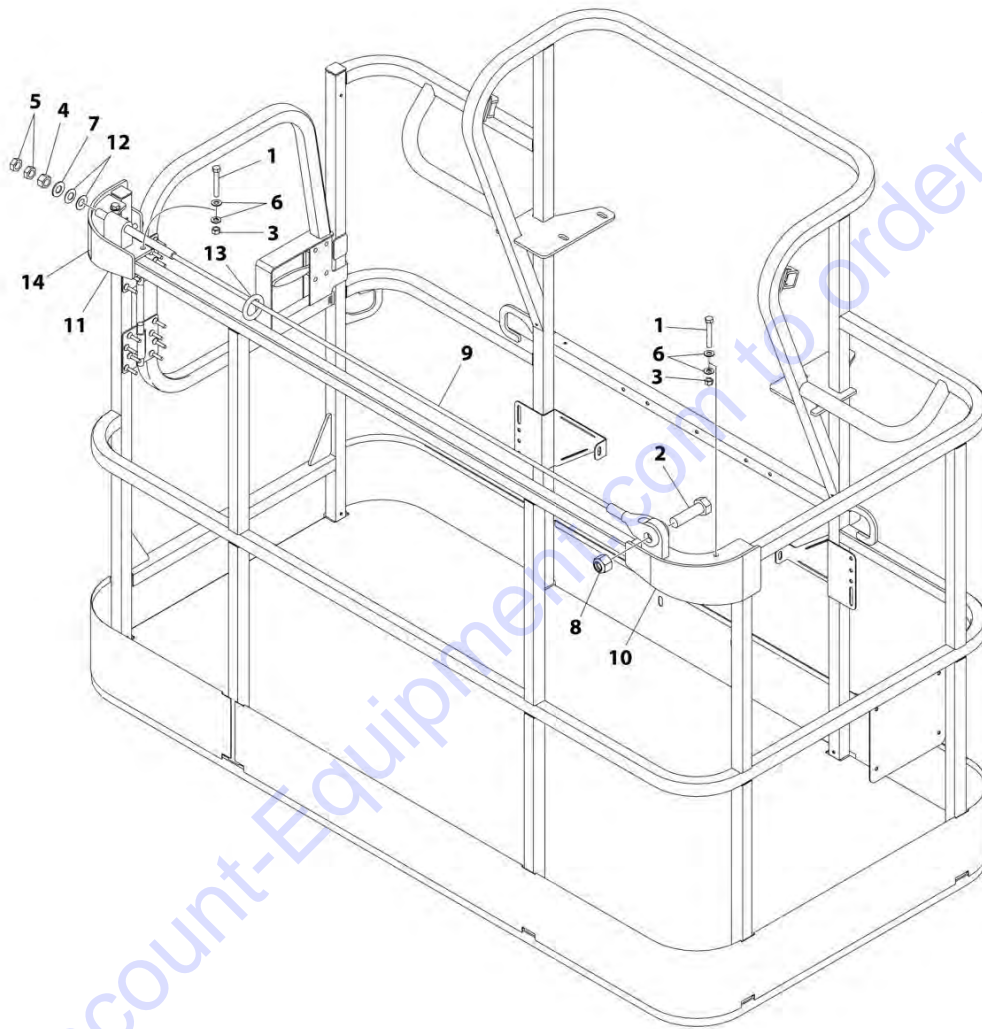
**FIGURE 4-24. PIPE RACKS INSTALLATION**

ITEM	PART NUMBER	QTY	DESCRIPTION	REV
	0257728	Ref	<b>PIPE RACK INSTALLATION (ANSI AND CSA SPECS)</b>	2/C
	0274661	Ref	<b>PIPE RACK INSTALLATION (AUSTRALIAN SPECS)</b>	1/A
		Ref	<b>Note: ANSI and Australian Specs Only.</b>	
		Ref	<b>Note: Not Available on 800S Shipyard Machines/680S.</b>	
1	4845582	2	Rack, Pipe	
2	4420062	AR	Tape	
3	3422661	10	Pin	
4	1060379	4	Lanyard	
5	0641514	4	Bolt 5/16 x 1-3/4	
6	3311505	4	Nut 5/16	
7	4751500	8	Washer 5/16	
8	0480100	2	Tie-Down	
9	1703683	2	Decal - Capacity (ANSI and CSA Specs)	
9	1706510	1	Decal - Capacity (Australian Specs)	

Go to Discount-Equipment.com to order your parts

# SECTION 4 - PLATFORM

FIGURE 4-25. FALL ARREST INSTALLATION (BOLT-ON EXTERNAL) (6FT/1.82M PLATFORM)



ART\_1001236747

## SECTION 4 - PLATFORM

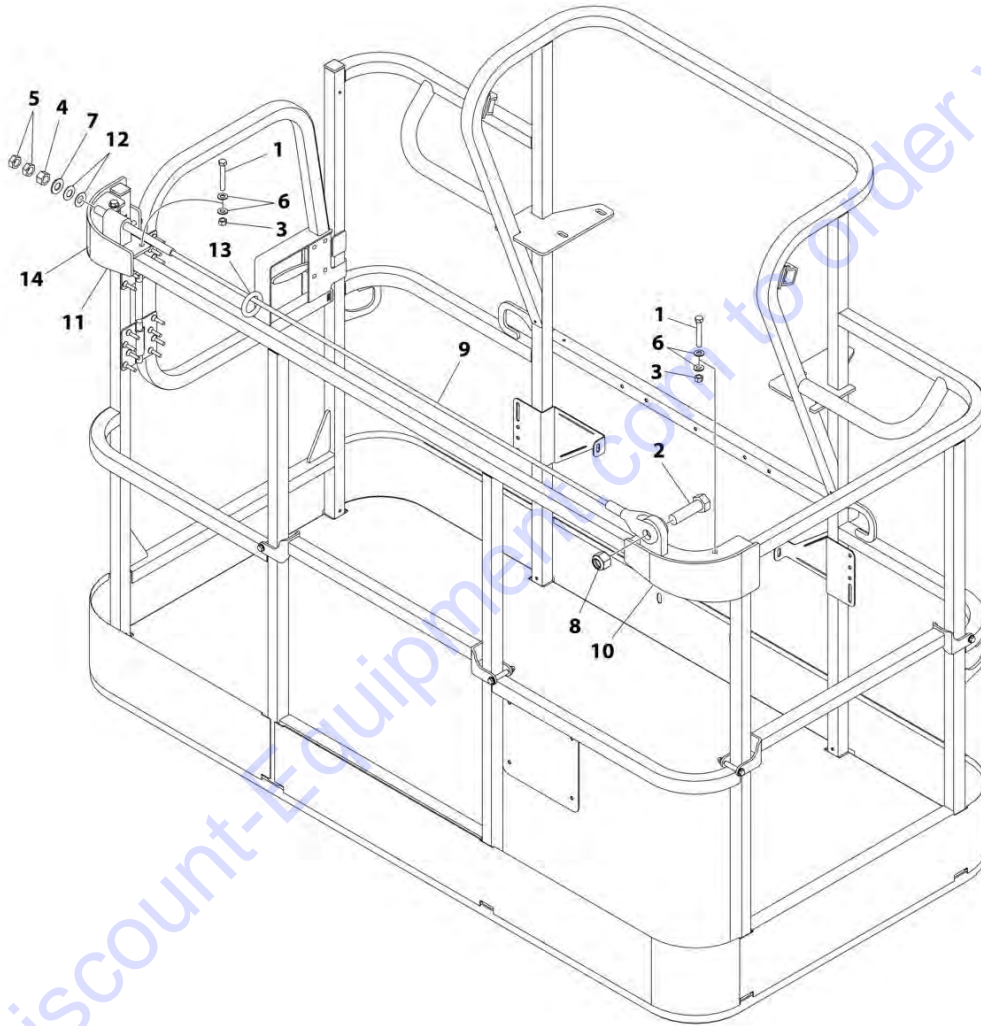
**FIGURE 4-25. FALL ARREST INSTALLATION (BOLT-ON EXTERNAL) (6FT/1.82M PLATFORM)**

ITEM	PART NUMBER	QTY	DESCRIPTION	REV
	1001236747	Ref	FALL ARREST INSTALLATION (BOLT - ON) 6FT/1.82M PLATFORM	A
1	0681620	6	Bolt 3/8 x 2-1/2	
2	0682424	1	Bolt 7/8 x 3	
3	3271605	6	Nut 3/8	
4	3272001	1	Nut 5/8	
5	3312002	2	Nut 5/8	
6	4711600	12	Washer 3/8	
7	4712000	1	Washer 5/8	
8	88521214	1	Nut 7/8	
9	1001231950	1	Rope	
10	1001232010	1	Bracket (RH)	
11	1001232011	1	Bracket (LH)	
12	1001236891	2	Washer	
13	1001236895	1	Ring	
14	1001238263	1	Decal - Warning Falling Hazard	

Go to Discount-Equipment.com to order your parts

## SECTION 4 - PLATFORM

FIGURE 4-26. FALL ARREST INSTALLATION (BOLT-ON EXTERNAL) (6FT/1.82M TRI-ENTRY PLATFORM)



ART\_1001238463



## SECTION 4 - PLATFORM

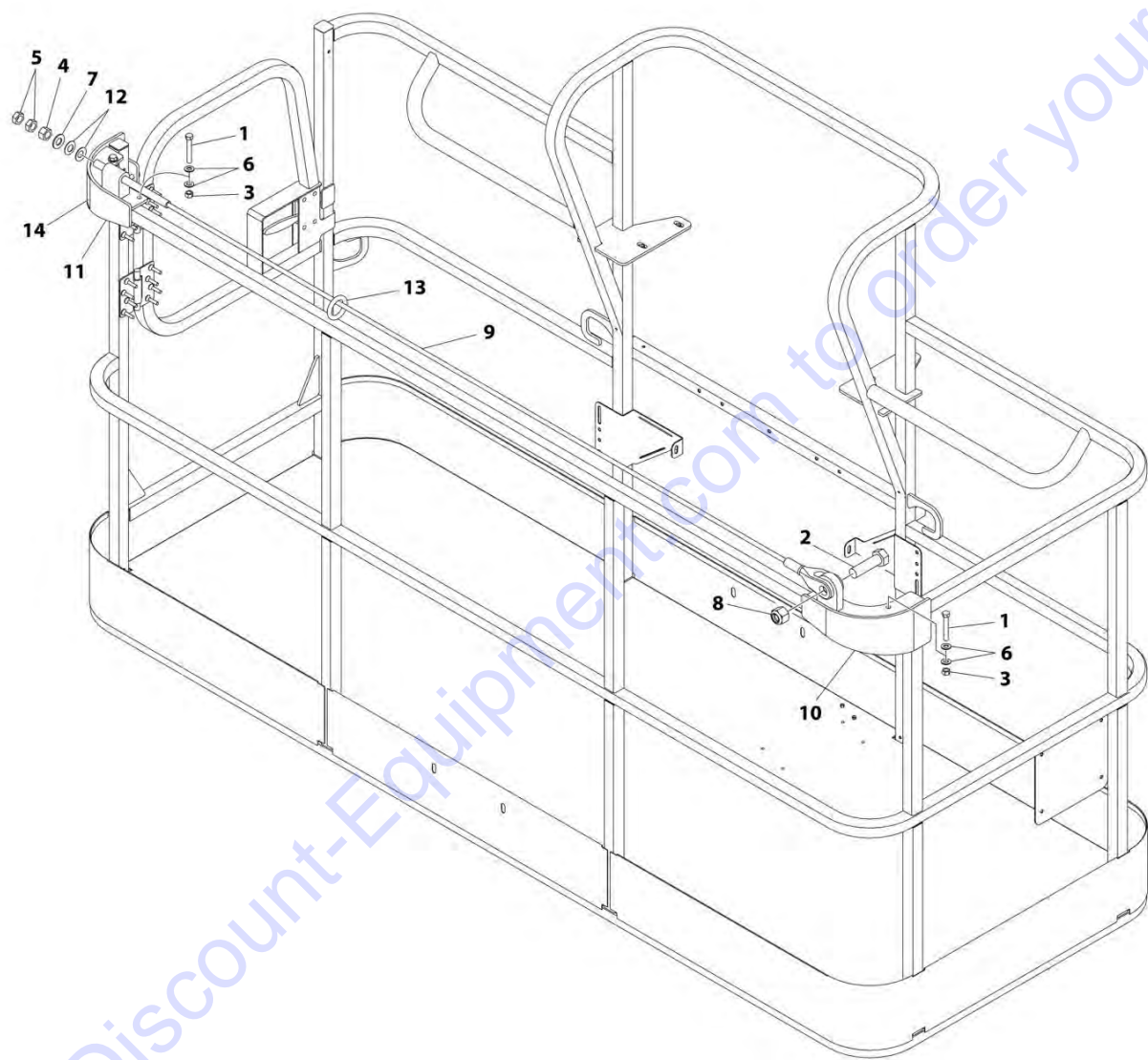
**FIGURE 4-26. FALL ARREST INSTALLATION (BOLT-ON EXTERNAL) (6FT/1.82M TRI-ENTRY PLATFORM)**

ITEM	PART NUMBER	QTY	DESCRIPTION	REV
	1001238463	Ref	FALL ARREST INSTALLATION (BOLT - ON) 6FT/1.82M PLATFORM	B
1	0681620	6	Bolt 3/8 x 2-1/2	
2	0682424	1	Bolt 7/8 x 3	
3	3271605	6	Nut 3/8	
4	3272001	1	Nut 5/8	
5	3312002	2	Nut 5/8	
6	4711600	12	Washer 3/8	
7	4712000	1	Washer 5/8	
8	88521214	1	Nut 7/8	
9	1001231950	1	Rope	
10	1001232010	1	Bracket (RH)	
11	1001232011	1	Bracket (LH)	
12	1001236891	2	Washer	
13	1001236895	1	Ring	
14	1001238263	1	Decal - Warning Falling Hazard	

Go to Discount-Equipment.com to order your parts

# SECTION 4 - PLATFORM

FIGURE 4-27. FALL ARREST INSTALLATION (BOLT-ON EXTERNAL) (8FT/2.4M PLATFORM)



ART\_1001236746

## SECTION 4 - PLATFORM

**FIGURE 4-27. FALL ARREST INSTALLATION (BOLT-ON EXTERNAL) (8FT/2.4M PLATFORM)**

ITEM	PART NUMBER	QTY	DESCRIPTION	REV
	1001236746	Ref	FALL ARREST INSTALLATION (BOLT - ON) 8FT/2.4M PLATFORM	A
1	0681620	6	Bolt 3/8 x 2-1/2	
2	0682424	1	Bolt 7/8 x 3	
3	3271605	6	Nut 3/8	
4	3272001	1	Nut 5/8	
5	3312002	2	Nut 5/8	
6	4711600	12	Washer 3/8	
7	4712000	1	Washer 5/8	
8	88521214	1	Nut 7/8	
9	1001231949	1	Rope	
10	1001232010	1	Bracket (RH)	
11	1001232011	1	Bracket (LH)	
12	1001236891	2	Washer	
13	1001236895	1	Ring	
14	1001238263	1	Decal - Warning Falling Hazard	

Go to Discount-Equipment.com to order your parts

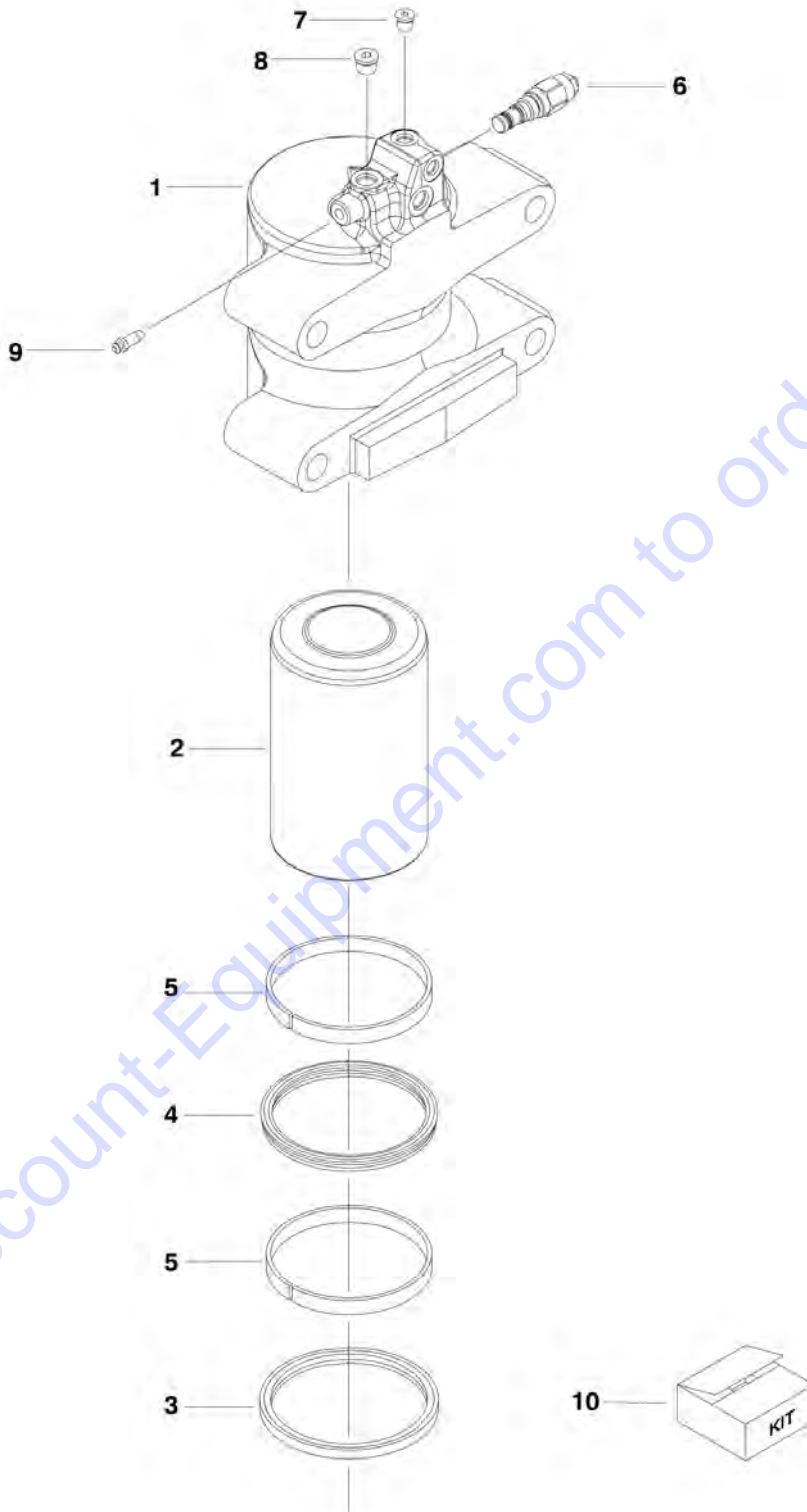


**SECTION 5 - CYLINDER**

Go to [Discount-Equipment.com](http://Discount-Equipment.com) to order your parts

## SECTION 5 - CYLINDER

FIGURE 5-1. AXLE LOCKOUT CYLINDER ASSEMBLY (SN 0300182743 to Present, SN B300001092 through B300002483)



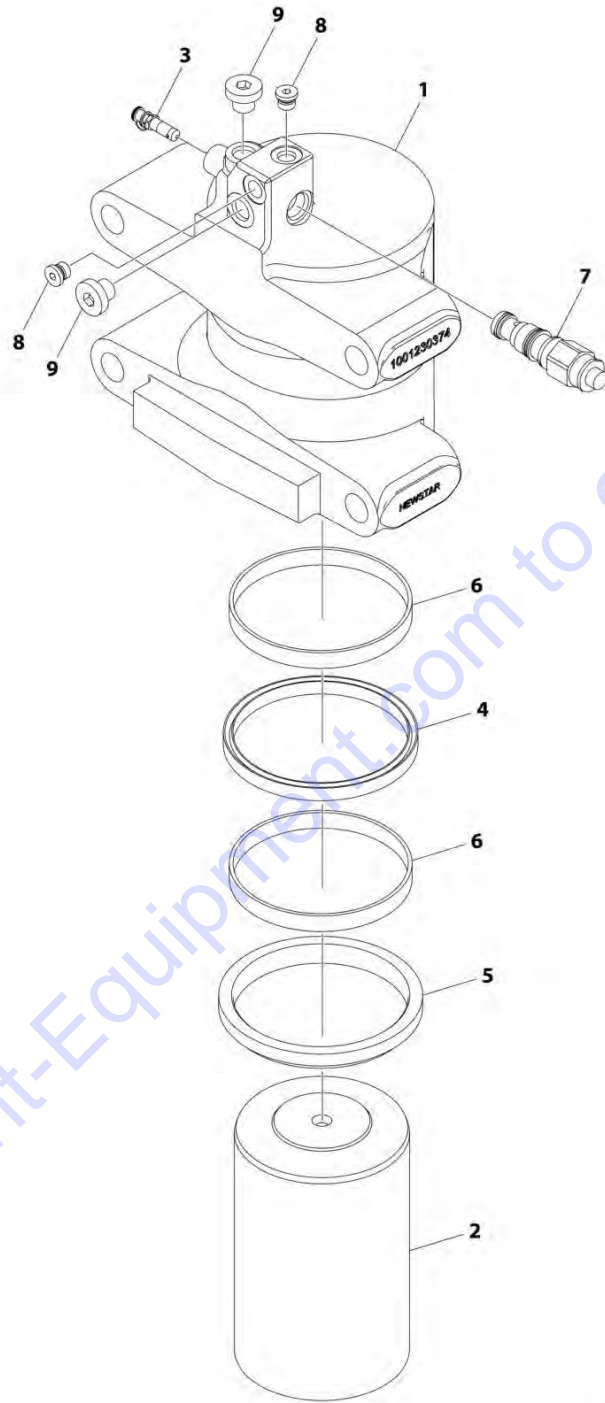
## SECTION 5 - CYLINDER

**FIGURE 5-1. AXLE LOCKOUT CYLINDER ASSEMBLY (SN 0300182743 to Present, SN B300001092 through B300002483)**

ITEM	PART NUMBER	QTY	DESCRIPTION	REV
	1001154258	Ref	<b>AXLE LOCKOUT CYLINDER ASSEMBLY (SN 0300182743 through 0300214570)</b>	E
	1001204560	Ref	<b>AXLE LOCKOUT CYLINDER ASSEMBLY (SN 0300214571 to Present)</b>	A
	1001154258	Ref	<b>AXLE LOCKOUT CYLINDER ASSEMBLY (SN B300001092 through B300001499)</b>	E
	1001204560	Ref	<b>AXLE LOCKOUT CYLINDER ASSEMBLY (SN B300001500 through B300002483)</b>	A
		Ref	Note: Original Cylinder may have been replaced with Service Replacement. Identify PN Stamped on Cylinder Before Ordering Parts.	
1	1001154126	1	Barrel	
2	1001154687	1	Rod	
3	See Note	NSS	Wiper (Note : Use Item 10)	
4	See Note	NSS	Seal, Rod (Note : Use Item 10)	
5	See Note	NSS	Ring, Wear (Note : Use Item 10)	
6	1001117372	1	Cartridge, Valve (Counterbalance)	
6	70002842	1	Seal Kit - 1001117372 Valve (1 Per Assembly)	
7	2220883	1	Plug, O-Ring	
8	2220885	1	Plug, O-Ring	
9	4640858	1	Valve, Bleeder	
10	1001098167	1	Seal Kit (Includes Items 3-5)	

# SECTION 5 - CYLINDER

FIGURE 5-2. AXLE LOCKOUT CYLINDER ASSEMBLY (SN B300002484 to Present)



ART\_1001230374



## SECTION 5 - CYLINDER

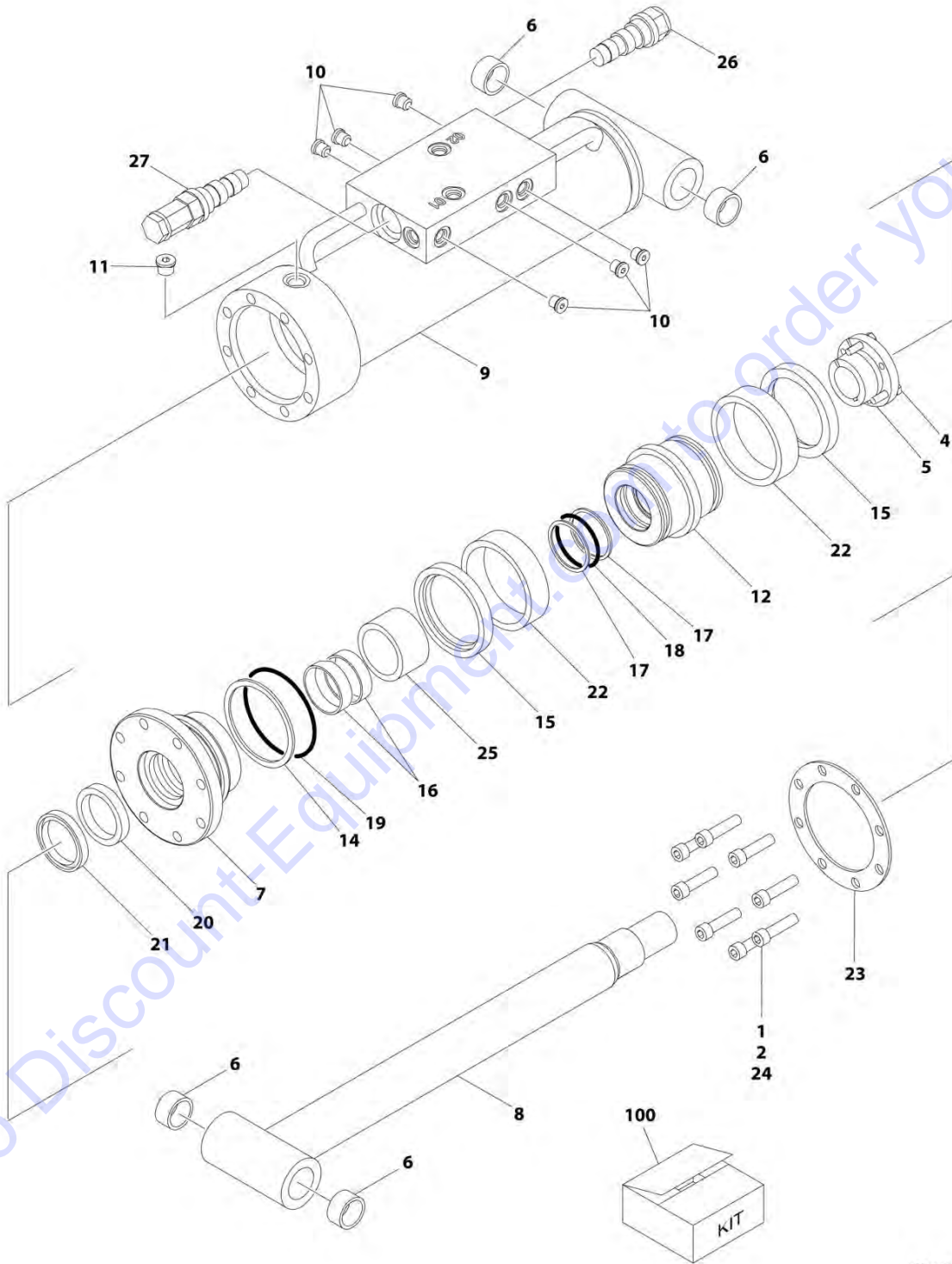
**FIGURE 5-2. AXLE LOCKOUT CYLINDER ASSEMBLY (SN B300002484 to Present)**

ITEM	PART NUMBER	QTY	DESCRIPTION	REV
	1001230374	Ref	AXLE LOCKOUT CYLINDER ASSEMBLY	A
		Ref	Note: Original Cylinder may have been replaced with Service Replacement. Identify PN Stamped on Cylinder Before Ordering Parts.	
1	See Note	NSS	Barrel (Note: Not Available for Purchase)	
2	70006948	1	Rod	
3	4640858	1	Bleeder Valve	
4	See Note	NSS	Seal, Rod (Note: Use Item 100)	
5	See Note	NSS	Wiper (Note: Use Item 100)	
6	See Note	NSS	Ring, Wear (Note: Use Item 100)	
7	1001117372	1	Counterbalance Valve	
7	70002842	1	Seal Kit - 1001117372 Valve	
8	2220883	2	Plug	
9	2220885	2	Plug	

Go to Discount-Equipment.com to order your parts

# SECTION 5 - CYLINDER

FIGURE 5-3. LEVEL CYLINDER ASSEMBLY - PLATFORM SLAVE (800S/680S) (SN 0300182743 through 0300183962)



ART\_1684189

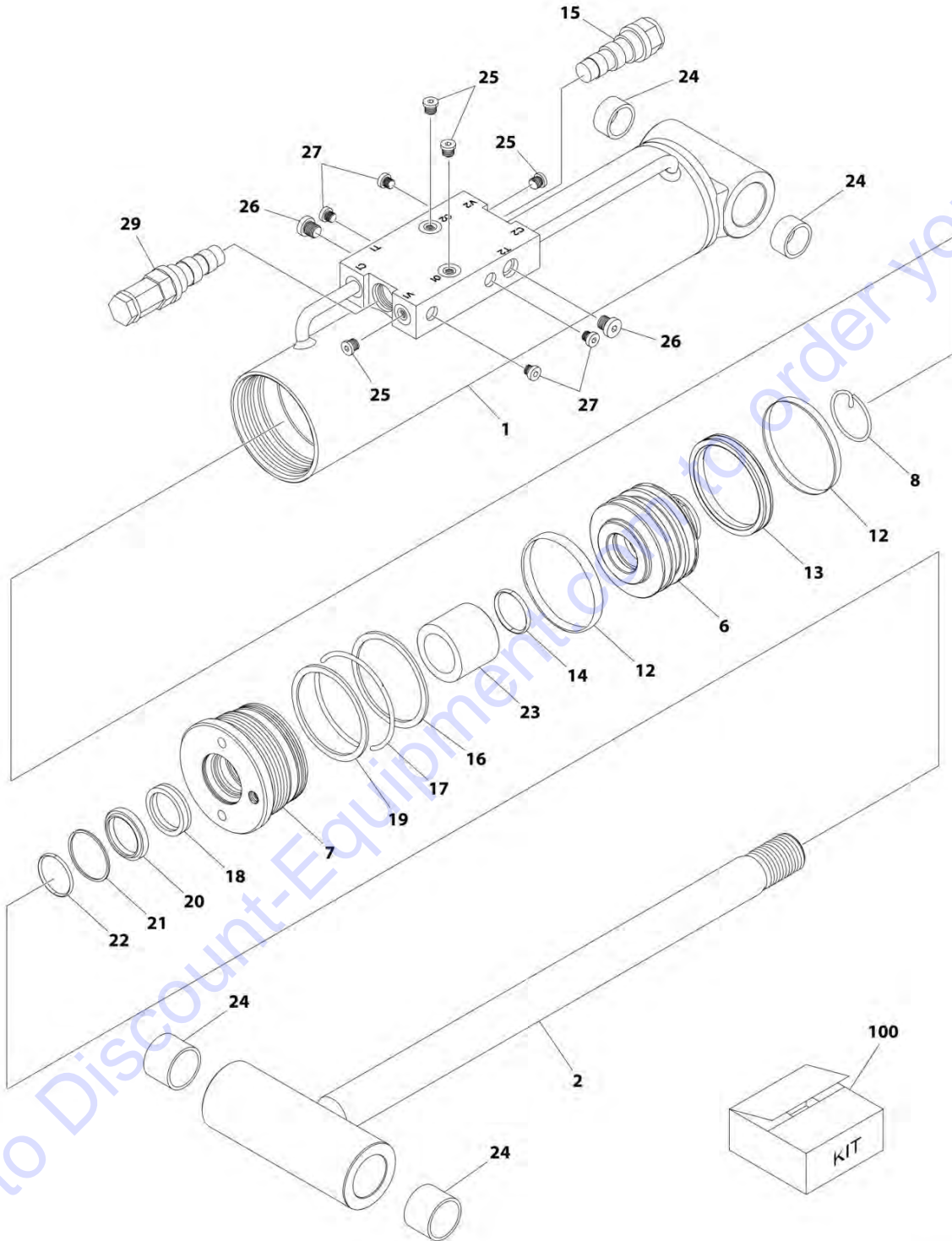
## SECTION 5 - CYLINDER

**FIGURE 5-3. LEVEL CYLINDER ASSEMBLY - PLATFORM SLAVE (800S/680S) (SN 0300182743 through 0300183962)**

ITEM	PART NUMBER	QTY	DESCRIPTION	REV
	1684189	Ref	LEVEL CYLINDER ASSEMBLY - PLATFORM SLAVE	F
		Ref	Note: Original Cylinder may have been replaced with Service Replacement. Identify PN Stamped on Cylinder Before Ordering Parts.	
1	0100011	AR	Compound, Locking	
2	0100038	AR	Primer, Locking	
4	0630535	3	Capscrew 1/4 x 1	
5	0961894	1	Bushing, Tapered	
6	0961947	4	Bushing	
7	1683059	1	Head	
8	1683976	1	Rod (Note: Includes Item 6)	
9	1684188	1	Barrel (Note: Includes Item 6)	
10	2220883	10	Plug	
11	2220885	1	Plug	
12	3480267	1	Piston	
14	See Note	NSS	Ring, Back-up (Note: Use Item 100)	
15	See Note	NSS	Ring, Lock (Note: Use Item 100)	
16	See Note	NSS	Ring, Wear (Note: Use Item 100)	
17	See Note	NSS	Ring, Back-up (Note: Use Item 100)	
18	See Note	NSS	O-Ring (Note: Use Item 100)	
19	See Note	NSS	O-Ring (Note: Use Item 100)	
20	See Note	NSS	Seal (Note: Use Item 100)	
21	See Note	NSS	Wiper (Note: Use Item 100)	
22	See Note	NSS	Seal (Note: Use Item 100)	
23	3760370	1	Ring, Washer	
24	3931620	8	Capscrew 3/8 x 1-1/4	
25	4568402	1	Spacer, Tube	
26	4641232	1	Valve, Cartridge	
26	7011112	1	Seal Kit - 4641232 Valve	
27	4640932	1	Valve, Cartridge	
27	7011112	1	Seal Kit - 4640932 Valve	
100	2902061	1	Seal Kit (Includes Items 14-22)	

# SECTION 5 - CYLINDER

FIGURE 5-4. LEVEL CYLINDER ASSEMBLY - PLATFORM SLAVE (800S/680S) (SN 0300183963 through 0300193126)



ART\_1001140460

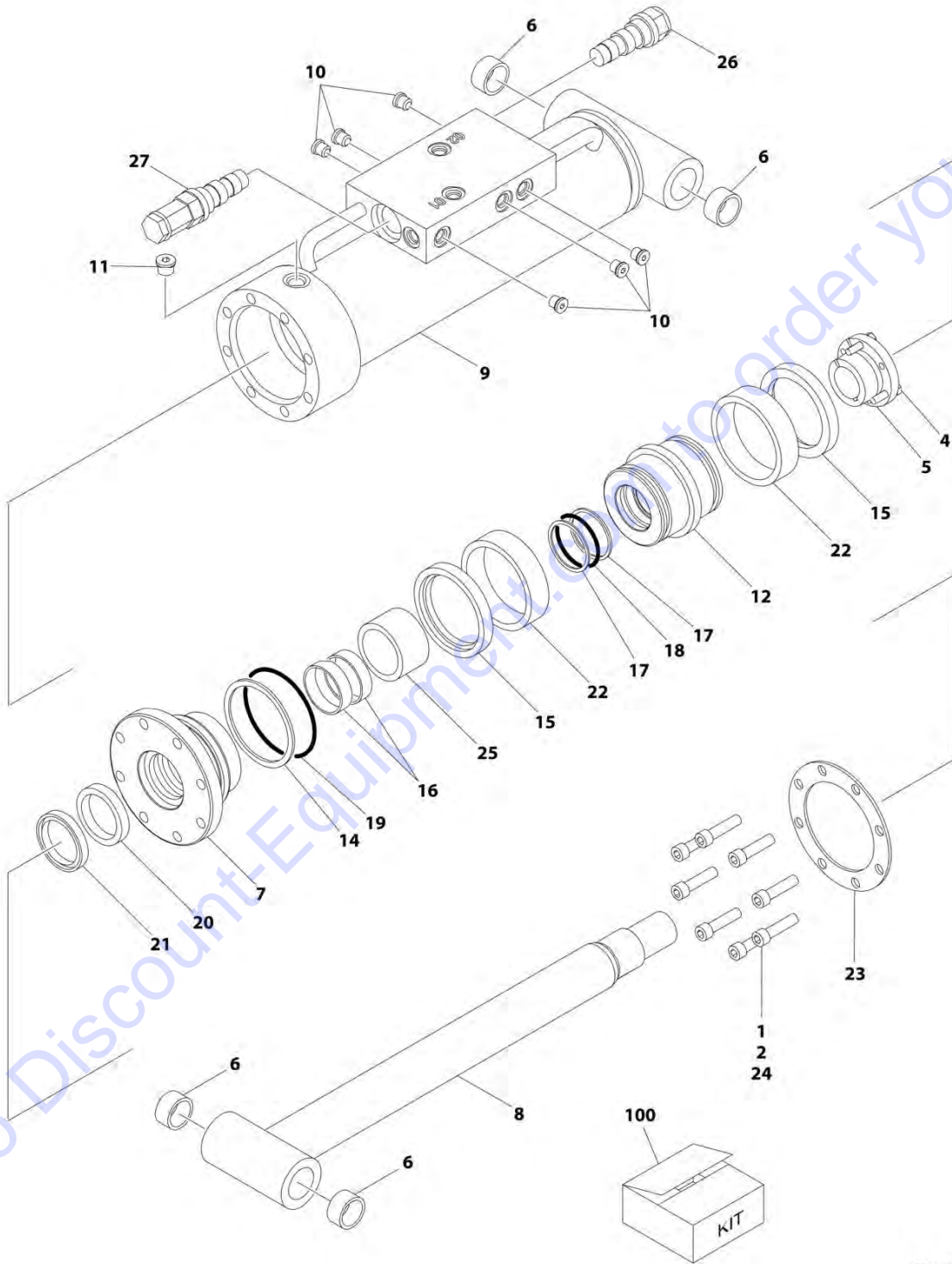
## SECTION 5 - CYLINDER

**FIGURE 5-4. LEVEL CYLINDER ASSEMBLY - PLATFORM SLAVE (800S/680S) (SN 0300183963 through 0300193126)**

ITEM	PART NUMBER	QTY	DESCRIPTION	REV
	1001140460	Ref	LEVEL CYLINDER ASSEMBLY - PLATFORM SLAVE	A
		Ref	Note: Original Cylinder may have been replaced with Service Replacement. Identify PN Stamped on Cylinder Before Ordering Parts.	
1	70003857	1	Barrel	
2	70003858	1	Rod	
6	70003854	1	Piston	
7	70003855	1	Head	
8	70002224	1	Rollpin	
12	See Note	NSS	Ring, Wear (Note: Use Item 100)	
13	See Note	NSS	Seal (Note: Use Item 100)	
14	See Note	NSS	O-Ring (Note: Use Item 100)	
15	4641232	1	Valve, Cartridge	
15	7011112	1	Seal Kit - 4641232 Valve	
16	See Note	NSS	O-Ring (Note: Use Item 100)	
17	See Note	NSS	Ring, Back-up (Note: Use Item 100)	
18	See Note	NSS	Seal (Note: Use Item 100)	
19	See Note	NSS	O-Ring (Note: Use Item 100)	
20	See Note	NSS	Wiper (Note: Use Item 100)	
21	70003838	1	Ring, Retaining	
22	70003856	1	O-Ring	
23	70003839	1	Spacer, Tube	
24	0961948	4	Bushing	
25	7017406	4	Plug	
26	See Note	4	Plug (Note: Not Available for Purchase)	
27	See Note	2	Plug (Note: Not Available for Purchase)	
29	4640932	1	Valve, Cartridge	
29	7011112	1	Seal Kit - 4640932 Valve	
100	70003859	1	Seal Kit (Includes Items 12-14 & 16-20)	

# SECTION 5 - CYLINDER

FIGURE 5-5. LEVEL CYLINDER ASSEMBLY - PLATFORM SLAVE (800S/680S) (SN 0300193127 through 0300198300)



ART\_1684189

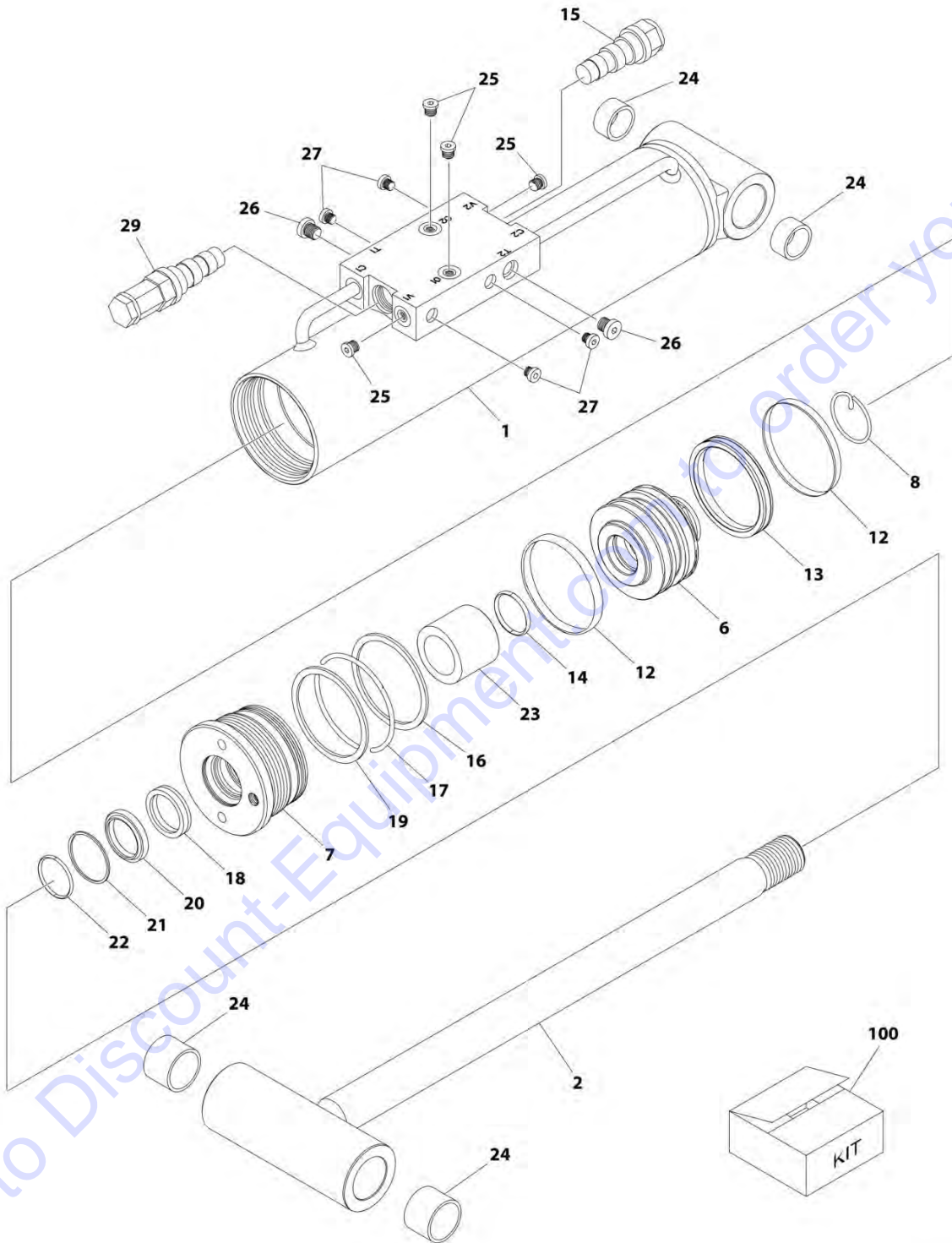
## SECTION 5 - CYLINDER

**FIGURE 5-5. LEVEL CYLINDER ASSEMBLY - PLATFORM SLAVE (800S/680S) (SN 0300193127 through 0300198300)**

ITEM	PART NUMBER	QTY	DESCRIPTION	REV
	1684189	Ref	LEVEL CYLINDER ASSEMBLY - PLATFORM SLAVE	F
		Ref	Note: Original Cylinder may have been replaced with Service Replacement. Identify PN Stamped on Cylinder Before Ordering Parts.	
1	0100011	AR	Compound, Locking	
2	0100038	AR	Primer, Locking	
4	0630535	3	Capscrew 1/4 x 1	
5	0961894	1	Bushing, Tapered	
6	0961947	4	Bushing	
7	1683059	1	Head	
8	1683976	1	Rod (Note: Includes Item 6)	
9	1684188	1	Barrel (Note: Includes Item 6)	
10	2220883	10	Plug	
11	2220885	1	Plug	
12	3480267	1	Piston	
14	See Note	NSS	Ring, Back-up (Note: Use Item 100)	
15	See Note	NSS	Ring, Lock (Note: Use Item 100)	
16	See Note	NSS	Ring, Wear (Note: Use Item 100)	
17	See Note	NSS	Ring, Back-up (Note: Use Item 100)	
18	See Note	NSS	O-Ring (Note: Use Item 100)	
19	See Note	NSS	O-Ring (Note: Use Item 100)	
20	See Note	NSS	Seal (Note: Use Item 100)	
21	See Note	NSS	Wiper (Note: Use Item 100)	
22	See Note	NSS	Seal (Note: Use Item 100)	
23	3760370	1	Ring, Washer	
24	3931620	8	Capscrew 3/8 x 1-1/4	
25	4568402	1	Spacer, Tube	
26	4641232	1	Valve, Cartridge	
26	7011112	1	Seal Kit - 4641232 Valve	
27	4640932	1	Valve, Cartridge	
27	7011112	1	Seal Kit - 4640932 Valve	
100	2902061	1	Seal Kit (Includes Items 14-22)	

# SECTION 5 - CYLINDER

FIGURE 5-6. LEVEL CYLINDER ASSEMBLY - PLATFORM SLAVE (800S/680S) (SN 0300198301 through 0300198660)



ART\_1001140460



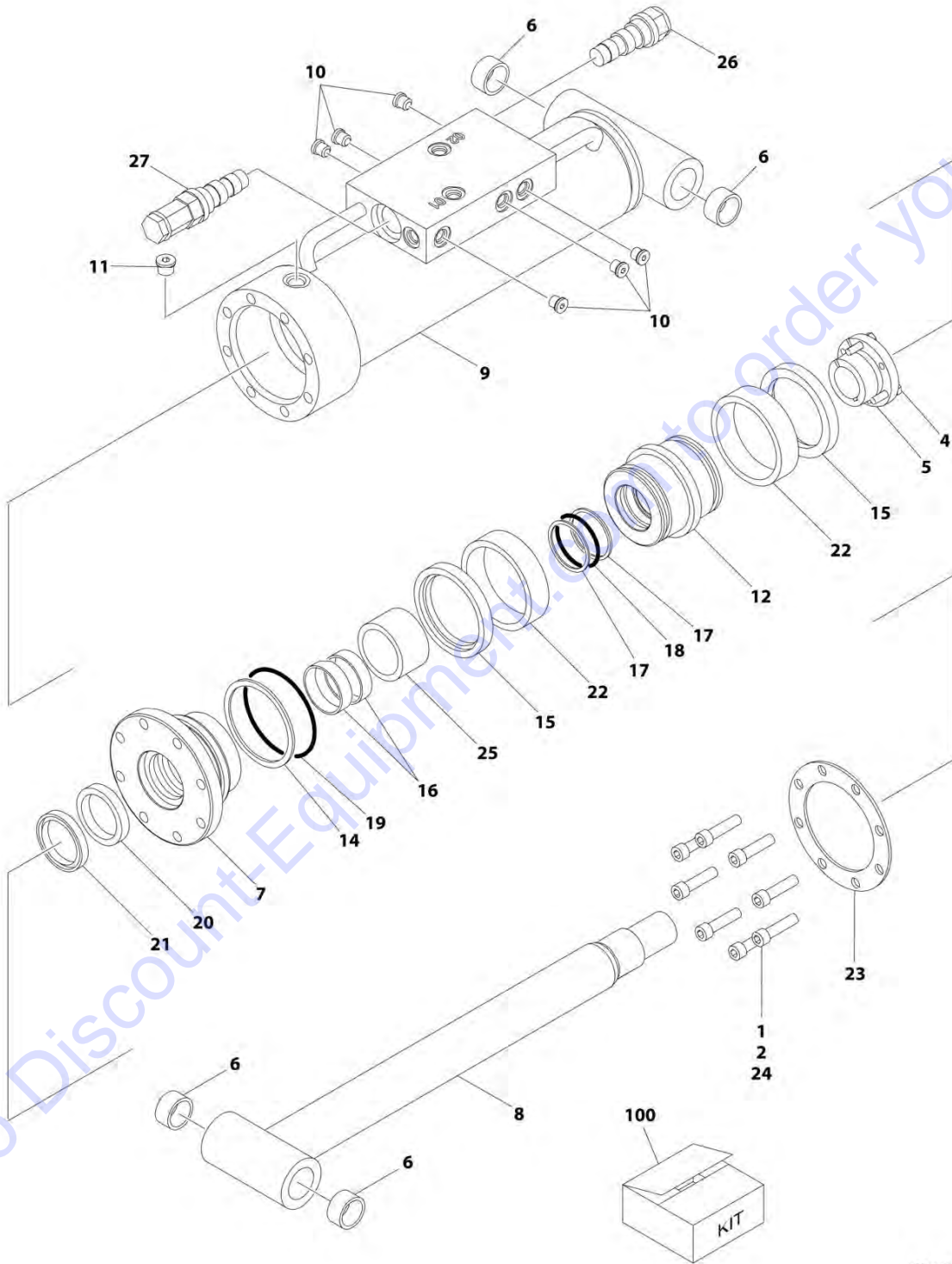
## SECTION 5 - CYLINDER

**FIGURE 5-6. LEVEL CYLINDER ASSEMBLY - PLATFORM SLAVE (800S/680S) (SN 0300198301 through 0300198660)**

ITEM	PART NUMBER	QTY	DESCRIPTION	REV
	1001140460	Ref	LEVEL CYLINDER ASSEMBLY - PLATFORM SLAVE	A
		Ref	Note: Original Cylinder may have been replaced with Service Replacement. Identify PN Stamped on Cylinder Before Ordering Parts.	
1	70003857	1	Barrel	
2	70003858	1	Rod	
6	70003854	1	Piston	
7	70003855	1	Head	
8	70002224	1	Rollpin	
12	See Note	NSS	Ring, Wear (Note: Use Item 100)	
13	See Note	NSS	Seal (Note: Use Item 100)	
14	See Note	NSS	O-Ring (Note: Use Item 100)	
15	4641232	1	Valve, Cartridge	
15	7011112	1	Seal Kit - 4641232 Valve	
16	See Note	NSS	O-Ring (Note: Use Item 100)	
17	See Note	NSS	Ring, Back-up (Note: Use Item 100)	
18	See Note	NSS	Seal (Note: Use Item 100)	
19	See Note	NSS	O-Ring (Note: Use Item 100)	
20	See Note	NSS	Wiper (Note: Use Item 100)	
21	70003838	1	Ring, Retaining	
22	70003856	1	O-Ring	
23	70003839	1	Spacer, Tube	
24	0961948	4	Bushing	
25	7017406	4	Plug	
26	See Note	4	Plug (Note: Not Available for Purchase)	
27	See Note	2	Plug (Note: Not Available for Purchase)	
29	4640932	1	Valve, Cartridge	
29	7011112	1	Seal Kit - 4640932 Valve	
100	70003859	1	Seal Kit (Includes Items 12-14 & 16-20)	

# SECTION 5 - CYLINDER

FIGURE 5-7. LEVEL CYLINDER ASSEMBLY - PLATFORM SLAVE (800S/680S) (SN 0300198661 through 0300243278, SN B300001092 through B300002584)



ART\_1684189

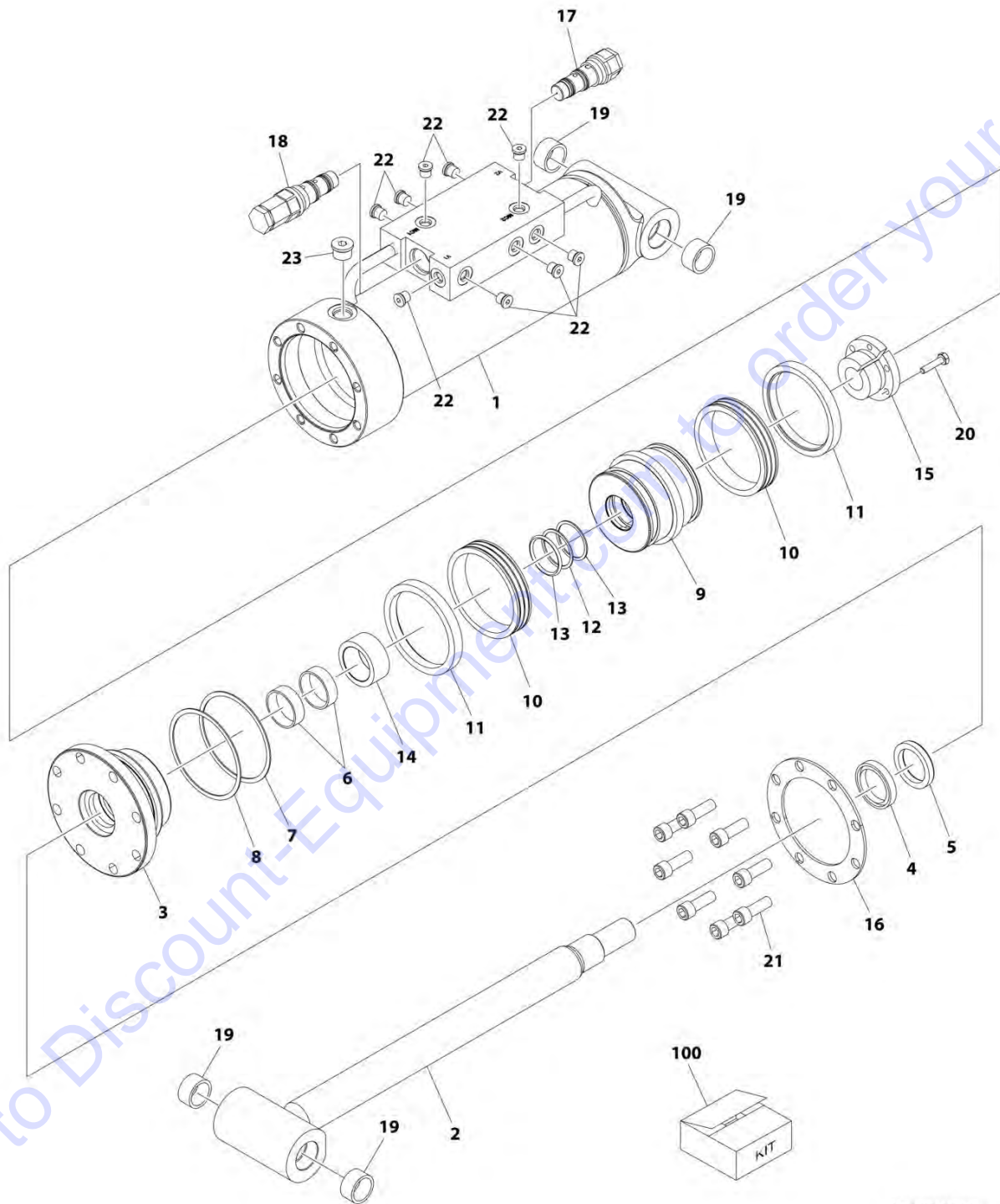
## SECTION 5 - CYLINDER

**FIGURE 5-7. LEVEL CYLINDER ASSEMBLY - PLATFORM SLAVE (800S/680S) (SN 0300198661 through 0300243278, SN B300001092 through B300002584)**

ITEM	PART NUMBER	QTY	DESCRIPTION	REV
	1684189	Ref	LEVEL CYLINDER ASSEMBLY - PLATFORM SLAVE	F
		Ref	Note: Original Cylinder may have been replaced with Service Replacement. Identify PN Stamped on Cylinder Before Ordering Parts.	
1	0100011	AR	Compound, Locking	
2	0100038	AR	Primer, Locking	
4	0630535	3	Capscrew 1/4 x 1	
5	0961894	1	Bushing, Tapered	
6	0961947	4	Bushing	
7	1683059	1	Head	
8	1683976	1	Rod (Note: Includes Item 6)	
9	1684188	1	Barrel (Note: Includes Item 6)	
10	2220883	10	Plug	
11	2220885	1	Plug	
12	3480267	1	Piston	
14	See Note	NSS	Ring, Back-up (Note: Use Item 100)	
15	See Note	NSS	Ring, Lock (Note: Use Item 100)	
16	See Note	NSS	Ring, Wear (Note: Use Item 100)	
17	See Note	NSS	Ring, Back-up (Note: Use Item 100)	
18	See Note	NSS	O-Ring (Note: Use Item 100)	
19	See Note	NSS	O-Ring (Note: Use Item 100)	
20	See Note	NSS	Seal (Note: Use Item 100)	
21	See Note	NSS	Wiper (Note: Use Item 100)	
22	See Note	NSS	Seal (Note: Use Item 100)	
23	3760370	1	Ring, Washer	
24	3931620	8	Capscrew 3/8 x 1-1/4	
25	4568402	1	Spacer, Tube	
26	4641232	1	Valve, Cartridge	
26	7011112	1	Seal Kit - 4641232 Valve	
27	4640932	1	Valve, Cartridge	
27	7011112	1	Seal Kit - 4640932 Valve	
100	2902061	1	Seal Kit (Includes Items 14-22)	

# SECTION 5 - CYLINDER

FIGURE 5-8. LEVEL CYLINDER ASSEMBLY - PLATFORM SLAVE (800S/680S) (SN 0300243279 to Present, SN B300002585 to Present)



ART\_1001228027

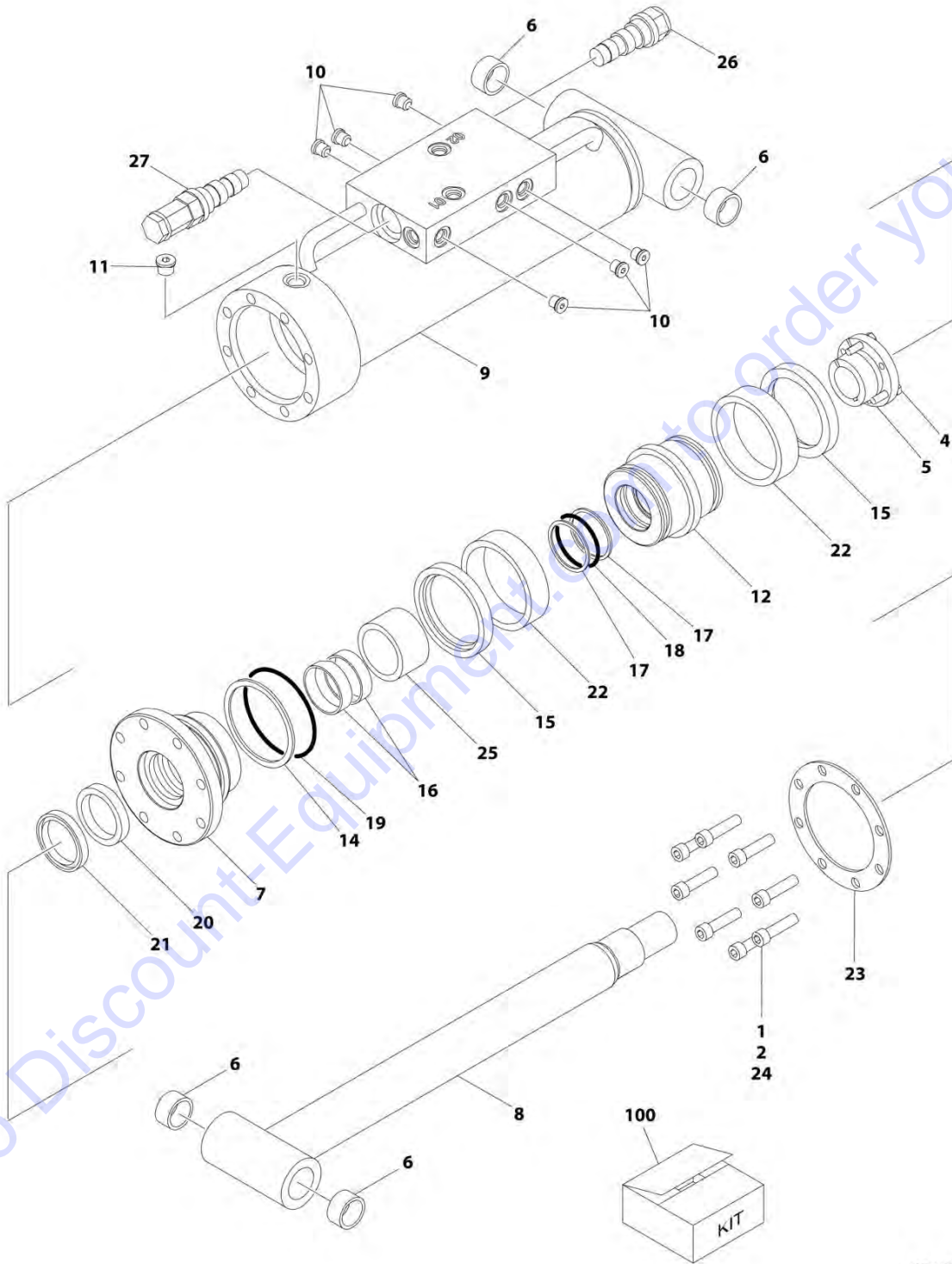
## SECTION 5 - CYLINDER

**FIGURE 5-8. LEVEL CYLINDER ASSEMBLY - PLATFORM SLAVE (800S/680S) (SN 0300243279 to Present, SN B300002585 to Present)**

ITEM	PART NUMBER	QTY	DESCRIPTION	REV
	1001228027	Ref	LEVEL CYLINDER ASSEMBLY - PLATFORM SLAVE	C
		Ref	Note: Original Cylinder may have been replaced with Service Replacement. Identify PN Stamped on Cylinder Before Ordering Parts.	
1	See Note	NSS	Barrel (Note: Not Available for Purchase)	
2	70006648	1	Rod	
3	70006699	1	Head	
4	See Note	NSS	Wiper (Note: Use Item 100)	
5	See Note	NSS	Seal, Rod (Note: Use Item 100)	
6	See Note	NSS	Ring, Wear (Note: Use Item 100)	
7	See Note	NSS	O-Ring (Note: Use Item 100)	
8	See Note	NSS	Ring, Back-up (Note: Use Item 100)	
9	70006700	1	Piston	
10	See Note	NSS	T-Seal (Note: Use Item 100)	
11	See Note	NSS	Ring, Wear (Note: Use Item 100)	
12	See Note	NSS	O-Ring (Note: Use Item 100)	
13	See Note	NSS	Ring, Back-up (Note: Use Item 100)	
14	70006701	1	Spacer, Tube	
15	0961894	1	Bushing, Tapered	
16	3760370	1	Washer (SN 0300243279 through 0300254132, SN B300002585 through B300003435)	
16	70007047	2	Washer (SN 0300254133 to Present, SN B300003436 to Present)	
17	4641232	1	Valve, Cartridge	
17	7011112	1	Seal Kit - 4641232 Valve	
18	4640932	1	Valve, Cartridge	
18	7011112	1	Seal Kit - 4640932 Valve	
19	0961947	4	Bushing	
20	0630535	3	Capscrew 1/4 x 1	
21	3931720	8	Capscrew 7/16 x 1-1/4	
22	2220883	10	Plug	
23	2220886	AR	Plug	
100	2902061	1	Seal Kit (Includes Items 4-8 & 10-13)	

# SECTION 5 - CYLINDER

FIGURE 5-9. LEVEL CYLINDER ASSEMBLY - PLATFORM SLAVE (860SJ) (SN 0300182743 through 0300244707, SN B300001092 through B300002483)



ART\_1684136

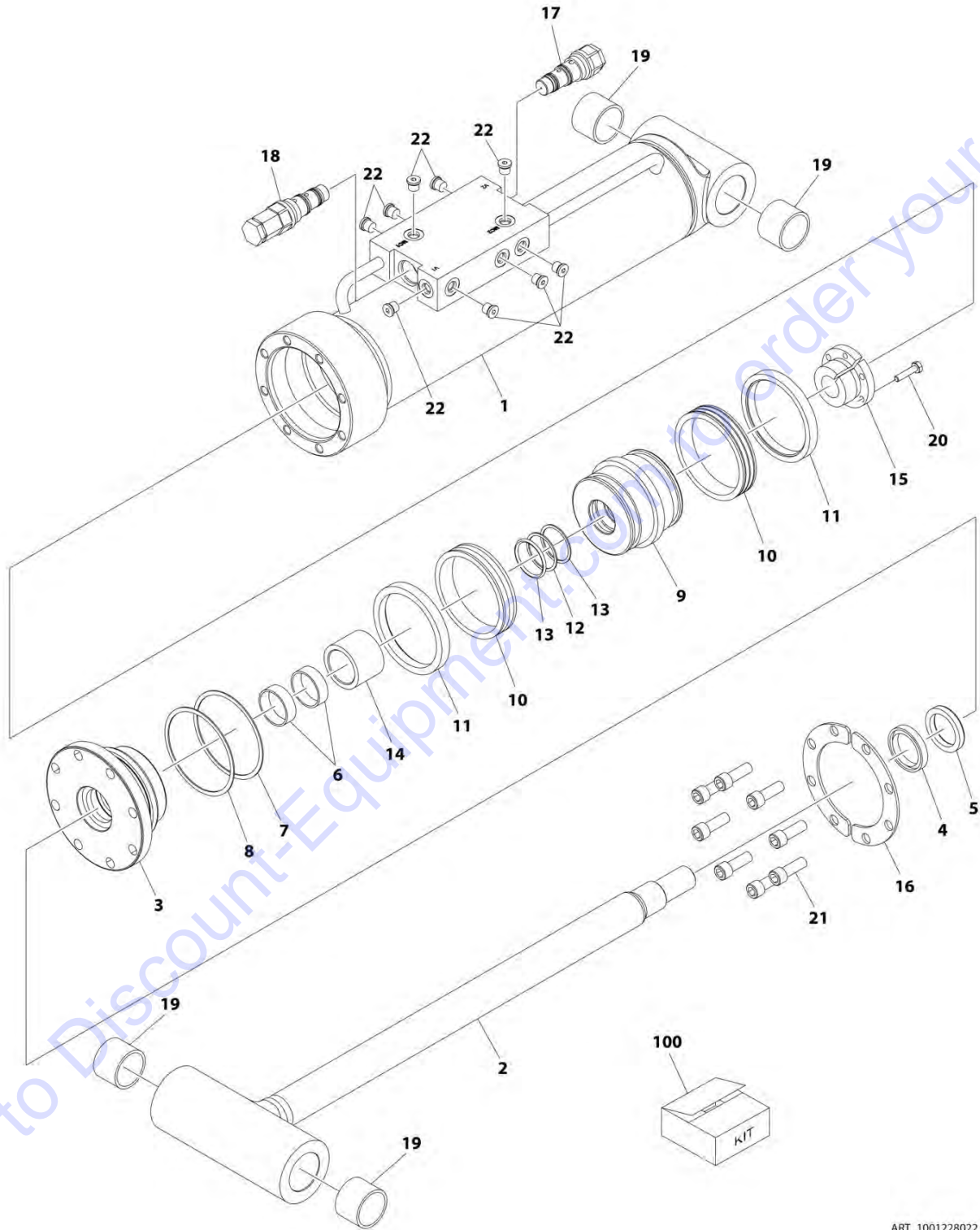
## SECTION 5 - CYLINDER

**FIGURE 5-9. LEVEL CYLINDER ASSEMBLY - PLATFORM SLAVE (860SJ) (SN 0300182743 through 0300244707, SN B300001092 through B300002483)**

ITEM	PART NUMBER	QTY	DESCRIPTION	REV
	1684136	Ref	LEVEL CYLINDER ASSEMBLY - PLATFORM SLAVE	G
		Ref	Note: Original Cylinder may have been replaced with Service Replacement. Identify PN Stamped on Cylinder Before Ordering Parts.	
1	0100011	AR	Compound, Locking	
2	0100038	AR	Primer, Locking	
4	0630535	3	Capscrew 1/4 x 1	
5	0961894	1	Bushing, Tapered	
6	0961948	4	Bushing	
7	1683059	1	Head	
8	1684133	1	Rod	
9	1684135	1	Barrel	
10	2220883	10	Plug	
11	2220885	1	Plug	
12	3480267	1	Piston	
14	See Note	NSS	Ring, Back-up (Note: Use Item 100)	
15	See Note	NSS	Ring, Lock (Note: Use Item 100)	
16	See Note	NSS	Ring, Wear (Note: Use Item 100)	
17	See Note	NSS	Ring, Back-up (Note: Use Item 100)	
18	See Note	NSS	O-Ring (Note: Use Item 100)	
19	See Note	NSS	O-Ring (Note: Use Item 100)	
20	See Note	NSS	Seal (Note: Use Item 100)	
21	See Note	NSS	Wiper (Note: Use Item 100)	
22	See Note	NSS	Seal (Note: Use Item 100)	
23	3760370	1	Ring, Washer	
24	3931620	8	Capscrew 3/8 x 1-1/4	
25	4566468	1	Spacer, Tube	
26	4641232	1	Valve, Cartridge	
26	7011112	1	Seal Kit - 4641232 Valve	
27	4640932	1	Valve, Cartridge	
27	7011112	1	Seal Kit - 4640932 Valve	
100	2902061	1	Seal Kit (Includes Items 14-22)	

# SECTION 5 - CYLINDER

FIGURE 5-10. LEVEL CYLINDER ASSEMBLY - PLATFORM SLAVE (860SJ) (SN 0300244708 to Present)



ART\_1001228022



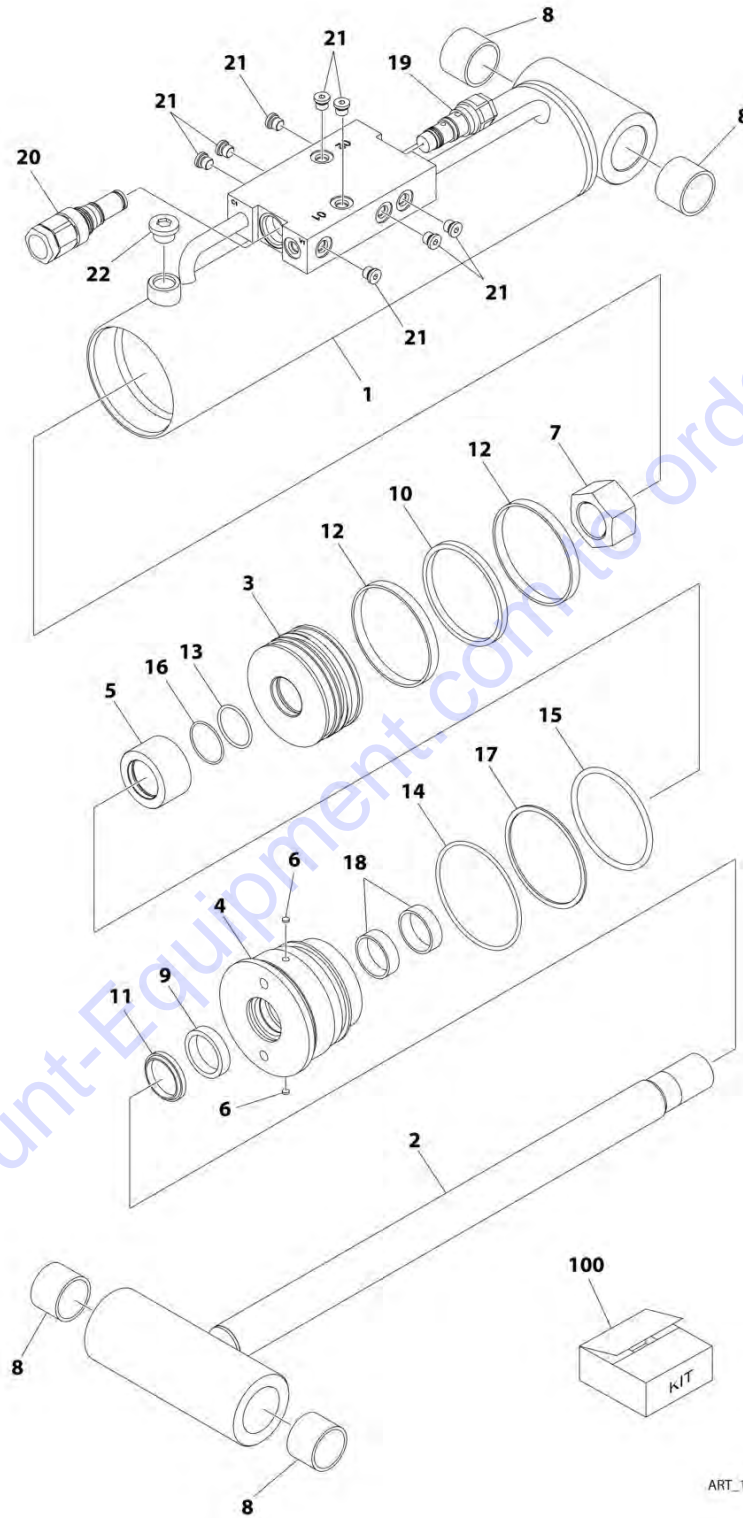
## SECTION 5 - CYLINDER

**FIGURE 5-10. LEVEL CYLINDER ASSEMBLY - PLATFORM SLAVE (860SJ) (SN 0300244708 to Present)**

ITEM	PART NUMBER	QTY	DESCRIPTION	REV
	1001228022	Ref	LEVEL CYLINDER ASSEMBLY - PLATFORM SLAVE	C
		Ref	Note: Original Cylinder may have been replaced with Service Replacement. Identify PN Stamped on Cylinder Before Ordering Parts.	
1	See Note	NSS	Barrel (Note: Not Available for Purchase)	
2	70006726	1	Rod	
3	70006699	1	Head	
4	See Note	NSS	Wiper (Note: Use Item 100)	
5	See Note	NSS	Seal, Rod (Note: Use Item 100)	
6	See Note	NSS	Ring, Wear (Note: Use Item 100)	
7	See Note	NSS	O-Ring (Note: Use Item 100)	
8	See Note	NSS	Ring, Back-up (Note: Use Item 100)	
9	70006700	1	Piston	
10	See Note	NSS	T-Seal (Note: Use Item 100)	
11	See Note	NSS	Ring, Wear (Note: Use Item 100)	
12	See Note	NSS	O-Ring (Note: Use Item 100)	
13	See Note	NSS	Ring, Back-up (Note: Use Item 100)	
14	70006645	1	Spacer, Tube	
15	0961894	1	Bushing, Tapered	
16	70006727	2	Washer	
17	4641232	1	Valve, Cartridge	
17	7011112	1	Seal Kit - 4641232 Valve	
18	4640932	1	Valve, Cartridge	
18	7011112	1	Seal Kit - 4640932 Valve	
19	0961948	4	Bushing	
20	0630535	3	Capscrew 1/4 x 1	
21	70006728	8	Bolt	
22	2220883	10	Plug	
23	2220886	AR	Plug (Not Shown)	
100	2902061	1	Seal Kit (Includes Items 4-8 & 10-13)	

# SECTION 5 - CYLINDER

FIGURE 5-11. LEVEL CYLINDER ASSEMBLY - PLATFORM SLAVE (860SJ) (SN B30002484 to Present)



ART\_1001230372

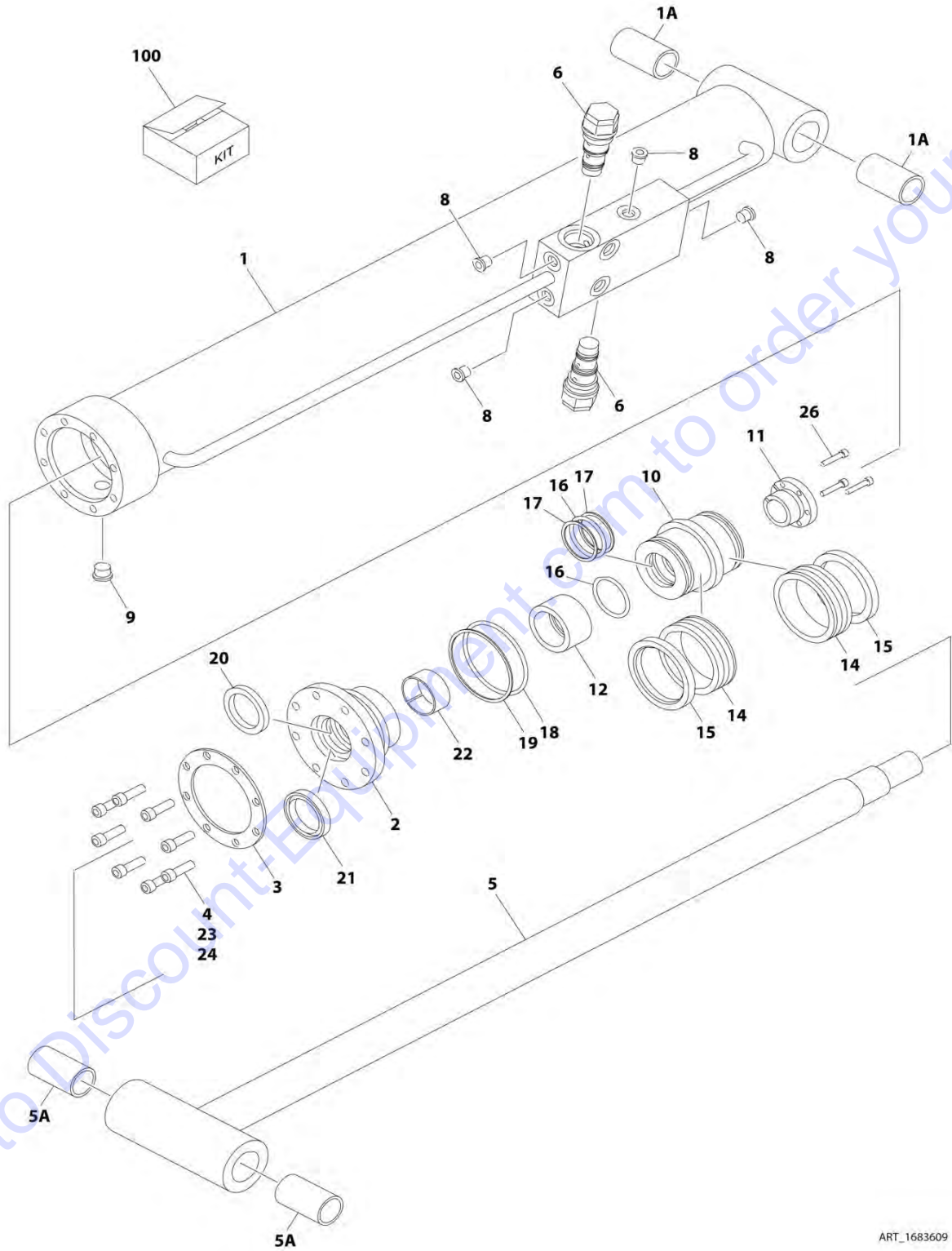
## SECTION 5 - CYLINDER

**FIGURE 5-11. LEVEL CYLINDER ASSEMBLY - PLATFORM SLAVE (860SJ) (SN B300002484 to Present)**

ITEM	PART NUMBER	QTY	DESCRIPTION	REV
	1001230372	Ref	LEVEL CYLINDER ASSEMBLY - PLATFORM SLAVE	A
		Ref	Note: Original Cylinder may have been replaced with Service Replacement. Identify PN Stamped on Cylinder Before Ordering Parts.	
1	See Note	NSS	Barrel (Note: Not Available for Purchase)	
2	70006935	1	Rod	
3	70006936	1	Piston	
4	70006937	1	Head	
5	70006938	1	Spacer	
6	70003636	2	Insert	
7	70006893	1	Nut	
8	0961948	4	Bushing	
9	See Note	NSS	Seal, Rod (Note: Use Item 100)	
10	See Note	NSS	Seal, Piston (Note: Use Item 100)	
11	See Note	NSS	Wiper (Note: Use Item 100)	
12	See Note	NSS	Ring, Wear (Note: Use Item 100)	
13	See Note	NSS	O-Ring (Note: Use Item 100)	
14	See Note	NSS	O-Ring (Note: Use Item 100)	
15	See Note	NSS	O-Ring (Note: Use Item 100)	
16	See Note	NSS	O-Ring (Note: Use Item 100)	
17	See Note	NSS	Ring, Back-up (Note: Use Item 100)	
18	See Note	NSS	Ring, Wear (Note: Use Item 100)	
19	4641232	1	Valve, Cartridge	
19	7011112	1	Seal Kit - 4640932 Valve	
20	4640932	1	Valve, Cartridge	
20	7011112	1	Seal Kit - 4641232 Valve	
21	2220883	10	Plug	
22	2220886	1	Plug	
100	70006939	1	Seal Kit (Includes Items 9-18)	

# SECTION 5 - CYLINDER

FIGURE 5-12. LEVEL CYLINDER ASSEMBLY - JIB (860SJ ONLY) (SN 0300182743 through 0300244707, SN B300001092 through B300002483)



ART\_1683609

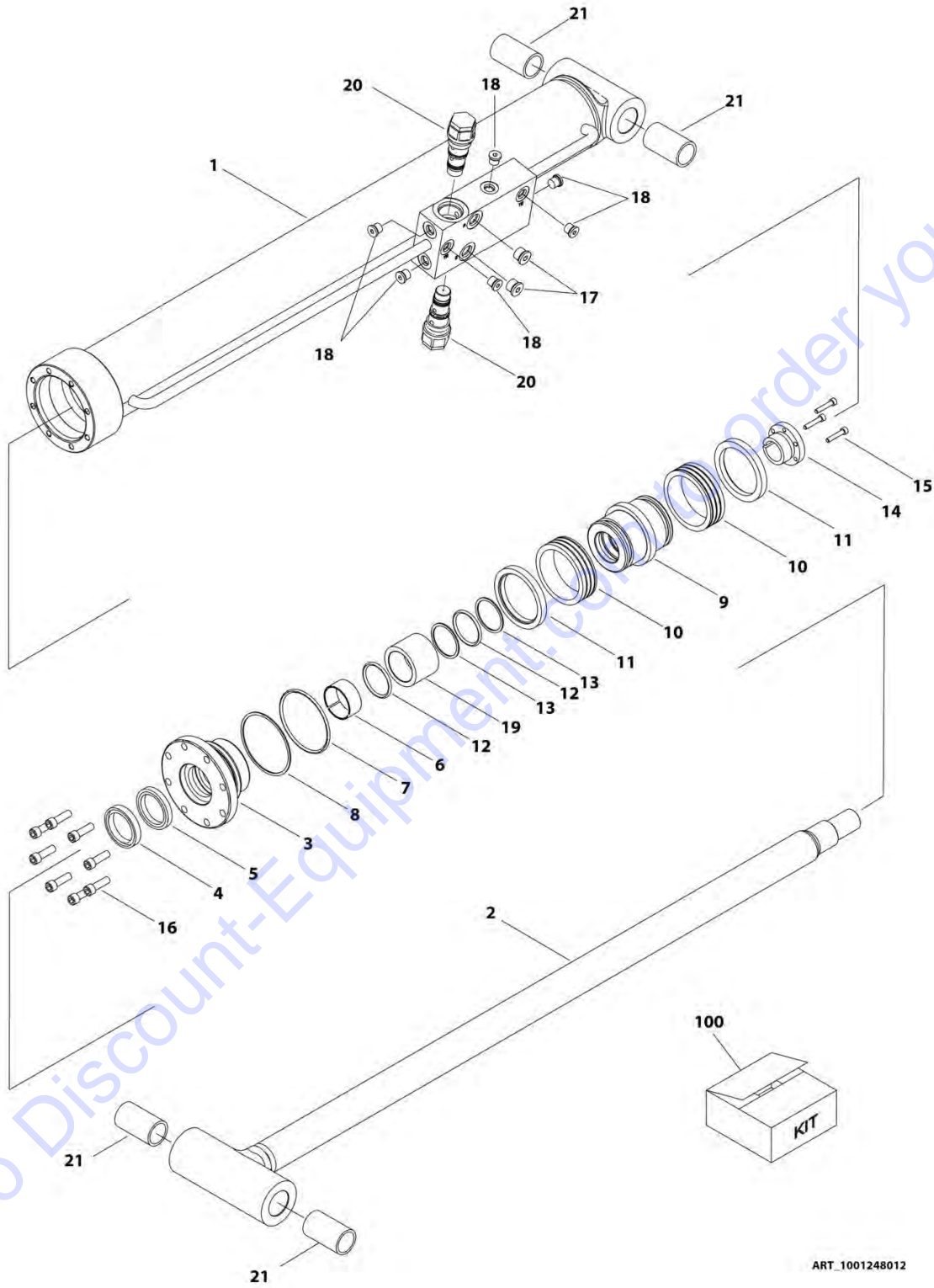
## SECTION 5 - CYLINDER

**FIGURE 5-12. LEVEL CYLINDER ASSEMBLY - JIB (860SJ ONLY) (SN 0300182743 through 0300244707, SN B300001092 through B300002483)**

ITEM	PART NUMBER	QTY	DESCRIPTION	REV
	1683609	Ref	LIFT CYLINDER ASSEMBLY	L
		Ref	Note: Original Cylinder may have been replaced with Service Replacement. Identify PN Stamped on Cylinder Before Ordering Parts.	
1	1684089	1	Barrel	
1A	0962336	2	Bushing	
2	1683053	1	Head	
3	3760368	1	Ring, Washer	
4	3931516	8	Capscrew 5/16in-18NC x 1in	
5	1684090	1	Rod	
5A	0962336	2	Bushing	
6	4640509	2	Cartridge, Valve	
6	2900792	2	Seal Kit - 4640509 Valve	
8	2220883	2	Plug #4	
9	2220885	1	Plug #6	
10	3480210	1	Piston	
11	0961893	1	Bushing, Tapered	
12	4100100	1	Spacer, Tube	
14	See Note	NSS	Seal (Note: Use Item 100)	
15	See Note	NSS	Ring, Lock (Note: Use Item 100)	
16	See Note	NSS	O-Ring (Note: Use Item 100)	
17	See Note	NSS	Ring, Back-up (Note: Use Item 100)	
18	See Note	NSS	O-Ring (Note: Use Item 100)	
19	See Note	NSS	Ring, Back-up (Note: Use Item 100)	
20	See Note	NSS	Seal, Rod (Note: Use Item 100)	
21	See Note	NSS	Wiper (Note: Use Item 100)	
22	See Note	NSS	Ring, Wear (Note: Use Item 100)	
23	0100011	AR	Compound, Locking	
24	0100038	AR	Primer, Locking	
26	0630534	3	Bolt #10-24NC x 1in	
100	2901303	1	Seal Kit (Includes Items 14-22)	

# SECTION 5 - CYLINDER

FIGURE 5-13. LEVEL CYLINDER ASSEMBLY - JIB (860SJ ONLY) (SN 0300244708 to Present)



ART\_1001248012

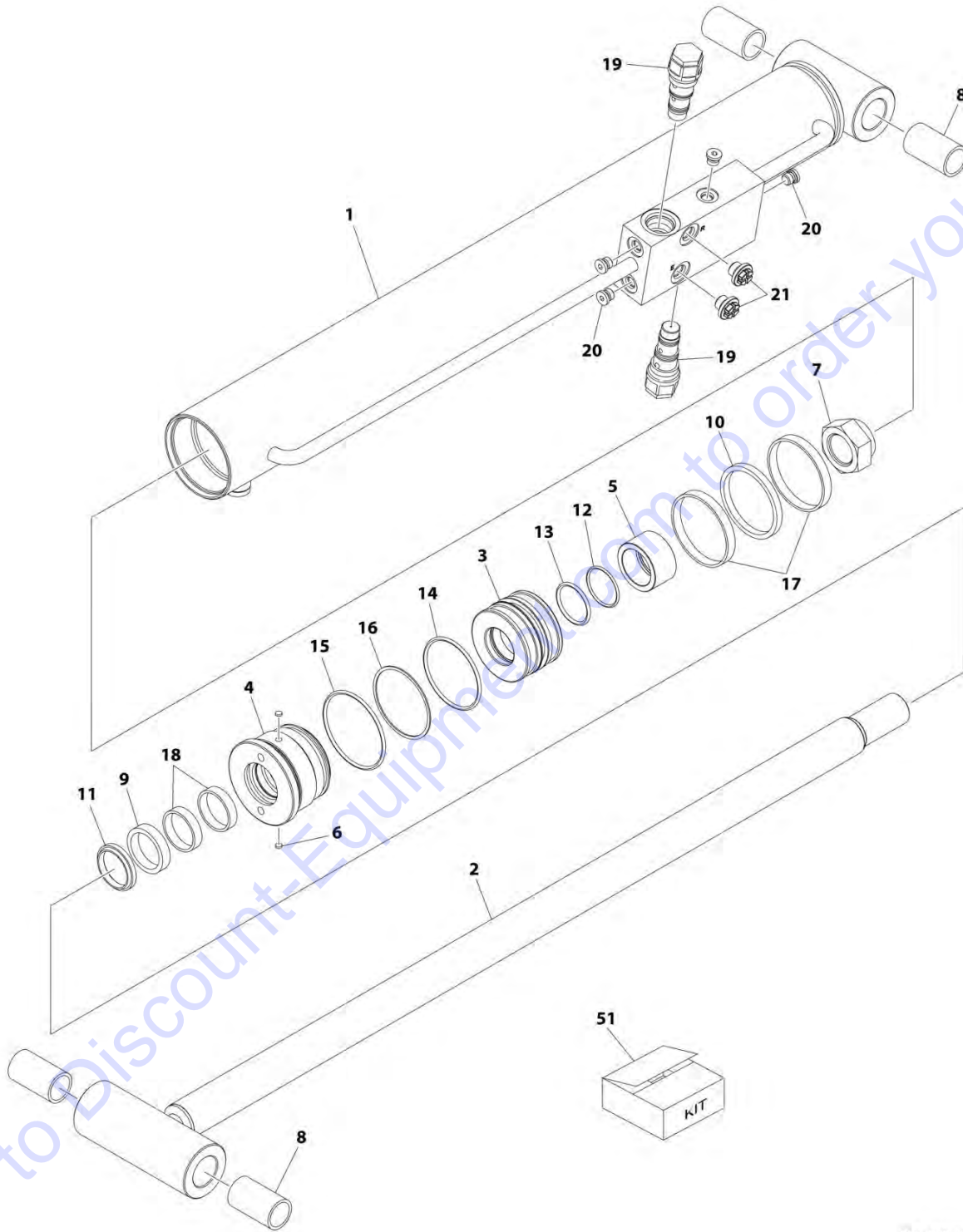
## SECTION 5 - CYLINDER

**FIGURE 5-13. LEVEL CYLINDER ASSEMBLY - JIB (860SJ ONLY) (SN 0300244708 to Present)**

ITEM	PART NUMBER	QTY	DESCRIPTION	REV
	1001248012	Ref	LIFT CYLINDER ASSEMBLY - JIB	B
		Ref	Note: Original Cylinder May Have Been Replaced with Service Replacement. Identify PN Stamped on Cylinder Before Ordering Parts.	
1	See Note	NSS	Barrel (Note: Not Available for Purchase)	
2	70006734	1	Rod	
3	70006649	1	Head	
4	See Note	NSS	Wiper (Note: Use Item 100)	
5	See Note	NSS	Seal, Rod (Note: Use Item 100)	
6	See Note	NSS	Ring, Wear (Note: Use Item 100)	
7	See Note	NSS	O-Ring (Note: Use Item 100)	
8	See Note	NSS	Ring, Back-up (Note: Use Item 100)	
9	70006650	1	Piston	
10	See Note	NSS	Seal (Note: Use Item 100)	
11	See Note	NSS	Ring, Lock (Note: Use Item 100)	
12	See Note	NSS	O-Ring (Note: Use Item 100)	
13	See Note	NSS	Ring, Back-up (Note: Use Item 100)	
14	0961893	1	Bushing, Tapered	
15	0630534	3	Capscrew, Socket Head #10 x 1	
16	70006735	8	Capscrew 5/16	
17	2220885	2	Plug, O-Ring	
18	2220883	6	Plug, O-Ring	
19	70006736	1	Spacer	
20	4640509	2	Cartridge, Valve	
20	2900792	2	Seal Kit - 4640509 Valve	
21	0962336	4	Bushing	
100	1001138795	1	Seal Kit (Includes Items 4-8 & 10-13)	

# SECTION 5 - CYLINDER

FIGURE 5-14. LEVEL CYLINDER ASSEMBLY - JIB (860SJ) (SN B300002484 to Present)



ART\_1001230371



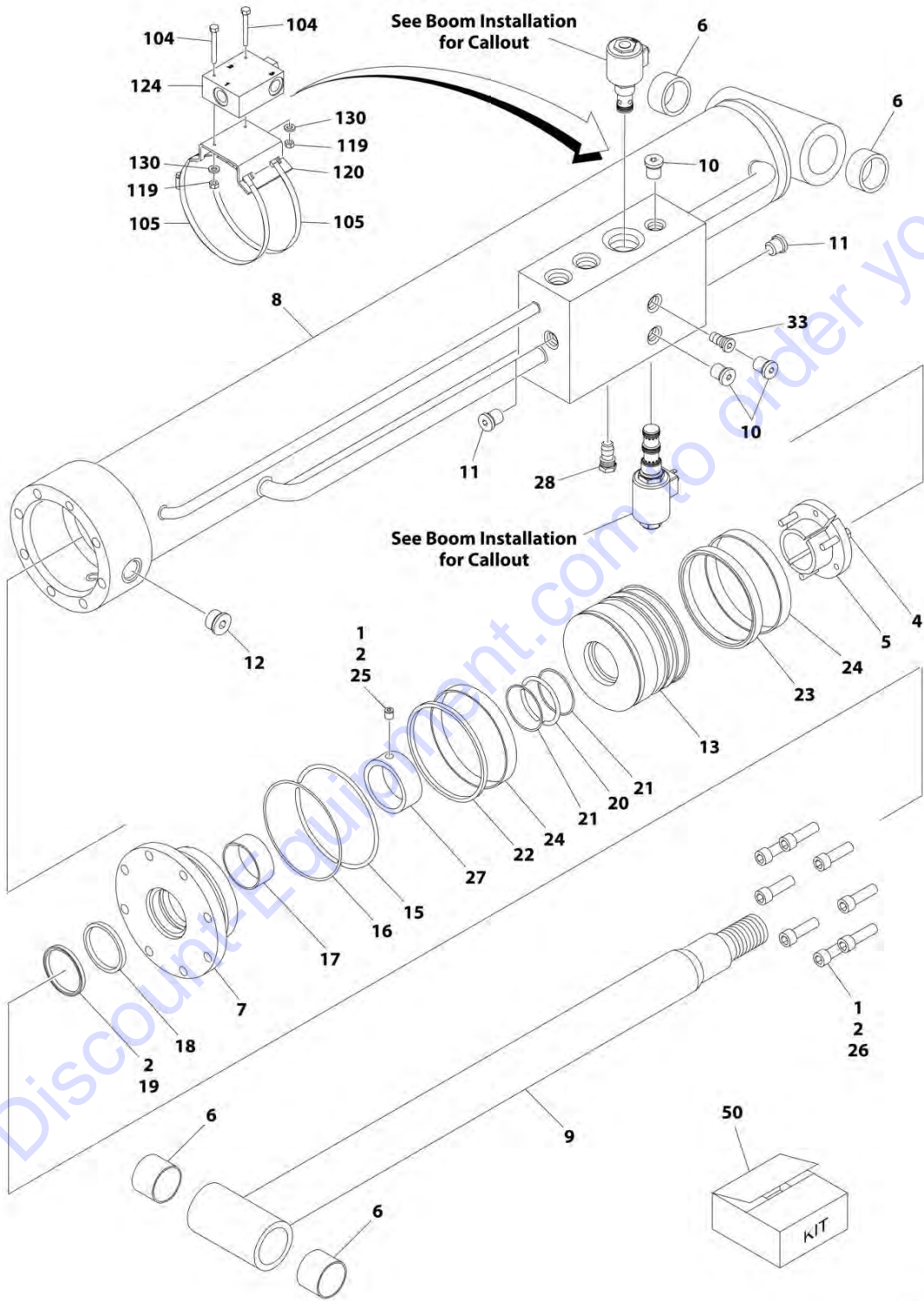
## SECTION 5 - CYLINDER

**FIGURE 5-14. LEVEL CYLINDER ASSEMBLY - JIB (860SJ) (SN B300002484 to Present)**

ITEM	PART NUMBER	QTY	DESCRIPTION	REV
	1001230371	Ref	LIFT CYLINDER ASSEMBLY - JIB	A
		Ref	Note: Original Cylinder may have been replaced with Service Replacement. Identify PN Stamped on Cylinder Before Ordering Parts.	
1	See Note	NSS	Barrel (Note : Purchase Complete Assembly)	
2	70006930	1	Rod	
3	70006931	1	Piston	
4	70006932	1	Head	
5	70006933	1	Spacer, Tube	
6	70003636	1	Lock, Insert	
7	70006900	1	Nut	
8	0962336	4	Bushing	
9	See Note	NSS	Seal, Rod (Note: Use Item 51)	
10	See Note	NSS	Seal, Piston (Note: Use Item 51)	
11	See Note	NSS	Wiper (Note: Use Item 51)	
12	See Note	NSS	O-Ring (Note: Use Item 51)	
13	See Note	NSS	O-Ring (Note: Use Item 51)	
14	See Note	NSS	O-Ring (Note: Use Item 51)	
15	See Note	NSS	O-Ring (Note: Use Item 51)	
16	See Note	NSS	Ring, Back-up (Note: Use Item 51)	
17	See Note	NSS	Ring, Wear (Note: Use Item 51)	
18	See Note	NSS	Ring, Wear (Note: Use Item 51)	
19	4640509	2	Catridge, Valve	
19	2900792	2	Seal Kit - 4640509 Valve	
20	2220883	4	Plug	
21	2220885	2	Plug	
51	70006934	1	Seal Kit (Includes Item 9-18)	

# SECTION 5 - CYLINDER

FIGURE 5-15. LIFT CYLINDER ASSEMBLY - MAIN BOOM (800S/680S) (SN 0300182743 through 0300239593, SN B300001092 through B300002483)



ART\_1684199

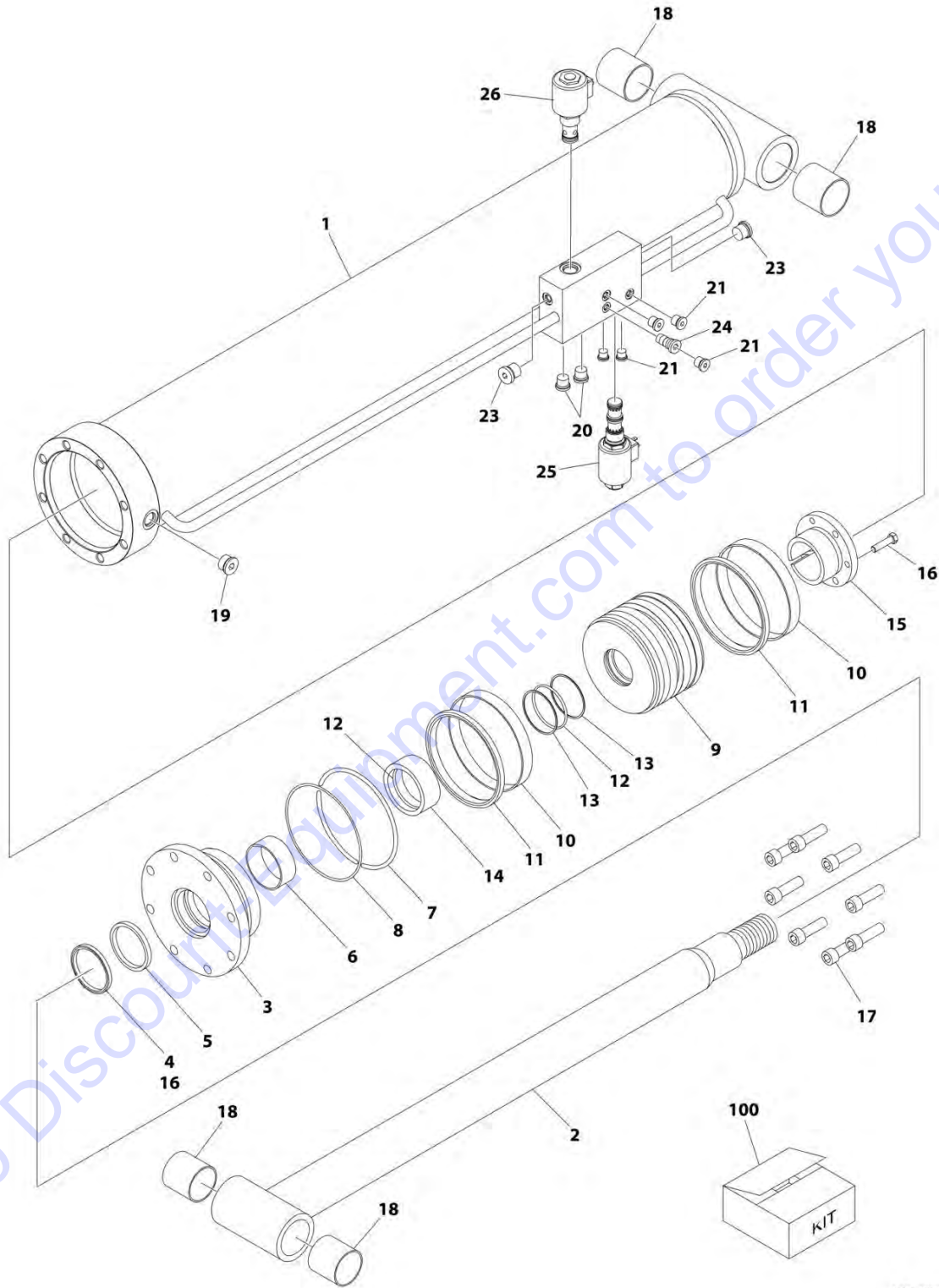
## SECTION 5 - CYLINDER

**FIGURE 5-15. LIFT CYLINDER ASSEMBLY - MAIN BOOM (800S/680S) (SN 0300182743 through 0300239593, SN B300001092 through B300002483)**

ITEM	PART NUMBER	QTY	DESCRIPTION	REV
	1684199	Ref	MAIN LIFT CYLINDER ASSEMBLY	H
		Ref	Note: Original Cylinder may have been replaced with Service Replacement. Identify PN Stamped on Cylinder Before Ordering Parts.	
1	0100011	AR	Compound, Locking	
2	0100038	AR	Primer, Locking	
4	0630536	3	Bolt	
5	0961898	1	Bushing, Tapered	
6	0962033	4	Bushing	
7	1683818	1	Head	
8	1684198	1	Barrel	
9	1684080	1	Rod	
10	2220883	5	Plug	
11	2220885	2	Plug	
12	2220888	1	Plug	
13	3480275	1	Piston	
15	See Note	NSS	O-Ring (Note: Use Item 50)	
16	See Note	NSS	Ring, Back-up (Note: Use Item 50)	
17	See Note	NSS	Ring, Wear (Note: Use Item 50)	
18	See Note	NSS	Seal, Rod (Note: Use Item 50)	
19	See Note	NSS	Wiper (Note: Use Item 50)	
20	See Note	NSS	O-Ring (Note: Use Item 50)	
21	See Note	NSS	Ring, Back-up (Note: Use Item 50)	
22	See Note	NSS	Ring, Guidelock (Note: Use Item 50)	
23	See Note	NSS	Seal (Note: Use Item 50)	
24	See Note	NSS	Ring, Guidelock (Note: Use Item 50)	
25	3900310	1	Setscrew	
26	3932240	8	Capscrew 3/4 x 2-1/2	
27	4568240	1	Spacer, Tube	
28	4641144	1	Cartridge, Restrictor/Check Valve	
28	7012967	1	Seal Kit - 4641144 Valve	
33	4641194	1	Cartridge, Relief Valve	
33	7023927	1	Seal Kit - 4641194 Valve	
50	2901537	1	Seal Kit (Includes Items 15-24)	
	1001157261	Ref	<b>MANUAL DESCENT INSTALLATION (OPTIONAL) (SN 0300182743 through 0300187355)</b>	A
104	0641514	2	Bolt 5/16in-18NC x 1-3/4in	
105	1320315	2	Clamp	
119	3311505	2	Locknut 5/16in-18NC	
120	3574172	1	Plate, Valve Mounting	
124	4640673	1	Valve, Check	
124	7011325	1	Cartridge, Valve Check	
130	4751500	2	Flatwasher 5/16in Regular	

# SECTION 5 - CYLINDER

FIGURE 5-16. LIFT CYLINDER ASSEMBLY - MAIN BOOM (800S/680S) (SN 0300239594 to Present, SN B300002484 to Present)



ART\_1001228028

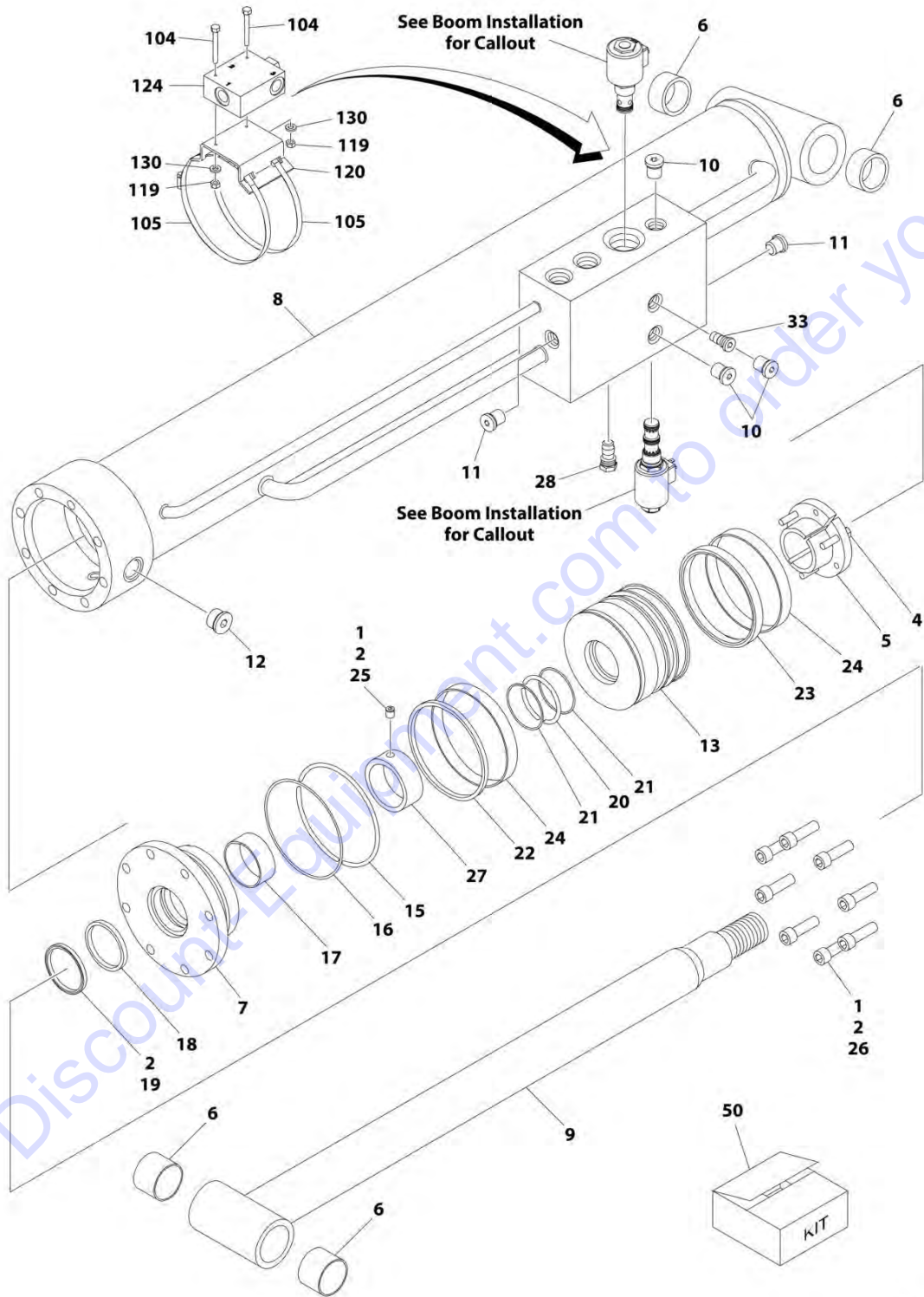
## SECTION 5 - CYLINDER

**FIGURE 5-16. LIFT CYLINDER ASSEMBLY - MAIN BOOM (800S/680S) (SN 0300239594 to Present, SN B300002484 to Present)**

ITEM	PART NUMBER	QTY	DESCRIPTION	REV
	1001228028	Ref	LIFT CYLINDER ASSEMBLY - MAIN BOOM	B
		Ref	Note: Original Cylinder may have been replaced with Service Replacement. Identify PN Stamped on Cylinder Before Ordering Parts.	
1	See Note	NSS	Barrel (Note: Not Available for Purchase)	
2	70006506	1	Rod	
3	70006505	1	Head	
4	See Note	NSS	Wiper (Note: Use Item 100)	
5	See Note	NSS	Seal, Rod (Note: Use Item 100)	
6	See Note	NSS	Ring, Wear (Note: Use Item 100)	
7	See Note	NSS	O-Ring (Note: Use Item 100)	
8	See Note	NSS	Ring, Back-up (Note: Use Item 100)	
9	70006504	1	Piston	
10	See Note	NSS	Ring, Guidelock (Note: Use Item 100)	
11	See Note	NSS	Ring, Guidelock (Note: Use Item 100)	
12	See Note	NSS	O-Ring (Note: Use Item 100)	
13	See Note	NSS	Ring, Back-up (Note: Use Item 100)	
14	70006503	1	Spacer, Tube	
15	0961898	1	Bushing, Tapered	
16	0630536	3	Bolt	
16	0100011	AR	Compound, Locking	
16	0100038	AR	Primer, Locking	
17	3932240	8	Capscrew 3/4 x 2-1/2	
17	0100011	AR	Compound, Locking	
17	0100038	AR	Primer, Locking	
18	0962033	4	Bushing	
19	2220888	3	Plug	
20	2220887	2	Plug	
21	2220883	4	Plug	
23	2220885	2	Plug	
24	4641194	1	Cartridge, Relief Valve	
24	7023927	1	Seal Kit - 4641194 Valve	
25	4641188	1	Cartridge, Lift Holding Solenoid (SN 0300257003 to Present, SN B300003768 to Present)	
25	7023923	1	Cartridge - 4641188 Valve	
25	7023919	1	Seal Kit - 4641188 Valve	
25	7012943	1	Coil - 4641188 Valve	
26	4641234	1	Cartridge, Lift Relief Proportional Solenoid (SN 0300257003 to Present, SN B300003768 to Present)	
26	7023982	1	Cartridge - 4641234 Valve	
26	7012925	1	Seal Kit - 4641234 Valve	
26	7017451	1	Coil - 4641234 Valve	
100	2901537	1	Seal Kit (Includes Items 5-8 & 10-13)	

# SECTION 5 - CYLINDER

FIGURE 5-17. LIFT CYLINDER ASSEMBLY - MAIN BOOM (860SJ) (SN 0300182743 through 0300239858, SN B300001092 through B300002483)



ART\_1684202

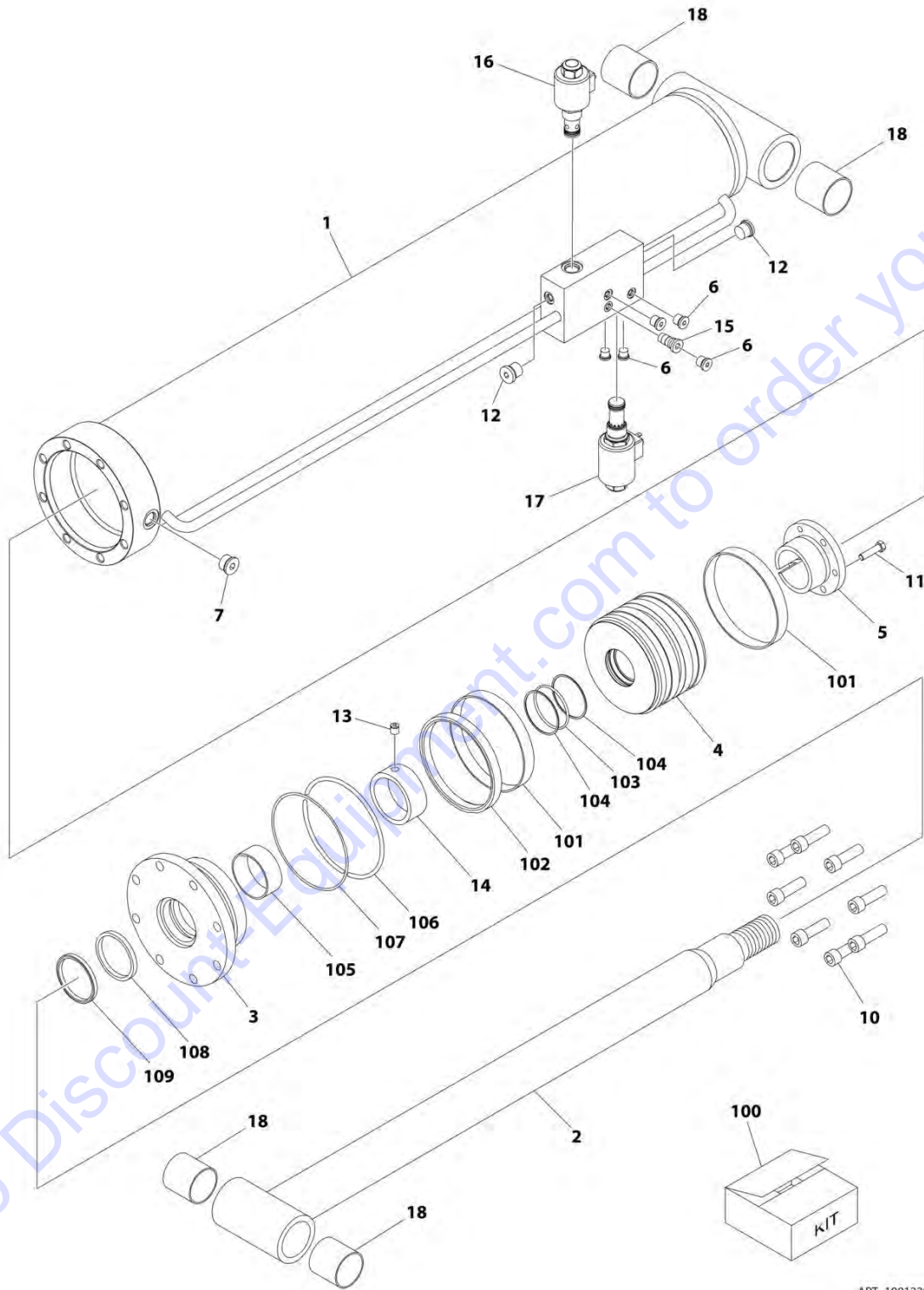
## SECTION 5 - CYLINDER

**FIGURE 5-17. LIFT CYLINDER ASSEMBLY - MAIN BOOM (860SJ) (SN 0300182743 through 0300239858, SN B300001092 through B300002483)**

ITEM	PART NUMBER	QTY	DESCRIPTION	REV
	1684202	Ref	LIFT CYLINDER ASSEMBLY - MAIN BOOM	I
		Ref	Note: Original Cylinder may have been replaced with Service Replacement. Identify PN Stamped on Cylinder Before Ordering Parts.	
1	0100011	AR	Compound, Locking	
2	0100038	AR	Primer, Locking	
4	0630536	3	Bolt	
5	0961898	1	Bushing, Tapered	
6	0962033	4	Bushing	
7	1683818	1	Head	
8	1684198	1	Barrel	
9	1684123	1	Rod	
10	2220883	5	Plug	
11	2220885	2	Plug	
12	2220888	1	Plug	
13	3480275	1	Piston	
15	See Note	NSS	O-Ring (Note: Use Item 50)	
16	See Note	NSS	Ring, Back-up (Note: Use Item 50)	
17	See Note	NSS	Ring, Wear (Note: Use Item 50)	
18	See Note	NSS	Seal, Rod (Note: Use Item 50)	
19	See Note	NSS	Wiper (Note: Use Item 50)	
20	See Note	NSS	O-Ring (Note: Use Item 50)	
21	See Note	NSS	Ring, Back-up (Note: Use Item 50)	
22	See Note	NSS	Ring, Guidelock (Note: Use Item 50)	
23	See Note	NSS	Seal (Note: Use Item 50)	
24	See Note	NSS	Ring, Guidelock (Note: Use Item 50)	
25	3900310	1	Setscrew	
26	3932240	8	Capscrew 3/4 x 2-1/2	
27	4568273	1	Spacer, Tube	
28	4641144	1	Cartridge, Restrictor/Check Valve	
28	7012967	1	Seal Kit - 4641144 Valve	
33	4641194	1	Cartridge, Relief Valve	
33	7023927	1	Seal Kit - 4641194 Valve	
50	2901537	1	Seal Kit (Includes Items 15-24)	
	1001157261	Ref	<b>MANUAL DESCENT INSTALLATION (OPTIONAL) (SN 0300182743 through 0300187355)</b>	
104	0641514	2	Bolt 5/16in-18NC x 1-3/4in	
105	1320315	2	Clamp	
119	3311505	2	Locknut 5/16in-18NC	
120	3574172	1	Plate, Valve Mounting	
124	4640673	1	Valve, Check	
124	7011325	1	Cartridge, Valve Check	
130	4751500	2	Flatwasher 5/16in Regular	

# SECTION 5 - CYLINDER

FIGURE 5-18. LIFT CYLINDER ASSEMBLY - MAIN BOOM (860SJ) (SN 0300239859 to Present)



ART\_1001228029



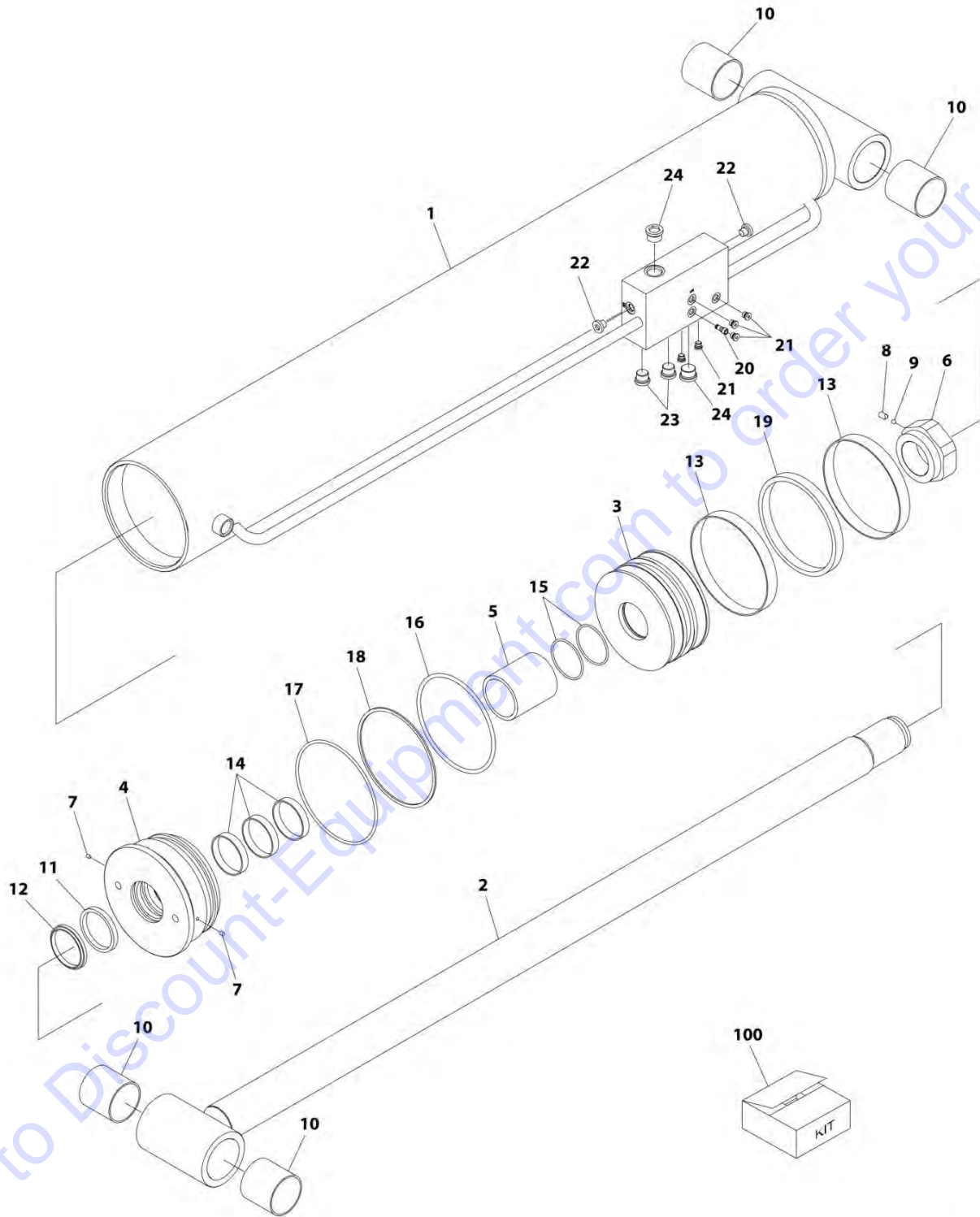
## SECTION 5 - CYLINDER

**FIGURE 5-18. LIFT CYLINDER ASSEMBLY - MAIN BOOM (860SJ) (SN 0300239859 to Present)**

ITEM	PART NUMBER	QTY	DESCRIPTION	REV
	1001228029	Ref	LIFT CYLINDER ASSEMBLY - MAIN BOOM	B
		Ref	Note: Original Cylinder may have been replaced with Service Replacement. Identify PN Stamped on Cylinder Before Ordering Parts.	
1	See Note	NSS	Barrel (Note: Not Available for Purchase)	
2	70006395	1	Rod	
3	70006377	1	Head	
4	70006394	1	Piston	
5	70006365	1	Bushing, Tapered	
6	2220883	5	Plug	
7	See Note	NSS	Plug (Note: Not Available for Purchase)	
10	3932240	8	Capscrew 3/4 x 2-1/2	
11	0630536	3	Bolt	
12	2220885	2	Plug	
13	3900310	1	Setscrew	
14	70006393	1	Spacer, Tube	
15	4641194	1	Cartridge, Relief Valve	
15	7023927	1	Seal Kit - 4641194 Valve	
16	4641234	1	Cartridge, Relief Valve	
16	7023982	1	Cartridge Less Coil	
16	7012925	1	Seal Kit - 7023982/4641234 Valve	
16	7017451	1	Coil	
17	4641188	1	Cartridge, Holding Valve	
17	7023923	1	Cartridge Less Coil	
17	7023919	1	Seal Kit - 7023923/4641188 Valve	
17	7012943	1	Coil	
18	0962033	4	Bushing	
100	70006392	1	Seal Kit (Includes Items 101-109)	
101	See Note	NSS	Ring, Guidelock (Note: Use Item 100)	
102	See Note	NSS	Seal (Note: Use Item 100)	
103	See Note	NSS	O-Ring (Note: Use Item 100)	
104	See Note	NSS	Ring, Back-up (Note: Use Item 100)	
105	See Note	NSS	Ring, Wear (Note: Use Item 100)	
106	See Note	NSS	O-Ring (Note: Use Item 100)	
107	See Note	NSS	Ring, Back-up (Note: Use Item 100)	
108	See Note	NSS	Seal, Rod (Note: Use Item 100)	
109	See Note	NSS	Wiper (Note: Use Item 100)	

# SECTION 5 - CYLINDER

FIGURE 5-19. LIFT CYLINDER ASSEMBLY - MAIN BOOM (860SJ) (SN B300002484 to Present)



ART\_1001230373

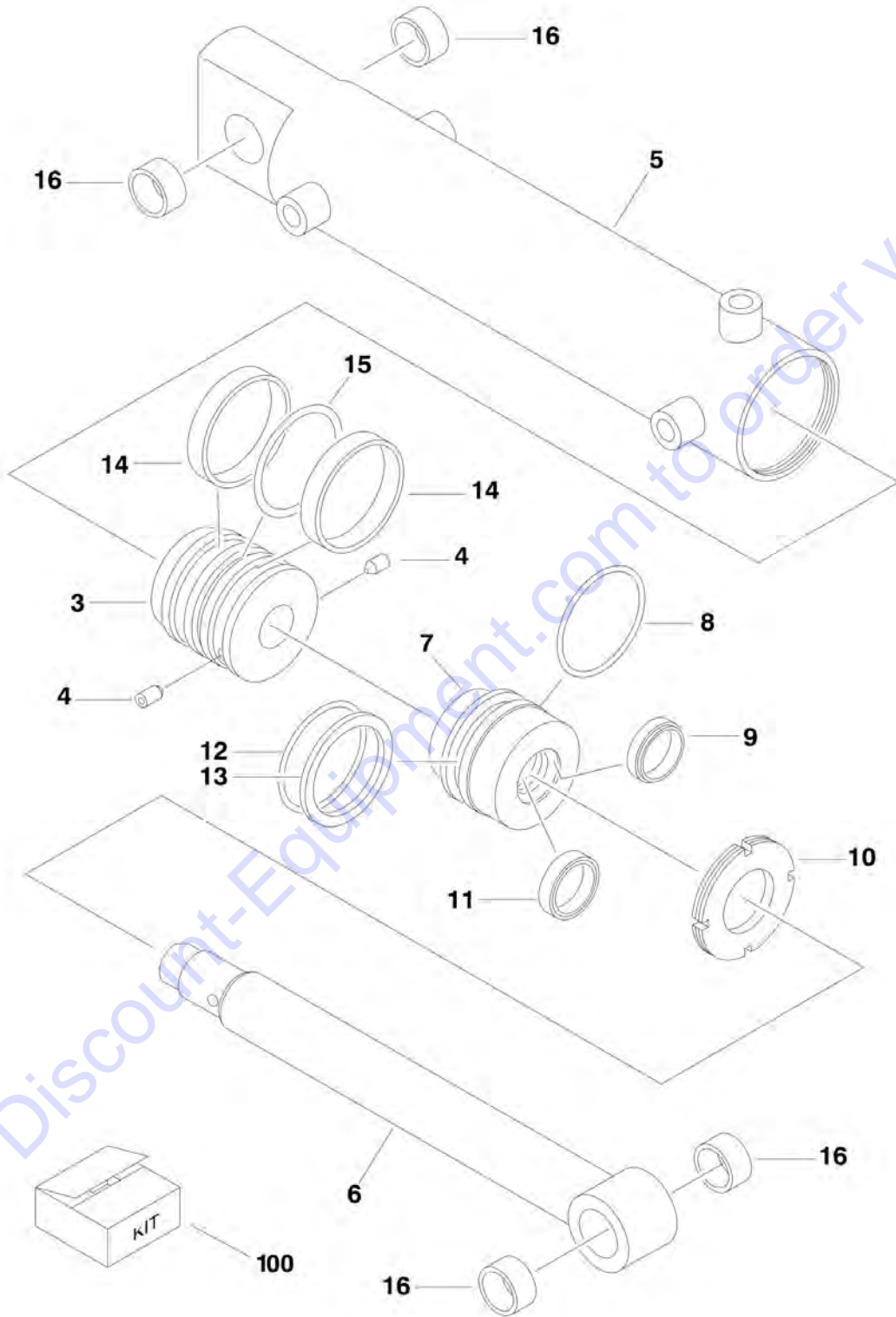
## SECTION 5 - CYLINDER

**FIGURE 5-19. LIFT CYLINDER ASSEMBLY - MAIN BOOM (860SJ) (SN B300002484 to Present)**

ITEM	PART NUMBER	QTY	DESCRIPTION	REV
	1001230373	Ref	LIFT CYLINDER ASSEMBLY	A
		Ref	Note: Original Cylinder may have been replaced with Service Replacement. Identify PN Stamped on Cylinder Before Ordering Parts.	
1	See Note	NSS	Barrel (Note: Not Available for Purchase)	
2	70006940	1	Rod	
3	70006941	1	Piston	
4	70006942	1	Head	
5	70006943	1	Spacer	
6	70006944	1	Nut	
7	70006899	2	Insert	
8	70006945	1	Setscrew	
9	70004120	1	Ball	
10	0962033	4	Bushing	
11	See Note	NSS	Seal, Rod (Note: Use Item 100)	
12	See Note	NSS	Wiper (Note: Use Item 100)	
13	See Note	NSS	Ring, Wear (Note: Use Item 100)	
14	See Note	NSS	Ring, Wear (Note: Use Item 100)	
15	See Note	NSS	O-Ring (Note: Use Item 100)	
16	See Note	NSS	O-Ring (Note: Use Item 100)	
17	See Note	NSS	O-Ring (Note: Use Item 100)	
18	See Note	NSS	Ring, Back-up (Note: Use Item 100)	
19	See Note	NSS	Seal, Piston (Note: Use Item 100)	
20	4641194	1	Valve, Cartridge	
20	7023927	1	Seal Kit - 4640509 Valve	
21	2220883	5	Plug	
22	2220885	2	Plug	
23	2220888	2	Plug	
24	2220887	3	Plug	
100	70006947	1	Seal Kit (Includes Items 9-18)	

# SECTION 5 - CYLINDER

FIGURE 5-20. STEER CYLINDER ASSEMBLY (SN 0300182743 to Present, SN B300001092 through B300002483)



## SECTION 5 - CYLINDER

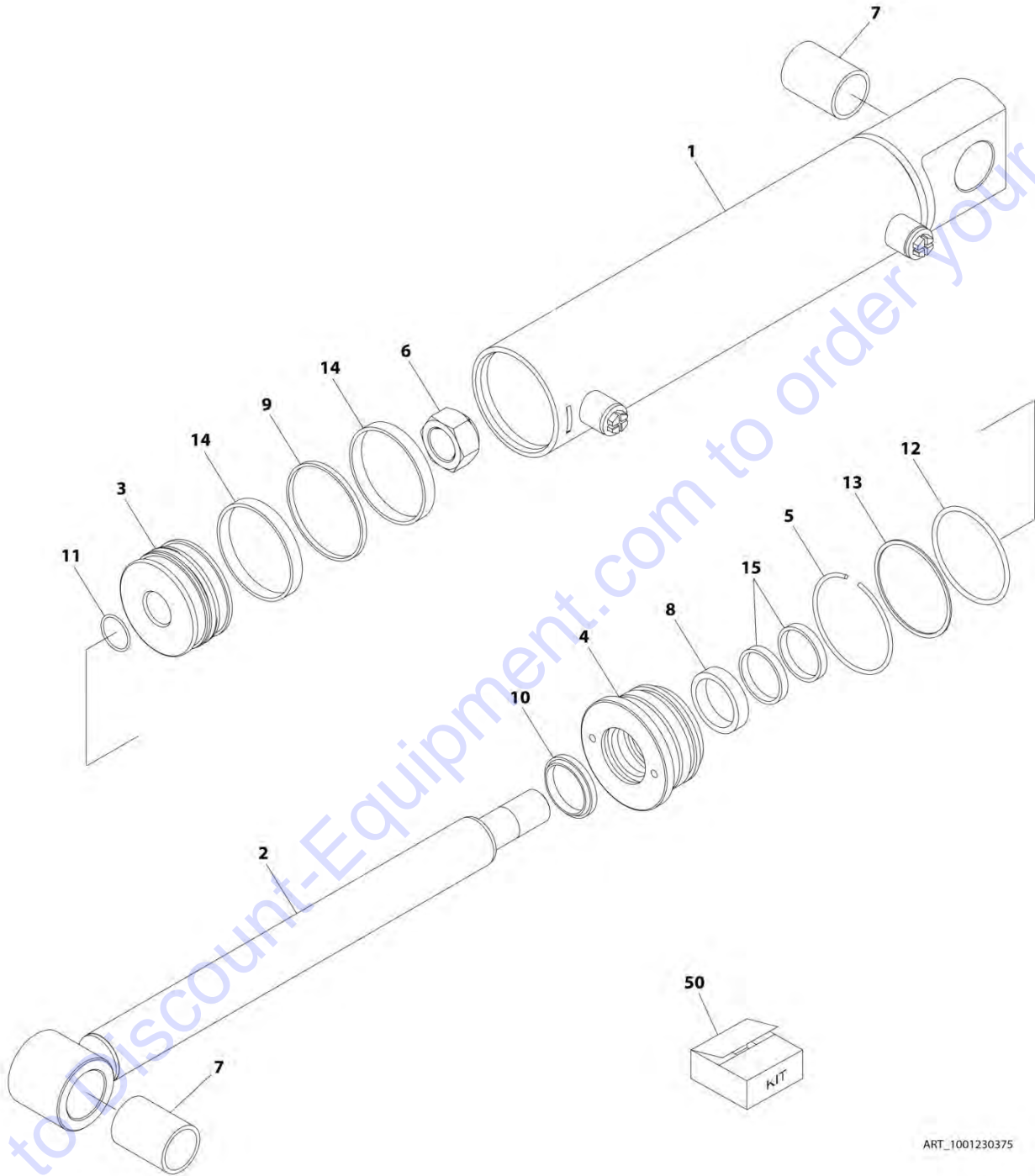
**FIGURE 5-20. STEER CYLINDER ASSEMBLY (SN 0300182743 to Present, SN B300001092 through B300002483)**

ITEM	PART NUMBER	QTY	DESCRIPTION	REV
	1001150539	Ref	<b>STEER CYLINDER ASSEMBLY</b>	F
		Ref		
3	70002744	1	Piston	
4	70002745	2	Setscrew M6 x 10mm	
5	70004381	1	Barrel	
6	70004382	1	Rod	
7	70002748	1	Head	
8	See Note	NSS	Ring (Note: Use Item 100)	
9	See Note	NSS	Wiper (Note: Use Item 100)	
10	70002749	1	Nut, Spanner	
11	See Note	NSS	Seal (Note: Use Item 100)	
12	See Note	NSS	O-Ring (Note: Use Item 100)	
13	See Note	NSS	Ring, Back-up (Note: Use Item 100)	
14	See Note	NSS	Ring, Wear (Note: Use Item 100)	
15	See Note	NSS	Seal (Note: Use Item 100)	
16	0962152	4	Bushings	
100	70002751	1	Seal Kit (Includes Items 8, 9 & 11-15)	

Go to Discount-Equipment.com to order your parts

# SECTION 5 - CYLINDER

FIGURE 5-21. STEER CYLINDER ASSEMBLY (SN B300002484 to Present)



ART\_1001230375

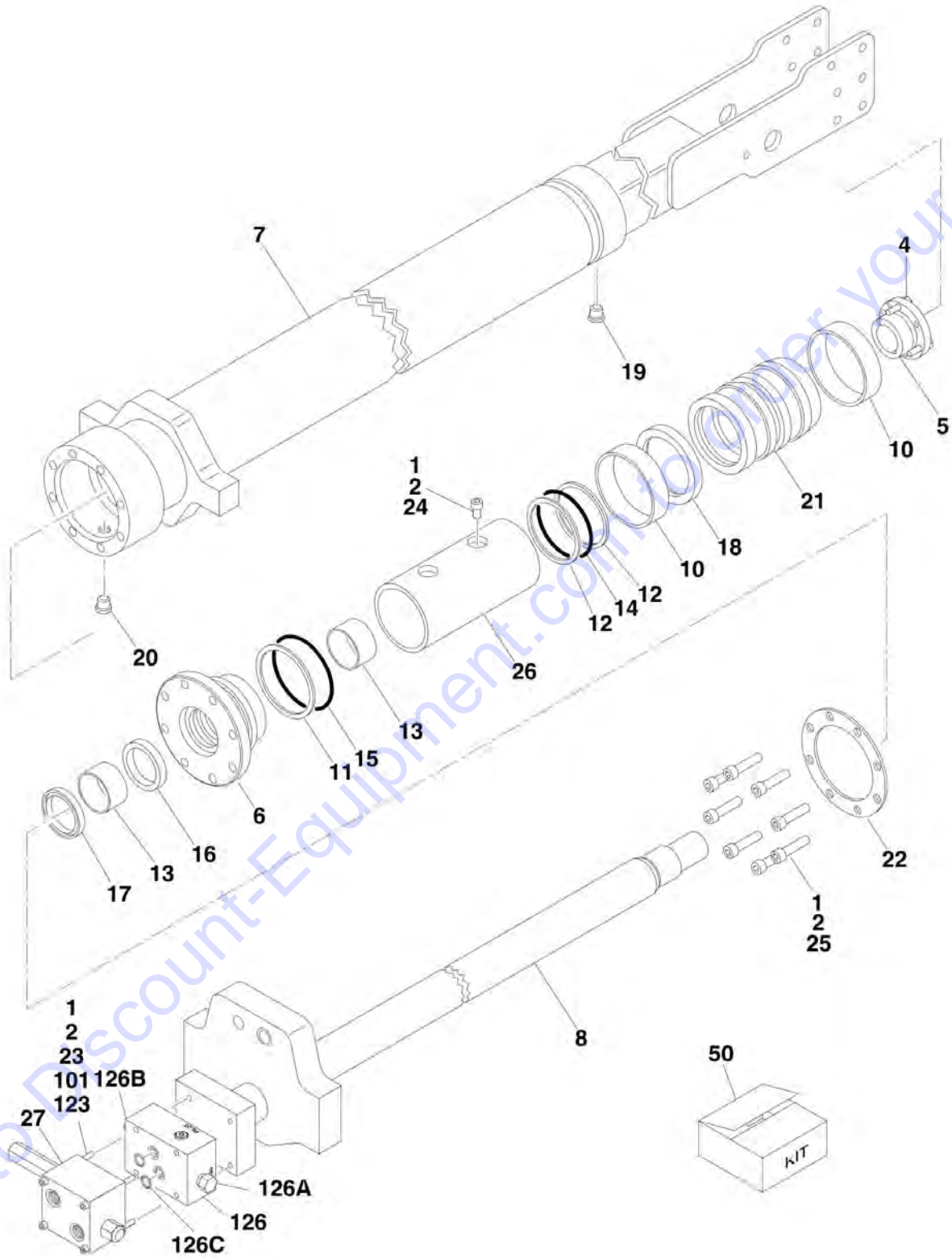
## SECTION 5 - CYLINDER

**FIGURE 5-21. STEER CYLINDER ASSEMBLY (SN B30002484 to Present)**

ITEM	PART NUMBER	QTY	DESCRIPTION	REV
	1001230375	Ref	STEER CYLINDER ASSEMBLY	A
		Ref	Note: Original Cylinder may have been replaced with Service Replacement. Identify PN Stamped on Cylinder Before Ordering Parts.	
1	See Note	NSS	Barrel (Note: Not Available for Purchase)	
2	70006964	1	Rod	
3	70006965	1	Piston	
4	70006966	1	Head	
5	70006967	1	Nut	
6	70006968	1	Ring, Baffle	
7	0962152	2	Bushing	
8	See Note	NSS	Seal, Rod (Note: Use Item 50)	
9	See Note	NSS	Seal (Note: Use Item 50)	
10	See Note	NSS	Wiper (Note: Use Item 50)	
11	See Note	NSS	O-Ring (Note: Use Item 50)	
12	See Note	NSS	O-Ring (Note: Use Item 50)	
13	See Note	NSS	Ring, Back-up (Note: Use Item 50)	
14	See Note	NSS	Ring, Wear (Note: Use Item 50)	
15	See Note	NSS	Ring, Wear (Note: Use Item 50)	

# SECTION 5 - CYLINDER

## FIGURE 5-22. TELESCOPE CYLINDER ASSEMBLY





## SECTION 5 - CYLINDER

**FIGURE 5-22. TELESCOPE CYLINDER ASSEMBLY**

ITEM	PART NUMBER	QTY	DESCRIPTION	REV
		Ref	<b>TELESCOPE CYLINDER ASSEMBLY</b>	
		Ref	Note: Original Cylinder may have been replaced with Service Replacement. Identify PN Stamped on Cylinder Before Ordering Parts.	
	1684041	Ref	<b>Telescope Cylinder (800S) (SN 0300182743 through 0300196954)</b>	G
	1001177317	Ref	<b>Telescope Cylinder (800S) (SN 0300196955 through 0300243278)</b>	B
	1684041	Ref	<b>Telescope Cylinder (800S) (SN B300001092 through B300001096)</b>	G
	1001177317	Ref	<b>Telescope Cylinder (800S) (SN B300001097 through B300002584)</b>	B
	1684043	Ref	<b>Telescope Cylinder (860SJ) (SN 0300182743 through 0300196954)</b>	H
	1001181588	Ref	<b>Telescope Cylinder (860SJ) (SN 0300196955 through 0300244707)</b>	C
	1684043	Ref	<b>Telescope Cylinder (860SJ) (SN B300001092 through B300001096)</b>	H
	1001181588	Ref	<b>Telescope Cylinder (860SJ) (SN B300001097 through 0300244707)</b>	C
	1684519	Ref	<b>Telescope Cylinder (680S) (SN 0300182743 through 0300196954)</b>	D
	1001181589	Ref	<b>Telescope Cylinder (680S) (SN 0300196955 through 0300244879)</b>	B
1	0100011	AR	Compound, Locking	
2	0100038	AR	Primer, Locking	
4	0630535	3	Bolt 1/4in-20NC x 1-1/8in	
5	0961897	1	Bushing, Tapered	
6		Ref	Head Options:	
6	1683077	1	Head (1684041, 1684043 & 1684519 Cylinders)	
6	1001175884	1	Head (1001177317, 1001181588 & 1001181589 Cylinders)	
7		Ref	Barrel Options:	
7	1684049	1	Barrel 800S	
7	1684045	1	Barrel 860SJ	
7	0370038	1	Barrel 680S	
8		Ref	Rod Options:	
8	1001115631	1	Rod 800S	
8	1001115465	1	Rod 860SJ	
8	1001115693	1	Rod 680S	
10	See Note	NSS	Ring, Wear (Note: Use Item 50)	
11	See Note	NSS	Ring, Back-up (Note: Use Item 50)	
12	See Note	NSS	Ring, Back-up (Note: Use Item 50)	
13	See Note	NSS	Ring, Wear (Note: Use Item 50)	
14	See Note	NSS	O-Ring (Note: Use Item 50)	
15	See Note	NSS	O-Ring (Note: Use Item 50)	
16	See Note	NSS	Seal, Rod (Note: Use Item 50)	
17	See Note	NSS	Wiper (Note: Use Item 50)	
18	See Note	NSS	T-Seal (Note: Use Item 50)	
19	2220885	1	Plug, O-Ring	
20	2220886	2	Plug, O-Ring	
21	1001115504	1	Piston	
22	1001108958	1	Ring, Washer	

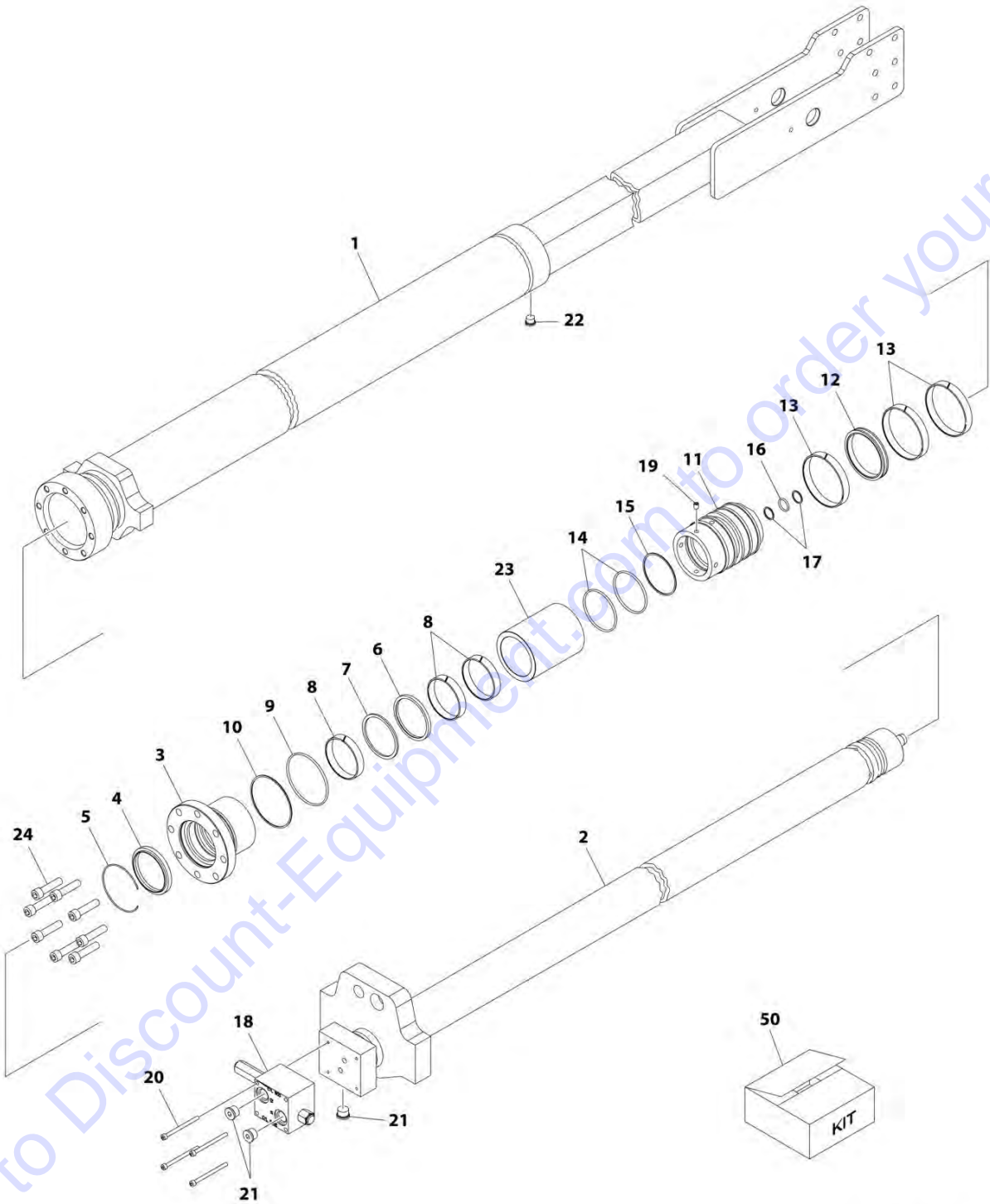
## SECTION 5 - CYLINDER

ITEM	PART NUMBER	QTY	DESCRIPTION	REV
23	3931448	4	Capscrew 1/4in-20NC x 3in	
24	3931508	1	Capscrew 5/16in-18NC x 1/2in	
25		Ref	Capscrew Options:	
25	3931724	8	Capscrew 7/16in-14NC x 1-1/2in (1684041, 1684043 & 1689519 Cylinders)	
25	3931740	8	Capscrew 7/16in-14NC x 2-1/2in (1001177317, 1001181588 & 1001181589 Cylinders)	
26		Ref	Spacer, Tube Options:	
26	1001115633	1	Spacer, Tube 800S/680S	
26	1001115469	1	Spacer, Tube 860SJ	
27	4641033	1	Valve Assembly (No serviceable parts - sold as assembly only)	
27	7024508	2	O-Ring (Not Shown - Located between valve and cylinder)	
50		Ref	Seal Kit Options (Includes Items 10-18):	
50	1001115617	1	Seal Kit (1684041, 1684043 & 1684519 Cylinders)	
50	1001181694	1	Seal Kit (1001177317, 1001181588 & 1001181589 Cylinders)	
	1001157261	Ref	<b>MANUAL DESCENT INSTALLATION (OPTIONAL) (SN 0300182743 through 0300187355)</b>	A
101	0100011	AR	Compound, Locking	
123	3931480	4	Capscrew 1/4in-20NC x 5in	
126	4641262	1	Valve, Assembly (Manual Descent)	
126A	7026015	1	Cartridge	
126A	7026004	1	Seal Kit - 7026015 Cartridge	
126B	7026016	1	Cartridge	
126B	7011346	1	Seal Kit - 7026016 Cartridge	
126C	3790112	2	O-Ring	



# SECTION 5 - CYLINDER

FIGURE 5-23. TELESCOPE CYLINDER ASSEMBLY (680S) (SN 0300244880 to Present)



ART\_1001228085

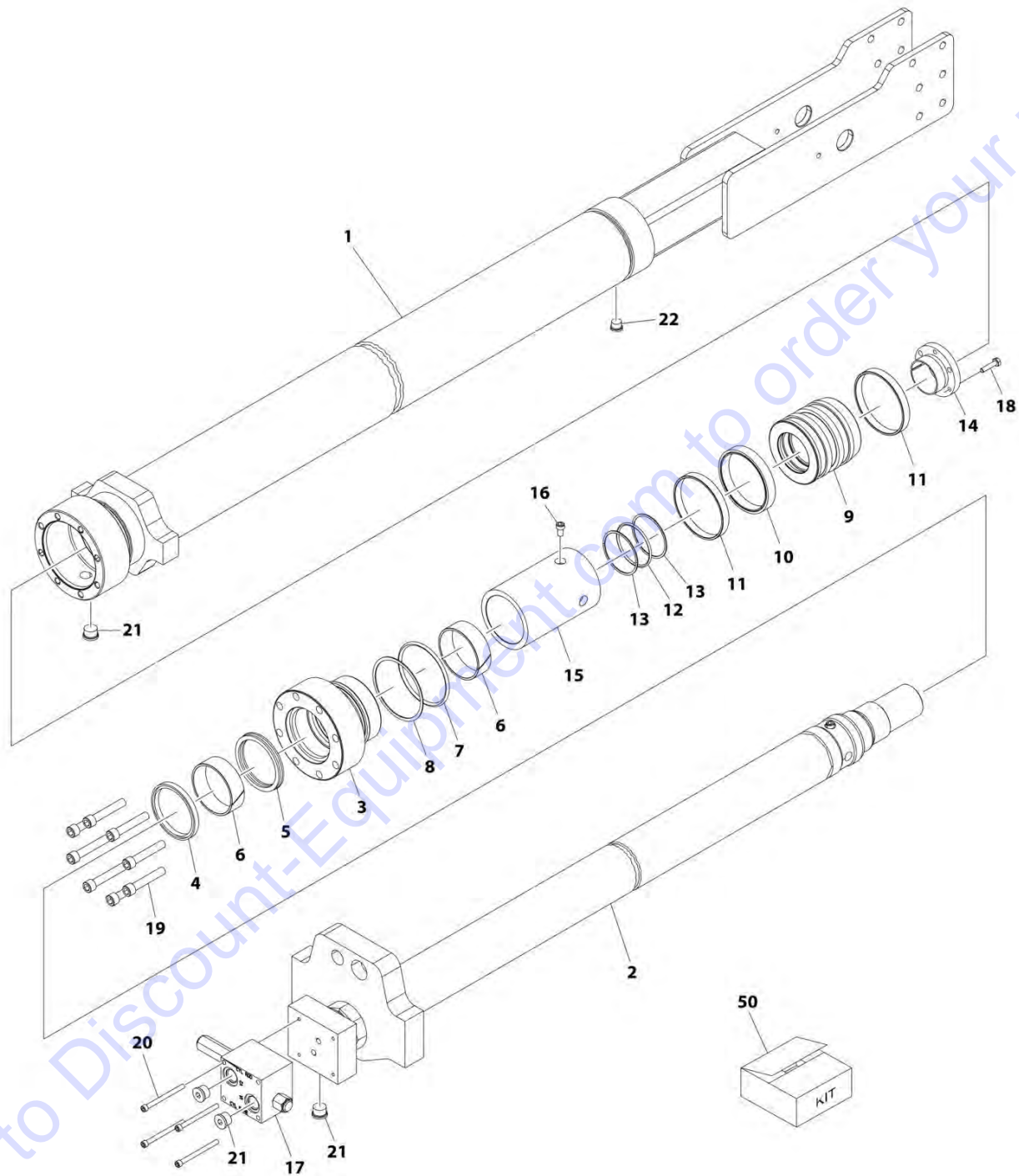
## SECTION 5 - CYLINDER

**FIGURE 5-23. TELESCOPE CYLINDER ASSEMBLY (680S) (SN 0300244880 to Present)**

ITEM	PART NUMBER	QTY	DESCRIPTION	REV
	1001228085	Ref	TELESCOPE CYLINDER ASSEMBLY (680S) (SN 0300244880 to Present)	C
		Ref	Note: Original Cylinder may have been replaced with Service Replacement. Identify PN Stamped on Cylinder Before Ordering Parts.	
1	See Note	NSS	Barrel (Note: Not Available for Purchase)	
2	70006805	1	Rod	
3	70006806	1	Head	
4	See Note	NSS	Wiper (Note: Use Item 50)	
5	70023379	1	Ring, Retainer	
6	See Note	NSS	Seal, Rod (Note: Use Item 50)	
7	See Note	NSS	Ring, Back-up (Note: Use Item 50)	
8	See Note	NSS	Ring, Wear (Note: Use Item 50)	
9	See Note	NSS	O-Ring (Note: Use Item 50)	
10	See Note	NSS	Ring, Back-up (Note: Use Item 50)	
11	70006807	1	Piston	
12	See Note	NSS	Seal, Piston (Note: Use Item 50)	
13	See Note	NSS	Ring, Wear (Note: Use Item 50)	
14	See Note	NSS	O-Ring (Note: Use Item 50)	
15	See Note	NSS	Ring, Back-up (Note: Use Item 50)	
16	See Note	NSS	O-Ring (Note: Use Item 50)	
17	See Note	NSS	Ring, Back-up (Note: Use Item 50)	
18	4641033	1	Valve Assembly (No serviceable parts - sold as assembly only)	
18	7024508	2	O-Ring (Not Shown - Located between valve and cylinder)	
19	70005839	1	Setscrew	
20	70006802	4	Bolt	
21	2220886	3	Plug, O-Ring	
22	2220885	1	Plug, O-Ring	
23	70006808	1	Spacer	
24	70006803	8	Bolt	
50	70006809	1	Seal Kit Options (Includes Items 4, 6-10 & 12-17)	

# SECTION 5 - CYLINDER

FIGURE 5-24. TELESCOPE CYLINDER ASSEMBLY (800S) (SN 0300243279 to Present, SN B300002585 to Present)



ART\_1001228081

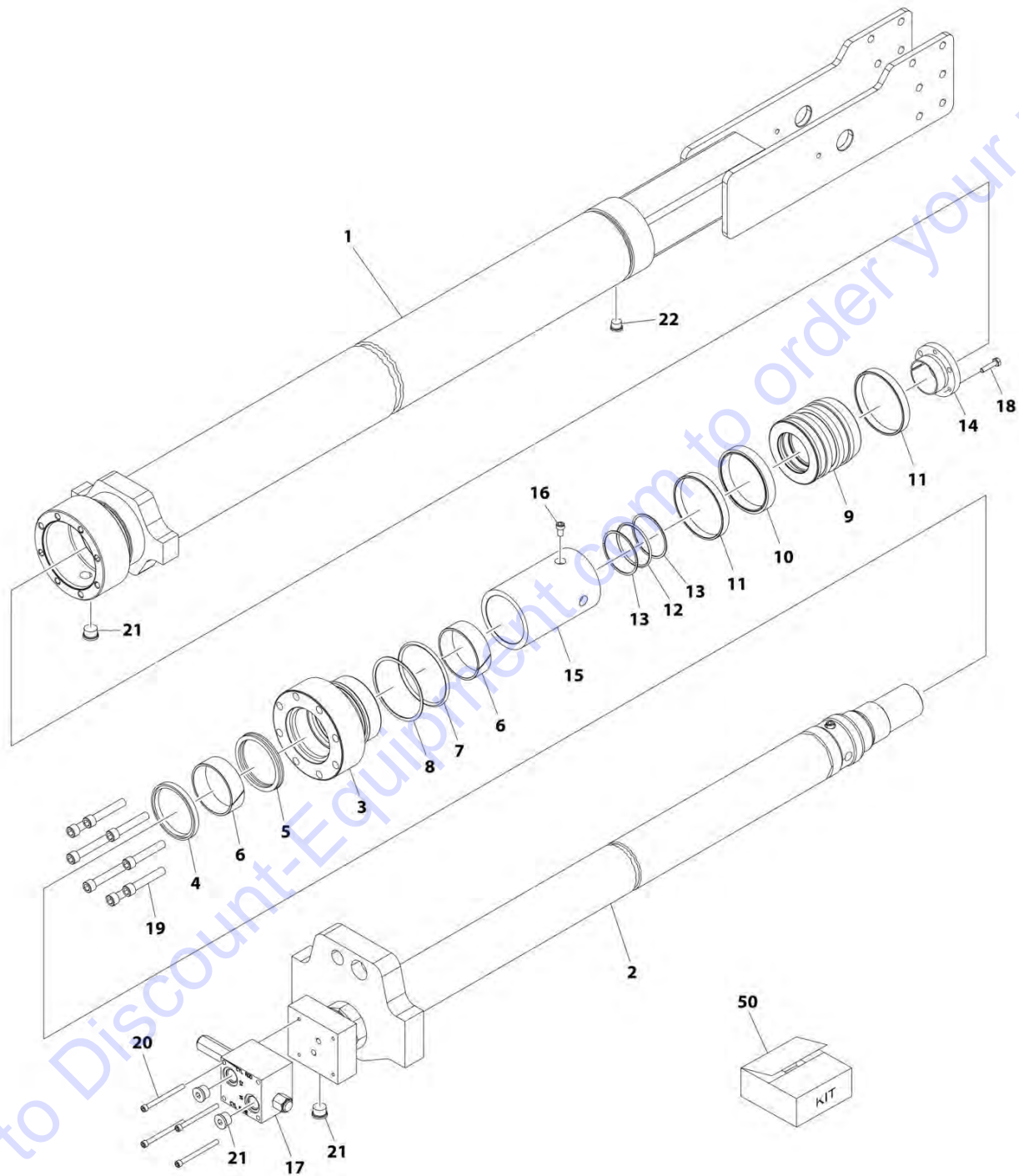
## SECTION 5 - CYLINDER

**FIGURE 5-24. TELESCOPE CYLINDER ASSEMBLY (800S) (SN 0300243279 to Present, SN B300002585 to Present)**

ITEM	PART NUMBER	QTY	DESCRIPTION	REV
	1001228081	Ref	TELESCOPE CYLINDER ASSEMBLY	B
		Ref	Note: Original Cylinder may have been replaced with Service Replacement. Identify PN Stamped on Cylinder Before Ordering Parts.	
1	See Note	NSS	Barrel (Note: Not Available for Purchase)	
2	70006719	1	Rod	
3	70006694	1	Head	
4	See Note	NSS	Wiper (Note: Use Item 50)	
5	See Note	NSS	Seal, Rod (Note: Use Item 50)	
6	See Note	NSS	Ring, Wear (Note: Use Item 50)	
7	See Note	NSS	O-Ring (Note: Use Item 50)	
8	See Note	NSS	Ring, Back-up (Note: Use Item 50)	
9	70006720	1	Piston	
10	See Note	NSS	T-Seal (Note: Use Item 50)	
11	See Note	NSS	Ring, Wear (Note: Use Item 50)	
12	See Note	NSS	O-Ring (Note: Use Item 50)	
13	See Note	NSS	Ring, Back-up (Note: Use Item 50)	
14	0961897	1	Bushing, Tapered	
15	70006721	1	Spacer, Tube	
16	3931508	1	Capscrew 5/16 x 1/2	
17	4641033	1	Valve Assembly (No serviceable parts - sold as assembly only)	
17	7024508	2	O-Ring (Not Shown - Located between valve and cylinder)	
18	0630535	3	Bolt 1/4 x 1-1/8	
19	3931740	8	Capscrew 7/16 x 2-1/2	
20	3931448	4	Capscrew 1/4 x 3	
21	2220886	2	Plug, O-Ring	
22	2220885	1	Plug, O-Ring	
50	1001181694	1	Seal Kit Options (Includes Items 4-8 & 10-13)	

# SECTION 5 - CYLINDER

FIGURE 5-25. TELESCOPE CYLINDER ASSEMBLY (860SJ) (SN 030024708 to Present, SN B300002588 to Present)



ART\_1001228083



## SECTION 5 - CYLINDER

**FIGURE 5-25. TELESCOPE CYLINDER ASSEMBLY (860SJ) (SN 030024708 to Present, SN B300002588 to Present)**

ITEM	PART NUMBER	QTY	DESCRIPTION	REV
	1001228083	Ref	TELESCOPE CYLINDER ASSEMBLY	B
		Ref	Note: Original Cylinder may have been replaced with Service Replacement. Identify PN Stamped on Cylinder Before Ordering Parts.	
1	See Note	NSS	Barrel (Note: Not Available for Purchase)	
2	70006729	1	Rod	
3	70006694	1	Head	
4	See Note	NSS	Wiper (Note: Use Item 50)	
5	See Note	NSS	Seal, Rod (Note: Use Item 50)	
6	See Note	NSS	Ring, Wear (Note: Use Item 50)	
7	See Note	NSS	O-Ring (Note: Use Item 50)	
8	See Note	NSS	Ring, Back-up (Note: Use Item 50)	
9	70006720	1	Piston	
10	See Note	NSS	T-Seal (Note: Use Item 50)	
11	See Note	NSS	Ring, Wear (Note: Use Item 50)	
12	See Note	NSS	O-Ring (Note: Use Item 50)	
13	See Note	NSS	Ring, Back-up (Note: Use Item 50)	
14	0961897	1	Bushing, Tapered	
15	70006730	1	Spacer, Tube	
16	70006731	1	Bolt	
17	4641033	1	Valve Assembly (No serviceable parts - sold as assembly only)	
17	7024508	2	O-Ring (Not Shown - Located between valve and cylinder)	
18	0630535	3	Bolt 1/4 x 1-1/8	
19	70006732	8	Bolt	
20	70006733	4	Bolt	
21	2220886	4	Plug, O-Ring	
22	2220885	1	Plug, O-Ring	
50	1001181694	1	Seal Kit Options (Includes Items 4-8 & 10-13)	

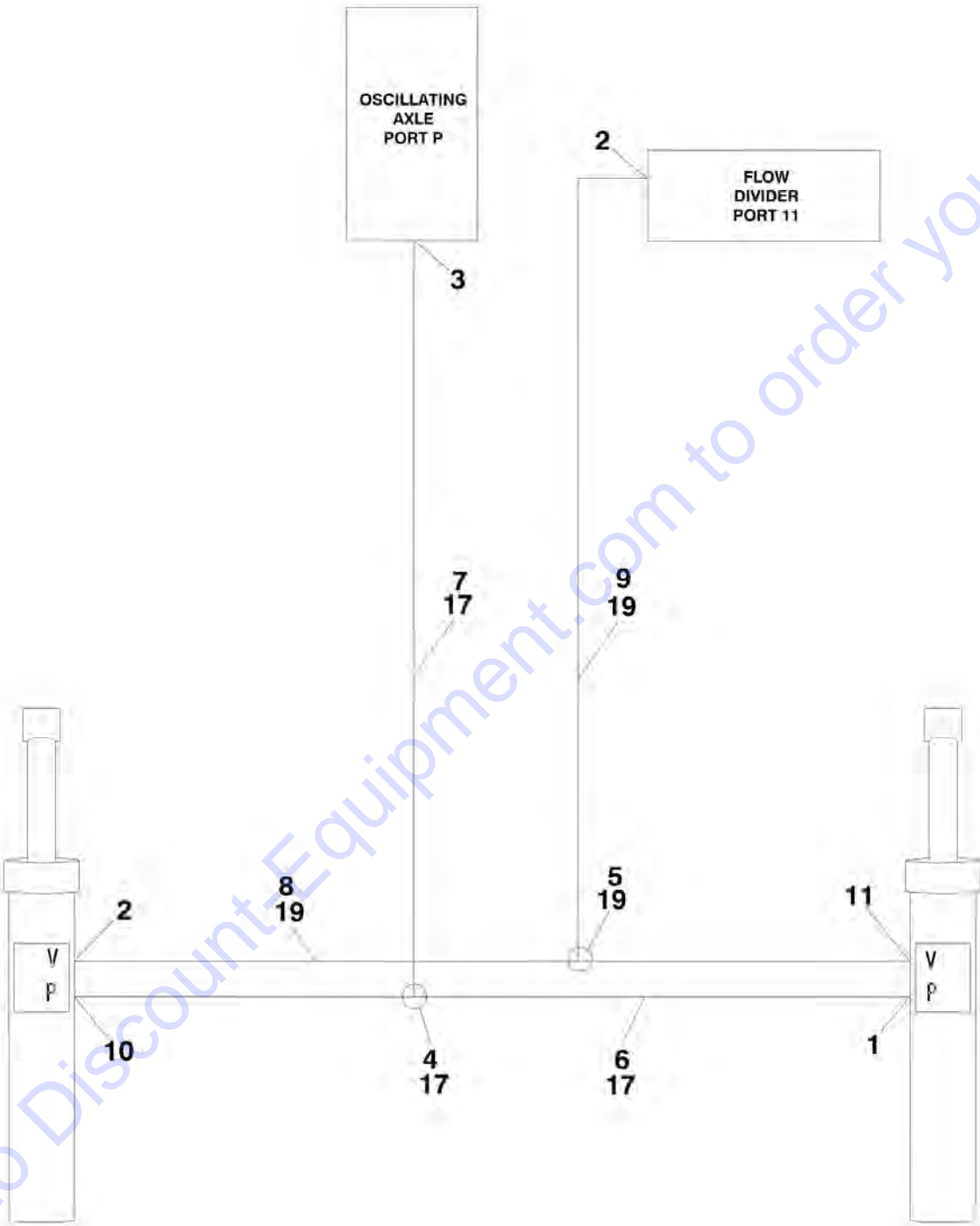


**SECTION 6 - HYDRAULIC**

Go to [Discount-Equipment.com](http://Discount-Equipment.com) to order your parts

SECTION 6 - HYDRAULIC

FIGURE 6-1. AXLE LOCKOUT HYDRAULIC DIAGRAM



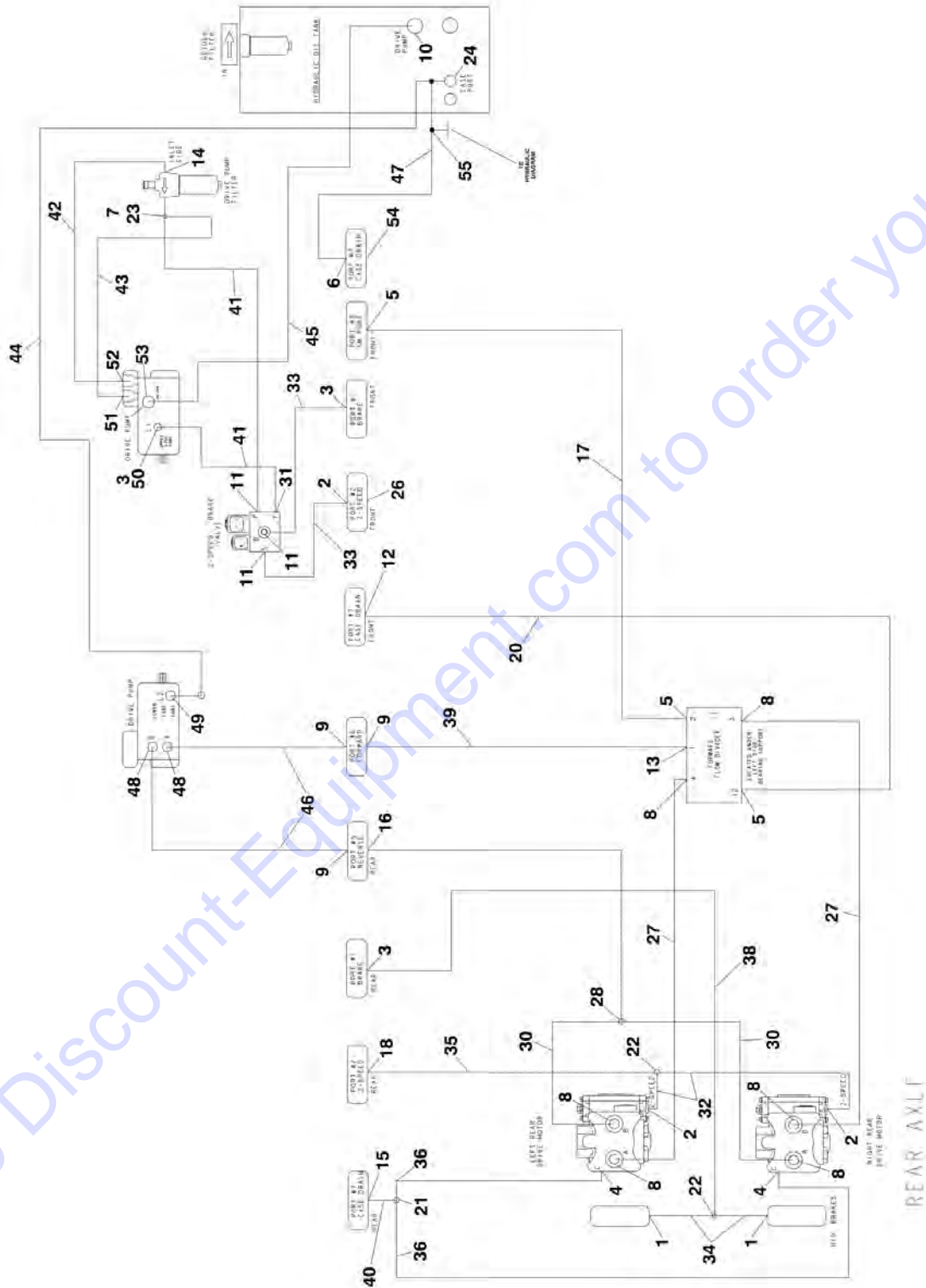
## SECTION 6 - HYDRAULIC

**FIGURE 6-1. AXLE LOCKOUT HYDRAULIC DIAGRAM**

ITEM	PART NUMBER	QTY	DESCRIPTION	REV
	1001157400	Ref	<b>AXLE LOCKOUT HYDRAULIC DIAGRAM</b>	F
1	2110406	1	Fitting, Straight	
2	2110606	2	Fitting, Straight	
3	2110408	1	Fitting, Straight	
4	2170704	1	Fitting, Tee (SN 0300182743 through 0300213729)	
4	2170704	1	Fitting, Tee (SN B300001092 through B300001452)	
5	2170706	1	Fitting, Tee (SN 0300182743 through 0300213729)	
5	2170706	1	Fitting, Tee (SN B300001092 through B300001452)	
6	2754337	1	Hose (SN 0300182743 through 0300213729)	
6	2754337	1	Hose (SN B300001092 through B300001452)	
7	1001170644	1	Hose (SN 0300182743 through 0300213729)	
7	1001170644	1	Hose (SN B300001092 through B300001452)	
8	2753979	1	Hose (SN 0300182743 through 0300213729)	
8	2753979	1	Hose (SN B300001092 through B300001452)	
9	2753735	1	Hose (SN 0300182743 through 0300213729)	
9	2753935	1	Hose (SN B300001092 through B300001452)	
10	2170104	1	Fitting, Straight (SN 0300182743 through 0300227014)	
10	2110404	1	Fitting, Straight (SN 0300227015 to Present)	
10	2170104	1	Fitting, Straight (SN B300001092 through B300001749)	
10	2110404	1	Fitting, Straight (SN B300001750 to Present)	
11	2170106	1	Fitting, Straight (SN 0300182743 through 030022714)	
	2110606	1	Fitting, Straight (SN 0300227015 to Present)	
	2170106	1	Fitting, Straight (SN B300001092 through B300001749)	
	2110606	1	Fitting, Straight (SN B300001750 to Present)	
17	1001198339	1	Hose with Crimped Tee (SN 0300213730 to Present)	
17	1001198339	1	Hose with Crimped Tee (SN B300001453 to Present)	
19	1001198336	1	Hose with Crimped Tee (SN 0300213730 to Present)	
19	1001198336	1	Hose with Crimped Tee (SN B300001453 to Present)	

# SECTION 6 - HYDRAULIC

FIGURE 6-2. DRIVE HYDRAULIC DIAGRAM - 2WD (SN 0300182743 through 0300196954, SN B300001092 through B300001096)



Go to Discount-Equipment.com to order your parts

## SECTION 6 - HYDRAULIC

**FIGURE 6-2. DRIVE HYDRAULIC DIAGRAM - 2WD (SN 0300182743 through 0300196954, SN B300001092 through B300001096)**

ITEM	PART NUMBER	QTY	DESCRIPTION	REV
	1001157398	Ref	<b>DRIVE HYDRAULIC DIAGRAM - 2WD (SN 0300182743 through 0300196954, SN B300001092 through B300001096)</b>	D
1	2110404	2	Fitting, Straight	
2	2110406	3	Fitting, Straight	
3	2110408	3	Fitting, Straight	
4	2110808	2	Fitting, Straight	
5	2110606	3	Fitting, Straight	
6	2110812	1	Fitting, Straight	
7	2221084	1	Fitting, Tee	
8	2111212	6	Fitting, Straight	
9	2111616	3	Fitting, Straight	
10	2112020	1	Fitting, Straight	
11	2130404	3	Fitting, Elbow	
12	2130606	1	Fitting, Tee	
13	2151616	1	Fitting, Elbow	
14	2131012	1	Fitting, Elbow	
15	2130808	1	Fitting, Elbow	
16	2220550	1	Fitting, Reducer	
17	2754243	1	Hose	
18	2150406	1	Fitting, Elbow	
20	2754242	1	Hose	
21	2170508	1	Fitting, Tee	
22	2170504	2	Fitting, Tee	
23	2221183	1	Fitting, Reducer	
24	2221088	1	Fitting, Tee	
26	2220237	1	Fitting, Plug	
27	2753688	2	Hose	
28	2170412	1	Fitting, Tee	
30	1001159854	2	Hose	
31	2170204	1	Fitting, Elbow	
32	2754401	2	Hose	
33	2753540	2	Hose	
34	2753725	2	Hose	
35	3753550	1	Hose	
36	2754240	2	Hose	
38	2753622	1	Hose	
39	2753635	1	Hose	
40	2753685	1	Hose	
41	1001095307	2	Hose	
42	2753768	1	Hose	
43	1001095308	1	Hose	
44	2753664	1	Hose	
45	1001157866	1	Hose	
46	2753667	2	Hose	
47	2753685	1	Hose	
48	2131616	2	Fitting, Elbow	
49	2131212	1	Fitting, Elbow	
50	2220811	1	Fitting, Straight	
51	2110810	1	Fitting, Straight	

## SECTION 6 - HYDRAULIC

ITEM	PART NUMBER	QTY	DESCRIPTION	REV
52	2111016	1	Fitting, Straight	
53	2132016	1	Fitting, Elbow	
54	2220238	1	Plug	
55	2170708	1	Fitting, Tee	

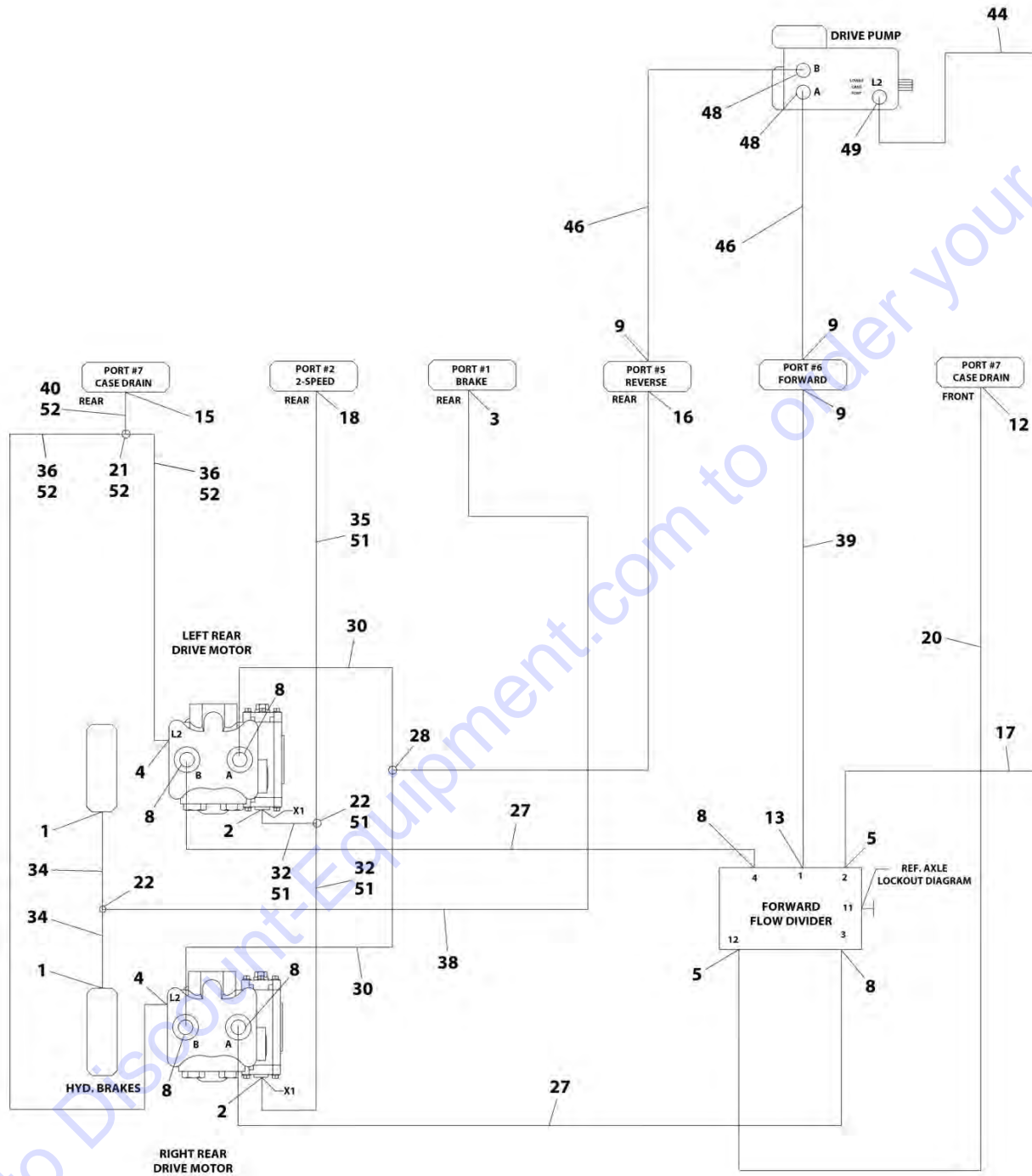
Go to Discount-Equipment.com to order your parts





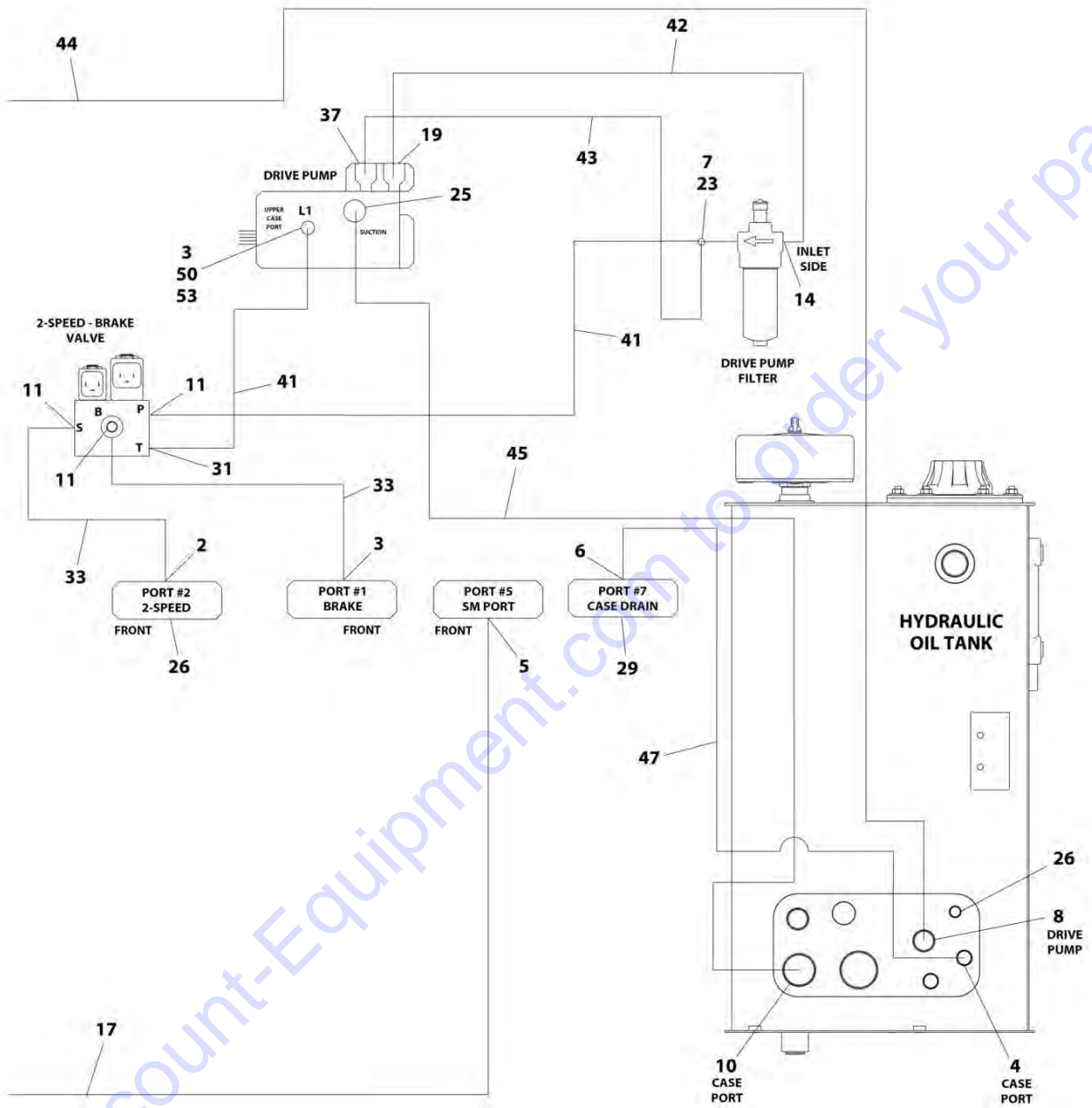
# SECTION 6 - HYDRAULIC

## FIGURE 6-3. DRIVE HYDRAULIC DIAGRAM - 2WD (SN 0300196955 to Present, SN B300001097 to Present)



ART\_1001178218\_10F2

# SECTION 6 - HYDRAULIC



ART\_1001178218\_20F2

## SECTION 6 - HYDRAULIC

**FIGURE 6-3. DRIVE HYDRAULIC DIAGRAM - 2WD (SN 0300196955 to Present, SN B300001097 to Present)**

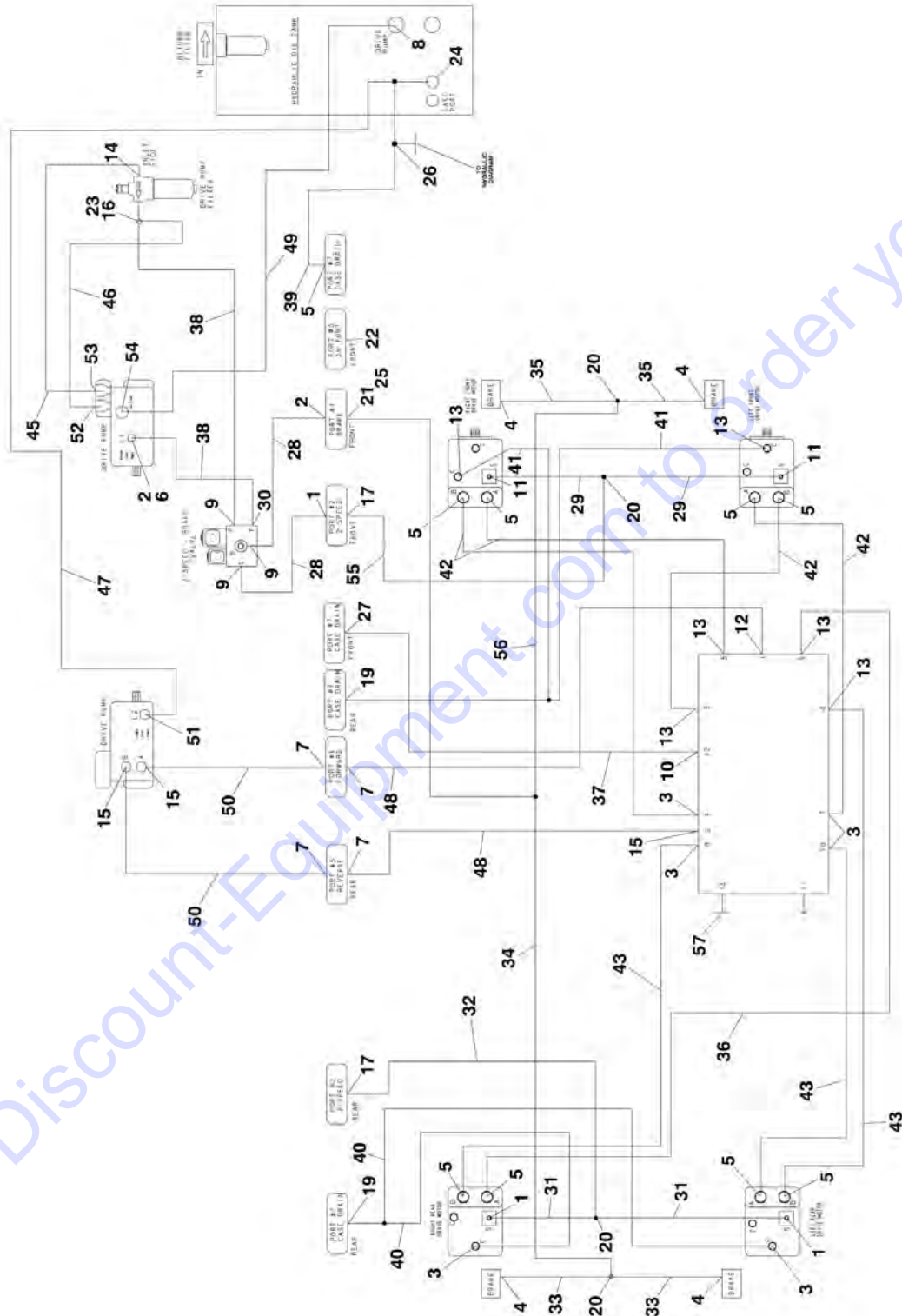
ITEM	PART NUMBER	QTY	DESCRIPTION	REV
	1001178218	Ref	<b>DRIVE HYDRAULIC DIAGRAM - 2WD (SN 0300196955 to Present, SN B300001097 to Present)</b>	E
1	2110404	2	Fitting, Straight	
2	2110406	3	Fitting, Straight	
3	2110408	2	Fitting, Straight	
4	2110808	2	Fitting, Straight	
5	2110606	3	Fitting, Straight	
6	2110812	1	Fitting, Straight	
7	2221084	1	Fitting, Tee (SN 0300182743 through 0300213729)	
7	1001198337	1	Fitting, Tee (SN 0300213730 to Present)	
7	2221084	1	Fitting, Tee (SN B300001092 through B300001452)	
7	1001198337	1	Fitting, Tee (SN B300001453 to Present)	
8	2111212	6	Fitting, Straight	
9	2111616	3	Fitting, Straight	
10	2112020	1	Fitting, Straight	
11	2130404	3	Fitting, Elbow	
12	2130606	1	Fitting, Tee	
13	2151616	1	Fitting, Elbow	
14	2131012	1	Fitting, Elbow	
15	2130808	1	Fitting, Elbow	
16	2220550	1	Fitting, Reducer (SN 0300182743 through 0300213729)	
16	1001199395	1	Fitting, Reducer (SN 0300213730 to Present)	
16	2220550	1	Fitting, Reducer (SN B300001092 through B300001452)	
16	1001199395	1	Fitting, Reducer (SN B300001453 to Present)	
17	2754243	1	Hose	
18	2150406	1	Fitting, Elbow	
19	2111016	1	Fitting, Straight	
20	2754242	1	Hose	
21	2170508	1	Fitting, Tee (SN 0300182743 through 0300213729)	
21	2170508	1	Fitting, Tee (SN B300001092 through B300001452)	
22	2170504	AR	Fitting, Tee	
23	2221183	1	Fitting, Reducer (SN 0300182743 through 0300213729)	
23	2221183	1	Fitting, Reducer (SN B300001092 through B300001452)	
25	2132016	1	Fitting, Elbow	
26	2220237	2	Fitting, Plug	
27	2753688	2	Hose	
28	2170412	1	Fitting, Tee (SN 0300182743 through 0300213729)	
28	2170412	1	Fitting, Tee (SN B300001092 through B300001452)	
29	2220238	1	Plug	
30	1001159854	2	Hose	
31	2170204	1	Fitting, Elbow	
32	2754401	2	Hose (SN 0300182743 through 0300213729)	
32	2754401	1	Hose (SN B300001092 through B300001452)	
33	2753540	2	Hose	
34	2753725	2	Hose (SN 0300182743 through 0300245235)	
34	2754337	2	Hose (SN 0300245236 to Present)	
34	2753725	2	Hose (SN 0300182743 through 0300245235)	
34	2754337	2	Hose (SN 0300245236 to Present)	
35	2753550	1	Hose (SN 0300182743 through 0300213729)	

## SECTION 6 - HYDRAULIC

ITEM	PART NUMBER	QTY	DESCRIPTION	REV
35	2753550	1	Hose (SN B300001092 through B300001452)	
36	2754240	2	Hose (SN 0300182743 through 0300213729)	
36	2754240	1	Hose (SN B300001092 through B300001452)	
37	2110810	1	Fitting, Straight	
38	2753622	1	Hose	
39	2753635	1	Hose	
40	2753685	1	Hose (SN 0300182743 through 0300213729)	
40	2753685	1	Hose (SN B300001092 through B300001452)	
41	1001095307	2	Hose (SN 0300182743 through 0300213729)	
41	2753555	2	Hose (SN 0300213730 to Present)	
41	1001095307	2	Hose (SN B300001092 through B300001452)	
41	2753555	2	Hose (SN B300001453 to Present)	
42	2753768	1	Hose	
43	1001095308	1	Hose	
44	2753699	1	Hose	
45	1001157866	1	Hose	
46	2753667	2	Hose	
47	2753685	1	Hose	
48	2131616	2	Fitting, Elbow	
49	2131212	1	Fitting, Elbow	
50	2220811	1	Fitting, Straight (SN 0300182743 through 0300213729)	
50	2110408	1	Fitting, Straight (SN 0300182743 through 0300213729)	
50	2220811	1	Fitting, Straight (SN B300001092 through B300001452)	
50	2110408	1	Fitting, Straight (SN B300001092 through B300001452)	
51	1001198340	1	Hose with Crimped Tee (SN 0300213730 to Present)	
51	1001198340	1	Hose with Crimped Tee (SN B300001453 to Present)	
52	1001198334	1	Hose with Crimped Tee (SN 0300213730 to Present)	
52	1001198334	1	Hose with Crimped Tee (SN B300001453 to Present)	
53	1001199396	1	Fitting, 90 (SN 0300213730 to Present)	
53	1001199396	1	Fitting, 90 (SN B300001453 to Present)	

# SECTION 6 - HYDRAULIC

FIGURE 6-4. DRIVE HYDRAULIC DIAGRAM - 4WD (SN 0300182743 through 0300196954, SN B300001092 through B300001096)



## SECTION 6 - HYDRAULIC

**FIGURE 6-4. DRIVE HYDRAULIC DIAGRAM - 4WD (SN 0300182743 through 0300196954, SN B300001092 through B300001096)**

ITEM	PART NUMBER	QTY	DESCRIPTION	REV
		Ref	<b>DRIVE HYDRAULIC DIAGRAM - 4WD (SN 0300182743 through 0300196954, SN B300001092 through B300001096)</b>	
	1001157399	Ref	<b>Without Arctic Package</b>	D
	1001157402	Ref	<b>With Arctic Package</b>	D
1	2110406	3	Fitting, Straight	
2	2110408	2	Fitting, Straight	
3	2110808	6	Fitting, Straight	
4	2110404	4	Fitting, Straight	
5	2110812	9	Fitting, Straight	
6	2220811	1	Fitting, Reducer	
7	2111616	4	Fitting, Straight	
8	2112020	1	Fitting, Straight	
9	2130404	3	Fitting, Elbow	
10	2130604	1	Fitting, Elbow	
11	2130406	2	Fitting, Elbow	
12	2151616	1	Fitting, Elbow	
13	2130808	6	Fitting, Elbow	
14		Ref	Fitting, Elbow Options:	
14	2131012	1	Without Arctic Package	
14	2131008	1	With Arctic Package	
15	2131616	3	Fitting, Elbow	
16		Ref	Fitting, Tee Options:	
16	2221084	1	Without Arctic Package	
16	2170308	1	With Arctic Package	
17	2150406	2	Fitting, Elbow	
19	2170408	2	Fitting, Tee	
20	2170504	4	Fitting, Tee	
21	2170350	1	Fitting, Tee	
22	2220237	1	Fitting, Plug	
23	2221183	1	Fitting, Reducer	
24	2221088	1	Fitting, Tee	
25	2220591	1	Fitting, Reducer	
26	2170708	1	Fitting, Tee	
27	2130606	1	Fitting, Elbow	
28	2753540	2	Hose	
29		Ref	Hose Options:	
29	2754678	2	Without Arctic Package	
29	1001159294	2	With Arctic Package	
30	2130204	1	Fitting, Elbow	
31	2754401	2	Hose	
32	2753550	1	Hose	
33	2754337	2	Hose	
34	2753622	1	Hose	
35		Ref	Hose Options:	
35	2754512	2	Without Arctic Package	
35	1001106957	2	With Arctic Package	
36	2754338	1	Hose	
37	2753626	1	Hose	
38	1001095307	2	Hose	

## SECTION 6 - HYDRAULIC

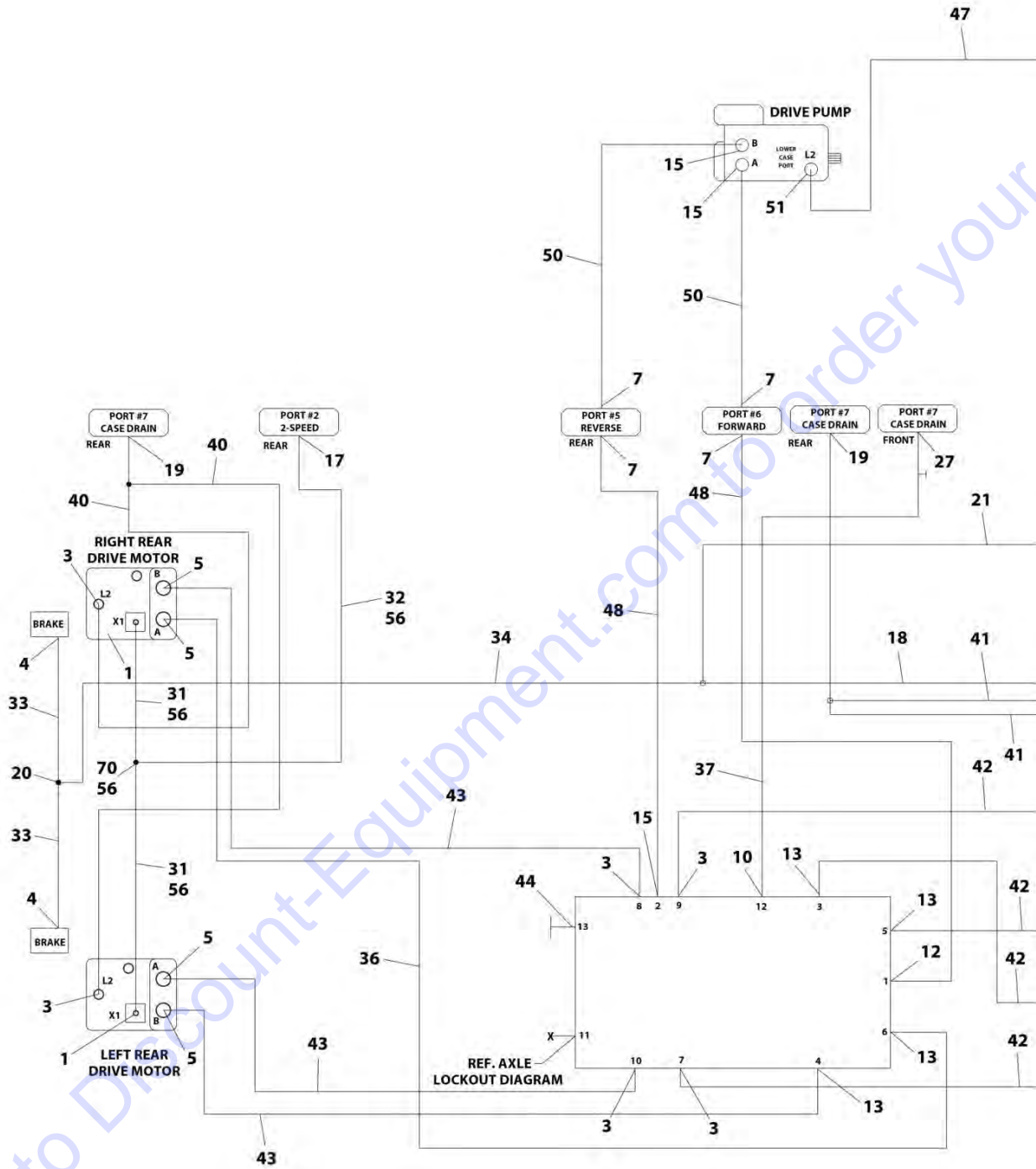
ITEM	PART NUMBER	QTY	DESCRIPTION	REV
39	2753685	1	Hose	
40	2753686	2	Hose	
41		Ref	Hose Options:	
41	2753628	2	Without Arctic Package	
41	2754720	2	With Arctic Package	
42		Ref	Hose Options:	
42	2753970	4	Without Arctic Package	
42	2754743	4	With Arctic Package	
43	2753971	3	Hose	
45	2753768	1	Hose	
46	1001095308	1	Hose	
47	2753664	1	Hose	
48	2753634	2	Hose	
49	1001157866	1	Hose	
50	2753667	2	Hose	
51	2131212	1	Fitting, Elbow	
52	2110810	1	Fitting, Straight	
53	2111016	1	Fitting, Straight	
54	2132016	1	Fitting, Elbow	
55	2753940	1	Hose	
56	2753942	1	Hose	
57	2220238	1	Plug	





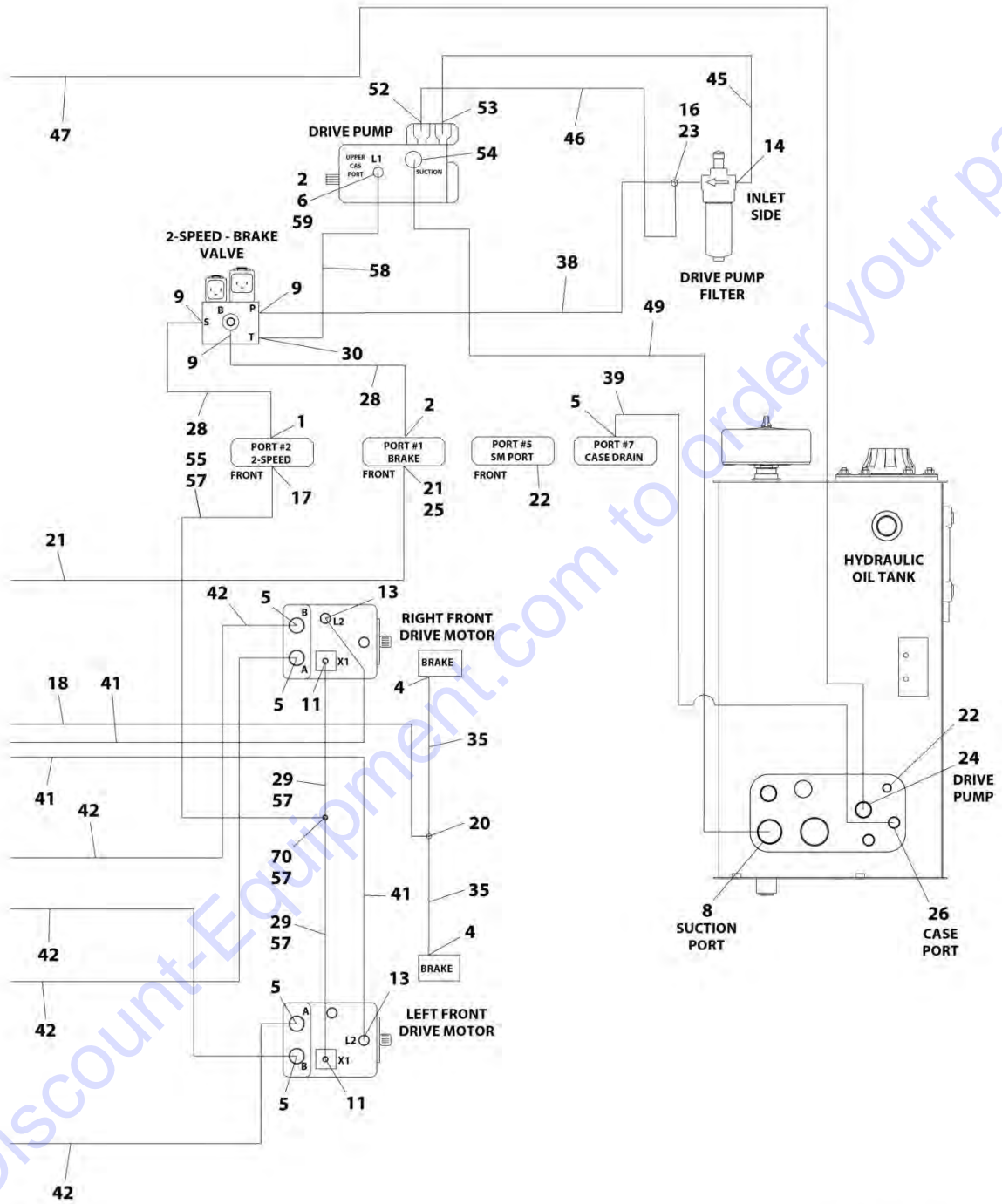
# SECTION 6 - HYDRAULIC

FIGURE 6-5. DRIVE HYDRAULIC DIAGRAM - 4WD (SN 0300196955 to Present, SN B300001097 to Present)



ART\_1001178219\_10F2

# SECTION 6 - HYDRAULIC



ART\_1001178219\_20F2

## SECTION 6 - HYDRAULIC

**FIGURE 6-5. DRIVE HYDRAULIC DIAGRAM - 4WD (SN 0300196955 to Present, SN B300001097 to Present)**

ITEM	PART NUMBER	QTY	DESCRIPTION	REV
		Ref	<b>DRIVE HYDRAULIC DIAGRAM - 4WD (SN 0300196955 to Present, SN B300001097 to Present)</b>	
	1001178219	Ref	<b>Drive Hydraulic Diagram Without Arctic Package</b>	D
	1001178220	Ref	<b>Drive Hydraulic Diagram With Arctic Package</b>	E
1	2110406	3	Fitting, Straight	
2	2110408	AR	Fitting, Straight	
3	2110808	6	Fitting, Straight	
4	2110404	4	Fitting, Straight	
5	2110812	9	Fitting, Straight	
6	2220811	1	Fitting, Reducer (SN 0300182743 through 0300213729)	
6	2220811	1	Fitting, Reducer (SN B300001092 through B300001452)	
7	2111616	4	Fitting, Straight	
8	2112020	1	Fitting, Straight	
9	2130404	3	Fitting, Elbow	
10	2130604	1	Fitting, Elbow	
11	2130406	2	Fitting, Elbow	
12	2151616	1	Fitting, Elbow	
13	2130808	6	Fitting, Elbow	
14	2131012	1	Fitting, 90	
15	2131616	3	Fitting, Elbow	
16	2221084	1	Fitting, Tee (Without Arctic Package) (SN 0300182743 through 0300213729)	
16	2170308	1	Fitting, Tee (With Arctic Package) (SN 0300182743 through 0300213729)	
16	1001198337	1	Fitting, Tee (SN 0300213730 to Present)	
16	2221084	1	Fitting, Tee (Without Arctic Package) (SN B30000192 through B300001452)	
16	2170308	1	Fitting, Tee (With Arctic Package) (SN B300001092 through B300001452)	
16	1001198337	1	Fitting, Tee (SN B300001453 to Present)	
17	2150406	2	Fitting, Elbow	
18	2753542	1	Hose	
19	2170408	2	Fitting, Tee	
20	2170504	2	Fitting, Tee	
21	2170350	1	Fitting, Tee (SN 0300182743 through 0300213729)	
21	1001198338	1	Fitting, Tee (SN 0300213730 to Present)	
21	2170350	1	Fitting, Tee (SN B300001092 through B300001452)	
21	1001198338	1	Fitting, Tee (SN B300001453 to Present)	
22	2220237	1	Fitting, Plug	
23	2221183	1	Fitting, Reducer (SN 0300182743 through 0300213729)	
23	2221183	1	Fitting, Reducer (SN B300001092 through B300001452)	
24	2111212	1	Fitting, Straight	
25	2220591	1	Fitting, Reducer (SN 0300182743 through 0300213729)	
25	2220591	1	Fitting, Reducer (SN B300001092 through B300001452)	
26	2110808	1	Fitting, Straight	
27	2130606	1	Fitting, Elbow	
28	2753540	2	Hose	
29	2754678	2	Hose (Without Arctic Package) (SN 0300182743 through 0300213729)	
29	2754678	1	Hose (Without Arctic Package) (SN B300001092 through	

## SECTION 6 - HYDRAULIC

ITEM	PART NUMBER	QTY	DESCRIPTION	REV
29	1001159294	2	<b>B300001452)</b> Hose (With Arctic Package) (SN 0300182743 through 0300213729)	
29	1001159294	1	Hose (With Arctic Package) (SN B300001092 through B300001452)	
30	2130204	1	Fitting, Elbow	
31	2754401	2	Hose (SN 0300182743 through 0300213729)	
31	2754401	1	Hose (SN B300001092 through B300001452)	
32	2753550	1	Hose (SN 0300182743 through 0300213729)	
32	2753550	1	Hose (SN B300001092 through B300001452)	
33	2754337	2	Hose	
34	2753622	1	Hose	
35	2754512	2	Hose (Without Arctic Package)	
35	1001106957	2	Hose (With Arctic Package)	
36	2754338	1	Hose	
37	2753626	1	Hose	
38	1001095307	1	Hose	
39	2753685	1	Hose	
40	2753686	2	Hose	
41	2753628	2	Hose (Without Arctic Package)	
41	2754720	2	Hose (With Arctic Package)	
42	2753970	4	Hose (Without Arctic Package)	
42	2754743	4	Hose (With Arctic Package)	
43	2753971	3	Hose	
44	2220238	1	Plug	
45	2753768	1	Hose	
46	1001095308	1	Hose	
47	2753699	1	Hose	
48	2753634	2	Hose	
49	1001157866	1	Hose	
50	2753667	2	Hose	
51	2131212	1	Fitting, Elbow	
52	2110810	1	Fitting, Straight	
53	2111016	1	Fitting, Straight	
54	2132016	1	Fitting, Elbow	
55	2753940	1	Hose (SN 0300182743 through 0300213729)	
55	2753940	1	Hose (SN B300001092 through B300001452)	
56	1001198340	1	Hose with Crimped Tee (SN 0300213730 to Present)	
56	1001198340	1	Hose with Crimped Tee (SN B300001453 to Present)	
57	1001198341	1	Hose with Crimped Tee (Without Arctic Package) (SN 0300213730 to Present)	
57	1001204269	1	Hose with Crimped Tee (Without Arctic Package) (SN B300001453 to Present)	
57	1001198341	1	Hose with Crimped Tee (With Arctic Package) (SN 0300213730 to Present)	
57	1001204269	1	Hose with Crimped Tee (Without Arctic Package) (SN B300001453 to Present)	
58	1001095307	1	Hose (SN 0300182743 through 0300213729)	
58	2753555	1	Hose (SN 0300213730 to Present)	
58	1001095307	1	Hose (SN B300001092 through B300001452)	
58	2753555	1	Hose (SN B300001453 to Present)	
59	1001199396	1	Fitting, 90 (SN 0300213730 to Present)	
59	1001199396	1	Fitting, 90 (SN B300001453 to Present)	

## SECTION 6 - HYDRAULIC

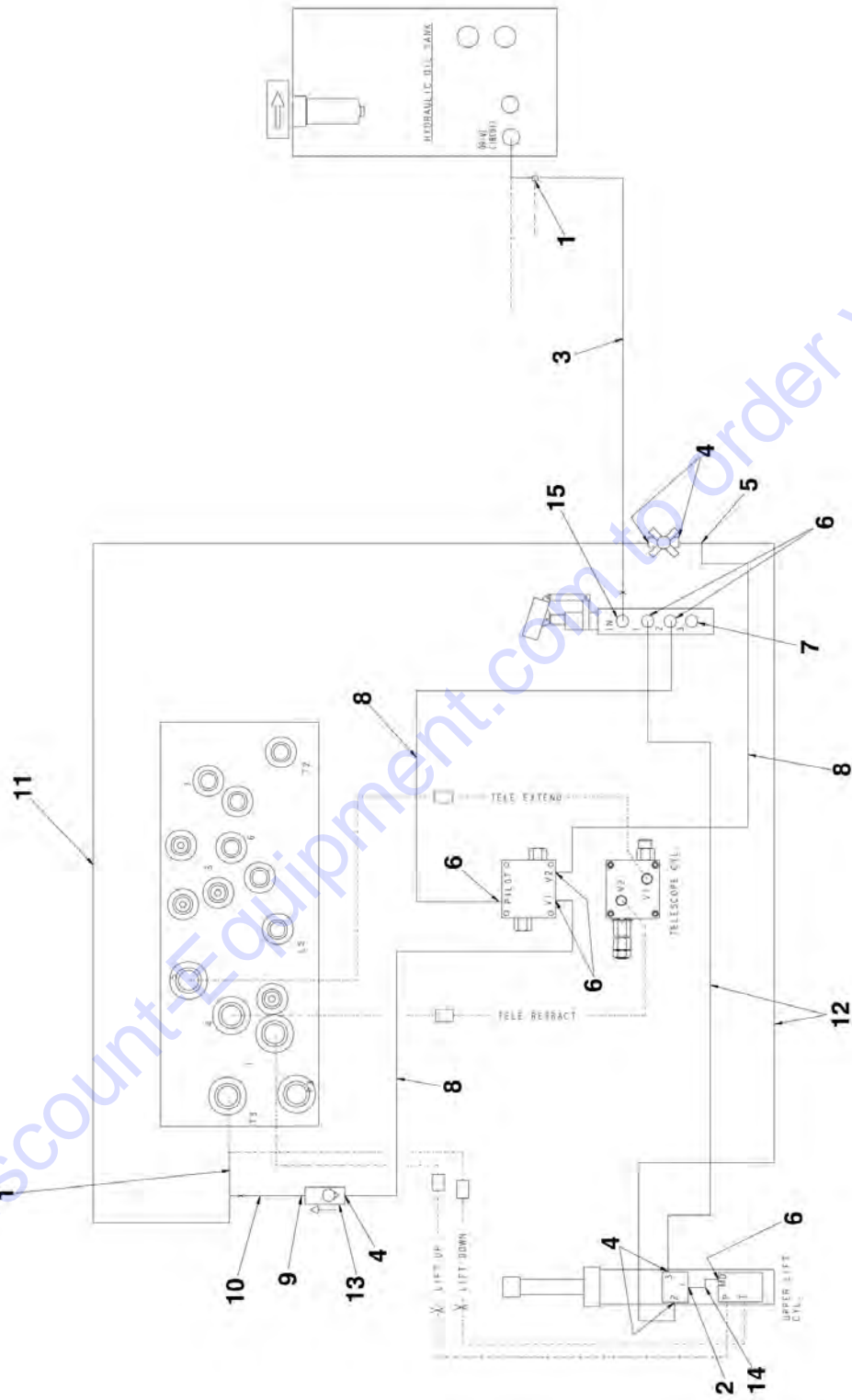
ITEM	PART NUMBER	QTY	DESCRIPTION	REV
70	2170504	2	Fitting, Tee (SN 0300182743 through 0300213729)	
70	2170504	2	Fitting, Tee (SN B300001092 through B300001452)	

Go to Discount-Equipment.com to order your parts



# SECTION 6 - HYDRAULIC

## FIGURE 6-6. MANUAL DESCENT HYDRAULIC DIAGRAM (OPTIONAL)





# PARTS FINDER

**Search Website  
by Part Number**



**Search Manual  
Library For Parts  
Manual & Lookup Part  
Numbers – Purchase  
or Request Quote**

**Can't Find Part or  
Manual? Request Help  
by Manufacturer,  
Model & Description**

Discount-Equipment.com is your online resource for quality parts & equipment.

Florida: **561-964-4949** Outside Florida TOLL FREE: **877-690-3101**

## Need parts?

Click on this link: <http://www.discount-equipment.com/category/5443-parts/> and choose one of the options to help get the right parts and equipment you are looking for. Please have the machine model and serial number available in order to help us get you the correct parts. If you don't find the part on the website or on one of the online manuals, please fill out the request form and one of our experienced staff members will get back to you with a quote for the right part that your machine needs.

We sell worldwide for the brands: Genie, Terex, JLG, MultiQuip, Mikasa, Essick, Whiteman, Mayco, Toro Stone, Diamond Products, Generac Magnum, Airman, Haulotte, Barreto, Power Blanket, Nifty Lift, Atlas Copco, Chicago Pneumatic, Allmand, Miller Curber, Skyjack, Lull, Skytrak, Tsurumi, Husquvarna Target, Stow, Wacker, Sakai, Mi-T-M, Sullair, Basic, Dynapac, MBW, Weber, Bartell, Bennar Newman, Haulotte, Ditch Runner, Menegotti, Morrison, Contec, Buddy, Crown, Edco, Wyco, Bomag, Laymor, EZ Trench, Bil-Jax, F.S. Curtis, Gehl Pavers, Heli, Honda, ICS/PowerGrit, IHI, Partner, Imer, Clipper, MMD, Koshin, Rice, CH&E, General Equipment, Amida, Coleman, NAC, Gradall, Square Shooter, Kent, Stanley, Tamco, Toku, Hatz, Kohler, Robin, Wisconsin, Northrock, Oztec, Toker TK, Rol-Air, APT, Wylie, Ingersoll Rand / Doosan, Innovatech, Con X, Ammann, Mecalac, Makinex, Smith Surface Prep, Small Line, Wanco, Yanmar

## SECTION 6 - HYDRAULIC

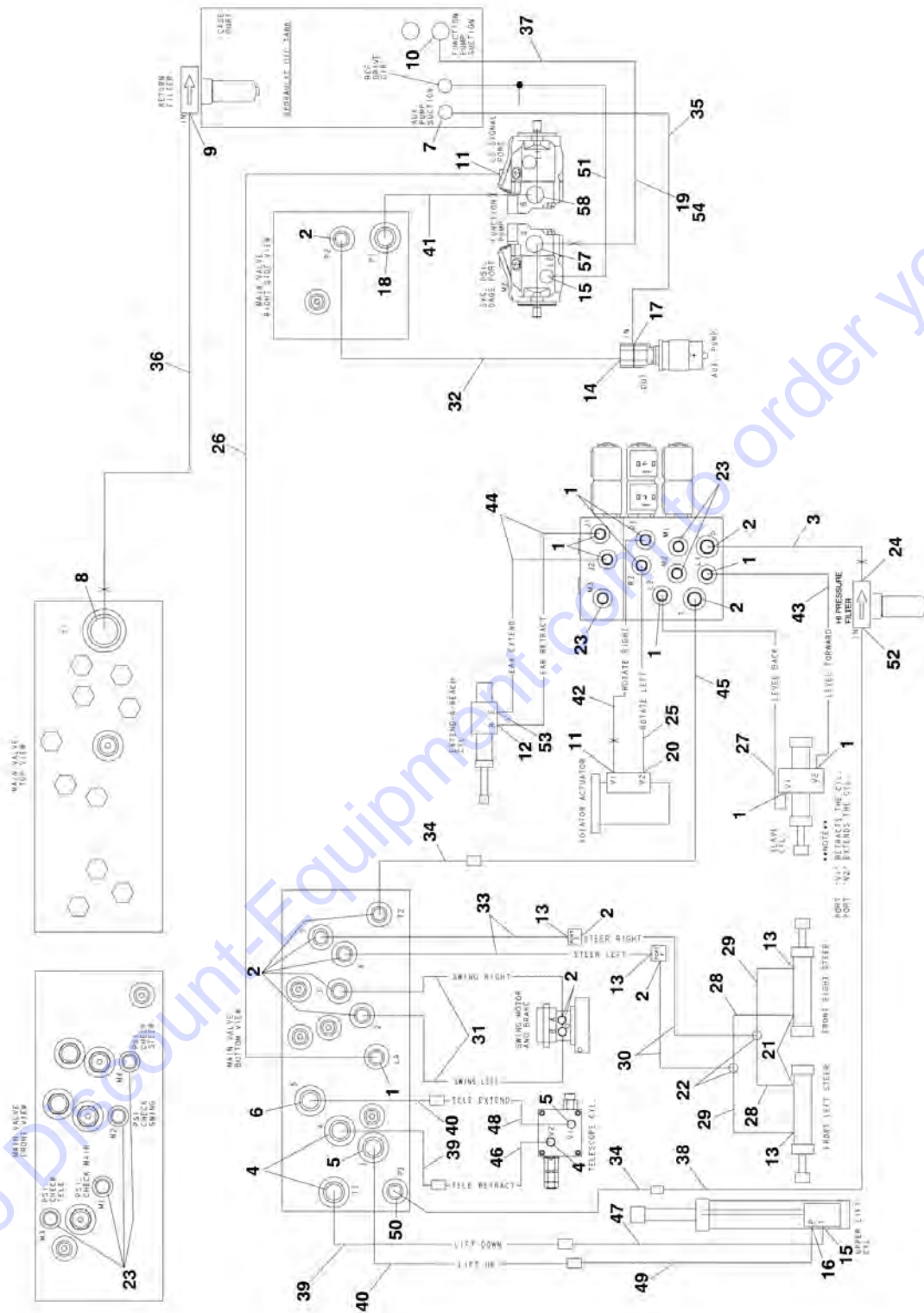
**FIGURE 6-6. MANUAL DESCENT HYDRAULIC DIAGRAM (OPTIONAL)**

ITEM	PART NUMBER	QTY	DESCRIPTION	REV
	2792597	Ref	<b>MANUAL DESCENT HYDRAULIC DIAGRAM</b>	A
1	2170708	2	Fitting, Tee	
2	2110406	1	Fitting	
3	2753578	1	Hose	
4	2130406	5	Fitting, Elbow	
5	2170804	1	Fitting, Tee	
6	2130404	6	Fitting, Elbow	
7	2220235	1	Fitting, Plug	
8	2753678	3	Hose	
9	2170306	1	Fitting, Tee	
10	2753895	1	Hose	
11	2753896	1	Hose	
12	2753897	2	Hose	
13	4640774	1	Valve, Check	
14	4568708	1	Tube	
15	2110604	1	Fitting	

Go to Discount-Equipment.com to order your parts

# SECTION 6 - HYDRAULIC

FIGURE 6-7. STANDARD HYDRAULIC DIAGRAM (SN 0300182743 through 0300190436)



Go to [PrecutEquipment.com](http://www.PrecutEquipment.com) to order your parts

## SECTION 6 - HYDRAULIC

**FIGURE 6-7. STANDARD HYDRAULIC DIAGRAM (SN 0300182743 through 0300190436)**

ITEM	PART NUMBER	QTY	DESCRIPTION	REV
		Ref	<b>STANDARD HYDRAULIC DIAGRAM</b>	
	1001157396	Ref	<b>Standard Hydraulic Diagram 800S/680S</b>	D
	1001157397	Ref	<b>Standard Hydraulic Diagram 860SJ</b>	D
1	2110404	AR	Fitting, Straight	
2	2110606	12	Fitting, Straight	
3	2717059	1	Hose	
4	2110808	3	Fitting, Straight	
5	2111008	2	Fitting, Straight	
6	2111010	1	Fitting, Straight	
7	2151212	1	Fitting, Elbow	
7	2111212	1	Fitting, Straight	
8	2111612	1	Fitting, Elbow	
9	2111616	1	Fitting, Straight	
10	2112424	1	Fitting, Straight	
11	2130404	1	Fitting, Elbow	
12		Ref	Fitting, Elbow Options:	
12	Not Required	0	Fitting, Elbow 800S	
12	2130406	1	Fitting, Elbow 860SJ	
13	2130606	4	Fitting, Elbow	
14	2130608	1	Fitting, Elbow	
15	2130810	1	Fitting, Elbow	
16	2131010	1	Fitting, Elbow	
17	2111208	1	Fitting, Straight	
18	2131212	1	Fitting, Elbow	
19	4240018	3	Tie-Strap	
20	2150404	1	Fitting, Elbow	
21	2110606	2	Fitting, Straight	
22	2170506	2	Fitting, Tee	
23	2221086	AR	Fitting, Pressure Check	
24	2110612	1	Fitting, Straight	
25	2753545	1	Hose	
26	2753622	1	Hose	
27		Ref	Hose Options:	
27	2753622	1	Hose 800S	
27	2753677	1	Hose 860SJ	
28	1001159340	2	Hose	
29	2753656	2	Hose	
30	2753632	2	Hose	
31	2753653	2	Hose	
32	2753654	1	Hose	
33	2753656	2	Hose	
34	2753657	2	Hose	
35	1001111968	1	Hose	
36	2753665	1	Hose	
37	1001157851	1	Hose	
38		Ref	Hose Options:	
38	2753693	1	Hose 800S	
38	2753692	1	Hose 860SJ	
39	2753670	2	Hose	
40	2753671	2	Hose	

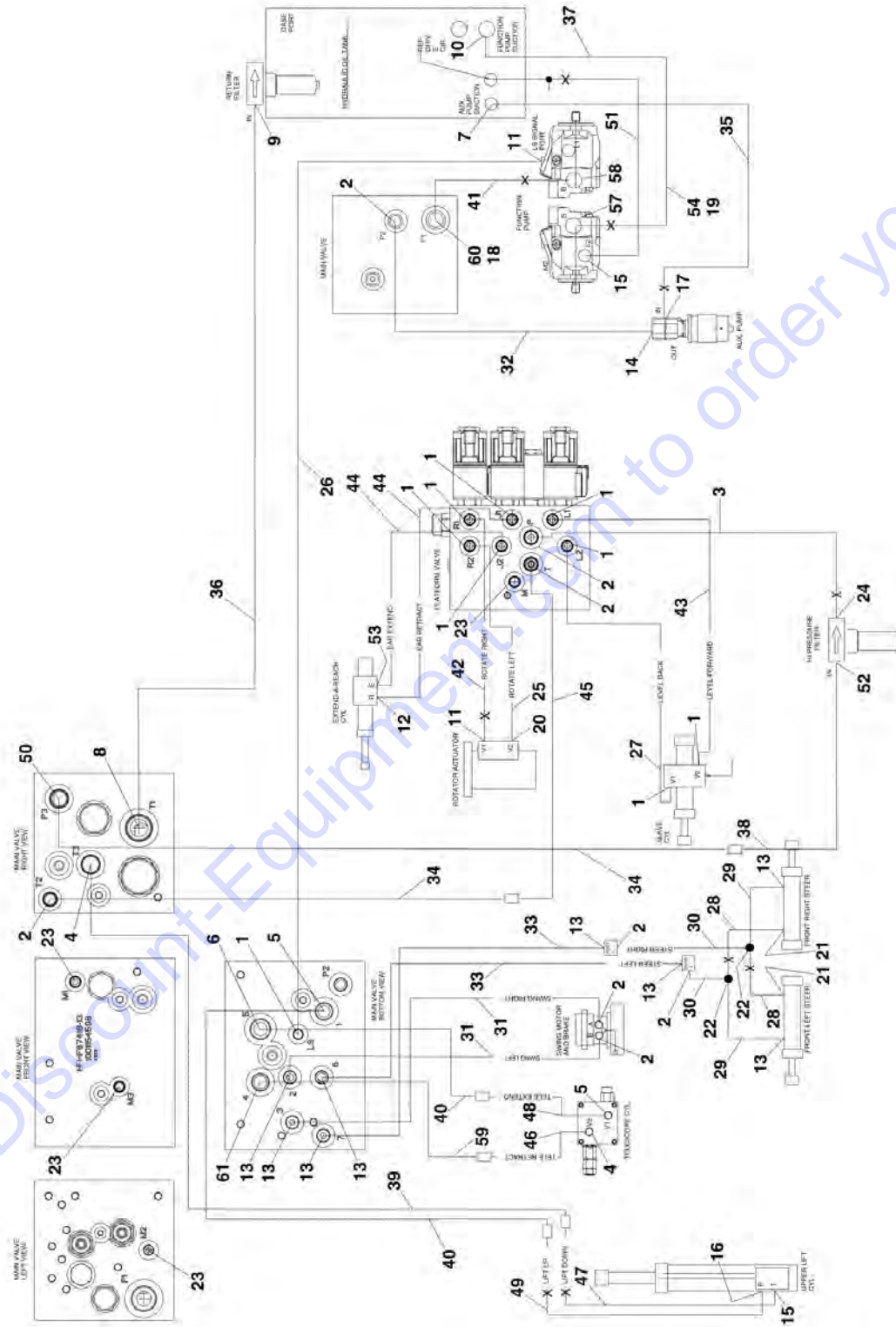
## SECTION 6 - HYDRAULIC

ITEM	PART NUMBER	QTY	DESCRIPTION	REV
41	1001157852	1	Hose	
42	2753674	1	Hose	
43		Ref	Hose Options:	
43	2753675	1	Hose 800S	
43	2753678	1	Hose 860SJ	
44		Ref	Hose Options:	
44	Not Required	0	Hose 800S	
44	2753676	2	Hose 860SJ	
45		Ref	Hose Options:	
45	2753679	1	Hose 800S	
45	2753680	1	Hose 860SJ	
46	2753681	1	Hose	
47	2753682	1	Hose	
48	2753683	1	Hose	
49	2753684	1	Hose	
50	2110608	1	Fitting, Straight	
51	2753590	1	Hose	
52	2130612	1	Fitting, Elbow	
53		Ref	Fitting, Elbow Options:	
53	Not Required	0	Fitting, Elbow 800S	
53	2180829	1	Fitting, Elbow 860SJ	
54	4061032	1	Hose Guard	
57	2220737	1	Split Flange Kit	
58	2220478	1	Split Flange Kit	



# SECTION 6 - HYDRAULIC

FIGURE 6-8. STANDARD HYDRAULIC DIAGRAM (SN 0300190437 through 0300196954, SN B300001092 through B300001096)



## SECTION 6 - HYDRAULIC

**FIGURE 6-8. STANDARD HYDRAULIC DIAGRAM (SN 0300190437 through 0300196954, SN B300001092 through B300001096)**

ITEM	PART NUMBER	QTY	DESCRIPTION	REV
		Ref	<b>STANDARD HYDRAULIC DIAGRAM</b>	
	1001167276	Ref	<b>Standard Hydraulic Diagram 800S/680S</b>	F
	1001167277	Ref	<b>Standard Hydraulic Diagram 860SJ</b>	E
1	2110404	AR	Fitting, Straight	
2	2110606	8	Fitting, Straight	
3	2717059	1	Hose	
4	2170208	2	Fitting, Straight	
5	2111008	2	Fitting, Straight	
6	2111010	1	Fitting, Straight	
7	2111212	1	Fitting, Straight	
8	88662327	1	Fitting, Straight	
9	2111616	1	Fitting, Straight	
10	2112424	1	Fitting, Straight	
11	2130404	2	Fitting, Elbow	
12		Ref	Fitting, Elbow Options :	
12	Not Required	0	Fitting, Elbow 800S	
12	2130406	1	Fitting, Elbow 860SJ	
13	2130606	8	Fitting, Elbow	
14	2130608	1	Fitting, Elbow	
15	2130810	2	Fitting, Elbow	
16	2131010	1	Fitting, Elbow	
17	2111208	1	Fitting, Straight	
18	2111212	1	Fitting, Straight	
19	4240018	3	Tie-Strap	
20	2150404	1	Fitting, Elbow	
21	2110606	2	Fitting, Straight	
22	2170506	2	Fitting, Tee	
23	2221086	AR	Fitting, Pressure Check	
24	2110612	1	Fitting, Straight	
25	2753545	1	Hose	
26	2753622	1	Hose	
27		Ref	Hose Options:	
27	2753622	1	Hose 800S	
27	2753677	1	Hose 860SJ	
28	1001159340	2	Hose	
29	2753656	2	Hose	
30	2753732	2	Hose	
31	2753653	2	Hose	
32	2753654	1	Hose	
33	2753656	2	Hose	
34	1001167194	2	Hose	
35	1001111968	1	Hose	
36	1001177226	1	Hose	
37	1001157851	1	Hose	
38		Ref	Hose Options:	
38	2753693	1	Hose 800S	
38	2753692	1	Hose 860SJ	
39	2753670	1	Hose	
40	2753671	2	Hose	



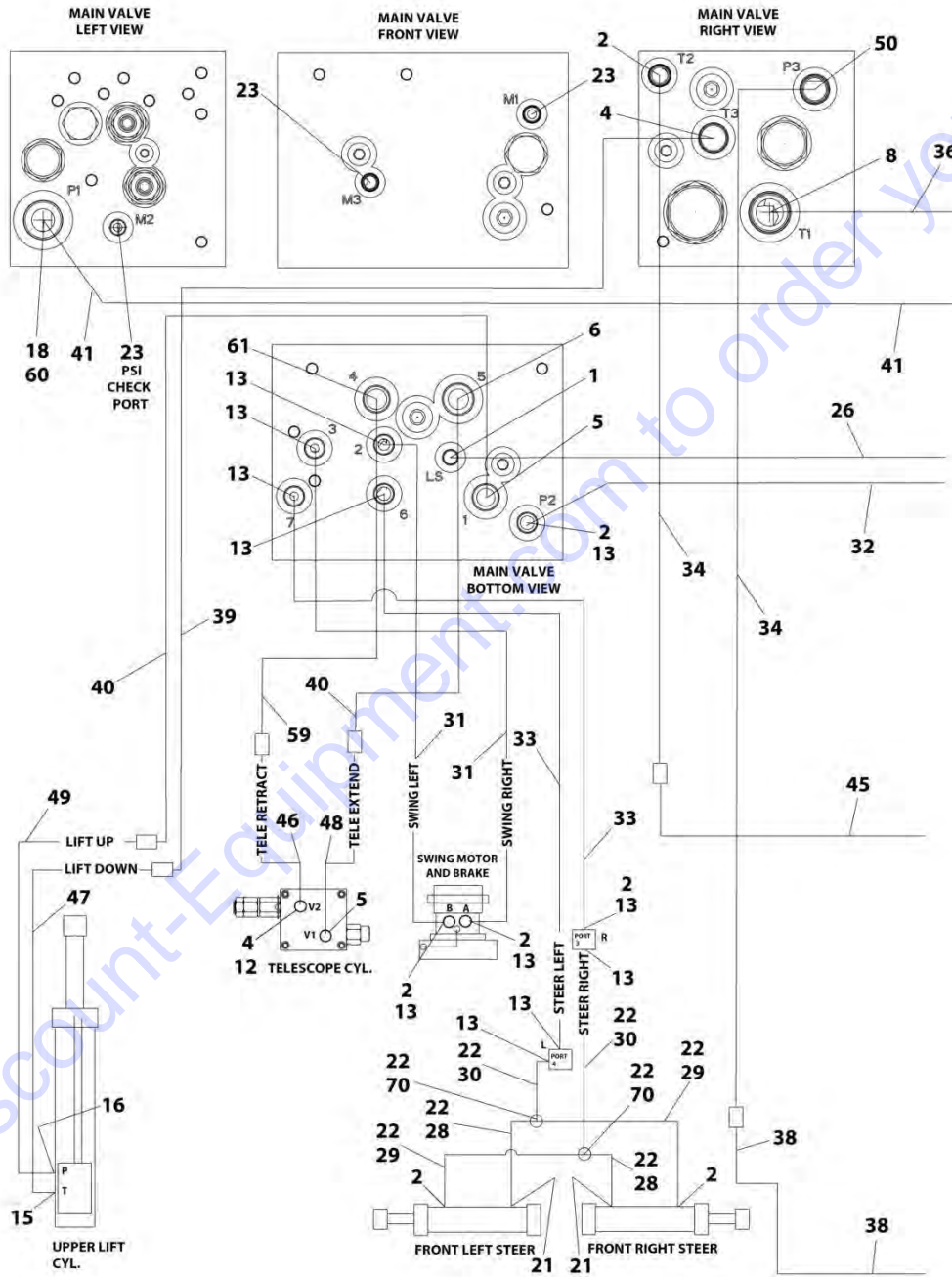
## SECTION 6 - HYDRAULIC

ITEM	PART NUMBER	QTY	DESCRIPTION	REV
41	1001157852	1	Hose (SN 0300190437 through 0300195666)	
41	1001181894	1	Hose (SN 0300195667 through 0300196954)	
41	1001181894	1	Hose (SN B300001092 through B300001096)	
42	2753674	1	Hose	
43		Ref	Hose Options:	
43	2753675	1	Hose 800S	
43	2753678	1	Hose 860SJ	
44		Ref	Hose Options:	
44	Not Required	0	Hose 800S	
44	2753676	2	Hose 860SJ	
45		Ref	Hose Options:	
45	2753679	1	Hose 800S	
45	2753680	1	Hose 860SJ	
46	2753681	1	Hose	
47	2753682	1	Hose	
48	2753686	1	Hose	
49	2753684	1	Hose	
50	2110608	1	Fitting, Straight	
51	2753590	1	Hose	
52	2130612	1	Fitting, Elbow	
53		Ref	Fitting, Elbow Options:	
53	Not Required	0	Fitting, Elbow 800S	
53	2180829	1	Fitting, Elbow 860SJ	
54	4061032	1	Hose, Guard	
57	2220737	1	Split Flange Kit	
58	2220478	1	Split Flange Kit	
59	1001167196	1	Hose	
60	2172112	1	Fitting, 90	
61	2110808	1	Fitting, Straight	



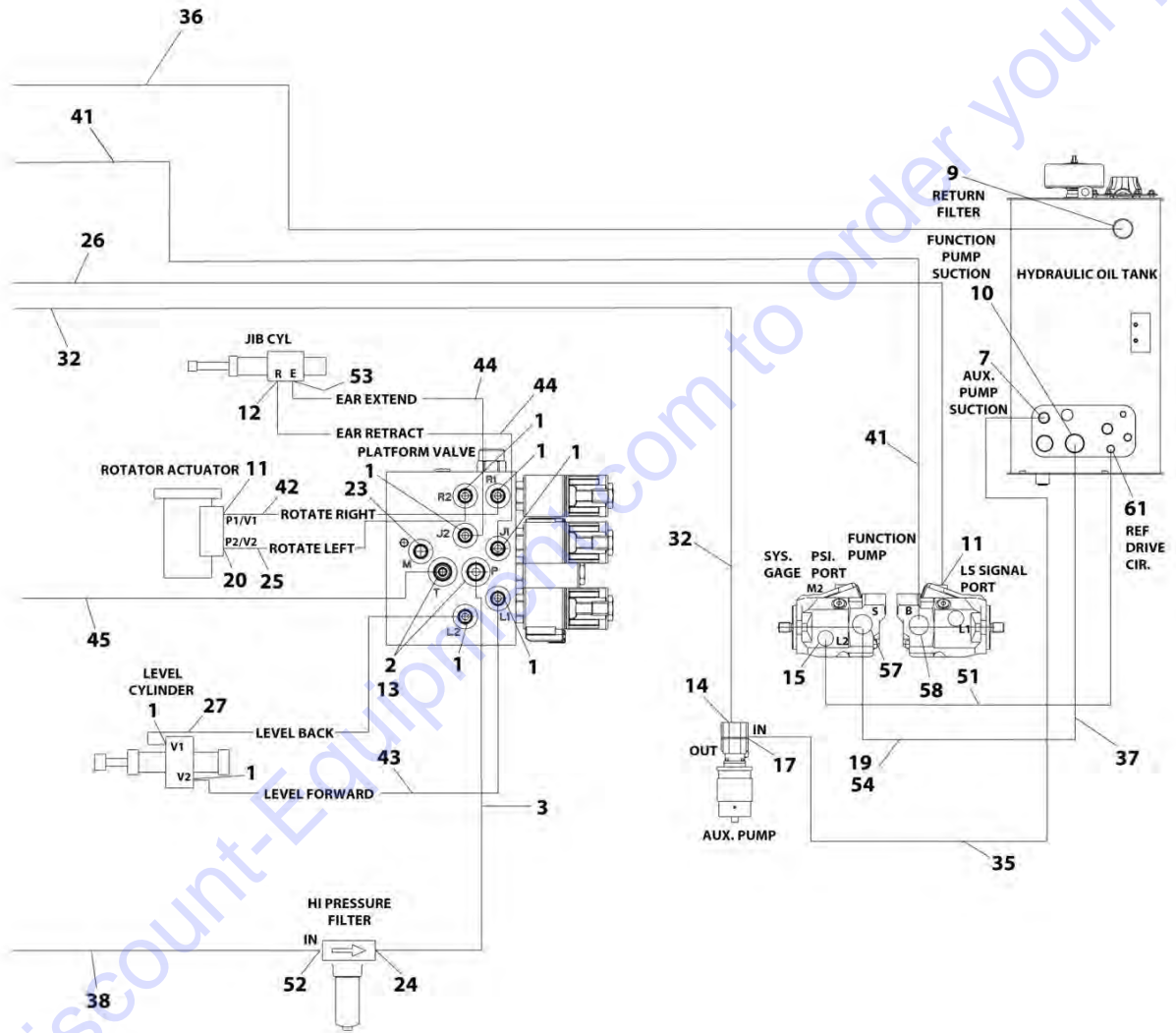
# SECTION 6 - HYDRAULIC

FIGURE 6-9. STANDARD HYDRAULIC DIAGRAM (SN 0300196955 to Present, SN B300001097 to Present)



ART\_1001178217\_1OF2

# SECTION 6 - HYDRAULIC



ART\_1001178217\_20F2

## SECTION 6 - HYDRAULIC

FIGURE 6-9. STANDARD HYDRAULIC DIAGRAM (SN 0300196955 to Present, SN B300001097 to Present)

ITEM	PART NUMBER	QTY	DESCRIPTION	REV
		Ref	<b>STANDARD HYDRAULIC DIAGRAM</b>	
	1001178215	Ref	<b>Standard Hydraulic Diagram (800S/680S)</b>	I
	1001178217	Ref	<b>Standard Hydraulic Diagram (860SJ)</b>	I
1	2110404	AR	Fitting, Straight	
2	2110606	AR	Fitting, Straight	
3	2717059	1	Hose	
4	2110808	AR	Fitting, Straight <b>(SN 0300182743 through 0300213729)</b>	
4	2170208	1	Fitting, 90 <b>(SN 0300213730 to Present)</b>	
4	2110808	AR	Fitting, Straight <b>(SN B300001092 through B300001452)</b>	
4	2170208	1	Fitting, 90 <b>(SN B300001453 to Present)</b>	
5	2111008	2	Fitting, Straight	
6	2111010	1	Fitting, Straight	
7	2111212	1	Fitting, Straight	
8	88662327	1	Fitting, Straight	
9	2111616	1	Fitting, Straight	
10	2112424	1	Fitting, Straight	
11	2130404	2	Fitting, Elbow	
12	2130406	AR	Fitting, Elbow (860SJ Only)	
13	2130606	AR	Fitting, Elbow	
14	2130608	1	Fitting, Elbow	
15	2130810	2	Fitting, Elbow	
16	2131010	1	Fitting, Elbow	
17	2111208	1	Fitting, Straight	
18	2111212	1	Fitting, Straight	
19	4240018	3	Tie-Strap	
20	2150404	1	Fitting, Elbow	
21	2110606	2	Fitting, Straight	
22	1001198333	2	Hose with Crimped Tee <b>(SN 0300213730 to Present)</b>	
22	1001198333	2	Hose with Crimped Tee <b>(SN B300001453 to Present)</b>	
23	2221086	AR	Fitting, Pressure Check	
24	2110612	1	Fitting, Straight	
25	2753545	1	Hose	
26	2753622	1	Hose	
27	2753622	1	Hose (800S)	
27	2753677	1	Hose (860SJ)	
28	1001159340	2	Hose <b>(SN 0300182743 through 0300213729)</b>	
28	1001159340	2	Hose <b>(SN B300001092 through B300001452)</b>	
29	2753656	2	Hose <b>(SN 0300182743 through 0300213729)</b>	
29	2753656	2	Hose <b>(SN B300001092 through B300001452)</b>	
30	2753732	2	Hose <b>(SN 0300182743 through 0300213729)</b>	
30	2753732	2	Hose <b>(SN B300001092 through B300001452)</b>	
31	2753653	2	Hose	
32	2753654	1	Hose	
33	2753656	2	Hose	
34	1001167194	2	Hose	
35	1001111968	1	Hose	
36	1001177226	1	Hose	
37	1001157851	1	Hose	
38	2753693	1	Hose (800S)	

## SECTION 6 - HYDRAULIC

ITEM	PART NUMBER	QTY	DESCRIPTION	REV
38	2753692	1	Hose (860SJ)	
39	2753670	1	Hose	
40	2753671	2	Hose	
41	1001181894	1	Hose	
42	2753674	1	Hose	
43	2753675	1	Hose (800S)	
43	2753678	1	Hose (860SJ)	
44	2753676	2	Hose (860SJ Only)	
45	2753679	1	Hose (800S)	
45	2753680	1	Hose (860SJ)	
46	2753681	1	Hose	
47	2753682	1	Hose	
48	2753683	1	Hose	
49	2753684	1	Hose	
50	2110608	1	Fitting, Straight	
51	2755022	1	Hose	
52	2130612	1	Fitting, Elbow	
53	2180829	1	Fitting, Elbow (860SJ Only)	
54	4061032	1	Hose, Guard	
57	2220737	1	Split Flange Kit	
58	2220478	1	Split Flange Kit	
59	1001167196	1	Hose	
60	2172112	AR	Fitting, 90	
61	2110808	2	Fitting, Straight	
70	2170506	2	Fitting, Tee (SN 0300182743 through 0300213729)	
70	2170506	2	Fitting, Tee (SN B300001092 through B300001452)	

## SECTION 6 - HYDRAULIC

FIGURE 6-10. HYDRAULIC DIAGRAM LIST

ITEM	PART NUMBER	QTY	DESCRIPTION	REV
		Ref	<b>Note: Information on diagrams not shown are available from Discount-equipment.com. See Service and Maintenance Manual for Schematics.</b>	
	1001157400	Ref	<b>Axle Lockout Hydraulic Diagram</b>	
		Ref	<b>Drive Hydraulic Diagram:</b>	
	1001157398	Ref	<b>2WD Machines (SN 0300182743 through 0300196954)</b>	
	1001178218	Ref	<b>2WD Machines (SN 0300196955 to Present)</b>	
	1001157398	Ref	<b>2WD Machines (SN B300001092 through B300001096)</b>	
	1001178218	Ref	<b>2WD Machines (SN B300001097 to Present)</b>	
	1001157399	Ref	<b>4WD/2WS Machines (SN 0300182743 through 0300196954)</b>	
	1001178219	Ref	<b>4WD/2WS Machines (SN 0300196955 to Present)</b>	
	1001157399	Ref	<b>4WD/2WS Machines (SN B300001092 through B300001096)</b>	
	1001178219	Ref	<b>4WD/2WS Machines (SN B300001097 to Present)</b>	
	1001157402	Ref	<b>4WD/2WS Machines with Arctic Package (SN 0300182743 through 0300196954)</b>	
	1001178220	Ref	<b>4WD/2WS Machines with Arctic Package (SN 0300196955 to Present)</b>	
	1001157402	Ref	<b>4WD/2WS Machines with Arctic Package (SN B300001092 through B300001096)</b>	
	1001178220	Ref	<b>4WD/2WS Machines with Arctic Package (SN B300001097 to Present)</b>	
	2792597	Ref	<b>Manual Descent Hydraulic Diagram (Optional)</b>	
		Ref	<b>Oil Cooler Hydraulic Diagrams:</b>	
	1001158251	Ref	<b>Deutz D2011 Engine Machines</b>	
	1001156039	Ref	<b>Deutz TD2.9L4 Engine Machines</b>	
	0271939	Ref	<b>GM Engine Machines</b>	
	1283309	Ref	<b>GM Engine Machines</b>	
		Ref	<b>Standard Hydraulic Diagram:</b>	
	1001157396	Ref	<b>Standard Hydraulic Diagram (800S/680S) (SN 0300182743 through 0300190436)</b>	
	1001167276	Ref	<b>Standard Hydraulic Diagram (800S/680S) (SN 0300190437 through 0300196954)</b>	
	1001178215	Ref	<b>Standard Hydraulic Diagram (800S/680S) (Separate Tow Diagram) (SN 0300196955 to Present)</b>	
	1001217940	Ref	<b>Standard Hydraulic Diagram (800S/680S) (Includes Tow Diagram) (SN 0300227015 to Present)</b>	
	1001167276	Ref	<b>Standard Hydraulic Diagram (800S) (SN B300001092 through B300001096)</b>	
	1001178215	Ref	<b>Standard Hydraulic Diagram (800S) (Separate Tow Diagram) (SN B300001097 to Present)</b>	
	1001217940	Ref	<b>Standard Hydraulic Diagram (800S) (Includes Tow Diagram) (SN B300001750 to Present)</b>	
	1001157397	Ref	<b>Standard Hydraulic Diagram (860SJ) (SN 0300182743 through 0300190436)</b>	
	1001167277	Ref	<b>Standard Hydraulic Diagram (860SJ) (SN 0300190437 through 0300196954)</b>	
	1001178217	Ref	<b>Standard Hydraulic Diagram (860SJ) (Separate Tow Diagram) (SN 0300196955 to Present)</b>	
	1001217941	Ref	<b>Standard Hydraulic Diagram (860SJ) (Includes Tow Diagram) (SN 0300227015 to Present)</b>	
	1001167277	Ref	<b>Standard Hydraulic Diagram (860SJ) (SN B300001092 through B300001096)</b>	

## SECTION 6 - HYDRAULIC

ITEM	PART NUMBER	QTY	DESCRIPTION	REV
	1001178217	Ref	Standard Hydraulic Diagram (860SJ) (Separate Tow Diagram) (SN B300001097 to Present)	
	1001217941	Ref	Standard Hydraulic Diagram (860SJ) (Includes Tow Diagram) (SN B300001750 to Present)	
		Ref	Standard Hydraulic Schematic:	
	2792678	Ref	Deutz D2011 Engine Machines (SN 0300182743 through 0300185779)	
	1001149880	Ref	Deutz TD2.9L4 Engine Machines (SN 0300182743 through 0300185779)	
	2792678	Ref	GM Engine Machines (SN 0300182743 through 0300185779)	
	1001161563	Ref	All Machines (SN 0300185780 through 0300190436)	
	1001167259	Ref	All Machines (SN 0300190437 to Present)	
	1001167259	Ref	All Machines (SN B300001092 to Present)	
	1001157401	Ref	Tow Hydraulic Diagram (SN 0300182743 through 0300227014)	
		Ref	Tow Hydraulic Diagram (SN 0300227015 to Present)	
	1001157401	Ref	Tow Hydraulic Diagram (SN B300001092 through B300001749)	
		Ref	Tow Hydraulic Diagram (SN B300001750 to Present)	





**SECTION 7 - ELECTRICAL**

Go to [Discount-Equipment.com](http://Discount-Equipment.com) to order your parts

## SECTION 7 - ELECTRICAL

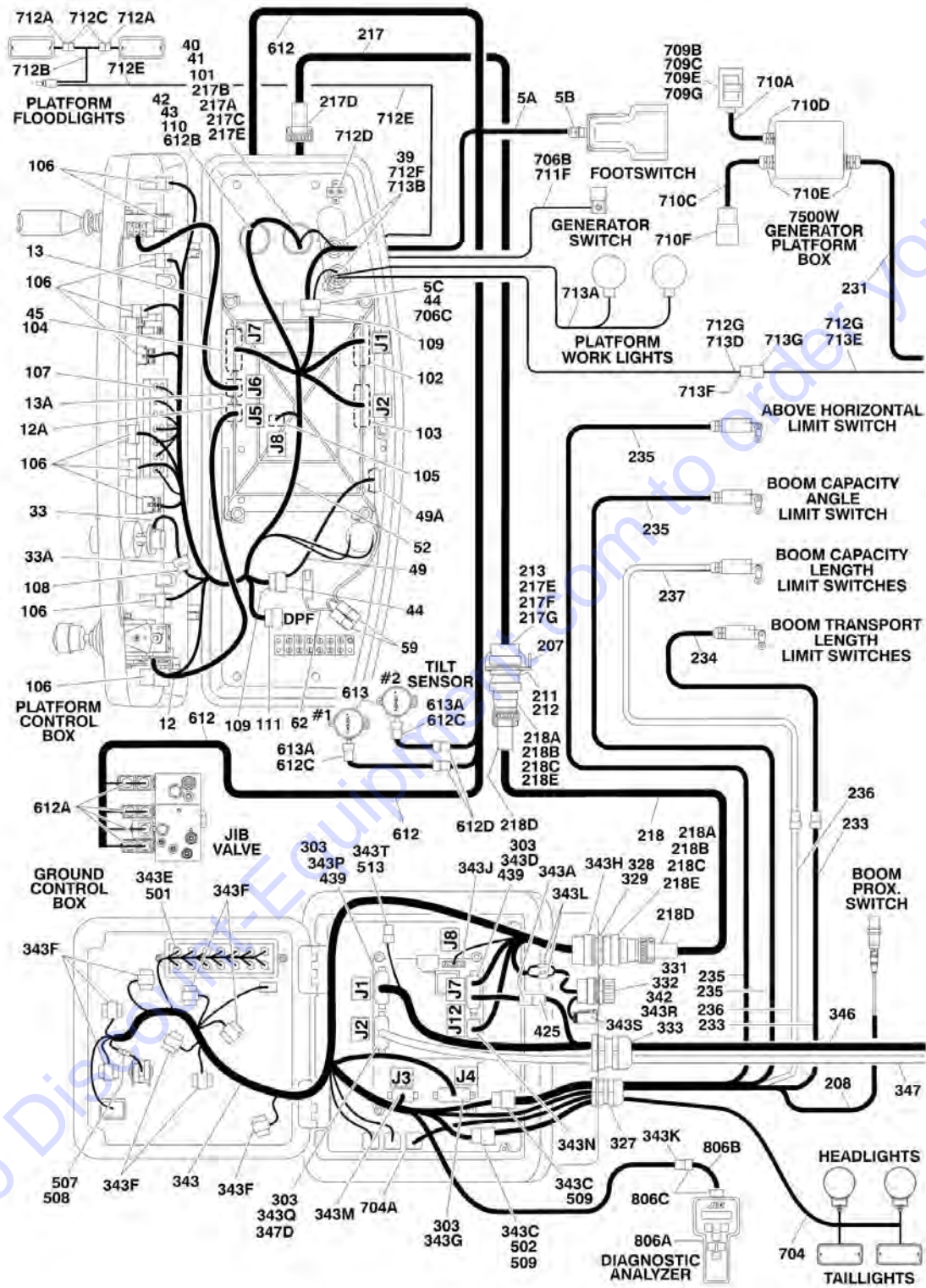
FIGURE 7-1. ELECTRICAL DIAGRAM LIST

ITEM	PART NUMBER	QTY	DESCRIPTION	REV
		Ref	<b>Note: Diagrams are available from Discount-equipment.com. See Service &amp; Maintenance Manual for Schematics.</b>	
		Ref	<b>GENERATOR ELECTRICAL DIAGRAM</b>	
		Ref	<b>2500W Generators (50Hz)</b>	
	1001112743	Ref	<b>ANSI Export Specs - Deutz</b>	
		Ref	<b>2500W Generators (60Hz)</b>	
	1001112588	Ref	<b>ANSI Specs - Deutz Engines Only</b>	
	4933350	Ref	<b>ANSI Specs - Ford &amp; GM Engines Only</b>	
		Ref	<b>4000W Generators (50Hz)</b>	
	1001153025	Ref	<b>Deutz Engines (ANSI Export &amp; Japanese Specs) (SN 0300182743 through 0300204764, SN B300001092 through B300001327)</b>	
	1001194437	Ref	<b>Deutz Engines (ANSI Export &amp; Japanese Specs) (SN 0300204765 to Present, SN B300001328 to Present)</b>	
	1001159648	Ref	<b>Deutz Engines (Australian Specs)</b>	
	1001153025	Ref	<b>Deutz Engines (CE Specs)</b>	
	1001160271	Ref	<b>Deutz Engines (CE UK Specs)</b>	
		Ref	<b>4000W Generators (60Hz)</b>	
	1001132055	Ref	<b>Deutz D2011 &amp; GM Engines</b>	
	1001132055	Ref	<b>Deutz DT2.9L4 Engines (SN 0300182743 through 0300213719, SN B300001092 through B300001596)</b>	
	1001153257	Ref	<b>Deutz DT2.9L4 Engines (SN 0300213720 to Present, SN B300001597 to Present)</b>	
		Ref	<b>7500W Generators (SkyPower) (60Hz/50Hz)</b>	
	1001157769	Ref	<b>Deutz D2011 Engine Machines</b>	
	1001157770	Ref	<b>Deutz TD2.9L4 Engine Machines</b>	
	1001221498	Ref	<b>Ford Engine Machines</b>	
	1001157768	Ref	<b>GM Engine Machines</b>	
		Ref	<b>LIGHTS ELECTRICAL DIAGRAM</b>	
	4933231	Ref	<b>Chassis Flood Lights</b>	
	4933219	Ref	<b>Head and Tail Lights</b>	
	4933249	Ref	<b>Platform Flood Lights</b>	
	4933278	Ref	<b>LSS PLATFORM MODULE ELECTRICAL DIAGRAM</b>	
		Ref	<b>PLATFORM WORKLIGHTS ELECTRICAL DIAGRAM</b>	
	0273472	Ref	<b>Platform Worklights Electrical Diagram 800S</b>	
	0273483	Ref	<b>Platform Worklights Electrical Diagram 860SJ</b>	
	1001128153	Ref	<b>Platform Worklights Electrical Diagram 860SJ (4 Corner Worklights)</b>	
	4933304	Ref	<b>SKYAIR ELECTRICAL DIAGRAM</b>	
	4933218	Ref	<b>SOFT TOUCH ELECTRICAL DIAGRAM</b>	
		Ref	<b>STANDARD ELECTRICAL DIAGRAMS</b>	
	1001154329	Ref	<b>Deutz D2011 Engine Machines</b>	
	1001165778	Ref	<b>Deutz TD2.9L4 Engine and Deutz DT2.9L4 (Stage V) Engine Machines</b>	
	1001224138	Ref	<b>Ford Engine Machines</b>	
	1001154328	Ref	<b>GM Engine Machines</b>	
		Ref	<b>STANDARD ELECTRICAL SCHEMATICS</b>	
	1001159732	Ref	<b>Deutz, Ford &amp; GM Engine Machines</b>	
	1001131992	Ref	<b>GM Engine Schematic (Engine Schematic Only. P/N 1001159732 is Schematic for complete machine)</b>	

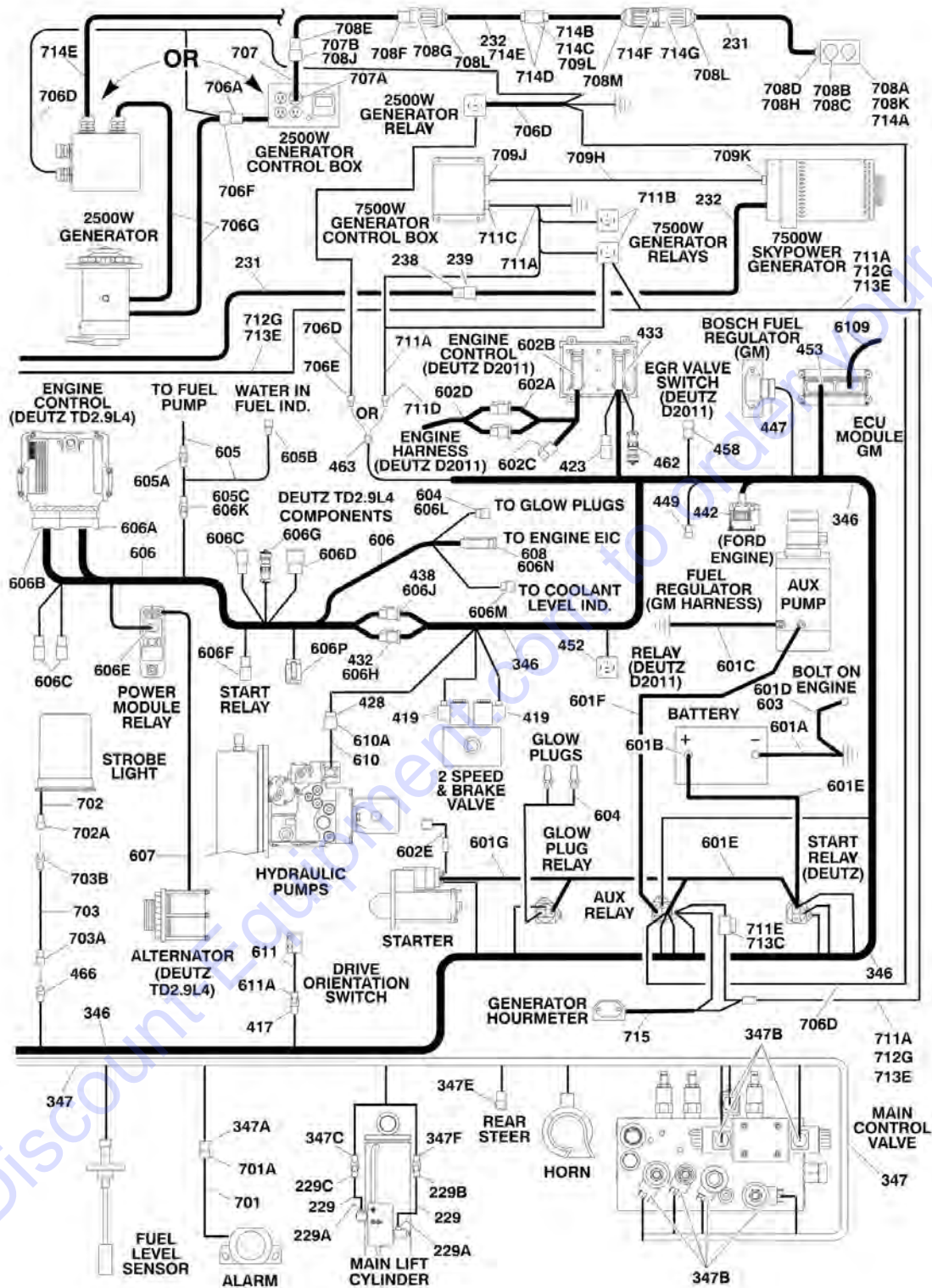


# SECTION 7 - ELECTRICAL

## FIGURE 7-2. HARNESS COMPONENTS INSTALLATION



# SECTION 7 - ELECTRICAL



# SECTION 7 - ELECTRICAL

## FIGURE 7-2. HARNESS COMPONENTS INSTALLATION

ITEM	PART NUMBER	QTY	DESCRIPTION	REV
		Ref	<b>PLATFORM CONSOLE BOX COMPONENTS</b>	
5		Ref	Footswitch Components	
5A	1060918	7.5 ft/ 2.3m	Cable, Electrical - 18/3	
5A	0100020	AR	Sealant	
5B	4460071	1	Connector, Strain Relief	
5C	4460464	1	Pin, Male	
5C	4460226	2	Socket, Female	
12	See Note	NSS	Controller Harness Assembly (Lift and Swing) (Note: Purchase Complete Controller)	
12A	7022819	1	Plug, Male - 8 Position (Natural)	
12A	4460871	8	Socket, Female	
13	See Note	NSS	Controller Harness/Circuit Board Assembly (Drive and Steer) (Note: Purchase Complete Controller)	
13A	7022825	1	Plug, Male - 8 Position (Black)	
13A	4460871	7	Socket, Female	
33	See Note	NSS	Controller Harness (Speed Control) (Note: Purchase Complete Controller)	
33A	4460224	1	Receptacle, Female - 6 Position	
33A	4460226	6	Socket, Female	
39	4460428	2	Connector, Strain Relief	
40	4460470	1	Nut, Terminal	
41	4460471	1	Lockwasher, Terminal	
42	4460496	1	Lockwasher, Terminal	
43	4460497	1	Nut, Terminal	
44	4460708	2	Receptacle - 15 Position	
45	4460905	5	Seal, Plug	
49	4922666	1	Harness, Analyzer Cable	C
49	4460226	4	Socket, Female (Not Shown - Located at J2)	
49A	4460761	1	Connector, Female - 4 Position	
49A	4460227	4	Pin, Male	
52		Ref	Harness, Platform Box Options (See Items 101-111 for Breakdown):	
52	1001141136	1	Harness, Platform Box (Machines without LSS or with 4 Cell LSS) (Without SkyGuard)	
52	1001186237	1	Harness, Platform Box (Machines without LSS or with 4 Cell LSS) (With SkyGuard)	
52	1001220282	1	Harness, Platform Box (Machines with 1 Cell LSS)	
59	1001186431	2	Relay (Machines with 1 Cell LSS)	
62	1001225580	1	Harness, Interface (Machines with 1 Cell LSS)	
	1001141136	Ref	<b>PLATFORM BOX HARNESS ASSEMBLY (MACHINES WITHOUT LSS OR WITH 4 CELL LSS) (WITHOUT SKYGUARD)</b>	B
	1001186237	Ref	<b>PLATFORM BOX HARNESS ASSEMBLY (MACHINES WITHOUT LSS OR WITH 4 CELL LSS) (WITH SKYGUARD)</b>	C
	1001220282	Ref	<b>PLATFORM BOX HARNESS ASSEMBLY (MACHINES WITH 1 CELL LSS)</b>	E
101	4460866	1	Connector - 19 Pin	
101	4460929	10	Pin, Male Deutsch 16Ga	
101	4460508	3	Pin, Male Deutsch 12Ga	
102	4460874	1	Connector - 35 Position (Natural)	
102	4460871	23	Socket, Female	
103	4460876	1	Connector - 35 Position (Blue)	

## SECTION 7 - ELECTRICAL

ITEM	PART NUMBER	QTY	DESCRIPTION	REV
103	4460871	23	Socket, Female	
104	4460873	1	Connector - 35 Position (Black)	
104	4460871	28	Socket, Female	
105	4460879	1	Connector, Male 2 Position	
105	4460887	2	Terminal (12 Gauge)	
106	4460418	7	Connector, Female - 6 Position	
106	4460419	21	Socket, Female	
107	4460225	4	Connector - 6 Position	
107	4460226	18	Terminal (16 Gauge)	
108	4460225	1	Connector - 6 Position	
108	4460227	5	Pin, Male	
109	4460434	2	Connector - 15 Position	
109	4460227	AR	Pin, Male	
110	4460925	1	Connector - 21 Pin	
110	4460929	8	Pin, Male Deutsch 16Ga	
110	4460917	8	Pin, Male Deutsch 12Ga	
111	4460266	1	Connector - 9 Position	
111	4460227	7	Pin, Male	
112	4460884	1	Connector - 4 Position (Not Shown) (With SkyGuard - To Platform Sensor)	
112	4460944	4	Socket, Female (Not Shown)	
112	4460932	1	Connector, Female - 4 Position (Not Shown) (With SkyGuard)	
113	1001116720	4	Terminal, Female (Not Shown) (With SkyGuard - To Relays 1 & 2)	
114	1001118388	4	Terminal, Female (Not Shown) (With SkyGuard - To Relays 1 & 2)	
115	4460539	1	Receptacle, Female - 3 Position (Not Shown) (With SkyGuard - Connection X001)	
115	4460943	2	Pin, Male (Not Shown)	
116	4460536	1	Plug, Male - 3 Position (Not Shown) (With SkyGuard - Connection X002)	
116	4460944	2	Socket, Female (Not Shown)	
117	4460708	2	Connector, Female - 15 Position (Not Shown) (With SkyGuard)	
117	4460226	3	Socket, Female (Not Shown)	
118	4460894	1	Plug, Male - 6 Position (Not shown) (Machines with 1 Cell LSS)	
118	4460465	5	Socket, Female (Not Shown) (Machines with 1 Cell LSS)	
118	4460942	1	Socket, Female (Not Shown) (Machines with 1 Cell LSS)	
119	4460933	1	Plug, Male - 12 Position (Not Shown) (Machines with 1 Cell LSS)	
119	1001119020	1	Bussbar (Not Shown) (Machines with 1 Cell LSS)	
120	1001213447	1	Receptacle, Female - 5 Position (Not Shown) (Machines with 1 Cell LSS)	
121	2400060	1	Holder, Fuse (Not Shown) (Machines with 1 Cell LSS)	
121	8229242	1	Fuse, 5A (Not Shown) (Machines with 1 Cell LSS)	
		Ref	<b>BOOM CABLES INSTALLATION</b>	
		Ref	<b>Boom Cables Installation 800S/680S</b>	
	0271322	Ref	<b>All Specs except Australian and CE Specs</b>	I
	0271323	Ref	<b>Australian and CE Specs Only</b>	I
	1001243557	Ref	<b>China Specs without AC Cables</b>	A
	0271323	Ref	<b>All Machines with 4000W/50Hz Generator</b>	I
	1001153324	Ref	<b>All Machines with 4000W/60Hz Generator</b>	A
	0272388	Ref	<b>All Specs except Australian and CE Specs with 7500W Generator and without Arctic Package</b>	I
	1001117399	Ref	<b>Australian and CE Specs Only with 7500W Generator and</b>	D



## SECTION 7 - ELECTRICAL

ITEM	PART NUMBER	QTY	DESCRIPTION	REV
	1001091609	Ref	without Arctic Package <b>All Specs except Australian, CE and Japanese Specs without 7500W Generator and with Arctic Package</b>	C
	1001091664	Ref	<b>All Specs except Australian, CE and Japanese Specs with 7500W Generator and Arctic Package</b>	G
		Ref	<b>Boom Cables Installation 860SJ</b>	
	0271324	Ref	<b>All Specs except Australian and CE Specs</b>	I
	0271325	Ref	<b>Australian and CE Specs Only</b>	K
	1001243558	Ref	<b>China Specs without AC Cables</b>	A
	0271325	Ref	<b>All Machines with 4000W/50Hz Generator</b>	K
	1001153325	Ref	<b>All Machines with 4000W/60Hz Generator</b>	A
	0272389	Ref	<b>All Specs except Australian and CE Specs with 7500W Generator and without Arctic Package</b>	H
	1001117400	Ref	<b>Australian and CE Specs Only with 7500W Generator and without Arctic Package</b>	D
	0275586	Ref	<b>All Specs except Australian, CE and Japanese Specs without 7500W Generator and with Arctic Package</b>	B
	1001091665	Ref	<b>All Specs except Australian, CE and Japanese Specs with 7500W Generator and Arctic Package</b>	G
207	3573047	1	Plate, Receptacle Mounting	
208	4360506	1	Proximity Switch and Harness Assembly	
211	4460470	1	Nut, Terminal	
212	4460471	1	Lockwasher, Terminal	
213	4460866	1	Connector - 19 Position	
217		Ref	Harness Assembly - Main Boom (12/4 - 18/8) Options:	
217	4922566	1	Harness Assembly - Main Boom (12/4 -18/8) 800S	C
217	1001091618	1	Harness Assembly - Main Boom (12/4 -18/8) 800S (With Arctic Package)	C
217	4922567	1	Harness Assembly - Main Boom (12/4 -18/8) 860SJ	D
217	4923595	1	Harness Assembly - Main Boom (12/4 -18/8) 860SJ (With Arctic Package)	B
217		Ref	Cable, Electrical - 12/4 & 18/8 Options:	
217	1060896	85 ft/26m	Cable, Electrical - 12/4 & 18/8 800S	
217	4923462	85 ft/26m	Cable, Electrical - 12/4 & 18/8 800S (With Arctic Package)	
217	1060896	95 ft/29m	Cable, Electrical - 12/4 & 18/8 860SJ	
217	4923462	95 ft/29m	Cable, Electrical - 12/4 & 18/8 860SJ (With Arctic Package)	
217	2820031	AR	Heat Shrink 1/2 to 1-1/2	
217	1001226400	AR	Heat Shrink 1 <b>(SN 0300236016 to Present)</b>	
217A	4460465	11	Socket, Female 18 Gauge	
217B	4460865	1	Connector - 19 Position	
217C	4460509	4	Socket, Female 12 Gauge	
217D	4460473	1	Clamp, Cable	
217E	4460466	8	Seal, Plug	
217F	4460464	11	Pin, Male 18 Gauge	
217G	4460508	4	Pin, Male 12 Gauge	
218		Ref	Harness Assembly - Tower Boom (12/4 - 18/8) Options:	
218	4922569	1	Without Arctic Package	B
218	4923596	1	With Arctic Package	C
218		Ref	Cable, Electrical - 12/4 & 18/8 Options:	
218	1060896	20 ft/6.1m	Without Arctic Package	
218	4923462	20 ft/6.1m	With Arctic Package	
218	1001226400	AR	Heat Shrink	
218A	4460465	22	Socket, Female 18 Gauge	

## SECTION 7 - ELECTRICAL

ITEM	PART NUMBER	QTY	DESCRIPTION	REV
218B	4460865	2	Connector - 19 Position	
218C	4460509	8	Socket, Female 12 Gauge	
218D	4460473	2	Clamp, Cable	
218E	4460466	8	Seal, Plug	
229		Ref	Holding Valve/Lift Dump Harness Assembly Options: (Note: This is actually two separate harnesses under the same p/n)	
229	4922660	1	Without Arctic Package	E
229	4923597	1	With Arctic Package	1-A
229A	4460880	2	Connector, DIN	
229B	4460320	1	Plug, Male - 2 Position	
229B	4460226	2	Socket, Female	
229C	4460424	1	Connector, Female - 2 Position	
229C	4460267	2	Pin, Male	
231		Ref	Harness, 110V A/C (To Bulkhead) Options:	
231		Ref	Harness, 110V A/C (To Bulkhead) 800S:	
231	4922873	1	All Specs except Australian and CE Specs	
231	4922875	1	Australian and CE Specs Only	
231	4922875	1	All Machines with 4000W/50Hz Generators	
231	1001156426	1	All Machines with 4000W/60Hz Generators	
231	4922790	NLA	All Specs except Australian and CE Specs (Harness, 8/5 Cable - With 7500W Generator) (Use p/n 1001121670)	
231	1001091620	1	All Specs except Australian, CE and Japanese Specs (Harness, 8/5 Cable - With Arctic Package)	
231	4922790	NLA	All Specs except Australian, CE and Japanese Specs (Harness, 8/5 Cable - With 7500W Generator and Arctic Package) (Use p/n 1001121670)	
231		Ref	Harness, 110V A/C (To Bulkhead) 860SJ:	
231	4922877	1	All Specs except Australian and CE Specs	
231	4922878	1	Australian and CE Specs Only	
231	4922878	1	All Machines with 4000W/50Hz Generators	
231	1001156427	1	All Machines with 4000W/60Hz Generators	
231	4922808	NLA	All Specs (Harness, 8/5 Cable - With 7500W Generator) (Use p/n 1001121671)	
231	4923600	1	All Specs except Australian, CE and Japanese Specs (Harness, 8/5 Cable - With Arctic Package)	
231	4922808	NLA	All Specs except Australian, CE and Japanese Specs (Harness, 8/5 Cable - With 7500W Generator and Arctic Package) (Use p/n 1001121671)	
232		Ref	Harness, 110V A/C (To Generator Box) Options:	
232	4922874	1	All Specs except Australian and CE Specs	
232	4922876	1	Australian and CE Specs Only	
232	1001156425	1	All Machines with 4000W/60Hz Generators	
232	4922809	NLA	All Specs (Harness, 8/5 Cable - With 7500W Generator) (Use p/n 1001121669)	
232	4923601	1	All Specs except Australian, CE and Japanese Specs (Harness, 8/5 Cable - With Arctic Package)	
232	4922809	NLA	All Specs except Australian, CE and Japanese Specs (Harness, 8/5 Cable - With 7500W Generator and Arctic Package) (Use p/n 1001121669)	
233		Ref	Harness, Limit Switch Lower Options (To Boom Transport Length Limit Switch):	
233	4922872	1	Without Arctic Package	
233	4923599	1	With Arctic Package	
233		Ref	Cable, Electrical - 18/2 Options:	

## SECTION 7 - ELECTRICAL

ITEM	PART NUMBER	QTY	DESCRIPTION	REV
233	1060902	20 ft/6m	Without Arctic Package	
233	4923466	20 ft/6m	With Arctic Package	
233	4460465	2	Socket, Female	
233	4460891	1	Plug, Male - 2 Position	
234		Ref	Harness, Limit Switch Upper Options (To Boom Transport Length Limit Switch):	
234	4922871	1	Without Arctic Package	
234	4923598	1	With Arctic Package	
234		Ref	Cable, Electrical - 18/2 Options:	
234	1060902	34 ft /10.4m	Without Arctic Package	
234	4923466	34 ft /10.4m	With Arctic Package	
234	4460464	2	Pin, Male	
234	4460897	1	Receptacle, Female - 2 Position	
235		Ref	Cable, Electrical - 18/2	
235		Ref	Cable, Electrical - 18/2 800S	
235	1061018	2	All Specs except Australian and CE Specs	
235	1061018	1	Australian and CE Specs Only	
235	1061018	2	All Specs with 7500W Generator	
235		Ref	Cable, Electrical - 18/2 860SJ	
235	1061019	2	All Specs except Australian and CE Specs	
235	1061019	1	Australian and CE Specs Only	
235	1061019	2	All Specs with 7500W Generator	
236		Ref	Harness, Limit Switch Lower Options (To Boom Capacity Length Switch) (All Specs except Australian and CE Specs):	
236	1001098908	1	Without Arctic Package	
236	1001098910	1	With Arctic Package	
236		Ref	Cable, Electrical - 18/2 Options:	
236	1060902	20 ft/6m	Standard and SkyWelder	
236	4923466	20 ft/6m	With Arctic Package	
236	4460464	2	Pin, Male	
236	4460897	1	Plug, Male - 2 Position	
237		Ref	Harness, Limit Switch Upper Options (To Boom Capacity Length Switch) (All Specs except Australian and CE Specs):	
237	1001098909	1	Without Arctic Package	
237	1001098911	1	With Arctic Package	
237		Ref	Cable, Electrical - 18/2 Options:	
237	1060902	34 ft /10.4m	Standard and SkyWelder	
237	4923466	34 ft /10.4m	With Arctic Package	
237	4460465	2	Socket, Female	
237	4460891	1	Plug, Male - 2 Position	
238	4460959	1	Terminal, Turnlock Plug (With 4000W & 7500W Generator) (SN 0300182743 through 0300228759, SN B300001092 through B300001790)	
238	1001218622	1	Terminal, Turnlock Plug (With 4000W & 7500W Generator) (SN 0300228760 to Present, SN B300001791 to Present)	
238	1671092	1	Cover, Female Connector (SN 0300182743 through 0300228759, SN B300001092 through B300001790)	
239	4460960	1	Terminal, Turnlock Connector (With 4000W & 7500W Generator) (SN 0300182743 through 0300228759, SN B300001092 through B300001790)	

## SECTION 7 - ELECTRICAL

ITEM	PART NUMBER	QTY	DESCRIPTION	REV
239	1001218623	1	Terminal, Turnlock Connector (With 4000W & 7500W Generator) (SN 0300228760 to Present, SN B300001791 to Present)	
239	1671093	1	Cover, Male Connector (SN 0300182743 through 0300228759, SN B300001092 through B300001790)	
		Ref	<b>GROUND CONTROL BOX COMPONENTS</b>	
303	0100048	AR	Grease, Dielectric	
327	4460426	1	Connector, Strain Relief	
328	4460470	1	Nut, Terminal	
329	4460471	1	Locknut, Terminal	
331	4460496	1	Lockwasher, Terminal	
332	4460497	1	Nut, Terminal	
333	4460526	1	Connector, Strain Relief	
342	1001106736	1	Cap, Dust	
343		Ref	Ground Control Box Harness Assembly Options:	
343	1001110339	1	Deutz D2011 Engine Machines (SN 0300182743 through 0300201002)	F
343	1001186236	1	Deutz D2011 Engine Machines (SN 0300201003 to Present)	F
343	1001110339	1	Deutz D2011 Engine Machines (SN B300001092 through B300001179)	F
343	1001186236	1	Deutz D2011 Engine Machines (SN B300001180 to Present)	F
343	1001146010	1	Deutz DT2.9L4 Engine Machines (All Specs except CE Spec)	D
343	1001146010	1	Deutz DT2.9L4 Engine Machines (CE Spec) (SN 0300182743 through 0300201002)	D
343	1001186236	1	Deutz DT2.9L4 Engine and Deutz DT2.9L4 (Stage V) Engine Machines (CE Spec) (SN 0300201003 to Present)	F
343	1001146010	1	Deutz DT2.9L4 Engine Machines (CE Spec) (SN B300001092 through B300001179)	D
343	1001186236	1	Deutz DT2.9L4 Engine and Deutz DT2.9L4 (Stage V) Engine Machines (CE Spec) (SN B300001180 to Present)	F
343	1001110339	1	Ford & GM Engine Machines	F
343A	4460536	1	Connector, Female 3 - Position	
343A	4460943	3	Pin, Male	
343B	3990010	2	Diode - 6Amp (Not Shown - Located at Power Down Relay)	
343C	4460434	2	Plug, Male - 15 Position	
343C	4460227	21	Pin, Male	
343D	4460873	1	Connector - 35 Position (Black)	
343D	4460871	19	Socket, Female	
343D	4460905	1	Seal, Plug	
343E	4120035	AR	Base, Light	
343E	4460634	AR	Terminal (16 Gauge)	
343E	4460635	AR	Terminal (12 Gauge)	
343F	4460418	7	Connector, Female - 6 Position	
343F	4460419	21	Socket, Female	
343G	4460876	1	Connector - 35 Position (Blue)	
343G	4460871	24	Socket, Female	
343G	4460905	1	Seal, Plug	
343H	4460866	1	Connector - 19 Pin	
343H	4460464	10	Pin, Male Deutsch 16Ga	
343H	4460508	3	Pin, Male Deutsch 12Ga	
343J	4460878	1	Housing, Terminal - 4 Position	
343J	4460887	3	Terminal (12 Gauge)	
343K	4460761	1	Connector, Female 4 - Position	

## SECTION 7 - ELECTRICAL

ITEM	PART NUMBER	QTY	DESCRIPTION	REV
343K	4460227	4	Pin, Male	
343L	8229242	2	Fuse 5A	
343L	2400060	2	Holder, Fuse	
343M	1001106339	1	Connector, Male - 14 Position	
343M	4460871	2	Socket, Female	
343N	1001106340	1	Connector, Male - 14 Position	
343N	4460871	5	Socket, Female	
343P	4460874	1	Connector, Natural	
343P	4460871	10	Socket, Female	
343Q	4460875	1	Connector, Gray	
343Q	4460871	5	Socket, Female	
343R	1001112612	1	Connector - 9 Position	
343R	4460943	4	Pin, Male	
343S	4460884	1	Plug, Male - 4 Position (SN 0300210399 to Present, SN B300001375 to Present)	
343S	1001192401	1	Cap, Dust (SN 0300210399 to Present, SN B300001375 to Present)	
343S	4460365	4	Socket, Female (SN 0300210399 to Present, SN B300001375 to Present)	
343T	4460894	1	Plug, Male - 6 Position (SN 0300211624 to Present)	
343T	4460892	1	Connector, Bussbar - 6 Position (SN 0300211624 to Present)	
343T	4460894	1	Plug, Male - 6 Position (SN B300001390 to Present)	
343T	4460892	1	Connector, Bussbar - 6 Position (SN B300001390 to Present)	
346		Ref	Engine Harness Assembly (See Items 401-466 for Breakdown)	
346	1001154324	1	Deutz D2011 Engine Machines	
346	1001165776	1	Deutz TD2.9L4 Engine and Deutz DT2.9L4 (Stage V) Engine Machines	
346	1001216327	1	Ford Engine Harness	
346	1001154323	1	GM Engine Machines	
347	1001154327	1	Valve Harness Assembly (SN 0300182743 through 0300190436)	C
347	1001168024	1	Valve Harness Assembly (SN 0300190437 to Present)	E
347	1001168024	1	Valve Harness Assembly (SN B300001092 to Present)	E
347A	4460539	1	Plug, Male - 3 Position	
347A	1001116693	2	Pin, Male	
347A	4460466	1	Seal, Plug	
347B	4460880	9	DIN Connector (SN 0300182743 through 0300190436)	
347B	4460891	9	Plug, Male - 2 Position (SN 0300190437 to Present)	
347B	1001116693	18	Socket, Female (SN 0300190437 to Present)	
347B	4460891	9	Plug, Male - 2 Position (SN B300001092 to Present)	
347B	1001116693	18	Socket, Female (SN B300001092 to Present)	
347C	4460320	1	Plug, Male - 2 Position	
347C	4460267	2	Pin, Male (SN 0300182743 through 0300190436)	
347C	4460226	2	Pin, Male (SN 0300190437 to Present)	
347C	4460226	2	Pin, Male (SN B300001092 to Present)	
347D	4460871	AR	Socket, Female	
347D	4460508	1	Socket, Female	
347E	4460225	1	Plug, Male - 6 Position (SN 0300182743 through 0300190436)	
347E	4460267	6	Pin, Male (SN 0300182743 through 0300190436)	
347F	4460424	1	Connector, Female - 2 Position	
347F	4460267	2	Pin, Male	
348		Ref	Ground Control Box Wiring Diagram (Not Shown - See Items 501-513 for Breakdown)	

## SECTION 7 - ELECTRICAL

ITEM	PART NUMBER	QTY	DESCRIPTION	REV
348	1001154329	1	Deutz D2011 Engine Machines	
348	1001165778	1	Deutz TD2.9L4 Engine and Deutz DT2.9L4 (Stage V) Engine Machines	
348	1001224138	1	Ford Engine Machines	
348	1001154328	1	GM Engine Machines	
		Ref	<b>ENGINE HARNESS ASSEMBLY</b>	
	1001154324	Ref	<b>Deutz D2011 Engine Machines</b>	A
	1001165776	Ref	<b>Deutz TD2.9L4 Engine and Deutz DT2.9L4 (Stage V) Engine Machines</b>	D
	1001216327	Ref	<b>Ford Engine Machines</b>	B
	1001154323	Ref	<b>GM Engine Machines</b>	A
417	4460424	1	Receptacle, Female - 2 Position	
417	4460268	2	Socket, Female	
419	4460880	2	DIN Connector without Diode	
423	4461070	1	Receptacle, Female with Resistor (3 Position) (Deutz D2011 Engine Only)	
423	4461095	1	Plug, Male - 3 Position (Deutz D2011 Engine Only)	
423	4460944	3	Socket, Female (Deutz D2011 Engine Only)	
425	4460539	1	Plug, Male - 3 Position	
425	4460944	3	Socket, Female	
428	4460460	1	Connector, Male - 4 Position	
428	4460457	4	Terminal, Female	
428	4460458	4	Seal, Terminal	
432	4460899	1	Connector, Male - 6 Position (Deutz TD2.9L4 Engines Only)	
432	4460464	5	Pin, Male	
432	4460943	5	Pin, Male (Gold)	
432	4460466	1	Seal, Plug	
433	4461052	1	Connector, Receptacle - 25 Position (Deutz D2011 Engine Only)	
433	4461005	5	Terminal (Gold) (Deutz D2011 Engine Only)	
433	4461006	5	Seal, Terminal (Deutz D2011 Engine Only)	
433	4461060	2	Terminal (Tin) (Deutz D2011 Engine Only)	
433	4461054	2	Seal, Terminal (Deutz D2011 Engine Only)	
433	4461053	1	Cover, Plug (Deutz D2011 Engine Only)	
433	4461008	18	Plug, Hole (Deutz D2011 Engine Only)	
438	4460931	1	Connector, Male - 8 Position (Deutz TD2.9L4 Engines Only)	
438	4460464	4	Pin, Male	
438	4460466	4	Seal, Plug	
439	4460871	AR	Socket, Female	
442	1001215016	1	Connector -42 Position (Ford Engine Machines)	
442	1001215091	5	Terminal, Male (Ford Engine Machines)	
442	1001216212	1	Terminal, Male (Ford Engine Machines)	
442	1001215534	33	Plug, Terminal	
442	1001216213	3	Plug, Terminal	
447	4461121	1	Plug, Male - 4 Position (GM Engine Only)	
447	4461122	4	Socket, Female (GM Engine Only)	
447	4461123	4	Seal, Terminal (GM Engine Only)	
449	4461124	1	Receptacle, Female - 4 Position (GM Engine Only)	
449	4460693	4	Pin, Male (GM Engine Only)	
449	4460608	4	Seal, Terminal (GM Engine Only)	
449	4461161	1	Lock, Terminal (GM Engine Only)	
452	4460374	1	Plug, Sealed Relay (Deutz D2011 Engine)	
452	4460375	4	Terminal (Deutz D2011 Engine)	

## SECTION 7 - ELECTRICAL

ITEM	PART NUMBER	QTY	DESCRIPTION	REV
453	4461109	1	Plug, Male - 16 Position (GM Engine Only)	
453	4461111	7	Pin, Male (GM Engine Only)	
453	4461113	7	Seal, Terminal (GM Engine Only)	
453	4461222	9	Plug, Terminal (GM Engine Only)	
458	1001102290	1	Connector, 2 Position (Deutz D2011 Engine)	
458	1001102304	2	Seal (Deutz D2011 Engine)	
458	1001102291	2	Terminal, Receptacle (Deutz D2011 Engine)	
462	2902443	1	Kit, Receptacle (Deutz D2011 Engine Only)	
462	4461071	8	Terminal, Female (Gold) (Deutz D2011 Engine Only)	
462	4461072	1	Connector, Flange Mount (Deutz D2011 Engine Only)	
462	4461073	1	Connector, Dust Cap (Deutz D2011 Engine Only)	
462	4461074	1	Connector, Shell (Deutz D2011 Engine Only)	
463	4461157	1	Receptacle, Female - 2 Position	
463	4460979	2	Pin, Male	
463	4460458	2	Seal, Terminal	
466	4460897	1	Connector, Female - 2 Position	
466	1001116693	2	Pin, Male	
		Ref	<b>GROUND CONTROL BOX WIRING DIAGRAM</b>	
	1001154329	Ref	<b>Deutz D2011 Engine Machines</b>	D
	1001165778	Ref	<b>Deutz TD2.9L4 Engine and Deutz DT2.9L4 (Stage V) Engine Machines</b>	F
	1001224138	Ref	<b>Ford Engine Machines</b>	A
	1001154328	Ref	<b>GM Engine Machines</b>	E
501	2920129	AR	Bulb, Light	
502	4922636	1	Harness, Jumper	
	4460226	2	Socket, Female	
507	1001173590	1	Fuse Assembly 30 Amp	
507	2400066	1	Fuse, Holder	
508	2400065	1	Fuse, 30Amp	
509	4460708	2	Receptacle, Female - 15 Position	
509	4460226	13	Socket, Female	
511	4922771	1	Harness, Angle Sensor (Boom Proximity Sensor)	
511	1060902	9.5 ft /2.9m	Cable - 18/2	
511A	4460226	2	Socket, Female	
511B	4460424	1	Receptacle, Female - 2 Position	
513	4460894	1	Plug, Male - 6 Position	
513	4460892	1	Connector, Bussbar - 6 Position	
		Ref	<b>STANDARD HARNESS COMPONENTS</b>	
601		Ref	Battery Cable Kit Options:	
601	1001155143	1	Deutz D2011 Engines Machines	C
601	1001143736	1	Deutz TD2.9L4 Engine and Deutz DT2.9L4 (Stage V) Engine Machines	E
601	2902533	1	GM Engine Machines	B
601A		Ref	Cable, Battery (Black) Options (Battery - to Tray Pivot and Relay Grounds):	
601A	7027092	1	Deutz D2011 Engines Machines	
601A	7027084	1	Deutz TD2.9L4 Engine and Deutz DT2.9L4 (Stage V) Engine Machines	
601A	7027018	1	GM Engine Machines	
601B	8270147	1	Terminal, Battery (With Boot) Cable, Battery (Black) (Deutz Engines Only)	
601C		Ref	Cable, Battery (Black) Options (Battery - to Aux Pump Ground):	

## SECTION 7 - ELECTRICAL

ITEM	PART NUMBER	QTY	DESCRIPTION	REV
601C	7027093	1	Deutz D2011 Engines Machines	
601C	7027085	1	Deutz TD2.9L4 Engine and Deutz DT2.9L4 (Stage V) Engine Machines	
601C	7016825	1	GM Engine Machines	
601D		Ref	Cable, Battery (Black) Options (Engine to Tray Pivot Grd):	
601D	7027053	1	Deutz D2011 Engines Machines	
601D	7027086	1	Deutz TD2.9L4 Engine and Deutz DT2.9L4 (Stage V) Engine Machines	
601D	Not Required	0	GM Engine Machines	
601E		Ref	Cable (Red) Options (Battery + to Relays/Starter):	
601E	7027094	1	Deutz D2011 Engines Machines	
601E	7027087	1	Deutz TD2.9L4 Engine and Deutz DT2.9L4 (Stage V) Engine Machines	
601E	7027015	1	GM Engine Machines (Note: Requires Item 601G to complete run to Starter)	
601F		Ref	Cable (Red) Options (Aux Relay to Aux Pump):	
601F	7027095	1	Deutz D2011 Engines Machines	
601F	7027088	1	Deutz TD2.9L4 Engine and Deutz DT2.9L4 (Stage V) Engine Machines	
601F	7016824	1	GM Engine Machines	
601G		Ref	Cable (Auxiliary Relay to Starter)	
601G	7027094	1	Deutz D2011 Engines Machines	
601G	7027087	1	Deutz TD2.9L4 Engine and Deutz DT2.9L4 (Stage V) Engine Machines	
601G	7027017	1	GM Engine Machines	
602		Ref	Deutz Engine Harness Components (Deutz Engine Machines Only)	
602A	7027796	1	Engine Harness (D2011 Engine Only)	
602B	See Note	NSS	Receptacle, Female - 25 Position (Note: Not Available - Purchase Complete Harness)	
602C	70004060	1	Plug-In, Connector (Deutz D2011 Engine Only)	
602D	70001872	1	Engine Harness (For other replacement parts refer to Deutz engine dealer) (D2011 Engine Only)	
602E	70004271	1	Cable, Starter Interconnect (Connects item 602D to Starter) (D2011 Engine Only)	
603	4922737	1	Harness, Engine Grounding Harness (Deutz D2011 Engine Only) <b>(SN 0300182743 through 0300208405)</b>	
603	4922737	1	Harness, Engine Grounding Harness (Deutz D2011 Engine Only) <b>(SN B300001092 through B300001327)</b>	
604		Ref	Harness, Glow Plug (Deutz Engine Only)	
604	4923379	1	Deutz D2011 Engine	B
604	70025231	1	Deutz TD2.9L4 Engine and Deutz DT2.9L4 (Stage V) Engine	
604	70025233	1	Connector for 70025231 Harness Deutz TD2.9L4 Engine	
604	1001141304	1	Wire, Fuse Link (Not Shown) (Deutz TD2.9L4 Engine and Deutz DT2.9L4 (Stage V) Engine Only)	
605	1001222665	1	Fuel Harness (Deutz TD2.9L4 Engines Only) (Note: Machines requiring Ring Terminals at Pump) <b>(SN 0300182743 through 0300234668, SN B300001092 through B300002065)</b>	A
605	1001138491	NLA	Fuel Harness (Deutz TD2.9L4 Engine and Deutz DT2.9L4 (Stage V) Engine Only) (Use p/n 1001222665) (Note: Machines requiring Push-on Terminals at Pump) <b>(SN 0300234669 to Present, SN B300002066 to Present)</b>	D
605A	4460897	1	Receptacle, Female - 2 Position	
605A	4460941	2	Pin, Male	
605A	4460891	1	Plug, Male - 2 Position	



## SECTION 7 - ELECTRICAL

ITEM	PART NUMBER	QTY	DESCRIPTION	REV
605A	4460942	2	Socket, Female	
605B	1001116983	1	Receptacle, Female - 2 Position	
605B	1001116710	2	Terminal	
605B	4461054	2	Seal	
605C	4460932	1	Receptacle, Female - 4 Position	
605C	4460941	2	Pin, Male	
605C	4460464	2	Pin, Male	
606	1001143726	1	Deutz TD2.9L4 Engine and Deutz DT2.9L4 (Stage V) Engine Harness	K
606A	1001133956	1	Connector (Includes Cover, Locks and Retention Plate)	
606A	1001126352	6	Terminal	
606A	1001126353	6	Seal, Terminal	
606A	1001126384	19	Terminal	
606A	1001126351	3	Terminal	
606A	1001126356	63	Plug, Seal	
606A	1001126357	2	Plug, Seal	
606B	1001133957	1	Connector (Includes Cover, Locks and Retention Plate)	
606B	1001126384	17	Terminal	
606B	1001126351	13	Terminal	
606B	1001126356	19	Plug, Seal	
606B	1001126357	11	Plug, Seal	
606C	4461070	3	Receptacle, Female with Resistor (3 Position)	
606C	4461095	6	Plug, Male - 3 Position	
606C	4460944	6	Socket, Female	
606C	4460466	2	Seal, Plug	
606D	80484084	1	Receptacle, Female - 8 Position	
606D	8229242	1	Fuse - 5A	
606D	80983191	1	Fuse - 10A	
606D	1001147264	1	Cap	
606D	1001116727	8	Plug	
606D	4460458	4	Seal	
606E	1001116952	1	Plug, Male - 2 Position	
606E	4460465	2	Socket, Female	
606F	1001138110	1	Plug, Male - 2 Position	
606F	1001138111	2	Socket, Female	3-B
606F	1001138113	2	Seal	A
606G	2902443	1	Kit, Receptacle	
606G	4461071	8	Terminal, Female (Gold)	
606G	4461072	1	Connector, Flange Mount	
606G	4461073	1	Connector, Dust Cap	
606G	4461074	1	Connector, Shell	
606H	4460894	1	Plug, Male - 6 Position	
606H	4460465	3	Socket, Female	
606H	4460944	2	Socket, Female	
606H	4460466	1	Seal, Plug	
606J	4460930	1	Plug, Male - 8 Position	
606J	4460465	1	Socket, Female	
606J	4460466	7	Seal, Plug	
606K	4460884	1	Plug, Male - 4 Position (SN 0300182743 through 0300224697)	
606K	1001220379	1	Plug, Male - 4 Position (SN 0300224698 to Present)	
606K	4460884	1	Plug, Male - 4 Position (SN B300001092 through B300001655)	

## SECTION 7 - ELECTRICAL

ITEM	PART NUMBER	QTY	DESCRIPTION	REV
606K	1001220379	1	Plug, Male - 4 Position (SN B300001656 to Present)	
606K	4460465	2	Socket, Female	
606K	4460942	2	Socket, Female	
606K	4460932	1	Receptacle, Female - 4 Position	
606K	4460466	4	Seal, Plug	
606L	1001142938	1	Plug, Male - 2 Position	
606L	1001142940	2	Terminal, Female	
606L	1001142941	2	Seal	
606M	1001133714	1	Plug, Male - 4 Position	
606M	1001133715	3	Terminal, Female	
606M	1001135650	3	Seal	
606M	1001135651	NLA	Plug, Cavity (Use p/n 4461008)	
606N	1001126362	1	Receptacle, Female - 62 Position	
606N	1001126363	33	Terminal	
606N	1001126364	33	Seal	
606N	1001126391	23	Plug	
606N	4461008	4	Plug, Cavity	
606N	1001126365	2	Terminal	
606N	4461054	2	Seal	
606N	4460465	2	Socket, Female	
606N	1001151856	1	Elbow, Conduit	
606P	4460891	1	Plug, Male - 2 Position	
606P	4460465	2	Socket, Female	
606P	1001171403	1	Resistor Assembly	
607	1001143907	1	Alternator Power Cable (Deutz TD2.9L4 Engines and Deutz DT2.9L4 (Stage V) Engines)	
607	1001098764	1	Boot, Red (Deutz TD2.9L4 Engines)	
607	70004103	1	Cable, Alternator Interconnect (Not Shown - Connects item 602D to Alternator) (D2011 Engine Only)	
608	70025077	1	Harness, Engine (Deutz TD2.9L4 Engines)	
609	70002898	1	Harness, GM Engine (GM Engine Machines Only)	
609	7027989	1	Connector - 10 Pin	
610	See Note	NSS	Pump Harness (Note: Not Available for Purchase)	
610A	7007498	1	Plug	
611	4360517	1	Harness, Swivel Coupling Sensor (Includes Sensor)	
611A	4460320	1	Plug, Male - 2 Position	
611A	4460227	2	Pin, Male	
612	1001141137	1	Harness, Upper Valve (SN 0300182743 through 0300190436)	C
612	1001168025	1	Harness, Upper Valve (SN 0300190437 to Present)	B
612	1001168025	1	Harness, Upper Valve (SN B300001092 to Present)	B
612A	4460880	7	Connector, DIN (SN 0300182743 through 0300190436)	
612A	4460891	7	Plug, Male - 2 Position (SN 0300190437 to Present)	
612A	4460465	14	Socket, Female (SN 0300190437 to Present)	
612A	4460891	7	Plug, Male - 2 Position (SN B300001092 to Present)	
612A	4460465	14	Socket, Female (SN B300001092 to Present)	
612B	4460926	1	Connector - 21 Position	
612B	4460928	8	Socket, Female	
612B	4460918	8	Socket, Female	
612B	2820031	AR	Heat Shrink	
612C	4460911	2	Receptacle, Female - 3 Position	
612C	4460912	2	Lock Wedge - 3 Position	
612C	4460918	6	Pin, Male	

## SECTION 7 - ELECTRICAL

ITEM	PART NUMBER	QTY	DESCRIPTION	REV
612D	1560011	2	Connector, Strain Relief	
612D	1560012	2	Nut, Conduit	
613	1001133329	2	Switch, Tilt Sensor (Includes Tilt Sensor)	
613A	4460910	2	Plug, Male - 3 Position	
613A	4460917	6	Socket, Female	
613A	4460913	2	Lock, Wedge	
		Ref	<b>OPTIONAL HARNESS COMPONENTS</b>	
701	0257887	1	Alarm Harness (Includes Alarm)	
701	0140032	1	Alarm	
701	2820035	6 in/15cm	Loom	
701A	4460424	1	Plug, Male - 2 Position	
701A	4460268	2	Socket, Female	
702	2920161	1	Strobe (Amber) Light Harness (Includes Strobe Light)	
702B	4460891	1	Connector, Male - 2 Position (Strobe Light - 2920161)	
702B	4460465	2	Socket, Female (Strobe Light - 2920161)	
702C	1001142736	1	Strobe (Blue/Red) Light Harness (Module to Light) (Not Shown)	
702D	1001150944	1	Strobe (Blue/Red) Light Harness (Module to Ground Control Box) (Not Shown) <b>(SN 0300182743 through 0300217034)</b>	
703	1001149818	1	Strobe Light Extension Harness (Amber Light) <b>(SN 0300171628 to Present)</b>	D
703A	4460320	1	Connector, Female - 2 Position	
703A	4460267	2	Pin, Male	
703B	4460897	1	Connector, Female - 2 Position	
703B	4460464	2	Pin, Male	
704	See Note	NSS	Headlight and Taillight/Chassis Illumination Harness (Note: Not Available for Purchase)	
704	1060341	Ref	Cable, Electrical 16/2 Options:	
704	1060341	37 ft /11.3m	Headlights and Taillights	
704	1060341	40 ft /12.2m	Chassis Illumination Lights	
704A	3740049	1	Relay	
704A	4460259	3	Terminal	
704A	4460260	4	Housing, Terminal	
704A	4460297	1	Terminal	
704A	4922643	1	Lights Harness for Ground Control Box	C
704A	4460226	2	Socket, Female	
706		Ref	2500W Generator Electrical Diagram Options	
706	1001112743	AR	50Hz - Deutz D2011 Engines	B
706	1001112588	AR	60Hz - Deutz D2011 Engines	B
706	4933350	AR	60Hz - Ford & GM Engines	C
706A	4460321	1	Connector, Male - 4 Position (ANSI Spec Only)	
706A	4460906	1	Socket, Female	
706A	4460268	3	Socket, Female	
706B	4922641	1	Harness - On/Off Switch	D
706C	4460226	2	Socket, Female <b>(SN 0300182743 through 0300236015)</b>	
706C	4460268	2	Socket, Female <b>(SN 0300236016 to Present)</b>	
706D		Ref	Powermite Control Box to Relay Options:	
706D	1001112589	1	Deutz Engines	A
706D	4923445	1	Ford & GM Engines	A
706D	4460374	1	Plug, Sealed Relay	
706D	4460375	3	Terminal	

## SECTION 7 - ELECTRICAL

ITEM	PART NUMBER	QTY	DESCRIPTION	REV
706E	4460742	1	Plug, Male - 2 Position	
706E	4460743	1	Socket, Female	
706E	4460458	1	Seal, Terminal	
706F	4460961	1	Connector, Female - 4 Position (ANSI Spec Only)	
706F	4460705	4	Pin, Male	
706G	7020193	1	Harness, Generator Power	
707	4922741	1	Generator to Rear of Boom Harness (110V)	
707	4921955	1	Generator to Rear of Boom Harness (220V)	
		Ref	<b>Note: Harness used to connect AC at platform harness to Powermite Generator Control Box receptacle.</b>	
707A	4460205	1	Plug, Male	
707B	4460134	1	Receptacle, Female	
708		Ref	AC to Platform Receptacle Components Options:	
708	0272259	Ref	AC Cable to 110V GFI Receptacle at Platform Installation (ANSI, ANSI Export, CSA and Japanese Specs without Generator or with 2500W Generator)	C
708	0272260	Ref	AC Cable to 220V GFI Receptacle Platform Installation (ANSI, CSA and Japanese Spec without Generator or with 2500W Generator)	C
708	1001171131	Ref	240V Receptacle with GFCI used with 4000W Generator (Not Shown)	B
708	1001159121	Ref	240V Receptacle with GFCI used with 7500W Generator (Not Shown)	B
708	0256202	Ref	AC Cable Only/No Receptacle at Platform Installation (ANSI Export, Australian, CE and Japanese Specs without Generator or with 2500W Generator)	D
708	1001243560	Ref	AC Cable Only/No Receptacle at Platform Installation (China Specs Only)	A
708	1001243561	Ref	AC Cable Only/No Receptacle at Platform Installation (China Specs Only)	A
708	1001091969	Ref	AC Cable to 110V IEC Yellow Receptacle and Plug and Circuit Breaker (CE Spec without Generator) (Note: Requires 0256202 Cable Only Installation and Item 714 Breaker Box Installation)	C
708	1001100326	Ref	AC Cable to 110V IEC Yellow Receptacle and Plug and Circuit Breaker with 2500W Generator (Note: Requires 0256202 Cable Only Installation and Item 714 Breaker Box Installation)	D
708	1001194203	Ref	AC Cable to 110V IEC Yellow Receptacle and Plug and Circuit Breaker (CE Spec with 4000W Generator) <b>(SN 0300182743 through 0300213787)</b>	B
708	1001206253	Ref	AC Cable to 110V IEC Yellow Receptacle and Plug and Circuit Breaker (CE Spec with 4000W Generator) <b>(SN 0300213788 to Present)</b>	A
708	1001194203	Ref	AC Cable to 110V IEC Yellow Receptacle and Plug and Circuit Breaker (CE Spec with 4000W Generator) <b>(SN B300001092 through B300001458)</b>	B
708	1001206253	Ref	AC Cable to 110V IEC Yellow Receptacle and Plug and Circuit Breaker (CE Spec with 4000W Generator) <b>(SN B300001459 to Present)</b>	A
708	1001091970	Ref	AC Cable to 220V IEC Blue Receptacle and Plug and Circuit Breaker (CE Spec without Generator) (Note: Requires 0256202 Cable Only Installation and Item 714 Breaker Box installation)	C
708	1001100327	Ref	AC Cable to 220V IEC Blue Receptacle and Plug and Circuit Breaker (CE Spec with 2500W Generator) (Note: Requires 0256202 Cable Only Installation and Item 714 Breaker Box Installation)	D
708	1001194204	Ref	AC Cable to 220V IEC Blue Receptacle and Plug and Circuit Breaker (CE Spec with 4000W Generator) <b>(SN 0300182743 through 0300213787)</b>	B

## SECTION 7 - ELECTRICAL

ITEM	PART NUMBER	QTY	DESCRIPTION	REV
708	1001206254	Ref	AC Cable to 220V IEC Blue Receptacle and Plug and Circuit Breaker (CE Spec with 4000W Generator) <b>(SN 0300213788 to Present)</b>	A
708	1001194204	Ref	AC Cable to 220V IEC Blue Receptacle and Plug and Circuit Breaker (CE Spec with 4000W Generator) <b>(SN B300001092 through B300001458)</b>	B
708	1001206254	Ref	AC Cable to 220V IEC Blue Receptacle and Plug and Circuit Breaker (CE Spec with 4000W Generator) <b>(SN B300001459 to Present)</b>	A
708	1001091971	NLA	AC Cable to 220V CEE7 Post Ground Receptacle and Plug and Circuit Breaker (70mm x 70mm Box) (Use p/n 1001091973) (CE Spec without Generator) (Note: Requires 0256202 Cable Only Installation and Item 714 Breaker Box Installation)	C
708	1001100328	NLA	AC Cable to 220V CEE7 Post Ground Receptacle and Plug and Circuit Breaker (70mm x 70mm Box) (CE Spec with 2500W Generator) (Use p/n 1001100331) (Note: Requires 0256202 Cable Only Installation and Item 714 Breaker Box Installation)	D
708	1001091972	NLA	AC Cable to 220V CEE7 Side Ground Receptacle and Plug and Circuit Breaker (70mm x 70mm Box) (CE Spec without Generator) (Use p/n 1001091974) (Note: Requires 0256202 Cable Only Installation and Item 714 Breaker Box Installation)	C
708	1001100329	NLA	AC Cable to 220V CEE7 Side Ground Receptacle and Plug and Circuit Breaker (70mm x 70mm Box) (CE Spec with 2500W Generator) (Use p/n 1001100333) (Note: Requires 0256202 Cable Only Installation and Item 714 Breaker Box Installation)	D
708	1001091973	Ref	AC Cable to 220V CEE7 Post Ground Receptacle and Plug and Circuit Breaker (2 x 4 Box) (CE Spec without Generator) (Note: Requires 0256202 Cable Only Installation and Item 714 Breaker Box Installation)	F
708	1001100331	Ref	AC Cable to 220V CEE7 Post Ground Receptacle and Plug and Circuit Breaker (2 x 4 Box) (CE Spec with 2500W Generator) (Note: Requires 0256202 Cable Only Installation and Item 714 Breaker Box Installation)	E
708	1001194197	Ref	AC Cable to 220V CEE7 Post Ground Receptacle and Plug and Circuit Breaker (2 x 4 Box) (CE Spec with 4000W Generator) <b>(SN 0300182743 through 0300213787)</b>	B
708	1001206250	Ref	AC Cable to 220V CEE7 Post Ground Receptacle and Plug and Circuit Breaker (2 x 4 Box) (CE Spec with 4000W Generator) <b>(SN 0300213788 to Present)</b>	A
708	1001194197	Ref	AC Cable to 220V CEE7 Post Ground Receptacle and Plug and Circuit Breaker (2 x 4 Box) (CE Spec with 4000W Generator) <b>(SN B300001092 through B300001458)</b>	B
708	1001206250	Ref	AC Cable to 220V CEE7 Post Ground Receptacle and Plug and Circuit Breaker (2 x 4 Box) (CE Spec with 4000W Generator) <b>(SN B300001459 to Present)</b>	A
708	1001091974	Ref	AC Cable to 220V CEE7 Side Ground Receptacle and Plug and Circuit Breaker (2 x 4 Box) (CE Spec without Generator) (Note: Requires 0256202 Cable Only Installation and Item 714 Breaker Box Installation)	F
708	1001100333	Ref	AC Cable to 220V CEE7 Side Ground Receptacle and Plug and Circuit Breaker (2 x 4 Box) (CE Spec with 2500W Generator) (Note: Requires 0256202 Cable Only Installation and Item 714 Breaker Box Installation)	E
708	1001194198	Ref	AC Cable to 220V CEE7 Side Ground Receptacle and Plug and Circuit Breaker (2 x 4 Box) (CE Spec with 4000W Generator) <b>(SN 0300182743 through 0300213787)</b>	B
708	1001206251	Ref	AC Cable to 220V CEE7 Side Ground Receptacle and Plug and Circuit Breaker (2 x 4 Box) (CE Spec with 4000W Generator) <b>(SN 0300213788 to Present)</b>	A
708	1001194198	Ref	AC Cable to 220V CEE7 Side Ground Receptacle and Plug and Circuit Breaker (2 x 4 Box) (CE Spec with 4000W Generator) <b>(SN</b>	B

## SECTION 7 - ELECTRICAL

ITEM	PART NUMBER	QTY	DESCRIPTION	REV
708	1001206251	Ref	<b>B300001092 through B300001458)</b> AC Cable to 220V CEE7 Side Ground Receptacle and Plug and Circuit Breaker (2 x 4 Box) (CE Spec with 4000W Generator) <b>(SN B300001459 to Present)</b>	A
708	1001091975	Ref	AC Cable to 220V with AFSINT 107 Keyed Ground Receptacle and Plug and Circuit Breaker (2 x 4 Box) (CE Spec without Generator) (Note: Requires 0256202 Cable Only Installation and Item 714 Breaker Box Installation)	F
708	1001100337	Ref	AC Cable to 220V with AFSINT 107 Keyed Ground Receptacle and Plug and Circuit Breaker (2 x 4 Box) (CE Spec with 2500W Generator) (Note: Requires 0256202 Cable Only Installation and Item 714 Breaker Box Installation)	E
708	1001194200	Ref	AC Cable to 220V AFSINT 107 Keyed Ground Receptacle and Plug and Circuit Breaker (2 x 4 Box) (CE Spec with 4000W Generator) <b>(SN 0300182743 through 0300213787)</b>	B
708	1001206252	Ref	AC Cable to 220V AFSINT 107 Keyed Ground Receptacle and Plug and Circuit Breaker (2 x 4 Box) (CE Spec with 4000W Generator) <b>(SN 0300213788 to Present)</b>	A
708	1001194200	Ref	AC Cable to 220V AFSINT 107 Keyed Ground Receptacle and Plug and Circuit Breaker (2 x 4 Box) (CE Spec with 4000W Generator) <b>(SN B300001092 through B300001458)</b>	B
708	1001206252	Ref	AC Cable to 220V AFSINT 107 Keyed Ground Receptacle and Plug and Circuit Breaker (2 x 4 Box) (CE Spec with 4000W Generator) <b>(SN B300001459 to Present)</b>	A
708	1001194365	Ref	AC Receptacle - 220V (2 x 4 Box) (ANSI Export Spec) <b>(SN 0300182743 through 0300213787)</b>	B
708	1001206255	Ref	AC Receptacle - 220V (2 x 4 Box) (ANSI Export Spec) <b>(SN 0300213788 to Present)</b>	A
708	1001194365	Ref	AC Receptacle - 220V (2 x 4 Box) (ANSI Export Spec) <b>(SN B300001092 through B300001458)</b>	B
708	1001206255	Ref	AC Receptacle - 220V (2 x 4 Box) (ANSI Export Spec) <b>(SN B300001459 to Present)</b>	A
708A	0860038	1	Box, Switch - 0272259 & 0272260 Installations	
708A	Not Required	0	Box, Switch - 0256202 Installation (Note: Use Receptacle Kit or Purchase Locally)	
708A	0861781	1	Box, Switch - 1001091969, 1001091970, 1001100326, 1001100327, 1001194203, 1001194204, 1001206253, 1001206254 Installations	
708A	0861782	NLA	Box, Switch - 1001091971, 1001100328, 1001091972, 1001100329 Installations (Note: Use p/n 1001141970 CEE7 Side Ground Service Kit or p/n 1001141971 CEE7 Post Ground Service Kit. Kits Includes Box p/n 1001141967 and Items 708B, 708C, 708E & 708J)	
708A	0861731	1	Box, Switch - 0275452, 1001091969, 1001091970, 1001100326, 1001100327, 1001100345, 1001194197, 1001194198, 1001194200, 1001194365, 1001206250, 1001206251, 1001206252, 1001206255 Installations	
708A	1001141967	1	Box, Switch - 0275218, 1001100343, 1001100344, 1001141970 & 1001141971 Kits	
708B	4460346	1	Receptacle - 0272259 Installation	
708B	4460125	1	Receptacle - 0272260 Installation	
708B	Not Required	0	Receptacle - 0256202 Installation (Note: Use Receptacle Kit or Purchase Locally)	
708B	4461198	1	Receptacle - 1001091969, 1001100326, 1001194203, 1001206253 Installations	
708B	4461201	1	Receptacle - 1001091970, 1001100327, 1001194204, 1001206254 Installations	
708B	4461204	NLA	Receptacle - 0275218, 1001091971, 1001100328 Installations	

## SECTION 7 - ELECTRICAL

ITEM	PART NUMBER	QTY	DESCRIPTION	REV
708B	4461207	NLA	(Use p/n 1001100343) Receptacle - 1001091972, 1001100329 Installations (Use p/n 1001100344)	
708B	4461244	1	Receptacle - 0275452, 1001091973, 1001100331, 1001100345, 1001194197, 1001206250 Installations	
708B	4461245	1	Receptacle - 1001091974, 1001100333, 1001194198, 1001206251 Installations	
708B	4461246	1	Receptacle - 1001091975, 1001100337, 1001194200, 1001206252 Installations	
708B	1001141968	1	Receptacle - 1001100343 & 1001141971 Kits	
708B	1001141969	1	Receptacle - 1001100344 & 1001141970 Kits	
708C	1001110873	1	Shield, Cover - 0272259 Installation	
708C	4060092	1	Shield, Cover - 0272260 Installation	
708C	Not Required	0	Shield, Cover - 0256202 Installation (Purchase Locally)	
708C	See Note	NSS	Shield, Cover - 0275218, 0275452, 1001091973, 1001091974, 1001091975, 1001091969, 1001091970, 1001091971, 1001091972, 1001100331, 1001100333, 1001100337, 1001100326, 1001100327, 1001100328, 1001100329, 1001100345, 1001194197, 1001194198, 1001194200, 1001194203, 1001194204, 1001206250, 1001206251, 1001206252, 1001206253, 1001206254 Installations (Note: Shield Included with Receptacle - Purchase Item 708B)	
708C	1670603	1	Shield, Cover - 1001194365, 1001206255 Installations	
708C	3960422	1	Gasket, Cover (0272259 & 0272260 Installations Only)	
708D	4460051	1	Connector, Strain Relief - 0272259 & 0272260 Installations	
708D	Not Required	0	Connector, Strain Relief - 0256202 Installation (Note: Use Receptacle Kit or Purchase Locally)	
708D	1001101191	1	Connector, Strain Relief - 1001091969, 1001100326, 1001091970, 1001100327, 1001091971, 1001100328, 1001091972, 1001100329, 1001091973, 1001100331, 1001091974, 1001100333, 1001091975, 1001100337, 1001206250, 1001206251, 1001206252, 1001206253, 1001206254, 1001206255 Installations	
708D	4460968	1	Connector, Strain Relief - 1001194203 & 1001194204 Installations	
708D	4460662	1	Connector, Strain Relief - 1001194197, 1001194198 & 1001194200 Installations	
708E	4460205	1	Plug, Male - 0272259 Installation	
708E	4460233	1	Plug, Male - 0272260 Installation	
708E	Not Required	0	Plug, Male - 0256202 Installation (Note: Use Receptacle Kit or Purchase Locally)	
708E	4461196	1	Plug, Male - 1001091969 Installation	
708E	4461199	1	Plug, Male - 1001091970 Installation	
708E	4461202	NLA	Plug, Male (Use p/n 4461205) - 0275218, 0275452, 1001091971, 1001100345, 1001091973 Installations & 1001100343 & 1001141971 Kits	
708E	4461205	1	Plug, Male - 1001091972, 1001091974 Installations & 1001100344 & 1001141970 Kits	
708E	4461249	1	Plug, Male - 1001091975 Installation	
708E	Not Required	0	Plug, Male - 1001100326, 1001100327, 1001100328, 1001100329, 1001100331, 1001100333 & 1001100337 Installations	
708F	4460205	AR	Plug, Male - 0272259 Installation	
708F	1001213584	AR	Plug, Male - 0272259 Installation	
708F	4460233	AR	Plug, Male - 0272260 Installation	
708F	1001213584	AR	Plug, Male - 0272260 Installation	
708F	4460709	AR	Plug, Male - 0256202, 1001091969, 1001100326, 1001091970,	

## SECTION 7 - ELECTRICAL

ITEM	PART NUMBER	QTY	DESCRIPTION	REV
708F	1001213584	AR	1001100327, 1001091971, 1001100328, 1001091972, 1001100329, 1001091973, 1001100331, 1001091974, 1001100333, 1001091975 & 1001100337 Installations Plug, Male - 0256202 Installation <b>(SN 0300236825 to Present, SN B300002256 to Present)</b>	
708F	4460692	1	Plug, Male - 1001160272 Installation	
708F	4460959	1	Plug, Male - 0272433 Installation	
708F	1001213584	1	Plug, Male - 1001243560 Installation	
708G	4460134	1	Connector, Female - 0272259 Installation	
708G	1001213585	1	Connector, Female - 0272259 Installation	
708G	1001213585	1	Connector, Female - 1001213560 Installation	
708G	4460701	1	Connector, Female - 0272260 Installation	
708G	1001213585	1	Connector, Female - 0272260 Installation	
708G	4460710	AR	Connector, Female - 0256202, 1001091969, 1001100326, 1001091970, 1001100327, 1001091971, 1001100328, 1001091972, 1001100329, 1001091973, 1001100331, 1001091974, 1001100333, 1001091975 & 1001100337 Installations	
708G	1001213585	AR	Connector, Female - 0256202 Installation <b>(SN 0300236825 to Present, SN B300002256 to Present)</b>	
708G	1001213585	1	Connector, Female - 1001213560 Installation	
708H	1001101196	1	Connector, Adapter - 1001091969, 1001100326, 1001091970, 1001100327, 1001091971, 1001100328, 1001091972, 1001100329, 1001206253, 1001206254 Installations	
708H	1001101197	1	Connector, Adapter - 1001091973, 1001100331, 1001091974, 1001091975, 1001100337, 1001206250, 1001206251, 1001206251, 1001206253, 1001206255 Installations	
708J	4461197	1	Receptacle, Female - 1001100326 Installation (CE Specs with 2500W Generator Control Box Only)	
708J	4461200	1	Receptacle, Female - 1001100327 Installation (CE Specs with 2500W Generator Control Box Only)	
708J	4461203	1	Receptacle, Female - 1001100328, 1001100331 & 1001100345 Installations & 1001100343 & 1001141971 Kits (CE Specs with 2500W Generator Control Box Only)	
708J	4461206	1	Receptacle, Female - 1001100329 & 1001100333 Installations & 1001100344 & 1001141970 Kits (CE Specs with 2500W Generator Control Box Only)	
708J	4461250	1	Receptacle, Female - 1001100337 Installation (CE Specs with 2500W Generator Control Box Only)	
708K	0275216	1	Receptacle Box Kit - 110V IEC Yellow (1001091969 Installation) (For CE Machines without 2500W Generator Only) (Includes Items 708A, 708B, 708C & 708E)	1
708K	0275217	1	Receptacle Box Kit - 220V IEC Blue (1001091970 Installation) (For CE Machines without 2500W Generator Only) (Includes Items 708A, 708B, 708C & 708E)	1
708K	0275218	NLA	Receptacle Box Kit - 220V CEE7 Post Ground (1001091971 Installation) (Use p/n 1001100343) (For CE Machines without 2500W Generator Only) (Includes Items 708A, 708B, 708C & 708E)	C
708K	0275219	NLA	Receptacle Box Kit - 220V CEE7 Side Ground (1001091972 Installation) (Use p/n 1001100344) (Use p/n 1001100343) (For CE Machines without 2500W Generator Only) (Includes Items 708A, 708B, 708C & 708E)	B
708K	0275452	1	Receptacle Box Kit - 220V CEE7 Post Ground (1001091973 Installation) (For CE Machines without 2500W Generator Only) (Includes Items 708A, 708B, 708C & 708E)	C
708K	0275453	1	Receptacle Box Kit - 220V CEE7 Side Ground (1001091974 Installation) (For CE Machines without 2500W Generator Only)	1



## SECTION 7 - ELECTRICAL

ITEM	PART NUMBER	QTY	DESCRIPTION	REV
708K	0275454	1	(Includes Items 708A, 708B, 708C & 708E) Receptacle Box Kit - 220V AFSINT 107 Keyed Ground (1001091975 Installation) (For CE Machines without 2500W Generator Only) (Includes Items 708A, 708B, 708C & 708E)	1
708K	1001100341	1	Receptacle Box Kit - 110V IEC Yellow (1001100326 Installation) (For CE Machines with 25000W Generator Only) (Includes Items 708A, 708B, 708C, 708E & 708J)	2
708K	1001100342	1	Receptacle Box Kit - 220V IEC Blue (1001100327 Installation) (For CE Machines with 2500W Generator Only) (Includes Items 708A, 708B, 708C, 708E & 708J)	2
708K	1001091971	NLA	Receptacle Box Kit - 220V CEE7 Post Ground (1001100328 Installation) (Use p/n 1001100343 Kit) (For CE Machines with 2500W Generator Only) (Includes Items 708A, 708B, 708C, 708E & 708J)	B
708K	1001091970	NLA	Receptacle Box Kit - 220V CEE7 Side Ground (1001100329 Installation) (Use p/n 1001100344 Kit) (For CE Machines with 2500W Generator Only) (Includes Items 708A, 708B, 708C, 708E & 708J)	B
708K	1001100345	1	Receptacle Box Kit - 220V CEE7 Post Ground (1001100331 Installation) (For CE Machines with 2500W Generator Only) (Includes Items 708A, 708B, 708C, 708E & 708J)	C
708K	1001100347	1	Receptacle Box Kit - 220V CEE7 Side Ground (1001100333 Installation) (For CE Machines with 2500W Generator Only) (Includes Items 708A, 708B, 708C, 708E & 708J)	2
708K	1001100346	1	Receptacle Box Kit - 220V AFSINT 107 Keyed Ground (1001100337 Installation) (For CE Machines with 2500W Generator Only) (Includes Items 708A, 708B, 708C, 708E & 708J)	2
708L	1001156351	2	Cover, Connector - 0256202 Installation <b>(SN 0300182743 through 0300236824, SN B300001092 through B300002255)</b>	
708M	1001156352	1	Cover, Plug - 0256202 Installation <b>(SN 0300182743 through 0300236824, SN B300001092 through B300002255)</b>	
708N	1001193018	1	Bracket, Receptacle Box - 1001091969, 1001091970, 1001091971, 1001091972, 1001091973, 1001091974, 1001091975, 1001100326, 1001100327, 1001100328, 1001100329, 1001100331, 1001100333, 1001100337, 1001194203, 1001194204, 1001194197, 1001194198, 1001194200, 1001194365, 1001206250, 1001206251, 1001206252, 1001206253, 1001206254, 1001206255 Installations <b>(SN 0300201003 to Present)</b>	
708N	1001193018	1	Bracket, Receptacle Box - 1001091969, 1001091970, 1001091971, 1001091972, 1001091973, 1001091974, 1001091975, 1001100326, 1001100327, 1001100328, 1001100329, 1001100331, 1001100333, 1001100337, 1001194203, 1001194204, 1001194197, 1001194198, 1001194200, 1001194365, 1001206250, 1001206251, 1001206252, 1001206253, 1001206254, 1001206255 Installations <b>(SN B300001180 to Present)</b>	
709	1001153309	Ref	4000W Generator Installation - Deutz D2011 Engine (60Hz)	B
709	1001153310	Ref	4000W Generator Installation - Deutz D2011 Engine (50Hz)	F
709	1001171127	Ref	4000W Generator Installation - Deutz DT2.9L4 Engine (60Hz)	C
709	1001171269	Ref	4000W Generator Installation - Deutz DT2.9L4 Engine and Deutz TD2.9L4 (Stage V) Engine (50Hz)	E
709	1001139960	Ref	4000W Generator Installation - GM Engine	B
709	1001115388	Ref	7500W SkyPower Generator Installation - Deutz D2011 Engine (60Hz)	F
709	1001115394	Ref	7500W SkyPower Generator Installation - Deutz D2011 Engine (50Hz)	F
709	1001148563	Ref	7500W SkyPower Generator Installation - Deutz DT2.9L4 Engine (60Hz)	E

## SECTION 7 - ELECTRICAL

ITEM	PART NUMBER	QTY	DESCRIPTION	REV
709	1001148564	Ref	7500W SkyPower Generator Installation - Deutz DT2.9L4 Engine and Deutz DT2.9L4 (Stage V) Engine (50Hz)	E
709	1001219618	Ref	7500W SkyPower Generator Installation - Ford Engine	D
709	0275257	Ref	7500W SkyPower Generator Installation - GM Engine	H
709B	3960422	1	Gasket - 60Hz Spec	
709B	See Note	Ref	Gasket - 50Hz Spec (Note: Not Available - Purchase Locally)	
709C	1001110873	Ref	Cover, Receptacle - 60Hz Spec (Top Hinged Cover)	
709C	See Note	Ref	Cover, Receptacle - 50Hz Spec (Note: Not Available - Purchase Locally)	
709E	4460346	Ref	Receptacle - 60Hz Spec	
709E	See Note	Ref	Receptacle - 50Hz Spec (Note: Not Available - Purchase Locally)	
709G	4460071	1	Connector, Strain Relief	
709H	1001152532	Ref	Harness, Generator - 4000W Generator	A
709H	4922925	1	Harness, Generator - 7500W SkyPower Generator	C
709J	See Note	NSS	Plug, Male - 6 Position - 7500W SkyPower Generator (Note: Not Available for Purchase)	
709J	77363233	1	Plug, Male - 6 Position - 4000W SkyPower Generator	
709J	77363229	6	Socket, Female - 7500W SkyPower Generator	
709J	4460465	2	Socket, Female - 4000W Generator	
709K	4460225	1	Plug, Male - 6 Position	
709K	4460226	6	Socket, Female - 7500W SkyPower Generator	
709K	4460268	2	Socket, Female - 4000W Generator	
709K	4460807	1	Seal - 4000W Generator	
709K	4460808	1	Seal - 4000W Generator	
709L	See Note	AR	Breaker Box Kit (4000K 50 Hz Generators) (Note: See Item 714C for Replacement Parts)	
710	1001152457	Ref	4000W Generator Junction Box Components (60Hz) (Call-out # Not Shown)	B
710	1001152458	Ref	4000W Generator Junction Box Components (50Hz) (Call-out # Not Shown)	B
710	1001157592	Ref	7500W SkyPower Generator Junction Box Components (60Hz) (Call-out # Not Shown)	D
710	1001157525	Ref	7500W SkyPower Generator Junction Box Components (50Hz) (Call-out # Not Shown)	D
710A	1060494	2 ft/.6m	Cable, Electrical 12/3 - 60Hz Spec <b>(SN 0300182743 through 0300205490)</b>	
710A	1001179154	2.5 ft / .76m	Cable, Electrical 12/3 - 60Hz Spec <b>(SN 0300205491 to Present)</b>	
710A	1060494	2 ft/.6m	Cable, Electrical 12/3 - 60Hz Spec <b>(SN B300001092 through B300001245)</b>	
710A	1001179154	2.5 ft / .76m	Cable, Electrical 12/3 - 60Hz Spec <b>(SN B300001246 to Present)</b>	
710C	1060343	1.5 ft / .46m	Cable, Electrical 10/4 (7500W/60Hz Spec Only)	
710D	4460425	1	Connector, Strain Relief	
710E	4460426	2	Connector, Strain Relief (60Hz Spec Only)	
710E	4460426	1	Connector, Strain Relief (50Hz Spec Only)	
710E	3520189	1	Plug (50Hz Spec Only)	
710F	1671092	1	Cover (7500W/60Hz Spec Only)	
710F	4460963	1	Connector (7500W/60Hz Spec Only)	
711	1001153025	Ref	4000W Generator Electrical Diagram (50Hz) (Deutz Engines) (ANSI Export & Japanese Specs) <b>(SN 0300182743 through 0300204764, SN B300001092 through B300001327)</b>	C
711	1001194437	Ref	4000W Generator Electrical Diagram (50Hz) (Deutz Engines) (ANSI Export & Japanese Specs) <b>(SN 0300204765 to Present,</b>	B

## SECTION 7 - ELECTRICAL

ITEM	PART NUMBER	QTY	DESCRIPTION	REV
			<b>SN B300001328 to Present)</b>	
711	1001159648	Ref	4000W Generator Electrical Diagram (50Hz) (Deutz Engines) (Australian Specs)	C
711	1001153025	Ref	4000W Generator Electrical Diagram (50Hz) (Deutz Engines) (CE Specs)	C
711	1001160271	Ref	4000W Generator Electrical Diagram (50Hz) (Deutz Engines) (CE UK Specs)	C
711	1001132055	Ref	4000W Generator Electrical Diagram (60Hz) (Deutz D2011 & GM Engines)	A
711	1001132055	Ref	4000W Generator Electrical Diagram (60Hz) (Deutz DT2.9L4 Engines) <b>(SN 0300182743 through 0300213719, SN B300001092 through B300001596)</b>	A
711	1001153257	Ref	4000W Generator Electrical Diagram (60Hz) (Deutz DT2.9L4 Engines) <b>(SN 0300213720 to Present, SN B300001597 to Present)</b>	A
711	1001157769	Ref	7500W SkyPower Generator Electrical Diagram - 50Hz - Deutz Engine Machines (Call-out # Not Shown)	B
711	1001157770	Ref	7500W SkyPower Generator Electrical Diagram - 60Hz - Deutz Engine Machines (Call-out # Not Shown)	A
711	1001221498	Ref	7500W SkyPower Generator Electrical Diagram - 60Hz - Ford Engine Machines (Call-out # Not Shown)	A
711	1001157768	Ref	7500W SkyPower Generator Electrical Diagram - 60Hz - GM Engine Machines (Call-out # Not Shown)	A
711A	1001153197	1	Generator Harness - 4000W Generator (Deutz D2011 & GM Engines)	B
711A	1001153197	1	Generator Harness - 4000W Generator (Deutz DT2.9L4 Engines) <b>(SN 0300182743 through 0300213719, SN B300001092 through B300001596)</b>	B
711A	1001153259	1	Generator Harness - 4000W Generator (Deutz DT2.9L4 and Deutz DT2.9L4 (Stage V) Engines) <b>(SN 0300213720 to Present, SN B300001597 to Present)</b>	B
711A	1001152429	1	Generator Harness - 7500W/50Hz SkyPower Generator (Deutz Engine Machines)	C
711A	1001119968	1	Generator Harness - 7500W/60Hz SkyPower Generator (Deutz Engine Machines)	C
711A	1001221208	1	Generator Harness - 7500W SkyPower Generator (Ford Engine Machines)	A
711A	4923420	1	Generator Harness - 7500W SkyPower Generator (GM Engine Machines)	A
711B	4460374	2	Plug, Sealed Relay (7500W SkyPower Generator with GM Engines Only)	
711B	4460375	7	Terminal (7500W SkyPower Generator with GM Engines Only)	
711C	4460967	1	Plug, Male - 3 Position	
711C	4460465	3	Socket, Female	
711D	4460742	1	Plug, Male - 2 Position (4000W/60Hz Generator)	
711D	4460743	2	Socket, Female (4000W/60Hz Generator)	
711D	4460458	1	Seal (4000W/60Hz Generator)	
711D	1001116727	1	Seal (4000W/60Hz Generator)	
711D	4460742	1	Plug, Male - 2 Position (7500W SkyPower Generator 50Hz Deutz & 60Hz - Ford & GM Engines Only)	
711D	4460743	2	Socket, Female (7500W SkyPower Generator 50Hz Deutz & 60Hz - Ford & GM Engines Only)	
711D	4460458	2	Seal (7500W SkyPower Generator 50Hz Deutz & 60Hz - Ford & GM Engines Only)	
711E	2400060	1	Fuseholder (50Hz Deutz & 60Hz - Ford & GM Engines)	
711E	2400064	1	Fuse - 5Amp (50Hz Deutz & 60Hz - Ford & GM Engines)	
711E	1001117078	1	Fuseholder (Includes Fuse and Cap) (60Hz - Deutz Engine)	

## SECTION 7 - ELECTRICAL

ITEM	PART NUMBER	QTY	DESCRIPTION	REV
711E	See Note	NSS	Fuse - 5Amp (60Hz - Deutz Engines) (Note: Use 1001117078 Assembly or Purchase Fuse Locally)	
711E	1001096134	1	Cover, Fuseholder (60Hz - Deutz Engines)	
711F	4922641	1	Switch Harness	
711G	1001164091	1	Ground Harness (50Hz Generators) (Not Shown)	
712	4933249	1	Floodlights Harness Components	2-A
712A	4460320	2	Plug, Male - 2 Position	
712A	4460227	4	Pin, Male	
712B	4922764	1	Floodlight Harness (Lights to Switch)	B
712C	4460424	2	Connector, Female - 2 Position	
712C	4460226	4	Socket, Female	
712D	4360232	1	Circuit Breaker - 15Amp	
712E	1060977	1	Cord, 2 Wire Coiled (Console Box Circuit Breaker to Switch)	
712F	4460425	1	Connector, Strain Relief	
712G	4922883	1	Harness, Console Box to Aux Relay	
712G	1060708	120 ft /36.6m	10/3 Cable	
713		Ref	Platform Worklights Components	
713A	2920140	NLA	Platform Worklights External Harness (Use p/n 1001222838) (Includes Light and Wire Only) <b>(SN 0300182743 through 0300258641, SN B300001092 through B300003937)</b>	
713A	1001232838	1	Worklight w/Switch Kit <b>(SN 0300258642 to Present, SN B300003938 to Present)</b>	
713B	4460426	1	Connector, Strain Relief	
713C		Ref	Fuse Options:	
713C	2400070	1	20Amp Fuse (2 Worklights)	
713C	2400065	1	30Amp Fuse (4 Worklights)	
713C	2400066	1	Holder, Fuse	
713D	4922874	Ref	Harness, Console Box to Connector Options:	
713D	4922874	1	2 Worklights	
713D	4922874	3	4 Worklights	
713D	1060708	11 ft/3.4m	10/3 Cable (1 per Harness)	
713E		Ref	Harness, Connector to Aux Relay Options:	
713E	4922873	1	Harness, Connector to Aux Relay 800S Harness (85ft/25.9m of 10/3 Cable p/n 1060708)	
713E	4922877	1	Harness, Connector to Aux Relay 860SJ Harness (92ft/28m of 10/3 Cable p/n 1060708)	
713F	1001098234	1	Connector, Female - 3 Position (Platform Worklights Only)	
713G	1001098349	1	Connector, Male - 3 Position (Platform Worklights Only)	
714		Ref	AC Cable with Breaker (Required Only on CE Spec Installations)	
714	1001091790	Ref	Without Powermite Generator <b>(SN 0300182743 through 0300191622)</b>	D
714	1001177711	Ref	Without Powermite Generator <b>(SN 0300191623 to Present)</b>	C
714	1001177711	Ref	Without Powermite Generator <b>(SN B300001092 to Present)</b>	C
714	1001109559	Ref	With Powermite Generator <b>(SN 0300182743 through 0300191622)</b>	A
714	1001177712	Ref	With Powermite Generator <b>(SN 0300191623 to Present)</b>	C
714	1001177712	Ref	With Powermite Generator <b>(SN B300001092 to Present)</b>	C
714	1001188332	Ref	Circuit Breaker Installation	A
714A	0903484	1	Bracket, Receptacle Box Mounting	
714A	0641416	2	Bolt 1/4in-20NC x 2in	
714A	3311405	2	Locknut 1/4in-20NC	
714A	4711400	4	Flatwasher 1/4in (Narrow)	

## SECTION 7 - ELECTRICAL

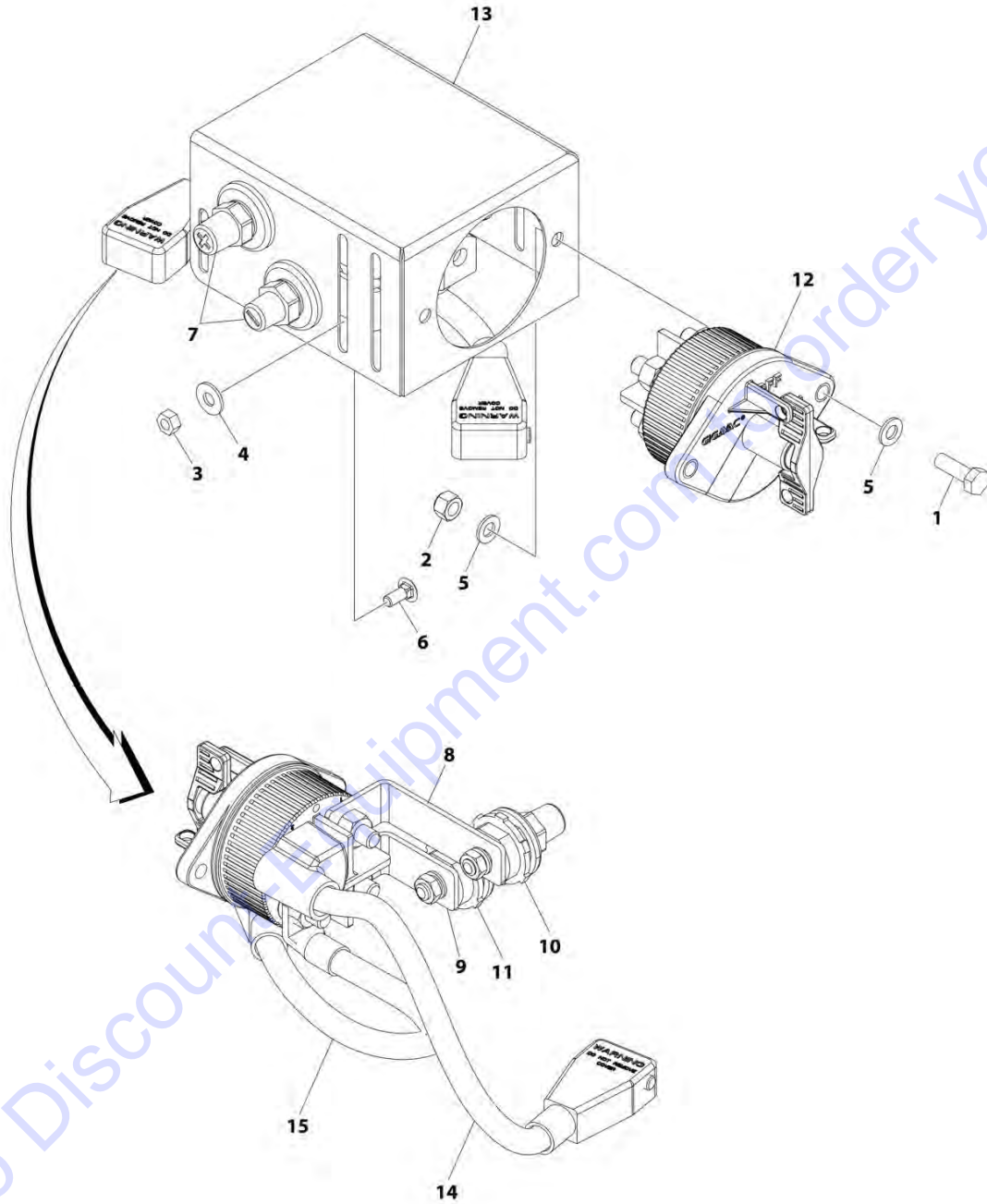
ITEM	PART NUMBER	QTY	DESCRIPTION	REV
714B	0903697	1	Bracket, Circuit Breaker Mounting (SN 0300182743 through 0300191622)	
714B	1001177910	1	Bracket, Circuit Breaker Mounting (SN 0300191623 to Present)	
714B	1001177910	1	Bracket, Circuit Breaker Mounting (SN B300001092 to Present)	
714B	0641412	2	Bolt 1/4in-20NC x 1-1/2in	
714B	3311405	2	Locknut 1/4in-20NC	
714B	4711400	4	Flatwasher 1/4in (Narrow)	
714C		Ref	Kit, Box and Breaker (Required on CE Spec Installations):	
714C	1001109654	AR	Machines without Powermite Generator Control Box	B
714C	1001109648	AR	Machines with Powermite Generator Control Box	B
714C	1001096070	1	Machines with 4000W Generators (SN 0300182743 through 0300214274, SN B300001092 through B300001596)	E
714C	1001165368	1	Machines with 4000W Generators (SN 0300214275 to Present, SN B300001597 to Present)	B
714C		Ref	Circuit Breaker Options:	
714C	1001109477	NLA	Circuit Breaker 10A (Use p/n 1001181046) (SN 0300182743 through 0300204764)	
714C	1001109475	NLA	Circuit Breaker 16A (Use p/n 1001181045) (SN 0300182743 through 0300204764)	
714C	1001109482	NLA	Circuit Breaker 30mA (Use p/n 1001181046 When Paired with 10A Breaker / Use p/n 1001181045 When Paired with 16A Breaker) (SN 0300182743 through 0300204764)	
714C	1001181046	1	Circuit, Breaker 10A/30mA Combination (SN 0300204765 to Present)	
714C	1001181045	1	Circuit, Breaker 16A/30mA Combination (SN 0300204765 to Present)	
714C	1001109477	NLA	Circuit Breaker 10A (Use p/n 1001181046) (SN B300001092 through B300001232)	
714C	1001109475	NLA	Circuit Breaker 16A (Use p/n 1001181045) (SN B300001092 through B300001232)	
714C	1001109482	NLA	Circuit Breaker 30mA (Use p/n 1001181046 When Paired with 10A Breaker / Use p/n 1001181045 When Paired with 16A Breaker) (SN B300001092 through B300001232)	
714C	1001181046	1	Circuit, Breaker 10A/30mA Combination (SN B300001233 to Present)	
714C	1001181045	1	Circuit, Breaker 16A/30mA Combination (SN B300001233 to Present)	
714C	0861880	1	Breaker Box	
714C	4460956	1	Terminal, Block End Barrier	
714C	1060908	6 ft/1.8m	Cable, Extension	
714C	4460957	1	Terminal Block	
714D		Ref	Connector, Strain Relief Options:	
714D	1001101191	1	Top (With or Without Powermite Generator)	
714D	1001097150	1	Bottom (With or Without Powermite Generator)	
714D	1001097150	2	Top & Bottom (4000W Generators) (SN 0300182743 through 0300214275, SN B300001092 through B300001596)	
714D	1001101191	2	Top & Bottom (4000W Generators) (SN 0300214275 to Present, SN B300001597 to Present)	
714D	0641406	2	Bolt 1/4in-20NC x 3/4in	
714D	3311405	2	Locknut 1/4in-20NC	
714D	4711400	4	Flatwasher 1/4in (Narrow)	
714E	1060908	12 ft/3.6m	Cable, Electrical 12/3	
714E	1060545	12 ft/3.6m	Cable, Electrical 10/3	

## SECTION 7 - ELECTRICAL

ITEM	PART NUMBER	QTY	DESCRIPTION	REV
714F	4460709	1	Plug, Male (CE Specs Only)	
714F	1001213584	1	Plug, Male (CE Specs Only) (1001177711 & 1001177712 Installations) <b>(SN 0300236825 to Present, SN B300002256 to Present)</b>	
714G	4460710	1	Connector, Female (CE Specs Only)	
714G	1001213585	1	Connector, Female (CE Specs Only) (1001177711 & 1001177712 Installations) <b>(SN 0300236825 to Present, SN B300002256 to Present)</b>	
715	1001094509	1	Generator Hourmeter Harness	
		Ref	<b>TOOLS</b>	
801	7002821	1	Crimper (For Wire to Pin/Socket Connections) (Not Shown)	
802	7002823	1	Extractor (For Removal of Pin/Socket from Connectors) (Not Shown)	
803	4460467	1	Extractor, Pin (Blue 16-18 Gauge) (For Removal of Pin/Socket from Connectors) (Not Shown)	
804	4460510	1	Extractor, Pin (Yellow 12-14 Gauge) (For Removal of Pin/Socket from Connectors) (Not Shown)	
805	7002828	1	Stripper, Wire (Not Shown)	
806	2901443	1	Analyzer Kit (Not Shown)	
806A	1600244	1	Analyzer	
806B	1060633	1	Cable, Analyzer	1-A
806C	4460321	2	Plug, Male	
806C	4460226	8	Socket, Female	

# SECTION 7 - ELECTRICAL

## FIGURE 7-3. BATTERY DISCONNECT SWITCH INSTALLATION



ART\_1001236304

## SECTION 7 - ELECTRICAL

**FIGURE 7-3. BATTERY DISCONNECT SWITCH INSTALLATION**

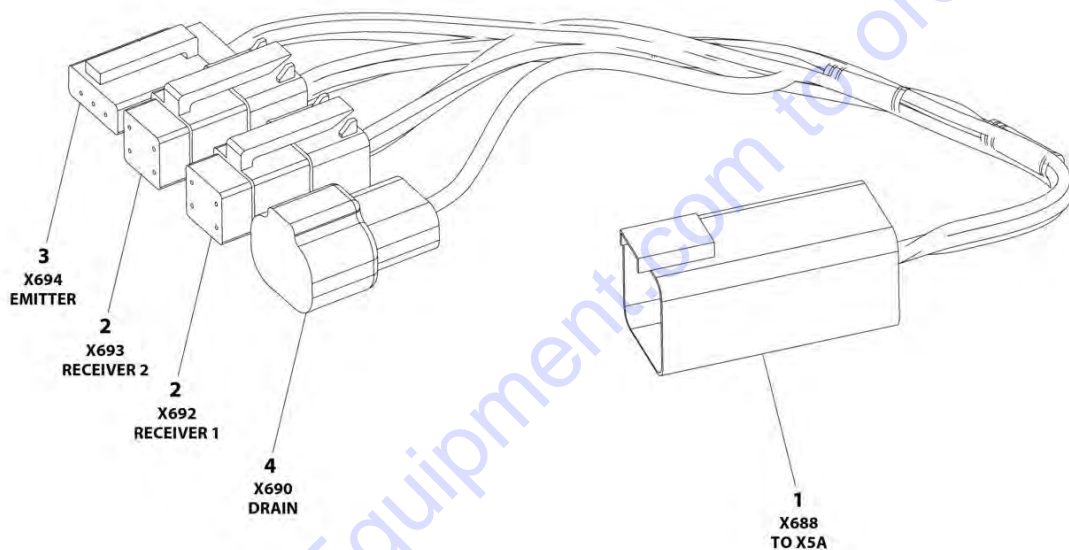
ITEM	PART NUMBER	QTY	DESCRIPTION	REV
	1001236304	Ref	BATTERY DISCONNECT SWITCH INSTALLATION	A
1	0760812	2	Bolt M8 x 25	
2	3290805	2	Nut M8	
3	3311405	3	Nut 1/4	
4	4751400	3	Washer 1/4	
5	4811900	4	Washer M8	
6	88411013	3	Bolt 1/4 x 3/4	
7	1001206476	1	Connectors, Post	
8	1001209432	1	Bussbar	
9	1001209474	1	Bussbar	
10	1001214570	1	Connector (Red)	
11	1001214571	1	Connector (Black)	
12	1001225346	1	Switch, Battery	
13	1001226531	1	Mount	
14	1001236504	1	Cable, Battery (+)	
15	1001236505	1	Cable, Battery (-)	

Go to Discount-Equipment.com to order your parts



# SECTION 7 - ELECTRICAL

## FIGURE 7-4. SKYEYE INTERMEDIATE HARNESS



ART\_1001237865

## SECTION 7 - ELECTRICAL

**FIGURE 7-4. SKYEYE INTERMEDIATE HARNESS**

ITEM	PART NUMBER	QTY	DESCRIPTION	REV
	1001237865	Ref	SKYEYE INTERMEDIATE HARNESS	A
1	4460899	1	Connector - 6 Position	
1	4460943	4	Pin, Male	
1	4460466	2	Plug, Terminal	
2	4461077	2	Connector - 4 Position	
2	1001119619	8	Socket, Female	
3	4460911	1	Connector - 3 Position	
3	1001119619	3	Socket, Female	
4	1001187681	1	Connector - 2 Position	
4	4460941	1	Pin, Male	
4	4460466	1	Plug, Terminal	

Go to Discount-Equipment.com to order your parts

# PARTS FINDER

**Search Website  
by Part Number**



**Search Manual  
Library For Parts  
Manual & Lookup Part  
Numbers – Purchase  
or Request Quote**

**Can't Find Part or  
Manual? Request Help  
by Manufacturer,  
Model & Description**

Discount-Equipment.com is your online resource for quality parts & equipment.

Florida: **561-964-4949** Outside Florida TOLL FREE: **877-690-3101**

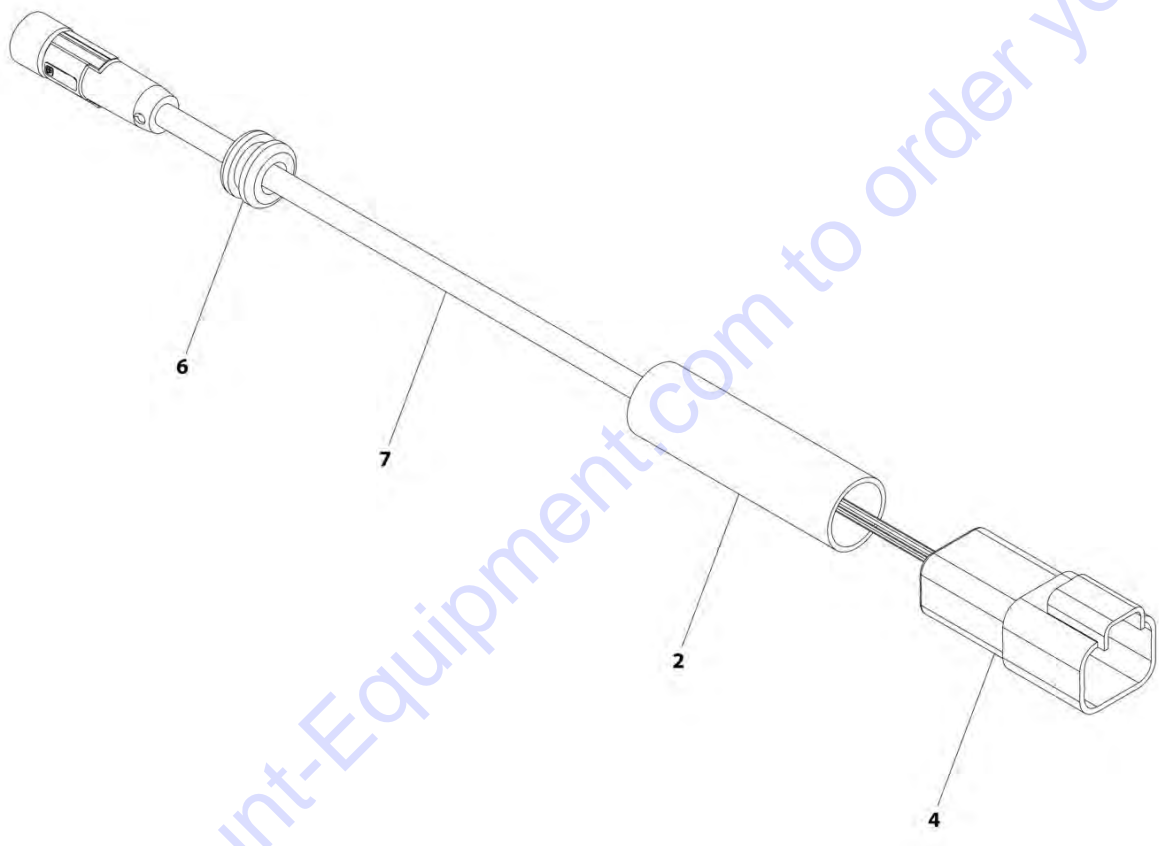
**Need parts?**

Click on this link: <http://www.discount-equipment.com/category/5443-parts/> and choose one of the options to help get the right parts and equipment you are looking for. Please have the machine model and serial number available in order to help us get you the correct parts. If you don't find the part on the website or on one of the online manuals, please fill out the request form and one of our experienced staff members will get back to you with a quote for the right part that your machine needs.

We sell worldwide for the brands: Genie, Terex, JLG, MultiQuip, Mikasa, Essick, Whiteman, Mayco, Toro Stone, Diamond Products, Generac Magnum, Airman, Haulotte, Barreto, Power Blanket, Nifty Lift, Atlas Copco, Chicago Pneumatic, Allmand, Miller Curber, Skyjack, Lull, Skytrak, Tsurumi, Husquvarna Target, Stow, Wacker, Sakai, Mi-T-M, Sullair, Basic, Dynapac, MBW, Weber, Bartell, Bennar Newman, Haulotte, Ditch Runner, Menegotti, Morrison, Contec, Buddy, Crown, Edco, Wyco, Bomag, Laymor, EZ Trench, Bil-Jax, F.S. Curtis, Gehl Pavers, Heli, Honda, ICS/PowerGrit, IHI, Partner, Imer, Clipper, MMD, Koshin, Rice, CH&E, General Equipment, Amida, Coleman, NAC, Gradall, Square Shooter, Kent, Stanley, Tamco, Toku, Hatz, Kohler, Robin, Wisconsin, Northrock, Oztec, Toker TK, Rol-Air, APT, Wylie, Ingersoll Rand / Doosan, Innovatech, Con X, Ammann, Mecalac, Makinex, Smith Surface Prep, Small Line, Wanco, Yanmar

# SECTION 7 - ELECTRICAL

## FIGURE 7-5. SKYEYE RECEIVER HARNESS



ART\_1001237863

## SECTION 7 - ELECTRICAL

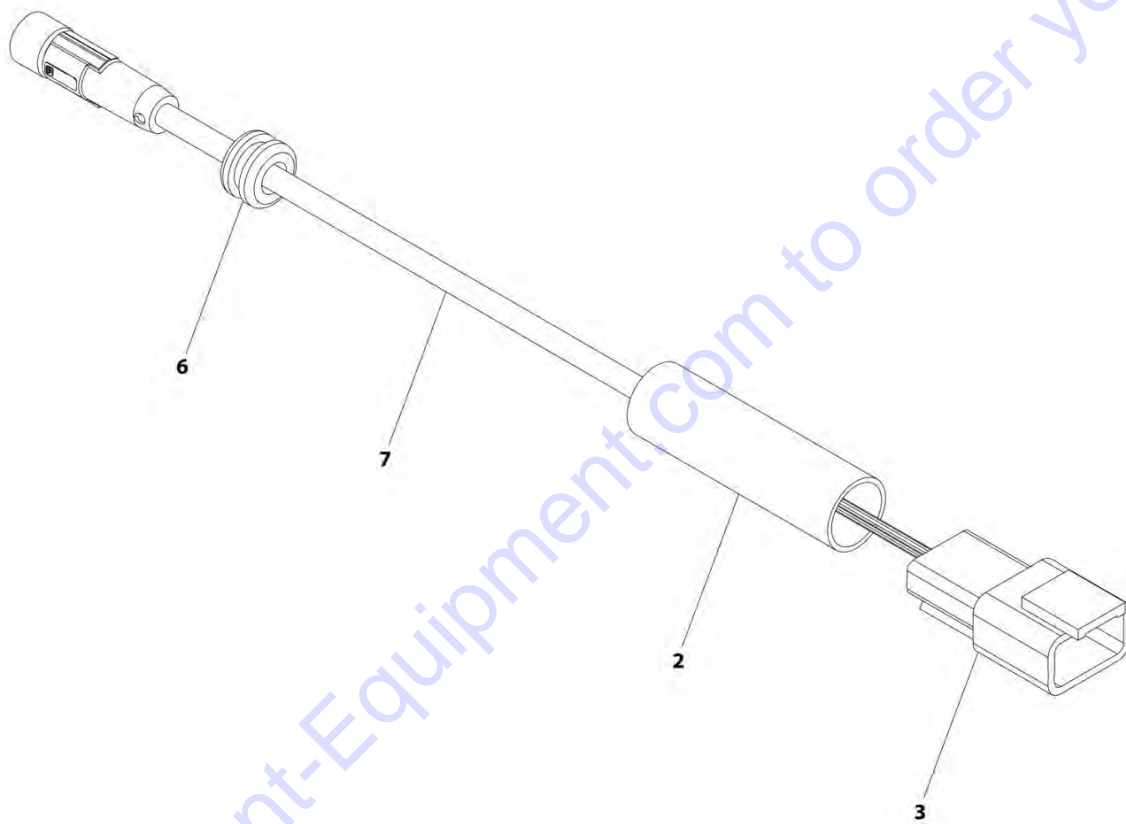
### FIGURE 7-5. SKYEYE RECEIVER HARNESS

ITEM	PART NUMBER	QTY	DESCRIPTION	REV
	1001237863	Ref	SKYEYE RECEIVER HARNESS	A
2	2820247	AR	Tubing, Heat Shrink	
4	1001097051	1	Connector - 4 Position	
4	1001119620	4	Pin, Male	
6	1001227996	1	Grommet	
7	1001237862	1	Cable, M8 Female Cordset	

Go to Discount-Equipment.com to order your parts

## SECTION 7 - ELECTRICAL

FIGURE 7-6. SKYEYE EMITTER HARNESS



ART\_1001237864

## SECTION 7 - ELECTRICAL

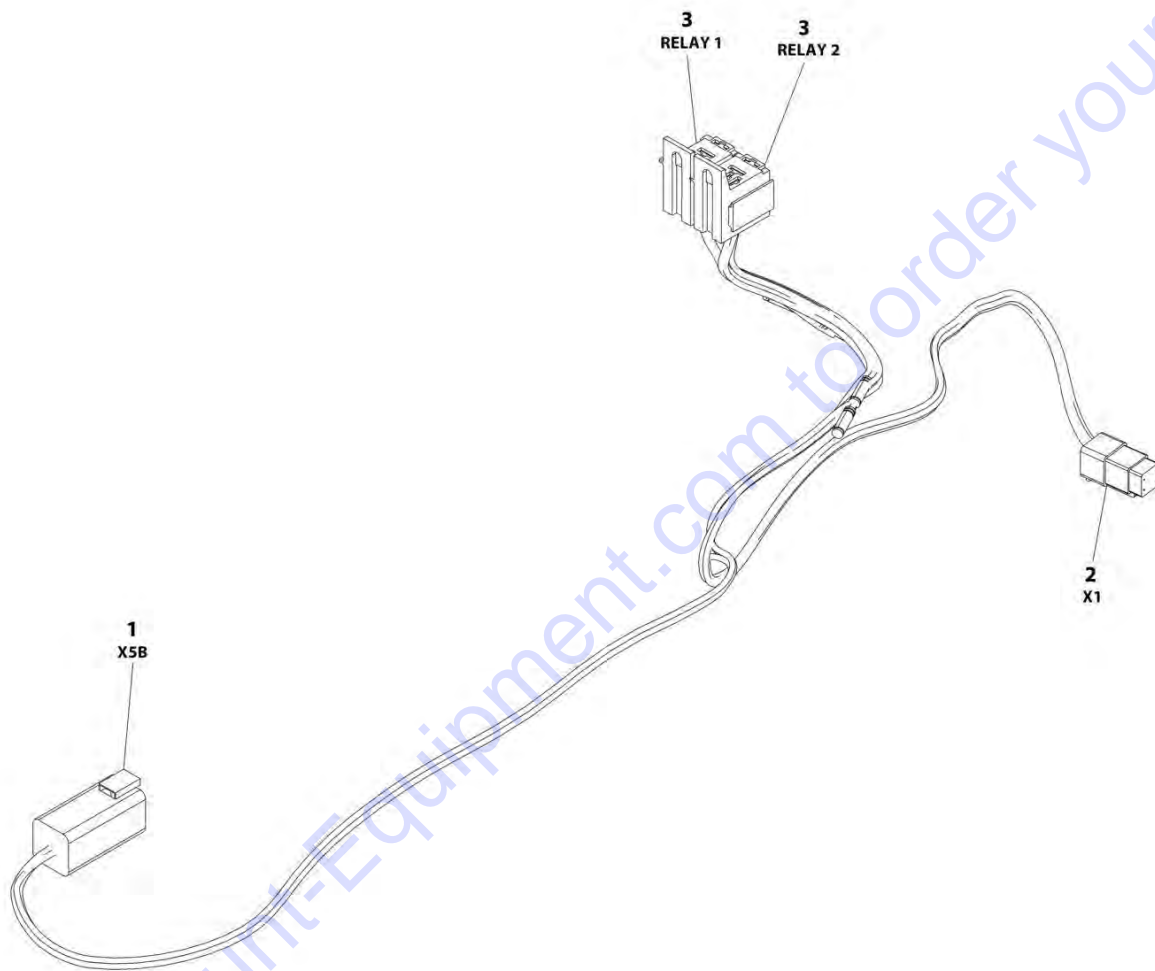
### FIGURE 7-6. SKYEYE EMITTER HARNESS

ITEM	PART NUMBER	QTY	DESCRIPTION	REV
	1001237864	Ref	SKYEYE EMITTER HARNESS	A
2	2820247	AR	Tubing, Heat Shrink	
3	4460910	1	Connector - 3 Position	
3	1001119620	3	Pin, Male	
6	1001227996	1	Grommet	
7	1001237862	1	Cable, M8 Female Cordset	

Go to Discount-Equipment.com to order your parts

# SECTION 7 - ELECTRICAL

## FIGURE 7-7. SKYLINE HARNESS



ART\_1001238418



## SECTION 7 - ELECTRICAL

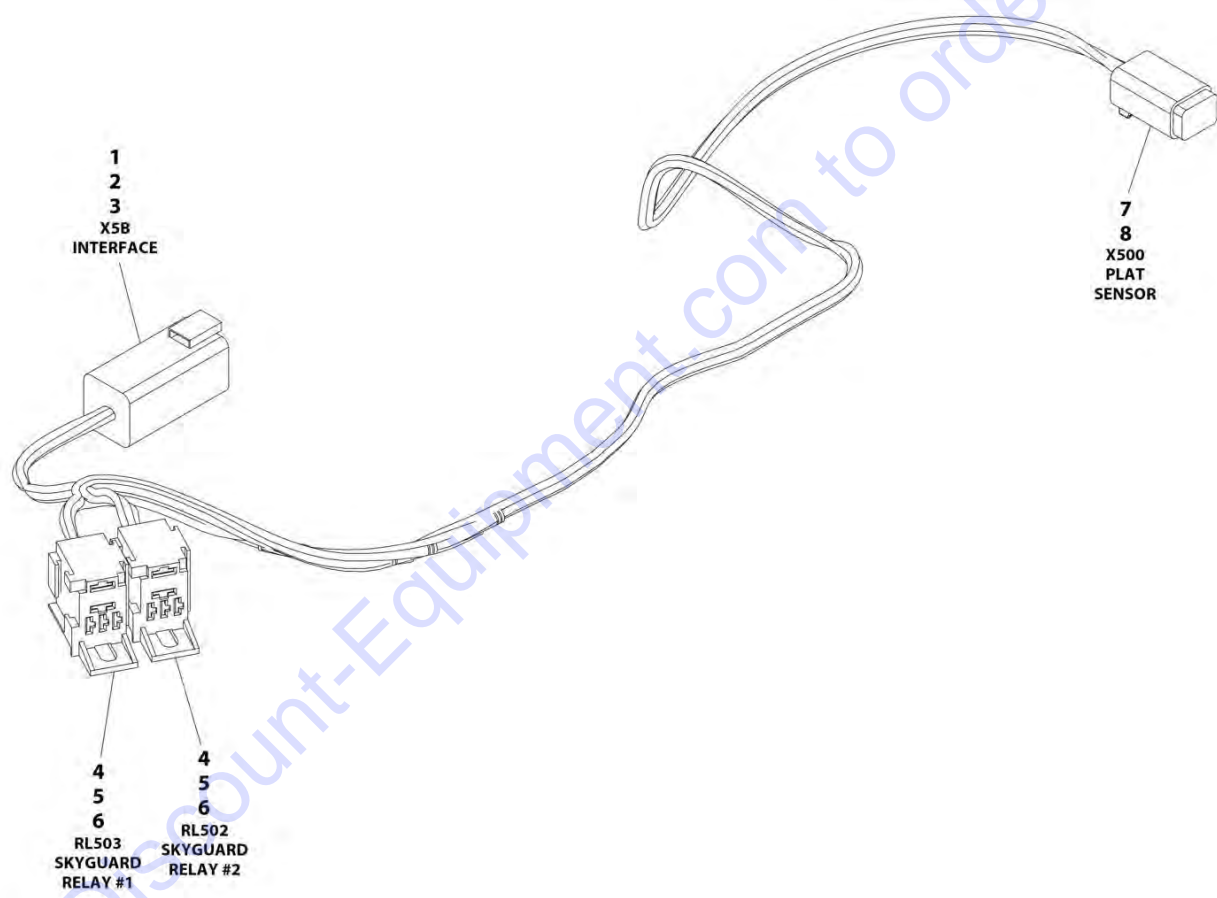
### FIGURE 7-7. SKYLINE HARNESS

ITEM	PART NUMBER	QTY	DESCRIPTION	REV
	1001238418	Ref	SKYLINE HARNESS	A
1	4460899	1	Connector - 6 Position	
1	4460464	4	Pin, Male	
1	4460466	2	Plug, Terminal	
2	4461077	1	Connector - 4 Position	
2	1001126009	4	Socket, Female	
3	1001186432	2	Plug, Relay	
3	1001118388	5	Terminal	
3	1001118384	3	Terminal	
3	3740086	2	Relay	
3	3990013	2	Diode	

Go to Discount-Equipment.com to order your parts

# SECTION 7 - ELECTRICAL

## FIGURE 7-8. INTERFACE HARNESS - WITH 1 CELL LSS



ART\_1001225580

## SECTION 7 - ELECTRICAL

**FIGURE 7-8. INTERFACE HARNESS - WITH 1 CELL LSS**

ITEM	PART NUMBER	QTY	DESCRIPTION	REV
	1001225580	Ref	INTERFACE HARNESS - WITH 1 CELL LSS	C
1	4460899	1	Connector	
2	4460464	4	Terminal	
3	4460466	2	Plug	
4	1001186432	2	Connector	
5	1001116720	4	Terminal	
6	1001118388	4	Terminal	
7	4460844	1	Connector	
8	4460465	4	Terminal	

Go to Discount-Equipment.com to order your parts

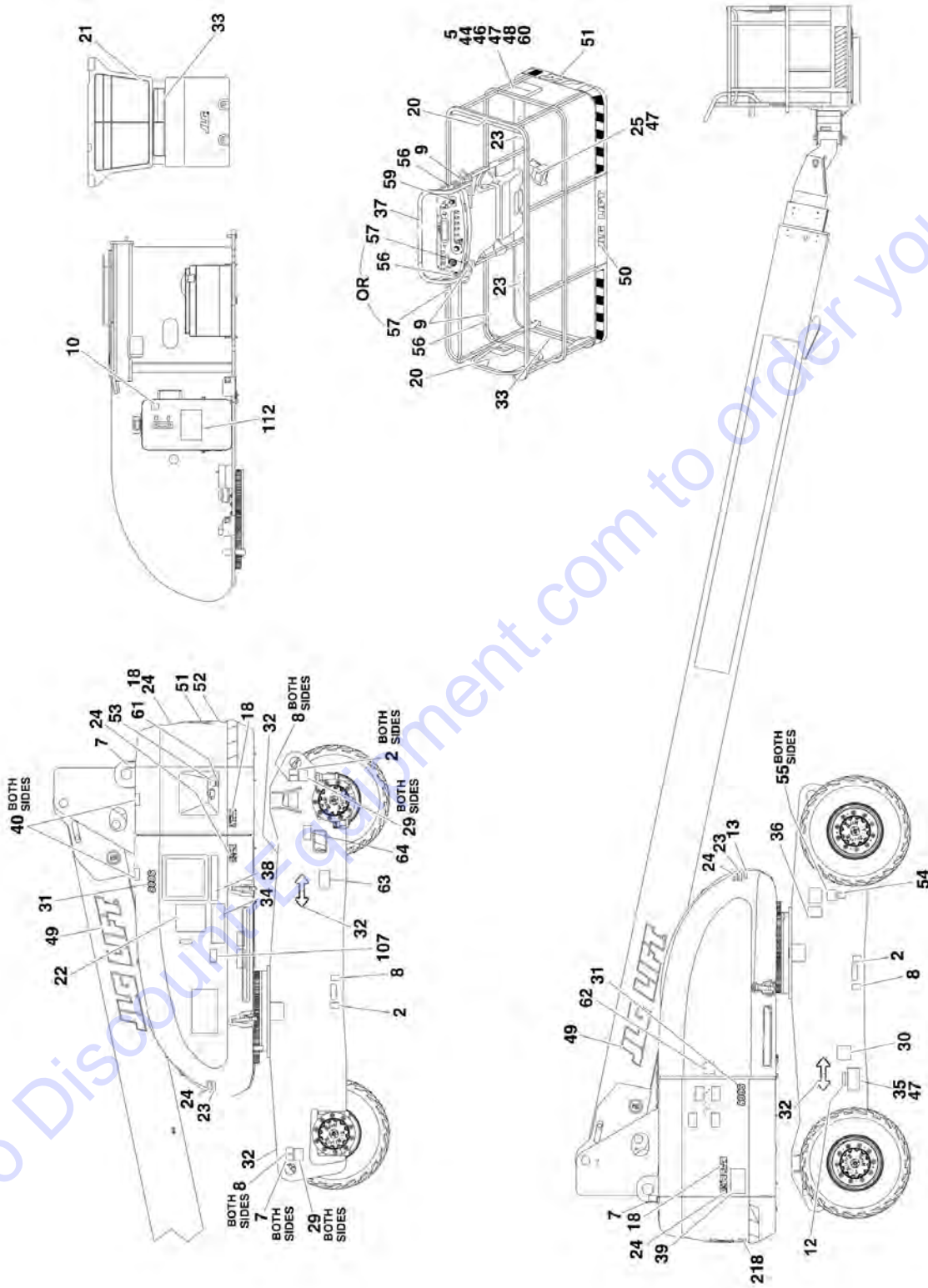


**SECTION 8 - DECALS**

Go to Discount-Equipment.com to order your parts

# SECTION 8 - DECALS

## FIGURE 8-1. DECAL INSTALLATION (ANSI SPEC)



Go to [DiscountParts.com](http://DiscountParts.com) to order your parts

## SECTION 8 - DECALS

**FIGURE 8-1. DECAL INSTALLATION (ANSI SPEC)**

ITEM	PART NUMBER	QTY	DESCRIPTION	REV
	1283408	Ref	<b>STANDARD DECAL INSTALLATIONS</b>	Y
	0274499	Ref	<b>Standard Decal Installations 800S</b>	H
	0274500	Ref	<b>Standard Decal Installations 860SJ</b>	H
	0274518	Ref	<b>JLG Logo Decals</b>	D
2	1701499	4	Decal - No Lift	
5	1701509	1	Decal - Manual	
7	1703811	AR	Decal - Tie Down/Lift	
8	1703814	6	Decal - Tie Down	
9	1704277	4	Decal - Attach Lanyard Here	
10	1704412	1	Decal - Hydraulic Oil Chart	
12	1705514	1	Decal - CSA	
13	3251243	1	Nameplate - 120V-60HZ	
18	1703953	4	Decal - Warning Crushing	
20	1702868	2	Decal - No Hands	
21	1703797	1	Decal - Warning/Danger	
22	1705336	1	Decal - Warning Inspection (MTB)	
23	1703804	4	Decal - Warning Crushing	
24	1703805	4	Decal - Danger Electrocution	
25	3252347	1	Decal - Footswitch	
28	1703475	4	Decal - Max Tire Load (800S)	
28	1703482	4	Decal - Max Tire Load (860SJ)	
30	See Note	NSS	Decal - Bar Code (Note: Not Available for Purchase)	
31		Ref	Decal Options:	
31	1704906	2	Decal - 800S	
31	1704907	2	Decal - 860SJ	
32	1701501	4	Decal- Arrow	
33		Ref	Decal Capacity Options:	
33	1001122507	2	Decal Capacity 800S - Decal - 500LBS Unrestricted Capacity	
33	1001122508	2	Decal Capacity 860SJ - Decal - 500LBS Maximum Capacity	
34		Ref	Decal Capacity Options:	
34	1001122515	1	Decal Capacity 800S - Decal - 500LBS Unrestricted Capacity	
34	1001122516	1	Decal Capacity 860SJ - Decal - 500LBS Maximum Capacity	
35	See Note	NSS	Nameplate, Manufacturer (Note: Not Available for Purchase)	
36	1001131269	1	Decal - Patent	
37	1001108496	1	Decal - Legend Options	
38	1706941	1	Decal - Legend (MTB)	
39		Ref	Decal - Lift Diagram Options:	
39	3252781	1	Decal - Lift Diagram <b>(SN 0300182743 through 0300189311)</b>	
39	1001175354	1	Decal - Lift Diagram <b>(SN 0300189312 to Present)</b>	
39	1001175354	1	Decal - Lift Diagram <b>(SN B300001092 to Present)</b>	
40	1701691	4	Decal - No Step	
44	0860520	1	Box, Manual Storage	
46	3311405	1	Locknut 1/4in	
47	3820001	2	Rivet	
48	4751400	1	Flatwasher 1/4in Regular	
49	1702861	2	Decal - JLG Lift (8in Height)	
50	1702774	1	Decal - JLG Lift (3-1/2in Height)	
51	1702773	1	Decal - JLG (5in Height)	
52	1704885	1	Decal - Website	
53		Ref	Decal - Fuel	

## SECTION 8 - DECALS

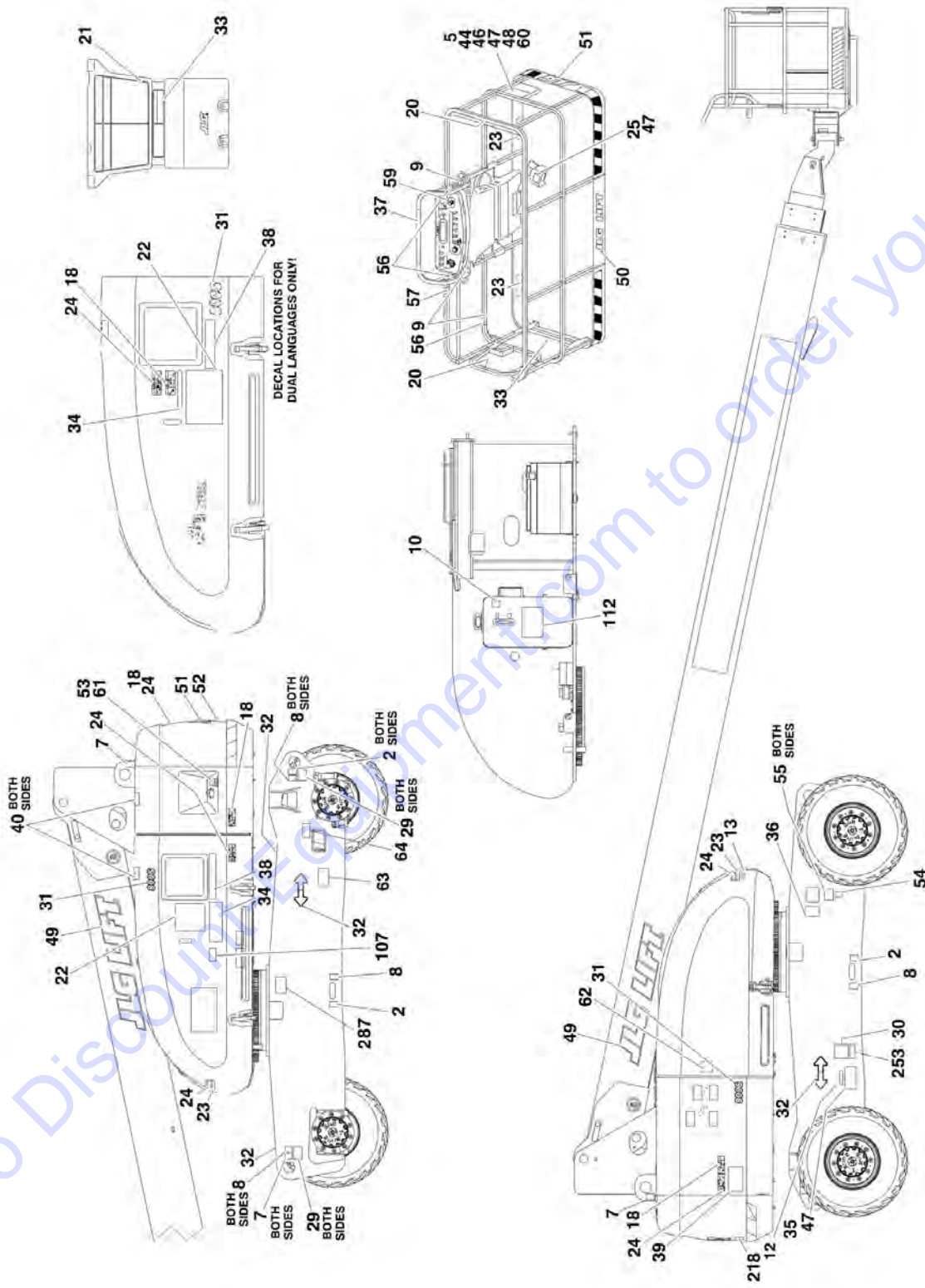
ITEM	PART NUMBER	QTY	DESCRIPTION	REV
53	1701505	1	Diesel	
53	1701542	1	Gas	
54	1701543	1	Decal - LP Gas (GM Engine Machines Only)	
55	1700818	2	Decal - LP Gas (Liquid) (GM Engine Machines Only)	
55	1704271	2	Decal - LP Gas (Liquid) CSA Specs (English /French) (GM Engine Machines Only)	
55	1702720	2	Decal - LP Gas (Liquid) Latin American Specs (Spanish) (GM Engine Machines Only)	
56	1703175	1	Decal - Lanyard Attach (GM Spec)	
57	1702962	1	Decal - Warning Prop (DSL) (SN 0300182743 through 0300243278, SN B300001092 through B300002584)	
57	1001231801	1	Decal - Warning Prop (DSL) (SN 0300243279 to Present, SN B300002585 to Present)	
57	1702961	1	Decal - Warning Prop (Gas) (SN 0300182743 through 0300243278, SN B300001092 through B300002584)	
57	1001236338	NLA	Decal - Warning Prop (Gas) (Use p/n 1001231801) (SN 0300243279 through 0300256903, SN B300002585 through B300003681)	
57	1001231801	1	Decal - Warning Prop (SN 0300256904 to Present, SN B300003682 to Present)	
59	1705351	1	Decal - Drive/Steer Instructions	
60	0641406	1	Bolt 1/4in-20NC x 3/4in	
61	1001125387	1	Decal - Low Sulfur Fuel (Deutz TD2.9L4 Machines)	
62	1704972	1	Decal - Warning Explosion/Fire	
63	1001223055	1	Decal - Yearly Inspection (SN 0300234039 to Present, SN B300002026 to Present)	
64	1001223453	1	Decal - ICES (SN 0300240876 to Present, SN B300002667 to Present)	
	1001157261	Ref	<b>MANUAL DESCENT DECALS (OPTIONAL) (SN 0300182743 through 0300187355)</b>	A
107	1702901	1	Decal - Manual Descent	
112	1705589	1	Decal - Manual Descent	
		Ref	<b>DECALS - OPTIONAL</b>	
218	3251813	1	Decal - USA	





# SECTION 8 - DECALS

## FIGURE 8-2. DECAL INSTALLATION (COUNTRY SPEC)



## SECTION 8 - DECALS

**FIGURE 8-2. DECAL INSTALLATION (COUNTRY SPEC)**

ITEM	PART NUMBER	QTY	DESCRIPTION	REV
	1283408	Ref	<b>DECAL INSTALLATIONS</b>	Y
	0274505	Ref	<b>Decal Installations 800S Brazil Spec (Spanish/Portuguese)</b>	F
	0274503	Ref	<b>Decal Installations 800S Chinese Spec (English/Chinese)</b>	F
	0274507	Ref	<b>Decal Installations 800S CSA Spec (English/French)</b>	G
	0274511	Ref	<b>Decal Installations 800S Japanese Spec (English/Japanese)</b>	F
	0274501	Ref	<b>Decal Installations 800S Korean Spec (English/Korean)</b>	F
	0274513	Ref	<b>Decal Installations 800S Latin America Spec (English/Spanish)</b>	F
	0274506	Ref	<b>Decal Installations 860SJ Brazil Spec (Spanish/Portuguese)</b>	F
	0274504	Ref	<b>Decal Installations 860SJ Chinese Spec (English/Chinese)</b>	F
	0274508	Ref	<b>Decal Installations 860SJ CSA Spec (English/French)</b>	G
	0274512	Ref	<b>Decal Installations 860SJ Japanese Spec (English/Japanese)</b>	F
	0274502	Ref	<b>Decal Installations 860SJ Korean Spec (English/Korean)</b>	F
	0274514	Ref	<b>Decal Installations 860SJ Latin America Spec (English/Spanish)</b>	F
	0274518	Ref	<b>JLG Logo Decals</b>	D
2	1701499	4	Decal - No Tie Down /Lift	
5	1701509	1	Decal - Manual	
6	Not Required	0	Not Required	
7	1703811	AR	Decal - Tie Down /Lift	
8	1703814	6	Decal - Tie Down	
9	1704277	3	Decal - Attach Lanyard	
10	1704412	1	Decal - Hydraulic Oil Chart	
12		Ref	Decal - CSA (Booms)	
12	Not Required	0	Brazil/ Chinese/ Japanese/ Korean/ Latin American Spec	
12	1705514	1	CSA Spec	
13		Ref	Decal Options:	
13	Not Required	0	Brazil/Chinese/Korean Spec	
13	3251243	1	120V-60Hz - CSA/Japanese/Latin American Spec	
18		Ref	Decal - Warning Crushing (Rotate) Options:	
18	1705903	1	Brazil Spec	
18	1703943	7	Chinese Spec	
18	1703942	7	CSA Spec	
18	1703944	6	Japanese Spec	
18	1703945	6	Korean Spec	
18	1703941	7	Latin American Spec	
20		Ref	Decal - No Hands Options:	
20	1705967	2	Brazil Spec	
20	1001116846	2	Chinese Spec (Traditional)	
20	1705968	2	Chinese Spec (Simplified)	
20	1704000	2	CSA Spec	
20	Not Required	0	Japanese Spec	
20	1705969	2	Korean Spec	
20	1704001	2	Latin American Spec	
21		Ref	Decal - Warning/Danger (PLF) Options:	
21	1705895	1	Brazil Spec	
21	1703925	1	Chinese Spec	
21	1703924	1	CSA Spec	
21	1703926	1	Japanese Spec	
21	1703927	1	Korean Spec	

## SECTION 8 - DECALS

ITEM	PART NUMBER	QTY	DESCRIPTION	REV
21	1703923	1	Latin American Spec	
22		Ref	Decal - Warning Inspection (MTB) Options:	
22	1705896	1	Brazil Spec	
22	1001116849	1	Chinese Spec (Traditional)	
22	1705348	1	Chinese Spec (Simplified)	
22	1705347	1	CSA Spec	
22	1705344	1	Japanese Spec	
22	1705345	1	Korean Spec	
22	1705917	1	Latin American Spec	
23		Ref	Decal - Warning Crushing (Down) Options:	
23	1705898	6	Brazil Spec	
23	1703949	6	Chinese Spec	
23	1703948	6	CSA Spec	
23	1703950	6	Japanese Spec	
23	1703951	6	Korean Spec	
23	1703947	6	Latin American Spec	
24		Ref	Decal - Danger Electrocution Options:	
24	1705897	5	Brazil Spec	
24	1001116851	5	Chinese Spec (Traditional)	
24	1703937	5	Chinese Spec (Simplified)	
24	1703936	5	CSA Spec	
24	1703938	5	Japanese Spec	
24	1703939	5	Korean Spec	
24	1703935	5	Latin American Spec	
25		Ref	Decal - Foot Switch Options:	
25	1705902	1	Brazil Spec	
25	1703982	1	Chinese Spec	
25	1703984	1	CSA Spec	
25	1703980	1	Japanese Spec	
25	1703981	1	Korean Spec	
25	1703983	1	Latin American Spec	
28	1703475	4	Decal - Max Tire Load (800S)	
28	1703482	4	Decal - Max Tire Load (860SJ)	
30	See Note	NSS	Decal - Bar Code (Note: Not Available for Purchase)	
31		Ref	Decal Options:	
31	1704906	2	Decal - 800S	
31	1704907	2	Decal - 860SJ	
32	1701501	4	Decal - Arrow	
33		Ref	Decal Capacity Options:	
33		Ref	Decal Capacity 800S - Decal - 500LBS Unrestricted Capacity	
33	1001121806	2	Brazil Spec	
33	1001121809	2	Chinese Spec	
33	1001121802	2	CSA Spec	
33	1001121807	2	Japanese Spec	
33	1001122200	2	Korean Spec	
33	1001121804	2	Latin American Spec	
33		Ref	Decal Capacity 860SJ - Decal - 500LBS Maximum Capacity	
33	1001122512	2	Brazil Spec	
33	1001122510	2	Chinese Spec	
33	1001122513	2	CSA Spec	
33	1001122514	2	Japanese Spec	

## SECTION 8 - DECALS

ITEM	PART NUMBER	QTY	DESCRIPTION	REV
33	1001122509	2	Korean Spec	
33	1001122511	2	Latin American Spec	
34		Ref	Decal Capacity Options:	
34		Ref	Decal Capacity 800S - Decal - 500LBS Unrestricted Capacity	
34	1001121819	1	Brazil Spec	
34	1001121822	1	Chinese Spec	
34	1001121815	1	CSA Spec	
34	1001121820	1	Japanese Spec	
34	1001122201	1	Korean Spec	
34	1001121817	1	Latin American Spec	
34		Ref	Decal Capacity 860SJ - Decal - 500LBS Maximum Capacity	
34	1001122520	1	Brazil Spec	
34	1001122518	1	Chinese Spec	
34	1001122521	1	CSA Spec	
34	1001122522	1	Japanese Spec	
34	1001122517	1	Korean Spec	
34	1001122519	1	Latin American Spec	
35	See Note	NSS	Nameplate, Manufacturer (Note: Not Available for Purchase)	
36	1001131269	1	Decal - Patent	
37	1001108496	1	Decal - Legend	
38	1706941	1	Decal - Legend (MTB)	
39		Ref	Decal - Lift Diagram Options:	
39	3252781	1	Decal - Lift Diagram (SN 0300182743 through 0300189311)	
39	1001175354	1	Decal - Lift Diagram (SN 0300189312 to Present)	
39	1001175354	1	Decal - Lift Diagram (SN B300001092 to Present)	
40	1701691	4	Decal - No Step	
44	0860520	1	Box, Manual Storage	
46	3311405	1	Locknut 1/4in	
47	3820001	2	Rivet	
48	4751400	2	Flatwasher 1/4in Regular	
49	1702861	2	Decal - JLG Lift (8in Height)	
50	1702774	1	Decal - JLG Lift (3-1/2in Height)	
51	1702773	1	Decal - JLG (5in Height)	
52	1704885	1	Decal - Website	
53		Ref	Decal - Fuel	
53	1701505	1	Diesel	
53	1701542	1	Gas	
56		Ref	Decal - Lanyard Attach (GM Spec)	
56	Not Required	0	Brazil/ Chinese/ Japanese/ Korean/ Latin American Spec	
56	1703175	1	CSA Spec	
59		Ref	Decal - Drive/Steer Instructions Options:	
59	1705905	1	Brazil Spec	
59	1705430	1	Chinese Spec	
59	1705429	1	CSA Spec	
59	1705426	1	Japanese Spec	
59	1705427	1	Korean Spec	
59	1705910	1	Latin American Spec	
60	0641406	1	Bolt 1/4in-20NC x 3/4in	
61	1001125387	1	Decal - Low Sulfur Fuel (CSA Spec with Deutz TD2.9L4 Machines Only)	
61	1001139654	1	Decal - Ultra Low Sulfur Fuel (ANSI Export Spec with Deutz TD2.9L4 and Deutz TD2.9L4 (Stage V) Machines Only)	

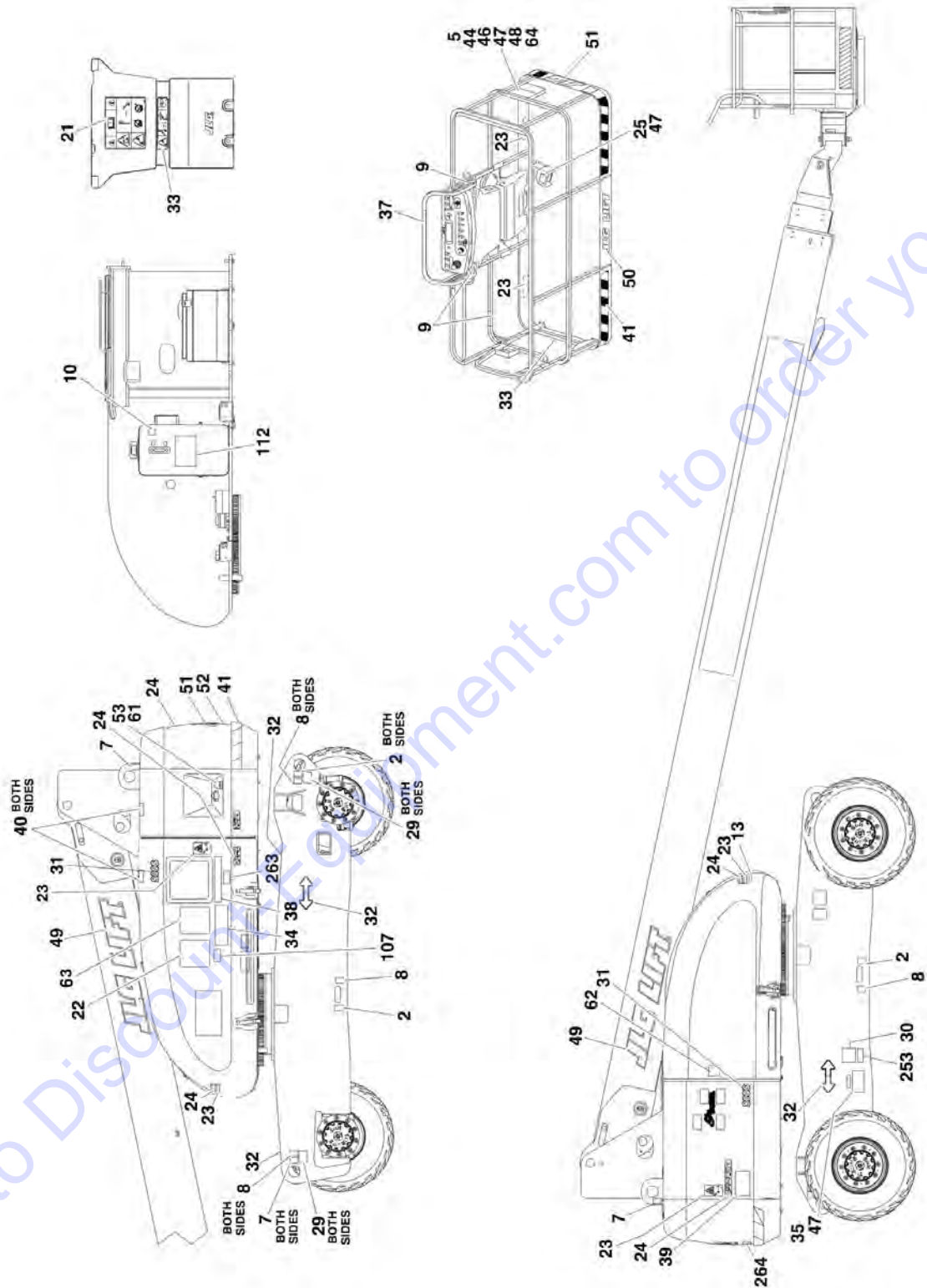
## SECTION 8 - DECALS

ITEM	PART NUMBER	QTY	DESCRIPTION	REV
62		Ref	Decal - Warning Explosion/Fire Options:	
62	1706059	1	Brazil Spec	1
62	1706060	1	Chinese Spec	
62	1706064	1	CSA Spec	
62	1706062	1	Japanese Spec	
62	1706061	1	Korean Spec	
62	1706063	1	Latin American Spec	
63		Ref	Decal - Yearly Inspection (SN 0300234039 to Present, SN B300002026 to Present)	
63	1001224052	1	Brazil Specs	
63	1001224050	1	Chinese Specs	
63	1001223971	1	CSA Specs	
63	1001224053	1	Japanese Specs	
63	1001224048	1	Korean Specs	
63	1001224049	1	Latin American Specs	
64	1001223453	1	Decal - ICES (SN 0300240876 to Present, SN B300002667 to Present)	
	1001157261	Ref	<b>MANUAL DESCENT DECALS (OPTIONAL) (SN 0300182743 through 0300187355)</b>	A
107	1702901	1	Decal - Manual Descent	
112	1705589	1	Decal - Manual Descent	
		Ref	<b>DECALS - OPTIONAL</b>	
218	3251813	1	Decal - USA	
253	1001143852	1	Decal - Emissions Compliance	
287	See Note	NSS	Nameplate - ECO (China GB Specs Only) (Note: Not Available for Purchase)	
287	3820001	4	Rivet	



# SECTION 8 - DECALS

## FIGURE 8-3. DECAL INSTALLATION (AUSTRALIAN AND CE SPEC)





## SECTION 8 - DECALS

**FIGURE 8-3. DECAL INSTALLATION (AUSTRALIAN AND CE SPEC)**

ITEM	PART NUMBER	QTY	DESCRIPTION	REV
		Ref	<b>USAGE CHART:</b>	
		Ref	<b>800S/860SJ Australian Specs (SN 0300182743 to Present)</b>	
		Ref	<b>800S/860SJ Australian Specs (SN B300001092 to Present)</b>	
		Ref	<b>800S/860SJ CE Specs (SN 0300182743 through 0300219588)</b>	
		Ref	<b>800S/860SJ CE Specs (SN B300001092 through B300001541)</b>	
		Ref	<b>680S CE Specs (SN 0300182743 to Present)</b>	
	1283408	Ref	<b>DECAL INSTALLATIONS</b>	Y
	1001114371	Ref	<b>Decal Installations 800S Australian Spec</b>	F
	0274509	Ref	<b>Decal Installations 800S CE and China Specs</b>	I
	1001114372	Ref	<b>Decal Installations 860SJ Australian Spec</b>	F
	0274510	Ref	<b>Decal Installations 860SJ CE and China Specs</b>	I
	0275865	Ref	<b>Decal Installations 680S CE Spec</b>	E
	0274518	Ref	<b>JLG Logo Decals</b>	D
2	1701499	AR	Decal - No Lift	
5	1701509	1	Decal - Manual	
7	1703811	AR	Decal - Lift	
8	1703814	6	Decal - Tie Down	
9	1704277	4	Decal - Attach Lanyard Here	
10	1704412	1	Decal - Hydraulic Oil Chart	
21	1705921	1	Decal - Tipping/Electric (PLF)	
22	1705822	1	Decal - Electric/Safety Manual	
23	1701518	AR	Decal - Warning Crushing	
24	1705961	5	Decal - Danger Electrocutation	
25	1705828	1	Decal - Footswitch	
28	1703475	4	Decal - Max Tire Load (800S)	
28	1703482	4	Decal - Max Tire Load (860SJ)	
28	1703478	4	Decal - Max Tire Load (680S)	
30	See Note	NSS	Decal - Bar Code (Note: Not Available for Purchase)	
31		Ref	Decal Options:	
31	1704906	2	Decal - 800S	
31	1704907	2	Decal - 860SJ	
31	1707124	2	Decal - 680S	
32	1701501	4	Decal- Arrow	
33	1705978	1	Decal - 230kg Capacity	
34	1705978	1	Decal - 230kg Capacity	
35	See Note	NSS	Nameplate, Manufacturer (Note: Not Available for Purchase)	
39		Ref	Decal - Lift Diagram Options:	
39	3252781	1	Decal - Lift Diagram <b>(SN 0300182743 through 0300189311)</b>	
39	1001175354	1	Decal - Lift Diagram <b>(SN 0300189312 to Present)</b>	
39	1001175354	1	Decal - Lift Diagram <b>(SN B300001092 to Present)</b>	
40	1701691	4	Decal - No Step	
41	4420051	23.1 ft/7m	Stripes, Warning	
42	3251242	1	Decal - 240V-50Hz	
44	0860520	1	Box, Manual Storage	
46	3311405	1	Locknut 1/4in	
47	3820001	2	Rivet	
48	4751400	2	Flatwasher 1/4in Regular	
49	1702861	2	Decal - JLG Lift (8in Height)	
50	1702774	1	Decal - JLG Lift (3-1/2in Height)	
51	1702773	1	Decal - JLG (5in Height)	

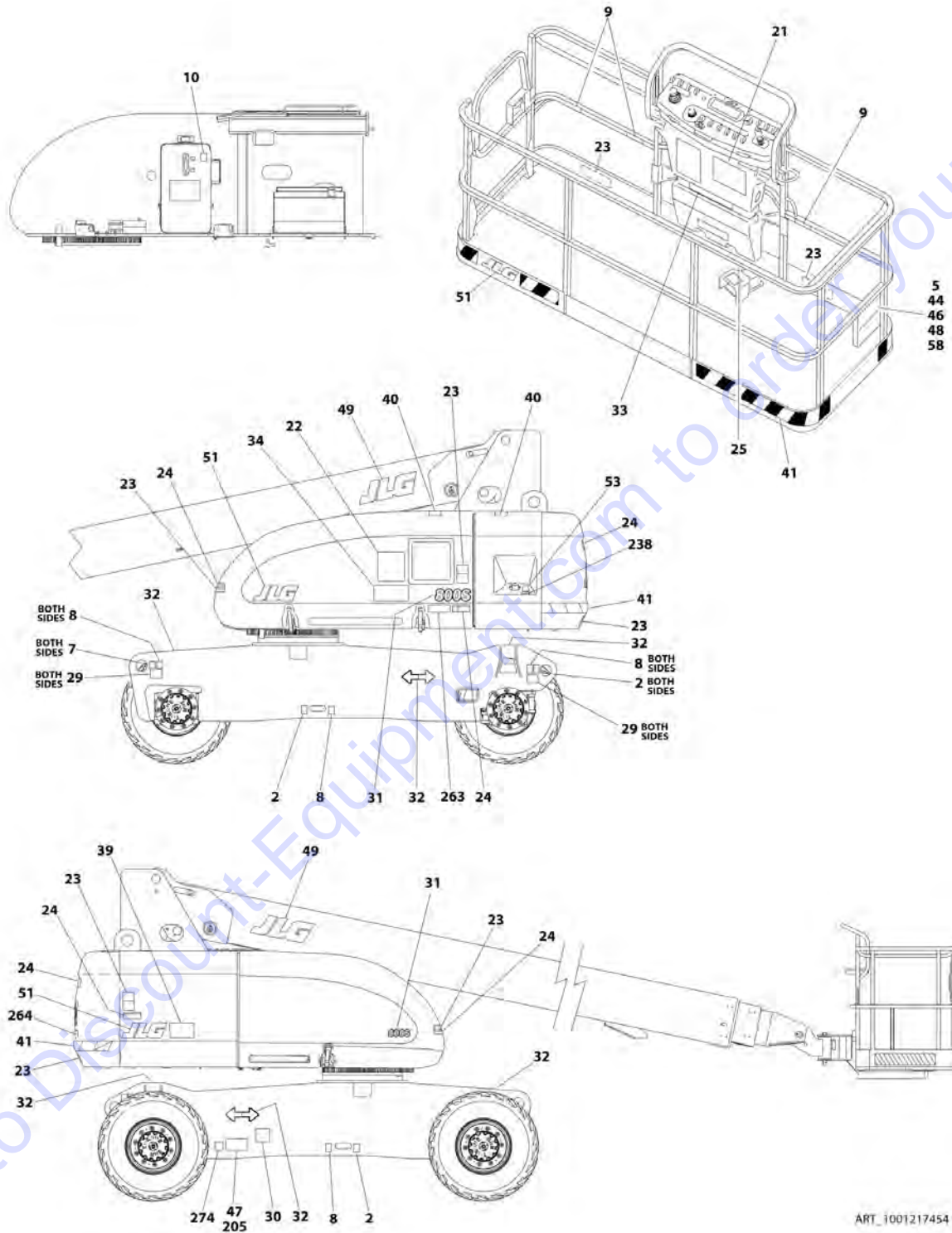
## SECTION 8 - DECALS

ITEM	PART NUMBER	QTY	DESCRIPTION	REV
52	1704885	1	Decal - Website	
53	1701505	1	Decal - Fuel	
61	1001139654	1	Decal - Ultra Low Sulfur Fuel (CE Spec with Deutz TD2.9L4 Engine Only)	
62	1706098	1	Decal - Warning Explosion/Fire	
63	1001112551	1	Decal - Emergency Control (Australian Spec Only)	
64	0641406	1	Bolt 1/4in-20NC x 3/4in	
	1001157261	Ref	<b>MANUAL DESCENT DECALS (OPTIONAL) (SN 0300182743 through 0300187355)</b>	A
107	1702901	1	Decal - Manual Descent	
112	1705589	1	Decal - Manual Descent	
		Ref	<b>DECAL OPTIONS</b>	
253	1001143852	1	Decal - Emissions Compliance	
263	1001197408	1	Decal - MSSO (CE Spec) <b>(SN 0300201003 to Present)</b>	
263	1001197408	1	Decal - MSSO (CE Spec) <b>(SN B300001180 to Present)</b>	
264	1705980	1	Decal - Sound Power Level (Australian Spec)	
264		Ref	Decal - Sound Power Level (CE Spec) Options:	
264	1705980	1	Decal - Sound Power Level <b>(SN 0300182743 through 0300211594)</b>	
264	1705980	1	Decal - Sound Power Level - Deutz D2011 Engines <b>(SN 0300211595 to Present)</b>	
264	1705368	1	Decal - Sound Power Level - Deutz DT2.9L4 Engines/ABS Hoods <b>(SN 0300211595 to Present)</b>	
264	1001200072	1	Decal - Sound Power Level - Deutz DT2.9L4 Engines/Steel Hoods <b>(SN 0300211595 to Present)</b>	
264	1705980	1	Decal - Sound Power Level <b>(SN B300001092 through B300001389)</b>	
264	1705980	1	Decal - Sound Power Level - Deutz D2011 Engines <b>(SN B300001390 to Present)</b>	
264	1705368	1	Decal - Sound Power Level - Deutz DT2.9L4 Engines/ABS Hoods <b>(SN B300001390 to Present)</b>	
264	1001200072	1	Decal - Sound Power Level - Deutz DT2.9L4 Engines/Steel Hoods <b>(SN B300001390 to Present)</b>	



# SECTION 8 - DECALS

## FIGURE 8-4. DECAL INSTALLATION (CE SPEC)



ART\_1001217454

## SECTION 8 - DECALS

**FIGURE 8-4. DECAL INSTALLATION (CE SPEC)**

ITEM	PART NUMBER	QTY	DESCRIPTION	REV
		Ref	<b>USAGE CHART:</b>	
		Ref	<b>CE Specs SN 0300219589 to Present</b>	
		Ref	<b>CE Specs SN B300001542 to Present</b>	
	1001217454	Ref	<b>DECALS INSTALLATION</b>	A
	0274509	Ref	<b>Decal Installations 800S CE Spec</b>	I
	0274510	Ref	<b>Decal Installations 860SJ CE Spec</b>	I
2	1701499	4	Decal - No Lift	
5	1701509	1	Decal - Manual	
7	1703811	2	Decal - Lift	
8	1703814	6	Decal - Tie Down	
9	1704277	3	Decal - Attach Lanyard Here	
10	1704412	1	Decal - Hydraulic Oil Chart	
21	1705921	1	Decal - Tipping/Electric (PLF)	
22	1705822	1	Decal - Electric/Safety Manual	
23	1701518	7	Decal - Warning Crushing	
24	1705961	5	Decal - Danger Electrocution	
25	1705828	1	Decal - Footswitch	
29	1703475	4	Decal - Max Tire Load (800S)	
29	1703482	4	Decal - Max Tire Load (860SJ)	
30	See Note	NSS	Decal - Bar Code (Note: Not Available for Purchase)	
31		Ref	Decal Options:	
31	1704906	2	Decal - 800S	
31	1704907	2	Decal - 860SJ	
32	1701501	4	Decal- Arrow	
33	1705978	1	Decal - 230kg Capacity	
34	1705978	1	Decal - 230kg Capacity	
39	1001175354	1	Decal - Lift Diagram	
40	1701691	4	Decal - No Step	
41	4420051	277 in /7m	Stripes, Warning	
44	0860520	1	Box, Manual Storage	
46	3311405	4	Nut 1/4	
47	3820001	2	Rivet	
48	4751400	8	Washer 1/4	
49	1001159323	2	Decal - JLG (8in Height)	
51	1702773	3	Decal - JLG (5in Height)	
53	1701505	1	Decal - Fuel	
58	0641406	4	Bolt 1/4 x 3/4	
		Ref	<b>DECAL OPTIONS</b>	
205	See Note	NSS	Nameplate, Manufacturer (Note: Not Available for Purchase)	
238	1001139654	1	Decal - Ultra Low Sulfur Fuel (CE Spec with Deutz TD2.9L4 Engine and Deutz TD2.9L4 (Stage V) Engine Only)	
263	1001197408	1	Decal - MSSO (CE Spec)	
264		Ref	Decal - Sound Power Level (CE Spec) Options:	
264	1705980	1	Decal - Sound Power Level (Deutz D2011 Engines)	
264	1705368	1	Decal - Sound Power Level (Deutz DT2.9L4 Engines and Deutz DT2.9L4 (Stage V) Engines/ABS Hoods)	
264	1001200072	1	Decal - Sound Power Level (Deutz DT2.9L4 Engines and Deutz DT2.9L4 (Stage V) Engines/Steel Hoods) ( <b>SN 0300211595 to Present</b> )	
274	1001214030	Ref	Decal Installation - EAC Russian/CIS Specs)	

## SECTION 8 - DECALS

ITEM	PART NUMBER	QTY	DESCRIPTION	REV
274	1001173703	1	Decal - EAC	

Go to [Discount-Equipment.com](http://Discount-Equipment.com) to order your parts

**SECTION 9 - RECOMMENDED SERVICE PARTS STOCK**

**SECTION 9 - RECOMMENDED SERVICE PARTS STOCK**

Go to [Discount-Equipment.com](http://Discount-Equipment.com) to order your parts

## SECTION 9 - RECOMMENDED SERVICE PARTS STOCK

FIGURE 9-1. MODEL 800S/860SJ STANDARD PARTS

ITEM	PART NUMBER	QTY	DESCRIPTION	REV
		Ref	<b>Note: The following list will service one machine (built to current production per date on the front cover) with emergency repair parts which can be installed in the field. Parts from the list should be replaced when inventory is depleted to keep service parts stock supplied. For further information, go to Discount-equipment.com.</b>	
		Ref	<b>STANDARD PARTS</b>	
	70002231	12	Element, Filter	
	7012944	1	Coil	
	7012943	1	Coil	
	7017451	1	Coil	
	70000582	1	Coil	
	3740067	1	Relay	
	See Note	NLA	Filter, Hydraulic Tank (Note: Use p/n 70002814)	
	See Note	NLA	Breather, Hydraulic Tank (Note: Use p/n 70002814)	
	4360517	1	Switch, Proximity	
	3740049	1	Relay	
	2860030	1	Key, Replacement	
	4360475	1	Switch, Mushroom	
	4360476	1	Contact, Switch Block	
	1001155045	1	Switch, Toggle	
	70003921	1	Powertrack Repair Section	
	70003922	1	Powertrack Mounting Bracket Kit	
	70002097	3	Element, High Pressure Filter	
	1001147479	1	Switch, Level Sensor	
	2940074	1	Latch	
	4360328	1	Switch, Toggle	
	4360330	1	Switch, Toggle	
	4360331	1	Switch, Toggle	
	4360387	1	Switch, Push Button	
	4360407	1	Controller, Speed	
	1001129555	1	Controller (Lift and Swing)	
	1001212415	1	Controller (Drive and Steer)	
	4360506	1	Switch, Proximity	
	8229242	2	Fuse - 5A	
	2400065	2	Fuse - 30A	





## SECTION 9 - RECOMMENDED SERVICE PARTS STOCK

FIGURE 9-2. MODEL 800S/860SJ VARIABLE PARTS

ITEM	PART NUMBER	QTY	DESCRIPTION	REV
		Ref	<b>Note: The following list will service one machine (built to current production per date on the front cover) with emergency repair parts which can be installed in the field. Parts from the list should be replaced when inventory is depleted to keep service parts stock supplied. For further information, go to <a href="http://Discount-equipment.com">Discount-equipment.com</a>.</b>	
		Ref	<b>VARIABLE PARTS</b>	
	3740080	1	Relay (Deutz D2011 Engines)	
	70004020	1 doz	Element, Air Cleaner (Deutz D2011 Engines)	
	7016331	1 doz	Filter, Oil (Deutz D2011 Engines)	
	7016328	1 doz	Filter, Fuel (Deutz D2011 Engines - All Specs except CE Specs)	
	7027795	1	Module, Engine Control (Deutz D2011 Engines)	
	1001117308	1	Relay (Deutz TD2.9L4 Engines)	
	1001138228	1	Module, Power Relay (Deutz TD2.9L4 Engines)	
	91403102	1 doz	Element, Air Cleaner (Deutz TD2.9L4 Engines)	
	7016331	1 doz	Filter, Oil (Deutz TD2.9L4 Engines)	
	70025153	1 doz	Filter, Fuel (Deutz TD2.9L4 Engines) (Use p/n 1001225430)	
	70025161	1 doz	Filter, Fuel (Deutz TD2.9L4 Engines) (Use p/n 1001225431)	
	70025210	1	Module, Engine Control (Deutz TD2.9L4 Engines)	
	7012664	1 doz	Element, Air Cleaner (GM Engines)	
	7027965	1 doz	Filter, Oil (GM Engine Machines)	
	7027972	1 doz	Filter, Fuel (GM Engine Machines)	
	70002895	1	Module, Engine Control (GM Engine Machines)	
	4360469	1	Switch, Key (All Specs except CE Specs)	
	4360470	1	Switch, Key (CE Specs Only)	
	1001103667	1	Module, Ground Control	
	4360578	1	Switch, Limit	
	4360336	1	Switch, Toggle (Machines with SkyPower)	
	4360070	1	Breaker, Circuit (Machines with SkyPower)	
	2400064	2	Fuse - 5Amp (Deutz D2011 and GM Engine Machines with SkyPower)	
	3740080	1	Relay (Machines with SkyPower and GM Engine)	
	1001117172	1	Footswitch	
	1001141138	1	Module, Controller	
	4360336	1	Switch, Toggle (Machines with Floodlights)	
	4360336	1	Switch, Toggle (Machines with Dual Fuel)	
	4360522	1	Switch, Push Button (Machines with Headlights Option)	
	4360057	1	Switch, Limit	
	80983191	2	Fuse 10Amp (Deutz 2.9L4 Engine Machines)	
	4360232	1	Breaker, Circuit (Machines with Platform Worklights)	
	2400070	2	Fuse 20A (Machines with 2 Platform Worklights)	
	2400065	2	Fuse 30A (Machines with 4 Platform Worklights)	
	1001109477	1	Breaker, Circuit 10A (CE Spec Machines with Power to Platform)	
	1001109475	1	Breaker, Circuit 16A (CE Spec Machines with Power to Platform)	
	1001109482	1	Breaker, Circuit 30mA (CE Spec Machines with Power to Platform)	

**SECTION 10 - SPECIAL OPTIONS**

Go to Discount-Equipment.com to order your parts

# SECTION 10 - SPECIAL OPTIONS

## FIGURE 10-1. SPECIAL OPTIONS

ITEM	PART NUMBER	QTY	DESCRIPTION	REV
		Ref	<b>Note: This list is to accommodate machines ordered with special equipment. Options may not be applicable to all models. For more specific parts information go to Discount-equipment.com.</b>	
		Ref	<b>MISCELLANEOUS SPECIAL OPTIONS</b>	
	1001229762	Ref	<b>Air Intake Shut-off Valve (Deutz TD2.9L4 Engines)</b>	
	1340061	Ref	<b>Air Cleaner Precleaner</b>	
		Ref	<b>Air Line at Platform Installations</b>	
	0271472	Ref	<b>Air Line at Platform Installations 800S</b>	
	1001091712	Ref	<b>Air Line at Platform Installations 800S (With Arctic Package)</b>	
	0271473	Ref	<b>Air Line at Platform Installations 860SJ</b>	
	1001091713	Ref	<b>Air Line at Platform Installations 860SJ (With Arctic Package)</b>	
		Ref	<b>Arctic Package Kit Options:</b>	
	1001205031	Ref	<b>Arctic Package Add-on Kit (800S with Deutz DT2.9L4 Engine without SkyPower)</b>	
	1001205030	Ref	<b>Arctic Package Add-on Kit (800S with Deutz DT2.9L4 Engine with SkyPower)</b>	
	1001205033	Ref	<b>Arctic Package Add-on Kit (860SJ with Deutz DT2.9L4 Engine without SkyPower)</b>	
	1001205032	Ref	<b>Arctic Package Add-on Kit (860SJ with Deutz DT2.9L4 Engine with SkyPower)</b>	
	1001217005	Ref	<b>Beacon Light Kit (Blue)</b>	
		Ref	<b>Bellows Installations</b>	
	0271476	Ref	<b>Bellows Installations 800S/680S Boom Bellows</b>	
	0271477	Ref	<b>Bellows Installations 860SJ Boom Bellows</b>	
	1001158259	Ref	<b>Frame Bellows</b>	
	1001155754	Ref	<b>Boom Installation (810SJ)</b>	
	1001155764	1	Boom Assembly - Main (810SJ)	
	1001181590	1	Cylinder Assembly - Telescope (810SJ) (Use p/n 1001228084) <b>(SN 0300182743 through 0300244707)</b>	
	1001228084	1	Cylinder Assembly - Telescope (810SJ) <b>(SN 0300244708 to Present)</b>	
	1001118209	NLA	Cylinder Assembly - Main Boom Lift (810SJ) (Use p/n 1001228044) <b>(SN 0300182743 through 0300239858)</b>	
	1001228044	1	Cylinder Assembly - Main Boom Lift (810SJ) <b>(SN 0300239859 to Present)</b>	
	1684136	NLA	Level Cylinder Assembly - Platform Slave (810SJ) (Use p/n 1001228022) <b>(SN 0300182743 through 0300244707)</b>	
	1001228022	1	Level Cylinder Assembly - Platform Slave (810SJ) <b>(SN 0300244708 to Present)</b>	
		Ref	<b>Boom Rope Service Kits</b>	
	1001111231	Ref	<b>Boom Rope Service Kit (800S/680S)</b>	
	1001197240	Ref	<b>Boom Rope Service Kit (860SJ)</b>	
	2910888	Ref	<b>Boom Wear Pad Kit</b>	
		Ref	<b>Boom Wiper Installation</b>	
	0271448	Ref	<b>Standard Machines</b>	
	1001122305	Ref	<b>Hostile Environment Machines</b>	
	1001172045	Ref	<b>Cable/Ladder Rack Installation</b>	
		Ref	<b>ClearSky (Telematics) Installations (Dealer Installed)</b>	
	1001242409	Ref	ClearSky (Telematics) Access Control Installation Kit (Dealer Installed) (ANSI, ANSI Export and CSA Specs)	

## SECTION 10 - SPECIAL OPTIONS

ITEM	PART NUMBER	QTY	DESCRIPTION	REV
	1001243183	Ref	ClearSky (Telematics) Added-on Kit (Dealer Installed) (ANSI, ANSI Export and CSA Specs)	
	1001243184	Ref	ClearSky (Telematics) Added-on Kit (Dealer Installed) (CE Specs)	
		Ref	<b>ClearSky (Telematics) Installation (Factory Installed)</b>	
		Ref	<b>ClearSky with Steel Hoods (USA Built Machines) (Note: Refer to Manual Supplement p/n 3128499 for available replacement parts). (SN 0300144483 through 0300234668)</b>	
		Ref	<b>ClearSky with Steel Hoods (China Built Machines) (Note: Refer to Manual Supplement p/n 3128499 for available replacement parts). (SN B300001092 through B300002065)</b>	
	1001118963	Ref	<b>ANSI SPEC</b>	
	1001134103	Ref	<b>Australian Specs Only</b>	
	1001118964	Ref	<b>CSA Specs</b>	
	1001127087	Ref	<b>Brazil and New Zealand Specs Only</b>	
		Ref	<b>ClearSky with Steel Hoods (USA Built Machines) (SN 0300234669 to Present)</b>	
		Ref	<b>ClearSky with Steel Hoods (China Built Machines) (SN B300002066 to Present)</b>	
	1001227494	Ref	<b>ClearSky Telematics Installation - Canbus Connection (Factory Installed) (ANSI &amp; CSA Specs)</b>	
	1001228950	Ref	<b>ClearSky Telematics Installation - Canbus Connection (Factory Installed) (ANSI EXPORT &amp; CE Specs)</b>	
	1001246475	Ref	<b>ClearSky Telematics Installation - Canbus Connection (Factory Installed) (Australian Specs)</b>	
	1001246476	Ref	<b>ClearSky Telematics Installation - Canbus Connection (Factory Installed) (China)</b>	
	1001229107	Ref	<b>ClearSky Telematics Installation - 3 Wire Connection (Factory Installed) (ANSI &amp; CSA Specs)</b>	
	1001233237	Ref	<b>ClearSky Telematics Installation - 3 Wire Connection (Factory Installed) (ANSI EXPORT &amp; CE Specs)</b>	
		Ref	<b>ClearSky (Telematics) Kit (Dealer Installed)</b>	
	1001119939	Ref	<b>ANSI Spec</b>	
	1001139151	Ref	<b>Australian Spec</b>	
	1001234099	Ref	<b>CE Specs</b>	
	1001119947	Ref	<b>CSA Spec</b>	
		Ref	<b>Cold Weather Start Kits</b>	
	0271912	Ref	<b>Deutz D2011 Engine Machines (SN 0300182743 through 0300185779)</b>	
	1001155185	Ref	<b>Deutz D2011 Engine Machines (SN 0300185780 through 0300196954)</b>	
	1001178208	Ref	<b>Deutz D2011 Engine Machines (SN 0300196955 to Present)</b>	
	1001151900	Ref	<b>Deutz DT2.9L4 Engine Machines (SN 0300182743 through 0300196954)</b>	
	1001178208	Ref	<b>Deutz D2011 Engine Machines (SN 0300196955 to Present)</b>	
	1001178207	Ref	<b>Deutz TD2.9L4 Engine and Deutz TD2.9L4 (Stage V) Engine Machines</b>	
	1001219840	Ref	<b>Ford Engine Machines</b>	
	0275262	Ref	<b>GM Engine Machines</b>	
	1001245137	Ref	<b>Control Valve Lockdown Kit (Used on Valves p/n 1001235900, 1001235901 &amp; 1001244114)</b>	
	1001115918	Ref	<b>Cribbing Switch Installation</b>	
		Ref	<b>Decal Installations</b>	
	1001118210	Ref	Decals - 810SJ	
	1001120993	Ref	Decal - ClearSky	

## SECTION 10 - SPECIAL OPTIONS

ITEM	PART NUMBER	QTY	DESCRIPTION	REV
	1001214030	Ref	Decal - EAC (CIS & Russian Specs)	
	0257195	Ref	Decal - Government Warranty Installation (ANSI Spec)	
	1703175	Ref	Decal - Lanyard Attach (GM K-1 Spec)	
	1001218850	Ref	Decal - No Hands (CE))	
	1702668	Ref	Decal - No Hands (English Language)	
	1704000	Ref	Decal - No Hands (Dual Language - English/French)	
	1705967	Ref	Decal - No Hands (Dual Language - English/Portuguese)	
	1705969	Ref	Decal - No Hands (Dual Language - English/Korean)	
	1704001	Ref	Decal - No Hands (Dual Language - English/Spanish)	
	1702962	1	Decal - Prop 65 Warning (Diesel Machines) (ANSI Spec) <b>(SN 0300182743 through 0300243278, SN B300001092 through B300002584)</b>	
	1001231801	1	Decal - Prop 65 Warning (Diesel Machines) (ANSI Spec) <b>(SN 0300243279 to Present, SN B300002585 to Present)</b>	
	1702961	1	Decal - Prop 65 Warning (Gasoline Machines) (ANSI Spec) <b>(SN 0300182743 through 0300243278, SN B300001092 through B300002584)</b>	
	1001236338	1	Decal - Prop 65 Warning (Gasoline Machines) (ANSI Spec) <b>(SN 0300243279 to Present, SN B300002585 to Present)</b>	
	1001200131	Ref	Decal - Quick Reference (Danish) (Lomax Rentals)	
	1001200129	Ref	Decal - Quick Reference (Dutch) (Lomax Rentals)	
	1001181145	Ref	Decal - Quick Reference (English) (Lomax Rentals)	
	1001200128	Ref	Decal - Quick Reference (French) (Lomax Rentals)	
	1001200130	Ref	Decal - Quick Reference (German) (Lomax Rentals)	
	1001200134	Ref	Decal - Quick Reference (Norwegian) (Lomax Rentals)	
	1001200133	Ref	Decal - Quick Reference (Spanish) (Lomax Rentals)	
	1001200132	Ref	Decal - Quick Reference (Swedish) (Lomax Rentals)	
		Ref	<b>Decal Kits Options:</b>	
	2902307	Ref	Decal Kit - Country Spec (ANSI and ANSI Export)	
	2902329	Ref	Decal Kit - Country Spec (Australian and CE)	
	2902312	Ref	Decal Kit - Country Spec (Brazil)	
	2902322	Ref	Decal Kit - Country Spec (CSA)	
	1001116844	Ref	Decal Kit - Country Spec (Chinese - Simplified)	
	2902309	Ref	Decal Kit - Country Spec (Chinese - Traditional)	
	2902308	Ref	Decal Kit - Country Spec (Japanese)	
	2902310	Ref	Decal Kit - Country Spec (Korean)	
	2902311	Ref	Decal Kit - Country Spec (Latin America)	
	1001109029	Ref	Decal Kit - Master (All Specs except Australian and CE Specs)	
	2902303	Ref	Decal Kit - Master (Australian and CE Specs) <b>(SN 0300182743 through 0300211594)</b>	
	1001199949	Ref	Decal Kit - Master (Australian and CE Specs) <b>(SN 0300211595 to Present)</b>	
	2902303	Ref	Decal Kit - Master (Australian and CE Specs) <b>(SN B300001092 through B300001389)</b>	
	1001199949	Ref	Decal Kit - Master (Australian and CE Specs) <b>(SN B300001390 to Present)</b>	
	1001193640	Ref	Decal Kit - Machine (ANSI Spec Only)	
	1001108722	Ref	Decal Kit - Platform (800S)	
	1001108723	Ref	Decal Kit - Platform (860SJ)	
	1001241345	Ref	Decal Kit - Platform Console Box (ANSI Spec)	
	2902354	Ref	Decal Kit - Tire Load (800S)	
	2902429	Ref	Decal Kit - Tire Load (860SJ)	
	1001109257	Ref	<b>Drive Orientation Kit (860SJ)</b>	
	2902394	Ref	<b>Drive/Steer Cutout Kit</b>	

## SECTION 10 - SPECIAL OPTIONS

ITEM	PART NUMBER	QTY	DESCRIPTION	REV
		Ref	<b>Electrical Connector Kits</b>	
	1001148902	Ref	Amp/Tyco Electrical Connector Kit	
	1001148903	Ref	Deutsch DT Electrical Connector Kit	
	1001148904	Ref	Deutsch HD Electrical Connector Kit	
	1001148905	Ref	Packard Electrical Connector Kit	
	1001148906	Ref	Various Electrical Connectors Kit	
	1001218022	Ref	<b>Engine Block Heater Installation (Ford Engines)</b>	
	0275261	Ref	<b>Engine Block Heater Installation (GM Engines)</b>	
	1001246867	Ref	<b>Enhanced Detection System (EDS) Level 1 (2-Bar) Installation Kit</b>	
	1001246860	Ref	<b>Enhanced Detection System (EDS) Level 2 (3-Bar) Installation Kit</b>	
	1001237883	Ref	<b>Fall Arrest (Bolt-on) Add-on Kit (6ft/1.82m Platform (ANSI, ANSI Export, China, CSA &amp; Japanese Specs Only) (Fits Platform p/ns 1001186384, 1001144024 &amp; 1001228376)</b>	
	1001237882	Ref	<b>Fall Arrest (Bolt-on) Add-on Kit (8ft/2.4m Platform (ANSI, ANSI Export, China, CSA &amp; Japanese Specs Only) (Fits Platform p/ns 1001186383 &amp; 1001144023)</b>	
		Ref	<b>Fan Cover/Grille Options:</b>	
	1001185078	Ref	<b>Fan Cover Add-on Kit (Deutz D2011 Engines)</b>	
	1001182599	Ref	<b>Fan Cover Installation (Deutz D2011 Engines)</b>	
	1001093389	Ref	<b>Fan Grille Installation (Deutz D2011 Engines)</b>	
	1001213223	Ref	<b>Fan &amp; Belt Grille Add-on Kit (Deutz D2011 Engines without Generator)</b>	
	1001202122	Ref	<b>Fan &amp; Belt Grille Installation (Deutz D2011 Engines without Generator)</b>	
	1001213222	Ref	<b>Fan &amp; Belt Grille Add-on Kit (Deutz D2011 Engines with Generator)</b>	
	1001202398	Ref	<b>Fan &amp; Belt Grille Installation (Deutz D2011 Engines with Generator)</b>	
	1001149126	Ref	<b>Fan Grille Installation (Deutz TD2.9L4 Engines) (RCP Radiator Only)</b>	
	1001177694	Ref	<b>Fan Grille Installation (Deutz TD2.9L4 Engines and Deutz TD2.9L4 (Stage V) Engines) (Modine Radiator Only)</b>	
	1001213219	Ref	<b>Fan &amp; Belt Grille Add-on Kit (Deutz TD2.9L4 Engines without Generator) (Modine Radiator)</b>	
	1001202397	Ref	<b>Fan &amp; Belt Grille Add-on Kit (Deutz TD2.9L4 Engines without Generator) (Modine Radiator) Fan &amp; Belt Grille Installation (Deutz TD2.9L4 Engines without Generator) (Modine Radiator)</b>	
	1001213220	Ref	<b>Fan &amp; Belt Grille Add-on Kit (Deutz TD2.9L4 Engines without Generator) (RCP Radiator)</b>	
	1001202082	Ref	<b>Fan &amp; Belt Grille Installation (Deutz TD2.9L4 Engines without Generator) (RCP Radiator)</b>	
	1001213227	Ref	<b>Fan &amp; Belt Grille Add-on Kit (Deutz TD2.9L4 Engines with Generator) (Modine Radiator)</b>	
	1001213181	Ref	<b>Fan &amp; Belt Grille Installation (Deutz TD2.9L4 Engines with Generator) (Modine Radiator)</b>	
	1001213221	Ref	<b>Fan &amp; Belt Grille Add-on Kit (Deutz TD2.9L4 Engines with Generator) (RCP Radiator)</b>	
	1001202331	Ref	<b>Fan &amp; Belt Grille Installation (Deutz TD2.9L4 Engines with Generator) (RCP Radiator)</b>	
	1001093389	Ref	<b>Fan Cover Installation (Ford &amp; GM Engines)</b>	
	1001125824	Ref	<b>Fire Extinguisher Brackets installation (Frame Mounted)</b>	
	1001139099	Ref	<b>Fire Extinguisher Installation (20lb) (Platform Mounted)</b>	
	1001121862	Ref	<b>Fire Protection For Hoses and Cables (800S)</b>	

## SECTION 10 - SPECIAL OPTIONS

ITEM	PART NUMBER	QTY	DESCRIPTION	REV
	1001227951	Ref	<b>Fire Protection For Platform Valves and Filter (800S)</b>	
	1001238967	Ref	<b>Fire Protection For Hoses and Cables (860SJ)</b>	
	1001239235	Ref	<b>Fire Protection For Platform Valves and Filter (860SJ)</b>	
		Ref	<b>Filter Kits:</b>	
		Ref	Combined Filter Kit (Hydraulic/Air and Fuel/Engine Oil)	
	1001241772	1	Deutz D2011 Engine Machines (SN 0300182743 through 0300196954)	
	1001225623	1	Deutz D2011 Engine Machines (SN 0300196955 to Present)	
	1001181149	1	Deutz DT2.9L4 Engine Machines (ULS Only) (SN 0300182741 through 0300196954, SN B300001092 through B300001096)	
	1001195537	1	Deutz DT2.9L4 Engine Machines (ULS Only) (SN 0300196955 to Present, SN B300001097 to Present)	
	1001151650	1	GM Engine Machines (SN 0300182743 through 0300196954)	
	1001225625	1	GM Engine Machines (SN 0300196955 to Present)	
		Ref	Hydraulic/Air Filter Kit Options:	
		Ref	Deutz D2011 Engines (Not Available)	
	1001204457	1	Deutz DT2.9L4 Engines (SN 0300182743 through 0300196955)	
	1001204454	1	Deutz DT2.9L4 Engines (SN 0300196955 to Present)	
		Ref	Engine - Fuel/Engine Oil Filter Options	
	1001110133	1	Deutz D2011 Engines	
	1001204460	1	Deutz DT2.9L4 Engines	
		Ref	<b>Fluids:</b>	
	2300004	Ref	Coolant, Standard	
	3020016	Ref	Engine Oil, (15W-40)	
	3020044	Ref	Engine Oil, (0W-40)	
	1001115930	Ref	Engine Oil, (10W-30)	
		Ref	Hydraulic Fluids Options:	
	2300014	Ref	Mobil 424	
	2300027	Ref	Mobil 224H Bio	
	2300016	Ref	Mobil DTE 10 Excel 32	
	2300021	Ref	Union Carbide Ucon HP5046 Fire Resistant	
	2300039	Ref	Exxon Univis HVI (Arctic Package Only)	
	3020039	Ref	Lubricant (Axle Pivot)	
	3020029	Ref	Lubricant (Kingpin)	
	3020008	Ref	Lubricant 80W-90 (Drive Hub)	
	1001117294	Ref	<b>Footswitch Shield (With Arctic Package)</b>	
	1001202749	Ref	<b>Fuel Cap Cover Installation (Black) (Note: Lock p/n 1001102157 Must be Purchased Separately)</b>	
	1001191395	Ref	<b>Fuel Cap Cover Installation (Green) (Diesel Machines) (Note: Lock p/n 1001102157 Must be Purchased Separately)</b>	
	1001191394	Ref	<b>Fuel Cap Cover Installation (Red) (Gas Machines) (Note: Lock p/n 1001102157 Must be Purchased Separately)</b>	
	1001204467	Ref	<b>Fuel/Water Separator Filter Add-on Kit</b>	
		Ref	<b>Generator Add-on Kits</b>	
		Ref	4000W Generator Options:	
	1001212067	Ref	4000W/50Hz Generator Add-on Kit (Deutz D2011 Engines)	
	1001213604	Ref	4000W/60Hz Generator Add-on Kit (Deutz D2011 Engines)	
	1001211798	Ref	4000W/50Hz Generator Add-on Kit (Deutz TD2.9L4 Engines)	
	1001213602	Ref	4000W/60Hz Generator Add-on Kit (Deutz TD2.9L4 Engines)	
		Ref	7500W SkyPower Generator Options:	
	1001116163	Ref	7500W/60Hz Generator Add-on Kit	
	1001217323	Ref	7500W/60Hz Generator Add-on Kit	



## SECTION 10 - SPECIAL OPTIONS

ITEM	PART NUMBER	QTY	DESCRIPTION	REV
		Ref	<b>Hood (ABS to Steel) Replacement Kits</b>	
	1001121708	Ref	Hood Kit (800S with Deutz Engine)	
	1001121709	Ref	Hood Kit (800S with GM Engine)	
	1001121710	Ref	Hood Kit (860SJ with Deutz Engine)	
	1001121711	Ref	Hood Kit (860SJ with GM Engine)	
		Ref	<b>Hose Kit Options</b>	
	1001187509	Ref	Hose Kit - Boom (800S/680S)	
	1001187500	Ref	Hose Kit - Boom (860SJ)	
	1001210688	Ref	Hose Kit (Upper) (800S/860SJ)	
	1001209634	Ref	Hose Kit - Platform Valve (800S/680S)	
	1001209635	Ref	Hose Kit - Platform Valve (860SJ)	
	1001121412	Ref	<b>Hostile (Extreme) Environment Installation (800S with Deutz Engine) (ANSI, ANSI Export, CE-LRC, China, CSA and Japanese Specs)</b>	
	1001210977	Ref	<b>Hostile (Extreme) Environment Installation (860SJ with Deutz Engine) (ANSI, ANSI Export, CE-LRC, China, CSA and Japanese Specs)</b>	
	1001204929	Ref	<b>Hostile (Extreme) Environment Add-on Kit (800S with Deutz Engine) (ANSI, ANSI Export and CSA Specs)</b>	
	1001241416	Ref	<b>Hostile (Extreme) Environment Add-on Kit (860SJ with Deutz Engine)</b>	
	1001094475	Ref	<b>Hourmeter for Generator</b>	
	1001148971	Ref	<b>Lanyard (Bolt-on) Kit Installation</b>	
	1001183407	Ref	<b>Low Temperature Cutout Installation (Russian Specs) (SN 0300182743 through 0300244707, SN B300001092 through B300002605)</b>	
	1001236951	Ref	<b>Low Temperature Cutout Installation (Russian Specs) (SN 0300244708 to Present, SN B300002606 to Present)</b>	
		Ref	<b>Oil Cooler Options:</b>	
	1001158251	Ref	<b>Oil Cooler Installations (Deutz D2011 Engines)</b>	
	1001156039	Ref	<b>Oil Cooler Installations (Deutz TD2.9L4 Engines) (RCP Cooler) (SN 0300182743 through 0300227014)</b>	
	1001186631	Ref	<b>Oil Cooler Installations (Deutz TD2.9L4 Engines and Deutz TD2.9L4 (Stage V) Engines) (YMER Cooler) (SN 0300227015 to Present)</b>	
	1001156039	Ref	<b>Oil Cooler Installations (Deutz TD2.9L4 Engines) (RCP Cooler) (SN B300001092 through B300001749)</b>	
	1001186631	Ref	<b>Oil Cooler Installations (Deutz TD2.9L4 Engines and Deutz TD2.9L4 (Stage V) Engines) (YMER Cooler) (SN B300001750 to Present)</b>	
	1001219633	Ref	<b>Oil Cooler Installations (Ford Engines)</b>	
	0271939	Ref	<b>Oil Cooler Installations (GM Engines)</b>	
	1001200725	Ref	<b>Oil Cooler Replacement Kit (RCP to YMER)</b>	
		Ref	<b>Pipe Jack Installations</b>	
	0257728	Ref	ANSI Spec	
	0274661	Ref	Australian Spec	
	1001214984	Ref	<b>Platform Box Decal Protection Installation (GB China Specs)</b>	
		Ref	<b>Platform Box Cover Installations</b>	
	0258703	Ref	Plastic Cover (USA Built Machines) <b>(SN 0300182743 through 0300201002)</b>	
	1001195304	Ref	Steel Cover (USA Built Machines) <b>(SN 0300201003 to Present)</b>	
	1001112821	Ref	Steel Cover (China Built Machines) <b>(SN B300001092 through B300001996)</b>	
	1001110974	Ref	Steel Cover (Chinese Built Machines) <b>(SN B300001997 to Present)</b>	

## SECTION 10 - SPECIAL OPTIONS

ITEM	PART NUMBER	QTY	DESCRIPTION	REV
	1001110974	Ref	Steel Cover (All Specs except Chinese and Korean Specs)	
	1001125229	Ref	Steel Cover (Korean Spec)	
	1001125230	Ref	Steel Cover (Chinese Specs - Simplified Language)	
	1001205175	Ref	<b>Platform Cover Add-on Kit</b>	
		Ref	<b>Platform Entry Kits</b>	
	1001142504	Ref	<b>Drop Bar (Replacing Swing Gate with Drop Bar)</b>	
	1001142505	Ref	<b>Swing Gate (Replacing Drop Bar with Swing Gate)</b>	
		Ref	<b>Platform Fall Arrest Add-on Kit Options (Note: Requires Foam Filled Tires and p/n 1001165646 Counterweight)</b>	
	1001145975	Ref	<b>Fall Arrest Add-on Kit (36in x 72in Platform)</b>	
	1001145965	Ref	<b>Fall Arrest Add-on Kit (36in x 96in Platform)</b>	
		Ref	<b>Platform Mesh To Mid Rail Installation (Side Entry Platform)</b>	
	1001140318	Ref	<b>Platform Mesh To Mid Rail Installation (Side Entry Platform) 800S/860SJ - 2.5ft x 4ft Platforms (ANSI, ANSI Export and Australian Specs)</b>	
	1001140315	Ref	<b>Platform Mesh To Mid Rail Installation (Side Entry Platform) 800S/860SJ - 2.5ft x 5ft Platforms (ANSI, ANSI Export and CSA Specs)</b>	
	1001138772	Ref	<b>Platform Mesh To Mid Rail Installation (Side Entry Platform) 800S/860SJ - 3ft x 6ft Platforms (ANSI, ANSI Export and CSA Specs)</b>	
	1001138773	Ref	<b>Platform Mesh To Mid Rail Installation (Side Entry Platform) 800S/860SJ - 3ft x 8ft Platforms (ANSI, ANSI Export and CSA Specs)</b>	
		Ref	<b>Platform Mesh to Mid Rail Add-on Kits:</b>	
	1001214478	Ref	<b>30in x 4ft (76cm x 1.22m) with Gate</b>	
	1001214515	Ref	<b>30in x 5ft (76cm x 1.52m) with Gate</b>	
	1001214540	Ref	<b>36in x 6ft (91.5cm x 1.83m) with Gate</b>	
	1001214548	Ref	<b>36in x 8ft (91.5cm x 2.44m) with Gate</b>	
		Ref	<b>Platform Mesh To Top Rail Installation (Side Entry Platform)</b>	
	0273147	Ref	<b>Platform Mesh To Top Rail Installation (Side Entry Platform) 800S/860SJ - 2.5ft x 4ft Platforms (ANSI, ANSI Export and CSA Specs)</b>	
	0273146	Ref	<b>Platform Mesh To Top Rail Installation (Side Entry Platform) 800S/860SJ - 2.5ft x 5ft Platforms (ANSI, ANSI Export and CSA Specs)</b>	
	0273149	Ref	<b>Platform Mesh To Top Rail Installation (Side Entry Platform) 800S/860SJ - 3ft x 6ft Platforms (ANSI, ANSI Export and CSA Specs)</b>	
	0273145	Ref	<b>Platform Mesh To Top Rail Installation (Side Entry Platform) 800S/860SJ - 3ft x 8ft Platforms (ANSI, ANSI Export and CSA Specs)</b>	
	1001120532	Ref	<b>Platform Mesh To Top Rail Installation (Side Entry Platform) 800S - 3ft x 8ft Platforms (With Fall Arrest) (ANSI Export Specs)</b>	
		Ref	<b>Platform Mesh to Top Rail Add-on Kits:</b>	
	1001214552	Ref	<b>30in x 4ft (76cm x 1.22m) with Gate</b>	
	1001214559	Ref	<b>30in x 5ft (76cm x 1.52m) with Gate</b>	
	1001214561	Ref	<b>36in x 6ft (91.5cm x 1.83m) with Gate</b>	
	1001214562	Ref	<b>36in x 8ft (91.5cm x 2.44m) with Gate</b>	
	1001149730	Ref	<b>Platform Mid Rail Repair Kit</b>	
		Ref	<b>Platform Top Rail Extension Installations</b>	
	0272733	1	Platform 6ft (1.83m)	
	0272725	1	Platform 8ft (2.44m)	
	1001209059	Ref	Platform Work Surface Installation	

## SECTION 10 - SPECIAL OPTIONS

ITEM	PART NUMBER	QTY	DESCRIPTION	REV
	1001177328	Ref	<b>Power Track Mounting Block Repair Kit</b>	
	1001100121	Ref	<b>Programmable Security Lock Installation (CE Spec Only)</b>	
	1001162546	Ref	<b>Pump Coupling Service Kit (Sauer Danfoss)</b>	
	1001199487	Ref	<b>Radiator Replacement Kit (RCP to Modine)</b>	
	1001171131	Ref	<b>Receptacle (240V GFCI) Installation (4000W Generator)</b>	
	1001159121	Ref	<b>Receptacle (240V GFCI) Installation (7500W Generator)</b>	
		Ref	<b>SkyGuard Component Options:</b>	
	1001206477	Ref	<b>SkyGuard Complete Add-On Kit (Blue Beacon)</b>	
	1001143669	NLA	<b>SkyGuard Complete Add-On Kit (Blue Beacon) (Use p/n 1001206477)</b>	
	1001210026	Ref	<b>SkyGuard Complete Add-On Kit (Red Beacon)</b>	
	1001197016	Ref	<b>SkyGuard Platform Sensor Kit</b>	
	1001137672	Ref	<b>SkyGuard Platform Sensor Kit</b>	
	1001137440	1	SkyGuard Sensor Harness	
	1001186431	2	Relay	
	1001206311	Ref	<b>SkyGuard Strobe Light Kit (Blue Beacon)</b>	
	1001143256	NLA	<b>SkyGuard Strobe Light Kit (Blue Beacon) (Use p/n 1001206311)</b>	
	1001210025	Ref	<b>SkyGuard Strobe Light Kit (Red Beacon)</b>	
	1001176372	Ref	<b>SkyGuard Plug Removal Kit</b>	
	1001232643	Ref	<b>SkyLine Kit</b>	
	1001231235	Ref	<b>SkyWelder Locking Bracket Installation</b>	
	1001110926	Ref	<b>Soft Touch (Overhead) Installation (Chinese/Korean Specs Only)</b>	
	1001125393	Ref	<b>Soft Touch (Overhead) Kit (Chinese/Korean Specs Only)</b>	
		Ref	<b>Strobe Light Installations (Amber) (Note: See SkyGuard for Blue Strobe Light)</b>	
	1001152965	Ref	<b>Platform Mounted</b>	
	1001154231	Ref	<b>Platform/Ground Mounted</b>	
	1001184931	Ref	<b>Telescope Cylinder Service Kit</b>	
	1001228357	Ref	Telematics Retrofit Harness Kit (Machines with UGM)	
	1001116524	Ref	<b>Tire &amp; Wheel Assembly - Sand Tire (18/22.5) (Model 810SJ Only)</b>	
	0272325	Ref	<b>Tire Sealant Installation (ANSI Spec Only)</b>	
	0272312	Ref	<b>Tire Sealant Decal Installation</b>	
	2902203	1	Kit, Tire Sealant Decal	
	1001228355	Ref	<b>Turntable Bearing Cover Installation</b>	
		Ref	<b>Tools for Service</b>	
	2901443	1	Analyzer Kit	
	8896941	1	Wire Stripper	
	7002821	1	Wire Crimper (To install wire ends to wires)	
	7002823	1	Pin/Socket Extractor - Universal (To Remove Pins/Sockets from Connectors)	
	4460467	1	Extractor - 16-18 Gauge (For Removal of Pin/Sockets from Deutsch Connectors)	
	4460510	1	Extractor - 12-14 Gauge (For Removal of Pin/Sockets from Deutsch Connectors)	
	7002822	1	Screwdriver, Potentiometer (To Adjust Drive Controllers)	
	7016654	1	Screwdriver, Magnetic	
	7004275	1	Seal Installation Tool - 1in	
	7004276	1	Seal Installation Tool - 1-1/2in	
	7002826	1	Seal Installation Tool - 2in	
	7016655	1	Wire Rope Sheave Gauge	

## SECTION 10 - SPECIAL OPTIONS

ITEM	PART NUMBER	QTY	DESCRIPTION	REV
	1001137005	1	Software Cable Kit	
	70005663	1	Tool, Port Plate for Pump p/n 1001142522	
	2915094	Ref	<b>Turntable Bearing Replacement Kit</b>	
		Ref	<b>Weld Leads at Platform Installations</b>	
	0271487	Ref	<b>Weld Leads at Platform Installations 800S</b>	
	0271488	Ref	<b>Weld Leads at Platform Installations 860SJ</b>	

Go to Discount-Equipment.com to order your parts

**PART NUMBER INDEX**

Go to [Discount-Equipment.com](http://Discount-Equipment.com) to order your parts

# PART NUMBER INDEX

0060048.....222, 229	0271084.....22	0274502.....461	0641404....139, 168, 181,
0060061.....217, 229	0271085.....22	0274503.....461	185, 193, 295
0080201.....106	0271086.....22	0274504.....461	0641405....145, 177, 181,
0100009.....138, 263, 267	0271090.....22	0274505.....461	185, 189, 193, 199,
0100011....13, 14, 17, 21,	0271091.....22	0274506.....461	203, 245, 295
37, 39, 43, 44, 53, 55,	0271322.....251, 419	0274507.....461	0641406....75, 78, 79, 86,
57, 64, 65, 66, 70, 75,	0271323.....251, 419	0274508.....461	93, 106, 144, 150, 156,
78, 79, 87, 88, 93, 94,	0271324.....251, 420	0274509.....467, 471	159, 182, 186, 207,
95, 98, 99, 104, 105,	0271325.....251, 420	0274510.....467, 471	209, 235, 258, 263,
106, 129, 135, 138,	0271360.....144	0274511.....461	267, 440, 458, 463,
144, 145, 150, 156,	0271362.....144	0274512.....461	468, 471
158, 159, 161, 163,	0271444.....221, 222	0274513.....461	0641407....65, 66, 86, 94,
168, 171, 173, 177,	0271448.....478	0274514.....461	105, 139, 245
181, 185, 189, 193,	0271472.....478	0274518....457, 461, 467	0641408..43, 93, 94, 157,
199, 203, 213, 217,	0271473.....478	0274661.....313, 483	251, 258
218, 221, 222, 223,	0271476.....478	0275039.....177	0641409.....65
225, 233, 235, 245,	0271477.....478	0275216.....435	0641410..37, 64, 66, 145,
249, 257, 281, 283,	0271487.....486	0275217.....435	251
285, 287, 295, 298,	0271488.....486	0275218.....435	064141275, 93, 104, 251,
301, 303, 305, 327,	0271552....145, 265, 269	0275219.....435	440
331, 335, 339, 345,	0271912.....479	0275257.....203, 437	0641414....263, 267, 281,
351, 353, 355, 365, 366	0271939.....410, 483	0275261.....481	285, 287, 289
0100019.....57, 152, 159,	0271999.....145	0275262.....479	0641416.....245, 439
171, 181, 185, 189,	0272057.....145	0275452.....435	0641418.....43, 257, 283
193, 199, 203, 207	0272058.....259	0275453.....435	0641420.....44, 257
0100020....64, 75, 83, 93,	0272070.....233	0275454.....436	0641422.....104
95, 104, 106, 121, 131,	0272081.....152, 159	0275574.....245	0641424.....251
133, 182, 190, 193,	0272254.....303	0275586.....251, 420	0641504.....213
207, 210, 298, 309, 418	0272259.....431	0275865.....467	0641506.....139, 209
0100035....144, 146, 235,	0272260.....431	0340041.....106	0641507.....44, 233
267	0272312.....485	0362770.....150	0641508.....39, 150, 168,
0100038....327, 331, 335,	0272322.....22	0362910.....39	171, 173
339, 345, 351, 353,	0272325.....485	0370038.....365	0641510.....66, 177
355, 365	0272333.....22	0400075 ...53, 55, 64, 75,	0641511.....104, 251
0100048.....93, 104, 139,	0272334.....22	93, 104	0641512.....66
145, 173, 185, 193,	0272388.....251, 419	0440244.....57	0641514....177, 313, 351,
245, 264, 267, 423	0272389.....251, 420	0480100.....313	355
0100062..66, 83, 98, 107,	0272418.....293	0480121.....167	0641516....181, 185, 189,
195	0272427.....281	0480126.....182, 195	193, 199, 203
0100071.....289	0272435....196, 200, 204	0480129.....182, 195	0641518.....82, 259
0100079.....185, 193	0272448.....298, 303	0480142....177, 189, 203	0641526.....233
0100081....156, 218, 223,	0272521.....301	0561185.....225	0641542.....37
263, 293	0272588.....301	0561380.....213	0641560.....37
0140001.....43	0272589.....196	0561445.....225	0641604....222, 235, 251
0140011.....263, 267	0272599.....298, 309	0561446.....225	0641605.....82
0140032.....145, 430	0272607.....309	0561447.....225	0641606....37, 43, 44, 53,
0140044.....145	0272703.....245	0561449.....225	55, 66, 75, 106, 152,
0181949.....133	0272725.....484	0561484.....251	218, 223, 225, 234,
0182077.....150	0272733.....484	0630407.....80	298, 301, 303, 305
0200048.....281	0272948.....293	0630462.....281	0641607....14, 17, 82, 93,
0200742.....167	0272951.....293	0630467.....233	129, 171, 225, 251
0250528.....39	0273145.....484	0630485.....157	0641608..64, 75, 79, 104,
0256202.....431	0273146.....484	0630507.....150	106, 123, 150, 152,
0257195.....480	0273147.....484	0630518 ...139, 298, 301,	156, 159, 161, 163,
0257728.....313, 483	0273149.....484	303, 305, 309	207, 217, 218, 222,
0257887.....145, 430	0273353.....298	0630534.....345, 347	223, 225
0258608.....265, 269	0273472.....259, 414	0630535 ...327, 331, 335,	0641609..66, 70, 79, 106,
0258703.....483	0273483.....259, 414	337, 339, 341, 365,	150, 158, 165
0258728.....165	0273596.....207	371, 373	0641610....64, 66, 75, 87,
0259147.....57	0273687.....207	0630536 ...351, 353, 355,	93, 106, 121, 146, 147,
0270528.....39	0273695....217, 221, 235	357	150, 167, 209, 222,
0270885.....21	0273706.....281	0630539.....218, 223	225, 258
0270886.....22	0273824.....281	0630548.....139	0641611.....135, 157
0270888.....22	0274499.....457	0630568.....265, 268	0641612.....43, 82, 106
0271002.....57	0274500.....457	0641403....144, 193, 225	0641613.....43, 156, 213,
0271083.....22	0274501.....461		225

## PART NUMBER INDEX

0641614 .....	129, 151	0711014 .....	98	0861538.....	193, 199, 203	1001091187 .....	144
0641615 .....	213	0711020 .....	95	0861572.....	193	1001091188 .....	144
0641616 ...	150, 156, 182, 209, 225	0711216 .....	98	0861642.....	207	1001091460 .....	29
0641617 .....	133	0711223 .....	97	0861731.....	433	1001091461 .....	29
0641618 ...	185, 193, 222	0720804 .....	133	0861781.....	433	1001091472 .....	251
0641620 .....	218, 223	0721003 .....	263, 267	0861782.....	433	1001091563 .....	130, 131
0641622 .....	218, 223	0721004 .....	39	0861880.....	440	1001091587 .....	105
0641626 .....	225	0721005 .....	281	0902206.....	145	1001091609 .....	251, 420
0641634 .....	225	0721006 ...	87, 150, 168, 171, 263, 267	0902219.....	150	1001091618 .....	420
0641640 .....	225	0721008 .....	152	0902223.....	150	1001091620 .....	421
0641644 .....	218, 223	0731005 .....	129	0902351.....	150	1001091625 ...	217, 229
0641708 .....	79	0731007 .....	129	0902412.....	150	1001091664 ...	251, 420
0641710 .....	177	0741605 ...	79, 217	0902491.....	150	1001091665 ...	251, 420
0641772 ...	168, 171, 173	0741607 ...	39, 182, 185, 193, 199	0902673.....	150, 156	1001091712 .....	478
0641808 ...	64, 78, 93, 94, 104, 105, 129, 181, 185, 189, 193, 203, 221	0741609 .....	18	0902674.....	150	1001091713 .....	478
0641810 .....	14, 17, 207	0741612 .....	225	0902751.....	263	1001091790 .....	439
0641812 ...	65, 78, 94, 105, 135, 171, 214, 233, 249	0760605 .....	82, 98	0902769.....	150	1001091794 .....	107
0641814 .....	76	0760606 .....	79, 200	0902888... ..	181, 185, 189, 193, 199, 203	1001091969 .....	431
0641816 .....	129	0760608 .....	95	0902919.....	245	1001091970 ...	431, 436
0641818 .....	13, 70, 165	0760610 ...	95, 98, 173, 199	0902920.....	245	1001091971 ...	432, 436
0641820 .....	66, 135, 245	0760612 .....	95	0903242.....	135	1001091972 .....	432
0641822 .....	245	0760615 .....	98	0903484.....	439	1001091973 .....	432
0641826 .....	107	0760619 .....	93	0903530.....	234	1001091974 .....	432
0641828 .....	106	0760807 .....	98	0903697.....	440	1001091975 .....	433
0642010 ...	39, 64, 75, 93, 104	0760810 ...	75, 79, 88, 93, 95	0940049.....	156	1001093382 ...	53, 55, 64, 76, 94, 105
0642012 .....	293	0760812 ..	93, 95, 98, 443	0940070 ...	66, 79, 97, 106	1001093389 .....	481
0642014 ...	213, 217, 221	0760814 .....	83, 95	0940071.....	150, 151	1001094475 .....	483
0642024 .....	245	0760815 .....	83, 95	0940088.....	150, 151, 157	1001094509 .....	441
0642026 .....	293	0760816 .....	93	0940092.....	281	1001094595 ...	66, 78, 94, 106, 117
0642212 13, 17, 213, 217, 221, 293		0760817 .....	98	0940094.....	281	1001094899 .....	57
0642612 .....	145, 146	0760817 .....	98	0940102.....	293	1001095307 ...	379, 385, 387, 393
0642618 .....	213	0760820 .....	93	0940103.....	281	1001095308 ...	379, 385, 388, 393
0642684 ...	233, 245, 249	0761008 .....	77, 88, 93	0940133.....	281	1001096070 ...	182, 186, 440
0681608 ...	13, 17, 64, 75, 233, 245, 249	0761014 .....	95, 249	0940134.....	281	1001096134 .....	196, 439
0681620 ...	315, 317, 319	0761015 ...	83, 88, 95, 98	0940159.....	283	1001097051 .....	447
0681814 .....	261	0761016 .....	95, 173	0940177.....	281	1001097150 .....	440
0681820 .....	82	0761018 .....	199	0961845.....	257	1001097939 .....	145
0681822 .....	21, 82, 261	0761210 .....	82	0961893.....	345, 347	1001097942 .....	145
0682016 .....	21, 152, 159	0761216 .....	249	0961894... ..	327, 331, 335, 337, 339, 341	1001097945 .....	145
0682023 .....	57	0771012 .....	94	0961897... ..	365, 371, 373	1001098012 ...	298, 309, 311
0682032 .....	57	0771014 .....	95	0961898... ..	351, 353, 355	1001098149 .....	309
0682216 .....	57	0771212 .....	75, 79	0961947... ..	222, 229, 327, 331, 335, 337	1001098167 .....	323
0682236 .....	13, 17	0771414 .....	66, 70, 79	0961948... ..	225, 329, 333, 339, 341, 343	1001098234 ...	439
0682424 ...	315, 317, 319	0801275 .....	225	0961951.....	226, 229	1001098349 .....	439
0700615 .....	146, 147	0801279 .....	213	0961986... ..	66, 79, 95, 106	1001098764 .....	429
0700617 ...	158, 159, 163	0801280 .....	213	0962033... ..	351, 353, 355, 357, 359	1001098828 ...	97, 249
0700618 .....	158, 161	0801282 .....	225	0962051.....	165	1001098908 .....	422
0700808 .....	66	0801306 .....	213	0962102.....	13, 17	1001098909 .....	422
0700810 .....	95, 106	0801307 .....	213	0962122.....	213	1001098910 .....	422
0700812 .....	95	0801647 .....	225	0962152.....	18, 361, 363	1001098911 .....	422
0700814 .....	83, 95	0811606 .....	225	0962181.....	18	1001099051 .....	69, 70
0700816 .....	98	0811607 .....	225	0962270.....	261	1001099121 .....	152
0700818 .....	98	0811608 .....	225	0962297... ..	213, 214, 217, 222, 225	1001099138 .....	151
0700820 ...	177, 189, 203	0811610 .....	157	0962335.....	222	1001099139 .....	152
0701014 .....	98	0811614 .....	225	0962336... ..	345, 347, 349	1001099366 .....	293
0701016 ...	177, 189, 203	0811616 .....	225	0962348.....	18	1001099367 .....	293
0701025 .....	83	0811812 .....	150, 156	0962449.....	168	1001099421 .....	293
0701026 .....	99	0840055 .....	246	0962450.....	245	1001099422 ...	293
0701224 .....	97	0860038 ...	181, 185, 189, 193, 199, 203, 433	0962520... ..	182, 185, 189, 193, 199, 203	1001099869 .....	168
0710827 .....	98	0860520 ...	457, 463, 467, 471	1001001939.....	67	1001099870 .....	37
		0861441 .....	263, 265			1001100121 .....	485

# PART NUMBER INDEX

1001100233..... 168	1001110873..... 181, 186, 190, 194, 200, 204, 434, 437	1001117140..... 152	1001122521..... 463
1001100234..... 168	1001110926..... 485	1001117172..... 258, 476	1001122522..... 463
1001100321..... 167	1001110974..... 483, 484	1001117174..... 258, 268	1001125008..... 265, 269
1001100326..... 431	1001110979..... 283	1001117249..... 157	1001125009..... 265, 269
1001100327..... 431	1001110980..... 283	1001117294..... 482	1001125010..... 265, 269
1001100328..... 432	1001110982..... 283	1001117307..... 157	1001125011..... 265, 269
1001100329..... 432	1001111231..... 478	1001117308..... 80, 476	1001125229..... 484
1001100331..... 432	1001111231..... 478	1001117372..... 323, 325	1001125230..... 484
1001100333..... 432	1001111346..... 257	1001117399..... 251, 419	1001125387..... 458, 463
1001100337..... 433	1001111968..... 399, 403, 408	1001117400..... 251, 420	1001125393..... 485
1001100341..... 436	1001112551..... 468	1001117523..... 157	1001125492..... 57
1001100342..... 436	1001112588..... 414, 430	1001117525..... 157	1001125501..... 157
1001100345..... 436	1001112589..... 430	1001117804..... 214	1001125502..... 158
1001100346..... 436	1001112612..... 424	1001117805..... 214	1001125824..... 481
1001100347..... 436	1001112743..... 414, 430	1001118209..... 478	1001126009..... 451
1001100825..... 94, 99	1001112821..... 483	1001118210..... 479	1001126351..... 428
1001101060..... 57, 60	1001113047..... 156	1001118384..... 451	1001126352..... 428
1001101191..... 434, 440	1001113103..... 130	1001118388..... 419, 451, 453	1001126353..... 428
1001101196..... 435	1001113483..... 245	1001118416..... 263, 277	1001126356..... 428
1001101197..... 435	1001113961..... 277	1001118417..... 263, 271	1001126357..... 428
1001101241..... 70	1001114371..... 467	1001118473..... 234, 237	1001126362..... 429
1001101421..... 293	1001114372..... 467	1001118963..... 479	1001126363..... 429
1001101422..... 293	1001114595..... 106	1001118964..... 479	1001126364..... 429
1001101600..... 64	1001114632..... 106	1001119020..... 419	1001126365..... 429
1001101623..... 151	1001114897..... 257, 258	1001119619..... 445	1001126384..... 428
1001101673..... 151	1001115388..... 193, 436	1001119620..... 447, 449	1001126391..... 429
1001102290..... 426	1001115394..... 193, 436	1001119939..... 479	1001126828..... 151, 157
1001102291..... 426	1001115405..... 167	1001119947..... 479	1001127087..... 479
1001102304..... 426	1001115406..... 167	1001119968..... 196, 438	1001128153..... 259, 414
1001102601..... 139, 140	1001115409..... 167	1001120328..... 285, 287, 295	1001128479..... 256, 257
1001102602..... 140	1001115465..... 365	1001120532..... 484	1001128527..... 305
1001102647..... 293	1001115469..... 366	1001120993..... 479	1001128556..... 305
1001103308..... 141	1001115504..... 365	1001121412..... 483	1001128598..... 256, 257
1001103667..... 140, 476	1001115617..... 366	1001121708..... 483	1001128901..... 83, 96
1001103810..... 14, 17	1001115631..... 365	1001121709..... 483	1001129555..... 474
1001106339..... 424	1001115633..... 366	1001121710..... 483	1001129858..... 181, 189
1001106340..... 424	1001115693..... 365	1001121711..... 483	1001131168..... 264, 268
1001106449..... 144	1001115918..... 479	1001121802..... 462	1001131269..... 457, 463
1001106480..... 144	1001115930..... 94, 106, 482	1001121804..... 462	1001131731..... 218, 223
1001106736..... 140, 423	1001116163..... 482	1001121806..... 462	1001131992..... 414
1001106957..... 387, 393	1001116280..... 156	1001121807..... 462	1001132055..... 414, 438
1001106974..... 135	1001116290..... 158, 159, 161, 163	1001121809..... 462	1001133329..... 235, 430
1001107531..... 135	1001116322..... 156	1001121815..... 463	1001133714..... 429
1001107952..... 265, 269	1001116344..... 157	1001121817..... 463	1001133715..... 429
1001108256..... 281	1001116358..... 157	1001121819..... 463	1001133956..... 428
1001108496..... 457, 463	1001116456..... 159	1001121820..... 463	1001133957..... 428
1001108579..... 129, 131	1001116457..... 159	1001121822..... 463	1001134103..... 479
1001108617..... 43	1001116524..... 485	1001121862..... 481	1001134488..... 80, 97
1001108722..... 480	1001116544..... 107	1001121872..... 463	1001135138..... 80
1001108723..... 480	1001116545..... 107	1001121882..... 481	1001135650..... 429
1001108958..... 365	1001116558..... 158	1001122200..... 462	1001135651..... 429
1001108992..... 265, 269	1001116620..... 158	1001122201..... 463	1001135679..... 80
1001109029..... 480	1001116693..... 424, 426	1001122305..... 478	1001136079..... 80
1001109048..... 129	1001116710..... 428	1001122507..... 457	1001136104..... 199
1001109257..... 480	1001116720..... 419, 453	1001122508..... 457	1001136172..... 80
1001109475..... 440, 476	1001116727..... 428, 438	1001122509..... 463	1001136400..... 218, 223
1001109477..... 440, 476	1001116844..... 480	1001122510..... 462	1001136834..... 80
1001109482..... 440, 476	1001116846..... 461	1001122511..... 463	1001136988..... 194
1001109503..... 139	1001116849..... 462	1001122512..... 462	1001137005..... 486
1001109559..... 439	1001116851..... 462	1001122513..... 462	1001137276..... 80
1001109648..... 440	1001116952..... 428	1001122514..... 462	1001137440..... 485
1001109654..... 440	1001116983..... 428	1001122515..... 457	1001137459..... 44, 53, 55
1001110059..... 129	1001117027..... 157	1001122516..... 457	1001137672..... 485
1001110133..... 482	1001117078..... 196, 438	1001122517..... 463	1001137673..... 285, 287
1001110166..... 156		1001122518..... 463	1001138110..... 428
1001110339..... 140, 423		1001122519..... 463	1001138111..... 428
1001110425..... 44, 65, 76		1001122520..... 463	1001138113..... 428



## PART NUMBER INDEX

1001138173 ..... 80, 96	1001142032..... 87	1001148138 ..... 171	1001152522 . 66, 78, 105, 109
1001138175 ..... 80, 96	1001142501..... 76, 83, 87	1001148149 ..... 76	1001152525 ..... 196, 200, 204
1001138228 ..... 80, 476	1001142504..... 484	1001148550 ..... 78	1001152530 ..... 181, 186, 190
1001138248 ..... 81, 97	1001142505..... 484	1001148560 ..... 75	1001152532 ..... 182, 186, 189, 437
1001138489 ..... 82	1001142522..... 109, 110	1001148561 ..... 150	1001152566 ..... 152
1001138491 ..... 76, 427	1001142623..... 81	1001148563 ..... 193, 436	1001152719 ..... 13
1001138494 ..... 257	1001142643..... 186, 195	1001148564 ..... 193, 437	1001152965 ..... 485
1001138514 ..... 257	1001142645..... 186, 195	1001148565 ..... 207	1001153025 ..... 414, 437, 438
1001138557 ..... 81	1001142646..... 186, 195	1001148566 ..... 78	1001153197 ..... 182, 186, 438
1001138565 ..... 181	1001142683..... 146, 147	1001148567 ..... 75	1001153257 ..... 414, 438
1001138566 ..... 182, 185, 189	1001142694..... 146	1001148607 ..... 129	1001153259 ..... 186, 438
1001138717 ..... 83	1001142722..... 146, 147	1001148641 ..... 83	1001153260 ..... 181, 186, 190
1001138772 ..... 484	1001142733..... 82	1001148650 ..... 227	1001153282 ..... 67, 80, 83
1001138773 ..... 484	1001142736..... 146, 147, 430	1001148651 ..... 227	1001153309 ..... 181, 436
1001138795 ..... 347	1001142853..... 79	1001148652 ..... 227	1001153310 ..... 181, 436
1001138827 ..... 81	1001142938..... 429	1001148653 ..... 227	1001153324 ..... 251, 419
1001139099 ..... 481	1001142940..... 429	1001148902 ..... 481	1001153325 ..... 251, 420
1001139151 ..... 479	1001142941..... 429	1001148903 ..... 481	1001153396 ..... 66
1001139240 ..... 81	1001143256..... 485	1001148904 ..... 481	1001153414 ..... 67
1001139303 ..... 81	1001143390..... 67, 82	1001148905 ..... 481	1001153435 ..... 152
1001139357 ..... 182	1001143431..... 146	1001148906 ..... 481	1001153779 ..... 66
1001139409 ..... 81	1001143449..... 87	1001148971 ..... 483	1001154126 ..... 323
1001139654 ..... 463, 468, 471	1001143472..... 87	1001149126 ..... 481	1001154231 ..... 485
1001139813 ..... 81, 84	1001143483..... 86	1001149160 ..... 98	1001154236 ..... 65
1001139960 ..... 189, 436	1001143484..... 86	1001149531 ..... 43, 233	1001154237 ..... 65
1001140312 ..... 83	1001143484..... 86	1001149532 ..... 43, 233	1001154258 .. 13, 17, 323
1001140315 ..... 484	1001143525..... 87	1001149639 ..... 96	1001154323 ..... 141, 424, 425
1001140318 ..... 484	1001143575..... 87	1001149703 ..... 71	1001154324 ..... 141, 424, 425
1001140346 ..... 185	1001143601..... 152	1001149704 ..... 67	1001154327 ..... 141, 424
1001140347 ..... 185	1001143607..... 151	1001149705 ..... 67	1001154328 ..... 414, 425, 426
1001140362 ..... 81	1001143611..... 152	1001149706 ..... 67	1001154329 ..... 414, 425, 426
1001140412 ..... 79	1001143669..... 485	1001149730 ..... 484	1001154405 ... 76, 82, 87, 123
1001140429 ..... 257	1001143726..... 82, 428	1001149793 ..... 67	1001154584 ..... 13
1001140448 ..... 81	1001143736..... 76, 426	1001149818 ..... 146, 430	1001154598 ..... 43, 44, 49
1001140450 ..... 81	1001143797..... 82	1001149880 ..... 411	1001154599 ..... 234, 239
1001140454 ..... 81	1001143852..... 464, 468	1001149924 ..... 293	1001154600 ..... 234, 239
1001140460 ..... 217, 329, 333	1001143858..... 151	1001149955 ..... 146	1001154687 ..... 323
1001140466 ..... 81	1001143907..... 82, 429	1001149994 ..... 146, 147	1001154875 ..... 17
1001140487 ..... 81	1001144018..... 256	1001150253 ..... 157, 158	1001154931 ..... 18
1001140535 ..... 81	1001144019..... 256	1001150260 ..... 150, 157	1001155035 ..... 18
1001140564 ..... 81	1001144021..... 256	1001150372 ..... 14, 17	1001155041 ..... 173
1001141136 ..... 264, 418	1001144022..... 256, 257	1001150406 ..... 146	1001155043 ..... 141
1001141137 ..... 234, 429	1001144023..... 255	1001150539... 14, 17, 361	1001155044 ..... 141, 264, 268
1001141138 ..... 263, 268, 476	1001144024..... 255	1001150561 ..... 159	1001155045 ..... 141, 264, 268, 474
1001141140 ..... 258, 263	1001144026..... 255	1001150580 ..... 71	1001155143 ..... 64, 426
1001141300 ..... 269	1001144027..... 255	1001150890 ..... 71	1001155185 ..... 479
1001141302 ..... 269	1001144027..... 255	1001150915 ..... 67	1001155192 ..... 17
1001141304 ..... 81, 427	1001144319..... 67, 68	1001150918 ..... 65, 77	1001155194 ..... 17
1001141370 ..... 82	1001144433..... 268, 287	1001150937 ..... 14, 18	1001155384 ..... 81
1001141419 ..... 82	1001144447..... 207	1001150944 ..... 146, 430	1001155751 ..... 213, 217
1001141546 ..... 82	1001144527..... 159	1001150998 ..... 67	1001155752 ..... 213, 221
1001141583 ..... 82	1001144596..... 261	1001151010 ..... 133	1001155753 ..... 213, 217
1001141584 ..... 82	1001144597..... 261	1001151034 ..... 13	1001155754 ..... 478
1001141585 ..... 82, 96	1001144629..... 256	1001151037 ..... 13	
1001141586 ..... 82	1001145154..... 82	1001151070 ..... 64	
1001141711 ..... 87	1001145405..... 298, 309	1001151252 ..... 70	
1001141718 ..... 87	1001145750..... 87	1001151253 ..... 70	
1001141870 ..... 87	1001145751..... 87	1001151650 ..... 482	
1001141967 ..... 433	1001145965..... 484	1001151856 ..... 429	
1001141968 ..... 434	1001145975..... 484	1001151900 ..... 479	
1001141969 ..... 434	1001146010..... 140, 423	1001151980 ..... 14	
1001141995 ..... 82, 96	1001146273..... 67	1001152174 ..... 140	
1001142031 ..... 87	1001147264..... 428	1001152429 ..... 196, 438	
	1001147479..... 235, 474	1001152457 ..... 181, 186, 190, 437	
	1001147812..... 67	1001152458 ..... 437	
	1001147813..... 67	1001152459 ..... 67	
	1001147820..... 67	1001152489 ..... 82	
	1001147823..... 67, 68		

## PART NUMBER INDEX

1001155760.....218, 225	1001157612..... 157	1001162335..... 76, 87	1001171403.....429
1001155762.....221, 225	1001157736..... 151	1001162497 .... 64, 76, 94	1001172045.....478
1001155763.....218, 225	1001157751..... 159	1001162546..... 485	1001172663.....249
1001155764.....478	1001157752..... 159	1001162915..... 158	1001172760.....263, 268
1001155770.....227	1001157753..... 156	1001163101..... 159	1001173535..... 97, 98
1001155771.....227	1001157755..... 159	1001163131..... 293	1001173580.....157
1001155823.....76	1001157768 .... 204, 414, 438	1001163296..... 293	1001173590.....426
1001155899..... 157	1001157769 .... 196, 414, 438	1001163297..... 293	1001173703.....472
1001156039.....410, 483	1001157770 .... 196, 414, 438	1001163599 .... 171, 185, 194	1001173869.....159
1001156170.....64	1001157837..... 214	1001164091..... 439	1001173870.....156
1001156171.....64	1001157851 .... 399, 403, 408	1001164786..... 145	1001173871.....159
1001156351.....436	1001157852 .... 400, 404	1001165035..... 76, 97	1001173872.....156
1001156352.....436	1001157866 .... 379, 385, 388, 393	1001165118..... 146	1001173971.....75
1001156425.....421	1001157870 .... 152, 159	1001165368 .... 182, 186, 440	1001173972.....77
1001156426.....421	1001158007 .... 196, 200, 204	1001165657..... 14, 17	1001173974.....81
1001156427.....421	1001158008 .... 196, 200, 204	1001165772..... 137	1001173978.....81
1001156439.....218, 223	1001158084 .... 152, 159	1001165773..... 138	1001173979.....75
1001156443.....218	1001158145..... 79, 87	1001165776 .... 140, 424, 425	1001173980.....77
1001156470.....104	1001158187..... 37	1001165778 .... 414, 425, 426	1001173981.....79
1001156471.....105	1001158188..... 37	1001165842..... 82	1001174093.....105
1001156710.....13, 17	1001158203..... 37	1001166538 .... 263, 268, 279	1001174101.....158
1001156805.....130	1001158251 .... 410, 483	1001166539 .... 263, 268, 273	1001174143.....158
1001156819.....105	1001158259..... 478	1001166675..... 258, 263	1001174282.....158
1001156823.....94, 104	1001158290..... 130	1001167042..... 81	1001174283.....158
1001156824.....104	1001158363 .... 181, 186, 190	1001167194..... 403, 408	1001174486.....94, 104
1001156825.....104	1001158364..... 145	1001167196..... 404, 409	1001174745.....87
1001156914.....223	1001158436..... 39	1001167198..... 43, 233	1001174746.....87
1001156965.....218	1001158436..... 39	1001167199..... 43, 233	1001175354.....457, 463, 467, 471
1001156966.....223	1001158926..... 137	1001167200..... 43, 233	1001175884.....365
1001157015.....21, 37	1001158927..... 137	1001167259..... 411	1001176027.....79
1001157016.....21, 37	1001158928..... 137	1001167276..... 403, 410	1001176035.....79
1001157021.....151	1001158929..... 138	1001167277..... 403, 410	1001176329.....96
1001157024.....157	1001158930..... 137	1001167565..... 249	1001176372.....485
1001157025.....157	1001158931..... 138	1001167567..... 249	1001176419.....81
1001157056.....130	1001158931..... 138	1001167596..... 249	1001176469.....141
1001157058.....57	1001159121..... 431, 485	1001168018..... 96	1001177155.....105
1001157180.....213	1001159256..... 264, 268	1001168024..... 141, 424	1001177226.....403, 408
1001157208.....158	1001159294..... 387, 393	1001168025..... 234, 429	1001177228.....105
1001157209.....158, 159	1001159323..... 471	1001168292..... 137	1001177317.....225, 365
1001157258.....129	1001159340 .... 399, 403, 408	1001168334..... 138	1001177328.....485
1001157259.....129	1001159648 .... 414, 438	1001168335..... 137	1001177359.....83
1001157260.....129	1001159732..... 414	1001168336..... 138	1001177694.....481
1001157261 44, 351, 355, 366, 458, 464, 468	1001159854 .... 379, 384	1001168337..... 137	1001177711.....439
1001157262.....44	1001160077..... 146	1001168338..... 138	1001177712.....439
1001157284.....157	1001160271 ..... 414, 438	1001168339..... 137	1001177844.....82
1001157344.....157	1001160559 ..... 130, 131	1001168340..... 138	1001177845.....82
1001157396.....399, 410	1001160567 ..... 129, 131	1001168402..... 249	1001177910.....182, 186, 440
1001157397.....399, 410	1001160780..... 39	1001169054..... 82, 96	1001178057.....130
1001157398.....379, 410	1001160965..... 66	1001169138..... 83, 96	1001178207.....479
1001157399.....387, 410	1001160966..... 65	1001169234..... 140	1001178208.....479
1001157400.....377, 410	1001160977..... 64	1001169754..... 22	1001178209.....129
1001157401.....411	1001161076..... 57	1001169755..... 22	1001178210.....129
1001157402.....387, 410	1001161355..... 14, 17	1001169756..... 22	1001178211.....129
1001157415.....150	1001161399..... 14, 18	1001169757..... 22	1001178212.....64
1001157416.....156	1001161563..... 411	1001169935..... 157	1001178214.....75
1001157474.....151, 157	1001161709..... 264, 268	1001169967..... 96	1001178215.....408, 410
1001157475.....151, 157	1001161711 ..... 150, 156	1001170035..... 96	1001178217.....408, 410, 411
1001157520.....196, 200, 204	1001161980..... 43, 233	1001170644..... 377	1001178218.....384, 410
1001157521.....196, 200, 204	1001161981..... 43, 233	1001171127 ..... 185, 436	1001178219.....392, 410
1001157525.....195, 437	1001161982..... 43, 233	1001171131 ..... 431, 485	1001178220.....392, 410
1001157528.....196, 200, 204		1001171269 ..... 185, 436	1001178223.....83
1001157592.....195, 200, 203, 204, 437			1001178227.....75
			1001178797.....123

## PART NUMBER INDEX

1001178876..... 83, 88	1001186985..... 81	1001198340..... 385, 393	1001207969..... 234
1001179154..... 195, 196, 200, 204, 437	1001187500..... 483	1001198341..... 393	1001208024..... 151
1001179837..... 171	1001187508..... 285	1001199395..... 384	1001208944..... 234
1001180001..... 171	1001187509..... 483	1001199396..... 385, 393	1001209059..... 484
1001180091..... 139, 140	1001187510..... 66, 78, 95, 105, 113	1001199487..... 485	1001209432..... 443
1001180092..... 140	1001187674..... 291	1001199949..... 480	1001209474..... 443
1001180287..... 171	1001187681..... 445	1001200072..... 468, 471	1001209634..... 483
1001180620..... 83, 96	1001187781..... 95	1001200128..... 480	1001209635..... 483
1001181045..... 440	1001188004..... 137	1001200129..... 480	1001209664..... 285, 287
1001181046..... 440	1001188005..... 138	1001200130..... 480	1001209872..... 147
1001181051..... 222, 229	1001188041..... 140	1001200131..... 480	1001209982..... 22
1001181060..... 217, 229	1001188332..... 439	1001200132..... 480	1001209983..... 22
1001181061..... 217, 229	1001188354..... 146	1001200133..... 480	1001210025..... 485
1001181145..... 480	1001188622..... 249	1001200134..... 480	1001210026..... 485
1001181149..... 482	1001188822..... 249	1001200486..... 265	1001210448..... 99
1001181243..... 171	1001188844..... 249	1001200491..... 249	1001210688..... 483
1001181588..... 226, 365	1001188874..... 141	1001200494..... 249	1001210977..... 483
1001181589..... 226, 365	1001188884..... 121	1001200575..... 265, 269	1001211336..... 131
1001181590..... 478	1001188887..... 121	1001200725..... 483	1001211794..... 98, 99
1001181694..... 366, 371, 373	1001188889..... 285	1001200910..... 147	1001211798..... 482
1001181894..... 404, 409	1001188972..... 65, 77	1001201351..... 249	1001212012..... 225
1001181895..... 83	1001189001..... 249	1001201602..... 213	1001212067..... 482
1001181899..... 83	1001189002..... 249	1001201886..... 263, 265	1001212223..... 194
1001181960..... 222, 223	1001189174..... 146	1001201887..... 268	1001212415..... 474
1001182064..... 222	1001189979..... 97	1001202082..... 481	1001213045..... 98
1001182138..... 289	1001190017..... 268	1001202122..... 481	1001213181..... 481
1001182599..... 481	1001190018..... 258, 267	1001202280..... 121	1001213219..... 481
1001183407..... 483	1001190019..... 257, 258	1001202281..... 121	1001213220..... 481
1001184181..... 137	1001190610..... 81	1001202311..... 87	1001213221..... 481
1001184182..... 138	1001190775..... 95	1001202331..... 481	1001213222..... 481
1001184259..... 145	1001190985..... 249	1001202368..... 81	1001213223..... 481
1001184931..... 485	1001191394..... 482	1001202397..... 481	1001213227..... 481
1001185078..... 481	1001191395..... 482	1001202398..... 481	1001213357..... 96
1001185281..... 268	1001191610..... 96	1001202571..... 258, 263	1001213447..... 419
1001185667..... 77, 78	1001191708..... 289	1001202749..... 482	1001213482..... 96
1001185667..... 77, 78	1001192401..... 424	1001203655..... 261	1001213584..... 434, 435, 441
1001185671..... 77, 78	1001193018..... 436	1001203656..... 261	1001213585..... 435, 441
1001185673..... 77, 78	1001193640..... 480	1001204269..... 393	1001213602..... 482
1001185674..... 75	1001193690..... 138	1001204325..... 82	1001213604..... 482
1001185675..... 77, 78	1001193809..... 137	1001204454..... 482	1001213610..... 98
1001185676..... 75	1001194197..... 432	1001204457..... 482	1001213882..... 269
1001186236..... 140, 423	1001194198..... 432	1001204460..... 482	1001214030..... 471, 480
1001186237..... 268, 418	1001194200..... 433	1001204467..... 482	1001214039..... 81, 84
1001186251..... 157	1001194203..... 431	1001204511..... 258, 267	1001214050..... 79
1001186254..... 157	1001194204..... 431, 432	1001204560..... 13, 17, 323	1001214050..... 79
1001186333..... 261	1001194365..... 433	1001204648..... 151	1001214478..... 484
1001186334..... 261	1001194437..... 414, 437	1001204667..... 121	1001214515..... 484
1001186335..... 255	1001194573..... 213	1001204725..... 249	1001214540..... 484
1001186371..... 256, 257	1001195304..... 483	1001204929..... 483	1001214548..... 484
1001186374..... 256, 257	1001195537..... 482	1001205030..... 478	1001214552..... 484
1001186375..... 256	1001195967..... 87	1001205031..... 478	1001214559..... 484
1001186377..... 256	1001196221..... 218, 222	1001205032..... 478	1001214561..... 484
1001186379..... 256	1001196382..... 200	1001205033..... 478	1001214562..... 484
1001186382..... 256, 257	1001196428..... 121	1001205175..... 484	1001214570..... 443
1001186383..... 255	1001196634..... 77, 127	1001205494..... 146, 147	1001214571..... 443
1001186384..... 255	1001196768..... 157, 158	1001206250..... 432	1001214778..... 75
1001186386..... 255	1001197016..... 485	1001206251..... 432, 433	1001214827..... 99
1001186387..... 255	1001197017..... 281	1001206252..... 433	1001214862..... 106
1001186426..... 96	1001197067..... 146	1001206253..... 431	1001214984..... 483
1001186431..... 269, 287, 418, 485	1001197240..... 478	1001206254..... 432	1001215016..... 425
1001186432..... 451, 453	1001197408..... 468, 471	1001206255..... 433	1001215091..... 425
1001186501..... 157	1001198333..... 408	1001206311..... 485	1001215384..... 99
1001186502..... 157	1001198334..... 385	1001206476..... 443	1001215534..... 425
1001186517..... 285, 287	1001198336..... 377	1001206477..... 485	1001215674..... 96
1001186631..... 483	1001198337..... 384, 392	1001207004..... 147	1001215681..... 96
	1001198338..... 392	1001207308..... 146	1001215974..... 96
	1001198339..... 377	1001207558..... 150	1001216015..... 171

## PART NUMBER INDEX

1001216065.....98	1001218775.....137	1001223804.....144, 145	1001228377.....256
1001216071.....99	1001218850.....480	1001223923.....96	1001228544.....21
1001216075.....96	1001218930.....200	1001223971.....464	1001228950.....479
1001216092.....96	1001219219.....21, 29	1001224048.....464	1001228988.....298, 299, 301, 303, 305, 309
1001216144.....99	1001219259.....97	1001224049.....464	1001229107.....479
1001216166.....87	1001219345.....97	1001224050.....464	1001229341.....291
1001216167.....87	1001219361.....97	1001224052.....464	1001229762.....478
1001216201.....97	1001219363.....97	1001224053.....464	1001230371.....222, 349
1001216212.....425	1001219370.....94	1001224138.....414, 425, 426	1001230372.....221, 343
1001216213.....425	1001219480.....97	1001224486.....98	1001230373.....221, 359
1001216221.....87	1001219611.....97	1001224489.....97	1001230374.....13, 17, 325
1001216300.....99	1001219612.....97	1001224900.....144	1001230375.....14, 17, 363
1001216327.....141, 424, 425	1001219613.....97	1001224901.....144	1001230635.....81
1001216390.....200	1001219618.....199, 437	1001224902.....144	1001230783.....14
1001216391.....174	1001219619.....173	1001224903.....144	1001231056.....221, 222
1001216531.....97, 98	1001219630.....174	1001224936.....83	1001231103.....213, 221
1001216532.....95	1001219632.....174	1001224937.....83	1001231147.....13
1001216534.....95	1001219633.....483	1001224940.....83	1001231235.....485
1001216535.....95	1001219634.....94	1001225346.....443	1001231801.....458, 480
1001216568.....94	1001219635.....94	1001225432.....85	1001231949.....319
1001216616.....99	1001219636.....94	1001225442.....96	1001231950.....315, 317
1001216619.....99	1001219637.....94	1001225510.....97	1001232010.....315, 317, 319
1001216630.....246, 249	1001219638.....94	1001225580.....269, 287, 418, 453	1001232011.....315, 317, 319
1001216713.....106	1001219840.....479	1001225623.....482	1001232164.....291
1001216714.....106	1001219881.....165	1001225625.....482	1001232165.....291
1001216715.....105	1001219907.....99	1001225745.....66, 78, 95, 115	1001232539.....17
1001216721.....104	1001219979.....43, 233	1001226098.....85	1001232540.....17
1001216768.....98	1001219980.....43, 233	1001226257.....78	1001232586.....259
1001216769.....98	1001220002.....158	1001226285.....87	1001232642.....295
1001216810.....98	1001220067.....157	1001226286.....123	1001232643.....485
1001216910.....98	1001220142.....99	1001226400.....420	1001232650.....295
1001216919.....97	1001220282.....268, 418	1001226531.....443	1001232667.....295
1001216995.....97	1001220283.....39	1001226923.....123	1001232799.....259
1001217005.....147, 478	1001220287.....428, 429	1001227224.....76, 87	1001232838.....259, 439
1001217032.....97	1001220392.....159	1001227494.....479	1001232842.....77, 127
1001217046.....97	1001220393.....156	1001227614.....79	1001233089.....83
1001217090.....97	1001220404.....99	1001227615.....78	1001233237.....479
1001217170.....95	1001220486.....265, 269	1001227633.....291	1001233763.....77, 127
1001217174.....97	1001221203.....83	1001227634.....291	1001234099.....479
1001217175.....97	1001221208.....200, 438	1001227666.....98	1001235011.....295
1001217183.....97	1001221212.....77, 83	1001227667.....98	1001235013.....295
1001217185.....97	1001221219.....83	1001227769.....98	1001235488.....79, 84
1001217186.....97	1001221397.....99	1001227772.....99	1001235489.....79
1001217191.....95	1001221464.....95	1001227951.....482	1001235490.....78
1001217192.....94	1001221498.....200, 414, 438	1001227985.....291	1001235492.....75
1001217193.....93	1001221545.....99	1001227987.....291	1001235900.....43, 44, 51
1001217317.....97	1001221615.....97	1001227996.....447, 449	1001235901.....234, 243
1001217323.....482	1001221704.....257, 258	1001228022.....221, 341, 478	1001236303.....55
1001217350.....99	1001221719.....258, 267	1001228027.....217, 337	1001236304.....443
1001217454.....471	1001222033.....97	1001228028.....217, 353	1001236338.....458, 480
1001217476.....99	10012222314.....234	1001228029.....221, 357	1001236504.....443
1001217543.....97	1001222641.....99	1001228044.....478	1001236505.....443
1001217940.....410	1001222665.....76, 427	1001228081.....225, 371	1001236552.....295
1001217941.....410, 411	1001222817.....123, 125	1001228083.....226, 373	1001236746.....319
1001218022.....481	10012223042.....96	1001228084.....226, 373	1001236747.....315
1001218068.....268	10012223055.....458	1001228085.....226, 369	1001236891.....315, 317, 319
1001218085.....95	1001223453.....458, 464	1001228224.....291	1001236895.....315, 317, 319
1001218087.....99	1001223584.....95	1001228225.....291	1001236951.....483
1001218362.....97	1001223591.....81, 84	1001228243.....255	1001237862.....447, 449
1001218449.....97	1001223592.....79	1001228355.....485	1001237863.....291, 447
1001218547.....165	1001223593.....83	1001228357.....485	1001237864.....291, 449
1001218572.....53, 55, 65, 77, 94	1001223704.....77	1001228375.....256, 257	1001237865.....291, 445
1001218622.....422	1001223758.....75	1001228376.....255	
1001218623.....423	1001223782.....77, 78		
1001218774.....138	1001223784.....75		

## PART NUMBER INDEX

1001237882 .....	481	1060708 .....	439	1671034 .....	251	1702901 .....	44, 458, 464, 468
1001237883 .....	481	1060896 .....	420	1671044 .....	235	1702903 .....	44
1001238263 .....	315, 317, 319	1060902 .....	422, 426	1671059 .....	144	1702924 .....	44
1001238319 .....	291	1060903 .....	281	1671092 .....	196, 200, 204, 422, 437	1702925 .....	44
1001238418 .....	295, 451	1060908 .....	440	1671093 .....	298, 303, 423	1702927 .....	44
1001238463 .....	317	1060918 .....	258, 418	1671176 .....	263, 267	1702938 .....	265, 269, 281
1001238472 .....	295	1060919 .....	261	1671201 .....	150	1702941 .....	65, 77
1001238477 .....	295	1060977 .....	439	1671228 .....	150, 152	1702942 .....	65, 77
1001238495 .....	287	1061018 .....	422	1671230 .....	152	1702943 .....	65, 77
1001238559 .....	295	1061019 .....	422	1671231 .....	152	1702944 .....	65, 77
1001238824 .....	295	1061020 .....	246	1671232 .....	152	1702961 .....	458, 480
1001238967 .....	482	10702077 .....	196, 200, 204	1671232 .....	152	1702962 .....	458, 480
1001239235 .....	482	10702082 .....	196, 200, 204	1683053 .....	345	1702962 .....	458, 480
1001239471 .....	55	10837580 .....	47, 49, 51	1683059 .....	327, 331, 335, 339	1703162 .....	66, 83, 95, 106
1001239472 .....	53	1120487 .....	131	1683077 .....	365	1703175 .....	458, 463, 480
1001239688 .....	161	1120510 .....	225	1683609 .....	222, 345	1703475 .....	457, 462, 467, 471
1001239689 .....	161	1120552 .....	22	1683818 .....	351, 355	1703478 .....	467
1001239690 .....	161	1120555 .....	293	1683976 .....	327, 331, 335	1703482 .....	457, 462, 467, 471
1001239691 .....	161	1120601 .....	150, 156	1684041 .....	225, 365	1703683 .....	313
1001239721 .....	163	1220078 .....	225	1684043 .....	225, 226, 365	1703797 .....	457
1001239722 .....	163	1260017 .....	57	1684045 .....	365	1703804 .....	457
1001239723 .....	163	1271538 .....	245	1684049 .....	365	1703805 .....	457
1001239724 .....	163	1271651 .....	245	1684080 .....	351	1703811 .....	152, 159, 457, 461, 467, 471
1001241345 .....	480	1283309 .....	410	1684089 .....	345	1703814 .....	457, 461, 467, 471
1001241416 .....	483	1283408 .....	457, 461, 467	1684090 .....	345	1703923 .....	462
1001241716 .....	258, 267	1300019 .....	22	1684090 .....	345	1703924 .....	461
1001241720 .....	257, 258	1320012 .....	106	1684123 .....	355	1703925 .....	461
1001241772 .....	482	1320016 .....	66, 106	1684133 .....	339	1703926 .....	461
1001241965 .....	295	1320022 .....	64, 106, 121	1684135 .....	339	1703927 .....	461
1001242253 .....	147	1320041 .....	252	1684136 .....	221, 339, 478	1703935 .....	462
1001242254 .....	147	1320061 .....	77, 88, 252	1684188 .....	327, 331, 335	1703936 .....	462
1001242409 .....	478	1320110 .....	95	1684189 .....	217, 327, 331, 335	1703937 .....	462
1001243183 .....	479	1320127 .....	133	1684198 .....	351, 355	1703938 .....	462
1001243184 .....	479	1320136 .....	245	1684199 .....	217, 351	1703939 .....	462
1001243557 .....	251, 419	1320176 .....	64, 99	1684202 .....	221, 355	1703941 .....	461
1001243558 .....	251, 420	1320177 .....	298, 309	1684202 .....	221, 355	1703942 .....	461
1001243560 .....	431	1320202 .....	252	1684519 .....	226, 365	1703943 .....	461
1001243561 .....	431	1320218 .....	133	1700818 .....	93, 104, 458	1703944 .....	461
1001243895 .....	127	1320220 .....	133	1701499 .....	457, 461, 467, 471	1703945 .....	461
1001243985 .....	161	1320223 .....	65, 66, 106, 251	1701501 .....	457, 462, 467, 471	1703947 .....	462
1001243986 .....	163	1320224 .....	65, 207, 245	1701501 .....	457, 462, 467, 471	1703948 .....	462
1001244114 .....	234, 241	1320263 .....	218, 223	170150564, 75, 458, 463, 468, 471		1703949 .....	462
1001244463 .....	158, 161	1320288 .....	218, 223	1701509 .....	293, 457, 461, 467, 471	1703950 .....	462
1001244465 .....	158, 163	1320289 .....	218, 223	1701518 .....	467, 471	1703951 .....	462
1001244466 .....	156	1320294 .....	218, 223	1701542 .....	93, 104, 458, 463	1703953 .....	457
1001244467 .....	159	1320302 .....	298, 301, 303, 305	1701543 .....	93, 104, 458	1703980 .....	462
1001245137 .....	479	1320315 .....	351, 355	1701643 .....	22	1703981 .....	462
1001246475 .....	479	1320323 .....	104	1701691 .....	457, 463, 467, 471	1703982 .....	462
1001246476 .....	479	1321283 .....	93, 95	1702565 .....	263, 267	1703983 .....	462
1001246860 .....	481	1321384 .....	152	1702566 .....	263, 267	1703984 .....	462
1001246867 .....	481	1321716 .....	82	1702567 .....	263, 267	1704000 .....	461, 480
1001247049 .....	221, 222	1340060 .....	106	1702668 .....	480	1704001 .....	461, 480
1001247055 .....	221, 222	1340061 .....	478	1702676 .....	263, 267	1704260 .....	263, 267
1001248012 .....	222, 347	1380136 .....	44	1702701 .....	22	1704271 .....	458
1060341 .....	281, 430	1380147 .....	165	1702720 .....	458	1704272 .....	39
1060343 .....	195, 200, 204, 437	1560011 .....	430	1702773 .....	261, 457, 463, 467, 471	1704277 .....	457, 461, 467, 471
1060379 .....	313	1560012 .....	430	1702774 .....	457, 463, 467	1704412 .....	457, 461, 467, 471
1060494 .....	195, 196, 204, 437	1580011 .....	95, 106	1702861 .....	457, 463, 467	1704578 .....	39
1060545 .....	440	1580012 .....	259	1702868 .....	298, 303, 305, 309, 457	1704885 .....	457, 463, 468
1060584 .....	39	1580013 .....	259	1671022 .....	144	1704906 .....	457, 462, 467, 471
1060625 .....	65	1600244 .....	441				
1060626 .....	65, 77	1600387 .....	245				
1060633 .....	441	1670603 .....	434				
1060637 .....	64, 78, 94, 105	1670829 .....	139				
		1670964 .....	234				
		1671022 .....	144				

# PART NUMBER INDEX

1704907 .... 457, 462, 467, 471	1706510 ..... 313	2150406 ... 379, 384, 387, 392	2220886 33, 34, 337, 341, 343, 365, 369, 371, 373
1704972 ..... 65, 77, 458	1706593 ..... 39	2151212 ..... 399	2220887 ..... 353, 359
1705014 ..... 261	1706712 ..... 139	2151616 ... 379, 384, 387, 392	2220888 ..... 33, 351, 353, 355, 359
1705090 ..... 39	1706941 ..... 457, 463	2170104 ..... 377	2221024 ..... 133
1705132 ..... 263	1707124 ..... 467	2170106 ..... 377	2221084 ..... 379, 384, 387, 392
1705170 ..... 146, 265, 269	2030010 ... 298, 301, 303, 305, 309	2170204 ..... 379, 384	2221086 ..... 399, 403, 408
1705305 ..... 298, 301, 303, 305, 309	2060025 ..... 66, 106	2170208 ..... 403, 408	2221088 ..... 379, 387
1705336 ..... 457	2080040 ... 156, 256, 259	2170306 ..... 397	2221176 ..... 64, 93, 104
1705344 ..... 462	2080044 ..... 251	2170308 ..... 387, 392	2221183 ..... 379, 384, 387, 392
1705345 ..... 462	2080072 ..... 156	2170350 ..... 387, 392	2221197 ..... 133
1705347 ..... 462	2110404 ... 377, 379, 384, 387, 392, 399, 403, 408	2170408 ..... 387, 392	2300004 79, 95, 104, 482
1705348 ..... 462	2110406 ... 377, 379, 384, 387, 392, 397	2170412 ..... 379, 384	2300014 ..... 482
1705351 ..... 458	2110408 ... 109, 377, 379, 384, 385, 387, 392	2170504 ... 379, 384, 387, 392, 394	2300016 ..... 21, 482
1705355 ..... 298, 301, 303	2110604 ..... 397	2170506 ... 399, 403, 409	2300021 ..... 482
1705358 ..... 293	2110606 ... 377, 379, 384, 399, 403, 408	2170508 ..... 379, 384	2300027 ..... 482
1705364 ..... 22	2110608 ... 400, 404, 409	2170704 ..... 377	2300039 ..... 482
1705368 ..... 468, 471	2110612 ... 399, 403, 408	2170706 ..... 377	2300041 ..... 80
1705374 ..... 182, 186, 190	2110808 ... 379, 384, 387, 392, 399, 404, 408, 409	2170708 ... 380, 387, 397	2400060 ..... 77, 127, 196, 201, 205, 419, 424, 438
1705375 ..... 196, 200, 204, 298, 303, 305	2110810 ... 109, 379, 385, 388, 393	2170804 ..... 397	2400064 ... 196, 201, 205, 438, 476
1705387 ... 182, 186, 190, 196, 200, 204	2110812 ... 379, 384, 387, 392	2172112 ..... 404, 409	2400065 ... 426, 439, 474, 476
1705426 ..... 463	2111008 ... 399, 403, 408	2180125 ..... 133	2400066 ..... 426, 439
1705427 ..... 463	2111010 ... 399, 403, 408	2180348 . 64, 93, 97, 104, 121	2400070 ..... 439, 476
1705429 ..... 463	2111016 ... 110, 380, 384, 388, 393	2180387 ..... 133	2410014 ..... 261
1705430 ..... 463	2111208 ... 399, 403, 408	2180388 ..... 133	2420172 ..... 139
1705460 ..... 196, 200, 204	2111212 ... 379, 384, 392, 399, 403, 408	2180389 ..... 133	2420202 ..... 245
1705461 ..... 196	2111612 ..... 399	2180418 93, 97, 104, 133	2420203 ... 167, 171, 173, 177
1705466 ... 298, 299, 301, 303, 305, 309	2111616 ... 379, 384, 387, 392, 399, 403, 408	2180467 ..... 95, 130	2460048 ..... 194, 203
1705489 ..... 182, 186, 196	2112020 ... 379, 384, 387, 392	2180829 ... 400, 404, 409	2460051 ..... 173, 177
1705490 ..... 299, 309	2112424 ... 399, 403, 408	2180832 ..... 75, 298, 309	2460055 ..... 167
1705514 ..... 457, 461	2120217 ..... 234	2180877 ..... 107	2460056 ..... 167
1705589 ..... 44, 458, 464, 468	2130204 ..... 387, 393	2200222 75, 93, 104, 131	2540035 ..... 150
1705820 ..... 39	2130404 ... 379, 384, 387, 392, 397, 399, 403, 408	2220005 ..... 93, 104	2540038 ..... 246
1705822 ..... 467, 471	2130406 ... 387, 392, 397, 399, 403, 408	2220064 ..... 97	2560122 ..... 44
1705828 ..... 467, 471	2130604 ..... 387, 392	2220235 ..... 397	2560123 ..... 44
1705836 ..... 207	2130606 ... 379, 384, 387, 392, 399, 403, 408	2220237 ... 379, 384, 387, 392	2560136 ..... 264, 267
1705837 ..... 207	2130608 ... 399, 403, 408	2220238 ... 380, 384, 388, 393	2560173 ..... 259
1705886 ..... 207	2130612 ... 400, 404, 409	2220252 ..... 207	2560187 ... 158, 159, 161, 163
1705895 ..... 461	2130808 ... 379, 384, 387, 392	2220261 ..... 97, 133	2580024 ..... 65, 77
1705896 ..... 462	2130810 ... 399, 403, 408	2220313 ..... 64, 76	2580050 ..... 65, 77
1705897 ..... 462	2130812 ... 399, 403, 408	2220315 ..... 79	2580062 ..... 67
1705898 ..... 462	2130816 ... 110, 379, 385, 388, 393, 399	2220418 ..... 133	2600209 ..... 152
1705902 ..... 462	2131616 ... 110, 379, 385, 387, 392	2220451 ..... 66	2600233 ..... 152
1705903 ..... 461	2132016 ... 110, 380, 384, 388, 393	2220478 ... 400, 404, 409	2600244 ..... 150
1705905 ..... 463	2150404 ... 399, 403, 408	2220550 ..... 379, 384	2600280 ..... 157
1705910 ..... 463		2220591 ..... 387, 392	2600281 ..... 256
1705917 ..... 462		2220737 ... 400, 404, 409	2680490 ..... 150
1705921 ..... 467, 471		2220750 ..... 207	2717059 ... 399, 403, 408
1705961 ..... 467, 471		2220811 ... 110, 379, 385, 387, 392	2720015 ..... 80
1705967 ..... 461, 480		2220816 ..... 121, 123	2720058 64, 97, 106, 121
1705968 ..... 461		2220883 33, 34, 323, 325, 327, 331, 335, 337, 339, 341, 343, 345, 347, 349, 351, 353, 355, 357, 359	2720144 ..... 133
1705969 ..... 461, 480		2220885 ... 323, 325, 327, 331, 335, 339, 345, 347, 349, 351, 353, 355, 357, 359, 365, 369, 371, 373	2720160 ..... 298, 309
1705978 ..... 467, 471			2720271 ..... 97, 107
1705980 ..... 468, 471			2720340 ..... 80
1706059 ..... 65, 464			2720392 ..... 104
1706060 ..... 65, 77, 464			2720398 ..... 66
1706061 ..... 65, 464			2720563 ..... 107
1706062 ..... 65, 464			2720564 ..... 107
1706063 ..... 65, 464			2720566 ..... 104
1706064 ..... 65, 77, 464			
1706098 ..... 65, 77, 468			
1706385 ..... 261			

## PART NUMBER INDEX

2720567 ..... 104	2754338 ..... 387, 393	2940045 ..... 156	3310401 ..... 82
2720580 ..... 104	2754401 ... 379, 384, 387, 393	2940074 ..... 256, 474	3310601 ..... 165
2750532 ..... 64, 76, 107	2754512 ..... 387, 393	2940088 ..... 152	3310805 ..... 133, 144
2753540 ... 379, 384, 387, 392	2754678 ..... 387, 392	2940173 ..... 157	3311001 .... 87, 196, 200, 204
2753542 ..... 392	2754720 ..... 388, 393	2940188 ..... 150	3311005 .... 44, 145, 146, 150, 152, 168, 171, 173, 177, 182, 186, 190, 195, 199, 204, 264, 267, 298, 301, 303, 305, 309
2753545 ... 399, 403, 408	2754743 ..... 388, 393	3020008 ..... 21, 482	3311401 ..... 281
2753550 ... 384, 385, 387, 393	2755022 ..... 409	3020016 ..... 66, 482	3311405 ... 43, 44, 65, 66, 76, 78, 80, 86, 93, 94, 104, 105, 107, 139, 145, 150, 156, 159, 177, 181, 186, 189, 195, 203, 207, 209, 245, 252, 258, 283, 295, 439, 440, 443, 457, 463, 467, 471
2753555 ..... 385, 393	2760105 ..... 139	3020029 ..... 14, 17, 482	3311501 .... 131, 156, 281
2753578 ..... 397	2780227 ..... 25	3020037 ..... 78	3311505 ... 37, 44, 67, 82, 104, 146, 150, 158, 159, 161, 163, 177, 193, 199, 203, 234, 251, 313, 351, 355
2753590 ..... 400, 404	2780229 ..... 21	3020039 ..... 13, 17, 482	3311508 ... 181, 185, 189, 193
2753622 ... 379, 385, 387, 393, 399, 403, 408	2780272 ..... 21, 25	3020044 ..... 66, 482	3311601 ... 129, 150, 156, 265, 268, 295
2753626 ..... 387, 393	2792597 ..... 397, 410	3160347 ..... 21, 33	3311605 ... 64, 67, 70, 80, 87, 107, 123, 130, 133, 145, 150, 151, 156, 159, 161, 163, 165, 168, 207, 209, 213, 218, 222, 223, 226, 234, 258, 261, 298, 301, 303, 305
2753628 ..... 388, 393	2792678 ..... 411	3160348 ..... 21, 33	3311705 .... 168, 171, 173
2753632 ..... 399	2820020 ..... 259	3200106 ..... 67	3311801 . 21, 64, 78, 171, 182, 185, 193
2753634 ..... 388, 393	2820031 ... 168, 171, 173, 177, 182, 185, 189, 193, 199, 203, 420, 429	3200362 ..... 107	3311805 ... 67, 70, 77, 94, 105, 107, 129, 150, 165, 213, 233, 245, 249
2753635 ..... 379, 385	2820035 ... 127, 145, 259, 430	3200401 ..... 67, 70, 80	3312002 .... 57, 315, 317, 319
2753653 ... 399, 403, 408	2820078 ..... 152, 159	3200449 ..... 235	3312005 ..... 245, 293
2753654 ... 399, 403, 408	2820233 ..... 151	3250585 ..... 259	3312201 ..... 226
2753656 ... 399, 403, 408	2820234 ..... 151	3250872 ..... 39	3312205 ..... 293
2753657 ..... 399	2820235 ..... 151	3251102 ... 168, 171, 173, 177, 181, 185, 189	3312602 ..... 146, 147
2753664 ..... 379, 388	2820247 ..... 447, 449	3251242 ..... 467	3321501 ..... 150, 157
2753665 ..... 399	2840016 ..... 165	3251243 ... 167, 173, 177, 182, 186, 190, 196, 200, 204, 457, 461	332201 ..... 135
2753667 ... 379, 385, 388, 393	2860012 ..... 168	3251813 ..... 458, 464	3340757 ..... 226
2753670 ... 399, 403, 409	2860030 ..... 139, 474	3252347 ..... 457	3340764 ..... 218, 223
2753671 ... 399, 403, 409	2900062 ..... 44	3252507 ..... 168	3340787 ..... 218, 223
2753674 ... 400, 404, 409	2900756 ..... 37	3252764 ... 193, 199, 203	3340871 ..... 226
2753675 ... 400, 404, 409	2900770 ..... 230	3252781 ... 457, 463, 467	3340941 ..... 218, 223
2753676 ... 400, 404, 409	2900792 ... 345, 347, 349	3271605 ... 315, 317, 319	3340942 ..... 218, 223
2753677 ... 399, 403, 408	2901303 ..... 345	3271801 ..... 80	3340943 ..... 218, 223
2753678 ... 397, 400, 404, 409	2901443 ..... 441, 485	3271805 ..... 135, 261	3340956 ..... 293
2753679 ... 400, 404, 409	2901537 ... 351, 353, 355	3272001 ... 226, 315, 317, 319	3340966 ..... 18
2753680 ... 400, 404, 409	2902061 ... 327, 331, 335, 337, 339, 341	3272401 ..... 226	3380434 ..... 258
2753681 ... 400, 404, 409	2902085 ..... 168	3272605 ..... 245	3380444 ..... 150
2753682 ... 400, 404, 409	2902203 ..... 485	3290405 ..... 93, 104	3380575 ..... 150
2753683 ..... 400, 409	2902212 ..... 293	3290505 ..... 93, 104, 168	3420372 ..... 39
2753684 ... 400, 404, 409	2902217 ... 298, 301, 303	3290601 95, 98, 158, 159, 161, 163, 173, 199	3420447 ..... 39
2753685 ... 379, 385, 388, 393	2902303 ..... 480	3290605 ..... 95, 298, 309	
2753686 ... 388, 393, 404	2902307 ..... 480	3290606 ..... 257	
2753688 ... 379, 384	2902308 ..... 480	3290607 . 93, 95, 146, 147	
2753692 ... 399, 403, 409	2902309 ..... 480	3290801 ..... 83, 93, 95	
2753693 ... 399, 403, 408	2902310 ..... 480	3290805 ..... 95, 98, 443	
2753699 ..... 385, 393	2902311 ..... 480	3291001 ..... 94, 95, 249	
2753725 ..... 379, 384	2902312 ..... 480	3291005 ... 83, 88, 95, 249	
2753732 ..... 403, 408	2902322 ..... 480	3291201 ..... 96, 174, 199, 249	
2753735 ..... 377	2902329 ..... 480	3291205 ..... 249	
2753768 ... 379, 385, 388, 393	2902354 ..... 480	3300007 ..... 21	
2753895 ..... 397	2902394 ..... 480	3300151 ... 257, 298, 301, 303, 305	
2753896 ..... 397	2902429 ..... 480	3300205 ..... 139	
2753897 ..... 397	2902443 ..... 426, 428	3300240 ..... 226	
2753935 ..... 377	2902533 ..... 105, 426	3300241 ..... 226	
2753940 ..... 388, 393	2910888 ..... 478	3300242 ..... 226	
2753942 ..... 388	2915094 ..... 486	3300243 ... 233, 245, 249	
2753970 ..... 388, 393	2920028 ... 265, 267, 269, 281	3300353 ... 139, 264, 267	
2753971 ..... 388, 393	2920029 ... 265, 267, 269	3300364 ..... 156	
2753979 ..... 377	2920110 ..... 145	3300396 ... 181, 186, 190, 196, 200, 204	
2754240 ..... 379, 385	2920113 ..... 145	3300408 ... 139, 264, 267	
2754242 ..... 379, 384	2920129 ..... 246, 426	3300430 ... 283, 285, 287, 289	
2754243 ..... 379, 384	2920140 ..... 259, 439		
2754337 ... 377, 384, 387, 393	2920154 ..... 264, 267		
	2920157 ..... 145, 259		
	2920161 ..... 146, 430		

# PART NUMBER INDEX

3421453.....	298, 309	3573050.....	213	3890016.....	226	3960548.....	65
3421565.....	39, 57	3573296.....	251	3890017.....	226	3960549.....	65
3422417.....	14, 17, 226	3573400 ...	298, 301, 303, 305	3890018.....	226	3980007.....	65, 77
3422424.....	226	3573642 ...	298, 301, 303, 305	3890040.....	261	3990010.....	423
3422446... ..	64, 76, 93, 104	3574091.....	281	3900054.....	261	3990013.....	451
3422532... ..	66, 78, 94, 105	3574172.....	351, 355	3900085.....	146, 147	4010608.....	298, 309
3422562.....	217	3574179.....	44	3900192.....	217, 221	4010618.....	257
3422569.....	217	3575359.....	281	3900210 ...	146, 156, 158, 159, 161, 163	4031505.....	291
3422580.....	217	3576799.....	298, 309	3900232.....	151, 234	4031516.....	295
3422661.....	313	3576903.....	245	3900268.....	139	4031608.....	168
3422790.....	14, 17	3576904.....	245	3900283 ...	218, 223, 234, 245	4031711.....	96
3422793.....	221	3576931.....	245	3900293.....	57	4031914.....	80
3422841.....	39	3577017.....	245	3900310 ...	351, 355, 357	4032011.....	97
3422847.....	39	3577121 ...	298, 301, 303, 305	3900316 ...	151, 156, 159, 218, 223, 234	4032014.....	80
3422848.....	18	3580134.....	167	3900349.....	269	4032015.....	182, 195
3422860.....	222	3580158.....	167	3900363 ...	158, 159, 161, 163	4060092.....	434
3422861.....	222	3580243.....	226	3910408.....	82	4060802... ..	168, 171, 173, 177, 181, 185, 189, 193, 199, 204, 259
3422867.....	222	3580249.....	226	3910606 ...	181, 185, 189, 193, 199, 204	4060804.....	130
3422908.....	213, 217, 221	3580276.....	167, 171	3910608.....	165	4060805... ..	67, 80, 98, 107
3422909.....	213	3580288.....	226	3910804.....	139	4060906.....	139
3422910.....	213	3580289.....	226	3911008.....	44	4061032... ..	156, 400, 404, 409
3422920... ..	213, 217, 218, 221, 222	3580312 ...	177, 189, 204	3911012.....	146	4061054.....	245
3422930.....	213	3580314 ...	189, 199, 204	3911018.....	264, 267	4070863.....	226
3422931.....	217, 221	3580317 ...	182, 185, 193, 199	3911040.....	145	4070878.....	13, 17
3422932.....	221	3580318 ...	182, 185, 193	3930606.....	235	4070879.....	13, 17
3430616.....	265, 269	3580319 ...	182, 185, 193	3930816.....	144	4070895.....	226
3430816.....	165	3580320.....	80, 182, 195	3930828.....	144	4070897.....	226
3440410.....	235	3580324.....	173, 177	3931016 ...	181, 185, 189, 193, 199, 203	4070898.....	226
3450404.....	165	3580348 ...	177, 189, 204	3931408.....	285, 287	4070929.....	226
3460334.....	293	3600386.....	207, 209	3931424.....	285	4070939.....	226
3470003.....	265, 269	3620040.....	107	3931432.....	80	4070940.....	226
3480210.....	345	3641569.....	281	3931448.....	366, 371	4070944.....	13
3480267 ...	327, 331, 335, 339	3720021.....	207	3931480.....	366	4070945.....	13
3480275.....	351, 355	3740049 ...	139, 430, 474	3931508.....	366, 371	4070969.....	218, 223
3510868.....	261	3740067 .	67, 76, 93, 107, 474	3931512.....	80	4070991.....	139
3510884.....	261	3740080 ...	67, 168, 171, 173, 177, 199, 204, 476	3931516.....	345	4071009.....	57
3520028 ...	167, 171, 173, 177	3740086.....	451	3931620 ...	327, 331, 335, 339	4071020.....	226
3520030.....	156	3753550.....	379	3931624.....	213	4071043.....	144
3520031.....	141	3760170.....	39, 57	3931628.....	80, 195	4071048.....	157
3520033... ..	264, 265, 269	3760368.....	345	3931640.....	96	4071059.....	18
3520034.....	223	3760370 ...	327, 331, 335, 337, 339	3931720.....	337	4100100.....	345
3520035.....	139, 265	3780117.....	234	3931724.....	366	4120035.....	423
3520054.....	67, 264, 267	3790012.....	93, 104, 264, 265, 267, 269	3931740.....	366, 371	4160139.....	151
3520071.....	293	3790044 ...	66, 78, 94, 105	3932240 ...	351, 353, 355, 357	4160143.....	151
3520072... ..	256, 257, 261	3790112.....	366	3941406.....	245	4160149.....	226
3520182.....	289	3820001.....	39, 146, 457, 463, 464, 467, 471	3951608.....	226	4160187.....	213
3520189.....	196, 437	3820020.....	256	3952020.....	57	4160194.....	156
3520192.....	196	3841143 .	64, 76, 93, 104, 217, 222, 226, 249	3960389.....	94, 151, 156	4220162.....	145
3520198.....	256, 257	3841203.....	221	3960407.....	67	4240018... ..	156, 168, 171, 177, 185, 193, 399, 403, 408
3536089.....	259	3841287 13, 17, 213, 217, 221		3960422 ...	181, 185, 189, 193, 199, 204, 434, 437	4240032... ..	145, 147, 269
3537445.....	165	3841340.....	76, 222, 251	3960438.....	152	4240033... ..	245, 285, 287, 291, 295
3537446.....	165	3841356.....	213	3960461.....	145	4240099... ..	83, 94, 96, 127, 173, 259, 281, 298, 301, 303
3538047.....	13, 17	3841520.....	14, 17	3960462.....	152	4240139.....	129
3539219.....	139	3890013.....	226	3960464.....	152	4240149.....	293
3539622.....	227	3890014.....	226	3960468.....	67, 78, 107	4280295.....	129
3539872.....	107	3890015.....	226	3960469 ..	67, 78, 94, 107	4280296.....	37
3539877.....	13			3960470.....	151	4300157.....	182, 194
3571712.....	150, 151			3960476.....	21	4340747.....	207
3572009.....	39			3960526.....		4341239.....	107
3572010.....	39						
3572011.....	39						
3572012.....	39						
3572280.....	107						
3573047.....	251, 420						



## PART NUMBER INDEX

4341241 .....	107	4460234 ...	145, 264, 268, 281	4460608.....	425	4460942 ...	291, 419, 428, 429
4341264 .....	234	4460259 .....	430	4460633.....	207	4460943 ...	419, 423, 424, 425, 445
4341327 .....	245	4460260 .....	430	4460634.....	423	4460944 ...	419, 425, 428
4360057 .....	281, 476	4460265 .....	274, 279	4460635.....	423	4460956 .....	440
4360070 ...	181, 186, 190, 196, 200, 204, 476	4460266 .....	419	4460662.....	434	4460957 .....	440
4360232 .....	439, 476	4460267 ...	421, 424, 430	4460692.....	435	4460959 .....	422, 435
4360328 ...	264, 265, 269, 474	4460268 ...	145, 425, 430, 437	4460693.....	425	4460960 .....	422
4360330 .....	264, 474	4460294 .....	186	4460701.....	435	4460961 .....	431
4360331 .....	264, 474	4460297 .....	430	4460705.....	431	4460962 .....	298, 303
4360336 ....	93, 104, 168, 171, 173, 177, 181, 185, 189, 194, 199, 204, 259, 265, 269, 476	4460320 ...	421, 424, 429, 430, 439	4460708 ...	264, 268, 418, 419, 426	4460963 ...	196, 200, 204, 437
4360387 ...	141, 264, 265, 267, 269, 281, 474	4460321 ...	173, 430, 441	4460709.....	434, 441	4460967 ...	196, 201, 205, 438
4360407 ...	264, 267, 474	4460346 ...	181, 185, 189, 194, 199, 204, 433, 437	4460710.....	435, 441	4460968 ...	145, 168, 434
4360469 .....	139, 476	4460365 .....	424	4460722.....	127	4460971 .....	298, 309
4360470 .....	139, 476	4460374 ...	201, 204, 425, 430, 438	4460742....	201, 205, 431, 438	4460979 .....	426
4360475 ...	139, 264, 268, 474	4460375 ...	201, 204, 425, 430, 438	4460761....	245, 418, 423	4461005 .....	425
4360476 ...	139, 264, 268, 474	4460418 .....	419, 423	4460807.....	437	4461006 .....	425
4360506 .....	420, 474	4460419 .....	419, 423	4460808.....	437	4461008 .....	425, 429
4360517 ...	135, 145, 429, 474	4460424 ...	145, 421, 424, 425, 426, 430, 439	4460834.....	129	4461052 .....	425
4360522 ...	146, 265, 269, 476	4460425 ...	181, 186, 190, 196, 200, 204, 281, 437, 439	4460836.....	246	4461053 .....	425
4360542 ...	167, 171, 173, 177	4460426 ...	139, 181, 186, 190, 196, 200, 204, 259, 265, 269, 423, 437, 439	4460842.....	129	4461054 ...	425, 428, 429
4360578 .....	144, 476	4460428 ...	207, 264, 268, 418	4460844.....	453	4461060 .....	425
4400275 .....	133	4460434 .....	419, 423	4460865.....	420, 421	4461070 .....	425, 428
4400420 .....	133	4460457 .....	425	4460866....	418, 420, 423	4461071 .....	426, 428
4400439 .....	129, 131	4460458 ...	205, 425, 426, 428, 431, 438	4460871 ...	271, 277, 418, 419, 423, 424, 425	4461072 .....	426, 428
4420014 .....	293	4460460 .....	425	4460873.....	419, 423	4461073 .....	426, 428
4420037 ...	259, 298, 301, 303, 305	4460464 ...	418, 420, 422, 423, 425, 428, 430, 451, 453	4460874.....	418, 424	4461074 .....	426, 428
4420038 .....	130, 157	4460465 ...	197, 201, 205, 246, 419, 420, 422, 428, 429, 430, 437, 438, 453	4460875.....	424	4461077 .....	445, 451
4420051 .....	39, 467, 471	4460466 ...	246, 291, 420, 421, 424, 425, 428, 429, 445, 451, 453	4460876.....	418, 423	4461095 .....	425, 428
4420060 .....	144, 168	4460467 .....	441, 485	4460877.....	423	4461109 .....	426
4420062 .....	313	4460470 ...	139, 264, 268, 418, 420, 423	4460878.....	423	4461111 .....	426
4420066 .....	293	4460471 ...	139, 264, 268, 418, 420, 423	4460879.....	419	4461113 .....	426
4420068 .....	281	4460473 .....	420, 421	4460880....	421, 424, 425, 429	4461121 .....	425
4460007 .....	264, 268	4460488 ...	139, 147, 269	4460884....	419, 424, 428	4461122 .....	425
4460027 ...	167, 171, 173, 177	4460496 ...	139, 264, 268, 418, 423	4460887.....	419, 423	4461123 .....	425
4460043 .....	127	4460497 ...	139, 264, 268, 418, 423	4460891....	422, 424, 427, 429, 430	4461124 .....	425
4460049 .....	281	4460508 ...	291, 418, 420, 423, 424	4460892.....	424, 426	4461157 .....	426
4460051 .....	434	4460509 .....	420, 421	4460894....	419, 424, 426, 428	4461161 .....	425
4460071 ...	182, 185, 189, 194, 199, 204, 258, 418, 437	4460510 .....	441, 485	4460897....	422, 426, 427, 430	4461196 .....	434
4460125 .....	433	4460526 .....	139, 423	4460899....	425, 445, 451, 453	4461197 .....	435
4460134 .....	431, 435	4460536 .....	419, 423	4460905....	264, 268, 418, 423	4461198 .....	433
4460190 ...	167, 171, 173, 177	4460539 ...	419, 424, 425	4460906....	173, 177, 430	4461199 .....	434
4460205 .....	431, 434			4460910.....	430, 449	4461200 .....	435
4460224 .....	186, 418			4460911.....	429, 445	4461201 .....	433
4460225 ...	419, 424, 437			4460912.....	429	4461202 .....	434
4460226 ...	246, 274, 279, 418, 419, 421, 424, 426, 430, 437, 439, 441			4460913.....	430	4461203 .....	435
4460227 ...	418, 419, 423, 424, 429, 439			4460917.....	419, 430	4461204 .....	433
4460233 .....	434			4460918.....	429	4461205 .....	434
				4460925.....	419	4461206 .....	435
				4460926.....	429	4461207 .....	434
				4460928.....	429	4461222 .....	426
				4460929.....	418, 419	4461244 .....	434
				4460930.....	428	4461245 .....	434
				4460931.....	425	4461246 .....	434
				4460932....	419, 428, 429	4461249 .....	434
				4460933.....	246, 419	4461250 .....	435
				4460941....	427, 428, 445	4520252 .....	22
						4520253 .....	22
						4520256 .....	22
						4530028 ...	298, 301, 303, 307
						4566468 .....	339
						4568133 .....	39
						4568240 .....	351

# PART NUMBER INDEX

4568273.....	355	4740076.....	151	4812002.....	96, 99	4923420.....	204, 438
4568402.....	327, 331, 335	4740119.....	165	4812100 ..	76, 80, 98, 249	4923445.....	430
4568708.....	397	4740155.....	18	4812200 ..	67, 71, 80, 173	4923462.....	420
4568735.....	177, 189, 204	4740171.....	151	4831900.....	107	4923466.....	422
4569394.....	107	4740256.....	14, 17	4844816.....	222	4923595.....	420
4640113.....	22	4740274.....	67, 71, 107	4844817.....	222	4923596.....	420
4640261.....	39	4740362.....	145, 258	4844958.....	57	4923597.....	421
4640509.....	345, 347, 349	4740397 ...	139, 168, 178, 264, 268	4845582.....	313	4923598.....	422
4640673.....	351, 355	4740439.....	222	4846295.....	39	4923599.....	421
4640751.....	80	4740444.....	139	4846296.....	39	4923600.....	421
4640774.....	397	4740463.....	14, 18	4846435.....	223	4923601.....	421
4640858.....	323, 325	4740463.....	14, 18	4846553.....	218, 223	4933218.....	414
4640902.....	44	4740472.....	13, 17	4846554.....	218	4933219.....	414
4640930.....	44	4740473.....	14, 17	4846558.....	223	4933231.....	414
4640932.....	327, 329, 331, 333, 335, 337, 339, 341, 343	4740492.....	213	4846561.....	259	4933249.....	414, 439
4640952.....	107	4740500.....	151	4846573.....	233, 245	4933278.....	414
4641033.....	366, 369, 371, 373	4740518.....	139	4846627 ...	298, 301, 303, 305	4933304.....	414
4641122.....	22	4750400.....	82	4846673.....	281	4933350.....	414, 430
4641144.....	351, 355	4750800.....	133	4860224.....	22	5240800.....	83
4641186.....	234, 237	475100039, 45, 130, 145, 146, 147, 151, 152, 168, 173, 178, 182, 185, 190, 194, 199, 204, 264, 268, 298, 301, 303, 305, 309	275, 289, 298, 301, 303, 305, 443, 457, 463, 467, 471	4860225.....	22	5241000.....	96
4641188.....	218, 221, 353, 357	4751400 ...	37, 45, 66, 79, 80, 93, 94, 105, 107, 139, 144, 151, 156, 158, 159, 161, 163, 181, 194, 227, 245, 252, 264, 268, 281, 289, 298, 301, 303, 305, 443, 457, 463, 467, 471	4871700.....	200	5241200.....	96, 199, 249
4641194.....	351, 353, 355, 357, 359	4751500 ...	39, 45, 53, 55, 64, 82, 93, 105, 131, 151, 156, 168, 171, 178, 181, 185, 189, 251, 281, 313, 351, 355	4891500.....	80, 141, 173	5250605.....	98
4641232.....	327, 329, 331, 333, 335, 337, 339, 341, 343	4751600 ...	37, 44, 53, 55, 64, 67, 71, 76, 80, 107, 121, 130, 133, 146, 147, 151, 152, 156, 159, 161, 163, 168, 209, 234, 258, 298, 301, 303, 305	4891600 ...	135, 165, 178, 189, 204, 227, 233, 245, 249	5250810.....	83
4641234.....	218, 221, 353, 357	4751800 ...	64, 76, 79, 94, 105, 107, 135, 207, 259, 261, 281	489200021, 57, 152, 159, 245	189, 204, 227, 233, 245, 249	5251008.....	249
4641262.....	366	4752000 ...	64, 76, 93, 105	4892200.....	13, 17	5251016.....	249
4641263.....	45	4761000.....	264, 268	4892600 ...	145, 233, 245, 249	5260600.....	98, 99
4641303.....	37	4761400.....	139	4892641 ...	197, 201, 205, 430, 439	5272010.....	97
4641317.....	44	4761600.....	209	4892663.....	430	7000044.....	68
4641432.....	43, 47	4770600.....	165	4920385.....	107	70000123.....	167, 177
4711000.....	87, 135, 146, 171, 196, 200, 204	479140067, 80, 107, 181, 185, 194	168	4921829.....	174	70000124.....	167
4711400.....	44, 64, 67, 76, 80, 86, 93, 107, 141, 145, 178, 185, 189, 194, 199, 204, 207, 245, 251, 257, 283, 285, 287, 289, 295, 439, 440	4811600.....	168	4921955.....	431	70000125.....	167
4711500.....	37, 76, 80, 105, 146, 158, 159, 161, 163, 194, 199, 204, 234, 265, 269	4811700.....	93, 96, 98, 146, 147, 173, 199, 257, 298, 309	4922566.....	420	70000126.....	167
4711600.....	13, 17, 44, 67, 76, 87, 93, 107, 123, 130, 151, 152, 157, 171, 182, 185, 194, 207, 213, 218, 223, 226, 234, 235, 245, 265, 269, 315, 317, 319	4811702.....	80, 97, 98	4922567.....	420	70000127.....	167
4711700.....	80, 171, 173, 178	4811900 ...	80, 88, 93, 96, 97, 98, 178, 189, 204, 443	4922569.....	420	70000164.....	106
4711800.....	130, 165, 182, 189, 194, 204, 214, 261	4811902.....	83, 96, 98	4922636.....	426	70000213.....	61
4712000.....	293, 315, 317, 319	4812000 ...	77, 80, 88, 94, 96, 98, 99, 173, 249	4922641 ...	197, 201, 205, 430, 439	70000342.....	230
4712200.....	293			4922660.....	421	70000345.....	70, 85
4712600.....	146			4922666 ...	264, 268, 418	70000579.....	47
4740036.....	39			4922705.....	245	70000580.....	47
4740057.....	57			4922705.....	245	70000582.....	47, 474
				4922737.....	65, 427	70000583.....	47
				4922741.....	431	70000619... 193, 199, 203	203
				4922764.....	439	70000781.....	37
				4922771.....	426	70000782.....	60
				4922790.....	421	70000794.....	33
				4922808.....	421	70000795.....	33
				4922809.....	421	70000797.....	33
				4922869.....	245	70000800.....	70
				4922871.....	422	70000863... 194, 200, 203	203
				4922872.....	421	70000912.....	68
				4922873.....	421, 439	70000913.....	68
				4922874.....	421, 439	70000914.....	68
				4922875.....	421	70000915.....	68
				4922876.....	421	70000916.....	68
				4922877.....	421, 439	70000917.....	68
				4922878.....	421	70000918.....	68
				4922883.....	439	70000919.....	68
				4922925 ...	194, 199, 204, 437	70001002.....	68
				4923379.....	67, 427	70001020.....	44, 53, 55
						70001100... 194, 200, 203	203
						70001103.....	131
						70001126.....	70
						70001132.....	68
						70001181.....	70
						70001248.....	135
						70001384... 194, 200, 203	203
						70001424.....	311

## PART NUMBER INDEX

70001425 .....	311	7000235 .....	25	70003472 .....	68	70004331 ..	109, 113, 115
70001427 .....	311	7000236 .....	25	70003475 .....	69	70004332 ..	109, 113, 115
70001428 .....	311	7000238 .....	25	70003476 .....	69	70004333 ..	109, 113, 115
70001429 .....	311	70002386 .....	49, 51, 239, 241, 243	70003478 .....	68	70004334 .....	109
70001430 .....	311			70003612 .....	44, 53, 55	70004335 .....	109
70001431 .....	311	7000239 .....	25, 29	70003631 .....	194, 199	70004336 ..	109, 113, 115
70001432 .....	311	70002390 .....	37	70003636 .....	343, 349	70004337 ..	109, 113, 115
70001435 .....	68	7000240 .....	25, 29	70003708 ..	181, 185, 189, 194, 200	70004338 ..	109, 113, 115
70001499 .....	234	70002415 .....	70	70003709 ..	181, 185, 189, 194, 200	70004339 .....	109
70001663 .....	209	70002416 .....	70			70004340 ..	109, 113, 115
70001696 ..	195, 199, 203	70002417 .....	70	70003784 .....	264, 268	70004341 .....	109
70001697 .....	230	7000246 .....	60	70003788 .....	49, 51, 239, 241, 243	70004342 ..	109, 113, 115
70001835 .....	69	70002460 ..	195, 199, 203	70003789 .....	49, 51	70004343 ..	109, 113, 115
70001836 .....	69	7000248 .....	60	70003838 .....	329, 333	70004344 ..	109, 113, 115
70001837 .....	69	7000253 .....	60	70003839 .....	329, 333	70004345 ..	109, 113, 115
70001838 .....	69	7000255 .....	60	70003854 .....	329, 333	70004346 ..	109, 113, 115
70001839 .....	69	7000257 .....	60	70003855 .....	329, 333	70004347 ..	109, 113, 115
70001841 .....	69	7000263 .....	60	70003856 .....	329, 333	70004348 ..	109, 113, 115
70001844 .....	70	7000265 .....	21, 25	70003857 .....	329, 333	70004349 ..	109, 113, 115
70001847 .....	70	70002718 .....	70, 84	70003858 .....	329, 333	70004350 ..	109, 113, 115
70001848 .....	68	7000272 .....	25	70003859 .....	329, 333	70004351 ..	109, 113, 115
70001850 .....	68	70002724 .....	277	70003921 ..	218, 223, 474	70004352 ..	109, 113, 115
70001866 .....	69	70002725 .....	277	70003922 ..	218, 223, 474	70004381 .....	361
70001868 .....	69	70002726 .....	277	70003935 .....	37	70004382 .....	361
70001870 .....	69, 84	70002727 .....	277	70003936 .....	37	70004413 .....	131
70001871 .....	69	70002728 .....	277	70003998 .....	44, 53, 55	70004414 .....	131
70001872 .....	70, 427	7000273 .....	25	70004019 .....	44, 45	70004511 .....	85
70001874 .....	69	70002730 .....	271	70004020 .....	67, 476	70004570 .....	47, 49, 51
70001953 ..	194, 200, 203	70002731 .....	271	70004056 .....	69	70004571 .....	47, 49, 51
70001954 .....	117	70002732 .....	271	70004058 .....	69	70004572 .....	49, 51
70001955 .....	117	70002733 .....	271	70004060 .....	69, 427	70004573 .....	49, 51
70001956 .....	117	70002734 .....	271	70004092 ..	181, 185, 189, 194	70004574 .....	49, 51
70001957 .....	117	70002735 .....	271	70004093 .....	194	70004575 .....	49, 51
70001966 ..	181, 185, 189, 194, 199, 200, 203	7000274 .....	25	70004094 .....	194	70004576 .....	47, 49, 51
70001973 ..	195, 200, 203	70002744 .....	361	70004095 .....	195	70004577 .....	47, 49, 51
70001974 ..	195, 200, 203	70002745 .....	361	70004096 .....	194	70004578 .....	49, 51, 239, 243
70002065 .....	60	70002748 .....	361	70004097 .....	195	70004579 .....	47, 49, 51
70002066 .....	60	70002749 .....	361	70004098 ..	181, 186, 189, 195	70004580 .....	47, 49, 51
70002067 .....	60	7000275 .....	25	70004099 .....	185, 194	70004581 .....	47, 49, 51
70002068 .....	60	70002751 .....	361	70004103 .....	429	70004582 ..	239, 241, 243
70002068 .....	60	7000281 .....	60	70004120 .....	359	70004676 ..	181, 186, 189
70002069 .....	60	70002814 .....	131	70004169 ..	194, 195, 200, 203	70004677 .....	181
70002070 .....	60	7000282 .....	25	70004171 ..	181, 189, 194, 200, 203	70004678 ..	181, 186, 189
70002071 .....	60	7000282 .....	25, 29	70004183 .....	67, 83	70004679 ..	181, 186, 189
70002072 .....	60	7000283 .....	131	70004266 .....	44, 53, 55	70004680 ..	181, 186, 189
70002073 .....	60	70002838 .....	131	70004267 .....	44, 53, 55	70004681 .....	181, 186
70002073 .....	60	70002839 .....	131	70004270 .....	69	70004682 ..	181, 186, 189
70002074 .....	60	7000284 .....	25, 29	70004271 .....	427	70004683 .....	181, 186
70002075 .....	60, 61	70002842 .....	323, 325	70004272 .....	69	70004684 .....	181, 189
70002085 .....	61	7000287 .....	25	70004274 .....	84	70004685 ..	181, 186, 189
70002086 .....	61	7000288 .....	25	70004275 .....	85	70004686 .....	186
70002088 ..	194, 200, 203	7000289 .....	25, 29	70004276 .....	86	70004687 .....	186
70002097 .....	234, 474	70002895 .....	106, 476	70004277 .....	86	70004693 .....	47
70002112 .....	131	70002898 .....	429	70004278 .....	86	70004694 .....	47
7000213 .....	25	7000290 .....	25	70004279 .....	84	70004738 .....	279
7000217 .....	60	7000290 .....	258	70004279 .....	84	70004739 .....	279
7000220 .....	25	70002902 .....	258	70004274 .....	84	70004740 .....	279
70002200 .....	69	70002903 .....	258	70004277 .....	86	70004741 .....	279
70002224 .....	329, 333	70002904 .....	258	70004278 .....	86	70004742 .....	279
70002231 .....	43, 474	70002905 .....	258	70004279 .....	84	70004743 .....	279
70002234 .....	69	70002906 .....	271	70004280 .....	70, 84	70004744 .....	279
7000224 .....	25, 29	70002948 .....	207	70004287 .....	68	70004745 .....	279
7000228 .....	60	70003022 .....	49, 51	70004289 .....	70	70004746 .....	279
7000229 .....	60	70003024 .....	47	70004328 .....	234	70004747 .....	279
70002291 .....	195	70003136 .....	68	70004329 .....	115	70004748 .....	279
70002297 ..	194, 200, 203	70003454 .....	135	70004330 .....	109	70004749 .....	279
7000230 .....	60	70003464 .....	68				
7000231 .....	25	70003465 .....	68				
		70003466 .....	68				

# PART NUMBER INDEX

70004750.....	279	70006144.....	85	70006377.....	357	70006832.....	29
70004751.....	279	70006145.....	99	70006392.....	357	70006833.....	30
70004752.....	273	70006147.....	99	70006393.....	357	70006893.....	343
70004753.....	273	70006150.....	99	70006394.....	357	70006899.....	359
70004754.....	273	70006151.....	99	70006395.....	357	70006900.....	349
70004755.....	273	70006152.....	99	70006403.....	125	70006930.....	349
70004756.....	273	70006153.....	99	70006404.....	125	70006931.....	349
70004757.....	273	70006154.....	99	70006405.....	125	70006932.....	349
70004758.....	273	70006155.....	99	70006406.....	125	70006933.....	349
70004759.....	273	70006157.....	99	70006407.....	125	70006934.....	349
70004760.....	273	70006158.....	99	70006408.....	125	70006935.....	343
70004761.....	273	70006159.....	99	70006409.....	125	70006936.....	343
70004762.....	273	70006160.....	99	70006410.....	125	70006937.....	343
70004763.....	273	70006161.....	99	70006430.....	26	70006938.....	343
70004764.....	273	70006162.....	99	70006431.....	26	70006939.....	343
70004765.....	273	70006163.....	100	70006436.....	61	70006940.....	359
70004766.....	273	70006164.....	100	70006437.....	61	70006941.....	359
70004767.....	273	70006165.....	99, 100	70006503.....	353	70006942.....	359
70004768.....	273	70006166.....	99	70006504.....	353	70006943.....	359
70004769.....	273	70006167.....	99	70006505.....	353	70006944.....	359
70004770.....	273	70006168.....	99	70006506.....	353	70006945.....	359
70004771.....	273	70006169.....	100	70006552 ..	182, 185, 189	70006947.....	359
70004772.....	273	70006170.....	100	70006553 ..	182, 185, 189	70006948.....	325
70004773.....	273	70006171.....	100	70006663.....	69	7000695.....	69
70004774.....	274	70006172.....	100	70006645.....	341	70006964.....	363
70004775.....	274	70006173.....	100	70006648.....	337	70006965.....	363
70005008.....	97	70006174.....	100	70006649.....	347	70006966.....	363
70005116.....	109	70006175.....	100	70006650.....	347	70006967.....	363
70005171.....	84	70006176.....	100	70006652.....	86	70006968.....	363
70005172.....	84	70006177.....	100	70006653.....	86	70007047.....	337
70005173.....	85	70006178.....	100	70006673.....	29	70007073.....	81
70005177.....	84	70006179.....	100	70006674.....	29	70007108.....	101
70005184.....	85	70006180.....	100	70006675.....	29	7000731.....	26
70005191.....	86	70006181.....	100	70006676.....	29	70009020.....	94
70005230.....	279	70006182.....	100	70006677.....	29	7001901.....	25
70005458.....	113, 115	70006183.....	100	70006678.....	29	7001902.....	25
70005459.....	113, 115	70006184.....	100	70006680.....	29	7001903.....	25
70005460.....	113, 115	70006185.....	100	70006684.....	29	7001906.....	25
70005461.....	113, 115	70006186.....	100	70006685.....	29	7001909.....	60
70005462.....	113, 115	70006187.....	100	70006690.....	29	7001911.....	60
70005463.....	113, 115	70006188.....	100	70006691.....	29	7001912.....	60
70005464.....	113, 115	70006189.....	99	70006692.....	29	7001928.....	25, 29
70005465.....	113, 115	70006191.....	100	70006694.....	371, 373	7001931.....	60
70005483.....	26	70006194.....	100	70006699.....	337, 341	7001985.....	60
70005647.....	86	70006195.....	100	70006700.....	337, 341	70021895.....	84
70005648.....	86	70006196.....	100	70006701.....	337	70023379.....	369
70005663.....	110, 486	70006197.....	100	70006719.....	371	70023592.....	81
70005708.....	131	70006198.....	100	70006720.....	371, 373	70023593.....	80
70005725.....	49, 51	70006199.....	100	70006721.....	371	70024473.....	85
70005839.....	369	70006200.....	100	70006726.....	341	70024486.....	85
70005916.....	70	70006202.....	100	70006727.....	341	70024488.....	85
70005917.....	70	70006203.....	100	70006728.....	341	70024494.....	85
70005920.....	84	70006205.....	100	70006729.....	373	70024503.....	86
70005929.....	85	70006206.....	100	70006730.....	373	70024504.....	85, 86
70005931.....	85	70006207.....	100	70006731.....	373	70024507.....	86
70005937.....	86	70006208.....	100	70006732.....	373	70024513.....	85
70005938.....	84	70006213.....	100	70006733.....	373	70024515.....	86
70005941.....	84	70006215.....	100	70006734.....	347	70024517.....	85
70005942.....	84	70006217.....	100	70006735.....	347	70024904.....	84
70006093.....	194	70006219.....	100	70006736.....	347	70024905.....	84
70006094.....	195	70006221.....	100	70006802.....	369	70024906.....	84
70006095.....	195	70006225.....	100	70006803.....	369	70024907.....	84
70006096.....	195	70006232.....	100	70006805.....	369	70024910.....	85
70006097.....	195	70006233.....	100	70006806.....	369	70024912.....	84
70006134.....	98	70006235.....	100	70006807.....	369	70024914.....	86
70006135.....	98	70006236.....	101	70006808.....	369	70024915.....	86
70006136.....	98	70006365.....	357	70006809.....	369	70024917.....	86

## PART NUMBER INDEX

70024918 ..... 86	70028802 ..... 85	7012953..... 44, 237, 239, 241, 243	7017451 ..... 47, 218, 222, 353, 357, 474
70024920 ..... 85, 86	7003928 ..... 271	7012955..... 237, 239, 241, 243	7017452 49, 51, 237, 239, 241, 243
70024922 ..... 86	7003941 ..... 277	7012961..... 44	7017479 ..... 237
70024924 ..... 85	7003972 ..... 277	7012965..... 237	7017489 ..... 47
70024925 ..... 85	7003973 ..... 277	7012967..... 47, 237, 239, 241, 243, 351, 355	7017492 ..... 37
70024961 ..... 85	7003980 ..... 277	7012975..... 47	7017496 .... 45, 47, 49, 51
70025076 ..... 84	7003982 ..... 277	7012989..... 237, 239, 241, 243	7019162 ..... 277
70025077 ..... 86, 429	7003983 ..... 277	7012995..... 239, 241, 243	7019164 ..... 277
7002508 ..... 84	7003989 ..... 277	7012998..... 47, 49, 51	7019165 ..... 277
70025082 ..... 68, 70, 84	7004035 ..... 61	7013014..... 131	7019167 ..... 277
70025084 ..... 85	7004036 ..... 61	7013019..... 146	7019194 ..... 277
70025088 ..... 84	7004043 ..... 61	7013028..... 68, 476	7019680 ... 167, 171, 173, 177
70025091 ..... 84	7004044 ..... 61	7013031..... 68, 85, 476	7020043 ..... 131
70025111 ..... 84	7004045 ..... 61	7013032..... 146	7020048 ..... 131
70025120 ..... 86	7004047 ..... 61	7013039..... 259	7020108 ... 167, 171, 173, 177
70025135 ..... 84	7004049 ..... 61	7016654..... 485	7020109 ... 167, 171, 173, 177
70025136 ..... 85	7004275 ..... 485	7016655..... 485	7020110 ... 167, 171, 173, 177
70025140 ..... 85	7004276 ..... 485	7016824..... 105, 427	7020111 ... 167, 171, 173, 177
70025142 ..... 85	7004906 ... 109, 113, 115	7016825..... 105, 427	7020175 .... 139, 264, 268
70025143 ..... 85	7004907 ... 109, 113, 115	7017023..... 60	7020176 .... 139, 264, 268
70025144 ..... 85	7004908 ... 109, 113, 115	7017027..... 25	7020190 ... 167, 171, 173, 177
70025145 ..... 85	7007415 ..... 117, 118	7017028..... 29, 61	7020192 ..... 167
70025146 ..... 85	7007437 ..... 34	7017033..... 25	7020193 ..... 431
70025149 ..... 86	7007438 ..... 33	7017047..... 25, 29	7020403 ..... 68
70025151 ..... 85	7007439 ..... 33	7017048..... 25	7020404 ..... 84
70025152 ..... 85	7007446 ..... 33	7017050..... 26	7020408 ..... 69
70025153 ..... 85, 476	7007498 ..... 429	7017051..... 21	7020449 ..... 69
70025154 ..... 85	7007633 ..... 60	7017052..... 21	7020459 ..... 69
70025156 ..... 85	7010404 ..... 21	7017053..... 21	7020465 ..... 68, 84
70025160 ..... 85	7010405 ..... 21	7017054..... 21	7020468 ..... 68
70025161 ..... 85, 476	7010406 ..... 21	7017055..... 21	7020471 ..... 69, 70
70025164 ..... 84	70104570 ..... 86	7017056..... 21	7020479 ..... 69
70025176 ..... 84	7010464 ..... 25	7017057..... 21	7020487 ..... 68
70025178 ..... 85	7010474 ..... 60	7017058..... 21	7020492 ..... 85
70025179 ..... 86	7010492 ..... 60	7017068..... 26	7021249 ..... 33
70025180 ..... 86	7010542 ..... 237	7017070..... 60	7021275 ..... 33, 118
70025181 ..... 85	7010543 ... 44, 47, 49, 51, 237	7017072..... 60	7021276 ..... 33
70025200 ..... 85	7011112 ... 327, 329, 331, 333, 335, 337, 339, 341, 343	7017080..... 60	7021277 ..... 33
70025202 ..... 84	7011323 ..... 230	7017082..... 29	7021612 ..... 47, 49, 51
70025203 ..... 86	7011325 ..... 351, 355	7017085..... 60	7021625 ..... 37
70025206 ..... 84	7011346 ..... 366	7017125..... 229	7021639 ..... 37
70025207 ..... 84	7011653 ..... 239, 243	7017137..... 230	7021653 ..... 49, 51
70025210 ..... 85, 476	70124410 ..... 70	7017138..... 230	7022162 ..... 99
70025212 ..... 86	70124440 ..... 70	7017139..... 229	7022302 ..... 33
70025231 ..... 85, 427	70124530 ..... 86	7017140..... 229	7022305 ..... 33
70025233 ..... 427	70124538 ..... 86	7017141..... 229	7022310 ..... 33
70025235 ..... 85	7012513 ... 167, 171, 173, 177	7017142..... 230	7022311 ..... 33, 118
70025239 ..... 85	7012514 ... 167, 171, 173, 177	7017150..... 229	7022312 ..... 33
70025242 ..... 86	7012518 ... 237, 239, 241, 243	7017158..... 230	7022313 ..... 33
70025245 ..... 86	7012558 ... 167, 171, 173, 177	7017159..... 230	7022314 ..... 33, 118
70025246 ..... 86	7012664 ..... 106, 476	7017162..... 229	7022318 ..... 117
70025477 ..... 86	7012699 ..... 45	7017163..... 229	7022326 ..... 34
70025660 ..... 86	7012903 ..... 47, 49, 51	7017164..... 229	7022328 ..... 34
70025752 ..... 70	7012907 ..... 49, 51	7017172..... 229	7022368 ..... 33
70025753 ..... 70	7012925 ... 218, 222, 353, 357	7017175..... 229	7022371 ..... 34
70025768 ..... 86	7012941 ..... 44	7017192..... 229	7022372 ..... 34
70025799 ..... 86	7012943 ..... 47, 218, 221, 237, 353, 357, 474	7017195..... 230	7022397 ..... 37
70025801 ..... 86	7012944 44, 47, 237, 474	7017402.. 47, 49, 51, 237, 239, 241, 243	7022399 ..... 37
70026210 ..... 86		7017406..... 37, 329, 333	7022808 ..... 271
7002729 ..... 277		7017422..... 47, 49, 51	
70028185 ..... 84		7017446..... 239, 241, 243	
7002821 ..... 441, 485			
7002822 ..... 485			
7002823 ..... 441, 485			
7002826 ..... 485			
7002828 ..... 441			
70028538 ..... 85			

# PART NUMBER INDEX

7022815.....	271	7024390.....	61	7026197.....	135	7027780.....	307
7022819.....	271, 418	7024396.....	61	7026199 ...	167, 171, 173, 177	7027781.....	207
7022825.....	418	7024404.....	135	7026503.....	135	7027782.....	207
7023306.....	130	7024439.....	130	7026504.....	135	7027783.....	207
7023318.....	61	7024440.....	130	7026505.....	135	7027784.....	207
7023347.....	130	7024441.....	130, 131	7026506.....	135	7027790.....	69
7023907.....	33	7024443.....	130	7026507.....	135	7027791.....	69
7023908.....	33	7024444.....	130	7026509.....	135	7027792.....	69
7023910.....	33	7024445.....	130	7026597 ...	195, 199, 203	7027795.....	70, 476
7023911.....	237	7024446.....	130	7026608.....	69	7027796.....	70, 427
7023915.....	237	7024452.....	259	7026626 ...	195, 200, 203	7027799....	195, 199, 203
7023917.....	37	7024453.....	61	7026631.....	68	7027887....	167, 171, 173, 177
7023919....	218, 221, 353, 357	7024454.....	61	7026632.....	209	7027965.....	106, 476
7023922....	47, 237, 239, 241, 243	7024455.....	61	7026633.....	209	7027972.....	106, 476
7023923....	218, 221, 353, 357	7024456.....	61	7026634.....	209	7027989.....	429
7023925.....	47, 49, 51	7024457.....	61	7026635.....	209	77143013.....	139
7023927....	351, 353, 355, 357, 359	7024458.....	61	7026636.....	209	77363229.....	437
7023933.....	37	7024462.....	307	7026637.....	209	77363233.....	437
7023947.....	117	7024463.....	307	7026638.....	209	80344004.....	29
7023948.....	117	7024467.....	307	7026639.....	209	80424002.....	60
7023949.....	117	7024469.....	307	7026640.....	209	80424043.....	61
7023950.....	117	7024470.....	307	7026641.....	210	80484084.....	428
7023951.....	117	7024471.....	307, 311	7026642.....	210	80934561.....	135
7023952.....	117	7024472.....	307	7026643.....	210	80983191.....	428, 476
7023956.....	117	7024473.....	307	7026644.....	210	8180311.....	107
7023957.....	117	7024474.....	307	7026645.....	210	82033995.....	98
7023958.....	117	7024475.....	307	7026646.....	210	8229242....	419, 424, 428, 474
7023960.....	117	7024478.....	307	7026647.....	210	8270147...	64, 76, 94, 426
7023961.....	117	7024484.....	203	7026648.....	210	8305401.....	96
7023962.....	117	7024485 ...	195, 199, 203	7026649.....	210	8307109.....	96
7023964.....	117, 118	7024488 ...	193, 199, 203	7026650.....	210	8310070.....	157
7023965.....	117	7024489 ...	193, 199, 203	7026651.....	209	8310129.....	293
7023966.....	118	7024508 ...	366, 369, 371, 373	7026652.....	209	8310230.....	293
7023967.....	118	7024530.....	311	7026653.....	209	8310548.....	96
7023982....	218, 222, 353, 357	7024531.....	311	7026654.....	209	83304170.....	130
7023983.....	237	7024532.....	311	7026655.....	209	83304172.....	130
7023984....	237, 239, 243	7024533.....	311	7026656.....	209	83304173.....	130
7023985.....	47, 49, 51	7024534.....	311	7026658.....	210	83304174.....	130
7024100.....	61	7024535.....	311	7026659.....	209	8405006....	76, 83, 87, 96, 123
7024145.....	25	7024536.....	311	7026660.....	209	8405007.....	82
7024146.....	25	7024537.....	311	7026661.....	209	8405009.....	80, 96, 130
7024147.....	25	7024565.....	69	7027015.....	105, 427	8405102.....	96
7024148.....	25	7024579.....	69, 84	7027017.....	105, 427	8405104.....	80, 96
7024149.....	25, 29	7024598.....	165	7027018.....	105, 426	8405203.....	96
7024151.....	25, 29	7024704.....	60	7027053.....	64, 427	8405204.....	80
7024154.....	25, 29	7024717.....	26	7027084.....	76, 94, 426	8406102.....	64, 76, 83
7024155.....	25	7024718.....	26	7027085.....	76, 94, 427	8406109.....	80, 96
7024182.....	26	7024762.....	60	7027086.....	76, 94, 427	8406110.....	80, 96
7024189.....	26	7024763.....	26, 60	7027087.....	76, 427	8406112.....	76
7024190.....	26, 29	7024766.....	26, 60	7027088.....	76, 94, 427	8406201....	76, 94, 97, 98
7024191.....	26, 29	7024781.....	25	7027092.....	64, 426	8410001.....	96
7024192.....	26	7024782.....	25, 29	7027093.....	64, 427	8410009.....	97, 98
7024193.....	26	7024783.....	25	7027094.....	64, 427	8410011.....	80, 96
7024194.....	26	7024784.....	60	7027095.....	64, 427	8410013.....	76, 80
7024195.....	26	7024844.....	37	7027236.....	68	8580420.....	37
7024196.....	26	7024854.....	34	7027276.....	69	85941018.....	94
7024197.....	26	7024862.....	33	7027404.....	100	88261024.....	234
7024374.....	130	7024864.....	118	7027740.....	33	88411013.....	443
7024375.....	130	7024867.....	33, 117	7027741.....	34	88521205..	53, 55, 64, 76, 94, 105
7024379.....	61	7024868.....	33, 117	7027773.....	307	88521214...	315, 317, 319
7024380.....	61	7024871.....	34	7027774.....	307	88662327.....	403, 408
7024381.....	61	7024881.....	37	7027775.....	307	8896941.....	485
		7024884.....	37	7027776.....	307	91203039.....	249
		7026004.....	366	7027777.....	307		
		7026015.....	366	7027778.....	307		
		7026016.....	366	7027779.....	307		
		7026188....	195, 199, 203				

## PART NUMBER INDEX

91401281 . 53, 64, 76, 94,

105

91403102.....82, 476

Go to [Discount-Equipment.com](http://Discount-Equipment.com) to order your parts

# PARTS FINDER

**Search Website  
by Part Number**



**Search Manual  
Library For Parts  
Manual & Lookup Part  
Numbers – Purchase  
or Request Quote**

**Can't Find Part or  
Manual? Request Help  
by Manufacturer,  
Model & Description**

Discount-Equipment.com is your online resource for quality parts & equipment.

Florida: **561-964-4949** Outside Florida TOLL FREE: **877-690-3101**

## Need parts?

Click on this link: <http://www.discount-equipment.com/category/5443-parts/> and choose one of the options to help get the right parts and equipment you are looking for. Please have the machine model and serial number available in order to help us get you the correct parts. If you don't find the part on the website or on one of the online manuals, please fill out the request form and one of our experienced staff members will get back to you with a quote for the right part that your machine needs.

We sell worldwide for the brands: Genie, Terex, JLG, MultiQuip, Mikasa, Essick, Whiteman, Mayco, Toro Stone, Diamond Products, Generac Magnum, Airman, Haulotte, Barreto, Power Blanket, Nifty Lift, Atlas Copco, Chicago Pneumatic, Allmand, Miller Curber, Skyjack, Lull, Skytrak, Tsurumi, Husquvarna Target, Stow, Wacker, Sakai, Mi-T-M, Sullair, Basic, Dynapac, MBW, Weber, Bartell, Bennar Newman, Haulotte, Ditch Runner, Menegotti, Morrison, Contec, Buddy, Crown, Edco, Wyco, Bomag, Laymor, EZ Trench, Bil-Jax, F.S. Curtis, Gehl Pavers, Heli, Honda, ICS/PowerGrit, IHI, Partner, Imer, Clipper, MMD, Koshin, Rice, CH&E, General Equipment, Amida, Coleman, NAC, Gradall, Square Shooter, Kent, Stanley, Tamco, Toku, Hatz, Kohler, Robin, Wisconsin, Northrock, Oztec, Toker TK, Rol-Air, APT, Wylie, Ingersoll Rand / Doosan, Innovatech, Con X, Ammann, Mecalac, Makinex, Smith Surface Prep, Small Line, Wanco, Yanmar