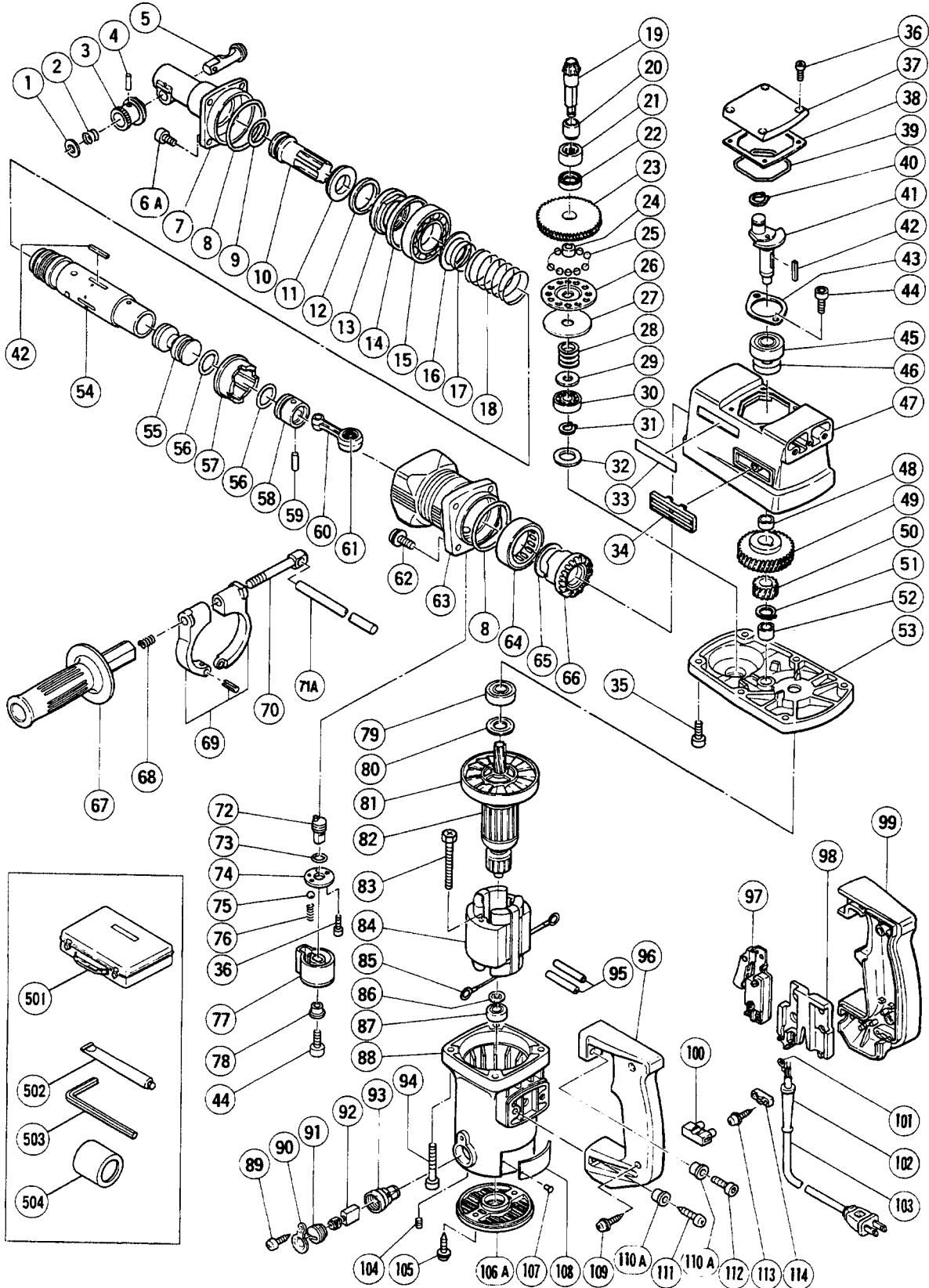


ELECTRIC TOOL PARTS LIST

■ HAMMER DRILL
Model DH 38YE

1996 · 1 · 20
(E2)



PARTS

DH 38YE

ITEM NO.	CODE NO.	DESCRIPTION	NO. USED	REMARKS
1	983-242	STOP WASHER	1	
2	981-937	STOPPER SPRING	1	
3	983-241	KNOB (A)	1	
4	943-364	NEEDLE ROLLER D4X20	1	
5	985-372	STOP LEVER	1	
6A	993-040	NYLOCK HIGH TENSION BOLT M7X25	4	
7	985-397	FRONT COVER	1	
8	956-996	O - RING (1AS - 80)	2	
9	981-857	O - RING (C)	1	
10	985-370	SECOND HAMMER	1	
11	981-862	DAMPER WASHER	1	
12	981-861	DAMPER	1	
13	981-860	CYLINDER CAP	1	
14	981-859	URETHANE RING	1	
15	600-7DD	BALL BEARING 6007DDUAV2S	1	
16	981-973	CYLINDER WASHER	1	
17	981-858	VALVE BAND	1	
18	981-957	SPRING (A)	1	
19	992-796	THIRD PINION	1	
20	981-850	SLEEVE	1	
21	981-852	NEEDLE BEARING (A) HK2012	1	
22	981-851	OIL SEAL (B)	1	
23	992-795	SECOND GEAR	1	
24	992-806	METAL	1	
25	959-150	STEEL BALL D6.35 (10 PCS.)	12	
26	992-792	HOLDER	1	
27	992-793	PLATE	1	
28	992-794	SPRING	1	
29	992-791	WASHER	1	
30	629-VVM	BALL BEARING 629VVMC2EPS2L	1	
31	992-805	RETAINING RING FOR D9 SHAFT	1	
32	944-525	BEARING WASHER (C)	1	
33	957-561	HITACHI LABEL	1	
34	991-713	WIND GUIDE (B)	2	
35	992-803	SEAL LOCK HEX. SOCKET HD. BOLT M6X20	2	
36	983-162	SEAL LOCK HEX. SOCKET HD. BOLT M4X12	6	
37	991-716	CRANK COVER	1	
38	980-749	SEAL PACKING	1	
39	980-744	O - RING (S - 55)	1	
40	939-542	RETAINING RING FOR D12 SHAFT (10 PCS.)	1	
41	991-954	CRANK SHAFT	1	
42	971-750	FEATHER KEY 3X3X20	5	
43	981-847	BEARING COVER	1	
44	984-509	SEAL LOCK HEX. SOCKET HD. BOLT M5X14	3	
45	620-3DD	BALL BEARING 6203DDUCMAV2S	1	
46	971-745	OIL SEAL (A)	1	
47	991-768	CRANK CASE ASS'Y	1	INCLUD.21,22,34
48	980-706	COLLAR	1	
49	981-845	FIRST GEAR	1	
50	981-846	SECOND PINION	1	
51	967-261	RETAINING RING FOR D17 SHAFT	1	

*: ALTERNATIVE PARTS

PARTS

DH 38YE

ITEM NO.	CODE NO.	DESCRIPTION	NO. USED	REMARKS	
52	939-299	NEEDLE BEARING (M661)	1		
53	991-953	GEAR COVER	1		
54	981-969	CYLINDER	1		
55	981-855	STRIKER	1		
56	986-104	O - RING	2		
57	981-956	CLUTCH	1		
58	981-885	PISTON	1		
59	980-708	PISTON PIN	1		
60	980-707	CONNECTING ROD ASS'Y	1	INCLUD.81	
61	980-756	NEEDLE BEARING (NSK AJ50 1203)	1		
62	991-712	HEX. SOCKET HD. BOLT (W/FLANGE) M6X25	4		
63	991-764	CYLINDER CASE	1		
64	993-069	NEEDLE BEARING (B) (NTN HMK4520)	1		
65	981-955	THRUST WASHER	1		
66	981-954	THIRD GEAR	1		
67	981-870	SIDE HANDLE	1		
68	672-612	SPRING	1		
69	981-960	HANDLE HOLDER	1		
70	971-785	HANDLE BOLT	1		
71A	971-786	STOPPER ROD	1		
72	981-864	LEVER SHAFT	1		
73	981-967	O - RING (A)	1		
74	981-965	SHAFT COVER	1		
75	959-155	STEEL BALL D3.97 (10 PCS.)	1		
76	981-966	SPRING (B)	1		
77	981-963	LEVER	1		
78	991-711	DISTANCE PIECE (B)	1		
79	620-2VV	BALL BEARING 6202VVCMP2S	1		
80	980-700	DUST WASHER (B)	1		
81	980-740	FAN	1		
*	82	981-971U	ARMATURE ASS'Y 110V - 115V	1	INCLUD.79 - 81,86,87
	83	960-251	HEX. HD. TAPPING SCREW D5X65	2	
*	84	981-970C	STATOR ASS'Y 110V - 115V	1	INCLUD.85
	85	930-703	BRUSH TERMINAL	2	
	86	980-698	DUST WASHER (A)	1	
	87	608-VVM	BALL BEARING 608VVMC2EPS2L	1	
	88	992-790	HOUSING ASS'Y	1	INCLUD.93,104
	89	302-090	TAPPING SCREW D4X10 (BLACK)	2	
	90	981-959	CAP COVER	2	
	91	961-781	BRUSH CAP	2	
	92	981-612Z	CARBON BRUSH (AUTO STOP TYPE) (1 PAIR)	2	
	93	981-586	BRUSH HOLDER	2	
	94	982-411	HEX. SOCKET HD. BOLT (W/FLANGE) M6X50	4	
	95		VINYL TUBE (ID7XT0.5X80)	2	
	96	981-867	HANDLE (B)	1	
	97	992-891	SWITCH (A) (1P SCREW TYPE) W/O LOCK	1	
	98	990-082	SUPPORT (E)	1	
	99	981-866	HANDLE (A)	1	
	100	938-307	PILLAR TERMINAL	1	
	101	980-063	TERMINAL	1	
	102	940-778	CORD ARMOR D10.7	1	

*: ALTERNATIVE PARTS

PARTS

DH 38YE

ITEM NO.	CODE NO.	DESCRIPTION	NO. USED	REMARKS
103A	311-953	CORD	1	
104	938-477	HEX. SOCKET SET SCREW M5X8	2	
105	302-089	TAPPING SCREW (W/FLANGE) D5X20 (BLACK)	2	
106A	302-323	TAIL COVER (B)	1	
107	949-510	RIVET D2.5X4.8 (10 PCS.)	2	
108		NAME PLATE	1	
109	956-636	TAPPING SCREW (W/WASHER) D4X25	2	
110A	990-940	DISTANCE PIECE (C)	4	
111	992-802	TAPPING SCREW D6X25	2	
112	987-707	SEAL LOCK HEX. SOCKET HD. BOLT M6X25	2	
113	984-750	TAPPING SCREW (W/FLANGE) D4X16	2	
114	960-266	CORD CLIP	1	

STANDARD ACCESSORIES

ITEM NO.	CODE NO.	DESCRIPTION	NO. USED	REMARKS
501	985-389	CASE (STEEL)	1	
502	981-840	GREASE (A) FOR HAMMER.HAMMER DRILL (30G)	1	
503	944-459	HEX. BAR WRENCH 5MM	1	
504	985-373	DUST COVER	3	

OPTIONAL ACCESSORIES

ITEM NO.	CODE NO.	DESCRIPTION	NO. USED	REMARKS
603	985-376	DRILL BIT D38X400L (D1 - 1/2"X16")	1	
604	985-374	DRILL BIT D13X400L (D1/2"X16")	1	
605	985-375	DRILL BIT D25X400L (D1"X16")	1	
606	985-377	A - TAPER SHANK ADAPTER	1	
607	985-378	B - TAPER SHANK ADAPTER	1	
608	985-379	CORE BIT SHANK D38 (1 - 1/2") OR ABOVE	1	
609	985-383	BULL POINT 300MM (12")	1	
610	985-381	COLD CHISEL W25X300L (1"X12")	1	
611	985-382	COLD CHISEL W25X460L (1"X18")	1	
612	985-384	CUTTER W38X300L (1 - 1/2"X12")	1	
613	985-385	CUTTER W50X300L (2"X12")	1	
614	985-386	SCOOP 105X405L (4 - 1/2"X16")	1	
615	984-029	CORE BIT SHANK D35 (1 - 3/8") OR BELOW	1	
616	985-380	CORE BIT 50MM	1	INCLUD.617
617	985-388	GUIDE PLATE (FOR CORE BIT 50MM)	1	
618	955-159	CORE BIT 105MM	1	INCLUD.619
619	955-169	GUIDE PLATE (FOR CORE BIT 105MM)	1	
620	955-165	CENTER PIN (A) 133L FOR CORE BIT D38 - 150	1	
621	944-575	SYRINGE	1	
622	944-477	COTTER	1	
623	980-927	GREASE FOR HAMMER.HAMMER DRILL (500G)	1	
624A	985-491	SERVICE KIT (DH 38YA ETC.)	1	INCLUD.6A,8,9,12,14,38 - 40,56,92,502
625	308-471	GREASE FOR HAMMER.HAMMER DRILL (70G)	1	

*: ALTERNATIVE PARTS

Printed in Japan 1 - 96