



Illustrated Parts Manual

Models

600SC

660SJC

SN 0300174703
Through 0300236298

3121608

September 30, 2018 - Rev M

ANSI



AS/NZS



An Oshkosh Corporation Company

PARTS FINDER

**Search Website
by Part Number**



**Search Manual
Library For Parts
Manual & Lookup Part
Numbers – Purchase
or Request Quote**

**Can't Find Part or
Manual? Request Help
by Manufacturer,
Model & Description**

Discount-Equipment.com is your online resource for quality parts & equipment.

Florida: **561-964-4949** Outside Florida TOLL FREE: **877-690-3101**

Need parts?

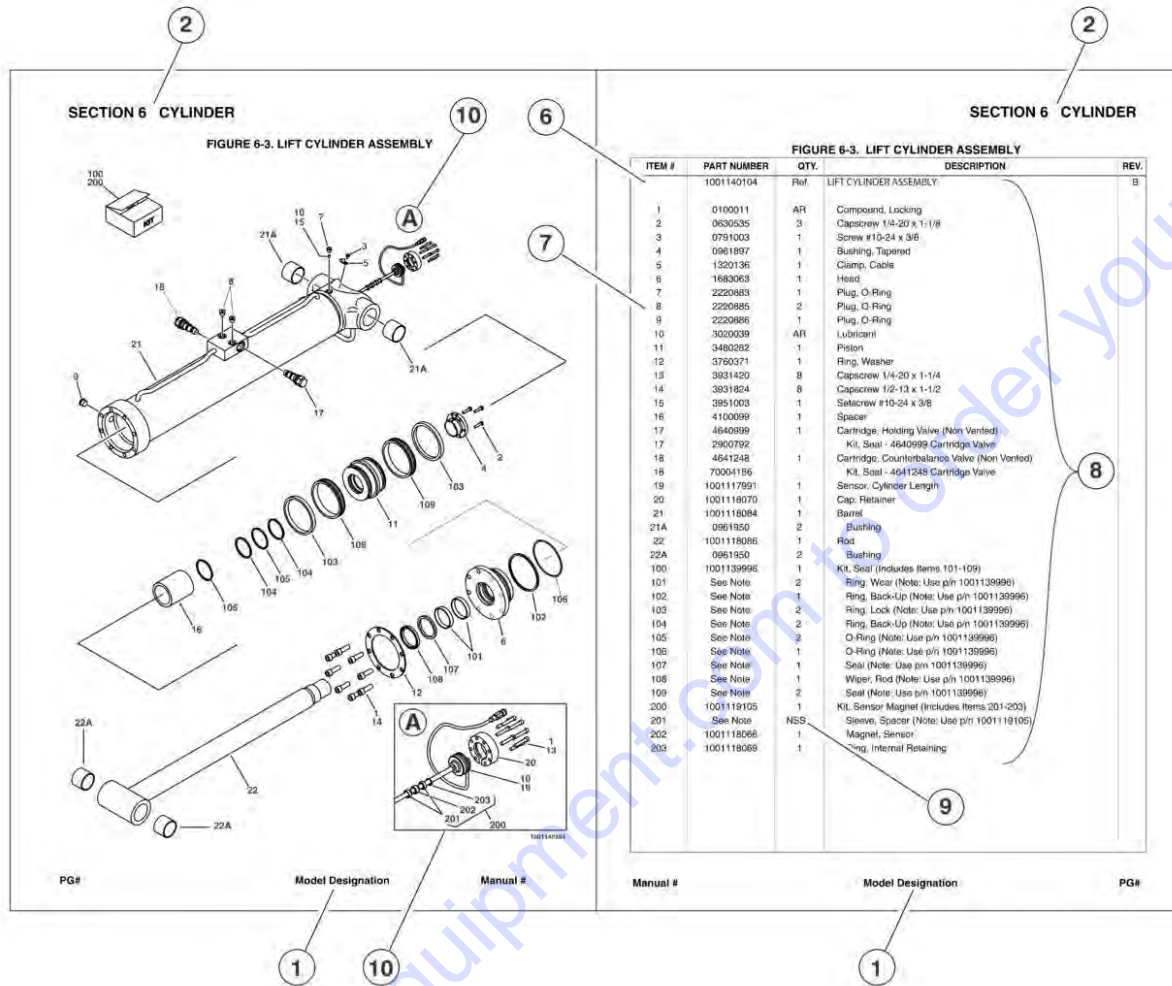
Click on this link: <http://www.discount-equipment.com/category/5443-parts/> and choose one of the options to help get the right parts and equipment you are looking for. Please have the machine model and serial number available in order to help us get you the correct parts. If you don't find the part on the website or on one of the online manuals, please fill out the request form and one of our experienced staff members will get back to you with a quote for the right part that your machine needs.

We sell worldwide for the brands: Genie, Terex, JLG, MultiQuip, Mikasa, Essick, Whiteman, Mayco, Toro Stone, Diamond Products, Generac Magnum, Airman, Haulotte, Barreto, Power Blanket, Nifty Lift, Atlas Copco, Chicago Pneumatic, Allmand, Miller Curber, Skyjack, Lull, Skytrak, Tsurumi, Husquvarna Target, Stow, Wacker, Sakai, Mi-T-M, Sullair, Basic, Dynapac, MBW, Weber, Bartell, Bennar Newman, Haulotte, Ditch Runner, Menegotti, Morrison, Contec, Buddy, Crown, Edco, Wyco, Bomag, Laymor, EZ Trench, Bil-Jax, F.S. Curtis, Gehl Pavers, Heli, Honda, ICS/PowerGrit, IHI, Partner, Imer, Clipper, MMD, Koshin, Rice, CH&E, General Equipment, Amida, Coleman, NAC, Gradall, Square Shooter, Kent, Stanley, Tamco, Toku, Hatz, Kohler, Robin, Wisconsin, Northrock, Oztec, Toker TK, Rol-Air, APT, Wylie, Ingersoll Rand / Doosan, Innovatech, Con X, Ammann, Mecalac, Makinex, Smith Surface Prep, Small Line, Wanco, Yanmar

REVISION LOG

June 30, 2013 - A - Original Issue (Edited to B/M 0010568 Revision R & B/M 1001160030 Revision A)
September 10, 2013 - B - Revised Manual (Edited to B/M 0010568 Revision R & B/M 1001160030 Revision A)
December 1, 2014 - C - Revised Manual
June 30, 2016 - D - Revised Manual (Edited to B/M 0010568 Revision Y & B/M 1001160030 Revision A)
August 29, 2016 - E - Revised Manual (Edited to B/M 1001160030 Revision AB)
October 21, 2016 - F - Revised Manual (Edited to B/M 1001160030 Revision AB)
January 27, 2017 - G - Revised Manual (Edited to B/M 1001160030 Revision AD)
April 21, 2017 - H - Revised Manual (Edited to B/M 1001160030 Revision AG)
July 31, 2017 - I - Revised Manual (Edited to B/M 1001160030 Revision AI)
October 6, 2017 - J - Revised Manual (Edited to B/M 1001160030 Revision AI)
November 30, 2017 - K - Revised Manual (Edited to B/M 1001160030 Revision AK)
January 26, 2018 - L - Revised Manual (Edited to B/M 1001160030 Revision AM)
September 30, 2018 - M - Revised Manual

GENERAL INFORMATION



1) MACHINE IDENTIFICATION

Machines are identified by model and in some cases a combination of models, serial number (SN) or regional standard (i.e. ANSI, CE, CSA). Components may also be identified by SN or manufacturer. Common components that may be identified by these characteristics are engines and hydraulic components.

2) PARTS MANUAL ORGANIZATION

Product information in this manual is organized under section titles. Frame, Cylinder, Hydraulic and Electrical are a few examples. Each section is organized by figure and page number. The information within the Figure is then organized by item number, part number, description and corresponding illustration (s).

3) TABLE OF CONTENTS

A table of contents is found toward the beginning of the manual. Figure number, description and page number are provided for quick reference to the page containing the related information.

4) RECOMMENDED SPARE PARTS

The Recommended Spare Parts, located near the end of the manual, reference most frequently used maintenance parts.

5) PART NUMBER INDEX

A numerical index listing all part numbers and the corresponding page number(s) appears at the back of the manual.

GENERAL INFORMATION

6) NON-SERVICED PARTS

In some instances, it is necessary to display non-serviced parts, assemblies or installations. In the case of assemblies and installations there will be a Ref in the Qty column. In case of parts that are not available for service within assemblies or components, there will be a NSS (Not Sold Separately) or NLA (No Longer Available) listed in the Qty. column of the manual.

7) PARTS LIST ITEM NUMBERS

Numbers shown in the item# column correspond to numbers used in the associated illustration (s). Item numbers which are missing from the sequence in the parts list are not used on that page

8) INDENTED PARTS DESCRIPTION

An indented part description is included in the item under which it is indented.

9) ABBREVIATION AND SYMBOLS

AC.....	.. Alternating Current	LCD.....	.. Liquid Crystal Display
ADE.....	.. Advanced Design Electronics	LED.....	.. Light Emitting Diodes
ANSI.....	.. American National Standards Institute	LH.....	.. Left Hand
AR.....	.. As Required	LSS.....	.. Load Sensing System
ASSY.....	.. Assembly	M(m).....	.. Metric/Meter
AUX.....	.. Auxiliary	MM (mm).....	.. Milimeter
AWG.....	.. American Wire Gauge	mA.....	.. Milliamps
B/M.....	.. Bill of Material	NLA.....	.. No Longer Available
CE.....	.. European Conformity	NPT.....	.. National Pipe Threads
CCW.....	.. Counter Clockwise	NSS.....	.. Not Sold Separately
cm.....	.. Centimeter	OD.....	.. Outside Diameter
CW.....	.. Clockwise	ORB.....	.. O-Ring Boss
CSA.....	.. Canadian Standards Association	ORFS.....	.. O-Ring Face Seal
CYL.....	.. Cylinder	OZ (oz).....	.. Ounces
DIA.....	.. Diameter	PG.....	.. Page
DC.....	.. Direct Current	P/N.....	.. Part Number
EMS.....	.. Emergency Stop	qt.....	.. Quarts
ENG.....	.. Engine	QTY.....	.. Quantity
FT (ft).....	.. Feet	REF.....	.. Reference
GA (Ga).....	.. Gauge	REV.....	.. Revision Level
HYD.....	.. Hydraulic	RH.....	.. Right Hand
Hz.....	.. Hertz	SAE.....	.. Society of Automotive Engineers
ID.....	.. Inside Diameter	SN.....	.. Serial Number
in.....	.. Inches	SPEC(S).....	.. Specifications
ISO.....	.. International Organization for Standards	T/T.....	.. Turntable
JIC.....	.. Joint Industry Council	UGM.....	.. Universal Ground Module
KG.....	.. Kilogram	V.....	.. Volts
L.....	.. Liter	W.....	.. Watts
LB.....	.. Pounds	#.....	.. Number

10) ILLUSTRATION REFERENCE LETTERS

When necessary, illustrations may contain reference letters that are intended to track information (i. e. hoses, harnesses) from one point to another or to track visual enlargement of components to show details that may be located in another area on the illustration.

Note: Due to continuous product improvements, JLG Industries, Inc. reserves the right to make specification changes without prior notification.

TABLE OF CONTENTS

SECTION 1 - FRAME.....	9
FIGURE 1-1. GRADALL FRAME ASSEMBLY	10
FIGURE 1-2. GRADALL FRAME DRIVE ASSEMBLY.....	12
FIGURE 1-3. GRADALL DRIVE TRACK ROLLER ASSEMBLY (BOTTOM).....	16
FIGURE 1-4. GRADALL FRAME TRACK ROLLER ASSEMBLY (CARRIER).....	18
FIGURE 1-5. GRADALL FRAME TRACK CHAIN ASSEMBLY	20
FIGURE 1-6. GRADALL FRAME IDLER ASSEMBLY	22
FIGURE 1-7. GRADALL FRAME SPRING AND SHOCK ASSEMBLIES	24
FIGURE 1-8. GRADALL FRAME ROTARY COUPLING ASSEMBLY	26
SECTION 2 - TURNTABLE.....	29
FIGURE 2-1. CONTROL VALVES INSTALLATIONS.....	30
FIGURE 2-2. MAIN CONTROL VALVE ASSEMBLY.....	32
FIGURE 2-3. ARTICULATING JIB VALVE ASSEMBLY (660SJC ONLY).....	36
FIGURE 2-4. SWING DRIVE, TURNTABLE BEARING AND LOCK INSTALLATIONS.....	38
FIGURE 2-5. SWING MOTOR/HUB ASSEMBLY.....	40
FIGURE 2-6. DEUTZ D2011 ENGINE INSTALLATION (ENGINE SIDE BATTERY).....	44
FIGURE 2-7. DEUTZ D2011 ENGINE INSTALLATION (TANK SIDE BATTERY).....	52
FIGURE 2-8. DEUTZ TD2.9L4 ENGINE INSTALLATION	60
FIGURE 2-9. PISTON PUMP ASSEMBLY	74
FIGURE 2-10. GEAR PUMP ASSEMBLY	80
FIGURE 2-11. FUEL-WATER SEPARATOR INSTALLATION - DEUTZ D2011 ENGINES.....	82
FIGURE 2-12. TANK INSTALLATIONS.....	84
FIGURE 2-13. GROUND CONTROL ASSEMBLY	86
FIGURE 2-14. ELECTRICAL OPTIONS INSTALLATION (TURNTABLE MOUNTED).....	90
FIGURE 2-15. HOODS (ABS) AND LIFTING PLATE INSTALLATIONS.....	96
FIGURE 2-16. HOODS (STEEL) AND LIFTING PLATE INSTALLATIONS.....	102
FIGURE 2-17. ENGINE TRAY JACK INSTALLATION	108
FIGURE 2-18. 2500W GENERATOR INSTALLATION - DEUTZ D2011 MACHINES (OPTIONAL).....	110
FIGURE 2-19. 2500W GENERATOR INSTALLATION - DEUTZ TD2.9L4 MACHINES (OPTIONAL).....	114
FIGURE 2-20. 4000W GENERATOR INSTALLATION - DEUTZ D2011 ENGINES.....	116
FIGURE 2-21. 4000W GENERATOR INSTALLATION - DEUTZ TD2.9L4 ENGINES.....	120
FIGURE 2-22. 7500W SKYPOWER GENERATOR INSTALLATION - DEUTZ ENGINE (OPTIONAL).....	124
FIGURE 2-23. SKYAIR AIR COMPRESSOR INSTALLATION.....	132
FIGURE 2-24. AIR COMPRESSOR ASSEMBLY.....	134
SECTION 3 - BOOM.....	137
FIGURE 3-1. BOOM INSTALLATION - 600SC	138
FIGURE 3-2. BOOM INSTALLATION - 660SJC.....	142
FIGURE 3-3. MAIN BOOM ASSEMBLIES - ANSI AND ANSI EXPORT SPECS	146
FIGURE 3-4. MAIN BOOM ASSEMBLIES - AUSTRALIAN AND CE SPECS	150
FIGURE 3-5. ROTATOR ASSEMBLIES.....	154
FIGURE 3-6. PLATFORM SUPPORT INSTALLATION.....	156
FIGURE 3-7. PLATFORM SUPPORT INSTALLATION - WITH LSS.....	158
FIGURE 3-8. POWER TRACK INSTALLATION.....	160
SECTION 4 - PLATFORM.....	163
FIGURE 4-1. PLATFORM COMPONENTS INSTALLATION	164
FIGURE 4-2. PLATFORM CONSOLE ASSEMBLY (WITHOUT SKYGUARD).....	168
FIGURE 4-3. PLATFORM CONSOLE ASSEMBLY (WITH SKYGUARD)	172
FIGURE 4-4. CONTROLLER ASSEMBLY (LIFT AND SWING).....	176
FIGURE 4-5. CONTROLLER ASSEMBLY (LIFT AND SWING).....	178
FIGURE 4-6. CONTROLLER ASSEMBLY (DRIVE AND STEER).....	182
FIGURE 4-7. SKYGUARD SYSTEM INSTALLATION.....	184
FIGURE 4-8. CROSS RAIL INSTALLATION	186
FIGURE 4-9. SKYGLAZIER INSTALLATION	188
FIGURE 4-10. SKYWELDER/SKYCUTTER COMBO INSTALLATION (60HZ).....	190
FIGURE 4-11. SKYWELDER INSTALLATION (50HZ).....	194
FIGURE 4-12. SKYWELDER INSTALLATION (60HZ).....	196
FIGURE 4-13. SKYWELDER PREP PACKAGE (60HZ)	198
FIGURE 4-14. WELDER ASSEMBLY	200
FIGURE 4-15. SKYCUTTER INSTALLATION.....	202

TABLE OF CONTENTS

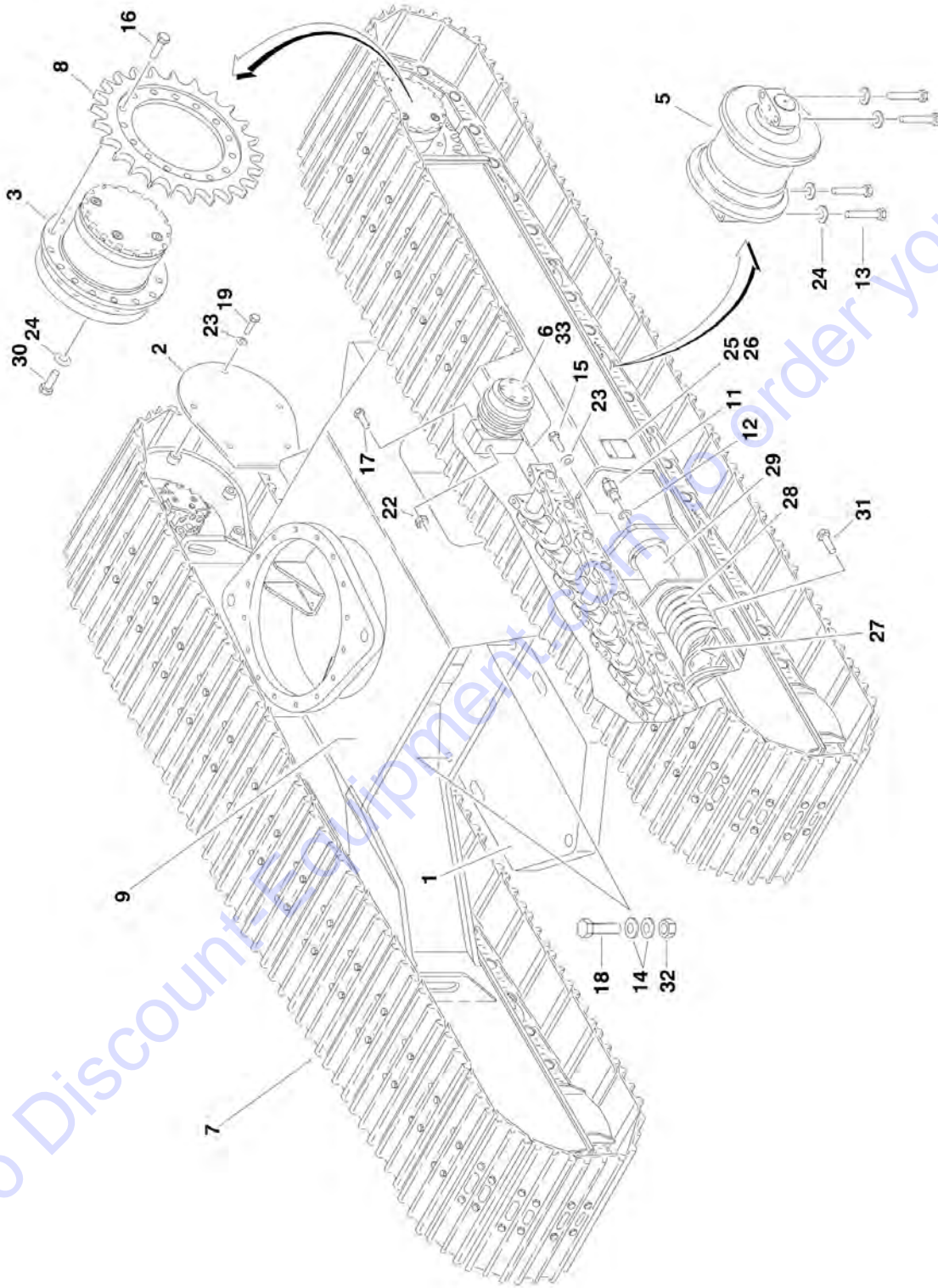
FIGURE 4-16. PLASMA CUTTER ASSEMBLY	204
SECTION 5 - CYLINDER.....	207
FIGURE 5-1. JIB CYLINDER ASSEMBLY (ORIGINAL EQUIPMENT)	208
FIGURE 5-2. JIB CYLINDER ASSEMBLY (SERVICE REPLACEMENT)	210
FIGURE 5-3. JIB CYLINDER ASSEMBLY (SERVICE REPLACEMENT)	212
FIGURE 5-4. LEVEL (PLATFORM SLAVE) CYLINDER ASSEMBLY - 600SC (ORIGINAL EQUIPMENT).....	214
FIGURE 5-5. LEVEL (PLATFORM SLAVE) CYLINDER ASSEMBLY - 600SC (SERVICE REPLACEMENT).....	216
FIGURE 5-6. LEVEL (PLATFORM SLAVE) CYLINDER ASSEMBLY - 660SJC (ORIGINAL EQUIPMENT)	218
FIGURE 5-7. LEVEL (PLATFORM SLAVE) CYLINDER ASSEMBLY - 660SJC (SERVICE REPLACEMENT).....	220
FIGURE 5-8. LIFT CYLINDER ASSEMBLY (ORIGINAL EQUIPMENT)	222
FIGURE 5-9. MASTER CYLINDER ASSEMBLY (ORIGINAL EQUIPMENT).....	224
FIGURE 5-10. MASTER CYLINDER ASSEMBLY - 660SJC (SERVICE REPAACEMENT).....	228
FIGURE 5-11. TELESCOPE CYLINDER ASSEMBLY (ORIGINAL EQUIPMENT)	230
SECTION 6 - HYDRAULIC	233
FIGURE 6-1. FRAME HYDRAULIC DIAGRAM.....	234
FIGURE 6-2. STANDARD HYDRAULIC DIAGRAM.....	236
FIGURE 6-3. HYDRAULIC DIAGRAM LIST.....	240
SECTION 7 - ELECTRICAL.....	241
FIGURE 7-1. ELECTRICAL DIAGRAM LIST	242
FIGURE 7-2. HARNESS COMPONENTS INSTALLATION	244
SECTION 8 - DECALS	265
FIGURE 8-1. DECAL INSTALLATION (ANSI SPECS)	266
FIGURE 8-2. DECAL INSTALLATION (ANSI EXPORT SPECS).....	270
FIGURE 8-3. DECAL INSTALLATION (AUSTRALIAN AND CE SPECS).....	274
SECTION 9 - RECOMMENDED SERVICE PARTS STOCK	277
FIGURE 9-1. MODELS 600SC/660SJC STANDARD PARTS	278
FIGURE 9-2. MODELS 600SC/660SJC VARIABLE PARTS	280
SECTION 10 - SPECIAL OPTIONS	281
FIGURE 10-1. SPECIAL OPTIONS LIST.....	282
PART NUMBER INDEX.....	287

SECTION 1 - FRAME

Go to Discount-Equipment.com to order your parts

SECTION 1 - FRAME

FIGURE 1-1. GRADALL FRAME ASSEMBLY



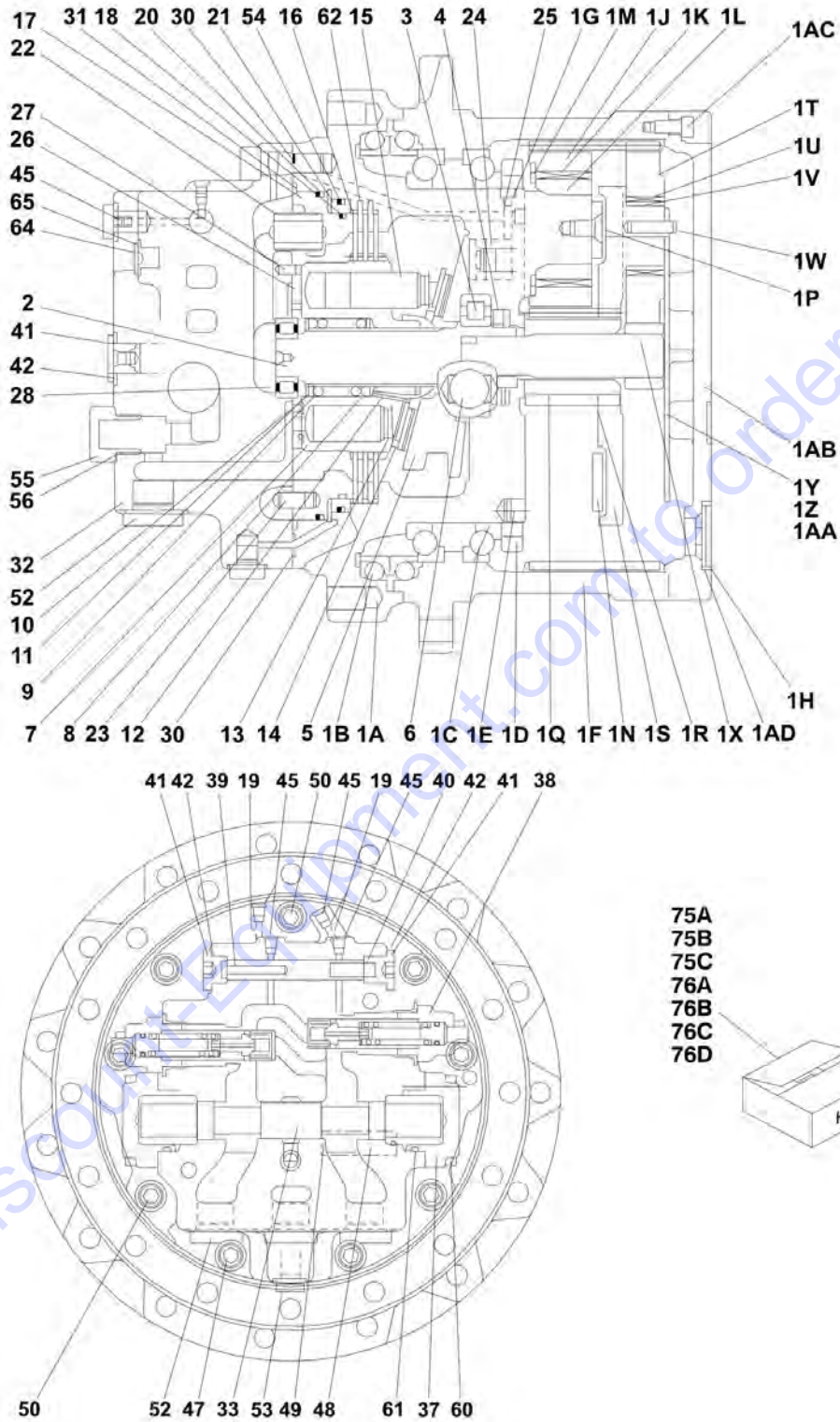
SECTION 1 - FRAME

FIGURE 1-1. GRADALL FRAME ASSEMBLY

ITEM	PART NUMBER	QTY	DESCRIPTION	REV
		Ref	GRADALL FRAME ASSEMBLY	
	2360574	Ref	Gradall Frame Assembly 600SC	C
	2360576	Ref	Gradall Frame Assembly 660SJC	C
1	80211154	1	Counterweight (660SJC Only)	
2	80211039	2	Plate, Cover	
3	80213121	2	Drive Assembly (See GRADALL FRAME DRIVE ASSEMBLY for Breakdown)	
5	80213004	12	Track Roller Assembly - Bottom (See GRADALL DRIVE TRACK ROLLER ASSEMBLY (BOTTOM) for Breakdown)	
6	80213005	2	Track Roller Assembly - Carrier (See GRADALL FRAME TRACK ROLLER ASSEMBLY (CARRIER) for Breakdown)	
7	80213117	2	Track Chain Assembly (See GRADALL FRAME TRACK CHAIN ASSEMBLY for Breakdown)	
8	80213044	2	Sprocket, Drive	
9	80216028	1	Undercarriage	
11	80613008	2	Fitting, Grease	
12	80613009	2	Seal, Grease Fitting	
13	80683015	48	Bolt 5/8in-11NC x 3in	
14	90027475	8	Flatwasher 1in	
15	83191002	4	Bolt M12 x 45mm	
16	80213011	30	Bolt, Flanged M16 x 50mm	
17	83201001	2	Bolt 3/4in-10NC x 4-1/4in	
18	83201047	4	Capscrew 1in-8NC x 8-1/2in (Grade 8)	
19	88201065	10	Bolt 1/2in-13NC x 1in	
22	88521212	2	Locknut 3/4in-10NC	
23	88551013	14	Lockwasher 1/2in	
24	90027472	80	Flatwasher 5/8in Hardened	
25	80213060	2	Nameplate - Caution	
26	88341012	8	Screw #4 x 5/16in	
27	80213040	2	Idler Assembly (See GRADALL FRAME IDLER ASSEMBLY for Breakdown)	
28	80213041	2	Spring Assembly (See GRADALL FRAME SPRING AND SHOCK ASSEMBLIES for Breakdown)	
29	80213042	2	Shock Assembly (See GRADALL FRAME SPRING AND SHOCK ASSEMBLIES for Breakdown)	
30	83191056	32	Bolt M16 x 50mm	
31	83191058	4	Capscrew M16 x 45mm	
32	88501016	4	Nut 1in-8NC	
33	14403323	AR	Never-Seize	

SECTION 1 - FRAME

FIGURE 1-2. GRADALL FRAME DRIVE ASSEMBLY



SECTION 1 - FRAME

FIGURE 1-2. GRADALL FRAME DRIVE ASSEMBLY

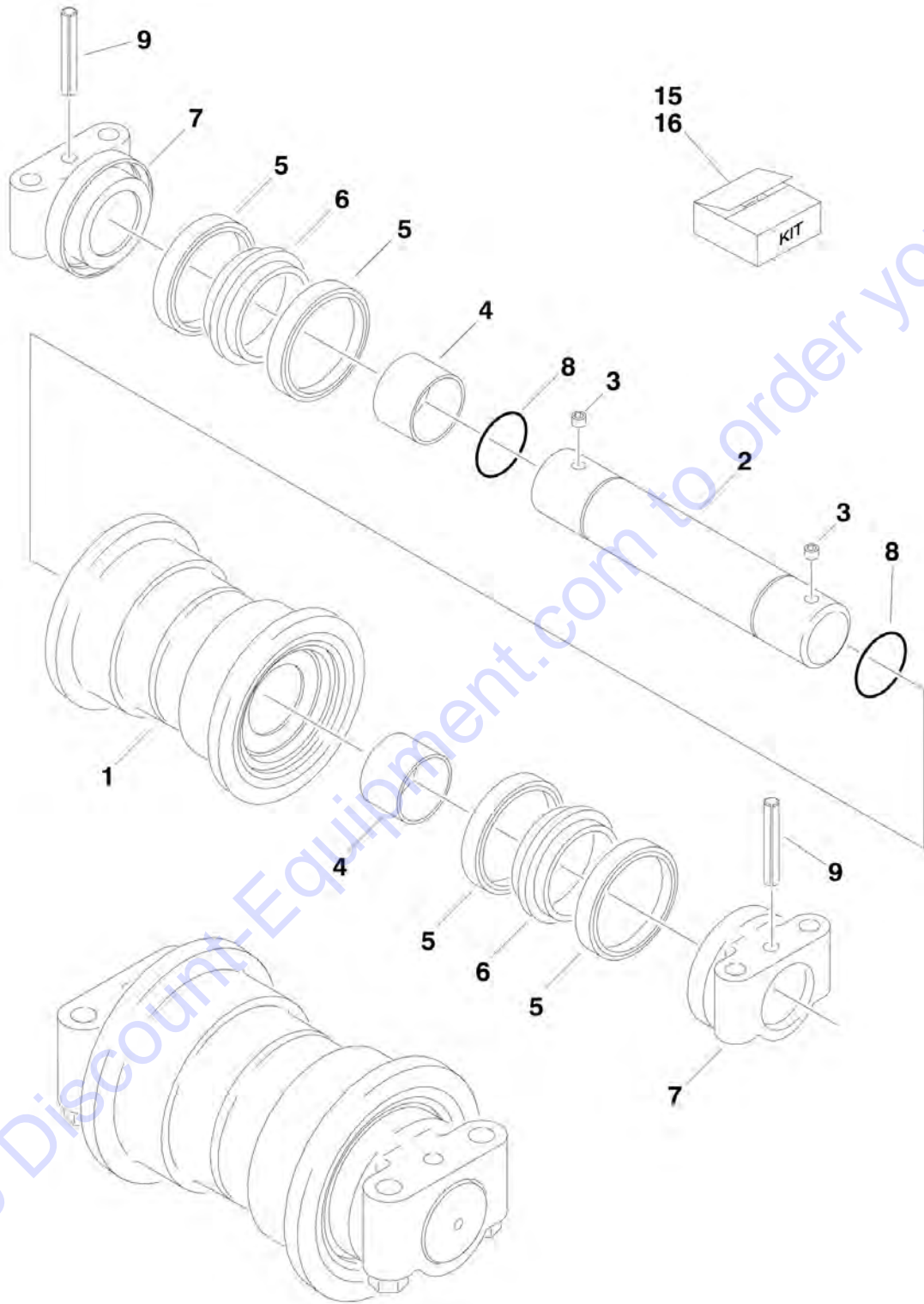
ITEM	PART NUMBER	QTY	DESCRIPTION	REV
	80213121	Ref	DRIVE ASSEMBLY	
1	80214375	1	Gear Box Assembly	
1A	See Note	NSS	Flange (Note: Use Item 76B)	
1B	See Note	NSS	Seal, Floating (Note: Use Item 75A)	
1C	80214337	2	Bearing, Angular	
1D	See Note	NSS	Nut, Ring (Note: Use Item 1)	
1E	See Note	NSS	Plug (Note: Use Item 1)	
1F	See Note	NSS	Housing (Note: Use Item 1)	
1G	See Note	NSS	Plug (Note: Not Available - Purchase Locally)	
1H	See Note	NSS	Plug (Note: Not Available - Purchase Locally)	
1J	80214332	4	Gear, Planetary (B)	
1K	80214334	4	Bearing, Needle	
1L	80214333	4	Bushing, Floating	
1M	See Note	NSS	Thrustwasher (Note: Use Item 1)	
1N	See Note	NSS	Plate, Thrust (Note: Use Item 1)	
1P	See Note	NSS	Screw (Note: Use Item 1)	
1Q	80214329	1	Gear, Sun	
1R	See Note	NSS	Ring, Retaining (Note: Not Available - Purchase Locally)	
1S	See Note	NSS	Holder (Note: Use Item 1)	
1T	80214376	3	Gear, Planetary (A)	
1U	80214326	3	Bearing, Needle	
1V	80214325	3	Race, Inner Bearing	
1W	See Note	NSS	Pin, Spring (Note: Use Item 1)	
1X	80214377	1	Driveshaft	
1Y	See Note	NSS	Plate, Thrust (Note: Use Item 76A)	
1Z	See Note	NSS	Plate, Thrust (Note: Use Item 76A)	
1AA	See Note	NSS	Plate, Thrust (Note: Use Item 76A)	
1AB	7022693	1	Cover	
1AC	See Note	16	Bolt (Note: Not Available - Purchase Locally)	
1AD	See Note	NSS	O-Ring (Note: Use Item 75A)	
2	80214308	1	Shaft	
3	80914076	1	Bearing	
4	See Note	NSS	Seal, Oil (Note: Use Item 75B)	
5	See Note	NSS	Plate, Swash (Note: Purchase Complete Assembly)	
6	See Note	NSS	Ball (Note: Purchase Complete Assembly)	
7	See Note	NSS	Block, Cylinder (Note: Use Item 76B)	
8	See Note	NSS	Collar (Note: Purchase Complete Assembly)	
9	See Note	NSS	Spring (Note: Purchase Complete Assembly)	
10	See Note	NSS	Collar (Note: Purchase Complete Assembly)	
11	See Note	NSS	Ring, Retaining (Note: Not Available - Purchase Locally)	
12	80214312	3	Pin	
13	See Note	NSS	Retainer, Holder (Note: Not Available - Purchase Complete Assembly)	
14	See Note	NSS	Plate, Retainer (Note: Not Available - Purchase Complete Assembly)	
15	See Note	NSS	Piston Assembly (Note: Use Item 76B)	
16	See Note	NSS	Plate, Brake Disc (Note: Use Item 76C)	
17	See Note	NSS	Piston, Brake (Note: Use Item 76C)	
18	See Note	NSS	O-Ring (Note: Use Item 75B or 76C)	
19	See Note	NSS	Orifice (Note: Not Available for Purchase)	

SECTION 1 - FRAME

ITEM	PART NUMBER	QTY	DESCRIPTION	REV
20	See Note	NSS	O-Ring (Note: Use Item 75B or 76C)	
21	See Note	NSS	Collar (Note: Use Item 76C)	
22	See Note	NSS	Spring (Note: Not Available - Purchase Complete Assembly)	
23	See Note	NSS	Pin (Note: Not Available - Purchase Complete Assembly)	
24	See Note	NSS	Piston Assembly (Note: Not Available - Purchase Complete Assembly)	
25	See Note	NSS	Spring (Note: Not Available - Purchase Complete Assembly)	
26	See Note	NSS	Plate, Valve (Note: Not Available - Purchase Complete Assembly)	
27	See Note	NSS	Pin (Note: Not Available - Purchase Complete Assembly)	
28	80214378	1	Bearing	
30	See Note	NSS	O-Ring (Note: Use Item 75B)	
31	See Note	NSS	O-Ring (Note: Use Item 75B)	
32	See Note	NSS	Plate, Base (Note: Use Item 76C)	
33	See Note	NSS	Spool (Note: Use Item 76C)	
37	See Note	NSS	Flange (Note: Not Available - Purchase Complete Assembly)	
38	80214379	2	Relief Valve Assembly (See Below for Seal Kit)	
39	See Note	NSS	Spool (Note: Not Available - Purchase Complete Assembly)	
40	See Note	NSS	Spring (Note: Not Available - Purchase Complete Assembly)	
41	See Note	NSS	Plug (Note: Not Available - Purchase Locally)	
42	See Note	NSS	O-Ring (Note: Use Item 75B)	
45	See Note	NSS	Plug (Note: Not Available - Purchase Locally)	
47	See Note	NSS	Bolt (Note: Not Available - Purchase Locally)	
48	See Note	NSS	Nameplate (Note: Not Available for Purchase)	
49	See Note	NSS	Drivescrew (Note: Not Available for Purchase)	
50	See Note	NSS	Bolt (Note: Not Available for Purchase)	
52	See Note	NSS	Plug, Shipping (Note: Not Available for Purchase)	
53	See Note	NSS	Plug, Shipping (Note: Not Available for Purchase)	
54	See Note	NSS	O-Ring (Note: Use Item 75B)	
55	See Note	NSS	Plug (Note: Not Available - Purchase Locally)	
56	See Note	NSS	O-Ring (Note: Use Item 75B)	
60	See Note	NSS	Bolt (Note: Not Available - Purchase Locally)	
61	See Note	NSS	O-Ring (Note: Use Item 75B)	
62	See Note	NSS	Plate, Friction (Note: Use Item 76C)	
64	See Note	NSS	Plug (Note: Not Available - Purchase Locally)	
65	See Note	NSS	O-Ring (Note: Use Item 75B)	
75		Ref	Seal Kit Options:	
75A	80214371	1	Hub Seal Kit (Includes Items 1B & 1AD)	
75B	80214372	1	Motor/Brake/Valve Seal Kit (Includes Items 4, 18, 20, 30, 31, 42, 54, 56, 61, 65 & Item 75C)	
75C	See Note	NSS	Relief Valve Seal Kit (Includes 3 O-Rings and 2 Back-up Rings for Item 38) (Note: Use Item 75B)	
76		Ref	Repair Kit Options:	
76A	80214172	1	Hub Thrust Plate Kit (Includes Items 1Y, 1Z & 1AA)	
76B	80214171	1	Cylinder Block Kit (Includes Items 1, 7 & 15)	
76C	80214373	1	Brake Kit (Includes Items 16, 17, 18, 20, 21 & 62)	
76D	80214374	1	Base Plate Kit (Includes Items 32 & 33)	

SECTION 1 - FRAME

FIGURE 1-3. GRADALL DRIVE TRACK ROLLER ASSEMBLY (BOTTOM)



SECTION 1 - FRAME

FIGURE 1-3. GRADALL DRIVE TRACK ROLLER ASSEMBLY (BOTTOM)

ITEM	PART NUMBER	QTY	DESCRIPTION	REV
	80213004	Ref	ROLLER ASSEMBLY (BOTTOM)	F
1	See Note	NSS	Roller, Guide (Note: Use Item 16)	
2	80214008	1	Shaft	
3	See Note	NSS	Plug (Note: Not Available - Purchase Locally)	
4	80214006	2	Bearing	
5	80214003	4	Ring	
6	80214003	2	Seal	
7	80214002	2	Support, Mounting Bracket	
8	80214007	2	O-Ring	
9	80214001	2	Rollpin	
15	80214003	2	Seal Kit (Includes Items 5 & 6)	
16	80214005	1	Roller Guide Bearing Kit (Includes Items 1 & 4)	

Go to Discount-Equipment.com to order your parts

SECTION 1 - FRAME

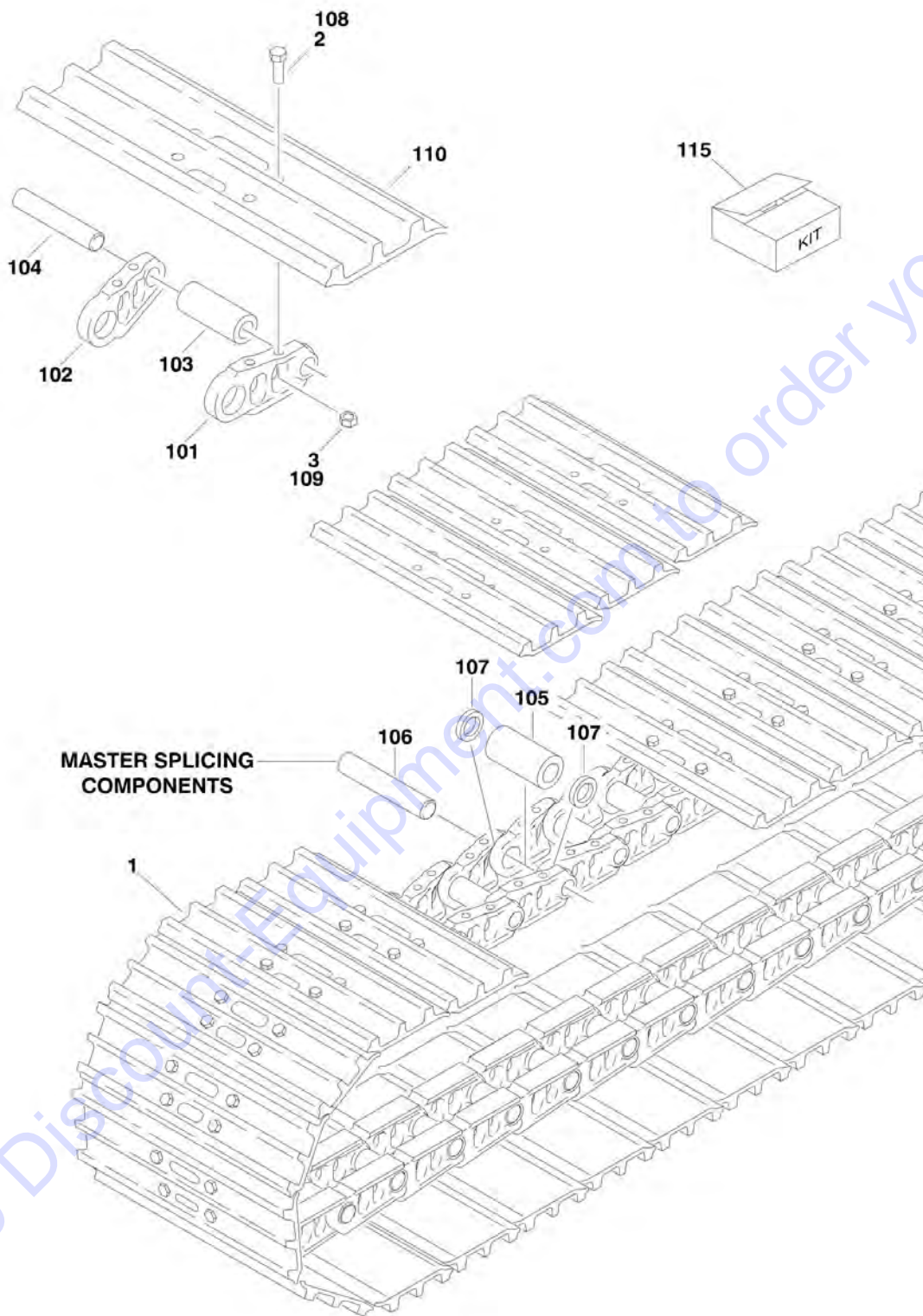
FIGURE 1-4. GRADALL FRAME TRACK ROLLER ASSEMBLY (CARRIER)

ITEM	PART NUMBER	QTY	DESCRIPTION	REV
	80213005	Ref	ROLLER ASSEMBLY (BOTTOM)	D
1	80214017	NLA	Roller, Guide (Use p/n 80213005)	
2	80214022	1	Shaft	
3	See Note	NSS	Cover, Internal (Note: Not Available - Purchase Complete Assembly)	
4	80214014	2	Bolt	
5	80214015	2	Washer	
6	80214013	2	Bearing, Roller	
8	See Note	NSS	Ring, Seal (Note: Use Item 20)	
9	See Note	NSS	Ring, Tension (Note: Use Item 20)	
10	80214019	1	Collar	
11	80214020	1	Ring, Packing	
12	80214021	1	Ring, Seal	
13	80214011	1	Cover	
14	80214012	1	Seal, Cover	
15	80214010	5	Lockwasher	
16	80214009	5	Bolt	
20	80214018	1	Seal Kit (Includes Items 8 & 9)	

Go to Discount-Equipment.com to order your parts

SECTION 1 - FRAME

FIGURE 1-5. GRADALL FRAME TRACK CHAIN ASSEMBLY



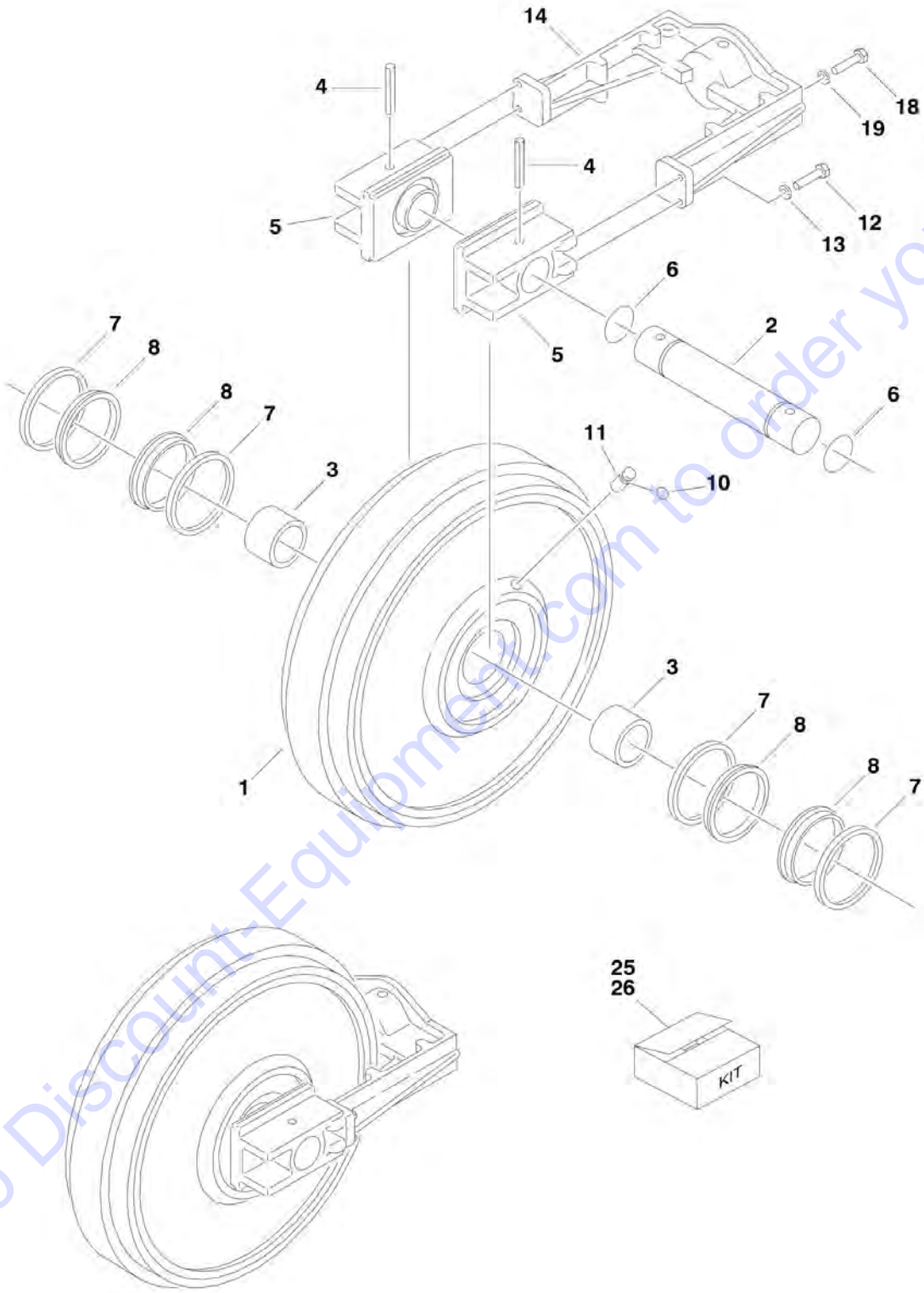
SECTION 1 - FRAME

FIGURE 1-5. GRADALL FRAME TRACK CHAIN ASSEMBLY

ITEM	PART NUMBER	QTY	DESCRIPTION	REV
	80213117	Ref	TRACK CHAIN ASSEMBLY	-
		Ref	Note: Qty shown is for one track - 2 tracks per machine.	
1	See Note	47	Shoe Assembly (Note: Not Available - Purchase Individual Parts)	
2	80213016	188	Bolt	
3	80214368	188	Nut	
		Ref	SHOE ASSEMBLY	
		Ref	Note: Qty shown is for one side - 47 shoes per track and 2 tracks per machine.	
101	80214361	47	Link, Right	
102	80214362	47	Link, Left	
103	80214363	47	Bearing	
104	80214364	46	Pin, Hinge	
105	80214365	1	Bearing, Splice	
106	80214366	1	Pin, Splice Hinge	
107	80214367	2	Spacer	
108	80213016	188	Screw	
109	80214368	188	Nut	
110	80214369	47	Cleat, Track	
115	80214370	1	Pin and Bearing Kit (Includes Items 103-107)	
	1001113466	Ref	RUBBER TRACK PAD INSTALLATION (NOT SHOWN) (SN 0300174703 through 0300190130)	1
	0272029	Ref	RUBBER TRACK PAD INSTALLATION (NOT SHOWN) (SN 0300190131 through 0300236298)	
	1001104328	94	Pad, Rubber (SN 0300174703 through 0300190130)	
	3340938	94	Pad, Rubber (SN 0300190131 through 0300236298)	
	0100011	AR	Compound, Locking	

SECTION 1 - FRAME

FIGURE 1-6. GRADALL FRAME IDLER ASSEMBLY



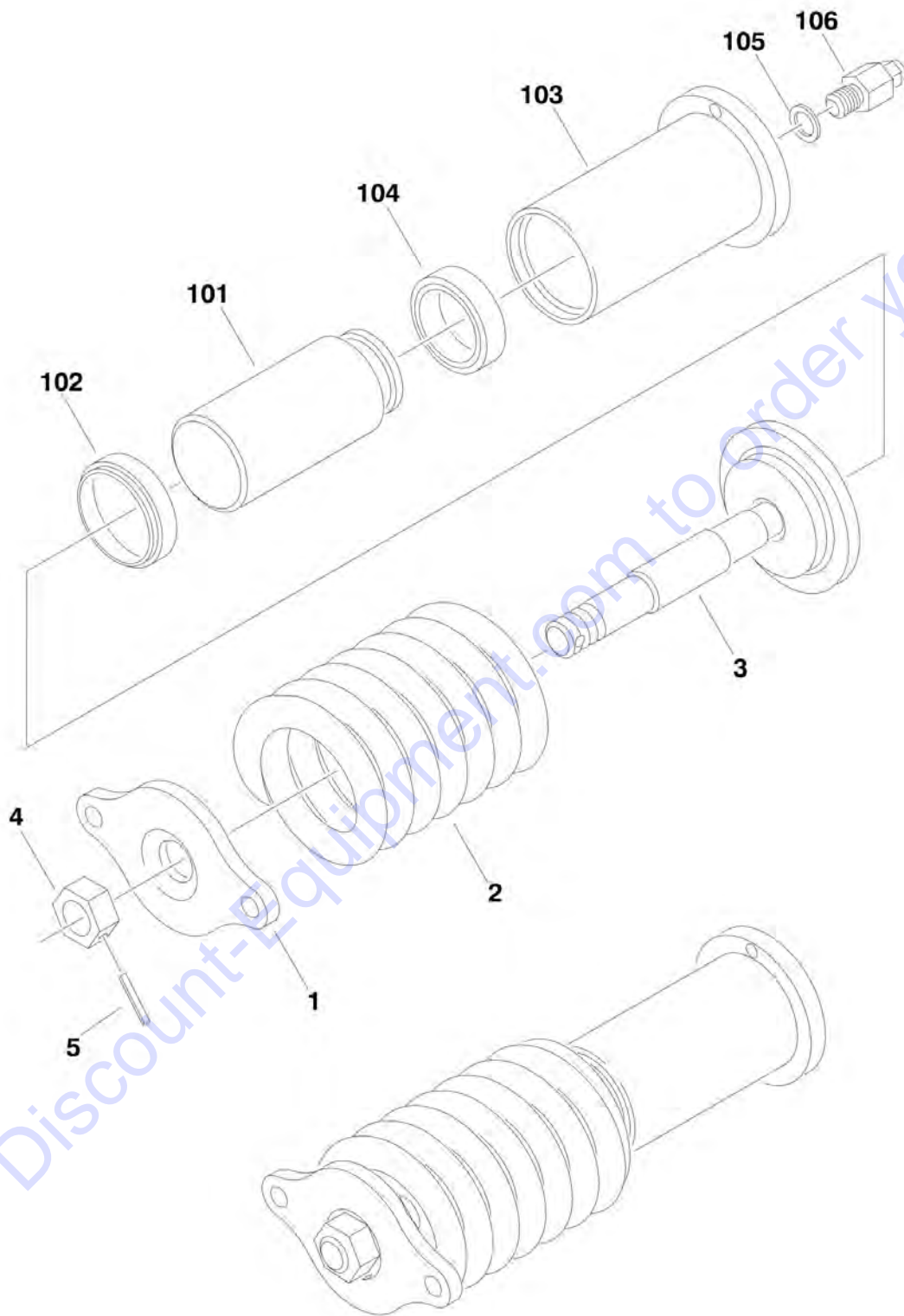
SECTION 1 - FRAME

FIGURE 1-6. GRADALL FRAME IDLER ASSEMBLY

ITEM	PART NUMBER	QTY	DESCRIPTION	REV
	80213040	Ref	IDLER ASSEMBLY	B
1	See Note	NSS	Idler without Bearing (Note: Use Item 25)	
2	80214027	1	Shaft	
3	80214024	2	Bearing	
4	80214004	2	Rollpin	
5	80214026	2	Bracket, Mounting	
6	80214028	2	Seal	
7	See Note	NSS	Seal (Note: Use Item 26)	
8	See Note	NSS	Holder, Seal (Note: Use Item 26)	
10	83604107	1	O-Ring	
11	83694108	1	Plug	
12	80214030	4	Bolt	
13	83694007	4	Lockwasher	
14	80214029	1	Bracket	
18	83694009	2	Bolt	
19	83694010	2	Lockwasher	
25	80214023	1	Idler Kit (Includes Items 1 & 3)	
26	83694040	2	Seal and Holder Kit (Includes Items 7 & 8)	

SECTION 1 - FRAME

FIGURE 1-7. GRADALL FRAME SPRING AND SHOCK ASSEMBLIES



SECTION 1 - FRAME

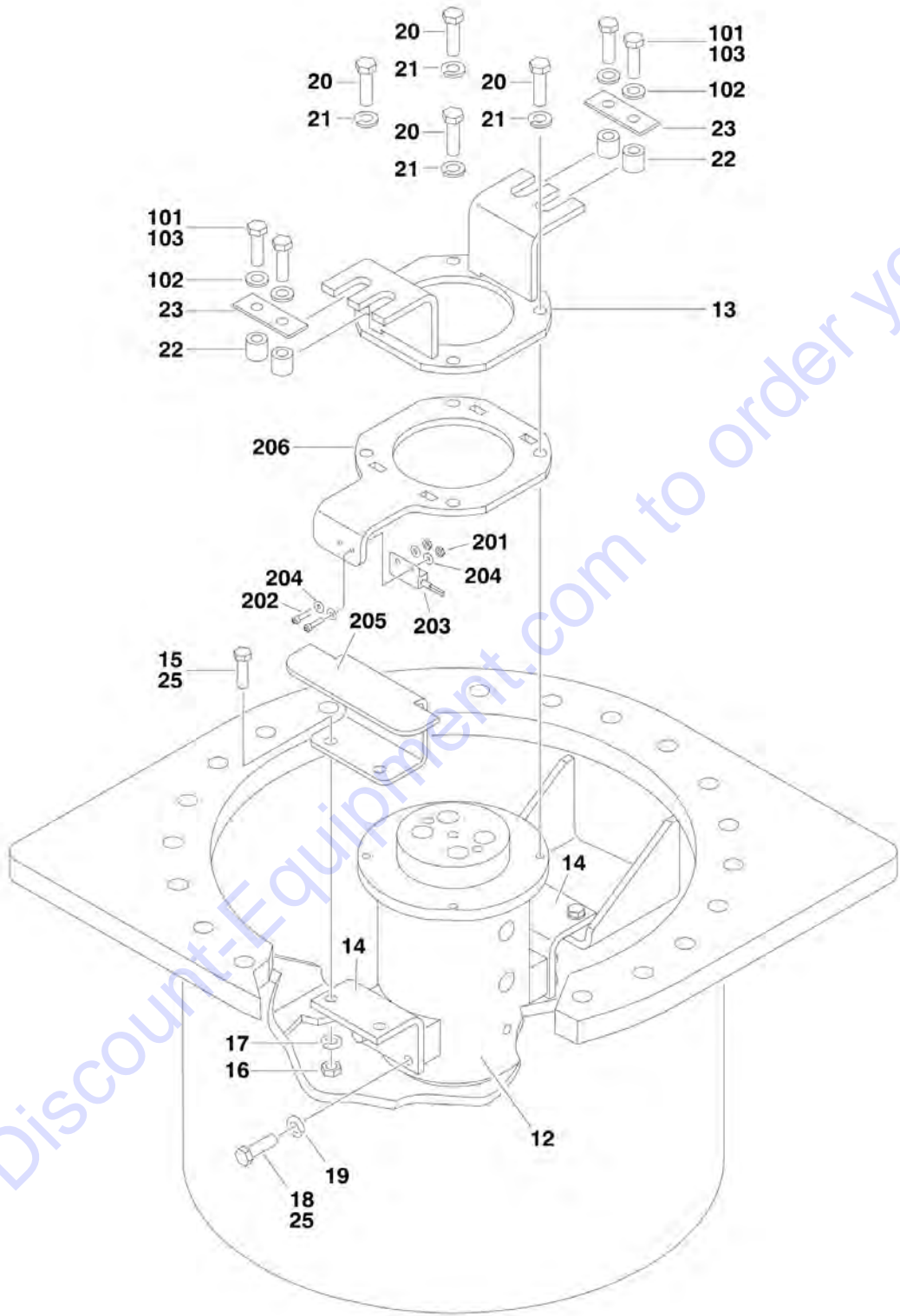
FIGURE 1-7. GRADALL FRAME SPRING AND SHOCK ASSEMBLIES

ITEM	PART NUMBER	QTY	DESCRIPTION	REV
	80213041	Ref	SPRING ASSEMBLY	C
1	80214031	1	Flange, Mounting	
2	80214033	1	Spring	
3	80214034	1	Plate, Base	
4	80214010	1	Locknut	
5	80214011	1	Rollpin	
	80213042	Ref	SHOCK ASSEMBLY	A
101	83694046	1	Piston/Rod	
102	83694045	1	Wiper	
103	80614008	1	Barrel	
104	83694047	1	Seal	
105	80613009	1	Seal	
106	80613008	1	Fitting	

Go to Discount-Equipment.com to order your parts

SECTION 1 - FRAME

FIGURE 1-8. GRADALL FRAME ROTARY COUPLING ASSEMBLY



SECTION 1 - FRAME

FIGURE 1-8. GRADALL FRAME ROTARY COUPLING ASSEMBLY

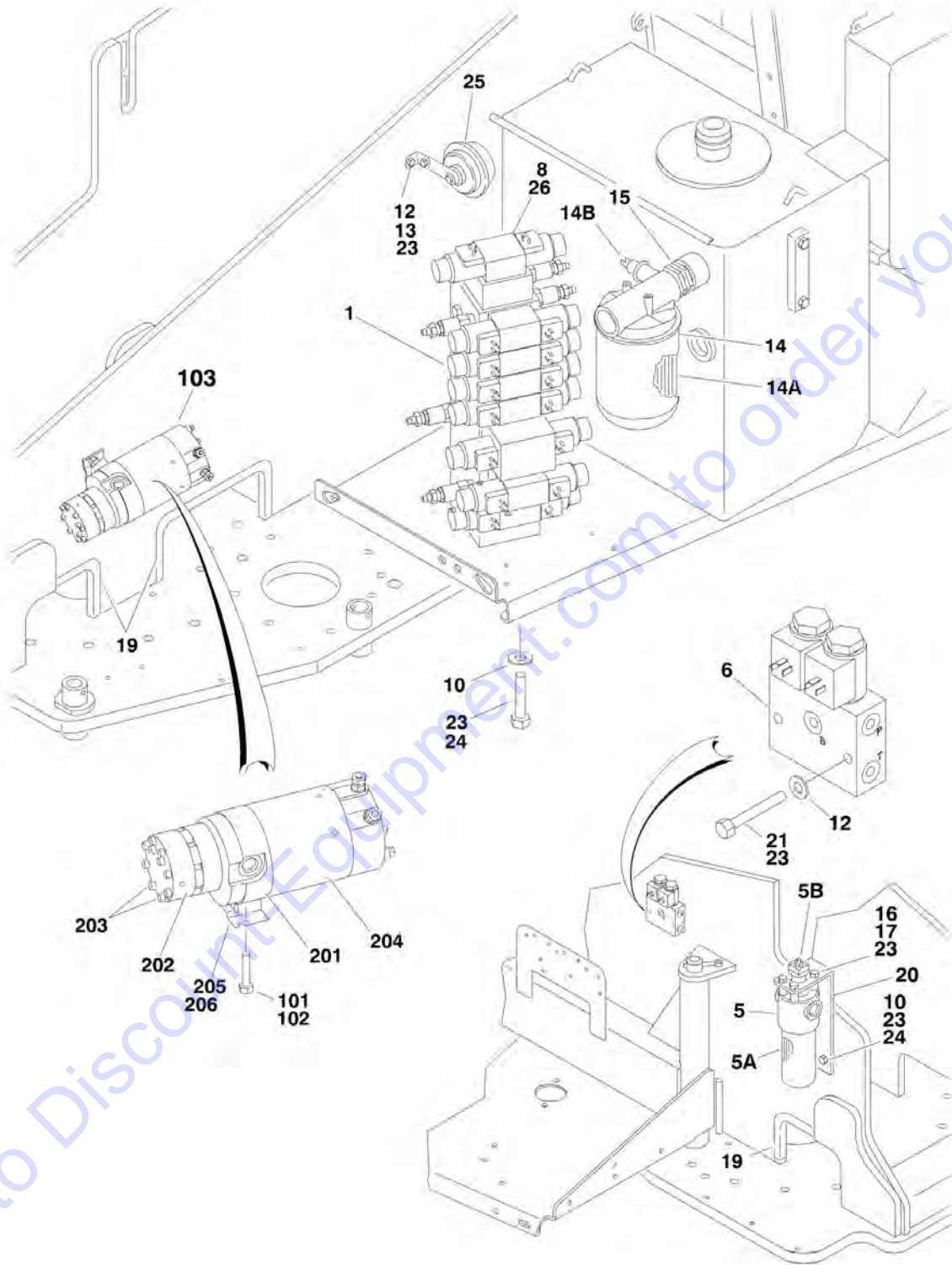
ITEM	PART NUMBER	QTY	DESCRIPTION	REV
		Ref	ROTARY COUPLING INSTALLATION	
	80215014	Ref	Rotary Coupling Installation 600SC	C
	80215016	Ref	Rotary Coupling Installation 660SJC	C
12	80213115	1	Rotary Coupling Assembly	
12	80213116	1	Seal Kit - 80213115 Coupling (Includes Qty 9 Seals & Qty 2 Wiper Rings)	
13	80216035	1	Stabilizer	
14	80211144	1	Support	
15	88201069	4	Bolt 1/2in-13NC x 2in	
16	88501008	4	Nut 1/2in-13NC	
17	88551013	4	Lockwasher 1/2in	
18	83191021	8	Bolt M10 x 30mm	
19	83191013	8	Lockwasher M10	
20	83191004	4	Bolt M12 x 30mm	
21	83191010	4	Lockwasher M10	
22	80211147	4	Spacer	
23	80211148	2	Keeper	
25	14403364	AR	Compound, Locking	
	0271817	Ref	ROTARY COUPLING INSTALLATION	1-A
101	0641616	4	Bolt 3/8in-16NC x 2in	
102	4751600	4	Flatwasher 3/8in	
103	0100011	AR	Compound, Locking	
	1001145988	Ref	DRIVE ORIENTATION INSTALLATION	A
201	3311005	2	Locknut #10-24NC	
202	3931012	2	Capscrew #10-24NC x 3/4in	
203	4360517	1	Switch, Proximity	
204	4711000	4	Flatwasher #10 Thin	
205	1001149587	1	Cam (Part of Chassis Assembly)	
206	80211160	1	Bracket (Part of Chassis Assembly)	

SECTION 2 - TURNTABLE

Go to Discount-Equipment.com to order your parts

SECTION 2 - TURNTABLE

FIGURE 2-1. CONTROL VALVES INSTALLATIONS



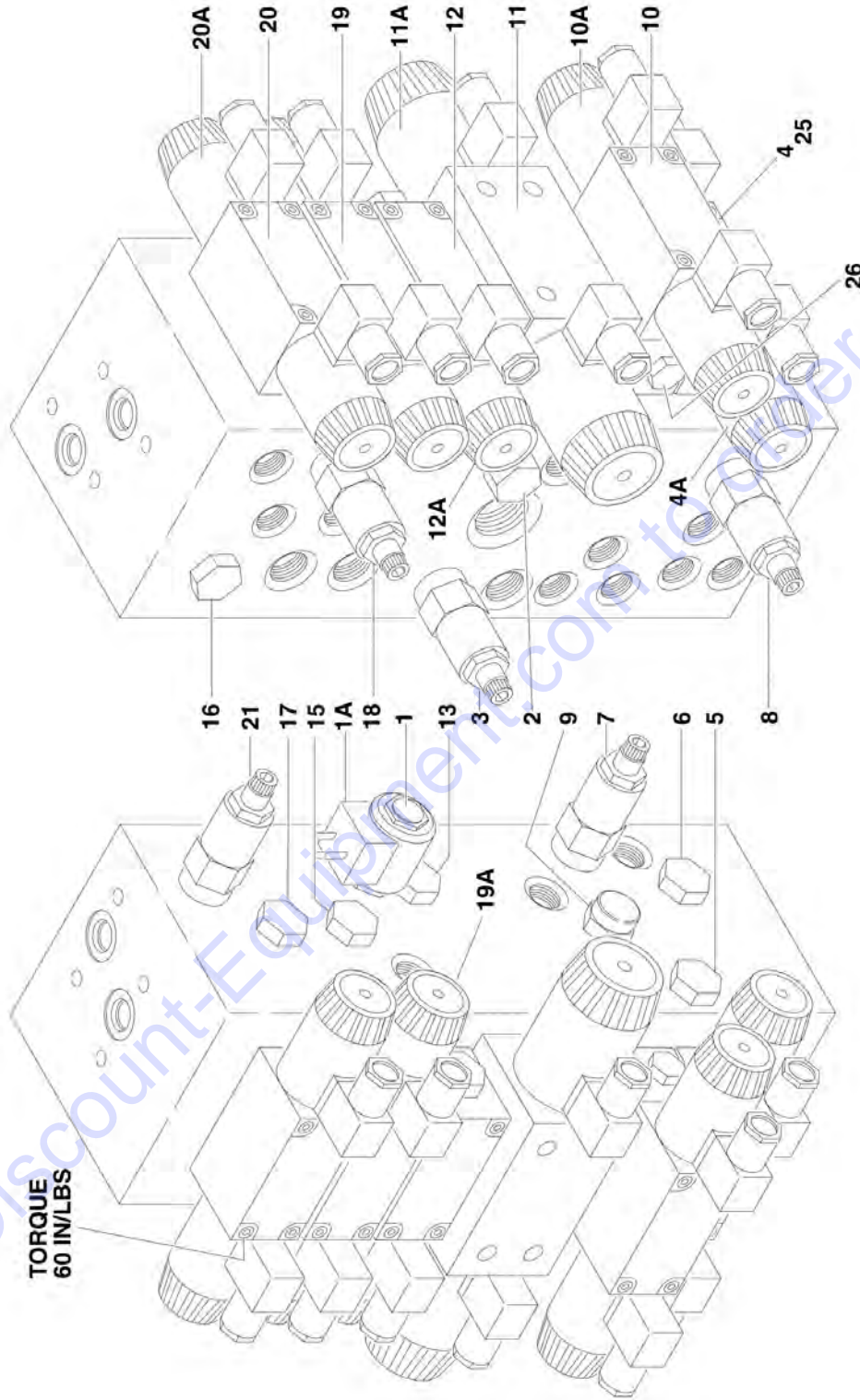
SECTION 2 - TURNTABLE

FIGURE 2-1. CONTROL VALVES INSTALLATIONS

ITEM	PART NUMBER	QTY	DESCRIPTION	REV
		Ref	VALVES INSTALLATIONS	
	1001145283	Ref	Valves Installations 600SC	A
	1001145284	Ref	Valves Installations 660SJC	A
1	4641489	1	Main Control Valve Assembly (See MAIN CONTROL VALVE ASSEMBLY for Breakdown)	
5	2120209	1	Hydraulic Pressure Filter Assembly	
5A	2120210	1	Element, Filter	
5B	7020020	1	Indicator, Clogged	
5C	70000934	1	O-Ring, Filter Bowl (Not Shown)	
6	4641317	1	Valve Assembly (Brake and 2 Speed)	
6	7012944	2	Coil	
6	7012941	2	Cartridge without Coil	
6	7010543	2	Seal Kit - 7012941 Cartridge (1 Per Cartridge)	
8		Ref	Valve Kit (Articulating Jib) Options:	
8	Not Required	0	Valve Kit (Articulating Jib) 600SC	
8	4640921	1	Valve Kit (Articulating Jib) 660SJC (See ARTICULATING JIB VALVE ASSEMBLY (660SJC ONLY) for Breakdown)	
10	4711600	AR	Flatwasher 3/8in Thin	
12	4751500	3	Flatwasher 5/16in Regular	
13	0641506	1	Bolt 5/16in-18NC x 3/4in	
14	2120164	1	Return Filter Assembly	
14A	2120149	1	Element, Filter	
14B	7020021	1	Indicator, Clogged	
15	2220893	1	Fitting, Adapter	
16	0651406	3	Bolt 1/4in-28NF x 3/4in	
17	4711400	3	Flatwasher 1/4in Thin	
19	4060918	46 in/1.2m	Flex-Trim	
20	0902587	1	Bracket, Filter	
21	0641512	2	Bolt 5/16in-18NC x 1-1/2in	
23	0100011	AR	Compound, Locking	
24	0641608	5	Bolt 3/8in-16NC x 1in	
25	0140001	1	Horn	
26		Ref	Harness, Articulating Jib Options:	
26	Not Required	0	Harness, Articulating Jib 600SC	
26	4921927	1	Harness, Articulating Jib 660SJC (See ELECTRICAL SECTION for Breakdown)	
	1001150423	Ref	AUXILIARY PUMP INSTALLATION	A
101	0100011	AR	Compound, Locking	
102	0811610	2	Bolt 3/8in-16NC x 1-1/4in	
103	1001137458	1	Auxiliary Pump Assembly (See Items 201-206 for Breakdown)	
	1001137458	Ref	AUXILIARY PUMP ASSEMBLY	A
201	70003995	1	Base	
202	70003996	1	Pump Assembly	
202	7026330	1	Seal, Shaft	
203	70003997	4	Capscrew 1/4in-20NC x 3in	
204	70003998	1	Motor	
204	See Note	NSS	Brush Kit (Note: Not Available at Time of Printing)	
205	70003999	1	Bracket	
206	70004000	2	Capscrew 3/8in-16NC x 1in	

SECTION 2 - TURNTABLE

FIGURE 2-2. MAIN CONTROL VALVE ASSEMBLY



SECTION 2 - TURNTABLE

FIGURE 2-2. MAIN CONTROL VALVE ASSEMBLY

ITEM	PART NUMBER	QTY	DESCRIPTION	REV
	4641489	Ref	MAIN CONTROL VALVE ASSEMBLY	A
1	7017410	1	Cartridge, Without Coil	
1	7012967	1	Seal Kit - 7017410 Cartridge	
1A	7012944	1	Coil	
2	7017464	1	Cartridge, Pressure Sensing	
2	7012518	1	Seal Kit - 7017464 Cartridge	
3	7012912	1	Cartridge (Main Relief)	
3	7012998	1	Seal Kit - 7012912 Cartridge	
4	7021373	1	Control Valve Assembly (Platform Level)	
4	7012773	1	Seal Kit	
4	7012799	1	Lanyard Assembly	
4A	7021376	2	Coil	
4A	7021375	2	Nut, Coil	
5	7012914	1	Cartridge, Check Valve (Platform Level)	
5	7012918	1	Seal Kit - 7012914 Cartridge	
6	7012914	1	Cartridge, Check Valve (Platform Level)	
6	7012918	1	Seal Kit - 7012914 Cartridge	
7	7012912	1	Cartridge, Relief Valve (Platform Level)	
7	7012998	1	Seal Kit - 7012912 Cartridge	
8	7012912	1	Cartridge, Relief Valve	
8	7012998	1	Seal Kit - 7012912 Cartridge	
9	7012989	1	Cartridge, Flow Control	
9	7012953	1	Seal Kit - 7012989 Cartridge	
10	7021373	1	Control Valve Assembly (Platform Rotate)	
10	7012773	1	Seal Kit	
10	7012799	1	Lanyard Assembly	
10A	7021376	2	Coil	
10A	7021375	2	Nut, Coil	
11	70000579	1	Control Valve Assembly (Upper Tele):	
11	70000583	1	Seal Kit - 70000579 Valve	
11A	70000582	1	Coil	
11A	70000580	1	Nut, Coil	
12	7022521	1	Control Valve Assembly (Flow Control)	
12	7012773	1	Seal Kit - 7022521 Valve	
12A	7018991	2	Coil	
12A	7021375	2	Nut, Coil	
13	7010542	1	Cartridge, Shuttle	
13	7010543	1	Seal Kit - 7010542 Cartridge	
15	7010542	1	Cartridge, Shuttle	
15	7010543	1	Seal Kit - 7010542 Cartridge	
16	7010542	1	Cartridge, Shuttle	
16	7010543	1	Seal Kit - 7010542 Cartridge	
17	7010542	1	Cartridge, Shuttle	
17	7010543	1	Seal Kit - 7010542 Cartridge	
18	7012912	1	Cartridge, Relief Valve	
18	7012998	1	Seal Kit - 7012912 Cartridge	
19	7012775	1	Control Valve Assembly (Upper Lift)	
19	7012773	1	Seal Kit	
19A	7012772	2	Coil	
20	7012775	1	Control Valve Assembly (Swing)	

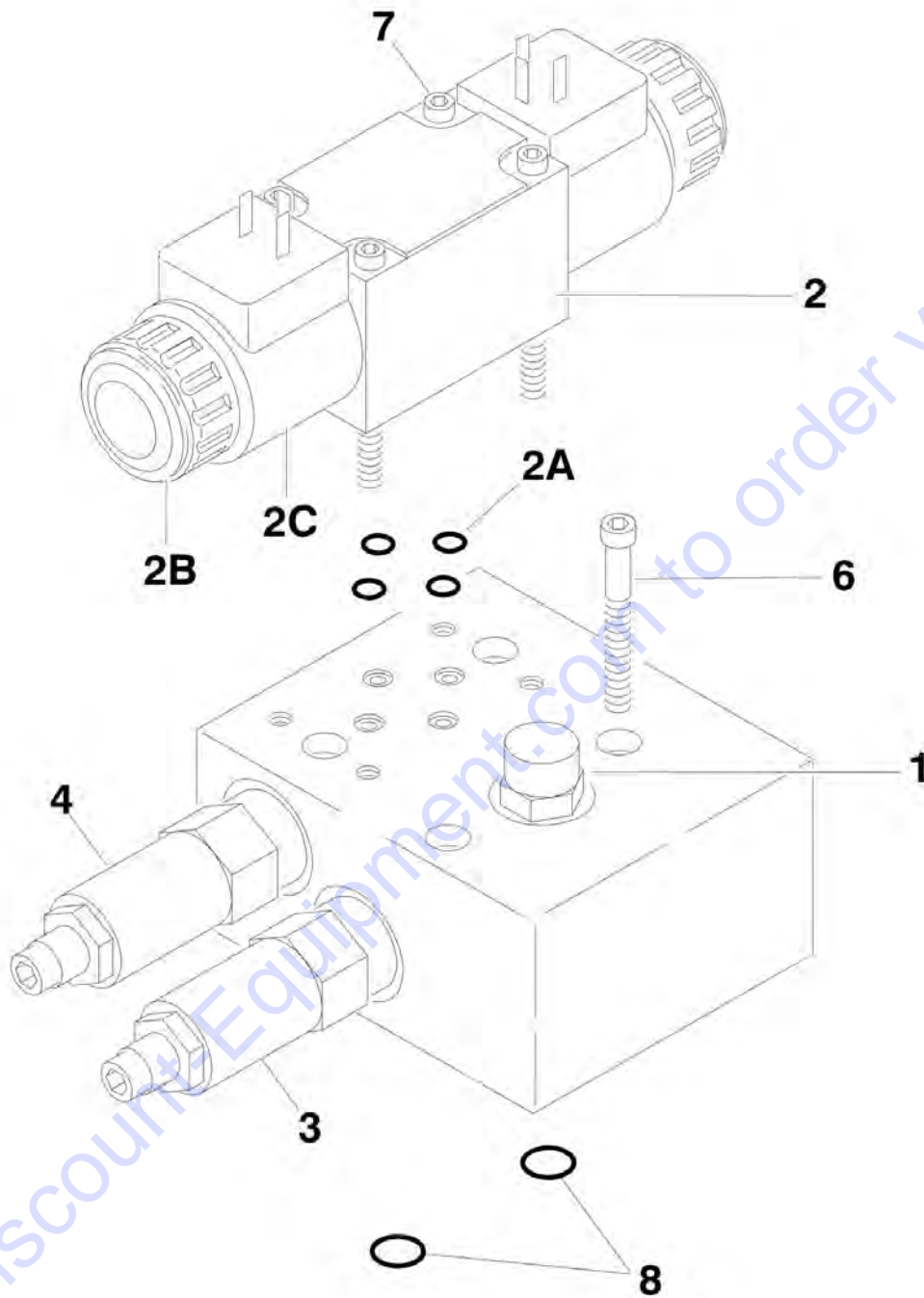
SECTION 2 - TURNTABLE

ITEM	PART NUMBER	QTY	DESCRIPTION	REV
20	7012773	1	Seal Kit - 7012775 Valve	
20A	7012772	2	Coil	
20A	7018912	2	Nut, Coil	
21	7012912	1	Cartridge, Relief Valve	
21	7012998	1	Seal Kit - 7012912 Cartridge	
26	7021310	1	Valve, Sandwich	

Go to Discount-Equipment.com to order your parts

SECTION 2 - TURNTABLE

FIGURE 2-3. ARTICULATING JIB VALVE ASSEMBLY (660SJC ONLY)



NOTE: TORQUE ITEMS 6 & 7 TO 60 IN/LBS.

SECTION 2 - TURNTABLE

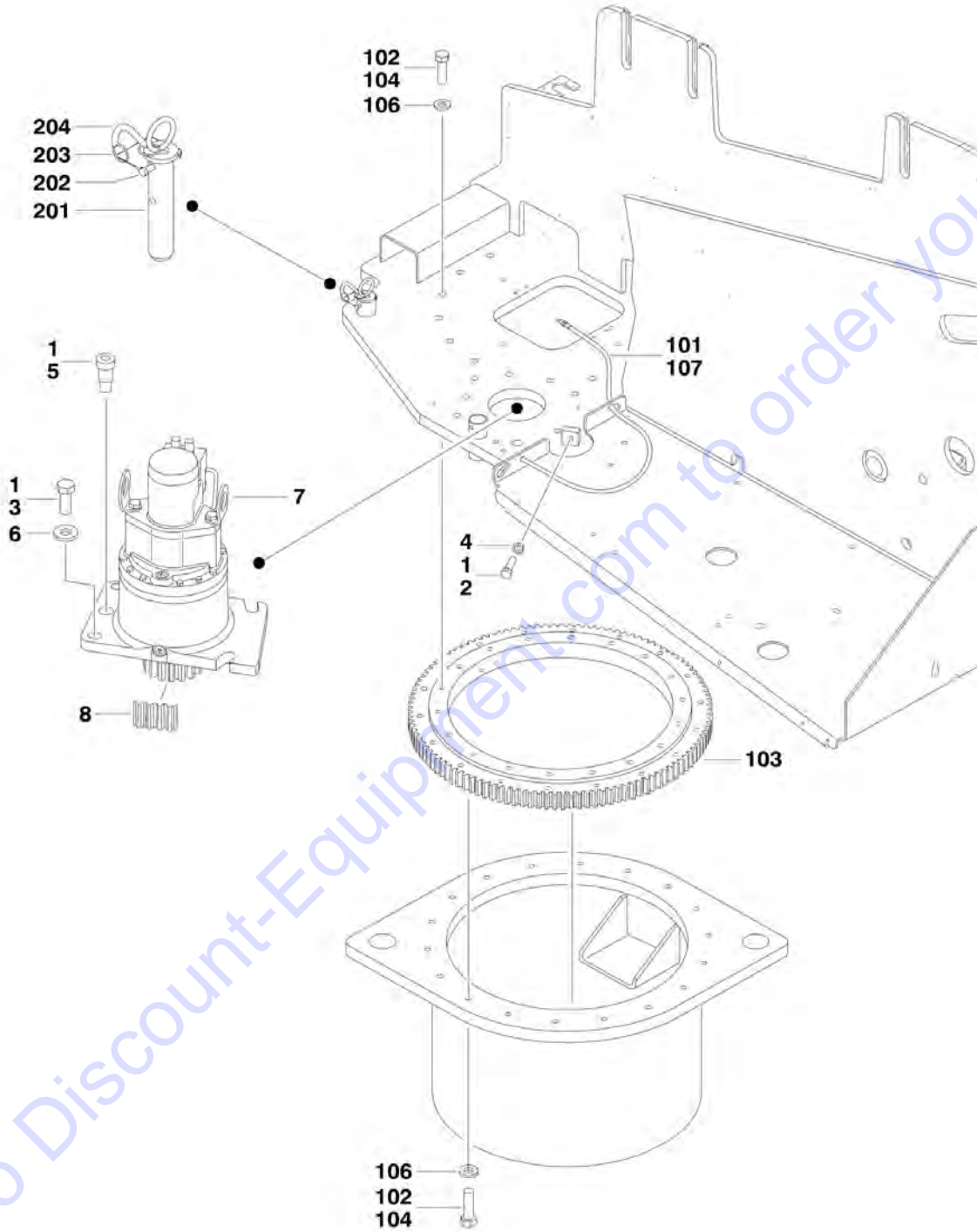
FIGURE 2-3. ARTICULATING JIB VALVE ASSEMBLY (660SJC ONLY)

ITEM	PART NUMBER	QTY	DESCRIPTION	REV
	4640921	Ref	ARTICULATING JIB VALVE ASSEMBLY (660SJC ONLY)	D
1	7012965	1	Cartridge, Flow Control	
1	7012953	1	Seal Kit - 7012965 Cartridge	
2	70001976	1	Directional Control Valve Assembly (was p/n 7012770)	
2	7012773	1	Seal Kit	
2A	7018945	2	O-Ring	
2B	7018912	2	Nut	
2C	7012772	2	Coil	
3	7017421	1	Cartridge, Relief	
3	7012998	1	Seal Kit - 7017421 Cartridge	
4	7017422	1	Cartridge, Relief	
4	7012998	1	Seal Kit - 7017422 Cartridge	
5	4460499	2	Connector, Din with Diode (Part of Valve Harness)	
6	7012777	4	Capscrew, Socket Head 5/16in-11NC x 2-1/4in (Used to Mount Valve Assembly)	
7	7018942	4	Capscrew, Socket Head #10-24NC x 2in	
8	7012776	2	O-Ring (Used to Mount to Main Valve)	

Go to Discount-Equipment.com to order your parts

SECTION 2 - TURNTABLE

FIGURE 2-4. SWING DRIVE, TURNTABLE BEARING AND LOCK INSTALLATIONS



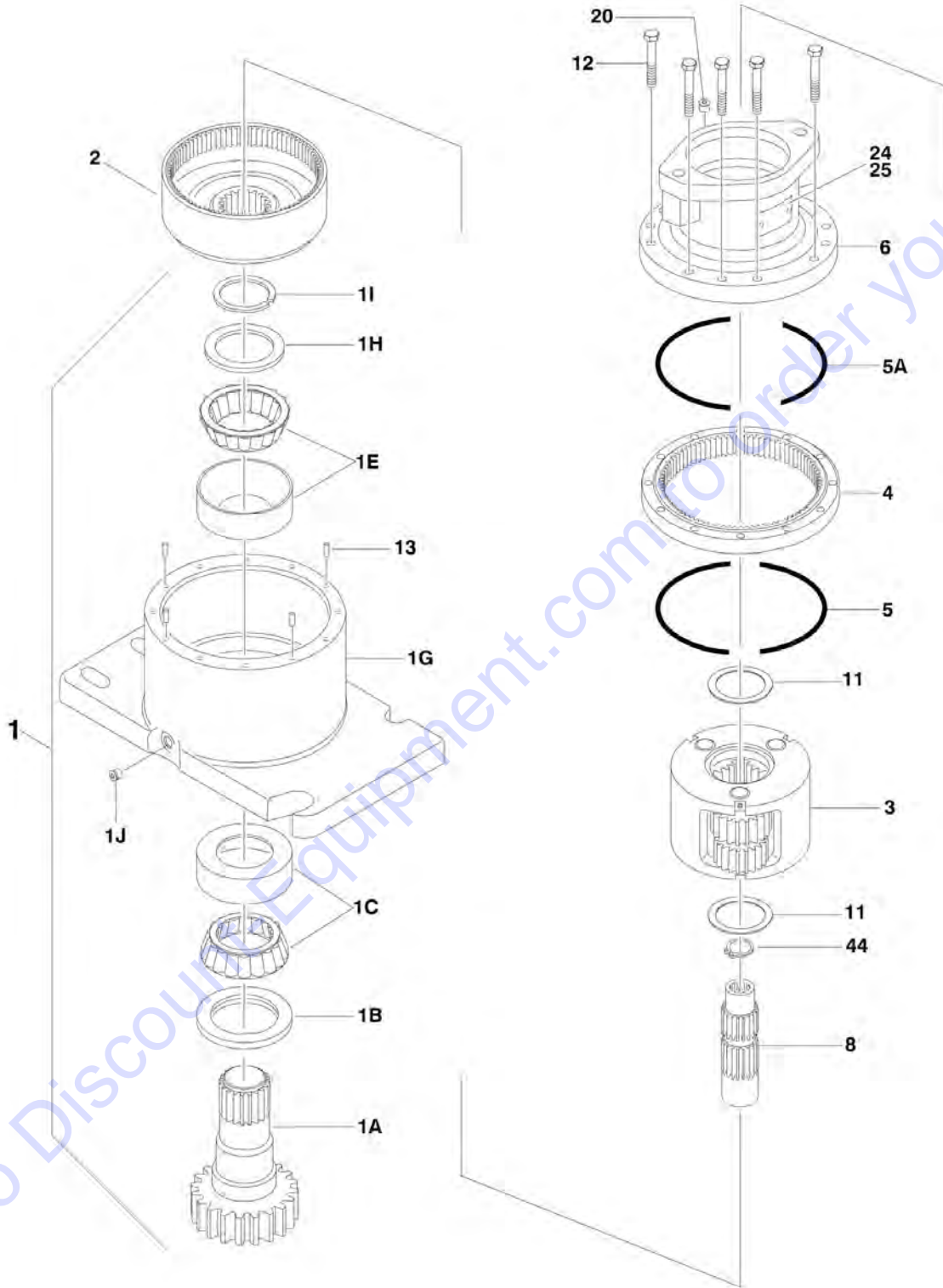
SECTION 2 - TURNTABLE

FIGURE 2-4. SWING DRIVE, TURNTABLE BEARING AND LOCK INSTALLATIONS

ITEM	PART NUMBER	QTY	DESCRIPTION	REV
	1001150390	Ref	SWING DRIVE INSTALLATION	F
1	0100019	AR	Compound, Locking	
2	0642018	1	Bolt 5/8in - 11NC x 2-1/4in	
2	0642016	1	Bolt 5/8in - 11NC x 2in	
3	0682216	4	Bolt 3/4in - 10NC x 2in Grade 8	
4	3312002	1	Nut, Jam 5/8in - 11NC	
5	3900293	1	Capscrew 1in x 1-1/4in	
6	4740057	4	Flatwasher, Hardened	
7	1001101060	1	Swing Hub Assembly (See SWING MOTOR/HUB ASSEMBLY for Breakdown)	
8	4071009	1	Shim (SN 0300174703 through 0300196447)	
8	1001125492	1	Shim (SN 0300196448 through 0300236298)	
	1001152985	Ref	TURNTABLE BEARING AND REMOTE LUBE INSTALLATION	B
101	0100011	AR	Compound, Locking	
102	0100019	AR	Compound, Locking	
103	0440233	1	Bearing, Turntable	
104	0682023	36	Bolt 5/8in - 11NC x 2-7/8in Grade 8	
105	3020029	AR	Lubricant	
106	4892000	36	Flatwasher 5/8in Hardened	
107	1001149927	1	Hose (Includes Grease Fitting and Adapter Fittings)	
	1001151203	Ref	TURNTABLE LOCK INSTALLATION	C
201	3421627	1	Pin	
202	3421565	1	Pin, Snap	
203	3760170	2	Ring, Quick Release	
204	1260017	9 in/23cm	Chain	

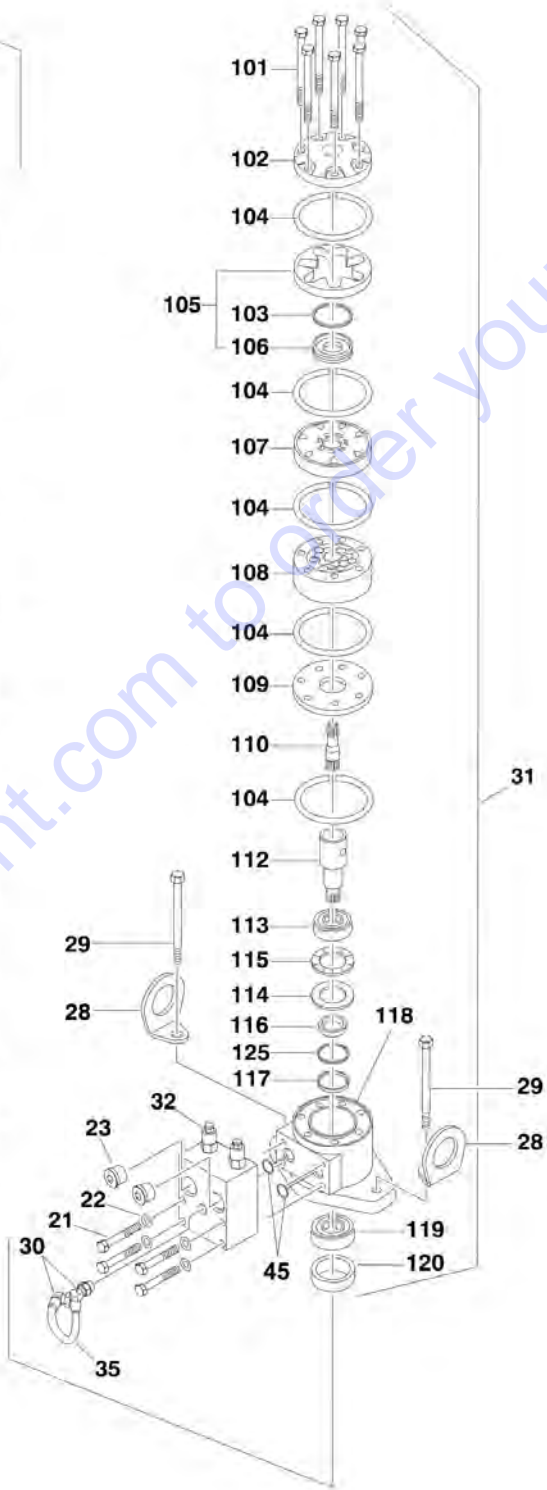
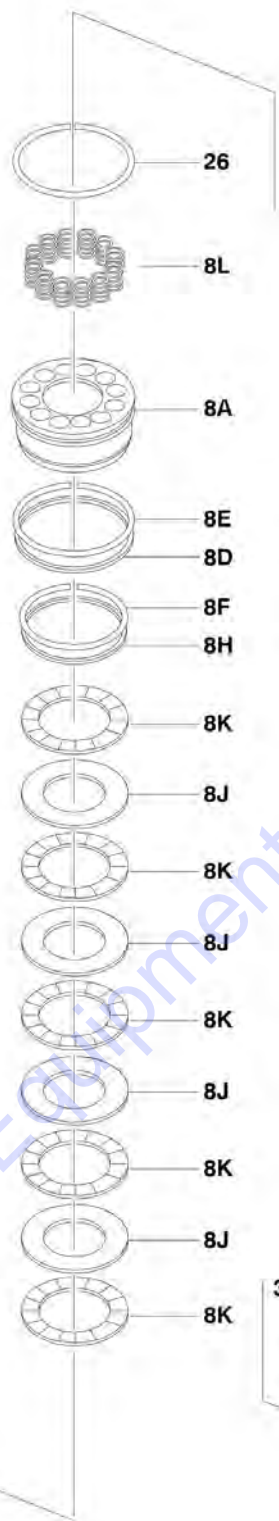
SECTION 2 - TURNTABLE

FIGURE 2-5. SWING MOTOR/HUB ASSEMBLY



SECTION 2 - TURNTABLE

200A
200B
200C
201
202



Go to Discount-Equipment.com to order your parts

SECTION 2 - TURNTABLE

FIGURE 2-5. SWING MOTOR/HUB ASSEMBLY

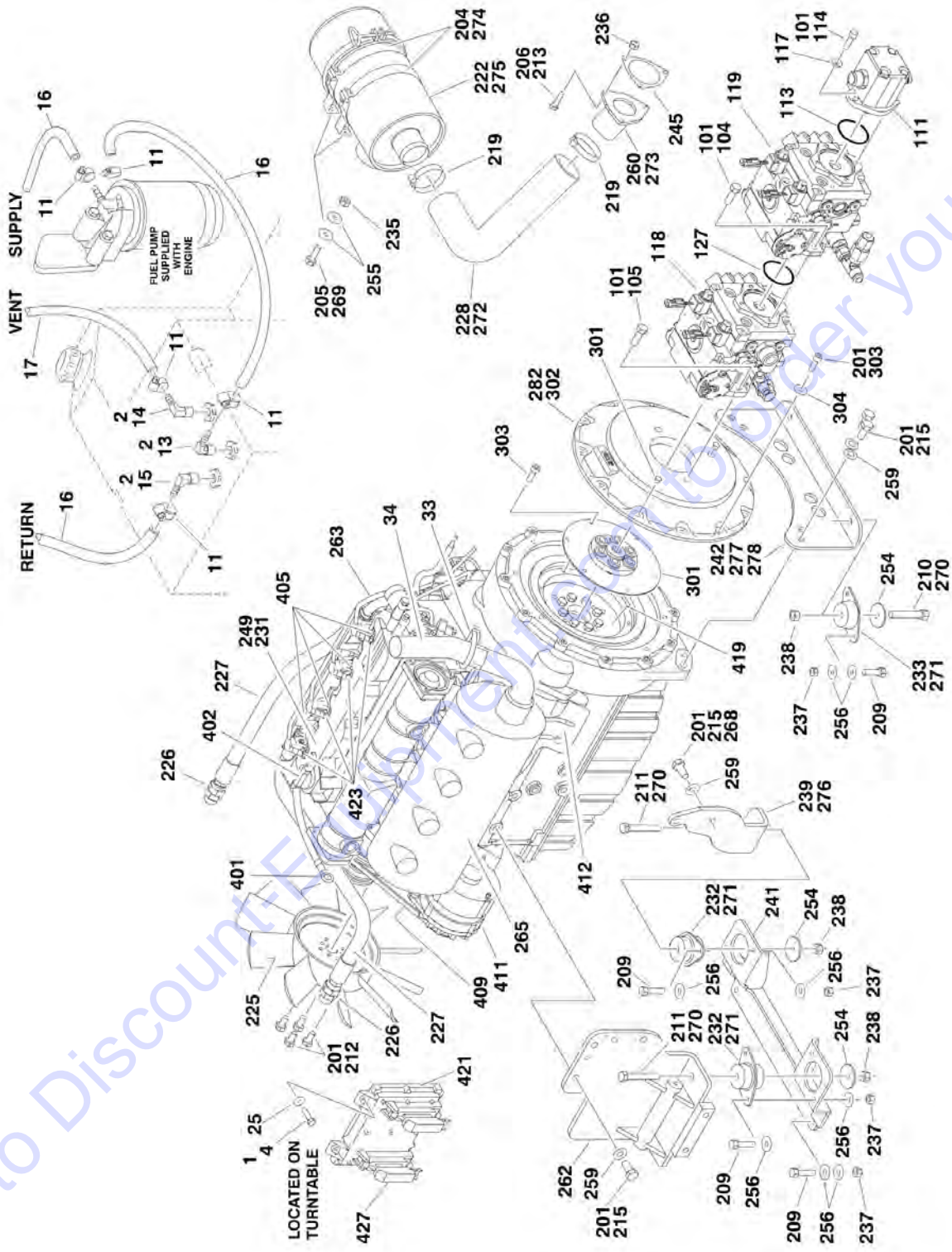
ITEM	PART NUMBER	QTY	DESCRIPTION	REV
	1001101060	Ref	SWING MOTOR/HUB ASSEMBLY	A
1	See Note	NLA	Housing/Shaft Assembly (Note: Not Available - Purchase Individual Components)	
1A	7010492	1	Shaft, Output	
1B	7000228	1	Seal, Lip	
1C	7000255	1	Bearing Kit (Includes Cup and Cone)	
1E	7000257	1	Bearing Kit (Includes Cup and Cone)	
1G	7024762	1	Housing	
1H	7007633	1	Thrustwasher	
1I	7000229	1	Ring, Retaining	
1J	7017072	1	Plug, Pipe	
2	7000246	1	Gear, Internal	
3	80424002	1	Carrier Assembly	
4	7000248	1	Gear, Ring	
5	7000230	1	O-Ring	
5A	7017070	1	O-Ring	
6	See Note	NSS	Housing, Brake (Note: Not Available - Purchase Complete Assembly)	
8	70002065	1	Gear, Sun	
8A	70000782	1	Piston	
8D	70002070	1	O-Ring	
8E	70002071	1	Ring, Back-up	
8F	70002073	1	O-Ring	
8H	70002072	1	Ring, Back-up	
8J	70002067	4	Disc, Rotor	
8K	70002068	5	Disc, Stator	
8L	70002066	14	Spring	
11	7000253	2	Thrustwasher	
12	7000217	12	Bolt 3/8in-16NC x 2-1/4in (Grade 8)	
13	7017080	4	Pin, Dowel	
20	7017072	1	Plug, Pipe	
21	7024704	4	Bolt 5/16in-18NC x 2in (Grade 8)	
22	See Note	NSS	Lockwasher (Note: Not Available - Purchase Locally)	
23	7017023	2	Plug, Pipe	
24	See Note	NSS	Plate, ID (Note: Not Available for Purchase)	
25	7000281	2	Screw, Drive	
26	7024763	1	O-Ring	
28	See Note	NSS	Lug, Lifting (Note: Not Available for Purchase)	
29	70002069	2	Bolt 1/2in-13NC x 2in (Grade 8)	
30	7017085	2	Elbow	
31	70002075	1	Motor Assembly (See Items 101-125 for Breakdown)	
32	7024784	1	Valve Assembly - Complete (No Serviceable Parts)	
35	70002074	1	Tube	
44	7017028	1	Ring, Internal Retaining	
45	7000213	2	O-Ring	
	70002075	Ref	MOTOR ASSEMBLY	
101	7024454	5	Bolt	
102	7004035	1	Cover, End	
103	7023318	1	Seal, Commutator	
104	7004036	5	Seal, Ring	

SECTION 2 - TURNTABLE

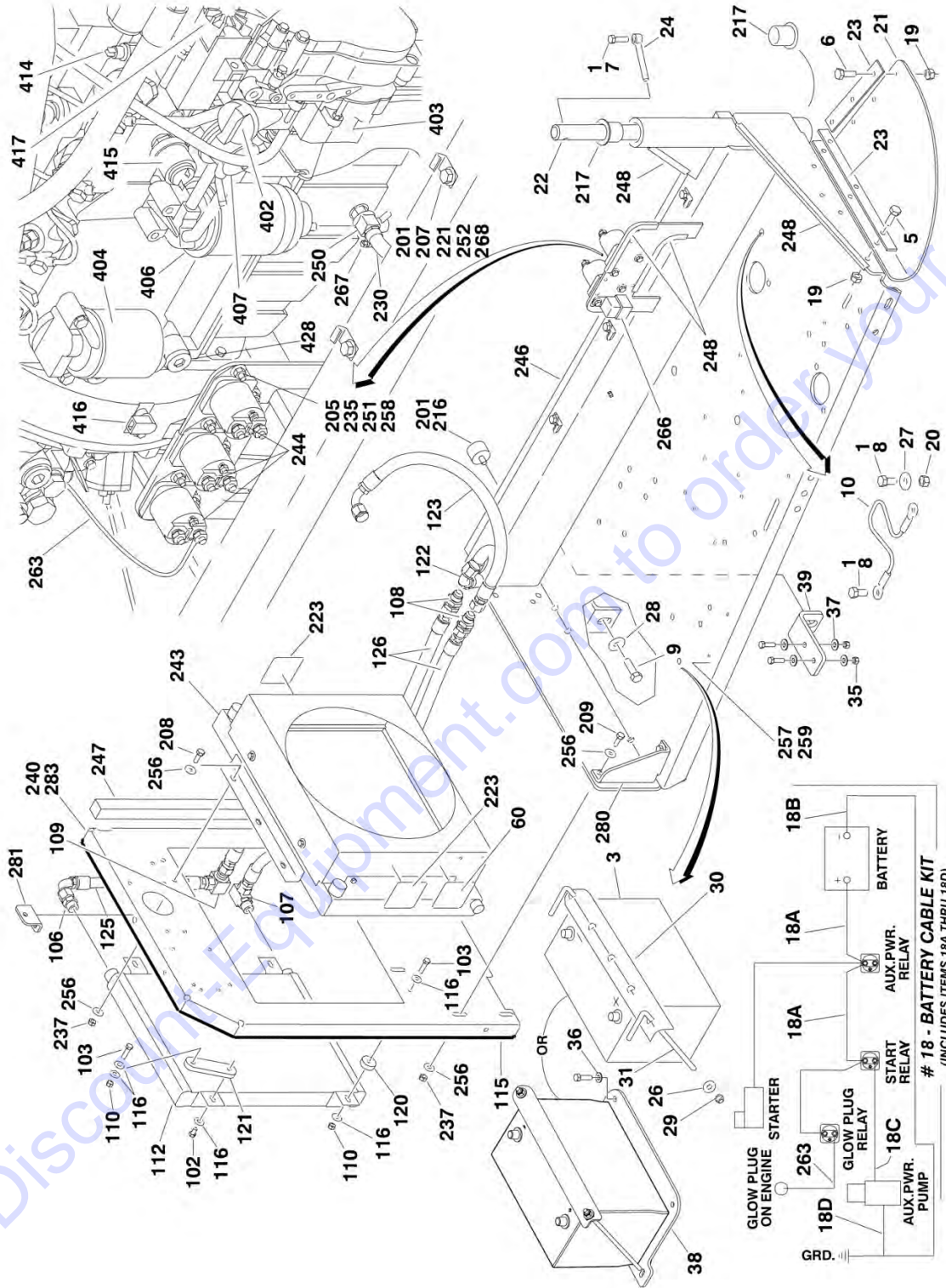
ITEM	PART NUMBER	QTY	DESCRIPTION	REV
105	7024453	1	Commutator and Ring Assembly	
106	7024453	1	Ring	
107	7024379	1	Manifold	
108	7024455	1	Rotor Set	
109	7024380	1	Plate, Wear	
110	7024456	1	Link, Drive	
112	7024458	1	Shaft, Coupling	
113	7024381	1	Bearing, Inner	
114	7004043	1	Thrustwasher	
115	7004044	1	Bearing, Thrust	
116	7004049	1	Seal, Inner	
117	7004045	1	Washer, Back-up	
118	7024457	1	Housing	
119	7024390	1	Bearing, Outer	
120	7004047	1	Seal	
125	80424043	1	Washer, Back-up	
		Ref	Kit Options:	
200		Ref	Seal Kit Options:	
200A	7024100	1	Swing Hub (Includes Items 1B, 1I, 5, 5A & 11)	
200A	70006437	1	Swing Hub (Includes Items 1B, 1I, 5, 5A, 12 & 26)	
200B	70002086	1	Swing Brake (Includes Items 8D, 8E, 8F, 8H & 26)	
200C	7024396	1	Swing Motor (Includes Items 103, 104, 116, 117, 120 & 125)	
201	70002085	1	Disc Kit - Swing Brake (Includes Items 8J & 8K)	
202	70006436	1	Bearing & Seal Kit (Includes Items 1B, 1C, 1E, 1I, 5, 5A, 12 & 26)	

SECTION 2 - TURNTABLE

FIGURE 2-6. DEUTZ D2011 ENGINE INSTALLATION (ENGINE SIDE BATTERY)



SECTION 2 - TURNTABLE



SECTION 2 - TURNTABLE

FIGURE 2-6. DEUTZ D2011 ENGINE INSTALLATION (ENGINE SIDE BATTERY)

ITEM	PART NUMBER	QTY	DESCRIPTION	REV
		Ref	DEUTZ ENGINE INSTALLATIONS	
		Ref	Tier IVi-Flex Engines	
	1001137757	Ref	Without Arctic Package (ANSI, CE and CSA Specs)	B
	1001137760	Ref	With Arctic Package (ANSI and CSA Specs)	B
		Ref	Tier IVi-PRE Engines (CE Spec Only)	
	1001144357	Ref	Tier IVi-PRE Engines (CE Spec Only) (SN 0300174703 through 0300186670)	C
	1001160978	Ref	Tier IVi-PRE Engines (CE Spec Only) (SN 0300186671 through 0300236298)	A
1	0100011	AR	Compound, Locking	
2	0100020	AR	Sealant, Pipe	
3	0400075	1	Battery	
4	0641410	4	Bolt 1/4in-20NC x 1-1/4in	
5	0641508	3	Bolt 5/16in-18NC x 1in (SN 0300174703 through 0300186670)	
6	0641514	3	Bolt 5/16in-18NC x 1-3/4in (SN 0300174703 through 0300186670)	
7	0641610	1	Bolt 3/8in-16NC x 1-1/4in	
8	0641808	2	Bolt 1/2in-13NC x 1in	
9	0642010	1	Bolt 5/8in-11NC x 1-1/4in	
10	1060637	1	Cable, Lanyard	
11	1320022	5	Clamp, Hose	
12	1701505	1	Decal - Diesel (Not Shown - Located on Hood)	
13	2180348	1	Fitting, Spec Barbed	
14	2220313	1	Fitting, 90	
15	2221176	1	Fitting, 90 Barbed	
16	2720058	30 ft/9.2m	Hose	
17	2750532	6 ft/1.8m	Hose	
18		Ref	Battery Cable Kit Options:	
	2902296	1	Battery Cable Kit (SN 0300174703 through 0300186670)	E
18A	1001116240	1	Cable - Battery to Starter Relay and Starter (Red)	
18B	7027004	1	Cable - Battery to Ground (Black)	
18C	7027002	1	Cable - Auxiliary Relay to Auxiliary Pump (Red)	
18D	7027003	1	Cable - Auxiliary Pump to Ground (Black)	
	1001151565	1	Battery Cable Kit (SN 0300186671 through 0300236298)	B
18A	7027054	1	Cable - Battery to Starter Relay and Starter (Red)	
18B	7027051	1	Cable - Battery Ground to Relay Ground (Black)	
18C	7027055	1	Cable - Auxiliary Relay to Auxiliary Pump (Red)	
18D	7027052	1	Cable - Auxiliary Pump to Ground (Black)	
18E	7027053	1	Cable - Pivot Ground to Ground (Black)	
19	3311505	6	Locknut 5/16in-18NC	
20	3311801	1	Nut 1/2in-13NC	
21	3380429	1	Panel, Rubber (SN 0300174703 through 0300186670)	
22	3422446	1	Pin, Pivot	
23	3539957	2	Plate (SN 0300174703 through 0300186670)	
24	3841143	1	Pin, Keeper	
25	4711400	4	Flatwasher 1/4inThin	
26	4751500	AR	Flatwasher 5/16in Regular	
27	4751800	1	Flatwasher 1/2in Regular	
28	4752000	1	Flatwasher 5/8in Regular	
29	88521205	2	Locknut 5/16in-18NC	

SECTION 2 - TURNTABLE

ITEM	PART NUMBER	QTY	DESCRIPTION	REV
30	91401281	1	Hold-down, Battery	
31	1001093382	2	Bolt, Battery Hold-down	
33	1320176	1	Clamp, Muffler	
34	1001101600	1	Tube, Exhaust	
35	3311605	2	Locknut 3/8-16NC (SN 0300186671 through 0300236298)	
36	4711600	AR	Flatwasher 3/8 Narrow (SN 0300186671 through 0300236298)	
37	4751600	AR	Flatwasher 3/8 Wide (SN 0300186671 through 0300236298)	
38	1001144040	1	Plate, Battery Mount Assembly (SN 0300186671 through 0300236298)	
39	1001151070	1	Plate, Tray Hold (SN 0300186671 through 0300236298)	
		Ref	Note: Arctic Package Items 50-58 Not Shown - Used on Arctic Machines Only.	
50	1060625	1	Cable, Immersion Heater	
51	1060626	1	Cord, 3 Way Extension	
52	1702941	1	Decal - Battery Heater	
53	1702942	1	Decal - Engine Block Heater	
54	1702943	1	Decal - Hydraulic Tank Heater	
55	1702944	1	Decal - Heater Cord	
56	2580050	1	Heater, Hydraulic Tank	
57	3980007	1	Seat, Battery	
58	2580024	1	Heater, Battery	
60		Ref	Decal - Warning Explosion/Fire Options:	
60	1704972	1	ANSI Spec	
60	1706098	1	Australian and CE Spec	
60	1706059	1	Brazilian Spec	
60	1706060	1	Chinese Spec	
60	1706064	1	CSA Spec	
60	1706062	1	Japanese Spec	
60	1706061	1	Korean Spec	
60	1706063	1	Spanish Language	
		Ref	ENGINE AND PUMP ASSEMBLIES	
		Ref	Tier IVi-Flex Engines	
	1001137756	Ref	Without Arctic Package (ANSI, CE and CSA Specs)	C
	1001137759	Ref	With Arctic Package (ANSI and CSA Specs)	C
		Ref	Tier IVi-PRE Engines (CE Spec Only)	
	1001144356	Ref	Tier IVi-PRE Engines (CE Spec Only) (SN 0300174703 through 0300186670)	C
	1001160979	Ref	Tier IVi-PRE Engines (CE Spec Only) (SN 0300186671 through 0300236298)	B
101	0100011	AR	Compound, Locking	
102	0641605	2	Bolt 3/8in-16NC x 5/8in	
103	0641611	4	Bolt 3/8in-16NC x 1-3/8in	
104	0641808	2	Bolt 1/2in-13NC x 1in	
105	0641812	2	Bolt 1/2in-13NC x 1-1/2in	
106	2220451	1	Fitting, Straight	
107	2220578	1	Fitting, 90	
108	2230027	2	Fitting, Straight Bulkhead (SN 0300174703 through 0300186670)	
109	2230046	1	Fitting, 90 Bulkhead	
110	3311605	4	Locknut 3/8in-16NC	
111	3600395	1	Gear Pump Assembly with Fittings (See GEAR PUMP ASSEMBLY for Breakdown)	
112	3620034	1	Cooler, Oil	

SECTION 2 - TURNTABLE

ITEM	PART NUMBER	QTY	DESCRIPTION	REV
113	3790152	2	O-Ring	
114	3931620	2	Bolt 3/8in-16NC x 1-1/4in	
115	3960389	5 ft/1.5m	Seal	
116		Ref	Flatwasher Options:	
116	4751600	AR	Flatwasher 3/8in Regular (SN 0300174703 through 0300186670)	
116	4711600	AR	Flatwasher 3/8in Narrow (SN 0300186671 through 0300236298)	
117	4891600	2	Flatwasher, 3/8in Hardened	
118	1001109188	1	Pump Assembly with Fittings (See PISTON PUMP ASSEMBLY for Breakdown)	
119	1001109189	1	Pump Assembly with Fittings (See PISTON PUMP ASSEMBLY for Breakdown)	
120	1001109599	2	Spacer	
121	1001109601	2	Bracket	
122	1001110092	1	Hose (SN 0300174703 through 0300186670)	
123		Ref	Hose Options:	
123	1001110094	1	Hose (SN 0300174703 through 0300186670)	
123	1001109661	1	Hose (SN 0300186671 through 0300236298)	
125	1001110469	1	Hose	
126	1001110665	2	Hose (SN 0300174703 through 0300186670)	
127	3790045	1	O-Ring	
		Ref	ENGINE ASSEMBLIES	
		Ref	Tier IVi-Flex Engines	
	1001137755	Ref	Without Arctic Package (ANSI, CE and CSA Specs)	B
	1001137758	Ref	With Arctic Package (ANSI and CSA Specs)	B
		Ref	Tier IVi-PRE Engines (CE Spec Only)	
	1001144355	Ref	Tier IVi-PRE Engines (CE Spec Only) (SN 0300174703 through 0300186670)	C
	1001160965	Ref	Tier IVi-PRE Engines (CE Spec Only) (SN 0300186671 through 0300236298)	B
	1001101241	Ref	OPTIONAL MUFFLER INSTALLATION	B
201	0100011	AR	Compound, Locking	
203	2580062	1	Heater, Engine Block (Not Shown - Arctic Package Machines Only)	
204	0340041	2	Band, Air Cleaner (SN 0300174703 through 0300186670)	
205	0641407	10	Bolt 1/4in-20NC x 7/8in	
206	0641510	2	Bolt 5/16in-18NC x 1-1/4in	
207	0641606	3	Bolt 3/8in-16NC x 3/4in	
208	0641609	6	Bolt 3/8in-16NC x 1-1/8in	
209	0641610	16	Bolt 3/8in-16NC x 1-1/4in	
210	0641818	2	Bolt 1/2in-13NC x 2-1/4in (SN 0300174703 through 0300186670)	
211	0641826	2	Bolt 1/2in-13NC x 3-1/4in (SN 0300174703 through 0300186670)	
212	0700808	4	Bolt 8mm x 16mm	
213	0641512	1	Bolt 5/16in-18NC x 1-1/2in	
215	0711414	10	Bolt 14mm x 30mm	
216	0940070	1	Bumper	
217	0961986	2	Bushing, Flanged	
219	1320016	2	Clamp	
221	1320223	4	J-Clip	
222	1340060	1	Air Cleaner Assembly Filter Element (SN 0300174703 through 0300186670)	

SECTION 2 - TURNTABLE

ITEM	PART NUMBER	QTY	DESCRIPTION	REV
222	7012664	1	Element, Filter (Not Shown)	
223	1703162	2	Decal - Caution Fan Blade	
224	3520054	2	Plug	
225	2060025	1	Fan	
226	2220451	2	Fitting, Straight	
227	2720398	2	Hose, Oil Cooler	
228	1001091179	1	Elbow, Rubber (SN 0300174703 through 0300186670)	
230	2750532	1 ft/30cm	Hose, Oil Drain (SN 0300174703 through 0300186670)	
231		Ref	Oil, Motor Options:	
231	3020016	AR	Oil, Motor (Without Arctic Package)	
231	3020044	AR	Oil, Motor (With Arctic Package)	
232	3200362	2	Mount, Motor (SN 0300174703 through 0300186670)	
233	3200406	2	Mount, Motor (SN 0300174703 through 0300186670)	
235	3311405	10	Locknut 1/4in-20NC	
236	3311505	3	Locknut 5/16in-18NC	
237	3311605	22	Locknut 3/8in-16NC	
238	3311805	4	Locknut 1/2in-13NC	
239	3537416	1	Plate, Engine Mounting (Front Right Side) (SN 0300174703 through 0300186670)	
240	1001109595	1	Plate, Radiator Mounting (SN 0300174703 through 0300186670)	
241	3539971	1	Plate, Engine Mounting (Front Bottom) (SN 0300174703 through 0300186670)	
242	1001093943	1	Plate, Engine Mounting (Rear) (SN 0300174703 through 0300186670)	
243	1001150998	1	Radiator	
244	3740067	3	Relay	
245	3960407	1	Gasket, Air Intake	
246	3960468	1	Seal	
247	3960469	1	Seal	
248	4060805	37 in/1m	Flex-Trim	
249		Ref	Engine, Deutz Options:	
249	1001137737	1	Tier IVi Engines (All Specs Except ANSI, CE and CSA Spec)	
249	1001144319	1	Tier IVi-PRE Engines (CE Spec Only)	
250	4640751	1	Valve, Oil Drain (SN 0300174703 through 0300186670)	
251	4711400	6	Flatwasher 1/4in Thin	
252	4711600	3	Flatwasher 3/8in Thin	
254	4740274	4	Washer, Snubbing	
255	4751400	8	Flatwasher 1/4in Regular (SN 0300174703 through 0300186670)	
256	4751600	44	Flatwasher 3/8in Regular	
257	1001094321	1	Tray, Engine (SN 0300174703 through 0300186670)	
258	4791400	6	Starwasher 1/4in	
259	4812200	10	Flatwasher M14	
260	4845395	1	Adapter, Air Intake (SN 0300174703 through 0300186670)	
262	4846566	1	Plate, Engine Mounting (Front Left Side) (SN 0300174703 through 0300186670)	
263	4923379	1	Harness, Glow Plug (SN 0300174703 through 0300186670)	
265		Ref	Muffler Options:	
265	1001099051	1	Spark Arresting (Standard)	
265	1001101241	1	Catalytic (Optional)	
265	7024560	1	Plug, Brass (Not Shown)	
266	3740080	1	Relay	

PARTS FINDER

**Search Website
by Part Number**



**Search Manual
Library For Parts
Manual & Lookup Part
Numbers – Purchase
or Request Quote**

**Can't Find Part or
Manual? Request Help
by Manufacturer,
Model & Description**

Discount-Equipment.com is your online resource for quality parts & equipment.

Florida: **561-964-4949** Outside Florida TOLL FREE: **877-690-3101**

Need parts?

Click on this link: <http://www.discount-equipment.com/category/5443-parts/> and choose one of the options to help get the right parts and equipment you are looking for. Please have the machine model and serial number available in order to help us get you the correct parts. If you don't find the part on the website or on one of the online manuals, please fill out the request form and one of our experienced staff members will get back to you with a quote for the right part that your machine needs.

We sell worldwide for the brands: Genie, Terex, JLG, MultiQuip, Mikasa, Essick, Whiteman, Mayco, Toro Stone, Diamond Products, Generac Magnum, Airman, Haulotte, Barreto, Power Blanket, Nifty Lift, Atlas Copco, Chicago Pneumatic, Allmand, Miller Curber, Skyjack, Lull, Skytrak, Tsurumi, Husquvarna Target, Stow, Wacker, Sakai, Mi-T-M, Sullair, Basic, Dynapac, MBW, Weber, Bartell, Bennar Newman, Haulotte, Ditch Runner, Menegotti, Morrison, Contec, Buddy, Crown, Edco, Wyco, Bomag, Laymor, EZ Trench, Bil-Jax, F.S. Curtis, Gehl Pavers, Heli, Honda, ICS/PowerGrit, IHI, Partner, Imer, Clipper, MMD, Koshin, Rice, CH&E, General Equipment, Amida, Coleman, NAC, Gradall, Square Shooter, Kent, Stanley, Tamco, Toku, Hatz, Kohler, Robin, Wisconsin, Northrock, Oztec, Toker TK, Rol-Air, APT, Wylie, Ingersoll Rand / Doosan, Innovatech, Con X, Ammann, Mecalac, Makinex, Smith Surface Prep, Small Line, Wanco, Yanmar

SECTION 2 - TURNTABLE

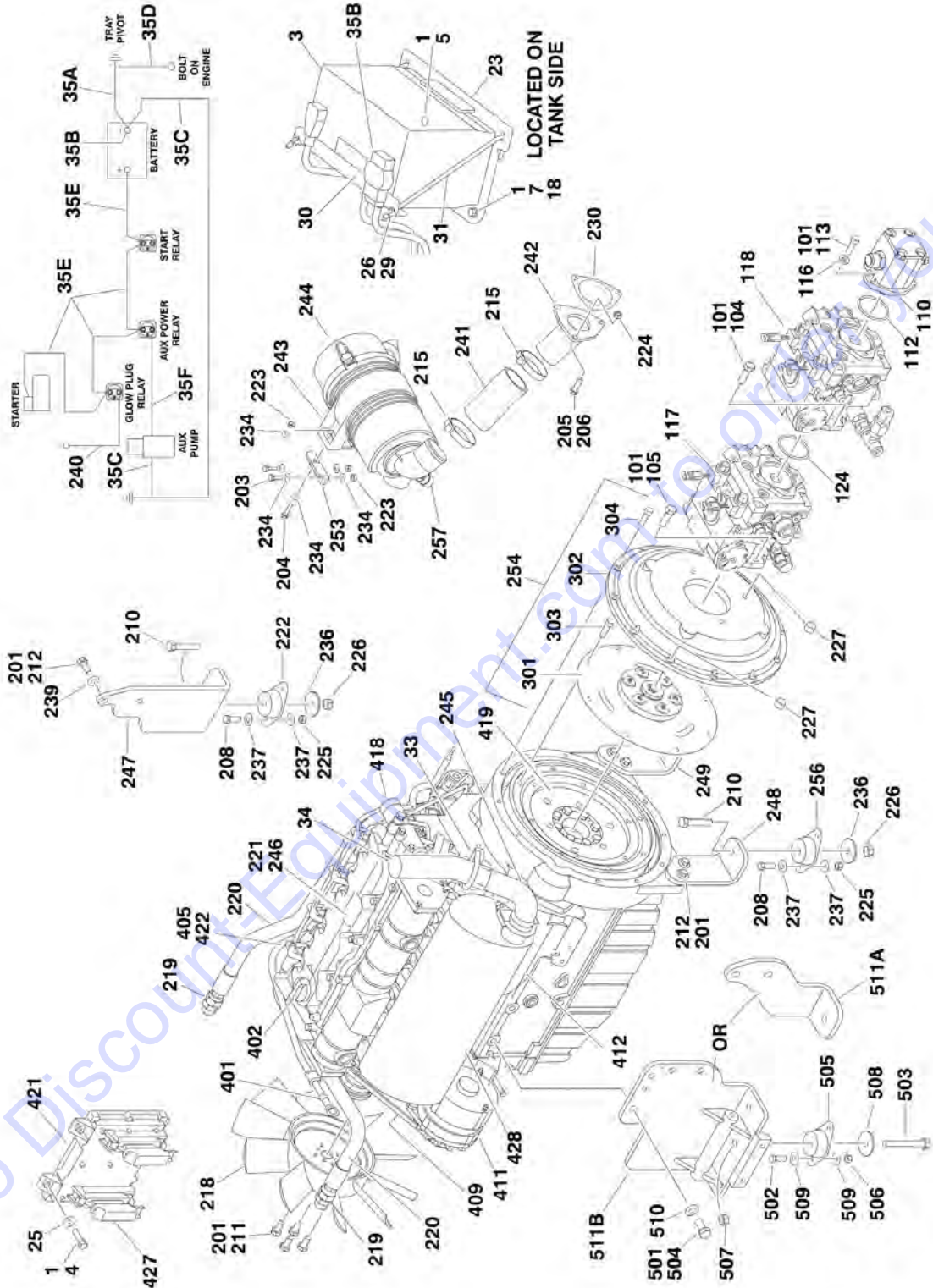
ITEM	PART NUMBER	QTY	DESCRIPTION	REV
267	1320022	1	Clamp, Hose (SN 0300174703 through 0300186670)	
268	0100062	AR	Compound, Locking	
269	0641410	2	Bolt 1/4-20NC x 1 1/4	
270	0641820	3	Bolt 1/2-13NC x 2 1/2	
271	3200401	3	Mount, Engine (SN 0300186671 through 0300236298)	
272	1001001939	1	Tube, Flex	
273	1001146273	1	Adapter, Intake Weldment	
274	1001147812	1	Clamp, Air Filter	
275	1001147813	1	Air Filter	
276	1001149704	1	Support, Engine, Front (Right)	
277	1001149705	1	Support, Engine, Rear (Left)	
278	1001149706	1	Support, Engine, Rear (Right)	
279	1001149793	1	Mount, Engine Tray	
280	1001150915	1	Support, Gusset	
281	1001152459	1	Plate, Air Filter Mount	
282	1001153282	1	Kit, Coupling, Pump, and Mounting Plate	
283	1001153414	1	Support, Radiator Mount	
	2902065	Ref	PUMP COUPLING INSTALLATION (SN 0300174703 through 0300186670)	K
301	70000793	1	Coupling	
302	See Note	NSS	Plate, Pump Adapter (Note: Not Available - Purchase p/n 2902065)	
303	See Note	NSS	Capscrew M10 x 20 (Grade 10.9) (Note: Not Available - Purchase Locally)	
303	See Note	NSS	Bolt M10 x 30 (Grade 10.9) (Note: Not Available - Purchase Locally)	
304	See Note	NSS	Flatwasher 10mm (Note: Not Available - Purchase Locally)	
		Ref	ENGINE COMPONENTS	
	1001137737	Ref	Tier IVi-Flex Engines (ANSI, CE and CSA Specs)	B
	1001144319	Ref	Tier IVi-PRE Engines (CE Spec Only)	B
401	7026631	1	Dipstick	
401	7020487	1	Seal, Dipstick	
402	7020465	2	Cap, Filler	
403	70001850	1	Pump, Oil Lube	
403	7020468	1	Seal Between Oil Pump and Engine Block (Not Shown)	
404	7016331	1	Filter, Oil	
405		Ref	Pump, Injector Options:	
405	70000912	4	Series A Injector	
405	70000913	4	Series B Injector	
405	70000914	4	Series C Injector	
405	70000915	4	Series D Injector	
405	See Note	NSS	Gasket (1 per Injector) (Note: Not Available for Purchase)	
406	8320270	1	Filter, Fuel	
406	70001848	1	Sensor	
406	70001132	2	Seal, Sensor	
407	70000916	1	Pump Fuel Supply	
407	70001435	1	Repair Kit for Fuel Supply Pump	
407	70000919	1	Hand Pump for Fuel Supply Pump	
407	70000917	1	O-Seal Between Fuel Pump and Engine Block	
407	70000918	1	O-Seal Between Fuel Pump and Hand Pump	
408	7020449	4	Gasket, Intake Manifold (Not Shown)	
409	7020408	1	V-Belt	

SECTION 2 - TURNTABLE

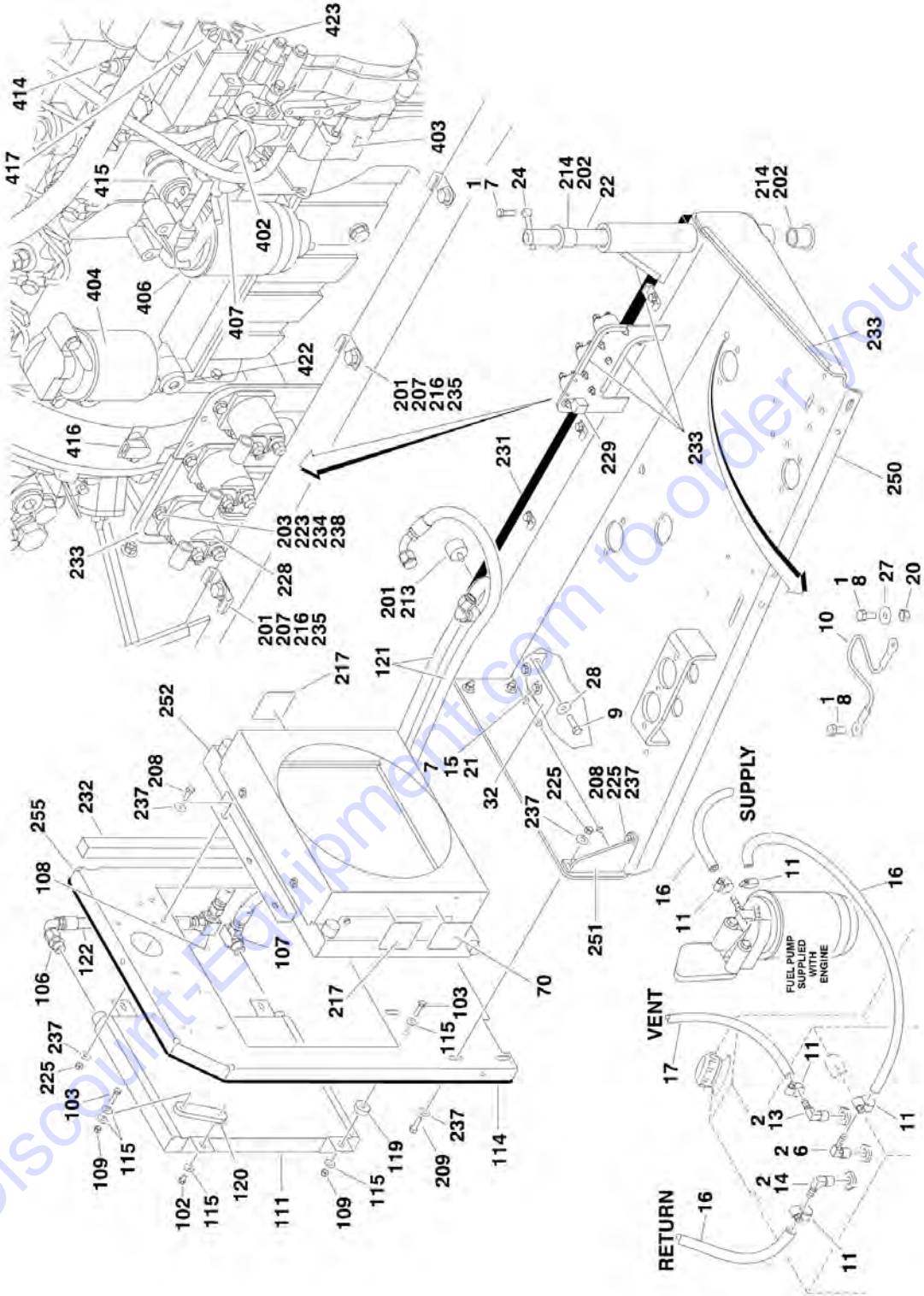
ITEM	PART NUMBER	QTY	DESCRIPTION	REV
410		Ref	Exhaust Manifold Components (Not Shown)	
410	70001835	1	Gasket, Exhaust Adapter to Exhaust Rail	
410	70001841	1	Valve, Exhaust (Fits into Exhaust Adapter)	
410	70001836	1	Gasket, Exhaust Rail to Cylinder Head	
410	70001837	1	Gasket, Exhaust Manifold to Muffler	
410	70001838	2	Gasket, Exhaust Manifold to Engine Block	
410	7020471	4	Gasket, Exhaust Manifold to Engine Block	
410	70001874	1	Restrictor, Choke (Fits between qty2 of p/n 70001838)	
410	70001839	2	Flange, Sealing	
410	70002200	AR	Stud, Exhaust Manifold	
410	70003476	AR	Nut, Exhaust Manifold	
411	7000663	1	Alternator	
411	70001868	1	Regulator, Voltage (Not Shown)	
411	70001866	1	Seal, Voltage Regulator (Not Shown)	
411	70002234	1	Bar, Alternator Adjustment	
412	7020479	1	Starter	
412	7026608	1	Relay	
413	See Note	NSS	Plug- In Connector (Not Shown) (Note: Not Available for Purchase)	
414	7027791	1	Transmitter, Temperature	
414	See Note	1	Ring, Sealing (Note: Not Available for Purchase)	
415	7027790	1	Sensor, Oil Pressure	
416	7024565	1	Sensor, Speed	
417	7027792	1	Throttle Actuator	
417	7027276	2	Springs	
418	7020459	1	Thermostat (Located at rear of engine block - Not Shown)	
419	70001870	1	Flywheel with Ring Gear	
419	7024579	1	Gear, Ring 110 Tooth	
421	7027795	1	Module, Control	
423	70000345	4	Plug, Glow	
425	70001847	1	Breather, Front Cover (Not Shown)	
425	70001126	1	Seal, Front Cover Breather (Not Shown)	
426		Ref	Gasket, Head Options (Not Shown):	
426	70002415	1	Gasket with 1 Notch	
426	70002416	1	Gasket with 2 Notches	
426	70002417	1	Gasket with 3 Notches	
427	7027796	1	Harness, Engine (Connects to Item 421)	
427	7027793	1	Connector at Module	
427	70001872	1	Harness, Engine (Connects to p/n 7027793)	
428	70001181	1	Valve, Pressure Control	
428	70124410	1	Spring	
428	70025082	1	Seal	
428	70124440	1	Screw	
429	70025752	1	Valve, Pressure Relief (Not Shown - Located on Front Left of Engine Block)	
429	70025753	1	Spring	
429	70005916	1	Seal	
429	70005917	1	Screw	

SECTION 2 - TURNTABLE

FIGURE 2-7. DEUTZ D2011 ENGINE INSTALLATION (TANK SIDE BATTERY)



SECTION 2 - TURNTABLE



SECTION 2 - TURNTABLE

FIGURE 2-7. DEUTZ D2011 ENGINE INSTALLATION (TANK SIDE BATTERY)

ITEM	PART NUMBER	QTY	DESCRIPTION	REV
		Ref	DEUTZ ENGINE INSTALLATIONS	
		Ref	Tier IVi Engines	
	1001153381	Ref	Without Arctic Package (ANSI Export, Australian and Japanese Specs)	A
	1001153777	Ref	With Arctic Package (ANSI, Australian and Japanese Specs)	C
1	0100011	AR	Compound, Locking	
2	0100020	AR	Sealant, Pipe	
3	0400075	1	Battery	
4	0641410	4	Bolt 1/4in-20NC x 1-1/4in	
5	0741610	1	Screw 3/8in-16NC x 1-1/4in	
6	2180348	1	Fitting, Spec Barbed	
7	0641610	5	Bolt 3/8in-16NC x 1-1/4in	
8	0641808	2	Bolt 1/2in-13NC x 1in	
9	0642010	1	Bolt 5/8in-11NC x 1-1/4in	
10	1060637	1	Cable, Lanyard (SN 0300174703 through 0300206712)	
11	1320022	5	Clamp, Hose	
12	1701505	1	Decal - Diesel (Not Shown - Located on Hood)	
13	2220313	1	Fitting, 90	
14	2221176	1	Fitting, 90 Barbed	
15	3311605	2	Locknut 3/8in-16NC	
16	2720058	30 ft/9.2m	Hose	
17	2750532	6 ft/1.8m	Hose	
18	4711600	AR	Flatwasher 3/8in Thin	
20	3311801	1	Nut 1/2in-13NC	
21	4751600	2	Flatwasher 3/8in Regular	
22	3422446	1	Pin, Pivot	
23	1001144040	2	Plate, Battery	
24	3841143	1	Pin, Keeper	
25	4711400	4	Flatwasher 1/4in Thin	
26	4751500	2	Flatwasher 5/16in Regular	
27	4751800	1	Flatwasher 1/2in Regular	
28	4752000	1	Flatwasher 5/8in Regular	
29	88521205	2	Locknut 5/16in-18NC	
30	91401281	1	Hold-down, Battery	
31	1001093382	2	Bolt, Battery Hold-down	
32	1001151070	1	Angle, Mounting	
33	1320176	1	Clamp, Muffler	
34	1001101600	1	Pipe, Exhaust	
35	1001151565	1	Battery Cable Kit	B
35A	7027051	1	Cable, Battery (Black) (Battery - to Tray Pivot/Relay Grd)	
35B	8270147	1	Terminal, Battery (With Boot)	
35B	See Note	NSS	Boot, Black (Note: Not Available for Purchase)	
35C	7027052	1	Cable, Battery (Black) (Battery - to Aux Pump Grd)	
35C	See Note	NSS	Boot, Black (Note: Not Available for Purchase)	
35D	7027053	1	Cable, Battery (Black) (Engine Grd to Tray Pivot Grd)	
35E	7027054	1	Cable (Red) (Battery + to Relays/Starter)	
35E	See Note	NSS	Boot, Red (Battery) (Note: Not Available for Purchase)	
35E	70003952	1	Boot, Red (Starter)	
35F	7027055	1	Cable (Red) (Aux Relay to Aux Pump)	
35F	70003952	2	Boot, Red	

SECTION 2 - TURNTABLE

ITEM	PART NUMBER	QTY	DESCRIPTION	REV
		Ref	Note: Arctic Package Items 50-60 (Used on Arctic Machines Only) Not Shown.	
50	1060625	1	Cable, Immersion Heater	
51	1060626	1	Cord, 3 Way Extension	
52	1320223	3	Clamp, Muffler	
53	1702941	1	Decal - Battery Heater	
54	1702942	1	Decal - Engine Block Heater	
55	1702943	1	Decal - Hydraulic Tank Heater	
56	1702944	1	Decal - Heater Cord	
57	2580024	1	Heater, Battery	
58	2580050	1	Heater, Hydraulic Tank (SN 0300174703 through 0300206712)	
58	1001188972	1	Heater, Hydraulic Tank (SN 0300206713 through 0300236298)	
59	3980007	1	Seat, Battery	
60	1001150918	AR	Cord, 8ft Extension	
70		Ref	Decal - Warning Explosion/Fire Options:	
70	1704972	1	ANSI Spec	
70	1706098	1	Australian and CE Spec	
70	1706059	1	Brazilian Spec	
70	1706060	1	Chinese Spec	
70	1706064	1	CSA Spec	
70	1706062	1	Japanese Spec	
70	1706061	1	Korean Spec	
70	1706063	1	Spanish Language	
		Ref	ENGINE AND PUMP ASSEMBLIES	
		Ref	Tier IVi Engines	
	1001153402	Ref	Without Arctic Package (ANSI Export, Australian and Japanese Specs)	B
	1001153778	Ref	With Arctic Package (ANSI, Australian and Japanese Specs)	C
101	0100011	AR	Compound, Locking	
102	0641605	2	Bolt 3/8in-16NC x 5/8in	
103	0641611	4	Bolt 3/8in-16NC x 1-3/8in	
104	0641808	2	Bolt 1/2in-13NC x 1in	
105	0641812	2	Bolt 1/2in-13NC x 1-1/2in	
106	2220451	1	Fitting, Straight	
107	2220578	1	Fitting, 90	
108	2230046	1	Fitting, 90 Bulkhead	
109	3311605	4	Locknut 3/8in-16NC	
110	3600395	1	Gear Pump Assembly with Fittings (See GEAR PUMP ASSEMBLY for Breakdown)	
111	3620034	1	Cooler, Oil	
112	3790152	1	O-Ring	
113	3931620	2	Bolt 3/8in-16NC x 1-1/4in	
114	3960389	5 ft/1.5m	Seal	
115	4751600	10	Flatwasher 3/8in Regular	
116	4891600	2	Flatwasher 3/8in Hardened	
117	1001109188	1	Pump Assembly with Fittings (See PISTON PUMP ASSEMBLY for Breakdown)	
118	1001109189	1	Pump Assembly with Fittings (See PISTON PUMP ASSEMBLY for Breakdown)	
119	1001109599	2	Spacer	
120	1001109601	2	Bracket	
121	1001109661	1	Hose	

SECTION 2 - TURNTABLE

ITEM	PART NUMBER	QTY	DESCRIPTION	REV
122	1001110469	1	Hose	
124	3790045	1	O-Ring	
		Ref	ENGINE ASSEMBLIES	
		Ref	Tier IVi Engines	
	1001153396	Ref	Without Arctic Package (ANSI Export, Australian and Japanese Specs)	C
	1001153779	Ref	With Arctic Package (ANSI, Australian and Japanese Specs)	C
	1001101241	Ref	OPTIONAL MUFFLER INSTALLATION	B
201	0100011	AR	Compound, Locking	
202	0100062	AR	Compound, Locking	
203	0641407	8	Bolt 1/4in-20NC x 7/8in	
204	0641410	2	Bolt 1/4in-20NC x 1-1/8in	
205	0641510	2	Bolt 5/16in-18NC x 1-1/4in	
206	0641512	1	Bolt 5/16in-18NC x 1-1/2in	
207	0641606	3	Bolt 3/8in-16NC x 3/4in	
208	0641609	14	Bolt 3/8in-16NC x 1-1/8in	
209	0641610	4	Bolt 3/8in-16NC x 1-1/4in	
210	0641820	3	Bolt 1/2in-13NC x 2-1/2in	
211	0700808	4	Bolt 8mm x 16mm	
212	0771414	6	Bolt 14mm x 30mm Grade 10.9	
213	0940070	1	Bumper	
214	0961986	2	Bushing, Flanged	
215	1320016	2	Clamp	
216	1320223	4	J-Clip	
217	1703162	2	Decal - Caution Fan Blade	
218	2060025	1	Fan	
219	2220451	2	Fitting, Straight	
220	2720398	2	Hose, Oil Cooler	
221		Ref	Oil, Motor Options (Not Shown):	
221	3020016	AR	Oil, Motor (Without Arctic Package)	
221	3020044	AR	Oil, Motor (With Arctic Package)	
222	3200406	1	Mount, Motor	
223	3311405	10	Locknut 1/4in-20NC	
224	3311505	3	Locknut 5/16in-18NC	
225	3311605	18	Locknut 3/8in-16NC	
226	3311805	3	Locknut 1/2in-13NC	
227	3520054	2	Plug, Hole	
228	3740067	3	Relay	
229	3740080	1	Relay	
230	3960407	1	Gasket, Air Intake	
231	3960468	1	Seal	
232	3960469	1	Seal	
233	4060805	37 in/1m	Flex-Trim	
234	4711400	14	Flatwasher 1/4in Thin	
235	4711600	3	Flatwasher 3/8in Thin	
236	4740274	3	Washer, Snubbing	
237	4751600	36	Flatwasher 3/8in Regular	
238	4791400	6	Starwasher 1/4in	
239	4812200	2	Flatwasher M14	
240	4923379	1	Harness, Glow Plug	
241	1001001939	1	Tube, Flex	
242	1001146273	1	Adapter, Air Intake	

SECTION 2 - TURNTABLE

ITEM	PART NUMBER	QTY	DESCRIPTION	REV
243	1001147812	1	Clamp, Air Filter	
244	1001147813	1	Air Cleaner Assembly Filter Element	
244	70004020	1	Element, Filter (Not Shown)	
245		Ref	Pipe, Exhaust Options:	
245	1001147820	1	Pipe used with Standard Muffler	
245	See Note	1	Pipe used with Optional Mufflers (Note: See Item 428)	
246	1001147823	1	Engine, Deutz - D2011 (See Items 401-428 for Serviced Components):	
247	1001149704	1	Plate, Engine Mounting (Front Left Side)	
248	1001149705	1	Plate, Engine Mounting (Rear Left Side)	
249	1001149706	1	Plate, Engine Mounting (Rear Right Side)	
250	1001149793	1	Tray, Engine	
251	1001150915	1	Support	
252	1001150998	1	Radiator	
253	1001152459	1	Angle, Mounting	
254	1001153282	1	Pump Coupling Kit (See Items 301-304 for Breakdown)	
255	1001153414	1	Plate, Radiator Mounting	
256	3200401	2	Mount Motor	
257	1001143390	1	Indicator, Air Service (SN 0300232894 through 0300236298)	
		Ref	Note: Arctic Package Items (Used on Arctic Machines Only) - Item 281 Not Shown.	
281	2580062	1	Heater, Engine Block	
	1001153282	Ref	PUMP COUPLING INSTALLATION	D
301	70004183	1	Coupling	
302	See Note	NSS	Plate, Pump Adapter (Note: Not Available - Purchase p/n 1001153282)	
303	See Note	NSS	Capscrew M10 x 20 Grade 10.9 (Note: Not Available - Purchase Locally)	
304	See Note	NSS	Capscrew M10 x 25 Grade 10.9 (Note: Not Available - Purchase Locally)	
	1001147823	Ref	ENGINE COMPONENTS	B
401	70004287	1	Dipstick	
401	70000044	1	Seal, Dipstick	
401	70001002	1	Tube, Dipstick	
401	7020403	1	Seal, Dipstick Tube	
402	7020465	2	Cap, Filler	
403	70001850	1	Pump, Oil Lube	
403	7020468	1	Seal Between Oil Pump and Engine Block (Not Shown)	
404	7016331	1	Filter, Oil	
404	70003472	1	Bracket, Oil Filter	
405	7027236	1	Injector, Fuel	
405	70025082	1	Pump, Injector Options:	
405	70000912	4	Series A Injector	
405	70000913	4	Series B Injector	
405	70000914	4	Series C Injector	
405	70000915	4	Series D Injector	
405	70003464	4	Gasket Options (1 per Injector)	
405	70003478	4	Injector, Fuel	
405	70003136	4	Seal/Gasket, Injector (1 per Injector)	
406	7016328	1	Filter, Fuel	
406	70003465	1	Sensor	
406	70003466	2	Seal, Sensor	

SECTION 2 - TURNTABLE

ITEM	PART NUMBER	QTY	DESCRIPTION	REV
407	70000916	Ref	Pump Fuel Supply	
407	70001435	Ref	Repair Kit for Pump	
407	70000919	1	Hand Pump for Fuel Supply Pump	
407	70000917	1	O-Seal Between Fuel Pump and Engine Block	
407	70000918	1	O-Seal Between Fuel Pump and Hand Pump	
408	70001871	4	Gasket, Intake Manifold (Not Shown)	
409	7020408	1	V-Belt	
410		Ref	Exhaust Manifold Components (Not Shown)	
410	70001835	1	Gasket, Exhaust Adapter to Exhaust Rail	
410	70001841	1	Valve, Exhaust (Fits into Exhaust Adapter)	
410	70001836	1	Gasket, Exhaust Rail to Cylinder Head	
410	70001837	1	Gasket, Exhaust Manifold to Muffler	
410	70002200	4	Stud, Mounting	
410	See Note	NSS	Nut, Exhaust Manifold (Note: Not Available for Purchase)	
411	70004056	1	Alternator	
411	70001868	1	Regulator, Voltage Options (Not Shown)	
411	70001866	1	Seal, Gasket for Voltage Regulator (Not Shown)	
411	70002234	1	Bar, Alternator Adjustment	
412	7020479	1	Starter	
412	70004058	1	Relay	
413	70004060	2	Plug- In Connector (Not Shown)	
414	7027791	1	Transmitter, Temperature	
415	7027790	1	Sensor, Oil Pressure	
416	70004272	1	Sensor, Speed	
417	7027792	1	Actuator, Throttle	
417	7027276	2	Spring, Actuator	
418	70003475	1	Thermostat	
419	70001870	1	Flywheel with Ring Gear	
419	7024579	1	Gear, Ring 110 Tooth	
421	7027795	1	Module, Control	
422	70001181	1	Valve, Pressure Control	
422	70124410	1	Spring	
422	70025082	1	Seal	
422	70124440	1	Screw	
423	70000345	4	Plug, Glow	
424	70000800	1	Camshaft Pulley Repair Kit (Not Shown)	
426	70002415	1	Gasket, Head with 1 Notch (Not Shown)	
426	70002416	1	Gasket, Head with 2 Notches (Not Shown)	
426	70002417	1	Gasket, Head with 3 Notches (Not Shown)	
427	7027796	1	Harness, Engine (Connects to Item 421)	
427	70001872	1	Harness, Engine (Connects to p/n 7027796)	
428		Ref	Gaskets and Seals - Miscellaneous (Not Shown)	
428	70004289	1	Gasket Set	
428	70002718	1	Seal, Rear Main	
428	70004280	1	Seal, Front Main	
429	70025752	1	Valve, Pressure Relief (Not Shown - Located on Front Left of Engine Block)	
429	70025753	1	Spring	
429	70005916	1	Seal	
429	70005917	1	Screw	
		Ref	RIGHT ENGINE SUPPORT INSTALLATIONS	
	1001151253	Ref	Machines without Generator	A

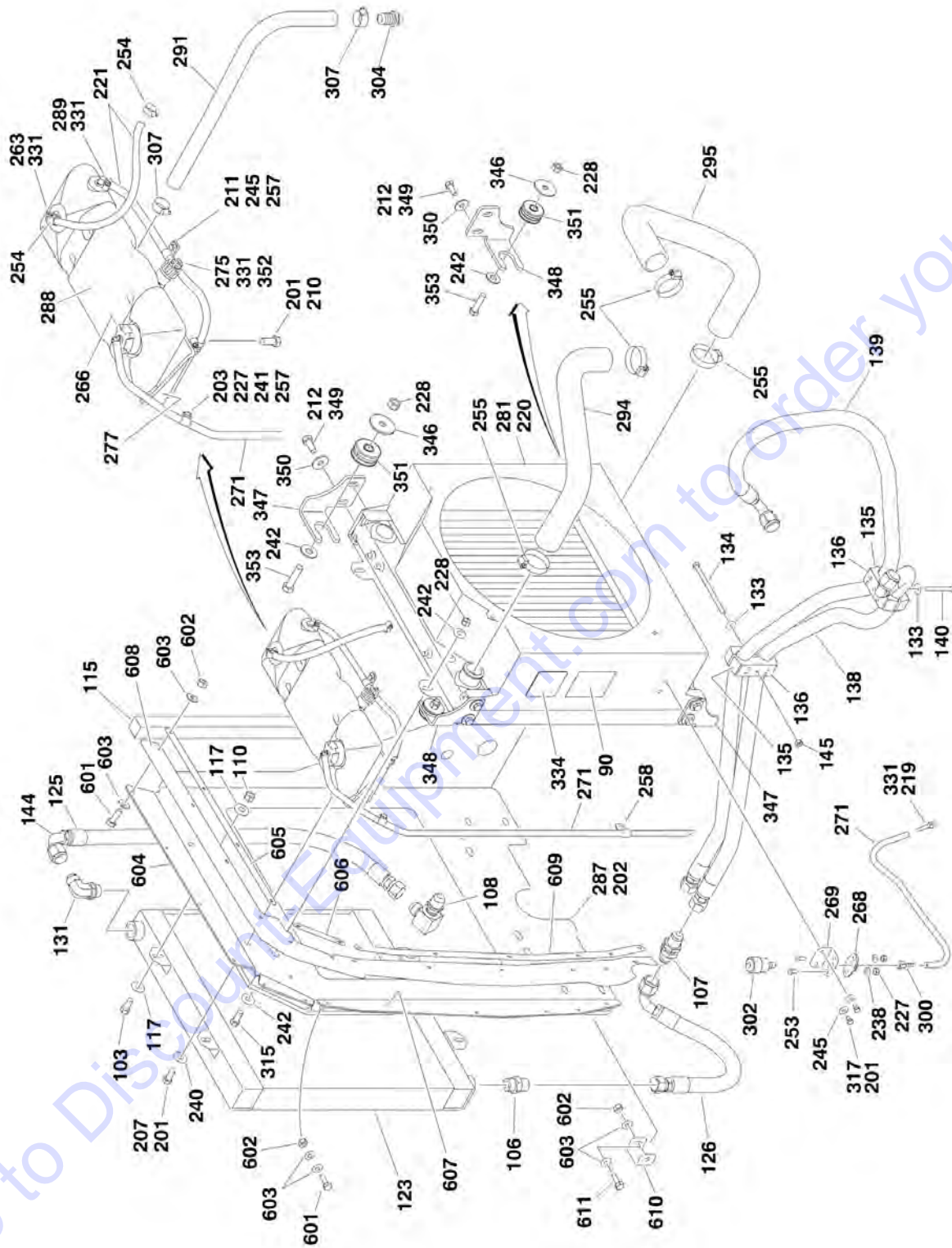
SECTION 2 - TURNTABLE

ITEM	PART NUMBER	QTY	DESCRIPTION	REV
	1001151252	Ref	Machines with Generator	A
501	0100011	AR	Compound, Locking	
502	0641609	2	Bolt 3/8in-16NC x 1-1/8in	
503	0641820	1	Bolt 1/2in-13NC x 2-1/2in	
504	0711414	3	Bolt 14mm x 30mm Grade 10.9	
505	3200401	1	Mount, Motor	
506	3311605	2	Locknut 3/8in-16NC	
507	3311805	1	Locknut 1/2in-13NC	
508	4740274	1	Washer, Snubbing	
509	4751600	4	Flatwasher 3/8in Regular	
510	4812200	3	Flatwasher M14	
511		Ref	Support, Engine (Right Front)	
511A	1001149703	1	Machines without Generator	
511B	1001150890	1	Machines with Generator	

Go to Discount-Equipment.com to order your parts

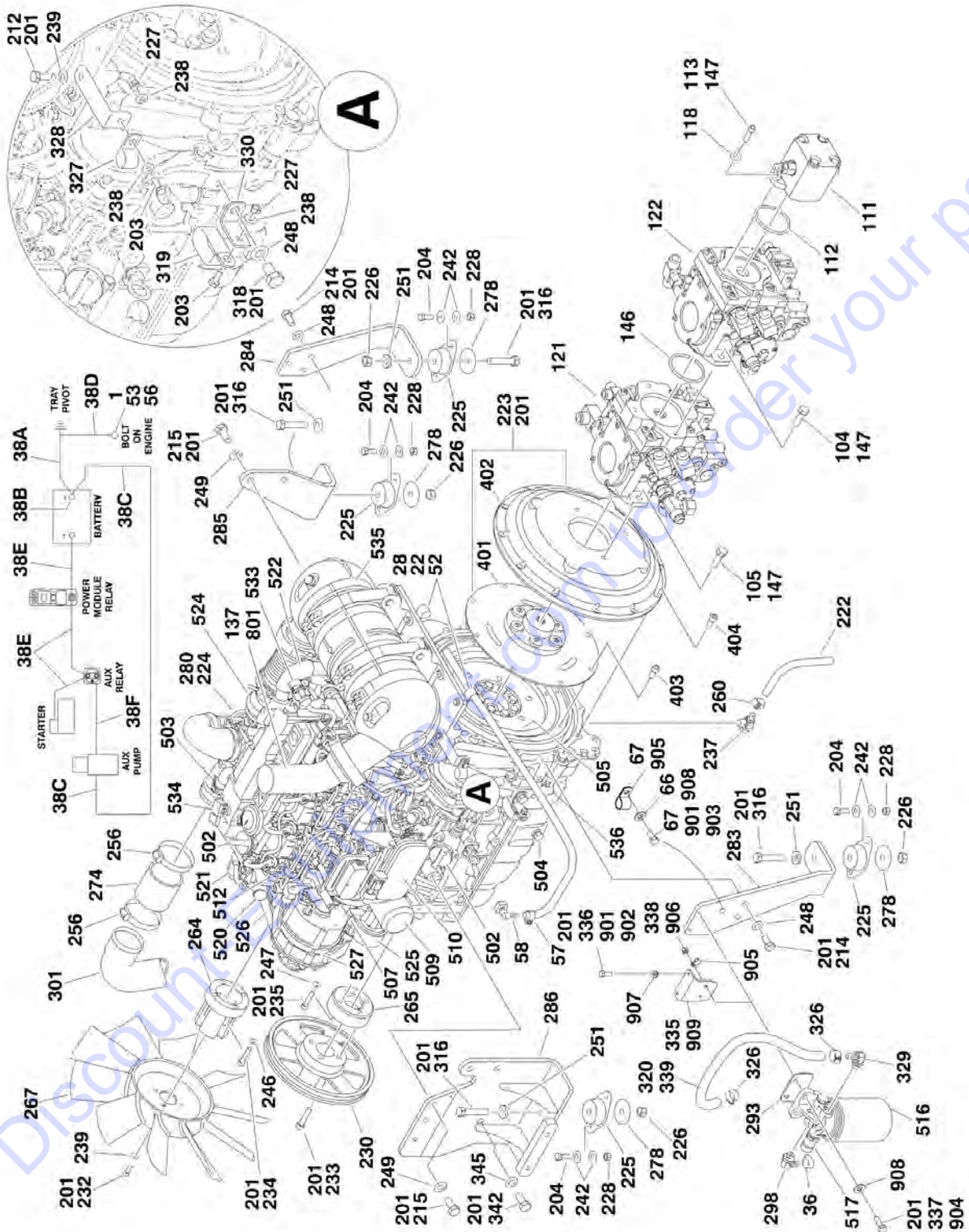
SECTION 2 - TURNTABLE

FIGURE 2-8. DEUTZ TD2.9L4 ENGINE INSTALLATION

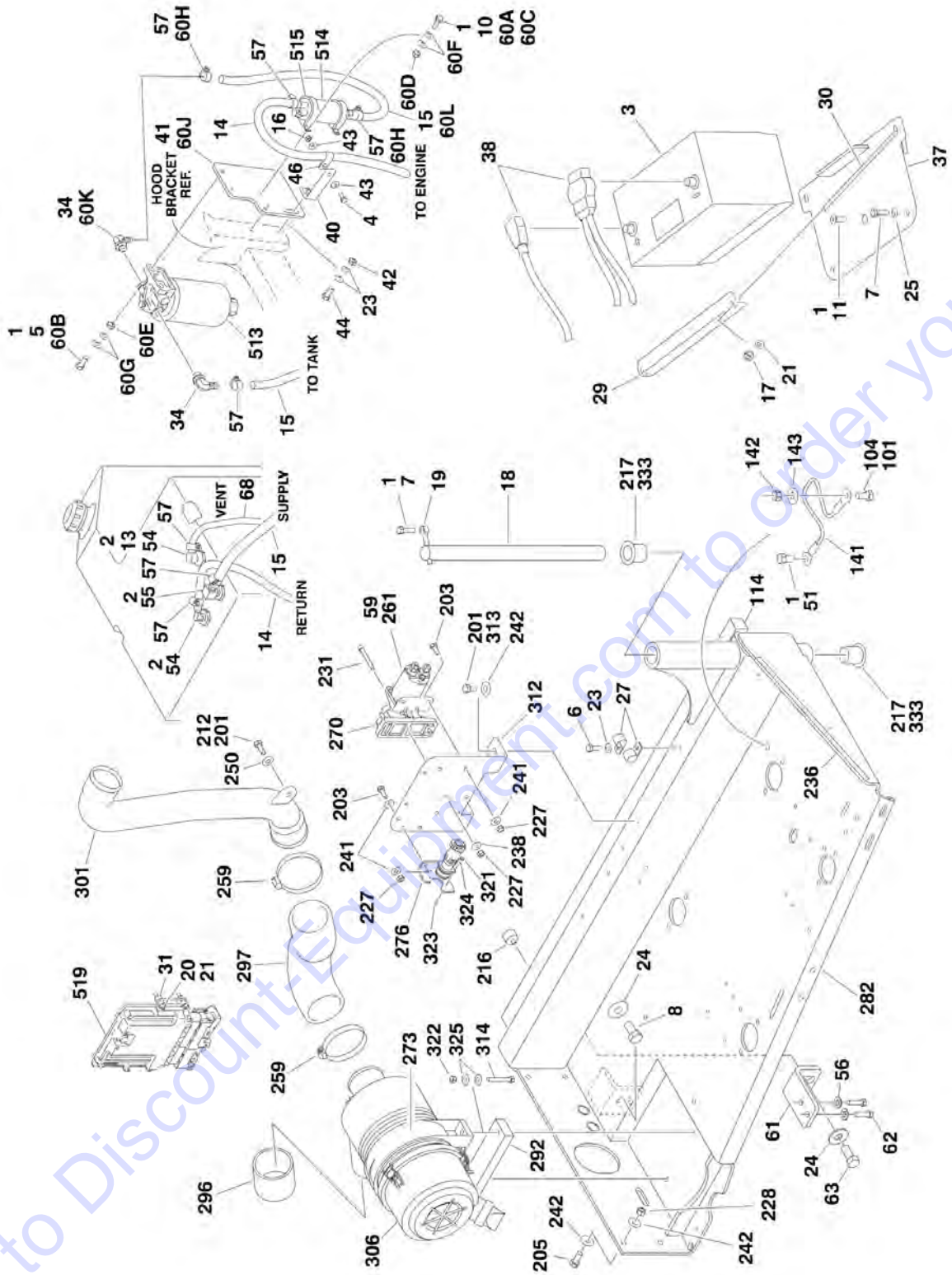


Go to www.GoToDiscount.com to order your parts

SECTION 2 - TURNTABLE



SECTION 2 - TURNTABLE



Go to DiscountEquip.com to order your parts

SECTION 2 - TURNTABLE

FIGURE 2-8. DEUTZ TD2.9L4 ENGINE INSTALLATION

ITEM	PART NUMBER	QTY	DESCRIPTION	REV
		Ref	DEUTZ ENGINE INSTALLATIONS	
	1001143644	Ref	Without Arctic Package	N
	1001143652	Ref	With Arctic Package	O
1	0100011	AR	Compound, Locking	
2	0100020	AR	Sealant, Pipe	
3	0400075	1	Battery	
4	0641406	3	Bolt 1/4in-20NC x 3/4in	
5	0641607	2	Screw 3/8in-16NC x 7/8in (SN 0300174703 through 0300181435)	
6	0641608	1	Screw 3/8in-16NC x 1in (SN 0300174703 through 0300181435)	
7	0641610	3	Screw 3/8in-16NC x 1-1/4in	
8	0642010	1	Bolt 5/8in-11NC x 1-1/4in (SN 0300174703 through 0300181435)	
10	0721004	4	Bolt #10-24NC x 1/2in (SN 0300174703 through 0300181435)	
11	0741610	1	Screw 3/8in-16NC x 1-1/4in	
13	2221176	1	Fitting, 90 Barbed (SN 0300174703 through 0300196447)	
14		Ref	Hose Options:	
14	2720340	NLA	Hose (Use p/n 1001165035) (SN 0300174703 through 0300181435)	
14	1001165035	AR	Hose (SN 0300181436 through 0300236298)	
15		Ref	Hose Options:	
15	2720615	NLA	Hose (Use p/n 1001154405) (SN 0300174703 through 0300181435)	
15	1001154405	6.8 ft/ 2.1m	Hose (SN 0300181436 through 0300236298)	
16	3311405	1	Locknut 1/4in-20NC	
17	3311501	2	Nut 5/16in-18NC	
18	3422446	1	Pin, Pivot	
19	3841143	1	Pin, Keeper	
20	3931424	4	Capscrew 1/4in-20NC x 1-1/2in	
21	4711400	AR	Flatwasher 1/4in Thin	
22	4711500	AR	Flatwasher 5/16in Thin	
23	4711600	AR	Flatwasher 3/8inThin	
24	4752000	AR	Flatwasher 5/8in Regular	
25	4761600	AR	Lockwasher 3/8in	
27	8406102	2	Clip (SN 0300174703 through 0300181891)	
28	8406112	2	Clip (SN 0300174703 through 0300219483)	
29	91401281	1	Hold-down, Battery	
30	1001093382	2	Bolt, Battery Hold-down	
31	1001110425	4	Spacer	
34	1001142501	1	Fitting, 90 Barbed	
37	1001144040	2	Plate, Battery	
38	1001144440	1	Battery Cable Kit	D
38A	7027063	1	Cable, Battery (Black) (Battery - to Tray Pivot Grd)	
38B	8270147	1	Terminal, Battery (With Boot)	
38B	See Note	NSS	Boot, Black (Note: Not Available for Purchase)	
38C	7027064	1	Cable, Battery (Black) (Battery - to Aux Pump and Relay Grds)	
38C	See Note	NSS	Boot, Black (Note: Not Available for Purchase)	
38D	7027065	1	Cable, Battery (Black) (Engine to Tray Pivot Grd)	
38E	7027066	1	Cable (Red) (Battery + to Aux Relay/Power Module/Starter)	
38E	See Note	NSS	Boot, Red (Battery) (Note: Not Available for Purchase)	

SECTION 2 - TURNTABLE

ITEM	PART NUMBER	QTY	DESCRIPTION	REV
38E	70003952	1	Boot, Red (Starter)	
38F	7027067	1	Cable (Red) (Aux Relay to Aux Pump)	
38F	70003952	2	Boot, Red	
39	1001144660	1	Harness, Fuel (Not Shown - See ELECTRICAL SECTION for Breakdown)	
40	1001148149	1	Bracket	
41	1001149528	1	Mount, Fuel Pump (SN 0300174703 through 0300181891)	
42	3311605	2	Locknut 3/8in-16NC	
43	4751400	2	Flatwasher 1/4in Regular	
44	0641609	2	Bolt 3/8in-16NC x 1-1/8in	
46	8406101	1	Clip	
51	0641808	1	Bolt 1/2in-13NC x 1in	
52		Ref	Bolt Options:	
52	0760806	2	Bolt M8 x 12mm (SN 0300174703 through 0300181435)	
52	0760810	2	Bolt M8 x 20mm (SN 0300181436 through 0300236298)	
53	0771212	1	Bolt M12 x 25mm Grade 10.9	
54	2220313	AR	Fitting, 90	
55	2221119	1	Fitting, Barbed (SN 0300174703 through 0300227264)	
55	2180832	1	Fitting, Barbed (SN 0300227265 through 0300236298)	
56	4812100	AR	Flatwasher M12	
57	8410013	7	Clamp	
58	1001155823	1	Fitting, 90 Quick Disconnect	
59	3740067	1	Relay, Solenoid Assembly	
60	1001162413	1	Bracket, Fuel Pump / Filter Assembly	
60A	0100011	AR	Compound, Locking	
60B	0641607	2	Bolt 3/8in-16NC x 7/8in	
60C	0721004	4	Screw M10-24NC x 1/2in	
60D	3311001	4	Nut #10-24NC	
60E	3311605	2	Locknut 3/8in-16NC	
60F	4711500	8	Flatwasher #10	
60G	4711600	4	Flatwasher 3/8in Thin	
60H	8405006	2	Clamp	
60J	1001149528	1	Mount, Fuel Pump	
60K	1001142501	1	Fitting, 90 Barbed	
60L	2720615	1.5 ft/ 0.5m	Hose	
61	1001153359	1	Mount, Engine Tray	
62	0641611	2	Bolt 3/8in-16NC x 1-3/8	
63	0642012	1	Bolt 5/8in-11NC x 1-1/2	
64	1701505	1	Decal, Diesel Fuel (Not Shown)	
65	1320061	1	Clamp (SN 0300219484 through 0300236298)	
66	4812000	1	Washer M10	
67	0761008	1	Bolt M10 x 16	
68	2750532	3.5 ft/ 1.07m	Hose (SN 0300227265 through 0300236298)	
		Ref	Note: Arctic Package Items 70-80 (Used on Arctic Machines Only) Not Shown.	
70	1060625	1	Cable, Immersion Heater (SN 0300174703 through 0300206712)	
71	1060626	1	Cord, 3 Way Extension	
72	1320223	3	Clamp, Muffler (SN 0300174703 through 0300181891)	
73	1702941	1	Decal - Battery Heater	

SECTION 2 - TURNTABLE

ITEM	PART NUMBER	QTY	DESCRIPTION	REV
74	1702942	1	Decal - Engine Block Heater	
75	1702943	1	Decal - Hydraulic Tank Heater	
76	1702944	1	Decal - Heater Cord	
77	2580024	1	Heater, Battery	
78	2580050	1	Heater, Hydraulic Tank (SN 0300174703 through 0300206712)	
78	1001188972	1	Heater, Hydraulic Tank (SN 0300206713 through 0300236298)	
79	3980007	1	Seat, Battery	
80	1001150918	AR	Cord, 8ft Extension	
90		Ref	Decal - Warning Explosion/Fire Options:	
90	1704972	1	ANSI Spec	
90	1706098	1	Australian and CE Spec	
90	1706064	1	CSA Spec	
		Ref	ENGINE AND PUMP ASSEMBLIES	
	1001143648	Ref	Without Arctic Package	H
	1001143650	Ref	With Arctic Package	G
	1001145750	Ref	OPTIONAL SPARK ARRESTING MUFFLER INSTALLATION	B
103	0641609	4	Bolt 3/8in-16NC x 1-1/8in	
104	0641808	3	Bolt 1/2in-13NC x 1in	
105	0641812	2	Bolt 1/2in-13NC x 1-1/2in	
106	2220451	1	Fitting, Straight	
107	2230027	2	Fitting, Bulkhead	
108	2230046	1	Fitting, 90 Bulkhead (SN 0300174703 through 0300193937)	
110	3311605	4	Locknut 3/8in-16NC	
111	3600395	1	Gear Pump Assembly with Fittings (See GEAR PUMP ASSEMBLY for Breakdown)	
112	3790152	2	O-Ring	
113	3931620	2	Bolt 3/8in-16NC x 1-1/4in	
114	3960468	1	Seal	
115	3960469	1	Seal	
117	4751600	8	Flatwasher 3/8in Regular	
118	4891600	2	Flatwasher 3/8in Hardened	
121	1001109188	1	Pump Assembly with Fittings (See PISTON PUMP ASSEMBLY for Breakdown)	
122	1001109189	1	Pump Assembly with Fittings (See PISTON PUMP ASSEMBLY for Breakdown)	
123		Ref	Cooler, Oil Options:	
123	1001140251	NLA	Cooler, Oil (Use p/n 1001164742) (SN 0300174703 through 0300193936)	
123	1001164742	1	Cooler, Oil (SN 0300193937 through 0300236298)	
125	1001142884	1	Hose	
126	1001142885	1	Hose	
131	2220578	1	Fitting, 90	
133	4711500	AR	Flatwasher 5/16in Thin	
134	0641544	1	Bolt 5/16in x 5-1/2in	
135	8750024	1	Clamp	
136	1001148248	2	Plate (SN 0300174703 through 0300193936)	
137		Ref	Pipe, Exhaust Options:	
137	1001149908	1	Standard Muffler	
137	1001145751	1	Optional Spark Arresting Muffler	
138	1001150345	1	Hose	
139	1001150346	1	Hose	
140	0641522	1	Bolt 5/16in x 2-3/4in (SN 0300174703 through 0300193936)	

SECTION 2 - TURNTABLE

ITEM	PART NUMBER	QTY	DESCRIPTION	REV
141	1060637	1	Lanyard	
142	3311801	1	Nut 1/2in-13NC	
143	4751800	8	Flatwasher 1/2in Regular	
144	2220655	1	Fitting, 90	
145	3311505	1	Locknut, 5/16-18NC	
146	3790045	1	O-Ring	
147	0100011	AR	Compound, Locking	
		Ref	ENGINE ASSEMBLIES	
	1001140412	Ref	Without Arctic Package (Use p/n 1001176027) (SN 0300174703 through 0300193936)	T
	1001181276	Ref	Without Arctic Package (SN 0300193937 through 0300236298)	I
	1001142853	Ref	With Arctic Package (Use p/n 1001176035) (SN 0300174703 through 0300193936)	T
	1001181277	Ref	Without Arctic Package (SN 0300193937 through 0300236298)	J
201	0100011	AR	Compound, Locking	
202	1001162593	1	Support, Radiator Mount (RCP Radiator) (SN 0300174703 through 0300227264)	
202	1001186985	1	Support, Radiator Mount (Modine Radiator) (SN 0300227265 through 0300236298)	
203	0641406	AR	Bolt 1/4in-20NC x 3/4in	
204	0641608	8	Bolt 3/8in-16NC x 1in	
205	0641609	6	Bolt 3/8in-16NC x 1-1/8in	
207	0641708	2	Bolt 7/16in-14NC x 1in	
210	0741605	AR	Screw, Flathead 3/8in-16NC x 5/8in	
211	0760606	1	Bolt M6 x 12mm	
212	0760810	AR	Bolt 8M8 x 20mm	
214	0771212	6	Bolt M12 x 25 Grade 10.9	
215	0771414	AR	Bolt M14 x 30 Grade 10.9	
215	0771415	AR	Bolt M14 x 35 Grade 10.9	
216	0940070	1	Bumper	
217	0961986	2	Bushing, Flanged	
219	2220315	1	Fitting, Straight Barbed	
220		Ref	Coolant Options:	
220	2300004	AR	Coolant (Without Arctic Package)	
220	2300041	AR	Coolant (With Arctic Package)	
221	2720015	40 in/1m	Hose	
222	2720340	12 in/ 30.5cm	Hose	
223	1001153282	1	Pump Coupling Kit (See Items 401-403 for Breakdown)	
224		Ref	Oil, Motor Options:	
224	1001136079	AR	Oil, Motor (Without Arctic Package)	
224	1001136172	AR	Oil, Motor (With Arctic Package)	
225	3200401	4	Mount, Motor	
226	3271801	4	Nut 1/2in-13NC Grade 8	
227	3311405	AR	Locknut 1/4in-20NC	
228	3311605	16	Locknut 3/8in-16NC	
230	3580320	1	Pulley	
231	3931432	1	Capscrew 1/4in-20NC x 2in	
232	3931512	4	Capscrew 5/16in-18NC x 3/4in	
233	3931628	4	Capscrew 3/8in-16NC x 1-3/4in	
234	4031914	4	Capscrew M8 x 50mm	
235	4032014	4	Capscrew M10 x 50mm	

SECTION 2 - TURNTABLE

ITEM	PART NUMBER	QTY	DESCRIPTION	REV
236	4060805	15 in/ 38cm	Flex-Trim	
237	4640751	1	Valve, Oil Drain	
238	4711400	AR	Flatwasher 1/4in Thin	
239	4711500	AR	Flatwasher 5/16in Thin	
240	4711700	2	Flatwasher 7/16in Thin	
241	4751400	10	Flatwasher 1/4in Regular	
242	4751600	AR	Flatwasher 3/8in Regular	
245	4811702	AR	Flatwasher M6	
246	4811900	4	Flatwasher M8	
247	4812000	AR	Flatwasher M10	
248	4812100	7	Flatwasher M12	
249	4812200	5	Flatwasher M14	
250	4891500	1	Flatwasher 5/16in Hardened	
251	4891800	4	Flatwasher 1/2in Hardened	
253	0630407	2	Screw 1/4in-20 x 5/8in	
254	8405009	4	Clamp	
255	8405104	4	Clamp	
256	8405204	2	Clamp	
257	8406109	AR	Clip	
258	8406110	1	Clip	
259	8410011	2	Clamp	
260	8410013	1	Clamp	
261	1001117308	1	Relay	
263	1001134488	1	Fitting, 90 Barbed	
264	1001135138	1	Adapter	
265	1001135679	1	Adapter	
266	1001136834	1	Cap, Tank	
267	1001137276	1	Fan	
268	1001138173	1	Support	
269	1001138175	1	Bracket	
270	1001138228	1	Relay, Power Module	
270	70023593	1	Fuse 30Amp (Battery Output)	
270	70023592	1	Fuse 20Amp (Switched Output)	
271	1001138248	62 in/1.6m	Tube	
273	1001138557	1	Clamp	
274	1001142623	1	Hose, Inlet	
275	1001138827	1	Sensor, Coolant Level	
276	1001139240	1	Bracket	
277	1001139303	1	Bracket, Tank (RCP Radiator) (SN 0300174703 through 0300227264)	
277	1001176419	1	Bracket, Tank (Modine Radiator) (SN 0300227265 through 0300236298)	
278	1001139409	4	Washer, Special	
280	1001139813	1	Engine, Deutz TD2.9L4 (See Items 501-535 for Serviced Components)	
281	1001155384	NLA	Radiator (RCP Radiator) (Use p/n 1001200135) (SN 0300174703 through 0300227264)	
281	1001167042	1	Radiator (Modine Radiator) (SN 0300227265 through 0300236298)	
282	1001140362	1	Tray (RCP Radiator) (SN 0300174703 through 0300227264)	
282	1001173976	1	Tray (Modine Radiator) (SN 0300227265 through 0300236298)	
283	1001140448	1	Mount, Rear Engine	

SECTION 2 - TURNTABLE

ITEM	PART NUMBER	QTY	DESCRIPTION	REV
284	1001140450	1	Mount, Rear Engine	
285	1001140454	1	Mount, Front Engine	
286	1001140466	NLA	Mount, Generator/Engine (Use p/n 1001202368) (SN 0300174703 through 0300227264)	
286	1001202368	1	Mount, Generator/Engine (SN 0300227265 through 0300236298)	
287	1001140487	1	Plate, Mounting (SN 0300174703 through 0300193936)	
288	1001140535	1	Tank	
289	1001140564	1	Fitting, 90 Barbed	
290	1001141304	1	Harness, Glow Plug (Not Shown - See ELECTRICAL SECTION for Breakdown)	
291	1001141370	1	Hose	
292	1001141419	1	Shim	
293	1001141546	1	Shim (SN 0300174703 through 0300219483)	
294	1001141583	1	Hose, Radiator - Upper (RCP Radiator) (SN 0300174703 through 0300227264)	
294	1001177844	1	Hose, Radiator - Upper (Modine Radiator) (SN 0300227265 through 0300236298)	
295	1001141584	1	Hose, Radiator - Lower (RCP Radiator) (SN 0300174703 through 0300227264)	
295	1001177845	1	Hose, Radiator - Lower (Modine Radiator) (SN 0300227265 through 0300236298)	
296	1001141585	1	Hose, Inlet	
297	1001141586	1	Pipe, Intake	
298	1001152489	1	Fitting, 90 Barbed	
300	1001141995	1	Fitting, Straight Barbed	
301		Ref	Pipe Options:	
301	1001142733	1	Pipe (SN 0300174703 through 0300187583)	
301	1001165842	1	Pipe (SN 0300187584 through 0300236298)	
302	1001143390	1	Indicator, Service	
303	1001143726	1	Harness, Deutz Engine (Not Shown - See ELECTRICAL SECTION for Breakdown)	
304	1001143797	1	Fitting, Straight Barbed	
305	1001143907	1	Cable, Alternator Power (Not Shown - See ELECTRICAL SECTION for Breakdown)	
306	1001138489	1	Air Cleaner Assembly Filter Element	
306	91403102	1	Element, Filter (Not Shown)	
307	8405007	2	Clamp	
312	1001145154	1	Plate, Relay Mounting	
313	0641605	2	Bolt 3/8in-16NC x 5/8in	
314	0641518	2	Bolt 5/16in-18NC x 2-1/4in	
315	0641607	4	Bolt 3/8in-16NC x 7/8in	
316	0681820	AR	Bolt 1/2 x 2-1/2 Grade 8	
316	0681822	AR	Bolt 1/2 x 2-3/4 Grade 8	
317	0760605	2	Bolt M6 x 10mm	
318	0761210	1	Bolt M12 x 20mm	
319	1321716	1	P-Clamp (SN 0300174703 through 0300227264)	
319	1001181899	1	P-Clamp (SN 0300227265 through 0300236298)	
320	1001154405	20 in/ 51cm	Hose (SN 0300174703 through 0300219483)	
321	3310401	3	Nut #4-40NC	
322	3311505	2	Locknut 5/16in-18NC	
323	3910408	3	Screw #4-40NC x 1/2in	
324	4750400	3	Flatwasher #4 Regular	

SECTION 2 - TURNTABLE

ITEM	PART NUMBER	QTY	DESCRIPTION	REV
325	4751500	4	Flatwasher 5/16in Regular	
326	8405006	2	Clamp (SN 0300174703 through 0300219483)	
327	8406102	1	Clip (SN 0300174703 through 0300219483)	
328	1001138718	1	Bracket (SN 0300174703 through 0300219483)	
329	1001142501	1	Fitting, 90 Barbed (SN 0300174703 through 0300219483)	
330	1001148641	1	Bracket	
331	0100020	AR	Sealant	
332	4240099	AR	Tie-Strap (Not Shown)	
333	0100062	AR	Loctite (SN 0300187584 through 0300236298)	
334	1703162	1	Decal, Fan Blade (SN 0300187584 through 0300236298)	
335	1001178876	1	Bracket (SN 0300219484 through 0300236298)	
336	5250810	2	Bolt M8 x 20	
337	0761015	2	Bolt M10 x 35	
338	3291005	2	Nut M10	
339	1001177359	1	Hose (SN 0300219484 through 0300236298)	
342	0700814	1	Bolt M8 x 30	
345	5240800	1	Washer M8	
346	1001169138	4	Washer (SN 0300227265 through 0300236298)	
347	1001204325	2	Bracket (Used with Modine Radiator) (SN 0300227265 through 0300236298)	
348	1001178223	2	Bracket (Used with Modine Radiator) (SN 0300227265 through 0300236298)	
349	1001180620	AR	Adhesive	
350	4811902	8	Washer M8	
351	1001169054	4	Pad, Isolator (SN 0300227265 through 0300236298)	
352	1001182997	AR	Adhesive	
353	0641612	4	Bolt 3/8 x 1-1/2	
		Ref	Note: Arctic Package Item 375 (Used on Arctic Machines Only) Not Shown.	
375	1001140312	1	Heater, Engine Block	
	1001153282	Ref	PUMP COUPLING INSTALLATION	D
401	70004183	1	Coupling	
402	See Note	NSS	Plate, Pump Adapter (Note: Not Available - Purchase p/n 1001153282)	
403	See Note	NSS	Capscrew M10 x 20mm Grade 10.9 (Note: Not Available - Purchase Locally)	
404	See Note	NSS	Capscrew M10 x 25mm Grade 10.9 (Note: Not Available - Purchase Locally)	
500	1001139813	Ref	ENGINE COMPONENTS	J
501	70004274	1	Dipstick (Not Shown - Located On Side Left Front)	
501	70024905	1	Seal	
502	7020465	2	Cap, Oil Fill	
503	70025111	2	Clamp	
504	70025088	1	Plug	
504	7020404	1	Seal	
505	70001870	1	Flywheel with Ring Gear	
505	7024579	1	Gear, Ring	
506		Ref	Gasket and Seal Options (Not Shown):	
506	70024906	1	Gasket, Head	
506	70025206	1	Gasket, Small Valve Cover	
506	70025207	1	Gasket, Large Valve Cover	
506	7002508	1	Gasket, Valve Cover to Air Charge Elbow	
506	70002718	1	Seal, Rear Main	

SECTION 2 - TURNTABLE

ITEM	PART NUMBER	QTY	DESCRIPTION	REV
506	70024907	1	Gasket, Front Cover	
506	70025164	1	Gasket, Exhaust Manifold to Head	
506	70024912	1	Gasket, Exhaust Manifold to Turbocharger	
506	70004279	1	Gasket Kit	
507	70025076	1	Valve, Pressure Control	
507	70025176	1	Spring	
507	70025082	1	Seal	
507	70025091	1	Plug	
508	70025202	1	Pump, Oil Lube (Not Shown - Located Front Left Side)	
508	70025135	1	O-Ring	
508	70025136	1	Seal	
509	7016331	1	Filter, Oil	
510	70004275	1	Cooler, Oil	
510	70024925	1	Gasket	
511	70024924	1	Pump, High Pressure (Not Shown - Located Front Left Side)	
511	70025152	1	O-Ring (Between Pump and Spacer)	
511	70024488	1	Spacer	
511	70025152	1	O-Ring (Between Spacer and Engine Block)	
512	70025181	4	Injector, Fuel	
512	70025140	4	Washer, Sealing	
512	70025146	4	Clamp (Top of Injector)	
512	70025416	4	O-Seal	
512	70025154	4	Shoe, Clamping	
512	70000345	4	Plug, Glow	
512	70025231	1	Harness, Glow Plug (Not Shown)	
513	1001225430	1	Filter, Fuel	
513	70024513	1	Cable, Sensor	
513	70025239	1	Seal	
514	70024486	1	Pump, Fuel	
515	70025144	2	Clamp	
516	70025160	1	Filter with Head	
516	1001225431	1	Filter, Fuel	
517	70024504	1	Sensor, Pressure	
517	70024920	1	Seal	
518	70025151	1	Rail, Fuel (Not Shown)	
518	70025235	1	Repair Kit	
519	70025210	1	ECU (Engine Control Unit)	
520	70024910	1	Pump, Water	
520	70025200	1	Seal	
520	70025084	2	Plug	
520	7020492	2	Seal	
521	70024473	1	Thermostat	
521	70025143	1	O-Seal	
521	70025142	1	Cover, Thermostat	
522	70025178	1	Pipe	
522	70025156	1	Valve, Shuttle	
522	70025179	2	Gasket	
522	70025180	1	Gasket	
523	70025203	1	Module, EGR (Not Shown - Located on Left Side)	
524	70004276	1	Turbocharger	
525	70025477	1	Tensioner, Belt	

SECTION 2 - TURNTABLE

ITEM	PART NUMBER	QTY	DESCRIPTION	REV
526	70004277	1	Belt, Drive	
527	70024914	1	Alternator	
527	70025149	1	Regulator, Voltage	
528	70024915	1	Starter (Not Shown - Located on Left Side)	
529	70025077	1	Harness, Engine (Not Shown)	
530	70024503	2	Sensor, Speed (Not Shown - Located Left Side Front and Flywheel Housing)	
530	70024917	2	Seal	
531	70024918	1	Sender, Temperature (Not Shown - Located Top Front)	
532	70024504	1	Sensor, Pressure (Not Shown - Located Left Side Front)	
532	70024920	1	Seal	
533	70024507	1	Sensor, Pressure	
533	70025120	1	Seal	
534	70024922	1	Sender, Temperature	
534	70025212	1	Seal	
535	70025799	1	Muffler	
535	70004278	1	Outlet, Muffler	
535	70025801	1	Gasket	
535	70024515	1	Clamp	
536	70124530	1	Valve, Relief	
536	70124538	1	Spring	
536	70104570	1	Seal	
536	70025660	1	SCREW PLUG, (torque to 65 Nm/48 lb-ft)	
		Ref	BAFFLES INSTALLATION	
	1001143484	Ref	ABS Hoods	C
	1001143483	Ref	Steel Hoods	B
601	0641406	AR	Bolt 1/4in-20NC x 3/4in	
602	3311405	19	Locknut 1/4in-20NC	
603	4711400	38	Flatwasher 1/4in Thin	
604	1001141711	1	Bracket (SN 0300174703 through 0300205271)	
604	1001174745	1	Bracket (SN 0300205272 through 0300236298)	
605	1001142031	1	Bracket	
606	1001142032	1	Bracket	
607	1001143449	1	Bracket	
608		Ref	Seal Options:	
608	1001143575	1	Seal (ABS Hoods) (SN 0300174703 through 0300205271)	
608	1001195967	1	Seal (ABS Hoods) (SN 0300205272 through 0300236298)	
608	1001143472	1	Seal (Steel Hoods) (SN 0300174703 through 0300205271)	
608	1001174746	1	Seal (Steel Hoods) (SN 0300205272 through 0300236298)	
609	1001143525	1	Bracket	
610	1001143860	1	Bracket, Bumper (ABS Hoods Only)	
611	0641407	1	Bolt 1/4in-20NC x 7/8in	
	1001145750	Ref	SPARK ARRESTER INSTALLATION	A
801	1001145751	1	Pipe, Spark Arrester	
	1001202311	Ref	FUEL PUMP BRACKET INSTALLATION (MACHINES WITH ABS HOODS) (SN 0300174703 through 0300219483)	A
901	0100011	AR	Compound, Locking	
902	0760810	2	Bolt M8 x 20	
903	0761008	1	Bolt M10 x 16	
904	0761015	2	Bolt M10 x 35	
905	1320061	2	Clamp	
906	3291005	2	Nut M10	

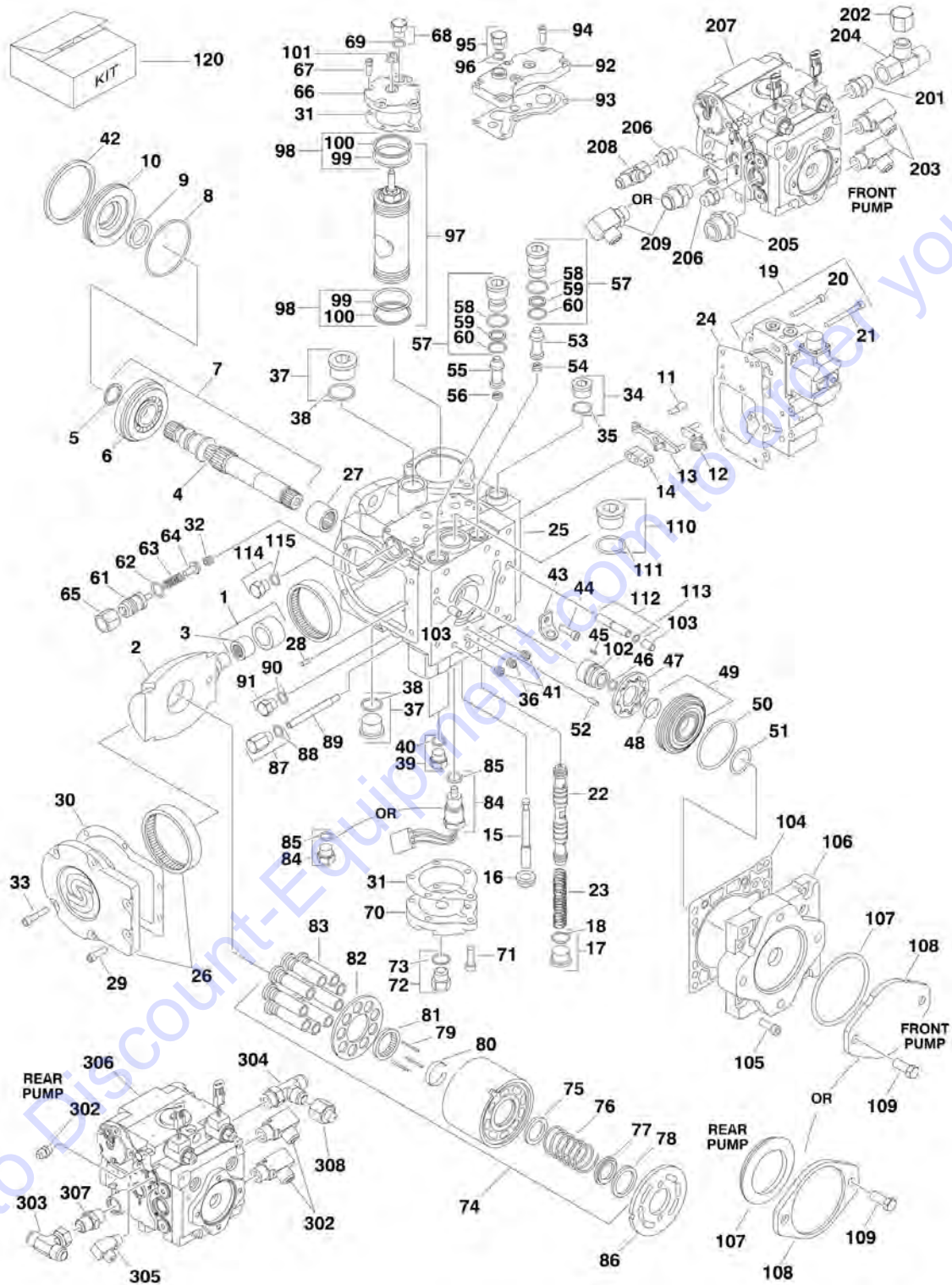
SECTION 2 - TURNTABLE

ITEM	PART NUMBER	QTY	DESCRIPTION	REV
907	4811900	2	Washer M8	
908	4812000	5	Washer M10	
909	1001178876	1	Bracket	

Go to Discount-Equipment.com to order your parts

SECTION 2 - TURNTABLE

FIGURE 2-9. PISTON PUMP ASSEMBLY



SECTION 2 - TURNTABLE

FIGURE 2-9. PISTON PUMP ASSEMBLY

ITEM	PART NUMBER	QTY	DESCRIPTION	REV
		Ref	PISTON PUMP ASSEMBLIES	
	3600363	Ref	Front Pump (15 Tooth)	B
	3600359	Ref	Rear Pump (13 Tooth)	A
1	7024805	1	Cam Follower Bearing Assembly (Includes Item 3)	
2	7022330	1	Swashplate	
3	7021236	1	Bearing, Needle	
4		Ref	Shaft Options:	
4	7021237	1	Front Pump (15 Tooth)	
4	7022354	1	Rear Pump (13 Tooth)	
5	7021238	1	Ring, Retaining	
6	7021239	1	Bearing, Roller	
7		Ref	Shaft Options (Includes Items 4, 5 & 6):	
7	7021240	1	Front Pump (15 Tooth)	
7	7022355	1	Rear Pump (13 Tooth)	
8	See Note	NSS	O-Ring (Note: Use Item 120)	
9	See Note	NSS	Seal, Lip (Note: Use Item 120)	
10	7021243	1	Carrier, Shaft Seal	
11	7023996	1	Screw	
12	7022331	1	Link, Control Summing	
13	7022332	1	Link, Control Feedback	
14	7022333	1	Link, Neutral Adjust	
15	7022334	1	Screw, Neutral Adjust	
16	7023997	1	Nut, Seal	
17	7022321	1	Plug (Includes Item 18)	
18	See Note	NSS	O-Ring (Note: Use Item 17 or 120)	
19	7022335	1	Control Kit (Includes Items 20 & 21)	
20	7023998	4	Screw	
21	7021267	3	Screw	
22	7022336	1	Spool Assembly	
23	7022337	1	Spring	
24	7022338	1	Gasket, Control	
25		Ref	Housing Assembly (Includes Items 27, 32, 36 & 41):	
25	7023999	1	Front Pump	
25	3600359	1	Rear Pump (Note: Not Available - Purchase Complete Rear Pump)	
26	7021248	1	Side Cover Assembly	
27	7021249	1	Bearing, Needle	
28	7021250	1	Pin	
29	7021251	2	Screw	
30	See Note	NSS	Gasket, Side Cover (Note: Use Item 120)	
31	7021253	2	Gasket, Servo Cover	
32	Not Required	0	Screen, Filter	
33	7021255	4	Screw	
34	7022321	1	Plug (Includes Item 35)	
35	See Note	NSS	O-Ring (Note: Use Item 34 or 120)	
36		Ref	Plug	
36	7001485	1	Front Pump	
36	Not Required	0	Rear Pump	
37	7007419	2	Plug (Includes Item 38)	
38	See Note	NSS	O-Ring (Note: Use Item 37 or 120)	

SECTION 2 - TURNTABLE

ITEM	PART NUMBER	QTY	DESCRIPTION	REV
39	7007470	2	Plug (Includes Item 40)	
40	See Note	NSS	O-Ring (Note: Use Item 39 or 120)	
41	7001485	2	Plug, Pipe	
42	7021257	1	Ring, Retaining	
43	7022340	1	Bracket, Lifting	
44	7021251	1	Screw	
45	7022342	1	Key	
46	7022341	1	Ring, Retaining	
47		Ref	Component Options:	
47	7022343	1	Gerotor Assembly (Front Pump)	
47	7022357	1	Spacer (Rear Pump)	
48	7021259	1	Bearing, Journal	
49		Ref	Cover Assembly (Gerotor) Options (Includes Item 48):	
49	7022344	1	Front Pump	
49	7021260	1	Rear Pump	
50	See Note	1	O-Ring (Note: No longer required per supplier. Pressure is the same on either side of o-ring)	
51	See Note	NSS	O-Ring (Note: Use Item 120)	
52	See Note	1	Pin (Note: Not Available for Purchase)	
53	7022345	1	Valve, SCR	
54	7024800	1	Spring	
55	7022345	1	Valve, SCR	
56	7024800	1	Spring	
57	7021265	2	Bypass Valve Assembly (Includes Items 58, 59 & 60)	
58	See Note	NSS	O-Ring (Note: Use Item 57 or 120)	
59	See Note	NSS	Ring, Back-up (Note: Use Item 57 or 120)	
60	See Note	NSS	O-Ring (Note: Use Item 57 or 120)	
61	7022346	1	Adjuster	
62	7021289	1	O-Ring	
63	7022347	1	Spring	
64	7024804	1	Poppet	
65	7022190	1	Nut	
66	7022348	1	Cover, Servo	
67	7021255	5	Screw, Torx	
68	7007470	1	Plug (Includes Item 69)	
69	See Note	NSS	O-Ring (Note: Use Item 68 or 120)	
70	7001268	1	Cover, Servo	
71	7021255	5	Screw, Torx	
72	7007470	1	Plug (Includes Item 73)	
73	See Note	NSS	O-Ring (Note: Use Item 72 or 120)	
74		Ref	Cylinder Block Kit Options (Includes Items 75 to 83):	
74	7022349	1	Front Pump (With Speed Ring)	
74	7021269	1	Rear Pump (Without Speed Ring)	
75	7021271	1	Washer, Special	
76	7021272	1	Spring, Cylinder Block	
77	7021273	1	Washer, Special	
78	7021274	1	Ring, Retaining	
79	7021275	3	Pin, Slipper Hold Down	
80	7021276	1	Retainer, Pin	
81	7021277	1	Guide, Retainer	
82	7021278	1	Retainer, Slipper	
83	7021279	9	Piston Assembly	

SECTION 2 - TURNTABLE

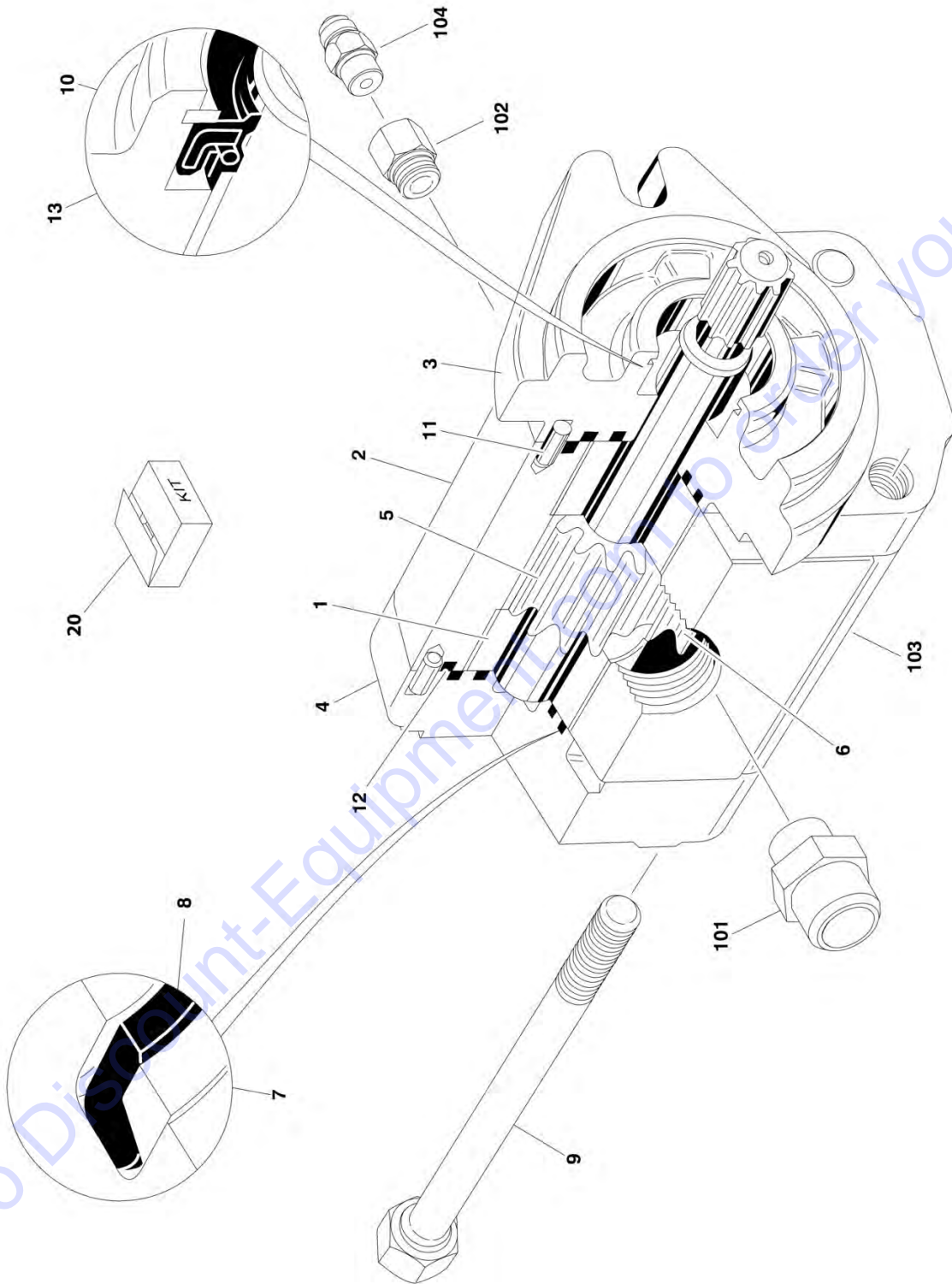
ITEM	PART NUMBER	QTY	DESCRIPTION	REV
84		Ref	Component Options (Includes Item 85):	
84	7022350	1	Sensor, Speed (Front Pump)	
84	7007470	1	Plug (Rear Pump)	
85	See Note	NSS	O-Ring (Note: Use Item 84 or 120)	
86	7021281	1	Plate, Valve (Right Side)	
87	7007470	1	Plug (Includes Item 88) (Front Pump Only)	
88	See Note	NSS	O-Ring (Front Pump Only) (Note: Use Item 87 or 120)	
89	7024801	1	Spool, Loop Flushing	
90	7021283	1	Plug (Includes Item 91) (Front Pump Only)	
91	See Note	NSS	O-Ring (Front Pump Only) (Note: Use Item 90 or 120)	
92	7021285	1	Adapter, Remote Filter (Front Pump Only)	
93	See Note	NSS	Gasket, Filter Adapter (Front Pump Only) (Note: Use Item 120)	
94	7021255	7	Screw (Front Pump Only)	
95	7007470	1	Plug (Includes Item 96)	
96	See Note	NSS	O-Ring (Note: Use Item 95 or 120)	
97	7022351	1	Servo Piston Kit (Includes Qty 2 of Item 98)	
98	7007412	2	Servo Piston Ring Kit (Includes Items 99 & 100)	
99	See Note	NSS	O-Ring (Note: Use Item 97, 98 or 120)	
100	See Note	NSS	Ring, Piston (Note: Use Item 97, 98 or 120)	
101	See Note	NSS	Nut, Seal (Note: Use Item 120)	
102		Ref	Coupling Options:	
102	7022352	1	Front Pump	
102	7022359	1	Rear Pump	
103	7001481	2	Pin	
104	See Note	NSS	Gasket, Charge Pump (Note: Use Item 120)	
105	7021296	6	Screw, Torx	
106		Ref	Cover, Charge Pump	
106	7022353	1	Front Pump	
106	7021297	1	Rear Pump	
107		Ref	Seal Options:	
107	See Note	NSS	O-Ring (Front Pump) (Note: Use Item 120)	
107	7021298	1	Seal (Rear Pump)	
108		Ref	Cover, Flange Options:	
108	7021229	1	Front Pump	
108	7021299	1	Rear Pump	
109	7007289	2	Screw	
110	7007419	1	Plug (Rear Pump Only)	
111	See Note	NSS	O-Ring (Rear Pump Only) (Note: Use Item 110 or 120)	
112	7022358	1	Plug (Include Item 113) (Rear Pump Only)	
113	See Note	NSS	O-Ring (Rear Pump Only) (Note: Use Item 112 or 120)	
114	7021256	1	Plug (Include Item 115) (Rear Pump Only):	
115	See Note	NSS	O-Ring (Rear Pump Only) (Note: Use Item 114 or 120)	
116	7024802	1	Spring (Rear Pump Only)	
117	7024803	1	Poppet (Rear Pump Only)	
120	7021280	1	Seal Kit - Complete (Includes Items 8, 9, 16, 18, 30, 31, 35, 38, 40, 51, 58, 59, 60, 69, 73, 85, 88, 91, 93, 96, 99, 100, 101, 104, 107, 111, 113 & 115)	
	1001109188	Ref	PISTON PUMP AND FITTING ASSEMBLY (FRONT PUMP)	A
201	2220451	1	Fitting, Straight	
202	2220518	1	Cap	
203	2220578	2	Fitting, 90	
204	2220700	2	Fitting, Tee	

SECTION 2 - TURNTABLE

ITEM	PART NUMBER	QTY	DESCRIPTION	REV
205	2220946	1	Fitting, Straight	
206	2220947	2	Fitting, Straight	
207	2220948	1	Fitting, Straight	
208	3600363	1	Pump Assembly (Includes Items 1-120)	
209	2220578	1	Fitting, 90	
	1001109189	Ref	PISTON PUMP AND FITTING ASSEMBLY (REAR PUMP)	A
301	2220578	2	Fitting, 90	
302	2220582	1	Fitting, Straight	
303	2220682	1	Fitting, Tee	
304	2220738	1	Fitting, Tee	
305	2221042		Fitting, 90	
306	3600359	1	Pump Assembly (Includes Items 1-120)	
307	4641264	1	Fitting, Straight (Check Valve)	
308	1001094694	1	Fitting, Straight	

SECTION 2 - TURNTABLE

FIGURE 2-10. GEAR PUMP ASSEMBLY



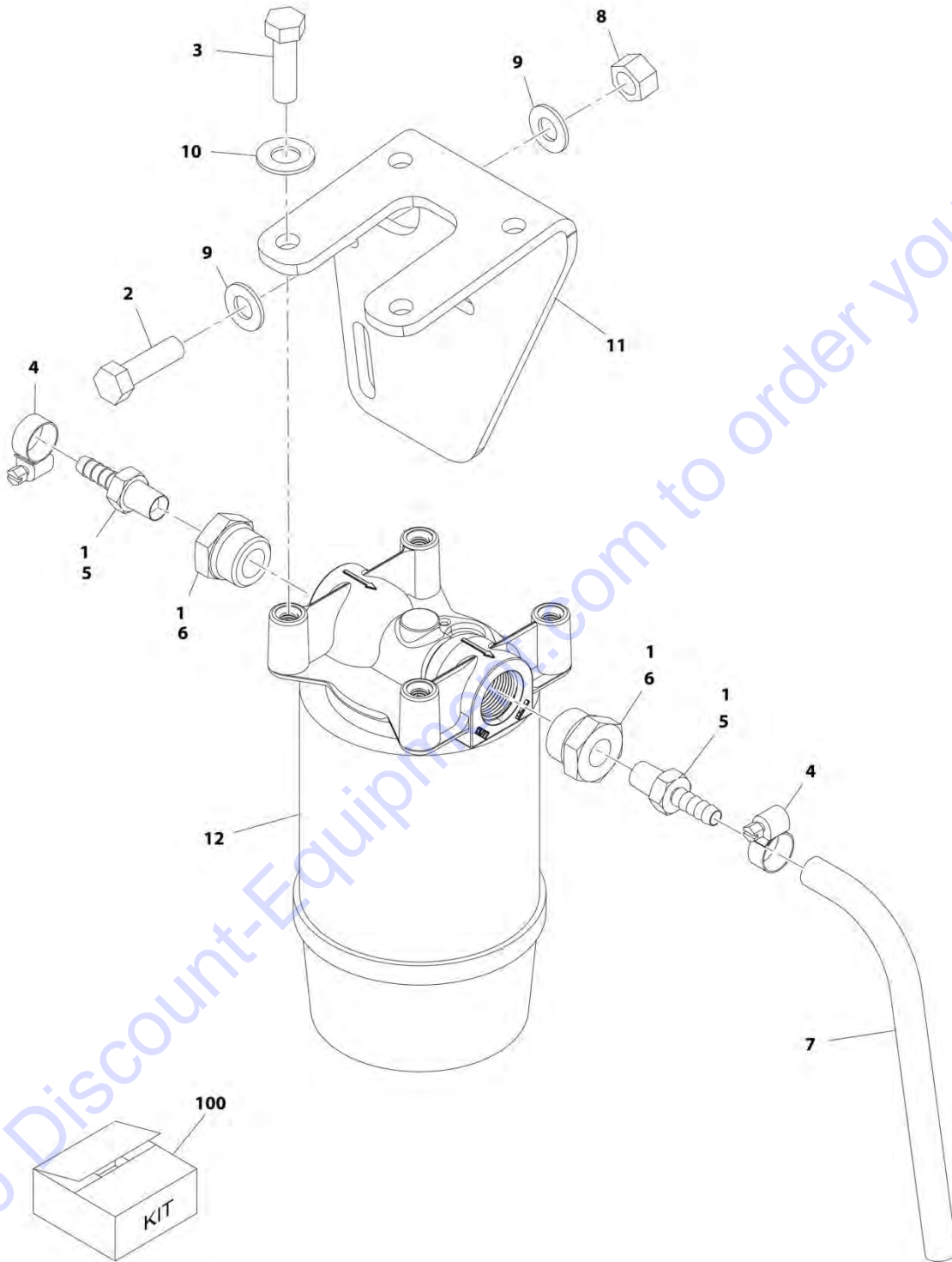
SECTION 2 - TURNTABLE

FIGURE 2-10. GEAR PUMP ASSEMBLY

ITEM	PART NUMBER	QTY	DESCRIPTION	REV
	3600242	Ref	GEAR PUMP ASSEMBLY	
1	7010105	2	Bearing/Bushing	
2	See Note	NSS	Housing (Note: Not Available - Purchase Complete Gear Pump Assembly)	
3	See Note	NSS	Flange (Note: Not Available - Purchase Complete Gear Pump Assembly)	
4	7010103	1	Cover	
5	7012987	1	Gear, Drive	
6	7012988	1	Gear, Idler	
7	See Note	NSS	Ring, Anti-Extrusion (Note: Use Item 20)	
8	See Note	NSS	Seal (Note: Use Item 20)	
9	See Note	NSS	Bolt (Note: Not Available for Purchase)	
10	7010104	1	Ring, Retaining	
11	See Note	NSS	Pin, Dowel (Note: Not Available for Purchase)	
12	See Note	NSS	Seal, O-Ring (Note: Use Item 20)	
13	See Note	NSS	Seal, Shaft (Note: Use Item 20)	
20	7007489	1	Seal Kit (Includes Items 7, 8, 12 & 13)	
	3600395	Ref	GEAR PUMP AND FITTING ASSEMBLY	B
101	2220376	1	Fitting, Straight	
102	2220810	1	Fitting, Reducer	
103	3600242	1	Pump Assembly (Includes Items 1-20)	
104	4640744	1	Fitting, Check Valve	

SECTION 2 - TURNTABLE

FIGURE 2-11. FUEL-WATER SEPARATOR INSTALLATION - DEUTZ D2011 ENGINES



ART_1001196513

SECTION 2 - TURNTABLE

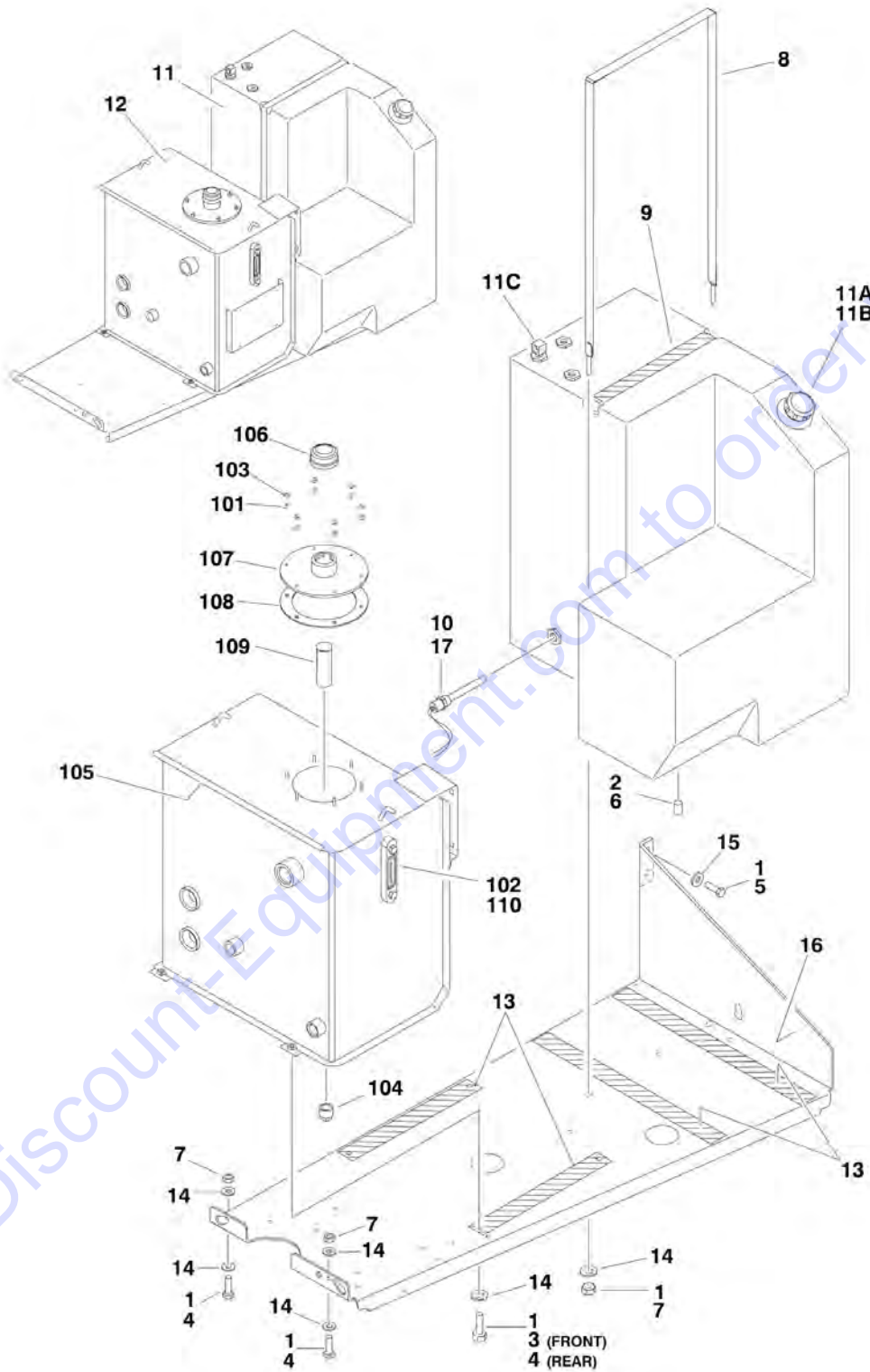
FIGURE 2-11. FUEL-WATER SEPARATOR INSTALLATION - DEUTZ D2011 ENGINES

ITEM	PART NUMBER	QTY	DESCRIPTION	REV
	1001196513	Ref	FUEL-WATER SEPARATOR INSTALLATION - DEUTZ D2011 ENGINES (OPTIONAL)	A
1	0100020	1	Sealant	
2	0641608	2	Bolt 3/8 x 1	
3	0641610	4	Bolt 3/8 x 1-1/4	
4	1320022	2	Clamp	
5	2180348	2	Fitting, Straight Barbed	
6	2220816	2	Fitting, Straight NPT	
7	2720058	13 ft/4m	Hose	
8	3271601	2	Nut 3/8 (Grade 8)	
9	4711600	4	Washer 3/8	
10	4711700	4	Washer 7/16	
11	1001188885	1	Bracket	
12	1001188887	1	Fuel/Water Separator Assembly	
12	1001202280	1	Head	
12	1001202281	1	Element	
100	1001204668	1	Fuel/Water Separator Add-on Kit	

Go to Discount-Equipment.com to order your parts

SECTION 2 - TURNTABLE

FIGURE 2-12. TANK INSTALLATIONS



Go to DiscountEquipment.com to order your parts

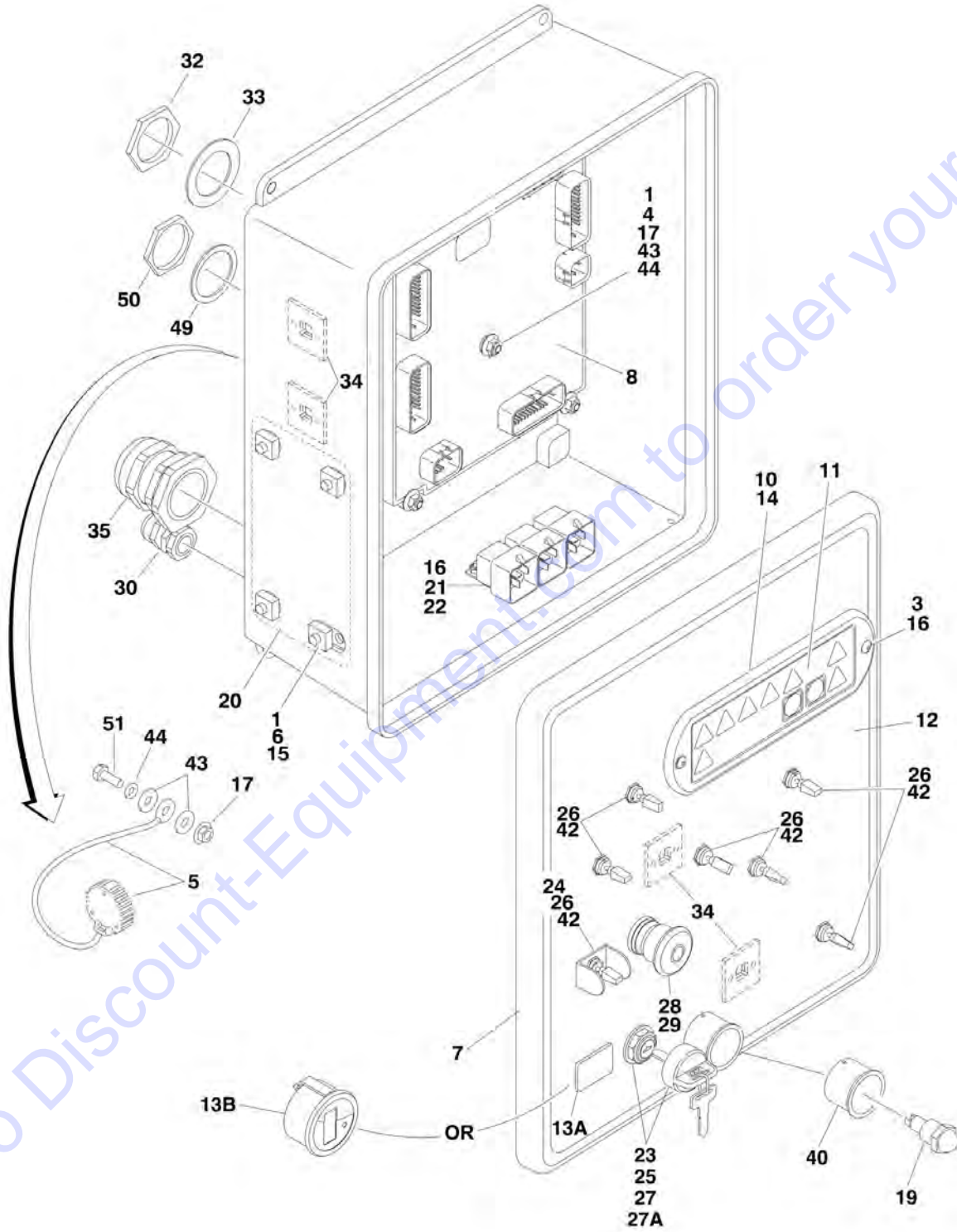
SECTION 2 - TURNTABLE

FIGURE 2-12. TANK INSTALLATIONS

ITEM	PART NUMBER	QTY	DESCRIPTION	REV
		Ref	TANKS INSTALLATION OPTIONS:	
	1001150389	Ref	Standard without Locking Fuel Tank	E
	1001153133	Ref	Optional with Locking Fuel Tank	C
1	0100011	AR	Compound, Locking	
2	0100020	AR	Sealant, Pipe	
3	0641608	2	Bolt 3/8in-16NC x 1in	
4	0641618	4	Bolt 3/8in-16NC x 2-1/4in	
5	0641811	2	Bolt 1/2in-13NC x 1-3/8in	
6	2200222	1	Plug (Deutz Engine Machines Only)	
7	3311601	AR	Nut 3/8in-16NC	
8	4240113	1	Strap, Tank (Deutz Engine Machines Only)	
9	4280295	25 in/ 63cm	Strip, Protective (Deutz Engine Machines Only)	
10	4360436	1	Switch, Fuel Level	
11	4400400	1	Tank, Fuel (SN 0300174703 through 0300196447)	
11	1001173897	1	Tank, Fuel (SN 0300196448 through 0300236298)	
11A		Ref	Cap Options:	
11A	7016314	1	Standard Cap - Non-Locking	
11A	1120487	1	Optional Blue Locking Cap (Not Shown) (Not Included with Tank)	
11B	70002716	1	Adapter (4400400 Tank Only)	
11C	7019658	1	Tube, Fuel Pick-up (With Fitting) (4400400 Tank)	
11C	70004184	1	Tube, Fuel Pick-up (With Fitting) (1001173897 Tank)	
12	1001145172	1	Hydraulic Tank Assembly (See Items 101-110 for Breakdown)	
13	4420038	75 in/1.9m	Tape, Rubber	
14	4751600	AR	Flatwasher 3/8in Regular	
15	4891800	2	Flatwasher 1/2in Hardened	
16	1001150198	1	Tray	
17	1001182997	AR	Sealant	
	1001145172	Ref	HYDRAULIC TANK ASSEMBLY	C
101	83304173	6	Flatwasher 1/4in Regular	
102	7024441	1	Gauge, Sight	
103	83304174	6	Nut 1/4in-20NC	
104	7024446	1	Plug, Magnetic	
105	4060803	22 in/ 68cm	Trim	
106	7024444	1	Cap, Vented	
107	7024439	1	Cover	
108	7024440	1	Gasket	
109	7024445	1	Strainer	
110	0100079	AR	Sealant #565	

SECTION 2 - TURNTABLE

FIGURE 2-13. GROUND CONTROL ASSEMBLY



SECTION 2 - TURNTABLE

FIGURE 2-13. GROUND CONTROL ASSEMBLY

ITEM	PART NUMBER	QTY	DESCRIPTION	REV
		Ref	GROUND CONTROL BOX ASSEMBLIES	
		Ref	Ground Control Box Assemblies 600SC:	
	1001108459	Ref	All Specs with Deutz D2011 Engine Except CE Specs	C
	1001145094	Ref	All Specs with Deutz TD2.9L4 Engine Except CE Specs	D
	1001108485	Ref	CE Spec with Deutz D2011 Engine (SN 0300174703 through 0300204657)	C
	1001193807	Ref	CE Spec with Deutz D2011 Engine (SN 0300204658 through 0300236298)	A
	1001145096	Ref	CE Spec with Deutz TD2.9L4 Engine (SN 0300174703 through 0300200816)	C
	1001188012	Ref	CE Spec with Deutz TD2.9L4 Engine (SN 0300200817 through 0300236298)	A
		Ref	Ground Control Box Assemblies 660SJC:	
	1001108484	Ref	All Specs with Deutz D2011 Engine Except CE Spec	C
	1001145095	Ref	All Specs with Deutz TD2.9L4 Engine Except CE Specs	D
	1001108486	Ref	CE Spec with Deutz D2011 Engine (SN 0300174703 through 0300204657)	C
	1001193808	Ref	CE Spec with Deutz D2011 Engine (SN 0300204658 through 0300236298)	A
	1001145097	Ref	CE Spec with Deutz TD2.9L4 Engine (SN 0300174703 through 0300200816)	C
	1001188013	Ref	CE Spec with Deutz TD2.9L4 Engine (SN 0300200817 through 0300236298)	A
1	0100011	AR	Compound, Locking	
2	0100048	AR	Grease, Dielectric (Not Shown)	
3	0630518	2	Capscrew, Button Head	
4	0630548	5	Screw, Self-Tapping	
5	1001106736	1	Cap, Dust	
6	0641506	4	Bolt 5/16in-18NC x 3/4in	
7		Ref	Box, Fiberglass Options:	
7	1001111017	1	Box (All Specs except CE Specs)	
7	1001111017	1	Box (CE Specs with Deutz D2011 Engine) (SN 0300174703 through 0300204657)	
7	1001188032	1	Box (CE Specs with Deutz D2011 Engine) (SN 0300204658 through 0300236298)	
7	1001111017	1	Box (CE Specs with Deutz TD2.9L4 Engine) (SN 0300174703 through 0300200816)	
7	1001188032	1	Box (CE Specs with Deutz TD2.9L4 Engine) (SN 0300200817 through 0300236298)	
7A	7020246	2	Latch (Not Shown)	
8	1001103667	1	Module, Ground Control (Note: Re-calibration Required when Replaced)	
10	1670829	1	Bezel	
11	1706712	1	Decal - Ground Control Display	
12		Ref	Decal - Faceplate Options:	
12		Ref	600SC	
12	1001102603	1	Decal (All Specs except CE Specs)	
12	1001102603	1	Decal (CE Specs with Deutz D2011 Engine) (SN 0300174703 through 0300204657)	
12	1001187351	1	Decal (CE Specs with Deutz D2011 Engine) (SN 0300204658 through 0300236298)	
12	1001102603	1	Decal (CE Specs with Deutz TD2.9L4 Engine) (SN 0300174703 through 0300200816)	

SECTION 2 - TURNTABLE

ITEM	PART NUMBER	QTY	DESCRIPTION	REV
12	1001187351	1	Decal (CE Specs with Deutz TD2.9L4 Engine) (SN 0300200817 through 0300236298)	
12		Ref	660SJC	
12	1001102604	1	Decal (All Specs except CE Specs)	
12	1001102604	1	Decal (CE Specs with Deutz D2011 Engine) (SN 0300174703 through 0300204657)	
12	1001187353	1	Decal (CE Specs with Deutz D2011 Engine) (SN 0300204658 through 0300236298)	
12	1001102604	1	Decal (CE Specs with Deutz TD2.9L4 Engine) (SN 0300174703 through 0300200816)	
12	1001187353	1	Decal (CE Specs with Deutz TD2.9L4 Engine) (SN 0300200817 through 0300236298)	
13		Ref	Gauge, Hourmeter Options:	
13A	2420172	1	Gauge, Hourmeter	
13B	1001109503	1	Gauge, Hourmeter	
14	2760105	1	Housing, Display Light	
15	3300205	4	Nut, Retainer	
16	3300408	4	Locknut, Plastic Insert	
17	77143013	11	Nut 1/4in-20NC, Whiz Lock	
19	4360387	1	Switch, Push Button	
20	3539219	1	Plate, Reinforcement	
21	3740049	AR	Relay	
22	3900268	2	Screw, Flange #10 x 1/2in	
23	3910804	6	Screw #8-32NC x 1/4in	
24	4060906	1	Shield, Toggle Switch	
25	1001151393	1	Shim	
26	4360328	AR	Switch, Toggle	
27		Ref	Keyswitch Options:	
27	4360469	1	Keyswitch (All Specs except CE Specs)	
27	4360470	1	Keyswitch (CE Specs with Deutz D2011 Engine) (SN 0300174703 through 0300204657)	
27	4360469	1	Keyswitch (CE Specs with Deutz D2011 Engine) (SN 0300204658 through 0300236298)	
27	4360470	1	Keyswitch (CE Specs with Deutz TD2.9L4 Engine) (SN 0300174703 through 0300200816)	
27	4360469	1	Keyswitch (CE Specs with Deutz TD2.9L4 Engine) (SN 0300200817 through 0300236298)	
27A	2860030	1	Key Replacement	
28	4360475	1	Switch, Emergency Stop	
28	7020175	1	Cap, Mushroom Head	
28	7020176	1	Block, Contact	
29	4360476	1	Switch, Contact Block	
30	4460426	1	Connector, Strain Relief	
32	4460470	1	Nut, Terminal	
33	4460471	1	Lockwasher, Terminal	
34	4460488	5	Mounting Base, Terminal	
35	4460526	1	Connector, Strain Relief	
40	1001176469	1	Shroud	
42	4740444	AR	Washer, Special	
43	4751400	12	Flatwasher 1/4in Regular	
44	4761400	6	Lockwasher 1/4in	
45	4922513	1	Harness, Valve (See ELECTRICAL SECTION for Breakdown) (Not Shown)	
46		Ref	Harness, Engine Options (See ELECTRICAL SECTION for	

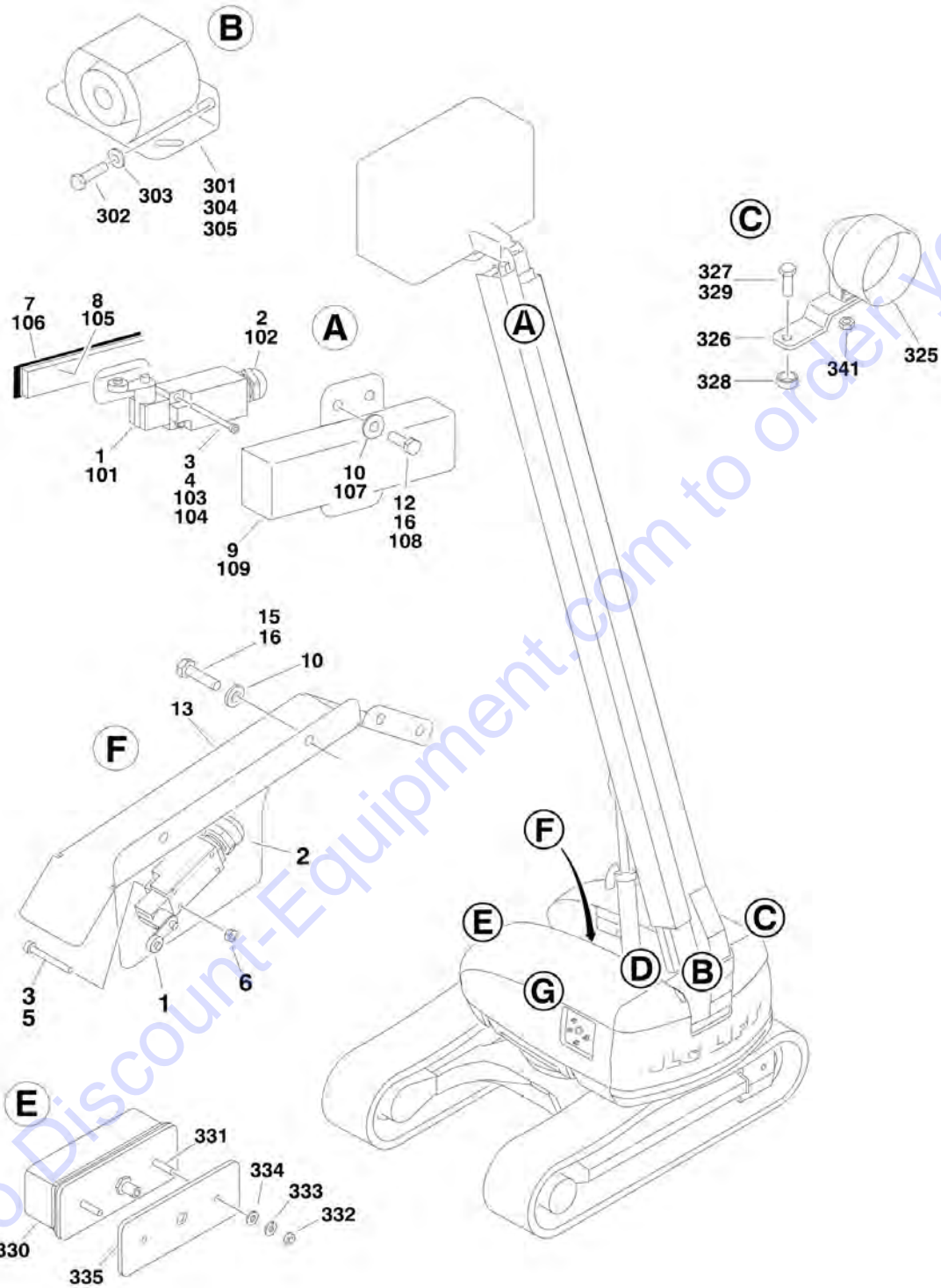
SECTION 2 - TURNTABLE

ITEM	PART NUMBER	QTY	DESCRIPTION	REV
			Breakdown) (Not Shown):	
46	1001108598	1	Harness (Deutz D2011 Engine)	
46	1001145093	1	Harness (Deutz TD2.9L4 Engine)	
47		Ref	Harness, Ground Control Box Options (See ELECTRICAL SECTION for Breakdown) (Not Shown):	
47	1001108602	1	Harness (All Specs except CE Specs with Deutz D2011 Engine)	
47	1001108602	1	Harness (CE Specs with Deutz D2011 Engine) (SN 0300174703 through 0300204657)	
47	1001185895	1	Harness (CE Specs with Deutz D2011 Engine) (SN 0300204658 through 0300236298)	
47	1001146150	1	Harness (All Specs except CE Specs with Deutz DT2.9L4 Engine)	
47	1001146150	1	Harness (CE Specs with Deutz TD2.9L4 Engine) (SN 0300174703 through 0300200816)	
47	1001185895	1	Harness (CE Specs with Deutz TD2.9L4 Engine) (SN 0300200817 through 0300236298)	
49	4460496	1	Lockwasher, Terminal	
50	4460497	1	Nut, Terminal	
51	0641407	1	Bolt 1/4in-20NC x 7/8in	

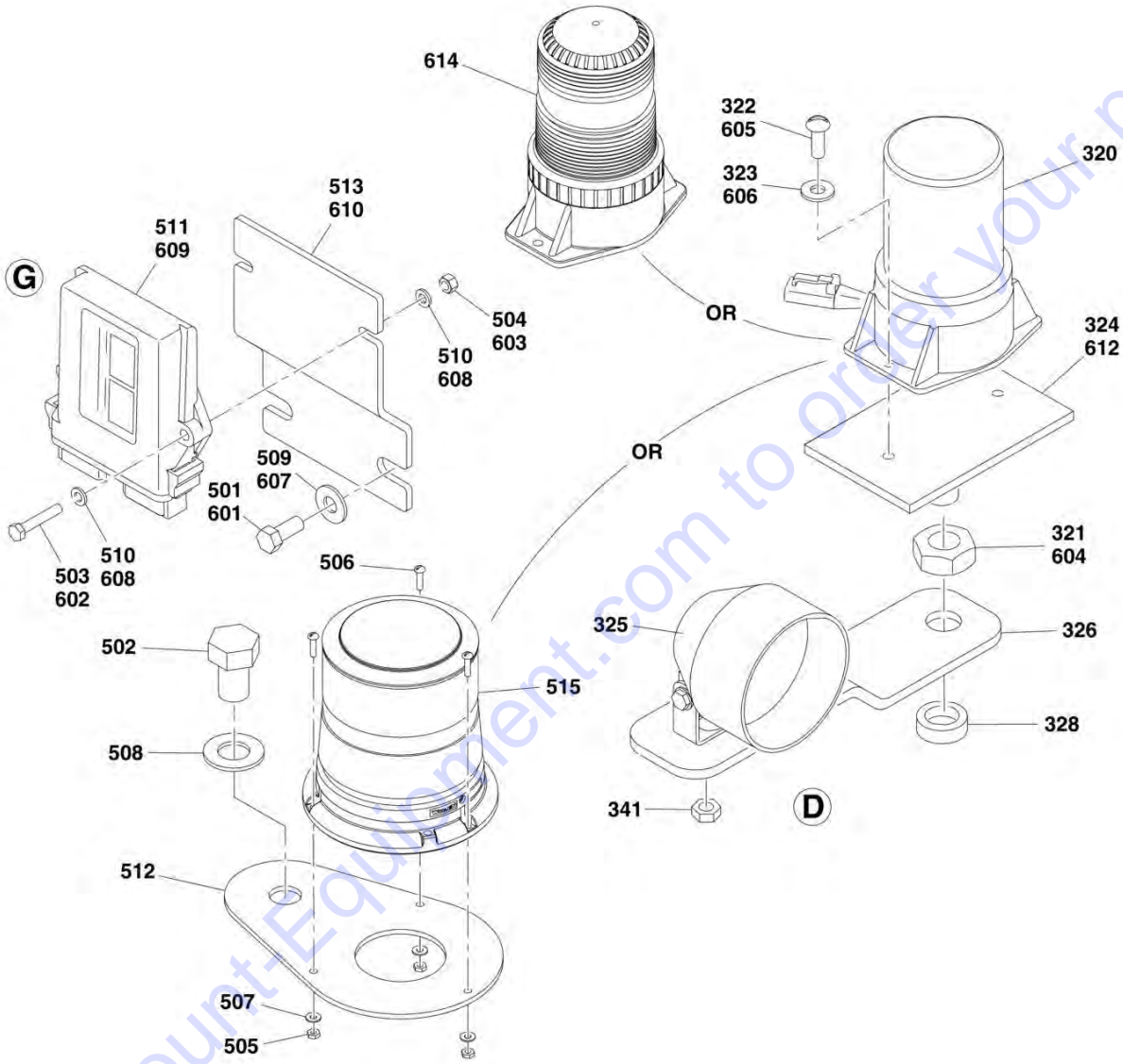
Go to Discount-Equipment.com to order your parts

SECTION 2 - TURNTABLE

FIGURE 2-14. ELECTRICAL OPTIONS INSTALLATION (TURNTABLE MOUNTED)



SECTION 2 - TURNTABLE



SECTION 2 - TURNTABLE

FIGURE 2-14. ELECTRICAL OPTIONS INSTALLATION (TURNTABLE MOUNTED)

ITEM	PART NUMBER	QTY	DESCRIPTION	REV
		Ref	LIMIT SWITCH INSTALLATION - DRIVE DISABLE	
	0270313	Ref	Limit Switch Installation - Drive Disable 600SC	8
	0270381	Ref	Limit Switch Installation - Drive Disable 660SJC	7
1	4360578	2	Switch, Limit	
2	4460968	2	Connector, Strain Relief	
3	0100035	AR	Compound, Locking	
4	3930816	2	Capscrew, Socket Head #8-32NC x 1in	
5	3930828	2	Capscrew, Socket Head #8-32NC x 1-3/4in	
6	3310801	2	Locknut #8-32NC	
7	4420060	8.7 ft/ 2.7m	Tape, Double Sided	
8		Ref	Bar, Fiberglass Options:	
8	0362528	NLA	Bar, Fiberglass 600SC (Use p/n 1001106479)	
8	0362951	NLA	Bar, Fiberglass 660SCJ (Use p/n 1001106484)	
9	3380535	1	Cover, Limit Switch	
10	4751400	AR	Flatwasher 1/4in Regular	
12	0641403	4	Bolt 1/4in-20NC x 3/8in	
13	1670818	1	Cover	
15	3931408	4	Capscrew, Socket Head 1/4in-20NC x 1/2in	
16	0100011	AR	Compound, Locking	
	0256305	Ref	LIMIT SWITCHES INSTALLATION - TRANSPORT	5
101	4360578	1	Switch, Limit	
102	4460968	1	Connector, Strain Relief	
103	0100035	AR	Compound, Locking	
104	3930816	2	Capscrew, Socket Head #8-32NC x 1in	
105	0362609	NLA	Bar, Fiberglass (Use p/n 1001106481)	
106	4420054	Ref	Tape, Double Sided	
106	4420054	17.1 ft/ 5.2m	Tape, Double Sided 600SC/660SJC	
107	4751400	4	Flatwasher 1/4in Regular	
108	0641403	4	Bolt 1/4in-20NC x 3/8in	
109	3380535	1	Cover, Limit Switch	
	0270833	Ref	ALARMS INSTALLATIONS	D
301	0257887	1	Alarm/Harness Assembly	
302	0641406	2	Bolt 1/4in-20NC x 3/4in	
303	4711400	2	Flatwasher 1/4in Thin	
304	0100048	AR	Grease, Dielectric	
305	0100011	AR	Compound, Locking	
	1001149955	Ref	STROBE LIGHT INSTALLATIONS (AMBER) (OPTIONAL)	C
	1001150406	Ref	STROBE LIGHT ASSEMBLY (AMBER)	B
320	2920161	1	Strobe Light/Harness Assembly	
320	7016319	1	Bulb	
320	7016372	1	Lens	
321	3312602	1	Nut, Jam 1in-8NC	
321	0100035	AR	Compound, Locking	
322	3900085	2	Screw #10-32 x 1/2in	
323	4751000	2	Flatwasher 1/4in Thin	
324	1001149994	1	Mount Strobe	
	1001151306	Ref	LIGHTS INSTALLATIONS (OPTIONAL)	B
325	2920110	2	Headlight	

SECTION 2 - TURNTABLE

ITEM	PART NUMBER	QTY	DESCRIPTION	REV
326	0902206	2	Bracket, Mounting	
327	0642612	1	Bolt 1in-8NC x 1-1/2in	
328	4220162	2	Spacer (SN 0300174703 through 0300184391)	
328	4892600	2	Washer 1 (SN 0300184392 through 0300236298)	
329	0100011	AR	Compound, Locking	
330	2920113	2	Taillight	
331	3911040	4	Screw, Machine #10-24NC x 2-1/2in	
332	3311005	4	Nut #10-24NC	
333	4751000	4	Flatwasher #10 Regular	
334	4740362	4	Washer, Fender	
335	3960461	2	Gasket	
337	4240032	AR	Tie-Strap (Not Shown)	
338	4460234	AR	Mount, Tie-Strap (Not Shown)	
339	4360522	1	Switch, Push Button (Not Shown - Located on Console)	
340	1705170	1	Decal - Lights (Not Shown - Located on Console)	
341	3311605	2	Nut 3/8	
	1001188858	Ref	STROBE LIGHT INSTALLATION (BLUE) (OPTIONAL) (SN 0300174703 through 0300218001)	B
	1001207306	Ref	STROBE LIGHT INSTALLATION (RED) (OPTIONAL) (SN 0300174703 through 0300217318)	B
501	0641607	2	Bolt 3/8 x 7/8	
502	0642612	1	Bolt 1 x 1-1/2	
503	0700615	2	Bolt M6 x 35	
504	3290607	2	Nut M6	
505	3311005	3	Nut #10	
506	3911012	3	Screw #10 x 3/4	
507	4711000	3	Washer #10	
508	4712600	1	Washer 1	
509	4751600	2	Washer 3/8	
510	4811700	4	Washer M6	
511	1001142683	1	Module, Beacon Light	
512	1001142694	1	Bracket	
513	1001142722	1	Bracket	
514	1001142736	1	Harness, Beacon Control (Module to Light) (Not Shown - See ELECTRICAL SECTION for Breakdown)	
515	1001143431	1	Light, Strobe (Blue)	
515	1001197067	1	Light, Strobe (Red)	
516	1001150944	1	Harness, Beacon Control (Module to Ground Control Box) (Not Shown - See ELECTRICAL SECTION for Breakdown)	
	1001205495	Ref	STROBE LIGHT AND HARNESS INSTALLATION (BLUE) (OPTIONAL) (SN 0300218001 through 0300236298)	D
	1001209870	Ref	STROBE LIGHT AND HARNESS INSTALLATION (RED) (OPTIONAL) (SN 0300217318 through 0300236298)	D
601	0641607	2	Bolt 3/8 x 7/8	
602	0700615	2	Bolt M6 x 35	
603	3290607	2	Nut M6	
604	3312602	1	Nut 1	
605	3900085	2	Screw #10 x 1/2	
606	4751000	2	Washer #10	
607	4751600	2	Washer 3/8	
608	4811700	4	Washer M6	
609	1001142683	1	Module, Beacon Light	
610	1001142722	1	Bracket	

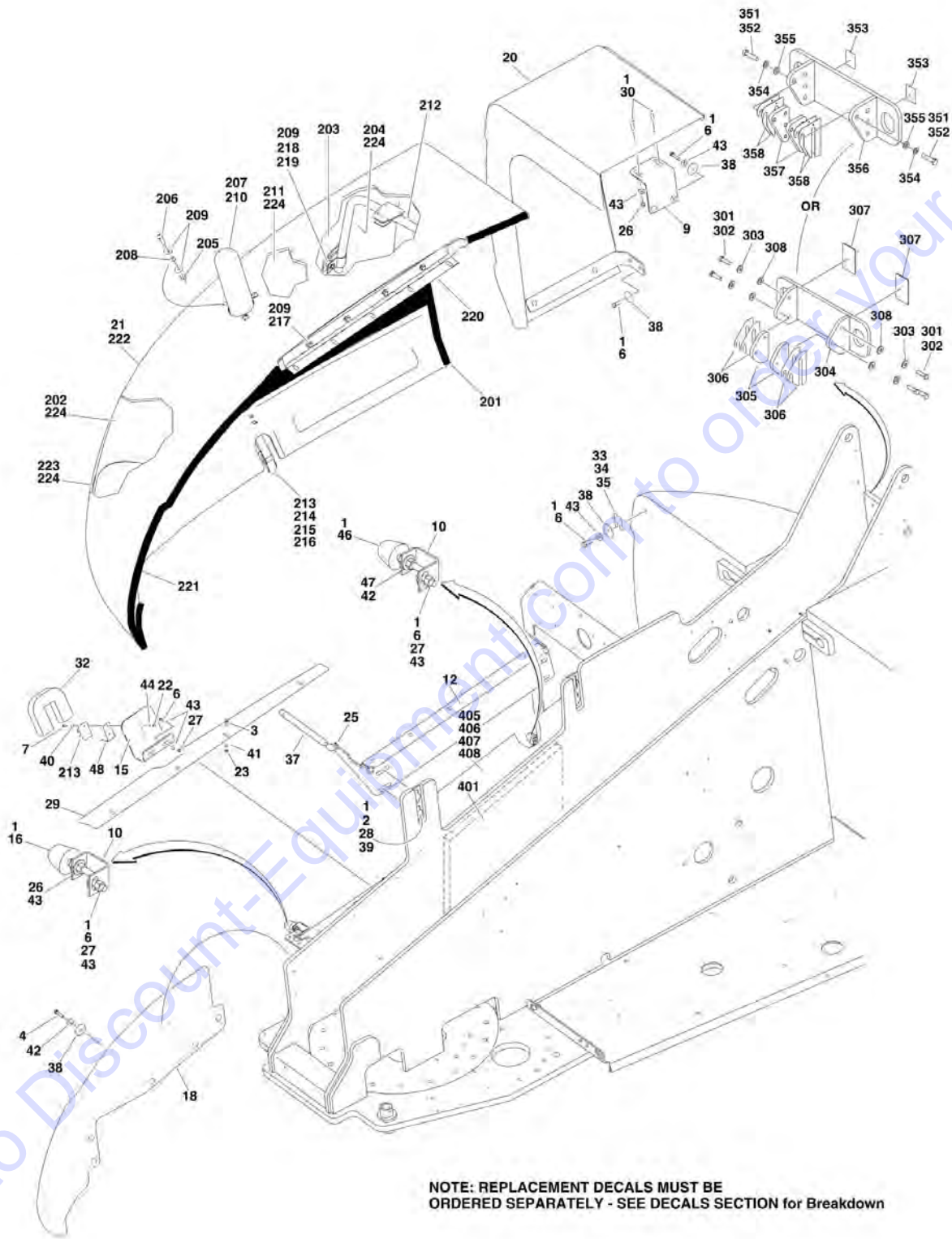
SECTION 2 - TURNTABLE

ITEM	PART NUMBER	QTY	DESCRIPTION	REV
611	1001142736	1	Harness, Beacon Control (Module to Light) (Not Shown - See ELECTRICAL SECTION for Breakdown)	
612	1001149994	1	Mount, Strobe	
614	1001200910	1	Light, Strobe (Blue)	
614	1001207004	1	Light, Strobe (Red)	
615	4240032	1	Tie-Strap (Not Shown)	
616	4460488	1	Mount, Tie-Strap (Not Shown)	

Go to Discount-Equipment.com to order your parts

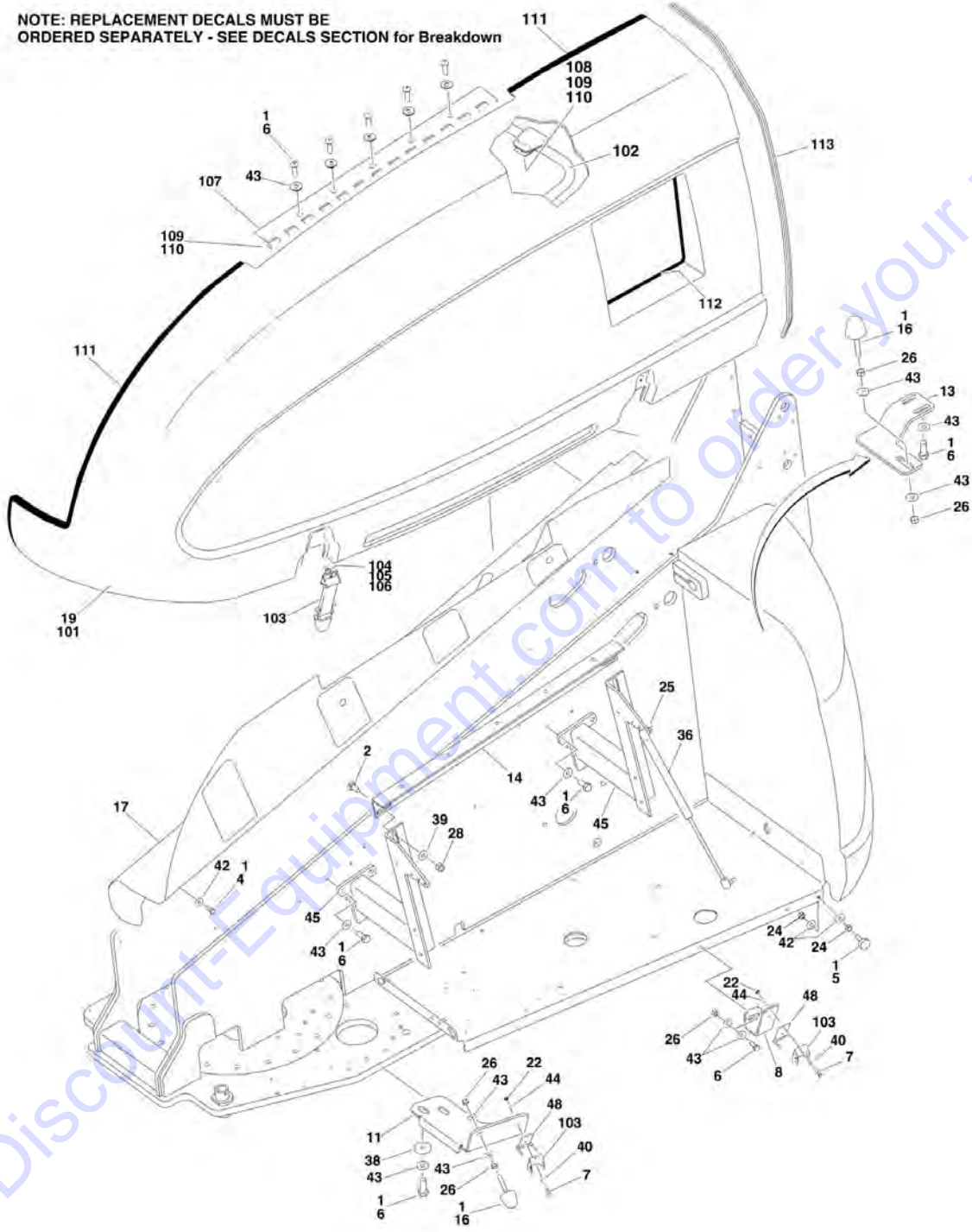
SECTION 2 - TURNTABLE

FIGURE 2-15. HOODS (ABS) AND LIFTING PLATE INSTALLATIONS



SECTION 2 - TURNTABLE

NOTE: REPLACEMENT DECALS MUST BE ORDERED SEPARATELY - SEE DECALS SECTION for Breakdown



SECTION 2 - TURNTABLE

FIGURE 2-15. HOODS (ABS) AND LIFTING PLATE INSTALLATIONS

ITEM	PART NUMBER	QTY	DESCRIPTION	REV
		Ref	HOODS INSTALLATION	
	1001100954	Ref	Deutz D2011 Engine Machines	B
	1001144624	Ref	Deutz TD2.9L4 Engine Machines	C
1	0100011	AR	Compound, Locking	
2	0630507	6	Bolt, Carriage 1/2in-13NC x 1-1/4in	
3	0641406	4	Bolt 1/4in-20NC x 3/4in	
4	0641506	14	Bolt 5/16in-18NC x 3/4in	
5	0940049	1	Stopper, Hood	
6	0641608	30	Bolt 3/8in-16NC x 1in	
7	0721006	6	Bolt #10-24NC x 3/4in	
8	0902143	1	Bracket	
9	0902161	1	Bracket, Hood Spacer	
10	0902219	2	Bracket, Bumper	
11	0902223	1	Bracket, Latch	
12	0902351	1	Bracket, Hood Mount	
13	0902384	1	Bracket, Hood Mount	
14	0902416	1	Bracket, Hood Mount	
15	0902491	1	Bracket, Hood Latch	
16	0940071	3	Bumper	
17	1670771	1	Cover	
18		Ref	Cover, Engine/Turntable Options:	
18	1670779	NLA	Cover, Engine/Turntable (Use p/n 1001158206) (SN 0300174703 through 0300179069)	
18	1001158206	1	Cover, Engine/Turntable (SN 0300179070 through 0300236298)	
19	1671228	1	Hood Assembly - Tank Side (See Items 101-113 for Breakdown)	
20	1671233	1	Hood, Engine Spacer	
21		Ref	Hood Assembly - Engine Side Options (See Items 201-222 for Breakdown):	
21	1001100955	1	Deutz D2011 Engine Machines	
21	1001144623	1	Deutz TD2.9L4 Engine Machines	
22	3311001	6	Nut #10-24NC	
23	3311405	4	Locknut 1/4in-20NC	
24	3311501	6	Nut 5/16in-18NC	
25	3311505	3	Locknut 5/16in-18NC	
26	3311601	8	Nut 3/8in-16NC	
27	3311605	5	Locknut 3/8in-16NC	
28	3311805	6	Locknut 1/2in-13NC	
29		Ref	Plate, Seal	
29	3571712	1	Deutz D2011 Engine Machines	
29	1001143858	1	Deutz TD2.9L4 Engine Machines	
30	3900232	2	Screw, Button Head 3/8in-16NC x 1-1/4in	
31	3960389	3.5 ft/ 1.1m	Seal	
32	3960470	1	Seal	
33	4070410	AR	Shim 1/16in	
34	4070411	AR	Shim 1/8in	
35	4070412	AR	Shim 3/16in	
36	4160139	2	Spring, Gas (Tank Side)	
37	4160143	1	Spring, Gas (Tank Side)	

PARTS FINDER

**Search Website
by Part Number**



**Search Manual
Library For Parts
Manual & Lookup Part
Numbers – Purchase
or Request Quote**

**Can't Find Part or
Manual? Request Help
by Manufacturer,
Model & Description**

Discount-Equipment.com is your online resource for quality parts & equipment.

Florida: **561-964-4949** Outside Florida TOLL FREE: **877-690-3101**

Need parts?

Click on this link: <http://www.discount-equipment.com/category/5443-parts/> and choose one of the options to help get the right parts and equipment you are looking for. Please have the machine model and serial number available in order to help us get you the correct parts. If you don't find the part on the website or on one of the online manuals, please fill out the request form and one of our experienced staff members will get back to you with a quote for the right part that your machine needs.

We sell worldwide for the brands: Genie, Terex, JLG, MultiQuip, Mikasa, Essick, Whiteman, Mayco, Toro Stone, Diamond Products, Generac Magnum, Airman, Haulotte, Barreto, Power Blanket, Nifty Lift, Atlas Copco, Chicago Pneumatic, Allmand, Miller Curber, Skyjack, Lull, Skytrak, Tsurumi, Husquvarna Target, Stow, Wacker, Sakai, Mi-T-M, Sullair, Basic, Dynapac, MBW, Weber, Bartell, Bennar Newman, Haulotte, Ditch Runner, Menegotti, Morrison, Contec, Buddy, Crown, Edco, Wyco, Bomag, Laymor, EZ Trench, Bil-Jax, F.S. Curtis, Gehl Pavers, Heli, Honda, ICS/PowerGrit, IHI, Partner, Imer, Clipper, MMD, Koshin, Rice, CH&E, General Equipment, Amida, Coleman, NAC, Gradall, Square Shooter, Kent, Stanley, Tamco, Toku, Hatz, Kohler, Robin, Wisconsin, Northrock, Oztec, Toker TK, Rol-Air, APT, Wylie, Ingersoll Rand / Doosan, Innovatech, Con X, Ammann, Mecalac, Makinex, Smith Surface Prep, Small Line, Wanco, Yanmar

SECTION 2 - TURNTABLE

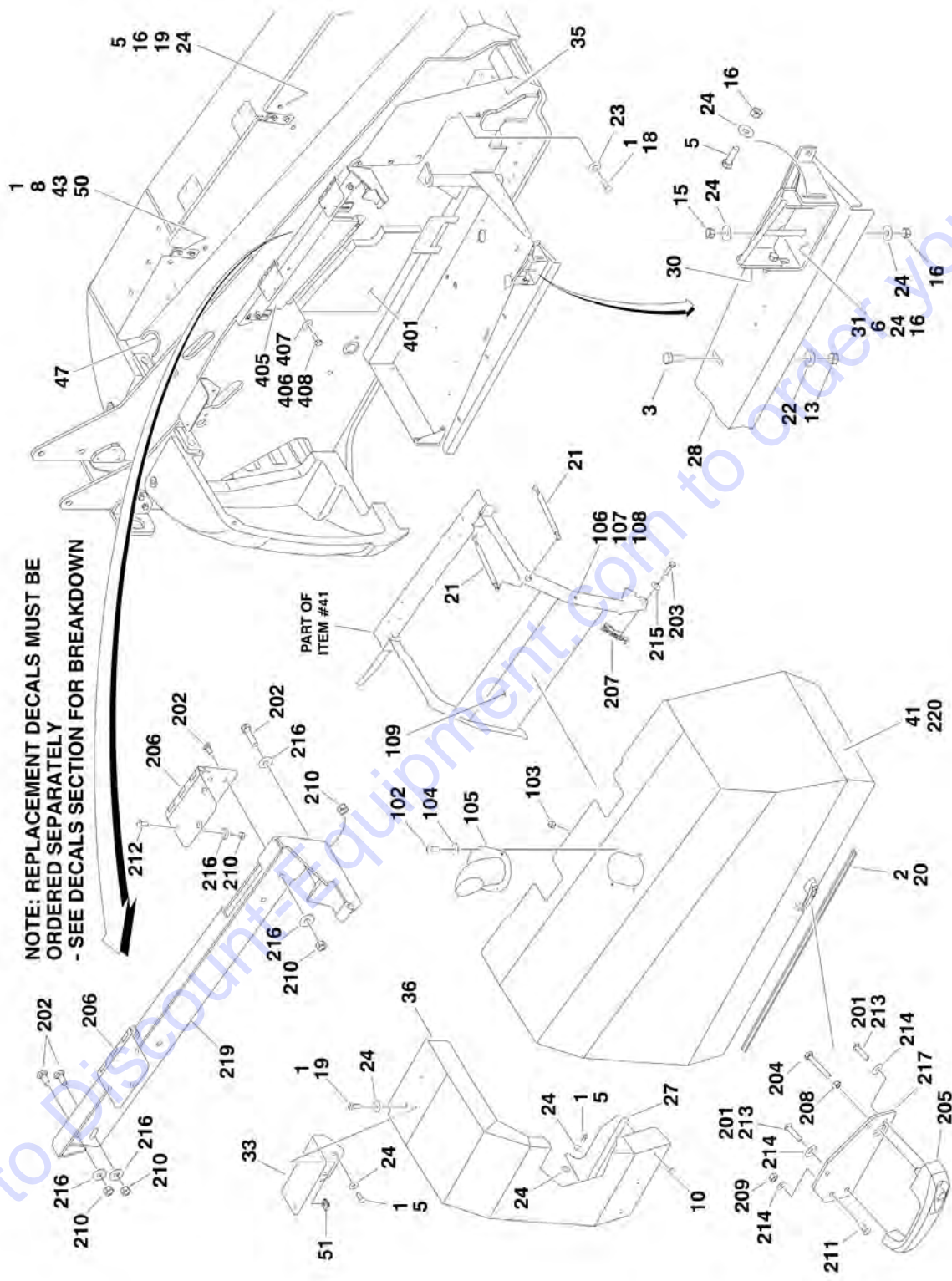
ITEM	PART NUMBER	QTY	DESCRIPTION	REV
38	4740076	16	Washer, Fender	
39	4740171	6	Washer, Hardened	
40	4751000	6	Flatwasher #10 Regular	
41	4751400	4	Flatwasher 1/4in Regular	
42	4751500	13	Flatwasher 5/16in Regular	
43	4751600	41	Flatwasher 3/8in Regular	
44	4761000	6	Lockwasher #10	
45	4845356	2	Hood Mount Weldment	
46	0940088	1	Bumper	
47	3321501	2	Nut 5/16in-24NF	
48	2940188	2	Latch, Spring Clip	
	1671228	Ref	HOOD TANK SIDE	A
101	1671231	1	Shell, Tank Side	
102	1671232	1	Frame, Tank Side	
103	2940088	2	Latch	
104	0721008	4	Bolt #10-24NC x 1in	
105	4751000	4	Flatwasher #10 Regular	
106	3311001	4	Nut #10-24NC	
107	2600233	1	Hinge	
108	1321384	4	Hold Down	
109	0641606	9	Bolt 3/8in-16NC x 3/4in	
110	4751600	9	Flatwasher 3/8in Regular	
111	3960464	7 ft/2.1m	Seal	
112	3960438	5 ft/1.5m	Seal	
113	3960462	4.5 ft/ 1.4m	Seal	
		Ref	HOOD ENGINE SIDE	
	1001100955	Ref	Deutz D2011 Engine Machines	D
	1001144623	Ref	Deutz TD2.9L4 Engine Machines	D
201	3960462	5.1 ft/ 1.6m	Seal	
202	2820233	1	Insulation, Rear (Deutz D2011 Engine Machines Only)	
203	2820234	1	Insulation, Center (Deutz D2011 Engine Machines Only)	
204	2820235	1	Insulation, Rear (Deutz D2011 Engine Machines Only)	
205	3311605	3	Locknut 3/8in-16NC	
206	3900232	3	Screw, Button Head 3/8in-16NC x 1-1/4in	
207	1001099121	1	Tube Weldment, Exhaust	
208	4740500	AR	Washer - Special	
209	4751600	14	Flatwasher 3/8in Regular	
210	1001101623	1	Gasket, Heat (Deutz D2011 Engine Machines Only)	
211	1001101673	1	Foam, Acoustical (Deutz D2011 Engine Machines Only)	
212		Ref	Frame, Engine Side Options:	
212	1671230	1	Deutz D2011 Engine Machines	
212	1001144622	1	Deutz TD2.9L4 Engine Machines	
213	2940088	1	Latch	
214	0721008	2	Bolt #10-24NC x 1in	
215	4751000	2	Flatwasher #10 Regular	
216	3311001	2	Nut #10-24NC	
217	0641608	6	Bolt 3/8in-16NC x 1in	
218	1321384	4	Hold Down	
219	0641606	4	Bolt 3/8in-16NC x 3/4in	
220	2600209	1	Hinge	

SECTION 2 - TURNTABLE

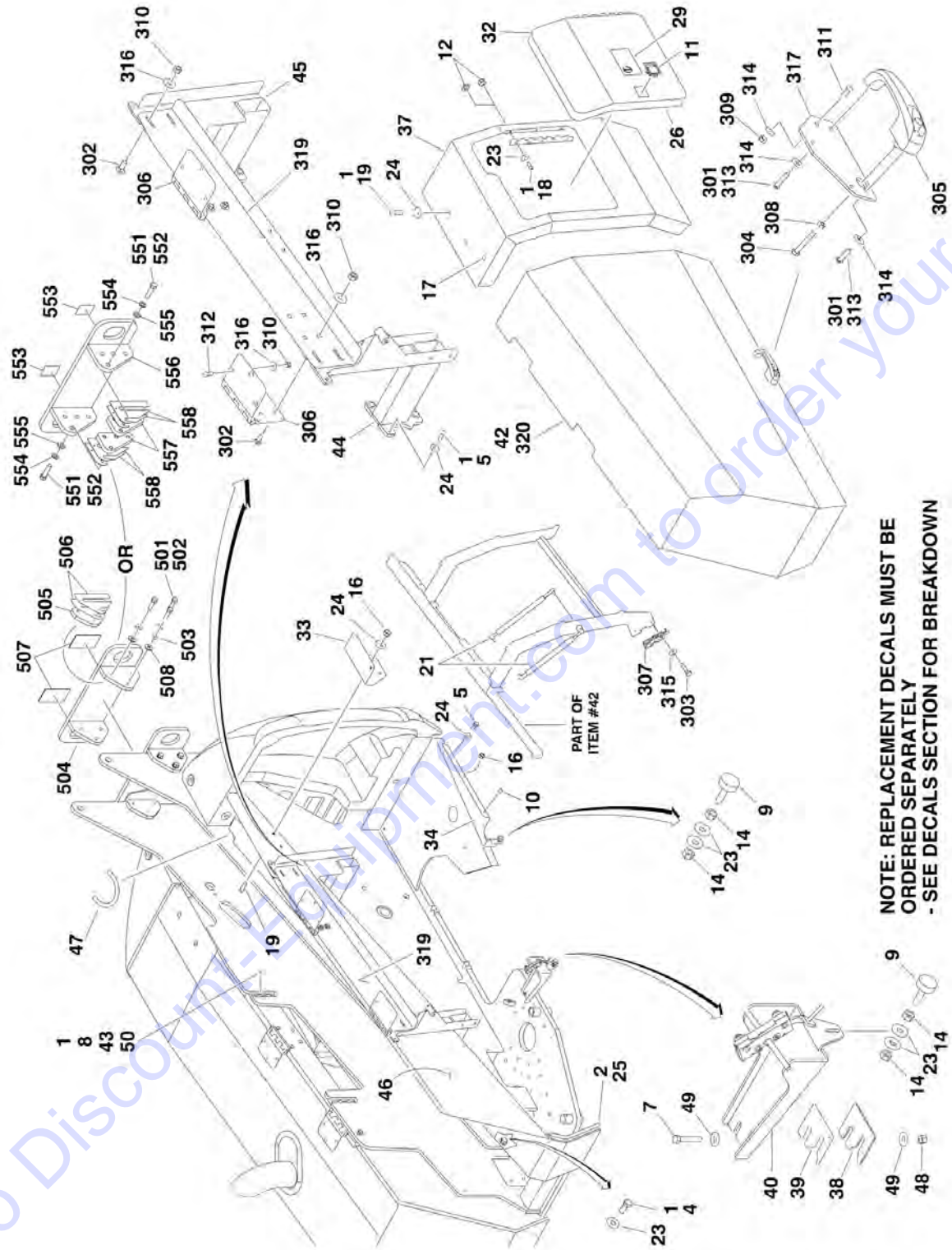
ITEM	PART NUMBER	QTY	DESCRIPTION	REV
221	3960464	5.5 ft/ 1.7m	Seal	
222		Ref	Hood Options (Not Available - Purchase Complete Assembly):	
222	1001100955	1	Deutz D2011 Engine Machines	
222	1001144623	1	Deutz TD2.9L4 Engine Machines	
223	1001105205	1	Shield, Heat (Deutz D2011 Engine Machines Only)	
224	10011152566	AR	Insulation (Deutz TD2.9L4 Engine Machines Only)	
224	1001117140	AR	Tape, Aluminum (Deutz TD2.9L4 Engine Machines Only)	
	1001150400	Ref	LIFTING PLATE INSTALLATION (SN 0300174703 through 0300227382)	E
301	0100019	AR	Compound, Locking	
302	0682018	6	Bolt 5/8in-11NC x 2-1/4in Grade 8	
302	0682020	6	Bolt 5/8in-11NC x 2-1/2in Grade 8	
303	4892000	6	Flatwasher 5/8in Hardened	
304	1001149928	1	Plate, Lifting	
305	1001149952	NLA	Plate (Use p/n 1001218618)	
305	1001218618	2	Plate	
306	1001151501	AR	Shim	
307	1703811	2	Decal - Lifting Lug	
308	4812300	AR	Washer M16	
309	4740229	AR	Washer (Not Shown)	
	1001218677	Ref	LIFTING PLATE INSTALLATION (SN 0300227383 through 0300236298)	B
351	0100019	AR	Compound, Locking	
352	0682020	6	Bolt 5/8in-11NC x 2-1/2in Grade 8	
353	1703811	2	Decal - Lifting Lug	
354	4812300	8	Washer M16	
355	4892000	6	Flatwasher 5/8in Hardened	
356	1001218679	1	Plate, Lifting	
357	1001218618	2	Plate	
358	1001218682	AR	Shim	
	0256823	Ref	NOISE REDUCTION INSTALLATION	3
401	2820078	1	Foam, Acoustical	
405	3539955	1	Plate, Baffle	
406	0641506	2	Bolt 5/16in-18NC x 3/4in	
407	4751500	2	Flatwasher 5/16in Regular	
408	0100011	AR	Compound, Locking	

SECTION 2 - TURNTABLE

FIGURE 2-16. HOODS (STEEL) AND LIFTING PLATE INSTALLATIONS



SECTION 2 - TURNTABLE



NOTE: REPLACEMENT DECALS MUST BE ORDERED SEPARATELY - SEE DECALS SECTION FOR BREAKDOWN

SECTION 2 - TURNTABLE

FIGURE 2-16. HOODS (STEEL) AND LIFTING PLATE INSTALLATIONS

ITEM	PART NUMBER	QTY	DESCRIPTION	REV
	1001150244	Ref	HOODS INSTALLATIONS (DEUTZ D2011 ENGINE MACHINES)	C
	1001144354	Ref	HOODS INSTALLATIONS (DEUTZ DT2.9L4 ENGINE MACHINES)	E
1	0100011	AR	Compound, Locking	
2	0100081	AR	Adhesive	
3	0641406	4	Bolt 1/4in-20NC x 3/4in	
4	0641506	AR	Bolt 5/16in-18NC x 1in	
5	0641608	AR	Bolt 3/8in-16NC x 7/8in	
6	0641611	2	Bolt 3/8in-16NC x 1-3/8in	
7	0681618	2	Bolt 3/8in-16NC x 2-1/4 Grade 8	
8	0811812	8	Bolt 1/2in-13NC x 1-1/4in	
9	0940049	2	Stopper, Hood	
10	2080040	6	Fastener, Huck	
11	2940045	1	Latch, Paddle	
12	3300364	3	Nut, Tinnerman	
12	3311505	3	Nut 5/16	
13	3311405	4	Locknut 1/4in-20NC	
14	3311501	4	Nut 5/16in-18NC	
15	3311601	1	Nut 3/8in-16NC	
16	3311605	13	Locknut 3/8in-16NC	
17	3520030	1	Plug, Hole	
18	3900210	AR	Screw, Button Head 5/16in-18 x 3/4in	
19	3900316	AR	Screw, Button Head 3/8in-16NC x 1in	
20	3960389	50 in/1.3m	Seal	
21	4160194	4	Spring, Gas	
22	4751400	4	Flatwasher 1/4in Regular	
23	4751500	20	Flatwasher 5/16in Regular	
24	4751600	AR	Flatwasher 3/8in Regular	
25	1001110166	12 ft/30cm	Seal	
26	1001113047	77 in/2m	Seal	
27	1001117234	1	Bracket, Hood	
28	1001117249	1	Plate, Seal (Deutz D2011 Engine Machines)	
28	1001143841	1	Plate, Seal (Deutz TD2.9L4 Engine Machines)	
29	1001117307	1	Decal - Emergency Stop	
30	1001117523	1	Bracket, Striker Plate	
31	1001117525	1	Bracket, Striker Plate	
32	1001117598	1	Door	
33	1001157867	2	Bracket, Hood Mounting	
34	1001118550	1	Bracket, Hood Support	
35	1001118735	1	Plate, Filler	
36	1001119283	1	Hood, Fixed Engine Side (Deutz D2011 Engine Machines)	
36	1001151710	1	Hood, Fixed Engine Side (Deutz DT2.9L4 Engine Machines)	
		Ref	Note: Replacement Decals must be Purchased Separately - See DECALS SECTION.	
37	1001121061	1	Hood Assembly - Fixed Tank Side	
		Ref	Note: Replacement Decals must be Purchased Separately - See DECALS SECTION.	
38	1001121118	AR	Shim 3mm	
39	1001121119	AR	Shim 1.5mm	
40	1001125097	1	Bracket, Striker	
41	1001150243	1	Hood Assembly - Engine Side (Deutz D2011 Engine Machines)	

SECTION 2 - TURNTABLE

ITEM	PART NUMBER	QTY	DESCRIPTION	REV
41	1001162916	1	(See Items 201-212 for Breakdown) Hood Assembly - Engine Side (Deutz DT2.9L4 Engine Machines) (See Items 201-212 for Breakdown)	
		Ref	Note: Customer must transfer Item 109 Heat Shield to Hood Assembly before putting machine back in service.	
		Ref	Note: Replacement Decals must be Purchased Separately - See DECALS SECTION.	
42	1001150244	1	Hood Assembly - Tank Side (See Items 201-212 for Breakdown)	
		Ref	Note: Replacement Decals must be Purchased Separately - See DECALS SECTION.	
43	1001150260	4	Plate, Hinge	
44	1001150332	1	Bracket	
45	1001150333	1	Bracket	
46	1001150370	1	Trough, Power Track (SN 0300174703 through 0300219844)	
46	1001196770	1	Trough, Power Track (SN 0300219845 through 0300236298)	
47	90206194	10 in/ 24cm	Trim-Lock	
48	3271605	2	Nut 3/8 Grade 8	
49	4891600	4	Washer 3/8	
50	2080072	4	Fastener	
51	88662523	4	Nut, Tinnerman	
	1001152119	Ref	HOODS INSTALLATIONS (DEUTZ D2011 ENGINE MACHINES)	B
	1001144354	Ref	HOODS INSTALLATIONS (DEUTZ TD2.9L4 ENGINE MACHINES)	E
102	3311605	4	Locknut 3/8in-16NC	
103	3900316	4	Screw, Button Head 3/8in-16NC x 1in	
103	0641608	4	Bolt 3/16 x 1	
104	4751600	AR	Flatwasher 3/8in Regular	
105	1001116456	1	Stack, Exhaust (Deutz D2011 Engine Machines)	
105	1001144527	1	Stack, Exhaust (Deutz DT2.9L4 Engine Machines)	
106	0641406	3	Bolt 1/4in-20NC x 3/4in	
107	3311405	3	Locknut 1/4in-20NC	
108	4751400	3	Flatwasher 1/4in Regular	
109	1001150561	1	Shield, Heat (Deutz D2011 Engine Machines)	
109	1001163101	1	Shield, Heat (Deutz DT2.9L4 Engine Machines)	
	1001150243	Ref	HOOD ENGINE SIDE (DEUTZ D2011 ENGINE MACHINES)	C
	1001162916	Ref	HOOD ENGINE SIDE (DEUTZ DT2.9L4 ENGINE MACHINES)	B
201	0100011	AR	Compound, Locking	
202	0630485	8	Bolt, Carriage	
203	0641408	4	Bolt 1/4in-20NC x 1in	
204	0700616	1	Bolt M6 x 40mm	
204	0700618	1	Bolt M6 x 50mm	
205	2560187	1	Handle, Push Button	
206	2600280	2	Hinge (SN 0300174703 through 0300219844)	
206	1001186254	2	Hinge (SN 0300219845 through 0300236298)	
207	2940173	1	Latch, Rotary	
208	3290601	1	Nut M6	
209	3311505	3	Locknut 5/16in-18NC	
210	3311605	14	Locknut 3/8in-16NC	
211	3900210	3	Screw, Button Head 5/16in-18NC x 3/4in	
212	3900316	6	Screw, Button Head 3/8in-16NC x 1in	
212	0641609	6	Bolt 3/8 x 1-1/8	
213	3900363	2	Screw, Button Head M6 x 25mm	

SECTION 2 - TURNTABLE

ITEM	PART NUMBER	QTY	DESCRIPTION	REV
214	4711500	5	Flatwasher 5/16in Thin	
215	4751400	4	Flatwasher 1/4in Regular	
216	4751600	AR	Flatwasher 3/8in Regular	
217	1001116290	1	Plate, Latch Mounting	
219	1001150253	1	Bracket (SN 0300174703 through 0300219844)	
219	1001196768	1	Bracket (SN 0300219845 through 0300236298)	
220	1001157208	1	Hood Sub-Assembly (Deutz D2011 Engine Machines) (Includes Hood and Items 204, 205, 208, 209, 211, 213, 214, 217 & 219)	
220	1001162915	1	Hood Sub-Assembly (Deutz DT2.9L4 Engine Machines) (Includes Hood and Items 204, 205, 208, 209, 211, 213, 214, 217 & 219)	
		Ref	Note: Customer must transfer Item 109 Heat Shield to Hood Assembly before putting machine back in service.	
	1001150244	Ref	HOOD TANK SIDE	C
301	0100011	AR	Compound, Locking	
302	0630485	8	Bolt, Carriage	
303	0641408	4	Bolt 1/4in-20NC x 1in	
304	0700616	1	Bolt M6 x 40mm	
304	0700617	1	Bolt M6 x 45mm	
305	2560187	1	Handle, Push Button	
306	2600280	2	Hinge, Offset (SN 0300174703 through 0300219844)	
306	1001186254	2	Hinge, Offset (SN 0300219845 through 0300236298)	
307	2940173	1	Latch, Rotary	
308	3290601	1	Nut M6	
309	3311505	3	Locknut 5/16in-18NC	
310	3311605	14	Locknut 3/8in-16NC	
311	3900210	3	Screw, Button Head 5/16in-18NC x 3/4in	
312	3900316	6	Screw, Button Head 3/8in-16NC x 1in	
312	0641608	6	Bolt 3/8 x 1	
313	3900363	2	Screw, Button Head M6 x 25mm	
314	4711500	5	Flatwasher 5/16in Thin	
315	4751400	4	Flatwasher 1/4in Regular	
316	4751600	14	Flatwasher 3/8in Regular	
317	1001116290	1	Plate, Latch Mounting	
319	1001150339	1	Bracket (SN 0300174703 through 0300219844)	
319	1001196769	1	Bracket (SN 0300219845 through 0300236298)	
320	1001157209	1	Hood Sub-Assembly (Includes Hood and Items 301, 304, 305, 308, 309, 311, 313, 314 & 317)	
	0256823	Ref	NOISE REDUCTION INSTALLATION	3
401	2820078	1	Foam, Acoustical	
405	3539955	1	Plate, Baffle	
406	0641506	2	Bolt 5/16in-18NC x 3/4in	
407	4751500	2	Flatwasher 5/16in Regular	
408	0100011	AR	Compound, Locking	
	1001150400	Ref	LIFTING PLATE INSTALLATION (SN 0300174703 through 0300227382)	E
501	0100019	AR	Compound, Locking	
502	0682018	6	Bolt 5/8in-11NC x 2-1/4in Grade 8	
503	4892000	6	Flatwasher 5/8in Hardened	
504	1001149928	1	Plate, Lifting	
505	1001149952	NLA	Plate (Use p/n 1001218618)	
505	1001218618	2	Plate	
506	1001151501	AR	Shim	

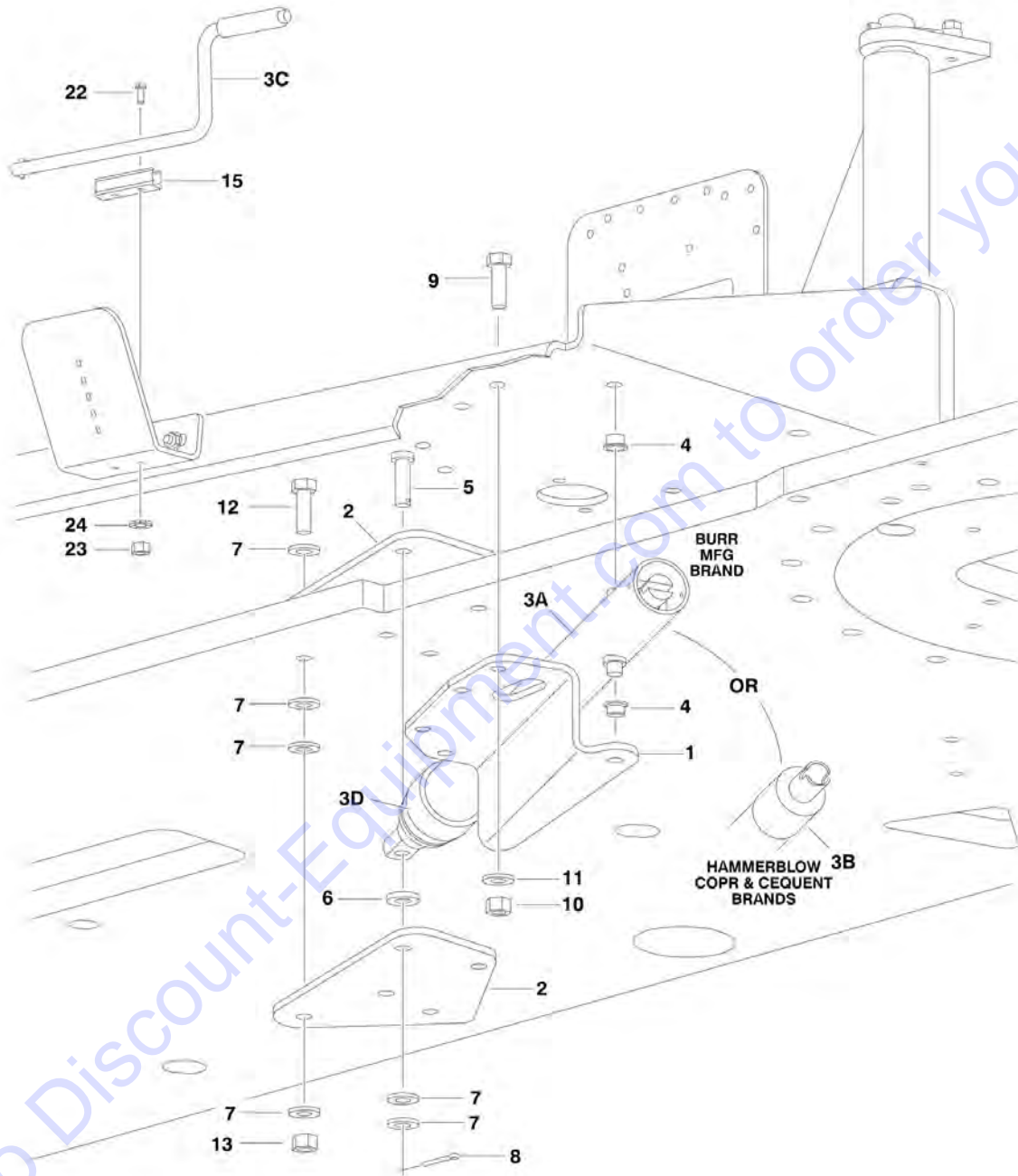
SECTION 2 - TURNTABLE

ITEM	PART NUMBER	QTY	DESCRIPTION	REV
507	1703811	2	Decal - Lifting Lug	B
508	4812300	AR	Washer M16	
509	4740229	AR	Washer (Not Shown)	
	1001218677	Ref	LIFTING PLATE INSTALLATION (SN 0300227383 through 0300236298)	
551	0100019	AR	Compound, Locking	
552	0682020	6	Bolt 5/8in-11NC x 2-1/2in Grade 8	
553	1703811	2	Decal - Lifting Lug	
554	4812300	8	Washer M16	
555	4892000	6	Flatwasher 5/8in Hardened	
556	1001218679	1	Plate, Lifting	
557	1001218618	2	Plate	
558	1001218682	AR	Shim	

Go to Discount-Equipment.com to order your parts

SECTION 2 - TURNTABLE

FIGURE 2-17. ENGINE TRAY JACK INSTALLATION



Go to Discount-Equipment.com to order your parts

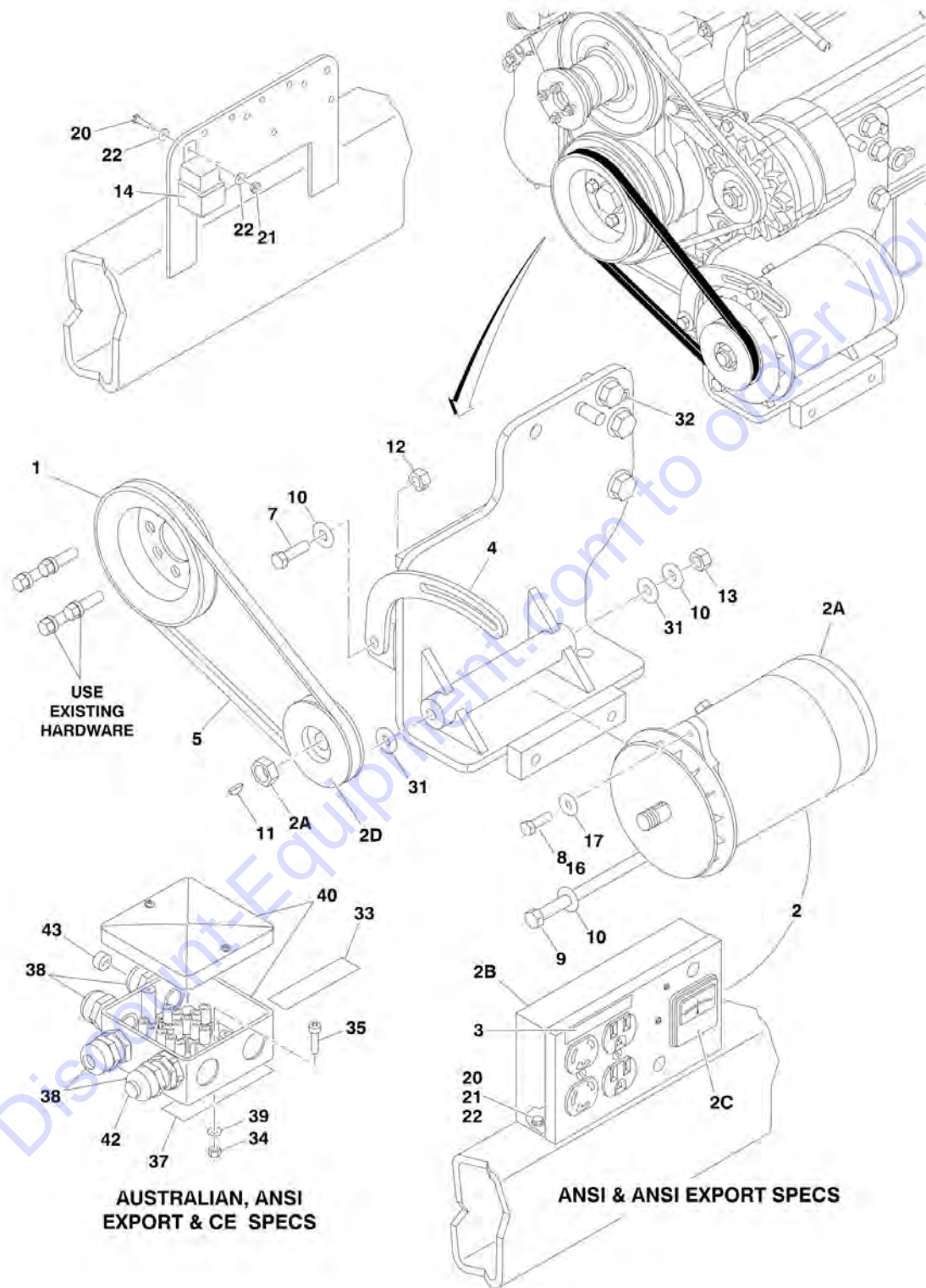
SECTION 2 - TURNTABLE

FIGURE 2-17. ENGINE TRAY JACK INSTALLATION

ITEM	PART NUMBER	QTY	DESCRIPTION	REV
	0255881	Ref	ENGINE TRAY JACK INSTALLATION	3-G
1	3537445	1	Bracket	
2	3537446	2	Bracket	
3	2840016	1	Hydraulic Jack Assembly Options:	F
3A		Ref	Burr Manufacturing Brand	
3B		Ref	Hammerblow Corp and Cequent Brands	
3C		Ref	Handle Options:	
3C	7016374	1	Burr Manufacturing Brand	
3C	7024598	1	Hammerblow Corp and Cequent Brands	
3D	7016322	1	Wiper (Burr Manufacturing Brand Only)	
4	0962051	2	Bushing, Flanged	
5	3430816	1	Pin, Clevis	
6	4891800	1	Flatwasher M12 Hardened	
7	4711800	6	Flatwasher 1/2in Thin	
8	3450404	1	Pin, Cotter 1/8in x 1in	
9	0641609	4	Bolt 3/8in-16NC x 1-1/8in	
10	3311605	4	Locknut 3/8in-16NC	
11	4891600	4	Flatwasher 3/8in Hardened	
12	0641818	4	Bolt 1/2in-13NC x 2-1/4in	
13	3311805	4	Locknut 1/2in-13NC	
15	1380147	1	Clip, Spring	
22	3910608	2	Screw #6-32NC x 1in	
23	3310601	2	Nut #6-32NC	
24	4770600	2	Starwasher #6	

SECTION 2 - TURNTABLE

FIGURE 2-18. 2500W GENERATOR INSTALLATION - DEUTZ D2011 MACHINES (OPTIONAL)



SECTION 2 - TURNTABLE

FIGURE 2-18. 2500W GENERATOR INSTALLATION - DEUTZ D2011 MACHINES (OPTIONAL)

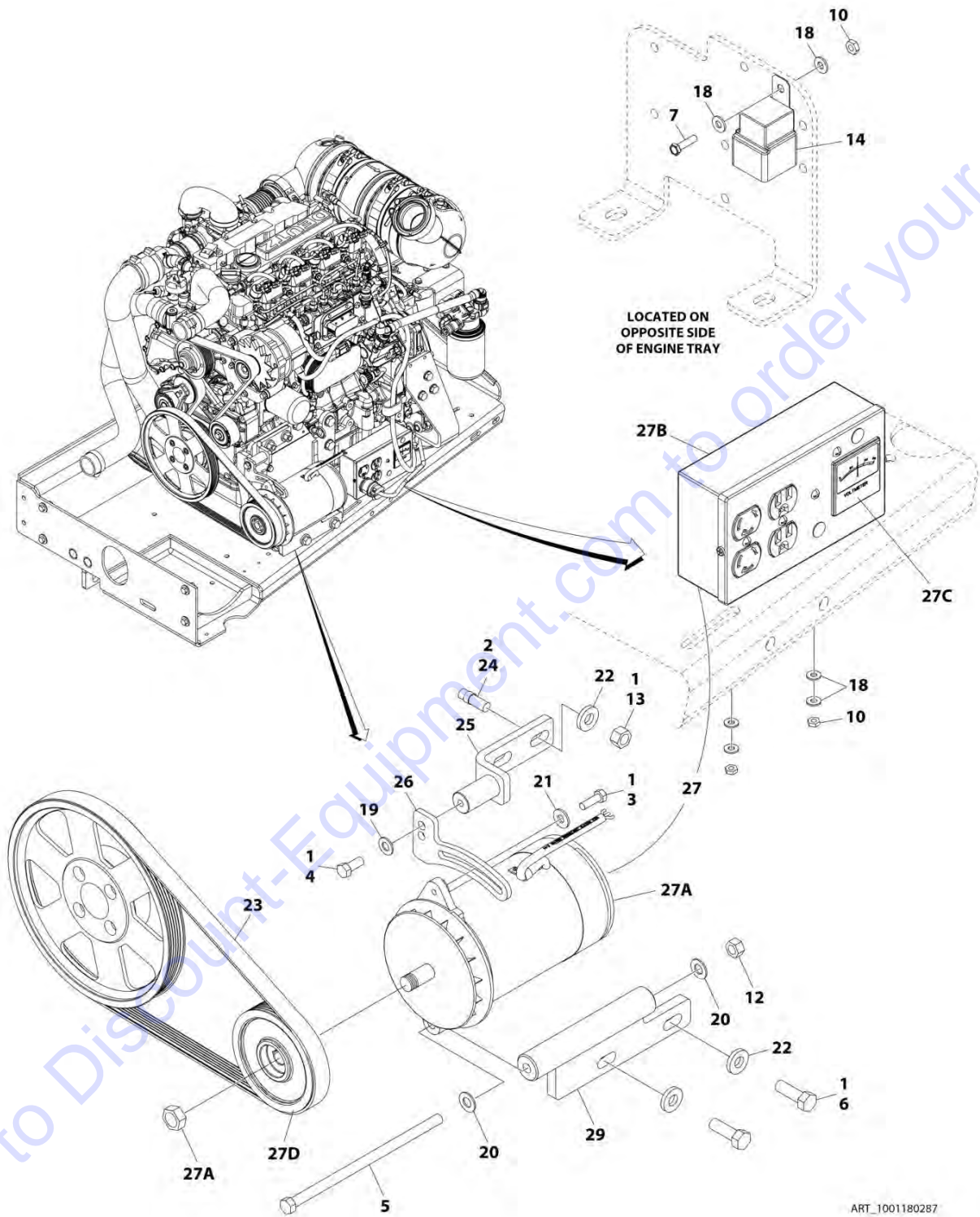
ITEM	PART NUMBER	QTY	DESCRIPTION	REV
		Ref	GENERATOR INSTALLATIONS	
	1001115405	Ref	110V/60Hz (Deutz D2011)	A
	1001115409	Ref	220V/50Hz	A
1	3580158	1	Pulley	
2		Ref	Generator and Control Box Assembly Options:	
2	2460055	1	110V/60Hz (ANSI and ANSI Export Specs)	
2	2460056	1	220V/50Hz (ANSI Export Specs):	
2	1001100321	1	220V/50Hz (Australian and CE Specs):	
2A	7012558	1	Generator Only - 110V/60Hz	
2A	1001100321	1	Generator Only - 220V/50Hz	
2A		Ref	Note: Replacement Generator come standard with p/n 3580134 pulley. This pulley may not be correct for all applications. Refer to pulley options below.	
2A		Ref	Armature with Slip Rings Options:	
2A	7026199	1	Armature with Slip Rings - 110V/60Hz	
2A	70000123	1	Armature with Slip Rings - 220V/50Hz	
2A	7012513	4	Cap, Brush Holder	
2A	7020108	4	Brush	
2A	7020109	4	Holder, Brush	
2A	7012514	1	Fan	
2A	7020110	1	Bell, Front	
2A	7020111	1	Bell, Rear	
2A	7020190	2	Bearing	
2B	7019680	1	Box, Control - 110V/60Hz	
2B	Not Required	0	Box, Control - 220V/50Hz	
2B		Ref	Receptacle Options:	
2B	4460190	1	Receptacle, Standard (110V Only)	
2B	4460027	1	Receptacle, Twistlock (110V Only)	
2B	70000124	1	Receptacle, Double (220V/50Hz Only)	
2B	70000125	1	Receptacle, Single (220V/50Hz Only)	
2B		Ref	Breaker, Circuit Options:	
2B	4360542	1	Breaker 110V/60Hz	
2B	70000126	1	Breaker 220V/50Hz	
2B	3520028	1	Plug, Hole	
2C		Ref	Voltmeter Options:	
2C	2420203	1	Voltmeter - 110V	
2C	7020192	1	Voltmeter - 220V	
2D		Ref	Pulley Options:	
2D	3580276	1	Pulley - 60Hz	
2D	3580134	1	Pulley - 50Hz	
2D	7027887	1	Key, Woodruff	
3		Ref	Decal Options:	
3	3251243	1	120V 60Hz	
3	Not Required	0	220V/50Hz	
4	0200742	1	Arm, Adjusting	
5	0480121	1	V-Belt	
7	0641610	1	Bolt 3/8in-16NC x 1-1/4in	
8	0100011	AR	Compound, Locking	
9	0641772	1	Bolt 7/16in-14NC x 9in	
10	4751600	6	Flatwasher 3/8in Regular	

SECTION 2 - TURNTABLE

ITEM	PART NUMBER	QTY	DESCRIPTION	REV
11	2860012	1	Key, Woodruff	
12	3311605	1	Locknut 3/8in-16NC	
13	3311705	1	Locknut 7/16in-14NC	
14	3740080	1	Relay	
16	0641508	1	Bolt 5/16in-18NC x 1in	
17	4751500	AR	Flatwasher 5/16in Regular	
20	0721006	AR	Bolt #10-24NC x 3/4in	
21	3311005	AR	Locknut #10-24NC	
22	4751000	AR	Flatwasher #10 Regular	
25	4360336	1	Switch, Toggle (Not Shown - Located at Platform)	
26	4740397	1	Bushing (Not Shown - Located at Platform)	
27	4060802	1	Guard, Switch (Not Shown - Located at Platform)	
28	3252507	1	Decal - 220V - 50/60Hz (Not Shown - Located on Turntable)	
29	2820031	4 in/10cm	Heat Shrink (Not Shown - Located at Platform)	
30	3251102	1	Decal (Not Shown - Located at Platform)	
		Ref	Note: Items 32-43 Used on 220V/50Hz Specs Only.	
31	4070585	AR	Shim	
32	0641404	1	Bolt 1/4in-20NC x 1/2	
33	3252507	2	Decal - 220V - 50Hz	
		Ref	Note: One Decal Not Shown - Located on the Inside of Platform Rail.	
34	3290505	1	Locknut M5 x 0.8mm	
35	4031608	1	Bolt M5 x 20mm	
36	4240018	1	Tie-Strap (Not Shown)	
37	4420060	1	Tape, Double Coated Acrylic Foam	
38	4460968	3	Connector, Strain Relief	
39	4811600	1	Flatwasher M5	
40	1001099869	1	Box, Junction	
42		Ref	Light Red Options:	
42	1001100233	1	125 Vac	
42	1001100234	1	250 Vac	
43	0962449	1	Bushing	
50	2902085	1	Kit, Powermite Generator Mounting (Not Shown)	

SECTION 2 - TURNTABLE

FIGURE 2-19. 2500W GENERATOR INSTALLATION - DEUTZ TD2.9L4 MACHINES (OPTIONAL)



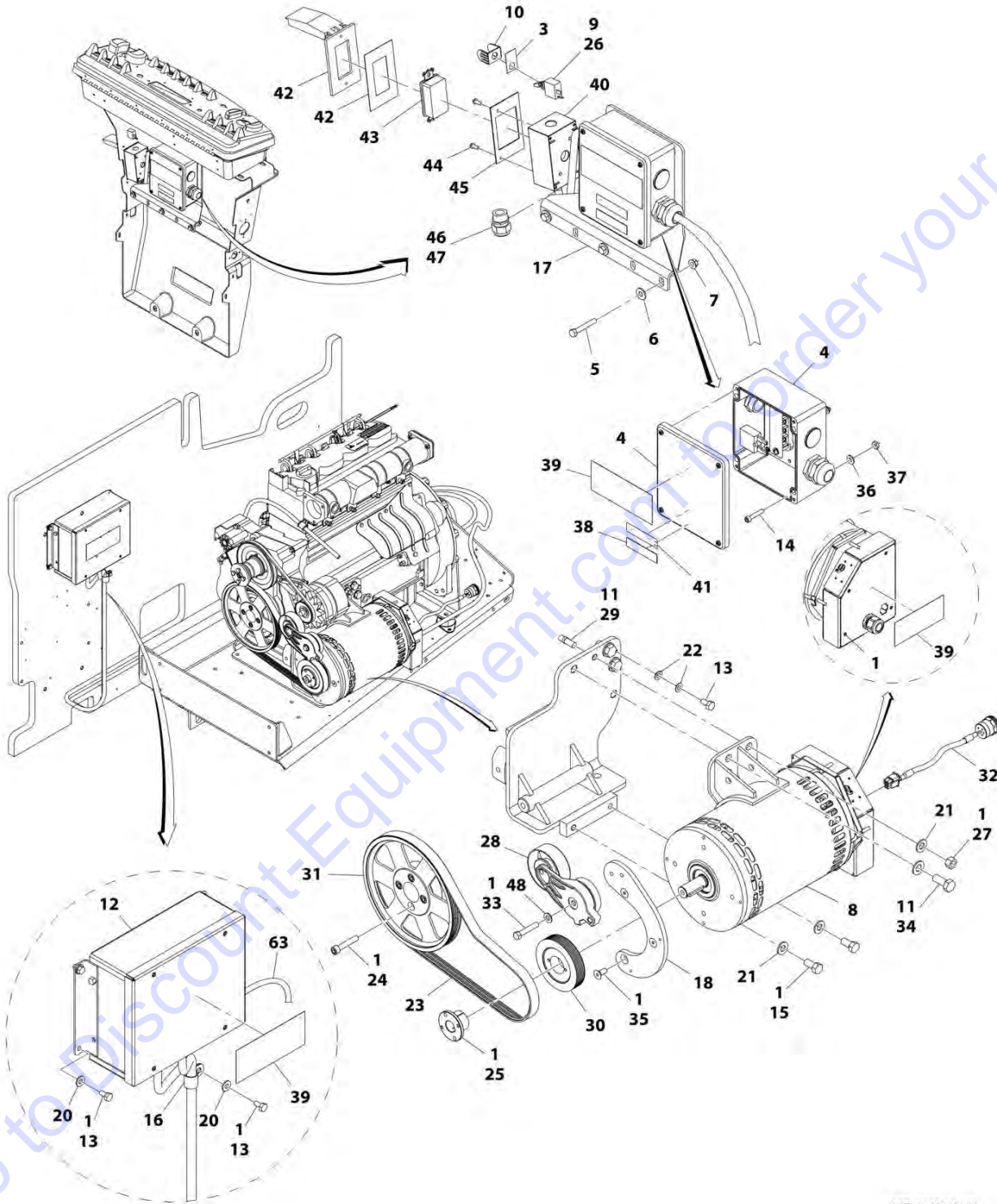
SECTION 2 - TURNTABLE

FIGURE 2-19. 2500W GENERATOR INSTALLATION - DEUTZ TD2.9L4 MACHINES (OPTIONAL)

ITEM	PART NUMBER	QTY	DESCRIPTION	REV
	1001180287	Ref	2500W GENERATOR INSTALLATION - DEUTZ TD2.9L4 MACHINES (OPTIONAL)	B
1	0100011	AR	Compound, Locking	
2	0100019	AR	Compound, Locking	
3	0641508	1	Bolt 5/16 x 1	
4	0641607	1	Bolt 3/8 x 7/8	
5	0641772	1	Bolt 7/16 x 9	
6	0641812	2	Bolt 1/2 x 1-1/2	
7	0721006	1	Screw #10 x 3/4	
8	2820031	AR	Heat Shrink (Not Shown - Located at Platform)	
9	3251102	1	Name Plate - Generator On (Not Shown - Located at Platform)	
10	3311005	3	Nut #10	
12	3311705	1	Nut 7/16	
13	3311801	2	Nut 1/2	
14	3740080	1	Relay	
15	4060802	1	Guard, Switch (Not Shown - Located at Platform)	
16	4240018	AR	Strap, Cable Tie (Not Shown)	
17	4360336	1	Switch, Toggle (Not Shown - Located at Platform)	
18	4711000	6	Washer #10	
19	4711600	1	Washer 3/8	
20	4711700	2	Washer 7/16	
21	4751500	1	Washer 5/16	
22	4891800	4	Washer 1/2	
23	1001148138	1	V-Belt	
24	1001163599	2	Stud	
25	1001216015	1	Bracket	
26	1001179837	1	Arm, Adjustment	
27	1001180001	1	Generator and Control Box Assembly	
27A	7012558	1	Generator Only - 110V/60Hz	
27A		Ref	Note: Replacement Generators come standard with p/n 3580134 pulley. This pulley may not be correct for all applications. Refer to pulley options below.	
27A	7026199	1	Armature with Slip Rings	
27A	7012513	4	Cap, Brush Holder	
27A	7020108	4	Brush	
27A	7020109	4	Holder, Brush	
27A	7012514	1	Fan	
27A	7020110	1	Bell, Front	
27A	7020111	1	Bell, Rear	
27A	7020190	2	Bearing	
27B	7019680	1	Box, Control - 110V/60Hz	
27B		Ref	Receptacle Options:	
27B	4460190	1	Receptacle, Standard (110V Only)	
27B	4460027	1	Receptacle, Twistlock (110V Only)	
27B	4360542	1	Breaker, Circuit	
27B	3520028	1	Plug, Hole	
27C	2420203	1	Voltmeter	
27D	3580276	1	Pulley	
27D	7027887	1	Key, Woodruff	
29	1001181243	1	Mount, Generator	

SECTION 2 - TURNTABLE

FIGURE 2-20. 4000W GENERATOR INSTALLATION - DEUTZ D2011 ENGINES



ART_1001139952

SECTION 2 - TURNTABLE

FIGURE 2-20. 4000W GENERATOR INSTALLATION - DEUTZ D2011 ENGINES

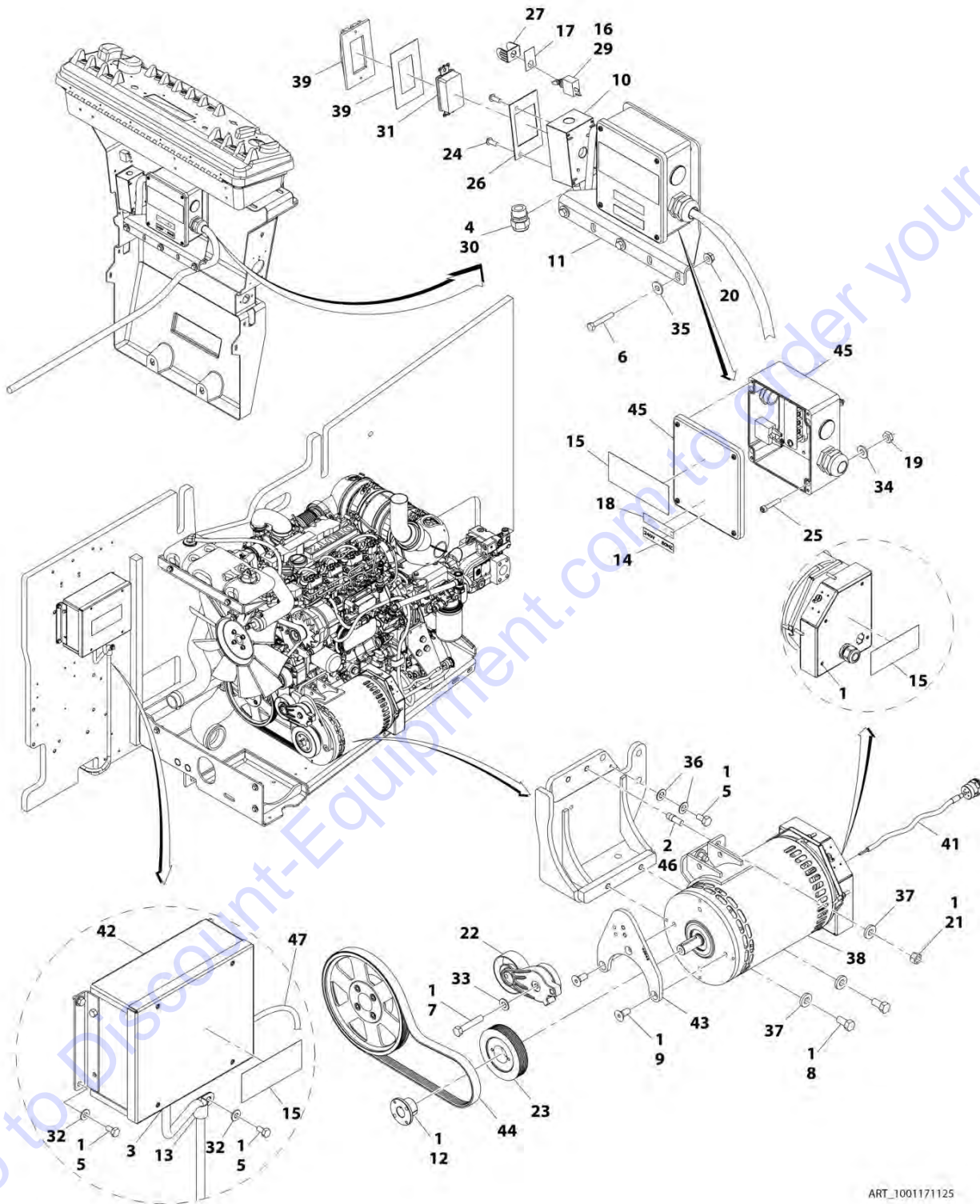
ITEM	PART NUMBER	QTY	DESCRIPTION	REV
		Ref	4000W GENERATOR INSTALLATION - DEUTZ D2011 ENGINES	
	1001139952	Ref	4000W/60Hz Generator Installation - Deutz D2011 Engines	B
	1001139953	Ref	4000W/50Hz Generator Installation - Deutz D2011 Engines	D
1	0100011	AR	Compound, Locking	
3	3251102	1	Nameplate - Generator	
4	1001152457	1	Junction Box Assembly (60Hz)	
4	3300396	1	Cover, Breaker	
4	4360070	1	Breaker, Circuit - 15Amp	
4	4460425	1	Connector, Strain Relief (LH Side)	
4	4460426	1	Connector, Strain Relief (RH Side)	
5	0641516	3	Bolt 5/16 x 2	
6	4751500	3	Washer 5/16	
7	3311508	3	Nut 5/16	
8	1001129858	1	Generator Assembly (60Hz)	
8	70003709	1	Ring, Retaining (External)	
8	70003708	1	Ring, Retaining (Internal)	
8	70001966	1	Bearing	
8	70004092	1	Endbell (Shaft End)	
8	70004171	1	Key	
8	70004676	1	Rotor	
8	70004684	1	Stator (60Hz)	
8	70004677	1	Stator (50Hz)	
8	70004678	1	Endbell (Rear)	
8	70004679	1	Cover, Endbell (Rear)	
8	70004680	1	Enclosure, Wiring	
8	70004685	1	Cover, Enclosure (60Hz)	
8	70004681	1	Cover, Enclosure (50Hz)	
8	70004682	1	Switch, Reset (Located on Enclosure Cover)	
8	70004098	1	Connector, Strain Relief (60Hz) (Located on Enclosure Cover)	
8	70004683	1	Connector, Strain Relief (50Hz) (Located on Enclosure Cover)	
8	1001138565	1	Generator Assembly (50Hz)	
9	4360336	1	Switch, Toggle	
10	4060802	1	Guard, Switch	
11	0100019	AR	Compound, Locking	
12	1001138566	1	Control Box Assembly	
13	0641404	6	Bolt 1/4 x 1/2	
14	3931016	4	Capscrew #10 x 1	
15	0641808	2	Bolt 1/2 x 1	
16	1320318	1	Clamp	
17	0902888	1	Bracket (60Hz)	
18	1001139357	1	Mount, Tensioner	
19	4240018	AR	Tie-Strap (Not Shown)	
20	4711400	5	Washer 1/4	
21	4711800	3	Washer 1/2	
22	4791400	2	Washer 1/4	
23	0480129	1	Belt, Generator (60Hz)	
23	0480126	1	Belt, Generator (50Hz)	
24	4032015	4	Capscrew M10 x 55	
25	0962520	1	Bushing, Split	
26	2820031	0.3 ft	Heat Shrink	

SECTION 2 - TURNTABLE

ITEM	PART NUMBER	QTY	DESCRIPTION	REV
		/0.1m		
27	3311801	1	Nut 1/2	
28	3580317	1	Tensioner, Belt with Pulley	
29	4300157	1	Stud	
30	3580318	1	Pulley, Generator (60Hz)	
30	3580319	1	Pulley, Generator (50Hz)	
31	3580320	1	Pulley, Engine	
32	1001152532	1	Harness, Generator	
33	0641616	1	Bolt 3/8 x 2	
34	0771415	1	Bolt M14 x 35	
35	0741607	3	Screw 3/8 x 7/8	
36	4751000	4	Washer #10	
37	3311005	4	Nut #10	
38	1705374	1	Decal - 240V (60Hz)	
39	1705387	3	Decal - Hazardous Voltage (60Hz)	
39	1705389	1	Decal - Hazardous Voltage (50Hz)	
40	0860038	1	Box, Switch - Weatherhead (60Hz)	
41	3251243	1	Decal - 120V (60Hz)	
42	1001110873	1	Cover, Receptacle (60Hz)	
43	4460346	1	Receptacle (60Hz)	
44	3910606	4	Screw #6 x 3/8	
45	3960422	1	Gasket (60Hz)	
46	0100020	AR	Sealant #567	
47	4460071	1	Connector (60Hz)	
48	4711600	1	Washer 3/8	
61	1001096070	1	Breaker Box Kit (Not Shown) (50Hz) (See ELECTRICAL SECTION for Breakdown)	
62	1001153636	1	Bracket (Attaches Item 61) (Not Shown) (50Hz)	
63	1001153197	1	Generator Harness (See ELECTRICAL SECTION for Breakdown)	

SECTION 2 - TURNTABLE

FIGURE 2-21. 4000W GENERATOR INSTALLATION - DEUTZ TD2.9L4 ENGINES



ART_1001171125

SECTION 2 - TURNTABLE

FIGURE 2-21. 4000W GENERATOR INSTALLATION - DEUTZ TD2.9L4 ENGINES

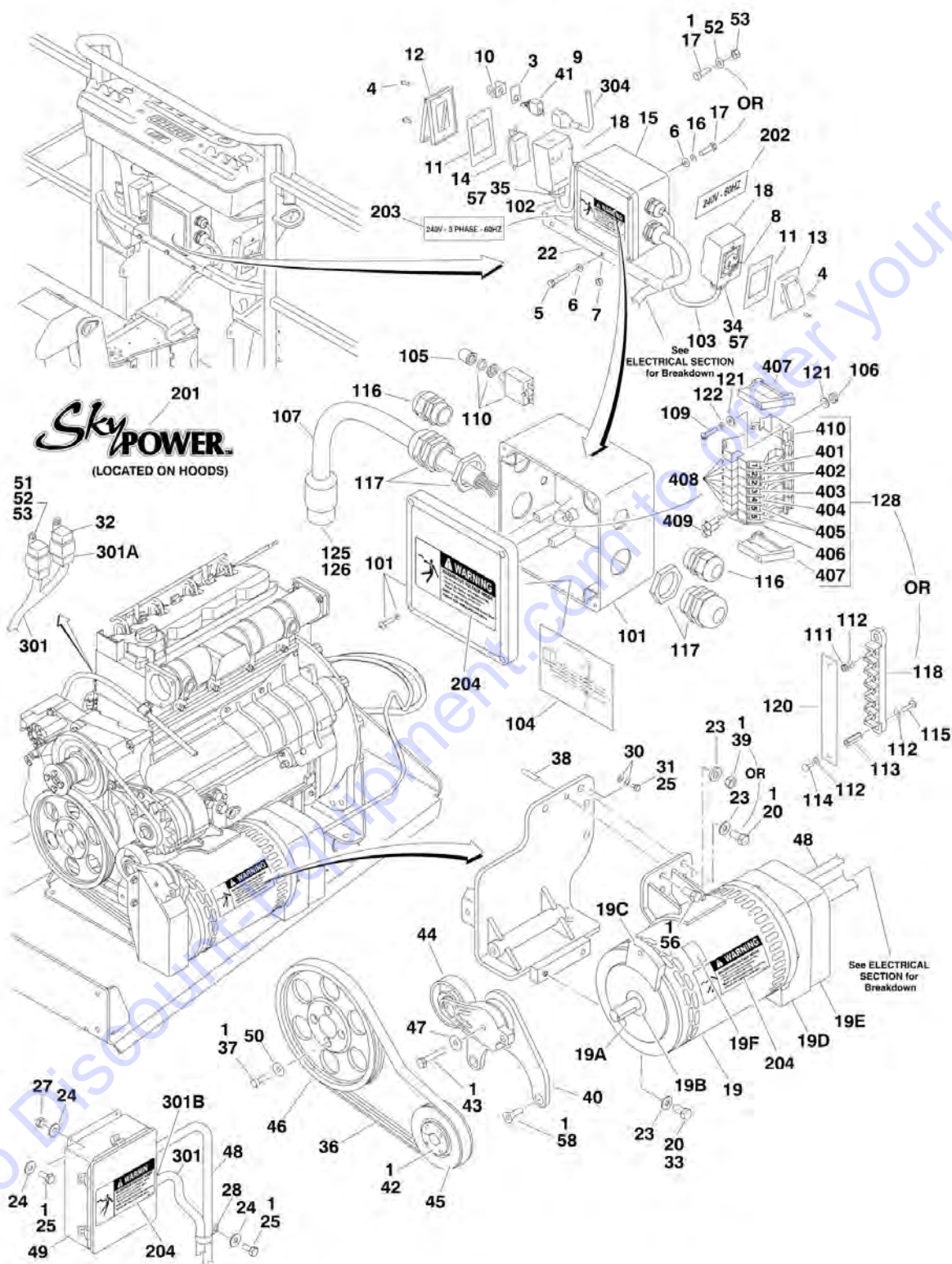
ITEM	PART NUMBER	QTY	DESCRIPTION	REV
		Ref	4000W GENERATOR INSTALLATION - DEUTZ TD2.9L4 ENGINES	
	1001171125	Ref	4000W/60Hz Generator Installation - Deutz TD2.9L4 Engines	B
	1001171265	Ref	4000W/50Hz Generator Installation - Deutz TD2.9L4 Engines	C
1	0100011	AR	Compound, Locking	
2	0100019	AR	Compound, Locking	
3	0100048	AR	Grease Dielectric	
4	0100079	AR	Sealant	
5	0641404	6	Bolt 1/4 x 1/2	
6	0641516	3	Bolt 5/16 x 2	
7	0641616	1	Bolt 3/8 x 2	
8	0641808	2	Bolt 1/2 x 1	
9	0741607	3	Screw 3/8 x 7/8	
10	0860038	1	Box, Switch (60Hz)	
11	0902888	1	Bracket, Junction Box (60Hz)	
12	0962520	1	Bushing, Split	
13	1320318	1	Clamp	
14	1705374	1	Decal - 240V (60Hz)	
15	1705387	3	Decal - Hazardous Voltage (60Hz)	
15	1705389	2	Decal - Hazardous Voltage (50Hz)	
16	2820031	0.3 ft/ 0.1m	Heat Shrink	
17	3251102	1	Nameplate, Generator	
18	3251243	1	Decal - 120V (60Hz)	
19	3311005	4	Nut #10	
20	3311508	3	Nut 5/16	
21	3311801	2	Nut 1/2	
22	3580317	1	Tensioner, Belt with Pulley	
23	3580318	1	Pulley, Generator (60Hz)	
23	3580319	1	Pulley, Generator (50Hz)	
24	3910606	4	Screw 6 x 3/8	
25	3931016	4	Capscrew #10 x 1	
26	3960422	1	Gasket, AC Receptacle (60Hz)	
27	4060802	1	Guard, Switch	
28	4240018	AR	Tie-Strap (Not Shown)	
29	4360336	1	Switch, Toggle	
30	4460071	1	Connector, Strain Relief (60Hz)	
31	4460346	1	Receptacle (60Hz)	
32	4711400	5	Washer 1/4	
33	4711600	1	Washer 3/8	
34	4751000	4	Washer #10	
35	4751500	3	Washer 5/16	
36	4791400	2	Washer 1/4	
37	4891800	4	Washer 1/2	
38	1001140346	1	Generator Assembly (60Hz)	
38	1001140347	1	Generator Assembly (50Hz)	
38	70003709	1	Ring, Retaining (External)	
38	70003708	1	Ring, Retaining (Internal)	
38	70001966	1	Bearing	
38	70004092	1	Endbell (Shaft End)	

SECTION 2 - TURNTABLE

ITEM	PART NUMBER	QTY	DESCRIPTION	REV
38	70004099	1	Key	
38	70004676	1	Rotor	
38	70004687	1	Stator (60Hz)	
38	70004686	1	Stator (50Hz)	
38	70004678	1	Endbell (Rear)	
38	70004679	1	Cover, Endbell (Rear)	
38	70004680	1	Enclosure, Wiring	
38	70004685	1	Cover, Enclosure (60Hz)	
38	70004681	1	Cover, Enclosure (50Hz)	
38	70004682	1	Switch, Reset (Located on Enclosure Cover)	
38	70004098	1	Connector, Strain Relief (60Hz) (Located on Enclosure Cover)	
38	70004683	1	Connector, Strain Relief (50Hz) (Located on Enclosure Cover)	
39	1001110873	1	Cover, Receptacle (60Hz)	
41	1001152532	1	Harness, Generator (60Hz)	
41	1001152532	1	Harness, Generator (50Hz)	
42	1001138566	1	Control Box Assembly	
43	1001142643	1	Support, Tensioner	
44	1001142646	1	Belt, Generator (60Hz)	
44	1001142645	1	Belt, Generator (50Hz)	
45	1001152457	1	Junction Box Assembly (60Hz)	
45	3300396	1	Cover, Breaker	
45	4360070	1	Breaker, Circuit - 15Amp	
45	4460425	1	Connector, Strain Relief (LH Side)	
45	4460426	1	Connector, Strain Relief (RH Side)	
46	1001163599	2	Stud	
47	1001153197	1	Generator Harness - Deutz D2011 Engines (See ELECTRICAL SECTION for Breakdown)	
47	1001153197	1	Generator Harness - Deutz DT2.9L4 Engines (See ELECTRICAL SECTION for Breakdown) (SN 0300213408 through 0300236298)	
47	1001153259	1	Generator Harness - Deutz DT2.9L4 Engines (See ELECTRICAL SECTION for Breakdown) (SN 0300174703 through 0300213407)	
75	1001096070	1	Breaker Box Kit (Not Shown) (50Hz) (See ELECTRICAL SECTION for Breakdown)	
76	1001154592	1	Bracket (Used to Attach Item 75) (Not Shown) (50Hz)	

SECTION 2 - TURNTABLE

FIGURE 2-22. 7500W SKYPOWER GENERATOR INSTALLATION - DEUTZ ENGINE (OPTIONAL)



SECTION 2 - TURNTABLE

FIGURE 2-22. 7500W SKYPOWER GENERATOR INSTALLATION - DEUTZ ENGINE (OPTIONAL)

ITEM	PART NUMBER	QTY	DESCRIPTION	REV
		Ref	7500W SKYPOWER GENERATOR INSTALLATION (OPTIONAL)	
		Ref	USA Built Machines:	
	1001115387	Ref	60Hz and Deutz D2011 Engine	F
	1001141421	Ref	60Hz and Deutz TD2.9L4 Engine	F
	1001115389	Ref	50Hz and Deutz D2011 Engine	E
	1001141422	Ref	50Hz and Deutz TD2.9L4 Engine	F
		Ref	Note: See ELECTRICAL SECTION for Boom Cable Installation.	
1	0100011	AR	Compound, Locking	
3	3252764	1	Nameplate	
4	3910606	AR	Screw #6-32NC x 3/8in	
5	0641516	3	Bolt 5/16in-18NC x 2in	
6	4711500	AR	Flatwasher 5/16in Thin	
7		Ref	Nut Options:	
7	3311505	3	Locknut 5/16in-18NC (Standard)	
7	3311508	3	Locknut 5/16in-18NC (Serrated Flange)	
8		Ref	Receptacle, Female Twist-Lock Options (220-240V Single) (Deutz D2011 Engines Only):	
8	4460958	1	60Hz (SN 0300174703 through 0300182752)	
8	See Note	1	50Hz (Note: Not Available - Purchase Locally)	
9	4360336	1	Switch, Toggle	
10	4060802	1	Guard, Switch	
11		Ref	Gasket Options:	
11	3960422	AR	60Hz	
11	See Note	NLA	50Hz (Note: Not Available - Purchase Locally)	
12		Ref	Cover, Receptacle Options:	
12	See Note	NLA	50Hz (Note: Not Available - Purchase Locally)	
12	1001110873	1	60Hz	
13		Ref	Cover, Receptacle Options (Deutz D2011 Engines Only):	
13	See Note	NLA	50Hz (Note: Not Available - Purchase Locally)	
13	1001110872	1	60Hz (SN 0300174703 through 0300182752)	
14		Ref	Receptacle, Female Options (110-120V):	
14	4460346	1	60Hz	
14	See Note	NLA	50Hz (Note: Not Available - Purchase Locally)	
14	4460315	AR	Terminal, Spade (60Hz Machines Only)	
15		Ref	Junction Box Assembly Options (See Items 101-128 for Breakdown):	
15	0861542	1	60Hz with Deutz D2011 Engine (SN 0300174703 through 0300182752)	
15	1001157592	1	60Hz with Deutz D2011 Engine (SN 0300182753 through 0300236298)	
15	1001142914	1	60Hz with Deutz TD2.9L4 Engine (SN 0300174703 through 0300182752)	
15	1001157592	1	60Hz with Deutz TD2.9L4 Engine (SN 0300182753 through 0300236298)	
15	0861567	1	50Hz Spec with Deutz D2011 Engine (SN 0300174703 through 0300182752)	
15	1001157525	1	50Hz Spec with Deutz D2011 Engine (SN 0300182753 through 0300236298)	
15	1001157592	1	50Hz Spec with Deutz TD2.9L4 Engine	
16	4761500	AR	Lockwasher 5/16in	
17		Ref	Bolt Options:	

SECTION 2 - TURNTABLE

ITEM	PART NUMBER	QTY	DESCRIPTION	REV
17	0641505	4	Bolt 5/16in-18NC x 5/8in	
17	0641508	4	Bolt 5/16in-18NC x 1in	
17	3931016	4	Capscrew #10-24NC x 1in	
18		Ref	Box, Switch Options:	
18	0860038	AR	60Hz Spec	
18	See Note	NLA	50Hz Spec (Note: Not Available - Purchase Locally)	
19		Ref	Generator Assembly Options:	
19	2460048	1	Deutz D2011 Engines	
19	1001136988	1	Deutz TD2.9L4 Engines (SN 0300174703 through 0300226249)	
19	1001212223	1	Deutz TD2.9L4 Engines (SN 0300226250 through 0300236298)	
19	70001100	1	Rotor (Includes p/n 70001384 & 70000863) (Not Shown)	
19	70001384	1	Bearing, Ball Radial (Not Shown):	
19	70000863	1	Fan (Not Shown)	
19		Ref	Stator Options (Not Shown):	
19	70002088	1	2460048 Generator	
19	70004093	1	1001136988 Generator	
19	70006093	1	1001212223 Generator	
19	70002297	1	Stud	
19	70003631	1	Brushholder Assembly (Not Shown) (was p/n 7024484)	
19A		Ref	Key Options:	
19A	70004171	1	2460048 Generator (was p/n 7024561)	
19A	70004099	1	1001136988 & 1001212223 Generators	
19B	70001966	1	Bearing, Ball Radial (Located in Belt Tensioner Endbell)	
19C		Ref	Endbell, Belt Tensioner Options:	
19C	70001953	1	2460048 Generator	
19C	70004092	1	1001136988 & 1001212223 Generators	
19D		Ref	Endbell, Brush Block Options:	
19D	70004169	1	2460048 Generator (was p/n 70001385)	
19D	70004094	1	1001136988 & 1001212223 Generators	
19E		Ref	Shroud (was p/n 70002290)	
19E	70004169	1	2460048 Generator (was p/n 70002290)	
19E	70004096	1	1001136988 Generator	
19E	70006094	1	1001212223 Generator	
19E		Ref	Insulator, Endbell Options:	
19E	See Note	NSS	2460048 Generator (Note: Not Available for Purchase)	
19E	70004097	1	1001136988 Generator	
19E	70002291	1	1001212223 Generator	
19E	7027799	1	Block, Connector 6 Position (Not Shown)	
19E	70002460	1	Nut, Brass (Attaches p/n 7027799 to Cover) (Not Shown)	
19E		Ref	Breaker, Circuit 30Amp Options (Not Shown):	
19E	7024485	1	2460048 & 1001139688 Generators	
19E	70006095	1	1001212223 Generator	
19E		Ref	Boot, Breaker Options (Not Shown):	
19E	70001696	1	2460048 & 1001136988 Generators (was p/n 7024486)	
19E	70006096	1	1001212223 Generator	
19E	7026597	1	Connector, With Leads (Not Shown)	
19E	7026626	1	Housing Plug and Pins (Not Shown)	
19E		Ref	Clamp, Cable Options (Not Shown):	
19E	7026188	1	2460048 Generator	
19E	70004098	1	1001136988 & 1001212223 Generators	

SECTION 2 - TURNTABLE

ITEM	PART NUMBER	QTY	DESCRIPTION	REV
19E	70003708	1	Retaining Ring Internal (Not Shown)	
19E	70003709	1	Retaining Ring External (Not Shown)	
19E		Ref	Plate, End Panel Options:	
19E	70004169	1	2460048 Generator	
19E	70004095	1	1001136988 Generator	
19E	70006097	1	1001212223 Generator	
19E	70001974	1	Decal - Terminal Connections	
19F	70001973	1	Decal - Warning Moving Parts	
20	0641808	2	Bolt 1/2in-13NC Options	
22	0902888	1	Bracket, Box Mounting	
23	4891800	AR	Flatwasher 1/2in Hardened	
24		Ref	Flatwasher 1/4in Options:	
24	4711400	AR	Flatwasher 1/4in Thin	
24	4751400	AR	Flatwasher 1/4in Regular	
24	4761400	AR	Lockwasher 1/4in	
25		Ref	Bolt Options:	
25	0641404	AR	Bolt 1/4in-20NC x 1/2in	
25	0641405	AR	Bolt 1/4in-20NC x 5/8in	
25	0641408	AR	Bolt 1/4in-20NC x 1in	
27	3311405	AR	Nut 1/4in-20NC	
28	1320318	1	Clamp	
29	4240018	AR	Tie-Strap (Not Shown)	
30	4791400	2	Starwasher 1/4in	
31	0641403	AR	Bolt 1/4in-20NC x 3/8in	
32	3740080	1	Relay (Deutz D2011 Engines) (SN 0300174703 through 0300182215)	
33	0100019	AR	Compound, Locking	
34		Ref	Connector, Strain Relief Options (Deutz D2011 Engines Only):	
34	4460051	1	60Hz (SN 0300174703 through 0300182752)	
34	See Note	NLA	50Hz (Note: Not Available - Purchase Locally)	
35		Ref	Connector, Strain Relief	
35	4460071	1	60Hz	
35	See Note	NLA	50Hz (Note: Not Available - Purchase Locally)	
36		Ref	Belt, Drive Options:	
36	0480129	1	Deutz D2011 Engines with 60Hz Generators	
36	0480126	1	Deutz D2011 Engines with 50Hz Generators	
36	1001142646	1	Deutz TD2.9L4 Engine with 60Hz Generator	
37	4032015	AR	Capscrew M10 x 55mm (Deutz D2011 Engines Only)	
38	4300157	1	Stud (SN 0300174703 through 0300182215)	
38	1001163599	1	Stud (SN 0300182216 through 0300236298)	
39	3311801	1	Nut 1/2in-13NC	
40	1001142643	1	Support, Belt Tensioner (Deutz TD2.9L4 Engines Only)	
41	2820031	1	Insulator	
42	0962520	1	Bushing, Split Taper (was p/n 7024562)	
43		Ref	Bolt 3/8in-16NC Options:	
43	3931632	1	Capscrew, Socket Head 3/8in-16NC x 2in	
43	0641618	1	Bolt, Hex Head 3/8in-16NC x 2-1/4in	
43	0641616	1	Bolt, Hex Head 3/8in-16NC x 2in	
44	3580317	1	Tensioner, Belt (was p/n 7024482)	
45		Ref	Pulley Options:	
45	3580318	1	60Hz Generator (was p/n 7024563)	
45	3580319	1	50Hz Generator (was p/n 7026187)	

SECTION 2 - TURNTABLE

ITEM	PART NUMBER	QTY	DESCRIPTION	REV
46	3580320	1	Pulley (Deutz D2011 Engines Only)	
47	4711600	AR	Flatwasher 3/8in Thin	
48	4922925	1	Harness, Generator	
49		Ref	Control Box Assembly Options:	
49	0861538	1	60Hz Generator (was p/n 7024487)	
49	0861572	1	50Hz Generator (was p/n 7024487)	
49	7024488	1	Card, Circuit - Generator Power	
49	See Note	1	Fuse (Note: Not Available - Purchase Locally)	
49	70000619	1	Harness, Control Box (Internal)	
49	7024489	1	Card, Circuit - Control	
		Ref	Note: Same Circuit Card (P/N 7024489) is used for both 60Hz & 50Hz. When replacing card, rocker switch on card must be set for required application.	
50	4811900	AR	Flatwasher M8	
51	0721004	2	Screw, Machines #10-24NC x 1/2in	
52	4751000	AR	Flatwasher #10 Regular	
53	3311005	AR	Locknut #10-24NC	
56	0771415	AR	Bolt M14 x 35mm	
57	0100020	AR	Sealant, Pipe	
58	0741607	3	Screw, Flat Head 3/8in-16NC x 7/8in	
		Ref	JUNCTION BOX ASSEMBLY	
	0861542	Ref	60Hz and Deutz D2011 Engines (SN 0300174703 through 0300182752)	E
	1001157592	Ref	60Hz and Deutz D2011 Engines (SN 0300182753 through 0300236298)	C
	1001157592	Ref	60Hz and Deutz DT2.9L4 Engines	C
	0861567	Ref	50Hz and Deutz D2011 Engines (SN 0300174703 through 0300182752)	B
	1001157525	Ref	50Hz and Deutz D2011 Engines (SN 0300182753 through 0300236298)	B
	1001157592	Ref	50Hz with Deutz DT2.9L4 Engines	C
		Ref	Box, Junction Options:	
101	0861541	1	Deutz D2011 Engines (SN 0300174703 through 0300182752)	
101	1001157521	1	Deutz D2011 Engines (SN 0300182753 through 0300236298)	
101	1001157521	1	Deutz DT2.9L4 Engines	
102		Ref	Cable, Electrical 12/3 Options:	
102	1060494	2 ft/.6m	60Hz (SN 0300174703 through 0300205261)	
102	1001179154	2 ft/.6m	60Hz (SN 0300205272 through 0300236298)	
102	See Note	2 ft/.6m	50Hz (Note: Not Available - Purchase Locally) (SN 0300174703 through 0300182752)	
103		Ref	Cable, Electrical 10/3 Options:	
103	1060708	2.5 ft/.8m	60Hz and Deutz D2011 Engines (SN 0300174703 through 0300182752)	
103	Not Required	0	60Hz and Deutz D2011 Engines (SN 0300182753 through 0300236298)	
103	Not Required	0	60Hz and Deutz TD2.9L4 Engines	
103	See Note	2.5 ft/.8m	50Hz (ANSI Export, Australian and CE Specs) (Note: Not Available - Purchase Locally)	
104		Ref	Decal - Wiring Schematic Options:	
104	1705376	1	Deutz D2011 Engines (SN 0300174703 through 0300182752)	
104	1001157528	1	Deutz D2011 Engines (SN 0300182753 through 0300236298)	
104	1001157528	1	Deutz DT2.9L4 Engines	
105	3300396	1	Cover, Fuse	
106	3310601	2	Nut #6-32NC	

SECTION 2 - TURNTABLE

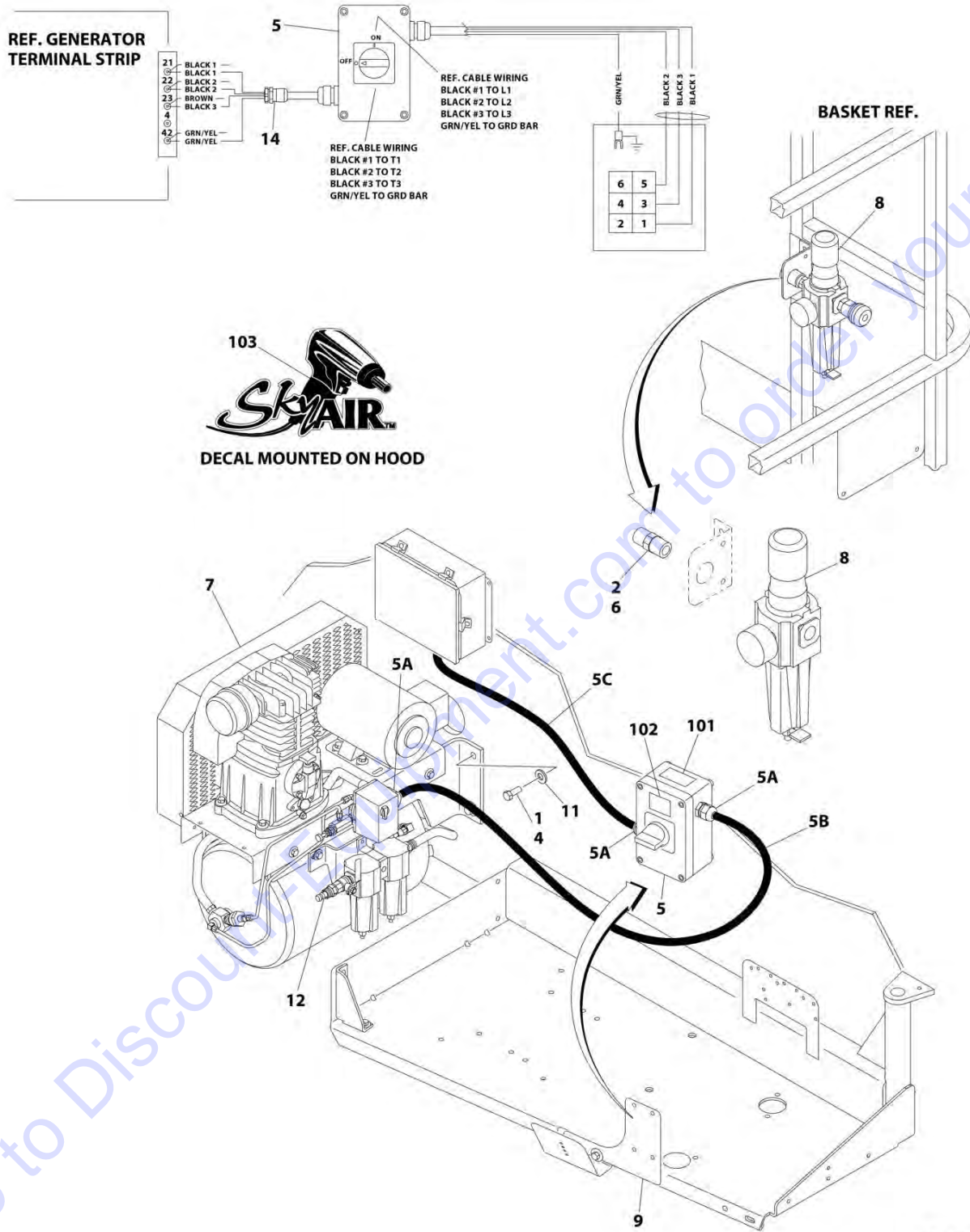
ITEM	PART NUMBER	QTY	DESCRIPTION	REV
107	1060343	AR	Cable, Electrical 10/4 (60Hz Spec Only)	
109	3910610	2	Bolt #6-32NC x 5/8in	
110	4360070	1	Circuit Breaker - 15Amp	
111	3311001	6	Nut #10-24NC	
112	4711000	10	Flatwasher #10 Thin	
113	1001158008	2	Stand-off	
114	10702077	2	Screw #10-32NF x 3/8in	
115	10702082	2	Screw #10-32NF x 3/4in	
116	4460425	AR	Strain Relief, Terminal	
116	3520192	AR	Plug (50Hz Spec Only)	
117	4460426	AR	Connector, Strain Relief (60Hz Spec Only)	
117	3520189	AR	Plug (50Hz Spec Only)	
118	1001157520	1	Block, Terminal - 6 Pole	
120	1001158007	1	Cover, PVC	
121	4750600	4	Flatwasher, #6 Regular	
122	4760600	2	Lockwasher #6	
125	1671092	1	Cover (60Hz Spec Only)	
126	4460963	1	Connector (60Hz Spec Only)	
128	1001121340	1	Terminal Block Assembly (Deutz D2011 Engines) (See Items 401-410 for Breakdown) (SN 0300174703 through 0300182752)	
		Ref	DECAL INSTALLATION	
	0272435	Ref	60Hz Specs	D
	0272589	Ref	50Hz Specs	A
201	1705460	2	Decal - SkyPower	
202	3251243	1	Decal - 120V-60Hz (60Hz Specs Only) (SN 0300222588 through 0300236298)	
202	1705374	1	Decal - 240V - 60Hz (60Hz Spec Only) (SN 0300174703 through 0300201814)	
203		Ref	Decal - 240V - 3 Phase Options:	
203	1705375	1	60Hz Spec	
203	1705461	1	50Hz Spec	
204		Ref	Decal, Hazardous Voltage Options:	
204	1705387	3	60Hz Spec	
204	1705489	3	50Hz Spec	
		Ref	ELECTRICAL DIAGRAM COMPONENTS	
	1001112586	Ref	Deutz D2011 Engines (SN 0300174703 through 0300182752)	B
	1001157769	Ref	Deutz D2011 Engines (SN 0300182753 through 0300236298)	B
	1001122528	Ref	Deutz TD2.9L4 Engines	B
301		Ref	Generator Harness Options (See ELECTRICAL SECTION for Breakdown):	
301	1001112587	1	Deutz D2011 Engines (SN 0300174703 through 0300182752)	B
301	1001152429	1	Deutz D2011 Engines (SN 0300182753 through 0300236298)	B
301	1001119968	1	Deutz TD2.9L4 Engines	C
301A	4460374	2	Plug, Sealed Relay (Deutz D2011 Engines Only) (SN 0300174703 through 0300182752)	
301A	4460375	7	Terminal (Deutz D2011 Engines Only) (SN 0300174703 through 0300182752)	
301B	4460967	1	Plug, Male - 3 Position	
301B	4460465	3	Socket, Female	
301C		Ref	Component Options:	
301C	2400060	1	Fuseholder (Deutz D2011 Engines) (Not Shown)	
301C	2400064	1	Fuse - 5Amp (Deutz D2011 Engines) (Not Shown)	
301C	1001117078	1	Fuseholder (Includes Fuse and Cap) (Deutz TD2.9L4)	

SECTION 2 - TURNTABLE

ITEM	PART NUMBER	QTY	DESCRIPTION	REV
301C	See Note	NSS	Engines) (Not Shown) Fuse - 5Amp (Deutz TD2.9L4 Engines) (Not Shown) (Note: Use 1001117078 Assembly or Purchase Fuse Locally)	
301C	1001096134	1	Cover, Fuseholder (Deutz TD2.9L4 Engines) (Not Shown)	
301D	4460742	1	Connector - 2 Position (1001152429 Harness) (Not Shown)	
301D	4460743	2	Terminal (1001152429 Harness) (Not Shown)	
304	4922641	1	Switch Harness	
	1001121340	Ref	TERMINAL BLOCK ASSEMBLY (DEUTZ D2011 ENGINES) (SN 0300174703 through 0300182752)	A
401	70002818	2	Marker Strip #1	
402	70002819	4	Marker Strip #2	
403	70002820	2	Marker Strip #3	
404	70002821	2	Marker Strip #4	
405	70002822	4	Marker Strip #5	
406	70002823	1	Terminal, End Barrier	
407	70002824	2	Terminal, End Block	
408	70002825	7	Terminal, Block	
409	70002826	2	Terminal, Cross Connector Jumper	
410	3641533	1	Rail, Relay	

SECTION 2 - TURNTABLE

FIGURE 2-23. SKYAIR AIR COMPRESSOR INSTALLATION



ART_0273450

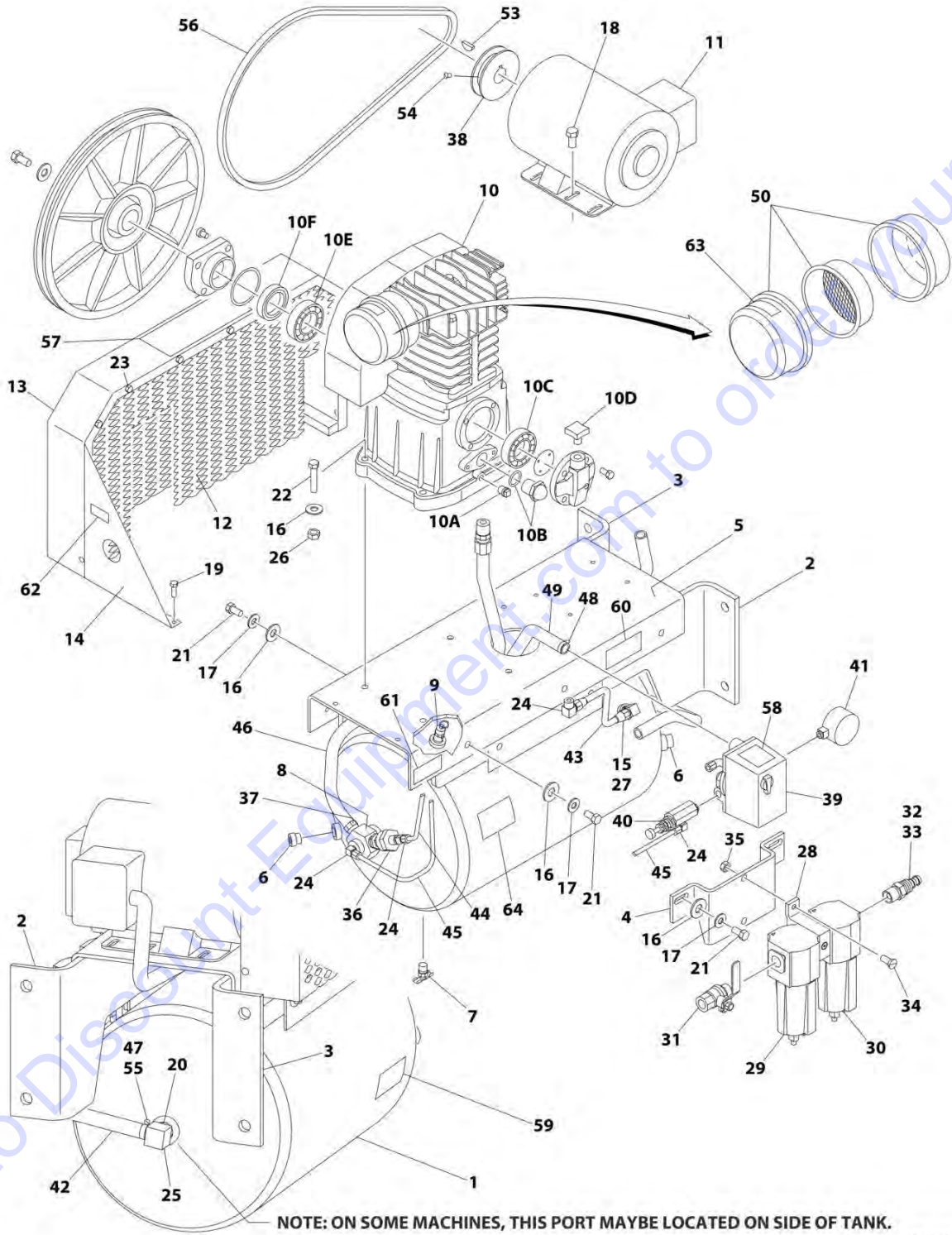
SECTION 2 - TURNTABLE

FIGURE 2-23. SKYAIR AIR COMPRESSOR INSTALLATION

ITEM	PART NUMBER	QTY	DESCRIPTION	REV
	0273450	Ref	SKYAIR AIR COMPRESSOR INSTALLATION	D
		Ref	Note: ANSI, ANSI Export, China and CSA Specs Only.	
		Ref	Note: Not Available on 600S Shipyard Machines.	
		Ref	Note: Only Available on 60Hz Machines.	
1	0100019	AR	Compound, Locking	
2	0100020	AR	Sealant	
4	0641810	4	Bolt 1/2 x 1-1/4	
5	0861642	1	Control Box Assembly	
5A	4460633	3	Connector, Strain Relief	
5B	70002948	AR	Cable, Electrical - 12/4 (13ft/4m)	
5C	70002948	AR	Cable, Electrical - 12/4 (30in/76cm)	
6	2220252	1	Fitting, Adapter	
7	3600386	1	Compressor Assembly (See AIR COMPRESSOR ASSEMBLY for Breakdown)	
8	3720021	1	Filter/Regulator Assembly	
8	7027781	1	Service Kit (Includes Gaskets and Seals)	
8	7027782	1	Filter	
8	7027784	1	Gauge	
8	7027783	1	Valve, Drain	
9	4340747	1	Bracket, Control Box	
11	4751800	4	Washer 1/2	
12	2220750	1	Fitting	
14	4460428	1	Connector, Strain Relief	
	0273687	Ref	DECAL INSTALLATION	A
101	1705836	1	Decal - Hazard Voltage	
102	1705837	1	Decal - Air Compressor	
103	1705886	2	Decal - SkyAir	

SECTION 2 - TURNTABLE

FIGURE 2-24. AIR COMPRESSOR ASSEMBLY



ART_3600386

SECTION 2 - TURNTABLE

FIGURE 2-24. AIR COMPRESSOR ASSEMBLY

ITEM	PART NUMBER	QTY	DESCRIPTION	REV
	3600386	Ref	AIR COMPRESSOR ASSEMBLY	B
1	7026632	1	Tank	
2	See Note	1	Bracket, Mounting (Note: Not Available for Purchase)	
3	See Note	1	Bracket, Mounting (Note: Not Available for Purchase)	
4	See Note	1	Bracket, Regulator Mounting (Note: Not Available for Purchase)	
5	See Note	1	Deck (Note: Not Available for Purchase)	
6	See Note	2	Plug (Note: Not Available for Purchase)	
7	7026633	1	Valve, Drain	
8	7026634	1	Valve, Check	
9	7026635	1	Valve, Safety	
10	7026636	1	Pump Assembly	
10	7026659	1	Gasket and Seal Kit	
10A	7026651	1	Plug, Oil Drain	
10B	7026652	1	Gauge, Oil Sight	
10C	7026653	1	Bearing	
10D	7026654	1	Cap, Oil Fill	
10E	7026655	1	Bearing	
10F	7026656	1	Seal	
11	7026637	1	Motor Assembly	
11	See Note	1	Brush Kit (Note: Not Available for Purchase)	
12	See Note	1	Screen, Inner (Note: Not Available for Purchase)	
13	See Note	1	Guard, Belt (Note: Not Available for Purchase)	
14	See Note	2	Support (Note: Not Available for Purchase)	
15	See Note	1	Bushing (Note: Not Available for Purchase)	
16	4751600	18	Washer 3/8	
17	4761600	10	Washer 3/8	
18	0641506	4	Bolt 5/16 x 3/4	
19	0641406	8	Bolt 1/4 x 3/4	
20	See Note	1	Bushing (Note: Not Available for Purchase)	
21	0641610	10	Bolt 3/8 x 1-1/4	
22	0641616	4	Bolt 3/8 x 2	
23	See Note	10	Bolt 1/4 x 1/2 (Note: Not Available for Purchase)	
24	See Note	4	Fitting (Note: Not Available for Purchase)	
25	See Note	1	Fitting, Barbed (Note: Not Available for Purchase)	
26	3311605	4	Nut 3/8	
27	See Note	1	Fitting, Compression (Note: Not Available for Purchase)	
28	See Note	1	Bracket, Mounting (Note: Not Available for Purchase)	
29	7026660	1	Filter, Oil Removal	
30	7026661	1	Filter, Water Removal	
31	70001663	1	Valve, Ball Shut-Off	
32	See Note	1	Bushing (Note: Not Available for Purchase)	
33	See Note	1	Fitting, Barbed (Note: Not Available for Purchase)	
34	See Note	2	Screw 1/4 x 1 (Note: Not Available for Purchase)	
35	3311405	2	Nut 1/4	
36	See Note	1	Unloader (Note: Not Available for Purchase)	
37	See Note	1	Fitting (Note: Not Available for Purchase)	
38	See Note	1	Pulley (Note: Not Available for Purchase)	
39	7026638	1	Switch, Pressure	
40	7026639	1	Valve, Pilot	
41	7026640	1	Gauge	

SECTION 2 - TURNTABLE

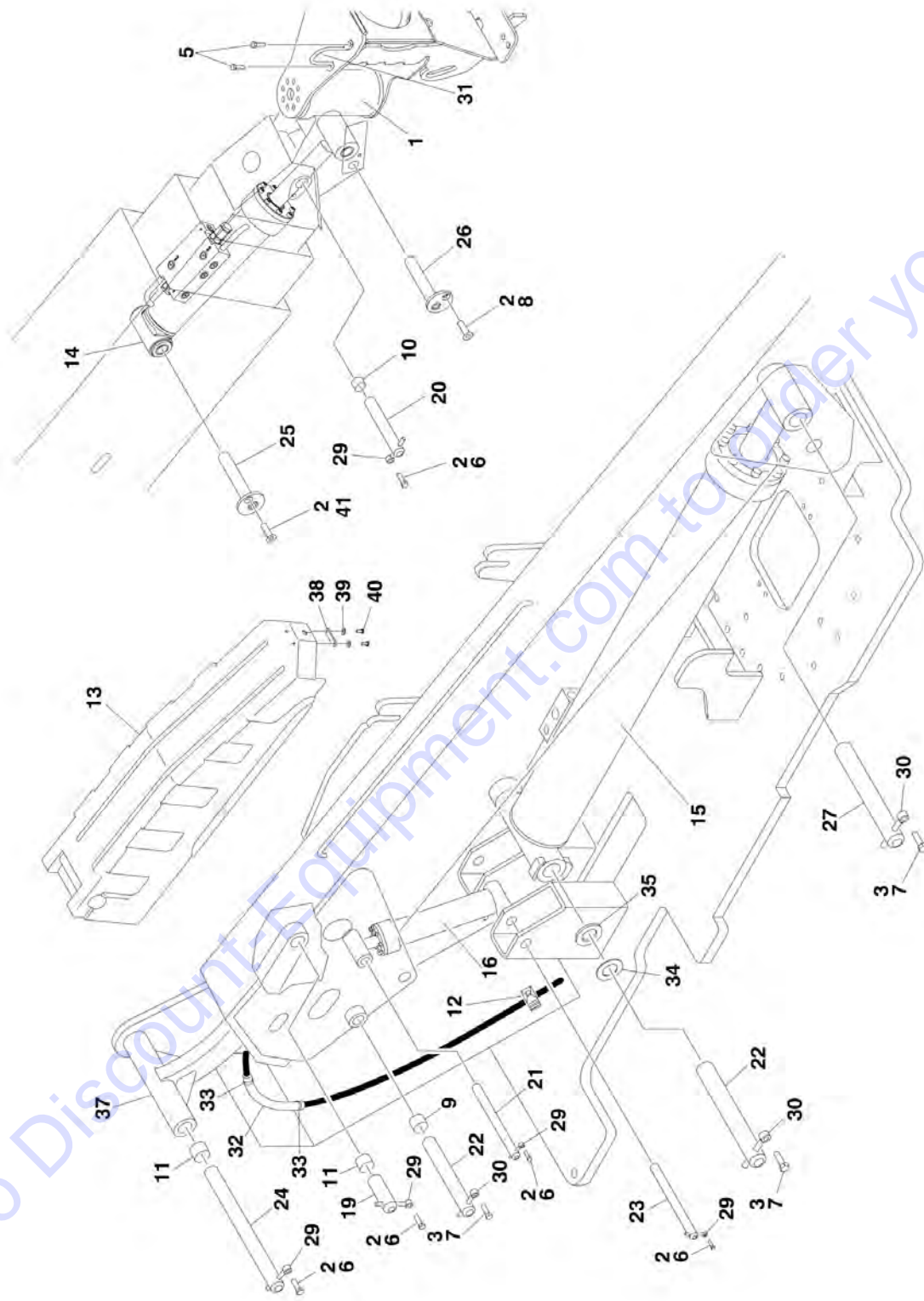
ITEM	PART NUMBER	QTY	DESCRIPTION	REV
42	See Note	1	Hose (Note: Not Available for Purchase)	
43	See Note	1	Tube, Feed (Note: Not Available for Purchase)	
44	See Note	1	Tube (Note: Not Available for Purchase)	
45	See Note	1	Tube (Note: Not Available for Purchase)	
46	See Note	1	Aftercooler (Note: Not Available for Purchase)	
47	See Note	2	Clamp (Note: Not Available for Purchase)	
48	See Note	2	Clamp (Note: Not Available for Purchase)	
49	See Note	1	Harness, Wiring (Note: Not Available for Purchase)	
50	7026658	1	Filter Assembly	
50	7026641	1	Element, Filter	
51	See Note	23 oz	Oil, Compressor (Note: Not Available for Purchase) (Not Shown)	
52	0100020	AR	Sealant (Not Shown)	
53	See Note	1	Key (Note: Not Available for Purchase)	
54	See Note	2	Setscrew (Note: Not Available for Purchase)	
55	See Note	2	Cover, Clamp End (Note: Not Available for Purchase)	
56	7026642	1	Belt	
57	7026643	1	Decal - Unit Warning	
58	7026644	1	Decal - Pressure Switch Warning	
59	7026645	1	Decal - Drain Tank Warning	
60	7026646	1	Decal - Compressor Maintenance	
61	7026647	1	Decal - Initial Oil Fill	
62	7026648	1	Decal - Hot Surfaces Warning	
63	7026649	1	Decal - Paper Element Cleaning	
64	7026650	1	Decal - Dual Control	

SECTION 3 - BOOM

Go to Discount-Equipment.com to order your parts

SECTION 3 - BOOM

FIGURE 3-1. BOOM INSTALLATION - 600SC



SECTION 3 - BOOM

FIGURE 3-1. BOOM INSTALLATION - 600SC

ITEM	PART NUMBER	QTY	DESCRIPTION	REV
	1001108341	Ref	BOOM AND CYLINDERS INSTALLATIONS - 600SC	J
1	0060067	NLA	Rotator Assembly (Use p/n 1001181057) (See ROTATOR ASSEMBLIES for Breakdown) (SN 0300174703 through 0300202596)	
1	1001181057	1	Rotator Assembly (See ROTATOR ASSEMBLIES for Breakdown) (SN 0300202597 through 0300236298)	
		Ref	Note: Torque Nut on Bottom of Rotator to 480 Ft Lbs when Reassembling.	
2	0100011	AR	Compound, Locking	
3	0100019	AR	Compound, Locking	
5	0641604	2	Bolt 3/8in-16NC x 1/2in	
6	0641608	5	Bolt 3/8in-16NC x 1in	
7	0642012	3	Bolt 5/8in-11NC x 1-1/2in	
8	0741607	1	Screw, Countersunk 3/8in-16NC x 7/8in	
9	0961950	2	Bushing	
10	0961951	2	Bushing, Garmax	
11	0962006	3	Bushing, Garmax	
12	1320235	1	Clamp, Staff	
13	10011148925	1	Cover, Boom	
14	1683415	NLA	Platform Level Cylinder Assembly (Use p/n 1001228008) (See CYLINDER SECTION for Breakdown) (Original Equipment) (SN 0300174703 through 0300230005)	
14	1001223512	NLA	Platform Level Cylinder Assembly (See CYLINDER SECTION for Breakdown) (Use p/n 1001228008) (Original Equipment) (SN 0300230006 through 0300236298)	
14	1001228008	1	Platform Level Cylinder Assembly (See CYLINDER SECTION for Breakdown) (Service Replacement)	
15	1001112468	1	Lift Cylinder Assembly (See CYLINDER SECTION for Breakdown)	
16	1684414	1	Master Cylinder Assembly (See CYLINDER SECTION for Breakdown)	
19	3422557	1	Pin	
20	3422562	1	Pin	
21	3422563	1	Pin	
22	3422564	2	Pin	
23	3422565	1	Pin	
24	3422566	1	Pin	
25	3422569	1	Pin	
26	3422580	1	Pin	
27	3423184	1	Pin	
29	3841143	5	Keeper, Pin	
30	3841258	3	Keeper, Pin	
31	3841340	1	Clamp, Loop	
32	4100033	3 ft/.9m	Sleeve	
33	4240033	AR	Tie-Strap	
34	4740158	2	Thrustwasher	
35	4740314	AR	Thrustwasher	
37	1001094043	1	Link, Push	
38	1001180303	1	Bar (SN 0300200478 through 0300236298)	
39	4711000	2	Washer #10	
40	0721004	2	Screw #10 x 1/2	
41	0741607	1	Screw, Countersunk 3/8in-16NC x 7/8in	

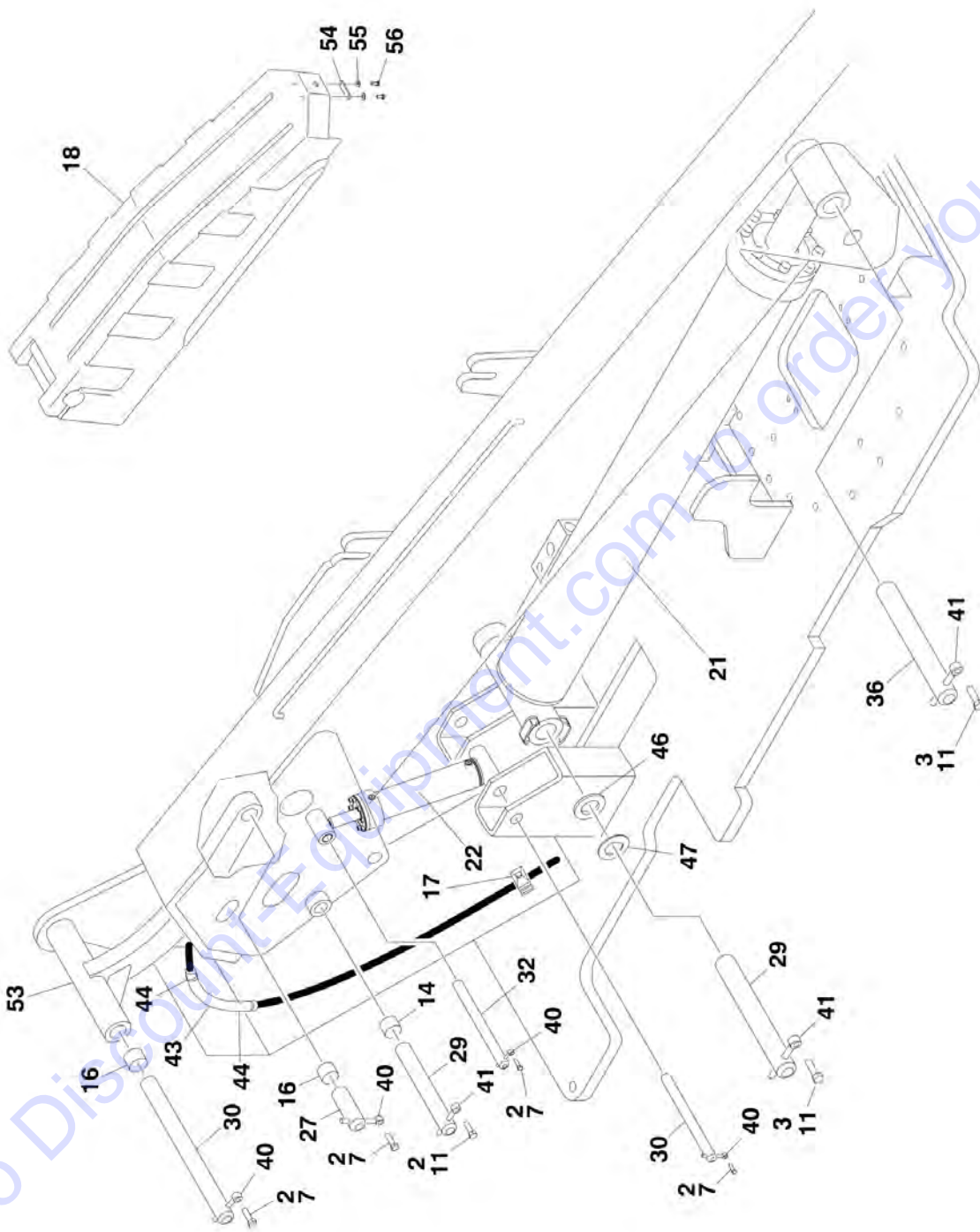
SECTION 3 - BOOM

ITEM	PART NUMBER	QTY	DESCRIPTION	REV
41	0741605	1	Screw, Countersunk 3/8in-16NC x 5/8in	

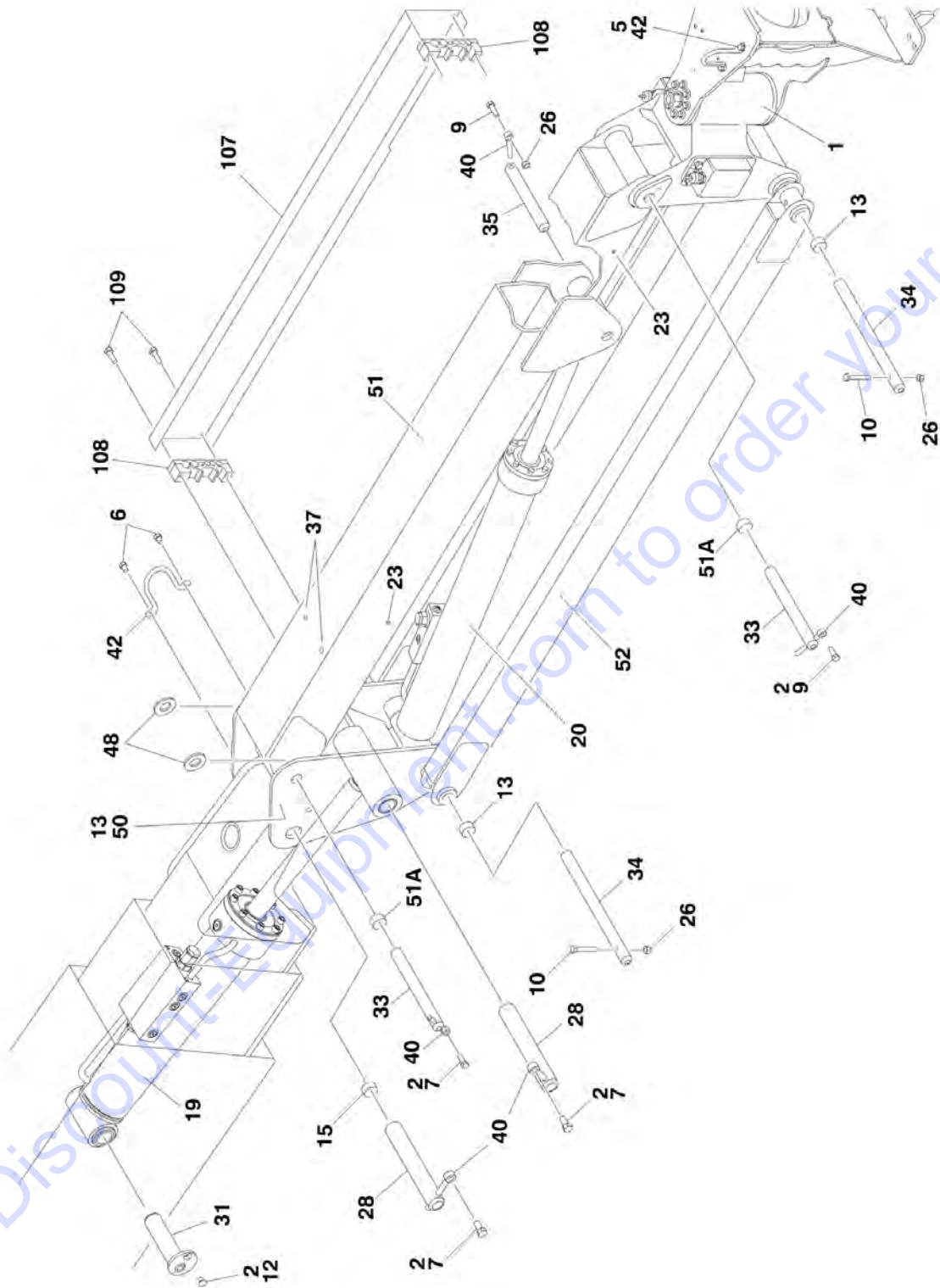
Go to Discount-Equipment.com to order your parts

SECTION 3 - BOOM

FIGURE 3-2. BOOM INSTALLATION - 660SJC



SECTION 3 - BOOM



SECTION 3 - BOOM

FIGURE 3-2. BOOM INSTALLATION - 660SJC

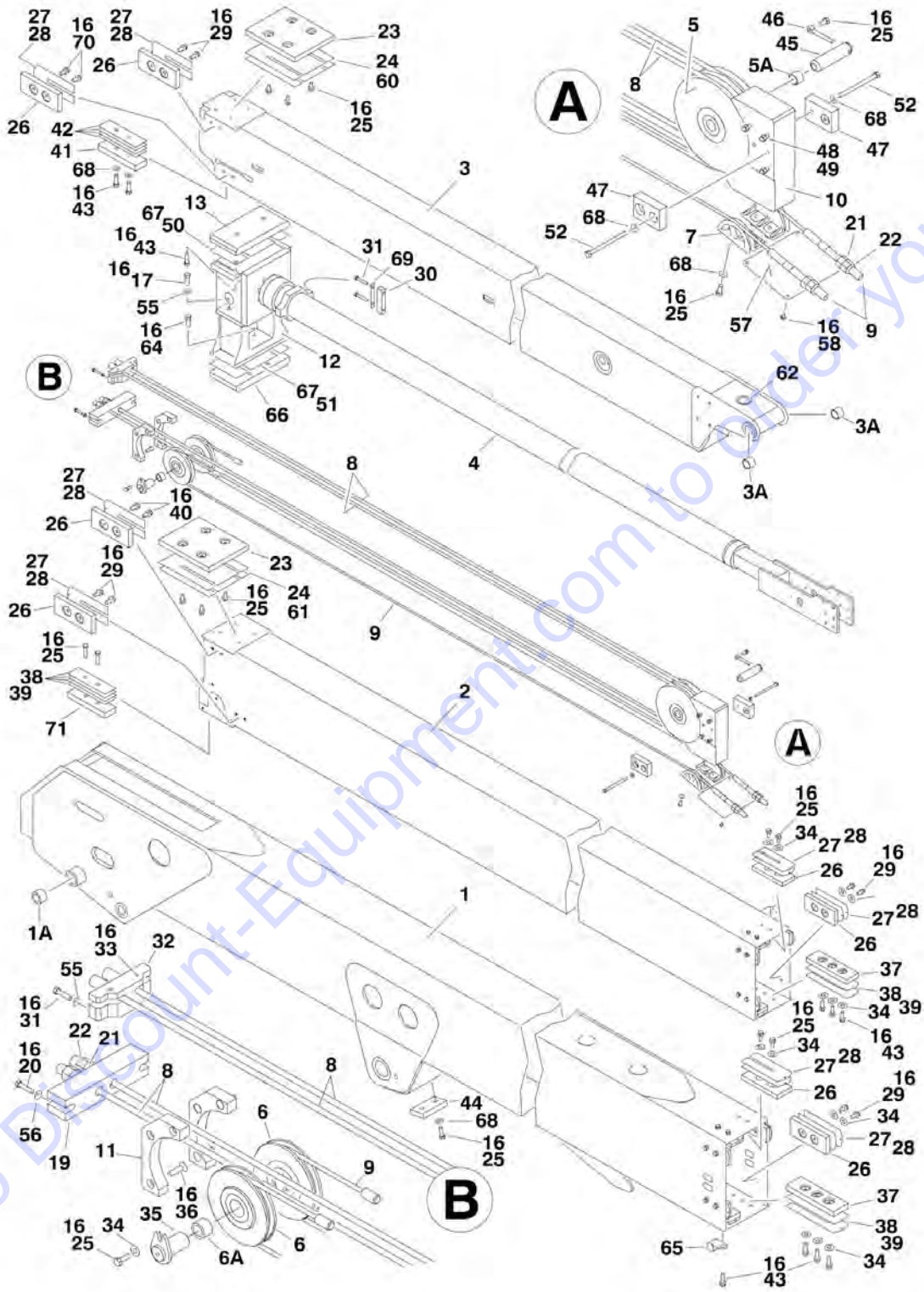
ITEM	PART NUMBER	QTY	DESCRIPTION	REV
	1001108342	Ref	BOOM AND CYLINDERS INSTALLATION - 660SJC	L
1	0060066	NLA		
1	1001178269	1	Rotator Assembly (Use p/n 1001178269) (See ROTATOR ASSEMBLIES for Breakdown) (SN 0300174703 through 0300202596)	
		Ref	Note: Torque Nut on Bottom of Rotator to 480 Ft Lbs when Reassembling.	
2	0100011	AR	Compound, Locking	
3	0100019	AR	Compound, Locking	
5	0641604	2	Bolt 3/8in-16NC x 1/2in	
6	0641606	2	Bolt 3/8in-16NC x 3/4in	
7	0641608	7	Bolt 3/8in-16NC x 1in	
8	0641611	1	Bolt 3/8in-16NC x 1-3/8in	
9	0641614	1	Bolt 3/8in-16NC x 1-3/4in	
10	0641618	4	Bolt 3/8in-16NC x 2-1/4in	
11	0642012	3	Bolt 5/8in-11NC x 1-1/2in	
12	0741607	1	Screw, Countersunk 3/8in-16NC x 7/8in	
12	0741605	1	Screw, Countersunk 3/8in-16NC x 5/8in	
13	0961947	6	Bushing	
14	0961950	2	Bushing	
15	0961951	2	Bushing	
16	0962006	3	Bushing	
17	1320235	1	Clamp, Staff	
18	10011148925	1	Cover, Boom	
19	1683418	NLA	Platform Level Cylinder Assembly (Use p/n 1001228051) (See CYLINDER SECTION for Breakdown) (Original Equipment) (SN 0300174703 through 0300230005)	
19	1001223331	NLA	Platform Level Cylinder Assembly (Use p/n 1001228051) (See CYLINDER SECTION for Breakdown) (Original Equipment) (SN 0300230006 through 0300236298)	
19	1001228051	1	Platform Level Cylinder Assembly (See CYLINDER SECTION for Breakdown) (Service Replacement)	
20	1683609	NLA	Jib Lift Cylinder Assembly (Use p/n 1001248012) (See CYLINDER SECTION for Breakdown) (Original Equipment)	
20	1001228012	NLA	Jib Lift Cylinder Assembly (Use p/n 1001248012) (See CYLINDER SECTION for Breakdown) (Service Replacement)	
20	1001248012	1	Jib Lift Cylinder Assembly (See CYLINDER SECTION for Breakdown) (Service Replacement)	
21	1001112468	1	Lift Cylinder Assembly (See CYLINDER SECTION for Breakdown)	
22	1684413	NLA	Master Cylinder Assembly (Use p/n 1001228052) (See CYLINDER SECTION for Breakdown) (Original Equipment)	
22	1001228052	1	Master Cylinder Assembly (See CYLINDER SECTION for Breakdown) (Service Replacement)	
23	2080044	4	Rivnut	
26	3311605	5	Locknut 3/8in-16NC	
27	3422557	1	Pin	
28	3422561	2	Pin	
29	3422564	2	Pin	
30	3422566	2	Pin	
31	3422583	1	Pin	
32	3422790	1	Pin	

SECTION 3 - BOOM

ITEM	PART NUMBER	QTY	DESCRIPTION	REV
33	3422860	2	Pin	
34	3422861	2	Pin	
35	3422867	1	Pin	
36	3423184	1	Pin	
37	3520034	AR	Plug (SN 0300174703 through 0300230005)	
37	1001223899	AR	Fastener (SN 0300230006 through 0300236298)	
39	3790012	1	O-Ring (Not Shown - Located on Console Box)	
40	3841143	9	Keeper, Pin	
41	3841258	3	Keeper, Pin	
42	3841340	2	Clamp, Loop	
43	4100033	3 ft/.9m	Sleeve	
44	4240033	AR	Tie-Strap	
45	4360328	1	Switch, Toggle (Not Shown - Located on Console Box)	
46	4740158	AR	Thrustwasher	
47	4740314	AR	Thrustwasher	
48	4740439	2	Thrustwasher	
50	4844815	1	Pivot (SN 0300174703 through 0300200816)	
50	1001169384	1	Pivot (SN 0300200817 through 0300236298)	
51	4844816	1	Tube, Jib (Top)	
51A	0962335	4	Bushing	
52	4844817	2	Tube, Jib (Bottom)	
53	1001094043	1	Link, Push	
54	1001180303	1	Bar (SN 0300200478 through 0300236298)	
55	4711000	2	Washer #10	
56	0721004	2	Screw #10 x 1/2	
		Ref	CABLE COVER INSTALLATIONS	
	0272043	Ref	ANSI and ANSI Export Specs without SkyPower and without Arctic Package	2
	0274594	Ref	ANSI and ANSI Export Specs with SkyPower and without Arctic Package	1
	1001104428	Ref	ANSI and ANSI Export Specs without SkyPower and with Arctic Package	1
	1001104430	Ref	ANSI and ANSI Export Specs with SkyPower and with Arctic Package	1
	0272046	Ref	CE and Australian Specs without SkyPower	2
	0274595	Ref	CE and Australian Specs with SkyPower	1
107	1670769	1	Cover	
108	0561237	2	Block, Clamp	
109	0641416	4	Bolt 1/4in-20NC x 2in	

SECTION 3 - BOOM

FIGURE 3-3. MAIN BOOM ASSEMBLIES - ANSI AND ANSI EXPORT SPECS



SECTION 3 - BOOM

FIGURE 3-3. MAIN BOOM ASSEMBLIES - ANSI AND ANSI EXPORT SPECS

ITEM	PART NUMBER	QTY	DESCRIPTION	REV
		Ref	MAIN BOOM ASSEMBLY OPTIONS:	
	0801483	Ref	Main Boom Assembly 600SC ANSI and ANSI Export Specs (SN 0300174703 through 0300182868)	G
	1001157433	Ref	Main Boom Assembly 600SC ANSI and ANSI Export Specs (SN 0300182869 through 0300236298)	B
	0801484	Ref	Main Boom Assembly 660SJC ANSI and ANSI Export Specs (SN 0300174703 through 0300182868)	G
	1001158409	Ref	Main Boom Assembly 660SJC ANSI and ANSI Export Specs (SN 0300182869 through 0300236298)	B
1	0801469	1	Base Weldment	
1A	0961950	2	Bushing	
2	0801524	1	Mid Weldment	
3		Ref	Fly Weldment Options:	
3	0801498	1	Fly Weldment 600SC (SN 0300174703 through 0300182868)	
3	1001157429	1	Fly Weldment 600SC (SN 0300182869 through 0300236298)	
3	0801504	1	Fly Weldment 660SJC (SN 0300174703 through 0300182868)	
3	1001157623	1	Fly Weldment 660SJC (SN 0300182869 through 0300236298)	
3A	0961951	2	Bushing (660SJC Only)	
4	1683618	1	Telescope Cylinder Assembly (See CYLINDER SECTION for Breakdown)	
5	3580241	1	Sheave Assembly (Extend)	2-B
5A	0961951	2	Bushing	
6	3580243	1	Sheave Assembly (Extend)	1-A
6A	0961951	2	Bushing (1 Per Sheave)	
7	1220078	2	Block, Sheave	
8	3890005	2	Cable (Extend)	
9	3890006	2	Cable (Retract)	
10	3580248	1	Guard, Sheave (Extend)	
11	3580249	2	Guard, Sheave (Retract)	
12	4846319	1	Support, Wear Pad	
13	3340844	1	Pad, Wear	
16	0100011	AR	Compound, Locking	
17	0681610	4	Bolt 3/8in-16NC x 1-1/4in (Grade 8)	
19	0561184	1	Block, Cable	
20	0641824	2	Bolt 1/2in-13NC x 3in	
21	3312201	4	Nut 3/4in-10NC	
22	3300241	4	Locknut, Special 3/4in-10NC	
23	3340757	2	Pad, Wear	
24	4070896	4	Shim (.06) (Without Slide-In Slots)	
25	0641607	AR	Bolt 3/8in-16NC x 7/8in	
26	1001148652	20	Pad, Wear	
27	4070897	28	Shim (.05) (Without Slide-In Slots)	
28	4070898	24	Shim (.12) (Without Slide-In Slots)	
29	0641606	24	Bolt 3/8in-16NC x 3/4in	
30	0561185	2	Block	
31	0641616	16	Bolt 3/8in-16NC x 2in	
32	0561183	1	Block, Cable	
33	3951608	2	Setscrew 3/8in-16NC x 1in	
34	4711600	38	Flatwasher 3/8in Thin	
35	3422424	2	Pin (Retract Sheave)	
36	0741612	6	Screw, Countersunk 3/8in-16NC x 1-1/2in	

PARTS FINDER

**Search Website
by Part Number**



**Search Manual
Library For Parts
Manual & Lookup Part
Numbers – Purchase
or Request Quote**

**Can't Find Part or
Manual? Request Help
by Manufacturer,
Model & Description**

Discount-Equipment.com is your online resource for quality parts & equipment.

Florida: **561-964-4949** Outside Florida TOLL FREE: **877-690-3101**

Need parts?

Click on this link: <http://www.discount-equipment.com/category/5443-parts/> and choose one of the options to help get the right parts and equipment you are looking for. Please have the machine model and serial number available in order to help us get you the correct parts. If you don't find the part on the website or on one of the online manuals, please fill out the request form and one of our experienced staff members will get back to you with a quote for the right part that your machine needs.

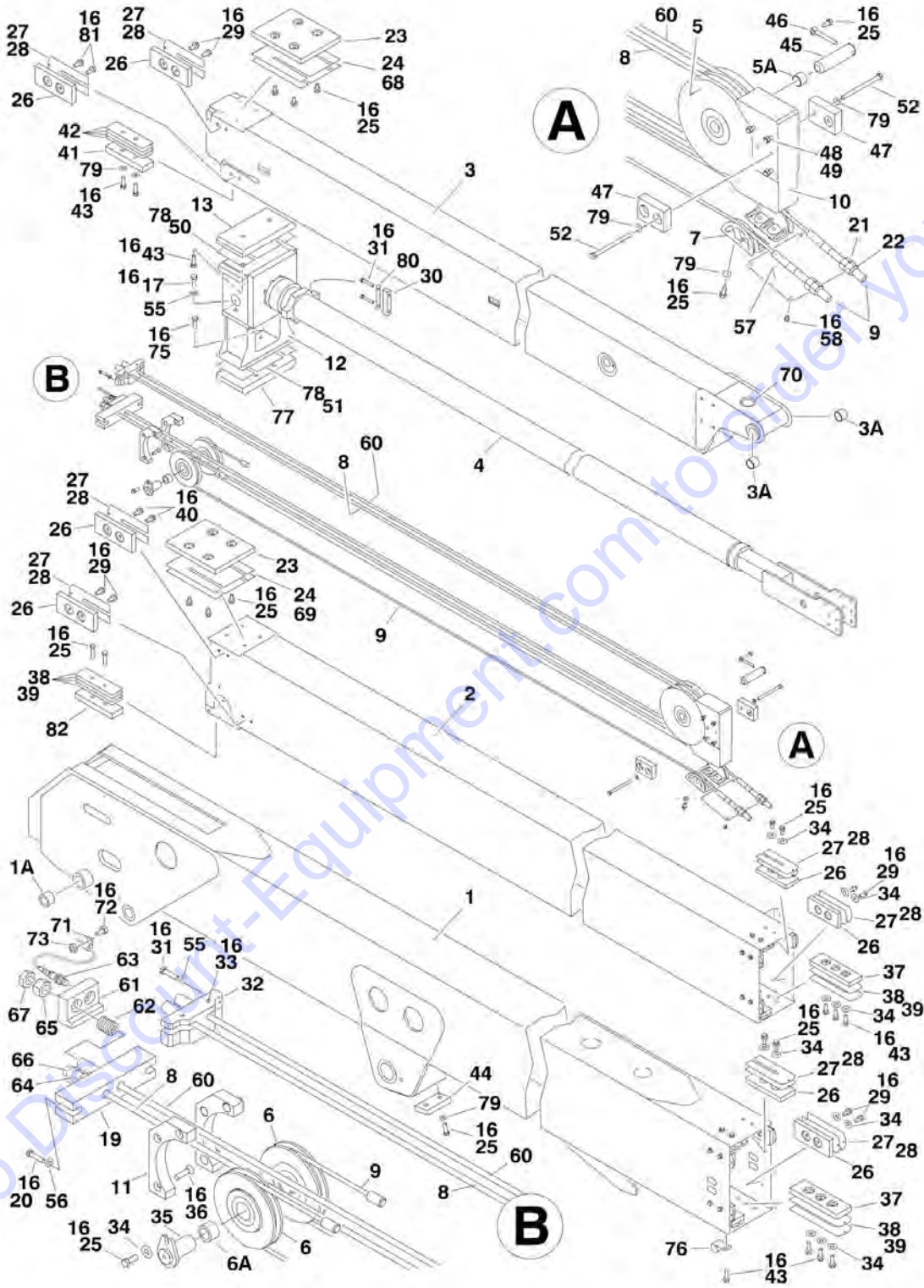
We sell worldwide for the brands: Genie, Terex, JLG, MultiQuip, Mikasa, Essick, Whiteman, Mayco, Toro Stone, Diamond Products, Generac Magnum, Airman, Haulotte, Barreto, Power Blanket, Nifty Lift, Atlas Copco, Chicago Pneumatic, Allmand, Miller Curber, Skyjack, Lull, Skytrak, Tsurumi, Husquvarna Target, Stow, Wacker, Sakai, Mi-T-M, Sullair, Basic, Dynapac, MBW, Weber, Bartell, Bennar Newman, Haulotte, Ditch Runner, Menegotti, Morrison, Contec, Buddy, Crown, Edco, Wyco, Bomag, Laymor, EZ Trench, Bil-Jax, F.S. Curtis, Gehl Pavers, Heli, Honda, ICS/PowerGrit, IHI, Partner, Imer, Clipper, MMD, Koshin, Rice, CH&E, General Equipment, Amida, Coleman, NAC, Gradall, Square Shooter, Kent, Stanley, Tamco, Toku, Hatz, Kohler, Robin, Wisconsin, Northrock, Oztec, Toker TK, Rol-Air, APT, Wylie, Ingersoll Rand / Doosan, Innovatech, Con X, Ammann, Mecalac, Makinex, Smith Surface Prep, Small Line, Wanco, Yanmar

SECTION 3 - BOOM

ITEM	PART NUMBER	QTY	DESCRIPTION	REV
37	3340871	4	Pad, Wear	
38	4070863	4	Shim (.12)	
39	4070864	3	Shim (.05)	
40	0641613	AR	Bolt 3/8in-16NC x 1-5/8in	
41	1001148650	2	Pad, Wear	
42	4070895	8	Shim (.06)	
43	0641608	22	Bolt 3/8in-16NC x 1in	
44	0561076	1	Block	
45	3422417	2	Pin (Extend Sheave)	
46	3841143	1	Keeper, Pin	
47	1001148651	2	Pad, Wear	
48	0641634	4	Bolt 3/8in-16NC x 4-1/4in	
49	3311605	4	Locknut 3/8in-16NC	
50	4070976	1	Shim (.12)	
51	4071004	1	Shim (.25)	
52	0641638	2	Bolt 3/8in-16NC x 4-3/4in	
55	4891600	6	Flatwasher 3/8in Hardened	
56	4891800	2	Flatwasher 1/2in Hardened	
57	3539622	1	Plate, Cover	
58	0641403	4	Bolt 1/4in-20NC x 3/8in	
59	4070929	AR	Shim	
60	4070939	AR	Shim (1/16in) (With Slide-In Slots)	
61	4070940	AR	Shim (1/16in) (With Slide-In Slots)	
62	4060805	6 in/16cm	Flex-Trim	
64	0681608	4	Bolt 3/8in-16NC x 1in (Grade 8)	
65	1320070	2	Clamp	
66	3340900	1	Pad, Wear	
67	4071005	AR	Shim (.05)	
68	4751600	12	Flatwasher 3/8in Regular	
69	4071007	AR	Shim	
70	0641614	4	Bolt 3/8in-16NC x 1-3/4in	
71	1001148653	1	Pad, Wear	

SECTION 3 - BOOM

FIGURE 3-4. MAIN BOOM ASSEMBLIES - AUSTRALIAN AND CE SPECS



SECTION 3 - BOOM

FIGURE 3-4. MAIN BOOM ASSEMBLIES - AUSTRALIAN AND CE SPECS

ITEM	PART NUMBER	QTY	DESCRIPTION	REV
		Ref	MAIN BOOM ASSEMBLY OPTIONS:	
	0801479	Ref	Main Boom Assembly 600SC Australian and CE Specs (SN 0300174703 through 0300182868)	G
	1001157432	Ref	Main Boom Assembly 600SC Australian and CE Specs (SN 0300182869 through 0300236298)	B
	0801481	Ref	Main Boom Assembly 660SJC Australian and CE Specs (SN 0300174703 through 0300182868)	G
	1001158408	Ref	Main Boom Assembly 660SJC Australian and CE Specs (SN 0300182869 through 0300236298)	B
1	0801469	1	Base Weldment	
1A	0961950	2	Bushing	
2	0801524	1	Mid Weldment	
3		Ref	Fly Weldment Options:	
3	0801498	1	Fly Weldment 600SC (SN 0300174703 through 0300182868)	
3	1001157429	1	Fly Weldment 600SC (SN 0300182869 through 0300236298)	
3	0801504	1	Fly Weldment 660SJC (SN 0300174703 through 0300182868)	
3	1001157623	1	Fly Weldment 660SJC (SN 0300182869 through 0300236298)	
4	1683618	1	Telescope Cylinder Assembly (See CYLINDER SECTION for Breakdown)	
5	3580241	1	Sheave Assembly (Extend)	2-B
5A	0961951	2	Bushing, Garmax	
6	3580243	1	Sheave Assembly (Extend)	1-A
6A	0961951	2	Bushing, Garmax (1 Per Sheave)	
7	1220078	2	Block, Sheave	
8	3890010	1	Cable (Extend)	
9	3890006	2	Cable (Retract)	
10	3580248	1	Guard, Sheave (Extend)	
11	3580249	2	Guard, Sheave (Retract)	
12	4846319	1	Support, Wear Pad	
13	3340844	1	Pad, Wear	
16	0100011	AR	Compound, Locking	
17	0681610	4	Bolt 3/8in-16NC x 1-1/4in (Grade 8)	
19	0561245	1	Block, Cable	
20	0641824	2	Bolt 1/2in-13NC x 3in	
21	3312201	2	Nut 3/4in-10NC	
22	3300241	2	Locknut, Special 3/4in-10NC	
23	3340757	2	Pad, Wear	
24	4070896	4	Shim (.06) (Without Slide-In Slots)	
25	0641607	AR	Bolt 3/8in-16NC x 7/8in	
26	1001148652	20	Pad, Wear	
27	4070897	28	Shim (.05) (Without Slide-In Slots)	
28	4070898	24	Shim (.12) (Without Slide-In Slots)	
29	0641606	24	Bolt 3/8in-16NC x 3/4in	
30	0561185	2	Block	
31	0641616	6	Bolt 3/8in-16NC x 2in	
32	0561183	1	Block, Cable	
33	3951608	2	Setscrew 3/8in-16NC x 1in	
34	4711600	38	Flatwasher 3/8in Thin	
35	3422424	2	Pin (Retract Sheave)	
36	0741612	6	Screw, Countersunk 3/8in-16NC x 1-1/2in	
37	3340871	4	Pad, Wear	

SECTION 3 - BOOM

ITEM	PART NUMBER	QTY	DESCRIPTION	REV
38	4070863	4	Shim (.12)	
39	4070864	3	Shim (.05)	
40	0641613	AR	Bolt 3/8in-16NC x 1-5/8in	
41	1001148650	2	Pad, Wear	
42	4070895	8	Shim (.06)	
43	0641608	22	Bolt 3/8in-16NC x 1in	
44	0561076	1	Block	
45	3422417	2	Pin (Extend Sheave)	
46	3841143	1	Keeper, Pin	
47	1001148651	2	Pad, Wear	
48	0641634	4	Bolt 3/8in-16NC x 4-1/4in	
49	3311605	4	Locknut 3/8in-16NC	
50	4070976	1	Shim (.12)	
51	4071004	1	Shim (.25)	
52	0641638	2	Bolt 3/8in-16NC x 4-3/4in	
55	4891600	6	Flatwasher 3/8in Hardened	
56	4891800	2	Flatwasher 1/2in Hardened	
57	3539622	1	Plate, Cover	
58	0641403	4	Bolt 1/4in-20NC x 3/8in	
59	4070929	AR	Shim	
60	3890009	1	Cable (Extend)	
61	0561508	1	Plate, Spring Mounting	
62	4160149	1	Spring	
63	4360506	1	Switch, Proximity	
64	3272401	1	Nut 7/8in-9NC	
65	3272001	1	Nut 5/8in-11NC	
66	3300242	1	Locknut 7/8in-9NC	
67	3300240	1	Locknut 5/8in-11NC	
68	4070939	AR	Shim (1/16in) (With Slide-In Slots)	
69	4070940	AR	Shim (1/16in) (With Slide-In Slots)	
70	4060805	6 in/16cm	Flex-Trim	
71	1320244	1	Clamp	
72	0641406	1	Bolt 1/4in-20NC x 3/4in	
73	3311401	1	Nut 1/4in-20NC	
75	0681608	4	Bolt 3/8in-16NC x 1in (Grade 8)	
76	1320070	2	Clamp	
77	3340900	1	Pad, Wear	
78	4071005	6	Shim (.05)	
79	4751600	12	Flatwasher 3/8in Regular	
80	4071007	AR	Shim	
81	0641614	4	Bolt 3/8in-16NC x 1-3/4in	
82	1001148653	1	Pad, Wear	

SECTION 3 - BOOM

FIGURE 3-5. ROTATOR ASSEMBLIES

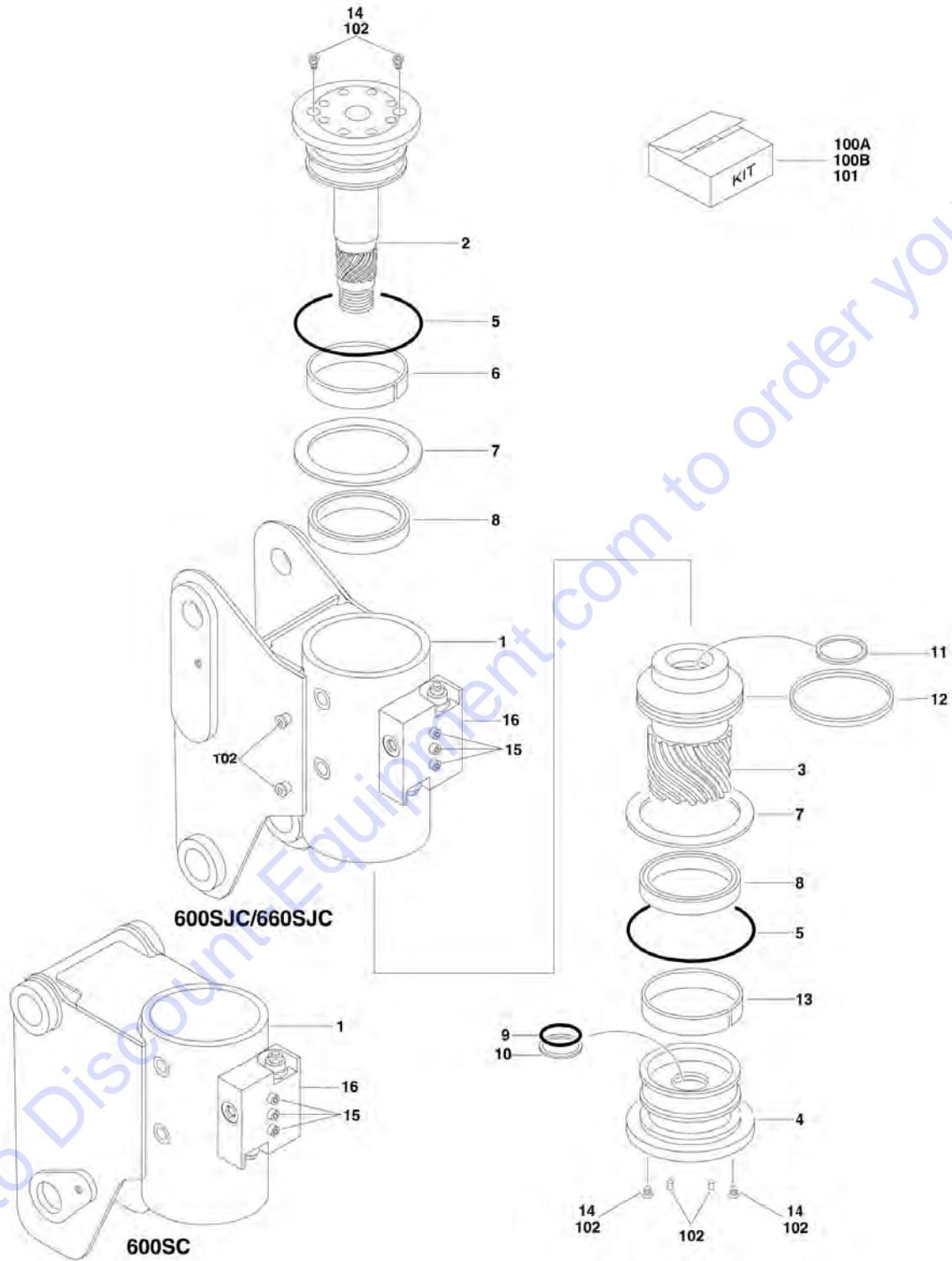
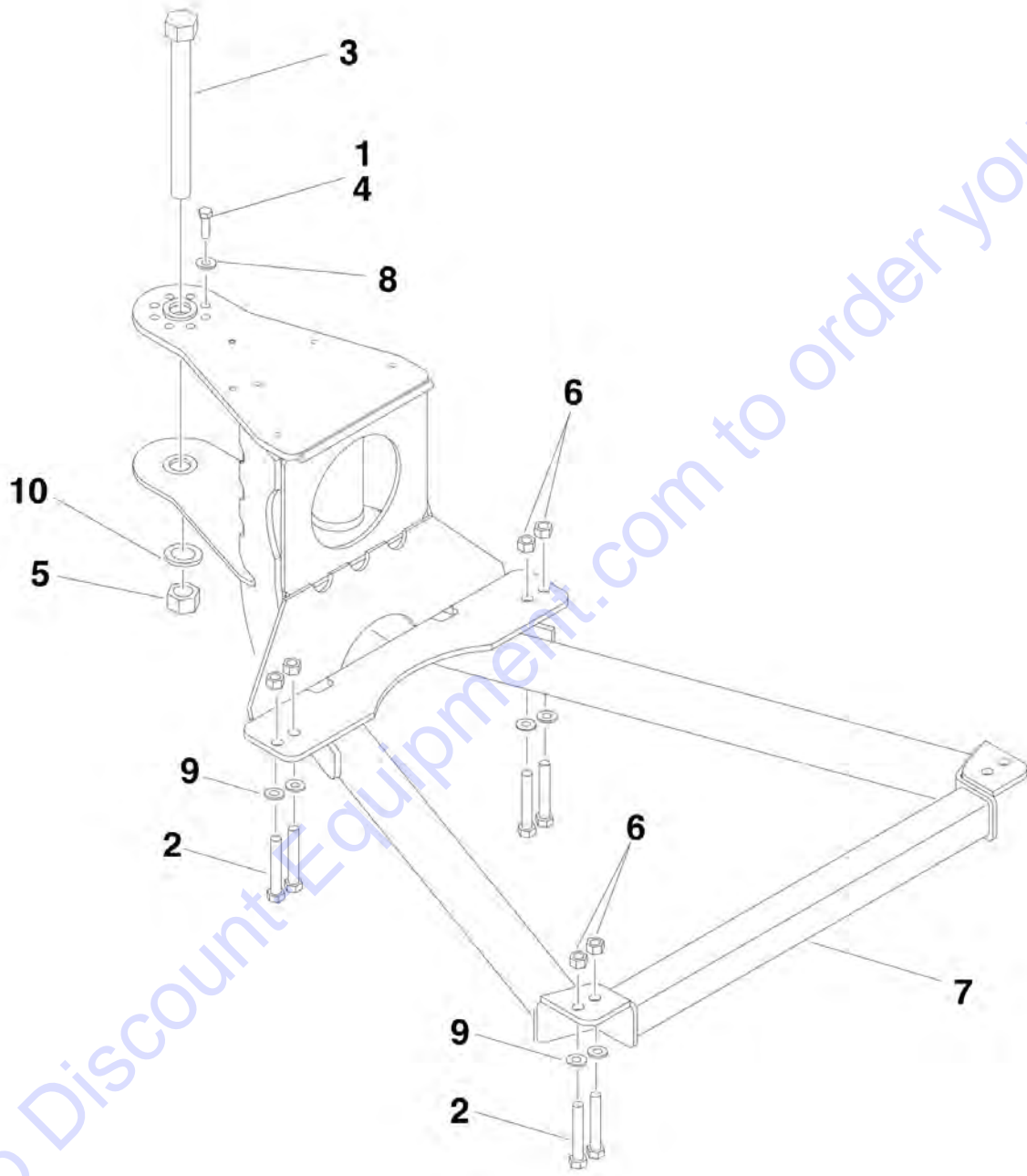


FIGURE 3-5. ROTATOR ASSEMBLIES

ITEM	PART NUMBER	QTY	DESCRIPTION	REV
		Ref	ROTATOR ASSEMBLIES	
	0060067	Ref	Rotator Assemblies 600SC (SN 0300174703 through 0300202596)	B
	1001181057	Ref	Rotator Assemblies 600SC (SN 0300202597 through 0300236298)	A
	0060066	Ref	Rotator Assemblies 660SJC (SN 0300174703 through 0300202596)	D
	1001178269	Ref	Rotator Assemblies 660SJC (SN 0300202597 through 0300236298)	A
1	See Note	1	Housing/Ring Gear Assembly (Note: Not Available - Purchase Complete Rotator Assembly)	
2	7017162	1	Weldment, Shaft	
2	7017195	2	Bushing, Shaft	
3	7017163	1	Piston/Sleeve Assembly	
4	7017164	1	Cap, End	
5	See Note	2	O-Ring (Note: Use Item 100A or 100B)	
6	See Note	NSS	Bearing, Shaft (Note: Use Item 101)	
7	See Note	NSS	Thrustwasher (Note: Use Item 101)	
8	See Note	NSS	Packing, Bearing (Note: Use Item 100A or 100B)	
9	See Note	NSS	Seal, Cap (Note: Use Item 100A or 100B)	
10	See Note	NSS	Ring, Back-up Cap (Note: Use Item 100A or 100B)	
11	See Note	NSS	Seal, Rod (Note: Use Item 100A or 100B)	
12	See Note	NSS	Seal, Piston (Note: Use Item 100A or 100B)	
13	See Note	NSS	Bearing, Cap (Note: Use Item 101)	
14	70001697	4	Screw, Countersunk 1/4in-20NC x 3/8in (Grade 8)	
15	See Note	NSS	Capscrew 1/4 x 1-1/2 (Grade 8) (Note: Not Available for Purchase)	
16	7017183	3	Valve Assembly	
16	7017193	1	Cartridge, Valve	
16	See Note	NSS	Seal Kit - 7017193 Valve (Note: Use p/n 7017193)	
16	See Note	NSS	Cartridge, Valve (Not Shown - Located on Side of Block) (Note: Use p/n 7017183)	
16	See Note	NSS	Seal Kit - Valve Located on Side of Block (Note: Use p/n 7017183)	
		Ref	Kit Options	
100		Ref	Seal Kit Options (Includes Items 5, 8-12 & 102):	
100A	7017158	1	Seal Kit - Standard (Std on 0060066 & 0060067 Rotators)	
100B	70000342	1	Seal Kit - Low Temperature (Std on 1001181057 & 1001178269 Rotators/Optional on 0060066 & 0060067 Rotators)	
101	7017159		Bearing Kit (Includes Items 6, 7 & 13)	
102	See Note	NSS	Hardware Kit (Note: Part of Item 100. Use Item 100A or 100B)	

SECTION 3 - BOOM

FIGURE 3-6. PLATFORM SUPPORT INSTALLATION



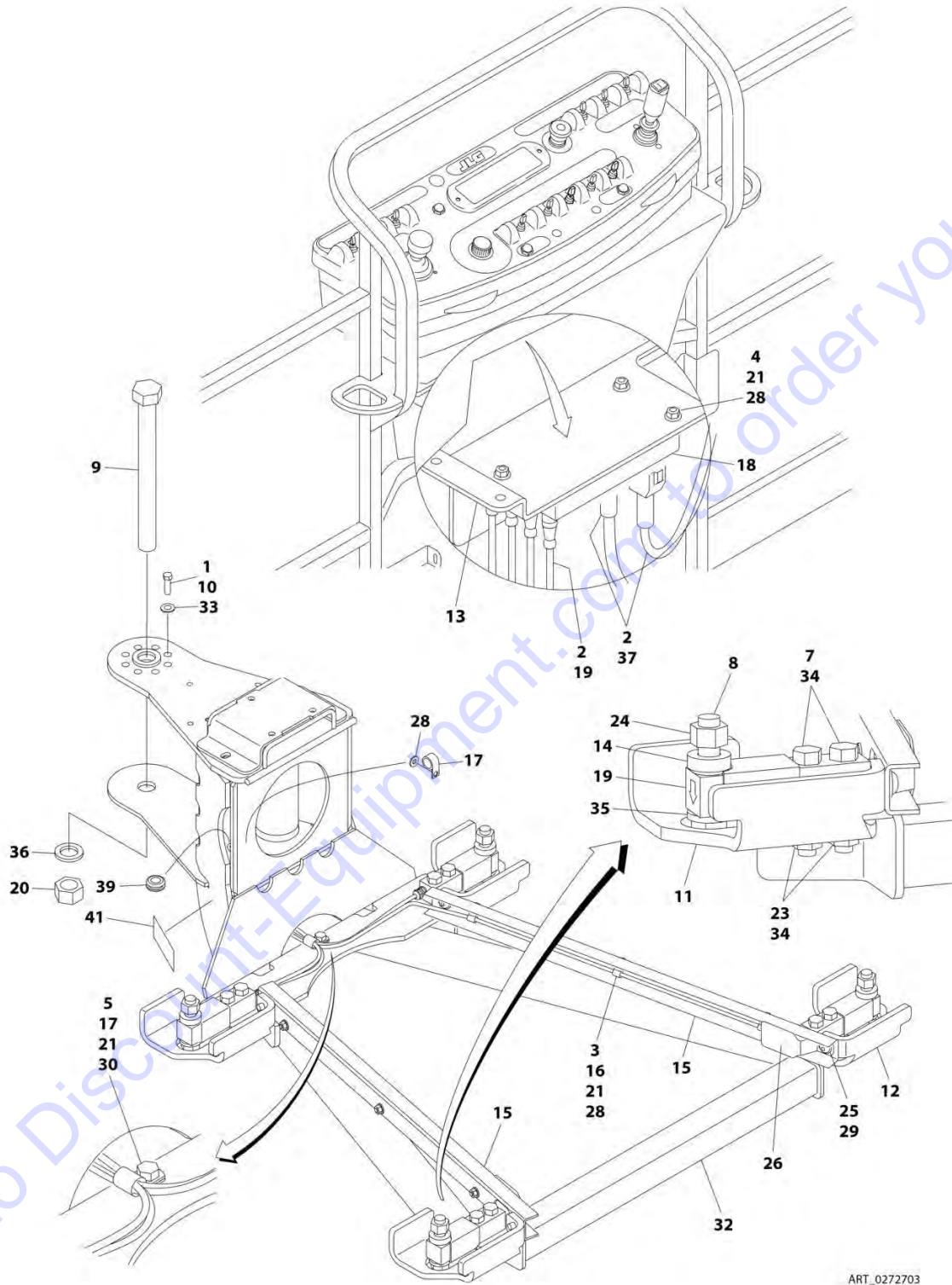
Go to DiscountEquipment.com to order your parts

FIGURE 3-6. PLATFORM SUPPORT INSTALLATION

ITEM	PART NUMBER	QTY	DESCRIPTION	REV
		Ref	PLATFORM SUPPORT INSTALLATIONS (SIDE ENTRY PLATFORM)	
	0272070	Ref	Machines without Load Sensing and without SkyGlazier	C
	See Note	Ref	Machines with Load Sensing (Note: For replacement parts, go to Discount-equipment.com and request manual p/n 3124287)	
1	0100011	AR	Compound, Locking	
2	0641812	8	Bolt 1/2in-13NC x 1-1/2in	
3	0642684	1	Bolt 1in-8NC x 10-1/4in	
4	0681608	8	Bolt 3/8in-16NC x 1in	
5	3272605	1	Locknut 1in-8NC	
6	3311805	8	Locknut 1/2in-13NC	
7		Ref	Support Options:	
7	4846573	1	Machines without Load Sensing	
7	See Note	1	All Other Machines	
8	4891600	8	Flatwasher 3/8in Hardened	
9	4891800	8	Flatwasher 1/2in Hardened	
10	4892600	1	Flatwasher 1in Hardened	

SECTION 3 - BOOM

FIGURE 3-7. PLAFORM SUPPORT INSTALLATION - WITH LSS



ART_0272703

SECTION 3 - BOOM

FIGURE 3-7. PLAFORM SUPPORT INSTALLATION - WITH LSS

ITEM	PART NUMBER	QTY	DESCRIPTION	REV
	0272703	Ref	PLAFORM SUPPORT INSTALLATION - WITH LSS	Q
1	0100011	AR	Compound, Locking	
2	0100048	AR	Grease, Dielectric	
3	0641405	6	Bolt 1/4 x 5/8	
4	0641416	3	Bolt 1/4 x 2	
5	0641407	1	Bolt 1/4 x 7/8	
7	0641822	8	Bolt 1/2 x 2-3/4	
8	0642024	4	Bolt 5/8 x 3	
9	0642684	1	Bolt 1 x 10-1/2	
10	0681608	8	Bolt 3/8 x 1 Grade 8	
11	0902919	2	Bracket, Cell Guard	
12	0902920	2	Bracket, Cell Guard	
13	1001113483	1	Bracket, Module Mount	
14	0962450	4	Bushing, Spacer	
15	1271538	2	Channel	
16	1320136	6	Clamp	
17	1320224	2	Clamp	
18	1600387	1	Module, Control - LSS (Note: Re-calibration Required when Replaced)	
19	2420202	4	Cell, Load (Includes Cable)	
20	3272605	1	Nut 1 Grade 8	
21	3311405	10	Nut 1/4	
23	3311805	8	Nut 1/2	
24	3312005	4	Nut 5/8	
25	3900283	4	Screw 3/8 x 3/4	
26	4061054	2	Shield	
27	4240033	AR	Tie-Strap (Not Shown)	
28	4711400	10	Washer 1/4	
29	4711600	4	Washer 3/8	
30	4751400	1	Washer 1/4	
32	4846573	1	Support, Platform	
33	4891600	8	Washer 3/8	
34	4891800	8	Washer 1/2	
35	4892000	4	Washer 5/8	
36	4892600	1	Washer 1	
37	4922869	1	LSS Harness	
37	4922705	1	Analyzer Harness (Not Shown)	
37	4460761	1	Receptacle, Female - 4 Position (Not Shown)	
37	4460226	1	Socket, Female	
37	4460836	1	Connector - 12 Position (Black) (J2)	
37	4460465	1	Socket, Female	
37	4460466	1	Plug, Terminal	
37	0840055	1	Boot	
37	4460933	1	Connector - 12 Position (Grey) (J1)	
37	4460465	1	Socket, Female	
37	4460466	1	Plug, Terminal	
37	0840055	1	Boot	
39	2540038	1	Grommet	
40	2920129	1	Bulb, Light (Not Shown - Located on Ground Control Box)	
41	1001216630	2	Decal - Tie Down/No Lift	

SECTION 3 - BOOM

FIGURE 3-8. POWER TRACK INSTALLATION

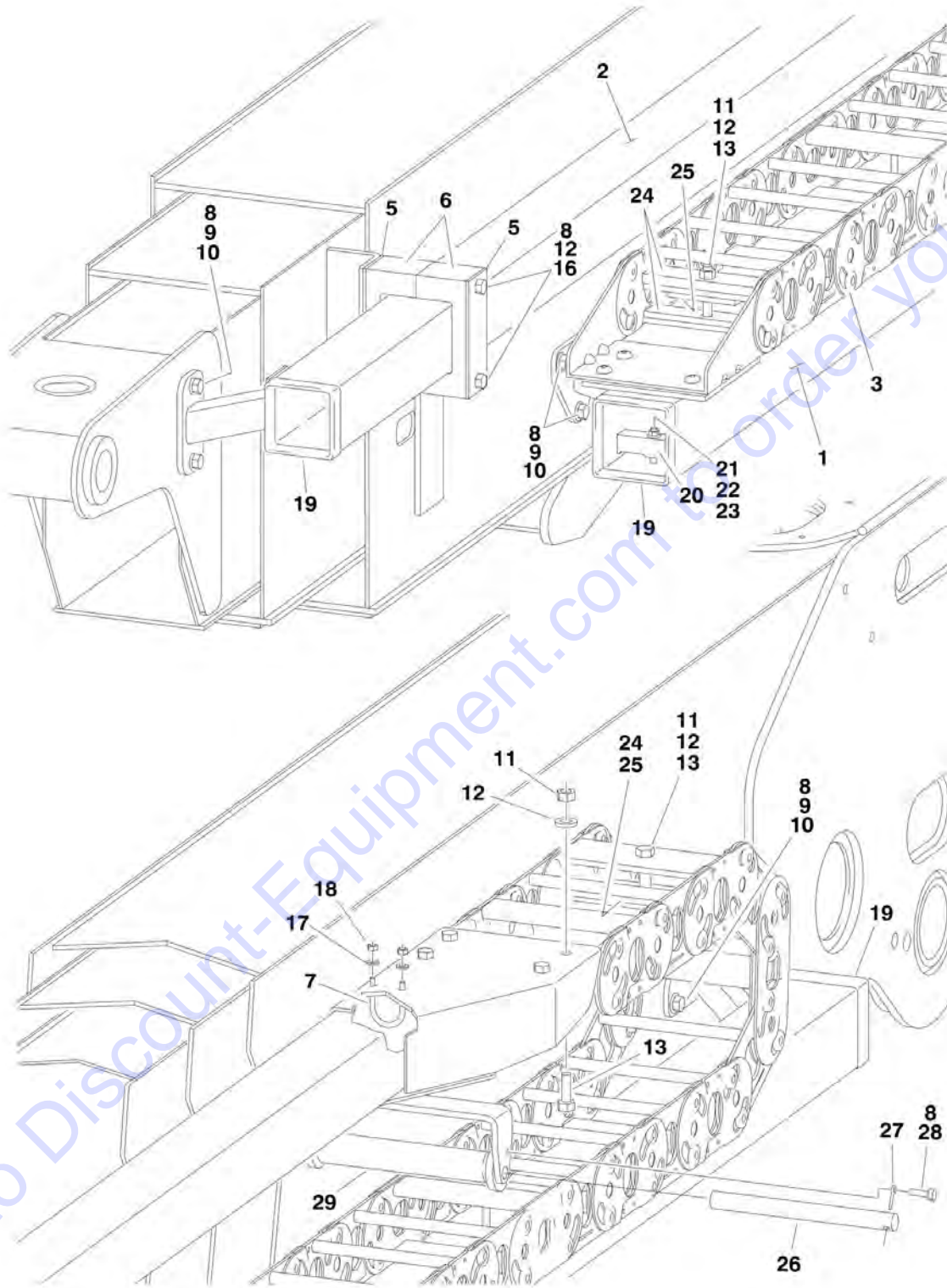


FIGURE 3-8. POWER TRACK INSTALLATION

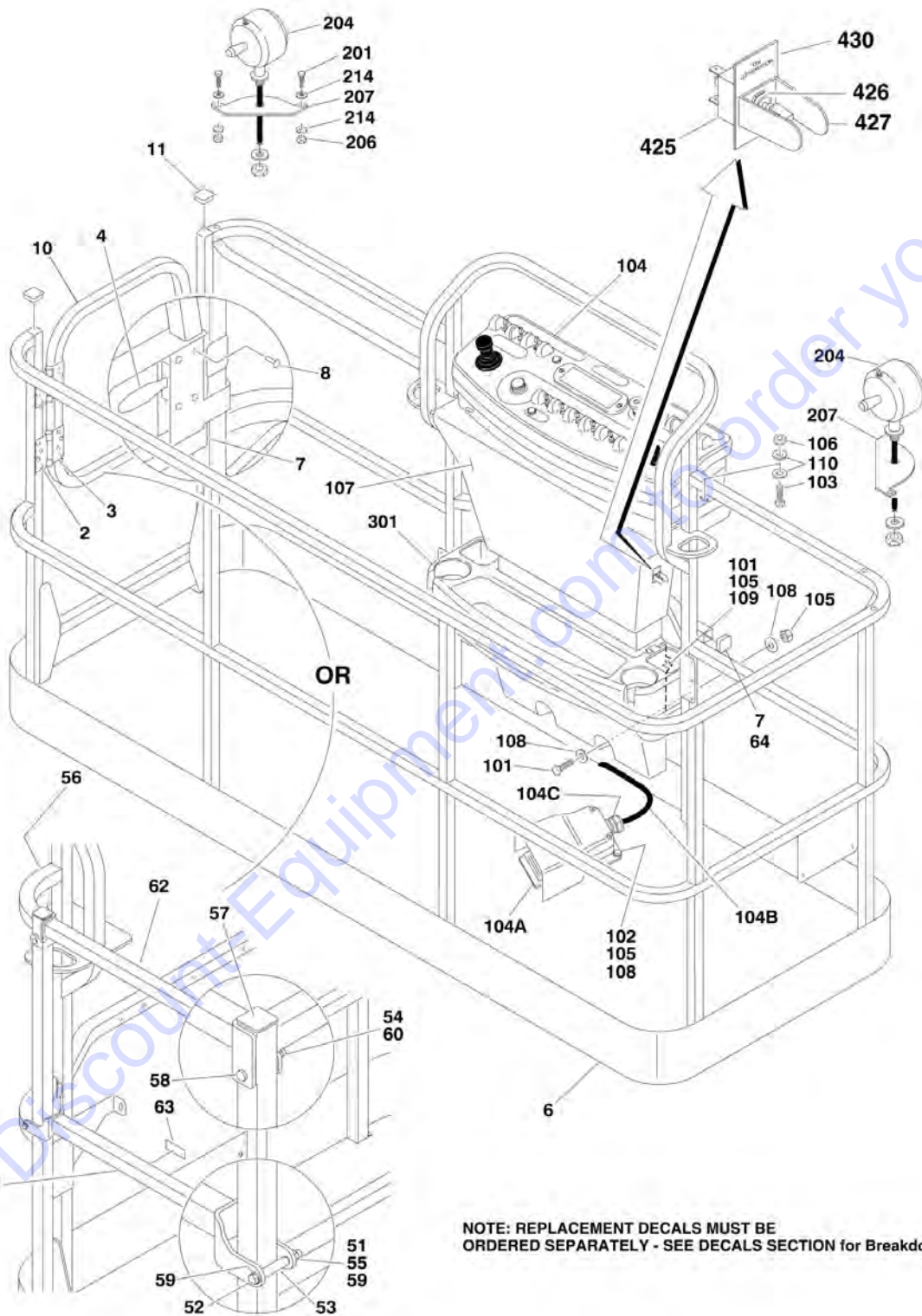
ITEM	PART NUMBER	QTY	DESCRIPTION	REV
		Ref	POWER TRACK INSTALLATION OPTIONS	
	0257988	Ref	Power Track Installation 600SC	7
	0271242	Ref	Power Track Installation 660SJC	3
1	4845819	1	Rail	
2	4845671	1	Tube, Push	
3	1001099832	1	Power Track Assembly	
3	70002005	AR	Repair Section Kit	
3	70002006	1	Mounting Bracket Kit	
3	70004643	2	Clamp Kit	
5	3538758	AR	Plate	
6	3340764	2	Pad, Wear	
7	0630458	1	U-Bolt	
8	0100011	AR	Compound, Locking	
9	0641807	11	Bolt 1/2in-13NC x 7/8in	
10	4711800	11	Flatwasher 1/2in Thin	
11	0641608	8	Bolt 3/8in-16NC x 1in	
12	4711600	18	Flatwasher 3/8in Thin	
13	3311605	8	Locknut 3/8in-16NC	
16	0641644	2	Bolt 3/8in-16NC x 5-1/2in	
17	4711400	2	Flatwasher 1/4in Thin	
18	3311405	2	Locknut 1/4in-20NC	
19	4060803	3 ft/0.9m	Shield, Trim	
20	1320247	1	Clamp, Nylon	
21	0641522	1	Bolt 5/16in-18NC x 2-3/4in	
22	3311505	1	Locknut 5/16in-18NC	
23	4711500	2	Flatwasher 5/16in Thin	
24	4070994	2	Shim, Neoprene	
25	4070995	2	Shim, Neoprene	
26	3841013	1	Roller, Rod	
27	3450806	1	Pin, Cotter	
28	0641404	1	Screw	
29	3860050	1	Roller, Power Track	

SECTION 4 - PLATFORM

Go to Discount-Equipment.com to order your parts

SECTION 4 - PLATFORM

FIGURE 4-1. PLATFORM COMPONENTS INSTALLATION



NOTE: REPLACEMENT DECALS MUST BE ORDERED SEPARATELY - SEE DECALS SECTION for Breakdown

SECTION 4 - PLATFORM

FIGURE 4-1. PLATFORM COMPONENTS INSTALLATION

ITEM	PART NUMBER	QTY	DESCRIPTION	REV
		Ref	PLATFORM ASSEMBLIES	
	1001144023	Ref	Platform 36in x 8ft (91.5cm x 2.44m) with No Mesh (SN 0300174703 through 0300200816)	D
	1001186383	Ref	Platform 36in x 8ft (91.5cm x 2.44m) with No Mesh (SN 0300200817 through 0300236298)	D
	1001144024	Ref	Platform 36in x 6ft (91.5cm x 1.83m) with No Mesh (SN 0300174703 through 0300200816)	D
	1001186384	Ref	Platform 36in x 6ft (91.5cm x 1.83m) with No Mesh (SN 0300200817 through 0300236298)	C
		Ref	Note: Original Equipment Platform may have been replaced with Service Replacement platform. Identify platform before ordering parts.	
		Ref	Note: For Platforms with Mesh to the Top Rail, customer must order Platforms and Mesh separately. See SPECIAL OPTIONS SECTION for Mesh Installations.	
		Ref	Note: Replacement Decals Must Be Ordered Separately - See DECALS SECTION.	
		Ref	Note: When replacing 8ft/2.44m platform with Soft Touch option, new Soft Touch Rail p/n 4846673 must be purchased to accommodate limit switch locations.	
		Ref	Note: When replacing platform on machines with SkyCutter option, new bracket p/n 1001145405 must be purchased to accommodate SkyCutter components.	
2	2080040	16	Fastener, Huck	
3	2600281	2	Hinge, Self-Closing	
4	2940074	1	Latch	
6	See Note	NSS	Platform (Note: Not Available - Purchase Complete Platform Assembly)	
7	3520072	AR	Cap-Plug	
8	3820020	4	Rivet, Pop	
10	1001144629	1	Gate	
11	3520198	2	Cap-Plug	
		Ref	PLATFORM ASSEMBLY WITH DROP-BAR	
	1001144021	Ref	Platform 36in x 6ft (91.5cm x 1.83m) with No Mesh (SN 0300174703 through 0300200816)	D
	1001186379	Ref	Platform 36in x 6ft (91.5cm x 1.83m) with No Mesh (SN 0300200817 through 0300236298)	B
	1001144022	Ref	Platform 36in x 8ft (91.5cm x 2.44m) with No Mesh (SN 0300174703 through 0300200816)	D
	1001186382	Ref	Platform 36in x 8ft (91.5cm x 2.44m) with No Mesh (SN 0300200817 through 0300236298)	B
		Ref	Note: Original Equipment platform may have been replaced with Service Replacement platform. Identify platform before ordering parts.	
		Ref	Note: Replacement Decals Must Be Ordered Separately - See DECALS SECTION.	
		Ref	Note: When replacing 8ft/2.44m platform with Soft Touch option, new Soft Touch Rail p/n 4846673 must be purchased to accommodate limit switch locations.	
		Ref	Note: When replacing platform on machines with SkyCutter option, new bracket p/n 1001145405 must be purchased to accommodate SkyCutter components.	
51	0100011	AR	Compound, Locking	
52	0641418	2	Bolt 1/4in-20NC x 2-1/4in	
53	0961845	2	Bushing	

SECTION 4 - PLATFORM

ITEM	PART NUMBER	QTY	DESCRIPTION	REV
54	3290606	2	Nut M6	
55	3300151	2	Nut, Acorn	
56	See Note	NSS	Platform (Note: Not Available - Purchase Complete Platform Assembly)	
57	3520198	2	Cap-Plug	
58	4010618	2	Screw M6 x 50mm	
59	4711400	4	Flatwasher 1/4in Thin	
60	4811700	2	Flatwasher M6	
61	1001138494	1	Bar, Drop	
62	1001138514	1	Rail (Top)	
63	1001140429	1	Decal - Drop-Bar	
64	3520072	2	Cap-Plug	
		Ref	CONSOLE BOX INSTALLATION	A
	1001145886	Ref	Console Box Installation without SkyGuard	B
	1001190117	Ref	Console Box Installation with SkyGuard	B
101	0641406	4	Bolt 1/4in-20NC x 3/4in	
102	0641408	3	Bolt 1/4in-20NC x 1in	
103	0641610	4	Bolt 3/8in-16NC x 1-1/4in	
104		Ref	Platform Console Box Assembly Options (See PLATFORM CONSOLE ASSEMBLY for Breakdown):	
104	1001145885	1	Platform Console Box Assembly without SkyGuard (SN 0300174703 through 0300220073)	
104	1001202606	1	Platform Console Box Assembly without SkyGuard (SN 0300220074 through 0300236298)	
104	1001190093	1	Platform Console Box Assembly with SkyGuard (SN 0300200817 through 0300220073)	
104	1001202605	1	Platform Console Box Assembly with SkyGuard (SN 0300220074 through 0300236298)	
104A	1001117174	1	Footswitch Assembly Options (Includes Footswitch and Items 104B & 104C):	
104A	1001117172	1	Footswitch	
104A	70002902	1	Block, Contact	
104A	70002903	1	Gasket	
104A	70002905	1	Cover	
104A	70002904	1	Bolt Replacement Kit	
104B	1060918	7 ft/2.1m	Cable, Electrical - 18/3	
104C	4460071	1	Connector, Strain Relief	
105	3311405	7	Locknut 1/4in-20NC	
106	3311605	4	Locknut 3/8in-16NC	
107	3380434	1	Panel, Decal Mount	
108	4740362	7	Washer, Fender 1/4in	
109	4751400	4	Flatwasher 1/4in Regular	
110	4751600	8	Flatwasher 3/8in Regular	
		Ref	WORKLIGHTS INSTALLATIONS (OPTIONAL)	
	0273486	Ref	Worklights Installations (Optional) 600SC	D
	0273490	Ref	Worklights Installations (Optional) 660SJC	D
201	2080040	4	Huck Fastener	
203	4922888	1	Harness, Power to Console Box (Not Shown - See ELECTRICAL SECTION for Breakdown)	
204	2920140	2	Worklight	
204	7016399	2	Bulb, Replacement (1 Per Worklight)	
206	3311405	4	Locknut 1/4in-20NC	
207	3536089	2	Plate, Mounting	

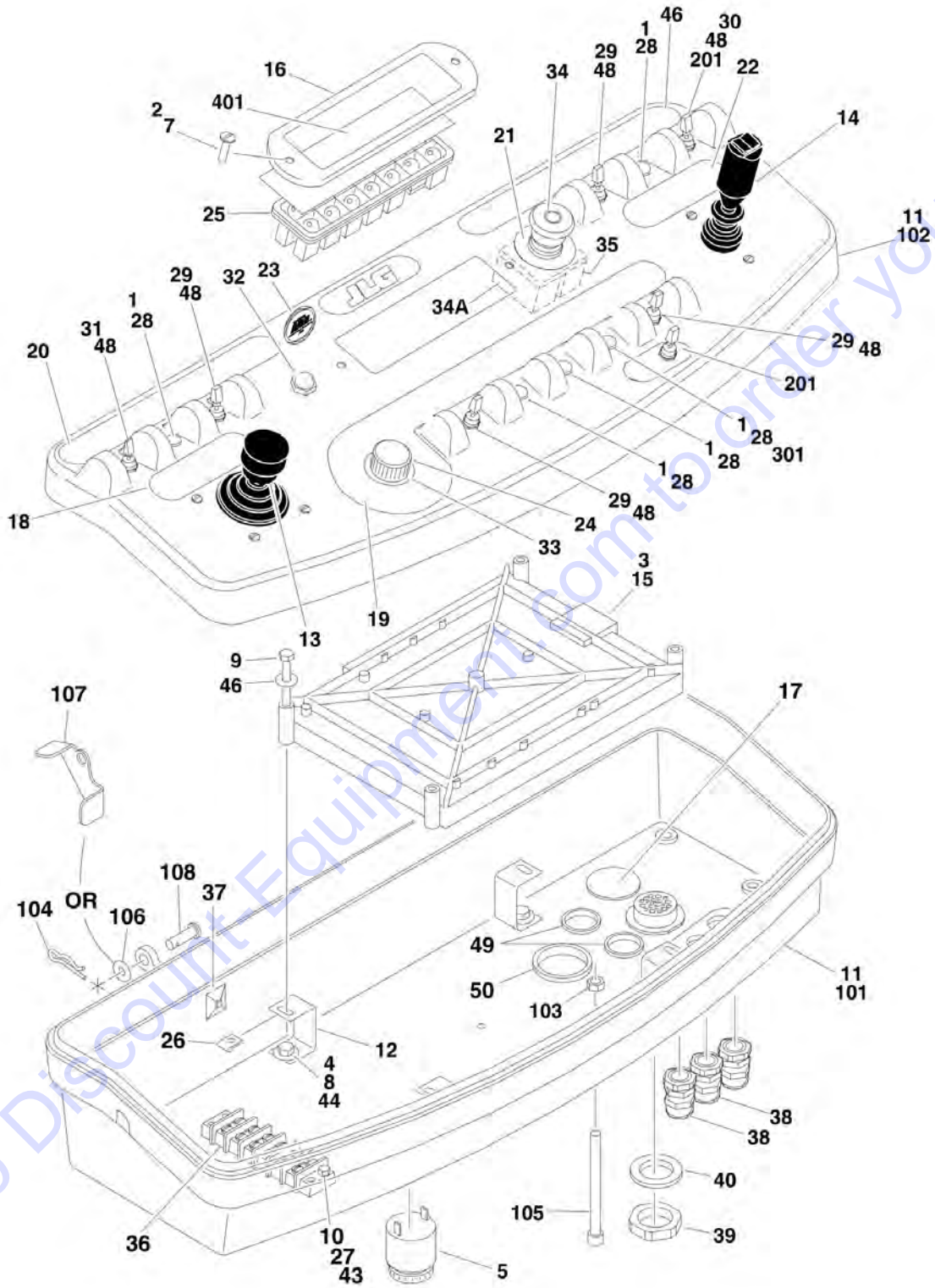
SECTION 4 - PLATFORM

ITEM	PART NUMBER	QTY	DESCRIPTION	REV
213	4460426	1	Connector, Strain Relief (Not Shown - Located at Console Box)	
217	2820035	9 ft/2.7m	Loom, Vinyl (Not Shown)	
218	4240099	10	Tie-Strap (Not Shown)	
		Ref	TRAY INSTALLATIONS (OPTIONAL)	
301	1580012	1	Tray, Storage (Center)	
302	1580013	1	Tray, Storage (Rail Mounted - Not Shown)	
		Ref	GENERATOR SWITCH INSTALLATION (OPTIONAL)	
425	4360336	1	Switch, Toggle	
426	4740397	1	Bushing	
427	4060802	1	Guard, Switch	
429	2820031	4 in/10cm	Heat Shrink (Not Shown - Located at Platform)	
430	3251102	1	Decal	

Go to Discount-Equipment.com to order your parts

SECTION 4 - PLATFORM

FIGURE 4-2. PLATFORM CONSOLE ASSEMBLY (WITHOUT SKYGUARD)



SECTION 4 - PLATFORM

FIGURE 4-2. PLATFORM CONSOLE ASSEMBLY (WITHOUT SKYGUARD)

ITEM	PART NUMBER	QTY	DESCRIPTION	REV
	1001145885	Ref	CONSOLE BOX ASSEMBLY (WITHOUT SKYGUARD) (SN 0300174703 through 0300220073)	E
	1001202606	Ref	CONSOLE BOX ASSEMBLY (WITHOUT SKYGUARD) (SN 0300220074 through 0300236298)	C
1	0100009	AR	Sealant	
2	0100035	AR	Compound, Locking	
3	0100048	AR	Grease, Dielectric	
4	0100081	AR	Adhesive	
5	0140011	1	Alarm	
7	0630464	2	Screw, Button Head #10-24NC x 1/2in	
8	0641404	4	Bolt 1/4in-20NC x 1/2in	
9	0641416	4	Bolt 1/4in-20NC x 2in	
10	0721006	2	Bolt #10-24NC x 3/4in	
11	0861633	1	Box, Console (See Items 101-108 for Breakdown) (SN 0300174703 through 0300220078)	
11	1001201892	1	Box, Console (See Items 101-108 for Breakdown) (SN 0300220079 through 0300236298)	
12	0902751	NLA	Bracket, Card Support (Use p/n 1001172760)	
13	1001118417	NLA	Controller Assembly (Lift and Swing) (See CONTROLLER ASSEMBLY (SWING AND LIFT) for Breakdown) (Use p/n 1001129555)	
14	1600359	1	Controller Assembly (Drive and Steer) (See CONTROLLER ASSEMBLY (DRIVE AND STEER) for Breakdown)	
15	1001106355	1	Controller, Module (Note: Re-calibration Required when Replaced)	
16	1670829	1	Bezel	
17	1001110434	1	Cover	
18	1702566	1	Decal - Lift and Swing	
19	1702567	1	Decal - Function Speed	
20	1702676	1	Decal - Horn	
21	1704260	1	Decal - EMS	
22	1704460	1	Decal - Drive and Steer	
23	1705132	1	Decal - ADE	
24	2560136	1	Handle, Knob	
25	2760105	1	Housing, Display Light	
26	3300353	4	Nut, Tinnerman	
27	3311005	2	Locknut #10-24NC	
28	3520054	6	Plug, Hole	
29	4360328	4	Switch, Toggle	
30	4360330	1	Switch, Toggle	
31	4360331	1	Switch, Toggle	
32	4360387	1	Switch, Pushbutton	
33	4360407	1	Controller, Speed	
33	See Note	NSS	Gasket "Top Hat" (Included with Switch) (Note: Not Available for Purchase)	
33	70003784	1	Seal	
34	4360475	1	Switch, Emergency Stop	
34	7020175	1	Cap, Red	
34A	7020176	1	Contact Block	
35	4360476	1	Block, Contact	
36	4460007	1	Bar, Buss	
37	4460234	AR	Tie-Strap	

SECTION 4 - PLATFORM

ITEM	PART NUMBER	QTY	DESCRIPTION	REV
38	4460428	2	Connector, Strain Relief	
39	4460470	1	Nut, Terminal	
40	4460471	1	Lockwasher, Terminal	
41	4460708	2	Terminal, 15 Pin (Not Shown - See ELECTRICAL SECTION for Location)	
43	4751000	2	Flatwasher #10 Regular	
44	4751400	8	Flatwasher 1/4in Regular	
45	4922666	1	Harness, Analyzer Cable (Not Shown - See ELECTRICAL SECTION for Breakdown)	
46	1001131168	1	Decal - Stop	
47	1001107753	1	Harness, Platform Box (Not Shown - See ELECTRICAL SECTION for Breakdown)	
48	3790012	6	O-Ring	
49	3520033	2	Plug (SN 0300220074 through 0300224200)	
49	1001220486	2	Plug (SN 0300224201 through 0300236298)	
50	3520035	1	Plug (SN 0300220074 through 0300236298)	
		Ref	CONSOLE BOX ASSEMBLY	
	0861633	Ref	Console Box Assembly (SN 0300174703 through 0300220073)	F
	1001201892	Ref	Console Box Assembly (SN 0300220074 through 0300236298)	B
101	See Note	NSS	Console Bottom (Note: Not Available - Purchase Complete Console Box Assembly)	
102	See Note	NSS	Console Top (Note: Not Available - Purchase Complete Console Box Assembly)	
103	3311601	1	Nut 3/8in-16NC	
104	3470003	2	Hairpin	
105	0630568	1	Screw 3/8in-16NC x 4-1/2in	
106	4711500	AR	Flatwasher 5/16in Thin	
106	4711600	AR	Flatwasher 3/8in Thin	
107	1001200575	2	Bracket	
108	3430616	2	Pin (SN 0300220074 through 0300236298)	
	1001151306	Ref	HEAD AND TAIL LIGHTS INSTALLATION (OPTIONAL)	A
201	4360522	1	Switch, Toggle	
201	1705170	1	Decal - Lights	
	1001108342	Ref	JIB SWITCH INSTALLATION (660SJC ONLY)	K
301	4360328	1	Switch, Toggle	
301	3790012	1	O-Ring	
		Ref	LIGHT PANEL DECAL INSTALLATION	
	0270386	Ref	ANSI and CSA Specs (SN 0300174703 through 0300190130)	2-C
	1001108763	Ref	ANSI and CSA Specs (SN 0300190131 through 0300236298)	B
	0270388	Ref	ANSI Export, Australian and Japanese Specs (SN 0300174703 through 0300190130)	2-C
	1001108763	Ref	ANSI Export, Australian and Japanese Specs (SN 0300190131 through 0300236298)	B
	0270387	Ref	CE Spec (SN 0300174703 through 0300190130)	2-C
	1001108764	Ref	CE Spec (SN 0300190131 through 0300236298)	A
401		Ref	Decal Options:	
401	1704707	1	ANSI and CSA Specs (SN 0300174703 through 0300190130)	
401	1001121657	1	ANSI and CSA Specs (SN 0300190131 through 0300236298)	
401	1704710	1	ANSI Export, Australian and Japanese Specs (SN 0300174703 through 0300190130)	
401	1001121657	1	ANSI Export, Australian and Japanese Specs (SN 0300190131 through 0300236298)	
401	1704709	1	CE Spec (SN 0300174703 through 0300190130)	

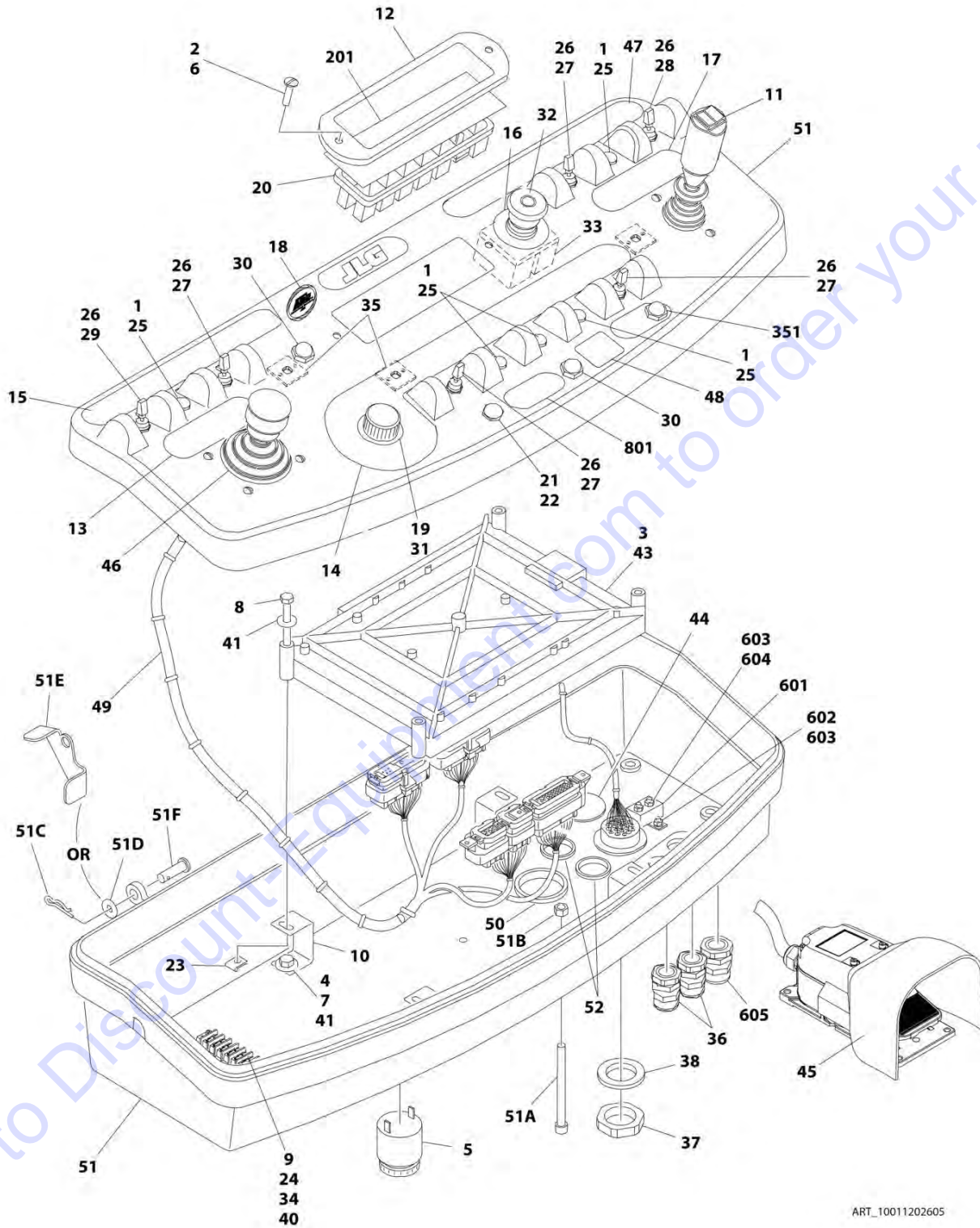
SECTION 4 - PLATFORM

ITEM	PART NUMBER	QTY	DESCRIPTION	REV
401	1001107926	1	CE Spec (SN 0300190131 through 0300236298)	

Go to Discount-Equipment.com to order your parts

SECTION 4 - PLATFORM

FIGURE 4-3. PLATFORM CONSOLE ASSEMBLY (WITH SKYGUARD)



ART_T0011202605

SECTION 4 - PLATFORM

FIGURE 4-3. PLATFORM CONSOLE ASSEMBLY (WITH SKYGUARD)

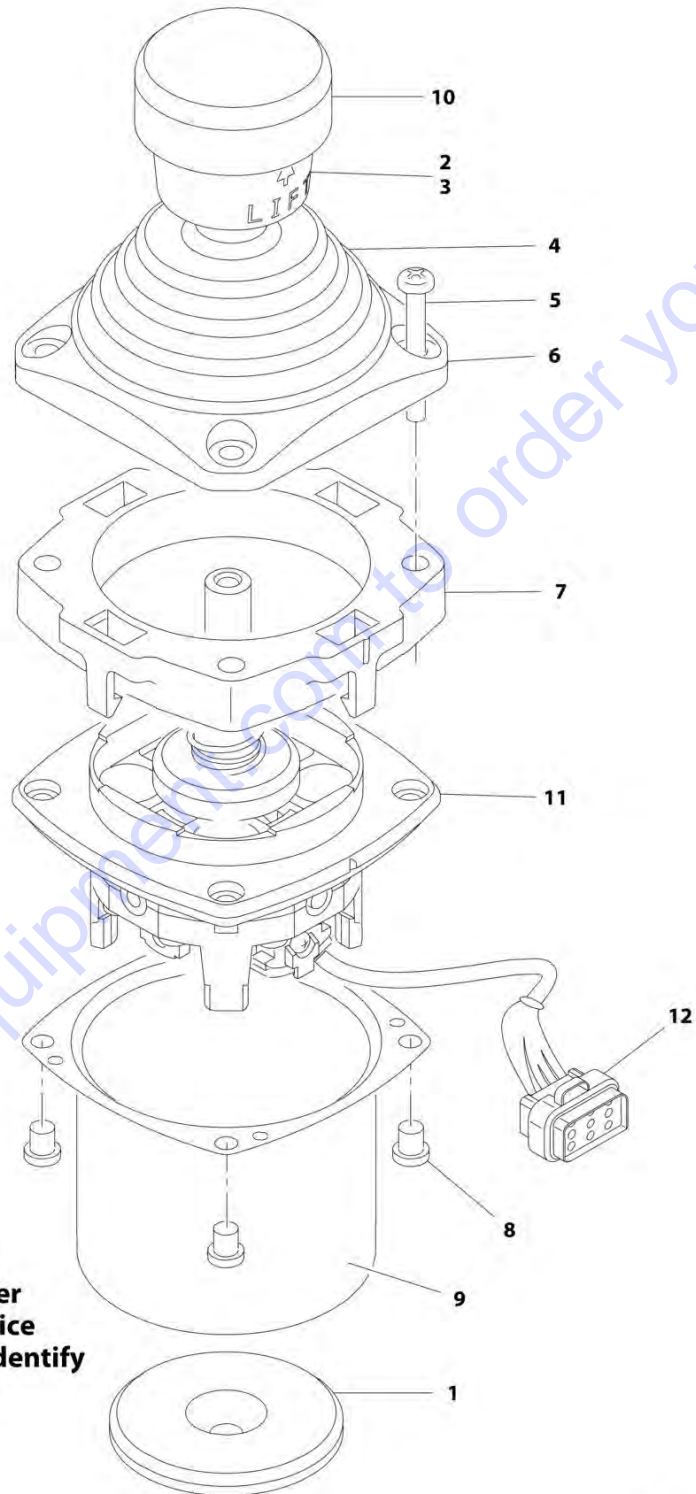
ITEM	PART NUMBER	QTY	DESCRIPTION	REV
		Ref	PLATFORM CONSOLE ASSEMBLY (WITH SKYGUARD)	
	1001190093	Ref	Platform Console Assembly (SN 0300200816 through 0300220073)	C
	1001202605	Ref	Platform Console Assembly (SN 0300220074 through 0300236298)	B
		Ref	Note: For Machines Built SN 0300174703 through 0300200815 Refer to SPECIAL OPTIONS SECTION.	
1	0100009	AR	Sealant	
2	0100035	AR	Compound, Locking	
3	0100048	AR	Grease, Dielectric	
4	0100081	AR	Adhesive	
5	0140011	1	Alarm	
6	0630464	2	Screw #10 x 1/2	
7	0641404	4	Bolt 1/4 x 1/2	
8	0641416	4	Bolt 1/4 x 2	
9	0721006	2	Screw #10 x 3/4	
10	0902751	4	Bracket	
11	1600359	1	Controller Drive/Steer (See CONTROLLER ASSEMBLY (DRIVE AND STEER) for Breakdown)	
12	1670829	1	Bezel	
13	1702566	1	Decal - Lift and Swing	
14	1702567	1	Decal - Function Speed	
15	1702676	1	Decal - Horn	
16	1704260	1	Decal - Emergency Stop	
17	1704460	1	Decal - Drive and Steer	
18	1705132	1	Decal - ADE	
19	2560136	1	Knob	
20	2760105	1	Fixture, Light	
21	2920028	1	Light, Indicator	
22	2920029	1	Lamp, Bulb	
23	3300353	4	Nut, Tinnerman	
24	3311005	2	Nut #10	
25	3520054	5	Plug, Hole	
26	3790012	6	O-Ring	
27	4360328	4	Switch, Toggle	
28	4360330	1	Switch, Toggle	
29	4360331	1	Switch, Toggle	
30	4360387	2	Switch, Push Button	
31	4360407	1	Switch, Flow Control	
31	See Note	1	Gasket "Top Hat" (Included with Switch) (Note: Not Available for Purchase)	
31	70003784	1	Seal	
32	4360475	1	Switch, Emergency Stop	
32	7020175	1	Cap, Red	
32	7020176	1	Block, Contact	
33	4360476	1	Switch, Contact	
34	4460007	1	Bussbar	
35	4460234	AR	Mount Cable, Tie	
36	4460428	2	Connector, Strain Relief	
37	4460470	1	Terminal, Nut	
38	4460471	1	Terminal, Washer	

SECTION 4 - PLATFORM

ITEM	PART NUMBER	QTY	DESCRIPTION	REV
39	4460708	2	Connector - 15 Position (Not Shown)	
40	4751000	2	Washer #10	
41	4751400	8	Washer 1/4	
42	4922666	1	Harness, Analyzer Cable (Not Shown) (See ELECTRICAL SECTION for Breakdown)	
43	1001106355	1	Module, Control (Note: Re-calibration Required when Replaced)	
44	1001110434	1	Plug, Hole	
45	1001117174	1	Footswitch Assembly (See PLATFORM COMPONENTS INSTALLATION for Breakdown)	
46	1001118417	NLA	Controller Lift/Swing (Use p/n 1001129555) (See CONTROLLER ASSEMBLY (LIFT AND SWING) for Breakdown)	
47	1001131168	1	Decal - Stop	
48	1001144433	1	Decal - No Weight SkyGuard	
49	1001185280	1	Harness, Console Box (See ELECTRICAL SECTION for Breakdown)	
50	1001185281	1	Plug	
51	1001190107	1	Console Box Assembly (SN 0300200816 through 0300220073)	
51	1001201894	1	Console Box Assembly (SN 0300220074 through 0300236298)	
51A	0630568	1	Capscrew 3/8 x 4-1/2	
51B	3311601	1	Nut 3/8	
51C	3470003	1	Hairpin	
51D	4711500	1	Washer 5/16	
51E	1001200575	1	Bracket	
51F	3430616	2	Pin (SN 0300220074 through 0300236298)	
52	3520033	2	Plug (SN 0300220074 through 0300224200)	
52	1001220486	2	Plug (SN 0300224201 through 0300236298)	
		Ref	LIGHT PANEL DECAL INSTALLATION	
	1001108763	Ref	ANSI, ANSI Export, CSA, Brazilian, Japanese and Latin American Specs	B
	1001108764	Ref	ANSI Export, Australian and CE Specs	A
201		Ref	Decal - Display Options:	
201	1001121657	1	ANSI, ANSI Export, CSA, Brazilian, Japanese and Latin American Specs	
201	1001107926	1	CE, ANSI Export, Australian and Japanese Specs	
	1001151306	Ref	HEAD AND TAIL LIGHTS INSTALLATIONS (OPTIONAL)	B
351	4360522	1	Switch, Push Button	
351	1705170	1	Decal - Lights	
		Ref	PLATFORM WORKLIGHT INSTALLATION (OPTIONAL)	
	0273486	Ref	Platform Worklight Installation 600SC	C
	0273491	Ref	Platform Worklight Installation 660SJC	C
601	4360232	1	Breaker, Circuit - 15Amp	
602	0721003	2	Bolt #10-24NC x 3/8in	
603	4761000	4	Lockwasher #10	
604	3311001	2	Nut #10-24NC	
605	4460426	1	Connector, Strain Relief	
		Ref	SKYGUARD OVERRIDE DECALS INSTALLATION	
801	1001141300	1	Decal - SkyGuard Override	
801	1001141302	1	Decal - SkyGuard Override with Soft Touch	

SECTION 4 - PLATFORM

FIGURE 4-4. CONTROLLER ASSEMBLY (LIFT AND SWING)



Note: Original Equipment controller may have been replaced with Service Replacement controller. Visually identify controller before ordering parts.

ART_100118417

SECTION 4 - PLATFORM

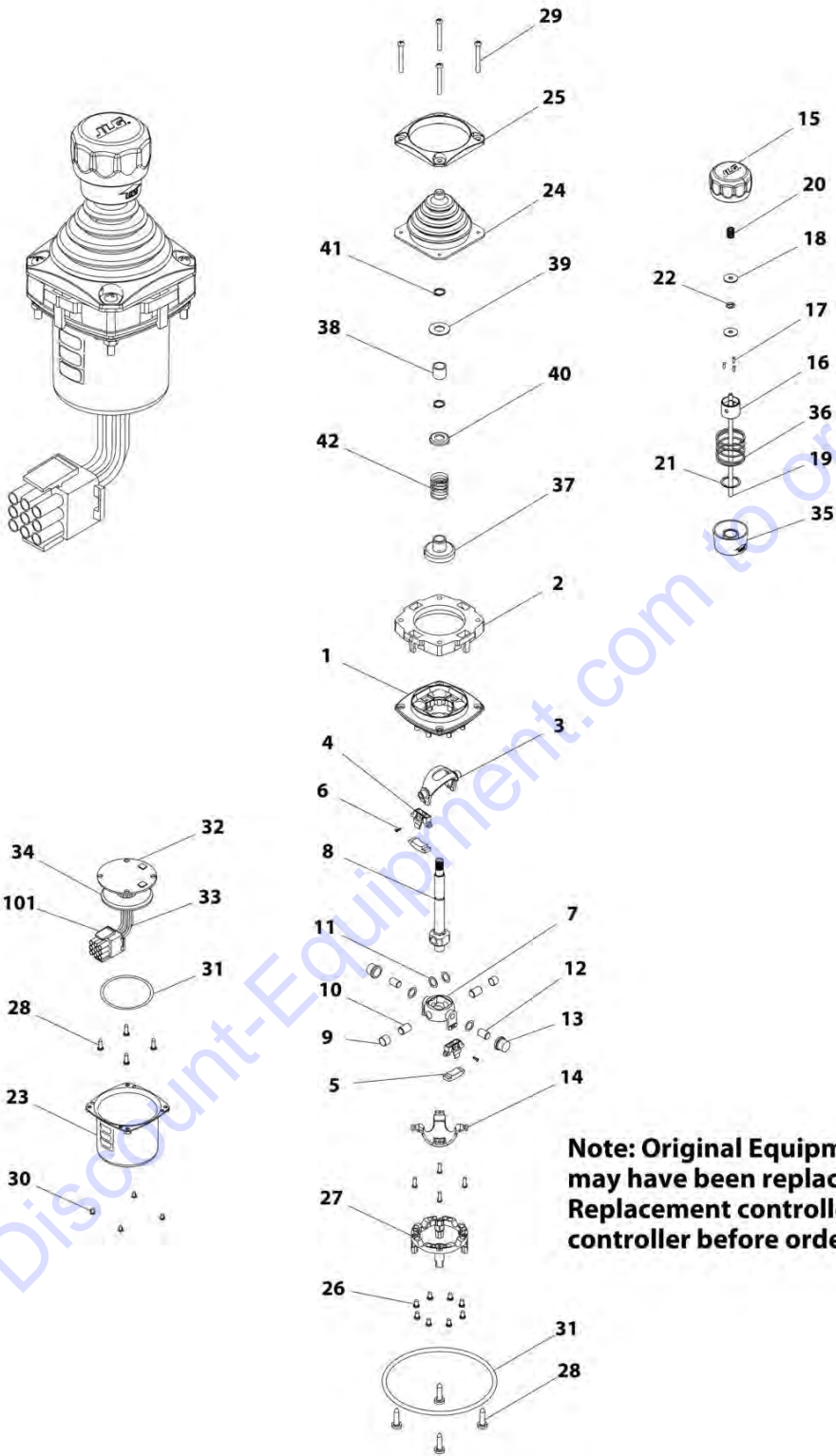
FIGURE 4-4. CONTROLLER ASSEMBLY (LIFT AND SWING)

ITEM	PART NUMBER	QTY	DESCRIPTION	REV
		Ref	Note: Original Equipment controller may have been replaced with Service Replacement controller. Visually identify controller before ordering parts.	
	1001118417	Ref	CONTROLLER ASSEMBLY (LIFT AND SWING)	E
		Ref	Note: Use p/n 1001129555 as Replacement.	
1	70002730	1	Gasket	
2	7003928	1	Spring	
3	7022808	1	Cap, Lift	
4	70002731	1	Boot	
5	70002732	4	Screw	
6	7022815	1	Bezel	
7	70002733	1	Adapter	
8	70002734	4	Screw	
9	70002735	1	Can, Enclosure	
10	70002906	1	Cap	
11	See Note	NSS	Mechanical Assembly (Note: Use p/n 1001129555)	
12	7022819	1	Connector - 8 Position	
12	4460871	6	Socket, Female	

Go to Discount-Equipment.com to order your parts

SECTION 4 - PLATFORM

FIGURE 4-5. CONTROLLER ASSEMBLY (LIFT AND SWING)



ART_1001166539

SECTION 4 - PLATFORM

FIGURE 4-5. CONTROLLER ASSEMBLY (LIFT AND SWING)

ITEM	PART NUMBER	QTY	DESCRIPTION	REV
		Ref	Note: Original Equipment controller may have been replaced with Service Replacement controller. Visually identify controller before ordering parts.	
	1001166539	Ref	CONTROLLER ASSEMBLY (LIFT AND SWING)	D
		Ref	Note: Use p/n 1001129555 as Replacement.	
1	See Note	1	Main Cast Body (Note: Not Available - Purchase Complete Assembly)	
2	70004752	1	Adapter	
3	See Note	NSS	Pivot Arm, Plastic (Note: Not Available - Purchase Complete Assembly)	
4	See Note	NSS	Holder, Magnet (Note: Not Available - Purchase Complete Assembly)	
5	See Note	NSS	Arc, Magnet (Note: Not Available - Purchase Complete Assembly)	
6	See Note	NSS	Screw (Note: Not Available for Purchase)	
7	See Note	NSS	Pivot Arm, Cast (Note: Not Available - Purchase Complete Assembly)	
8	See Note	NSS	Shaft, Main (Note: Not Available - Purchase Complete Assembly)	
9	See Note	NSS	Bearing (Note: Not Available - Purchase Complete Assembly)	
10	See Note	NSS	Pin (Note: Not Available - Purchase Complete Assembly)	
11	See Note	NSS	Shim (Note: Not Available - Purchase Complete Assembly)	
12	See Note	NSS	Pin (Note: Not Available - Purchase Complete Assembly)	
13	See Note	NSS	Bearing (Note: Not Available - Purchase Complete Assembly)	
14	See Note	NSS	Dome, Centering (Note: Not Available - Purchase Complete Assembly)	
15	70004753	1	Cap	
16	70004754	1	Insert, Cap	
17	70004755	3	Pin	
18	70004756	2	Washer	
19	70004757	1	Pin, Centering	
20	70004758	1	Spring	
21	70004759	1	Ring, Retaining	
22	70004760	1	E-Ring	
23	70004761	1	Can, Enclosure	
24	70004762	1	Boot	
25	70004763	1	Bezel	
26	See Note	NSS	Screw (Note: Not Available for Purchase)	
27	See Note	NSS	Base Mounting (Note: Not Available - Purchase Complete Assembly)	
28	See Note	NSS	Screw (Note: Not Available for Purchase)	
29	70004764	4	Screw	
30	70004765	4	Screw	
31	70004766	1	O-Ring	
32	See Note	NSS	Plate (Note: Not Available - Purchase Complete Assembly)	
33	See Note	NSS	Harness (Note: Not Available - Purchase Complete Assembly)	
34	70004767	1	Grommet, Rubber	
35	70004768	1	Housing	
36	70004769	1	Spring	
37	70004770	1	Stopper	
38	70004771	1	Spacer	
39	70004772	1	Washer	
40	70004773	1	Disc	

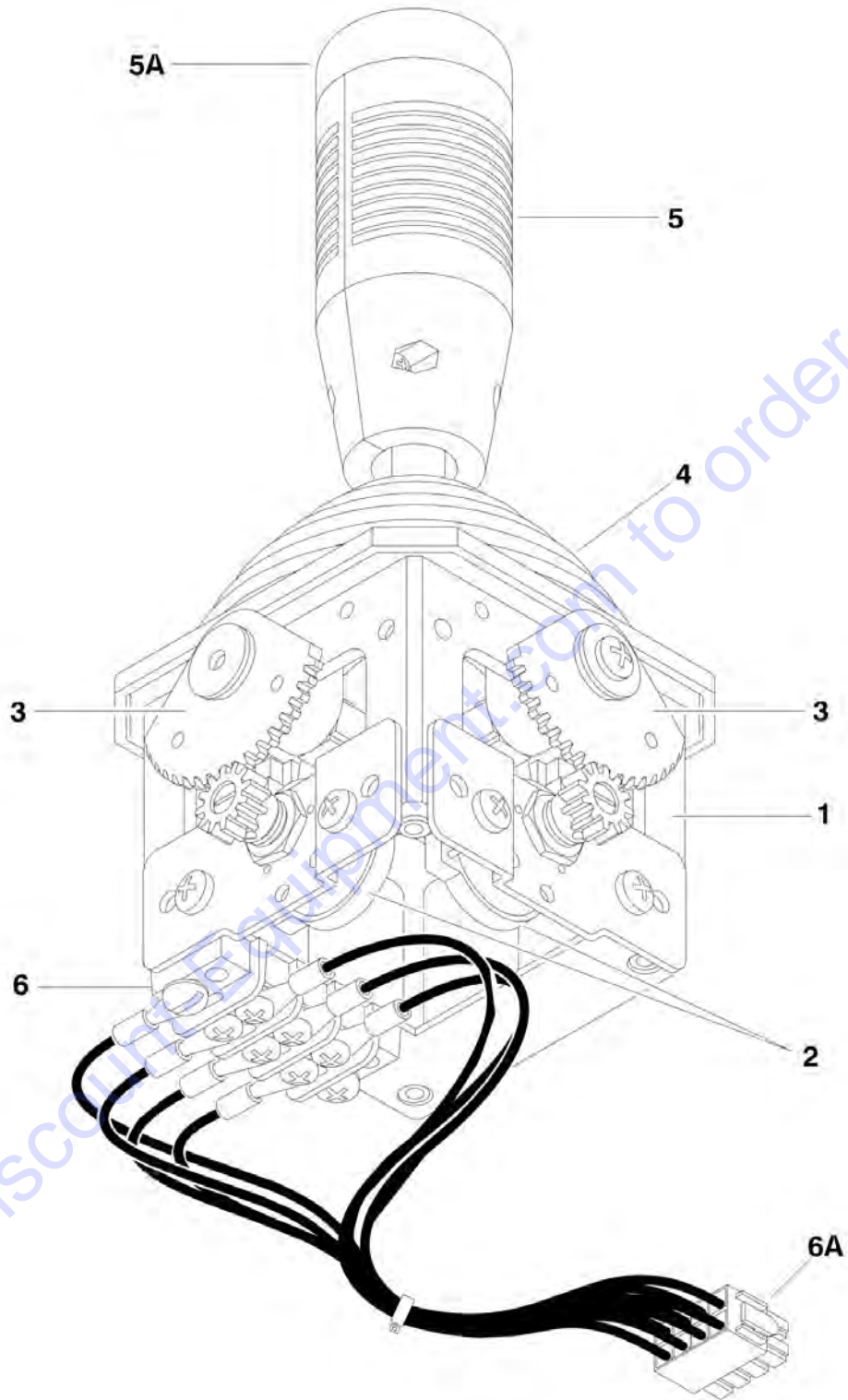
SECTION 4 - PLATFORM

ITEM	PART NUMBER	QTY	DESCRIPTION	REV
41	70004774	2	Ring, Retaining	
42	70004775	1	Spring	
101	4460265	1	Connector - 9 Position	
101	4460226	6	Socket, Female	

Go to Discount-Equipment.com to order your parts

SECTION 4 - PLATFORM

FIGURE 4-6. CONTROLLER ASSEMBLY (DRIVE AND STEER)



SECTION 4 - PLATFORM

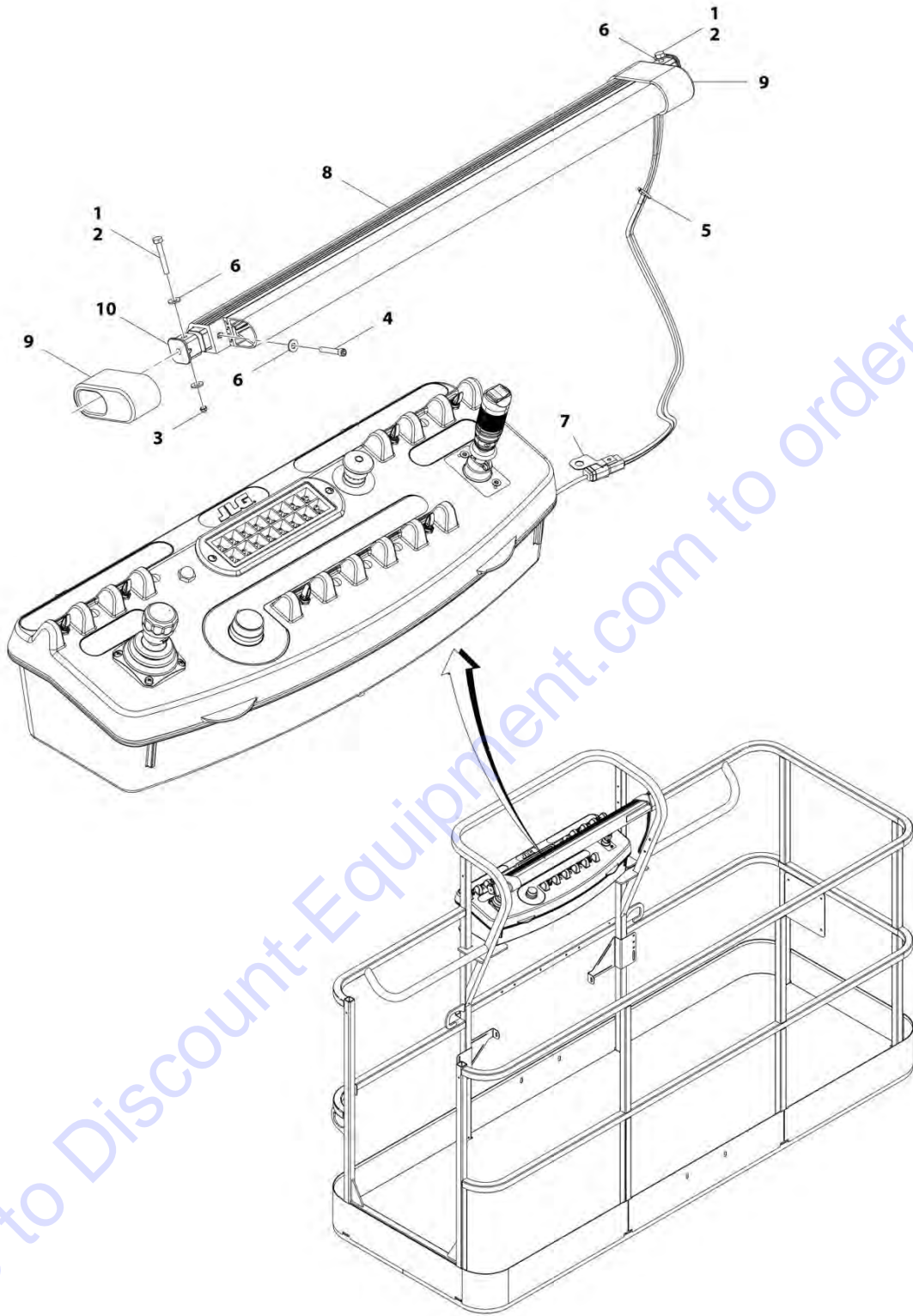
FIGURE 4-6. CONTROLLER ASSEMBLY (DRIVE AND STEER)

ITEM	PART NUMBER	QTY	DESCRIPTION	REV
	1600359	Ref	CONTROLLER ASSEMBLY	A
1	7022832	1	Housing Assembly (Includes Casting, Gimbles, etc)	
2	7022833	2	Potentiometer Plate	
2	7003974	2	Potentiometer	
3	7022834	2	Drive Gear Assembly	
4	7022835	1	Boot Assembly	
5	7022836	1	Handle Assembly	
5A	7022839	1	Cap, Rubber	
5A	7022838	1	Switch, Push Button	
6	7022837	1	Terminal Block/PC Board Assembly	
6A	See Note	NSS	Plug, Male 8 Position (Note: Not Available for Purchase)	
6A	4460871	6	Socket, Female	

Go to Discount-Equipment.com to order your parts

SECTION 4 - PLATFORM

FIGURE 4-7. SKYGUARD SYSTEM INSTALLATION



Go to Discount-Equipment.com to order your parts

ART_1001187508

SECTION 4 - PLATFORM

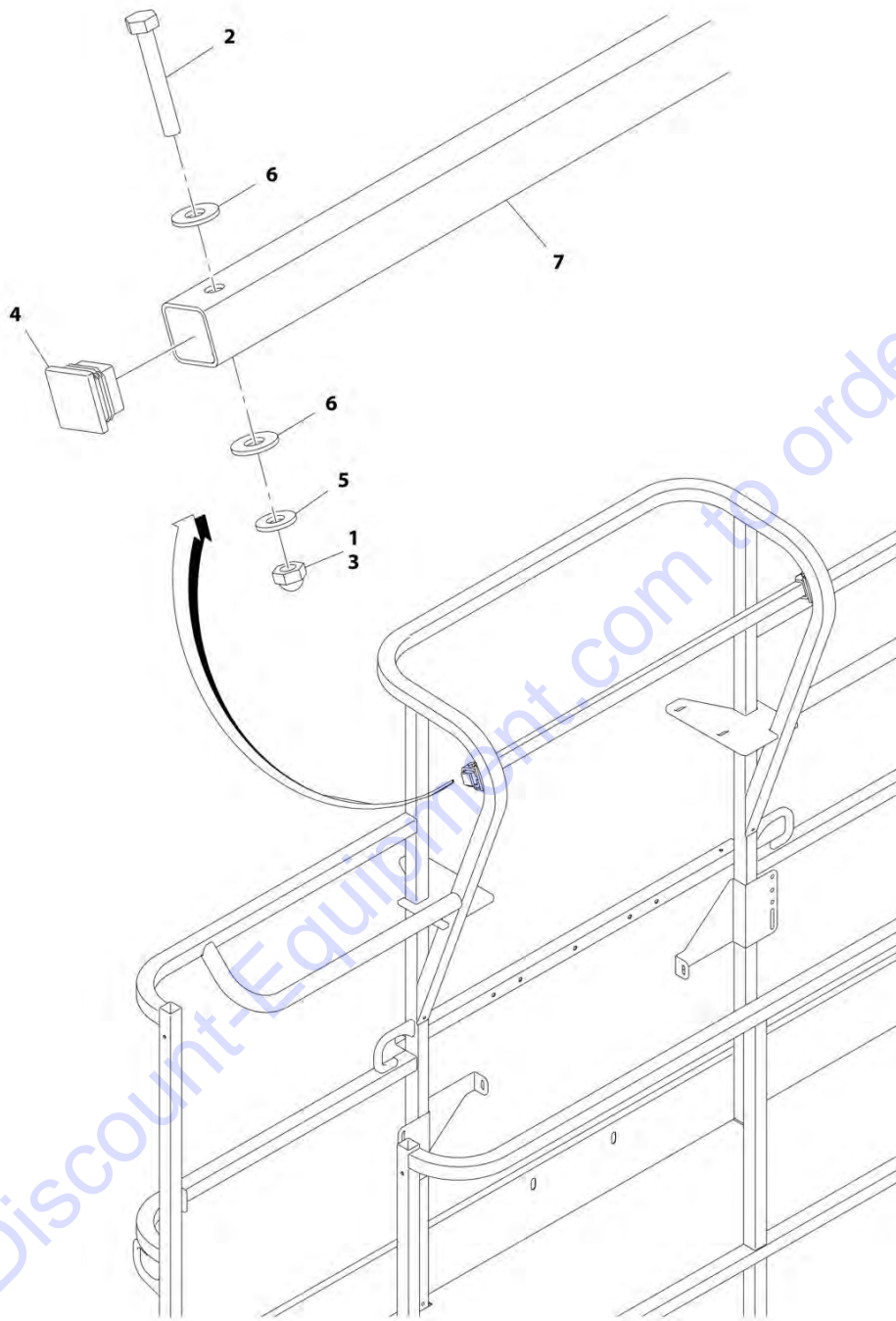
FIGURE 4-7. SKYGUARD SYSTEM INSTALLATION

ITEM	PART NUMBER	QTY	DESCRIPTION	REV
	1001187508	Ref	SKYGUARD SYSTEM INSTALLATION (SN 0300200817 through 0300236298) Note: For Machines SN 0300174703 through 0300200816, refer to SPECIAL OPTIONS SECTION.	B
		Ref		
1	0100011	AR	Compound, Locking	
2	0641414	2	Bolt, 1/4-20 x 1-3/4	
3	3300430	2	Nut, Acorn 1/4-20	
4	3931424	2	Capscrew, 1/4-20 x 1-1/2	
5	4240033	AR	Tie-Strap	
6	4711400	AR	Washer, 1/4	
7	1001120328	1	Mount	
8	1001137673	1	Switch, SkyGuard Assembly	
9	1001186517	2	Cover, Platform Sensor	
10	1001188889	2	Support, Block	

Go to Discount-Equipment.com to order your parts

SECTION 4 - PLATFORM

FIGURE 4-8. CROSS RAIL INSTALLATION



ART_1001182138

SECTION 4 - PLATFORM

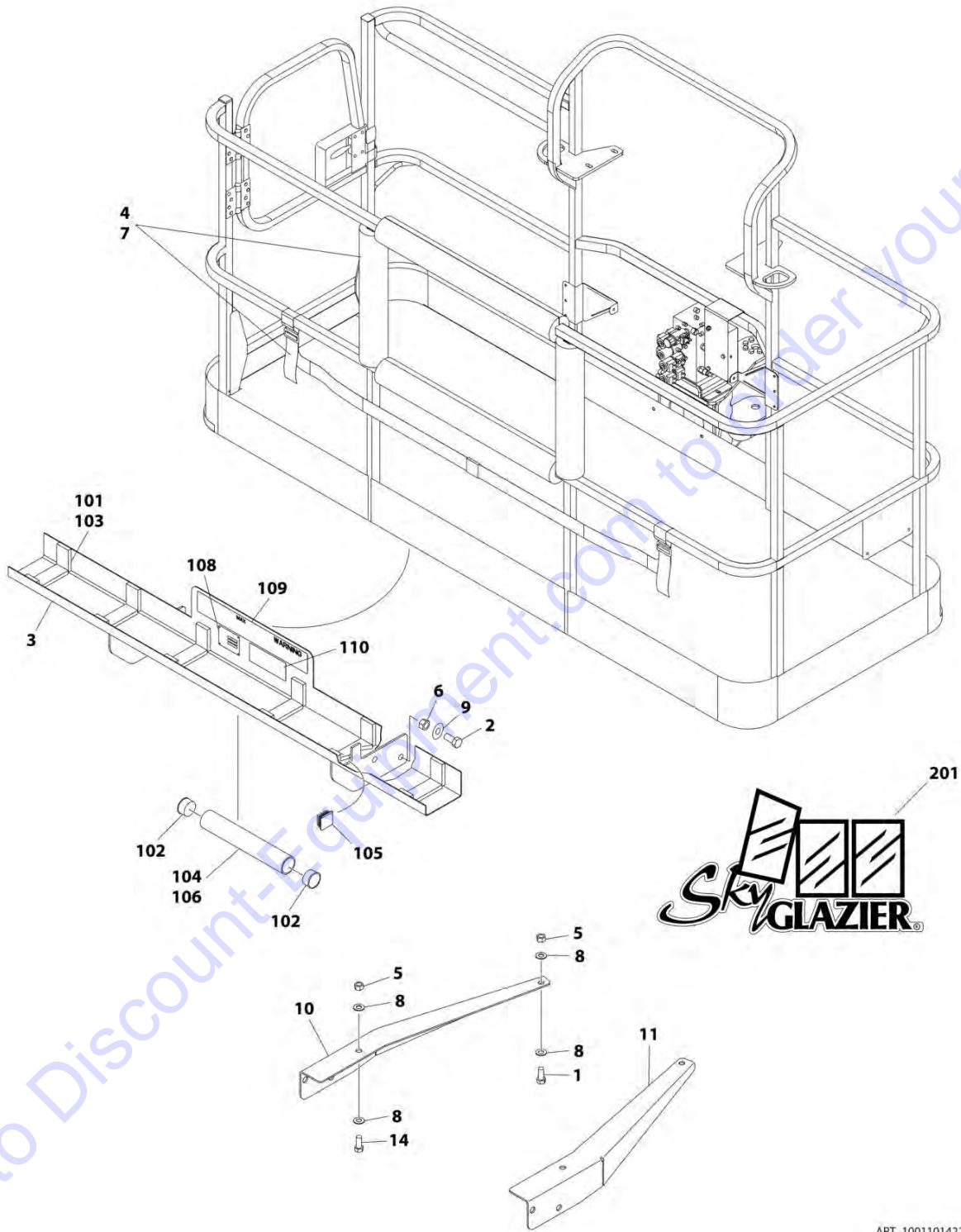
FIGURE 4-8. CROSS RAIL INSTALLATION

ITEM	PART NUMBER	QTY	DESCRIPTION	REV
	1001182138	Ref	CROSS RAIL INSTALLATION	A
1	0100071	AR	Compound, Locking	
2	0641414	2	Bolt 1/4 x 1-3/4	
3	3300430	2	Nut 1/4	
4	3520182	2	Plug	
5	4711400	2	Washer 1/4	
6	4751400	4	Washer 1/4	
7	1001191708	1	Bar	

Go to Discount-Equipment.com to order your parts

SECTION 4 - PLATFORM

FIGURE 4-9. SKYGLAZIER INSTALLATION



ART_1001101422

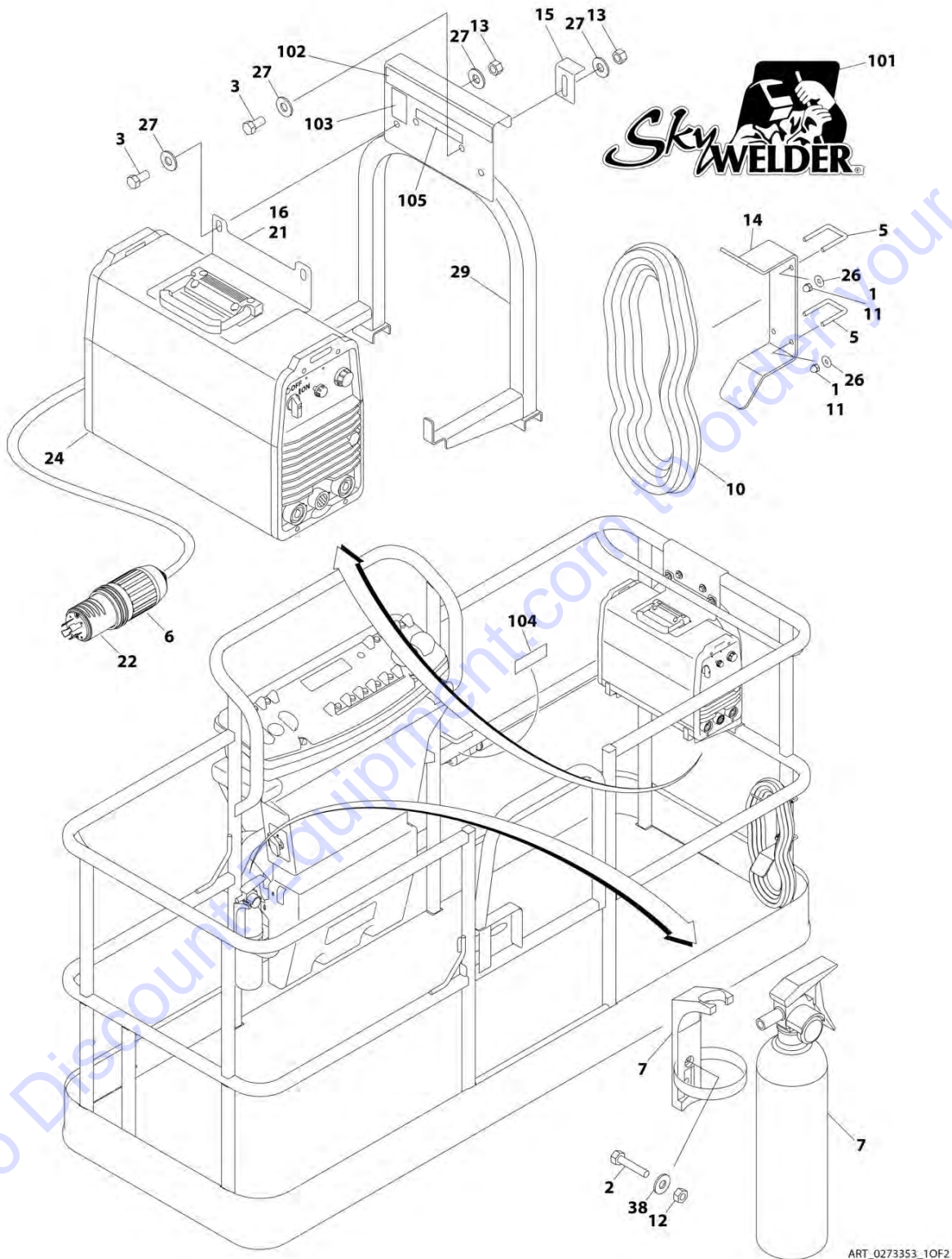
SECTION 4 - PLATFORM

FIGURE 4-9. SKYGLAZIER INSTALLATION

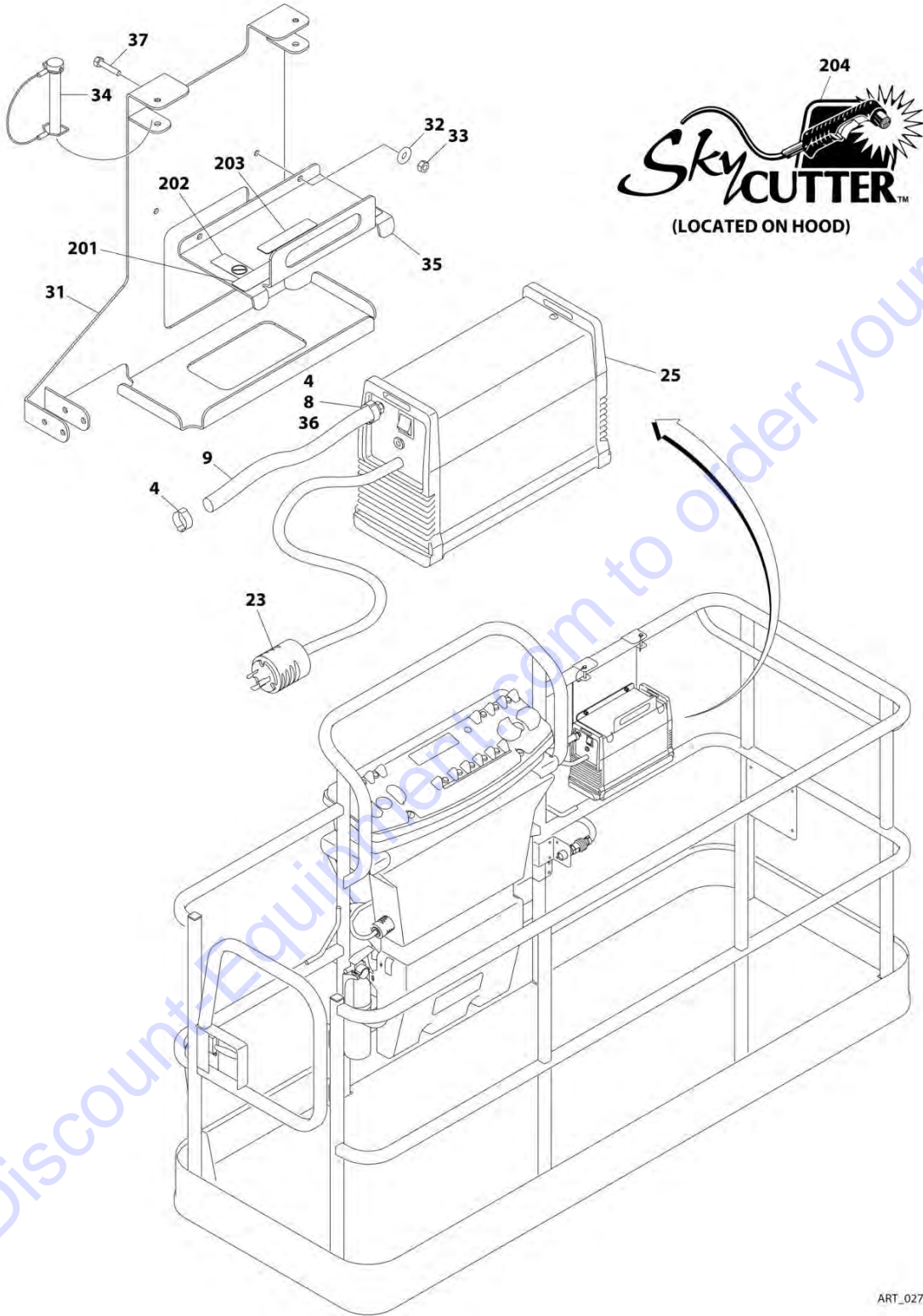
ITEM	PART NUMBER	QTY	DESCRIPTION	REV
	1001101422	Ref	SKYGLAZIER INSTALLATION (ANSI, ANSI EXPORT AND CSA SPECS)	C
	1001102647	Ref	SKYGLAZIER INSTALLATION (AUSTRALIAN SPECS WITH LSS)	C
1	0642012	2	Bolt 5/8 x 1-1/2	
1	0642026	2	Bolt 5/8 x 3-1/4	
2	0642212	4	Bolt 3/4 x 1-1/2	
3	1001101421	1	Tray Assembly (See Items 101-110 for Breakdown)	
4	2902212	1	Bumpers and Strap Kit	
4	0940102	1	Bumper Only	
4	4240149	1	Strap Only	
5	3312005	4	Nut 5/8	
5	1001149924	AR	Nut, Plastic 5/8	
6	3312205	4	Nut 3/4	
7	4420014	AR	Tape	
8	4712000	6	Washer 5/8	
9	4712200	8	Washer 3/4	
10	1001099366	1	Support	
11	1001099367	1	Support	
14	8310129	2	Bolt 5/8 x 2-1/2	
14	0642026	2	Bolt 5/8 x 3-1/4	
14	8310230	2	Bolt 5/8 x 4	
	1001101421	Ref	TRAY ASSEMBLY	E
101	0100081	AR	Adhesive	
102	1120555	2	Cap, Tube	
103	3340956	1	Pad Kit	
104	3460334	1	Tube	
105	3520071	2	Plug	
106	4420066	AR	Tape, Double Sided	
108	See Note	NSS	Nameplate - Serial Number (Note: Not Available for Purchase)	
109	1001163131	1	Decal - Glazier Capacity	
110	1701509	2	Decal - Manual	
	0272418	Ref	SKYGLAZIER DECAL INSTALLATION	4
201	1705358	2	Decal - SkyGlazier	

SECTION 4 - PLATFORM

FIGURE 4-10. SKYWELDER/SKYCUTTER COMBO INSTALLATION (60HZ)



SECTION 4 - PLATFORM



ART_0273353_20F2

SECTION 4 - PLATFORM

FIGURE 4-10. SKYWELDER/SKYCUTTER COMBO INSTALLATION (60HZ)

ITEM	PART NUMBER	QTY	DESCRIPTION	REV
	0273353	Ref	SKYWELDER/SKYCUTTER COMBO INSTALLATION (60HZ)	G
		Ref	Note: ANSI, ANSI Export and CSA Spec Only.	
1	0100011	AR	Compound, Locking	
2	0630518	2	Screw #10 x 3/4	
3	0641606	4	Bolt 3/8 x 3/4	
4	1320177	2	Clamp	
5	1320302	2	Clamp	
6	1671093	1	Cover, Plug	
7	2030010	1	Extinguisher, Fire	
8	2180832	1	Fitting, Barbed/NPT	
9	2720160	4.5 ft/ 1.4m	Hose	
10	2902217	1	Weld Leads Kit	
11	3300151	4	Nut 1/4	
12	3311005	2	Nut #10	
13	3311605	4	Nut 3/8	
14	3573400	1	Bracket	
15	3577121	2	Angle	
16	3573642	1	Plate	
20	4240099	AR	Tie-Strap (Not Shown)	
21	4420037	2.4 ft/ 0.7m	Tape	
22	4460962	1	Plug, Twist Lock	
23	4460971	1	Plug, Twist Lock	
24	4530028	1	Welder Assembly (See WELDER ASSEMBLY for Breakdown)	
25	1001098012	1	Plasma Cutter Assembly (See PLASMA CUTTER ASSEMBLY for Breakdown)	
26	4751400	4	Washer 1/4	
27	4751600	8	Washer 3/8	
29	4846627	1	Support	
31	1001145405	1	Bracket	
32	4811700	2	Washer M6	
33	3290605	2	Nut M6	
34	3421453	3	Pin	
35	3576799	1	Plate, Hold-Down	
36	0100020	1	Sealant	
37	4010608	2	Screw M6 x 16	
38	4751000	2	Washer #10	
	0272448	Ref	SKYWELDER DECAL INSTALLATION	B
101	1705355	2	Decal - SkyWelder	
102	1702868	1	Decal - No Hands	
103	1705305	1	Decal - Weld Leads	
104	1705375	1	Decal - 240V - 3 Phase - 60Hz	
105	1705466	NLA	Decal - Weight (use p/n 1001228988) (SN 0300174703 through 0300233646)	
105	1001228988	1	Decal - Weight (SN 0300233647 through 0300236298)	
	0272599	Ref	SKYCUTTER DECAL INSTALLATION	B
201	1702868	1	Decal - No Hands	
202	1705305	1	Decal - Weld Leads	
203	1705466	NLA	Decal - Weight (Use p/n 1001228988) (SN 0300174703 through 0300233646)	

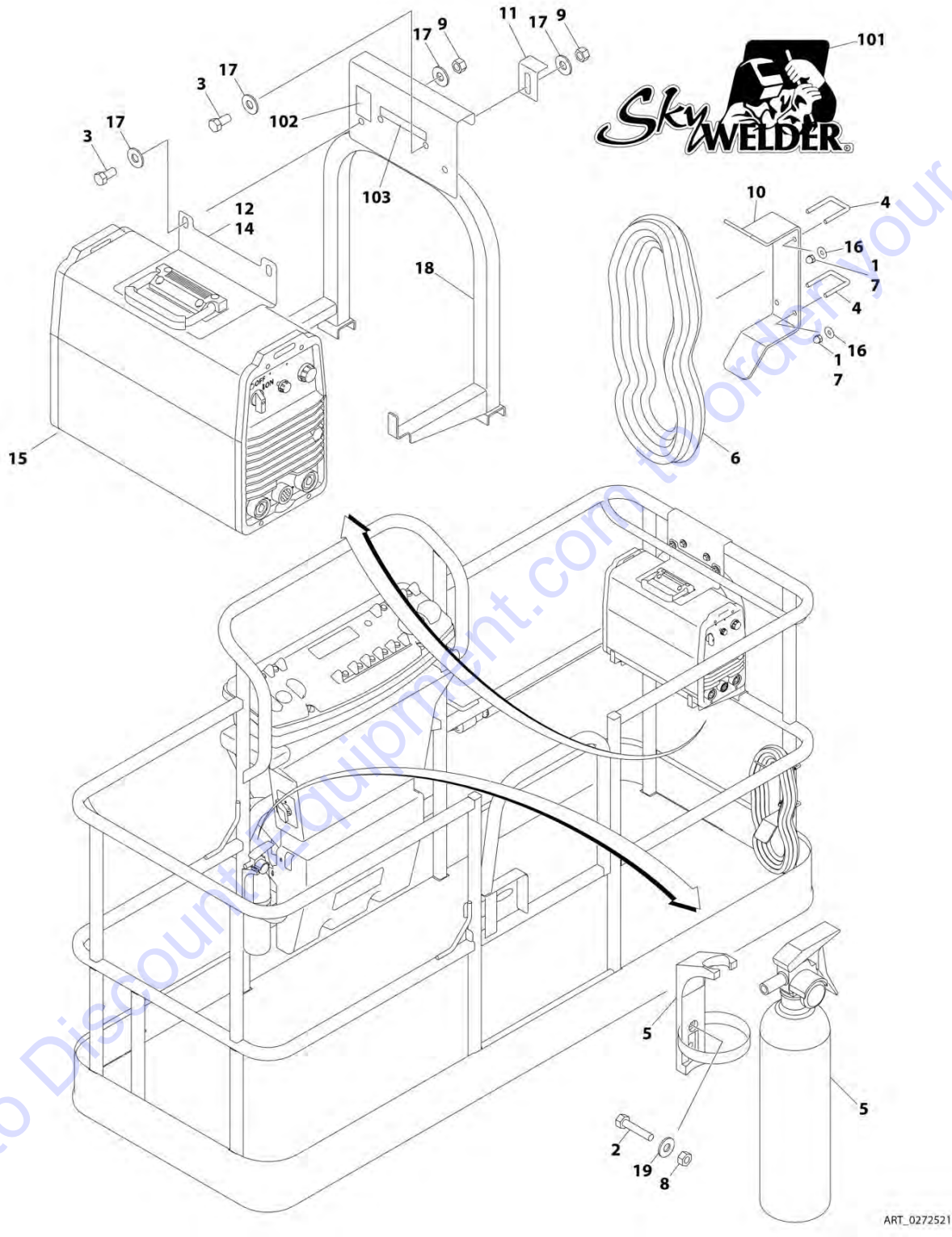
SECTION 4 - PLATFORM

ITEM	PART NUMBER	QTY	DESCRIPTION	REV
203	1001228988	1	Decal - Weight (SN 0300233647 through 0300236298)	
204	1705490	2	Decal - SkyCutter	

Go to Discount-Equipment.com to order your parts

SECTION 4 - PLATFORM

FIGURE 4-11. SKYWELDER INSTALLATION (50HZ)



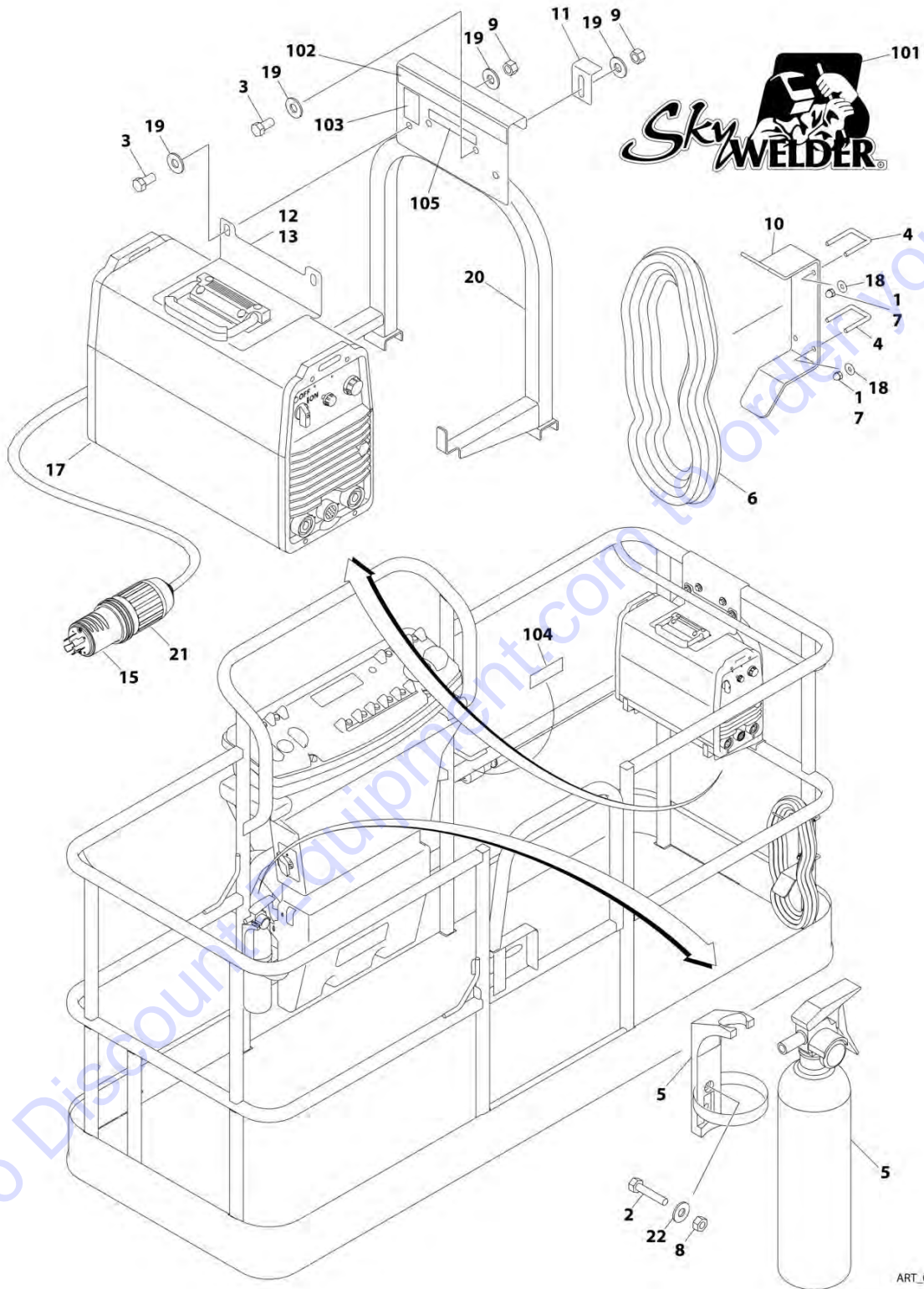
SECTION 4 - PLATFORM

FIGURE 4-11. SKYWELDER INSTALLATION (50HZ)

ITEM	PART NUMBER	QTY	DESCRIPTION	REV
	0272521	Ref	SKYWELDER INSTALLATION (50HZ)	F
		Ref	Note: Australian, CE and Japanese Specs Only.	
1	0100011	AR	Compound, Locking	
2	0630518	2	Screw #10 x 3/4	
3	0641606	4	Bolt 3/8 x 3/4	
4	1320302	2	U-Clamp	
5	2030010	1	Extinguisher, Fire	
6	2902217	1	Weld Leads Kit	
7	3300151	4	Nut 1/4	
8	3311005	2	Nut #10	
9	3311605	4	Nut 3/8	
10	3573400	1	Bracket	
11	3577121	2	Angle	
12	3573642	1	Plate	
13	4240099	AR	Tie-Strap (Not Shown)	
14	4420037	AR	Tape	
15	4530028	1	Welder Assembly (See WELDER ASSEMBLY for Breakdown)	
16	4751400	4	Washer 1/4	
17	4751600	8	Washer 3/8	
18	4846627	1	Support	
19	4751000	2	Washer #10	
	0272588	Ref	SKYWELDER DECAL INSTALLATION	B
101	1705355	2	Decal - SkyWelder	
102	1705305	1	Decal - Weld Lead	
103	1705466	NLA	Decal - Weight (Use p/n 1001228988) (SN 0300174703 through 0300233646)	
103	1001228988	1	Decal - Weight (SN 0300233647 through 0300236298)	

SECTION 4 - PLATFORM

FIGURE 4-12. SKYWELDER INSTALLATION (60HZ)



ART_0272254

PARTS FINDER

**Search Website
by Part Number**



**Search Manual
Library For Parts
Manual & Lookup Part
Numbers – Purchase
or Request Quote**

**Can't Find Part or
Manual? Request Help
by Manufacturer,
Model & Description**

Discount-Equipment.com is your online resource for quality parts & equipment.

Florida: **561-964-4949** Outside Florida TOLL FREE: **877-690-3101**

Need parts?

Click on this link: <http://www.discount-equipment.com/category/5443-parts/> and choose one of the options to help get the right parts and equipment you are looking for. Please have the machine model and serial number available in order to help us get you the correct parts. If you don't find the part on the website or on one of the online manuals, please fill out the request form and one of our experienced staff members will get back to you with a quote for the right part that your machine needs.

We sell worldwide for the brands: Genie, Terex, JLG, MultiQuip, Mikasa, Essick, Whiteman, Mayco, Toro Stone, Diamond Products, Generac Magnum, Airman, Haulotte, Barreto, Power Blanket, Nifty Lift, Atlas Copco, Chicago Pneumatic, Allmand, Miller Curber, Skyjack, Lull, Skytrak, Tsurumi, Husquvarna Target, Stow, Wacker, Sakai, Mi-T-M, Sullair, Basic, Dynapac, MBW, Weber, Bartell, Bennar Newman, Haulotte, Ditch Runner, Menegotti, Morrison, Contec, Buddy, Crown, Edco, Wyco, Bomag, Laymor, EZ Trench, Bil-Jax, F.S. Curtis, Gehl Pavers, Heli, Honda, ICS/PowerGrit, IHI, Partner, Imer, Clipper, MMD, Koshin, Rice, CH&E, General Equipment, Amida, Coleman, NAC, Gradall, Square Shooter, Kent, Stanley, Tamco, Toku, Hatz, Kohler, Robin, Wisconsin, Northrock, Oztec, Toker TK, Rol-Air, APT, Wylie, Ingersoll Rand / Doosan, Innovatech, Con X, Ammann, Mecalac, Makinex, Smith Surface Prep, Small Line, Wanco, Yanmar

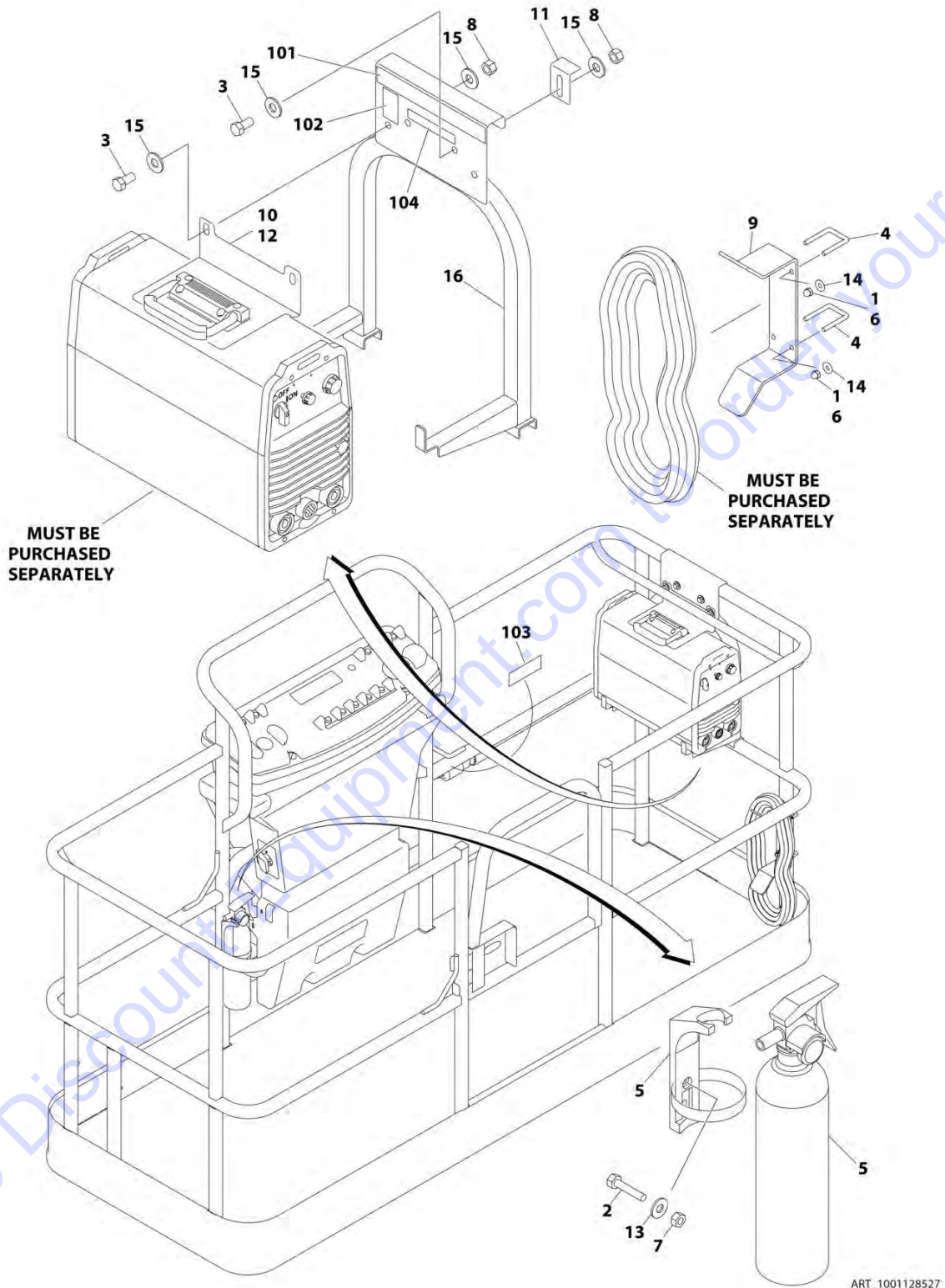
SECTION 4 - PLATFORM

FIGURE 4-12. SKYWELDER INSTALLATION (60HZ)

ITEM	PART NUMBER	QTY	DESCRIPTION	REV
	0272254	Ref	SKYWELDER INSTALLATION (60HZ)	I
		Ref	Note: ANSI, ANSI Export and CSA Specs Only.	
1	0100011	AR	Compound, Locking	
2	0630518	2	Screw #10 x 3/4	
3	0641606	4	Bolt 3/8 x 3/4	
4	1320302	2	U-Clamp	
5	2030010	1	Extinguisher, Fire	
6	2902217	1	Weld Leads Kit	
7	3300151	4	Nut 1/4	
8	3311005	2	Nut #10	
9	3311605	4	Nut 3/8	
10	3573400	1	Bracket	
11	3577121	2	Angle	
12	3573642	1	Plate	
13	4420037	AR	Tape	
14	4240099	AR	Tie-Strap (Not Shown)	
15	4460962	1	Plug, Male Twistlock	
17	4530028	1	Welder Assembly (See WELDER ASSEMBLY for Breakdown)	
18	4751400	4	Washer 1/4	
19	4751600	8	Washer 3/8	
20	4846627	1	Support	
21	1671093	1	Cover, Plug	
22	4751000	2	Washer #10	
	0272448	Ref	SKYWELDER DECAL INSTALLATION	B
101	1705355	2	Decal - SkyWelder	
102	1702868	1	Decal - No Hands	
103	1705305	1	Decal - Weld Lead	
104	1705375	1	Decal - 240V - 3 Phase - 60Hz	
105	1705466	NLA	Decal - Weight (Use p/n 1001228988) (SN 0300174703 through 0300233646)	
105	1001228988	1	Decal- Weight (SN 0300233647 through 0300236298)	

SECTION 4 - PLATFORM

FIGURE 4-13. SKYWELDER PREP PACKAGE (60HZ)



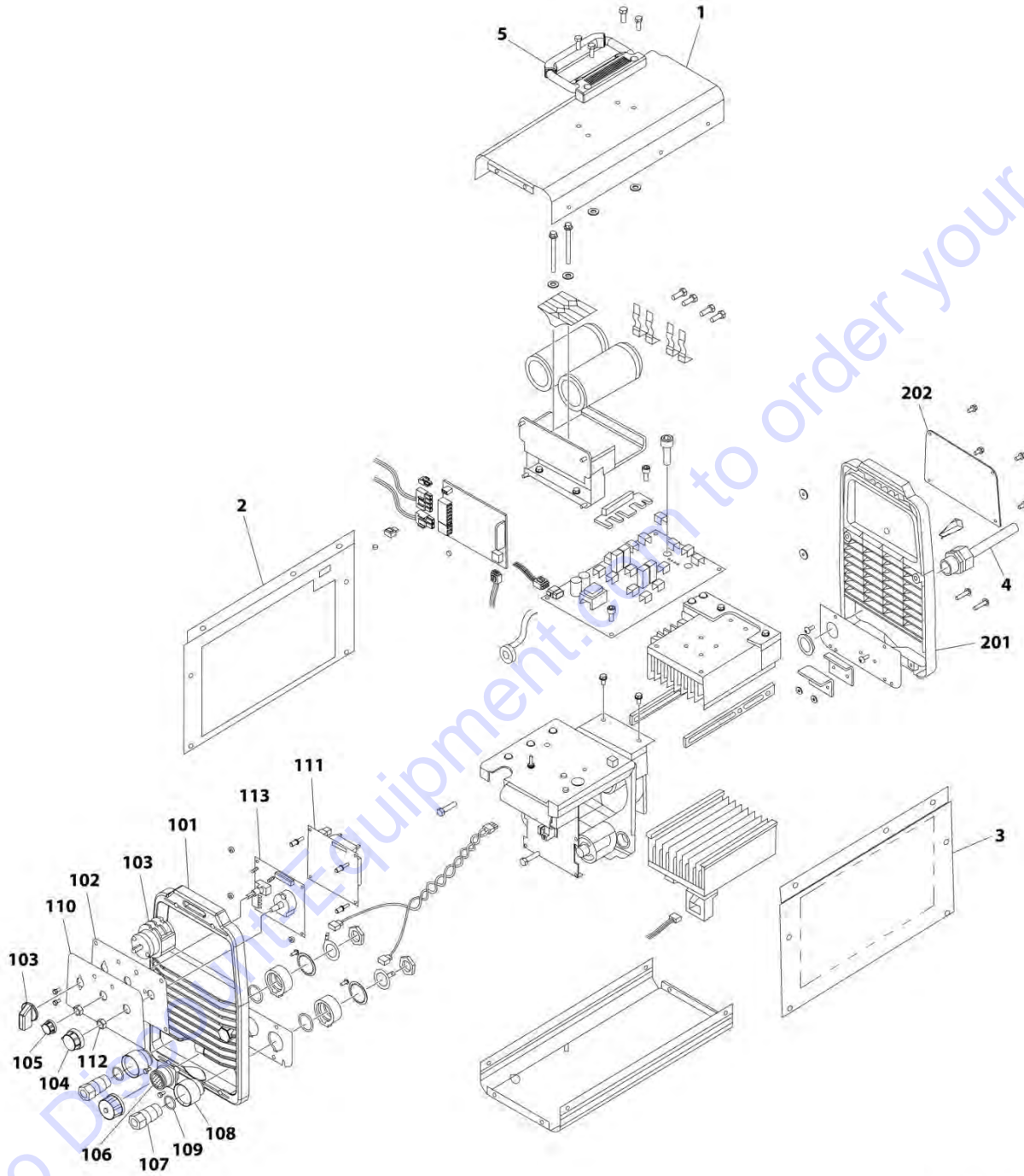
SECTION 4 - PLATFORM

FIGURE 4-13. SKYWELDER PREP PACKAGE (60HZ)

ITEM	PART NUMBER	QTY	DESCRIPTION	REV
	1001128527	Ref	SKYWELDER PREP PACKAGE (60HZ)	B
		Ref	Note: ANSI, ANSI Export and CSA Specs Only.	
1	0100011	AR	Compound, Locking	
2	0630518	2	Screw #10 x 3/4	
3	0641606	4	Bolt 3/8 x 3/4	
4	1320302	2	U-Clamp	
5	2030010	1	Extinguisher, Fire	
6	3300151	4	Nut 1/4	
7	3311005	2	Nut #10	
8	3311605	4	Nut 3/8	
9	3573400	1	Bracket	
10	3573642	1	Plate	
11	3577121	2	Angle	
12	4420037	AR	Tape	
13	4751000	2	Washer #10	
14	4751400	4	Washer 1/4	
15	4751600	8	Washer 3/8	
16	4846627	1	Support	
	1001128556	Ref	SKYWELDER DECAL INSTALLATION	B
101	1702868	1	Decal - No Hands	
102	1705305	1	Decal - Weld Lead	
103	1705375	1	Decal - 240V - 3 Phase - 60Hz	
104	1705466	NLA	Decal - Weight (use p/n 1001228988) (SN 0300174703 through 0300233646)	
104	1001228988	1	Decal - Weight (SN 0300233647 through 0300236298)	

SECTION 4 - PLATFORM

FIGURE 4-14. WELDER ASSEMBLY



ART_4530028

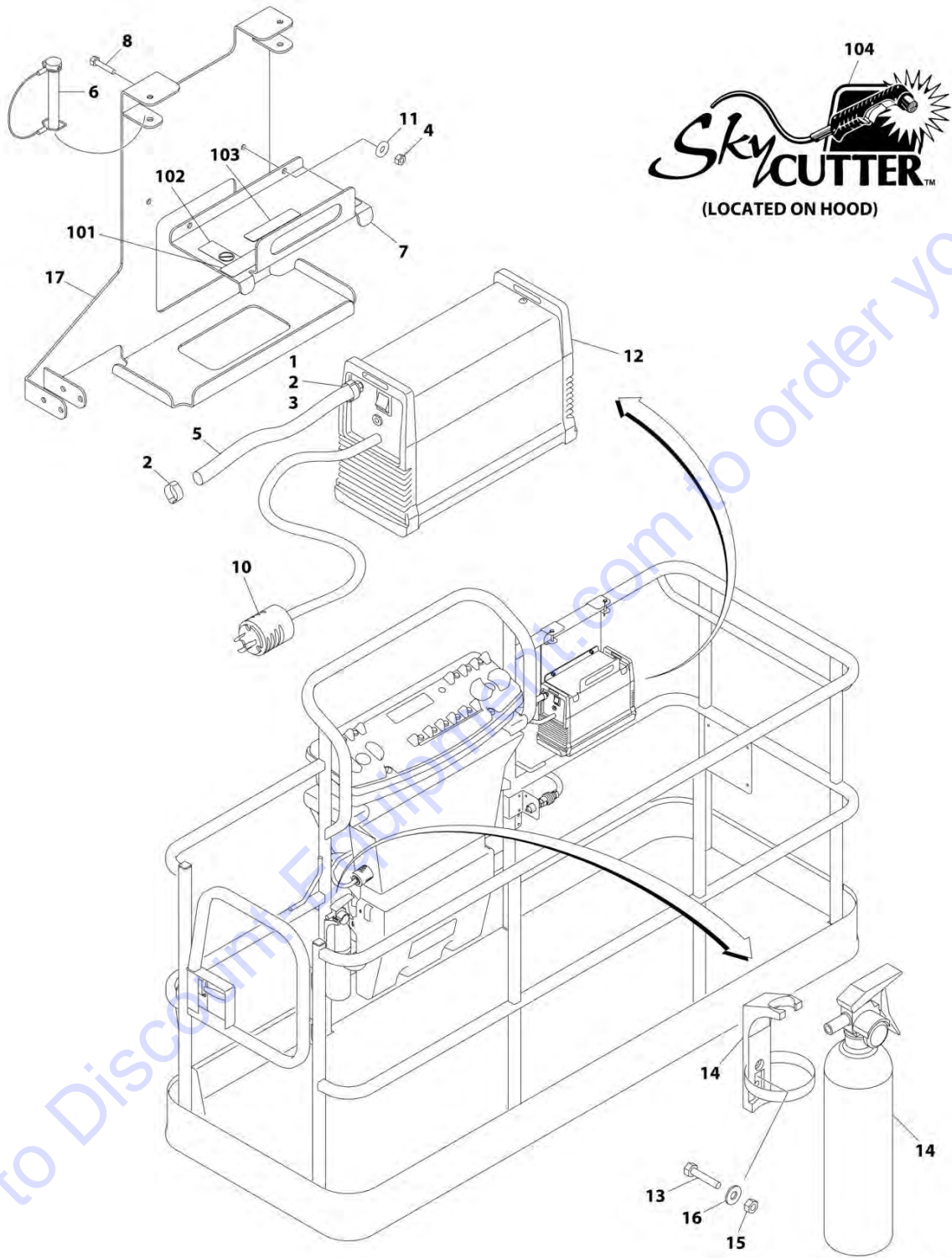
SECTION 4 - PLATFORM

FIGURE 4-14. WELDER ASSEMBLY

ITEM	PART NUMBER	QTY	DESCRIPTION	REV
	4530028	Ref	WELDER ASSEMBLY	B
		Ref	Note: For Other Components, contact your Miller Welder Dealer.	
1	7027773	1	Cover, Top	
1	7027774	1	Decal - Static Precautionary Warning	
2	See Note	NSS	Panel, LH Side (Note: Part of Item 1. Purchase Item 1)	
3	See Note	NSS	Panel, RH Side (Note: Part of Item 1. Purchase Item 1)	
4	7024467	1	Cable, Power	
4	7027775	1	Decal - Electrical Shock Warning (Not Shown)	
5	7027776	1	Handle, Carrying	
101	7024462	1	Panel, Front	
102	7024463	1	Panel, Console	
103	7024469	1	Switch with Lead	
104	7024470	1	Knob	
105	7024471	1	Knob	
106	7024472	1	Receptacle with Leads and Plugs	
107	7024473	2	Receptacle, Twistlock Female	
108	7024474	2	Insulator	
109	7024475	2	O-Ring	
110	7027777	1	Nameplate	
111	7027779	1	Circuit Card Assembly (Process Control)	
112	7024478	2	Nut	
113	7027778	1	Circuit Card Assembly (Operator Interface)	
201	7024462	1	Panel, Rear	
202	7027780	1	Panel, Cover	

SECTION 4 - PLATFORM

FIGURE 4-15. SKYCUTTER INSTALLATION



Go to Discount Equipment.com to order your parts

ART_1001098149

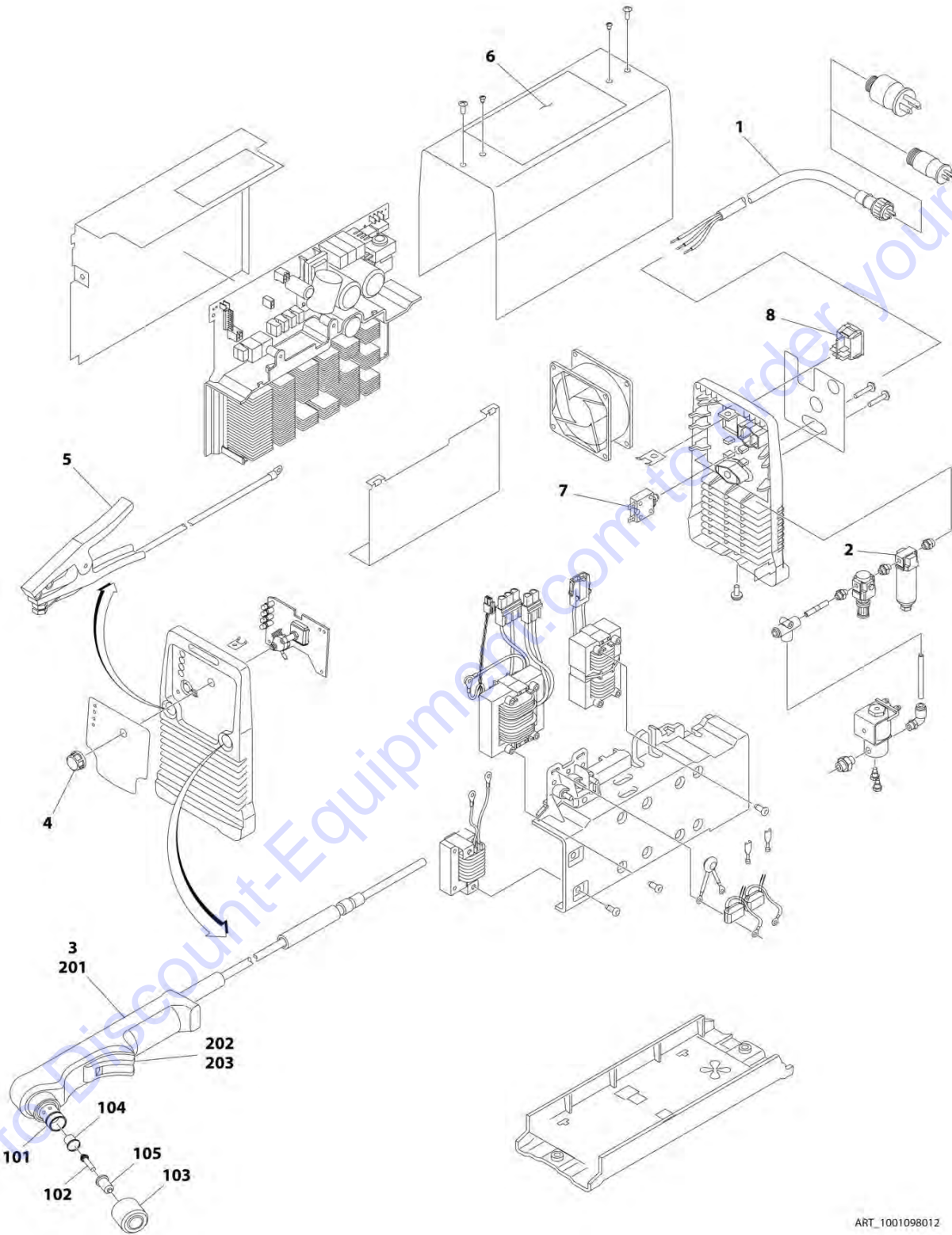
SECTION 4 - PLATFORM

FIGURE 4-15. SKYCUTTER INSTALLATION

ITEM	PART NUMBER	QTY	DESCRIPTION	REV
	1001098149	Ref	SKYCUTTER INSTALLATION	D
		Ref	Note: ANSI, ANSI Export and CSA Specs Only.	
		Ref	Note: When replacing platform on machines with SkyCutter option, new bracket p/n 1001145405 must be purchased to accommodate SkyCutter components.	
1	0100020	AR	Sealant	
2	1320177	2	Clamp, Hose	
3	2180832	1	Fitting, NPT/Barbed	
4	3290605	2	Nut M6	
5	2720160	3 ft/0.9m	Hose	
6	3421453	3	Pin	
7	3576799	1	Plate, Hold-Down	
8	4010608	2	Screw M6 x 16	
10	4460971	1	Plug, Twistlock	
11	4811700	2	Washer M6	
12	1001098012	1	Plasma Cutter Assembly (See PLASMA CUTTER ASSEMBLY for Breakdown)	
13	0630518	2	Screw #10 x 3/4	
14	2030010	1	Extinguisher, Fire	
15	3311005	2	Nut #10	
16	4751000	2	Washer #10	
17	1001145405	1	Support	
	0272599	Ref	SKYCUTTER DECAL INSTALLATION (ANSI, ANSI EXPORT AND CSA SPECS)	B
101	1702868	1	Decal - No Hands	
102	1705305	1	Decal - Weld Lead	
103	1705466	NLA	Decal - Weight (use p/n 1001228988) (SN 0300174703 through 0300233646)	
103	1001228988	1	Decal - Weight (SN 0300233647 through 0300236298)	
104	1705490	2	Decal - SkyCutter	

SECTION 4 - PLATFORM

FIGURE 4-16. PLASMA CUTTER ASSEMBLY



ART_1001098012

SECTION 4 - PLATFORM

FIGURE 4-16. PLASMA CUTTER ASSEMBLY

ITEM	PART NUMBER	QTY	DESCRIPTION	REV
	1001098012	Ref	PLASMA CUTTER ASSEMBLY	A
		Ref	Note: For Other Components, contact your Miller Welder Dealer.	
1	70001424	1	Cable, Power	
1	70001425	1	Decal - Voltage Warning	
2	70001427	1	Filter, Regulator	
3	70001428	1	Torch Assembly (See Items 101-203 for Breakdown)	
4	7024471	1	Knob	
5	70001429	1	Clamp with Cable	
6	70001430	1	Decal - Caution	
7	70001431	1	Breaker, Circuit	
8	70001432	1	Switch, Rocker	
	70001428	Ref	TORCH ASSEMBLY	
101	7024530	1	O-Ring	
102	7024531	1	Electrode	
103	7024532	1	Cup, Retaining	
104	7024533	1	Swirl Ring	
105	7024534	1	Tip	
201	7024535	1	Handle, Torch	
202	7024536	1	Switch	
203	7024537	1	Trigger	

SECTION 5 - CYLINDER

Go to Discount-Equipment.com to order your parts

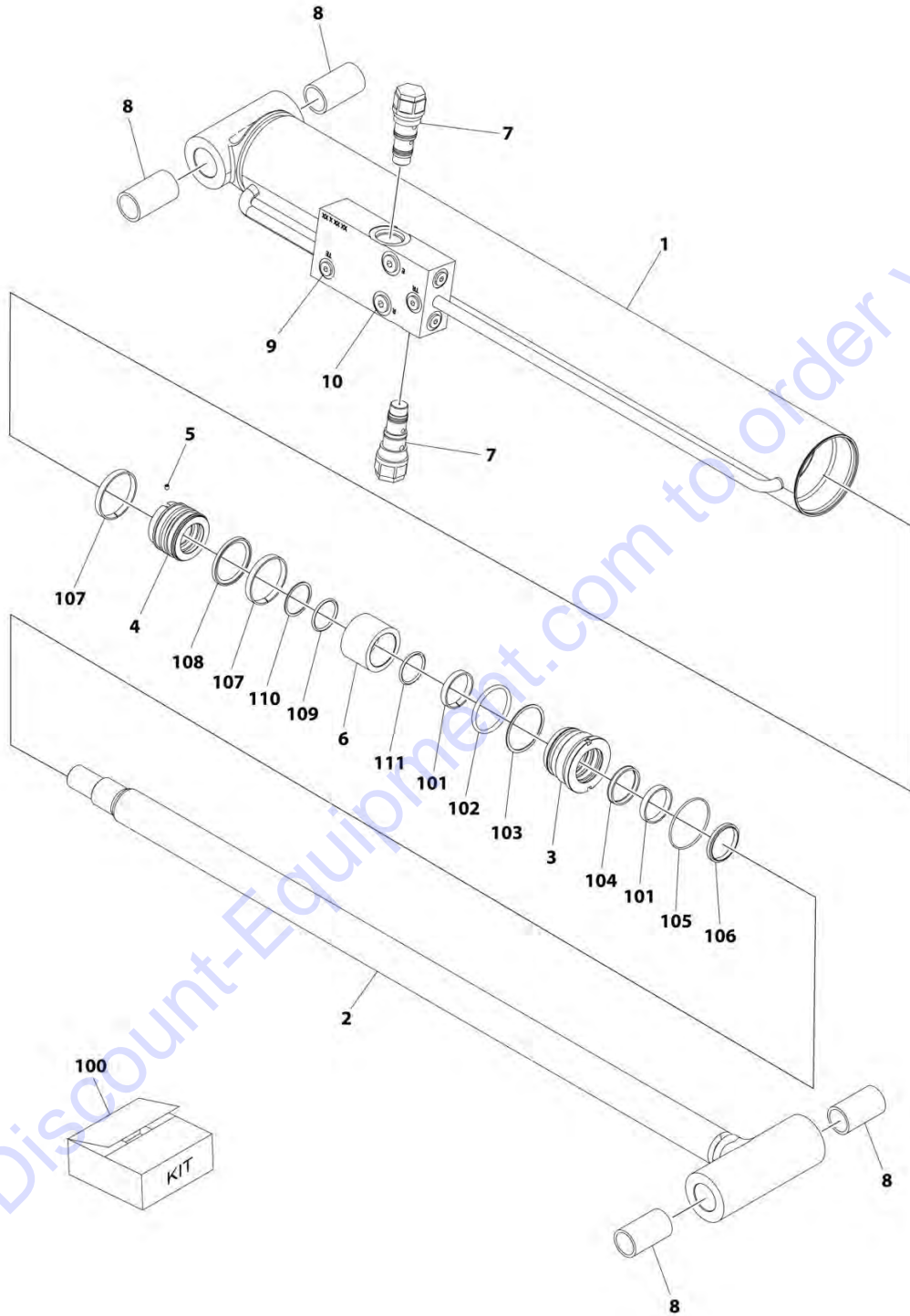
SECTION 5 - CYLINDER

FIGURE 5-1. JIB CYLINDER ASSEMBLY (ORIGINAL EQUIPMENT)

ITEM	PART NUMBER	QTY	DESCRIPTION	REV
	1683609	Ref	JIB CYLINDER ASSEMBLY Note: Original Cylinder May Have Been Replaced with Service Replacement. Identify PN Stamped on Cylinder Before Ordering Parts.	1
		Ref		
1	1684089	1	Barrel (Note: Includes Item 1A)	
1A	0962336	2	Bushing	
2	1683053	1	Head	
3	3760368	1	Ring, Washer	
4	3931516	8	Capscrew, Socket Head 5/16in-18NC x 1in	
5	1684090	1	Rod (Note: Includes Item 5A)	
5A	0962336	2	Bushing	
6	4640509	2	Cartridge, Valve	
6	2900792	2	Seal Kit - 4640509 Valve	
8	2220883	AR	Plug, O-Ring #4	
9	2220885	1	Plug, O-Ring #6	
10	3480210	1	Piston	
11	0961893	1	Bushing, Tapered	
12	4100100	1	Spacer	
14	See Note	NSS	Seal (Note: Use Item 30)	
15	See Note	NSS	Ring, Lock (Note: Use Item 30)	
16	See Note	NSS	O-Ring (Note: Use Item 30)	
17	See Note	NSS	Ring, Back-up (Note: Use Item 30)	
18	See Note	NSS	O-Ring (Note: Use Item 30)	
19	See Note	NSS	Ring, Back-up (Note: Use Item 30)	
20	See Note	NSS	Seal, Rod (Note: Use Item 30)	
21	See Note	NSS	Wiper (Note: Use Item 30)	
22	See Note	NSS	Ring, Wear (Note: Use Item 30)	
23	0100011	AR	Compound, Locking	
24	0100038	AR	Primer, Locking	
26	0630534	3	Screw, Socket Head #10-24NC x 1in	
30	2901303	1	Seal Kit (Includes Items 14-22)	

SECTION 5 - CYLINDER

FIGURE 5-2. JIB CYLINDER ASSEMBLY (SERVICE REPLACEMENT)



ART_1001228012

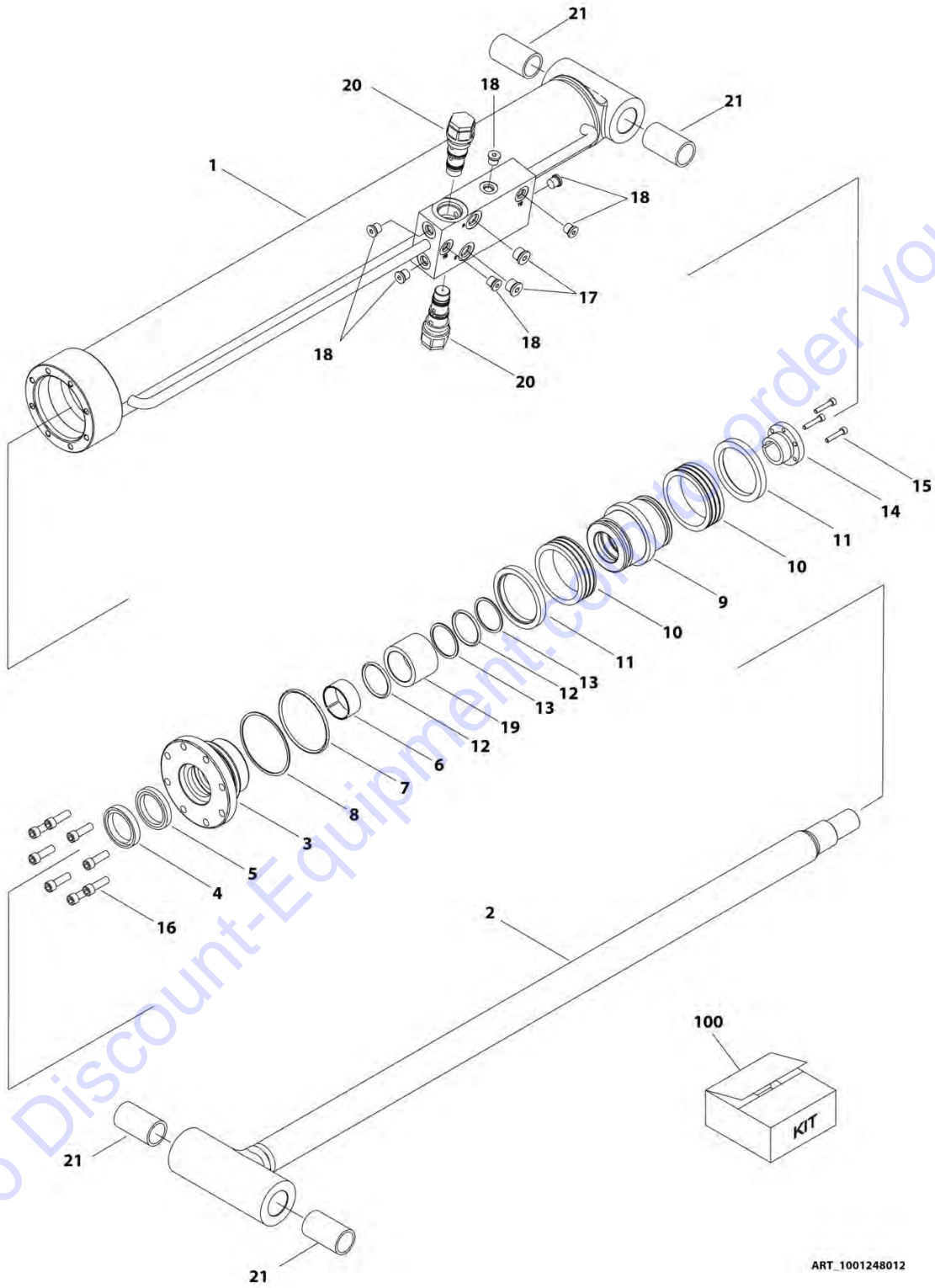
SECTION 5 - CYLINDER

FIGURE 5-2. JIB CYLINDER ASSEMBLY (SERVICE REPLACEMENT)

ITEM	PART NUMBER	QTY	DESCRIPTION	REV
	1001228012	Ref	LIFT CYLINDER ASSEMBLY - JIB	C
		Ref	Note: Original Cylinder May Have Been Replaced with Service Replacement. Identify PN Stamped on Cylinder Before Ordering Parts.	
1	See Note	NSS	Barrel (Note: Not Available for Purchase)	
2	70006572	1	Rod	
3	70006571	1	Head	
4	70006570	1	Piston	
5	70023915	1	Screw	
6	70006569	1	Spacer	
7	4640509	2	Cartridge, Valve	
7	2900792	2	Seal Kit - 4640509 Valve	
8	0962336	4	Bushing	
9	2220883	6	Plug, O-Ring	
10	2220885	2	Plug, O-Ring	
100	70006568	1	Seal Kit (Includes Items 101-111)	
101	See Note	NSS	Ring, Wear (Note: Use Item 100)	
102	See Note	NSS	O-Ring (Note: Use Item 100)	
103	See Note	NSS	Ring, Back-up (Note: Use Item 100)	
104	See Note	NSS	Seal, Rod (Note: Use Item 100)	
105	See Note	NSS	O-Ring (Note: Use Item 100)	
106	See Note	NSS	Wiper (Note: Use Item 100)	
107	See Note	NSS	Ring, Wear (Note: Use Item 100)	
108	See Note	NSS	Seal (Note: Use Item 100)	
109	See Note	NSS	O-Ring (Note: Use Item 100)	
110	See Note	NSS	Ring, Back-up (Note: Use Item 100)	
111	See Note	NSS	O-Ring (Note: Use Item 100)	

SECTION 5 - CYLINDER

FIGURE 5-3. JIB CYLINDER ASSEMBLY (SERVICE REPLACEMENT)



ART_1001248012

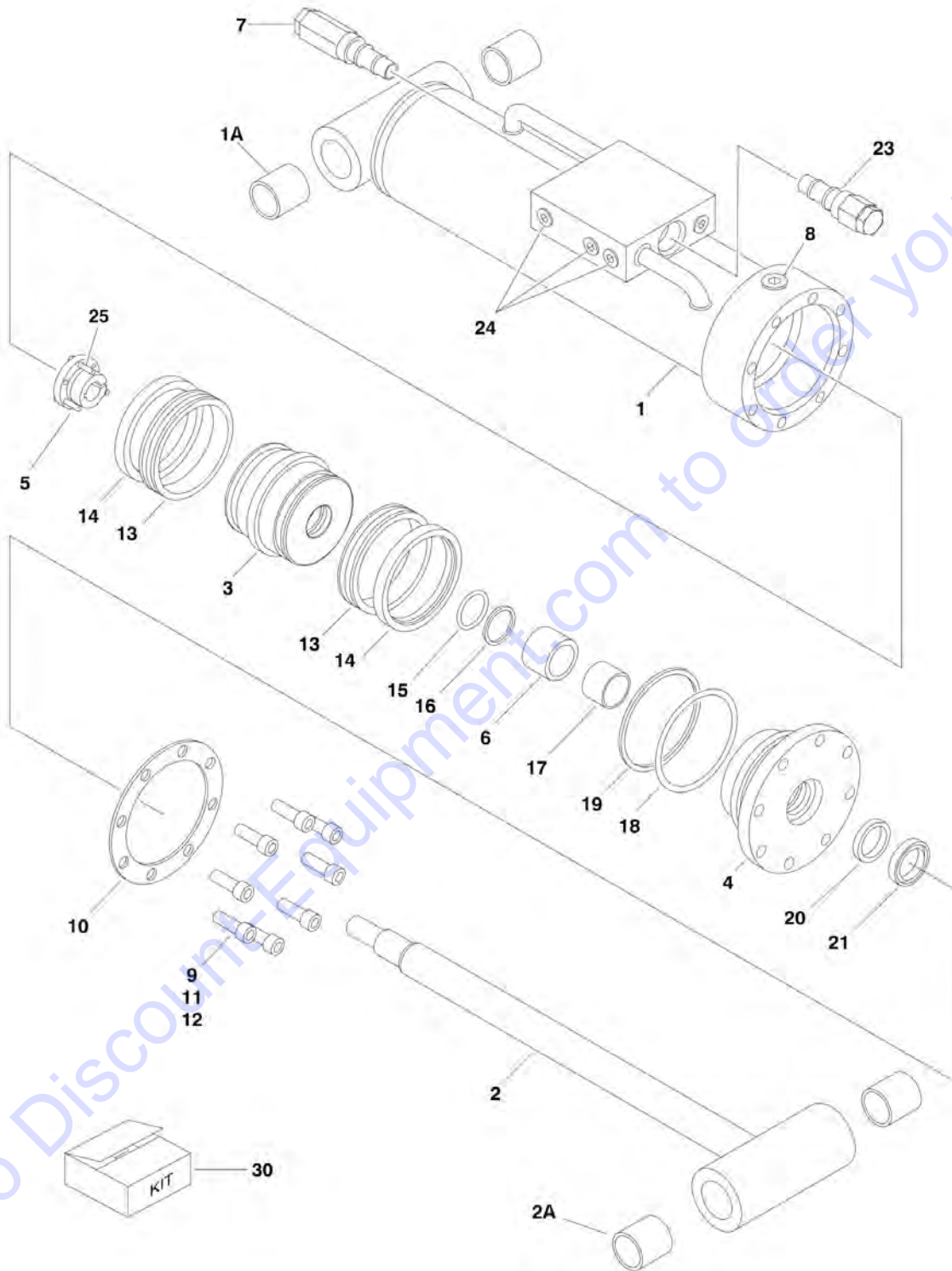
SECTION 5 - CYLINDER

FIGURE 5-3. JIB CYLINDER ASSEMBLY (SERVICE REPLACEMENT)

ITEM	PART NUMBER	QTY	DESCRIPTION	REV
	1001248012	Ref	LIFT CYLINDER ASSEMBLY - JIB	A
		Ref	Note: Original Cylinder May Have Been Replaced with Service Replacement. Identify PN Stamped on Cylinder Before Ordering Parts.	
1	See Note	NSS	Barrel (Note: Not Available for Purchase)	
2	70006734	1	Rod	
3	70006649	1	Head	
4	See Note	NSS	Wiper (Note: Use Item 100)	
5	See Note	NSS	Seal, Rod (Note: Use Item 100)	
6	See Note	NSS	Ring, Wear (Note: Use Item 100)	
7	See Note	NSS	O-Ring (Note: Use Item 100)	
8	See Note	NSS	Ring, Back-up (Note: Use Item 100)	
9	70006650	1	Piston	
10	See Note	NSS	Seal (Note: Use Item 100)	
11	See Note	NSS	Ring, Lock (Note: Use Item 100)	
12	See Note	NSS	O-Ring (Note: Use Item 100)	
13	See Note	NSS	Ring, Back-up (Note: Use Item 100)	
14	0961893	1	Bushing, Tapered	
15	0630534	3	Capscrew, Socket Head #10 x 1	
16	70006735	8	Capscrew 5/16	
17	2220885	2	Plug, O-Ring	
18	2220883	6	Plug, O-Ring	
19	70006736	1	Spacer	
20	4640509	2	Cartridge, Valve	
20	2900792	2	Seal Kit - 4640509 Valve	
21	0962336	4	Bushing	
100	1001138795	1	Seal Kit (Includes Items 4-8 & 10-13)	

SECTION 5 - CYLINDER

FIGURE 5-4. LEVEL (PLATFORM SLAVE) CYLINDER ASSEMBLY - 600SC (ORIGINAL EQUIPMENT)



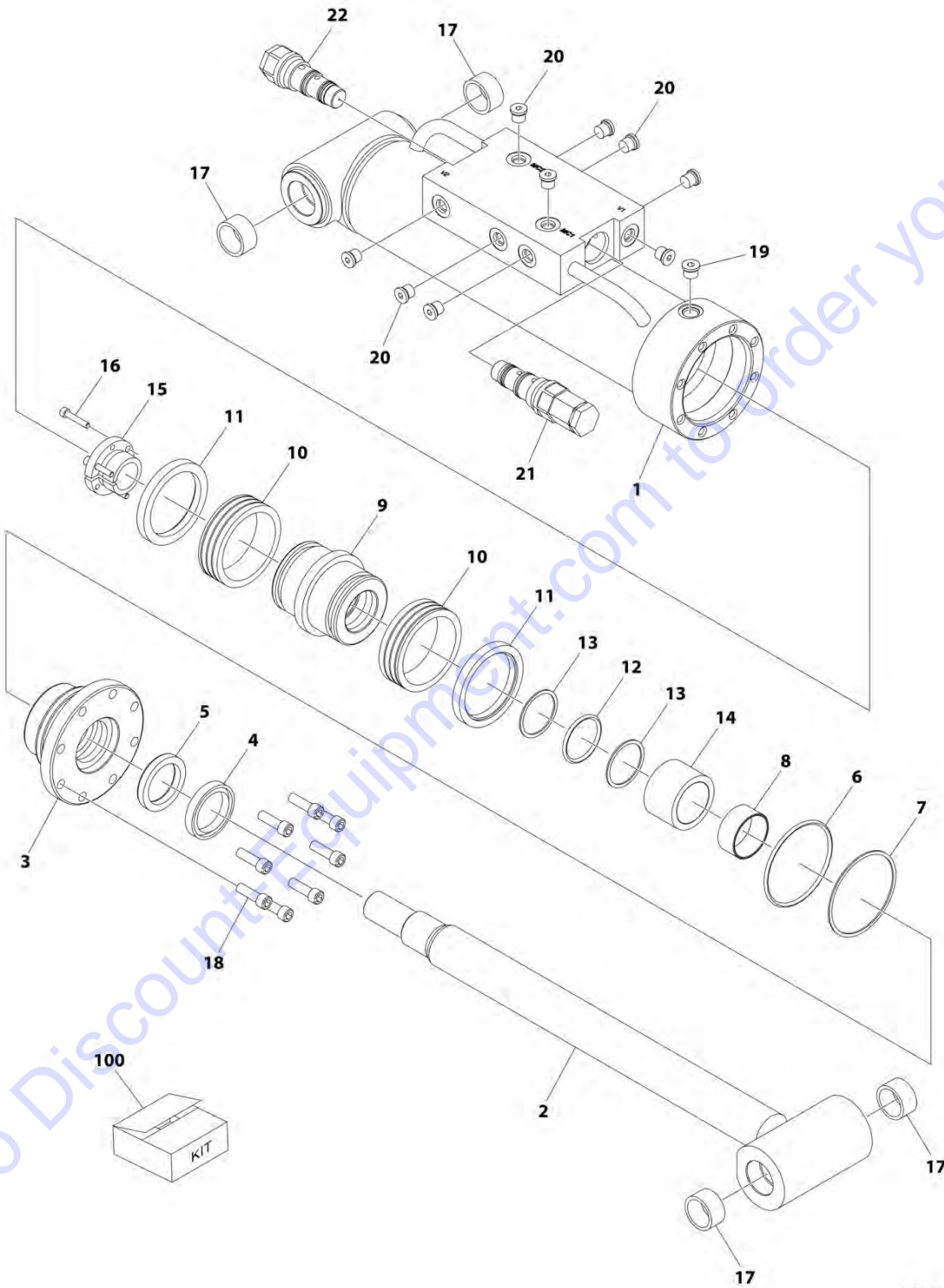
SECTION 5 - CYLINDER

FIGURE 5-4. LEVEL (PLATFORM SLAVE) CYLINDER ASSEMBLY - 600SC (ORIGINAL EQUIPMENT)

ITEM	PART NUMBER	QTY	DESCRIPTION	REV
		Ref	LEVEL CYLINDER ASSEMBLIES - 600SC	
	1683415	Ref	Level Cylinder Assembly (SN 0300174703 through 0300230005)	H
	1001223512	Ref	Level Cylinder Assembly (SN 0300230006 through 0300236298)	A
		Ref	Note: Original Cylinder May Have Been Replaced with Service Replacement. Identify PN Stamped on Cylinder Before Ordering Parts.	
1	1683977	NLA	Barrel (Note: Includes Item 1A) (Use p/n 1001223511) (Use with p/n 1683415)	
1	1001223511	1	Barrel (Note: Includes Item 1A) (Use with p/n 1001223512)	
1A	0961947	2	Bushing	
2	1683976	1	Rod (Note: Includes Item 2A)	
2A	0961947	2	Bushing	
3	3480210	1	Piston	
4	1683053	1	Head	
5	0961893	1	Bushing, Tapered	
6	4566468	1	Spacer	
7	4640509	1	Cartridge, Valve	
7	2900792	1	Seal Kit - 4640509 Valve	
8	2220885	1	Plug, O-Ring	
9	3931516	8	Capscrew, Socket Head 5/16in-18NC x 1in	
10	3760368	1	Ring, Washer	
11	0100011	AR	Compound, Locking	
12	0100038	AR	Primer, Locking	
13	See Note	NSS	Seal (Note: Use Item 30)	
14	See Note	NSS	Ring, Lock (Note: Use Item 30)	
15	See Note	NSS	O-Ring (Note: Use Item 30)	
16	See Note	NSS	Ring, Back-up (Note: Use Item 30)	
17	See Note	NSS	Ring, Wear (Note: Use Item 30)	
18	See Note	NSS	O-Ring (Note: Use Item 30)	
19	See Note	NSS	Ring, Back-up (Note: Use Item 30)	
20	See Note	NSS	Seal, Rod (Note: Use Item 30)	
21	See Note	NSS	Wiper (Note: Use Item 30)	
23	4640932	1	Cartridge, Valve	
23	7011112	1	Seal Kit - Valve Cartridge	
24	2220883	AR	Plug, O-Ring	
25	0630534	3	Screw, Socket Head #10-24NC x 1in	
30	2901303	1	Seal Kit (Includes Items 13-21)	

SECTION 5 - CYLINDER

FIGURE 5-5. LEVEL (PLATFORM SLAVE) CYLINDER ASSEMBLY - 600SC (SERVICE REPLACEMENT)



ART_1001228008

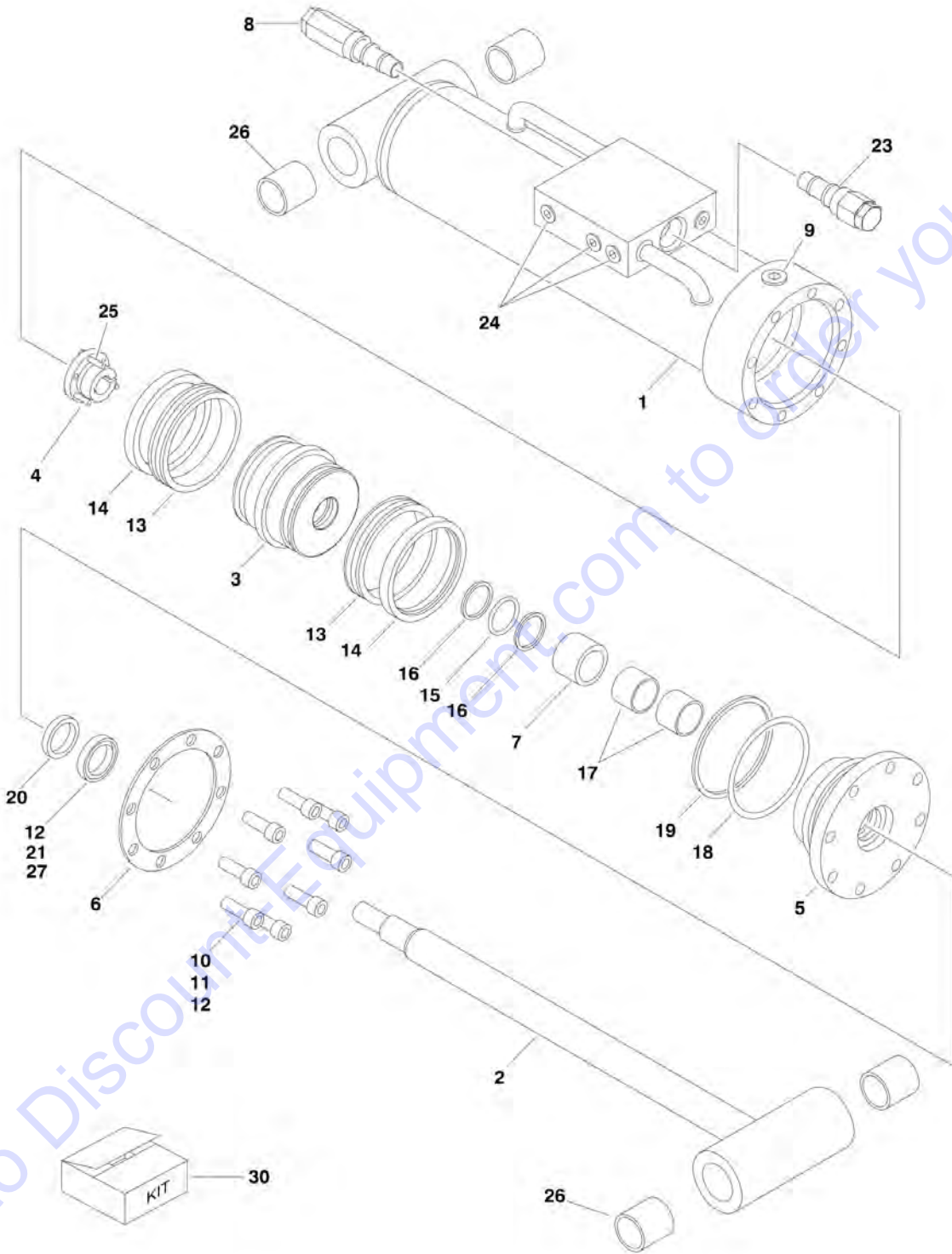
SECTION 5 - CYLINDER

FIGURE 5-5. LEVEL (PLATFORM SLAVE) CYLINDER ASSEMBLY - 600SC (SERVICE REPLACEMENT)

ITEM	PART NUMBER	QTY	DESCRIPTION	REV
	1001228008	Ref	LEVEL CYLINDER ASSEMBLY - PLATFORM SLAVE	B
		Ref	Note: Original Cylinder may have been replaced with Service Replacement. Identify PN Stamped on Cylinder Before Ordering Parts.	
1	See Note	NSS	Barrel (Note: Use p/n 1001228008)	
2	70006648	1	Rod	
3	70006649	1	Head	
4	See Note	NSS	Wiper (Note: Use Item 100)	
5	See Note	NSS	Seal Rod (Note: Use Item 100)	
6	See Note	NSS	O-Ring (Note: Use Item 100)	
7	See Note	NSS	Ring, Back-up (Note: Use Item 100)	
8	See Note	NSS	Ring, Wear (Note: Use Item 100)	
9	70006650	1	Piston	
10	See Note	NSS	Seal (Note: Use Item 100)	
11	See Note	NSS	Ring, Lock (Note: Use Item 100)	
12	See Note	NSS	O-Ring (Note: Use Item 100)	
13	See Note	NSS	Ring, Back-up (Note: Use Item 100)	
14	70006651	1	Spacer	
15	0961893	1	Bushing, Tapered	
16	0630534	3	Bolt #10 x 1	
17	0961947	4	Bushing	
18	3931516	8	Capscrew, Socket Head	
19	2220885	1	Plug, O-Ring	
20	2220883	10	Plug, O-Ring	
21	4640932	1	Cartridge, Valve	
21	7011112	1	Seal Kit - 4640932 Valve	
22	4640509	1	Cartridge, Valve	
22	2900792	1	Seal Kit - 4640509 Valve	
100	2901303	1	Seal Kit - 1001228008 Cylinder (Includes Items 4-8 & 10-13)	

SECTION 5 - CYLINDER

FIGURE 5-6. LEVEL (PLATFORM SLAVE) CYLINDER ASSEMBLY - 660SJC (ORIGINAL EQUIPMENT)



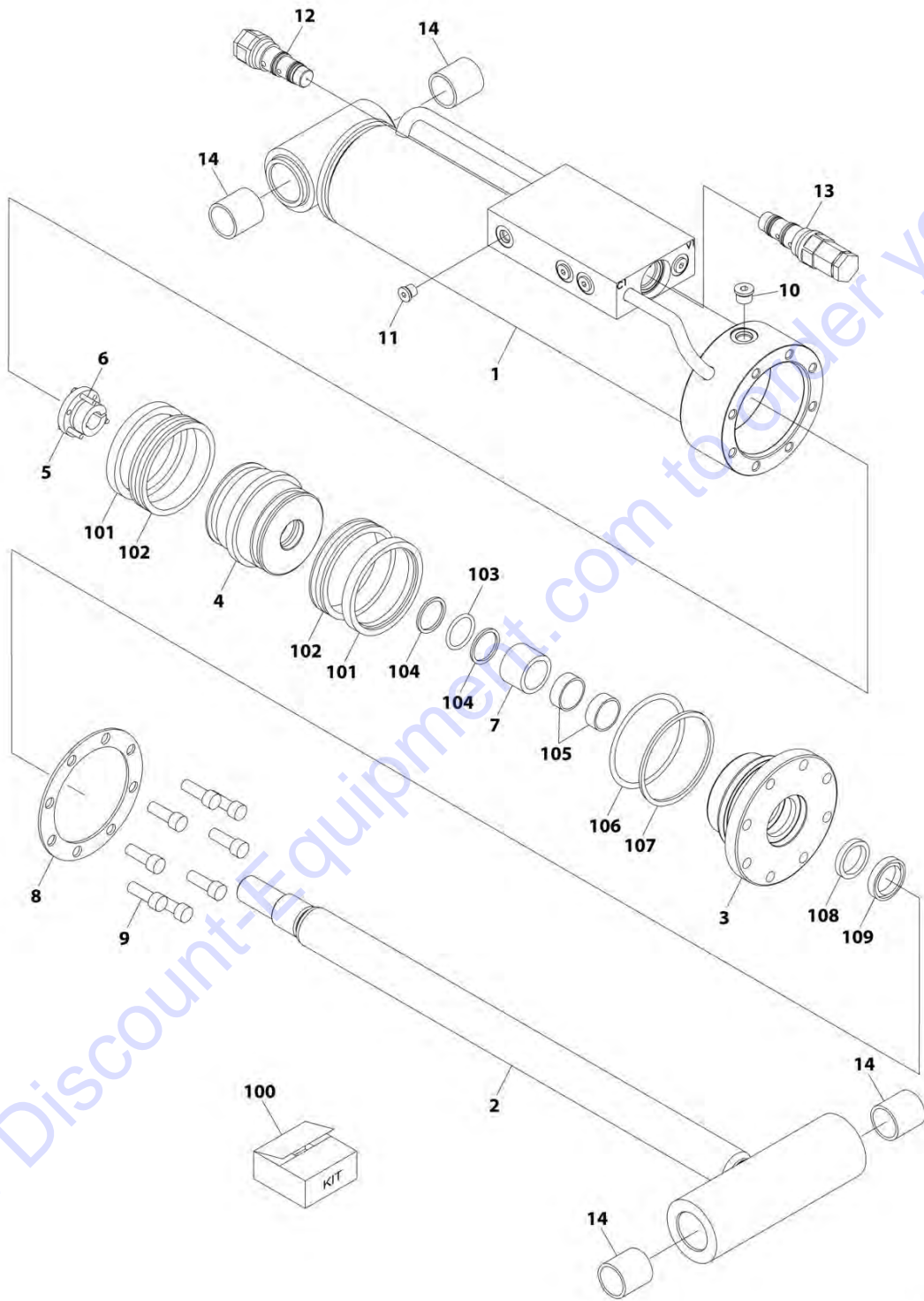
SECTION 5 - CYLINDER

FIGURE 5-6. LEVEL (PLATFORM SLAVE) CYLINDER ASSEMBLY - 660SJC (ORIGINAL EQUIPMENT)

ITEM	PART NUMBER	QTY	DESCRIPTION	REV
		Ref	LEVEL CYLINDER ASSEMBLIES - 660SJC	
	1683418	Ref	Level Cylinder Assembly (SN 0300174703 through 0300230005)	J
	1001223331	Ref	Level Cylinder Assembly (SN 0300230006 through 0300236298)	A
		Ref	Note: Original Cylinder May Have Been Replaced with Service Replacement. Identify PN Stamped on Cylinder Before Ordering Parts.	
1	1683952	NLA	Barrel (Use p/n 1001223332) (Use with p/n 1683418)	
1	1001223332	1	Barrel (Use with p/n 1001223332)	
2	1683963	1	Rod	
3	3480188	1	Piston	
4	0961894	1	Bushing, Tapered	
5	1683055	1	Head	
6	3760369	1	Ring, Washer	
7	4566468	1	Spacer	
8	4640509	1	Cartridge, Valve	
8	2900792	1	Seal Kit - 4640509 Valve	
9	2220885	1	Plug, O-Ring	
10	3931620	8	Capscrew, Socket Head 3/8in-16NC x 1-1/4in	
11	0100011	AR	Compound, Locking	
12	0100038	AR	Primer, Locking	
13	See Note	NSS	Seal (Note: Use Item 30)	
14	See Note	NSS	Ring, Lock (Note: Use Item 30)	
15	See Note	NSS	O-Ring (Note: Use Item 30)	
16	See Note	NSS	Ring, Back-up (Note: Use Item 30)	
17	See Note	NSS	Ring, Wear (Note: Use Item 30)	
18	See Note	NSS	O-Ring (Note: Use Item 30)	
19	See Note	NSS	Ring, Back-up (Note: Use Item 30)	
20	See Note	NSS	Seal, Rod (Note: Use Item 30)	
21	See Note	NSS	Wiper (Note: Use Item 30)	
23	4640932	1	Cartridge, Valve	
23	7011112	1	Seal Kit - Valve Cartridge	
24	2220883	8	Plug, O-Ring	
25	0630535	3	Screw, Socket Head 1/4in-20NC x 1-1/8in	
26	0961951	4	Bushing	
27	0100063	AR	Loctite #RC609 (SN 0300174703 through 0300182216)	
30	2901301	1	Seal Kit - 1683418 & 1001223331 (Includes Items 13-21)	

SECTION 5 - CYLINDER

FIGURE 5-7. LEVEL (PLATFORM SLAVE) CYLINDER ASSEMBLY - 660SJC (SERVICE REPLACEMENT)



ART_1001228051

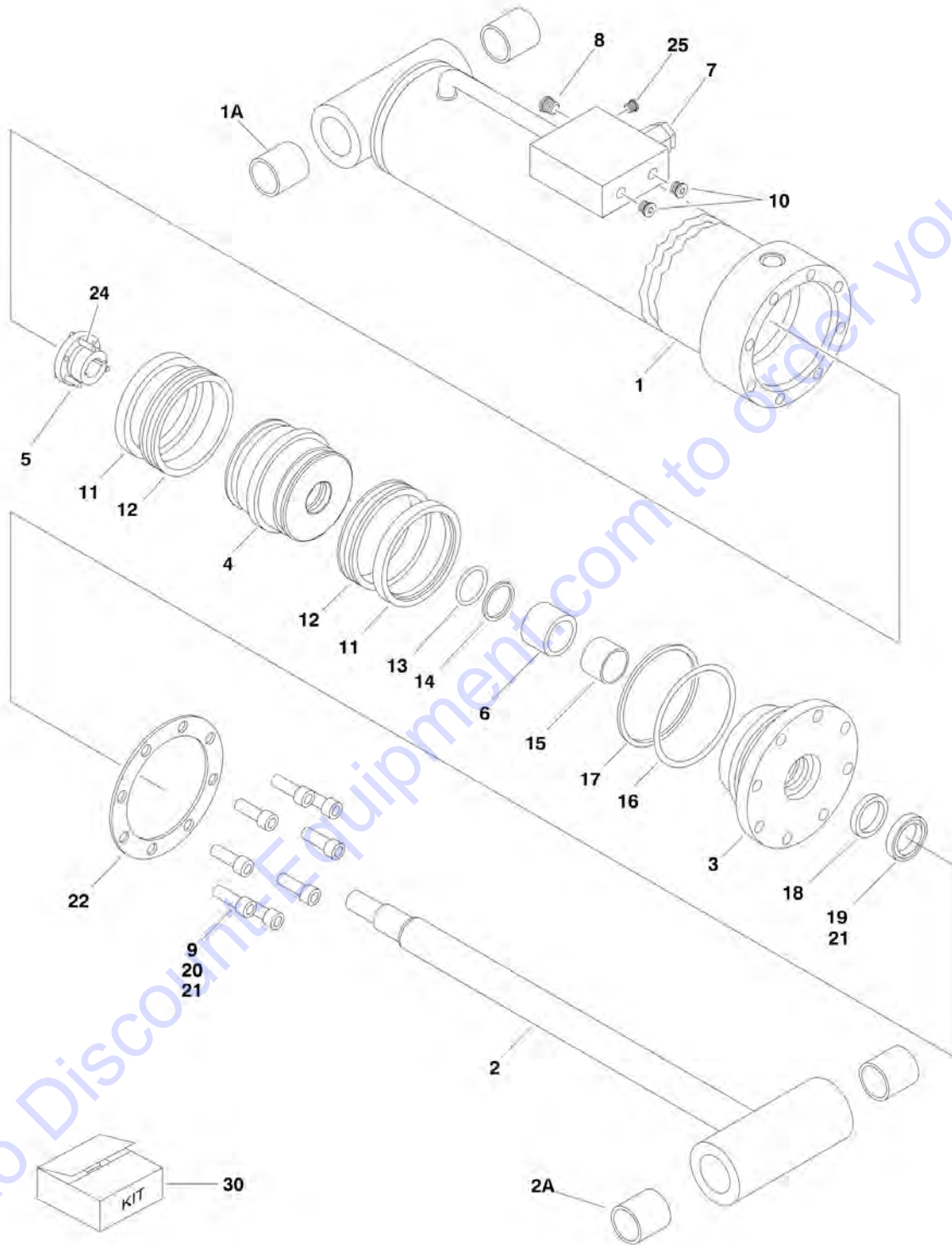
SECTION 5 - CYLINDER

FIGURE 5-7. LEVEL (PLATFORM SLAVE) CYLINDER ASSEMBLY - 660SJC (SERVICE REPLACEMENT)

ITEM	PART NUMBER	QTY	DESCRIPTION	REV
	1001228051	Ref	LEVEL CYLINDER ASSEMBLY	A
		Ref	Note: Original Cylinder May Have Been Replaced with Service Replacement. Identify PN Stamped on Cylinder Before Ordering Parts.	
1	See Note	NSS	Barrel (Note: Use p/n 1001228051)	
2	70006823	1	Rod	
3	70006446	1	Head	
4	70006445	1	Piston	
5	70006444	1	Bushing, Tapered	
6	0630535	3	Bolt 1/4 x 1-1/8	
7	70006443	1	Spacer	
8	70006822	1	Ring, Washer	
9	3931620	8	Capscrew 3/8 x 1-1/4	
10	2220885	1	Plug, O-Ring	
11	2220883	8	Plug, O-Ring	
12	4640509	1	Cartridge, Valve	
12	2900792	1	Seal Kit - 4640509 Valve	
13	4640932	1	Cartridge, Valve	
13	7011112	1	Seal Kit - 4640932 Valve	
14	0961951	4	Bushing	
100	1001138796	1	Seal Kit - 1001228051 Cylinder (Includes Items 101-109)	
101	See Note	NSS	Ring, Lock (Note: Use Item 100)	
102	See Note	NSS	Seal (Note: Use Item 100)	
103	See Note	NSS	O-Ring (Note: Use Item 100)	
104	See Note	NSS	Ring, Back-up (Note: Use Item 100)	
105	See Note	NSS	Ring, Wear (Note: Use Item 100)	
106	See Note	NSS	O-Ring (Note: Use Item 100)	
107	See Note	NSS	Ring, Back-up (Note: Use Item 100)	
108	See Note	NSS	Seal, Rod (Note: Use Item 100)	
109	See Note	NSS	Wiper (Note: Use Item 100)	

SECTION 5 - CYLINDER

FIGURE 5-8. LIFT CYLINDER ASSEMBLY (ORIGINAL EQUIPMENT)



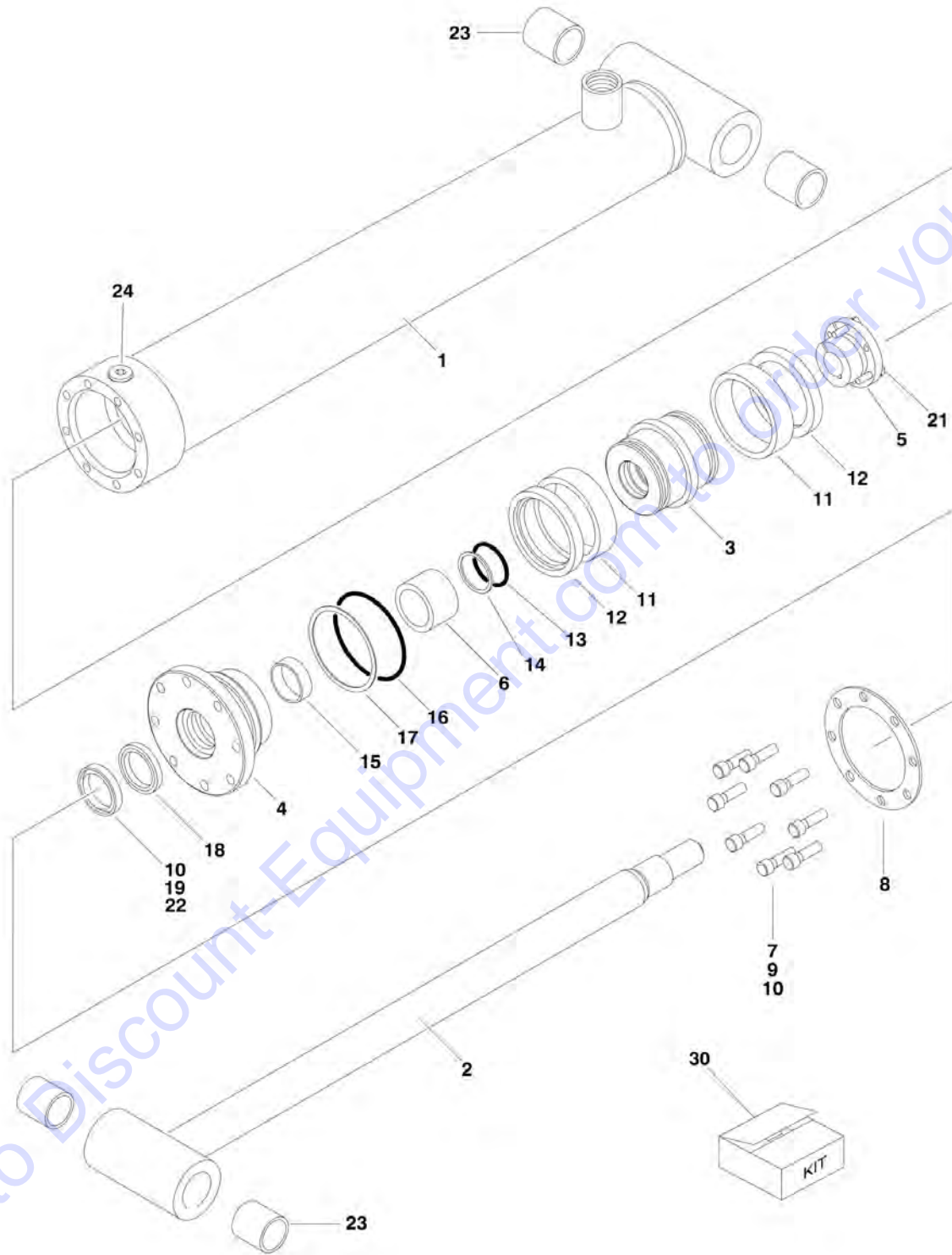
SECTION 5 - CYLINDER

FIGURE 5-8. LIFT CYLINDER ASSEMBLY (ORIGINAL EQUIPMENT)

ITEM	PART NUMBER	QTY	DESCRIPTION	REV
	1001112468	Ref	LIFT CYLINDER ASSEMBLY	B
1	1001112467	1	Barrel Options (Note: Includes Item 1A):	
1A	0961950	2	Bushing	
2	1683954	1	Rod (Note: Includes Item 2A)	
2A	0961950	2	Bushing	
3	1683067	1	Head	
4	3480206	1	Piston	
5	0961898	1	Bushing, Tapered (Use item #24 in place of supplied bolts)	
6	4566501	1	Spacer, Tube	
7	4640509	1	Cartridge, Valve	
7	2900792	1	Seal Kit - 4640509 Valve	
8	2220887	1	Plug, O-Ring	
9	3932032	8	Bolt, Socket Head 5/16in-11NC x 2in	
10	2220883	2	Plug, O-Ring	
11	See Note	NSS	Ring, Lock (Note: Use Item 30)	
12	See Note	NSS	Seal, Hydrolock (Note: Use Item 30)	
13	See Note	NSS	O-Ring (Note: Use Item 30)	
14	See Note	NSS	Ring, Back-up (Note: Use Item 30)	
15	See Note	NSS	Ring, Wear (Note: Use Item 30)	
16	See Note	NSS	O-Ring (Note: Use Item 30)	
17	See Note	NSS	Ring, Back-up (Note: Use Item 30)	
18	See Note	NSS	Seal, Rod (Note: Use Item 30)	
19	See Note	NSS	Wiper (Note: Use Item 30)	
20	0100011	AR	Compound, Locking	
21	0100038	AR	Primer, Locking	
22	3760372	1	Washer, Ring	
24	0630536	3	Screw, Socket Head 3/8in-16NC x 1-1/2in	
25	2220235	1	Plug, O-Ring	
30	2901285	1	Seal Kit (Includes Items 11-19)	

SECTION 5 - CYLINDER

FIGURE 5-9. MASTER CYLINDER ASSEMBLY (ORIGINAL EQUIPMENT)



SECTION 5 - CYLINDER

FIGURE 5-9. MASTER CYLINDER ASSEMBLY (ORIGINAL EQUIPMENT)

ITEM	PART NUMBER	QTY	DESCRIPTION	REV
		Ref	MASTER CYLINDER ASSEMBLY	
	1684414	Ref	Master Cylinder Assembly 600SC	D
	1684413	Ref	Master Cylinder Assembly 660SJC (Original Equipment)	F
		Ref	Note: Original Cylinder May Have Been Replaced with Service Replacement. Identify PN Stamped on Cylinder Before Ordering Parts.	
1		Ref	Barrel Options:	
1	1683972	1	Barrel 600SC (Includes Qty 2 of Item 23)	
1	1683949	1	Barrel 660SJC (Bushings Not Included)	
2		Ref	Rod Options:	
2	3850020	1	Rod 600SC (Includes Qty 2 of Item 23):	
2	1683963	1	Rod 600SJC & 660SJC (Bushings Not Included)	
3		Ref	Piston Options:	
3	3480210	1	Piston 600SC	
3	3480188	1	Piston 660SJC	
4		Ref	Head Options:	
4	1683053	1	Head 600SC	
4	1683055	1	Head 660SJC	
5		Ref	Bushing, Tapered Options:	
5	0961893	1	Bushing, Tapered 600SC	
5	0961894	1	Bushing, Tapered 660SJC	
6	4566468	1	Spacer, Tube	
7		Ref	Capscrew Options:	
7	3931516	8	Capscrew 600SC (5/16in-18NC x 1in)	
7	3931620	8	Capscrew 660SJC (3/8in-16NC x 1-1/4in)	
8		Ref	Ring, Washer Options:	
8	3760368	1	Ring, Washer 600SC	
8	3760369	1	Ring, Washer 660SJC	
9	0100011	AR	Compound, Locking	
10	0100038	AR	Primer, Locking	
11	See Note	NSS	Seal (Note: Use Item 30)	
12	See Note	NSS	Ring, Lock (Note: Use Item 30)	
13	See Note	NSS	O-Ring (Note: Use Item 30)	
14	See Note	NSS	Ring, Back-up (Note: Use Item 30)	
15	See Note	NSS	Ring, Wear (Note: Use Item 30)	
16	See Note	NSS	O-Ring (Note: Use Item 30)	
17	See Note	NSS	Ring, Back-up (Note: Use Item 30)	
18	See Note	NSS	Seal, Rod (Note: Use Item 30)	
19	See Note	NSS	Wiper (Note: Use Item 30)	
21		Ref	Screw, Socket Head	
21	0630534	3	Screw, Socket Head 600SC (#10-24NC x 1in)	
21	0630535	3	Screw, Socket Head 660SJC (1/4in-20NC x 1-1/8in)	
22	0100063	AR	Loctite #RC680	
23		Ref	Bushing Options:	
23	0961947	4	Bushing 600SC	
23	0961951	4	Bushing 660SJC	
24		Ref	Plug, O-Ring Options:	
24	Not Required	0	Plug, O-Ring 600SC	
24	2220885	1	Plug, O-Ring 660SJC	
30		Ref	Seal Kit Options (Includes Items 11-19):	

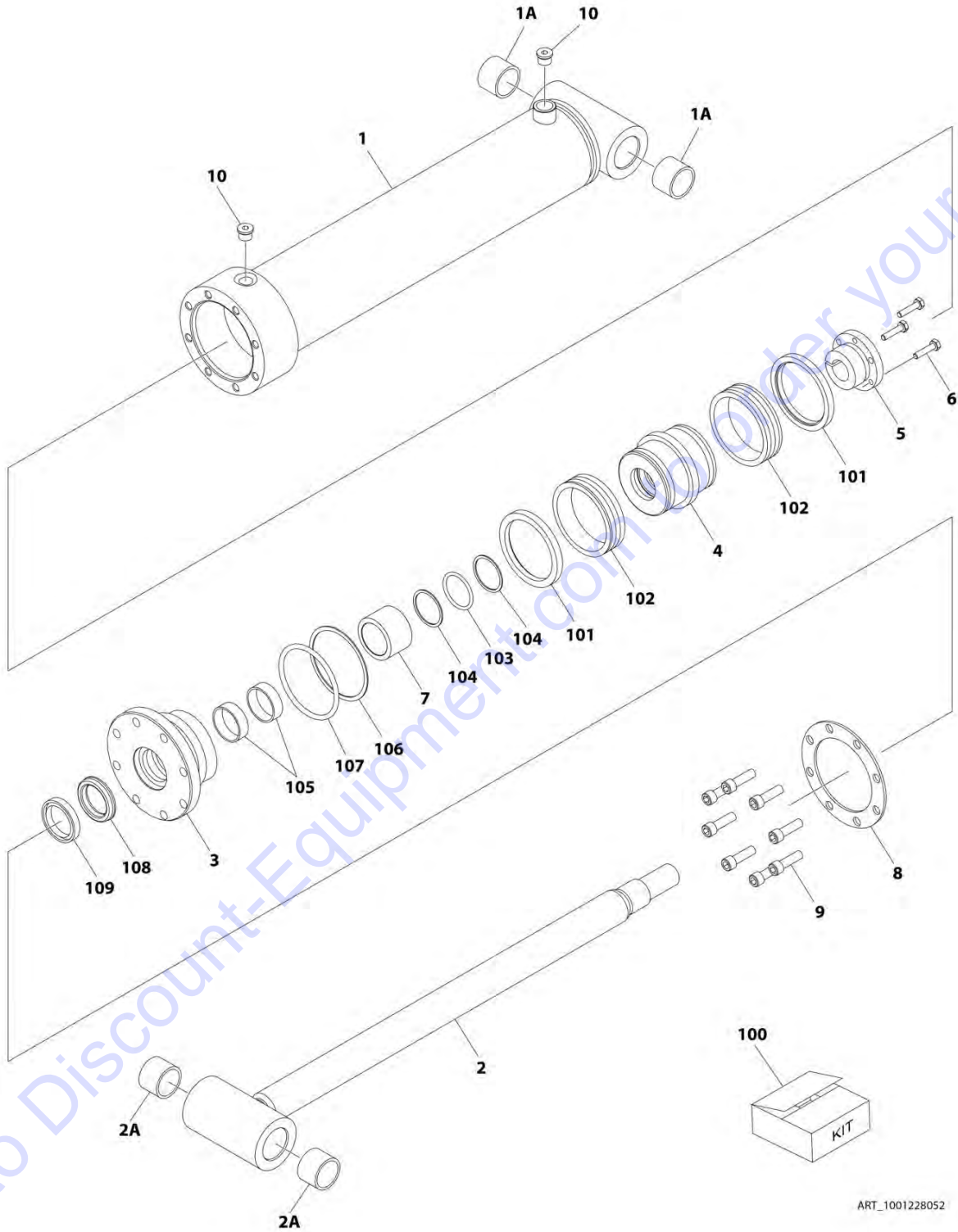
SECTION 5 - CYLINDER

ITEM	PART NUMBER	QTY	DESCRIPTION	REV
30	2901303	1	Seal Kit 600SC (1684414 Cylinder)	
30	2901301	1	Seal Kit 660SJC (1684413 Cylinder)	

Go to Discount-Equipment.com to order your parts

SECTION 5 - CYLINDER

FIGURE 5-10. MASTER CYLINDER ASSEMBLY - 660SJC (SERVICE REPAACEMENT)



ART_1001228052

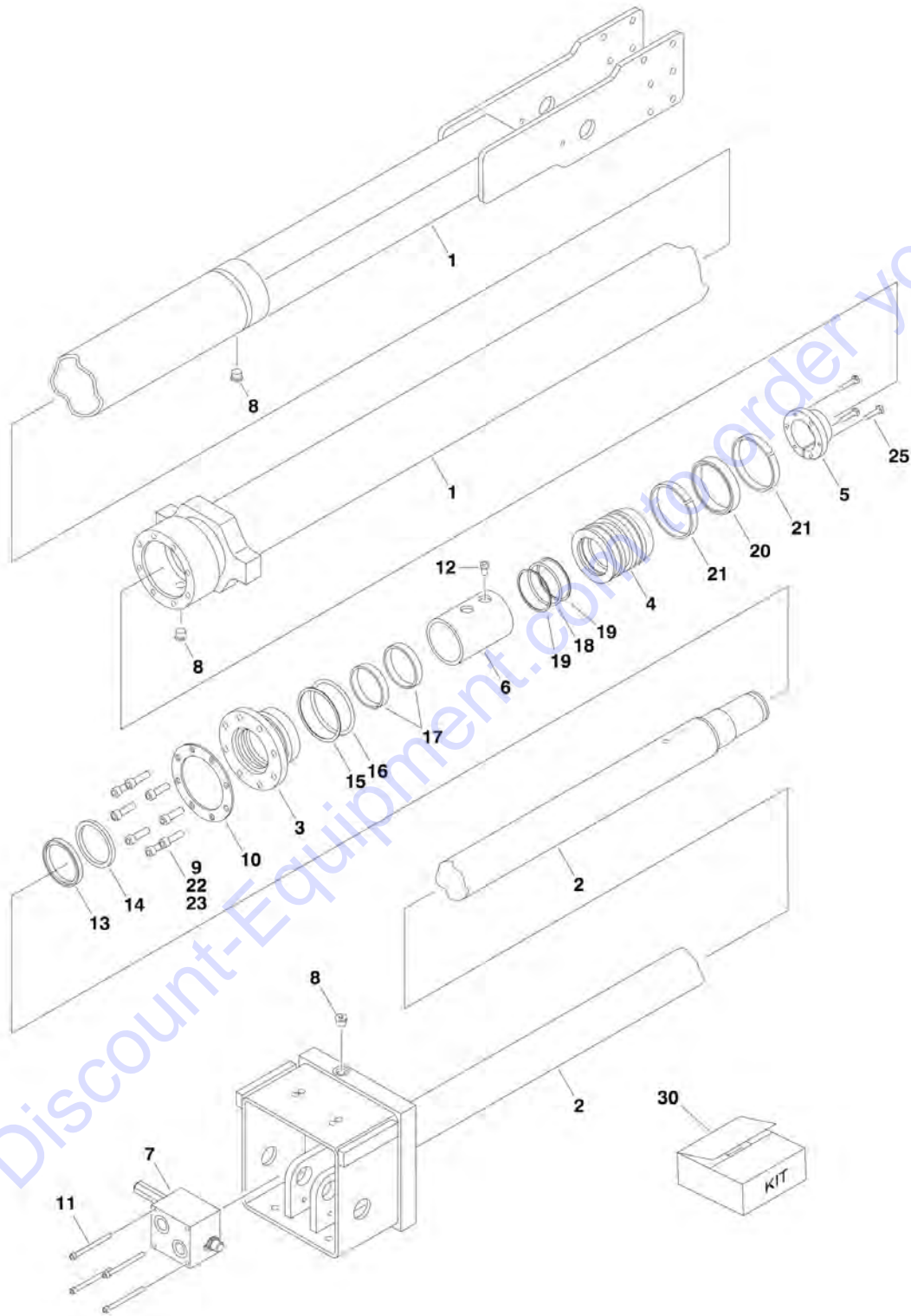
SECTION 5 - CYLINDER

FIGURE 5-10. MASTER CYLINDER ASSEMBLY - 660SJC (SERVICE REPAACEMENT)

ITEM	PART NUMBER	QTY	DESCRIPTION	REV
	1001228052	Ref	MASTER CYLINDER ASSEMBLY	B
		Ref	Note: Original Cylinder May Have Been Replaced with Service Replacement. Identify PN Stamped on Cylinder Before Ordering Parts.	
1	See Note	NSS	Barrel (Note: Not Available for Purchase)	
1A	0961951	2	Bushing	
2	70006447	1	Rod Weldment	
2A	0961951	2	Bushing	
3	70006446	1	Head	
4	70006445	1	Piston	
5	70006444	1	Bushing, Tapered	
6	0630535	3	Capscrew 1/4 x 1-1/8	
7	70006443	1	Spacer	
8	70006442	1	Ring, Washer	
9	3931620	8	Capscrew 3/8 x 1-1/4	
10	2220885	2	Plug, O-Ring	
100	1001138796	1	Seal Kit (Includes Items 101-109)	
101	See Note	NSS	Ring, Wear (Note: Use Item 100)	
102	See Note	NSS	Seal, Piston (Note: Use Item 100)	
103	See Note	NSS	O-Ring (Note: Use Item 100)	
104	See Note	NSS	Ring, Back-up (Note: Use Item 100)	
105	See Note	NSS	Ring, Wear (Note: Use Item 100)	
106	See Note	NSS	O-Ring (Note: Use Item 100)	
107	See Note	NSS	Ring, Back-up (Note: Use Item 100)	
108	See Note	NSS	Seal, Rod (Note: Use Item 100)	
109	See Note	NSS	Wiper, Rod (Note: Use Item 100)	

SECTION 5 - CYLINDER

FIGURE 5-11. TELESCOPE CYLINDER ASSEMBLY (ORIGINAL EQUIPMENT)



SECTION 5 - CYLINDER

FIGURE 5-11. TELESCOPE CYLINDER ASSEMBLY (ORIGINAL EQUIPMENT)

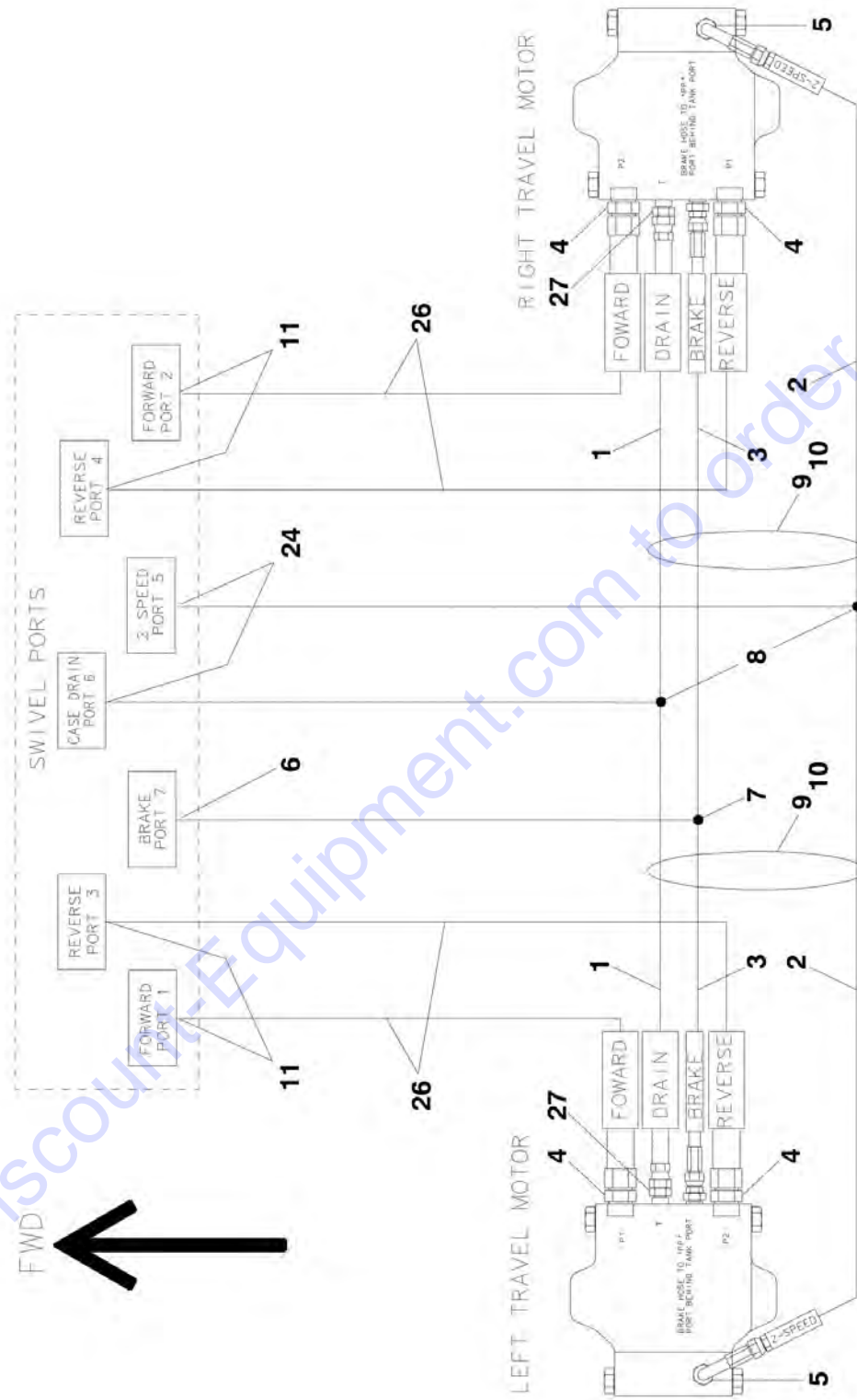
ITEM	PART NUMBER	QTY	DESCRIPTION	REV
	1683618	Ref	TELESCOPE CYLINDER ASSEMBLY	G
1	1683619	1	Barrel	
2	1683250	1	Rod	
3	1683057	1	Head	
4	3480205	1	Piston	
5	0961897	1	Bushing, Tapered	
6	4566644	1	Spacer, Tube	
7	4641028	1	Valve Assembly (No serviceable parts - sold as assembly only)	
7	7024397	2	O-Ring (Not Shown - Located between valve and cylinder block)	
8	2220885	6	Plug, O-Ring	
9	3931620	8	Capscrew 3/8in-16NC x 1-1/4in	
10	3760369	1	Ring, Washer	
11	3931448	4	Capscrew 1/4in-20NC x 3in	
12	3931508	1	Capscrew 5/16in-18NC x 1/2in	
13	See Note	NSS	Wiper (Note: Use Item 30)	
14	See Note	NSS	Seal, Rod (Note: Use Item 30)	
15	See Note	NSS	O-Ring (Note: Use Item 30)	
16	See Note	NSS	Ring, Back-up (Note: Use Item 30)	
17	See Note	NSS	Ring, Wear (Note: Use Item 30)	
18	See Note	NSS	O-Ring (Note: Use Item 30)	
19	See Note	NSS	Ring, Back-up (Note: Use Item 30)	
20	See Note	NSS	T-Seal (Note: Use Item 30)	
21	See Note	NSS	Ring, Wear (Note: Use Item 30)	
22	0100011	AR	Compound, Locking	
23	0100038	AR	Primer, Locking	
25	0630535	3	Bolt, Socket Head 1/4in-20NC x 1-1/8in	
30	2901284	1	Seal Kit (Includes Items 13-21)	

SECTION 6 - HYDRAULIC

Go to Discount-Equipment.com to order your parts

SECTION 6 - HYDRAULIC

FIGURE 6-1. FRAME HYDRAULIC DIAGRAM



SECTION 6 - HYDRAULIC

FIGURE 6-1. FRAME HYDRAULIC DIAGRAM

ITEM	PART NUMBER	QTY	DESCRIPTION	REV
		Ref	FRAME HYDRAULIC DIAGRAMS	
	2360574	Ref	Frame Hydraulic Diagrams 600SC	B
	2360576	Ref	Frame Hydraulic Diagrams 660SJC	B
1	84718604	2	Hose	
2	84719728	2	Hose	
3	84719727	2	Hose	
4	2151212	4	Fitting, 45	
5	88662329	NLA	Fitting, 90 (Use p/n 21530606)	
6	80213119	1	Fitting, 90	
7	88662354	NLA	Fitting, Tee (Use p/n 2170806)	
8	88662446	NLA	Fitting, Tee (Use p/n 2170706)	
9	83953053	2	Sleeve	
10	90027187	4	Tie Strap	
11	88662332	NLA	Fitting, 90 (Use p/n 2131212)	
24	88662301	NLA	Fitting, Straight (Use p/n 2110606)	
25	14403364	AR	Compound, Locking (Not Shown)	
26	84718465	4	Hose	
27	88662448	NLA	Fitting, Straight (Use p/n 2110612)	

SECTION 6 - HYDRAULIC

FIGURE 6-2. STANDARD HYDRAULIC DIAGRAM

ITEM	PART NUMBER	QTY	DESCRIPTION	REV
	1001150760	Ref	HYDRAULIC DIAGRAMS - DEUTZ D2011 ENGINES	B
	1001150763	Ref	Hydraulic Diagrams 600SC Deutz D2011 Engine	B
	1001152116	Ref	HYDRAULIC DIAGRAMS - DEUTZ TD2.9L4 ENGINES	C
	1001152114	Ref	Hydraulic Diagrams 600SC Deutz TD2.9L4 Engine	C
1	2111212	2	Fitting, Straight	
2	2753318	1	Hose	
3	2220380	2	Fitting, Straight	
4	2752783	1	Hose	
5	2220409	1	Fitting, 45	
6		Ref	Hose Options:	
6	2752653	1	Machines with Deutz D2011 Engines	
6	1001152061	1	Machines with Deutz TD2.9L4 Engines	
7		Ref	Fitting, Straight Options:	
7	2220408	1	Machines with Deutz D2011 Engines	
7	2221042	1	Machines with Deutz TD2.9L4 Engines	
8	2220628	3	Fitting, 90	
10	1001104361	2	Hose	
11	1001138241	1	Hose	
12	2170112	2	Fitting, Straight	
13	2752994	1	Hose	
14	2752643	1	Hose	
15	1001110092	1	Hose	
16	1001109659	1	Hose	
17	2220582	2	Fitting, Straight	
18	1001104359	1	Hose	
19	2220415	5	Fitting, Straight	
20	2752591	2	Hose	
21	2752581	1	Hose	
22	2220603	4	Fitting, Straight	
23	2753472	1	Hose	
24	1001150475	1	Hose	
25	2220473	AR	Fitting, 90	
26	2110806	1	Fitting, Straight	
27	2220738	1	Fitting, Tee	
28	2220472	4	Fitting, Straight	
29	2752633	2	Hose	
30	2753192	1	Hose	
31	2220921	1	Fitting, Reducer	
32	2220498	1	Fitting, 45	
33	2220372	AR	Fitting, Straight	
34	2752631	1	Hose	
35	2752632	1	Hose	
36	2220373	5	Fitting, Straight	
37	2752515	1	Hose	
38	2110406	2	Fitting, Straight	
39	2220466	7	Fitting, 90	
40		Ref	Hose Options:	
40	2752599	1	Hose 600SC	
40	2752597	1	Hose 660SJC	
41	2751474	1	Hose	

SECTION 6 - HYDRAULIC

ITEM	PART NUMBER	QTY	DESCRIPTION	REV
42	2220947	1	Fitting, Straight	
43	2752762	1	Hose	
44	2221086	AR	Fitting, Straight	
45		Ref	Hose Options:	
45	2752598	2	Hose 600SC	
45	2752596	2	Hose 660SJC	
46	2220974	1	Fitting Long Straight	
47	1001109657	1	Hose	
48	2752763	2	Hose	
49	2221042	2	Fitting, 90	
50	2220622	1	Fitting, Reducer	
51	1001104363	1	Hose	
52	2220950	1	Fitting, 45	
53	2752588	2	Hose	
54	2220451	1	Fitting, Straight	
55	1001104364	1	Hose	
56		Ref	Orifice (.062) Options:	
56	Not Required	0	Orifice (.062) 600SC	
56	2180380	1	Orifice (.062) 660SJC	
57		Ref	Fitting, 90 Options:	
57	Not Required	0	Fitting, 90 600SC	
57	2180724	1	Fitting, 90 660SJC	
58		Ref	Hose Options:	
58	Not Required	0	Hose 600SC	
58	2752633	2	Hose 660SJC	

SECTION 6 - HYDRAULIC

FIGURE 6-3. HYDRAULIC DIAGRAM LIST

ITEM	PART NUMBER	QTY	DESCRIPTION	REV
		Ref	Note: Diagrams Not Shown are Available From Discount-equipment.com.	
		Ref	Frame Hydraulic Diagram Options:	
	2360574	Ref	Frame Hydraulic Diagram 600SC	
	2360576	Ref	Frame Hydraulic Diagram 660SJC	
		Ref	Standard Hydraulic Diagrams:	
	1001150760	Ref	Deutz D2011 Engines Standard Hydraulic Reference Drawing	
	1001150763	Ref	Standard Hydraulic Diagrams: 600SC Deutz Engine	
	1001152116	Ref	Deutz DT2.9L4 Engines Standard Hydraulic Reference Drawing	
	1001152114	Ref	Standard Hydraulic Diagrams: 600SC Deutz Engine	
		Ref	Standard Hydraulic Schematic Options	
	1001151059	Ref	Deutz D2011 Engines	
	1001152116	Ref	Deutz TD2.9L4 Engines	

SECTION 7 - ELECTRICAL

Go to Discount-Equipment.com to order your parts

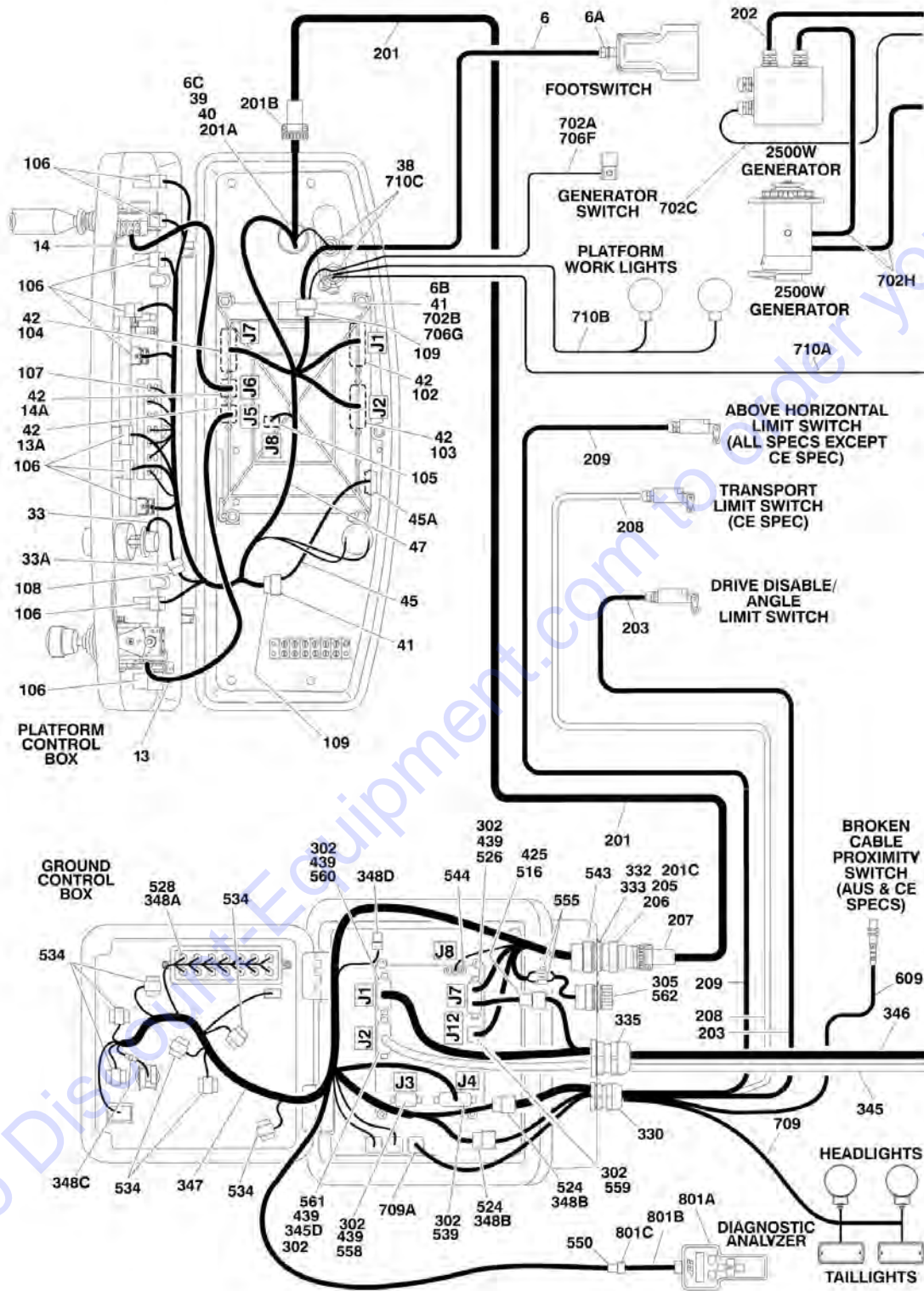
SECTION 7 - ELECTRICAL

FIGURE 7-1. ELECTRICAL DIAGRAM LIST

ITEM	PART NUMBER	QTY	DESCRIPTION	REV
		Ref	Note: Diagrams are available from Discount-equipment.com.	
		Ref	2500W GENERATOR ELECTRICAL DIAGRAM	
	1001112588	Ref	110V/60Hz (Deutz D2011 Engine Machines)	
	1001180050	Ref	110V/60Hz (Deutz DT2.9L4 Engine Machines)	
	1001112743	Ref	220V/50Hz (Deutz D2011 Engine Machines)	
		Ref	4000W GENERATOR ELECTRICAL DIAGRAM	
	1001132055	Ref	Deutz D2011 Engine Machines with 60Hz Generators	
	1001153025	Ref	Deutz D2011 Engine Machines with 50Hz Generators (ANSI Export, CE and Japanese Specs)	
	1001159648	Ref	Deutz D2011 Engine Machines with 50Hz Generators (Australian Spec)	
	1001160271	Ref	Deutz D2011 Engine Machines with 50Hz Generators (UK Spec)	
	1001153257	Ref	Deutz TD2.9L4 Engine Machines with 60Hz Generators	
	1001194437	Ref	Deutz TD2.9L4 Engine Machines with 50Hz Generators	
		Ref	7500W SKYPOWER GENERATOR ELECTRICAL DIAGRAM	
	1001157769	Ref	Deutz D2011 Engines	
	1001122528	Ref	Deutz TD2.9L4 Engines	
		Ref	GROUND CONTROL BOX ELECTRICAL DIAGRAM	
	1001108601	Ref	Deutz D2011 Engines	
	1001146154	Ref	Deutz TD2.9L4 Engines	
	4933219	Ref	HEADLIGHT AND TAILLIGHTS ELECTRICAL DIAGRAM	
		Ref	PLATFORM WORKLIGHTS ELECTRICAL DIAGRAM	
	0273486	Ref	Platform Worklights Electrical Diagram 600SC	
	0273490	Ref	Platform Worklights Electrical Diagram 660SJC	
	4933304	Ref	SKYAIR ELECTRICAL DIAGRAM	
	1001108900	Ref	STANDARD ELECTRICAL SCHEMATIC	

SECTION 7 - ELECTRICAL

FIGURE 7-2. HARNESS COMPONENTS INSTALLATION



PARTS FINDER

**Search Website
by Part Number**



**Search Manual
Library For Parts
Manual & Lookup Part
Numbers – Purchase
or Request Quote**

**Can't Find Part or
Manual? Request Help
by Manufacturer,
Model & Description**

Discount-Equipment.com is your online resource for quality parts & equipment.

Florida: **561-964-4949** Outside Florida TOLL FREE: **877-690-3101**

Need parts?

Click on this link: <http://www.discount-equipment.com/category/5443-parts/> and choose one of the options to help get the right parts and equipment you are looking for. Please have the machine model and serial number available in order to help us get you the correct parts. If you don't find the part on the website or on one of the online manuals, please fill out the request form and one of our experienced staff members will get back to you with a quote for the right part that your machine needs.

We sell worldwide for the brands: Genie, Terex, JLG, MultiQuip, Mikasa, Essick, Whiteman, Mayco, Toro Stone, Diamond Products, Generac Magnum, Airman, Haulotte, Barreto, Power Blanket, Nifty Lift, Atlas Copco, Chicago Pneumatic, Allmand, Miller Curber, Skyjack, Lull, Skytrak, Tsurumi, Husquvarna Target, Stow, Wacker, Sakai, Mi-T-M, Sullair, Basic, Dynapac, MBW, Weber, Bartell, Bennar Newman, Haulotte, Ditch Runner, Menegotti, Morrison, Contec, Buddy, Crown, Edco, Wyco, Bomag, Laymor, EZ Trench, Bil-Jax, F.S. Curtis, Gehl Pavers, Heli, Honda, ICS/PowerGrit, IHI, Partner, Imer, Clipper, MMD, Koshin, Rice, CH&E, General Equipment, Amida, Coleman, NAC, Gradall, Square Shooter, Kent, Stanley, Tamco, Toku, Hatz, Kohler, Robin, Wisconsin, Northrock, Oztec, Toker TK, Rol-Air, APT, Wylie, Ingersoll Rand / Doosan, Innovatech, Con X, Ammann, Mecalac, Makinex, Smith Surface Prep, Small Line, Wanco, Yanmar

SECTION 7 - ELECTRICAL

FIGURE 7-2. HARNESS COMPONENTS INSTALLATION

ITEM	PART NUMBER	QTY	DESCRIPTION	REV
		Ref	HARNESS COMPONENTS INSTALLATION	
	1001145885	Ref	PLATFORM CONSOLE BOX COMPONENTS (WITHOUT SKYGUARD) (SN 0300174703 through 0300220073)	E
	1001202606	Ref	PLATFORM CONSOLE BOX COMPONENTS (WITHOUT SKYGUARD) (SN 0300220074 through 0300236298)	B
	1001190093	Ref	PLATFORM CONSOLE BOX COMPONENTS (WITH SKYGUARD) (SN 0300200816 through 0300220073)	C
	1001202605	Ref	PLATFORM CONSOLE BOX COMPONENTS (WITH SKYGUARD) (SN 0300220074 through 0300236298)	A
6	1001117174	1	Harness, Footswitch (Includes Footswitch)	B
6	1060918	7 ft/2.1m	Cable, Electrical - 18/3	
6A	4460071	1	Connector, Strain Relief	
6B	4460226	2	Socket, Female	
6C	4460464	1	Pin, Male	
13	See Note	NSS	Controller Harness Assembly (Lift and Swing) (Note: Not Available - Purchase Complete Controller)	
13A	7022819	1	Plug, Male - 8 Position (Natural)	
13A	4460871	8	Socket, Female	
14	See Note	NSS	Controller Harness Assembly (Drive and Steer) (Note: Not Available - Purchase Complete Controller)	
14A	See Note	NSS	Connector, Female - 8 Position (Note: Not Available for Purchase)	
14A	4460871	6	Socket, Female	
15 to 32		Ref	(Illustration and Parts List Usage)	
33	See Note	NSS	Speed Control Harness (Note: Not Available - Purchase Complete Controller)	
33A	4460224	1	Connector, Female - 6 Position	
33A	4460226	5	Socket, Female	
38	4460428	2	Connector, Strain Relief	
39	4460470	1	Nut, Terminal	
40	4460471	1	Lockwasher, Terminal	
41	4460708	2	Receptacle, Female - 15 Position	
42	4460905	5	Seal, Plug	
45	4922666	1	Harness, Analyzer Cable	C
45	4460226	4	Socket, Female (Not Shown - Located at J2)	
45A	4460761	1	Connector, Female - 4 Position	
45A	4460227	4	Pin, Male	
47	1001107753	1	Harness, Platform Box (Without SkyGuard) (See Items 101-114 For Breakdown)	
47	1001185280	1	Harness, Platform Box (With SkyGuard) (See Items 101-114 For Breakdown)	
	1001107753	Ref	PLATFORM BOX HARNESS ASSEMBLY WITHOUT SKYGUARD	F
	1001185280	Ref	PLATFORM BOX HARNESS ASSEMBLY WITH SKYGUARD	B
101	4460866	1	Connector - 19 Pin	
101	4460464	7	Pin, Male 16Ga	
101	4460508	3	Pin, Male 12Ga	
102	4460874	1	Connector - 35 Position (Natural)	
102	4460871	23	Socket, Female	
102	4460905	6	Plug, Terminal	
103	4460875	1	Connector - 35 Position (Gray)	
103	4460871	19	Socket, Female	

SECTION 7 - ELECTRICAL

ITEM	PART NUMBER	QTY	DESCRIPTION	REV
103	4460905	11	Plug, Terminal	
104	4460873	1	Connector - 35 Position (Black)	
104	4460871	25	Socket, Female	
104	4460905	9	Plug, Terminal	
105	4460879	1	Connector, Male - 2 Position	
105	4460887	2	Terminal (12 Gauge)	
106	4460418	9	Connector, Female - 6 Position	
106	4460419	27	Socket, Female	
107	4120035	13	Base, Light	
107	4460634	13	Terminal	
107	4460635	13	Terminal	
107	2920129	13	Bulb, Light	
108	4460225	1	Plug, Male - 6 Position	
108	4460227	5	Pin, Male	
109	4460434	2	Plug, Male - 15 Position	
109	4460227	25	Pin, Male	
109	4460267	1	Pin, Male	
110	4460884	1	Connector - 4 Position (Not Shown) (With SKyGuard - To Platform Sensor)	
110	4460944	4	Socket, Female (Not Shown)	
110	4460932	1	Connector, Female - 4 Position (Not Shown) (With SkyGuard)	
111	1001116720	4	Terminal, Female (Not Shown) (With SkyGuard - To Relays 1 & 2)	
111	1001118388	4	Terminal, Female (Not Shown) (With SkyGuard - To Relays 1 & 2)	
112	4460539	1	Receptacle, Female - 3 Position (Not Shown) (With SkyGuard - Connection X001)	
112	4460943	2	Pin, Male (Not Shown)	
113	4460536	1	Plug, Male - 3 Position (Not Shown) (With SkyGuard - Connection X002)	
113	4460944	2	Socket, Female (Not Shown)	
114	4460708	1	Connector, Female - 15 Position (Not Shown) (With SKyGuard)	
114	4460226	3	Socket, Female (Not Shown)	
		Ref	BOOM CABLES INSTALLATION	
		Ref	Boom Cables Installation 600SC:	
		Ref	ANSI and ANSI Export Specs	
	0272042	Ref	Without 4000W or 7500W SkyPower Generators and without Arctic Package	B
	1001153305	Ref	With 4000W Generator and without Arctic Package	A
	0274592	Ref	With SkyPower and without Arctic Package	1
	1001104427	Ref	Without SkyPower and with Arctic Package	B
	1001104429	Ref	With SkyPower and with Arctic Package	1
		Ref	CE and Australian Specs	
	0272045	Ref	Without 4000W or 7500W SkyPower Generators	B
	0274593	Ref	With SkyPower	1
		Ref	Boom Cables Installation 660SJC:	
		Ref	ANSI and ANSI Export Specs	
	0272043	Ref	Without 4000W or 7500W SkyPower Generators and without Arctic Package	2
	1001153306	Ref	With 4000W Generator and without Arctic Package	A
	0274594	Ref	With SkyPower and without Arctic Package	1
	1001104428	Ref	Without SkyPower and with Arctic Package	1
	1001104430	Ref	With SkyPower and with Arctic Package	1

SECTION 7 - ELECTRICAL

ITEM	PART NUMBER	QTY	DESCRIPTION	REV
		Ref	CE and Australian Specs	
	0272046	Ref	Without 4000W or 7500W SkyPower Generators	2
	0274595	Ref	With SkyPower	1
201		Ref	Harness, Boom (12/4 -18/8) Options:	
201	4922468	1	Harness, Boom 600SC without Arctic Package	2-B
201	4923657	1	Harness, Boom 600SC with Arctic Package	1
201	4922467	1	Harness, Boom 660SJC without Arctic Package	2-B
201	4923657	1	Harness, Boom 660SJC with Arctic Package	1
201		Ref	Cable, Electrical - 12/4 & 18/8	
201	1060896	67 ft/ 20.4m	4922468 Harness (600SC without Arctic Package)	
201	4923462	67 ft/ 20.4m	4923657 Harness (600SC with Arctic Package)	
201	4923462	75 ft/ 22.9m	4922467 Harness (600SC with Arctic Package)	
201	2820118	8 in/ 18cm	Heat Shrink	
201A	4460465	11	Socket, Female 18 Gauge	
201A	4460865	1	Connector - 19 Position	
201A	4460509	4	Socket, Female 12 Gauge	
201A	4460466	4	Seal, Plug	
201B	4460473	1	Clamp, Cable	
201C	4460465	11	Socket, Female 18 Gauge	
201C	4460509	4	Socket, Female 12 Gauge	
202		Ref	Cable, Electrical (To Receptacle Box) Options:	
202	4922889	1	Cable, Electrical 600SC ANSI and ANSI Export Specs without 4000W or 7500W SkyPower Generators and without Arctic Package (12/3 Cable 70ft/21.2m Length)	
202	1001153842	1	Cable, Electrical 600SC ANSI and ANSI Export Specs with 4000W Generators and without Arctic Package (10/4 Cable 83ft/25.3m)	
202	4923660	1	Cable, Electrical 600SC ANSI and ANSI Export Specs without 4000W or 7500W SkyPower Generators and with Arctic Package (12/3 Cable 70ft/21.2m Length)	
202	4922884	1	Cable, Electrical 600SC CE and Australian Specs without 4000W or 7500W SkyPower Generators (12/3 Cable 70ft/21.2m Length)	
202	4922792	1	Cable, Electrical 600SC All Specs with 4000W or 7500W SkyPower Generators (8/5 Cable 83ft/25.3m)	
202	4922888	1	Cable, Electrical 660SJC ANSI and ANSI Export Specs without 4000W or 7500W SkyPower Generators and without Arctic Package (12/3 Cable 77ft/23.5m Length)	
202	1001153844	1	Cable, Electrical 660SJC ANSI and ANSI Export Specs with 4000W Generators and without Arctic Package (10/4 Cable 90.5ft/27.6m)	
202	4923510	1	Cable, Electrical 660SJC ANSI and ANSI Export Specs without 4000W or 7500W SkyPower Generators and with Arctic Package (12/3 Cable 70ft/21.2m Length)	
202	4922886	1	Cable, Electrical 660SJC CE and Australian Specs without 4000W or 7500W SkyPower Generators (12/3 Cable 77ft/23.5m Length)	
202	4922791	1	Cable, Electrical 660SJC All Specs with 4000W or 7500W SkyPower Generators (8/5 Cable 90.5ft/27.6m)	
203	1061045	1	Cable, Electrical - 18/2 (To Drive Disable/Angle Switch) (15ft/4.6m Length)	
204		Ref	Sleeve, Nylon Options (Not Shown - Used with Items 201 & 202):	

SECTION 7 - ELECTRICAL

ITEM	PART NUMBER	QTY	DESCRIPTION	REV
204	4100026	10 ft/3m	Sleeve, Nylon 600SC	
204	Not Required	0	Sleeve, Nylon 660SJC	
205	4460865	1	Connector - 19 Position	
206	4460466	AR	Seal, Plug	
207	4460473	2	Clamp. Cable	
208		Ref	Cable, Electrical - 18/3 (To Transport Switch) Options:	
208	1061046	1	Cable, Electrical 600SC	
208	1061047	1	Cable, Electrical 660SJC	
209		Ref	Cable, Electrical - 18/3 (To Drive Disable/Capacity Length) Options:	
209	1061047	1	Cable, Electrical 600SC	
209	1061046	1	Cable, Electrical 660SJC	
		Ref	GROUND CONTROL BOX COMPONENTS	
302	0100048	AR	Grease, Dielectric	
305	1001106736	1	Cap, Dust	
330	4460426	1	Connector, Strain Relief	
332	4460470	1	Nut, Terminal	
333	4460471	1	Washer, Terminal	
335	4460526	1	Connector, Strain Relief	
345	4922513	1	Valve Harness Assembly	3-D
345A	4460880	15	DIN Connector	
345B	4460320	2	Plug, Male - 2 Position	
345B	4460267	4	Pin, Male	
345C	4460424	1	Connector, Female - 2 Position	
345C	4460268	2	Socket, Female	
345D	4460871	28	Socket, Female	
345E	4460326	1	Plug, Male - 3 Position	
345E	4460267	1	Pin, Male	
345F	4460445	1	Connector, Female - 3 Position	
345F	4460268	3	Socket, Female	
346		Ref	Harness, Engine Options (See Items 401-467 for Breakdown):	
346	1001108598	1	Deutz D2011 Engines	
346	1001145093	1	Deutz TD2.9L4 Engines	
347		Ref	Ground Control Box Harness Assembly Options (See Items 501-562 for Breakdown)	
347	1001108602	1	Harness (All Specs except CE Specs with Deutz D2011 Engine)	
347	1001108602	1	Harness (CE Specs with Deutz D2011 Engine) (SN 0300174703 through 0300204657)	
347	1001185895	1	Harness (CE Specs with Deutz D2011 Engine) (SN 0300204658 through 0300236298)	
347	1001146150	1	Harness (All Specs except CE Specs with Deutz DT2.9L4 Engine)	
347	1001146150	1	Harness (CE Specs with Deutz TD2.9L4 Engine) (SN 0300174903 through 0300200816)	
347	1001185895	1	Harness (CE Specs with Deutz TD2.9L4 Engine) (SN 0300200817 through 0300236298)	
347	3990010	2	Diode - 6Amp (Not Shown - Located at Power Down Relay)	
348		Ref	Ground Control Box Wiring Diagram (Not Shown)	
348	1001108601	1	Deutz D2011 Engines	F
348	1001146154	1	Deutz TD2.9L4 Engines	B
348A	2920129	AR	Bulb, Light	
348B	4460708	2	Receptacle, Female - 15 Position	

SECTION 7 - ELECTRICAL

ITEM	PART NUMBER	QTY	DESCRIPTION	REV
348B	4460226	AR	Socket, Female	
348B	4922637	1	Harness, Jumper (Not Shown)	
348B	4922636	1	Harness, Jumper (Not Shown)	
348C	1001173590	1	Fuse Assembly	
348C	2400065	1	Fuse, 30Amp	
348C	2400066	1	Fuse, Holder with Cover	
348D	4460894	1	Plug, Male - 6 Position	
348D	4460892	1	Receptacle, Female - 6 Position	
		Ref	ENGINE HARNESS ASSEMBLIES	
	1001108598	Ref	Deutz D2011 Engines	A
	1001145093	Ref	Deutz TD2.9L4 Engines	F
417	4460424	1	Receptacle, Female - 2 Position	
417	4460268	2	Socket, Female	
418	4460424	1	Receptacle, Female - 2 Position	
418	4460226	2	Socket, Female	
419	4460880	2	DIN Connector without Diode	
423	4461070	1	Receptacle, Female With Resistor (3 Position) (Deutz D2011 Engines Only)	
423	4461095	1	Plug, Male - 3 Position (Deutz D2011 Engines Only)	
423	4460944	3	Socket, Female (Deutz D2011 Engines Only)	
425	4460539	1	Connector, Male - 3 Position	
425	4460944	3	Socket, Female	
428	4460460	2	Connector, Male - 4 Position	
428	4460457	8	Terminal, Female	
428	4460458	8	Seal, Terminal	
433	4461052	1	Connector, Receptacle - 25 Position (Deutz D2011 Engines Only)	
433	4461005	5	Terminal (Gold) (Deutz D2011 Engines Only)	
433	4461006	5	Seal, Terminal (Deutz D2011 Engines Only)	
433	4461060	2	Terminal (Tin) (Deutz D2011 Engines Only)	
433	4461054	2	Seal, Terminal (Deutz D2011 Engines Only)	
433	4461053	1	Cover, Plug (Deutz D2011 Engines Only)	
433	4461008	AR	Plug, Hole (Deutz D2011 Engines Only)	
439	4460871	AR	Socket, Female	
450	4460899	1	Connector, Male - 6 Position (Deutz TD2.9L4 Engines Only)	
450	4460464	4	Pin, Male	
455	4460375	1	Connector, Relay (Deutz D2011 Engines Only)	
455	4460374	4	Terminal, Relay (Deutz D2011 Engines Only)	
459	1001102290	1	Plug, Male - 2 Position (Deutz D2011 Engines Only)	
459	1001102291	2	Terminal (Deutz D2011 Engines Only)	
459	1001102304	1	Seal, Terminal (Deutz D2011 Engines Only)	
463	4461157	1	Receptacle, Female - 2 Position	
463	4460979	2	Pin, Male	
463	4460458	2	Seal, Terminal	
465	2902443	1	Kit, Receptacle (Deutz D2011 Engines Only)	
465	4461071	8	Terminal, Female (Gold) (Deutz D2011 Engines Only)	
465	4461072	1	Connector, Flange Mount (Deutz D2011 Engines Only)	
465	4461073	1	Connector, Dust Cap (Deutz D2011 Engines Only)	
465	4461074	1	Connector, Shell (Deutz D2011 Engines Only)	
467	4460931	1	Connector, Male - 8 Position (Deutz TD2.9L4 Engines Only)	
467	4460464	4	Pin, Male	
467	4460466	3	Seal, Plug	

SECTION 7 - ELECTRICAL

ITEM	PART NUMBER	QTY	DESCRIPTION	REV
		Ref	GROUND CONTROL HARNESS ASSEMBLY	
	1001108602	Ref	Ground Control Harness Assembly (All Specs except CE Specs with Deutz D2011 Engine)	E
	1001108602	Ref	Ground Control Harness Assembly (CE Specs with Deutz D2011 Engine) (SN 0300174703 through 0300204657)	E
	1001185895	Ref	Ground Control Harness Assembly (CE Specs with Deutz D2011 Engine) (SN 0300204658 through 0300236298)	B
	1001146150	Ref	Ground Control Harness Assembly (All Specs except CE Specs with Deutz DT2.9L4 Engine)	B
	1001146150	Ref	Ground Control Harness Assembly (CE Specs with Deutz TD2.9L4 Engine) (SN 0300174703 through 0300200816)	B
	1001185895	Ref	Ground Control Harness Assembly (CE Specs with Deutz TD2.9L4 Engine) (SN 0300200817 through 0300236298)	B
516	4460536	1	Connector, Female - 3 Position	
516	4460943	3	Pin, Male	
521	3990010	2	Diode - 6Amp (Not Shown)	
524	4460434	2	Plug, Male 15 - Position	
524	4460227	19	Pin	
526	4460873	1	Plug, Male - 35 Position (Black)	
526	4460871	17	Socket, Female	
526	4460905	18	Plug, Seal	
528	4120035	6	Base, Light	
528	4460634	7	Terminal (16 Gauge)	
528	4460635	5	Terminal (12 Gauge)	
534	4460418	7	Connector, Female - 6 Position	
534	4460419	21	Socket, Female	
539	4460876	1	Plug, Male - 35 Position (Blue)	
539	4460871	24	Socket, Female	
539	4460905	11	Plug, Seal	
543	4460866	1	Connector - 19 Pin	
543	4460464	7	Pin, Male (16 Gauge)	
543	4460508	3	Pin, Male (12 Gauge)	
544	4460878	1	Housing, Terminal - 4 Position	
544	4460887	3	Terminal (12 Gauge)	
550	4460761	1	Connector, Female 4 - Position	
550	4460227	4	Pin, Male	
555	8229242	2	Fuse 5A	
555	2400060	2	Holder, Fuse	
558	1001106339	1	Connector, Male - 14 Position	
558	4460871	2	Socket, Female	
558	4460905	12	Plug, Seal	
559	1001106340	1	Connector, Male - 14 Position	
559	4460871	5	Socket, Female	
560	4460874	1	Connector, Natural	
560	4460871	10	Socket, Female	
560	4460905	AR	Plug, Seal	
561	4460875	1	Connector, Gray	
561	4460871	2	Socket, Female	
562	1001112612	1	Connector - 9 Position	
562	4460871	2	Socket, Female	
563	4460884	1	Connector - 4 Position (Not Shown - To Telematics)	
563	1001192401	1	Cap, Dust (Not Shown)	
563	4460465	4	Socket, Female (Not Shown)	

SECTION 7 - ELECTRICAL

ITEM	PART NUMBER	QTY	DESCRIPTION	REV
567	4460884	1	Plug, Male - 4 Position (Telematics) (Not Shown)	
567	4460465	4	Socket, Female (Not Shown)	
567	1001192401	1	Cap, Dust (Not Shown)	
		Ref	STANDARD HARNESS COMPONENTS	
601	4921927	1	Jib Harness (660SJC Only)	H
601A	4460499	2	DIN Connector	
601B	4460326	1	Plug, Male - 3 Position	
601B	4460267	3	Pin, Male	
602		Ref	Battery Cable Kit Options:	
602	2902296	1	Deutz D2011 Engines (Engine Side Battery)	E
602	1001151565	1	Deutz D2011 Engines (Tank Side Battery)	B
602	1001144440	1	Deutz TD2.9L4 Engines	D
602A		Ref	Cable, Battery (Red) Options:	
602A	1001116240	1	Deutz D2011 Engines (Engine Side Battery)	
602A	7027054	1	Deutz D2011 Engines (Tank Side Battery)	
602A	7027066	1	Deutz TD2.9L4 Engines	
602B		Ref	Cable, Battery (Black) Options:	
602B	7027004	1	Deutz D2011 Engines (Engine Side Battery)	
602B	7027051	1	Deutz D2011 Engines (Tank Side Battery)	
602B	7027063	1	Deutz TD2.9L4 Engines	
602C		Ref	Cable (Red)	
602C	7027002	1	Deutz D2011 Engines (Engine Side Battery)	
602C	7027055	1	Deutz D2011 Engines (Tank Side Battery)	
602C	7027067	1	Deutz TD2.9L4 Engines	
602D		Ref	Cable (Black) Options:	
602D	7027003	1	Deutz D2011 Engines (Engine Side Battery)	
602D	7027052	1	Deutz D2011 Engines (Tank Side Battery)	
602D	7027064	1	Deutz TD2.9L4 Engines	
602E		Ref	Cable (Black) Options:	
602E	Not Required	0	Deutz D2011 Engines (Engine Side Battery)	
602E	7027053	1	Deutz D2011 Engines (Tank Side Battery)	
602E	7027065	1	Deutz TD2.9L4 Engines	
602F		Ref	Terminal, Battery (Deutz D2011 Engines with Tank Side Battery Only)	
602F	Not Required	0	Deutz D2011 Engines (Engine Side Battery)	
602F	8270147	1	Deutz D2011 Engines (Tank Side Battery)	
602F	8270147	1	Deutz TD2.9L4 Engines	
603		Ref	Deutz D2011 Engine Harness Components (Deutz D2011 Engine Machines Only)	
603A	See Note	NSS	Deutz D2011 Engine Harness (Note: Not Available at Time of Printing)	
603B	4461052	1	Receptacle, Female - 25 Position	
603B	4461053	1	Cover, Receptacle	
603B	4461005	5	Terminal	
603B	4461006	5	Seal (Used with p/n 4461005)	
603B	4461060	2	Terminal	
603B	4461054	2	Seal (Used with p/n 4461060)	
603B	4461008	18	Plug, Hole	
603C	7027793	1	Plug-In, Connector	
603D	See Note	NSS	Deutz D2011 Engine Harness (For other replacement parts refer to Deutz Engine Dealer)	
604	1001222666	1	Fuel Harness with Ring Terminals (Deutz TD2.9L4 Engines Only)	A

SECTION 7 - ELECTRICAL

ITEM	PART NUMBER	QTY	DESCRIPTION	REV
604	1001144660	1	(SN 0300174703 through 0300234626) Fuel Harness with Push-on Terminals (Deutz TD2.9L4 Engines Only) (SN 0300234627 through 0300236298)	E
604A	4460897	1	Receptacle, Female - 2 Position	
604A	4460941	2	Pin, Male	
604A	4460891	1	Plug, Male - 2 Position	
604A	4460942	2	Socket, Female	
604B	1001116983	1	Receptacle, Female - 2 Position	
604B	1001116710	2	Terminal	
604B	4461054	2	Seal	
604C	4460932	1	Receptacle, Female - 4 Position	
604C	4460941	2	Pin, Male	
604C	4460464	2	Pin, Male	
605		Ref	Harness, Glow Plug	
605	4923379	1	Deutz L20II Engines	
605	1001141304	1	Deutz TD2.9L4	
606	1001143726	1	Deutz TD2.9L4 Engine Harness	K
606A	1001133956	1	Connector (Includes Cover, Locks and Retention Plate)	
606A	1001126352	6	Terminal	
606A	1001126353	6	Seal, Terminal	
606A	1001126384	19	Terminal	
606A	1001126351	3	Terminal	
606A	1001126356	63	Plug, Seal	
606A	1001126357	2	Plug, Seal	
606B	1001133957	1	Connector (Includes Cover, Locks and Retention Plate)	
606B	1001126384	17	Terminal	
606B	1001126351	13	Terminal	
606B	1001126356	19	Plug, Seal	
606B	1001126357	11	Plug, Seal	
606C	4461070	3	Receptacle, Female with Resistor (3 Position)	
606C	4461095	6	Plug, Male - 3 Position	
606C	4460944	6	Socket, Female	
606C	4460466	2	Seal, Plug	
606D	80484084	1	Receptacle, Female - 8 Position	
606D	8229242	1	Fuse - 5A	
606D	80983191	1	Fuse - 10A	
606D	1001147264	1	Cap	
606D	1001116727	8	Plug	
606D	4460458	4	Seal	
606E	1001116952	1	Plug, Male - 2 Position	
606E	4460465	2	Socket, Female	
606F	1001138110	1	Plug, Male - 2 Position	
606F	1001138111	2	Socket, Female	
606F	1001138113	2	Seal	
606G	2902443	1	Kit, Receptacle	
606G	4461071	8	Terminal, Female (Gold)	
606G	4461072	1	Connector, Flange Mount	
606G	4461073	1	Connector, Dust Cap	
606G	4461074	1	Connector, Shell	
606H	4460894	1	Plug, Male - 6 Position	
606H	4460465	3	Socket, Female	
606H	4460944	2	Socket, Female	

SECTION 7 - ELECTRICAL

ITEM	PART NUMBER	QTY	DESCRIPTION	REV
606H	4460466	1	Seal, Plug	
606J	4460930	1	Plug, Male - 8 Position	
606J	4460465	1	Socket, Female	
606J	4460466	7	Seal, Plug	
606K	4460884	1	Plug, Male - 4 Position (SN 0300174703 through 0300224690)	
606K	1001220379	1	Plug, Male - 4 Position (SN 0300224691 through 0300236298)	
606K	4460465	2	Socket, Female	
606K	4460942	2	Socket, Female	
606L	1001142938	1	Plug, Male - 2 Position	
606L	1001142940	2	Terminal, Female	
606L	1001142941	2	Seal	
606M	1001133714	1	Plug, Male - 4 Position	
606M	1001133715	3	Terminal, Female	
606M	1001135650	3	Seal	
606M	1001135651	NLA	Plug, Cavity (Use p/n 4461008)	
606N	1001126362	1	Receptacle, Female - 62 Position	
606N	1001126363	33	Terminal	
606N	1001126364	33	Seal	
606N	1001126391	23	Plug	
606N	4461008	4	Plug, Cavity	
606N	1001126365	2	Terminal	
606N	4461054	2	Seal	
606N	1001181856	1	Conduit, 90	
606P	4460891	1	Plug, Male - 2 Position	
606P	4460465	2	Socket, Female	
606P	1001171403	1	Resistor Assembly 1.5K ohm/1/4 Watt	
606P	4460897	1	Receptacle, Female - 2 Position	
607	1001143907	1	Alternator Power Cable	
607	1001098764	1	Boot, Red	
608	See Note	NSS	Pump Harness (Note: Not Available for Purchase)	
608A	7007497	1	Plug (Pump End)	
608B	7007498	1	Plug (Engine Harness End)	
609	4360506	1	Broken Cable Proximity Switch Harness (Includes Switch) (Australian and CE Specs Only)	
610	4360517	1	Switch, Proximity	
610A	4460320	1	Connector - 2 Position	
610A	4460227	2	Pin, Male	
611	1001141304	1	Wire, Glow Fuse (Deutz TD2.9L4)	
		Ref	OPTIONAL HARNESS COMPONENTS	
701		Ref	AC to Platform Receptacle Components Options:	
701	0256113	Ref	110V/60Hz GFI Receptacle (ANSI, ANSI Export and Japanese Specs)	C
701	0256201	Ref	110V/50Hz Receptacle (Plug and Receptacle Supplied Locally) (Australian, Brazilian, Latin America Specs)	C
701	0257175	Ref	220V Receptacle (ANSI and ANSI Export Specs)	C
701	1001194365	Ref	220V Receptacle used with 4000W Generator (ANSI Export, Australian and Japanese Spec)	A
701	1001171131	Ref	240V Receptacle with GFCI used with 4000W Generator (Not Shown)	B
701	1001159121	Ref	240V Receptacle with GFCI used with 7500W Generator (Not Shown)	B
701		Ref	CE Specs Options Only (CE Spec are USA Built Machines):	
701		Ref	Without Generator (CE Specs)	

SECTION 7 - ELECTRICAL

ITEM	PART NUMBER	QTY	DESCRIPTION	REV
701	0256201	Ref	110V/50Hz Receptacle (Plug and Receptacle Supplied Locally)	C
701	0275235	Ref	110V with IEC Yellow Receptacle and Plug and Circuit Breaker	F
701	0275455	Ref	220V with CEE7 Post Ground Receptacle and Plug and Circuit Breaker (2x4 Box) (SN 0300174703 through 0300200816)	G
701	1001162361	Ref	220V with CEE7 Post Ground Receptacle and Plug and Circuit Breaker (2x4 Box) (SN 0300200817 through 0300236298)	B
701	0275456	Ref	220V with CEE7 Side Ground Receptacle and Plug and Circuit Breaker (2x4 Box) (SN 0300174703 through 0300200816)	F
701	1001162353	Ref	220V with CEE7 Side Ground Receptacle and Plug and Circuit Breaker (2x4 Box) (SN 0300200817 through 0300236298)	B
701	0275659	Ref	220V with AFSINT 107 Keyed Ground Receptacle and Plug and Circuit Breaker (2x4 Box)	G
701	0275254	Ref	220V with IEC Blue Receptacle and Plug and Circuit Breaker	F
701	0275237	Ref	220V with CEE7 Post Ground Receptacle and Plug and Circuit Breaker (70mm x 70mm Box)	F
701	0275253	Ref	220V with CEE7 Side Ground Receptacle and Plug and Circuit Breaker (70mm x 70mm Box) (SN 0300174703 through 0300182215)	F
701	1001153312	Ref	220V with CEE7 Side Ground Receptacle and Plug and Circuit Breaker (70mm x 70mm Box) (SN 0300182216 through 0300236298)	B
701		Ref	With 2500W Powermite Generator (CE Specs)	
701	1001100393	Ref	110V with IEC Yellow Receptacle and Plug and Circuit Breaker	C
701	1001100390	Ref	220V with CEE7 Post Ground Receptacle and Plug and Circuit Breaker (2x4 Box)	H
701	1001100391	Ref	220V with CEE7 Side Ground Receptacle and Plug and Circuit Breaker (2x4 Box)	H
701	1001100392	Ref	220V with AFSINT 107 Keyed Ground Receptacle and Plug and Circuit Breaker (2x4 Box)	F
701	1001100394	Ref	220V with IEC Blue Receptacle and Plug and Circuit Breaker	F
701	1001100395	Ref	220V with CEE7 Post Ground Receptacle and Plug and Circuit Breaker (70mm x 70mm Box)	F
701	1001100396	Ref	220V with CEE7 Side Ground Receptacle and Plug and Circuit Breaker (70mm x 70mm Box)	F
701		Ref	With 4000W Generator (CE Specs)	
701	1001194203	Ref	110V IEC Yellow Receptacle and Plug	B
701	1001194204	Ref	220V IEC Blue Receptacle and Plug	B
701	1001194197	Ref	220V CEE7 Post Ground Receptacle and Plug (2x4 Box)	B
701	1001194198	Ref	220V CEE7 Side Ground Receptacle and Plug (2x4 Box)	B
701	1001194200	Ref	220V AFSINT 107 Keyed Ground Receptacle	B
701A		Ref	Box, Switch Options:	
701A	0860038	1	0256113 & 0257175 Installations	
701A	Not Required	1	0256201 Installation (Purchase Locally)	
701A	0861731	1	0275455, 0275456, 0275659, 1001100390, 1001100391, 1001162361, 1001162353, 1001194197, 1001194198, 1001194200, 1001194365 & 1001100392 Installations	
701A	0861781	1	0275235, 0275254, 1001100393, 1001100394, 1001194203 & 1001194204 Installations	
701A	0861782	NLA	0275237, 0275253, 1001100395, 1001100396 & 1001153312 Installations (Note: Use p/n 1001100344	

SECTION 7 - ELECTRICAL

ITEM	PART NUMBER	QTY	DESCRIPTION	REV
701A	1001141967	1	CEE7 Side Ground Service Kit or p/n 1001100343 CEE7 Post Ground Service Kit. Kit include Box p/n 1001141967 & Items 808B, 808C, 808E & 808M) 1001100343, 1001100344, 1001141970 & 1001141971 Kits	
701B		Ref	Receptacle Options:	
701B	4460346	1	0256113 Installation	
701B	4460125	1	0257175 Installation	
701B	Not Required	1	0256201 Installation (Purchase Locally)	
701B	4461244	1	0275455, 1001162361, 1001194197 & 1001100390 Installations	
701B	4461245	1	0275456, 1001162353, 1001194198 & 1001100391 Installations	
701B	4461246	1	0275659, 1001194200 & 1001100392 Installations	
701B	4461198	1	0275235, 1001194203 & 1001100393 Installations	
701B	4461201	1	0275254, 1001194204 & 1001100394 Installations	
701B	4461204	NLA	0275237 & 1001100395 Installations (Use p/n 1001100343)	
701B	4461207	NLA	0275253, 1001100396 & 1001153312 Installations (Use p/n 1001100344)	
701B	1001141968	1	1001100343 & 1001141971 Kits	
701B	1001141969	1	1001100344 & 1001141970 Kits	
701C		Ref	Shield, Cover Options:	
701C	1001110873	1	0256113 Installation	
701C	4060092	1	0257175 Installation	
701C	Not Required	1	0256201 Installation (Purchase Locally)	
701C	4461244	1	0275455, 1001162361, 1001194197 & 1001100390 Installations	
701C	4461245	1	0275456, 1001162353, 1001194198 & 1001100391 Installations	
701C	4461246	1	0275659, 1001194200 & 1001100392 Installations	
701C	4461198	1	0275235, 1001194203 & 1001100393 Installations	
701C	4461201	1	0275254, 1001194204 & 1001100394 Installations	
701C	4461204	NLA	0275237 & 1001100395 Installations (Use p/n 1001100343)	
701C	4461207	NLA	0275253, 1001100396 & 1001153312 Installations (Use p/n 1001100344)	
701C	1001141968	1	1001100343 & 1001141971 Kits	
701C	1001141969	1	1001100344 & 1001141970 Kits	
701D		Ref	Connector, Strain Relief Options:	
701D	4460071	1	0256113 & 0257175 Installations	
701D	Not Required	1	0256201 Installation (Purchase Locally)	
701D	4460968	1	0275455, 0275456, 0275659, 0275235, 0275254, 0275237, 0275253, 1001100390, 1001100391, 1001100392, 1001100393, 1001100394, 1001100395, 1001100396, 1001162361, 1001162353, 1001194203, 1001194204 & 1001153312 Installations	
701D	4460968	1	0275455, 0275659, 1001100390, 1001100391, 1001100392, 1001162361 & 1001162353 Installations (SN 0300174703 through 0300224017)	
701D	4460662	1	0275455, 0275659, 1001100390, 1001100391, 1001100392, 1001162361 & 1001162353 Installations (SN 0300224018 through 0300236298)	
701D	4460662	1	1001194197, 1001194198, 1001194200 & 1001194365 Installations	
701E		Ref	Plug, Male Options:	

SECTION 7 - ELECTRICAL

ITEM	PART NUMBER	QTY	DESCRIPTION	REV
701E	4460205	1	0256113 Installation	
701E	4460233	1	0257175 Installation	
701E	See Note	NLA	0256201 Installation (Note: Not Available - Purchase Locally)	
701E	4461202	NLA	0275237, 0275455, 1001100390, 1001100395 & 1001162361 Installations & 1001100343 & 1001141971 Kits (Use p/n 4461205)	
701E	4461205	1	0275453, 0275256, 1001100391, 1001100396 & 1001162353 Installations & 1001100344 & 1001141970 Kits	
701E	4461249	1	0275659 & 1001100392 Installations	
701E	4461196	1	0275235 & 1001100393 Installations	
701E	4461199	1	0275254 & 1001100394 Installations	
701F		Ref	Hardware Options:	
701F	0641407	AR	Bolt 1/4in - 20NC x 7/8in	
701F	0641410	AR	Bolt 1/4in - 20NC x 1-1/4in	
701F	0641416	AR	Bolt 1/4in - 20NC x 2in	
701F	0700408	AR	Screw M4 x 16mm	
701F	3290405	AR	Locknut M4	
701F	3311405	AR	Locknut 1/4in - 20NC	
701F	4711400	AR	Flatwasher 1/4in (Narrow)	
701F	4811400	AR	Flatwasher M4	
701F	1320149	AR	Clamp, Stauff	
701F	0100011	AR	Compound, Locking	
701G		Ref	Bracket, Receptacle Box Mounting Options:	
701G	Not Required	0	0256113, 0257175 & 0256201 Installations	
701G	0903484	1	0275456, 0275235, 0275254, 0275237, 0275253, 1001100393, 1001100394, 1001100395, 1001100396 & 1001153312 Installations (SN 0300174703 through 0300200771)	
701G	1001193018	1	0275455, 0275456, 0275659, 0275235, 0275254, 0275237, 0275253, 1001100390, 1001100391, 1001100392, 1001100393, 1001100394, 1001100395, 1001100396 & 1001153312 Installations (SN 0300200772 through 0300236298)	
701G	1001193018	1	1001194197, 1001194198, 1001194200, 1001194203, 1001194204 & 1001194365 Installations	
701H		Ref	Bracket, Circuit Breaker Mounting Options:	
701H	Not Required	0	0256113, 0257175 & 0256201 Installations	
701H	1001154592	1	0275455, 0275456, 0275659, 0275235, 0275254, 0275237, 0275253, 1001100390, 1001100391, 1001100392, 1001100393, 1001100394, 1001100395 & 1001100396 Installations	
701H	1001152486	1	1001153312 Installation	
701J		Ref	Kit, Box and Breaker (Required Only on CE Spec Installations Except 0256201 Installation):	
701J	2902549	AR	Without Generator	E
701J	1001096070	AR	With 110V Generator	E
701J	1001109554	AR	With 220V Generator	C
701J		Ref	Circuit Breaker Options:	
701J		Ref	Without Generator	
701J	1001109475	NLA	Circuit Breaker, 16Amp (Use p/n 1001181045) (SN 0300182216 through 0300204657)	
701J	1001109482	NLA	Circuit Breaker, 30mAmp (Use p/n 1001181045) (SN 0300182216 through 0300204657)	

SECTION 7 - ELECTRICAL

ITEM	PART NUMBER	QTY	DESCRIPTION	REV
701J	1001181045	1	Circuit Breaker, 16Amp/30mAmp Combination (SN 0300204658 through 0300236298)	
701J		Ref	With 110V Generator	
701J	1001109475	NLA	Circuit Breaker, 16Amp (Use p/n 1001181045) (SN 0300182216 through 0300204657)	
701J	1001109482	NLA	Circuit Breaker, 30mAmp (Use p/n 1001181045) (SN 0300182216 through 0300204657)	
701J	1001181045	1	Circuit Breaker, 16Amp/30mAmp Combination (SN 0300204658 through 0300236298)	
701J		Ref	With 220V Generator	
701J	1001109477	NLA	Circuit Breaker, 10Amp (Use p/n 1001181046) (SN 0300182216 through 0300204657)	
701J	1001109482	NLA	Circuit Breaker, 30mAmp (Use p/n 1001181046) (SN 0300182216 through 0300204657)	
701J	1001181046	1	Circuit Breaker, 16Amp/30mAmp Combination (SN 0300204658 through 0300236298)	
701J	0861880	1	Breaker Box	
701J	4460956	1	Barrier, Terminal Block End	
701J	4460957	1	Block, Terminal	
701K		Ref	Connector, Strain Relief Options (Required Only on CE Spec Installations Except 0256201 Installation):	
701K	4460633	2	M20 Thread	
701K	1001097150	2	M25 Thread	
701L	1060908	Ref	Cable, Extension (Required Only on CE Spec Installations Except 0256201 Installation)	
701L	1060908	6 ft/1.8m	Without Generator	
701L	1060908	12 ft/3.6m	With Generator	
701M		Ref	Receptacle, Female Options:	
701M	4461203	1	1001100390 & 1001100395 Installations & 1001100343 & 1001141971 Kits	
701M	4461206	1	1001100391 & 1001100396 Installations & 1001100344 & 1001141970 Kits	
701M	4461250	1	1001100392 Installation	
701M	4461197	1	1001100393 Installation	
701M	4461200	1	1001100394 Installation	
701N	1320149	1	Clamp	
701P		Ref	Gasket, Cover Options:	
701P	3960422	1	0256113 & 0257175 Installations	
701P	Not Required	0	0256113, 0257175, 0256201, 0275455, 0275456, 0275659, 0275235, 0275254, 0275237 & 0275253 Installations	
701R		Ref	Receptacle Box Kit Options:	
701R	0275452	1	Receptacle Box Kit (220V CEE7 Post Ground) (Includes Items 808A, 808B, 808C & 808E) (0275455 & 1001162361 Installations)	C
701R	1001100345	1	Receptacle Box Kit (220V CEE7 Post Ground) (Includes Items 808A-808C, 808E & 808M) (1001100390 Installation)	C
701R	0275453	1	Receptacle Box Kit (220V CEE7 Side Ground) (Includes Items 808A, 808B, 808C & 808E) (0275456 & 1001162353 Installations)	1
701R	1001100347	1	Receptacle Box Kit (220V CEE7 Side Ground) (Includes Items 808A-808C, 808E & 808M) (1001100391 Installation)	3
701R	0275454	1	Receptacle Box Kit (220V AFSINT 107 Keyed Ground) (Includes Items 808A, 808B, 808C & 808E) (0275659 Installation)	1
701R	1001100346	1	Receptacle Box Kit (220V AFSINT 107 Keyed Ground)	2

SECTION 7 - ELECTRICAL

ITEM	PART NUMBER	QTY	DESCRIPTION	REV
			(Includes Items 808A-808C, 808E & 808M) (1001100392 Installation)	
701R	0275216	1	Receptacle Box Kit (110V IEC Yellow) (Includes Items 808A, 808B, 808C & 808E) (0275235 Installation)	1
701R	1001100341	1	Receptacle Box Kit (110V IEC Yellow) (Includes Items 808A-808C, 808E & 808M) (1001100393 Installation)	2
701R	0275217	1	Receptacle Box Kit (220V IEC Blue) (Includes Items 808A, 808B, 808C & 808E) (0275254 Installation)	1
701R	1001100342	1	Receptacle Box Kit (220V IEC Blue) (Includes Items 808A-808C, 808E & 808M) (1001100394 Installation)	2
701R	0275218	NLA	Receptacle Box Kit (220V CEE7 Post Ground) (Includes Items 808A-808C, 808E & 808M) (0275237 Installation) (Use p/n 1001100343)	C
701R	1001091971	NLA	Receptacle Box Kit (220V CEE7 Post Ground) (Includes Items 808A-808C, 808E & 808M) (0275237 Installation) (Use p/n 1001100343)	
701R	0275219	NLA	Receptacle Box Kit (220V CEE7 Side Ground) (Includes Items 808A-808C, 808E & 808M) (0275253 & 1001153312 Installations) (Use p/n 1001100344)	
701R	1001091970	NLA	Receptacle Box Kit (220V CEE7 Side Ground) (Includes Items 808A-808C, 808E & 808M) (0275253 & 1001153312 Installations) (Use p/n 1001100344)	
702		Ref	2500W Generator Electrical Components	
702	1001112743	AR	50Hz	B
702	1001112588	AR	60Hz	B
702A	4922641	1	Harness - On/Off Switch	D
702B	4460226	2	Socket, Female (SN 0300174703 through 0300234646)	
702B	4460268	2	Socket, Female (SN 0300234647 through 0300236298)	
702C	1001112589	1	Harness, Powermite Control Box to Relay Options (Deutz D2011 Engine Machines):	A
702C	1001180050	1	Harness, Powermite Control Box to Relay Options (Deutz DT2.9L4 Engine Machines) (Not Shown)	B
702D	4460374	1	Connector, Seal Relay	
702D	4460705	4	Terminal	
702E	4460742	1	Connector, Male - 2 Position	
702E	4460743	2	Socket, Female	
702E	4460458	2	Seal	
702F	4460321	1	Connector, Male - 4 Position (60Hz Only)	
702F	4460268	3	Socket, Female (60Hz Only)	
702F	4460906	1	Socket, Female (60Hz Only)	
702G	4460027	1	Receptacle, Twist Lock (110V Only)	
702H	7020193	1	Harness, Generator Power	
702J	4460961	1	Connector, Female - 4 Position	
702J	4460705	4	Pin, Male	
703		Ref	2500W Generator to Rear of Boom Harness Options:	
		Ref	Note: Harness used to connect AC at platform harness to 2500W generator receptacle to power platform receptacle.	
703	4921827	1	ANSI and ANSI Export Specs	1
703	1060494	20 ft/6.1m	Cable, Electrical - 12/3	
703A	4460205	1	Plug, Male	
703A	4460027	1	Receptacle, Twist Lock (110V Only)	
703B	4460134	1	Receptacle, Female	
704		Ref	Generator Installations	
704		Ref	4000W Generator Installation	
704	1001139952	Ref	60Hz & Deutz D2011 Engine	B

SECTION 7 - ELECTRICAL

ITEM	PART NUMBER	QTY	DESCRIPTION	REV
704	1001171125	Ref	60Hz & Deutz TD2.9L4 Engine	B
704	1001139953	Ref	50Hz & Deutz D2011 Engine	D
704	1001171265	Ref	50Hz & Deutz TD2.9L4 Engine	C
704		Ref	7500W SkyPower Generator Installation	
704	1001115387	Ref	60Hz Spec and Deutz D2011 Engines	F
704	1001141421	Ref	60Hz Spec and Deutz TD2.9L4 Engines	F
704	1001115389	Ref	50Hz Spec and Deutz D2011 Engines	E
704	1001141422	Ref	50Hz Spec and Deutz TD2.9L4 Engines	F
		Ref	Note: SkyPower Generator is Standard On ANSI and CSA Specs. Optional on All Other Specs.	
704A		Ref	Receptacle, Female Twist-Lock Options (Deutz D2011 Engines Only):	
704A	4460958	1	60Hz Spec	
704A	See Note	NLA	50Hz Spec (Note: Not Available - Purchase Locally)	
704B		Ref	Gasket Options:	
704B	3960422	AR	60Hz Spec	
704B	See Note	NLA	50Hz Spec (Note: Not Available - Purchase Locally)	
704C		Ref	Cover, Receptacle Options:	
704C	1001110873	1	60Hz Spec	
704C	See Note	NLA	50Hz Spec (Note: Not Available - Purchase Locally)	
704D		Ref	Cover, Receptacle Options (Deutz D2011 Engines Only):	
704D	1001110872	1	60Hz Spec	
704D	See Note	NLA	50Hz Spec (Note: Not Available - Purchase Locally)	
704E		Ref	Receptacle Options:	
704E	4460346	1	60Hz Spec	
704E	See Note	NLA	50Hz Spec (Note: Not Available - Purchase Locally)	
704F	4460051	1	Connector, Strain Relief	
704G	4460071	1	Connector, Strain Relief	
704H		Ref	Harness, Generator Options:	
704H	1001152532	1	4000W Generator	
704H	4922925	1	7500W SkyPower Generator	
704J		Ref	Plug, Male Options:	
704J		Ref	4000W Generator	
704J	77363233	1	Plug, Male - 6 Position	
704J	4460465	2	Socket, Female	
704J		Ref	7500W SkyPower Generator	
704J	77363233	1	Plug, Male - 6 Position	
704J	80463058	6	Socket, Female	
704K		Ref	Plug, Male Options:	
704K		Ref	4000W Generator	
704K	4460225	1	Plug, Male - 6 Position	
704K	4460268	2	Socket, Female	
704K		Ref	7500W SkyPower Generator	
704K	See Note	NLA	Plug, Male - 6 Position (Note: Not Available for Purchase)	
704K	See Note	NLA	Socket, Female (Note: Not Available for Purchase)	
705		Ref	Generator Junction Box Components	
705		Ref	4000W Generator	
705	1001152457	Ref	60Hz Spec	B
705	1001152458	Ref	50Hz Specs (SN 0300174703 through 0300203537)	B
705		Ref	7500W SkyPower Generator	
705	0861542	Ref	60Hz Spec (Deutz D2011 Engines) (SN 0300174703 through 0300182752)	E

SECTION 7 - ELECTRICAL

ITEM	PART NUMBER	QTY	DESCRIPTION	REV
705	1001157592	Ref	60Hz Spec (Deutz D2011 Engines) (SN 0300182753 through 0300236298)	C
705	1001142914	Ref	60Hz Spec (Deutz DT2.9L4 Engines) (SN 0300174703 through 0300182752)	A
705	1001157592	Ref	60Hz Spec (Deutz DT2.9L4 Engines) (SN 0300182753 through 0300236298)	C
705	0861567	Ref	50Hz Specs (SN 0300174703 through 0300182752)	B
705	1001157592	Ref	50Hz Specs (SN 0300182753 through 0300236298)	B
705A		Ref	Cable, Electrical 12/3	
705A	1060494	2 ft/ .6m	60Hz Spec (SN 0300174703 through 0300205217)	
705A	1001179154	2.5 ft/ 0.76m	60Hz Spec (SN 0300205217 through 0300236298)	
705A	See Note	2 ft/ .6m	50Hz Spec (Note: Not Available - Purchase Locally)	
705B		Ref	Cable, Electrical 10/3 (Machines with 7500W SkyPower Generator, Deutz D2011 & GM Engines Only) (SN 0300174703 through 0300182752)	
705B	1060708	2.5 ft/ .76m	60Hz Spec	
705B	See Note	2.5 ft/ .76m	50Hz Spec (Note: Not Available - Purchase Locally)	
705C	1060343	1.5 ft/ .46m	Cable, Electrical 10/4 (Machines with 7500W SkyPower Generator - 60Hz Spec Only)	
705D	4460425	AR	Connector, Strain Relief	
705D	3520192	1	Plug, Hole (Machines with 7500W SkyPower Generator Deutz TD2.9L4 Engines Only) (SN 0300181891 through 0300182752)	
705D	1001152525	1	Plug, Hole (Machines with 7500W SkyPower Generator All Deutz Engines) (SN 0300182753 through 0300236298)	
705D	3520192	1	Plug, Hole (Machines with 4000W SkyPower Generator, Deutz D2011 Engines Only (CE Spec)	
705D	1001152525	1	Plug, Hole (Machines with 4000W SkyPower Generator, Deutz D2011 & GM Engines Only)	
705E		Ref	Component Options:	
705E		Ref	4000W SkyPower Generator	
705E	4460426	1	Connector, Strain Relief (60Hz Spec Only)	
705E	1001148648	1	Plug (50Hz Spec Only)	
705E		Ref	7500W SkyPower Generator	
705E	4460426	2	Connector, Strain Relief (60Hz Spec Only)	
705E	4460426	1	Connector, Strain Relief (50Hz Spec Only)	
705E	3520189	1	Plug (50Hz Spec Only)	
705F	1671092	1	Cover (Machines with 7500W SkyPower Generator - 60Hz Spec Only)	
705F	4460963	1	Connector (Machines with 7500W SkyPower Generator - 60Hz Spec Only)	
706		Ref	Generator Electrical Diagram Components	
706		Ref	4000W SkyPower Generator	
706	1001132055	Ref	60Hz - Deutz D2011 Engine Machines	A
706	1001132055	Ref	60Hz - Deutz TD2.9L4 (SN 0300174703 through 0300213407)	A
706	1001153257	Ref	60Hz - Deutz TD2.9L4 (SN 0300213408 through 0300236298)	A
706	1001153025	Ref	50HZ - Deutz D2011 Engine Machines (ANSI Export and Japanese Specs)	C
706	1001153025	1	50Hz - Deutz D2011 Engine Machines (CE Specs)	C
706	1001159648	Ref	50HZ - Deutz D2011 Engine Machines (Australian Spec)	C

SECTION 7 - ELECTRICAL

ITEM	PART NUMBER	QTY	DESCRIPTION	REV
706	1001160271	Ref	50HZ - Deutz D2011 Engine Machines (UK Spec)	C
706	1001153025	Ref	50Hz - Deutz TD2.9L4	
706		Ref	7500W SkyPower Generator	
706	1001112586	Ref	Deutz D2011 Engine Machines (SN 0300181891 through 0300182752)	B
706	1001157769	Ref	Deutz D2011 Engine Machines (SN 0300182753 through 0300236298)	B
706	1001122528	Ref	Deutz DT2.9L4 Engine Machines (SN 0300181891 through 0300182752)	B
706	1001157770	Ref	Deutz DT2.9L4 Engine Machines (SN 0300182753 through 0300236298)	A
706A		Ref	Generator Harness Options:	
706A		Ref	4000W SkyPower Generator	
706A	1001153197	1	Deutz D2011 Engines	B
706A	1001153197	1	Deutz TD2.9L4 Engines (SN 0300174703 through 0300213407)	B
706A	1001153259	1	Deutz TD2.9L4 (SN 0300213408 through 0300236298)	B
706A		Ref	7500W SkyPower Generator	
706A	1001152429	1	Deutz D2011 Engines	C
706A	1001119968	1	Deutz TD2.9L4 Engines	C
706A	4460465	3	Socket, Female	
706B	4460374	2	Plug, Relay (Deutz D2011 Engines) (SN 0300174703 through 0300182752)	
706B	4460375	7	Terminal (Deutz D2011 Engines) (SN 0300174703 through 0300182752)	
706C	4460742	1	Plug, Male - 2 Position	
706C	4460743	2	Socket, Female	
706C	4460458	AR	Seal	
706C	1001116727	AR	Plug, Terminal	
706D		Ref	Component Options (Machines with 7500W SkyPower Generator Only):	
706D	2400060	1	Fuseholder (Deutz D2011 & GM Engines)	
706D	2400064	1	Fuse - 5 Amp (Deutz D2011 & GM Engines)	
706D	1001117078	1	Fuseholder (Includes Fuse and Cap) (Deutz TD2.9L4 Engines)	
706D	See Note	NSS	Fuse - 5 Amp (Deutz TD2.9L4 Engines) (Note: Use 1001117078 Assembly or Purchase Fuse Locally)	
706D	1001096134	1	Cover, Fuseholder (Deutz TD2.9L4 Engines)	
706E	4460967	1	Plug, Male - 3 Position	
706E	4460465	AR	Socket, Female	
706F	4922641	1	Switch Harness	D
706G	4460226	2	Socket, Female (SN 0300174703 through 0300234646)	
706G	4460268	2	Socket, Female (SN 0300234647 through 0300236298)	
706H		Ref	Harness, Ground Options (4000W Generator- 50Hz Only) (Not Shown):	
706H	1001164091	1	ANSI Export, CE and Japanese Specs	
706H	1001154121	1	Australian Spec	
706H	Not Required	1	UK Spec	
707	0257887	1	Alarm Harness (Includes Alarm)	
707A	4460424	1	Connector, Female - 2 Position	
707A	4460268	2	Socket, Female	
708	2920161	1	Strobe Light Harness (Amber) (Includes Strobe Light):	B
708A	4460891	1	Plug, Male - 2 Position	
708A	4460465	2	Socket, Female	

SECTION 7 - ELECTRICAL

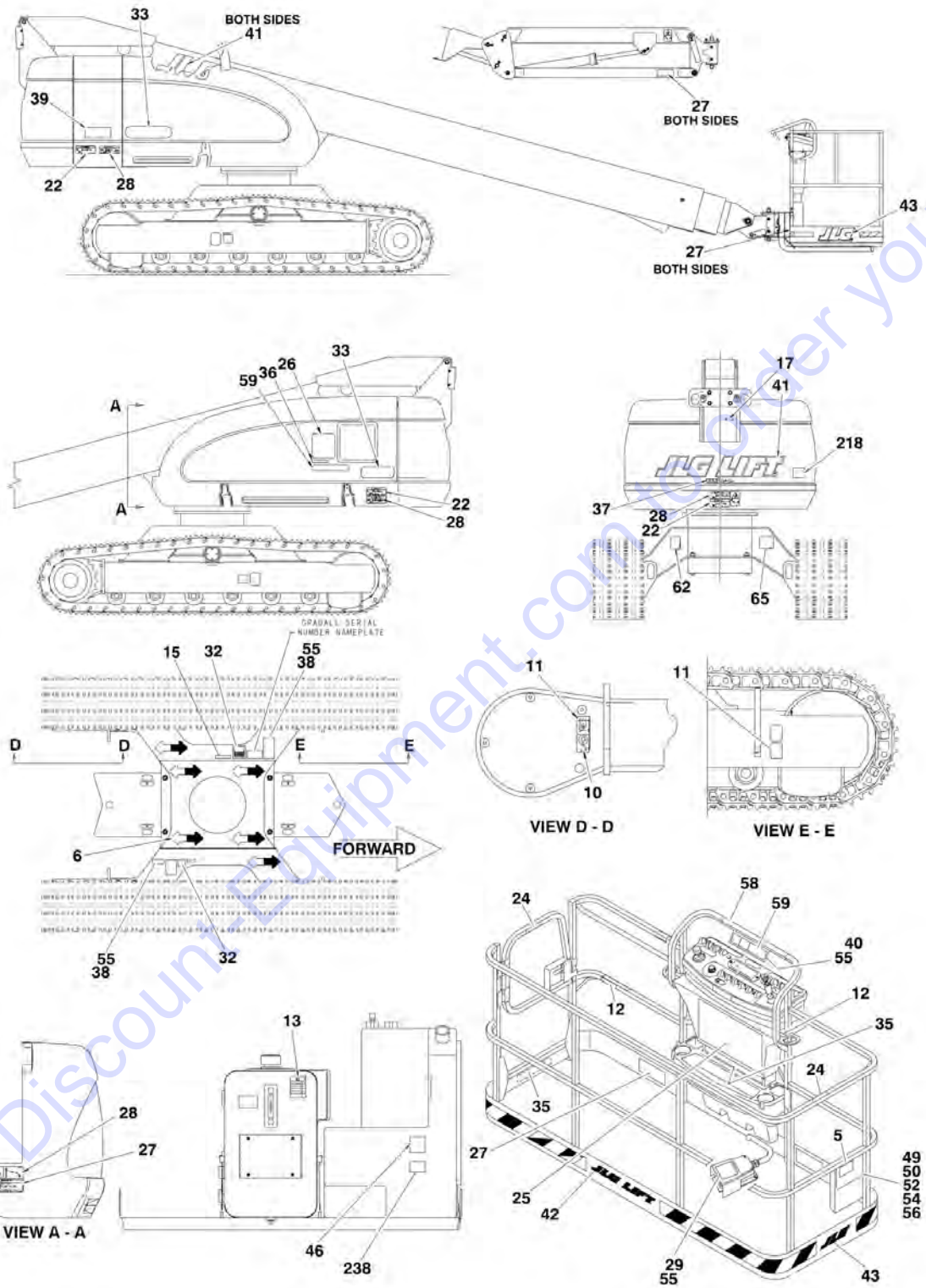
ITEM	PART NUMBER	QTY	DESCRIPTION	REV
708B	1001149818	1	Strobe Light Extension Harness (Amber)	
708C	4460897	1	Receptacle, Female -2 Position	
708C	4460464	2	Pin, Male	
708D	4460320	2	Plug, Male - 2 Position	
708D	4460267	4	Pin, Male	
708E	1001142736	1	Beacon Control Harness (Module to Light) (Blue/Red) (Not Shown)	
708F	1001150944	1	Beacon Control Harness (Module to Ground Control Box) (Blue) (Not Shown) (SN 0300174703 through 0300218001)	
708F	1001150944	1	Beacon Control Harness (Module to Ground Control Box) (Red) (Not Shown) (SN 0300174703 through 0300217318)	
709	4933219	1	Headlight and Taillight Harness	C
709	1060341	37 ft/ 11.3m	Cable, Electrical 16/2	
709A	3740049	1	Relay	
709A	4460259	3	Terminal	
709A	4460260	4	Housing, Terminal	
709A	4460297	1	Terminal	
709A	4922643	1	Lights Harness for Ground Control Box	C
709A	4460226	2	Socket, Female	
710		Ref	Work Lights Harness Components (Note: Not Available for Purchase)	
710A	4922888	1	Harness, Electric 12/3 (Aux Relay to Console Box)	
710B	See Note	NSS	Work Light Harness (Supplied with Work Light) (Note: Not Available for Purchase)	
710C	4460426	1	Connector, Strain Relief	
710D	2400066	1	Fuseholder	
710D	2400070	1	Fuse 20Amp	
		Ref	TOOLS	
	7002821	1	Crimper (For Wire to Pin/Socket Connections) (Not Shown)	
	7002823	1	Extractor (For Removal of Pin/Socket from Connectors) (Not Shown)	
	4460467	1	Extractor, Pin (Blue 16-18 Gauge) (For Removal of Pin/Socket from Connectors) (Not Shown)	
	4460510	1	Extractor, Pin (Yellow 12-14 Gauge) (For Removal of Pin/Socket from Connectors) (Not Shown)	
	7002828	1	Stripper, Wire (Not Shown)	
801	2901443	1	Analyzer/Cable Kit	
801A	1600244	1	Analyzer	
801B	1060633	1	Cable, Analyzer	
801C	4460321	2	Plug, Male - 4 Position	
801C	4460226	8	Socket, Female	

SECTION 8 - DECALS

Go to Discount-Equipment.com to order your parts

SECTION 8 - DECALS

FIGURE 8-1. DECAL INSTALLATION (ANSI SPECS)



SECTION 8 - DECALS

FIGURE 8-1. DECAL INSTALLATION (ANSI SPECS)

ITEM	PART NUMBER	QTY	DESCRIPTION	REV
		Ref	STANDARD DECAL INSTALLATIONS	
	0274093	Ref	JLG Logo Decals	C
	0273906	Ref	Standard Decal Installations 600SC	F
	0273908	Ref	Standard Decal Installations 660SJC	F
5	1701509	1	Decal - Manual	
6	1701529	6	Decal - Arrow	
10	1703811	2	Decal - Tie Down /Lift	
11	1703814	4	Decal - Danger/Electrocution	
12	1704277	AR	Decal - Attach Lanyard Here	
13	1704412	1	Decal - Hydraulic Oil	
15	1705514	1	Decal - CSA (SN 0300222892 through 0300236298)	
17		Ref	Nameplate Options:	
17	3251243	1	120V-60Hz	
17	3252507	1	220V-50/60Hz	
22	1703953	AR	Decal - Warning/Crushing	
24	1702868	2	Decal - No Hands	
25	1703797	1	Decal - Danger/Warning	
26	1705336	1	Decal - Warning Inspection	
27	1703804	AR	Decal - Warning Crushing	
28	1703805	4	Decal - Danger Electrocution	
29	3252347	1	Nameplate - Footswitch	
32	See Note	NSS	Decal - Bar Code (Note: Not Available for Purchase)	
33		Ref	Decal - Model Options:	
33	1704434	2	Decal - Model 600SC	
33	1703165	2	Decal - Model 660SJC	
35		Ref	Decal - 500LBS Max Capacity Options:	
35	1001121800	2	Decal - 500LBS Max Capacity 600SC	
35	1001121801	2	Decal - 500LBS Max Capacity 660SJC	
36		Ref	Decal - 500LBS Max Capacity Options:	
36	1001121813	1	Decal - 500LBS Max Capacity 600SC	
36	1001121814	1	Decal - 500LBS Max Capacity 660SJC	
37	1704885	1	Decal - Website	
38	See Note	NSS	Nameplate - Serial Number (Note: Not Available for Purchase)	
39	1705177	1	Decal - Lifting Diagram	
40	3572044	1	Plate, Decal Mounting	
41	1702861	3	Decal - JLG Lift (8in)	
42	1702774	1	Decal - JLG Lift (3-1/2in)	
43	1702773	2	Decal - JLG (5in)	
46	1701505	1	Decal - Fuel	
49	0100011	AR	Compound, Locking	
50	0641406	4	Bolt 1/4in-20NC x 3/4in	
52	0860520	1	Box, Manual Storage	
54	3311405	AR	Locknut 1/4in-20NC	
55	3820001	AR	Rivet	
56	4751400	AR	Washer 1/4	
57	1704468	1	Decal - Motion Hazard (Not Shown)	
58	1001108494	1	Decal - Legend	
59	1706943	AR	Decal - Legend	
62	1001131269	1	Decal - Patent	
65	1001223055	1	Decal - Yearly Inspection (SN 0300234004 through	

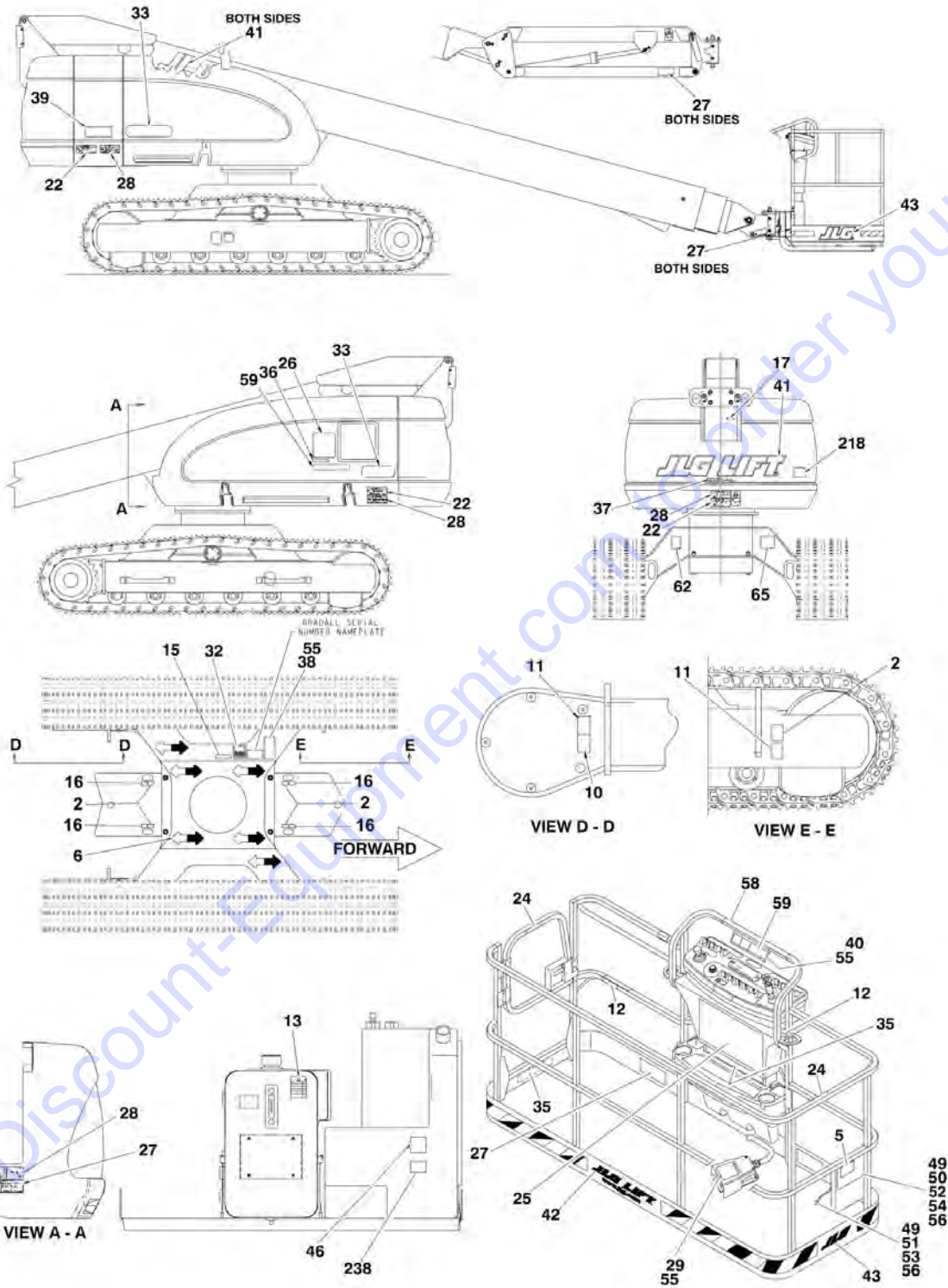
SECTION 8 - DECALS

ITEM	PART NUMBER	QTY	DESCRIPTION	REV
			0300236298)	
		Ref	ADDITIONAL DECALS	
218	3251813	1	Decal - USA	
238		Ref	Decal - EPA/Carb Fuel Specs Options:	
238	1001108923	1	Machines with Deutz D2011 Engine	
238	1001125387	1	Machines with Deutz TD2.9L4 Engine	

Go to Discount-Equipment.com to order your parts

SECTION 8 - DECALS

FIGURE 8-2. DECAL INSTALLATION (ANSI EXPORT SPECS)



SECTION 8 - DECALS

FIGURE 8-2. DECAL INSTALLATION (ANSI EXPORT SPECS)

ITEM	PART NUMBER	QTY	DESCRIPTION	REV
		Ref	DECAL INSTALLATIONS	
	0274093	Ref	JLG Logo Decals	C
	1001093424	Ref	Decal Installations 600SC - Brazil Spec Decals (Portuguese/English)	E
	1001116970	Ref	Decal Installations 600SC-Chinese Spec Decals(Simplified Chinese/English)	E
	1001116971	Ref	Decal Installations 600SC - Chinese Spec Decals (Traditional Chinese/English)	E
	0273982	Ref	Decal Installations 600SC - CSA Spec Decals (English/French)	E
	1001231650	Ref	Decal Installations 600SC - Japanese Spec Decals (English/Japanese)	A
	1001103292	Ref	Decal Installations 660SJC - Brazil Spec Decals (Portuguese/English)	E
	0273984	Ref	Decal Installations 660SJC - CSA Spec Decals (English/French)	E
	1001231651	Ref	Decal Installations 660SJ - Japanese Spec Decals (English/Japanese)	A
2	1701499	6	Decal - No Lift	
5	1701509	1	Decal - Manual	
6	1701529	6	Decal - Arrow	
10	1703811	2	Decal - Tie Down /Lift	
11	1703814	4	Decal - Danger/Electrocution	
12	1704277	AR	Decal - Attach Lanyard Here	
13	1704412	1	Decal - Hydraulic Oil	
15	1705514	1	Decal - CSA	
16	1704461	4	Decal - No Tie-Down	
17	3251243	1	Nameplate - 120V-60Hz	
22		Ref	Decal - Warning/Crushing Options:	
22	1705903	AR	Brazil Spec Decals (Portuguese/English)	
22	1001116845	AR	Chinese Spec Decals (Chinese-Simplified/English)	
22	1703943	AR	Chinese Spec Decals (Chinese-Traditional/English)	
22	1703942	AR	CSA Spec Decals (English/French)	
22	1703944	AR	Japanese Spec Decals (Japanese/English)	
24		Ref	Decal - No Hands Options:	
24	1705967	2	Brazil Spec Decals (Portuguese/English)	
24	1705968	2	Chinese Spec Decals (Chinese-Simplified/English)	
24	1001116846	2	Chinese Spec Decals (Chinese-Traditional/English)	
24	1704000	2	CSA Spec Decals (English/French)	
25		Ref	Decal - Danger/Warning	
25	1705895	1	Brazil Spec Decals (Portuguese/English)	
25	1001116847	1	Chinese Spec Decals (Chinese-Simplified/English)	
25	1703925	1	Chinese Spec Decals (Chinese-Traditional/English)	
25	1703924	1	CSA Spec Decals (English/French)	
25	1703926	1	Japanese Spec Decals (Japanese/English)	
26		Ref	Decal - Warning Inspection Options:	
26	1705896	1	Brazil Spec Decals (Portuguese/English)	
26	1001116848	1	Chinese Spec Decals (Chinese-Simplified/English)	
26	1001116849	1	Chinese Spec Decals (Chinese-Traditional/English)	
26	1705347	1	CSA Spec Decals (English/French)	
26	1705344	1	Japanese Spec Decals (Japanese/English)	
27		Ref	Decal - Warning/Crushing Options:	

SECTION 8 - DECALS

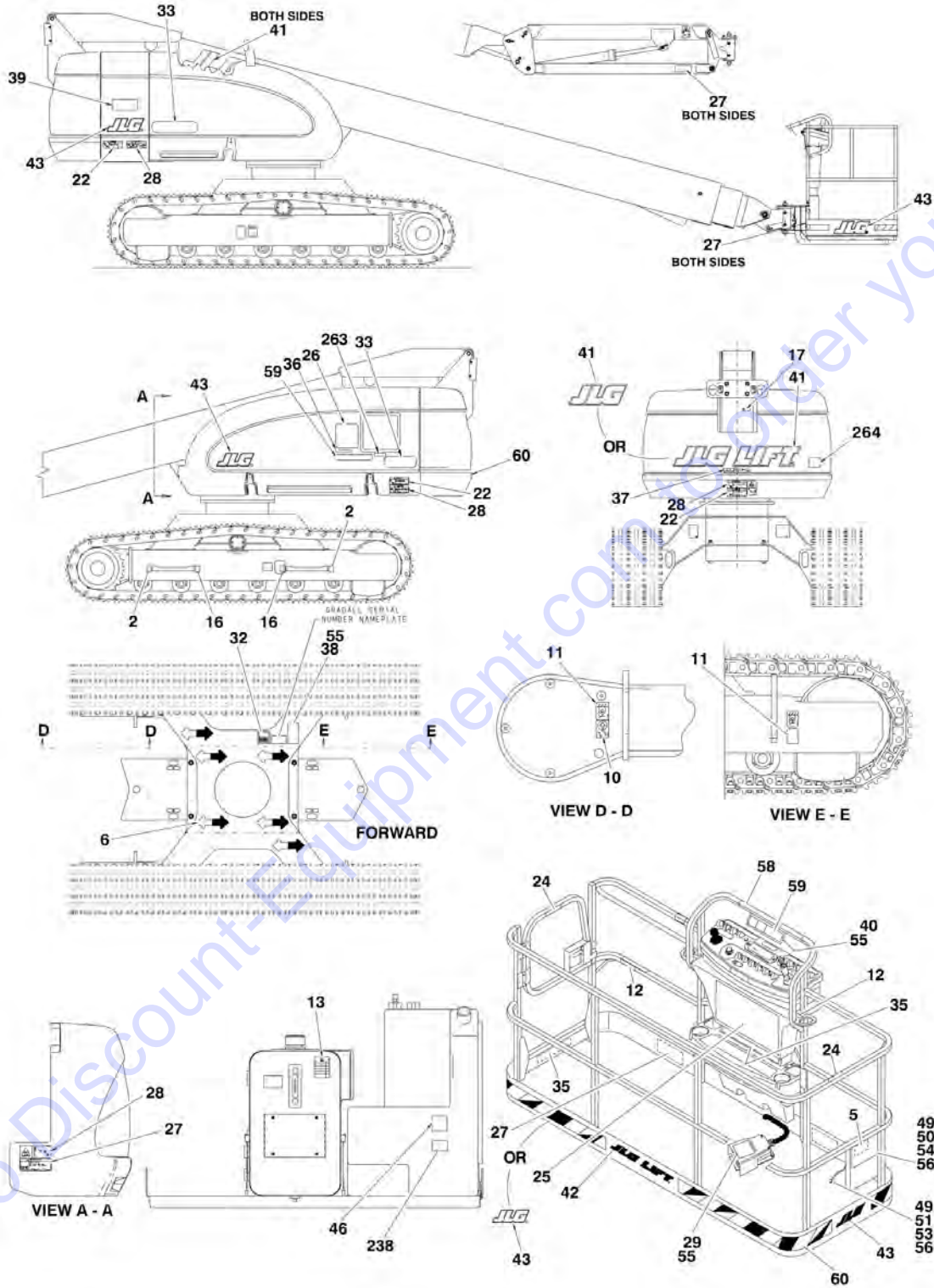
ITEM	PART NUMBER	QTY	DESCRIPTION	REV
27	1705898	AR	Brazil Spec Decals (Portuguese/English)	
27	1001116850	AR	Chinese Spec Decals (Chinese-Simplified/English)	
27	1703949	AR	Chinese Spec Decals (Chinese-Traditional/English)	
27	1703948	AR	CSA Spec Decals (English/French)	
27	1703950	AR	Japanese Spec Decals (Japanese/English)	
28		Ref	Decal - Electrocutation Options:	
28	1705897	5	Brazil Spec Decals (Portuguese/English)	
28	1703937	5	Chinese Spec Decals (Chinese-Simplified/English)	
28	1001116851	5	Chinese Spec Decals (Chinese-Traditional/English)	
28	1703936	5	CSA Spec Decals (English/French)	
28	1703805	1	Japanese Spec Decals (Japanese/English)	
29		Ref	Decal - Caution Options:	
29	1705902	1	Brazil Spec Decals (Portuguese/English)	
29	1001116852	1	Chinese Spec Decals (Chinese-Simplified/English)	
29	1703982	1	Chinese Spec Decals (Chinese-Traditional/English)	
29	1703984	1	CSA Spec Decals (English/French)	
29	1703980	1	Japanese Spec Decals (Japanese/English)	
32	See Note	NSS	Decal - Bar Code (Note: Not Available for Purchase)	
33		Ref	Decal - Model Options:	
33	1704434	2	Decal - Model 600SC	
33	1703165	2	Decal - Model 660SJC	
35		Ref	Decal - Warning Options:	
35	1001121806	2	Decal - Warning 600SC (Portuguese/English)	
35	1001121802	2	Decal - Warning 600SC (English/French)	
35	1001121811	2	Decal - Warning 600SC (Chinese-Simplified/English)	
35	1001121809	2	Decal - Warning 600SC (Chinese-Traditional/English)	
35	1001121807	2	Decal - Warning 600SC (Japanese/English)	
35	1001121801	2	Decal - Warning 660SJC (Portuguese/English)	
35	1001121803	2	Decal - Warning 660SJC (English/French)	
35	1001121808	2	Decal - Warning 600SJC (Japanese/English)	
36		Ref	Decal - 500LBS Unrestricted Capacity Options:	
36	1001121819	1	Decal - 500Lbs Unrestricted Capacity 600SC (Portuguese/English)	
36	1001121815	1	Decal - 500Lbs Unrestricted Capacity 600SC (English/French)	
36	1001121824	1	Decal - 500Lbs Unrestricted Capacity 600SC (Chinese-Simplified/English)	
36	1001121822	1	Decal - 500Lbs Unrestricted Capacity 600SC (Chinese-Traditional/English)	
36	1001121820	1	Decal - 500Lbs Unrestricted Capacity 600SC (Japanese/English)	
36	1001121655	1	Decal - 500Lbs Unrestricted Capacity 660SJC (Portuguese/English)	
36	1001121816	1	Decal - 500Lbs Unrestricted Capacity 660SJC (English/French)	
36	1001121821	1	Decal - 500Lbs Unrestricted Capacity 660SJC (Japanese/English)	
37	1704885	1	Decal - Website	
38	See Note	NSS	Nameplate - Serial Number (Note: Not Available for Purchase)	
39	1705177	1	Decal - Lifting Diagram	
40	1001093553	1	Plate, Decal Mounting (All Specs Except Japanese Specs)	
40	3572044	1	Plate, Decal Mounting (Japanese Specs Only)	
41	1702861	1	Decal - JLG Lift (8in)	
42	1702774	1	Decal - JLG Lift (3-1/2in)	
43	1702773	2	Decal - JLG (5in)	

SECTION 8 - DECALS

ITEM	PART NUMBER	QTY	DESCRIPTION	REV
46	1701505	1	Decal - Diesel Fuel	
49	0100011	AR	Compound, Locking	
50	0641406	4	Bolt 1/4in-20NC x 3/4in	
51	0641408	1	Bolt 1/4in-20NC x 1in	
52	0860520	1	Box, Manual Storage	
53	1060279	1	Cable, Lanyard (SN 0300174703 through 0300196447)	
54	3311405	5	Locknut 1/4in-20NC	
55	3820001	AR	Rivet	
56	4751400	10	Flatwasher 1/4in	
57		Ref	Decal - Motion Hazard Options (Not Shown):	
57	1001093439	1	Brazil Spec Decals (Portuguese/English)	
57	1001116963	1	Chinese Spec Decals (Chinese-Simplified/English)	
57	1001116964	1	Chinese Spec Decals (Chinese-Traditional/English)	
57	1001093684	1	CSA Spec Decals (English/French)	
57	1001215285	1	Japanese Spec Decals (Japanese/English)	
58	1001108494	1	Decal - Legend	
59	1706943	AR	Decal - Legend	
62		Ref	Decal - Patent Options:	
62	1700584	1	All Specs Except CSA & Japanese Specs	
62	1001131269	1	CSA & Japanese Spec	
65		Ref	Decal - Yearly Inspection (SN 0300234004 through 0300236298)	
65	1001224052	1	Brazil Spec Decals (Portuguese/English)	
65	1001224051	1	Chinese Spec Decals (Chinese-Simplified/English)	
65	1001224050	1	Chinese Spec Decals (Chinese-Traditional/English)	
65	1001223971	1	CSA Spec Decals (English/French)	
65	1001224053	1	Japanese Spec Decals (Japanese/English)	
		Ref	ADDITIONAL DECALS	
218	3121813	1	Decal - USA (ANSI Export and CSA Specs Only)	
238		Ref	Decal - EPA/Carb Fuel Specs Options (CSA Specs Only):	
238	1001108923	1	Machines with Deutz D2011 Engine	
238	1001125387	1	Machines with Deutz TD2.9L4 Engine	
253	1001143852	1	Decal - Emissions Compliance (Not Shown) (All Specs Except CSA and Japanese Specs) (SN 0300185882 through 0300236298)	

SECTION 8 - DECALS

FIGURE 8-3. DECAL INSTALLATION (AUSTRALIAN AND CE SPECS)



SECTION 8 - DECALS

FIGURE 8-3. DECAL INSTALLATION (AUSTRALIAN AND CE SPECS)

ITEM	PART NUMBER	QTY	DESCRIPTION	REV
		Ref	DECAL INSTALLATIONS	
	1001107096	Ref	Decal Reference Chart (SN 0300174703 through 0300221253)	H
	1001218055	Ref	Decal Reference Chart (SN 0300221254 through 0300236298)	A
	0274093	Ref	JLG Logo Decals (SN 0300174703 through 0300221253)	C
	0273985	Ref	Australian/CE Spec 600SC	G
	0273987	Ref	Australian/CE Spec 660SJC	G
5	1701509	1	Decal - Manual	
6	1701529	6	Decal - Arrow	
10	1703811	2	Decal - Tie Down /Lift	
11	1703814	4	Decal - Danger/Electrocution	
12	1704277	AR	Decal - Attach Lanyard Here	
13	1704412	1	Decal - Hydraulic Oil	
17	3251243	1	Nameplate - 120V-60Hz	
25	1705921	1	Decal - Tipping/Electrical	
26	1705822	1	Decal - Electrical/Safety Manual	
27	1701518	AR	Decal - Warning/Crushing	
28	1705961	5	Decal - Electrocution	
29	1705828	1	Decal - Footswitch	
32	See Note	NSS	Decal - Bar Code (Note: Not Available for Purchase)	
33		Ref	Decal - Model Options:	
33	1704434	2	Decal - Model 600SC	
33	1703165	2	Decal - Model 660SJC	
35	1705978	1	Decal - 230kg Capacity	
36	1705978	1	Decal - 230kg Capacity	
37	1704885	1	Decal - Website (SN 0300174703 through 0300221253)	
38	See Note	NSS	Nameplate - Serial Number (Note: Not Available for Purchase)	
39	1705177	1	Decal - Lifting Diagram	
40	3572044	1	Plate, Decal Mounting	
41	1702861	3	Decal - JLG Lift (8in) (SN 0300174703 through 0300221253)	
41	1001159323	3	Decal - JLG (8in) (SN 0300221254 through 0300236298)	
42	1702774	1	Decal - JLG Lift (3-1/2in) (SN 0300174703 through 0300221253)	
43	1702773	AR	Decal - JLG (5in)	
46	1701505	1	Decal - Diesel Fuel	
49	0100011	AR	Compound, Locking	
50	0641406	4	Bolt 1/4in-20NC x 3/4in	
51	0641408	1	Bolt 1/4in-20NC x 1in	
52	0860520	1	Box, Manual Storage	
53	1060279	1	Cable, Lanyard (SN 0300174703 through 0300196448)	
54	3311405	5	Locknut 1/4in-20NC	
55	3820001	9	Rivet	
56	4751400	10	Flatwasher 1/4in	
57	1704468	1	Decal - Motion Hazard	
60	4420051	17.4 ft/ 5.3m	Stripes, Safety	
		Ref	ADDITIONAL DECALS	
238		Ref	Decal - EPA/Carb Fuel Specs Options:	
238	1001139654	1	Decal (Machines with Deutz D2011 Engine)	
238	1001125387	1	Decal (Machines with Deutz TD2.9L4 Engine)	
253	1001143852	1	Decal - Emissions Compliance (Not Shown) (SN 0300182882 through 0300236298)	

SECTION 8 - DECALS

ITEM	PART NUMBER	QTY	DESCRIPTION	REV
263	1001197408	1	Decal - MSSO	
264		Ref	Decal - Sound Power Level	
264	1705084	1	Decal (Machines with Deutz D2011 Engine)	
264	1705368	1	Decal (Machines with Deutz DT2.9L4 Engine)	

Go to Discount-Equipment.com to order your parts

SECTION 9 - RECOMMENDED SERVICE PARTS STOCK

SECTION 9 - RECOMMENDED SERVICE PARTS STOCK

Go to Discount-Equipment.com to order your parts

SECTION 9 - RECOMMENDED SERVICE PARTS STOCK

FIGURE 9-1. MODELS 600SC/660SJC STANDARD PARTS

ITEM	PART NUMBER	QTY	DESCRIPTION	REV
		Ref	Note: The following list will service one machine (built to current production per date on the front cover) with emergency repair parts which can be installed in the field. Parts from the list should be replaced when inventory is depleted to keep service parts stock supplied. For further information, go to Discount-equipment.com.	
		Ref	STANDARD PARTS	
	2120210	12	Element Filter	
	7012944	1	Coil	
	2120149	1	Element, Filter	
	7012772	1	Coil	
	7021376	1	Coil	
	70000582	1	Coil	
	7024444	1	Breather, Hydraulic Tank	
	3740049	1	Relay	
	4360328	1	Switch, Toggle	
	2860030	1	Key, Replacement	
	4360475	1	Switch, Mushroom	
	4360476	1	Switch, Contact Block	
	70002005	2	Power Track - Repair Section	
	2940074	1	Latch	
	1001129555	1	Controller (Lift and Swing)	
	1600359	1	Controller (Drive and Steer)	
	4360387	1	Switch, Push Button	
	4360407	1	Controller, Speed	
	4360331	1	Switch, Toggle	
	3990010	2	Diode 6Amp	
	2400065	2	Fuse - 30Amp	
	8229242	2	Fuse - 5Amp	

SECTION 9 - RECOMMENDED SERVICE PARTS STOCK

FIGURE 9-2. MODELS 600SC/660SJC VARIABLE PARTS

ITEM	PART NUMBER	QTY	DESCRIPTION	REV
		Ref	Note: The following list will service one machine (built to current production per date on the front cover) with emergency repair parts which can be installed in the field. Parts from the list should be replaced when inventory is depleted to keep service parts stock supplied. For further information, go to Discount-equipment.com.	
		Ref	VARIABLE PARTS	
	4360517	1	Switch, Proximity	
	3740067	1	Relay (Deutz D2011 Engine Only)	
	3740080	1	Relay (Deutz D2011 Engine Only)	
	7012664	12	Element, Air Cleaner (Deutz D2011 Engine - Battery on Engine Side)	
	70004020	12	Element, Air Cleaner (Deutz D2011 Engine - Battery on Tank Side)	
	91403102	12	Element, Air Cleaner (Deutz TD2.9L4)	
	8320270	12	Filter, Fuel (Deutz D2011 Engine - Battery on Engine Side)	
	See Note	12	Filter, Fuel (Deutz D2011 Engine - Battery on Tank Side) (Note: Not Available at Time of Printing)	
	See Note	12	Filter, Fuel (Deutz TD2.9L4 Engine) (Note: Not Available at Time of Printing)	
	7016331	12	Filter, Oil (Deutz D2011 Engine - Battery on Engine Side)	
	See Note	12	Filter, Oil (Deutz D2011 Engine - Battery on Tank Side) (Note: Not Available at Time of Printing)	
	See Note	12	Filter, Oil (Deutz TD2.9L4) (Note: Not Available at Time of Printing)	
	7027795	1	Module, Engine Control (Deutz D2011 Engine - Battery on Engine Side)	
	See Note	1	Module, Engine Control (Deutz D2011 Engine - Battery on Tank Side) (Note: Not Available at Time of Printing)	
	See Note	1	Module, Engine Control (Deutz TD2.9L4 Engine) (Note: Not Available at Time of Printing)	
	1001117308	1	Relay (Deutz TD2.9L4 Engine Only)	
	1001138228	1	Module, Power Relay (Deutz TD2.9L4 Engine Only)	
	4360469	1	Switch, Key (ANSI and ANSI Export Specs)	
	4360470	1	Switch, Key (Australian and CE Specs)	
	1001103667	1	Module, Ground Control ADE	
	4360578	1	Switch, Limit	
	4360336	1	Switch, Toggle (Machines with Generator Option)	
	4360070	1	Breaker, Circuit (SkyPower Generator Option)	
	4360506	1	Switch, Proximity (Australian and CE Specs)	
	1001117172	1	Footswitch	
	1001106355	1	Module, Platform	
	1600387	1	Module, Control - LSS	
	4360522	1	Switch, Toggle (Headlights/Taillights)	
	80983191	2	Fuse - 10Amp (Deutz TD2.9L4 Engine Only)	
	1001109477	1	Breaker, Circuit - 10A (CE Spec Only)	
	1001109475	1	Breaker, Circuit - 16A (CE Spec Only)	
	1001109482	1	Breaker, Circuit - 30mA (CE Spec Only)	
	2400070	2	Fuse - 20Amp (Worklights Option)	
	70023593	2	Fuse - 30Amp (Deutz TD2.9L4 Engine Only)	
	70023592	2	Fuse - 20Amp (Deutz TD2.9L4 Engine Only)	

SECTION 10 - SPECIAL OPTIONS

Go to Discount-Equipment.com to order your parts

SECTION 10 - SPECIAL OPTIONS

FIGURE 10-1. SPECIAL OPTIONS LIST

ITEM	PART NUMBER	QTY	DESCRIPTION	REV
		Ref	MISCELLANEOUS SPECIAL OPTIONS	
		Ref	Note: This list is to accommodate machines ordered with special equipment. Options may not be applicable to all models. For more specific parts information go to Discount-equipment.com.	
	1001229762	Ref	Air Intake Shut-off Valve (Deutz TD2.9L4 Engines)	
		Ref	Airline to Platform Installation Options:	
	0255388	Ref	1/2in 600SC without Arctic Package	
	1001093286	Ref	1/2in 600SC with Arctic Package	
	0255389	Ref	1/2in 660SJC without Arctic Package	
	0275341	Ref	1/2in 660SJC with Arctic Package	
	1001205019	Ref	Arctic Package Add-on Kit (Deutz TD2.9L4 without 7500W SkyPower Generator) - 600SC	
	1001205018	Ref	Arctic Package Add-on Kit (Deutz TD2.9L4 with 7500W SkyPower Generator) - 600SC	
	1001205024	Ref	Arctic Package Add-on Kit (Deutz TD2.9L4 without 7500W SkyPower Generator) - 660SJC	
	1001205023	Ref	Arctic Package Add-on Kit (Deutz TD2.9L4 with 7500W SkyPower Generator) - 660SJC	
	1001213223	Ref	Belt and Fan Guard Kit (Deutz D2011 engine without Generator)	
	1001213222	Ref	Belt and Fan Guard Kit (Deutz D2011 engine with Generator)	
	1001213227	Ref	Belt and Fan Guard Kit (Deutz TD2.9L4 engine with Generator and Modine radiator)	
	1001213219	Ref	Belt and Fan Guard Kit (Deutz TD2.9L4 engine and Modine radiator)	
	1001213220	Ref	Belt and Fan Guard Kit (Deutz TD2.9L4 engine and RCP radiator)	
	1001213221	Ref	Belt and Fan Guard Kit (Deutz TD2.9L4 engine with Generator and RCP radiator)	
		Ref	Boom Bellows Installation Options:	
	0255929	Ref	Boom Bellows Installation 600SC	
	0255930	Ref	Boom Bellows Installation 660SJC	
	0256273	Ref	Boom Wipers Installation	
		Ref	Caterpillar Engine Components	
	1001142215	Ref	Caterpillar Engine Assembly with Out Pumps	
	1001142218	Ref	Caterpillar Engine Assembly with Pumps	
	1001142379	Ref	Caterpillar Engine Installation (With Steel Hoods)	
	1001143049	Ref	Caterpillar Engine Installation (With ABS Hoods)	
	1001143113	Ref	Caterpillar Engine Assembly with Out Pumps (With Arctic Package)	
	1001143114	Ref	Caterpillar Engine Assembly with Pumps (With Arctic Package)	
	1001143115	Ref	Caterpillar Engine Installation (With Steel Hoods) (With Arctic Package)	
	1001143116	Ref	Caterpillar Engine Installation (With ABS Hoods) (With Arctic Package)	
	1001143278	Ref	Spark Arrestor Installation	
		Ref	ClearSky Telematics (Factory Installed)	
	Not Available	Ref	Machines (ABS Hoods)	
		Ref	Machines (Steel Hoods) (SN 0300174703 through 0300234628)	
		Ref	Note: For Replacement Parts, go to Discount-equipment.com and Request Manual p/n 3128499.	

SECTION 10 - SPECIAL OPTIONS

ITEM	PART NUMBER	QTY	DESCRIPTION	REV
	1001118963	Ref	ANSI Spec (SN 0300174703 through 0300234628)	
	1001134103	Ref	Australian Spec (SN 0300174703 through 0300234628)	
	1001127087	Ref	Brazil/New Zealand Specs (SN 0300174703 through 0300234628)	
	1001118964	Ref	CSA Specs (SN 0300174703 through 0300234628)	
		Ref	Machines (Steel Hoods) (SN 0300234629 through 0300236298)	
	1001227450	Ref	Canbus Connection (ANSI & CSA Specs) (SN 0300234629 to Present)	
	1001228948	Ref	Canbus Connection (CE Specs) (SN 0300234629 to Present)	
	1001229107	Ref	3-Wire Connection (ANSI & CSA Specs) (SN 0300234629 to Present)	
	1001233237	Ref	3-Wire Connection (CE Specs) (SN 0300234629 to Present)	
		Ref	ClearSky Telematics (Dealer Installed)	
	1001119939	Ref	ANSI Specs	
	1001139151	Ref	Australian Specs	
	1001234099	Ref	CE Specs	
	1001119947	Ref	CSA Specs	
		Ref	Cold Weather Package	
	1001152324	Ref	Deutz D2011 Engines	
	1001151900	Ref	Deutz TD2.9L4 Engines	
		Ref	Decal Installations Options:	
	1001196622	Ref	Decal - Ahern	
	1001196719	Ref	Decal - Blueline	
	1702788	1	Decal - Biodegradable Hydraulic Fluid (English)	
	1703479	1	Decal - Biodegradable Hydraulic Fluid (German)	
	1704174	1	Decal - Biodegradable (Synthetic) Hydraulic Fluid (English)	
	1704175	1	Decal - Biodegradable (Synthetic) Hydraulic Fluid (German)	
	1001120992	Ref	Decal - ClearSky	
	0253550	Ref	Decal - CSA	
	1001214031	Ref	Decal - EAC (Russian/CIS Specs)	
	0257195	Ref	Decal - Government Warranty	
	0274528	Ref	Decal - H&E	
	1001143504	Ref	Decal - Hewitt the Rental Store (English)	
	1001143519	Ref	Decal - Hewitt the Rental Store (French)	
	0256957	Ref	Decal - Lanyard Attach (GM K-1 Spec)	
	1702868	Ref	Decal - No Hands (English)	
	1704000	Ref	Decal - No Hands (Dual Language - English/French)	
	0256487	Ref	Decal - Prop 65 Warning (California Spec)	
	1001218721	Ref	Decal - Riwal	
	0270851	Ref	Decal - Sunbelt (SN 0300174703 through 0300205610)	
	1001197851	Ref	Decal - Sunbelt (SN 0300205611 through 0300236298)	
	1001197831	Ref	Decal - Sunbelt (O & G) (SN 0300205611 through 0300236298)	
	0271032	Ref	Decal - United Rental	
		Ref	Decal Kits Options:	
	2902307	Ref	Decal Kit - Country Spec (ANSI and ANSI Export)	
	2902329	Ref	Decal Kit - Country Spec (Australian and CE)	
	2902312	Ref	Decal Kit - Country Spec (Brazil)	
	2902322	Ref	Decal Kit - Country Spec (CSA)	
	1001116844	Ref	Decal Kit - Country Spec (Chinese - Simplified)	
	2902309	Ref	Decal Kit - Country Spec (Chinese - Traditional)	
	1001231652	Ref	Decal Kit - Country Spec (Japanese)	
	1001112906	Ref	Decal Kit - Master (Common Decals)	

SECTION 10 - SPECIAL OPTIONS

ITEM	PART NUMBER	QTY	DESCRIPTION	REV
	1001238909	Ref	Decal Kit - Platform	
	1001238908	Ref	Decal Kit - Platform Box (ANSI)	
	4932986	Ref	Engine Shutdown Installation (Deutz D2011 Engines)	
		Ref	Filter Kits	
		Ref	Combined Filter Kit Options:	
	1001225984	Ref	Deutz D2011 Engines	
	1001181148	Ref	Deutz TD2.9L4 Engines	
		Ref	Hydraulic/Air Filter Kit Options:	
	1001204458	Ref	Deutz TD2.9L4 Engines	
	1001114132	NLA	Deutz D2011Engines (Use p/n 1001109684)	
		Ref	Engine - Fuel/Engine Oil Filter Kit Options:	
	1001204460	Ref	Deutz TD2.9L4 Engines	
	1001110133	Ref	Deutz D2011Engines	
		Ref	Fluids Options:	
		Ref	Anti-freeze Options:	
	2300004	Ref	Deutz DT2.9L4 Engine without Arctic Package	
	2300041	Ref	Deutz DT2.9L4 Engine with Arctic Package	
		Ref	Engine Oil Options:	
	3020016	Ref	Deutz D2011 Engine without Arctic Package	
	3020044	Ref	Deutz D2011 Engine with Arctic Package	
	1001136079	Ref	Deutz DT2.9L4 Engine without Arctic Package	
	1001136172	Ref	Deutz DT2.9L4 Engine with Arctic Package	
		Ref	Hydraulic Fluids Options:	
	2300039	Ref	Exxon Univis HVI 26	
	2300014	Ref	Mobil 424	
	2300027	Ref	Mobil 224H Bio	
	2300029	Ref	Mobil EAL ISO 46 Bio	
	2300016	Ref	Mobil DTE 10 Excel 32	
	2300019	Ref	Quaker State Quintolubric 888-46 Fire Res.	
	1001149126	Ref	Fan Guard Installation (Deutz TD2.9L4 Engines) (SN 0300174703 through 0300227264)	
	1001177694	Ref	Fan Guard Installation (Deutz TD2.9L4 Engines) (SN 0300227265 through 0300236298)	
		Ref	Footswitch Shield (Note: Move Decal to Shield)	
	1001117294	Ref	Deutz TD2.9L4 Engines	
	1001117294	Ref	Deutz D2011Engines	
	1001202749	Ref	Fuel Cap Cover Installation (Black) (Note: Lock p/n 1001102157 Must be Purchased Separately)	
	1001191395	Ref	Fuel Cap Cover Installation (Green) (Note: Lock p/n 1001102157 Must be Purchased Separately)	
		Ref	Generator Add-on Kits:	
	1001175818	Ref	Generator Add-on Kit (4000W/50Hz) (Deutz D2011)	
	1001126286	Ref	Hood (Steel) Replacement Kit (Deutz Engine Machines)	
		Ref	Hose Kits	
	1001187491	Ref	Hose Kit - Boom (600SC)	
	1001187498	Ref	Hose Kit - Boom (660SJC)	
	1001121554	Ref	Hose & Cable Protection Installation (ANSI, ANSI Export, China, CSA & Japanese Specs)	
	1001094475	Ref	Hourmeter for Generator Installation (4000W & 7500W Generators)	
	1001189615	Ref	Kingpin Removal Kit	
	1001148971	Ref	Lanyard (Bolt-on) Kit Installation	
		Ref	Platform Console Cover Installations	

SECTION 10 - SPECIAL OPTIONS

ITEM	PART NUMBER	QTY	DESCRIPTION	REV
	0258703	Ref	Platform Console Cover Installation (Clear Polycarbonate) (SN 0300174703 through 0300204657)	
	1001195304	Ref	Platform Console Cover Installation (Clear Polycarbonate) (SN 0300204658 through 0300236298)	
	1001110974	Ref	Platform Console Cover Installation (Steel (ANSI, ANSI Export, China, CSA & Japanese Specs)	
	1001205175	Ref	Platform Console Cover Add-on Kit (SN 0300200809 through 0300236298)	
		Ref	Platform Entry Kit	
	1001142504	Ref	Kit, Replace Swing Gate with Drop Bar	
	1001142505	Ref	Kit, Replace Drop Bar with Swing Gate	
		Ref	Platform Extension (Top Rail)	
	0272733	Ref	36in x 72in Platforms	
	0272725	Ref	36in x 96in Platforms	
		Ref	Platform Mesh to Top Rail Add-on Kits:	
	1001214561	Ref	36in x 6ft (91.5cm x 1.83m) with Gate	
	1001214562	Ref	36in x 8ft (91.5cm x 2.44m) with Gate	
		Ref	Platform Mesh to Top Rail Installations	
	0273149	Ref	36in x 6ft (91.5cm x 1.83m)	
	0273145	Ref	36in x 8ft (91.5cm x 2.44m)	
	1001149730	Ref	Platform Mid Rail Repair Kit	
	1001209059	Ref	Platform Work Surface Installation	
	1001200135	Ref	Radiator Replacement Kit (RCP radiator to Modine radiator)	
	1001232900	Ref	Sound Reduction Package (Japanese Spec Only)	
		Ref	SkyGuard Component Options:	
	1001206477	Ref	SkyGuard Complete Add-on Kit (Blue Beacon)	
	1001143669	NLA	SkyGuard Complete Add-on Kit (Blue Beacon) (Use p/n 1001206477)	
	1001210026	Ref	SkyGuard Complete Add-on Kit (Red Beacon)	
	1001197016	Ref	SkyGuard Platform Sensor Kit (New Style Platform)	
	1001137672	Ref	SkyGuard Platform Sensor Kit (Old Style Platform)	
	1001137440	1	SkyGuard Sensor Harness	
	1001186431	2	Relay	
	1001206311	Ref	SkyGuard Strobe Light Kit (Blue Beacon)	
	1001143256	NLA	SkyGuard Strobe Light Kit (Blue Beacon) (Use p/n 1001206311)	
	1001210025	Ref	SKyGuard Strobe Light Kit (Red Beacon)	
	1001176372	Ref	SkyGuard Removal Plug Kit	
	1001200281	Ref	Telematics Installation (Customer Supplied)	
	1001210089	Ref	Telematics - Cat	
	1001228363	Ref	Telematics - Herc	
	1001209282	Ref	Telematics - Loxam	
	1001210090	Ref	Telematics - Riwal	
	1001195610	Ref	Telematics - United Rentals (M6)	
	1001214463	Ref	Telematics - United Rentals (M8)	
	1001228580	Ref	Telematics Canbus Installation (Customer Supplied)	
	2910968	Ref	Track Tensioning Kit	
		Ref	Tools for Service	
	2901443	1	Analyzer Kit	
	8896941	1	Wire Stripper	
	7002821	1	Wire Crimper (To install wire ends to wires)	
	7002823	1	Pin/Socket Extractor - Universal (To Remove Pins/Sockets from Connectors)	
	4460467	1	Extractor - 16-18 Gauge (For Removal of Pin/Sockets from	

SECTION 10 - SPECIAL OPTIONS

ITEM	PART NUMBER	QTY	DESCRIPTION	REV
	4460510	1	Deutsch Connectors) Extractor - 12-14 Gauge (For Removal of Pin/Sockets from Deutsch Connectors)	
	7002822	1	Screwdriver, Potentiometer (To Adjust Drive Controllers)	
	7016654	1	Screwdriver, Magnetic	
	7004275	1	Seal Installation Tool - 1in	
	7004276	1	Seal Installation Tool - 1-1/2in	
	7002826	1	Seal Installation Tool - 2in	
	83813109	1	Track Adjustment Tool	
	7016655	1	Wire Rope Sheave Gauge	
	7014676	1	U.S. Standards Tool Kit	
	2900838	1	U.S. Standards Hardware Kit	
	1001137005	1	Software Cable Kit	
	2915096	Ref	Turntable Bearing Kit	
	1001238900	Ref	Wear Pad Kit	
		Ref	Weld Leads to Platform Installation Options:	
	0255399	Ref	Weld Leads to Platform Installation 600SC	
	0255895	Ref	Weld Leads to Platform Installation 660SJC	
	2910172	Ref	Wire Rope Kit	

PART NUMBER INDEX

Go to Discount-Equipment.com to order your parts

PART NUMBER INDEX

0060066.....	144, 155	0272042.....	247	0561508.....	152	0641616.....	27, 118, 121, 127, 135, 147, 151
0060067.....	139, 155	0272043.....	145, 247	0630407.....	67	0641618.....	85, 127, 144
0100009.....	169, 173	0272045.....	247	0630458.....	161	0641634.....	148, 152
0100011.....	21, 27, 31, 39, 46, 47, 48, 54, 55, 56, 59, 63, 64, 66, 71, 85, 87, 92, 93, 98, 100, 104, 105, 106, 111, 115, 117, 121, 125, 139, 144, 147, 151, 157, 159, 161, 165, 185, 192, 195, 197, 199, 209, 215, 219, 223, 225, 231, 257, 267, 273, 275	0272046.....	145, 248	0630464.....	169, 173	0641638.....	148, 152
0100019.....	39, 100, 106, 107, 115, 117, 121, 127, 133, 139, 144	0272070.....	157	0630485.....	105, 106	0641644.....	161
0100020.....	46, 54, 63, 69, 83, 85, 118, 128, 133, 136, 192, 203	0272254.....	197	0630507.....	98	0641708.....	66
0100035.....	92, 169, 173	0272418.....	189	0630518.....	87, 192, 195, 197, 199, 203	0641772.....	111, 115
0100038.....	209, 215, 219, 223, 225, 231	0272435.....	129	0630534.....	209, 213, 215, 217, 225	0641807.....	161
010004887, 92, 121, 159, 169, 173, 249		0272448.....	192, 197	0630535.....	219, 221, 225, 229, 231	0641808.....	46, 47, 54, 55, 64, 65, 117, 121, 127
0100062.....	50, 56, 69	0272521.....	195	0630536.....	223	0641810.....	133
0100063.....	219, 225	0272588.....	195	0630548.....	87	0641811.....	85
0100071.....	187	0272589.....	129	0630568.....	170, 174	0641812.....	47, 55, 65, 115, 157
0100079.....	85, 121	0272599.....	192, 203	0641403.....	92, 127, 148, 152	0641818.....	48, 109
0100081.....	104, 169, 173, 189	0272703.....	159	0641404.....	112, 117, 121, 127, 161, 169, 173	0641820.....	50, 56, 59
0140001.....	31	0272725.....	285	0641405.....	127, 159	0641822.....	159
0140011.....	169, 173	0272733.....	285	0641406.....	63, 66, 71, 92, 98, 104, 105, 135, 152, 166, 267, 273, 275	0641824.....	147, 151
0200742.....	111	0273145.....	285	0641407.....	48, 56, 71, 89, 159, 257	0641826.....	48
0253550.....	283	0273149.....	285	0641408.....	105, 106, 127, 166, 273, 275	0642010.....	46, 54, 63
0255388.....	282	0273353.....	192	0641410.....	46, 50, 54, 56, 257	0642012.....	64, 139, 144, 189
0255389.....	282	0273450.....	133	0641414.....	185, 187	0642016.....	39
0255399.....	286	0273486.....	166, 174, 242	0641416.....	145, 159, 169, 173, 257	0642018.....	39
0255881.....	109	0273490.....	166, 242	0641418.....	165	0642024.....	159
0255895.....	286	0273491.....	174	0641505.....	126	0642026.....	189
0255929.....	282	0273687.....	133	0641506.....	31, 87, 98, 100, 104, 106, 135	0642212.....	189
0255930.....	282	0273906.....	267	0641508.....	46, 112, 115, 126	0642612.....	93
0256113.....	254	0273908.....	267	0641510.....	48, 56	0642684.....	157, 159
0256201.....	254, 255	0273982.....	271	0641512.....	31, 48, 56	0651406.....	31
0256273.....	282	0273984.....	271	0641514.....	46	0681608.....	148, 152, 157, 159
0256305.....	92	0273985.....	275	0641516.....	117, 121, 125	0681610.....	147, 151
0256487.....	283	0273987.....	275	0641518.....	68	0681618.....	104
0256823.....	100, 106	0274093.....	267, 271, 275	0641522.....	65, 161	0681820.....	68
0256957.....	283	0274528.....	283	0641544.....	65	0681822.....	68
0257175.....	254	0274592.....	247	0641604.....	139, 144	0682018.....	100, 106
0257195.....	283	0274593.....	247	0641605.....	47, 55, 68	0682020.....	100, 107
0257887.....	92, 262	0274594.....	145, 247	0641606.....	48, 56, 99, 144, 147, 151, 192, 195, 197, 199	0682023.....	39
0257988.....	161	0274595.....	145, 248	0641607.....	63, 64, 68, 93, 115, 147, 151	0682216.....	39
0258703.....	285	0275216.....	259	0641608.....	31, 63, 66, 83, 85, 98, 99, 104, 105, 106, 139, 144, 148, 152, 161	0700408.....	257
0270313.....	92	0275217.....	259	0641609.....	48, 56, 59, 64, 65, 66, 105, 109	0700615.....	93
0270381.....	92	0275218.....	259	0641610.....	46, 48, 54, 56, 63, 83, 111, 135, 166	0700616.....	105, 106
0270386.....	170	0275219.....	259	0641611.....	47, 55, 64, 104, 144	0700617.....	106
0270387.....	170	0275235.....	255	0641612.....	69	0700618.....	105
0270388.....	170	0275237.....	255	0641613.....	148, 152	0700808.....	48, 56
0270833.....	92	0275253.....	255	0641614.....	144, 148, 152	0700814.....	69
0270851.....	283	0275254.....	255			0711414.....	48, 59
0271032.....	283	0275341.....	282			0721003.....	174
0271242.....	161	0275452.....	258			072100463, 64, 128, 139, 145	
0271817.....	27	0275453.....	258			0721006.....	98, 112, 115, 169, 173
0272029.....	21	0275454.....	258			0721008.....	99
		0275455.....	255			0741605.....	66, 140, 144
		0275456.....	255			0741607.....	118, 121, 128, 139, 144
		0275659.....	255			0741610.....	54, 63
		0340041.....	48			0741612.....	147, 151
		0362528.....	92			0760605.....	68
		0362609.....	92			0760606.....	66
		0362951.....	92			0760806.....	64
		0400075.....	46, 54, 63			0760810.....	64, 66, 71
		0440233.....	39			0761008.....	64, 71
		0480121.....	111			0761015.....	69, 71
		0480126.....	117, 127				
		0480129.....	117, 127				
		0561076.....	148, 152				
		0561183.....	147, 151				
		0561184.....	147				
		0561185.....	147, 151				
		0561237.....	145				
		0561245.....	151				

PART NUMBER INDEX

0761210..... 68	0962450..... 159	1001104364..... 238	1001112906..... 283
0771212..... 64, 66	0962520 117, 121, 127	1001104427..... 247	1001113047..... 104
0771414..... 56, 66	1001001939..... 50, 56	1001104428..... 145, 247	1001113466..... 21
0771415..... 66, 118, 128	1001091179..... 49	1001104429..... 247	1001113483..... 159
0801469..... 147, 151	1001091970..... 259	1001104430..... 145, 247	1001114132..... 284
0801479..... 151	1001091971..... 259	1001105205..... 100	10011148925.... 139, 144
0801481..... 151	1001093286..... 282	1001106339..... 251	10011152566..... 100
0801483..... 147	1001093382.... 47, 54, 63	1001106340..... 251	1001115387..... 125, 260
0801484..... 147	1001093424..... 271	1001106355.... 169, 174, 280	1001115389..... 125, 260
0801498..... 147, 151	1001093439..... 273	1001106736..... 87, 249	1001115405..... 111
0801504..... 147, 151	1001093553..... 272	1001107096..... 275	1001115409..... 111
0801524..... 147, 151	1001093684..... 273	1001107753..... 170, 246	1001116240..... 46, 252
0811610..... 31	1001093943..... 49	1001107926..... 171, 174	1001116290..... 106
0811812..... 104	1001094043..... 139, 145	1001108341..... 139	1001116456..... 105
0840055..... 159	1001094321..... 49	1001108342..... 144, 170	1001116710..... 253
0860038 ... 118, 121, 126, 255	1001094475..... 284	1001108459..... 87	1001116720..... 247
0860520 267, 273, 275	1001094694..... 78	1001108484..... 87	1001116727..... 253, 262
0861538..... 128	1001096070.... 118, 122, 257	1001108485..... 87	1001116844..... 283
0861541..... 128	1001096134.... 130, 262	1001108486..... 87	1001116845..... 271
0861542 125, 128, 260	1001097150..... 258	1001108494..... 267, 273	1001116846..... 271
0861567 125, 128, 261	1001098012.... 192, 203, 205	1001108598.89, 249, 250	1001116847..... 271
0861572..... 128	1001098149..... 203	1001108601..... 242, 249	1001116849..... 271
0861633..... 169, 170	1001098764..... 254	1001108602.89, 249, 251	1001116850..... 272
0861642..... 133	1001099051..... 49	1001108763..... 170, 174	1001116851..... 272
0861731..... 255	1001099121..... 99	1001108764..... 170, 174	1001116852..... 272
0861781..... 255	1001099366..... 189	1001108900..... 242	1001116952..... 253
0861782..... 255	1001099367..... 189	1001108923..... 268, 273	1001116963..... 273
0861880..... 258	1001099832..... 161	1001109188.... 48, 55, 65, 77	1001116964..... 273
0902143..... 98	1001099869..... 112	1001109189.... 48, 55, 65, 78	1001116970..... 271
0902161..... 98	1001100233..... 112	1001109475..... 257, 258, 280	1001116971..... 271
0902206..... 93	1001100234..... 112	1001109477..... 258, 280	1001116983..... 253
0902219..... 98	1001100321..... 111	1001109482..... 257, 258, 280	1001117078..... 129, 262
0902223..... 98	1001100341..... 259	1001109503..... 88	1001117140..... 100
0902351..... 98	1001100342..... 259	1001109554..... 257	1001117172..... 166, 280
0902384..... 98	1001100345..... 258	1001109595..... 49	1001117174 166, 174, 246
0902416..... 98	1001100346..... 258	1001109599..... 48, 55	1001117234..... 104
0902491..... 98	1001100347..... 258	1001109601..... 48, 55	1001117249..... 104
0902587..... 31	1001100390..... 255	1001109657..... 238	1001117294..... 284
0902751..... 169, 173	1001100391..... 255	1001109659..... 237	1001117307..... 104
0902888 117, 121, 127	1001100392..... 255	1001109661..... 48, 55	1001117308..... 67, 280
0902919..... 159	1001100393..... 255	1001110092..... 48, 237	1001117523..... 104
0902920..... 159	1001100394..... 255	1001110094..... 48	1001117525..... 104
0903484..... 257	1001100395..... 255	1001110133..... 284	1001117528..... 104
0940049..... 98, 104	1001100396..... 255	1001110166..... 104	1001117598..... 104
0940070..... 48, 56, 66	1001100954..... 98	1001110425..... 63	1001118388..... 247
0940071..... 98	1001100955... 98, 99, 100	1001110434..... 169, 174	1001118417 169, 174, 177
0940088..... 99	1001101060..... 39, 42	1001110469..... 48, 56	1001118550..... 104
0940102..... 189	1001101241.... 48, 49, 56	1001110665..... 48	1001118735..... 104
0961845..... 165	1001101421..... 189	1001110872..... 125, 260	1001118963..... 283
0961893 ... 209, 213, 215, 217, 225	1001101422..... 189	1001110873..... 118, 122, 125, 256, 260	1001118964..... 283
0961894..... 219, 225	1001101600..... 47, 54	1001110974..... 285	1001119283..... 104
0961897..... 231	1001101623..... 99	1001111017..... 87	1001119939..... 283
0961898..... 223	1001101673..... 99	1001112467..... 223	1001119947..... 283
0961947 ... 144, 215, 217, 225	1001102290..... 250	1001112468..... 139, 144, 223	1001119968..... 129, 262
0961950 ... 139, 144, 147, 151, 223	1001102291..... 250	1001112586..... 129, 262	1001120328..... 185
0961951 ... 139, 144, 147, 151, 219, 221, 225, 229	1001102304..... 250	1001112587..... 129	1001120992..... 283
0961986..... 48, 56, 66	1001102603..... 87	1001112588..... 242, 259	1001121061..... 104
0962006..... 139, 144	1001102604..... 88	1001112589..... 259	1001121118..... 104
0962051..... 109	1001102647..... 189	1001112612..... 251	1001121119..... 104
0962335..... 145	1001103292..... 271	1001112743..... 242, 259	1001121340..... 129, 130
0962336 209, 211, 213	1001103667..... 87, 280		1001121554..... 284
0962449..... 112	1001104328..... 21		1001121655..... 272
	1001104359..... 237		1001121657..... 170, 174
	1001104361..... 237		1001121800..... 267
	1001104363..... 238		1001121801..... 267, 272

PART NUMBER INDEX

1001121802.....272	1001137759.....47	1001142505.....285	1001145096.....87
1001121803.....272	1001137760.....46	1001142623.....67	1001145097.....87
1001121806.....272	1001138110.....253	1001142643.....122, 127	1001145154.....68
1001121807.....272	1001138111.....253	1001142645.....122	1001145172.....85
1001121808.....272	1001138113.....253	1001142646.....122, 127	1001145283.....31
1001121809.....272	1001138173.....67	1001142683.....93	1001145284.....31
1001121811.....272	1001138175.....67	1001142694.....93	1001145405.....192, 203
1001121813.....267	1001138228.....67, 280	1001142722.....93	1001145750.....65, 71
1001121814.....267	1001138241.....237	1001142733.....68	1001145751.....65, 71
1001121815.....272	1001138248.....67	1001142736.....93, 94, 263	1001145885.....166, 169, 246
1001121816.....272	1001138489.....68	1001142853.....66	1001145886.....166
1001121819.....272	1001138494.....166	1001142884.....65	1001145988.....27
1001121820.....272	1001138514.....166	1001142885.....65	1001146150.....89, 249, 251
1001121821.....272	1001138557.....67	1001142914.....125, 261	1001146154.....242, 249
1001121822.....272	1001138565.....117	1001142938.....254	1001146273.....50, 56
1001121824.....272	1001138566.....117, 122	1001142940.....254	1001147264.....253
1001122528.....129, 242, 262	1001138718.....69	1001142941.....254	1001147812.....50, 57
1001125097.....104	1001138795.....213	1001143049.....282	1001147813.....50, 57
1001125387.....268, 273, 275	1001138796.....221, 229	1001143113.....282	1001147820.....57
1001125492.....39	1001138827.....67	1001143114.....282	1001147823.....57
1001126286.....284	1001139151.....283	1001143115.....282	1001148138.....115
1001126351.....253	1001139240.....67	1001143116.....282	1001148149.....64
1001126352.....253	1001139303.....67	1001143256.....285	1001148248.....65
1001126353.....253	1001139357.....117	1001143278.....282	1001148641.....69
1001126356.....253	1001139409.....67	1001143390.....57, 68	1001148648.....261
1001126357.....253	1001139654.....275	1001143431.....93	1001148650.....148, 152
1001126362.....254	1001139813.....67, 69	1001143449.....71	1001148651.....148, 152
1001126363.....254	1001139952.....117, 259	1001143472.....71	1001148652.....147, 151
1001126364.....254	1001139953.....117, 260	1001143483.....71	1001148653.....148, 152
1001126365.....254	1001140251.....65	1001143484.....71	1001148971.....284
1001126384.....253	1001140312.....69	1001143504.....283	1001149126.....284
1001126391.....254	1001140346.....121	1001143519.....283	1001149528.....64
1001127087.....283	1001140347.....121	1001143525.....71	1001149587.....27
1001128527.....199	1001140362.....67	1001143575.....71	1001149703.....59
1001128556.....199	1001140412.....66	1001143644.....63	1001149704.....50, 57
1001129555.....278	1001140429.....166	1001143648.....65	1001149705.....50, 57
1001129858.....117	1001140448.....67	1001143650.....65	1001149706.....50, 57
1001131168.....170, 174	1001140450.....68	1001143652.....63	1001149730.....285
1001131269.....267, 273	1001140454.....68	1001143669.....285	1001149793.....50, 57
1001132055.....242, 261	1001140466.....68	1001143726.....68, 253	1001149818.....263
1001133714.....254	1001140487.....68	1001143797.....68	1001149908.....65
1001133715.....254	1001140535.....68	1001143841.....104	1001149924.....189
1001133956.....253	1001140564.....68	1001143852.....273, 275	1001149927.....39
1001133957.....253	1001141300.....174	1001143858.....98	1001149928.....100, 106
1001134103.....283	1001141302.....174	1001143860.....71	1001149952.....100, 106
1001134488.....67	1001141304.....68, 253, 254	1001143907.....68, 254	1001149955.....92
1001135138.....67	1001141370.....68	1001144021.....165	1001149994.....92, 94
1001135650.....254	1001141419.....68	1001144022.....165	1001150198.....85
1001135651.....254	1001141421.....125, 260	1001144023.....165	1001150243.....104, 105
1001135679.....67	1001141422.....125, 260	1001144024.....165	1001150244.....104, 105, 106
1001136079.....66, 284	1001141546.....68	1001144040.....47, 54, 63	1001150253.....106
1001136172.....66, 284	1001141583.....68	1001144319.....49, 50	1001150260.....105
1001136834.....67	1001141584.....68	1001144354.....104, 105	1001150332.....105
1001136988.....126	1001141585.....68	1001144355.....48	1001150333.....105
1001137005.....286	1001141586.....68	1001144356.....47	1001150339.....106
1001137276.....67	1001141711.....71	1001144357.....46	1001150345.....65
1001137440.....285	1001141967.....256	1001144433.....174	1001150346.....65
1001137458.....31	1001141968.....256	1001144440.....63, 252	1001150370.....105
1001137672.....285	1001141969.....256	1001144527.....105	1001150389.....85
1001137673.....185	1001141995.....68	1001144622.....99	1001150390.....39
1001137737.....49, 50	1001142031.....71	1001144623.....98, 99, 100	1001150400.....100, 106
1001137755.....48	1001142032.....71	1001144624.....98	1001150406.....92
1001137756.....47	1001142215.....282	1001144629.....165	1001150423.....31
1001137757.....46	1001142218.....282	1001144660.....64, 253	1001150475.....237
1001137758.....48	1001142379.....282	1001145093.....89, 249, 250	1001150561.....105
	1001142501.....63, 64, 69	1001145094.....87	
	1001142504.....285	1001145095.....87	

PART NUMBER INDEX

1001150760 237, 240	1001157520..... 129	1001180303..... 139, 145	1001197831 283
1001150763 237, 240	1001157521..... 128	1001180620..... 69	1001197851 283
1001150890 59	1001157525..... 125, 128	1001181045..... 258	1001200135 285
1001150915 50, 57	1001157528..... 128	1001181046..... 258	1001200281 285
1001150918 55, 65	1001157592..... 125, 128, 261	1001181057..... 139, 155	1001200575 170, 174
1001150944 93, 263	1001157623..... 147, 151	1001181148..... 284	1001200910 94
1001150998 49, 57	1001157769..... 129, 242, 262	1001181243..... 115	1001201892 169, 170
1001151059 240	1001157770..... 262	1001181276..... 66	1001201894 174
1001151070 47, 54	1001157867..... 104	1001181277..... 66	1001202280 83
1001151203 39	1001158007..... 129	1001181856..... 254	1001202281 83
1001151252 59	1001158008..... 129	1001181899..... 68	1001202311 71
1001151253 58	1001158206..... 98	1001182138..... 187	1001202368 68
1001151306 92, 170, 174	1001158408..... 151	1001182997..... 69, 85	1001202605 166, 173, 246
1001151393 88	1001158409..... 147	1001185280..... 174, 246	1001202606 166, 169, 246
1001151501 100, 106	1001159121..... 254	1001185281..... 174	1001202749 284
1001151565 .. 46, 54, 252	1001159323..... 275	1001185895.89, 249, 251	1001204325 69
1001151710 104	1001159648..... 242, 261	1001186254..... 105, 106	1001204458 284
1001151900 283	1001160271..... 242, 262	1001186379..... 165	1001204460 284
1001152061 237	1001160965..... 48	1001186382..... 165	1001204460 284
1001152114 237, 240	1001160978..... 46	1001186383..... 165	1001204668 83
1001152116 237, 240	1001160979..... 47	1001186384..... 165	1001204668 83
1001152119 105	1001162353..... 255	1001186431..... 285	1001205018 282
1001152324 283	1001162361..... 255	1001186517..... 185	1001205019 282
1001152429 129, 262	1001162413..... 64	1001186985..... 66	1001205023 282
1001152457 117, 122, 260	1001162593..... 66	1001187351..... 87, 88	1001205024 282
1001152458 260	1001162915..... 106	1001187353..... 88	1001205175 285
1001152459 50, 57	1001162916..... 105	1001187491..... 284	1001205495 93
1001152486 257	1001163101..... 105	1001187498..... 284	1001206311 285
1001152489 68	1001163131..... 189	1001187508..... 185	1001206477 285
1001152525 261	1001163599..... 115, 122, 127	1001188012..... 87	1001207004 94
1001152532 118, 122, 260	1001164091..... 262	1001188013..... 87	1001207306 93
1001152985 39	1001164742..... 65	1001188032..... 87	1001209059 285
1001153025 242, 261, 262	1001165035..... 63	1001188858..... 93	1001209282 285
1001153133 85	1001165842..... 68	1001188885..... 83	1001209870 93
1001153197 118, 122, 262	1001166539..... 179	1001188887..... 83	1001210025 285
1001153257 242, 261	1001167042..... 67	1001188889..... 185	1001210026 285
1001153259 122, 262	1001169054..... 69	1001188972..... 55, 65	1001210089 285
1001153282 .. 50, 57, 66, 69	1001169138..... 69	1001189615..... 284	1001210090 285
1001153305 247	1001169384..... 145	1001190093..... 166, 173, 246	1001210909 126
1001153306 247	1001171125..... 121, 260	1001190107..... 174	1001212223 126
1001153312 255	1001171131..... 254	1001190117..... 166	1001213219 282
1001153359 64	1001171265..... 121, 260	1001191395..... 284	1001213220 282
1001153381 54	1001171403..... 254	1001191708..... 187	1001213221 282
1001153396 56	1001173590..... 250	1001192401..... 251, 252	1001213222 282
1001153402 55	1001173897..... 85	1001193018..... 257	1001213227 282
1001153414 50, 57	1001173976..... 67	1001193807..... 87	1001214031 283
1001153636 118	1001174745..... 71	1001193808..... 87	1001214463 285
1001153777 54	1001174746..... 71	1001194197..... 255	1001214561 285
1001153778 55	1001175818..... 284	1001194198..... 255	1001214562 285
1001153779 56	1001176372..... 285	1001194200..... 255	1001215285 273
1001153842 248	1001176419..... 67	1001194203..... 255	1001216015 115
1001153844 248	1001176469..... 88	1001194204..... 255	1001216630 159
1001154121 262	1001177359..... 69	1001194365..... 254	1001218055 275
1001154405 63, 68	1001177694..... 284	1001194437..... 242	1001218618 100, 106, 107
1001154592 122, 257	1001177844..... 68	1001195304..... 285	1001218677 100, 107
1001155384 67	1001177845..... 68	1001195610..... 285	1001218679 100, 107
1001155823 64	1001178223..... 69	1001195967..... 71	1001218682 100, 107
1001157208 106	1001178269..... 144, 155	1001196513..... 83	1001218721 283
1001157209 106	1001178876..... 69, 72	1001196622..... 283	1001220379 254
1001157429 147, 151	1001179154..... 128, 261	1001196719..... 283	1001220486 170, 174
1001157432 151	1001179837..... 115	1001196768..... 106	1001222666 252
1001157433 147	1001180001..... 115	1001196769..... 106	1001223055 267
	1001180050..... 242, 259	1001196770..... 105	1001223331 144, 219
	1001180287..... 115	1001197016..... 285	1001223332 219
		1001197067..... 93	1001223511 215
		1001197408..... 276	1001223512 139, 215

PART NUMBER INDEX

1001223899.....	145	1320302 ...	192, 195, 197, 199	1702943	47, 55, 65	1705828.....	275
1001223971.....	273	1320318	117, 121, 127	1702944	47, 55, 65	1705836.....	133
1001224050.....	273	1321384	99	1703162	49, 56, 69	1705837.....	133
1001224051.....	273	1321716	68	1703165	267, 272, 275	1705886.....	133
1001224052.....	273	1340060	48	1703479	283	1705895.....	271
1001224053.....	273	1380147	109	1703797	267	1705896.....	271
1001225430.....	70	14403323	11	1703804	267	1705897.....	272
1001225431.....	70	14403364	27, 235	1703805	267, 272	1705898.....	272
1001225984.....	284	1580012	167	1703811 ...	100, 107, 267, 271, 275	1705902.....	272
1001227450.....	283	1580013	167	1703814	267, 271, 275	1705903.....	271
1001228008.....	139, 217	1600244	263	1703924	271	1705921.....	275
1001228012.....	144, 211	1600359 ...	169, 173, 183, 278	1703925	271	1705961.....	275
1001228051.....	144, 221	1600387	159, 280	1703926	271	1705967.....	271
1001228052.....	144, 229	1670769	145	1703936	272	1705968.....	271
1001228363.....	285	1670771	98	1703937	272	1705978.....	275
1001228580.....	285	1670779	98	1703942	271	1706059.....	47, 55
1001228948.....	283	1670818	92	1703943	271	1706060.....	47, 55
1001228988.....	192, 193, 195, 197, 199, 203	1670829	87, 169, 173	1703944	271	1706061.....	47, 55
1001229107.....	283	1671092	129, 261	1703948	272	1706062.....	47, 55
1001229762.....	282	1671093	192, 197	1703949	272	1706063.....	47, 55
1001231650.....	271	1671228	98, 99	1703950	272	1706064.....	47, 55, 65
1001231651.....	271	1671230	99	1703953	267	1706098.....	47, 55, 65
1001231652.....	283	1671231	99	1703980	272	1706712.....	87
1001232900.....	285	1671232	99	1703982	272	1706943.....	267, 273
1001233237.....	283	1671233	98	1703984	272	2030010....	192, 195, 197, 199, 203
1001234099.....	283	1683053	209, 215, 225	1704000	271, 283	2060025.....	49, 56
1001238900.....	286	1683055	219, 225	1704174	283	2080040....	104, 165, 166
1001238908.....	284	1683057	231	1704175	283	2080044.....	144
1001238909.....	284	1683067	223	1704260	169, 173	2080072.....	105
1001248012.....	144, 213	1683250	231	1704277 ...	267, 271, 275	2110406.....	237
1060279.....	273, 275	1683415	139, 215	1704412	267, 271, 275	2110806.....	237
1060341.....	263	1683418	144, 219	1704434	267, 272, 275	2111212.....	237
1060343.....	129, 261	1683418	144, 219	1704460	169, 173	2120149.....	31, 278
1060494.....	128, 259, 261	1683609	144, 209	1704461	271	2120164.....	31
1060625.....	47, 55, 64	1683618	147, 151, 231	1704468	267, 275	2120209.....	31
1060626.....	47, 55, 64	1683619	231	1704707	170	2120210.....	31, 278
1060633.....	263	1683949	225	1704709	170	2151212.....	235
1060637.....	46, 54, 66	1683952	219	1704710	170	2170112.....	237
1060708.....	128, 261	1683954	223	1704885	267, 272, 275	2180348.....	46, 54, 83
1060896.....	248	1683963	219, 225	1704972	47, 55, 65	2180380.....	238
1060908.....	258	1683972	225	1705084	276	2180724.....	238
1060918.....	166, 246	1683976	215	1705132	169, 173	2180832.....	64, 192, 203
1061045.....	248	1683977	215	1705170	93, 170, 174	2200222.....	85
1061046.....	249	1684089	209	1705177 ...	267, 272, 275	2220235.....	223
1061047.....	249	1684090	209	1705305 ...	192, 195, 197, 199, 203	2220252.....	133
10702077.....	129	1684413	144, 225	1705336	267	2220313.....	46, 54, 64
10702082.....	129	1684414	139, 225	1705344	271	2220315.....	66
1120487.....	85	1700584	273	1705347	271	2220372.....	237
1120555.....	189	1701499	271	1705347	271	2220373.....	237
1220078.....	147, 151	1701505 .	46, 54, 64, 267, 273, 275	1705355	192, 195, 197	2220376.....	81
1260017.....	39	1701509 ...	189, 267, 271, 275	1705358	189	2220380.....	237
1271538.....	159	1701518	275	1705368	276	2220408.....	237
1320016.....	48, 56	1701529 ...	267, 271, 275	1705374	118, 121, 129	2220409.....	237
1320022.....	46, 50, 54, 83	1702566	169, 173	1705375 ...	129, 192, 197, 199	2220415.....	237
1320061.....	64, 71	1702567	169, 173	1705376	128	2220451....	47, 49, 55, 56, 65, 77, 238
1320070.....	148, 152	1702676	169, 173	1705387	118, 121, 129	2220466.....	237
1320136.....	159	1702773 ...	267, 272, 275	1705389	118, 121	2220472.....	237
1320149.....	257, 258	1702774	267, 272, 275	1705460	129	2220473.....	237
1320176.....	47, 54	1702788	283	1705461	129	2220498.....	237
1320177.....	192, 203	1702861 ...	267, 272, 275	1705466 ...	192, 195, 197, 199, 203	2220518.....	77
1320223.....	48, 55, 56, 64	1702868 ...	192, 197, 199, 203, 267, 283	1705489	129	2220578....	47, 55, 65, 77, 78
1320224.....	159	1702941	47, 55, 64	1705490	193, 203	2220582.....	78, 237
1320235.....	139, 144	1702942	47, 55, 65	1705514	267, 271	2220603.....	237
1320244.....	152			1705822	275	2220622.....	238
1320247.....	161						

PART NUMBER INDEX

2220628 237	2752581 237	3020016 49, 56, 284	3311801 . 46, 54, 66, 115,
2220655 66	2752588 238	3020029 39	118, 121, 127
2220682 78	2752591 237	3020044 49, 56, 284	3311805 ... 49, 56, 59, 98,
2220700 77	2752596 238	3121813 273	109, 157, 159
2220738 78, 237	2752597 237	3200362 49	3312002 39
2220750 133	2752598 238	3200401 50, 57, 59, 66	3312005 159, 189
2220810 81	2752599 237	3200406 49, 56	3312201 147, 151
2220816 83	2752631 237	3251102 112, 115, 117,	3312205 189
2220883 ... 209, 211, 213,	2752632 237	121, 167	3312602 92, 93
215, 217, 219, 221, 223	2752633 237, 238	3251243 ... 111, 118, 121,	3321501 99
2220885 ... 209, 211, 213,	2752643 237	129, 267, 271, 275	3340757 147, 151
215, 217, 219, 221,	2752653 237	3251813 268	3340764 161
225, 229, 231	2752762 238	3252347 267	3340844 147, 151
2220887 223	2752763 238	3252507 112, 267	3340871 148, 151
2220893 31	2752783 237	3252764 125	3340900 148, 152
2220921 237	2752994 237	3271601 83	3340938 21
2220946 78	2753192 237	3271605 105	3340956 189
2220947 78, 238	2753318 237	3271801 66	3380429 46
2220948 78	2753472 237	3272001 152	3380434 166
2220950 238	2760105 ... 88, 169, 173	3272401 152	3380535 92
2220974 238	2820031 ... 112, 115, 117,	3272605 157, 159	3421453 192, 203
2221042 78, 237, 238	121, 127, 167	3290405 257	3421565 39
2221086 238	2820035 167	3290505 112	3421627 39
2221119 64	2820078 100, 106	3290601 105, 106	3422417 148, 152
2221176 46, 54, 63	2820118 248	3290605 192, 203	3422424 147, 151
2230027 47, 65	2820233 99	3290606 166	3422446 46, 54, 63
2230046 47, 55, 65	2820234 99	3290607 93	3422557 139, 144
2300004 66, 284	2820235 99	3291005 69, 71	3422561 144
2300014 284	2840016 109	3300151 ... 166, 192, 195,	3422562 139
2300016 284	2860012 112	197, 199	3422563 139
2300019 284	2860030 88, 278	3300205 88	3422564 139, 144
2300027 284	2900792 ... 209, 211, 213,	3300240 152	3422565 139
2300029 284	215, 217, 219, 221, 223	3300241 147, 151	3422566 139, 144
2300039 284	2900838 286	3300242 152	3422569 139
2300041 66, 284	2901284 231	3300353 169, 173	3422580 139
2360574 11, 235, 240	2901285 223	3300364 104	3422583 144
2360576 11, 235, 240	2901301 219, 226	3300396 117, 122, 128	3422790 144
2400060 ... 129, 251, 262	2901303 ... 209, 215, 217,	3300408 88	3422860 145
2400064 129, 262	226	3300430 185, 187	3422861 145
2400065 250, 278	2901443 263, 285	3310401 68	3422867 145
2400066 250, 263	2902065 50	3310601 109, 128	3423184 139, 145
2400070 263, 280	2902085 112	3310801 92	3430616 170, 174
2420172 88	2902212 189	3311001 . 64, 98, 99, 129,	3430816 109
2420202 159	2902217 ... 192, 195, 197	174	3450404 109
2420203 111, 115	2902296 46, 252	3311005 27, 93, 112, 115,	3450806 161
2460048 126	2902307 283	118, 121, 128, 169,	3460334 189
2460055 111	2902309 283	173, 192, 195, 197,	3470003 170, 174
2460056 111	2902312 283	199, 203	3480188 219, 225
2540038 159	2902322 283	3311401 152	3480205 231
2560136 169, 173	2902329 283	3311405 ... 49, 56, 63, 66,	3480206 223
2560187 105, 106	2902443 250, 253	71, 98, 104, 105, 127,	3480210 ... 209, 215, 225
2580024 47, 55, 65	2902549 257	135, 159, 161, 166,	3480228 111, 115
2580050 47, 55, 65	2910172 286	257, 267, 273, 275	3520030 104
2580062 48, 57	2910968 285	3311501 63, 98, 104	3520033 170, 174
2600209 99	2915096 286	3311505 ... 46, 49, 56, 66,	3520034 145
2600233 99	2920028 173	68, 98, 104, 105, 106,	3520035 170
2600280 105, 106	2920029 173	125, 161	3520054 . 49, 56, 169, 173
2600281 165	2920110 92	3311508 ... 117, 121, 125	3520071 189
2720015 66	2920113 93	3311601 85, 98, 104, 170,	3520072 165, 166
2720058 46, 54, 83	2920129 ... 159, 247, 249	174	3520182 187
2720160 192, 203	2920140 166	3311605 ... 47, 49, 54, 55,	3520189 129, 261
2720340 63, 66	2920161 92, 262	56, 59, 64, 65, 66, 93,	3520192 129, 261
2720398 49, 56	2940045 104	98, 99, 104, 105, 106,	3520198 165, 166
2720615 63, 64	2940074 165, 278	109, 112, 135, 144,	3536089 166
2750532 ... 46, 49, 54, 64	2940088 99	148, 152, 161, 166,	3537416 49
2751474 237	2940173 105, 106	192, 195, 197, 199	3537445 109
2752515 237	2940188 99	3311705 112, 115	3537446 109

PART NUMBER INDEX

3538758.....	161	3910606	118, 121, 125	4070995	161	4460190.....	111, 115
3539219.....	88	3910608	109	4071004	148, 152	4460205.....	257, 259
3539622.....	148, 152	3910610	129	4071005	148, 152	4460224.....	246
3539955.....	100, 106	3910804	88	4071007	148, 152	4460225.....	247, 260
3539957.....	46	3911012	93	4071009	39	4460226.....	159, 180, 246,
3539971.....	49	3911040	93	4100026	249	247, 250, 259, 262, 263	
3571712.....	98	3930816	92	4100033	139, 145	4460227.....	246, 247, 251,
3572044.....	267, 272, 275	3930828	92	4100100	209	254	
3573400.....	192, 195, 197,	3931012	27	4120035	247, 251	4460233.....	257
199		3931016	117, 121, 126	4160139	98	4460234.....	93, 169, 173
3573642....	192, 195, 197,	3931408	92	4160143	98	4460259.....	263
199		3931424	63, 185	4160149	152	4460260.....	263
3576799.....	192, 203	3931432	66	4160194	104	4460265.....	180
3577121....	192, 195, 197,	3931448	231	4220162	93	4460267.....	247, 249, 252,
199		3931508	231	4240018 ...	112, 115, 117,	263	
3580134.....	111	3931512	66	121, 127		4460268....	249, 250, 259,
3580158.....	111	3931516 ...	209, 215, 217,	4240032	93, 94	260, 262	
3580241.....	147, 151	225		4240033 ...	139, 145, 159,	4460297.....	263
3580243.....	147, 151	3931620 .	48, 55, 65, 219,	185		4460315.....	125
3580248.....	147, 151	221, 225, 229, 231		4240099	69, 167, 192,	4460320.....	249, 254, 263
3580249.....	147, 151	3931628	66	195, 197		4460321.....	259, 263
3580276.....	111, 115	3931632	127	4240113	85	4460326.....	249, 252
3580317....	118, 121, 127	3932032	223	4240149	189	4460346....	118, 121, 125,
3580318....	118, 121, 127	3951608	147, 151	4280295	85	256, 260	
3580319....	118, 121, 127	3960389 ...	48, 55, 98, 104	4300157	118, 127	4460374....	129, 250, 259,
3580320.....	66, 118, 128	3960407	49, 56	4340747	133	262	
3600242.....	81	3960422 ...	118, 121, 125,	4360070 ...	117, 122, 129,	4460375....	129, 250, 262
3600359.....	75, 78	258, 260		280		4460418.....	247, 251
3600363.....	75, 78	3960438	99	4360232	174	4460419.....	247, 251
3600386.....	133, 135	3960461	93	4360328	88, 145, 169,	4460424....	249, 250, 262
3600395....	47, 55, 65, 81	3960462	99	170, 173, 278		4460425....	117, 122, 129,
3620034.....	47, 55	3960464	99, 100	4360330	169, 173	261	
3641533.....	130	3960468	49, 56, 65	4360331	169, 173, 278	4460426.....	88, 117, 122,
3720021.....	133	3960469	49, 56, 65	4360336 ...	112, 115, 117,	129, 167, 174, 249,	
3740049.....	88, 263, 278	3960470	98	121, 125, 167, 280		261, 263	
3740067...	49, 56, 64, 280	3980007	47, 55, 65	4360387	88, 169, 173,	4460428....	133, 170, 173,
3740080...	49, 56, 112, 115,	3990010 ...	249, 251, 278	278		246	
127, 280		4010608	192, 203	4360407 ...	169, 173, 278	4460434.....	247, 251
3760170.....	39	4010618	166	4360436	85	4460445.....	249
3760368....	209, 215, 225	4031608	112	4360469	88, 280	4460457.....	250
3760369....	219, 225, 231	4031914	66	4360470	88, 280	4460458....	250, 253, 259,
3760372.....	223	4032014	66	4360475	88, 169, 173,	262	
3790012....	145, 170, 173	4032015	117, 127	278		4460460.....	250
3790045.....	48, 56, 66	4060092	256	4360476	88, 169, 173,	4460464....	246, 250, 251,
3790152....	48, 55, 65	4060802 ...	112, 115, 117,	278		253, 263	
3820001....	267, 273, 275	121, 125, 167		4360506 ...	152, 254, 280	4460465....	129, 159, 248,
3820020.....	165	4060803	85, 161	4360517	27, 254, 280	251, 252, 253, 254,	
3841013.....	161	4060805 .	49, 56, 67, 148,	4360522	93, 170, 174,	260, 262	
3841143...	46, 54, 63, 139,	152		280		4460466....	159, 248, 249,
145, 148, 152		4060906	88	4360542	111, 115	250, 253, 254	
3841258.....	139, 145	4060918	31	4360578	92, 280	4460467.....	263, 285
3841340.....	139, 145	4061054	159	4400400	85	4460470.....	88, 170, 173,
3850020.....	225	4070410	98	4420014	189	246, 249	
3860050.....	161	4070411	98	4420037 ...	192, 195, 197,	4460471.....	88, 170, 173,
3890005.....	147	4070412	98	199		246, 249	
3890006.....	147, 151	4070585	112	4420038	85	4460473.....	248, 249
3890009.....	152	4070863	148, 152	4420051	275	4460488.....	88, 94
3890010.....	151	4070864	148, 152	4420054	92	4460496.....	89
3900085.....	92, 93	4070895	148, 152	4420060	92, 112	4460497.....	89
3900210....	104, 105, 106	4070896	147, 151	4420066	189	4460499.....	37, 252
3900232.....	98, 99	4070897	147, 151	4460007	169, 173	4460508.....	246, 251
3900268.....	88	4070898	147, 151	4460027 ...	111, 115, 259	4460509.....	248
3900283.....	159	4070929	148, 152	4460051	127, 260	4460510.....	263, 286
3900293.....	39	4070939	148, 152	4460071 ...	118, 121, 127,	4460526.....	88, 249
3900316....	104, 105, 106	4070940	148, 152	166, 246, 256, 260		4460536.....	247, 251
3900363.....	105, 106	4070976	148, 152	4460125	256	4460539.....	247, 250
3910408.....	68	4070994	161	4460134	259	4460633.....	133, 258

PART NUMBER INDEX

4460634 247, 251	4461199 257	127, 159, 166, 170,	4922869 159
4460635 247, 251	4461200 258	174, 187, 192, 195,	4922884 248
4460662 256	4461201 256	197, 199, 267, 273, 275	4922886 248
4460705 259	4461202 257	4751500.... 31, 46, 54, 69,	4922888 166, 248, 263
4460708 ... 170, 174, 246,	4461203 258	99, 100, 104, 106, 112,	4922889 248
247, 249	4461204 256	115, 117, 121	4922925 128, 260
4460742 130, 259, 262	4461205 257	4751600.... 27, 47, 48, 49,	4923379 49, 56, 253
4460743 130, 259, 262	4461206 258	54, 55, 56, 59, 65, 67,	4923462 248
4460761 159, 246, 251	4461207 256	85, 93, 99, 104, 105,	4923510 248
4460836 159	4461244 256	106, 111, 135, 148,	4923657 248
4460865 248, 249	4461245 256	152, 166, 192, 195,	4923660 248
4460866 246, 251	4461246 256	197, 199	4932986 284
4460871 ... 177, 183, 246,	4461249 257	4751800.... 46, 54, 66, 133	4933219 242, 263
247, 249, 250, 251	4461250 258	4752000..... 46, 54, 63	4933304 242
4460873 247, 251	4530028 ... 192, 195, 197,	4760600..... 129	5240800 69
4460874 246, 251	201	4761000..... 99, 174	5250810 69
4460875 246, 251	4566468 215, 219, 225	4761400..... 88, 127	70000044 57
4460876 251	4566501 223	4761500..... 125	70000123 111
4460878 251	4566644 231	4761600..... 63, 135	70000124 111
4460879 247	4640509 ... 209, 211, 213,	4770600..... 109	70000125 111
4460880 249, 250	215, 217, 219, 221, 223	4791400 49, 56, 117, 121,	70000126 111
4460884 ... 247, 251, 252,	4640744 81	127	70000342 155
254	4640751 49, 67	4811400..... 257	70000345 51, 58, 70
4460887 247, 251	4640921 31, 37	4811600..... 112	70000579 33
4460891 253, 254, 262	4640932 ... 215, 217, 219,	4811700..... 93, 166, 192,	70000580 33
4460892 250	221	203	70000582 33, 278
4460894 250, 253	4641028 231	4811702 67	70000583 33
4460897 253, 254, 263	4641264 78	4811900..... 67, 72, 128	70000619 128
4460899 250	4641317 31	4811902..... 69	70000782 42
4460905 246, 247, 251	4641489 31, 33	4812000..... 64, 67, 72	70000793 50
4460906 259	4711000 27, 93, 115, 129,	4812100..... 64, 67	70000800 58
4460930 254	139, 145	4812200.... 49, 56, 59, 67	70000863 126
4460931 250	4711400 ... 31, 46, 49, 54,	4812300..... 100, 107	70000912 50, 57
4460932 247, 253	56, 63, 67, 71, 92, 117,	4844815..... 145	70000913 50, 57
4460933 159	121, 127, 159, 161,	4844816..... 145	70000914 50, 57
4460941 253	166, 185, 187, 257	4844817..... 145	70000915 50, 57
4460942 253, 254	4711500 ... 63, 64, 65, 67,	4845356..... 99	70000916 50, 58
4460943 247, 251	106, 125, 161, 170, 174	4845395..... 49	70000917 50, 58
4460944 247, 250, 253	4711600 ... 31, 47, 48, 49,	4845671..... 161	70000918 50, 58
4460956 258	54, 56, 63, 64, 83, 115,	4845819..... 161	70000919 50, 58
4460957 258	118, 121, 128, 147,	4846319..... 147, 151	70000934 31
4460958 125, 260	151, 159, 161, 170	4846566..... 49	70001002 57
4460961 259	4711700 67, 83, 115	4846573..... 157, 159	70001100 126
4460962 192, 197	4711800 109, 117, 161	4846627.... 192, 195, 197,	70001126 51
4460963 129, 261	4712000 189	199	70001132 50
4460967 129, 262	4712200 189	4891500..... 67	70001181 51, 58
4460968 92, 112, 256	4712600 93	4891600.... 48, 55, 65, 105,	70001384 126
4460971 192, 203	4740057 39	109, 148, 152, 157, 159	70001424 205
4460979 250	4740076 99	4891800 67, 85, 109, 115,	70001425 205
4461005 250, 252	4740158 139, 145	121, 127, 148, 152,	70001427 205
4461006 250, 252	4740171 99	157, 159	70001428 205
4461008 250, 252, 254	4740229 100, 107	4892000..... 39, 100, 106,	70001429 205
4461052 250, 252	4740274 49, 56, 59	107, 159	70001430 205
4461053 250, 252	4740314 139, 145	4892600..... 93, 157, 159	70001431 205
4461054 ... 250, 252, 253,	4740362 93, 166	4921827 259	70001432 205
254	4740397 112, 167	4921927..... 31, 252	70001435 50, 58
4461060 250, 252	4740439 145	4922467 248	70001663 135
4461070 250, 253	4740444 88	4922468 248	70001696 126
4461071 250, 253	4740500 99	4922513..... 88, 249	70001697 155
4461072 250, 253	4750400 68	4922636 250	70001835 51, 58
4461073 250, 253	4750600 129	4922637 250	70001836 51, 58
4461074 250, 253	4751000 . 92, 93, 99, 112,	4922641.... 130, 259, 262	70001837 51, 58
4461095 250, 253	118, 121, 128, 170,	4922643..... 263	70001838 51
4461157 250	174, 192, 195, 197,	4922666.... 170, 174, 246	70001839 51
4461196 257	199, 203	4922705..... 159	70001841 51, 58
4461197 258	4751400 ... 49, 64, 67, 88,	4922791..... 248	70001847 51
4461198 256	92, 99, 104, 105, 106,	4922792..... 248	70001848 50

PART NUMBER INDEX

70001850.....	50, 57	70002905.....	166	70004758.....	179	70024914.....	71
70001866.....	51, 58	70002906.....	177	70004759.....	179	70024915.....	71
70001868.....	51, 58	70002948.....	133	70004760.....	179	70024917.....	71
70001870.....	51, 58, 69	70003136.....	57	70004761.....	179	70024918.....	71
70001871.....	58	70003464.....	57	70004762.....	179	70024920.....	70, 71
70001872.....	51, 58	70003465.....	57	70004763.....	179	70024922.....	71
70001874.....	51	70003466.....	57	70004764.....	179	70024924.....	70
70001953.....	126	70003472.....	57	70004765.....	179	70024925.....	70
70001966.....	117, 121, 126	70003475.....	58	70004766.....	179	70025076.....	70
70001973.....	127	70003476.....	51	70004767.....	179	70025077.....	71
70001974.....	127	70003478.....	57	70004768.....	179	7002508.....	69
70001976.....	37	70003631.....	126	70004769.....	179	70025082.....	51, 57, 58, 70
70002005.....	161, 278	70003708.....	117, 121, 127	70004770.....	179	70025084.....	70
70002006.....	161	70003709.....	117, 121, 127	70004771.....	179	70025088.....	69
70002065.....	42	70003784.....	169, 173	70004772.....	179	70025091.....	70
70002066.....	42	70003952.....	54, 64	70004773.....	179	70025111.....	69
70002067.....	42	70003995.....	31	70004774.....	180	70025120.....	71
70002068.....	42	70003996.....	31	70004775.....	180	70025135.....	70
70002069.....	42	70003997.....	31	70005916.....	51, 58	70025136.....	70
70002070.....	42	70003998.....	31	70005917.....	51, 58	70025140.....	70
70002071.....	42	70003999.....	31	70006093.....	126	70025142.....	70
70002072.....	42	70004000.....	31	70006094.....	126	70025143.....	70
70002073.....	42	70004020.....	57, 280	70006095.....	126	70025144.....	70
70002074.....	42	70004056.....	58	70006096.....	126	70025146.....	70
70002075.....	42	70004058.....	58	70006097.....	127	70025149.....	71
70002085.....	43	70004060.....	58	70006436.....	43	70025151.....	70
70002086.....	43	70004092.....	117, 121, 126	70006437.....	43	70025152.....	70
70002088.....	126	70004093.....	126	70006442.....	229	70025154.....	70
7000213.....	42	70004094.....	126	70006443.....	221, 229	70025156.....	70
7000217.....	42	70004095.....	127	70006444.....	221, 229	70025160.....	70
70002200.....	51, 58	70004096.....	126	70006445.....	221, 229	70025164.....	70
70002234.....	51, 58	70004097.....	126	70006446.....	221, 229	70025176.....	70
7000228.....	42	70004098.....	117, 122, 126	70006447.....	229	70025178.....	70
7000229.....	42	70004099.....	122, 126	70006568.....	211	70025179.....	70
70002291.....	126	70004169.....	126, 127	70006569.....	211	70025180.....	70
70002297.....	126	70004171.....	117, 126	70006570.....	211	70025181.....	70
7000230.....	42	70004183.....	57, 69	70006571.....	211	70025200.....	70
70002415.....	51, 58	70004184.....	85	70006572.....	211	70025202.....	70
70002416.....	51, 58	70004272.....	58	70006663.....	51	70025203.....	70
70002417.....	51, 58	70004274.....	69	70006648.....	217	70025206.....	69
7000246.....	42	70004275.....	70	70006649.....	213, 217	70025207.....	69
70002460.....	126	70004276.....	70	70006650.....	213, 217	70025210.....	70
7000248.....	42	70004277.....	71	70006651.....	217	70025212.....	71
7000253.....	42	70004278.....	71	70006734.....	213	70025231.....	70
7000255.....	42	70004279.....	70	70006735.....	213	70025235.....	70
7000257.....	42	70004280.....	58	70006736.....	213	70025239.....	70
70002716.....	85	70004287.....	57	70006822.....	221	70025416.....	70
70002718.....	58, 69	70004289.....	58	70006823.....	221	70025477.....	70
70002730.....	177	70004643.....	161	7001268.....	76	70025660.....	71
70002731.....	177	70004676.....	117, 122	7001481.....	77	70025752.....	51, 58
70002732.....	177	70004677.....	117	7001485.....	75, 76	70025753.....	51, 58
70002733.....	177	70004678.....	117, 122	70023592.....	67, 280	70025799.....	71
70002734.....	177	70004679.....	117, 122	70023593.....	67, 280	70025801.....	71
70002735.....	177	70004680.....	117, 122	70023915.....	211	7002821.....	263, 285
7000281.....	42	70004681.....	117, 122	70024473.....	70	7002822.....	286
70002818.....	130	70004682.....	117, 122	70024486.....	70	7002823.....	263, 285
70002819.....	130	70004683.....	117, 122	70024488.....	70	7002826.....	286
70002820.....	130	70004684.....	117	70024503.....	71	7002828.....	263
70002821.....	130	70004685.....	117, 122	70024504.....	70, 71	7003928.....	177
70002822.....	130	70004686.....	122	70024507.....	71	7003974.....	183
70002823.....	130	70004687.....	122	70024513.....	70	7004035.....	42
70002824.....	130	70004752.....	179	70024515.....	71	7004036.....	42
70002825.....	130	70004753.....	179	70024905.....	69	7004043.....	43
70002826.....	130	70004754.....	179	70024906.....	69	7004044.....	43
70002902.....	166	70004755.....	179	70024907.....	70	7004045.....	43
70002903.....	166	70004756.....	179	70024910.....	70	7004047.....	43
70002904.....	166	70004757.....	179	70024912.....	70	7004049.....	43

PART NUMBER INDEX

7004275	286	7017164	155	7021281	77	7024439	85
7004276	286	7017183	155	7021283	77	7024440	85
7007289	77	7017193	155	7021285	77	7024441	85
7007412	77	7017195	155	7021289	76	7024444	85, 278
7007419	75, 77	7017410	33	7021296	77	7024445	85
7007470	76, 77	7017421	37	7021297	77	7024446	85
7007489	81	7017422	37	7021298	77	7024453	43
7007497	254	7017464	33	7021299	77	7024454	42
7007498	254	7018912	34, 37	7021310	34	7024455	43
7007633	42	7018942	37	7021373	33	7024456	43
7010103	81	7018945	37	7021375	33	7024457	43
7010104	81	7018991	33	7021376	33, 278	7024458	43
7010105	81	7019658	85	7022190	76	7024462	201
70104570	71	7019680	111, 115	7022321	75	7024463	201
7010492	42	7020020	31	7022330	75	7024467	201
7010542	33	7020021	31	7022331	75	7024469	201
7010543	31, 33	7020108	111, 115	7022332	75	7024470	201
7011112	215, 217, 219, 221	7020109	111, 115	7022333	75	7024471	201, 205
70124410	51, 58	7020110	111, 115	7022334	75	7024472	201
70124440	51, 58	7020111	111, 115	7022335	75	7024473	201
70124530	71	7020175	88, 169, 173	7022336	75	7024474	201
70124538	71	7020176	88, 169, 173	7022337	75	7024475	201
7012513	111, 115	7020190	111, 115	7022338	75	7024478	201
7012514	111, 115	7020192	111	7022340	76	7024485	126
7012518	33	7020193	259	7022341	76	7024488	128
7012558	111, 115	7020246	87	7022342	76	7024489	128
7012664	49, 280	7020403	57	7022343	76	7024530	205
7012772	33, 34, 37, 278	7020404	69	7022344	76	7024531	205
7012773	33, 34, 37	7020408	50, 58	7022345	76	7024532	205
7012775	33	7020449	50	7022346	76	7024533	205
7012776	37	7020459	51	7022347	76	7024534	205
7012777	37	7020465	50, 57, 69	7022348	76	7024535	205
7012799	33	7020468	50, 57	7022349	76	7024536	205
7012912	33, 34	7020471	51	7022350	77	7024537	205
7012914	33	7020479	51, 58	7022351	77	7024560	49
7012918	33	7020487	50	7022352	77	7024565	51
7012941	31	7020492	70	7022353	77	7024579	51, 58, 69
7012944	31, 33, 278	7021229	77	7022354	75	7024598	109
7012953	33, 37	7021236	75	7022355	75	7024704	42
7012965	37	7021237	75	7022357	76	7024762	42
7012967	33	7021238	75	7022358	77	7024763	42
7012987	81	7021239	75	7022359	77	7024784	42
7012988	81	7021240	75	7022521	33	7024800	76
7012989	33	7021243	75	7022693	13	7024801	77
7012998	33, 34, 37	7021248	75	7022808	177	7024802	77
7014676	286	7021249	75	7022815	177	7024803	77
7016314	85	7021250	75	7022819	177, 246	7024804	76
7016319	92	7021251	75, 76	7022832	183	7024805	75
7016322	109	7021253	75	7022833	183	7026188	126
7016328	57	7021255	75, 76, 77	7022834	183	7026199	111, 115
7016331	50, 57, 70, 280	7021256	77	7022835	183	7026330	31
7016372	92	7021257	76	7022836	183	7026597	126
7016374	109	7021259	76	7022837	183	7026608	51
7016399	166	7021260	76	7022838	183	7026626	126
7016654	286	7021265	76	7022839	183	7026631	50
7016655	286	7021267	75	7023318	42	7026632	135
7017023	42	7021269	76	7023996	75	7026633	135
7017028	42	7021271	76	7023997	75	7026634	135
7017070	42	7021272	76	7023998	75	7026635	135
7017072	42	7021273	76	7023999	75	7026636	135
7017080	42	7021274	76	7024100	43	7026637	135
7017085	42	7021275	76	7024379	43	7026638	135
7017158	155	7021276	76	7024380	43	7026639	135
7017159	155	7021277	76	7024381	43	7026640	135
7017162	155	7021278	76	7024390	43	7026641	136
7017163	155	7021279	76	7024396	43	7026642	136
		7021280	77	7024397	231	7026643	136

PART NUMBER INDEX

7026644.....	136	80211039.....	11	80214312.....	13	8320270.....	50, 280
7026645.....	136	80211144.....	27	80214325.....	13	83304173.....	85
7026646.....	136	80211147.....	27	80214326.....	13	83304174.....	85
7026647.....	136	80211148.....	27	80214329.....	13	83604107.....	23
7026648.....	136	80211154.....	11	80214332.....	13	83694007.....	23
7026649.....	136	80211160.....	27	80214333.....	13	83694009.....	23
7026650.....	136	80213004.....	11, 17	80214334.....	13	83694010.....	23
7026651.....	135	80213005.....	11, 19	80214337.....	13	83694040.....	23
7026652.....	135	80213011.....	11	80214361.....	21	83694045.....	25
7026653.....	135	80213016.....	21	80214362.....	21	83694046.....	25
7026654.....	135	80213040.....	11, 23	80214363.....	21	83694047.....	25
7026655.....	135	80213041.....	11, 25	80214364.....	21	83694108.....	23
7026656.....	135	80213042.....	11, 25	80214365.....	21	83813109.....	286
7026658.....	136	80213044.....	11	80214366.....	21	83953053.....	235
7026659.....	135	80213060.....	11	80214367.....	21	8405006.....	64, 69
7026660.....	135	80213115.....	27	80214368.....	21	8405007.....	68
7026661.....	135	80213116.....	27	80214369.....	21	8405009.....	67
7027002.....	46, 252	80213117.....	11, 21	80214370.....	21	8405104.....	67
7027003.....	46, 252	80213119.....	235	80214371.....	14	8405204.....	67
7027004.....	46, 252	80213121.....	11, 13	80214372.....	14	8406101.....	64
7027051.....	46, 54, 252	80214001.....	17	80214373.....	14	8406102.....	63, 69
7027052.....	46, 54, 252	80214002.....	17	80214374.....	14	8406109.....	67
7027053.....	46, 54, 252	80214003.....	17	80214375.....	13	8406110.....	67
7027054.....	46, 54, 252	80214004.....	23	80214376.....	13	8406112.....	63
7027055.....	46, 54, 252	80214005.....	17	80214377.....	13	8410011.....	67
7027063.....	63, 252	80214006.....	17	80214378.....	14	8410013.....	64, 67
7027064.....	63, 252	80214007.....	17	80214379.....	14	84718465.....	235
7027065.....	63, 252	80214008.....	17	80215014.....	27	84718604.....	235
7027066.....	63, 252	80214009.....	19	80215016.....	27	84719727.....	235
7027067.....	64, 252	80214010.....	19, 25	80216028.....	11	84719728.....	235
7027236.....	57	80214011.....	19, 25	80216035.....	27	8750024.....	65
7027276.....	51, 58	80214012.....	19	80424002.....	42	88201065.....	11
7027773.....	201	80214013.....	19	80424043.....	43	88201069.....	27
7027774.....	201	80214014.....	19	80463058.....	260	88341012.....	11
7027775.....	201	80214015.....	19	80484084.....	253	88501008.....	27
7027776.....	201	80214017.....	19	80613008.....	11, 25	88501016.....	11
7027777.....	201	80214018.....	19	80613009.....	11, 25	88521205.....	46, 54
7027778.....	201	80214019.....	19	80614008.....	25	88521212.....	11
7027779.....	201	80214020.....	19	80683015.....	11	88551013.....	11, 27
7027780.....	201	80214021.....	19	80914076.....	13	88662301.....	235
7027781.....	133	80214022.....	19	80983191.....	253, 280	88662329.....	235
7027782.....	133	80214023.....	23	8229242.....	251, 253, 278	88662332.....	235
7027783.....	133	80214024.....	23	8270147.....	54, 63, 252	88662354.....	235
7027784.....	133	80214026.....	23	8310129.....	189	88662446.....	235
7027790.....	51, 58	80214027.....	23	8310230.....	189	88662448.....	235
7027791.....	51, 58	80214028.....	23	83191002.....	11	88662523.....	105
7027792.....	51, 58	80214029.....	23	83191004.....	27	8896941.....	285
7027793.....	51, 252	80214030.....	23	83191010.....	27	90027187.....	235
7027795.....	51, 58, 280	80214031.....	25	83191013.....	27	90027472.....	11
7027796.....	51, 58	80214033.....	25	83191021.....	27	90027475.....	11
7027799.....	126	80214034.....	25	83191056.....	11	90206194.....	105
7027887.....	111, 115	80214171.....	14	83191058.....	11	91401281.....	47, 54, 63
77143013.....	88	80214172.....	14	83201001.....	11	91403102.....	68, 280
77363233.....	260	80214308.....	13	83201047.....	11		

PARTS FINDER

**Search Website
by Part Number**



**Search Manual
Library For Parts
Manual & Lookup Part
Numbers – Purchase
or Request Quote**

**Can't Find Part or
Manual? Request Help
by Manufacturer,
Model & Description**

Discount-Equipment.com is your online resource for quality parts & equipment.

Florida: **561-964-4949** Outside Florida TOLL FREE: **877-690-3101**

Need parts?

Click on this link: <http://www.discount-equipment.com/category/5443-parts/> and choose one of the options to help get the right parts and equipment you are looking for. Please have the machine model and serial number available in order to help us get you the correct parts. If you don't find the part on the website or on one of the online manuals, please fill out the request form and one of our experienced staff members will get back to you with a quote for the right part that your machine needs.

We sell worldwide for the brands: Genie, Terex, JLG, MultiQuip, Mikasa, Essick, Whiteman, Mayco, Toro Stone, Diamond Products, Generac Magnum, Airman, Haulotte, Barreto, Power Blanket, Nifty Lift, Atlas Copco, Chicago Pneumatic, Allmand, Miller Curber, Skyjack, Lull, Skytrak, Tsurumi, Husquvarna Target, Stow, Wacker, Sakai, Mi-T-M, Sullair, Basic, Dynapac, MBW, Weber, Bartell, Bennar Newman, Haulotte, Ditch Runner, Menegotti, Morrison, Contec, Buddy, Crown, Edco, Wyco, Bomag, Laymor, EZ Trench, Bil-Jax, F.S. Curtis, Gehl Pavers, Heli, Honda, ICS/PowerGrit, IHI, Partner, Imer, Clipper, MMD, Koshin, Rice, CH&E, General Equipment, Amida, Coleman, NAC, Gradall, Square Shooter, Kent, Stanley, Tamco, Toku, Hatz, Kohler, Robin, Wisconsin, Northrock, Oztec, Toker TK, Rol-Air, APT, Wylie, Ingersoll Rand / Doosan, Innovatech, Con X, Ammann, Mecalac, Makinex, Smith Surface Prep, Small Line, Wanco, Yanmar