



Illustrated Parts Manual

Models
600S
660SJ

SN 0300235168* to Present
SN B300002655* to Present

* See Revision Log Page for exceptions

P/N
3121729

February 28, 2019 - Rev I

ANSI

CE



AS/NZS



An Oshkosh Corporation Company

PARTS FINDER

**Search Website
by Part Number**



**Search Manual
Library For Parts
Manual & Lookup Part
Numbers – Purchase
or Request Quote**

**Can't Find Part or
Manual? Request Help
by Manufacturer,
Model & Description**

Discount-Equipment.com is your online resource for quality parts & equipment.

Florida: **561-964-4949** Outside Florida TOLL FREE: **877-690-3101**

Need parts?

Click on this link: <http://www.discount-equipment.com/category/5443-parts/> and choose one of the options to help get the right parts and equipment you are looking for. Please have the machine model and serial number available in order to help us get you the correct parts. If you don't find the part on the website or on one of the online manuals, please fill out the request form and one of our experienced staff members will get back to you with a quote for the right part that your machine needs.

We sell worldwide for the brands: Genie, Terex, JLG, MultiQuip, Mikasa, Essick, Whiteman, Mayco, Toro Stone, Diamond Products, Generac Magnum, Airman, Haulotte, Barreto, Power Blanket, Nifty Lift, Atlas Copco, Chicago Pneumatic, Allmand, Miller Curber, Skyjack, Lull, Skytrak, Tsurumi, Husquvarna Target, Stow, Wacker, Sakai, Mi-T-M, Sullair, Basic, Dynapac, MBW, Weber, Bartell, Bennar Newman, Haulotte, Ditch Runner, Menegotti, Morrison, Contec, Buddy, Crown, Edco, Wyco, Bomag, Laymor, EZ Trench, Bil-Jax, F.S. Curtis, Gehl Pavers, Heli, Honda, ICS/PowerGrit, IHI, Partner, Imer, Clipper, MMD, Koshin, Rice, CH&E, General Equipment, Amida, Coleman, NAC, Gradall, Square Shooter, Kent, Stanley, Tamco, Toku, Hatz, Kohler, Robin, Wisconsin, Northrock, Oztec, Toker TK, Rol-Air, APT, Wylie, Ingersoll Rand / Doosan, Innovatech, Con X, Ammann, Mecalac, Makinex, Smith Surface Prep, Small Line, Wanco, Yanmar

REVISION LOG

NOTES:

NOTE: The 600S & 660SJ Boom Lifts are manufactured by JLG Industries in the following countries: USA and China. Refer to the Serial Number Tag to identify the country of manufacture. The country of manufacture may be determined by the Serial Number. Machines manufactured in the USA will have a serial number prefix of 03 (i.e. 03XXXXXXXX). Machines manufactured in the China will have a serial number prefix of B3 (i.e. B3XXXXXXXX).

NOTE :

List of SN exceptions:

Use Parts Manual 3121729 for these SNs also:

0300224266, 0300224267, 0300224755-0300224758, 0300233720-0300233722,
0300234973-0300234975, B300002216, B300002217, B300002339, B300002382,

PARTS MANUAL REVISION LOG:

July 15, 2017 - A - Original Issue of Manual (Manual edited to 1001188600 Revision O)

August 31, 2017 - B - Revised Manual (Manual edited to 1001188600 Revision O)

October 31, 2017 - C - Revised Manual (Manual Edited to 1001188600 Revision T) (Revision 2)

January 20, 2018 - D - Revised Manual (Manual Edited to 1001188600 Revision U) (Revision 2)

April 24, 2018 - E - Revised Manual (Manual Edited to 1001188600 Revision X) (Revision 2)

July 31, 2018 - F - Revised Manual (Manual Edited to 1001188600 Revision X) (Revision 2)

October 12, 2018 - G - Revised Manual (Manual Edited to 1001188600 Revision AC) (Revision 2)

January 25, 2019 - H - Revised Manual (Manual Edited to 1001188600 Revision AC)

February 28, 2019 - I - Revised Manual (Manual Edited to 1001188600 Revision AC) (Revision 1)

GENERAL INFORMATION

SECTION 6 CYLINDER

FIGURE 6-3. LIFT CYLINDER ASSEMBLY

PG# Model Designation Manual #

ITEM #	PART NUMBER	QTY.	DESCRIPTION	REV.
	1001140104	Ref.	LIFT CYLINDER ASSEMBLY	B
1	0100011	AR	Compound, Locking	
2	0630535	3	Capscrew 1/4-20 x 1-1/8	
3	0791003	1	Screw #10-24 x 3/8	
4	0961897	1	Bushing, Tapered	
5	1320136	1	Clamp, Cable	
6	1663063	1	Head	
7	2220883	1	Plug, O-Ring	
8	2220885	2	Plug, O-Ring	
8	2220886	1	Plug, O-Ring	
10	3020039	AR	Lubricant	
11	3480282	1	Piston	
12	3760371	1	Ring, Washer	
13	3931420	8	Capscrew 1/4-20 x 1-1/4	
14	3931824	8	Capscrew 1/2-13 x 1-1/2	
15	3951003	1	Screw #10-24 x 3/8	
16	4100099	1	Spacer	
17	4640999	1	Cartridge, Holding Valve (Non Vented)	
17	2900792		Kit, Seal - 4640999 Cartridge Valve	
18	4641248	1	Cartridge, Countbalance Valve (Non Vented)	
18	7000186		Kit, Seal - 4641248 Cartridge Valve	
19	1001117991	1	Sensor, Cylinder Length	
20	100118070	1	Cap, Retainer	
21	100118054	1	Barrel	
21A	0961950	2	Bushing	
22	100118086	1	Rod	
22A	0961950	2	Bushing	
100	1001139996	1	Kit, Seal (Includes Items 101-109)	
101	See Note	2	Ring, Wear (Note: Use pin 1001139996)	
102	See Note	1	Ring, Back-Up (Note: Use pin 1001139996)	
103	See Note	2	Ring, Lock (Note: Use pin 1001139996)	
104	See Note	2	Ring, Back-Up (Note: Use pin 1001139996)	
105	See Note	3	O-Ring (Note: Use pin 1001139996)	
106	See Note	1	O-Ring (Note: Use pin 1001139996)	
107	See Note	1	Seal (Note: Use pin 1001139996)	
108	See Note	1	Wiper, Rod (Note: Use pin 1001139996)	
109	See Note	2	Seal (Note: Use pin 1001139996)	
200	1001180105	1	Kit, Sensor Magnet (Includes Items 201-203)	
201	See Note	NSS	Sleeve, Spacer (Note: Use pin 1001180105)	
202	100118066	1	Magnet, Sensor	
203	100118069	1	Ring, Internal Retaining	

Manual # Model Designation PG#

1) MACHINE IDENTIFICATION

Machines are identified by model and in some cases a combination of models, serial number (SN) or regional standard (i.e. ANSI, CE, CSA). Components may also be identified by SN or manufacturer. Common components that may be identified by these characteristics are engines and hydraulic components.

2) PARTS MANUAL ORGANIZATION

Product information in this manual is organized under section titles. Frame, Cylinder, Hydraulic and Electrical are a few examples. Each section is organized by figure and page number. The information within the Figure is then organized by item number, part number, description and corresponding illustration(s).

3) TABLE OF CONTENTS

A table of contents is found toward the beginning of the manual. Figure number, description and page number are provided for quick reference to the page containing the related information.

4) RECOMMENDED SPARE PARTS

The Recommended Spare Parts, located near the end of the manual, reference most frequently used maintenance parts.

5) PART NUMBER INDEX

A numerical index listing all part numbers and the corresponding page number(s) appears at the back of the manual.

GENERAL INFORMATION

6) NON-SERVICED PARTS

In some instances, it is necessary to display non-serviced parts, assemblies or installations. In the case of assemblies and installations there will be a Ref in the Qty column. In case of parts that are not available for service within assemblies or components, there will be a NSS (Not Sold Separately) or NLA (No Longer Available) listed in the Qty. column of the manual.

7) PARTS LIST ITEM NUMBERS

Numbers shown in the item# column correspond to numbers used in the associated illustration (s). Item numbers which are missing from the sequence in the parts list are not used on that page

8) INDENTED PARTS DESCRIPTION

An indented part description is included in the item under which it is indented.

9) ABB REVIATION AND SYMBOLS

AC.....	Alternating Current	LCD.....	Liquid Crystal Display
ADE.....	Advanced Design Electronics	LED.....	Light Emitting Diodes
ANSI.....	American National Standards Institute	LH.....	Left Hand
AR.....	As Required	LSS.....	Load Sensing System
ASSY.....	Assembly	M(m).....	Metric/Meter
AUX.....	Auxiliary	MM (mm).....	Milimeter
AWG.....	American WireGauge	mA.....	Miliamps
B/M.....	Bill of Material	NLA.....	No Longer Available
CE.....	European Conformity	NPT.....	National Pipe Threads
CCW.....	Counter Clockwise	NSS.....	Not So Id Separately
cm.....	Centimeter	OD.....	Outside Diameter
CW.....	Clockwise	ORB.....	O-Ring Boss
CSA.....	Canadian Standards Association	ORFS.....	O-Ring Face Seal
CYL.....	Cylinder	OZ (oz).....	Ounces
DIA.....	Diameter	PG.....	Page
DC.....	Direct Current	P/N.....	Part Number
EMS.....	Emergency Stop	qt.....	Quarts
ENG.....	Engine	QTY.....	Quantity
FT (ft).....	Feet	REF.....	Reference
GA (Ga).....	Gauge	REV.....	Revision Level
HYD.....	Hydraulic	RH.....	Right Hand
Hz.....	Hertz	SAE.....	Society of Automotive Engineers
ID.....	Inside Diameter	SN.....	Serial Number
in.....	inches	SPEC(S).....	Specifications
ISO.....	International Organization for Standards	T/T.....	Turntable
JIC.....	Joint Industry Council	UGM.....	Universal Ground Module
KG.....	Kilogram	V.....	Volts
L.....	Liter	W.....	Watts
LB.....	Pounds	#.....	Number

10) ILLUSTRATION REFERENCE LETTERS

When necessary, illustrations may contain reference letters that are intended to track information (i. e. hoses, harnesses) from one point to another or to track visual enlargement of components to show details that may be located in another area on the illustration.

Note: Due to continuous product improvements, JLG Industries, Inc. reserves the right to make specification changes without prior notification. Contact JLG Industries, Inc. for updated information.

TABLE OF CONTENTS

SECTION 1 - FRAME.....	15
FIGURE 1-1. AXLE INSTALLATION - FRONT.....	16
FIGURE 1-2. AXLE INSTALLATION - REAR (4WS ONLY).....	18
FIGURE 1-3. STEER INSTALLATION - WITHOUT TOW PACKAGE.....	20
FIGURE 1-4. STEER INSTALLATION - WITH TOW PACKAGE.....	22
FIGURE 1-5. WHEEL DRIVE INSTALLATION - 4WD/2WS.....	24
FIGURE 1-6. WHEEL DRIVE INSTALLATION - 4WD/4WS.....	26
FIGURE 1-7. DRIVE HUB ASSEMBLY.....	28
FIGURE 1-8. DRIVE MOTOR ASSEMBLY.....	32
FIGURE 1-9. TRACTION VALVE ASSEMBLY.....	34
FIGURE 1-10. TIRE & WHEEL INSTALLATION - IN355-55 D625 PNEUMATIC (AVAILABLE ON ALL SPECS EXCEPT AUSTRALIAN, CE & CHINA SPECS).....	36
FIGURE 1-11. TIRE & WHEEL INSTALLATION - IN355-55 D625 PNEUMATIC NON-MARKING (AVAILABLE ON ALL SPECS EXCEPT AUSTRALIAN, CE & CHINA SPECS).....	38
FIGURE 1-12. TIRE & WHEEL INSTALLATION - IN355-55 D625 PNEUMATIC WITH TIRE SEALANT (AVAILABLE ON ALL SPECS EXCEPT AUSTRALIAN, CE & CHINA SPECS).....	40
FIGURE 1-13. TIRE & WHEEL INSTALLATION - IN355-55 D625 FOAM FILLED (AVAILABLE ON ALL SPECS).....	42
FIGURE 1-14. TIRE & WHEEL INSTALLATION - IN355-55 D625 FOAM FILLED NON-MARKING (AVAILABLE ON ALL SPECS).....	44
FIGURE 1-15. TIRE & WHEEL INSTALLATION - 41-18LL X 22.5 PNEUMATIC TURF & SAND (AVAILABLE ON ALL SPECS EXCEPT AUSTRALIAN, CE & CHINA SPECS).....	46
FIGURE 1-16. TIRE & WHEEL INSTALLATION - 41-18LL X 22.5 FOAM FILLED TURF & SAND (AVAILABLE ON ALL SPECS EXCEPT AUSTRALIAN & CE SPECS).....	48
FIGURE 1-17. FRAME COVERS INSTALLATION - 2WS.....	50
FIGURE 1-18. FRAME COVERS INSTALLATION - 4WS.....	52
FIGURE 1-19. TOW BAR INSTALLATION (OPTIONAL).....	54
SECTION 2 - TURNTABLE.....	57
FIGURE 2-1. VALVE INSTALLATION - 600S WITH 2WS.....	58
FIGURE 2-2. VALVE INSTALLATION - 600S WITH 4WS.....	60
FIGURE 2-3. VALVE INSTALLATION - 660SJ WITH 2WS.....	62
FIGURE 2-4. VALVE INSTALLATION - 660SJ WITH 4WS.....	64
FIGURE 2-5. MAIN VALVE ASSEMBLY - 2WS.....	66
FIGURE 2-6. MAIN VALVE ASSEMBLY - 4WS.....	70
FIGURE 2-7. AXLE VALVE ASSEMBLY.....	74
FIGURE 2-8. SWING DRIVE INSTALLATION.....	76
FIGURE 2-9. SWING MOTOR/HUB ASSEMBLY.....	78
FIGURE 2-10. TURNTABLE BEARING AND LUBE INSTALLATION.....	82
FIGURE 2-11. TURNTABLE LOCK INSTALLATION.....	84
FIGURE 2-12. ROTARY COUPLING INSTALLATION - 2WS.....	86
FIGURE 2-13. ROTARY COUPLING ASSEMBLY - 2WS.....	88
FIGURE 2-14. ROTARY COUPLING INSTALLATION - 4WS.....	90
FIGURE 2-15. TANKS INSTALLATION - DIESEL MACHINES (POLY FUEL TANK).....	92
FIGURE 2-16. TANKS INSTALLATION - DIESEL MACHINES (STEEL FUEL TANK).....	94
FIGURE 2-17. TANKS INSTALLATION - GAS MACHINES.....	96
FIGURE 2-18. HYDRAULIC TANK ASSEMBLY.....	98
FIGURE 2-19. BATTERY AND AUXILIARY PUMP INSTALLATION.....	100
FIGURE 2-20. BATTERY AND AUXILIARY PUMP W/DISCONNECT SWITCH INSTALLATION.....	102
FIGURE 2-21. ELECTRICAL COMPONENTS INSTALLATION - 600S WITH 2WS.....	104
FIGURE 2-22. ELECTRICAL COMPONENTS INSTALLATION - 600S WITH 4WS.....	106
FIGURE 2-23. ELECTRICAL COMPONENTS INSTALLATION - 660SJ WITH 2WS.....	108
FIGURE 2-24. ELECTRICAL COMPONENTS INSTALLATION - 660SJ WITH 4WS.....	110
FIGURE 2-25. GROUND CONTROL PANEL ASSEMBLY - 600S.....	112
FIGURE 2-26. GROUND CONTROL PANEL ASSEMBLY - 660SJ.....	114
FIGURE 2-27. KEYSWITCH INSTALLATION - 600S (ALL SPECS EXCEPT AUSTRALIAN AND CE SPECS).....	116
FIGURE 2-28. KEYSWITCH INSTALLATION - 600S (CE SPECS).....	118
FIGURE 2-29. KEYSWITCH INSTALLATION - 660SJ (ALL SPECS EXCEPT CE SPECS).....	120
FIGURE 2-30. KEYSWITCH INSTALLATION - 660SJ (CE SPECS).....	122
FIGURE 2-31. STROBE LIGHT INSTALLATION - AMBER (OPTIONAL).....	124
FIGURE 2-32. STROBE LIGHT INSTALLATION - BLUE (OPTIONAL) (SN 0300235168 through 0300259907, SN B30002655 to Present).....	126
FIGURE 2-33. STROBE LIGHT INSTALLATION - BLUE (OPTIONAL) (SN 0300259908 to Present).....	128
FIGURE 2-34. STROBE LIGHT INSTALLATION - RED (OPTIONAL) (SN 0300235168 through 0300259907, SN B30002655 to Present).....	130

TABLE OF CONTENTS

FIGURE 2-35. STROBE LIGHT INSTALLATION - RED (OPTIONAL) (SN 0300259908 to Present)	132
FIGURE 2-36. HOODS INSTALLATIONS - ABS (DEUTZ D2.9L4 - 49HP ENGINE).....	134
FIGURE 2-37. HOODS INSTALLATIONS - ABS (DEUTZ D2011, DEUTZ TD2.9L4 - 67HP AND FORD ENGINES)	138
FIGURE 2-38. HOOD ASSEMBLY - TANK SIDE (ABS).....	142
FIGURE 2-39. HOOD ASSEMBLY - ENGINE SIDE (ABS).....	144
FIGURE 2-40. HOODS INSTALLATIONS - STEEL (DEUTZ D2.9L4 - 49HP ENGINE).....	146
FIGURE 2-41. HOODS INSTALLATIONS - STEEL (DEUTZ D2011, DEUTZ TD2.9L4 - 67HP AND FORD ENGINES)	150
FIGURE 2-42. HOOD ASSEMBLY - TANK SIDE (STEEL).....	154
FIGURE 2-43. HOOD ASSEMBLY - ENGINE SIDE (STEEL).....	156
FIGURE 2-44. COVERS INSTALLATION	158
SECTION 3 - ENGINE	161
FIGURE 3-1. DEUTZ D2011 ENGINE INSTALLATION - WITHOUT ARCTIC PACKAGE.....	162
FIGURE 3-2. DEUTZ D2011 ENGINE AND PUMPS SUB-ASSEMBLY - WITHOUT ARCTIC PACKAGE	166
FIGURE 3-3. DEUTZ D2011 ENGINE ASSEMBLY - WITHOUT ARCTIC PACKAGE.....	168
FIGURE 3-4. DEUTZ D2011 ENGINE INSTALLATION - WITH ARCTIC PACKAGE	172
FIGURE 3-5. DEUTZ D2011 ENGINE AND PUMPS SUB-ASSEMBLY - WITH ARCTIC PACKAGE.....	176
FIGURE 3-6. DEUTZ D2011 ENGINE ASSEMBLY - WITH ARCTIC PACKAGE	178
FIGURE 3-7. DEUTZ D2011 ENGINE COMPONENTS.....	182
FIGURE 3-8. DEUTZ D2011 (STAGE V) ENGINE INSTALLATION	186
FIGURE 3-9. DEUTZ D2011 (STAGE V) ENGINE AND PUMPS SUB-ASSEMBLY	188
FIGURE 3-10. DEUTZ D2011 (STAGE V) ENGINE ASSEMBLY	190
FIGURE 3-11. DEUTZ D2011 (STAGE V) ENGINE COMPONENTS.....	194
FIGURE 3-12. DEUTZ D2.9L4 - 49HP ENGINE INSTALLATION - WITHOUT ARCTIC PACKAGE	198
FIGURE 3-13. DEUTZ D2.9L4 - 49HP ENGINE AND PUMPS SUB-ASSEMBLY - WITHOUT ARCTIC PACKAGE	202
FIGURE 3-14. DEUTZ D2.9L4 - 49HP ENGINE ASSEMBLY - WITHOUT ARCTIC PACKAGE.....	204
FIGURE 3-15. DEUTZ D2.9L4 - 49HP ENGINE INSTALLATION - WITH ARCTIC PACKAGE	208
FIGURE 3-16. DEUTZ D2.9L4 - 49HP ENGINE AND PUMPS SUB-ASSEMBLY - WITH ARCTIC PACKAGE	212
FIGURE 3-17. DEUTZ D2.9L4 - 49HP ENGINE ASSEMBLY - WITH ARCTIC PACKAGE	214
FIGURE 3-18. DEUTZ D2.9L4 - 49HP ENGINE COMPONENTS.....	220
FIGURE 3-19. DEUTZ TD2.9L4 - 67HP ENGINE INSTALLATION - WITHOUT ARCTIC PACKAGE	224
FIGURE 3-20. DEUTZ TD2.9L4 - 67HP ENGINE AND PUMPS SUB-ASSEMBLY - WITHOUT ARCTIC PACKAGE.....	228
FIGURE 3-21. DEUTZ TD2.9L4 - 67HP ENGINE ASSEMBLY - WITHOUT ARCTIC PACKAGE	230
FIGURE 3-22. DEUTZ TD2.9L4 - 67HP ENGINE INSTALLATION - WITH ARCTIC PACKAGE	236
FIGURE 3-23. DEUTZ TD2.9L4 - 67HP ENGINE AND PUMPS SUB-ASSEMBLY - WITH ARCTIC PACKAGE	240
FIGURE 3-24. DEUTZ TD2.9L4 - 67HP ENGINE ASSEMBLY - WITH ARCTIC PACKAGE	242
FIGURE 3-25. DEUTZ TD2.9L4 - 67HP ENGINE COMPONENTS	248
FIGURE 3-26. BREATHER HEATER INSTALLATION - DEUTZ D2.9L4 - 49HP AND DEUTZ TD2.9L4 - 67HP ENGINES WITH ARCTIC PACKAGE.....	254
FIGURE 3-27. FORD ENGINE INSTALLATION - WITHOUT ARCTIC PACKAGE.....	256
FIGURE 3-28. FORD ENGINE AND PUMPS SUB-ASSEMBLY - WITHOUT ARCTIC PACKAGE	260
FIGURE 3-29. FORD ENGINE ASSEMBLY - WITHOUT ARCTIC PACKAGE	262
FIGURE 3-30. FORD ENGINE INSTALLATION - WITH ARCTIC PACKAGE	268
FIGURE 3-31. FORD ENGINE AND PUMPS SUB-ASSEMBLY - WITH ARCTIC PACKAGE.....	272
FIGURE 3-32. FORD ENGINE ASSEMBLY - WITH ARCTIC PACKAGE.....	274
FIGURE 3-33. FORD ENGINE PREP ASSEMBLY - PUMP COUPLING.....	280
FIGURE 3-34. FORD ENGINE COMPONENTS.....	282
FIGURE 3-35. PUMP COUPLING KIT (DEUTZ ENGINES).....	286
FIGURE 3-36. PISTON PUMP ASSEMBLY.....	288
FIGURE 3-37. FUEL FILTER INSTALLATION (POLY FUEL TANK).....	292
FIGURE 3-38. FUEL FILTER INSTALLATION (STEEL FUEL TANK) (DEUTZ D2011 ENGINES)	294
FIGURE 3-39. FUEL PUMP AND FILTER INSTALLATION (STEEL FUEL TANK) (DEUTZ D2.9L4 - 49HP AND DEUTZ TD2.9L4 - 67HP ENGINES).....	296
FIGURE 3-40. LP TANK AND BRACKETS INSTALLATION (FORD ENGINE)	298
FIGURE 3-41. MUFFLER INSTALLATION - SPARK ARRESTING (DEUTZ D2011 ENGINES) (OPTIONAL).....	300
FIGURE 3-42. MUFFLER INSTALLATION - CATALYTIC (DEUTZ D2011 ENGINES) (OPTIONAL)	302
FIGURE 3-43. MUFFLER INSTALLATION - SPARK ARRESTING (FORD ENGINES) (OPTIONAL)	304
FIGURE 3-44. EXHAUST PIPE INSTALLATION (DEUTZ D2011 ENGINES).....	306
FIGURE 3-45. ENGINE HOOD BAFFLES INSTALLATION - ABS HOODS (DEUTZ D2.9L4 - 49HP ENGINES)	308
FIGURE 3-46. ENGINE HOOD BAFFLES INSTALLATION - ABS HOODS (DEUTZ D2011, DEUTZ TD2.9L4 - 67HP AND FORD ENGINES).....	310
FIGURE 3-47. ENGINE HOOD BAFFLES INSTALLATION - STEEL HOODS (DEUTZ D2.9L4 - 49HP ENGINES)	312
FIGURE 3-48. ENGINE HOOD BAFFLES INSTALLATION - STEEL HOODS (DEUTZ D2011, DEUTZ TD2.9L4 - 67HP AND FORD ENGINES).....	314
FIGURE 3-49. NOISE REDUCTION PACKAGE.....	316
FIGURE 3-50. TRAY JACK INSTALLATION (DEUTZ D2.9L4 - 49HP ENGINES)	318

TABLE OF CONTENTS

FIGURE 3-51. TRAY JACK INSTALLATION (DEUTZ D2011, DEUTZ TD2.9L4 - 67HP AND FORD ENGINES).....	320
FIGURE 3-52. MOTOR MOUNT INSTALLATION - WITHOUT GENERATOR (DEUTZ D2011 ENGINES).....	322
FIGURE 3-53. MOTOR MOUNT INSTALLATION - WITH GENERATOR (DEUTZ D2011 ENGINES)	324
FIGURE 3-54. MOTOR MOUNT INSTALLATION - WITHOUT GENERATOR (DEUTZ D2.9L4 - 49HP ENGINES).....	326
FIGURE 3-55. MOTOR MOUNT INSTALLATION - WITHOUT GENERATOR (DEUTZ TD2.9L4 - 67HP ENGINES).....	328
FIGURE 3-56. MOTOR MOUNT INSTALLATION - WITH GENERATOR (DEUTZ D2.9L4 - 49HP ENGINES)	330
FIGURE 3-57. MOTOR MOUNT INSTALLATION - WITH GENERATOR (DEUTZ TD2.9L4 - 67HP ENGINES).....	332
FIGURE 3-58. BELT WITHOUT GENERATOR INSTALLATION (FORD ENGINES).....	334
FIGURE 3-59. 2500W GENERATOR INSTALLATION - 220V/50HZ (DEUTZ D2011 ENGINES) (OPTIONAL)	336
FIGURE 3-60. 2500W GENERATOR INSTALLATION - 110V/60HZ (DEUTZ D2011 ENGINES) (OPTIONAL)	338
FIGURE 3-61. 2500W GENERATOR INSTALLATION - 110V/60HZ (DEUTZ D2.9L4 - 49HP ENGINES) (OPTIONAL).....	340
FIGURE 3-62. 2500W GENERATOR INSTALLATION - 110V/60HZ (DEUTZ TD2.9L4 - 67HP ENGINES) (OPTIONAL).....	344
FIGURE 3-63. 2500W GENERATOR INSTALLATION - 110V/60HZ (FORD ENGINES) (OPTIONAL)	348
FIGURE 3-64. 4000W GENERATOR INSTALLATION - 220V/50HZ (DEUTZ D2011 ENGINES) (OPTIONAL)	350
FIGURE 3-65. 4000W GENERATOR INSTALLATION - 110V/60HZ (DEUTZ D2011 ENGINES) (OPTIONAL)	354
FIGURE 3-66. 4000W GENERATOR INSTALLATION - 110V/60HZ (DEUTZ D2.9L4 - 49HP ENGINES) (OPTIONAL).....	358
FIGURE 3-67. 4000W GENERATOR INSTALLATION - 110V/60HZ (DEUTZ TD2.9L4 - 67HP ENGINES) (OPTIONAL).....	362
FIGURE 3-68. 7500W SKYPOWER GENERATOR INSTALLATION - 220V/50HZ (DEUTZ D2011 ENGINES) (OPTIONAL)	366
FIGURE 3-69. 7500W SKYPOWER GENERATOR INSTALLATION - 110/60HZ (DEUTZ D2011 ENGINES) (OPTIONAL).....	370
FIGURE 3-70. 7500W SKYPOWER GENERATOR INSTALLATION - 110V/60HZ (DEUTZ D2.9L4 - 49HP ENGINES) (OPTIONAL).....	374
FIGURE 3-71. 7500W SKYPOWER GENERATOR INSTALLATION - 110V/60HZ (DEUTZ TD2.9L4 - 67HP ENGINES) (OPTIONAL).....	378
FIGURE 3-72. 7500W SKYPOWER GENERATOR INSTALLATION - 110V/60HZ (FORD ENGINES) (OPTIONAL).....	382
SECTION 4 - BOOM	385
FIGURE 4-1. BOOM INSTALLATION - 600S	386
FIGURE 4-2. BOOM INSTALLATION - 660SJ	390
FIGURE 4-3. BOOM ASSEMBLY - 600S	394
FIGURE 4-4. BOOM ASSEMBLY - 660SJ	398
FIGURE 4-5. JIB ASSEMBLY - 660SJ (USA BUILT MACHINES)	402
FIGURE 4-6. JIB ASSEMBLY - 660SJ (CHINA BUILT MACHINES).....	404
FIGURE 4-7. PLATFORM ROTATOR ASSEMBLY - 600S	406
FIGURE 4-8. PLATFORM ROTATOR ASSEMBLY - 660SJ	408
FIGURE 4-9. POWER TRACK INSTALLATION	410
FIGURE 4-10. BOOM VALVES INSTALLATION - 600S WITH 2WS	412
FIGURE 4-11. BOOM VALVES INSTALLATION - 600S WITH 4WS	414
FIGURE 4-12. BOOM VALVES INSTALLATION - 660SJ WITH 2WS.....	416
FIGURE 4-13. BOOM VALVES INSTALLATION - 660SJ WITH 4WS.....	418
FIGURE 4-14. PLATFORM VALVE ASSEMBLY - 600S	420
FIGURE 4-15. PLATFORM VALVE ASSEMBLY - 660SJ	422
FIGURE 4-16. BOOM SENSORS INSTALLATION - 600S.....	424
FIGURE 4-17. BOOM SENSORS INSTALLATION - 660SJ.....	426
FIGURE 4-18. PLATFORM SUPPORT INSTALLATION - WITHOUT LSS (SN 0300235168 through 0300251320, SN B300002655 through B300003386).....	428
FIGURE 4-19. PLATFORM SUPPORT INSTALLATION - WITHOUT LSS (SN 0300251321 to Present, SN B300003387 to Present).....	430
FIGURE 4-20. PLATFORM SUPPORT INSTALLATION - WITH LSS.....	432
SECTION 5 - PLATFORM	435
FIGURE 5-1. PLATFORM ASSEMBLY - 30IN X 3FT (76CM X .91M) - DROP BAR ENTRY.....	436
FIGURE 5-2. PLATFORM ASSEMBLY - 30IN X 4FT (76CM X 1.22M) WITH SWING GATE.....	438
FIGURE 5-3. PLATFORM ASSEMBLY - 30IN X 4FT (76CM X 1.22M) WITH DROP BAR.....	440
FIGURE 5-4. PLATFORM ASSEMBLY - 30IN X 5FT (76CM X 1.52M) WITH SWING GATE.....	442
FIGURE 5-5. PLATFORM ASSEMBLY - 30IN X 5FT (76CM X 1.52M) WITH DROP BAR.....	444
FIGURE 5-6. PLATFORM ASSEMBLY - 36IN X 6FT (91.5CM X 1.83M) WITH SWING GATE.....	446
FIGURE 5-7. PLATFORM ASSEMBLY - 36IN X 6FT (91.5CM X 1.83M) WITH DROP BAR.....	448
FIGURE 5-8. PLATFORM ASSEMBLY - 36IN X 6FT (91.5CM X 1.83M) WITH FALL ARREST (ANSI, ANSI EXPORT, CHINA AND CSA SPECS)	450
FIGURE 5-9. PLATFORM ASSEMBLY - 36IN X 6FT (91.5CM X 1.83M) TRI-ENTRY WITH SWING GATE.....	452
FIGURE 5-10. PLATFORM ASSEMBLY - 36IN X 6FT (91.5CM X 1.83M) TRI-ENTRY WITH DROP BAR.....	454
FIGURE 5-11. PLATFORM ASSEMBLY - 36IN X 8FT (91.5CM X 2.44M) WITH SWING GATE.....	456
FIGURE 5-12. PLATFORM ASSEMBLY - 36IN X 8FT (91.5CM X 2.44M) WITH TRI-ENTRY (1 GATE/2 DROP BARS)	458
FIGURE 5-13. PLATFORM ASSEMBLY - 36IN X 8FT (91.5CM X 2.44M) WITH DROP BAR.....	460
FIGURE 5-14. PLATFORM ASSEMBLY - 36IN X 8FT (91.5CM X 2.44M) WITH TRI-ENTRY (3 DROP BARS).....	462

TABLE OF CONTENTS

FIGURE 5-15. PLATFORM ASSEMBLY - 36IN X 8FT (91.5CM X 2.44M) WITH FALL ARREST	464
FIGURE 5-16. TRAY ASSEMBLY	466
FIGURE 5-17. PLATFORM CONSOLE AND FOOTSWITCH INSTALLATION (SN 0300235168 through 0300259907, SN B30002655 to Present)	468
FIGURE 5-18. PLATFORM CONSOLE AND FOOTSWITCH INSTALLATION (SN 0300259908 to Present)	470
FIGURE 5-19. CONSOLE BOX ASSEMBLY (SN 0300235168 through 0300259907, SN B30002655 to Present).....	472
FIGURE 5-20. CONSOLE BOX ASSEMBLY (SN 0300259908 to Present).....	476
FIGURE 5-21. DECAL AND LIGHT PANEL INSTALLATION - 600S (ALL SPECS EXCEPT AUSTRALIAN AND CE SPECS).....	480
FIGURE 5-22. DECAL AND LIGHT PANEL INSTALLATION - 600S (CE SPECS)	482
FIGURE 5-23. DECAL AND LIGHT PANEL INSTALLATION - 660SJ (ALL SPECS EXCEPT AUSTRALIAN AND CE SPECS).....	484
FIGURE 5-24. DECAL AND LIGHT PANEL INSTALLATION - 660SJ (AUSTRALIAN AND CE SPECS).....	486
FIGURE 5-25. STEER SWITCH INSTALLATION WITHOUT TOW PACKAGE (4WD/4WS MACHINES).....	488
FIGURE 5-26. STEER SWITCH INSTALLATION WITH TOW PACKAGE (4WD/4WS MACHINES)	490
FIGURE 5-27. CONTROLLER ASSEMBLY (DRIVE AND STEER)	492
FIGURE 5-28. CONTROLLER ASSEMBLY (LIFT AND SWING)	494
FIGURE 5-29. FOOTSWITCH ASSEMBLY	498
FIGURE 5-30. SKYGUARD INSTALLATION (SN 0300235168 through 0300259907, SN B30002655 to Present)	500
FIGURE 5-31. SKYGUARD BAR INSTALLATION (SN 0300259908 to Present)	502
FIGURE 5-32. CROSS RAIL INSTALLATION	504
FIGURE 5-33. SKYEYE INSTALLATION.....	506
FIGURE 5-34. SOFT TOUCH INSTALLATION - 6FT (1.83M) PLATFORM (OPTIONAL)	508
FIGURE 5-35. SOFT TOUCH INSTALLATION - 6FT (1.83M) FALL ARREST PLATFORM (600S) (OPTIONAL)	510
FIGURE 5-36. SOFT TOUCH INSTALLATION - 8FT (2.4M) PLATFORM (OPTIONAL)	512
FIGURE 5-37. SOFT TOUCH INSTALLATION - 8FT (2.4M) FALL ARREST PLATFORM (600S) (OPTIONAL)	514
FIGURE 5-38. SOFT TOUCH INSTALLATION - OVERHEAD (CHINESE AND KOREAN SPECS) (OPTIONAL)	516
FIGURE 5-39. SKYGLAZIER INSTALLATION - 600S & 660SJ (ANSI, AUSTRALIAN AND CSA SPECS).....	518
FIGURE 5-40. SKYGLAZIER INSTALLATION - 600S (BRAZIL SPECS).....	520
FIGURE 5-41. SKYGLAZIER INSTALLATION - 600S (LATIN AMERICAN SPECS).....	522
FIGURE 5-42. SKYLINE INSTALLATION.....	524
FIGURE 5-43. SKYWELDER INSTALLATION (50HZ).....	526
FIGURE 5-44. SKYWELDER INSTALLATION (60HZ).....	528
FIGURE 5-45. SKYWELDER PREP PACKAGE (60HZ).....	530
FIGURE 5-46. WELDER ASSEMBLY	532
FIGURE 5-47. PIPE RACK INSTALLATION (ANSI AND CSA SPECS)	534
FIGURE 5-48. PIPE RACK INSTALLATION (AUSTRALIAN SPECS).....	536
FIGURE 5-49. FALL ARREST INSTALLATION (BOLT-ON EXTERNAL) (6FT/1.82M PLATFORM).....	538
FIGURE 5-50. FALL ARREST INSTALLATION (BOLT-ON EXTERNAL) (6FT/1.82M TRI-ENTRY PLATFORM).....	540
FIGURE 5-51. FALL ARREST INSTALLATION (BOLT-ON EXTERNAL) (8FT/2.4M PLATFORM).....	542
SECTION 6 - CYLINDER.....	545
FIGURE 6-1. AXLE LOCKOUT CYLINDER ASSEMBLY	546
FIGURE 6-2. LEVEL CYLINDER ASSEMBLY - PLATFORM SLAVE (600S)	548
FIGURE 6-3. LEVEL CYLINDER ASSEMBLY - PLATFORM SLAVE (660SJ)	550
FIGURE 6-4. LIFT CYLINDER ASSEMBLY - BOOM.....	552
FIGURE 6-5. LIFT CYLINDER ASSEMBLY - JIB (660SJ) (ORIGINAL EQUIPMENT) (SN 0300235168 through 03000237971, SN B300002216 through B300002338).....	554
FIGURE 6-6. LIFT CYLINDER ASSEMBLY - JIB (660SJ) (SERVICE REPLACEMENT) (SN 0300235168 through 03000237971, SN B300002216 through B300002338)	556
FIGURE 6-7. LIFT CYLINDER ASSEMBLY - JIB (660SJ) (SERVICE REPLACEMENT) (SN 0300235168 through 03000237971, SN B300002216 through B300002338)	558
FIGURE 6-8. LIFT CYLINDER ASSEMBLY - JIB (660SJ) (SN 0300237972 through 0300245222, SN B300002339 to Present).....	560
FIGURE 6-9. LIFT CYLINDER ASSEMBLY - JIB (660SJ) (SN 0300237157 to Present)	562
FIGURE 6-10. STEER CYLINDER ASSEMBLY	564
FIGURE 6-11. TELESCOPE CYLINDER ASSEMBLY (SN 0300235168 through 0300237156, SN B300002655 through B300002781).....	566
FIGURE 6-12. TELESCOPE CYLINDER ASSEMBLY (SN 0300237157 through 0300250001, SN B300002782 through B300003104).....	568
FIGURE 6-13. TELESCOPE CYLINDER ASSEMBLY (SN 0300250002 to Present, SN B300003105 to Present).....	570
SECTION 7 - HYDRAULIC	573
FIGURE 7-1. DRIVE HYDRAULIC DIAGRAM (2WS WITHOUT ARCTIC PACKAGE).....	574
FIGURE 7-2. DRIVE HYDRAULIC DIAGRAM (2WS WITH ARCTIC PACKAGE)	578
FIGURE 7-3. DRIVE HYDRAULIC DIAGRAM (4WS).....	582
FIGURE 7-4. STANDARD HYDRAULIC DIAGRAM (600S 2WS) (SN 0300235168 through 0300260918, SN B300002655 to Present).....	586

TABLE OF CONTENTS

FIGURE 7-5. STANDARD HYDRAULIC DIAGRAM (600S 2WS) (SN 0300260919 to Present)	592
FIGURE 7-6. STANDARD HYDRAULIC DIAGRAM (600S 4WS) (SN 0300235168 through 0300260918, SN B300002655 to Present)	598
FIGURE 7-7. STANDARD HYDRAULIC DIAGRAM (600S 4WS) (SN 0300260919 to Present)	604
FIGURE 7-8. STANDARD HYDRAULIC DIAGRAM (660SJ 2WS) (SN 0300235168 through 0300260918, SN B300002655 to Present)	610
FIGURE 7-9. STANDARD HYDRAULIC DIAGRAM (660SJ 2WS) (SN 0300260919 to Present)	616
FIGURE 7-10. STANDARD HYDRAULIC DIAGRAM (660SJ 4WS) (SN 0300235168 through 0300260918, SN B300002655 to Present)	622
FIGURE 7-11. STANDARD HYDRAULIC DIAGRAM (660SJ 4WS) (SN 0300260919 to Present)	628
FIGURE 7-12. HYDRAULIC DIAGRAM LIST	634
SECTION 8 - ELECTRICAL	635
FIGURE 8-1. ELECTRICAL DIAGRAM LIST	636
FIGURE 8-2. AC BOX AT PLATFORM INSTALLATION - 110V (ALL SPECS EXCEPT AUSTRALIAN & CE SPECS)	638
FIGURE 8-3. AC BOX AT PLATFORM INSTALLATION - 110V IEC YELLOW (CE SPECS WITHOUT 4000W/50HZ GENERATOR)	640
FIGURE 8-4. AC BOX AT PLATFORM INSTALLATION - 110V IEC YELLOW (CE SPECS WITH 4000W/50HZ GENERATOR)	642
FIGURE 8-5. AC BOX AT PLATFORM INSTALLATION - 220V IEC BLUE (CE SPECS WITHOUT 4000W/50HZ GENERATOR)	644
FIGURE 8-6. AC BOX AT PLATFORM INSTALLATION - 220V IEC BLUE (CE SPECS WITH 4000W/50HZ GENERATOR)	646
FIGURE 8-7. AC BOX AT PLATFORM INSTALLATION - 220V CEE7 2IN X 4IN POST GROUND (CE SPECS WITHOUT 4000W/50HZ GENERATOR)	648
FIGURE 8-8. AC BOX AT PLATFORM INSTALLATION - 220V CEE7 2IN X 4IN POST GROUND (CE SPECS WITH 4000W/50HZ GENERATOR)	650
FIGURE 8-9. AC BOX AT PLATFORM INSTALLATION - 220V CEE7 2IN X 4IN SIDE GROUND (CE SPECS WITHOUT 4000W/50HZ GENERATOR)	652
FIGURE 8-10. AC BOX AT PLATFORM INSTALLATION - 220V CEE7 2IN X 4IN SIDE GROUND (CE SPECS WITH 4000W/50HZ GENERATOR)	654
FIGURE 8-11. AC BOX AT PLATFORM INSTALLATION - 220V AFSINT107 (CE SPECS WITHOUT 4000W/50HZ GENERATOR)	656
FIGURE 8-12. AC BOX AT PLATFORM INSTALLATION - 220V AFSINT107 (CE SPECS WITH 4000W/50HZ GENERATOR)	658
FIGURE 8-13. AC BOX AT PLATFORM INSTALLATION - 220V CUSTOMER SUPPLIED COMPONENTS (ANSI EXPORT, AUSTRALIAN, CE AND CHINA SPECS)	660
FIGURE 8-14. AC BOX AT PLATFORM INSTALLATION - 240V (WITH 4000W GENERATOR) (ALL SPECS EXCEPT AUSTRALIAN & CE SPECS)	662
FIGURE 8-15. AC BOX AT PLATFORM INSTALLATION - 240V (WITH 7500W SKYPOWER GENERATOR) (ALL SPECS EXCEPT AUSTRALIAN & CE SPECS)	664
FIGURE 8-16. AC BREAKER BOX INSTALLATION - SINGLE DOUBLE POLE BREAKER	666
FIGURE 8-17. AC BREAKER BOX INSTALLATION - 3 BREAKERS	668
FIGURE 8-18. AC CABLES AND CLAMPS INSTALLATION - 600S WITHOUT GENERATOR (ANSI, CSA AND JAPANESE SPECS)	670
FIGURE 8-19. AC CABLES AND CLAMPS INSTALLATION - 600S WITHOUT GENERATOR (ANSI EXPORT, CE AND CHINA SPECS)	672
FIGURE 8-20. AC CABLES AND CLAMPS INSTALLATION - 600S WITH 2500W GENERATOR (ALL SPECS EXCEPT AUSTRALIAN AND CE SPECS)	674
FIGURE 8-21. AC CABLES AND CLAMPS INSTALLATION - 600S WITH 4000W/60HZ GENERATOR (ALL SPECS EXCEPT AUSTRALIAN, CE AND CHINA SPECS)	676
FIGURE 8-22. AC CABLES AND CLAMPS INSTALLATION - 600S WITH 4000W/50HZ GENERATOR (ANSI EXPORT, CE AND CHINA SPECS)	678
FIGURE 8-23. AC CABLES AND CLAMPS INSTALLATION - 600S WITH 7500W SKYPOWER GENERATOR	680
FIGURE 8-24. AC CABLES AND CLAMPS INSTALLATION - 660SJ WITHOUT GENERATOR (ANSI, CSA AND JAPANESE SPECS)	682
FIGURE 8-25. AC CABLES AND CLAMPS INSTALLATION - 660SJ WITHOUT GENERATOR (ANSI EXPORT, AUSTRALIAN, CE AND CHINA SPECS)	684
FIGURE 8-26. AC CABLES AND CLAMPS INSTALLATION - 660SJ WITH 2500W GENERATOR (ALL SPECS EXCEPT CE SPECS)	686
FIGURE 8-27. AC CABLES AND CLAMPS INSTALLATION - 660SJ WITH 4000W/60HZ GENERATOR (ALL SPECS EXCEPT AUSTRALIAN, CE AND CHINA SPECS)	688
FIGURE 8-28. AC CABLES AND CLAMPS INSTALLATION - 660SJ WITH 4000W/50HZ GENERATOR (ANSI EXPORT, AUSTRALIAN AND CE SPECS)	690
FIGURE 8-29. AC CABLES AND CLAMPS INSTALLATION - 660SJ WITH 7500W SKYPOWER GENERATOR	692
FIGURE 8-30. BATTERY DISCONNECT SWITCH INSTALLATION	694
FIGURE 8-31. BREAKER BOX KIT - SINGLE DOUBLE POLE BREAKER (WITHOUT 4000W/50HZ GENERATOR)	696
FIGURE 8-32. BREAKER BOX KIT - SINGLE DOUBLE POLE BREAKER (WITH 4000W/50HZ GENERATOR)	698

TABLE OF CONTENTS

FIGURE 8-33. BREAKER BOX KIT - 3 BREAKERS (SN 0300235168 through 0300237156).....	700
FIGURE 8-34. BREAKER BOX KIT - 3 BREAKERS (SN 0300237157 to Present).....	702
FIGURE 8-35. BOOM ANGLE SENSOR HARNESS	704
FIGURE 8-36. BOOM CABLE - LOWER.....	706
FIGURE 8-37. BOOM CABLE - UPPER (600S).....	708
FIGURE 8-38. BOOM CABLE - UPPER (660SJ).....	710
FIGURE 8-39. CAPACITY PROXIMITY HARNESS (SN 0300235168 through 0300257780, SN B300002655 to Present)	712
FIGURE 8-40. CAPACITY PROXIMITY HARNESS (SN 0300257781 to Present)	714
FIGURE 8-41. CAPACITY PROXIMITY HARNESS (SN 0300257781 to Present)	716
FIGURE 8-42. ELECTRICAL COMPONENTS INSTALLATION - 600S WITH 2WS	718
FIGURE 8-43. ELECTRICAL COMPONENTS INSTALLATION - 600S WITH 4WS	720
FIGURE 8-44. ELECTRICAL COMPONENTS INSTALLATION - 660SJ WITH 2WS	722
FIGURE 8-45. ELECTRICAL COMPONENTS INSTALLATION - 660SJ WITH 4WS	724
FIGURE 8-46. ENGINE HARNESS - DEUTZ D2011 ENGINES.....	726
FIGURE 8-47. ENGINE HARNESS - DEUTZ TD2.9L4 - 67HP ENGINES (SN 0300235168 through 0300237156, SN B300002655 through B300002681).....	728
FIGURE 8-48. ENGINE HARNESS - DEUTZ D2.9L4 - 49HP AND DEUTZ TD2.9L4 - 67HP ENGINES (SN 0300237156 to Present, SN B300002682 to Present)	732
FIGURE 8-49. ENGINE HARNESS - FORD ENGINES	736
FIGURE 8-50. FUEL PUMP HARNESS - DEUTZ D2.9L4 - 49HP AND DEUTZ TD2.9L4 - 67HP ENGINES	738
FIGURE 8-51. GENERATOR HARNESS - 2500W	740
FIGURE 8-52. GENERATOR HARNESS - 4000W	742
FIGURE 8-53. GENERATOR HARNESS - 7500W SKYPOWER	744
FIGURE 8-54. GENERATOR RECEPTACLE BOX TO AC PLUG HARNESS (2500W GENERATOR) (SN 0300235168 through 0300255131, SN B300002655 through B300003965)	746
FIGURE 8-55. GENERATOR TO ENGINE HARNESS - 7500W SKYPOWER GENERATOR (DEUTZ D2011 ONLY).....	748
FIGURE 8-56. GROUND CONTROL HARNESS.....	750
FIGURE 8-57. INTERFACE HARNESS - WITH 1 CELL LSS	752
FIGURE 8-58. LIFT CYLINDER HARNESS.....	754
FIGURE 8-59. MAIN VALVE HARNESS (2WS).....	756
FIGURE 8-60. MAIN VALVE HARNESS (4WS).....	758
FIGURE 8-61. PLATFORM CONSOLE HARNESS (SN 0300235168 through 0300259907, SN B300002655 to Present).....	760
FIGURE 8-62. PLATFORM CONSOLE HARNESS (SN 0300259908 to Present).....	764
FIGURE 8-63. PLATFORM VALVE HARNESS (600S).....	766
FIGURE 8-64. PLATFORM VALVE HARNESS (660SJ).....	768
FIGURE 8-65. RECEPTACLE BOX KIT - 110V IEC YELLOW (CE SPEC)	770
FIGURE 8-66. RECEPTACLE BOX KIT - 220V IEC BLUE (CE SPEC).....	772
FIGURE 8-67. RECEPTACLE BOX KIT - 220V CEE7 POST GROUND 2X4 BOX (CE SPEC)	774
FIGURE 8-68. RECEPTACLE BOX KIT - 220V CEE7 SIDE GROUND (CE SPEC).....	776
FIGURE 8-69. RECEPTACLE BOX KIT - 220V AFSINT 107 (CE SPEC)	778
FIGURE 8-70. SKYEYE INTERMEDIATE HARNESS	780
FIGURE 8-71. SKYEYE EMITTER HARNESS	782
FIGURE 8-72. SKYEYE RECEIVER HARNESS.....	784
FIGURE 8-73. SKYLINE HARNESS	786
FIGURE 8-74. STROBE LIGHT CONTROL HARNESS (BLUE LIGHT)	788
FIGURE 8-75. TELE PROXIMITY HARNESS.....	790
FIGURE 8-76. TURNTABLE HARNESS	792
SECTION 9 - DECALS	795
FIGURE 9-1. DECAL INSTALLATION - 600S (ANSI SPECS - ENGLISH LANGUAGE)	796
FIGURE 9-2. DECAL INSTALLATION - 600S (BRAZIL SPECS - PORTUGUESE/SPANISH LANGUAGES).....	798
FIGURE 9-3. DECAL INSTALLATION - 600S (CE SPECS - ENGLISH LANGUAGE)	800
FIGURE 9-4. DECAL INSTALLATION - 600S (CHINESE SPECS - ENGLISH/SIMPLIFIED CHINESE LANGUAGES)	802
FIGURE 9-5. DECAL INSTALLATION - 600S (CHINESE SPECS - ENGLISH/TRADITIONAL CHINESE LANGUAGES).....	804
FIGURE 9-6. DECAL INSTALLATION - 600S (CSA SPECS - ENGLISH/FRENCH LANGUAGES).....	806
FIGURE 9-7. DECAL INSTALLATION - 600S (JAPANESE SPECS - ENGLISH/JAPANESE LANGUAGES).....	808
FIGURE 9-8. DECAL INSTALLATION - 600S (KOREAN SPECS - ENGLISH/KOREAN LANGUAGES).....	810
FIGURE 9-9. DECAL INSTALLATION - 600S (LATIN AMERICAN SPECS - ENGLISH/SPANISH LANGUAGES)	812
FIGURE 9-10. DECAL INSTALLATION - 660SJ (ANSI SPECS - ENGLISH LANGUAGE)	814
FIGURE 9-11. DECAL INSTALLATION - 660SJ (AUSTRALIAN SPECS - ENGLISH LANGUAGE)	816
FIGURE 9-12. DECAL INSTALLATION - 660SJ (BRAZIL SPECS - PORTUGUESE/SPANISH LANGUAGES).....	818
FIGURE 9-13. DECAL INSTALLATION - 660SJ (CE SPECS - ENGLISH LANGUAGE).....	820
FIGURE 9-14. DECAL INSTALLATION - 660SJ (CHINESE SPECS - ENGLISH/SIMPLIFIED CHINESE LANGUAGES).....	822
FIGURE 9-15. DECAL INSTALLATION - 660SJ (CHINESE SPECS - ENGLISH/TRADITIONAL CHINESE LANGUAGES)	824
FIGURE 9-16. DECAL INSTALLATION - 660SJ (CSA SPECS - ENGLISH/FRENCH LANGUAGES).....	826
FIGURE 9-17. DECAL INSTALLATION - 660SJ (JAPANESE SPECS - ENGLISH/JAPANESE LANGUAGES).....	828

TABLE OF CONTENTS

FIGURE 9-18. DECAL INSTALLATION - 660SJ (KOREAN SPECS - ENGLISH/KOREAN LANGUAGES).....	830
FIGURE 9-19. DECAL INSTALLATION - 660SJ (LATIN AMERICAN SPECS - ENGLISH/SPANISH LANGUAGES)	832
FIGURE 9-20. DECALS INSTALLATION - OPTIONS	834
FIGURE 9-21. DECAL INSTALLATION - TOW (ANSI SPECS)	838
FIGURE 9-22. DECAL INSTALLATION - TOW (CSA SPECS)	840
FIGURE 9-23. DECAL INSTALLATION - TOW (ANSI EXPORT & CE SPECS)	842
SECTION 10 - RECOMMENDED SERVICE PARTS STOCK	845
FIGURE 10-1. RECOMMENDED SERVICE PARTS STOCK	846
SECTION 11 - SPECIAL OPTIONS	849
FIGURE 11-1. SPECIAL OPTIONS.....	850
PART NUMBER INDEX	855

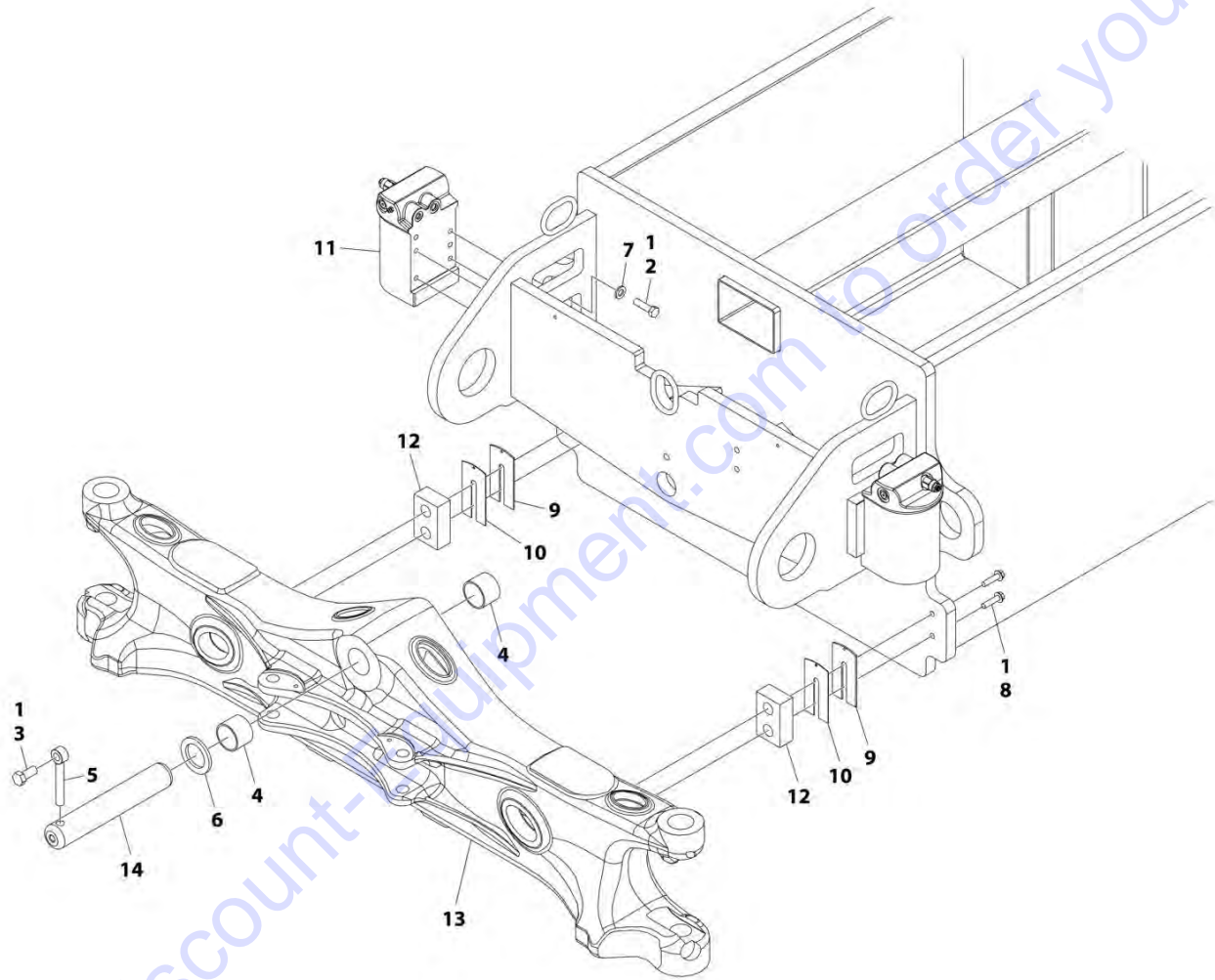
Go to Discount-Equipment.com to order your parts

SECTION 1 - FRAME

Go to Discount-Equipment.com to order your parts

SECTION 1 - FRAME

FIGURE 1-1. AXLE INSTALLATION - FRONT



ART_1001181774

SECTION 1 - FRAME

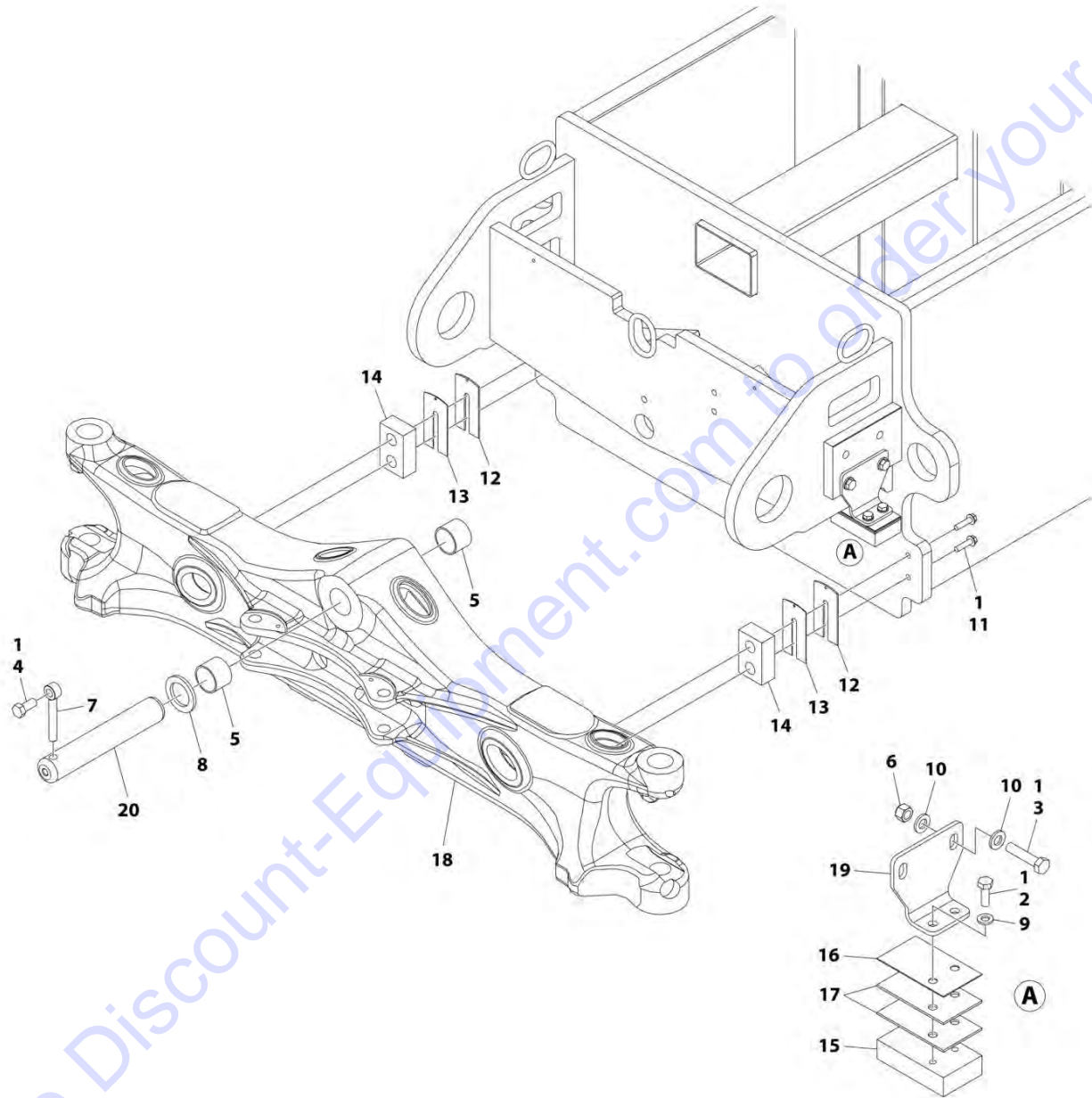
FIGURE 1-1. AXLE INSTALLATION - FRONT

ITEM	PART NUMBER	QTY	DESCRIPTION	REV
	1001181774	Ref	AXLE INSTALLATION	B
1	0100011	AR	Compound, Locking	
2	0701217	8	Bolt M12 x 45	
3	0761615	1	Bolt M16 x 35	
4	0961950	2	Bearing	
5	3841258	1	Keeper, Pin	
6	4740158	1	Washer	
7	5241200	8	Washer M12	
8	5251016	4	Bolt M10 x 40	
9	1001150324	2	Shim (3mm)	
10	1001150326	2	Shim (1.2mm)	
11	1001219040	2	Axle Lockout Cylinder (See Separate Breakdown in CYLINDER SECTION)	
12	1001166563	2	Pad, Wear	
13	1001184209	1	Axle	
14	1001185030	1	Pin	

Go to Discount-Equipment.com to order your parts

SECTION 1 - FRAME

FIGURE 1-2. AXLE INSTALLATION - REAR (4WS ONLY)



ART_1001181775

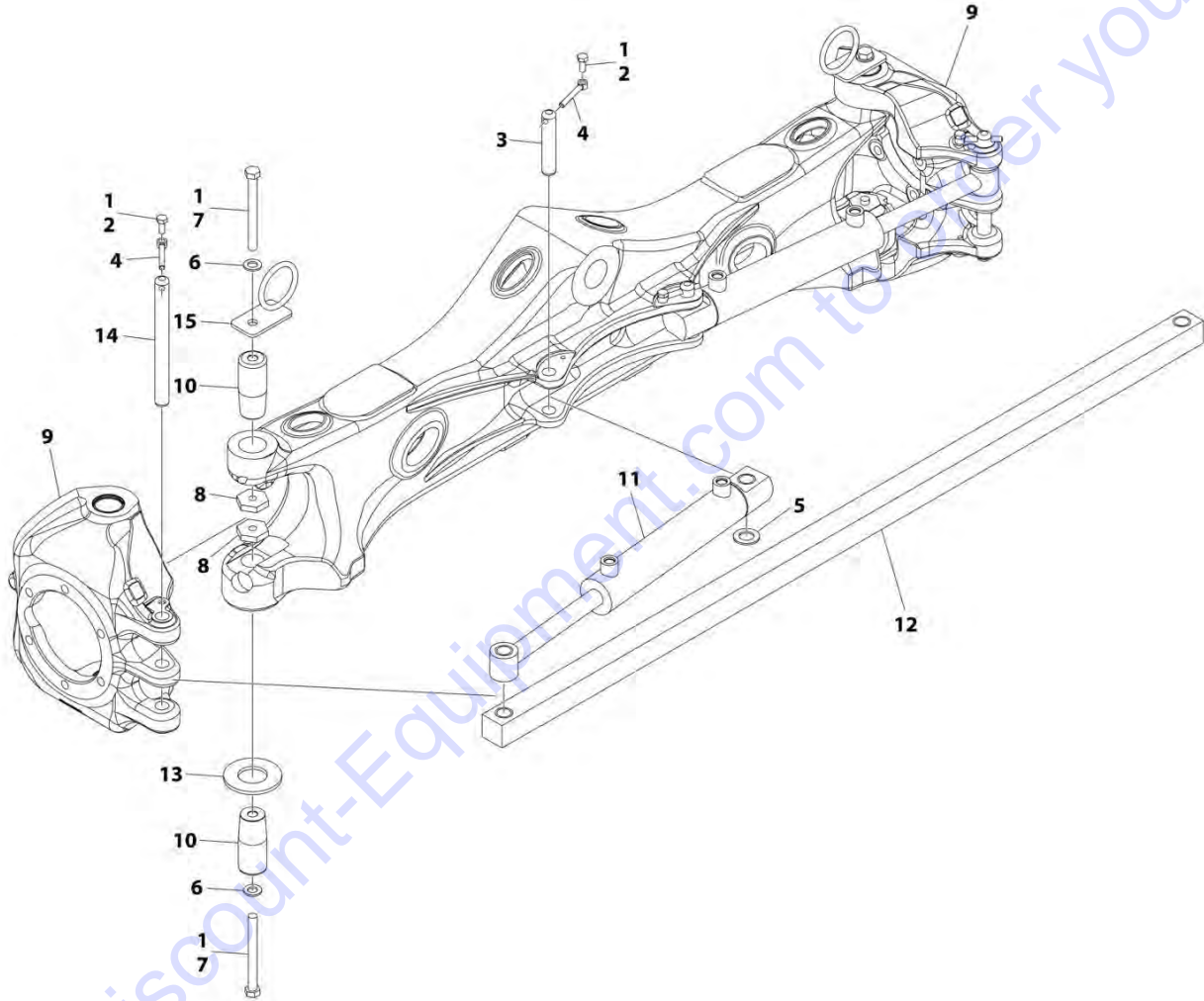
SECTION 1 - FRAME

FIGURE 1-2. AXLE INSTALLATION - REAR (4WS ONLY)

ITEM	PART NUMBER	QTY	DESCRIPTION	REV
	1001181775	Ref	AXLE INSTALLATION	A
	1001184691	Ref	AXLE INSTALLATION - REAR	D
1	0100011	AR	Compound, Locking	
2	0701014	4	Bolt M10 x 30	
3	0701219	4	Bolt M12 x 55	
4	0761615	1	Bolt M16 x 35	
5	0961950	2	Bearing	
6	3291205	4	Nut M12	
7	3841258	1	Keeper, Pin	
8	4740158	1	Washer	
9	5241000	4	Washer M10	
10	5241200	8	Washer M12	
11	5251016	4	Bolt M10 x 40	
12	1001150324	2	Shim (3mm)	
13	1001150326	2	Shim (1.2mm)	
14	1001166563	2	Pad, Wear	
15	1001209431	2	Block, Stop	
16	1001180315	2	Shim (1.5mm)	
17	1001180316	4	Shim (3mm)	
18	1001184209	1	Axle	
19	1001184216	2	Bracket	
20	1001185030	1	Pin	

SECTION 1 - FRAME

FIGURE 1-3. STEER INSTALLATION - WITHOUT TOW PACKAGE



ART_1001181770

SECTION 1 - FRAME

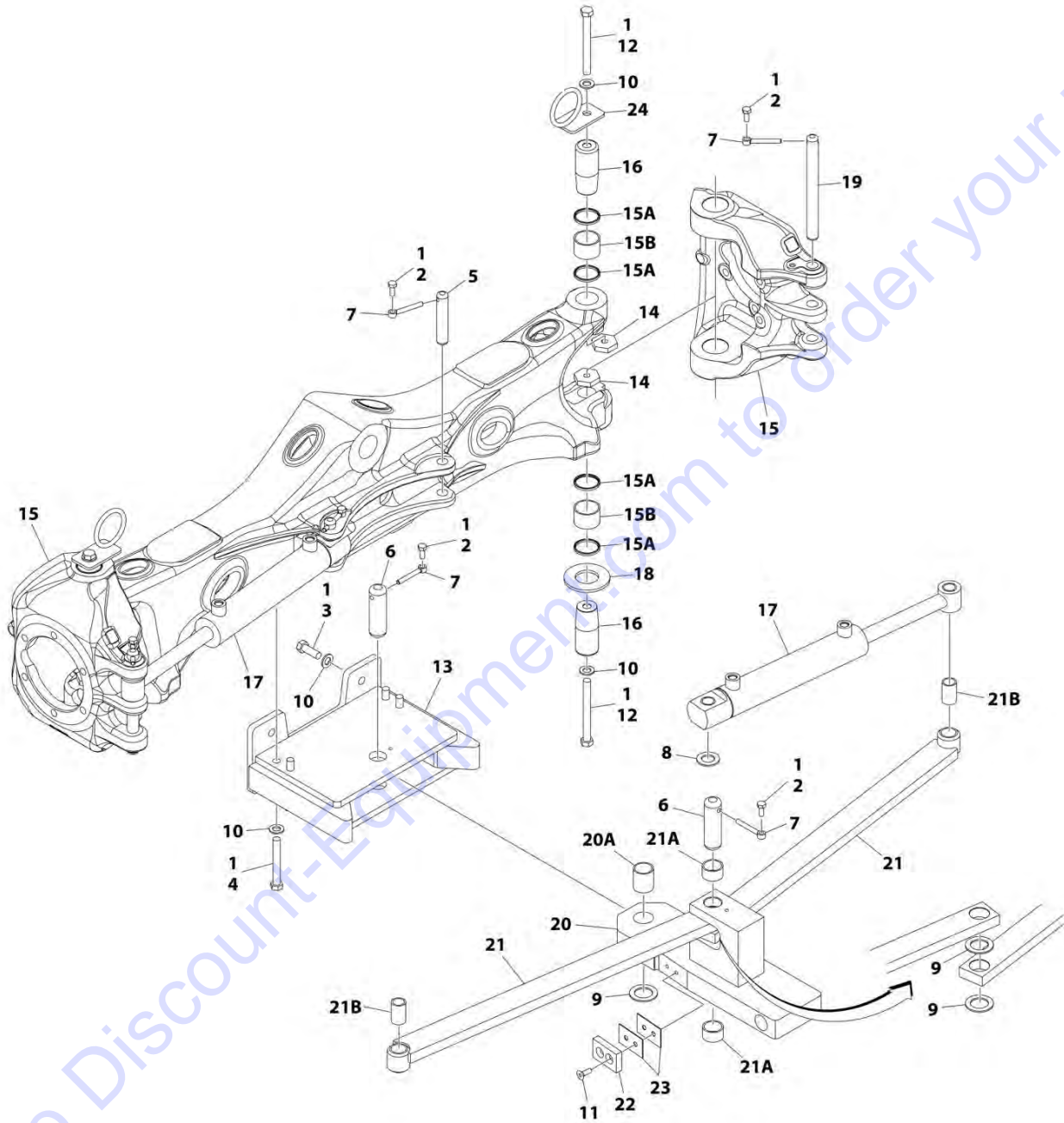
FIGURE 1-3. STEER INSTALLATION - WITHOUT TOW PACKAGE

ITEM	PART NUMBER	QTY	DESCRIPTION	REV
	1001181770	Ref	STEER INSTALLATION	C
1	0100011	AR	Compound, Locking	
2	0701012	4	Bolt M10 x 25	
3	3422351	2	Pin	
4	3841143	4	Keeper, Pin	
5	4740111	2	Washer	
6	5241600	4	Washer M16	
7	1001096456	4	Bolt M16 x 160	
8	1001176848	4	Nut M16	
9	1001181787	2	Knuckle	
9	1001181791	8	Seal (4 Per Assembly)	
9	1001182694	4	Bearing (2 Per Assembly)	
10	1001181790	4	Kingpin	
11	1001181792	2	Steer Cylinder Assembly (See Separate Breakdown in CYLINDER SECTION)	
12	1001181793	1	Tie-Rod	
12	1001182695	2	Bearing	
13	1001190194	2	Bearing	
14	1001182697	2	Pin	
15	1001196390	2	Bracket	

Go to Discount-Equipment.com to order your parts

SECTION 1 - FRAME

FIGURE 1-4. STEER INSTALLATION - WITH TOW PACKAGE



ART_1001181772

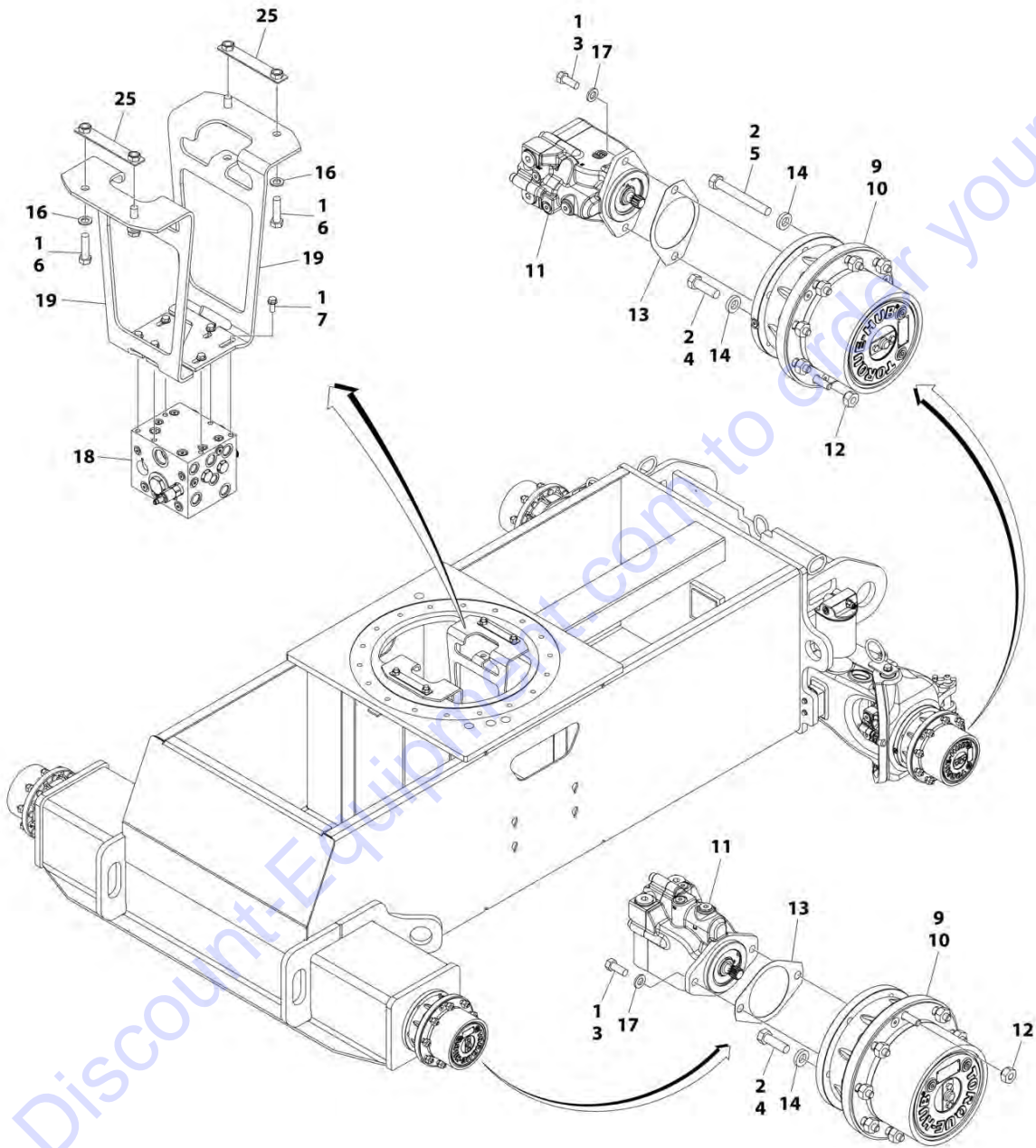
SECTION 1 - FRAME

FIGURE 1-4. STEER INSTALLATION - WITH TOW PACKAGE

ITEM	PART NUMBER	QTY	DESCRIPTION	REV
	1001181772	Ref	STEER INSTALLATION	C
1	0100011	AR	Compound, Locking	
2	0701012	6	Bolt M10 x 25	
3	0701617	2	Bolt M16 x 45	
4	0711629	4	Bolt M16 x 120	
5	3422351	2	Pin	
6	3422848	2	Pin	
7	3841143	6	Keeper, Pin	
8	4740111	2	Washer	
9	4740155	3	Washer	
10	5241600	10	Washer M16	
11	8310614	4	Screw M10 x 30	
12	1001096456	4	Bolt M16 x 160	
13	1001163717	1	Bracket	
14	1001176848	4	Nut M16	
15	1001181787	2	Knuckle	
15A	1001181791	8	Seal (4 Per Assembly)	
15B	1001182694	4	Bearing (2 Per Assembly)	
16	1001181790	4	Kingpin	
17	1001181792	2	Steer Cylinder Assembly (See Separate Breakdown in CYLINDER SECTION)	
18	1001190194	2	Bearing	
19	1001182697	2	Pin	
20	1001188503	1	Link	
20A	0962348	1	Bearing	
21	1001184213	2	Link	
21A	0962181	1	Bushing 1-1/2in ID	
21B	1001182695	1	Bearing 1in ID	
22	1001185906	2	Block, Stop	
23	1001185907	4	Shim (1.5mm)	
24	1001196390	2	Bracket	

SECTION 1 - FRAME

FIGURE 1-5. WHEEL DRIVE INSTALLATION - 4WD/2WS



ART_1001186443

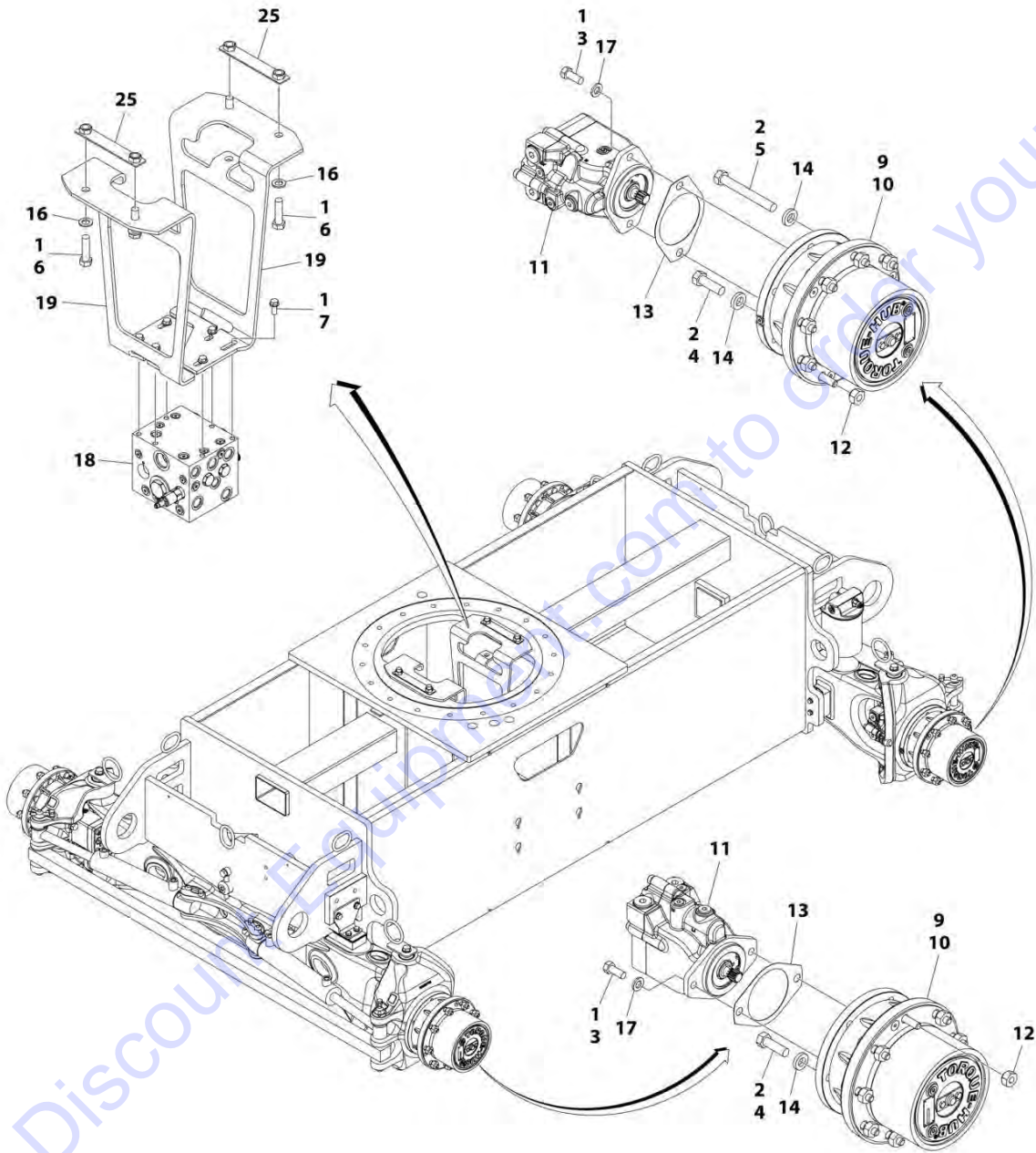
SECTION 1 - FRAME

FIGURE 1-5. WHEEL DRIVE INSTALLATION - 4WD/2WS

ITEM	PART NUMBER	QTY	DESCRIPTION	REV
	1001186443	Ref	WHEEL DRIVE INSTALLATION	F
1	0100011	AR	Compound, Locking	
2	0100019	AR	Compound, Locking	
3	0681810	8	Bolt 1/2 x 1-1/4	
4	0682016	20	Bolt 5/8 x 2	
5	0682040	4	Bolt 5/8 x 5	
6	0701620	4	Bolt M16 x 60	
7	5251012	6	Bolt M10 x 25	
9	2780269	4	Drive Hub Assembly (See Separate Breakdown in this Section)	
10	3020008	AR	Lubricant	
11	3160350	4	Drive Motor Assembly (See Separate Breakdown in this Section)	
12	3300106	36	Lugnut	
13	3960526	4	Gasket	
14	4740393	24	Washer	
16	4812300	4	Washer M16	
17	5241200	8	Washer M12	
18	1001187521	1	Traction Valve Assembly (See Separate Breakdown in this Section)	
19	1001191008	NLA	Bracket (Use p/n 1001232292) (SN 0300235168 through 0300234974)	
19	1001232292	2	Bracket (SN 0300234975 to Present, SN B300002655 to Present)	
25	1001198631	2	Bracket	

SECTION 1 - FRAME

FIGURE 1-6. WHEEL DRIVE INSTALLATION - 4WD/4WS



ART_1001188340

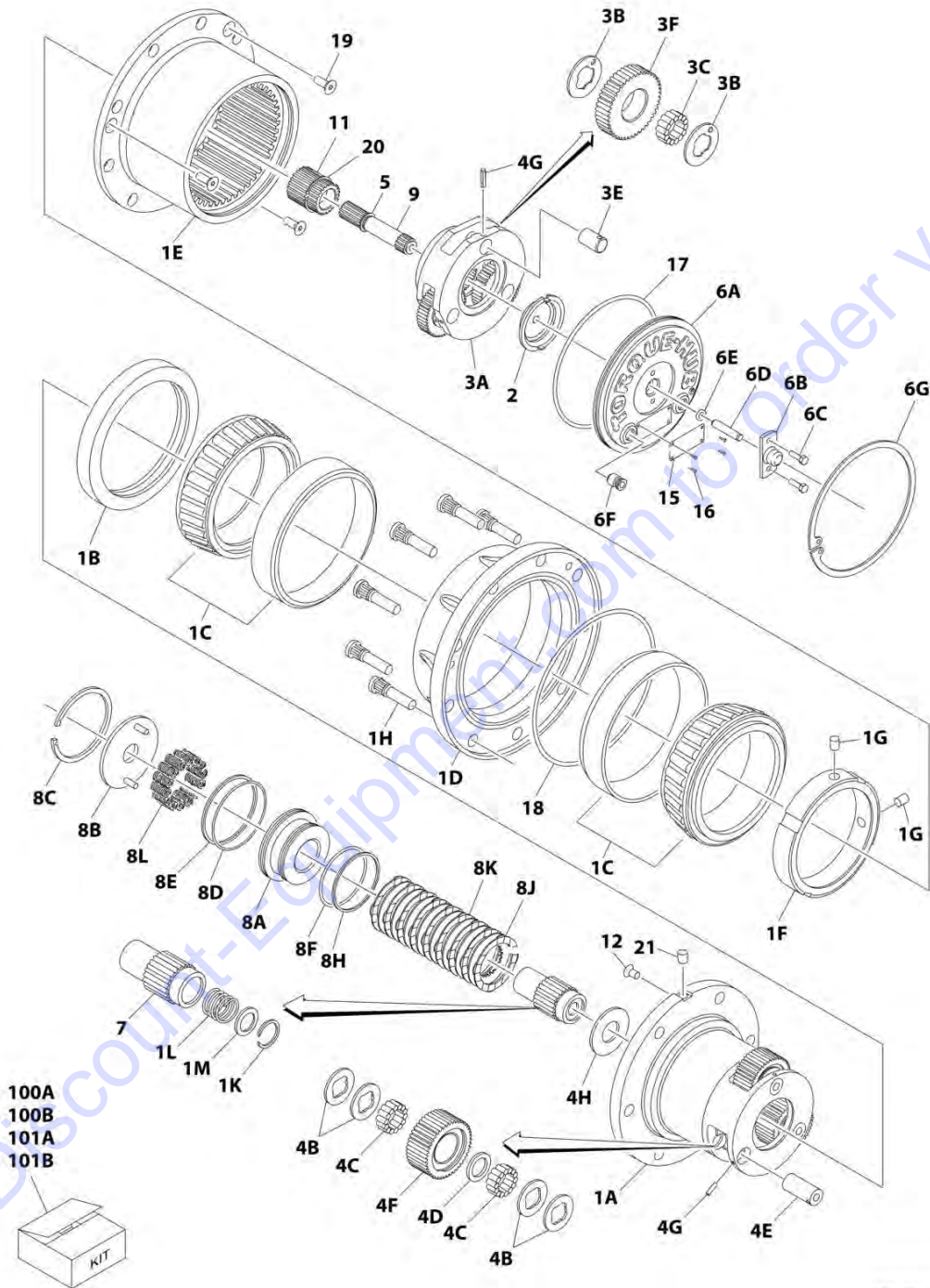
SECTION 1 - FRAME

FIGURE 1-6. WHEEL DRIVE INSTALLATION - 4WD/4WS

ITEM	PART NUMBER	QTY	DESCRIPTION	REV
	1001188340	Ref	WHEEL DRIVE INSTALLATION	G
1	0100011	AR	Compound, Locking	
2	0100019	AR	Compound, Locking	
3	0681810	8	Bolt 1/2 x 1-1/4	
4	0682016	16	Bolt 5/8 x 2	
5	0682040	8	Bolt 5/8 x 5	
6	0701620	4	Bolt M16 x 60	
7	5251012	6	Bolt M10 x 25	
9	2780269	4	Drive Hub Assembly (See Separate Breakdown in this Section)	
10	3020008	AR	Lubricant	
11	3160350	4	Drive Motor Assembly (See Separate Breakdown in this Section)	
12	3300106	36	Lugnut	
13	3960526	4	Gasket	
14	4740393	24	Washer	
16	4812300	4	Washer M16	
17	5241200	8	Washer M12	
18	1001187521	1	Traction Valve Assembly (See Separate Breakdown in this Section)	
19	1001191008	NLA	Bracket (Use p/n 1001232292) (SN 0300235168 through 0300234974)	
19	1001232292	2	Bracket (SN 0300234975 to Present, SN B300002655 to Present)	
25	1001198631	2	Bracket	

SECTION 1 - FRAME

FIGURE 1-7. DRIVE HUB ASSEMBLY



ART_2780269

FIGURE 1-7. DRIVE HUB ASSEMBLY

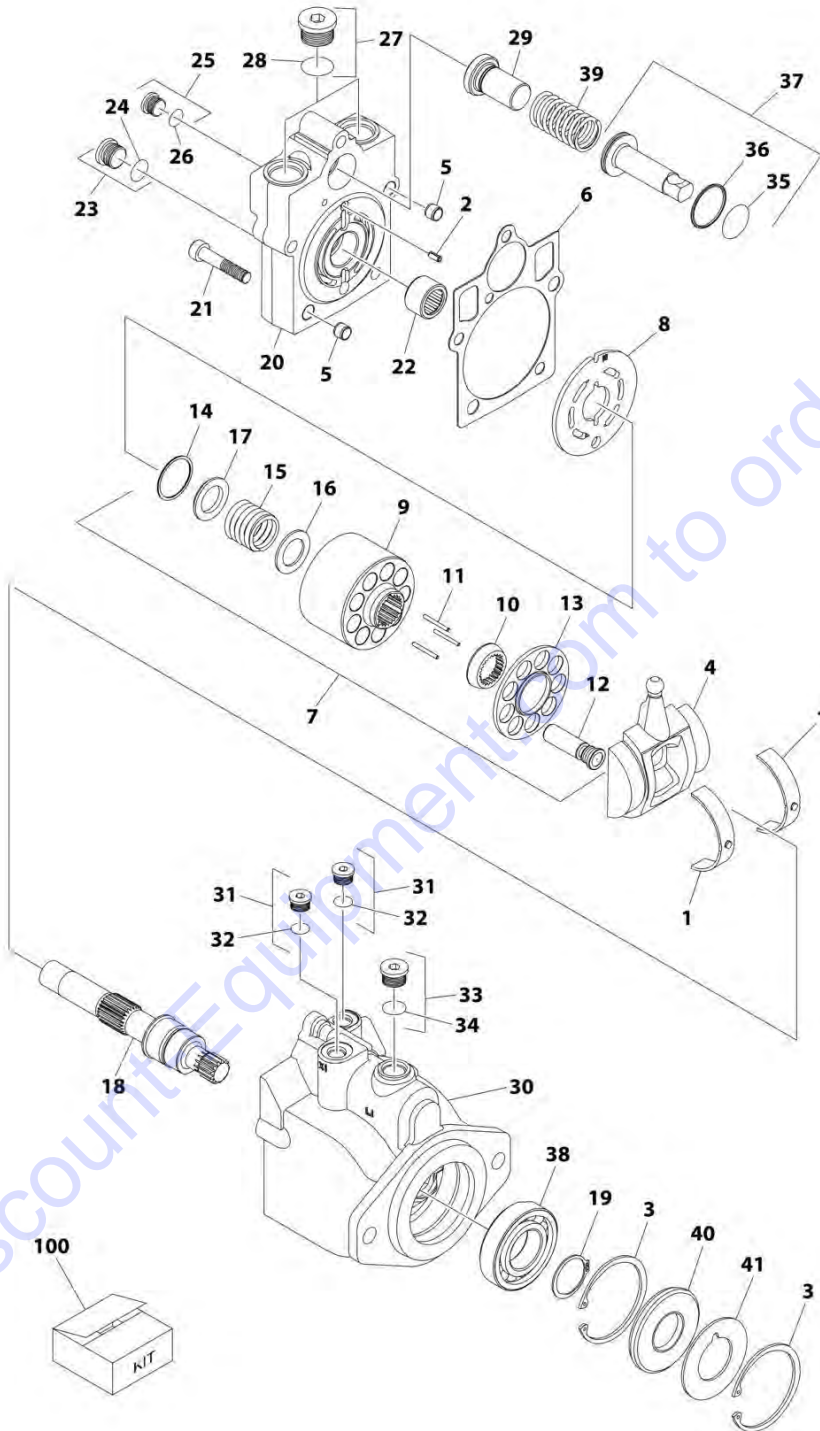
ITEM	PART NUMBER	QTY	DESCRIPTION	REV
	2780269	Ref	DRIVE HUB ASSEMBLY	E
1	See Note	NSS	Spindle/Housing Assembly (Note: Not Available - Purchase p/n 2780269 Complete Replacement. See 1A-1M for Available Components)	
1A	7024729	1	Spindle	
1B	70001119	1	Seal	
1C	7024735	2	Bearing (Includes Cup and Cone)	
1D	2780269	1	Housing (Note: Not Available for Purchase)	
1E	7024730	1	Ring, Gear	
1F	See Note	NSS	Nut, Bearing (Note: Use Item 100A)	
1G	See Note	NSS	Setscrew 1/4in-28NF x 1/2in (Note: Use Item 100A, 100B, 101A or 101B)	
1H	7024732	9	Stud, Wheel	
1K	7024125	1	Ring, Retaining	
1L	7024124	1	Spring	
1M	7024129	1	Thrustwasher	
2	7024741	1	Thrustwasher	
3	See Note	NSS	Carrier Assembly (Note: Not Available for Purchase. See 3A-3F for Available Components)	
3A	7024725	1	Carrier	
3B	7024127	6	Thrustwasher	
3C	7024733	42	Bearing, Needle	
3E	7024724	3	Shaft, Planet	
3F	7024727	3	Gear, Planet	
4	See Note	NSS	Planet Gear Sub-Assembly (Note: Not Available for Purchase. See 4B-4H for Available Components)	
4B	7024740	12	Thrustwasher	
4C	7024734	84	Bearing, Needle	
4D	7024736	3	Spacer, Thrust	
4E	7024726	3	Shaft, Planet	
4F	7024728	3	Gear, Planet	
4G	7001913	6	Rollpin	
4H	7024742	1	Thrustwasher	
5	7017027	1	Ring, Retaining	
6	See Note	NSS	Cover Assembly (Note: Not Available for Purchase. See 6A-6G for Available Components)	
6A	7024731	1	Plate, Cover	
6B	7017093	1	Cap, Disengage	
6C	7000216	2	Bolt 1/2in-20NC x 1/2in	
6D	7024739	1	Pin, Dowel	
6E	7017095	1	O-Ring	
6F	7017072	2	Plug, Pipe	
6G	7024738	1	Ring, Retaining	
7	7024722	1	Coupling	
8	See Note	NSS	Brake, Input (Note: Not Available for Purchase. See 8A-8L for Available Components)	
8A	70000782	1	Piston, Brake	
8B	7024743	1	Plate, Pressure	
8C	See Note	NSS	Ring, Retaining (Note: Use Item 100B, 101A or 101B)	
8D	See Note	NSS	O-Ring (Note: Use Item 100B or 101A)	
8E	See Note	NSS	Ring, Back-up (Note: Use Item 100B or 101A)	

SECTION 1 - FRAME

ITEM	PART NUMBER	QTY	DESCRIPTION	REV
8F	See Note	NSS	O-Ring (Note: Use Item 100B or 101A)	
8H	See Note	NSS	Ring, Back-up (Note: Use Item 100B or 101A)	
8J	See Note	NSS	Rotor, Brake (Note: Use Item 101A)	
8K	See Note	NSS	Stator, Brake (Note: Use Item 101A)	
8L	See Note	NSS	Spring, Brake (Note: Use Item 101B)	
9	7024721	1	Shaft, Input	
11	7024723	1	Gear, Sun	
12	See Note	NSS	Plug (Note: Not Available - Purchase Locally)	
15	See Note	NSS	Plate, ID (Not Shown) (Note: Not Available for Purchase)	
16	7000281	4	Screw, Drive	
17	7024134	1	O-Ring	
18	See Note	NSS	O-Ring (Note: Use Item 100A)	
19	7017022	3	Screw, Countersunk 3/8in-16NC	
20	7024737	1	Ring, Retaining	
21	See Note	NSS	Plug (Note: Not Available - Purchase Locally)	
100		Ref	Seal Kit Options:	
100A	7024744	1	Hub Seal Kit (Includes Items 1B, 1F, 1G, 17, 18 & 19)	
100B	7024765	1	Brake Seal Kit (Includes Items 1G, 8C, 8D, 8E, 8F & 8H)	
101		Ref	Repair Kit Options:	
101A	7024764	1	Brake Lining Kit (Includes Items 1G, 8C, 8D, 8E, 8F, 8H, 8J & 8K)	
101B	7024766	1	Brake Spring Kit (Includes Items 1G, 8C & 8L)	

SECTION 1 - FRAME

FIGURE 1-8. DRIVE MOTOR ASSEMBLY



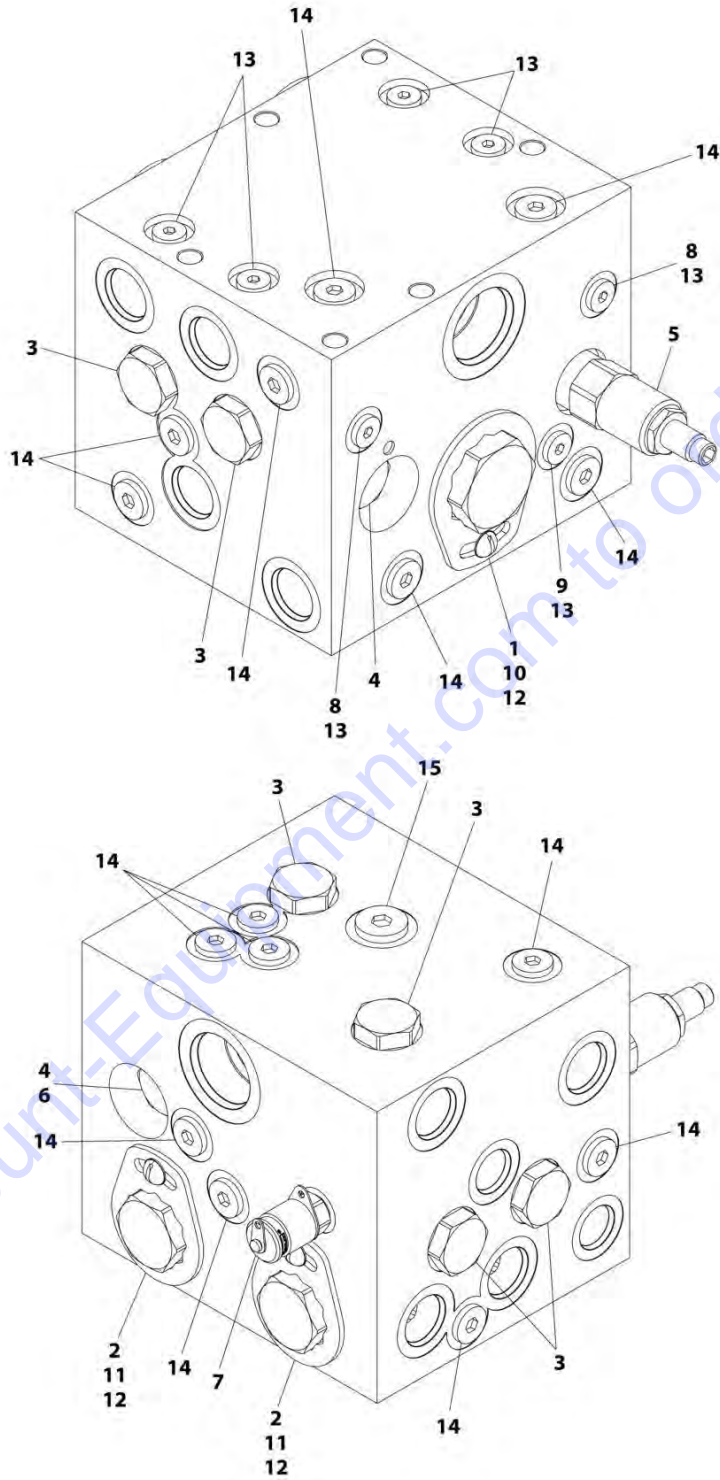
ART_3160350

FIGURE 1-8. DRIVE MOTOR ASSEMBLY

ITEM	PART NUMBER	QTY	DESCRIPTION	REV
	3160350	Ref	DRIVE MOTOR ASSEMBLY	B
1	7022302	2	Bearing, Journal	
2	7007446	1	Pin	
3	7007438	2	Ring, Retaining	
4	70000794	1	Swash Plate	
5	See Note	NSS	Pin (Note: Not Available for Purchase)	
6	See Note	NSS	Gasket (Note: Use Item 100)	
7	7027740	1	Cylinder Block Kit (Includes Items 9-17)	
8	7024862	1	Plate, Valve	
9	See Note	NSS	Block, Cylinder (Note: Use Item 7)	
10	See Note	NSS	Guide, Slipper Retainer (Note: Use Item 7)	
11	7021275	3	Pin, Slipper Hold Down	
12	7024865	9	Piston Assembly	
13	See Note	NSS	Retainer, Slipper (Note: Use Item 7)	
14	7022311	1	Ring, Retaining	
15	7024867	1	Spring	
16	7022313	1	Washer	
17	7022314	1	Retainer, Spring	
18	7023910	1	Shaft	
19	7007439	1	Ring, Retaining	
20	70000795	1	Cap, End - Axial	
21	7022368	5	Screw	
22	7021249	1	Bearing, Needle	
23	2220886	1	Plug (Includes Item 24)	
24	See Note	NSS	O-Ring (Note: Use Item 23 or 100)	
25	2220883	1	Plug (Includes Item 26)	
26	See Note	NSS	O-Ring (Note: Use Item 25 or 100)	
27	7027419	2	Plug (Includes Item 28)	
28	See Note	NSS	O-Ring (Note: Use Item 27 or 100)	
29	7022372	1	Seat, Spring	
30	See Note	NSS	Housing (Note: Not Available - Purchase Complete Drive Motor Assembly)	
31	2220883	2	Plug (Includes Item 32)	
32	See Note	NSS	O-Ring (Note: Use Item 31 or 100)	
33	2220886	1	Plug (Includes Item 34)	
34	See Note	NSS	O-Ring (Note: Use Item 33 or 100)	
35	See Note	NSS	O-Ring (Note: Use Item 100)	
36	See Note	NSS	Ring, Seal (Note: Use Item 100)	
37	7024871	1	Piston, Servo	
38	7007437	1	Bearing	
39	7022326	1	Spring	
40	See Note	NSS	Seal, Lip (Note: Use Item 100)	
41	7022371	1	Washer, Support	
100	7022328	1	Seal Kit (Includes Items 6, 24, 26, 28, 32, 34, 35, 36 & 40)	

SECTION 1 - FRAME

FIGURE 1-9. TRACTION VALVE ASSEMBLY



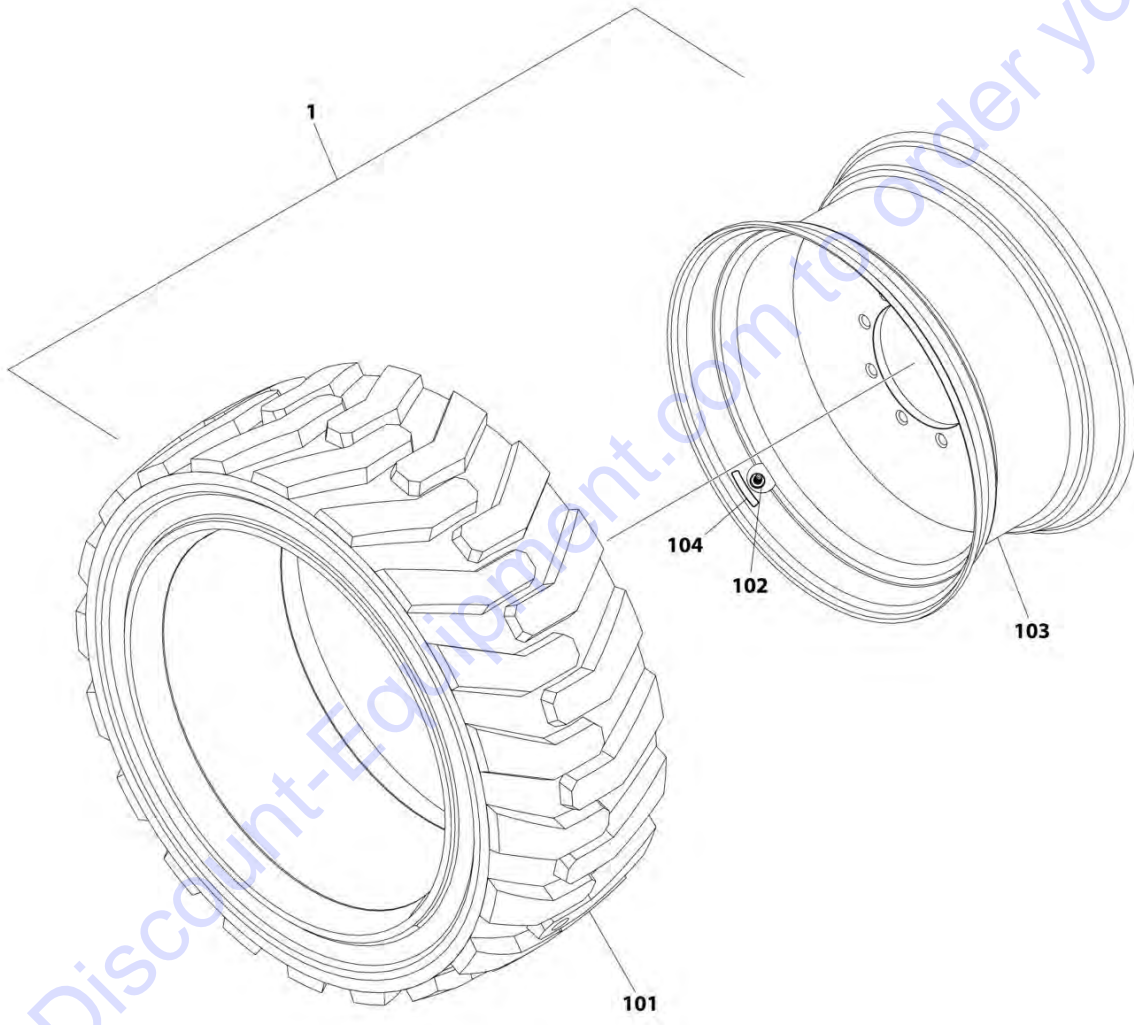
ART_1001187521

FIGURE 1-9. TRACTION VALVE ASSEMBLY

ITEM	PART NUMBER	QTY	DESCRIPTION	REV
	1001187521	Ref	TRACTION VALVE ASSEMBLY	G
1	70005668	1	Valve, Flow Divider	
1	7021625	1	Seal Kit - 70005668 Valve	
2	70005669	2	Valve, Flow Divider	
2	70004577	2	Seal Kit - 70005669 Valve	
3	7022397	6	Valve, Check	
3	7022399	6	Seal Kit - 7022397 Valve	
4	7021639	2	Valve, Check	
4	2900756	2	Seal Kit - 7021639 Valve	
5	70005670	1	Valve, Relief	
5	7012998	1	Seal Kit - 70005670 Valve	
6	7024881	1	Piston	
7	2221086	1	Fitting, Test	
8	70003975	2	Orifice	
9	70002209	1	Orifice	
10	70000781	1	Lock Down Kit	
11	70002962	2	Lock Down Kit	
12	70004888	3	Screw	
13	2220883	7	Plug	
14	2220885	15	Plug	
15	2220886	1	Plug	

SECTION 1 - FRAME

FIGURE 1-10. TIRE & WHEEL INSTALLATION - IN355-55 D625 PNEUMATIC (AVAILABLE ON ALL SPECS EXCEPT AUSTRALIAN, CE & CHINA SPECS)



ART_1001223665

SECTION 1 - FRAME

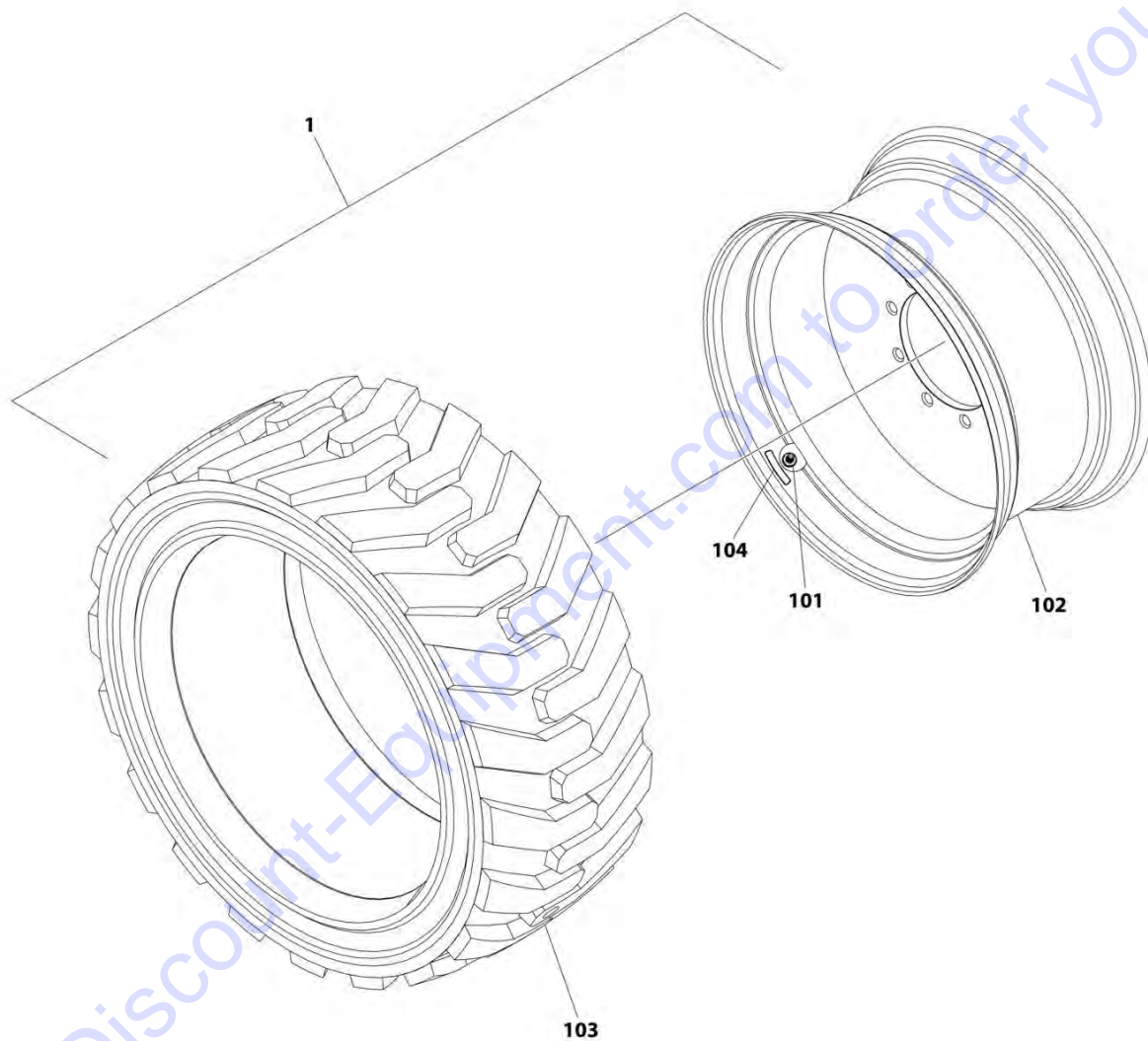
FIGURE 1-10. TIRE & WHEEL INSTALLATION - IN355-55 D625 PNEUMATIC (AVAILABLE ON ALL SPECS EXCEPT AUSTRALIAN, CE & CHINA SPECS)

ITEM	PART NUMBER	QTY	DESCRIPTION	REV
	1001223665	Ref	TIRE & WHEEL INSTALLATION	A
1	1001223666	Ref	Tire and Wheel Assembly (LH Side)	B
1	1001223667	Ref	Tire and Wheel Assembly (RH Side)	B
101	4520288	4	Tire - IN355-55 D625	
102	4641122	4	Valve	
103	1001181797	4	Rim, Wheel	
104	1001223726	4	Decal - Tire Pressure	

Go to Discount-Equipment.com to order your parts

SECTION 1 - FRAME

FIGURE 1-11. TIRE & WHEEL INSTALLATION - IN355-55 D625 PNEUMATIC NON-MARKING
(AVAILABLE ON ALL SPECS EXCEPT AUSTRALIAN, CE & CHINA SPECS)



ART_1001223668

SECTION 1 - FRAME

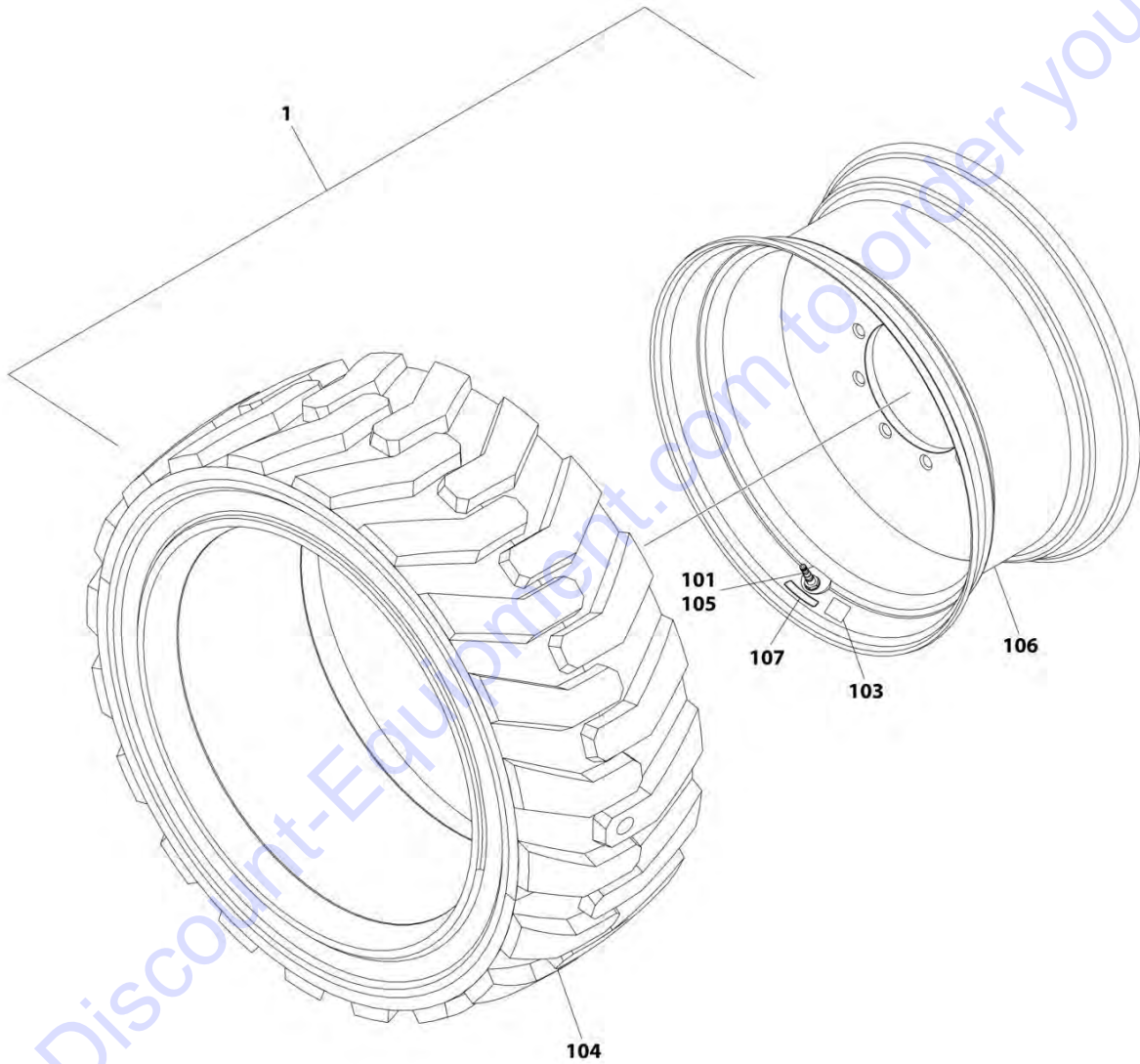
**FIGURE 1-11. TIRE & WHEEL INSTALLATION - IN355-55 D625 PNEUMATIC NON-MARKING
(AVAILABLE ON ALL SPECS EXCEPT AUSTRALIAN, CE & CHINA SPECS)**

ITEM	PART NUMBER	QTY	DESCRIPTION	REV
	1001223668	Ref	TIRE & WHEEL INSTALLATION	A
1	1001223669	Ref	Tire and Wheel Assembly (LH Side)	B
1	1001223670	Ref	Tire and Wheel Assembly (RH Side)	B
101	4641122	4	Valve	
102	1001181797	4	Rim, Wheel	
103	1001184881	4	Tire - IN355-55 D625	
104	1001223726	4	Decal - Tire Pressure	

Go to Discount-Equipment.com to order your parts

SECTION 1 - FRAME

FIGURE 1-12. TIRE & WHEEL INSTALLATION - IN355-55 D625 PNEUMATIC WITH TIRE SEALANT
(AVAILABLE ON ALL SPECS EXCEPT AUSTRALIAN, CE & CHINA SPECS)



ART_1001223751

SECTION 1 - FRAME

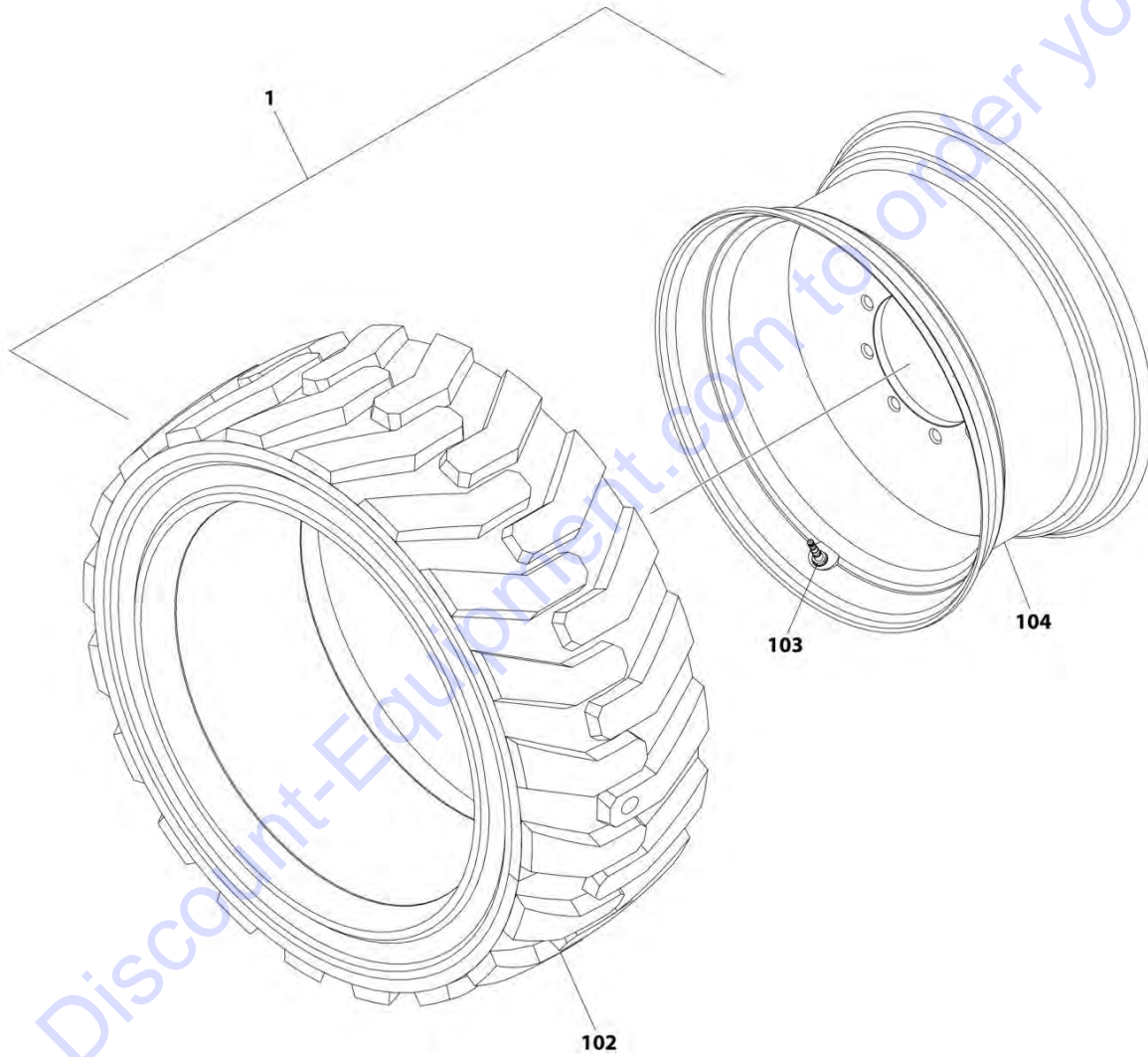
**FIGURE 1-12. TIRE & WHEEL INSTALLATION - IN355-55 D625 PNEUMATIC WITH TIRE SEALANT
(AVAILABLE ON ALL SPECS EXCEPT AUSTRALIAN, CE & CHINA SPECS)**

ITEM	PART NUMBER	QTY	DESCRIPTION	REV
	1001223751	Ref	TIRE & WHEEL INSTALLATION	A
		Ref	Note: Not Available on Shipyard Machines.	
1	1001223752	2	Tire and Wheel Assembly (LH Side)	B
1	1001223753	2	Tire and Wheel Assembly (RH Side)	B
101	1120552	4	Cap, Valve Stem (Green)	
103	1705364	4	Decal - Tire Sealant	
104	4520288	4	Tire - IN355-55 D625	
105	4641122	4	Valve, Air	
106	1001181797	4	Rim, Wheel	
107	1001223726	4	Decal - Tire Pressure	

Go to Discount-Equipment.com to order your parts

SECTION 1 - FRAME

FIGURE 1-13. TIRE & WHEEL INSTALLATION - IN355-55 D625 FOAM FILLED (AVAILABLE ON ALL SPECS)



ART_1001185596

SECTION 1 - FRAME

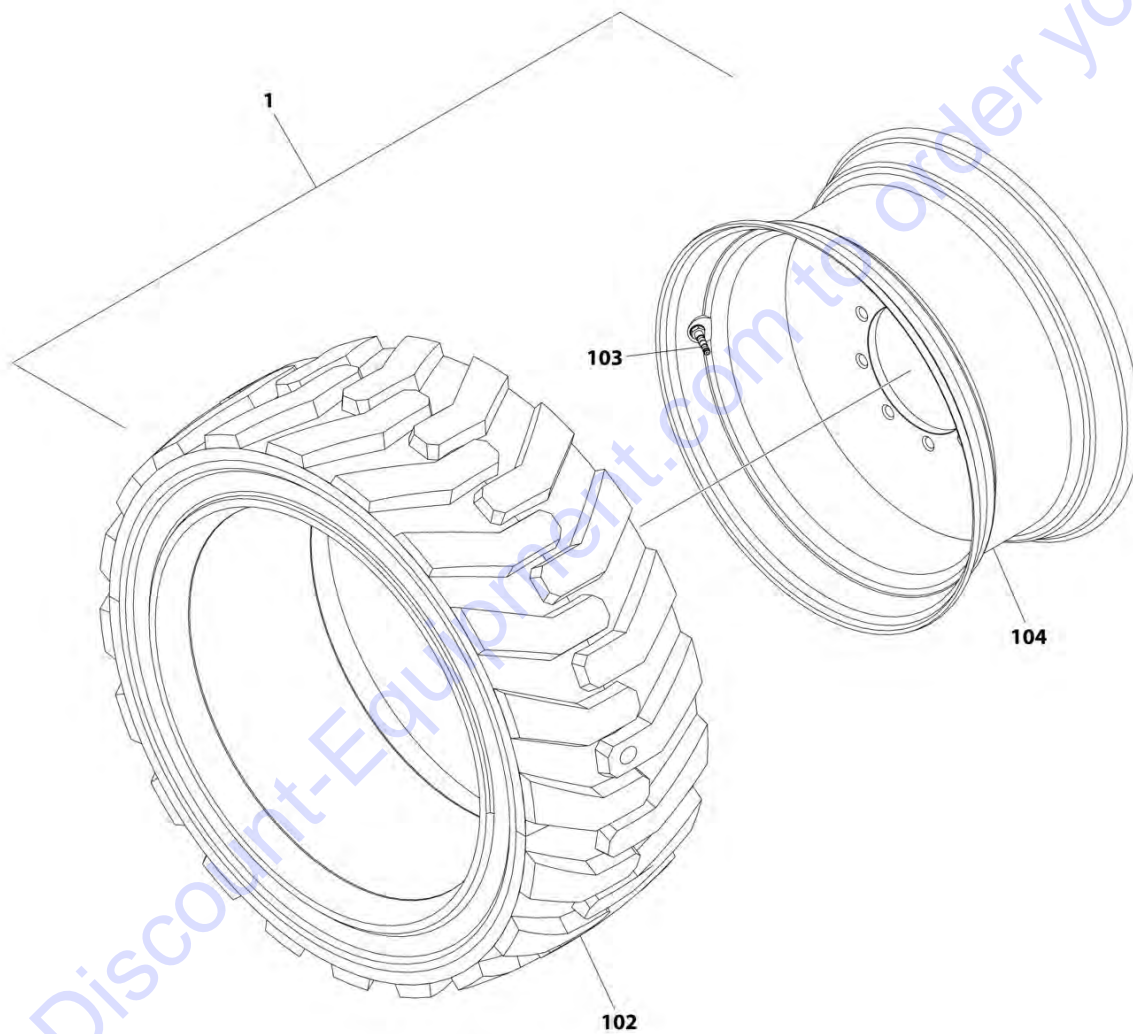
FIGURE 1-13. TIRE & WHEEL INSTALLATION - IN355-55 D625 FOAM FILLED (AVAILABLE ON ALL SPECS)

ITEM	PART NUMBER	QTY	DESCRIPTION	REV
	1001185596	Ref	TIRE & WHEEL INSTALLATION	A
		Ref	Note: Assemblies may require ballast/foam filling to manufacturer's specifications prior to installing on a machine. Refer to Operation and Safety or Service and Maintenance Manuals.	
		Ref	Note: Purchase individual tire and/or rim only if able to foam fill tire and wheel assembly, otherwise, purchase complete assembly.	
1	1001181795	Ref	Tire and Wheel Assembly (LH Side)	D
1	1001181796	Ref	Tire and Wheel Assembly (RH Side)	D
102	4520288	4	Tire - IN355-55 D625	
103	4641122	4	Valve	
104	1001181797	4	Rim, Wheel	

Go to Discount-Equipment.com to order your parts

SECTION 1 - FRAME

FIGURE 1-14. TIRE & WHEEL INSTALLATION - IN355-55 D625 FOAM FILLED NON-MARKING
(AVAILABLE ON ALL SPECS)



ART_1001185597

SECTION 1 - FRAME

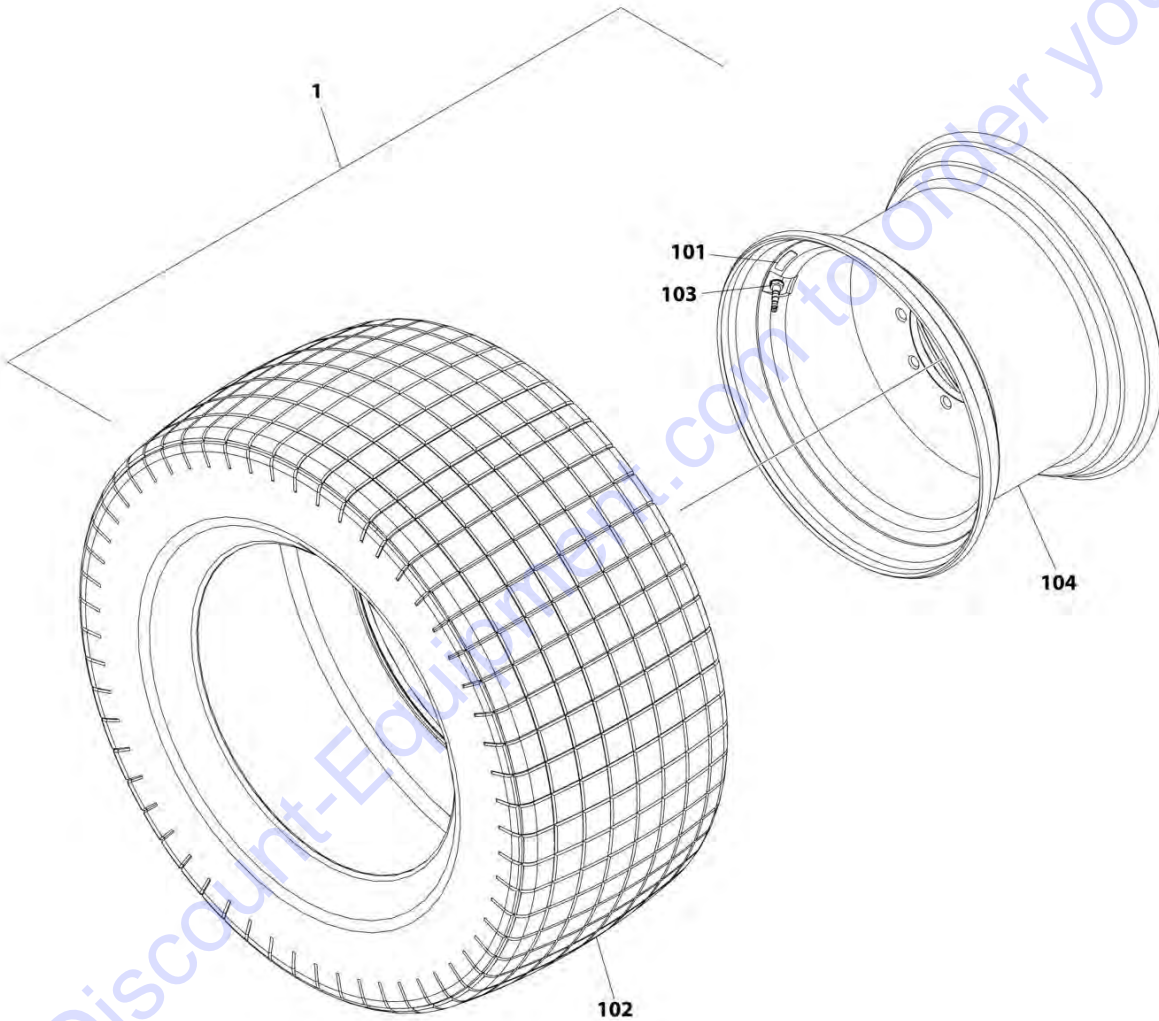
**FIGURE 1-14. TIRE & WHEEL INSTALLATION - IN355-55 D625 FOAM FILLED NON-MARKING
(AVAILABLE ON ALL SPECS)**

ITEM	PART NUMBER	QTY	DESCRIPTION	REV
	1001185597	Ref	TIRE & WHEEL INSTALLATION	A
		Ref	Note: Assemblies may require ballast/foam filling to manufacturer's specifications prior to installing on a machine. Refer to Operation and Safety or Service and Maintenance Manuals.	
		Ref	Note: Purchase individual tire and/or rim only if able to foam fill tire and wheel assembly, otherwise, purchase complete assembly.	
1	1001184727	Ref	Tire and Wheel Assembly (RH Side)	E
1	1001184728	1	Tire and Wheel Assembly (LH Side)	E
102	1001184881	4	Tire - IN355-55 D625	
103	4641122	4	Valve	
104	1001181797	4	Rim, Wheel	

Go to Discount-Equipment.com to order your parts

SECTION 1 - FRAME

FIGURE 1-15. TIRE & WHEEL INSTALLATION - 41-18LL X 22.5 PNEUMATIC TURF & SAND
(AVAILABLE ON ALL SPECS EXCEPT AUSTRALIAN, CE & CHINA SPECS)



ART_1001223671

SECTION 1 - FRAME

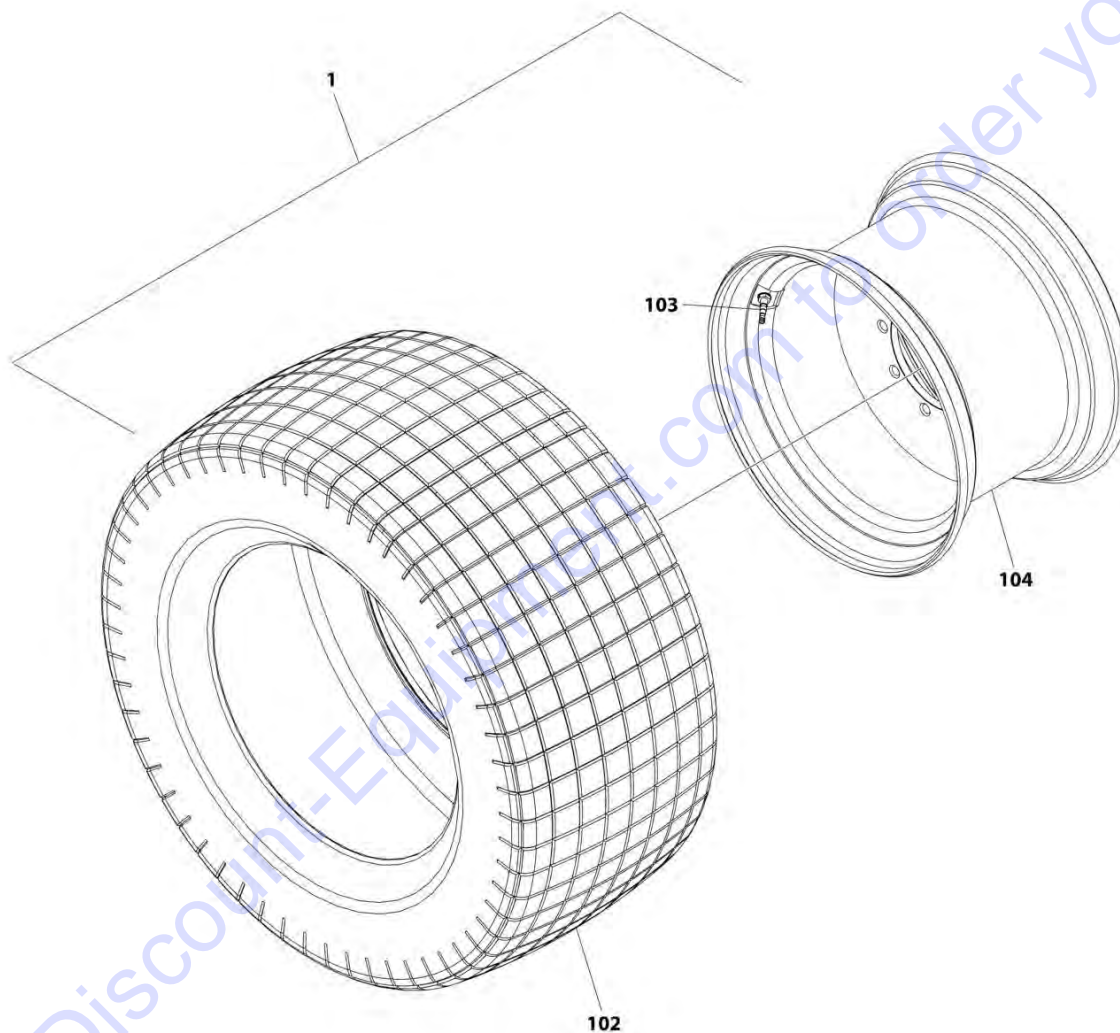
**FIGURE 1-15. TIRE & WHEEL INSTALLATION - 41-18LL X 22.5 PNEUMATIC TURF & SAND
(AVAILABLE ON ALL SPECS EXCEPT AUSTRALIAN, CE & CHINA SPECS)**

ITEM	PART NUMBER	QTY	DESCRIPTION	REV
	1001223671	Ref	TIRE AND WHEEL INSTALLATION	A
		Ref	Note: Not Available on Shipyard Machines.	
		Ref	Note: Turf/Sand Tires Required Additional Chassis Counterweight. See SPECIAL OPTIONS SECTION Before Installing this Option.	
1	1001223672	Ref	Tire and Wheel Assembly - Turf and Sand	A
101	1701643	4	Decal - Tire Pressure	
102	4520256	4	Tire - 41-18LL x 22.5	
103	4641122	4	Valve	
104	1001208017	4	Rim, Wheel	

Go to Discount-Equipment.com to order your parts

SECTION 1 - FRAME

FIGURE 1-16. TIRE & WHEEL INSTALLATION - 41-18LL X 22.5 FOAM FILLED TURF & SAND
(AVAILABLE ON ALL SPECS EXCEPT AUSTRALIAN & CE SPECS)



ART_1001216195

SECTION 1 - FRAME

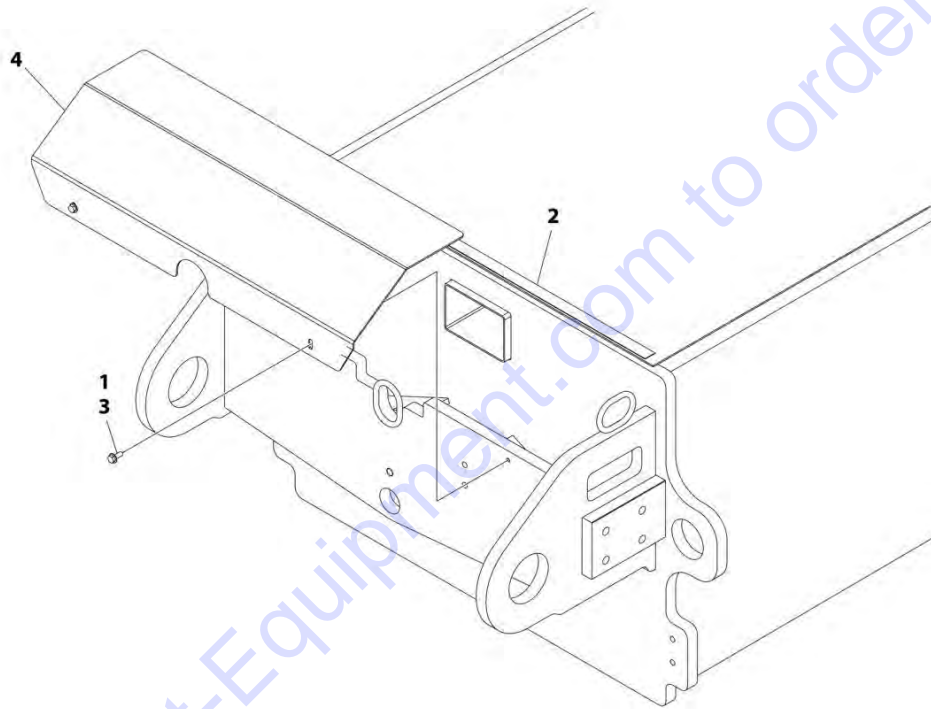
**FIGURE 1-16. TIRE & WHEEL INSTALLATION - 41-18LL X 22.5 FOAM FILLED TURF & SAND
(AVAILABLE ON ALL SPECS EXCEPT AUSTRALIAN & CE SPECS)**

ITEM	PART NUMBER	QTY	DESCRIPTION	REV
	1001216195	Ref	TIRE & WHEEL INSTALLATION	A
		Ref	Note: Not Available on Shipyard Machines.	
		Ref	Note: Turf/Sand Tires Required Additional Chassis Counterweight. See SPECIAL OPTIONS SECTION Before Installing this Option.	
		Ref	Note: Assemblies may require ballast/foam filling to manufacturer's specifications prior to installing on a machine. Refer to Operation and Safety or Service and Maintenance Manuals.	
		Ref	Note: Purchase individual tire and/or rim only if able to foam fill tire and wheel assembly, otherwise, purchase complete assembly.	
1	1001216196	Ref	Tire and Wheel Assembly - Turf and Sand	B
102	4520256	4	Tire - 41-18LL x 22.5	
103	4641122	4	Valve	
104	1001208017	4	Rim, Wheel	

Go to Discount-Equipment.com to order your parts

SECTION 1 - FRAME

FIGURE 1-17. FRAME COVERS INSTALLATION - 2WS



ART_1001187864

SECTION 1 - FRAME

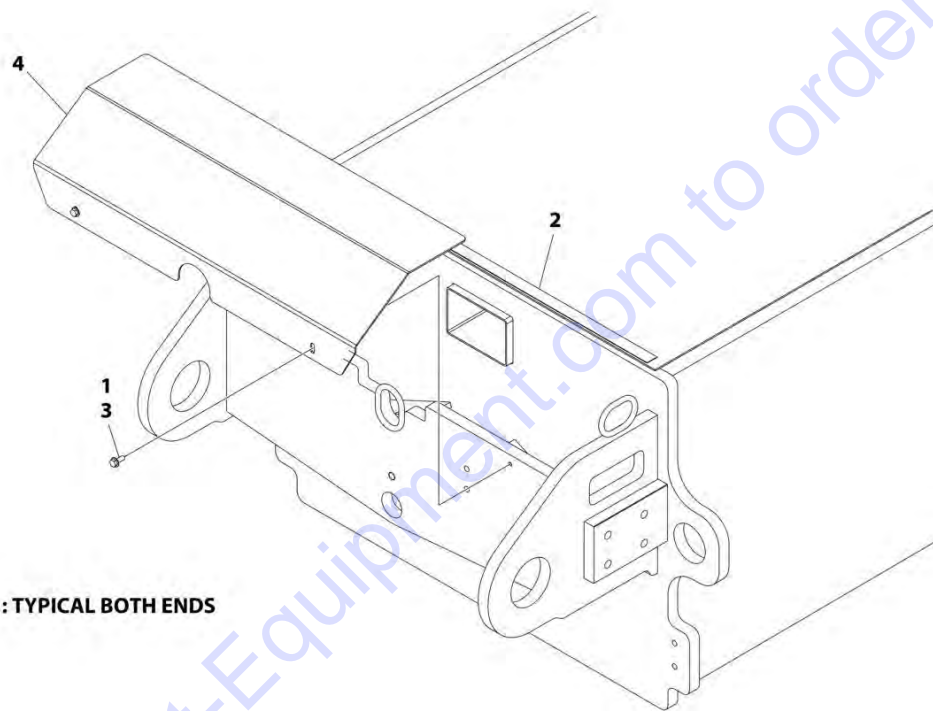
FIGURE 1-17. FRAME COVERS INSTALLATION - 2WS

ITEM	PART NUMBER	QTY	DESCRIPTION	REV
	1001187864	Ref	FRAME COVERS INSTALLATION	B
1	0100011	AR	Compound, Locking	
2	4280296	32 in/ 80cm	Tape	
3	5250810	2	Bolt M8 x 20	
4	1001187870	1	Cover	

Go to Discount-Equipment.com to order your parts

SECTION 1 - FRAME

FIGURE 1-18. FRAME COVERS INSTALLATION - 4WS



NOTE : TYPICAL BOTH ENDS

ART_1001187866

SECTION 1 - FRAME

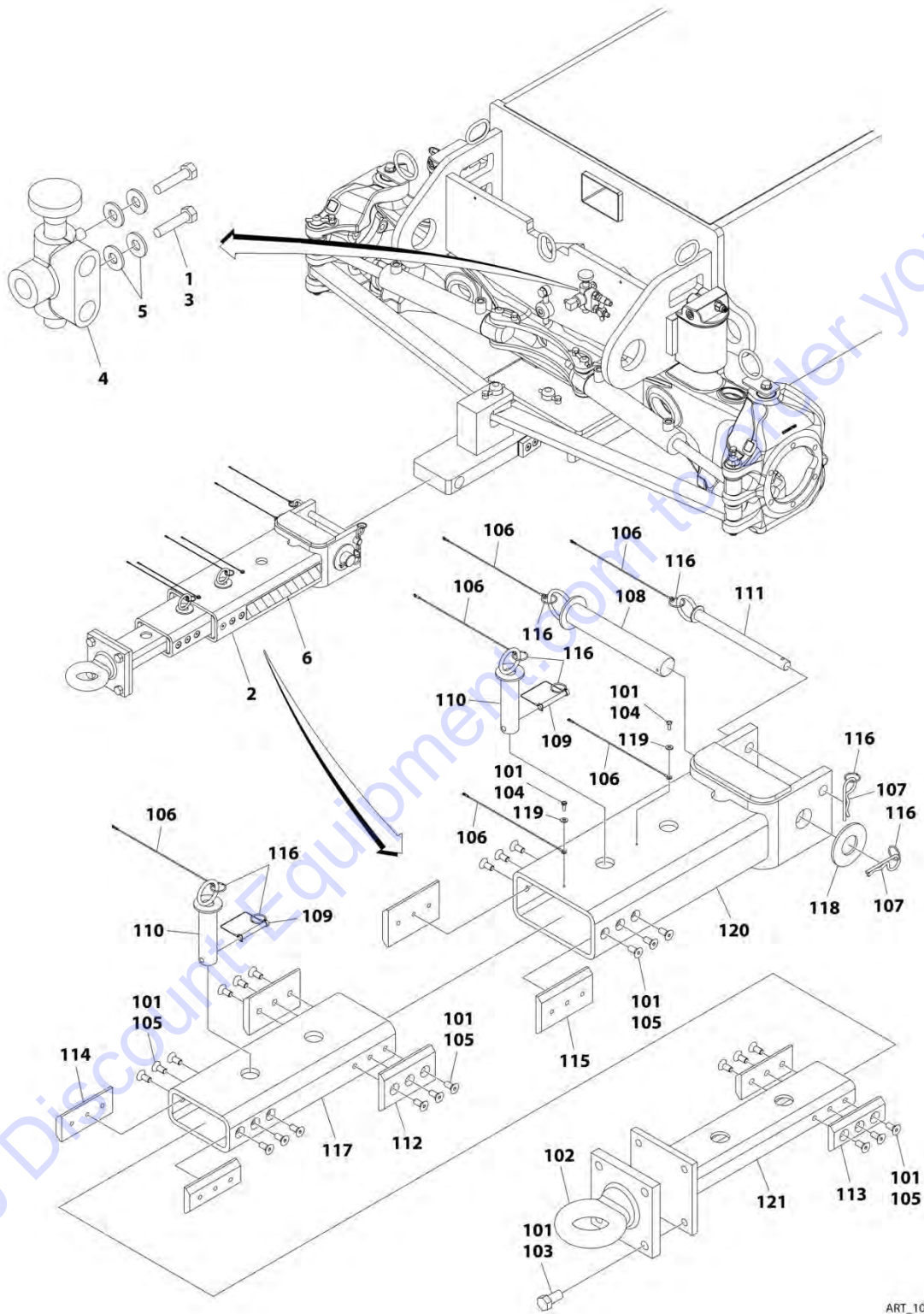
FIGURE 1-18. FRAME COVERS INSTALLATION - 4WS

ITEM	PART NUMBER	QTY	DESCRIPTION	REV
	1001187866	Ref	FRAME COVERS INSTALLATION	B
	1001187864	Ref	FRAME COVERS INSTALLATION	B
1	0100011	AR	Compound, Locking	
2	4280296	64 in/ 160cm	Tape	
3	5250810	4	Bolt M8 x 20	
4	1001187870	2	Cover	

Go to Discount-Equipment.com to order your parts

SECTION 1 - FRAME

FIGURE 1-19. TOW BAR INSTALLATION (OPTIONAL)



ART_1001188893

SECTION 1 - FRAME

FIGURE 1-19. TOW BAR INSTALLATION (OPTIONAL)

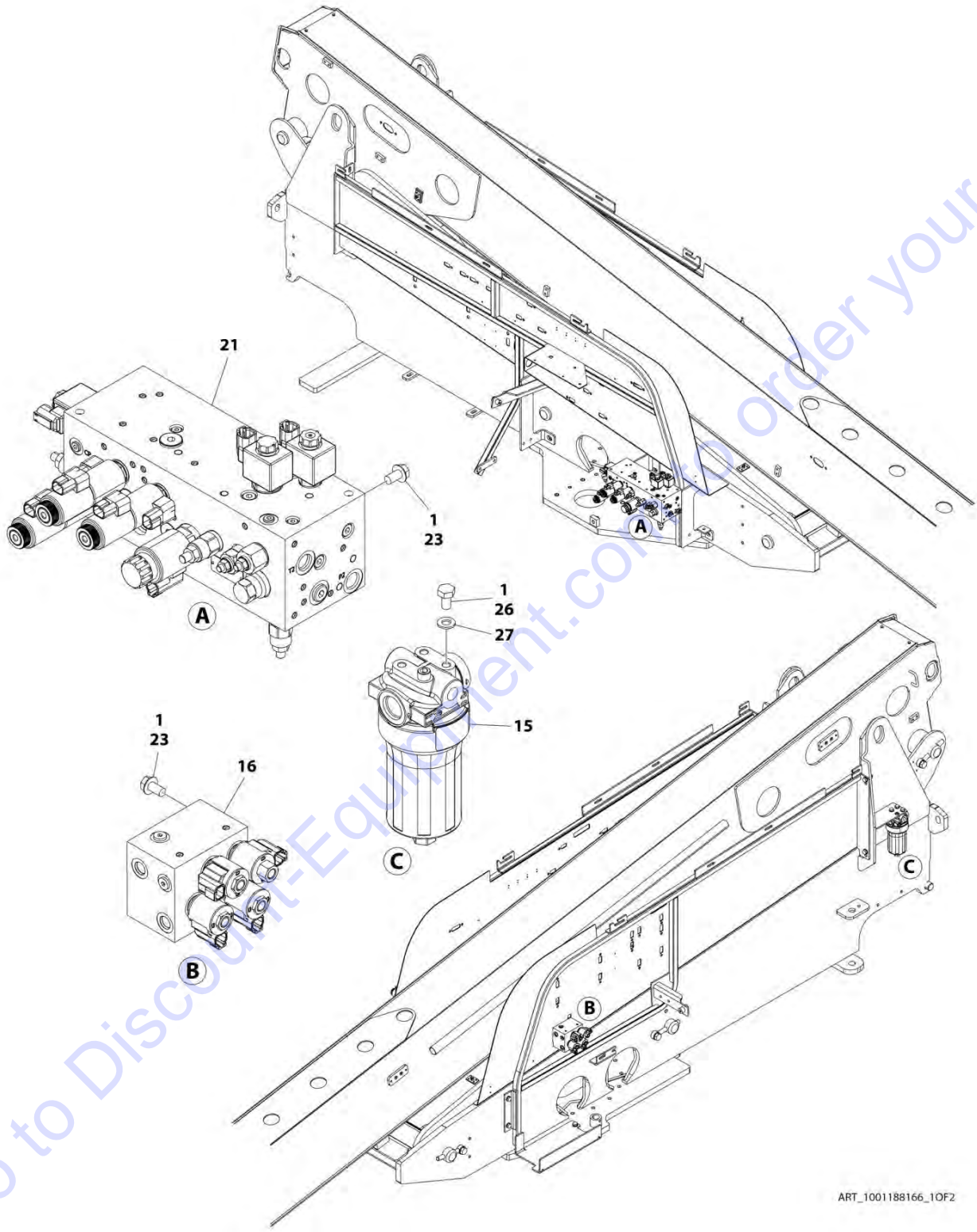
ITEM	PART NUMBER	QTY	DESCRIPTION	REV
	1001188893	Ref	TOW BAR INSTALLATION	B
		Ref	USA Built Machines:	
	1001150571	Ref	ANSI Spec	D
	1001150570	Ref	CSA Spec	D
	1001150569	Ref	CE Spec	A
		Ref	China Built Machines:	
	1001150571	Ref	ANSI Export Spec	D
1	0100011	AR	Compound, Locking	
2	0270528	1	Tow Bar Assembly (See Items 101-121 for Breakdown)	
3	0641511	2	Bolt 5/6 x 1-3/8	
4	4640261	1	Valve, Select	
5	4751500	4	Washer 5/16	
6	4420051	2 ft/.61m	Tape, Safety	
	0270528	Ref	Tow Bar Assembly	A
101	0100011	AR	Compound, Locking	
102	0362910	1	Pintle, Draw Eye	
103	0642010	4	Bolt 5/8 x 1-1/4	
104	0721004	2	Screw	
105	0741607	24	Screw 3/8 x 7/8	
106	1060584	6	Lanyard	
107	3420372	2	Pin, Cotter	
108	3420447	1	Pin	
109	3421565	2	Snap - Pin	
110	3422841	2	Pin	
111	3422847	1	Pin	
112	3572009	2	Plate, Slide Stop	
113	3572010	2	Plate, Slide Stop	
114	3572011	2	Plate, Slide Stop	
115	3572012	2	Plate, Slide Stop	
116	3760170	8	Ring, Split	
117	4568133	1	Tube, Tow Bar	
118	4740036	1	Washer	
119	4751000	2	Washer #10	
120	4846295	1	Tube, Tow Bar Attach	
121	4846296	1	Tube, Pintle Attach	

SECTION 2 - TURNTABLE

Go to Discount-Equipment.com to order your parts

SECTION 2 - TURNTABLE

FIGURE 2-1. VALVE INSTALLATION - 600S WITH 2WS



ART_1001188166_10F2

SECTION 2 - TURNTABLE

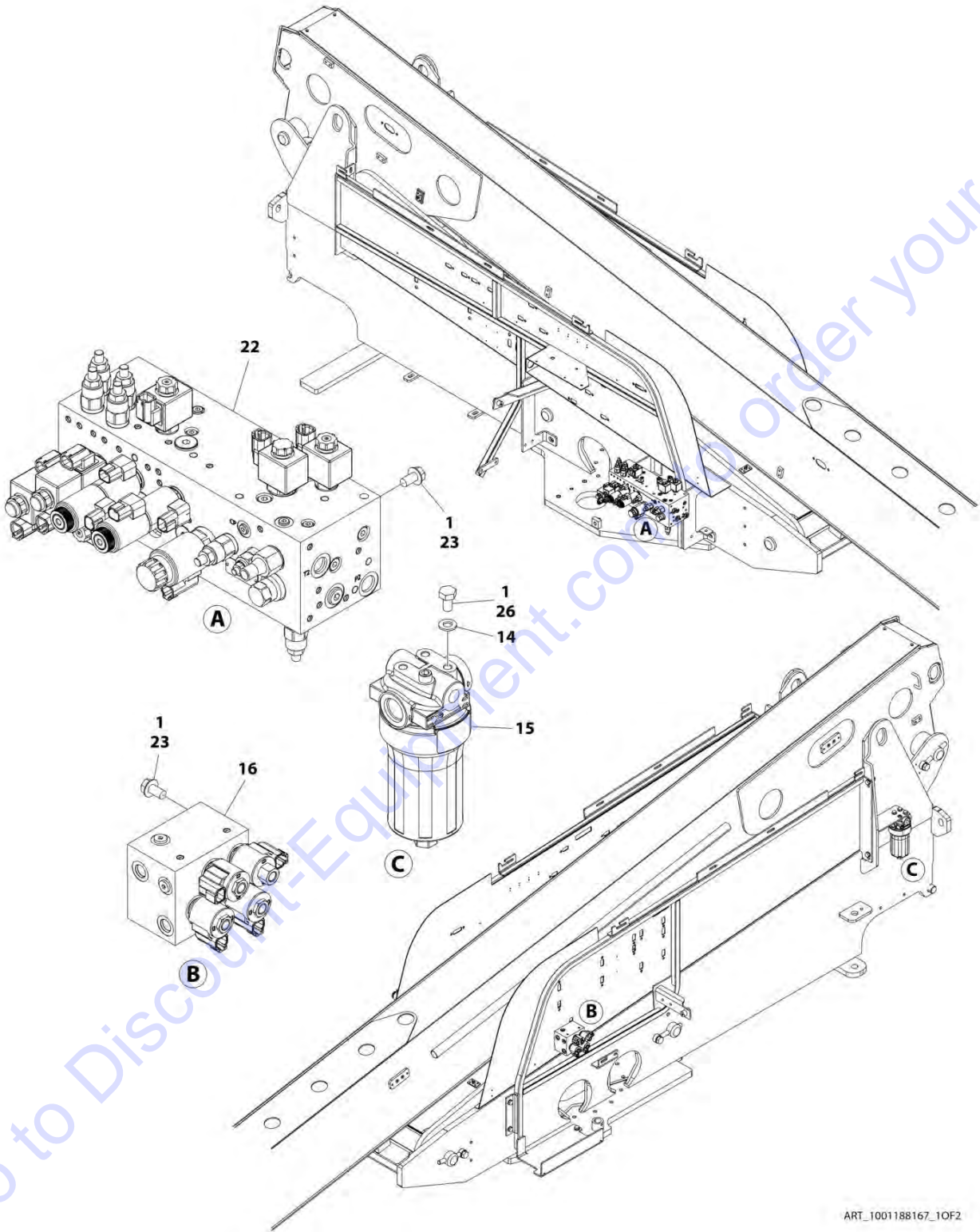
FIGURE 2-1. VALVE INSTALLATION - 600S WITH 2WS

ITEM	PART NUMBER	QTY	DESCRIPTION	REV
	1001188166	Ref	VALVE INSTALLATION	G
1	0100011	AR	Compound, Locking	
15	1001208874	1	Filter, Hydraulic	
15	70010383	1	Element, Filter	
16	1001162538	1	Axle Valve Assembly (See Separate Breakdown in this Section)	
21	1001190169	1	Main Valve Assembly (See Separate Breakdown in this Section)	
23	5251009	6	Bolt M10 x 18	
26	0761009	3	Bolt M10 x 18	
27	4812000	3	Washer M10	

Go to Discount-Equipment.com to order your parts

SECTION 2 - TURNTABLE

FIGURE 2-2. VALVE INSTALLATION - 600S WITH 4WS



ART_1001188167_10F2

SECTION 2 - TURNTABLE

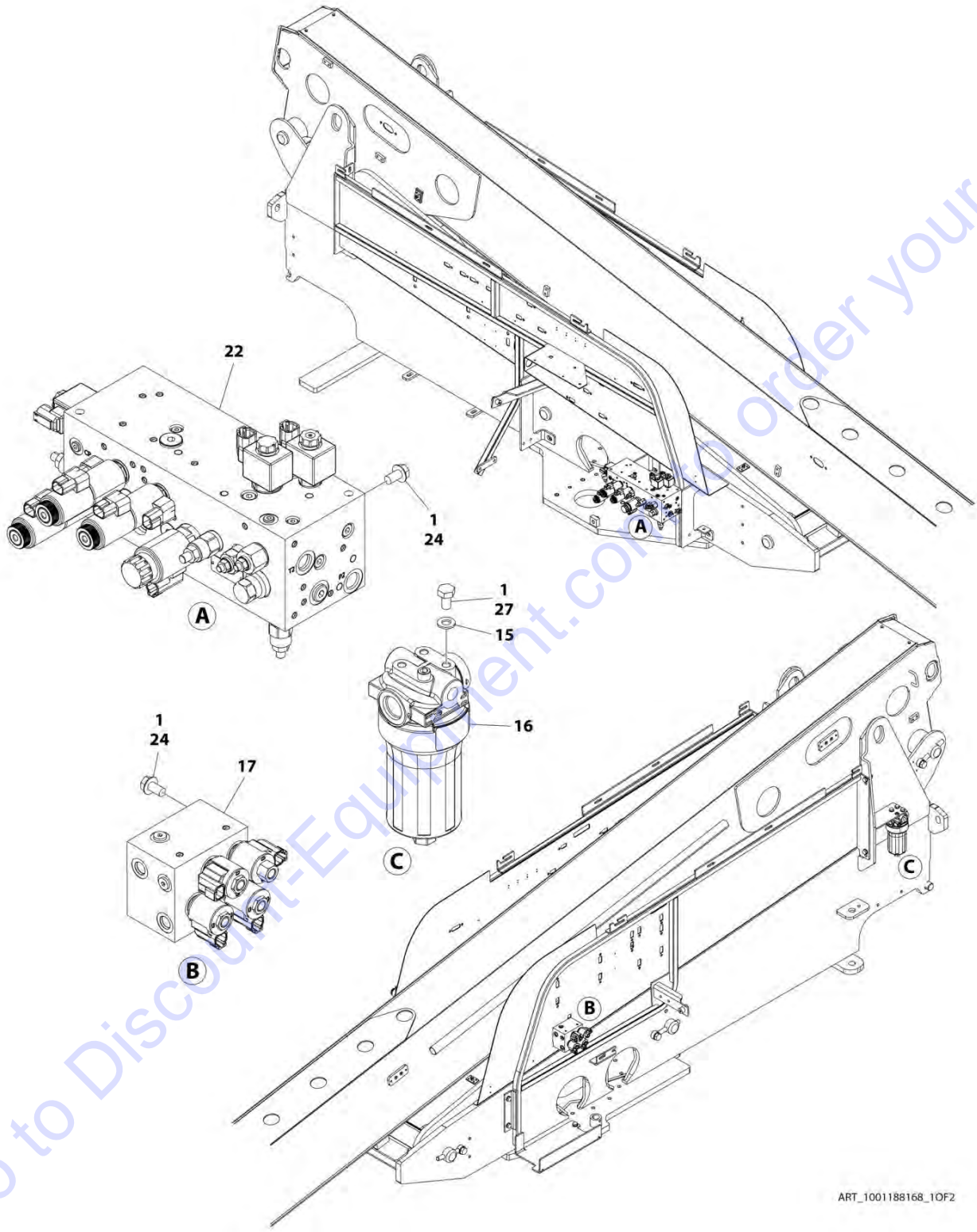
FIGURE 2-2. VALVE INSTALLATION - 600S WITH 4WS

ITEM	PART NUMBER	QTY	DESCRIPTION	REV
	1001188167	Ref	VALVE INSTALLATION	G
1	0100011	AR	Compound, Locking	
14	4812000	3	Washer M10	
15	1001208874	1	Filter, Hydraulic	
15	70010383	1	Element, Filter	
16	1001162538	1	Axle Valve Assembly (See Separate Breakdown in this Section)	
22	1001190326	1	Main Valve Assembly (See Separate Breakdown in this section)	
23	5251009	6	Bolt M10 x 18	
26	0761009	3	Bolt M10 x 18	

Go to Discount-Equipment.com to order your parts

SECTION 2 - TURNTABLE

FIGURE 2-3. VALVE INSTALLATION - 660SJ WITH 2WS



ART_1001188168_10F2

SECTION 2 - TURNTABLE

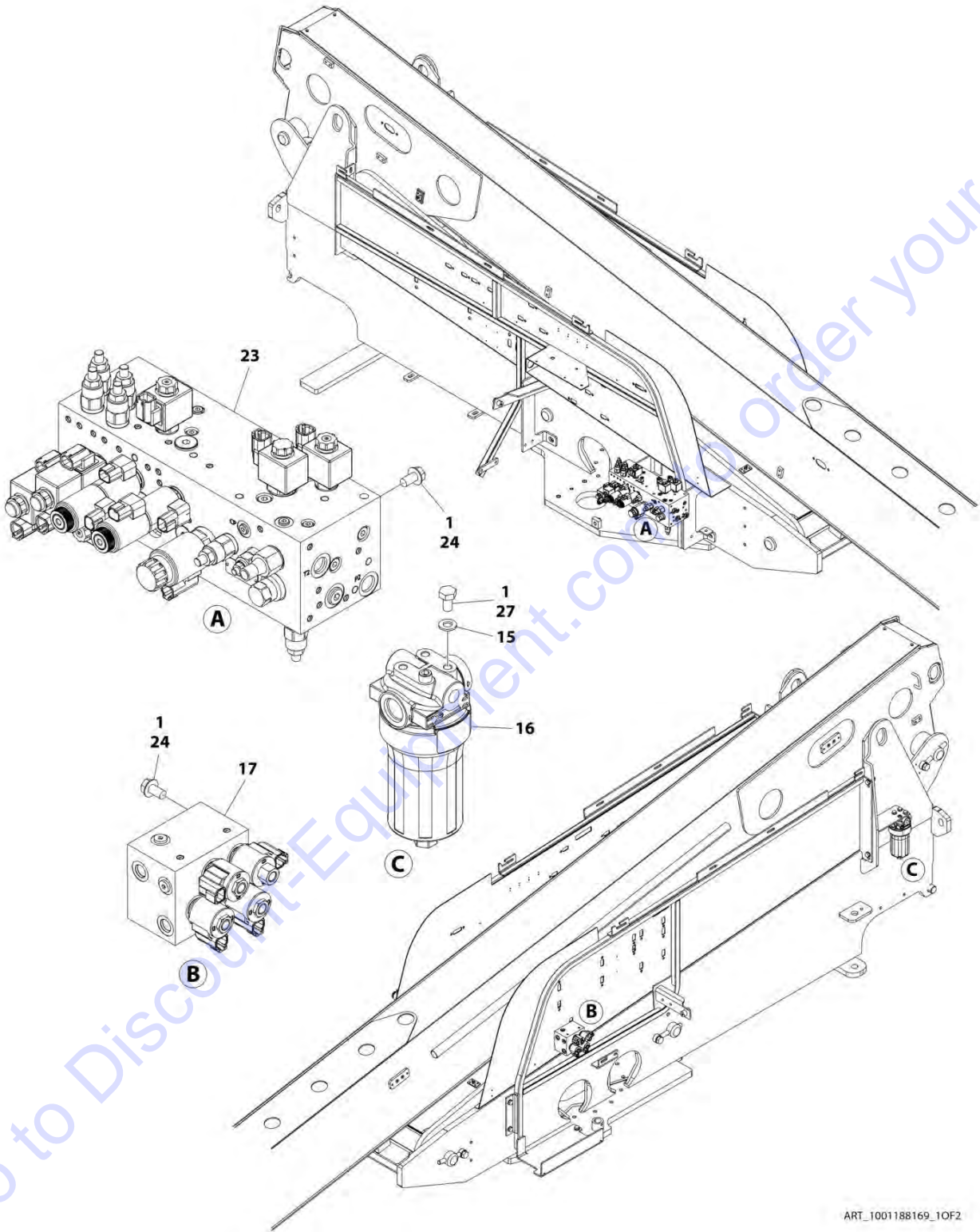
FIGURE 2-3. VALVE INSTALLATION - 660SJ WITH 2WS

ITEM	PART NUMBER	QTY	DESCRIPTION	REV
	1001188168	Ref	VALVE INSTALLATION	G
1	0100011	AR	Compound, Locking	
15	4812000	3	Washer M10	
16	1001208874	1	Filter, Hydraulic	
16	70010383	1	Element, Filter	
17	1001162538	1	Axle Valve Assembly (See Separate Breakdown in this Section)	
22	1001190169	1	Main Valve Assembly (See Separate Breakdown in this Section)	
24	5251009	6	Bolt M10 x 18	
27	0761009	3	Bolt M10 x 18	

Go to Discount-Equipment.com to order your parts

SECTION 2 - TURNTABLE

FIGURE 2-4. VALVE INSTALLATION - 660SJ WITH 4WS



SECTION 2 - TURNTABLE

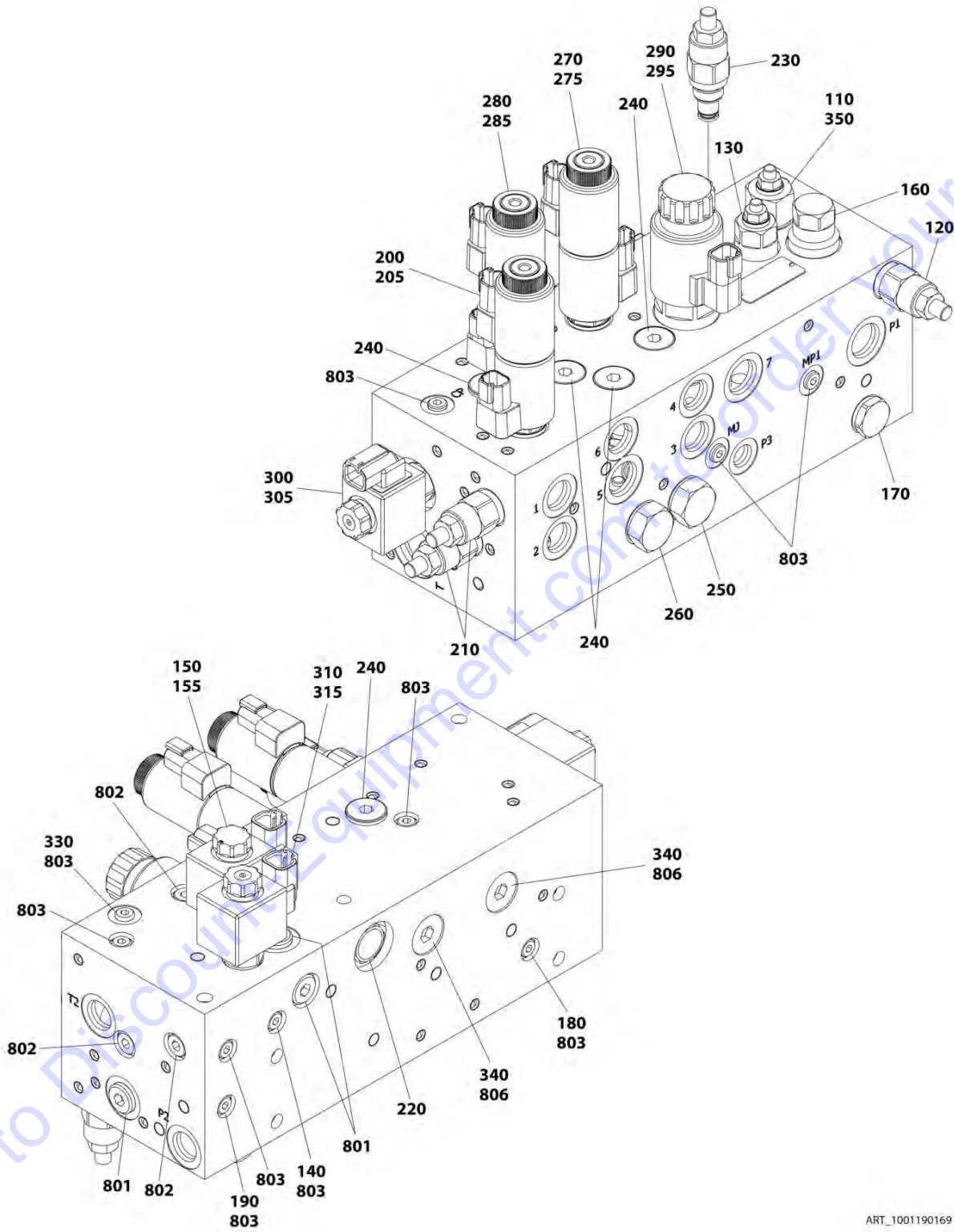
FIGURE 2-4. VALVE INSTALLATION - 660SJ WITH 4WS

ITEM	PART NUMBER	QTY	DESCRIPTION	REV
	1001188169	Ref	VALVE INSTALLATION	G
1	0100011	AR	Compound, Locking	
15	4812000	3	Washer M10	
16	1001208874	1	Filter, Hydraulic	
16	70010383	1	Element, Filter	
17	1001162538	1	Axle Valve Assembly (See Separate Breakdown in this Section)	
23	1001190326	1	Main Valve Assembly (See Separate Breakdown in this Section)	
24	5251009	6	Bolt M10 x 18	
27	0761009	3	Bolt M10 x 18	

Go to Discount-Equipment.com to order your parts

SECTION 2 - TURNTABLE

FIGURE 2-5. MAIN VALVE ASSEMBLY - 2WS



ART_1001190169

SECTION 2 - TURNTABLE

FIGURE 2-5. MAIN VALVE ASSEMBLY - 2WS

ITEM	PART NUMBER	QTY	DESCRIPTION	REV
	1001190169	Ref	MAIN VALVE ASSEMBLY	F
110	70006109	1	Valve, Flow/Pressure Control	
110	70004656	1	Seal Kit - 70006109 Valve	
120	70003019	1	Valve, Relief	
120	70004052	1	Seal Kit - 70003019 Valve	
130	70004607	1	Valve, Relief	
130	70004602	1	Seal Kit - 70004607 Valve	
140	70004668	1	Orifice	
150	70006111	1	Valve, Solenoid Without Coil	
150	70004584	1	Seal Kit - 70006111 Valve	
150	70004051	1	Coil Nut & Pole Tube O-Ring Kit	
155	70004653	1	Coil	
160	70006112	1	Valve, Load Sense	
160	70006113	1	Seal Kit - 70006112 Valve	
170	70005952	1	Valve, Check	
170	70004052	1	Seal Kit - 70005952 Valve	
180	7022527	1	Orifice 2mm	
190	7022527	1	Orifice 2mm	
200	70004659	1	Valve, Solenoid Without Coil (Steer)	
200	70004660	1	Seal Kit	
200	70004661	1	Nut, Coil	
200	70024457	1	O-Ring at Coil Nut	
200	70004662	1	O-Ring at Bottom of Pole Tube	
205	80434249	2	Coil	
210	70003019	2	Valve, Relief	
210	70004052	2	Seal Kit - 70003019 Valve	
220	70003027	1	Valve, Flow/Pressure Control	
220	70004052	1	Seal Kit - 70003027 Valve	
230	70003019	1	Valve, Relief	
230	70004052	1	Seal Kit - 70003019 Valve	
240	70023859	5	Valve, Relief	
240	70023860	5	Seal Kit - 70023859 Valve	
250	70006114	1	Valve, Pressure Compensator	
250	70004656	1	Seal Kit - 70006114 Valve	
260	70006114	1	Valve, Pressure Compensator	
260	70004656	1	Seal Kit - 70006114 Valve	
270	70006115	1	Valve, Solenoid Without Coil (Swing)	
270	70006116	1	Seal Kit - 70006115 Valve	
270	70004661	1	Nut, Coil	
270	70024457	1	O-Ring at Coil Nut	
270	70004662	1	O-Ring at Bottom of Pole Tube	
275	80434249	2	Coil	
280	70006117	1	Valve, Solenoid Without Coil (Tele)	
280	70006116	1	Seal Kit - 70006117 Valve	
280	70004661	1	Nut, Coil	
280	70024457	1	O-Ring at Coil Nut	
280	70004662	1	O-Ring at Bottom of Pole Tube	
285	80434249	2	Coil	
290	70004657	1	Valve, Solenoid (Lift)	
290	70004594	1	Seal Kit - 70004657 Valve	

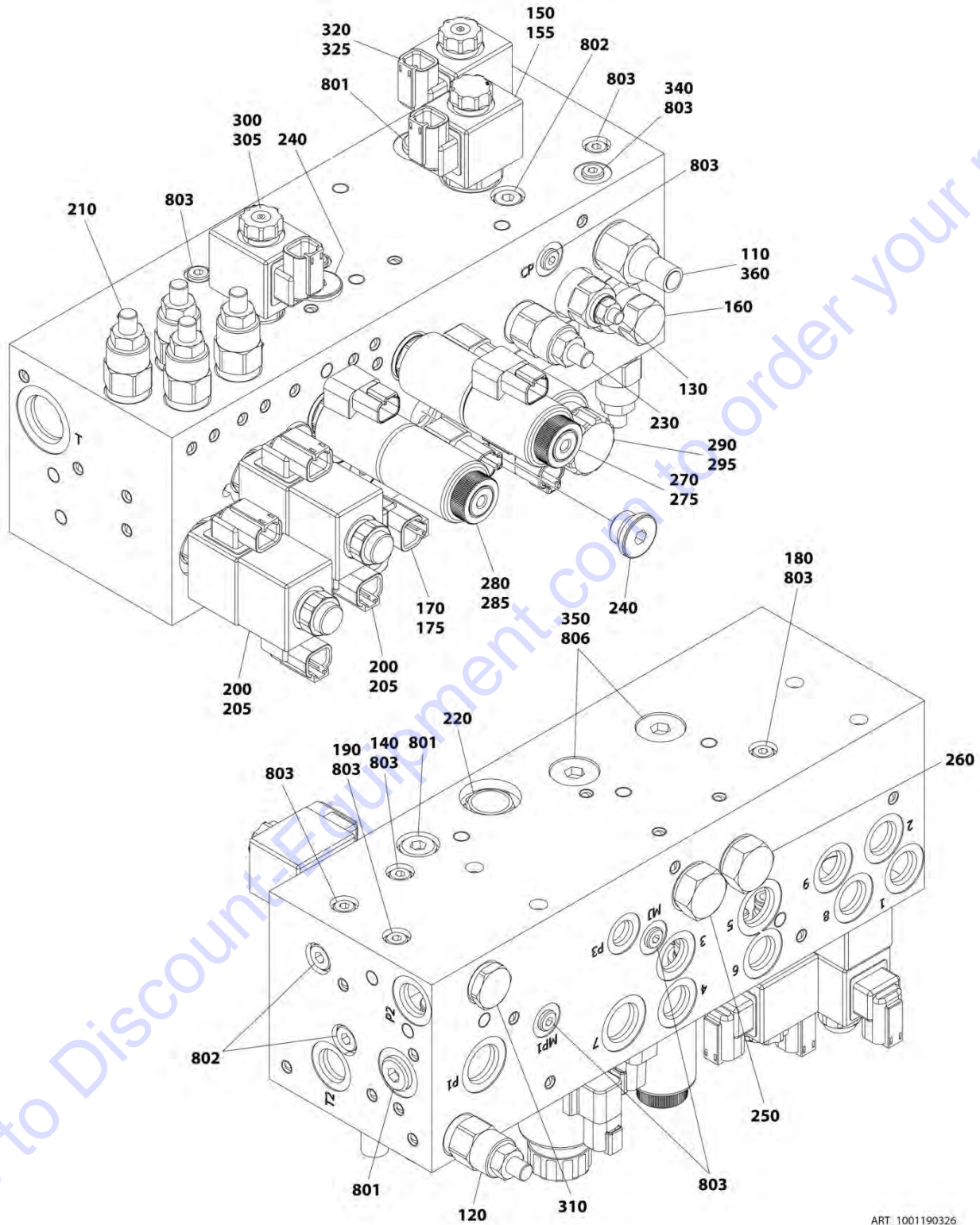
SECTION 2 - TURNTABLE

ITEM	PART NUMBER	QTY	DESCRIPTION	REV
290	70004597	1	Nut, Coil	
290	70004596	1	O-Ring at Coil Nut	
295	70004595	1	Coil	
300	70004598	1	Valve, Solenoid (Lift)	
300	70004055	1	Seal Kit - 70004598 Valve	
300	70005947	1	Coil Nut & Pole Tube O-Ring Kit	
305	70004653	1	Coil	
310	70006118	1	Valve, Solenoid (Lift)	
310	70004052	1	Seal Kit - 70006118 Valve	
310	70004051	1	Coil Nut & Pole Tube O-Ring Kit	
315	70004653	1	Coil	
330	7023821	1	Orifice 0.8mm	
340	70006119	2	Valve, Check	
350	70006357	1	Orifice 4mm	
801	70002759	3	Plug	
802	70004617	3	Plug	
803	70002758	10	Plug	
806	70006120	2	Plug	

Go to Discount-Equipment.com to order your parts

SECTION 2 - TURNTABLE

FIGURE 2-6. MAIN VALVE ASSEMBLY - 4WS



ART_1001190326

SECTION 2 - TURNTABLE

FIGURE 2-6. MAIN VALVE ASSEMBLY - 4WS

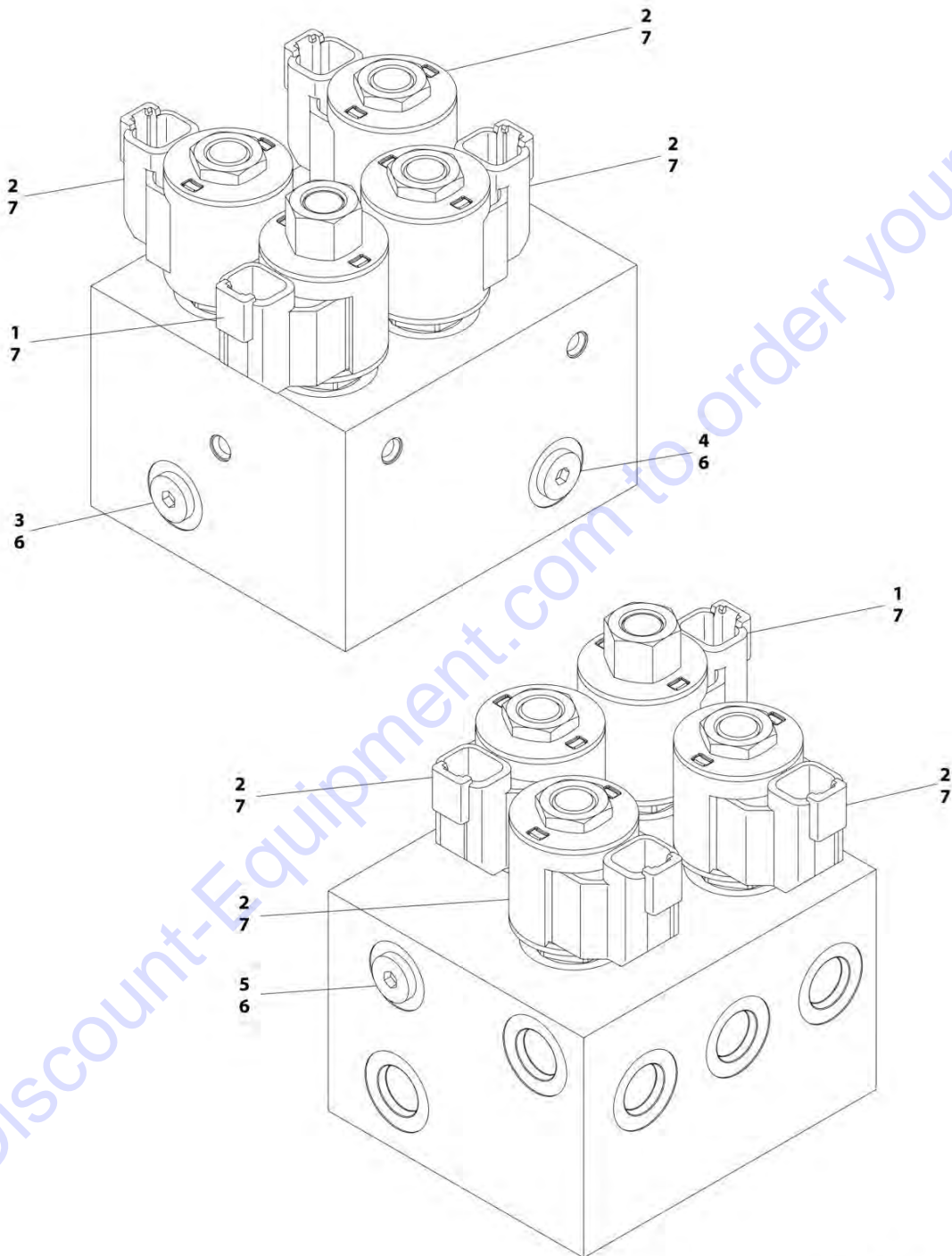
ITEM	PART NUMBER	QTY	DESCRIPTION	REV
	1001190326	Ref	MAIN VALVE ASSEMBLY	F
110	70006109	1	Valve, Flow/Pressure Control	
110	70004656	1	Seal Kit - 70006109 Valve	
120	70003019	1	Valve, Relief	
120	70004052	1	Seal Kit - 70003019 Valve	
130	70004607	1	Valve, Relief	
130	70004602	1	Seal Kit - 70004607 Valve	
140	70004668	1	Orifice	
150	70006111	1	Valve, Solenoid without Coil	
150	70004584	1	Seal Kit - 70006111 Valve	
150	70004051	1	Coil Nut & Pole Tube O-Ring Kit	
155	70004653	1	Coil	
160	70006112	1	Valve, Load Sense	
160	70006113	1	Seal Kit - 70006112 Valve	
170	70006128	1	Valve, Solenoid without Coil	
170	70004055	1	Seal Kit - 70006128 Valve	
170	70005947	1	Coil Nut & Pole Tube O-Ring Kit	
175	70004653	1	Coil	
180	7022527	1	Orifice 2mm	
190	7022527	1	Orifice 2mm	
200	70006124	2	Valve, Solenoid without Coil	
200	70004053	2	Seal Kit - 70006124 Valve	
200	70006123	2	Coil Nut & Pole Tube O-Ring Kit	
205	70004653	4	Coil	
210	70003019	4	Valve, Relief	
210	70004052	4	Seal Kit - 70003019 Valve	
220	70003027	1	Valve, Flow/Pressure Control	
220	70004052	1	Seal Kit - 70003027 Valve	
230	70003019	1	Valve, Relief	
230	70004052	1	Seal Kit - 70003019 Valve	
240	70023859	5	Valve, Relief	
240	70023860	5	Seal Kit - 70023859 Valve	
250	70006114	1	Valve, Pressure Compensator	
250	70004656	1	Seal Kit - 70006114 Valve	
260	70006114	1	Valve, Pressure Compensator	
260	70004656	1	Seal Kit - 70006114 Valve	
270	70006115	1	Valve, Solenoid without Coil (Swing)	
270	70006116	1	Seal Kit - 70006115 Valve	
270	70004661	1	Nut, Coil	
270	70024457	1	O-Ring at Coil Nut	
270	70004662	1	O-Ring at Bottom of Pole Tube	
275	80434249	2	Coil	
280	70006117	1	Valve, Solenoid without Coil (Tele)	
280	70006116	1	Seal Kit - 70006117 Valve	
280	70004661	1	Nut, Coil	
280	70024457	1	O-Ring at Coil Nut	
280	70004662	1	O-Ring at Bottom of Pole Tube	
285	80434249	2	Coil	
290	70004657	1	Valve, Solenoid (Lift)	
290	70004594	1	Seal Kit - 70004657 Valve	

SECTION 2 - TURNTABLE

ITEM	PART NUMBER	QTY	DESCRIPTION	REV
290	70004597	1	Nut, Coil	
290	70004596	1	O-Ring at Coil Nut	
295	70004595	1	Coil	
300	70004598	1	Valve, Solenoid (Lift)	
300	70004055	1	Seal Kit - 70004598 Valve	
300	70005947	1	Coil Nut & Pole Tube O-Ring Kit	
305	70004653	1	Coil	
310	70005952	1	Valve, Check	
310	70004052	1	Seal Kit - 70005952 Valve	
320	70006118	1	Valve, Solenoid (Lift)	
320	70004052	1	Seal Kit - 70006118 Valve	
320	70004051	1	Coil Nut & Pole Tube O-Ring Kit	
325	70004653	1	Coil	
340	7023821	1	Orifice .8mm	
350	70006119	2	Valve, Check	
360	70006357	1	Orifice 4mm	
801	70002759	3	Plug	
802	70004617	3	Plug	
803	70002758	11	Plug	
806	70006120	2	Plug	

SECTION 2 - TURNTABLE

FIGURE 2-7. AXLE VALVE ASSEMBLY



ART_1001162538

SECTION 2 - TURNTABLE

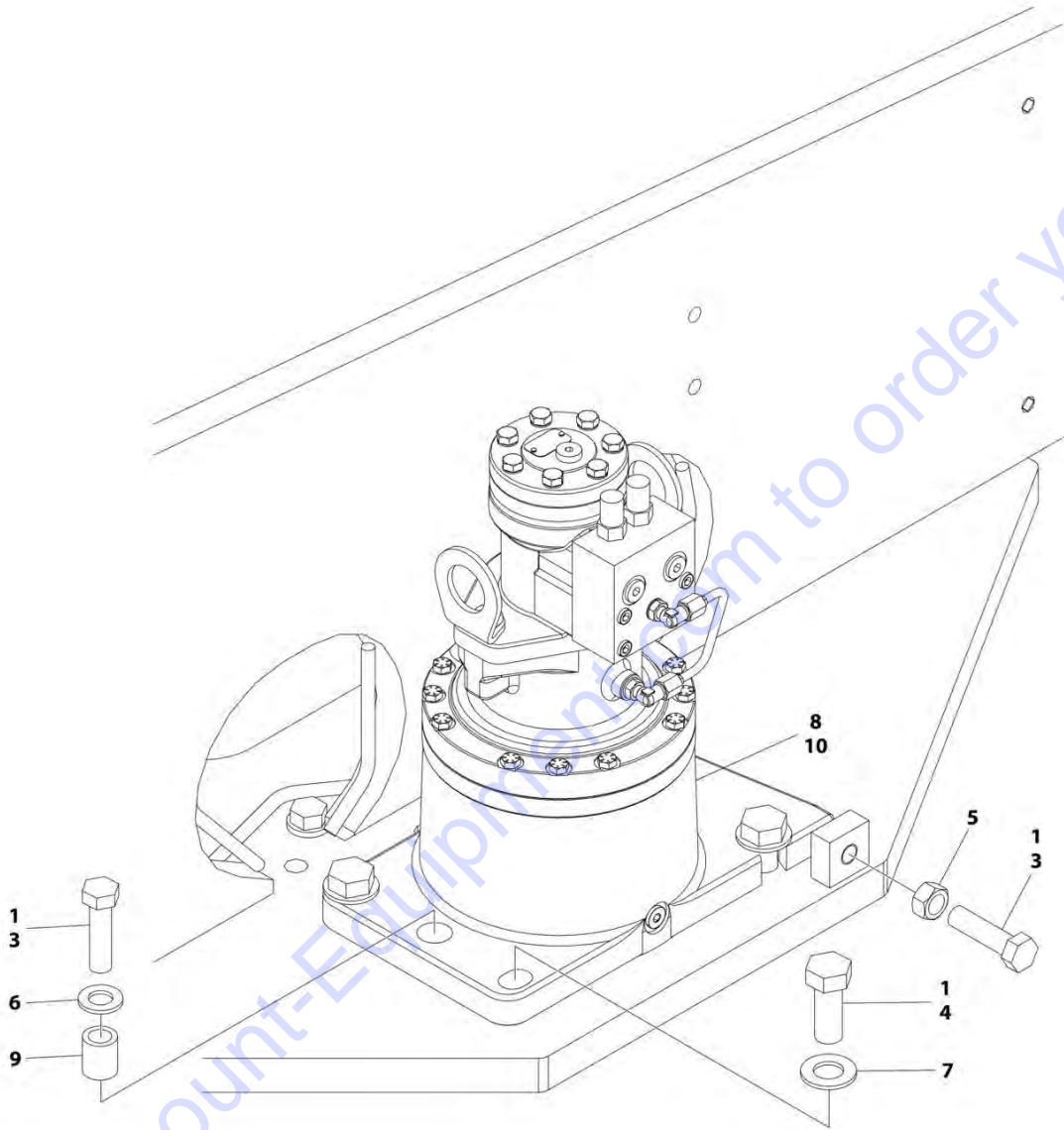
FIGURE 2-7. AXLE VALVE ASSEMBLY

ITEM	PART NUMBER	QTY	DESCRIPTION	REV
	1001162538	Ref	AXLE VALVE ASSEMBLY	D
1	7017410	1	Cartridge, Solenoid Valve Less Coil (Secondary Axle Release)	
1	7012967	1	Seal Kit - 7017410 Valve	
2	7012941	3	Cartridge, Solenoid Valve Less Coil (Brake Release, Primary Axle Release and 2 Speed)	
2	7010543	3	Seal Kit - 7012941 Valve	
3	70004883	1	Orifice	
4	70004884	1	Orifice	
5	70002063	1	Orifice	
6	2220883	3	Plug, O-Ring #4	
7	70002386	4	Coil	

Go to Discount-Equipment.com to order your parts

SECTION 2 - TURNTABLE

FIGURE 2-8. SWING DRIVE INSTALLATION



ART_1001185842

SECTION 2 - TURNTABLE

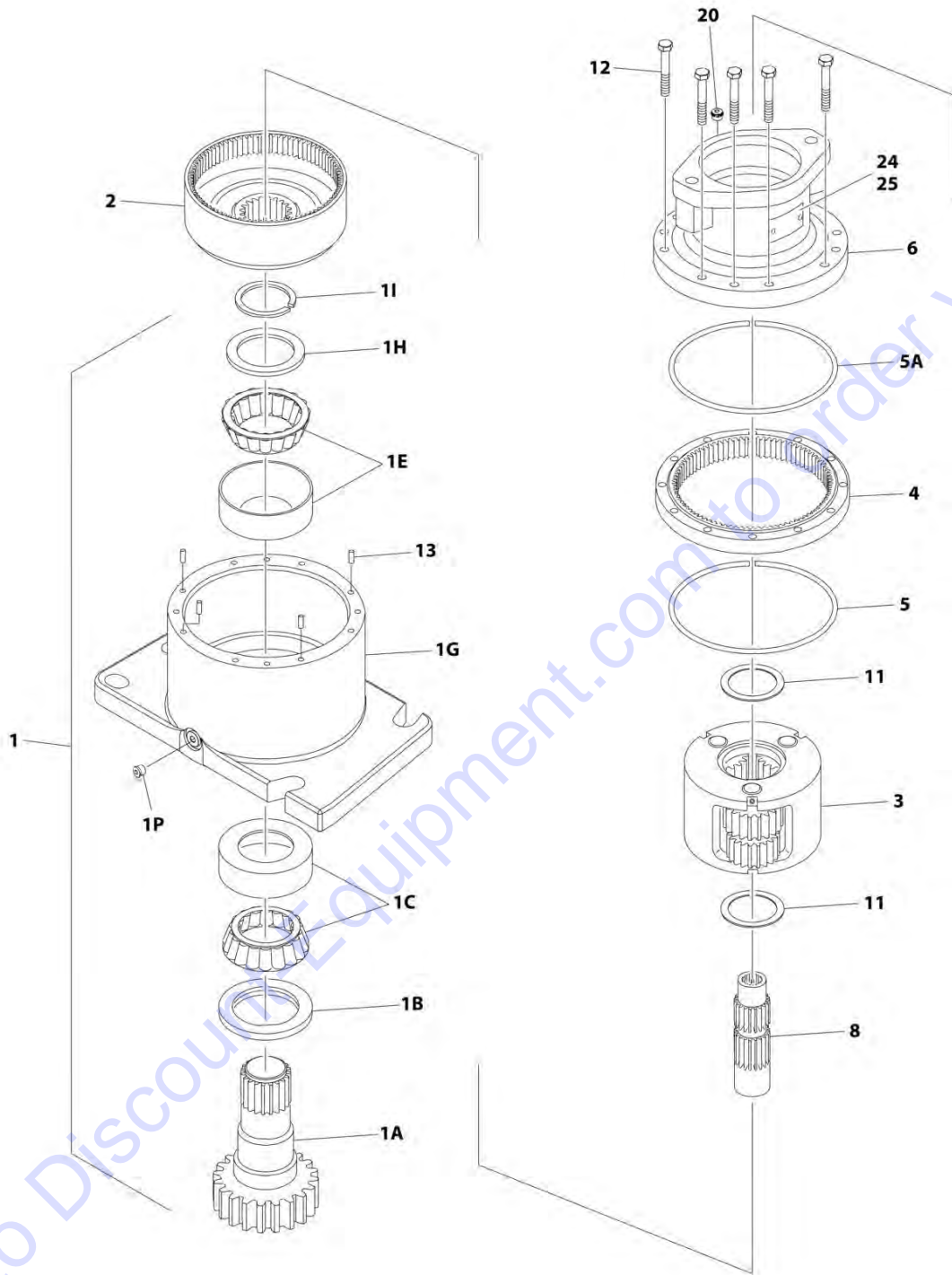
FIGURE 2-8. SWING DRIVE INSTALLATION

ITEM	PART NUMBER	QTY	DESCRIPTION	REV
	1001185842	Ref	SWING DRIVE INSTALLATION	B
1	0100019	AR	Compound, Locking	
3	0771620	2	Bolt M16 x 60	
4	0772018	4	Bolt M20 x 50	
5	3291601	1	Nut M16	
6	5241600	1	Washer M16	
7	5242000	4	Washer M20	
8	1001125492	1	Shim	
9	1001134543	1	Spacer	
10	1001187855	1	Swing Motor/Hub Assembly (See Separate Breakdown in this Section)	

Go to Discount-Equipment.com to order your parts

SECTION 2 - TURNTABLE

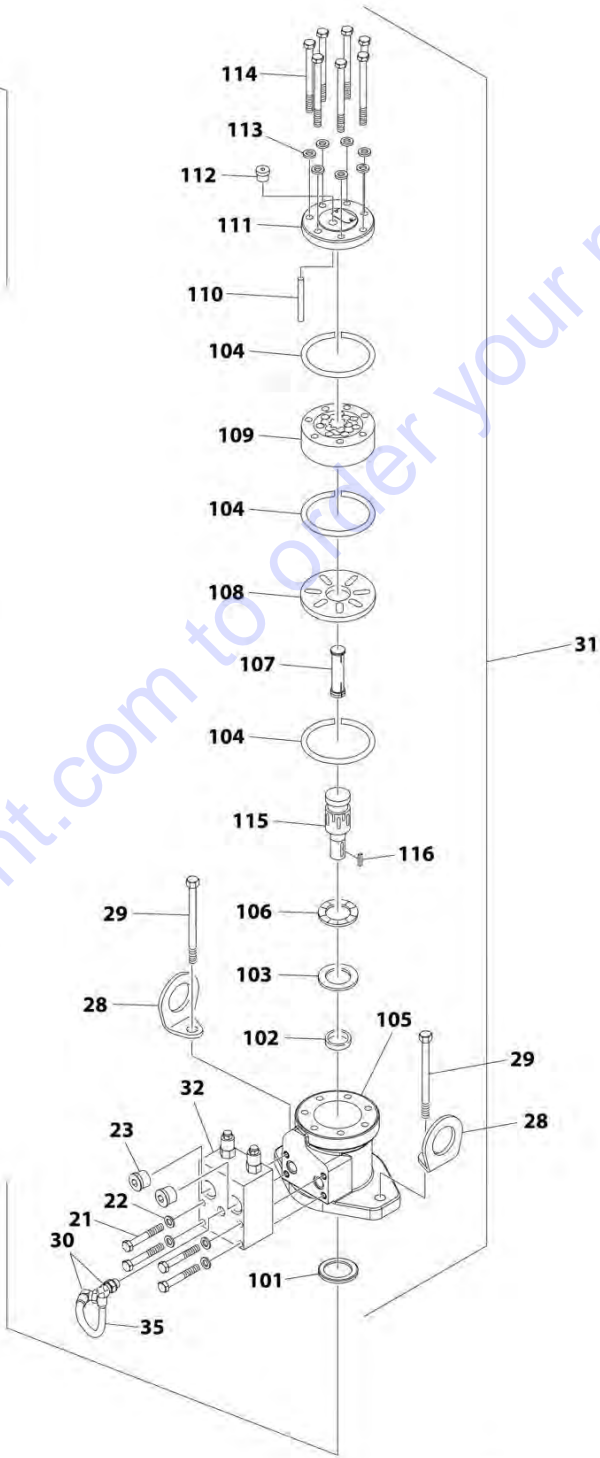
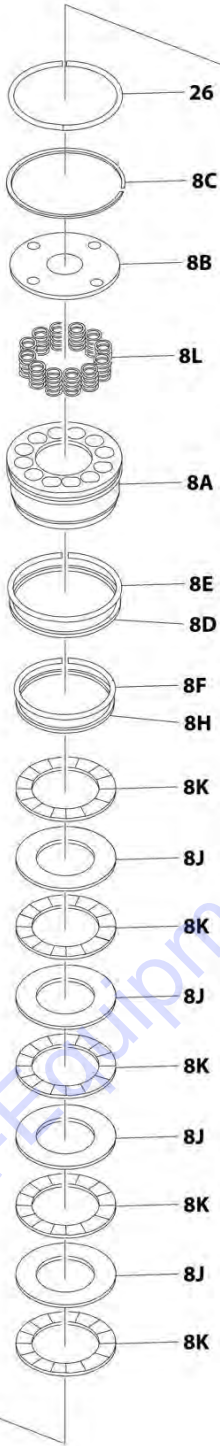
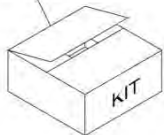
FIGURE 2-9. SWING MOTOR/HUB ASSEMBLY



ART_1001187855_10F2

SECTION 2 - TURNTABLE

40
120



ART_1001187855_2OF2

SECTION 2 - TURNTABLE

FIGURE 2-9. SWING MOTOR/HUB ASSEMBLY

ITEM	PART NUMBER	QTY	DESCRIPTION	REV
	1001187855	Ref	SWING MOTOR/HUB ASSEMBLY	D
1	See Note	NSS	Housing/Shaft Assembly (Note: Not Available - Purchase Complete Swing Motor/Hub Assembly)	
1A	7010492	1	Shaft, Output	
1B	7000228	1	Seal, Lip	
1C	7000255	1	Bearing Kit (Includes Cup and Cone)	
1E	7000257	1	Bearing Kit (Includes Cup and Cone)	
1G	See Note	1	Housing (Note: Not Available for Purchase)	
1H	7007633	1	Thrustwasher	
1I	7000229	1	Ring, Retaining	
1P	7017072	1	Plug, Pipe	
2	7000246	1	Gear, Internal	
3	7000247	1	Carrier Assembly	
3A	7001931	1	Carrier	
3B	7001985	6	Washer, Tanged	
3C	7001909	96	Bearing, Needle	
3D	7000263	3	Thrustwasher	
3E	7001911	3	Shaft, Planet	
3F	7001912	3	Gear, Cluster	
3G	7010474	3	Roll Pin	
4	7000248	1	Gear, Ring	
5	7000230	1	O-Ring (Black)	
5A	7017070	1	O-Ring (White)	
6	See Note	NSS	Housing, Brake (Note: Not Available for Purchase)	
7	70005203	1	Gear, Sun	
8		Ref	Brake Components	
8A	70004037	1	Piston, Brake	
8B	7024743	1	Plate, Pressure	
8C	70004039	1	Ring, Retaining	
8D	70004041	1	O-Ring	
8E	70004044	1	Ring, Back-up	
8F	70004042	1	O-Ring	
8H	70004043	1	Ring, Back-up	
8J	See Note	NSS	Rotor, Brake (Note: Use p/n 70002085)	
8K	See Note	NSS	Stator, Brake (Note: Use p/n 70002085)	
8L	70002066	7	Spring, Brake	
11	7000253	2	Thrustwasher	
12	7000217	12	Bolt, 5/16 x 2-1/4 Grade 8	
13	7017080	4	Pin, Dowel	
20	7017072	1	Plug, Pipe	
21	7024704	4	Bolt 5/16 x 2 Grade 8	
22	70004045	4	Lockwasher	
23	7017023	2	Plug, Pipe	
24	See Note	NSS	Plate, ID (Note: Not Available for Purchase)	
25	See Note	NSS	Rivet	
26	7024763	1	O-Ring	
28	See Note	NSS	Lug, Lifting (Note: Not Available for Purchase)	
29	70004040	2	Bolt 1/2 x 1-1/2 Grade 8	
30	7017085	2	Elbow	
31	70006304	1	Motor Assembly (See Items 101-120 for Breakdown)	

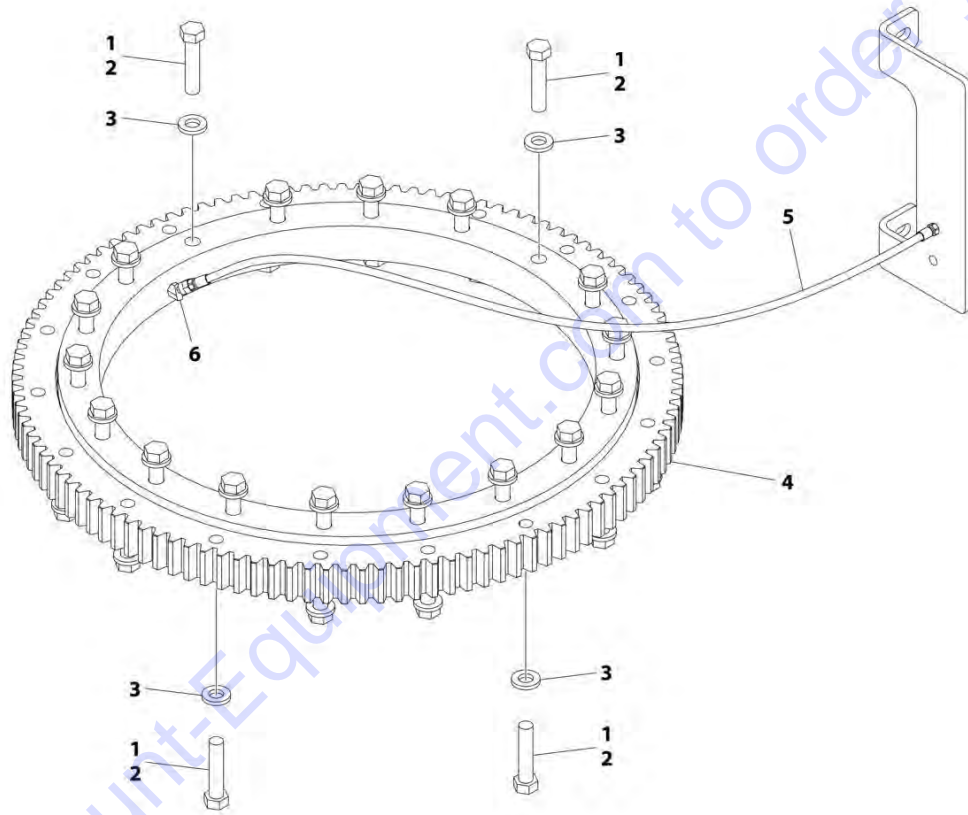
SECTION 2 - TURNTABLE

ITEM	PART NUMBER	QTY	DESCRIPTION	REV
32	7024784	1	Valve (No Serviceable Parts)	
33	7017082	1	Plug, Pipe (Not Shown)	
35	70004047	1	Tube	
40	7024100	1	Seal Kit - Hub (Includes Items 1B, 1I, 5, 5A & 11)	
	70006304	Ref	Motor Assembly	
101	See Note	NSS	Seal, Dust (Note: Use Item 120)	
102	See Note	NSS	Seal, Shaft (Note: Use Item 120)	
103	See Note	NSS	Thrustwasher (Note: Use Item 120)	
104	See Note	NSS	Seal, Ring (Note: Use Item 120)	
105	See Note	NSS	Housing (Note: Purchase Complete Assembly)	
106	70006306	1	Bearing, Thrust	
107	7005889	1	Link, Drive	
108	70006307	1	Plate, Wear	
109	70006310	1	Rotor Set	
110	7005891	1	Pin	
111	70006308	1	Cover, End	
112	See Note	NSS	Plug (Note: Purchase Complete Assembly)	
113	70006309	1	Washer Kit (Includes 7 Washers)	
114	70006313	1	Bolt Kit (Includes 7 Bolts)	
115	See Note	NSS	Shaft (Note: Purchase Complete Assembly)	
116	See Note	NSS	Key (Note: Purchase Complete Assembly)	
120	70006305	1	Seal Kit - Motor (Includes Items 101-104)	

Go to Discount-Equipment.com to order your parts

SECTION 2 - TURNTABLE

FIGURE 2-10. TURNTABLE BEARING AND LUBE INSTALLATION



ART_1001185709

SECTION 2 - TURNTABLE

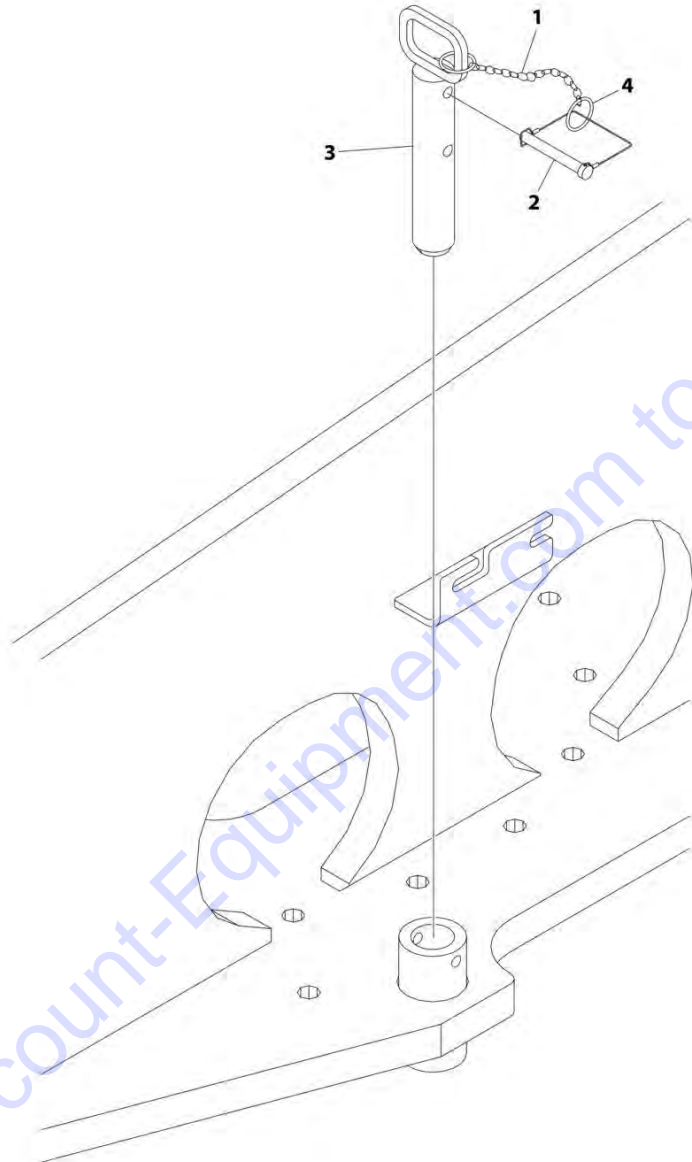
FIGURE 2-10. TURNTABLE BEARING AND LUBE INSTALLATION

ITEM	PART NUMBER	QTY	DESCRIPTION	REV
	1001185709	Ref	TURNTABLE BEARING AND LUBE INSTALLATION	D
1	0100019	AR	Compound, Locking	
2	0682023	36	Bolt 5/8 x 2-7/8	
3	4892000	36	Washer 5/8	
4	0440233	1	Bearing, Turntable	
5	1001188125	1	Hose	
6	2220124	1	Fitting, 45	

Go to Discount-Equipment.com to order your parts

SECTION 2 - TURNTABLE

FIGURE 2-11. TURNTABLE LOCK INSTALLATION



ART_1001187022

SECTION 2 - TURNTABLE

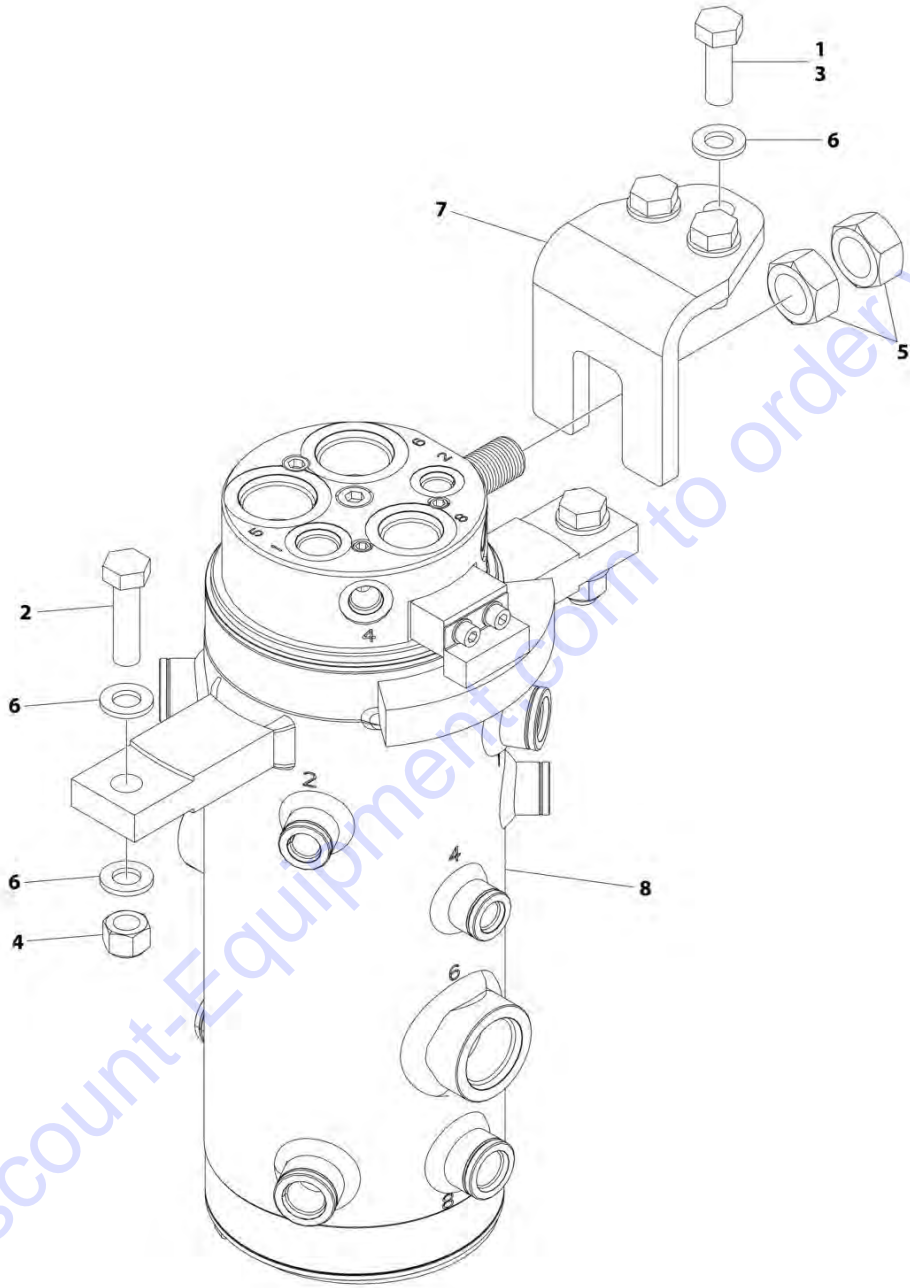
FIGURE 2-11. TURNTABLE LOCK INSTALLATION

ITEM	PART NUMBER	QTY	DESCRIPTION	REV
	1001187022	Ref	TURNTABLE LOCK INSTALLATION	B
1	1260017	9 in/23cm	Chain	
2	3421565	1	Snap-Pin	
3	3421627	NLA	Pin, Lock (Use p/n 1001169582) (SN 0300235168 through 0300255131, SN B300002655 through B300003487)	
3	1001169582	1	Pin, Lock (SN 0300255132 to Present, SN B300003488 to Present)	
4	3760170	2	Ring	

Go to Discount-Equipment.com to order your parts

SECTION 2 - TURNTABLE

FIGURE 2-12. ROTARY COUPLING INSTALLATION - 2WS



ART_T001188337

SECTION 2 - TURNTABLE

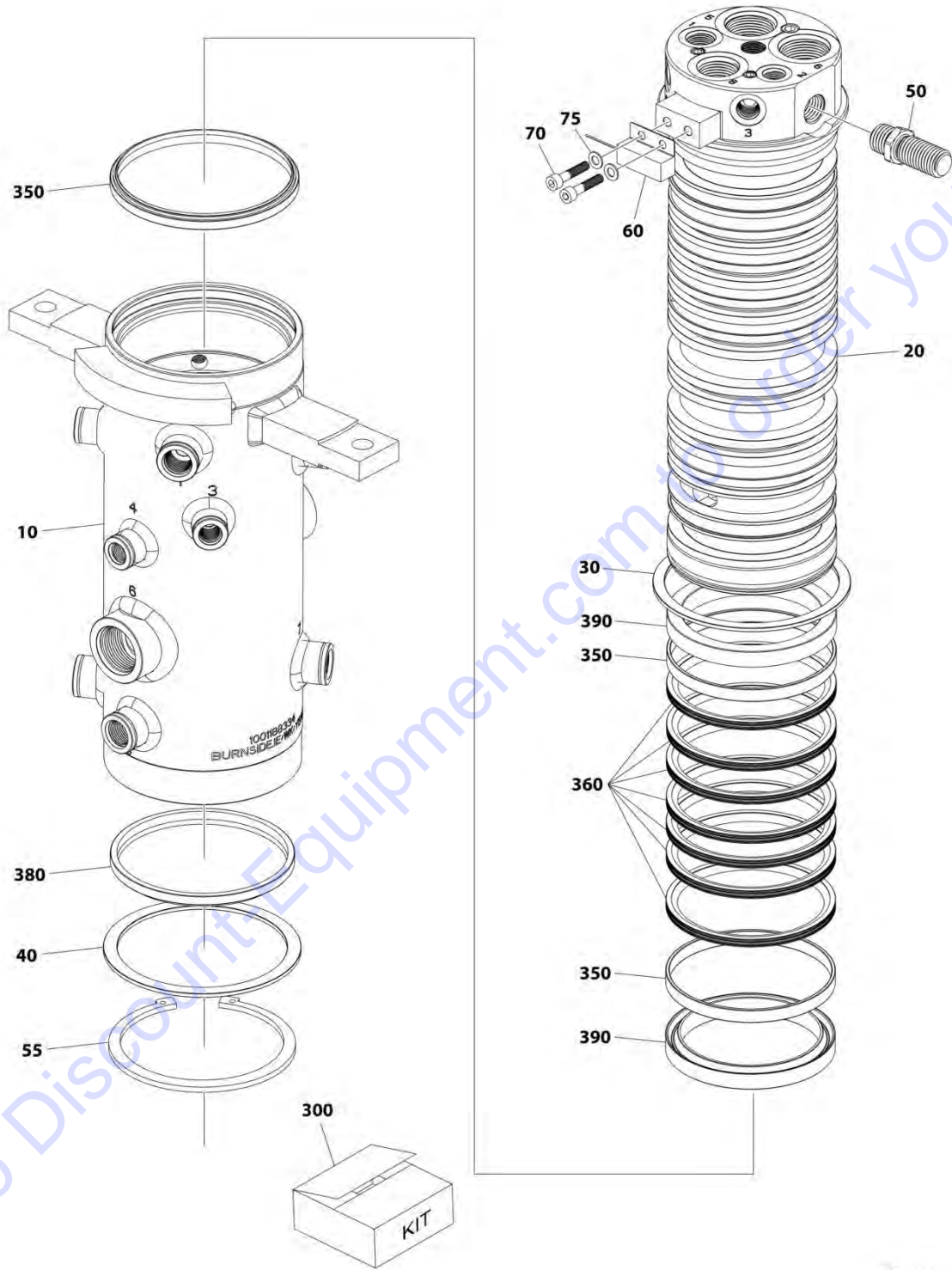
FIGURE 2-12. ROTARY COUPLING INSTALLATION - 2WS

ITEM	PART NUMBER	QTY	DESCRIPTION	REV
	1001188337	Ref	ROTARY COUPLING INSTALLATION	B
1	0100011	AR	Compound, Locking	
2	0701217	2	Bolt M12 x 45	
3	0761215	3	Bolt M12 x 35	
4	3291205	2	Nut M12	
5	3292001	2	Nut M20	
6	4812100	7	Washer M12	
7	1001187953	1	Mount	
8	1001188334	1	Rotary Coupling Assembly (See Separate Breakdown in this Section)	

Go to Discount-Equipment.com to order your parts

SECTION 2 - TURNTABLE

FIGURE 2-13. ROTARY COUPLING ASSEMBLY - 2WS



ART_1001188334

SECTION 2 - TURNTABLE

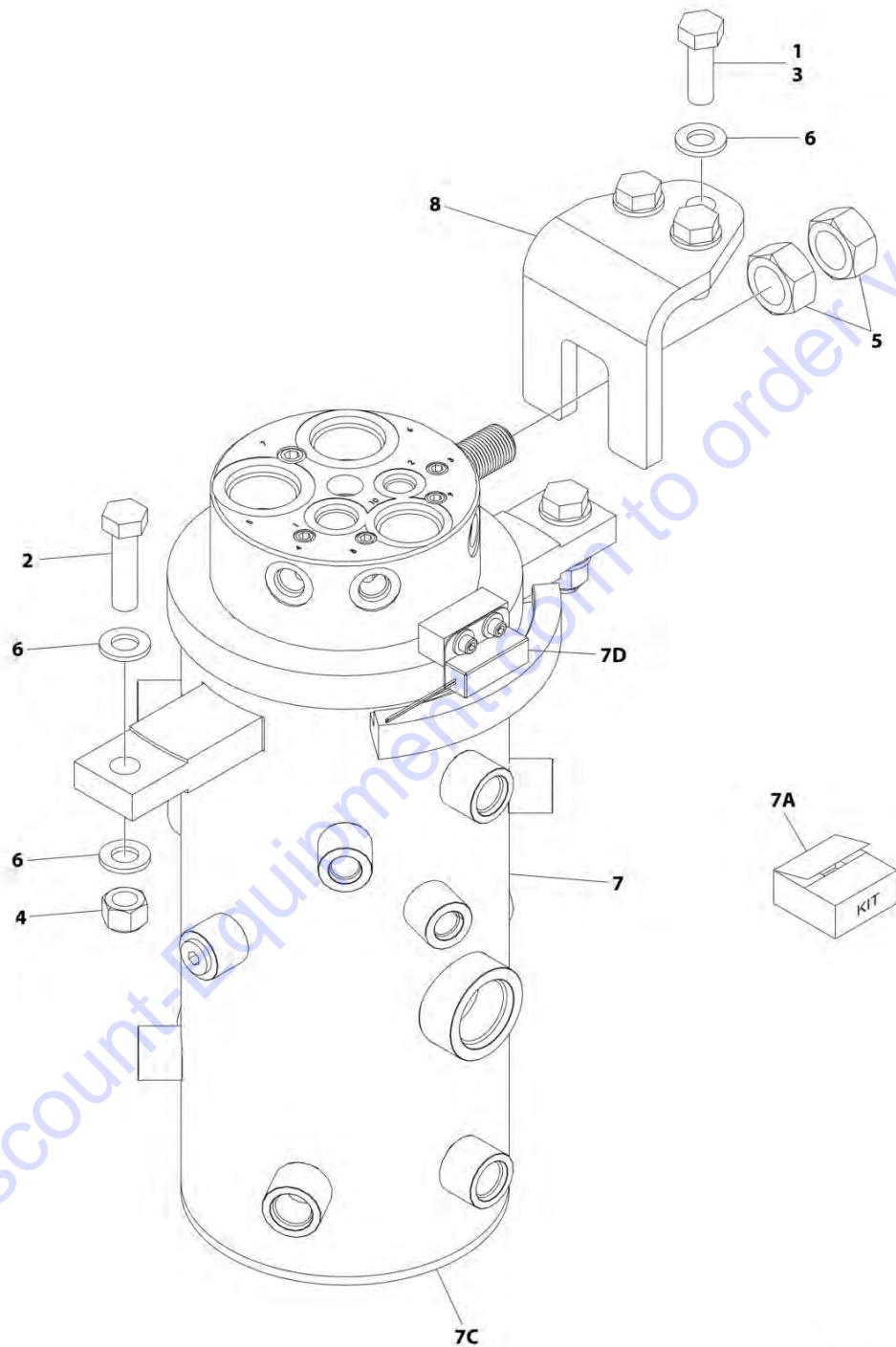
FIGURE 2-13. ROTARY COUPLING ASSEMBLY - 2WS

ITEM	PART NUMBER	QTY	DESCRIPTION	REV
	1001188334	Ref	ROTARY COUPLING ASSEMBLY	G
10	See Note	NSS	Housing (Note: Purchase Complete Assembly)	
20	See Note	NSS	Shaft (Note: Purchase Complete Assembly)	
30	70005710	1	Spacer	
40	70005711	1	Spacer	
50	70005712	1	Fitting	
55	70005713	1	Circlip	
60	4360517	1	Sensor	
60	4460320	1	Plug, Male - 2 Position	
60	4460227	2	Socket, Female	
70	70006537	2	Bolt	
75	70006538	2	Washer	
300	70005716	1	Seal Kit (Includes Items 350-390)	
350	See Note	NSS	Ring, Wear (Note: Use Item 300)	
360	See Note	NSS	Seal (Note: Use Item 300)	
370	See Note	NSS	Wiper (Note: Use Item 300) (Not Shown)	
380	See Note	NSS	Wiper (Note: Use Item 300)	
390	See Note	NSS	Seal, Rod (Note: Use Item 300)	

Go to Discount-Equipment.com to order your parts

SECTION 2 - TURNTABLE

FIGURE 2-14. ROTARY COUPLING INSTALLATION - 4WS



ART_T001188336

SECTION 2 - TURNTABLE

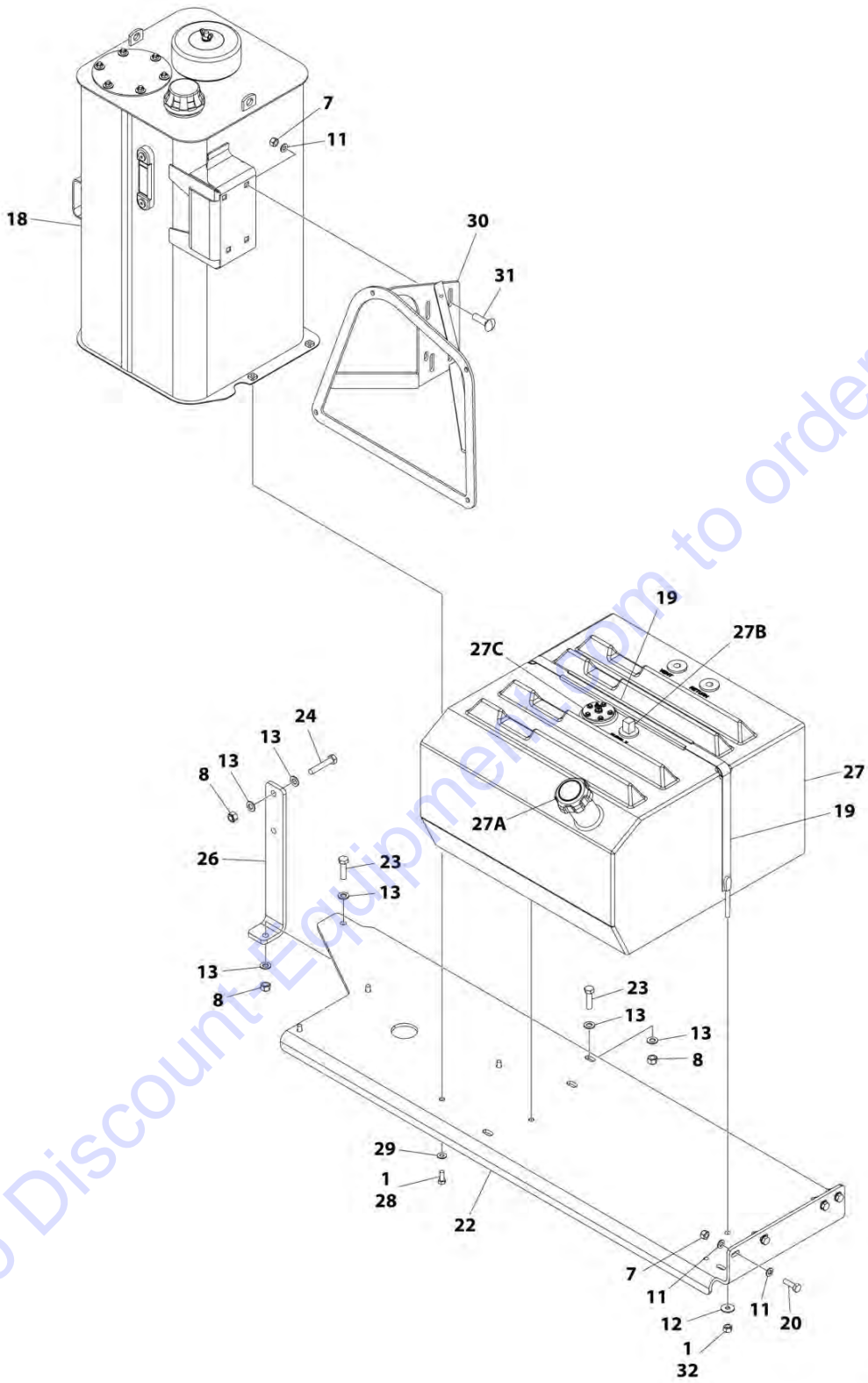
FIGURE 2-14. ROTARY COUPLING INSTALLATION - 4WS

ITEM	PART NUMBER	QTY	DESCRIPTION	REV
	1001188336	Ref	ROTARY COUPLING INSTALLATION	D
1	0100011	AR	Compound, Locking	
2	0701217	2	Bolt M12 x 45	
3	0761215	3	Bolt M12 x 35	
4	3291205	2	Nut M12	
5	3292001	2	Nut M20	
6	4812100	7	Washer M12	
7	1001187470	1	Coupling Assembly - 4WS	
7A	70005680	1	Seal Kit	
7B	70005681	2	Poly Seal (Not Shown)	
7C	7013189	1	Ring, Retaining	
7C	7026511	2	Ring	
7D	4360517	1	Sensor, Proximity	
7D	4460320	1	Plug, Male - 2 Position	
7D	4460227	2	Socket, Female	
8	1001187953	1	Mount	

Go to Discount-Equipment.com to order your parts

SECTION 2 - TURNTABLE

FIGURE 2-15. TANKS INSTALLATION - DIESEL MACHINES (POLY FUEL TANK)



ART_1001188257

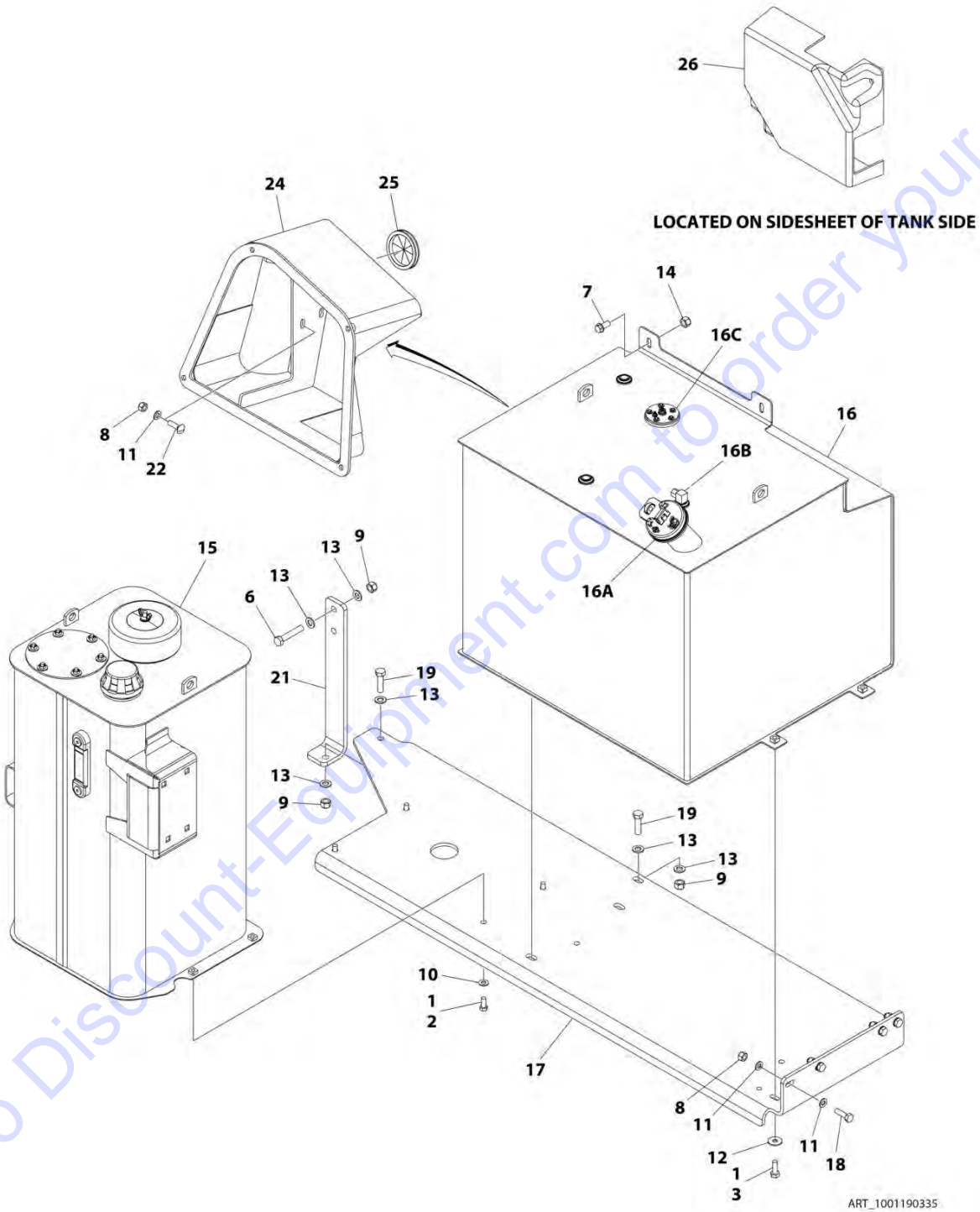
SECTION 2 - TURNTABLE

FIGURE 2-15. TANKS INSTALLATION - DIESEL MACHINES (POLY FUEL TANK)

ITEM	PART NUMBER	QTY	DESCRIPTION	REV
	1001188257	Ref	TANKS INSTALLATION	K
1	0100011	AR	Compound, Locking	
7	3291005	8	Nut M10	
8	3291205	4	Nut M12	
11	4812000	12	Washer M10	
12	4812002	2	Washer M10	
13	4812100	8	Washer M12	
18	1001178057	1	Hydraulic Tank Assembly (See Separate Breakdown in this Section)	
19	1001238954	1	Strap Assembly	
19	1001189119	1	Strap	
19	4280295	48 in/ 122cm	Strip, Protector	
20	0701015	4	Bolt M10 x 35	
22	1001199933	1	Tray	
23	0701217	2	Bolt M12 x 45	
24	0701221	2	Bolt M12 x 65	
26	1001199883	1	Support	
27	1001201325	1	Tank, Fuel	
27A	70004414	1	Cap, Fill	
27B	7020043	1	Tube, Pickup	
27C	1001148607	1	Sender, Fuel Level	
27C	0731005	5	Screw #10 x 5/8	
27C	4751000	5	Washer #10	
28	0641607	4	Bolt 3/8 x 7/8	
28	0641608	4	Bolt 3/8 x 1	
29	4711600	4	Washer 3/8	
30	1001213251	1	Support, Ground Control	
31	1001228406	4	Bolt M10 x 35	
31	0630613	4	Bolt M10 x 30	
32	3291005	2	Nut M10	
32	3291001	2	Nut M10	

SECTION 2 - TURNTABLE

FIGURE 2-16. TANKS INSTALLATION - DIESEL MACHINES (STEEL FUEL TANK)



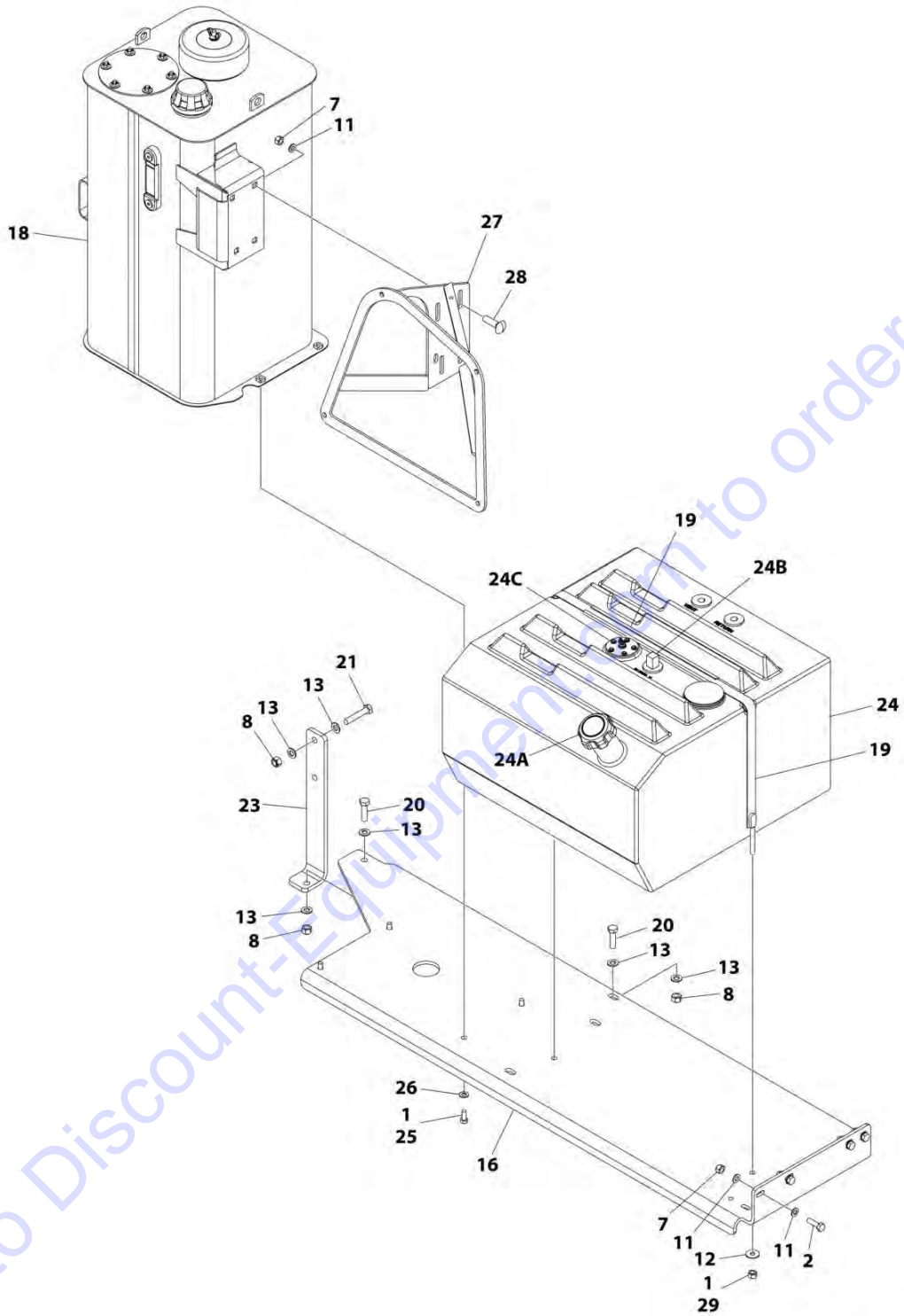
SECTION 2 - TURNTABLE

FIGURE 2-16. TANKS INSTALLATION - DIESEL MACHINES (STEEL FUEL TANK)

ITEM	PART NUMBER	QTY	DESCRIPTION	REV
	1001190335	Ref	TANKS INSTALLATION	H
1	0100011	AR	Compound, Locking	
2	0641607	4	Bolt 3/8 x 7/8	
2	0641608	4	Bolt 3/8 x 1	
3	0761014	4	Bolt M10 x 30	
6	0701221	2	Bolt M12 x 65	
7	5251012	2	Bolt M10 x 25	
8	3291005	8	Nut M10	
9	3291205	4	Nut M12	
10	4711600	4	Washer 3/8	
11	4812000	12	Washer M10	
12	4812002	4	Washer M10	
13	4812100	8	Washer M12	
14	1001118972	1	Nut, Tinnerman M10	
15	1001178057	1	Hydraulic Tank Assembly (See Separate Breakdown in this Section)	
16	1001189764	1	Tank, Fuel	
16A	1001080707	1	Cap, Fill	
16B	70006314	1	Tube, Pickup	
16C	1001189800	1	Sender, Fuel Level	
16C	0731005	5	Screw #10 x 5/8	
16C	4751000	5	Washer #10	
17	1001199933	1	Tray	
18	0701015	4	Bolt M10 x 35	
19	0701217	2	Bolt M12 x 45	
21	1001199883	1	Support	
22	1001228406	4	Bolt M10 x 35	
22	0630613	4	Bolt M10 x 30	
24	1001229572	1	Mount, Ground Control	
25	1001218676	1	Grommet	
26	1001218539	1	Cover	

SECTION 2 - TURNTABLE

FIGURE 2-17. TANKS INSTALLATION - GAS MACHINES



ART_1001189228

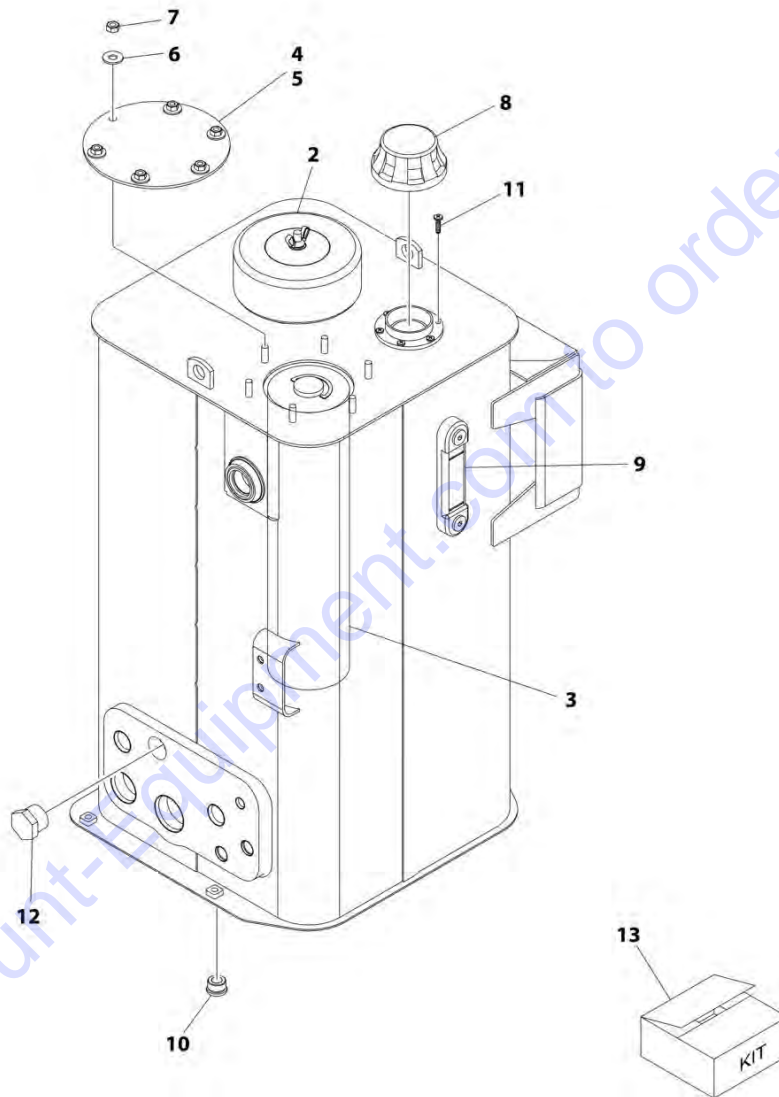
SECTION 2 - TURNTABLE

FIGURE 2-17. TANKS INSTALLATION - GAS MACHINES

ITEM	PART NUMBER	QTY	DESCRIPTION	REV
	1001189228	Ref	TANKS INSTALLATION	H
1	0100011	AR	Compound, Locking	
2	0701015	4	Bolt M10 x 35	
7	3291005	8	Nut M10	
8	3291205	4	Nut M12	
11	4812000	12	Washer M10	
12	4812002	2	Washer M10	
13	4812100	8	Washer M12	
16	1001199933	1	Tray	
18	1001178057	1	Hydraulic Tank Assembly (See Separate Breakdown in this Section)	
19	1001238954	1	Strap Assembly	
19	1001189119	1	Strap, Tank	
19	4280295	48 in/ 122cm	Strip, Protector	
20	0701217	2	Bolt M12 x 45	
21	0701221	2	Bolt M12 x 65	
23	1001199883	1	Support	
24	1001201326	1	Tank, Fuel	
24A	70001103	1	Cap, Fill	
24B	7020043	1	Tube, Pickup	
24C	1001148607	1	Sender, Fuel Level	
24C	0731005	5	Screw #10 x 5/8	
24C	4751000	5	Washer #10	
25	0641607	4	Bolt 3/8 x 7/8	
25	0641608	4	Bolt 3/8 x 1	
26	4711600	4	Washer 3/8	
27	1001213251	1	Support, Ground Control	
28	1001228406	4	Bolt M10 x 35	
28	0630613	4	Bolt M10 x 30	
29	3291005	2	Nut M10	
29	3291001	2	Nut M10	

SECTION 2 - TURNTABLE

FIGURE 2-18. HYDRAULIC TANK ASSEMBLY



ART_1001178057

SECTION 2 - TURNTABLE

FIGURE 2-18. HYDRAULIC TANK ASSEMBLY

ITEM	PART NUMBER	QTY	DESCRIPTION	REV
	1001178057	Ref	HYDRAULIC TANK ASSEMBLY	D
2	70005708	1	Breather Assembly (Includes Breather, Element and Wingnut)	
2	See Note	NSS	Element, Breather (Note: Use p/n 70005708 or Item 13)	
3	See Note	NSS	Element, Hydraulic (Note: Use Item 13)	
4	70002839	1	Gasket	
5	See Note	NSS	Cover (Note: Not Available for Purchase)	
6	83304173	6	Washer 5/16	
7	70004199	6	Nut 5/16	
8	70002838	1	Cap, Fill	
9	7024441	1	Gauge, Level	
10	70002112	1	Plug	
11	70004795	6	Screw #10 x 3/4	
12	See Note	NSS	Plug (Note: Not Available - Purchase Locally)	
13	70002814	1	Hydraulic Tank Service Kit (Includes Items 2-4)	

Go to Discount-Equipment.com to order your parts

PARTS FINDER

**Search Website
by Part Number**



**Search Manual
Library For Parts
Manual & Lookup Part
Numbers – Purchase
or Request Quote**

**Can't Find Part or
Manual? Request Help
by Manufacturer,
Model & Description**

Discount-Equipment.com is your online resource for quality parts & equipment.

Florida: **561-964-4949** Outside Florida TOLL FREE: **877-690-3101**

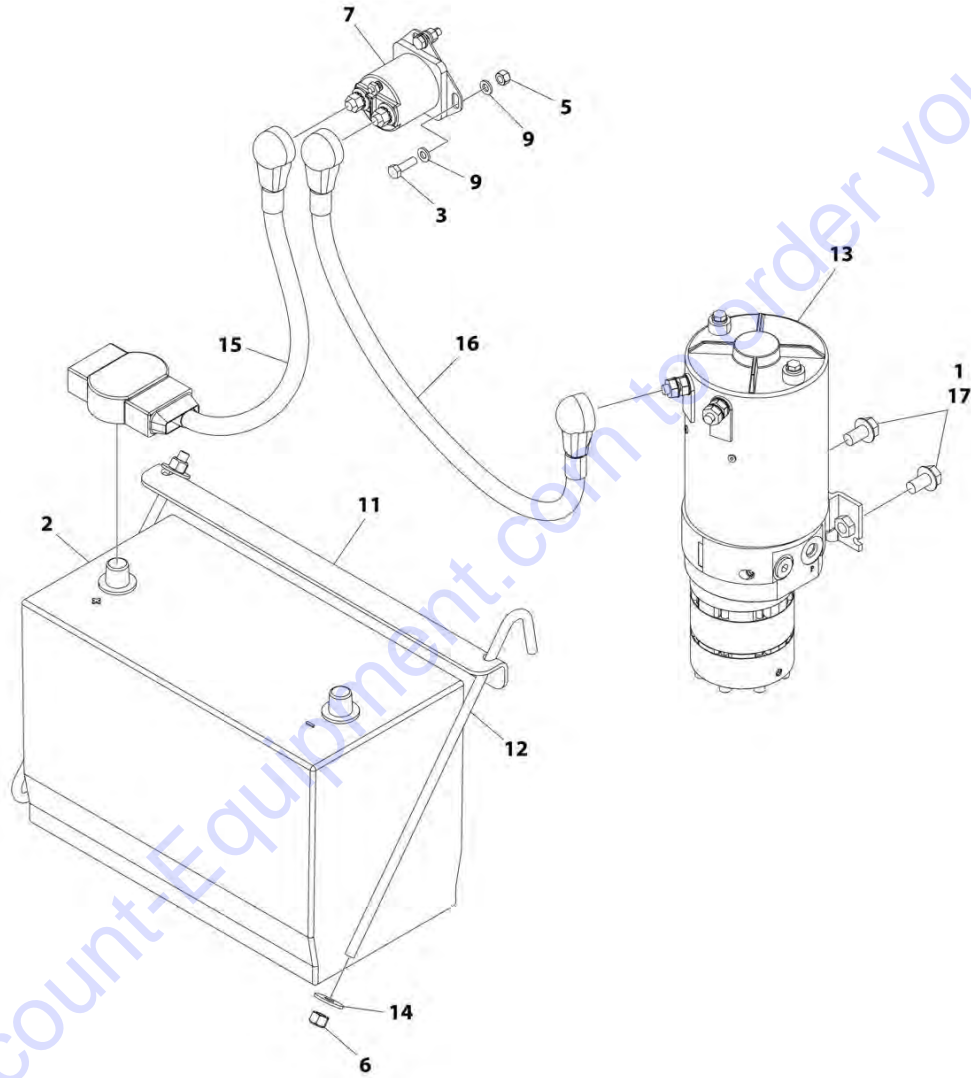
Need parts?

Click on this link: <http://www.discount-equipment.com/category/5443-parts/> and choose one of the options to help get the right parts and equipment you are looking for. Please have the machine model and serial number available in order to help us get you the correct parts. If you don't find the part on the website or on one of the online manuals, please fill out the request form and one of our experienced staff members will get back to you with a quote for the right part that your machine needs.

We sell worldwide for the brands: Genie, Terex, JLG, MultiQuip, Mikasa, Essick, Whiteman, Mayco, Toro Stone, Diamond Products, Generac Magnum, Airman, Haulotte, Barreto, Power Blanket, Nifty Lift, Atlas Copco, Chicago Pneumatic, Allmand, Miller Curber, Skyjack, Lull, Skytrak, Tsurumi, Husquvarna Target, Stow, Wacker, Sakai, Mi-T-M, Sullair, Basic, Dynapac, MBW, Weber, Bartell, Bennar Newman, Haulotte, Ditch Runner, Menegotti, Morrison, Contec, Buddy, Crown, Edco, Wyco, Bomag, Laymor, EZ Trench, Bil-Jax, F.S. Curtis, Gehl Pavers, Heli, Honda, ICS/PowerGrit, IHI, Partner, Imer, Clipper, MMD, Koshin, Rice, CH&E, General Equipment, Amida, Coleman, NAC, Gradall, Square Shooter, Kent, Stanley, Tamco, Toku, Hatz, Kohler, Robin, Wisconsin, Northrock, Oztec, Toker TK, Rol-Air, APT, Wylie, Ingersoll Rand / Doosan, Innovatech, Con X, Ammann, Mecalac, Makinex, Smith Surface Prep, Small Line, Wanco, Yanmar

SECTION 2 - TURNTABLE

FIGURE 2-19. BATTERY AND AUXILIARY PUMP INSTALLATION



ART_1001186346

SECTION 2 - TURNTABLE

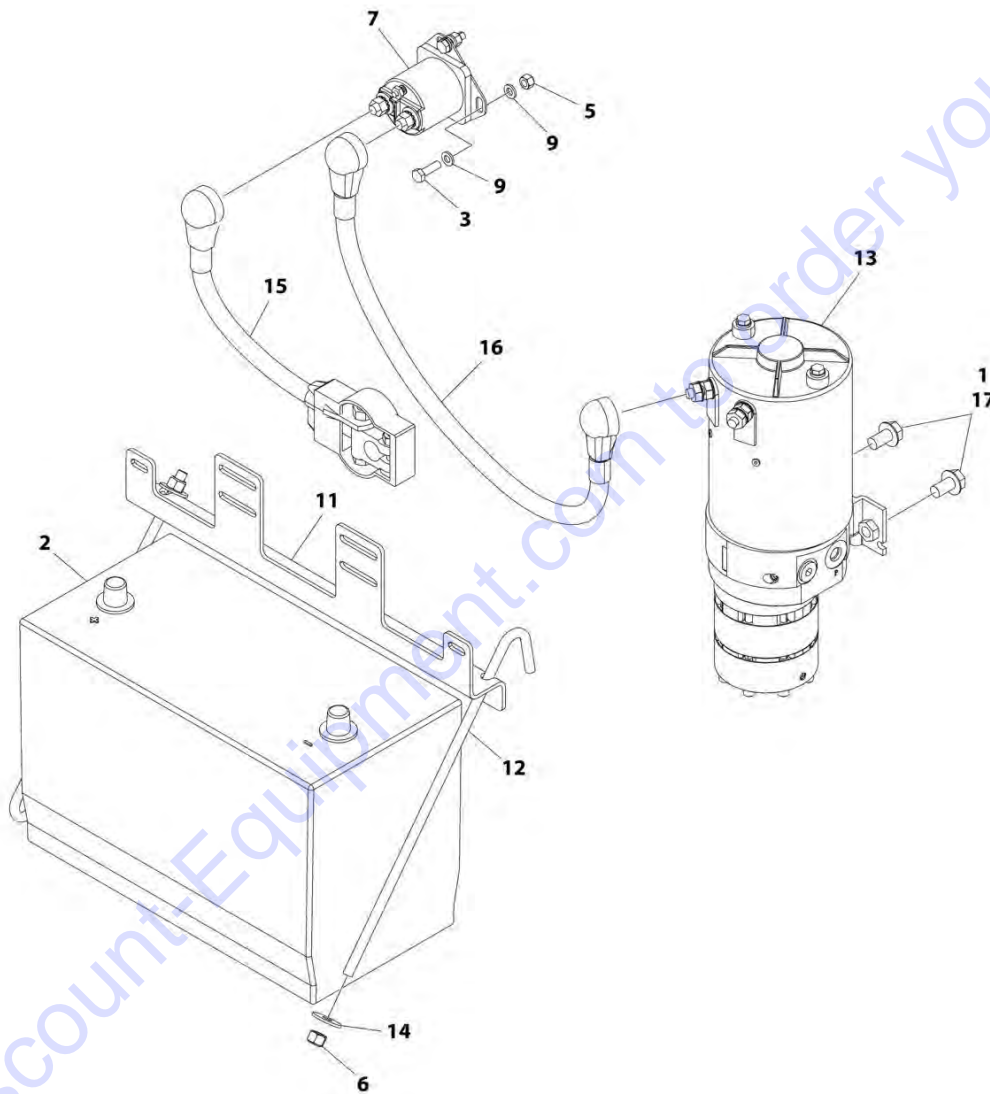
FIGURE 2-19. BATTERY AND AUXILIARY PUMP INSTALLATION

ITEM	PART NUMBER	QTY	DESCRIPTION	REV
	1001186346	Ref	BATTERY AND AUXILIARY PUMP INSTALLATION	F
1	0100011	AR	Compound, Locking	
2	0400075	1	Battery	
3	0700610	2	Bolt M6 x 20	
5	3290605	2	Nut M6	
6	3290805	2	Nut M8	
7	3740067	1	Relay	
9	4811700	4	Washer M6	
11	91401281	1	Bracket, Hold Down	
12	1001192012	2	J-Bolt	
13	1001187808	1	Auxiliary Pump/Motor Assembly (Note: Replacement Motor is only Service Component Available. For Other Components, Replace Complete Assembly.)	
13	70003998	1	Motor, Replacement	
14	4811902	2	Washer M8	
15	1001188664	1	Cable, Battery (+)	
16	1001188666	1	Cable, Aux Relay to Aux Pump	
17	5251009	2	Bolt M10 x 18	

Go to Discount-Equipment.com to order your parts

SECTION 2 - TURNTABLE

FIGURE 2-20. BATTERY AND AUXILIARY PUMP W/DISCONNECT SWITCH INSTALLATION



ART_1001238663

SECTION 2 - TURNTABLE

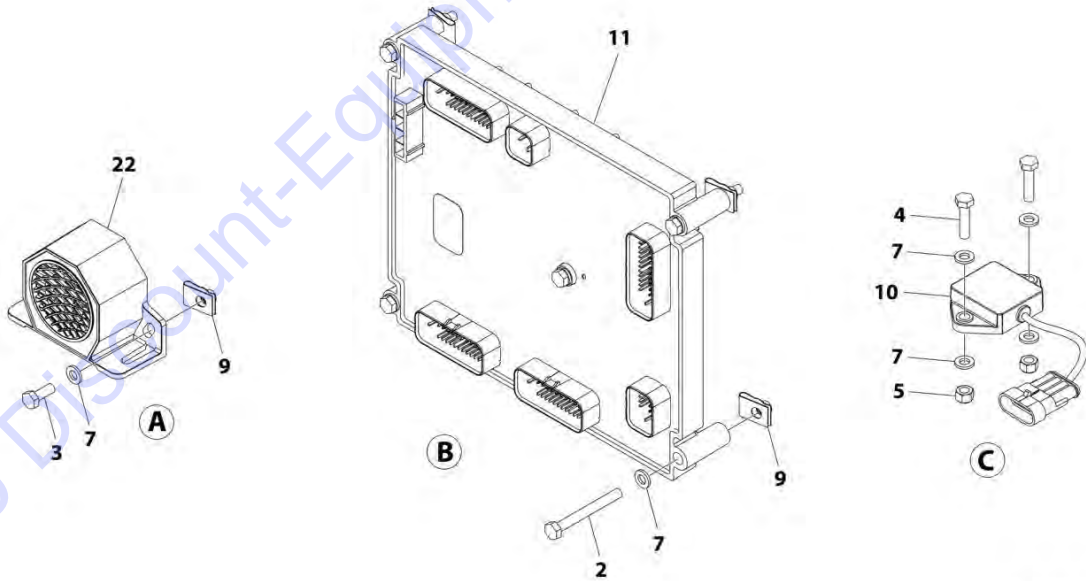
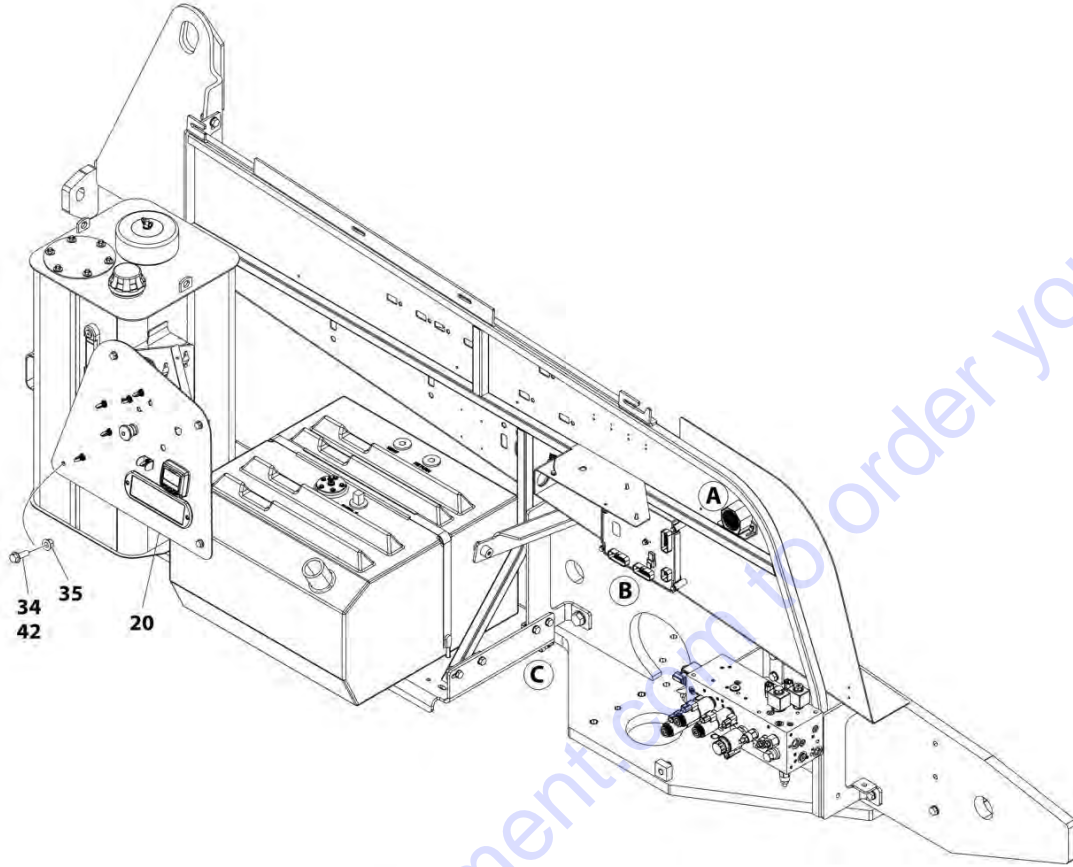
FIGURE 2-20. BATTERY AND AUXILIARY PUMP W/DISCONNECT SWITCH INSTALLATION

ITEM	PART NUMBER	QTY	DESCRIPTION	REV
	1001238663	Ref	BATTERY AND AUXILIARY PUMP W/DISCONNECT SWITCH INSTALLATION	A
1	0100011	AR	Compound, Locking	
2	0400075	1	Battery	
3	0700610	2	Bolt M6 x 20	
5	3290605	2	Nut M6	
6	3290805	2	Nut M8	
7	3740067	1	Relay	
9	4811700	4	Washer M6	
11	1001236303	1	Bracket, Hold Down	
12	1001192012	2	J-Bolt	
13	1001187808	1	Auxiliary Pump/Motor Assembly (Note: Replacement Motor is only Service Component Available. For Other Components, Replace Complete Assembly.)	
13	70003998	1	Motor, Replacement	
14	4811902	2	Washer M8	
15	1001188664	1	Cable, Battery (+)	
16	1001188666	1	Cable, Aux Relay to Aux Pump	
17	5251009	2	Bolt M10 x 18	

Go to Discount-Equipment.com to order your parts

SECTION 2 - TURNTABLE

FIGURE 2-21. ELECTRICAL COMPONENTS INSTALLATION - 600S WITH 2WS



ART_1001191211_10F2

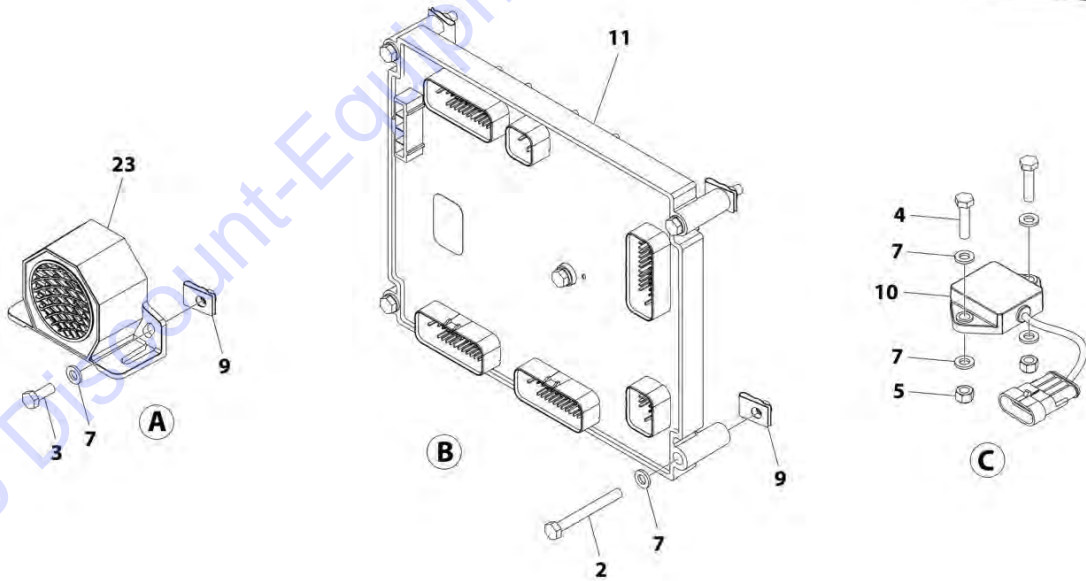
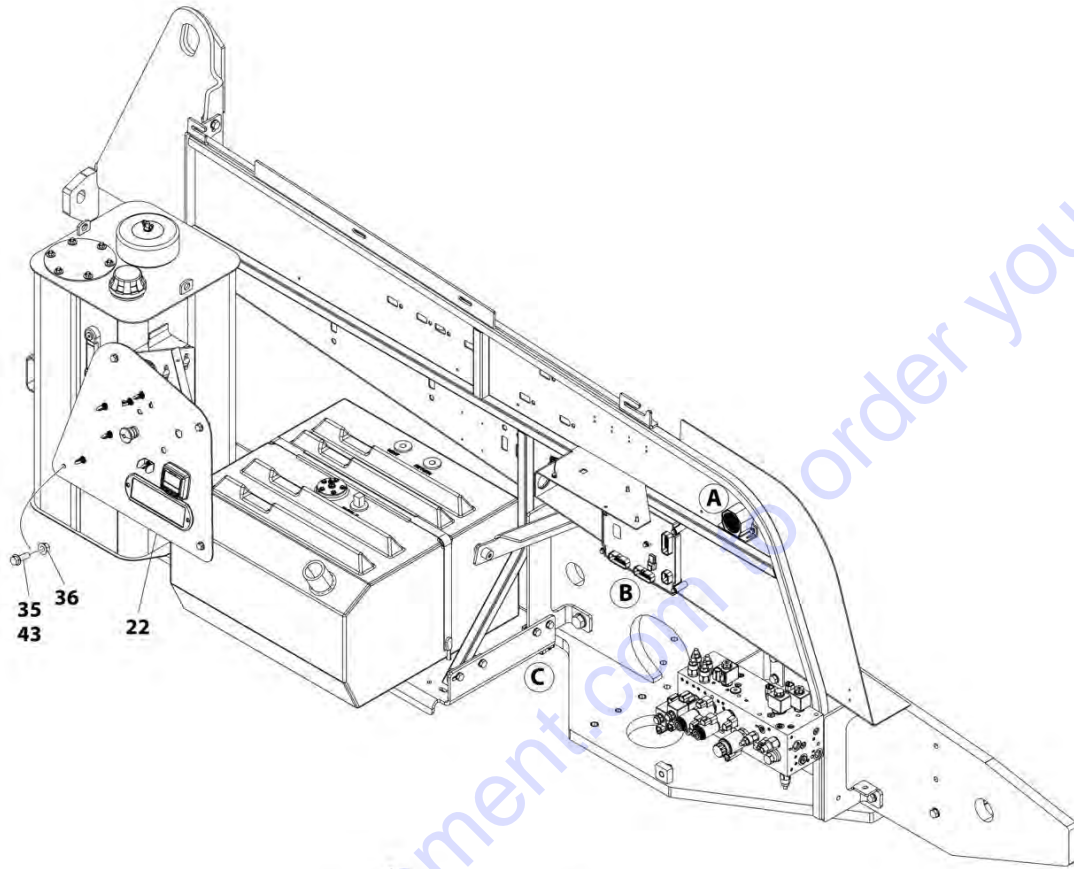
SECTION 2 - TURNTABLE

FIGURE 2-21. ELECTRICAL COMPONENTS INSTALLATION - 600S WITH 2WS

ITEM	PART NUMBER	QTY	DESCRIPTION	REV
	1001191211	Ref	ELECTRICAL COMPONENTS INSTALLATION	N
2	0700619	5	Bolt M6 x 55	
3	0700608	5	Bolt M6 x 16	
4	0760612	2	Bolt M6 x 25	
5	3290605	3	Nut M6	
7	4811700	15	Washer M6	
9	1001130220	7	Nut, Tinnerman M6	
10	1001181325	1	Sensor (SN 0300235168 through 0300237156, SN B300002655 through B300002654)	
10	1001219601	1	Sensor (SN 0300237157 to Present, SN B300002655 to Present)	
11	1001187200	1	Module, Ground Control (Note: Re-calibration Required when Replaced)	
20	1001192108	1	Ground Control Panel Assembly (See Separate Breakdown in this Section)	
22	0140043	1	Alarm	
34	5251014	4	Bolt M10 x 30	
35	5261018	4	Nut M10 Class 10	
35	5261000	4	Nut M10 Class 10	
42	0100011	AR	Compound, Locking (SN 0300237157 to Present, SN B300002716 to Present)	

SECTION 2 - TURNTABLE

FIGURE 2-22. ELECTRICAL COMPONENTS INSTALLATION - 600S WITH 4WS



ART_1001192990_10F2

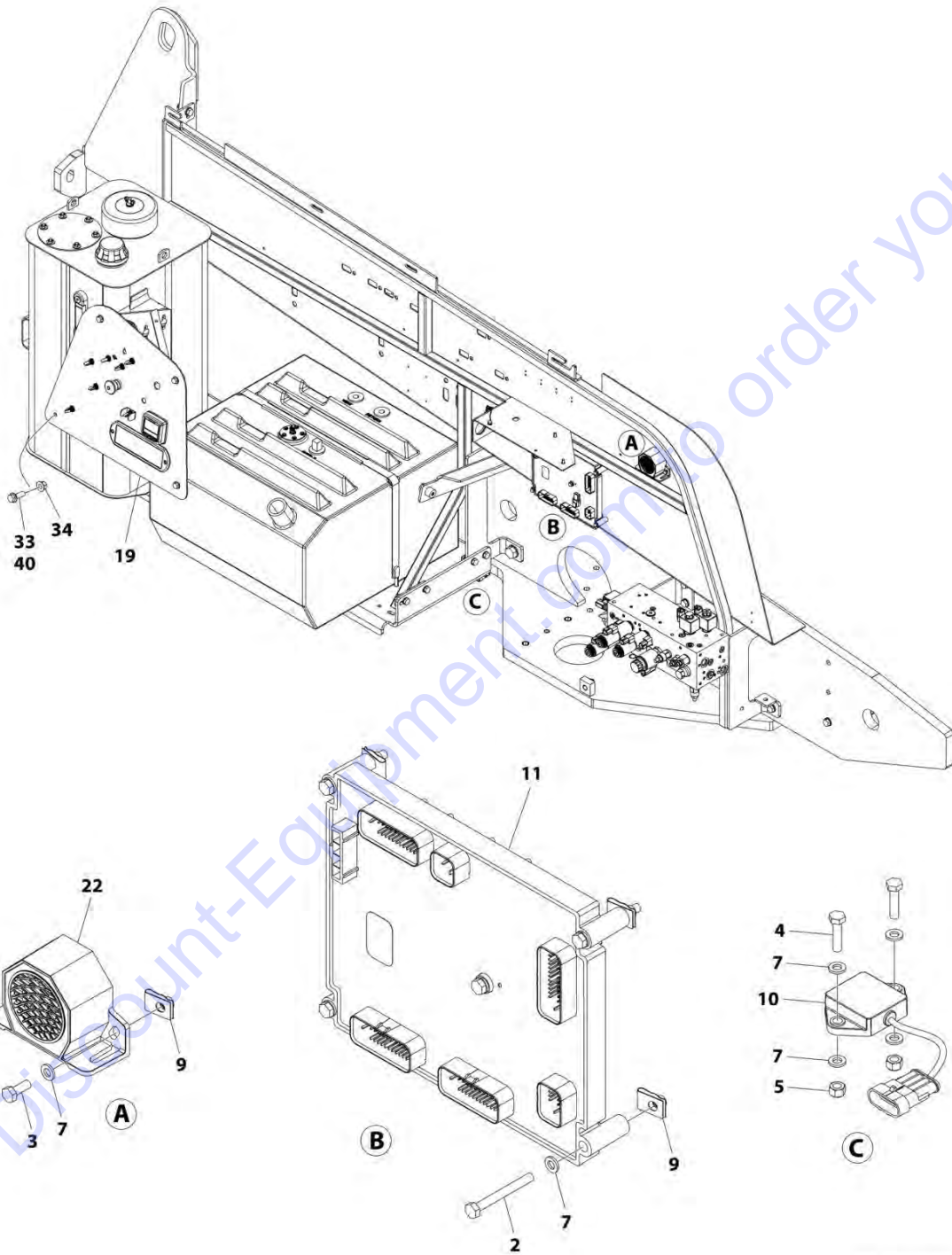
SECTION 2 - TURNTABLE

FIGURE 2-22. ELECTRICAL COMPONENTS INSTALLATION - 600S WITH 4WS

ITEM	PART NUMBER	QTY	DESCRIPTION	REV
	1001192990	Ref	ELECTRICAL COMPONENTS INSTALLATION	M
2	0700619	5	Bolt M6 x 55	
3	0700608	5	Bolt M6 x 16	
4	0760612	1	Bolt M6 x 25	
5	3290605	3	Nut M6	
7	4811700	16	Washer M6	
9	1001130220	7	Nut, Tinnerman M6	
10	1001181325	1	Sensor (SN 0300235168 through 0300237156, SN B300002655 through B300002654)	
10	1001219601	1	Sensor (SN 0300237157 to Present, SN B300002655 to Present)	
11	1001187200	1	Module, Ground Control (Note: Re-calibration Required when Replaced)	
22	1001192108	1	Ground Control Panel Assembly (See Separate Breakdown in this Section)	
23	0140043	1	Alarm	
35	5251014	4	Bolt M10 x 30	
36	5261018	4	Nut M10 Class 10	
36	5261000	4	Nut M10 Class 10	
43	0100011	AR	Compound, Locking (SN 0300237157 to Present, SN B300002716 to Present)	

SECTION 2 - TURNTABLE

FIGURE 2-23. ELECTRICAL COMPONENTS INSTALLATION - 660SJ WITH 2WS



ART_1001192989_10F2

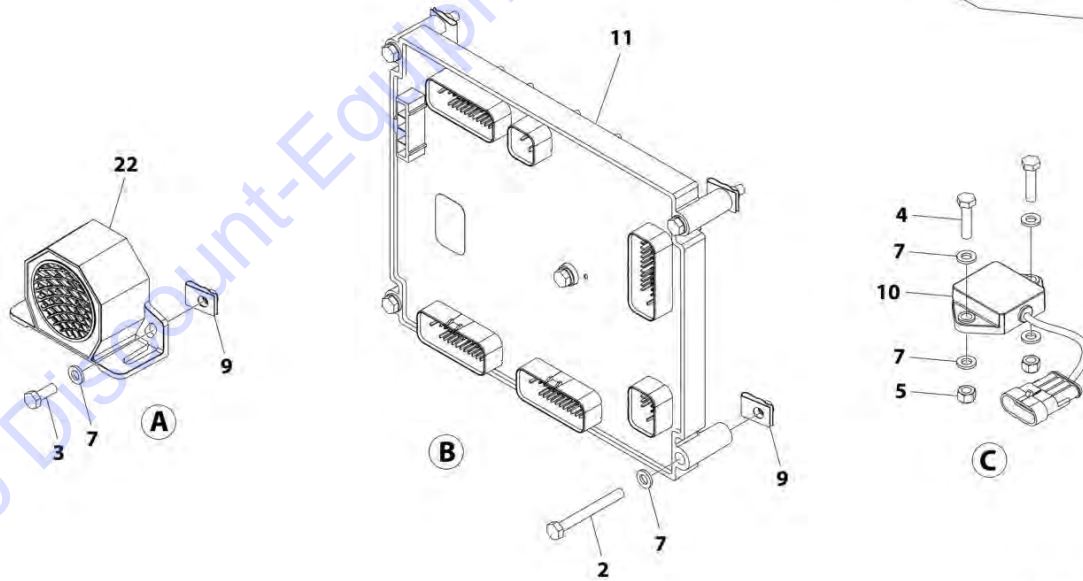
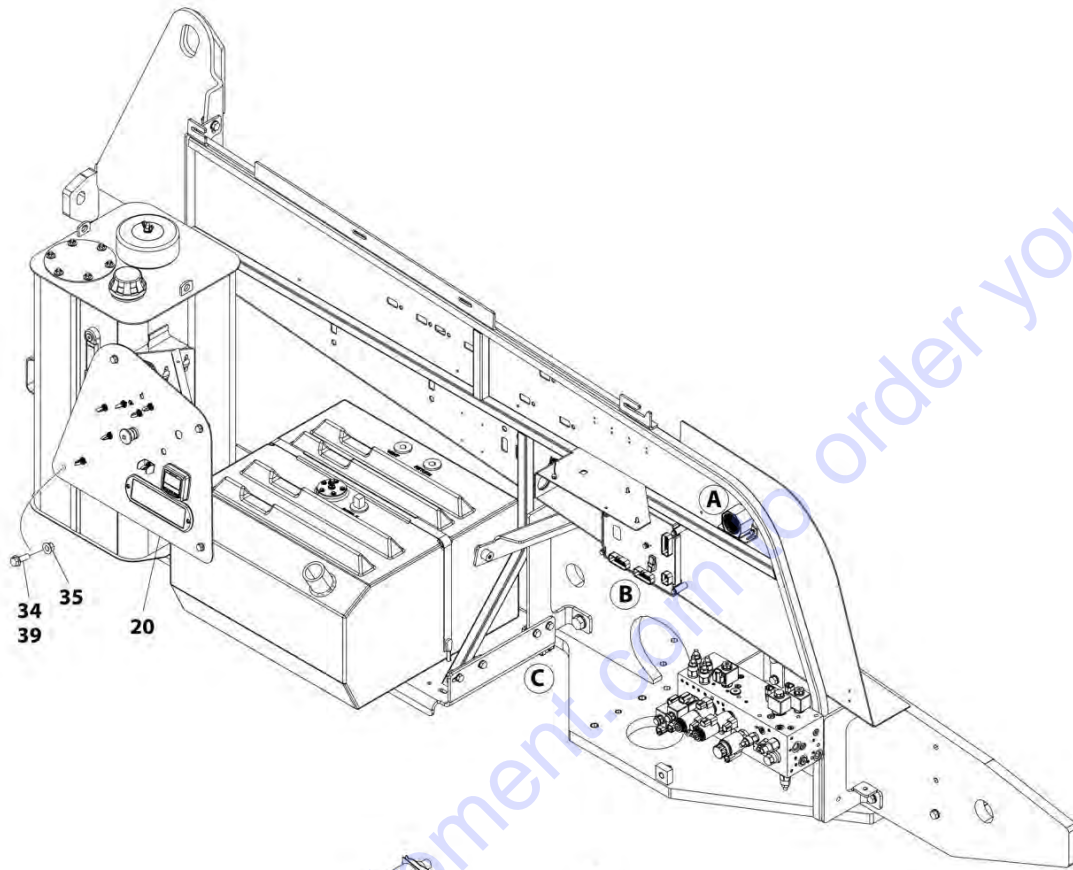
SECTION 2 - TURNTABLE

FIGURE 2-23. ELECTRICAL COMPONENTS INSTALLATION - 660SJ WITH 2WS

ITEM	PART NUMBER	QTY	DESCRIPTION	REV
	1001192989	Ref	ELECTRICAL COMPONENTS INSTALLATION	M
2	0700619	5	Bolt M6 x 55	
3	0700608	5	Bolt M6 x 16	
4	0760612	2	Bolt M6 x 25	
5	3290605	3	Nut M6	
7	4811700	16	Washer M6	
9	1001130220	7	Nut, Tinnerman M6	
10	1001181325	1	Sensor (SN 0300235168 through 0300237156, SN B300002655 through B300002654)	
10	1001219601	1	Sensor (SN 0300237157 to Present, SN B300002655 to Present)	
11	1001187200	1	Module, Ground Control (Note: Re-calibration Required when Replaced)	
19	1001191115	1	Ground Control Panel Assembly (See Separate Breakdown in this Section)	
22	0140043	1	Alarm	
33	5251014	4	Bolt M10 x 30	
34	5261018	4	Nut M10 Class 10	
34	5261000	4	Nut M10 Class 10	
40	0100011	AR	Compound, Locking (SN 0300237157 to Present, SN B300002716 to Present)	

SECTION 2 - TURNTABLE

FIGURE 2-24. ELECTRICAL COMPONENTS INSTALLATION - 660SJ WITH 4WS



ART_1001191210_10F2

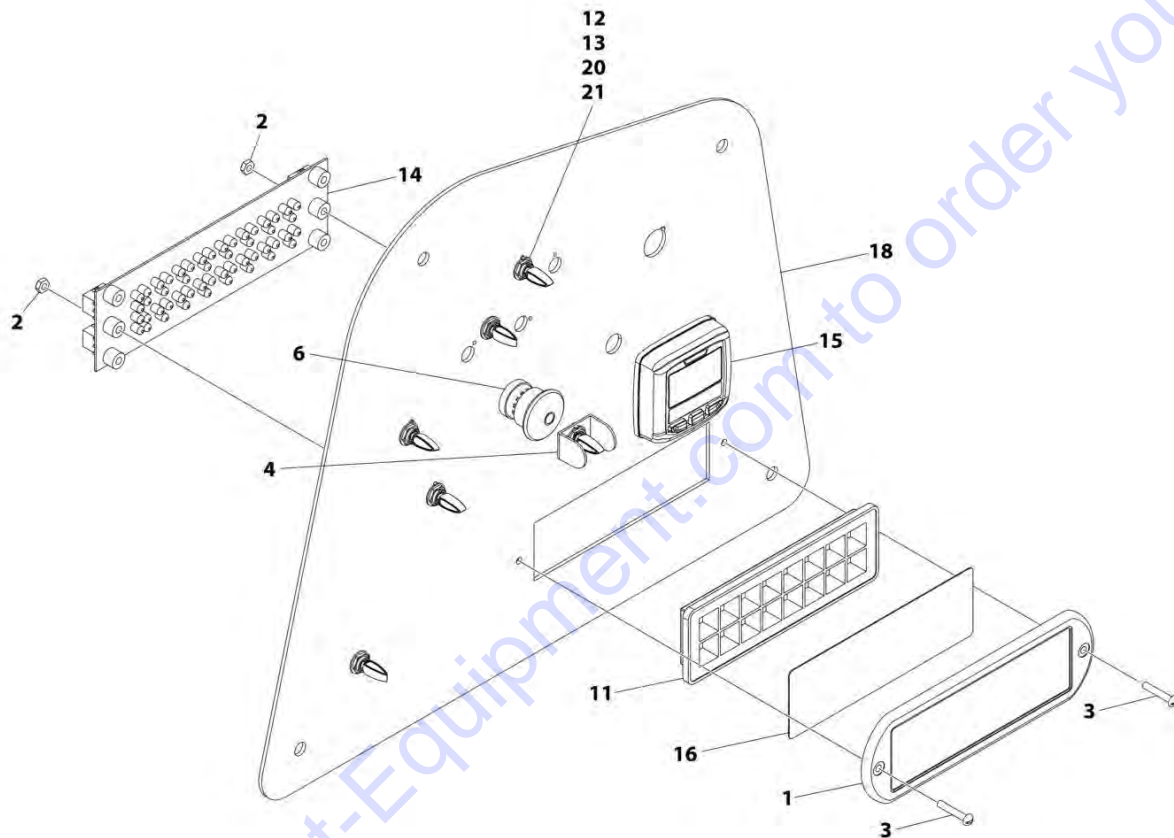
SECTION 2 - TURNTABLE

FIGURE 2-24. ELECTRICAL COMPONENTS INSTALLATION - 660SJ WITH 4WS

ITEM	PART NUMBER	QTY	DESCRIPTION	REV
	1001191210	Ref	ELECTRICAL COMPONENTS INSTALLATION	N
2	0700619	5	Bolt M6 x 55	
3	0700608	5	Bolt M6 x 16	
4	0760612	2	Bolt M6 x 25	
5	3290605	3	Nut M6	
7	4811700	15	Washer M6	
9	1001130220	7	Nut, Tinnerman M6	
10	1001181325	1	Sensor (SN 0300235168 through 0300237156, SN B300002655 through B300002654)	
10	1001219601	1	Sensor (SN 0300237157 to Present, SN B300002655 to Present)	
11	1001187200	1	Module, Ground Control (Note: Re-calibration Required when Replaced)	
20	1001191115	1	Ground Control Panel Assembly (See Separate Breakdown in this Section)	
22	0140043	1	Alarm	
34	5251014	4	Bolt M10 x 30	
35	5261018	4	Nut M10 Class 10	
35	5261000	4	Nut M10 Class 10	
39	0100011	AR	Compound, Locking (SN 0300237157 to Present, SN B300002716 to Present)	

SECTION 2 - TURNTABLE

FIGURE 2-25. GROUND CONTROL PANEL ASSEMBLY - 600S



ART_1001192108

SECTION 2 - TURNTABLE

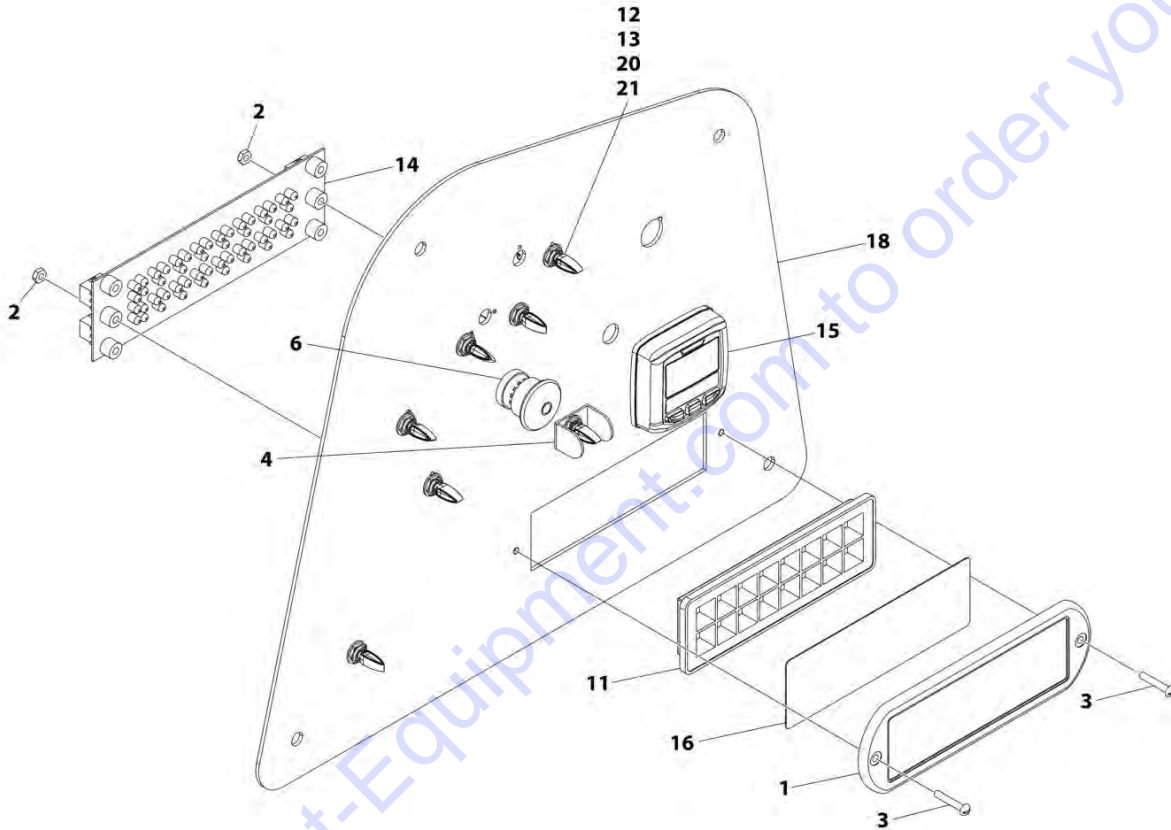
FIGURE 2-25. GROUND CONTROL PANEL ASSEMBLY - 600S

ITEM	PART NUMBER	QTY	DESCRIPTION	REV
	1001192108	Ref	GROUND CONTROL PANEL ASSEMBLY	D
1	1670829	1	Bezel	
2	3300408	2	Nut	
3	3911018	2	Screw #10 x 1-1/8	
4	4060906	1	Guard, Switch	
6	4360475	1	Switch, Emergency Stop	
6	7020175	1	Cap	
6	7020176	1	Block, Contact	
11	1001146220	1	Housing, Display	
12	1001155043	6	Washer	
13	1001155044	6	Nut 15/32	
14	1001170838	1	Panel, LED	
15	1001171482	1	Gauge	
16	1001173529	1	Decal - Display Panel	
18	1001191126	1	Plate	
20	4740397	6	Washer	
21	1001155045	6	Switch, Toggle	

Go to Discount-Equipment.com to order your parts

SECTION 2 - TURNTABLE

FIGURE 2-26. GROUND CONTROL PANEL ASSEMBLY - 660SJ



ART_1001191115

SECTION 2 - TURNTABLE

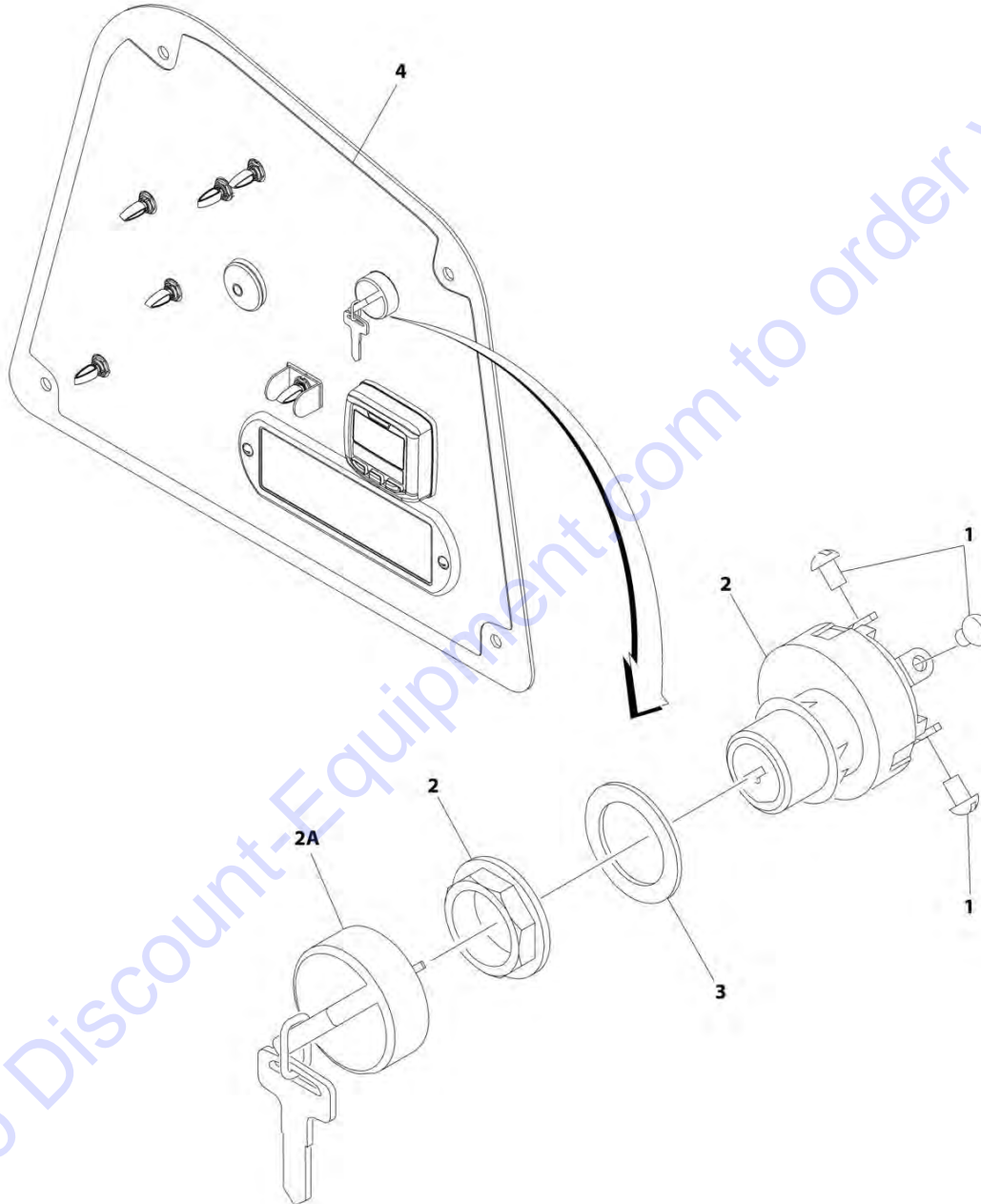
FIGURE 2-26. GROUND CONTROL PANEL ASSEMBLY - 660SJ

ITEM	PART NUMBER	QTY	DESCRIPTION	REV
	1001191115	Ref	GROUND CONTROL PANEL ASSEMBLY	D
1	1670829	1	Bezel	
2	3300408	2	Nut	
3	3911018	2	Screw #10 x 1-1/8	
4	4060906	1	Guard, Switch	
6	4360475	1	Switch, Emergency Stop	
6	7020175	1	Cap	
6	7020176	1	Block, Contact	
11	1001146220	1	Housing, Display	
12	1001155043	7	Washer	
13	1001155044	7	Nut 15/32	
14	1001170838	1	Panel, LED	
15	1001171482	1	Gauge	
16	1001173529	1	Decal - Display Panel	
18	1001191126	1	Plate	
20	4740397	7	Washer	
21	1001155045	7	Switch, Toggle	

Go to Discount-Equipment.com to order your parts

SECTION 2 - TURNTABLE

FIGURE 2-27. KEYSWITCH INSTALLATION - 600S (ALL SPECS EXCEPT AUSTRALIAN AND CE SPECS)



ART_1001192086

SECTION 2 - TURNTABLE

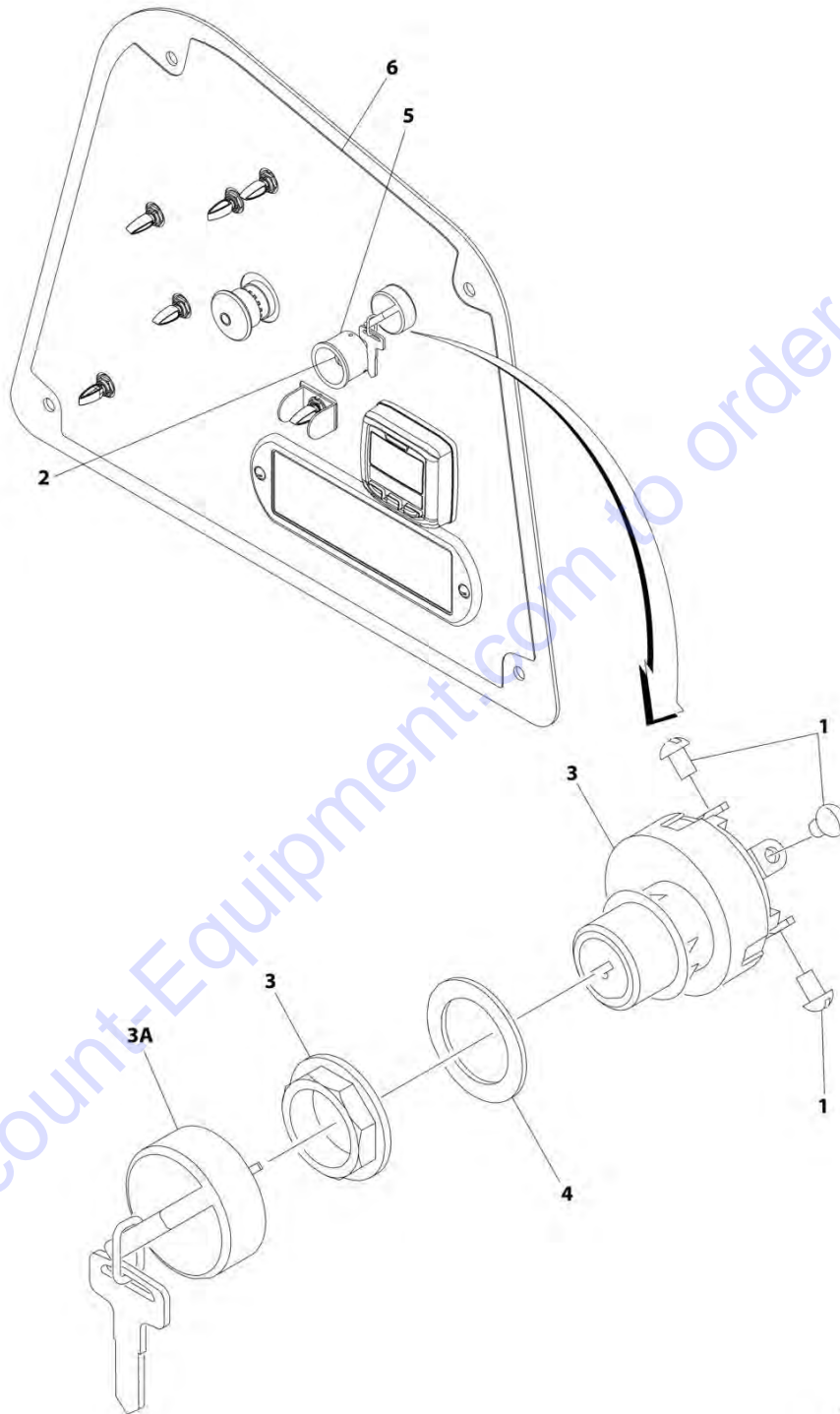
FIGURE 2-27. KEYSWITCH INSTALLATION - 600S (ALL SPECS EXCEPT AUSTRALIAN AND CE SPECS)

ITEM	PART NUMBER	QTY	DESCRIPTION	REV
	1001192086	Ref	KEYSWITCH INSTALLATION	B
1	3910804	6	Screw #8 x 1/4	
2	4360469	1	Switch, Key	
2A	2860030	1 Set	Key, Replacement	
3	1001151393	1	Shim	
4	1001192776	1	Decal - Ground Control Panel	

Go to Discount-Equipment.com to order your parts

SECTION 2 - TURNTABLE

FIGURE 2-28. KEYSWITCH INSTALLATION - 600S (CE SPECS)



ART_1001192281

SECTION 2 - TURNTABLE

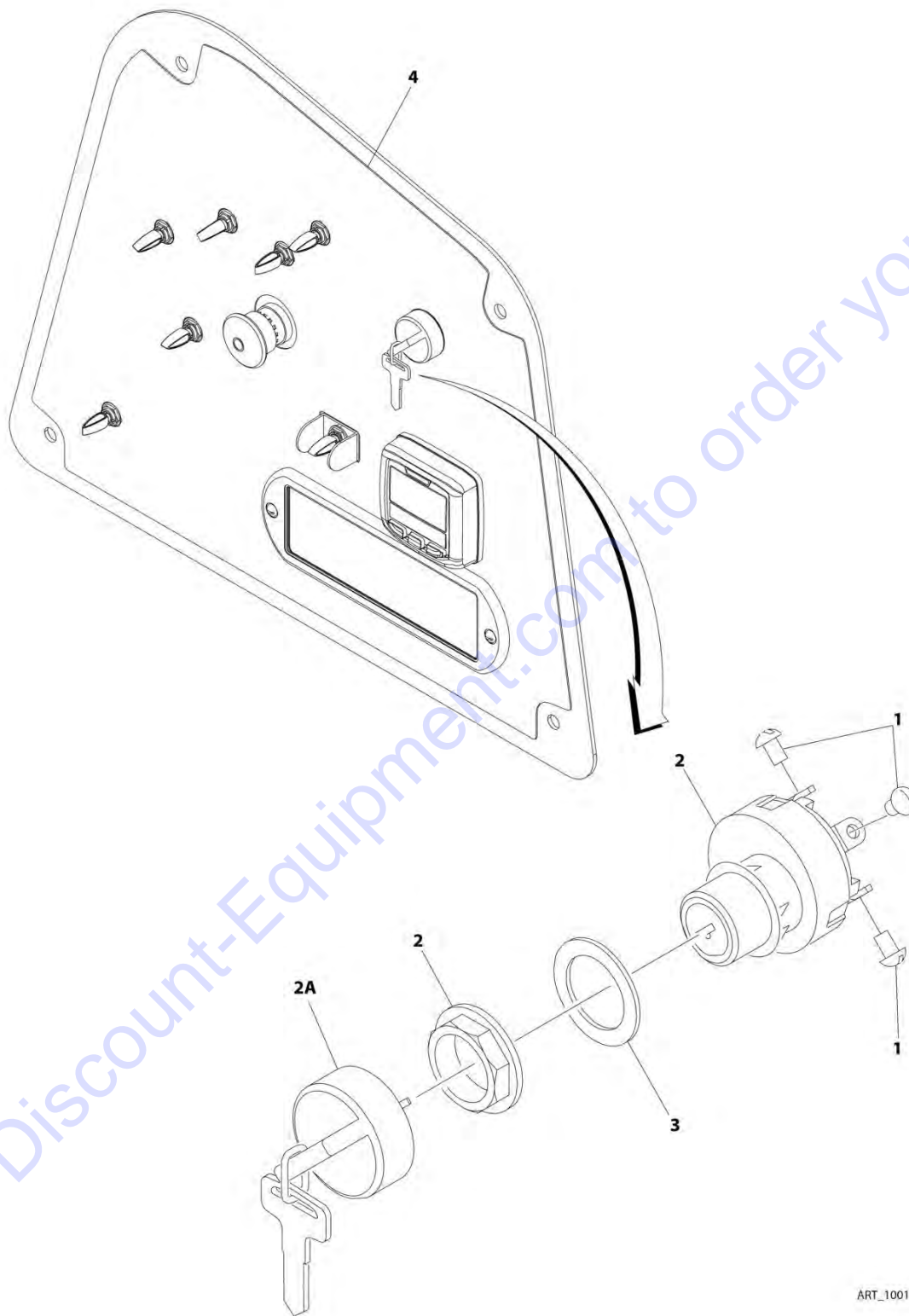
FIGURE 2-28. KEYSWITCH INSTALLATION - 600S (CE SPECS)

ITEM	PART NUMBER	QTY	DESCRIPTION	REV
	1001192281	Ref	KEYSWITCH INSTALLATION	B
1	3910804	6	Screw #8-32 x 1/4	
2	4360387	1	Switch, Push Button	
3	4360469	1	Switch, Key	
3A	2860030	1 Set	Key, Replacement	
4	1001151393	1	Shim	
5	1001176469	1	Shroud, Switch	
6	1001192264	1	Decal - Ground Control Panel	

Go to Discount-Equipment.com to order your parts

SECTION 2 - TURNTABLE

FIGURE 2-29. KEYSWITCH INSTALLATION - 660SJ (ALL SPECS EXCEPT CE SPECS)



ART_1001192087

SECTION 2 - TURNTABLE

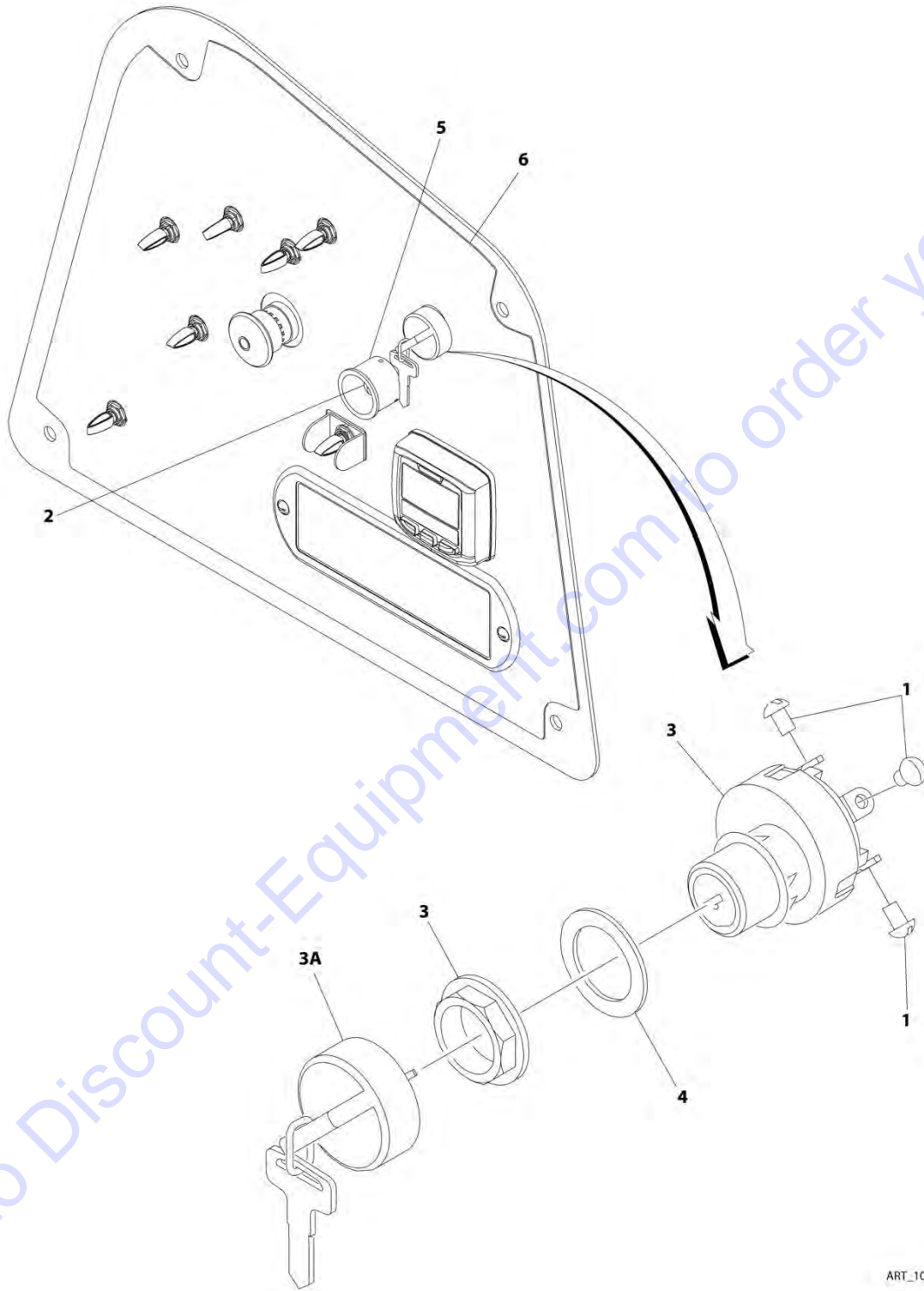
FIGURE 2-29. KEYSWITCH INSTALLATION - 660SJ (ALL SPECS EXCEPT CE SPECS)

ITEM	PART NUMBER	QTY	DESCRIPTION	REV
	1001192087	Ref	KEYSWITCH INSTALLATION	B
1	3910804	6	Screw #8 x 1/4	
2	4360469	1	Switch, Key	
2A	2860030	1 Set	Key, Replacement	
3	1001151393	1	Shim	
4	1001192775	1	Decal - Ground Control Panel	

Go to Discount-Equipment.com to order your parts

SECTION 2 - TURNTABLE

FIGURE 2-30. KEYSWITCH INSTALLATION - 660SJ (CE SPECS)



ART_1001192282

SECTION 2 - TURNTABLE

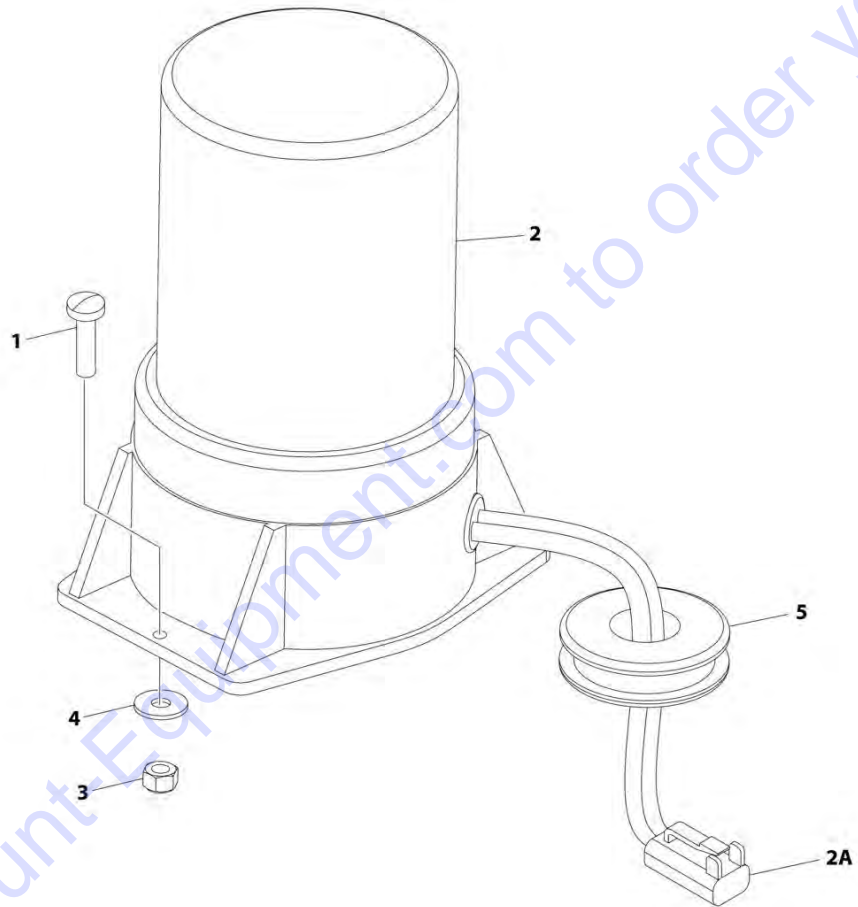
FIGURE 2-30. KEYSWITCH INSTALLATION - 660SJ (CE SPECS)

ITEM	PART NUMBER	QTY	DESCRIPTION	REV
	1001192282	Ref	KEYSWITCH INSTALLATION	B
1	3910804	6	Screw #8 x 1/4	
2	4360387	1	Switch, Push Button	
3	4360469	1	Switch, Key	
3A	2860030	1 Set	Key, Replacement	
4	1001151393	1	Shim	
5	1001176469	1	Shroud, Switch	
6	1001192088	1	Decal - Ground Control Panel	

Go to Discount-Equipment.com to order your parts

SECTION 2 - TURNTABLE

FIGURE 2-31. STROBE LIGHT INSTALLATION - AMBER (OPTIONAL)



ART_1001191557

SECTION 2 - TURNTABLE

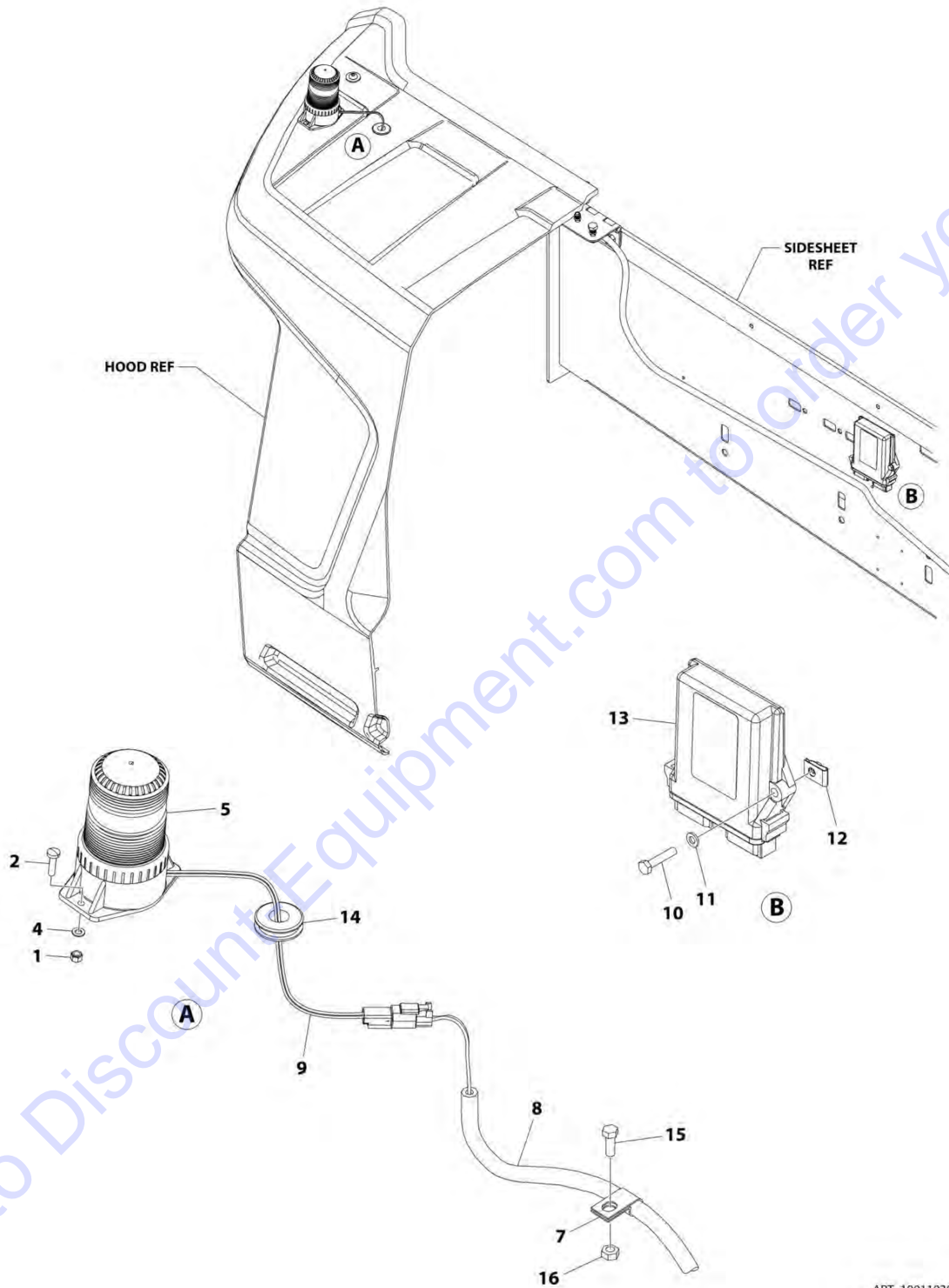
FIGURE 2-31. STROBE LIGHT INSTALLATION - AMBER (OPTIONAL)

ITEM	PART NUMBER	QTY	DESCRIPTION	REV
	1001191557	Ref	STROBE LIGHT INSTALLATION	D
1	4010510	2	Screw M5 x 20	
2	2920161	1	Light Strobe (Amber)	
2	7016319	1	Bulb	
2	7016372	1	Lens	
2A	4460891	1	Plug, Male - 2 Position	
2A	4460465	2	Socket, Female	
3	3290505	2	Nut M5	
4	4811600	2	Washer M5	
5	2540020	1	Grommet	
7	4240099	1	Tie-Strap (Not Shown)	

Go to Discount-Equipment.com to order your parts

SECTION 2 - TURNTABLE

FIGURE 2-32. STROBE LIGHT INSTALLATION - BLUE (OPTIONAL) (SN 0300235168 through 0300259907, SN B30002655 to Present)



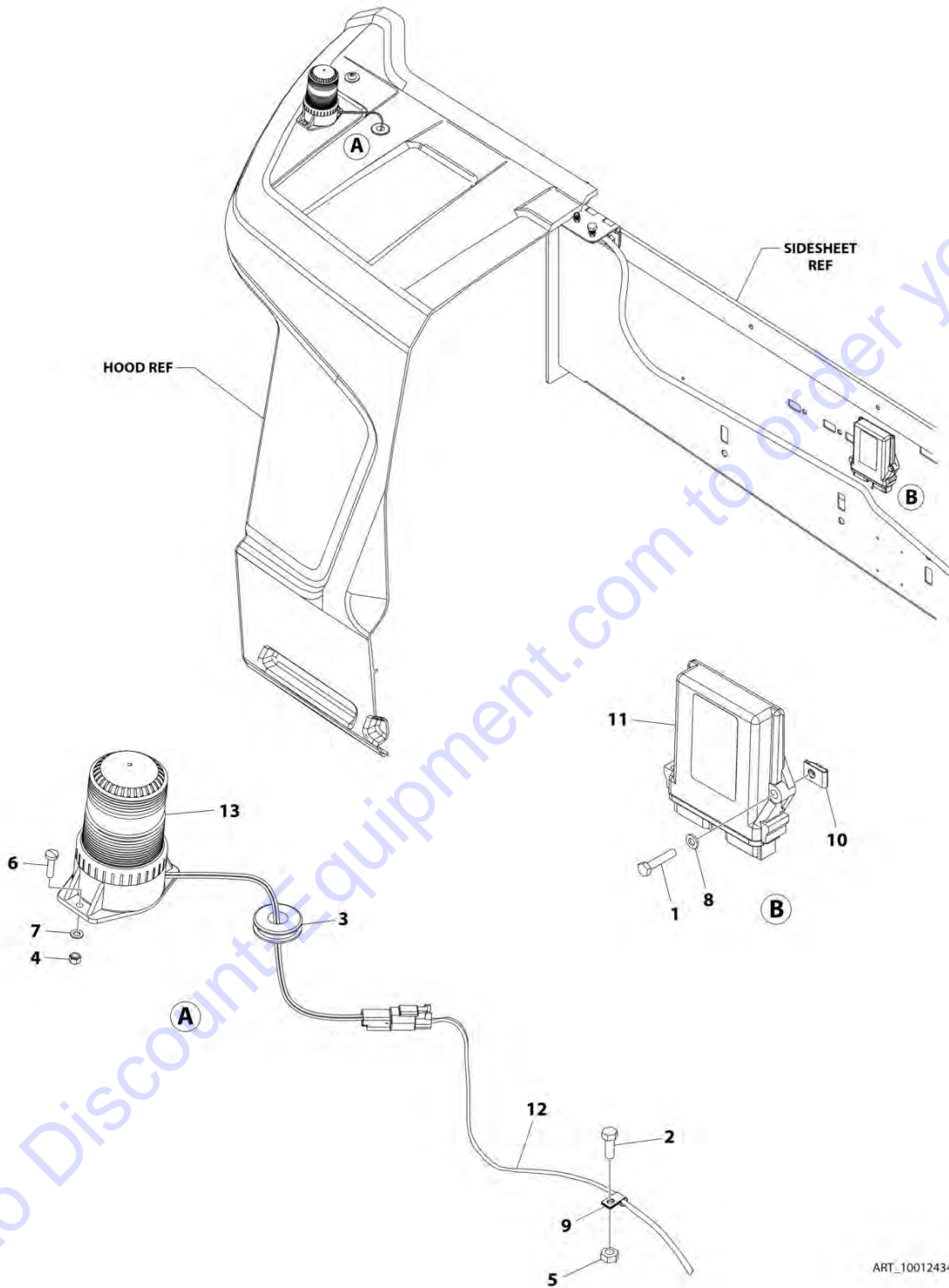
SECTION 2 - TURNTABLE

FIGURE 2-32. STROBE LIGHT INSTALLATION - BLUE (OPTIONAL) (SN 0300235168 through 0300259907, SN B30002655 to Present)

ITEM	PART NUMBER	QTY	DESCRIPTION	REV
	1001193944	Ref	STROBE LIGHT INSTALLATION	I
1	3290505	2	Nut M5	
2	4010510	2	Screw M5 x 20	
4	4811600	2	Washer M5	
5	1001200910	1	Light, Strobe (Blue)	
5	4460897	2	Receptacle, Female - 2 Position	
5	4460464	4	Pin, Male	
7	8406110	1	Clip	
8	1001142736	1	Strobe Light Control Harness (See Separate Breakdown in ELECTRICAL SECTION)	
9	1001196458	1	Strobe Light Extension Harness	
9	4460891	1	Plug, Male - 4 Position	
9	4460465	2	Socket, Female	
9	4460897	2	Receptacle, Female - 2 Position	
9	4460464	4	Pin, Male	
10	0760614	2	Bolt M6 x 30	
11	4811700	2	Washer M6	
12	1001130220	2	Nut, Tinnerman M6	
13	1001142683	1	Module, Beacon Control	
14	2540020	1	Grommet	
15	0761016	1	Bolt M10 x 40	
16	3291005	1	Nut M10	

SECTION 2 - TURNTABLE

FIGURE 2-33. STROBE LIGHT INSTALLATION - BLUE (OPTIONAL) (SN 0300259908 to Present)



ART_1001243464

SECTION 2 - TURNTABLE

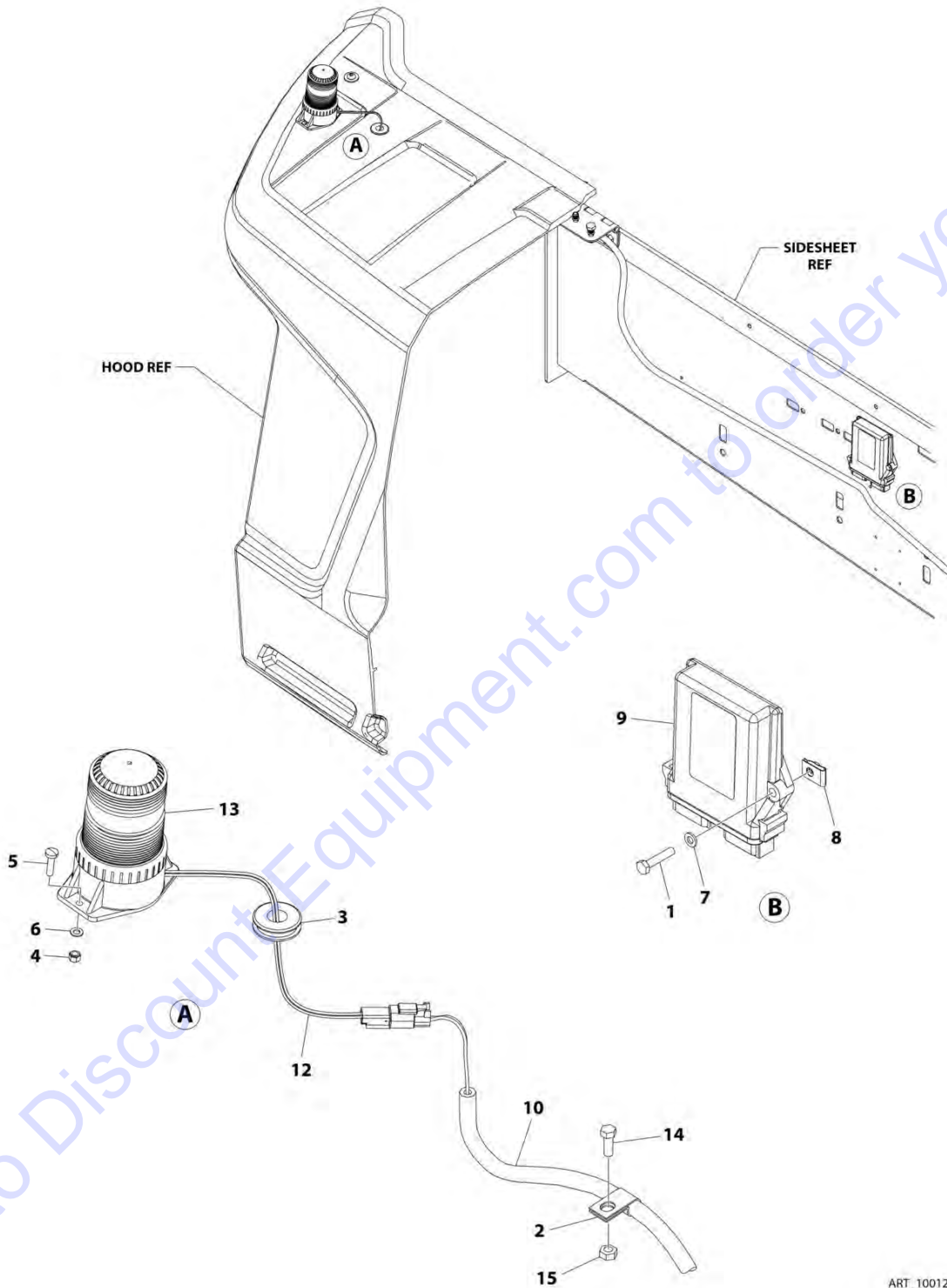
FIGURE 2-33. STROBE LIGHT INSTALLATION - BLUE (OPTIONAL) (SN 0300259908 to Present)

ITEM	PART NUMBER	QTY	DESCRIPTION	REV
	1001243464	Ref	STROBE LIGHT INSTALLATION	A
1	0760614	2	Bolt M6 x 30	
2	0761016	1	Bolt M10 x 40	
3	2540020	1	Grommet	
4	3290505	2	Nut M5	
5	3291005	1	Nut M10	
6	4010510	2	Screw M5 x 20	
7	4811600	2	Washer M5	
8	4811700	2	Washer M6	
9	8406110	1	Clip	
10	1001130220	2	Nut, Tinnerman M6	
11	1001142683	1	Module, Beacon Control	
12	1001142736	1	Strobe Light Control Harness (See Separate Breakdown in ELECTRICAL SECTION)	
13	1001200910	1	Light, Strobe (Blue)	
13	4460897	2	Receptacle, Female - 2 Position	
13	4460464	4	Pin, Male	

Go to Discount-Equipment.com to order your parts

SECTION 2 - TURNTABLE

FIGURE 2-34. STROBE LIGHT INSTALLATION - RED (OPTIONAL) (SN 0300235168 through 0300259907, SN B30002655 to Present)



ART_1001212192

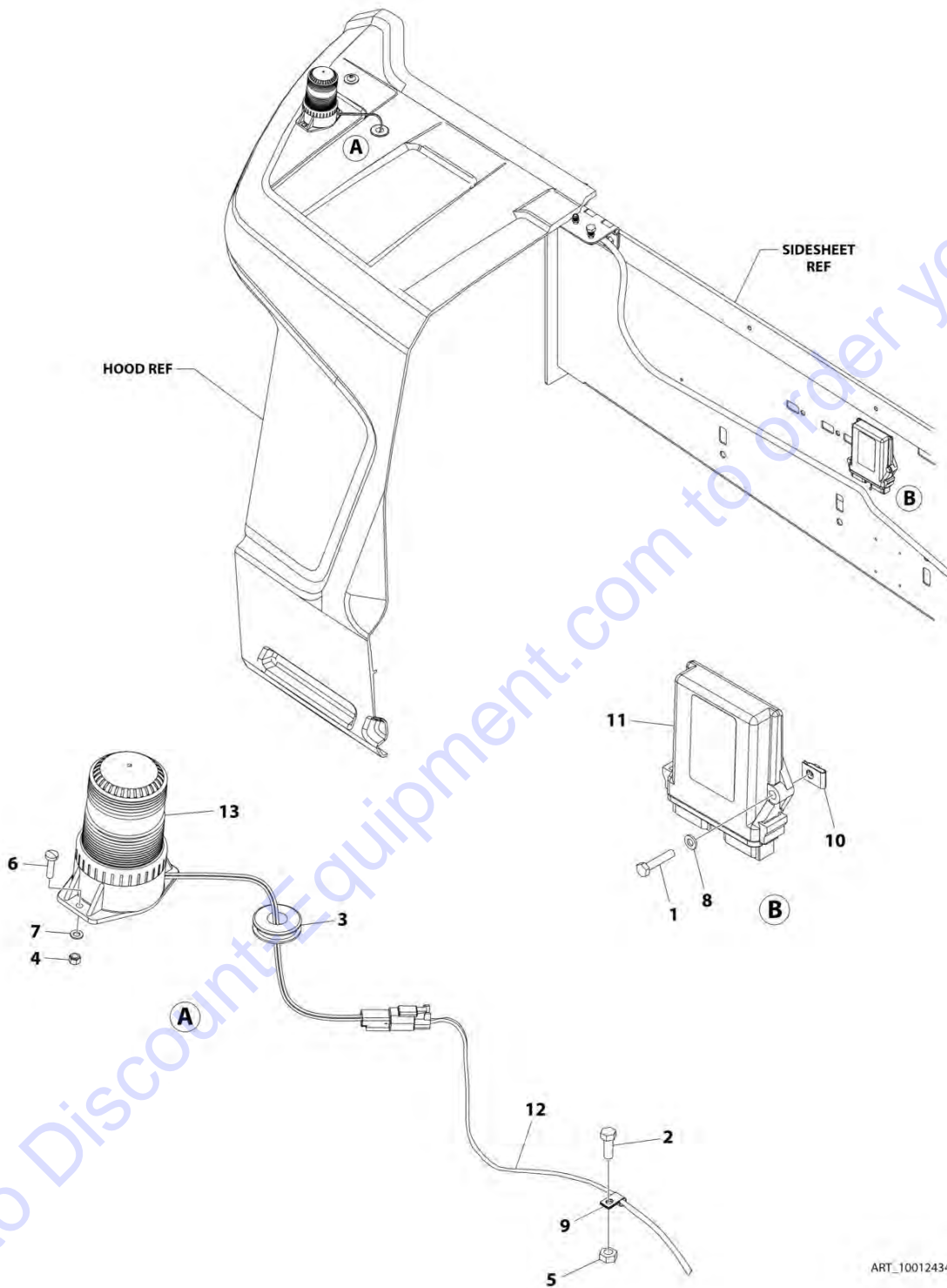
SECTION 2 - TURNTABLE

FIGURE 2-34. STROBE LIGHT INSTALLATION - RED (OPTIONAL) (SN 0300235168 through 0300259907, SN B30002655 to Present)

ITEM	PART NUMBER	QTY	DESCRIPTION	REV
	1001212192	Ref	STROBE LIGHT INSTALLATION	D
1	0760614	2	Bolt M6 x 30	
2	8406110	1	Clip	
3	2540020	1	Grommet	
4	3290505	2	Nut M5	
5	4010510	2	Screw M5 x 20	
6	4811600	2	Washer M5	
7	4811700	2	Washer M6	
8	1001130220	2	Nut, Tinnerman M6	
9	1001142683	1	Module, Beacon Control	
10	1001142736	1	Strobe Light Control Harness (See Separate Breakdown in ELECTRICAL SECTION)	
12	1001196458	1	Strobe Light Extension Harness	
12	4460891	1	Plug, Male - 4 Position	
12	4460465	2	Socket, Female	
12	4460897	2	Receptacle, Female - 2 Position	
12	4460464	4	Pin, Male	
13	1001207004	1	Light, Strobe (Red)	
13	4460897	2	Receptacle, Female - 2 Position	
13	4460464	4	Pin, Male	
14	0761016	1	Bolt M10 x 40	
15	3291005	1	Nut M10	

SECTION 2 - TURNTABLE

FIGURE 2-35. STROBE LIGHT INSTALLATION - RED (OPTIONAL) (SN 0300259908 to Present)



ART_1001243465

SECTION 2 - TURNTABLE

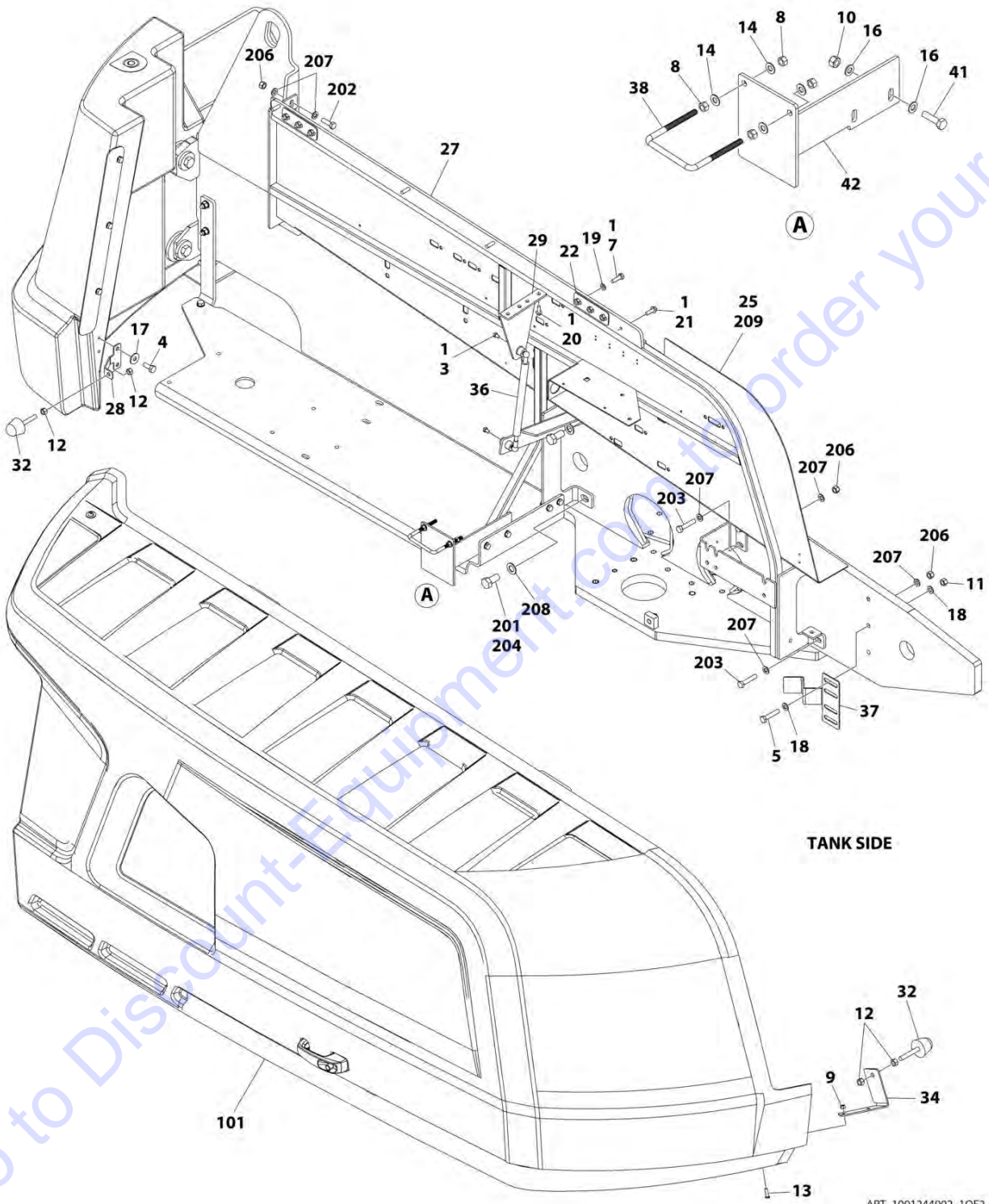
FIGURE 2-35. STROBE LIGHT INSTALLATION - RED (OPTIONAL) (SN 0300259908 to Present)

ITEM	PART NUMBER	QTY	DESCRIPTION	REV
	1001243465	Ref	STROBE LIGHT INSTALLATION	A
1	0760614	2	Bolt M6 x 30	
2	0761016	1	Bolt M10 x 40	
3	2540020	1	Grommet	
4	3290505	2	Nut M5	
5	3291005	1	Nut M10	
6	4010510	2	Screw M5 x 20	
7	4811600	2	Washer M5	
8	4811700	2	Washer M6	
9	8406110	1	Clip	
10	1001130220	2	Nut, Tinnerman M6	
11	1001142683	1	Module, Beacon Control	
12	1001142736	1	Strobe Light Control Harness (See Separate Breakdown in ELECTRICAL SECTION)	
13	1001207004	1	Light, Strobe (Red)	
13	4460897	2	Receptacle, Female - 2 Position	
13	4460464	4	Pin, Male	

Go to Discount-Equipment.com to order your parts

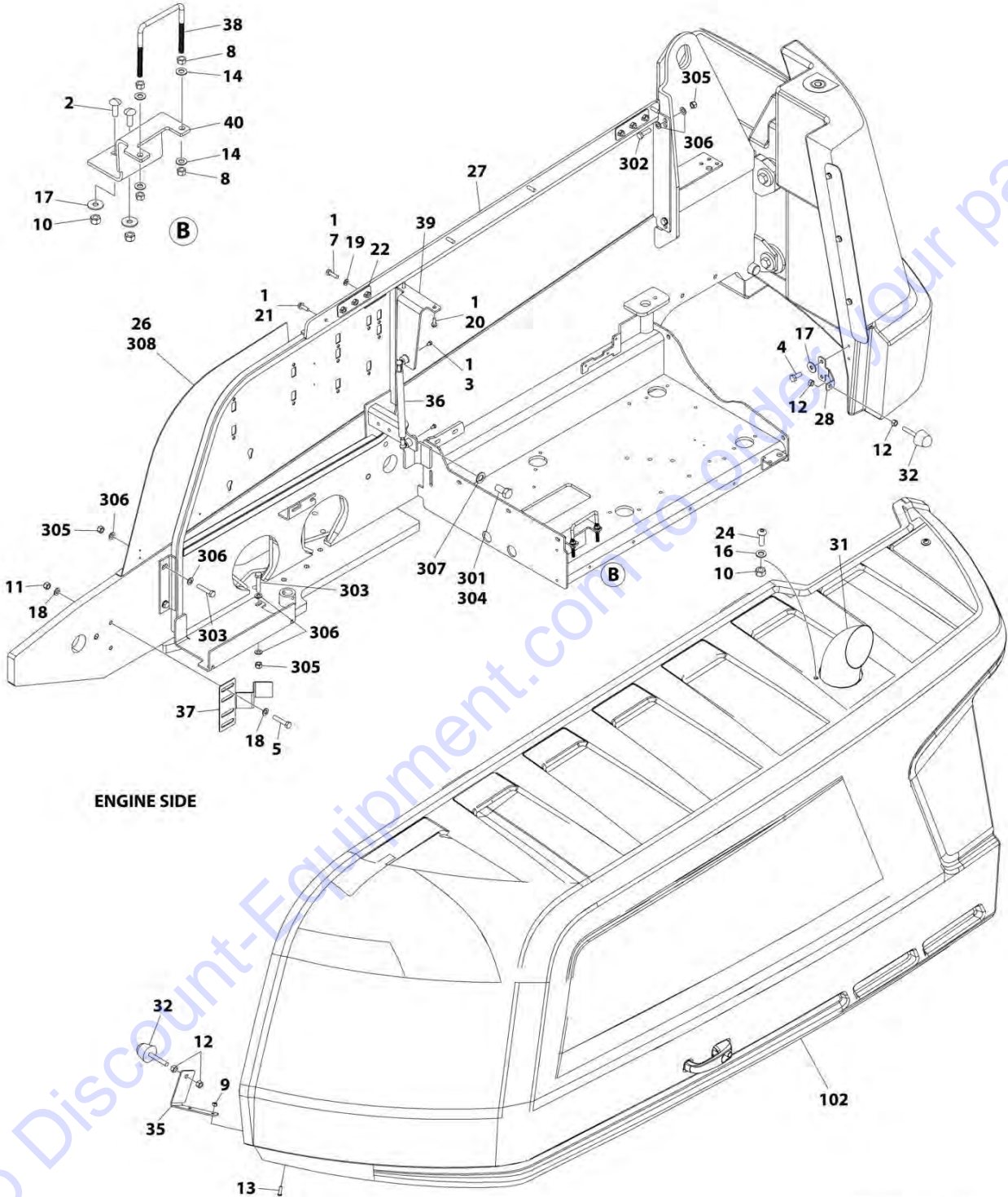
SECTION 2 - TURNTABLE

FIGURE 2-36. HOODS INSTALLATIONS - ABS (DEUTZ D2.9L4 - 49HP ENGINE)



ART_1001244902_10F2

SECTION 2 - TURNTABLE



ENGINE SIDE

ART_1001244902_20F2

SECTION 2 - TURNTABLE

FIGURE 2-36. HOODS INSTALLATIONS - ABS (DEUTZ D2.9L4 - 49HP ENGINE)

ITEM	PART NUMBER	QTY	DESCRIPTION	REV
	1001244902	Ref	HOODS INSTALLATIONS	B
1	0100011	AR	Compound, Locking	
2	0630613	2	Bolt M10 x 30	
3	0641504	4	Bolt 5/16 x 1/2	
4	0701012	2	Bolt M10 x 25	
5	0701220	2	Bolt M12 x 60	
7	0761015	12	Bolt M10 x 35	
8	3271601	8	Nut 3/8	
9	3290605	4	Nut M6	
10	3291005	6	Nut M10	
11	3291205	2	Nut M12	
12	3311601	8	Nut 3/8	
13	3900364	4	Screw M6 x 20	
14	4711600	8	Washer 3/8	
16	4812000	6	Washer M10	
17	4812002	4	Washer M10	
18	4812100	4	Washer M12	
19	5241000	12	Washer M10	
20	5250812	4	Bolt M8 x 25	
21	5251014	8	Bolt M10 x 30	
22	1001169046	4	Nut, Hinge	
24	1001174673	2	Screw M10 x 30	
25	1001187950	1	Side-Sheet Assembly - Tank Side (See Items 201-209 for Breakdown)	
26	1001187951	1	Side-Sheet Assembly - Engine Side (See Items 301-308 for Breakdown)	
27	1001189067	2	Mount	
28	1001190338	2	Bracket	
29	1001192841	1	Bracket	
31	1001193760	1	Pipe, Exhaust	
32	1001206314	4	Bumper	
34	1001213543	1	Bracket	
35	1001213744	1	Bracket	
36	1001213794	4	Spring, Gas	
37	1001231310	2	Bracket	
38	1001243414	2	Bolt, U-Bolt	
39	1001243654	1	Bracket	
40	1001244878	1	Bracket	
41	0701016	2	Bolt M10 x 40	
42	1001243171	1	Support	
100	1001227887	1	Hood Kit (Not Shown)	
101	1001195454	1	Hood Assembly - Tank Side (See Separate Breakdown in this Section)	
102	1001195455	1	Hood Assembly - Engine Side (See Separate Breakdown in this Section)	
	1001187950	Ref	SIDE-SHEET ASSEMBLY - TANK SIDE	C
201	0100011	AR	Compound, Locking	
202	0701216	2	Bolt M12 x 40	
203	0701220	4	Bolt M12 x 60	
204	0762016	2	Bolt M20 x 40	

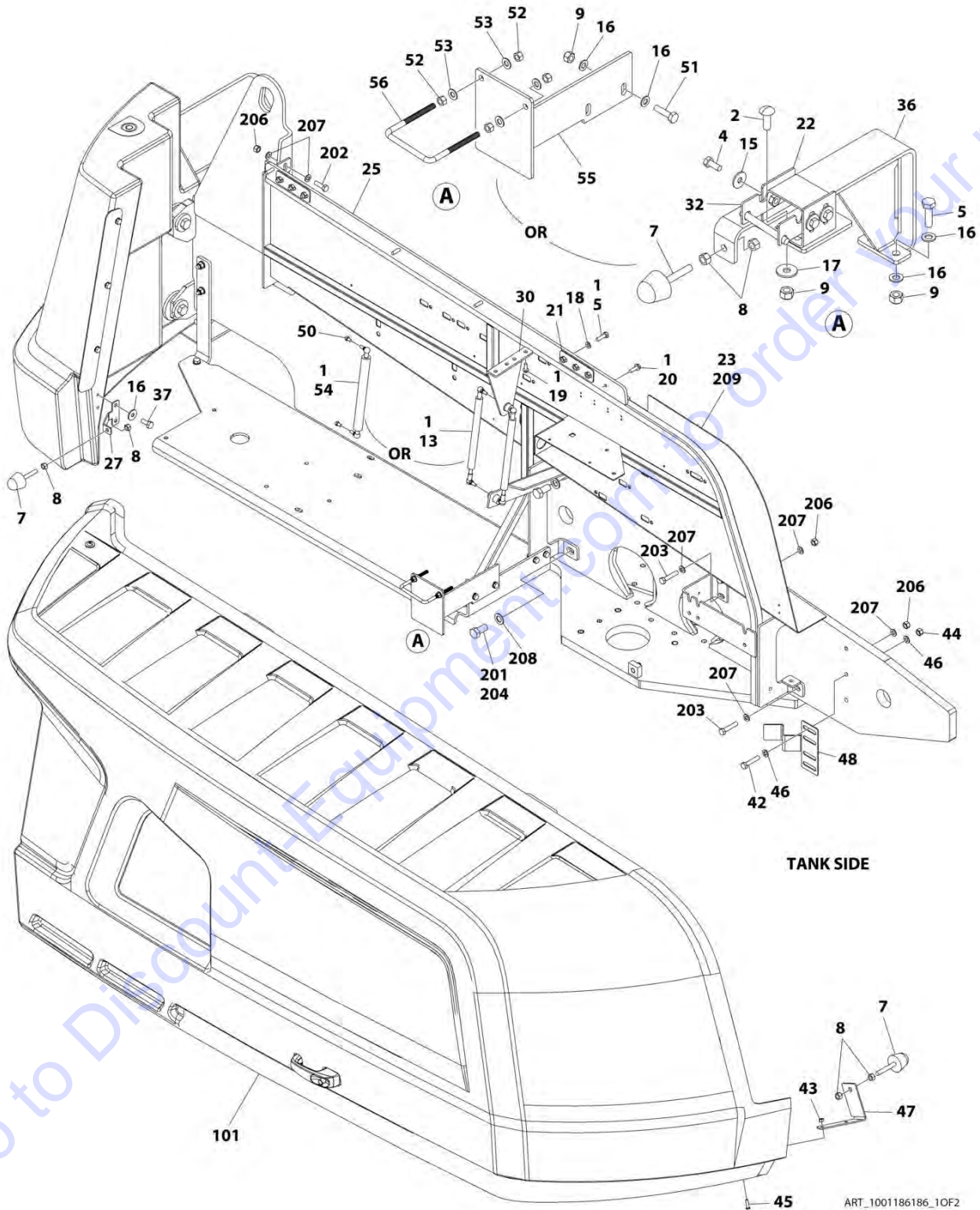
SECTION 2 - TURNTABLE

ITEM	PART NUMBER	QTY	DESCRIPTION	REV
206	3291205	6	Nut M12	
207	4812100	12	Washer M12	
208	4812500	2	Washer M20	
209	1001188194	1	Side-Sheet, Tank Side	
	1001187951	Ref	SIDE-SHEET ASSEMBLY - ENGINE SIDE	B
301	0100011	AR	Compound, Locking	
302	0701216	2	Bolt M12 x 40	
303	0701220	3	Bolt M12 x 60	
304	0762016	1	Bolt M20 x 40	
305	3291205	5	Nut M12	
306	4812100	10	Washer M12	
307	4812500	1	Washer M20	
308	1001188187	1	Side-Sheet, Engine Side	

Go to Discount-Equipment.com to order your parts

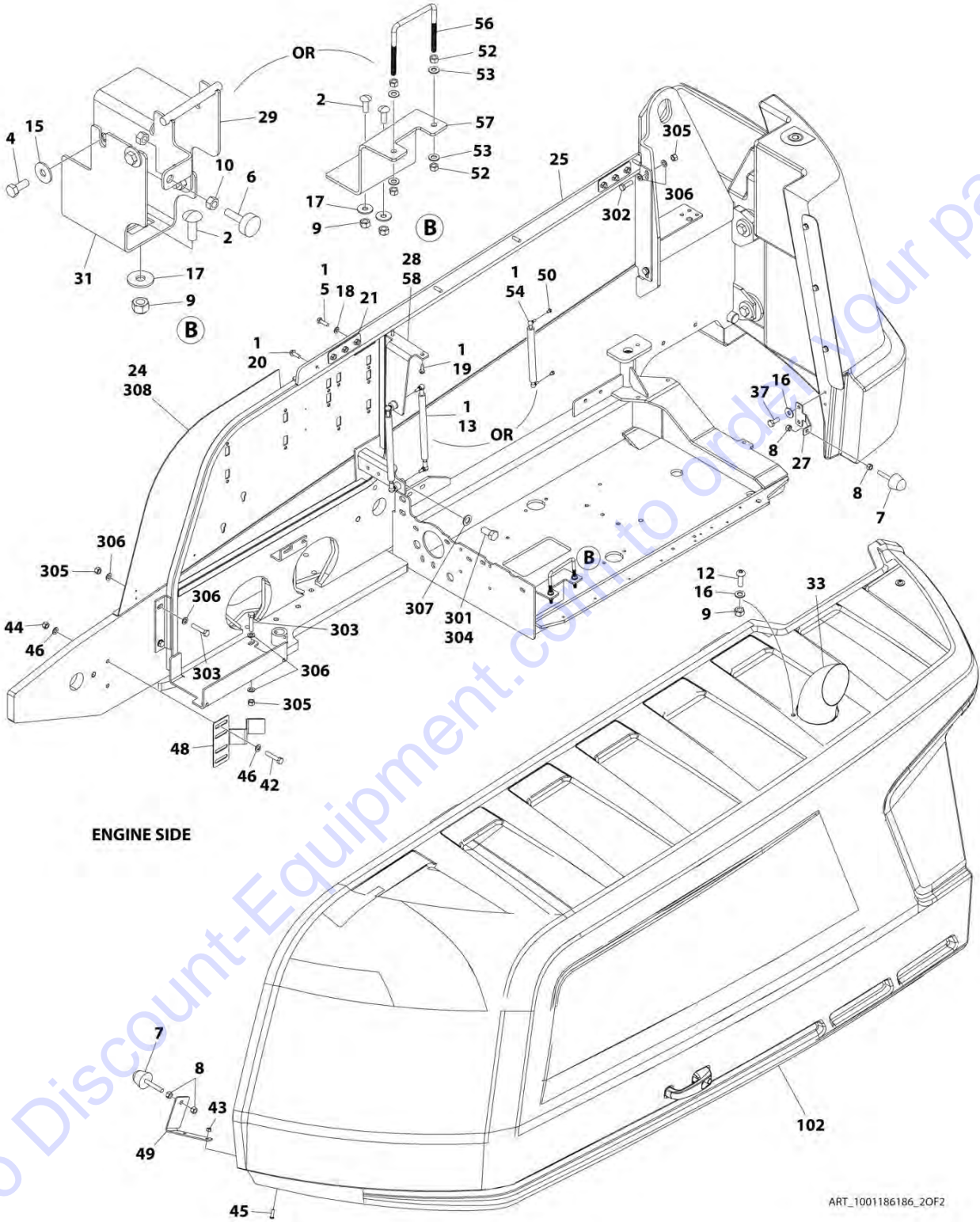
SECTION 2 - TURNTABLE

FIGURE 2-37. HOODS INSTALLATIONS - ABS (DEUTZ D2011, DEUTZ TD2.9L4 - 67HP AND FORD ENGINES)



ART_1001186186_10F2

SECTION 2 - TURNTABLE



ART_1001186186_20F2

SECTION 2 - TURNTABLE

FIGURE 2-37. HOODS INSTALLATIONS - ABS (DEUTZ D2011, DEUTZ TD2.9L4 - 67HP AND FORD ENGINES)

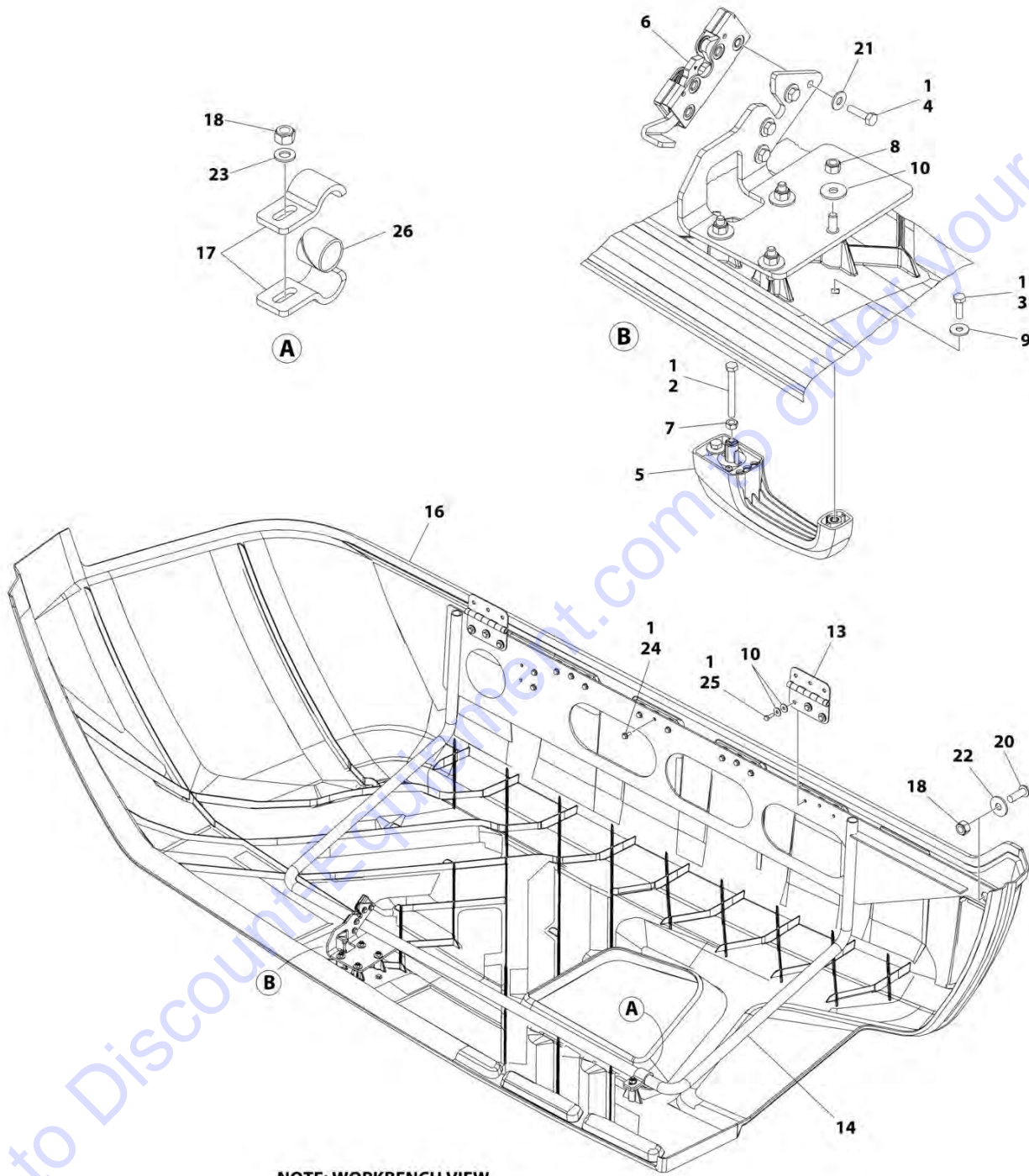
ITEM	PART NUMBER	QTY	DESCRIPTION	REV
	1001186186	Ref	HOODS INSTALLATIONS	G
1	0100011	AR	Compound, Locking	
2	0630613	AR	Bolt M10 x 30	
4	0760810	8	Bolt M8 x 20	
5	0761015	AR	Bolt M10 x 35	
6	0940049	1	Stopper (SN 0300235168 through 0300260918, SN B300002655 to Present)	
7	1001206314	AR	Bumper	
8	3311601	AR	Nut 3/8	
9	3291005	AR	Nut M10	
10	3311501	2	Nut 5/16	
12	1001174673	2	Screw M10 x 30	
13	1001210762	4	Spring, Gas (SN 0300235168 through 0300260918, SN B300002655 to Present)	
15	4811902	8	Washer M8	
16	4812000	6	Washer M10	
17	4812002	AR	Washer M10	
18	5241000	12	Washer M10	
19	5250812	4	Bolt M8 x 25	
20	5251014	8	Bolt M10 x 30	
21	1001169046	4	Nut, Hinge	
22	1001172615	1	Mount (SN 0300235168 through 0300260918, SN B300002655 to Present)	
23	1001187950	1	Side-Sheet Assembly - Tank Side (See Items 201-209 for Breakdown)	
24	1001187951	1	Side-Sheet Assembly - Engine Side (See Items 301-308 for Breakdown)	
25	1001189067	2	Mount	
27	1001190338	2	Bracket	
28	1001190476	1	Bracket (SN 0300235168 through 0300260918, SN B300002655 to Present)	
29	1001190756	1	Support (SN 0300235168 through 0300260918, SN B300002655 to Present)	
30	1001192841	1	Bracket	
31	1001192842	1	Mount (SN 0300235168 through 0300260918, SN B300002655 to Present)	
32	1001192843	1	Support (SN 0300235168 through 0300260918, SN B300002655 to Present)	
33	1001193760	1	Pipe, Exhaust	
36	1001206880	1	Support (SN 0300235168 through 0300260918, SN B300002655 to Present)	
37	0701012	2	Bolt M10 x 25	
42	0701220	2	Bolt M12 x 60	
43	3290605	4	Nut M6	
44	3291205	2	Nut M12	
45	3900364	4	Screw M6 x 20	
46	4812100	4	Washer M12	
47	1001213543	1	Bracket	
48	1001231310	2	Bracket	
49	1001213744	1	Bracket	
50	0641504	4	Bolt 5/16 x 1/2	

SECTION 2 - TURNTABLE

ITEM	PART NUMBER	QTY	DESCRIPTION	REV
51	0701016	2	Bolt M10 x 40	
52	3271601	8	Nut 3/8	
53	4711600	8	Washer 3/8	
54	1001213794	1	Spring, Gas (SN 0300260919 to Present)	
55	1001243171	1	Support (SN 0300260919 to Present)	
56	1001243414	2	Bolt, U-Bolt 3/8	
57	1001243522	1	Bracket (SN 0300260919 to Present)	
58	1001243654	1	Bracket (SN 0300260919 to Present)	
100	1001227887	1	Hood Kit (Not Shown)	
101	1001195454	1	Hood Assembly - Tank Side (See Separate Breakdown in this Section)	
102	1001195455	1	Hood Assembly - Engine Side (See Separate Breakdown in this Section)	
	1001187950	Ref	SIDE-SHEET ASSEMBLY - TANK SIDE	C
201	0100011	AR	Compound, Locking	
202	0701216	2	Bolt M12 x 40	
203	0701220	4	Bolt M12 x 60	
204	0762016	2	Bolt M20 x 40	
206	3291205	6	Nut M12	
207	4812100	12	Washer M12	
208	4812500	2	Washer M20	
209	1001188194	1	Side-Sheet, Tank Side	
	1001187951	Ref	SIDE-SHEET ASSEMBLY - ENGINE SIDE	B
301	0100011	AR	Compound, Locking	
302	0701216	2	Bolt M12 x 40	
303	0701220	3	Bolt M12 x 60	
304	0762016	1	Bolt M20 x 40	
305	3291205	5	Nut M12	
306	4812100	10	Washer M12	
307	4812500	1	Washer M20	
308	1001188187	1	Side-Sheet, Engine Side	

SECTION 2 - TURNTABLE

FIGURE 2-38. HOOD ASSEMBLY - TANK SIDE (ABS)



ART_1001195454

SECTION 2 - TURNTABLE

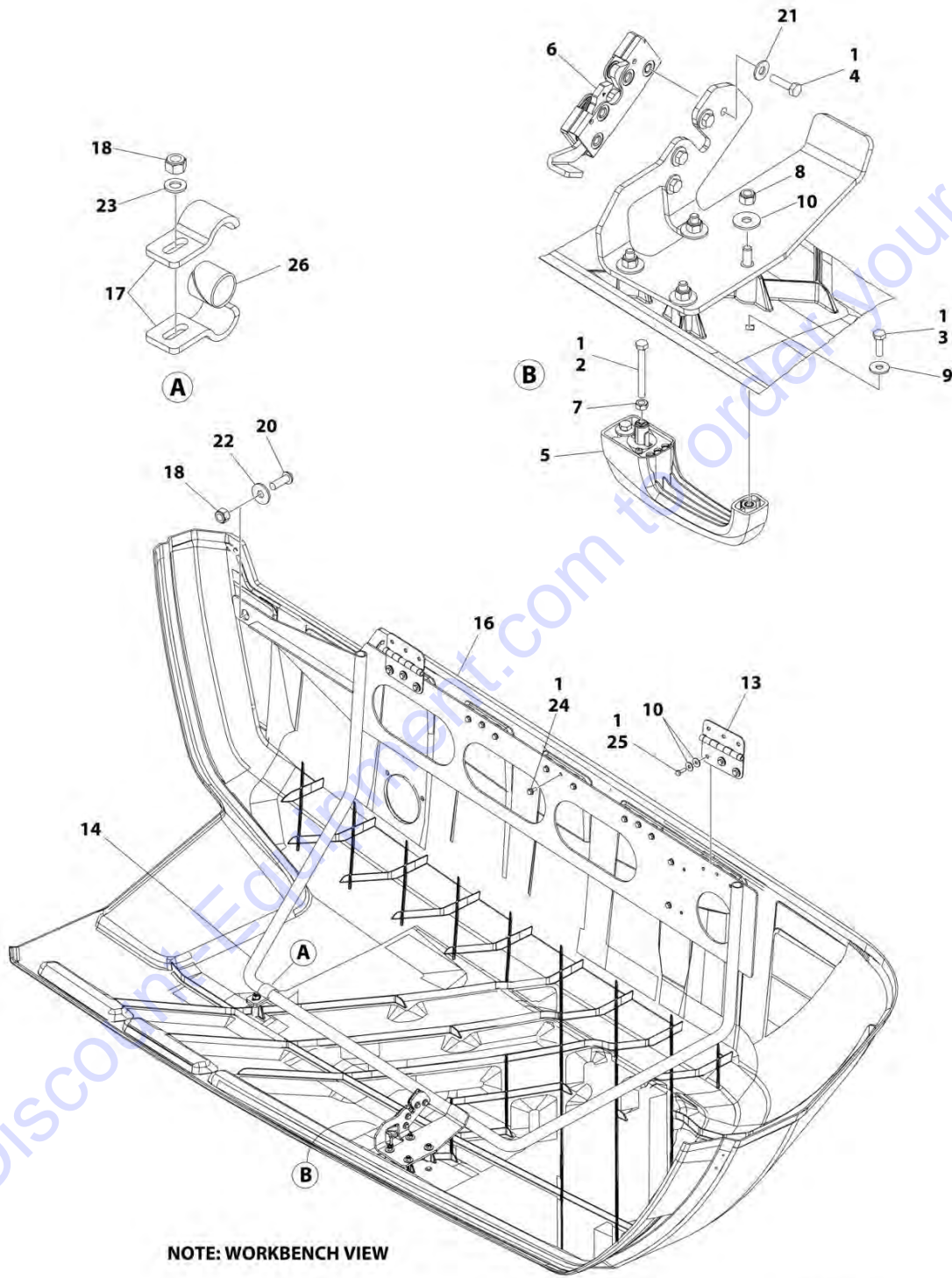
FIGURE 2-38. HOOD ASSEMBLY - TANK SIDE (ABS)

ITEM	PART NUMBER	QTY	DESCRIPTION	REV
	1001195454	Ref	HOOD ASSEMBLY	E
1	0100011	AR	Compound, Locking	
2	0700619	1	Bolt M6 x 55	
3	0760610	2	Bolt M6 x 20	
4	0641408	4	Bolt 1/4 x 1	
5	2560187	1	Handle, Push Button	
6	2940173	1	Latch, Rotary	
7	3290601	1	Nut M6	
8	3290805	4	Nut M8	
9	4811702	2	Washer M6	
10	4811902	16	Washer M8	
13	1001139384	2	Hinge	
14	1001204303	1	Support	
16	1001193168	1	Hood	
17	1321384	2	Clamp	
18	3291005	2	Nut M10	
20	1001174673	1	Screw M10 x 30	
21	4751400	4	Washer 1/4	
22	4812002	1	Washer M10	
23	4812000	1	Washer M10	
24	5250810	11	Bolt M8 x 20	
25	0760812	6	Bolt M8 x 25	
26	1001227367	1	Bearing	

Go to Discount-Equipment.com to order your parts

SECTION 2 - TURNTABLE

FIGURE 2-39. HOOD ASSEMBLY - ENGINE SIDE (ABS)



ART_1001195455

SECTION 2 - TURNTABLE

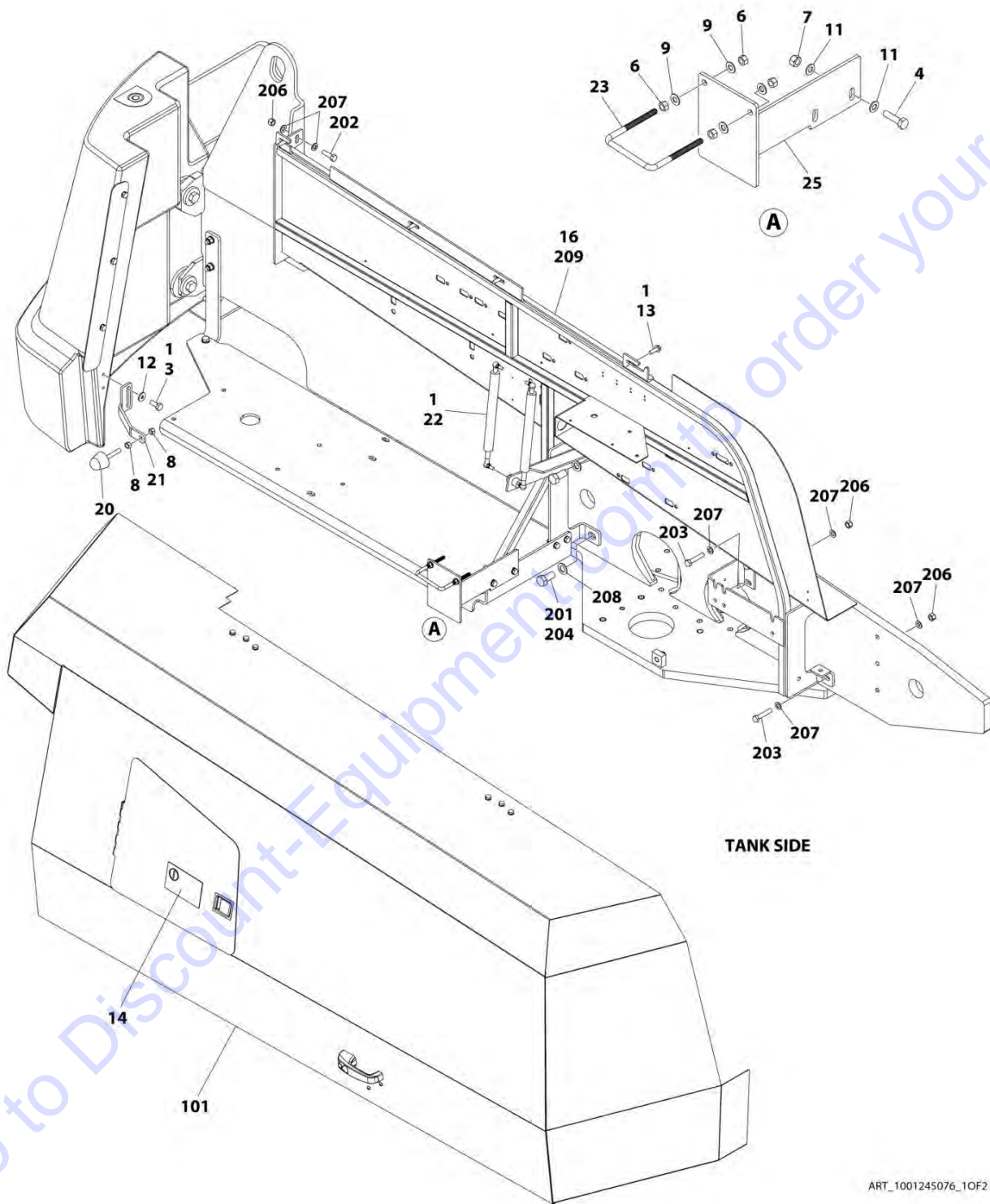
FIGURE 2-39. HOOD ASSEMBLY - ENGINE SIDE (ABS)

ITEM	PART NUMBER	QTY	DESCRIPTION	REV
	1001195455	Ref	HOOD ASSEMBLY	E
1	0100011	AR	Compound, Locking	
2	0700619	1	Bolt M6 x 55	
3	0760610	2	Bolt M6 x 20	
4	0641408	4	Bolt 1/4 x 1	
5	2560187	1	Handle, Push Button	
6	2940173	1	Latch, Rotary	
7	3290601	1	Nut M6	
8	3290805	4	Nut M8	
9	4811702	2	Washer M6	
10	4811902	16	Washer M8	
13	1001139384	2	Hinge	
14	1001204251	1	Support	
16	1001193169	1	Hood	
17	1321384	2	Clamp	
18	3291005	2	Nut M10	
20	1001174673	1	Screw M10 x 30	
21	4751400	4	Washer 1/4	
22	4812002	1	Washer M10	
23	4812000	1	Washer M10	
24	5250810	11	Bolt M8 x 20	
25	0760812	6	Bolt M8 x 25	
26	1001227367	1	Bearing	

Go to Discount-Equipment.com to order your parts

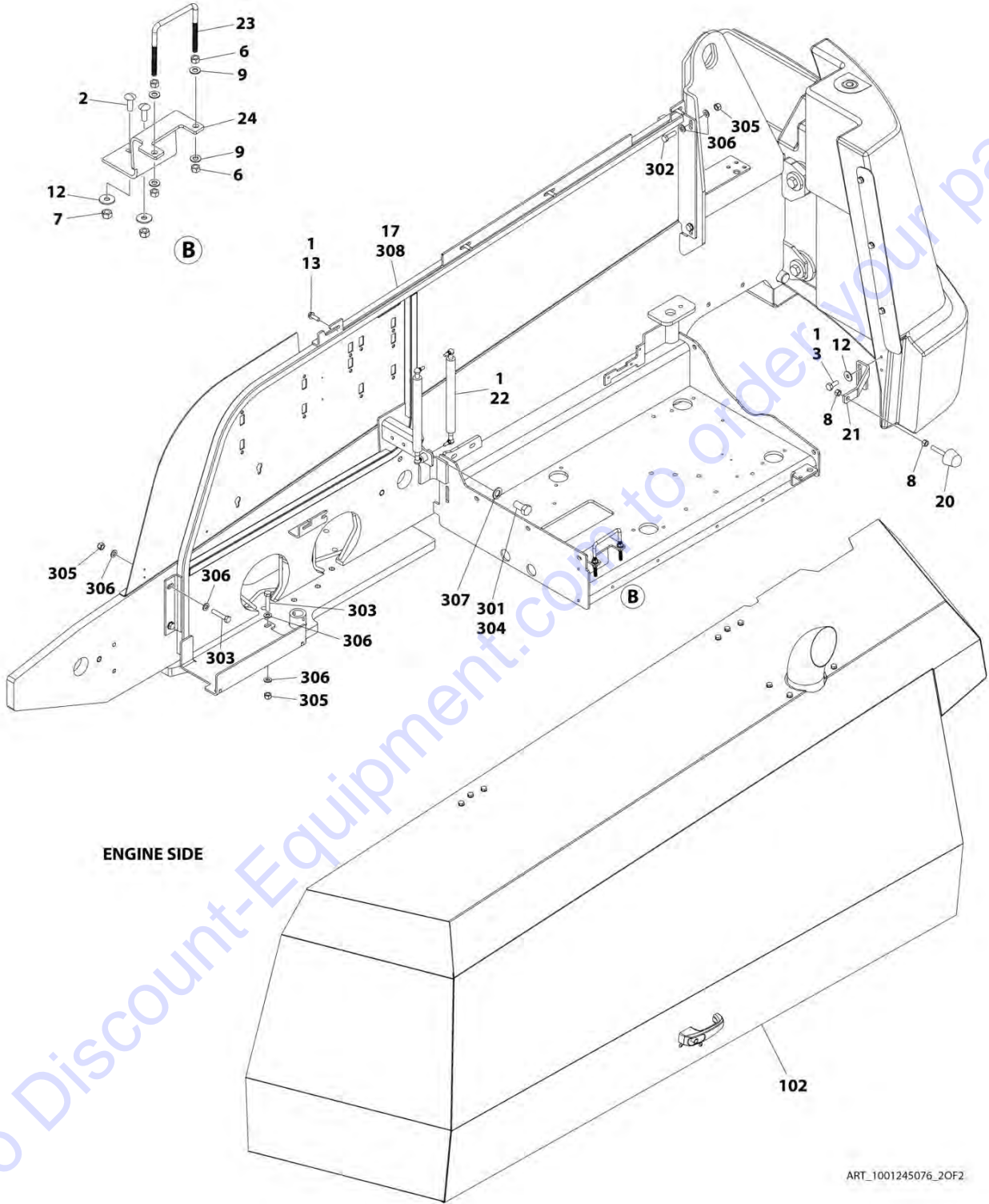
SECTION 2 - TURNTABLE

FIGURE 2-40. HOODS INSTALLATIONS - STEEL (DEUTZ D2.9L4 – 49HP ENGINE)



ART_1001245076_10F2

SECTION 2 - TURNTABLE



ENGINE SIDE

ART_1001245076_20F2

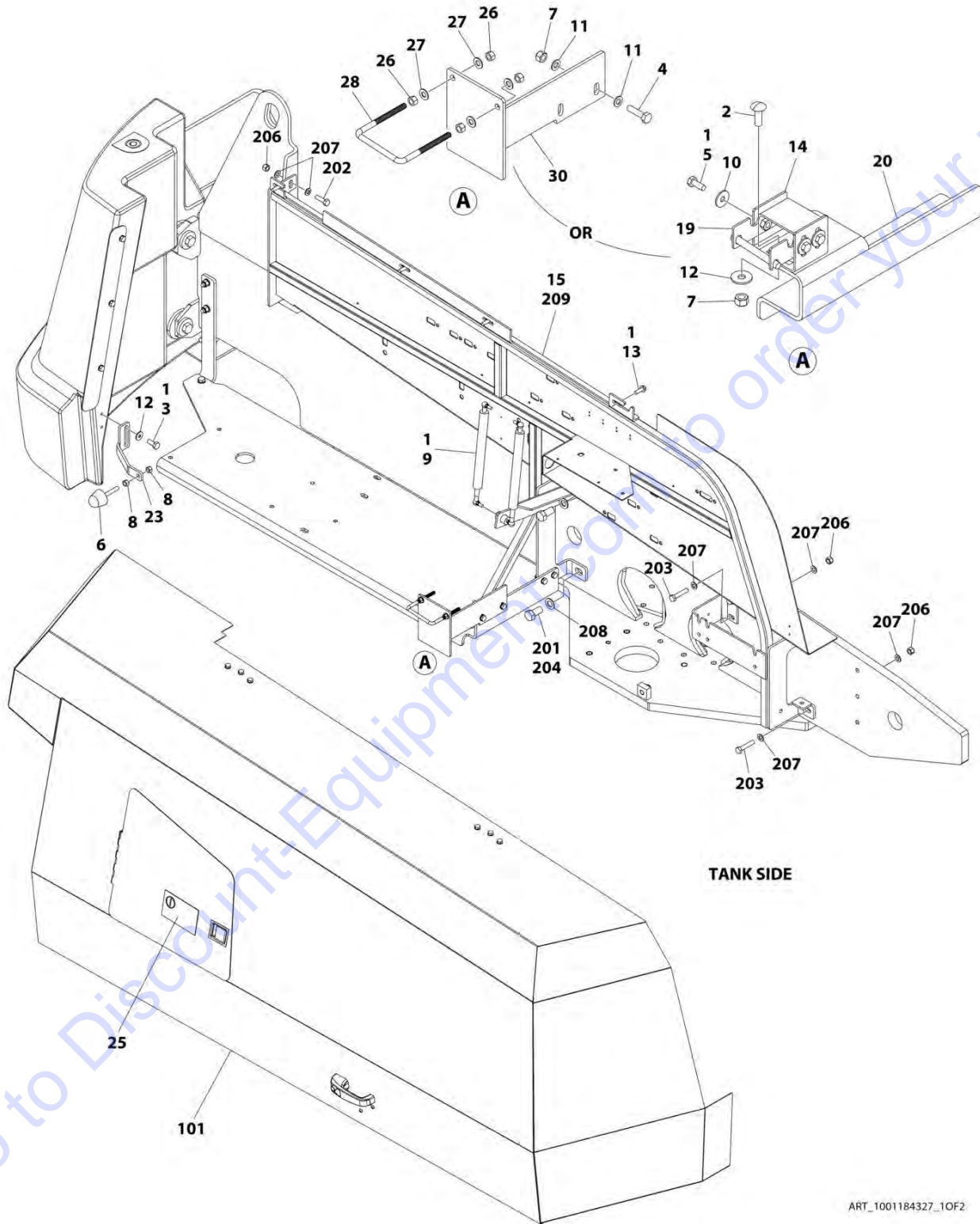
SECTION 2 - TURNTABLE

FIGURE 2-40. HOODS INSTALLATIONS - STEEL (DEUTZ D2.9L4 – 49HP ENGINE)

ITEM	PART NUMBER	QTY	DESCRIPTION	REV
	1001245076	Ref	HOODS INSTALLATIONS	B
1	0100011	AR	Compound, Locking	
2	0630613	2	Bolt M10 x 30	
3	0701012	4	Bolt M10 x 25	
4	0701016	2	Bolt M10 x 40	
6	3271601	8	Nut 3/8	
7	3291005	4	Nut M10	
8	3311601	4	Nut 3/8	
9	4711600	8	Washer 3/8	
11	4812000	4	Washer M10	
12	4812002	4	Washer M10	
13	5251014	8	Bolt M10 x 30	
14	1001117307	1	Decal - Emergency Stop	
16	1001187950	1	Side-Sheet Assembly - Tank Side (See Items 201-209 for Breakdown)	
17	1001187951	1	Side-Sheet Assembly - Engine Side (See Items 301-308 for Breakdown)	
20	1001206314	2	Bumper	
21	1001212333	2	Bracket	
22	1001219138	4	Spring, Gas	
23	1001243414	2	Bolt, U-Bolt	
24	1001244878	1	Bracket	
25	1001243171	1	Support	
100	1001227888	1	Hood Kit (Not Shown)	
101	1001211762	1	Hood Assembly - Tank Side (See Separate Breakdown in this Section)	
102	1001211774	1	Hood Assembly - Engine Side (See Separate Breakdown in this Section)	
	1001187950	Ref	SIDE-SHEET ASSEMBLY - TANK SIDE	C
201	0100011	AR	Compound, Locking	
202	0701216	2	Bolt M12 x 40	
203	0701220	4	Bolt M12 x 60	
204	0762016	2	Bolt M20 x 40	
206	3291205	6	Nut M12	
207	4812100	12	Washer M12	
208	4812500	2	Washer M20	
209	1001188194	1	Side-Sheet, Tank Side	
	1001187951	Ref	SIDE-SHEET ASSEMBLY - ENGINE SIDE	B
301	0100011	AR	Compound, Locking	
302	0701216	2	Bolt M12 x 40	
303	0701220	3	Bolt M12 x 60	
304	0762016	1	Bolt M20 x 40	
305	3291205	5	Nut M12	
306	4812100	10	Washer M12	
307	4812500	1	Washer M20	
308	1001188187	1	Side-Sheet, Engine Side	

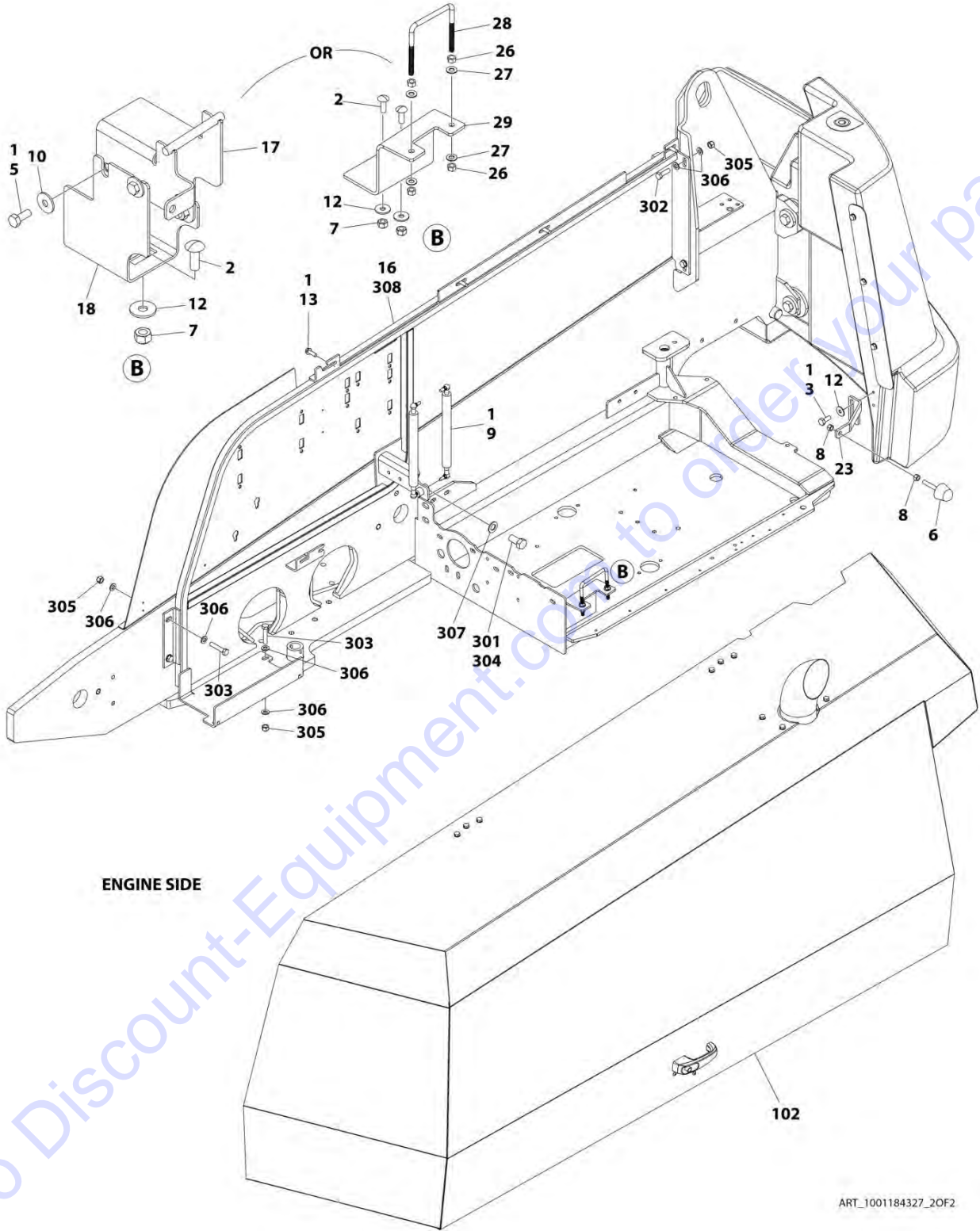
SECTION 2 - TURNTABLE

FIGURE 2-41. HOODS INSTALLATIONS - STEEL (DEUTZ D2011, DEUTZ TD2.9L4 – 67HP AND FORD ENGINES)



ART_1001184327_10F2

SECTION 2 - TURNTABLE



ENGINE SIDE

ART_1001184327_20F2

SECTION 2 - TURNTABLE

FIGURE 2-41. HOODS INSTALLATIONS - STEEL (DEUTZ D2011, DEUTZ TD2.9L4 – 67HP AND FORD ENGINES)

ITEM	PART NUMBER	QTY	DESCRIPTION	REV
	1001184327	Ref	HOODS INSTALLATIONS	K
1	0100011	AR	Compound, Locking	
2	0630613	AR	Bolt M10 x 30	
3	0701012	4	Bolt M10 x 25	
4	0701016	2	Bolt M10 x 40	
5	0760810	8	Bolt M8 x 20	
6	1001206314	2	Bumper	
7	3291005	AR	Nut M10	
8	3311601	4	Nut 3/8	
9	1001219138	4	Spring, Gas	
10	4811902	8	Washer M8	
11	4812000	4	Washer M10	
12	4812002	AR	Washer M10	
13	5251014	8	Bolt M10 x 30	
14	1001172615	1	Mount (SN 0300235168 through 0300260918, SN B300002655 to Present)	
15	1001187950	1	Side-Sheet Assembly - Tank Side (See Items 201-209 for Breakdown)	
16	1001187951	1	Side-Sheet Assembly - Engine Side (See Items 301-308 for Breakdown)	
17	1001190756	1	Support (SN 0300235168 through 0300260918, SN B300002655 to Present)	
18	1001192842	1	Mount (SN 0300235168 through 0300260918, SN B300002655 to Present)	
19	1001192843	1	Support (SN 0300235168 through 0300260918, SN B300002655 to Present)	
20	1001195535	1	Mount (SN 0300235168 through 0300260918, SN B300002655 to Present)	
23	1001212333	2	Bracket	
25	1001117307	1	Decal - Emergency Stop	
26	3271601	8	Nut 3/8	
27	4711600	8	Washer 3/8	
28	1001243414	2	Bolt, U-Bolt 3/8	
29	1001243522	1	Bracket (SN 0300260919 to Present)	
30	1001243171	1	Support (SN 0300260919 to Present)	
100	1001227888	1	Hood Kit (Not Shown)	
101	1001211762	1	Hood Assembly - Tank Side (See Separate Breakdown in this Section)	
102	1001211774	1	Hood Assembly - Engine Side (See Separate Breakdown in this Section)	
	1001187950	Ref	SIDE-SHEET ASSEMBLY - TANK SIDE	C
201	0100011	AR	Compound, Locking	
202	0701216	2	Bolt M12 x 40	
203	0701220	4	Bolt M12 x 60	
204	0762016	2	Bolt M20 x 40	
206	3291205	6	Nut M12	
207	4812100	12	Washer M12	
208	4812500	2	Washer M20	
209	1001188194	1	Side-Sheet, Tank Side	
	1001187951	Ref	SIDE-SHEET ASSEMBLY - ENGINE SIDE	B
301	0100011	AR	Compound, Locking	

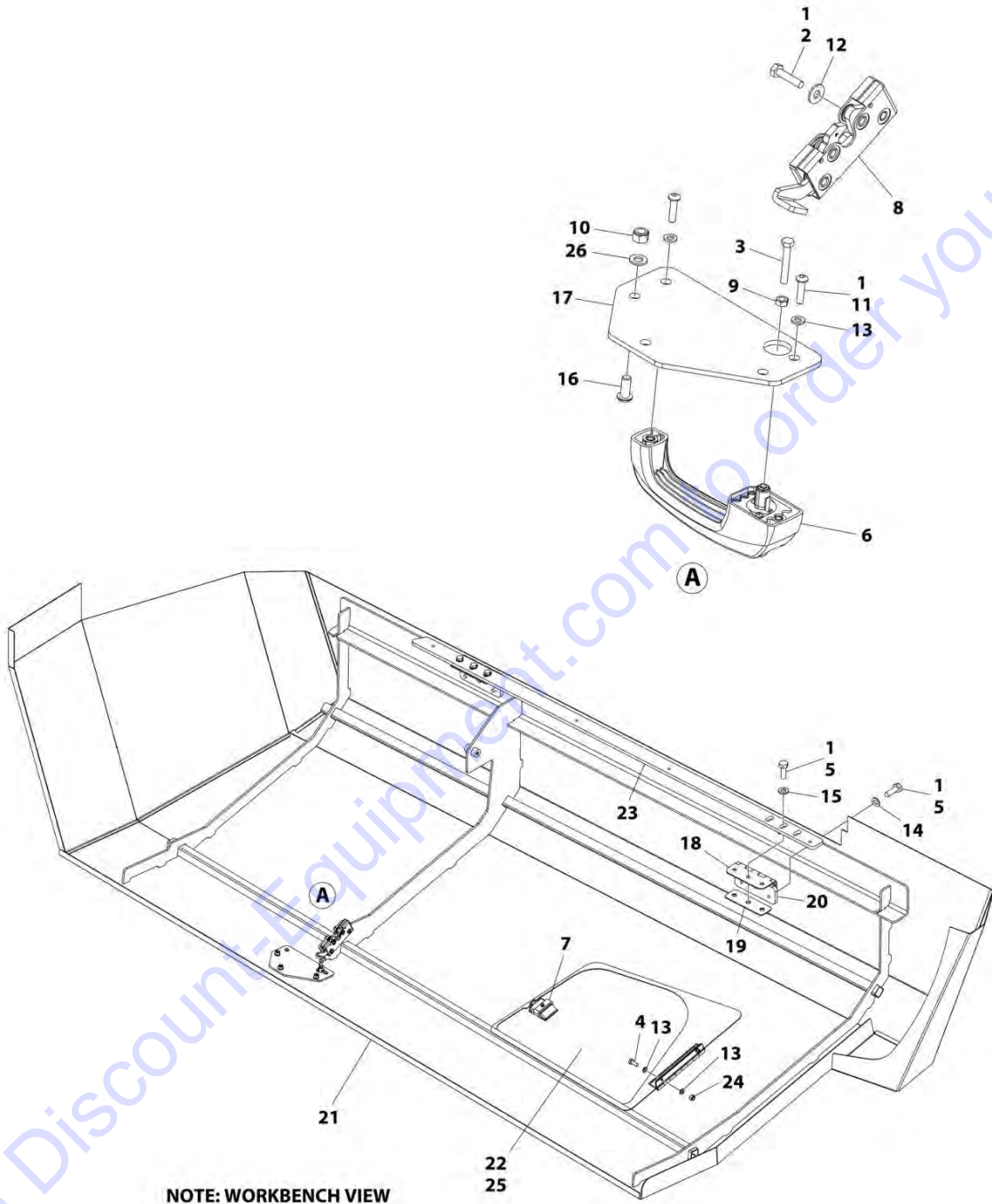
SECTION 2 - TURNTABLE

ITEM	PART NUMBER	QTY	DESCRIPTION	REV
302	0701216	2	Bolt M12 x 40	
303	0701220	3	Bolt M12 x 60	
304	0762016	1	Bolt M20 x 40	
305	3291205	5	Nut M12	
306	4812100	10	Washer M12	
307	4812500	1	Washer M20	
308	1001188187	1	Side-Sheet, Engine Side	

Go to Discount-Equipment.com to order your parts

SECTION 2 - TURNTABLE

FIGURE 2-42. HOOD ASSEMBLY - TANK SIDE (STEEL)



ART_1001211762

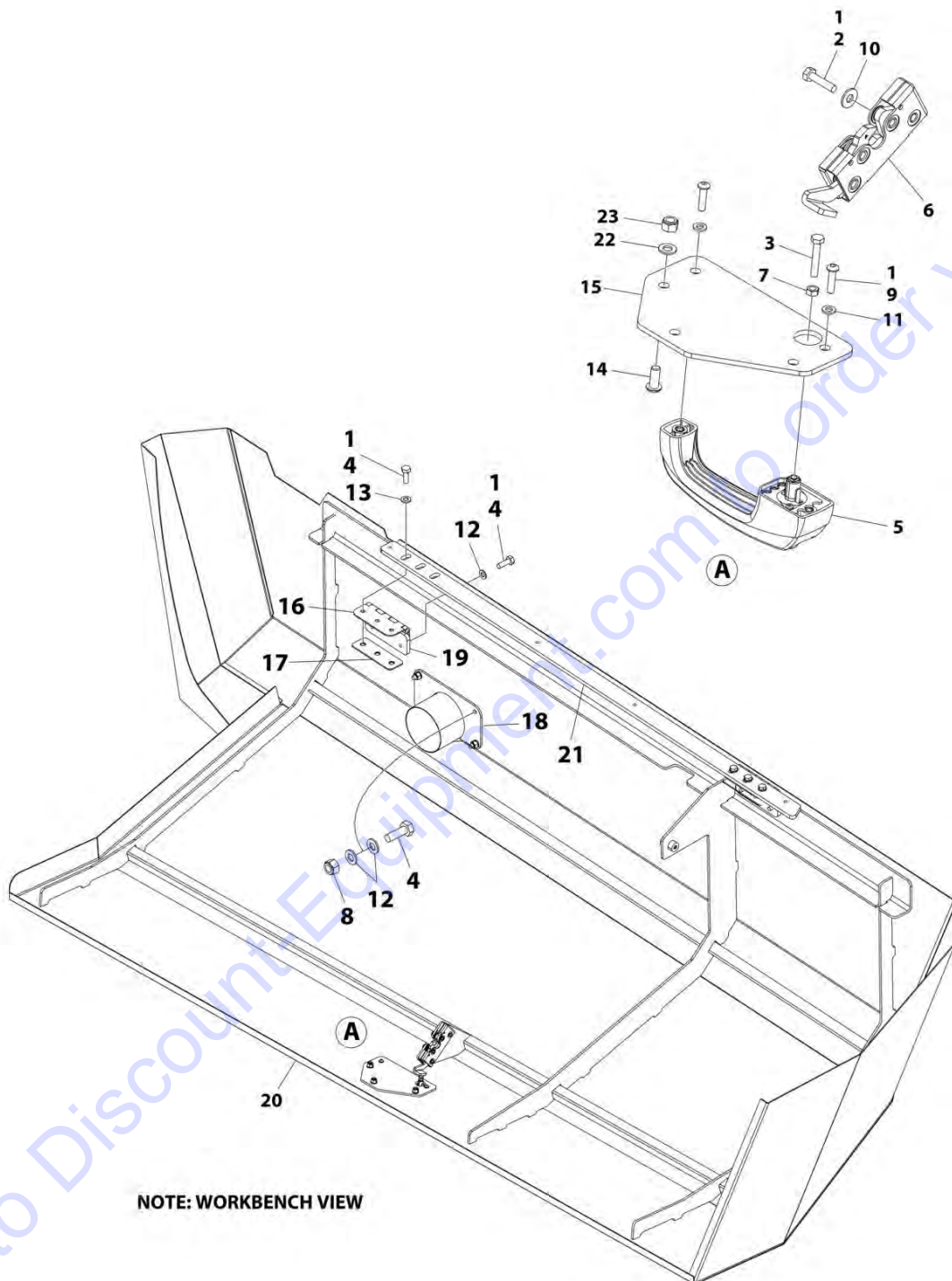
SECTION 2 - TURNTABLE

FIGURE 2-42. HOOD ASSEMBLY - TANK SIDE (STEEL)

ITEM	PART NUMBER	QTY	DESCRIPTION	REV
	1001211762	Ref	HOOD ASSEMBLY	H
1	0100011	AR	Compound, Locking	
2	0641409	4	Bolt 1/4 x 1-1/8	
3	0700616	1	Bolt M6 x 40	
4	0760608	2	Bolt M6 x 16	
5	0761014	12	Bolt M10 x 30	
6	2560187	1	Handle, Push Button	
7	2940045	1	Latch, Paddle	
8	2940173	1	Latch, Rotary	
9	3290601	1	Nut M6	
10	3290805	3	Nut M8	
11	3900363	2	Screw M6 x 25	
12	4751400	4	Washer 1/4	
13	4811700	6	Washer M6	
14	4812000	6	Washer M10	
15	5241000	6	Washer M10	
16	1001164726	3	Screw M8 x 20	
17	1001116290	1	Plate	
18	1001139384	2	Hinge	
19	1001169046	2	Nut, Hinge	
20	1001202333	2	Plate, Nut	
21	1001211752	1	Hood	
22	1001211760	1	Door	
23	1001211761	1	Plate	
24	3290605	2	Nut M6	
25	1001113047	78 in/ 2m	Seal	
26	4811900	3	Washer M8	

SECTION 2 - TURNTABLE

FIGURE 2-43. HOOD ASSEMBLY - ENGINE SIDE (STEEL)



NOTE: WORKBENCH VIEW

ART_1001211774

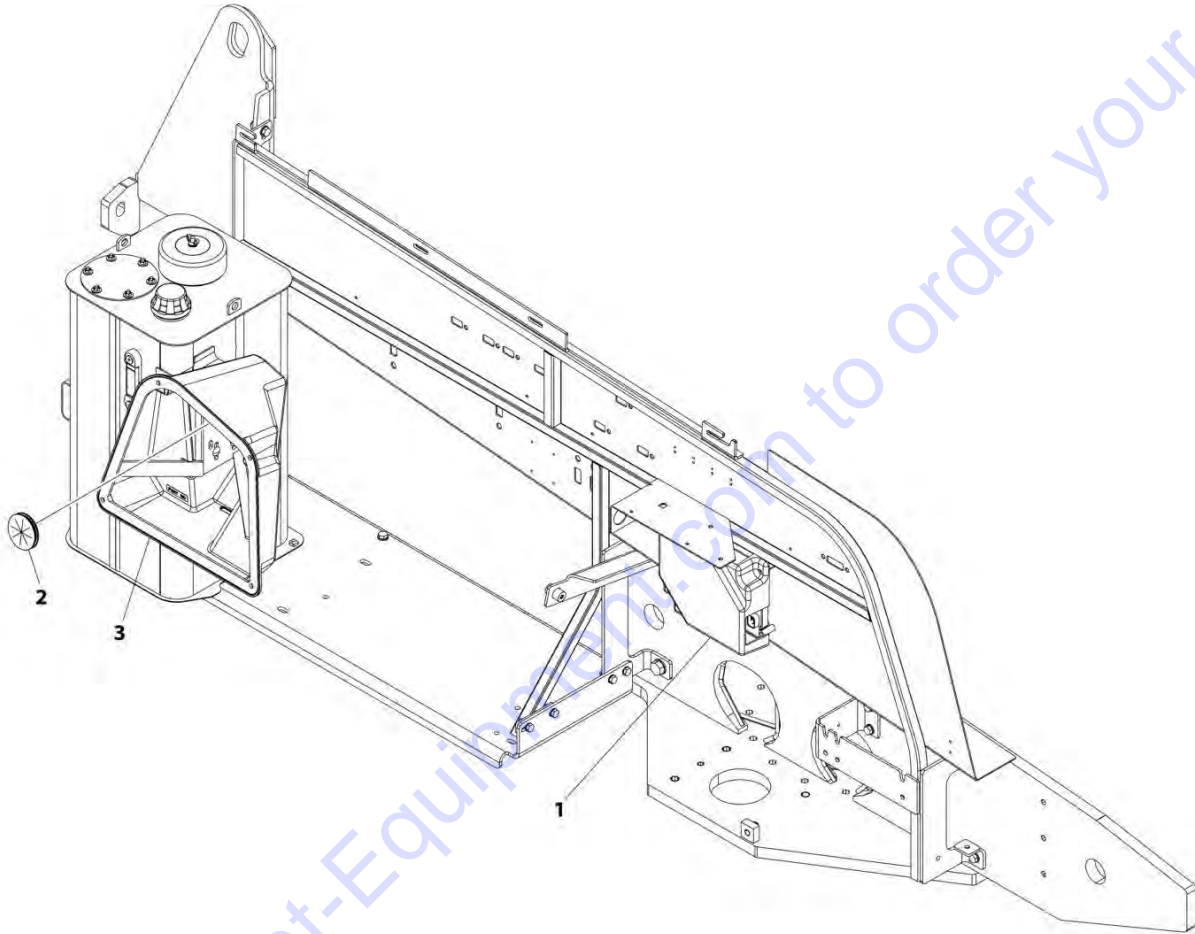
SECTION 2 - TURNTABLE

FIGURE 2-43. HOOD ASSEMBLY - ENGINE SIDE (STEEL)

ITEM	PART NUMBER	QTY	DESCRIPTION	REV
	1001211774	Ref	HOOD ASSEMBLY	G
1	0100011	AR	Compound, Locking	
2	0641409	4	Bolt 1/4 x 1-1/8	
3	0700615	1	Bolt M6 x 35	
4	0761014	16	Bolt M10 x 30	
5	2560187	1	Handle , Push Button	
6	2940173	1	Latch, Rotary	
7	3290601	1	Nut M6	
8	3291005	4	Nut M10	
9	3900363	2	Screw M6 x 25	
10	4751400	4	Washer 1/4	
11	4811700	2	Washer M6	
12	4812000	14	Washer M10	
13	5241000	6	Washer M10	
14	1001164726	3	Screw M8 x 20	
15	1001116290	1	Plate	
16	1001139384	2	Hinge	
17	1001169046	2	Nut, Hinge	
18	1001194888	1	Pipe, Exhaust	
19	1001202333	2	Plate, Nut	
20	1001211767	1	Hood	
21	1001211773	1	Plate	
22	4811900	3	Washer M8	
23	3290805	3	Nut M8	

SECTION 2 - TURNTABLE

FIGURE 2-44. COVERS INSTALLATION



ART_1001219128

SECTION 2 - TURNTABLE

FIGURE 2-44. COVERS INSTALLATION

ITEM	PART NUMBER	QTY	DESCRIPTION	REV
	1001219128	Ref	COVERS INSTALLATION	A
1	1001218539	1	Cover, Controller	
2	1001218676	1	Grommet	
3	1001220638	1	Cover, Ground Control	

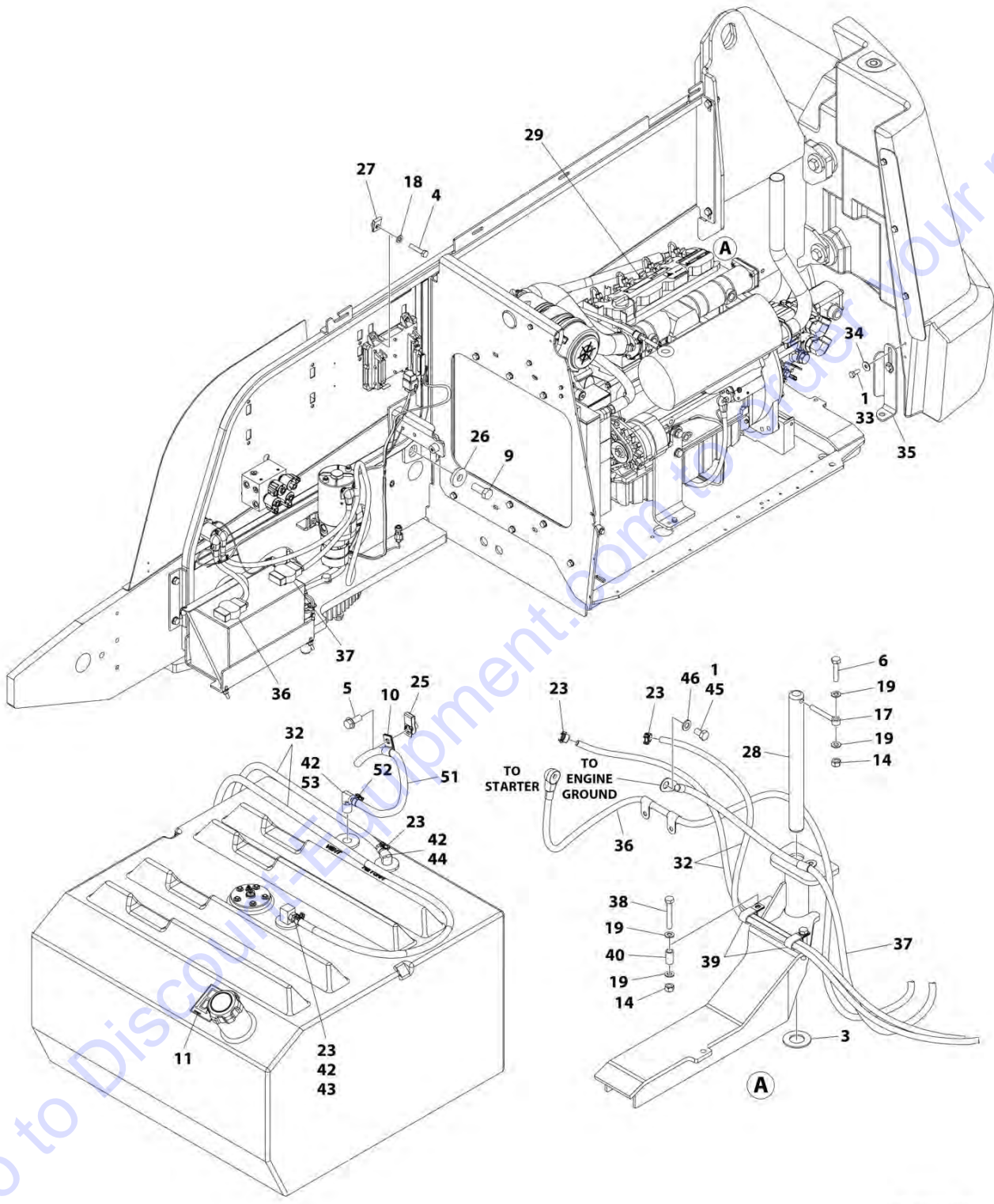
Go to Discount-Equipment.com to order your parts

SECTION 3 - ENGINE

Go to Discount-Equipment.com to order your parts

SECTION 3 - ENGINE

FIGURE 3-1. DEUTZ D2011 ENGINE INSTALLATION - WITHOUT ARCTIC PACKAGE



ART_1001186808

SECTION 3 - ENGINE

FIGURE 3-1. DEUTZ D2011 ENGINE INSTALLATION - WITHOUT ARCTIC PACKAGE

ITEM	PART NUMBER	QTY	DESCRIPTION	REV
	1001186808	Ref	DEUTZ D2011 ENGINE INSTALLATION	N
1	0100011	AR	Compound, Locking	
3	0440162	1	Bearing	
4	0700614	4	Bolt M6 x 30	
5	5251012	1	Bolt M10 x 25	
6	0711018	1	Bolt M10 x 50	
9	0772018	1	Bolt M20 x 50	
10	8406110	1	Clip (SN 0300235168 through 0300237156, SN B300002655 through B300002979)	
10	1320061	1	Clamp (SN 0300237157 to Present, SN B300002980 to Present)	
11	1701505	1	Decal - Diesel Fuel	
14	3291005	3	Nut M10	
17	3841143	1	Keeper, Pin	
18	4811700	4	Washer M6	
19	4812000	6	Washer M10	
23	1001174486	AR	Clamp	
25	1001118972	1	Nut, Tinnerman M10	
26	1001119051	1	Washer	
27	1001130220	4	Nut, Tinnerman M6	
28	1001155094	1	Pin	
29	1001186815	1	Deutz D2011 Engine and Pumps Sub-Assembly (See Separate Breakdown in this Section)	
32	2720058	288 in/ 7.3m	Hose, Fuel	
33	0701012	2	Bolt M10 x 70	
34	4812002	2	Washer M10	
35	1001196398	1	Bracket	
36	1001188667	1	Cable, Battery (+) to Aux Relay to Starter	
37	1001188670	1	Cable, Battery (-) to Aux Pump and Ground	
38	0701022	2	Bolt M10 x 70	
39	1001026127	2	Clamp	
40	1001200731	2	Tube	
41	4240099	6	Tie-Strap (Not Shown)	
42	0100020	AR	Sealant	
43	2180348	1	Fitting, Straight NPT x Barb	
44	2221176	AR	Fitting, 90 Barbed	
45	0761210	1	Bolt M12 x 20	
46	4812100	1	Washer M12	
47	1001192690	1	Hose (Case Drain) (Drive Pump Case Gauge Port to Tank) (Not Shown)	
48	1001203431	1	Hose (Case Drain) (Drive Pump Case Outlet Port to Tank) (Not Shown)	
49	1001203432	1	Hose (Function Suction) (Not Shown)	
50	1001203433	1	Hose (Drive Suction) (Not Shown)	
51	2720058	20 in/ 0.5m	Hose, Fuel (SN 0300235168 through 0300237156, SN B300002655 through B300002979)	
51	1001165035	20 in/ 0.5m	Hose (SN 0300237157 to Present, SN B300002980 to Present)	
52	1001174486	1	Clamp (SN 0300235168 through 0300237156, SN B300002655 through B300002979)	
52	1001136975	1	Clamp (SN 0300237157 to Present, SN B300002980 to Present)	

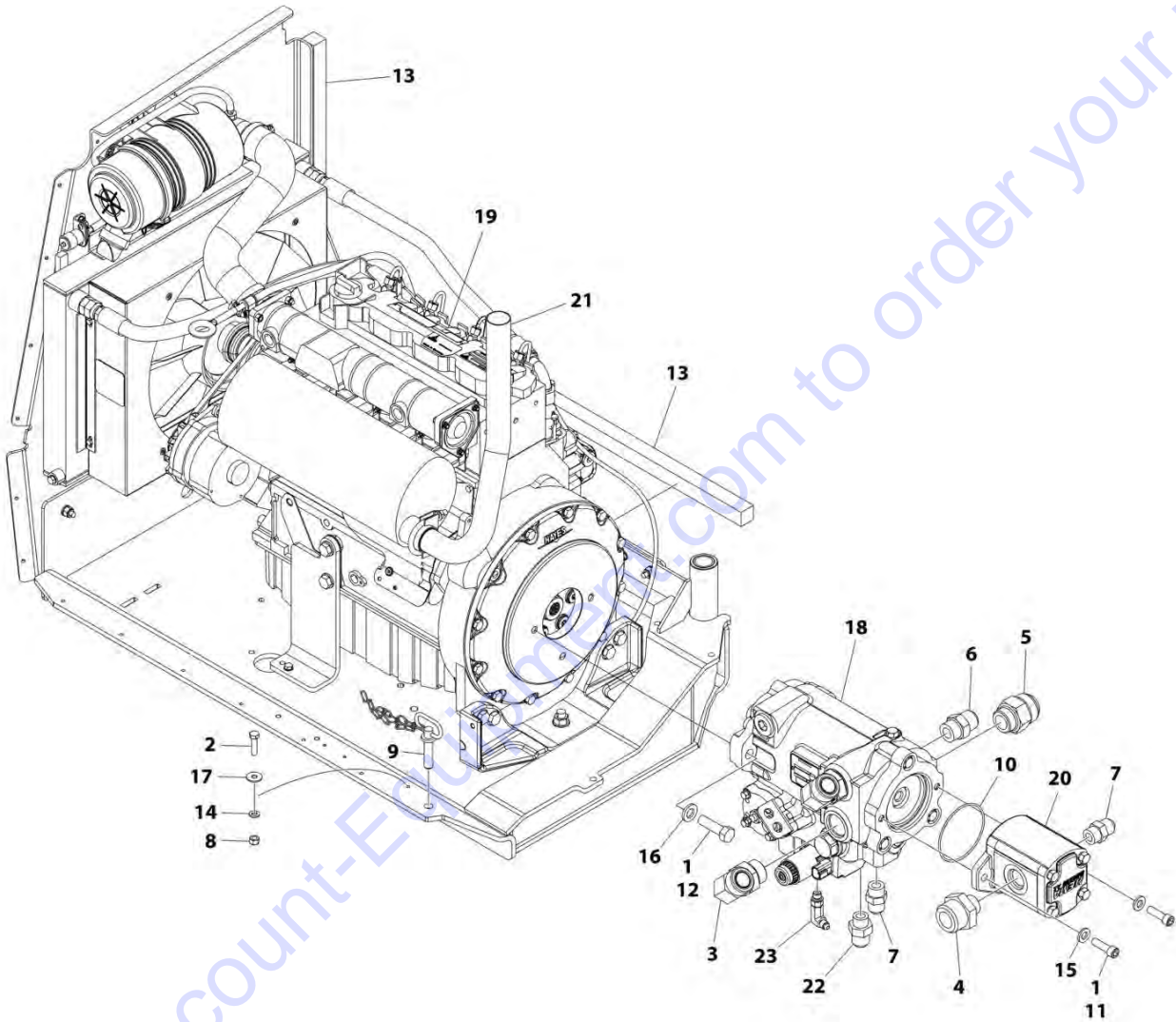
SECTION 3 - ENGINE

ITEM	PART NUMBER	QTY	DESCRIPTION	REV
53	2221176	1	Fitting, 90 Barbed (SN 0300235168 through 0300237156, SN B300002655 through B300002979)	
53	2220313	1	Fitting, 90 NPTF/Barb (SN 0300237157 to Present, SN B300002980 to Present)	
100	1001235699	1	Battery Cable Kit (Includes Items 36 & 37) (Not Shown) (SN 0300237157 to Present, SN B300002980 to Present)	

Go to Discount-Equipment.com to order your parts

SECTION 3 - ENGINE

FIGURE 3-2. DEUTZ D2011 ENGINE AND PUMPS SUB-ASSEMBLY - WITHOUT ARCTIC PACKAGE



ART_1001186815

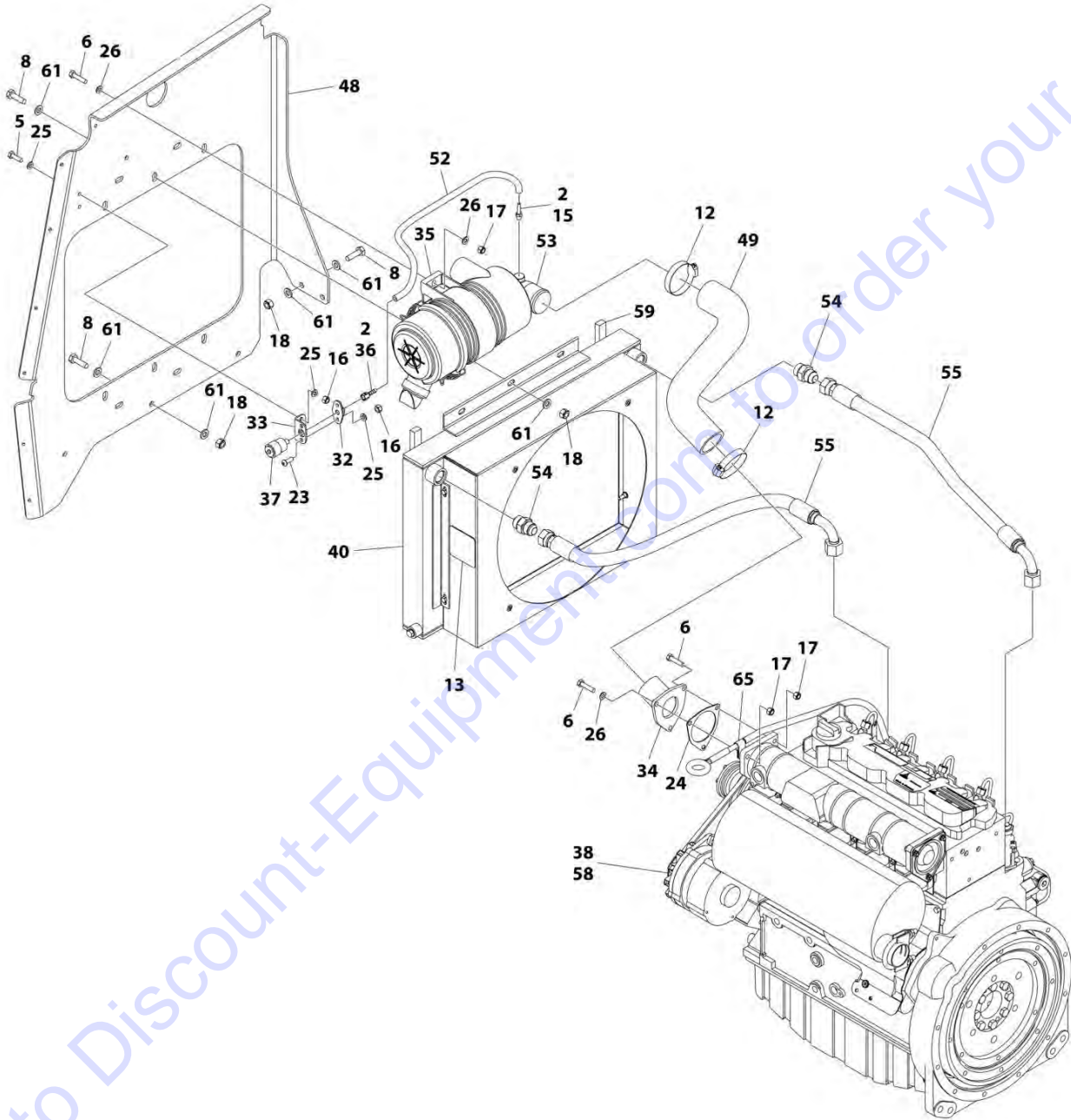
SECTION 3 - ENGINE

FIGURE 3-2. DEUTZ D2011 ENGINE AND PUMPS SUB-ASSEMBLY - WITHOUT ARCTIC PACKAGE

ITEM	PART NUMBER	QTY	DESCRIPTION	REV
	1001186815	Ref	DEUTZ D2011 ENGINE AND PUMPS SUB-ASSEMBLY	G
1	0100011	AR	Compound, Locking	
2	0760612	1	Bolt M6 x 25	
3	2131616	2	Fitting, 90 ORFS/ORB	
4	2220946	1	Fitting, Straight JIC/ORB	
5	2220479	1	Fitting, Straight JIC/ORB	
6	2220451	1	Fitting, Straight JIC/ORB	
7	2220947	2	Fitting, Straight JIC/ORB	
8	3290605	1	Nut M6	
9	3422532	1	Pin	
10	3790152	1	O-Ring	
11	3931620	2	Capscrew 3/8 x 1-1/4	
11	3931618	2	Capscrew 3/8 x 1-1/8	
12	0641814	2	Bolt 1/2 x 1-3/4	
13	3960469	2	Seal	
14	4811700	1	Washer M6	
15	5241000	2	Washer M10	
16	5241200	2	Washer M12	
17	4811702	1	Washer M6	
18	1001184930	1	Piston Pump Assembly (See Separate Breakdown in this Section)	
19	1001186816	1	Deutz D2011 Engine Assembly (See Separate Breakdown in this Section)	
20	1001190143	1	Gear Pump Assembly	
20	70006356	1	Seal Kit - 1001190143 Pump	
21	1001191273	1	Pipe, Exhaust (SN 0300235168 through 0300247539, SN B300002655 through B300002979)	
22	2220408	1	Fitting, Straight JIC/ORB	
23	2220940	1	Fitting, 90 JIC/ORB	

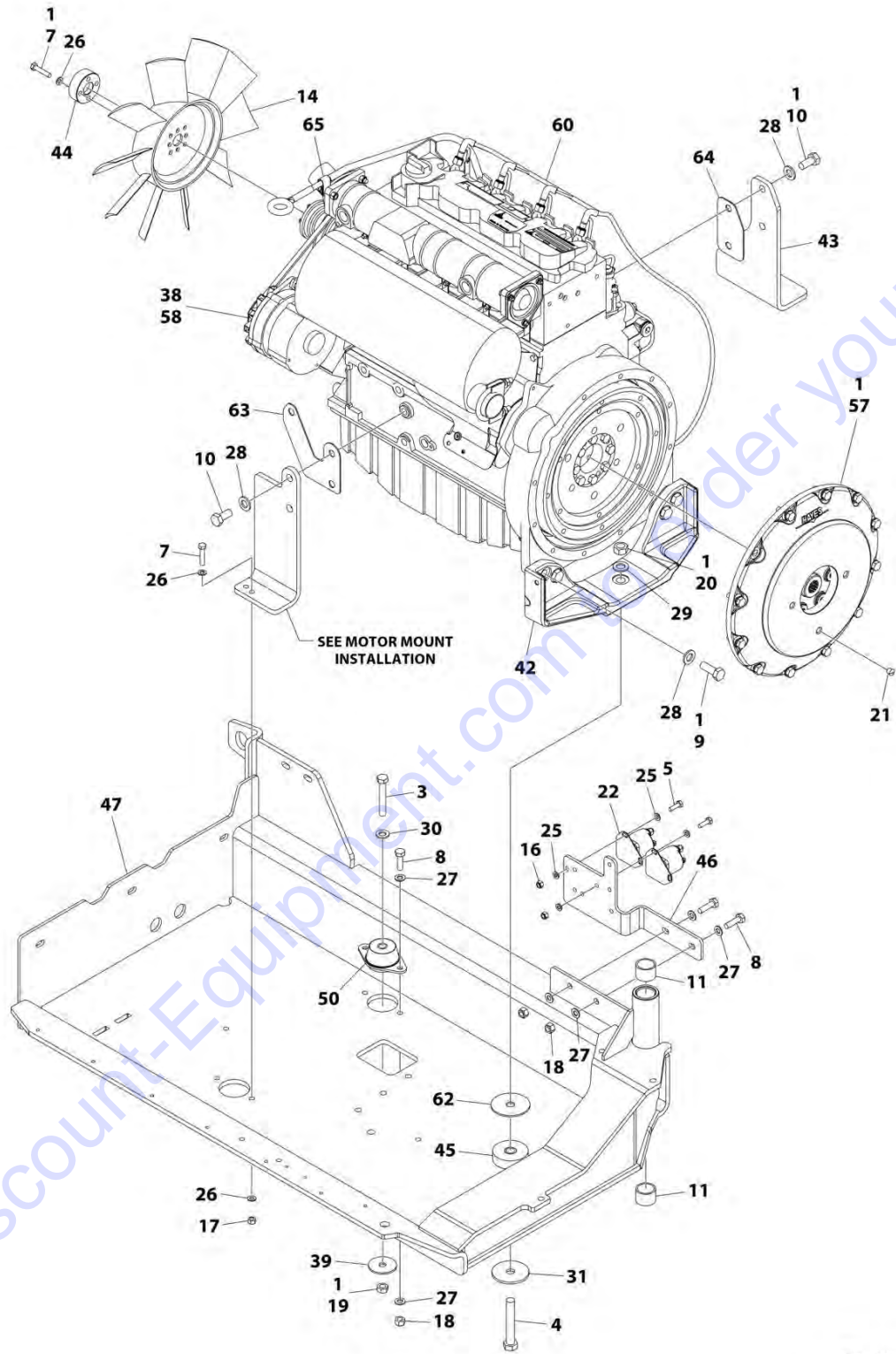
SECTION 3 - ENGINE

FIGURE 3-3. DEUTZ D2011 ENGINE ASSEMBLY - WITHOUT ARCTIC PACKAGE



ART_1001186816_10F2

SECTION 3 - ENGINE



ART_1001186816_20F2

SECTION 3 - ENGINE

FIGURE 3-3. DEUTZ D2011 ENGINE ASSEMBLY - WITHOUT ARCTIC PACKAGE

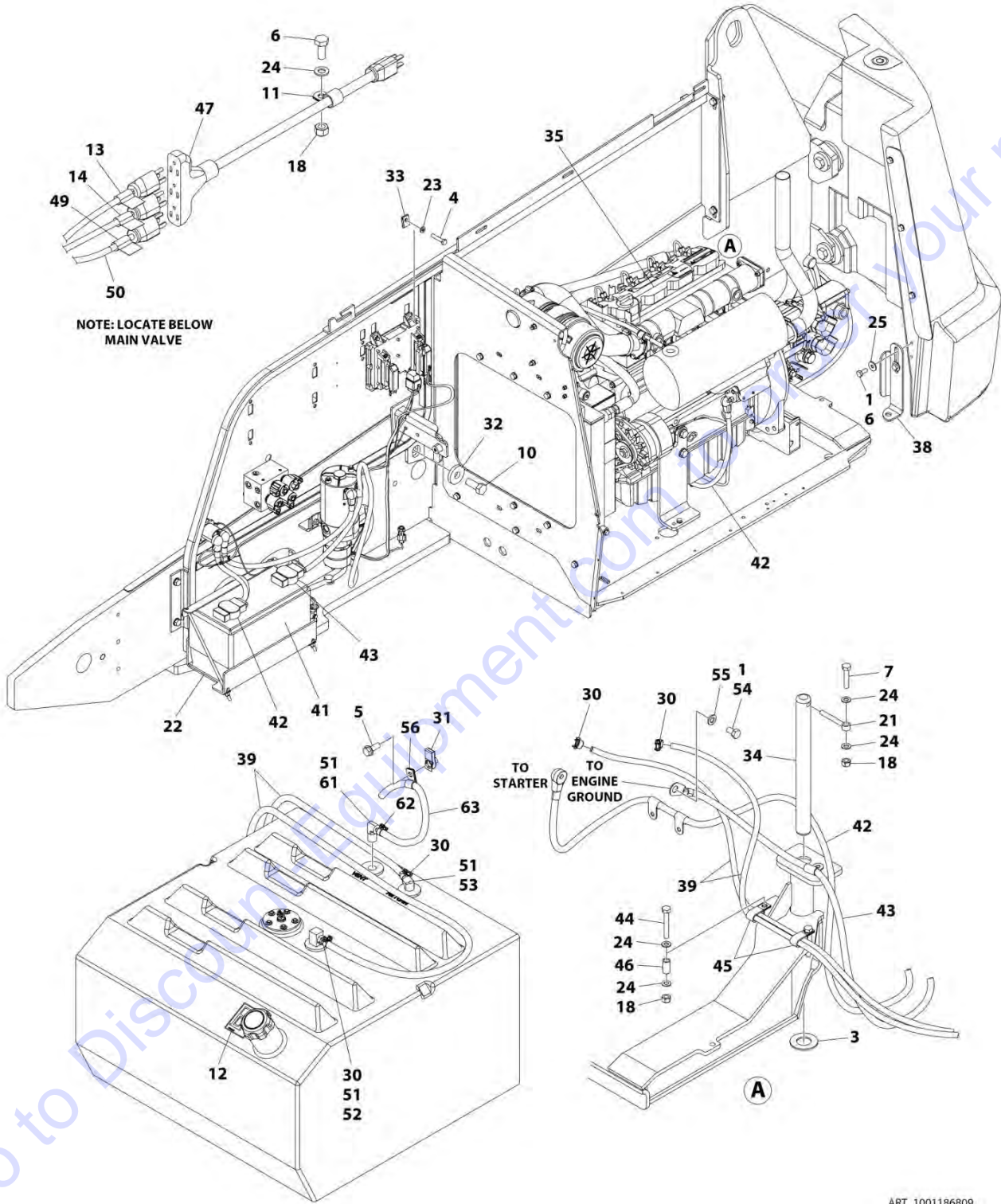
ITEM	PART NUMBER	QTY	DESCRIPTION	REV
	1001186816	Ref	DEUTZ D2011 ENGINE ASSEMBLY	T
1	0100011	AR	Compound, Locking	
2	0100020	AR	Sealant	
3	0711224	1	Bolt M12 x 80	
4	0711627	1	Bolt M16 x 100	
5	0760610	6	Bolt M6 x 20	
6	0760815	5	Bolt M8 x 35	
7	0760816	5	Bolt M8 x 40	
8	0761015	15	Bolt M10 x 35	
9	0771416	4	Bolt M14 x 40	
10	0771414	4	Bolt M14 x 30	
11	0961951	2	Bushing	
12	8405202	2	Clamp	
13	1703162	2	Decal - Fan Blade	
14	2060025	1	Fan	
15	2220315	1	Fitting, Straight Barbed	
16	3290605	8	Nut M6	
17	3290805	6	Nut M8	
18	3291005	15	Nut M10	
19	3331211	1	Nut M12	
20	3331611	1	Nut M16	
21	3520054	2	Plug	
22	3740067	2	Relay	
23	3900357	2	Screw M6 x 16	
24	3960407	1	Gasket, Air Intake Adapter	
25	4811700	14	Washer M6	
26	4811900	11	Washer M8	
27	4812000	8	Washer M10	
28	5241400	8	Washer M14	
29	4812300	1	Washer M16	
30	5241200	1	Washer M12	
31	7300435	1	Washer	
32	1001138173	1	Support	
33	1001138175	1	Bracket	
34	1001139819	1	Adapter	
35	1001141694	1	Clamp, Air Cleaner	
36	1001141995	1	Fitting, Straight NPT/Barbed	
37	1001143390	1	Indicator, Air Filter Service	
38	1001146368	1	Deutz D2011 Engine (See Separate Breakdown in this Section)	
39	1001168018	1	Washer	
40	1001187082	1	Radiator	
41	1001188236	1	Engine Harness - Deutz D2011 Engines (Not Shown) (See Separate Breakdown in ELECTRICAL SECTION)	
42	1001188535	1	Bracket, Engine - Rear	
43	1001189026	1	Bracket, Engine - Right	
44	1001189161	1	Adapter, Fan	
45	1001190164	1	Mount, Motor	
46	1001203885	1	Plate	
47	1001200435	1	Tray	
48	1001200791	NLA	Support, Radiator (Use p/n 1001236499) (SN 0300235168)	

SECTION 3 - ENGINE

ITEM	PART NUMBER	QTY	DESCRIPTION	REV
48	1001236499	1	through 0300237156, SN B300002655 through B300003104) Support, Radiator (SN 0300237157 to Present, SN B300003105 to Present)	
49	1001191271	1	Hose	
50	1001191610	1	Mount, Motor	
52	1001138248	21.7 in/ 0.6m	Tube	
53	1001165388	1	Filter, Air	
53	70003783	1	Element, Filter	
54	2220451	2	Fitting, Straight ORB/JIC	
55	2720398	2	Hose	
57	2902065	1	Pump Coupling Kit (See Separate Breakdown in this Section)	
58	3020016	AR	Oil, Motor 15W-40	
59	1001168166	2	Seal	
60	4923379	1	Glow Plug Harness (SN 0300235168 through 0300237156, SN B300002655 through B300003104)	
60	1001234396	1	Glow Plug Harness (SN 0300237157 to Present, SN B300003105 to Present)	
61	5241000	22	Washer M10	
62	1001197725	1	Spacer	
63	1001201843	1	Shim .079	
64	1001201844	1	Shim .079	
65	1320070	1	Clamp	

SECTION 3 - ENGINE

FIGURE 3-4. DEUTZ D2011 ENGINE INSTALLATION - WITH ARCTIC PACKAGE



SECTION 3 - ENGINE

FIGURE 3-4. DEUTZ D2011 ENGINE INSTALLATION - WITH ARCTIC PACKAGE

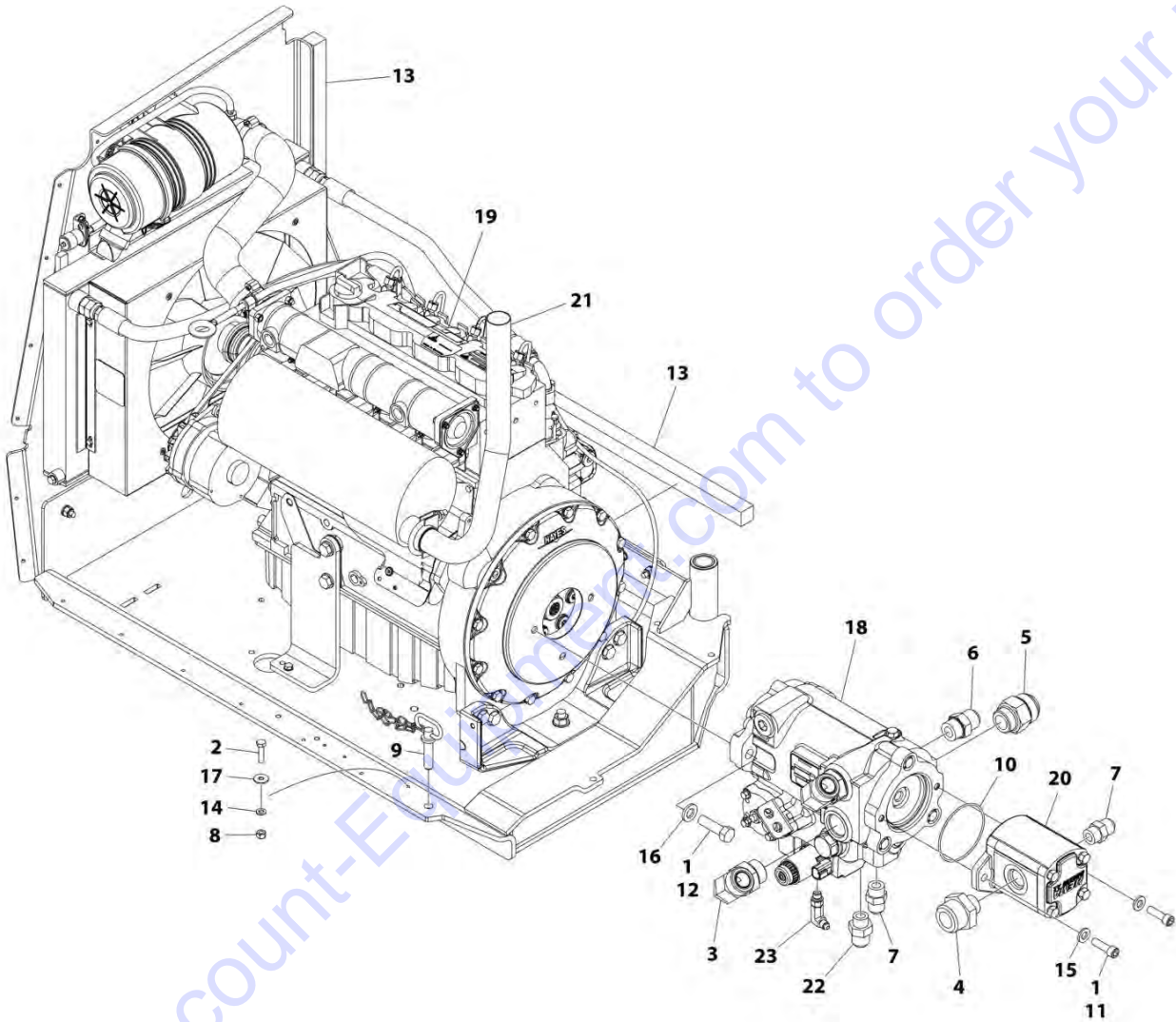
ITEM	PART NUMBER	QTY	DESCRIPTION	REV
	1001186809	Ref	DEUTZ D2011 ENGINE INSTALLATION	N
1	0100011	AR	Compound, Locking	
3	0440162	1	Bearing	
4	0700614	4	Bolt M6 x 30	
5	5251012	1	Bolt M10 x 25	
6	0701012	3	Bolt M10 x 25	
7	0711018	1	Bolt M10 x 50	
10	0772018	1	Bolt M20 x 50	
11	1320061	AR	Clamp	
12	1701505	1	Decal - Diesel Fuel	
13	1702941	1	Decal - Battery Heater	
14	1702943	1	Decal - Hydraulic Tank Heater	
17	1001188972	1	Heater, Immersion (Not Shown - Located on Hydraulic Tank)	
18	3291005	4	Nut M10	
21	3841143	1	Keeper, Pin	
22	3980007	1	Seal, Battery	
23	4811700	4	Washer M6	
24	4812000	7	Washer M10	
25	4812002	2	Washer M10	
30	1001174486	AR	Clamp	
31	1001118972	1	Nut, Tinnerman M10	
32	1001119051	1	Washer	
33	1001130220	4	Nut, Tinnerman M6	
34	1001155094	1	Pin	
35	1001186817	1	Deutz D2011 Engine and Pumps Sub-Assembly (See Separate Breakdown in this Section)	
38	1001196398	1	Bracket	
39	2720058	208 in/ 7.3m	Hose, Fuel	
41	2580024	1	Heater, Battery	
42	1001188667	1	Cable, Battery (+) to Aux Relay to Starter	
43	1001188670	1	Cable, Battery (-) to Aux Pump and Ground	
44	0701022	2	Bolt M10 x 70	
45	1001026127	2	Clamp	
46	1001200731	2	Tube	
47	1060626	1	Plug, 3 Way	
48	4240099	1	Tie-Strap (Not Shown)	
49	1702942	1	Decal - Engine Block Heater	
50	1001150918	1	Cable, Extension	
51	0100020	AR	Sealant	
52	2180348	1	Fitting, Straight NPT/Barbed	
53	2221176	AR	Fitting, 90 Barbed	
54	0761210	1	Bolt M12 x 20	
55	4812100	1	Washer M12	
56	8406110	1	Clip (SN 0300235168 through 0300237156, SN B300002655 through B300002979)	
57	1001192690	1	Hose (Case Drain) (Drive Pump Case Gauge Port to Tank) (Not Shown)	
58	1001203431	1	Hose (Case Drain) (Drive Pump Case Outlet Port to Tank) (Not Shown)	
59	1001203432	1	Hose (Function Suction) (Not Shown)	

SECTION 3 - ENGINE

ITEM	PART NUMBER	QTY	DESCRIPTION	REV
60	1001203433	1	Hose (Drive Suction) (Not Shown)	
61	2221176	1	Fitting, 90 Barbed (SN 0300235168 through 0300237156, SN B300002655 through B300002979)	
61	2220313	1	Fitting, 90 NPTF/Barb (SN 0300237157 to Present, SN B300002980 to Present)	
62	1001174486	1	Clamp (SN 0300235168 through 0300237156, SN B300002655 through B300002979)	
62	1001136975	1	Clamp (SN 0300237157 to Present, SN B300002980 to Present)	
63	2720058	20 in/ 0.5m	Hose, Fuel (SN 0300235168 through 0300237156, SN B300002655 through B300002979)	
63	1001165035	20 in/ 0.5m	Hose (SN 0300237157 to Present, SN B300002980 to Present)	
100	1001235699	1	Battery Cable Kit (Includes Items 42 & 43) (Not Shown) (SN 0300237157 to Present, SN B300002980 to Present)	

SECTION 3 - ENGINE

FIGURE 3-5. DEUTZ D2011 ENGINE AND PUMPS SUB-ASSEMBLY - WITH ARCTIC PACKAGE



ART_1001186817

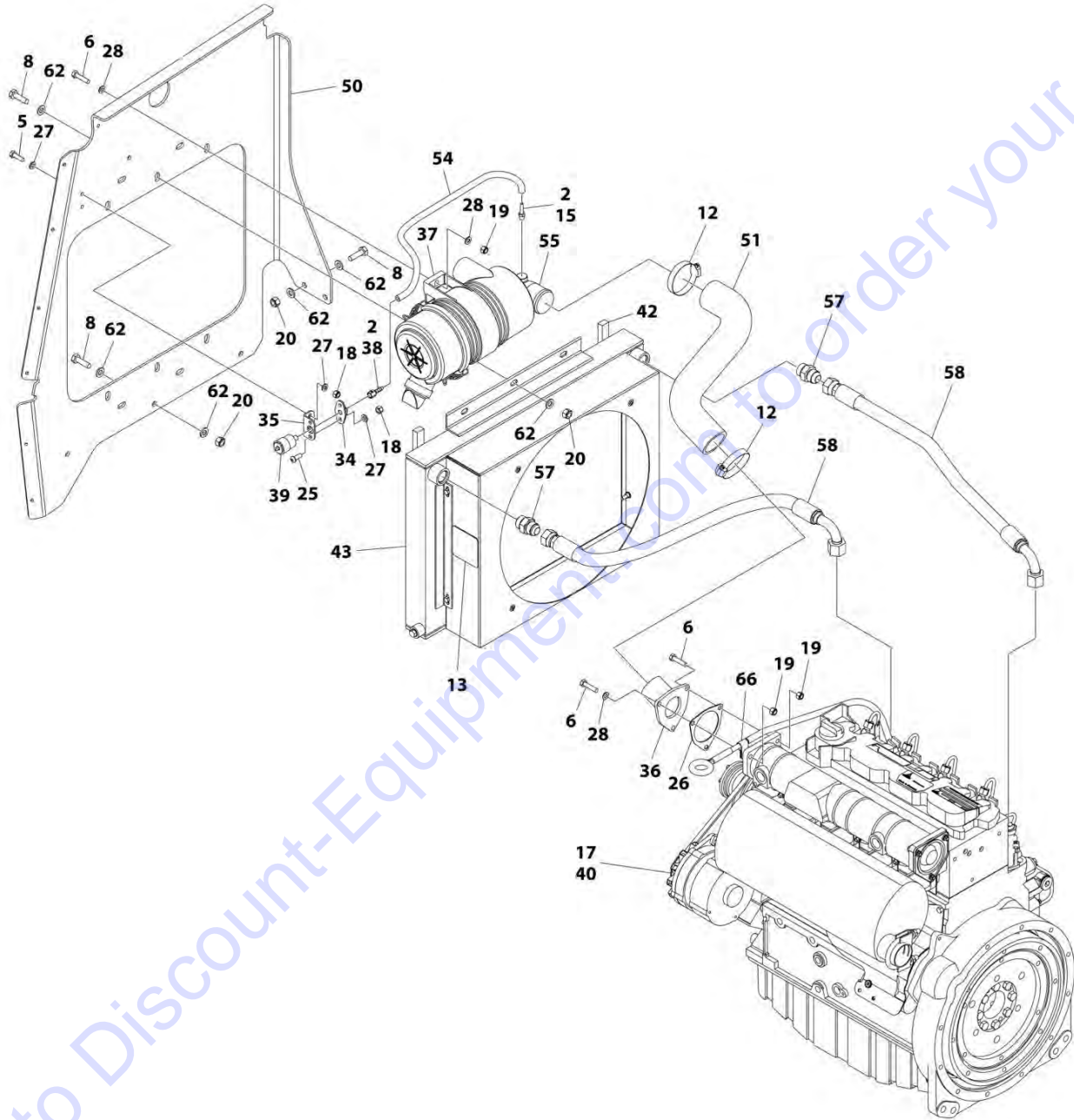
SECTION 3 - ENGINE

FIGURE 3-5. DEUTZ D2011 ENGINE AND PUMPS SUB-ASSEMBLY - WITH ARCTIC PACKAGE

ITEM	PART NUMBER	QTY	DESCRIPTION	REV
	1001186817	Ref	DEUTZ D2011 ENGINE AND PUMPS SUB-ASSEMBLY	G
1	0100011	AR	Compound, Locking	
2	0760612	1	Bolt M6 x 25	
3	2131616	2	Fitting, 90 ORFS/ORB	
4	2220946	1	Fitting, Straight JIC/ORB	
5	2220479	1	Fitting, Straight JIC/ORB	
6	2220451	1	Fitting, Straight JIC/ORB	
7	2220947	2	Fitting, Straight JIC/ORB	
8	3290605	1	Nut M6	
9	3422532	1	Pin	
10	3790152	1	O-Ring	
11	3931620	2	Capscrew 3/8 x 1-1/4	
11	3931618	2	Capscrew 3/8 x 1-1/8	
12	0641814	2	Bolt 1/2 x 1-3/4	
13	3960469	2	Seal	
14	4811700	1	Washer M6	
15	5241000	2	Washer M10	
16	5241200	2	Washer M12	
17	4811702	1	Washer M6	
18	1001184930	1	Piston Pump Assembly (See Separate Breakdown in this Section)	
19	1001186818	1	Deutz D2011 Engine Assembly (See Separate Breakdown in this Section)	
20	1001190143	1	Gear Pump Assembly	
20	70006356	1	Seal Kit - 1001190143 Pump	
21	1001191273	1	Pipe, Exhaust (SN 0300235168 through 0300247539, SN B300002655 through B300002979)	
22	2220408	1	Fitting, Straight JIC/ORB	
23	2220940	1	Fitting, 90 JIC/ORB	

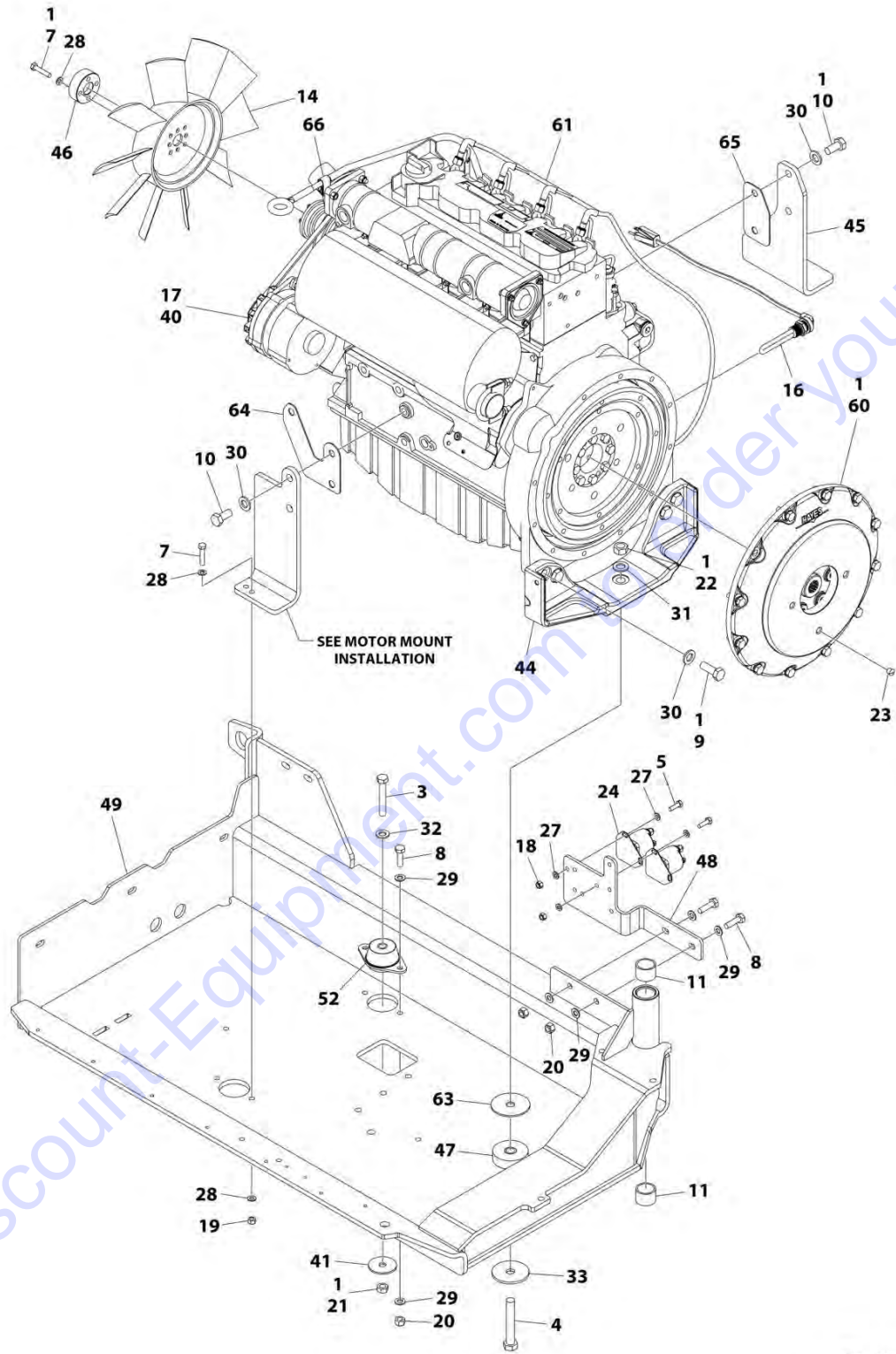
SECTION 3 - ENGINE

FIGURE 3-6. DEUTZ D2011 ENGINE ASSEMBLY - WITH ARCTIC PACKAGE



ART_1001186818_10F2

SECTION 3 - ENGINE



ART_1001186818_20F2

SECTION 3 - ENGINE

FIGURE 3-6. DEUTZ D2011 ENGINE ASSEMBLY - WITH ARCTIC PACKAGE

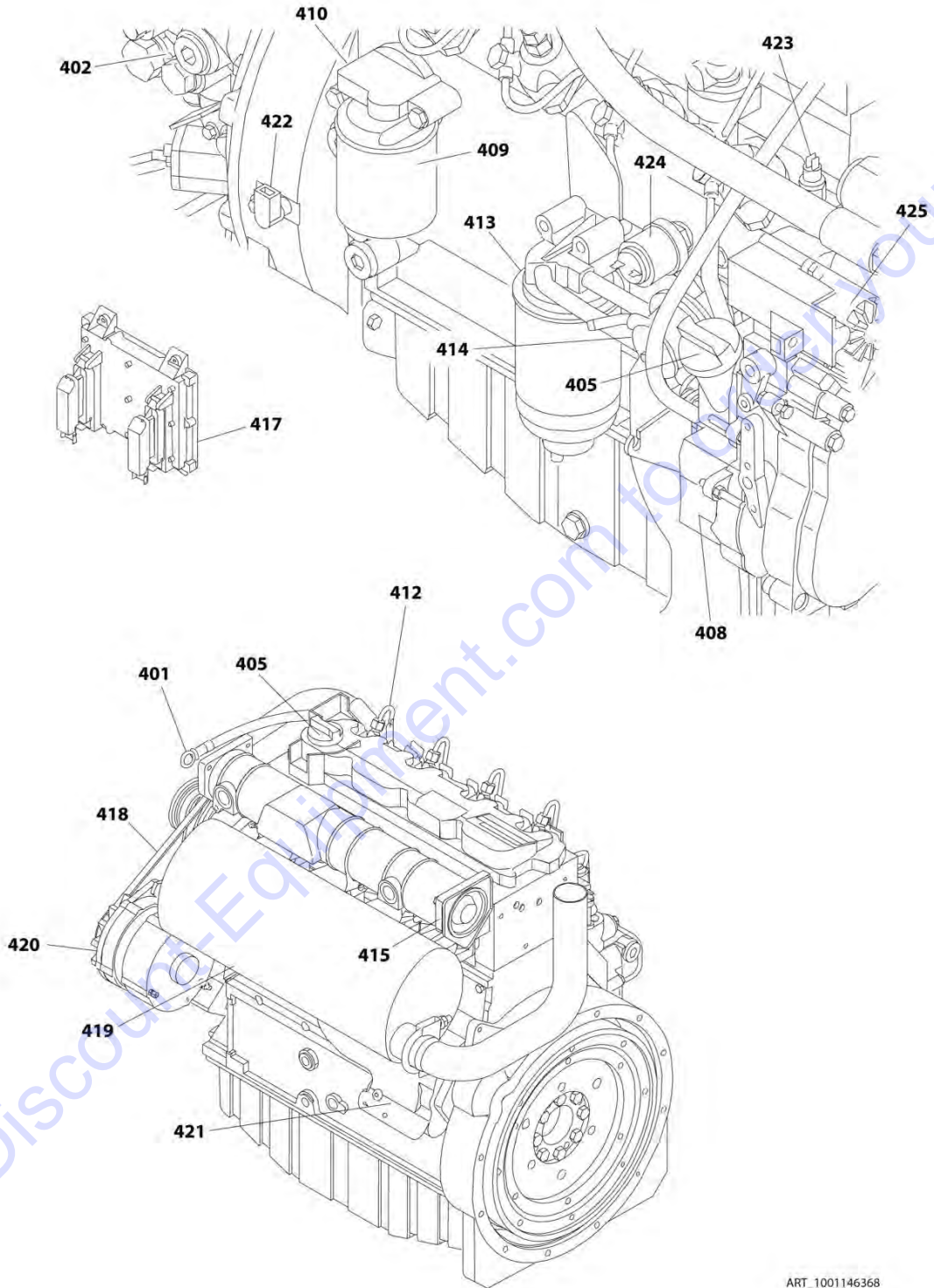
ITEM	PART NUMBER	QTY	DESCRIPTION	REV
	1001186818	Ref	DEUTZ D2011 ENGINE ASSEMBLY	S
1	0100011	AR	Compound, Locking	
2	0100020	AR	Sealant	
3	0711224	1	Bolt M12 x 80	
4	0711627	1	Bolt M16 x 100	
5	0760610	6	Bolt M6 x 20	
6	0760815	5	Bolt M8 x 35	
7	0760816	5	Bolt M8 x 40	
8	0761015	15	Bolt M10 x 35	
9	0771416	4	Bolt M14 x 40	
10	0771414	4	Bolt M14 x 30	
11	0961951	2	Bushing	
12	8405202	2	Clamp	
13	1703162	2	Decal - Fan Blade	
14	2060025	1	Fan	
15	2220315	1	Fitting, Straight Barbed	
16	2580062	1	Heater, Engine Block	
17	3020044	AR	Oil, Engine 0W-40	
18	3290605	8	Nut M6	
19	3290805	6	Nut M8	
20	3291005	15	Nut M10	
21	3331211	1	Nut M12	
22	3331611	1	Nut M16	
23	3520054	2	Plug	
24	3740067	2	Relay	
25	3900357	2	Screw M6 x 16	
26	3960407	1	Gasket, Air Intake Adapter	
27	4811700	14	Washer M6	
28	4811900	11	Washer M8	
29	4812000	8	Washer M10	
30	5241400	8	Washer M14	
31	4812300	1	Washer M16	
32	5241200	1	Washer M12	
33	7300435	1	Washer	
34	1001138173	1	Support	
35	1001138175	1	Bracket	
36	1001139819	1	Adapter	
37	1001141694	1	Clamp, Air Cleaner	
38	1001141995	1	Fitting, Straight NPT/Barbed	
39	1001143390	1	Indicator, Air Filter Service	
40	1001146368	1	Deutz D2011 Engine (See Separate Breakdown in this Section)	
41	1001168018	1	Washer	
42	1001168166	2	Seal	
43	1001187082	1	Radiator	
44	1001188535	1	Bracket, Engine - Rear	
45	1001189026	1	Bracket, Engine - Right	
46	1001189161	1	Adapter, Fan	
47	1001190164	1	Mount, Motor	
48	1001203885	1	Plate	
49	1001200435	1	Tray	

SECTION 3 - ENGINE

ITEM	PART NUMBER	QTY	DESCRIPTION	REV
50	1001200791	NLA	Support, Radiator (Use p/n 1001236499) (SN 0300235168 through 0300237156, SN B300002655 through B300003104)	
50	1001236499	1	Support, Radiator (SN 0300237157 to Present, SN B300003105 to Present)	
51	1001191271	1	Hose	
52	1001191610	1	Mount, Motor	
54	1001138248	21.7 in/ 0.6m	Tube	
55	1001165388	1	Filter, Air Cleaner	
55	70003783	1	Element, Filter	
56	1001188236	1	Engine Harness - Deutz D2011 Engines (Not Shown) (See Separate Breakdown in ELECTRICAL SECTION)	
57	2220451	2	Fitting, Straight ORB/JIC	
58	2720398	2	Hose	
60	2902065	1	Pump Coupling Kit (See Separate Breakdown in this Section)	
61	4923379	1	Glow Plug Harness (SN 0300235168 through 0300237156, SN B300002655 to Present)	
61	1001234396	1	Glow Plug Harness (SN 0300237157 to Present)	
62	5241000	22	Washer M10	
63	1001197725	1	Spacer	
64	1001201843	1	Shim .079	
65	1001201844	1	Shim .079	
66	1320070	1	Clamp	

SECTION 3 - ENGINE

FIGURE 3-7. DEUTZ D2011 ENGINE COMPONENTS



ART_1001146368

SECTION 3 - ENGINE

FIGURE 3-7. DEUTZ D2011 ENGINE COMPONENTS

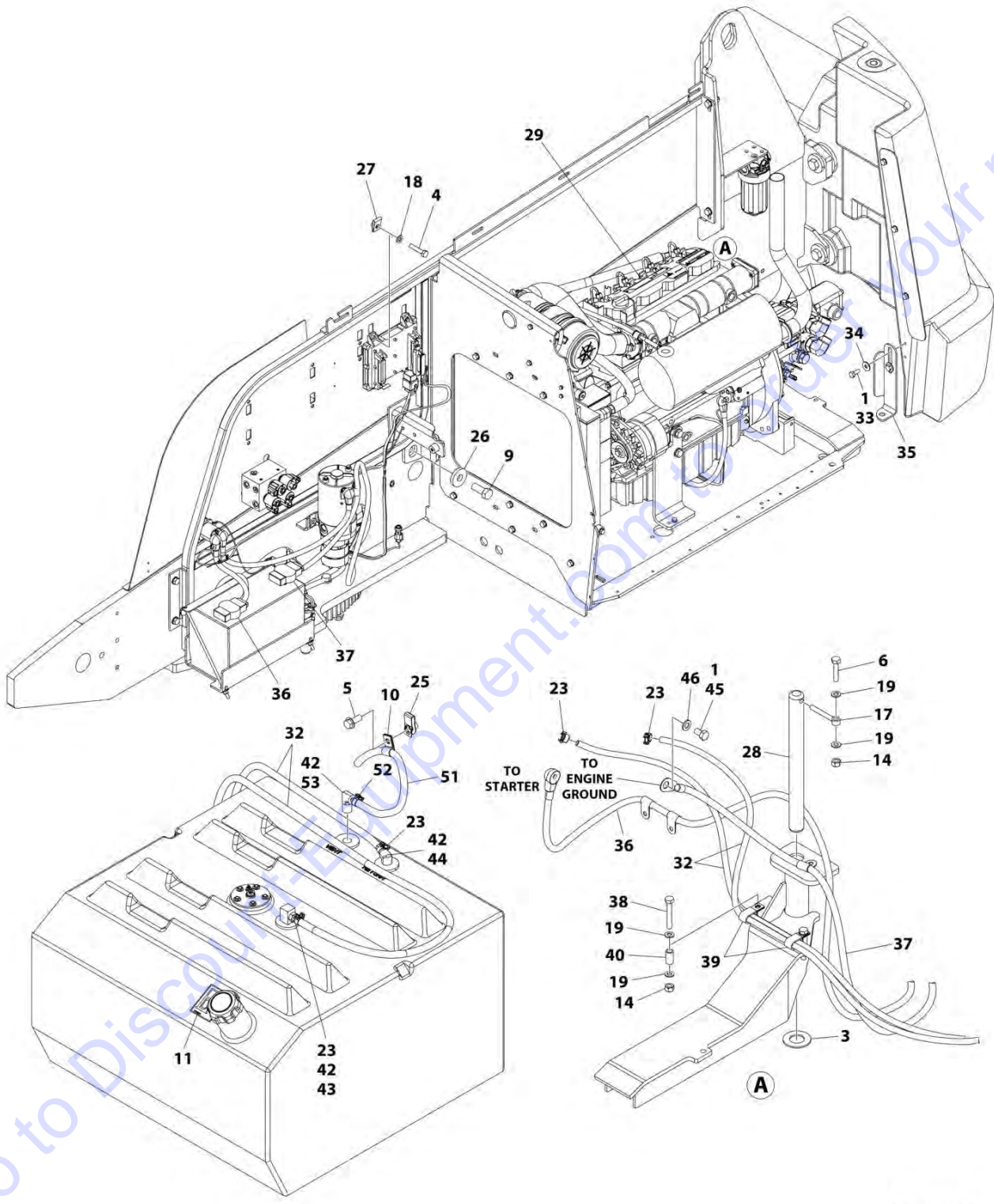
ITEM	PART NUMBER	QTY	DESCRIPTION	REV
	1001146368	Ref	DEUTZ D2011 ENGINE COMPONENTS	D
401	7026631	1	Dipstick	
401	7020487	1	Seal, Dipstick	
401	70001002	1	Tube, Dipstick	
401	7020403	1	Seal, Dipstick Tube	
402	70003475	1	Thermostat	
403	70002718	1	Seal, Rear Main (Not Shown)	
404	70001870	1	Flywheel (Not Shown)	
404	7024579	1	Ring Gear (Located on Flywheel - Not Shown)	
405	7020465	2	Cap, Filler	
406		Ref	Gasket, Head Options (Not Shown):	
406	70003456	1	Gasket with 1 Notch	
406	70003457	1	Gasket with 2 Notches	
406	70003003	1	Gasket with 3 Notches	
406	7020431	1	Gasket, Valve Cover (Not Shown)	
406	70004273	1	Gasket Kit (Note: Does not include Head Gasket)	
407	70000800	1	Kit, Timing Belt/Idler (Not Shown)	
408	70001850	1	Pump, Oil Lube	
408	7020468	1	Seal Between Oil Pump and Engine Block (Not Shown)	
409	7016331	1	Filter, Oil	
410	70003472	1	Bracket, Oil Filter	
410	7027236	1	Sender, Temperature	
410	70003473	1	Gasket, Bracket to Engine Block	
411	70004268	2	Connector, Radiator Hose (Not Shown)	
411	70004269	2	Ring, Sealing (Not Shown)	
412	70003478	4	Injector, Fuel	
412	70003136	4	Seal	
412		Ref	Pump, Injector Options:	
412	70000912	4	Series A Injector	
412	70000913	4	Series B Injector	
412	70000914	4	Series C Injector	
412	70000915	4	Series D Injector	
412	70003464	4	O-Ring	
413	7016328	1	Filter, Fuel	
413	70001423	1	Bracket, Fuel Filter	
414	70000916	1	Pump Fuel Supply	
414	70001435	1	Repair Kit for 70000916 Pump	
414	70000919	1	Hand Pump	
414	70000918	1	Seal, Hand Pump	
414	70000917	1	O-Seal Between Fuel Pump and Engine Block	
415		Ref	Intake Manifold Components	
415	70003469	1	Flange, Blanking	
415	70003468	1	Seal (Flange to Air Intake Manifold)	
415	70001871	4	Gasket, Intake Manifold to Engine Block (Not Shown)	
415	70003470	8	Screw, Torx Head (Not Shown)	
416	70001847	1	Breather Valve (Not Shown - Located On Front Cover)	
416	70001126	1	Seal, Breather Valve	
417	7027795	1	Module, Control	
417		Ref	Left Module Connections:	
417	7027796	1	Cable, Interconnect (Module to 70001872 Cable)	

SECTION 3 - ENGINE

ITEM	PART NUMBER	QTY	DESCRIPTION	REV
417	70004060	1	Plug, Connector	
417	70001872	1	Cable, Harness	
417	70004103	1	Cable (Alternator to 70001872 Cable)	
417	70004271	1	Cable (Starter to 70001872 Cable)	
417		Ref	Right Module Connections:	
417	70004059	1	Plug, Diagnostic	
418	7020408	1	V-Belt	
419		Ref	Muffler Options:	
419	7000695	1	Standard Muffler (Supplied with Engine)	
419	See Note	1	Spark Arrester Muffler (Note: See Separate Breakdown in this Section)	
419	See Note	1	Catalytic Muffler (Note: See Separate Breakdown in this Section)	
419		Ref	Muffler Components:	
419	1320176	1	Clamp, Saddle	
419	70001017	1	Clamp	
419	7024560	1	Plug, Brass	
419	See Note	1	Pipe, Exhaust Standard Muffler (Note: Purchase Locally)	
419	7024398	1	Pipe, Exhaust	
419	7020471	4	Gasket, Exhaust Manifold to Engine Block	
419	70004270	8	Stud, Muffler	
420	70004056	1	Alternator	
420	70001868	1	Regulator, Voltage (Not Shown)	
420	70001866	1	Seal, Gasket for Voltage Regulator (Not Shown)	
420	70000851	1	Bracket, Mounting (Not Shown)	
420	70002234	1	Bracket, Adjusting (Not Shown)	
421	7020479	1	Starter	
421	70004058	1	Relay	
421	70001498	1	Shield, Starter Heat	
422	70004272	1	Sensor, Speed	
422	70003932	1	Spacer, Sensor	
423	7027791	1	Transmitter, Temperature	
424	7027790	1	Sensor, Oil Pressure	
425	7027792	1	Actuator, Throttle	
425	7027276	2	Spring, Actuator	
426	70000345	4	Plug, Glow (Not Shown)	
427	70005479	1	Pulley, Crankshaft (Not Shown)	

SECTION 3 - ENGINE

FIGURE 3-8. DEUTZ D2011 (STAGE V) ENGINE INSTALLATION



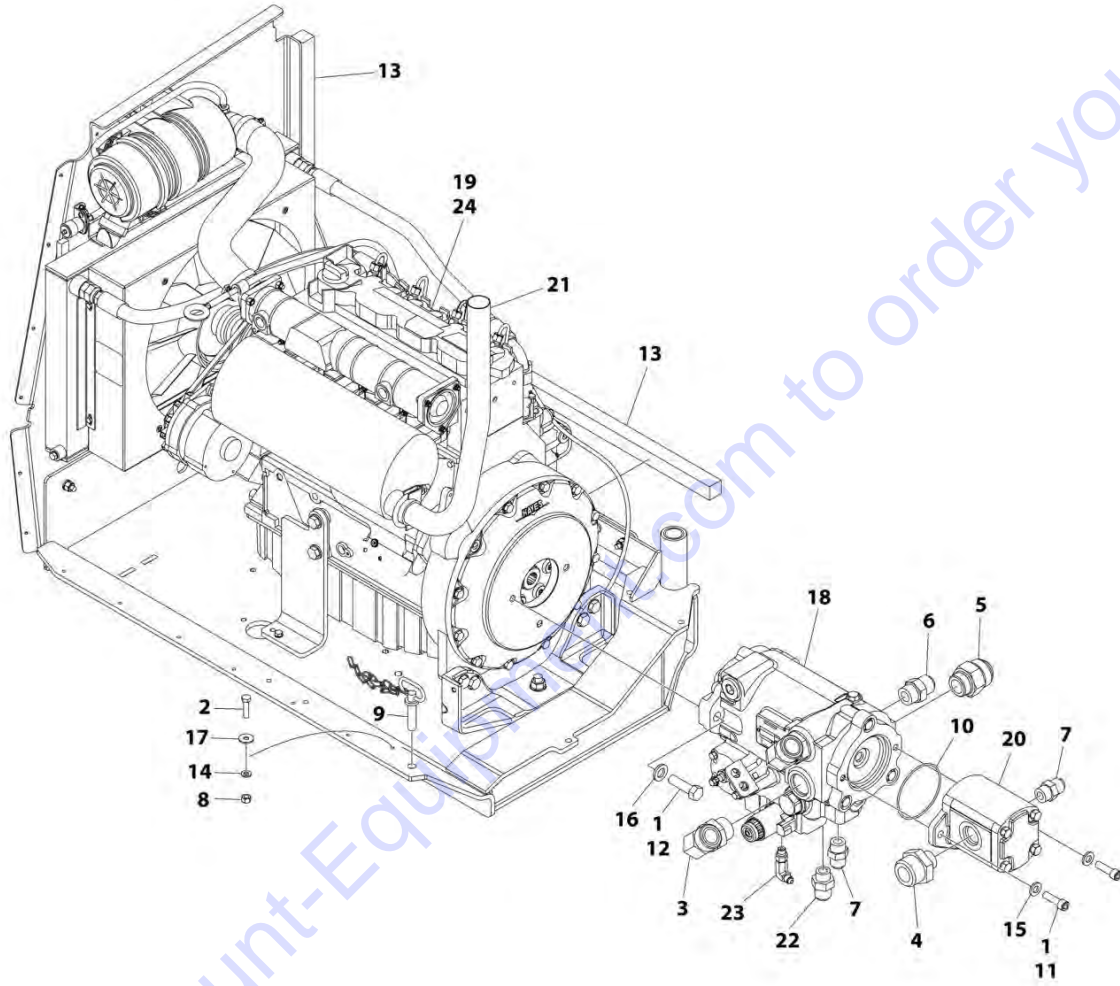
SECTION 3 - ENGINE

FIGURE 3-8. DEUTZ D2011 (STAGE V) ENGINE INSTALLATION

ITEM	PART NUMBER	QTY	DESCRIPTION	REV
	1001235469	Ref	DEUTZ D2011 (STAGE V) ENGINE INSTALLATION	B
1	0100011	AR	Compound, Locking	
3	0440162	1	Bearing	
4	0700614	4	Bolt M6 x 30	
5	5251012	1	Bolt M10 x 25	
6	0711018	1	Bolt M10 x 50	
9	0772018	1	Bolt M20 x 50	
10	8406110	1	Clip	
11	1701505	1	Decal - Diesel Fuel	
14	3291005	3	Nut M10	
17	3841143	1	Keeper, Pin	
18	4811700	4	Washer M6	
19	4812000	6	Washer M10	
23	1001174486	4	Clamp	
25	1001118972	1	Nut, Tinnerman M10	
26	1001119051	1	Washer	
27	1001130220	4	Nut, Tinnerman M6	
28	1001155094	1	Pin	
29	1001235470	1	Deutz D2011 (Stage V) Engine and Pumps Sub-Assembly (See Separate Breakdown in this Section)	
32	2720058	288 in/ 7.3m	Hose, Fuel	
33	0701012	2	Bolt M10 x 70	
34	4812002	2	Washer M10	
35	1001196398	1	Bracket	
36	1001188667	1	Cable, Battery (+) to Aux Relay to Starter	
37	1001188670	1	Cable, Battery (-) to Aux Pump and Ground	
38	0701022	2	Bolt M10 x 70	
39	1001026127	2	Clamp	
40	1001200731	2	Tube	
41	4240099	6	Tie-Strap (Not Shown)	
42	0100020	AR	Sealant	
43	2180348	1	Fitting, Straight NPT x Barb	
44	2221176	2	Fitting, 90 Barbed	
45	0761210	1	Bolt M12 x 20	
46	4812100	1	Washer M12	
47	1001192690	1	Hose (Case Drain) (Drive Pump Case Gauge Port to Tank) (Not Shown)	
48	1001203431	1	Hose (Case Drain) (Drive Pump Case Outlet Port to Tank) (Not Shown)	
49	1001203432	1	Hose (Function Suction) (Not Shown)	
50	1001203433	1	Hose (Drive Suction) (Not Shown)	
51	1001165035	20 in/ 0.5m	Hose	
52	1001136975	1	Clamp	
53	2220313	1	Fitting, 90 NPTF/Barb	
54	1001241835	0.213 l	Fluid, Diesel Fuel Additive (Not Shown)	
100	1001235699	1	Battery Cable Kit (Includes Items 36 & 37) (Not Shown)	

SECTION 3 - ENGINE

FIGURE 3-9. DEUTZ D2011 (STAGE V) ENGINE AND PUMPS SUB-ASSEMBLY



ART_1001235470

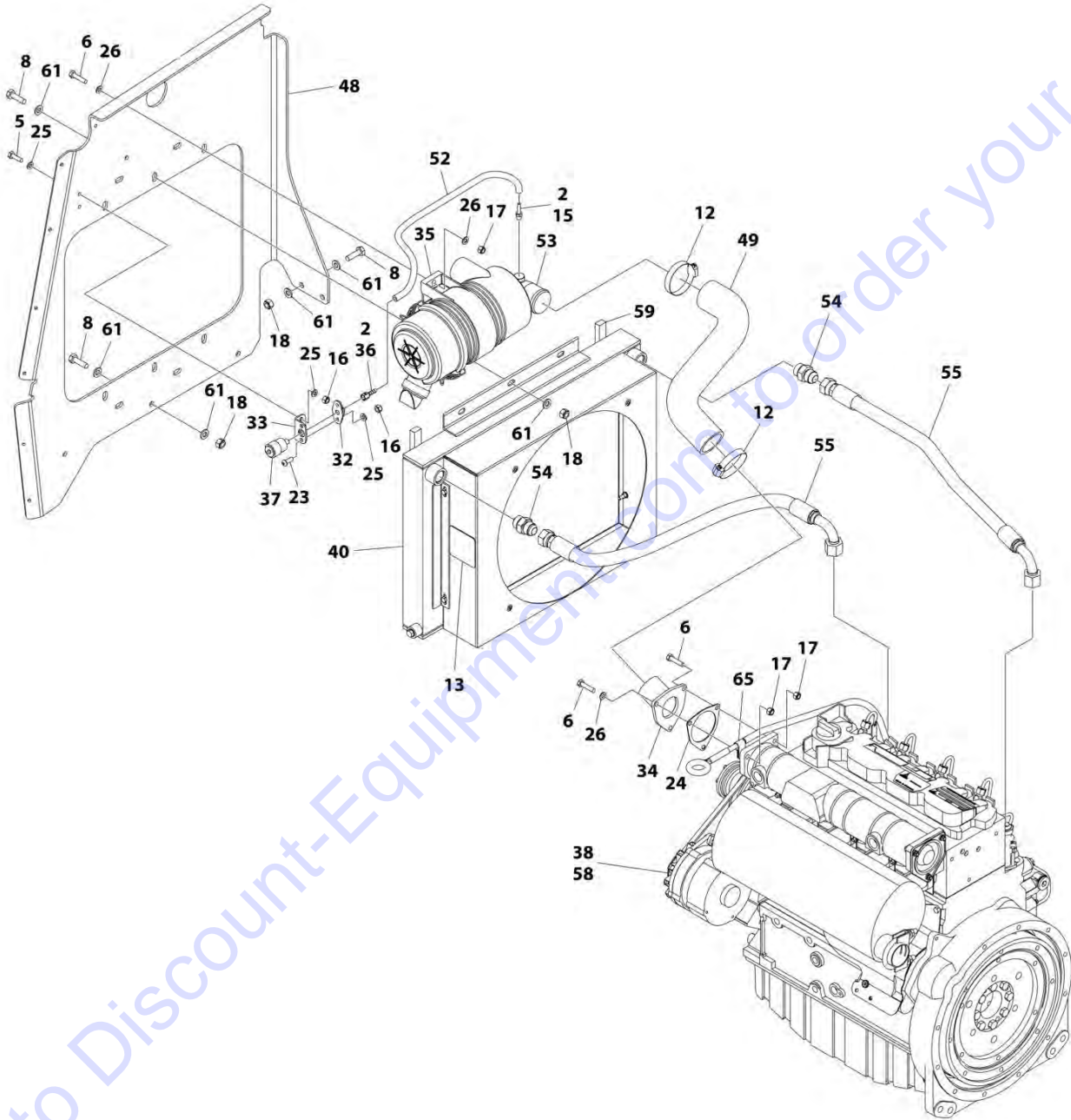
SECTION 3 - ENGINE

FIGURE 3-9. DEUTZ D2011 (STAGE V) ENGINE AND PUMPS SUB-ASSEMBLY

ITEM	PART NUMBER	QTY	DESCRIPTION	REV
	1001235470	Ref	DEUTZ D2011 (STAGE V) ENGINE AND PUMPS SUB-ASSEMBLY	C
1	0100011	AR	Compound, Locking	
2	0760612	1	Bolt M6 x 25	
3	2131616	2	Fitting, 90 ORFS/ORB	
4	2220946	1	Fitting, Straight JIC/ORB	
5	2220479	1	Fitting, Straight JIC/ORB	
6	2220451	1	Fitting, Straight JIC/ORB	
7	2220947	2	Fitting, Straight JIC/ORB	
8	3290605	1	Nut M6	
9	3422532	1	Pin	
10	3790152	1	O-Ring	
11	3931618	2	Capscrew 3/8 x 1-1/8	
12	0641814	2	Bolt 1/2 x 1-3/4	
13	3960469	2	Seal	
14	4811700	1	Washer M6	
15	5241000	2	Washer M10	
16	5241200	2	Washer M12	
17	4811702	1	Washer M6	
18	1001184930	1	Piston Pump Assembly (See Separate Breakdown in this Section)	
19	1001235471	1	Deutz D2011 (Stage V) Engine Assembly (See Separate Breakdown in this Section)	
20	1001190143	1	Gear Pump Assembly	
20	70006356	1	Seal Kit - 1001190143 Pump	
21	1001191273	1	Pipe, Exhaust (SN 0300235168 through 0300256594)	
22	2220408	1	Fitting, Straight JIC/ORB	
23	2220940	1	Fitting, 90 JIC/ORB	
24	1001235457	1	Deutz D2011 (Stage V) Engine Components (See Separate Breakdown in this Section) (SN 0300256595 to Present)	

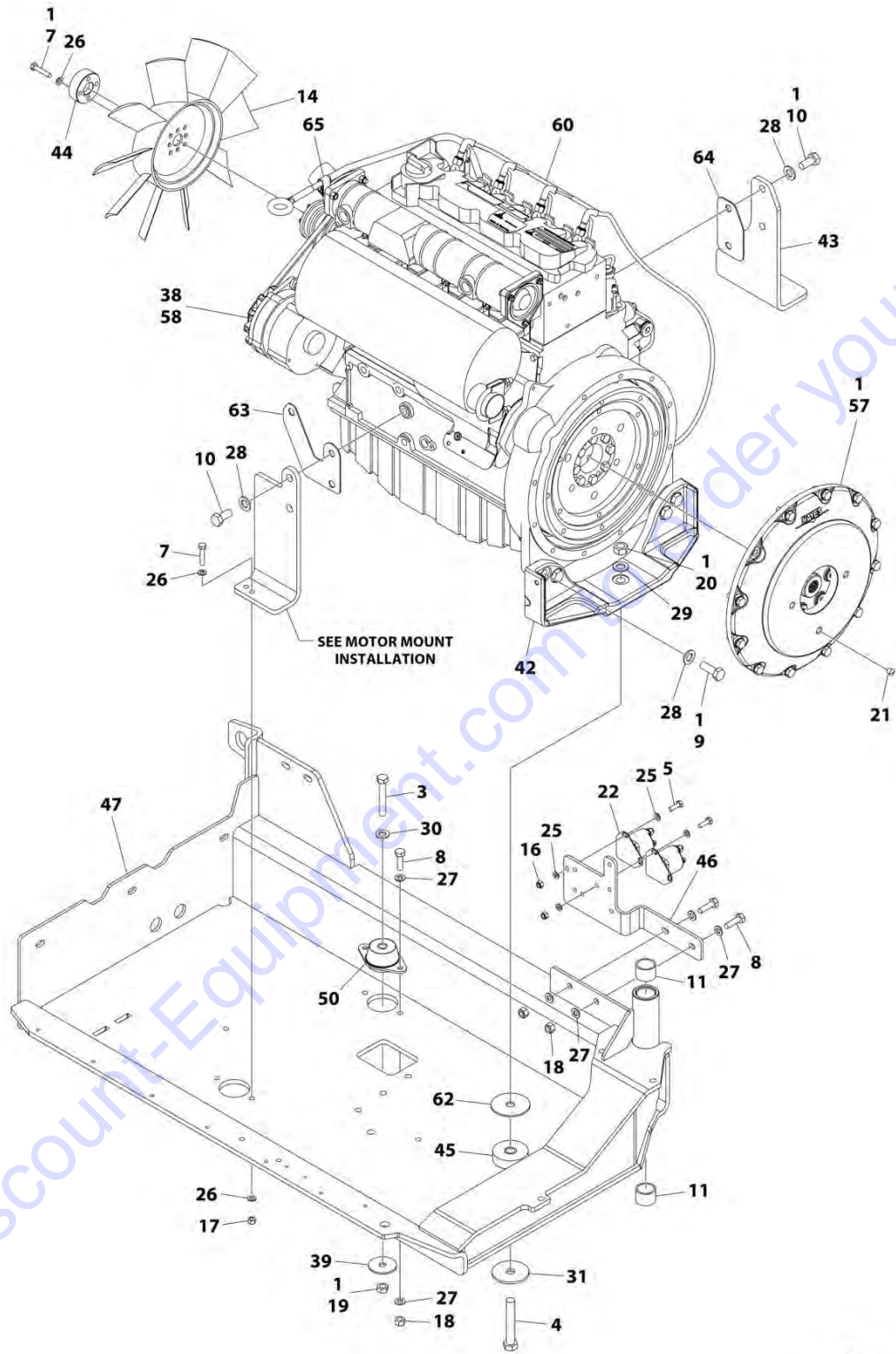
SECTION 3 - ENGINE

FIGURE 3-10. DEUTZ D2011 (STAGE V) ENGINE ASSEMBLY



ART_1001235471_10F2

SECTION 3 - ENGINE



ART_1001235471_20F2

SECTION 3 - ENGINE

FIGURE 3-10. DEUTZ D2011 (STAGE V) ENGINE ASSEMBLY

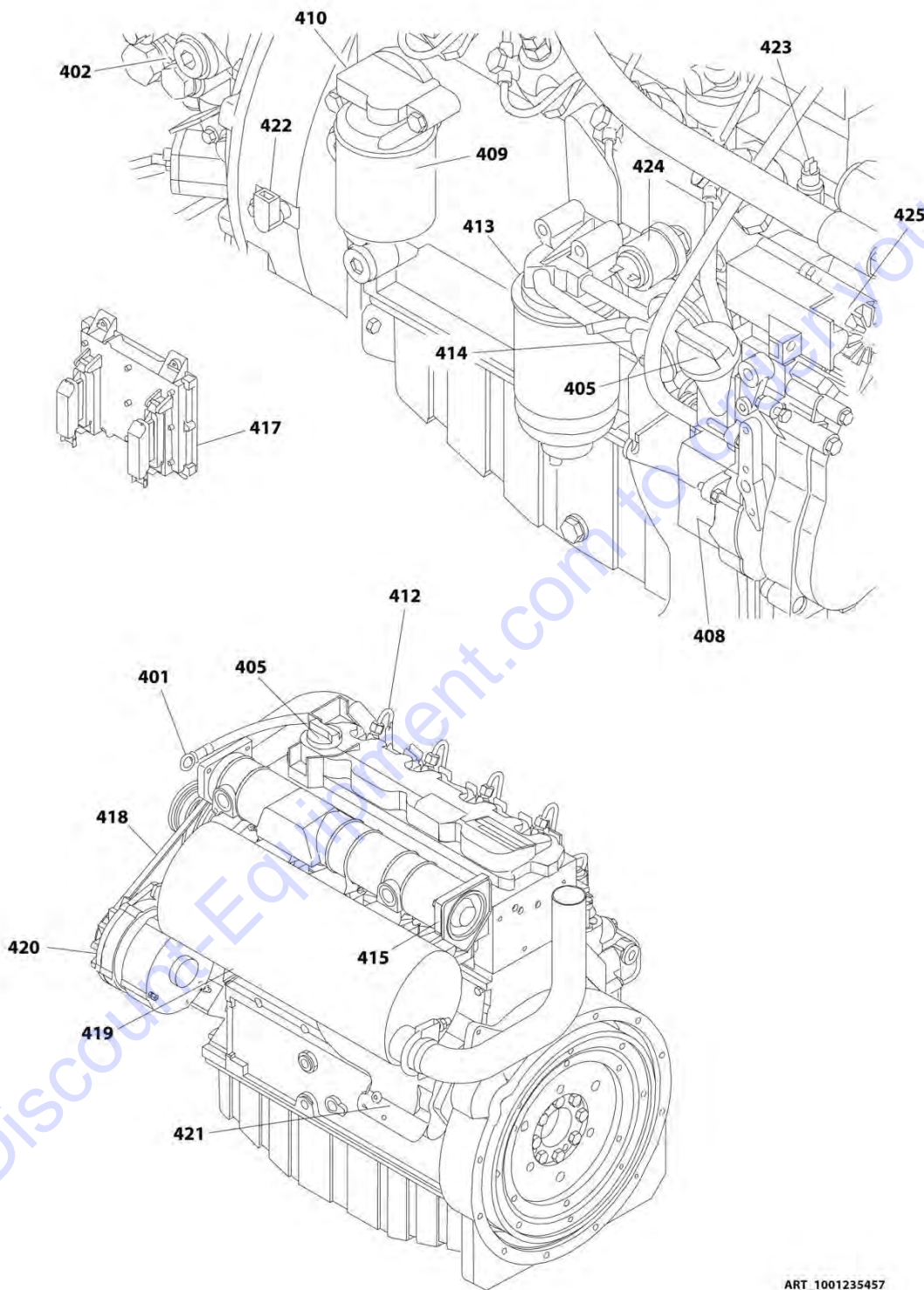
ITEM	PART NUMBER	QTY	DESCRIPTION	REV
	1001235471	Ref	DEUTZ D2011 (STAGE V) ENGINE ASSEMBLY	C
1	0100011	AR	Compound, Locking	
2	0100020	AR	Sealant	
3	0711224	1	Bolt M12 x 80	
4	0711627	1	Bolt M16 x 100	
5	0760610	6	Bolt M6 x 20	
6	0760815	5	Bolt M8 x 35	
7	0760816	5	Bolt M8 x 40	
8	0761015	15	Bolt M10 x 35	
9	0771416	4	Bolt M14 x 40	
10	0771414	4	Bolt M14 x 30	
11	0961951	2	Bushing	
12	8405202	2	Clamp	
13	1703162	2	Decal - Fan Blade	
14	2060025	1	Fan	
15	2220315	1	Fitting, Straight Barbed	
16	3290605	8	Nut M6	
17	3290805	6	Nut M8	
18	3291005	15	Nut M10	
19	3331211	1	Nut M12	
20	3331611	1	Nut M16	
21	3520054	2	Plug	
22	3740067	2	Relay	
23	3900357	2	Screw M6 x 16	
24	3960407	1	Gasket, Air Intake Adapter	
25	4811700	14	Washer M6	
26	4811900	11	Washer M8	
27	4812000	8	Washer M10	
28	5241400	8	Washer M14	
29	4812300	1	Washer M16	
30	5241200	1	Washer M12	
31	7300435	1	Washer	
32	1001138173	1	Support	
33	1001138175	1	Bracket	
34	1001139819	1	Adapter	
35	1001141694	1	Clamp, Air Cleaner	
36	1001141995	1	Fitting, Straight NPT/Barbed	
37	1001143390	1	Indicator, Air Filter Service	
38	1001235457	1	Deutz D2011 (Stage V) Engine Components (See Separate Breakdown in this Section) (SN 0300235168 through 0300256594)	
39	1001168018	1	Washer	
40	1001187082	1	Radiator	
41	1001188236	1	Engine Harness - Deutz D2011 Engines (Not Shown) (See Separate Breakdown in ELECTRICAL SECTION)	
42	1001188535	1	Bracket, Engine - Rear	
43	1001189026	1	Bracket, Engine - Right	
44	1001189161	1	Adapter, Fan	
45	1001190164	1	Mount, Motor	
46	1001203885	1	Plate	

SECTION 3 - ENGINE

ITEM	PART NUMBER	QTY	DESCRIPTION	REV
47	1001200435	1	Tray	
48	1001200791	1	Support, Radiator	
49	1001191271	1	Hose	
50	1001191610	1	Mount, Motor	
52	1001138248	21.7 in/ 0.6m	Tube	
53	1001165388	1	Filter, Air	
53	70003783	1	Element, Filter	
54	2220451	2	Fitting, Straight ORB/JIC	
55	2720398	2	Hose	
57	2902065	1	Pump Coupling Kit (See Separate Breakdown in this Section)	
58	3020016	AR	Oil, Motor 15W-40	
59	1001168166	2	Seal	
60	1001234396	1	Glow Plug Harness	
61	5241000	22	Washer M10	
62	1001197725	1	Spacer	
63	1001201843	1	Shim .079	
64	1001201844	1	Shim .079	
65	1320070	1	Clamp	

SECTION 3 - ENGINE

FIGURE 3-11. DEUTZ D2011 (STAGE V) ENGINE COMPONENTS



SECTION 3 - ENGINE

FIGURE 3-11. DEUTZ D2011 (STAGE V) ENGINE COMPONENTS

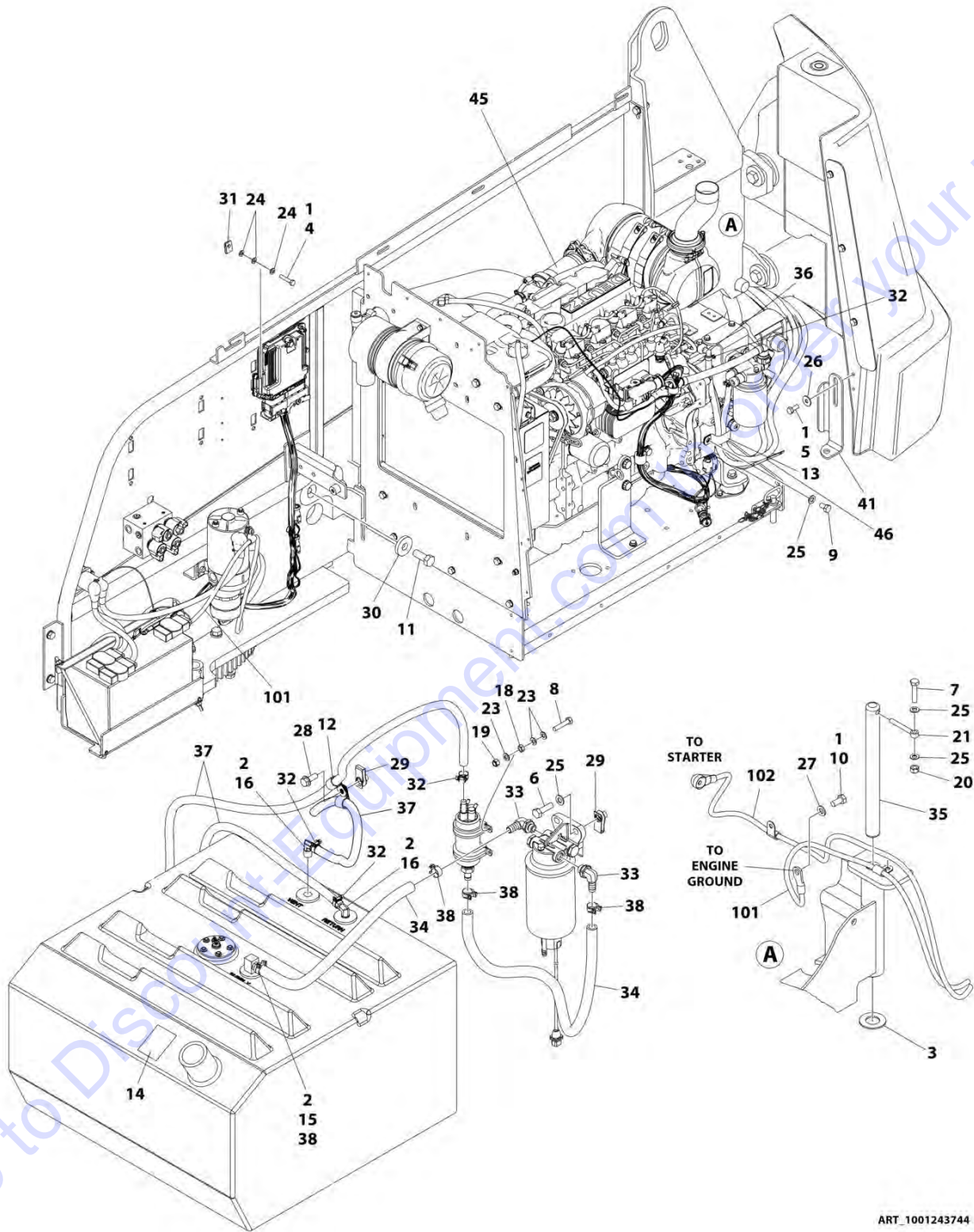
ITEM	PART NUMBER	QTY	DESCRIPTION	REV
	1001235457	Ref	DEUTZ D2011 (STAGE V) ENGINE COMPONENTS	B
401	7026631	1	Dipstick	
401	7020487	1	Seal, Dipstick	
401	70001002	1	Tube, Dipstick	
401	7020403	1	Seal, Dipstick Tube	
402	70003475	1	Thermostat	
403	70002718	1	Seal, Rear Main (Not Shown)	
404	70001870	1	Flywheel (Not Shown)	
404	7024579	1	Ring Gear (Located on Flywheel - Not Shown)	
405	7020465	2	Cap, Filler	
406		Ref	Gasket, Head Options (Not Shown):	
406	70003456	1	Gasket with 1 Notch	
406	70003457	1	Gasket with 2 Notches	
406	70003003	1	Gasket with 3 Notches	
406	7020431	1	Gasket, Valve Cover (Not Shown)	
406	70004273	1	Gasket Kit (Note: Does not include Head Gasket)	
407	70000800	1	Kit, Timing Belt/Idler (Not Shown)	
408	70001850	1	Pump, Oil Lube	
408	7020468	1	Seal Between Oil Pump and Engine Block (Not Shown)	
409	7016331	1	Filter, Oil	
410	70003472	1	Bracket, Oil Filter	
410	7027236	1	Sender, Temperature	
410	70003473	1	Gasket, Bracket to Engine Block	
411	70004268	2	Connector, Radiator Hose (Not Shown)	
411	70004269	2	Ring, Sealing (Not Shown)	
412	70003478	4	Injector, Fuel	
412	70003136	4	Seal	
412		Ref	Pump, Injector Options:	
412	70000912	Ref	Series A Injector	
412	70000913	4	Series B Injector	
412	70000914	4	Series C Injector	
412	70000915	4	Series D Injector	
412	70003464	4	O-Ring	
413	7016328	1	Filter, Fuel	
413	70001423	1	Bracket, Fuel Filter	
414	70000916	1	Pump Fuel Supply	
414	70001435	1	Repair Kit for 70000916 Pump	
414	70000919	1	Hand Pump	
414	70000918	1	Seal, Hand Pump	
414	70000917	1	O-Seal Between Fuel Pump and Engine Block	
415		Ref	Intake Manifold Components	
415	70003469	1	Flange, Blanking	
415	70003468	1	Seal (Flange to Air Intake Manifold)	
415	70001871	4	Gasket, Intake Manifold to Engine Block (Not Shown)	
415	70003470	8	Screw, Torx Head (Not Shown)	
416	70001847	1	Breather Valve (Not Shown - Located On Front Cover)	
416	70001126	1	Seal, Breather Valve	
417	7027795	1	Module, Control	
417		Ref	Left Module Connections:	
417	7027796	1	Cable, Interconnect (Module to 70001872 Cable)	

SECTION 3 - ENGINE

ITEM	PART NUMBER	QTY	DESCRIPTION	REV
417	70004060	1	Plug, Connector	
417	70001872	1	Cable, Harness	
417	70004103	1	Cable (Alternator to 70001872 Cable)	
417	70004271	1	Cable (Starter to 70001872 Cable)	
417		Ref	Right Module Connections:	
417	70004059	1	Plug, Diagnostic	
418	7020408	1	V-Belt	
419		Ref	Muffler Options:	
419	7000695	1	Standard Muffler (Supplied with Engine)	
419	See Note	1	Spark Arrester Muffler (Note: See Separate Breakdown in this Section)	
419	See Note	1	Catalytic Muffler (Note: See Separate Breakdown in this Section)	
419		Ref	Muffler Components:	
419	1320176	1	Clamp, Saddle	
419	70001017	1	Clamp	
419	7024560	1	Plug, Brass	
419	See Note	1	Pipe, Exhaust Standard Muffler (Note: Purchase Locally)	
419	7024398	1	Pipe, Exhaust	
419	7020471	4	Gasket, Exhaust Manifold to Engine Block	
419	70004270	8	Stud, Muffler	
420	70004056	1	Alternator	
420	70001868	1	Regulator, Voltage (Not Shown)	
420	70001866	1	Seal, Gasket for Voltage Regulator (Not Shown)	
420	70000851	1	Bracket, Mounting (Not Shown)	
420	70002234	1	Bracket, Adjusting (Not Shown)	
421	7020479	1	Starter	
421	70004058	1	Relay	
421	70001498	1	Shield, Starter Heat	
422	70004272	1	Sensor, Speed	
422	70003932	1	Spacer, Sensor	
423	7027791	1	Transmitter, Temperature	
424	7027790	1	Sensor, Oil Pressure	
425	7027792	1	Actuator, Throttle	
425	7027276	2	Spring, Actuator	
426	70000345	4	Plug, Glow (Not Shown)	
427	70005479	1	Pulley, Crankshaft (Not Shown)	

SECTION 3 - ENGINE

FIGURE 3-12. DEUTZ D2.9L4 - 49HP ENGINE INSTALLATION - WITHOUT ARCTIC PACKAGE



PARTS FINDER

**Search Website
by Part Number**



**Search Manual
Library For Parts
Manual & Lookup Part
Numbers – Purchase
or Request Quote**

**Can't Find Part or
Manual? Request Help
by Manufacturer,
Model & Description**

Discount-Equipment.com is your online resource for quality parts & equipment.

Florida: **561-964-4949** Outside Florida TOLL FREE: **877-690-3101**

Need parts?

Click on this link: <http://www.discount-equipment.com/category/5443-parts/> and choose one of the options to help get the right parts and equipment you are looking for. Please have the machine model and serial number available in order to help us get you the correct parts. If you don't find the part on the website or on one of the online manuals, please fill out the request form and one of our experienced staff members will get back to you with a quote for the right part that your machine needs.

We sell worldwide for the brands: Genie, Terex, JLG, MultiQuip, Mikasa, Essick, Whiteman, Mayco, Toro Stone, Diamond Products, Generac Magnum, Airman, Haulotte, Barreto, Power Blanket, Nifty Lift, Atlas Copco, Chicago Pneumatic, Allmand, Miller Curber, Skyjack, Lull, Skytrak, Tsurumi, Husquvarna Target, Stow, Wacker, Sakai, Mi-T-M, Sullair, Basic, Dynapac, MBW, Weber, Bartell, Bennar Newman, Haulotte, Ditch Runner, Menegotti, Morrison, Contec, Buddy, Crown, Edco, Wyco, Bomag, Laymor, EZ Trench, Bil-Jax, F.S. Curtis, Gehl Pavers, Heli, Honda, ICS/PowerGrit, IHI, Partner, Imer, Clipper, MMD, Koshin, Rice, CH&E, General Equipment, Amida, Coleman, NAC, Gradall, Square Shooter, Kent, Stanley, Tamco, Toku, Hatz, Kohler, Robin, Wisconsin, Northrock, Oztec, Toker TK, Rol-Air, APT, Wylie, Ingersoll Rand / Doosan, Innovatech, Con X, Ammann, Mecalac, Makinex, Smith Surface Prep, Small Line, Wanco, Yanmar

SECTION 3 - ENGINE

FIGURE 3-12. DEUTZ D2.9L4 - 49HP ENGINE INSTALLATION - WITHOUT ARCTIC PACKAGE

ITEM	PART NUMBER	QTY	DESCRIPTION	REV
	1001243744	Ref	DEUTZ D2.9L4 - 49HP ENGINE INSTALLATION	B
1	0100011	AR	Compound, Locking	
2	0100020	AR	Sealant	
3	0440162	1	Bearing	
4	0700614	4	Bolt M6 x 30	
5	0701012	2	Bolt M10 x 25	
6	0701015	2	Bolt M10 x 35	
7	0711018	1	Bolt M10 x 50	
8	0760512	4	Bolt M5 x 25	
9	0761210	1	Bolt M12 x 20	
10	0771212	1	Bolt M12 x 25	
11	0772018	1	Bolt M20 x 50	
12	1320061	2	Clamp	
13	1001195039	1	Clamp	
14	1701505	1	Decal - Diesel Fuel	
15	2180832	1	Fitting, Straight Barbed	
16	2220313	2	Fitting, 90 NPTF/Barb	
18	3290501	4	Nut M5	
19	3290505	4	Nut M5	
20	3291005	1	Nut M10	
21	3841143	1	Keeper, Pin	
22	4240099	7	Tie-Strap (Not Shown)	
23	4811600	12	Washer M5	
24	4811700	12	Washer M6	
25	4812000	4	Washer M10	
26	4812002	2	Washer M10	
27	4812100	2	Washer M12	
28	5251012	1	Bolt M10 x 25	
29	1001118972	3	Nut, Tinnerman M10	
30	1001119051	1	Washer	
31	1001130220	4	Nut, Tinnerman M6	
32	1001136975	5	Clamp	
33	1001142501	2	Fitting, 90 Barbed	
34	1001154405	34 in/ 86.4cm	Hose	
35	1001155094	1	Pin	
36	1001155823	1	Fitting, 90 Quick Connect	
37	1001165035	27 ft/ 8.3m	Hose	
38	1001175568	4	Clip	
39	1001190444	1	Fuel Pump Harness - Deutz D2.9L4 - 49HP and Deutz TD2.9L4 - 67HP Engines (Not Shown) (See Separate Breakdown in ELECTRICAL SECTION)	
40	1001192690	1	Hose (Case Drain) (Drive Pump Case Gauge Port to Tank) (Not Shown)	
41	1001196398	1	Bracket	
42	1001203431	1	Hose (Case Drain) (Drive Pump Case Outlet Port to Tank) (Not Shown)	
43	1001203432	1	Hose (Function Suction) (Not Shown)	
44	1001203433	1	Hose (Drive Suction) (Not Shown)	
45	1001243743	1	Deutz D2.9L4 - 49HP Engine and Pump Sub-Assembly (See	

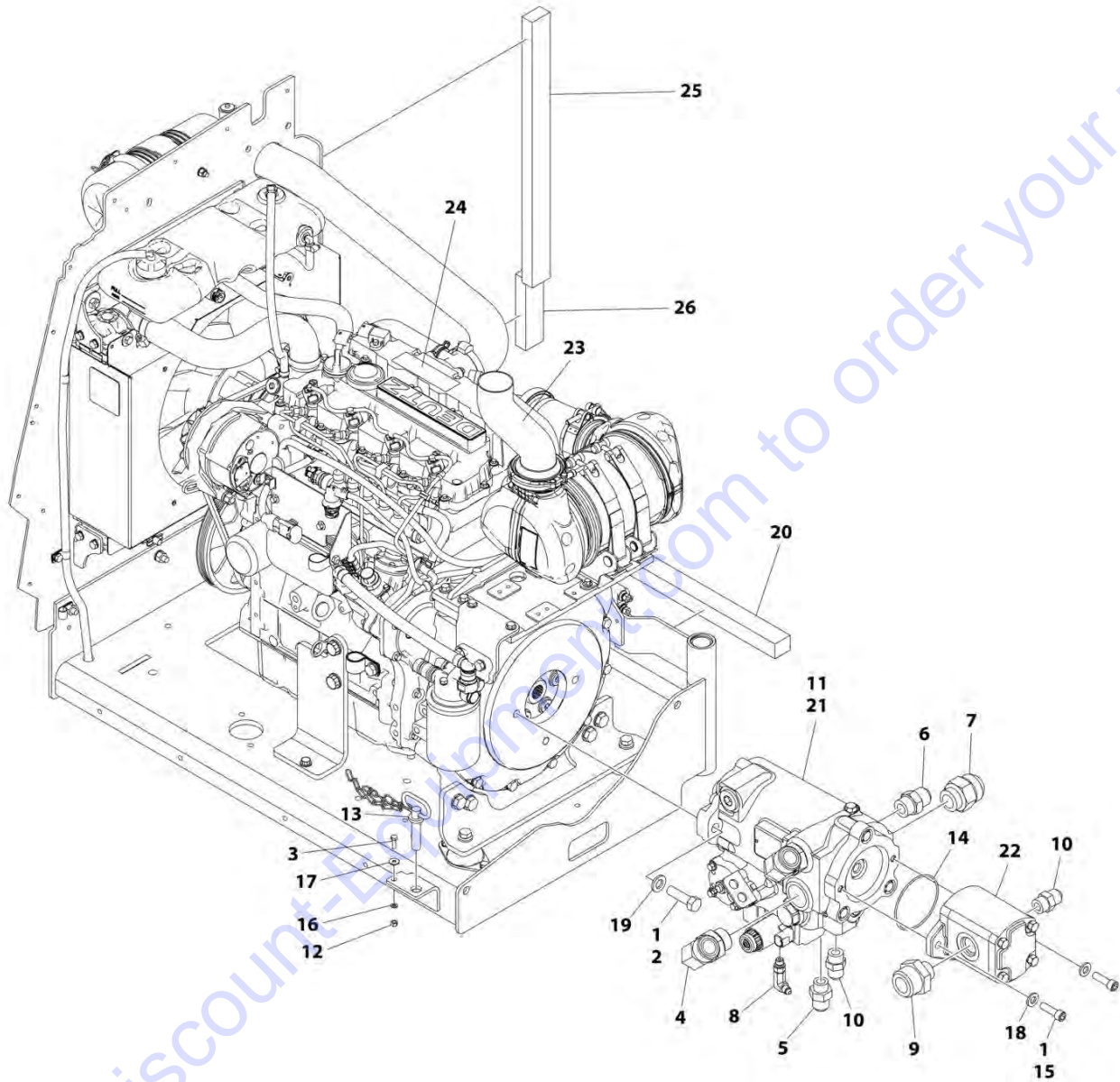
SECTION 3 - ENGINE

ITEM	PART NUMBER	QTY	DESCRIPTION	REV
			Separate Breakdown in this Section)	
46	4061032	1	Shield	
100	1001235532	1	Battery Cable Kit (Includes Items 101 & 102) (Not Shown)	
101	1001188668	1	Cable, Battery (-) to Aux Pump and Ground	
102	1001188669	1	Cable, Battery (+) to Aux Relay to Starter	

Go to Discount-Equipment.com to order your parts

SECTION 3 - ENGINE

FIGURE 3-13. DEUTZ D2.9L4 - 49HP ENGINE AND PUMPS SUB-ASSEMBLY - WITHOUT ARCTIC PACKAGE



ART_1001243743

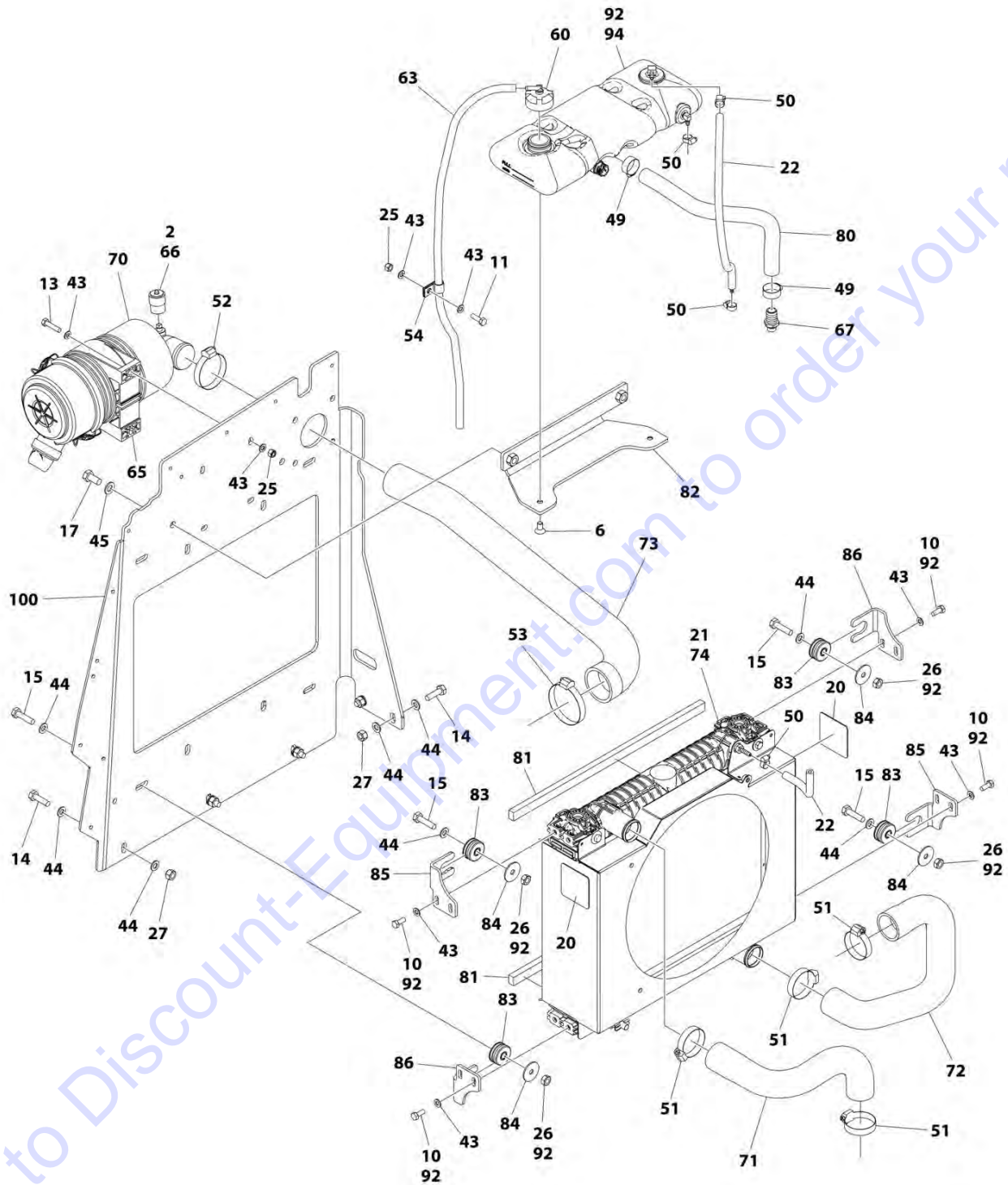
SECTION 3 - ENGINE

FIGURE 3-13. DEUTZ D2.9L4 - 49HP ENGINE AND PUMPS SUB-ASSEMBLY - WITHOUT ARCTIC PACKAGE

ITEM	PART NUMBER	QTY	DESCRIPTION	REV
	1001243743	Ref	DEUTZ D2.9L4 – 49HP ENGINE AND PUMPS SUB-ASSEMBLY	B
1	0100011	AR	Compound, Locking	
2	0641814	2	Bolt 1/2 x 1-3/4	
3	0760610	1	Bolt M6 x 20	
4	2131616	2	Fitting, 90 ORFS/ORB	
5	2220408	1	Fitting, Straight JIC/ORB	
6	2220451	1	Fitting, Straight JIC/ORB	
7	2220479	1	Fitting, Straight JIC/ORB	
8	2220940	1	Fitting, 90 JIC/ORB	
9	2220946	1	Fitting, Straight JIC/ORB	
10	2220947	2	Fitting, Straight JIC/ORB	
11	3020037	AR	Lube, Coupling Grease	
12	3290605	1	Nut M6	
13	3422532	1	Pin	
14	3790152	1	O-Ring	
15	3931618	2	Capscrew 3/8 x 1-1/8	
16	4811700	1	Washer M6	
17	4811702	1	Washer M6	
18	5241000	2	Washer M10	
19	5241200	2	Washer M12	
20	1001171953	1	Seal	
21	1001184930	1	Piston Pump Assembly (See Separate Breakdown in this Section)	
22	1001190143	1	Gear Pump Assembly	
22	70006356	1	Seal Kit - 1001190143 Pump	
23	1001241366	1	Pipe, Exhaust	
24	1001243742	1	Deutz D2.9L4 – 49HP Engine Assembly (See Separate Breakdown in this Section)	
25	1001244507	1	Seal	
26	1001244508	1	Seal	

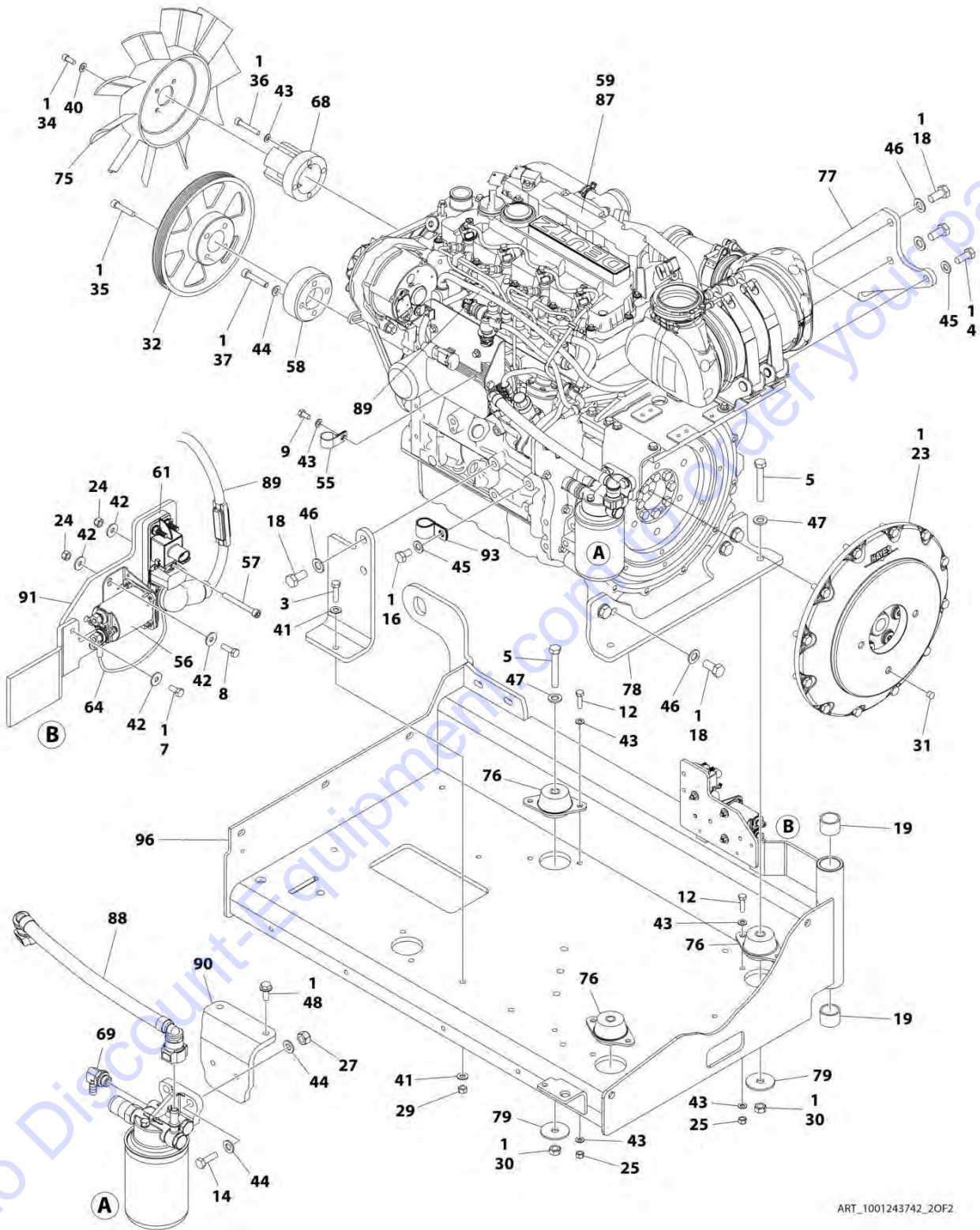
SECTION 3 - ENGINE

FIGURE 3-14. DEUTZ D2.9L4 - 49HP ENGINE ASSEMBLY - WITHOUT ARCTIC PACKAGE



ART_1001243742_10F2

SECTION 3 - ENGINE



ART_1001243742_20F2

SECTION 3 - ENGINE

FIGURE 3-14. DEUTZ D2.9L4 - 49HP ENGINE ASSEMBLY - WITHOUT ARCTIC PACKAGE

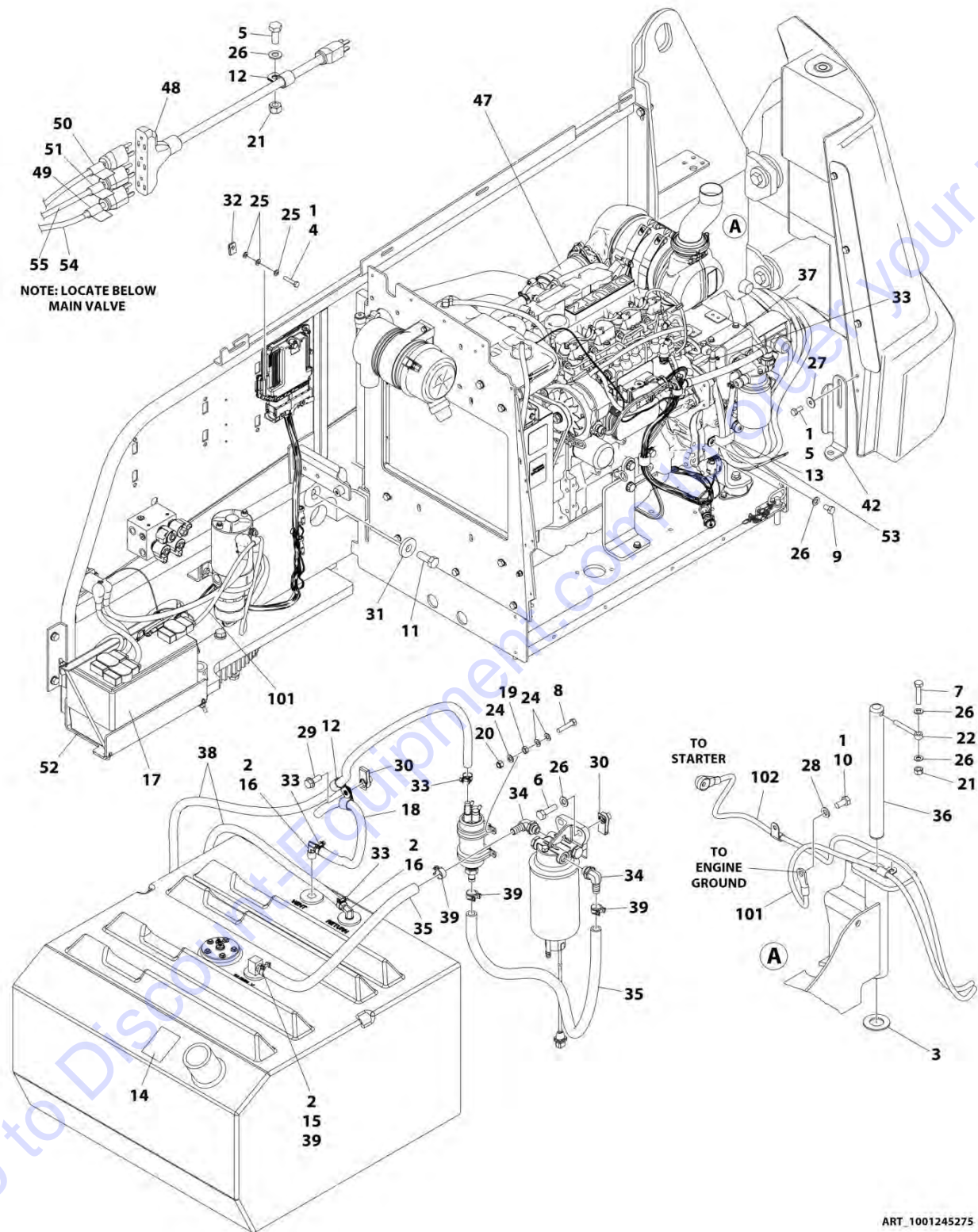
ITEM	PART NUMBER	QTY	DESCRIPTION	REV
	1001243742	Ref	DEUTZ D2.9L4 - 49HP ENGINE ASSEMBLY	D
1	0100011	AR	Compound, Locking	
2	0100020	AR	Sealant	
3	0641611	1	Bolt 3/8 x 1-3/8	
4	0711214	1	Bolt M12 x 30	
5	0711224	3	Bolt M12 x 80	
6	0741606	2	Screw 3/8 x 7/8	
7	0760607	3	Bolt M6 x 14	
8	0760610	2	Bolt M6 x 20	
9	0760808	1	Bolt M8 x 16	
10	0760810	8	Bolt M8 x 20	
11	0760812	1	Bolt M8 x 25	
12	0760814	AR	Bolt M8 x 30	
13	0760815	2	Bolt M8 x 35	
14	0761015	7	Bolt M10 x 35	
15	0761016	4	Bolt M10 x 40	
16	0761210	1	Bolt M12 x 20	
17	0761212	2	Bolt M12 x 25	
18	0771414	8	Bolt M14 x 30	
19	0961951	2	Bushing	
20	1703162	2	Decal - Fan Blade	
21	2300004	AR	Coolant	
22	2720015	AR	Hose	
23	2902065	1	Pump Coupling Kit (See Separate Breakdown in this Section)	
24	3290605	3	Nut M6	
25	3290805	9	Nut M8	
26	3291001	4	Nut M10	
27	3291005	7	Nut M10	
29	3311601	1	Nut 3/8	
30	3331211	1	Nut M12	
31	3520054	1	Plug	
32	3580320	1	Pulley	
34	3931512	4	Capscrew 5/16 x 3/4	
35	3931628	4	Capscrew 3/8 x 1-3/4	
36	4031914	4	Capscrew M8 x 50	
37	4032014	4	Capscrew M10 x 50	
38	4240099	AR	Tie-Strap (Not Shown)	
40	4711500	4	Washer 5/16	
41	4711600	2	Washer 3/8	
42	4811702	8	Washer M6	
43	4811900	31	Washer M8	
44	4812000	22	Washer M10	
45	4812100	4	Washer M12	
46	4812200	8	Washer M14	
47	5241200	3	Washer M12	
48	5250810	2	Bolt M8 x 20	
49	8405007	2	Clamp	
50	8405009	4	Clamp	
51	8405104	4	Clamp	
52	8405202	1	Clamp	

SECTION 3 - ENGINE

ITEM	PART NUMBER	QTY	DESCRIPTION	REV
53	8405204	1	Clamp	
54	8406109	1	Clip	
55	8406201	1	Clip	
56	1001117308	1	Contactora	
57	1001118878	1	Bolt M6 x 55	
58	1001135679	1	Adapter	
59	1001136079	AR	Oil, Motor 15W-40	
60	1001136834	1	Cap, Tank	
61	1001138228	1	Relay	
63	1001138248	3.5 ft/ 1.067m	Tube	
64	1001141304	1	Harness, Glow Fuse	
65	1001141694	1	Clamp	
66	1001143390	1	Indicator, Air Filter Service	
67	1001143797	1	Fitting, Straight Barbed	
68	1001144116	1	Adapter	
69	1001152489	1	Fitting, 90 Barbed	
70	1001165388	1	Filter, Air Cleaner	
70	70003783	1	Element, Filter	
71	1001165405	1	Hose, Radiator (Top)	
72	1001165406	1	Hose, Radiator (Bottom)	
73	1001165721	1	Hose	
74	1001165722	1	Radiator	
75	1001165849	1	Fan	
76	1001166718	3	Isolator	
77	1001166921	1	Bracket, Engine - Right	
78	1001166924	1	Bracket, Engine - Rear	
79	1001168018	3	Washer	
80	1001168099	1	Hose	
81	1001168166	2	Seal	
82	1001168950	1	Bracket	
83	1001169054	4	Isolator	
84	1001169138	4	Pad, Snubbing	
85	1001169967	2	Bracket	
86	1001170035	2	Bracket	
87	1001170617	1	Deutz D2.9L4-49HP Engine (See Separate Breakdown in this Section)	
88	1001177359	1	Hose	
89	1001178788	1	Cable, Alternator Power	
90	1001178876	1	Mount, Fuel Filter	
91	1001179903	1	Bracket	
92	1001180620	AR	Adhesive	
93	1001191620	1	Clamp	
94	1001230635	1	Tank, Surge	
94	1001134488	1	Fitting, 90 Barbed	
94	1001138827	1	Sensor, Coolant Level	
94	1001140564	1	Fitting, 90 Barbed	
95	1001233895	1	Engine Harness - Deutz D2.9L4 - 49HP and Deutz TD2.9L4 - 67HP Engines (Not Shown) (See Separate Breakdown in ELECTRICAL Section)	
96	1001243656	1	Support, Engine Tray	
100	1001243850	1	Support, Radiator	

SECTION 3 - ENGINE

FIGURE 3-15. DEUTZ D2.9L4 - 49HP ENGINE INSTALLATION - WITH ARCTIC PACKAGE



SECTION 3 - ENGINE

FIGURE 3-15. DEUTZ D2.9L4 - 49HP ENGINE INSTALLATION - WITH ARCTIC PACKAGE

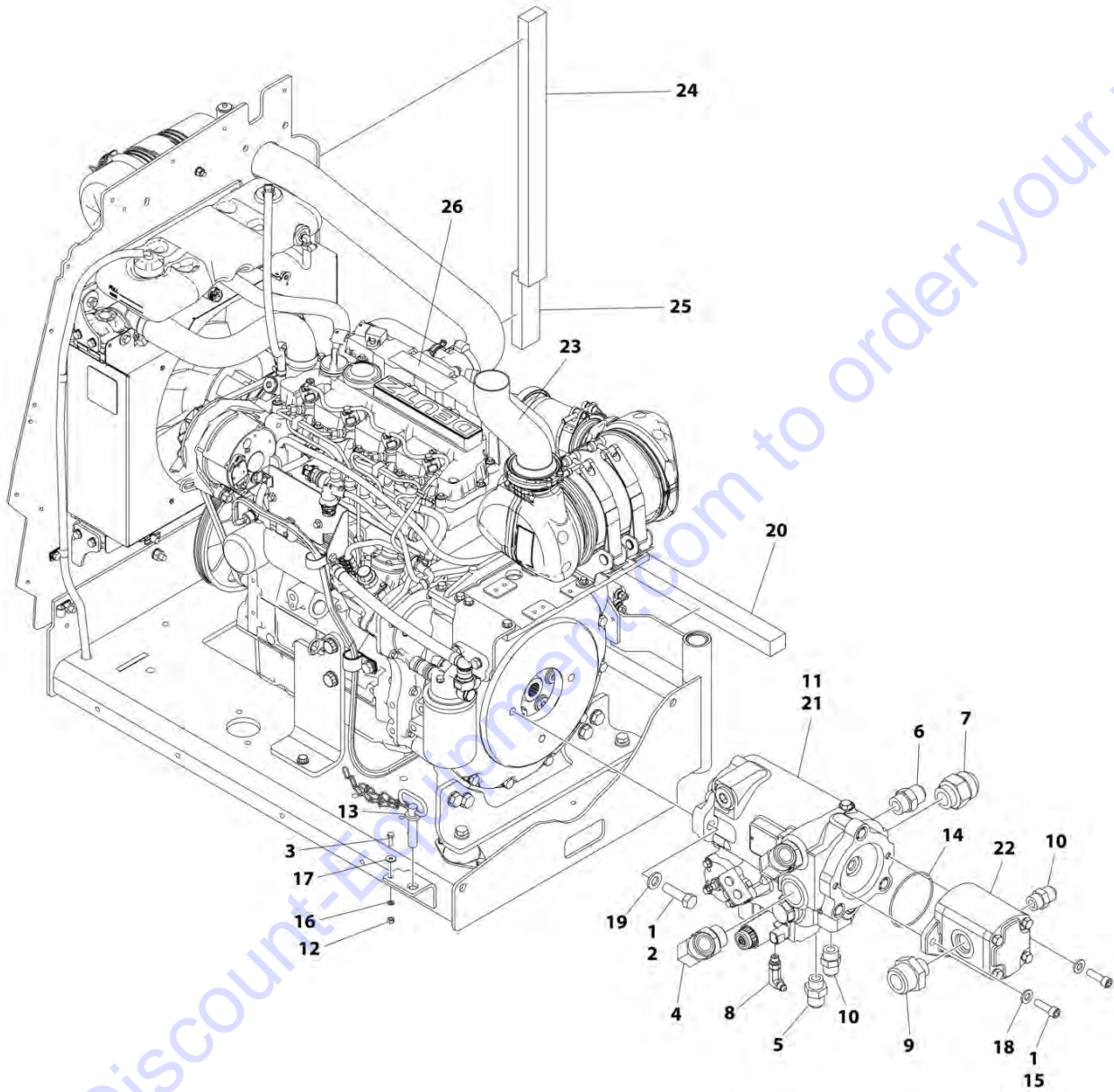
ITEM	PART NUMBER	QTY	DESCRIPTION	REV
	1001245275	Ref	DEUTZ D2.9L4 – 49HP ENGINE INSTALLATION	B
1	0100011	AR	Compound, Locking	
2	0100020	AR	Sealant	
3	0440162	1	Bearing	
4	0700614	4	Bolt M6 x 30	
5	0701012	3	Bolt M10 x 25	
6	0701015	2	Bolt M10 x 35	
7	0711018	1	Bolt M10 x 50	
8	0760512	4	Bolt M5 x 25	
9	0761210	1	Bolt M12 x 20	
10	0771212	1	Bolt M12 x 25	
11	0772018	1	Bolt M20 x 50	
12	1320061	2	Clamp	
13	1001195039	1	Clamp	
14	1701505	1	Decal - Diesel Fuel	
15	2180832	1	Fitting, Straight Barbed	
16	2220313	2	Fitting, 90 NPTF/Barb	
17	2580024	1	Heater, Battery	
18	2750532	19 in/ 48.2cm	Hose	
19	3290501	4	Nut M5	
20	3290505	4	Nut M5	
21	3291005	2	Nut M10	
22	3841143	1	Keeper, Pin	
23	4240099	7	Tie-Strap (Not Shown)	
24	4811600	12	Washer M5	
25	4811700	12	Washer M6	
26	4812000	5	Washer M10	
27	4812002	2	Washer M10	
28	4812100	1	Washer M12	
29	5251012	1	Bolt M10 x 25	
30	1001118972	3	Nut, Tinnerman M10	
31	1001119051	1	Washer	
32	1001130220	4	Nut, Tinnerman M6	
33	1001136975	5	Clamp	
34	1001142501	2	Fitting, 90 Barbed	
35	1001154405	34 in/ 86.36cm	Hose	
36	1001155094	1	Pin	
37	1001155823	1	Fitting, 90 Quick Connect	
38	1001165035	27 ft/ 8.23m	Hose	
39	1001175568	4	Clip	
40	1001190444	1	Fuel Pump Harness - Deutz D2.9L4 – 49HP and Deutz TD2.9L4 – 67HP Engines (Not Shown) (See Separate Breakdown in ELECTRICAL SECTION)	
41	1001192690	1	Hose (Case Drain) (Drive Pump Case Gauge Port to Tank) (Not Shown)	
42	1001196398	1	Bracket	
43	1001203431	1	Hose (Case Drain) (Drive Pump Case Outlet Port to Tank) (Not Shown)	

SECTION 3 - ENGINE

ITEM	PART NUMBER	QTY	DESCRIPTION	REV
44	1001203432	1	Hose (Function Suction) (Not Shown)	
45	1001203433	1	Hose (Drive Suction) (Not Shown)	
46	1001233763	1	Deutz Breather Heater Installation (Not Shown) (See Separate Breakdown in this Section)	
46	4240099	AR	Tie-Strap	
46	1001196634	1	Fuse 2amp	
46	1001232842	1	Heater, Deutz Breather Kit	
46	2400060	1	Fuse, Holder	
47	1001245274	1	Deutz D2.9L4 – 49HP Engine and Pump Sub-Assembly (See Separate Breakdown in this Section)	
48	1060626	1	Plug, 3 Way	
49	1702941	1	Decal - Battery Heater	
50	1702942	1	Decal - Engine Block Heater	
51	1702943	1	Decal - Hydraulic Tank Heater	
52	3980007	1	Seat, Battery	
53	4061032	1	Shield	
54	1001150918	1	Cable, Extension	
55	1001188972	1	Heater, Immersion	
100	1001235532	1	Battery Cable Kit (Includes Items 101 & 102) (Not Shown)	
101	1001188668	1	Cable, Battery (-) to Aux Pump and Ground	
102	1001188669	1	Cable, Battery (+) to Aux Relay to Starter	

SECTION 3 - ENGINE

FIGURE 3-16. DEUTZ D2.9L4 - 49HP ENGINE AND PUMPS SUB-ASSEMBLY - WITH ARCTIC PACKAGE



ART_1001245274

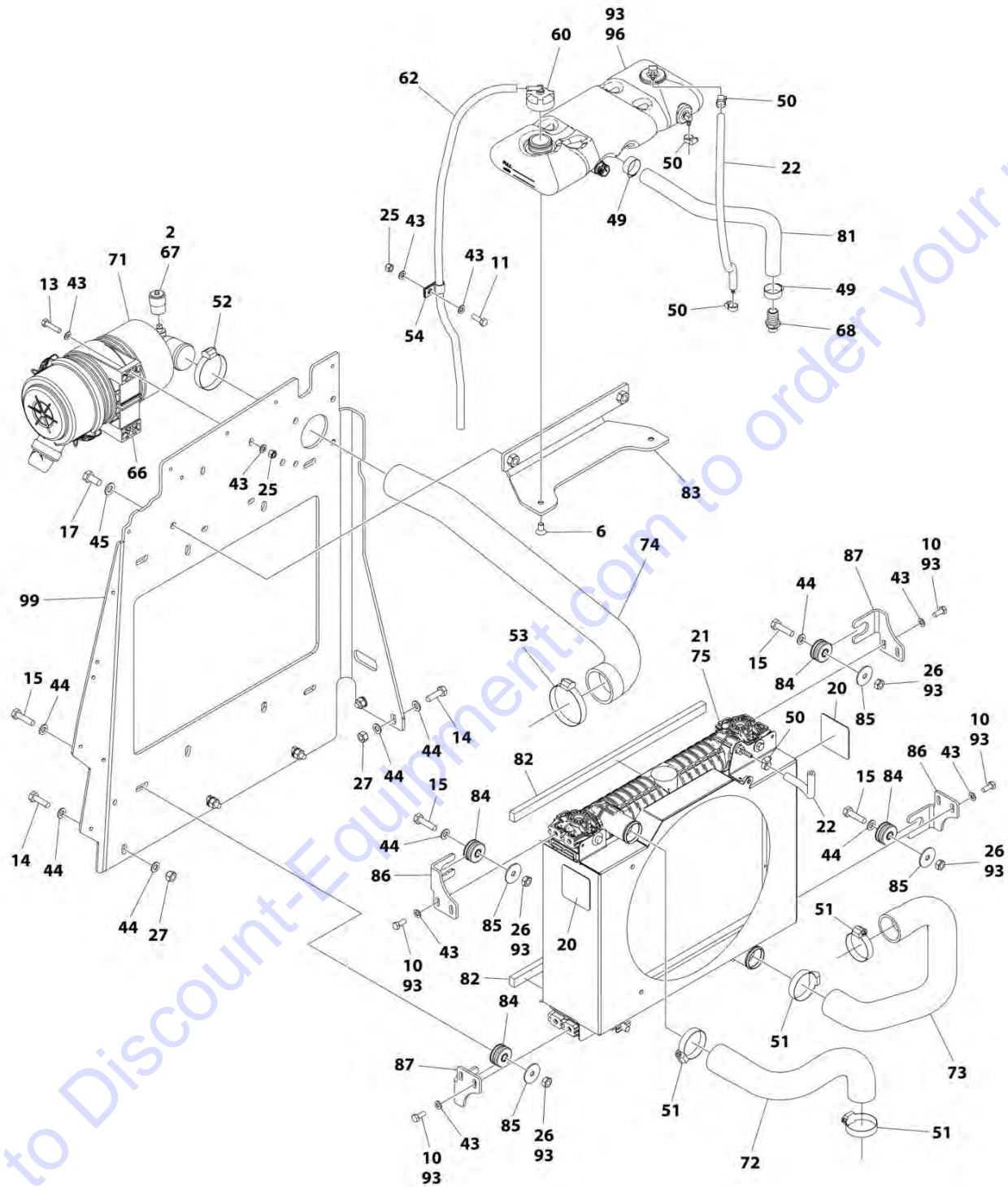
SECTION 3 - ENGINE

FIGURE 3-16. DEUTZ D2.9L4 - 49HP ENGINE AND PUMPS SUB-ASSEMBLY - WITH ARCTIC PACKAGE

ITEM	PART NUMBER	QTY	DESCRIPTION	REV
	1001245274	Ref	DEUTZ D2.9L4 – 49HP ENGINE AND PUMPS SUB-ASSEMBLY	B
1	0100011	AR	Compound, Locking	
2	0641814	2	Bolt 1/2 x 1-3/4	
3	0760610	1	Bolt M6 x 20	
4	2131616	2	Fitting, 90 ORFS/ORB	
5	2220408	1	Fitting, Straight JIC/ORB	
6	2220451	1	Fitting, Straight JIC/ORB	
7	2220479	1	Fitting, Straight JIC/ORB	
8	2220940	1	Fitting, 90 JIC/ORB	
9	2220946	1	Fitting, Straight JIC/ORB	
10	2220947	2	Fitting, Straight JIC/ORB	
11	3020037	AR	Lube, Coupling Grease	
12	3290605	1	Nut M6	
13	3422532	1	Pin	
14	3790152	1	O-Ring	
15	3931618	2	Capscrew 3/8 x 1-1/8	
16	4811700	1	Washer M6	
17	4811702	1	Washer M6	
18	5241000	2	Washer M10	
19	5241200	2	Washer M12	
20	1001171953	1	Seal	
21	1001184930	1	Piston Pump Assembly (See Separate Breakdown in this Section)	
22	1001190143	1	Gear Pump Assembly	
22	70006356	1	Seal Kit - 1001190143 Pump	
23	1001241366	1	Pipe, Exhaust	
24	1001244507	1	Seal	
25	1001244508	1	Seal	
26	1001245257	1	Deutz D2.9L4 – 49HP Engine Assembly (See Separate Breakdown in this Section)	

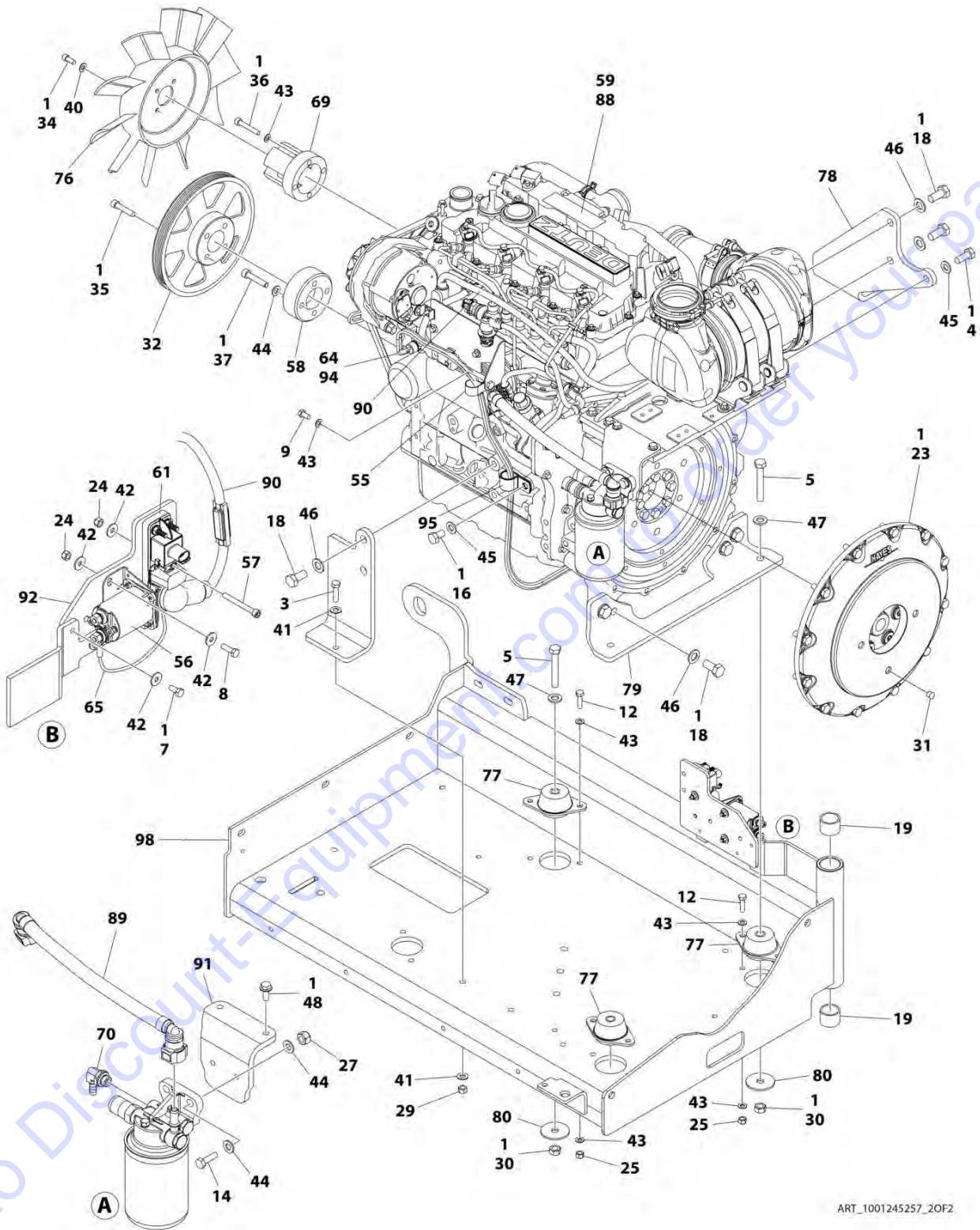
SECTION 3 - ENGINE

FIGURE 3-17. DEUTZ D2.9L4 - 49HP ENGINE ASSEMBLY - WITH ARCTIC PACKAGE



ART_1001245257_10F2

SECTION 3 - ENGINE



ART_1001245257_20F2

SECTION 3 - ENGINE

FIGURE 3-17. DEUTZ D2.9L4 - 49HP ENGINE ASSEMBLY - WITH ARCTIC PACKAGE

ITEM	PART NUMBER	QTY	DESCRIPTION	REV
	1001245257	Ref	DEUTZ D2.9L4 - 49HP ENGINE ASSEMBLY	D
1	0100011	AR	Compound, Locking	
2	0100020	AR	Sealant	
3	0641611	1	Bolt 3/8 x 1-3/8	
4	0711214	1	Bolt M12 x 30	
5	0711224	3	Bolt M12 x 80	
6	0741606	2	Screw 3/8 x 7/8	
7	0760607	3	Bolt M6 x 14	
8	0760610	2	Bolt M6 x 20	
9	0760808	1	Bolt M8 x 16	
10	0760810	8	Bolt M8 x 20	
11	0760812	1	Bolt M8 x 25	
12	0760814	AR	Bolt M8 x 30	
13	0760815	2	Bolt M8 x 35	
14	0761015	7	Bolt M10 x 35	
15	0761016	4	Bolt M10 x 40	
16	0761210	1	Bolt M12 x 20	
17	0761212	2	Bolt M12 x 25	
18	0771414	8	Bolt M14 x 30	
19	0961951	2	Bushing	
20	1703162	2	Decal - Fan Blade	
21	2300041	AR	Coolant	
22	2720015	AR	Hose	
23	2902065	1	Pump Coupling Kit (See Separate Breakdown in this Section)	
24	3290605	3	Nut M6	
25	3290805	9	Nut M8	
26	3291001	4	Nut M10	
27	3291005	7	Nut M10	
29	3311601	1	Nut 3/8	
30	3331211	1	Nut M12	
31	3520054	1	Plug	
32	3580320	1	Pulley	
34	3931512	4	Capscrew 5/16 x 3/4	
35	3931628	4	Capscrew 3/8 x 1-3/4	
36	4031914	4	Capscrew M8 x 50	
37	4032014	4	Capscrew M10 x 50	
38	4240099	AR	Tie-Strap (Not Shown)	
40	4711500	4	Washer 5/16	
41	4711600	2	Washer 3/8	
42	4811702	8	Washer M6	
43	4811900	31	Washer M8	
44	4812000	22	Washer M10	
45	4812100	4	Washer M12	
46	4812200	8	Washer M14	
47	5241200	3	Washer M12	
48	5250810	2	Bolt M8 x 20	
49	8405007	2	Clamp	
50	8405009	4	Clamp	
51	8405104	4	Clamp	
52	8405202	1	Clamp	

SECTION 3 - ENGINE

ITEM	PART NUMBER	QTY	DESCRIPTION	REV
53	8405204	1	Clamp	
54	8406109	1	Clip	
55	8406201	1	Clip	
56	1001117308	1	Contactora	
57	1001118878	1	Bolt M6 x 55	
58	1001135679	1	Adapter	
59	1001136172	AR	Oil, Motor 15W-40	
60	1001136834	1	Cap, Tank	
61	1001138228	1	Relay	
62	1001138248	3.5 ft/ 1.067m	Tube	
64	1001140312	1	Heater, Engine Block	
65	1001141304	1	Harness, Glow Fuse	
66	1001141694	1	Clamp	
67	1001143390	1	Indicator, Air Filter Service	
68	1001143797	1	Fitting, Straight Barbed	
69	1001144116	1	Adapter	
70	1001152489	1	Fitting, 90 Barbed	
71	1001165388	1	Filter, Air Cleaner	
71	70003783	1	Element, Filter	
72	1001165405	1	Hose, Radiator (Top)	
73	1001165406	1	Hose, Radiator (Bottom)	
74	1001165721	1	Hose	
75	1001165722	1	Radiator	
76	1001165849	1	Fan	
77	1001166718	3	Isolator	
78	1001166921	1	Bracket, Engine - Right	
79	1001166924	1	Bracket, Engine - Rear	
80	1001168018	3	Washer	
81	1001168099	1	Hose	
82	1001168166	2	Seal	
83	1001168950	1	Bracket	
84	1001169054	4	Isolator	
85	1001169138	4	Pad, Snubbing	
86	1001169967	2	Bracket	
87	1001170035	2	Bracket	
88	1001170617	1	Deutz D2.9L4 - 49HP Engine (See Separate Breakdown in this Section)	
89	1001177359	1	Hose	
90	1001178788	1	Cable, Alternator Power	
91	1001178876	1	Mount, Fuel Filter	
92	1001179903	1	Bracket	
93	1001180620	AR	Adhesive	
94	1001181895	AR	Adhesive	
95	1001191620	1	Clamp	
96	1001230635	1	Tank, Surge	
96	1001134488	1	Fitting, 90 Barbed (Part of Item 58)	
96	1001138827	1	Sensor, Coolant Level (Part of Item 58)	
96	1001140564	1	Fitting, 90 Barbed	
97	1001233895	1	Engine Harness - Deutz D2.9L4 - 49HP and Deutz TD2.9L4 - 67HP Engines (Not Shown) (See Separate Breakdown in ELECTRICAL Section)	

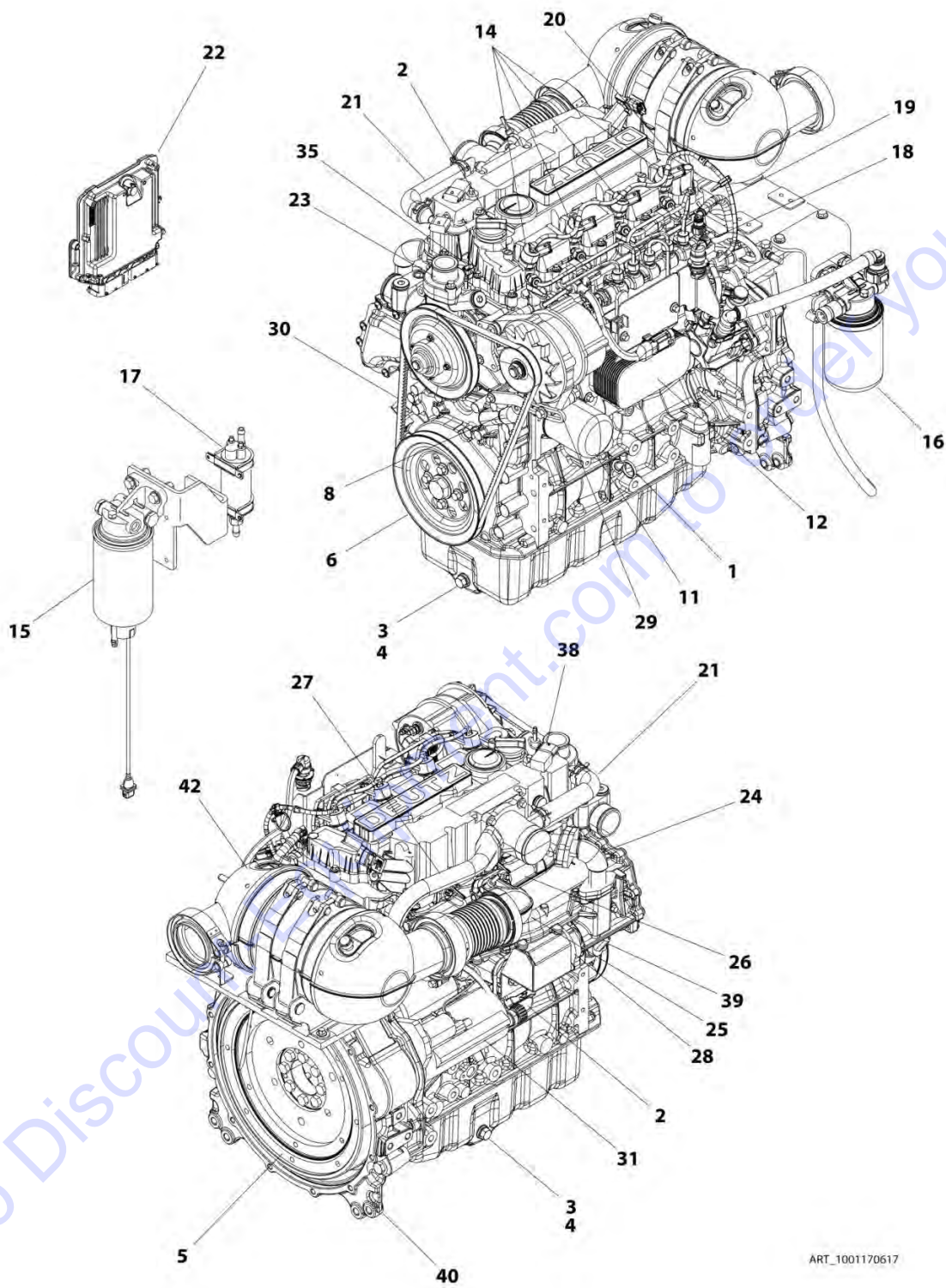
SECTION 3 - ENGINE

ITEM	PART NUMBER	QTY	DESCRIPTION	REV
98	1001243656	1	Support, Engine Tray	
99	1001243850	1	Support, Radiator	

Go to Discount-Equipment.com to order your parts

SECTION 3 - ENGINE

FIGURE 3-18. DEUTZ D2.9L4 - 49HP ENGINE COMPONENTS



ART_1001170617

SECTION 3 - ENGINE

FIGURE 3-18. DEUTZ D2.9L4 - 49HP ENGINE COMPONENTS

ITEM	PART NUMBER	QTY	DESCRIPTION	REV
	1001170617	Ref	ENGINE COMPONENTS - DEUTZ D2.9L4 ENGINE	E
1	70024904	1	Dipstick	
1	70024905	1	O-Ring	
2	7020465	2	Cap, Filler	
3	70025088	2	Plug, Oil	
4	7020404	2	Ring, Sealing	
5	70001870	1	Flywheel	
5	7024579	1	Ring, Gear	
6	70025198	1	Pulley, Crank	
7	70024906	1	Gasket, Head (Not Shown)	
7	70025195	1	Gasket, Valve Cover (Not Shown)	
7	70005171	1	Gasket, Valve Cover (Not Shown)	
8	70025076	1	Valve	
8	70025091	1	Plug	
8	70025176	1	Spring	
8	70025082	1	Seal	
9	70004280	1	Seal, Crankshaft (Front) (Not Shown)	
9	70002718	1	Seal, Crankshaft (Rear) (Not Shown)	
10	70005172	1	Pump, Oil Lube (Not Shown)	
10	70025135	1	O-Ring (Not Shown)	
10	70005173	1	Gasket (Not Shown)	
11	7016331	1	Filter, Oil	
12	70004275	1	Cooler, Oil	
12	70024925	1	Gasket	
13	70025171	1	Pipe, Oil Suction (Not Shown)	
14	70004281	4	Injector, Fuel	
14	70025140	4	Washer, Sealing	
14	70025146	4	Clamp (Top of Injector)	
14	70025145	4	O-Ring	
14	70025154	4	Shoe, Clamping	
15	70024961	1	Bracket, Fuel Filter	
15	70025153	1	Filter, Fuel	
15	70024513	1	Cable, Sensor	
15	70025239	1	Seal	
16	70025160	1	Bracket, Fuel Filter	
16	70025161	1	Filter, Fuel	
16	70024504	1	Sensor, Pressure	
16	70024920	1	O-Ring	
16	70004513	2	Ring, Sealing	
17	70005174	NLA	Pump, Fuel (Use p/n 1001226098)	
17	70025144	2	Clamp	
18	70025151	1	Rail, Fuel	
18	70025235	1	Repair Kit	
18	70025240	1	O-Ring	
19	70025182	1	Line, Fuel (Cylinder 1 + 2)	
19	70025183	1	Line, Fuel (Cylinder 3 + 4)	
19	70025184	1	Line, Fuel (Fuel Rail to Pump)	
20	70024502	1	Fuel Return Pipe	
20	70025185	1	Hose, Fuel	
20	70025101	2	Clamp	

SECTION 3 - ENGINE

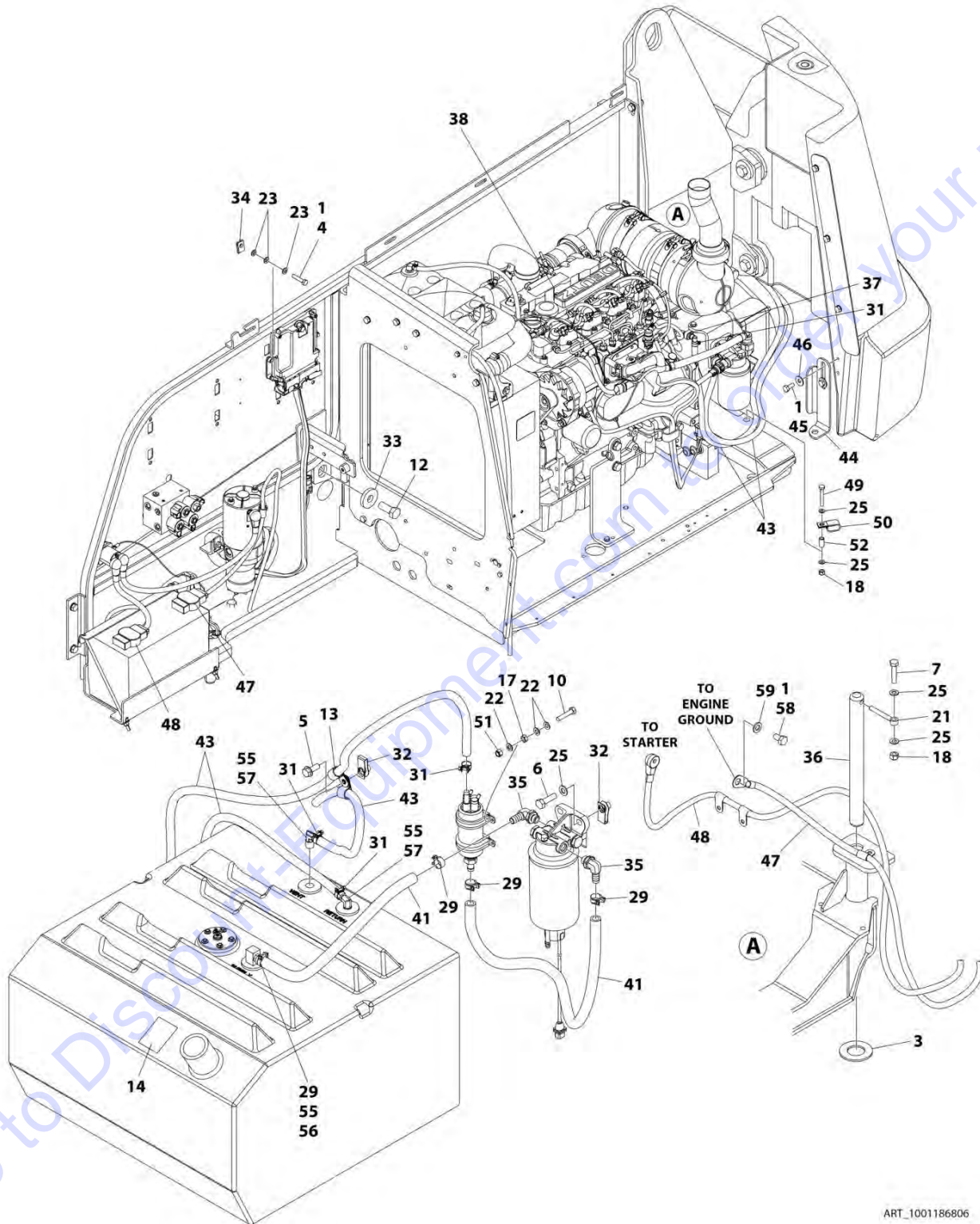
ITEM	PART NUMBER	QTY	DESCRIPTION	REV
20	70025109	2	Clamp	
20	70025115	1	Clamp, Pipe	
20	70025133	1	Hose	
20	70025148	1	Connector, Plug-in	
21	70005182	1	Elbow, Air Charger	
21	70005176	1	O-Ring	
21	70005177	1	Gasket	
21	70005180	1	Line, Breather	
21	70005181	1	O-Ring	
21	70005183	1	Line, Breather	
21	70025111	2	Clamp	
22	70025210	1	Module, ECU	
23	70024910	1	Pump, Water	
23	70025084	1	Plug	
23	7020492	1	O-Ring	
23	70025200	1	Seal	
23	70024473	1	Thermostat	
23	70005184	1	O-Ring (Thermostat)	
23	70025142	1	Cover, Thermostat	
23	70025159	1	Pulley, Water Pump	
24	70025177	1	Pipe	
24	70025179	1	Gasket	
25	70005185	1	Manifold	
25	70024912	1	Gasket	
26	70004282	1	Manifold, Exhaust	
26	70025164	1	Gasket, Exhaust Manifold	
27	70005186	1	Pipe	
27	70025179	1	Gasket (Two Hole)	
27	70025180	1	Gasket (Three Hole)	
28	70004283	1	Module, ERG	
28	70005188	1	Valve, Control	
28	70005189	1	Parts, Service	
29	70024914	1	Alternator	
29	70025149	1	Regulator	
29	70025131	1	Fan	
29	70025150	1	Pulley	
29	70025191	1	Plate, Retaining	
29	70025201	1	Bracket, Alternator	
30	70024913	1	V-Belt	
31	70024915	1	Starter	
32	70025231	1	Harness, Glow Plug (Not Shown)	
32	70025233	1	Connector (Not Shown)	
33	70025221	1	Connector, Plug-In (Not Shown)	
33	70025781	1	Connector, Plug-In (Not Shown)	
33	70025779	1	Ring, Fastening (Not Shown)	
34	70004284	1	Harness, Engine (Not Shown)	
34	70025165	1	Plate, Retaining (Not Shown)	
34	70025216	1	Adapter (Not Shown)	
34	70025215	1	Bracket, Fixing (Not Shown)	
34	70025228	2	Bracket (Not Shown)	
34	70025226	1	Connector, Plug-In (Not Shown)	

SECTION 3 - ENGINE

ITEM	PART NUMBER	QTY	DESCRIPTION	REV
34	70025220	5	Connector, Plug-In (Not Shown)	
34	70025222	3	Connector, Plug-In (Not Shown)	
34	70025223	1	Connector, Plug-In (Not Shown)	
34	70025219	1	Connector, Plug-In (Not Shown)	
34	70025238	1	Connector, Plug-In (Not Shown)	
34	70025221	2	Connector, Plug-In (Not Shown)	
34	70025217	8	Clamp (Not Shown)	
34	70025213	2	Clip (Not Shown)	
34	70025209	1	Bracket (Not Shown)	
34	70025225	1	Support (Not Shown)	
34	70025218	3	Clamp (Not Shown)	
34	70025237	1	Connector, Plug-In (Not Shown)	
34	70025214	1	Cap (Not Shown)	
34	70025224	2	Clamp (Not Shown)	
34	70025166	1	Support, Harness (Not Shown)	
34	70025211	1	Plate, Retaining (Not Shown)	
34	70025189	1	Plate, Retaining (Not Shown)	
34	70025236	1	Support, Harness (Not Shown)	
35	70024918	1	Sender, Temperature	
36	70024504	1	Sensor, Pressure (Not Shown - Located Left Side Front)	
36	70024920	1	O-Ring (Not Shown)	
37	70024503	1	Sensor, Speed (Not Shown)	
37	70005191	1	O-Ring	
38	70024507	1	Sensor, Pressure	
38	70025120	1	Seal	
39	70024503	1	Sensor, Speed	
39	70024917	1	Seal	
40	70025192	1	Housing	
40	70025113	2	Pin	
41	70000345	4	Plug, Glow (Not Shown)	
42	70004285	1	Outlet, Muffler	
42	70025241	1	Clip	
42	04600004	2	Gasket	
42	70004504	1	Compensator	
42	70024512	1	Clamp	
42	04603585	1	Clamp	

SECTION 3 - ENGINE

FIGURE 3-19. DEUTZ TD2.9L4 - 67HP ENGINE INSTALLATION - WITHOUT ARCTIC PACKAGE



SECTION 3 - ENGINE

FIGURE 3-19. DEUTZ TD2.9L4 - 67HP ENGINE INSTALLATION - WITHOUT ARCTIC PACKAGE

ITEM	PART NUMBER	QTY	DESCRIPTION	REV
	1001186806	Ref	DEUTZ TD2.9L4 - 67HP ENGINE INSTALLATION	N
1	0100011	AR	Compound, Locking	
3	0440162	1	Bearing	
4	0700614	4	Bolt M6 x 30	
5	5251012	1	Bolt M10 x 25	
6	0701015	2	Bolt M10 x 35	
7	0711018	1	Bolt M10 x 50	
10	0760512	4	Bolt M5 x 25	
12	0772018	1	Bolt M20 x 50	
13	1320061	2	Clamp	
14	1701505	1	Decal - Diesel Fuel	
17	3290501	4	Nut M5	
18	3291005	2	Nut M10	
21	3841143	1	Keeper, Pin	
22	4811600	12	Washer M5	
23	4811700	12	Washer M6	
25	4812000	6	Washer M10	
29	1001175568	4	Clip	
31	1001136975	5	Clamp	
32	1001118972	3	Nut, Tinnerman M10	
33	1001119051	1	Washer	
34	1001130220	4	Nut, Tinnerman M6	
35	1001142501	2	Fitting, 90 Barbed	
36	1001155094	1	Pin	
37	1001155823	1	Fitting, 90 Quick Connect	
38	1001186811	1	Deutz TD2.9L4 - 67HP Engine and Pump Sub-Assembly (See Separate Breakdown in this Section)	
41	1001154405	33 in/ 0.8cm	Hose	
43	1001165035	27 ft/ 8.2m	Hose	
44	1001196398	1	Bracket	
45	0701012	2	Bolt M10 x 25	
46	4812002	2	Washer M10	
47	1001188668	1	Cable, Battery (-) to Aux Pump and Ground	
48	1001188669	1	Cable, Battery (+) to Aux Relay to Starter	
49	0701022	1	Bolt M10 x 70	
50	1001026127	1	Clamp	
51	3290505	4	Nut M5	
52	1001200731	1	Tube	
53	4240099	1	Tie-Strap (Not Shown)	
54	1001190444	1	Fuel Pump Harness - Deutz TD2.9L4 - 67HP Engine (Not Shown) (See Separate Breakdown in ELECTRICAL SECTION)	
55	0100020	AR	Sealant	
56	2180832	1	Fitting, Straight Barbed	
57	2220313	2	Fitting, 90 NPTF/Barb	
58	0761210	1	Bolt M12 x 20	
59	4812100	1	Washer M12	
60	1001192690	1	Hose (Case Drain) (Drive Pump Case Gauge Port to Tank) (Not Shown)	
61	1001203431	1	Hose (Case Drain) (Drive Pump Case Outlet Port to Tank) (Not	

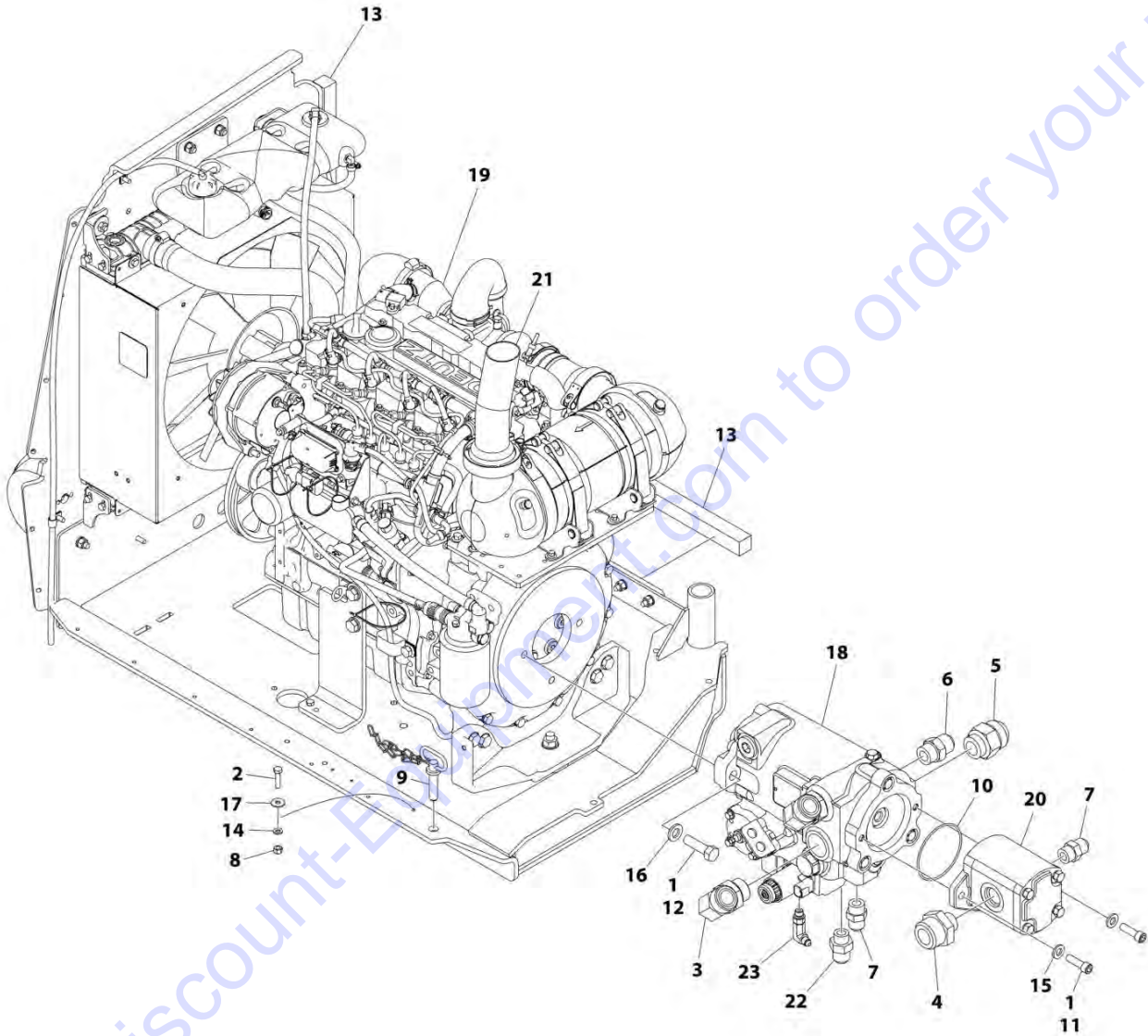
SECTION 3 - ENGINE

ITEM	PART NUMBER	QTY	DESCRIPTION	REV
			Shown)	
62	1001203432	1	Hose (Function Suction) (Not Shown)	
63	1001203433	1	Hose (Drive Suction) (Not Shown)	
100	1001235532	1	Battery Cable Kit (Includes Items 47 & 48) (Not Shown) (SN 0300237157 to Present)	

Go to Discount-Equipment.com to order your parts

SECTION 3 - ENGINE

FIGURE 3-20. DEUTZ TD2.9L4 - 67HP ENGINE AND PUMPS SUB-ASSEMBLY - WITHOUT ARCTIC PACKAGE



ART_1001186811

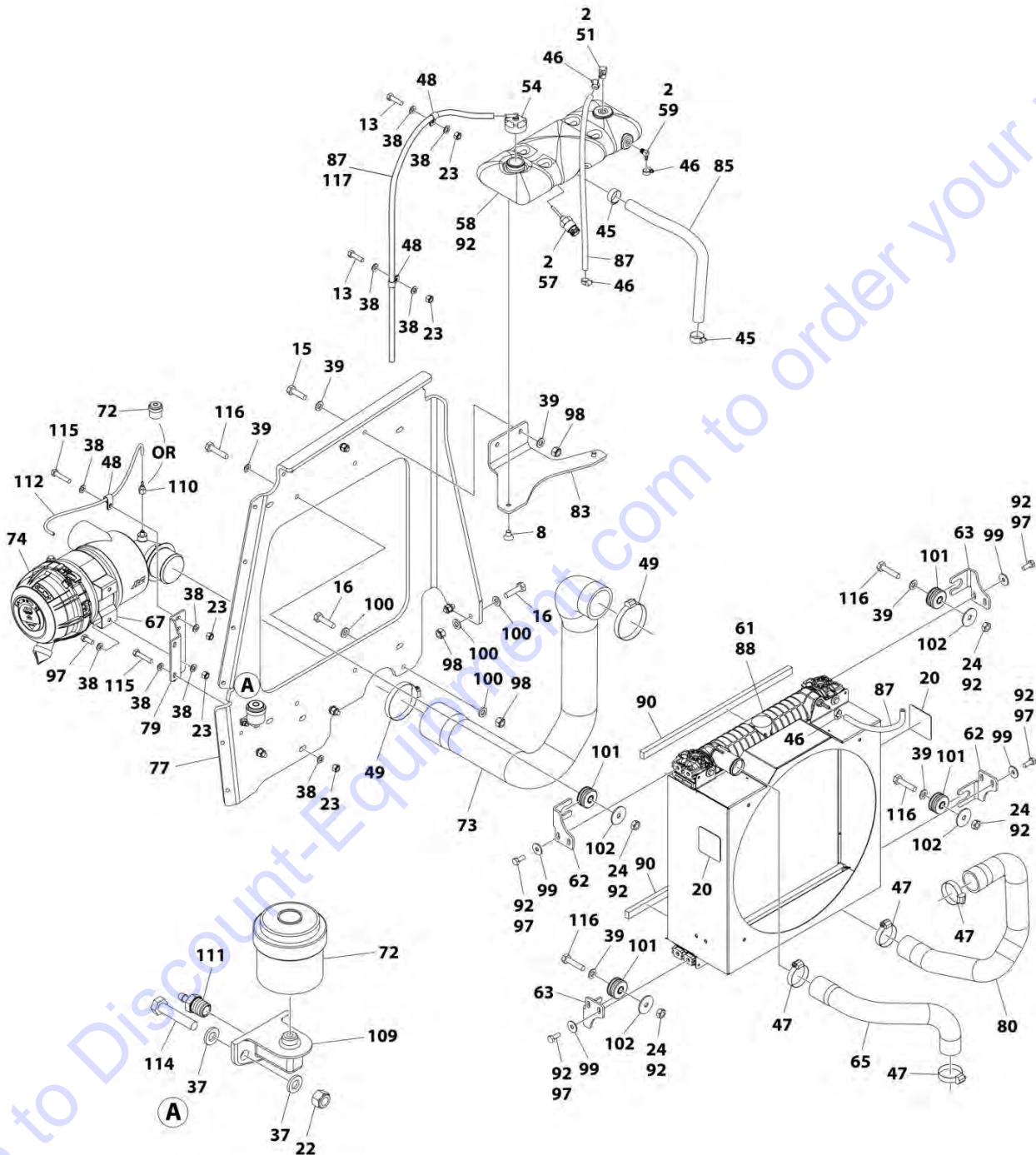
SECTION 3 - ENGINE

FIGURE 3-20. DEUTZ TD2.9L4 - 67HP ENGINE AND PUMPS SUB-ASSEMBLY - WITHOUT ARCTIC PACKAGE

ITEM	PART NUMBER	QTY	DESCRIPTION	REV
	1001186811	Ref	DEUTZ TD2.9L4 - 67HP ENGINE AND PUMPS SUB-ASSEMBLY	I
1	0100011	AR	Compound, Locking	
2	0760612	1	Bolt M6 x 25	
3	2131616	2	Fitting, 90 ORFS/ORB	
4	2220946	1	Fitting, Straight JIC/ORB	
5	2220479	1	Fitting, Straight JIC/ORB	
6	2220451	1	Fitting, Straight JIC/ORB	
7	2220947	2	Fitting, Straight JIC/ORB	
8	3290605	1	Nut M6	
9	3422532	1	Pin	
10	3790152	1	O-Ring	
11	3931620	2	Capscrew 3/8 x 1-1/4	
11	3931618	2	Capscrew 3/8 x 1-1/8	
12	0641814	2	Bolt 1/2 x 1-3/4	
13	3960469	1	Seal	
14	4811700	1	Washer M6	
15	5241000	2	Washer M10	
16	5241200	2	Washer M12	
17	4811702	1	Washer M6	
18	1001184930	1	Piston Pump Assembly (See Separate Breakdown in this Section)	
19	1001186812	1	Deutz TD2.9L4 - 67HP Engine Assembly (See Separate Breakdown in this Section)	
20	1001190143	1	Gear Pump Assembly	
20	70006356	1	Seal Kit - 1001190143 Pump	
21	1001211042	NLA	Pipe, Exhaust (Use p/n 1001239207) (SN 0300235168 through 0300254984)	
21	1001239207	1	Pipe, Exhaust (SN 0300254985 to Present)	
22	2220408	1	Fitting, Straight JIC/ORB	
23	2220940	1	Fitting, 90 JIC/ORB	

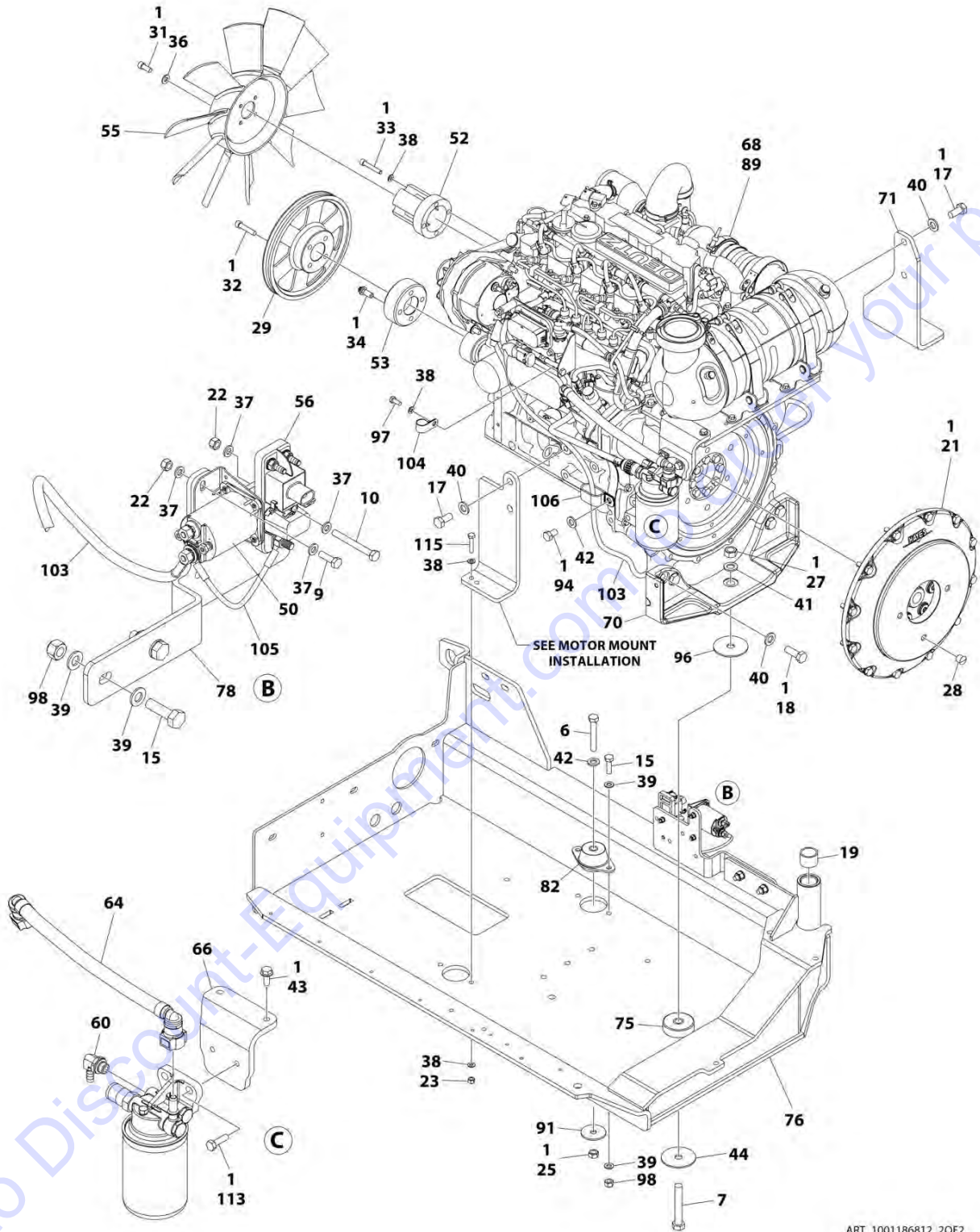
SECTION 3 - ENGINE

FIGURE 3-21. DEUTZ TD2.9L4 - 67HP ENGINE ASSEMBLY - WITHOUT ARCTIC PACKAGE



ART_1001186812_10F2

SECTION 3 - ENGINE



ART_1001186812_20F2

SECTION 3 - ENGINE

FIGURE 3-21. DEUTZ TD2.9L4 - 67HP ENGINE ASSEMBLY - WITHOUT ARCTIC PACKAGE

ITEM	PART NUMBER	QTY	DESCRIPTION	REV
	1001186812	Ref	DEUTZ TD2.9L4 - 67HP ENGINE ASSEMBLY	T
1	0100011	AR	Compound, Locking	
2	0100020	AR	Sealant	
6	0711224	1	Bolt M12 x 80	
7	0711627	1	Bolt M16 x 100	
8	0741605	2	Screw 3/8 x 5/8	
9	0760610	2	Bolt M6 x 20	
10	0760619	1	Bolt M6 x 55	
13	0760814	AR	Bolt M8 x 30	
15	0761015	6	Bolt M10 x 35	
16	0761016	5	Bolt M10 x 40	
17	0771414	4	Bolt M14 x 30	
18	0771416	4	Bolt M14 x 40	
19	0961951	2	Bushing	
20	1703162	2	Decal - Fan Blade	
21	2902065	1	Pump Coupling Kit (See Separate Breakdown in this Section)	
22	3290605	AR	Nut M6	
23	3290805	AR	Nut M8	
24	3291001	4	Nut M10	
25	3331211	1	Nut M12	
27	3331611	1	Nut M16	
28	3520054	1	Plug	
29	3580320	1	Pulley	
31	3931512	4	Capscrew 5/16 x 3/4	
32	3931628	4	Capscrew 3/8 x 1-3/4	
33	4031914	4	Capscrew M8 x 50	
34	4032014	4	Capscrew M10 x 50	
36	4711500	4	Washer 5/16	
37	4811700	AR	Washer M6	
38	4811900	AR	Washer M8	
39	4812000	20	Washer M10	
40	5241400	8	Washer M14	
41	4812300	1	Washer M16	
42	5241200	2	Washer M12	
43	5250810	2	Bolt M8 x 20	
44	7300435	1	Washer	
45	8405007	2	Clamp	
46	8405009	4	Clamp	
47	8405104	4	Clamp	
48	8406109	AR	Clip	
49	8410011	2	Clamp	
50	1001117308	1	Contactora	
51	1001134488	1	Fitting, 90 Barbed (Part of Item 58)	
52	1001135138	1	Adapter, Fan	
53	1001135679	1	Adapter	
54	1001136834	1	Cap, Tank	
55	1001137276	1	Fan	
56	1001138228	1	Relay	
57	1001138827	1	Sensor, Coolant Level (Part of Item 58)	
58	1001140535	NLA	Tank, Surge (Use p/n 1001230635) (SN 0300235168 through	

SECTION 3 - ENGINE

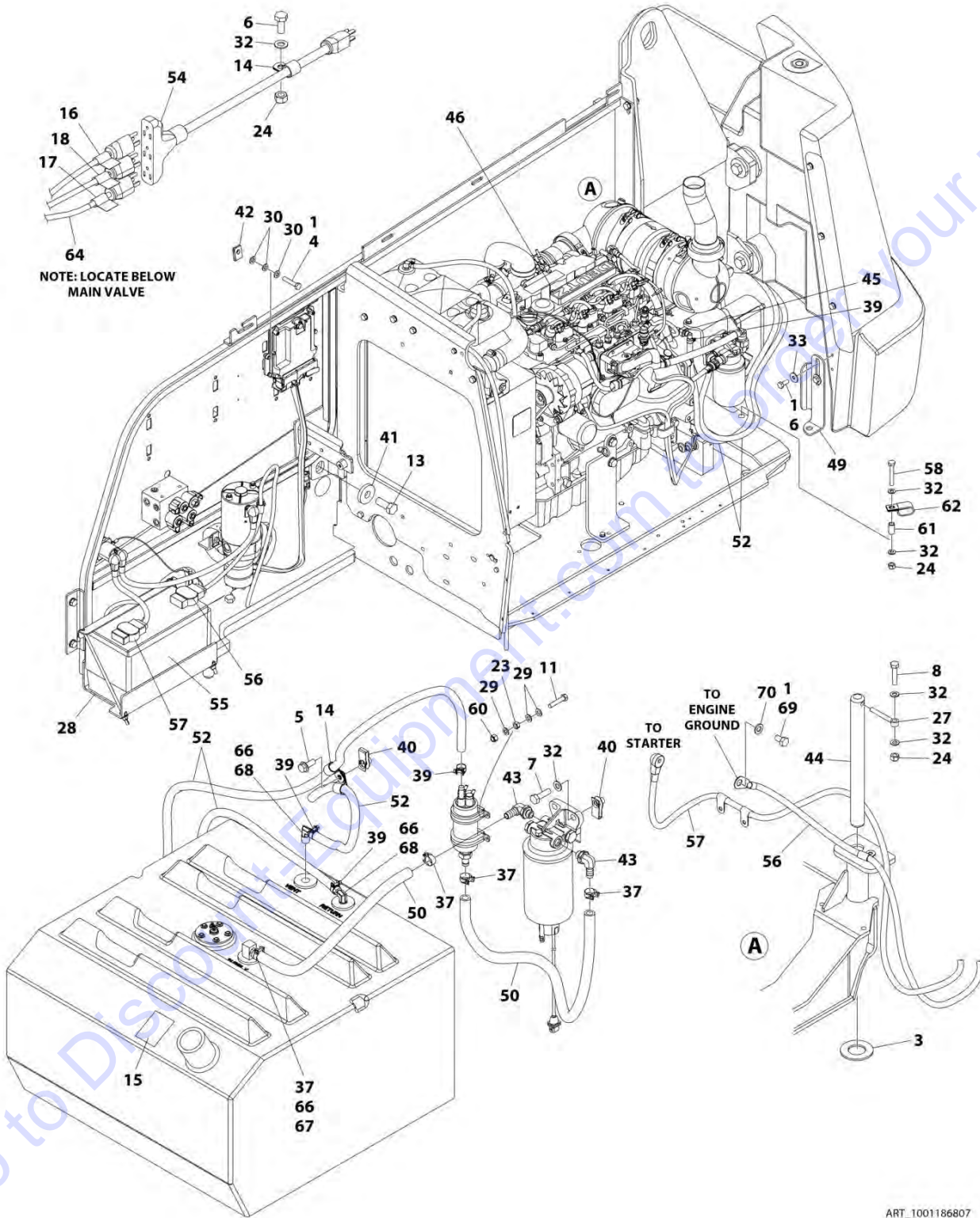
ITEM	PART NUMBER	QTY	DESCRIPTION	REV
			0300237156)	
58	1001230635	1	Tank, Surge (Include Items 51, 57 & 59) (SN 0300237157 to Present)	
59	1001140564	1	Fitting, 90 Barbed (Part of Item 58)	
60	1001152489	1	Fitting, 90 Barbed	
61	1001167042	1	Radiator	
62	1001169967	2	Bracket	
63	1001170035	2	Bracket	
64	1001177359	1	Hose	
65	1001177844	1	Hose, Radiator (Top)	
66	1001227059	NLA	Mount (Use p/n 1001231805) (SN 0300235168 through 0300237156)	
66	1001231805	1	Mount (SN 0300237157 to Present)	
67	1001186426	1	Clamp, Air Cleaner	
68	1001186902	1	Deutz TD2.9L4 - 67HP Engine (See Separate Breakdown in this Section)	
69	1001188237	NLA	Engine Harness - Deutz TD2.9L4 - 67HP Engines (Not Shown) (Use pn 1001233895) (See Separate Breakdown in ELECTRICAL Section) (SN 0300235168 through 0300237156)	
69	1001233895	1	Engine Harness - Deutz TD2.9L4 - 67HP Engines (Not Shown) (See Separate Breakdown in ELECTRICAL Section) (SN 0300237157 to Present)	
70	1001188535	1	Bracket, Engine - Rear	
71	1001189026	1	Bracket, Engine - Right	
72	1001166716	1	Restriction, Indicator	
73	1001189913	1	Hose	
74	1001189979	1	Filter, Air	
74	70005008	1	Element, Filter	
75	1001190164	1	Mount, Motor	
76	1001200745	1	Tray	
77	1001229091	1	Support, Radiator	
78	1001203885	1	Plate	
79	1001190942	1	Support	
80	1001191025	1	Hose, Radiator (Bottom)	
82	1001191610	1	Mount, Motor	
83	1001192400	1	Bracket	
85	1001193049	1	Hose	
87	2720015	AR	Hose	
88	2300004	AR	Coolant	
89	1001136079	AR	Oil, Motor 15W-40	
90	1001168166	2	Seal	
91	1001168018	1	Washer	
92	1001180620	AR	Adhesive	
94	0761210	1	Bolt M12 x 20	
96	1001197725	1	Spacer	
97	0760810	11	Bolt M8 x 20	
98	3291005	11	Nut M10	
99	4811902	8	Washer M8	
100	5241000	10	Washer M10	
101	1001169054	4	Isolator	
102	1001169138	4	Pad, Snubbing	
103	1001190442	1	Harness, Alternator Power	
103	1001098764	1	Boot - Red	

SECTION 3 - ENGINE

ITEM	PART NUMBER	QTY	DESCRIPTION	REV
104	1320202	1	Clamp	
105	1001141304	1	Harness, Glow Fuse	
106	1001181899	1	Clamp	
108	4240099	1	Tie-Strap (Not Shown)	
109	1001223254	1	Bracket (SN 0300235168 through 0300254984)	
110	1001223255	1	Fitting, Straight FNPT (SN 0300235168 through 0300254984)	
111	1001223256	1	Fitting, Straight MNPT (SN 0300235168 through 0300254984)	
112	1001223257	24 in/.6m	Hose (SN 0300235168 through 0300254984)	
113	5251012	2	Bolt M10 x 25	
114	0760614	2	Bolt M6 x 30 (SN 0300235168 through 0300254984)	
115	0760816	3	Bolt M8 x 40	
116	0761017	4	Bolt M10 x 45	
117	1001138248	4 ft/1.25m	Tube (SN 0300254985 to Present)	

SECTION 3 - ENGINE

FIGURE 3-22. DEUTZ TD2.9L4 - 67HP ENGINE INSTALLATION - WITH ARCTIC PACKAGE



SECTION 3 - ENGINE

FIGURE 3-22. DEUTZ TD2.9L4 - 67HP ENGINE INSTALLATION - WITH ARCTIC PACKAGE

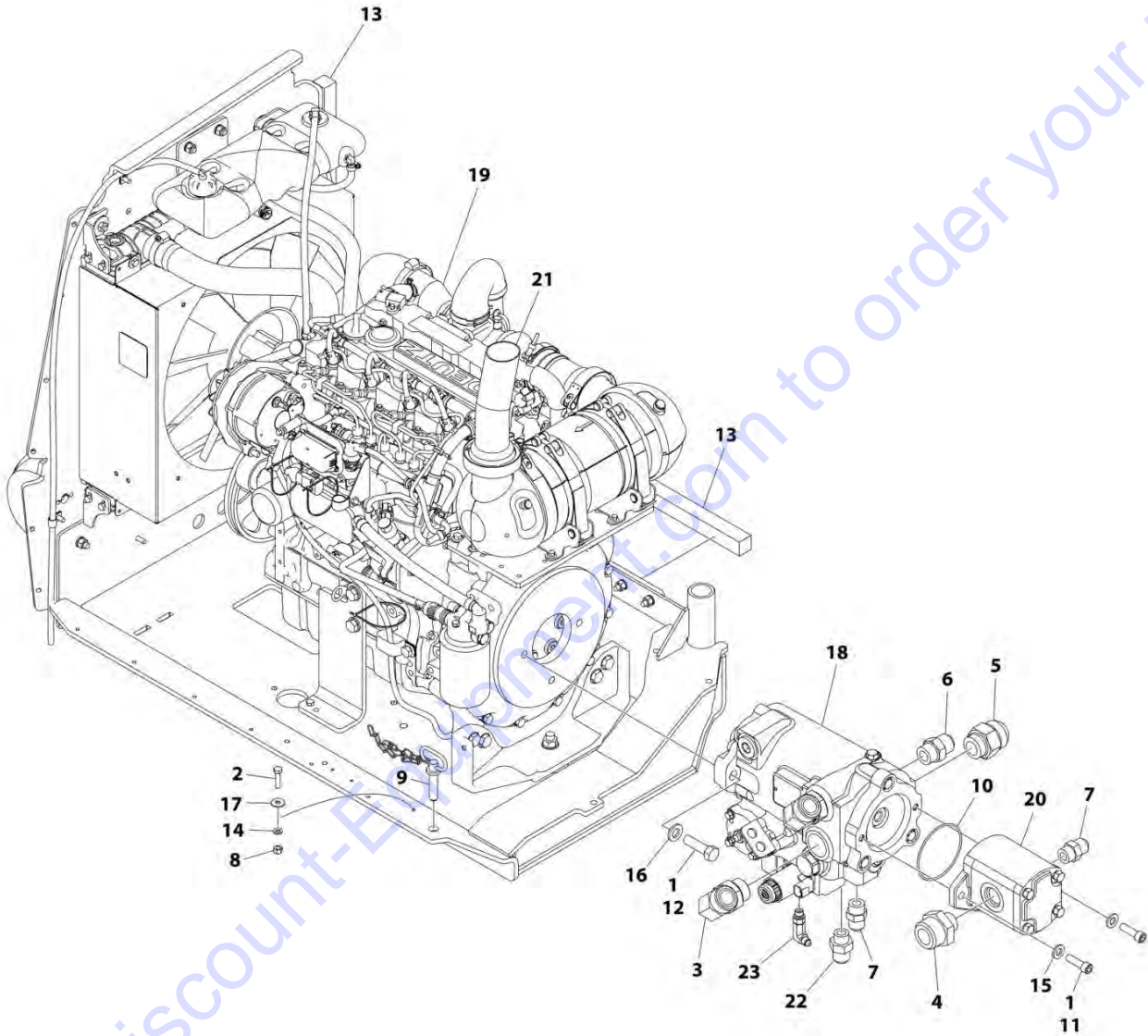
ITEM	PART NUMBER	QTY	DESCRIPTION	REV
	1001186807	Ref	DEUTZ TD2.9L4 - 67HP ENGINE INSTALLATION	N
1	0100011	AR	Compound, Locking	
3	0440162	1	Bearing	
4	0700614	4	Bolt M6 x 30	
5	5251012	1	Bolt M10 x 25	
6	0701012	3	Bolt M10 x 25	
7	0701015	2	Bolt M10 x 35	
8	0711018	1	Bolt M10 x 50	
11	0760512	4	Bolt M5 x 25	
13	0772018	1	Bolt M20 x 50	
14	1320061	3	Clamp	
15	1701505	1	Decal - Diesel Fuel	
16	1702941	1	Decal - Battery Heater	
17	1702942	1	Decal - Engine Block Heater	
18	1702943	1	Decal - Hydraulic Tank Heater	
22	1001188972	1	Heater, Immersion (Not Shown - Located on Hydraulic Tank)	
23	3290501	4	Nut M5	
24	3291005	3	Nut M10	
27	3841143	1	Keeper, Pin	
28	3980007	1	Seat, Battery	
29	4811600	12	Washer M5	
30	4811700	12	Washer M6	
32	4812000	7	Washer M10	
33	4812002	2	Washer M10	
37	1001175568	4	Clip	
39	1001136975	5	Clamp	
40	1001118972	3	Nut, Tinnerman M10	
41	1001119051	1	Washer	
42	1001130220	4	Nut, Tinnerman M6	
43	1001142501	2	Fitting, 90 Barbed	
44	1001155094	1	Pin	
45	1001155823	1	Fitting, 90 Quick Connect	
46	1001186813	1	Deutz TD2.9L4 - 67HP Engine and Pumps Sub-Assembly (See Separate Breakdown in this Section)	
49	1001196398	1	Bracket	
50	1001154405	33 in/ 0.8cm	Hose	
52	1001165035	27 ft/ 8.2m	Hose	
54	1060626	1	Plug, 3 Way	
55	2580024	1	Heater, Battery	
56	1001188668	1	Cable, Battery (-) to Aux Pump and Ground	
57	1001188669	1	Cable, Battery (+) to Aux Relay to Starter	
58	0701022	1	Bolt M10 x 70	
60	3290505	4	Nut M5	
61	1001200731	1	Tube	
62	1001026127	1	Clamp	
63	4240099	1	Tie-Strap (Not Shown)	
64	1001150918	1	Cable, Extension	
65	1001190444	1	Engine Harness - Deutz TD2.9L4 - 67HP Engines (Not Shown)	

SECTION 3 - ENGINE

ITEM	PART NUMBER	QTY	DESCRIPTION	REV
			(See Separate Breakdown in ELECTRICAL SECTION)	
66	0100020	AR	Sealant	
67	2180832	1	Fitting, Straight Barbed	
68	2220313	2	Fitting, 90 NPTF/Barb	
69	0761210	1	Bolt M12 x 20	
70	4812100	1	Washer M12	
71	1001192690	1	Hose (Case Drain) (Drive Pump Case Gauge Port to Tank) (Not Shown)	
72	1001203431	1	Hose (Case Drain) (Drive Pump Case Outlet Port to Tank) (Not Shown)	
73	1001203432	1	Hose (Function Suction) (Not Shown)	
74	1001203433	1	Hose (Drive Suction) (Not Shown)	
75	1001233763	1	Deutz Breather Heater Installation (Not Shown) (See Separate Breakdown in this Section) (SN 0300237157 to Present)	
75	4240099	AR	Tie-Strap	
75	1001196634	1	Fuse 2amp	
75	1001232842	1	Heater, Deutz Breather Kit	
75	2400060	1	Fuse, Holder	
100	1001235532	1	Battery Cable Kit (Includes Items 56 & 57) (Not Shown) (SN 0300237157 to Present)	

SECTION 3 - ENGINE

FIGURE 3-23. DEUTZ TD2.9L4 - 67HP ENGINE AND PUMPS SUB-ASSEMBLY - WITH ARCTIC PACKAGE



ART_1001186813

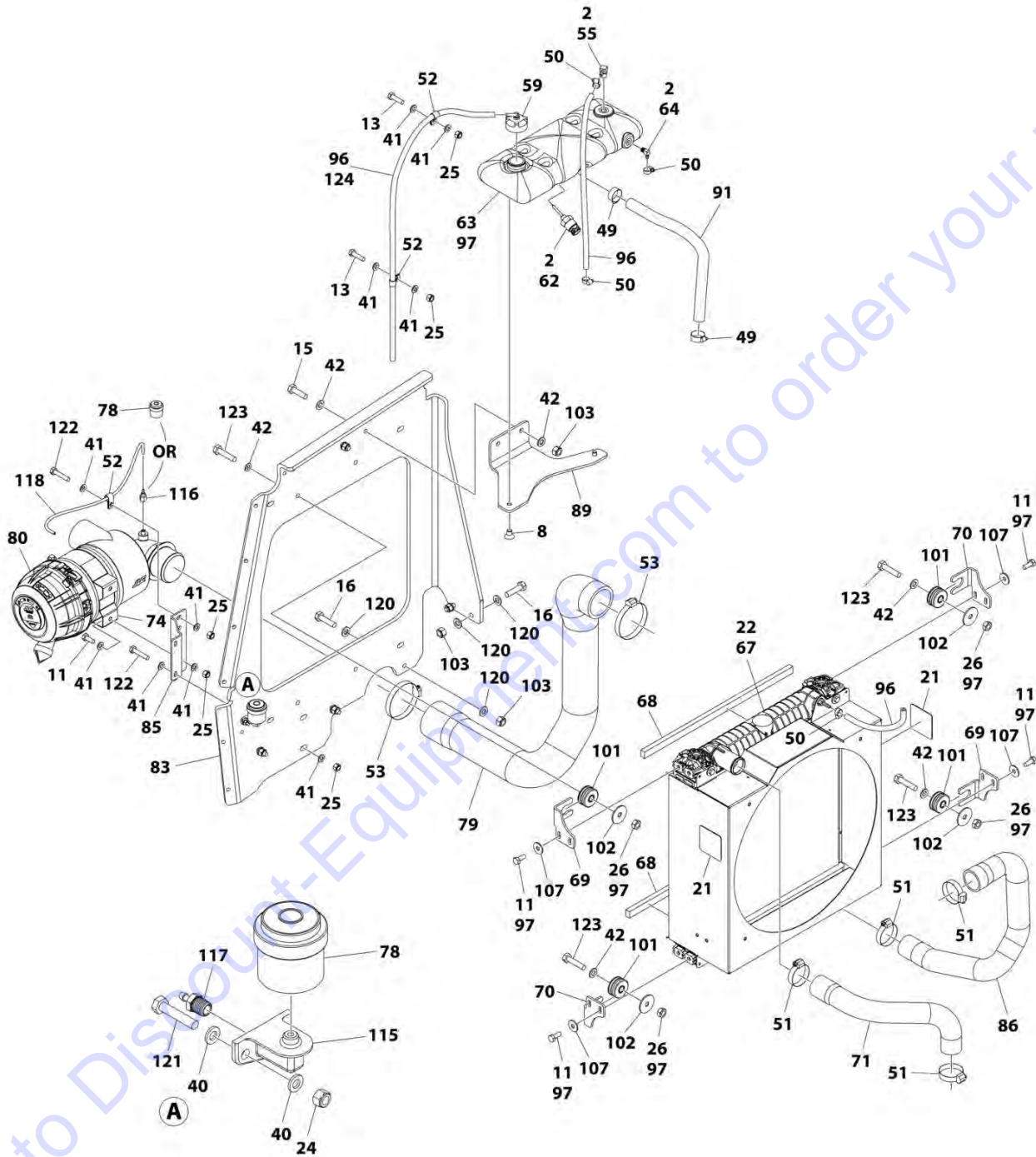
SECTION 3 - ENGINE

FIGURE 3-23. DEUTZ TD2.9L4 - 67HP ENGINE AND PUMPS SUB-ASSEMBLY - WITH ARCTIC PACKAGE

ITEM	PART NUMBER	QTY	DESCRIPTION	REV
	1001186813	Ref	DEUTZ TD2.9L4 - 67HP ENGINE AND PUMPS SUB-ASSEMBLY	I
1	0100011	AR	Compound, Locking	
2	0760612	1	Bolt M6 x 25	
3	2131616	2	Fitting, 90 ORFS/ORB	
4	2220946	1	Fitting, Straight JIC/ORB	
5	2220479	1	Fitting, Straight JIC/ORB	
6	2220451	1	Fitting, Straight JIC/ORB	
7	2220947	2	Fitting, Straight JIC/ORB	
8	3290605	1	Nut M6	
9	3422532	1	Pin	
10	3790152	1	O-Ring	
11	3931620	2	Capscrew 3/8 x 1-1/4	
11	3931618	2	Capscrew 3/8 x 1-1/8	
12	0641814	2	Bolt 1/2 x 1-3/4	
13	3960469	2	Seal	
14	4811700	1	Washer M6	
15	5241000	2	Washer M10	
16	5241200	2	Washer M12	
17	4811702	1	Washer M6	
18	1001184930	1	Piston Pump Assembly (See Separate Breakdown in this Section)	
19	1001186814	1	Deutz TD2.9L4 - 67HP Engine Assembly (See Separate Breakdown in this Section)	
20	1001190143	1	Gear Pump Assembly	
20	70006356	1	Seal Kit - 1001190143 Pump	
21	1001211042	NLA	Pipe, Exhaust (Use p/n 1001239207) (SN 0300235168 through 0300254984)	
21	1001239207	1	Pipe, Exhaust (SN 0300254985 to Present)	
22	2220408	1	Fitting, Straight JIC/ORB	
23	2220940	1	Fitting, 90 JIC/ORB	

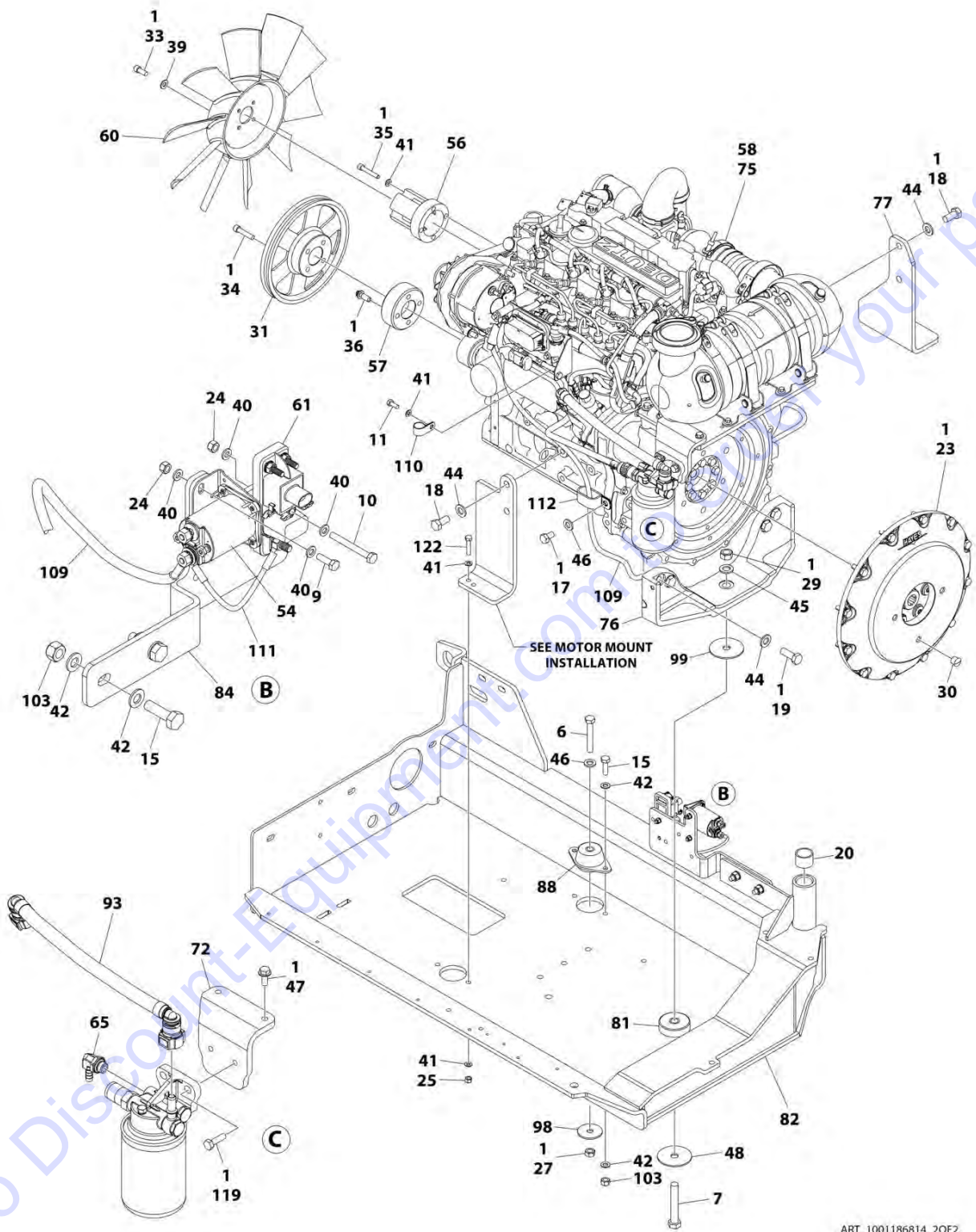
SECTION 3 - ENGINE

FIGURE 3-24. DEUTZ TD2.9L4 - 67HP ENGINE ASSEMBLY - WITH ARCTIC PACKAGE



ART_1001186814_10F2

SECTION 3 - ENGINE



SECTION 3 - ENGINE

FIGURE 3-24. DEUTZ TD2.9L4 - 67HP ENGINE ASSEMBLY - WITH ARCTIC PACKAGE

ITEM	PART NUMBER	QTY	DESCRIPTION	REV
	1001186814	Ref	DEUTZ TD2.9L4 - 67HP ENGINE ASSEMBLY	T
1	0100011	AR	Compound, Locking	
2	0100020	AR	Sealant	
6	0711224	1	Bolt M12 x 80	
7	0711627	1	Bolt M16 x 100	
8	0741605	2	Screw 3/8 x 5/8	
9	0760610	2	Bolt M6 x 20	
10	0760619	1	Bolt M6 x 55	
11	0760810	11	Bolt M8 x 20	
13	0760814	AR	Bolt M8 x 30	
15	0761015	6	Bolt M10 x 35	
16	0761016	5	Bolt M10 x 40	
17	0761210	1	Bolt M12 x 20	
18	0771414	4	Bolt M14 x 30	
19	0771416	4	Bolt M14 x 40	
20	0961951	2	Bushing	
21	1703162	2	Decal - Fan Blade	
22	2300041	AR	Coolant	
23	2902065	1	Pump Coupling Kit (See Separate Breakdown in this Section)	
24	3290605	AR	Nut M6	
25	3290805	AR	Nut M8	
26	3291001	4	Nut M10	
27	3331211	1	Nut M12	
29	3331611	1	Nut M16	
30	3520054	1	Plug	
31	3580320	1	Pulley	
33	3931512	4	Capscrew 5/16 x 3/4	
34	3931628	4	Capscrew 3/8 x 1-3/4	
35	4031914	4	Capscrew M8 x 50	
36	4032014	4	Capscrew M10 x 50	
39	4711500	4	Washer 5/16	
40	4811700	AR	Washer M6	
41	4811900	AR	Washer M8	
42	4812000	20	Washer M10	
44	5241400	8	Washer M14	
45	4812300	1	Washer M16	
46	5241200	2	Washer M12	
47	5250810	2	Bolt M8 x 20	
48	7300435	1	Washer	
49	8405007	2	Clamp	
50	8405009	4	Clamp	
51	8405104	4	Clamp	
52	8406109	AR	Clip	
53	8410011	2	Clamp	
54	1001117308	1	Contactora	
55	1001134488	1	Fitting, 90 Barbed (Part of Item 63)	
56	1001135138	1	Adapter	
57	1001135679	1	Adapter	
58	1001136172	AR	Oil, Motor 5W-40	
59	1001136834	1	Cap, Tank	

SECTION 3 - ENGINE

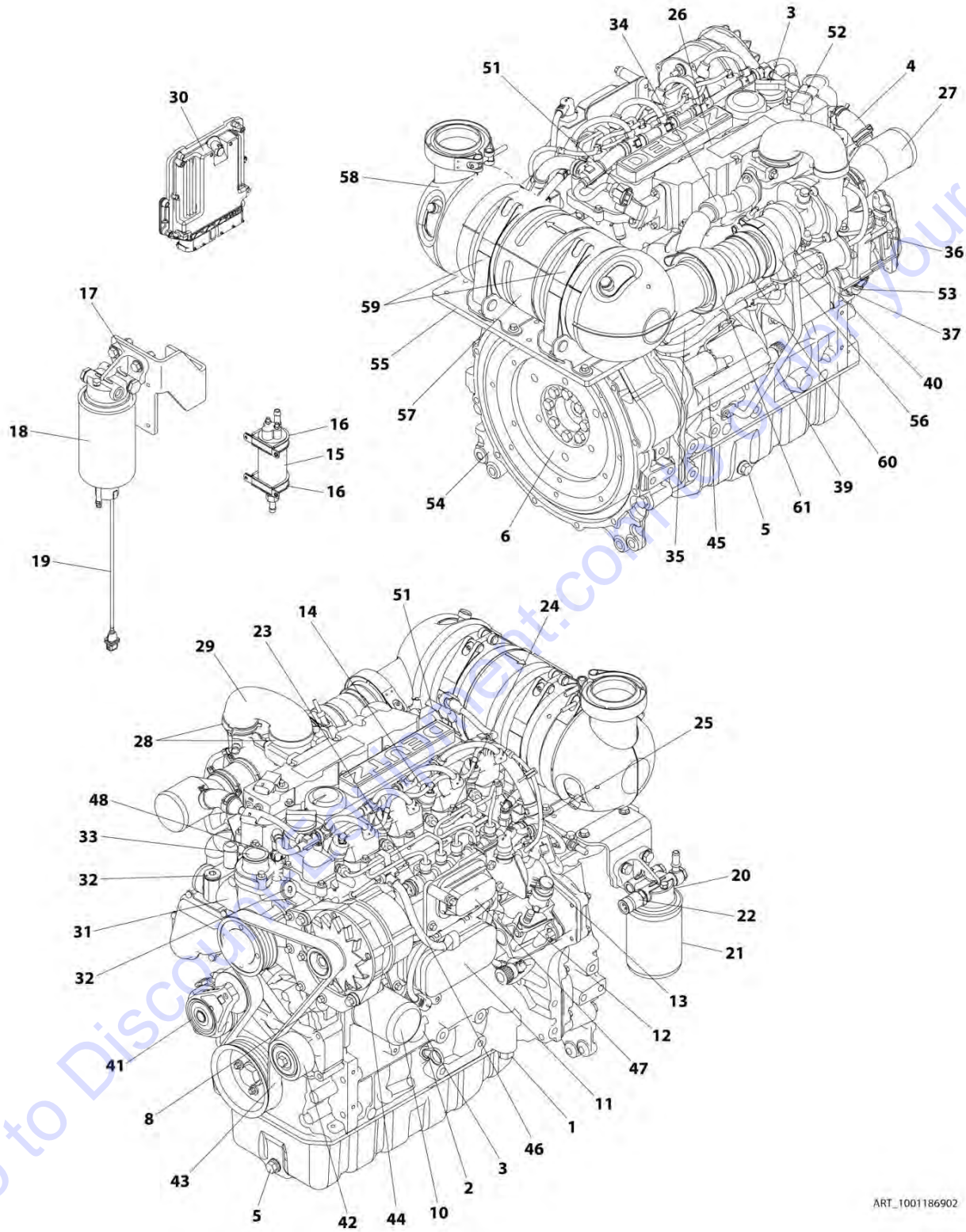
ITEM	PART NUMBER	QTY	DESCRIPTION	REV
60	1001137276	1	Fan	
61	1001138228	1	Relay	
62	1001138827	1	Sensor, Coolant Level (Part of Item 63)	
63	1001140535	NLA	Tank, Surge (Use p/n 1001230635) (SN 0300235168 through 0300237156)	
63	1001230635	1	Tank, Surge (Includes Items 55, 62 & 64) (SN 0300237157 to Present)	
64	1001140564	1	Fitting, 90 Barbed (Part of Item 63)	
65	1001152489	1	Fitting, 90 Pipe/Barbed	
67	1001167042	1	Radiator	
68	1001168166	2	Seal	
69	1001169967	2	Bracket	
70	1001170035	2	Bracket	
71	1001177844	1	Hose, Radiator (Top)	
72	1001227059	NLA	Mount (Use p/n 1001231805) (SN 0300235168 through 0300237156)	
72	1001231805	1	Mount (SN 0300237157 to Present)	
74	1001186426	1	Clamp, Air Cleaner	
75	1001186902	1	Deutz TD2.9L4 - 67HP Engine (See Separate Breakdown in this Section)	
76	1001188535	1	Bracket, Engine - Rear	
77	1001189026	1	Bracket, Engine - Right	
78	1001166716	1	Restriction, Indicator	
79	1001189913	1	Hose	
80	1001189979	1	Filter, Air	
80	70005008	1	Element, Filter	
81	1001190164	1	Mount, Motor	
82	1001200745	1	Tray	
83	1001229091	1	Support, Radiator	
84	1001203885	1	Plate	
85	1001190942	1	Support	
86	1001191025	1	Hose, Radiator (Bottom)	
88	1001191610	1	Mount, Motor	
89	1001192400	1	Bracket	
91	1001193049	1	Hose	
92	1001140312	1	Heater, Engine Block	
93	1001177359	1	Hose	
94	1001188237	NLA	Engine Harness - Deutz TD2.9L4 - 67HP Engines (Not Shown) (Use pn 1001233895) (See Separate Breakdown in ELECTRICAL SECTION) (SN 0300235168 through 0300237156)	
94	1001233895	1	Engine Harness - Deutz TD2.9L4 - 67HP Engines (Not Shown) (See Separate Breakdown in ELECTRICAL SECTION) (SN 0300237157 to Present)	
96	2720015	AR	Hose	
97	1001180620	AR	Adhesive	
98	1001168018	1	Washer	
99	1001197725	1	Spacer	
101	1001169054	4	Isolator	
102	1001169138	4	Pad, Snubbing	
103	3291005	11	Nut M10	
107	4811902	8	Washer M8	
108	1001181895	AR	Adhesive	
109	1001190442	1	Harness, Alternator Power	

SECTION 3 - ENGINE

ITEM	PART NUMBER	QTY	DESCRIPTION	REV
109	1001098764	1	Boot - Red	
110	1320202	1	Clamp	
111	1001141304	1	Harness, Glow Fuse	
112	1001181899	1	Clamp	
114	4240099	1	Tie-Strap (Not Shown)	
115	1001223254	1	Bracket (SN 0300235168 through 0300254984)	
116	1001223255	1	Fitting, Straight FNPT (SN 0300235168 through 0300254984)	
117	1001223256	1	Fitting, Straight MNPT (SN 0300235168 through 0300254984)	
118	1001223257	24 in/.6m	Hose (SN 0300235168 through 0300254984)	
119	5251012	2	Bolt M10 x 25	
120	5241000	10	Washer M10	
121	0760614	2	Bolt M6 x 30 (SN 0300235168 through 0300254984)	
122	0760816	3	Bolt M8 x 40	
123	0761017	4	Bolt M10 x 45	
124	1001138248	4 ft/1.25m	Tube (SN 0300254985 to Present)	

SECTION 3 - ENGINE

FIGURE 3-25. DEUTZ TD2.9L4 - 67HP ENGINE COMPONENTS



ART_1001186902

SECTION 3 - ENGINE

FIGURE 3-25. DEUTZ TD2.9L4 - 67HP ENGINE COMPONENTS

ITEM	PART NUMBER	QTY	DESCRIPTION	REV
	1001186902	Ref	DEUTZ TD2.9L4 - 67HP ENGINE COMPONENTS	D
1	70025660	1	Plug	
1	70006264	1	Valve, Plunger	
1	70006265	1	Spring	
1	70006266	1	Seal	
2	70024904	1	Dipstick	
2	70024905	2	Seal	
3	7020465	2	Cap, Fill	
4	70005920	1	Line, Breather	
4	70025111	2	Clamp	
5	70006941	2	Plug	
5	70005942	2	Seal	
6	70001870	1	Flywheel	
6	7024579	1	Ring Gear	
6	70025139	8	Bolt	
7		Ref	Gasket & Seal Options (Not Shown):	
7	70005938	1	Gasket Kit	
7	70024906	1	Gasket, Head	
7	70005922	1	Gasket, Valve Cover	
7	70028185	1	Gasket, Front Cover	
7	70004280	1	Seal, Front Main	
7	70002718	1	Seal, Rear Main	
8	70025091	1	Plug	
8	70025076	1	Valve, Plunger	
8	70025176	1	Spring	
8	70025082	1	Seal	
9	70005172	1	Pump, Lube (Not Shown - Located RH Rear)	
9	70025135	1	O-Seal	
9	70005173	1	Gasket	
10	7016331	1	Filter, Oil	
10	70025137	1	Bushing, Oil Filter	
11	70024494	1	Cooler, Oil	
11	70024925	1	Gasket, Oil Filter	
12	70024924	1	Pump, High Pressure	
12	70025152	1	Gasket (Spacer to Pump)	
12	70024488	1	Spacer	
12	70024517	1	Gasket (Spacer to Block)	
12	70004505	1	Valve, Overflow	
12	70004506	1	Gasket, Overflow	
12	70004507	1	Gasket, Overflow	
13	70004508	1	Valve, Volume Control	
13	70004509	1	O-Ring	
13	70004510	1	Gasket	
14	70025181	4	Injector	
14	70025140	4	Washer, Sealing	
14	70025146	4	Clamp	
14	70025145	4	O-Seal	
14	70025154	4	Shoe/Pad, Clamping	
15	1001226098	1	Pump, Fuel Supply (was p/n 70005174 & 70006144)	
16	70025144	2	Clip, Clamp	

SECTION 3 - ENGINE

ITEM	PART NUMBER	QTY	DESCRIPTION	REV
17	70024961	1	Fuel Filter Assembly	
18	70025153	1	Element, Filter	
19	70024513	1	Cable, Sensor	
19	70025239	1	Seal, Ring	
20	70025160	1	Fuel Filter Assembly	
20	70004513	2	Seal (at Hollow Bolt)	
21	70025161	1	Element, Filter	
22	70024504	1	Sensor, Pressure	
22	70024920	1	O-Seal	
23	70025151	1	Rail, Fuel	
23	70025235	1	Repair Kit - Fuel Rail	
23	70025240	1	O-Ring	
24	70025182	1	Tube, Fuel - Cylinders 1 & 2	
24	70025183	1	Tube, Fuel - Cylinders 3 & 4	
24	70025184	1	Tube, Fuel	
25	70024502	1	Pipe, Fuel Leakage	
25	70025185	1	Hose, Fuel	
25	70025158	1	Manifold	
25	70025109	2	Clamp, Spring	
25	70025115	1	Clamp	
25	70025133	1	Hose	
25	70025101	2	Clamp	
25	70025148	1	Connector, Plug-in	
26	70005923	1	Manifold, Charger Air	
26	70005177	1	Gasket, Charger Air Manifold	
26	70005924	1	Seal (Manifold to Elbow)	
26	70005925	1	Line, Breather (Not Shown)	
26	70005181	1	O-Seal (Breather to Manifold)	
27	70005926	1	Elbow	
27	70025112	2	Clamp	
27	70004501	1	Sleeve, Rubber	
28	70005927	1	Sleeve	
28	70025107	2	Clamp	
29	70005928	1	Elbow, Air Charge	
30	70025210	1	Module, ECU	
31	70024910	1	Pump, Coolant	
31	70025200	1	Ring, Sealing (Pump to Block)	
32	70025084	2	Plug	
32	7020492	2	Ring, Sealing	
33	70005929	1	Thermostat	
33	70005184	1	O-Seal (Thermostat to Housing)	
33	70005930	1	Housing, Thermostat	
33	70005931	1	O-Seal (Thermostat to Pump)	
33	70025124	2	Bolt	
34	70025178	1	Tube	
34	70025179	2	Gasket (at Either End of Tube)	
35	70025768	1	Valve, Shuttle	
35	70025180	1	Gasket	
35	70025174	1	Housing, Shuttle Valve	
35	70025175	1	Cap, Shuttle Valve	
36	70025203	1	Module, EGR	

SECTION 3 - ENGINE

ITEM	PART NUMBER	QTY	DESCRIPTION	REV
36	70025155	1	Plug (Not Shown)	
37	70005188	1	Valve, EGR Control	
37	70005189	1	Seal (Valve to Module)	
38	70004282	1	Manifold, Exhaust (Not Shown)	
38	70025164	1	Gasket, Manifold to Head (Not Shown)	
38	70025130	8	Bolt, Manifold (Not Shown)	
38	70026995	1	Elbow, Exhaust (Not Shown)	
38	70025179	2	Gasket, Manifold to Elbow (Not Shown)	
39	70005932	1	Tube, Oil Return	
39	70025132	1	O-Seal	
40	70004276	1	Turbocharger	
40	70024509	1	Gasket (Turbocharger to Oil Return Tube Housing)	
40	1001191599	1	Gasket (Turbocharger to Exhaust)	
41	70025477	1	Tensioner, Belt	
42	70024484	1	Roller, Idler	
43	70004277	1	Belt	
44	70025733	1	Pulley, Alternator	
44	70024914	1	Alternator	
44	70025149	1	Controller	
44	70025131	1	Fan	
45	70024915	1	Starter	
45	70005647	1	Switch, Solenoid	
45	70005648	1	Relay	
46	70000345	4	Glow Plug	
46	70025231	1	Harness, Glow Plug	
46	70025233	1	Connector, Plug-in	
47	70025077	1	Harness, Engine	
48	70024918	1	Sender, Temperature	
49	70024504	1	Sensor, Pressure (Not Shown - RH Front)	
49	70024920	1	O-Seal	
50	70026210	1	Sensor, Speed (Not Shown - Front)	
50	70005191	1	Ring, Seal	
51	70024507	1	Sensor, Pressure	
51	70025120	1	O-Seal	
51	70005933	1	Adapter	
51	70005934	1	O-Seal	
52	70024922	1	Sender, Temperature	
52	70025212	1	O-Seal	
53	70026210	1	Sensor, Speed (Not Shown - Front)	
53	70024917	1	O-Seal	
54	70025192	1	Housing	
55	70005935	1	Bracket	
56	70025877	1	Clip	
56	70025242	1	Gasket	
56	70025877	1	Clip	
56	70025242	1	Gasket	
57	70005937	1	Muffler, DOC	
58	70025246	1	Outlet, Muffler	
59	70025245	2	Clamp	
60	70004504	1	Compensator	
60	70025242	1	Gasket	

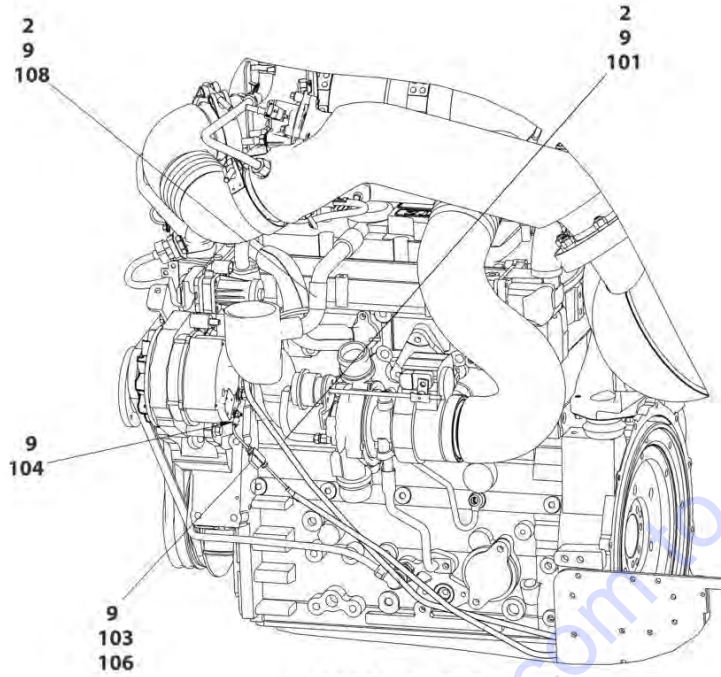
SECTION 3 - ENGINE

ITEM	PART NUMBER	QTY	DESCRIPTION	REV
60	70005527	1	Clip	
61	70025877	1	Clip	

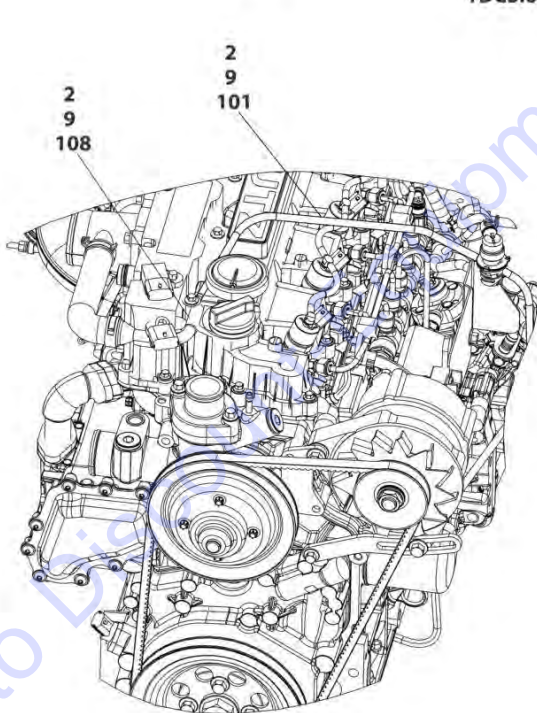
Go to Discount-Equipment.com to order your parts

SECTION 3 - ENGINE

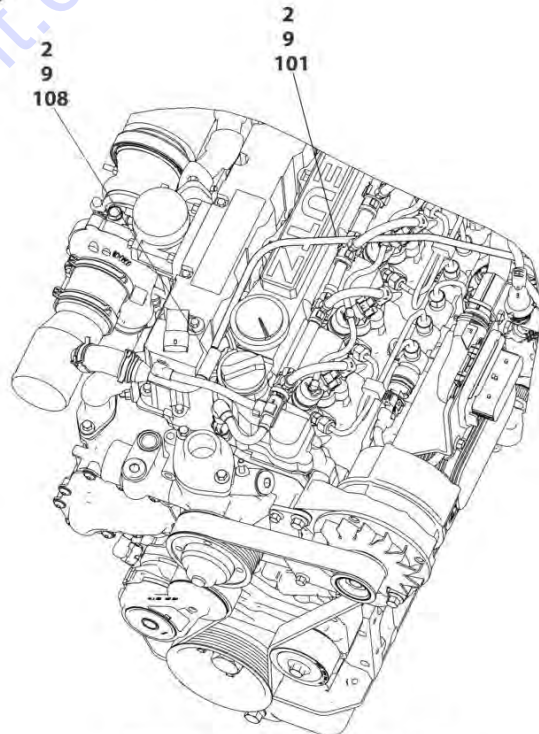
FIGURE 3-26. BREATHER HEATER INSTALLATION - DEUTZ D2.9L4 - 49HP AND DEUTZ TD2.9L4 - 67HP ENGINES WITH ARCTIC PACKAGE



TDC3.6 ENGINES



D2.9L4 ENGINES



TCD2.9L4 AND TD2.9L4 ENGINES

ART_1001233763

SECTION 3 - ENGINE

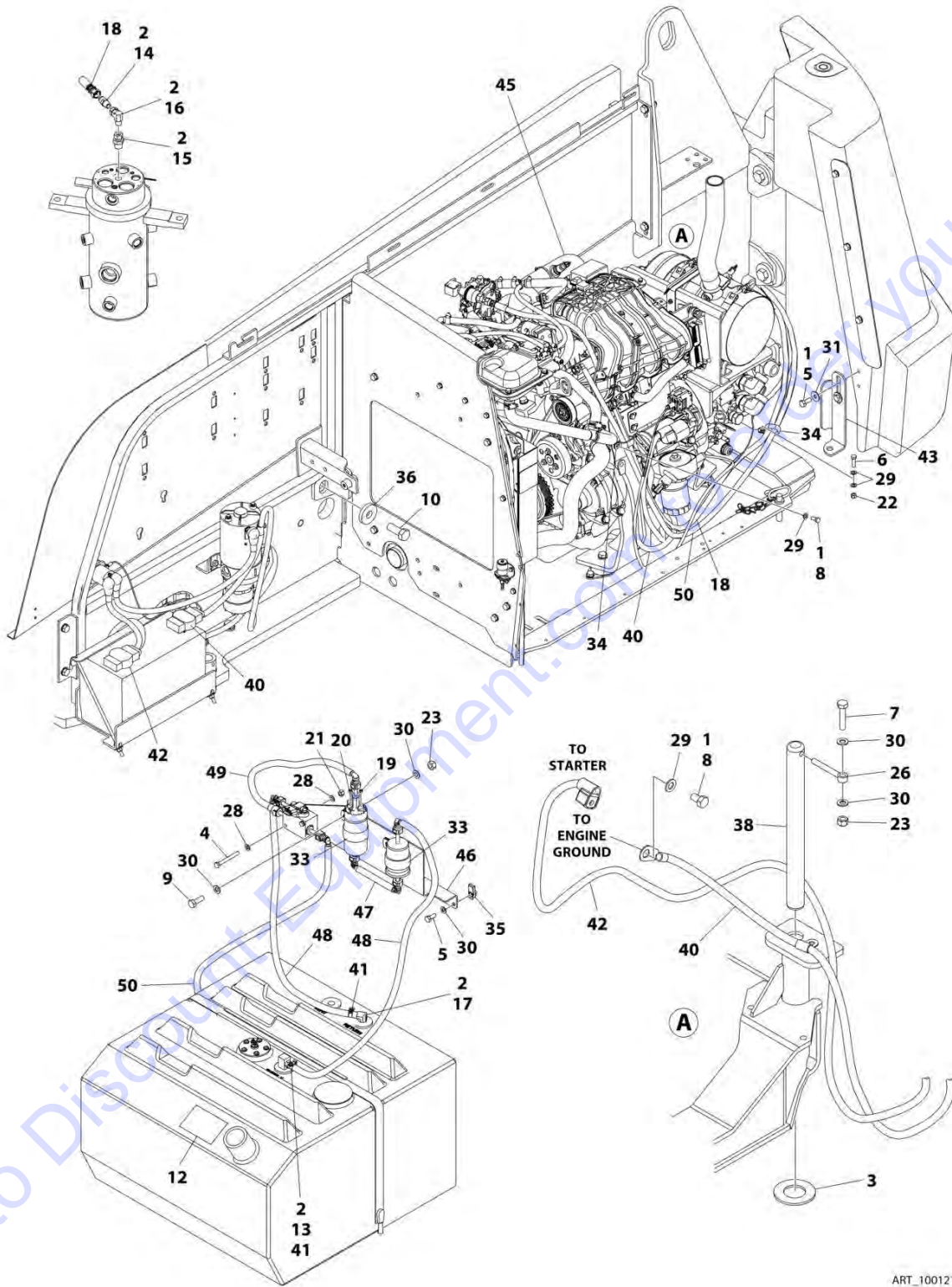
FIGURE 3-26. BREATHER HEATER INSTALLATION - DEUTZ D2.9L4 - 49HP AND DEUTZ TD2.9L4 - 67HP ENGINES WITH ARCTIC PACKAGE

ITEM	PART NUMBER	QTY	DESCRIPTION	REV
	1001233763	Ref	BREATHER HEATER INSTALLATION - DEUTZ ENGINES	C
2	4240099	AR	Tie-Strap	
9	1001243895	1	Breather Heater Harness	
101	2820035	10 ft/ 3m	Insulation	
103	2400060	1	Fuseholder with Cover	
104	4460043	1	Terminal, Ring	
105	4460722	1	Terminal, Ring (Not Shown)	
106	1001196634	1	Fuse - 2 Amp	
108	1001232842	1	Breather Heater Kit	

Go to Discount-Equipment.com to order your parts

SECTION 3 - ENGINE

FIGURE 3-27. FORD ENGINE INSTALLATION - WITHOUT ARCTIC PACKAGE



ART_1001215608

SECTION 3 - ENGINE

FIGURE 3-27. FORD ENGINE INSTALLATION - WITHOUT ARCTIC PACKAGE

ITEM	PART NUMBER	QTY	DESCRIPTION	REV
	1001215608	Ref	FORD ENGINE INSTALLATION	G
1	0100011	AR	Compound, Locking	
2	0100020	AR	Sealant	
3	0440162	1	Bearing	
4	0700619	2	Bolt M6 x 55	
5	0701012	4	Bolt M10 x 25	
6	0760814	1	Bolt M8 x 30	
7	0711018	1	Bolt M10 x 50	
8	0760810	2	Bolt M8 x 20	
9	0761014	2	Bolt M10 x 30	
10	0772018	1	Bolt M20 x 50	
12	1701542	1	Decal - Gas	
13	2180348	1	Fitting, Straight NPT/BARB	
14	2180418	1	Fitting, Straight	
15	2220005	1	Fitting, Straight NPTM	
16	2220064	1	Fitting, Straight	
17	2221176	1	Fitting, 90	
18	1001222133	1	Hose	
19	3290405	1	Nut M4	
20	3290505	1	Nut M5	
21	3290605	2	Nut M6	
22	3290805	1	Nut M8	
23	3291005	3	Nut M10	
25	3790012	1	O-Ring (Not Shown - Located on Platform Console)	
26	3841143	1	Keeper, Pin	
27	4740397	1	Spacer (Not Shown - Located on Platform Console)	
28	4811700	4	Washer M6	
29	4811900	4	Washer M8	
30	4812000	8	Washer M10	
31	4812002	2	Washer M10	
33	85941018	2	Clamp	
34	1321283	2	Clamp	
35	1001118972	2	Nut, Tinnerman	
36	1001119051	1	Washer	
37	1001115044	1	Nut 15/32 (Not Shown - Located on Platform Console)	
38	1001155094	1	Pin	
39	1001161710	1	Switch, Toggle (Not Shown - Located on Platform Console)	
40	1001215220	1	Cable, Battery (-) to Aux Pump to Ground	
41	1001174486	2	Clamp	
42	1001215219	1	Cable, Battery (+) to Aux Ready to Starter	
43	1001196398	1	Bracket	
45	1001215610	1	Ford Engine and Pumps Sub-Assembly (See Separate Breakdown in this Section)	
46	1001219005	1	Bracket	
47	1001219015	1	Hose	
48	1001219021	2	Hose	
49	1001219022	1	Hose	
50	1001219024	1	Hose	
52	1001203432	1	Hose (Drive Suction) (Not Shown)	
53	1001221942	1	Hose (Function Suction) (Not Shown)	

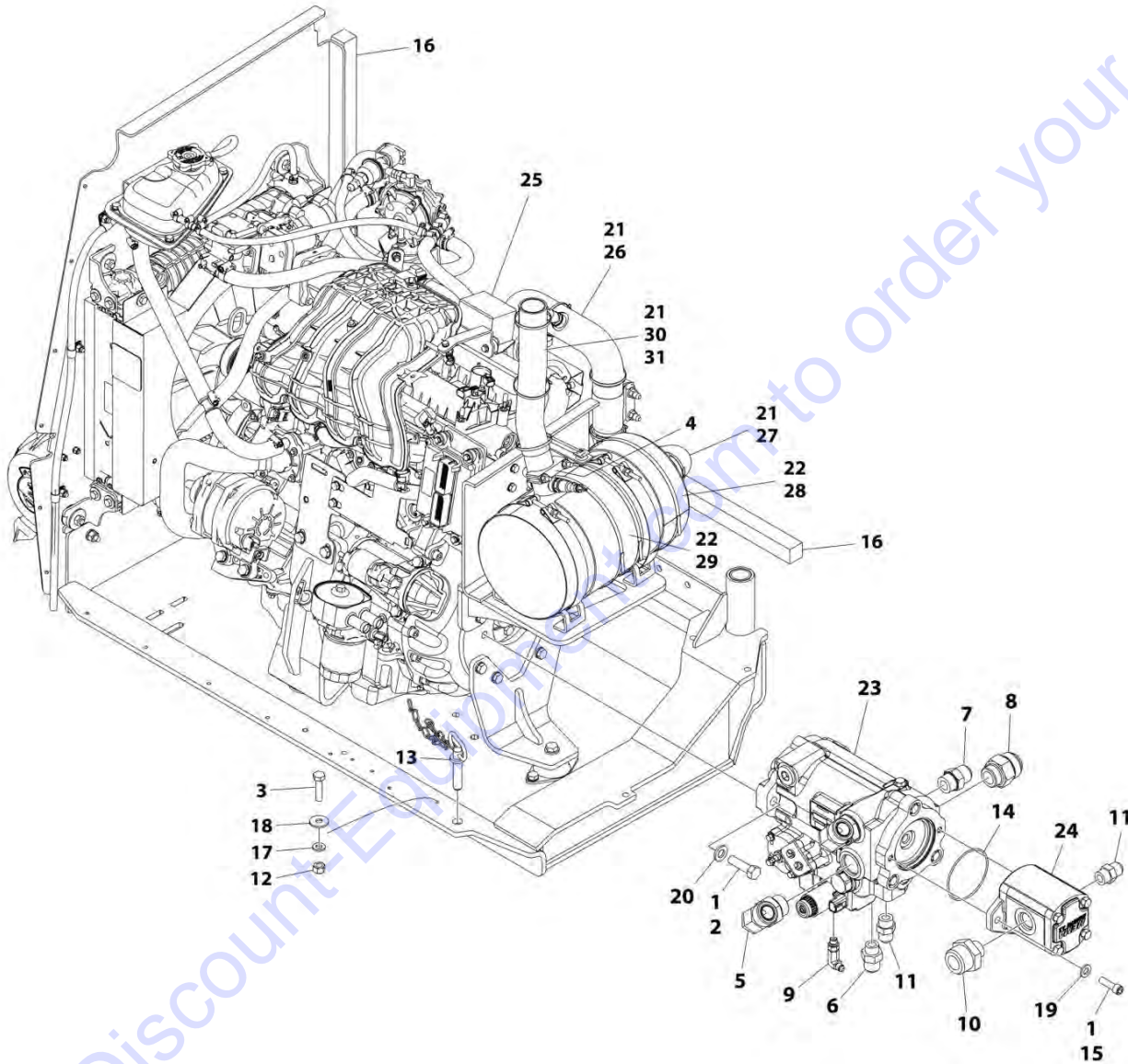
SECTION 3 - ENGINE

ITEM	PART NUMBER	QTY	DESCRIPTION	REV
54	1001221943	1	Hose (Case Drain) (Drive Pump Case Outlet Port to Tank) (Not Shown)	
55	1001221944	1	Hose (Case Drain) (Drive Pump Case Gauge Port to Tank) (Not Shown)	
56	1701543	2	Decal - LPG (Not Shown - See DECALS INSTALLATION - OPTIONS for Locations)	
57	4240099	1	Tie-Strap (Not Shown)	
100	1001236136	1	Battery Cable Kit (Includes Items 40 & 42) (Not Shown) (SN 0300237157 to Present)	

Go to Discount-Equipment.com to order your parts

SECTION 3 - ENGINE

FIGURE 3-28. FORD ENGINE AND PUMPS SUB-ASSEMBLY - WITHOUT ARCTIC PACKAGE



ART_1001215610

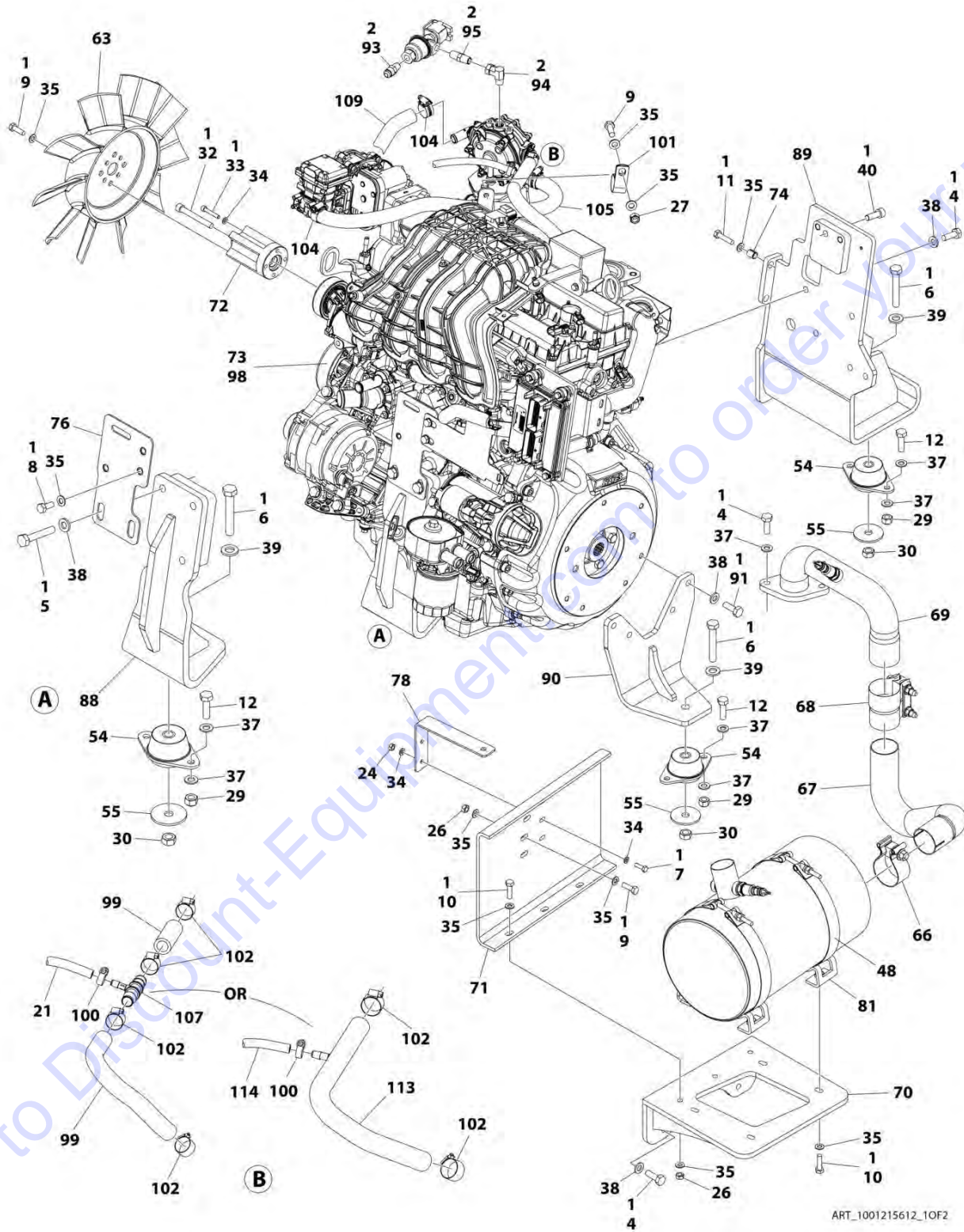
SECTION 3 - ENGINE

FIGURE 3-28. FORD ENGINE AND PUMPS SUB-ASSEMBLY - WITHOUT ARCTIC PACKAGE

ITEM	PART NUMBER	QTY	DESCRIPTION	REV
	1001215610	Ref	FORD ENGINE AND PUMPS SUB-ASSEMBLY	F
1	0100011	AR	Compound, Locking	
2	0641814	2	Bolt 1/2 x 1-3/4	
3	0760612	1	Bolt M6 x 25	
4	1001221397	1	Clamp	
5	2131616	2	Fitting, 90 ORFS/ORB	
6	2220408	1	Fitting, Straight JIC/ORB	
7	2220451	1	Fitting, Straight ORB/JIC	
8	2220479	1	Fitting, Straight JIC/ORB	
9	2220940	1	Fitting, 90 JIC/ORB	
10	2220946	1	Fitting, Straight JIC/ORB	
11	2220947	2	Fitting, Straight JIC/ORB	
12	3290605	1	Nut M6	
13	3422532	1	Pin	
14	3790152	1	O-Ring	
15	3931620	2	Capscrew 3/8 x 1-1/4	
15	3931618	2	Capscrew 3/8 x 1-1/8	
16	3960469	2	Seal	
17	4811700	1	Washer M6	
18	4811702	1	Washer M6	
19	5241000	2	Washer M10	
20	5241200	2	Washer M12	
21	1001100825	9	Strap	
22	1001221464	3	Strap	
23	1001184930	1	Piston Pump Assembly (See Separate Breakdown in this Section)	
24	1001190143	1	Gear Pump Assembly	
24	70006356	1	Seal Kit - 1001190143 Pump	
25	1001215612	1	Ford Engine Assembly (See Separate Breakdown in this Section)	
26	1001216532	1	Insulate, Exhaust	
27	1001216533	1	Insulate, Exhaust	
28	1001216534	1	Insulate, Muffler	
29	1001216535	1	Insulate, Muffler	
30	1001216947	1	Pipe, Exhaust	
31	1001217563	1	Insulate, Exhaust	

SECTION 3 - ENGINE

FIGURE 3-29. FORD ENGINE ASSEMBLY - WITHOUT ARCTIC PACKAGE



ART_1001215612_10F2

SECTION 3 - ENGINE

FIGURE 3-29. FORD ENGINE ASSEMBLY - WITHOUT ARCTIC PACKAGE

ITEM	PART NUMBER	QTY	DESCRIPTION	REV
	1001215612	Ref	FORD ENGINE ASSEMBLY	H
1	0100011	AR	Compound, Locking	
2	0100020	AR	Sealant	
3	1001180620	AR	Adhesive	
4	0711014	10	Bolt M10 x 30	
5	0711020	3	Bolt M10 x 60	
6	0711223	3	Bolt M12 x 75	
7	0760610	4	Bolt M6 x 20	
8	0760810	11	Bolt M8 x 20	
9	0760812	18	Bolt M8 x 25	
10	0760814	11	Bolt M8 x 30	
11	0760815	2	Bolt M8 x 35	
12	0761015	11	Bolt M10 x 35	
13	0761016	4	Bolt M10 x 40	
14	0961951	2	Bushing	
16	1320110	1	Clamp	
18	1703162	2	Decal - Fan Blade	
19	2180467	1	Fitting, Straight NPT/Barb	
21	2720058	AR	Hose, Fuel	
23	2720551	11 in/ 28cm	Hose (SN 0300235168 through 0300243994)	
23	1001165035	11 in/ 28cm	Hose (SN 0300243995 to Present)	
24	3290601	2	Nut M6	
25	3290605	4	Nut M6	
26	3290801	5	Nut M8	
27	3290805	17	Nut M8	
28	3291001	4	Nut M10	
29	3291005	11	Nut M10	
30	3331211	3	Nut M12	
31	3900364	2	Capscrew M6 x 20	
32	3931648	1	Capscrew 3/8 x 3	
33	4031711	1	Capscrew M6 x 35	
34	4811700	14	Washer M6	
35	4811900	54	Washer M8	
36	4811902	10	Washer M8	
37	4812000	14	Washer M10	
38	5241000	29	Washer M10	
39	5241200	3	Washer M12	
40	5272010	1	Capscrew M10 x 30	
41	8405006	2	Clamp	
43	8405102	2	Clamp	
44	8405104	2	Clamp	
45	8405203	3	Clamp	
46	8406109	AR	Clip	
47	8410011	1	Clamp	
48	1001128901	2	Strap	
49	1001138173	1	Support	
50	1001138175	1	Bracket	
51	1001138248	23 in/.6m	Hose	

SECTION 3 - ENGINE

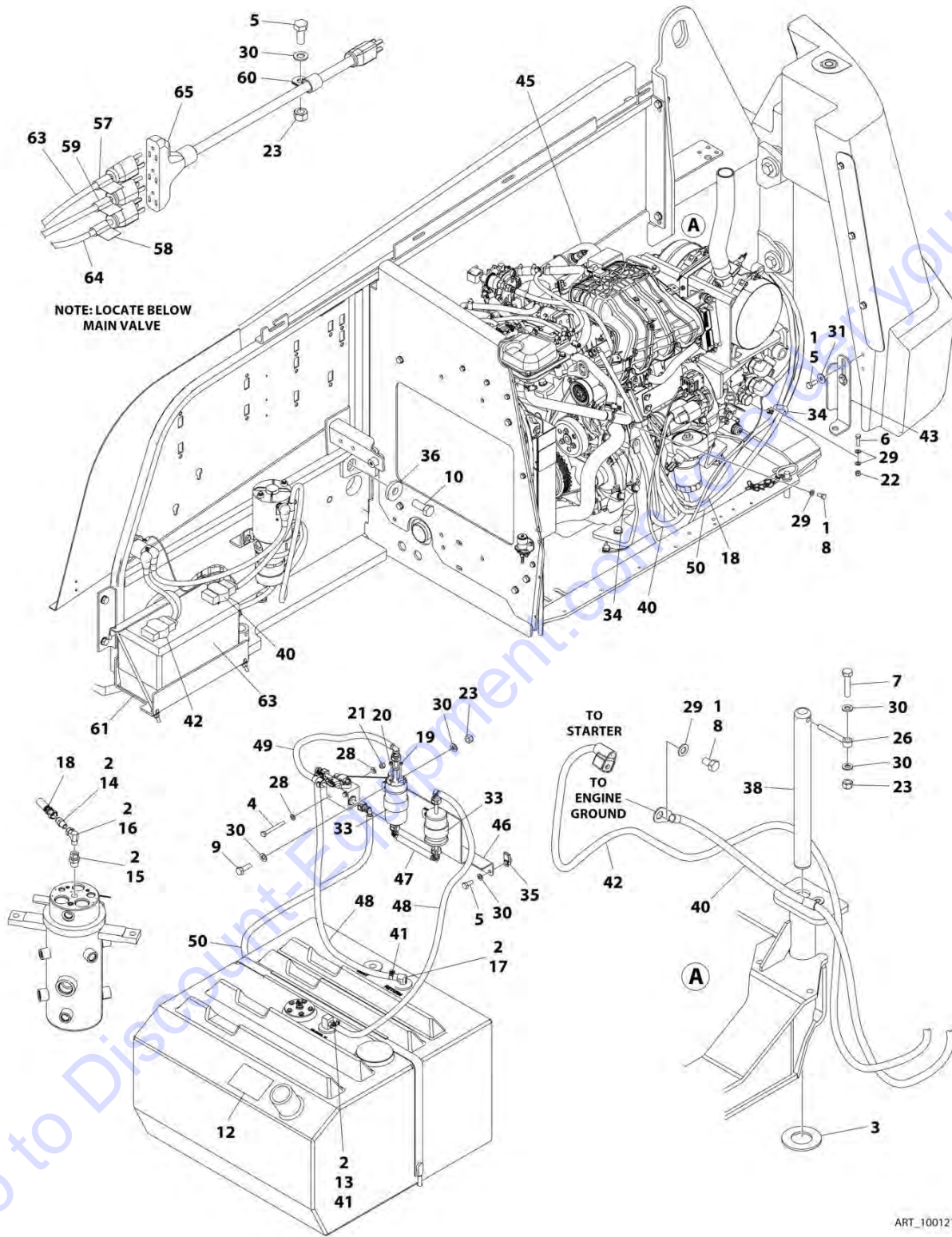
ITEM	PART NUMBER	QTY	DESCRIPTION	REV
52	1001141995	2	Fitting, Straight NPT/Barbed	
53	1001149639	1	Indicator, Restriction	
54	1001191610	3	Mount, Motor	
55	1001168018	3	Washer	
56	1001169054	4	Isolator	
57	1001169138	4	Pad, Snubbing	
58	1001169967	3	Bracket	
59	1001170035	1	Bracket	
60	1001186426	1	Clamp	
61	1001189979	1	Filter, Air	
61	70005008	1	Element, Filter	
62	1001190942	1	Support	
63	1001223042	1	Fan	
64	1001215218	1	Engine Harness - Ford Engines (Not Shown) (See Separate Breakdown in ELECTRICAL SECTION)	
65	1001223923	1	Radiator	
66	1001215681	1	Clamp	
67	1001215899	1	Pipe, Exhaust	
68	1001215974	1	Clamp	
69	1001216075	1	Pipe, Exhaust	
70	1001216086	1	Bracket	
71	1001216092	1	Shield, Heat	
72	1001216201	1	Adapter	
73	1001216910	1	Ford Engine Prep Assembly (See Separate Breakdown in this Section)	
74	1001216919	2	Sleeve	
76	1001222033	1	Plate	
77	1001217185	2	Seal	
78	1001217186	1	Support	
79	1001217450	1	Tray	
80	1001217453	1	Support, Radiator	
81	1001217543	2	Mount	
82	1001217593	1	Pipe, Air Intake	
83	1001217594	1	Pipe, Air Intake	
84	1001217595	1	Pipe, Air Intake	
85	1001217647	1	Hose, Radiator (Lower)	
86	1001217648	1	Hose, Radiator (Upper)	
87	1001218471	1	Bracket	
88	1001218559	1	Mount, Engine (RH Front)	
89	1001218565	1	Mount, Engine (LH Front)	
90	1001218575	1	Mount, Engine (Rear)	
91	0761014	4	Bolt M10 x 30	
92	1001187781	1	Tie-Strap (Not Shown)	
93	2180418	1	Fitting	
94	2220064	1	Fitting	
95	2220261	1	Fitting	
96	1001217183	2	Seal	
97	2300004	AR	Coolant (Not Shown)	
98	1001190775	AR	Oil, Motor 5W-30 Non Synthetic	
99	82033995	14 in/ 34cm	Heater Hose (SN 0300235168 through 0300243994)	
100	8405009	AR	Gear	

SECTION 3 - ENGINE

ITEM	PART NUMBER	QTY	DESCRIPTION	REV
101	8406201	1	Clip	
102	8410009	AR	Clamp	
103	8420231	1	Fitting, Barb	
104	1001173535	6	Clamp	
105	1001216531	25 in/ 63cm	Hose	
106	1001223584	1	Tank, Surge	
107	1001224431	1	Fitting, Tee (SN 0300235168 through 0300243994)	
108	1001224432	1	Fitting, Tee Barbed (SN 0300235168 through 0300243994)	
109	1001224486	1	Hose	
110	1001224489	1	Hose	
111	1001225442	1	Bracket	
112	1001225510	1	Decal - Full Cold, Surge Tank	
113	1001227666	1	Hose (SN 0300243995 to Present)	
114	1001227667	1	Hose (SN 0300243995 to Present)	

SECTION 3 - ENGINE

FIGURE 3-30. FORD ENGINE INSTALLATION - WITH ARCTIC PACKAGE



SECTION 3 - ENGINE

FIGURE 3-30. FORD ENGINE INSTALLATION - WITH ARCTIC PACKAGE

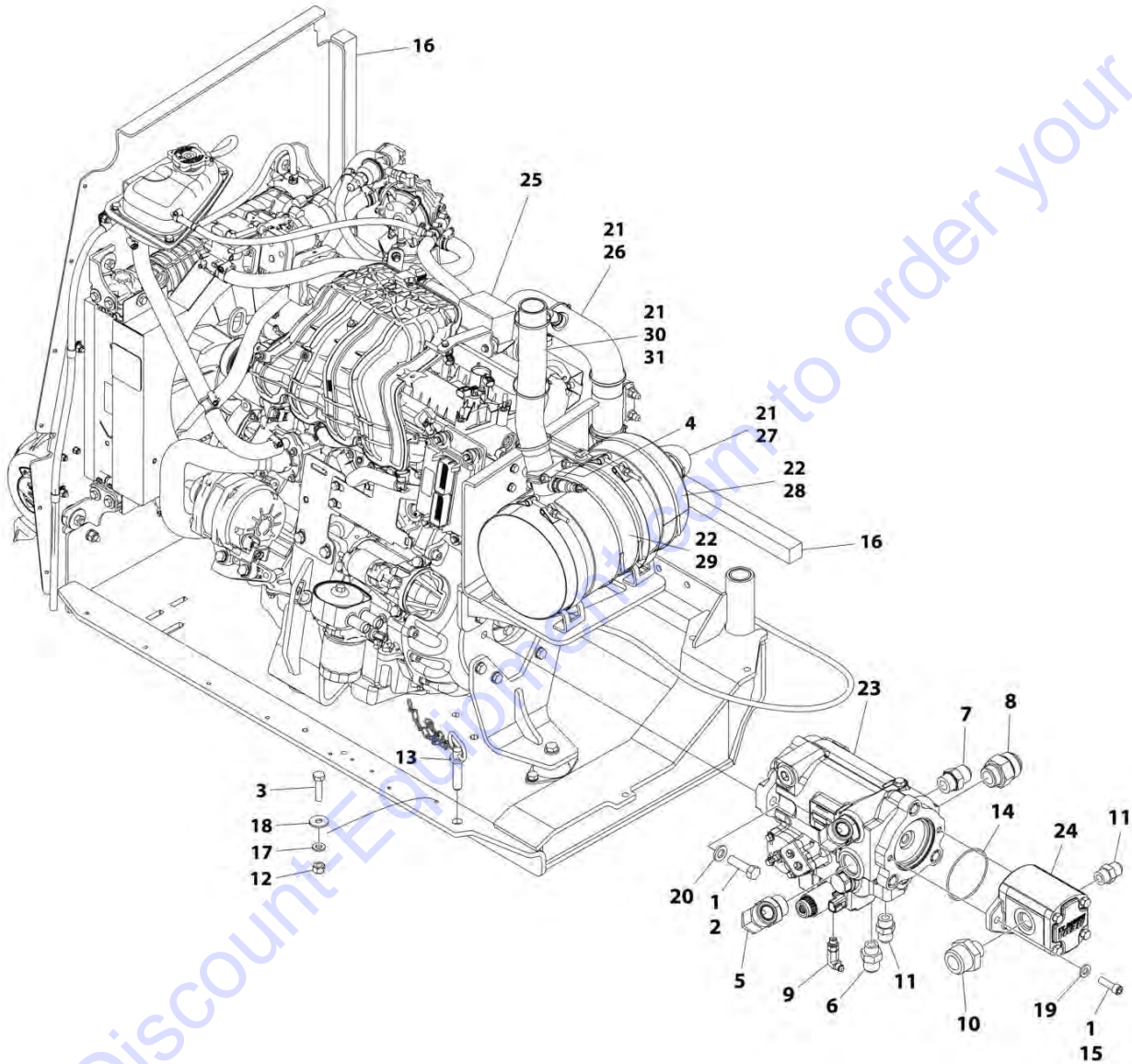
ITEM	PART NUMBER	QTY	DESCRIPTION	REV
	1001215609	Ref	FORD ENGINE INSTALLATION	E
1	0100011	AR	Compound, Locking	
2	0100020	AR	Sealant	
3	0440162	1	Bearing	
4	0700619	2	Bolt M6 x 55	
5	0701012	5	Bolt M10 x 25	
6	0760814	1	Bolt M8 x 30	
7	0711018	1	Bolt M10 x 50	
8	0760810	2	Bolt M8 x 20	
9	0761014	2	Bolt M10 x 30	
10	0772018	1	Bolt M20 x 50	
12	1701542	1	Decal - Gas	
13	2180348	1	Fitting, Straight NPT/BARB	
14	2180418	1	Fitting, Straight	
15	2220005	1	Fitting, Straight NPTM	
16	2220064	1	Fitting, Straight	
17	2221176	1	Fitting, 90	
18	1001222133	1	Hose	
19	3290405	1	Nut M4	
20	3290505	1	Nut M5	
21	3290605	2	Nut M6	
22	3290805	1	Nut M8	
23	3291005	4	Nut M10	
25	3790012	1	O-Ring (Not Shown - Located on Platform Console)	
26	3841143	1	Keeper, Pin	
27	4740397	1	Spacer (Not Shown - Located on Platform Console)	
28	4811700	4	Washer M6	
29	4811900	4	Washer M8	
30	4812000	9	Washer M10	
31	4812002	2	Washer M10	
33	85941018	2	Clamp	
34	1321283	2	Clamp	
35	1001118972	2	Nut, Tinnerman	
36	1001119051	1	Washer	
37	1001115044	1	Nut 15/32 (Not Shown - Located on Platform Console)	
38	1001155094	1	Pin	
39	1001161710	1	Switch, Toggle (Not Shown - Located on Platform Console)	
40	1001215220	1	Cable, Battery (-) to Aux Pump to Ground	
41	1001174486	2	Clamp	
42	1001215219	1	Cable, Battery (+) to Aux Ready to Starter	
43	1001196398	1	Bracket	
45	1001215611	1	Ford Engine and Pumps Sub-Assembly (See Separate Breakdown in this Section)	
46	1001219005	1	Bracket	
47	1001219015	1	Hose	
48	1001219021	2	Hose	
49	1001219022	1	Hose	
50	1001219024	1	Hose	
52	1001203432	1	Hose (Drive Suction) (Not Shown)	
53	1001221942	1	Hose (Function Suction) (Not Shown)	

SECTION 3 - ENGINE

ITEM	PART NUMBER	QTY	DESCRIPTION	REV
54	1001221943	1	Hose (Case Drain) (Drive Pump Case Outlet Port to Tank) (Not Shown)	
55	1001221944	1	Hose (Case Drain) (Drive Pump Case Gauge Port to Tank) (Not Shown)	
56	1701543	2	Decal - LPG (Not Shown - See DECALS INSTALLATION - OPTIONS for Locations)	
57	1702941	1	Decal - Battery Heater	
58	1702942	1	Decal - Engine Block Heater	
59	1702943	1	Decal - Hydraulic Tank Heater	
60	1320061	1	Clamp	
61	3980007	1	Seat, Battery	
62	1001188972	1	Heater, Immersion (Not Shown - Located on Hydraulic Tank)	
63	2580024	1	Heater, Battery	
64	4923174	1	Cable, Extension Cord (SN 0300235168 through 0300237156)	
64	1001150918	1	Cable, Extension Cord (SN 0300237157 to Present)	
65	1060626	1	Plug, 3 Way	
66	4240099	AR	Tie-Strap (Not Shown)	
100	1001236136	1	Battery Cable Kit (Includes Items 40 & 42) (Not Shown) (SN 0300237157 to Present)	

SECTION 3 - ENGINE

FIGURE 3-31. FORD ENGINE AND PUMPS SUB-ASSEMBLY - WITH ARCTIC PACKAGE



ART_1001215611

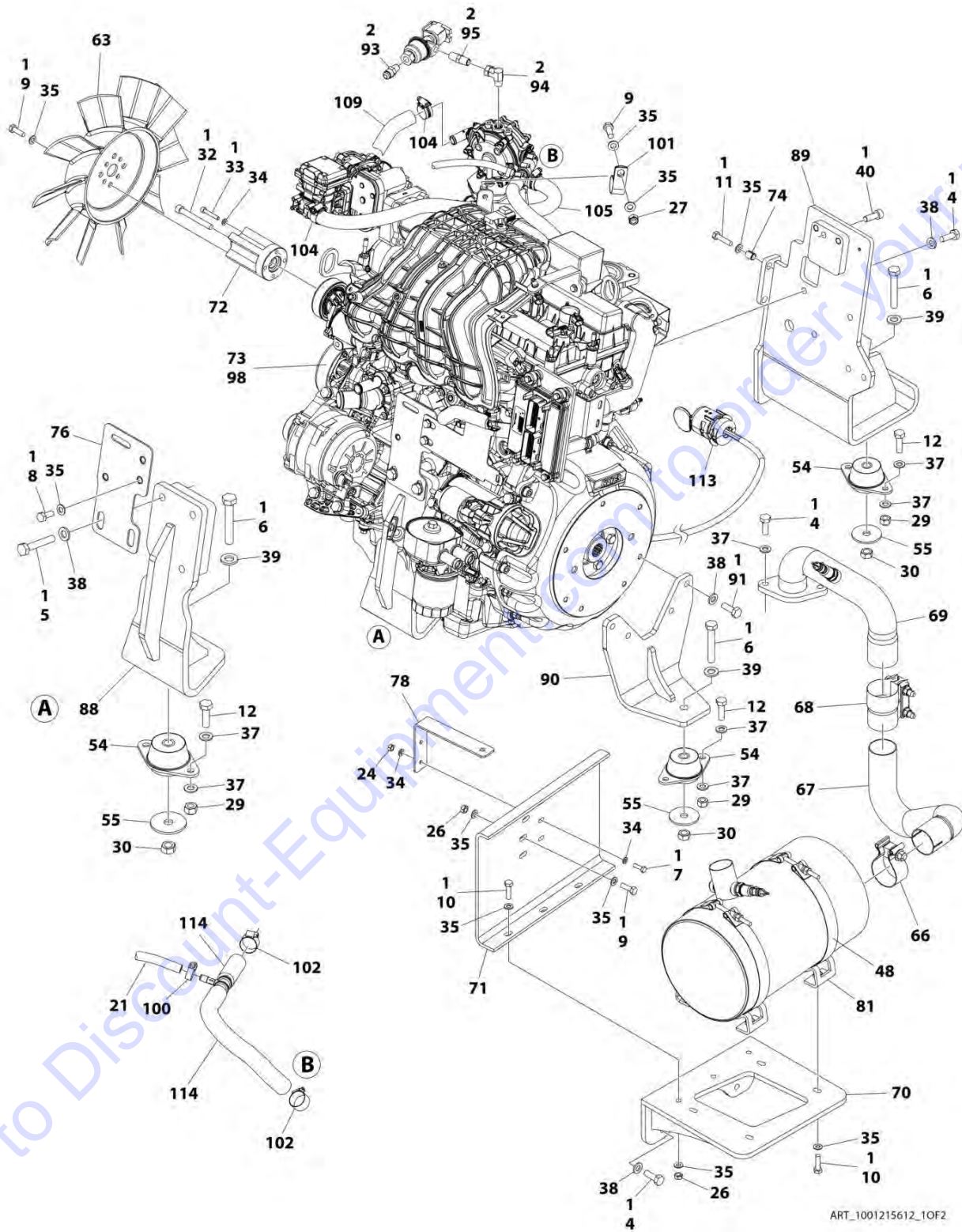
SECTION 3 - ENGINE

FIGURE 3-31. FORD ENGINE AND PUMPS SUB-ASSEMBLY - WITH ARCTIC PACKAGE

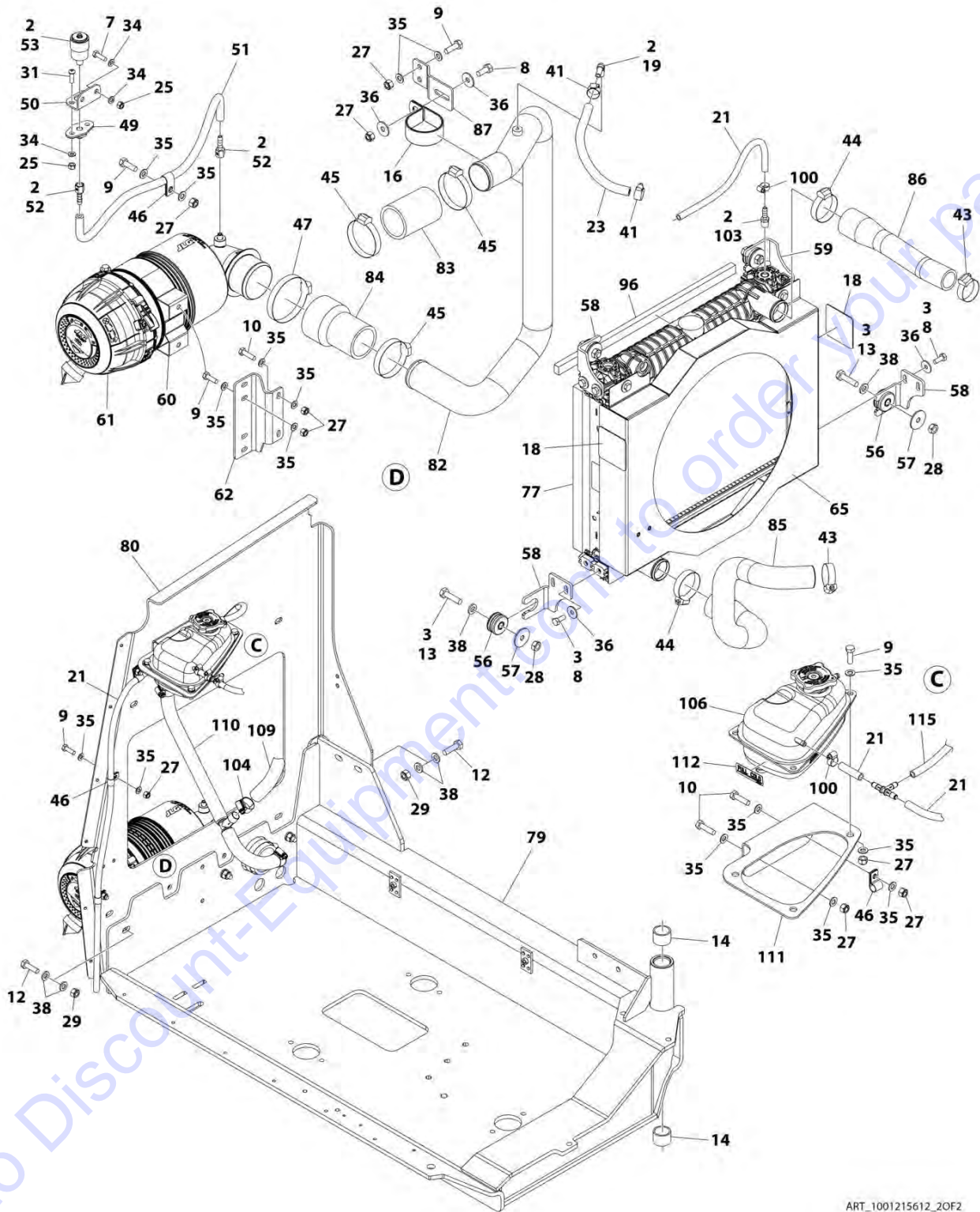
ITEM	PART NUMBER	QTY	DESCRIPTION	REV
	1001215611	Ref	FORD ENGINE AND PUMPS SUB-ASSEMBLY	C
1	0100011	AR	Compound, Locking	
2	0641814	2	Bolt 1/2 x 1-3/4	
3	0760612	1	Bolt M6 x 25	
4	1001221397	1	Clamp	
5	2131616	2	Fitting, 90 ORFS/ORB	
6	2220408	1	Fitting, Straight JIC/ORB	
7	2220451	1	Fitting, Straight ORB/JIC	
8	2220479	1	Fitting, Straight JIC/ORB	
9	2220940	1	Fitting, 90 JIC/ORB	
10	2220946	1	Fitting, Straight JIC/ORB	
11	2220947	2	Fitting, Straight JIC/ORB	
12	3290605	1	Nut M6	
13	3422532	1	Pin	
14	3790152	1	O-Ring	
15	3931620	2	Capscrew 3/8 x 1-1/4	
15	3931618	2	Capscrew 3/8 x 1-1/8	
16	3960469	2	Seal	
17	4811700	1	Washer M6	
18	4811702	1	Washer M6	
19	5241000	2	Washer M10	
20	5241200	2	Washer M12	
21	1001100825	9	Strap	
22	1001221464	3	Strap	
23	1001184930	1	Piston Pump Assembly (See Separate Breakdown in this Section)	
24	1001190143	1	Gear Pump Assembly	
24	70006356	1	Seal Kit - 1001190143 Pump	
25	1001215613	1	Ford Engine Assembly (See Separate Breakdown in this Section)	
26	1001216532	1	Insulate, Exhaust	
27	1001216533	1	Insulate, Exhaust	
28	1001216534	1	Insulate, Muffler	
29	1001216535	1	Insulate, Muffler	
30	1001216947	1	Pipe, Exhaust	
31	1001217563	1	Insulate, Exhaust	

SECTION 3 - ENGINE

FIGURE 3-32. FORD ENGINE ASSEMBLY - WITH ARCTIC PACKAGE



SECTION 3 - ENGINE



ART_1001215612_20F2

SECTION 3 - ENGINE

FIGURE 3-32. FORD ENGINE ASSEMBLY - WITH ARCTIC PACKAGE

ITEM	PART NUMBER	QTY	DESCRIPTION	REV
	1001215613	Ref	FORD ENGINE ASSEMBLY	D
1	0100011	AR	Compound, Locking	
2	0100020	AR	Sealant	
3	1001180620	AR	Adhesive	
4	0711014	10	Bolt M10 x 30	
5	0711020	3	Bolt M10 x 60	
6	0711223	3	Bolt M12 x 75	
7	0760610	4	Bolt M6 x 20	
8	0760810	11	Bolt M8 x 20	
9	0760812	18	Bolt M8 x 25	
10	0760814	11	Bolt M8 x 30	
11	0760815	2	Bolt M8 x 35	
12	0761015	11	Bolt M10 x 35	
13	0761016	4	Bolt M10 x 40	
14	0961951	2	Bushing	
16	1320110	1	Clamp	
18	1703162	2	Decal - Fan Blade	
19	2180467	1	Fitting, Straight NPT/Barb	
21	2720058	95 in/2.5m	Hose, Fuel	
23	1001165035	1	Hose	
24	3290601	2	Nut M6	
25	3290605	4	Nut M6	
26	3290801	5	Nut M8	
27	3290805	17	Nut M8	
28	3291001	4	Nut M10	
29	3291005	11	Nut M10	
30	3331211	3	Nut M12	
31	3900364	2	Capscrew M6 x 20	
32	3931648	1	Capscrew 3/8 x 3	
33	4031711	4	Capscrew M6 x 35	
34	4811700	14	Washer M6	
35	4811900	54	Washer M8	
36	4811902	10	Washer M8	
37	4812000	14	Washer M10	
38	5241000	29	Washer M10	
39	5241200	3	Washer M12	
40	5272010	1	Capscrew M10 x 30	
41	8405006	2	Clamp	
43	8405102	2	Clamp	
44	8405104	2	Clamp	
45	8405203	3	8405203	
46	8406109	6	Clip	
47	8410011	1	Clamp	
48	1001128901	2	Strap	
49	1001138173	1	Support	
50	1001138175	1	Bracket	
51	1001138248	23 in/.6m	Hose	
52	1001141995	2	Fitting, Straight NPT/Barbed	
53	1001149639	1	Indicator, Restriction	
54	1001191610	3	Mount, Motor	

SECTION 3 - ENGINE

ITEM	PART NUMBER	QTY	DESCRIPTION	REV
55	1001168018	3	Washer	
56	1001169054	4	Isolator	
57	1001169138	4	Pad, Snubbing	
58	1001169967	3	Bracket	
59	1001170035	1	Bracket	
60	1001186426	1	Clamp	
61	1001189979	1	Filter, Air	
61	70005008	1	Element, Filter	
62	1001190942	1	Support	
63	1001223042	1	Fan	
64	1001215218	1	Engine Harness - Ford Engines (Not Shown) (See Separate Breakdown in ELECTRICAL SECTION)	
65	1001223923	1	Radiator	
66	1001215681	1	Clamp	
67	1001215899	1	Pipe, Exhaust	
68	1001215974	1	Clamp	
69	1001216075	1	Pipe, Exhaust	
70	1001216086	1	Bracket	
71	1001216092	1	Shield, Heat	
72	1001216201	1	Adapter	
73	1001216910	1	Ford Engine Prep Assembly (See Separate Breakdown in this Section)	
74	1001216919	2	Sleeve	
76	1001222033	1	Plate	
77	1001217185	2	Seal	
78	1001217186	1	Support	
79	1001217450	1	Tray	
80	1001217453	1	Support, Radiator	
81	1001217543	2	Mount	
82	1001217593	1	Pipe, Air Intake	
83	1001217594	1	Pipe, Air Intake	
84	1001217595	1	Pipe, Air Intake	
85	1001217647	1	Hose, Radiator (Lower)	
86	1001217648	1	Hose, Radiator (Upper)	
87	1001218471	1	Bracket	
88	1001218559	1	Mount, Engine (RH Front)	
89	1001218565	1	Mount, Engine (LH Front)	
90	1001218575	1	Mount, Engine (Rear)	
91	0761014	4	Bolt M10 x 30	
92	1001187781	1	Tie-Strap (Not Shown)	
93	2180418	1	Fitting	
94	2220064	1	Fitting	
95	2220261	1	Fitting	
96	1001217183	2	Seal	
97	2300041	AR	Coolant (Not Shown)	
98	1001190775	AR	Oil, Motor 5W-30 Non Synthetic	
100	8405009	3	Gear	
101	8406201	1	Clip	
102	8410009	2	Clamp	
103	8420231	1	Fitting, Barb	
104	1001173535	6	Clamp	
105	1001216531	25 in/	Hose	

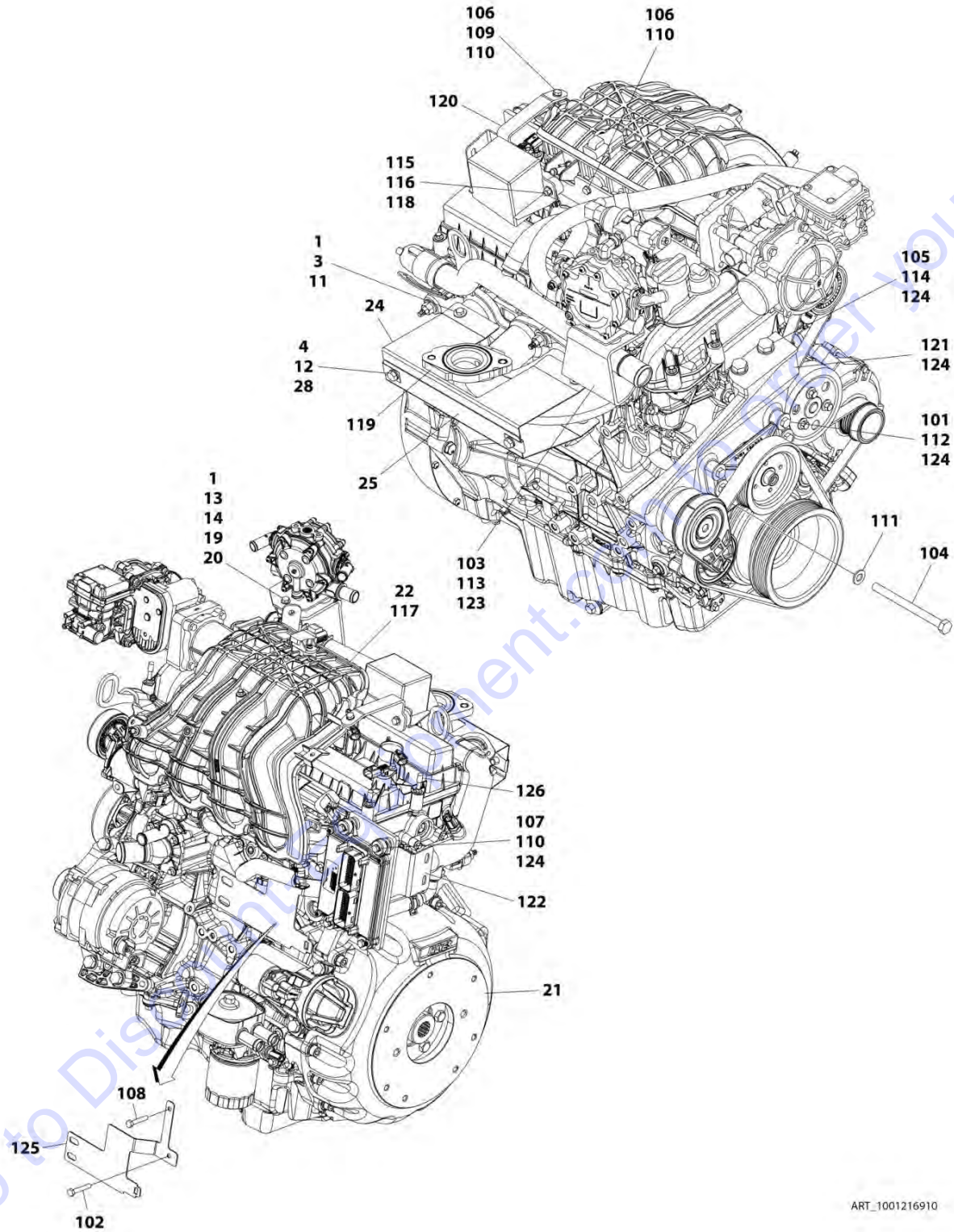
SECTION 3 - ENGINE

ITEM	PART NUMBER	QTY	DESCRIPTION	REV
		63cm		
106	1001223584	1	Tank, Surge	
109	1001224486	1	Hose	
110	1001224489	1	Hose	
111	1001225442	1	Bracket	
112	1001225510	1	Decal - Full Cold, Surge Tank	
113	1001216393	1	Heater, Block	
114	1001227666	1	Hose	
115	1001227667	1	Hose	

Go to Discount-Equipment.com to order your parts

SECTION 3 - ENGINE

FIGURE 3-33. FORD ENGINE PREP ASSEMBLY - PUMP COUPLING



ART_1001216910

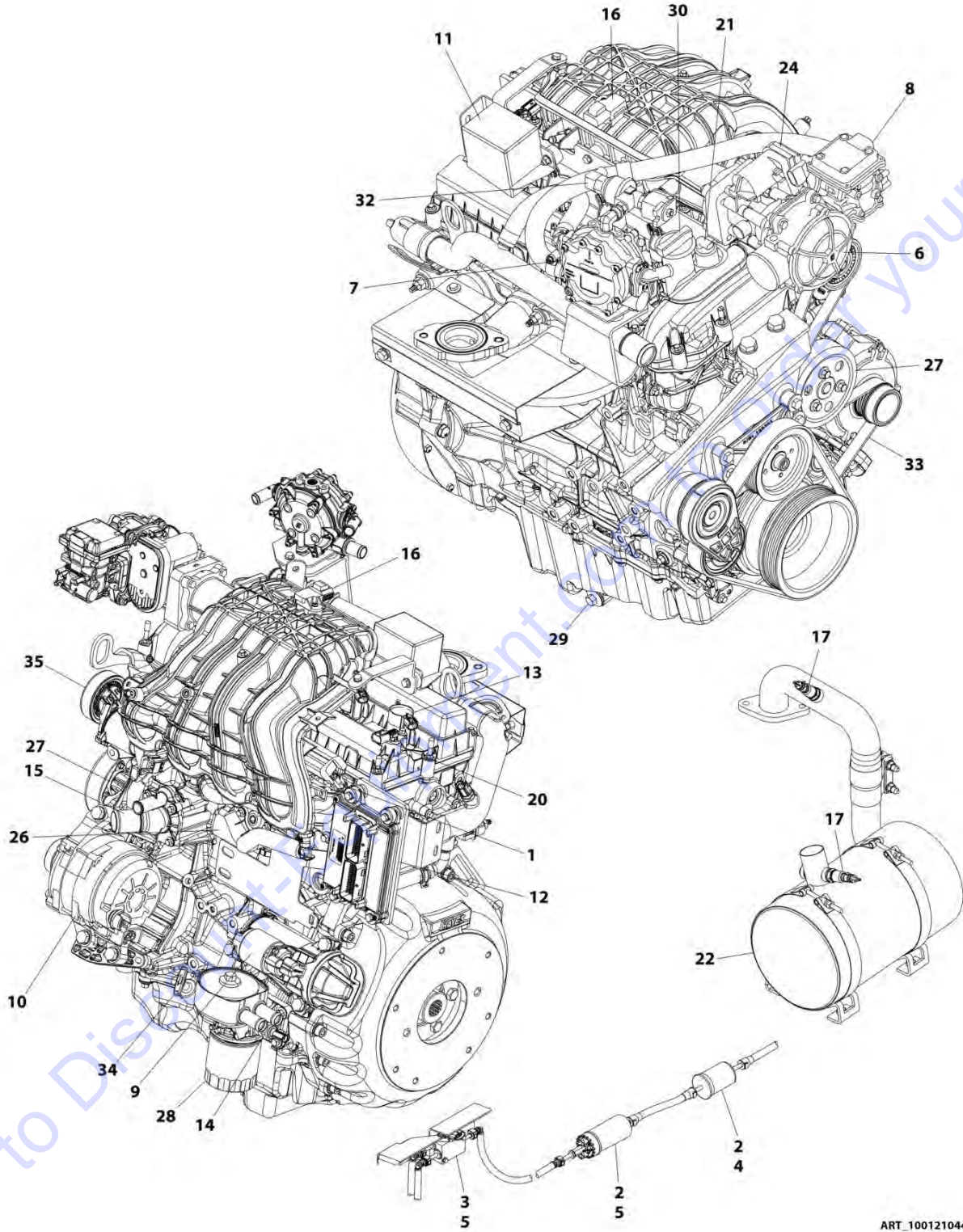
SECTION 3 - ENGINE

FIGURE 3-33. FORD ENGINE PREP ASSEMBLY - PUMP COUPLING

ITEM	PART NUMBER	QTY	DESCRIPTION	REV
	1001216910	Ref	FORD ENGINE PREP ASSEMBLY	F
1	0100011	AR	Compound, Locking	
3	0760605	4	Bolt M6 x 10	
4	0760807	2	Bolt M8 x 14	
11	4811702	4	Washer M6	
12	4811900	2	Washer M8	
13	5250605	3	Bolt M6 x 10	
14	5260600	1	Nut M6 Class 10	
19	1001211794	3	Mount, Isolator	
20	1001227769	1	Plate	
21	1001213810	1	Pump Coupling Kit	
21	70006134	1	Coupling	
21	70006135	1	Housing	
21	70006136	1	Hardware Kit	
22	1001216065	1	Ford Engine Assembly (See Items 101-126 for Breakdown)	
24	1001216768	1	Bracket	
25	1001216769	1	Bracket	
28	1001149160	2	Nut, Tinnerman M8	
	1001216065	Ref	FORD ENGINE PREP ASSEMBLY - BRACKETS/EXHAUST MANIFOLD	I
101	0700816	4	Bolt M8 x 40	
102	0700818	1	Bolt M8 x 50	
103	0701014	2	Bolt M10 x 30	
104	0710827	1	Bolt M8 x 100 Grade 10.9	
105	0711216	2	Bolt M12 x 40	
106	0760610	3	Bolt M6 x 20	
107	0760615	4	Bolt M6 x 35	
108	0760817	1	Bolt M8 x 45	
109	3290601	1	Nut M6	
110	4811700	8	Washer M6	
111	4811900	1	Washer M8	
112	4811902	4	Washer M8	
113	4812000	1	Washer M10	
114	4812100	2	Washer M12	
115	5250605	2	Bolt M6 x 10	
116	5260600	2	Nut M6 Class 10	
117	1001210448	1	Engine, Ford 2.5L (See Seperate Breakdown in this Section)	
118	1001211794	2	Mount	
119	1001214827	1	Manifold, Exhaust	
120	1001215384	1	Bracket	
121	1001216071	1	Bracket	
122	1001216144	1	Support, Muffler	
123	1001227772	1	Mount, Vaporizer	
124	0100011	AR	Compound, Locking	
125	1001221545	1	Plate	
126	1001222641	6	Cap	

SECTION 3 - ENGINE

FIGURE 3-34. FORD ENGINE COMPONENTS



ART_1001210448

SECTION 3 - ENGINE

FIGURE 3-34. FORD ENGINE COMPONENTS

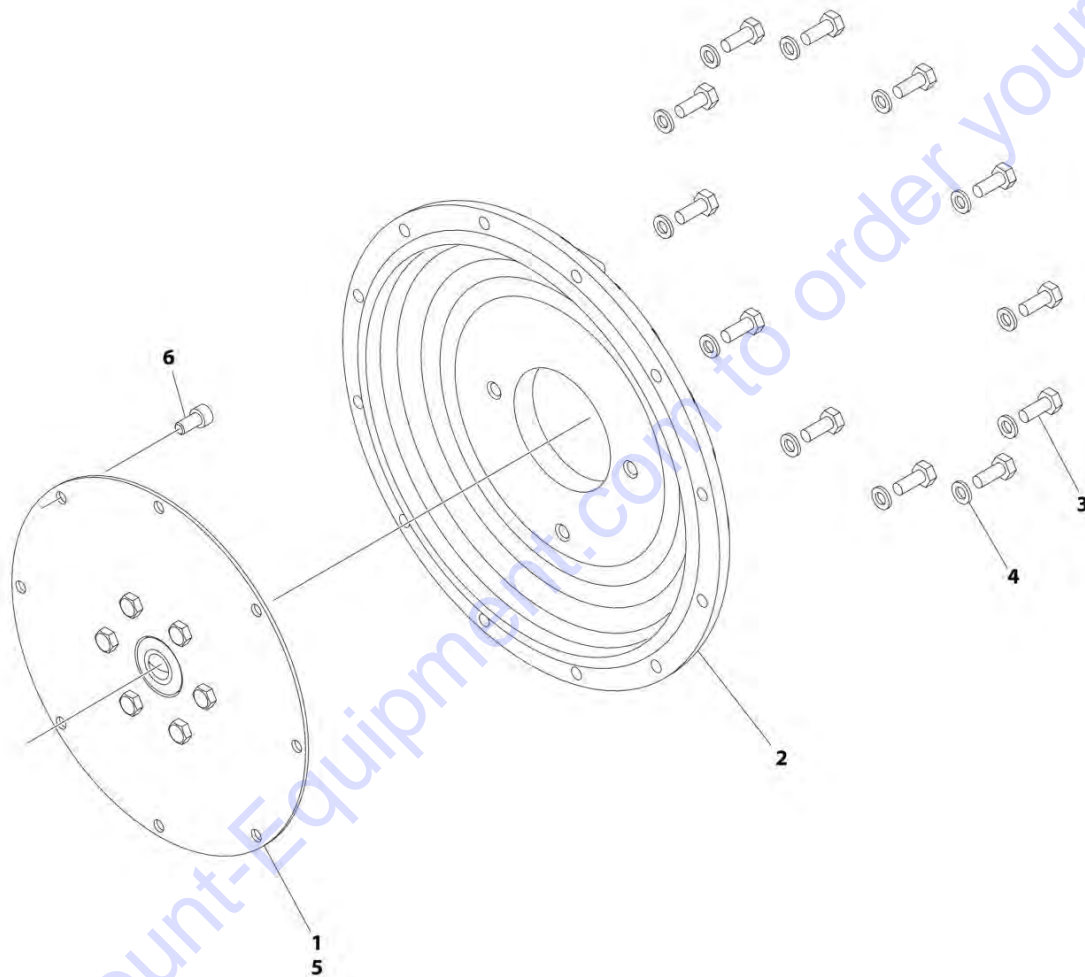
ITEM	PART NUMBER	QTY	DESCRIPTION	REV
	1001210448	Ref	FORD ENGINE COMPONENTS	E
1	70006145	4	Injector, Fuel	
1	70006147	1	Rail, Fuel	
2	70006150	1	Pump, Fuel	
2	70006154	1	Fitting M10	
3	70006151	1	Block, Fuel	
3	70006152	2	Fitting SAE6	
3	70006153	1	Fitting SAE3	
3	70006189	1	Harness, Fuel Block	
4	70006155	1	Filter, Fuel	
5	7022162	8	Clamp	
5	70006157	8	Clip, Fuel Quick Disconnect	
6	70006158	1	Mixer, LP	
6	70006168	1	Mixer Diaphragm Replacement Kit	
6	70006159	1	Adapter, Mixer to Governor	
6	70006160	1	O-Ring, Mixer to Adapter	
6	70006161	1	Seal, Mixer to Adapter	
7	70006162	1	Regulator, LP Vapor	
7	70006166	2	Fitting	
7	70006167	1	Fitting, Straight	
7	70006165	2	Isolator, Rubber	
8	70006163	1	Regulator, Direct Electronic Pressure	
8	70006164	1	Adapter, Fitting 90	
9	70006169	1	Starter	
9	70006233	1	Harness, Alternator/Starter	
10	70006170	1	Alternator	
11	70006173	1	Cover, Relay Box	
11	70006171	2	Relay (Fuel Pump & Power)	
11	70006172	1	Relay (Starter)	
11	70006175	1	Fuse - 20Amp (Starter)	
11	70006174	1	Decal - Relay Box Cover	
11	70006188	1	Harness, Engine	
11	70006165	2	Isolator, Rubber	
12	70006176	1	Module - Engine Control Unit (ECU/GCP)	
12	70006191	1	Software & Diagnostic Cable	
13	70006177	4	Coil and Boot Assembly	
13	70006178	4	Plug, Spark	
14	70006179	1	Switch, Oil Pressure	
15	70006180	1	Sensor, Knock	
16	70006181	1	Sensor, TMAP	
17	70006182	2	Sensor, O2	
18	70006183	1	Sensor, Coolant Temperature (Not Shown - Located Rear of Engine Block)	
19	70006184	1	Sensor, Crank Position (Not Shown - Located at Front RH Side of Block)	
20	70006185	1	Sensor, Cam Position	
21	70006186	1	Solenoid, Timing	
21	70006187	1	Grommet, Rubber	
22	70006194	1	Muffler	
22	70006195	1	Plug (Located at Muffler Outlet)	

SECTION 3 - ENGINE

ITEM	PART NUMBER	QTY	DESCRIPTION	REV
23		Ref	Gasket Options (Not Shown)	
23	70006196	1	Gasket, Exhaust Manifold to Head	
23	70006197	1	Gasket, Exhaust Manifold Outlet	
23	70006200	1	Gasket, Intake Manifold to Head	
23	70006219	1	Gasket Set - Camshaft Cover	
23	70006225	1	Gasket, Cylinder Head	
24	70006198	1	Governor	
24	7027404	1	Gasket, Governor Actuator	
24	70006199	1	Gasket, Governor to Intake Manifold Adapter	
25	70006203	1	Flywheel (Not Shown)	
26	70006205	1	Thermostat (Includes Housing)	
26	70006206	1	Gasket, Water Inlet	
27	70006207	1	Pump, Water	
27	70006208	1	O-Ring, Water Pump	
27	See Note	NSS	Pulley, Water Pump (Note: Not Available for Purchase at This Time)	
28	70006213	1	Filter, Oil	
29	70006215	1	Plug, Oil Drain	
29	70006217	1	Gasket, Oil Drain Plug	
30	70006221	1	Cap, Oil Fill	
31	70006232	1	Sensor, Crank (Not Shown)	
32	70006235	1	Valve, Lock-Off (Includes Filter)	
33	70006202	1	Belt	
34	70006236	1	Dipstick	
35	70007108	1	Belt Tensioner	

SECTION 3 - ENGINE

FIGURE 3-35. PUMP COUPLING KIT (DEUTZ ENGINES)



ART_2902065

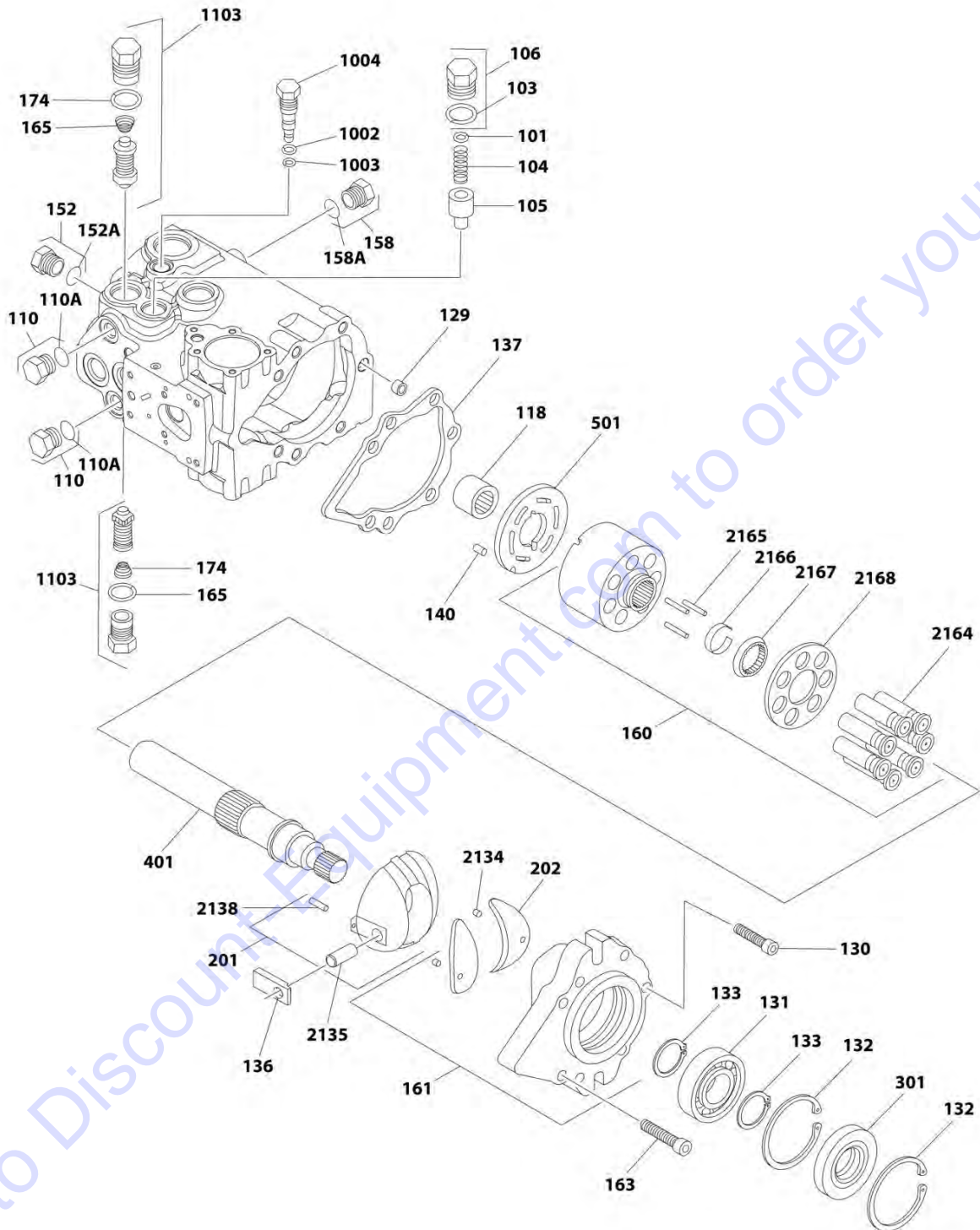
SECTION 3 - ENGINE**FIGURE 3-35. PUMP COUPLING KIT (DEUTZ ENGINES)**

ITEM	PART NUMBER	QTY	DESCRIPTION	REV
	2902065	Ref	PUMP COUPLING KIT	K
1	70000793	1	Coupling, Hayes	
2	See Note	NSS	Plate, Pump Adapter (Note: Use p/n 2902065)	
3	See Note	NSS	Bolt, M10 x 30 Grade 10.9 (Note: Use p/n 2902065)	
4	See Note	NSS	Washer M10 (Note: Use p/n 2902065)	
5	3020021	AR	Grease, Coupling	
6	See Note	NSS	Capscrew M10 x 20 Grade 10.9 (Note: Use p/n 2902065)	

Go to Discount-Equipment.com to order your parts

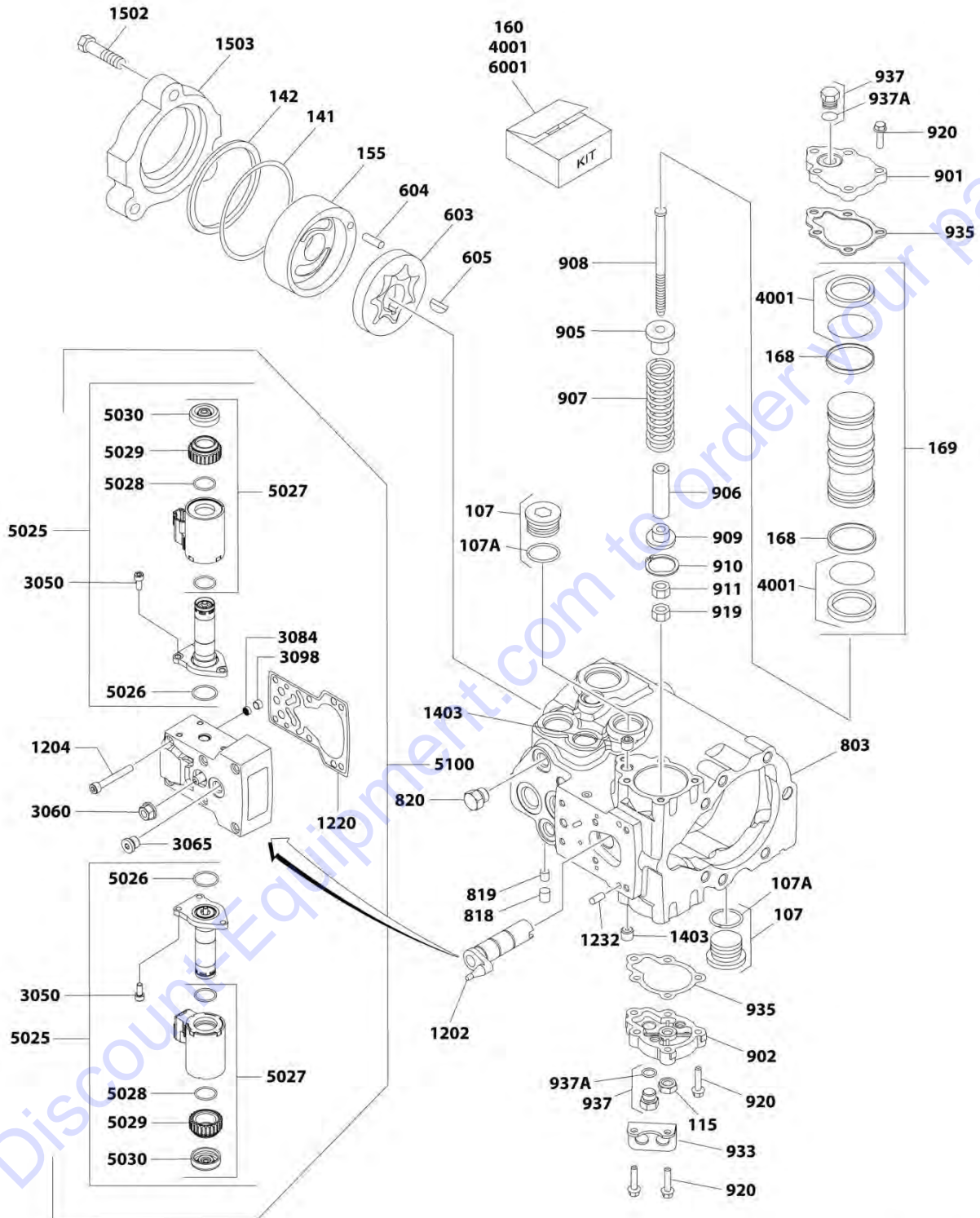
SECTION 3 - ENGINE

FIGURE 3-36. PISTON PUMP ASSEMBLY



ART_1001184930_10F2

SECTION 3 - ENGINE



ART_1001184930_20F2

SECTION 3 - ENGINE

FIGURE 3-36. PISTON PUMP ASSEMBLY

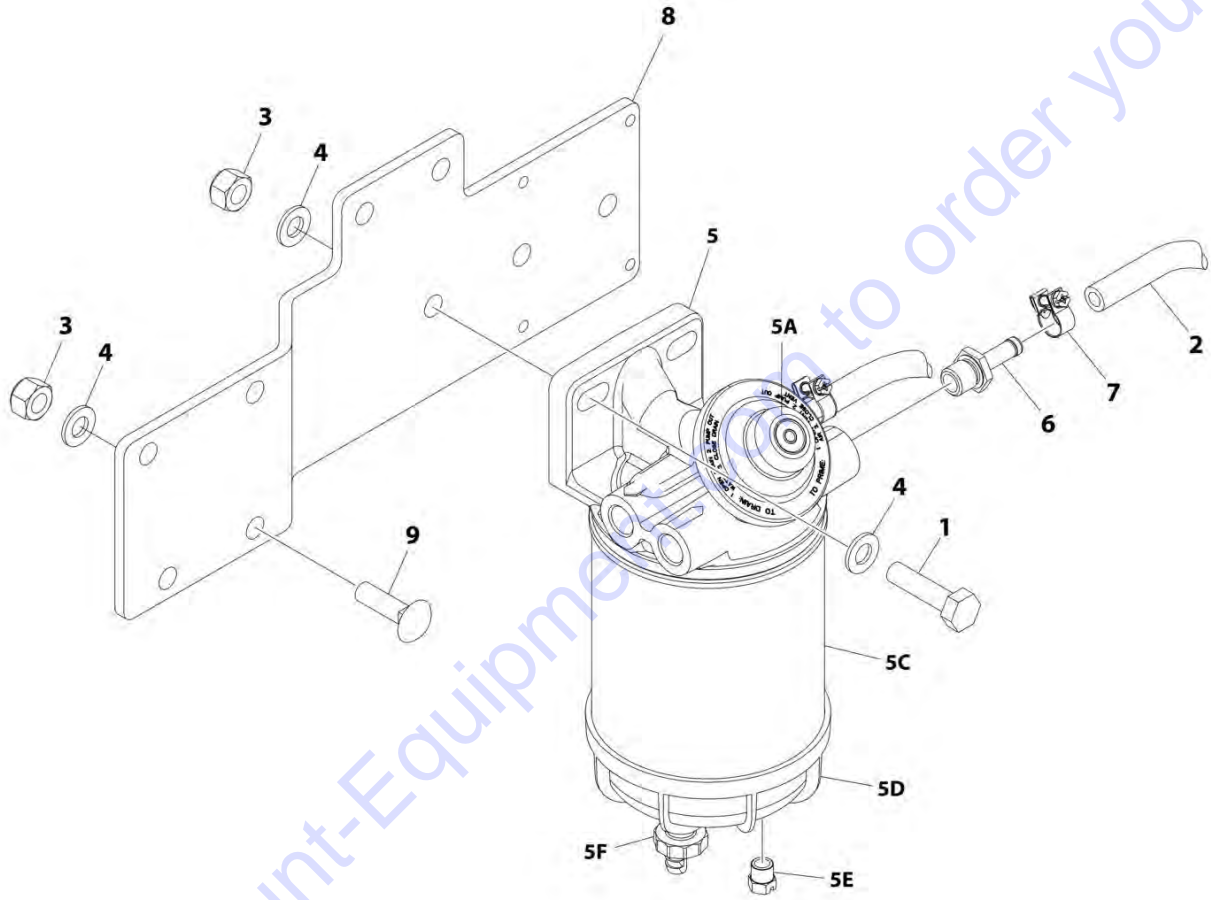
ITEM	PART NUMBER	QTY	DESCRIPTION	REV
	1001184930	Ref	PISTON PUMP ASSEMBLY	C
101	7007413	1	Shim Kit	
103	7007415	1	O-Ring (Part of Item 106)	
104	7021200	1	Spring, Relief Valve	
105	7007417	1	Valve, Relief	
106	7024874	2	Plug (Includes Item 103)	
107	7007419	2	Plug	
107A	7007418	2	O-Ring	
110	7007420	2	Plug	
110A	7021256	2	O-Ring	
115	7007423	1	Nut, Special	
118	7007425	1	Bearing, Needle	
129	7007435	1	Pin, Spring	
130	7021202	1	Screw	
131	70002176	1	Bearing, Ball	
132	7007438	2	Ring, Retainer	
133	7007439	2	Ring	
136	7007442	1	Sleeve, Bearing	
137	7007443	1	Gasket, Front Cover	
140	7007446	1	Pin	
141	7021233	1	O-Ring	
142	7007448	1	Ring, Load Temper	
152	7007420	1	Plug, Assembly	
152A	7021256	1	O-Ring	
155	70005466	1	Cover, Gerotor	
158	7007208	1	Plug	
158A	7007207	1	O-Ring	
160	7010116	1	Cylinder Block Kit (Includes Items 2164-2168)	
161	7024875	1	Cover Assembly - Front (Includes Items 202 & 2134)	
163	7021207	6	Screw	
165	70005467	2	Spring	
168	7021210	2	Bearing	
169	70005468	1	Servo Piston Assembly (Includes Items 168 & QB)	
174	7007418	2	O-Ring	
201	7007457	1	Swash Plate Assembly (Includes Items 2135 & 2138)	
202	7021212	1	Journal, Bearing	
301	7007459	1	Seal, Lip	
401	7010121	1	Shaft, Main Pump	
501	7021214	1	Plate, Valve	
603	7007463	1	Gerotor Assembly	
604	7007464	1	Pin	
605	7007465	1	Key, Woodruff	
803	See Note	NSS	Housing, Pump (Note: Use p/n 1001184930)	
818	70005469	1	Plug	
819	70005470	1	Plug	
820	70005469	1	Plug	
901	7021219	1	Cover, Servo (With Adjuster)	
902	7021220	1	Cover, Servo (Without Adjuster)	
905	7023979	1	Guide, Spring	
906	7007484	1	Stop, Servo	

SECTION 3 - ENGINE

ITEM	PART NUMBER	QTY	DESCRIPTION	REV
907	7007485	1	Spring	
908	7021221	1	Screw	
909	7007487	1	Guide, Spring	
910	7007488	1	Ring, Retaining	
911	7021222	1	Locknut	
919	7021206	1	Nut	
920	7021223	10	Screw	
933	7021201	1	Bracket, Lifting	
935	7007422	2	Gasket, Servo Cover	
937	7007420	2	Plug	
937A	7021256	2	O-Ring	
1002	7007450	1	Ring, Back-up	
1003	70005471	1	O-Ring	
1004	7024877	1	Valve, Bypass	
1103	7024851	2	Valve, Pressure Relief (Includes Items 165 & 174)	
1202	70005472	1	Sleeve	
1204	70002156	6	Screw	
1220	70002154	1	Gasket	
1232	70002157	2	Pin	
1403	7007477	2	Plug, Orifice	
1502	7007453	3	Bolt, Hex	
1503	7007476	1	Adapter, Auxiliary Pump	
2134	7021203	2	Pin, Spring	
2135	7007441	1	Handle, Pin	
2138	7007444	1	Pin	
2164	7010117	7	Piston Assembly	
2165	7007431	3	Pin, Slipper Holddown	
2166	7007430	1	Retainer	
2167	7007434	1	Guide, Retainer	
2168	7010119	1	Retainer, Slipper	
3050	70002150	6	Screw	
3060	7022301	1	Nut, Seal	
3065	70002151	1	Plug	
3084	70002134	1	Screen	
3098	70002153	1	Ring	
4001	7007412	1	Seal Kit - Servo Piston	
5025	70002147	2	Solenoid Assembly (Includes Items 5026-5030)	
5026	70002148	2	O-Ring	
5027	70002149	2	Coil Assembly (Includes Items 5028-5030)	
5028	70005474	2	O-Ring	
5029	70005475	2	Screw	
5030	70005476	2	Cap	
5100	70002146	1	EDC Assembly (Includes Items 1204, 1220, 3050-3098 & 5025-5030)	
6001	7021232	1	Seal Kit - Complete (Includes Items 103, 137, 141, 142, 168, 174, 301, 935, 1002, 1003, 4001 and Plug O-Ring)	

SECTION 3 - ENGINE

FIGURE 3-37. FUEL FILTER INSTALLATION (POLY FUEL TANK)



ART_1001224200

SECTION 3 - ENGINE

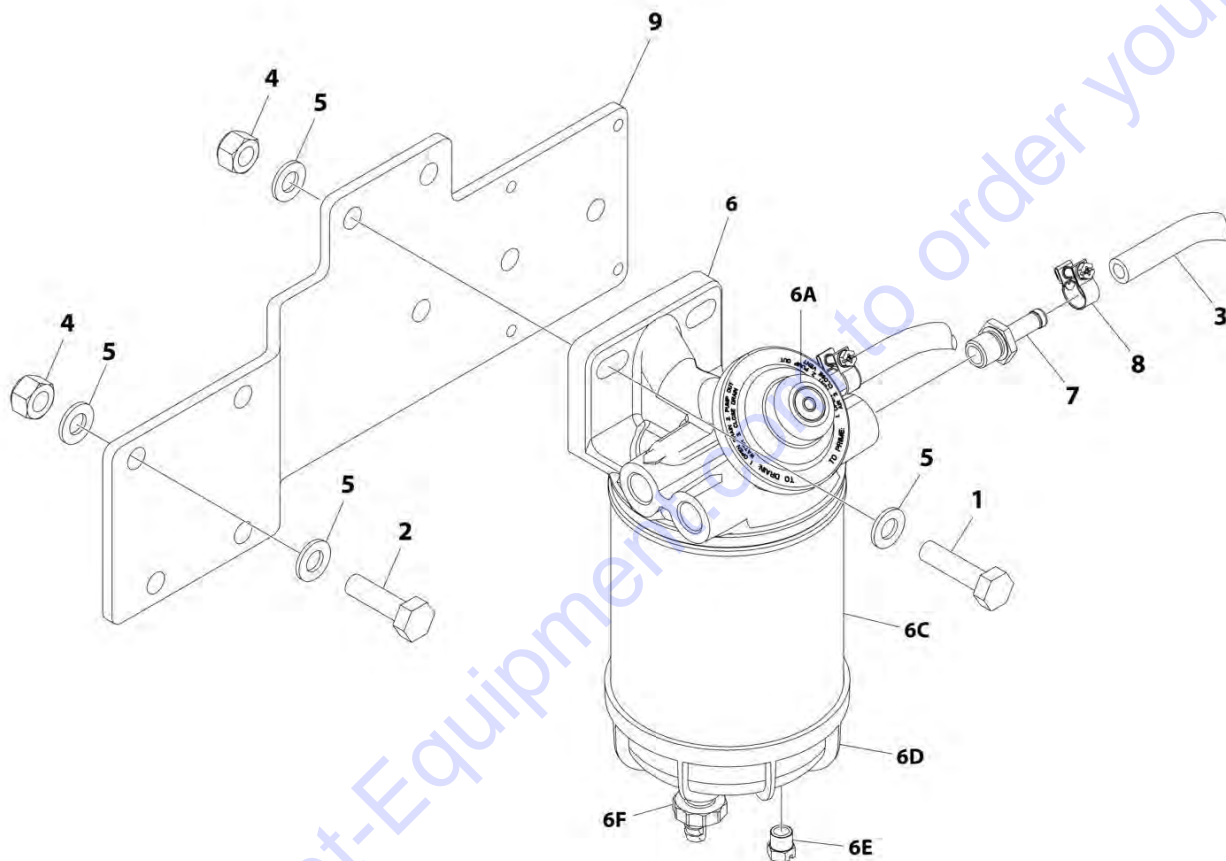
FIGURE 3-37. FUEL FILTER INSTALLATION (POLY FUEL TANK)

ITEM	PART NUMBER	QTY	DESCRIPTION	REV
	1001224200	Ref	FUEL FILTER INSTALLATION	B
1	0761016	2	Bolt M10 x 40	
2	2720058	46 in/1.2m	Hose, Fuel Line	
3	3291005	4	Nut M10	
4	4812000	6	Washer M10	
5	1001149452	1	Fuel Filter/Water Separator Assembly	
5A	See Note	NSS	Indicator, Restriction (Note: Use p/n 1001149452)	
5B	70004064	1	Bypass Valve Kit (Not Shown)	
5C	70004065	1	Gasket, Head to Element	
5C	70004066	1	Element, Filter	
5D	70004067	1	Gasket Element to Bowl	
5D	70004068	1	Bowl Kit (Includes Bowl, Element and Plug)	
5E	70004069	1	Plug	
5F	70004070	1	Drain	
6	1001149469	2	Fitting, Straight Barbed	
7	1001174486	2	Clamp	
8	1001224967	1	Bracket	
9	1001228406	2	Bolt M10 x 35	

Go to Discount-Equipment.com to order your parts

SECTION 3 - ENGINE

FIGURE 3-38. FUEL FILTER INSTALLATION (STEEL FUEL TANK) (DEUTZ D2011 ENGINES)



ART_1001225054

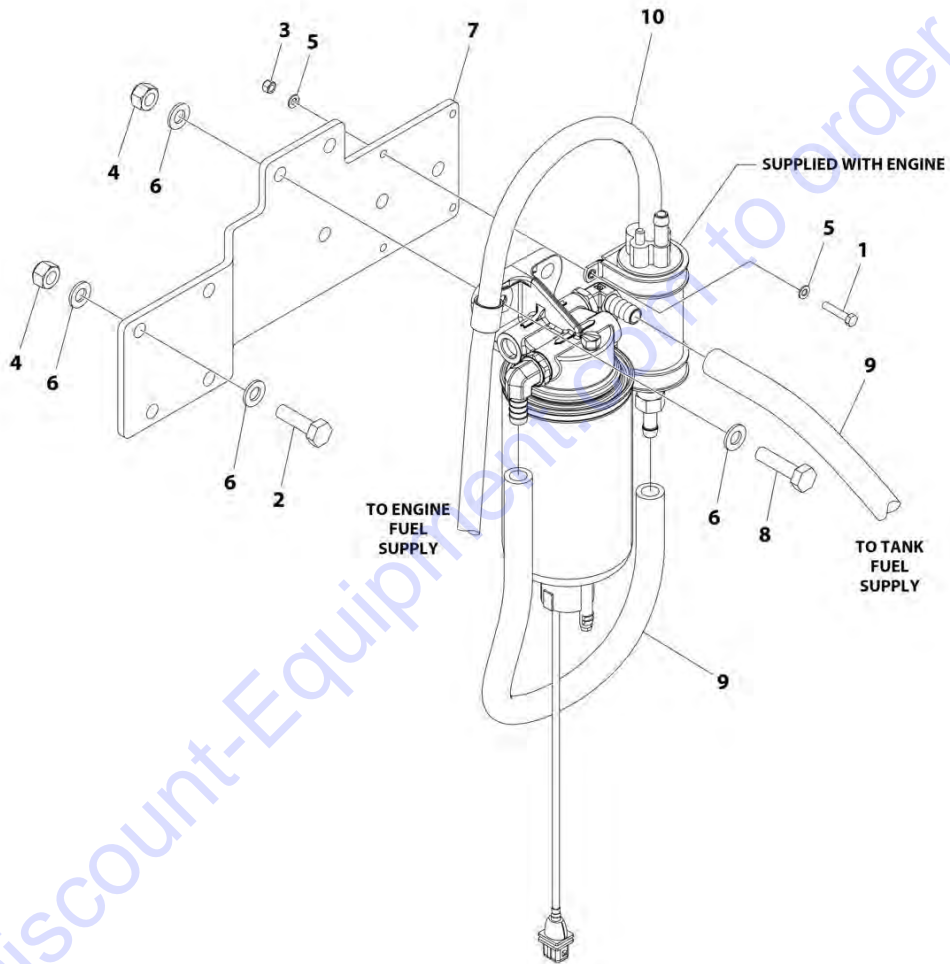
SECTION 3 - ENGINE

FIGURE 3-38. FUEL FILTER INSTALLATION (STEEL FUEL TANK) (DEUTZ D2011 ENGINES)

ITEM	PART NUMBER	QTY	DESCRIPTION	REV
	1001225054	Ref	FUEL FILTER INSTALLATION	B
1	0761016	2	Bolt M10 x 40	
2	0761015	2	Bolt M10 x 35	
2	1001228406	2	Bolt M10 x 35	
3	2720058	32 in/ 80cm	Hose, Fuel Line	
4	3291005	4	Nut M10	
5	4812000	AR	Washer M10	
6	1001149452	1	Fuel Filter/Water Separator Assembly	
6A	See Note	NSS	Indicator, Restriction (Note: Use p/n 1001149452)	
6B	70004064	1	Bypass Valve Kit (Not Shown)	
6C	70004065	1	Gasket, Head to Element	
6C	70004066	1	Element, Filter	
6D	70004067	1	Gasket, Element to Bowl	
6D	70004068	1	Bowl Kit (Includes Bowl, Element and Plug)	
6E	70004069	1	Plug	
6F	70004070	1	Drain	
7	1001149469	2	Fitting, Straight Barbed	
8	1001174486	2	Clamp	
9	1001224967	1	Bracket	

SECTION 3 - ENGINE

FIGURE 3-39. FUEL PUMP AND FILTER INSTALLATION (STEEL FUEL TANK) (DEUTZ D2.9L4 - 49HP AND DEUTZ TD2.9L4 - 67HP ENGINES)



ART_1001204902

SECTION 3 - ENGINE

FIGURE 3-39. FUEL PUMP AND FILTER INSTALLATION (STEEL FUEL TANK) (DEUTZ D2.9L4 - 49HP AND DEUTZ TD2.9L4 - 67HP ENGINES)

ITEM	PART NUMBER	QTY	DESCRIPTION	REV
	1001204902	Ref	FUEL PUMP AND FILTER INSTALLATION	D
1	0760512	4	Bolt M5 x 25	
2	0761015	2	Bolt M10 x 35	
2	1001228406	2	Bolt M10 x 35	
3	3290505	4	Nut M5	
4	3291005	4	Nut M10	
5	4811600	8	Washer M5	
6	4812000	AR	Washer M10	
7	1001224967	1	Bracket	
8	0701016	2	Bolt M10 x 40	
9	1001154405	2.3 ft/ 70cm	Hose	
10	1001165035	2.5 ft/ 75cm	Hose	

Go to Discount-Equipment.com to order your parts

PARTS FINDER

**Search Website
by Part Number**



**Search Manual
Library For Parts
Manual & Lookup Part
Numbers – Purchase
or Request Quote**

A screenshot of the "Search Manuals" form. The form has a title "Search Manuals" and a subtitle "Please enter the model number or serial number of the machine you are looking for." Below the subtitle are several input fields: "Find" (with a dropdown menu), "Serial Number" (with a dropdown menu), "Year" (with a dropdown menu), "Make" (with a dropdown menu), "Part Number" (with a dropdown menu), "Part Name" (with a dropdown menu), and "Category" (with a dropdown menu). There is a "Search" button at the bottom of the form.

**Can't Find Part or
Manual? Request Help
by Manufacturer,
Model & Description**

A screenshot of the "Parts Order Form". The form has a title "Parts Order Form" and a subtitle "Please fill out the form below." Below the subtitle are several input fields: "Manufacturer" (with a dropdown menu), "Model" (with a dropdown menu), "Description" (with a dropdown menu), "Part Number" (with a dropdown menu), "Part Name" (with a dropdown menu), "Quantity" (with a dropdown menu), "Price" (with a dropdown menu), "Date" (with a dropdown menu), and "Comments" (with a text area). There is a "Submit" button at the bottom of the form.

Discount-Equipment.com is your online resource for quality parts & equipment.

Florida: **561-964-4949** Outside Florida TOLL FREE: **877-690-3101**

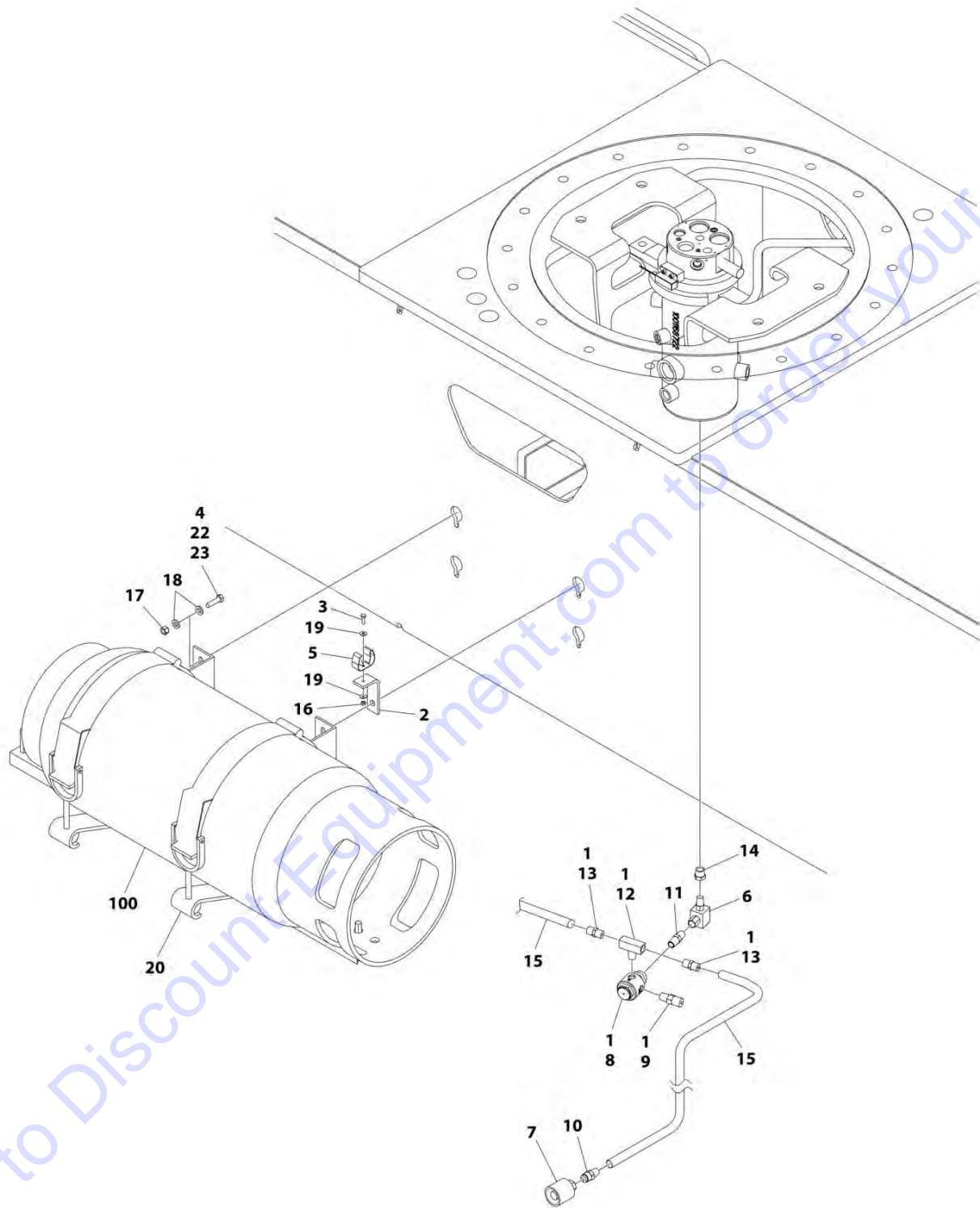
Need parts?

Click on this link: <http://www.discount-equipment.com/category/5443-parts/> and choose one of the options to help get the right parts and equipment you are looking for. Please have the machine model and serial number available in order to help us get you the correct parts. If you don't find the part on the website or on one of the online manuals, please fill out the request form and one of our experienced staff members will get back to you with a quote for the right part that your machine needs.

We sell worldwide for the brands: Genie, Terex, JLG, MultiQuip, Mikasa, Essick, Whiteman, Mayco, Toro Stone, Diamond Products, Generac Magnum, Airman, Haulotte, Barreto, Power Blanket, Nifty Lift, Atlas Copco, Chicago Pneumatic, Allmand, Miller Curber, Skyjack, Lull, Skytrak, Tsurumi, Husquvarna Target, Stow, Wacker, Sakai, Mi-T-M, Sullair, Basic, Dynapac, MBW, Weber, Bartell, Bennar Newman, Haulotte, Ditch Runner, Menegotti, Morrison, Contec, Buddy, Crown, Edco, Wyco, Bomag, Laymor, EZ Trench, Bil-Jax, F.S. Curtis, Gehl Pavers, Heli, Honda, ICS/PowerGrit, IHI, Partner, Imer, Clipper, MMD, Koshin, Rice, CH&E, General Equipment, Amida, Coleman, NAC, Gradall, Square Shooter, Kent, Stanley, Tamco, Toku, Hatz, Kohler, Robin, Wisconsin, Northrock, Oztec, Toker TK, Rol-Air, APT, Wylie, Ingersoll Rand / Doosan, Innovatech, Con X, Ammann, Mecalac, Makinex, Smith Surface Prep, Small Line, Wanco, Yanmar

SECTION 3 - ENGINE

FIGURE 3-40. LP TANK AND BRACKETS INSTALLATION (FORD ENGINE)



ART_1001185598

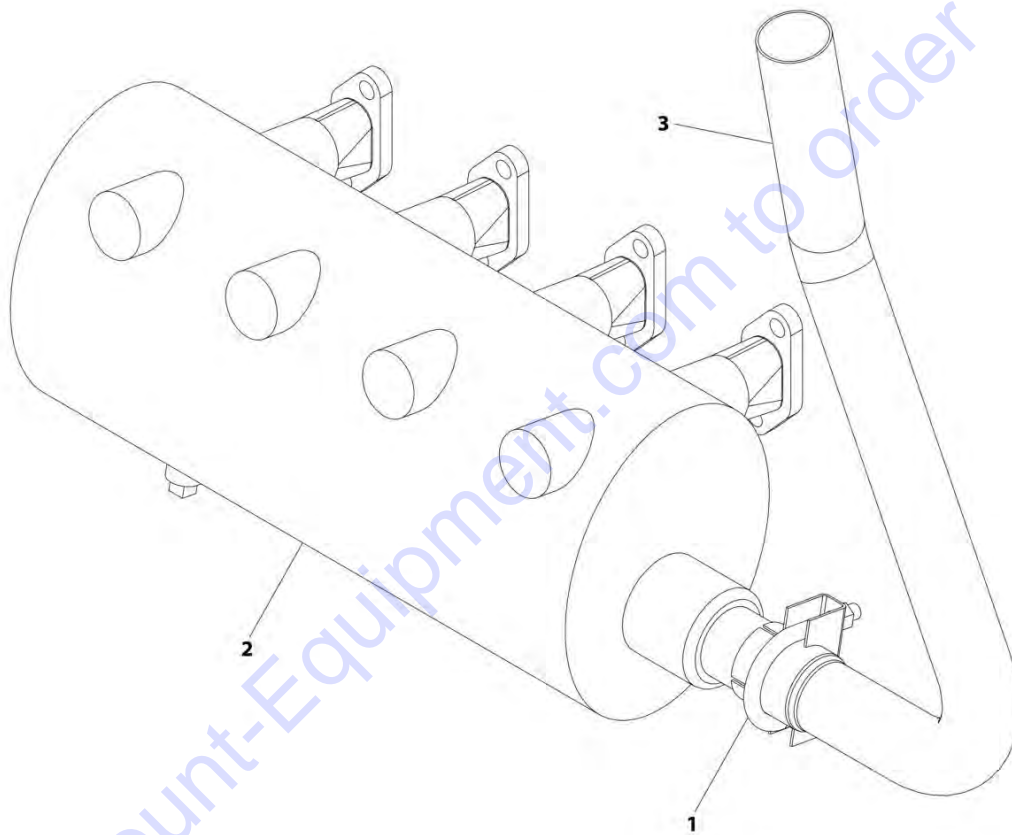
SECTION 3 - ENGINE

FIGURE 3-40. LP TANK AND BRACKETS INSTALLATION (FORD ENGINE)

ITEM	PART NUMBER	QTY	DESCRIPTION	REV
	1001185598	Ref	LP TANK AND BRACKETS INSTALLATION	C
1	0100020	AR	Sealant	
2	0181949	2	Angle	
3	0760408	2	Bolt M4 x 16	
4	0760816	8	Bolt M8 x 40	
5	1320218	2	Clamp	
6	2180125	1	Fitting, 90	
7	2180387	2	Fitting, Tank Connector	
8	2180388	1	Fitting, Bulkhead	
9	2180389	1	Valve, Relief	
10	2180418	2	Fitting, Straight	
11	2220261	1	Fitting, Nipple	
12	2220418	1	Fitting, Tee	
13	2221024	2	Fitting, Ball Check	
14	2221197	1	Fitting, Straight	
15	2720144	2	Hose	
16	3290405	2	Nut M4	
17	3290805	8	Nut M8	
18	5240800	16	Washer M8	
19	1001091102	4	Washer M4	
20	1001184725	2	Clamp Kit	
20	1320127	2	Clamp, Toggle (1 Per Strap)	
21	4240018	2	Tie-Strap (Not Shown)	
22	0100011	AR	Compound, Locking	
23	0760814	8	Bolt M8 x 30	
100	4400275	2	Tank, LP	

SECTION 3 - ENGINE

FIGURE 3-41. MUFFLER INSTALLATION - SPARK ARRESTING (DEUTZ D2011 ENGINES)
(OPTIONAL)



ART_1001192284

SECTION 3 - ENGINE

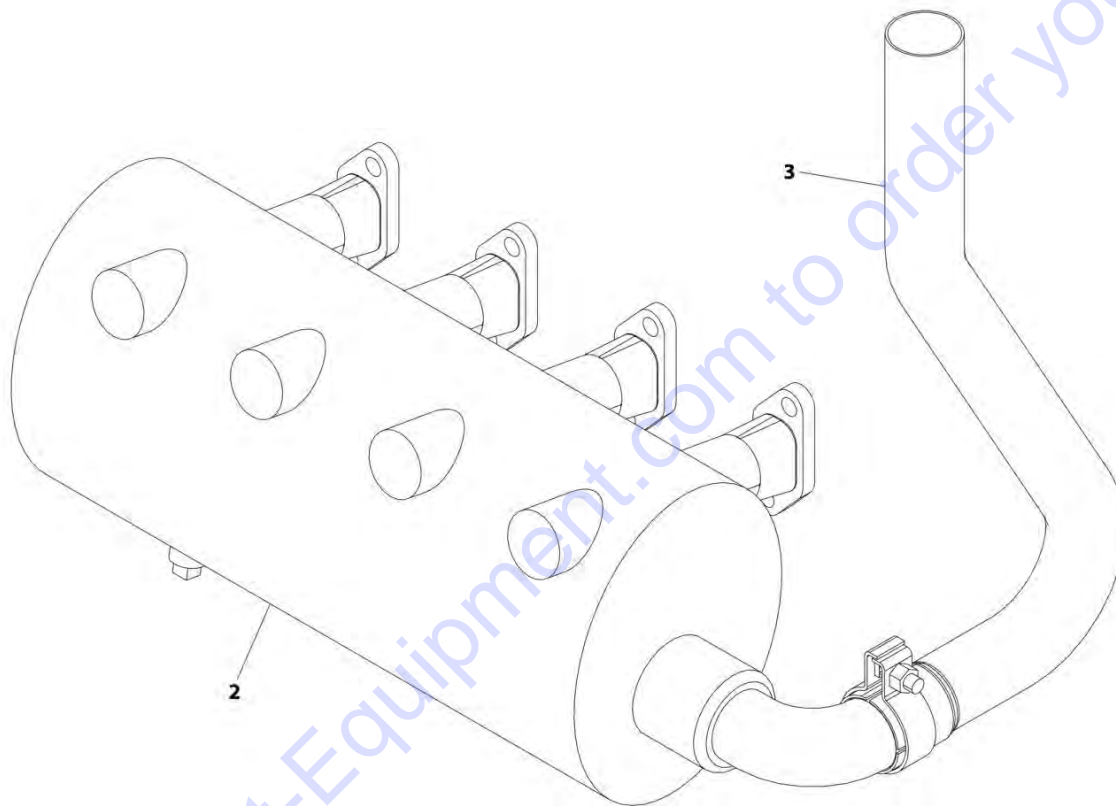
**FIGURE 3-41. MUFFLER INSTALLATION - SPARK ARRESTING (DEUTZ D2011 ENGINES)
(OPTIONAL)**

ITEM	PART NUMBER	QTY	DESCRIPTION	REV
	1001192284	Ref	MUFFLER INSTALLATION	B
1	1320176	1	Clamp	
2	1001195763	1	Pipe, Exhaust	
3	1001191156	1	Muffler, Spark Arresting	

Go to Discount-Equipment.com to order your parts

SECTION 3 - ENGINE

FIGURE 3-42. MUFFLER INSTALLATION - CATALYTIC (DEUTZ D2011 ENGINES) (OPTIONAL)



ART_1001192285

SECTION 3 - ENGINE

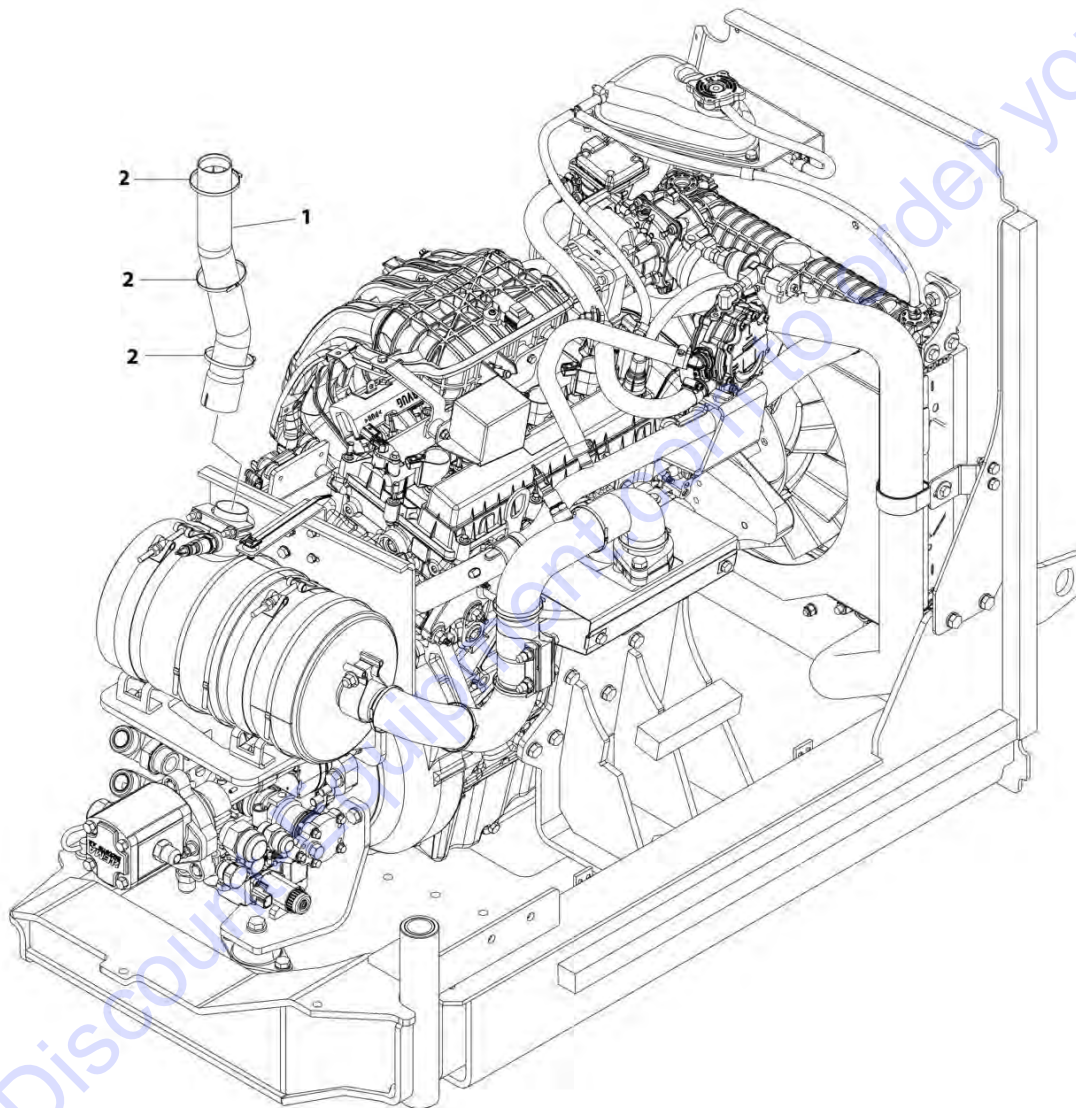
FIGURE 3-42. MUFFLER INSTALLATION - CATALYTIC (DEUTZ D2011 ENGINES) (OPTIONAL)

ITEM	PART NUMBER	QTY	DESCRIPTION	REV
	1001192285	Ref	MUFFLER INSTALLATION - CATALYTIC	B
2	3220104	1	Muffler, Catalytic	
3	1001236263	1	Pipe, Exhaust	

Go to Discount-Equipment.com to order your parts

SECTION 3 - ENGINE

FIGURE 3-43. MUFFLER INSTALLATION - SPARK ARRESTING (FORD ENGINES) (OPTIONAL)



ART_1001217439

SECTION 3 - ENGINE

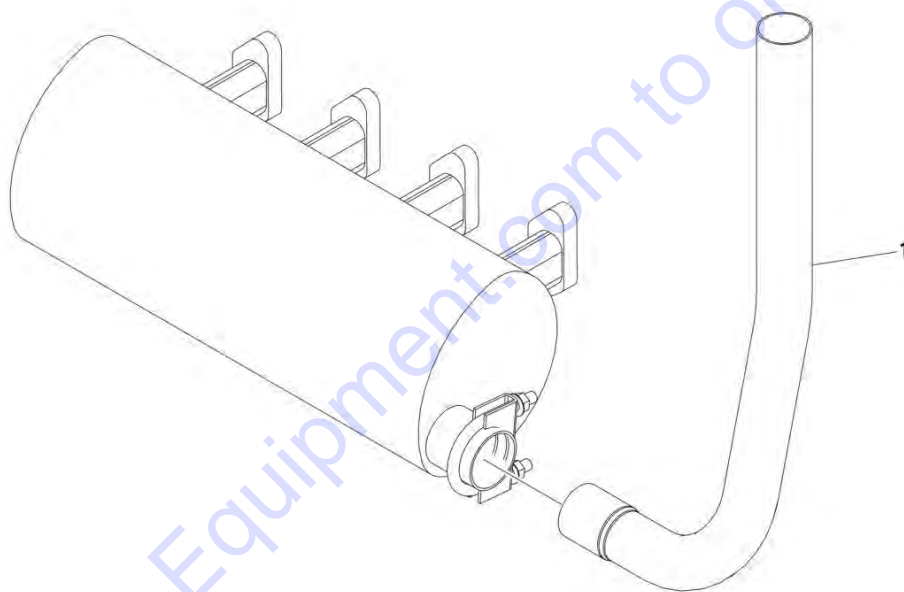
FIGURE 3-43. MUFFLER INSTALLATION - SPARK ARRESTING (FORD ENGINES) (OPTIONAL)

ITEM	PART NUMBER	QTY	DESCRIPTION	REV
	1001217439	Ref	MUFFLER INSTALLATION	A
1	1001216392	1	Pipe, Exhaust	
2	1001100825	3	Tie-Strap	

Go to Discount-Equipment.com to order your parts

SECTION 3 - ENGINE

FIGURE 3-44. EXHAUST PIPE INSTALLATION (DEUTZ D2011 ENGINES)



ART_1001239563

SECTION 3 - ENGINE

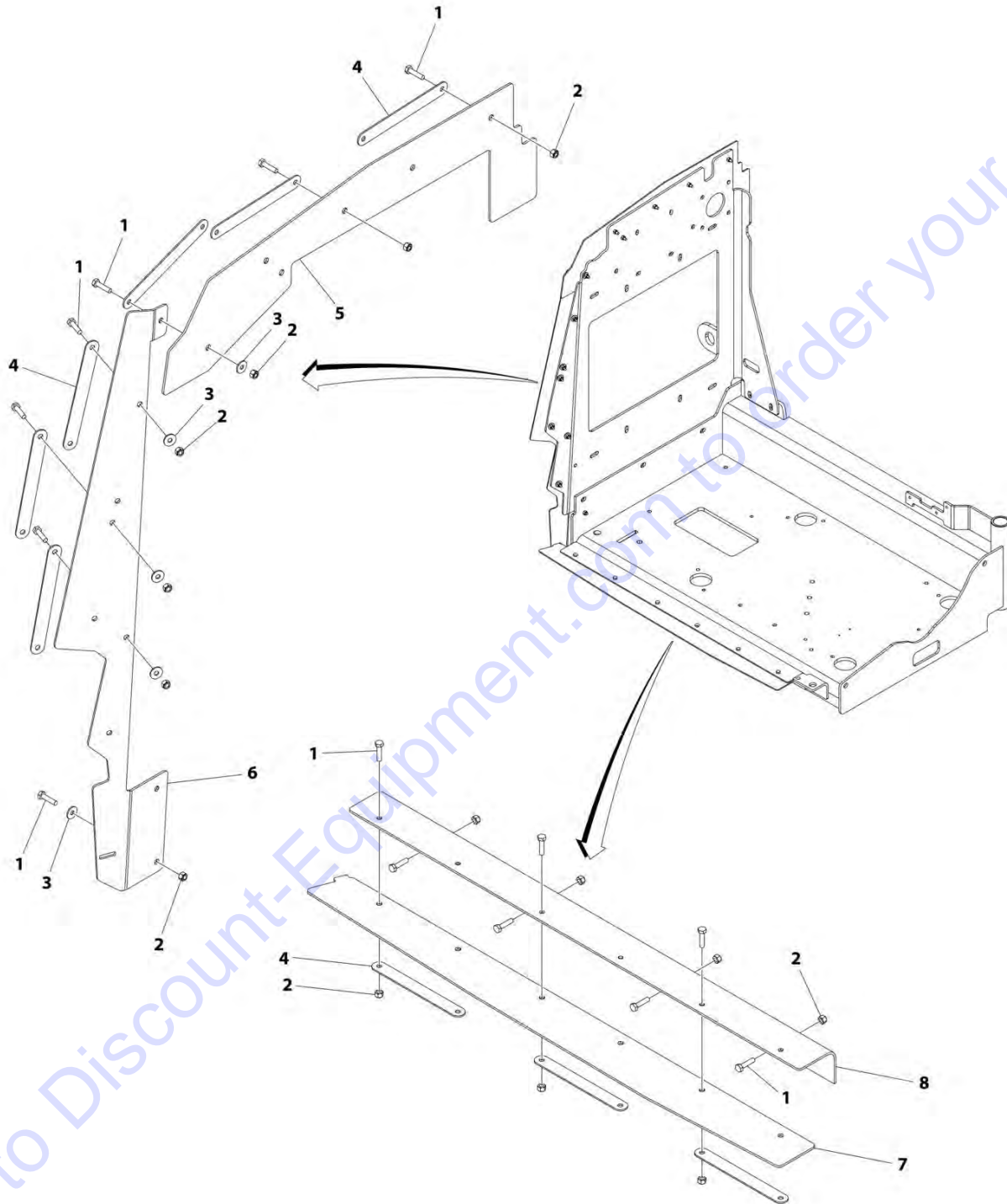
FIGURE 3-44. EXHAUST PIPE INSTALLATION (DEUTZ D2011 ENGINES)

ITEM	PART NUMBER	QTY	DESCRIPTION	REV
1	1001239563 1001191273	Ref 1	MUFFLER INSTALLATION Pipe, Exhaust	A

Go to Discount-Equipment.com to order your parts

SECTION 3 - ENGINE

FIGURE 3-45. ENGINE HOOD Baffles INSTALLATION - ABS HOODS (DEUTZ D2.9L4 - 49HP ENGINES)



ART_1001244119

SECTION 3 - ENGINE

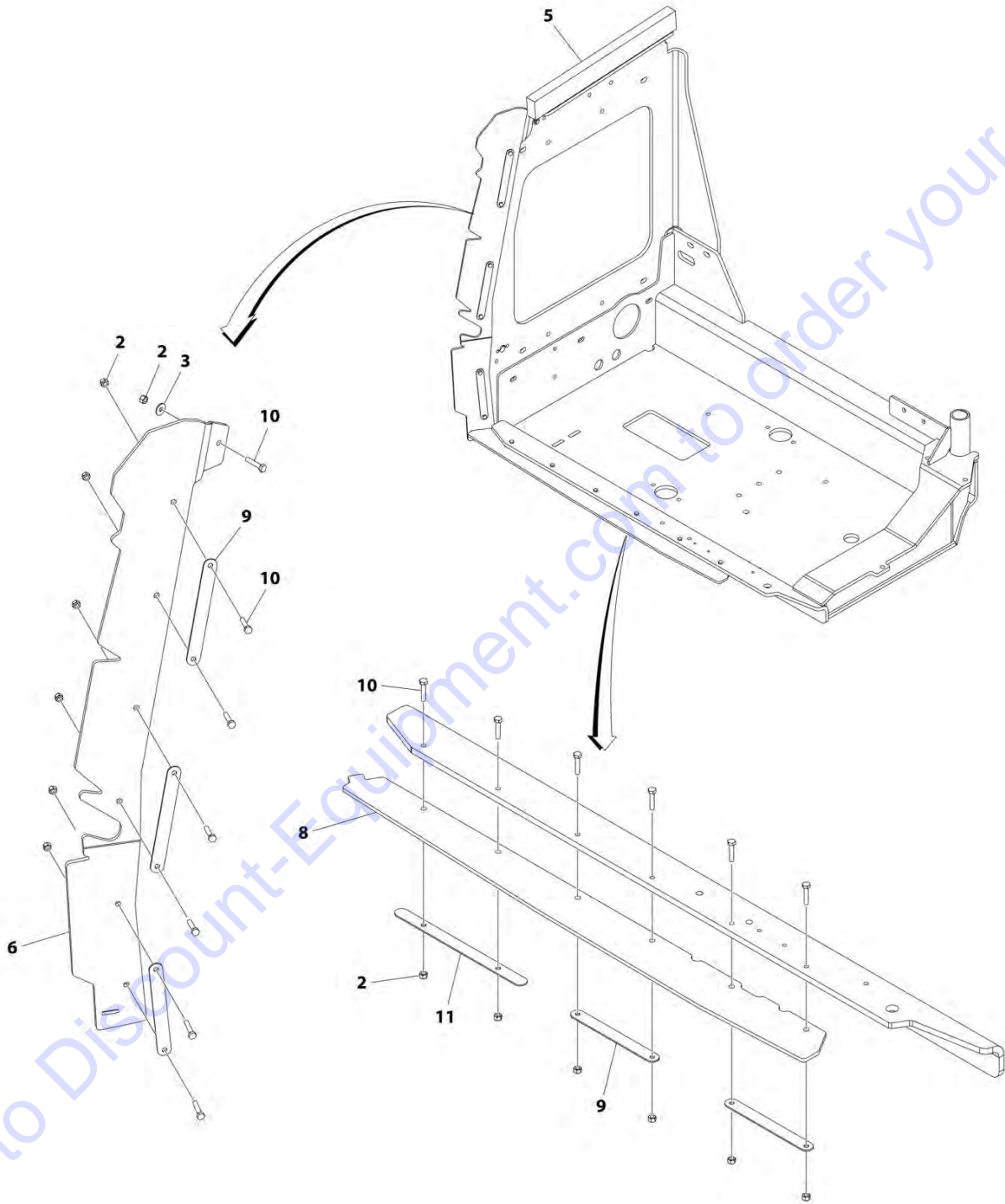
FIGURE 3-45. ENGINE HOOD BAFFLES INSTALLATION - ABS HOODS (DEUTZ D2.9L4 - 49HP ENGINES)

ITEM	PART NUMBER	QTY	DESCRIPTION	REV
	1001244119	Ref	ENGINE HOOD BAFFLES INSTALLATION	B
1	0760612	24	Bolt M6 x25	
2	3290605	24	Nut M6	
3	4811702	30	Washer M6	
4	1001167164	9	Support	
5	1001244120	1	Seal	
6	1001244121	1	Seal	
7	1001244122	1	Seal	
8	1001244123	1	Plate	

Go to Discount-Equipment.com to order your parts

SECTION 3 - ENGINE

FIGURE 3-46. ENGINE HOOD Baffles INSTALLATION - ABS HOODS (DEUTZ D2011, DEUTZ TD2.9L4 - 67HP AND FORD ENGINES)



ART_1001197268

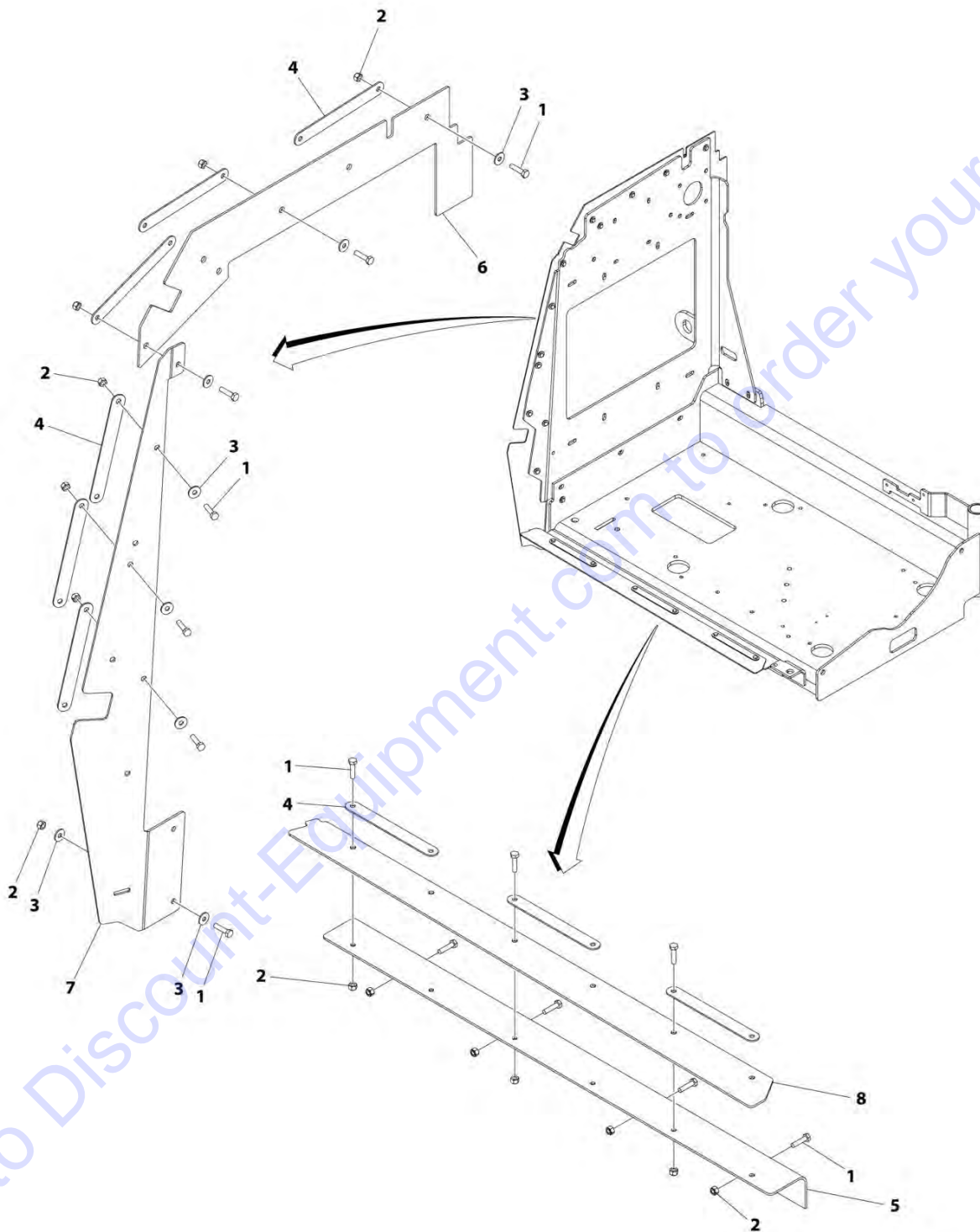
SECTION 3 - ENGINE

FIGURE 3-46. ENGINE HOOD BAFFLES INSTALLATION - ABS HOODS (DEUTZ D2011, DEUTZ TD2.9L4 - 67HP AND FORD ENGINES)

ITEM	PART NUMBER	QTY	DESCRIPTION	REV
	1001197268	Ref	ENGINE HOOD BAFFLES INSTALLATION	G
2	3290605	13	Nut M6	
3	4811702	8	Washer M6	
5	1001197389	1	Seal	
6	1001197386	1	Seal (600S SN 0300235168 through 0300237156, SN B300002655 to Present)	
6	1001197386	1	Seal (660SJ SN 0300235168 through 0300237156, SN B300002655 to Present)	
6	1001234370	1	Seal (600S SN 0300237157 to Present)	
6	1001234370	1	Seal (660SJ SN 0300237157 to Present)	
8	1001197388	1	Seal (600S SN 0300235168 through 0300237156, SN B300002655 to Present)	
8	1001197388	1	Seal (660SJ SN 0300235168 through 0300237156, SN B300002655 to Present)	
8	1001234371	1	Seal (600S SN 0300237157 to Present)	
8	1001234371	1	Seal (660SJ SN 0300237157 to Present)	
9	1001167164	5	Support	
10	0760614	13	Bolt M6 x 30	
11	1001233429	1	Support	

SECTION 3 - ENGINE

FIGURE 3-47. ENGINE HOOD Baffles INSTALLATION - STEEL HOODS (DEUTZ D2.9L4 - 49HP ENGINES)



ART_1001244464

SECTION 3 - ENGINE

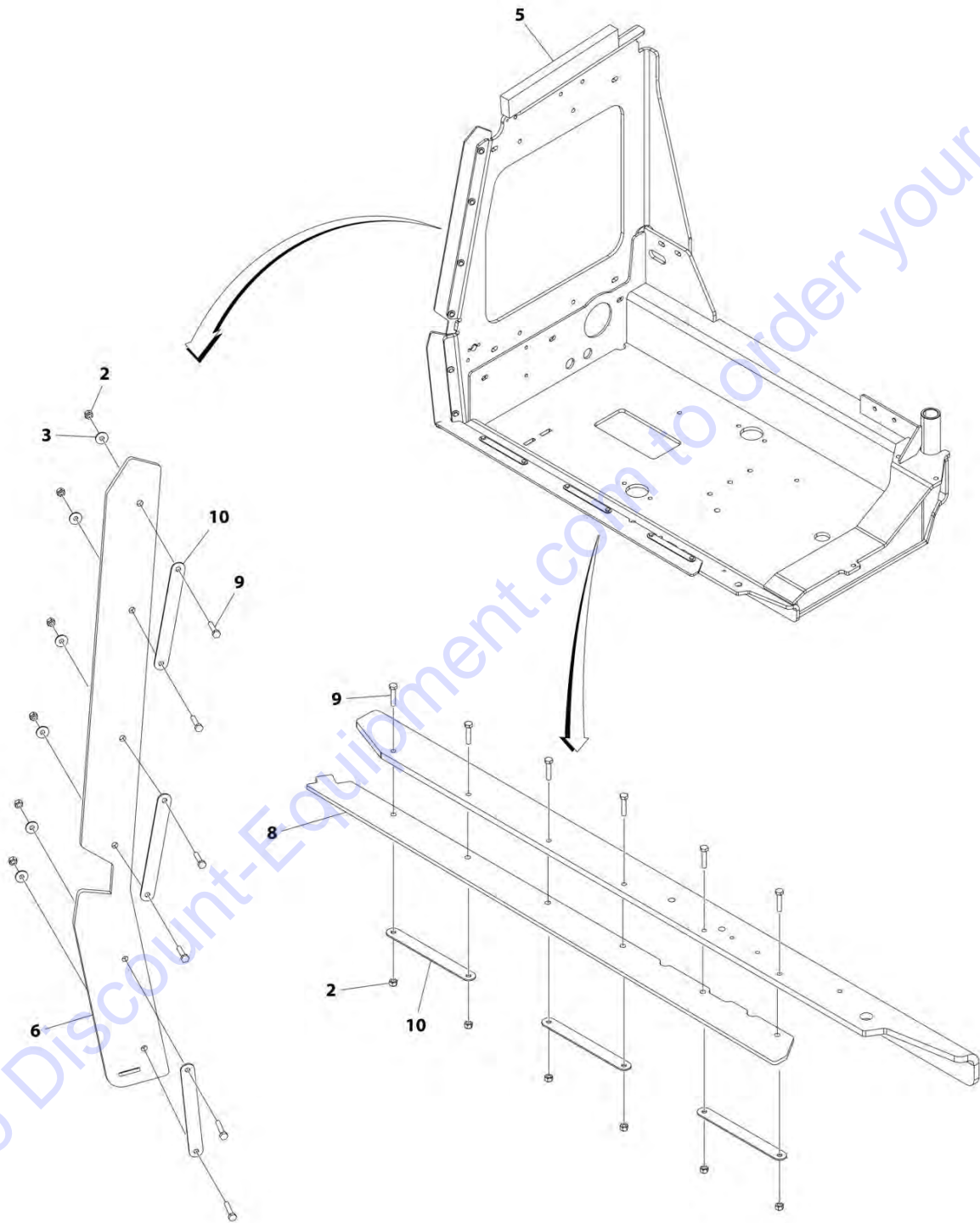
FIGURE 3-47. ENGINE HOOD BAFFLES INSTALLATION - STEEL HOODS (DEUTZ D2.9L4 - 49HP ENGINES)

ITEM	PART NUMBER	QTY	DESCRIPTION	REV
	1001244464	Ref	ENGINE HOOD BAFFLES INSTALLATION	B
1	0760612	24	Bolt M6 x25	
2	3290605	24	Nut M6	
3	4811702	30	Washer M6	
4	1001167164	9	Support	
5	1001244123	1	Plate	
6	1001244468	1	Seal	
7	1001244469	1	Seal	
8	1001244470	1	Seal	

Go to Discount-Equipment.com to order your parts

SECTION 3 - ENGINE

FIGURE 3-48. ENGINE HOOD Baffles INSTALLATION - STEEL HOODS (DEUTZ D2011, DEUTZ TD2.9L4 - 67HP AND FORD ENGINES)



ART_1001197269

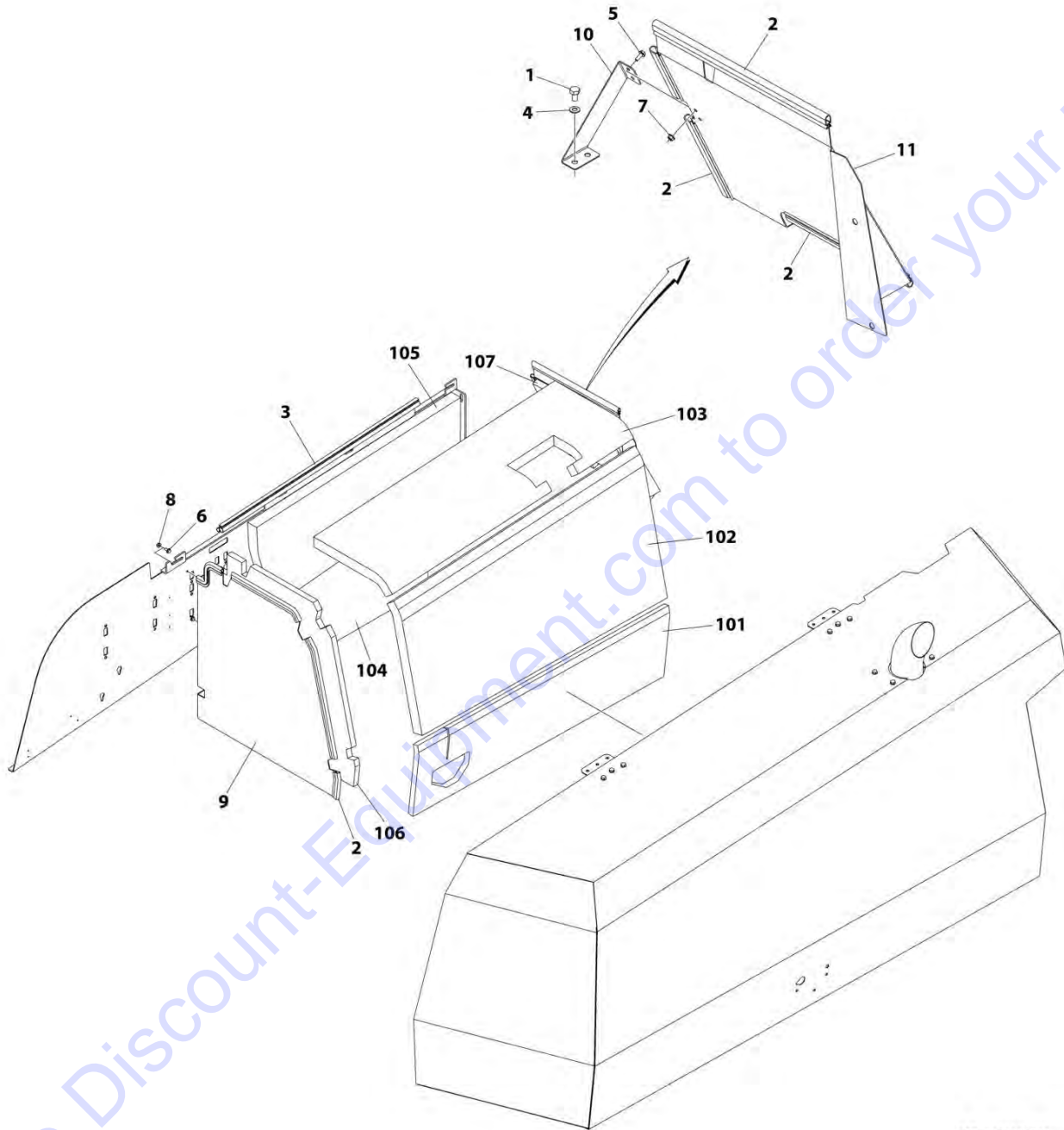
SECTION 3 - ENGINE

FIGURE 3-48. ENGINE HOOD BAFFLES INSTALLATION - STEEL HOODS (DEUTZ D2011, DEUTZ TD2.9L4 - 67HP AND FORD ENGINES)

ITEM	PART NUMBER	QTY	DESCRIPTION	REV
	1001197269	Ref	ENGINE HOOD BAFFLES INSTALLATION	F
2	3290605	AR	Nut M6	
3	4811702	AR	Washer M6	
5	1001197389	1	Seal (600S SN 0300235168 through 0300237156, SN B300002655 to Present)	
5	1001197389	1	Seal (660SJ SN 0300235168 through 0300237156, SN B300002655 to Present)	
5	1001234281	1	Seal (600S SN 0300237157 to Present)	
5	1001234281	1	Seal (660SJ SN 0300237157 to Present)	
6	1001197390	1	Seal (600S SN 0300235168 through 0300237156, SN B300002655 to Present)	
6	1001197390	1	Seal (660SJ SN 0300235168 through 0300237156, SN B300002655 to Present)	
6	1001234299	1	Seal (600S SN 0300237157 to Present)	
6	1001234299	1	Seal (660SJ SN 0300237157 to Present)	
8	1001197392	1	Seal (600S SN 0300235168 through 0300237156, SN B300002655 to Present)	
8	1001197392	1	Seal (660SJ SN 0300235168 through 0300237156, SN B300002655 to Present)	
8	1001234283	1	Seal (600S SN 0300237157 to Present)	
8	1001234283	1	Seal (660SJ SN 0300237157 to Present)	
9	0760614	AR	Bolt M6 x 30	
10	1001167164	6	Support	

SECTION 3 - ENGINE

FIGURE 3-49. NOISE REDUCTION PACKAGE



ART_1001234080

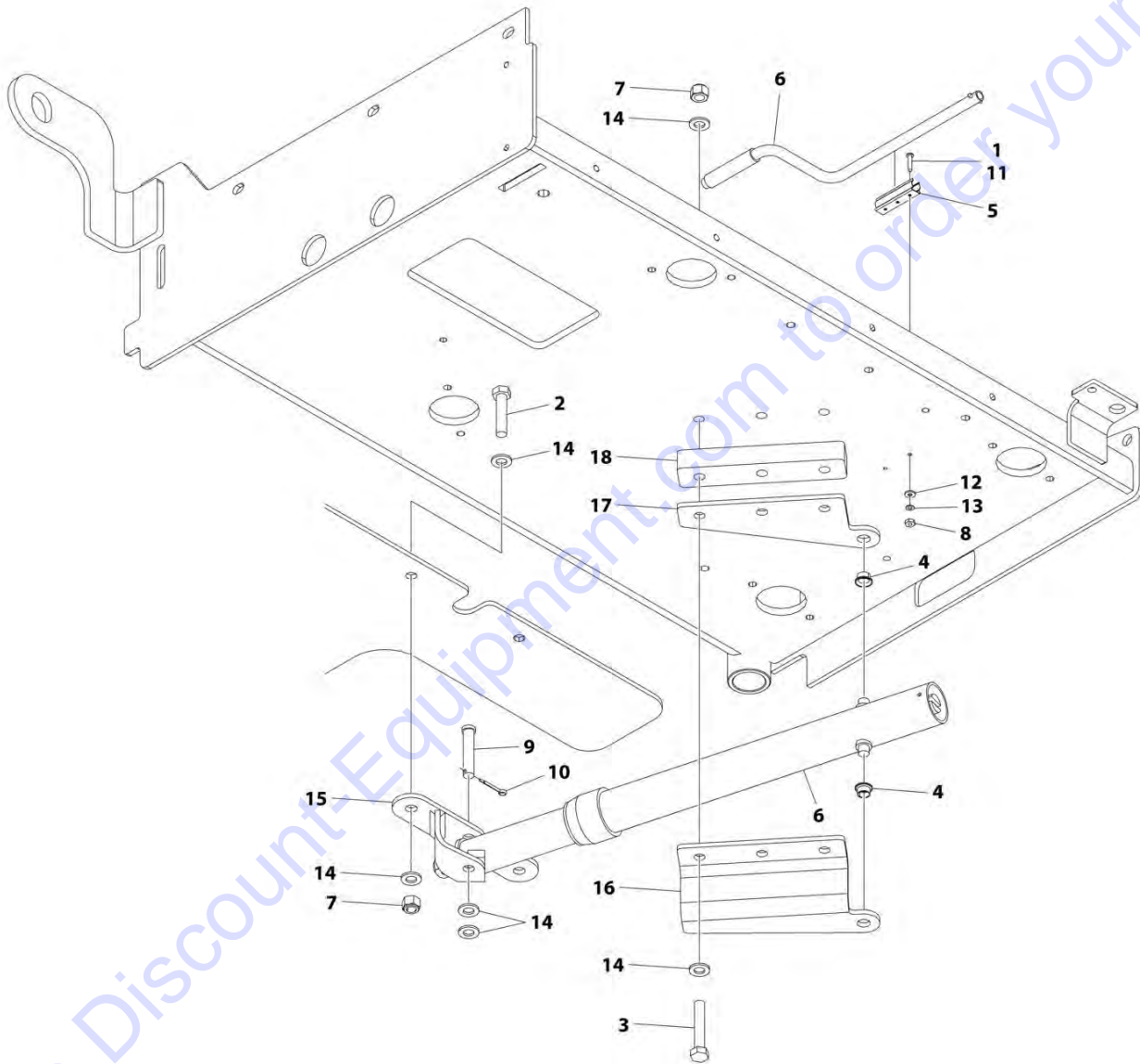
SECTION 3 - ENGINE

FIGURE 3-49. NOISE REDUCTION PACKAGE

ITEM	PART NUMBER	QTY	DESCRIPTION	REV
	1001234080	Ref	NOISE REDUCTION PACKAGE	B
1	0761009	2	Bolt M10 x 18	
2	3960389	8.2 ft/ 2.49m	Seal	
3	3960464	3.6 ft/ 1.10m	Seal	
4	4812000	2	Washer M10	
5	5250608	2	Bolt M6 x 16	
6	5250808	2	Bolt M8 x 16	
7	5260600	2	Nut M6	
8	5260800	2	Nut M8	
9	1001233947	1	Plate (SN 0300235168 through 0300257990, SN B300002655 to Present)	
9	1001241729	1	Plate (SN 0300257991 to Present)	
10	1001233948	1	Bracket	
11	1001233949	1	Plate	
100	1001237550	1	Sound Foam Insulate Kit (Includes Items 101-107)	B
101	1001233953	1	Insulate	
102	1001233954	1	Insulate	
103	1001233955	1	Insulate	
104	1001233966	1	Insulate	
105	1001233967	1	Insulate	
106	1001234269	1	Insulate	
107	1001234270	1	Insulate	

SECTION 3 - ENGINE

FIGURE 3-50. TRAY JACK INSTALLATION (DEUTZ D2.9L4 - 49HP ENGINES)



ART_1001244023

SECTION 3 - ENGINE

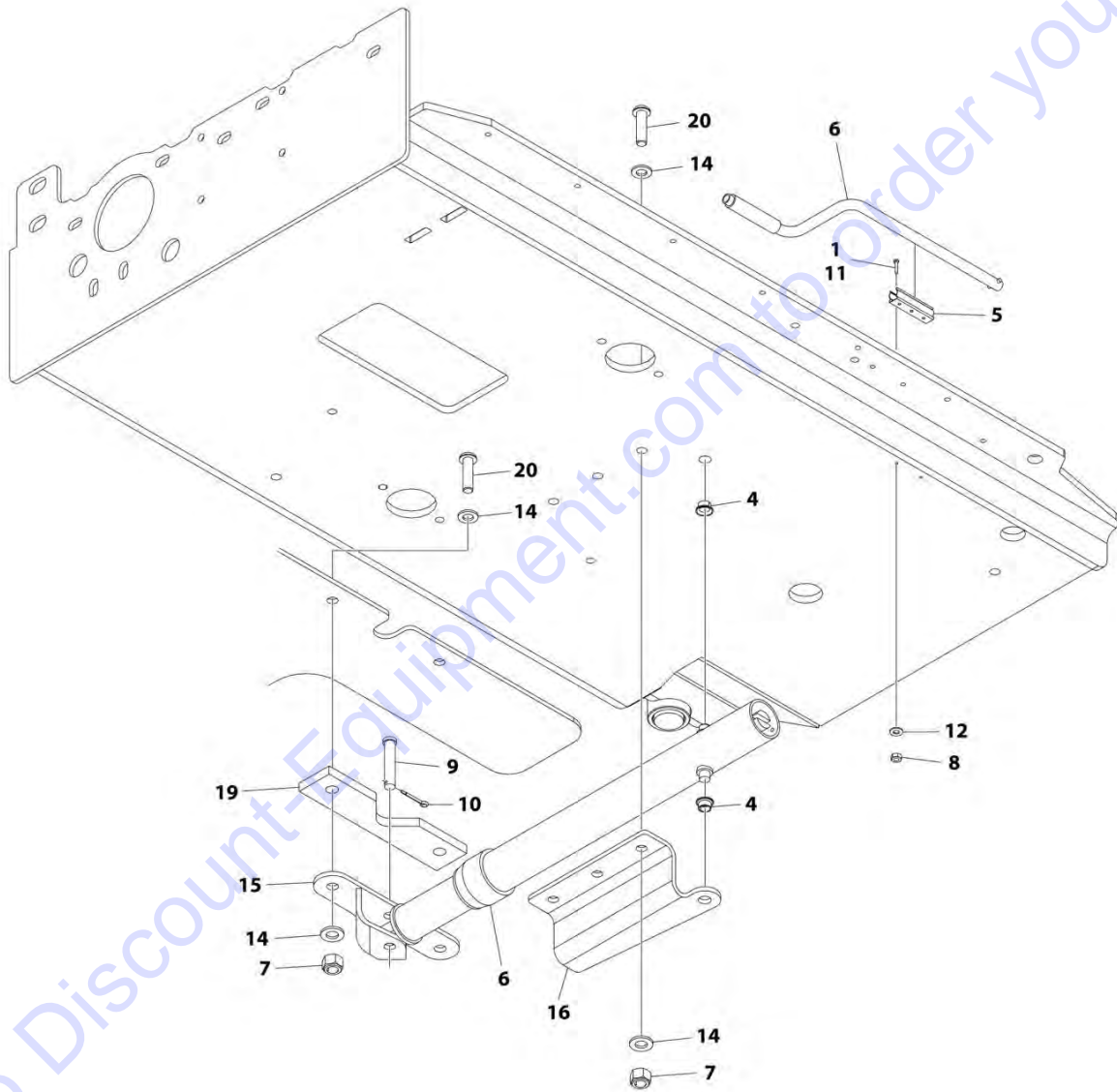
FIGURE 3-50. TRAY JACK INSTALLATION (DEUTZ D2.9L4 - 49HP ENGINES)

ITEM	PART NUMBER	QTY	DESCRIPTION	REV
	1001244023	Ref	TRAY JACK INSTALLATION	B
1	0100011	AR	Compound, Locking	
2	0701215	2	Bolt M12 x 35	
3	0701222	3	Bolt M12 x 70	
4	0962051	2	Bearing	
5	1380147	1	Clip	
6	2840016	1	Jack and Handle Assembly	
6	7024598	1	Handle	
7	3291205	5	Nut M12	
8	3310601	2	Nut #6	
9	3430820	1	Pin	
10	3450404	1	Pin	
11	3910610	2	Screw #6 x 5/8	
12	4750600	2	Washer #6	
13	4770600	2	Washer #6	
14	4812100	12	Washer M12	
15	1001166894	1	Support	
16	1001175073	1	Support	
17	1001175074	1	Support	
18	1001244025	1	Shim	

Go to Discount-Equipment.com to order your parts

SECTION 3 - ENGINE

FIGURE 3-51. TRAY JACK INSTALLATION (DEUTZ D2011, DEUTZ TD2.9L4 - 67HP AND FORD ENGINES)



ART_1001186980

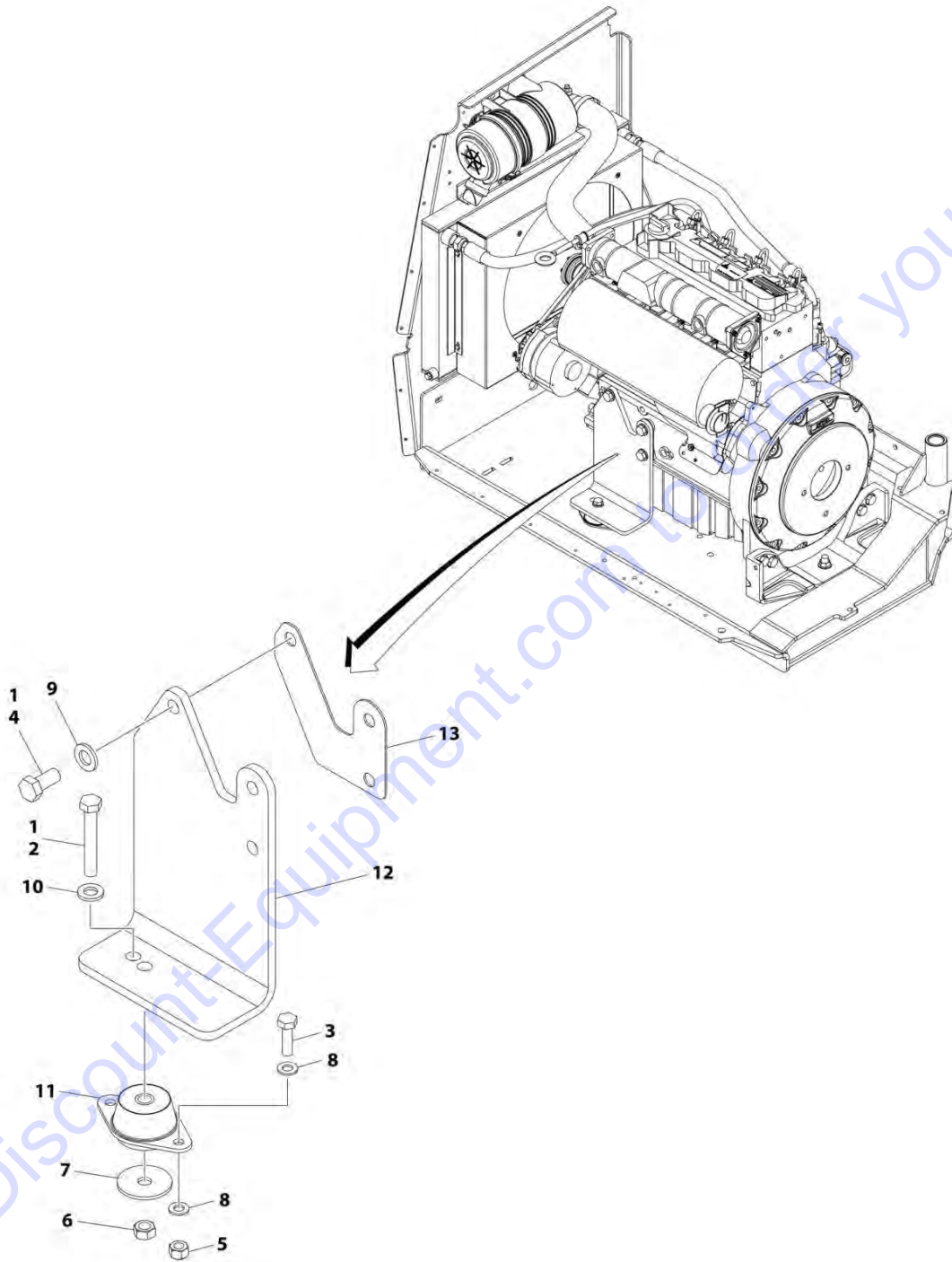
SECTION 3 - ENGINE

FIGURE 3-51. TRAY JACK INSTALLATION (DEUTZ D2011, DEUTZ TD2.9L4 - 67HP AND FORD ENGINES)

ITEM	PART NUMBER	QTY	DESCRIPTION	REV
	1001186980	Ref	TRAY JACK INSTALLATION	E
1	0100011	AR	Compound, Locking	
4	0962051	2	Bearing	
5	1380147	1	Clip	
6	2840016	1	Jack and Handle Assembly	
6	7024598	1	Handle	
7	3291205	5	Nut M12	
8	3290301	2	Nut M3	
9	3430820	1	Pin	
10	3450404	1	Pin (SN 0300235168 through 0300250001, SN B300002655 through B300003386)	
10	1001236121	1	Pin (SN 0300250002 to Present, SN B300003387 to Present)	
11	4010308	2	Screw M3 x 16	
12	4811400	2	Washer M4	
14	4812100	10	Washer M12	
15	1001166894	1	Support	
16	1001175073	1	Support	
19	1001186981	1	Plate	
20	1001102978	5	Screw M12 x 45 Grade 10.9	

SECTION 3 - ENGINE

FIGURE 3-52. MOTOR MOUNT INSTALLATION - WITHOUT GENERATOR (DEUTZ D2011 ENGINES)



ART_1001192443

SECTION 3 - ENGINE

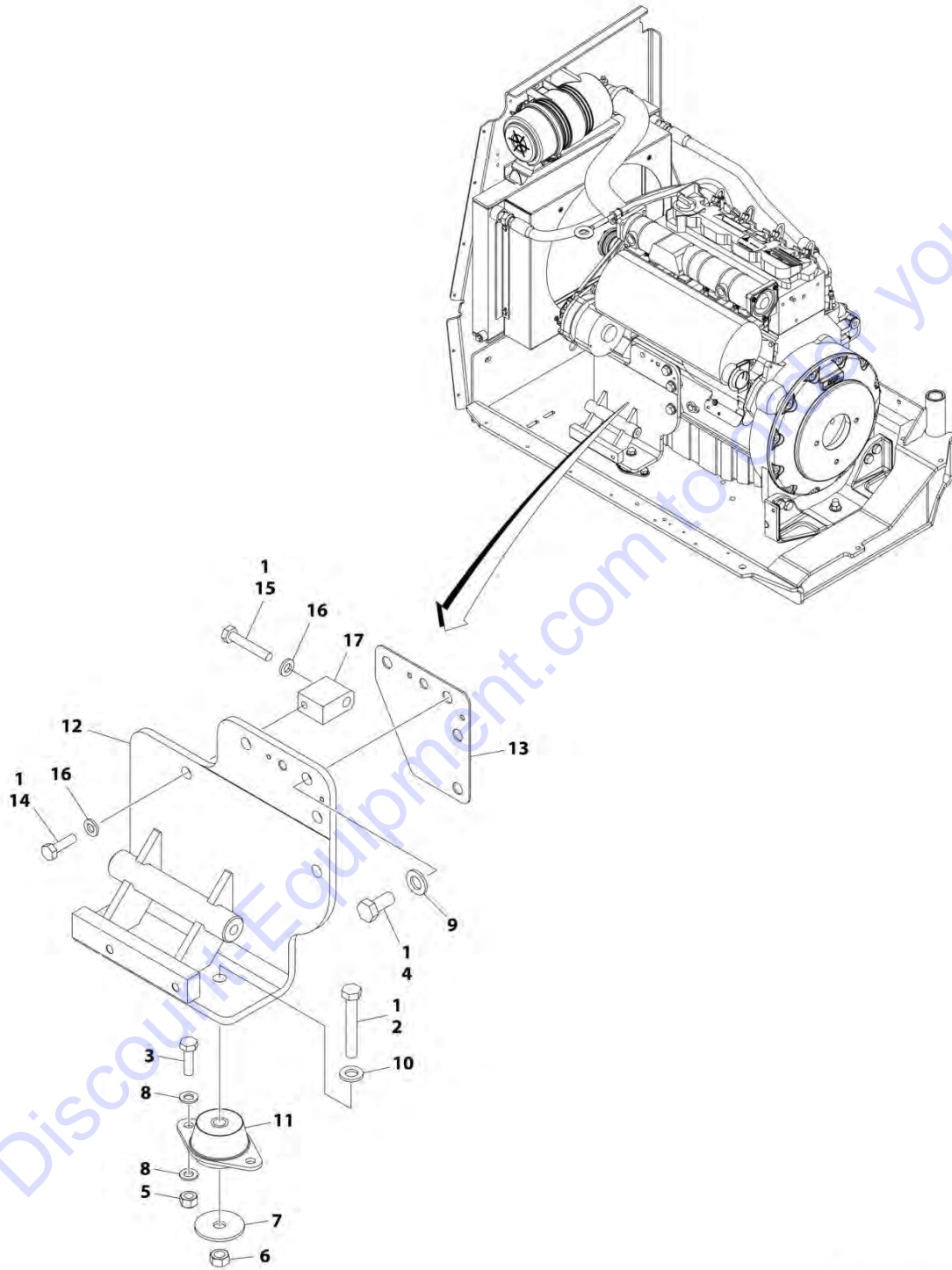
FIGURE 3-52. MOTOR MOUNT INSTALLATION - WITHOUT GENERATOR (DEUTZ D2011 ENGINES)

ITEM	PART NUMBER	QTY	DESCRIPTION	REV
	1001192443	Ref	MOTOR MOUNT INSTALLATION	D
1	0100011	AR	Compound, Locking	
2	0711224	1	Bolt M12 x 80	
3	0761015	2	Bolt M10 x 35	
4	0771414	3	Bolt M14 x 30	
5	3291005	2	Nut M10	
6	3331211	1	Nut M12	
7	1001168018	1	Washer	
8	4812000	4	Washer M10	
9	5241400	3	Washer M14	
10	5241200	1	Washer M12	
11	1001191610	1	Mount, Motor	
12	1001189227	1	Mount	
13	1001201843	1	Shim	

Go to Discount-Equipment.com to order your parts

SECTION 3 - ENGINE

FIGURE 3-53. MOTOR MOUNT INSTALLATION - WITH GENERATOR (DEUTZ D2011 ENGINES)



ART_1001191856

SECTION 3 - ENGINE

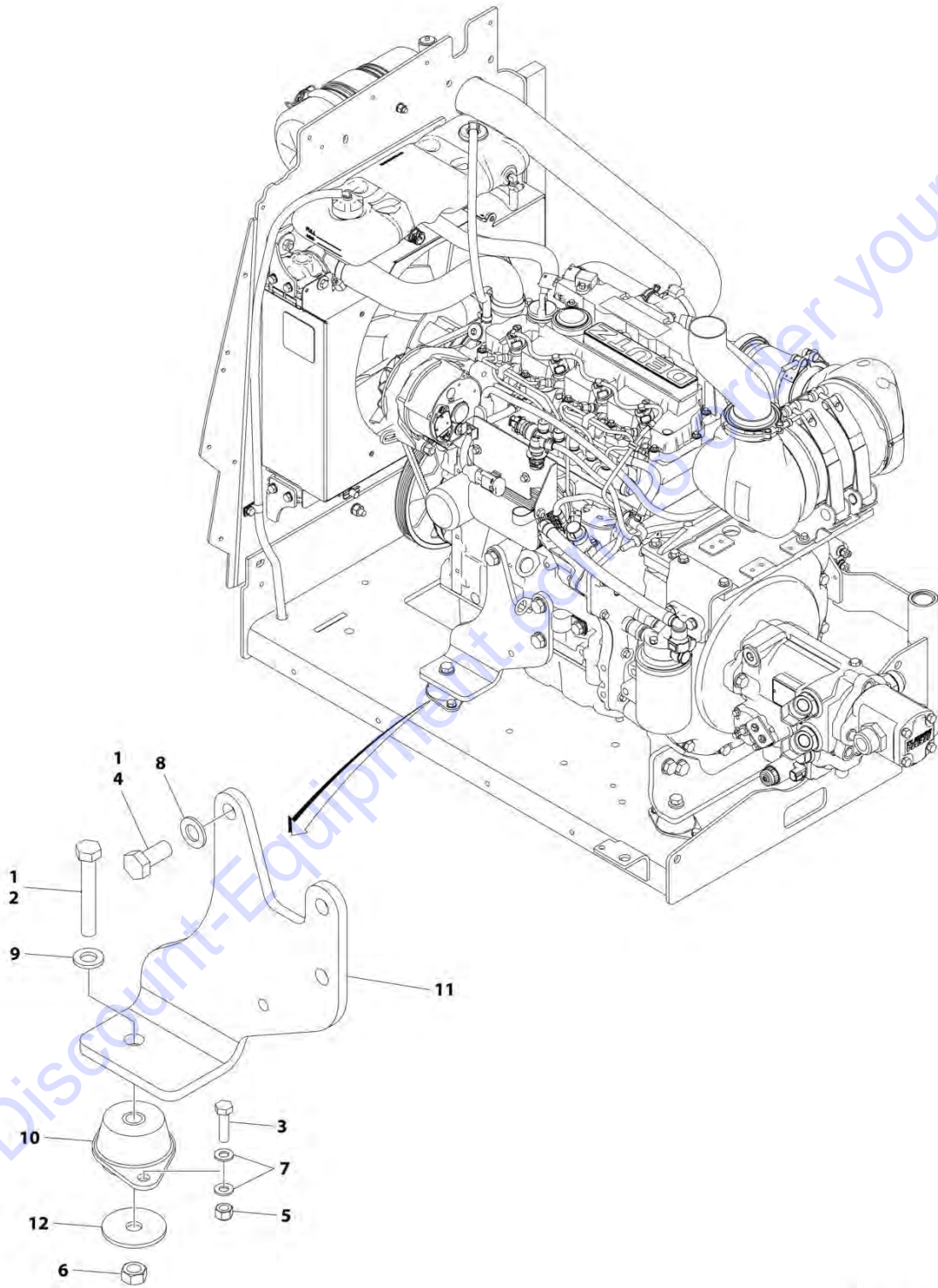
FIGURE 3-53. MOTOR MOUNT INSTALLATION - WITH GENERATOR (DEUTZ D2011 ENGINES)

ITEM	PART NUMBER	QTY	DESCRIPTION	REV
	1001191856	Ref	MOTOR MOUNT INSTALLATION	F
1	0100011	AR	Compound, Locking	
2	0711224	1	Bolt M12 x 80	
3	0761015	2	Bolt M10 x 35	
4	0771415	3	Bolt M14 x 35	
5	3291005	2	Nut M10	
6	3331211	1	Nut M12	
7	1001168018	1	Washer	
8	4812000	4	Washer M10	
9	5241400	3	Washer M14	
10	5241200	1	Washer M12	
11	1001191610	1	Mount, Engine	
12	1001239710	1	Bracket	
13	1001205957	1	Shim	
14	0711015	1	Bolt M10 x 35	
15	0711020	1	Bolt M10 x 60	
16	5241000	2	Washer M10	
17	1001239715	1	Block	

Go to Discount-Equipment.com to order your parts

SECTION 3 - ENGINE

FIGURE 3-54. MOTOR MOUNT INSTALLATION - WITHOUT GENERATOR (DEUTZ D2.9L4 - 49HP ENGINES)



ART_1001244024

SECTION 3 - ENGINE

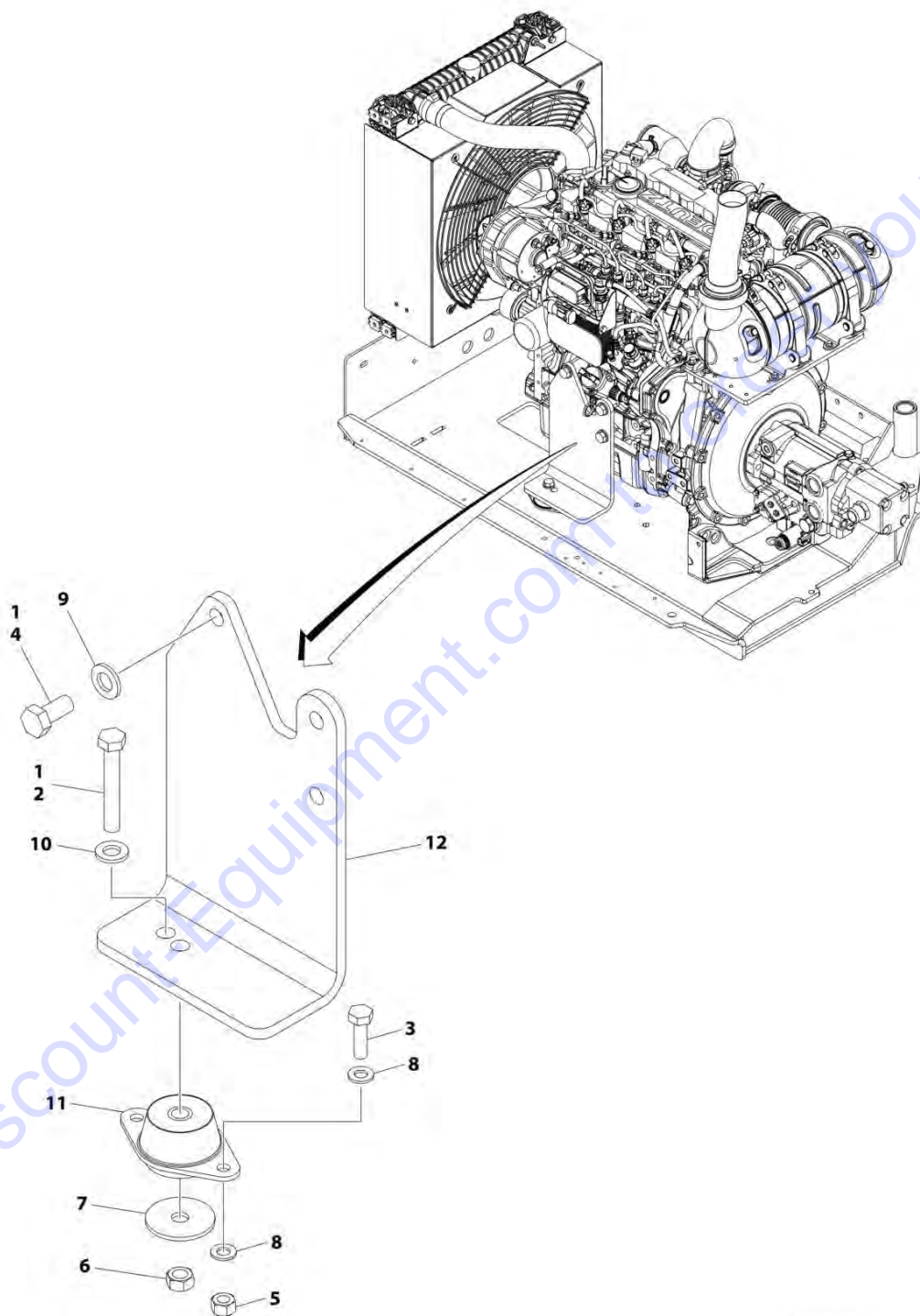
FIGURE 3-54. MOTOR MOUNT INSTALLATION - WITHOUT GENERATOR (DEUTZ D2.9L4 - 49HP ENGINES)

ITEM	PART NUMBER	QTY	DESCRIPTION	REV
	1001244024	Ref	MOTOR MOUNT INSTALLATION	A
1	0100011	AR	Compound, Locking	
2	0711224	1	Bolt M12 x 80	
3	0760814	2	Bolt M8 x 30	
4	0771414	3	Bolt M14 x 30	
5	3290805	2	Nut M8	
6	3331211	1	Nut M12	
7	4811900	4	Washer M8	
8	4812200	3	Washer M14	
9	5241200	1	Washer M12	
10	1001166718	1	Mount, Motor	
11	1001166922	1	Mount	
12	1001168018	1	Washer	

Go to Discount-Equipment.com to order your parts

SECTION 3 - ENGINE

FIGURE 3-55. MOTOR MOUNT INSTALLATION - WITHOUT GENERATOR (DEUTZ TD2.9L4 - 67HP ENGINES)



ART_1001192442

SECTION 3 - ENGINE

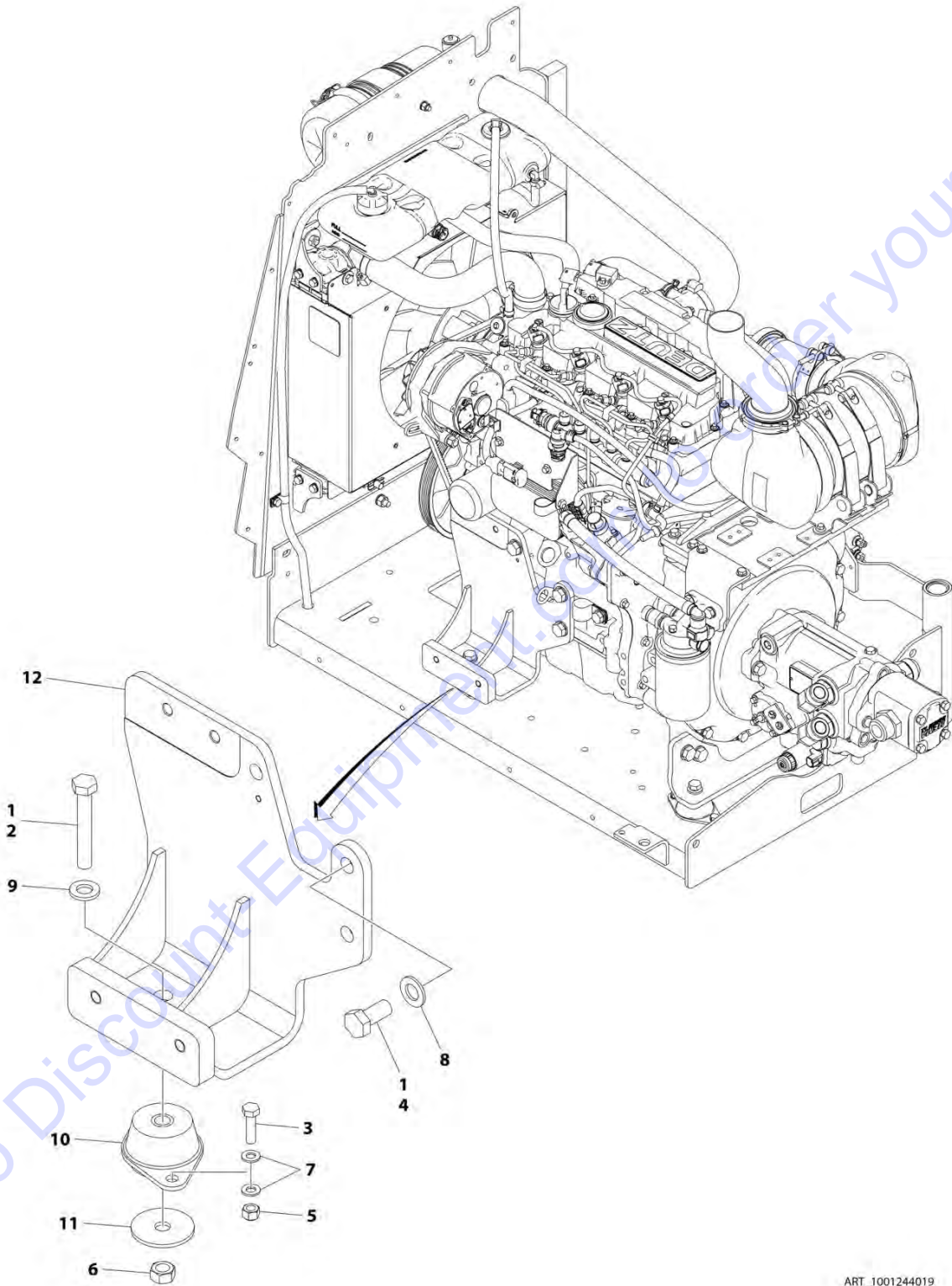
FIGURE 3-55. MOTOR MOUNT INSTALLATION - WITHOUT GENERATOR (DEUTZ TD2.9L4 - 67HP ENGINES)

ITEM	PART NUMBER	QTY	DESCRIPTION	REV
	1001192442	Ref	MOTOR MOUNT INSTALLATION	D
1	0100011	AR	Compound, Locking	
2	0711224	1	Bolt M12 x 80	
3	0761015	2	Bolt M10 x 35	
4	0771414	3	Bolt M14 x 30	
5	3291005	2	Nut M10	
6	3331211	1	Nut M12	
7	1001168018	1	Washer	
8	4812000	4	Washer M10	
9	5241400	3	Washer M14	
10	5241200	1	Washer M12	
11	1001191610	1	Mount, Motor	
12	1001189227	1	Mount	

Go to Discount-Equipment.com to order your parts

SECTION 3 - ENGINE

FIGURE 3-56. MOTOR MOUNT INSTALLATION - WITH GENERATOR (DEUTZ D2.9L4 - 49HP ENGINES)



SECTION 3 - ENGINE

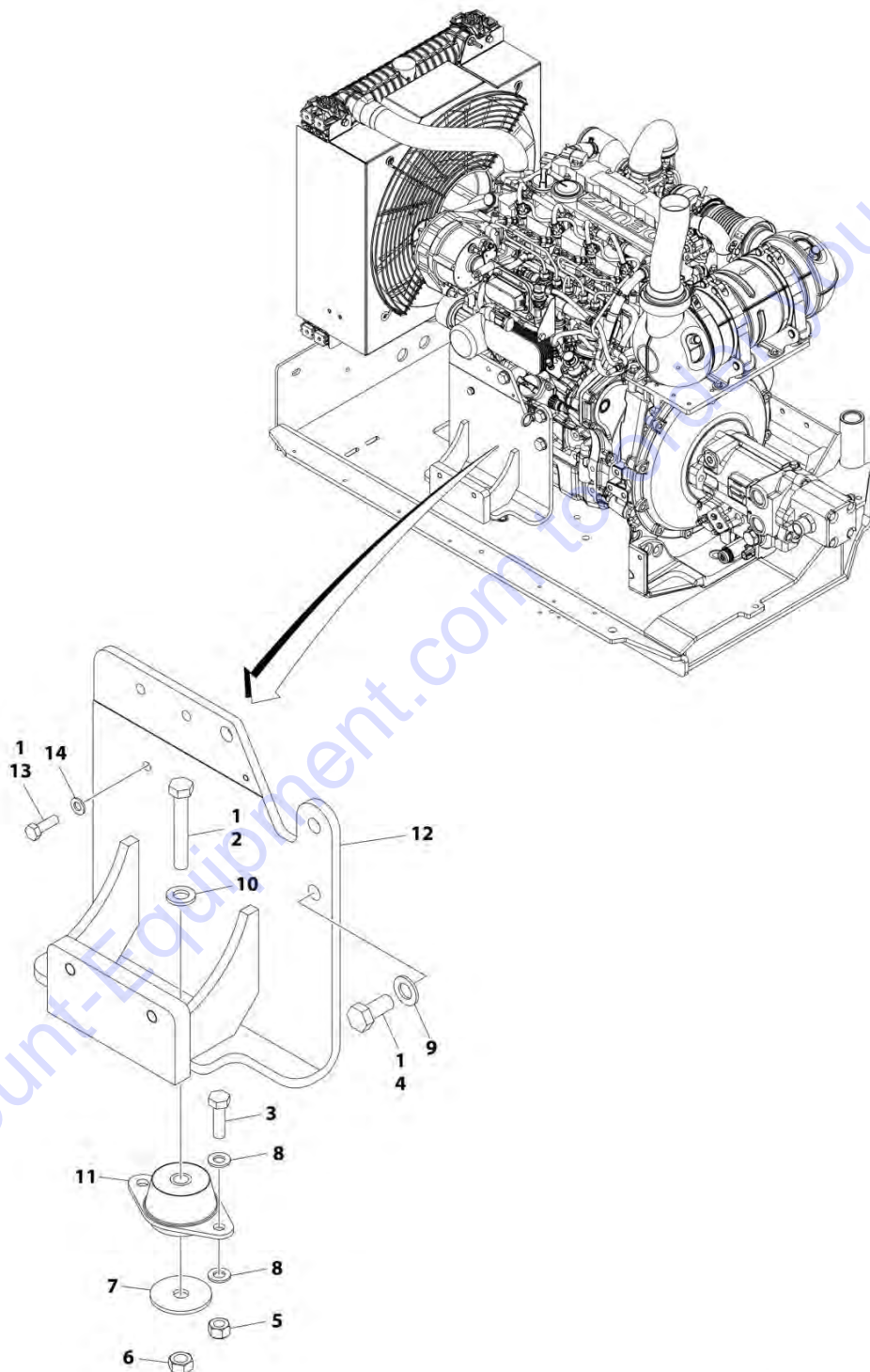
FIGURE 3-56. MOTOR MOUNT INSTALLATION - WITH GENERATOR (DEUTZ D2.9L4 - 49HP ENGINES)

ITEM	PART NUMBER	QTY	DESCRIPTION	REV
	1001244019	Ref	MOTOR MOUNT INSTALLATION	A
1	0100011	AR	Compound, Locking	
2	0711224	1	Bolt M12 x 80	
3	0760814	2	Bolt M8 x 30	
4	0771414	3	Bolt M14 x 30	
5	3290805	2	Nut M8	
6	3331211	1	Nut M12	
7	4811900	4	Washer M8	
8	4812200	3	Washer M14	
9	5241200	1	Washer M12	
10	1001166718	1	Mount, Motor	
11	1001168018	1	Washer	
12	1001168207	1	Mount	

Go to Discount-Equipment.com to order your parts

SECTION 3 - ENGINE

FIGURE 3-57. MOTOR MOUNT INSTALLATION - WITH GENERATOR (DEUTZ TD2.9L4 - 67HP ENGINES)



ART_1001192008

SECTION 3 - ENGINE

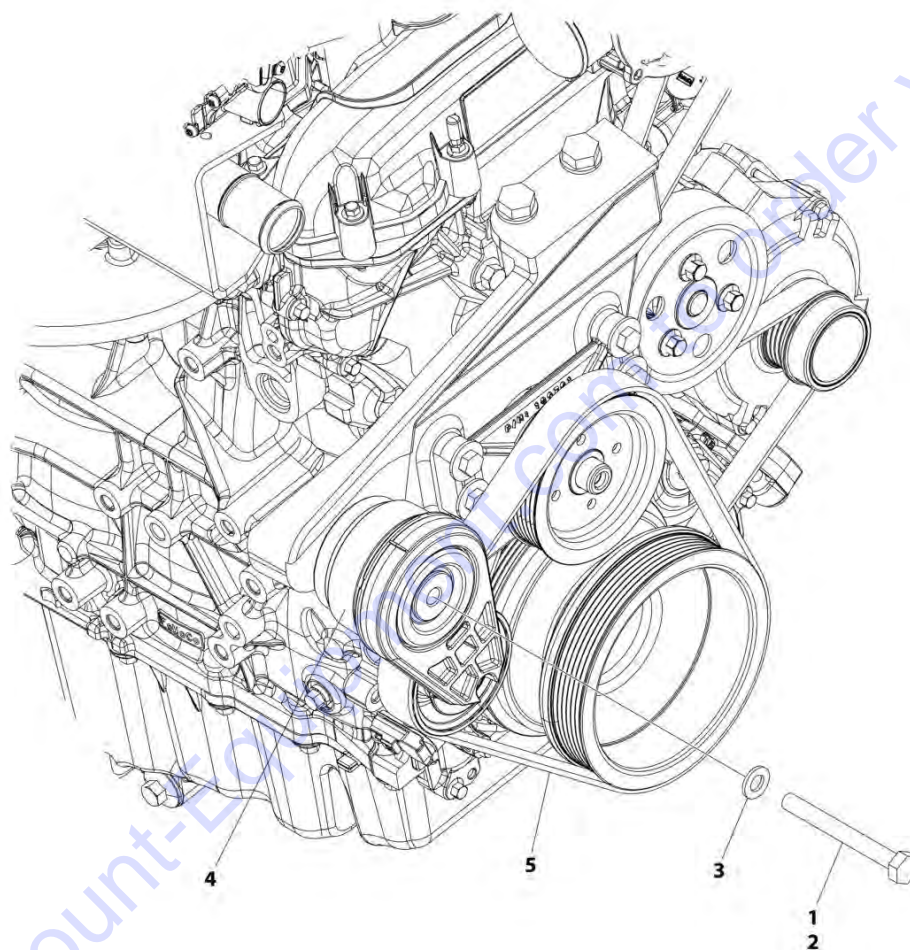
FIGURE 3-57. MOTOR MOUNT INSTALLATION - WITH GENERATOR (DEUTZ TD2.9L4 - 67HP ENGINES)

ITEM	PART NUMBER	QTY	DESCRIPTION	REV
	1001192008	Ref	MOTOR MOUNT INSTALLATION	F
1	0100011	AR	Compound, Locking	
2	0711224	1	Bolt M12 x 80	
3	0761015	2	Bolt M10 x 35	
4	0771415	3	Bolt M14 x 35	
5	3291005	2	Nut M10	
6	3331211	1	Nut M12	
7	1001168018	1	Washer	
8	4812000	4	Washer M10	
9	5241400	3	Washer M14	
10	5241200	1	Washer M12	
11	1001191610	1	Mount, Motor	
12	1001209016	1	Mount	
13	0770814	1	Bolt M8 x 30	
14	5240800	1	Washer M8	

Go to Discount-Equipment.com to order your parts

SECTION 3 - ENGINE

FIGURE 3-58. BELT WITHOUT GENERATOR INSTALLATION (FORD ENGINES)



ART_1001220404

SECTION 3 - ENGINE

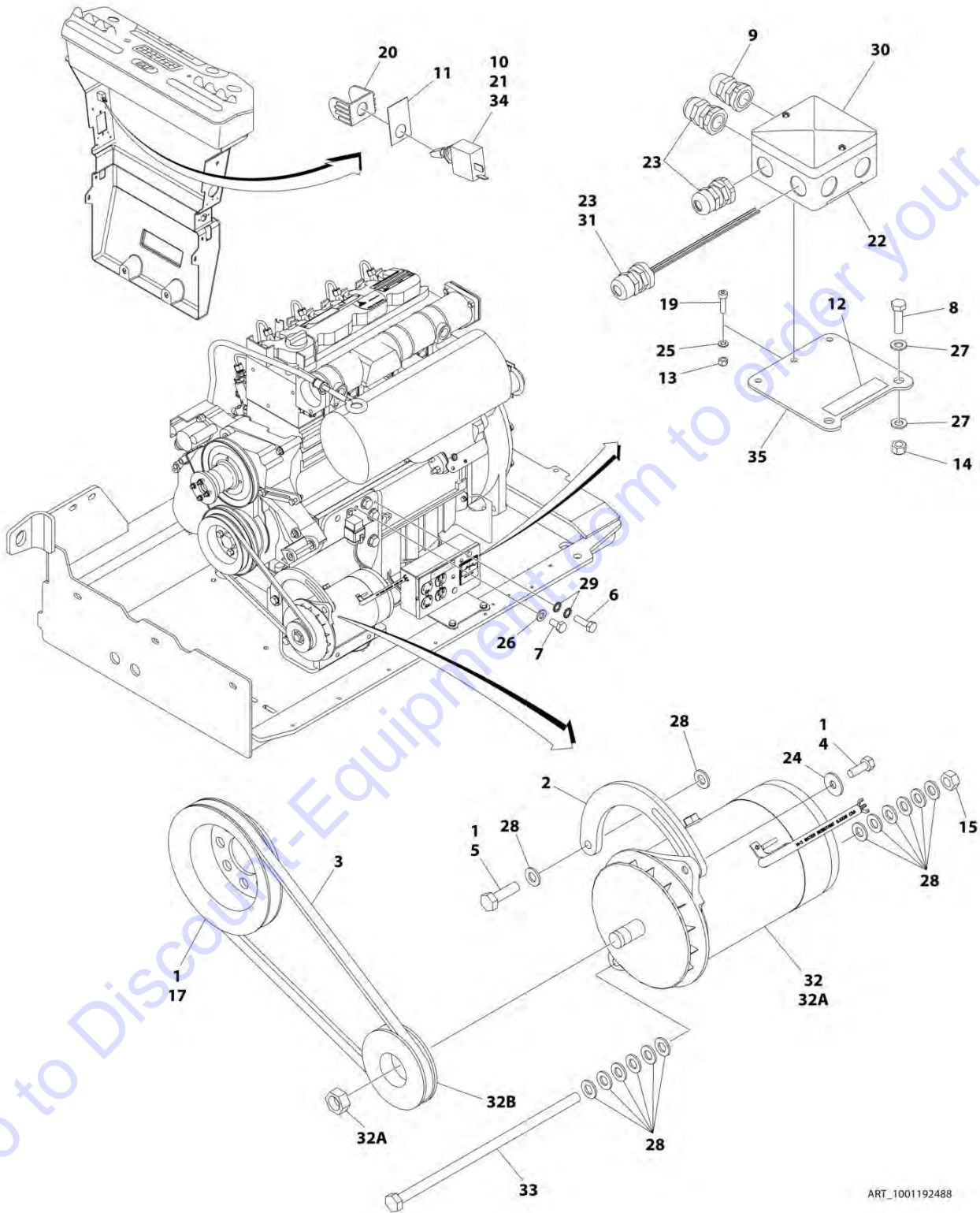
FIGURE 3-58. BELT WITHOUT GENERATOR INSTALLATION (FORD ENGINES)

ITEM	PART NUMBER	QTY	DESCRIPTION	REV
	1001220404	Ref	BELT WITHOUT GENERATOR INSTALLATION	C
1	0100011	AR	Compound, Locking	
2	0701026	1	Bolt M10 x 90	
3	4812000	1	Washer M10	
3	4812002	AR	Washer M10	
4	1001216300	1	Pulley	
5	1001216619	1	V-Belt	

Go to Discount-Equipment.com to order your parts

SECTION 3 - ENGINE

FIGURE 3-59. 2500W GENERATOR INSTALLATION - 220V/50HZ (DEUTZ D2011 ENGINES) (OPTIONAL)



ART_1001192488

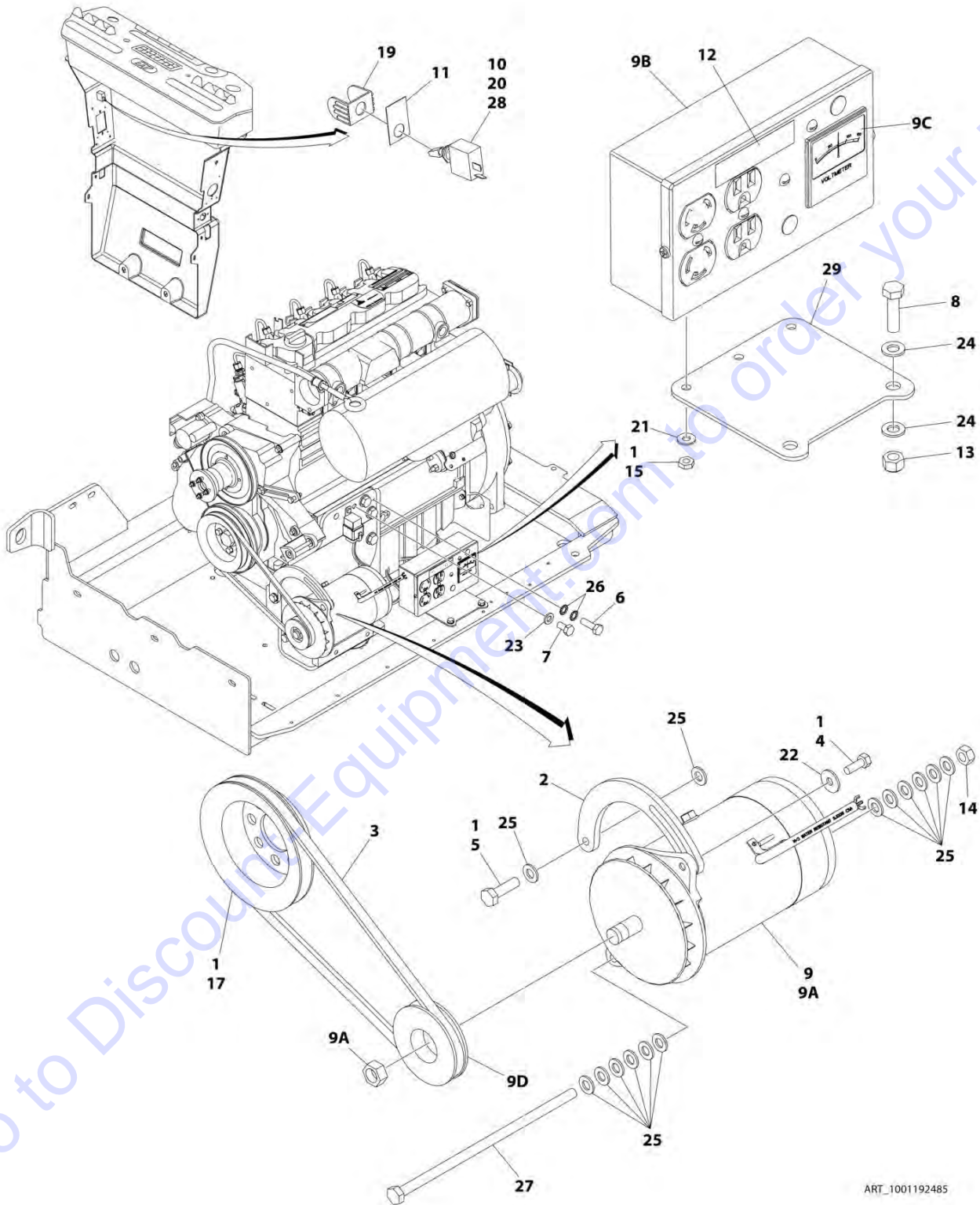
SECTION 3 - ENGINE

**FIGURE 3-59. 2500W GENERATOR INSTALLATION - 220V/50HZ (DEUTZ D2011 ENGINES)
(OPTIONAL)**

ITEM	PART NUMBER	QTY	DESCRIPTION	REV
	1001192488	Ref	2500W GENERATOR INSTALLATION	F
1	0100011	AR	Compound, Locking	
2	1001239716	1	Arm, Adjusting	
3	0480124	1	Belt, Generator	
4	0641508	1	Bolt 5/16 x 1	
5	0761012	1	Bolt M10 x 25	
6	0700610	1	Bolt M6 x 20	
7	0760606	1	Bolt M6 x 12	
8	0760814	2	Bolt M8 x 30	
9	0962449	1	Bushing	
10	2820031	AR	Heat Shrink	
11	3251102	1	Nameplate - Generator On/Off	
12	3252507	1	Decal - 220 Volt	
13	3290505	1	Nut M5	
14	3290805	2	Nut M8	
15	3291007	1	Nut M10	
17	3580158	1	Pulley	
19	4031608	1	Capscrew M5 x 20	
20	4060802	1	Guard, Switch	
21	4360336	1	Switch, Toggle	
22	4420060	1	Tape	
23	4460968	3	Connector, Strain Relief	
24	4811902	1	Washer M8	
25	4811600	1	Washer M5	
26	4811700	1	Washer M6	
27	4811900	4	Washer M8	
28	4812000	14	Washer M10	
29	4871700	2	Washer M6	
30	1001099869	1	Box, Junction	
31	1001100234	1	Lamp, Red	
32	1001100321	1	Generator Assembly	
32A		Ref	Note: Replacement Generators come standard with p/n 3580134 pulley. This pulley may not be correct for all applications. Refer to pulley options below.	
32A	70000123	1	Armature with Slip Rings	
32A	7012513	4	Cap, Brush Holder	
32A	7020108	4	Brush	
32A	7020109	4	Holder, Brush	
32A	7012514	1	Fan	
32A	7020110	1	Bell, Front	
32A	7020111	1	Bell, Rear	
32A	7020190	2	Bearing	
32B	3580134	1	Pulley	
32B	7027887	1	Key, Woodruff	
33	1001119280	1	Bolt M10 x 260	
34	4922641	1	Generator Switch Harness	
35	1001193167	1	Plate	
36	1001194114	1	Generator Harness - 2500W (Not Shown) (See Separate Breakdown in ELECTRICAL SECTION)	

SECTION 3 - ENGINE

FIGURE 3-60. 2500W GENERATOR INSTALLATION - 110V/60HZ (DEUTZ D2011 ENGINES) (OPTIONAL)



ART_1001192485

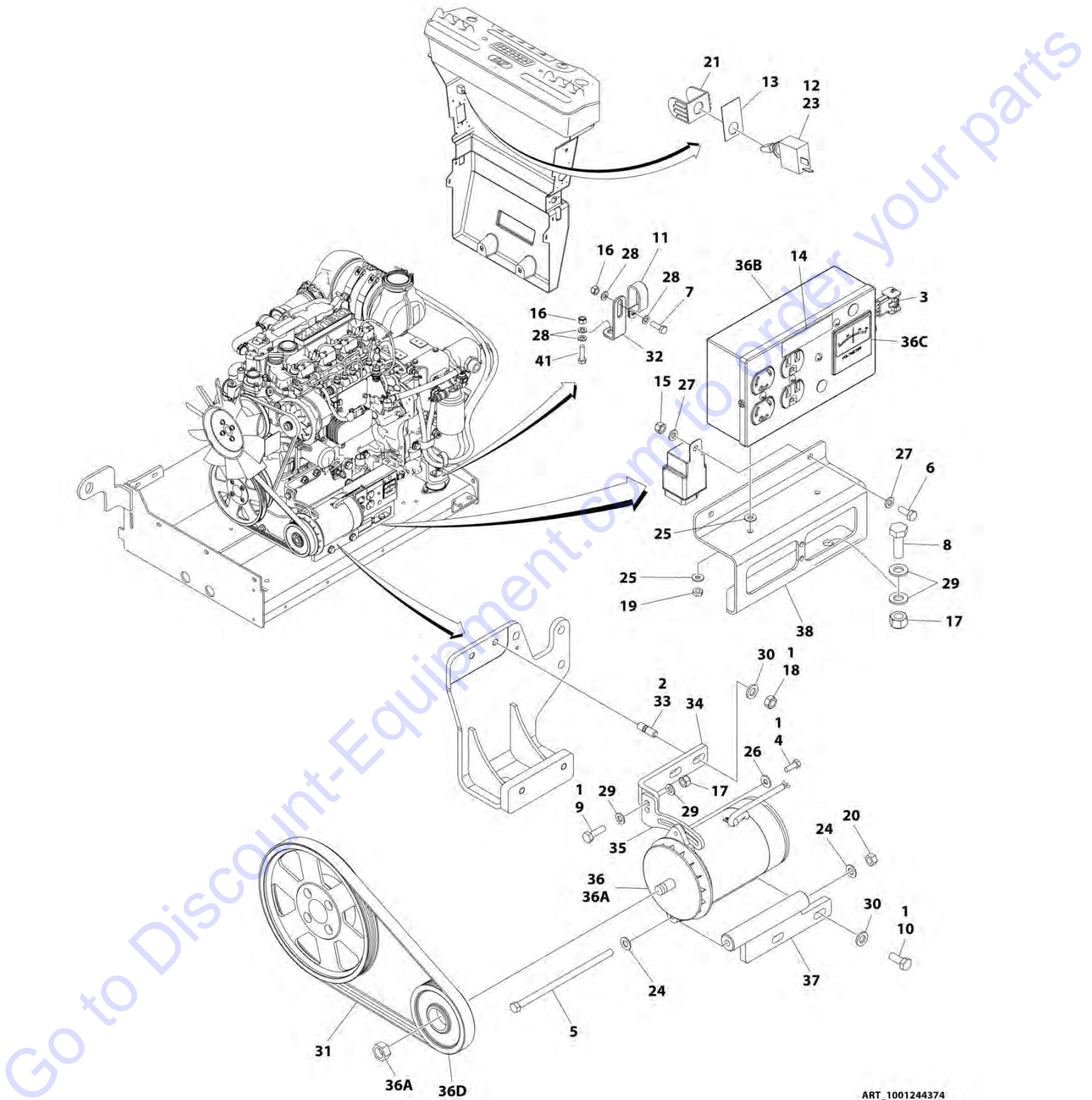
SECTION 3 - ENGINE

**FIGURE 3-60. 2500W GENERATOR INSTALLATION - 110V/60HZ (DEUTZ D2011 ENGINES)
(OPTIONAL)**

ITEM	PART NUMBER	QTY	DESCRIPTION	REV
	1001192485	Ref	2500W GENERATOR INSTALLATION	F
1	0100011	AR	Compound, Locking	
2	1001239716	1	Arm, Adjusting	
3	0480124	1	Belt	
4	0641508	1	Bolt 5/16 x 1	
5	0761012	1	Bolt M10 x 25	
6	0700610	1	Bolt M6 x 20	
7	0760606	1	Bolt M6 x 12	
8	0760814	2	Bolt M8 x 30	
9	2460055	1	Generator and Control Box Assembly	
9A	7012558	1	Generator, Replacement	
9A		Ref	Note: Replacement Generators come standard with p/n 3580134 pulley. This pulley may not be correct for all applications. Refer to pulley options below.	
9A	7012513	4	Cap, Brush Holder	
9A	7020108	4	Brush	
9A	7020109	4	Holder, Brush	
9A	7012514	1	Fan	
9A	7020190	2	Bearing	
9A	7020110	1	Bell, Front	
9A	7020111	1	Bell, Rear	
9B	7019680	1	Box, Control	
9B	4360542	1	Breaker, Circuit	
9B	4460190	AR	Receptacle, Standard	
9B	4460027	AR	Receptacle, Twistlock	
9C	2420203	1	Voltmeter	
9D	3580276	1	Pulley	
9D	7027887	1	Key, Woodruff	
10	2820031	AR	Heat Shrink	
11	3251102	1	Nameplate - Generator On/Off	
12	3251243	1	Decal - 120V-60Hz	
13	3290805	2	Nut M8	
14	3291007	1	Nut M10	
15	3311001	2	Nut #10	
17	3580158	1	Pulley	
19	4060802	1	Guard, Switch	
20	4360336	1	Switch, Toggle	
21	4751000	1	Washer #10	
22	4811902	1	Washer M8	
23	4811700	1	Washer M6	
24	4811900	4	Washer M8	
25	4812000	14	Washer M10	
26	4871700	2	Washer M6	
27	1001119280	1	Bolt M10 x 260	
28	4922641	1	Generator Switch Harness	
29	1001193167	1	Plate, Mounting	
30	1001194114	1	Generator Harness - 2500W (Not Shown) (See Separate Breakdown in ELECTRICAL SECTION)	

SECTION 3 - ENGINE

FIGURE 3-61. 2500W GENERATOR INSTALLATION - 110V/60HZ (DEUTZ D2.9L4 - 49HP ENGINES) (OPTIONAL)



ART_1001244374

SECTION 3 - ENGINE

**FIGURE 3-61. 2500W GENERATOR INSTALLATION - 110V/60HZ (DEUTZ D2.9L4 - 49HP ENGINES)
(OPTIONAL)**

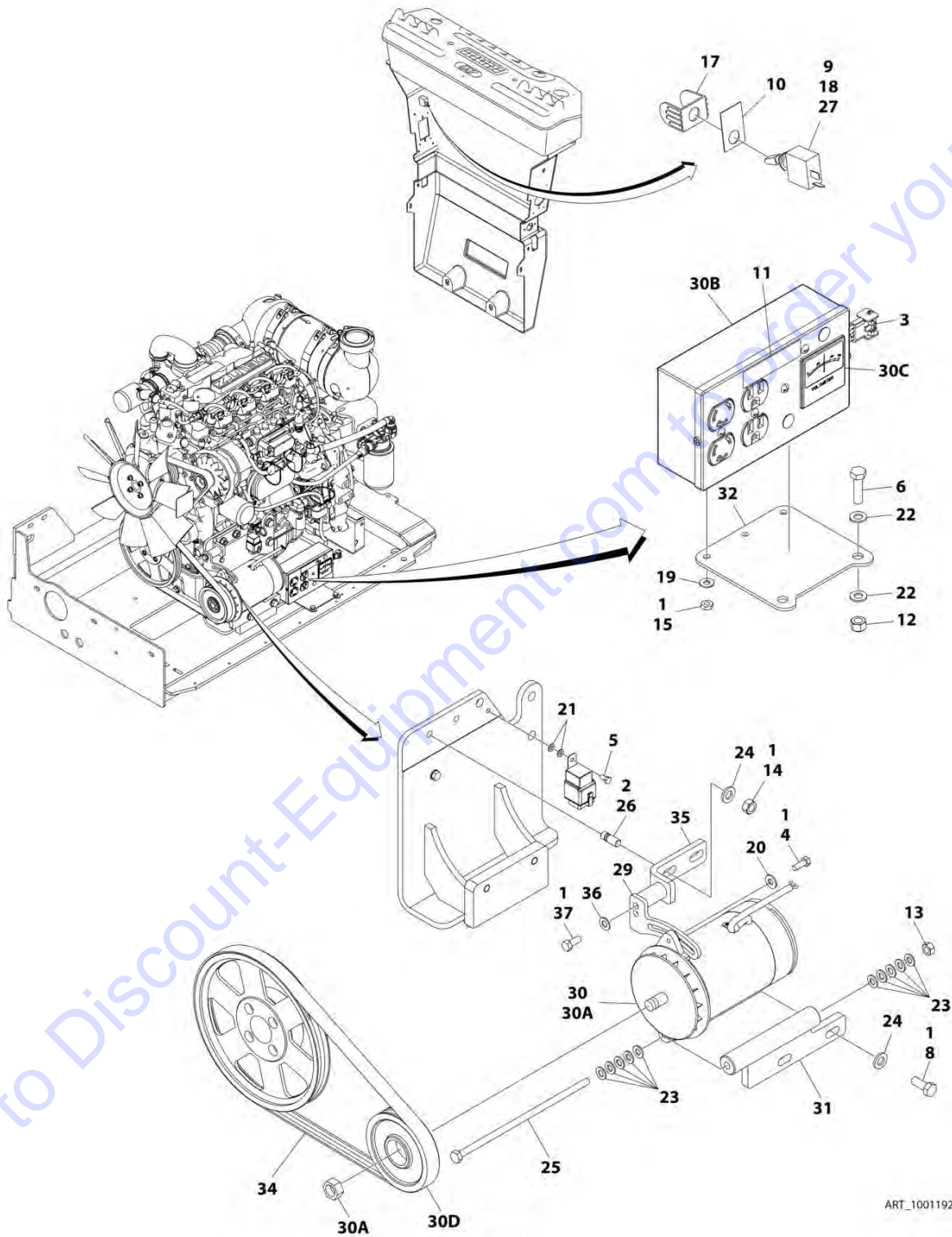
ITEM	PART NUMBER	QTY	DESCRIPTION	REV
	1001244374	Ref	2500W GENERATOR INSTALLATION	B
1	0100011	AR	Compound, Locking	
2	0100019	AR	Compound, Locking	
3	0100048	AR	Silicone	
4	0641507	1	Bolt 5/16 x 7/8	
5	0641772	1	Bolt 7/16 x 9	
6	0760608	1	Bolt M6 x 16	
7	0760812	1	Bolt M8 x 25	
8	0761014	2	Bolt M10 x 30	
9	0761015	1	Bolt M10 x 35	
10	0761214	2	Bolt M12 x 30	
11	1321716	1	Clamp	
12	2820031	AR	Heat Shrink	
13	3251102	1	Nameplate - Generator On/Off	
14	3251243	1	Decal - 120V-60Hz	
15	3290605	1	Nut M6	
16	3290805	2	Nut M8	
17	3291005	3	Nut M10	
18	3291201	2	Nut M12	
19	3311001	2	Nut #10	
20	3311705	1	Nut 7/16	
21	4060802	1	Guard, Switch	
22	4240099	AR	Tie-Strap (Not Shown)	
23	4360336	1	Switch, Toggle	
24	4711700	2	Washer 7/16	
25	4751000	4	Washer #10	
26	4751500	1	Washer 5/16	
27	4811700	2	Washer M6	
28	4811900	4	Washer M8	
29	4812000	6	Washer M10	
30	5241200	4	Washer M12	
31	1001148138	1	Belt	
32	1001223122	1	Bracket	
33	1001155041	2	Stud	
34	1001179836	1	Mount (Upper)	
35	1001179837	1	Arm, Adjusting	
36	1001180001	1	Generator and Control Box Assembly	
36A	7012558	1	Generator, Replacement	
36A		Ref	Note: Replacement Generators come standard with p/n 3580134 pulley. This Pulley may not be correct for all applications. Refer to Pulley options below.	
36A	7026199	1	Armature with Slip Rings	
36A	7012513	4	Cap, Brush Holder	
36A	7020108	4	Brush	
36A	7020109	4	Holder, Brush	
36A	7012514	1	Fan	
36A	7020110	1	Bell, Front	
36A	7020111	1	Bell, Rear	
36A	7020190	2	Bearing	

SECTION 3 - ENGINE

ITEM	PART NUMBER	QTY	DESCRIPTION	REV
36B	7019680	1	Box, Control	
36B		Ref	Receptacle Options:	
36B	4460190	1	Receptacle, Standard	
36B	4460027	1	Receptacle, Twistlock	
36B	4360542	1	Breaker, Circuit	
36B	3520028	1	Plug, Hole	
36C	2420203	1	Voltmeter	
36D	3580276	1	Pulley	
36D	7027887	1	Key, Woodruff	
37	1001181243	1	Mount (Lower)	
38	1001183477	1	Support	
40	1001194114	1	Generator Harness - 2500W (Not Shown) (See Separate Breakdown in ELECTRICAL SECTION)	
41	0760814	1	Bolt M8 x 30	

SECTION 3 - ENGINE

FIGURE 3-62. 2500W GENERATOR INSTALLATION - 110V/60HZ (DEUTZ TD2.9L4 - 67HP ENGINES)
(OPTIONAL)



ART_1001192280

SECTION 3 - ENGINE

**FIGURE 3-62. 2500W GENERATOR INSTALLATION - 110V/60HZ (DEUTZ TD2.9L4 - 67HP ENGINES)
(OPTIONAL)**

ITEM	PART NUMBER	QTY	DESCRIPTION	REV
	1001192280	Ref	2500W GENERATOR INSTALLATION	F
1	0100011	AR	Compound, Locking	
2	0100019	AR	Compound, Locking	
3	0100048	AR	Silicone	
4	0641507	1	Bolt 5/16 x 7/8	
5	0760606	1	Bolt M6 x 12	
6	0760814	2	Bolt M8 x 30	
8	0761214	2	Bolt M12 x 30	
9	2820031	AR	Heat Shrink	
10	3251102	1	Nameplate - Generator On/Off	
11	3251243	1	Decal - 120V-60Hz	
12	3290805	2	Nut M8	
13	3291007	1	Nut M10	
14	3291201	2	Nut M12	
15	3311001	2	Nut #10	
17	4060802	1	Guard, Switch	
18	4360336	1	Switch, Toggle	
19	4751000	2	Washer #10	
20	4751500	1	Washer 5/16	
21	4811700	2	Washer M6	
22	4811900	4	Washer M8	
23	4812000	10	Washer M10	
24	5241200	4	Washer M12	
25	1001119280	1	Bolt M10 x 260	
26	1001196382	2	Stud	
27	4922641	1	Generator Switch Harness	
29	1001179837	1	Arm, Adjusting	
30	1001180001	1	Generator and Control Box Assembly	
30A	7012558	1	Generator, Replacement	
30A		Ref	Note: Replacement Generators come standard with p/n 3580134 pulley. This Pulley may not be correct for all applications. Refer to Pulley options below.	
30A	7026199	1	Armature with Slip Rings	
30A	7012513	4	Cap, Brush Holder	
30A	7020108	4	Brush	
30A	7020109	4	Holder, Brush	
30A	7012514	1	Fan	
30A	7020110	1	Bell, Front	
30A	7020111	1	Bell, Rear	
30A	7020190	2	Bearing	
30B	7019680	1	Box, Control	
30B		Ref	Receptacle Options:	
30B	4460190	1	Receptacle, Standard	
30B	4460027	1	Receptacle, Twistlock	
30B	4360542	1	Breaker, Circuit	
30B	3520028	1	Plug, Hole	
30C	2420203	1	Voltmeter	
30D	3580276	1	Pulley	
30D	7027887	1	Key, Woodruff	

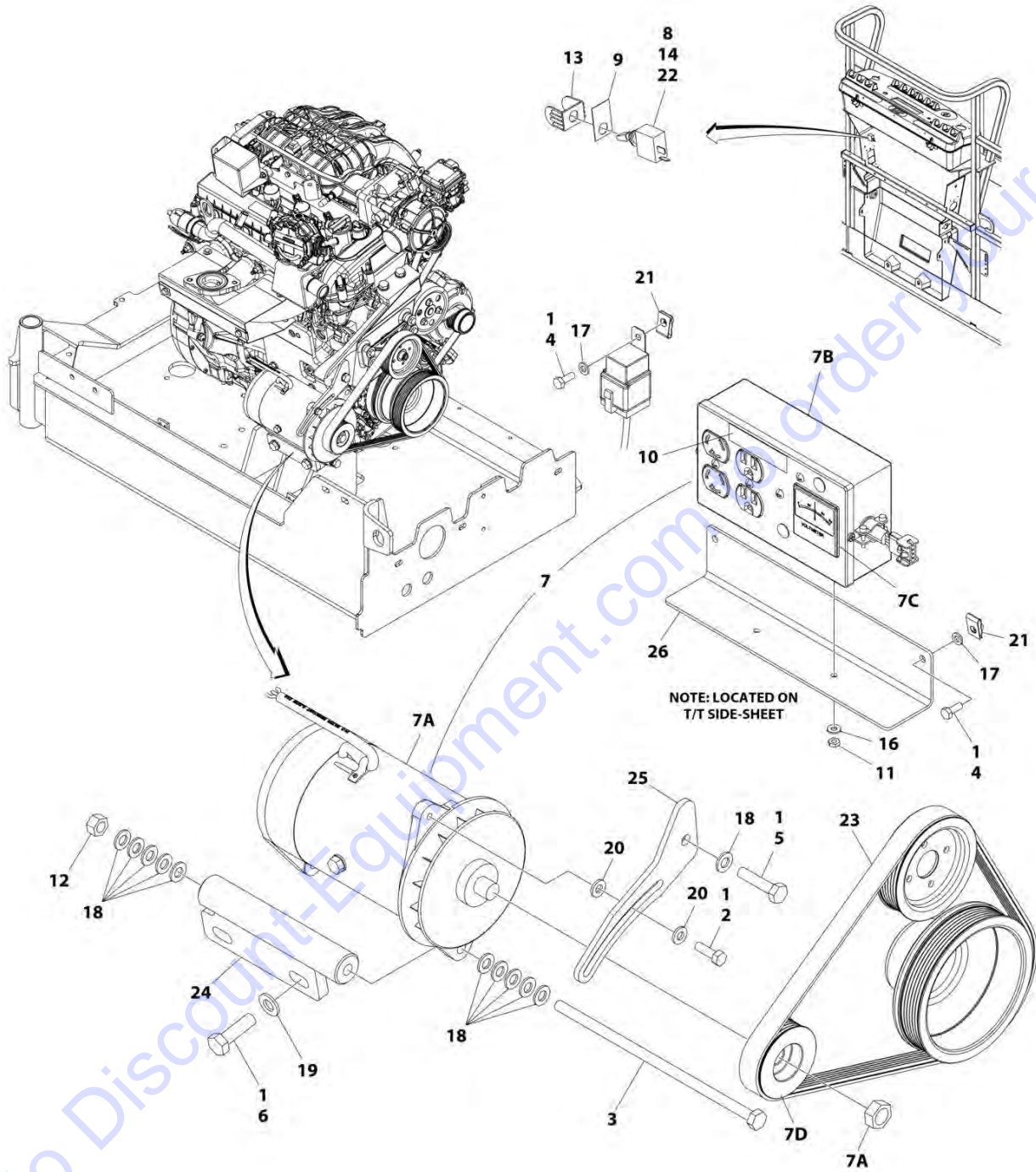
SECTION 3 - ENGINE

ITEM	PART NUMBER	QTY	DESCRIPTION	REV
31	1001181243	1	Mount (Lower)	
32	1001193167	1	Plate	
33	1001194114	1	Generator Harness - 2500W (Not Shown) (See Separate Breakdown in ELECTRICAL SECTION)	
34	1001148138	1	Belt	
35	1001216015	1	Mount (Upper)	
36	4711600	1	Washer 3/8	
37	0641607	1	Bolt 3/8 x 7/8	

Go to Discount-Equipment.com to order your parts

SECTION 3 - ENGINE

FIGURE 3-63. 2500W GENERATOR INSTALLATION - 110V/60HZ (FORD ENGINES) (OPTIONAL)



ART_1001219853

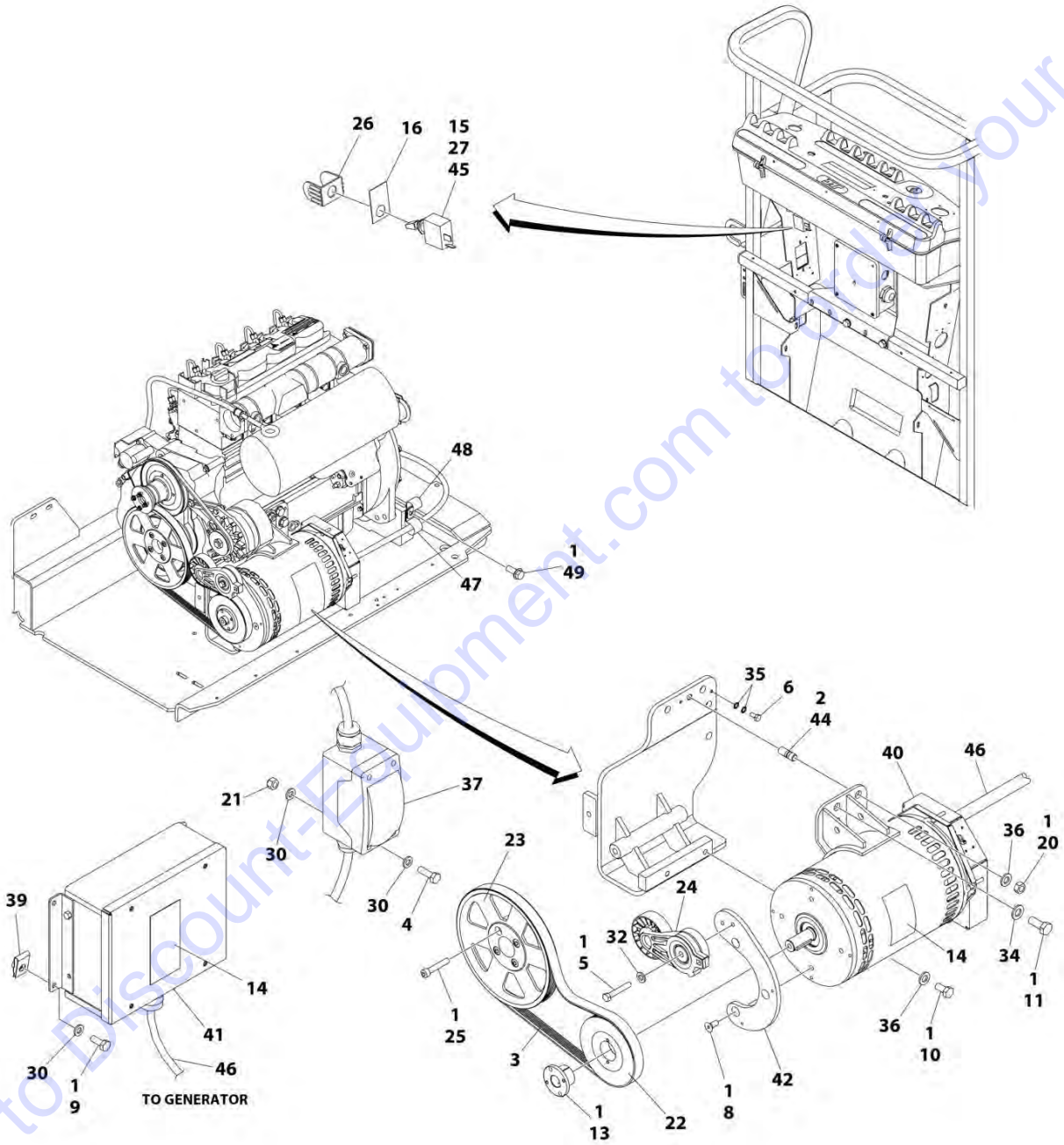
SECTION 3 - ENGINE

FIGURE 3-63. 2500W GENERATOR INSTALLATION - 110V/60HZ (FORD ENGINES) (OPTIONAL)

ITEM	PART NUMBER	QTY	DESCRIPTION	REV
	1001219853	Ref	2500W GENERATOR INSTALLATION	D
1	0100011	AR	Compound, Locking	
2	0641508	1	Bolt 5/16 x 1	
3	1001119280	1	Bolt M10 x 260	
4	0760608	3	Bolt M6 x 16	
5	0761016	1	Bolt M10 x 40	
6	0761216	2	Bolt M12 x 40	
7	2460051	1	Generator and Control Box Assembly	
7A	7012558	1	Generator, Replacement	
		Ref	Note: Replacement Generators come standard with p/n 3580134 pulley. This pulley may not be correct for all applications. Refer to pulley options below.	
7A	7026199	1	Armature with Slip Rings	
7A	7012513	4	Cap, Brush Holder	
7A	7020108	4	Brush	
7A	7020109	4	Holder, Brush	
7A	7012514	1	Fan	
7A	7020110	1	Bell, Front	
7A	7020111	1	Bell, Rear	
7A	7020190	2	Bearing	
7B	7019680	1	Box, Control	
7B		Ref	Receptacle Options:	
7B	4460190	1	Receptacle, Standard	
7B	4460027	1	Receptacle, Twistlock	
7B	4360542	1	Breaker, Circuit	
7B	3520028	1	Plug, Hole	
7C	2420203	1	Voltmeter	
7D	3580324	1	Pulley	
7D	7027887	1	Key, Woodruff	
8	2820031	AR	Heat Shrink	
9	3251102	1	Nameplate - Generator On/Off	
10	3251243	1	Decal - 120V-60Hz	
11	3311005	2	Nut #10	
12	3291007	1	Nut M10	
13	4060802	1	Guard, Switch	
14	4360336	1	Switch, Toggle	
16	4751000	2	Washer #10	
17	4811700	3	Washer M6	
18	4812000	11	Washer M10	
19	4812100	2	Washer M12	
20	4891500	2	Washer 5/16	
21	1001130220	3	Nut, Tinnerman M6	
22	4922641	1	Generator Switch Harness	
23	1001216391	1	Belt	
24	1001219630	1	Mount (Lower)	
25	1001219632	1	Arm, Adjusting	
26	1001220728	1	Bracket	
27	1001194114	1	Generator Harness - 2500W (Not Shown) (See Separate Breakdown in ELECTRICAL SECTION)	

SECTION 3 - ENGINE

FIGURE 3-64. 4000W GENERATOR INSTALLATION - 220V/50HZ (DEUTZ D2011 ENGINES) (OPTIONAL)



ART_1001192487

SECTION 3 - ENGINE

**FIGURE 3-64. 4000W GENERATOR INSTALLATION - 220V/50HZ (DEUTZ D2011 ENGINES)
(OPTIONAL)**

ITEM	PART NUMBER	QTY	DESCRIPTION	REV
	1001192487	Ref	4000W GENERATOR INSTALLATION	G
1	0100011	AR	Compound, Locking	
2	0100019	AR	Compound, Locking	
3	1001141814	1	Belt	
4	0760610	2	Bolt M6 x 20	
5	0641618	1	Bolt 3/8 x 2-1/4	
6	0760606	1	Bolt M6 x 12	
8	0741607	3	Screw 3/8 x 7/8	
9	0760608	4	Bolt M6 x 16	
10	0761212	2	Bolt M12 x 25	
11	0761415	1	Bolt 14 x 35	
13	0962520	1	Bushing, Split	
14	1705489	2	Decal - Hazardous Voltage	
15	2820031	AR	Heat Shrink	
16	3251102	1	Nameplate - Generator On/Off	
20	3291201	1	Nut M12	
21	3290605	2	Nut M6	
22	3580319	1	Pulley	
23	3580320	1	Pulley	
24	3580317	1	Tensioner, Belt	
25	4032015	4	Capscrew M10 x 55	
26	4060802	1	Guard, Switch	
27	4360336	1	Switch, Toggle	
30	4811700	8	Washer M6	
32	5241000	1	Washer M10	
34	5241400	1	Washer M14	
35	4871700	2	Washer M6	
36	5241200	3	Washer M12	
37	1001096070	1	Breaker Box Kit (See Separate Breakdown in ELECTRICAL SECTION)	
39	1001130220	4	Nut, Tinnerman M6	
40	1001138565	1	Generator Assembly (50Hz)	
40	70003709	1	Ring, Retaining (External)	
40	70003708	1	Ring, Retaining (Internal)	
40	70001966	1	Bearing	
40	70004092	1	Endbell (Shaft End)	
40	70004171	1	Key	
40	70004676	1	Rotor	
40	70004677	1	Stator	
40	70004678	1	Endbell (Rear)	
40	70004679	1	Cover, Endbell (Rear)	
40	70004680	1	Enclosure, Wiring	
40	70004681	1	Cover, Enclosure	
40	70004682	1	Switch, Reset (Located on Enclosure Cover)	
40	70004683	1	Connector, Strain Relief (Located on Enclosure Cover)	
41	1001138566	1	Box, Control	
41	70006552	1	Capacitor	
41	70006553	1	Relay	
42	1001139357	1	Mount	

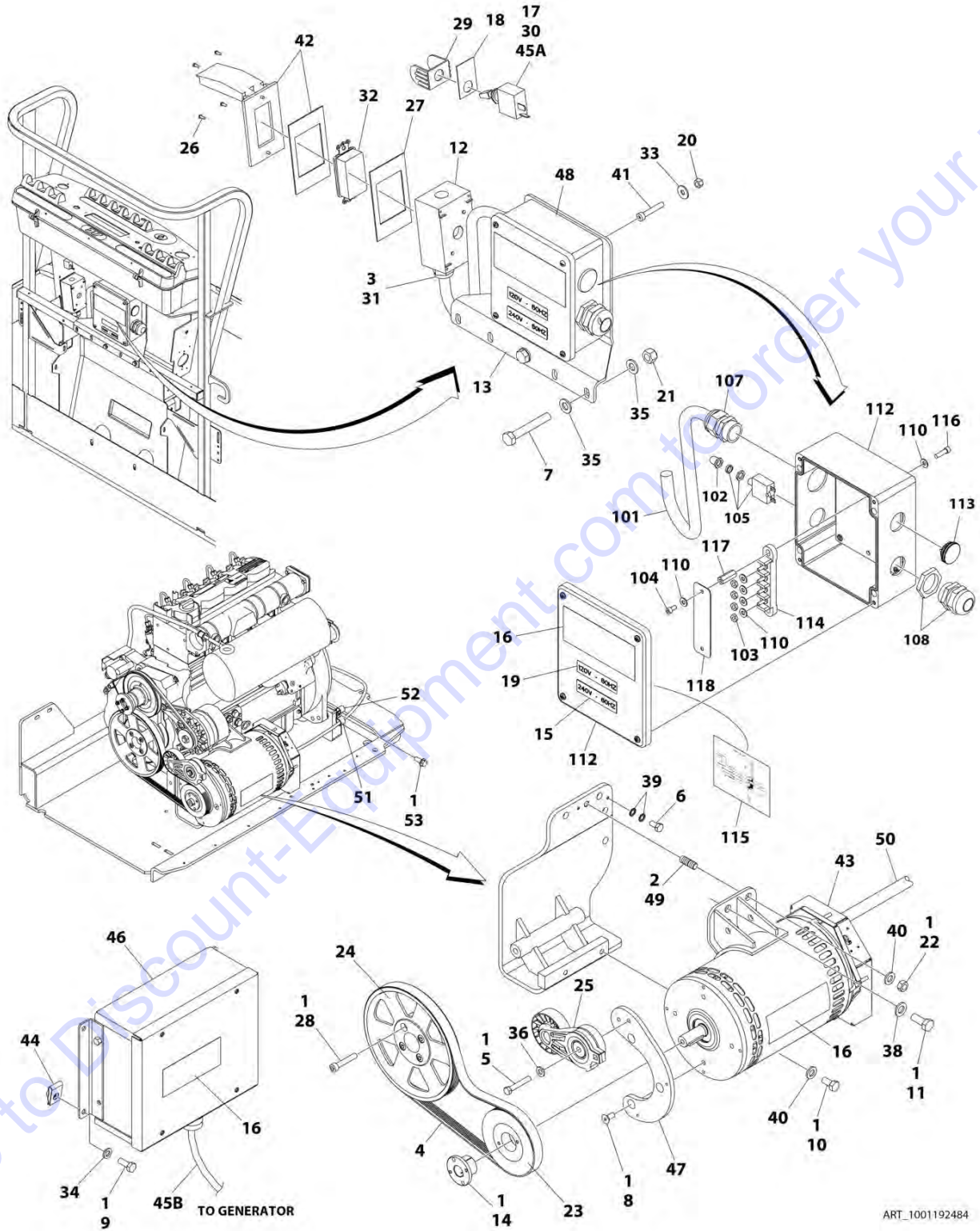
SECTION 3 - ENGINE

ITEM	PART NUMBER	QTY	DESCRIPTION	REV
44	1001196382	1	Stud	
45	4922641	1	Generator Switch Harness	
46	1001152532	1	Generator Harness (See Separate Breakdown in ELECTRICAL SECTION)	
47	7274000040	1	Clamp	
48	1320061	1	Clamp	
49	5251012	1	Bolt M10 x 25	

Go to Discount-Equipment.com to order your parts

SECTION 3 - ENGINE

FIGURE 3-65. 4000W GENERATOR INSTALLATION - 110V/60HZ (DEUTZ D2011 ENGINES) (OPTIONAL)



ART_1001192484

SECTION 3 - ENGINE

**FIGURE 3-65. 4000W GENERATOR INSTALLATION - 110V/60HZ (DEUTZ D2011 ENGINES)
(OPTIONAL)**

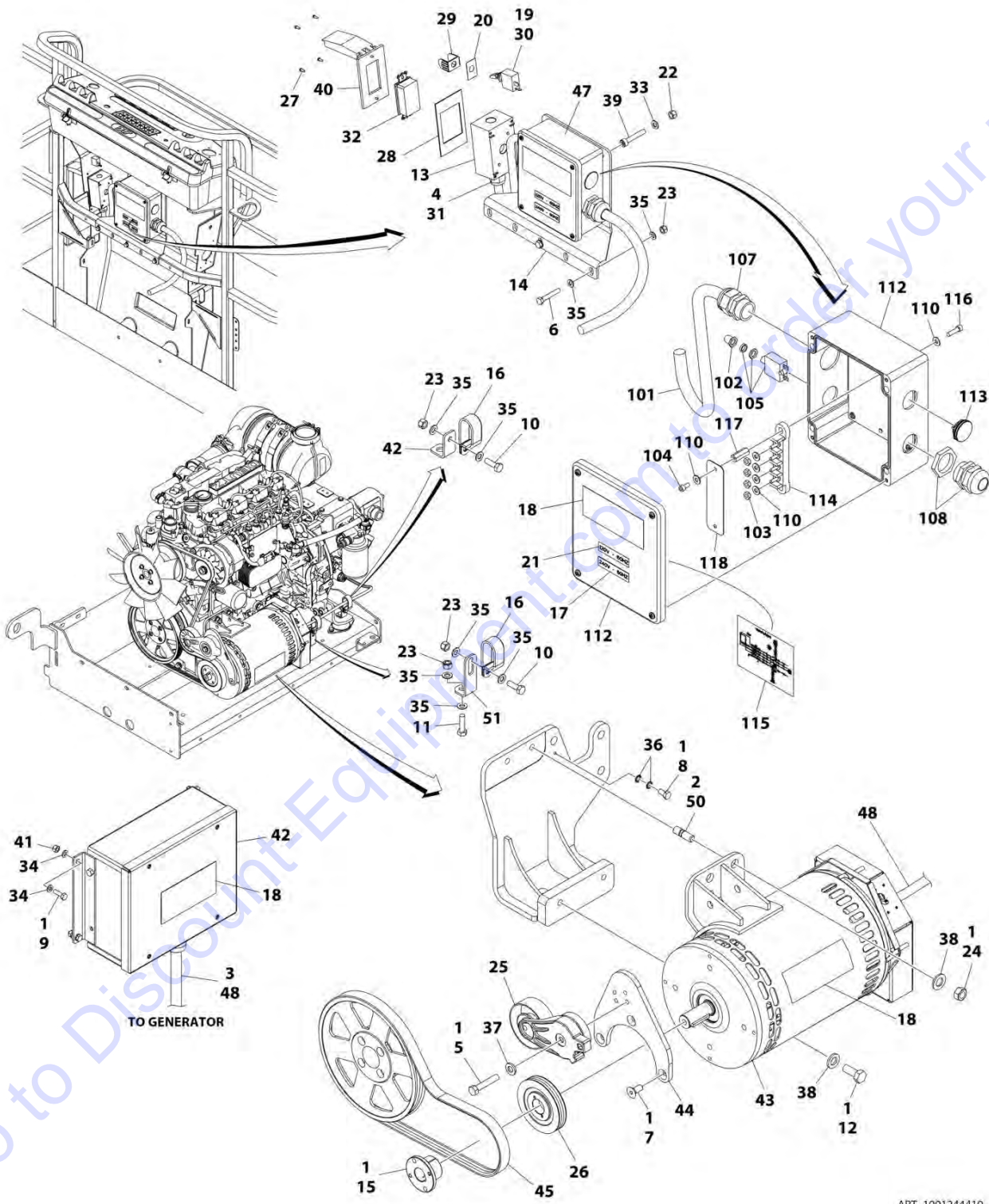
ITEM	PART NUMBER	QTY	DESCRIPTION	REV
	1001192484	Ref	4000W GENERATOR INSTALLATION	G
1	0100011	AR	Compound, Locking	
2	0100019	AR	Compound, Locking	
3	0100079	AR	Sealant	
4	1001136356	1	Belt	
5	0641618	1	Bolt 3/8 x 2-1/4	
6	0760606	1	Bolt M6 x 12	
7	0700819	1	Bolt M8 x 55	
8	0741607	3	Screw 3/8 x 7/8	
9	0760608	4	Bolt M6 x 16	
10	0761212	2	Bolt M12 x 25	
11	0761415	1	Bolt M14 x 35	
12	0860038	1	Box, Receptacle	
13	0902888	1	Bracket	
14	0962520	1	Bushing, Split	
15	1705374	1	Decal - 240V-60Hz	
16	1705387	3	Decal - Hazardous Voltage	
17	2820031	AR	Heat Shrink	
18	3251102	1	Nameplate - Generator On/Off	
19	3251243	1	Decal - 120V-60Hz	
20	3290505	4	Nut M5	
21	3290805	2	Nut M8	
22	3291201	1	Nut M12	
23	3580318	1	Pulley	
24	3580320	1	Pulley	
25	3580317	1	Tensioner, Belt	
26	3910606	4	Screw #6 x 3/8	
27	3960422	1	Gasket	
28	4032015	4	Capscrew M10 x 55	
29	4060802	1	Guard, Switch	
30	4360336	1	Switch, Toggle	
31	4460071	1	Connector, Strain Relief	
32	4460346	1	Receptacle	
33	4811602	4	Washer M5	
34	4811700	4	Washer M6	
35	4811900	4	Washer M8	
36	5241000	1	Washer M10	
38	5241400	1	Washer M14	
39	4871700	2	Washer M6	
40	5241200	3	Washer M12	
41	1001104029	4	Capscrew M5 x 30 Grade 12.9	
42	1001110873	1	Cover, Receptacle	
43	1001129858	1	Generator Assembly (60Hz)	
43	70003709	1	Ring, Retaining (External)	
43	70003708	1	Ring, Retaining (Internal)	
43	70001966	1	Bearing	
43	70004092	1	Endbell (Shaft End)	
43	70004171	1	Key	
43	70004676	1	Rotor	

SECTION 3 - ENGINE

ITEM	PART NUMBER	QTY	DESCRIPTION	REV
43	70004684	1	Stator	
43	70004678	1	Endbell (Rear)	
43	70004679	1	Cover, Endbell (Rear)	
43	70004680	1	Enclosure, Wiring	
43	70004685	1	Cover, Enclosure	
43	70004682	1	Switch, Reset (Located on Enclosure Cover)	
43	70004098	1	Connector, Strain Relief (Located on Enclosure Cover)	
44	1001130220	4	Nut, Tinnerman M6	
45A	4922641	1	Generator Switch Harness	
45B	1001153197	1	Generator to Engine Harness	
45B	4460967	1	Connector - 3 Position	
45B	4460465	2	Socket, Female	
46	1001138566	1	Box, Control	
46	70006552	1	Capacitor	
46	70006553	1	Relay	
47	1001139357	1	Mount	
48	1001152457	1	Junction Box Assembly (See Items 101-118 for Breakdown)	
49	1001196382	1	Stud	
50	1001152532	1	Generator Harness (See Separate Breakdown in ELECTRICAL SECTION)	
51	7274000040	1	Clamp	
52	1320061	1	Clamp	
53	5251012	1	Bolt M10 x 25	
	1001152457	Ref	JUNCTION BOX ASSEMBLY	
101	1001179154	2.5 ft/ 0.8m	Cable, Electrical - 12/3	
102	3300396	1	Cover, Breaker	
103	3311001	4	Nut #10	
104	3900300	2	Screw	
105	4360070	1	Breaker, Circuit - 15Amp	
107	4460425	1	Connector, Strain Relief (LH Side)	
108	4460426	1	Connector, Strain Relief (RH Side)	
110	4711000	8	Washer #10	
112	1001152456	1	Box, Junction	
113	1001152525	1	Plug	
114	1001152530	1	Terminal, Block	
115	1001153260	1	Decal - Wiring Diagram	
116	3900267	2	Screw	
117	1001158008	2	Stand-Off	
118	1001158363	1	Cover, Terminal Block	

SECTION 3 - ENGINE

FIGURE 3-66. 4000W GENERATOR INSTALLATION - 110V/60HZ (DEUTZ D2.9L4 - 49HP ENGINES) (OPTIONAL)



ART_1001244410

SECTION 3 - ENGINE

**FIGURE 3-66. 4000W GENERATOR INSTALLATION - 110V/60HZ (DEUTZ D2.9L4 - 49HP ENGINES)
(OPTIONAL)**

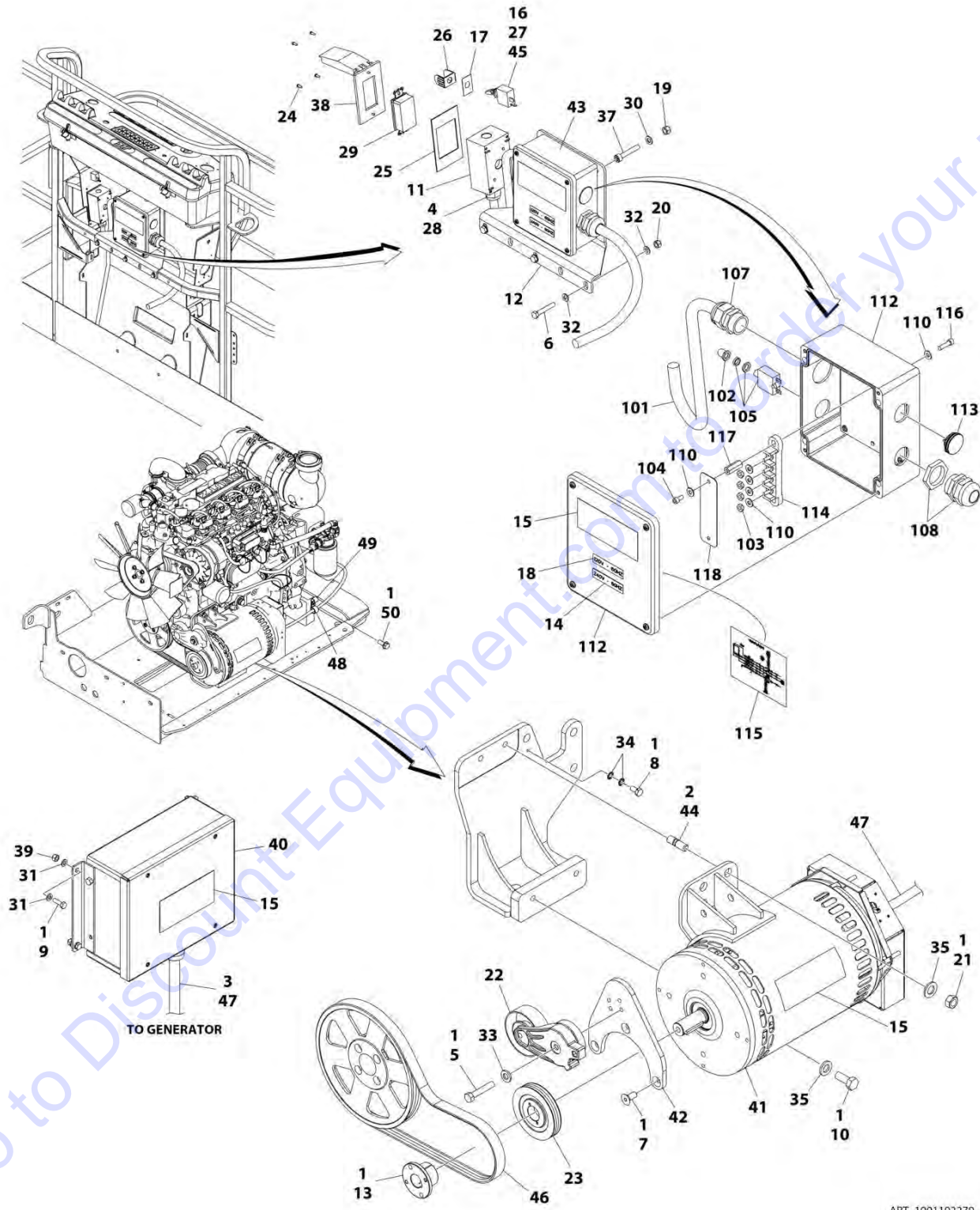
ITEM	PART NUMBER	QTY	DESCRIPTION	REV
	1001244410	Ref	4000W GENERATOR INSTALLATION	B
1	0100011	AR	Compound, Locking	
2	0100019	AR	Compound, Locking	
3	0100048	AR	Compound, Locking	
4	0100079	AR	Sealant	
5	0641616	1	Bolt 3/8 x 2	
6	0700819	2	Bolt M8 x 55	
7	0741607	3	Screw 3/8 x 7/8	
8	0760606	1	Bolt M6 x 12	
9	0760608	4	Bolt M6 x 16	
10	0760812	1	Bolt M8 x 25	
11	0760814	1	Bolt M8 x 30	
12	0761212	2	Bolt M12 x 25	
13	0860038	1	Box, Receptacle	
14	0902888	1	Bracket	
15	0962520	1	Bushing, Split	
16	1321716	1	Clamp	
17	1705374	1	Decal - 240V-60Hz	
18	1705387	3	Decal - Hazardous Voltage	
19	2820031	AR	Heat Shrink	
20	3251102	1	Nameplate - Generator On/Off	
21	3251243	1	Decal - 120V-60Hz	
22	3290505	4	Nut M5	
23	3290805	4	Nut M8	
24	3291201	2	Nut M12	
25	3580317	1	Tensioner, Belt	
26	3580318	1	Pulley	
27	3910606	4	Screw #6 x 3/8	
28	3960422	1	Gasket	
29	4060802	1	Guard, Switch	
30	4360336	1	Switch, Toggle	
31	4460071	1	Connector, Strain Relief	
32	4460346	1	Receptacle	
33	4811602	4	Washer M5	
34	4811700	4	Washer M6	
35	4811900	8	Washer M8	
36	4871700	2	Washer M6	
37	5241000	1	Washer M10	
38	5241200	4	Washer M12	
39	1001104029	4	Capscrew M5 x 30 Grade 12.9	
40	1001110873	1	Cover	
41	1001130220	4	Nut, Tinnerman M6	
42	1001138566	1	Box, Control	
42	70006552	1	Capacitor	
42	70006553	1	Relay	
43	1001140346	1	Generator Assembly (60Hz)	
43	70003709	1	Ring, Retaining (External)	
43	70003708	1	Ring, Retaining (Internal)	
43	70001966	1	Bearing	

SECTION 3 - ENGINE

ITEM	PART NUMBER	QTY	DESCRIPTION	REV
43	70004092	1	Endbell (Shaft End)	
43	70004099	1	Key	
43	70004676	1	Rotor	
43	70004687	1	Stator	
43	70004678	1	Endbell (Rear)	
43	70004679	1	Cover, Endbell (Rear)	
43	70004680	1	Enclosure, Wiring	
43	70004685	1	Cover, Enclosure	
43	70004682	1	Switch, Reset (Located on Enclosure Cover)	
43	70004098	1	Connector, Strain Relief (Located on Enclosure Cover)	
44	1001142643	1	Support	
45	1001142646	1	Belt	
47	1001152457	1	Junction Box Assembly (See Items 101-118 for Breakdown)	
48	1001152532	1	Generator Harness (See Separate Breakdown in ELECTRICAL SECTION)	
50	1001196382	2	Stud	
51	1001223122	1	Support	
	1001152457	Ref	JUNCTION BOX ASSEMBLY	
101	1001179154	2.5 ft/ 0.8m	Cable, Electrical - 12/3	
102	3300396	1	Cover, Breaker	
103	3311001	4	Nut #10	
104	3900300	2	Screw	
105	4360070	1	Breaker, Circuit - 15Amp	
107	4460425	1	Connector, Strain Relief (LH Side)	
108	4460426	1	Connector, Strain Relief (RH Side)	
110	4711000	8	Washer #10	
112	1001152456	1	Box, Junction	
113	1001152525	1	Plug	
114	1001152530	1	Terminal, Block	
115	1001153260	1	Decal - Wiring Diagram	
116	3900267	2	Screw	
117	1001158008	2	Stand-Off	
118	1001158363	1	Cover, Terminal Block	

SECTION 3 - ENGINE

FIGURE 3-67. 4000W GENERATOR INSTALLATION - 110V/60HZ (DEUTZ TD2.9L4 - 67HP ENGINES) (OPTIONAL)



ART_1001192279

SECTION 3 - ENGINE

**FIGURE 3-67. 4000W GENERATOR INSTALLATION - 110V/60HZ (DEUTZ TD2.9L4 - 67HP ENGINES)
(OPTIONAL)**

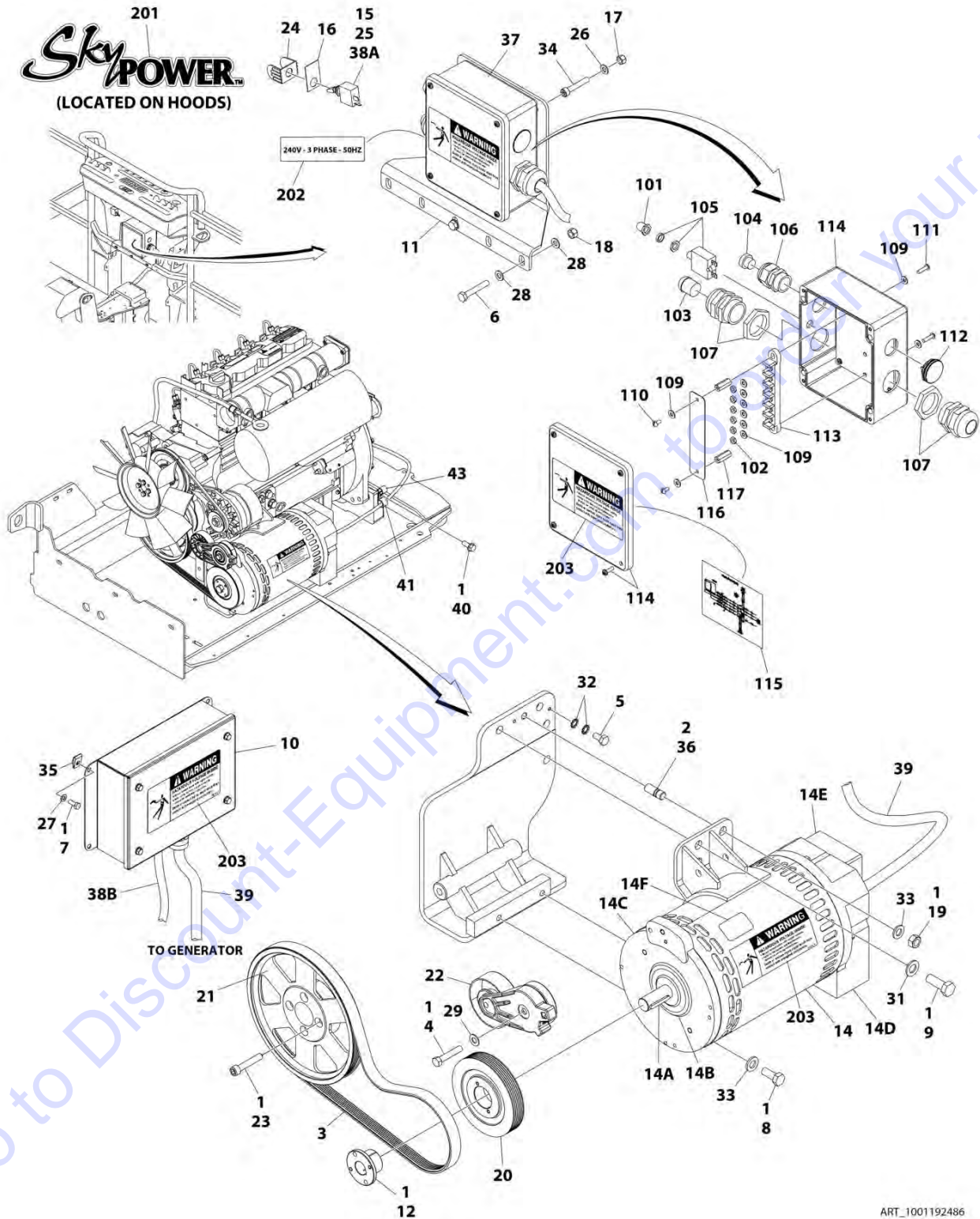
ITEM	PART NUMBER	QTY	DESCRIPTION	REV
	1001192279	Ref	4000W GENERATOR INSTALLATION	F
1	0100011	AR	Compound, Locking	
2	0100019	AR	Compound, Locking	
3	0100048	AR	Compound, Locking	
4	0100079	AR	Sealant	
5	0641616	1	Bolt 3/8 x 2	
6	0700819	2	Bolt M8 x 55	
7	0741607	3	Screw 3/8 x 7/8	
8	0760606	1	Bolt M6 x 12	
9	0760608	4	Bolt M6 x 16	
10	0761212	2	Bolt M12 x 25	
11	0860038	1	Box, Receptacle	
12	0902888	1	Bracket	
13	0962520	1	Bushing, Split	
14	1705374	1	Decal - 240V-60Hz	
15	1705387	3	Decal - Hazardous Voltage	
16	2820031	AR	Heat Shrink	
17	3251102	1	Nameplate - Generator On/Off	
18	3251243	1	Decal - 120V-60Hz	
19	3290505	4	Nut M5	
20	3290805	2	Nut M8	
21	3291201	2	Nut M12	
22	3580317	1	Tensioner, Belt	
23	3580318	1	Pulley	
24	3910606	4	Screw #6 x 3/8	
25	3960422	1	Gasket	
26	4060802	1	Guard, Switch	
27	4360336	1	Switch, Toggle	
28	4460071	1	Connector, Strain Relief	
29	4460346	1	Receptacle	
30	4811602	4	Washer M5	
31	4811700	4	Washer M6	
32	4811900	4	Washer M8	
33	5241000	1	Washer M10	
34	4871700	2	Washer M6	
35	5241200	4	Washer M12	
37	1001104029	4	Capscrew M5 x 30 Grade 12.9	
38	1001110873	1	Cover	
39	1001130220	4	Nut, Tinnerman M6	
40	1001138566	1	Box, Control	
40	70006552	1	Capacitor	
40	70006553	1	Relay	
41	1001140346	1	Generator Assembly (60Hz)	
41	70003709	1	Ring, Retaining (External)	
41	70003708	1	Ring, Retaining (Internal)	
41	70001966	1	Bearing	
41	70004092	1	Endbell (Shaft End)	
41	70004099	1	Key	
41	70004676	1	Rotor	

SECTION 3 - ENGINE

ITEM	PART NUMBER	QTY	DESCRIPTION	REV
41	70004687	1	Stator	
41	70004678	1	Endbell (Rear)	
41	70004679	1	Cover, Endbell (Rear)	
41	70004680	1	Enclosure, Wiring	
41	70004685	1	Cover, Enclosure	
41	70004682	1	Switch, Reset (Located on Enclosure Cover)	
41	70004098	1	Connector, Strain Relief (Located on Enclosure Cover)	
42	1001142643	1	Support	
43	1001152457	1	Junction Box Assembly (See Items 101-118 for Breakdown)	
44	1001196382	2	Stud	
45	4922641	1	Generator Switch Harness	
46	1001142646	1	Belt	
47	1001152532	1	Generator Harness (See Separate Breakdown in ELECTRICAL SECTION)	
48	7274000040	1	Clamp	
49	1320061	1	Clamp	
50	5251012	1	Bolt M10 x 25	
	1001152457	Ref	JUNCTION BOX ASSEMBLY	
101	1001179154	2.5 ft/ 0.8m	Cable, Electrical - 12/3	
102	3300396	1	Cover, Breaker	
103	3311001	4	Nut #10	
104	3900300	2	Screw	
105	4360070	1	Breaker, Circuit - 15Amp	
107	4460425	1	Connector, Strain Relief (LH Side)	
108	4460426	1	Connector, Strain Relief (RH Side)	
110	4711000	8	Washer #10	
112	1001152456	1	Box, Junction	
113	1001152525	1	Plug	
114	1001152530	1	Terminal, Block	
115	1001153260	1	Decal - Wiring Diagram	
116	3900267	2	Screw	
117	1001158008	2	Stand-Off	
118	1001158363	1	Cover, Terminal Block	

SECTION 3 - ENGINE

FIGURE 3-68. 7500W SKYPOWER GENERATOR INSTALLATION - 220V/50HZ (DEUTZ D2011 ENGINES) (OPTIONAL)



SECTION 3 - ENGINE

FIGURE 3-68. 7500W SKYPOWER GENERATOR INSTALLATION - 220V/50HZ (DEUTZ D2011 ENGINES) (OPTIONAL)

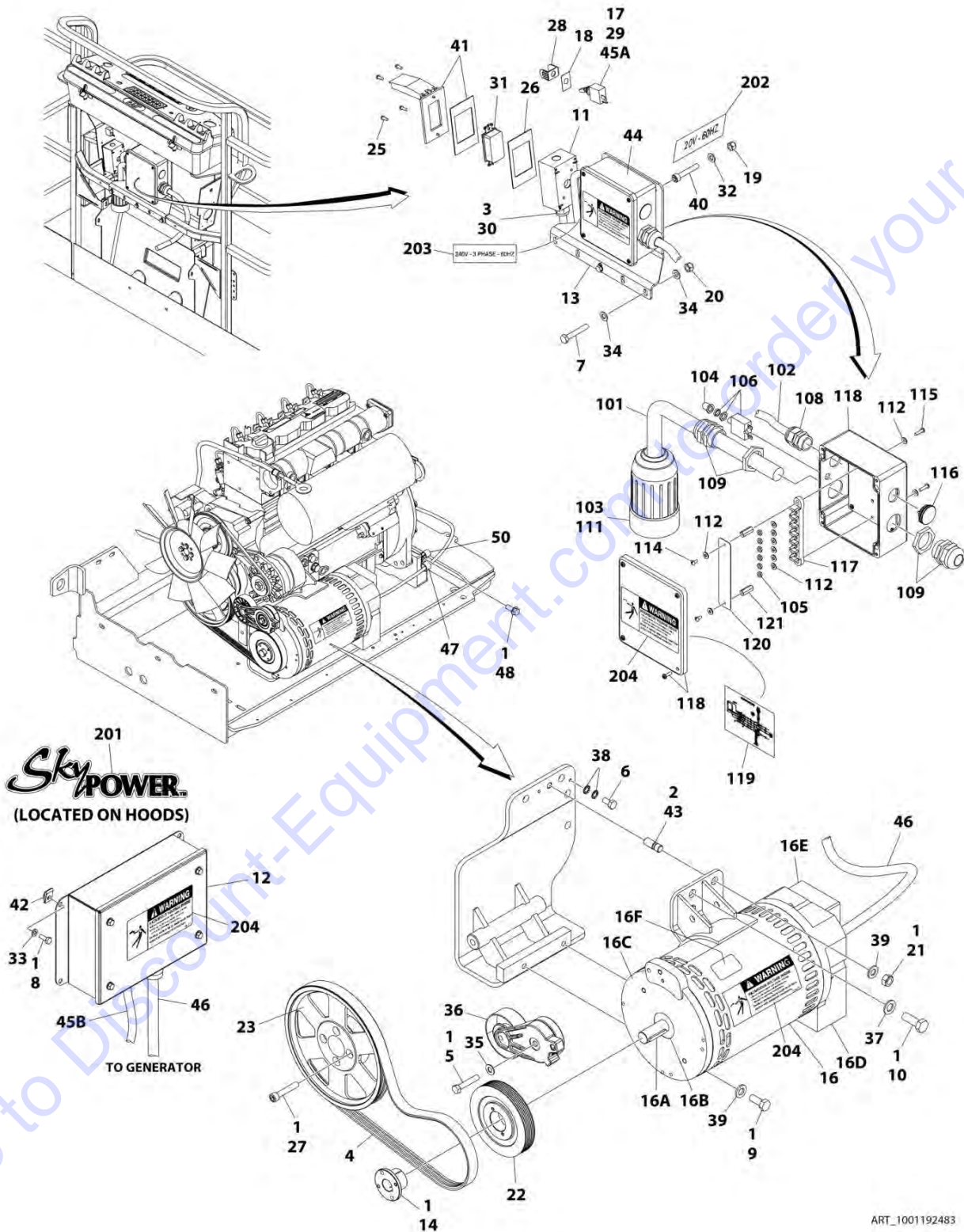
ITEM	PART NUMBER	QTY	DESCRIPTION	REV
	1001192486	Ref	7500W SKYPOWER GENERATOR INSTALLATION	H
1	0100011	AR	Compound, Locking	
2	0100019	AR	Compound, Locking	
3	1001141814	1	Belt	
4	0641618	1	Bolt 3/8 x 2-1/4	
5	0760606	1	Bolt M6 x 12	
6	0700819	2	Bolt M8 x 55	
7	0760608	4	Bolt M6 x 16	
8	0761212	2	Bolt M12 x 25	
9	0761415	1	Bolt M14 x 35	
10	0861572	1	Control Box Assembly	
10	7024488	1	Card, Circuit - Generator Power	
10	See Note	NSS	Fuse (Note: Not Available - Purchase Locally)	
10	7024489	1	Card, Circuit - Control	
10	70000619	1	Harness, Control Box (Internal)	
11	0902888	1	Bracket	
12	0962520	1	Bushing, Split	
14	2460048	1	Generator Assembly	
14	70001100	1	Rotor (Includes p/n 70001384 & 70000863) (Not Shown)	
14	70001384	1	Bearing, Ball Radial (Not Shown)	
14	70000863	1	Fan (Not Shown)	
14	70002088	1	Stator (Not Shown)	
14	70002297	1	Stud	
14	70003631	1	Brushholder Assembly (Not Shown)	
14A	70004171	1	Key	
14B	70001966	1	Bearing, Ball Radial (Located in Belt Tensioner Endbell)	
14B	70003708	1	Ring, Internal Retaining (Located in Belt Tensioner Endbell)	
14B	70003709	1	Ring, External Retaining (Located in Belt Tensioner Endbell)	
14C	70001953	1	Endbell, Belt Tensioner	
14D	70004169	1	Endbell, Brush Block	
14E	70004169	1	Shroud	
14E	See Note	NSS	Insulator, Endbell (Note: Not Available for Purchase)	
14E	7027799	1	Block, Connector 6 Position (Not Shown)	
14E	70002460	1	Nut, Brass (Attaches p/n 7027799 to Cover) (Not Shown)	
14E	7024485	1	Breaker, Circuit 30Amp (Not Shown)	
14E	70001696	1	Boot, Breaker (Not Shown)	
14E	7026626	1	Connector, 6 Position (Includes Seal) (Not Shown - Plugs into Item 39)	
14E	7026597	1	Connector, with Leads (Not Shown)	
14E	7026188	1	Clamp, Cable Options (Not Shown)	
14E	70004169	1	Plate, End Panel	
14E	70001974	1	Decal - Terminal Connections	
14F	70001973	1	Decal - Warning Moving Parts	
15	2820031	AR	Heat Shrink	
16	3252764	1	Nameplate - AC & Weld	
17	3290505	4	Nut M5	
18	3290805	2	Nut M8	
19	3291201	1	Nut M12	

SECTION 3 - ENGINE

ITEM	PART NUMBER	QTY	DESCRIPTION	REV
20	3580319	1	Pulley	
21	3580320	1	Pulley	
22	3580317	1	Tensioner, Belt	
23	4032015	4	Capscrew M10 x 55	
24	4060802	1	Guard, Switch	
25	4360336	1	Switch, Toggle	
26	4811602	4	Washer M5	
27	4811700	4	Washer M6	
28	4811900	4	Washer M8	
29	5241000	1	Washer M10	
31	5241400	1	Washer M14	
32	4871700	2	Washer M6	
33	5241200	3	Washer M12	
34	1001104029	4	Capscrew M5 x 30 Grade 12.9	
35	1001130220	4	Nut, Tinnerman M6	
36	1001196382	1	Stud	
37	1001157525	1	Junction Box Assembly (See Items 101-117 for Breakdown)	
38A	4922641	1	Generator Switch Harness	
38B	1001152429	1	Generator to Engine Harness (See Separate Breakdown in ELECTRICAL SECTION)	
39	4922925	1	Generator Harness (See Separate Breakdown in ELECTRICAL SECTION)	
40	5251012	1	Bolt M10 x 25	
41	7274000040	1	Clamp	
43	1320061	1	Clamp	
	1001157525	Ref	JUNCTION BOX ASSEMBLY	B
101	3300396	1	Cover, Fuse	
102	3311001	6	Nut #10	
103	3520189	1	Plug	
104	3520192	1	Plug	
105	4360070	1	Circuit Breaker - 15Amp	
106	4460425	1	Connector, Strain Relief	
107	4460426	2	Connector, Strain Relief	
109	4711000	10	Washer #10	
110	10702077	2	Screw #10 x 3/8	
111	10702082	2	Screw #10 x 3/4	
112	1001152525	1	Plug	
113	1001152520	1	Block, Terminal	
114	1001157521	1	Box, Junction	
115	1001157528	1	Decal - Wiring Schematic	
116	1001158007	1	Cover, PVC	
117	1001158008	2	Stand-Off	
	0272589	Ref	DECAL INSTALLATION	A
201	1705460	2	Decal - SkyPower	
202	1705461	1	Decal - 240V - 3 Phase - 50Hz	
203	1705489	3	Decal - Hazardous Voltage	

SECTION 3 - ENGINE

FIGURE 3-69. 7500W SKYPOWER GENERATOR INSTALLATION - 110/60HZ (DEUTZ D2011 ENGINES) (OPTIONAL)



SECTION 3 - ENGINE

**FIGURE 3-69. 7500W SKYPOWER GENERATOR INSTALLATION - 110/60HZ (DEUTZ D2011 ENGINES)
(OPTIONAL)**

ITEM	PART NUMBER	QTY	DESCRIPTION	REV
	1001192483	Ref	7500W SKYPOWER GENERATOR INSTALLATION	H
1	0100011	AR	Compound, Locking	
2	0100019	AR	Compound, Locking	
3	0100079	AR	Sealant	
4	1001136356	1	Belt	
5	0641618	1	Bolt 3/8 x 2-1/4	
6	0760606	1	Bolt M6 x 12	
7	0700819	2	Bolt M8 x 55	
8	0760608	4	Bolt M6 x 16	
9	0761212	2	Bolt M12 x 25	
10	0761415	1	Bolt M14 x 35	
11	0860038	1	Box, Receptacle	
12	0861538	1	Control Box Assembly	
12	7024488	1	Card, Circuit - Generator Power	
12	See Note	NSS	Fuse (Note: Not Available - Purchase Locally)	
12	7024489	1	Card, Circuit - Control	
12	70000619	1	Harness, Control Box (Internal)	
13	0902888	1	Bracket	
14	0962520	1	Bushing, Split	
16	2460048	1	Generator Assembly	
16	70001100	1	Rotor (Includes p/n 70001384 & 70000863) (Not Shown)	
16	70001384	1	Bearing, Ball Radial (Not Shown)	
16	70000863	1	Fan (Not Shown)	
16	70002088	1	Stator (Not Shown)	
16	70002297	1	Stud	
16	70003631	1	Brushholder Assembly (Not Shown)	
16A	70004171	1	Key	
16B	70001966	1	Bearing, Ball Radial (Located in Belt Tensioner Endbell)	
16B	70003708	1	Ring, Internal Retaining (Located in Belt Tensioner Endbell)	
16B	70003709	1	Ring, External Retaining (Located in Belt Tensioner Endbell)	
16C	70001953	1	Endbell, Belt Tensioner	
16D	70004169	1	Endbell, Brush Block	
16E	70004169	1	Shroud	
16E	See Note	NSS	Insulator, Endbell (Note: Not Available for Purchase)	
16E	7027799	1	Block, Connector - 6 Position (Not Shown)	
16E	70002460	1	Nut, Brass (Attaches p/n 7027799 to Cover) (Not Shown)	
16E	7024485	1	Breaker, Circuit 30Amp (Not Shown)	
16E	70001696	1	Boot, Breaker (Not Shown)	
16E	7026626	1	Connector, 6 Position (Includes Seal) (Not Shown - Plugs into Item 39)	
16E	7026597	1	Connector, with Leads (Not Shown)	
16E	7026188	1	Clamp, Cable Options (Not Shown)	
16E	70004169	1	Plate, End Panel	
16E	70001974	1	Decal - Terminal Connections	
16F	70001973	1	Decal - Warning Moving Parts	
17	2820031	AR	Heat Shrink	
18	3252764	1	Nameplate - AC & Weld	
19	3290505	4	Nut M5	
20	3290805	2	Nut M8	

SECTION 3 - ENGINE

ITEM	PART NUMBER	QTY	DESCRIPTION	REV
21	3291201	1	Nut M12	
22	3580318	1	Pulley	
23	3580320	1	Pulley	
25	3910606	4	Screw #6 x 3/8	
26	3960422	1	Gasket	
27	4032015	4	Capscrew M10 x 55	
28	4060802	1	Guard, Switch	
29	4360336	1	Switch, Toggle	
30	4460071	1	Connector, Strain Relief	
31	4460346	1	Receptacle	
32	4811602	4	Washer M5	
33	4811700	4	Washer M6	
34	4811900	4	Washer M8	
35	5241000	1	Washer M10	
36	3580317	1	Tensioner, Belt	
37	5241400	1	Washer M14	
38	4871700	2	Washer M6	
39	5241200	3	Washer M12	
40	1001104029	4	Capscrew M5 x 30 Grade 12.9	
41	1001110873	1	Cover	
42	1001130220	4	Nut, Tinnerman M6	
43	1001196382	1	Stud	
44	1001157592	1	Junction Box Assembly (See Items 101-121 for Breakdown)	
45A	4922641	1	Generator Switch Harness	
45B	1001152429	1	Generator to Engine Harness (See Separate Breakdown in ELECTRICAL SECTION)	
46	4922925	1	Generator Harness (See Separate Breakdown in ELECTRICAL SECTION)	
47	7274000040	1	Clamp	
48	5251012	1	Bolt M10 x 25	
50	1320061	1	Clamp	
	1001157592	Ref	JUNCTION BOX ASSEMBLY	C
101	1060343	1.5 ft/ 0.5m	Cable, Electrical 10/4	
102	1001179154	2.5 ft/ 0.8m	Cable, Electrical 12/3	
103	1671092	1	Cover	
104	3300396	1	Cover, Fuse	
105	3311001	6	Nut #10	
106	4360070	1	Circuit Breaker - 15Amp	
108	4460425	1	Connector, Strain Relief	
109	4460426	2	Connector, Strain Relief	
111	4460963	1	Connector	
112	4711000	10	Washer #10	
114	10702077	2	Screw #10 x 3/8	
115	10702082	2	Screw #10 x 3/4	
116	1001152525	1	Plug	
117	1001157520	1	Block, Terminal	
118	1001157521	1	Box, Junction	
119	1001157528	1	Decal - Wiring Schematic	
120	1001158007	1	Cover, PVC	
121	1001158008	2	Stand-Off	

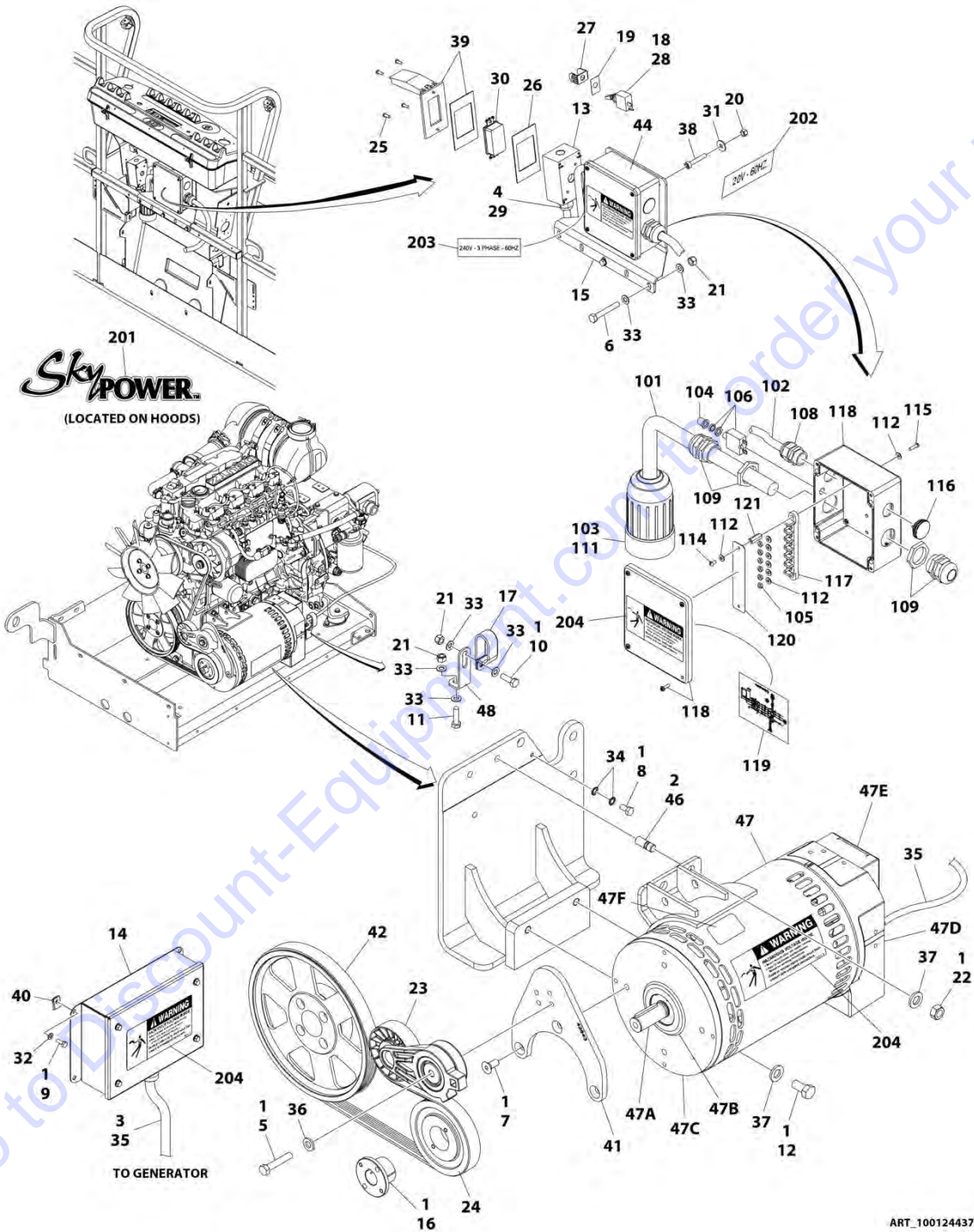
SECTION 3 - ENGINE

ITEM	PART NUMBER	QTY	DESCRIPTION	REV
	0272435	Ref	DECAL INSTALLATION	D
201	1705460	2	Decal - SkyPower	
202	3251243	1	Decal - 120V-60Hz	
203	1705375	1	Decal - 240V - 3 Phase - 60Hz	
204	1705387	3	Decal - Hazardous Voltage	

Go to Discount-Equipment.com to order your parts

SECTION 3 - ENGINE

FIGURE 3-70. 7500W SKYPOWER GENERATOR INSTALLATION - 110V/60HZ (DEUTZ D2.9L4 - 49HP ENGINES) (OPTIONAL)



SECTION 3 - ENGINE

FIGURE 3-70. 7500W SKYPOWER GENERATOR INSTALLATION - 110V/60HZ (DEUTZ D2.9L4 - 49HP ENGINES) (OPTIONAL)

ITEM	PART NUMBER	QTY	DESCRIPTION	REV
	1001244375	Ref	7500W SKYPOWER GENERATOR INSTALLATION	B
1	0100011	AR	Compound, Locking	
2	0100019	AR	Compound, Locking	
3	0100048	AR	Compound Terminal	
4	0100079	AR	Sealant	
5	0641616	1	Bolt 3/8 x 2	
6	0700819	2	Bolt M8 x 55	
7	0741607	3	Screw 3/8 x 7/8	
8	0760606	1	Bolt M6 x 12	
9	0760608	4	Bolt M6 x 16	
10	0760812	1	Bolt M8 x 25	
11	0760814	1	Bolt M8 x 30	
12	0761212	2	Bolt M12 x 25	
13	0860038	1	Box, Receptacle	
14	0861538	1	Control Box Assembly	
14	7024488	1	Card, Circuit - Generator Power	
14	See Note	NSS	Fuse (Note: Not Available - Purchase Locally)	
14	7024489	1	Card, Circuit - Control	
14	70000619	1	Harness, Control Box (Internal)	
		Ref	Note: Same Circuit Card (P/N 7024489) is used for both 60Hz and 50Hz. When replacing card, rocker switch on card must be set for required application.	
15	0902888	1	Bracket	
16	0962520	1	Bushing, Split	
17	1321716	1	Clamp	
18	2820031	AR	Heat Shrink	
19	3252764	1	Nameplate - AC & Weld	
20	3290505	4	Nut M5	
21	3290805	4	Nut M8	
22	3291201	2	Nut M12	
23	3580317	1	Tensioner, Belt	
24	3580318	1	Pulley	
25	3910606	4	Screw #6 x 3/8	
26	3960422	1	Gasket	
27	4060802	1	Guard, Switch	
28	4360336	1	Switch, Toggle	
29	4460071	1	Connector, Strain Relief	
30	4460346	1	Receptacle	
31	4811602	4	Washer M5	
32	4811700	4	Washer M6	
33	4811900	8	Washer M8	
34	4871700	2	Washer M6	
35	4922925	1	Generator Harness (See Separate Breakdown in ELECTRICAL SECTION)	
36	5241000	1	Washer M10	
37	5241200	4	Washer M12	
38	1001104029	4	Capscrew M5 x 30 Grade 12.9	
39	1001110873	1	Cover	
40	1001130220	4	Nut, Tinnerman M6	

SECTION 3 - ENGINE

ITEM	PART NUMBER	QTY	DESCRIPTION	REV
41	1001142643	1	Support	
42	1001142646	1	Belt	
44	1001157592	1	Junction Box Assembly (See Items 101-121 for Breakdown)	
46	1001196382	2	Stud	
47	1001212223	1	Generator Assembly	
47	70001100	1	Rotor (Includes p/n 70001384 & 70000863) (Not Shown)	
47	70001384	1	Bearing, Ball Radial (Not Shown)	
47	70000863	1	Fan (Not Shown)	
47	70006093	1	Stator (Not Shown)	
47	70002297	1	Stud	
47	70003631	1	Brushholder Assembly (Not Shown) (was p/n 7024484)	
47A	70004099	1	Key	
47B	70001966	1	Bearing, Ball Radial (Located in Belt Tensioner Endbell)	
47B	70003708	1	Ring, Internal Retaining (Located in Belt Tensioner Endbell)	
47B	70003709	1	Ring, External Retaining (Located in Belt Tensioner Endbell)	
47C	70004092	1	Endbell, Belt Tensioner	
47D	70004094	1	Endbell, Brush Block	
47E	70006094	1	Shroud	
47E	70002291	1	Insulator, Endbell	
47E	7027799	1	Block, Connector - 6 Position (Not Shown)	
47E	70002460	1	Nut, Brass (Attaches p/n 7027799 to Cover) (Not Shown)	
47E	70006095	1	Breaker, Circuit 30Amp (Not Shown)	
47E	70006096	1	Boot, Breaker (Not Shown)	
47E	7026626	1	Connector, 6 Position (Includes Seal) (Not Shown - Plugs into Item 45)	
47E	7026597	1	Connector with Leads (Not Shown)	
47E	70004098	1	Clamp, Cable (Not Shown)	
47E	70006097	1	Plate, End Panel	
47E	70001974	1	Decal - Terminal Connections	
47F	70001973	1	Decal - Warning Moving Parts	
48	1001223122	1	Support	
	1001157592	Ref	JUNCTION BOX ASSEMBLY	C
101	1060343	1.5 ft/ 0.5m	Cable, Electrical 10/4	
102	1001179154	2.5 ft/ 76cm	Cable, Electrical 12/3	
103	1671092	1	Cover, Connector	
104	3300396	1	Cover, Fuse	
105	3311001	6	Nut #10	
106	4360070	1	Circuit Breaker - 15Amp	
108	4460425	1	Connector, Strain Relief	
109	4460426	2	Connector, Strain Relief	
111	4460963	1	Connector	
112	4711000	4	Washer #10	
114	10702077	2	Screw #10 x 3/8	
115	10702082	2	Screw #10 x 3/4	
116	1001152525	1	Plug	
117	1001157520	1	Block, Terminal	
118	1001157521	1	Box, Junction	
119	1001157528	1	Decal - Wiring Schematic	
120	1001158007	1	Cover, PVC	
121	1001158008	1	Stand-Off	

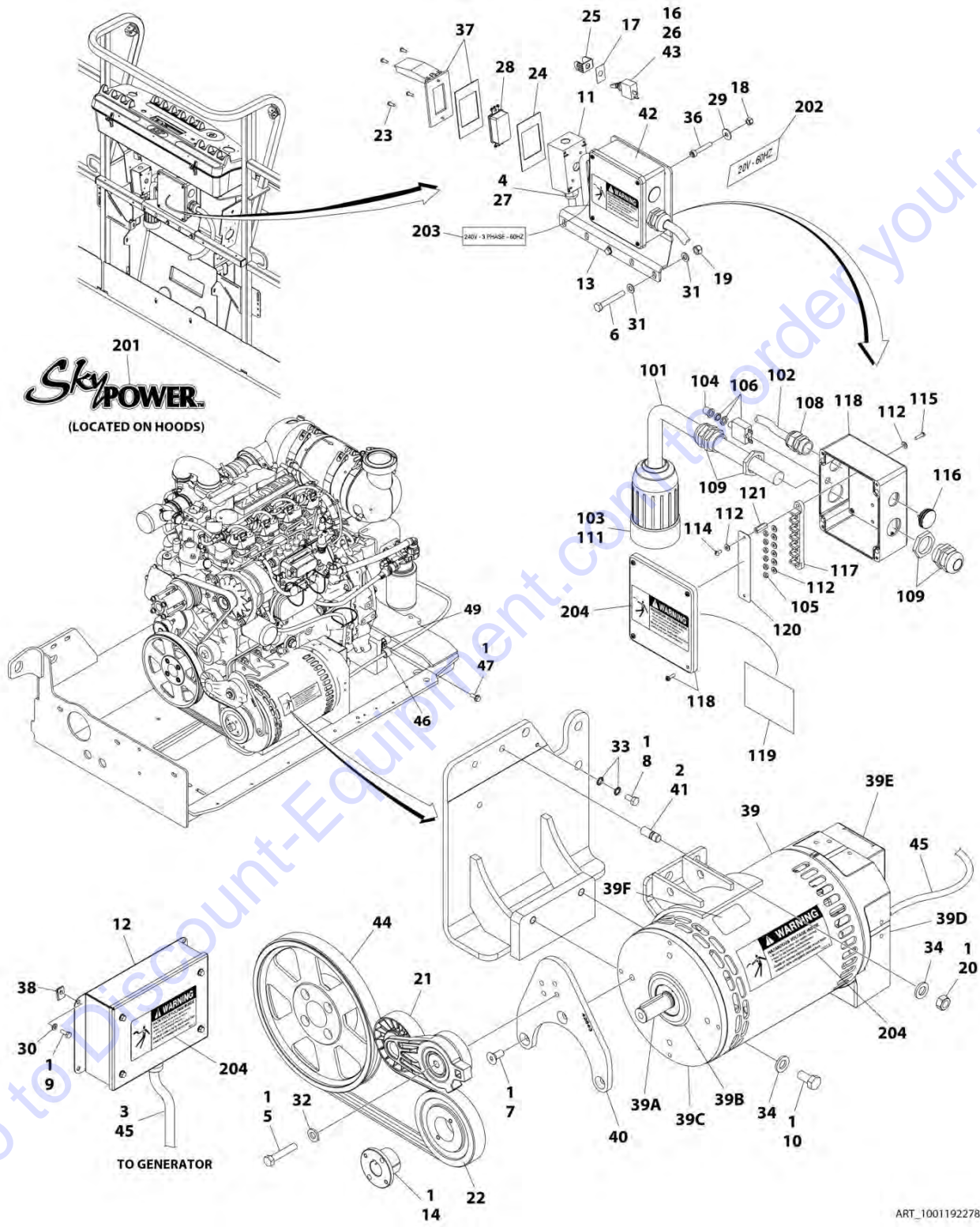
SECTION 3 - ENGINE

ITEM	PART NUMBER	QTY	DESCRIPTION	REV
	0272435	Ref	DECAL INSTALLATION	D
201	1705460	2	Decal - SkyPower	
202	3251243	1	Decal - 120V-60Hz	
203	1705375	1	Decal - 240V - 3 Phase - 60Hz	
204	1705387	3	Decal - Hazardous Voltage	

Go to Discount-Equipment.com to order your parts

SECTION 3 - ENGINE

FIGURE 3-71. 7500W SKYPOWER GENERATOR INSTALLATION - 110V/60HZ (DEUTZ TD2.9L4 - 67HP ENGINES) (OPTIONAL)



SECTION 3 - ENGINE

FIGURE 3-71. 7500W SKYPOWER GENERATOR INSTALLATION - 110V/60HZ (DEUTZ TD2.9L4 - 67HP ENGINES) (OPTIONAL)

ITEM	PART NUMBER	QTY	DESCRIPTION	REV
	1001192278	Ref	7500W SKYPOWER GENERATOR INSTALLATION	G
1	0100011	AR	Compound, Locking	
2	0100019	AR	Compound, Locking	
3	0100048	AR	Compound Terminal	
4	0100079	AR	Sealant	
5	0641616	1	Bolt 3/8 x 2	
6	0700819	2	Bolt M8 x 55	
7	0741607	3	Screw 3/8 x 7/8	
8	0760606	1	Bolt M6 x 12	
9	0760608	4	Bolt M6 x 16	
10	0761212	2	Bolt M12 x 25	
11	0860038	1	Box, Receptacle	
12	0861538	1	Control Box Assembly	
12	7024488	1	Card, Circuit - Generator Power	
12	See Note	NSS	Fuse (Note: Not Available - Purchase Locally)	
12	7024489	1	Card, Circuit - Control	
12	70000619	1	Harness, Control Box (Internal)	
		Ref	Note: Same Circuit Card (P/N 7024489) is used for both 60Hz and 50Hz. When replacing card, rocker switch on card must be set for required application.	
13	0902888	1	Bracket	
14	0962520	1	Bushing, Split	
16	2820031	AR	Heat Shrink	
17	3252764	1	Nameplate - AC & Weld	
18	3290505	4	Nut M5	
19	3290805	2	Nut M8	
20	3291201	2	Nut M12	
21	3580317	1	Tensioner, Belt	
22	3580318	1	Pulley	
23	3910606	4	Screw #6 x 3/8	
24	3960422	1	Gasket	
25	4060802	1	Guard, Switch	
26	4360336	1	Switch, Toggle	
27	4460071	1	Connector, Strain Relief	
28	4460346	1	Receptacle	
29	4811602	4	Washer M5	
30	4811700	4	Washer M6	
31	4811900	4	Washer M8	
32	5241000	1	Washer M10	
33	4871700	2	Washer M6	
34	5241200	4	Washer M12	
36	1001104029	1	Capscrew M5 x 30 Grade 12.9	
37	1001110873	1	Cover	
38	1001130220	4	Nut, Tinnerman M6	
39	1001212223	1	Generator Assembly	
39	70001100	1	Rotor (Includes p/n 70001384 & 70000863) (Not Shown)	
39	70001384	1	Bearing, Ball Radial (Not Shown)	
39	70000863	1	Fan (Not Shown)	

SECTION 3 - ENGINE

ITEM	PART NUMBER	QTY	DESCRIPTION	REV
39	70006093	1	Stator (Not Shown)	
39	70002297	1	Stud	
39	70003631	1	Brushholder Assembly (Not Shown) (was p/n 7024484)	
39A	70004099	1	Key	
39B	70001966	1	Bearing, Ball Radial (Located in Belt Tensioner Endbell)	
39B	70003708	1	Ring, Internal Retaining (Located in Belt Tensioner Endbell)	
39B	70003709	1	Ring, External Retaining (Located in Belt Tensioner Endbell)	
39C	70004092	1	Endbell, Belt Tensioner	
39D	70004094	1	Endbell, Brush Block	
39E	70006094	1	Shroud	
39E	70002291	1	Insulator, Endbell	
39E	7027799	1	Block, Connector - 6 Position (Not Shown)	
39E	70002460	1	Nut, Brass (Attaches p/n 7027799 to Cover) (Not Shown)	
39E	70006095	1	Breaker, Circuit 30Amp (Not Shown)	
39E	70006096	1	Boot, Breaker (Not Shown)	
39E	7026626	1	Connector, 6 Position (Includes Seal) (Not Shown - Plugs into Item 45)	
39E	7026597	1	Connector with Leads (Not Shown)	
39E	70004098	1	Clamp, Cable (Not Shown)	
39E	70006097	1	Plate, End Panel	
39E	70001974	1	Decal - Terminal Connections	
39F	70001973	1	Decal - Warning Moving Parts	
40	1001142643	1	Support	
41	1001196382	2	Stud	
42	1001157592	1	Junction Box Assembly (See Items 101-121 for Breakdown)	
43	4922641	1	Generator Switch Harness	
44	1001142646	1	Belt	
45	4922925	1	Generator Harness (See Separate Breakdown in ELECTRICAL SECTION)	
46	7274000040	1	Clamp	
47	5251012	1	Bolt M10 x 25	
49	1320061	1	Clamp	
	1001157592	Ref	JUNCTION BOX ASSEMBLY	C
101	1060343	1.5 ft/ 0.5m	Cable, Electrical 10/4	
102	1001179154	2.5 ft/ 76cm	Cable, Electrical 12/3	
103	1671092	1	Cover, Connector	
104	3300396	1	Cover, Fuse	
105	3311001	6	Nut #10	
106	4360070	1	Circuit Breaker - 15Amp	
108	4460425	1	Connector, Strain Relief	
109	4460426	2	Connector, Strain Relief	
111	4460963	1	Connector	
112	4711000	4	Washer #10	
114	10702077	2	Screw #10 x 3/8	
115	10702082	2	Screw #10 x 3/4	
116	1001152525	1	Plug	
117	1001157520	1	Block, Terminal	
118	1001157521	1	Box, Junction	
119	1001157528	1	Decal - Wiring Schematic	
120	1001158007	1	Cover, PVC	

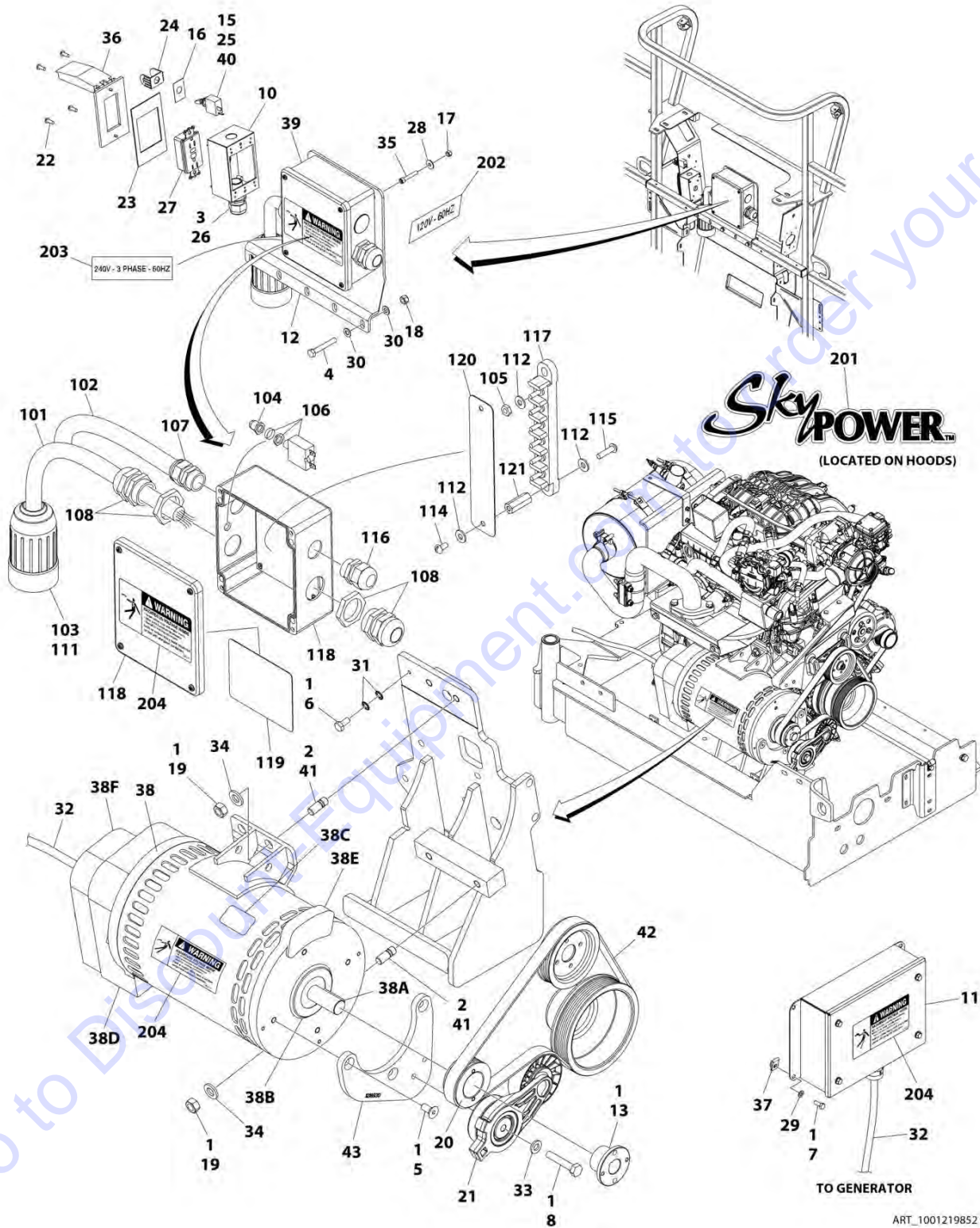
SECTION 3 - ENGINE

ITEM	PART NUMBER	QTY	DESCRIPTION	REV
121	1001158008	1	Stand-Off	D
	0272435	Ref	DECAL INSTALLATION	
201	1705460	2	Decal - SkyPower	
202	3251243	1	Decal - 120V-60Hz	
203	1705375	1	Decal - 240V - 3 Phase - 60Hz	
204	1705387	3	Decal - Hazardous Voltage	

Go to Discount-Equipment.com to order your parts

SECTION 3 - ENGINE

FIGURE 3-72. 7500W SKYPOWER GENERATOR INSTALLATION - 110V/60HZ (FORD ENGINES) (OPTIONAL)



SECTION 3 - ENGINE

**FIGURE 3-72. 7500W SKYPOWER GENERATOR INSTALLATION - 110V/60HZ (FORD ENGINES)
(OPTIONAL)**

ITEM	PART NUMBER	QTY	DESCRIPTION	REV
	1001219852	Ref	7500W SKYPOWER GENERATOR INSTALLATION	C
1	0100011	AR	Compound, Locking	
2	0100019	AR	Compound, Locking	
3	0100079	AR	Sealant	
4	0700819	2	Bolt M8 x 55	
5	0741607	3	Screw 3/8 x 7/8	
6	0760606	1	Bolt M6 x 12	
7	0760608	4	Bolt M6 x 16	
8	0761019	1	Bolt M10 x 55	
10	0860038	1	Box, Receptacle	
11	0861538	1	Control Box Assembly	
11	7024488	1	Card, Circuit - Generator Power	
11	See Note	NSS	Fuse (Note: Not Available - Purchase Locally)	
11	7024489	1	Card, Circuit - Control	
11	70000619	1	Harness, Control Box (Internal)	
12	0902888	1	Bracket	
13	0962520	1	Bushing, Split	
15	2820031	AR	Heat Shrink	
16	3252764	1	Nameplate - AC & Weld	
17	3290505	4	Nut M5	
18	3290805	2	Nut M8	
19	3291201	4	Nut M12	
20	3580314	1	Pulley	
21	3580317	1	Tensioner, Belt	
22	3910606	4	Screw #6 x 3/8	
23	3960422	1	Gasket	
24	4060802	1	Guard, Switch	
25	4360336	1	Switch, Toggle	
26	4460071	1	Connector, Strain Relief	
27	4460346	1	Receptacle	
28	4811602	4	Washer M5	
29	4811700	4	Washer M6	
30	4811900	4	Washer M8	
31	4871700	2	Washer M6	
32	4922925	1	Generator Harness (See Separate Breakdown in ELECTRICAL SECTION)	
33	5241000	1	Washer M10	
34	5241200	4	Washer M12	
35	1001104029	4	Capscrew M5 x 30 Grade 12.9	
36	1001110873	1	Cover	
37	1001130220	4	Nut, Tinnerman M6	
38	1001136104	1	Generator Assembly	
38	70003631	1	Brushholder Assembly (Not Shown) (was p/n 7024484)	
38	7024485	1	Breaker, Circuit 30Amp (Not Shown)	
38	70001696	1	Boot, Breaker (was p/n 7024486 - Not Shown)	
38	70001966	1	Bearing, Ball Radial (Located in Belt Tensioner Endbell - Not Shown)	
38	7027799	1	Block, Connector - 6 Position (Not Shown)	
38	70002460	6	Nut, Brass (Attaches p/n 7027799 to Cover) (Not Shown)	

SECTION 3 - ENGINE

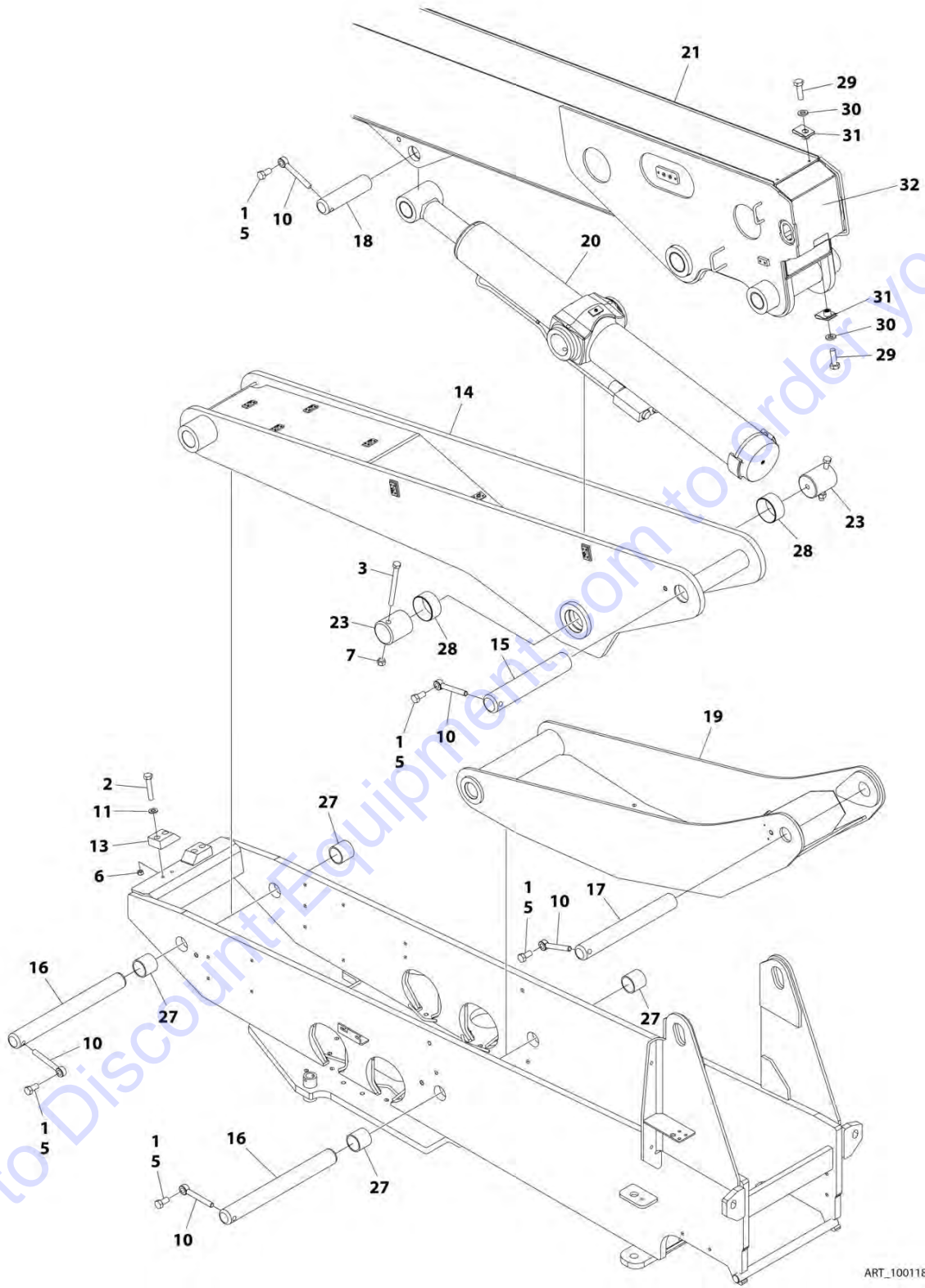
ITEM	PART NUMBER	QTY	DESCRIPTION	REV
38	7026188	1	Clamp, Cable (Not Shown)	
38	7026597	1	Connector, with Leads (Not Shown)	
38	7026626	1	Connector - 6 Position with Seal (Not Shown)	
38	70002088	1	Stator (Not Shown)	
38	70004169	1	Panel, End (Not Shown) (was p/n 70002255)	
38	70001974	1	Decal - Terminal Connections (Not Shown)	
38	70000863	1	Fan (Not Shown)	
38	70002297	4	Stud (Not Shown)	
38A	70004171	1	Key (was p/n 7024561)	
38A	70001100	1	Armature, Generator (Includes Radial Ball Bearing on End with Brushes and Fan)	
38A	70001384	1	Bearing, Ball Radial	
38B	70001966	1	Bearing, Radial Ball	
38B	70003708	1	Ring, Internal Retaining (Located in Belt Tensioner Endbell)	
38B	70003709	1	Ring, External Retaining (Located in Belt Tensioner Endbell)	
38C	70001973	1	Decal - Warning Moving Parts	
38D	70004169	1	Endbell, Brush Block (was p/n 70001385)	
38E	70001953	1	Endbell, Belt Tensioner	
38F	70004169	1	Endbell, Shroud Assembly (was p/n 70002290)	
39	1001157592	1	Junction Box Assembly (See Items 101-121 for Breakdown)	
40	4922641	1	Generator Switch Harness	
41	1001196382	4	Stud	
42	1001216390	1	Belt	
43	1001218930	1	Mount	
	1001157592	Ref	JUNCTION BOX ASSEMBLY	C
101	1060343	1.5 ft/ 0.5m	Cable, Electrical - 10/4	
102	1001179154	2.5 ft/ 0.8m	Cable, Electrical - 12/3	
103	1671092	1	Cover, Connector	
104	3300396	1	Cover, Fuse	
105	3311001	6	Nut #10	
106	4360070	1	Breaker, Circuit 15Amp	
107	4460425	1	Connector, Strain Relief	
108	4460426	2	Connector, Strain Relief	
111	4460963	1	Receptacle	
112	4711000	10	Washer #10	
114	10702077	2	Screw #10 x 3/8	
115	10702082	2	Screw #10 x 3/4	
116	1001152525	1	Plug, Hole	
117	1001157520	1	Block, Terminal Pole	
118	1001157521	1	Box, Junction	
119	1001157528	1	Decal - Box Junction	
120	1001158007	1	Cover	
121	1001158008	2	Stand-Off	
	0272435	Ref	DECAL INSTALLATION	D
201	1705460	2	Decal - SkyPower	
202	3251243	1	Decal - 120V/60Hz (Located on Opposite Side)	
203	1705375	1	Decal - 240V - 3 Phase	
204	1705387	3	Decal - Hazardous Voltage	

SECTION 4 - BOOM

Go to Discount-Equipment.com to order your parts

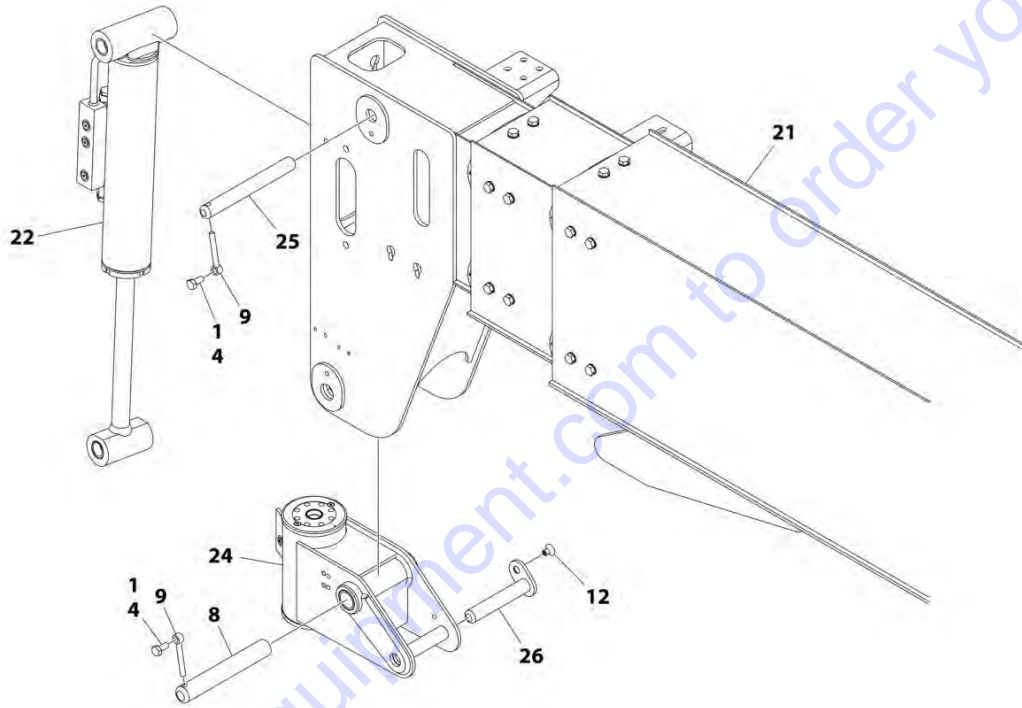
SECTION 4 - BOOM

FIGURE 4-1. BOOM INSTALLATION - 600S



ART_1001180884_10F2

SECTION 4 - BOOM



ART_1001180884_20F2

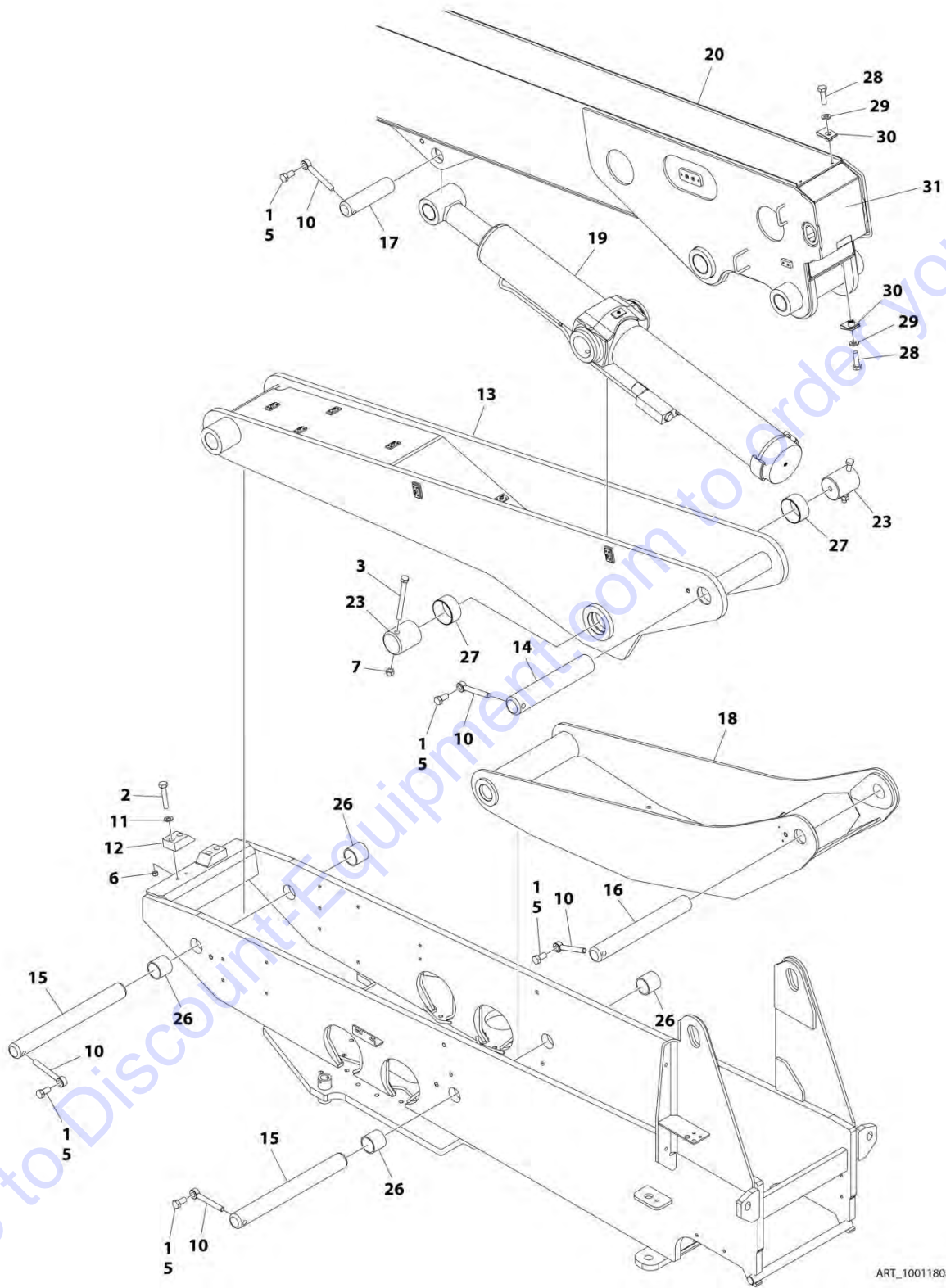
SECTION 4 - BOOM

FIGURE 4-1. BOOM INSTALLATION - 600S

ITEM	PART NUMBER	QTY	DESCRIPTION	REV
	1001180884	Ref	BOOM INSTALLATION	F
1	0100011	AR	Compound, Locking	
2	0701019	4	Bolt M10 x 55	
3	0711635	2	Bolt M16 x 180	
4	0761011	2	Bolt M10 x 22	
5	0762016	5	Bolt M20 x 40	
6	3291005	4	Nut M10	
7	3291605	2	Nut M16	
8	3422582	1	Pin	
9	3841143	2	Keeper, Pin	
10	3841287	5	Keeper, Pin	
11	4812000	4	Washer M10	
12	1001137032	1	Screw M10 x 16	
13	1001138459	2	Pad	
14	1001174231	1	Link	
15	1001174250	1	Pin	
16	1001174252	2	Pin	
17	1001174253	1	Pin	
18	1001174254	1	Pin	
19	1001174256	1	Link	
20	1001184500	1	Lift Cylinder Assembly (See Separate Breakdown in CYLINDER SECTION)	
21	1001180883	1	Boom Assembly (See Separate Breakdown in CYLINDER SECTION)	
22	1001184954	1	Level Cylinder Assembly - Platform Slave (See Separate Breakdown in CYLINDER SECTION)	
23	1001183926	2	Pin	
24	1001187348	1	Platform Rotator Assembly (See Separate Breakdown in this Section)	
25	1001192910	1	Pin	
26	1001192991	1	Pin	
27	0962423	4	Bearing	
28	1001174251	2	Bearing	
29	0760610	4	Bolt M6 x 20	
30	4811700	4	Washer M6	
31	1001130220	4	Nut, Tinnerman M6	
32	1001228177	1	Cover	

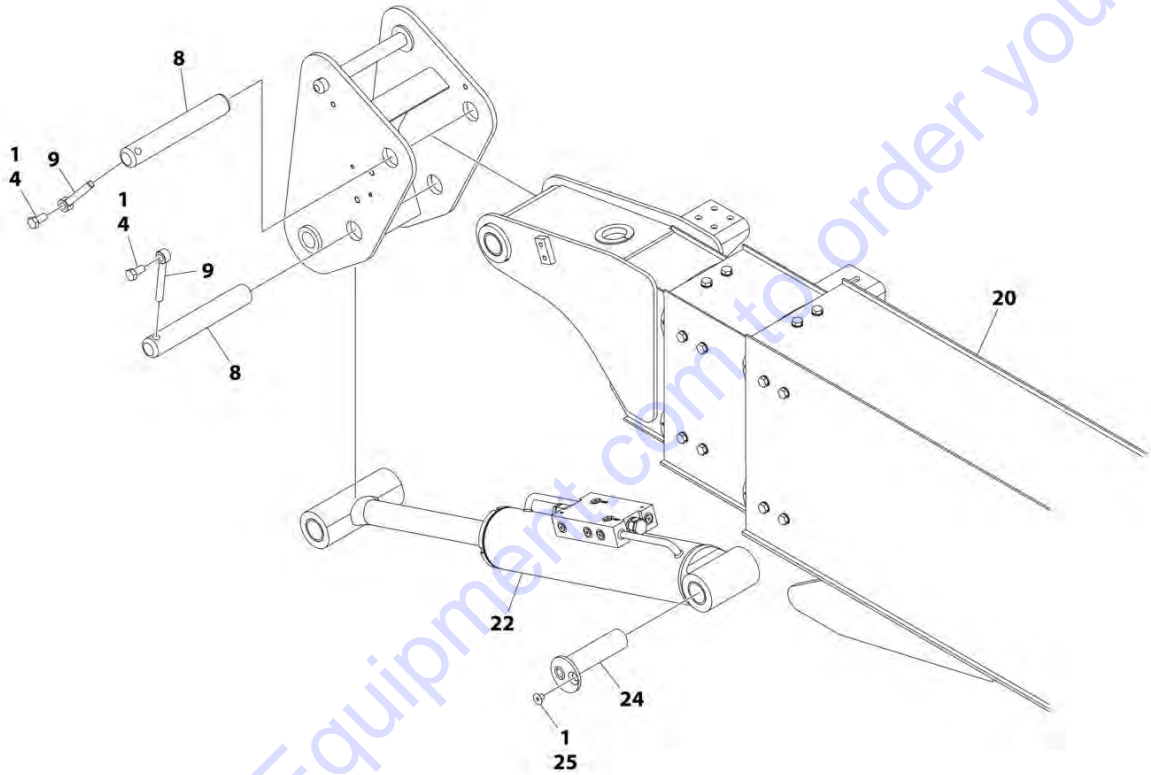
SECTION 4 - BOOM

FIGURE 4-2. BOOM INSTALLATION - 660SJ



ART_1001180885_10F2

SECTION 4 - BOOM



ART_1001180885_2OF2

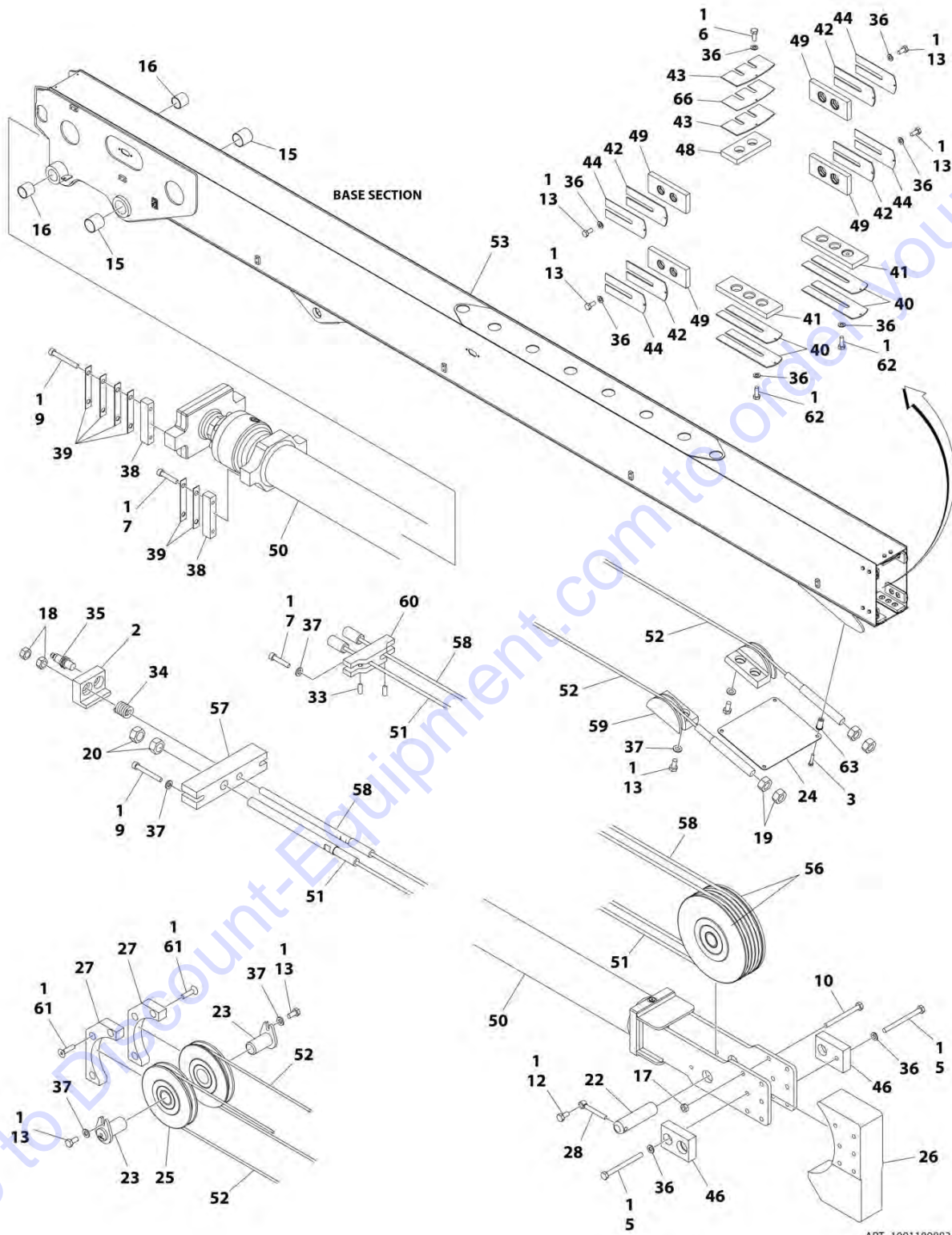
SECTION 4 - BOOM

FIGURE 4-2. BOOM INSTALLATION - 660SJ

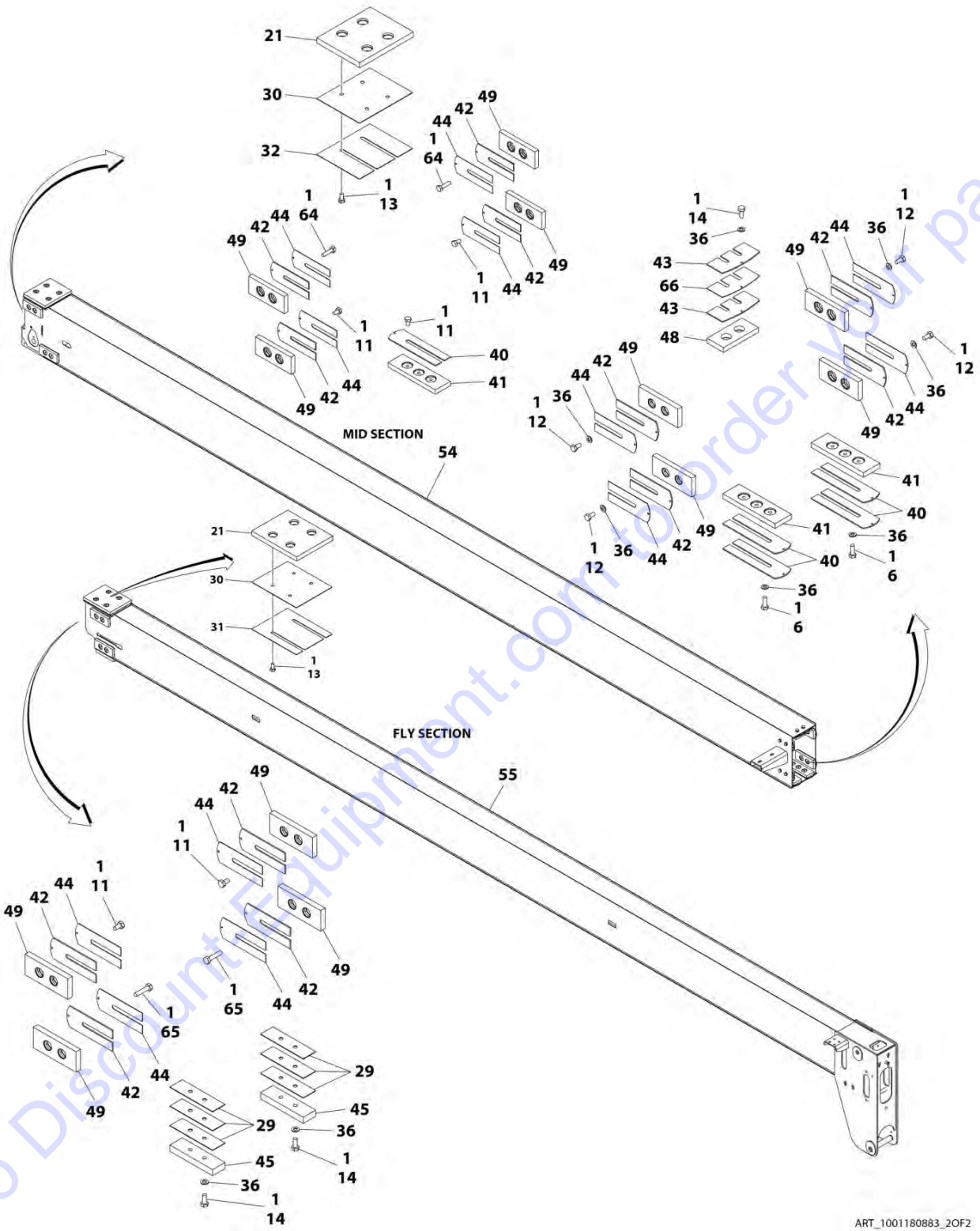
ITEM	PART NUMBER	QTY	DESCRIPTION	REV
	1001180885	Ref	BOOM INSTALLATION	F
1	0100011	AR	Compound, Locking	
2	0701019	4	Bolt M10 x 55	
3	0711635	2	Bolt M16 x 180	
4	0761212	2	Bolt M12 x 25	
5	0762016	5	Bolt M20 x 40	
6	3291005	4	Nut M10	
7	3291605	2	Nut M16	
8	3422793	2	Pin	
9	3841203	2	Keeper, Pin	
10	3841287	5	Keeper, Pin	
11	4812000	4	Washer M10	
12	1001138459	2	Pad	
13	1001174231	1	Link	
14	1001174250	1	Pin	
15	1001174252	2	Pin	
16	1001174253	1	Pin	
17	1001174254	1	Pin	
18	1001174256	1	Link	
19	1001184500	1	Lift Cylinder Assembly (See Separate Breakdown in CYLINDER SECTION)	
20	1001176217	1	Boom Assembly (See Separate Breakdown in this Section)	
22	1001184957	1	Level Cylinder Assembly - Platform Slave (See Separate Breakdown in CYLINDER SECTION)	
23	1001183926	2	Pin	
24	1001192052	1	Pin	
25	1001192027	1	Screw M10 x 12	
26	0962423	4	Bearing	
27	1001174251	2	Bearing	
28	0760610	4	Bolt M6 x 20	
29	4811700	4	Washer M6	
30	1001130220	4	Nut - Tinnerman M6	
31	1001228177	1	Cover	

SECTION 4 - BOOM

FIGURE 4-3. BOOM ASSEMBLY - 600S



SECTION 4 - BOOM



ART_1001180883_20F2

SECTION 4 - BOOM

FIGURE 4-3. BOOM ASSEMBLY - 600S

ITEM	PART NUMBER	QTY	DESCRIPTION	REV
	1001180883	Ref	BOOM ASSEMBLY	L
1	0100011	AR	Compound, Locking	
2	0561508	1	Block	
3	0760614	4	Bolt M6 x 30	
5	0701029	2	Bolt M10 x 120	
6	0701013	8	Bolt M10 x 28	
7	4032014	6	Capscrew M10 x 50	
9	4032020	6	Capscrew M10 x 80	
10	0701028	4	Bolt M10 x 110	
11	0761009	10	Bolt M10 x 18	
12	0761010	9	Bolt M10 x 20	
13	0761011	22	Bolt M10 x 22	
14	0761012	6	Bolt M10 x 25	
15	0962033	2	Bushing	
16	0962423	2	Bearing	
17	3291001	4	Nut M10	
18	3291601	2	Nut M16	
19	3292001	4	Nut M20	
20	3292201	2	Nut M22	
21	1001191385	2	Pad, Wear	
22	3422417	1	Pin	
23	3422424	2	Pin	
24	3539622	1	Cover	
25	3580243	2	Sheave, Retract	
25	0961951	2	Bushing (1 Per Sheave)	
26	3580248	1	Guard, Sheave (Extend)	
27	3580249	1	Guard, Sheave (Retract)	
28	3841143	1	Keeper, Pin	
29	4070895	6	Shim 16Ga	
30	4070896	2	Shim .06	
31	4070939	1	Shim 16Ga	
32	4070940	1	Shim 16Ga	
33	4092009	2	Setscrew M10 x 25	
34	4160149	1	Spring	
35	1001214831	1	Switch, Proximity	
36	4812000	38	Washer M10	
37	5241000	10	Washer M10	
38	1001135488	4	Block	
39	1001136571	12	Shim 16Ga	
40	1001136575	9	Shim 11Ga	
41	1001136583	5	Pad, Wear	
42	1001136592	16	Shim 11Ga	
43	1001138436	4	Shim 11Ga	
44	1001143713	16	Shim 18Ga	
45	1001148650	2	Pad, Wear	
46	1001191384	2	Pad, Wear	
48	1001136587	2	Pad, Wear	
49	1001153398	16	Pad, Wear	
50	1001175850	NLA	Telescope Cylinder Assembly (Use p/n 1001251079) (See Separate Breakdown in CYLINDER SECTION) (SN 0300235168)	

PARTS FINDER

**Search Website
by Part Number**



**Search Manual
Library For Parts
Manual & Lookup Part
Numbers – Purchase
or Request Quote**

**Can't Find Part or
Manual? Request Help
by Manufacturer,
Model & Description**

Discount-Equipment.com is your online resource for quality parts & equipment.

Florida: **561-964-4949** Outside Florida TOLL FREE: **877-690-3101**

Need parts?

Click on this link: <http://www.discount-equipment.com/category/5443-parts/> and choose one of the options to help get the right parts and equipment you are looking for. Please have the machine model and serial number available in order to help us get you the correct parts. If you don't find the part on the website or on one of the online manuals, please fill out the request form and one of our experienced staff members will get back to you with a quote for the right part that your machine needs.

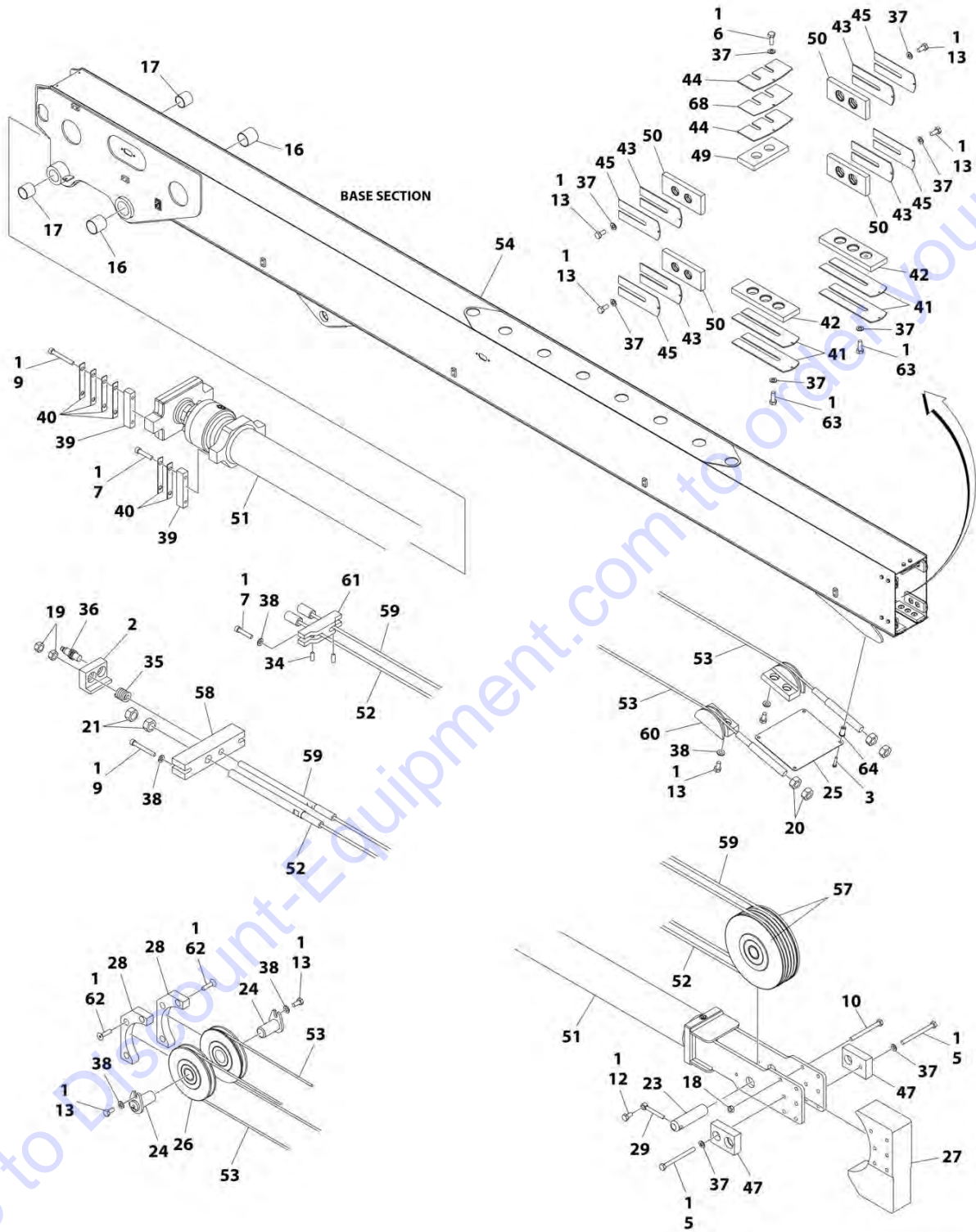
We sell worldwide for the brands: Genie, Terex, JLG, MultiQuip, Mikasa, Essick, Whiteman, Mayco, Toro Stone, Diamond Products, Generac Magnum, Airman, Haulotte, Barreto, Power Blanket, Nifty Lift, Atlas Copco, Chicago Pneumatic, Allmand, Miller Curber, Skyjack, Lull, Skytrak, Tsurumi, Husquvarna Target, Stow, Wacker, Sakai, Mi-T-M, Sullair, Basic, Dynapac, MBW, Weber, Bartell, Bennar Newman, Haulotte, Ditch Runner, Menegotti, Morrison, Contec, Buddy, Crown, Edco, Wyco, Bomag, Laymor, EZ Trench, Bil-Jax, F.S. Curtis, Gehl Pavers, Heli, Honda, ICS/PowerGrit, IHI, Partner, Imer, Clipper, MMD, Koshin, Rice, CH&E, General Equipment, Amida, Coleman, NAC, Gradall, Square Shooter, Kent, Stanley, Tamco, Toku, Hatz, Kohler, Robin, Wisconsin, Northrock, Oztec, Toker TK, Rol-Air, APT, Wylie, Ingersoll Rand / Doosan, Innovatech, Con X, Ammann, Mecalac, Makinex, Smith Surface Prep, Small Line, Wanco, Yanmar

SECTION 4 - BOOM

ITEM	PART NUMBER	QTY	DESCRIPTION	REV
50	1001228079	NLA	through 0300237156, SN B300002655 through B300002781) Telescope Cylinder Assembly (Use p/n 1001251079) (See Separate Breakdown in CYLINDER SECTION) (SN 0300237157 through 0300250001, SN B300002782 through B300003104)	
50	1001251079	1	Telescope Cylinder Assembly (See Separate Breakdown in CYLINDER SECTION) (SN 0300250002 to Present, SN B300003105 to Present)	
51	1001175998	1	Rope, Wire (Extend)	
52	1001175999	2	Rope, Wire (Retract)	
53	1001176208	1	Base, Boom	
54	1001176212	1	Mid, Boom	
55	1001180882	1	Fly, Boom	
56	1001184913	2	Sheave, Extend	
56	1001184918	2	Bushing (1 Per Sheave)	
56	1001184917	2	Sleeve, Bronze (1 Per Sheave)	
56	1001184915	2	Ring, Retaining (1 Per Sheave)	
57	1001186541	1	Block	
58	1001189859	1	Rope, Wire (Extend)	
59	1001191048	2	Sheave, Block	
60	1001191202	1	Block	
61	1001191205	6	Screw M10 x 40	
62	0761014	6	Bolt M10 x 30	
63	1001203719	4	Wellnut M6	
64	0761016	4	Bolt M10 x 40	
65	0761017	4	Bolt M10 x 45	
66	1001136590	2	Shim (SN 0300256595 to Present, SN B300003683 to Present)	

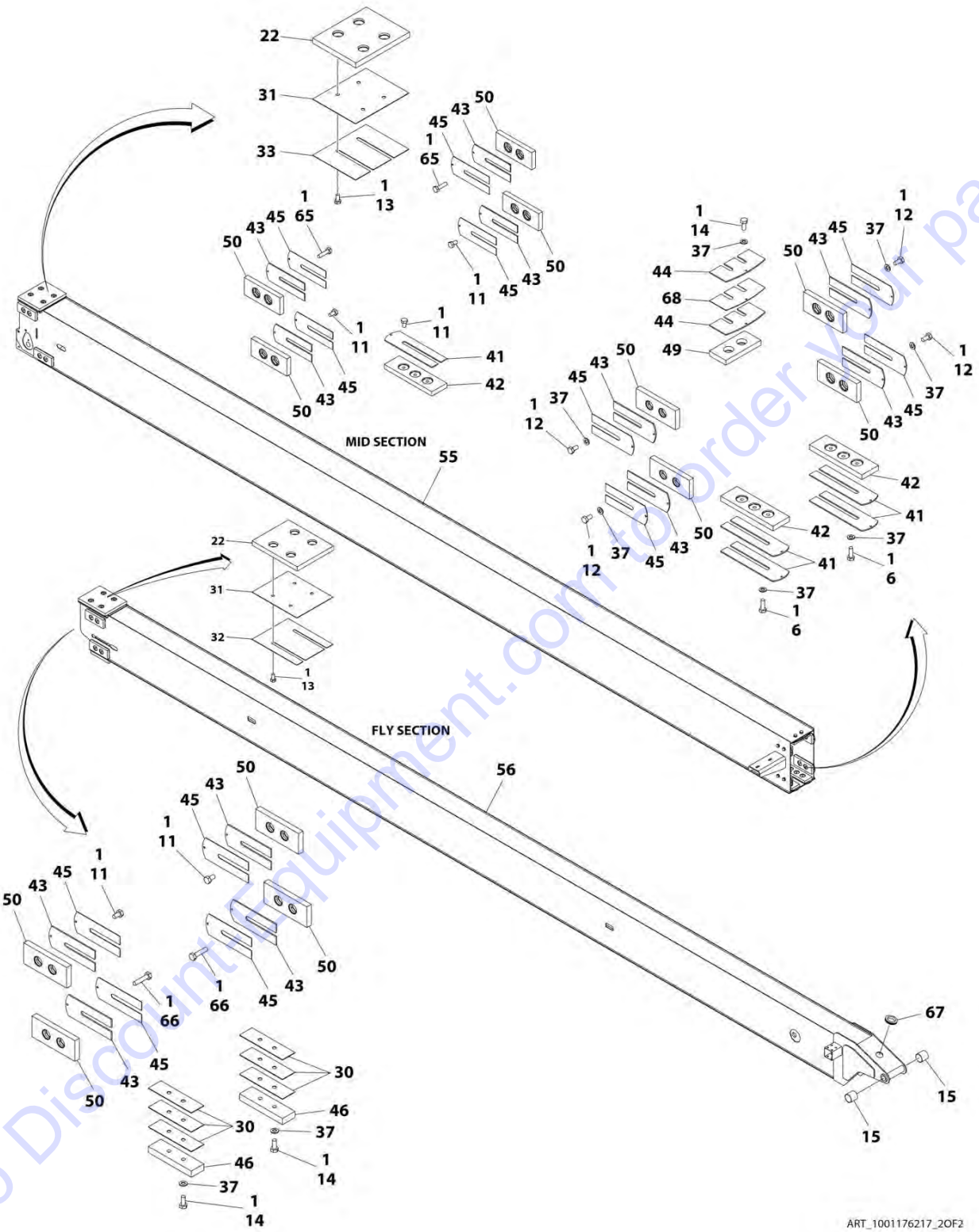
SECTION 4 - BOOM

FIGURE 4-4. BOOM ASSEMBLY - 660SJ



ART_1001176217_10F2

SECTION 4 - BOOM



ART_1001176217_20F2

SECTION 4 - BOOM

FIGURE 4-4. BOOM ASSEMBLY - 660SJ

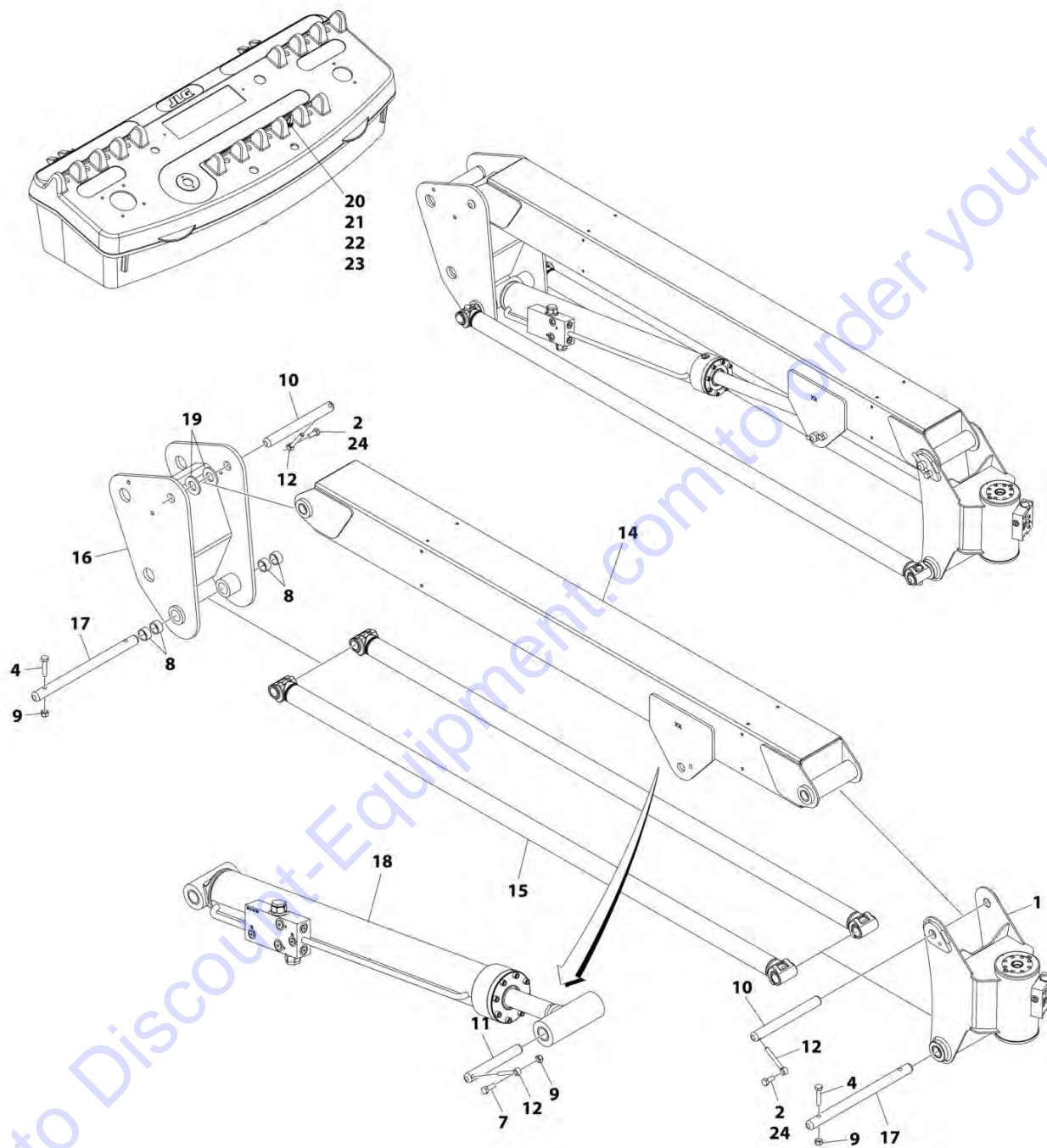
ITEM	PART NUMBER	QTY	DESCRIPTION	REV
	1001176217	Ref	BOOM ASSEMBLY	M
1	0100011	AR	Compound, Locking	
2	0561508	1	Block	
3	0760614	4	Bolt M6 x 30	
5	0701029	2	Bolt M10 x 120	
6	0701013	8	Bolt M10 x 28	
7	4032014	6	Capscrew M10 x 50	
9	4032020	6	Capscrew M10 x 80	
10	0701028	4	Bolt M10 x 110	
11	0761009	10	Bolt M10 x 18	
12	0761010	9	Bolt M10 x 20	
13	0761011	22	Bolt M10 x 22	
14	0761012	6	Bolt M10 x 25	
15	0961948	2	Bearing	
16	0962033	2	Bushing	
17	0962423	2	Bearing	
18	3291001	4	Nut M10	
19	3291601	2	Nut M16	
20	3292001	4	Nut M20	
21	3292201	2	Nut M22	
22	1001191385	2	Pad, Wear	
23	3422417	1	Pin	
24	3422424	2	Pin	
25	3539622	1	Cover	
25	0961951	2	Bushing (1 Per Sheave)	
26	3580243	2	Sheave, Retract	
27	3580248	1	Guard, Sheave (Extend)	
28	3580249	2	Guard, Sheave (Retract)	
29	3841143	1	Keeper, Pin	
30	4070895	6	Shim 16Ga	
31	4070896	2	Shim .06	
32	4070939	1	Shim 16Ga	
33	4070940	1	Shim 16Ga	
34	4092009	2	Setscrew M10 x 25	
35	4160149	1	Spring	
36	1001214831	1	Switch, Proximity	
37	4812000	38	Washer M10	
38	5241000	10	Washer M10	
39	1001135488	4	Block	
40	1001136571	12	Shim 16Ga	
41	1001136575	9	Shim 11Ga	
42	1001136583	5	Pad, Wear	
43	1001136592	16	Shim 11Ga	
44	1001138436	4	Shim 11Ga	
45	1001143713	16	Shim 18Ga	
46	1001148650	2	Pad, Wear	
47	1001191384	2	Pad, Wear	
49	1001136587	2	Pad, Wear	
50	1001153398	16	Pad, Wear	
51	1001175850	NLA	Telescope Cylinder Assembly (Use p/n 1001251079) (See	

SECTION 4 - BOOM

ITEM	PART NUMBER	QTY	DESCRIPTION	REV
51	1001228079	NLA	Separate Breakdown in CYLINDER SECTION) (SN 0300235168 through 0300237156, SN B300002655 through B300002781) Telescope Cylinder Assembly (Use p/n 1001251079) (See Separate Breakdown in CYLINDER SECTION) (SN 0300237157 through 0300250001, SN B300002782 through B300003104)	
51	1001251079	1	Telescope Cylinder Assembly (See Separate Breakdown in CYLINDER SECTION) (SN 0300250002 to Present, SN B300003105 to Present)	
52	1001175998	1	Rope, Wire (Extend)	
53	1001175999	2	Rope, Wire (Retract)	
54	1001176208	1	Base, Boom	
55	1001176212	1	Mid, Boom	
56	1001176216	1	Fly, Boom	
57	1001184913	2	Sheave, Extend	
57	1001184918	2	Bushing (1 per Sheave)	
57	1001184917	2	Sleeve, Bronze (1 per Sheave)	
57	1001184915	2	Ring, Retaining (1 per Sheave)	
58	1001186541	1	Block	
59	1001189859	1	Rope, Wire (Extend)	
60	1001191048	2	Sheave, Block	
61	1001191202	1	Block	
62	1001191205	6	Screw M10 x 40	
63	0761014	6	Bolt M10 x 30	
64	1001203719	4	Wellnut M6	
65	0761016	4	Bolt M10 x 40	
66	0761017	4	Bolt M10 x45	
67	4060805	6 in/ 16cm	Flex - Trim	
68	1001136590	2	Shim (SN 0300256595 to Present, SN B300003683 to Present)	

SECTION 4 - BOOM

FIGURE 4-5. JIB ASSEMBLY - 660SJ (USA BUILT MACHINES)



ART_1001182046

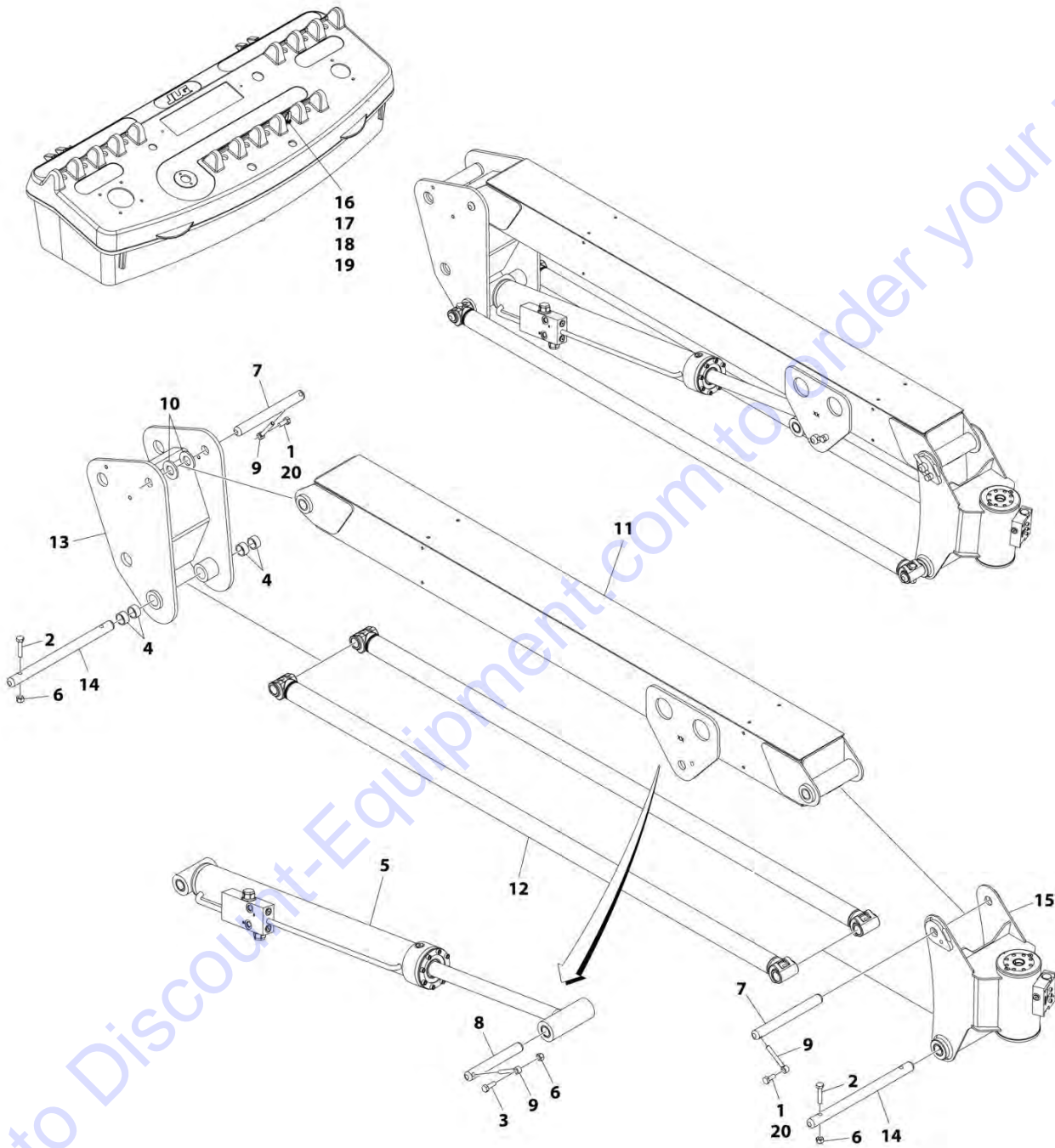
SECTION 4 - BOOM

FIGURE 4-5. JIB ASSEMBLY - 660SJ (USA BUILT MACHINES)

ITEM	PART NUMBER	QTY	DESCRIPTION	REV
	1001182046	Ref	JIB ASSEMBLY	G
1	1001190580	1	Platform Rotator Assembly (See Separate Breakdown in this Section)	
2	0100011	AR	Compound, Locking	
4	0701018	4	Bolt M10 x 50	
7	0761014	1	Bolt M10 x 30	
8	0961947	4	Bearing	
9	3291005	1	Nut M10	
10	3422860	2	Pin	
11	3422867	1	Pin	
12	3841143	3	Keeper, Pin	
14	4844816	1	Tube, JIB	
14	0962335	4	Bushing	
15	1001181960	2	Link	
16	1001181962	1	Pivot	
17	1001182064	2	Pin	
18	1683609	NLA	Lift Cylinder Assembly - JIB (Use p/n 1001248012) (See Separate Breakdown in CYLINDER SECTION) (Original Equipment) (SN 0300235168 through 0300237971)	
18	1001231956	1	Lift Cylinder Assembly - JIB (See Separate Breakdown in CYLINDER SECTION) (SN 0300237972 through 0300245222)	
18	1001228013	1	Lift Cylinder Assembly - JIB (See Separate Breakdown in CYLINDER SECTION) (SN 0300245223 to Present)	
19	4740439	2	Washer	
20	3790012	1	O-Ring	
21	4740397	1	Spacer	
22	1001155044	1	Nut 15/32	
23	1001155045	1	Switch, Toggle	
24	0761012	2	Bolt M10 x 25	

SECTION 4 - BOOM

FIGURE 4-6. JIB ASSEMBLY - 660SJ (CHINA BUILT MACHINES)



ART_1001202531

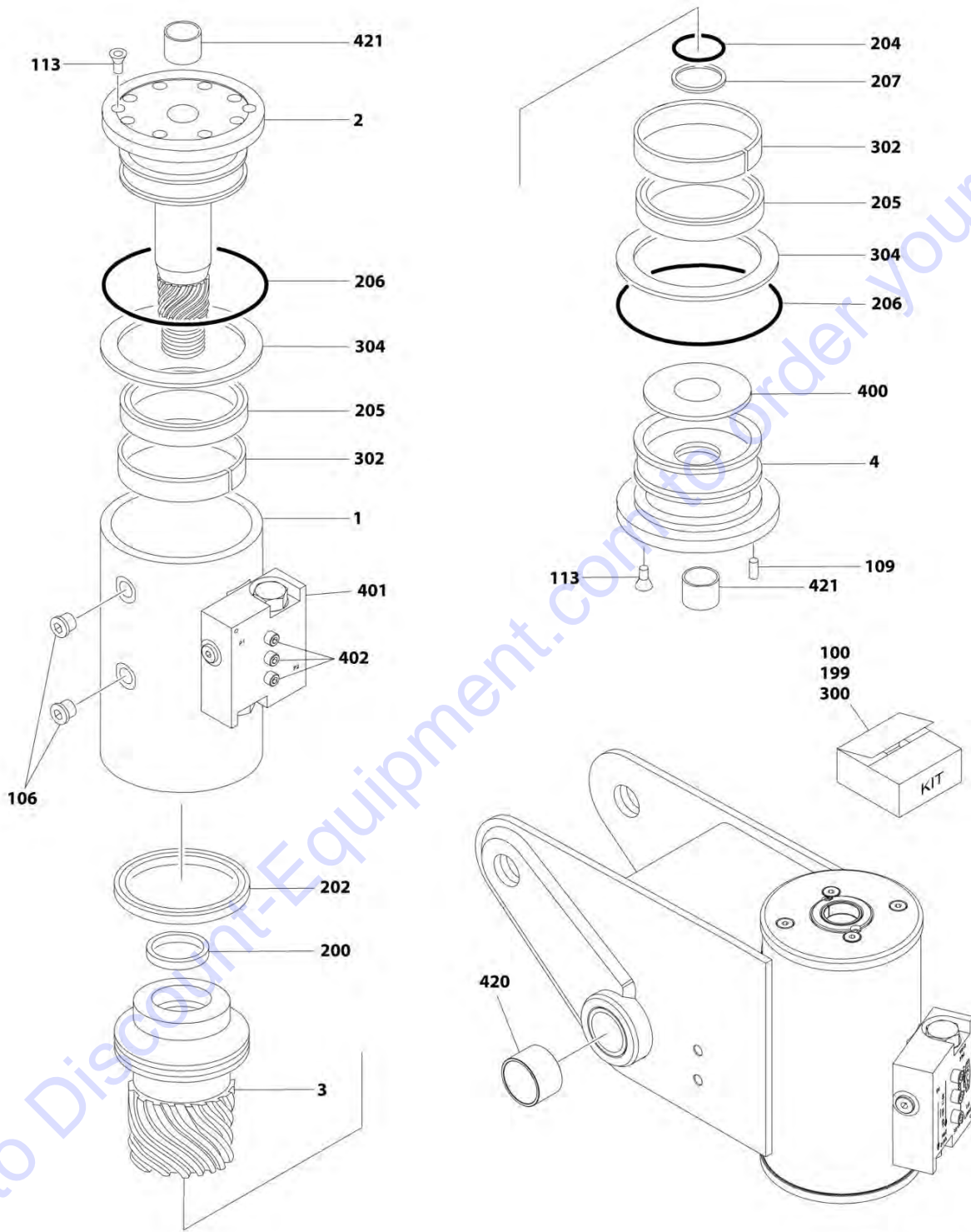
SECTION 4 - BOOM

FIGURE 4-6. JIB ASSEMBLY - 660SJ (CHINA BUILT MACHINES)

ITEM	PART NUMBER	QTY	DESCRIPTION	REV
	1001202531	Ref	JIB ASSEMBLY	F
1	0100011	AR	Compound, Locking	
2	0701018	4	Bolt M10 x 50	
3	0761014	1	Bolt M10 x 30	
4	0961947	4	Bearing	
5	1683609	NLA	Lift Cylinder Assembly - JIB (Use p/n 1001248012) (See Separate Breakdown in CYLINDER SECTION) (Original Equipment) (SN B300002216 through B300002338)	
5	1001231956	1	Lift Cylinder Assembly - JIB (See Separate Breakdown in CYLINDER SECTION) (SN B300002339 to Present)	
6	3291005	5	Nut M10	
7	3422860	2	Pin	
8	3422867	1	Pin	
9	3841143	3	Keeper, Pin	
10	4740439	2	Washer	
11	1001113386	1	Tube, JIB	
11	0962355	4	Bushing	
12	1001181960	2	Link	
13	1001181962	1	Pivot	
14	1001182064	2	Pin	
15	1001190580	1	Platform Rotator Assembly (See Separate Breakdown in this Section)	
16	3790012	1	O-Ring	
17	4740397	1	Spacer	
18	1001155044	1	Nut 15/32	
19	1001155045	1	Switch, Toggle	
20	0761012	2	Bolt M10 x 25	

SECTION 4 - BOOM

FIGURE 4-7. PLATFORM ROTATOR ASSEMBLY - 600S



ART_1001187348

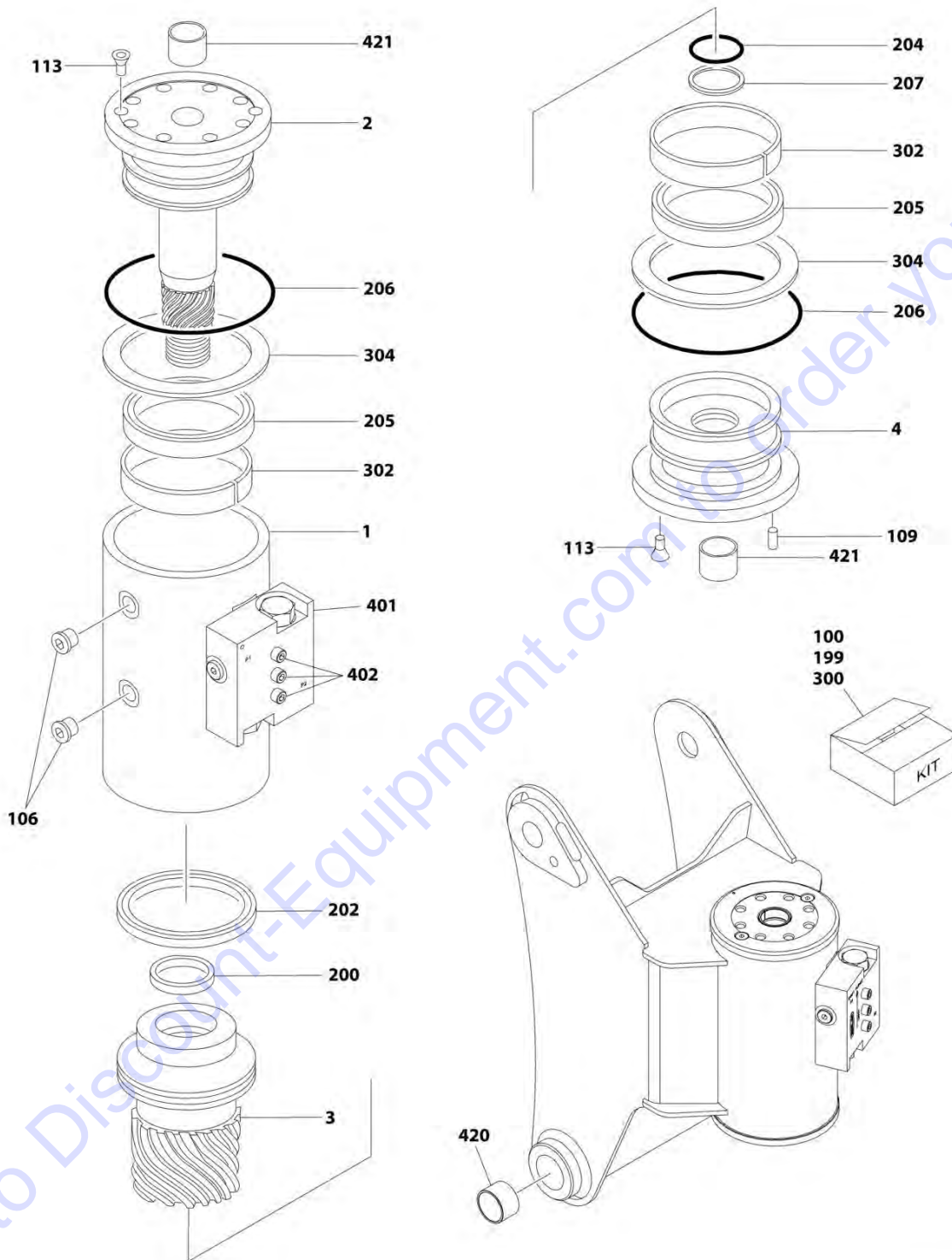
SECTION 4 - BOOM

FIGURE 4-7. PLATFORM ROTATOR ASSEMBLY - 600S

ITEM	PART NUMBER	QTY	DESCRIPTION	REV
	1001187348	Ref	PLATFORM ROTATOR ASSEMBLY	E
1	See Note	NSS	Housing/Ring Gear (Note: Purchase Complete Assembly)	
2	7017162	1	Shaft	
3	7017163	1	Piston	
4	7017164	1	Cap	
100	7017142	1	Hardware Kit (Includes Items 106-109)	
106	See Note	NSS	Plug (Note: Use Item 100)	
109	See Note	NSS	Pin, Dowel (Note: Use Item 100)	
113	70001697	6	Screw 1/4 x 3/8	
199	70000342	1	Seal Kit - Low Temperature (Includes Items 200-207)	
200	See Note	NSS	T-Seal (Note: Use Item 199)	
202	See Note	NSS	T-Seal (Note: Use Item 199)	
204	See Note	NSS	O-Ring (Note: Use Item 199)	
205	See Note	NSS	Seal (Note: Use Item 199)	
206	See Note	NSS	O-Ring (Note: Use Item 199)	
207	See Note	NSS	Ring, Back-up (Note: Use Item 199)	
300	7017159	1	Bearing Kit (Includes Items 302-304)	
302	See Note	NSS	Bearing (Note: Use Item 300)	
304	See Note	NSS	Washer, Thrust (Note: Use Item 300)	
400	70005671	1	Stop	
401	7017172	1	Valve, Control (Note: Sold as Assembly Only)	
401	7017192	2	Cartridge, Valve - Counterbalance (Seal Kit Not Available)	
401	See Note	1	Cartridge, Valve - Check (Seal Kit Not Available) (Note: Use p/n 7017172)	
402	See Note	1	Bolt 1/4 x 1-1/2 Grade 8 (Note: Purchase Locally)	
420	0961951	2	Bushing	
421	7017195	2	Bushing	

SECTION 4 - BOOM

FIGURE 4-8. PLATFORM ROTATOR ASSEMBLY - 660SJ



ART_1001190580

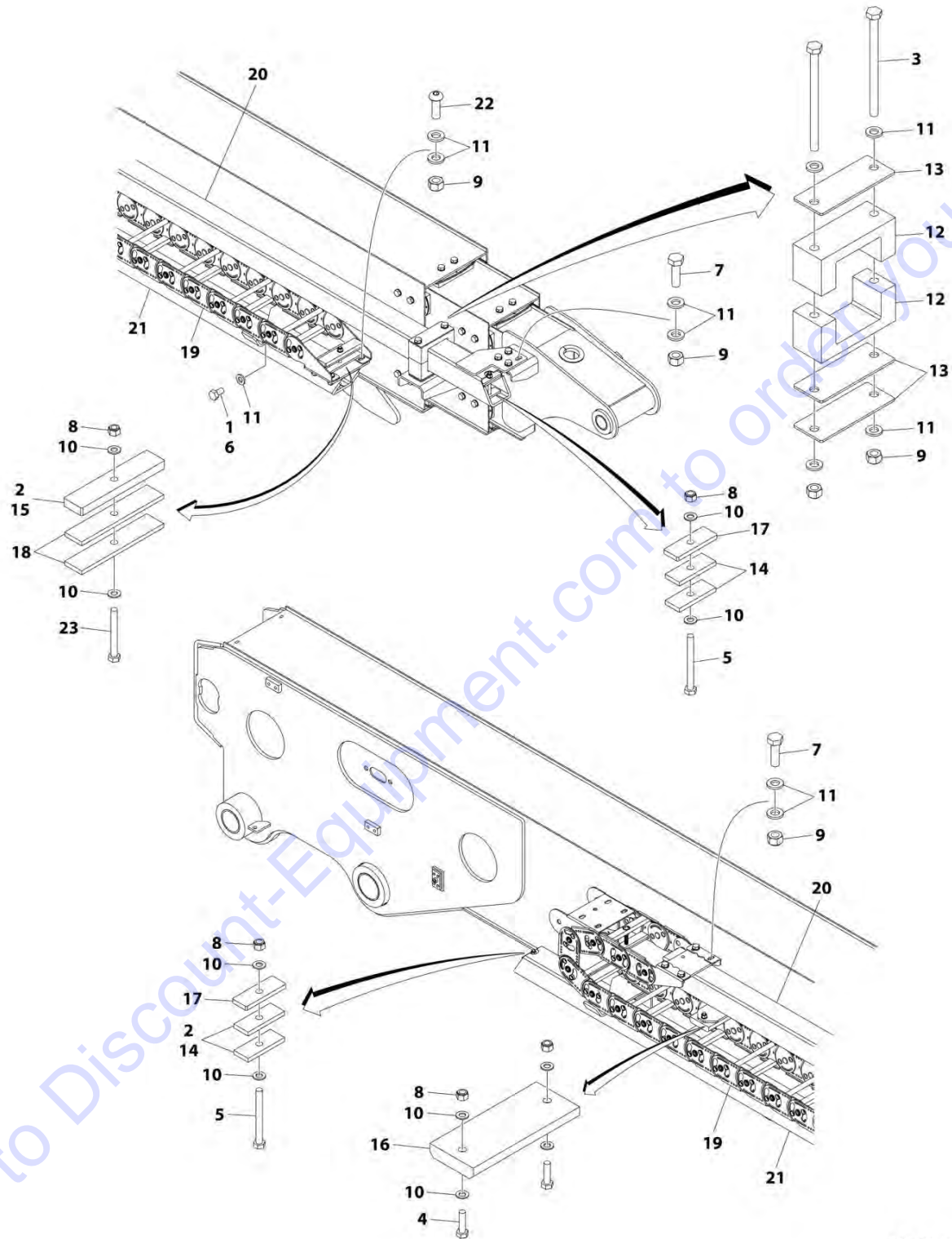
SECTION 4 - BOOM

FIGURE 4-8. PLATFORM ROTATOR ASSEMBLY - 660SJ

ITEM	PART NUMBER	QTY	DESCRIPTION	REV
	1001190580	Ref	PLATFORM ROTATOR ASSEMBLY	F
1	See Note	NSS	Housing/Ring Gear (Note: Purchase Complete Assembly)	
2	7017162	1	Shaft	
3	7017163	1	Piston	
4	7017164	1	Cap	
100	7017142	1	Hardware Kit (Includes Items 106-109)	
106	See Note	NSS	Plug (Note: Use Item 100)	
109	See Note	NSS	Pin, Dowel (Note: Use Item 100)	
113	70001697	6	Screw 1/4 x 3/8	
199	70000342	1	Seal Kit - Low Temperature (Includes Items 200-207)	
200	See Note	NSS	T-Seal (Note: Use Item 199)	
202	See Note	NSS	T-Seal (Note: Use Item 199)	
204	See Note	NSS	O-Ring (Note: Use Item 199)	
205	See Note	NSS	Seal (Note: Use Item 199)	
206	See Note	NSS	Ring, Back-up (Note: Use Item 199)	
207	See Note	NSS	Ring, Back-up (Note: Use Item 199)	
300	7017159	1	Bearing Kit (Includes Items 302-304)	
302	See Note	NSS	Bearing (Note: Use Item 300)	
304	See Note	NSS	Washer, Thrust (Note: Use Item 300)	
401	7017172	1	Valve, Control (Note: Sold as Assembly Only)	
401	7017192	2	Cartridge, Valve - Counterbalance (Seal Kit Not Available)	
401	See Note	1	Cartridge, Valve - Check (Seal Kit Not Available) (Note: Use p/n 7017172)	
402	See Note	NSS	Bolt 1/4 x 1-1/2 Grade 8 (Note: Purchase Locally)	
420	0961947	2	Bushing	
421	7017195	1	Bushing	

SECTION 4 - BOOM

FIGURE 4-9. POWER TRACK INSTALLATION



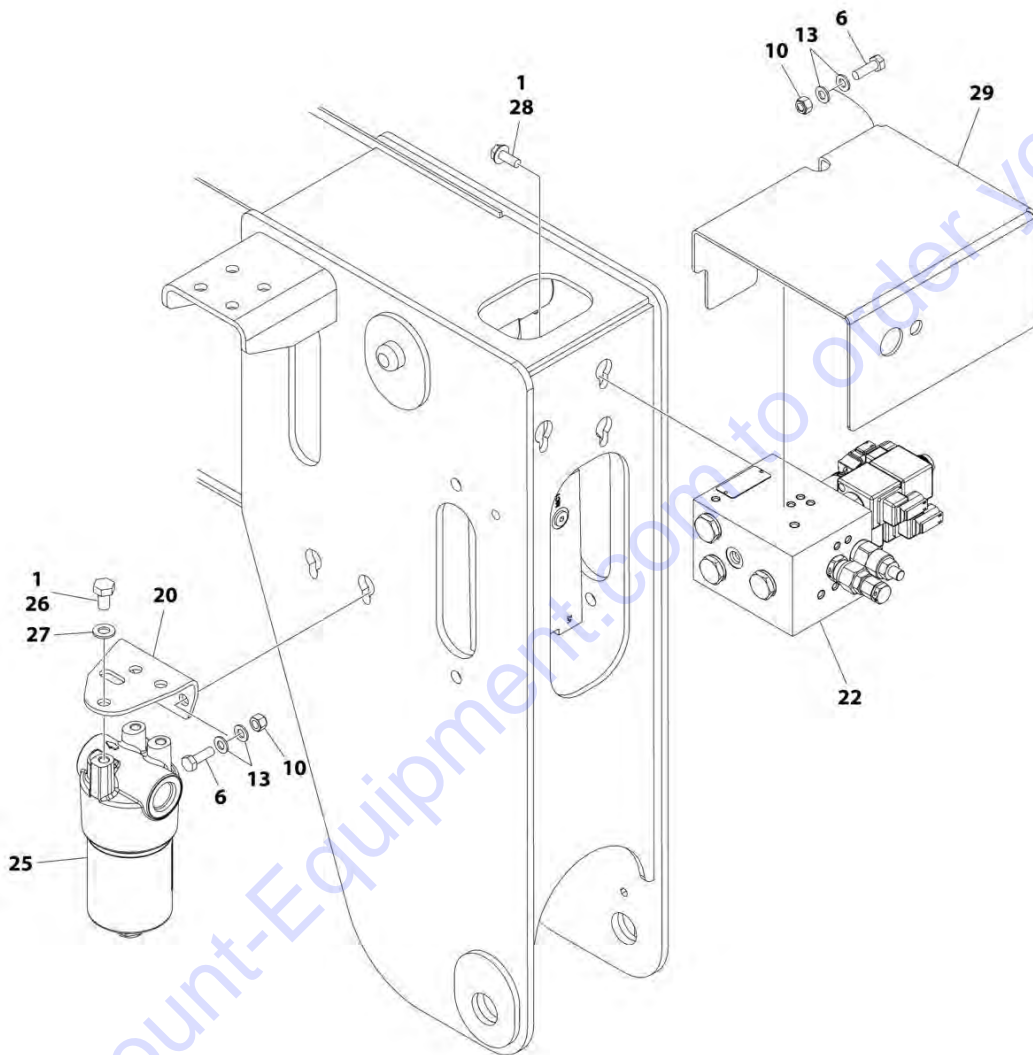
ART_1001174630

FIGURE 4-9. POWER TRACK INSTALLATION

ITEM	PART NUMBER	QTY	DESCRIPTION	REV
	1001174630	Ref	POWER TRACK INSTALLATION	F
1	0100011	AR	Compound, Locking	
2	0100081	AR	Adhesive	
3	0701032	2	Bolt M10 x 150	
4	0760814	2	Bolt M8 x 30	
5	0760824	2	Bolt M8 x 80	
6	0761009	8	Bolt M10 x 18	
7	0761015	8	Bolt M10 x 35	
8	3290805	5	Nut M8	
9	3291005	14	Nut M10	
10	4811900	10	Washer M8	
11	5241000	36	Washer M10	
12	1001136398	2	Pad	
13	1001136400	AR	Plate	
14	1001136402	4	Pad	
15	1001136461	1	Plate	
16	1001136469	NLA	Pad, Wear (Use p/n 3340787) (SN 0300235168 through 0300247539, SN B300002655 through B300002844)	
16	3340787	1	Pad, Wear (SN 0300247540 to Present, SN B300002845 to Present)	
17	1001139078	2	Plate	
18	1001151192	2	Pad	
19	1001174631	1	Powertrack Assembly	
19	70005683	AR	Repair Section - Power Track	
19	70005684	1	Mounting Kit - Power Track (Includes Mounting Feet and Hardware)	
20	1001174632	1	Tube, Push	
21	1001174636	1	Support	
22	1001174673	4	Screw M10 x 30	
23	0760822	1	Bolt M8 x 70	

SECTION 4 - BOOM

FIGURE 4-10. BOOM VALVES INSTALLATION - 600S WITH 2WS



ART_1001188166_20F2

SECTION 4 - BOOM

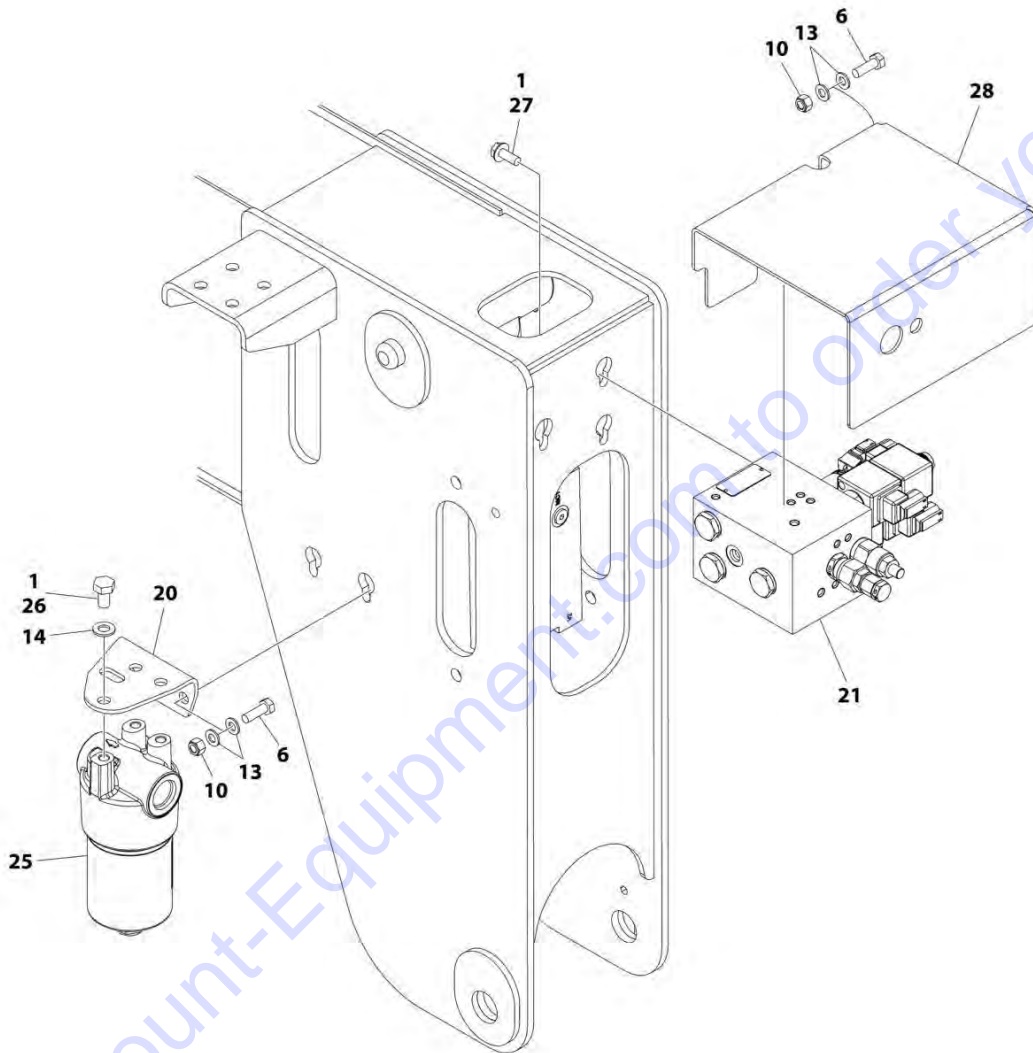
FIGURE 4-10. BOOM VALVES INSTALLATION - 600S WITH 2WS

ITEM	PART NUMBER	QTY	DESCRIPTION	REV
	1001188166	Ref	BOOM VALVES INSTALLATION	G
1	0100011	AR	Compound, Locking	
6	0760812	AR	Bolt M8 x 25	
6	0760814	AR	Bolt M8 x 30	
10	3290805	3	Nut M8	
13	4811900	6	Washer M8	
20	1001188302	1	Plate	
22	1001190287	1	Platform Valve Assembly (See Separate Breakdown in this Section)	
25	1001201511	1	Filter, High Pressure	
25	70005335	1	Element, Filter	
25	70005682	1	Repair Kit (Includes Element & Bowl O-Rings & Back-up Rings)	
26	0761009	3	Bolt M10 x 18	
27	4812000	3	Washer M10	
28	5250810	3	Bolt M8 x 20	
29	1001204529	1	Cover	

Go to Discount-Equipment.com to order your parts

SECTION 4 - BOOM

FIGURE 4-11. BOOM VALVES INSTALLATION - 600S WITH 4WS



ERT_1001188167_20F2

SECTION 4 - BOOM

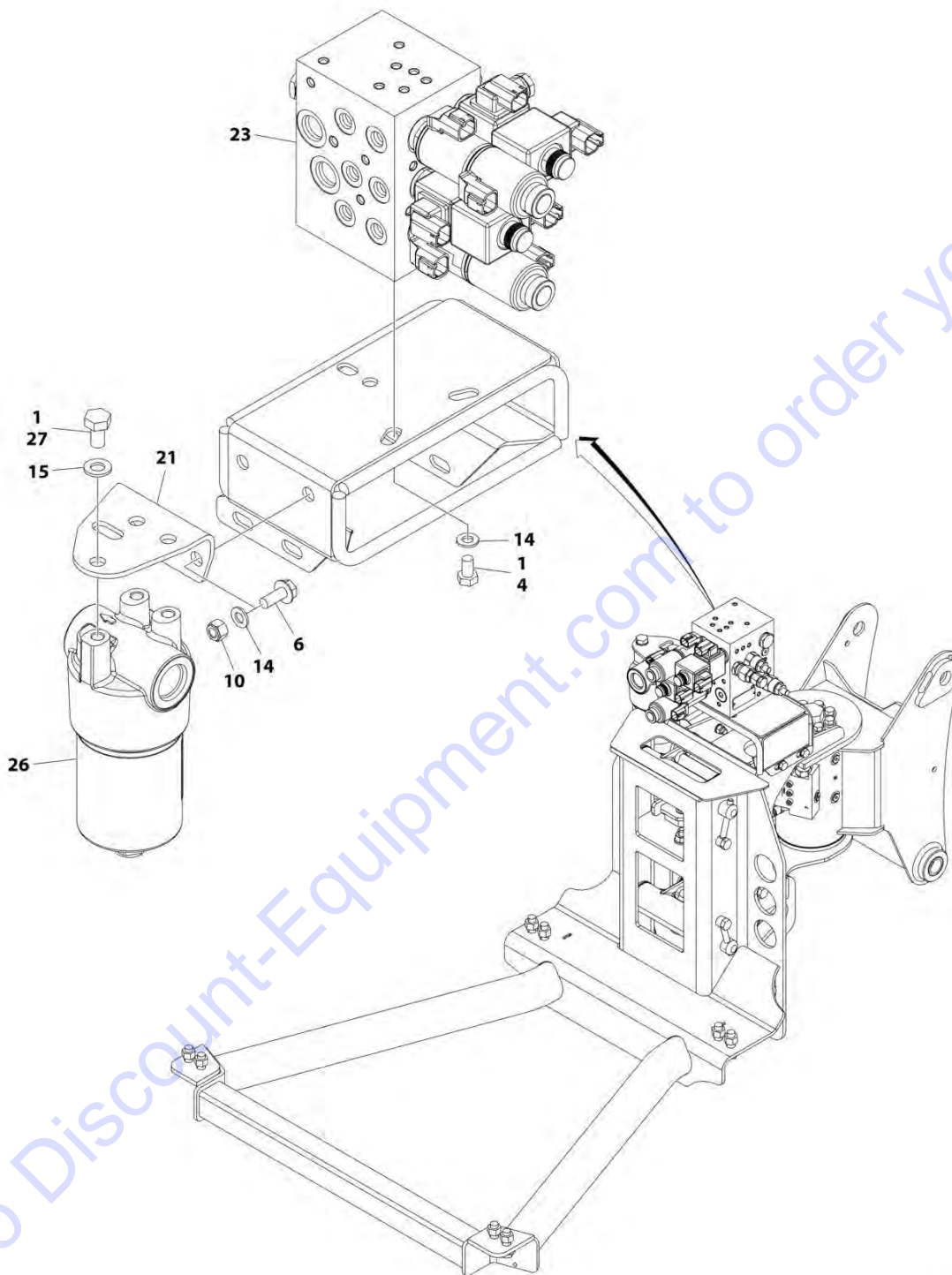
FIGURE 4-11. BOOM VALVES INSTALLATION - 600S WITH 4WS

ITEM	PART NUMBER	QTY	DESCRIPTION	REV
	1001188167	Ref	BOOM VALVES INSTALLATION	G
1	0100011	AR	Compound, Locking	
6	0760812	AR	Bolt M8 x 25	
6	0760814	AR	Bolt M8 x 30	
10	3290805	3	Nut M8	
13	4811900	6	Washer M8	
14	4812000	3	Washer M10	
20	1001188302	1	Plate	
21	1001190287	1	Platform Valve Assembly (See Separate Breakdown in this Section)	
25	1001201511	1	Filter, High Pressure	
25	70005335	1	Element, Filter	
25	70005682	1	Repair Kit (Includes Element & Bowl O-Rings & Back-up Rings)	
26	0761009	3	Bolt M10 x 18	
27	5250810	3	Bolt M8 x 20	
28	1001204529	1	Cover	

Go to Discount-Equipment.com to order your parts

SECTION 4 - BOOM

FIGURE 4-12. BOOM VALVES INSTALLATION - 660SJ WITH 2WS



ART_1001188168_2OF2

SECTION 4 - BOOM

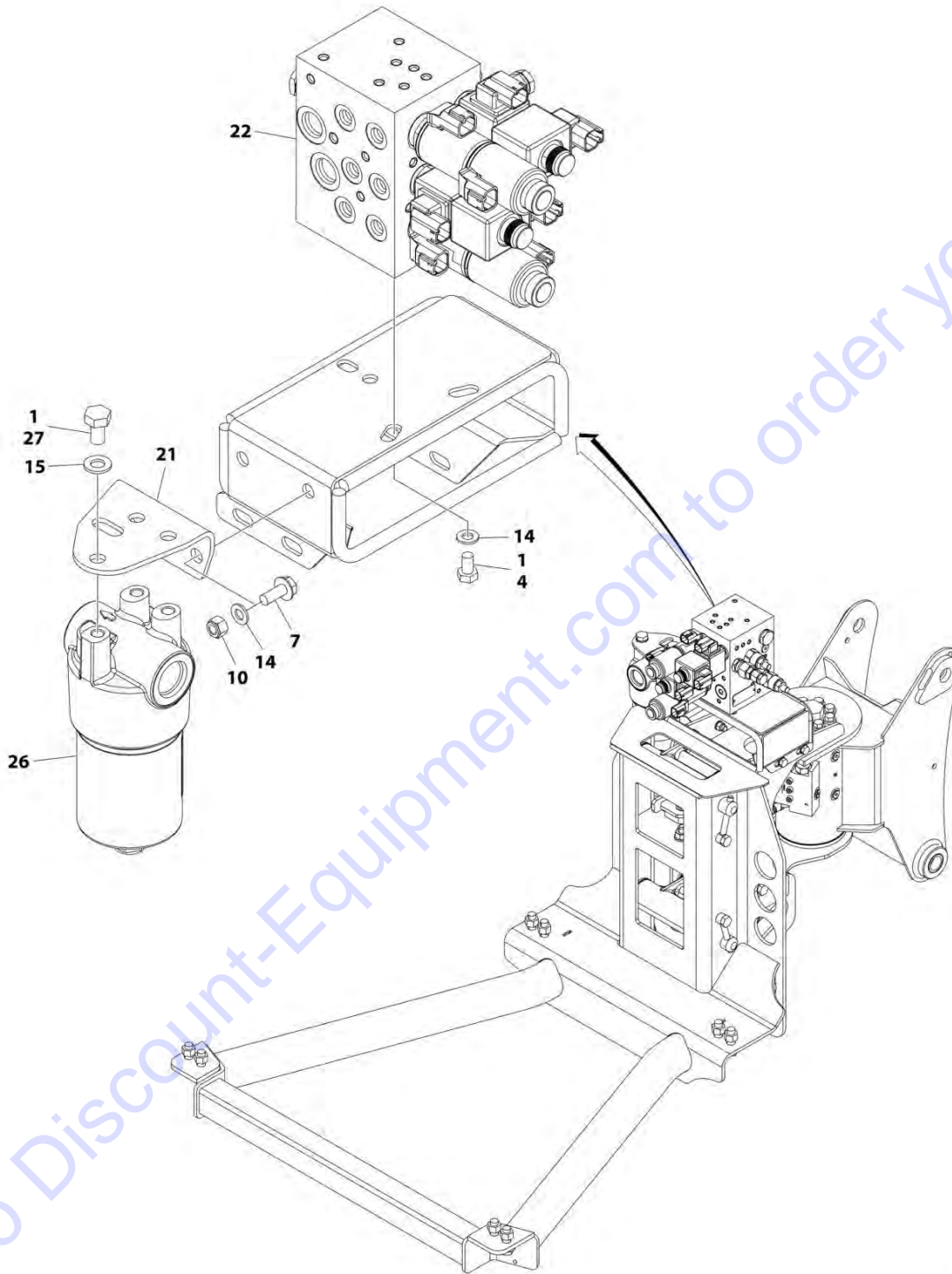
FIGURE 4-12. BOOM VALVES INSTALLATION - 660SJ WITH 2WS

ITEM	PART NUMBER	QTY	DESCRIPTION	REV
	1001188168	Ref	BOOM VALVES INSTALLATION	G
1	0100011	AR	Compound, Locking	
4	0760807	3	Bolt M8 x 14	
6	5250810	2	Bolt M8 x 20	
10	3290805	2	Nut M8	
14	4811900	5	Washer M8	
15	4812000	3	Washer M10	
21	1001188302	1	Plate	
23	1001190286	1	Platform Valve Assembly (See Separate Breakdown in this Section)	
26	1001201511	1	Filter, High Pressure	
26	70005335	1	Element, Filter	
26	70005682	1	Repair Kit (Includes Element & Bowl O-Rings & Back-up Rings)	
27	0761009	3	Bolt M10 x 18	

Go to Discount-Equipment.com to order your parts

SECTION 4 - BOOM

FIGURE 4-13. BOOM VALVES INSTALLATION - 660SJ WITH 4WS



ART_1001188169_2OF2

SECTION 4 - BOOM

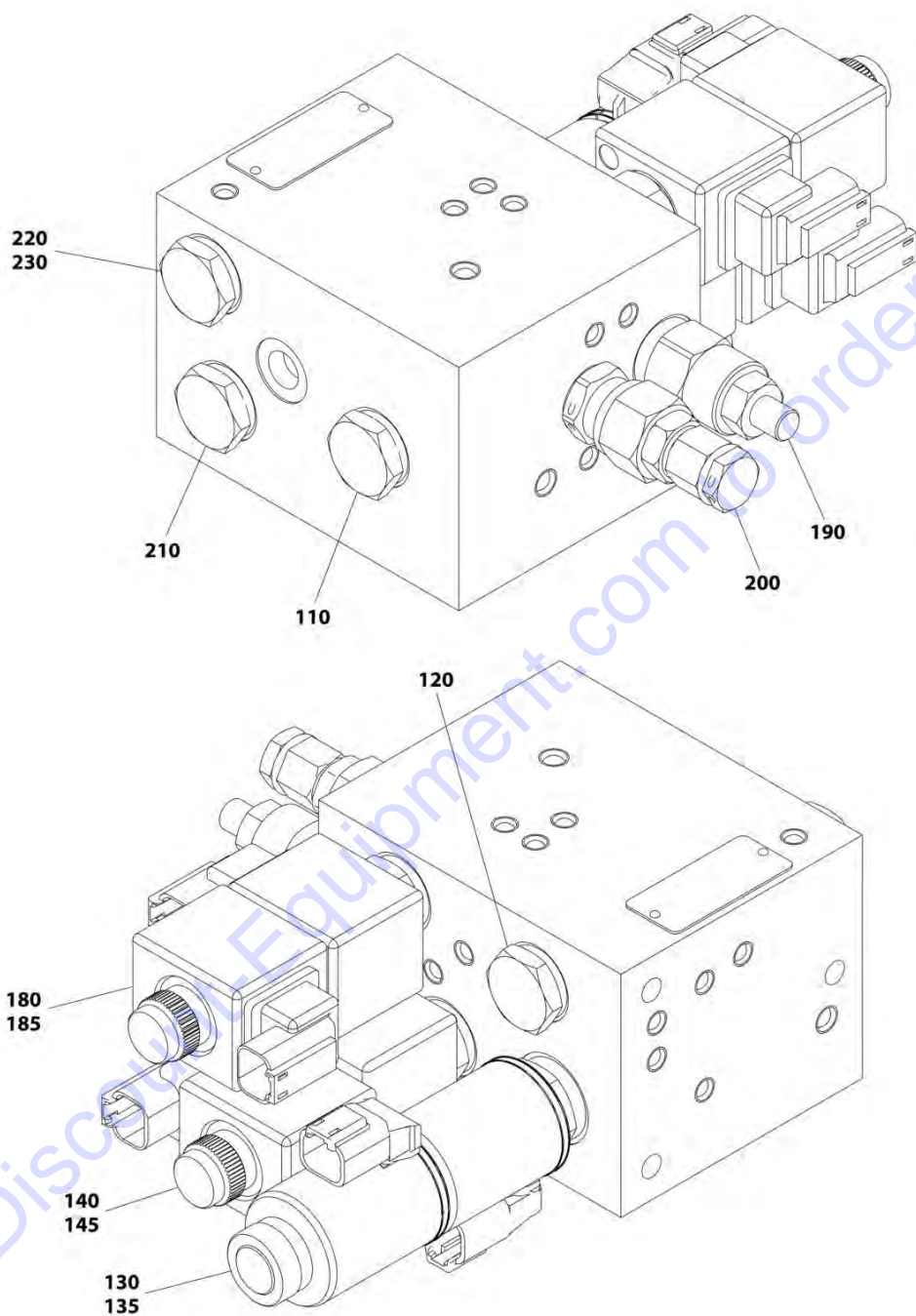
FIGURE 4-13. BOOM VALVES INSTALLATION - 660SJ WITH 4WS

ITEM	PART NUMBER	QTY	DESCRIPTION	REV
	1001188169	Ref	BOOM VALVES INSTALLATION	G
1	0100011	AR	Compound, Locking	
4	0760807	3	Bolt M8 x 14	
7	5250810	2	Bolt M8 x 20	
10	3290805	2	Nut M8	
14	4811900	5	Washer M8	
15	4812000	3	Washer M10	
21	1001188302	1	Plate	
22	1001190286	1	Platform Valve Assembly (See Separate Breakdown in this Section)	
26	1001201511	1	Filter, High Pressure	
26	70005335	1	Element, Filter	
26	70005682	1	Repair Kit (Includes Element & Bowl O-Rings & Back-up Rings)	
27	0761009	3	Bolt M10 x 18	

Go to Discount-Equipment.com to order your parts

SECTION 4 - BOOM

FIGURE 4-14. PLATFORM VALVE ASSEMBLY - 600S



ART_1001190287

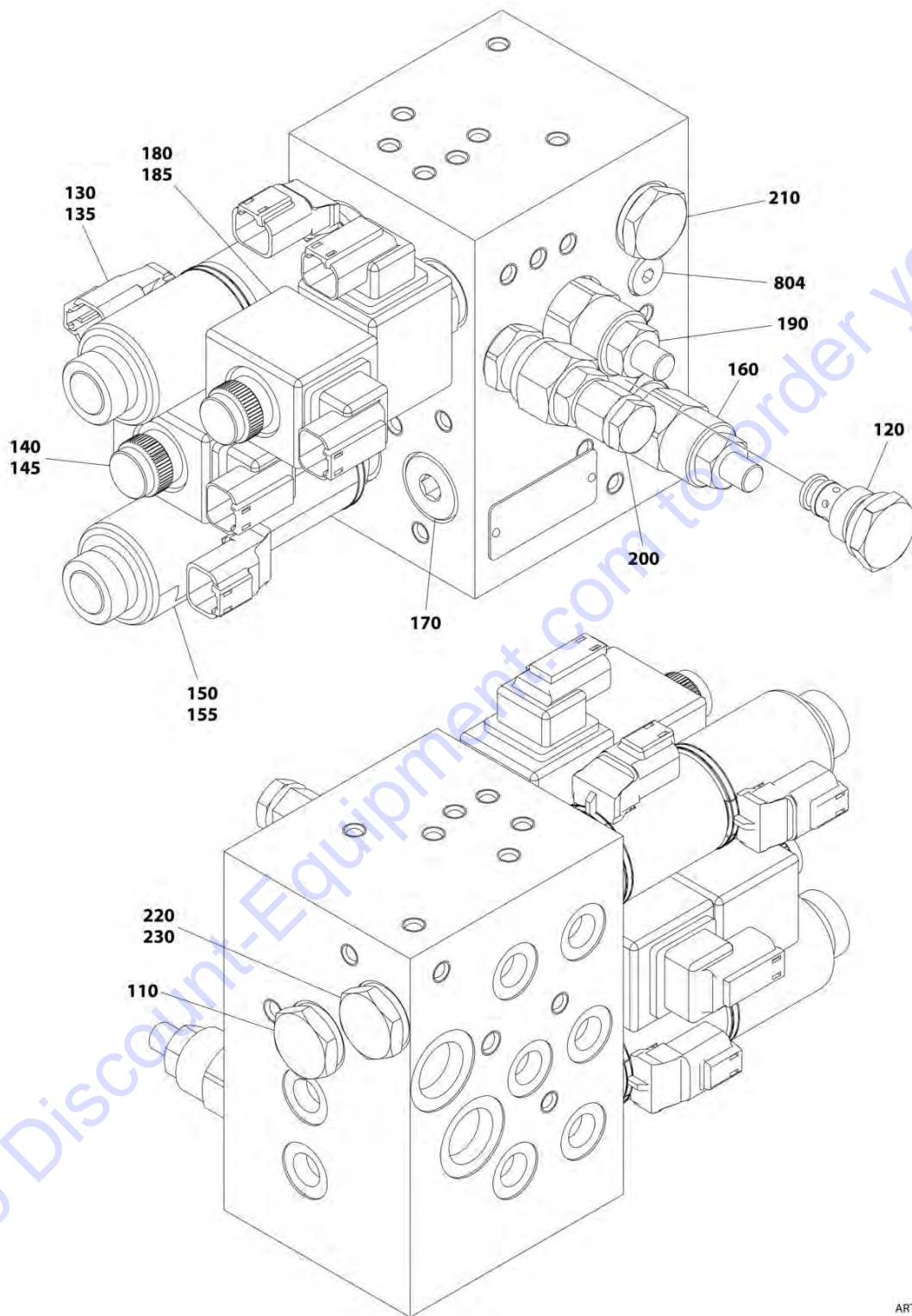
SECTION 4 - BOOM

FIGURE 4-14. PLATFORM VALVE ASSEMBLY - 600S

ITEM	PART NUMBER	QTY	DESCRIPTION	REV
	1001190287	Ref	PLATFORM VALVE ASSEMBLY	E
110	70005951	1	Valve, Check	
110	70004052	1	Seal Kit - 70005951 Valve	
120	70003027	1	Valve, Flow/Pressure Control	
120	70004052	1	Seal Kit - 70003027 Valve	
130	70006121	1	Valve, Solenoid (Platform Level)	
130	70006116	1	Seal Kit - 70006121 Valve	
135	70006122	2	Coil	
140	70005627	1	Valve, Solenoid (Platform Swing)	
140	70004053	1	Seal Kit - 70005627 Valve	
140	70006123	1	Coil Nut & Pole Tube O-Ring Kit	
145	70004653	2	Coil	
180	70006124	1	Valve, Solenoid	
180	70023862	1	Seal Kit - 70006124 Valve	
180	70006123	1	Coil Nut & Pole Tube O-Ring Kit	
185	70004653	2	Coil	
190	70003019	1	Valve, Relief	
190	70004052	1	Seal Kit - 70003019 Valve	
200	70006125	1	Valve, Relief	
200	70006126	1	Seal Kit - 70006125 Valve	
210	70005952	1	Valve, Check	
210	70004052	1	Seal Kit - 70005952 Valve	
220	7022524	1	Orifice 0.5mm	
230	70005952	1	Valve, Check	
230	70004052	1	Seal Kit - 70005952 Valve	

SECTION 4 - BOOM

FIGURE 4-15. PLATFORM VALVE ASSEMBLY - 660SJ



ART_1001190286

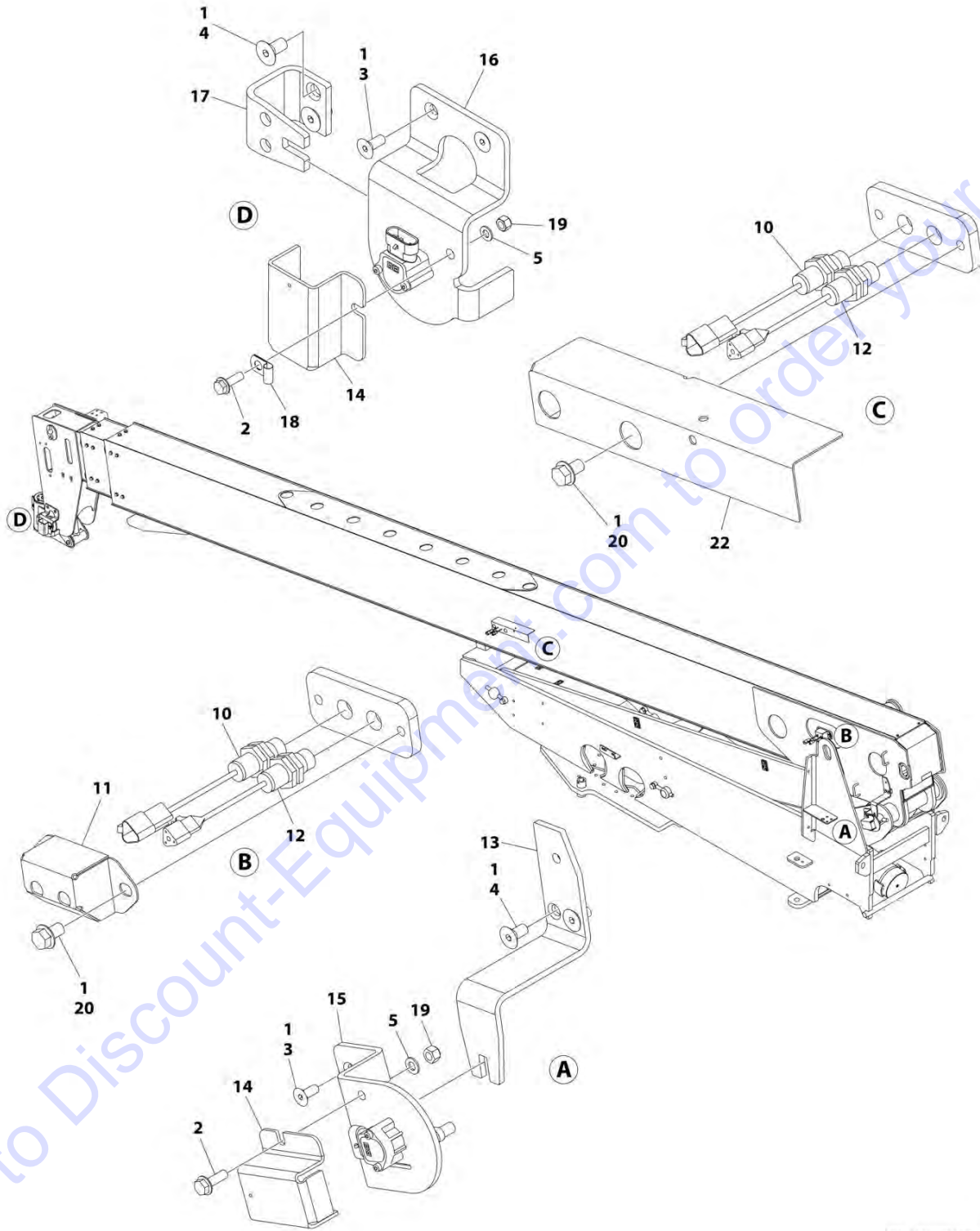
SECTION 4 - BOOM

FIGURE 4-15. PLATFORM VALVE ASSEMBLY - 660SJ

ITEM	PART NUMBER	QTY	DESCRIPTION	REV
	1001190286	Ref	PLATFORM VALVE ASSEMBLY	D
110	70005951	1	Valve, Check	
110	70004052	1	Seal Kit - 70005951 Valve	
120	70003027	1	Valve, Flow/Pressure Control	
120	70004052	1	Seal Kit - 70003027 Valve	
130	70006121	1	Valve, Solenoid (Platform Level)	
130	70006116	1	Seal Kit - 70006121 Valve	
135	70006122	2	Coil	
140	70005627	1	Valve, Solenoid (Platform Swing)	
140	70004053	1	Seal Kit - 70005627 Valve	
140	70006123	1	Coil Nut & Pole Tube O-Ring Kit	
145	70004653	2	Coil	
150	70006121	1	Valve, Solenoid (JIB Up/Down)	
150	70006116	1	Seal Kit - 70006121 Valve	
155	70006122	2	Coil	
160	70003019	1	Valve, Relief	
160	70004052	1	Seal Kit - 70003019 Valve	
170	70004613	1	Valve, Relief	
170	70023860	1	Seal Kit - 70004613 Valve	
180	70006124	1	Valve, Solenoid	
180	70023862	1	Seal Kit - 70006124 Valve	
180	70006123	1	Coil Nut & Pole Tube O-Ring Kit	
185	70004653	2	Coil	
190	70003019	1	Valve, Relief	
190	70004052	1	Seal Kit - 70003019 Valve	
200	70006125	1	Valve, Relief	
200	70006126	1	Seal Kit - 70006125 Valve	
210	70005952	1	Valve, Check	
210	70004052	1	Seal Kit - 70003019 Valve	
220	7022524	1	Orifice 0.5mm	
230	70005952	1	Valve, Check	
230	70004052	1	Seal Kit - 70005952 Valve	
804	70005200	1	Plug	

SECTION 4 - BOOM

FIGURE 4-16. BOOM SENSORS INSTALLATION - 600S



ART_1001187605

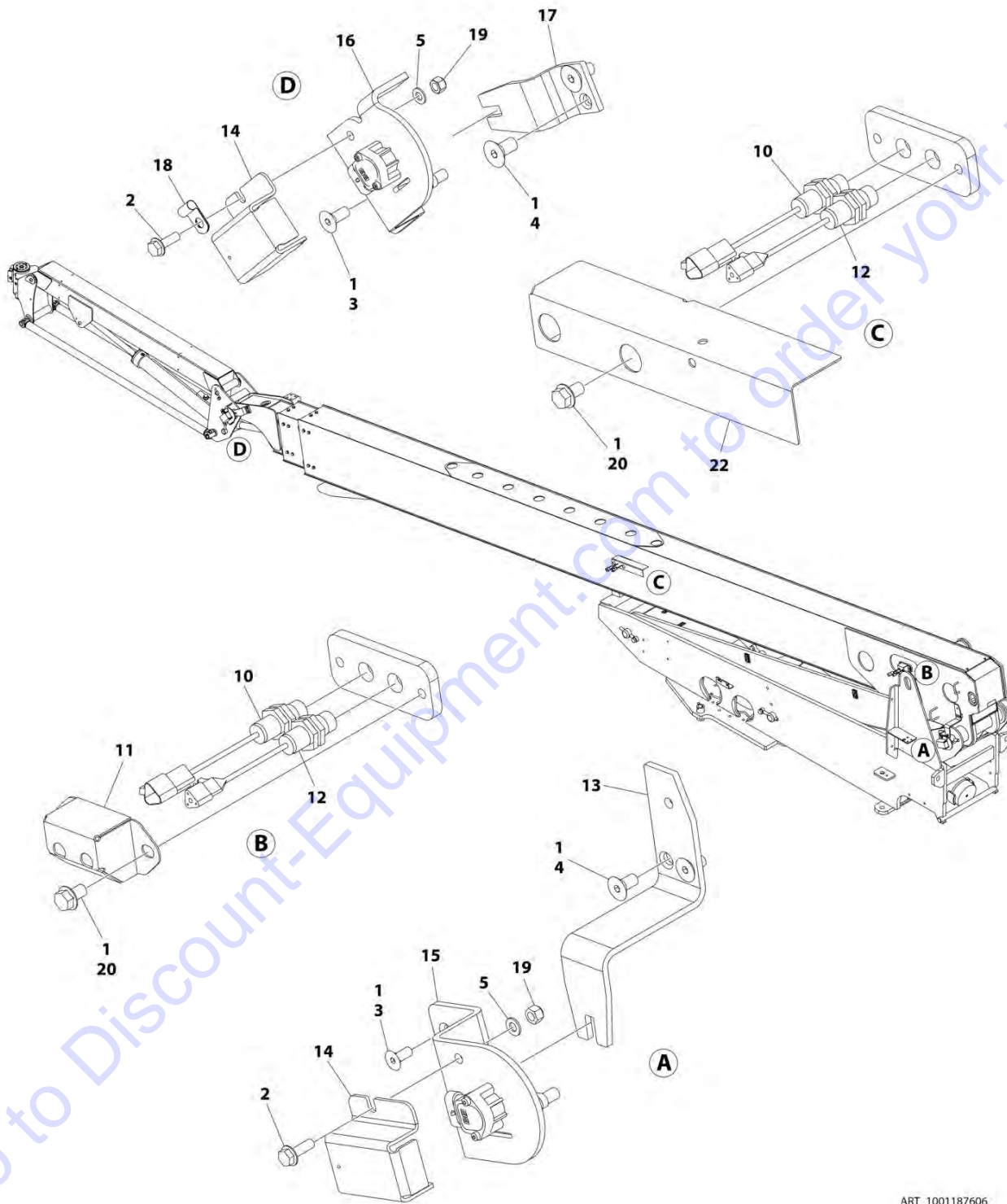
SECTION 4 - BOOM

FIGURE 4-16. BOOM SENSORS INSTALLATION - 600S

ITEM	PART NUMBER	QTY	DESCRIPTION	REV
	1001187605	Ref	BOOM SENSORS INSTALLATION	E
1	0100011	AR	Compound, Locking	
2	5250812	2	Bolt M8 x 25	
3	1001137125	4	Screw M8 x 20	
4	1001155441	4	Screw M10 x 20 Grade 10.9	
5	4811900	2	Washer M8	
10	1001170847	2	Sensor, Proximity	
11	1001204715	1	Bracket	
12	1001182570	2	Sensor, Proximity	
13	1001211585	1	Plate	
14	1001211588	2	Shield	
15	1001211577	1	Sensor (Lower)	
15	4010303	1	Screw Posi-drive M3 x 6	
15	1001204939	1	Sensor, Angle	
15	1001211580	1	Bracket	
15	1001211582	1	Link, Angle Sensor Arm	
16	1001211578	1	Sensor (Upper)	
16	4010303	1	Screw Posi-drive M3 x 6	
16	1001191020	1	Sensor, Angle	
16	1001211581	1	Bracket	
16	1001211583	1	Link, Angle Sensor Arm	
17	1001211586	1	Plate	
18	8406003	1	Clip	
19	3290805	2	Nut M8	
20	5251008	4	Bolt M10 x 16	
21	4240033	2	Tie-Strap (Not Shown)	
22	1001227792	1	Plate	

SECTION 4 - BOOM

FIGURE 4-17. BOOM SENSORS INSTALLATION - 660SJ



ART_1001187606

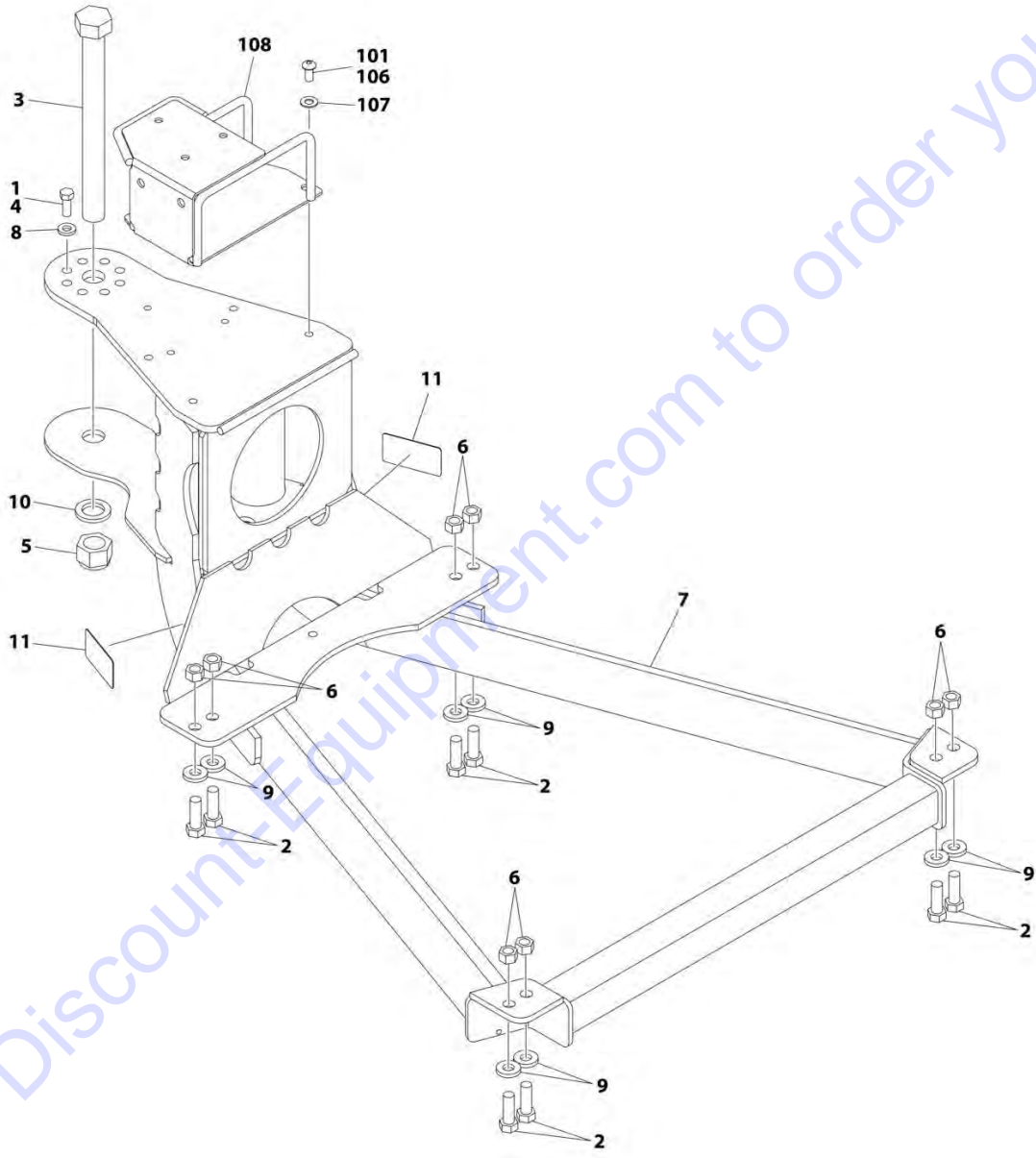
SECTION 4 - BOOM

FIGURE 4-17. BOOM SENSORS INSTALLATION - 660SJ

ITEM	PART NUMBER	QTY	DESCRIPTION	REV
	1001187606	Ref	BOOM SENSORS INSTALLATION	E
1	0100011	AR	Compound, Locking	
2	5250812	2	Bolt M8 x 25	
3	1001137125	4	Screw M8 x 20	
4	1001155441	4	Screw M10 x 20 Grade 10.9	
5	4811900	2	Washer M8	
10	1001170847	2	Sensor, Proximity	
11	1001204715	1	Bracket	
12	1001182570	2	Sensor, Proximity	
13	1001211585	1	Plate	
14	1001211588	2	Shield	
15	1001211577	1	Sensor (Lower)	
15	4010303	1	Screw Posi-drive M3 x 6	
15	1001204939	1	Sensor, Angle	
15	1001211580	1	Bracket	
15	1001211582	1	Link, Angle Sensor Arm	
16	1001211579	1	Sensor (Upper)	
16	4010303	1	Screw Posi-drive M3 x 6	
16	1001191020	1	Sensor, Angle	
16	1001211581	1	Bracket	
16	1001211584	1	Link, Angle Sensor Arm	
17	1001211587	1	Plate	
18	8406003	1	Clip	
19	3290805	2	Nut M8	
20	5251008	4	Bolt M10 x 16	
21	4240033	2	Tie-Strap (Not Shown)	
22	1001227792	1	Plate	

SECTION 4 - BOOM

FIGURE 4-18. PLATFORM SUPPORT INSTALLATION - WITHOUT LSS (SN 0300235168 through 0300251320, SN B300002655 through B300003386)



ART_0272070

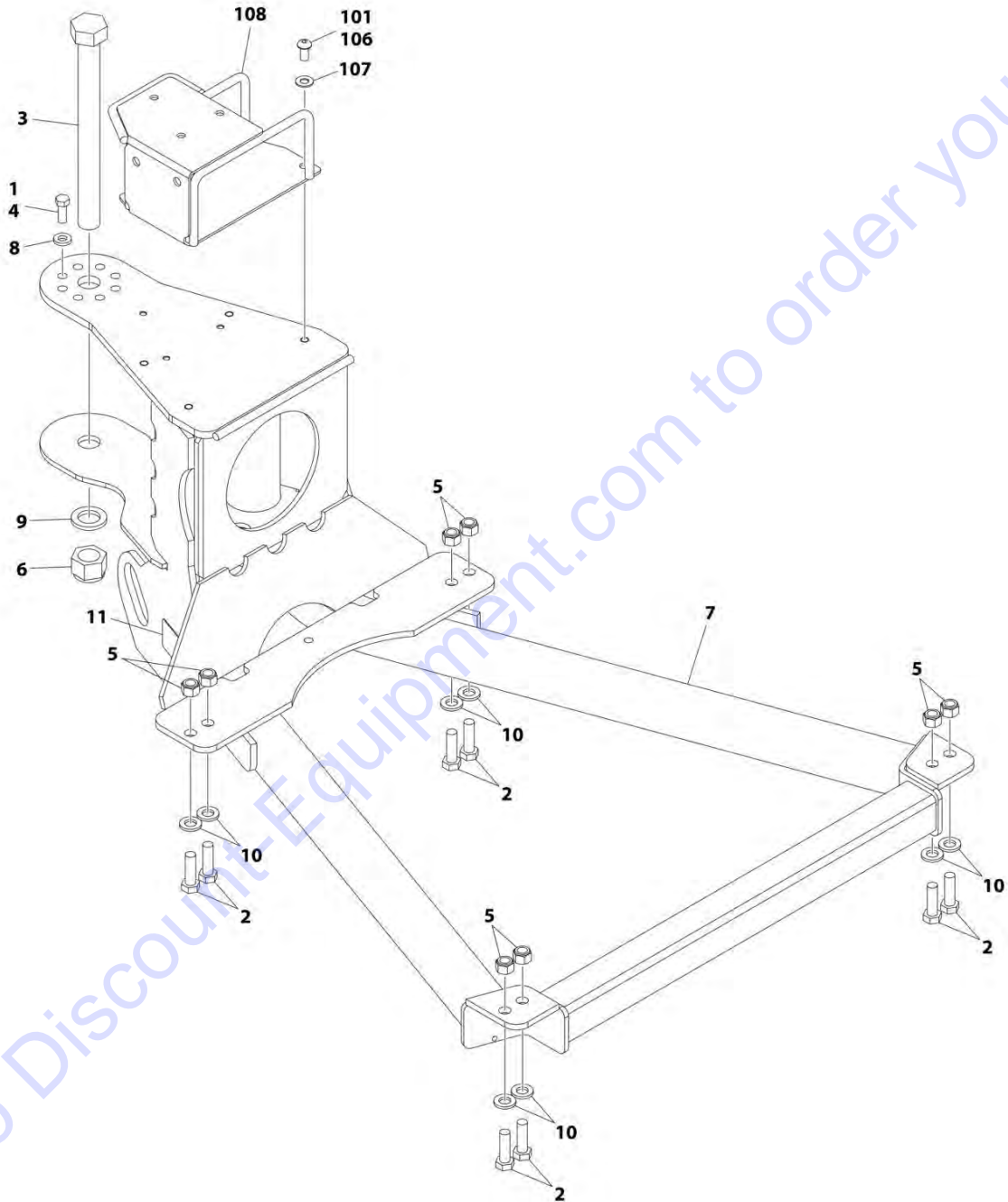
SECTION 4 - BOOM

FIGURE 4-18. PLATFORM SUPPORT INSTALLATION - WITHOUT LSS (SN 0300235168 through 0300251320, SN B300002655 through B300003386)

ITEM	PART NUMBER	QTY	DESCRIPTION	REV
	0272070	Ref	PLATFORM SUPPORT INSTALLATION	H
1	0100011	AR	Compound, Locking	
2	0641812	8	Bolt 1/2 x 1-1/2	
3	0642684	1	Bolt 1 x 10-1/2	
4	0681608	8	Bolt 3/8 x 1	
5	3300243	1	Nut 1	
6	3311805	8	Nut 1/2	
7	4846573	1	Support	
8	4891600	8	Washer 3/8	
9	4891800	8	Washer 1/2	
10	4892600	1	Washer 1	
11	1001216630	2	Decal - Tie Down/No Lift	
	1001202688	Ref	VALVE MOUNT INSTALLATION	C
101	0100011	AR	Compound, Locking	
106	3900283	4	Screw 3/8 x 3/4	
107	4711600	4	Washer 3/8	
108	1001206920	1	Mount, Valve	

SECTION 4 - BOOM

FIGURE 4-19. PLATFORM SUPPORT INSTALLATION - WITHOUT LSS (SN 0300251321 to Present, SN B300003387 to Present)



ART_1001235513

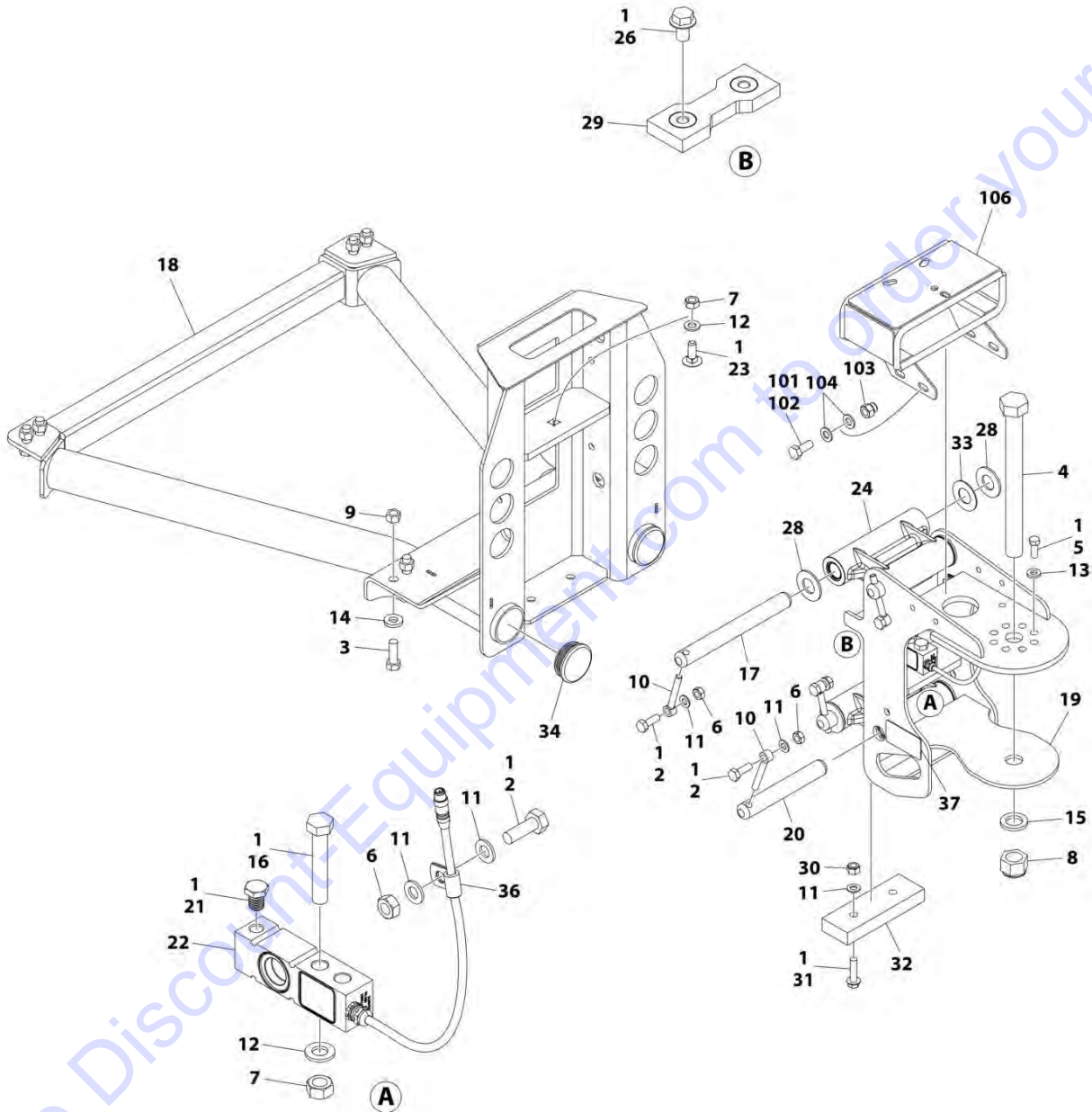
SECTION 4 - BOOM

FIGURE 4-19. PLATFORM SUPPORT INSTALLATION - WITHOUT LSS (SN 0300251321 to Present, SN B300003387 to Present)

ITEM	PART NUMBER	QTY	DESCRIPTION	REV
	1001235513	1	PLATFORM SUPPORT INSTALLATION	A
1	0100011	AR	Compound, Locking	
2	0761216	8	Bolt M12 x 40	
3	0642684	1	Bolt 1 x 10-1/2	
4	0681608	8	Bolt 3/8 x 1	
5	3291205	8	Nut M12	
6	3300243	1	Nut 1	
7	4846573	1	Support	
8	4891600	8	Washer 3/8	
9	4892600	1	Washer 1	
10	5241200	8	Washer M12	
11	1001216630	2	Decal - Tie Down/No Lift	
	1001202688	1	VALVE MOUNT INSTALLATION	C
101	0100011	AR	Compound, Locking	
106	3900283	4	Screw 3/8 x 3/4	
107	4711600	4	Washer 3/8	
108	1001206920	1	Mount, Valve	

SECTION 4 - BOOM

FIGURE 4-20. PLATFORM SUPPORT INSTALLATION - WITH LSS



ART_1001167596

SECTION 4 - BOOM

FIGURE 4-20. PLATFORM SUPPORT INSTALLATION - WITH LSS

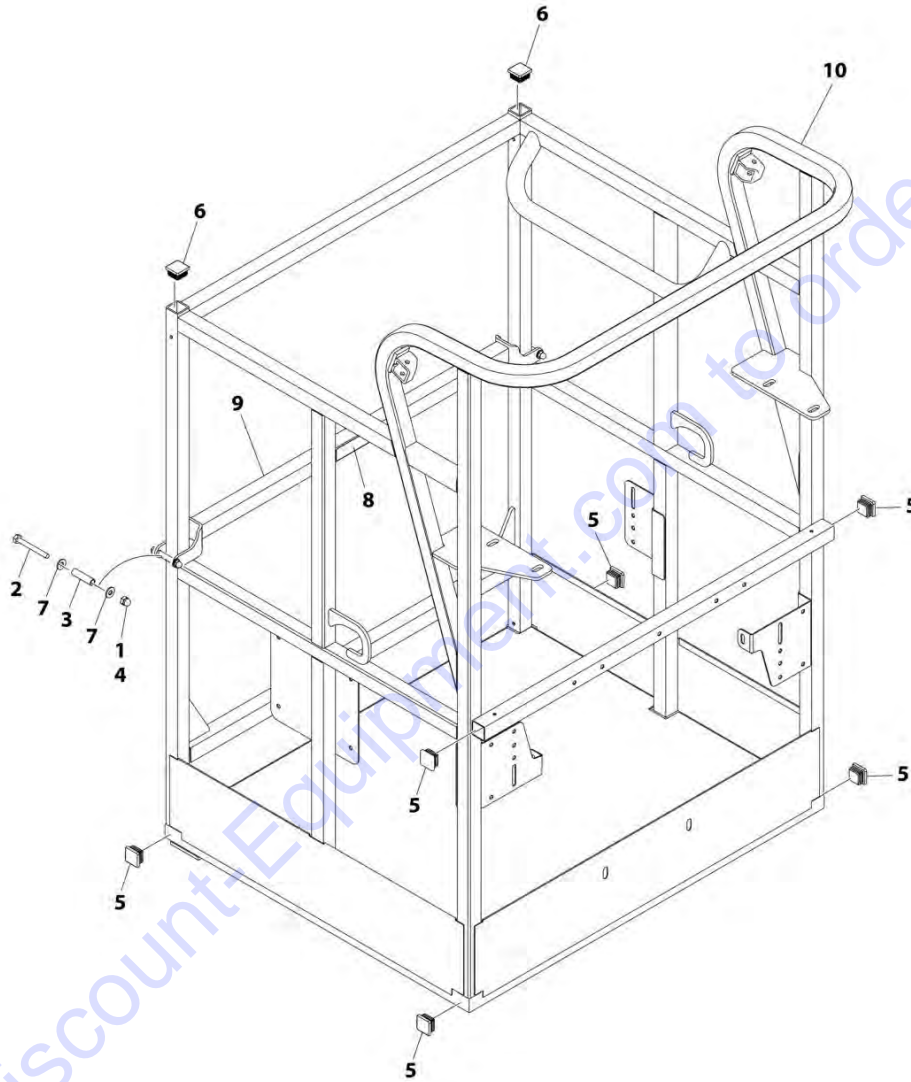
ITEM	PART NUMBER	QTY	DESCRIPTION	REV
	1001167596	Ref	PLATFORM SUPPORT INSTALLATION	K
1	0100011	AR	Compound, Locking	
2	0761014	5	Bolt M10 x 30	
3	0761216	8	Bolt M12 x 40	
4	0642684	1	Bolt 1 x 10-1/2	
5	0681608	8	Bolt 3/8 x 1	
6	3291001	5	Nut M10	
7	3291201	3	Nut M12	
8	3300243	1	Nut 1	
9	3291205	8	Nut M12	
10	3841143	4	Keeper, Pin	
11	4812000	8	Washer M10	
12	4812100	3	Washer M12	
13	4891600	8	Washer 3/8	
14	5241200	8	Washer M12	
15	4892600	1	Washer 1	
16	1001098828	2	Bolt M12 x 70 Grade 10.9	
17	1001167565	2	Pin	
18	1001200494	1	Support, Platform	
19	1001167567	1	Support, Rotator	
20	1001168402	2	Pin	
21	1001188622	1	Screw	
22	1001172663	1	Gauge, Load Sensing	
23	1001188844	1	Bolt M12 x 35	
24	1001201351	2	Link	
26	5251008	2	Bolt M10 x 16	
28	1001189002	8	Bearing	
29	1001190985	1	Pad, Wear	
30	3291005	2	Nut M10	
31	5251016	2	Bolt M10 x 40	
32	1001200491	1	Pad, Wear	
33	1001189001	4	Bearing	
34	1001204725	2	Plug	
36	91203039	1	Clamp	
37	1001216630	2	Decal - Tie Down/No Lift	
38	1001238421	Ref	Kit, Platform Leveling (Not Shown)	
	1001202687	Ref	VALVE MOUNT INSTALLATION	B
101	0100011	AR	Compound, Locking	
102	0760810	4	Bolt M8 x 20	
103	3290806	4	Nut M8	
104	4811900	8	Washer M8	
106	1001208994	1	Mount, Valve	

SECTION 5 - PLATFORM

Go to Discount-Equipment.com to order your parts

SECTION 5 - PLATFORM

FIGURE 5-1. PLATFORM ASSEMBLY - 30IN X 3FT (76CM X .91M) - DROP BAR ENTRY



Go to Discount-Equipment.com to order your parts

ART_1001228215

SECTION 5 - PLATFORM

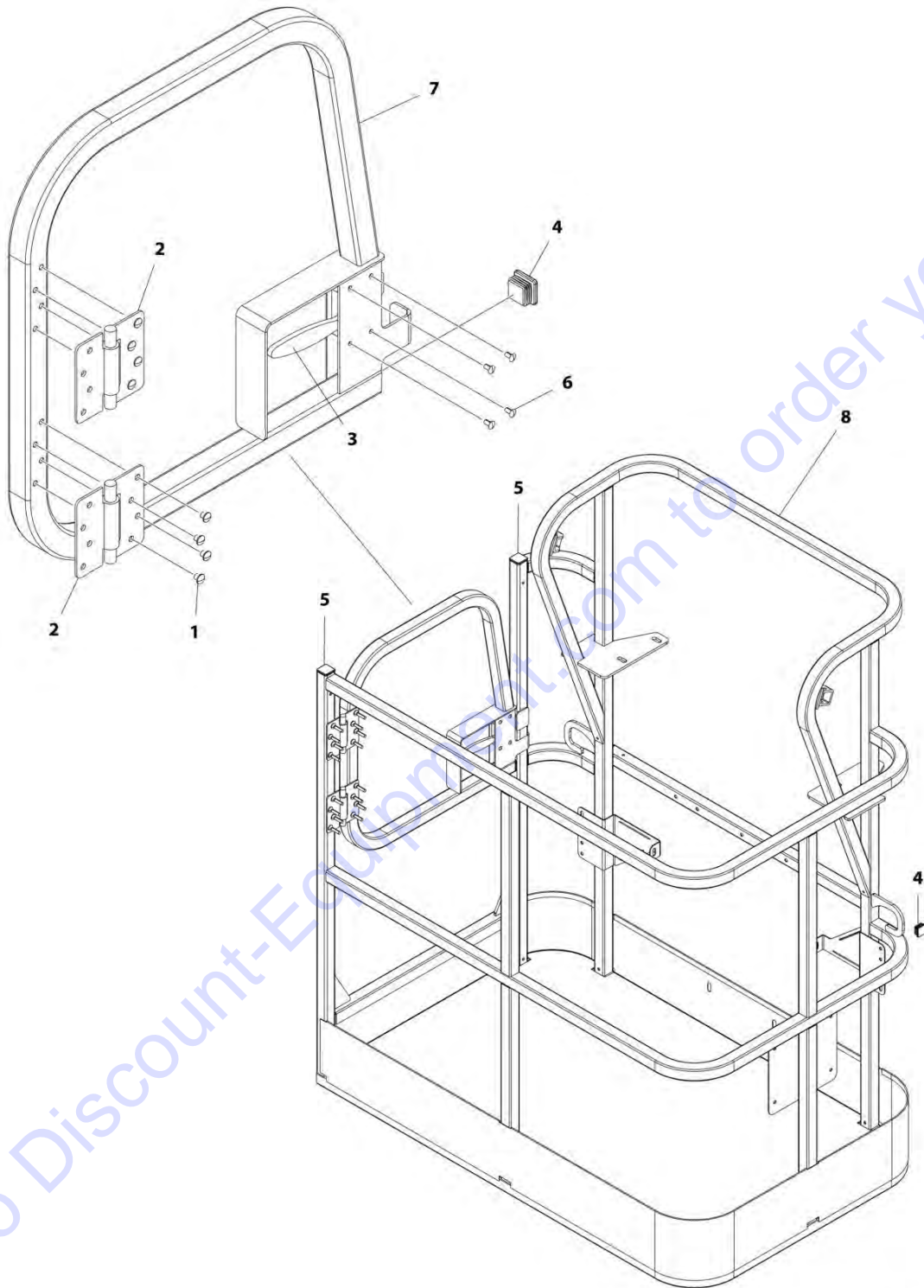
FIGURE 5-1. PLATFORM ASSEMBLY - 30IN X 3FT (76CM X .91M) - DROP BAR ENTRY

ITEM	PART NUMBER	QTY	DESCRIPTION	REV
	1001228215	Ref	PLATFORM ASSEMBLY - 30IN X 3FT (76CM X .91M) - DROP BAR ENTRY	A
	See Note	Ref	Note: Platform and Mesh must be ordered separately for Platforms with Mesh. See SPECIAL OPTIONS SECTION for Mesh Installations.	
	See Note	Ref	Note: Replacement Decals Must be Ordered Separately - See DECAL SECTION.	
1	0100011	AR	Compound, Locking	
2	0641418	2	Bolt 1/4 x 2-1/4	
3	0961845	2	Bushing	
4	3300151	2	Nut 1/4	
5	3520072	6	Cap, Plug	
6	3520198	2	Cap, Plug	
7	4711400	4	Washer 1/4	
8	1001140429	1	Decal - Drop Bar	
9	1001226872	1	Bar, Drop	
10	See Note	NSS	Platform, Weldment (Note: Not Available - Purchase Platform Assembly)	

Go to Discount-Equipment.com to order your parts

SECTION 5 - PLATFORM

FIGURE 5-2. PLATFORM ASSEMBLY - 30IN X 4FT (76CM X 1.22M) WITH SWING GATE



ART_1001186387

SECTION 5 - PLATFORM

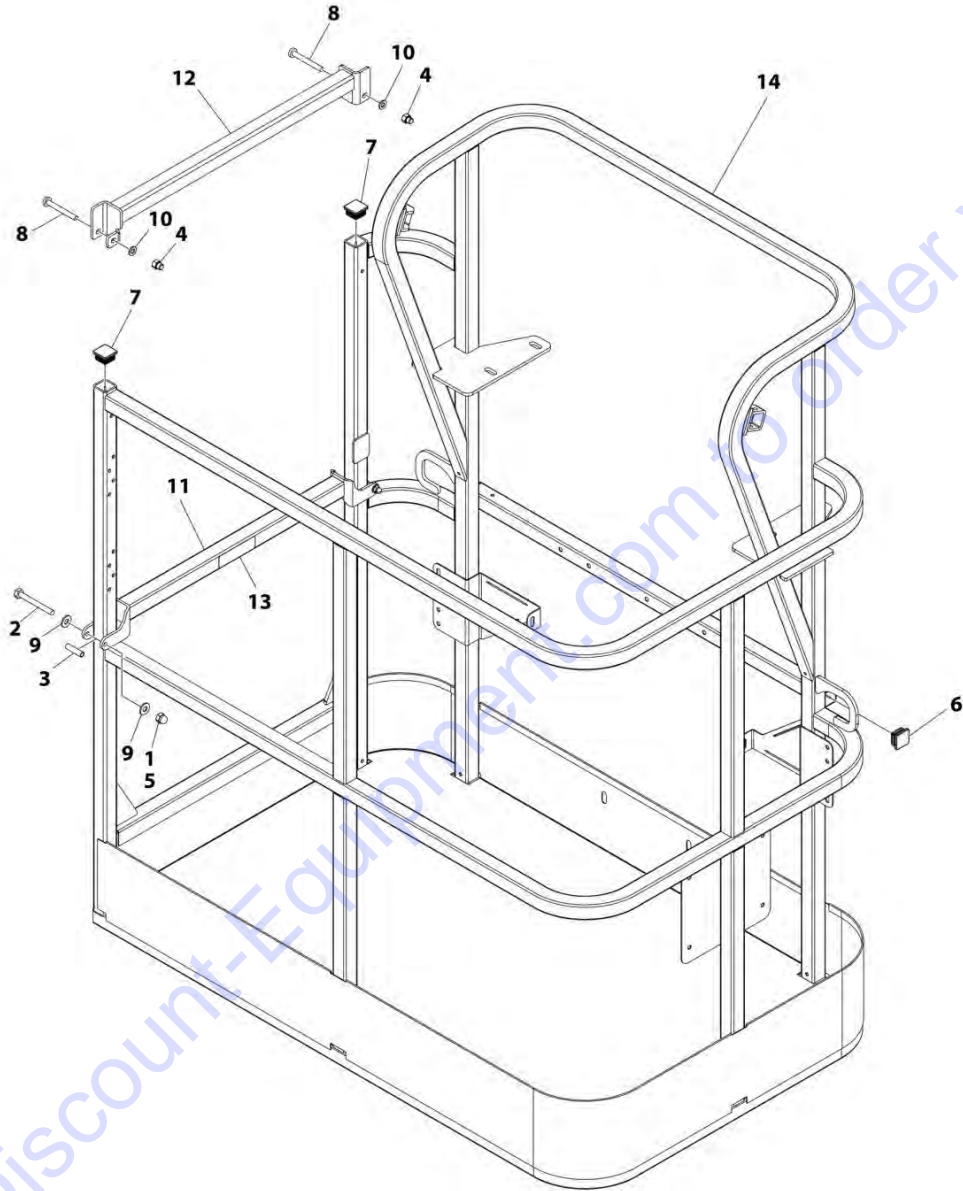
FIGURE 5-2. PLATFORM ASSEMBLY - 30IN X 4FT (76CM X 1.22M) WITH SWING GATE

ITEM	PART NUMBER	QTY	DESCRIPTION	REV
	1001186387	Ref	PLATFORM ASSEMBLY	B
		Ref	Note: Platform and Mesh must be ordered separately for Platforms with Mesh. See SPECIAL OPTIONS SECTION for Mesh Installations.	
		Ref	Note: Replacement Decals Must be Ordered Separately - See DECALS SECTION.	
1	2080040	16	Fastener, Huck	
2	2600281	2	Hinge	
3	2940074	1	Latch	
4	3520072	3	Plug	
5	3520198	2	Plug	
6	3820020	4	Rivet	
7	1001144629	1	Gate	
8	See Note	1	Platform (Note: Not Available - Purchase Platform Assembly)	

Go to Discount-Equipment.com to order your parts

SECTION 5 - PLATFORM

FIGURE 5-3. PLATFORM ASSEMBLY - 30IN X 4FT (76CM X 1.22M) WITH DROP BAR



ART_1001186375

SECTION 5 - PLATFORM

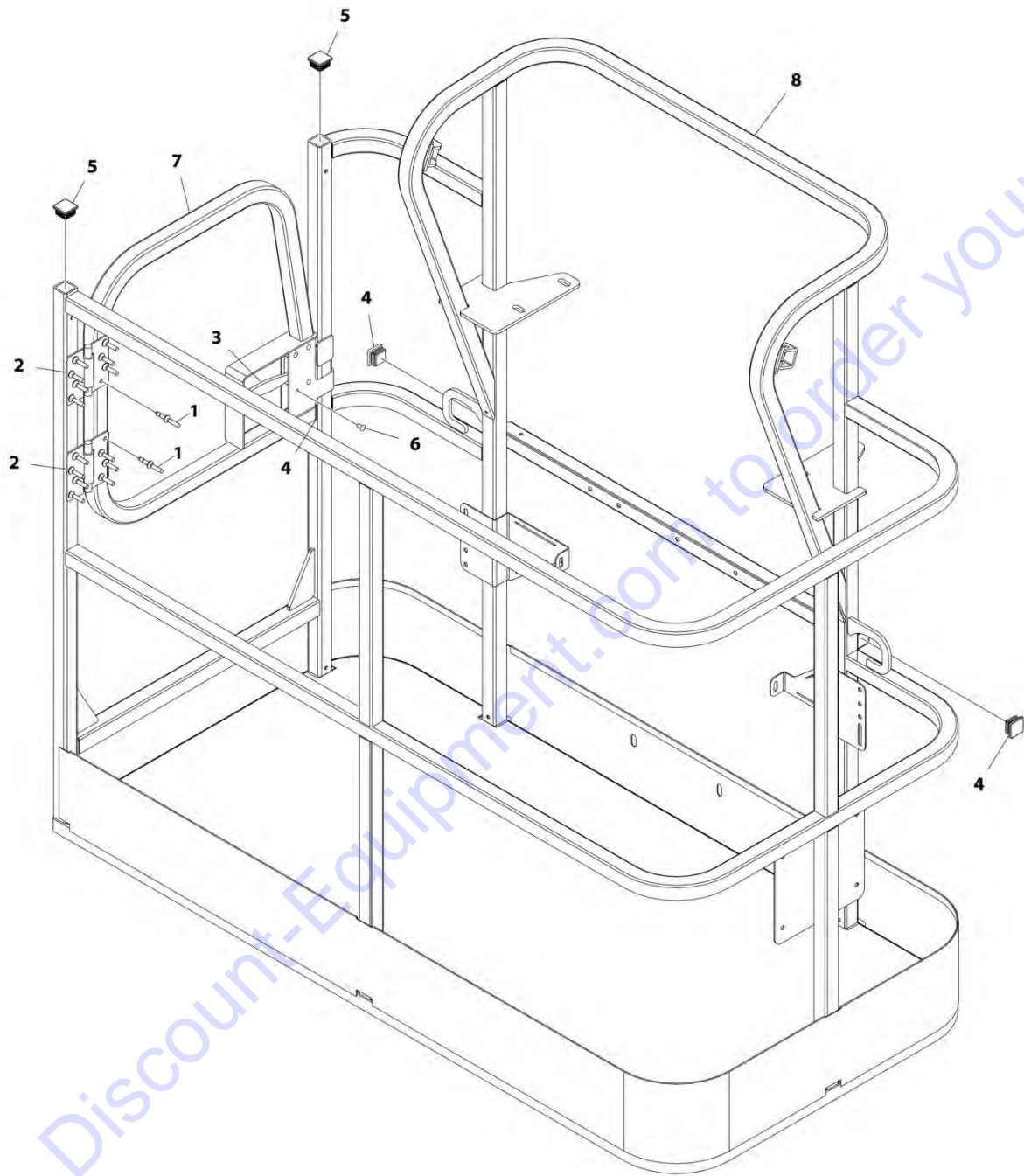
FIGURE 5-3. PLATFORM ASSEMBLY - 30IN X 4FT (76CM X 1.22M) WITH DROP BAR

ITEM	PART NUMBER	QTY	DESCRIPTION	REV
	1001186375	Ref	PLATFORM ASSEMBLY	B
		Ref	Note: Replacement Decals Must be Ordered Separately - See DECALS SECTION.	
1	0100011	AR	Compound, Locking	
2	0641418	2	Bolt 1/4 x 2-1/4	
3	0961845	2	Bushing	
4	3290606	2	Nut M6	
5	3300151	2	Nut 1/4	
6	3520072	2	Plug	
7	3520198	2	Plug	
8	4010618	2	Screw M6 x 50	
9	4711400	4	Washer 1/4	
10	4811700	2	Washer M6	
11	1001138494	1	Bar, Drop	
12	1001138514	1	Rail - Top	
13	1001140429	1	Decal - Drop Bar	
14	See Note	1	Platform (Note: Not Available - Purchase Platform Assembly)	

Go to Discount-Equipment.com to order your parts

SECTION 5 - PLATFORM

FIGURE 5-4. PLATFORM ASSEMBLY - 30IN X 5FT (76CM X 1.52M) WITH SWING GATE



ART_1001186386

SECTION 5 - PLATFORM

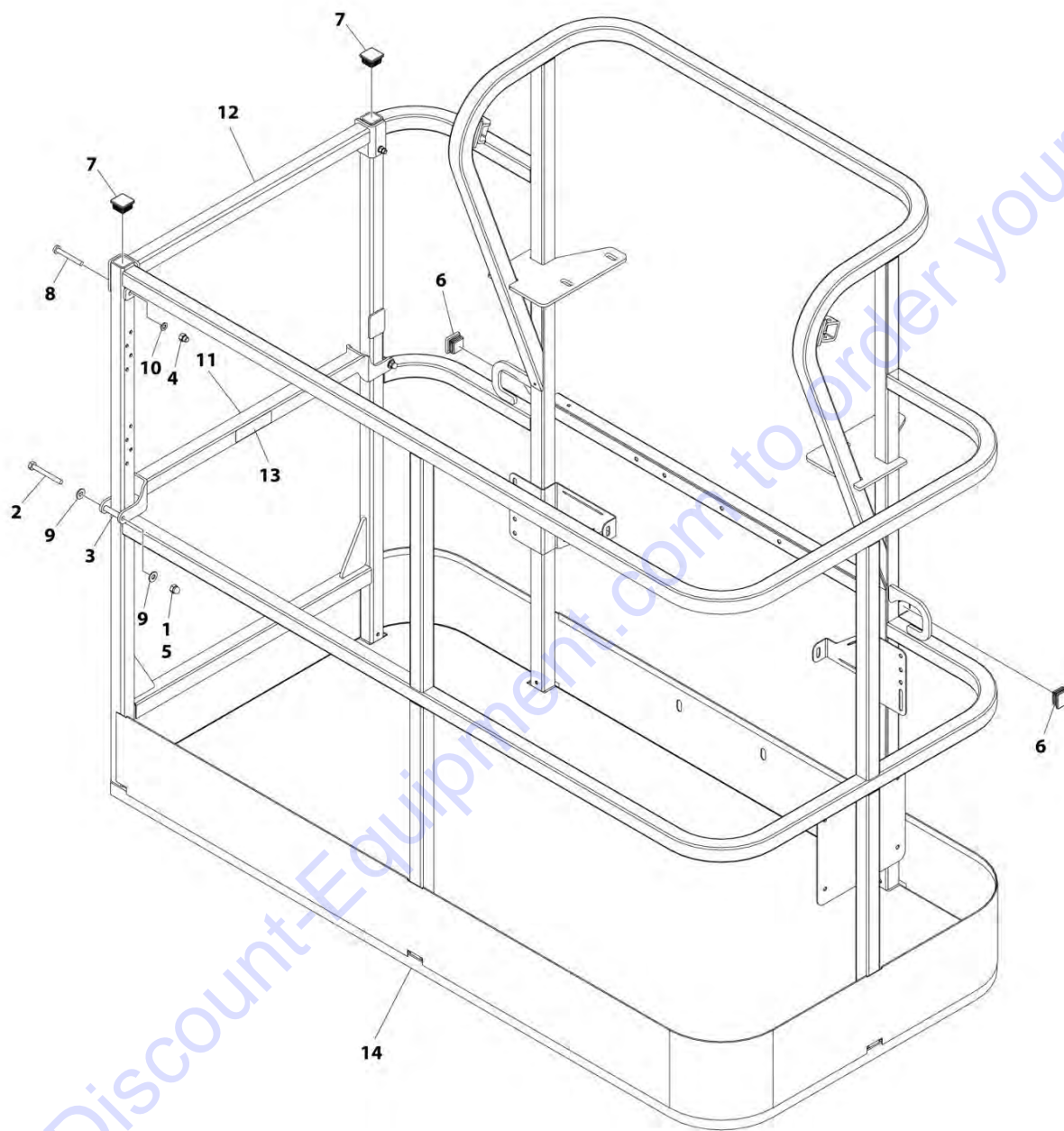
FIGURE 5-4. PLATFORM ASSEMBLY - 30IN X 5FT (76CM X 1.52M) WITH SWING GATE

ITEM	PART NUMBER	QTY	DESCRIPTION	REV
	1001186386	Ref	PLATFORM ASSEMBLY - 30IN X 5FT (76.2CM X 1.52M) WITH SWING GATE	C
		Ref	Note: Platform and Mesh must be ordered separately for Platforms with Mesh. See SPECIAL OPTIONS SECTION for Mesh Installations.	
		Ref	Note: Replacement Decals Must be Ordered Separately - See DECALS SECTION.	
1	2080040	16	Fastener, Huck	
2	2600281	2	Hinge, Self-Closing	
3	2940074	1	Latch	
4	3520072	3	Plug	
5	3520198	2	Plug	
6	3820020	4	Rivet	
7	1001144629	1	Gate	
8	See Note	NSS	Platform (Note: Use p/n 1001186386)	

Go to Discount-Equipment.com to order your parts

SECTION 5 - PLATFORM

FIGURE 5-5. PLATFORM ASSEMBLY - 30IN X 5FT (76CM X 1.52M) WITH DROP BAR



ART_1001186377

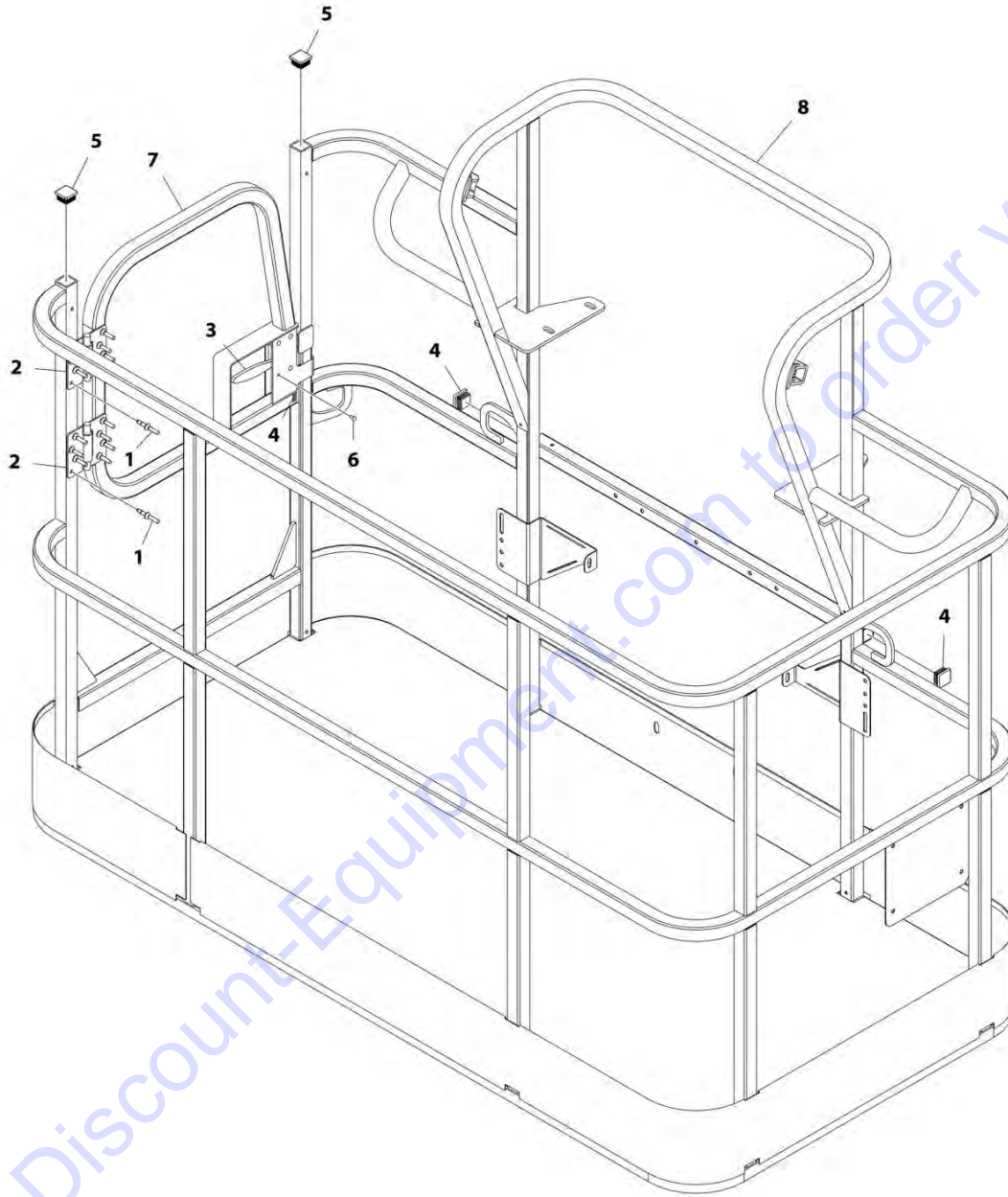
SECTION 5 - PLATFORM

FIGURE 5-5. PLATFORM ASSEMBLY - 30IN X 5FT (76CM X 1.52M) WITH DROP BAR

ITEM	PART NUMBER	QTY	DESCRIPTION	REV
	1001186377	Ref	PLATFORM ASSEMBLY - 30IN X 5FT (76.2CM X 1.52M) WITH DROP BAR	C
		Ref	Note: Platform and Mesh must be ordered separately for Platforms with Mesh. See SPECIAL OPTIONS SECTION for Mesh Installations.	
		Ref	Note: Replacement Decals Must be Ordered Separately - See DECALS SECTION.	
1	0100011	AR	Compound, Locking	
2	0641420	2	Bolt 1/4 x 2-1/2	
3	0961845	2	Bushing	
4	3290606	2	Nut M6	
5	3300151	2	Nut 1/4	
6	3520072	2	Plug	
7	3520198	2	Plug	
8	4010618	2	Screw M6 x 50	
9	4711400	4	Washer 1/4	
10	4811700	2	Washer M6	
11	1001138494	1	Bar, Drop	
12	1001138514	1	Rail (Top)	
13	1001140429	1	Decal - Drop Bar	
14	See Note	NSS	Platform (Note: Use p/n 100186377)	

SECTION 5 - PLATFORM

FIGURE 5-6. PLATFORM ASSEMBLY - 36IN X 6FT (91.5CM X 1.83M) WITH SWING GATE



ART_1001186384

SECTION 5 - PLATFORM

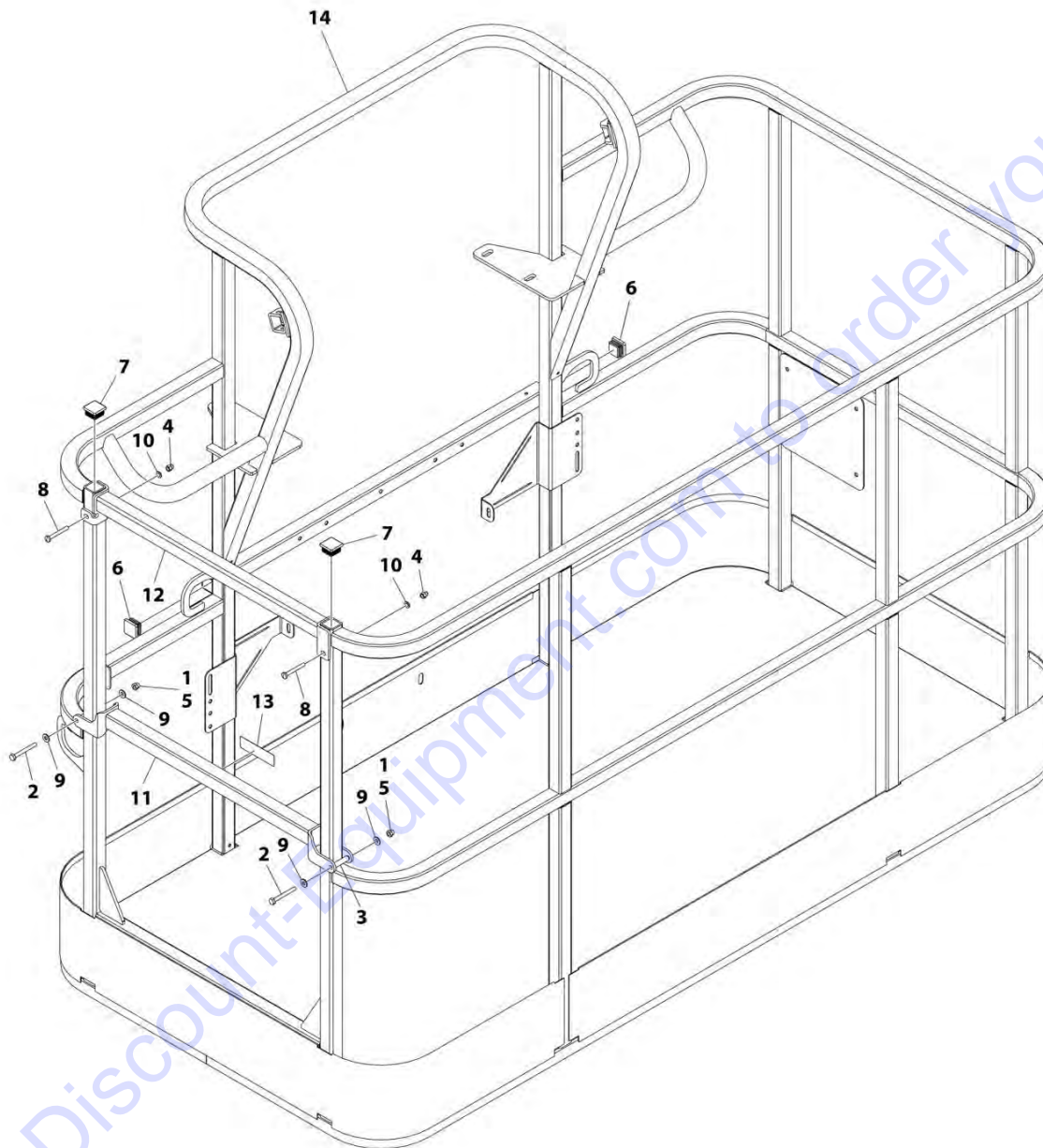
FIGURE 5-6. PLATFORM ASSEMBLY - 36IN X 6FT (91.5CM X 1.83M) WITH SWING GATE

ITEM	PART NUMBER	QTY	DESCRIPTION	REV
	1001186384	Ref	PLATFORM ASSEMBLY - 36IN X 6FT (91.5CM X 1.83M) WITH SWING GATE	C
	See Note	Ref	Note: Platform and Mesh must be ordered separately for Platforms with Mesh. See SPECIAL OPTIONS SECTION for Mesh Installations.	
	See Note	Ref	Note: Replacement Decals Must be Ordered Separately - See DECALS SECTION.	
1	2080040	16	Fastener, Huck	
2	2600281	2	Hinge	
3	2940074	1	Latch	
4	3520072	3	Plug	
5	3520198	2	Plug	
6	3820020	4	Rivet	
7	1001144629	1	Gate	
8	See Note	1	Platform (Note: Not Available - Purchase Platform Assembly)	

Go to Discount-Equipment.com to order your parts

SECTION 5 - PLATFORM

FIGURE 5-7. PLATFORM ASSEMBLY - 36IN X 6FT (91.5CM X 1.83M) WITH DROP BAR



ART_1001186379

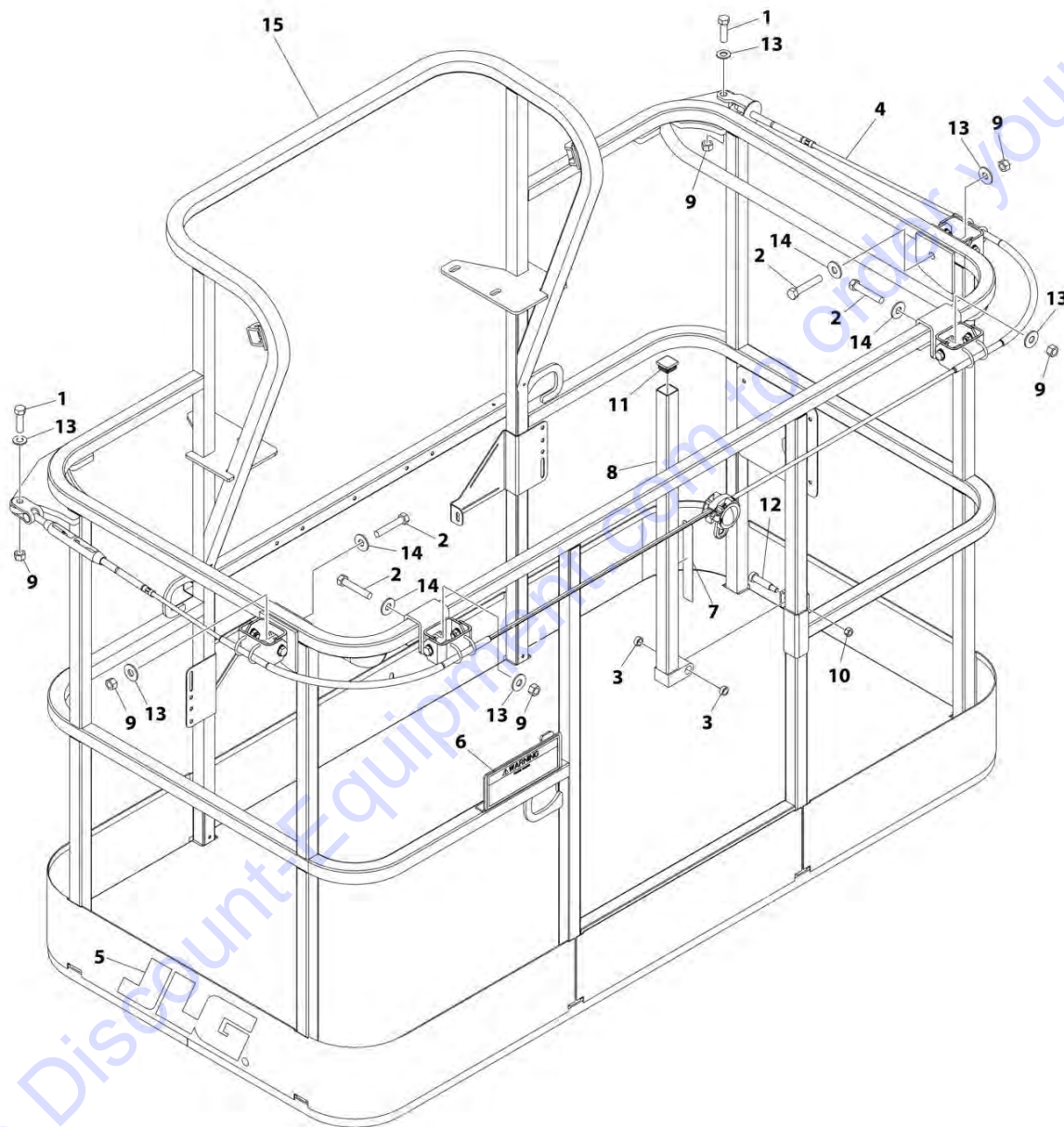
SECTION 5 - PLATFORM

FIGURE 5-7. PLATFORM ASSEMBLY - 36IN X 6FT (91.5CM X 1.83M) WITH DROP BAR

ITEM	PART NUMBER	QTY	DESCRIPTION	REV
	1001186379	Ref	PLATFORM ASSEMBLY - 36IN X 6FT (91.5CM X 1.83M) WITH DROP BAR	B
		Ref	Note: Platform and Mesh must be ordered separately for Platforms with Mesh. See SPECIAL OPTIONS SECTION for Mesh Installations.	
		Ref	Note: Replacement Decals Must be Ordered Separately - See DECALS SECTION.	
1	0100011	AR	Compound, Locking	
2	0641418	2	Bolt 1/4 x 2-1/4	
3	0961845	2	Bushing	
4	3290606	2	Nut M6	
5	3300151	2	Nut 1/4	
6	3520072	2	Plug	
7	3520198	2	Plug	
8	4010618	2	Screw M6 x 50	
9	4711400	4	Washer 1/4	
10	4811700	2	Washer M6	
11	1001138494	1	Bar, Drop	
12	1001138514	1	Rail (Top)	
13	1001140429	1	Decal - Drop Bar	
14	See Note	NSS	Platform (Note: Not Available - Purchase Platform Assembly)	

SECTION 5 - PLATFORM

FIGURE 5-8. PLATFORM ASSEMBLY - 36IN X 6FT (91.5CM X 1.83M) WITH FALL ARREST (ANSI, ANSI EXPORT, CHINA AND CSA SPECS)



ART_1001186333

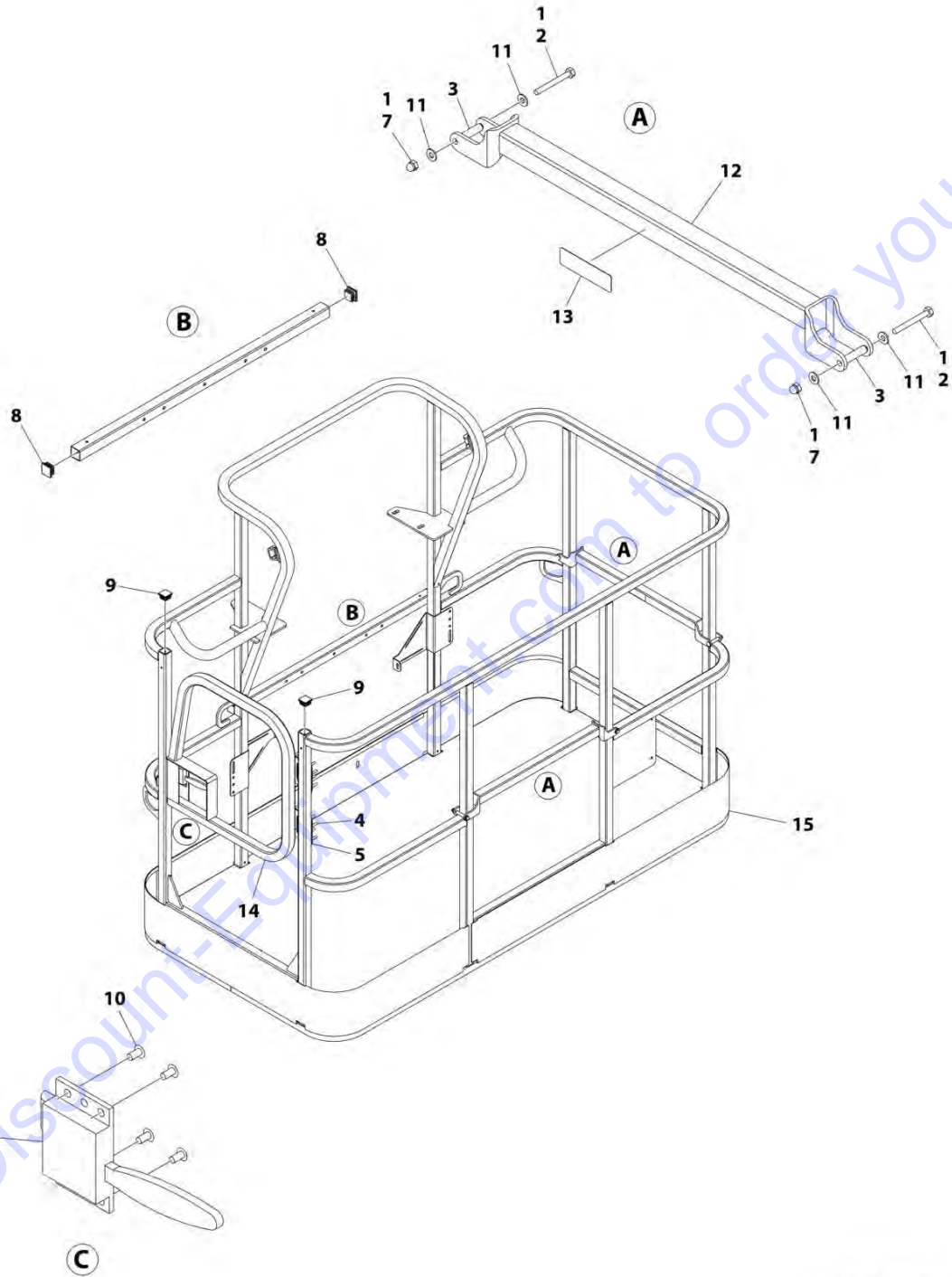
SECTION 5 - PLATFORM

FIGURE 5-8. PLATFORM ASSEMBLY - 36IN X 6FT (91.5CM X 1.83M) WITH FALL ARREST (ANSI, ANSI EXPORT, CHINA AND CSA SPECS)

ITEM	PART NUMBER	QTY	DESCRIPTION	REV
	1001186333	Ref	PLATFORM ASSEMBLY - 36IN X 6FT (91.5CM X 1.83M) WITH FALL ARREST	C
		Ref	Note: Fall Arrest Not Available on Australian and CE Specs.	
		Ref	Note: Replacement Decals Must be Ordered Separately - See DECALS SECTION.	
1	0681814	2	Bolt 1/2 x 1-3/4 Grade 8	
2	0681822	4	Bolt 1/2 x 2-3/4 Grade 8	
3	0962270	2	Bearing	
4	1001203655	1	Cable	
5	1702773	1	Decal - JLG	
6	1705014	1	Decal - Safety	
7	1706385	1	Decal - Drop Bar	
8	2410014	1	Bar, Drop	
9	3271805	6	Nut 1/2 Grade 8	
10	3311605	1	Nut 3/8	
11	3520072	1	Plug	
12	3900054	1	Bolt 1/2 x 1-3/4	
13	4711800	8	Washer 1/2	
14	4751800	4	Washer 1/2	
15	See Note	NSS	Platform (Note: Not Available - Purchase Platform Assembly)	

SECTION 5 - PLATFORM

FIGURE 5-9. PLATFORM ASSEMBLY - 36IN X 6FT (91.5CM X 1.83M) TRI-ENTRY WITH SWING GATE



ART_1001228376

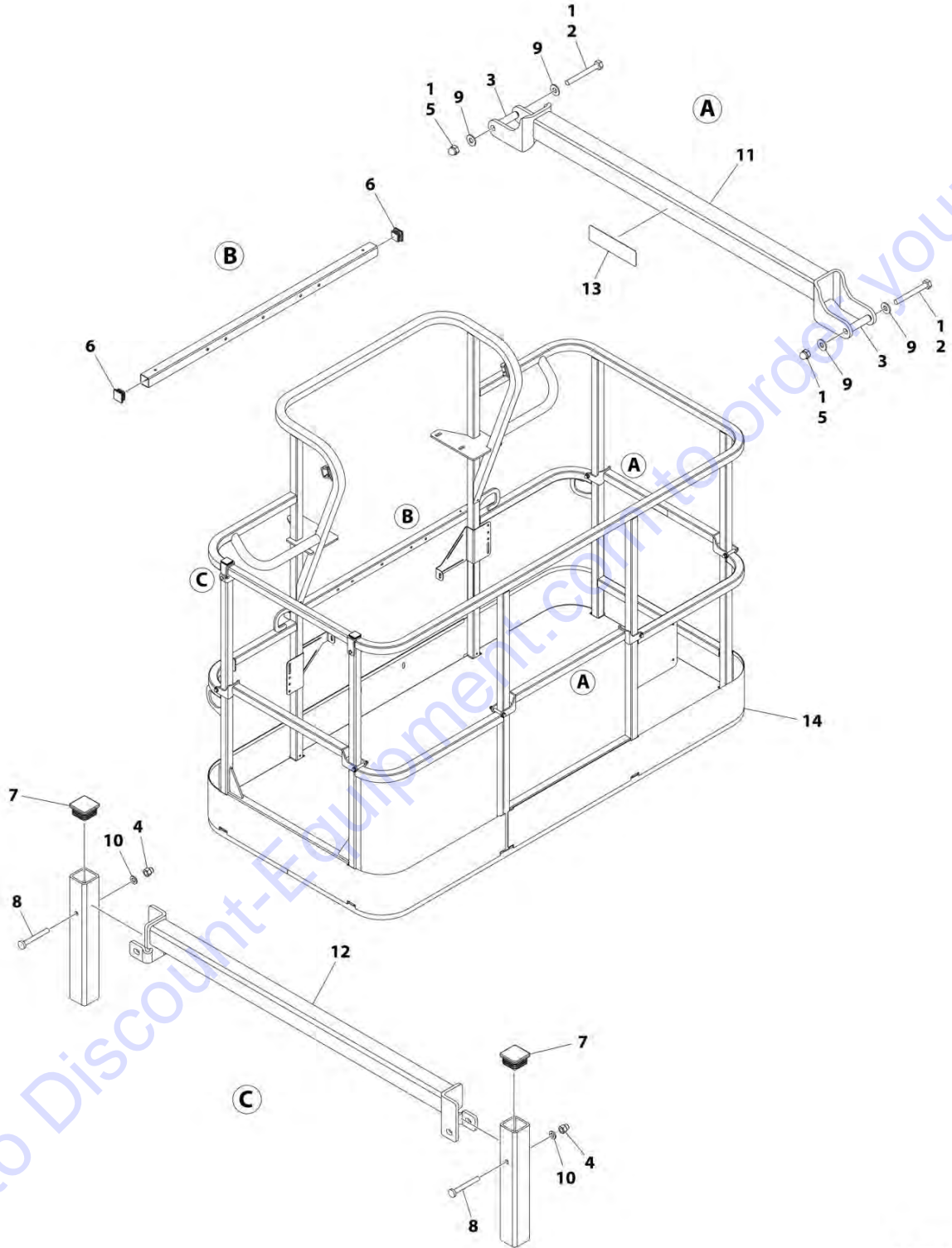
SECTION 5 - PLATFORM

FIGURE 5-9. PLATFORM ASSEMBLY - 36IN X 6FT (91.5CM X 1.83M) TRI-ENTRY WITH SWING GATE

ITEM	PART NUMBER	QTY	DESCRIPTION	REV
	1001228376	Ref	PLATFORM ASSEMBLY - 36IN x 6FT (91.5CM x 1.83M)	A
		Ref	Note: Platform and Mesh must be ordered separately for Platforms with Mesh. See SPECIAL OPTIONS SECTION for Mesh Installations.	
		Ref	Note: Replacement Decals Must be Ordered Separately - See DECAL SECTION.	
1	0100011	AR	Compound, Locking	
2	0641418	4	Bolt 1/4 x 2-1/4	
3	0961845	4	Bushing	
4	2080040	16	Fastener	
5	2600281	2	Hinge	
6	2940074	1	Latch	
7	3300151	4	Nut 1/4	
8	3520072	3	Plug	
9	3520198	2	Plug	
10	3820020	4	Rivet	
11	4711400	8	Washer 1/4	
12	1001138494	2	Bar, Drop	
13	1001140429	2	Decal - Drop Bar	
14	1001144629	1	Gate	
15	See Note	NSS	Platform (Note: Not Available - Purchase Platform Assembly)	

SECTION 5 - PLATFORM

FIGURE 5-10. PLATFORM ASSEMBLY - 36IN X 6FT (91.5CM X 1.83M) TRI-ENTRY WITH DROP BAR



ART_1001228377

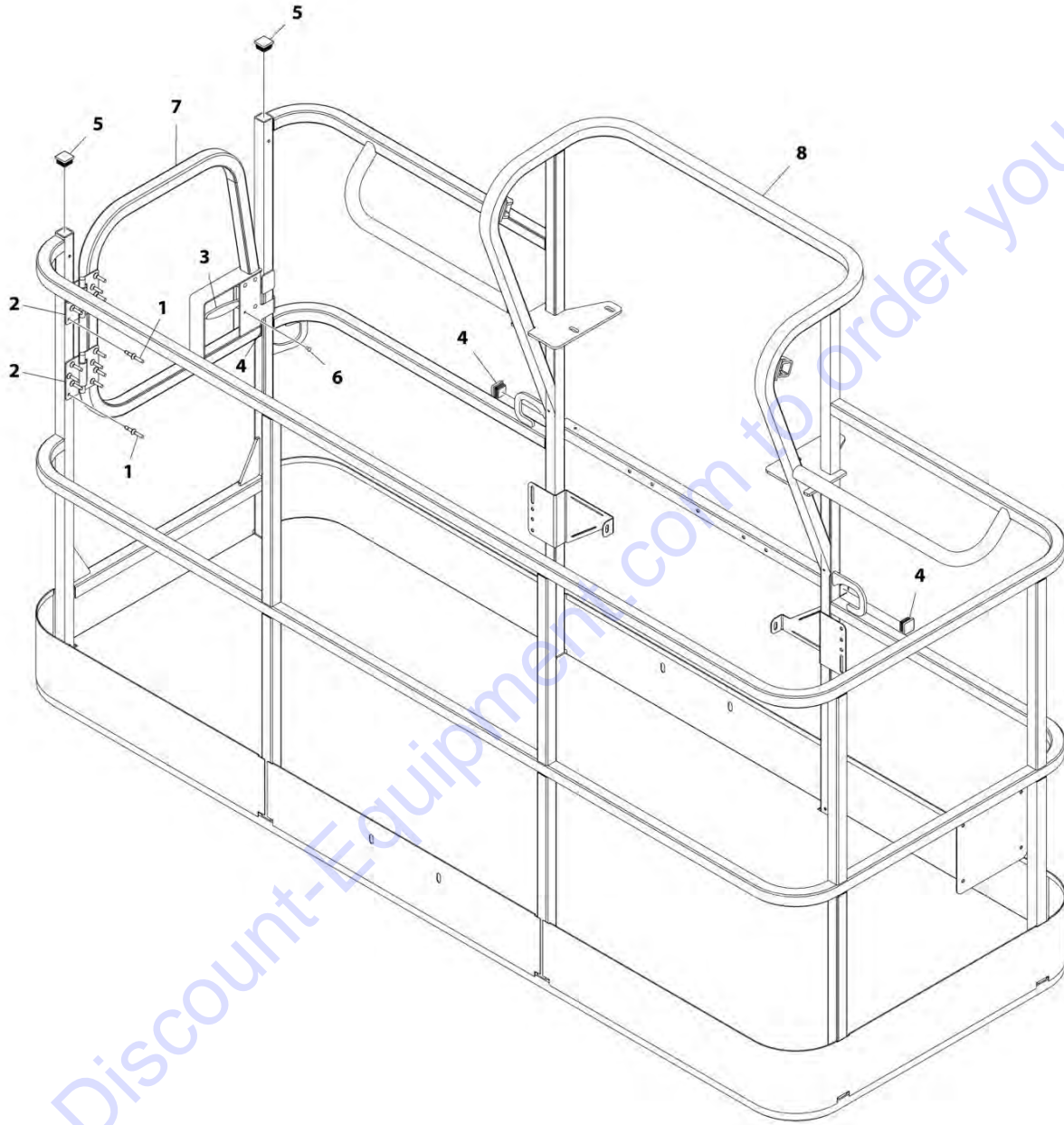
SECTION 5 - PLATFORM

FIGURE 5-10. PLATFORM ASSEMBLY - 36IN X 6FT (91.5CM X 1.83M) TRI-ENTRY WITH DROP BAR

ITEM	PART NUMBER	QTY	DESCRIPTION	REV
	1001228377	Ref	PLATFORM ASSEMBLY - 36IN x 6FT (91.5CM x 1.83M)	A
		Ref	Note: Platform and Mesh must be ordered separately for Platforms with Mesh. See SPECIAL OPTIONS SECTION for Mesh Installations.	
		Ref	Note: Replacement Decals Must be Ordered Separately - See DECAL SECTION.	
1	0100011	1	Compound, Locking	
2	0641418	6	Bolt 1/4 x 2-1/4	
3	0961845	6	Bushing	
4	3290606	2	Nut M6	
5	3300151	6	Nut 1/4	
6	3520072	2	Plug	
7	3520198	2	Plug	
8	4010618	2	Screw M6 x 50	
9	4711400	12	Washer 1/4	
10	4811700	2	Washer M6	
11	1001138494	3	Bar, Drop	
12	1001138514	1	Rail (Top)	
13	1001140429	3	Decal - Drop Bar	
14	See Note	NSS	Platform, Weldment (Note: Not Available - Purchase Platform Assembly)	

SECTION 5 - PLATFORM

FIGURE 5-11. PLATFORM ASSEMBLY - 36IN X 8FT (91.5CM X 2.44M) WITH SWING GATE



ART_1001186383

SECTION 5 - PLATFORM

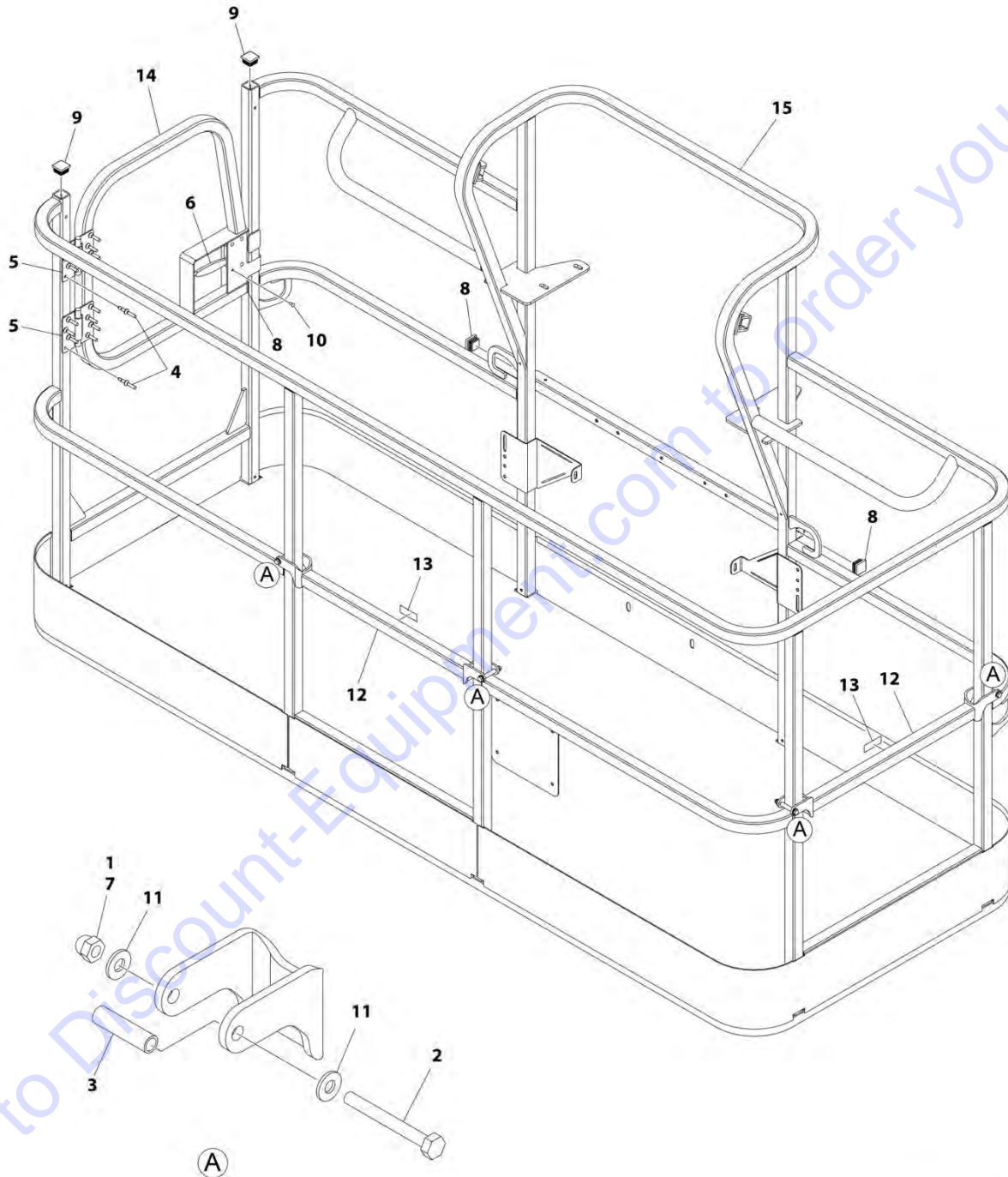
FIGURE 5-11. PLATFORM ASSEMBLY - 36IN X 8FT (91.5CM X 2.44M) WITH SWING GATE

ITEM	PART NUMBER	QTY	DESCRIPTION	REV
	1001186383	Ref	PLATFORM ASSEMBLY - 36IN X 8FT (91.5CM X 2.44M) WITH SWING GATE	D
		Ref	Note: Platform and Mesh must be ordered separately for Platforms with Mesh. See SPECIAL OPTIONS SECTION for Mesh Installations.	
		Ref	Note: Replacement Decals Must be Ordered Separately - See DECALS SECTION.	
1	2080040	16	Fastener, Huck	
2	2600281	2	Hinge	
3	2940074	1	Latch	
4	3520072	3	Plug	
5	3520198	2	Plug	
6	3820020	4	Rivet	
7	1001144629	1	Gate	
8	See Note	NSS	Platform (Note: Not Available - Purchase Platform Assembly)	

Go to Discount-Equipment.com to order your parts

SECTION 5 - PLATFORM

FIGURE 5-12. PLATFORM ASSEMBLY - 36IN X 8FT (91.5CM X 2.44M) WITH TRI-ENTRY (1 GATE/2 DROP BARS)



ART_1001228243

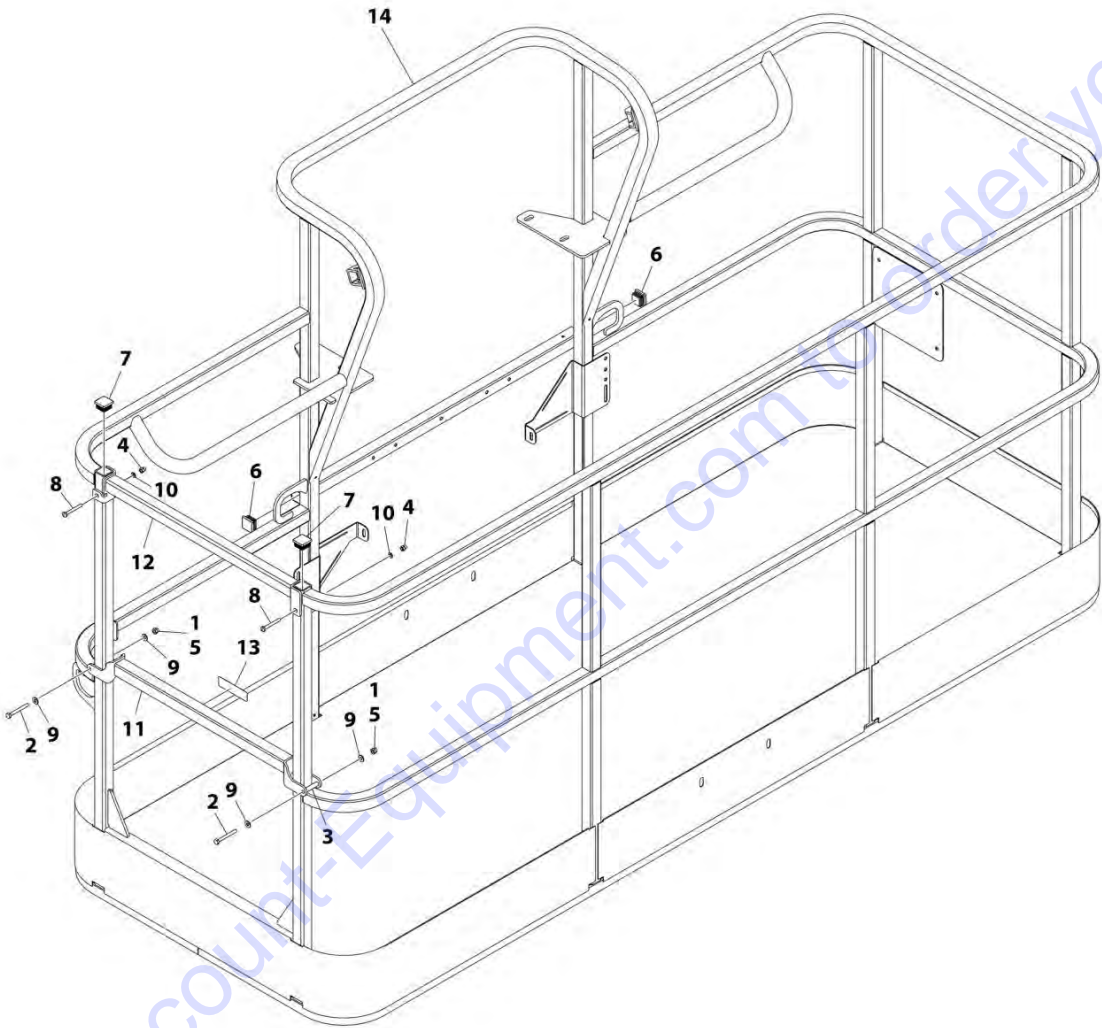
SECTION 5 - PLATFORM

FIGURE 5-12. PLATFORM ASSEMBLY - 36IN X 8FT (91.5CM X 2.44M) WITH TRI-ENTRY (1 GATE/2 DROP BARS)

ITEM	PART NUMBER	QTY	DESCRIPTION	REV
	1001228243	Ref	PLATFORM ASSEMBLY - 36IN x 8FT (91.5CM x 2.44M) TRI-ENTRY WITH DROPBAR	A
		Ref	Note: Platform and Mesh must be ordered separately for Platforms with Mesh. See SPECIAL OPTIONS SECTION for Mesh Installations.	
1	0100011	AR	Compound, Locking	
2	0641418	4	Bolt 1/4 x 2-1/4	
3	0961845	4	Bushing	
4	2080040	16	Fastener, Huck	
5	2600281	2	Hinge, Self-Closing	
6	2940074	1	Latch	
7	3300151	4	Nut 1/4	
8	3520072	3	Cap, Plug	
9	3520198	2	Cap, Plug	
10	3820020	4	Rivet	
11	4711400	8	Washer 1/4	
12	1001138494	2	Bar, Drop	
13	1001140429	2	Decal - Drop Bar	
14	1001144629	1	Gate, Weldment	
15	See Note	1	Platform (Note: Not Available - Purchase Platform Assembly)	

SECTION 5 - PLATFORM

FIGURE 5-13. PLATFORM ASSEMBLY - 36IN X 8FT (91.5CM X 2.44M) WITH DROP BAR



ART_1001186382

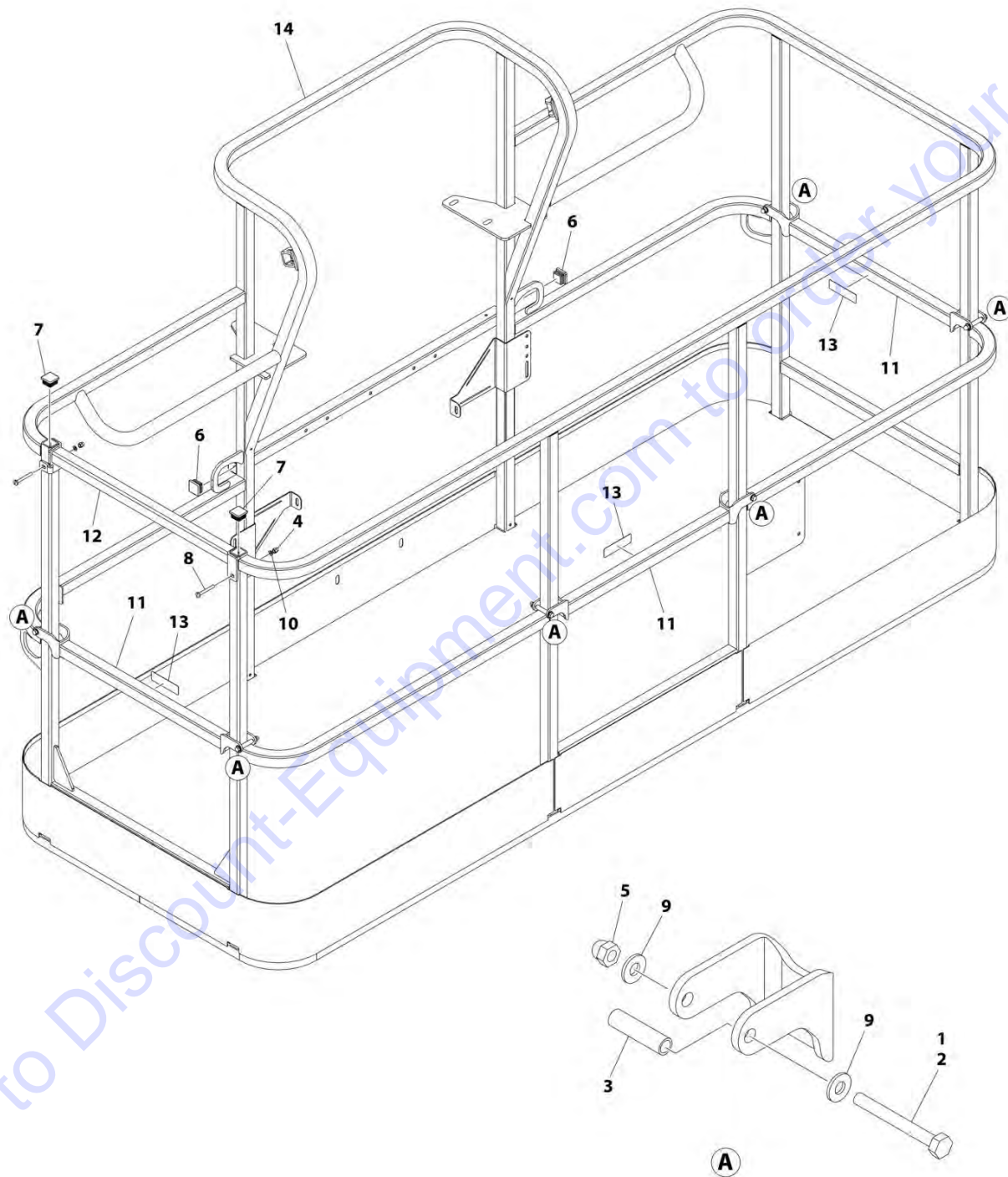
SECTION 5 - PLATFORM

FIGURE 5-13. PLATFORM ASSEMBLY - 36IN X 8FT (91.5CM X 2.44M) WITH DROP BAR

ITEM	PART NUMBER	QTY	DESCRIPTION	REV
	1001186382	Ref	PLATFORM ASSEMBLY - 36IN X 8FT (91.5CM X 2.44M) WITH DROP BAR	C
		Ref	Note: Platform and Mesh must be ordered separately for Platforms with Mesh. See SPECIAL OPTIONS SECTION for Mesh Installations.	
		Ref	Note: Replacement Decals Must be Ordered Separately - See DECALS SECTION.	
1	0100011	AR	Compound, Locking	
2	0641418	2	Bolt 1/4 x 2-1/4	
3	0961845	2	Bushing	
4	3290606	2	Nut M6	
5	3300151	2	Nut 1/4	
6	3520072	2	Plug	
7	3520198	2	Plug	
8	4010618	2	Screw M6 x 50	
9	4711400	4	Washer 1/4	
10	4811700	2	Washer M6	
11	1001138494	1	Bar, Drop	
12	1001138514	1	Rail (Top)	
13	1001140429	1	Decal - Drop Bar	
14	See Note	NSS	Platform (Note: Not Available - Purchase Platform Assembly)	

SECTION 5 - PLATFORM

FIGURE 5-14. PLATFORM ASSEMBLY - 36IN X 8FT (91.5CM X 2.44M) WITH TRI-ENTRY (3 DROP BARS)



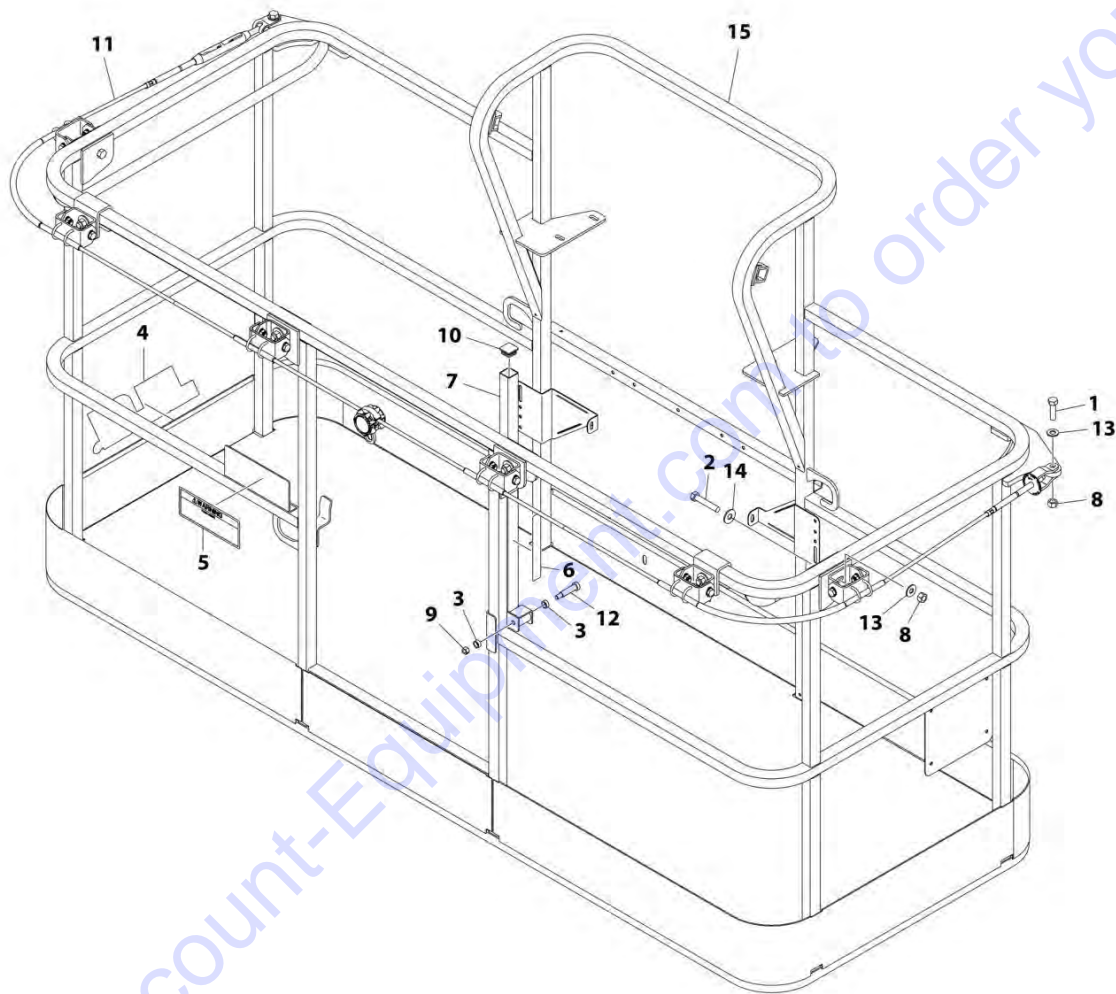
SECTION 5 - PLATFORM

FIGURE 5-14. PLATFORM ASSEMBLY - 36IN X 8FT (91.5CM X 2.44M) WITH TRI-ENTRY (3 DROP BARS)

ITEM	PART NUMBER	QTY	DESCRIPTION	REV
	1001228375	Ref	PLATFORM ASSEMBLY - 36IN x 8FT (91.5CM x 2.44M) TRI-ENTRY WITH DROPGATE	A
		Ref	Note: Platform and Mesh must be ordered separately for Platforms with Mesh. See SPECIAL OPTIONS SECTION for Mesh Installations.	
		Ref	Note: Replacement Decals Must be Ordered Separately - See DECAL SECTION.	
1	0100011	AR	Compound, Locking	
2	0641418	6	Bolt 1/4 x 2-1/4	
3	0961845	6	Bushing	
4	3290606	2	Nut M6 x 1	
5	3300151	6	Nut 1/4	
6	3520072	2	Cap, Plug	
7	3520198	2	Cap, Plug	
8	4010618	2	Screw M6 x 50	
9	4711400	12	Washer 1/4	
10	4811700	2	Washer M6	
11	1001138494	3	Bar, Drop	
12	1001138514	1	Rail (Top)	
13	1001140429	3	Decal - Drop Bar	
14	See Note	1	Platform (Note: Not Available - Purchase Platform Assembly)	

SECTION 5 - PLATFORM

FIGURE 5-15. PLATFORM ASSEMBLY - 36IN X 8FT (91.5CM X 2.44M) WITH FALL ARREST



ART_1001186334

SECTION 5 - PLATFORM

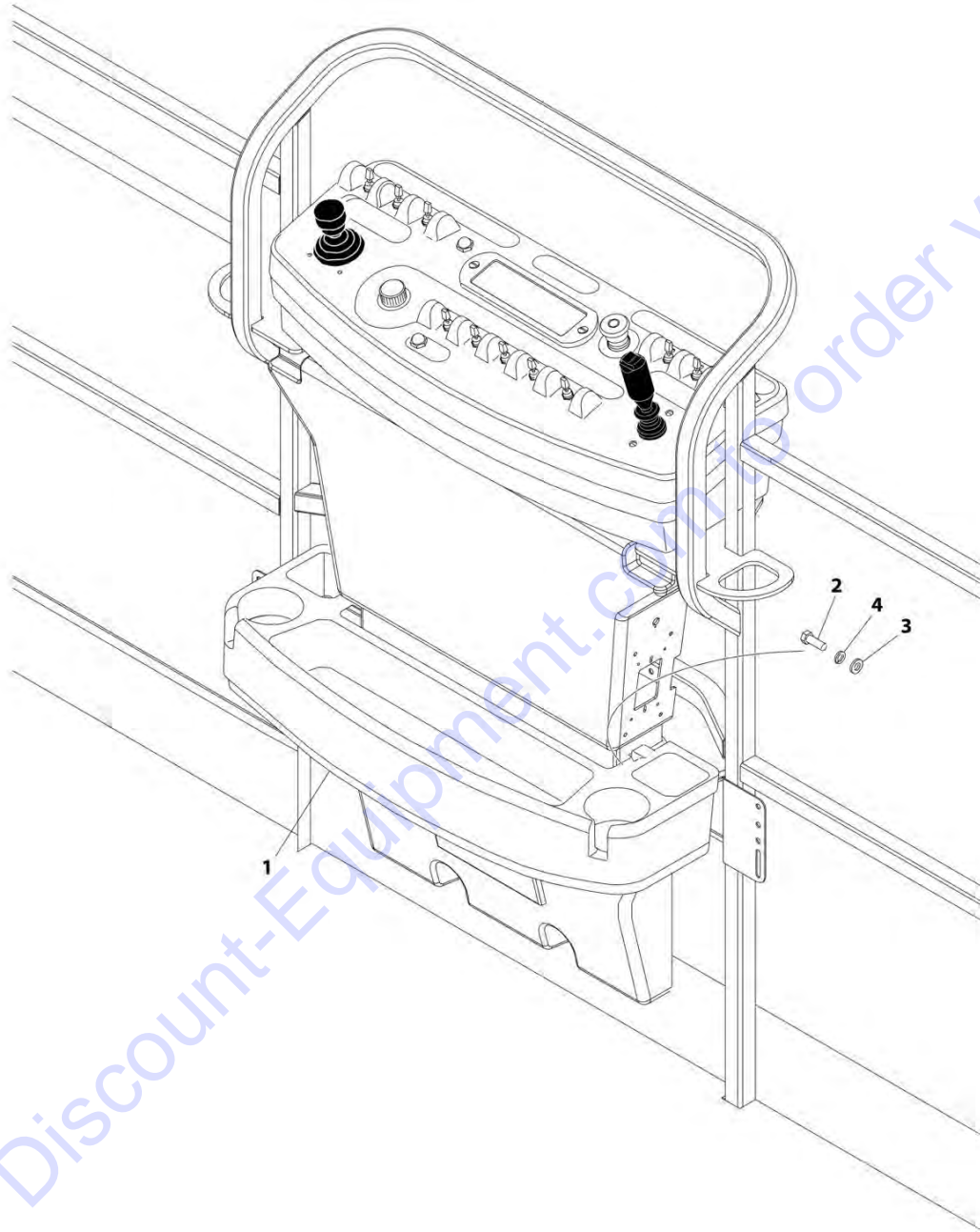
FIGURE 5-15. PLATFORM ASSEMBLY - 36IN X 8FT (91.5CM X 2.44M) WITH FALL ARREST

ITEM	PART NUMBER	QTY	DESCRIPTION	REV
	1001186334	Ref	PLATFORM ASSEMBLY	D
		Ref	Note: Replacement Decals Must be Ordered Separately - See DECALS SECTION.	
		Ref	Note: Fall Arrest Not Available on Australian and CE Specs.	
1	0681814	2	Bolt 1/2 x 1-3/4 Grade 8	
2	0681822	6	Bolt 1/2 x 2-3/4 Grade 8	
3	0962270	2	Bearing	
4	1702773	1	Decal - JLG	
5	1705014	1	Decal - Safety	
6	1706385	1	Decal - Drop Bar	
7	2410014	1	Bar, Drop	
8	3271805	8	Nut 1/2 Grade 8	
9	3311605	1	Nut 3/8	
10	3520072	1	Plug	
11	1001203656	1	Cable	
12	3900054	1	Bolt 1/2 x 1-3/4	
13	4711800	2	Washer 1/2	
14	4751800	6	Washer 1/2	
15	See Note	NSS	Platform (Note: Purchase Platform Assembly)	

Go to Discount-Equipment.com to order your parts

SECTION 5 - PLATFORM

FIGURE 5-16. TRAY ASSEMBLY



ART_1580012

SECTION 5 - PLATFORM

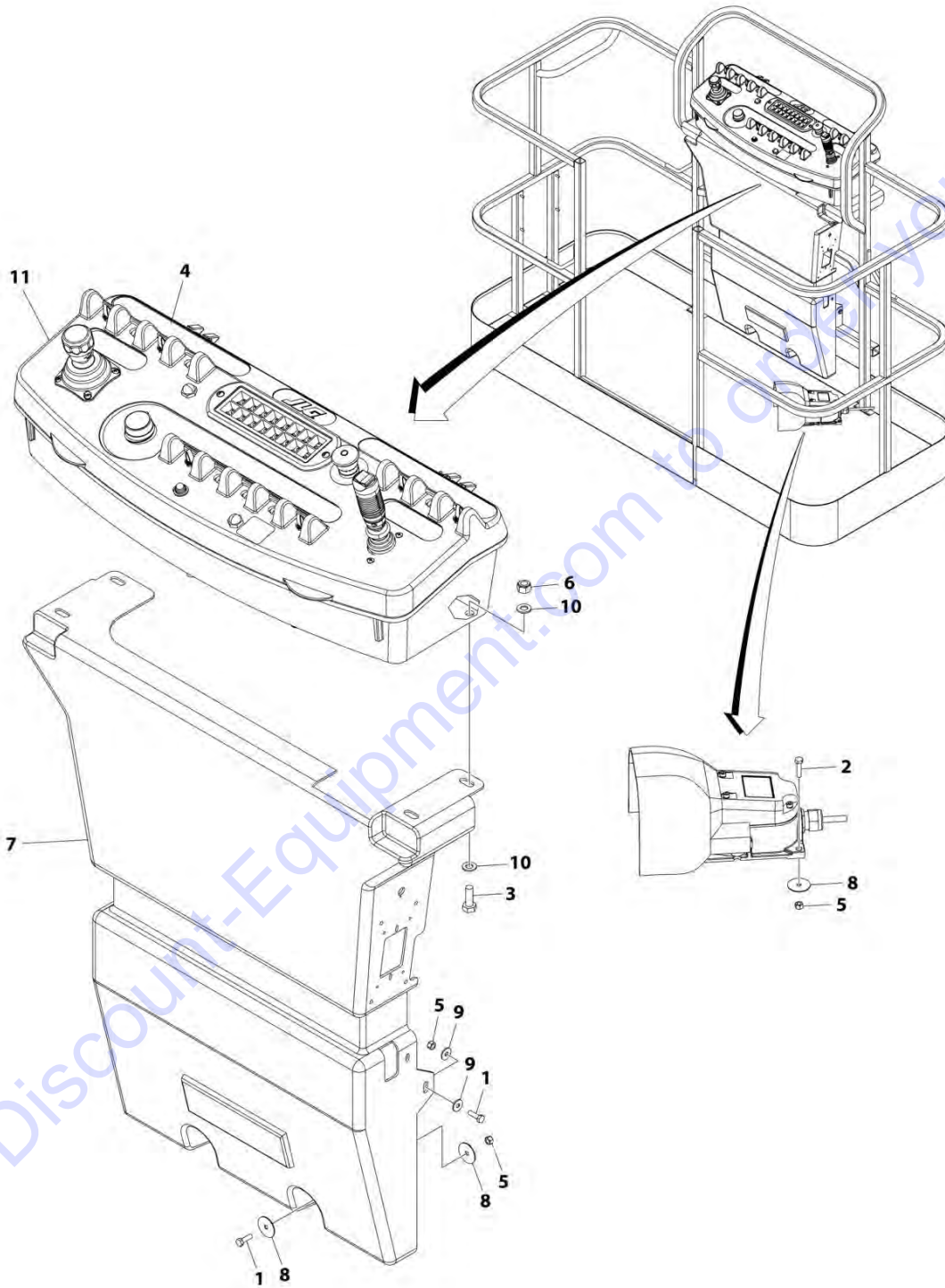
FIGURE 5-16. TRAY ASSEMBLY

ITEM	PART NUMBER	QTY	DESCRIPTION	REV
	1580012	Ref	TRAY ASSEMBLY	C
1	See Note	1	Tray, Storage (Center) (Note: Purchase p/n 1580012)	
2	0641406	2	Bolt 1/4 x 3/4	
3	4751400	2	Washer 1/4	
4	4761400	2	Washer 1/4	

Go to Discount-Equipment.com to order your parts

SECTION 5 - PLATFORM

FIGURE 5-17. PLATFORM CONSOLE AND FOOTSWITCH INSTALLATION (SN 0300235168 through 0300259907, SN B30002655 to Present)



ART_1001192466

SECTION 5 - PLATFORM

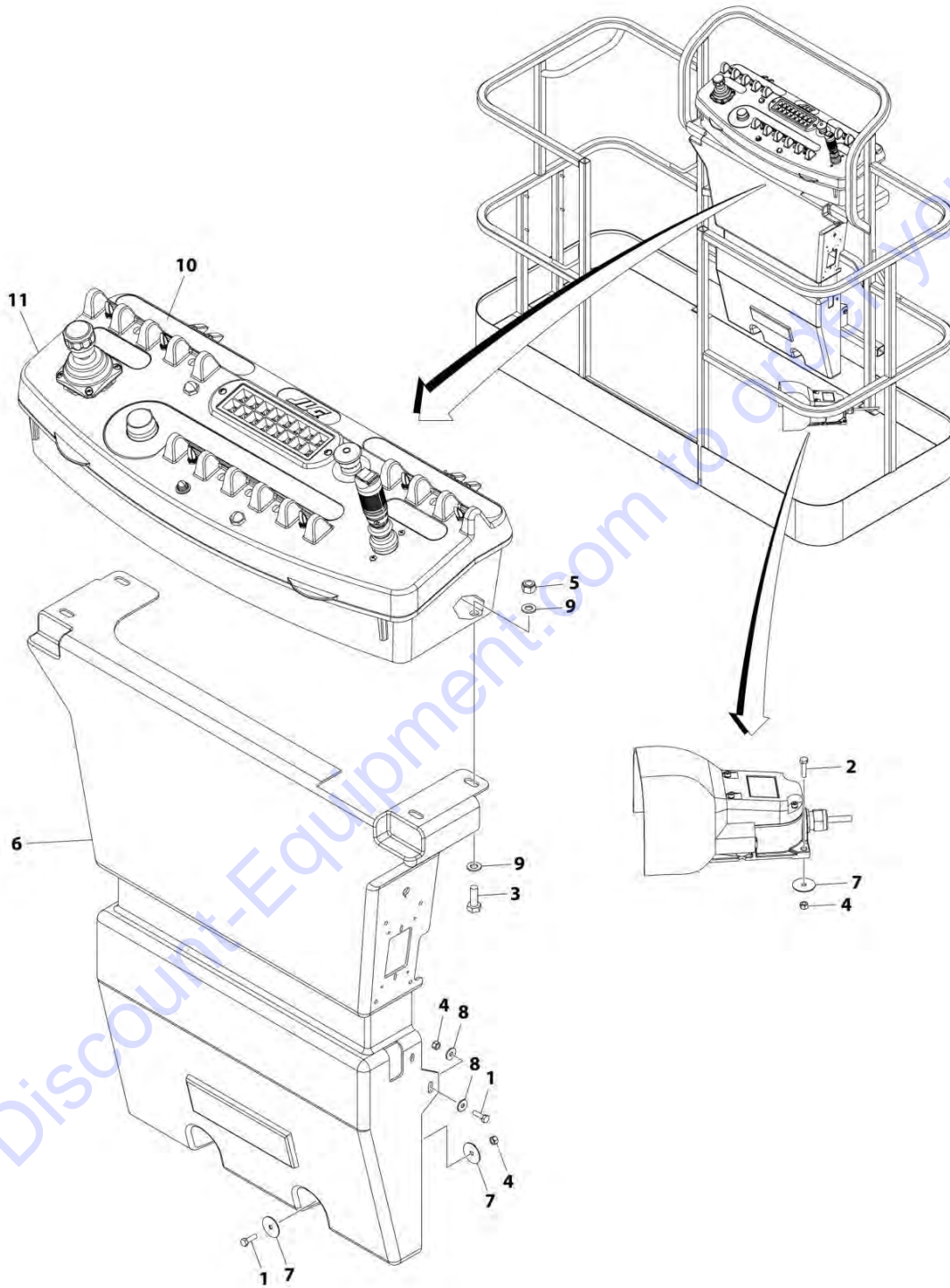
FIGURE 5-17. PLATFORM CONSOLE AND FOOTSWITCH INSTALLATION (SN 0300235168 through 0300259907, SN B30002655 to Present)

ITEM	PART NUMBER	QTY	DESCRIPTION	REV
	1001192466	Ref	PLATFORM CONSOLE AND FOOTSWITCH INSTALLATION	C
1	0700610	4	Bolt M6 x 20	
2	0700612	3	Bolt M6 x 25	
3	0701014	4	Bolt M10 x 30	
4	1001184626	1	Decal - Horn	
5	3290605	7	Nut M6	
6	3291005	4	Nut M10	
7	3380434	1	Panel	
8	4740362	7	Washer	
9	4811702	4	Washer M6	
10	4812000	8	Washer M10	
11	1001202587	1	Platform Console Assembly (See Separate Breakdown in this Section)	

Go to Discount-Equipment.com to order your parts

SECTION 5 - PLATFORM

FIGURE 5-18. PLATFORM CONSOLE AND FOOTSWITCH INSTALLATION (SN 0300259908 to Present)



ART_1001243454

SECTION 5 - PLATFORM

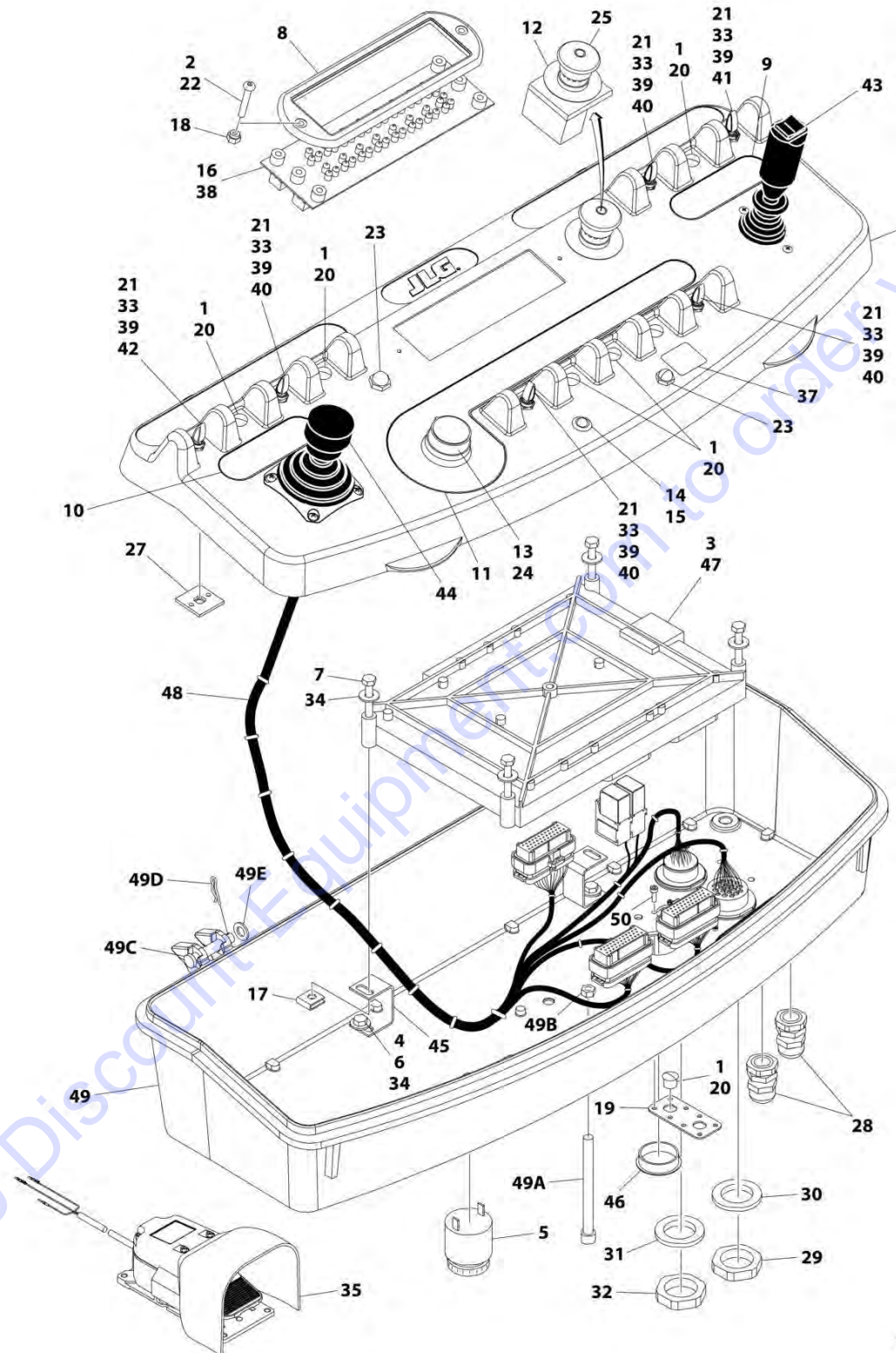
FIGURE 5-18. PLATFORM CONSOLE AND FOOTSWITCH INSTALLATION (SN 0300259908 to Present)

ITEM	PART NUMBER	QTY	DESCRIPTION	REV
	1001243454	Ref	PLATFORM CONSOLE AND FOOTSWITCH INSTALLATION	A
1	0700610	4	Bolt M6 x 20	
2	0700612	3	Bolt M6 x 25	
3	0701014	4	Bolt M10 x 30	
4	3290605	7	Nut M6	
5	3291005	4	Nut M10	
6	3380434	1	Panel	
7	4740362	7	Washer	
8	4811702	4	Washer M6	
9	4812000	8	Washer M10	
10	1001184626	1	Decal - Horn	
11	1001243459	1	Platform Console Assembly (See Separate Breakdown in this Section)	

Go to Discount-Equipment.com to order your parts

SECTION 5 - PLATFORM

FIGURE 5-19. CONSOLE BOX ASSEMBLY (SN 0300235168 through 0300259907, SN B30002655 to Present)



ART_1001202587

SECTION 5 - PLATFORM

FIGURE 5-19. CONSOLE BOX ASSEMBLY (SN 0300235168 through 0300259907, SN B30002655 to Present)

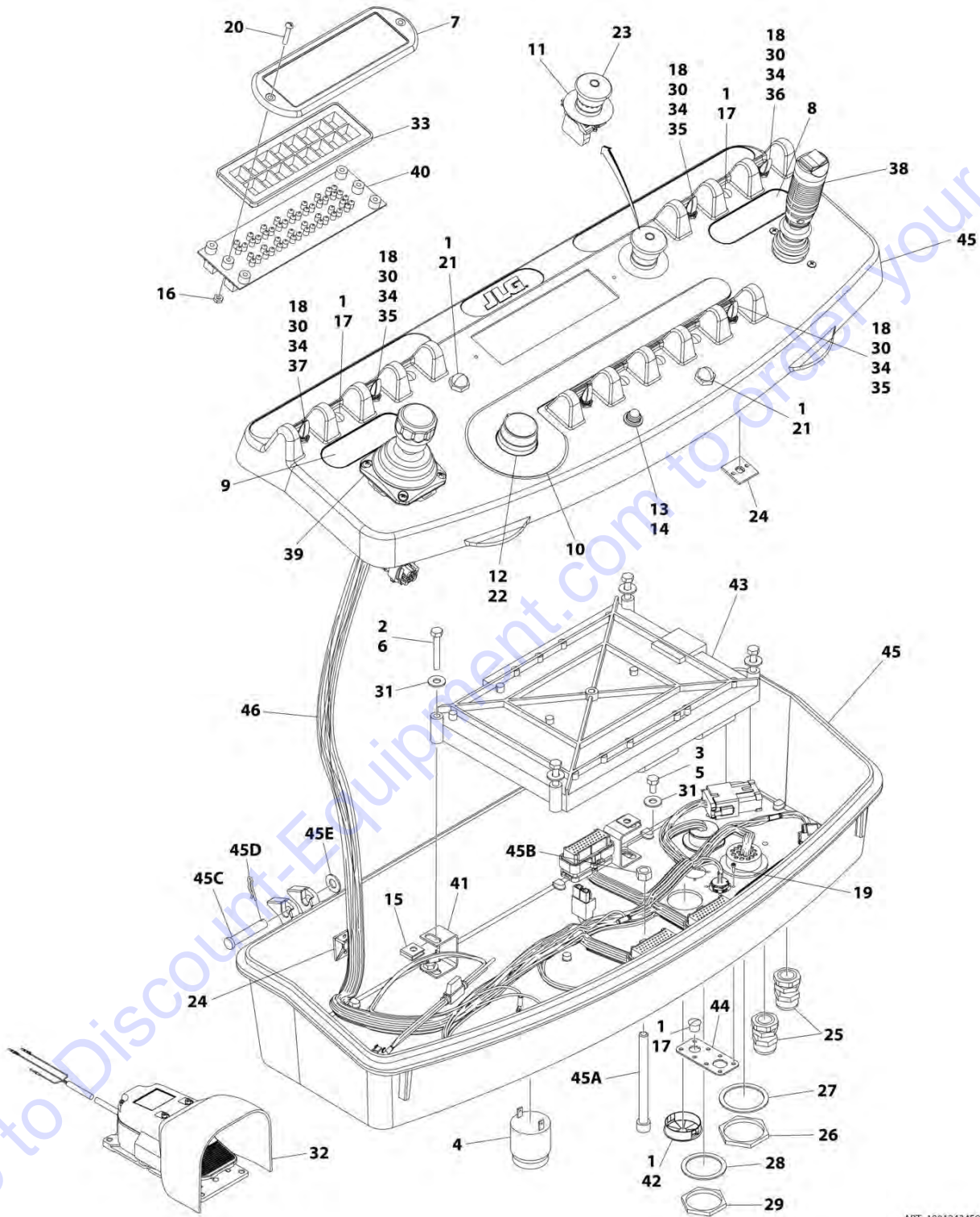
ITEM	PART NUMBER	QTY	DESCRIPTION	REV
	1001202587	Ref	CONSOLE BOX ASSEMBLY	G
1	0100009	AR	Sealant	
2	0100035	AR	Compound, Locking	
3	0100048	AR	Grease, Dielectric	
4	0100081	AR	Adhesive	
5	0140011	1	Alarm	
6	0641404	4	Bolt 1/4 x 1/2	
7	0641414	4	Bolt 1/4 x 1-3/4	
8	1670829	1	Bezel	
9	1702565	1	Decal - Drive and Steer	
10	1702566	1	Decal - Lift and Swing	
11	1702567	1	Decal - Function Speed	
12	1704260	1	Decal - Emergency Stop	
13	2560136	1	Handle, Knob	
14	2920028	1	Light, Indicator	
15	2920029	1	Bulb, Light	
16	1001170838	1	Gauge, LED	
17	3300353	4	Nut, Tinnerman	
18	3311005	2	Nut #10	
19	1001213882	1	Mount, Connector	
20	3520054	7	Plug	
21	3790012	6	O-Ring	
22	3911018	2	Screw #10 x 1-1/8	
23	4360387	2	Switch, Push Button	
24	4360407	1	Controller, Speed	
24	4460224	1	Receptacle, Female - 6 Position	
24	4460226	6	Socket, Female	
24	See Note	1	Gasket "Top Hat" (Included with Switch) (Note: Not Available - Purchase Complete Controller)	
24	70003784	1	Seal	
25	4360475	1	Switch, Emergency Stop	
25	7020175	1	Cap, Red	
25	7020176	1	Block, Contact	
27	4460234	3	Mount, Tie-Strap	
28	4460428	2	Connector, Strain Relief	
29	4460470	1	Nut, Terminal	
30	4460471	1	Washer, Terminal	
31	4460496	1	Washer, Terminal	
32	4460497	1	Nut, Terminal	
33	4740397	6	Washer	
34	4751400	8	Washer 1/4	
35	1001117174	1	Footswitch Assembly (See Separate Breakdown in this Section)	
37	1001144433	1	Decal - No Weight SkyGuard	
38	1001146220	1	Fixture, Light	
39	1001155044	6	Nut 15/32	
40	1001155045	5	Switch, Toggle	
41	1001159256	1	Switch, Toggle	
42	1001161709	1	Switch, Toggle	
43	1001166538	NLA	Controller Assembly (Drive and Steer) (Use p/n 1001212415) (See	

SECTION 5 - PLATFORM

ITEM	PART NUMBER	QTY	DESCRIPTION	REV
44	1001166539	NLA	Separate Breakdown in this Section) Controller Assembly (Lift and Swing) (Use p/n 10012129555) (See Separate Breakdown in this Section)	
45	1001172760	4	Bracket	
46	1001185281	1	Plug	
47	1001185726	1	Module, Platform (Note: Re-calibration Required when Replaced)	
48	1001196222	1	Platform Console Harness (See Separate Breakdown in ELECTRICAL SECTION)	
49	1001215228	1	Console Box Assembly	
49A	0630568	1	Capscrew 3/8 x 4-1/2	
49B	3311601	1	Nut 3/8	
49C	3430616	2	Pin	
49D	3470003	2	Hairpin	
49E	4711600	2	Washer 3/8	
50	3900349	8	Capscrew M2.5 x 8	

SECTION 5 - PLATFORM

FIGURE 5-20. CONSOLE BOX ASSEMBLY (SN 0300259908 to Present)



ART_1001243459

SECTION 5 - PLATFORM

FIGURE 5-20. CONSOLE BOX ASSEMBLY (SN 0300259908 to Present)

ITEM	PART NUMBER	QTY	DESCRIPTION	REV
	1001243459	Ref	CONSOLE BOX ASSEMBLY	A
1	0100009	AR	Sealant	
2	0100048	AR	Grease, Dielectric	
3	0100035	AR	Compound, Locking	
4	0140011	1	Alarm	
5	0641404	4	Bolt 1/4 x 1/2	
6	0641414	4	Bolt 1/4 x 1-3/4	
7	1670829	1	Bezel	
8	1702565	1	Decal - Drive and Steer	
9	1702566	1	Decal - Lift and Swing	
10	1702567	1	Decal - Function Speed	
11	1704260	1	Decal - Emergency Stop	
12	2560136	1	Handle, Knob	
13	2920028	1	Light, Indicator	
14	2920029	1	Bulb, Light	
15	3300353	4	Nut, Tinnerman	
16	3311005	2	Nut #10	
17	3520054	7	Plug	
18	3790012	6	O-Ring	
19	3900349	8	Capscrew M2.5 x 8	
20	3911018	2	Screw #10 x 1-1/8	
21	4360387	2	Switch, Push Button	
22	4360407	1	Controller, Speed	
22	4460224	1	Receptacle, Female - 6 Position	
22	4460226	6	Socket, Female	
22	See Note	1	Gasket "Top Hat" (Included with Switch) (Note: Not Available - Purchase Complete Controller)	
22	70003784	1	Seal	
23	4360475	1	Switch, Emergency Stop	
23	7020175	1	Cap, Red	
23	7020176	1	Block, Contact	
24	4460234	5	Mount, Tie-Strap	
25	4460428	2	Connector, Strain Relief	
26	4460470	1	Nut, Terminal	
27	4460471	1	Washer, Terminal	
28	4460496	1	Washer, Terminal	
29	4460497	1	Nut, Terminal	
30	4740397	6	Washer	
31	4751400	8	Washer 1/4	
32	1001117174	1	Footswitch Assembly (See Separate Breakdown in this Section)	
33	1001146220	1	Fixture, Light	
34	1001155044	6	Nut 15/32	
35	1001155045	5	Switch, Toggle	
36	1001159256	1	Switch, Toggle	
37	1001161709	1	Switch, Toggle	
38	1001166538	NLA	Controller Assembly (Drive and Steer) (Use p/n 1001212415) (See Separate Breakdown in this Section)	
39	1001166539	NLA	Controller Assembly (Lift and Swing) (Use p/n 10012129555) (See Separate Breakdown in this Section)	
40	1001170838	1	Gauge, LED	

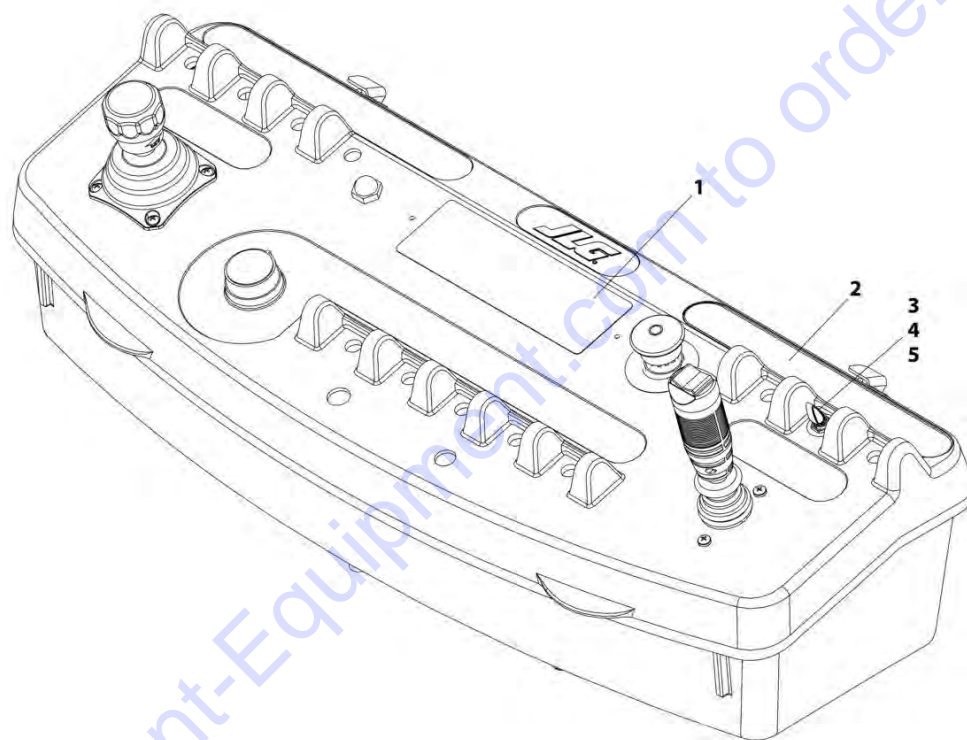
SECTION 5 - PLATFORM

ITEM	PART NUMBER	QTY	DESCRIPTION	REV
41	1001172760	4	Bracket	
42	1001185281	1	Plug	
43	1001185726	1	Module, Platform (Note: Re-calibration Required when Replaced)	
44	1001213882	1	Mount, Connector	
45	1001215228	1	Console Box Assembly	
45A	0630568	1	Capscrew 3/8 x 4-1/2	
45B	3311601	1	Nut 3/8	
45C	3430616	2	Pin	
45D	3470003	2	Hairpin	
45E	4711600	2	Washer 3/8	
46	1001243261	1	Platform Console Harness (See Separate Breakdown in ELECTRICAL SECTION)	

Go to Discount-Equipment.com to order your parts

SECTION 5 - PLATFORM

FIGURE 5-21. DECAL AND LIGHT PANEL INSTALLATION - 600S (ALL SPECS EXCEPT AUSTRALIAN AND CE SPECS)



ART_1001167963

SECTION 5 - PLATFORM

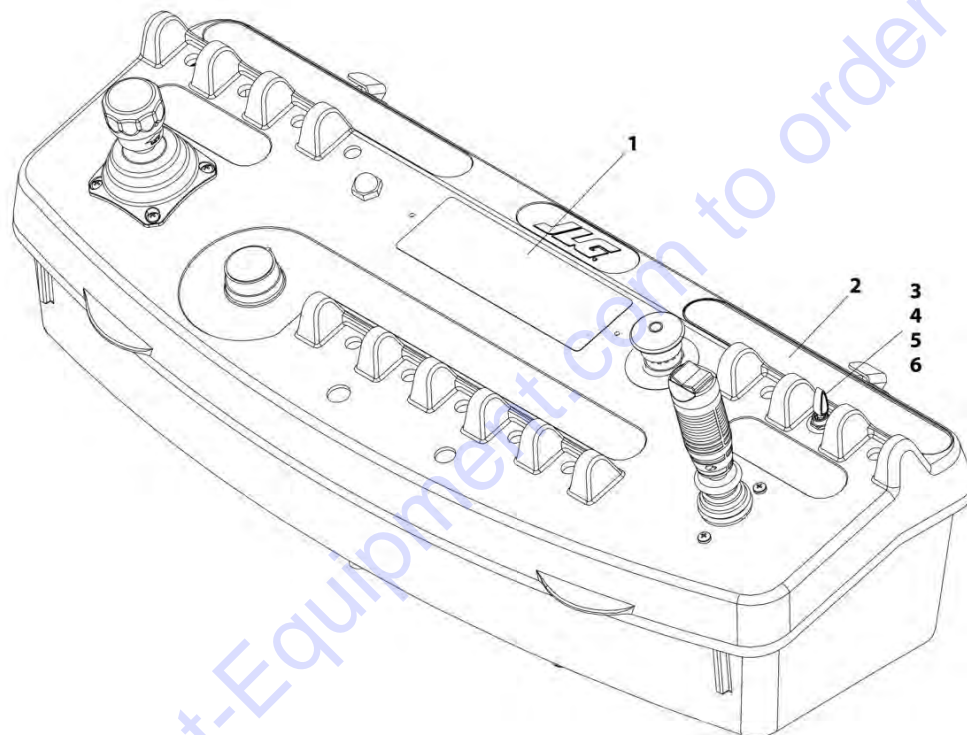
FIGURE 5-21. DECAL AND LIGHT PANEL INSTALLATION - 600S (ALL SPECS EXCEPT AUSTRALIAN AND CE SPECS)

ITEM	PART NUMBER	QTY	DESCRIPTION	REV
	1001167963	Ref	DECAL AND LIGHT PANEL INSTALLATION	C
1	1001167962	1	Decal - Display	
2	1001195947	1	Decal - Stop and Aux Power	
3	3790012	1	O-Ring	
4	1001155044	1	Nut 15/32	
5	1001161710	1	Switch, Toggle	

Go to Discount-Equipment.com to order your parts

SECTION 5 - PLATFORM

FIGURE 5-22. DECAL AND LIGHT PANEL INSTALLATION - 600S (CE SPECS)



ART_1001184620

SECTION 5 - PLATFORM

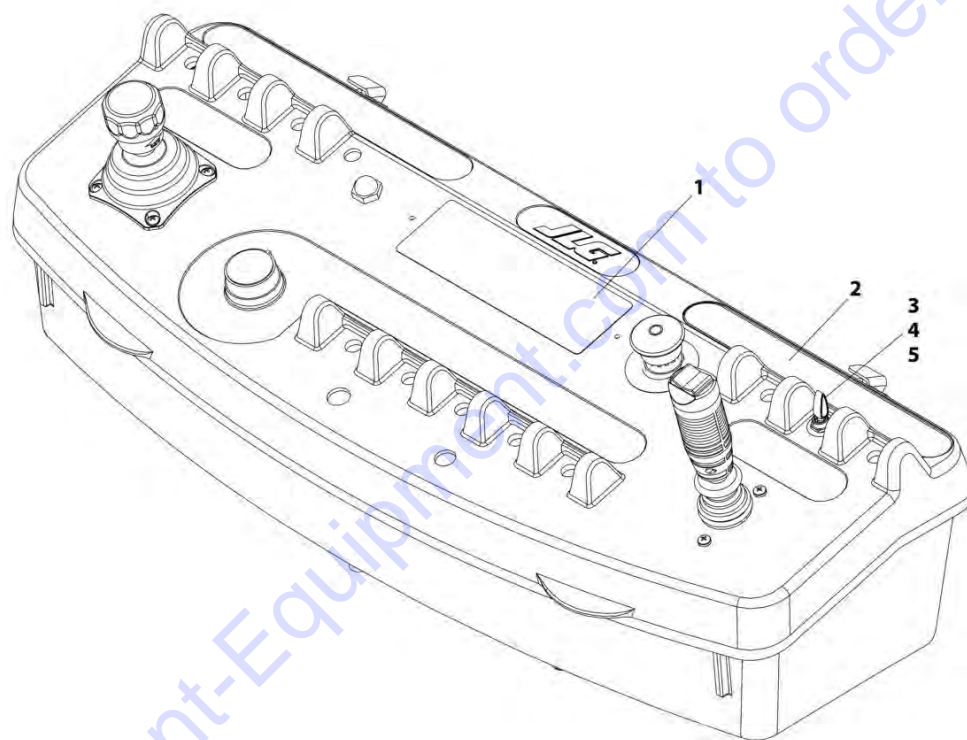
FIGURE 5-22. DECAL AND LIGHT PANEL INSTALLATION - 600S (CE SPECS)

ITEM	PART NUMBER	QTY	DESCRIPTION	REV
	1001184620	Ref	DECAL AND LIGHT PANEL INSTALLATION	B
1	1001184621	1	Decal - Display	
2	1001184619	1	Decal - Stop and Aux Power	
3	3790012	1	O-Ring	
4	1001155044	1	Nut 15/32	
5	1001161710	1	Switch, Toggle	
6	4740397	1	Spacer	

Go to Discount-Equipment.com to order your parts

SECTION 5 - PLATFORM

FIGURE 5-23. DECAL AND LIGHT PANEL INSTALLATION - 660SJ (ALL SPECS EXCEPT AUSTRALIAN AND CE SPECS)



ART_1001193238

SECTION 5 - PLATFORM

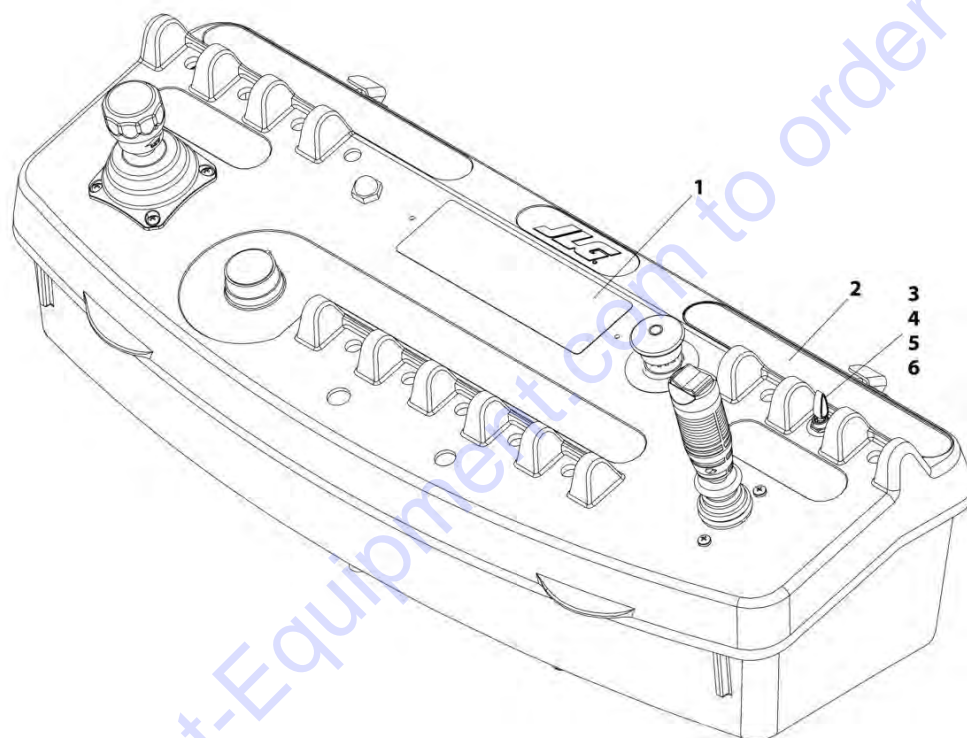
FIGURE 5-23. DECAL AND LIGHT PANEL INSTALLATION - 660SJ (ALL SPECS EXCEPT AUSTRALIAN AND CE SPECS)

ITEM	PART NUMBER	QTY	DESCRIPTION	REV
	1001193238	Ref	DECAL AND LIGHT PANEL INSTALLATION	B
1	1001193756	1	Decal - Display	
2	1001207105	1	Decal - Stop and Aux Power	
3	3790012	1	O-Ring	
4	1001155044	1	Nut 15/32	
5	1001161710	1	Switch, Toggle	

Go to Discount-Equipment.com to order your parts

SECTION 5 - PLATFORM

FIGURE 5-24. DECAL AND LIGHT PANEL INSTALLATION - 660SJ (AUSTRALIAN AND CE SPECS)



ART_1001193239

SECTION 5 - PLATFORM

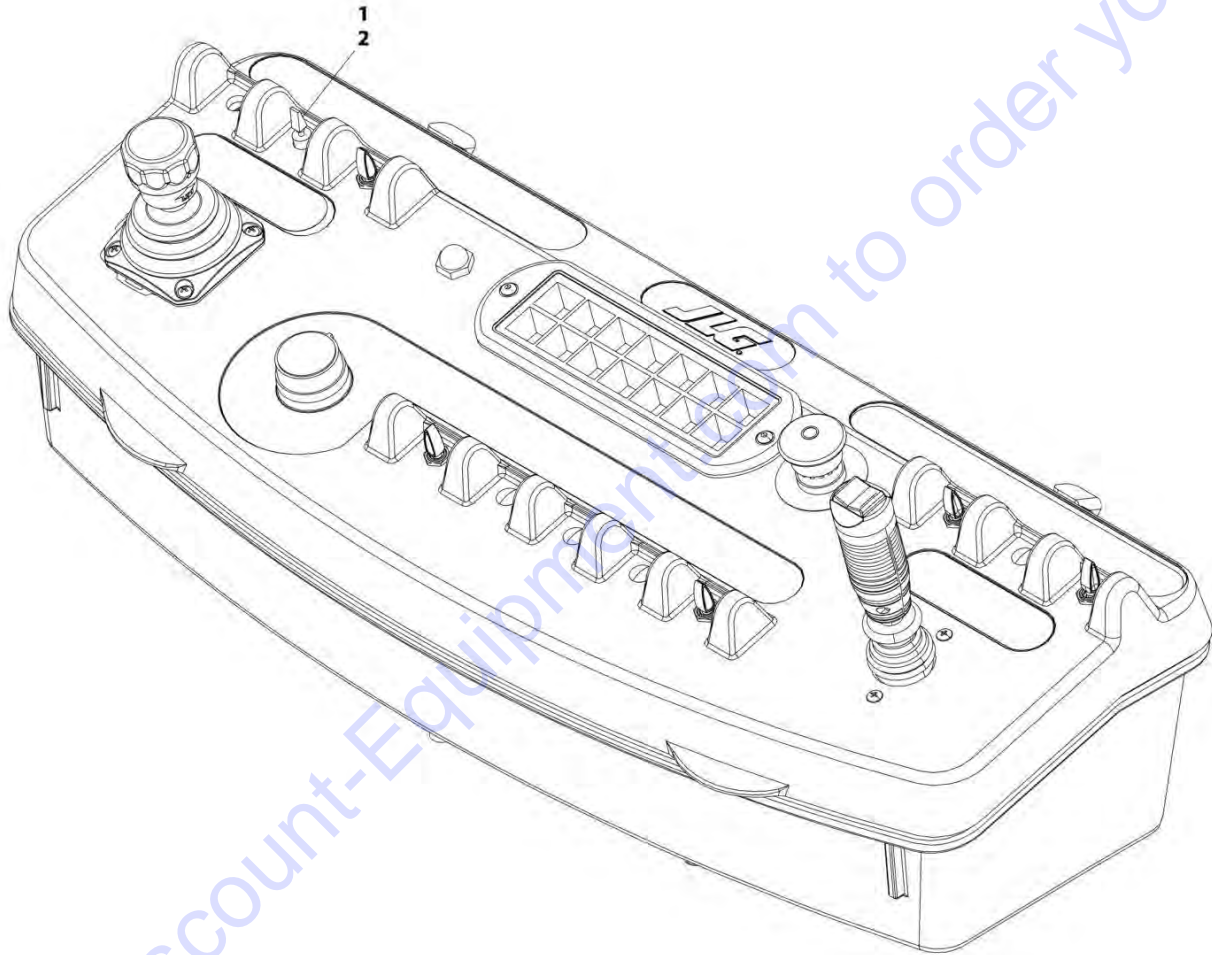
FIGURE 5-24. DECAL AND LIGHT PANEL INSTALLATION - 660SJ (AUSTRALIAN AND CE SPECS)

ITEM	PART NUMBER	QTY	DESCRIPTION	REV
	1001193239	Ref	DECAL AND LIGHT PANEL INSTALLATION	B
1	1001193757	1	Decal - Display	
2	1001193758	1	Decal - Stop and Aux Power	
3	3790012	1	O-Ring	
4	1001155044	1	Nut 15/32	
5	1001161710	1	Switch, Toggle	
6	4740397	1	Washer	

Go to Discount-Equipment.com to order your parts

SECTION 5 - PLATFORM

FIGURE 5-25. STEER SWITCH INSTALLATION WITHOUT TOW PACKAGE (4WD/4WS MACHINES)



ART_1001181771

SECTION 5 - PLATFORM

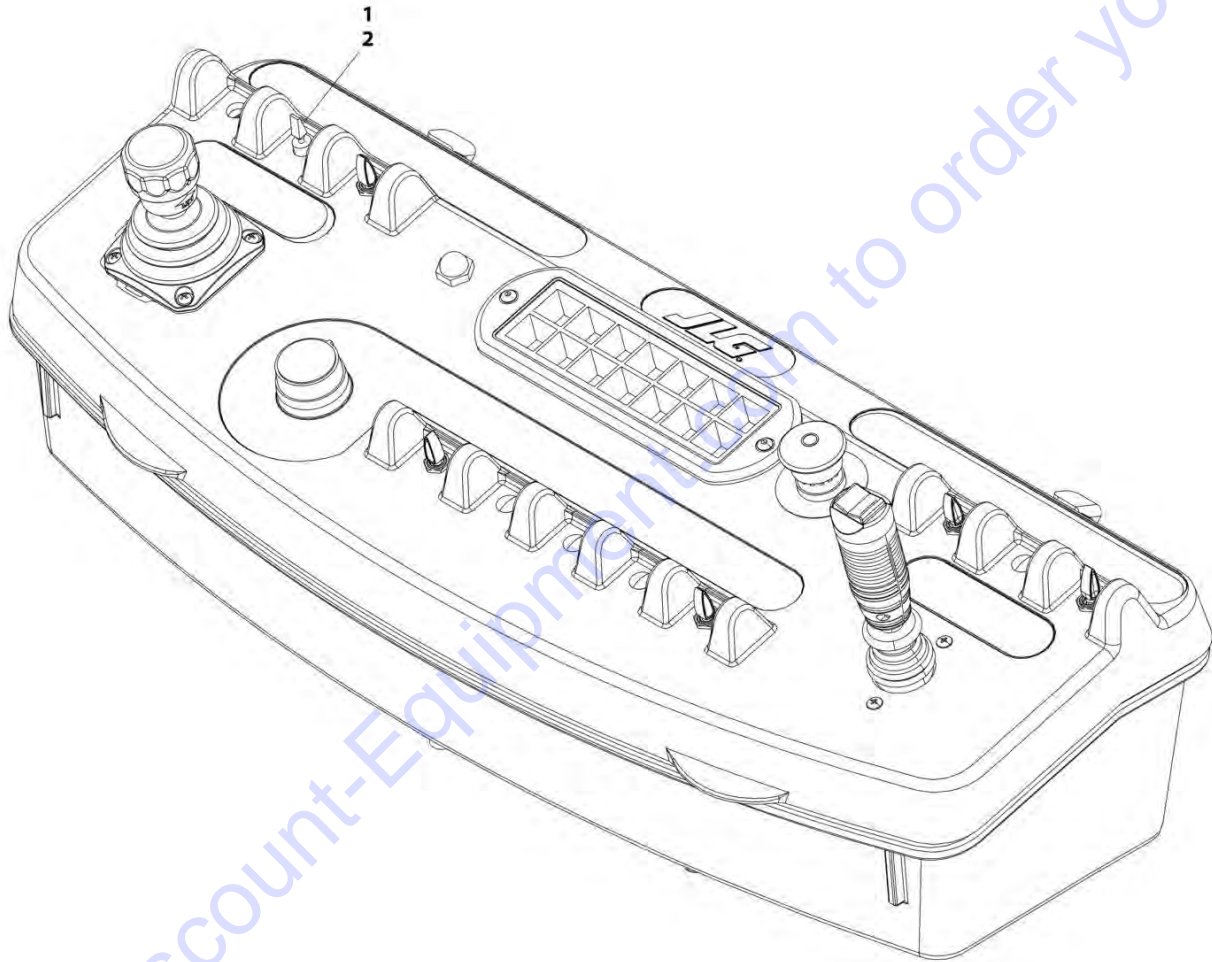
FIGURE 5-25. STEER SWITCH INSTALLATION WITHOUT TOW PACKAGE (4WD/4WS MACHINES)

ITEM	PART NUMBER	QTY	DESCRIPTION	REV
	1001181771	Ref	STEER SWITCH INSTALLATION	A
1	3790012	1	O-Ring	
2	4360331	1	Switch, Toggle	

Go to Discount-Equipment.com to order your parts

SECTION 5 - PLATFORM

FIGURE 5-26. STEER SWITCH INSTALLATION WITH TOW PACKAGE (4WD/4WS MACHINES)



ART_1001181773

SECTION 5 - PLATFORM

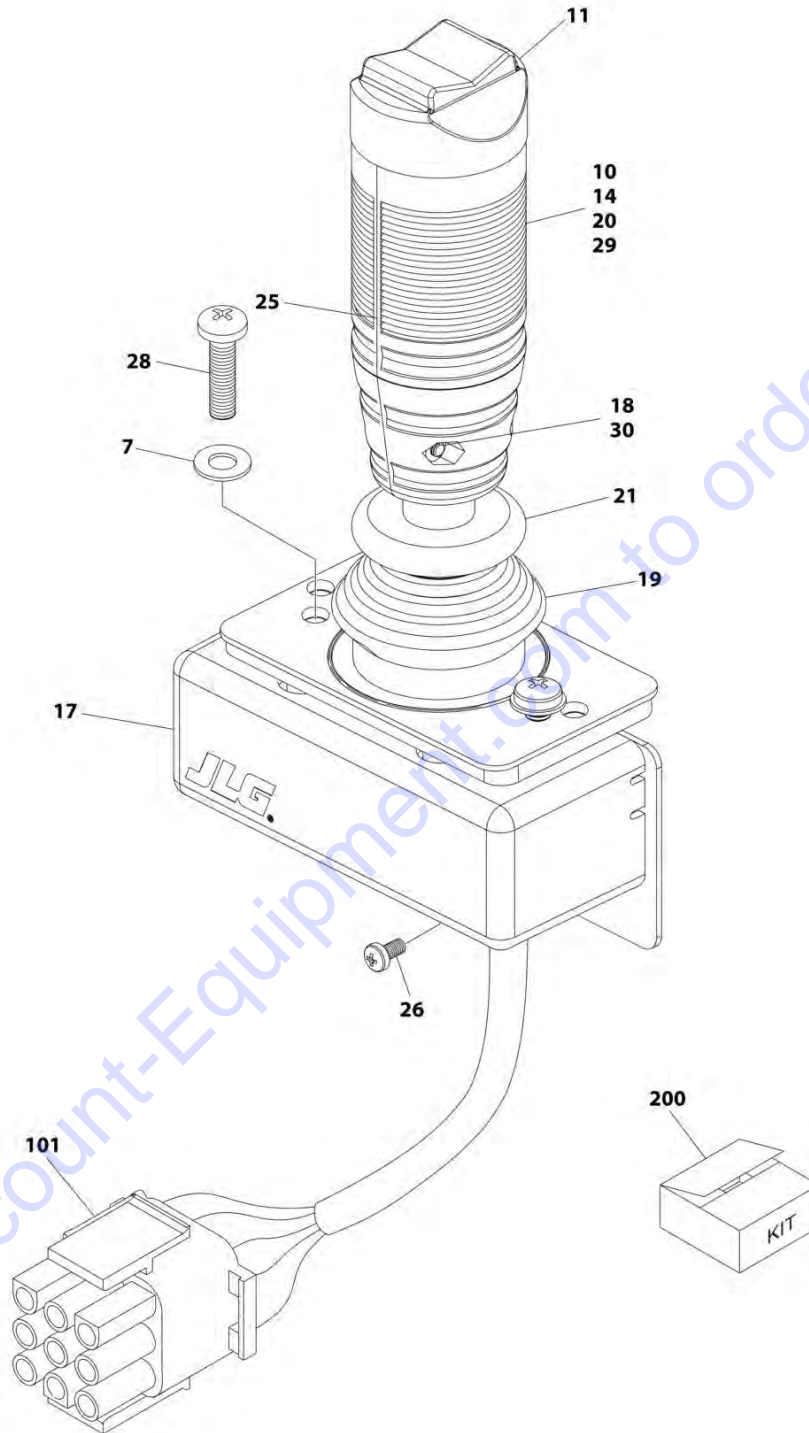
FIGURE 5-26. STEER SWITCH INSTALLATION WITH TOW PACKAGE (4WD/4WS MACHINES)

ITEM	PART NUMBER	QTY	DESCRIPTION	REV
	1001181773	Ref	STEER SWITCH INSTALLATION	A
1	3790012	1	O-Ring	
2	4360331	1	Switch, Toggle	

Go to Discount-Equipment.com to order your parts

SECTION 5 - PLATFORM

FIGURE 5-27. CONTROLLER ASSEMBLY (DRIVE AND STEER)



ART_1001166538

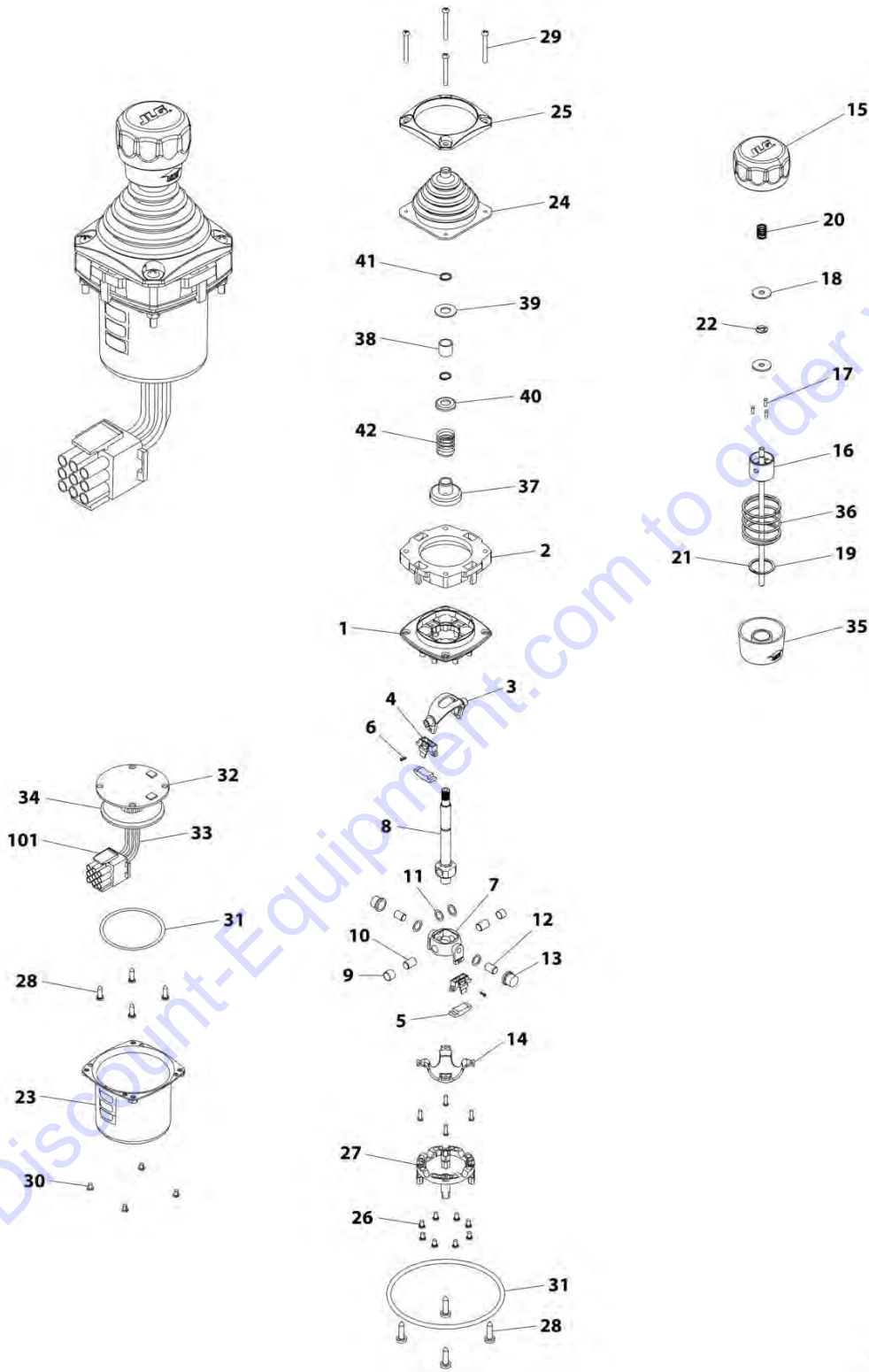
SECTION 5 - PLATFORM

FIGURE 5-27. CONTROLLER ASSEMBLY (DRIVE AND STEER)

ITEM	PART NUMBER	QTY	DESCRIPTION	REV
	1001166538	Ref	CONTROLLER ASSEMBLY	G
		Ref	Note : Use p/n 1001212415 Kit as Replacement.	
7	70004738	2	Washer	
10	70004739	1	Roller	
11	70004740	1	Boot, Switch	
14	70004741	2	Half, Handle	
17	70004742	1	Enclosure	
18	70004743	4	Nut	
19	70004744	NLA	Boot, Controller (Note: Use Item 200)	
20	70004745	NLA	Tube, Locking (Note: Use Item 200)	
21	70004746	NLA	Disc, Locking (Note: Use Item 200)	
25	70004747	2	Seal, Rope	
26	70004748	1	Screw M3 x 6	
28	70004749	2	Screw M5 x 20	
29	70004750	1	Pin, Dowel	
30	70004751	4	Screw M3 x 16	
101	4460265	1	Connector - 9 Position	
101	4460226	7	Socket, Female	
200	70005230	1	Boot Kit (Includes Items 19-21)	

SECTION 5 - PLATFORM

FIGURE 5-28. CONTROLLER ASSEMBLY (LIFT AND SWING)



ART_1001166539

SECTION 5 - PLATFORM

FIGURE 5-28. CONTROLLER ASSEMBLY (LIFT AND SWING)

ITEM	PART NUMBER	QTY	DESCRIPTION	REV
	1001166539	Ref	CONTROLLER ASSEMBLY	D
		Ref	Note: Use p/n 1001129555 as Replacement.	
1	See Note	NSS	Main Cast Body (Note: Not Available - Purchase Complete Assembly)	
2	70004752	1	Adapter	
3	See Note	NSS	Pivot Arm, Plastic (Note: Not Available - Purchase Complete Assembly)	
4	See Note	NSS	Holder, Magnet (Note: Not Available - Purchase Complete Assembly)	
5	See Note	NSS	Arc, Magnet (Note: Not Available - Purchase Complete Assembly)	
6	See Note	NSS	Screw (Note: Not Available for Purchase)	
7	See Note	NSS	Pivot Arm, Cast (Note: Not Available - Purchase Complete Assembly)	
8	See Note	NSS	Shaft, Main (Note: Not Available - Purchase Complete Assembly)	
9	See Note	NSS	Bearing (Note: Not Available - Purchase Complete Assembly)	
10	See Note	NSS	Pin (Note: Not Available - Purchase Complete Assembly)	
11	See Note	NSS	Shim (Note: Not Available - Purchase Complete Assembly)	
12	See Note	NSS	Pin (Note: Not Available - Purchase Complete Assembly)	
13	See Note	NSS	Bearing (Note: Not Available - Purchase Complete Assembly)	
14	See Note	NSS	Dome, Centering (Note: Not Available - Purchase Complete Assembly)	
15	70004753	1	Cap	
16	70004754	1	Insert, Cap	
17	70004755	3	Pin	
18	70004756	2	Washer	
19	70004757	1	Pin, Centering	
20	70004758	1	Spring	
21	70004759	1	Ring, Retaining	
22	70004760	1	E-Ring	
23	70004761	1	Can, Enclosure	
24	70004762	1	Boot	
25	70004763	1	Bezel	
26	See Note	NSS	Screw (Note: Not Available for Purchase)	
27	See Note	NSS	Base Mounting (Note: Not Available - Purchase Complete Assembly)	
28	See Note	NSS	Screw (Note: Not Available for Purchase)	
29	70004764	4	Screw	
30	70004765	4	Screw	
31	70004766	1	O-Ring	
32	See Note	NSS	Plate (Note: Not Available - Purchase Complete Assembly)	
33	See Note	NSS	Harness (Note: Not Available - Purchase Complete Assembly)	
34	70004767	1	Grommet, Rubber	
35	70004768	1	Housing	
36	70004769	1	Spring	
37	70004770	1	Stopper	
38	70004771	1	Spacer	
39	70004772	1	Washer	
40	70004773	1	Disc	
41	70004774	2	Ring, Retaining	
42	70004775	1	Spring	

PARTS FINDER

**Search Website
by Part Number**



**Search Manual
Library For Parts
Manual & Lookup Part
Numbers – Purchase
or Request Quote**

**Can't Find Part or
Manual? Request Help
by Manufacturer,
Model & Description**

Discount-Equipment.com is your online resource for quality parts & equipment.

Florida: **561-964-4949** Outside Florida TOLL FREE: **877-690-3101**

Need parts?

Click on this link: <http://www.discount-equipment.com/category/5443-parts/> and choose one of the options to help get the right parts and equipment you are looking for. Please have the machine model and serial number available in order to help us get you the correct parts. If you don't find the part on the website or on one of the online manuals, please fill out the request form and one of our experienced staff members will get back to you with a quote for the right part that your machine needs.

We sell worldwide for the brands: Genie, Terex, JLG, MultiQuip, Mikasa, Essick, Whiteman, Mayco, Toro Stone, Diamond Products, Generac Magnum, Airman, Haulotte, Barreto, Power Blanket, Nifty Lift, Atlas Copco, Chicago Pneumatic, Allmand, Miller Curber, Skyjack, Lull, Skytrak, Tsurumi, Husquvarna Target, Stow, Wacker, Sakai, Mi-T-M, Sullair, Basic, Dynapac, MBW, Weber, Bartell, Bennar Newman, Haulotte, Ditch Runner, Menegotti, Morrison, Contec, Buddy, Crown, Edco, Wyco, Bomag, Laymor, EZ Trench, Bil-Jax, F.S. Curtis, Gehl Pavers, Heli, Honda, ICS/PowerGrit, IHI, Partner, Imer, Clipper, MMD, Koshin, Rice, CH&E, General Equipment, Amida, Coleman, NAC, Gradall, Square Shooter, Kent, Stanley, Tamco, Toku, Hatz, Kohler, Robin, Wisconsin, Northrock, Oztec, Toker TK, Rol-Air, APT, Wylie, Ingersoll Rand / Doosan, Innovatech, Con X, Ammann, Mecalac, Makinex, Smith Surface Prep, Small Line, Wanco, Yanmar

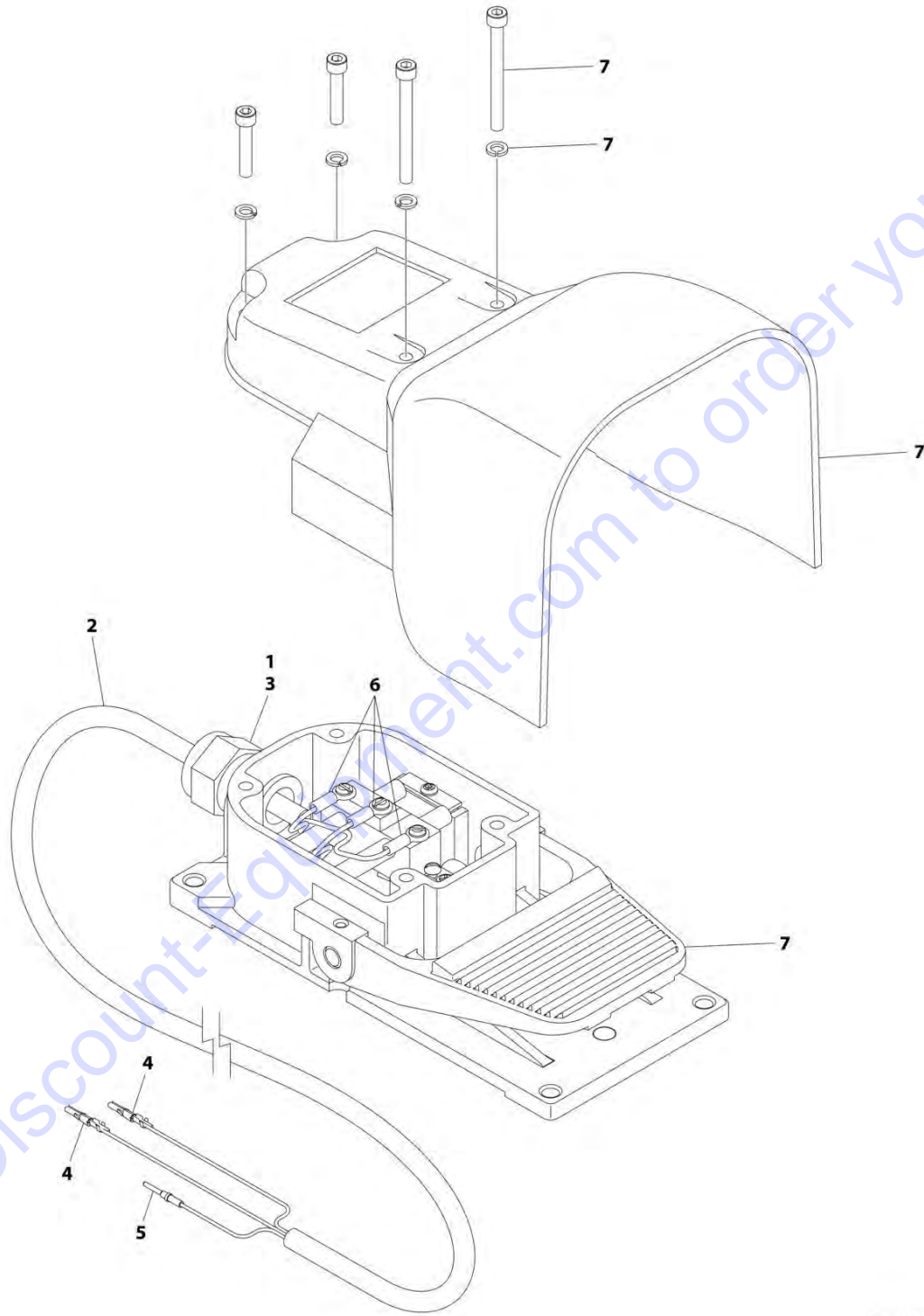
SECTION 5 - PLATFORM

ITEM	PART NUMBER	QTY	DESCRIPTION	REV
101	4460265	1	Connector - 9 Position	
101	4460226	6	Socket, Female	

Go to Discount-Equipment.com to order your parts

SECTION 5 - PLATFORM

FIGURE 5-29. FOOTSWITCH ASSEMBLY



ART_100117174

SECTION 5 - PLATFORM

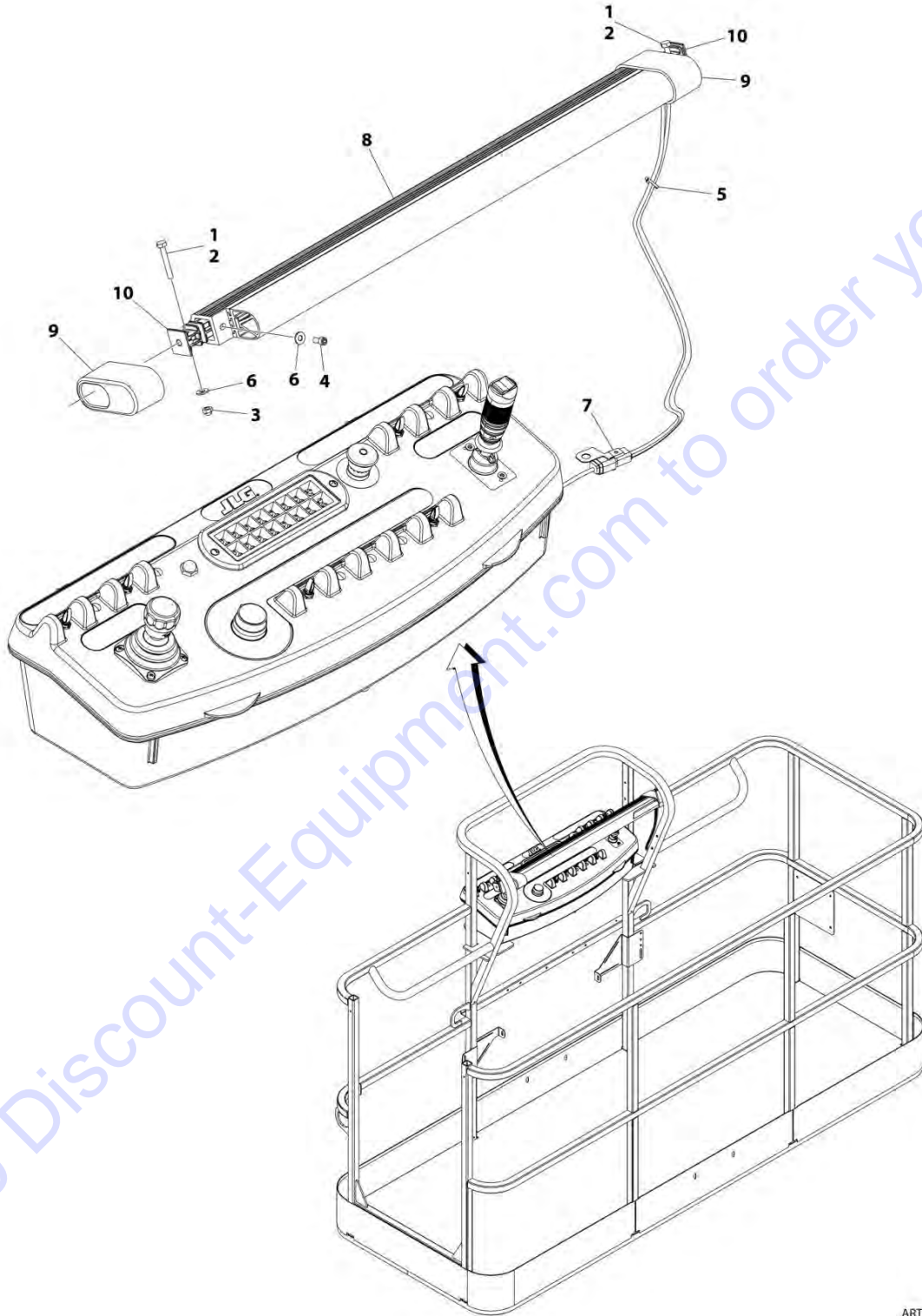
FIGURE 5-29. FOOTSWITCH ASSEMBLY

ITEM	PART NUMBER	QTY	DESCRIPTION	REV
	1001117174	Ref	FOOTSWITCH ASSEMBLY	B
1	0100020	AR	Sealant	
2	1060918	7.5 ft/ 2.3m	Cable, Electrical - 18/3	
3	4460071	1	Connector, Strain Relief	
4	4460226	2	Socket, Female	
5	4460464	1	Pin, Male	
6	1001098122	3	Terminal	
7	1001117172	1	Footswitch	
7	70002902	1	Switch, 20Amp	
7	70002903	1	Gasket	
7	70002905	1	Cover	
7	70002904	1	Kit, Replacement Bolt	

Go to Discount-Equipment.com to order your parts

SECTION 5 - PLATFORM

FIGURE 5-30. SKYGUARD INSTALLATION (SN 0300235168 through 0300259907, SN B30002655 to Present)



ART_1001187508

SECTION 5 - PLATFORM

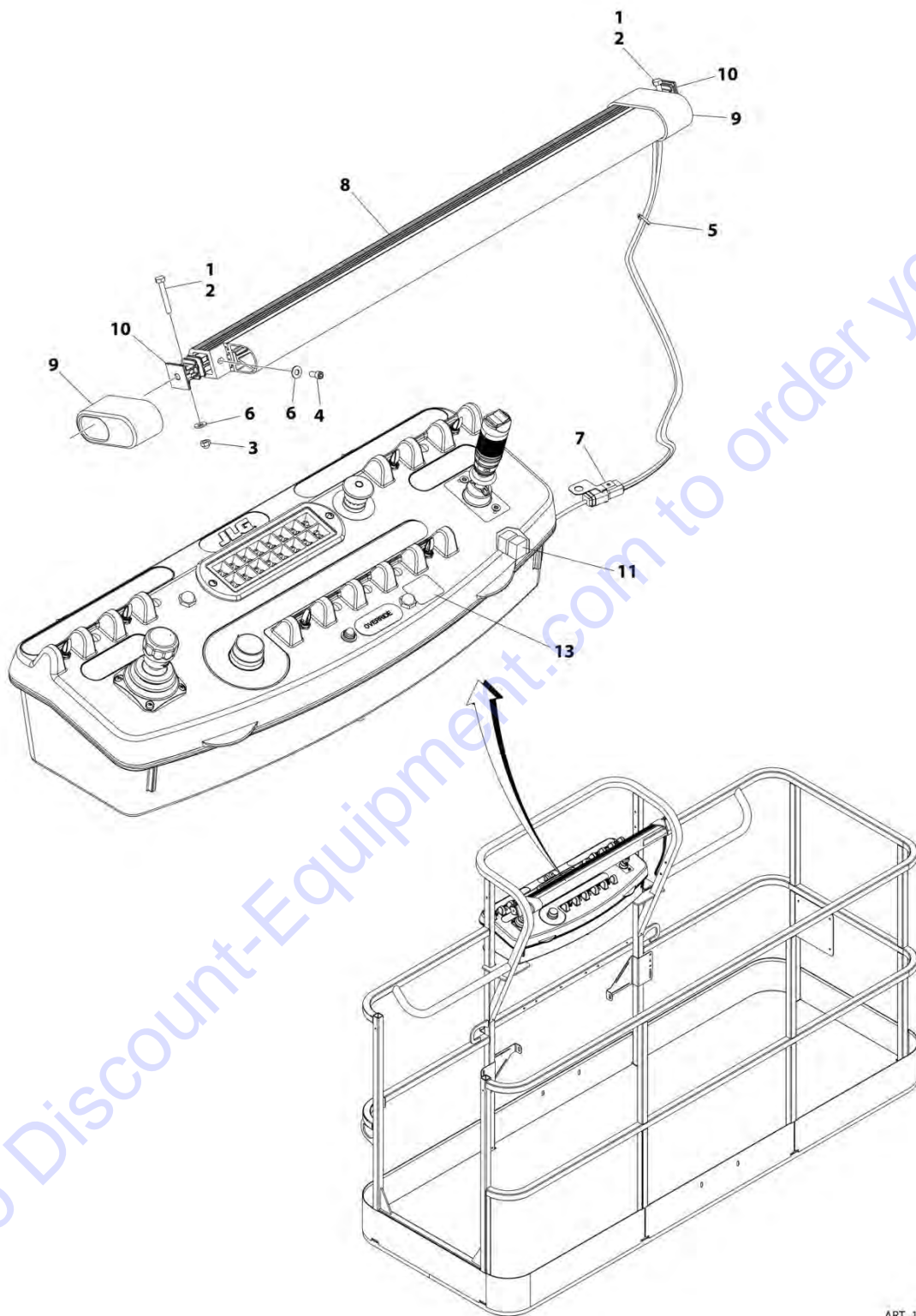
FIGURE 5-30. SKYGUARD INSTALLATION (SN 0300235168 through 0300259907, SN B30002655 to Present)

ITEM	PART NUMBER	QTY	DESCRIPTION	REV
	1001187508	Ref	SKYGUARD INSTALLATION	D
1	0100011	AR	Compound, Locking	
2	0641414	2	Bolt 1/4 x 1-3/4	
3	3300430	2	Nut 1/4	
4	3931424	2	Capscrew 1/4 x 1-1/2	
4	3931408	2	Capscrew 1/4 x 1/2	
5	4240033	AR	Tie-Strap	
6	4711400	AR	Washer 1/4	
7	1001120328	1	Mount	
8	1001137673	1	SkyGuard Switch Assembly	
9	1001186517	2	Cover, Platform Sensor	
10	1001188889	2	Support, Block (SN 0300235168 through 0300237156, SN B300002655 through B300002764)	
10	1001209664	2	Support, Block (SN 0300237157 through 0300259907, SN B300002765 to Present)	

Go to Discount-Equipment.com to order your parts

SECTION 5 - PLATFORM

FIGURE 5-31. SKYGUARD BAR INSTALLATION (SN 0300259908 to Present)



ART_1001238495

SECTION 5 - PLATFORM

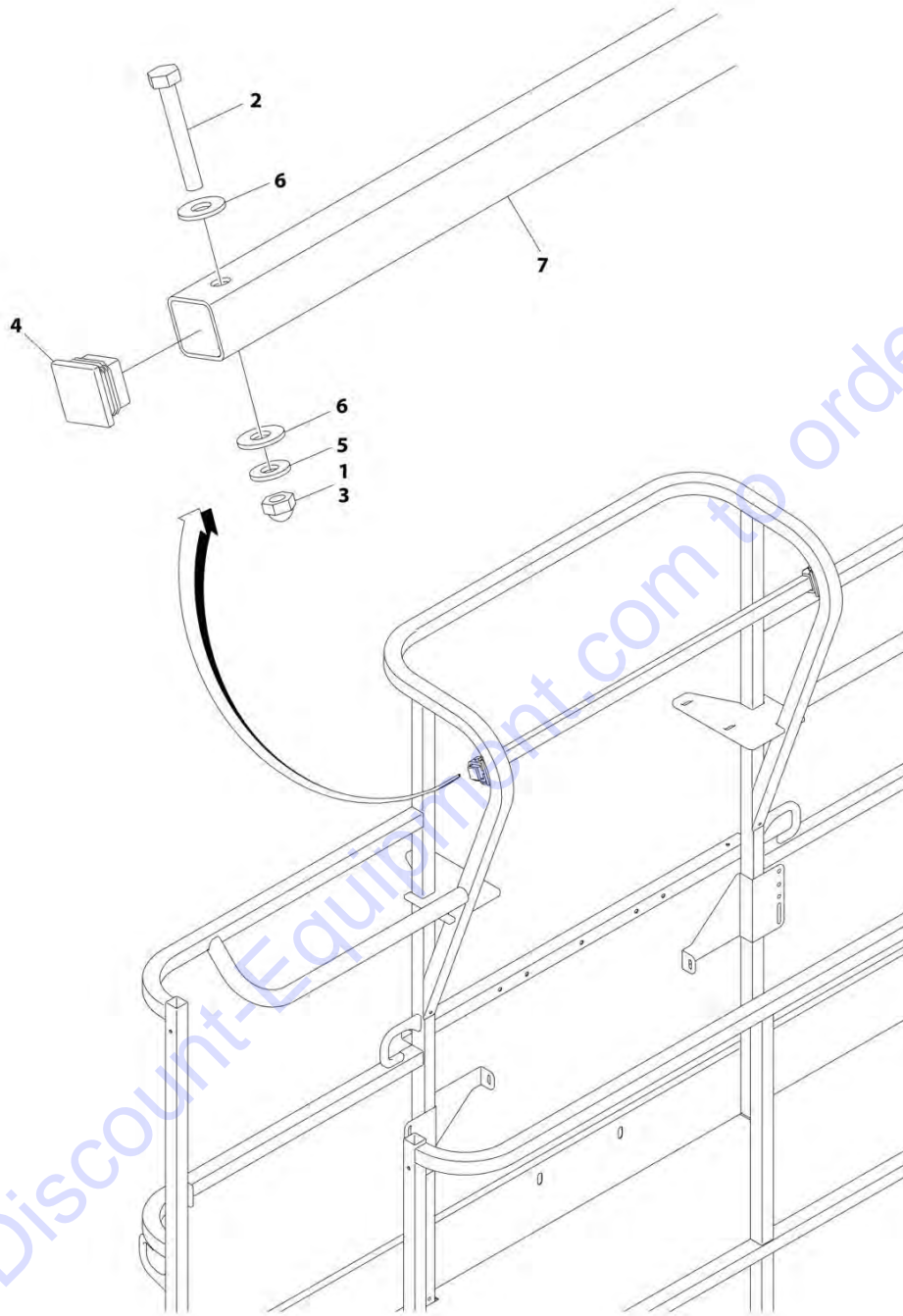
FIGURE 5-31. SKYGUARD BAR INSTALLATION (SN 0300259908 to Present)

ITEM	PART NUMBER	QTY	DESCRIPTION	REV
	1001238495	Ref	SKYGUARD BAR INSTALLATION	A
1	0100011	AR	Compound, Locking	
2	0641414	2	Bolt 1/4 x 1-3/4	
3	3300430	2	Nut 1/4	
4	3931408	2	Capscrew 1/4 x 1/2	
5	4240033	8	Tie-Strap	
6	4711400	6	Washer 1/4	
7	1001120328	1	Mount	
8	1001137673	1	SkyGuard Switch Assembly	
9	1001186517	2	Cover, Platform Sensor	
10	1001209664	2	Support, Block	
11	1001186431	2	Relay	
12	1001225580	1	Interface Harness Assembly (Not Shown - Located Inside Console Box) (See Separate Breakdown in ELECTRICAL SECTION)	
13	1001144433	1	Decal - No Weight SkyGuard	

Go to Discount-Equipment.com to order your parts

SECTION 5 - PLATFORM

FIGURE 5-32. CROSS RAIL INSTALLATION



ART_1001182138

SECTION 5 - PLATFORM

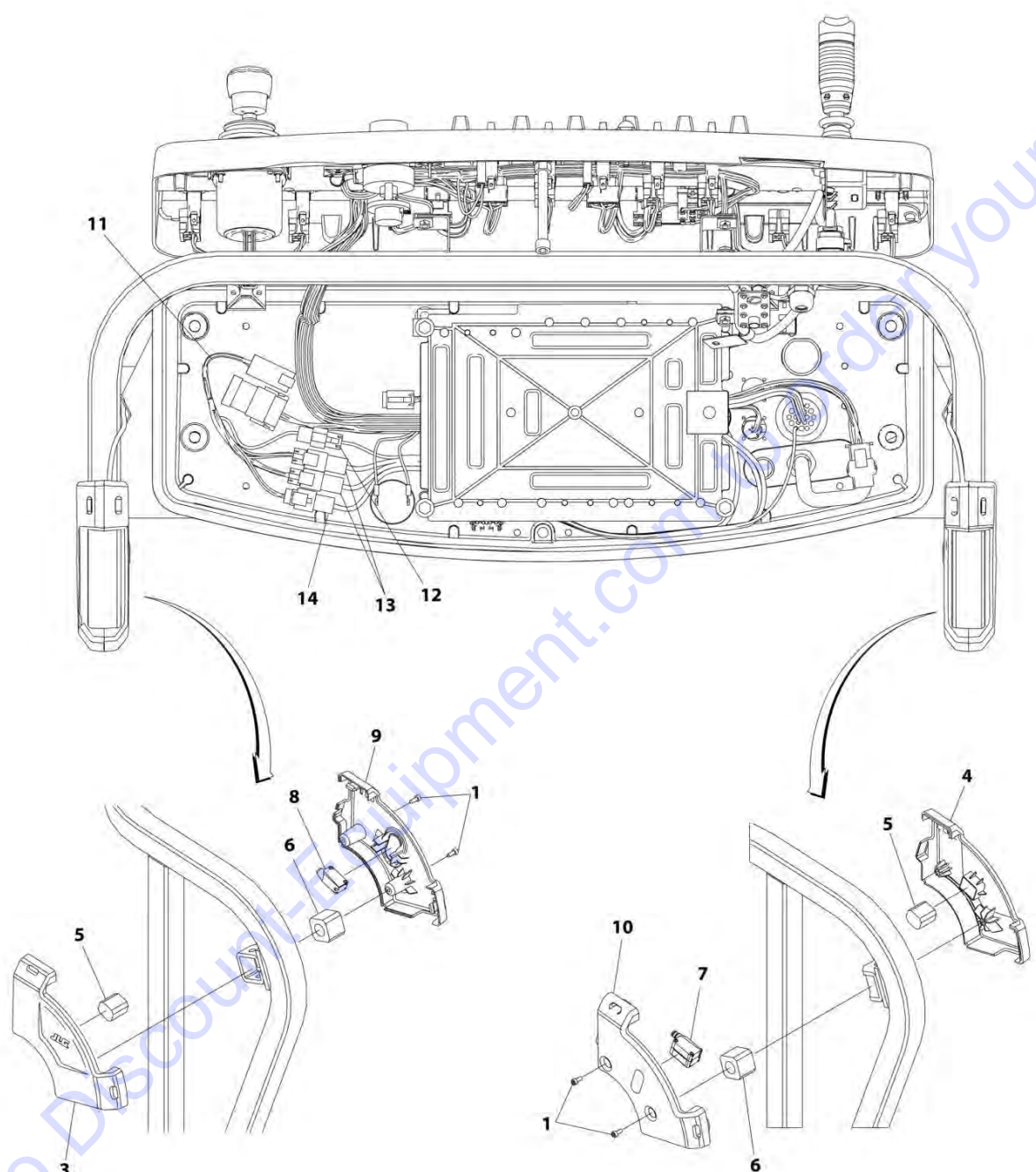
FIGURE 5-32. CROSS RAIL INSTALLATION

ITEM	PART NUMBER	QTY	DESCRIPTION	REV
	1001182138	Ref	CROSS RAIL INSTALLATION	A
1	0100071	AR	Compound, Locking	
2	0641414	2	Bolt 1/4 x 1-3/4	
3	3300430	2	Nut 1/4	
4	3520182	2	Plug	
5	4711400	2	Washer 1/4	
6	4751400	4	Washer 1/4	
7	1001191708	1	Bar	

Go to Discount-Equipment.com to order your parts

SECTION 5 - PLATFORM

FIGURE 5-33. SKYEYE INSTALLATION



ART_1001229341

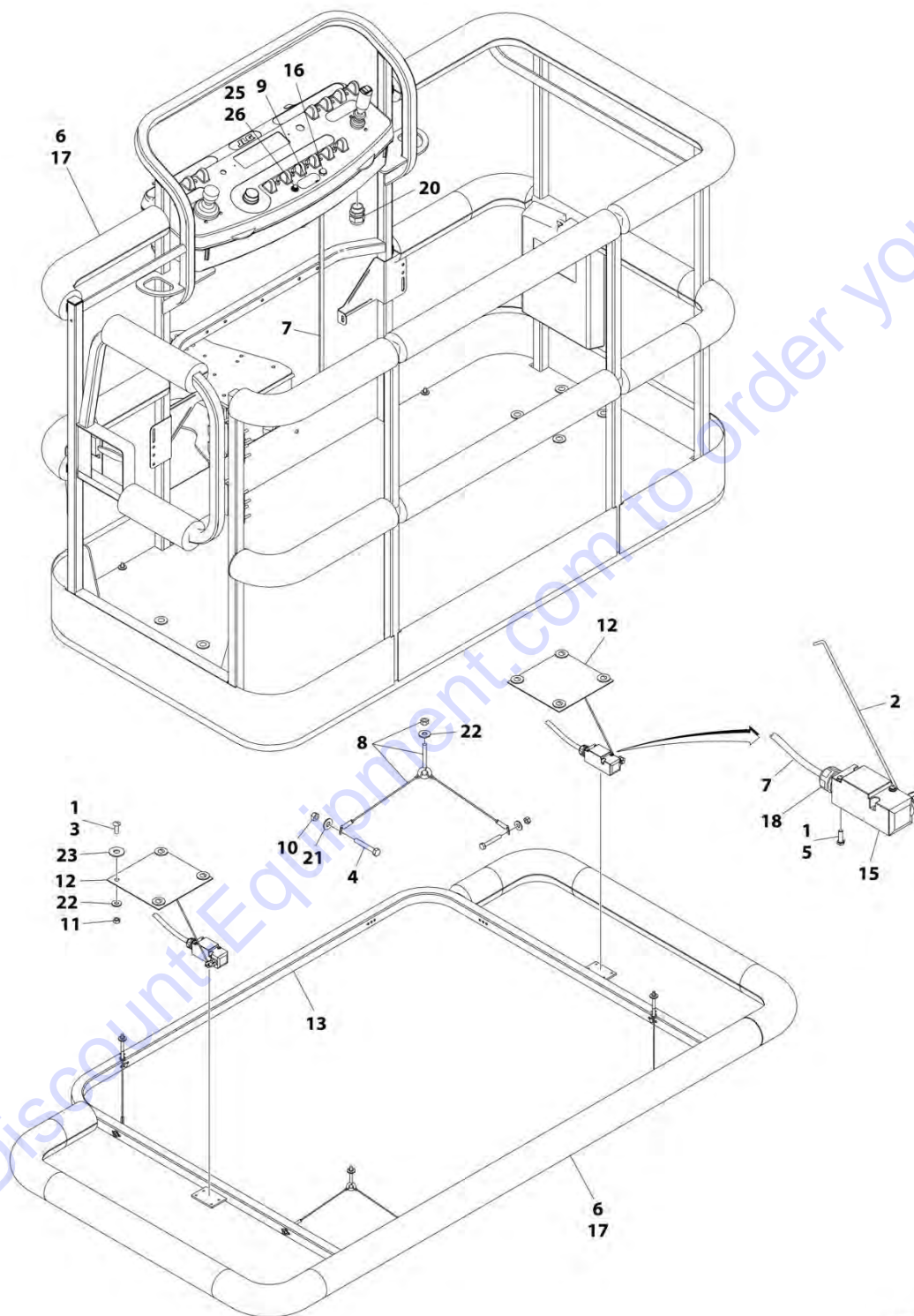
SECTION 5 - PLATFORM

FIGURE 5-33. SKYEYE INSTALLATION

ITEM	PART NUMBER	QTY	DESCRIPTION	REV
	1001229341	Ref	SKYEYE INSTALLATION	A
1	4031505	4	Bolt M4 x 10	
2	4240033	AR	Tie-Strap (Not Shown)	
3	1001227633	1	Housing, LH Outer	
4	1001227634	1	Housing, RH Outer	
5	1001227985	2	Shim	
6	1001227987	2	Shim	
7	1001228224	2	Sensor, Receiver	
8	1001228225	1	Sensor, Emitter	
9	1001232164	1	Housing, LH Inner	
10	1001232165	1	Housing, RH Inner	
11	1001237865	1	Harness, Skyeye Intermediate (See Separate Breakdown in ELECTRICAL SECTION)	
12	1001238319	1	Harness, Skyeye Drain Jumper	
12	1001187674	1	Plug, Male - 2 Position	
12	4460942	1	Terminal	
12	4460466	1	Plug, Terminal	
12	4460508	1	Pin, Male	
13	1001237863	2	Harness, Skyeye Receiver (See Separate Breakdown in ELECTRICAL SECTION)	
14	1001237864	1	Harness, Skyeye Emitter (See Separate Breakdown in ELECTRICAL SECTION)	

SECTION 5 - PLATFORM

FIGURE 5-34. SOFT TOUCH INSTALLATION - 6FT (1.83M) PLATFORM (OPTIONAL)



ART_0273824

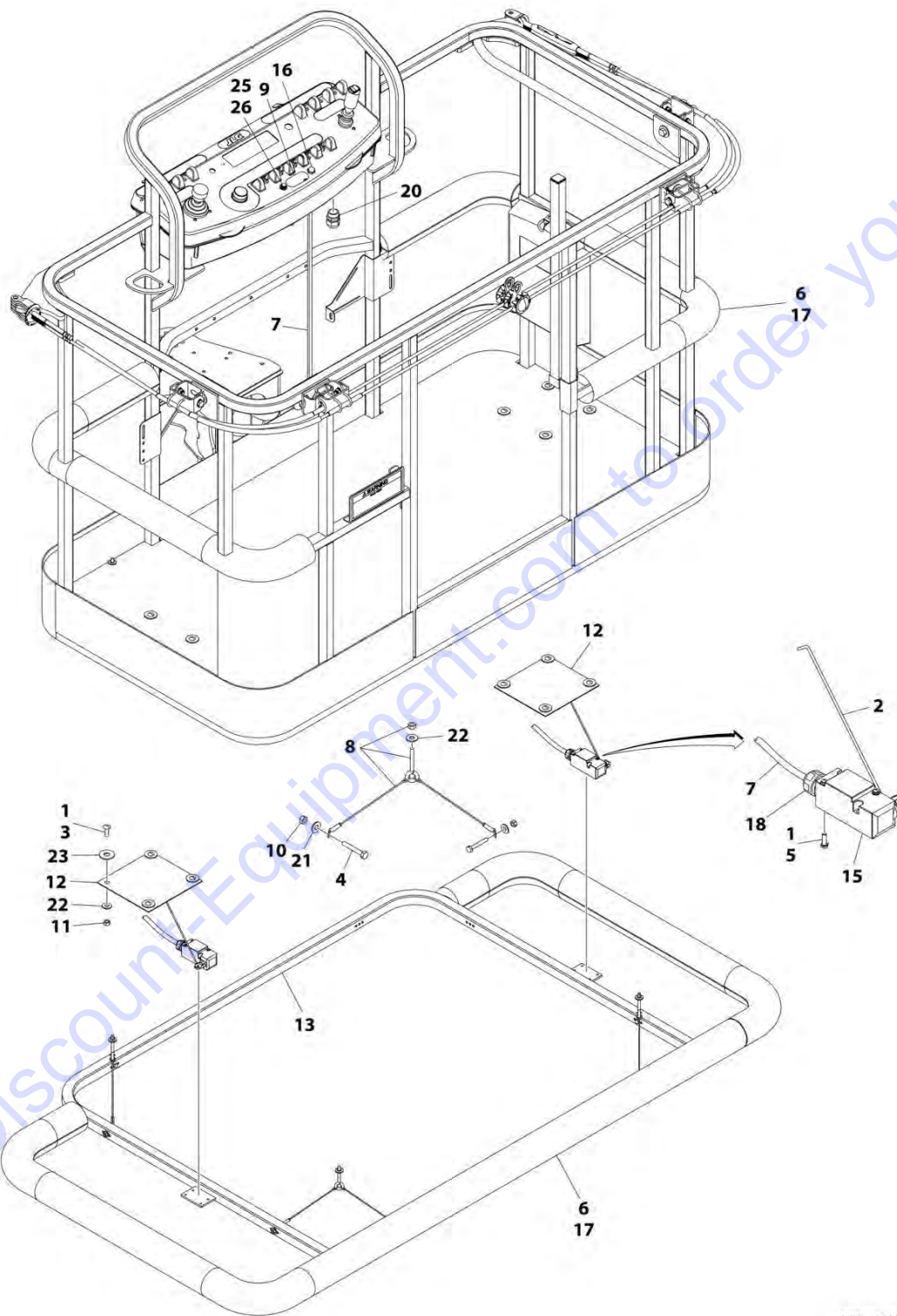
SECTION 5 - PLATFORM

FIGURE 5-34. SOFT TOUCH INSTALLATION - 6FT (1.83M) PLATFORM (OPTIONAL)

ITEM	PART NUMBER	QTY	DESCRIPTION	REV
	0273824	Ref	SOFT TOUCH INSTALLATION	D
1	0100011	AR	Compound, Locking	
2	0200048	2	Arm, Switch	
3	0630462	8	Bolt	
4	0641414	8	Bolt 1/4 x 1-3/4	
5	0721005	4	Bolt #10 x 5/8	
6	0940103	1	Bumper Kit (Includes Corners and Enough Straight Material for One Platform)	
6	0940092	12	Bumper (Corner)	
6	0940094	AR	Bumper (12ft Length)	
7	1060341	23 ft/7m	Cable, Electrical - 16/2	
8	1060903	4	Wire Rope and Eyebolt Assembly	
9	1702938	1	Decal - Soft Touch Override	
10	3311401	8	Nut 1/4	
11	3311501	8	Nut 5/16	
12	3575359	2	Plate, Switch Strike	
13	3641569	1	Rail, Soft Touch	
14	4240099	7	Tie-Strap (Not Shown)	
15	4360057	2	Switch, Limit	
16	4360387	1	Switch, Push Button	
17	4420068	AR	Tape, Adhesive	
17	1001197017	AR	Tie-Strap	
18	4460049	2	Connector, Strain Relief	
19	4460234	7	Tie-Strap (Not Shown)	
20	4460425	1	Connector, Strain Relief	
21	4751400	8	Washer 1/4	
22	4751500	12	Washer 5/16	
23	4751800	8	Washer 1/2	
25	2920028	1	Light, Indicator	
26	2920029	1	Bulb, Light	

SECTION 5 - PLATFORM

FIGURE 5-35. SOFT TOUCH INSTALLATION - 6FT (1.83M) FALL ARREST PLATFORM (600S) (OPTIONAL)



ART_1001108256

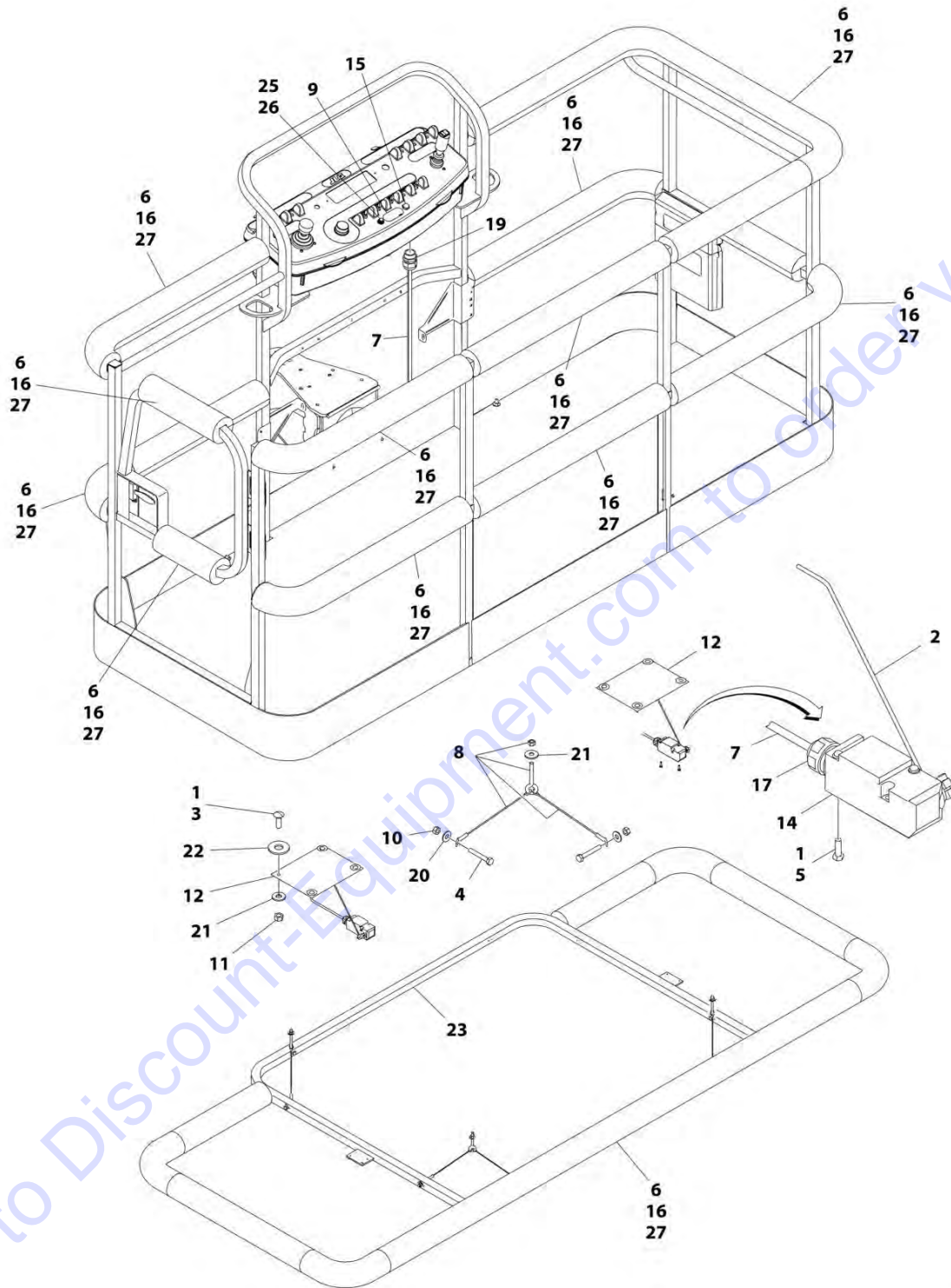
SECTION 5 - PLATFORM

**FIGURE 5-35. SOFT TOUCH INSTALLATION - 6FT (1.83M) FALL ARREST PLATFORM (600S)
(OPTIONAL)**

ITEM	PART NUMBER	QTY	DESCRIPTION	REV
	1001108256	Ref	SOFT TOUCH INSTALLATION	C
1	0100011	AR	Compound, Locking	
2	0200048	2	Arm, Switch	
3	0630462	8	Bolt	
4	0641414	8	Bolt 1/4 x 1-3/4	
5	0721005	4	Bolt #10 x 5/8	
6	0940177	1	Bumper Kit (Includes Corners and Enough Straight Material for One Platform)	
6	0940092	8	Bumper (Corner)	
6	0940094	AR	Bumper (12ft Length)	
7	1060341	23 ft/7m	Cable, Electrical - 16/2	
8	1060903	4	Wire Rope and Eyebolt Assembly	
9	1702938	1	Decal - Soft Touch Override	
10	3311401	8	Nut 1/4	
11	3311501	8	Nut 5/16	
12	3575359	2	Plate, Switch Strike	
13	3641569	1	Rail, Soft Touch	
14	4240099	7	Tie-Strap (Not Shown)	
15	4360057	2	Switch, Limit	
16	4360387	1	Switch, Push Button	
17	4420068	AR	Tape, Adhesive	
17	1001197017	AR	Tie-Strap	
18	4420069	2	Connector, Strain Relief	
19	4460234	7	Tie-Strap (Not Shown)	
20	4460425	1	Connector, Strain Relief	
21	4751400	8	Washer 1/4	
22	4751500	9	Washer 5/16	
23	4751800	8	Washer 1/2	
25	2920028	1	Light, Indicator	
26	2920029	1	Bulb, Light	

SECTION 5 - PLATFORM

FIGURE 5-36. SOFT TOUCH INSTALLATION - 8FT (2.4M) PLATFORM (OPTIONAL)



ART_0272427

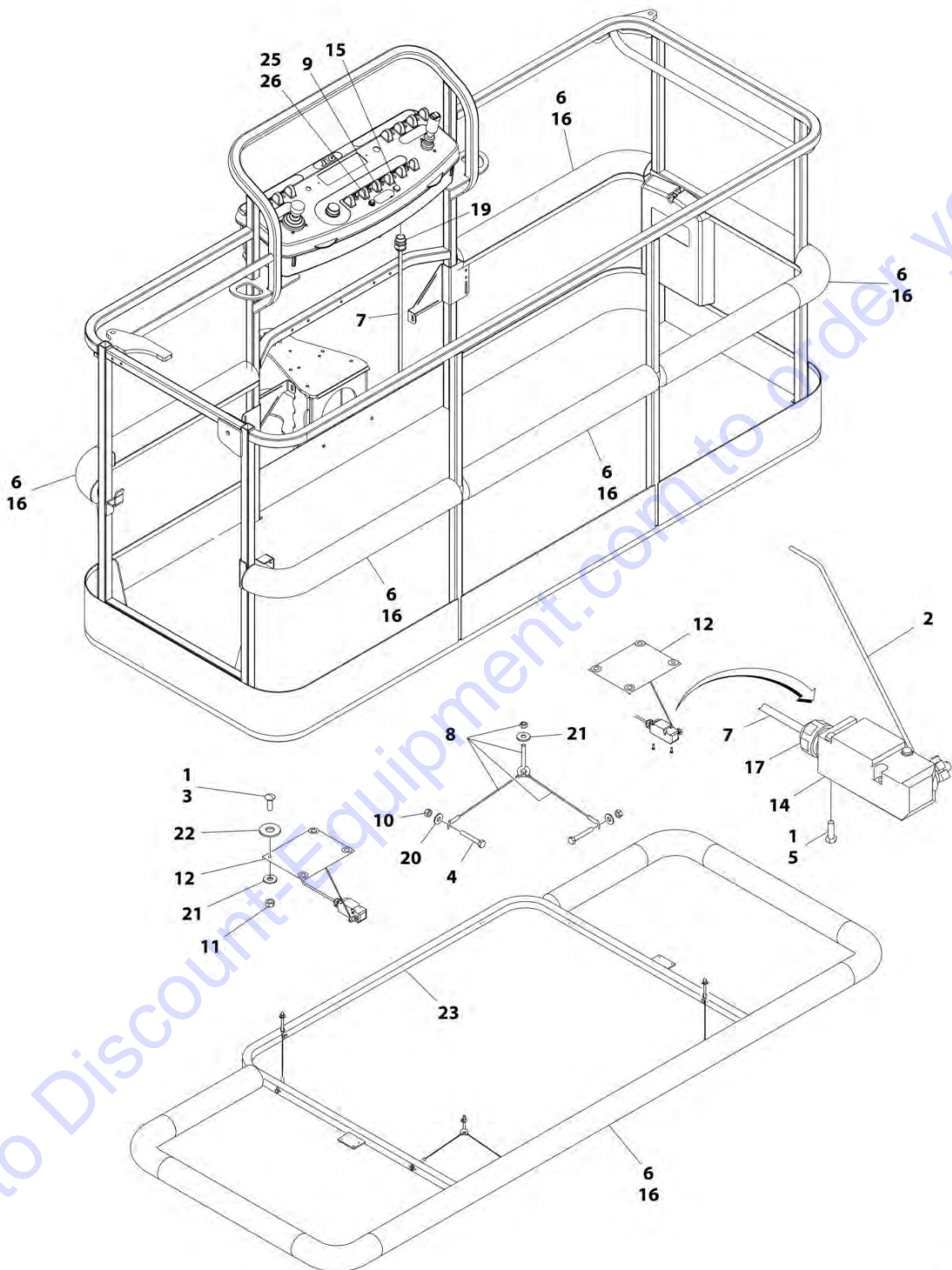
SECTION 5 - PLATFORM

FIGURE 5-36. SOFT TOUCH INSTALLATION - 8FT (2.4M) PLATFORM (OPTIONAL)

ITEM	PART NUMBER	QTY	DESCRIPTION	REV
	0272427	Ref	SOFT TOUCH INSTALLATION - 36IN X 8FT (91.5CM X 2.44M) PLATFORM (OPTIONAL)	G
1	0100011	AR	Compound, Locking	
2	0200048	2	Arm, Switch	
3	0630462	8	Bolt	
4	0641414	8	Bolt 1/4 x 1-3/4	
5	0721005	4	Bolt #10 x 5/8	
6	0940103	1	Bumper Kit (Includes Corners and Enough Straight Material for One Platform)	
6	0940092	12	Bumper (Corner)	
6	0940094	AR	Bumper (12ft Length)	
7	1060341	23 ft/7m	Cable, Electrical - 16/2	
8	1060903	4	Wire Rope and Eyebolt Assembly	
9	1702938	1	Decal - Soft Touch Override	
10	3311401	8	Nut 1/4	
11	3311501	8	Nut 5/16	
12	3574091	2	Plate, Switch Strike	
13	4240099	7	Tie-Strap (Not Shown)	
14	4360057	2	Switch, Limit	
15	4360387	1	Switch, Push Button	
16	4420068	AR	Tape, Adhesive	
16	1001197017	AR	Tie-Strap	
17	4460049	2	Connector, Strain Relief	
18	4460234	7	Tie-Strap (Not Shown)	
19	4460425	1	Connector, Strain Relief	
20	4751400	8	Washer 1/4	
21	4751500	12	Washer 5/16	
22	4751800	8	Washer 1/2	
23	4846673	1	Rail, Soft Touch	
24	4933218	1	Soft Touch Wiring Diagram (Not Shown - See Separate Breakdown in ELECTRICAL SECTION)	
25	2920028	1	Light, Indicator	
26	2920029	1	Bulb, Light	

SECTION 5 - PLATFORM

FIGURE 5-37. SOFT TOUCH INSTALLATION - 8FT (2.4M) FALL ARREST PLATFORM (600S) (OPTIONAL)



ART_0273706

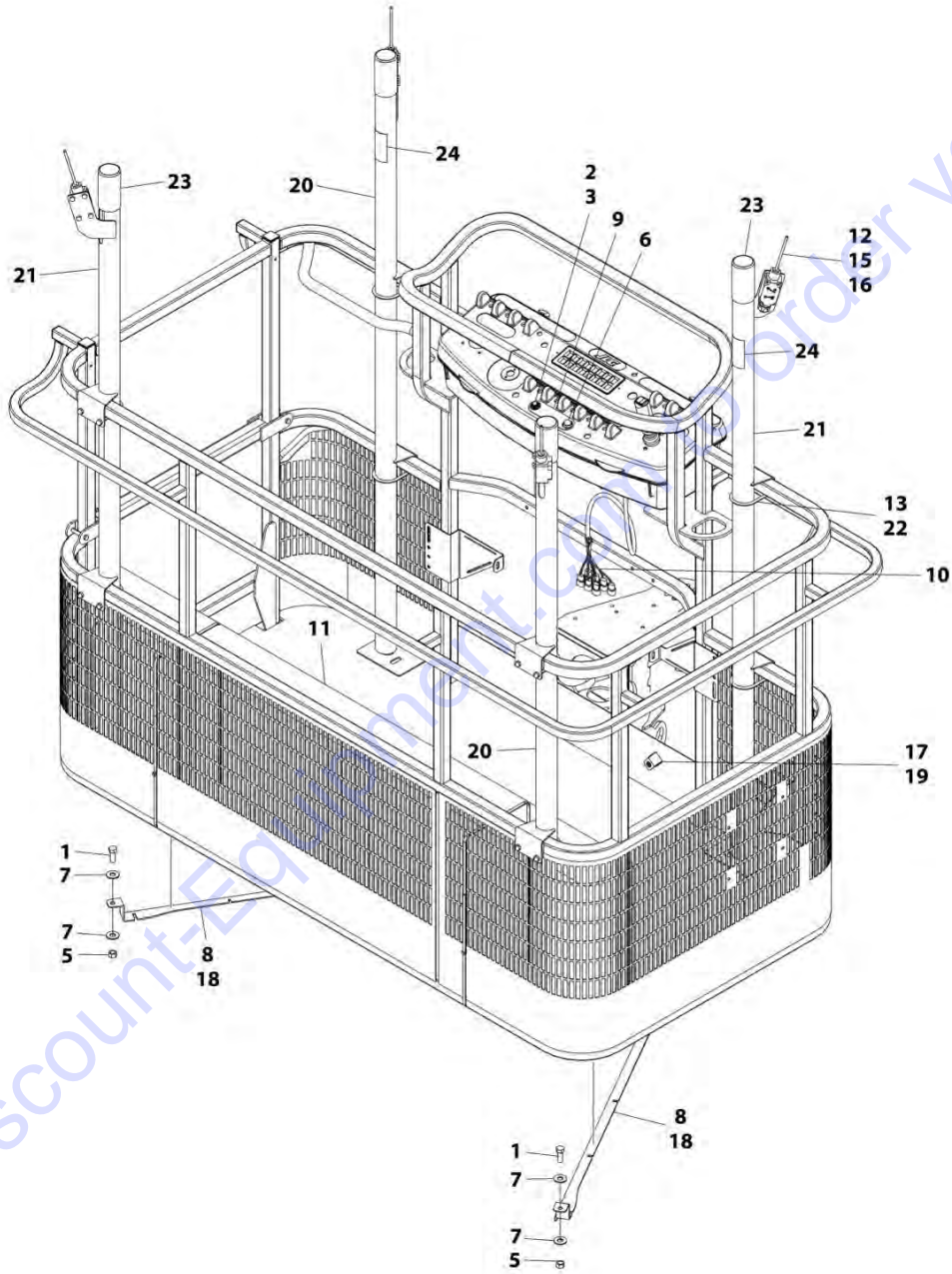
SECTION 5 - PLATFORM

**FIGURE 5-37. SOFT TOUCH INSTALLATION - 8FT (2.4M) FALL ARREST PLATFORM (600S)
(OPTIONAL)**

ITEM	PART NUMBER	QTY	DESCRIPTION	REV
	0273706	Ref	SOFT TOUCH INSTALLATION	D
1	0100011	AR	Compound, Locking	
2	0200048	2	Arm, Switch	
3	0630462	8	Bolt	
4	0641414	8	Bolt 1/4 x 1-3/4	
5	0721005	4	Bolt #10 x 5/8	
6	0940133	1	Bumper Kit (Includes Corners and Enough Straight Material for One Platform)	
6	0940092	8	Bumper (Corner)	
6	0940094	AR	Bumper (12ft Length)	
7	1060341	23 ft/7m	Cable, Electrical - 16/2	
8	1060903	4	Wire Rope and Eyebolt Assembly	
9	1702938	1	Decal - Soft Touch Override	
10	3311401	8	Nut 1/4	
11	3311501	8	Nut 5/16	
12	3574091	2	Plate, Switch Strike	
13	4240099	7	Tie-Strap (Not Shown)	
14	4360057	2	Switch, Limit	
15	4360387	1	Switch, Push Button	
16	4420068	AR	Tape, Adhesive	
16	1001197017	AR	Tie-Strap	
17	4460049	2	Connector, Strain Relief	
18	4460234	7	Tie-Strap (Not Shown)	
19	4460425	1	Connector, Strain Relief	
20	4751400	8	Washer 1/4	
21	4751500	12	Washer 5/16	
22	4751800	8	Washer 1/2	
23	4846673	1	Rail, Soft Touch	
25	2920028	1	Light, Indicator	
26	2920029	1	Bulb, Light	

SECTION 5 - PLATFORM

FIGURE 5-38. SOFT TOUCH INSTALLATION - OVERHEAD (CHINESE AND KOREAN SPECS) (OPTIONAL)



ART_1001110926

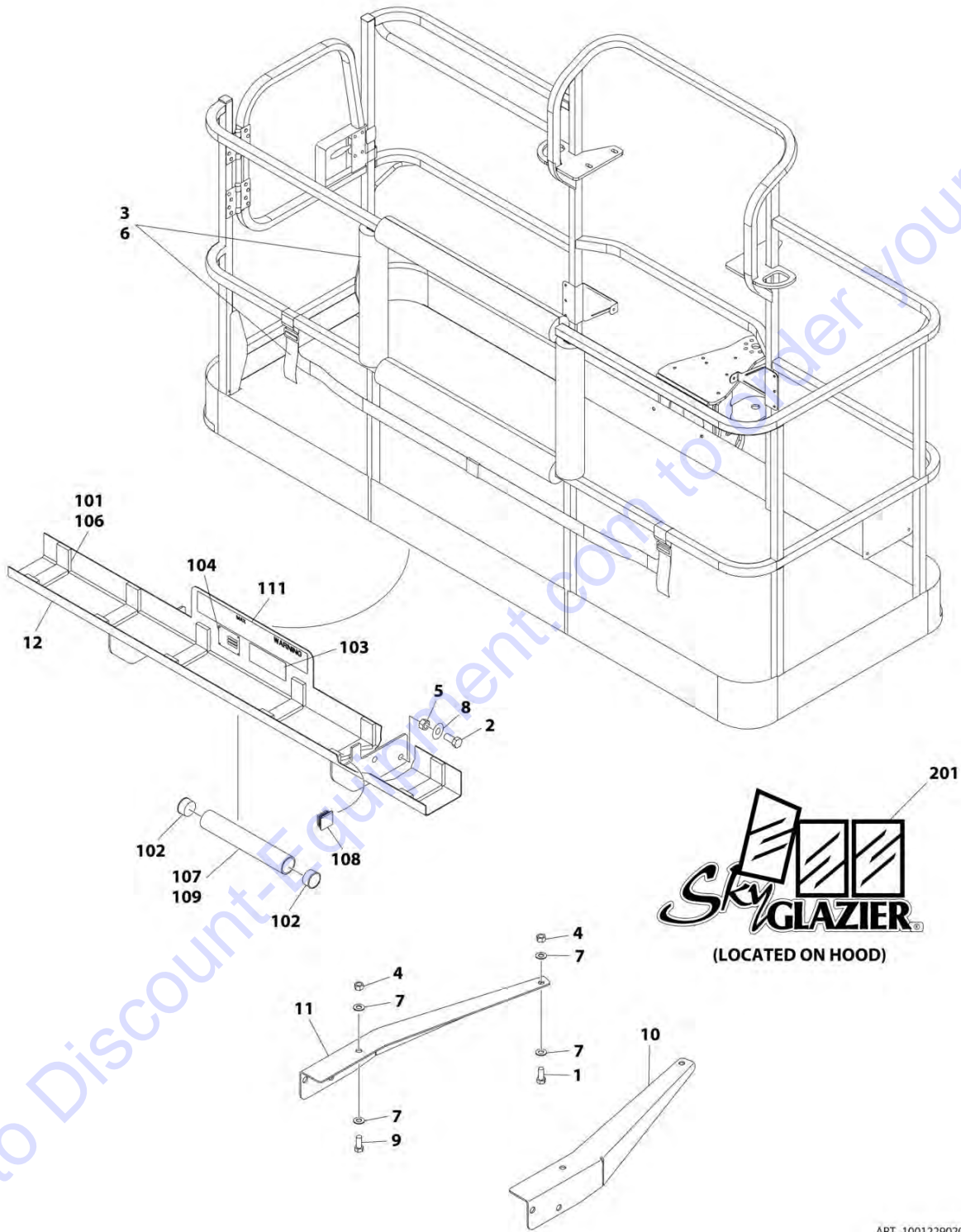
SECTION 5 - PLATFORM

**FIGURE 5-38. SOFT TOUCH INSTALLATION - OVERHEAD (CHINESE AND KOREAN SPECS)
(OPTIONAL)**

ITEM	PART NUMBER	QTY	DESCRIPTION	REV
	1001110926	Ref	SOFT TOUCH INSTALLATION	C
1	0641608	4	Bolt 3/8 x 1	
2	2920028	1	Light, Indicator	
3	2920029	1	Bulb, Light	
5	3311605	4	Nut 3/8	
6	4360387	1	Switch, Push Button	
7	4751600	8	Washer 3/8	
8	1001113643	2	Bracket	
9	1001113691	1	Decal - Soft Touch Override	
10	1001113857	1	Soft Touch Harness - Overhead	
10	4460897	4	Receptacle, Female - 2 Position	
10	4460464	8	Pin, Male	
11	1001113856	Ref	Overhead Soft Touch Kit	
12	0641405	16	Bolt 1/4 x 5/8	
13	3300356	16	Nut 5/16	
14	4240099	16	Tie, Wire (Not Shown)	
15	4360477	4	Switch, Proximity	
16	4460662	4	Connector, Strain Relief	
17	4711400	2	Washer 1/4	
18	1001090615	4	Grommet	
19	1001102858	2	Clamp	
20	1001110935	2	Tube	
21	1001113741	2	Tube	
22	1001113743	8	Bolt 5/16 x 3.65	
23	1001113774	4	Cap	
24	1001131802	4	Decal - Weight	

SECTION 5 - PLATFORM

FIGURE 5-39. SKYGLAZIER INSTALLATION - 600S & 660SJ (ANSI, AUSTRALIAN AND CSA SPECS)



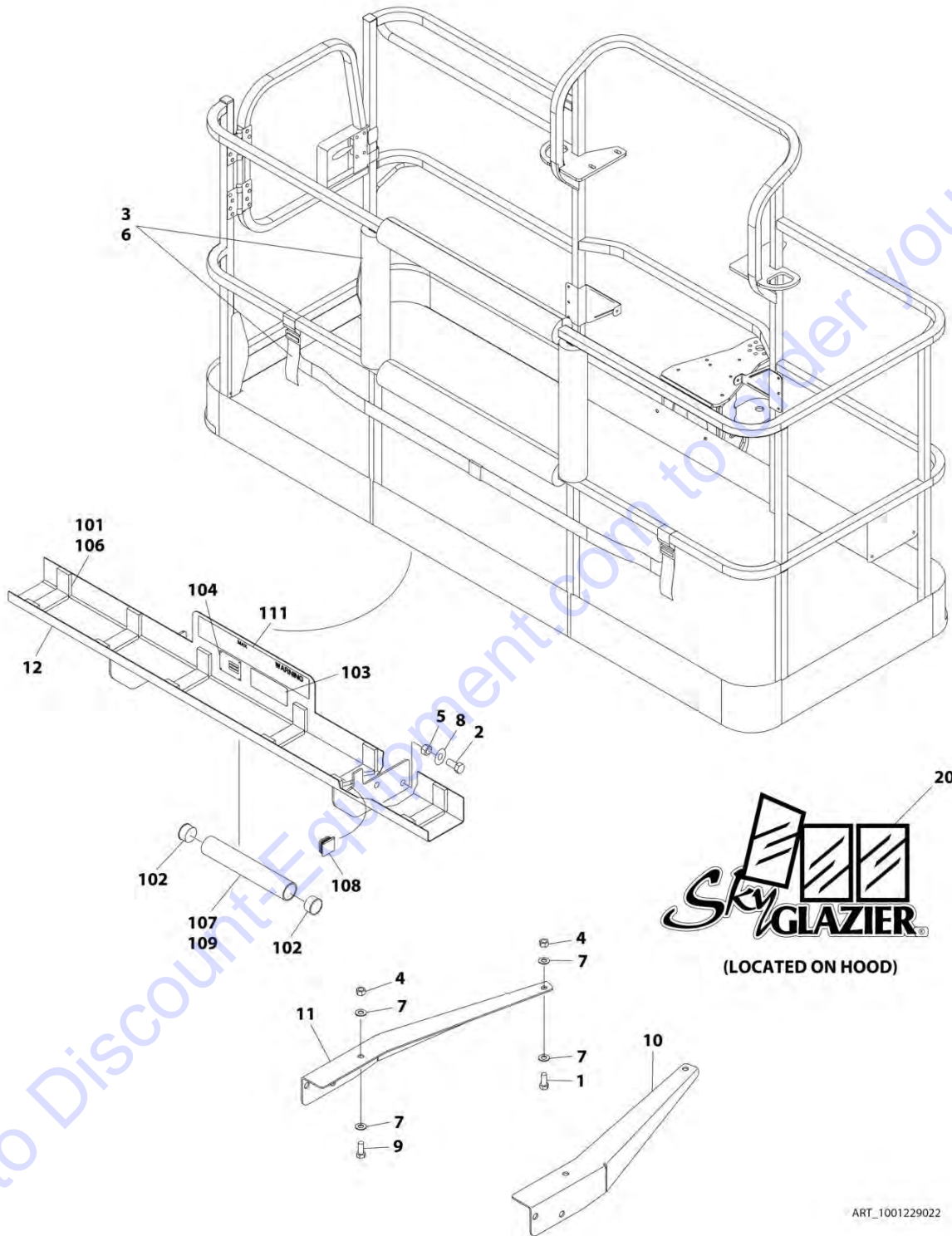
SECTION 5 - PLATFORM

FIGURE 5-39. SKYGLAZIER INSTALLATION - 600S & 660SJ (ANSI, AUSTRALIAN AND CSA SPECS)

ITEM	PART NUMBER	QTY	DESCRIPTION	REV
	1001229020	Ref	SKYGLAZIER INSTALLATION	A
1	0642012	2	Bolt 5/8 x 1-1/2	
2	0642212	4	Bolt 3/4 x 1-1/2	
3	2902212	1	Bumpers and Strap Kit	
3	0940102	1	Bumper Only	
3	4240149	1	Strap Only	
4	3312005	4	Nut 5/8	
5	3312205	4	Nut 3/4	
6	4420014	AR	Tape	
7	4712000	6	Washer 5/8	
8	4712200	8	Washer 3/4	
9	8310129	2	Bolt 3/4 x 2-1/2	
10	1001099366	1	Support	
11	1001099367	1	Support	
12	1001229082	1	Tray Assembly (See Items 101-111 for Breakdown)	
	1001229082	Ref	TRAY ASSEMBLY	A
101	0100081	AR	Adhesive	
102	1120555	2	Cap, Tube	
103	1701509	1	Decal - Manual	
104	See Note	NSS	Nameplate - Serial Number (Note: Not Available for Purchase)	
106	3340956	1	Pad Kit	
107	3460334	1	Tube	
108	3520071	2	Plug	
109	4420066	AR	Tape, Double Sided	
111	1001199035	2	Decal - Glazier Capacity	
	0272418	Ref	SKYGLAZIER DECAL INSTALLATION	4
201	1705358	2	Decal - SkyGlazier	

SECTION 5 - PLATFORM

FIGURE 5-40. SKYGLAZIER INSTALLATION - 600S (BRAZIL SPECS)



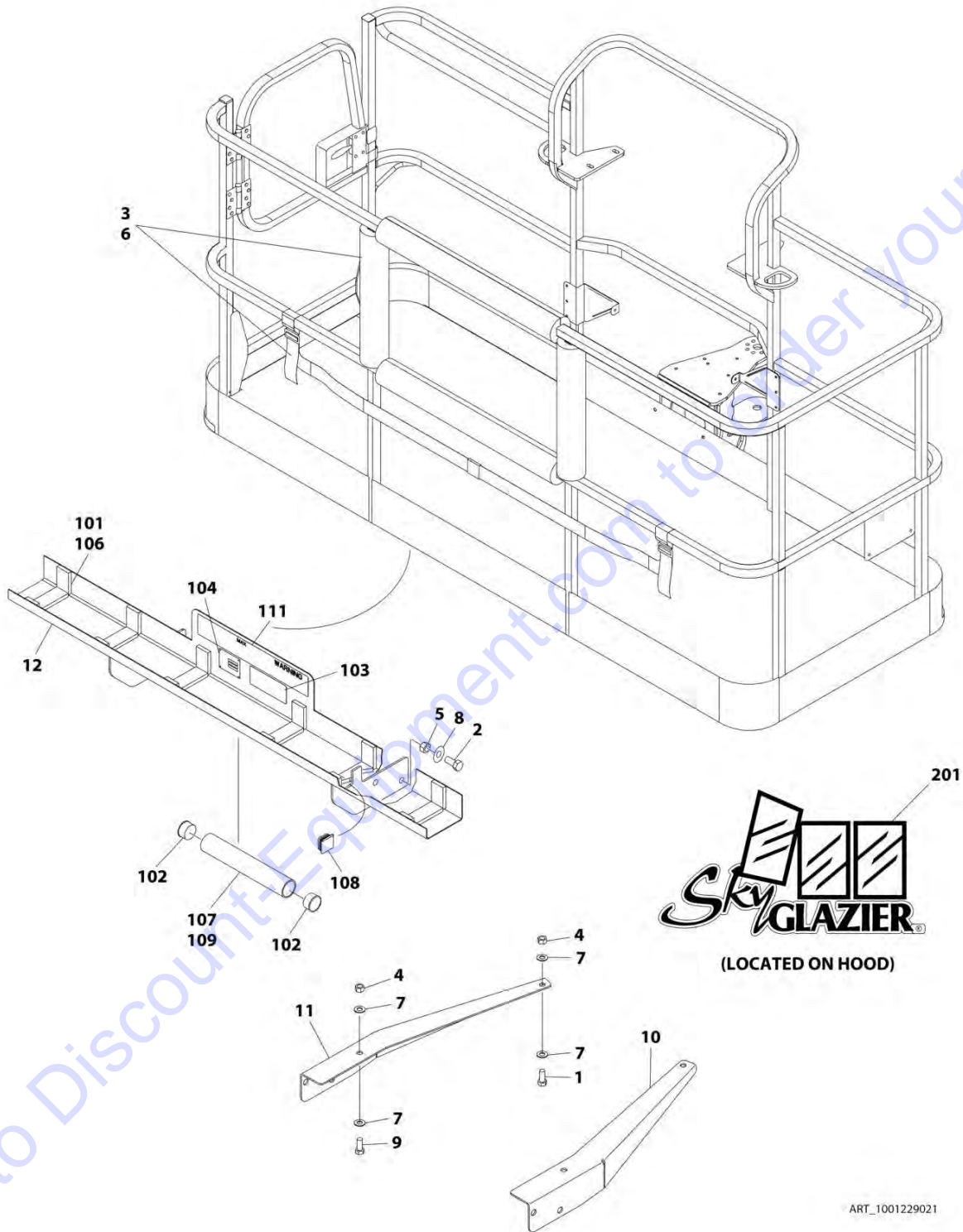
SECTION 5 - PLATFORM

FIGURE 5-40. SKYGLAZIER INSTALLATION - 600S (BRAZIL SPECS)

ITEM	PART NUMBER	QTY	DESCRIPTION	REV
	1001229022	Ref	SKYGLAZIER INSTALLATION	A
1	0642012	2	Bolt 5/8 x 1-1/2	
2	0642212	4	Bolt 3/4 x 1-1/2	
3	2902212	1	Bumpers and Strap Kit	
3	0940102	1	Bumper Only	
3	4240149	1	Strap Only	
4	3312005	4	Nut 5/8	
5	3312205	4	Nut 3/4	
6	4420014	AR	Tape	
7	4712000	6	Washer 5/8	
8	4712200	8	Washer 3/4	
9	8310129	2	Bolt 3/4 x 2-1/2	
10	1001099366	1	Support	
11	1001099367	1	Support	
12	1001229118	1	Tray Assembly (See Items 101-111 for Breakdown)	
	1001229118	Ref	TRAY ASSEMBLY	A
101	0100081	AR	Adhesive	
102	1120555	2	Cap, Tube	
103	1701509	1	Decal - Manual	
104	See Note	NSS	Nameplate - Serial Number (Note: Not Available for Purchase)	
106	3340956	1	Pad Kit	
107	3460334	1	Tube	
108	3520071	2	Plug	
109	4420066	AR	Tape, Double Sided	
111	1001229112	2	Decal - Glazier Capacity	
	0272418	Ref	SKYGLAZIER DECAL INSTALLATION	4
201	1705358	2	Decal - SkyGlazier	

SECTION 5 - PLATFORM

FIGURE 5-41. SKYGLAZIER INSTALLATION - 600S (LATIN AMERICAN SPECS)



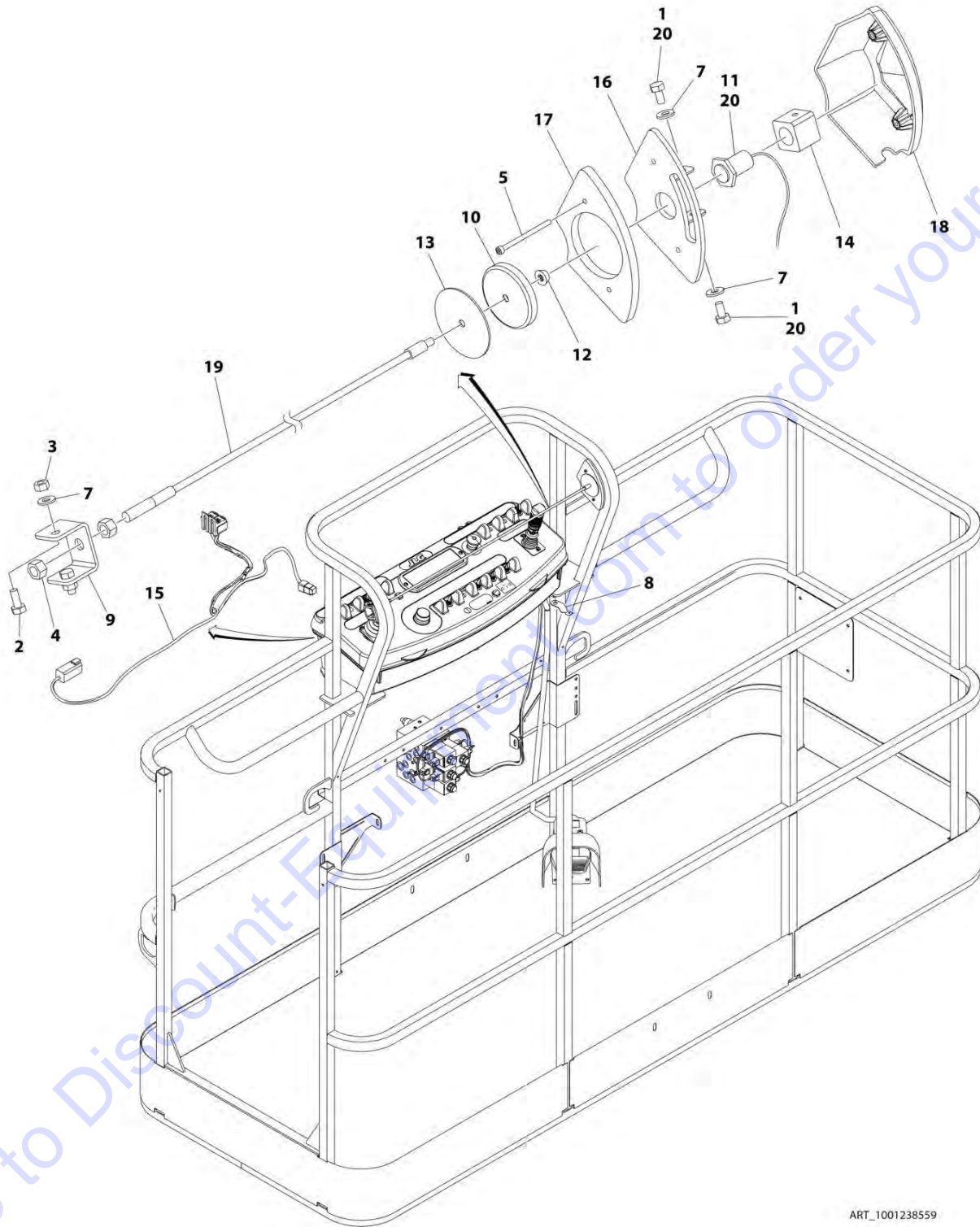
SECTION 5 - PLATFORM

FIGURE 5-41. SKYGLAZIER INSTALLATION - 600S (LATIN AMERICAN SPECS)

ITEM	PART NUMBER	QTY	DESCRIPTION	REV
	1001229021	Ref	SKYGLAZIER INSTALLATION	A
1	0642012	2	Bolt 5/8 x 1-1/2	
2	0642212	4	Bolt 3/4 x 1-1/2	
3	2902212	1	Bumpers and Strap Kit	
3	0940102	1	Bumper Only	
3	4240149	1	Strap Only	
4	3312005	4	Nut 5/8	
5	3312205	4	Nut 3/4	
6	4420014	AR	Tape	
7	4712000	6	Washer 5/8	
8	4712200	8	Washer 3/4	
9	8310129	2	Bolt 3/4 x 2-1/2	
10	1001099366	1	Support	
11	1001099367	1	Support	
12	1001229108	1	Tray Assembly (See Items 101-111 for Breakdown)	
	1001229108	Ref	TRAY ASSEMBLY	A
101	0100081	AR	Adhesive	
102	1120555	2	Cap, Tube	
103	1701509	1	Decal - Manual	
104	See Note	NSS	Nameplate - Serial Number (Note: Not Available for Purchase)	
106	3340956	1	Pad Kit	
107	3460334	1	Tube	
108	3520071	2	Plug	
109	4420066	AR	Tape, Double Sided	
111	1001229111	2	Decal - Glazier Capacity	
	0272418	Ref	SKYGLAZIER DECAL INSTALLATION	4
201	1705358	2	Decal - SkyGlazier	

SECTION 5 - PLATFORM

FIGURE 5-42. SKYLINE INSTALLATION



ART_1001238559

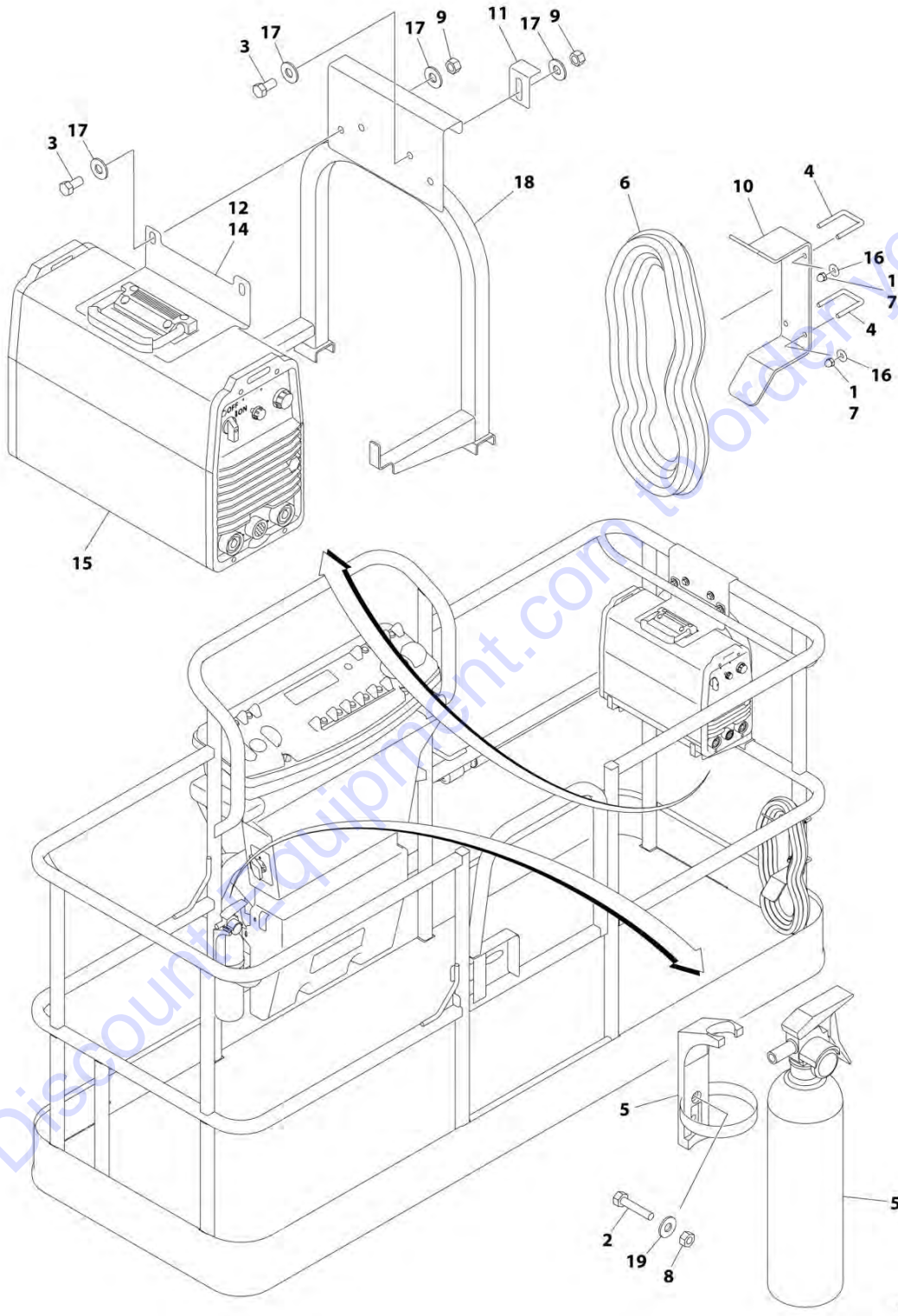
SECTION 5 - PLATFORM

FIGURE 5-42. SKYLINE INSTALLATION

ITEM	PART NUMBER	QTY	DESCRIPTION	REV
	1001238559	Ref	SKYLINE INSTALLATION	B
1	0641404	2	Bolt 1/4 x 1/2	
2	0641405	2	Bolt 1/4 x 5/8	
3	3311405	2	Nut 1/4	
4	3311601	2	Nut 3/8	
5	4031516	2	Capscrew M4 x 60	
6	4240033	AR	Tie-Strap (Not Shown)	
7	4711400	4	Washer 1/4	
8	1001120328	1	Mount	
9	1001232642	1	Bracket	
10	1001232650	1	Magnet	
11	1001232667	1	Sensor, Proximity	
12	1001235011	1	Nut	
13	1001235013	1	Washer	
14	1001236552	1	Block	
15	1001238418	1	Harness, Skyline (See Separate Breakdown in ELECTRICAL SECTION)	
16	1001238472	1	Mount	
17	1001238477	1	Housing, LH	
18	1001241965	1	Housing, RH	
19	1001238824	1	Rope	
20	0100011	AR	Compound, Locking	

SECTION 5 - PLATFORM

FIGURE 5-43. SKYWELDER INSTALLATION (50HZ)



ART_0272521

SECTION 5 - PLATFORM

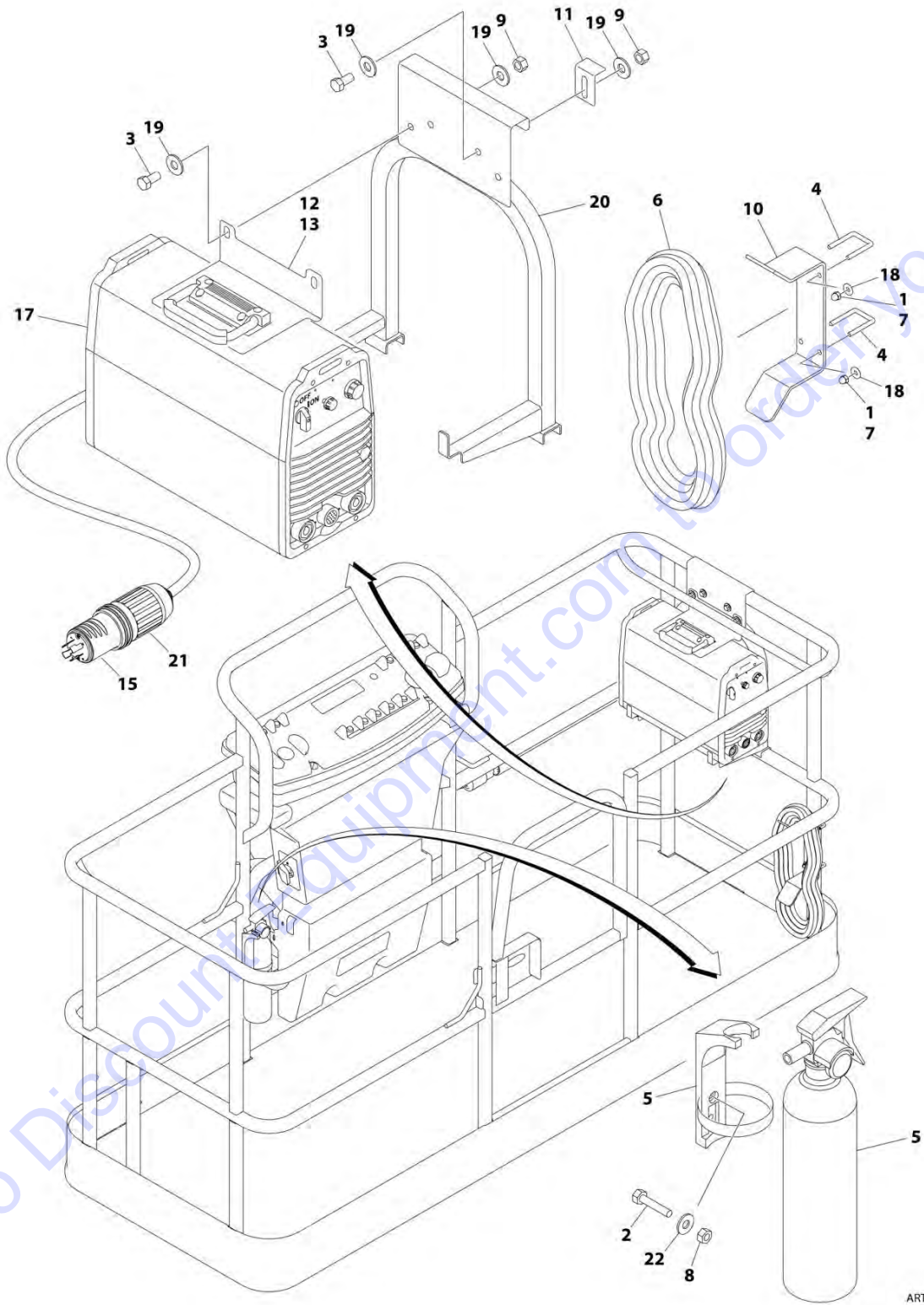
FIGURE 5-43. SKYWELDER INSTALLATION (50HZ)

ITEM	PART NUMBER	QTY	DESCRIPTION	REV
	0272521	Ref	SKYWELDER INSTALLATION	F
1	0100011	AR	Compound, Locking	
2	0630518	2	Screw #10 x 3/4	
3	0641606	4	Bolt 3/8 x 3/4	
4	1320302	2	U-Clamp	
5	2030010	1	Extinguisher, Fire	
6	2902217	1	Weld Leads Kit	
7	3300151	4	Nut 1/4	
8	3311005	2	Nut #10	
9	3311605	4	Nut 3/8	
10	3573400	1	Bracket	
11	3577121	2	Angle	
12	3573642	1	Plate	
13	4240099	AR	Tie-Strap (Not Shown)	
14	4420037	AR	Tape	
15	4530028	1	Welder Assembly (See Separate Breakdown in this Section)	
16	4751400	4	Washer 1/4	
17	4751600	8	Washer 3/8	
18	4846627	1	Support	
19	4751000	2	Washer #10	

Go to Discount-Equipment.com to order your parts

SECTION 5 - PLATFORM

FIGURE 5-44. SKYWELDER INSTALLATION (60HZ)



ART_0272254

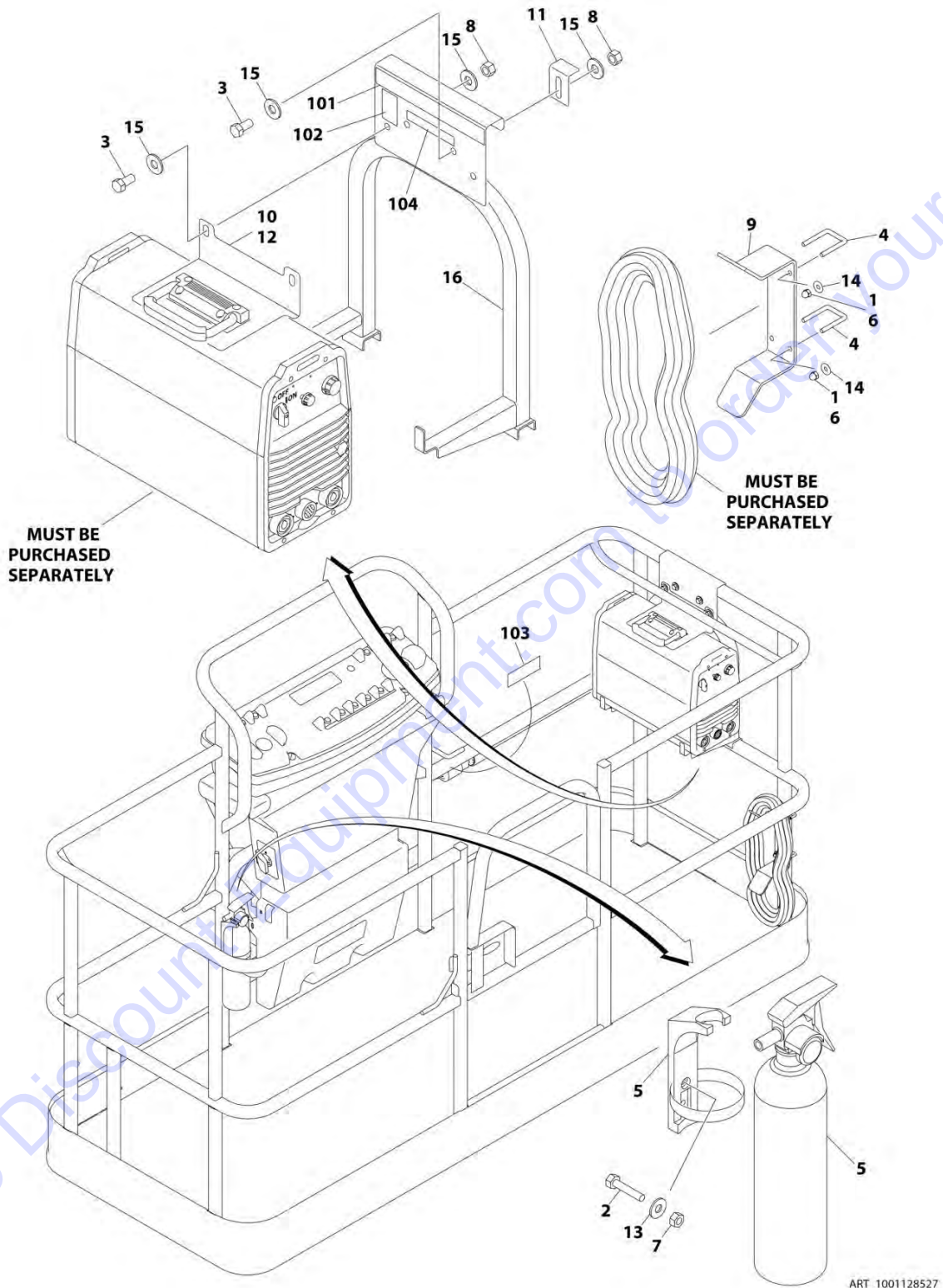
SECTION 5 - PLATFORM

FIGURE 5-44. SKYWELDER INSTALLATION (60HZ)

ITEM	PART NUMBER	QTY	DESCRIPTION	REV
	0272254	Ref	SKYWELDER INSTALLATION	I
1	0100011	AR	Compound, Locking	
2	0630518	2	Screw #10 x 3/4	
3	0641606	4	Bolt 3/8 x 3/4	
4	1320302	2	U-Clamp	
5	2030010	1	Extinguisher, Fire	
6	2902217	1	Weld Leads Kit	
7	3300151	4	Nut 1/4	
8	3311005	2	Nut #10	
9	3311605	4	Nut 3/8	
10	3573400	1	Bracket	
11	3577121	2	Angle	
12	3573642	1	Plate	
13	4420037	AR	Tape	
14	4240099	AR	Tie-Strap (Not Shown)	
15	4460962	1	Plug, Male Twistlock	
17	4530028	1	Welder Assembly (See Separate Breakdown in this Section)	
18	4751400	4	Washer 1/4	
19	4751600	8	Washer 3/8	
20	4846627	1	Support	
21	1671093	1	Cover, Plug	
22	4751000	2	Washer #10	

SECTION 5 - PLATFORM

FIGURE 5-45. SKYWELDER PREP PACKAGE (60HZ)



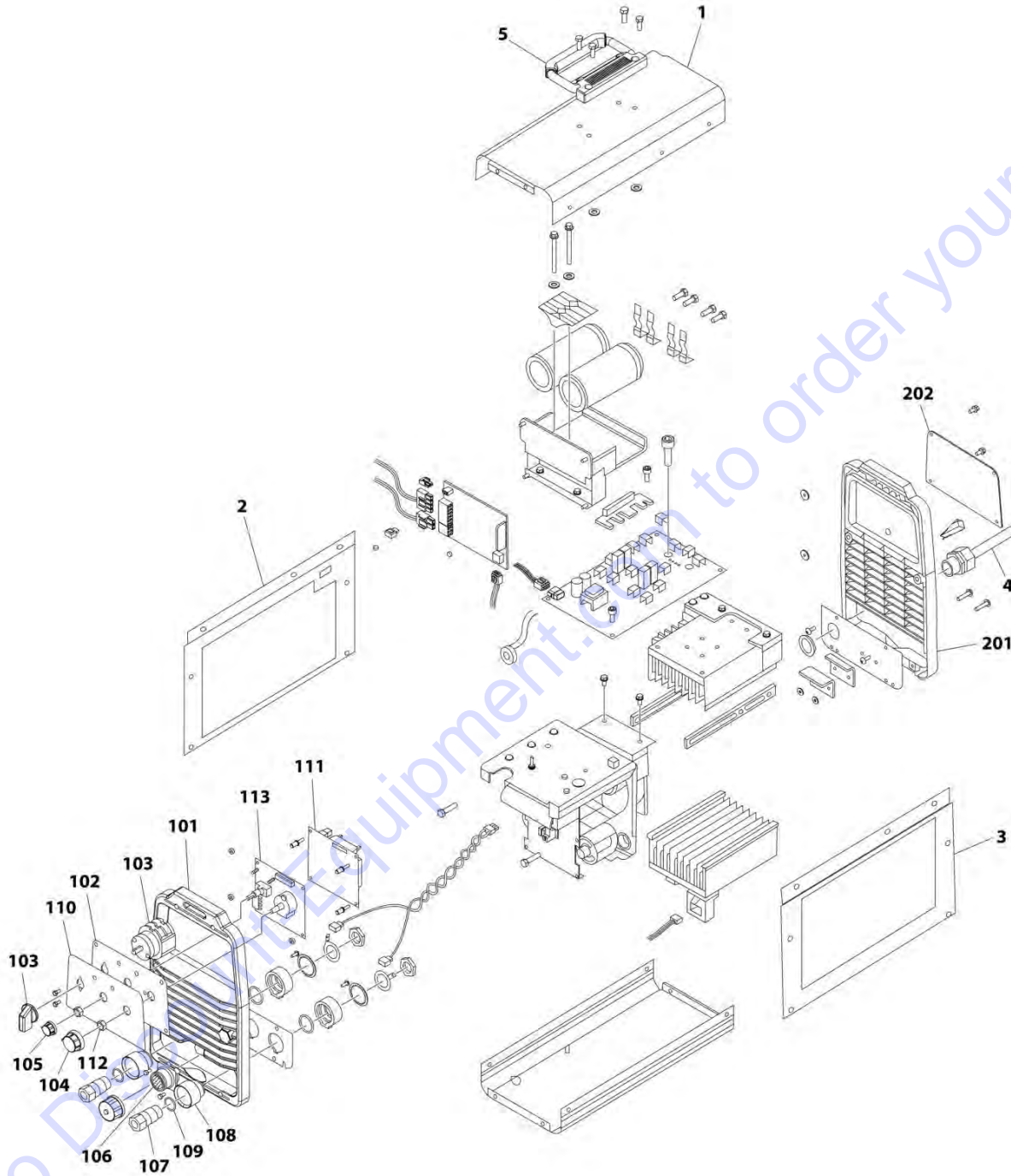
SECTION 5 - PLATFORM

FIGURE 5-45. SKYWELDER PREP PACKAGE (60HZ)

ITEM	PART NUMBER	QTY	DESCRIPTION	REV
	1001128527	Ref	SKYWELDER PREP PACKAGE	B
1	0100011	AR	Compound, Locking	
2	0630518	2	Screw #10 x 3/4	
3	0641606	4	Bolt 3/8 x 3/4	
4	1320302	2	U-Clamp	
5	2030010	1	Extinguisher, Fire	
6	3300151	4	Nut 1/4	
7	3311005	2	Nut #10	
8	3311605	4	Nut 3/8	
9	3573400	1	Bracket	
10	3573642	1	Plate	
11	3577121	2	Angle	
12	4420037	AR	Tape	
13	4751000	2	Washer #10	
14	4751400	4	Washer 1/4	
15	4751600	8	Washer 3/8	
16	4846627	1	Support	
	1001128556	Ref	SKYWELDER DECAL INSTALLATION	B
101	1702868	1	Decal - No Hands	
102	1705305	1	Decal - Weld Lead	
103	1705375	1	Decal - 240V - 3 Phase - 60Hz	
104	1001228988	1	Decal - Weight	

SECTION 5 - PLATFORM

FIGURE 5-46. WELDER ASSEMBLY



ART_4530028

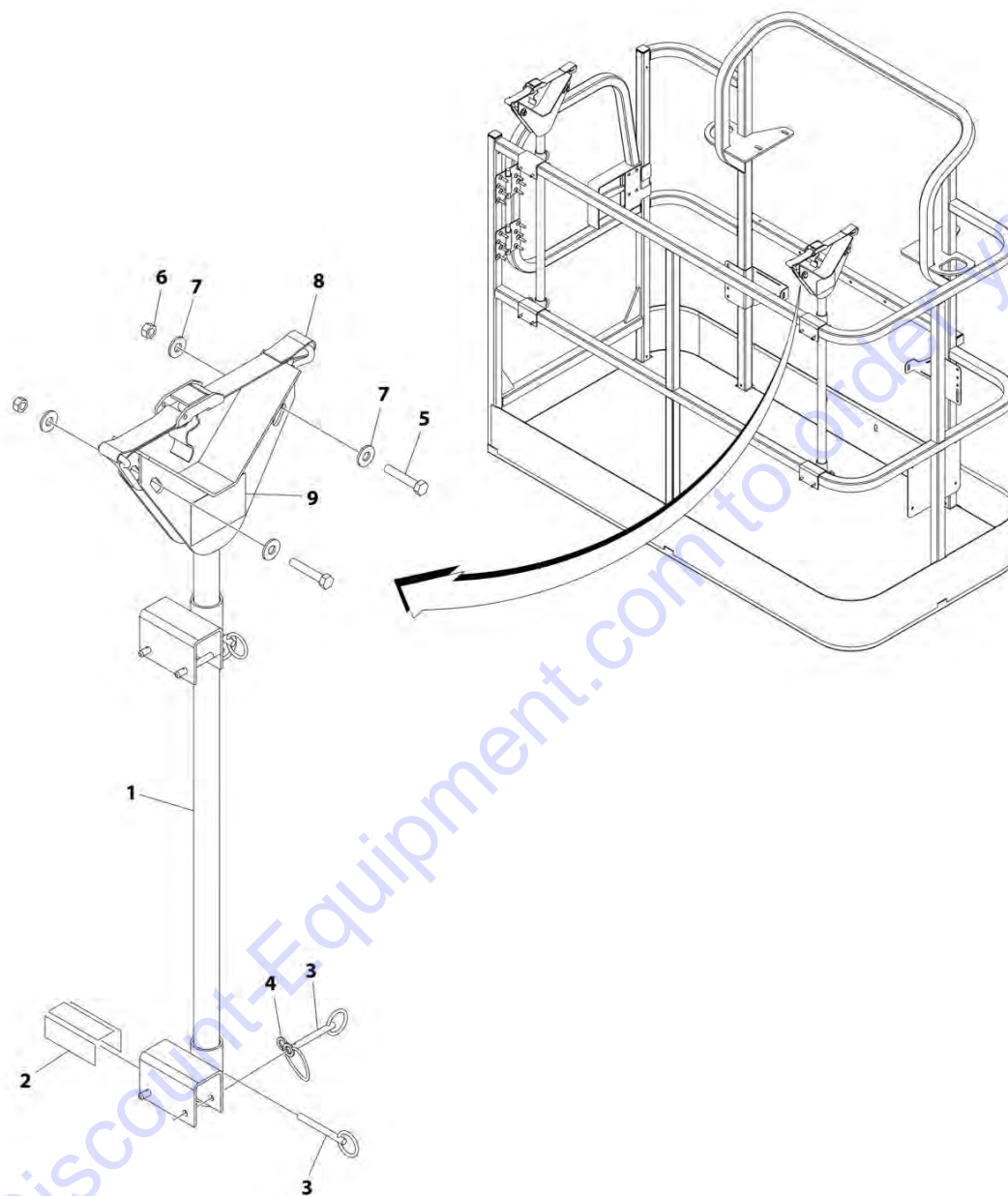
SECTION 5 - PLATFORM

FIGURE 5-46. WELDER ASSEMBLY

ITEM	PART NUMBER	QTY	DESCRIPTION	REV
	4530028	Ref	WELDER ASSEMBLY	B
		Ref	Note: For Other Components, contact your Miller Welder Dealer.	
1	7027773	1	Cover, Top	
1	7027774	1	Decal - Static Precautionary Warning	
2	See Note	NSS	Panel, LH Side (Note: Part of Item 1. Purchase Item 1)	
3	See Note	NSS	Panel, RH Side (Note: Part of Item 1. Purchase Item 1)	
4	7024467	1	Cable, Power	
4	7027775	1	Decal - Electrical Shock Warning (Not Shown)	
5	7027776	1	Handle, Carrying	
101	7024462	1	Panel, Front	
102	7024463	1	Panel, Console	
103	7024469	1	Switch with Lead	
104	7024470	1	Knob	
105	7024471	1	Knob	
106	7024472	1	Receptacle with Leads and Plugs	
107	7024473	2	Receptacle, Twistlock Female	
108	7024474	2	Insulator	
109	7024475	2	O-Ring	
110	7027777	1	Nameplate	
111	7027779	1	Circuit Card Assembly (Process Control)	
112	7024478	2	Nut	
113	7027778	1	Circuit Card Assembly (Operator Interface)	
201	7024462	1	Panel, Rear	
202	7027780	1	Panel, Cover	

SECTION 5 - PLATFORM

FIGURE 5-47. PIPE RACK INSTALLATION (ANSI AND CSA SPECS)



ART_0257728

SECTION 5 - PLATFORM

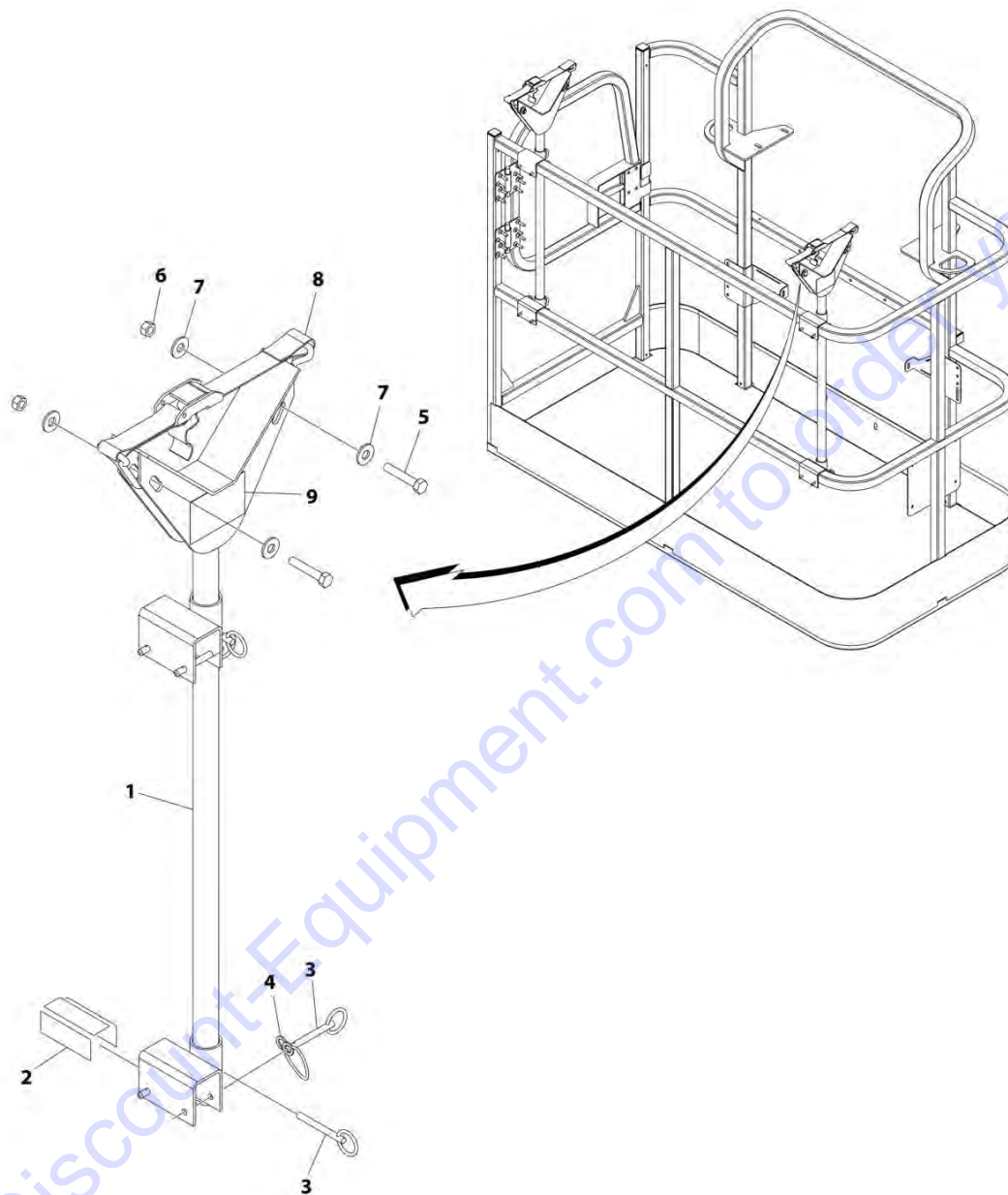
FIGURE 5-47. PIPE RACK INSTALLATION (ANSI AND CSA SPECS)

ITEM	PART NUMBER	QTY	DESCRIPTION	REV
	0257728	Ref	PIPE RACK INSTALLATION	2/C
1	4845582	2	Rack, Pipe	
2	4420062	AR	Tape	
3	3422661	10	Pin	
4	1060379	4	Lanyard	
5	0641514	4	Bolt 5/16 x 1-3/4	
6	3311505	4	Nut 5/16	
7	4751500	8	Washer 5/16	
8	0480100	2	Tie-Down	
9	1703683	2	Decal - Capacity	

Go to Discount-Equipment.com to order your parts

SECTION 5 - PLATFORM

FIGURE 5-48. PIPE RACK INSTALLATION (AUSTRALIAN SPECS)



ART_1001229019

SECTION 5 - PLATFORM

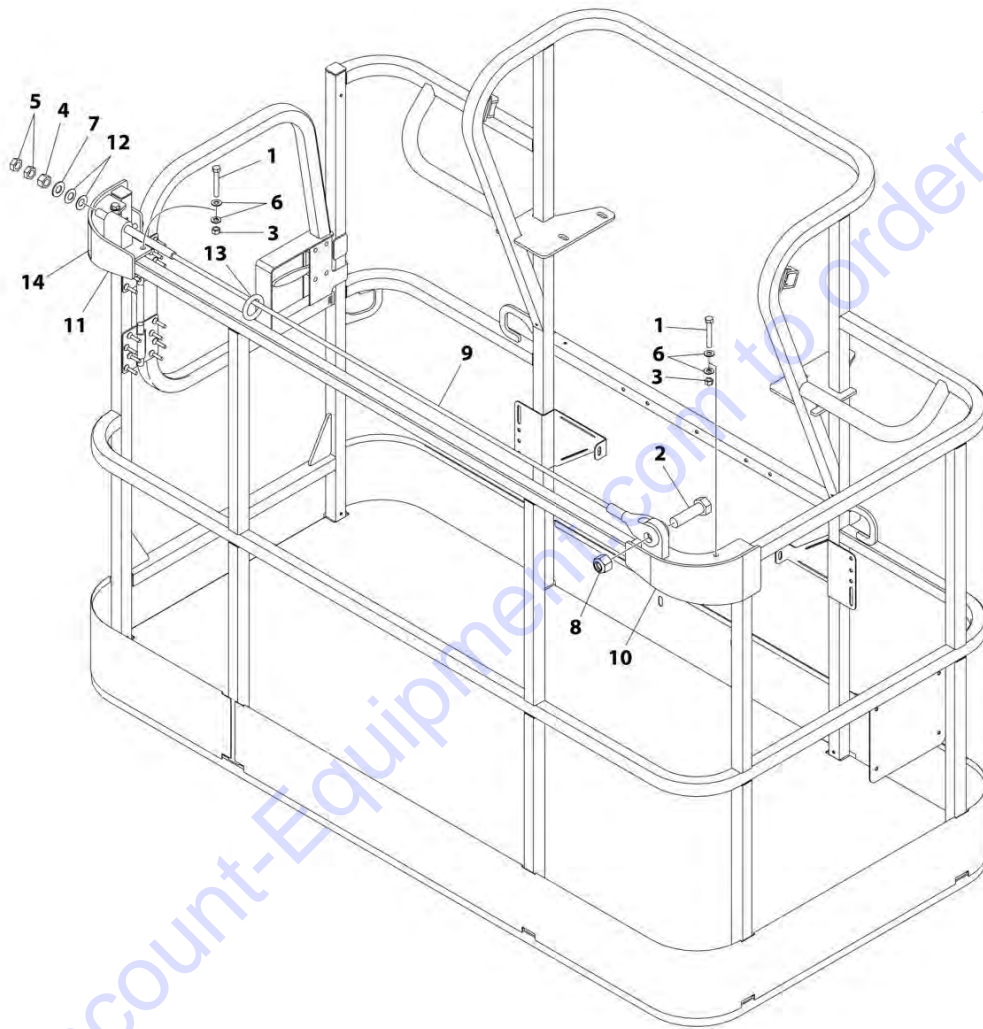
FIGURE 5-48. PIPE RACK INSTALLATION (AUSTRALIAN SPECS)

ITEM	PART NUMBER	QTY	DESCRIPTION	REV
	1001229019	Ref	PIPE RACK INSTALLATION	A
1	4845582	2	Rack, Pipe	
2	4420062	AR	Tape	
3	3422661	10	Pin	
4	1060379	4	Lanyard	
5	0641514	4	Bolt 5/16 x 1-3/4	
6	3311505	4	Nut 5/16	
7	4751500	8	Washer 5/16	
8	0480100	2	Tie-Down	
9	1001229090	2	Decal - Capacity	

Go to Discount-Equipment.com to order your parts

SECTION 5 - PLATFORM

FIGURE 5-49. FALL ARREST INSTALLATION (BOLT-ON EXTERNAL) (6FT/1.82M PLATFORM)



ART_1001236747

SECTION 5 - PLATFORM

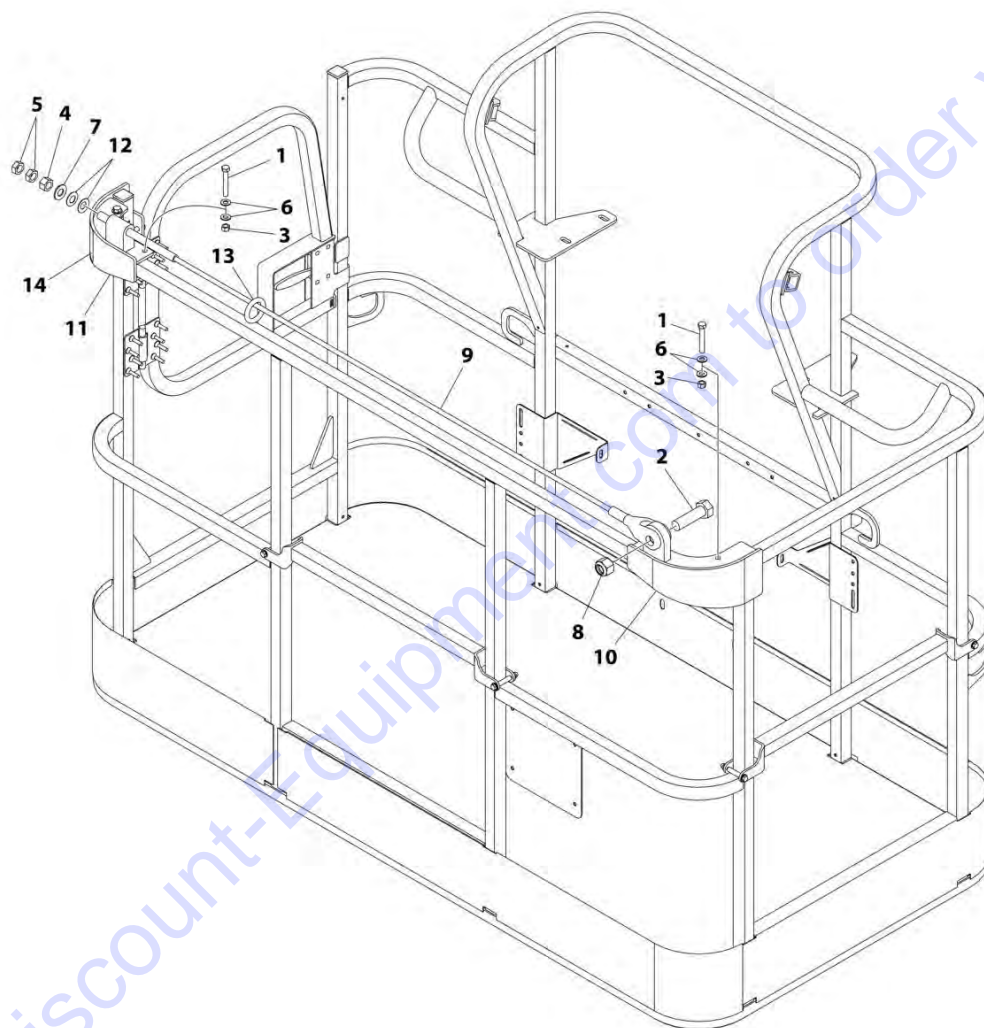
FIGURE 5-49. FALL ARREST INSTALLATION (BOLT-ON EXTERNAL) (6FT/1.82M PLATFORM)

ITEM	PART NUMBER	QTY	DESCRIPTION	REV
	1001236747	Ref	FALL ARREST INSTALLATION (BOLT - ON) 6FT/1.82M PLATFORM	A
1	0681620	6	Bolt 3/8 x 2-1/2	
2	0682424	1	Bolt 7/8 x 3	
3	3271605	6	Nut 3/8	
4	3272001	1	Nut 5/8	
5	3312002	2	Nut 5/8	
6	4711600	12	Washer 3/8	
7	4712000	1	Washer 5/8	
8	88521214	1	Nut 7/8	
9	1001231950	1	Rope	
10	1001232010	1	Bracket (RH)	
11	1001232011	1	Bracket (LH)	
12	1001236891	2	Washer	
13	1001236895	1	Ring	
14	1001238263	1	Decal - Warning Falling Hazard	

Go to Discount-Equipment.com to order your parts

SECTION 5 - PLATFORM

FIGURE 5-50. FALL ARREST INSTALLATION (BOLT-ON EXTERNAL) (6FT/1.82M TRI-ENTRY PLATFORM)



ART_1001238463

SECTION 5 - PLATFORM

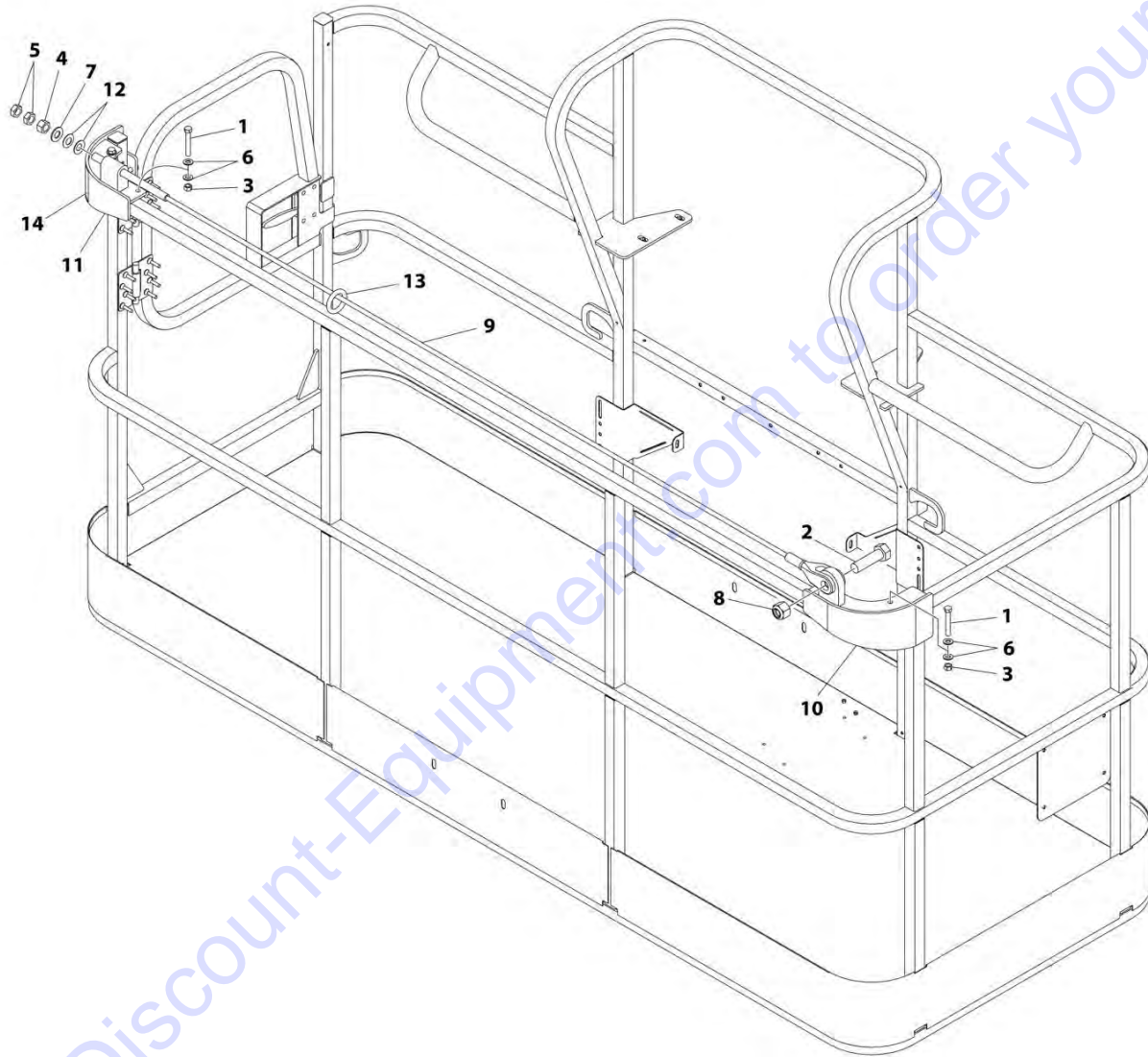
FIGURE 5-50. FALL ARREST INSTALLATION (BOLT-ON EXTERNAL) (6FT/1.82M TRI-ENTRY PLATFORM)

ITEM	PART NUMBER	QTY	DESCRIPTION	REV
	1001238463	Ref	FALL ARREST INSTALLATION (BOLT - ON) 6FT/1.82M PLATFORM	B
1	0681620	6	Bolt 3/8 x 2-1/2	
2	0682424	1	Bolt 7/8 x 3	
3	3271605	6	Nut 3/8	
4	3272001	1	Nut 5/8	
5	3312002	2	Nut 5/8	
6	4711600	12	Washer 3/8	
7	4712000	1	Washer 5/8	
8	88521214	1	Nut 7/8	
9	1001231950	1	Rope	
10	1001232010	1	Bracket (RH)	
11	1001232011	1	Bracket (LH)	
12	1001236891	2	Washer	
13	1001236895	1	Ring	
14	1001238263	1	Decal - Warning Falling Hazard	

Go to Discount-Equipment.com to order your parts

SECTION 5 - PLATFORM

FIGURE 5-51. FALL ARREST INSTALLATION (BOLT-ON EXTERNAL) (8FT/2.4M PLATFORM)



ART_1001236746

SECTION 5 - PLATFORM

FIGURE 5-51. FALL ARREST INSTALLATION (BOLT-ON EXTERNAL) (8FT/2.4M PLATFORM)

ITEM	PART NUMBER	QTY	DESCRIPTION	REV
	1001236746	Ref	FALL ARREST INSTALLATION (BOLT - ON) 8FT/2.4M PLATFORM	A
1	0681620	6	Bolt 3/8 x 2-1/2	
2	0682424	1	Bolt 7/8 x 3	
3	3271605	6	Nut 3/8	
4	3272001	1	Nut 5/8	
5	3312002	2	Nut 5/8	
6	4711600	12	Washer 3/8	
7	4712000	1	Washer 5/8	
8	88521214	1	Nut 7/8	
9	1001231949	1	Rope	
10	1001232010	1	Bracket (RH)	
11	1001232011	1	Bracket (LH)	
12	1001236891	2	Washer	
13	1001236895	1	Ring	
14	1001238263	1	Decal - Warning Falling Hazard	

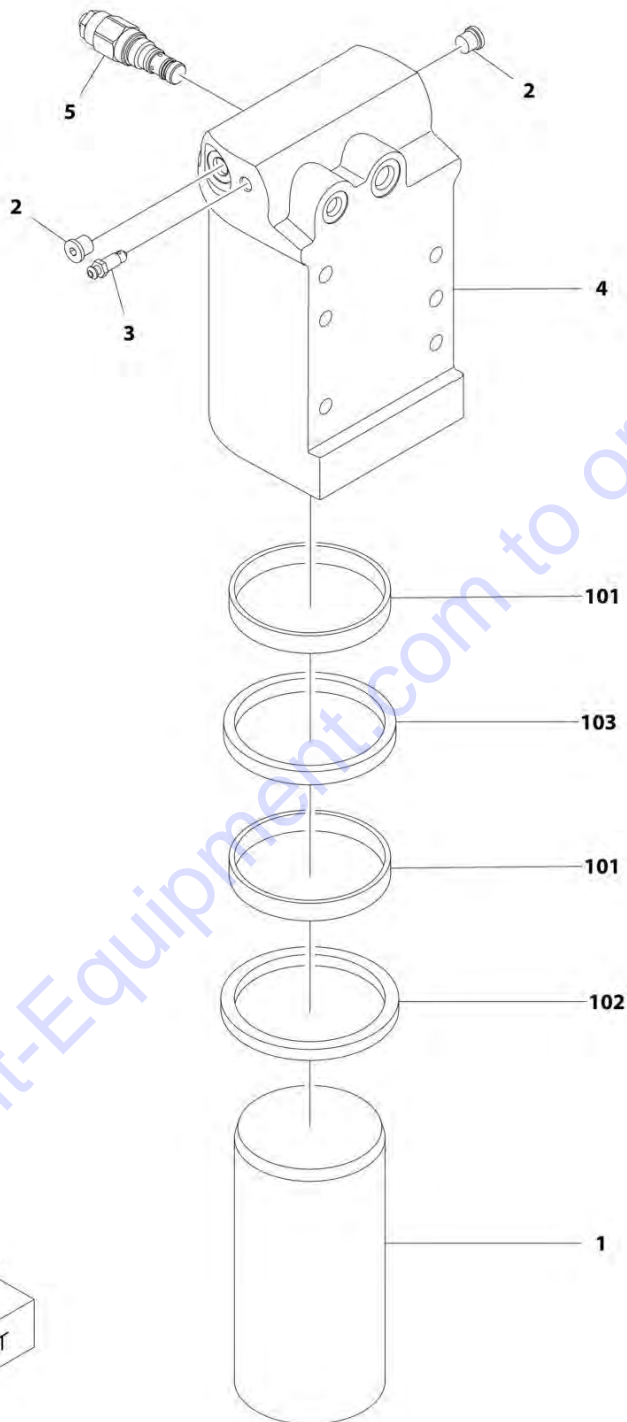
Go to Discount-Equipment.com to order your parts

SECTION 6 - CYLINDER

Go to Discount-Equipment.com to order your parts

SECTION 6 - CYLINDER

FIGURE 6-1. AXLE LOCKOUT CYLINDER ASSEMBLY



ART_1001219040

SECTION 6 - CYLINDER

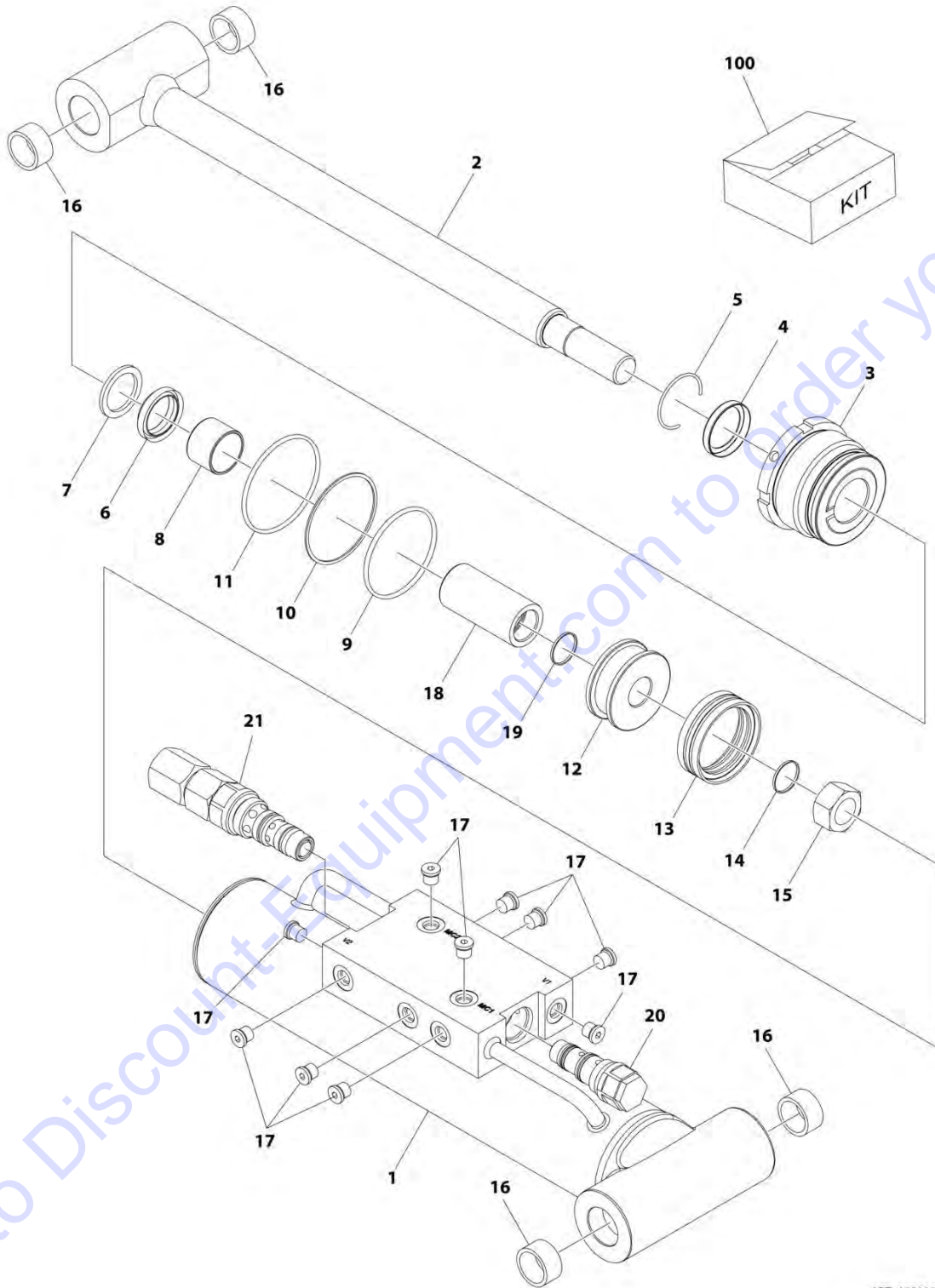
FIGURE 6-1. AXLE LOCKOUT CYLINDER ASSMBLY

ITEM	PART NUMBER	QTY	DESCRIPTION	REV
	1001219040	Ref	AXLE LOCKOUT CYLINDER ASSEMBLY	A
1	1684290	1	Rod	
2	2220883	2	Plug #4	
3	4640858	1	Valve, Bleeder	
4	1001164817	1	Barrel	
5	1001218594	1	Cartridge, Valve	
5	70002842	1	Seal Kit - 1001218594 Valve	
100	2902266	1	Seal Kit - 1001219040 Cylinder (Includes Items 101-103)	
101	See Note	NSS	Ring, Wear	
102	See Note	NSS	Seal	
103	See Note	NSS	Wiper	

Go to Discount-Equipment.com to order your parts

SECTION 6 - CYLINDER

FIGURE 6-2. LEVEL CYLINDER ASSEMBLY - PLATFORM SLAVE (600S)



ART_1001184954

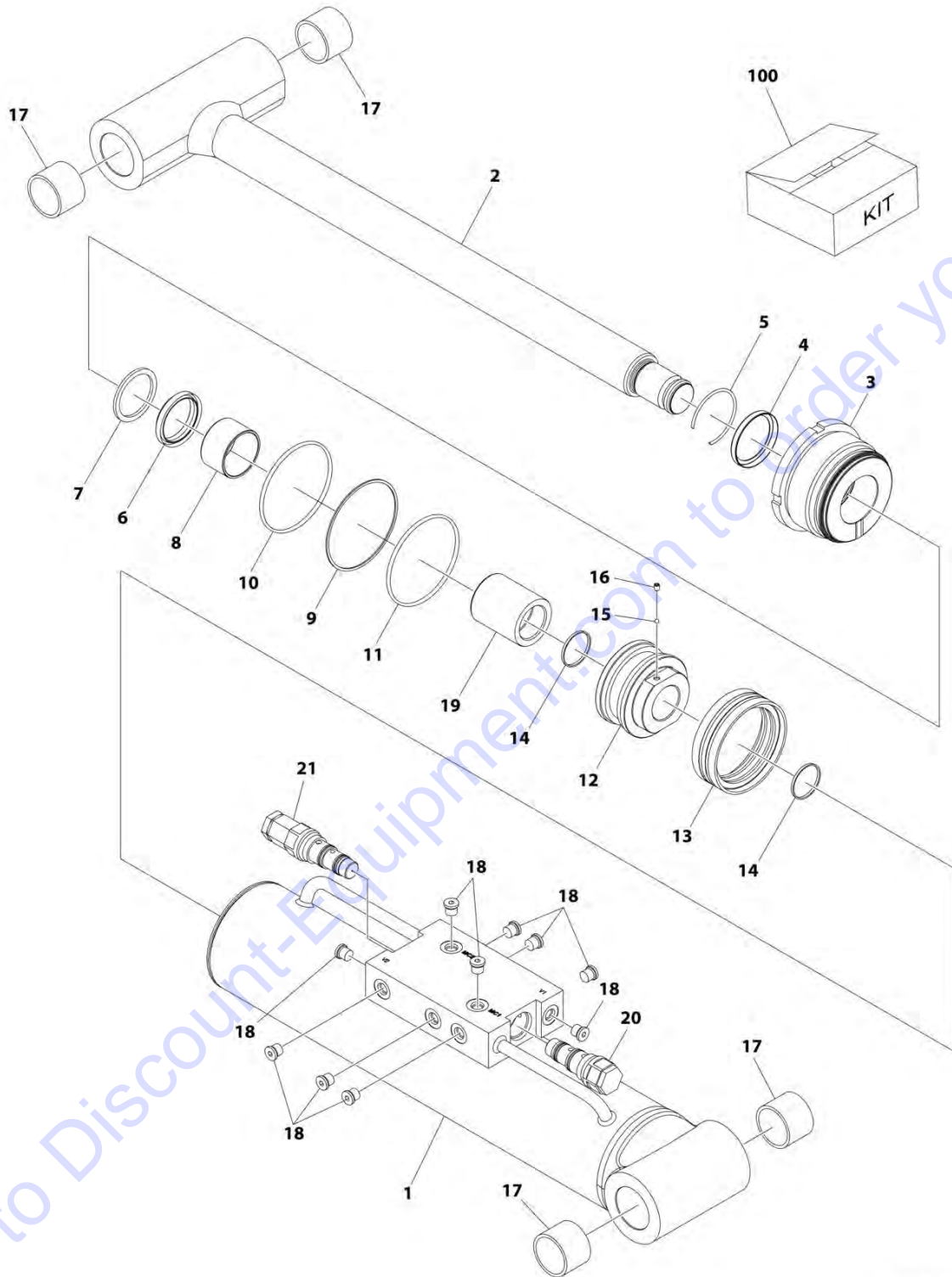
SECTION 6 - CYLINDER

FIGURE 6-2. LEVEL CYLINDER ASSEMBLY - PLATFORM SLAVE (600S)

ITEM	PART NUMBER	QTY	DESCRIPTION	REV
	1001184954	Ref	LEVEL CYLINDER ASSEMBLY	E
1	70005693	1	Barrel	
2	70005694	1	Rod	
3	70003085	1	Head	
4	See Note	NSS	Wiper (Note: Use Item 100)	
5	70002366	1	Ring, Retaining	
6	See Note	NSS	Seal, Rod (Note: Use Item 100)	
7	See Note	NSS	Ring, Back-up (Note: Use Item 100)	
8	70005695	1	Bearing	
9	See Note	NSS	O-Ring (Note: Use Item 100)	
10	See Note	NSS	Ring, Back-up (Note: Use Item 100)	
11	See Note	NSS	O-Ring (Note: Use Item 100)	
12	70002381	1	Piston	
13	See Note	NSS	Seal, Piston (Note: Use Item 100)	
14	See Note	NSS	O-Ring (Note: Use Item 100)	
15	70002335	1	Nut	
16	0961947	4	Bearing	
17	2220883	10	Plug	
18	70005696	1	Spacer	
19	See Note	NSS	O-Ring (Note: Use Item 100)	
20	4640999	1	Valve, Counterbalance	
20	2900792	1	Seal Kit - 4640999 Valve	
21	1001232117	1	Valve, Counterbalance	
21	7011112	1	Seal Kit - 1001232117 Valve	
100	70005697	1	Seal Kit - 1001184954 Cylinder (Includes Items 4, 6, 7, 9, 10, 11, 13, 14 & 19)	

SECTION 6 - CYLINDER

FIGURE 6-3. LEVEL CYLINDER ASSEMBLY - PLATFORM SLAVE (660SJ)



ART_1001184957

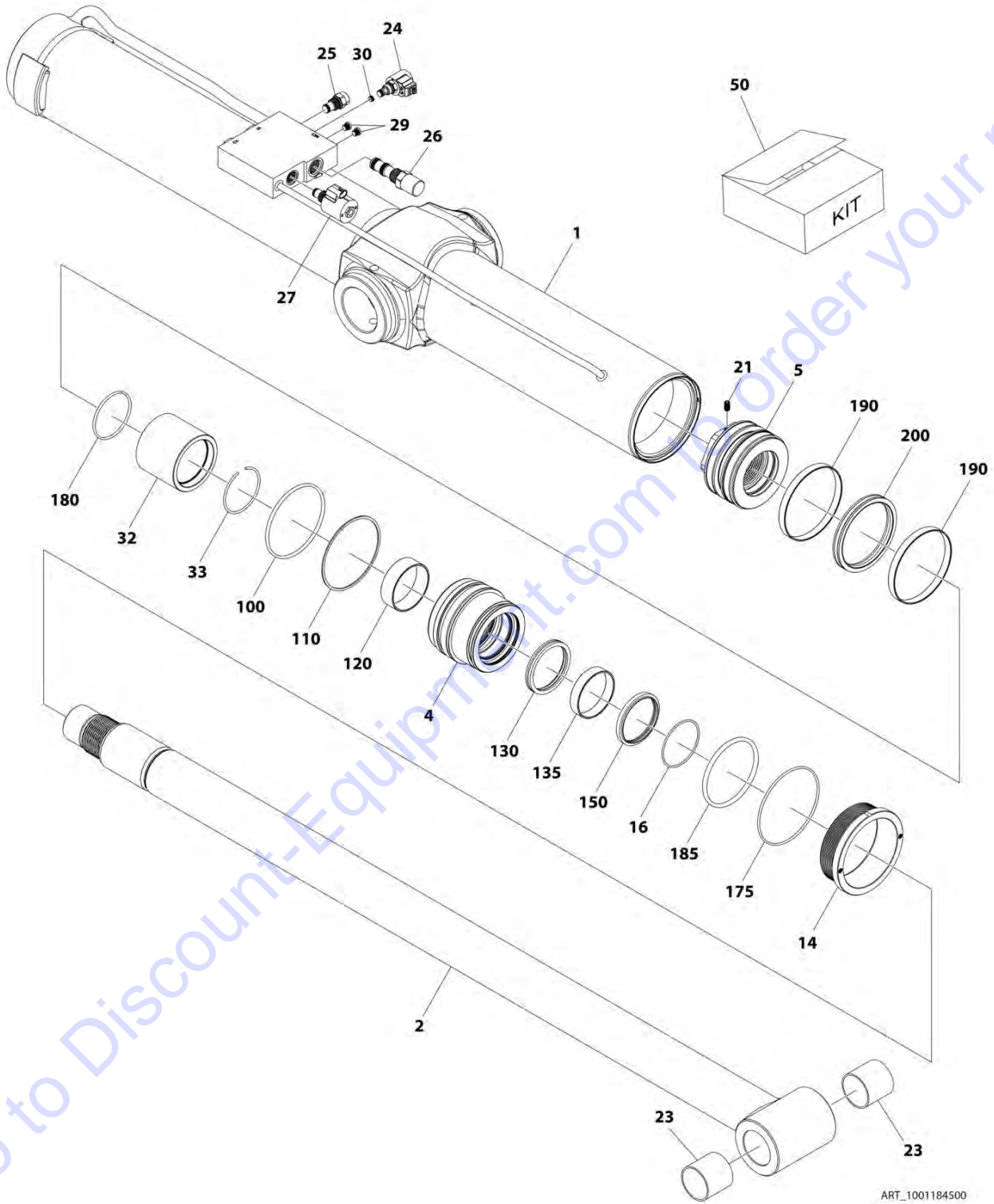
SECTION 6 - CYLINDER

FIGURE 6-3. LEVEL CYLINDER ASSEMBLY - PLATFORM SLAVE (660SJ)

ITEM	PART NUMBER	QTY	DESCRIPTION	REV
	1001184957	Ref	LEVEL CYLINDER ASSEMBLY	D
1	70005698	1	Barrel	
2	70005699	1	Rod	
3	70005700	1	Head	
4	See Note	NSS	Wiper (Note: Use Item 100)	
5	70002410	1	Ring, Retaining	
6	See Note	NSS	Seal, Rod (Note: Use Item 100)	
7	See Note	NSS	Ring, Back-up (Note: Use Item 100)	
8	70004237	1	Bearing	
9	See Note	NSS	O-Ring (Note: Use Item 100)	
10	See Note	NSS	Ring, Back-up (Note: Use Item 100)	
11	See Note	NSS	O-Ring (Note: Use Item 100)	
12	70005701	1	Piston	
13	See Note	NSS	Seal, Piston (Note: Use Item 100)	
14	See Note	NSS	O-Ring (Note: Use Item 100)	
15	70022564	1	Ball	
16	70023369	1	Setscrew	
17	0961948	4	Bearing	
18	2220883	10	Plug	
19	70005702	1	Spacer	
20	4640999	1	Valve, Counterbalance	
20	2900792	1	Seal Kit - 4640999 Valve	
21	4640932	1	Valve, Counterbalance	
21	7011112	1	Seal Kit - 4640932 Valve	
100	70005703	1	Seal Kit - 1001184957 Cylinder (Include Items 4, 6, 7, 9, 10, 11, 13 & 14)	

SECTION 6 - CYLINDER

FIGURE 6-4. LIFT CYLINDER ASSEMBLY - BOOM



ART_1001184500

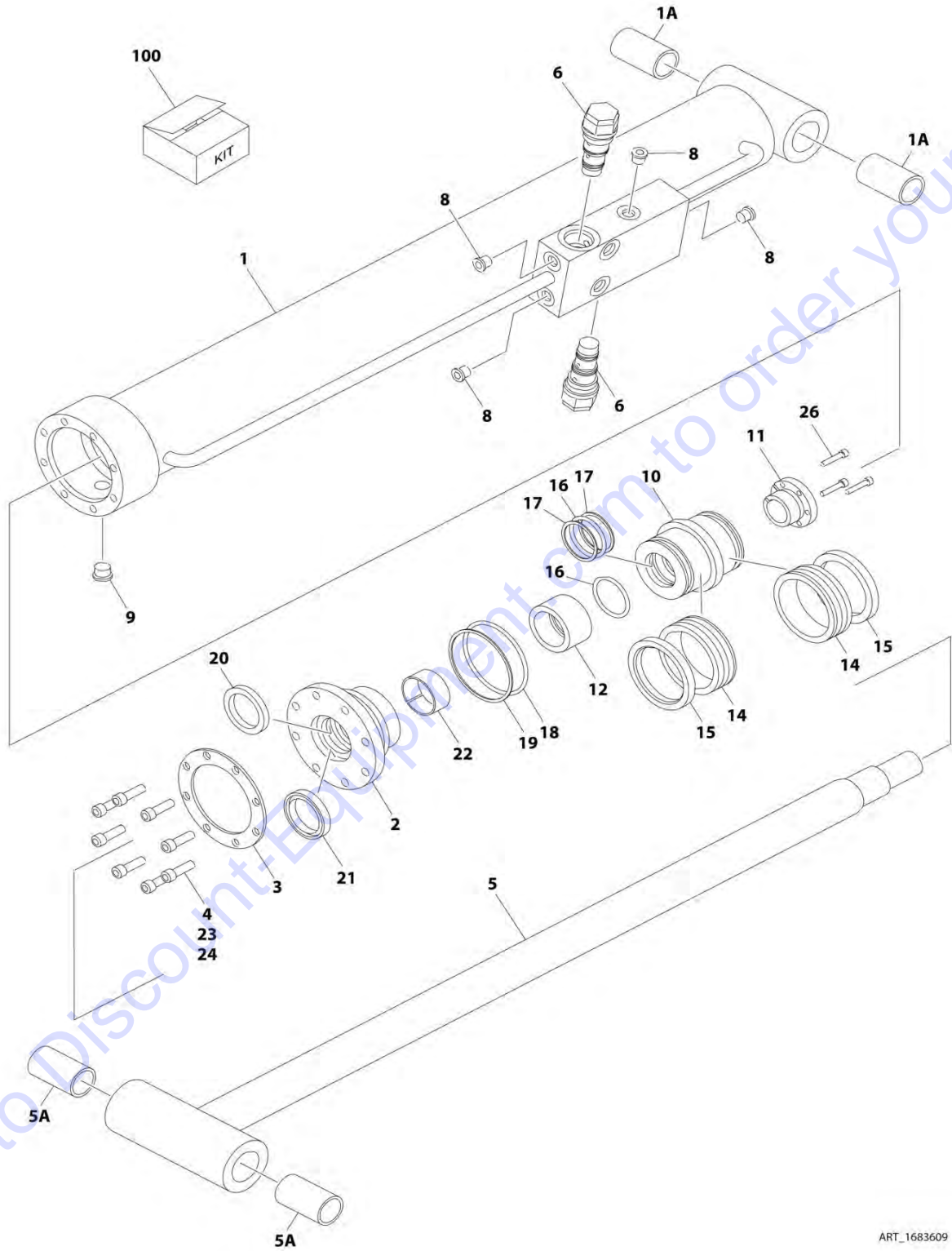
SECTION 6 - CYLINDER

FIGURE 6-4. LIFT CYLINDER ASSEMBLY - BOOM

ITEM	PART NUMBER	QTY	DESCRIPTION	REV
	1001184500	Ref	LIFT CYLINDER ASSEMBLY	J
1	70005570	1	Barrel	
2	70005571	1	Rod	
4	70005572	1	Head	
5	70025580	1	Head	
14	70026164	1	Collar, Locking	
16	70000699	1	Ring, Retaining	
21	70025582	1	Setscrew	
23	0962423	2	Bushing	
24	1001195382	1	Valve, Solenoid	
24	7017467	1	Cartridge Less Coil	
24	7012967	1	Seal Kit - 1001195382 & 7017467 Valves	
24	70005576	1	Coil	
25	4641390	1	Valve, Check	
25	7017496	1	Seal Kit - 4641930 Valve	
26	1001203628	1	Valve, Pressure Compensator	
26	7012925	1	Seal Kit - 1001203628 Valve	
27	1001218037	1	Valve, Solenoid	
27	70006003	1	Cartridge Less Coil	
27	70006005	1	Seal Kit - 1001218037 & 70006003 Valve	
27	70006004	1	Coil	
27	70006006	1	Coil Nut Kit	
29	70025619	2	Plug	
30	70006261	1	Orifice	
32	70006260	1	Spacer	
33	70005575	1	Wire, Retaining	
50	70005563	1	Seal Kit - 1001184500 Cylinder (Includes Items 100-200)	
100	See Note	NSS	O-Ring (Note: Use Item 50)	
110	See Note	NSS	Ring, Back-up (Note: Use Item 50)	
120	See Note	NSS	Ring, Bearing (Note: Use Item 50)	
130	See Note	NSS	Seal, Rod (Note: Use Item 50)	
135	See Note	NSS	Ring, Bearing (Note: Use Item 50)	
150	See Note	NSS	Wiper (Note: Use Item 50)	
175	See Note	NSS	O-Ring (Note: Use Item 50)	
180	See Note	NSS	O-Ring (Note: Use Item 50)	
185	See Note	NSS	O-Ring (Note: Use Item 50)	
190	See Note	NSS	Ring, Bearing (Note: Use Item 50)	
200	See Note	NSS	Seal, Piston (Note: Use Item 50)	

SECTION 6 - CYLINDER

FIGURE 6-5. LIFT CYLINDER ASSEMBLY - JIB (660SJ) (ORIGINAL EQUIPMENT) (SN 0300235168 through 03000237971, SN B300002216 through B300002338)



ART_1683609

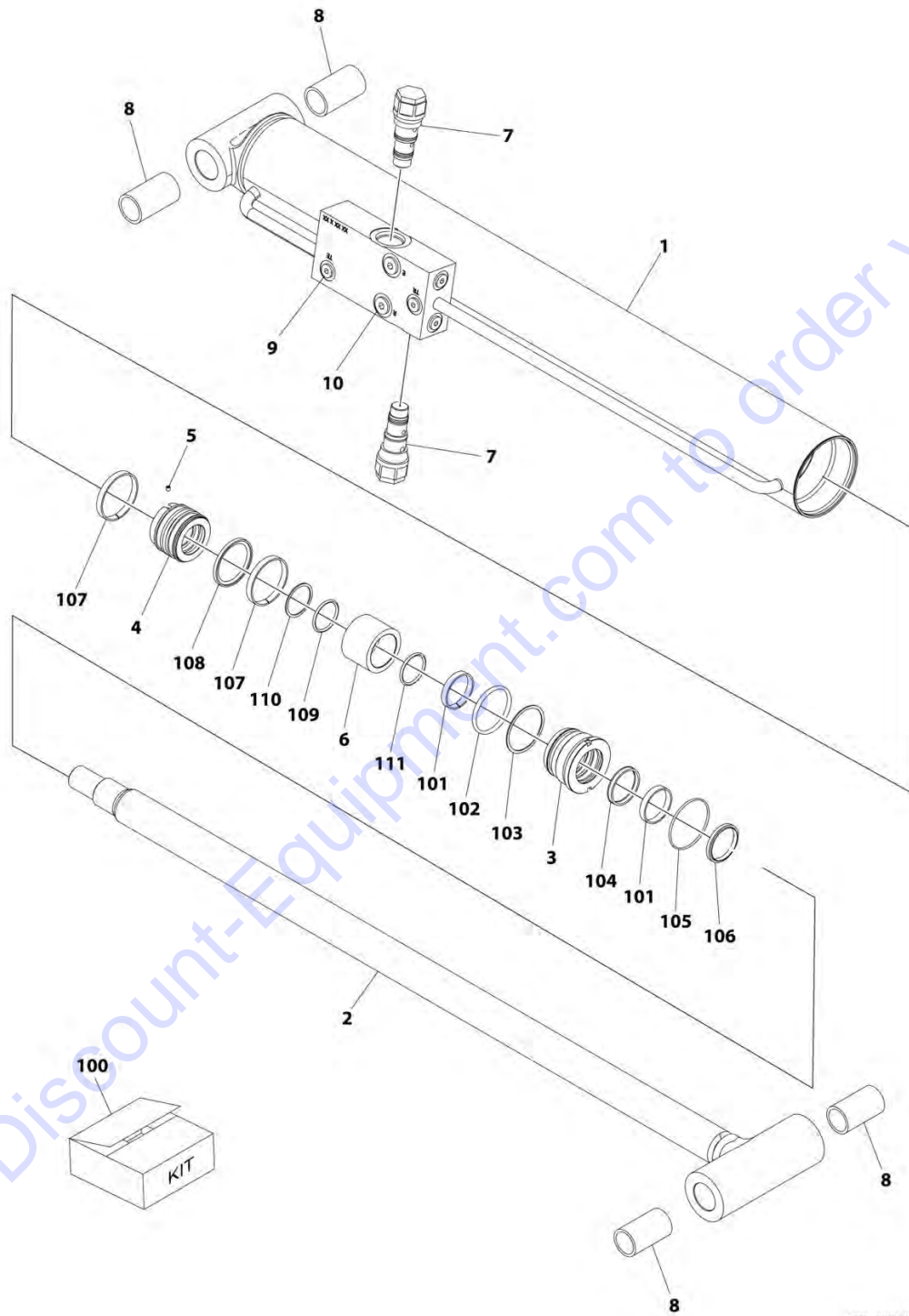
SECTION 6 - CYLINDER

FIGURE 6-5. LIFT CYLINDER ASSEMBLY - JIB (660SJ) (ORIGINAL EQUIPMENT) (SN 0300235168 through 03000237971, SN B300002216 through B300002338)

ITEM	PART NUMBER	QTY	DESCRIPTION	REV
	1683609	Ref	LIFT CYLINDER ASSEMBLY	L
		Ref	Note: Original Cylinder may have been replaced with Service Replacement. Identify PN Stamped on Cylinder Before Ordering Parts.	
1	1684089	1	Barrel	
1A	0962336	2	Bushing	
2	1683053	1	Head	
3	3760368	1	Ring, Washer	
4	3931516	8	Capscrew 5/16in-18NC x 1in	
5	1684090	1	Rod	
5A	0962336	2	Bushing	
6	4640509	2	Cartridge, Valve	
6	2900792	2	Seal Kit - 4640509 Valve	
8	2220883	2	Plug #4	
9	2220885	1	Plug #6	
10	3480210	1	Piston	
11	0961893	1	Bushing, Tapered	
12	4100100	1	Spacer, Tube	
14	See Note	NSS	Seal (Note: Use Item 100)	
15	See Note	NSS	Ring, Lock (Note: Use Item 100)	
16	See Note	NSS	O-Ring (Note: Use Item 100)	
17	See Note	NSS	Ring, Back-up (Note: Use Item 100)	
18	See Note	NSS	O-Ring (Note: Use Item 100)	
19	See Note	NSS	Ring, Back-up (Note: Use Item 100)	
20	See Note	NSS	Seal, Rod (Note: Use Item 100)	
21	See Note	NSS	Wiper (Note: Use Item 100)	
22	See Note	NSS	Ring, Wear (Note: Use Item 100)	
23	0100011	AR	Compound, Locking	
24	0100038	AR	Primer, Locking	
26	0630534	3	Bolt #10-24NC x 1in	
100	2901303	1	Seal Kit (Includes Items 14-22)	

SECTION 6 - CYLINDER

FIGURE 6-6. LIFT CYLINDER ASSEMBLY - JIB (660SJ) (SERVICE REPLACEMENT) (SN 0300235168 through 03000237971, SN B300002216 through B300002338)



ART_1001228012

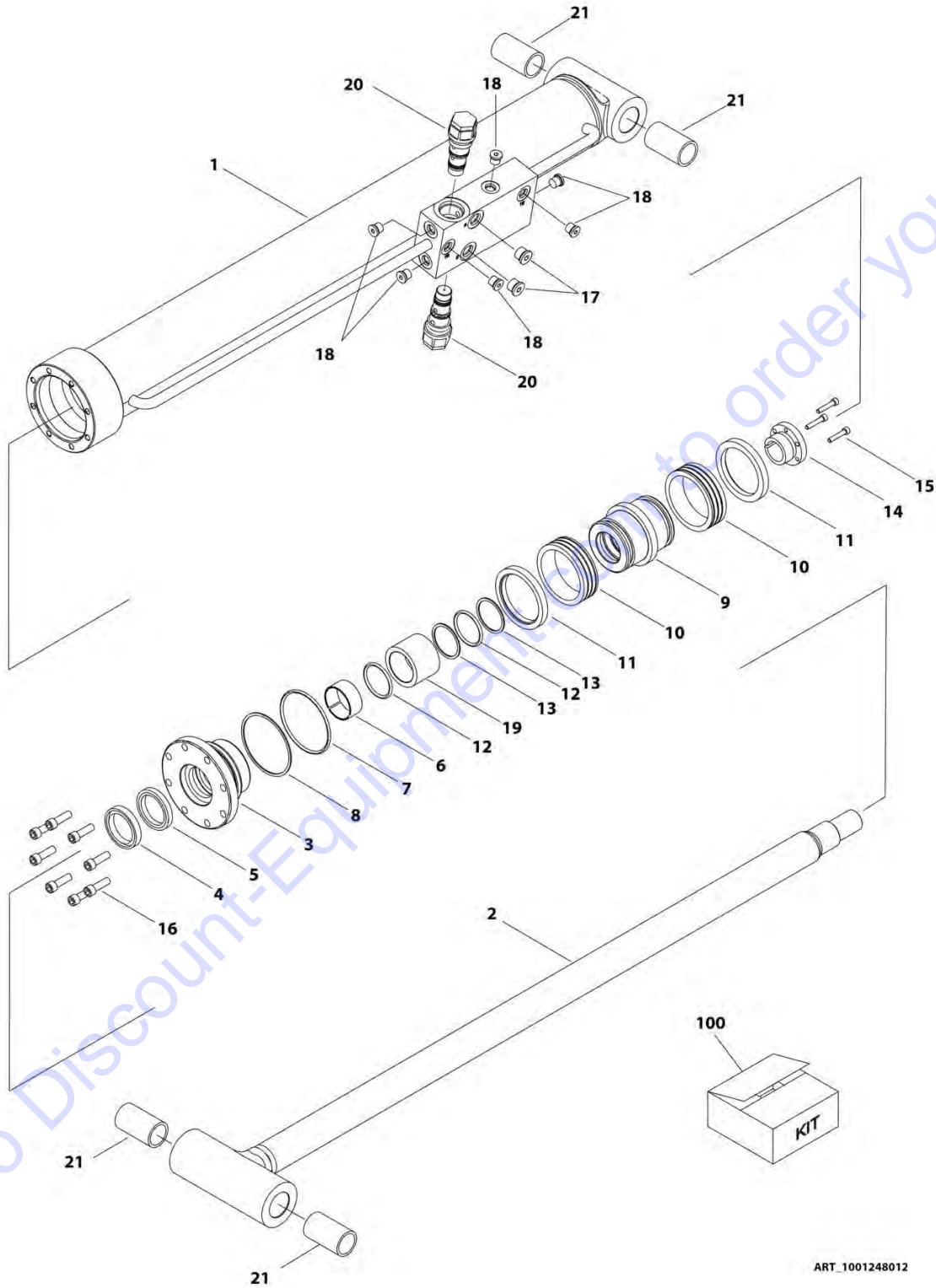
SECTION 6 - CYLINDER

FIGURE 6-6. LIFT CYLINDER ASSEMBLY - JIB (660SJ) (SERVICE REPLACEMENT) (SN 0300235168 through 03000237971, SN B300002216 through B300002338)

ITEM	PART NUMBER	QTY	DESCRIPTION	REV
	1001228012	Ref	LIFT CYLINDER ASSEMBLY - JIB	A
		Ref	Note: Original Cylinder May Have Been Replaced with Service Replacement. Identify PN Stamped on Cylinder Before Ordering Parts.	
1	See Note	NSS	Barrel (Note: Not Available for Purchase)	
2	70006572	1	Rod	
3	70006571	1	Head	
4	70006570	1	Piston	
5	70023915	1	Screw	
6	70006569	1	Spacer	
7	4640509	2	Cartridge, Valve	
7	2900792	2	Seal Kit - 4640509 Valve	
8	0962336	4	Bushing	
9	2220883	6	Plug, O-Ring	
10	2220885	2	Plug, O-Ring	
100	70006568	1	Seal Kit (Includes Items 101-111)	
101	See Note	NSS	Ring, Wear (Note: Use Item 100)	
102	See Note	NSS	O-Ring (Note: Use Item 100)	
103	See Note	NSS	Ring, Back-up (Note: Use Item 100)	
104	See Note	NSS	Seal, Rod (Note: Use Item 100)	
105	See Note	NSS	O-Ring (Note: Use Item 100)	
106	See Note	NSS	Wiper (Note: Use Item 100)	
107	See Note	NSS	Ring, Wear (Note: Use Item 100)	
108	See Note	NSS	Seal (Note: Use Item 100)	
109	See Note	NSS	O-Ring (Note: Use Item 100)	
110	See Note	NSS	Ring, Back-up (Note: Use Item 100)	
111	See Note	NSS	O-Ring (Note: Use Item 100)	

SECTION 6 - CYLINDER

FIGURE 6-7. LIFT CYLINDER ASSEMBLY - JIB (660SJ) (SERVICE REPLACEMENT) (SN 0300235168 through 03000237971, SN B300002216 through B300002338)



ART_1001248012

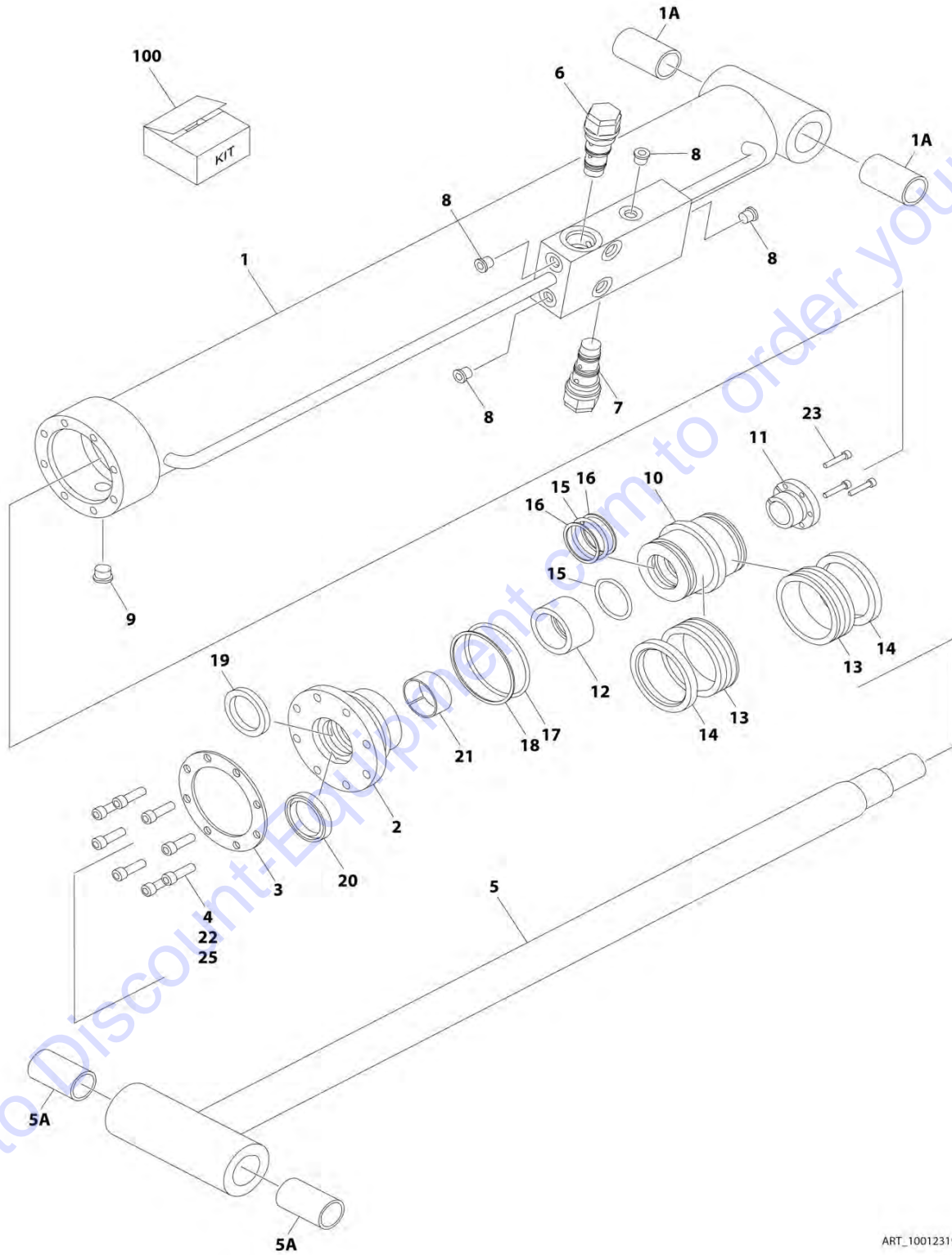
SECTION 6 - CYLINDER

FIGURE 6-7. LIFT CYLINDER ASSEMBLY - JIB (660SJ) (SERVICE REPLACEMENT) (SN 0300235168 through 03000237971, SN B300002216 through B300002338)

ITEM	PART NUMBER	QTY	DESCRIPTION	REV
	1001248012	Ref	LIFT CYLINDER ASSEMBLY - JIB	B
		Ref	Note: Original Cylinder May Have Been Replaced with Service Replacement. Identify PN Stamped on Cylinder Before Ordering Parts.	
1	See Note	NSS	Barrel (Note: Not Available for Purchase)	
2	70006734	1	Rod	
3	70006649	1	Head	
4	See Note	NSS	Wiper (Note: Use Item 100)	
5	See Note	NSS	Seal, Rod (Note: Use Item 100)	
6	See Note	NSS	Ring, Wear (Note: Use Item 100)	
7	See Note	NSS	O-Ring (Note: Use Item 100)	
8	See Note	NSS	Ring, Back-up (Note: Use Item 100)	
9	70006650	1	Piston	
10	See Note	NSS	Seal (Note: Use Item 100)	
11	See Note	NSS	Ring, Lock (Note: Use Item 100)	
12	See Note	NSS	O-Ring (Note: Use Item 100)	
13	See Note	NSS	Ring, Back-up (Note: Use Item 100)	
14	0961893	1	Bushing, Tapered	
15	0630534	3	Capscrew, Socket Head #10 x 1	
16	70006735	8	Capscrew 5/16	
17	2220885	2	Plug, O-Ring	
18	2220883	6	Plug, O-Ring	
19	70006736	1	Spacer	
20	4640509	2	Cartridge, Valve	
20	2900792	2	Seal Kit - 4640509 Valve	
21	0962336	4	Bushing	
100	1001138795	1	Seal Kit (Includes Items 4-8 & 10-13)	

SECTION 6 - CYLINDER

FIGURE 6-8. LIFT CYLINDER ASSEMBLY - JIB (660SJ) (SN 0300237972 through 0300245222, SN B300002339 to Present)



ART_1001231956

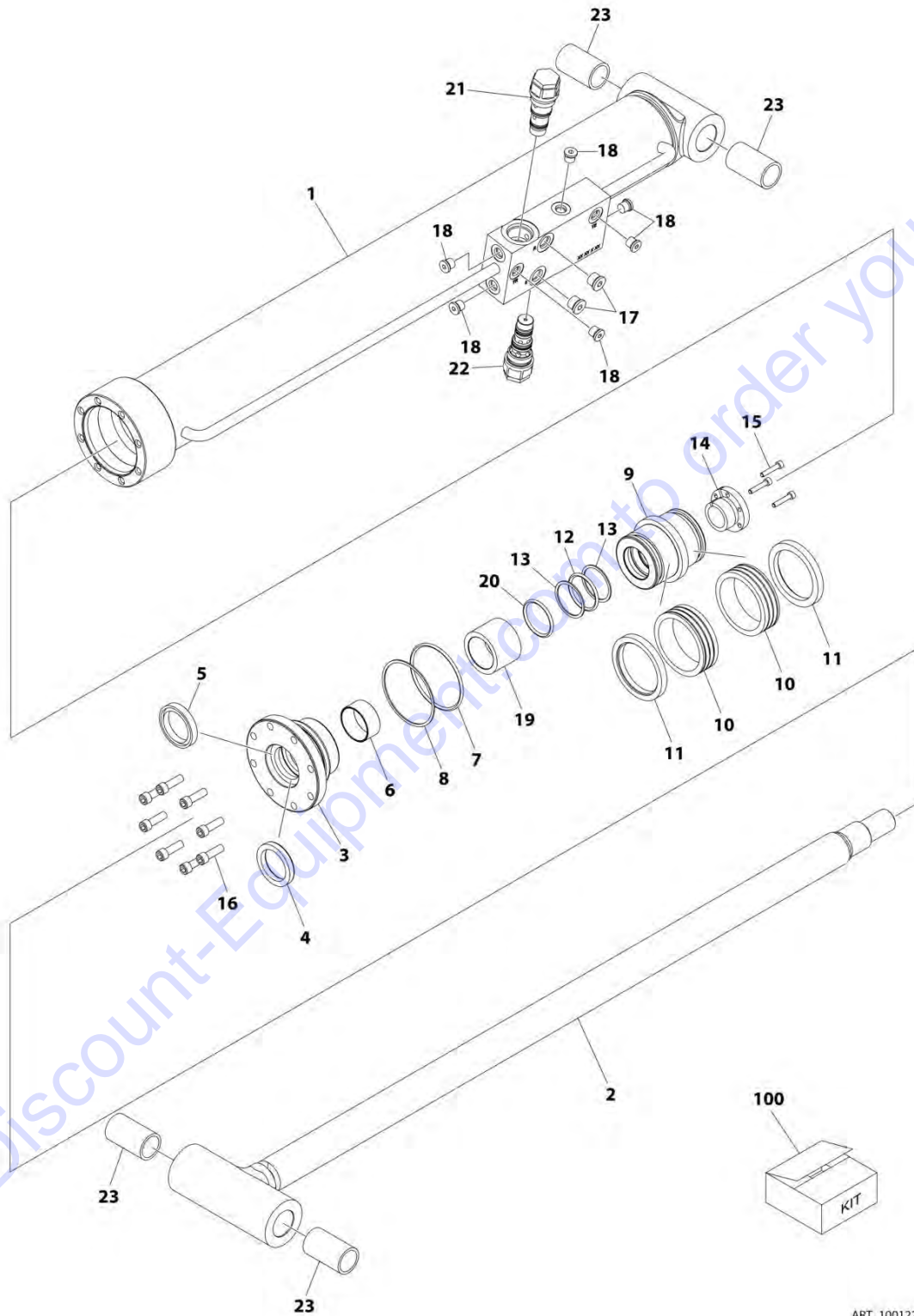
SECTION 6 - CYLINDER

FIGURE 6-8. LIFT CYLINDER ASSEMBLY - JIB (660SJ) (SN 0300237972 through 0300245222, SN B300002339 to Present)

ITEM	PART NUMBER	QTY	DESCRIPTION	REV
	1001231956	Ref	LIFT CYLINDER ASSEMBLY	C
		Ref	Note: Original Cylinder May Have Been Replaced with Service Replacement. Identify PN Stamped on Cylinder Before Ordering Parts.	
1	1684089	1	Barrel	
1A	0962336	2	Bushing	
2	1683053	1	Head	
3	3760368	1	Ring, Washer	
4	3931516	8	Capscrew 5/16in-18NC x 1in	
5	1684090	1	Rod	
5A	0962336	2	Bushing	
6	4640509	1	Cartridge, Valve	
6	2900792	1	Seal Kit - 4640509 Valve	
7	1001231963	1	Cartridge, Valve	
7	70004186	1	Seal Kit - 1001231963 Valve	
8	2220883	4	Plug, O-Ring #4	
9	2220885	1	Plug, O-Ring #6	
10	3480210	1	Piston	
11	0961893	1	Bushing, Tapered	
12	4100100	1	Spacer, Tube	
13	See Note	NSS	Seal (Note: Use Item 100)	
14	See Note	NSS	Ring, Lock (Note: Use Item 100)	
15	See Note	NSS	O-Ring (Note: Use Item 100)	
16	See Note	NSS	Ring, Back-up (Note: Use Item 100)	
17	See Note	NSS	O-Ring (Note: Use Item 100)	
18	See Note	NSS	Ring, Back-up (Note: Use Item 100)	
19	See Note	NSS	Seal, Rod (Note: Use Item 100)	
20	See Note	NSS	Wiper (Note: Use Item 100)	
21	See Note	NSS	Ring, Wear (Note: Use Item 100)	
22	0100011	AR	Compound, Locking	
23	0630534	3	Bolt #10-24NC x 1in	
25	0100038	AR	Primer, Locking	
100	2901303	1	Seal Kit (Includes Items 13-21)	

SECTION 6 - CYLINDER

FIGURE 6-9. LIFT CYLINDER ASSEMBLY - JIB (660SJ) (SN 0300237157 to Present)



ART_1001228013

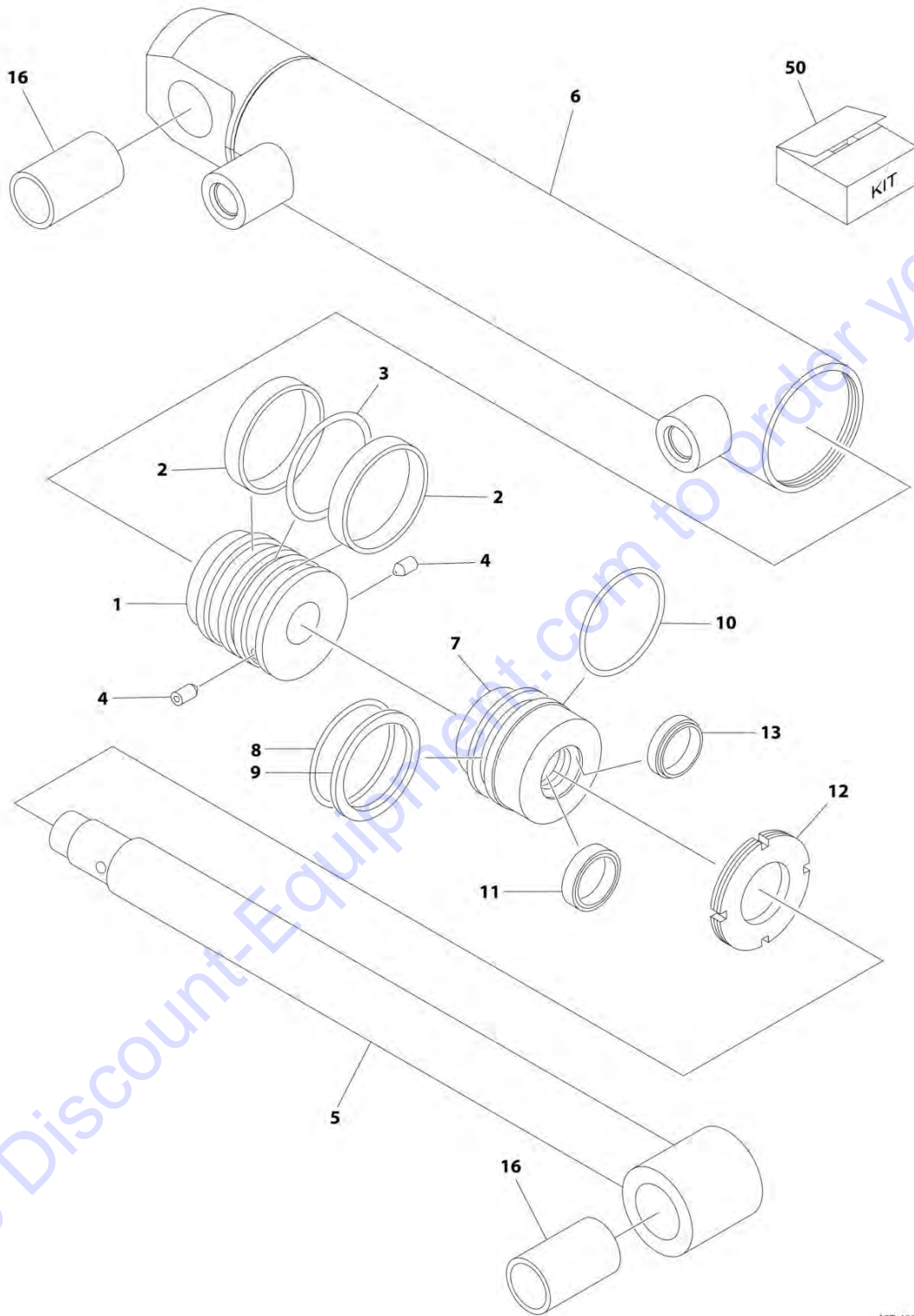
SECTION 6 - CYLINDER

FIGURE 6-9. LIFT CYLINDER ASSEMBLY - JIB (660SJ) (SN 0300237157 to Present)

ITEM	PART NUMBER	QTY	DESCRIPTION	REV
	1001228013	Ref	LIFT CYLINDER ASSEMBLY	B
		Ref	Note: Original Cylinder May Have Been Replaced with Service Replacement. Identify PN Stamped on Cylinder Before Ordering Parts.	
1	See Note	NSS	Barrel (Note: Not Available for Purchase)	
2	70006734	1	Rod	
3	70006649	1	Head	
4	See Note	NSS	Wiper (Note: Use Item 100)	
5	See Note	NSS	Seal, Rod (Note: Use Item 100)	
6	See Note	NSS	Ring, Wear (Note: Use Item 100)	
7	See Note	NSS	O-Ring (Note: Use Item 100)	
8	See Note	NSS	Ring, Back-up (Note: Use Item 100)	
9	70006650	1	Piston	
10	See Note	NSS	Seal (Note: Use Item 100)	
11	See Note	NSS	Ring, Lock (Note: Use Item 100)	
12	See Note	NSS	O-Ring (Note: Use Item 100)	
13	See Note	NSS	Ring, Back-up (Note: Use Item 100)	
14	0961893	1	Bushing, Tapered	
15	0630534	3	Bolt #10-24NC x 1in	
16	70006735	8	Capscrew 5/16 x 1	
17	2220885	2	Plug, O-Ring #6	
18	2220883	6	Plug, O-Ring #4	
19	70006736	1	Spacer, Tube	
20	See Note	NSS	O-Ring (Note: Use Item 100)	
21	4640509	1	Cartridge, Valve	
21	2900792	1	Seal Kit - 4640509 Valve	
22	1001231963	1	Cartridge, Valve	
22	70004186	1	Seal Kit - 1001231963 Valve	
23	0962336	4	Bushing	
100	2901303	1	Seal Kit (Includes Items 4-8, 10-13 & 20)	

SECTION 6 - CYLINDER

FIGURE 6-10. STEER CYLINDER ASSEMBLY



ART_1001181792

SECTION 6 - CYLINDER

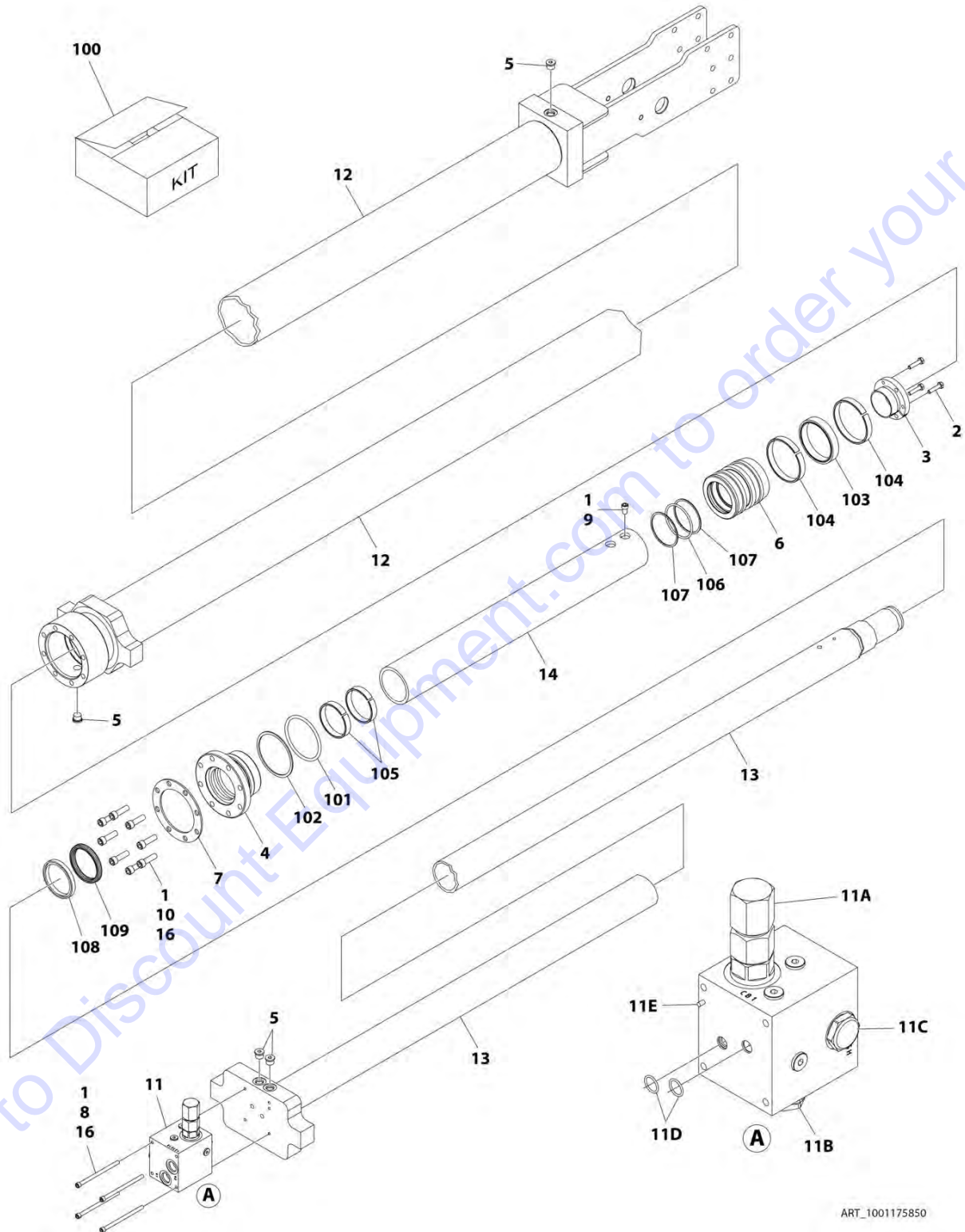
FIGURE 6-10. STEER CYLINDER ASSEMBLY

ITEM	PART NUMBER	QTY	DESCRIPTION	REV
	1001181792	Ref	STEER CYLINDER ASSEMBLY	F
1	70006106	1	Piston	
2	See Note	NSS	Ring, Wear (Note: Use Item 50)	
3	See Note	NSS	Seal, Piston (Note: Use Item 50)	
4	70002745	2	Setscrew	
5	70006107	1	Rod	
6	See Note	NSS	Barrel	
7	70002755	1	Head	
8	See Note	1	O-Ring (Note: Use Item 50)	
9	See Note	NSS	Ring, Back-up (Note: Use Item 50)	
10	See Note	NSS	Ring (Note: Use Item 50)	
11	See Note	NSS	Seal, Rod (Note: Use Item 50)	
12	70002756	1	Nut, Spanner (Note: Use Item 50)	
13	See Note	NSS	Wiper (Note: Use Item 50)	
16	1001182695	2	Bearing	
50	70006108	1	Seal Kit - 1001181792 (Includes Items 2, 3, 8-11 & 13)	

Go to Discount-Equipment.com to order your parts

SECTION 6 - CYLINDER

FIGURE 6-11. TELESCOPE CYLINDER ASSEMBLY (SN 0300235168 through 0300237156, SN B300002655 through B300002781)



ART_1001175850

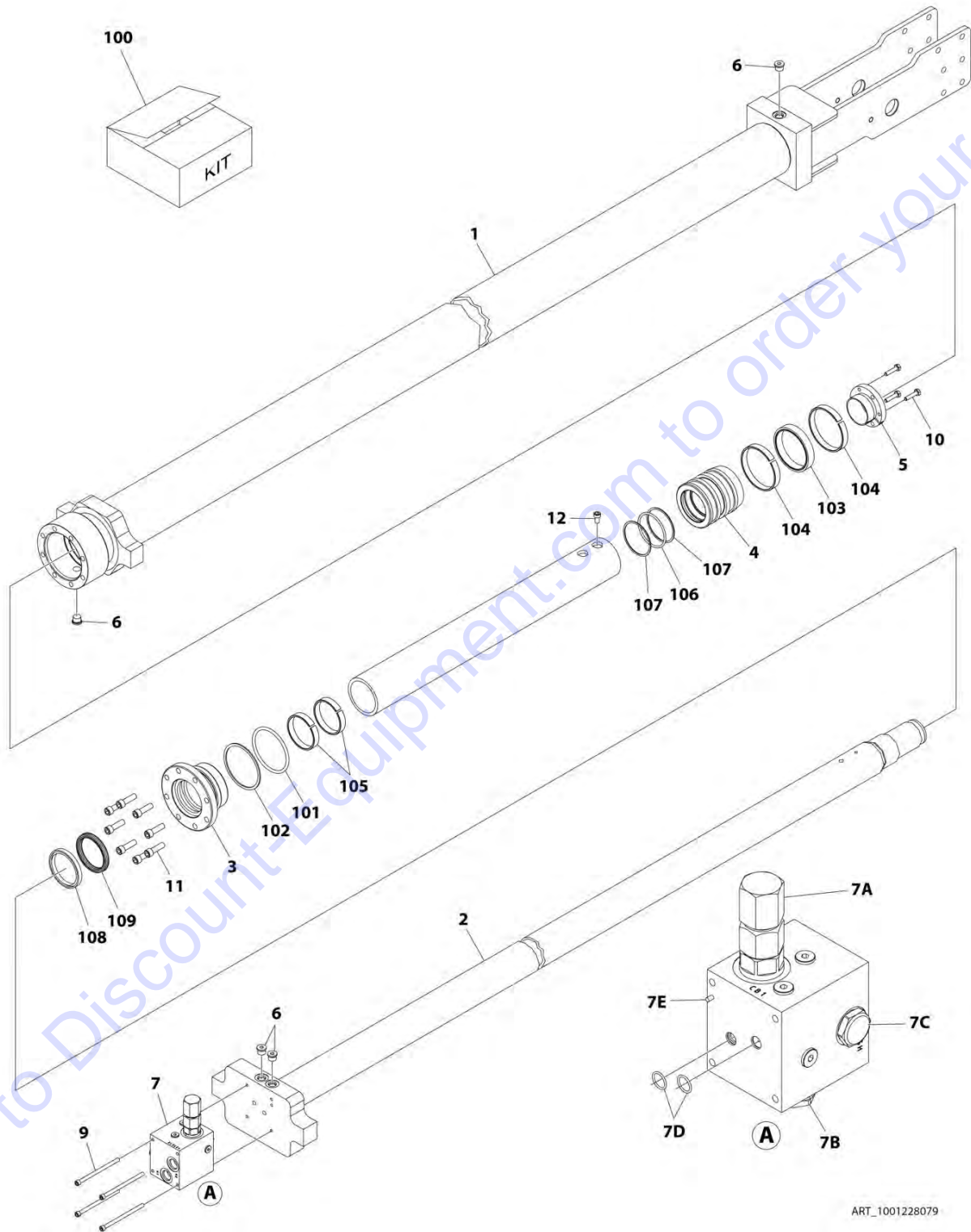
SECTION 6 - CYLINDER

FIGURE 6-11. TELESCOPE CYLINDER ASSEMBLY (SN 0300235168 through 0300237156, SN B300002655 through B300002781)

ITEM	PART NUMBER	QTY	DESCRIPTION	REV
	1001175850	Ref	TELESCOPE CYLINDER ASSEMBLY	E
		Ref	Note: Original Cylinder may have been replaced with Service Replacement. Identify PN Stamped on Cylinder Before Ordering Parts.	
1	0100011	AR	Compound, Locking	
2	0630535	3	Bolt 1/4 x 1-1/8	
3	0961897	1	Bushing, Tapered	
4	1683057	1	Head	
5	2220885	4	Plug #6	
6	3480205	1	Piston	
7	3760369	1	Ring, Washer	
8	3931464	4	Capscrew 1/4 x 4	
9	3931508	1	Capscrew 5/16 x 1/2	
10	3931620	8	Capscrew 3/8 x 1-1/4	
11	1001133245	1	Valve Assembly	
11A	70003926	1	Cartridge, Valve	
11A	70004186	1	Seal Kit - 70003926 Valve	
11B	70004155	1	Cartridge, Valve	
11B	70004186	1	Seal Kit - 70004155 Valve	
11C	70003928	1	Cartridge, Valve	
11C	70003929	1	Seal Kit - 70003928 Valve	
11D	70003982	1	Seal	
11E	70003930	1	Roll Pin	
12	1001175346	1	Barrel	
13	1001175852	1	Rod	
14	1001176339	1	Spacer	
16	0100038	AR	Primer	
100	1001177519	1	Seal Kit - 1001175850 (Includes Item 101-109)	
101	1001177520	NSS	O-Ring (Note: Use Item 100)	
102	1001177521	NSS	Ring, Back-up (Note: Use Item 100)	
103	1001177522	NSS	Seal (Note: Use Item 100)	
104	3960361	NSS	Ring, Wear (Note: Use Item 100)	
105	3760132	NSS	Ring, Wear (Note: Use Item 100)	
106	1001138915	NSS	O-Ring (Note: Use Item 100)	
107	3760356	NSS	Seal, Back-up (Note: Use Item 100)	
108	3960158	NSS	Wiper (Note: Use Item 100)	
109	1001215321	NSS	Seal, Rod (Note: Use Item 100)	

SECTION 6 - CYLINDER

FIGURE 6-12. TELESCOPE CYLINDER ASSEMBLY (SN 0300237157 through 0300250001, SN B300002782 through B300003104)



ART_1001228079

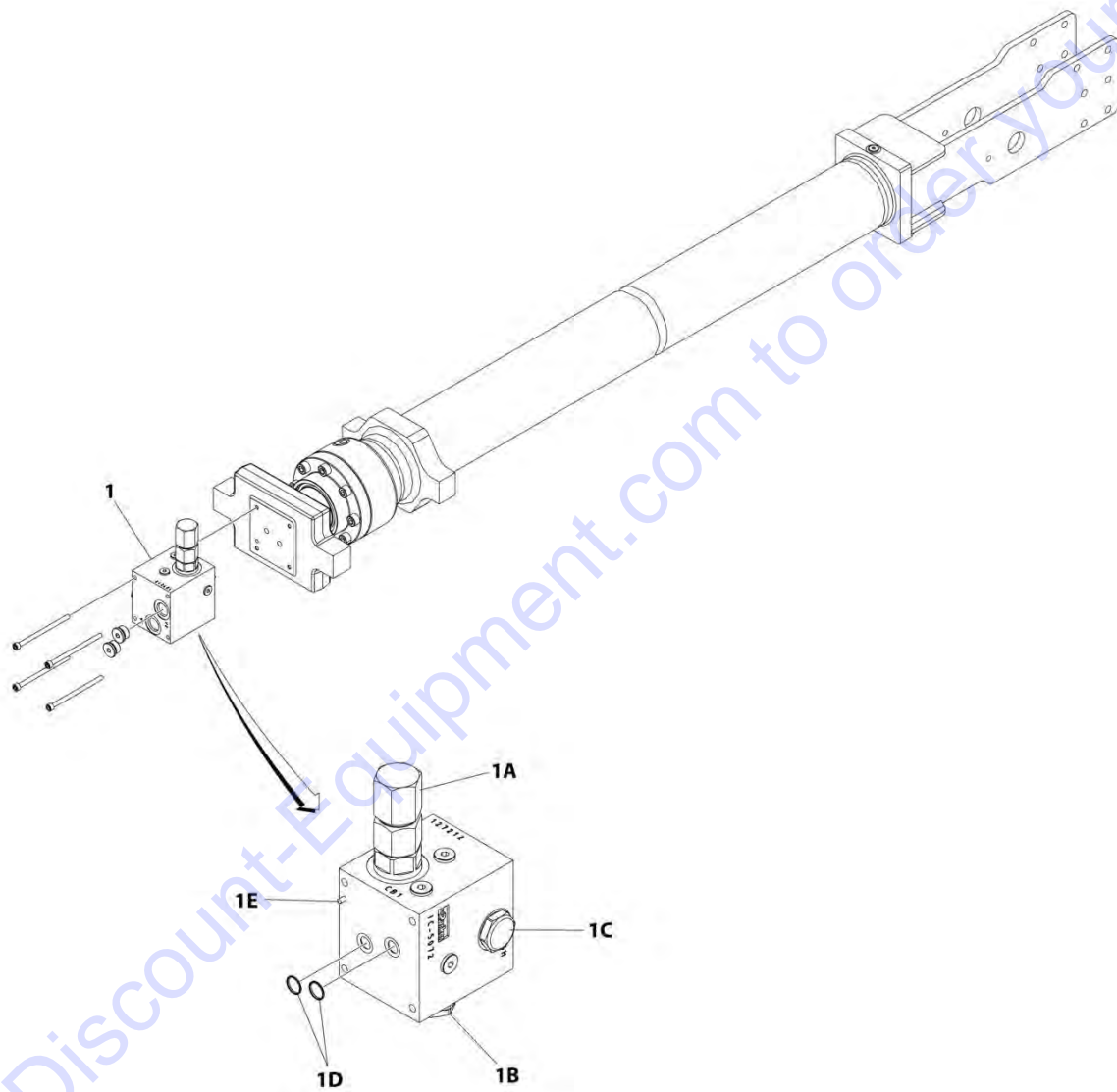
SECTION 6 - CYLINDER

FIGURE 6-12. TELESCOPE CYLINDER ASSEMBLY (SN 0300237157 through 0300250001, SN B300002782 through B300003104)

ITEM	PART NUMBER	QTY	DESCRIPTION	REV
	1001228079	Ref	TELESCOPE CYLINDER ASSEMBLY	B
		Ref	Note: Original Cylinder may have been replaced with Service Replacement. Identify PN Stamped on Cylinder Before Ordering Parts.	
1	See Note	NSS	Barrel (Note: Not Available for Purchase)	
2	70006441	1	Rod	
3	70006440	1	Head	
4	70006439	1	Piston	
5	70006438	1	Bushing, Tapered	
6	2220885	4	Plug #6	
7	1001133245	1	Valve Assembly	
7A	70003926	1	Cartridge, Valve	
7A	70004186	1	Seal Kit - 70003926 Valve	
7B	70004155	1	Cartridge, Valve	
7B	70004186	1	Seal Kit - 70004155 Valve	
7C	70003928	1	Cartridge, Valve	
7C	70003929	1	Seal Kit - 70003928 Valve	
7D	70003982	1	Seal	
7E	70003930	1	Roll Pin	
9	3931464	4	Capscrew 1/4 x 4	
10	0630535	3	Bolt 1/4 x 1-1/8	
11	3931620	8	Capscrew 3/8 x 1-1/4	
12	3931508	1	Capscrew 5/16 x 1/2	
100	1001177519	1	Seal Kit - 1001228079 (Includes Item 101-109)	
101	1001177520	NSS	O-Ring (Note: Use Item 100)	
102	1001177521	NSS	Ring, Back-up (Note: Use Item 100)	
103	1001177522	NSS	Seal (Note: Use Item 100)	
104	3960361	NSS	Ring, Wear (Note: Use Item 100)	
105	3760132	NSS	Ring, Wear (Note: Use Item 100)	
106	1001138915	NSS	O-Ring (Note: Use Item 100)	
107	3760356	NSS	Seal, Back-up (Note: Use Item 100)	
108	3960158	NSS	Wiper (Note: Use Item 100)	
109	1001215321	NSS	Seal, Rod (Note: Use Item 100)	

SECTION 6 - CYLINDER

FIGURE 6-13. TELESCOPE CYLINDER ASSEMBLY (SN 0300250002 to Present, SN B300003105 to Present)



ART_1001251079

SECTION 6 - CYLINDER

FIGURE 6-13. TELESCOPE CYLINDER ASSEMBLY (SN 0300250002 to Present, SN B300003105 to Present)

ITEM	PART NUMBER	QTY	DESCRIPTION	REV
	1001251079	Ref	TELESCOPE CYLINDER ASSEMBLY	A
	See Note	Ref	Note: Original Cylinder may have been replaced with Service Replacement. Identify PN Stamped on Cylinder Before Ordering Parts.	
	See Note	Ref	Note: No Service Parts Available at time of Printing	
1	1001133245	1	Valve Assembly	
1A	70003926	1	Cartridge, Valve	
1A	70004186	1	Seal Kit - 70003926 Valve	
1B	70004155	1	Cartridge, Valve	
1B	70004186	1	Seal Kit - 70004155 Valve	
1C	70003928	1	Cartridge, Valve	
1C	70003929	1	Seal Kit - 70003928 Valve	
1D	70003982	2	Seal	
1E	70003930	1	Roll Pin	

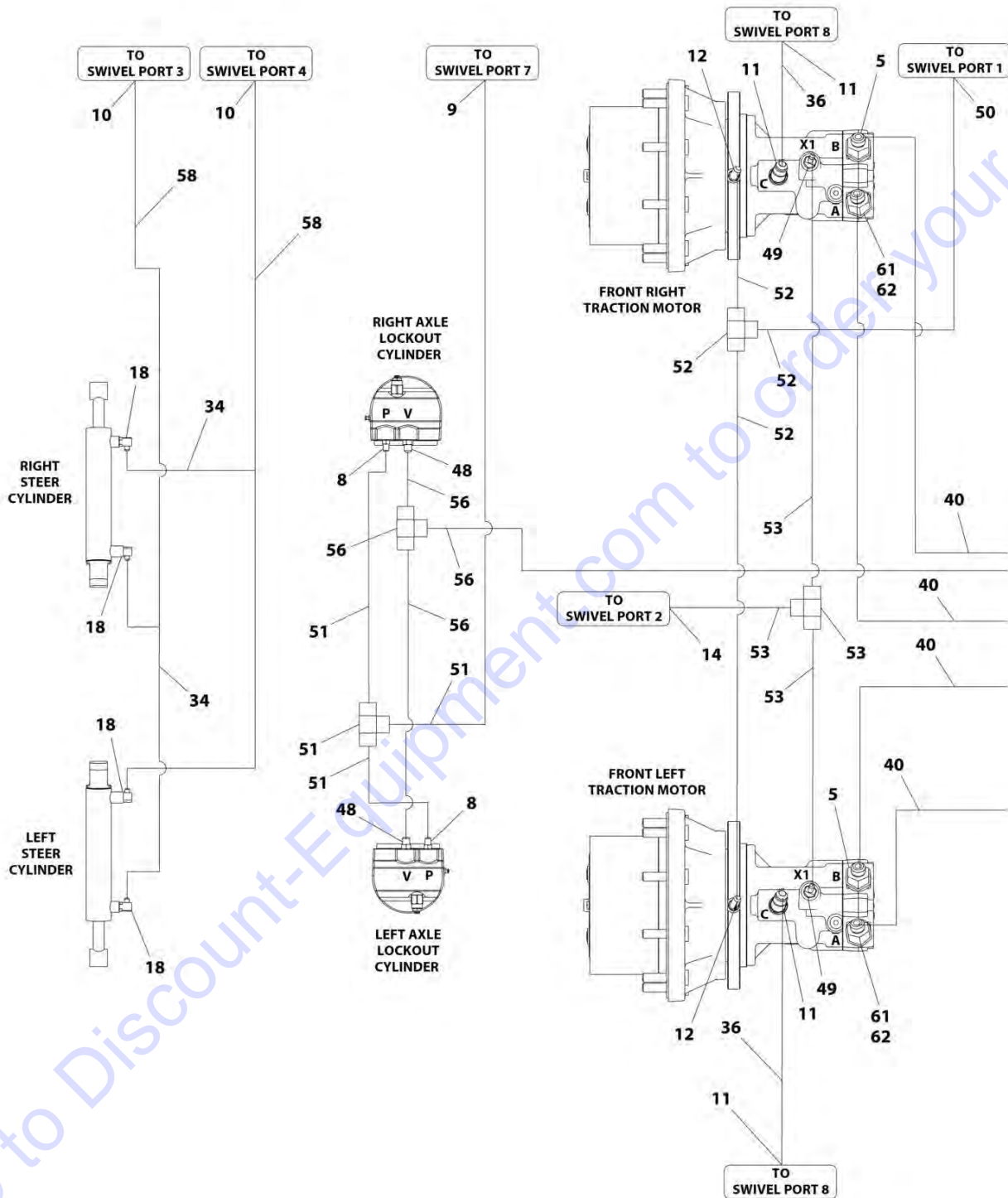
Go to Discount-Equipment.com to order your parts

SECTION 7 - HYDRAULIC

Go to Discount-Equipment.com to order your parts

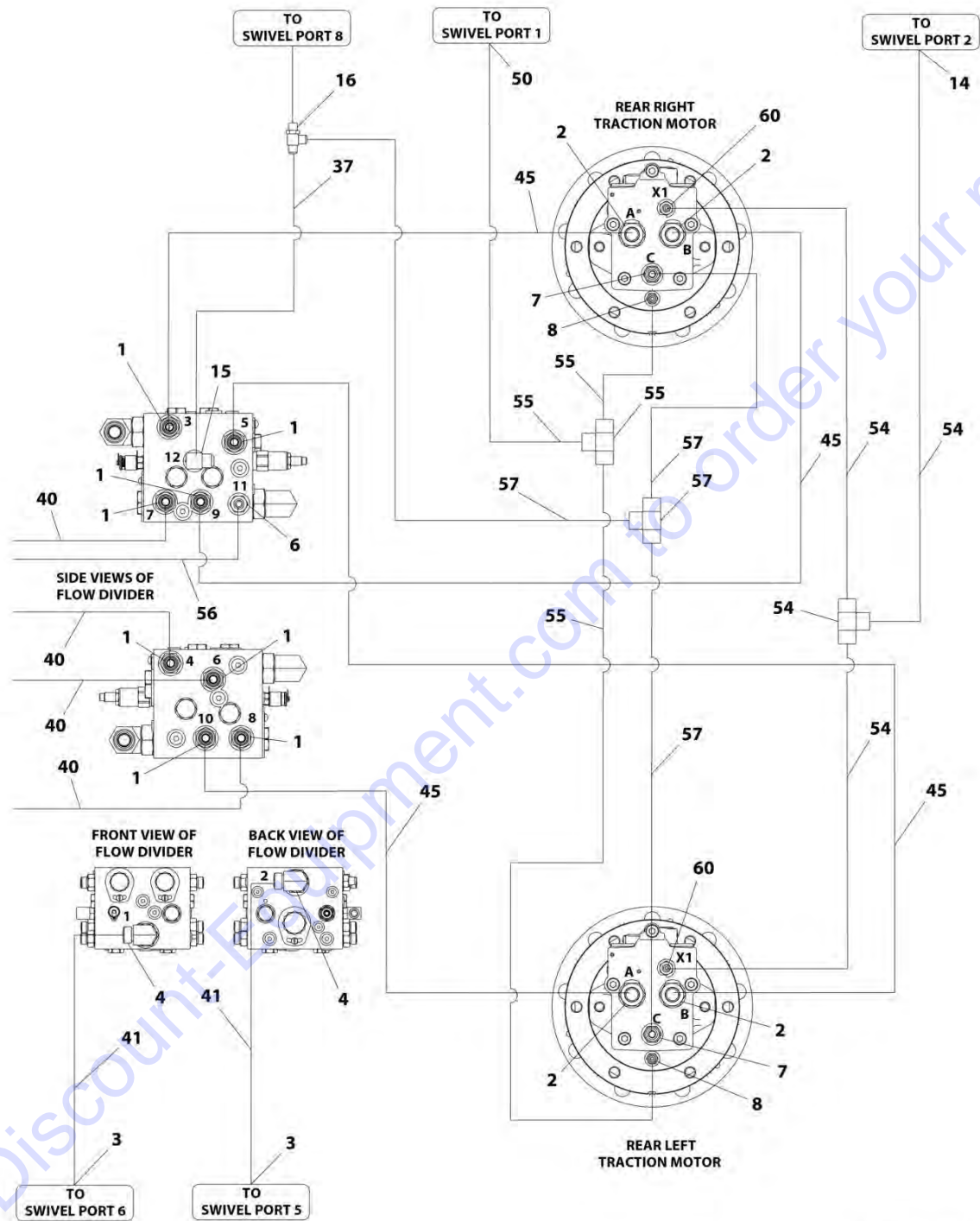
SECTION 7 - HYDRAULIC

FIGURE 7-1. DRIVE HYDRAULIC DIAGRAM (2WS WITHOUT ARCTIC PACKAGE)



ART_1001188342_10F2

SECTION 7 - HYDRAULIC



ART_1001188342_2OF2

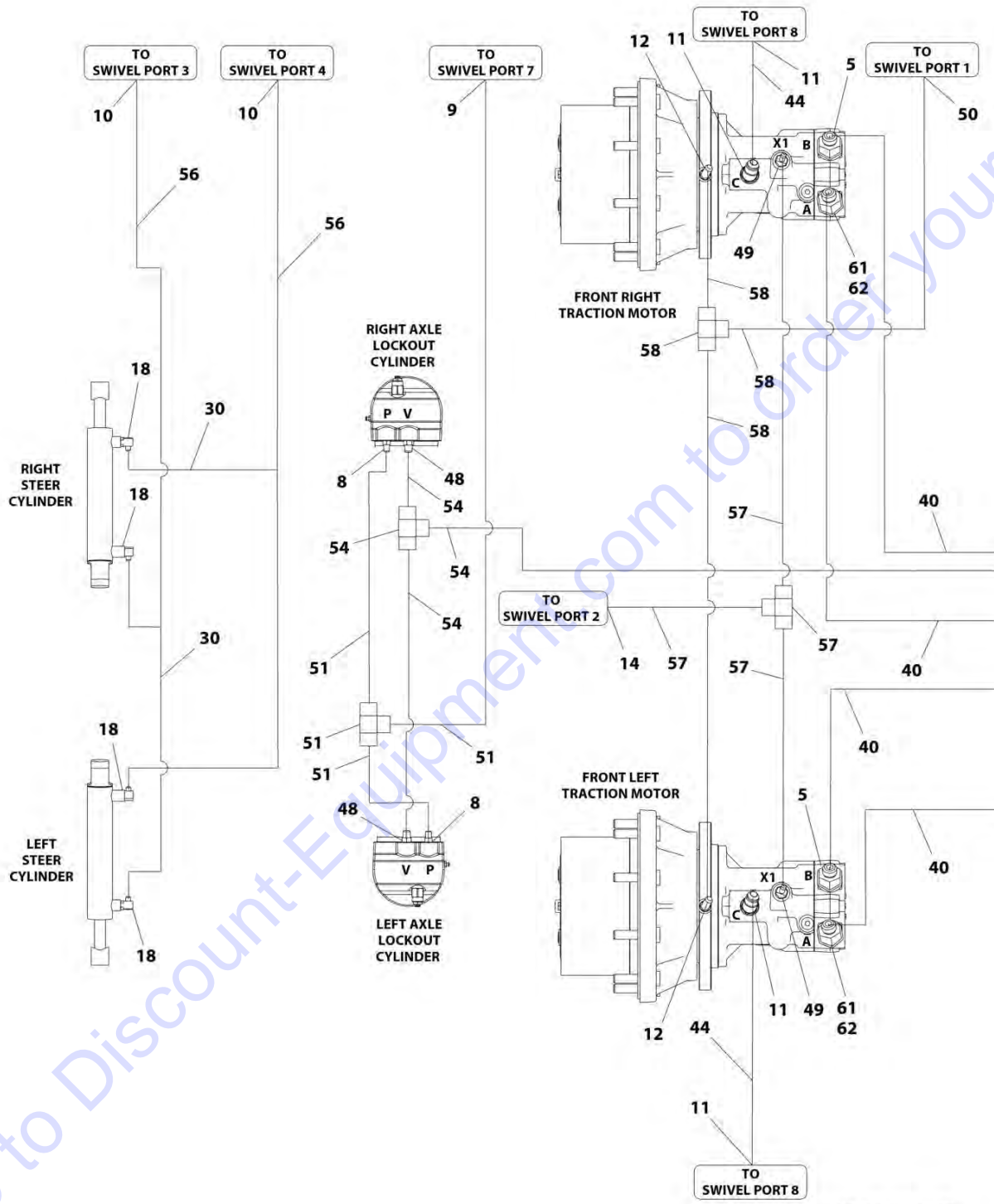
SECTION 7 - HYDRAULIC

FIGURE 7-1. DRIVE HYDRAULIC DIAGRAM (2WS WITHOUT ARCTIC PACKAGE)

ITEM	PART NUMBER	QTY	DESCRIPTION	REV
	1001188342	Ref	DRIVE HYDRAULIC DIAGRAM	F
1	2110810	8	Fitting, Straight ORFS/ORB	
2	2110812	4	Fitting, Straight ORFS/ORB	
3	2111216	2	Fitting, Straight ORFS/ORB	
4	2131216	2	Fitting, 90 ORFS/ORB	
5	2150812	2	Fitting, 45 ORFS/ORB	
6	2220372	1	Fitting, Straight JIC ORB	
7	2220373	2	Fitting, Straight JIC/ORB	
8	2220415	4	Fitting, Straight JIC/ORB	
9	2220468	1	Fitting, Straight JIC/ORB	
10	2220501	2	Fitting, 45 JIC/ORB	
11	2220500	4	Fitting, 45 JIC/ORB	
12	2220502	2	Fitting, 45 JIC/ORB	
14	2220472	2	Fitting, 90 JIC/ORB	
15	2220596	1	Fitting, 90 JIC/ORB	
16	2220602	1	Fitting, Tee JIC/ORB/JIC	
18	2220628	4	Fitting, 90 JIC/ORB	
23	4240018	21	Tie-Strap (Not Shown)	
34	1001187308	2	Hose	
36	1001187311	2	Hose	
37	1001187312	1	Hose	
40	1001187317	4	Hose	
41	1001187318	2	Hose	
45	1001188763	4	Hose	
48	2220371	2	Fitting, Straight JIC/ORB	
49	2221040	2	Fitting, 45 JIC/ORB	
50	1001197045	2	Fitting, 90 JIC/ORB	
51	1001199654	1	Hose	
52	1001199655	1	Hose	
53	1001199656	1	Hose	
54	1001199657	1	Hose	
55	1001199658	1	Hose	
56	1001199661	1	Hose	
57	1001199662	1	Hose	
58	1001200432	2	Hose	
59	4240033	2	Tie-Strap (Not Shown)	
60	2220582	2	Fitting, Straight JIC/ORB	
61	2150812	2	Fitting, 45 ORFS/ORB (SN 0300235168 through 0300236291)	
61	2150808	2	Fitting, 45 ORFS/ORB (SN 0300236292 to Present, SN B300002655 to Present)	
62	2220811	2	Fitting, Straight FORB/ORB (SN 0300236292 to Present, SN B300002655 to Present)	

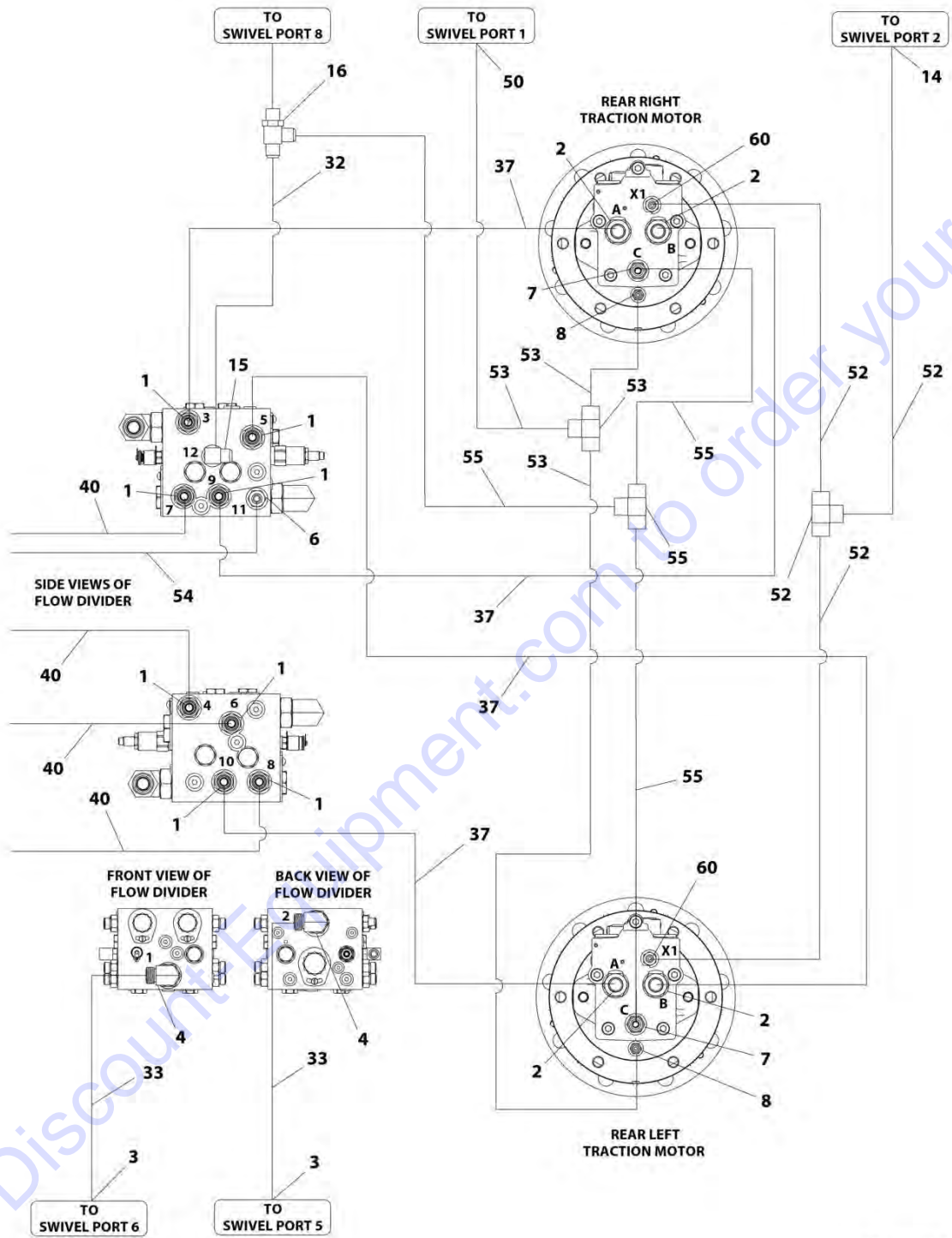
SECTION 7 - HYDRAULIC

FIGURE 7-2. DRIVE HYDRAULIC DIAGRAM (2WS WITH ARCTIC PACKAGE)



ART_1001192265_10F2

SECTION 7 - HYDRAULIC



ART_1001192265_20F2

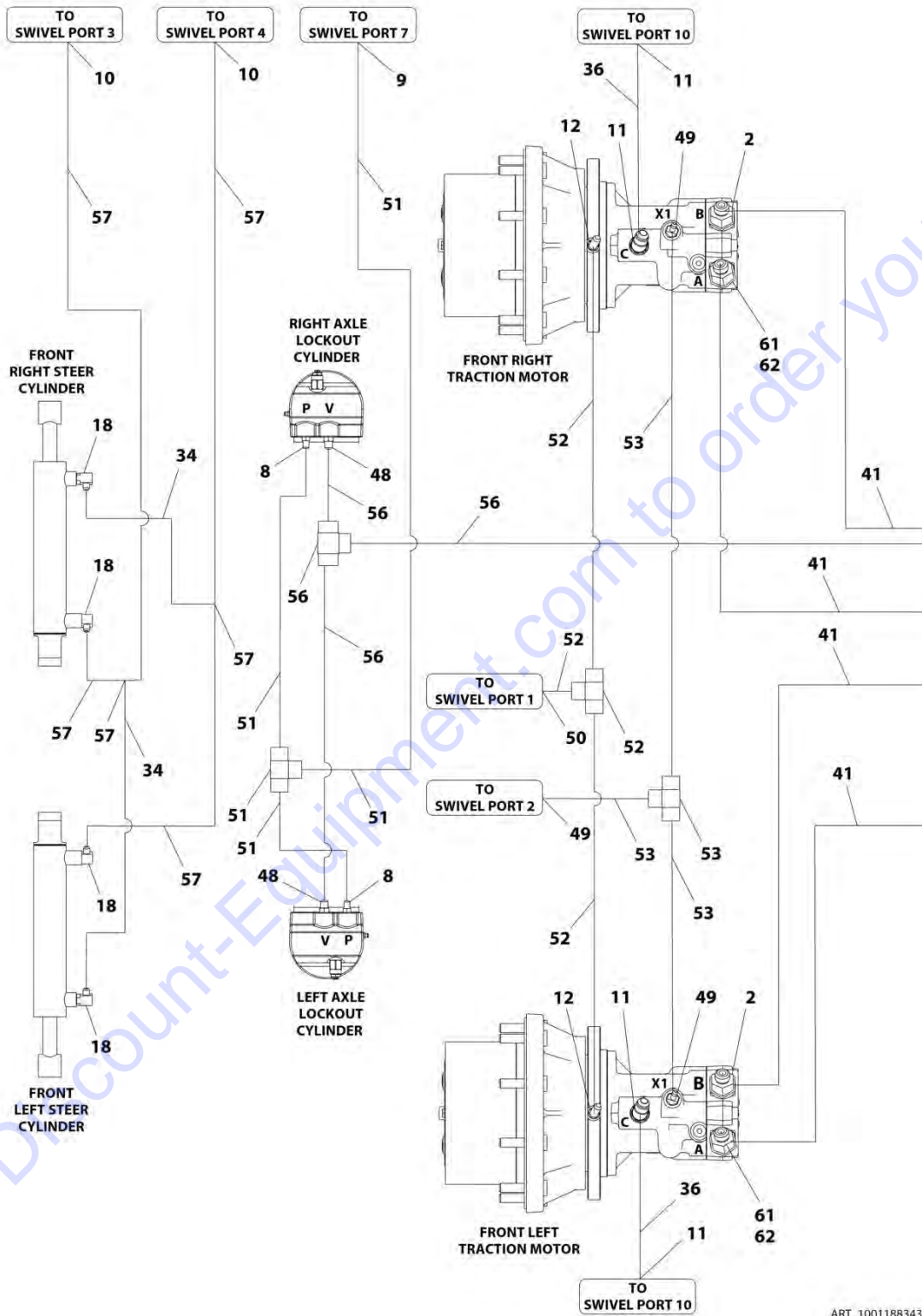
SECTION 7 - HYDRAULIC

FIGURE 7-2. DRIVE HYDRAULIC DIAGRAM (2WS WITH ARCTIC PACKAGE)

ITEM	PART NUMBER	QTY	DESCRIPTION	REV
	1001192265	Ref	DRIVE HYDRAULIC DIAGRAM	E
1	2110810	8	Fitting, Straight ORFS/ORB	
2	2110812	4	Fitting, Straight ORFS/ORB	
3	2111216	2	Fitting, Straight ORFS/ORB	
4	2131216	2	Fitting, 90 ORFS/ORB	
5	2150812	2	Fitting, 45 ORFS/ORB	
6	2220372	1	Fitting, Straight JIC/ORB	
7	2220373	2	Fitting, Straight JIC/ORB	
8	2220415	4	Fitting, Straight JIC/ORB	
9	2220468	1	Fitting, Straight JIC/ORB	
10	2220501	2	Fitting, 45 JIC/ORB	
11	2220500	4	Fitting, 45 JIC/ORB	
12	2220502	2	Fitting, 45 JIC/ORB	
14	2220472	2	Fitting, 90 JIC/ORB	
15	2220596	1	Fitting, 90 JIC/ORB	
16	2220602	1	Fitting, Tee JIC/ORB/JIC	
18	2220628	4	Fitting, 90 JIC/ORB	
23	4240018	21	Tie-Strap (Not Shown)	
30	1001203853	2	Hose	
32	1001187312	1	Hose	
33	1001187318	2	Hose	
37	1001188763	4	Hose	
40	1001193611	4	Hose	
44	1001193610	2	Hose	
48	2220371	2	Fitting, Straight JIC/ORB	
49	2221040	2	Fitting, 45 JIC/ORB	
50	1001197045	2	Fitting, 90 JIC/ORB	
51	1001199654	1	Hose	
52	1001199657	1	Hose	
53	1001199658	1	Hose	
54	1001169661	1	Hose	
55	1001199662	1	Hose	
56	1001203854	2	Hose	
57	1001203859	1	Hose	
58	1001203860	1	Hose	
59	4240033	2	Tie-Strap (Not Shown)	
60	2220582	2	Fitting, Straight JIC/ORB	
61	2150812	2	Fitting, 45 ORFS/ORB (SN 0300235168 through 0300236291)	
61	2150808	2	Fitting, 45 ORFS/ORB (SN 0300236292 to Present, SN B300002655 to Present)	
62	2220811	2	Fitting, Straight FORB/ORB (SN 0300236292 to Present, SN B300002655 to Present)	

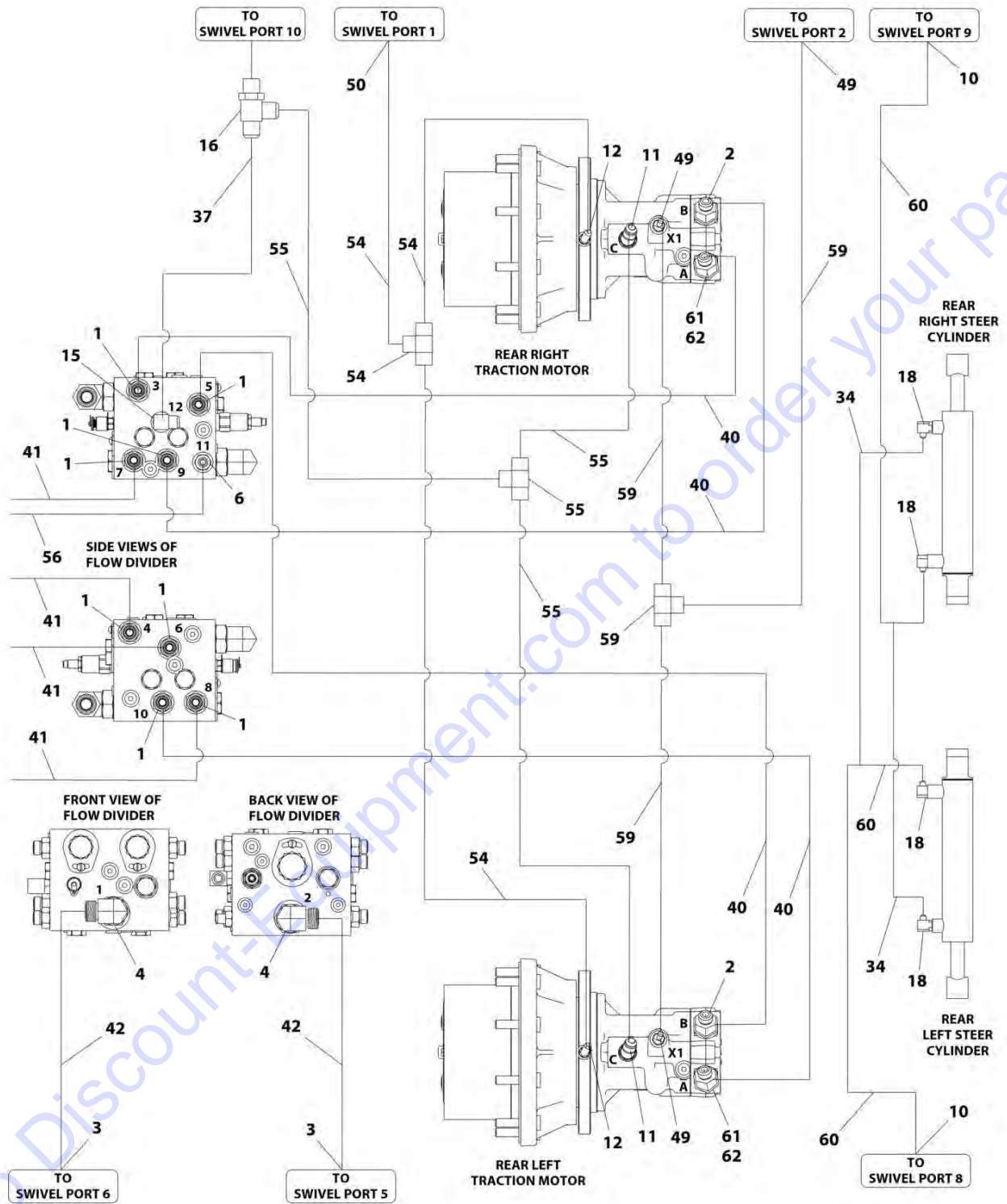
SECTION 7 - HYDRAULIC

FIGURE 7-3. DRIVE HYDRAULIC DIAGRAM (4WS)



ART_1001188343_10F2

SECTION 7 - HYDRAULIC



ART_1001188343_2OF2

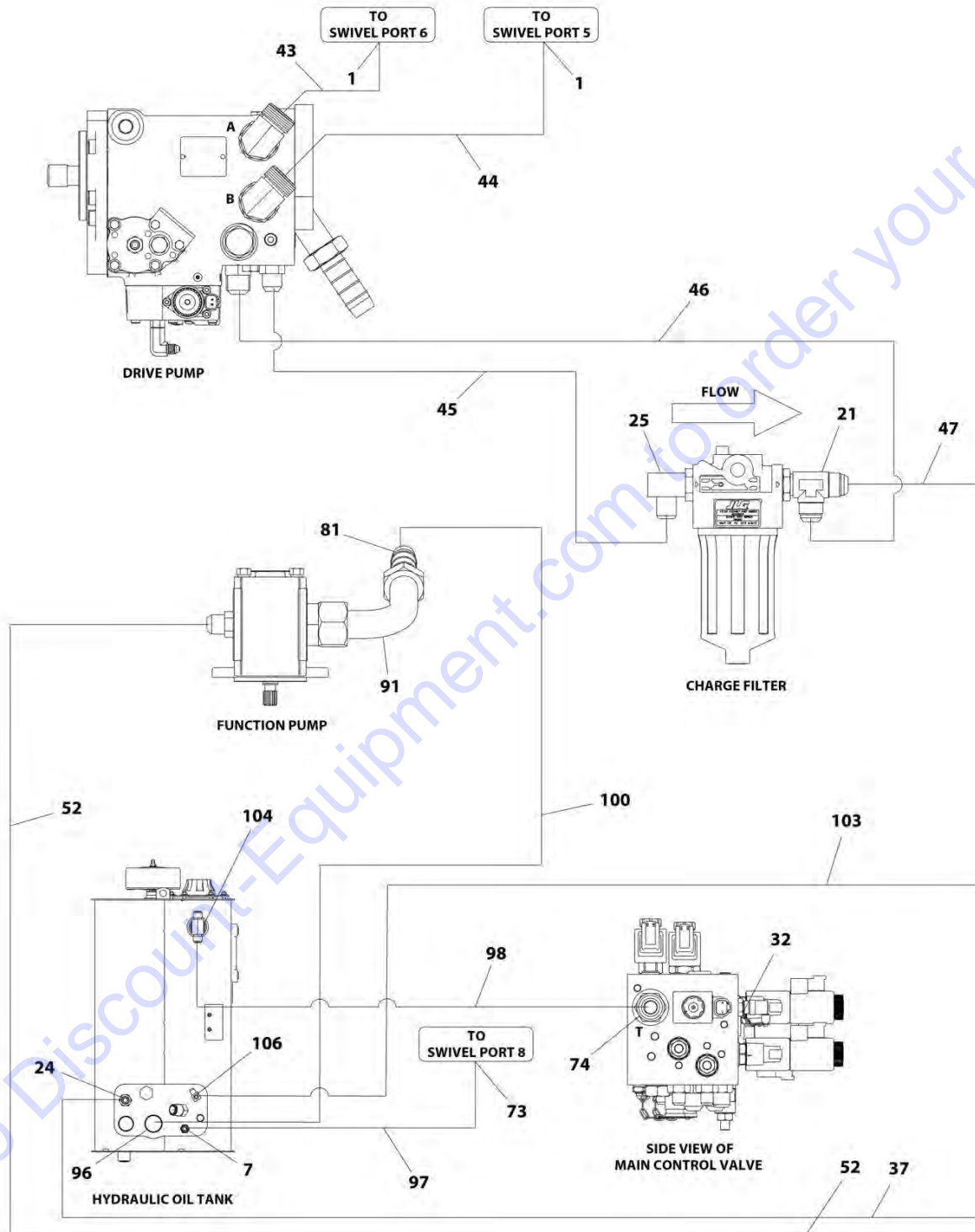
SECTION 7 - HYDRAULIC

FIGURE 7-3. DRIVE HYDRAULIC DIAGRAM (4WS)

ITEM	PART NUMBER	QTY	DESCRIPTION	REV
	1001188343	Ref	DRIVE HYDRAULIC DIAGRAM	F
1	2110810	8	Fitting, Straight ORFS/ORB	
2	2150812	4	Fitting, 45 ORFS/ORB	
3	2111216	2	Fitting, Straight ORFS/ORB	
4	2131216	2	Fitting, 90 ORFS/ORB	
6	2220372	1	Fitting, Straight JIC/ORB	
8	2220415	2	Fitting, Straight JIC/ORB	
9	2220468	1	Fitting, Straight JIC/ORB	
10	2220501	4	Fitting, 45 JIC/ORB	
11	2220500	6	Fitting, 45 JIC/ORB	
12	2220502	4	Fitting, 45 JIC/ORB	
15	2220596	1	Fitting, 90 JIC/ORB	
16	2220602	1	Fitting, Tee JIC/ORB/JIC	
18	2220628	8	Fitting, 90 JIC/ORB	
23	4240018	30	Tie-Strap (Not Shown)	
34	1001187308	4	Hose	
36	1001187311	2	Hose	
37	1001187312	1	Hose	
40	1001187316	4	Hose	
41	1001187317	4	Hose	
42	1001187318	2	Hose	
48	2220371	2	Fitting, Straight JIC/ORB	
49	2221040	6	Fitting, 45 JIC/ORB	
50	2221344	2	Fitting, 45 JIC/ORB	
51	1001199654	1	Hose	
52	1001199655	1	Hose	
53	1001199656	1	Hose	
54	1001199659	1	Hose	
55	1001199663	1	Hose	
56	1001199661	1	Hose	
57	1001200432	2	Hose	
58	4240033	4	Tie-Strap (Not Shown)	
59	1001199660	1	Hose	
60	1001200433	2	Hose	
61	2150812	4	Fitting, 45 ORFS/ORB (SN 0300235168 through 0300236291)	
61	2150808	4	Fitting, 45 ORFS/ORB (SN 0300236292 to Present, SN B300002655 to Present)	
62	2220811	4	Fitting, Straight FORB/ORB (SN 0300236292 to Present, SN B300002655 to Present)	

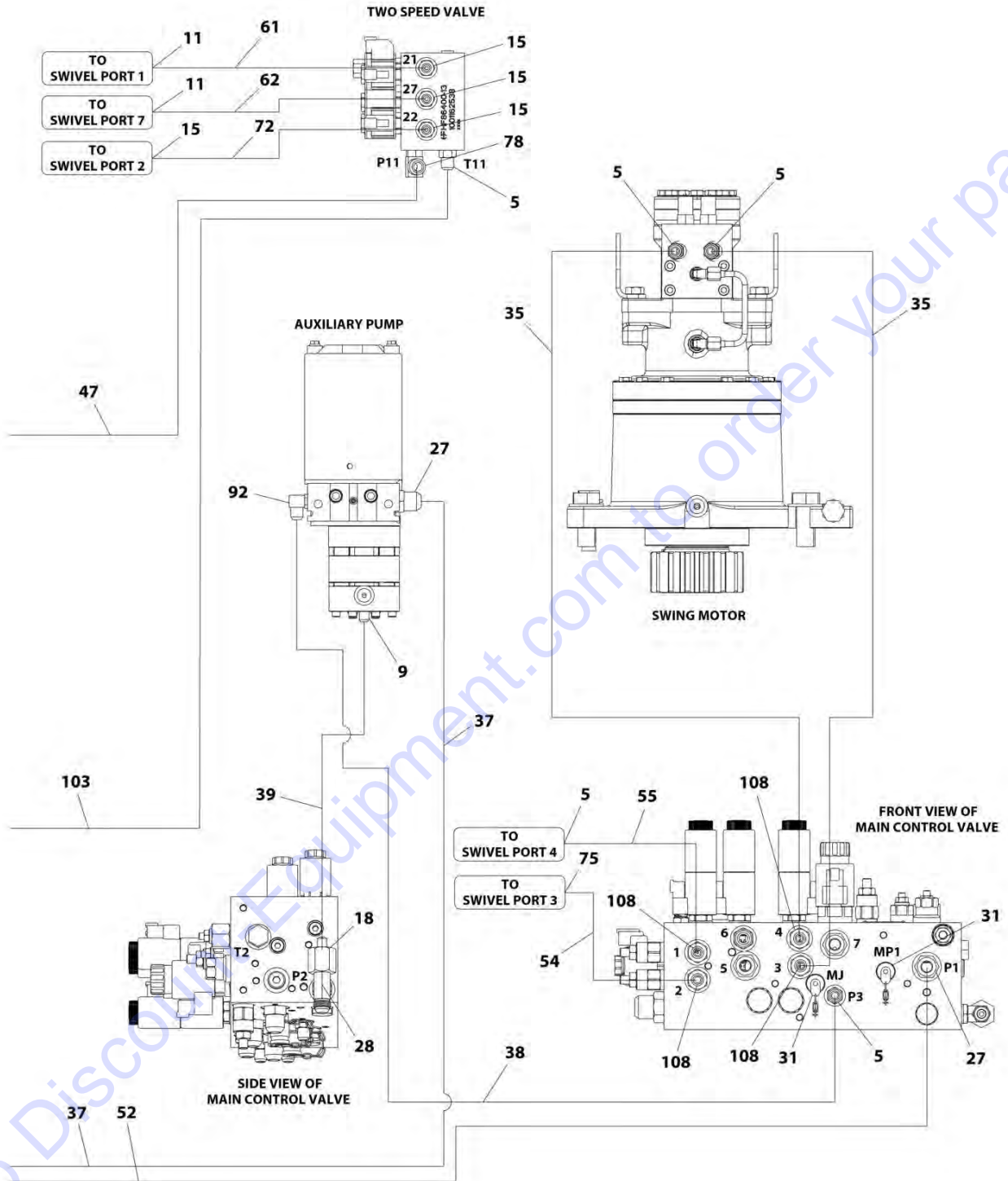
SECTION 7 - HYDRAULIC

FIGURE 7-4. STANDARD HYDRAULIC DIAGRAM (600S 2WS) (SN 0300235168 through 0300260918, SN B300002655 to Present)



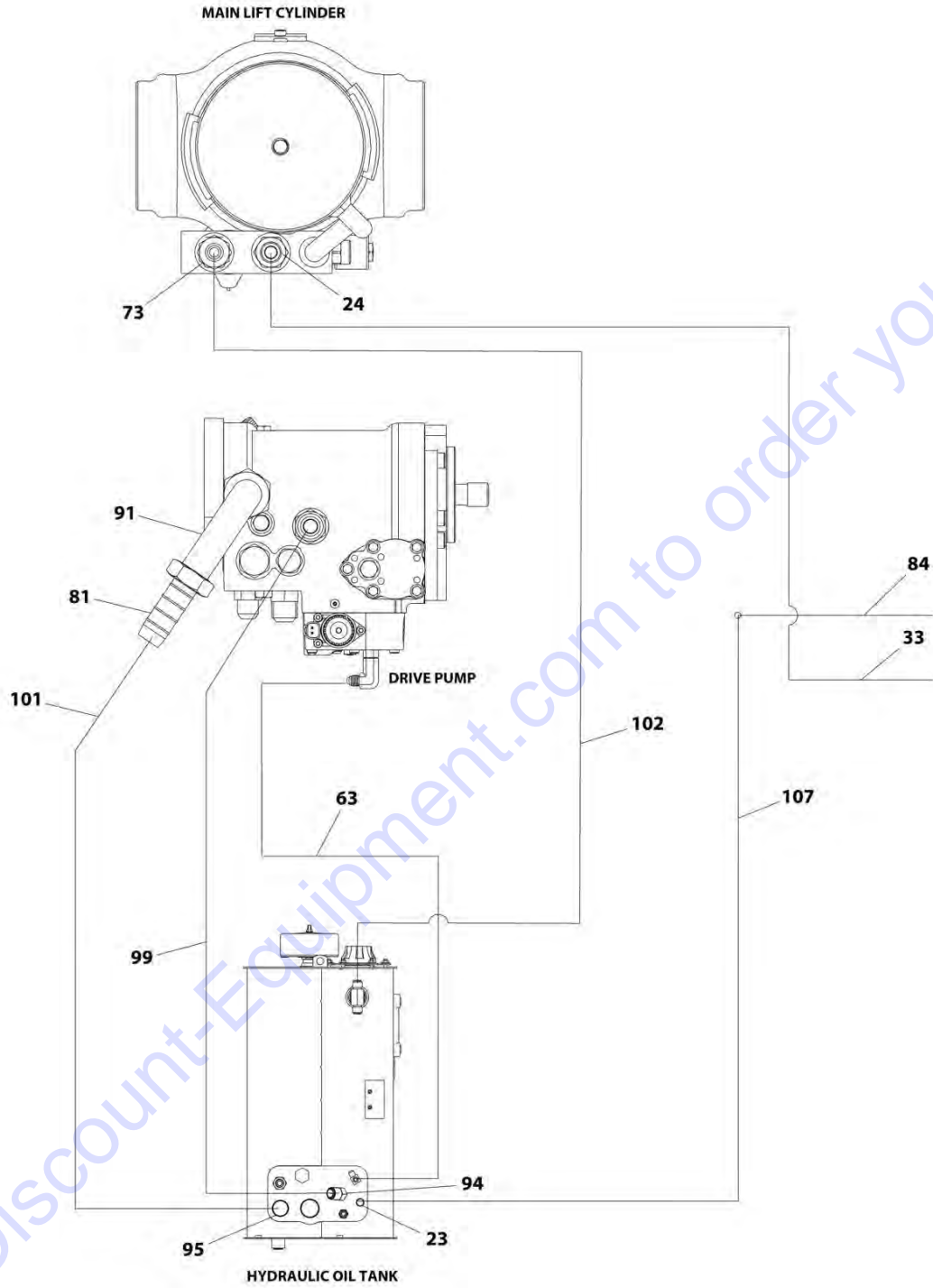
ART_1001193247_10F4

SECTION 7 - HYDRAULIC



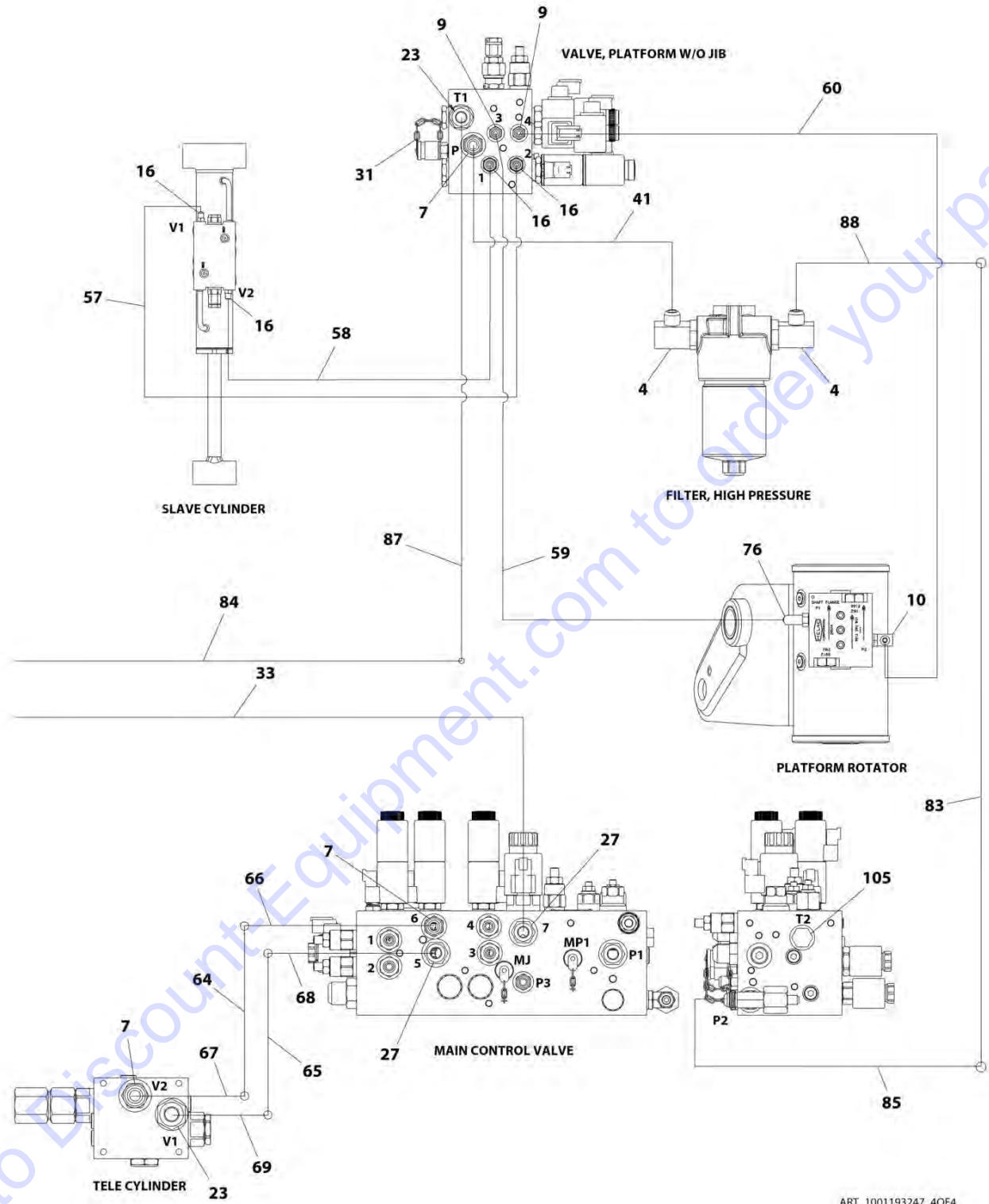
ART_1001193247_20F4

SECTION 7 - HYDRAULIC



ART_1001193247_30F4

SECTION 7 - HYDRAULIC



ART_1001193247_40F4

SECTION 7 - HYDRAULIC

FIGURE 7-4. STANDARD HYDRAULIC DIAGRAM (600S 2WS) (SN 0300235168 through 0300260918, SN B300002655 to Present)

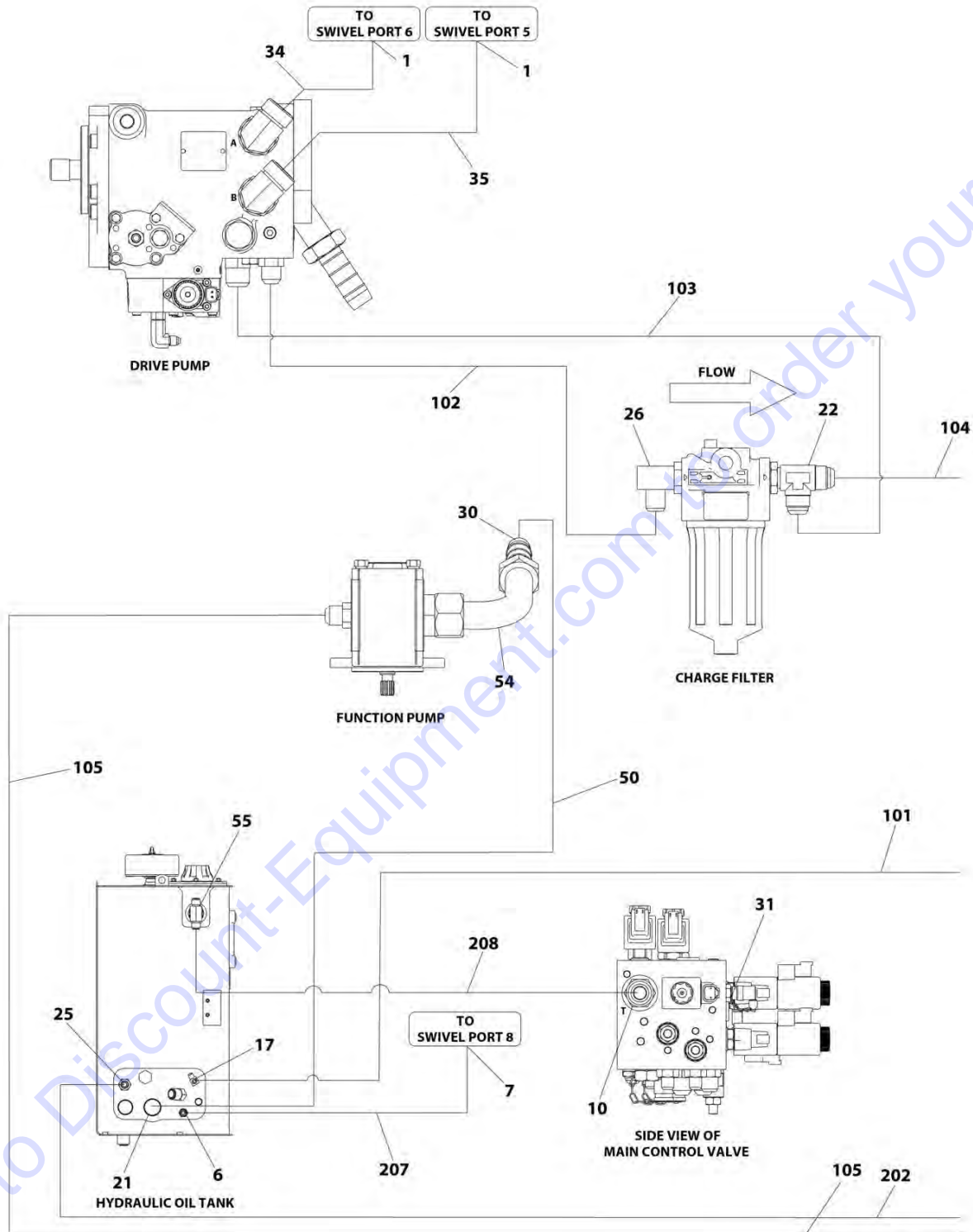
ITEM	PART NUMBER	QTY	DESCRIPTION	REV
	1001193247	Ref	STANDARD HYDRAULIC DIAGRAM	I
1	2111616	2	Fitting, Straight ORFS/ORB	
4	2220366	2	Fitting, 90 JIC/ORB	
5	2220371	5	Fitting, Straight JIC/ORB	
7	2220373	4	Fitting, Straight JIC/ORB	
9	2220415	3	Fitting, Straight JIC/ORB	
10	2220466	1	Fitting, 90 JIC/ORB	
11	2220468	2	Fitting, Straight JIC/ORB	
15	2220582	4	Fitting, Straight JIC/ORB	
16	2220603	4	Fitting, Straight JIC/ORB	
18	2220618	1	Fitting, Straight JIC/FSJIC	
21	2220738	1	Fitting, Tee JIC/ORB/JIC	
23	2220852	3	Fitting, Straight JIC/ORB	
24	2220865	2	Fitting, Straight JIC/ORB	
25	2220906	1	Fitting, 90 JIC/ORB	
27	2220947	4	Fitting, Straight JIC/ORB	
28	2220999	1	Fitting, Tee JIC/ORB/JIC	
31	2221086	3	Fitting, Test	
32	1001119455	1	Valve, Oil Sampling	
33	1001192641	1	Hose	
35	1001192651	1	Hose	
37	1001228226	1	Hose	
38	1001192654	1	Hose	
39	1001192655	1	Hose	
41	1001192658	1	Hose	
43	1001192661	1	Hose	
44	1001192663	1	Hose	
45	1001192667	1	Hose	
46	1001192669	1	Hose	
47	1001192673	1	Hose	
52	1001192679	1	Hose	
54	1001192681	1	Hose	
55	1001192682	1	Hose	
57	1001192684	1	Hose	
58	1001192685	1	Hose	
59	1001192686	1	Hose	
60	1001192687	1	Hose	
61	1001192688	1	Hose	
62	1001192689	1	Hose	
63	1001192690	1	Hose	
64	1001192693	1	Pipe	
65	1001192694	1	Pipe	
66	1001192695	1	Hose	
67	1001192696	1	Hose	
68	1001192698	1	Hose	
69	1001192699	1	Hose	
72	1001192758	1	Hose	
73	2220375	2	Fitting, Straight JIC/ORB	
74	2220451	1	Fitting, Straight JIC/ORB	

SECTION 7 - HYDRAULIC

ITEM	PART NUMBER	QTY	DESCRIPTION	REV
75	2220473	1	Fitting, 90 JIC/ORB	
76	2220502	1	Fitting, 45 JIC/ORB	
78	2220726	1	Fitting, 90 JIC/ORB	
81	80633030	2	Clamp	
83	1001201255	1	Pipe	
84	1001220903	1	Pipe	
85	1001203424	1	Hose	
87	1001220941	1	Hose	
88	1001204389	1	Hose	
91	1001205824	2	Fitting, 90 Barb	
92	2220775	1	Fitting, 90 JIC/ORB	
94	2220637	1	Fitting, 45 JIC/ORB	
95	2220380	1	Fitting, Straight JIC/ORB	
96	2220733	1	Fitting, Straight JIC/ORB	
97	1001203423	1	Hose	
98	1001203430	1	Hose	
99	1001203431	1	Hose	
100	1001203432	1	Hose	
101	1001203433	1	Hose	
102	1001204645	1	Hose	
103	1001214149	1	Hose	
104	1001214408	1	Fitting, Tee JIC/ORB/JIC	
105	2220238	1	Plug	
106	2220606	1	Fitting, Tee JIC/ORB/JIC	
107	1001220912	1	Hose	
108	2220372	4	Fitting, Straight JIC/ORB	

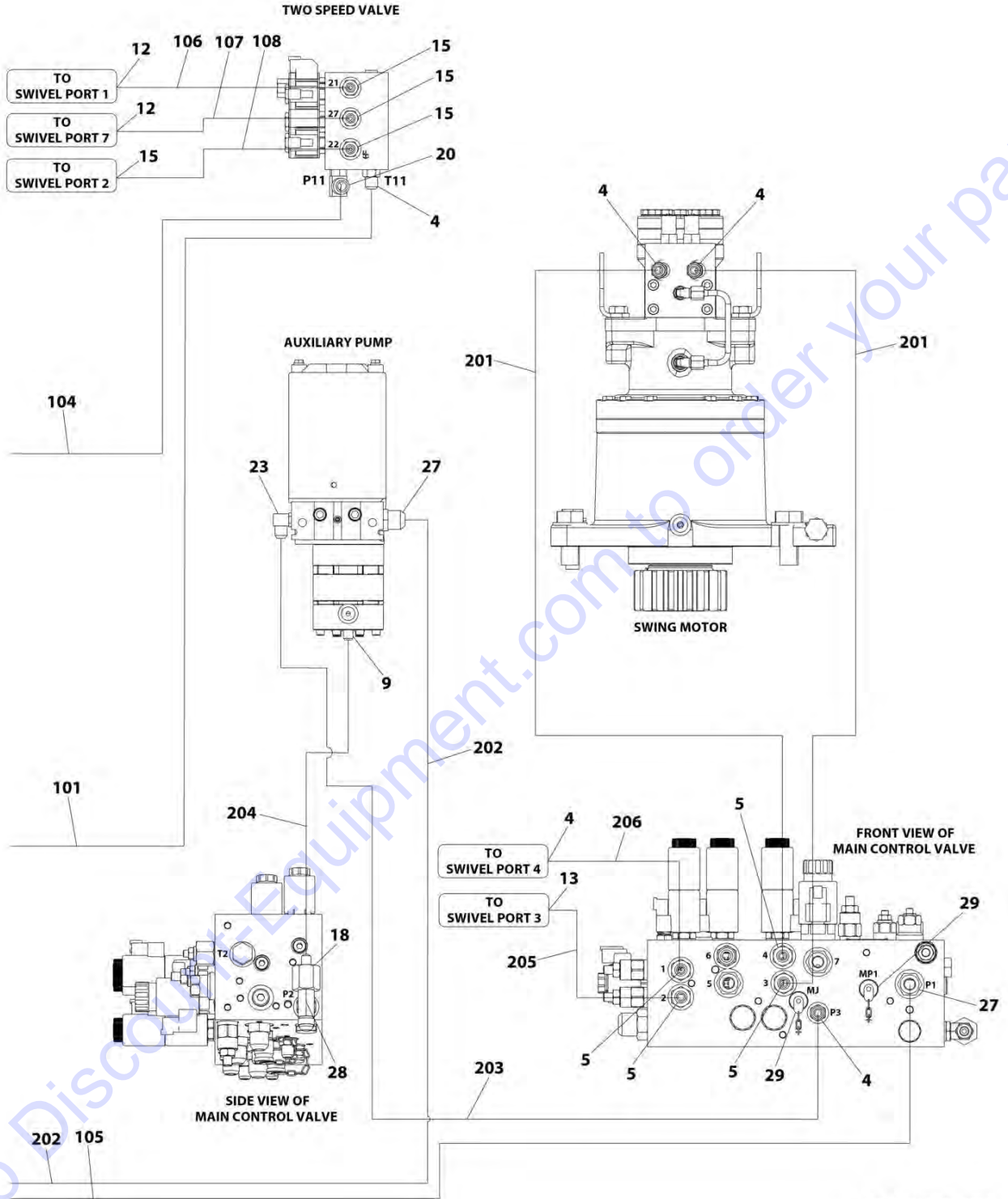
SECTION 7 - HYDRAULIC

FIGURE 7-5. STANDARD HYDRAULIC DIAGRAM (600S 2WS) (SN 0300260919 to Present)

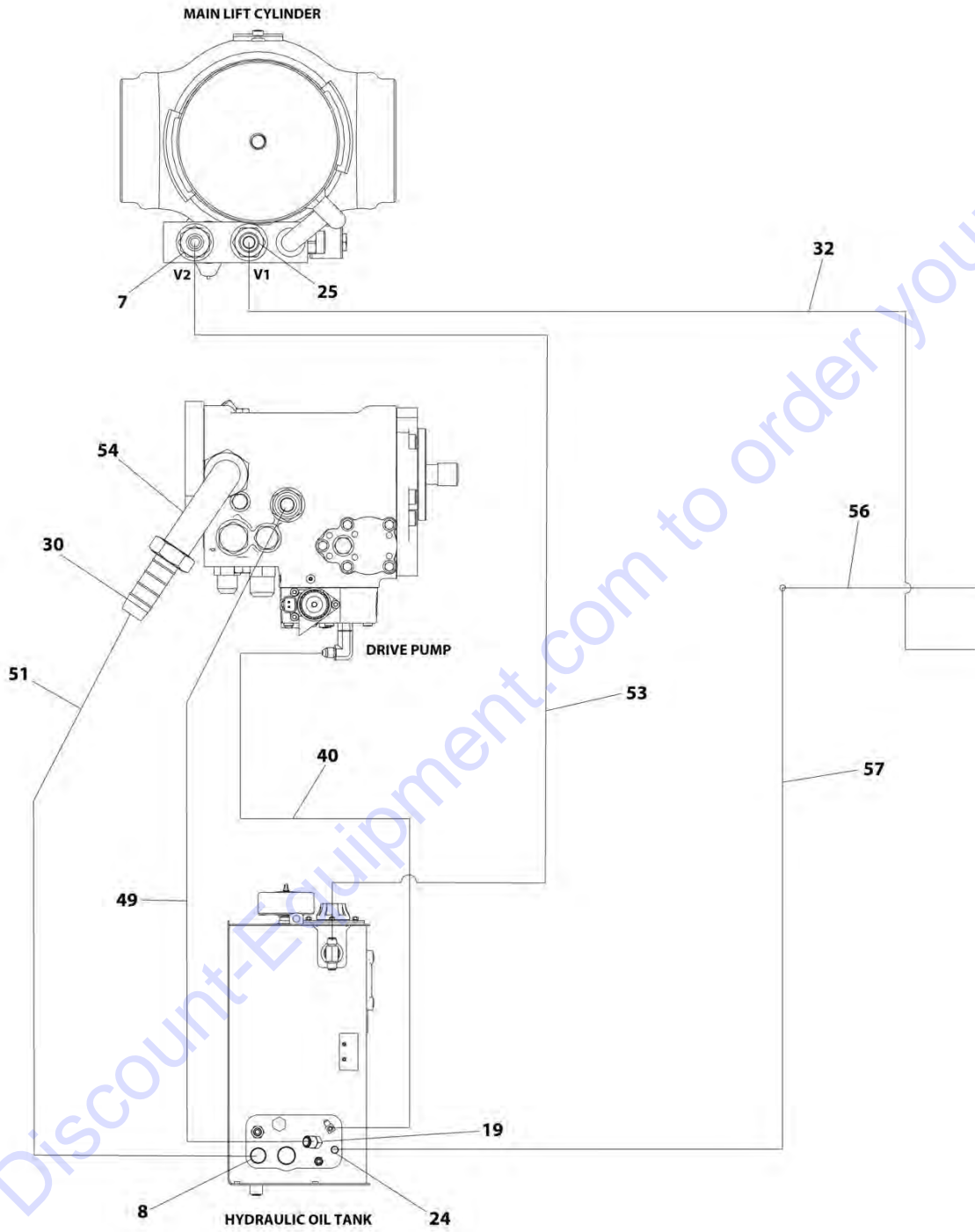


ART_1001247883_10F4

SECTION 7 - HYDRAULIC



SECTION 7 - HYDRAULIC



ART_1001247883_3OF4

PARTS FINDER

**Search Website
by Part Number**



**Search Manual
Library For Parts
Manual & Lookup Part
Numbers – Purchase
or Request Quote**

**Can't Find Part or
Manual? Request Help
by Manufacturer,
Model & Description**

Discount-Equipment.com is your online resource for quality parts & equipment.

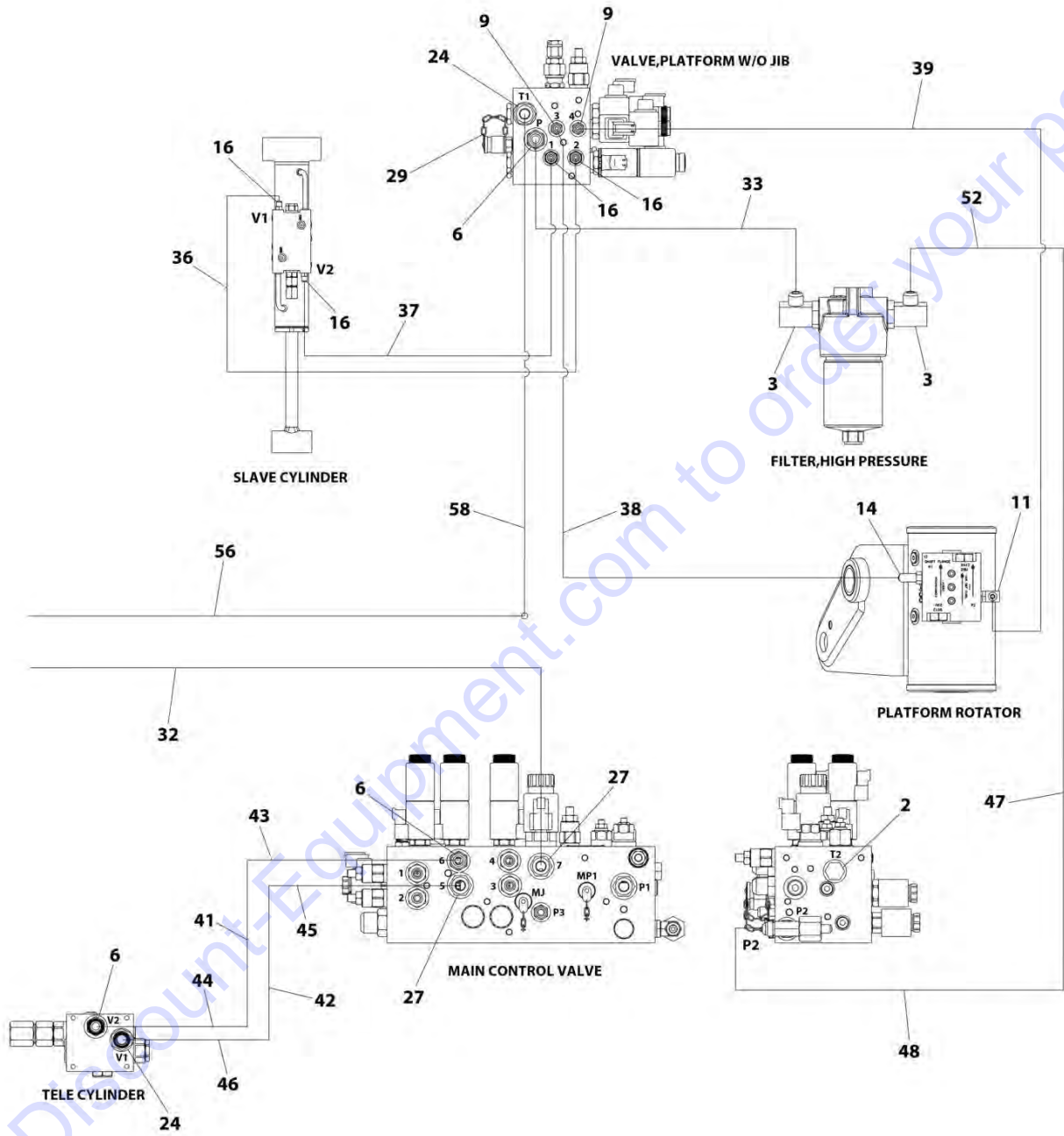
Florida: **561-964-4949** Outside Florida TOLL FREE: **877-690-3101**

Need parts?

Click on this link: <http://www.discount-equipment.com/category/5443-parts/> and choose one of the options to help get the right parts and equipment you are looking for. Please have the machine model and serial number available in order to help us get you the correct parts. If you don't find the part on the website or on one of the online manuals, please fill out the request form and one of our experienced staff members will get back to you with a quote for the right part that your machine needs.

We sell worldwide for the brands: Genie, Terex, JLG, MultiQuip, Mikasa, Essick, Whiteman, Mayco, Toro Stone, Diamond Products, Generac Magnum, Airman, Haulotte, Barreto, Power Blanket, Nifty Lift, Atlas Copco, Chicago Pneumatic, Allmand, Miller Curber, Skyjack, Lull, Skytrak, Tsurumi, Husquvarna Target, Stow, Wacker, Sakai, Mi-T-M, Sullair, Basic, Dynapac, MBW, Weber, Bartell, Bennar Newman, Haulotte, Ditch Runner, Menegotti, Morrison, Contec, Buddy, Crown, Edco, Wyco, Bomag, Laymor, EZ Trench, Bil-Jax, F.S. Curtis, Gehl Pavers, Heli, Honda, ICS/PowerGrit, IHI, Partner, Imer, Clipper, MMD, Koshin, Rice, CH&E, General Equipment, Amida, Coleman, NAC, Gradall, Square Shooter, Kent, Stanley, Tamco, Toku, Hatz, Kohler, Robin, Wisconsin, Northrock, Oztec, Toker TK, Rol-Air, APT, Wylie, Ingersoll Rand / Doosan, Innovatech, Con X, Ammann, Mecalac, Makinex, Smith Surface Prep, Small Line, Wanco, Yanmar

SECTION 7 - HYDRAULIC



ART_1001247883_4OF4

SECTION 7 - HYDRAULIC

FIGURE 7-5. STANDARD HYDRAULIC DIAGRAM (600S 2WS) (SN 0300260919 to Present)

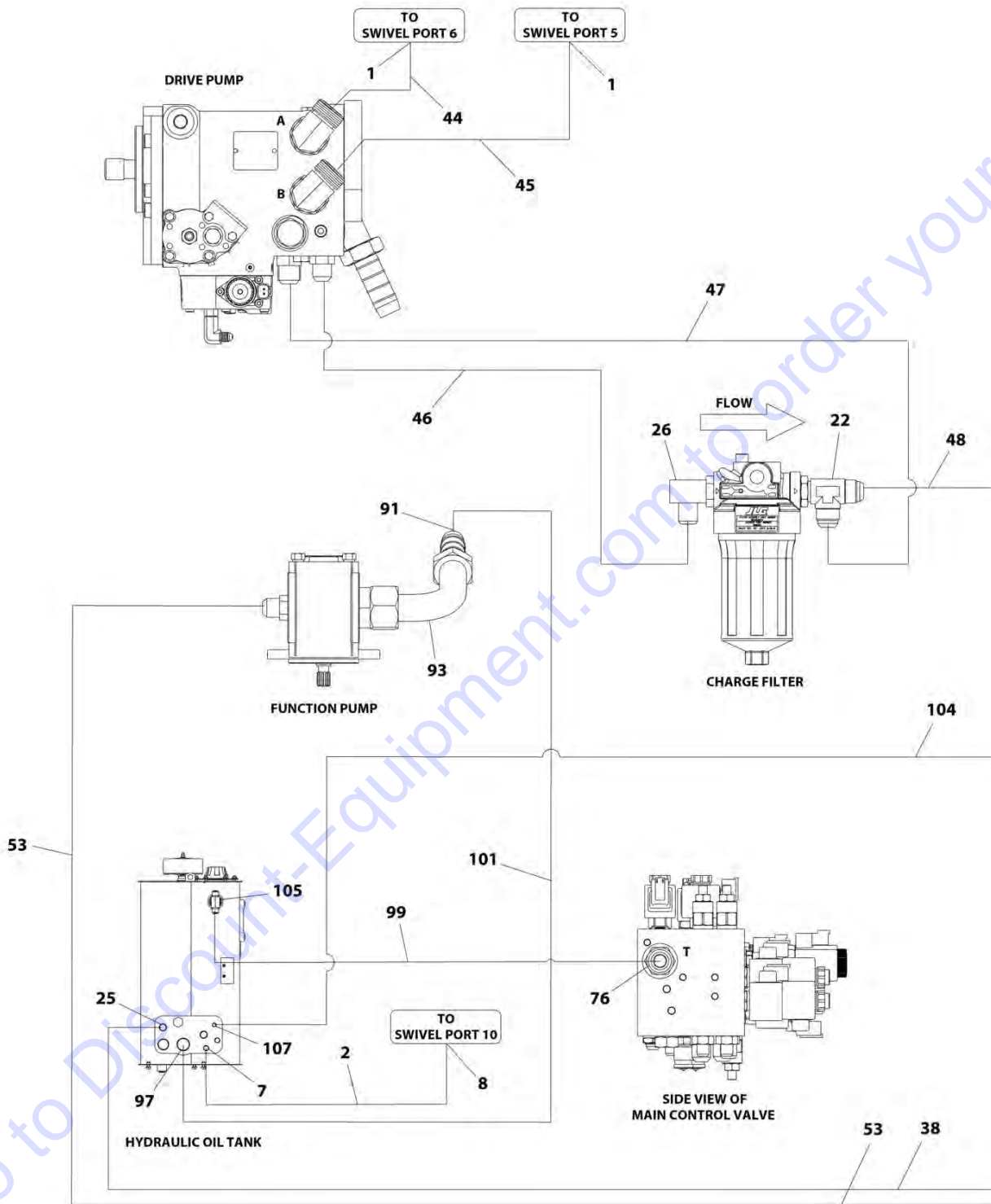
ITEM	PART NUMBER	QTY	DESCRIPTION	REV
	1001247883	Ref	STANDARD HYDRAULIC DIAGRAM	B
1	2111616	2	Fitting, Straight ORFS/ORB	
2	2220238	1	Plug	
3	2220366	2	Fitting, 90 JIC/ORB	
4	2220371	5	Fitting, Straight JIC/ORB	
5	2220372	4	Fitting, Straight JIC/ORB	
6	2220373	4	Fitting, Straight JIC/ORB	
7	2220375	2	Fitting, Straight JIC/ORB	
8	2220380	1	Fitting, Straight JIC/ORB	
9	2220415	3	Fitting, Straight JIC/ORB	
10	2220451	1	Fitting, Straight JIC/ORB	
11	2220466	1	Fitting, 90 JIC/ORB	
12	2220468	2	Fitting, Straight JIC/ORB	
13	2220473	1	Fitting, 90 JIC/ORB	
14	2220502	1	Fitting, 45 JIC/ORB	
15	2220582	4	Fitting, Straight JIC/ORB	
16	2220603	4	Fitting, Straight JIC/ORB	
17	2220606	1	Fitting, Tee JIC/ORB/JIC	
18	2220618	1	Fitting, Straight JIC/FSJIC	
19	2220637	1	Fitting, 45 JIC/ORB	
20	2220726	1	Fitting, 90 JIC/ORB	
21	2220733	1	Fitting, Straight JIC/ORB	
22	2220738	1	Fitting, Tee JIC/ORB/JIC	
23	2220775	1	Fitting, 90 JIC/ORB	
24	2220852	3	Fitting, Straight JIC/ORB	
25	2220865	2	Fitting, Straight JIC/ORB	
26	2220906	1	Fitting, 90 JIC/ORB	
27	2220947	4	Fitting, Straight JIC/ORB	
28	2220999	1	Fitting, Tee JIC/ORB/JIC	
29	2221086	3	Fitting, Test	
30	80633030	2	Clamp	
31	1001119455	1	Valve, Oil Sampling	
32	1001192641	1	Hose	
33	1001192658	1	Hose	
34	1001192661	1	Hose	
35	1001192663	1	Hose	
36	1001192684	1	Hose	
37	1001192685	1	Hose	
38	1001192686	1	Hose	
39	1001192687	1	Hose	
40	1001192690	1	Hose	
41	1001192693	1	Pipe	
42	1001192694	1	Pipe	
43	1001192695	1	Hose	
44	1001192696	1	Hose	
45	1001192698	1	Hose	
46	1001192699	1	Hose	
47	1001201255	1	Pipe	
48	1001203424	1	Hose	
49	1001203431	1	Hose	

SECTION 7 - HYDRAULIC

ITEM	PART NUMBER	QTY	DESCRIPTION	REV
50	1001203432	1	Hose	
51	1001203433	1	Hose	
52	1001204389	1	Hose	
53	1001204645	1	Hose	
54	1001205824	2	Fitting, 90 Barb	
55	1001214408	1	Fitting, Tee JIC/ORB/JIC	
56	1001220903	1	Pipe	
57	1001220912	1	Hose	
58	1001220941	1	Hose	
100	1001250981	1	Hose Kit - Engine Side (Not Shown - Includes Items 101-108)	
101	1001247865	1	Hose	
102	1001247871	1	Hose	
103	1001247872	1	Hose	
104	1001247873	1	Hose	
105	1001247875	1	Hose	
106	1001247878	1	Hose	
107	1001247879	1	Hose	
108	1001247994	1	Hose	
200	1001250982	1	Hose Kit - Tank Side (Not Shown - Includes Items 201-208)	
201	1001247866	1	Hose	
202	1001247867	1	Hose	
203	1001247868	1	Hose	
204	1001247869	1	Hose	
205	1001247876	1	Hose	
206	1001247877	1	Hose	
207	1001247881	1	Hose	
208	1001247882	1	Hose	

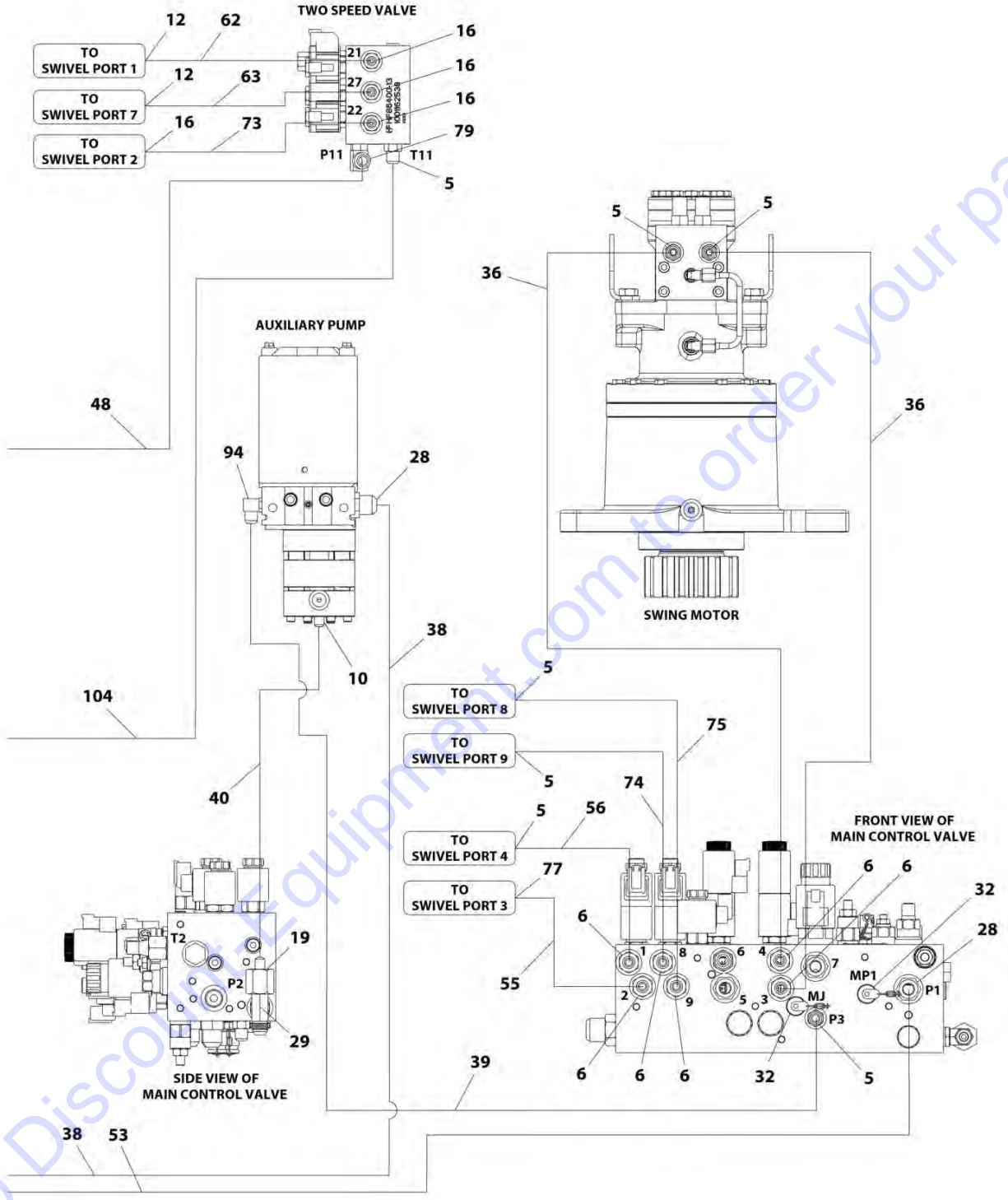
SECTION 7 - HYDRAULIC

FIGURE 7-6. STANDARD HYDRAULIC DIAGRAM (600S 4WS) (SN 0300235168 through 0300260918, SN B300002655 to Present)



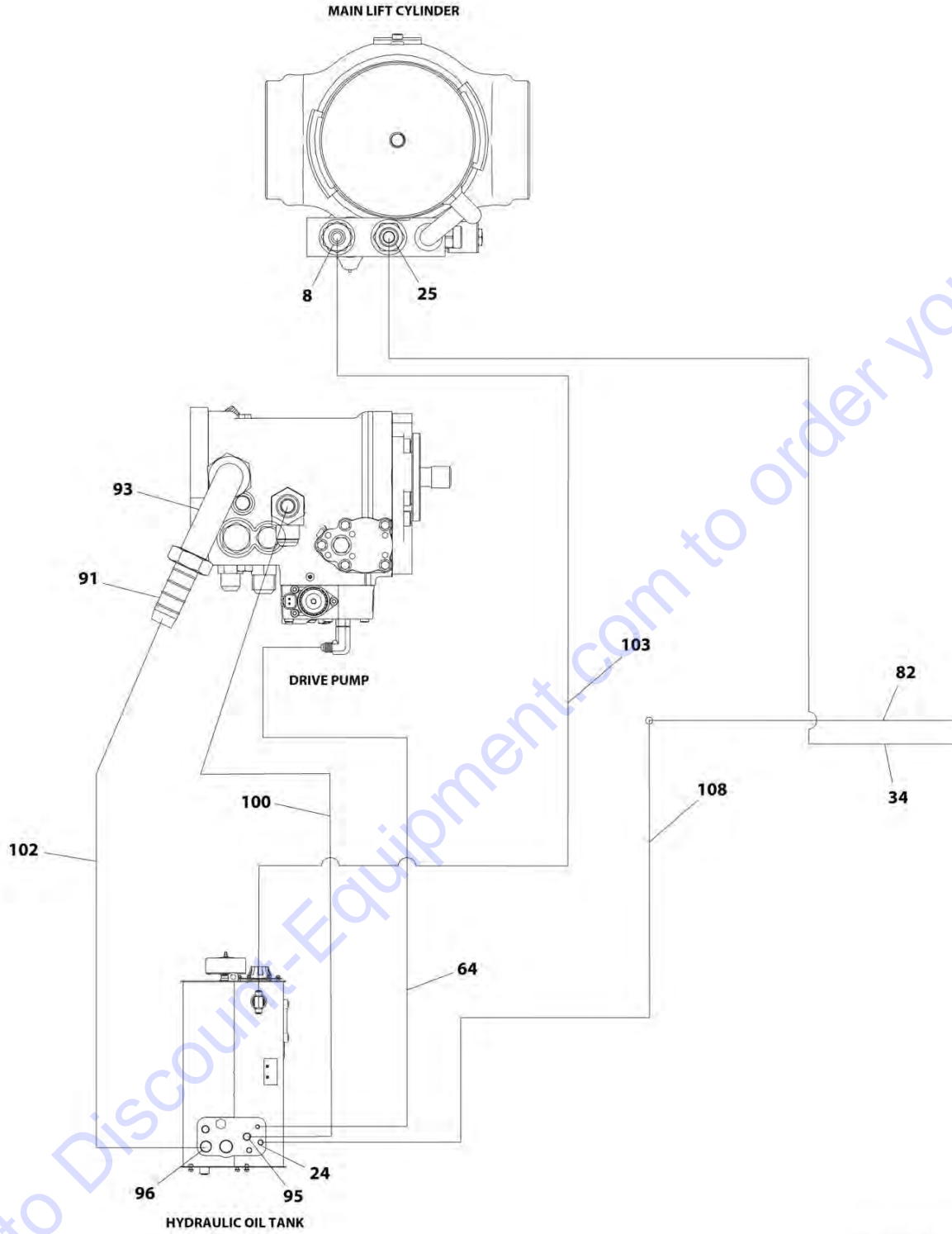
ART_1001194096_10F4

SECTION 7 - HYDRAULIC



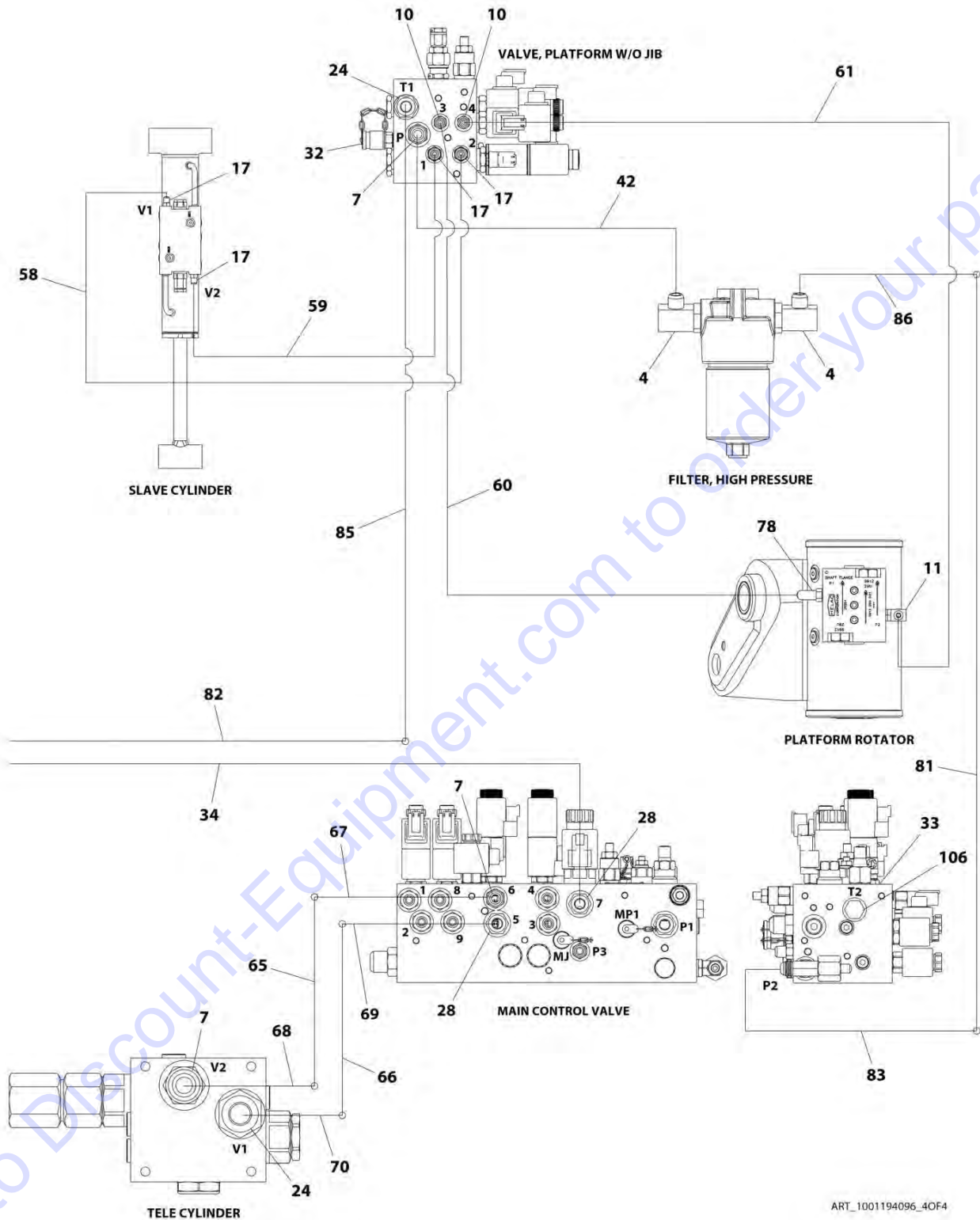
ART_1001194096_20F4

SECTION 7 - HYDRAULIC



ART_1001194096_30F4

SECTION 7 - HYDRAULIC



ART_1001194096_40F4

SECTION 7 - HYDRAULIC

FIGURE 7-6. STANDARD HYDRAULIC DIAGRAM (600S 4WS) (SN 0300235168 through 0300260918, SN B300002655 to Present)

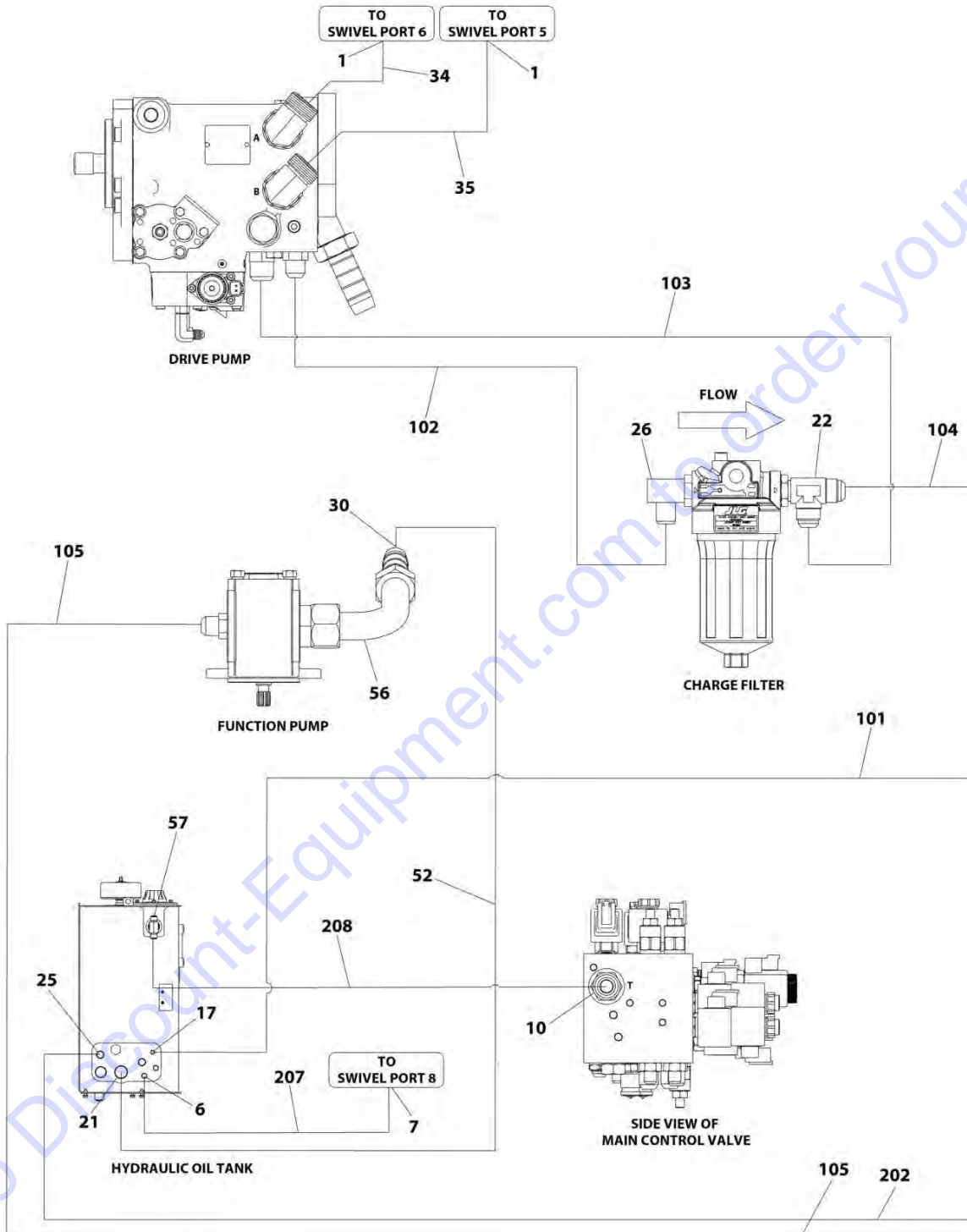
ITEM	PART NUMBER	QTY	DESCRIPTION	REV
	1001194096	Ref	STANDARD HYDRAULIC DIAGRAM	I
1	2111616	2	Fitting, Straight ORFS/ORB	
2	1001203423	1	Hose	
4	2220366	2	Fitting, 90 JIC/ORB	
5	2220371	7	Fitting, Straight JIC/ORB	
6	2220372	6	Fitting, Straight JIC/ORB	
7	2220373	4	Fitting, Straight JIC/ORB	
8	2220375	2	Fitting, Straight JIC/ORB	
10	2220415	3	Fitting, Straight JIC/ORB	
11	2220466	1	Fitting, 90 JIC/ORB	
12	2220468	2	Fitting, Straight JIC/ORB	
16	2220582	4	Fitting, Straight JIC/ORB	
17	2220603	4	Fitting, Straight JIC/ORB	
19	2220618	1	Fitting, Straight JIC/FSJIC	
22	2220738	1	Fitting, Tee JIC/ORB/JIC	
24	2220852	3	Fitting, Straight JIC/ORB	
25	2220865	2	Fitting, Straight JIC/ORB	
26	2220906	1	Fitting, 90 JIC/ORB	
28	2220947	4	Fitting, Straight JIC/ORB	
29	2220999	1	Fitting, Tee JIC/ORB/JIC	
32	2221086	3	Fitting, Test	
33	1001119455	1	Valve, Oil Sampling	
34	1001192641	1	Hose	
36	1001192651	2	Hose	
38	1001228226	1	Hose	
39	1001192654	1	Hose	
40	1001192655	1	Hose	
42	1001192658	1	Hose	
44	1001192661	1	Hose	
45	1001192663	1	Hose	
46	1001192667	1	Hose	
47	1001192669	1	Hose	
48	1001192673	1	Hose	
53	1001192679	1	Hose	
55	1001192681	1	Hose	
56	1001192682	1	Hose	
58	1001192684	1	Hose	
59	1001192685	1	Hose	
60	1001192686	1	Hose	
61	1001192687	1	Hose	
62	1001192688	1	Hose	
63	1001192689	1	Hose	
64	1001192690	1	Hose	
65	1001192693	1	Pipe	
66	1001192694	1	Pipe	
67	1001192695	1	Hose	
68	1001192696	1	Hose	
69	1001192698	1	Hose	
70	1001192699	1	Hose	

SECTION 7 - HYDRAULIC

ITEM	PART NUMBER	QTY	DESCRIPTION	REV
73	1001192758	1	Hose	
74	1001194329	1	Hose	
75	1001194330	1	Hose	
76	2220451	1	Fitting, Straight JIC/ORB	
77	2220473	1	Fitting, 90 JIC/ORB	
78	2220502	1	Fitting, 45 JIC/ORB	
79	2220726	1	Fitting, 90 JIC/ORB	
81	1001201255	1	Pipe	
82	1001220903	1	Pipe	
83	1001203424	1	Hose	
85	1001220941	1	Hose	
86	1001204389	1	Hose	
91	80633030	2	Clamp	
93	1001205824	2	Fitting, 90 Barb	
94	2220775	1	Fitting, 90 JIC/ORB	
95	2220637	1	Fitting, 45 JIC/ORB	
96	2220380	1	Fitting, Straight JIC/ORB	
97	2220733	1	Fitting, Straight JIC/ORB	
99	1001203430	1	Hose	
100	1001203431	1	Hose	
101	1001203432	1	Hose	
102	1001203433	1	Hose	
103	1001204645	1	Hose	
104	1001214149	1	Hose	
105	1001214408	1	Fitting, Tee JIC/ORB/JIC	
106	2220238	1	Plug	
107	2220606	1	Fitting, Tee JIC/ORB/JIC	
108	1001220912	1	Hose	

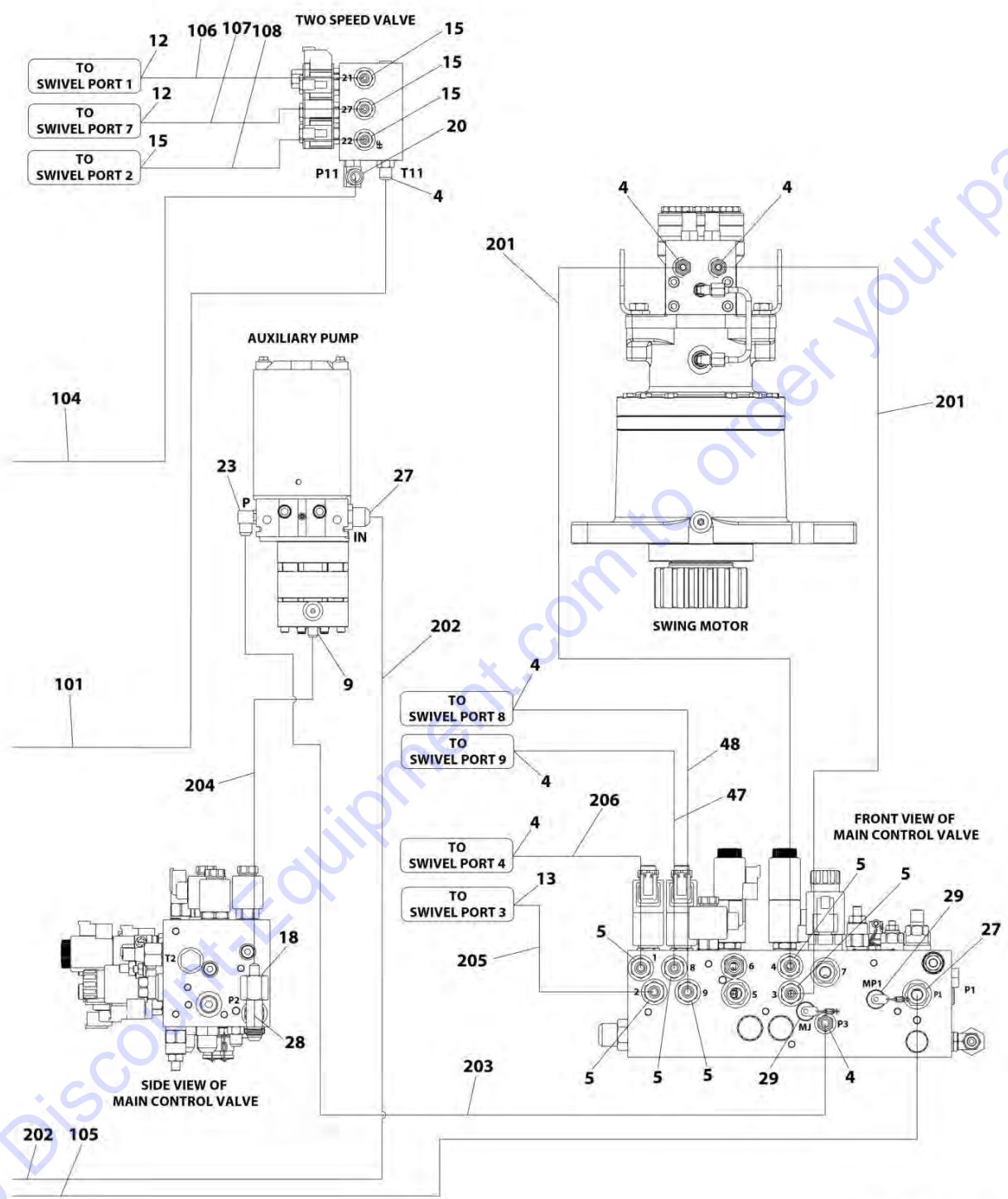
SECTION 7 - HYDRAULIC

FIGURE 7-7. STANDARD HYDRAULIC DIAGRAM (600S 4WS) (SN 0300260919 to Present)



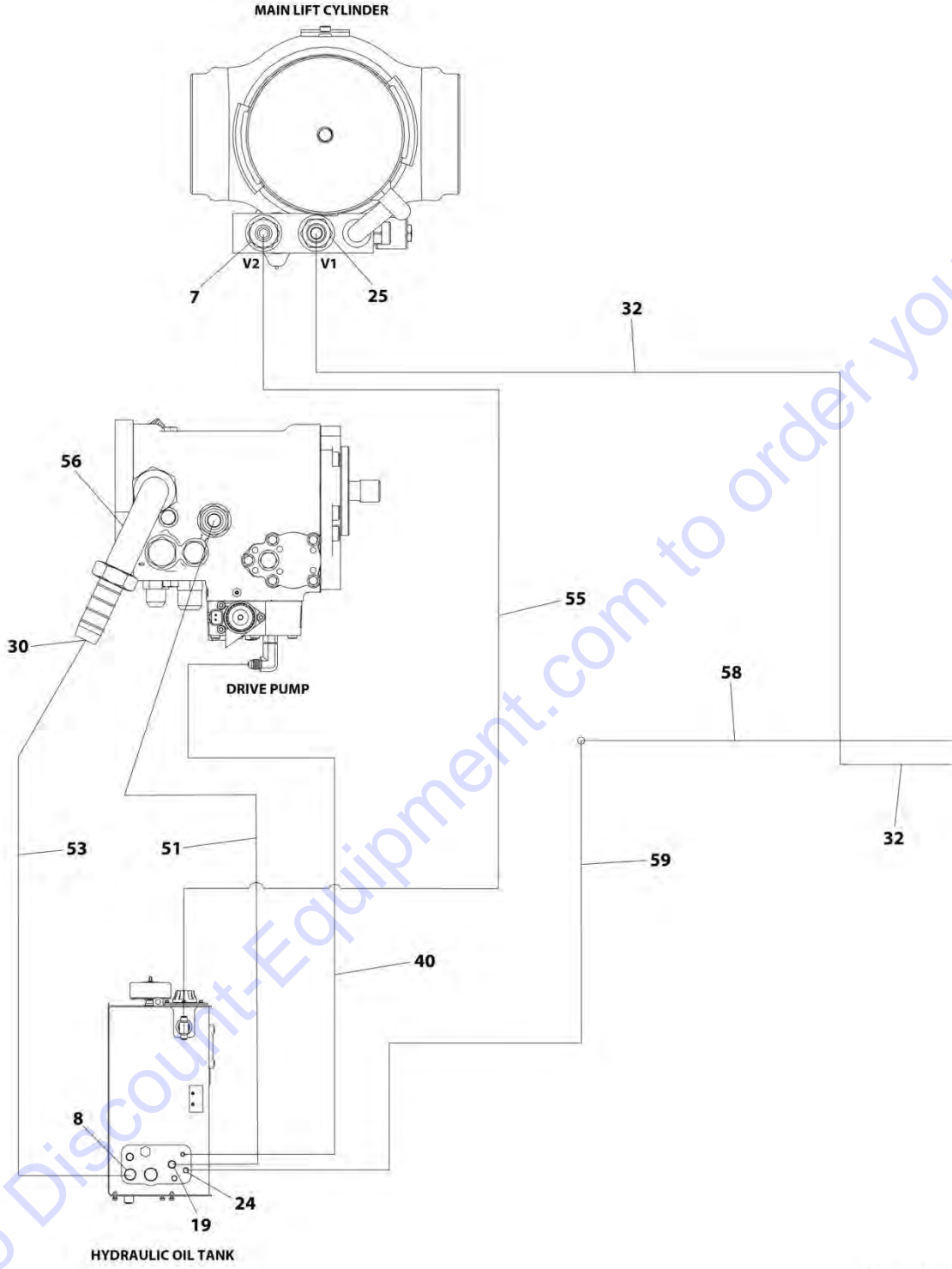
ART_1001247885_10F4

SECTION 7 - HYDRAULIC



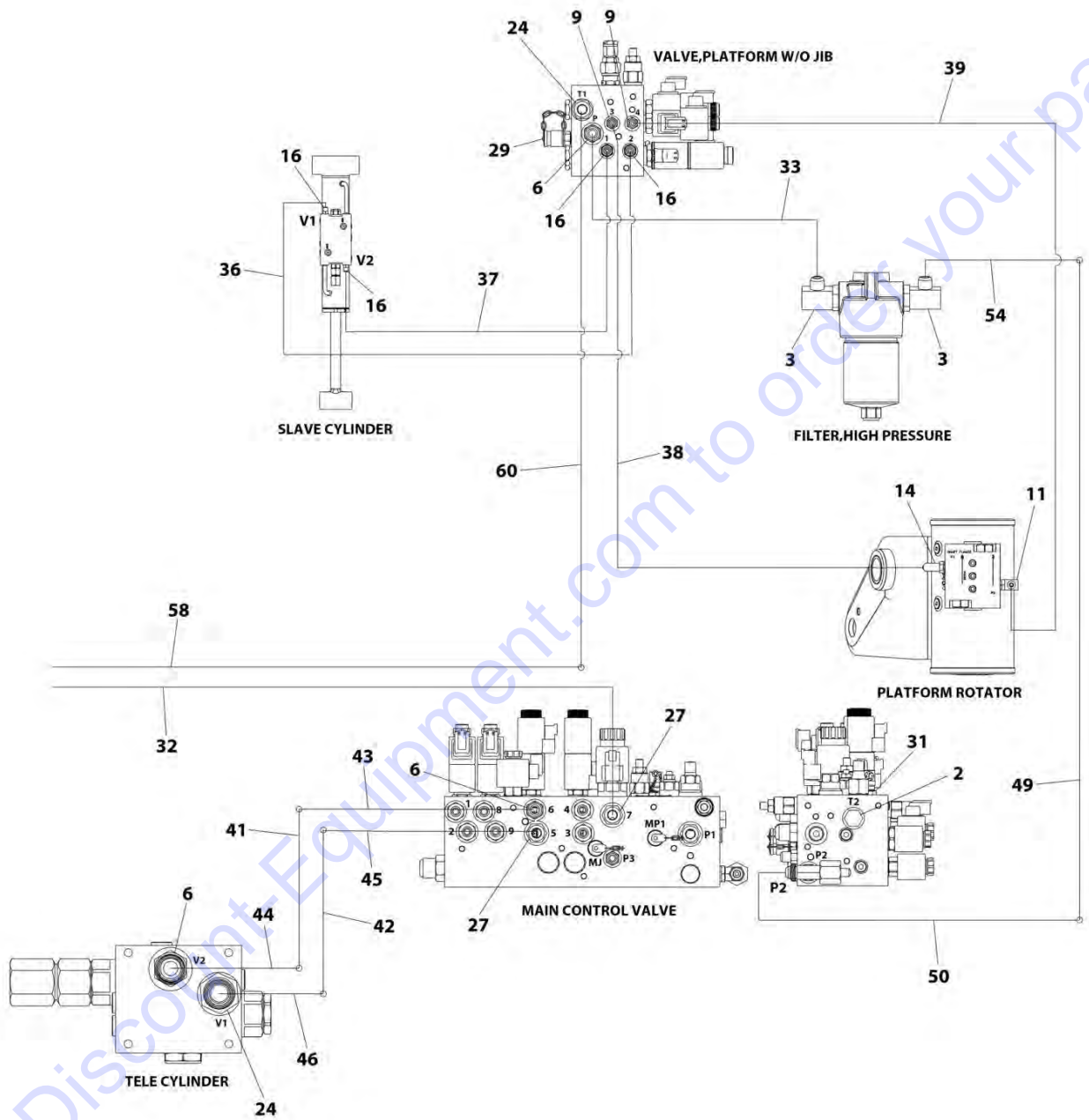
ART_1001247885_20F4

SECTION 7 - HYDRAULIC



ART_1001247885_30F4

SECTION 7 - HYDRAULIC



ART_1001247885_40F4

SECTION 7 - HYDRAULIC

FIGURE 7-7. STANDARD HYDRAULIC DIAGRAM (600S 4WS) (SN 0300260919 to Present)

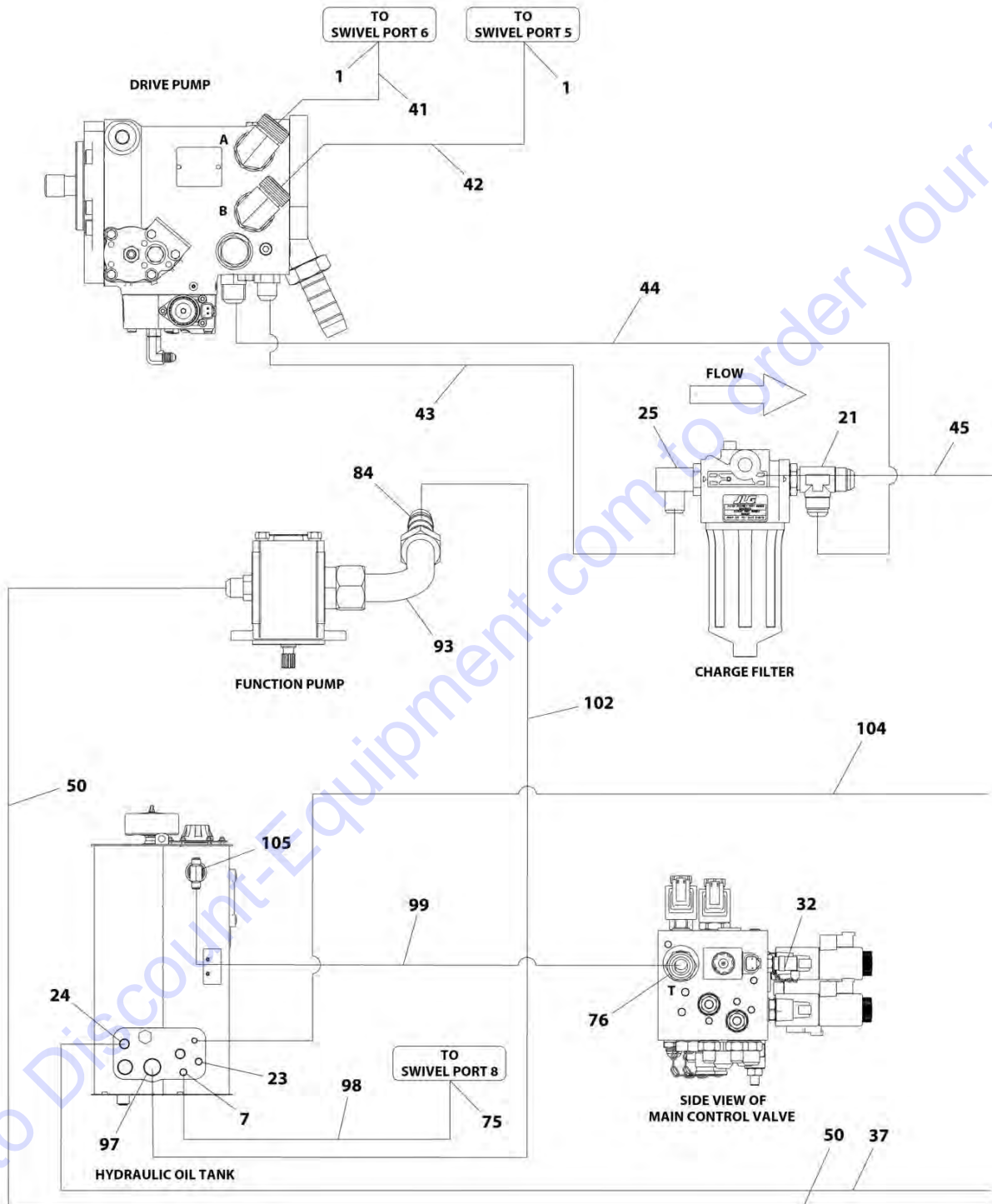
ITEM	PART NUMBER	QTY	DESCRIPTION	REV
	1001247885	Ref	STANDARD HYDRAULIC DIAGRAM	B
1	2111616	2	Fitting, Straight ORFS/ORB	
2	2220238	1	Plug	
3	2220366	2	Fitting, 90 JIC/ORB	
4	2220371	7	Fitting, Straight JIC/ORB	
5	2220372	6	Fitting, Straight JIC/ORB	
6	2220373	4	Fitting, Straight JIC/ORB	
7	2220375	2	Fitting, Straight JIC/ORB	
8	2220380	1	Fitting, Straight JIC/ORB	
9	2220415	3	Fitting, Straight JIC/ORB	
10	2220451	1	Fitting, Straight JIC/ORB	
11	2220466	1	Fitting, 90 JIC/ORB	
12	2220468	2	Fitting, Straight JIC/ORB	
13	2220473	1	Fitting, 90 JIC/ORB	
14	2220502	1	Fitting, 45 JIC/ORB	
15	2220582	4	Fitting, Straight JIC/ORB	
16	2220603	4	Fitting, Straight JIC/ORB	
17	2220606	1	Fitting, Tee JIC/ORB/JIC	
18	2220618	1	Fitting, Straight JIC/FSJIC	
19	2220637	1	Fitting, 45 JIC/ORB	
20	2220726	1	Fitting, 90 JIC/ORB	
21	2220733	1	Fitting, Straight JIC/ORB	
22	2220738	1	Fitting, Tee JIC/ORB/JIC	
23	2220775	1	Fitting, 90 JIC/ORB	
24	2220852	3	Fitting, Straight JIC/ORB	
25	2220865	2	Fitting, Straight JIC/ORB	
26	2220906	1	Fitting, 90 JIC/ORB	
27	2220947	4	Fitting, Straight JIC/ORB	
28	2220999	1	Fitting, Tee JIC/ORB/JIC	
29	2221086	3	Fitting, Test	
30	80633030	2	Clamp	
31	1001119455	1	Valve, Oil Sampling	
32	1001192641	1	Hose	
33	1001192658	1	Hose	
34	1001192661	1	Hose	
35	1001192663	1	Hose	
36	1001192684	1	Hose	
37	1001192685	1	Hose	
38	1001192686	1	Hose	
39	1001192687	1	Hose	
40	1001192690	1	Hose	
41	1001192693	1	Pipe	
42	1001192694	1	Pipe	
43	1001192695	1	Hose	
44	1001192696	1	Hose	
45	1001192698	1	Hose	
46	1001192699	1	Hose	
47	1001194329	1	Hose	
48	1001194330	1	Hose	
49	1001201255	1	Pipe	

SECTION 7 - HYDRAULIC

ITEM	PART NUMBER	QTY	DESCRIPTION	REV
50	1001203424	1	Hose	
51	1001203431	1	Hose	
52	1001203432	1	Hose	
53	1001203433	1	Hose	
54	1001204389	1	Hose	
55	1001204645	1	Hose	
56	1001205824	2	Fitting, 90 Barb	
57	1001214408	1	Fitting, Tee JIC/ORB/JIC	
58	1001220903	1	Pipe	
59	1001220912	1	Hose	
60	1001220941	1	Hose	
100	1001250981	1	Hose Kit - Engine Side (Not Shown - Includes Items 101-108)	
101	1001247865	1	Hose	
102	1001247871	1	Hose	
103	1001247872	1	Hose	
104	1001247873	1	Hose	
105	1001247875	1	Hose	
106	1001247878	1	Hose	
107	1001247879	1	Hose	
108	1001247994	1	Hose	
200	1001250982	1	Hose Kit - Tank Side (Not Shown - Includes Items 201-208)	
201	1001247866	2	Hose	
202	1001247867	1	Hose	
203	1001247868	1	Hose	
204	1001247869	1	Hose	
205	1001247876	1	Hose	
206	1001247877	1	Hose	
207	1001247881	1	Hose	
208	1001247882	1	Hose	

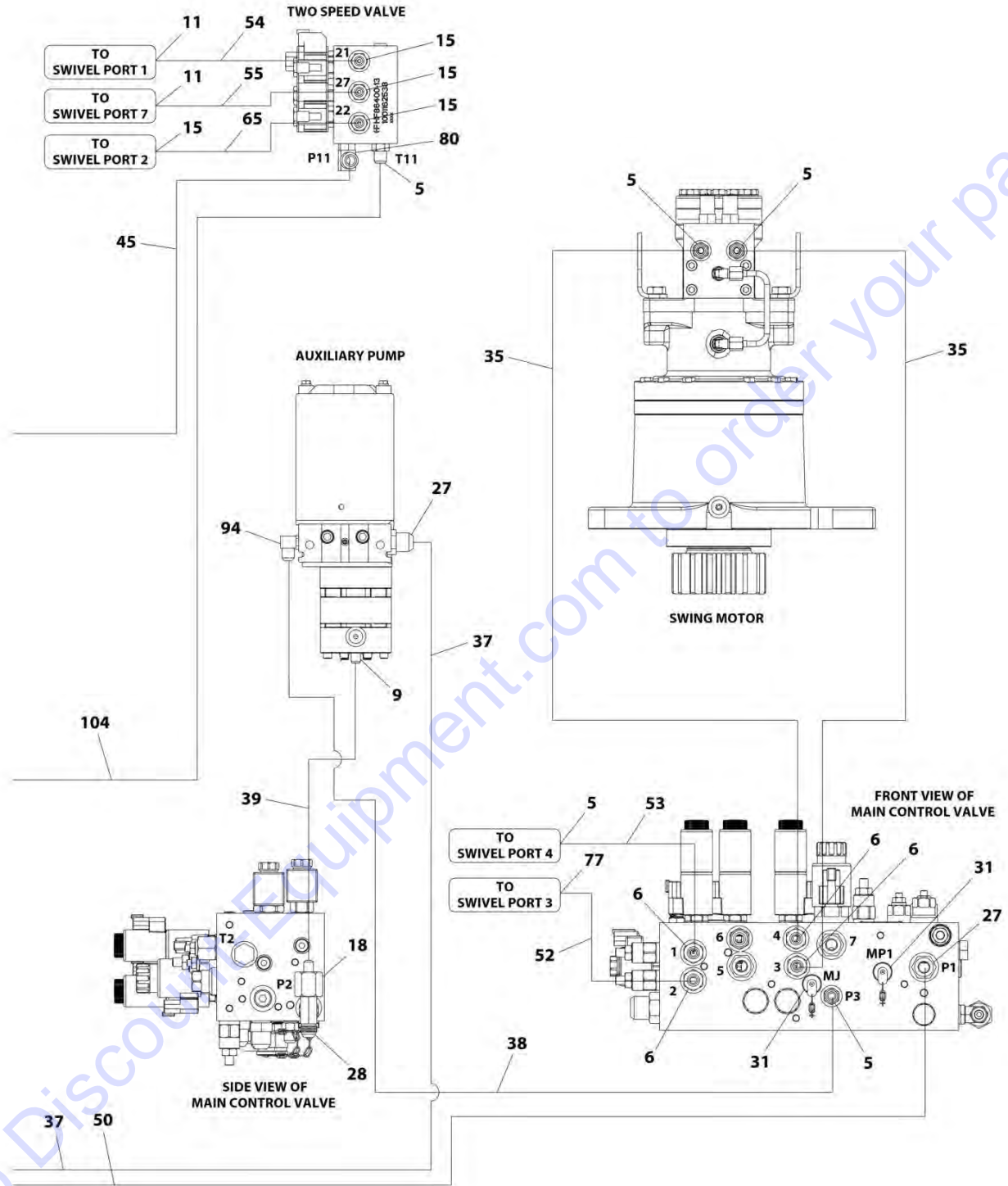
SECTION 7 - HYDRAULIC

FIGURE 7-8. STANDARD HYDRAULIC DIAGRAM (660SJ 2WS) (SN 0300235168 through 0300260918, SN B300002655 to Present)



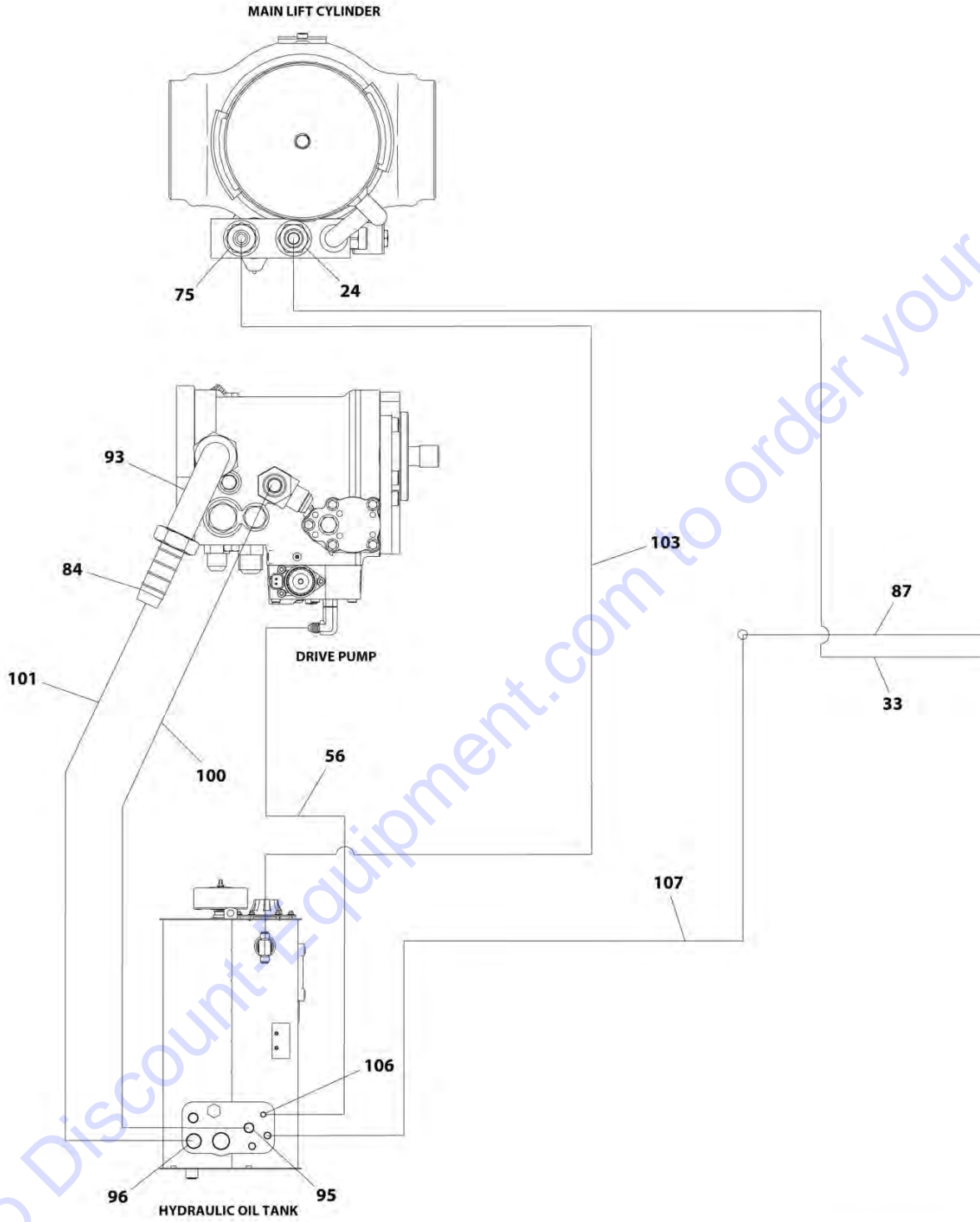
ART_1001193759_10F4

SECTION 7 - HYDRAULIC



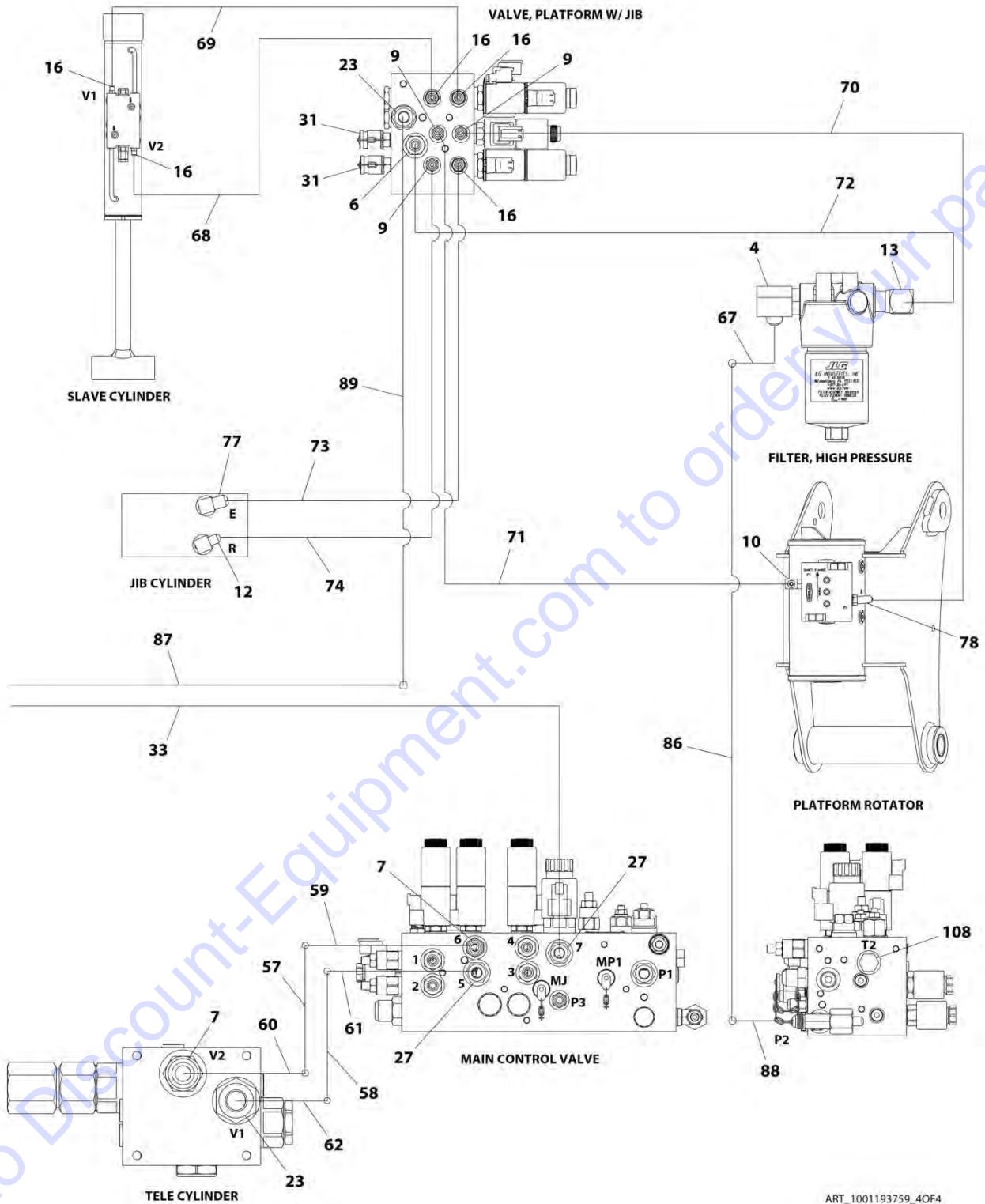
ART_1001193759_20F4

SECTION 7 - HYDRAULIC



ART_1001193759_30F4

SECTION 7 - HYDRAULIC



ART_1001193759_4OF4

SECTION 7 - HYDRAULIC

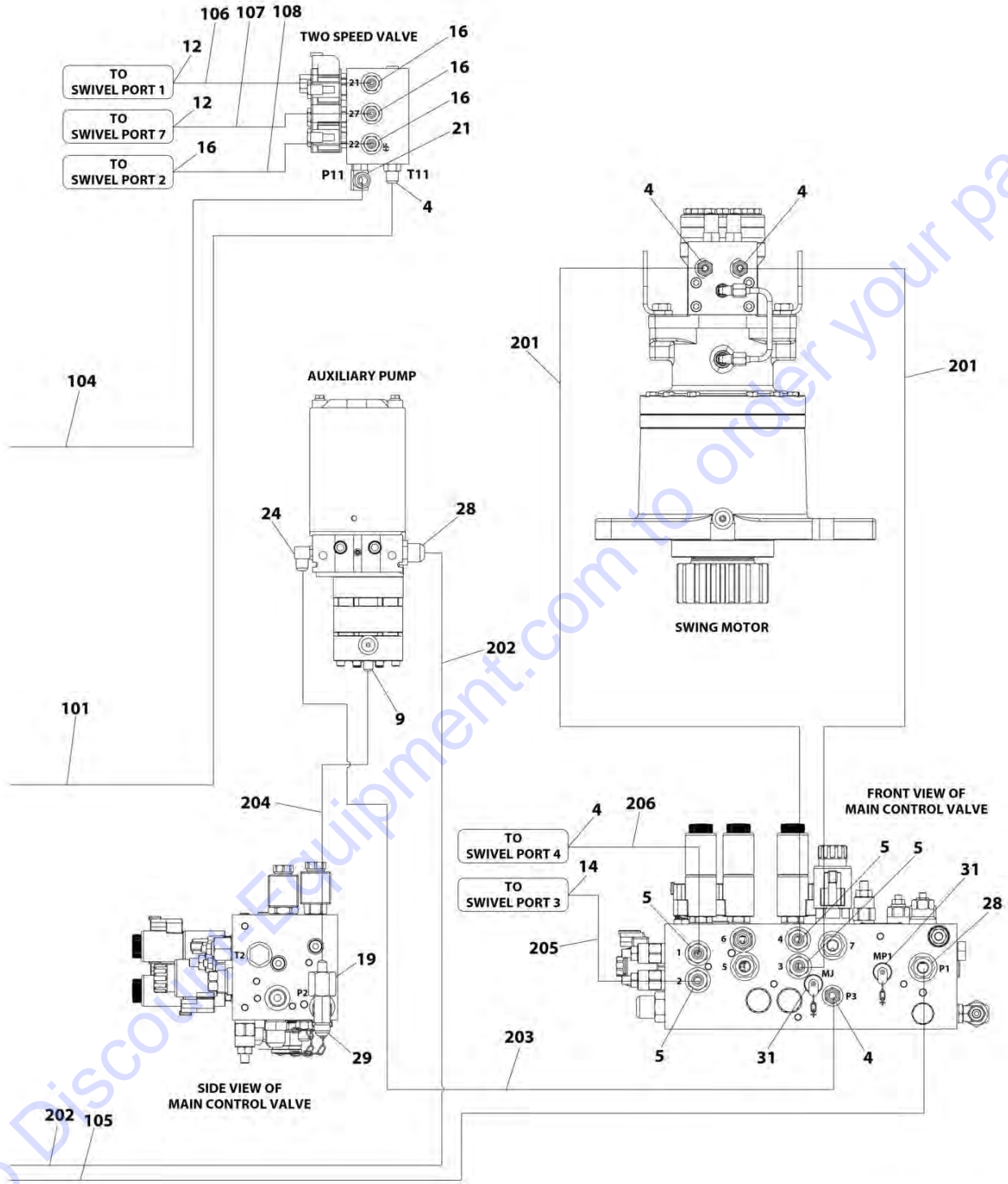
FIGURE 7-8. STANDARD HYDRAULIC DIAGRAM (660SJ 2WS) (SN 0300235168 through 0300260918, SN B300002655 to Present)

ITEM	PART NUMBER	QTY	DESCRIPTION	REV
	1001193759	Ref	STANDARD HYDRAULIC DIAGRAM	K
1	2111616	2	Fitting, Straight ORFS/ORB	
4	2220366	1	Fitting, 90 JIC/ORB	
5	2220371	5	Fitting, Straight JIC/ORB	
6	2220372	5	Fitting, Straight JIC/ORB	
7	2220373	3	Fitting, Straight JIC/ORB	
9	2220415	4	Fitting, Straight JIC/ORB	
10	2220466	1	Fitting, 90 JIC/ORB	
11	2220468	2	Fitting, Straight JIC/ORB	
12	2220472	1	Fitting, 90 JIC/ORB	
13	2221048	1	Fitting, 90 JIC/ORB	
15	2220582	4	Fitting, Straight JIC/ORB	
16	2220603	5	Fitting, Straight JIC/ORB	
18	2220618	1	Fitting, Straight JIC/FSJIC	
21	2220738	1	Fitting, Tee JIC/ORB/JIC	
23	2220852	3	Fitting, Straight JIC/ORB	
24	2220865	2	Fitting, Straight JIC/ORB	
25	2220906	1	Fitting, 90 JIC/ORB	
27	2220947	4	Fitting, Straight JIC/ORB	
28	2220999	1	Fitting, Tee JIC/ORB/JIC	
31	2221086	4	Fitting, Test	
32	1001119455	1	Valve, Oil Sampling	
33	1001192641	1	Hose	
35	1001192651	2	Hose	
37	1001228226	1	Hose	
38	1001192654	1	Hose	
39	1001192655	1	Hose	
41	1001192661	1	Hose	
42	1001192663	1	Hose	
43	1001192667	1	Hose	
44	1001192669	1	Hose	
45	1001192673	1	Hose	
50	1001192679	1	Hose	
52	1001192681	1	Hose	
53	1001192682	1	Hose	
54	1001192688	1	Hose	
55	1001192689	1	Hose	
56	1001192690	1	Hose	
57	1001192693	1	Pipe	
58	1001192694	1	Pipe	
59	1001192695	1	Hose	
60	1001192696	1	Hose	
61	1001192698	1	Hose	
62	1001192699	1	Hose	
65	1001192758	1	Hose	
67	1001203426	1	Hose	
68	1001193927	1	Hose	
69	1001193928	1	Hose	
70	1001193929	1	Hose	

SECTION 7 - HYDRAULIC

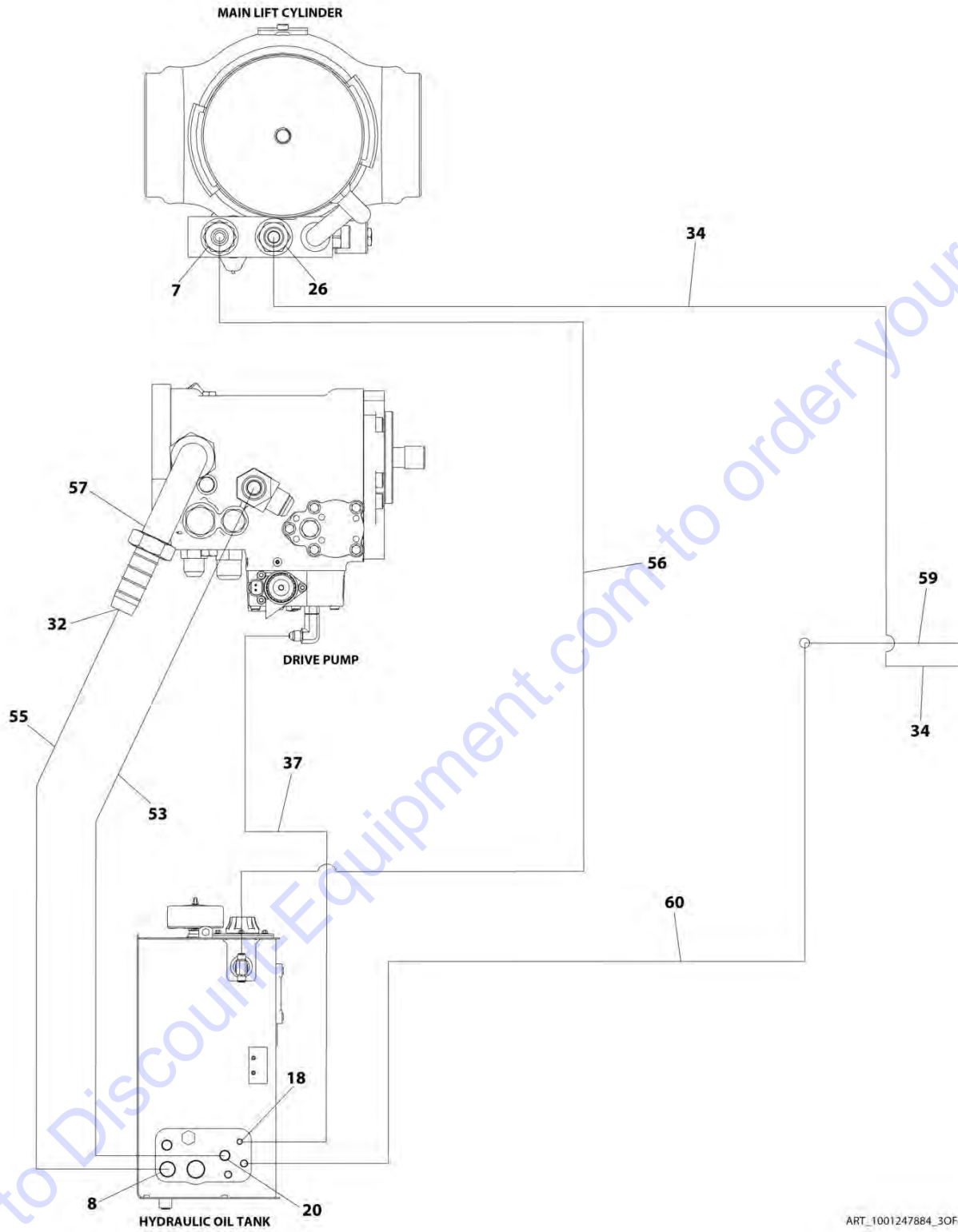
ITEM	PART NUMBER	QTY	DESCRIPTION	REV
71	1001193930	1	Hose	
72	1001222522	1	Hose	
73	1001193932	1	Hose	
74	1001193933	1	Hose	
75	2220375	2	Fitting, Straight JIC/ORB	
76	2220451	1	Fitting, Straight JIC/ORB	
77	2220473	2	Fitting, 90 JIC/ORB	
78	2220502	1	Fitting, 45 JIC/ORB	
80	2220726	1	Fitting, 90 JIC/ORB	
84	80633030	2	Clamp	
86	1001201255	1	Pipe	
87	1001220903	1	Pipe	
88	1001203424	1	Hose	
89	1001221016	1	Hose	
93	1001205824	2	Fitting, 90 Barb	
94	2220775	1	Fitting, 90 JIC/ORB	
95	2220637	1	Fitting, 45 JIC/ORB	
96	2220380	1	Fitting, Straight JIC/ORB	
97	2220733	1	Fitting, Straight JIC/ORB	
98	1001203423	1	Hose	
99	1001203430	1	Hose	
100	1001203431	1	Hose	
101	1001203433	1	Hose	
102	1001203432	1	Hose	
103	1001204645	1	Hose	
104	1001214149	1	Hose	
105	1001214408	1	Fitting, Tee JIC/ORB/JIC	
106	2220606	1	Fitting, Tee JIC/ORB/JIC	
107	1001220912	1	Hose	
108	2220238	1	Plug	

SECTION 7 - HYDRAULIC



ART_1001247884_20F4

SECTION 7 - HYDRAULIC



ART_1001247884_30F4

SECTION 7 - HYDRAULIC

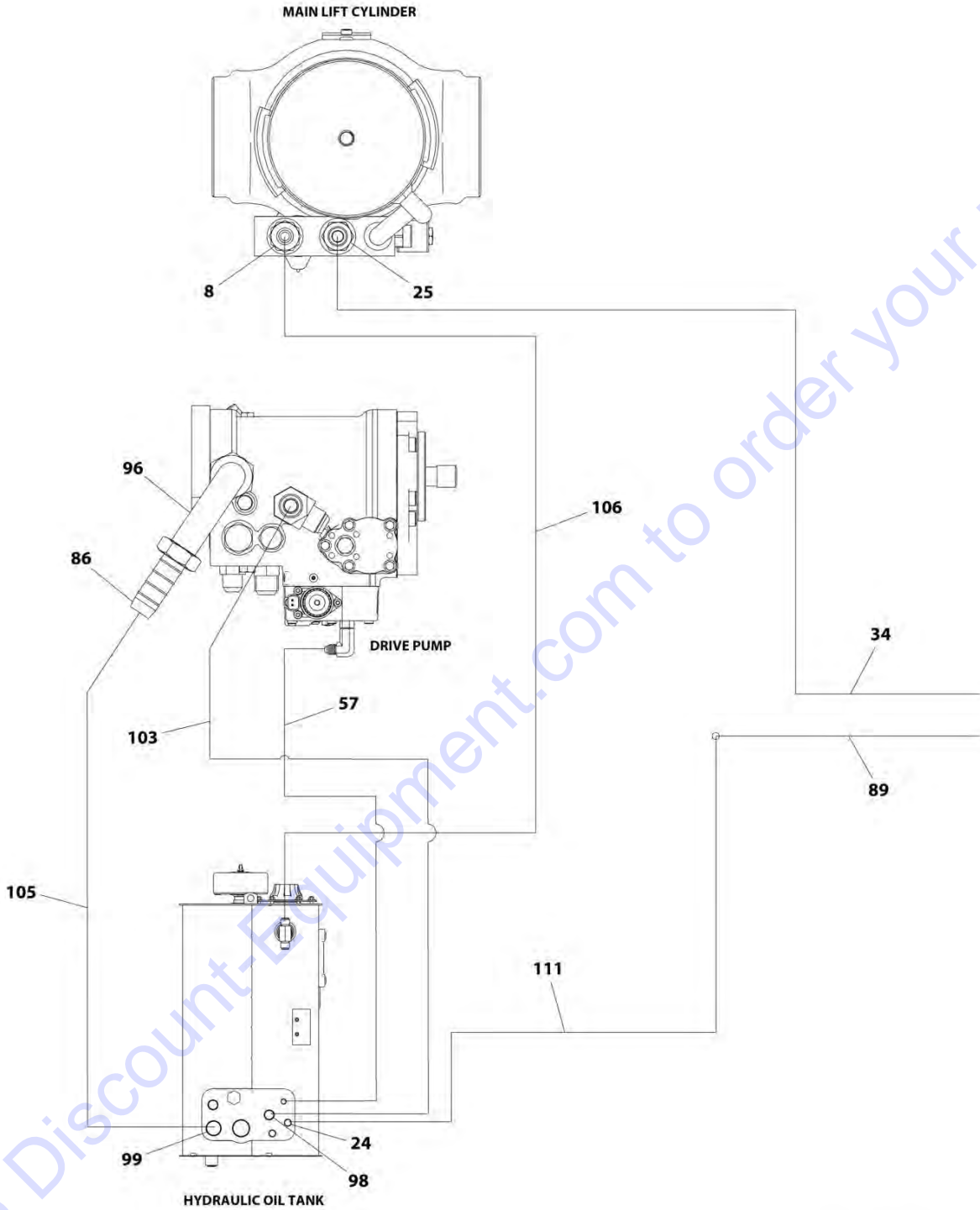
FIGURE 7-9. STANDARD HYDRAULIC DIAGRAM (660SJ 2WS) (SN 0300260919 to Present)

ITEM	PART NUMBER	QTY	DESCRIPTION	REV
	1001247884	Ref	STANDARD HYDRAULIC DIAGRAM	B
1	2111616	2	Fitting, Straight ORFS/ORB	
2	2220238	1	Plug	
3	2220366	1	Fitting, 90 JIC/ORB	
4	2220371	5	Fitting, Straight JIC/ORB	
5	2220372	5	Fitting, Straight JIC/ORB	
6	2220373	3	Fitting, Straight JIC/ORB	
7	2220375	2	Fitting, Straight JIC/ORB	
8	2220380	1	Fitting, Straight JIC/ORB	
9	2220415	4	Fitting, Straight JIC/ORB	
10	2220451	1	Fitting, Straight JIC/ORB	
11	2220466	1	Fitting, 90 JIC/ORB	
12	2220468	2	Fitting, Straight JIC/ORB	
13	2220472	1	Fitting, 90 JIC/ORB	
14	2220473	2	Fitting, 90 JIC/ORB	
15	2220502	1	Fitting, 45 JIC/ORB	
16	2220582	4	Fitting, Straight JIC/ORB	
17	2220603	5	Fitting, Straight JIC/ORB	
18	2220606	1	Fitting, Tee JIC/ORB/JIC	
19	2220618	1	Fitting, Straight JIC/FSJIC	
20	2220637	1	Fitting, 45 JIC/ORB	
21	2220726	1	Fitting, 90 JIC/ORB	
22	2220733	1	Fitting, Straight JIC/ORB	
23	2220738	1	Fitting, Tee JIC/ORB/JIC	
24	2220775	1	Fitting, 90 JIC/ORB	
25	2220852	3	Fitting, Straight JIC/ORB	
26	2220865	2	Fitting, Straight JIC/ORB	
27	2220906	1	Fitting, 90 JIC/ORB	
28	2220947	4	Fitting, Straight JIC/ORB	
29	2220999	1	Fitting, Tee JIC/ORB/JIC	
30	2221048	1	Fitting, 90 JIC/ORB	
31	2221086	4	Fitting, Test	
32	80633030	2	Clamp	
33	1001119455	1	Valve, Oil Sampling	
34	1001192641	1	Hose	
35	1001192661	1	Hose	
36	1001192663	1	Hose	
37	1001192690	1	Hose	
38	1001192693	1	Pipe	
39	1001192694	1	Pipe	
40	1001192695	1	Hose	
41	1001192696	1	Hose	
42	1001192698	1	Hose	
43	1001192699	1	Hose	
44	1001193927	1	Hose	
45	1001193928	1	Hose	
46	1001193929	1	Hose	
47	1001193930	1	Hose	
48	1001193932	1	Hose	
49	1001193933	1	Hose	

SECTION 7 - HYDRAULIC

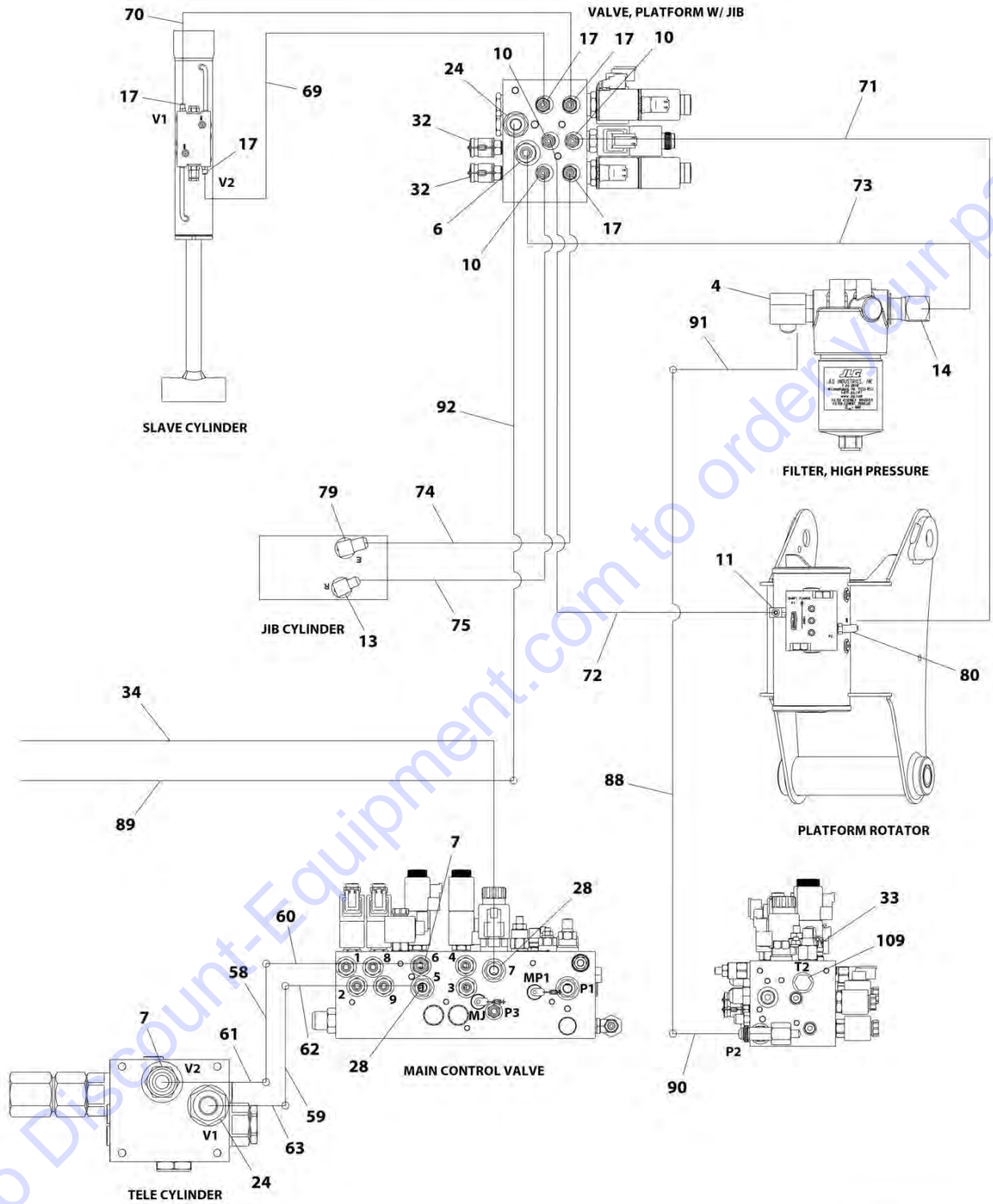
ITEM	PART NUMBER	QTY	DESCRIPTION	REV
50	1001201255	1	Pipe	
51	1001203424	1	Hose	
52	1001203426	1	Hose	
53	1001203431	1	Hose	
54	1001203432	1	Hose	
55	1001203433	1	Hose	
56	1001204645	1	Hose	
57	1001205824	2	Fitting, 90 Barb	
58	1001214408	1	Fitting, Tee JIC/ORB/JIC	
59	1001220903	1	Pipe	
60	1001220912	1	Hose	
61	1001221016	1	Hose	
62	1001222522	1	Hose	
100	1001250981	1	Hose Kit - Engine Side (Not Shown - Includes Items 101-108)	
101	1001247865	1	Hose	
102	1001247871	1	Hose	
103	1001247872	1	Hose	
104	1001247873	1	Hose	
105	1001247875	1	Hose	
106	1001247878	1	Hose	
107	1001247879	1	Hose	
78	1001247994	1	Hose	
200	1001250982	1	Hose Kit - Tank Side (Not Shown - Includes Items 201-208)	
201	1001247866	2	Hose	
202	1001247867	1	Hose	
203	1001247868	1	Hose	
204	1001247869	1	Hose	
205	1001247876	1	Hose	
206	1001247877	1	Hose	
207	1001247881	1	Hose	
208	1001247882	1	Hose	

SECTION 7 - HYDRAULIC



ART_1001194097_30F4

SECTION 7 - HYDRAULIC



ART_1001194097_4OF4

SECTION 7 - HYDRAULIC

FIGURE 7-10. STANDARD HYDRAULIC DIAGRAM (660SJ 4WS) (SN 0300235168 through 0300260918, SN B300002655 to Present)

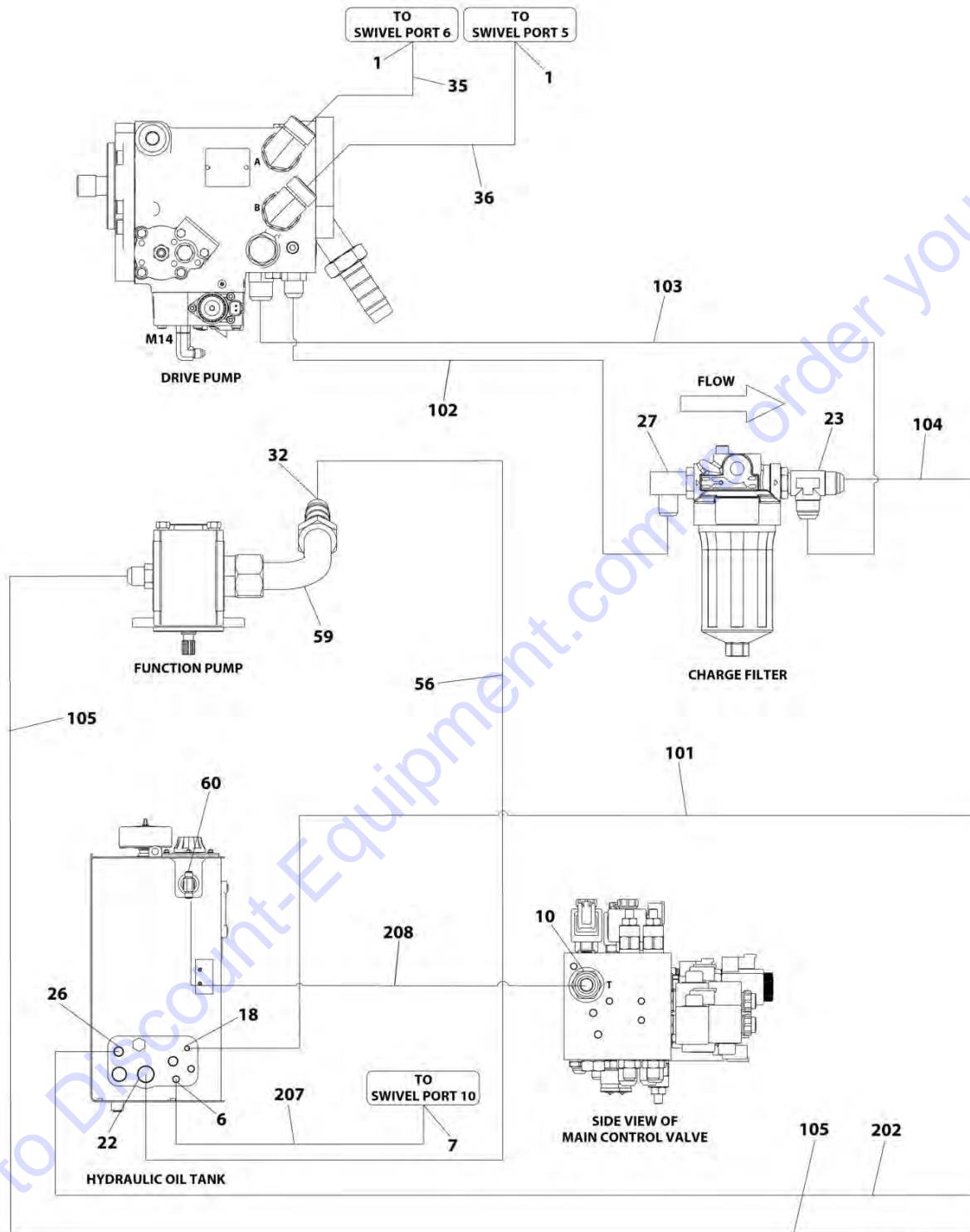
ITEM	PART NUMBER	QTY	DESCRIPTION	REV
	1001194097	Ref	STANDARD HYDRAULIC DIAGRAM	J
1	2111616	2	Fitting, Straight JIC/ORB	
4	2220366	1	Fitting, 90 JIC/ORB	
5	2220371	7	Fitting, Straight JIC/ORB	
6	2220372	7	Fitting, Straight JIC/ORB	
7	2220373	3	Fitting, Straight JIC/ORB	
8	2220375	2	Fitting, Straight JIC/ORB	
10	2220415	4	Fitting, Straight JIC/ORB	
11	2220466	1	Fitting, 90 JIC/ORB	
12	2220468	2	Fitting, Straight JIC/ORB	
13	2220472	1	Fitting, 90 JIC/ORB	
14	2221048	1	Fitting, 90 JIC/ORB	
16	2220582	4	Fitting, Straight JIC/ORB	
17	2220603	5	Fitting, Straight JIC/ORB	
19	2220618	1	Fitting, Straight JIC/FSJIC	
22	2220738	1	Fitting, Tee JIC/ORB/JIC	
24	2220852	3	Fitting, Straight JIC/ORB	
25	2220865	2	Fitting, Straight JIC/ORB	
26	2220906	1	Fitting, 90 JIC/ORB	
28	2220947	4	Fitting, Straight JIC/ORB	
29	2220999	1	Fitting, Tee JIC/ORB/JIC	
32	2221086	4	Fitting, Test	
33	1001119455	1	Valve, Oil Sampling	
34	1001192641	1	Hose	
36	1001192651	2	Hose	
38	1001228226	1	Hose	
39	1001192654	1	Hose	
40	1001192655	1	Hose	
42	1001192661	1	Hose	
43	1001192663	1	Hose	
44	1001192667	1	Hose	
45	1001192669	1	Hose	
46	1001192673	1	Hose	
51	1001192679	1	Hose	
53	1001192681	1	Hose	
54	1001192682	1	Hose	
55	1001192688	1	Hose	
56	1001192689	1	Hose	
57	1001192690	1	Hose	
58	1001192693	1	Pipe	
59	1001192694	1	Pipe	
60	1001192695	1	Hose	
61	1001192696	1	Hose	
62	1001192698	1	Hose	
63	1001192699	1	Hose	
66	1001192758	1	Hose	
69	1001193927	1	Hose	
70	1001193928	1	Hose	
71	1001193929	1	Hose	

SECTION 7 - HYDRAULIC

ITEM	PART NUMBER	QTY	DESCRIPTION	REV
72	1001193930	1	Hose	
73	1001222522	1	Hose	
74	1001193932	1	Hose	
75	1001193933	1	Hose	
76	1001194329	1	Hose	
77	1001194330	1	Hose	
78	2220451	1	Fitting, Straight JIC/ORB	
79	2220473	2	Fitting, 90 JIC/ORB	
80	2220502	1	Fitting, 45 JIC/ORB	
82	2220726	1	Fitting, 90 JIC/ORB	
86	80633030	2	Clamp	
88	1001201255	1	Pipe	
89	1001220903	1	Pipe	
90	1001203424	1	Hose	
91	1001203426	1	Hose	
92	1001221016	1	Hose	
96	1001205824	2	Fitting, 90 Barb	
97	2220775	1	Fitting, 90 JIC/ORB	
98	2220637	1	Fitting, 45 JIC/ORB	
99	2220380	1	Fitting, Straight JIC/ORB	
100	2220733	1	Fitting, Straight JIC/ORB	
101	1001203423	1	Hose	
102	1001203430	1	Hose	
103	1001203431	1	Hose	
104	1001203432	1	Hose	
105	1001203433	1	Hose	
106	1001204645	1	Hose	
107	1001214149	1	Hose	
108	1001214408	1	Fitting, Tee JIC/ORB/JIC	
109	2220238	1	Plug	
110	2220606	1	Fitting, Tee JIC/ORB/JIC	
111	1001220912	1	Hose	

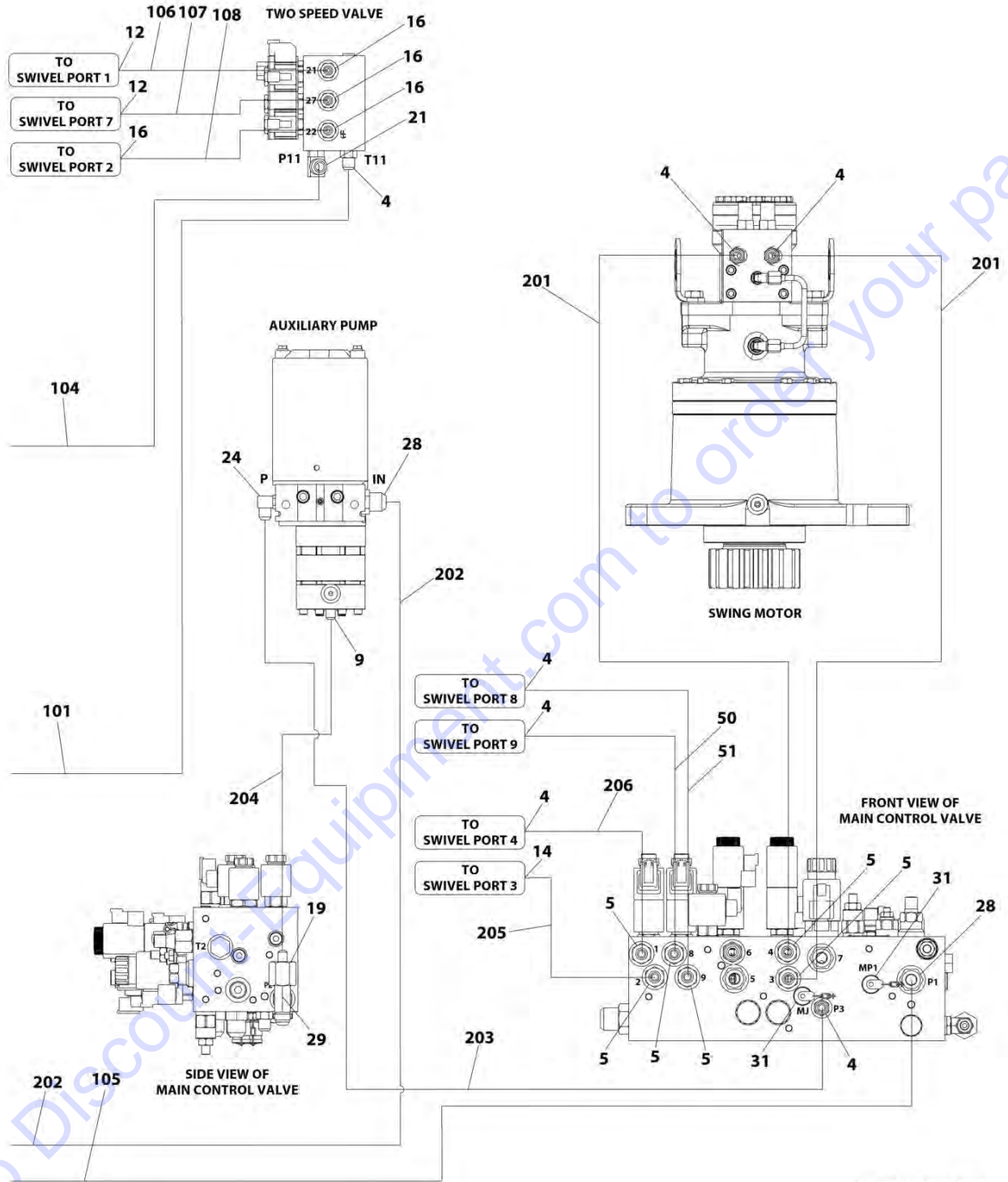
SECTION 7 - HYDRAULIC

FIGURE 7-11. STANDARD HYDRAULIC DIAGRAM (660SJ 4WS) (SN 0300260919 to Present)



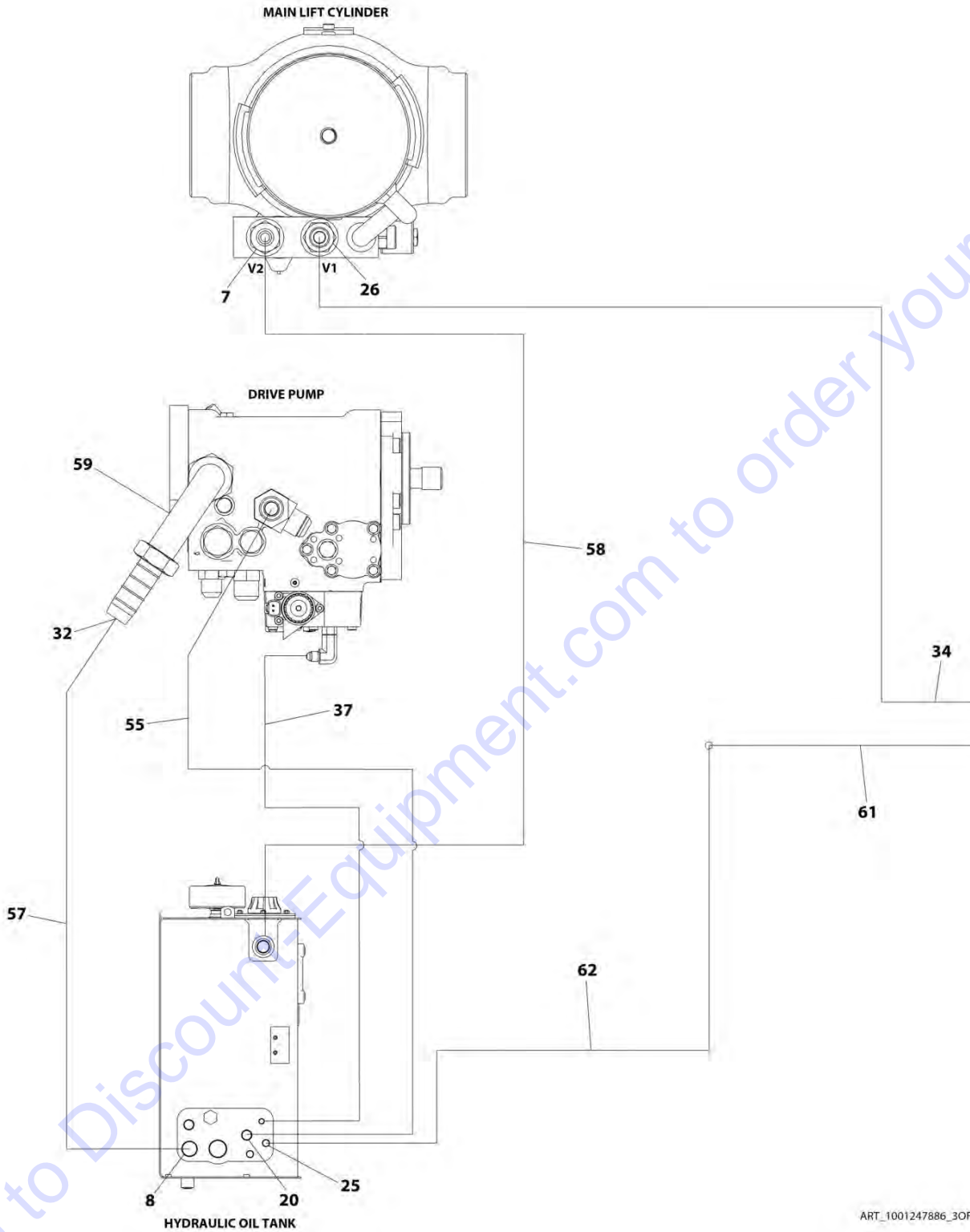
ART_1001247886_TOF4

SECTION 7 - HYDRAULIC



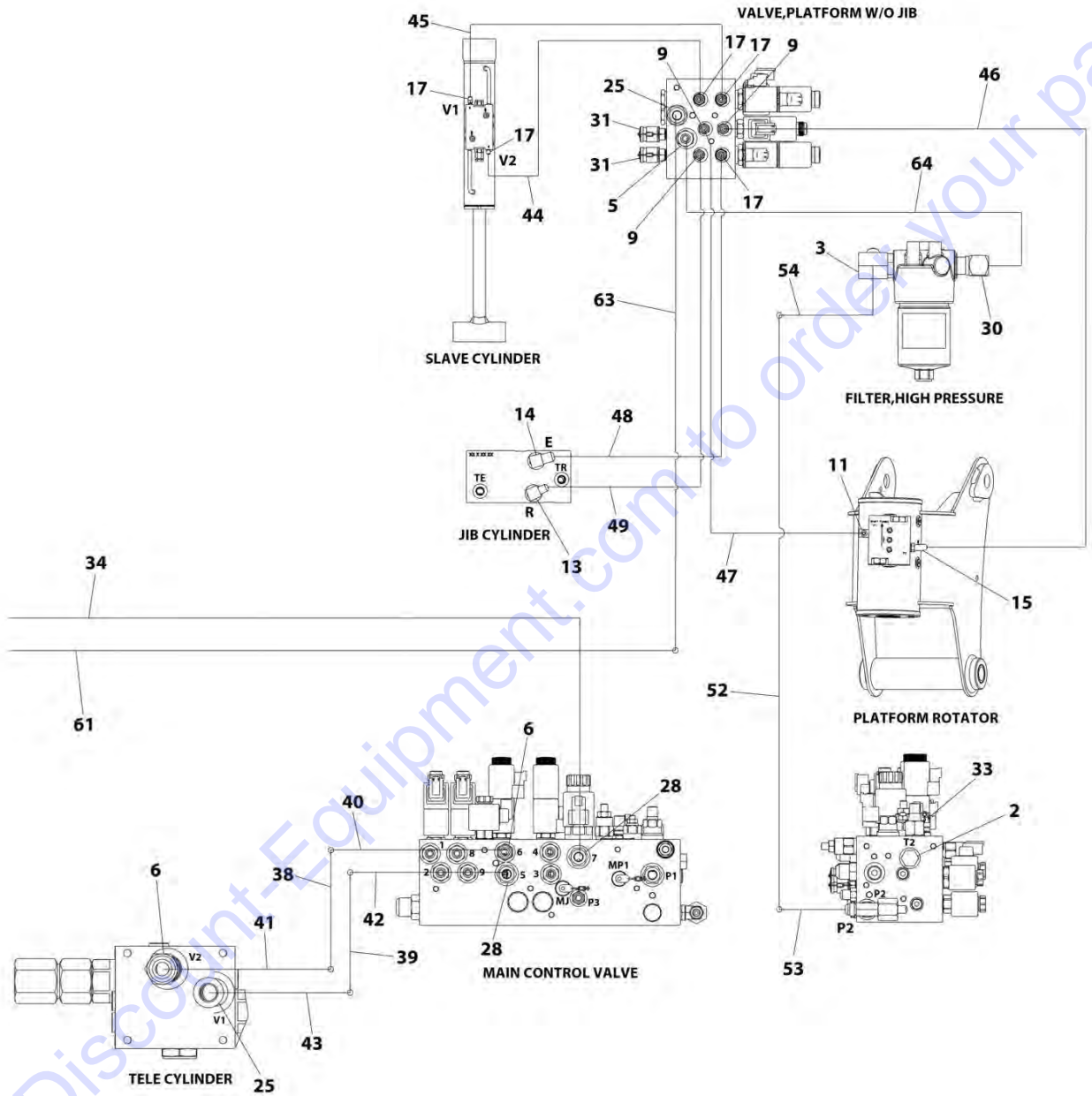
ART_1001247886_20F4

SECTION 7 - HYDRAULIC



ART_1001247886_30F4

SECTION 7 - HYDRAULIC



ART_1001247886_4OF4

SECTION 7 - HYDRAULIC

FIGURE 7-11. STANDARD HYDRAULIC DIAGRAM (660SJ 4WS) (SN 0300260919 to Present)

ITEM	PART NUMBER	QTY	DESCRIPTION	REV
	1001247886	Ref	STANDARD HYDRAULIC DIAGRAM	B
1	2111616	2	Fitting, Straight ORFS/ORB	
2	2220238	1	Plug	
3	2220366	1	Fitting, 90 JIC/ORB	
4	2220371	7	Fitting, Straight JIC/ORB	
5	2220372	7	Fitting, Straight JIC/ORB	
6	2220373	3	Fitting, Straight JIC/ORB	
7	2220375	2	Fitting, Straight JIC/ORB	
8	2220380	1	Fitting, Straight JIC/ORB	
9	2220415	4	Fitting, Straight JIC/ORB	
10	2220451	1	Fitting, Straight JIC/ORB	
11	2220466	1	Fitting, 90 JIC/ORB	
12	2220468	2	Fitting, Straight JIC/ORB	
13	2220472	1	Fitting, 90 JIC/ORB	
14	2220473	2	Fitting, 90 JIC/ORB	
15	2220502	1	Fitting, 45 JIC/ORB	
16	2220582	4	Fitting, Straight JIC/ORB	
17	2220603	5	Fitting, Straight JIC/ORB	
18	2220606	1	Fitting, Tee JIC/ORB/JIC	
19	2220618	1	Fitting, Straight JIC/FSJIC	
20	2220637	1	Fitting, 45 JIC/ORB	
21	2220726	1	Fitting, 90 JIC/ORB	
22	2220733	1	Fitting, Straight JIC/ORB	
23	2220738	1	Fitting, Tee JIC/ORB/JIC	
24	2220775	1	Fitting, 90 JIC/ORB	
25	2220852	3	Fitting, Straight JIC/ORB	
26	2220865	2	Fitting, Straight JIC/ORB	
27	2220906	1	Fitting, 90 JIC/ORB	
28	2220947	4	Fitting, Straight JIC/ORB	
29	2220999	1	Fitting, Tee JIC/ORB/JIC	
30	2221048	1	Fitting, 90 JIC/ORB	
31	2221086	4	Fitting, Test	
32	80633030	2	Clamp	
33	1001119455	1	Valve, Oil Sampling	
34	1001192641	1	Hose	
35	1001192661	1	Hose	
36	1001192663	1	Hose	
37	1001192690	1	Hose	
38	1001192693	1	Pipe	
39	1001192694	1	Pipe	
40	1001192695	1	Hose	
41	1001192696	1	Hose	
42	1001192698	1	Hose	
43	1001192699	1	Hose	
44	1001193927	1	Hose	
45	1001193928	1	Hose	
46	1001193929	1	Hose	
47	1001193930	1	Hose	
48	1001193932	1	Hose	
49	1001193933	1	Hose	

SECTION 7 - HYDRAULIC

ITEM	PART NUMBER	QTY	DESCRIPTION	REV
50	1001194329	1	Hose	
51	1001194330	1	Hose	
52	1001201255	1	Pipe	
53	1001203424	1	Hose	
54	1001203426	1	Hose	
55	1001203431	1	Hose	
56	1001203432	1	Hose	
57	1001203433	1	Hose	
58	1001204645	1	Hose	
59	1001205824	2	Fitting, 90 Barb	
60	1001214408	1	Fitting, Tee JIC/ORB/JIC	
61	1001220903	1	Pipe	
62	1001220912	1	Hose	
63	1001221016	1	Hose	
64	1001222522	1	Hose	
100	1001250981	1	Hose Kit - Engine Side (Not Shown - Includes Items 101-108)	
101	1001247865	1	Hose	
102	1001247871	1	Hose	
103	1001247872	1	Hose	
104	1001247873	1	Hose	
105	1001247875	1	Hose	
106	1001247878	1	Hose	
107	1001247879	1	Hose	
108	1001247994	1	Hose	
200	1001250982	1	Hose Kit - Tank Side (Not Shown - Includes Items 201-208)	
66	1001247866	2	Hose	
67	1001247867	1	Hose	
68	1001247868	1	Hose	
69	1001247869	1	Hose	
74	1001247876	1	Hose	
75	1001247877	1	Hose	
78	1001247881	1	Hose	
79	1001247882	1	Hose	

SECTION 7 - HYDRAULIC

FIGURE 7-12. HYDRAULIC DIAGRAM LIST

ITEM	PART NUMBER	QTY	DESCRIPTION	REV
		Ref	HYDRAULIC DIAGRAM LIST	
		Ref	Note: Diagrams that are not shown are available from the JLG Service Department. See Service and Maintenance Manual for Schematics.	
		Ref	HYDRAULIC DIAGRAMS - DRIVE:	
	1001188342	Ref	Drive Hydraulic Diagram (2WS Without Arctic Package)	
	1001192265	Ref	Drive Hydraulic Diagram (2WS With Arctic Package)	
	1001188343	Ref	Drive Hydraulic Diagram (4WS)	
		Ref	HYDRAULIC DIAGRAM - STANDARD	
	1001193247	Ref	Standard Hydraulic Diagram (600S 2WS) (SN 0300235168 through 0300260918, SN B300002655 to Present)	
	1001247883	Ref	Standard Hydraulic Diagram (600S 2WS) (SN 0300260919 to Present)	
	1001194096	Ref	Standard Hydraulic Diagram (600S 4WS) (SN 0300235168 through 0300260918, SN B300002655 to Present)	
	1001247885	Ref	Standard Hydraulic Diagram (600S 4WS) (SN 0300260919 to Present)	
	1001193759	Ref	Standard Hydraulic Diagram (660SJ 2WS) (SN 0300235168 through 0300260918, SN B300002655 to Present)	
	1001247884	Ref	Standard Hydraulic Diagram (660SJ 2WS) (SN 0300260919 to Present)	
	1001194097	Ref	Standard Hydraulic Diagram (660SJ 4WS) (SN 0300235168 through 0300260918, SN B300002655 to Present)	
	1001247886	Ref	Standard Hydraulic Diagram (660SJ 4WS) (SN 0300260919 to Present)	
	1001188898	Ref	HYDRAULIC SCHEMATIC	

SECTION 8 - ELECTRICAL

Go to Discount-Equipment.com to order your parts

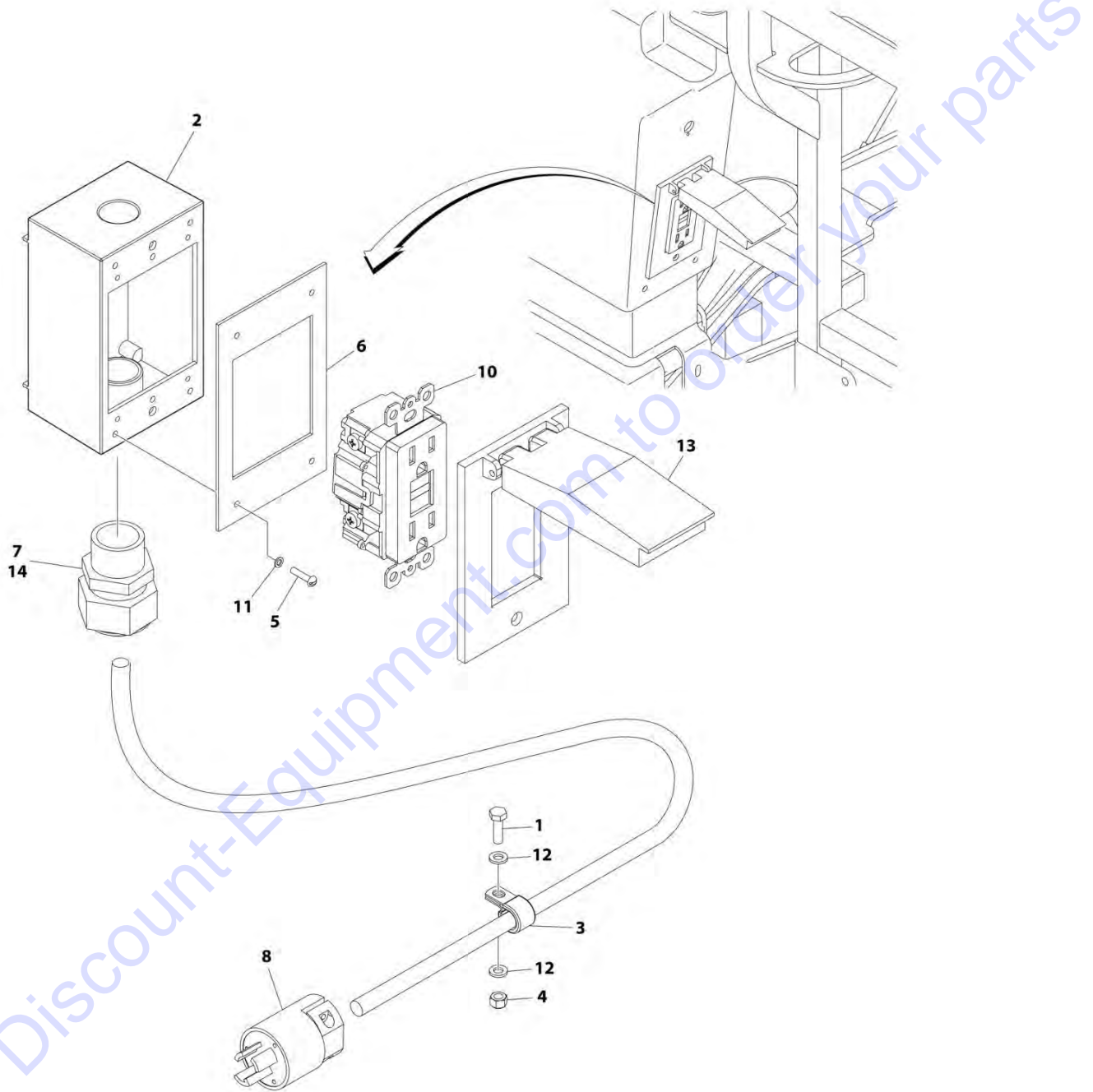
SECTION 8 - ELECTRICAL

FIGURE 8-1. ELECTRICAL DIAGRAM LIST

ITEM	PART NUMBER	QTY	DESCRIPTION	REV
		Ref	ELECTRICAL DIAGRAM LIST	
		Ref	Note: Diagrams that are not shown are available from the JLG Service Department. See Service and Maintenance Manual for Schematics.	
		Ref	GENERATOR ELECTRICAL DIAGRAMS	
		Ref	2500W Generator Electrical Diagram Options:	
	1001188732	Ref	Machines with 110V/60Hz Generators	
	1001188731	Ref	Machines with 220V/50Hz Generators	
		Ref	4000W Generator Electrical Diagram Options:	
	1001175631	Ref	Machines with 110V/60Hz Generators (Deutz Engines)	
	1001175632	Ref	Machines with 220V/50Hz Generators (Deutz D2011 Engines)	
		Ref	7500W SkyPower Generator Electrical Diagram Options:	
	1001174675	Ref	All Machines	
	4933218	Ref	PLATFORM SOFT TOUCH SYSTEM ELECTRICAL DIAGRAM	
	1001186701	Ref	STANDARD ELECTRICAL SCHEMATIC	

SECTION 8 - ELECTRICAL

FIGURE 8-2. AC BOX AT PLATFORM INSTALLATION - 110V (ALL SPECS EXCEPT AUSTRALIAN & CE SPECS)



ART_1001190773

SECTION 8 - ELECTRICAL

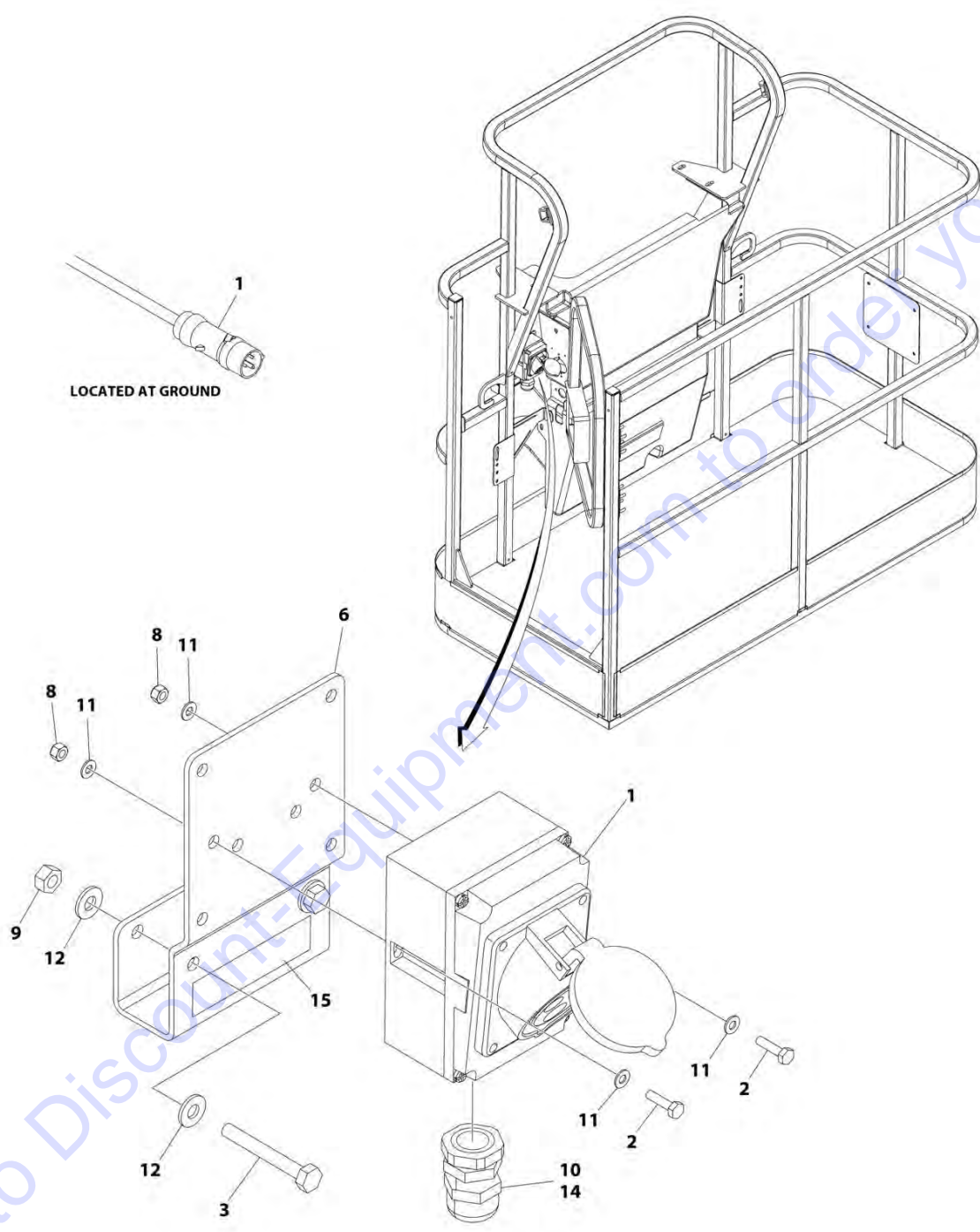
FIGURE 8-2. AC BOX AT PLATFORM INSTALLATION - 110V (ALL SPECS EXCEPT AUSTRALIAN & CE SPECS)

ITEM	PART NUMBER	QTY	DESCRIPTION	REV
	1001190773	Ref	AC BOX AT PLATFORM INSTALLATION	C
1	0760610	1	Bolt M6 x 20	
2	0860038	1	Box, Switch	
3	1320041	1	Clamp	
4	3290605	1	Nut M6	
5	3910610	4	Screw #6 x 5/8	
6	3960422	1	Gasket	
7	4460071	1	Connector, Strain Relief	
8	4460205	1	Plug, Male	
9	4460315	1	Terminal, Spade (Not Shown)	
10	4460346	1	Receptacle	
11	4760600	4	Washer #6	
12	4811700	2	Washer M6	
13	1001110873	1	Shield, Cover	
14	0100079	AR	Sealant	

Go to Discount-Equipment.com to order your parts

SECTION 8 - ELECTRICAL

FIGURE 8-3. AC BOX AT PLATFORM INSTALLATION - 110V IEC YELLOW (CE SPECS WITHOUT 4000W/50HZ GENERATOR)



ART_1001190493

SECTION 8 - ELECTRICAL

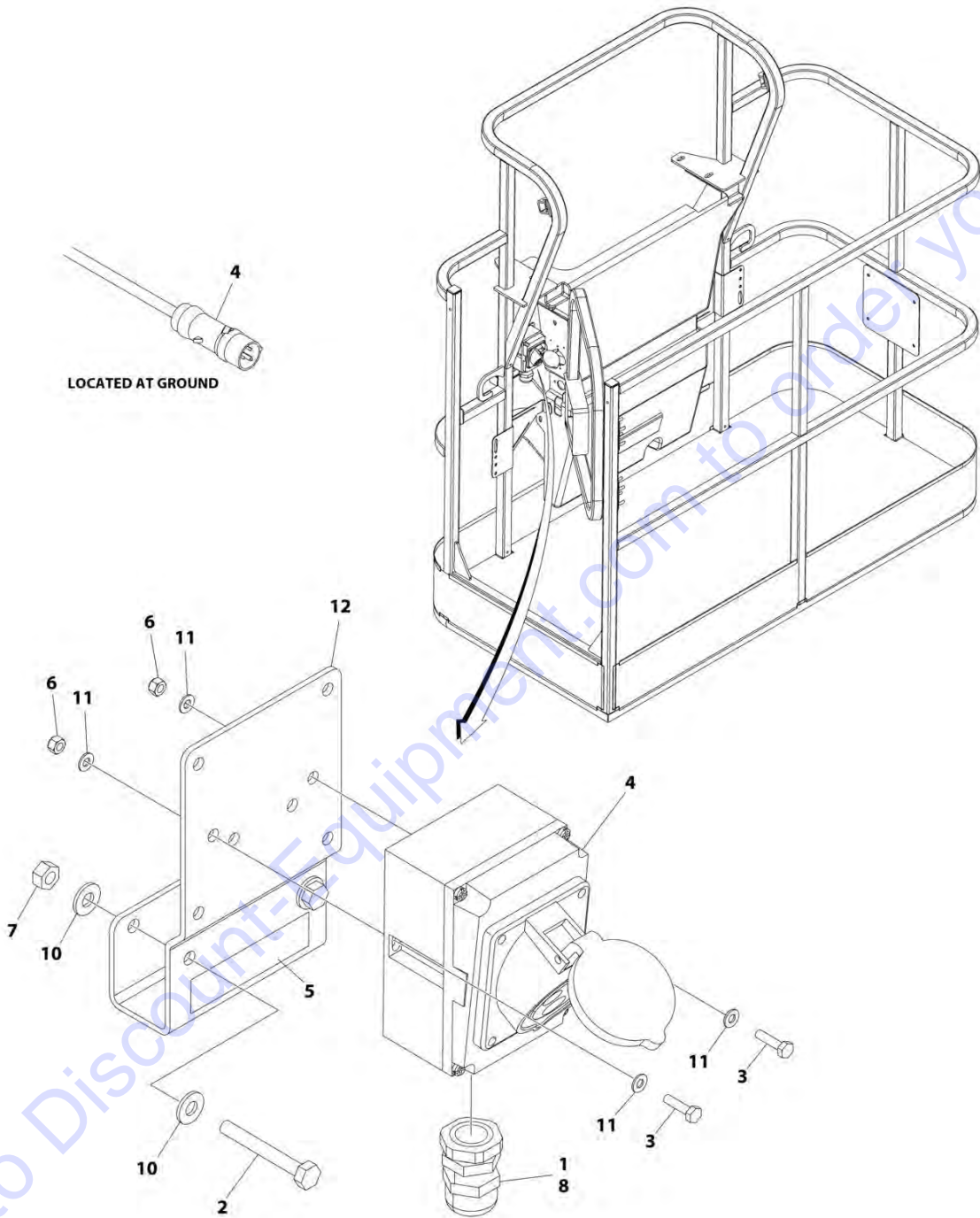
FIGURE 8-3. AC BOX AT PLATFORM INSTALLATION - 110V IEC YELLOW (CE SPECS WITHOUT 4000W/50HZ GENERATOR)

ITEM	PART NUMBER	QTY	DESCRIPTION	REV
	1001190493	Ref	AC BOX AT PLATFORM INSTALLATION	C
1	0275216	1	Receptacle Box Kit - 110V IEC Yellow (See Separate Breakdown in this Section)	
2	0700408	2	Bolt M4 x 16	
3	0700618	2	Bolt M6 x 50	
6	1001193018	1	Bracket	
8	3290405	2	Nut M4	
9	3290605	2	Nut M6	
10	4460968	1	Connector, Strain Relief	
11	4811400	4	Washer M4	
12	4811700	4	Washer M6	
14	0100079	AR	Sealant	
15	1705325	1	Decal - 110V	

Go to Discount-Equipment.com to order your parts

SECTION 8 - ELECTRICAL

FIGURE 8-4. AC BOX AT PLATFORM INSTALLATION - 110V IEC YELLOW (CE SPECS WITH 4000W/50HZ GENERATOR)



ART_1001194203

SECTION 8 - ELECTRICAL

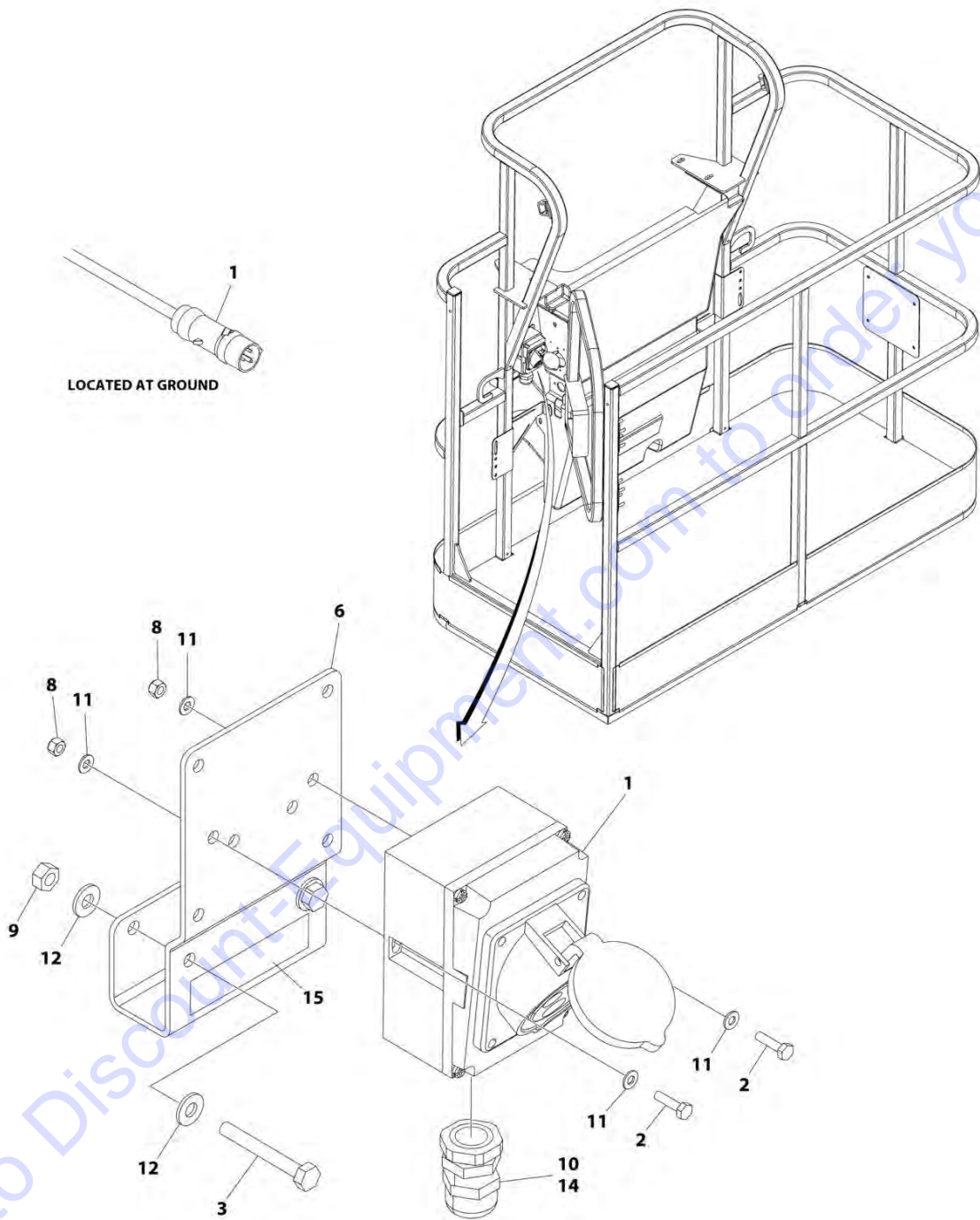
FIGURE 8-4. AC BOX AT PLATFORM INSTALLATION - 110V IEC YELLOW (CE SPECS WITH 4000W/50HZ GENERATOR)

ITEM	PART NUMBER	QTY	DESCRIPTION	REV
	1001194203	Ref	AC BOX AT PLATFORM INSTALLATION	B
1	0100020	AR	Sealant	
2	0641416	2	Bolt 1/4 x 2	
3	0700408	2	Bolt M4 x 16	
4	0275216	1	Receptacle Box Kit - 110V IEC Yellow (See Separate Breakdown in this Section)	
5	1705325	1	Decal - 110V	
6	3290405	2	Nut M4	
7	3311405	2	Nut 1/4	
8	4460968	1	Connector, Strain Relief	
10	4711400	4	Washer 1/4	
11	4811400	4	Washer M4	
12	1001193018	1	Bracket	

Go to Discount-Equipment.com to order your parts

SECTION 8 - ELECTRICAL

FIGURE 8-5. AC BOX AT PLATFORM INSTALLATION - 220V IEC BLUE (CE SPECS WITHOUT 4000W/50HZ GENERATOR)



ART_1001190495

SECTION 8 - ELECTRICAL

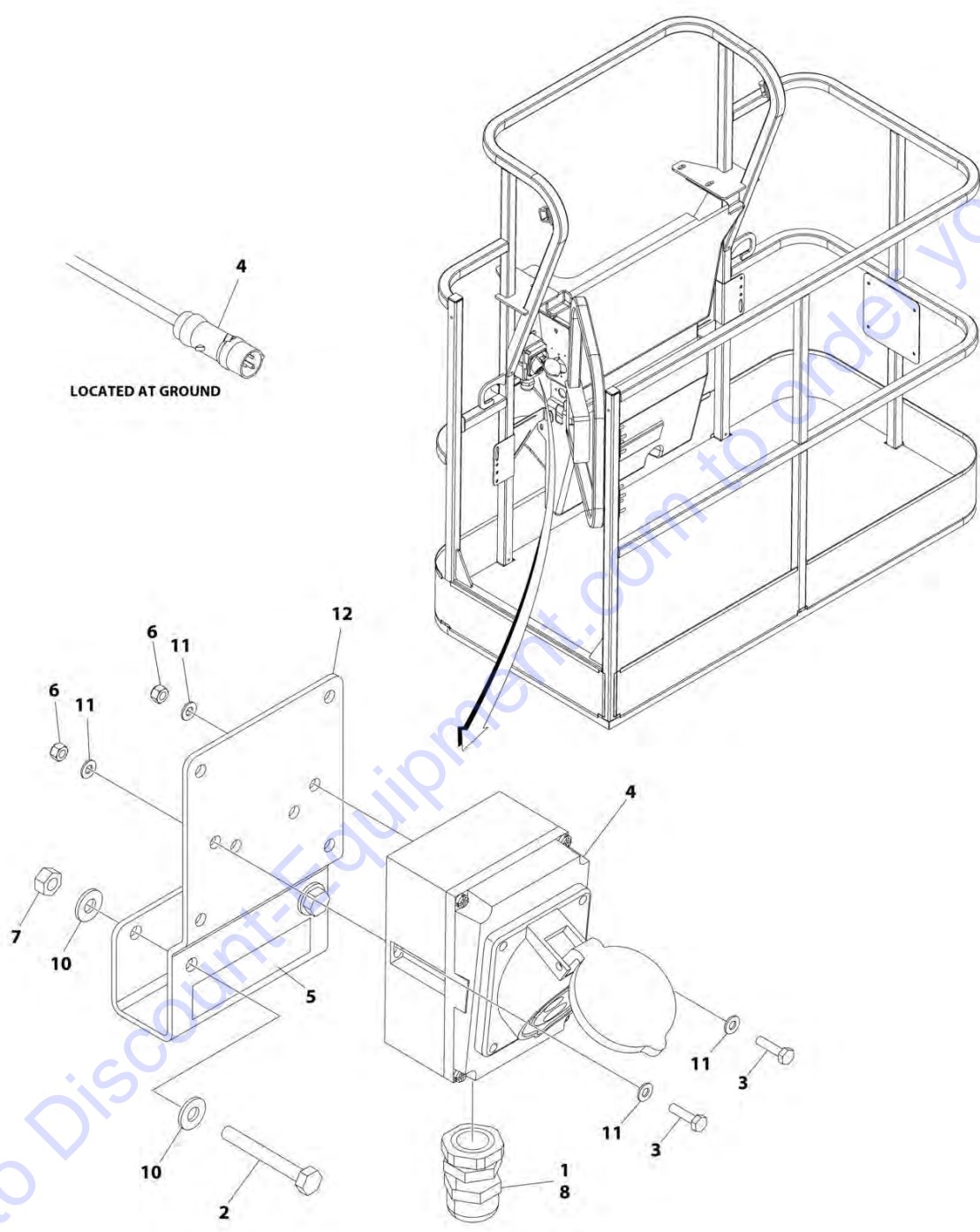
FIGURE 8-5. AC BOX AT PLATFORM INSTALLATION - 220V IEC BLUE (CE SPECS WITHOUT 4000W/50HZ GENERATOR)

ITEM	PART NUMBER	QTY	DESCRIPTION	REV
	1001190495	Ref	AC BOX AT PLATFORM INSTALLATION	C
1	0275217	1	Receptacle Box Kit - 220V IEC Blue (See Separate Breakdown in this Section)	
2	0700408	2	Bolt M4 x 16	
3	0700618	2	Bolt M6 x 50	
6	1001193018	1	Bracket	
8	3290405	2	Nut M4	
9	3290605	2	Nut M6	
10	4460968	1	Connector, Strain Relief	
11	4811400	4	Washer M4	
12	4811700	4	Washer M6	
14	0100079	AR	Sealant	
15	3252507	1	Decal - 220 Volt	

Go to Discount-Equipment.com to order your parts

SECTION 8 - ELECTRICAL

FIGURE 8-6. AC BOX AT PLATFORM INSTALLATION - 220V IEC BLUE (CE SPECS WITH 4000W/50HZ GENERATOR)



ART_1001194204

SECTION 8 - ELECTRICAL

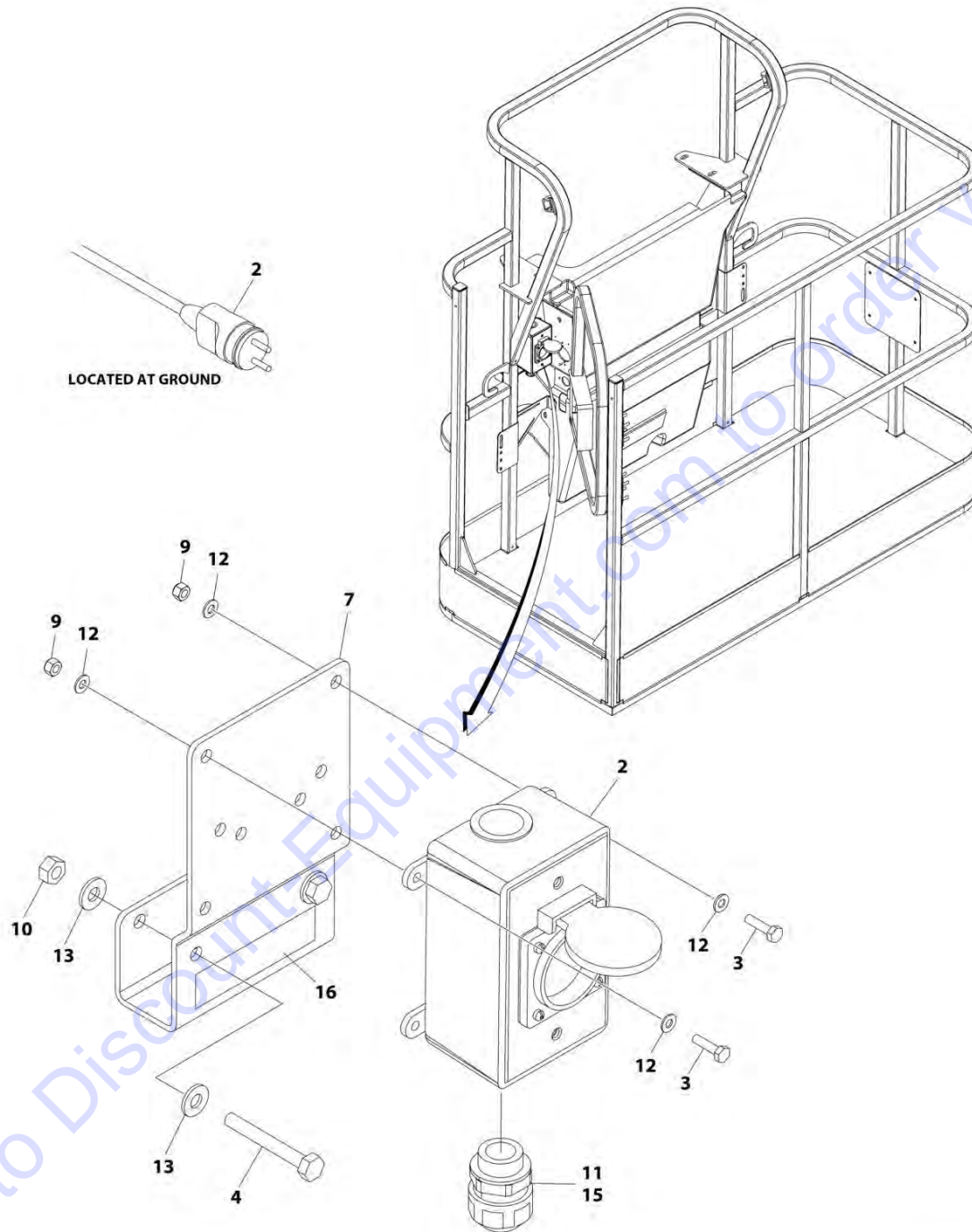
FIGURE 8-6. AC BOX AT PLATFORM INSTALLATION - 220V IEC BLUE (CE SPECS WITH 4000W/50HZ GENERATOR)

ITEM	PART NUMBER	QTY	DESCRIPTION	REV
	1001194204	Ref	AC BOX AT PLATFORM INSTALLATION	B
1	0100020	AR	Sealant	
2	0641416	2	Bolt 1/4 x 2	
3	0700408	2	Bolt M4 x 16	
4	0275217	1	Receptacle Box Kit - 220V IEC Blue (See Separate Breakdown in this Section)	
5	3251242	1	Decal - 240V/50Hz	
6	3290405	2	Nut M4	
7	3311405	2	Nut 1/4	
8	4460968	1	Connector, Strain Relief	
10	4711400	4	Washer 1/4	
11	4811400	4	Washer M4	
12	1001193018	1	Bracket	

Go to Discount-Equipment.com to order your parts

SECTION 8 - ELECTRICAL

FIGURE 8-7. AC BOX AT PLATFORM INSTALLATION - 220V CEE7 2IN X 4IN POST GROUND (CE SPECS WITHOUT 4000W/50HZ GENERATOR)



ART_1001190441

SECTION 8 - ELECTRICAL

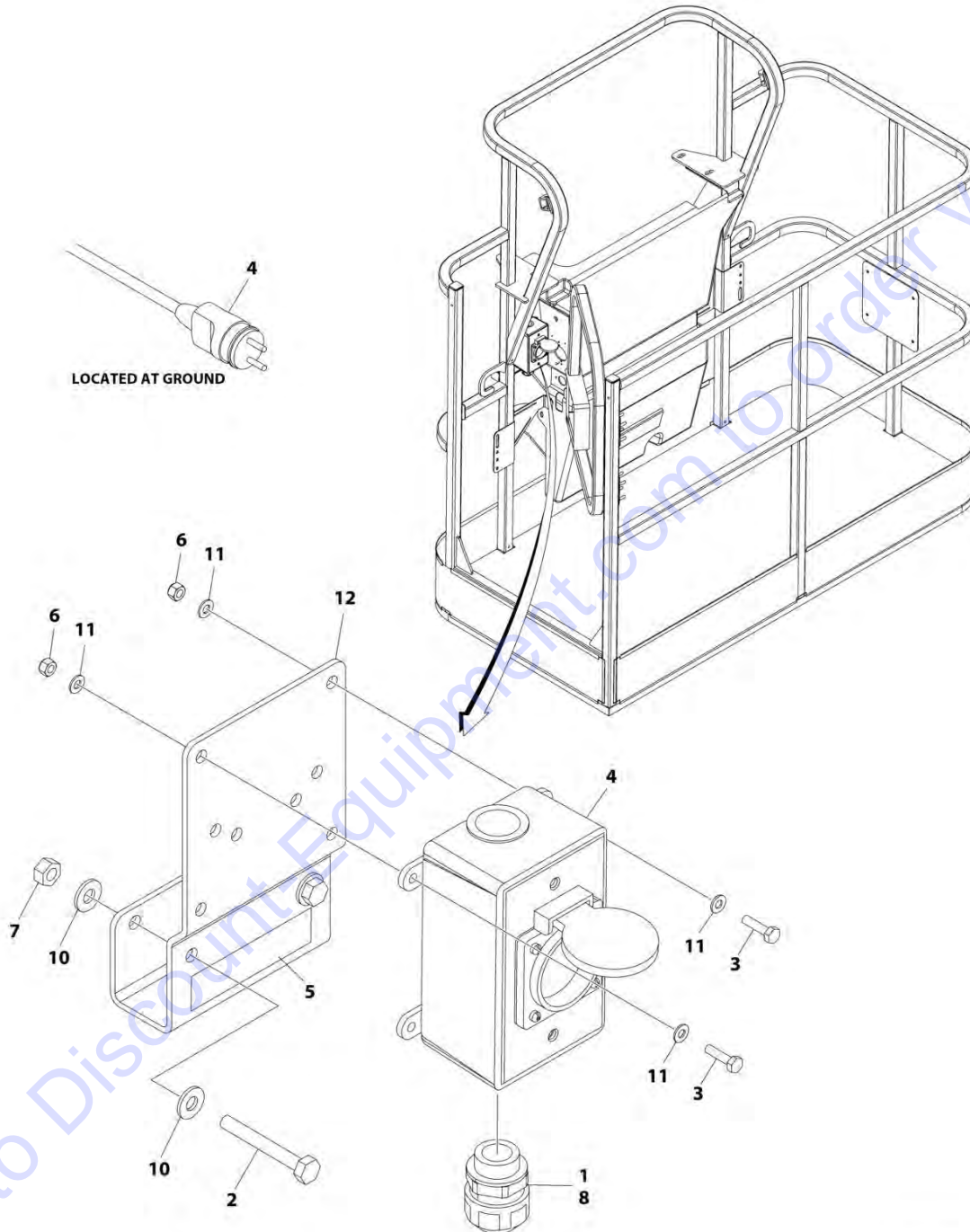
FIGURE 8-7. AC BOX AT PLATFORM INSTALLATION - 220V CEE7 2IN X 4IN POST GROUND (CE SPECS WITHOUT 4000W/50HZ GENERATOR)

ITEM	PART NUMBER	QTY	DESCRIPTION	REV
	1001190441	Ref	AC BOX AT PLATFORM INSTALLATION	D
2	0275452	1	Receptacle Box Kit - 220V CEE7 Post Ground 2in x 4in (See Separate Breakdown in this Section)	
3	0700408	4	Bolt M4 x 16	
4	0700618	2	Bolt M6 x 50	
7	1001193018	1	Bracket	
9	3290405	4	Nut M4	
10	3290605	2	Nut M6	
11	4460662	1	Connector, Strain Relief	
12	4811400	8	Washer M4	
13	4811700	4	Washer M6	
15	0100079	AR	Sealant	
16	3252507	1	Decal - 220 Volt	

Go to Discount-Equipment.com to order your parts

SECTION 8 - ELECTRICAL

FIGURE 8-8. AC BOX AT PLATFORM INSTALLATION - 220V CEE7 2IN X 4IN POST GROUND (CE SPECS WITH 4000W/50HZ GENERATOR)



ART_1001194197

SECTION 8 - ELECTRICAL

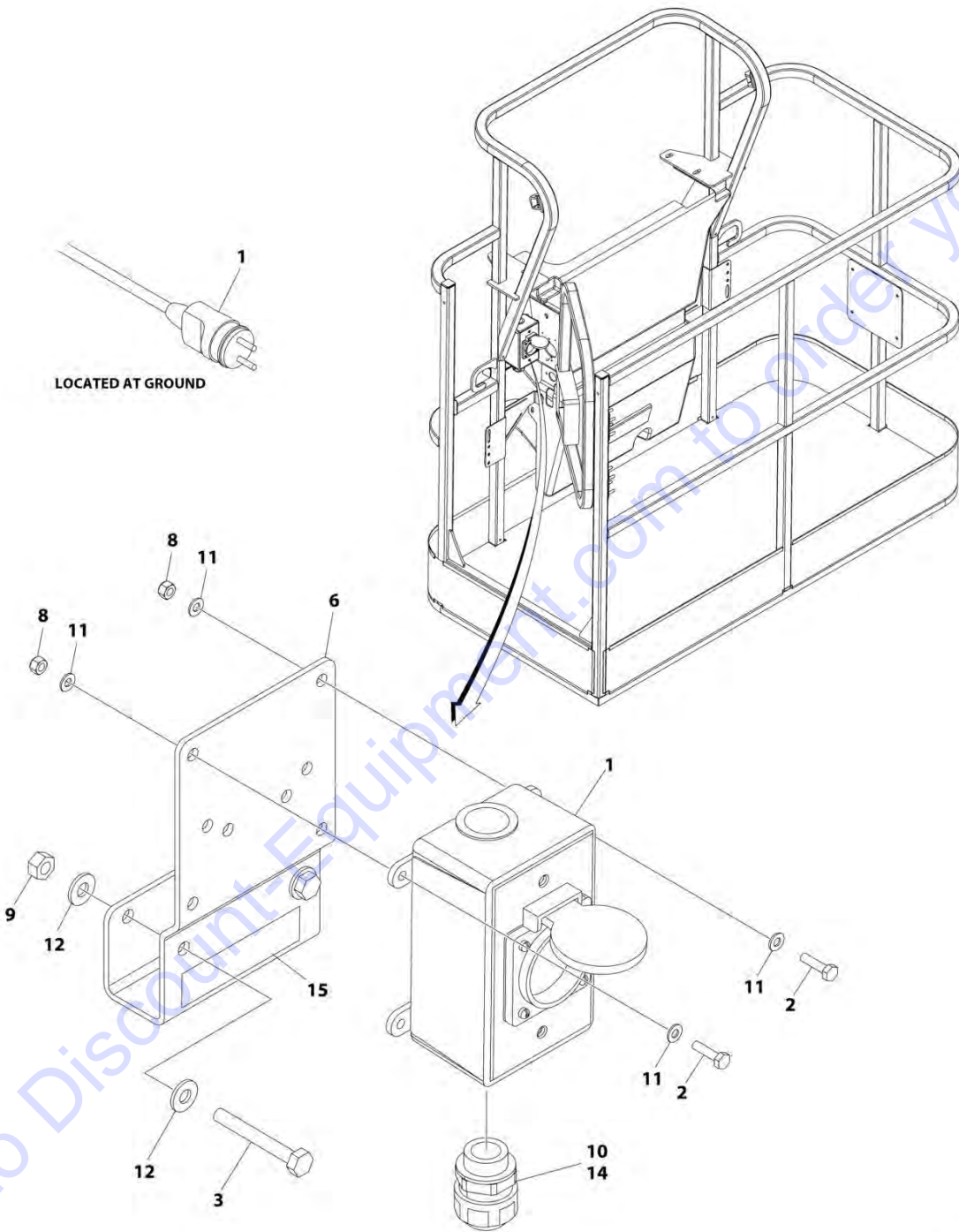
FIGURE 8-8. AC BOX AT PLATFORM INSTALLATION - 220V CEE7 2IN X 4IN POST GROUND (CE SPECS WITH 4000W/50HZ GENERATOR)

ITEM	PART NUMBER	QTY	DESCRIPTION	REV
	1001194197	Ref	AC BOX AT PLATFORM INSTALLATION	B
1	0100020	AR	Sealant	
2	0641416	2	Bolt 1/4 x 2	
3	0700408	4	Bolt M4 x 16	
4	0275452	1	Receptacle Box Kit - 220V CEE7 Post Ground 21in x 4in (See Separate Breakdown in this Section)	
5	3251242	1	Decal - 240V/50Hz	
6	3290405	4	Nut M4	
7	3311405	2	Nut 1/4	
8	4460662	1	Connector, Strain Relief	
10	4711400	4	Washer 1/4	
11	4811400	8	Washer M4	
12	1001193018	1	Bracket	

Go to Discount-Equipment.com to order your parts

SECTION 8 - ELECTRICAL

FIGURE 8-9. AC BOX AT PLATFORM INSTALLATION - 220V CEE7 2IN X 4IN SIDE GROUND (CE SPECS WITHOUT 4000W/50HZ GENERATOR)



ART_1001190484

SECTION 8 - ELECTRICAL

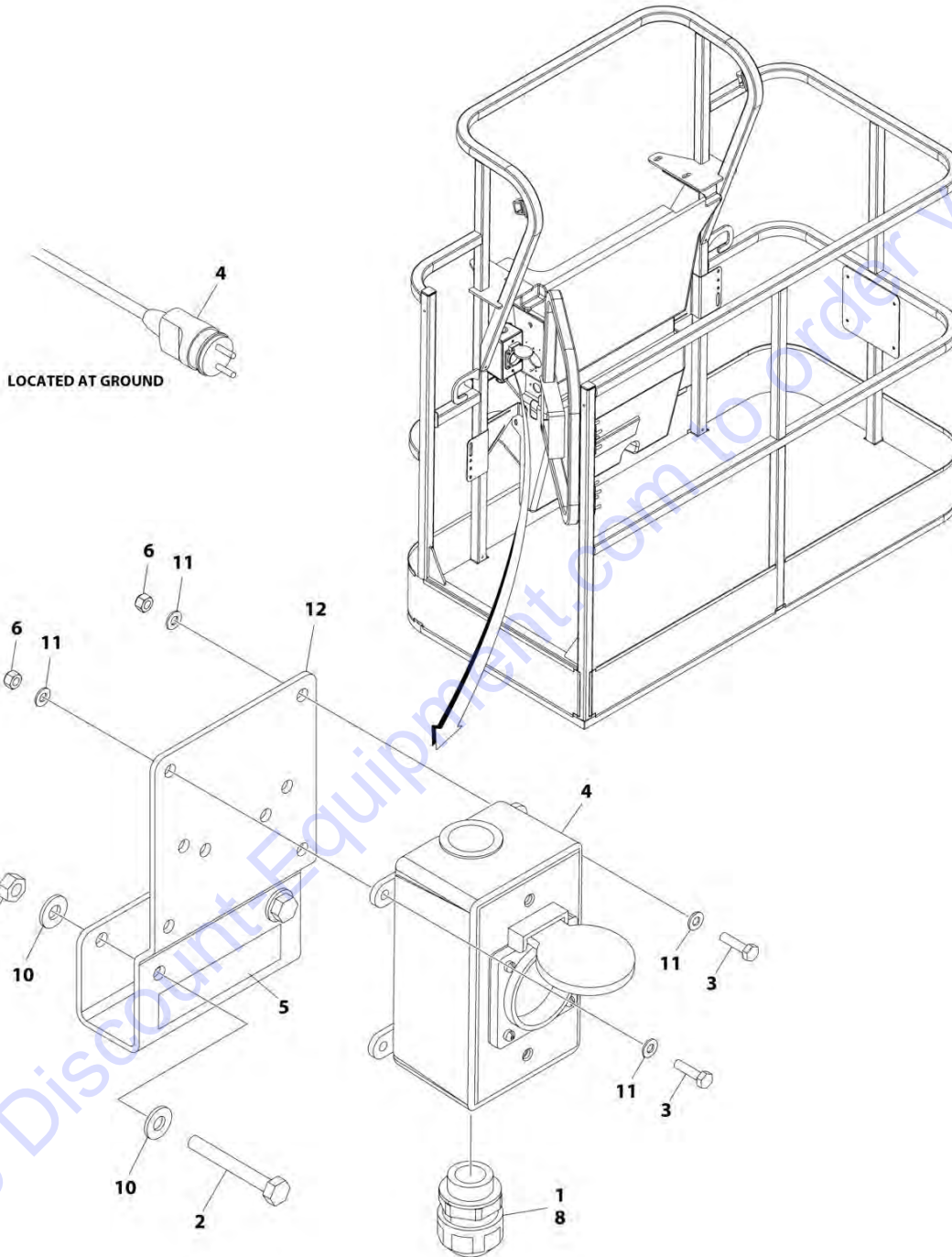
FIGURE 8-9. AC BOX AT PLATFORM INSTALLATION - 220V CEE7 2IN X 4IN SIDE GROUND (CE SPECS WITHOUT 4000W/50HZ GENERATOR)

ITEM	PART NUMBER	QTY	DESCRIPTION	REV
	1001190484	Ref	AC BOX AT PLATFORM INSTALLATION	D
1	0275453	1	Receptacle Box Kit - 220V CEE7 Side Ground 2in x 4in (See Separate Breakdown in this Section)	
2	0700408	4	Bolt M4 x 16	
3	0700618	2	Bolt M6 x 50	
6	1001193018	1	Bracket	
8	3290405	4	Nut M4	
9	3290605	2	Nut M6	
10	4460662	1	Connector, Strain Relief	
11	4811400	8	Washer M4	
12	4811700	4	Washer M6	
14	0100079	AR	Sealant	
15	3252507	1	Decal - 220 Volt	

Go to Discount-Equipment.com to order your parts

SECTION 8 - ELECTRICAL

FIGURE 8-10. AC BOX AT PLATFORM INSTALLATION - 220V CEE7 2IN X 4IN SIDE GROUND (CE SPECS WITH 4000W/50HZ GENERATOR)



ART_1001194198

SECTION 8 - ELECTRICAL

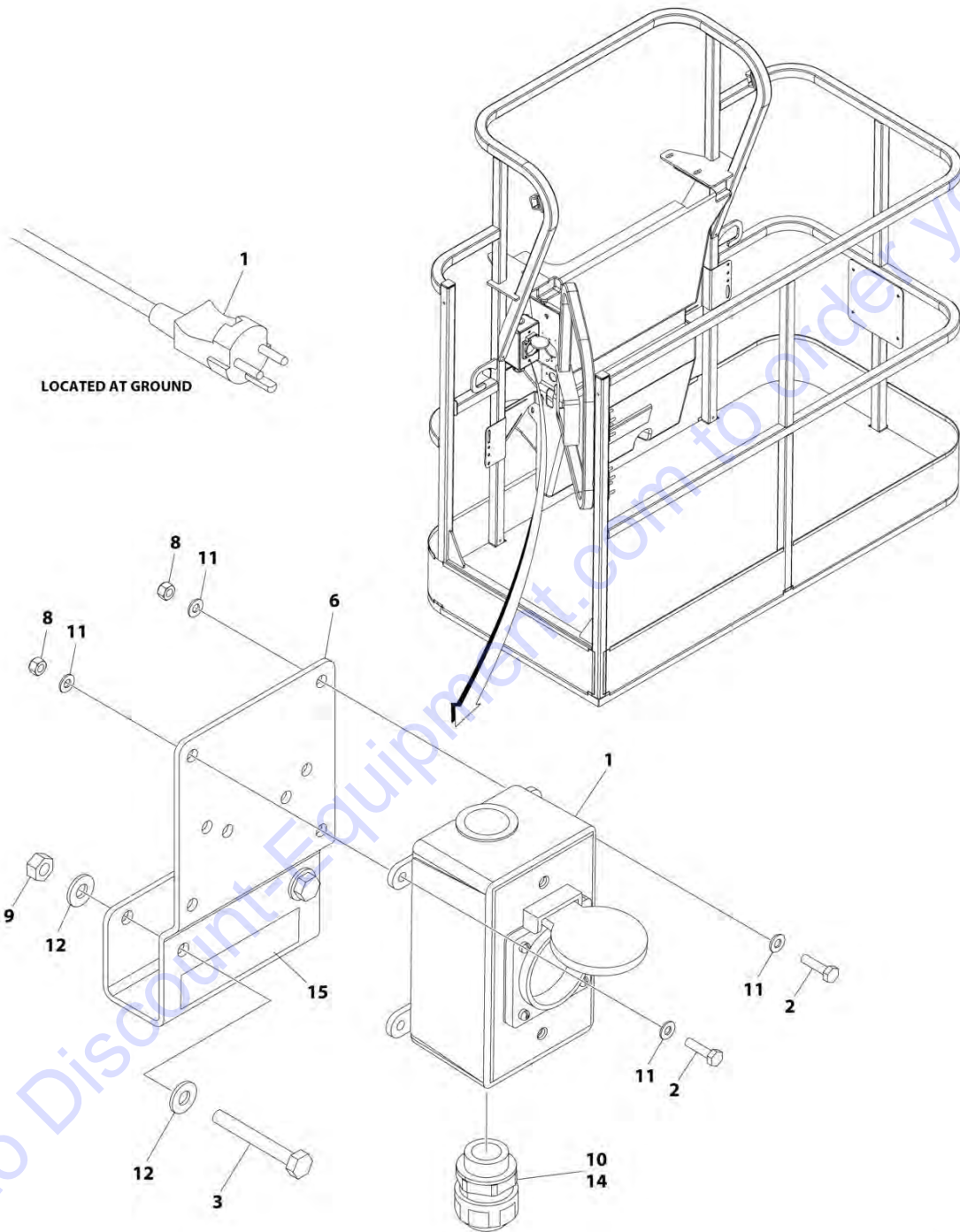
FIGURE 8-10. AC BOX AT PLATFORM INSTALLATION - 220V CEE7 2IN X 4IN SIDE GROUND (CE SPECS WITH 4000W/50HZ GENERATOR)

ITEM	PART NUMBER	QTY	DESCRIPTION	REV
	1001194198	Ref	AC BOX AT PLATFORM INSTALLATION	B
1	0100020	AR	Sealant	
2	0641416	2	Bolt 1/4 x 2	
3	0700408	4	Bolt M4 x 16	
4	0275453	1	Receptacle Box Kit - 220V CEE7 Side Ground 2in x 4in (See Separate Breakdown in this Section)	
5	3251242	1	Decal - 240V/50Hz	
6	3290405	4	Nut M4	
7	3311405	2	Nut 1/4	
8	4460662	1	Connector, Strain Relief	
10	4711400	4	Washer 1/4	
11	4811400	8	Washer M4	
12	1001193018	1	Bracket	

Go to Discount-Equipment.com to order your parts

SECTION 8 - ELECTRICAL

FIGURE 8-11. AC BOX AT PLATFORM INSTALLATION - 220V AFSINT107 (CE SPECS WITHOUT 4000W/50HZ GENERATOR)



ART_1001190485

SECTION 8 - ELECTRICAL

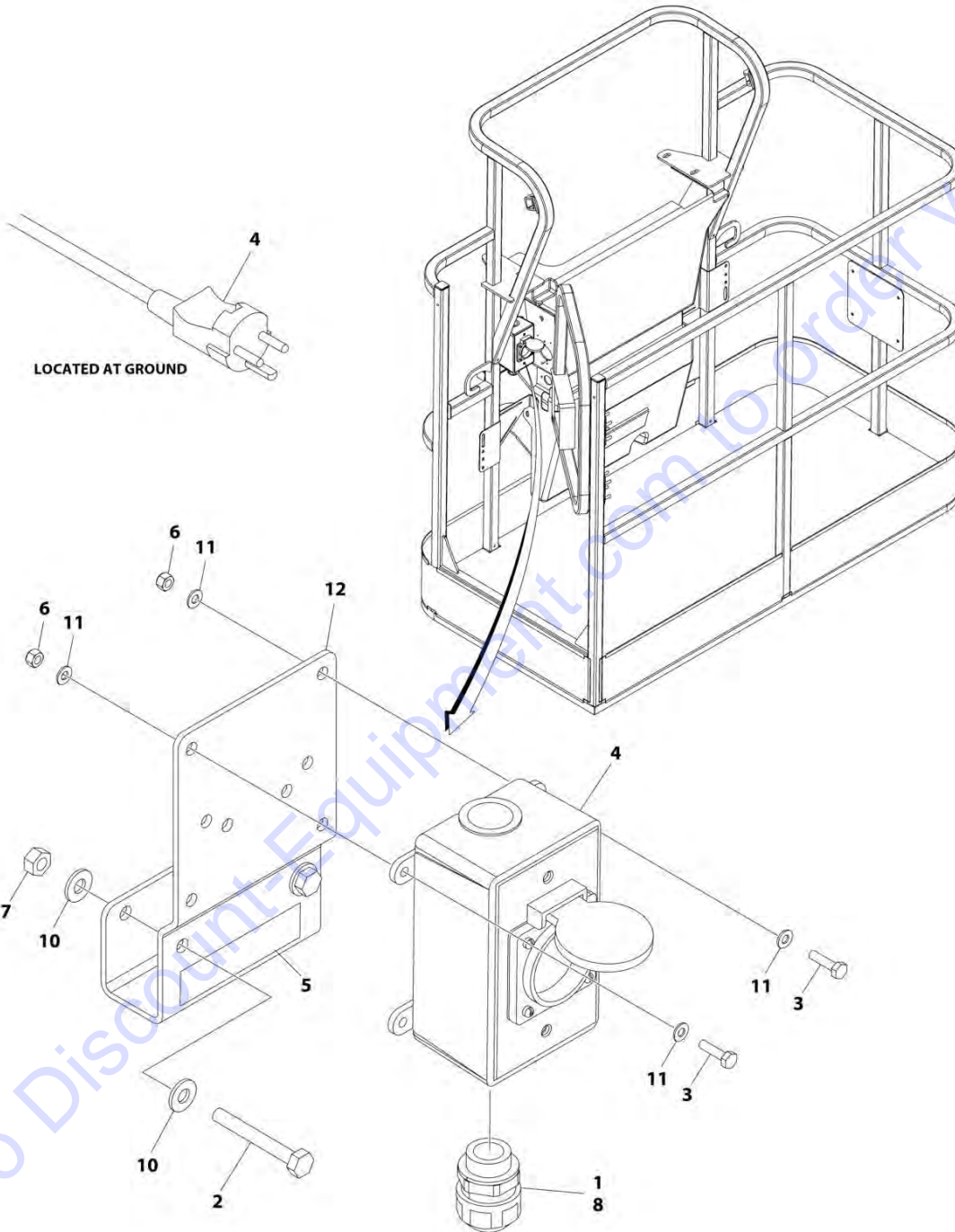
FIGURE 8-11. AC BOX AT PLATFORM INSTALLATION - 220V AFSINT107 (CE SPECS WITHOUT 4000W/50HZ GENERATOR)

ITEM	PART NUMBER	QTY	DESCRIPTION	REV
	1001190485	Ref	AC BOX AT PLATFORM INSTALLATION	C
1	0275454	1	Receptacle Box Kit - 220V AFSINT107 (See Separate Breakdown in this Section)	
2	0700408	4	Bolt M4 x 16	
3	0700618	2	Bolt M6 x 50	
6	1001193018	1	Bracket	
8	3290405	4	Nut M4	
9	3290605	2	Nut M6	
10	4460662	1	Connector, Strain Relief	
11	4811400	8	Washer M4	
12	4811700	4	Washer M6	
14	0100079	AR	Sealant	
15	3252507	1	Decal - 220 Volt	

Go to Discount-Equipment.com to order your parts

SECTION 8 - ELECTRICAL

FIGURE 8-12. AC BOX AT PLATFORM INSTALLATION - 220V AFSINT107 (CE SPECS WITH 4000W/50HZ GENERATOR)



ART_1001194200

SECTION 8 - ELECTRICAL

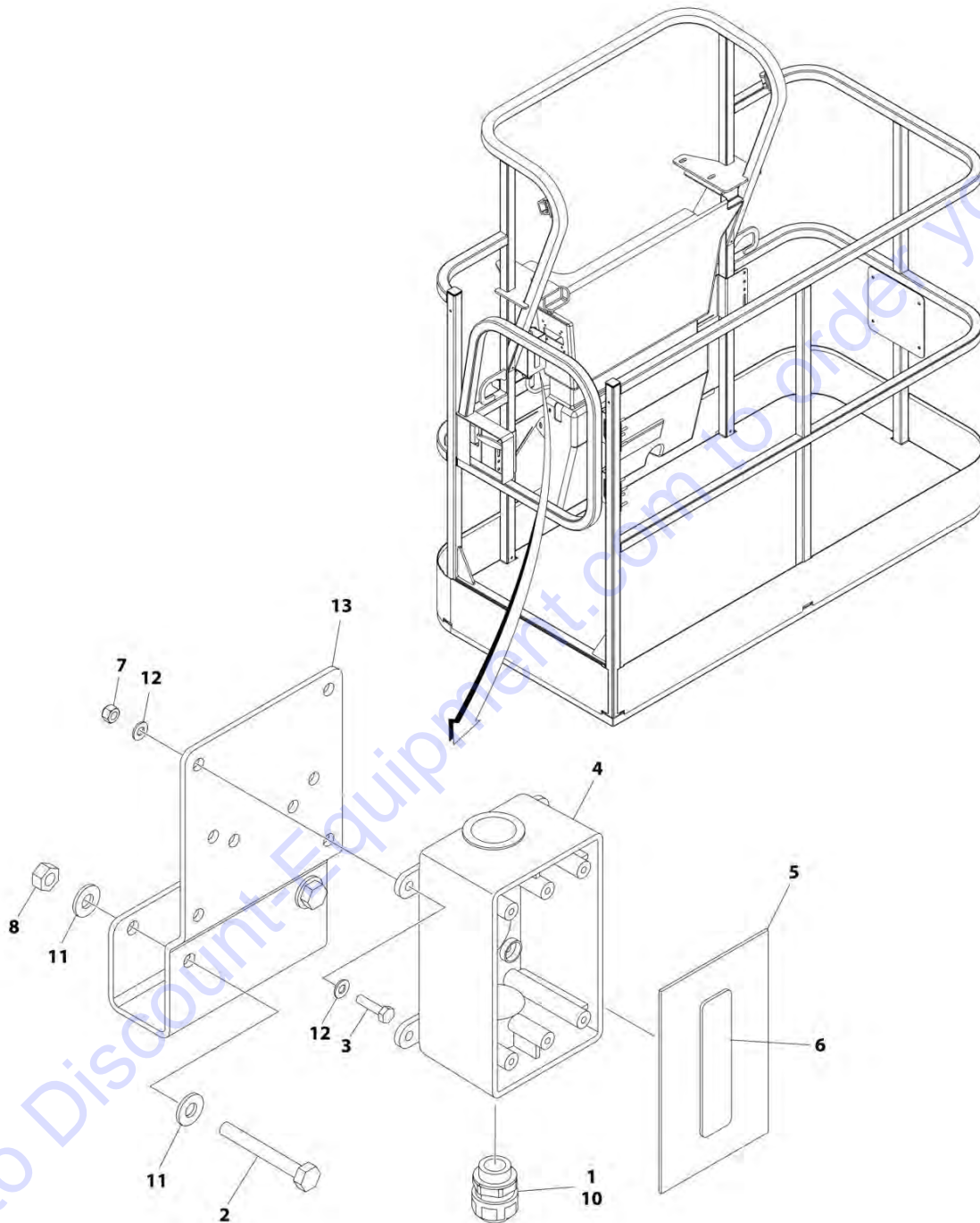
FIGURE 8-12. AC BOX AT PLATFORM INSTALLATION - 220V AFSINT107 (CE SPECS WITH 4000W/50HZ GENERATOR)

ITEM	PART NUMBER	QTY	DESCRIPTION	REV
	1001194200	Ref	AC BOX AT PLATFORM INSTALLATION	B
1	0100020	AR	Sealant	
2	0641416	2	Bolt 1/4 x 2	
3	0700408	4	Bolt M4 x 16	
4	0275454	1	Receptacle Box Kit - 220V AFSINT107 (See Separate Breakdown in this Section)	
5	3251242	1	Decal - 240V/50Hz	
6	3290405	4	Nut M4	
7	3311405	2	Nut 1/4	
8	4460662	1	Connector, Strain Relief	
10	4711400	4	Washer 1/4	
11	4811400	8	Washer M4	
12	1001193018	1	Bracket	

Go to Discount-Equipment.com to order your parts

SECTION 8 - ELECTRICAL

FIGURE 8-13. AC BOX AT PLATFORM INSTALLATION - 220V CUSTOMER SUPPLIED COMPONENTS
(ANSI EXPORT, AUSTRALIAN, CE AND CHINA SPECS)



ART_1001194365

SECTION 8 - ELECTRICAL

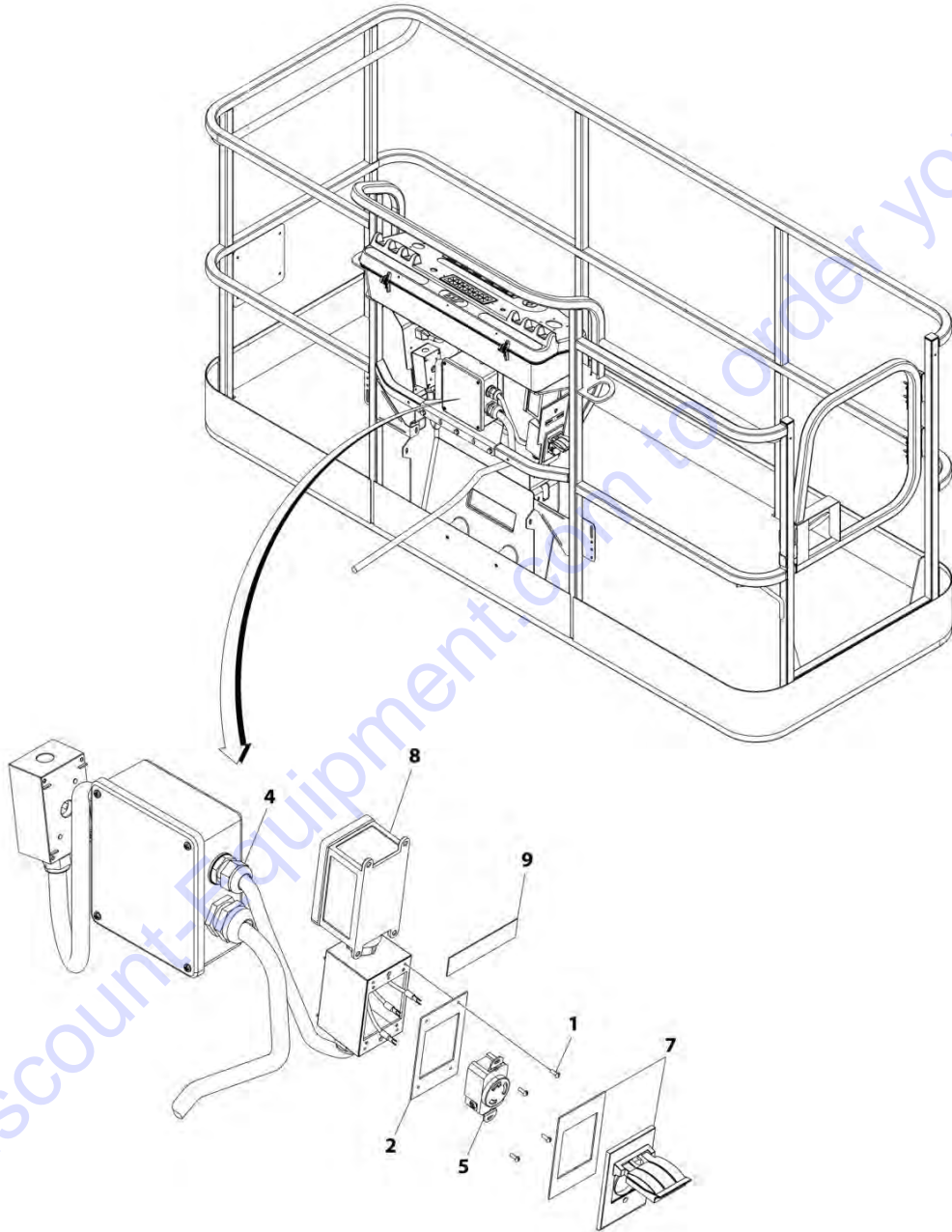
**FIGURE 8-13. AC BOX AT PLATFORM INSTALLATION - 220V CUSTOMER SUPPLIED COMPONENTS
(ANSI EXPORT, AUSTRALIAN, CE AND CHINA SPECS)**

ITEM	PART NUMBER	QTY	DESCRIPTION	REV
	1001194365	Ref	AC BOX AT PLATFORM INSTALLATION	A
1	0100020	AR	Sealant	
2	0641416	2	Bolt 1/4 x 2	
3	0700408	4	Bolt M4 x 16	
4	0861731	1	Box, Receptacle	
5	1670603	1	Cover	
6	3251242	1	Decal - 240V/50Hz	
7	3290405	4	Nut M4	
8	3311405	2	Nut 1/4	
10	4460662	1	Connector, Strain Relief	
11	4711400	4	Washer 1/4	
12	4811400	8	Washer M4	
13	1001193018	1	Bracket	

Go to Discount-Equipment.com to order your parts

SECTION 8 - ELECTRICAL

FIGURE 8-14. AC BOX AT PLATFORM INSTALLATION - 240V (WITH 4000W GENERATOR) (ALL SPECS EXCEPT AUSTRALIAN & CE SPECS)



ART_1001171131

SECTION 8 - ELECTRICAL

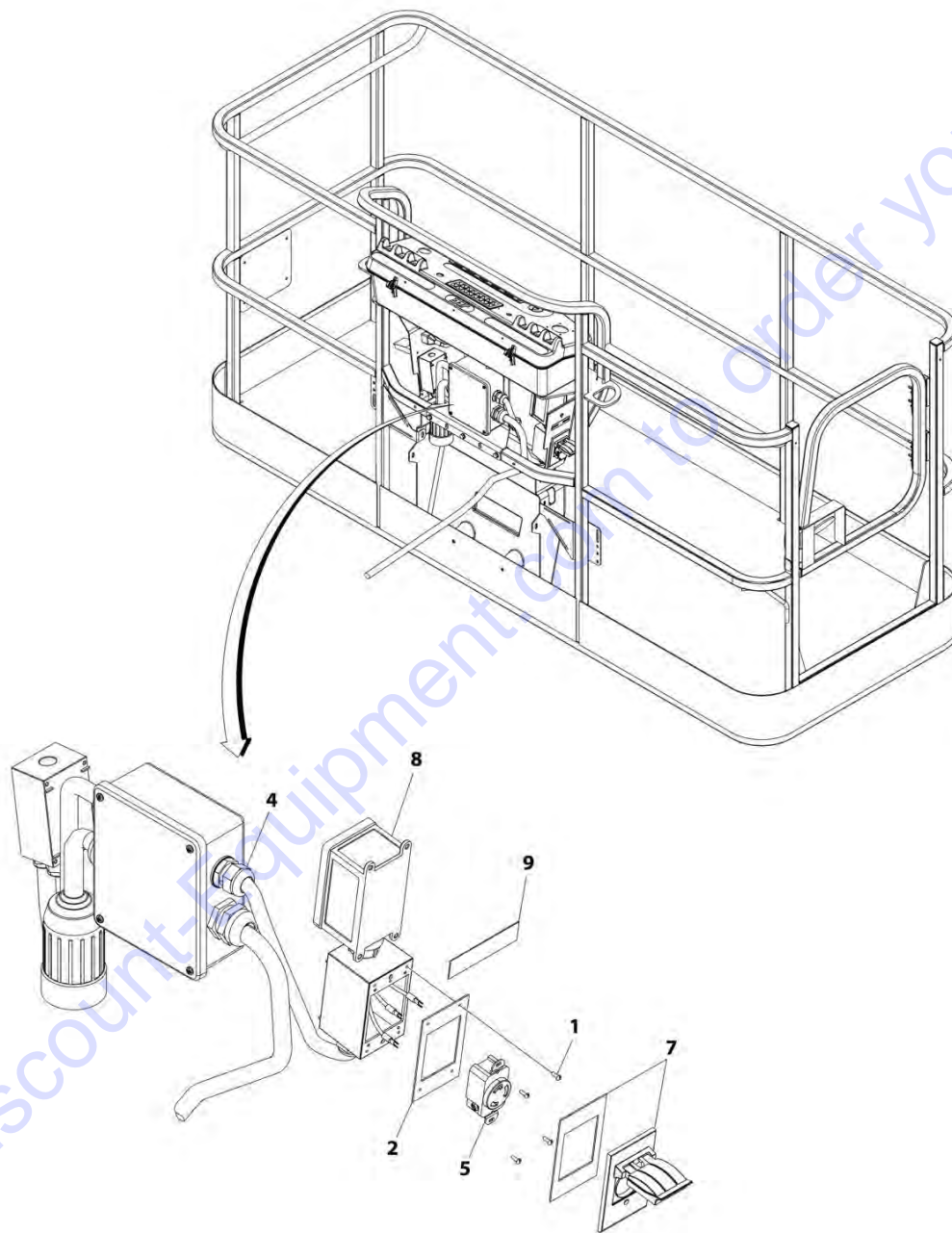
FIGURE 8-14. AC BOX AT PLATFORM INSTALLATION - 240V (WITH 4000W GENERATOR) (ALL SPECS EXCEPT AUSTRALIAN & CE SPECS)

ITEM	PART NUMBER	QTY	DESCRIPTION	REV
	1001171131	Ref	AC BOX AT PLATFORM INSTALLATION - 240V RECEPTACLE	B
1	3910606	4	Screw #6 x 3/8	
2	3960422	1	Gasket	
3	4240018	AR	Tie-Strap (Not Shown)	
4	4460425	1	Connector, Strain Relief	
5	1001176862	1	Receptacle	
7	1001110872	1	Cover, Receptacle	
8	1001159120	1	Receptacle/Breaker Box Assembly	
8	1001148675	1	Box, Receptacle	
8	1001159118	1	Breaker Box Assembly	
8	4460612	1	Connector, Strain Relief	
8	1001159119	1	Connector (Between Boxes)	
9	1705374	1	Decal - 240V/60Hz	

Go to Discount-Equipment.com to order your parts

SECTION 8 - ELECTRICAL

FIGURE 8-15. AC BOX AT PLATFORM INSTALLATION - 240V (WITH 7500W SKYPOWER GENERATOR) (ALL SPECS EXCEPT AUSTRALIAN & CE SPECS)



ART_1001159121

SECTION 8 - ELECTRICAL

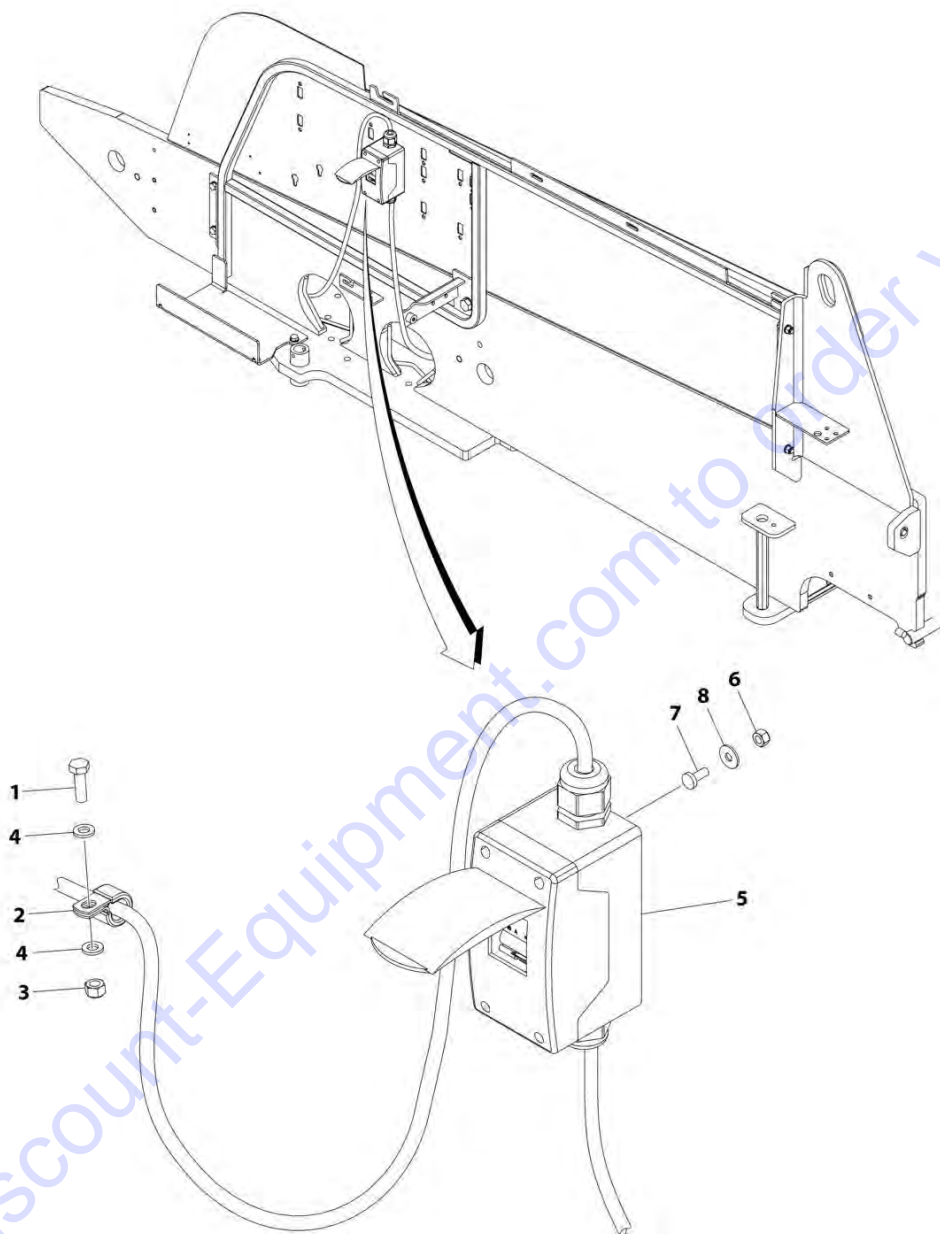
FIGURE 8-15. AC BOX AT PLATFORM INSTALLATION - 240V (WITH 7500W SKYPOWER GENERATOR) (ALL SPECS EXCEPT AUSTRALIAN & CE SPECS)

ITEM	PART NUMBER	QTY	DESCRIPTION	REV
	1001159121	Ref	AC BOX AT PLATFORM INSTALLATION - 240V RECEPTACLE	B
1	3910606	4	Screw #6 x 3/8	
2	3960422	1	Gasket	
3	4240018	AR	Tie-Strap (Not Shown)	
4	4460425	1	Connector, Strain Relief	
5	4460958	1	Receptacle	
7	1001110872	1	Cover, Receptacle	
8	1001159120	1	Receptacle/Breaker Box Assembly	
8	1001148675	1	Box, Receptacle	
8	1001159118	1	Breaker Box Assembly - 30A	
8	4460612	1	Connector, Strain Relief	
8	1001159119	1	Connector (Between Boxes)	
9	1705374	1	Decal - 240V/60Hz	

Go to Discount-Equipment.com to order your parts

SECTION 8 - ELECTRICAL

FIGURE 8-16. AC BREAKER BOX INSTALLATION - SINGLE DOUBLE POLE BREAKER



ART_1001190774

SECTION 8 - ELECTRICAL

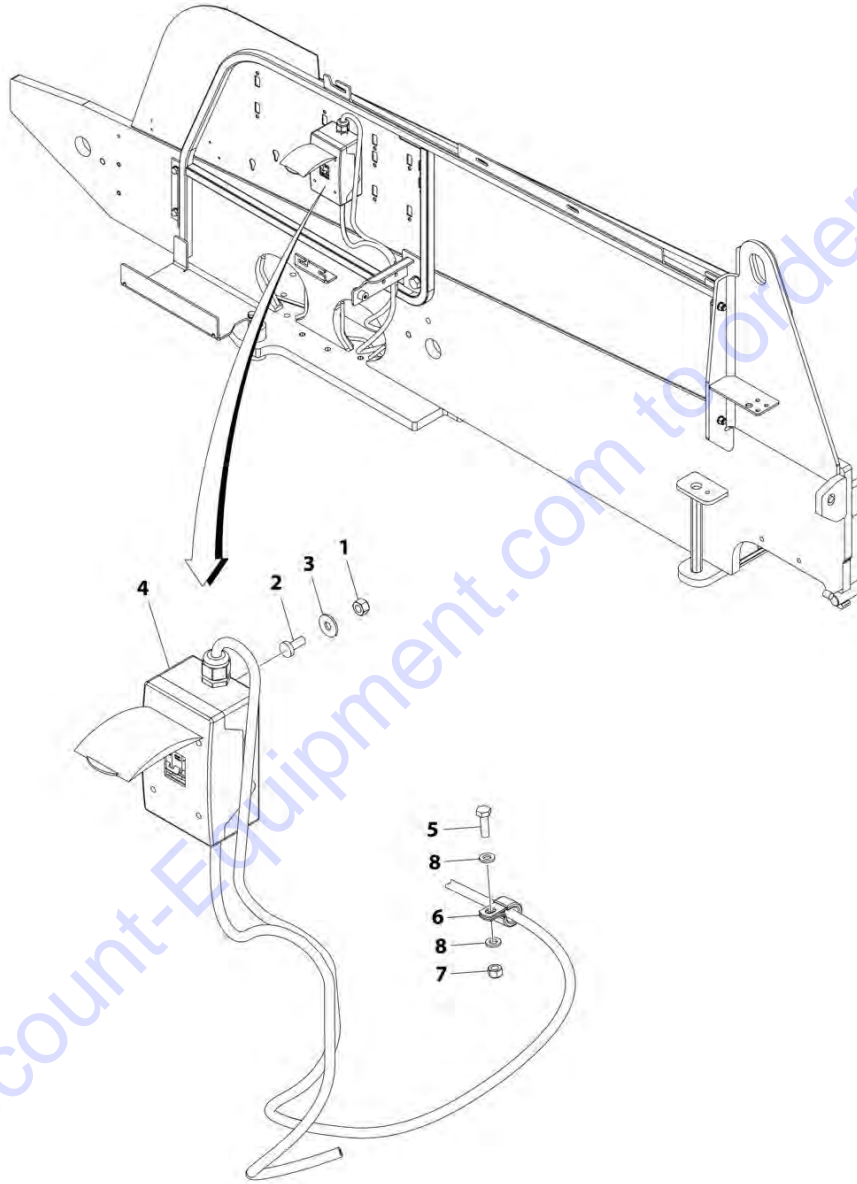
FIGURE 8-16. AC BREAKER BOX INSTALLATION - SINGLE DOUBLE POLE BREAKER

ITEM	PART NUMBER	QTY	DESCRIPTION	REV
	1001190774	Ref	AC BREAKER BOX INSTALLATION	C
1	0760610	1	Bolt M6 x 20	
2	1320041	1	Clamp	
3	3290605	1	Nut M6	
4	4811700	2	Washer M6	
5	2902549	1	Breaker Box Kit - Single Double Pole Breaker (See Separate Breakdown in this Section)	
6	3290405	2	Nut M4	
7	4010405	2	Screw M4 x 10	
8	1001091102	2	Washer M4	

Go to Discount-Equipment.com to order your parts

SECTION 8 - ELECTRICAL

FIGURE 8-17. AC BREAKER BOX INSTALLATION - 3 BREAKERS



ART_1001211049

SECTION 8 - ELECTRICAL

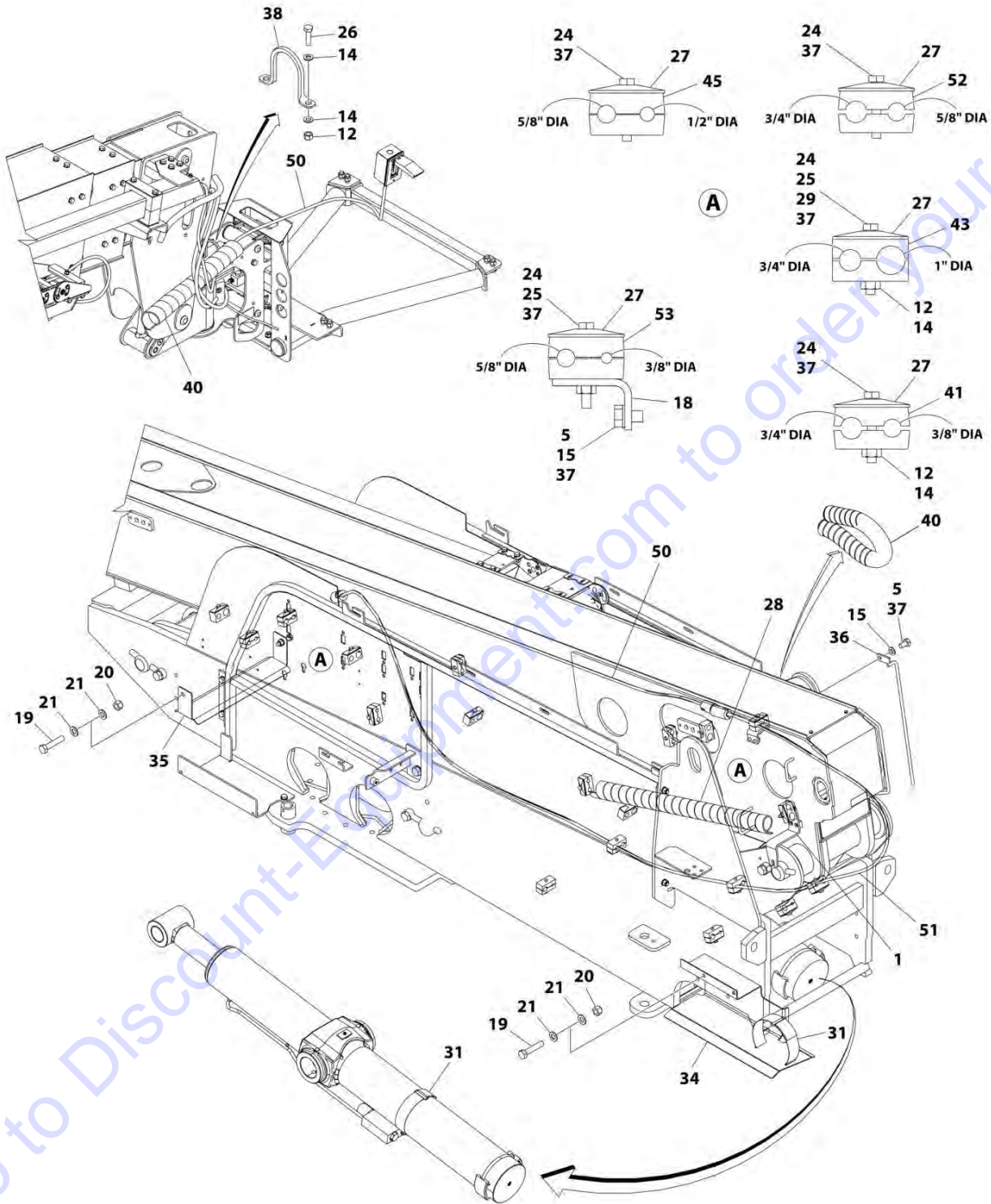
FIGURE 8-17. AC BREAKER BOX INSTALLATION - 3 BREAKERS

ITEM	PART NUMBER	QTY	DESCRIPTION	REV
	1001211049	Ref	AC BREAKER BOX INSTALLATION	C
1	3290405	2	Nut M4	
2	4010405	2	Screw M4 x 10	
3	1001091102	2	Washer M4	
4	1001152485	1	Breaker Box Kit - 3 Breakers (See Separate Breakdown in this Section) (600S SN 0300235168 through 0300237156)	
4	1001152485	1	Breaker Box Kit - 3 Breakers (See Separate Breakdown in this Section) (660SJ SN 0300235168 through 0300237156)	
4	1001152486	1	Breaker Box Kit - 3 Breakers (See Separate Breakdown in this Section) (600S SN 0300237157 to Present)	
4	1001152486	1	Breaker Box Kit - 3 Breakers (See Separate Breakdown in this Section) (660SJ SN 0300237157 to Present)	
5	0760610	1	Bolt M6 x 20	
6	1320041	1	Clamp	
7	3290605	1	Nut M6	
8	4811700	2	Washer M6	

Go to Discount-Equipment.com to order your parts

SECTION 8 - ELECTRICAL

FIGURE 8-18. AC CABLES AND CLAMPS INSTALLATION - 600S WITHOUT GENERATOR (ANSI, CSA AND JAPANESE SPECS)



ART_1001193207

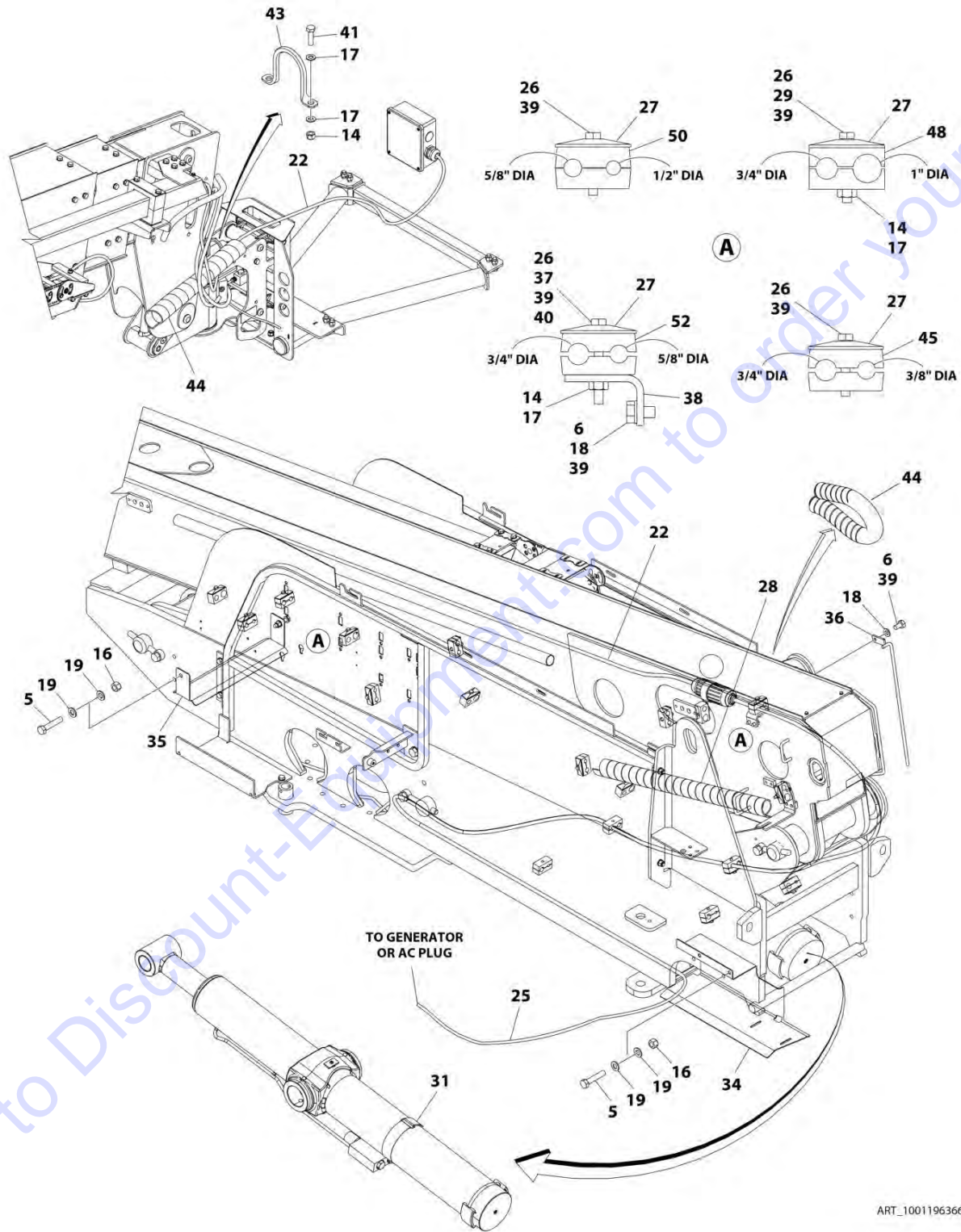
SECTION 8 - ELECTRICAL

FIGURE 8-18. AC CABLES AND CLAMPS INSTALLATION - 600S WITHOUT GENERATOR (ANSI, CSA AND JAPANESE SPECS)

ITEM	PART NUMBER	QTY	DESCRIPTION	REV
	1001193207	Ref	AC CABLES AND CLAMPS INSTALLATION	K
1	1001211585	1	Bracket	
5	0761009	3	Bolt M10 x 18	
12	3290805	4	Nut M8	
14	4811900	5	Washer M8	
15	4812000	3	Washer M10	
16	1001146588	4	Tie-Strap (Not Shown)	
18	1001229637	1	Bracket	
19	0701220	4	Bolt M12 x 60	
20	3291205	4	Nut M12	
21	4812100	8	Washer M12	
24	0700818	16	Bolt M8 x 50	
25	0700822	2	Bolt M8 x 70	
26	0760814	2	Bolt M8 x 30	
27	77133137	19	Cover, Clamp	
28	1001204690	1	Shield, Tube	
29	5281918	1	Capscrew M8 x 70	
31	1001143645	2	Strap, Cinch	
34	1001199881	1	Support	
35	1001201342	1	Support	
36	1001202936	1	Guide	
37	0100011	AR	Compound, Locking	
38	3841340	1	Loop, Hose	
39	4240018	3	Tie-Strap (Not Shown)	
40	1001181923	AR	Shield, Tube	
41	1001209948	3	Clamp	
43	1001209951	6	Clamp	
45	1001209953	3	Clamp	
46	4240099	2	Tie-Strap (Not Shown)	
50	1001195227	1	AC Ground to Platform Cable (Upper)	
50	1001120204	1	Plug, Male	
51	1001195525	1	AC Ground to Platform Cable (Lower)	
51	1001120205	1	Receptacle, Female	
52	1001209949	3	Clamp	
53	1001228809	4	Clamp	

SECTION 8 - ELECTRICAL

FIGURE 8-19. AC CABLES AND CLAMPS INSTALLATION - 600S WITHOUT GENERATOR (ANSI EXPORT, CE AND CHINA SPECS)



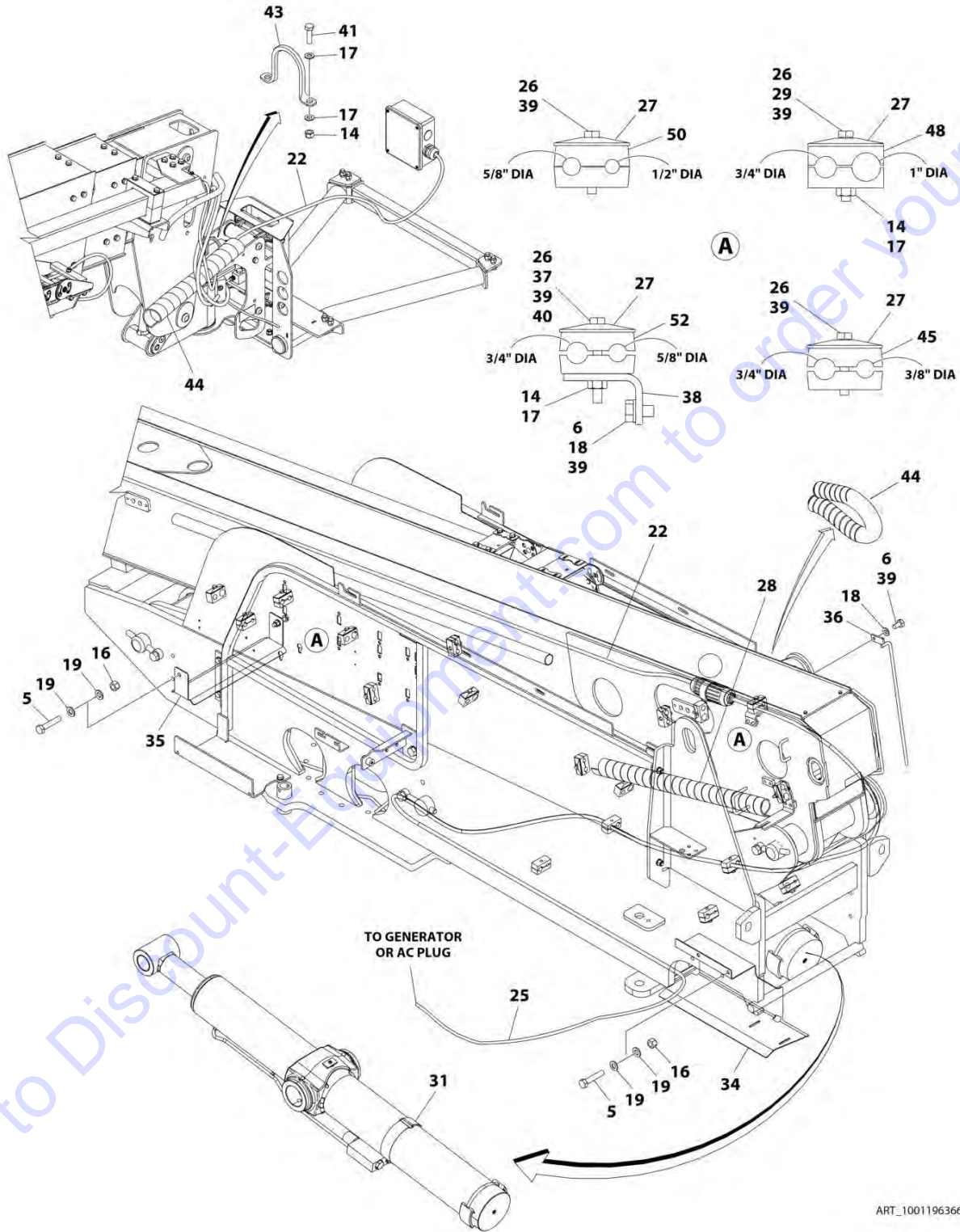
SECTION 8 - ELECTRICAL

FIGURE 8-19. AC CABLES AND CLAMPS INSTALLATION - 600S WITHOUT GENERATOR (ANSI EXPORT, CE AND CHINA SPECS)

ITEM	PART NUMBER	QTY	DESCRIPTION	REV
	1001196366	Ref	AC CABLES AND CLAMPS INSTALLATION	I
5	0701220	4	Bolt M12 x 60	
6	0761009	2	Bolt M10 x 18	
14	3290805	4	Nut M8	
16	3291205	4	Nut M12	
17	4811900	5	Washer M8	
18	4812000	3	Washer M10	
19	4812100	8	Washer M12	
20	1001146588	4	Tie-Strap (Not Shown)	
22	1001195225	1	AC Ground to Platform Cable (Upper)	
22	1001214095	1	Plug, Male	
25	1001196368	1	AC Ground to Platform Cable (Lower)	
25	1001214096	1	Receptacle, Female	
26	0700818	16	Bolt M8 x 50	
27	77133137	19	Cover, Clamp	
28	1001204690	1	Shield, Tube	
29	5281918	1	Capscrew M8 x 70	
31	1001143645	2	Strap, Cinch	
34	1001199881	1	Support	
35	1001201342	1	Support	
36	1001202936	1	Guide	
37	0700822	1	Bolt M8 x 70	
38	1001229637	1	Bracket	
39	0100011	AR	Compound, Locking	
40	0760822	1	Bolt M8 x 70	
41	0760814	2	Bolt M8 x 30	
42	4240018	3	Tie-Strap (Not Shown)	
43	3841340	1	Loop, Hose	
44	1001181923	AR	Shield, Tube	
45	1001209948	3	Clamp	
48	1001209951	6	Clamp	
50	1001209953	7	Clamp	
51	4240099	2	Tie-Strap (Not Shown)	
52	1001209949	3	Clamp	

SECTION 8 - ELECTRICAL

FIGURE 8-20. AC CABLES AND CLAMPS INSTALLATION - 600S WITH 2500W GENERATOR (ALL SPECS EXCEPT AUSTRALIAN AND CE SPECS)



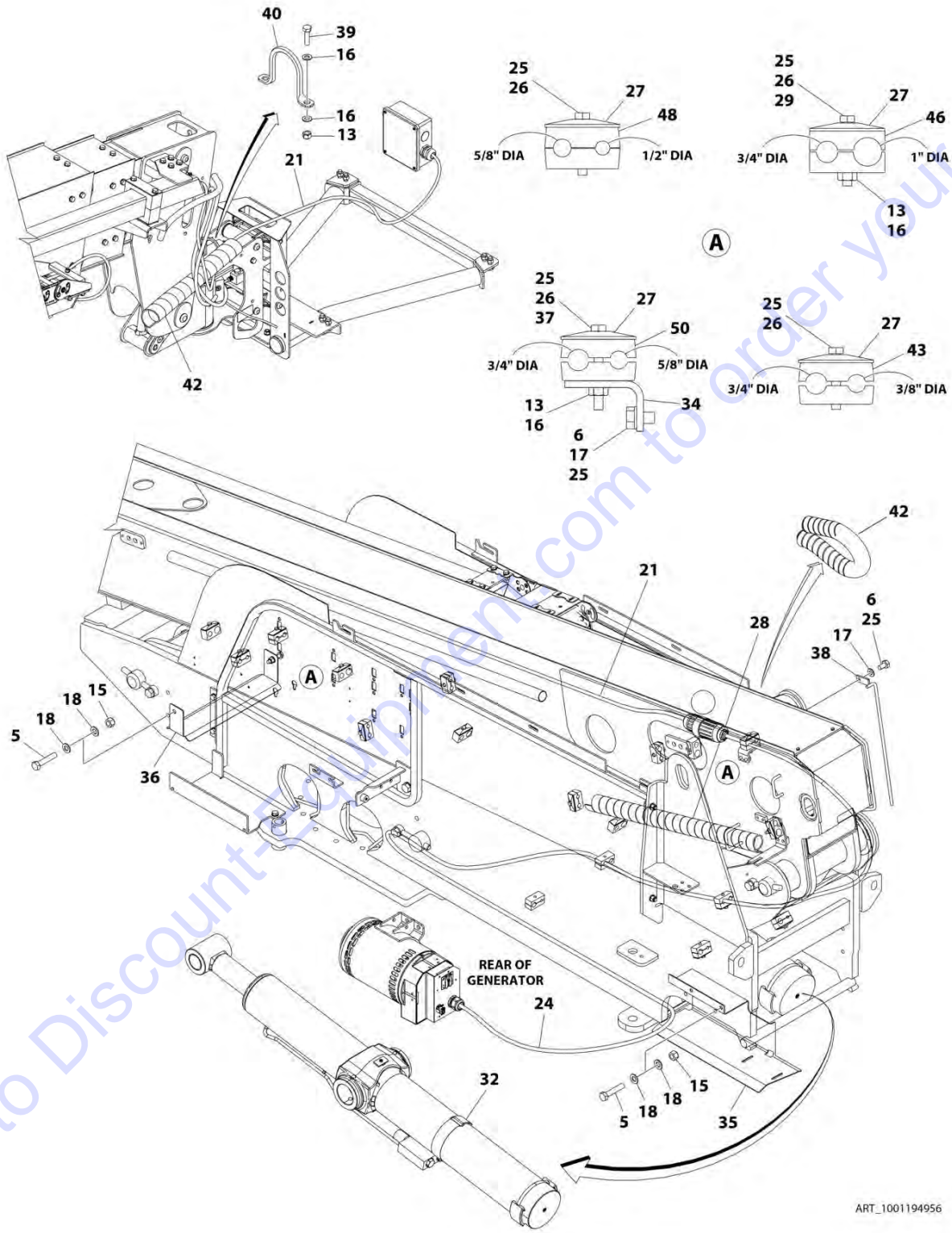
SECTION 8 - ELECTRICAL

FIGURE 8-20. AC CABLES AND CLAMPS INSTALLATION - 600S WITH 2500W GENERATOR (ALL SPECS EXCEPT AUSTRALIAN AND CE SPECS)

ITEM	PART NUMBER	QTY	DESCRIPTION	REV
	1001196366	Ref	AC CABLES AND CLAMPS INSTALLATION	I
5	0701220	4	Bolt M12 x 60	
6	0761009	2	Bolt M10 x 18	
14	3290805	4	Nut M8	
16	3291205	4	Nut M12	
17	4811900	5	Washer M8	
18	4812000	3	Washer M10	
19	4812100	8	Washer M12	
20	1001146588	4	Tie-Strap (Not Shown)	
22	1001195225	1	AC Ground to Platform Cable (Upper)	
22	1001214095	1	Plug, Male	
25	1001196368	1	AC Ground to Platform Cable (Lower)	
25	1001214096	1	Receptacle, Female	
26	0700818	16	Bolt M8 x 50	
27	77133137	19	Cover, Clamp	
28	1001204690	1	Shield, Tube	
29	5281918	1	Capscrew M8 x 70	
31	1001143645	2	Strap, Cinch	
34	1001199881	1	Support	
35	1001201342	1	Support	
36	1001202936	1	Guide	
37	0700822	1	Bolt M8 x 70	
38	1001229637	1	Bracket	
39	0100011	AR	Compound, Locking	
40	0760822	1	Bolt M8 x 70	
41	0760814	2	Bolt M8 x 30	
42	4240018	3	Tie-Strap (Not Shown)	
43	3841340	1	Loop, Hose	
44	1001181923	AR	Shield, Tube	
45	1001209948	3	Clamp	
48	1001209951	6	Clamp	
50	1001209953	7	Clamp	
51	4240099	2	Tie-Strap (Not Shown)	
52	1001209949	3	Clamp	

SECTION 8 - ELECTRICAL

FIGURE 8-21. AC CABLES AND CLAMPS INSTALLATION - 600S WITH 4000W/60HZ GENERATOR (ALL SPECS EXCEPT AUSTRALIAN, CE AND CHINA SPECS)



ART_1001194956

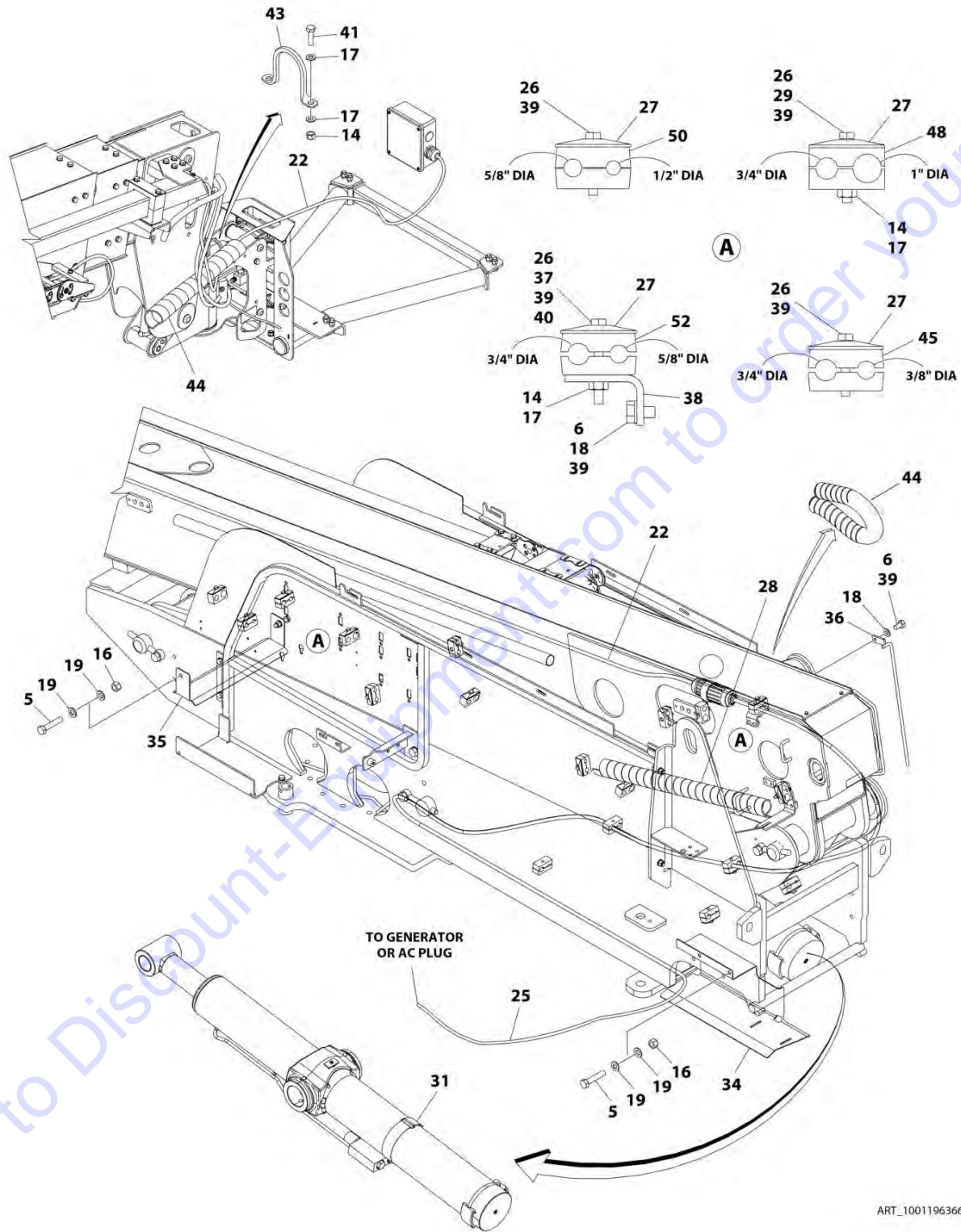
SECTION 8 - ELECTRICAL

**FIGURE 8-21. AC CABLES AND CLAMPS INSTALLATION - 600S WITH 4000W/60HZ GENERATOR
(ALL SPECS EXCEPT AUSTRALIAN, CE AND CHINA SPECS)**

ITEM	PART NUMBER	QTY	DESCRIPTION	REV
	1001194956	Ref	AC CABLES AND CLAMPS INSTALLATION	I
5	0701220	4	Bolt M12 x 60	
6	0761009	3	Bolt M10 x 18	
13	3290805	4	Nut M8	
15	3291205	4	Nut M12	
16	4811900	5	Washer M8	
17	4812000	3	Washer M10	
18	4812100	8	Washer M12	
19	1001146588	4	Tie-Strap (Not Shown)	
21	1001228186	1	AC Ground to Platform Cable (Upper)	
21	4460959	1	Plug, Male	
21	1671093	1	Cover, Plug	
24	1001228188	1	AC Ground to Platform Cable (Lower)	
24	4460960	1	Receptacle, Female	
24	1671092	1	Cover, Receptacle	
25	0100011	AR	Compound, Locking	
26	0700818	16	Bolt M8 x 50	
27	77133137	19	Cover, Clamp	
28	1001204690	1	Shield, Tube	
29	5281918	1	Capscrew M8 x 70	
32	1001143645	2	Strap, Cinch	
34	1001229637	1	Bracket	
35	1001199881	1	Support	
36	1001201342	1	Support	
37	0700822	2	Bolt M8 x 70	
38	1001202936	1	Guide	
39	0760814	2	Bolt M8 x 30	
40	3841340	1	Loop, Hose	
41	4240018	3	Tie-Strap (Not Shown)	
42	1001181923	AR	Shield, Tube	
43	1001209948	3	Clamp	
46	1001209951	6	Clamp	
48	1001209953	7	Clamp	
49	4240099	2	Tie-Strap (Not Shown)	
50	1001209949	3	Clamp	

SECTION 8 - ELECTRICAL

FIGURE 8-22. AC CABLES AND CLAMPS INSTALLATION - 600S WITH 4000W/50HZ GENERATOR (ANSI EXPORT, CE AND CHINA SPECS)



ART_1001196366

SECTION 8 - ELECTRICAL

**FIGURE 8-22. AC CABLES AND CLAMPS INSTALLATION - 600S WITH 4000W/50HZ GENERATOR
(ANSI EXPORT, CE AND CHINA SPECS)**

ITEM	PART NUMBER	QTY	DESCRIPTION	REV
	1001196366	Ref	AC CABLES AND CLAMPS INSTALLATION	I
5	0701220	4	Bolt M12 x 60	
6	0761009	2	Bolt M10 x 18	
14	3290805	4	Nut M8	
16	3291205	4	Nut M12	
17	4811900	5	Washer M8	
18	4812000	3	Washer M10	
19	4812100	8	Washer M12	
20	1001146588	4	Tie-Strap (Not Shown)	
22	1001195225	1	AC Ground to Platform Cable (Upper)	
22	1001214095	1	Plug, Male	
25	1001196368	1	AC Ground to Platform Cable (Lower)	
25	1001214096	1	Receptacle, Female	
26	0700818	16	Bolt M8 x 50	
27	77133137	19	Cover, Clamp	
28	1001204690	1	Shield, Tube	
29	5281918	1	Capscrew M8 x 70	
31	1001143645	2	Strap, Cinch	
34	1001199881	1	Support	
35	1001201342	1	Support	
36	1001202936	1	Guide	
37	0700822	1	Bolt M8 x 70	
38	1001229637	1	Bracket	
39	0100011	AR	Compound, Locking	
40	0760822	1	Bolt M8 x 70	
41	0760814	2	Bolt M8 x 30	
42	4240018	3	Tie-Strap (Not Shown)	
43	3841340	1	Loop, Hose	
44	1001181923	AR	Shield, Tube	
45	1001209948	3	Clamp	
48	1001209951	6	Clamp	
50	1001209953	7	Clamp	
51	4240099	2	Tie-Strap (Not Shown)	
52	1001209949	3	Clamp	

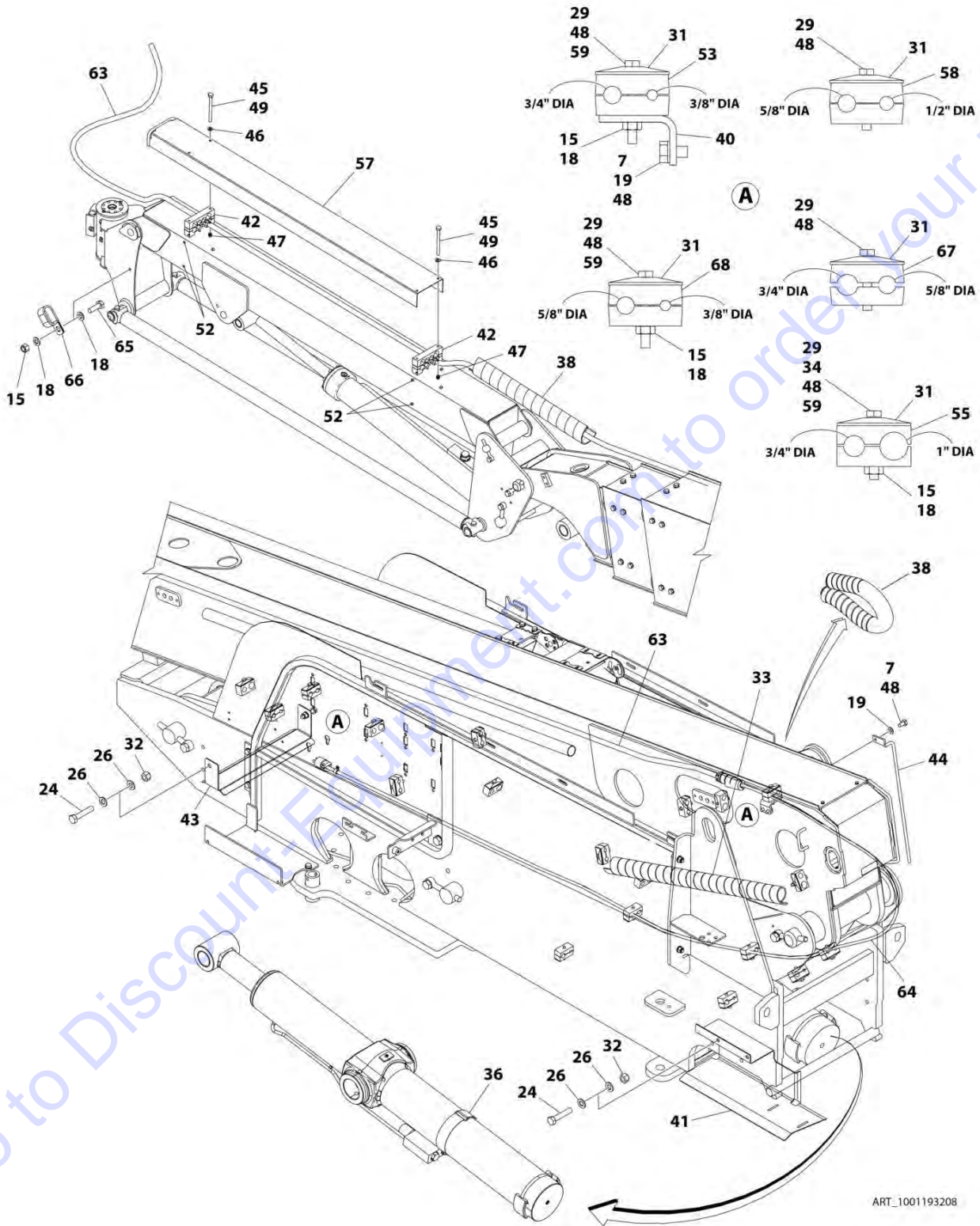
SECTION 8 - ELECTRICAL

FIGURE 8-23. AC CABLES AND CLAMPS INSTALLATION - 600S WITH 7500W SKYPOWER GENERATOR

ITEM	PART NUMBER	QTY	DESCRIPTION	REV
	1001194961	Ref	AC CABLES AND CLAMPS INSTALLATION	J
5	0701220	4	Bolt M12 x 60	
6	0761009	3	Bolt M10 x 18	
13	3290805	4	Nut M8	
15	3291205	4	Nut M12	
16	4811900	5	Washer M8	
17	4812000	3	Washer M10	
18	4812100	8	Washer M12	
19	1001146588	4	Tie-Strap (Not Shown)	
21	1001195229	1	AC Ground to Platform Cable (Upper)	
21	4460959	1	Plug, Male	
21	1671093	1	Cover, Plug	
22	1001195357	1	AC Ground to Platform Cable (Lower)	
22	4460960	1	Receptacle, Female	
22	1671092	1	Cover, Female	
25	0100011	AR	Compound, Locking	
26	0700818	16	Bolt M8 x 50	
27	77133137	19	Cover, Clamp	
28	1001204690	1	Shield, Tube	
29	5281918	1	Capscrew M8 x 70	
31	1001143645	2	Strap, Cinch	
34	1001229637	1	Bracket	
35	1001199881	1	Support	
36	1001201342	1	Support	
37	0700822	2	Bolt M8 x 70	
38	1001202936	1	Guide	
39	0760814	2	Bolt M8 x 30	
40	3841340	1	Loop, Hose	
41	4240018	3	Tie-Strap (Not Shown)	
42	1001181923	AR	Shield, Tube	
43	1001209948	3	Clamp	
46	1001209951	6	Clamp	
48	1001209953	3	Clamp	
49	4240099	2	Tie-Strap (Not Shown)	
50	1001209949	7	Clamp	

SECTION 8 - ELECTRICAL

FIGURE 8-24. AC CABLES AND CLAMPS INSTALLATION - 660SJ WITHOUT GENERATOR (ANSI, CSA AND JAPANESE SPECS)



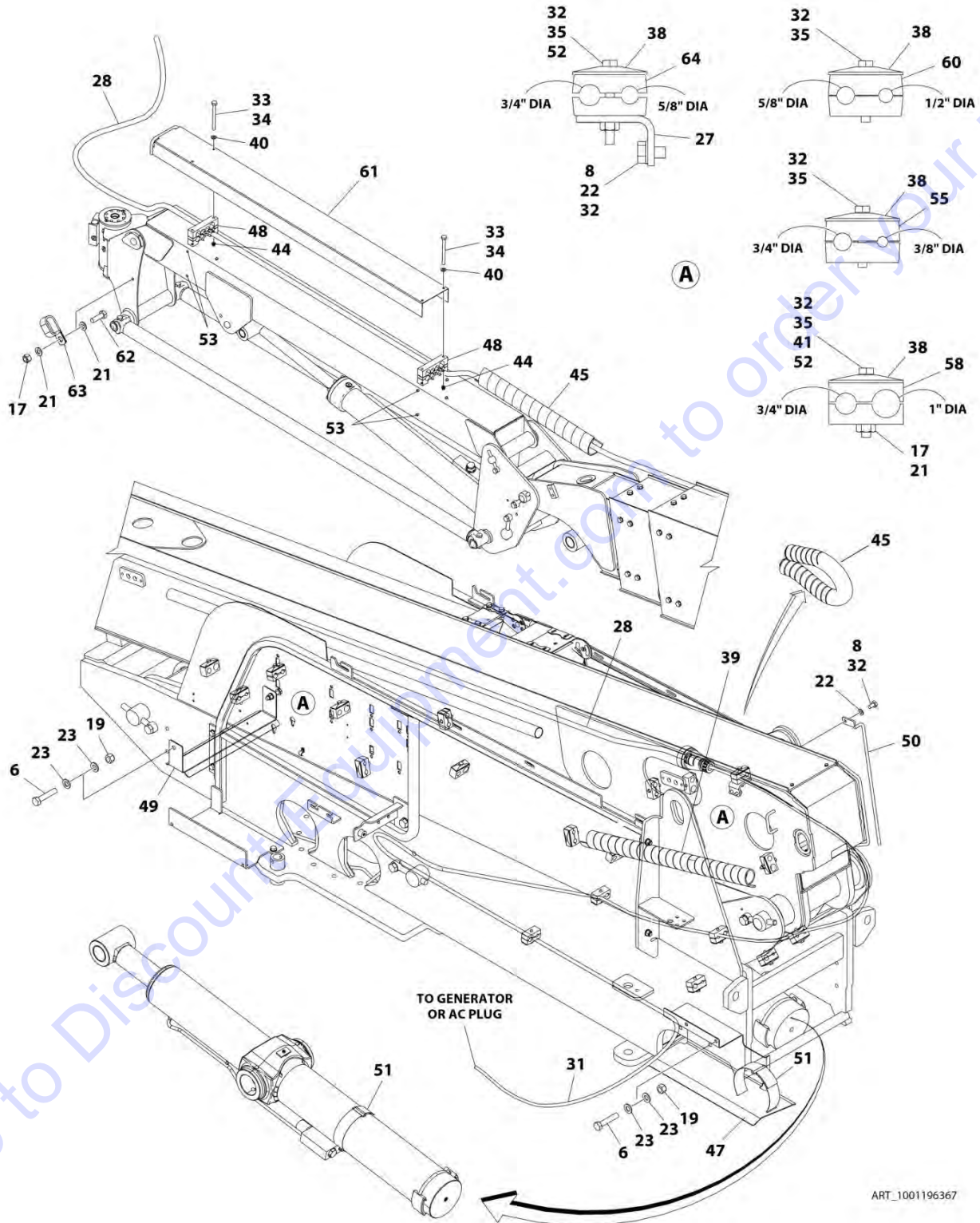
SECTION 8 - ELECTRICAL

FIGURE 8-24. AC CABLES AND CLAMPS INSTALLATION - 660SJ WITHOUT GENERATOR (ANSI, CSA AND JAPANESE SPECS)

ITEM	PART NUMBER	QTY	DESCRIPTION	REV
	1001193208	Ref	AC CABLES AND CLAMPS INSTALLATION	K
7	0761009	3	Bolt M10 x 18	
15	3290805	3	Nut M8	
18	4811900	3	Washer M8	
19	4812000	3	Washer M10	
20	1001146588	4	Tie-Strap (Not Shown)	
24	0701220	4	Bolt M12 x 60	
26	4812100	8	Washer M12	
29	0700818	16	Bolt M8 x 50	
31	77133137	19	Cover, Clamp	
32	3291205	4	Nut M12	
33	1001204690	1	Shield, Tube	
34	5281918	1	Capscrew M8 x 70	
36	1001143645	2	Strap, Cinch	
38	1001181923	AR	Shield, Tube	
40	1001229637	1	Bracket	
41	1001199881	1	Support	
42	1001201090	2	Block, Clamp	
43	1001201342	1	Support	
44	1001202936	1	Guide	
45	0641424	4	Bolt 1/4 x 3	
46	4811700	4	Washer M6	
47	2080044	4	Rivet - Nut 1/4	
48	0100011	AR	Compound, Locking	
49	0100035	AR	Compound, Locking	
51	4240018	4	Tie-Strap (Not Shown)	
52	3520034	8	Plug	
53	1001209948	3	Clamp	
55	1001209951	6	Clamp	
57	1001209957	1	Cover	
58	1001209953	3	Clamp	
59	0700822	2	Bolt M8 x 70	
63	1001195228	1	AC Ground to Platform Cable (Upper)	
63	1001120204	1	Plug, Male	
64	1001195525	1	AC Ground to Platform Cable (Lower)	
64	1001120205	1	Receptacle, Female	
65	0760812	1	Bolt M8 x 25	
66	1001116792	1	Clamp	
67	1001209949	3	Clamp	
68	1001228809	4	Clamp	

SECTION 8 - ELECTRICAL

FIGURE 8-25. AC CABLES AND CLAMPS INSTALLATION - 660SJ WITHOUT GENERATOR (ANSI EXPORT, AUSTRALIAN, CE AND CHINA SPECS)



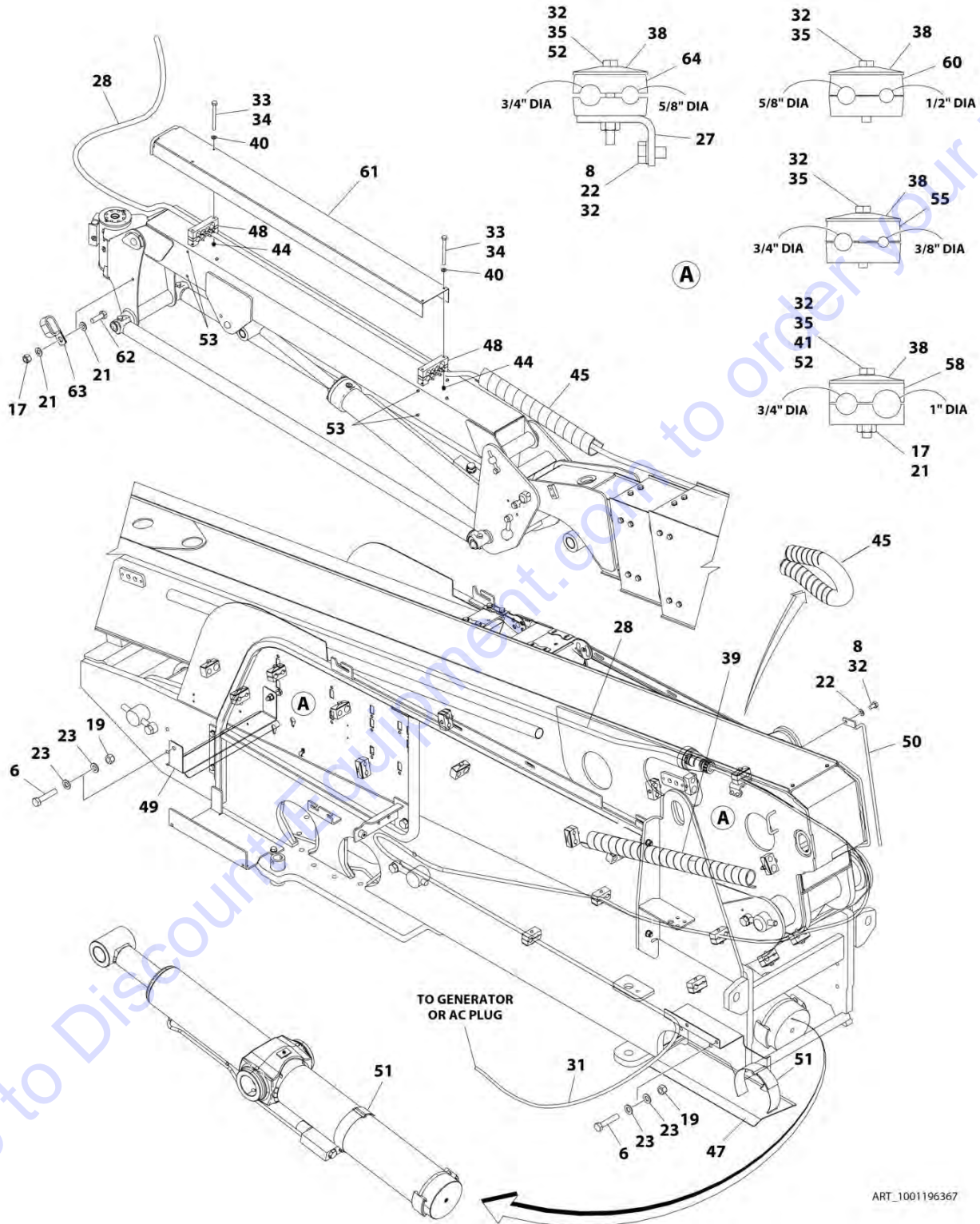
SECTION 8 - ELECTRICAL

FIGURE 8-25. AC CABLES AND CLAMPS INSTALLATION - 660SJ WITHOUT GENERATOR (ANSI EXPORT, AUSTRALIAN, CE AND CHINA SPECS)

ITEM	PART NUMBER	QTY	DESCRIPTION	REV
	1001196367	Ref	AC CABLES AND CLAMPS INSTALLATION	I
6	0701220	4	Bolt M12 x 60	
8	0761009	3	Bolt M10 x 18	
17	3290805	4	Nut M8	
19	3291205	4	Nut M12	
21	4811900	5	Washer M8	
22	4812000	3	Washer M10	
23	4812100	8	Washer M12	
24	1001146588	4	Tie-Strap (Not Shown)	
27	1001229637	1	Bracket	
28	1001195226	1	AC Ground to Platform Cable (Upper)	
28	1001214095	1	Plug, Male	
31	1001196368	1	AC Ground to Platform Cable (Lower)	
31	1001214096	1	Receptacle, Female	
32	0100011	AR	Compound, Locking	
33	0100035	AR	Compound, Locking	
34	0641424	4	Bolt 1/4 x 3	
35	0700818	16	Bolt M8 x 50	
38	77133137	19	Cover, Clamp	
39	1001204690	1	Shield, Tube	
40	4811700	4	Washer M6	
41	5281918	1	Capscrew M8 x 70	
44	2080044	4	Rivet - Nut 1/4	
45	1001181923	AR	Shield, Tube	
47	1001199881	1	Support	
48	1001201090	2	Block, Clamp	
49	1001201342	1	Support	
50	1001202936	1	Guide	
51	1001143645	2	Strap, Cinch	
52	0700822	2	Bolt M8 x 70	
53	3520034	8	Plug	
54	4240018	4	Tie-Strap (Not Shown)	
55	1001209948	3	Clamp	
58	1001209951	6	Clamp	
60	1001209953	7	Clamp	
61	1001209957	1	Cover	
62	0760812	1	Bolt M8 x 25	
63	1001116792	1	Clamp	
64	1001209949	3	Clamp	

SECTION 8 - ELECTRICAL

FIGURE 8-26. AC CABLES AND CLAMPS INSTALLATION - 660SJ WITH 2500W GENERATOR (ALL SPECS EXCEPT CE SPECS)



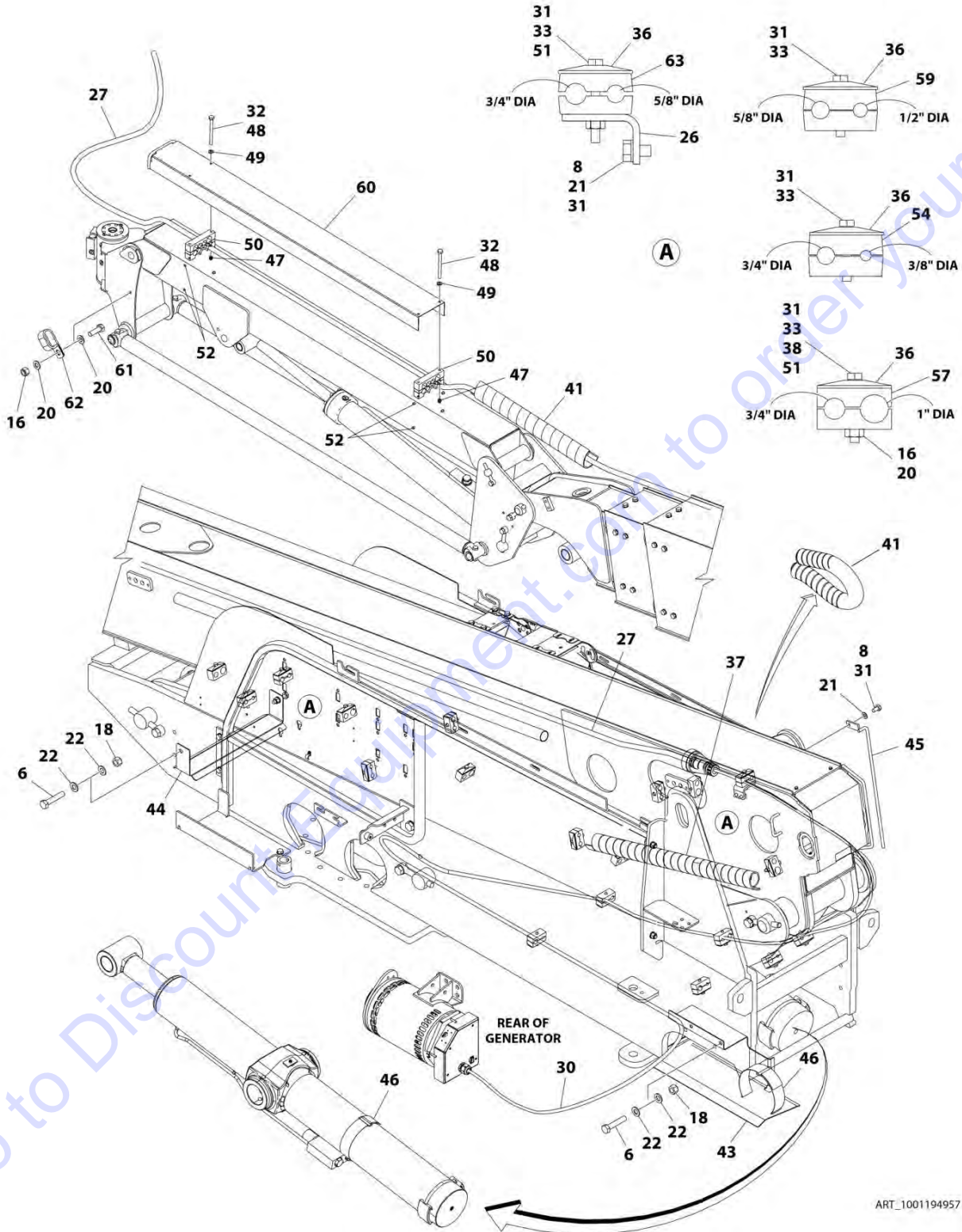
SECTION 8 - ELECTRICAL

FIGURE 8-26. AC CABLES AND CLAMPS INSTALLATION - 660SJ WITH 2500W GENERATOR (ALL SPECS EXCEPT CE SPECS)

ITEM	PART NUMBER	QTY	DESCRIPTION	REV
	1001196367	Ref	AC CABLES AND CLAMPS INSTALLATION	I
6	0701220	4	Bolt M12 x 60	
8	0761009	3	Bolt M10 x 18	
17	3290805	4	Nut M8	
19	3291205	4	Nut M12	
21	4811900	5	Washer M8	
22	4812000	3	Washer M10	
23	4812100	8	Washer M12	
24	1001146588	4	Tie-Strap (Not Shown)	
27	1001229637	1	Bracket	
28	1001195226	1	AC Ground to Platform Cable (Upper)	
28	1001214095	1	Plug, Male	
31	1001196368	1	AC Ground to Platform Cable (Lower)	
31	1001214096	1	Receptacle, Female	
32	0100011	AR	Compound, Locking	
33	0100035	AR	Compound, Locking	
34	0641424	4	Bolt 1/4 x 3	
35	0700818	16	Bolt M8 x 50	
38	77133137	19	Cover, Clamp	
39	1001204690	1	Shield, Tube	
40	4811700	4	Washer M6	
41	5281918	1	Capscrew M8 x 70	
44	2080044	4	Rivet - Nut 1/4	
45	1001181923	AR	Shield, Tube	
47	1001199881	1	Support	
48	1001201090	2	Block, Clamp	
49	1001201342	1	Support	
50	1001202936	1	Guide	
51	1001143645	2	Strap, Cinch	
52	0700822	2	Bolt M8 x 70	
53	3520034	8	Plug	
54	4240018	4	Tie-Strap (Not Shown)	
55	1001209948	3	Clamp	
58	1001209951	6	Clamp	
60	1001209953	7	Clamp	
61	1001209957	1	Cover	
62	0760812	1	Bolt M8 x 25	
63	1001116792	1	Clamp	
64	1001209949	3	Clamp	

SECTION 8 - ELECTRICAL

FIGURE 8-27. AC CABLES AND CLAMPS INSTALLATION - 660SJ WITH 4000W/60HZ GENERATOR
(ALL SPECS EXCEPT AUSTRALIAN, CE AND CHINA SPECS)



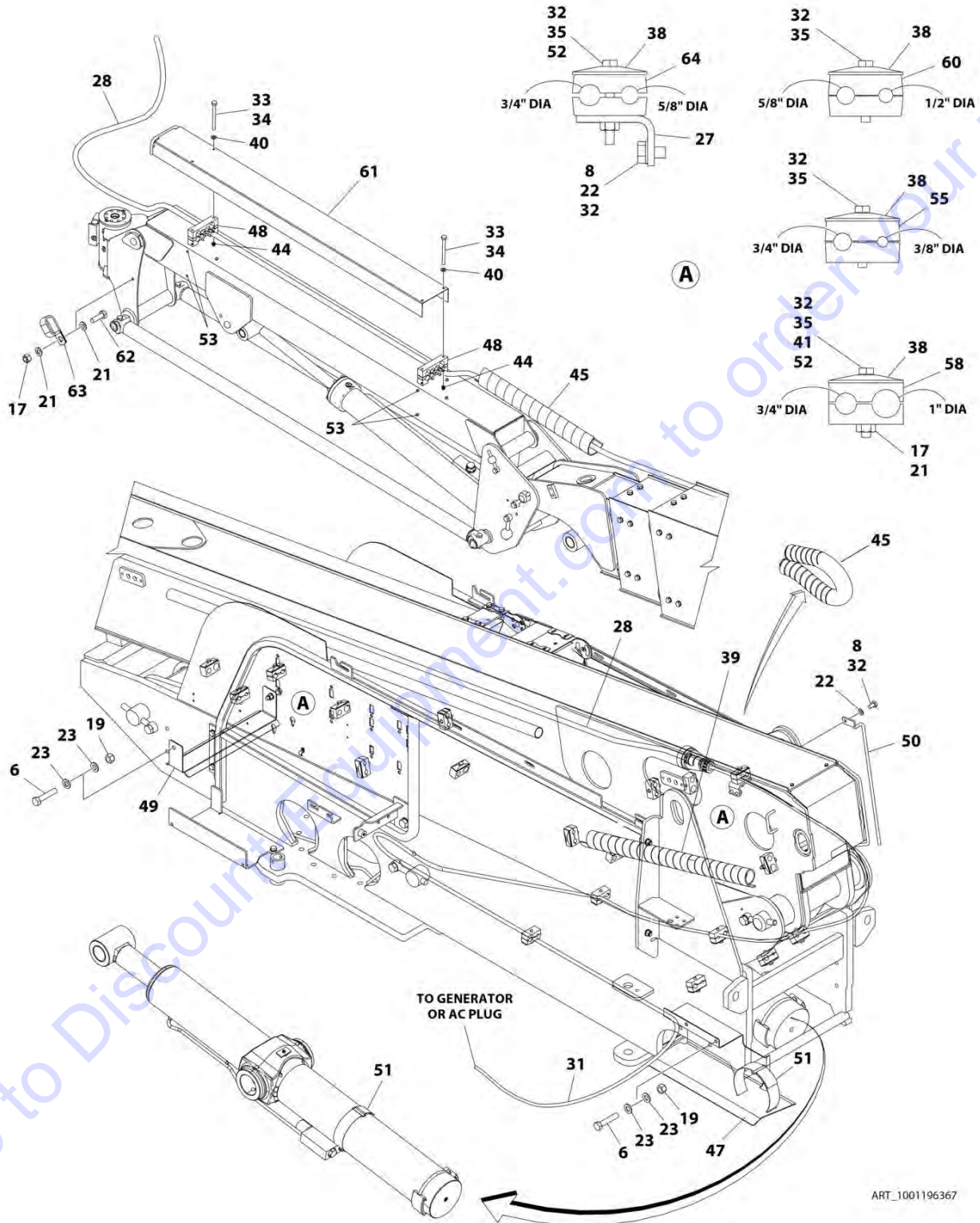
SECTION 8 - ELECTRICAL

**FIGURE 8-27. AC CABLES AND CLAMPS INSTALLATION - 660SJ WITH 4000W/60HZ GENERATOR
(ALL SPECS EXCEPT AUSTRALIAN, CE AND CHINA SPECS)**

ITEM	PART NUMBER	QTY	DESCRIPTION	REV
	1001194957	Ref	AC CABLES AND CLAMPS INSTALLATION	I
6	0701220	4	Bolt M12 x 60	
8	0761009	3	Bolt M10 x 18	
16	3290805	4	Nut M8	
18	3291205	4	Nut M12	
20	4811900	5	Washer M8	
21	4812000	3	Washer M10	
22	4812100	8	Washer M12	
23	1001146588	4	Tie-Strap (Not Shown)	
26	1001229637	1	Bracket	
27	1001228187	1	AC Ground to Platform Cable (Upper)	
27	4460959	1	Plug, Male	
27	1671093	1	Cover, Plug	
30	1001228188	1	AC Ground to Platform Cable (Lower)	
30	4460960	1	Receptacle, Female	
30	1671092	1	Cover, Receptacle	
31	0100011	AR	Compound, Locking	
32	0100035	AR	Compound, Locking	
33	0700818	16	Bolt M8 x 50	
36	77133137	19	Cover, Clamp	
37	1001204690	1	Shield, Tube	
38	5281918	1	Capscrew M8 x 70	
41	1001181923	AR	Shield, Tube	
43	1001199881	1	Support	
44	1001201342	1	Support	
45	1001202936	1	Guide	
46	1001143645	2	Strap, Cinch	
47	2080044	4	Rivet - Nut 1/4	
48	0641424	4	Bolt 1/4 x 3	
49	4811700	4	Washer M6	
50	1001201090	2	Block, Clamp	
51	0700822	2	Bolt M8 x 70	
52	3520034	8	Plug	
53	4240018	4	Tie-Strap (Not Shown)	
54	1001209948	3	Clamp	
57	1001209951	6	Clamp	
59	1001209953	7	Clamp	
60	1001209957	1	Cover	
61	0760812	1	Bolt M8 x 25	
62	1001116792	1	Clamp	
63	1001209949	3	Clamp	

SECTION 8 - ELECTRICAL

FIGURE 8-28. AC CABLES AND CLAMPS INSTALLATION - 660SJ WITH 4000W/50HZ GENERATOR (ANSI EXPORT, AUSTRALIAN AND CE SPECS)



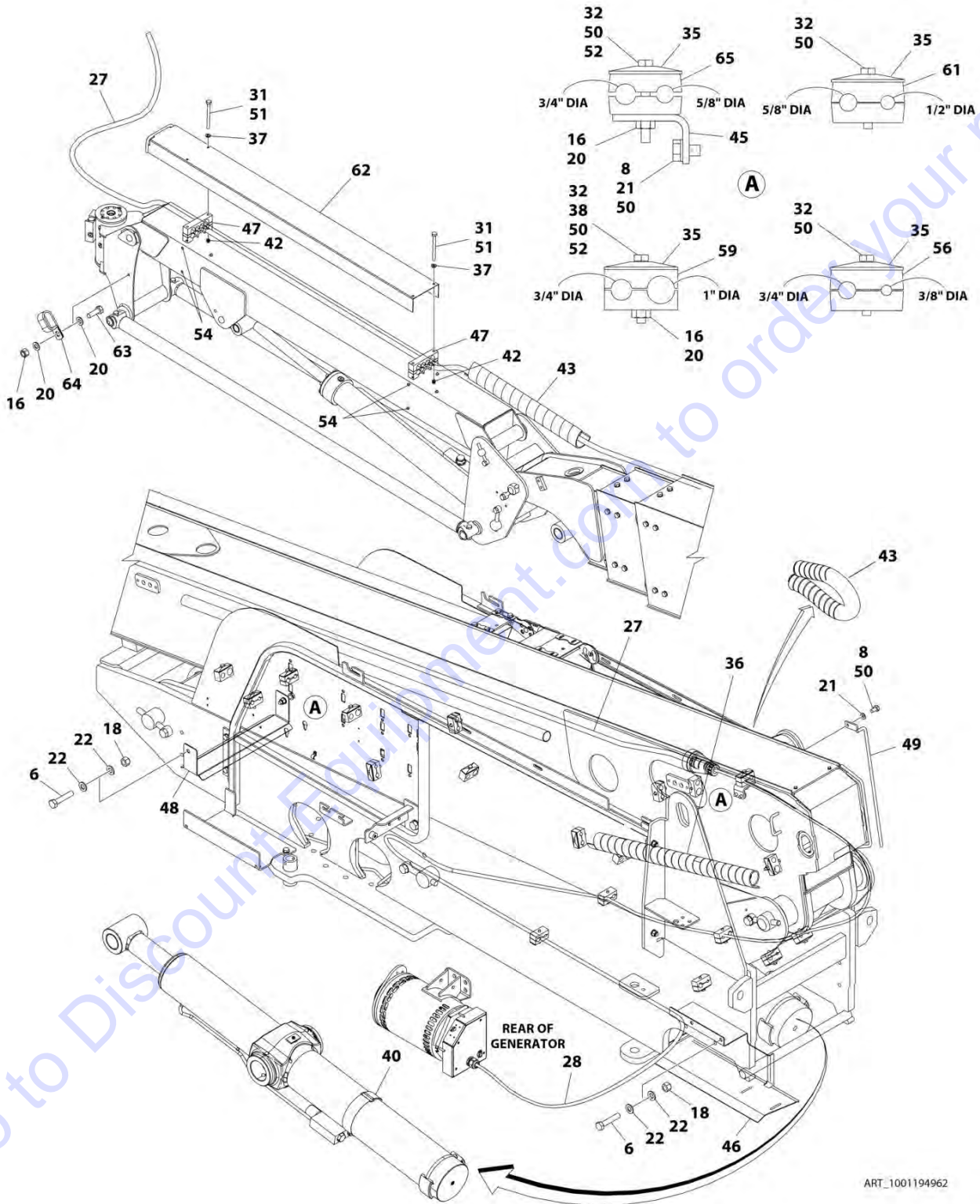
SECTION 8 - ELECTRICAL

**FIGURE 8-28. AC CABLES AND CLAMPS INSTALLATION - 660SJ WITH 4000W/50HZ GENERATOR
(ANSI EXPORT, AUSTRALIAN AND CE SPECS)**

ITEM	PART NUMBER	QTY	DESCRIPTION	REV
	1001196367	Ref	AC CABLES AND CLAMPS INSTALLATION	I
6	0701220	4	Bolt M12 x 60	
8	0761009	3	Bolt M10 x 18	
17	3290805	4	Nut M8	
19	3291205	4	Nut M12	
21	4811900	5	Washer M8	
22	4812000	3	Washer M10	
23	4812100	8	Washer M12	
24	1001146588	4	Tie-Strap (Not Shown)	
27	1001229637	1	Bracket	
28	1001195226	1	AC Ground to Platform Cable (Upper)	
28	1001214095	1	Plug, Male	
31	1001196368	1	AC Ground to Platform Cable (Lower)	
31	1001214096	1	Receptacle, Female	
32	0100011	AR	Compound, Locking	
33	0100035	AR	Compound, Locking	
34	0641424	4	Bolt 1/4 x 3	
35	0700818	16	Bolt M8 x 50	
38	77133137	19	Cover, Clamp	
39	1001204690	1	Shield, Tube	
40	4811700	4	Washer M6	
41	5281918	1	Capscrew M8 x 70	
44	2080044	4	Rivet - Nut 1/4	
45	1001181923	AR	Shield, Tube	
47	1001199881	1	Support	
48	1001201090	2	Block, Clamp	
49	1001201342	1	Support	
50	1001202936	1	Guide	
51	1001143645	2	Strap, Cinch	
52	0700822	2	Bolt M8 x 70	
53	3520034	8	Plug	
54	4240018	4	Tie-Strap (Not Shown)	
55	1001209948	3	Clamp	
58	1001209951	6	Clamp	
60	1001209953	7	Clamp	
61	1001209957	1	Cover	
62	0760812	1	Bolt M8 x 25	
63	1001116792	1	Clamp	
64	1001209949	3	Clamp	

SECTION 8 - ELECTRICAL

FIGURE 8-29. AC CABLES AND CLAMPS INSTALLATION - 660SJ WITH 7500W SKYPOWER GENERATOR



SECTION 8 - ELECTRICAL

FIGURE 8-29. AC CABLES AND CLAMPS INSTALLATION - 660SJ WITH 7500W SKYPOWER GENERATOR

ITEM	PART NUMBER	QTY	DESCRIPTION	REV
	1001194962	Ref	AC CABLES AND CLAMPS INSTALLATION	J
6	0701220	4	Bolt M12 x 60	
8	0761009	3	Bolt M10 x 18	
16	3290805	4	Nut M8	
18	3291205	4	Nut M12	
20	4811900	5	Washer M8	
21	4812000	3	Washer M10	
22	4812100	8	Washer M12	
23	1001146588	4	Tie-Strap (Not Shown)	
27	1001227075	1	AC Ground to Platform Cable (Upper)	
27	4460959	1	Plug, Male	
27	1671093	1	Cover, Plug	
28	1001226304	1	AC Ground to Platform Cable (Lower)	
28	4460960	1	Receptacle, Female	
28	1671092	1	Cover, Receptacle	
31	0641424	4	Bolt 1/4 x 3	
32	0700818	16	Bolt M8 x 50	
35	77133137	19	Cover, Clamp	
36	1001204690	1	Shield, Tube	
37	4811700	4	Washer M6	
38	5281918	1	Capscrew M8 x 70	
40	1001143645	2	Strap, Cinch	
42	2080044	4	Rivet - Nut 1/4	
43	1001181923	AR	Shield, Tube	
45	1001229637	1	Bracket	
46	1001199881	1	Support	
47	1001201090	2	Block, Clamp	
48	1001201342	1	Support	
49	1001202936	1	Guide	
50	0100011	AR	Compound, Locking	
51	0100035	AR	Compound, Locking	
52	0700822	2	Bolt M8 x 70	
54	3520034	8	Plug	
55	4240018	4	Tie-Strap (Not Shown)	
56	1001209948	3	Clamp	
59	1001209951	6	Clamp	
61	1001209953	3	Clamp	
62	1001209957	1	Cover	
63	0760812	1	Bolt M8 x 25	
64	1001116792	1	Clamp	
65	1001209949	7	Clamp	
66	0700819	1	Bolt M8 x 55 (Not Shown)	

PARTS FINDER

**Search Website
by Part Number**



**Search Manual
Library For Parts
Manual & Lookup Part
Numbers – Purchase
or Request Quote**

**Can't Find Part or
Manual? Request Help
by Manufacturer,
Model & Description**

Discount-Equipment.com is your online resource for quality parts & equipment.

Florida: **561-964-4949** Outside Florida TOLL FREE: **877-690-3101**

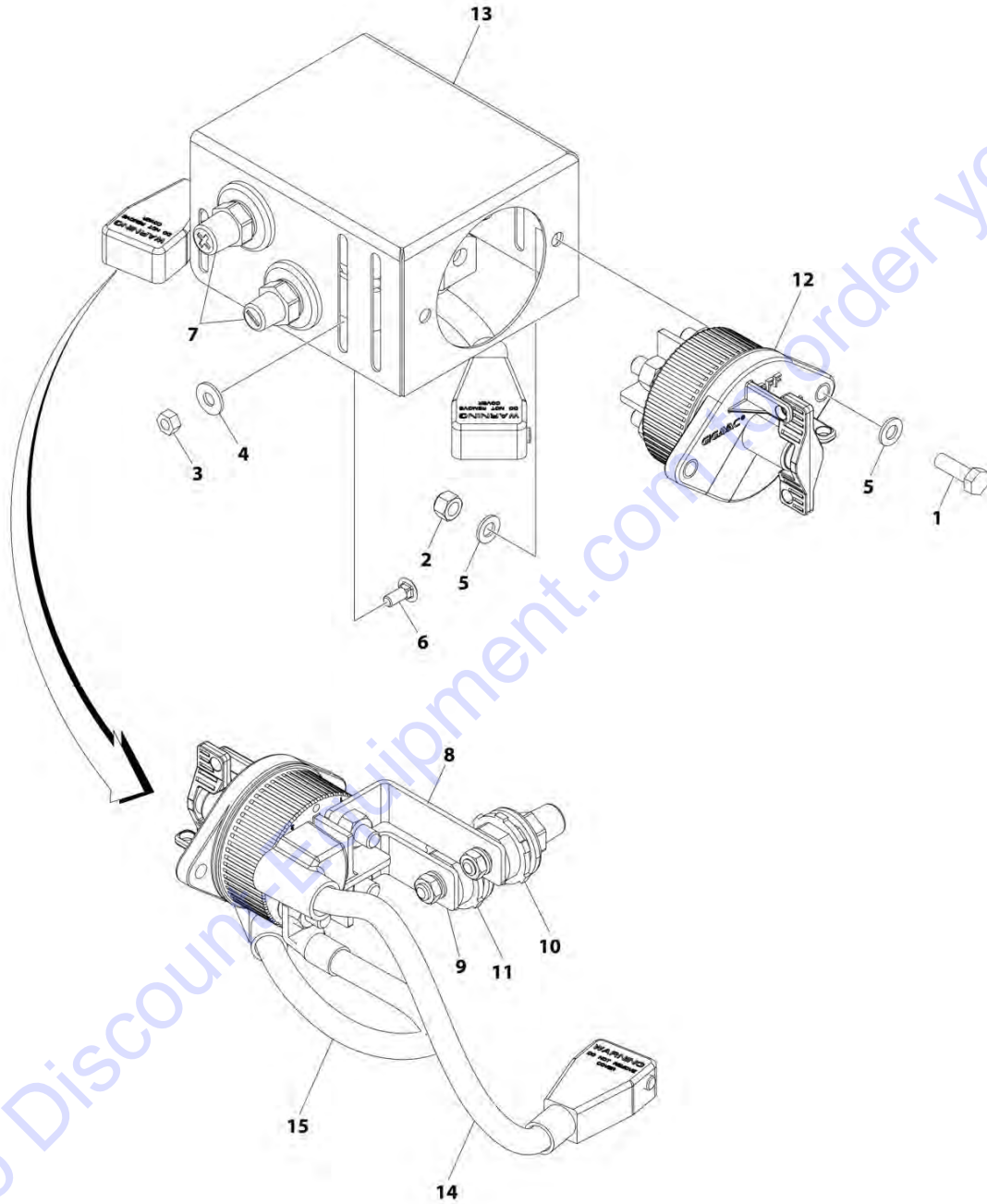
Need parts?

Click on this link: <http://www.discount-equipment.com/category/5443-parts/> and choose one of the options to help get the right parts and equipment you are looking for. Please have the machine model and serial number available in order to help us get you the correct parts. If you don't find the part on the website or on one of the online manuals, please fill out the request form and one of our experienced staff members will get back to you with a quote for the right part that your machine needs.

We sell worldwide for the brands: Genie, Terex, JLG, MultiQuip, Mikasa, Essick, Whiteman, Mayco, Toro Stone, Diamond Products, Generac Magnum, Airman, Haulotte, Barreto, Power Blanket, Nifty Lift, Atlas Copco, Chicago Pneumatic, Allmand, Miller Curber, Skyjack, Lull, Skytrak, Tsurumi, Husquvarna Target, Stow, Wacker, Sakai, Mi-T-M, Sullair, Basic, Dynapac, MBW, Weber, Bartell, Bennar Newman, Haulotte, Ditch Runner, Menegotti, Morrison, Contec, Buddy, Crown, Edco, Wyco, Bomag, Laymor, EZ Trench, Bil-Jax, F.S. Curtis, Gehl Pavers, Heli, Honda, ICS/PowerGrit, IHI, Partner, Imer, Clipper, MMD, Koshin, Rice, CH&E, General Equipment, Amida, Coleman, NAC, Gradall, Square Shooter, Kent, Stanley, Tamco, Toku, Hatz, Kohler, Robin, Wisconsin, Northrock, Oztec, Toker TK, Rol-Air, APT, Wylie, Ingersoll Rand / Doosan, Innovatech, Con X, Ammann, Mecalac, Makinex, Smith Surface Prep, Small Line, Wanco, Yanmar

SECTION 8 - ELECTRICAL

FIGURE 8-30. BATTERY DISCONNECT SWITCH INSTALLATION



ART_1001236304

SECTION 8 - ELECTRICAL

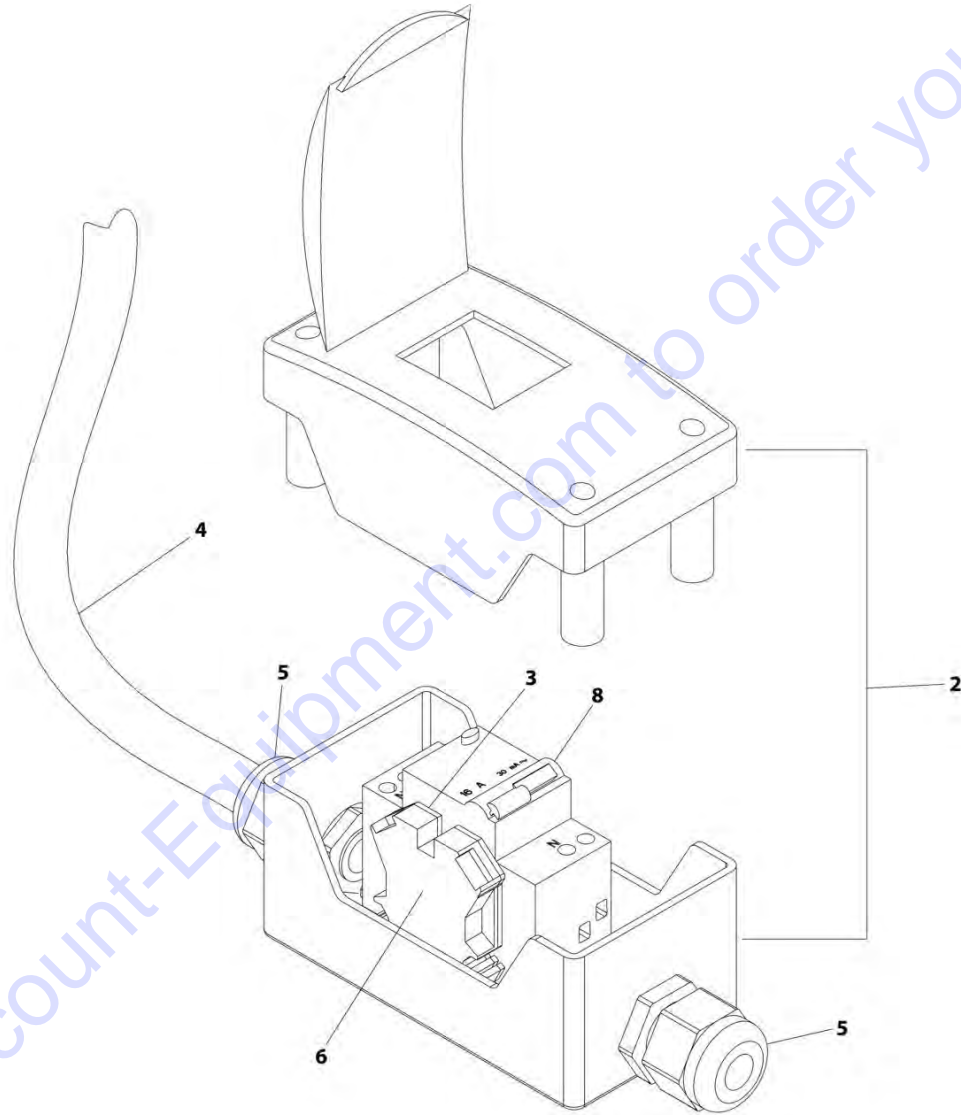
FIGURE 8-30. BATTERY DISCONNECT SWITCH INSTALLATION

ITEM	PART NUMBER	QTY	DESCRIPTION	REV
	1001236304	Ref	BATTERY DISCONNECT SWITCH INSTALLATION	A
1	0760812	2	Bolt M8 x 25	
2	3290805	2	Nut M8	
3	3311405	3	Nut 1/4	
4	4751400	3	Washer 1/4	
5	4811900	4	Washer M8	
6	88411013	3	Bolt 1/4 x 3/4	
7	1001206476	1	Connectors, Post	
8	1001209432	1	Bussbar	
9	1001209474	1	Bussbar	
10	1001214570	1	Connector (Red)	
11	1001214571	1	Connector (Black)	
12	1001225346	1	Switch, Battery	
13	1001226531	1	Mount	
14	1001236504	1	Cable, Battery (+)	
15	1001236505	1	Cable, Battery (-)	

Go to Discount-Equipment.com to order your parts

SECTION 8 - ELECTRICAL

FIGURE 8-31. BREAKER BOX KIT - SINGLE DOUBLE POLE BREAKER (WITHOUT 4000W/50HZ GENERATOR)



ART_2902549

SECTION 8 - ELECTRICAL

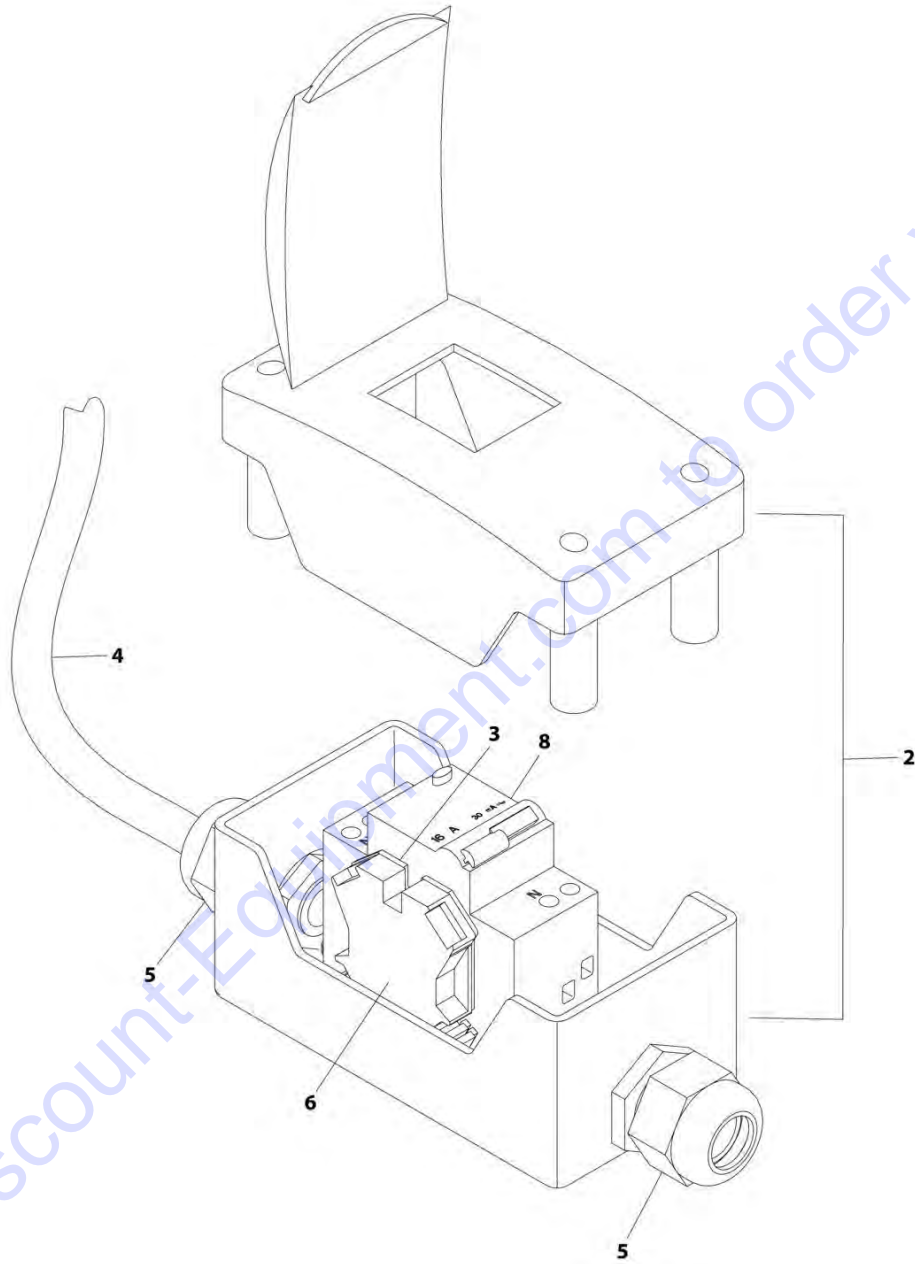
FIGURE 8-31. BREAKER BOX KIT - SINGLE DOUBLE POLE BREAKER (WITHOUT 4000W/50HZ GENERATOR)

ITEM	PART NUMBER	QTY	DESCRIPTION	REV
	2902549	Ref	BREAKER BOX KIT - 110/220V 16AMP BREAKER	F
2	0861880	1	Box	
3	4460956	1	Barrier, Terminal	
4	1060908	6 ft/1.8m	Cable, 12/3	
5	1001097150	2	Connector, Strain Relief	
6	4460957	1	Block, Terminal	
8	1001181045	1	Breaker, 16Amp	

Go to Discount-Equipment.com to order your parts

SECTION 8 - ELECTRICAL

FIGURE 8-32. BREAKER BOX KIT - SINGLE DOUBLE POLE BREAKER (WITH 4000W/50HZ GENERATOR)



ART_1001096070

SECTION 8 - ELECTRICAL

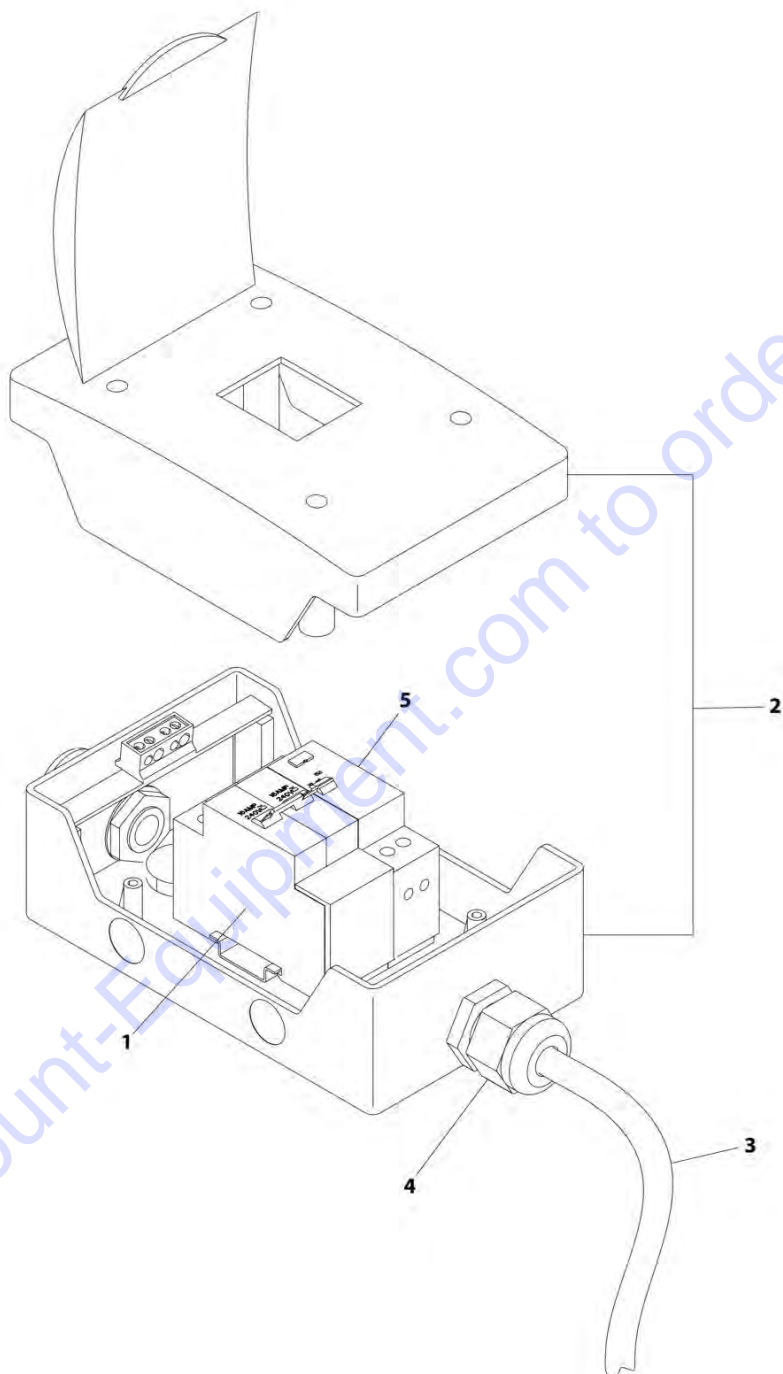
FIGURE 8-32. BREAKER BOX KIT - SINGLE DOUBLE POLE BREAKER (WITH 4000W/50HZ GENERATOR)

ITEM	PART NUMBER	QTY	DESCRIPTION	REV
	1001096070	Ref	BREAKER BOX KIT	E
2	0861880	1	Box	
3	4460956	1	Barrier, Terminal Block End	
4	1060908	12 ft/ 3.6m	Cable, 12/3	
5	1001097150	2	Connector, Strain Relief	
6	4460957	1	Block, Terminal	
8	1001181045	1	Breaker, 16Amp	

Go to Discount-Equipment.com to order your parts

SECTION 8 - ELECTRICAL

FIGURE 8-33. BREAKER BOX KIT - 3 BREAKERS (SN 0300235168 through 0300237156)



ART_1001152485-D

SECTION 8 - ELECTRICAL

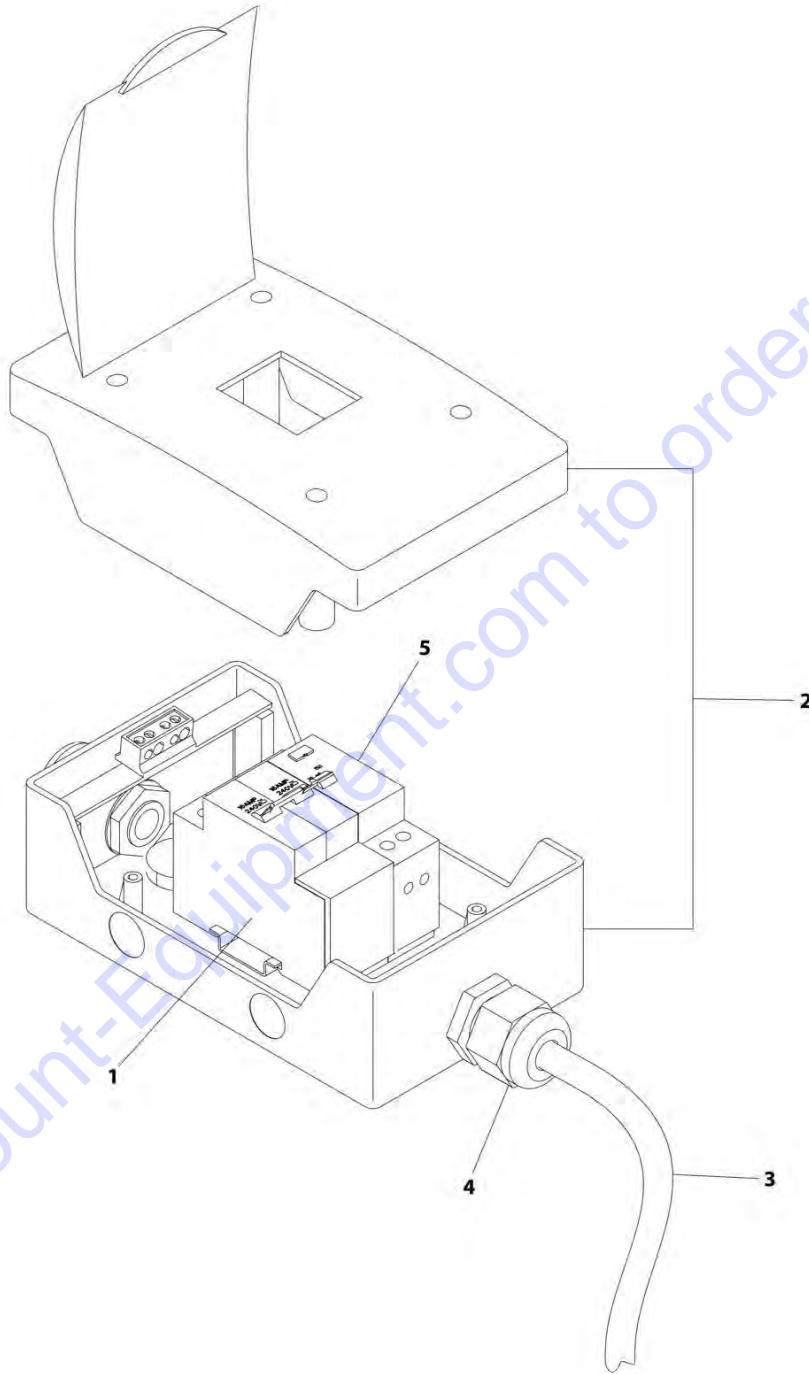
FIGURE 8-33. BREAKER BOX KIT - 3 BREAKERS (SN 0300235168 through 0300237156)

ITEM	PART NUMBER	QTY	DESCRIPTION	REV
	1001152485	Ref	BREAKER BOX KIT WITH THREE BREAKERS	D
1	1001189172	1	Breaker 16Amp Double	
2	1001152483	1	Box	
3	1060908	6 ft/1.8m	Cable, 12/3	
4	1001097150	1	Connector, Strain Relief	
5	1001189171	1	Breaker, 30mA	

Go to Discount-Equipment.com to order your parts

SECTION 8 - ELECTRICAL

FIGURE 8-34. BREAKER BOX KIT - 3 BREAKERS (SN 0300237157 to Present)



ART_1001152486

SECTION 8 - ELECTRICAL

FIGURE 8-34. BREAKER BOX KIT - 3 BREAKERS (SN 0300237157 to Present)

ITEM	PART NUMBER	QTY	DESCRIPTION	REV
	1001152486	Ref	BREAKER BOX KIT	A
1	1001152479	1	Breaker, 16 Amp (Double)	
2	1001152483	1	Box	
3	1060908	12 ft/ 3.66m	Cable, 12/3	
4	1001097150	1	Connector, Strain Relief	
5	1001152482	1	Breaker, 30mA	

Go to Discount-Equipment.com to order your parts

SECTION 8 - ELECTRICAL

FIGURE 8-35. BOOM ANGLE SENSOR HARNESS



Go to Discount-Equipment.com to order your parts

ART_1001189005

SECTION 8 - ELECTRICAL

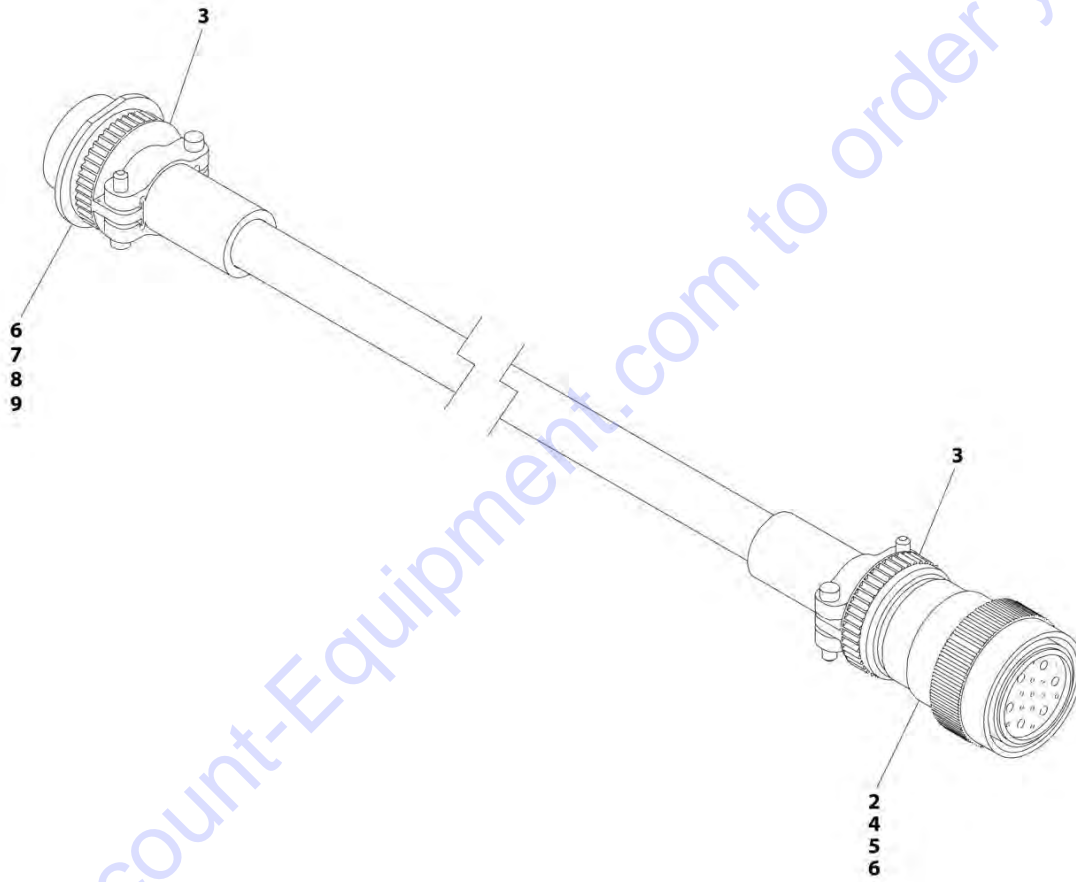
FIGURE 8-35. BOOM ANGLE SENSOR HARNESS

ITEM	PART NUMBER	QTY	DESCRIPTION	REV
	1001189005	Ref	BOOM ANGLE SENSOR HARNESS	D
1	1001230931	1	Plug, Male - 6 Position	
1	1001116748	6	Terminal	
2	4460932	1	Receptacle, Female - 4 Position	
2	4460464	4	Pin, Male	

Go to Discount-Equipment.com to order your parts

SECTION 8 - ELECTRICAL

FIGURE 8-36. BOOM CABLE - LOWER



ART_1001206082

SECTION 8 - ELECTRICAL

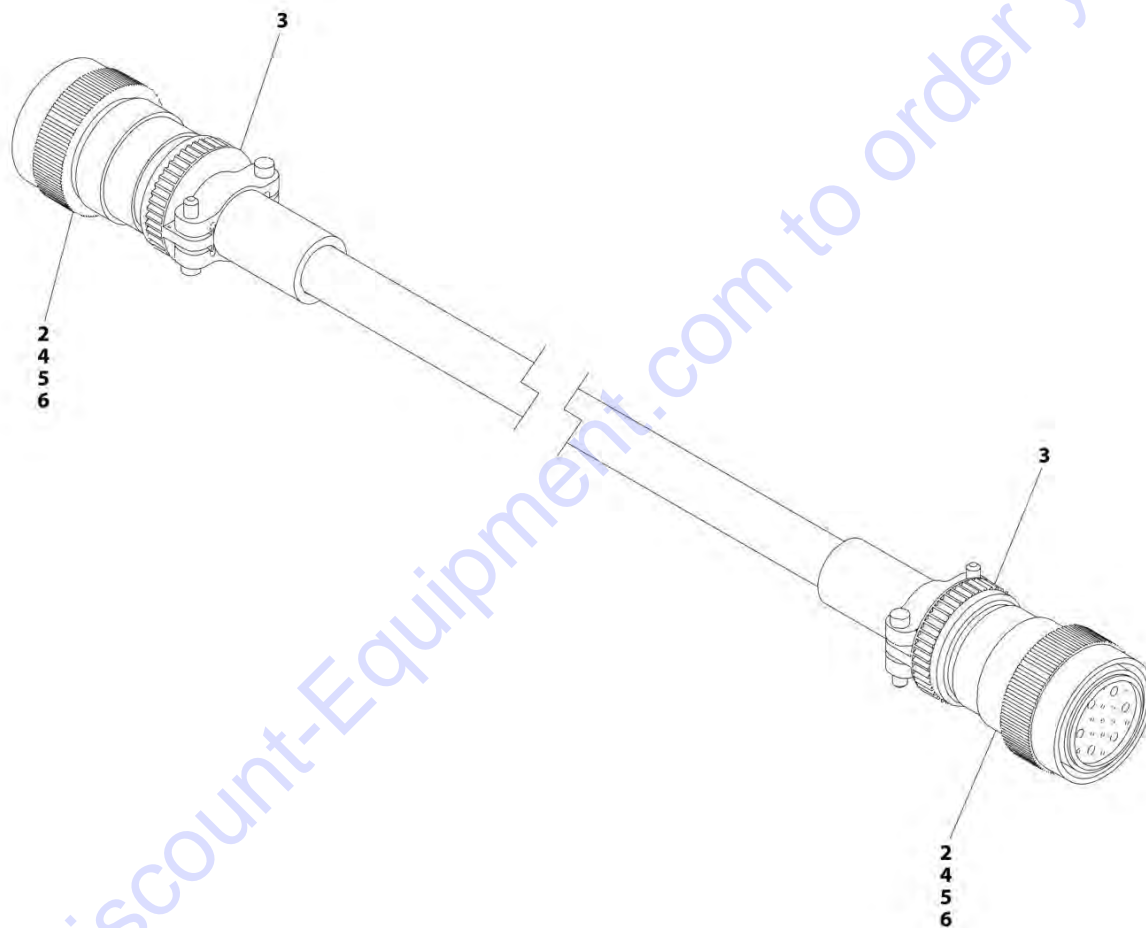
FIGURE 8-36. BOOM CABLE - LOWER

ITEM	PART NUMBER	QTY	DESCRIPTION	REV
	1001206082	Ref	BOOM CABLE	C
2	4460865	1	Connector - 19 Position	
3	4460473	2	Clamp	
4	4460465	10	Socket, Female	
5	4460509	4	Socket, Female	
6	4460466	10	Plug, Socket	
7	4460866	1	Connector - 19 Position	
8	4460508	4	Pin, Male	
9	4460464	10	Pin, Male	

Go to Discount-Equipment.com to order your parts

SECTION 8 - ELECTRICAL

FIGURE 8-37. BOOM CABLE - UPPER (600S)



ART_1001188533

SECTION 8 - ELECTRICAL

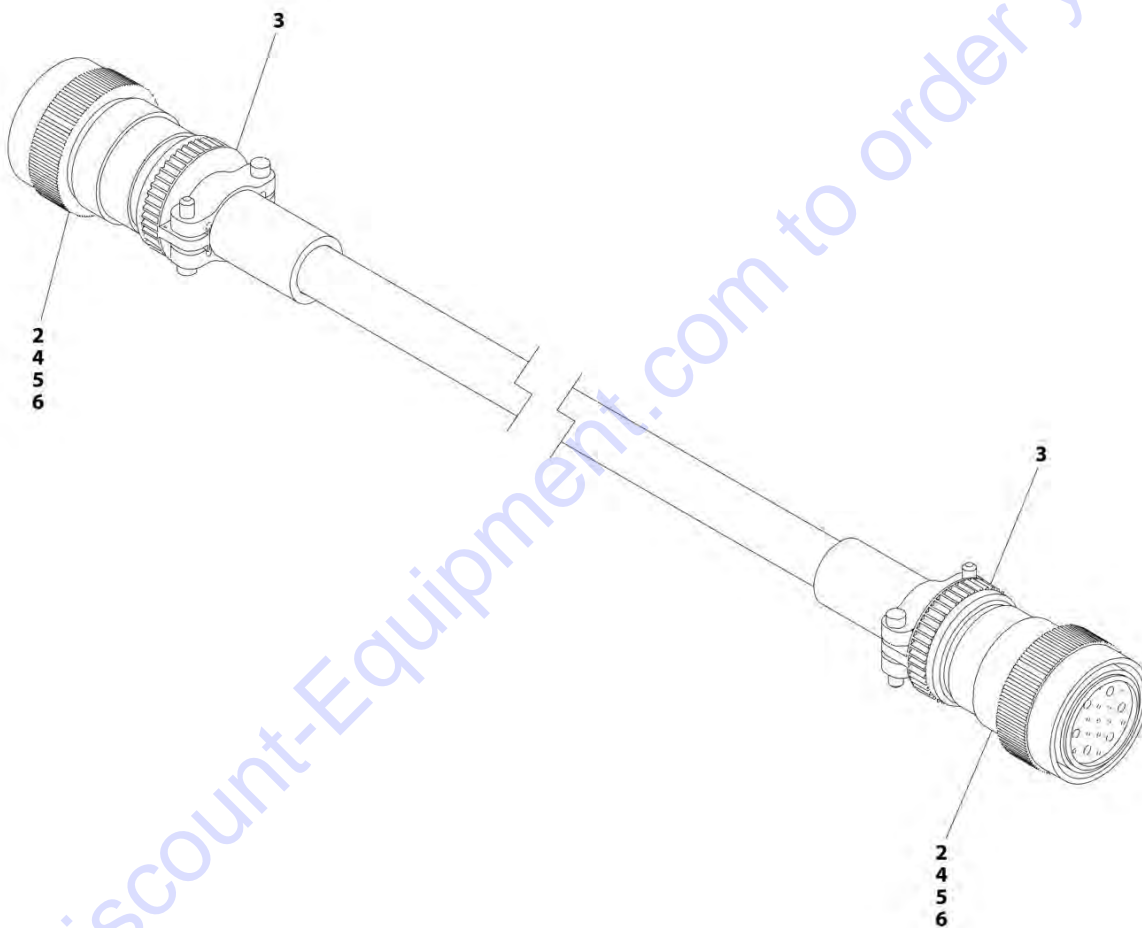
FIGURE 8-37. BOOM CABLE - UPPER (600S)

ITEM	PART NUMBER	QTY	DESCRIPTION	REV
	1001188533	Ref	BOOM CABLE	C
2	4460865	2	Connector - 19 Position	
3	4460473	2	Clamp	
4	4460465	20	Socket, Female	
5	4460509	8	Socket, Female	
6	4460466	10	Plug, Socket	
7	1001226400	2	Heat Shrink (Not Shown)	

Go to Discount-Equipment.com to order your parts

SECTION 8 - ELECTRICAL

FIGURE 8-38. BOOM CABLE - UPPER (660SJ)



ART_1001188534

SECTION 8 - ELECTRICAL

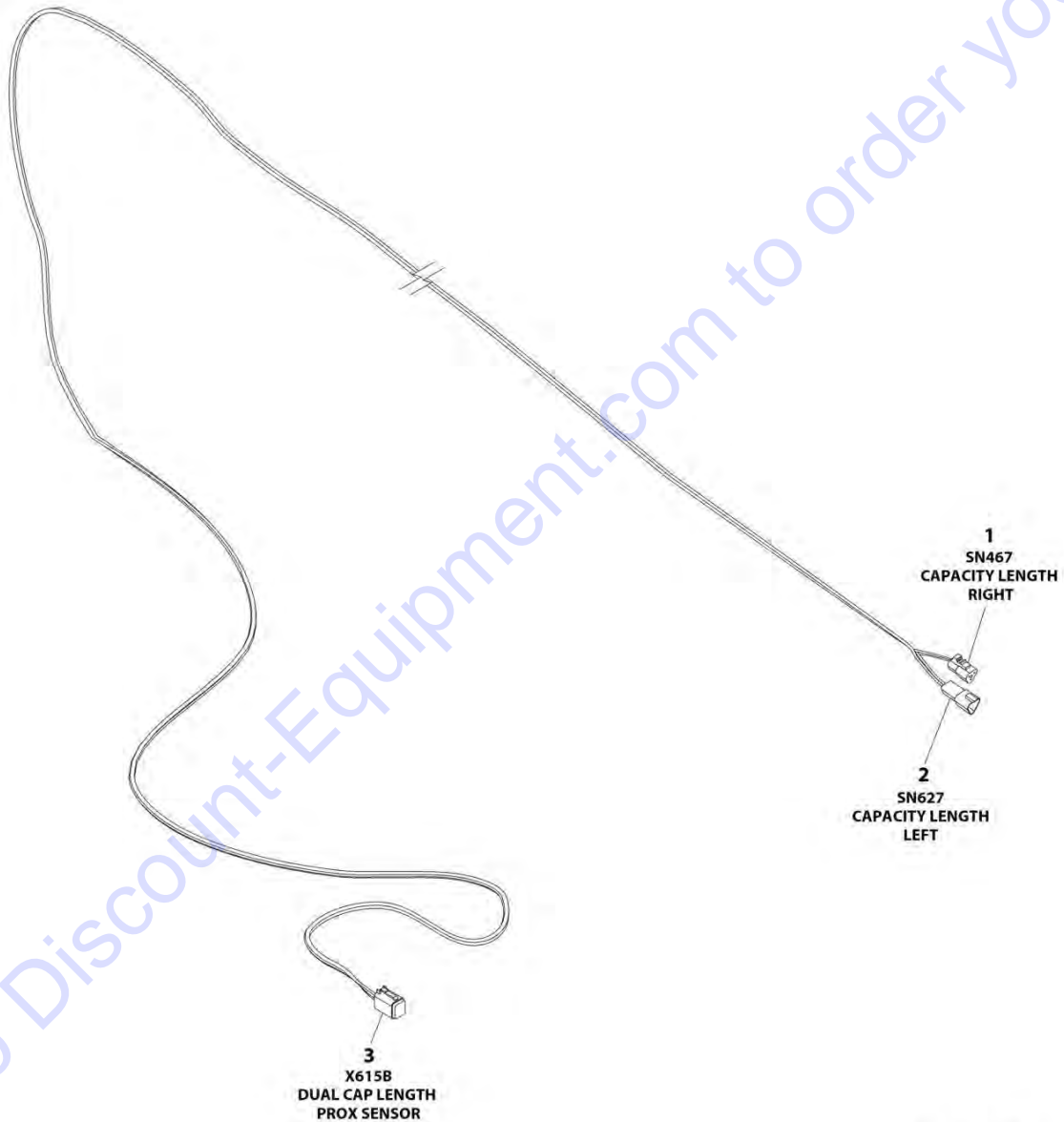
FIGURE 8-38. BOOM CABLE - UPPER (660SJ)

ITEM	PART NUMBER	QTY	DESCRIPTION	REV
	1001188534	Ref	BOOM CABLE	C
2	4460865	2	Connector - 19 Position	
3	4460473	2	Clamp	
4	4460465	20	Socket, Female	
5	4460509	8	Socket, Female	
6	4460466	10	Plug, Socket	
7	1001226400	2	Heat Shrink (Not Shown)	

Go to Discount-Equipment.com to order your parts

SECTION 8 - ELECTRICAL

FIGURE 8-39. CAPACITY PROXIMITY HARNESS (SN 0300235168 through 0300257780, SN B300002655 to Present)



ART_1001189004

SECTION 8 - ELECTRICAL

FIGURE 8-39. CAPACITY PROXIMITY HARNESS (SN 0300235168 through 0300257780, SN B300002655 to Present)

ITEM	PART NUMBER	QTY	DESCRIPTION	REV
	1001189004	Ref	CAPACITY PROXIMITY HARNESS	D
1	4460539	1	Plug, Male - 3 Position	
1	4460465	3	Socket, Female	
2	4460536	1	Receptacle, Female - 3 Position	
2	4640464	3	Pin, Male	
3	4460894	1	Plug, Male - 6 Position	
3	4460465	6	Socket, Female	

Go to Discount-Equipment.com to order your parts

SECTION 8 - ELECTRICAL

FIGURE 8-40. CAPACITY PROXIMITY HARNESS (SN 0300257781 to Present)



ART_1001242907

SECTION 8 - ELECTRICAL

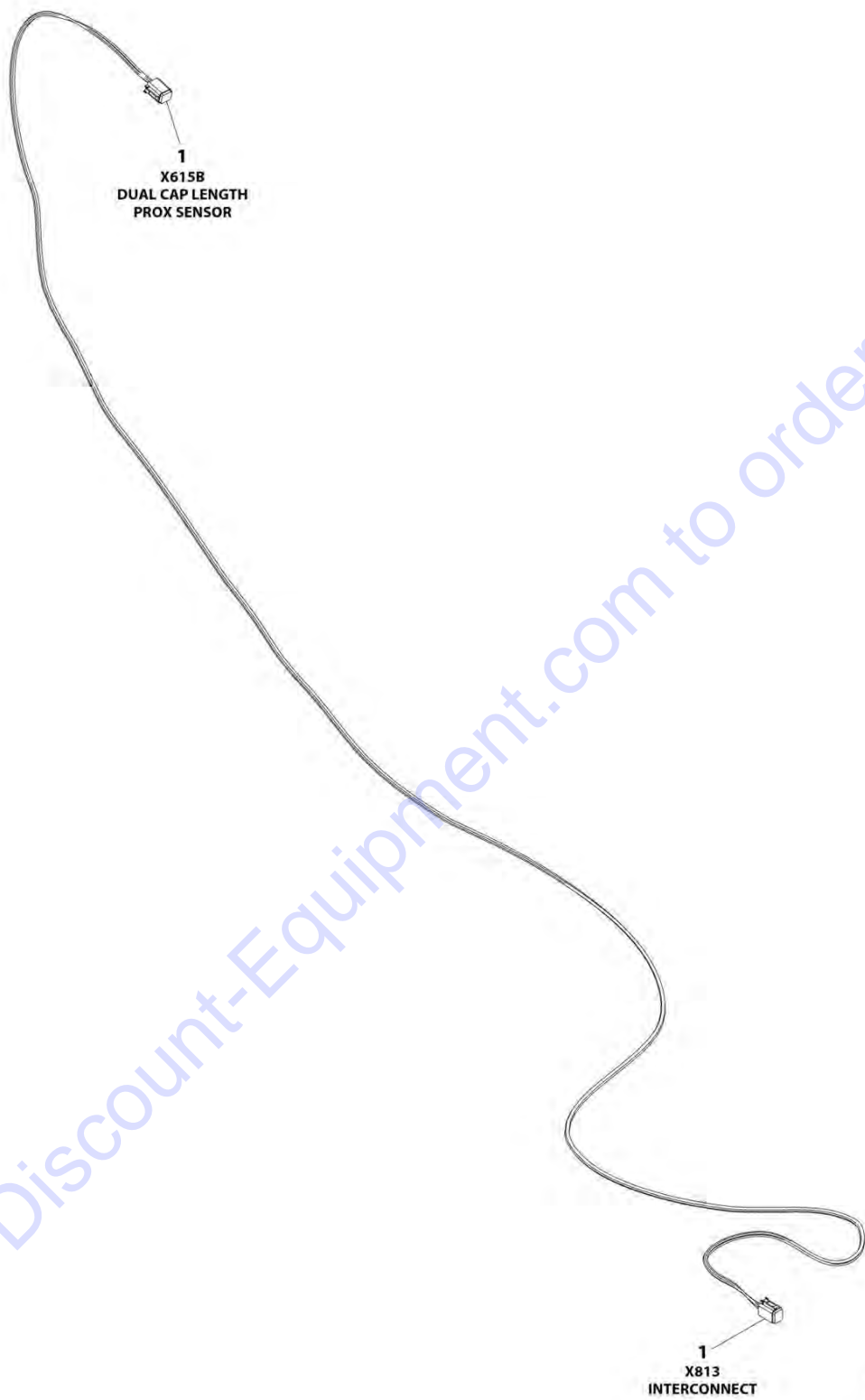
FIGURE 8-40. CAPACITY PROXIMITY HARNESS (SN 0300257781 to Present)

ITEM	PART NUMBER	QTY	DESCRIPTION	REV
	1001242907	Ref	CAPACITY PROXIMITY HARNESS	B
1	4460539	1	Plug, Male - 3 Position	
1	4460465	3	Socket, Female	
2	4460536	1	Receptacle, Female - 3 Position	
2	4640464	3	Pin, Male	
3	4460899	1	Receptacle, Female - 6 Position	
3	4460464	6	Pin, Male	

Go to Discount-Equipment.com to order your parts

SECTION 8 - ELECTRICAL

FIGURE 8-41. CAPACITY PROXIMITY HARNESS (SN 0300257781 to Present)



Go to Discount-Equipment.com to order your parts

ART_1001242908

SECTION 8 - ELECTRICAL

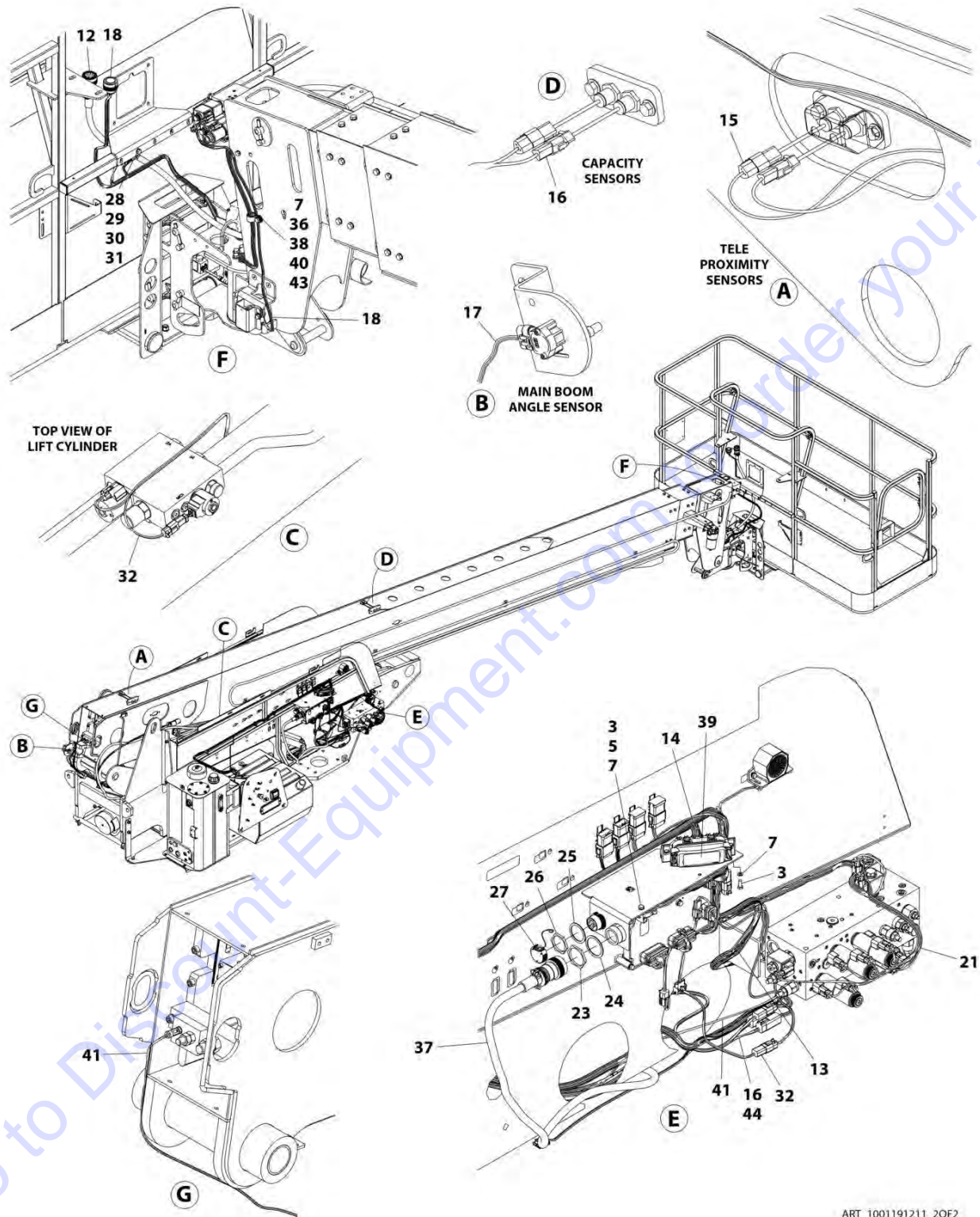
FIGURE 8-41. CAPACITY PROXIMITY HARNESS (SN 0300257781 to Present)

ITEM	PART NUMBER	QTY	DESCRIPTION	REV
	1001242908	Ref	CAPACITY PROXIMITY HARNESS	B
1	4460894	2	Plug, Male - 6 Position	
1	4460465	12	Socket, Female	

Go to Discount-Equipment.com to order your parts

SECTION 8 - ELECTRICAL

FIGURE 8-42. ELECTRICAL COMPONENTS INSTALLATION - 600S WITH 2WS



ART_1001191211_20F2

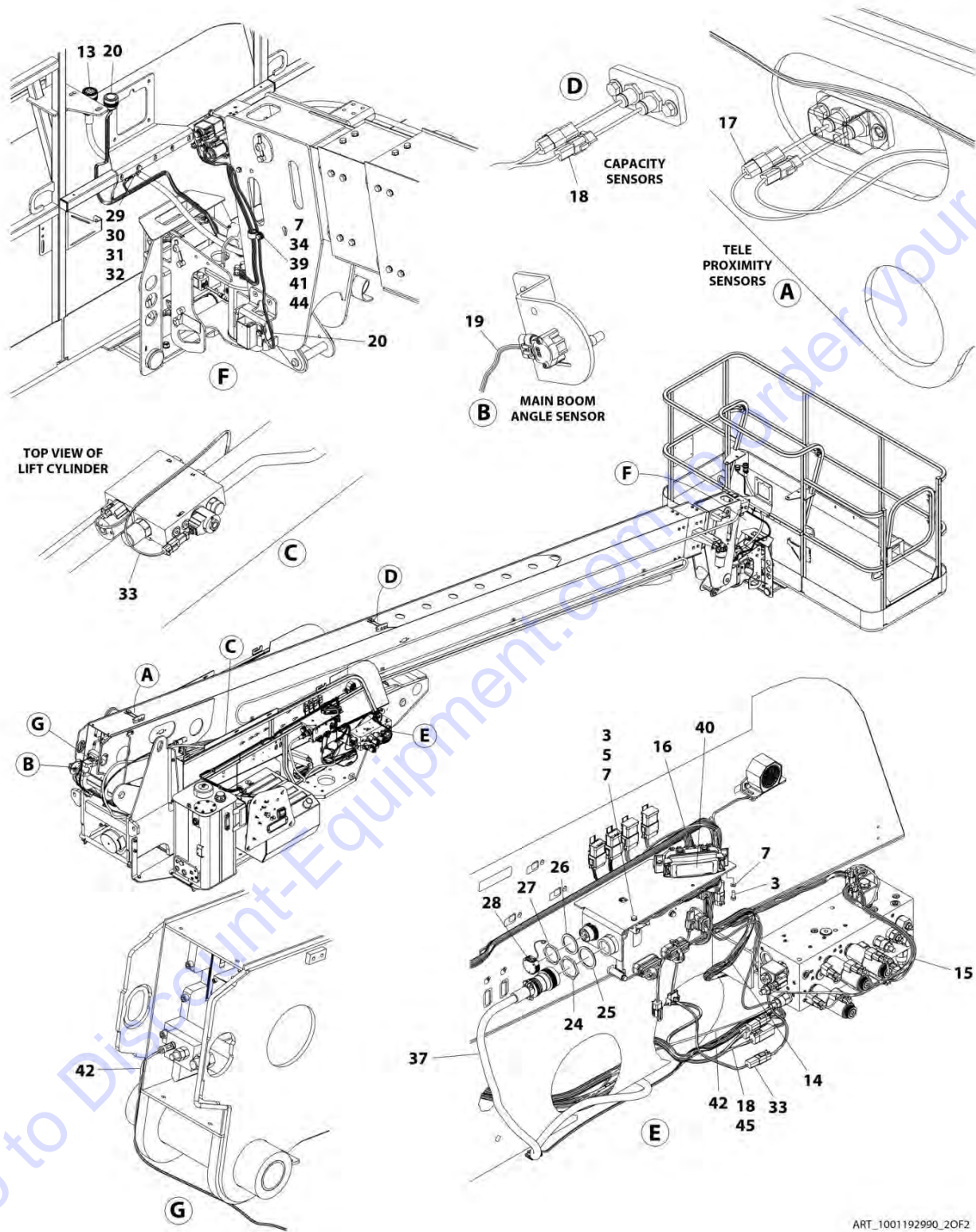
SECTION 8 - ELECTRICAL

FIGURE 8-42. ELECTRICAL COMPONENTS INSTALLATION - 600S WITH 2WS

ITEM	PART NUMBER	QTY	DESCRIPTION	REV
	1001191211	Ref	ELECTRICAL COMPONENTS INSTALLATION	N
3	0760608	5	Bolt M6 x 16	
5	3290605	3	Nut M6	
7	4811700	16	Washer M6	
12	1001188533	1	Boom Cable - Upper (See Separate Breakdown in this Section)	
13	1001188642	1	Turntable Harness (See Separate Breakdown in this Section)	
14	1001188644	1	Ground Control Harness (See Separate Breakdown in this Section)	
15	1001189003	1	Tele Proximity Harness (See Separate Breakdown in this Section)	
16	1001189004	1	Capacity Proximity Harness (See Separate Breakdown in this Section) (SN 0300235168 through 0300257780, SN B300002655 to Present)	
16	1001242907	1	Capacity Proximity Harness (See Separate Breakdown in this Section) (SN 0300257781 to Present)	
17	1001189005	1	Boom Angle Sensor Harness (See Separate Breakdown in this Section)	
18	1001191328	1	Platform Valve Harness (See Separate Breakdown in this Section)	
21	1001192909	1	Main Valve Harness (See Separate Breakdown in this Section)	
23	4460470	1	Nut, Terminal	
24	4460471	1	Washer, Terminal	
25	4460496	1	Washer, Terminal	
26	4460497	1	Nut, Terminal	
27	1001106736	1	Cap, Dust	
28	0700819	1	Bolt M8 x 55	
29	3290805	1	Nut M8	
30	4811900	2	Washer M8	
31	1001120328	2	Mount (SN 0300235168 through 0300257780, SN B300002655 to Present)	
32	1001205923	1	Lift Cylinder Harness (See Separate Breakdown in this Section)	
33	4240099	AR	Tie-Strap (Not Shown)	
36	1320041	1	Clamp	
37	1001206082	1	Boom Cable - Lower (See Separate Breakdown in this Section)	
38	0760615	1	Bolt M6 x 35	
39	1001231846	1	Decal - Fuse Box	
40	1001203719	1	Nut M6	
41	1001227527	1	Service Cable	
43	1320043	1	Clamp (SN 0300237157 to Present, SN B300002716 to Present)	
44	1001242908	1	Capacity Proximity Harness (See Separate Breakdown in this Section) (SN 0300257781 to Present)	

SECTION 8 - ELECTRICAL

FIGURE 8-43. ELECTRICAL COMPONENTS INSTALLATION - 600S WITH 4WS



ART_1001192990_20F2

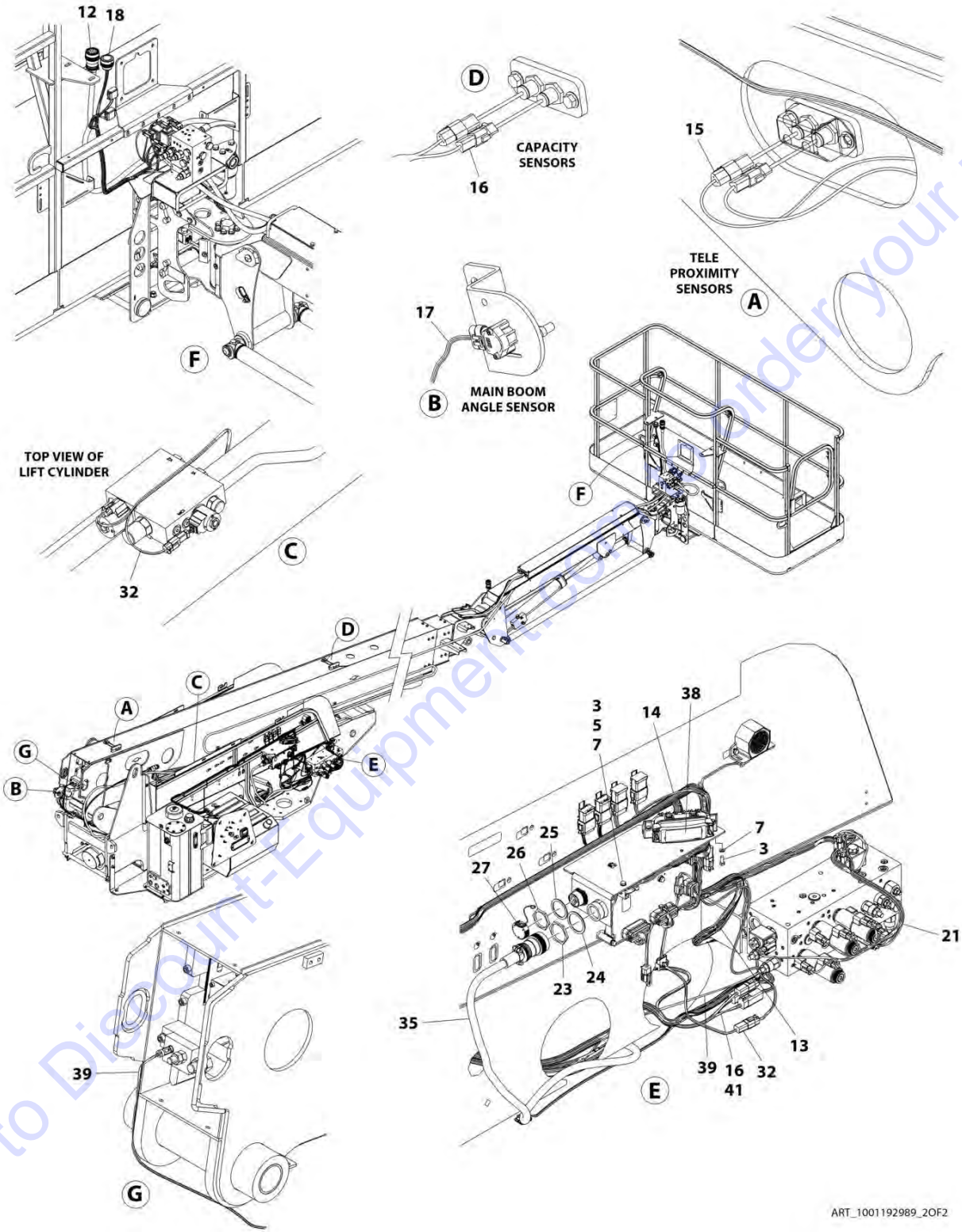
SECTION 8 - ELECTRICAL

FIGURE 8-43. ELECTRICAL COMPONENTS INSTALLATION - 600S WITH 4WS

ITEM	PART NUMBER	QTY	DESCRIPTION	REV
	1001192990	Ref	ELECTRICAL COMPONENTS INSTALLATION	N
3	0760608	5	Bolt M6 x 16	
5	3290605	3	Nut M6	
7	4811700	16	Washer M6	
13	1001188533	1	Boom Cable - Upper (See Separate Breakdown in this Section)	
14	1001188642	1	Turntable Harness (See Separate Breakdown in this Section)	
15	1001188643	1	Main Valve Harness (See Separate Breakdown in this Section)	
16	1001188644	1	Ground Control Harness (See Separate Breakdown in this Section)	
17	1001189003	1	Tele Proximity Harness (See Separate Breakdown in this Section)	
18	1001189004	1	Capacity Proximity Harness (See Separate Breakdown in this Section) (SN 0300235168 through 0300257780, SN B300002655 to Present)	
18	1001242907	1	Capacity Proximity Harness (See Separate Breakdown in this Section) (SN 0300257781 to Present)	
19	1001189005	1	Boom Angle Sensor Harness (See Separate Breakdown in this Section)	
20	1001191328	1	Platform Valve Harness (See Separate Breakdown in this Section)	
24	4460470	1	Nut, Terminal	
25	4460471	1	Washer, Terminal	
26	4460496	1	Washer, Terminal	
27	4460497	1	Nut, Terminal	
28	1001106736	1	Cap, Dust	
29	0700819	1	Bolt M8 x 55	
30	3290805	1	Nut M8	
31	4811900	2	Washer M8	
32	1001120328	2	Mount (SN 0300235168 through 0300257780, SN B300002655 to Present)	
33	1001205923	1	Lift Cylinder Harness (See Separate Breakdown in this Section)	
34	1320041	1	Clamp	
37	1001206082	1	Boom Cable - Lower (See Separate Breakdown in this Section)	
38	4240099	AR	Tie-Strap (Not Shown)	
39	0760615	1	Bolt M6 x 35	
40	1001231846	1	Decal - Fuse Box	
41	1001203719	1	Nut M6	
42	1001227527	1	Cable, Service	
44	1320043	1	Clamp (SN 0300237157 to Present, SN B300002716 to Present)	
45	1001242908	1	Capacity Proximity Harness (See Separate Breakdown in this Section) (SN 0300257781 to Present)	

SECTION 8 - ELECTRICAL

FIGURE 8-44. ELECTRICAL COMPONENTS INSTALLATION - 660SJ WITH 2WS



ART_1001192989_20F2

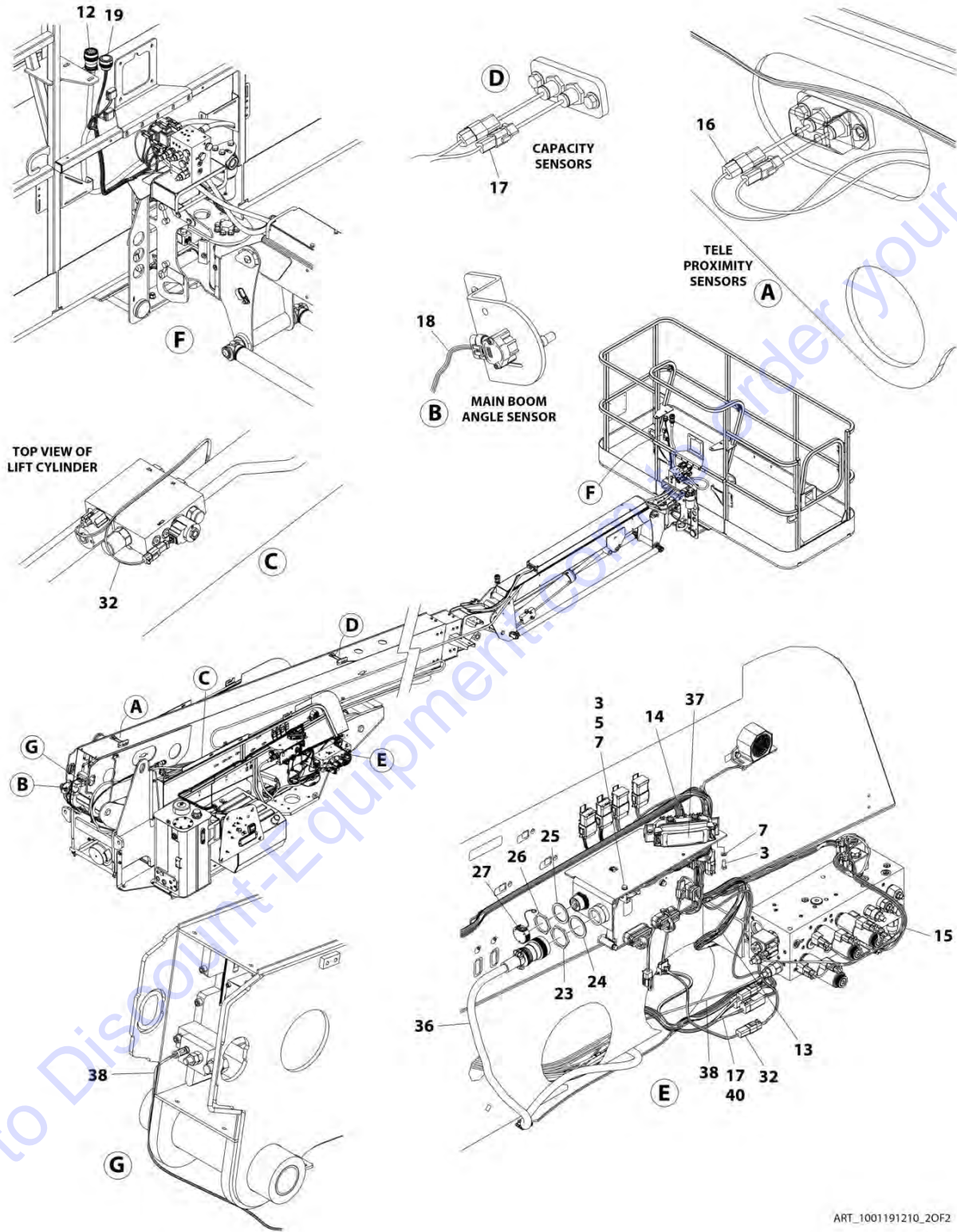
SECTION 8 - ELECTRICAL

FIGURE 8-44. ELECTRICAL COMPONENTS INSTALLATION - 660SJ WITH 2WS

ITEM	PART NUMBER	QTY	DESCRIPTION	REV
	1001192989	Ref	ELECTRICAL COMPONENTS INSTALLATION	M
3	0760608	5	Bolt M6 x 16	
5	3290605	3	Nut M6	
7	4811700	15	Washer M6	
12	1001188534	1	Boom Cable - Upper (See Separate Breakdown in this Section)	
13	1001188642	1	Turntable Harness (See Separate Breakdown in this Section)	
14	1001188644	1	Ground Control Harness (See Separate Breakdown in this Section)	
15	1001189003	1	Tele Proximity Harness (See Separate Breakdown in this Section)	
16	1001189004	1	Capacity Proximity Harness (See Separate Breakdown in this Section) (SN 0300235168 through 0300257780, SN B300002655 to Present)	
16	1001242907	1	Capacity Proximity Harness (See Separate Breakdown in this Section) (SN 0300257781 to Present)	
17	1001189005	1	Boom Angle Sensor Harness (See Separate Breakdown in this Section)	
18	1001189111	1	Platform Valve Harness (See Separate Breakdown in this Section)	
21	1001192909	1	Main Valve Harness (See Separate Breakdown in this Section)	
23	4460470	1	Nut, Terminal	
24	4460471	1	Washer, Terminal	
25	4460496	1	Washer, Terminal	
26	4460497	1	Nut, Terminal	
27	1001106736	1	Cap, Dust	
32	1001205923	1	Lift Cylinder Harness (See Separate Breakdown in this Section)	
35	1001206082	1	Boom Cable - Lower (See Separate Breakdown in this Section)	
36	4240099	AR	Tie-Strap (Not Shown)	
38	1001231846	1	Decal - Fuse Box	
39	1001227527	1	Cable, Service	
41	1001242908	1	Capacity Proximity Harness (See Separate Breakdown in this Section) (SN 0300257781 to Present)	

SECTION 8 - ELECTRICAL

FIGURE 8-45. ELECTRICAL COMPONENTS INSTALLATION - 660SJ WITH 4WS



ART_1001191210_20F2

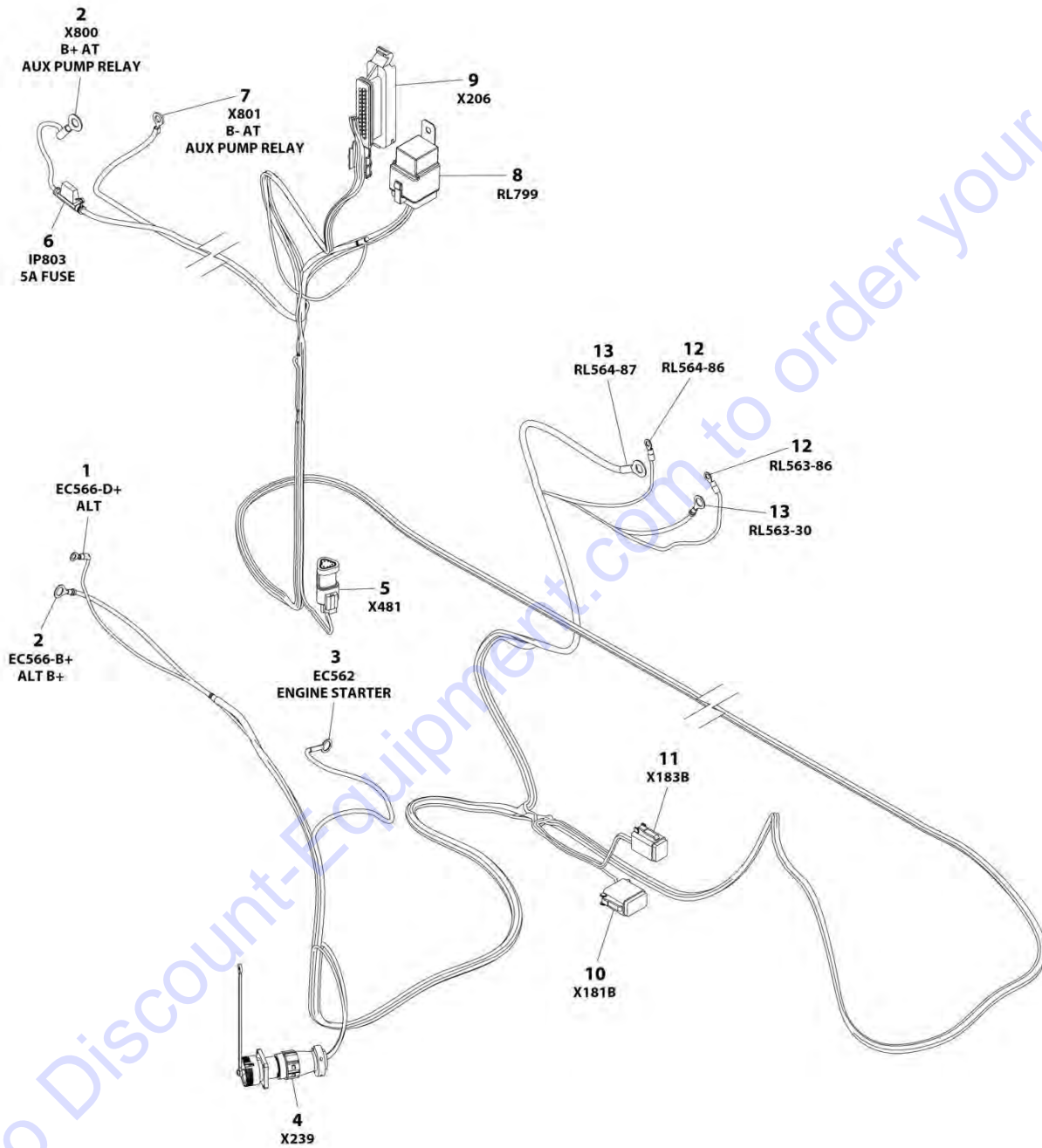
SECTION 8 - ELECTRICAL

FIGURE 8-45. ELECTRICAL COMPONENTS INSTALLATION - 660SJ WITH 4WS

ITEM	PART NUMBER	QTY	DESCRIPTION	REV
	1001191210	Ref	ELECTRICAL COMPONENTS INSTALLATION	N
3	0760608	5	Bolt M6 x 16	
5	3290605	3	Nut M6	
7	4811700	15	Washer M6	
12	1001188534	1	Boom Cable - Upper (See Separate Breakdown in this Breakdown)	
13	1001188642	1	Turntable Harness (See Separate Breakdown in this Breakdown)	
14	1001188643	1	Main Valve Harness (See Separate Breakdown in this Section)	
15	1001188644	1	Ground Control Harness (See Separate Breakdown in this Section)	
16	1001189003	1	Tele Proximity Harness (See Separate Breakdown in this Section)	
17	1001189004	1	Capacity Proximity Harness (See Separate Breakdown in this Section) (SN 0300235168 through 0300257780, SN B300002655 to Present)	
17	1001242907	1	Capacity Proximity Harness (See Separate Breakdown in this Section) (SN 0300257781 to Present)	
18	1001189005	1	Boom Angle Sensor Harness (See Separate Breakdown in this Section)	
19	1001189111	1	Platform Valve Harness (See Separate Breakdown in this Section)	
23	4460470	1	Nut, Terminal	
24	4460471	1	Washer, Terminal	
25	4460496	1	Washer, Terminal	
26	4460497	1	Nut, Terminal	
27	1001106736	1	Cap, Dust	
32	1001205923	1	Lift Cylinder Harness (See Separate Breakdown in this Section)	
33	4240099	AR	Tie-Strap (Not Shown)	
36	1001206082	1	Boom Cable - Lower (See Separate Breakdown in this Section)	
37	1001231846	1	Decal - Fuse Box	
38	1001227527	1	Cable, Service	
40	1001242908	1	Capacity Proximity Harness (See Separate Breakdown in this Section) (SN 0300257781 to Present)	

SECTION 8 - ELECTRICAL

FIGURE 8-46. ENGINE HARNESS - DEUTZ D2011 ENGINES



ART_1001188236

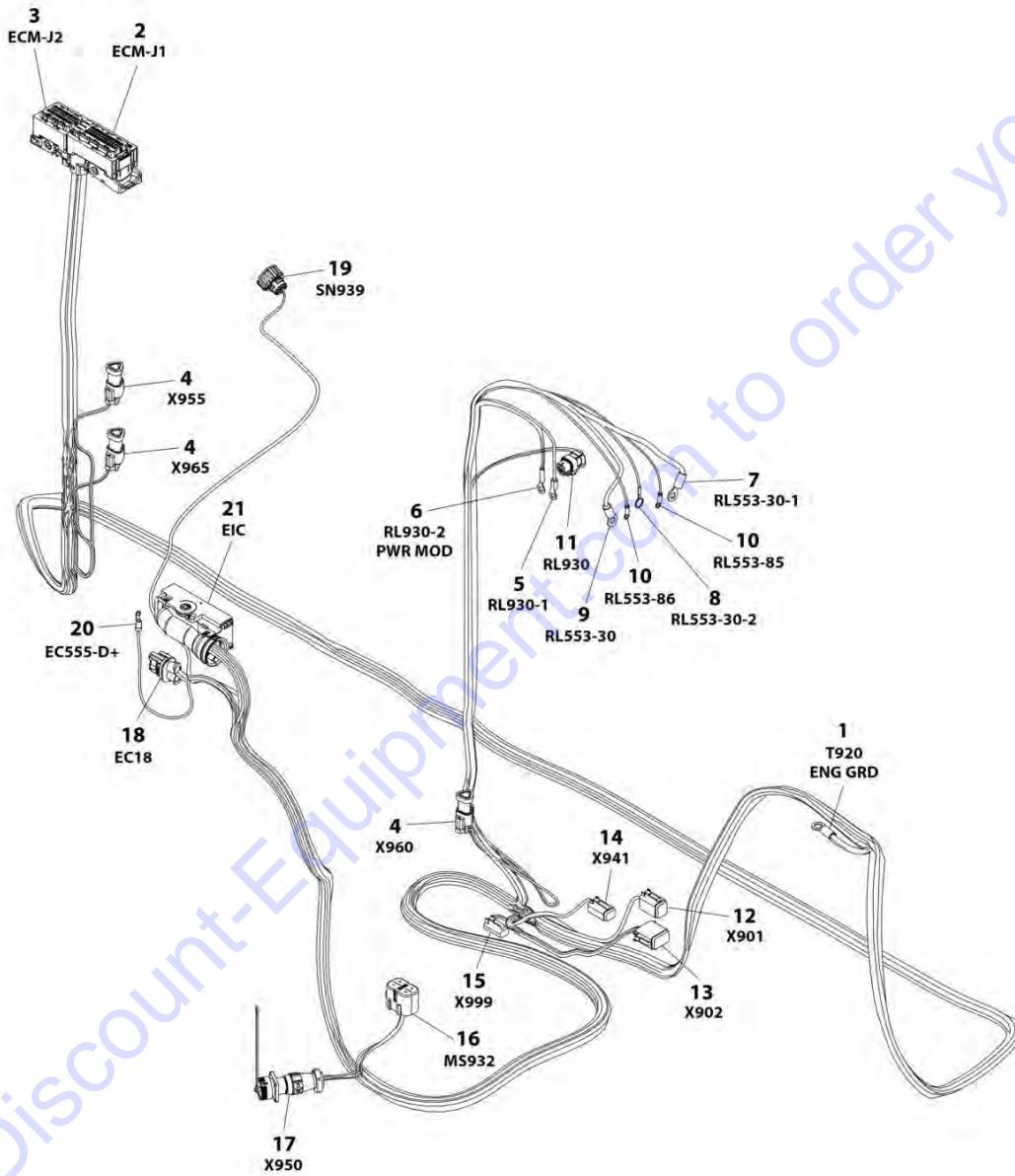
SECTION 8 - ELECTRICAL

FIGURE 8-46. ENGINE HARNESS - DEUTZ D2011 ENGINES

ITEM	PART NUMBER	QTY	DESCRIPTION	REV
	1001188236	Ref	ENGINE HARNESS	F
1	4460042	1	Terminal, Ring	
2	8220045	2	Terminal, Ring	
3	4460142	1	Terminal, Ring	
4	2902443	1	Receptacle Kit	
4	4461073	1	Cap, Dust	
5	4461095	1	Plug, Male - 3 Position	
5	4460944	2	Socket, Female	
5	4460466	1	Plug, Terminal	
5	4461070	1	Receptacle, Female - 3 Position	
5	4460943	3	Pin, Male	
6	2600066	2	Fuseholder with 5Amp Fuse	
6	See Note	NSS	Fuse - 5Amp (Note: Purchase Locally)	
7	4460312	1	Terminal, Ring	
8	1001118282	1	Plug, Relay (SN 0300235168 through 0300237156, SN B300002655 through B300002681)	
8	1001117025	1	Plug, Relay (SN 0300237157 to Present, SN B300002682 to Present)	
8	1001116734	1	Terminal	
8	1001116732	3	Terminal	
8	1001128128	1	Plug, Terminal	
9	4461052	1	Connector - 25 Position	
9	4461060	1	Terminal	
9	4461005	6	Terminal	
9	4461008	18	Plug, Terminal	
9	4461054	1	Seal	
9	4461006	6	Seal	
9	4461053	1	Cover	
10	4460930	1	Plug, Male - 8 Position	
10	4460465	8	Socket, Female	
10	4460466	7	Plug, Terminal	
11	4460894	1	Plug, Male - 6 Position	
11	4460465	3	Socket, Female	
11	4460944	2	Socket, Female	
11	4460466	1	Plug, Terminal	
12	4460313	2	Terminal, Ring	
13	8220164	2	Terminal, Ring	

SECTION 8 - ELECTRICAL

FIGURE 8-47. ENGINE HARNESS - DEUTZ TD2.9L4 - 67HP ENGINES (SN 0300235168 through 0300237156, SN B300002655 through B300002681)



ART_1001188237

SECTION 8 - ELECTRICAL

FIGURE 8-47. ENGINE HARNESS - DEUTZ TD2.9L4 - 67HP ENGINES (SN 0300235168 through 0300237156, SN B300002655 through B300002681)

ITEM	PART NUMBER	QTY	DESCRIPTION	REV
	1001188237	Ref	ENGINE HARNESS	G
1	8220115	1	Terminal, Ring	
2	1001133956	1	Connector - 94 Position	
2	1001126351	1	Terminal	
2	1001126352	6	Terminal	
2	1001126384	21	Terminal	
2	1001126357	1	Plug, Terminal	
2	1001126356	65	Plug, Terminal	
3	1001133956	1	Connector - 60 Position	
3	1001126351	13	Terminal	
3	1001126384	17	Terminal	
3	1001126357	11	Plug, Terminal	
3	1001126356	19	Plug, Terminal	
4	4461095	3	Plug, Male - 3 Position	
4	4460944	6	Socket, Female	
4	4460466	3	Plug, Terminal	
4	4461070	3	Receptacle, Female - 3 Position	
4	4460943	9	Pin, Male	
5	4460043	1	Terminal, Ring	
6	1001117106	1	Terminal, Ring	
7	1001117107	1	Terminal, Ring	
8	4460703	1	Terminal, Ring	
9	8220164	1	Terminal, Ring	
10	4460313	2	Terminal, Ring	
11	1001116952	1	Plug, Male - 2 Position	
11	4460465	2	Socket, Female	
12	4460894	1	Plug, Male - 6 Position	
12	4460465	3	Socket, Female	
12	4460944	2	Socket, Female	
12	4460466	1	Plug, Terminal	
13	4460930	1	Plug, Male - 8 Position	
13	4460465	1	Socket, Female	
13	4460466	7	Plug, Terminal	
14	4460884	1	Plug, Male - 4 Position	
14	4460465	2	Socket, Female	
14	4460942	2	Socket, Female	
15	4460891	6	Plug, Male - 4 Position	
15	4460465	10	Socket, Female	
16	80484084	1	Plug, Male - 8 Position	
16	8229242	1	Fuse - 5Amp	
16	80983191	1	Fuse - 10Amp	
16	1001116728	4	Socket, Female	
16	1001116727	4	Plug, Terminal	
17	2902443	1	Receptacle Kit	
17	4461073	1	Cap, Dust	
17	4461071	6	Terminal	
18	1001142938	1	Plug, Male - 2 Position	
18	1001142941	2	Terminal	
19	1001133714	1	Connector - 4 Position	

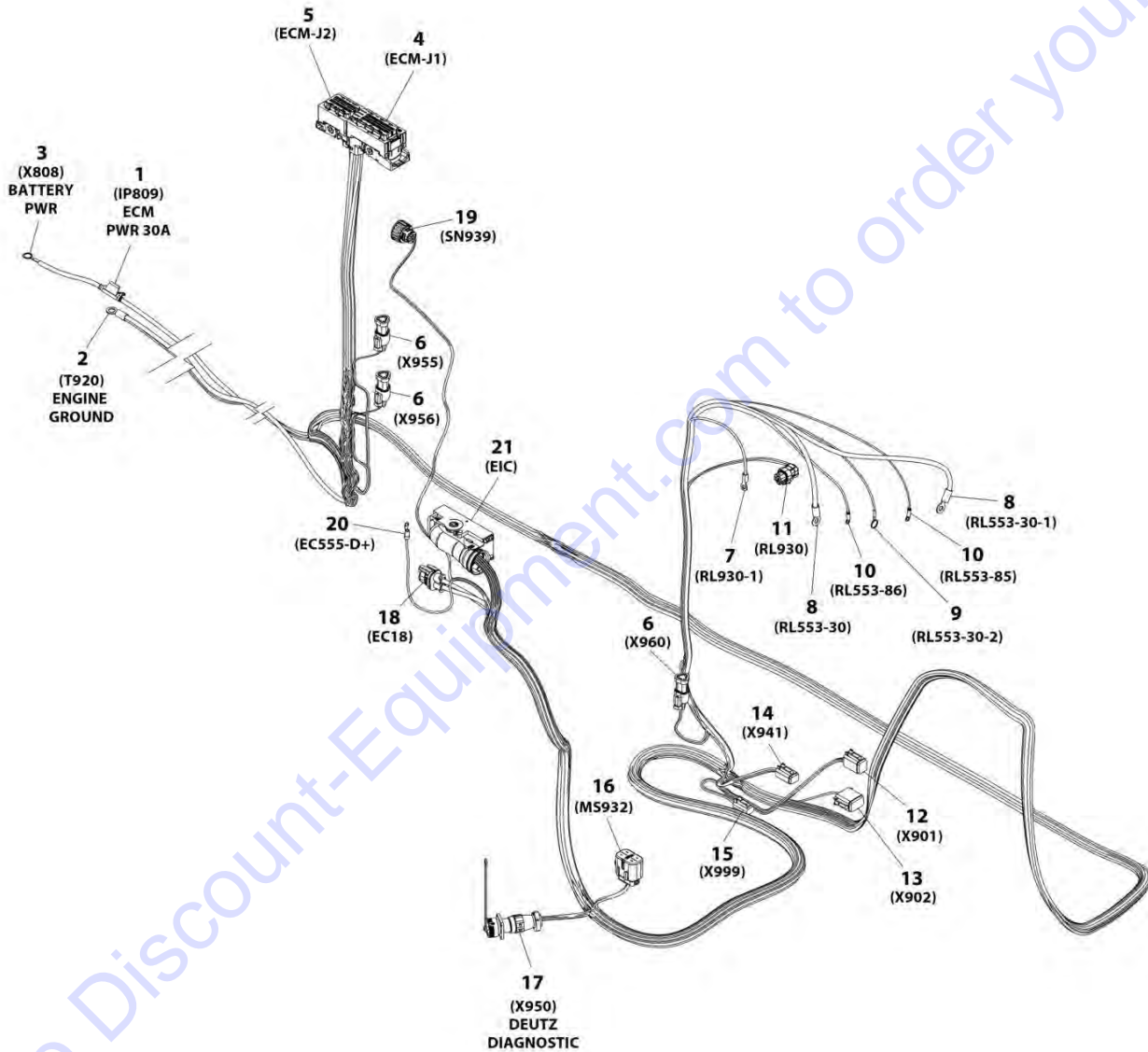
SECTION 8 - ELECTRICAL

ITEM	PART NUMBER	QTY	DESCRIPTION	REV
19	1001133715	13	Terminal	
19	1001135651	11	Plug, Terminal	
20	4460042	1	Terminal, Ring	
21	1001126362	1	Connector - 62 Position	
21	1001126363	35	Terminal	
21	1001126365	2	Terminal	
21	1001126391	20	Plug, Terminal	
21	4461008	4	Plug, Terminal	
21	1001151856	1	Elbow	

Go to Discount-Equipment.com to order your parts

SECTION 8 - ELECTRICAL

FIGURE 8-48. ENGINE HARNESS - DEUTZ D2.9L4 - 49HP AND DEUTZ TD2.9L4 - 67HP ENGINES (SN 0300237156 to Present, SN B300002682 to Present)



ART_1001233895

SECTION 8 - ELECTRICAL

FIGURE 8-48. ENGINE HARNESS - DEUTZ D2.9L4 - 49HP AND DEUTZ TD2.9L4 - 67HP ENGINES (SN 0300237156 to Present, SN B300002682 to Present)

ITEM	PART NUMBER	QTY	DESCRIPTION	REV
	1001233895	Ref	ENGINE HARNESS	F
1	1001172064	1	Fuseholder with 30Amp Fuse	
1	1001172065	1	Fuse - 30A	
2	8220115	1	Terminal, Ring	
3	4460019	1	Terminal, Ring	
4	1001133956	1	Connector - 94 Position	
4	1001126351	2	Terminal	
4	1001126352	6	Terminal	
4	1001126384	21	Terminal	
4	1001126357	2	Plug, Terminal	
4	1001126356	63	Plug, Terminal	
5	1001133957	1	Connector - 60 Position	
5	1001126351	13	Terminal	
5	1001126384	17	Terminal	
5	1001126357	11	Plug, Terminal	
5	1001126356	19	Plug, Terminal	
6	4461095	3	Plug, Male - 3 Position	
6	4460944	6	Socket, Female	
6	4460466	3	Plug, Terminal	
6	4461070	3	Receptacle, Female - 3 Position	
6	4460943	9	Pin, Male	
7	4460043	1	Terminal, Ring	
8	1001117107	2	Terminal, Ring	
9	4460703	1	Terminal, Ring	
10	4460313	2	Terminal, Ring	
11	1001116952	1	Plug, Male - 2 Position	
11	4460465	2	Socket, Female	
12	4460894	1	Plug, Male - 6 Position	
12	4460465	3	Socket, Female	
12	4460944	2	Socket, Female	
12	4460466	1	Plug, Terminal	
13	4460930	1	Plug, Male - 8 Position	
13	4460465	1	Socket, Female	
13	4460466	7	Plug, Terminal	
14	4460884	1	Plug, Male - 4 Position (SN 0300235168 through 0300254984)	
14	1001220379	1	Plug, Male - 4 Position (SN 0300254985 to Present)	
14	4460465	2	Socket, Female	
14	4460942	2	Socket, Female	
15	4460891	1	Plug, Male - 4 Position	
15	4460465	2	Socket, Female	
16	80484084	1	Plug, Male - 8 Position	
16	8229242	1	Fuse - 5Amp	
16	80983191	1	Fuse - 10Amp	
16	1001116728	4	Socket, Female	
16	1001116727	4	Plug, Terminal	
16	1001147264	1	Cap	
17	2902443	1	Receptacle Kit	
17	4461073	1	Cap, Dust	
17	4461071	6	Terminal	

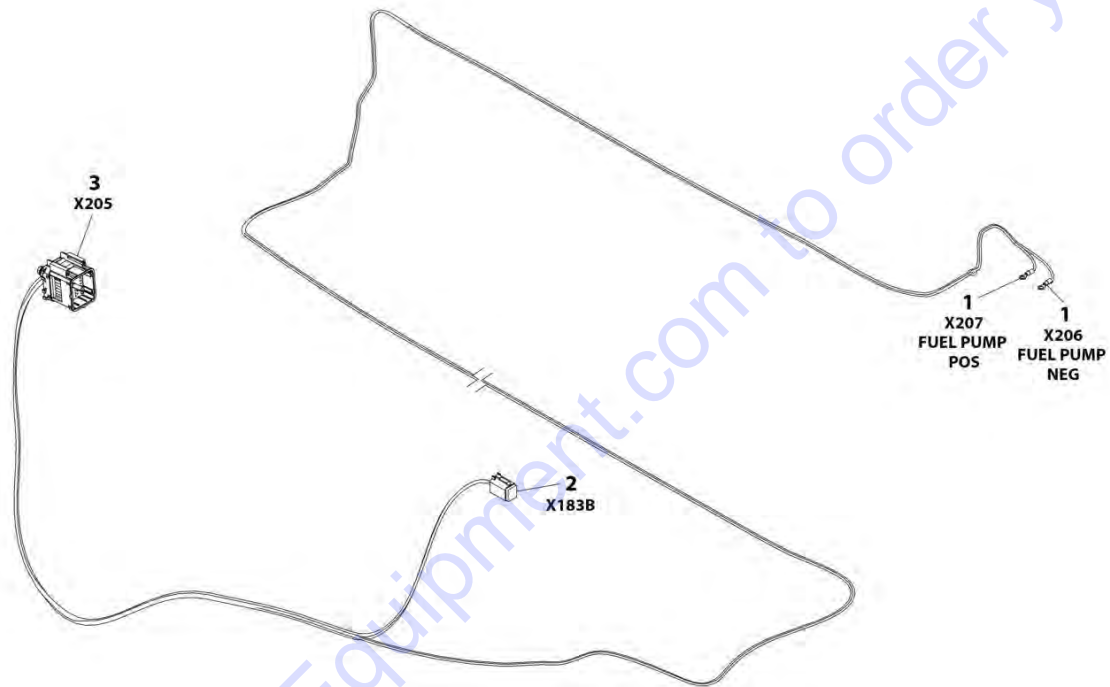
SECTION 8 - ELECTRICAL

ITEM	PART NUMBER	QTY	DESCRIPTION	REV
18	1001142938	1	Plug, Male - 2 Position	
18	1001142940	2	Terminal	
18	1001142941	2	Seal	
19	1001133714	1	Connector - 4 Position	
19	1001133715	13	Terminal	
19	1001135651	11	Plug, Terminal	
20	4460042	1	Terminal, Ring	
21	1001126362	1	Connector - 62 Position	
21	1001126363	35	Terminal	
21	1001126365	2	Terminal	
21	1001126391	20	Plug, Terminal	
21	4461008	4	Plug, Terminal	
21	1001151856	1	Elbow	

Go to Discount-Equipment.com to order your parts

SECTION 8 - ELECTRICAL

FIGURE 8-49. ENGINE HARNESS - FORD ENGINES



ART_1001215218

SECTION 8 - ELECTRICAL

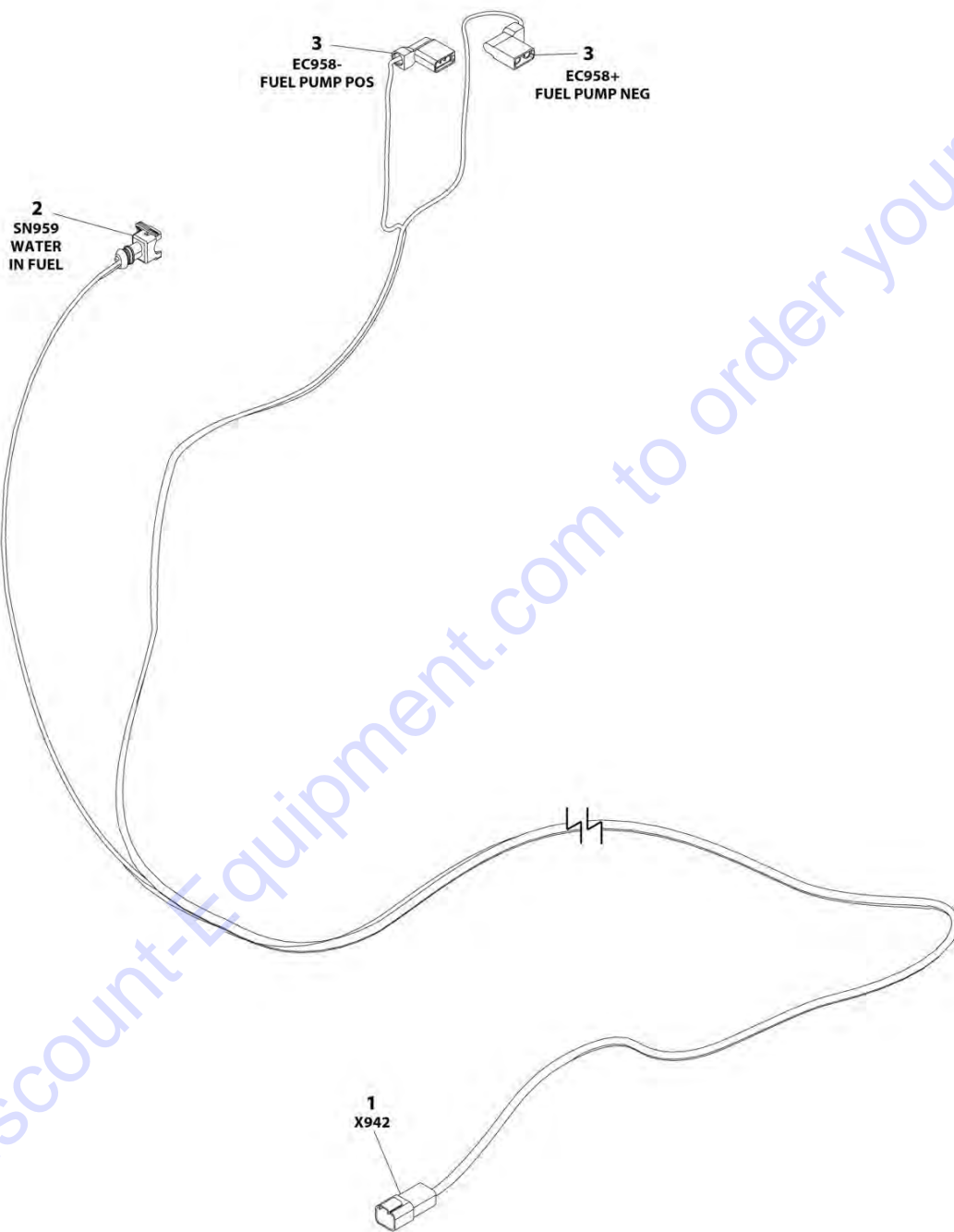
FIGURE 8-49. ENGINE HARNESS - FORD ENGINES

ITEM	PART NUMBER	QTY	DESCRIPTION	REV
	1001215218	Ref	ENGINE HARNESS	C
1	4460042	2	Terminal, Ring	
2	4460894	1	Plug, Male - 6 Position	
2	4460465	4	Socket, Female	
2	4460466	2	Plug, Terminal	
3	1001215016	1	Connector - 42 Position	
3	1001216212	1	Terminal	
3	1001221210	2	Terminal	
3	1001215091	3	Terminal	
3	1001216213	2	Plug, Terminal	
3	1001215534	34	Plug, Terminal	

Go to Discount-Equipment.com to order your parts

SECTION 8 - ELECTRICAL

FIGURE 8-50. FUEL PUMP HARNESS - DEUTZ D2.9L4 - 49HP AND DEUTZ TD2.9L4 - 67HP ENGINES



ART_1001190444

SECTION 8 - ELECTRICAL

FIGURE 8-50. FUEL PUMP HARNESS - DEUTZ D2.9L4 - 49HP AND DEUTZ TD2.9L4 - 67HP ENGINES

ITEM	PART NUMBER	QTY	DESCRIPTION	REV
	1001190444	Ref	FUEL PUMP HARNESS	D
1	4460932	1	Receptacle, Female - 4 Position	
1	4460941	4	Pin, Male	
2	1001116983	1	Plug, Male - 2 Posiiton	
2	4461054	2	Socket, Female	
3	1001223045	2	Connector	

Go to Discount-Equipment.com to order your parts

SECTION 8 - ELECTRICAL

FIGURE 8-51. GENERATOR HARNESS - 2500W



ART_1001194114

SECTION 8 - ELECTRICAL

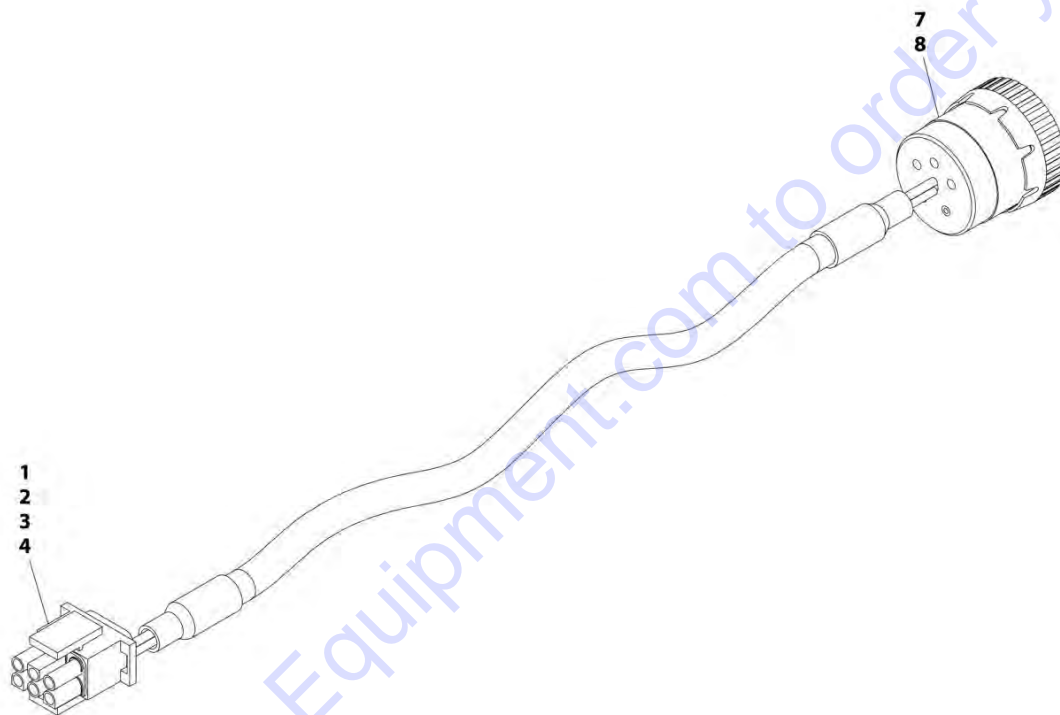
FIGURE 8-51. GENERATOR HARNESS - 2500W

ITEM	PART NUMBER	QTY	DESCRIPTION	REV
	1001194114	Ref	GENERATOR HARNESS	B
1	4460906	1	Socket, Female	
2	1001154726	1	Receptacle, Female - 3 Position	
2	4460464	2	Pin, Male	
2	4460466	1	Plug, Terminal	
3	1001117057	1	Connector, Relay (SN 0300235168 through 0300237156)	
3	1001120851	1	Connector, Relay (SN 0300237157 to Present)	
3	1001117057	1	Connector, Relay (SN B300002655 to Present)	
3	1001116734	2	Terminal	
3	1001116732	2	Terminal	
3	3740080	1	Relay	
4	8220045	1	Terminal, Ring	
5	2400060	1	Fuseholder - 30Amp (Includes Cover)	
5	8229245	1	Fuse - 30Amp	

Go to Discount-Equipment.com to order your parts

SECTION 8 - ELECTRICAL

FIGURE 8-52. GENERATOR HARNESS - 4000W



ART_1001152532

SECTION 8 - ELECTRICAL

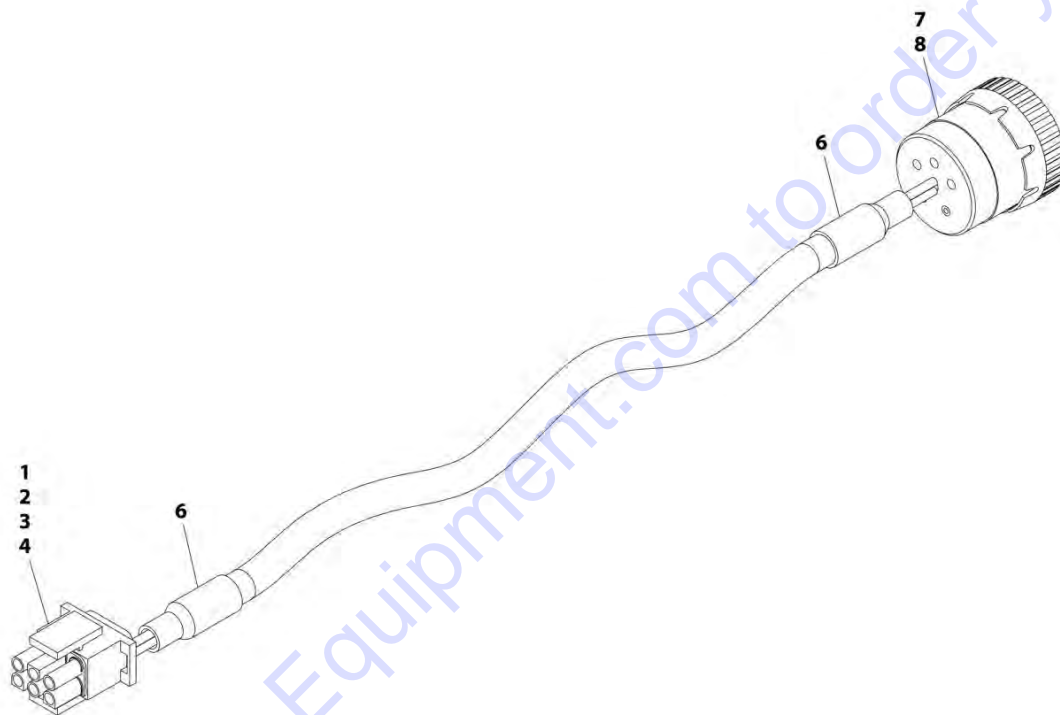
FIGURE 8-52. GENERATOR HARNESS - 4000W

ITEM	PART NUMBER	QTY	DESCRIPTION	REV
	1001152532	Ref	GENERATOR HARNESS	A
1	4460225	1	Plug, Male - 2 Position	
2	4460268	2	Socket, Female	
3	4460807	1	Seal	
4	4460808	1	Seal	
7	4460465	2	Socket, Female	
8	77363233	1	Connector - 6 Position	

Go to Discount-Equipment.com to order your parts

SECTION 8 - ELECTRICAL

FIGURE 8-53. GENERATOR HARNESS - 7500W SKYPOWER



ART_4922925

SECTION 8 - ELECTRICAL

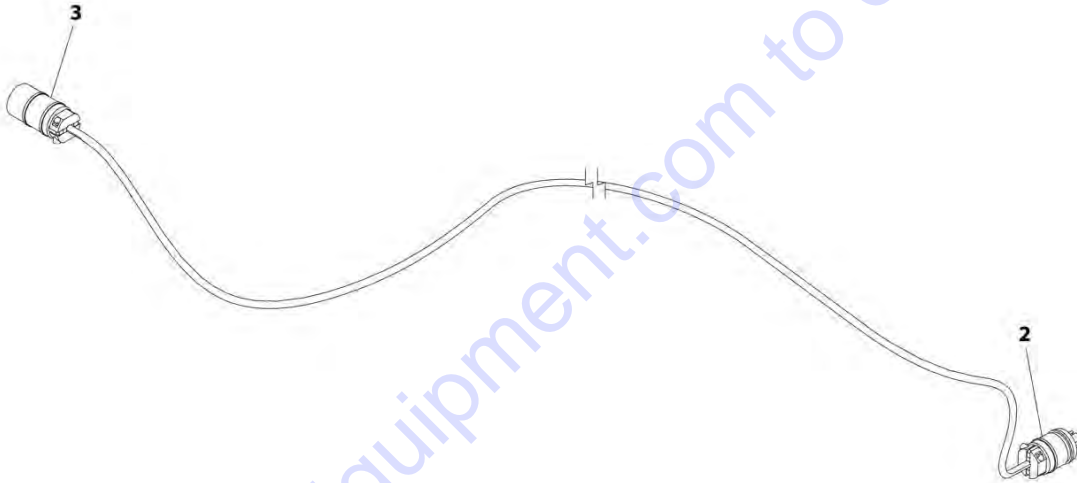
FIGURE 8-53. GENERATOR HARNESS - 7500W SKYPOWER

ITEM	PART NUMBER	QTY	DESCRIPTION	REV
	4922925	Ref	GENERATOR HARNESS - 7500W SKYPOWER	C
1	4460225	1	Plug, Male - 2 Position	
2	4460268	6	Socket, Female	
3	4460807	1	Seal	
4	4460808	1	Seal	
6	2820019	AR	Heat Shrink	
7	4460465	6	Socket, Female	
8	77363233	1	Connector - 6 Position	

Go to Discount-Equipment.com to order your parts

SECTION 8 - ELECTRICAL

FIGURE 8-54. GENERATOR RECEPTACLE BOX TO AC PLUG HARNESS (2500W GENERATOR) (SN 0300235168 through 0300255131, SN B300002655 through B300003965)



ART_4921827

SECTION 8 - ELECTRICAL

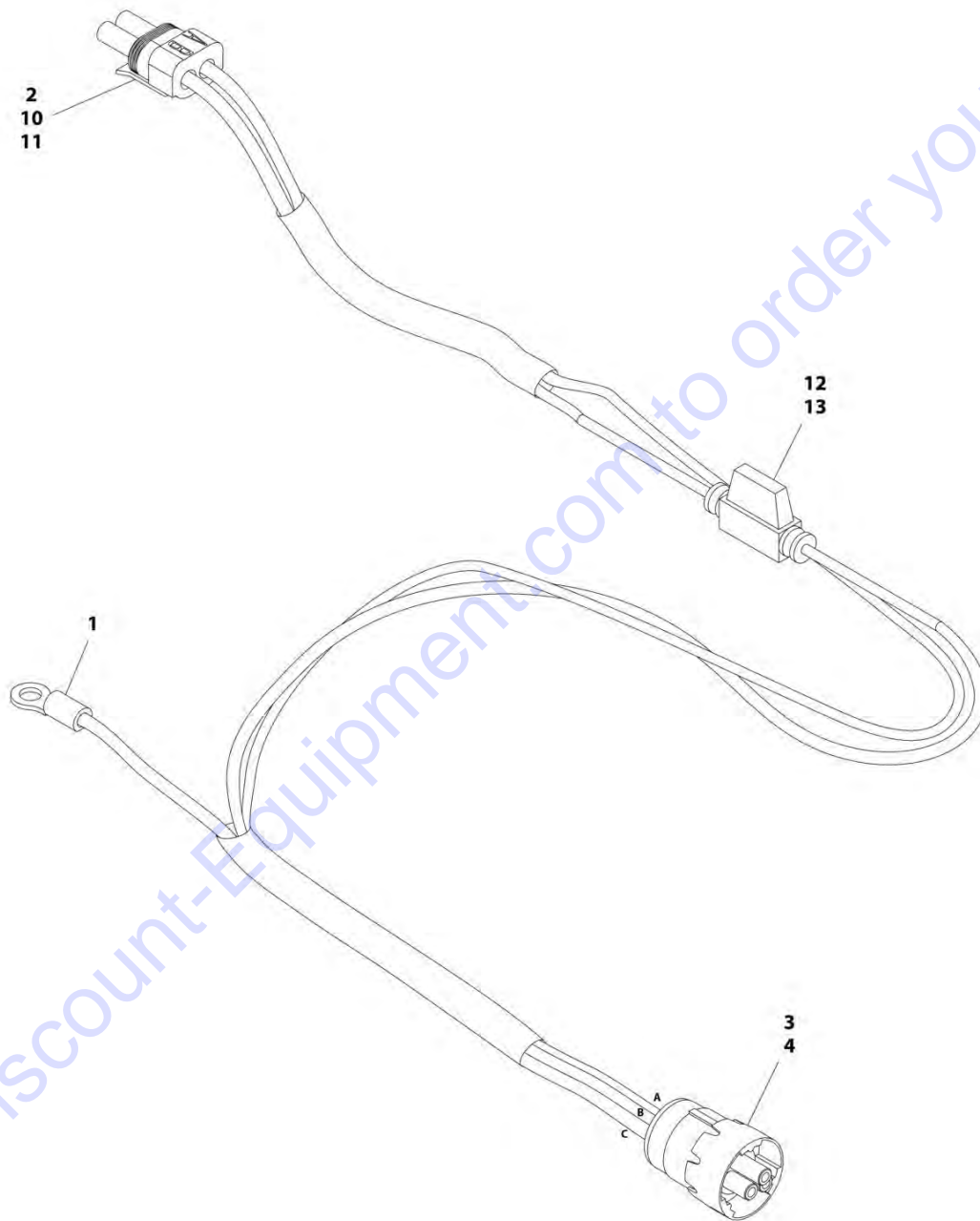
FIGURE 8-54. GENERATOR RECEPTACLE BOX TO AC PLUG HARNESS (2500W GENERATOR) (SN 0300235168 through 0300255131, SN B300002655 through B300003965)

ITEM	PART NUMBER	QTY	DESCRIPTION	REV
	4921827	Ref	GENERATOR RECEPTACLE BOX TO AC PLUG HARNESS	1/A
2	4460205	1	Plug, Male	
3	4460134	1	Receptacle, Female	

Go to Discount-Equipment.com to order your parts

SECTION 8 - ELECTRICAL

FIGURE 8-55. GENERATOR TO ENGINE HARNESS - 7500W SKYPOWER GENERATOR (DEUTZ D2011 ONLY)



ART_1001152429

SECTION 8 - ELECTRICAL

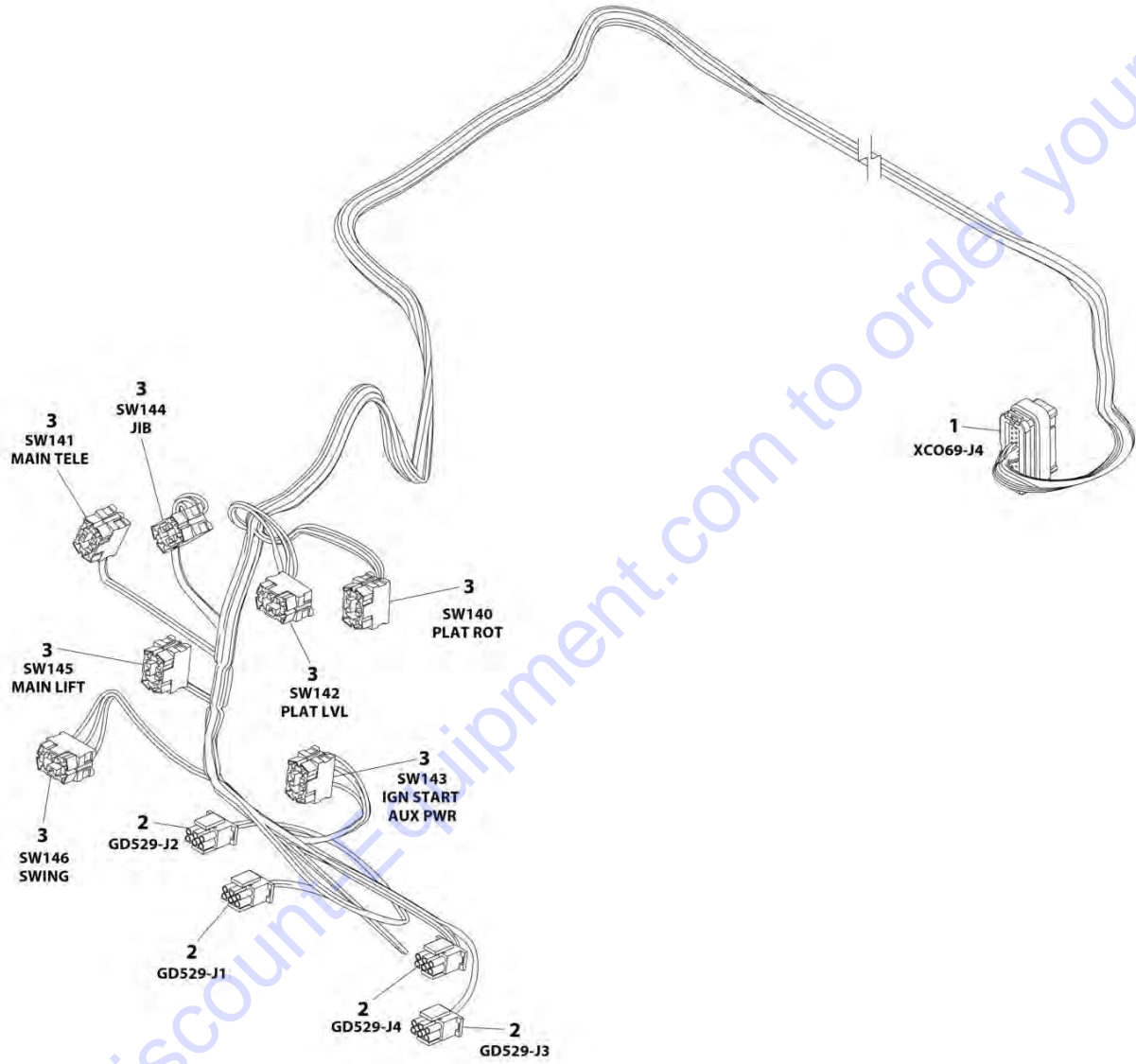
FIGURE 8-55. GENERATOR TO ENGINE HARNESS - 7500W SKYPOWER GENERATOR (DEUTZ D2011 ONLY)

ITEM	PART NUMBER	QTY	DESCRIPTION	REV
	1001152429	Ref	GENERATOR TO ENGINE HARNESS	C
1	4460043	1	Terminal, Ring	
2	4460742	1	Plug, Male - 2 Position	
3	4460967	1	Connector - 3 Position	
4	4460465	3	Socket, Female	
10	4460743	2	Terminal, Female	
11	4460458	2	Seal	
12	2400060	1	Fuseholder (Includes Cover)	
13	2400064	1	Fuse - 5Amp	

Go to Discount-Equipment.com to order your parts

SECTION 8 - ELECTRICAL

FIGURE 8-56. GROUND CONTROL HARNESS



ART_1001188644

SECTION 8 - ELECTRICAL

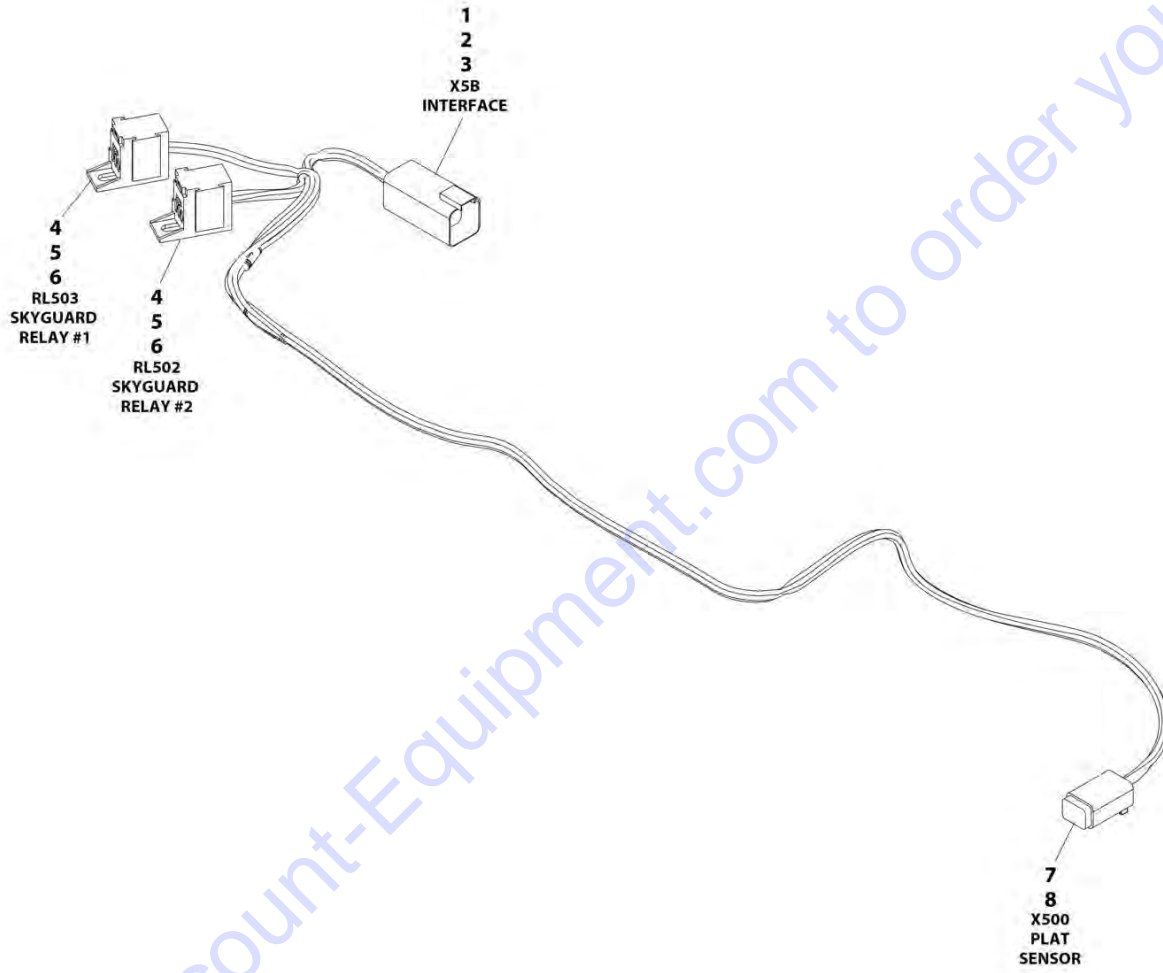
FIGURE 8-56. GROUND CONTROL HARNESS

ITEM	PART NUMBER	QTY	DESCRIPTION	REV
	1001188644	Ref	GROUND CONTROL HARNESS	E
1	4460876	1	Connector - 35 Position	
1	4460871	25	Socket, Female	
1	4460905	10	Plug, Terminal	
2	4460225	4	Plug, Male - 6 Position	
2	4460226	10	Socket, Female	
3	4460418	7	Connector, Switch	
3	4460419	12	Terminal	
3	1001159186	15	Terminal	

Go to Discount-Equipment.com to order your parts

SECTION 8 - ELECTRICAL

FIGURE 8-57. INTERFACE HARNESS - WITH 1 CELL LSS



ART_1001225580

SECTION 8 - ELECTRICAL

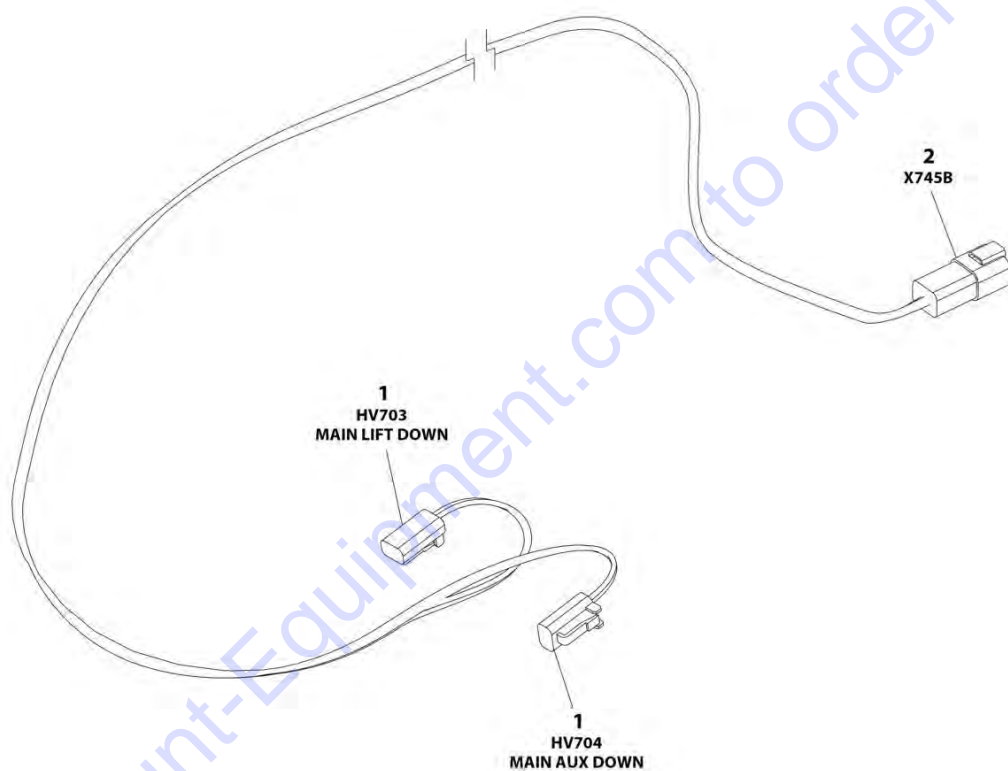
FIGURE 8-57. INTERFACE HARNESS - WITH 1 CELL LSS

ITEM	PART NUMBER	QTY	DESCRIPTION	REV
	1001225580	Ref	INTERFACE HARNESS - WITH 1 CELL LSS	D
1	4460899	1	Connector	
2	4460464	4	Terminal	
3	4460466	2	Plug	
4	1001186432	2	Connector	
5	1001116720	4	Terminal	
6	1001118388	4	Terminal	
7	4460844	1	Connector	
8	4460465	4	Terminal	

Go to Discount-Equipment.com to order your parts

SECTION 8 - ELECTRICAL

FIGURE 8-58. LIFT CYLINDER HARNESS



ART_1001205923

SECTION 8 - ELECTRICAL

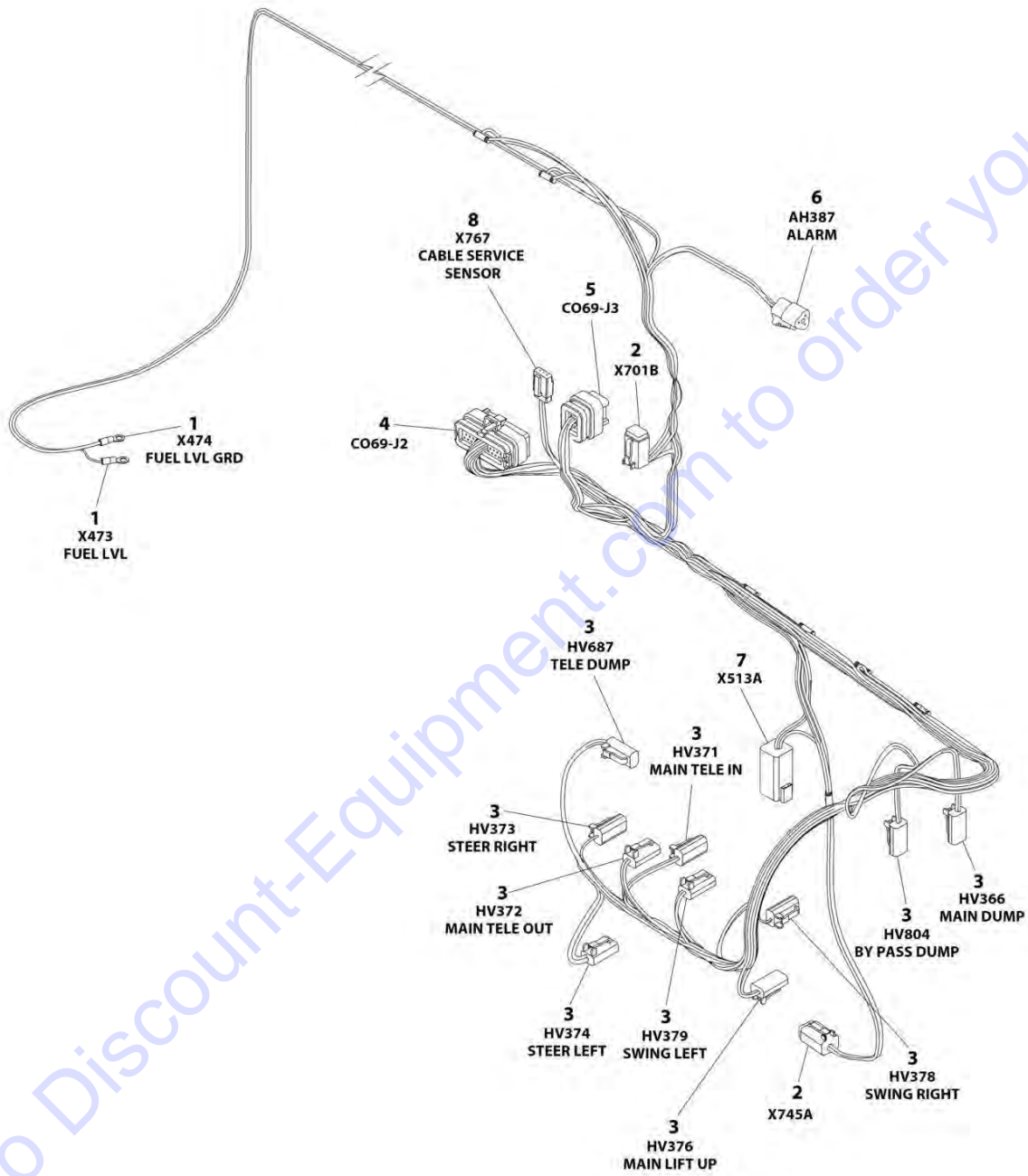
FIGURE 8-58. LIFT CYLINDER HARNESS

ITEM	PART NUMBER	QTY	DESCRIPTION	REV
	1001205923	Ref	LIFT CYLINDER HARNESS	A
1	4460891	2	Plug, Male - 2 Position	
1	4460465	4	Socket, Female	
2	4460932	1	Receptacle, Female - 4 Position	
2	4460464	4	Pin, Male	

Go to Discount-Equipment.com to order your parts

SECTION 8 - ELECTRICAL

FIGURE 8-59. MAIN VALVE HARNESS (2WS)



ART_1001192909

SECTION 8 - ELECTRICAL

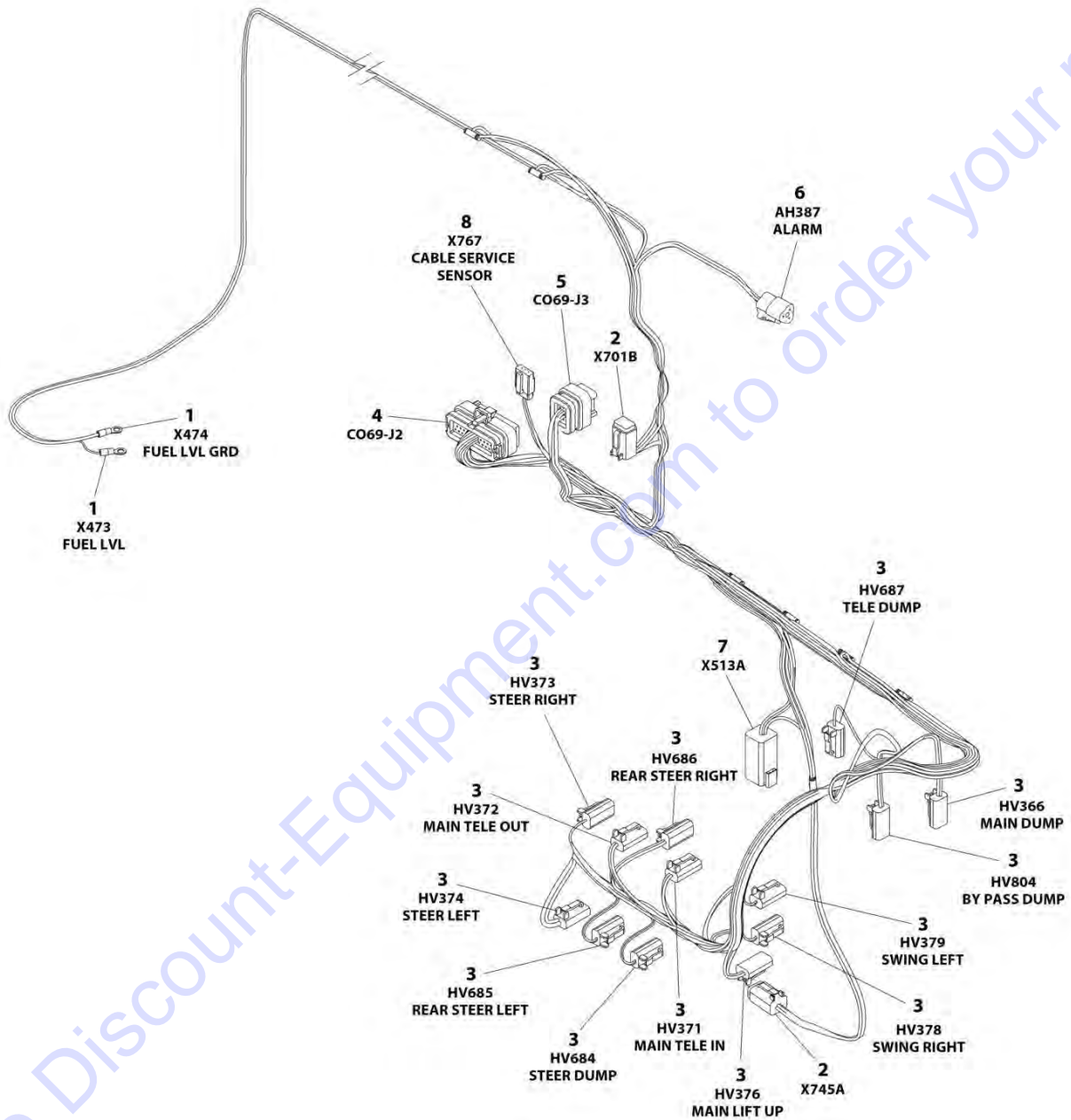
FIGURE 8-59. MAIN VALVE HARNESS (2WS)

ITEM	PART NUMBER	QTY	DESCRIPTION	REV
	1001192909	Ref	MAIN VALVE HARNESS	G
1	4460313	2	Terminal, Ring	
2	4460884	2	Plug, Male - 4 Position	
2	4460465	8	Socket, Female	
3	4460891	10	Plug, Male - 2 Position	
3	4460465	20	Socket, Female	
4	4460875	1	Connector - 35 Position	
4	4460871	23	Socket, Female	
4	4460905	12	Plug, Terminal	
5	4460872	1	Connector - 14 Position	
5	4460871	7	Socket, Female	
5	4460905	7	Plug, Terminal	
6	4460539	1	Plug, Male - 3 Position	
6	4460465	3	Socket, Female	
7	4460899	1	Receptacle, Female - 6 Position	
7	4460464	4	Pin, Male	
7	4460466	2	Plug, Terminal	
8	4460911	1	Plug, Male - 3 Position	
8	1001116694	3	Socket, Female	

Go to Discount-Equipment.com to order your parts

SECTION 8 - ELECTRICAL

FIGURE 8-60. MAIN VALVE HARNESS (4WS)



ART_1001188643

SECTION 8 - ELECTRICAL

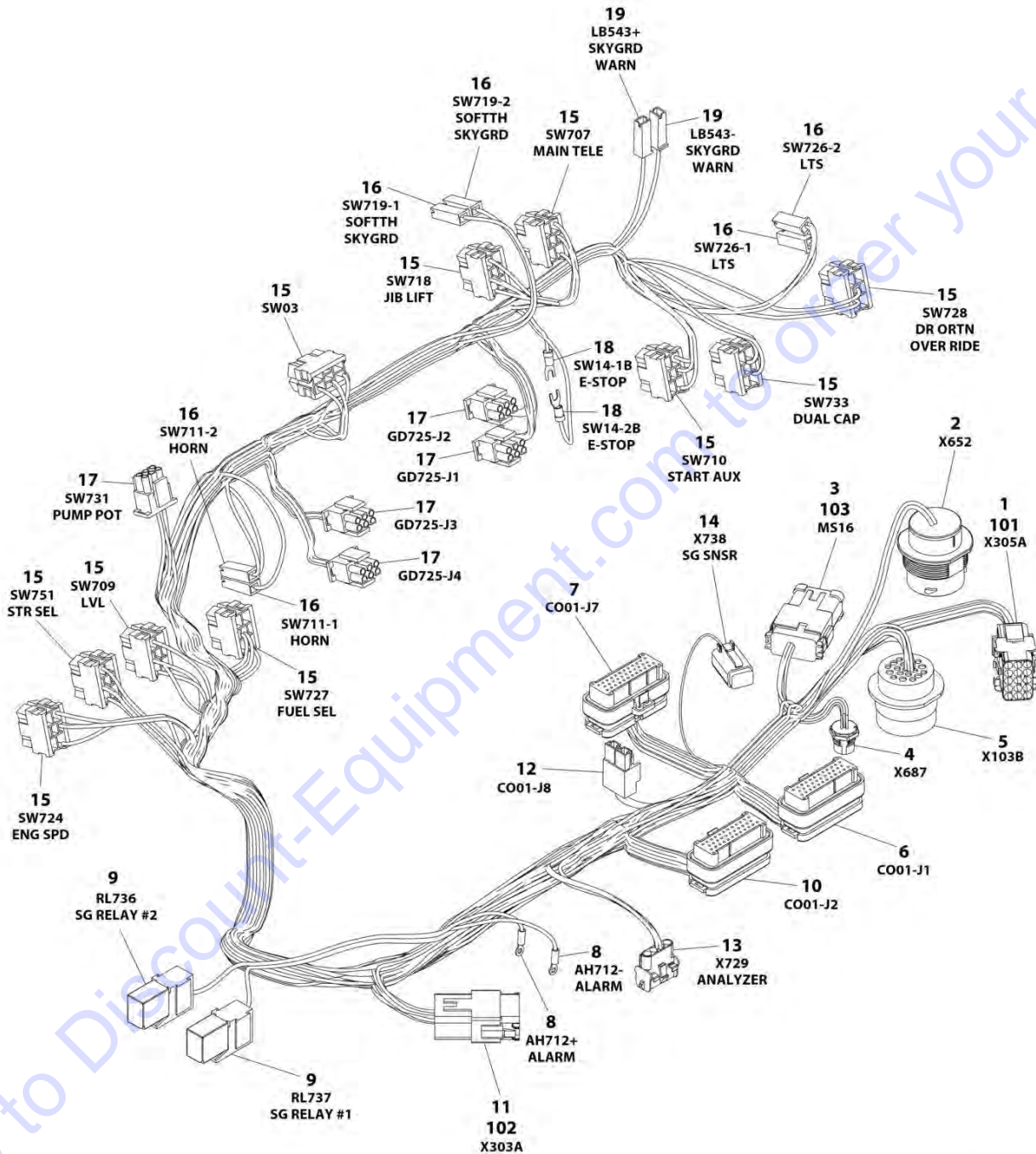
FIGURE 8-60. MAIN VALVE HARNESS (4WS)

ITEM	PART NUMBER	QTY	DESCRIPTION	REV
	1001188643	Ref	MAIN VALVE HARNESS	F
1	4460313	2	Terminal, Ring	
2	4460884	2	Plug, Male - 4 Position	
2	4460465	8	Socket, Female	
3	4460891	13	Plug, Male - 2 Position	
3	4460465	26	Socket, Female	
4	4460875	1	Connector - 35 Position	
4	4460871	23	Socket, Female	
4	4460905	12	Plug, Terminal	
5	4460872	1	Connector - 14 Position	
5	4460871	7	Socket, Female	
5	4460905	7	Plug, Terminal	
6	4460539	1	Plug, Male - 3 Position	
6	4460465	3	Socket, Female	
7	4460899	1	Receptacle, Female - 6 Position	
7	4460464	4	Pin, Male	
7	4460466	2	Plug, Terminal	
8	4460911	1	Plug, Male - 3 Position	
8	1001116694	3	Socket, Female	

Go to Discount-Equipment.com to order your parts

SECTION 8 - ELECTRICAL

FIGURE 8-61. PLATFORM CONSOLE HARNESS (SN 0300235168 through 0300259907, SN B30002655 to Present)



ART_1001196222

SECTION 8 - ELECTRICAL

FIGURE 8-61. PLATFORM CONSOLE HARNESS (SN 0300235168 through 0300259907, SN B30002655 to Present)

ITEM	PART NUMBER	QTY	DESCRIPTION	REV
	1001196222	Ref	PLATFORM CONSOLE HARNESS	I
1	4460434	1	Connector - 15 Position	
1	4460267	8	Pin, Male	
2	4460925	1	Connector - 21 Position	
2	1001116695	13	Pin, Male	
2	4460466	8	Plug, Terminal	
3	4460933	1	Plug, Male - 12 Position	
3	4460465	8	Socket, Female	
3	4460466	4	Plug, Terminal	
4	1001213447	1	Connector - 4 Position	
4	See Note	NSS	Terminal (Note: Purchase p/n 1001213447)	
5	4460866	1	Connector - 19 Position	
5	4460464	7	Pin, Male	
5	4460943	2	Pin, Male	
5	1001157891	2	Pin, Male	
5	4460466	8	Plug, Terminal	
6	4460874	1	Connector - 35 Position	
6	4460871	28	Socket, Female	
6	4460905	7	Plug, Terminal	
7	4460873	1	Connector - 35 Position	
7	4460871	24	Socket, Female	
7	4460905	11	Plug, Terminal	
8	1001098122	2	Terminal, Ring	
9	1001186431	2	Relay	
9	1001186432	2	Connector, Relay	
9	1001118384	3	Terminal	
9	1001118388	2	Terminal	
10	4460876	1	Connector - 35 Position	
10	4460871	27	Socket, Female	
10	4460905	8	Plug, Terminal	
11	4460970	1	Receptacle, Female - 12 Position	
11	1001116693	11	Pin, Male	
11	4460466	1	Plug, Terminal	
12	4460879	1	Plug, Male - 2 Position	
12	4460887	2	Terminal	
13	4460761	1	Receptacle, Female - 4 Position	
13	4460267	4	Pin, Male	
14	4460884	1	Plug, Male - 4 Position	
14	4460944	4	Socket, Female	
15	4460418	10	Connector - 6 Position	
15	4460419	20	Terminal	
15	1001159186	17	Terminal	
16	4460260	6	Housing, Terminal	
16	4460259	6	Terminal	
17	4460225	5	Plug, Male - 6 Position	
17	4460227	6	Pin, Male (Note: Used on Pump Potentiometer Connection Only)	
17	4460226	19	Socket, Female	
18	4460183	2	Terminal, Fork	
19	1001116705	2	Terminal	

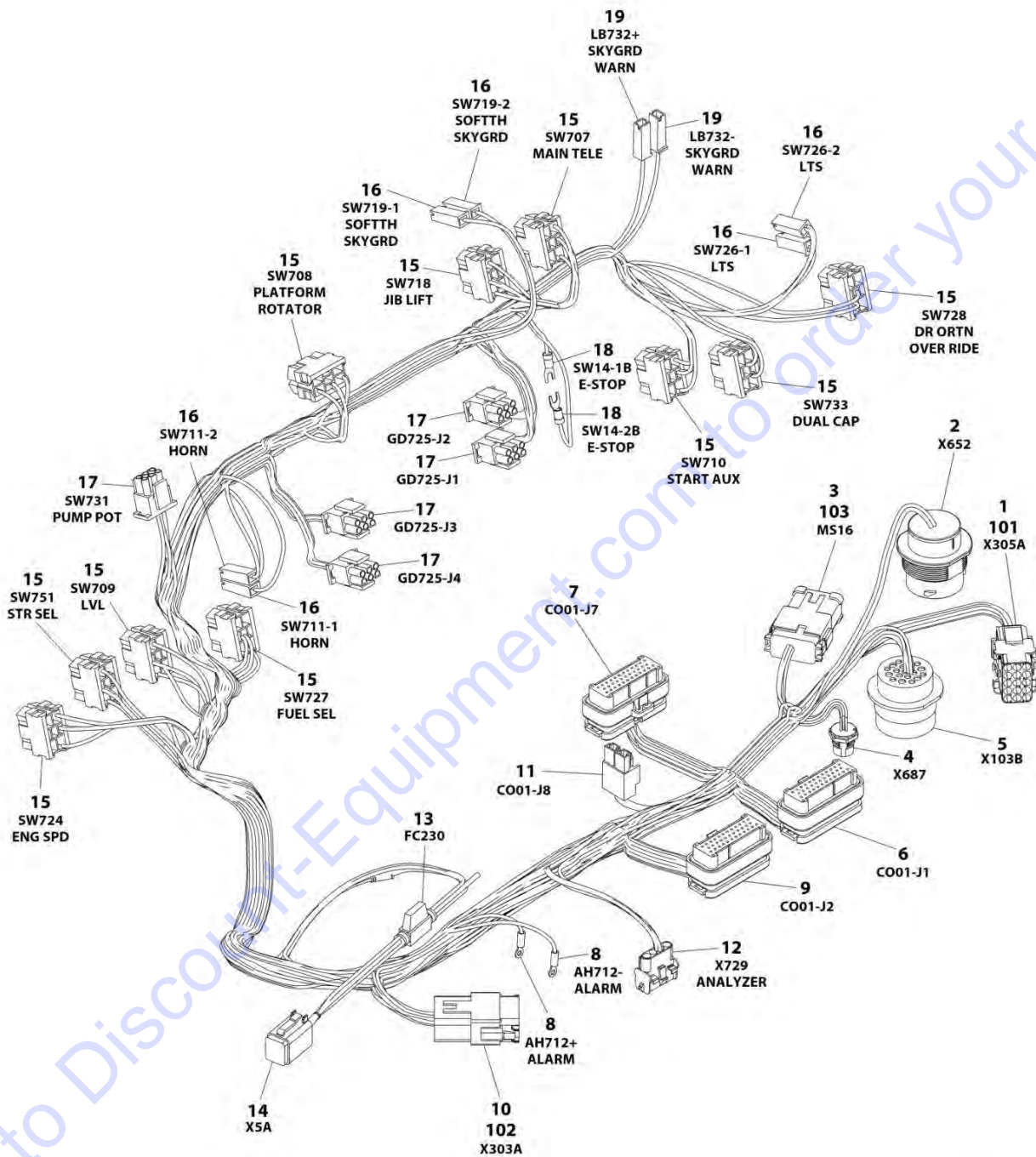
SECTION 8 - ELECTRICAL

ITEM	PART NUMBER	QTY	DESCRIPTION	REV
101	4460708	1	Connector - 12 Position	
102	4460933	1	Plug, Male - 12 Position	
103	1001125677	1	Connector, Bussbar	

Go to Discount-Equipment.com to order your parts

SECTION 8 - ELECTRICAL

FIGURE 8-62. PLATFORM CONSOLE HARNESS (SN 0300259908 to Present)



ART_1001243261

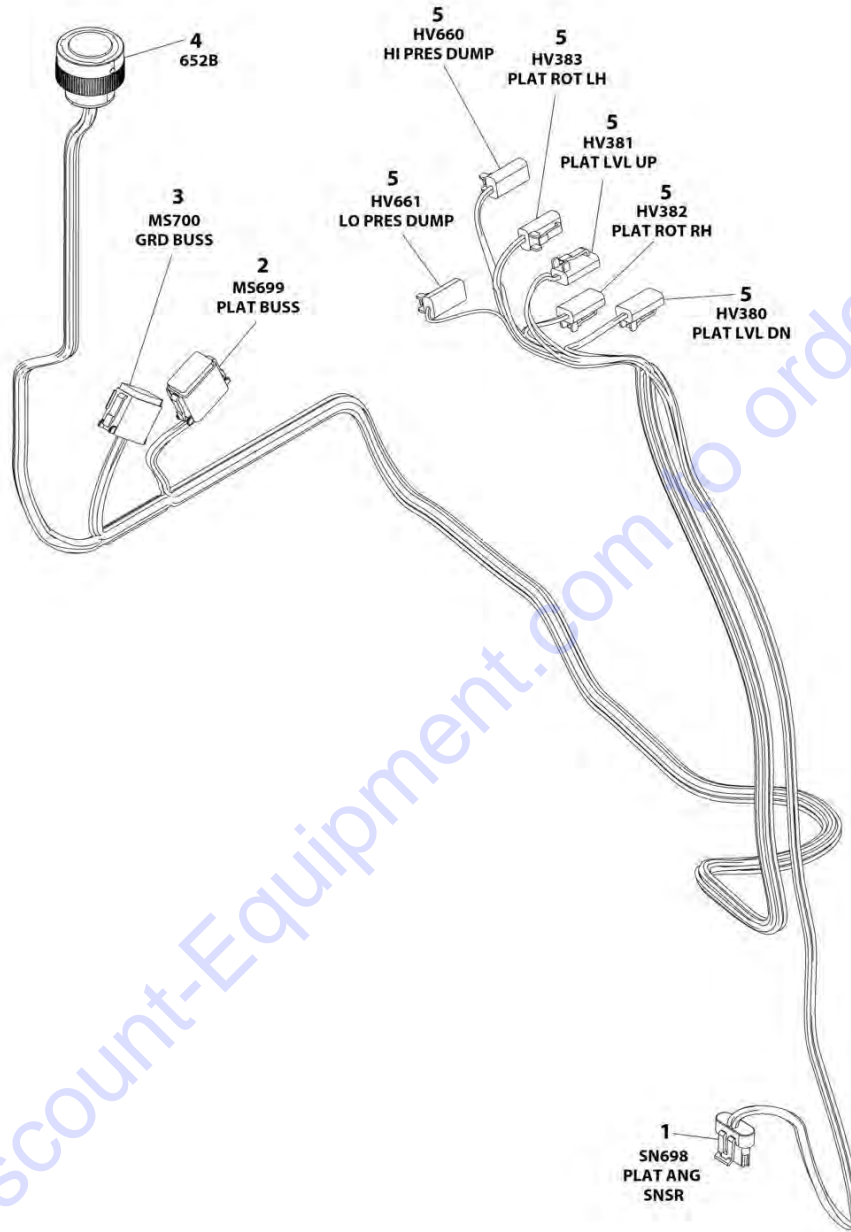
SECTION 8 - ELECTRICAL

FIGURE 8-62. PLATFORM CONSOLE HARNESS (SN 0300259908 to Present)

ITEM	PART NUMBER	QTY	DESCRIPTION	REV
	1001243261	Ref	PLATFORM CONSOLE HARNESS	A
1	4460434	1	Connector - 15 Position	
1	4460267	8	Pin, Male	
2	4460925	1	Connector - 21 Position	
2	1001116695	13	Pin, Male	
2	4460466	8	Plug, Terminal	
3	4460933	1	Plug, Male - 12 Position	
3	4460465	7	Socket, Female	
3	4460466	5	Plug, Terminal	
4	1001213447	1	Connector - 4 Position	
4	See Note	NSS	Terminal (Note: Purchase p/n 1001213447)	
5	4460866	1	Connector - 19 Position	
5	4460464	7	Pin, Male	
5	4460943	2	Pin, Male	
5	1001157891	2	Pin, Male	
5	4460466	8	Plug, Terminal	
6	4460874	1	Connector - 35 Position	
6	4460871	28	Socket, Female	
6	4460905	7	Plug, Terminal	
7	4460873	1	Connector - 35 Position	
7	4460871	24	Socket, Female	
7	4460905	11	Plug, Terminal	
8	1001098122	2	Terminal, Ring	
9	4460876	1	Connector - 35 Position	
9	4460871	29	Socket, Female	
9	4460905	6	Plug, Terminal	
10	4460970	1	Receptacle, Female - 12 Position	
10	1001116693	7	Pin, Male	
10	4460466	5	Plug, Terminal	
11	4460879	1	Plug, Male - 2 Position	
11	4460887	2	Terminal	
12	4460761	1	Receptacle, Female - 4 Position	
12	1001118378	4	Pin, Male	
13	2400060	1	Fuseholder (Includes Cover)	
13	8229242	1	Fuse - 5Amp	
14	4460884	1	Plug, Male - 4 Position	
14	4460944	6	Socket, Female	
15	4460418	10	Connector - 6 Position	
15	4460419	20	Terminal	
15	1001159186	17	Terminal	
16	4460260	6	Housing, Terminal	
16	4460259	6	Terminal	
17	4460225	5	Plug, Male - 6 Position	
17	4460227	6	Pin, Male (Note: Used on Pump Potentiometer Connection Only)	
17	4460226	19	Socket, Female	
18	4460183	2	Terminal, Fork	
19	1001116705	2	Terminal	
101	4460708	1	Connector - 12 Position	
102	4460933	1	Plug, Male - 12 Position	
103	1001125677	1	Connector, Bussbar	

SECTION 8 - ELECTRICAL

FIGURE 8-63. PLATFORM VALVE HARNESS (600S)



ART_1001191328

SECTION 8 - ELECTRICAL

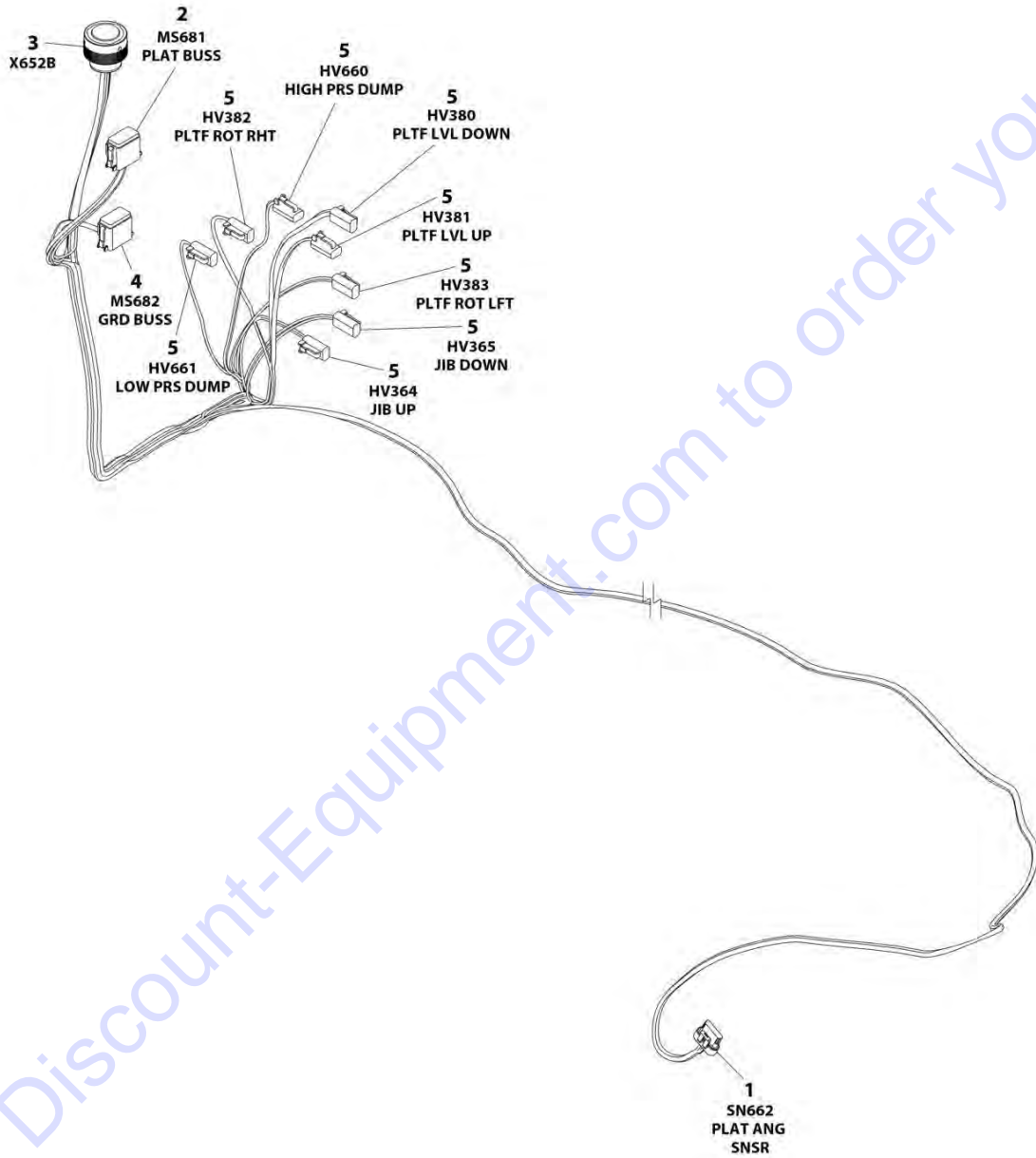
FIGURE 8-63. PLATFORM VALVE HARNESS (600S)

ITEM	PART NUMBER	QTY	DESCRIPTION	REV
	1001191328	Ref	PLATFORM VALVE HARNESS	F
1	1001230931	1	Plug, Male - 6 Position	
1	1001116748	6	Terminal	
2	4460933	1	Plug, Male - 12 Position	
2	4460465	6	Socket, Female	
2	4460466	6	Plug, Terminal	
2	1001125677	1	Connector, Bussbar	
2	1001120328	1	Mount, Connector	
3	4460836	1	Plug, Male - 12 Position	
3	4460465	7	Socket, Female	
3	4460466	5	Plug, Terminal	
3	4460837	1	Connector, Bussbar	
3	1001120328	1	Mount, Connector	
4	4460926	1	Connector - 21 Position	
4	4460465	11	Socket, Female	
4	4460466	10	Plug, Terminal	
5	4460891	6	Plug, Male - 2 Position	
5	4460465	12	Socket, Female	

Go to Discount-Equipment.com to order your parts

SECTION 8 - ELECTRICAL

FIGURE 8-64. PLATFORM VALVE HARNESS (660SJ)



ART_1001189111

SECTION 8 - ELECTRICAL

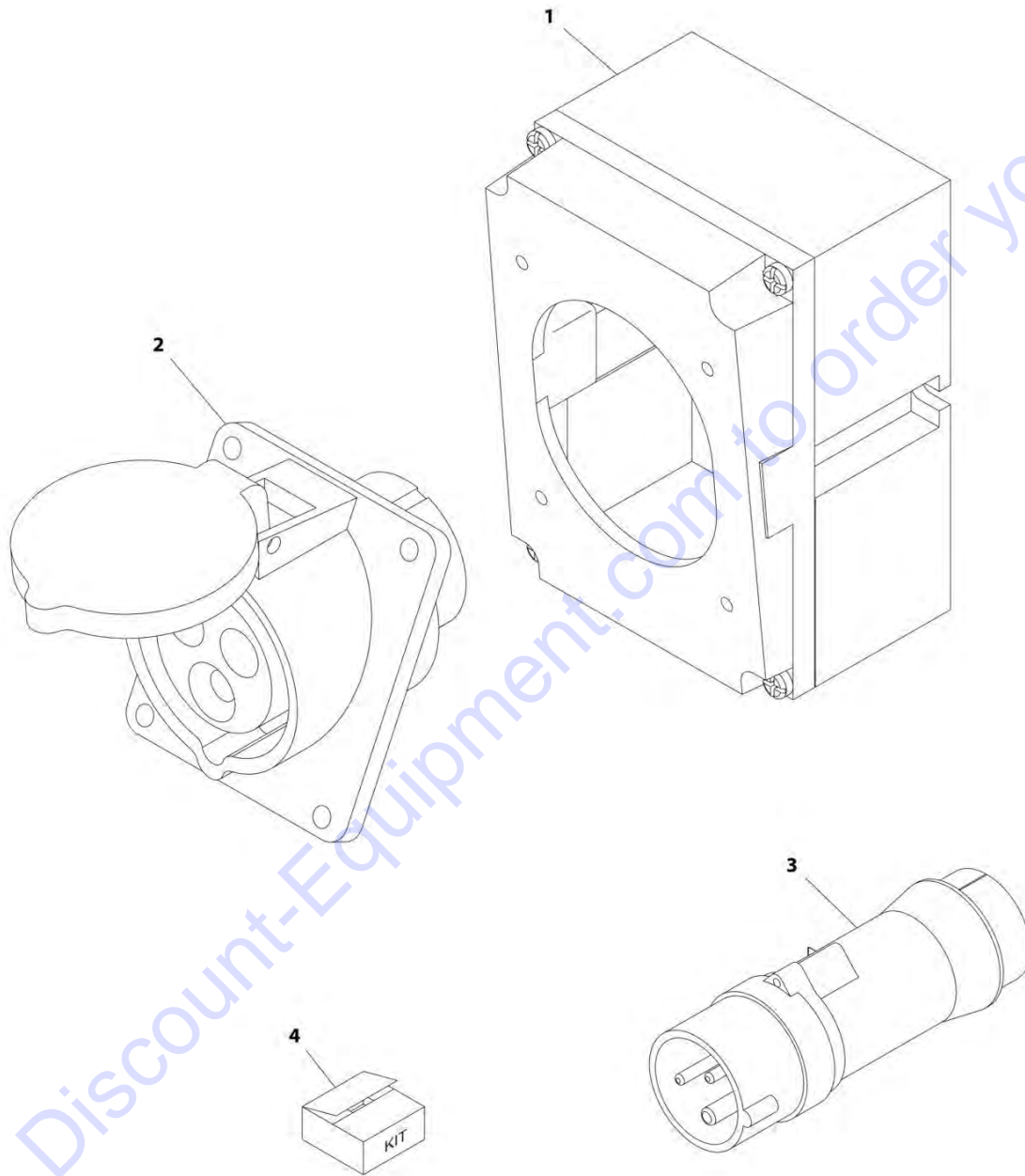
FIGURE 8-64. PLATFORM VALVE HARNESS (660SJ)

ITEM	PART NUMBER	QTY	DESCRIPTION	REV
	1001189111	Ref	PLATFORM VALVE HARNESS	J
1	1001230931	1	Plug, Male - 6 Position	
1	1001116748	6	Terminal	
2	4460933	1	Plug, Male - 12 Position	
2	4460465	6	Socket, Female	
2	4460466	6	Plug, Terminal	
2	1001125677	1	Connector, Bussbar	
3	4460926	1	Connector - 21 Position	
3	4460928	13	Socket, Female	
3	4460518	8	Plug, Terminal	
4	4460836	1	Plug, Male - 12 Position	
4	4460465	9	Socket, Female	
4	4460466	3	Plug, Terminal	
4	4460837	1	Connector, Bussbar	
4	1001120328	1	Clip, Mounting (SN 0300257781 to Present)	
5	4460891	8	Plug, Male - 2 Position	
5	4460465	16	Socket, Female	

Go to Discount-Equipment.com to order your parts

SECTION 8 - ELECTRICAL

FIGURE 8-65. RECEPTACLE BOX KIT - 110V IEC YELLOW (CE SPEC)



ART_0275216

SECTION 8 - ELECTRICAL

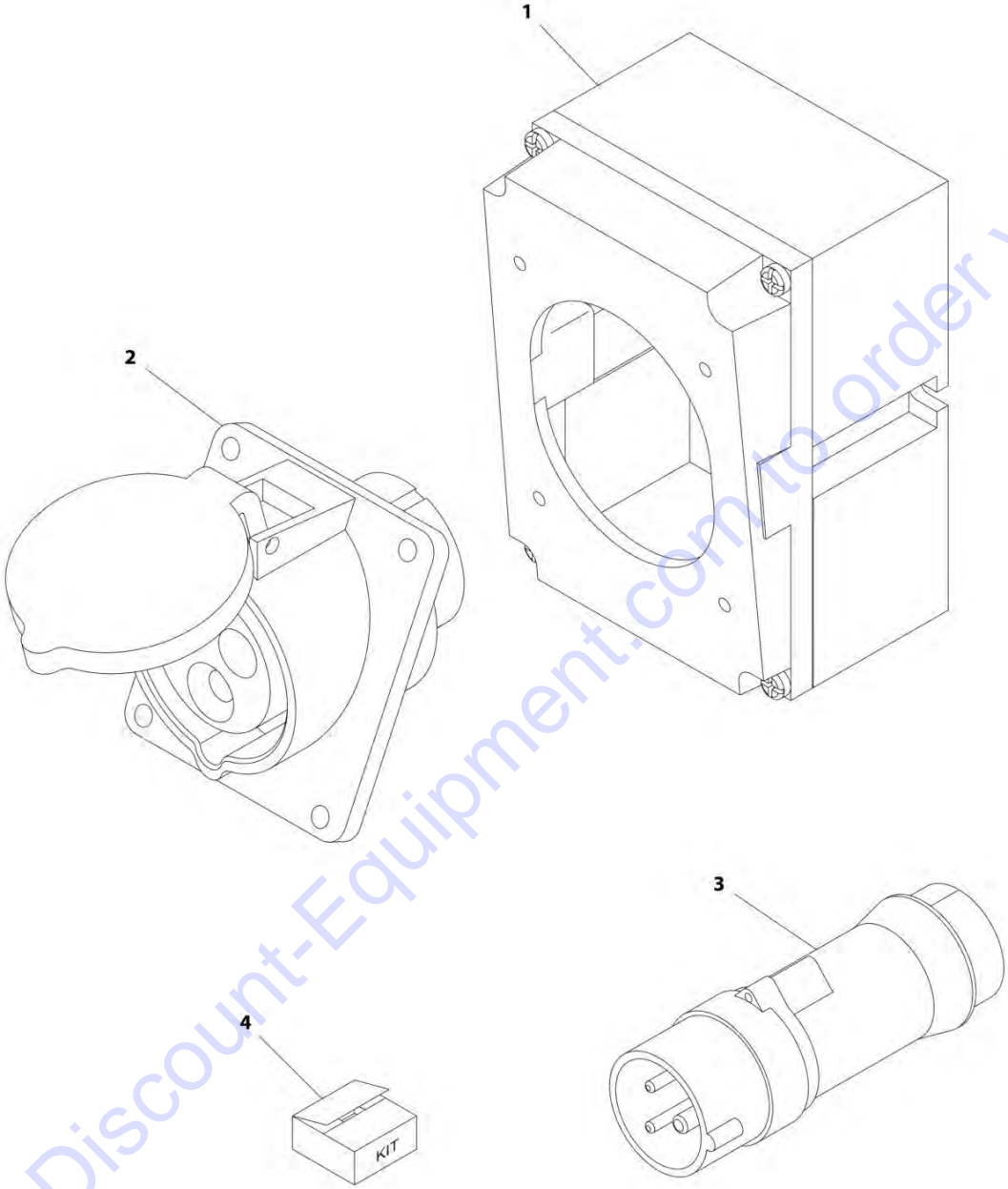
FIGURE 8-65. RECEPTACLE BOX KIT - 110V IEC YELLOW (CE SPEC)

ITEM	PART NUMBER	QTY	DESCRIPTION	REV
	0275216	Ref	RECEPTACLE BOX KIT - 110V IEC YELLOW	B
1	0861781	1	Box, Switch	
2	4461198	1	Receptacle	
3	4461196	1	Plug, Male	
4	1001100341	1	Plug and Socket Kit (Includes Items 1-3 and Female Plug p/n 4461197)	

Go to Discount-Equipment.com to order your parts

SECTION 8 - ELECTRICAL

FIGURE 8-66. RECEPTACLE BOX KIT - 220V IEC BLUE (CE SPEC)



Go to Discount-Equipment.com to order your parts

ART_0275217

SECTION 8 - ELECTRICAL

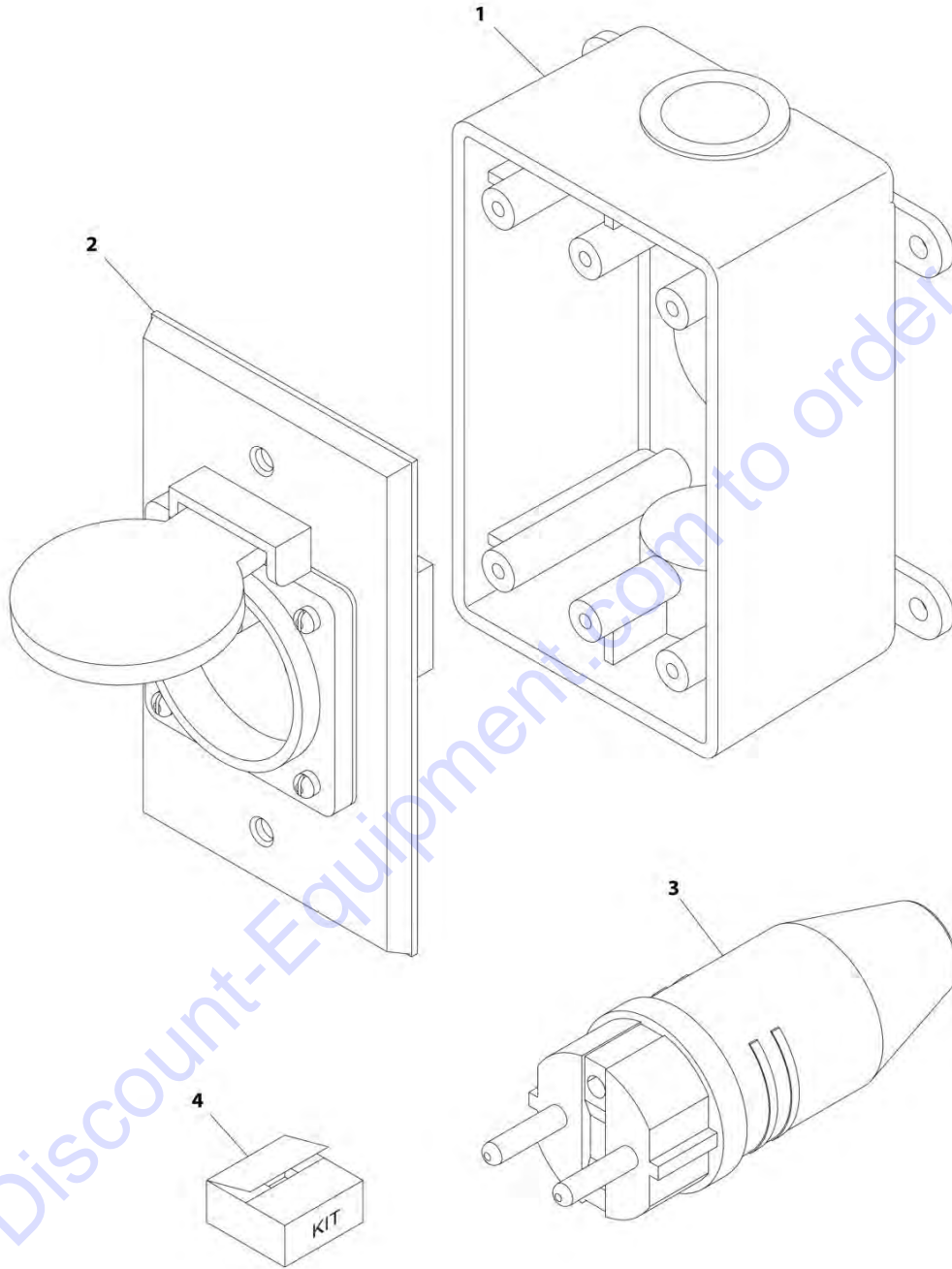
FIGURE 8-66. RECEPTACLE BOX KIT - 220V IEC BLUE (CE SPEC)

ITEM	PART NUMBER	QTY	DESCRIPTION	REV
	0275217	Ref	RECEPTACLE BOX KIT - 220V IEC BLUE	B
1	0861781	1	Box, Switch	
2	4461201	1	Receptacle	
3	4461199	1	Plug, Male	
4	1001100342	1	Plug and Socket Kit (Includes Items 1-3 and Female Plug p/n 4461200)	

Go to Discount-Equipment.com to order your parts

SECTION 8 - ELECTRICAL

FIGURE 8-67. RECEPTACLE BOX KIT - 220V CEE7 POST GROUND 2X4 BOX (CE SPEC)



ART_0275452-C

SECTION 8 - ELECTRICAL

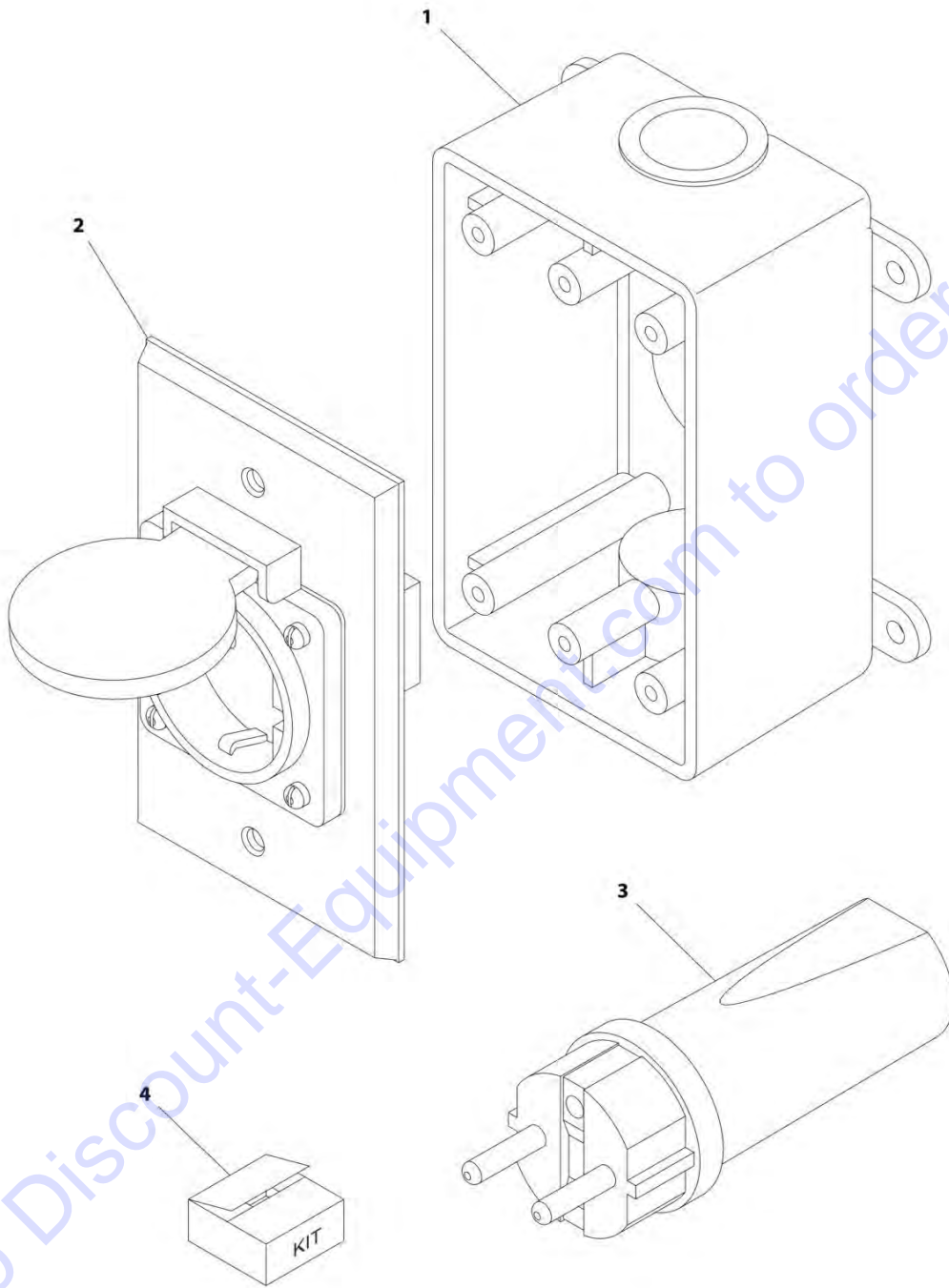
FIGURE 8-67. RECEPTACLE BOX KIT - 220V CEE7 POST GROUND 2X4 BOX (CE SPEC)

ITEM	PART NUMBER	QTY	DESCRIPTION	REV
	0275452	Ref	RECEPTACLE BOX KIT - 220V CEE7 POST GROUND	C
1	0861731	1	Box, Switch	
2	4461244	1	Receptacle	
3	4461205	1	Plug, Male	
4	1001100345	1	Plug and Socket Kit (Includes Items 1-3 and Female Plug p/n 4461206)	

Go to Discount-Equipment.com to order your parts

SECTION 8 - ELECTRICAL

FIGURE 8-68. RECEPTACLE BOX KIT - 220V CEE7 SIDE GROUND (CE SPEC)



ART_0275453

SECTION 8 - ELECTRICAL

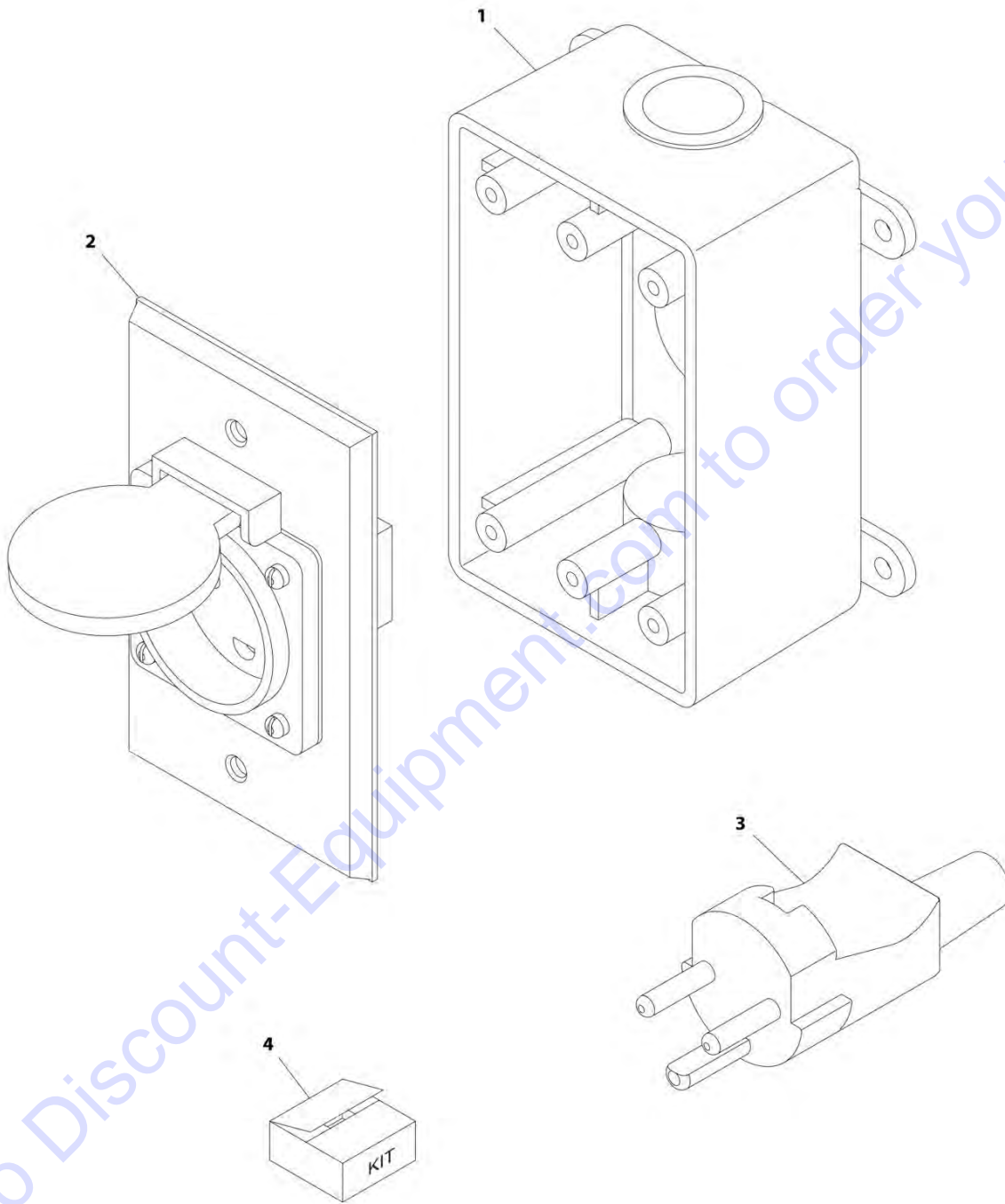
FIGURE 8-68. RECEPTACLE BOX KIT - 220V CEE7 SIDE GROUND (CE SPEC)

ITEM	PART NUMBER	QTY	DESCRIPTION	REV
	0275453	Ref	RECEPTACLE BOX KIT - 220V CEE7 SIDE GROUND	B
1	0861731	1	Box, Switch	
2	4461245	1	Receptacle	
3	4461205	1	Plug, Male	
4	1001100347	1	Plug and Socket Kit (Includes Items 1-3 and Female Plug p/n 4461206)	

Go to Discount-Equipment.com to order your parts

SECTION 8 - ELECTRICAL

FIGURE 8-69. RECEPTACLE BOX KIT - 220V AFSINT 107 (CE SPEC)



ART_0275454

SECTION 8 - ELECTRICAL

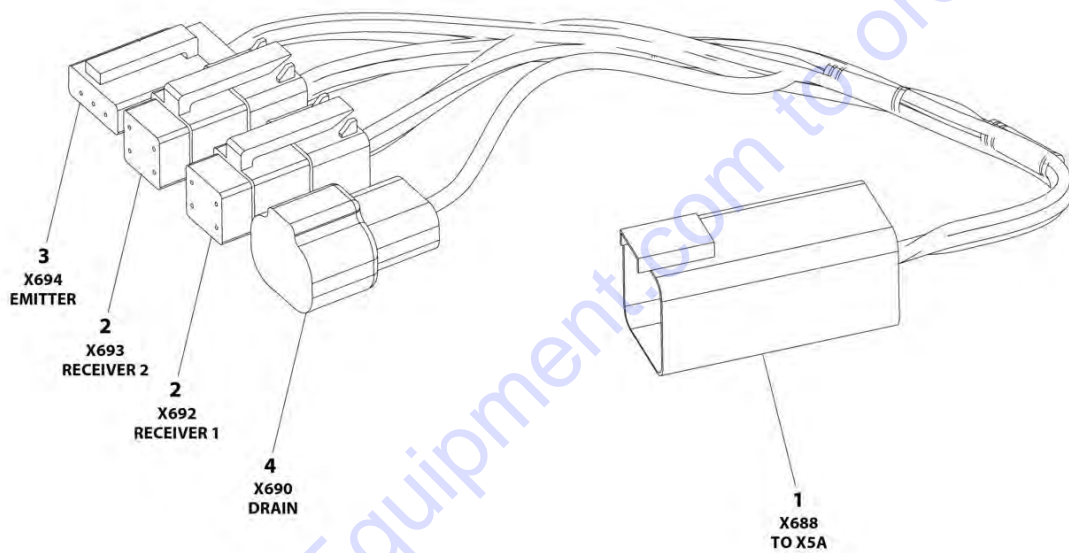
FIGURE 8-69. RECEPTACLE BOX KIT - 220V AFSINT 107 (CE SPEC)

ITEM	PART NUMBER	QTY	DESCRIPTION	REV
	0275454	Ref	RECEPTACLE BOX KIT - 220V AFSINT 107	B
1	0861731	1	Box, Switch	
2	4461246	1	Receptacle	
3	4461249	1	Plug, Male	
4	1001100346	1	Plug and Socket Kit (Includes Items 1-3 and Female Plug p/n 4461250)	

Go to Discount-Equipment.com to order your parts

SECTION 8 - ELECTRICAL

FIGURE 8-70. SKYEYE INTERMEDIATE HARNESS



ART_1001237865

SECTION 8 - ELECTRICAL

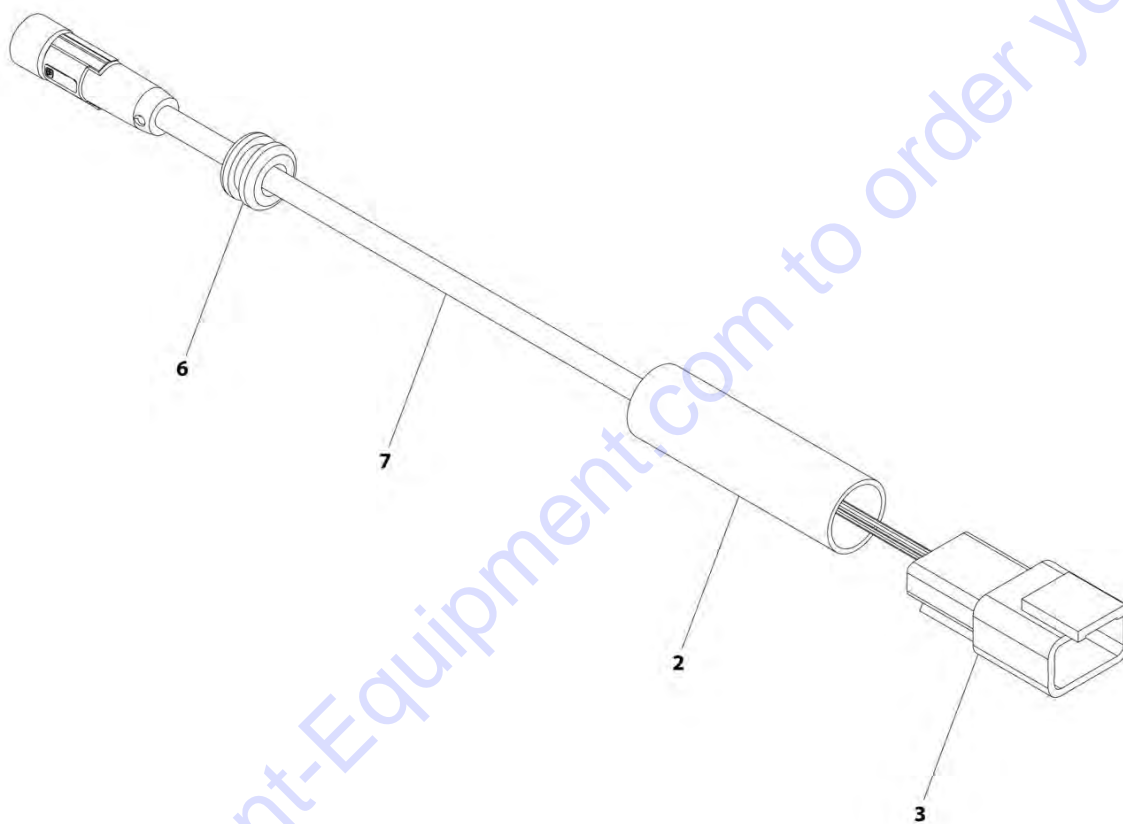
FIGURE 8-70. SKYEYE INTERMEDIATE HARNESS

ITEM	PART NUMBER	QTY	DESCRIPTION	REV
	1001237865	Ref	SKYEYE INTERMEDIATE HARNESS	A
1	4460899	1	Connector - 6 Position	
1	4460943	4	Pin, Male	
1	4460466	2	Plug, Terminal	
2	4461077	2	Connector - 4 Position	
2	1001119619	8	Socket, Female	
3	4460911	1	Connector - 3 Position	
3	1001119619	3	Socket, Female	
4	1001187681	1	Connector - 2 Position	
4	4460941	1	Pin, Male	
4	4460466	1	Plug, Terminal	

Go to Discount-Equipment.com to order your parts

SECTION 8 - ELECTRICAL

FIGURE 8-71. SKYEYE EMITTER HARNESS



ART_1001237864

SECTION 8 - ELECTRICAL

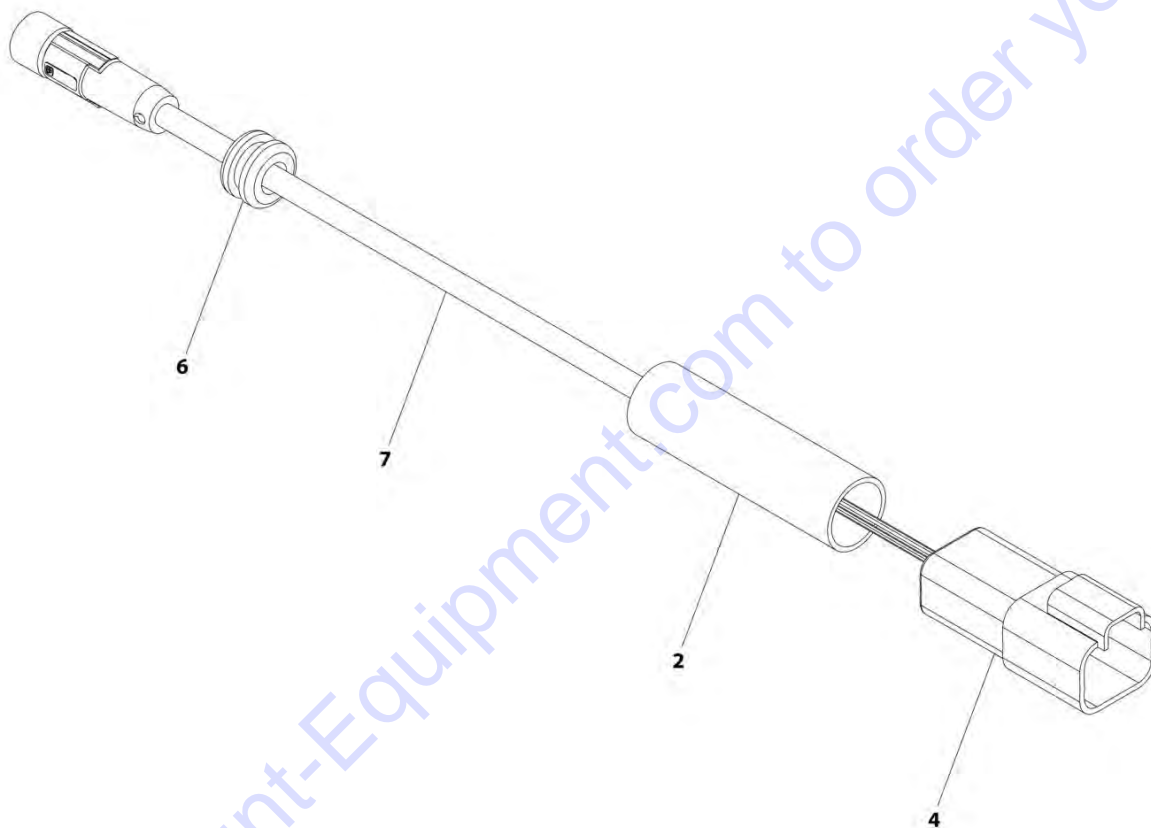
FIGURE 8-71. SKYEYE EMITTER HARNESS

ITEM	PART NUMBER	QTY	DESCRIPTION	REV
	1001237864	Ref	SKYEYE EMITTER HARNESS	A
2	2820247	AR	Tubing, Heat Shrink	
3	4460910	1	Connector - 3 Position	
3	1001119620	3	Pin, Male	
6	1001227996	1	Grommet	
7	1001237862	1	Cable, M8 Female Cordset	

Go to Discount-Equipment.com to order your parts

SECTION 8 - ELECTRICAL

FIGURE 8-72. SKYEYE RECEIVER HARNESS



ART_1001237863

SECTION 8 - ELECTRICAL

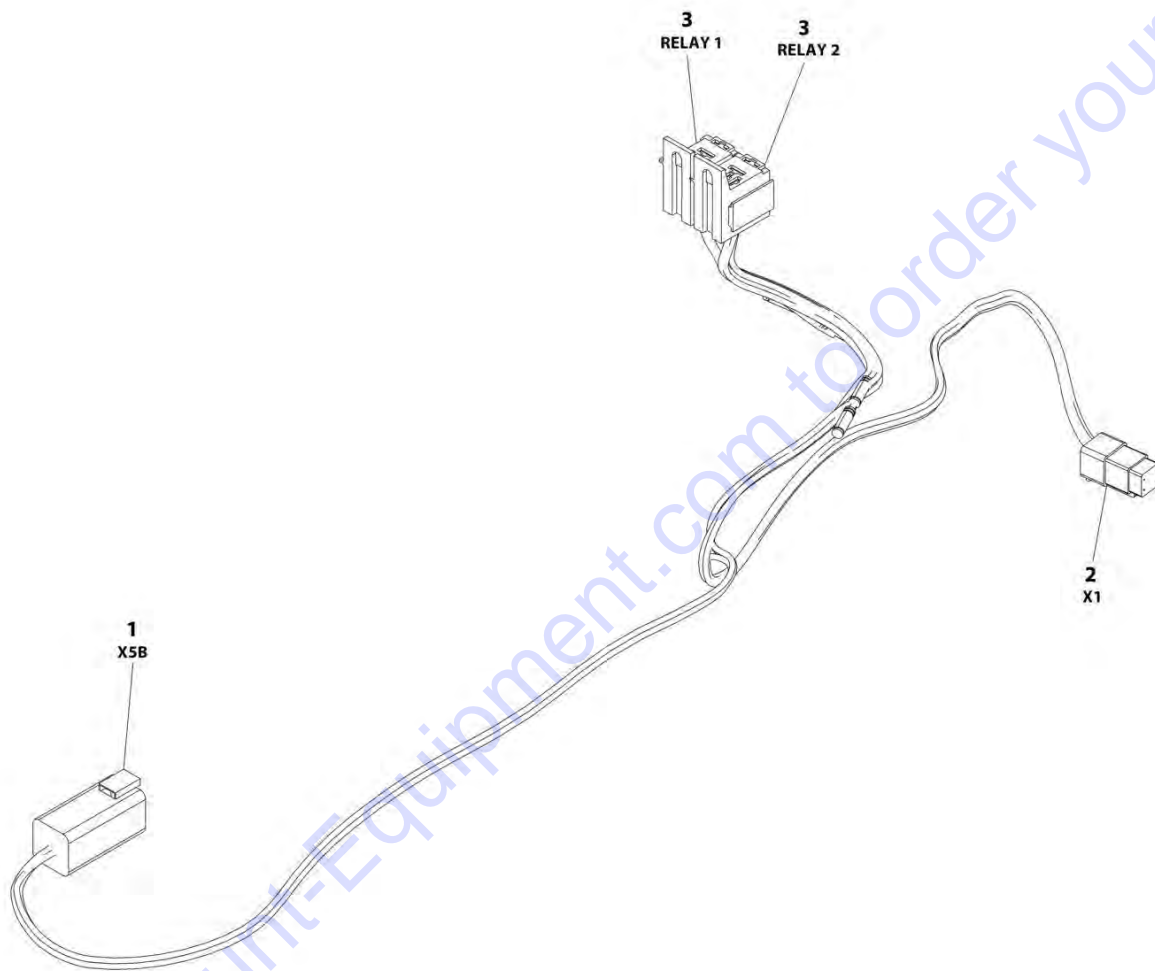
FIGURE 8-72. SKYEYE RECEIVER HARNESS

ITEM	PART NUMBER	QTY	DESCRIPTION	REV
	1001237863	Ref	SKYEYE RECEIVER HARNESS	A
2	2820247	AR	Tubing, Heat Shrink	
4	1001097051	1	Connector - 4 Position	
4	1001119620	4	Pin, Male	
6	1001227996	1	Grommet	
7	1001237862	1	Cable, M8 Female Cordset	

Go to Discount-Equipment.com to order your parts

SECTION 8 - ELECTRICAL

FIGURE 8-73. SKYLINE HARNESS



ART_1001238418

SECTION 8 - ELECTRICAL

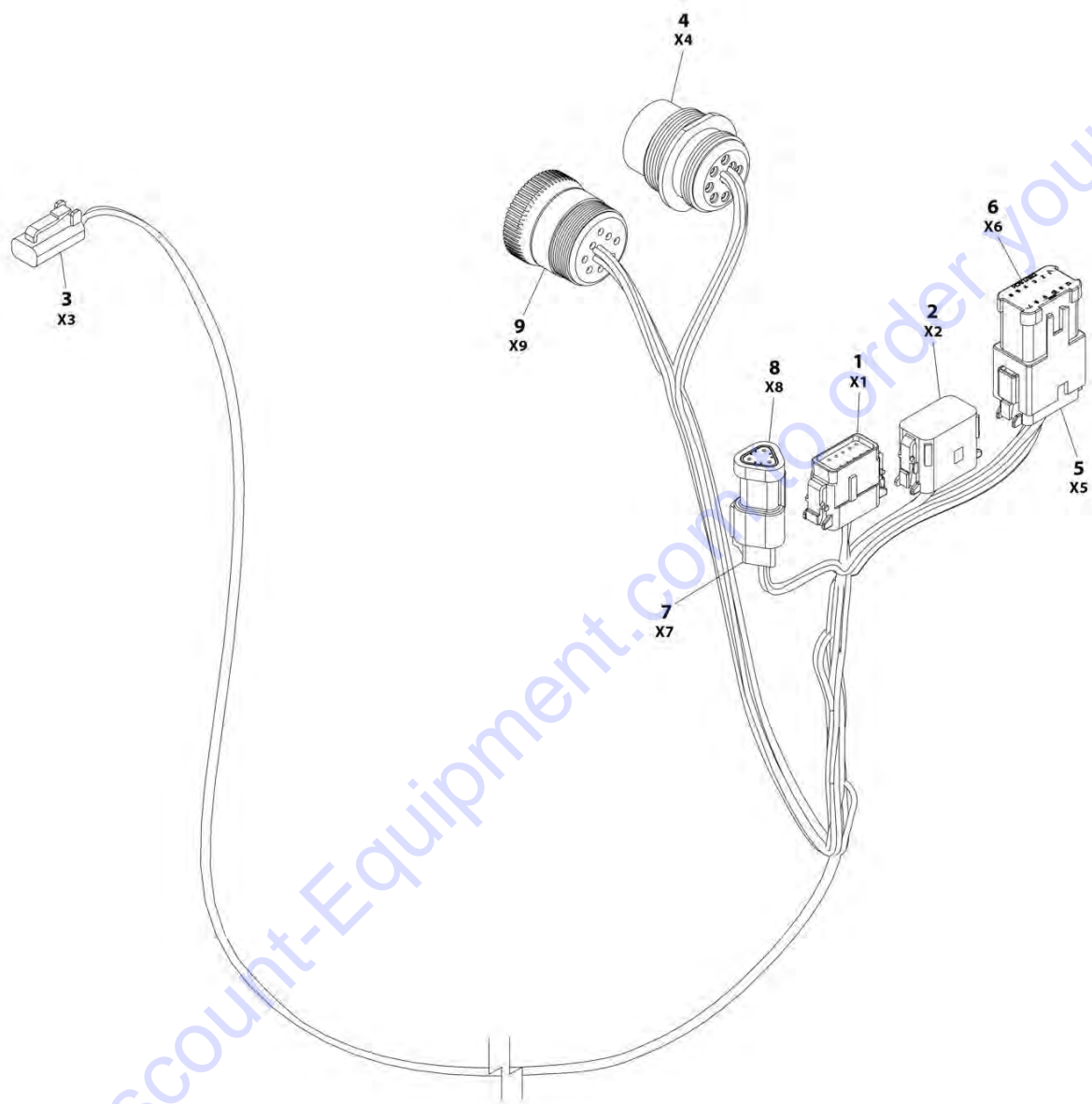
FIGURE 8-73. SKYLINE HARNESS

ITEM	PART NUMBER	QTY	DESCRIPTION	REV
	1001238418	Ref	SKYLINE HARNESS	A
1	4460899	1	Connector - 6 Position	
1	4460464	4	Pin, Male	
1	4460466	2	Plug, Terminal	
2	4461077	1	Connector - 4 Position	
2	1001126009	4	Socket, Female	
3	1001186432	2	Plug, Relay	
3	1001118388	5	Terminal	
3	1001118384	3	Terminal	
3	3740086	2	Relay	
3	3990013	2	Diode	

Go to Discount-Equipment.com to order your parts

SECTION 8 - ELECTRICAL

FIGURE 8-74. STROBE LIGHT CONTROL HARNESS (BLUE LIGHT)



ART_1001142736

SECTION 8 - ELECTRICAL

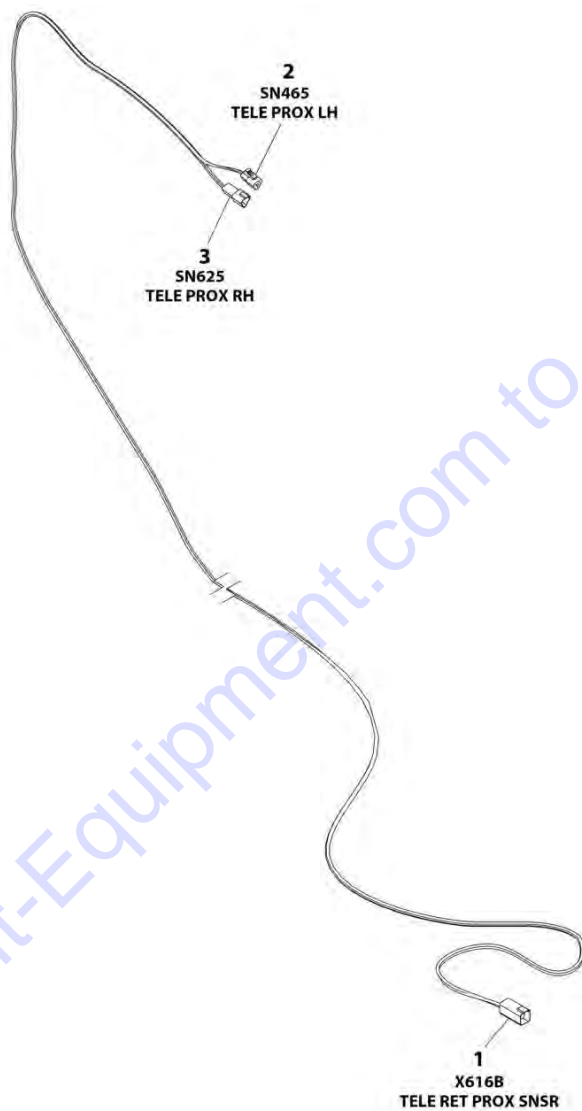
FIGURE 8-74. STROBE LIGHT CONTROL HARNESS (BLUE LIGHT)

ITEM	PART NUMBER	QTY	DESCRIPTION	REV
	1001142736	Ref	BEACON HARNESS	F
1	1001116808	1	Plug, Male - 12 Position	
1	4460928	3	Socket, Female	
1	4460518	9	Plug, Terminal	
2	1001116774	1	Plug, Male - 12 Position	
2	4460928	3	Socket, Female	
2	4460518	9	Plug, Terminal	
3	4460891	1	Plug, Male - 2 Position	
3	4460465	2	Socket, Female	
4	1001112612	1	Connector - 9 Position	
4	4460464	6	Pin, Male	
4	4460466	3	Plug, Terminal	
5	4460933	1	Plug, Male - 12 Position	
5	4460465	12	Socket, Female	
6	1001119020	1	Bussbar - 12 Position	
7	4461095	1	Plug, Male - 3 Position	
7	4460465	3	Socket, Female	
8	4461070	1	Bussbar - 3 Position	
9	1001112796	1	Connector - 9 Position	
9	4460465	6	Socket, Female	
9	4460466	3	Plug, Terminal	

Go to Discount-Equipment.com to order your parts

SECTION 8 - ELECTRICAL

FIGURE 8-75. TELE PROXIMITY HARNESS



Go to Discount-Equipment.com to order your parts

ART_1001189003

SECTION 8 - ELECTRICAL

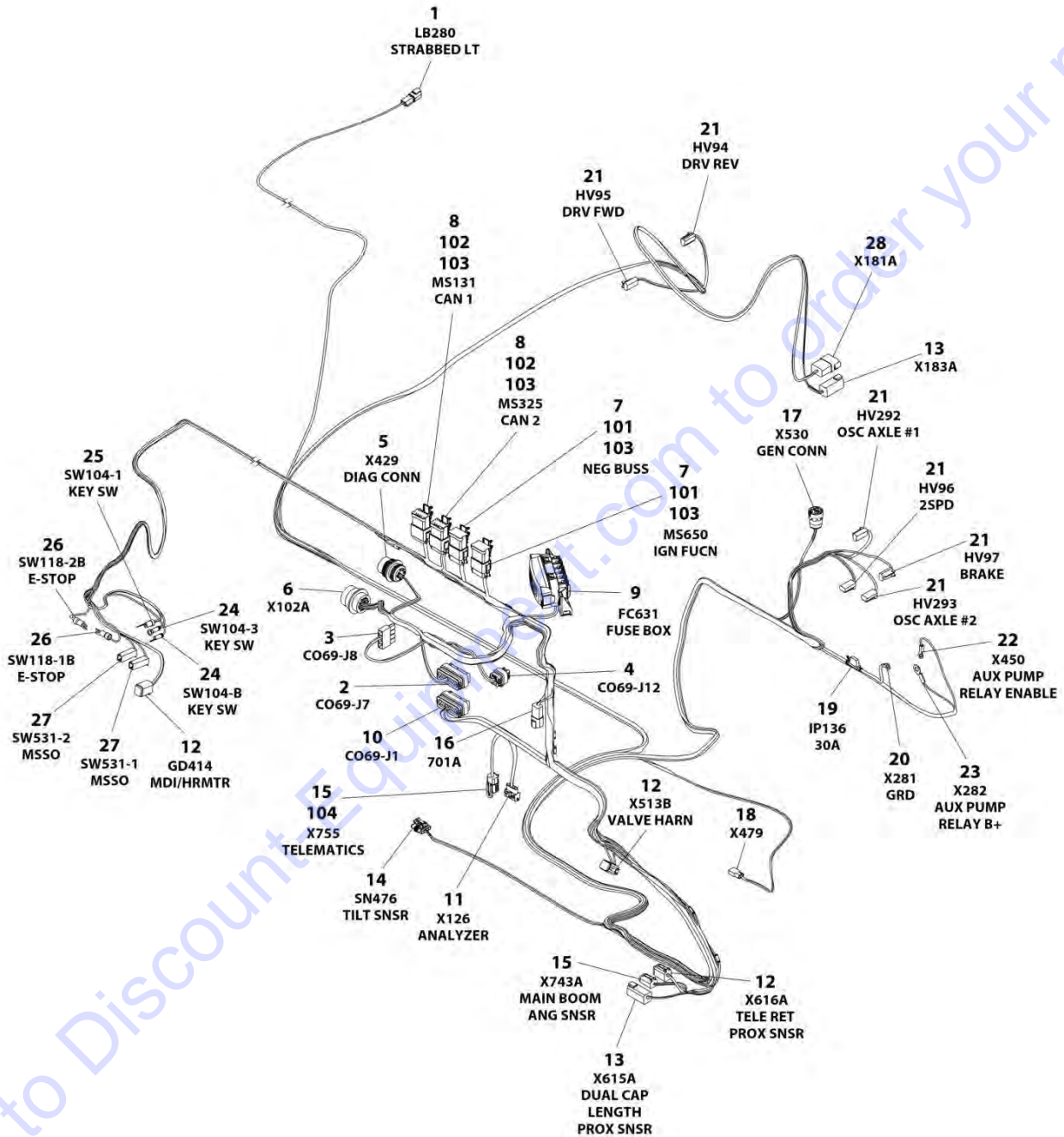
FIGURE 8-75. TELE PROXIMITY HARNESS

ITEM	PART NUMBER	QTY	DESCRIPTION	REV
	1001189003	Ref	TELE PROXIMITY HARNESS	D
1	4460899	1	Receptacle, Female - 6 Position	
1	4460464	6	Pin, Male	
2	4460539	1	Plug, Male - 3 Position	
2	4460465	3	Socket, Female	
3	4460536	1	Receptacle, Female - 3 Position	
3	4460464	3	Pin, Male	

Go to Discount-Equipment.com to order your parts

SECTION 8 - ELECTRICAL

FIGURE 8-76. TURNTABLE HARNESS



ART_1001188642

PARTS FINDER

**Search Website
by Part Number**



**Search Manual
Library For Parts
Manual & Lookup Part
Numbers – Purchase
or Request Quote**

**Can't Find Part or
Manual? Request Help
by Manufacturer,
Model & Description**

Discount-Equipment.com is your online resource for quality parts & equipment.

Florida: **561-964-4949** Outside Florida TOLL FREE: **877-690-3101**

Need parts?

Click on this link: <http://www.discount-equipment.com/category/5443-parts/> and choose one of the options to help get the right parts and equipment you are looking for. Please have the machine model and serial number available in order to help us get you the correct parts. If you don't find the part on the website or on one of the online manuals, please fill out the request form and one of our experienced staff members will get back to you with a quote for the right part that your machine needs.

We sell worldwide for the brands: Genie, Terex, JLG, MultiQuip, Mikasa, Essick, Whiteman, Mayco, Toro Stone, Diamond Products, Generac Magnum, Airman, Haulotte, Barreto, Power Blanket, Nifty Lift, Atlas Copco, Chicago Pneumatic, Allmand, Miller Curber, Skyjack, Lull, Skytrak, Tsurumi, Husquvarna Target, Stow, Wacker, Sakai, Mi-T-M, Sullair, Basic, Dynapac, MBW, Weber, Bartell, Bennar Newman, Haulotte, Ditch Runner, Menegotti, Morrison, Contec, Buddy, Crown, Edco, Wyco, Bomag, Laymor, EZ Trench, Bil-Jax, F.S. Curtis, Gehl Pavers, Heli, Honda, ICS/PowerGrit, IHI, Partner, Imer, Clipper, MMD, Koshin, Rice, CH&E, General Equipment, Amida, Coleman, NAC, Gradall, Square Shooter, Kent, Stanley, Tamco, Toku, Hatz, Kohler, Robin, Wisconsin, Northrock, Oztec, Toker TK, Rol-Air, APT, Wylie, Ingersoll Rand / Doosan, Innovatech, Con X, Ammann, Mecalac, Makinex, Smith Surface Prep, Small Line, Wanco, Yanmar

SECTION 8 - ELECTRICAL

FIGURE 8-76. TURNTABLE HARNESS

ITEM	PART NUMBER	QTY	DESCRIPTION	REV
	1001188642	Ref	TURNTABLE HARNESS	H
1	4460897	1	Receptacle, Female - 2 Position	
1	4460464	9	Pin, Male	
2	4460873	1	Connector - 35 Position	
2	4460871	25	Socket, Female	
2	4460905	10	Plug, Terminal	
3	4460878	1	Plug, Male - 4 Position	
3	4460887	3	Socket, Female	
3	4461271	1	Socket, Female	
4	1001113961	1	Connector - 8 Position	
4	4460871	5	Socket, Female	
4	4460905	3	Plug, Terminal	
5	1001112612	1	Connector - 9 Position	
5	4460464	5	Pin, Male	
5	4460466	4	Plug, Terminal	
6	4460866	1	Connector - 19 Position	
6	4460464	7	Pin, Male	
6	4460508	2	Pin, Male	
6	4460943	2	Pin, Male	
6	4460466	7	Plug, Terminal	
7	4460836	2	Plug, Male - 12 Position	
7	4460465	12	Socket, Female	
7	4460466	12	Plug, Terminal	
8	4460933	2	Plug, Male - 12 Position	
8	4460944	14	Socket, Female	
8	4460466	10	Plug, Terminal	
9	1001185964	1	Box, Fuse Less Fuses	
9	1001196635	1	Fuse 3Amp	
9	8229242	3	Fuse 5Amp	
9	8229244	2	Fuse 15Amp	
9	1001095704	1	Relay	
9	1001129285	2	Diode	
9	1001116728	14	Terminal	
9	4460458	14	Seal, Terminal	
9	8220125	7	Terminal	
9	80963067	7	Seal, Terminal	
9	4460748	27	Plug, Terminal	
10	4460874	1	Connector - 35 Position	
10	4460871	20	Socket, Female	
10	4460905	15	Plug, Terminal	
11	1001119032	1	Receptacle, Female - 4 Position	
11	1001118378	4	Pin, Male	
12	4460894	3	Plug, Male - 6 Position	
12	4460465	10	Socket, Female	
12	4460464	2	Pin, Male	
12	4460466	6	Plug, Terminal	
13	4460899	2	Receptacle, Female - 6 Position	
13	4460464	8	Pin, Male	
14	1001103012	1	Plug, Male - 4 Position	
14	1001107854	4	Terminal	

SECTION 8 - ELECTRICAL

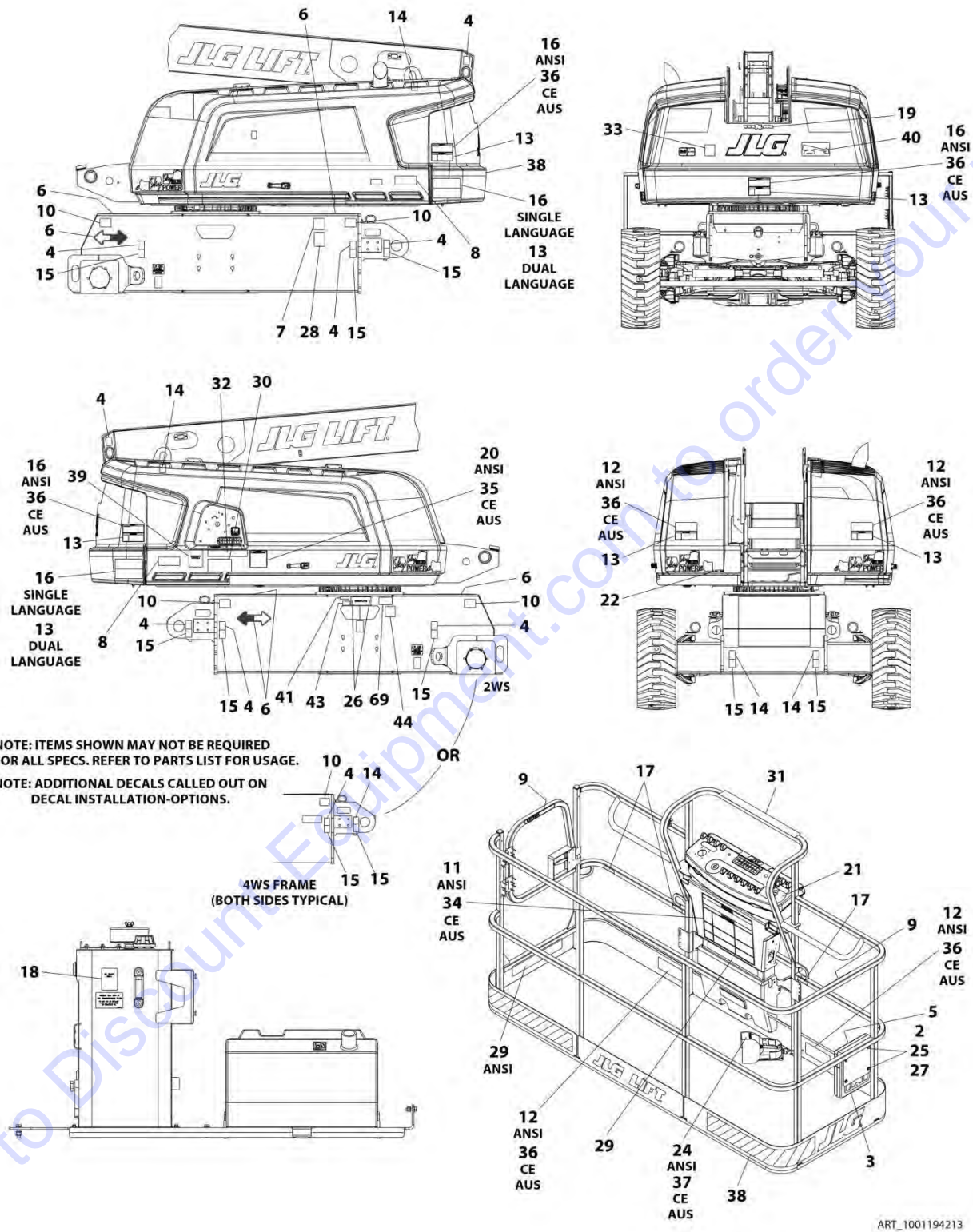
ITEM	PART NUMBER	QTY	DESCRIPTION	REV
14	1001104498	4	Seal, Terminal	
15	4460884	2	Plug, Male - 4 Position	
15	4460465	8	Socket, Female	
16	4460932	1	Receptacle, Female - 4 Position	
16	4460464	4	Pin, Male	
17	4460967	1	Plug, Male - 3 Position	
17	4460465	3	Socket, Female	
18	4460424	1	Receptacle, Female - 2 Position	
18	4460226	6	Socket, Female	
19	1001172064	1	Fuseholder (Includes Cover)	
19	8229245	1	Fuse 30Amp	
20	4460312	1	Terminal, Ring	
21	4460891	6	Plug, Male - 2 Position	
21	4460465	12	Socket, Female	
22	4460043	1	Terminal, Ring	
23	8220045	1	Terminal, Ring	
24	4460247	2	Terminal, Ring	
25	4460042	1	Terminal, Ring	
26	4460183	2	Terminal, Ring	
27	4460260	2	Cover, Terminal	
27	4460259	2	Terminal	
28	4460931	2	Receptacle, Female - 8 Position	
28	4460464	3	Pin, Male	
28	4460466	5	Plug, Terminal	
101	4460837	2	Connector, Bussbar	
102	1001125677	2	Connector, Bussbar	
103	1001121172	4	Mount, Connector	
104	1001192401	1	Cap, Dust	

SECTION 9 - DECALS

Go to Discount-Equipment.com to order your parts

SECTION 9 - DECALS

FIGURE 9-1. DECAL INSTALLATION - 600S (ANSI SPECS - ENGLISH LANGUAGE)



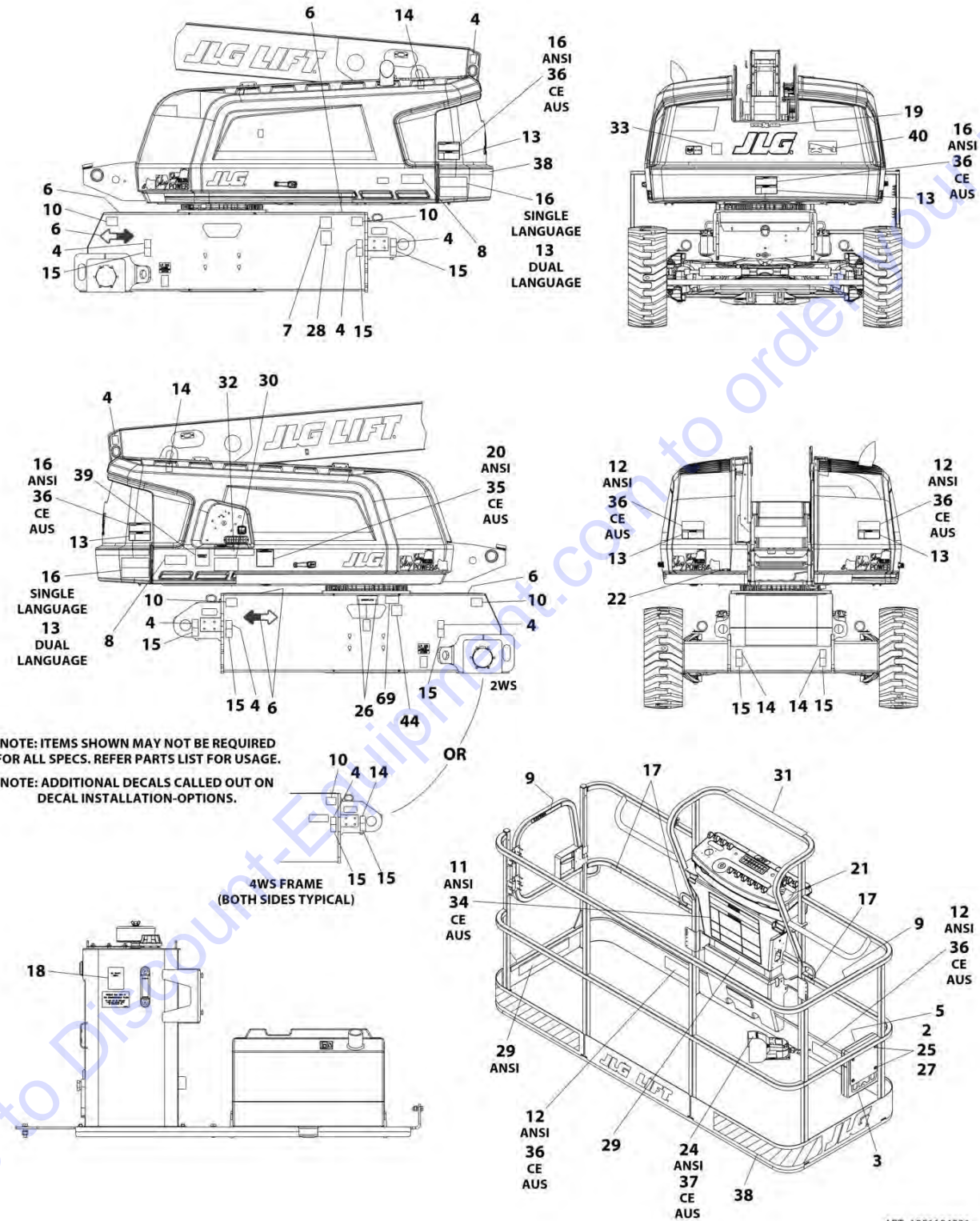
SECTION 9 - DECALS

FIGURE 9-1. DECAL INSTALLATION - 600S (ANSI SPECS - ENGLISH LANGUAGE)

ITEM	PART NUMBER	QTY	DESCRIPTION	REV
	1001194213	Ref	DECAL INSTALLATION	G
2	0700610	4	Bolt M6 x 20	
3	91403230	1	Box, Manual Storage	
4	1701499	8	Decal - No Tie Down/Lift	
5	1701509	1	Decal, Manual	
6	1701529	4	Decal - Arrow	
7	See Note	NSS	Decal - Bar Code (Note: Not Available for Purchase)	
8	1702815	2	Decal - 600S	
9	1702868	2	Decal - No Hands	
10	1001216059	4	Decal - Maximum Tire Load	
11	1703797	1	Decal - Danger/Warning	
12	1703804	4	Decal - Warning/Crushing	
13	1703805	1	Decal - Electrocution	
14	1703811	4	Decal - Lifting Lug	
15	1703814	8	Decal -Tie Down	
16	1703953	3	Decal - Warning/Crushing	
17	1704277	3	Decal - Lanyard Attach	
18	1704412	1	Decal - Hydraulic Oil	
19	1704885	1	Decal - Website	
20	1705336	1	Decal - Danger/Warning	
21	1705351	1	Decal - Drive/Steer Instruction	
22	3251243	1	Decal - 120V/60Hz	
24	3252347	1	Nameplate - Footswitch	
25	3290605	4	Nut M6	
26	3820001	2	Rivet	
27	4811700	8	Washer M6	
28	1001131269	1	Decal - Patent	
29	1001171335	2	Decal - Warning Dual Capacity	
30	1001171336	1	Decal - Warning Dual Capacity	
31	1001173262	1	Decal - Legend	
32	1001174313	1	Decal - Legend	
40	1001215615	1	Decal - Lift Diagram	
41	1705514	1	Decal - CSA	
43	1001228370	1	Decal - ICES (Canada) (SN 0300235168 through 0300237156, SN B300002655 through B300002668)	
43	1001223453	1	Decal - ICES (Canada) (SN 0300237157 to Present, SN B300002669 to Present)	
44	1001223055	1	Decal - Yearly Inspection	

SECTION 9 - DECALS

FIGURE 9-2. DECAL INSTALLATION - 600S (BRAZIL SPECS - PORTUGUESE/SPANISH LANGUAGES)



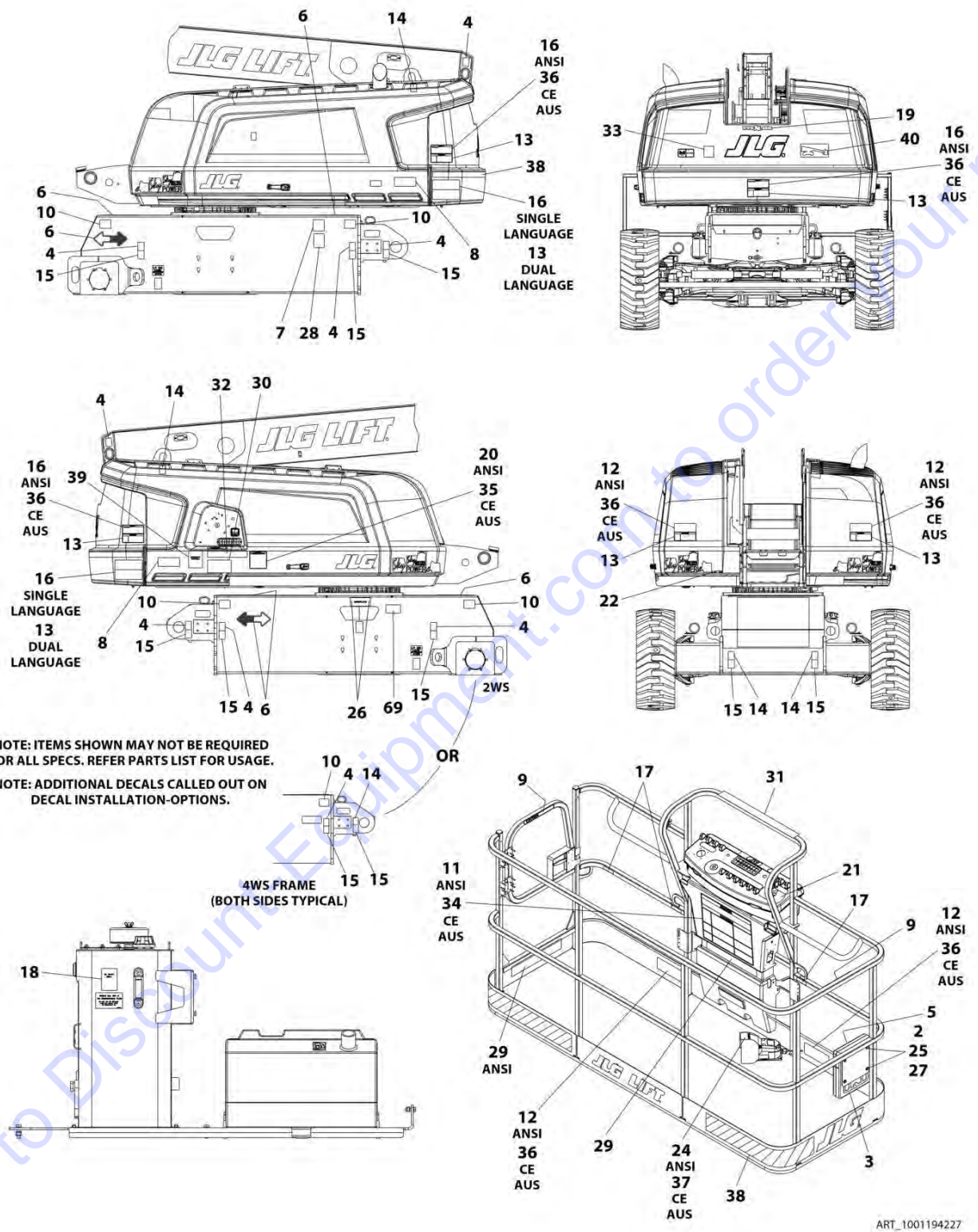
SECTION 9 - DECALS

FIGURE 9-2. DECAL INSTALLATION - 600S (BRAZIL SPECS - PORTUGUESE/SPANISH LANGUAGES)

ITEM	PART NUMBER	QTY	DESCRIPTION	REV
	1001194221	Ref	DECAL INSTALLATION	D
2	0700610	4	Bot M6 x 20	
3	91403230	1	Box, Manual Storage	
4	1701499	8	Decal - No Tie Down/Lift	
5	1701509	1	Decal - Manual	
6	1701529	4	Decal - Arrow	
7	See Note	NSS	Decal - Bar Code (Note: Not Available For Purchase)	
8	1702815	2	Decal - 600S	
9	1704002	2	Decal - No Hands	
10	1001216059	4	Decal - Maximum Tire Load	
11	1703928	1	Decal - Danger/Warning	
12	1703952	4	Decal - Warning/Crushing	
13	1703940	5	Decal - Electrocutation	
14	1703811	4	Decal - Lifting Lug	
15	1703814	8	Decal - Tie Down	
16	1703946	3	Decal - Warning/Crushing	
17	1704277	3	Decal - Lanyard Attach	
18	1704412	1	Decal - Hydraulic Oil	
19	1704885	1	Decal - Website	
20	1705349	1	Decal - Warning/Inspection	
21	1001113680	1	Decal - Drive/Steer Instruction	
22	3251243	1	Decal - 120V/60Hz	
24	1703985	1	Nameplate - Footswitch	
25	3290605	4	Nut M6	
26	3820001	2	Rivet	
27	4811700	8	Washer M6	
29	1001171359	2	Decal - Warning Dual Capacity	
30	1001171360	1	Decal - Warning Dual Capacity	
31	1001173262	1	Decal - Legend	
32	1001174313	1	Decal - Legend	
40	1001215615	1	Decal - Lift Diagram	
44	1001224052	1	Decal - Yearly Inspection	

SECTION 9 - DECALS

FIGURE 9-3. DECAL INSTALLATION - 600S (CE SPECS - ENGLISH LANGUAGE)



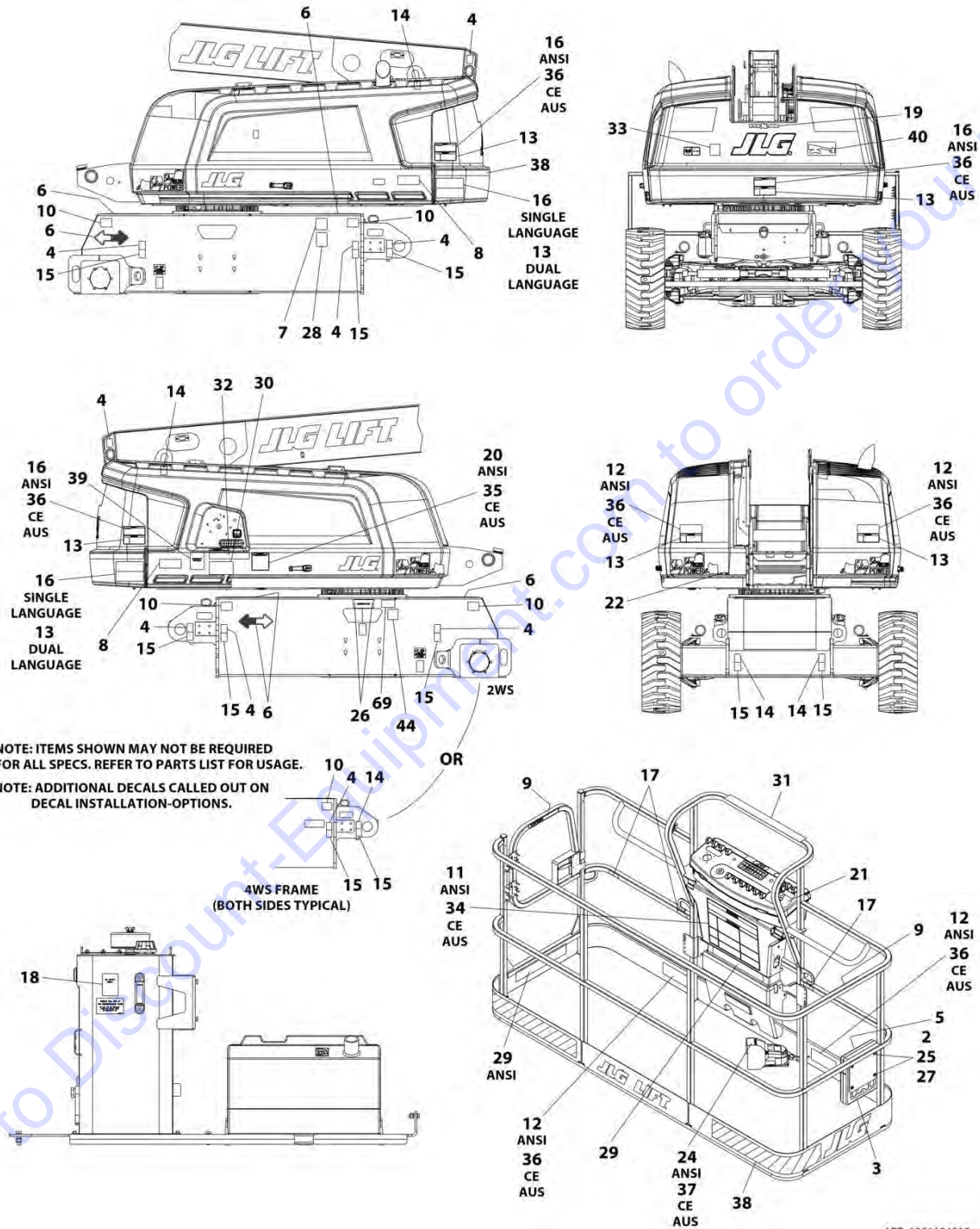
SECTION 9 - DECALS

FIGURE 9-3. DECAL INSTALLATION - 600S (CE SPECS - ENGLISH LANGUAGE)

ITEM	PART NUMBER	QTY	DESCRIPTION	REV
	1001194227	Ref	DECAL INSTALLATION	G
2	0700610	4	Bolt M6 x 20	
3	91403230	1	Box, Manual Storage	
4	1701499	8	Decal - No Tie Down/Lift	
5	1701509	1	Decal - Manual	
6	1701529	4	Decal - Arrow	
7	See Note	NSS	Decal - Bar Code (Note: Not Available For Purchase)	
8	1702815	2	Decal - 600S	
10	1001216059	4	Decal - Maximum Tire Load	
13	1705961	5	Decal - Electrocution	
14	1703811	4	Decal - Lifting Lug	
15	1703814	8	Decal - Tie Down	
17	1704277	3	Decal - Lanyard Attach	
18	1704412	1	Decal - Hydraulic Oil	
25	3290605	4	Nut M6	
26	3820001	2	Rivet	
27	4811700	8	Washer M6	
29	1001185237	1	Decal - Warning Maximum Capacity	
30	1001185237	1	Decal - Warning Maximum Capacity	
34	1705921	1	Decal - Tipping/Electrocution	
35	1705822	1	Decal - Electrocution/Safety Manual	
36	1701518	7	Decal - Crushing	
37	1705828	1	Nameplate - Footswitch	
38	4420051	208 in/ 5.3m	Tape, Safety	
40	1001215615	1	Decal - Lift Diagram	

SECTION 9 - DECALS

FIGURE 9-4. DECAL INSTALLATION - 600S (CHINESE SPECS - ENGLISH/SIMPLIFIED CHINESE LANGUAGES)



ART_1001194219

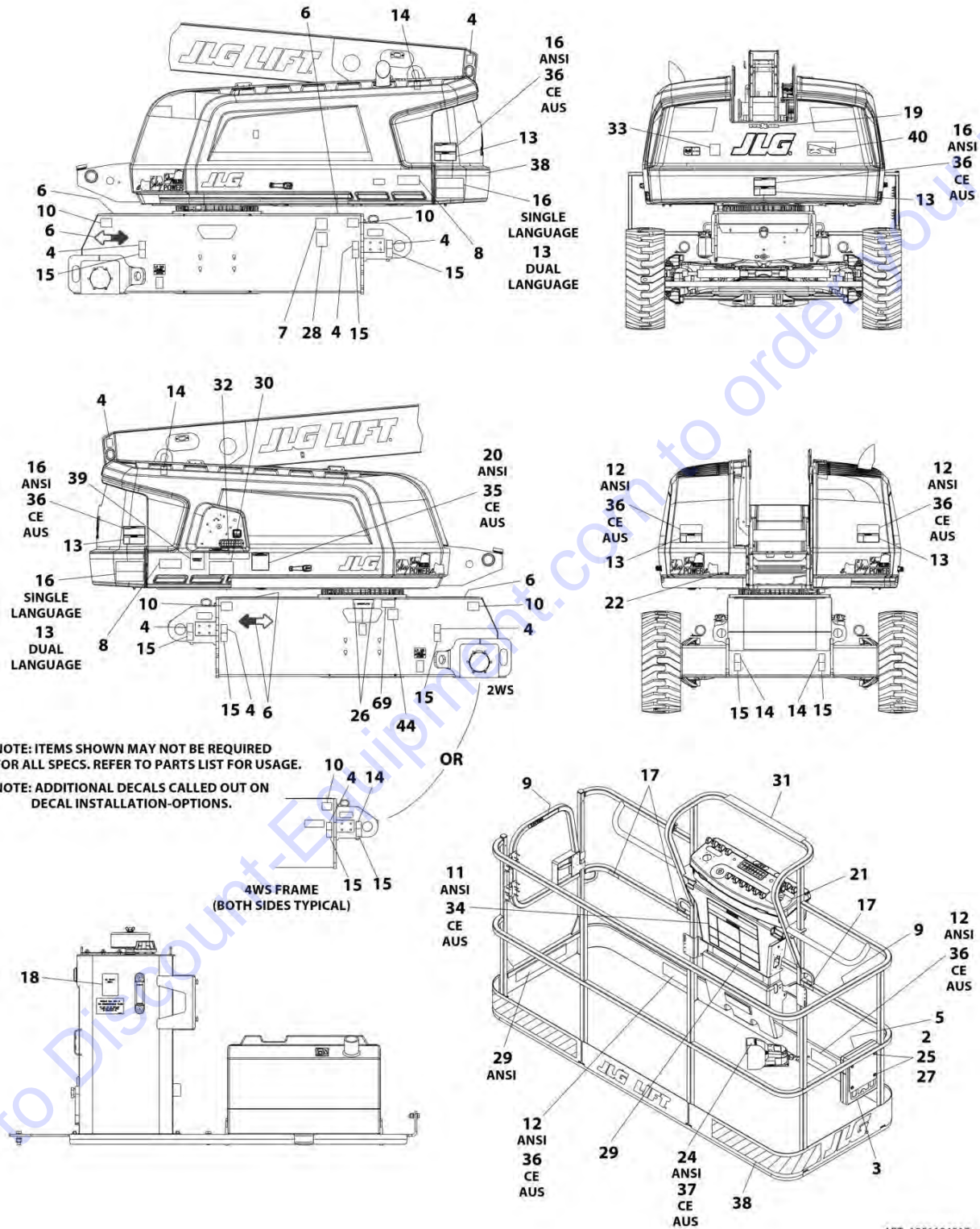
SECTION 9 - DECALS

FIGURE 9-4. DECAL INSTALLATION - 600S (CHINESE SPECS - ENGLISH/SIMPLIFIED CHINESE LANGUAGES)

ITEM	PART NUMBER	QTY	DESCRIPTION	REV
	1001194219	Ref	DECAL INSTALLATION	D
2	0700610	4	Bolt M6 x 20	
3	91403230	1	Box, Manual Storage	
4	1701499	8	Decal - No Tie Down/Lift	
5	1701509	1	Decal - Manual	
6	1701529	4	Decal - Arrow	
7	See Note	1	Decal - Bar Code (Note: Not Available for Purchase)	
8	1702815	2	Decal - 600S	
9	1705968	2	Decal - No Hands	
10	1001216059	4	Decal - Maximum Tire Load	
11	1001116847	1	Decal - Warning	
12	1001116850	4	Decal - Warning/Crushing	
13	1703937	5	Decal - Electrocution	
14	1703811	4	Decal - Lifting Lug	
15	1703814	8	Decal - Tie Down	
16	1001116845	3	Decal - Warning/Crushing	
17	1704277	3	Decal - Lanyard Attach	
18	1704412	1	Decal - Hydraulic Oil	
19	1704885	1	Decal - Website	
20	1001116848	1	Decal - Warning/Inspection	
21	1705430	1	Decal - Drive Steer	
22	3251243	1	Decal - 120V/60Hz	
24	1001116852	1	Decal - Footswitch	
25	3290605	4	Nut M6	
26	3820001	2	Rivet	
27	4811700	8	Washer M6	
29	1001216739	2	Decal - Warning Dual Capacity	
30	1001216740	1	Decal - Warning Dual Capacity	
31	1001173262	1	Decal - Legend	
32	1001174313	1	Decal - Legend	
38	4420051	208 ft/ 5.3m	Tape, Safety	
40	1001215615	1	Decal - Lift Diagram	
44	1001224051	1	Decal - Yearly Inspection	

SECTION 9 - DECALS

FIGURE 9-5. DECAL INSTALLATION - 600S (CHINESE SPECS - ENGLISH/TRADITIONAL CHINESE LANGUAGES)



ART_1001194217

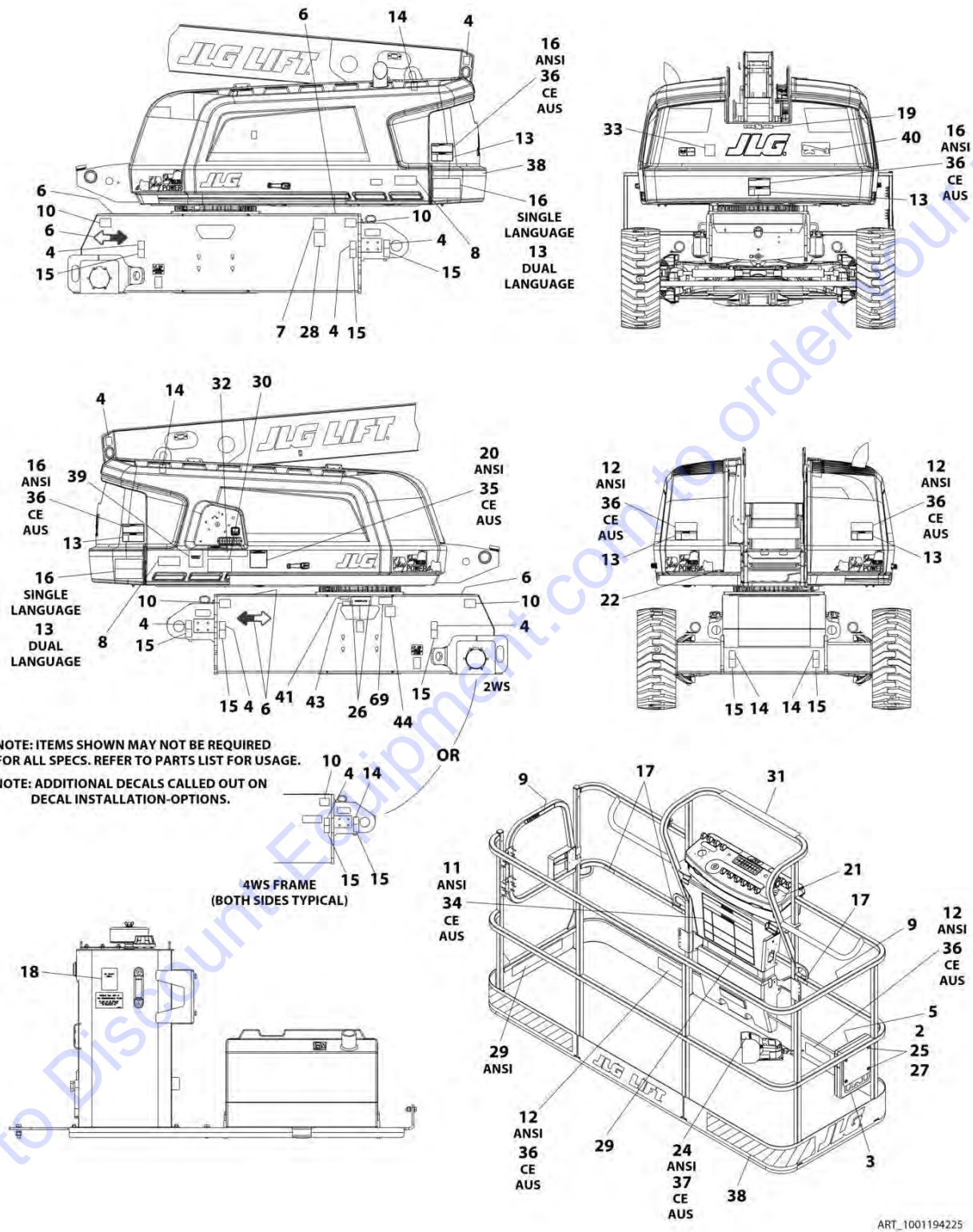
SECTION 9 - DECALS

FIGURE 9-5. DECAL INSTALLATION - 600S (CHINESE SPECS - ENGLISH/TRADITIONAL CHINESE LANGUAGES)

ITEM	PART NUMBER	QTY	DESCRIPTION	REV
	1001194217	Ref	DECAL INSTALLATION	D
2	0700610	4	Bolt M6 x 20	
3	91403230	1	Box, Manual Storage	
4	1701499	8	Decal - No Tie Down/Lift	
5	1701509	1	Decal - Manual	
6	1701529	4	Decal - Arrow	
7	See Note	1	Decal - Bar Code (Note: Not Available For Purchase)	
8	1702815	2	Decal - 600S	
9	1001116846	2	Decal - No Hands	
10	1001216059	4	Decal - Maximum Tire Load	
11	1703925	1	Decal - Danger/Warning	
12	1703949	4	Decal - Crushing	
13	1001116851	5	Decal - Electrocutation	
14	1703811	4	Decal - Lifting Lug	
15	1703814	8	Decal - Tie Down	
16	1703943	3	Decal - Warning/Crushing	
17	1704277	3	Decal - Lanyard Attach	
18	1704412	1	Decal - Hydraulic Oil	
19	1704885	1	Decal - Website	
20	1001116849	1	Decal - Warning/Inspection	
21	1001116863	1	Decal - Drive/Steer Instruction	
22	3251243	1	Decal - 120V/60Hz	
24	1703982	1	Nameplate - Footswitch	
25	3290605	4	Nut M6	
26	3820001	2	Rivet	
27	4811700	8	Washer M6	
29	1001171355	2	Decal - Warning Dual Capacity	
30	1001171356	1	Decal - Warning Dual Capacity	
31	1001173262	1	Decal - Legend	
32	1001174313	1	Decal - Legend	
38	4420051	208 in/ 5.3m	Tape, Safety	
40	1001215615	1	Decal - Lift Diagram	
44	1001224050	1	Decal - Yearly Inspection	

SECTION 9 - DECALS

FIGURE 9-6. DECAL INSTALLATION - 600S (CSA SPECS - ENGLISH/FRENCH LANGUAGES)



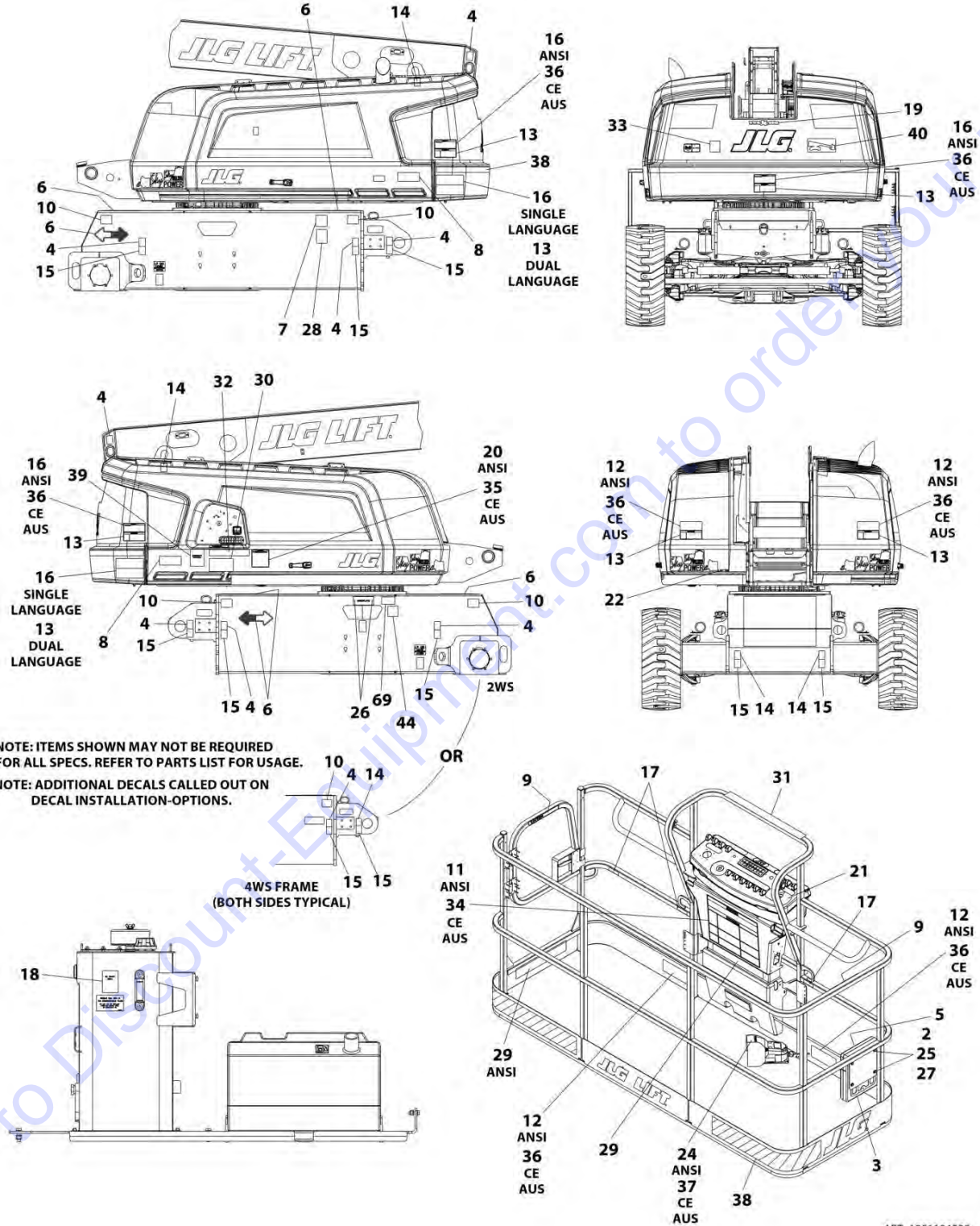
SECTION 9 - DECALS

FIGURE 9-6. DECAL INSTALLATION - 600S (CSA SPECS - ENGLISH/FRENCH LANGUAGES)

ITEM	PART NUMBER	QTY	DESCRIPTION	REV
	1001194225	Ref	DECAL INSTALLATION	E
2	0700610	4	Bolt M6 x 20	
3	91403230	1	Box, Manual Storage	
4	1701499	8	Decal - No Tie Down/Lift	
5	1701509	1	Decal - Manual	
6	1701529	4	Decal - Arrow	
7	See Note	NSS	Decal - Bar Code (Note: Not Available For Purchase)	
8	1702815	2	Decal - 600S	
9	1704000	2	Decal - No Hands	
10	1001216059	4	Decal - Maximum Tire Load	
11	1703924	1	Decal - Danger/Warning	
12	1703948	4	Decal - Warning/Crushing	
13	1703936	5	Decal - Electrocution	
14	1703811	4	Decal - Lifting Lug	
15	1703814	8	Decal - Tie Down	
16	1703942	3	Decal - Crushing	
17	1704277	3	Decal - Lanyard Attach	
18	1704412	1	Decal - Hydraulic Oil	
19	1704885	1	Decal - Website	
20	1705347	1	Decal - Warning/Inspection	
21	1705429	1	Decal - Drive/Steer Instruction	
22	3251243	1	Decal - 120V/60Hz	
24	1703984	1	Nameplate - Footswitch	
25	3290605	4	Nut M6	
26	3820001	2	Rivet	
27	4811700	8	Washer M6	
28	1001131269	1	Decal - Patent	
29	1001171351	2	Decal - Warning Dual Capacity	
30	1001171352	1	Decal - Warning Dual Capacity	
31	1001173262	1	Decal - Legend	
32	1001174313	1	Decal - Legend	
40	1001215615	1	Decal - Lift Diagram	
41	1705514	1	Decal - CSA	
43	1001228370	1	Decal - ICES (Canada) (SN 0300235168 through 0300237156)	
43	1001223453	1	Decal - ICES (Canada) (SN 0300237157 to Present)	
44	1001223971	1	Decal - Yearly Inspection	

SECTION 9 - DECALS

FIGURE 9-7. DECAL INSTALLATION - 600S (JAPANESE SPECS - ENGLISH/JAPANESE LANGUAGES)



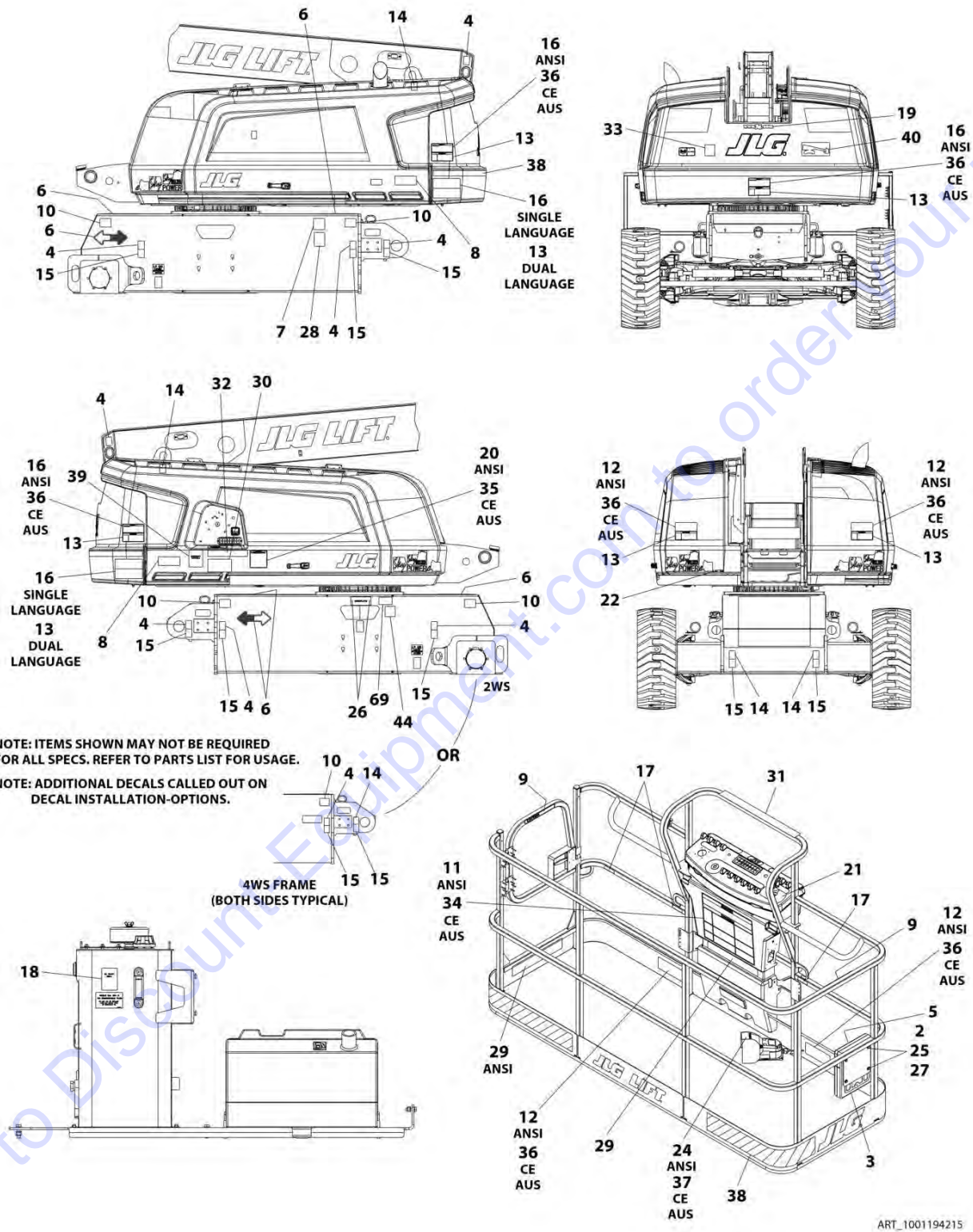
SECTION 9 - DECALS

FIGURE 9-7. DECAL INSTALLATION - 600S (JAPANESE SPECS - ENGLISH/JAPANESE LANGUAGES)

ITEM	PART NUMBER	QTY	DESCRIPTION	REV
	1001194229	Ref	DECAL INSTALLATION	D
2	0700610	4	Bolt M6 x 20	
3	91403230	1	Box, Manual Storage	
4	1701499	8	Decal - No Tie Down/Lift	
5	1701509	1	Decal - Manual	
6	1701529	4	Decal - Arrow	
7	See Note	NSS	Decal - Bar Code (Note: Not Available For Purchase)	
8	1702815	2	Decal - 600S	
10	1001216059	4	Decal - Maximum Tire Load	
11	1703926	1	Decal - Danger/Warning	
12	1703950	4	Decal - Crushing	
13	1703938	5	Decal - Electrocution	
14	1703811	4	Decal - Lifting Lug	
15	1703814	8	Decal - Tie Down	
16	1703944	3	Decal - Warning/Crushing	
17	1704277	3	Decal - Lanyard Attach	
18	1704412	1	Decal - Hydraulic Oil	
19	1704885	1	Decal - Website	
20	1705344	1	Decal - Warning/Inspection	
21	1705426	1	Decal - Drive/Steer Instruction	
22	3251243	1	Decal - 120V/60Hz	
24	1703980	1	Nameplate - Footswitch	
25	3290605	4	Nut M6	
26	3820001	2	Rivet	
27	4811700	8	Washer M6	
29	1001171341	2	Decal - Warning Dual Capacity	
30	1001171342	1	Decal - Warning Dual Capacity	
31	1001173262	1	Decal - Legend	
32	1001174313	1	Decal - Legend	
40	1001215615	1	Decal - Lift Diagram	
44	1001224053	1	Decal - Yearly Inspection	

SECTION 9 - DECALS

FIGURE 9-8. DECAL INSTALLATION - 600S (KOREAN SPECS - ENGLISH/KOREAN LANGUAGES)



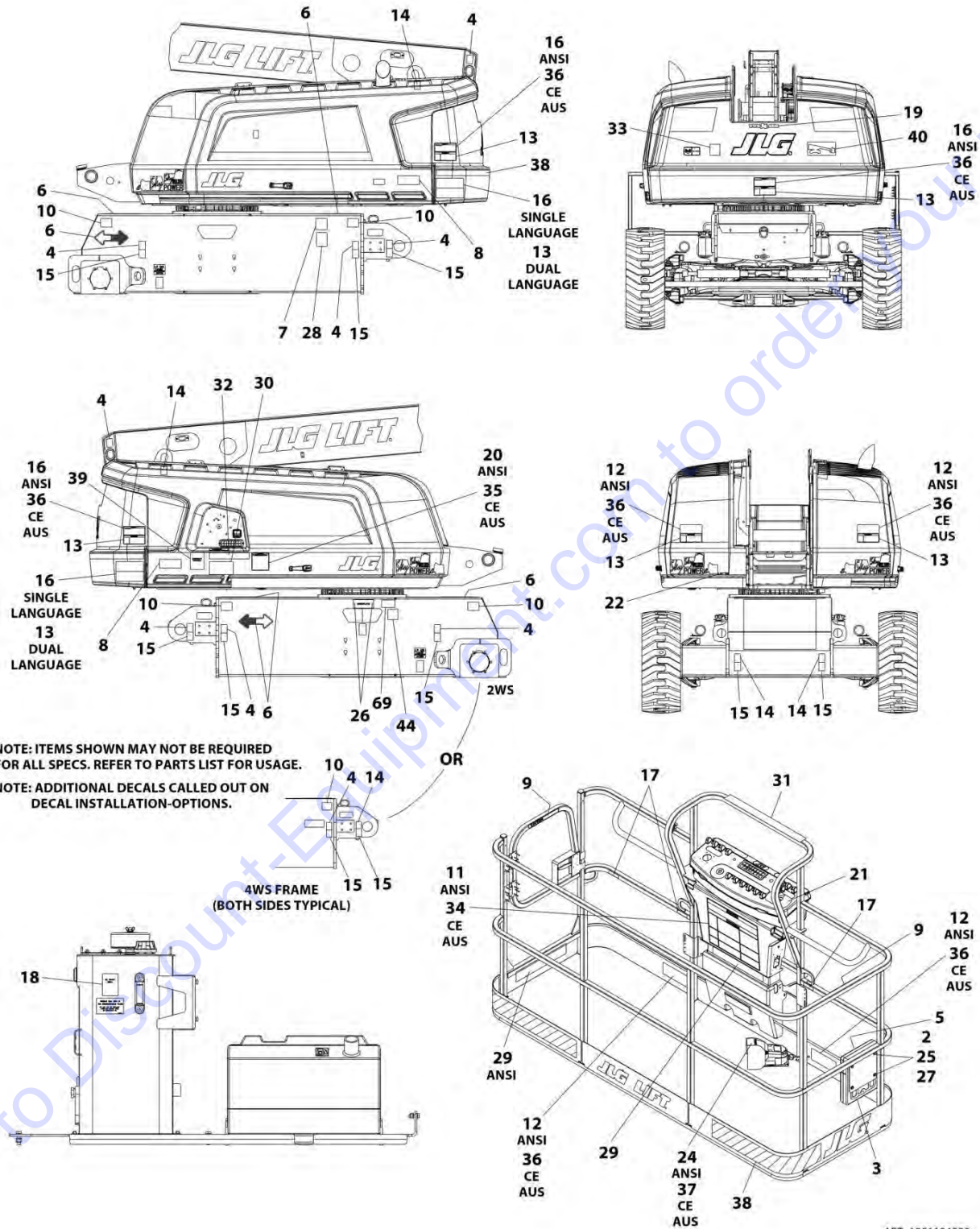
SECTION 9 - DECALS

FIGURE 9-8. DECAL INSTALLATION - 600S (KOREAN SPECS - ENGLISH/KOREAN LANGUAGES)

ITEM	PART NUMBER	QTY	DESCRIPTION	REV
	1001194215	Ref	DECAL INSTALLATION	D
2	0700610	4	Bolt M6 x 20	
3	91403230	1	Box, Manual Storage	
4	1701499	8	Decal - No Tie Down/Lift	
5	1701509	1	Decal - Manual	
6	1701529	4	Decal - Arrow	
7	See Note	NSS	Decal - Bar Code (Note: Not Available for Purchase)	
8	1702815	2	Decal - 600S	
9	1705969	2	Decal - No Hands	
10	1001216059	4	Decal - Maximum Tire Load	
11	1703927	1	Decal - Warning/Danger	
12	1703951	4	Decal - Warning/Crushing	
13	1703939	5	Decal - Danger Electricution	
14	1703811	4	Decal - Lifting Lug	
15	1703814	8	Decal - Tie Down	
16	1703945	3	Decal - Warning Crushing	
17	1704277	3	Decal - Lanyard Attach Graphic	
18	1704412	1	Decal - Hydraulic Oil	
19	1704885	1	Decal - Website	
20	1705345	1	Decal - Warning/Inspection	
21	1705427	1	Decal - Drive/Steer Instruction	
24	1703981	1	Nameplate - Footswitch	
25	3290605	4	Nut M6	
26	3820001	2	Rivet	
27	4811700	8	Washer M6	
29	1001171345	2	Decal - Warning Dual Capacity	
30	1001171346	1	Decal - Warning Dual Capacity	
31	1001173262	1	Decal - Legend	
32	1001174313	1	Decal - Legend	
40	1001215615	1	Decal - Lift Diagram	
44	1001224048	1	Decal - Yearly Inspection	

SECTION 9 - DECALS

FIGURE 9-9. DECAL INSTALLATION - 600S (LATIN AMERICAN SPECS - ENGLISH/SPANISH LANGUAGES)



ART_1001194223

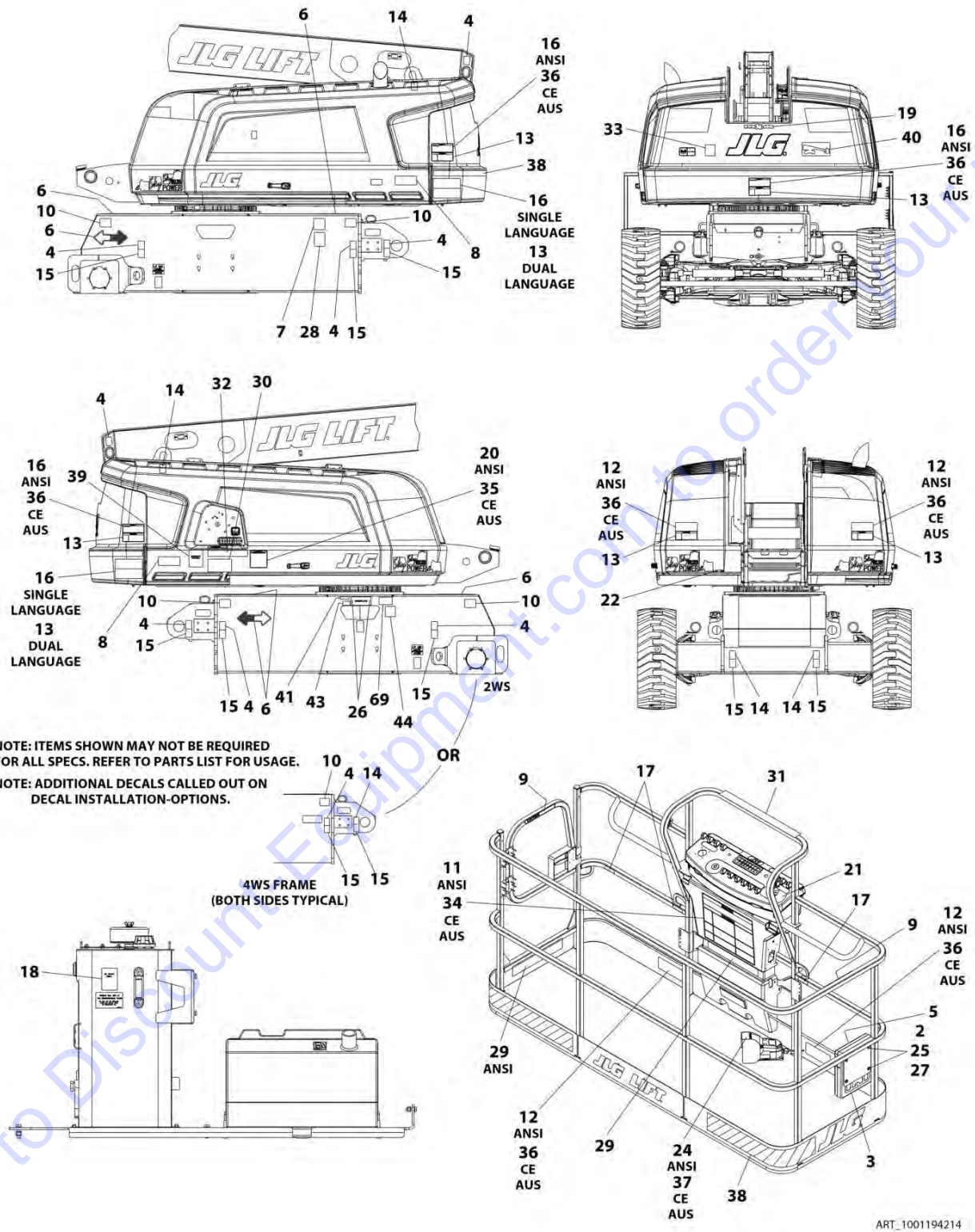
SECTION 9 - DECALS

FIGURE 9-9. DECAL INSTALLATION - 600S (LATIN AMERICAN SPECS - ENGLISH/SPANISH LANGUAGES)

ITEM	PART NUMBER	QTY	DESCRIPTION	REV
	1001194223	Ref	DECAL INSTALLATION	D
2	0700610	4	Bolt M6 x 20	
3	91403230	1	Box, Manual Storage	
4	1701499	8	Decal - No Tie Down/Lift	
5	1701509	1	Decal - Manual	
6	1701529	4	Decal - Arrow	
7	See Note	NSS	Decal - Bar Code (Note: Not Available for Purchase)	
8	1702815	2	Decal - 600S	
9	1704001	2	Decal - No Hands	
10	1001216059	4	Decal - Maximum Tire Load	
11	1703923	1	Decal - Warning/Danger	
12	1703947	4	Decal - Warning/Crushing	
13	1703935	5	Decal - Electrocutation	
14	1703811	4	Decal - Lifting Lug	
15	1703814	8	Decal - Tie Down	
16	1703941	3	Decal - Warning/Crushing	
17	1704277	3	Decal - Lanyard Attach	
18	1704412	1	Decal - Hydraulic Oil	
19	1704885	1	Decal - Website	
20	1705917	1	Decal - Warning/Inspection	
21	1705910	1	Decal - Drive/Steer Instruction	
22	3251243	1	Decal - 120V/60Hz	
24	1703983	1	Nameplate - Footswitch	
25	3290605	4	Nut M6	
26	3820001	2	Rivet	
27	4811700	8	Washer M6	
29	1001171349	2	Decal - Warning Dual Capacity	
30	1001171350	1	Decal - Warning Dual Capacity	
31	1001173262	1	Decal - Legend	
32	1001174313	1	Decal - Legend	
40	1001215615	1	Decal - Lift Diagram	
44	1001224049	1	Decal - Yearly Inspection	

SECTION 9 - DECALS

FIGURE 9-10. DECAL INSTALLATION - 660SJ (ANSI SPECS - ENGLISH LANGUAGE)



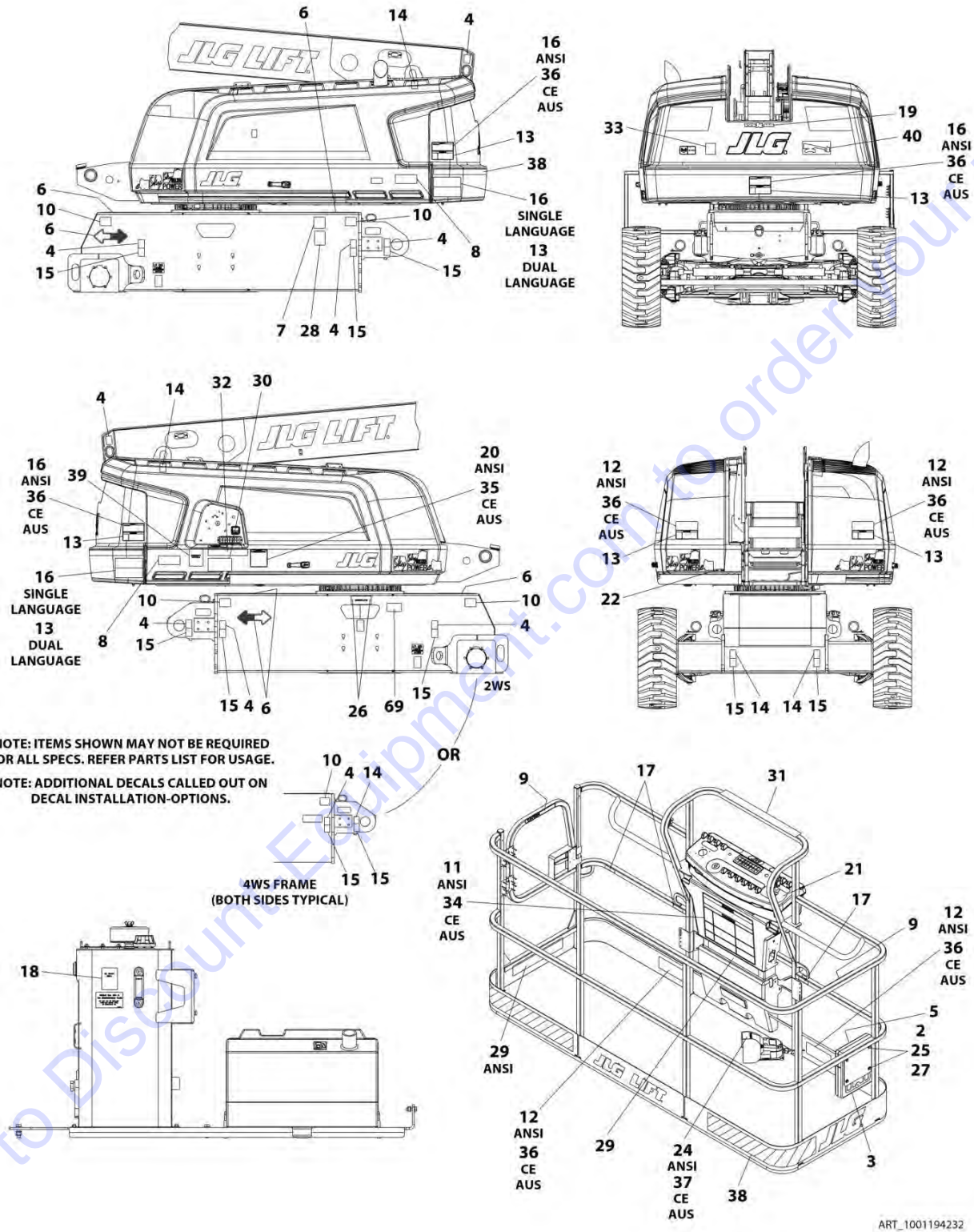
SECTION 9 - DECALS

FIGURE 9-10. DECAL INSTALLATION - 660SJ (ANSI SPECS - ENGLISH LANGUAGE)

ITEM	PART NUMBER	QTY	DESCRIPTION	REV
	1001194214	Ref	DECAL INSTALLATION	G
2	0700610	4	Bolt M6 x 20	
3	91403230	1	Box, Manual Storage	
4	1701499	8	Decal - No Tie Down/Lift	
5	1701509	1	Decal - Manual	
6	1701529	4	Decal - Arrow	
7	See Note	NSS	Decal - Bar Code (Note: Not Available for Purchase)	
8	1702817	2	Decal - 660SJ	
9	1702868	2	Decal - No Hands	
10	1001216060	4	Decal - Maximum Tire Load	
11	1703797	1	Decal - Danger/Warning	
12	1703804	4	Decal - Warning/Crushing	
13	1703805	5	Decal - Electrocution	
14	1703811	4	Decal - Lifting Hug	
15	1703814	8	Decal - Tie Down	
16	1703953	3	Decal - Warning/Crushing	
17	1704277	3	Decal - Lanyard Attach	
18	1704412	1	Decal - Hydraulic Oil	
19	1704885	1	Decal - Website	
20	1705336	1	Decal - Danger/Warning	
21	1705351	1	Decal - Drive/Steer Instruction	
22	3251243	1	Decal - 120V/60Hz	
24	3252347	1	Nameplate - Footswitch	
25	3290605	4	Nut M6	
26	3280001	2	Rivet	
27	4811700	8	Washer M6	
28	1001131269	1	Decal - Patent	
29	1001194234	2	Decal - Warning Dual Capacity	
30	1001194235	1	Decal - Warning Dual Capacity	
31	1001173262	1	Decal - Legend	
32	1001174313	1	Decal - Legend	
40	1001215615	1	Decal - Lift Diagram	
41	1705514	1	Decal - CSA	
43	1001228370	1	Decal - ICES (Canada) (SN 0300235168 through 0300237156, SN B300002655 through B300002668)	
43	1001223453	1	Decal - ICES (Canada) (SN 0300237157 to Present, SN B300002669 to Present)	
44	1001223055	1	Decal - Yearly Inspection	

SECTION 9 - DECALS

FIGURE 9-11. DECAL INSTALLATION - 660SJ (AUSTRALIAN SPECS - ENGLISH LANGUAGE)



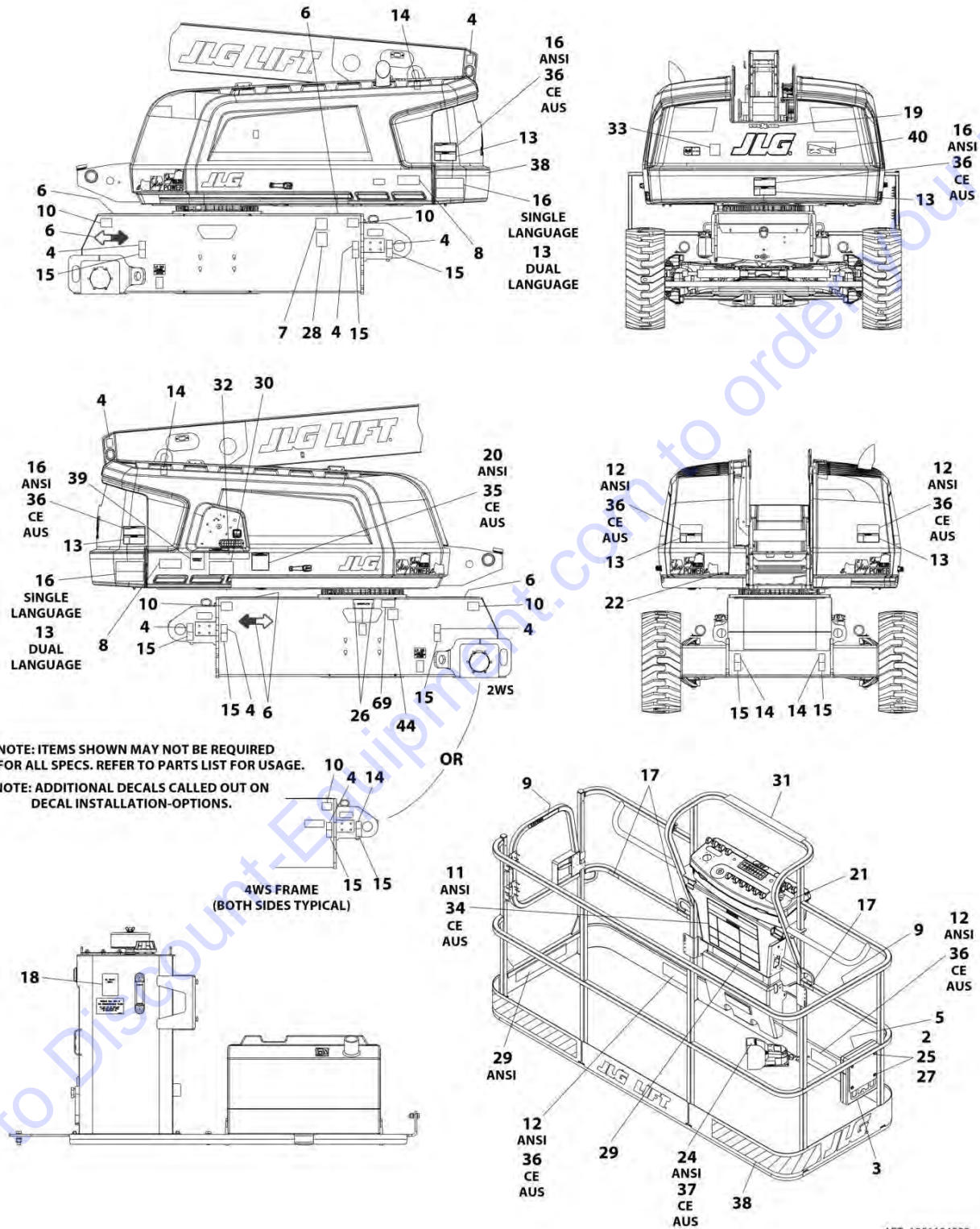
SECTION 9 - DECALS

FIGURE 9-11. DECAL INSTALLATION - 660SJ (AUSTRALIAN SPECS - ENGLISH LANGUAGE)

ITEM	PART NUMBER	QTY	DESCRIPTION	REV
	1001194232	Ref	DECAL INSTALLATION	G
2	0700610	4	Bolt M6 x 20	
3	91403230	1	Box, Manual Storage	
4	1701499	8	Decal - No Tie Down/Lift	
5	1701509	1	Decal - Manual	
6	1701529	4	Decal - Arrow	
7	See Note	NSS	Decal - Bar Code (Note: Not Available For Purchase)	
8	1702817	1	Decal - 660SJ	
10	1001216060	4	Decal - Maximum Tire Load	
13	1705961	5	Decal - Electrocution	
14	1703811	4	Decal - Lifting Lug	
15	1703814	8	Decal - Tie Down	
17	1704277	3	Decal - Lanyard Attach	
18	1704412	1	Decal - Hydraulic Oil	
19	1704885	1	Decal - Website	
25	3290605	4	Nut M6	
26	3820001	2	Rivet	
27	4811700	8	Washer M6	
29	1001194236	1	Decal - Capacity	
30	1001194236	1	Decal - Capacity	
34	1705921	1	Decal - Tipping/Electrocution	
35	1705822	1	Decal - Electrocution/Safety Manual	
36	1701518	7	Decal - Crushing	
37	1705828	1	Nameplate - Footswitch	
38	4420051	208 in/ 5.3m	Tape, Safety	
39	1001112551	1	Decal - Emergency Controls	
40	1001215615	1	Decal - Lifting Diagram	
69	1001231422	1	Decal - Wheel Assembly Mass	

SECTION 9 - DECALS

FIGURE 9-12. DECAL INSTALLATION - 660SJ (BRAZIL SPECS - PORTUGUESE/SPANISH LANGUAGES)



ART_1001194222

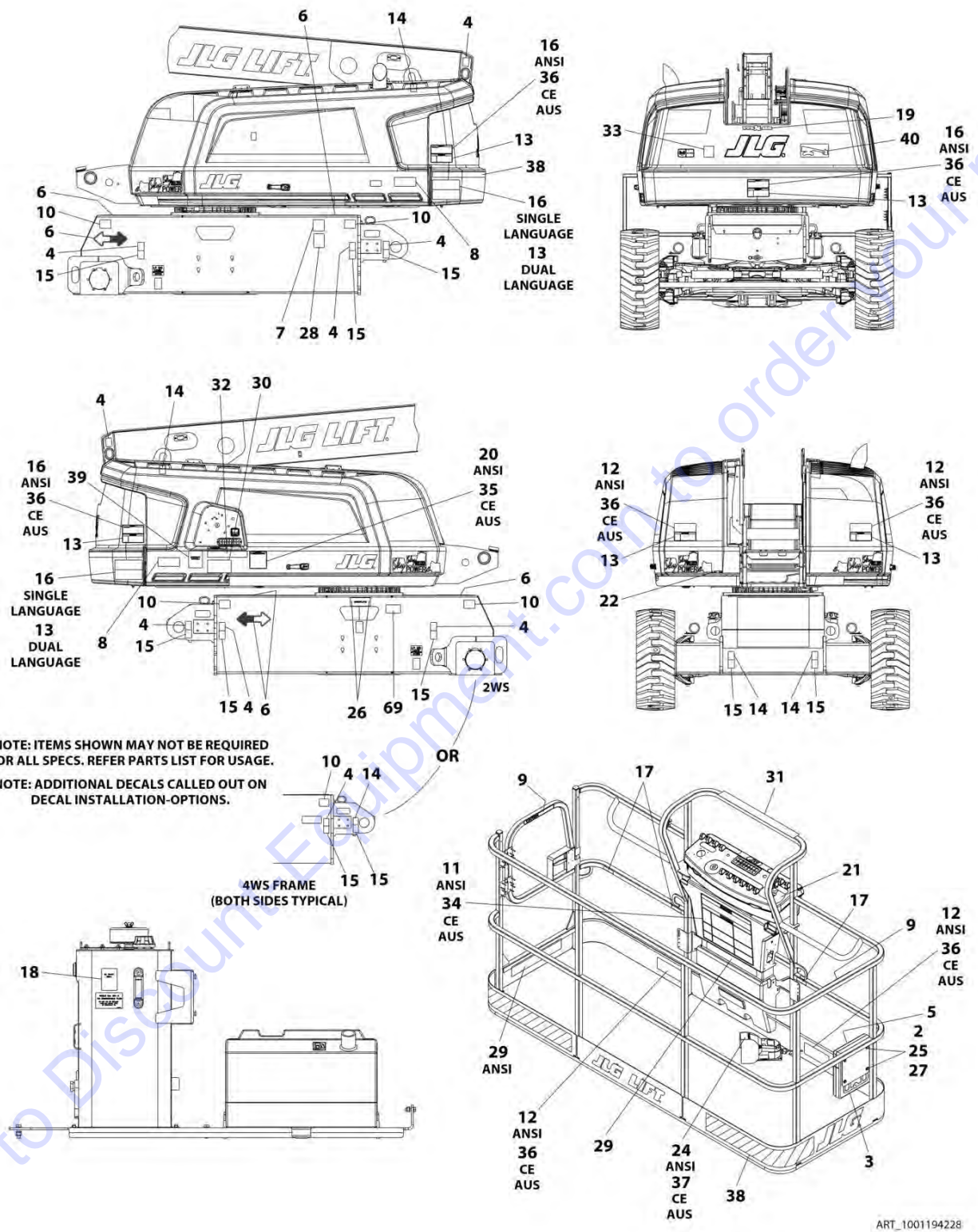
SECTION 9 - DECALS

FIGURE 9-12. DECAL INSTALLATION - 660SJ (BRAZIL SPECS - PORTUGUESE/SPANISH LANGUAGES)

ITEM	PART NUMBER	QTY	DESCRIPTION	REV
	1001194222	Ref	DECAL INSTALLATION	D
2	0700610	4	Bolt M6 x 20	
3	91403230	1	Box, Manual Storage	
4	1701499	8	Decal - No Tie Down/Lift	
5	1701509	1	Decal - Manual	
6	1701529	4	Decal - Arrow	
7	See Note	1	Decal - Bar Code (Note: Not Available For Purchase)	
8	1702817	2	Decal - 660SJ	
9	1704002	2	Decal - No Hands	
10	1001216060	4	Decal - Maximum Tire Load	
11	1703928	1	Decal - Danger/Warning	
12	1703952	4	Decal - Warning/Crushing	
13	1703940	5	Decal - Electrocutation	
14	1703811	4	Decal - Lifting Lug	
15	1703814	8	Decal - Tie Down	
16	1703946	3	Decal - Warning/Crushing	
17	1704277	3	Decal - Lanyard Attach	
18	1704412	1	Decal - Hydraulic Oil	
19	1704885	1	Decal - Website	
20	1705349	1	Decal - Warning/Inspection	
21	1001113680	1	Decal - Drive/Steer Instruction	
22	3251243	1	Decal - 120V/60Hz	
24	1703985	1	Nameplate - Footswitch	
25	3290605	4	Nut M6	
26	2820001	2	Rivet	
27	4811700	8	Washer M6	
29	1001216745	2	Decal - Warning Dual Capacity	
30	1001216746	1	Decal - Warning Dual Capacity	
31	1001173262	1	Decal - Legend	
32	1001174313	1	Decal - Legend	
40	1001215615	1	Decal - Lift Diagram	
44	1001224052	1	Decal - Yearly Inspection	

SECTION 9 - DECALS

FIGURE 9-13. DECAL INSTALLATION - 660SJ (CE SPECS - ENGLISH LANGUAGE)



ART_1001194228

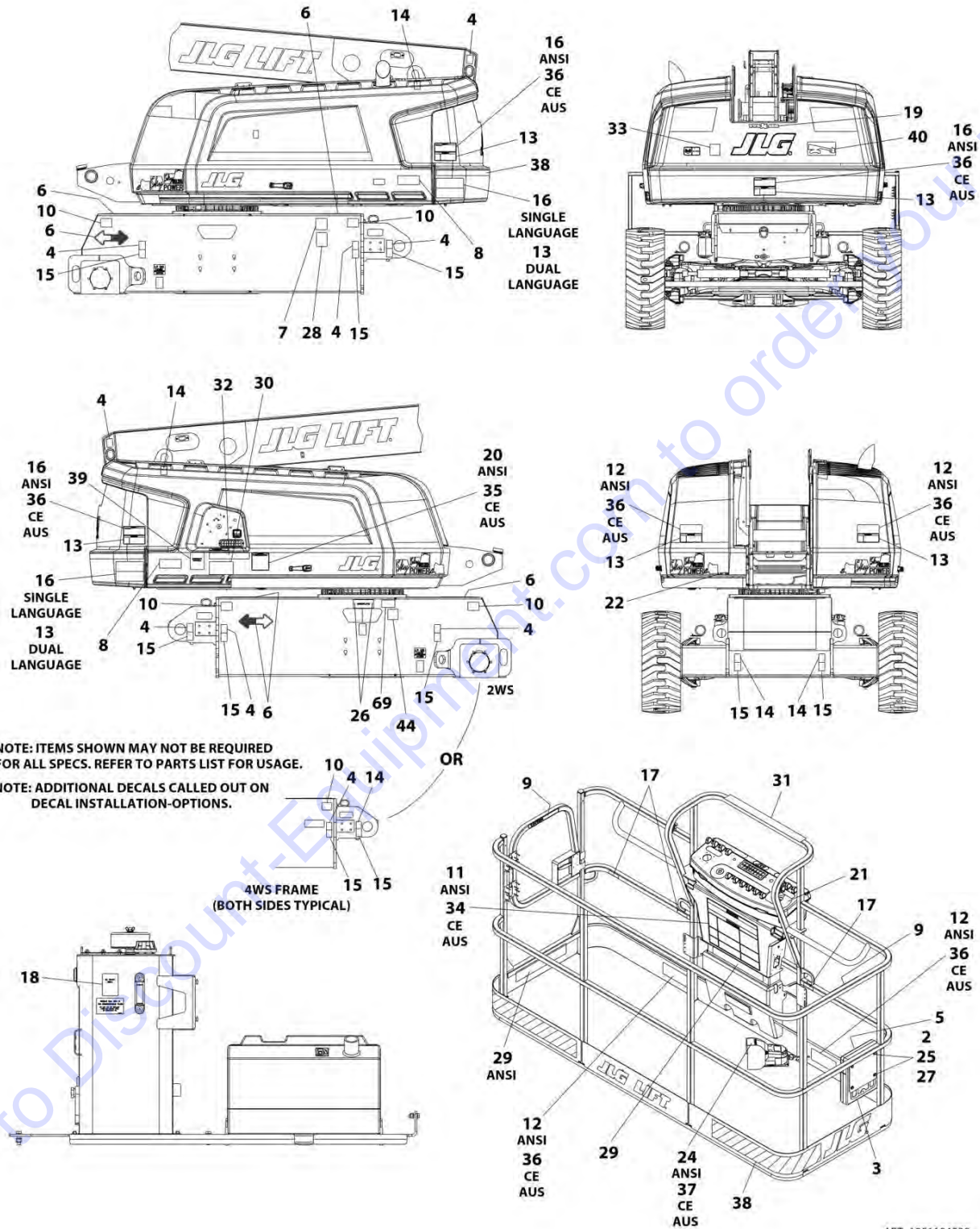
SECTION 9 - DECALS

FIGURE 9-13. DECAL INSTALLATION - 660SJ (CE SPECS - ENGLISH LANGUAGE)

ITEM	PART NUMBER	QTY	DESCRIPTION	REV
	1001194228	Ref	DECAL INSTALLATION	G
2	0700610	4	Bolt M6 x 20	
3	91403230	1	Box, Manual Storage	
4	1701499	8	Decal - No Tie Down/Lift	
5	1701509	1	Decal - Manual	
6	1701529	4	Decal - Arrow	
7	See Note	NSS	Decal - Bar Code (Note: Not Available For Purchase)	
8	1702817	2	Decal - 660SJ	
10	1001216060	4	Decal - Maximum Tire Load	
13	1703940	5	Decal - Electrocution	
14	1703811	4	Decal - Lifting Lug	
15	1703814	8	Decal - Tie Down	
17	1704277	3	Decal - Lanyard Attach	
18	1704412	1	Decal - Hydraulic Oil	
25	3290605	4	Nut M6	
26	3820001	2	Rivet	
27	4811700	8	Washer M6	
29	1001194236	1	Decal - Capacity	
30	1001194236	1	Decal - Capacity	
34	1705921	1	Decal - Tipping/Electrocution	
35	1705822	1	Decal - Electrocution/Safety Manual	
36	1701518	7	Decal - Crushing	
37	1705828	1	Nameplate - Footswitch	
38	4420051	208 in/ 5.3m	Tape, Safety	
40	1001215615	1	Decal - Lift Diagram	

SECTION 9 - DECALS

FIGURE 9-14. DECAL INSTALLATION - 660SJ (CHINESE SPECS - ENGLISH/SIMPLIFIED CHINESE LANGUAGES)



ART_1001194220

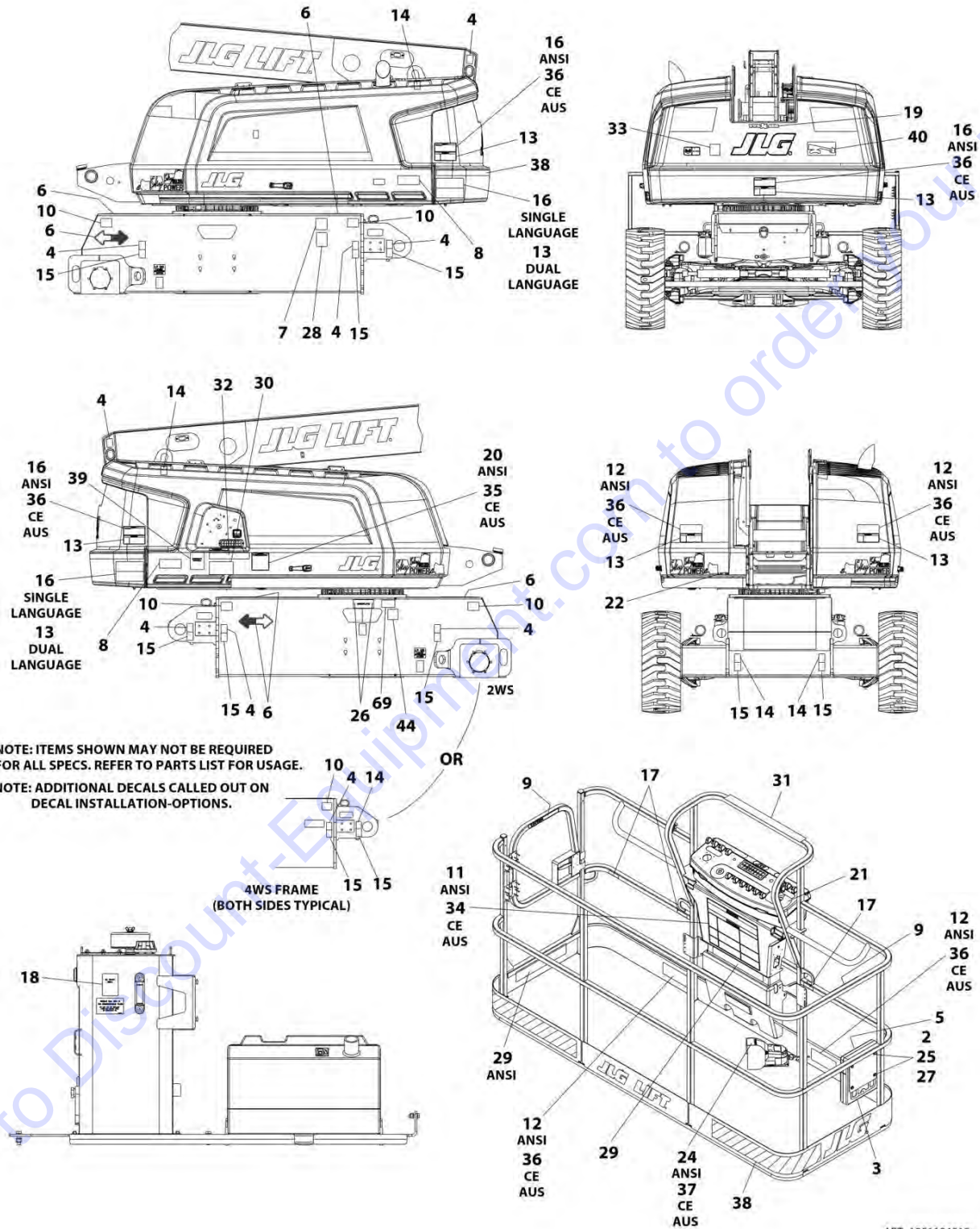
SECTION 9 - DECALS

FIGURE 9-14. DECAL INSTALLATION - 660SJ (CHINESE SPECS - ENGLISH/SIMPLIFIED CHINESE LANGUAGES)

ITEM	PART NUMBER	QTY	DESCRIPTION	REV
	1001194220	Ref	DECAL INSTALLATION	D
2	0700610	4	Bolt M6 x 20	
3	91403230	1	Box, Manual Storage	
4	1701499	8	Decal - No Tie Down/Lift	
5	1701509	1	Decal - Manual	
6	1701529	1	Decal - Arrow	
7	See Note	NSS	Decal - Bar Code (Note: Not Available for Purchase)	
8	1702817	2	Decal - 660SJ	
9	1705968	2	Decal - No Hands	
10	1001216060	1	Decal - Maximum Tire Load	
11	1001116847	1	Decal - Warning	
12	1001116850	4	Decal - Warning	
13	1703937	5	Decal - Electrocution	
14	1703811	4	Decal - Lifting Lug	
15	1703814	8	Decal - Tie Down	
16	1001116845	3	Decal - Warning/Crushing	
17	1704277	3	Decal - Lanyard Attach	
18	1704412	1	Decal - Hydraulic Oil	
19	1704885	1	Decal - Website	
20	1001116848	1	Decal - Warning/Inspection	
21	1705430	1	Decal - Drive/Steer	
22	3251243	1	Decal - 120V/60Hz	
24	1001116852	1	Nameplate - Footswitch	
25	3290605	4	Nut M6	
26	3820001	2	Rivet	
27	4811700	8	Washer M6	
29	1001216741	2	Decal - Warning Dual Capacity	
30	1001216742	1	Decal - Warning Dual Capacity	
31	1001173262	1	Decal - Legend	
32	1001174313	1	Decal - Legend	
38	4420051	208 in/ 5.3m	Tape, Safety	
40	1001215615	1	Decal - Lift Diagram	
44	1001224051	1	Decal - Yearly Inspection	

SECTION 9 - DECALS

FIGURE 9-15. DECAL INSTALLATION - 660SJ (CHINESE SPECS - ENGLISH/TRADITIONAL CHINESE LANGUAGES)



ART_1001194218

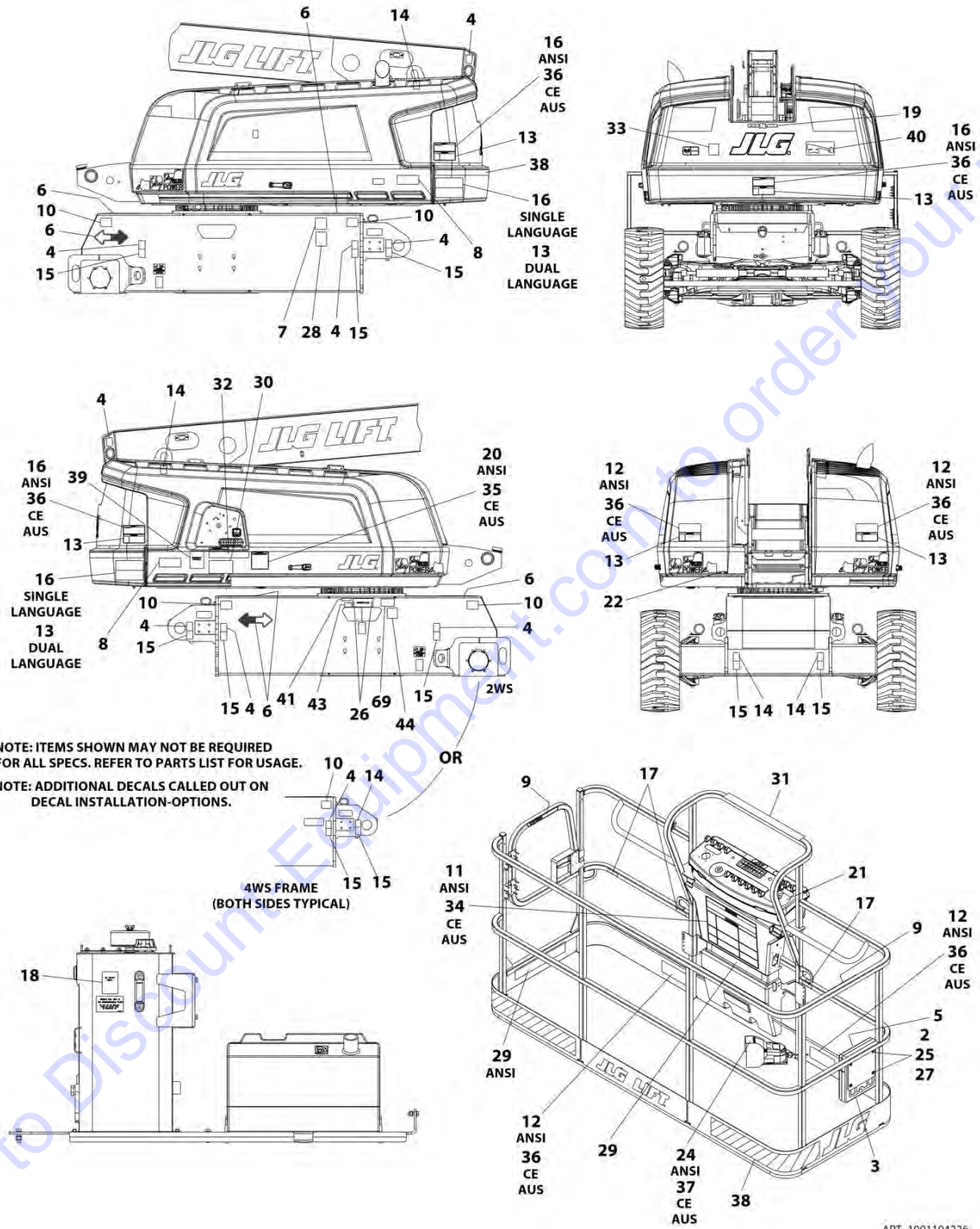
SECTION 9 - DECALS

FIGURE 9-15. DECAL INSTALLATION - 660SJ (CHINESE SPECS - ENGLISH/TRADITIONAL CHINESE LANGUAGES)

ITEM	PART NUMBER	QTY	DESCRIPTION	REV
	1001194218	Ref	DECAL INSTALLATION	D
2	0700610	4	Bolt M6 x 20	
3	91403230	1	Box, Manual Storage	
4	1701499	8	Decal - No Tie Down/Lift	
5	1701509	1	Decal - Manual	
6	1701529	4	Decal - Arrow	
7	See Note	NSS	Decal - Bar Code (Note: Not Available for Purchase)	
8	1702817	2	Decal - 660SJ	
9	1001116846	2	Decal - No Hands	
10	1001216060	4	Decal - Maximum Tire Load	
11	1703925	1	Decal - Warning/Danger	
12	1703949	4	Decal - Crushing	
13	1001116851	5	Decal - Electrocutation	
14	1703811	4	Decal - Lifting Lug	
15	1703814	8	Decal - Tie Down	
16	1703943	3	Decal - Warning/Crushing	
17	1704277	3	Decal - Lanyard Attach	
18	1704412	1	Decal - Hydraulic Oil	
19	1704885	1	Decal - Website	
20	1001116849	1	Decal - Warning/Inspection	
21	1001116863	1	Decal - Drive/Steer Instruction	
22	3251243	1	Decal - 120V/60Hz	
24	1703982	1	Nameplate - Footswitch	
25	3290605	4	Nut M6	
26	3820001	2	Rivet	
27	4811700	8	Washer M6	
29	1001216736	2	Decal - Warning Dual Capacity	
30	1001216737	1	Decal - Warning Dual Capacity	
31	1001173262	1	Decal - Legend	
32	1001174313	1	Decal - Legend	
38	4420051	208 in/ 5.3m	Tape, Safety	
40	1001215615	1	Decal - Lift Diagram	
44	1001224050	1	Decal - Yearly Inspection	

SECTION 9 - DECALS

FIGURE 9-16. DECAL INSTALLATION - 660SJ (CSA SPECS - ENGLISH/FRENCH LANGUAGES)



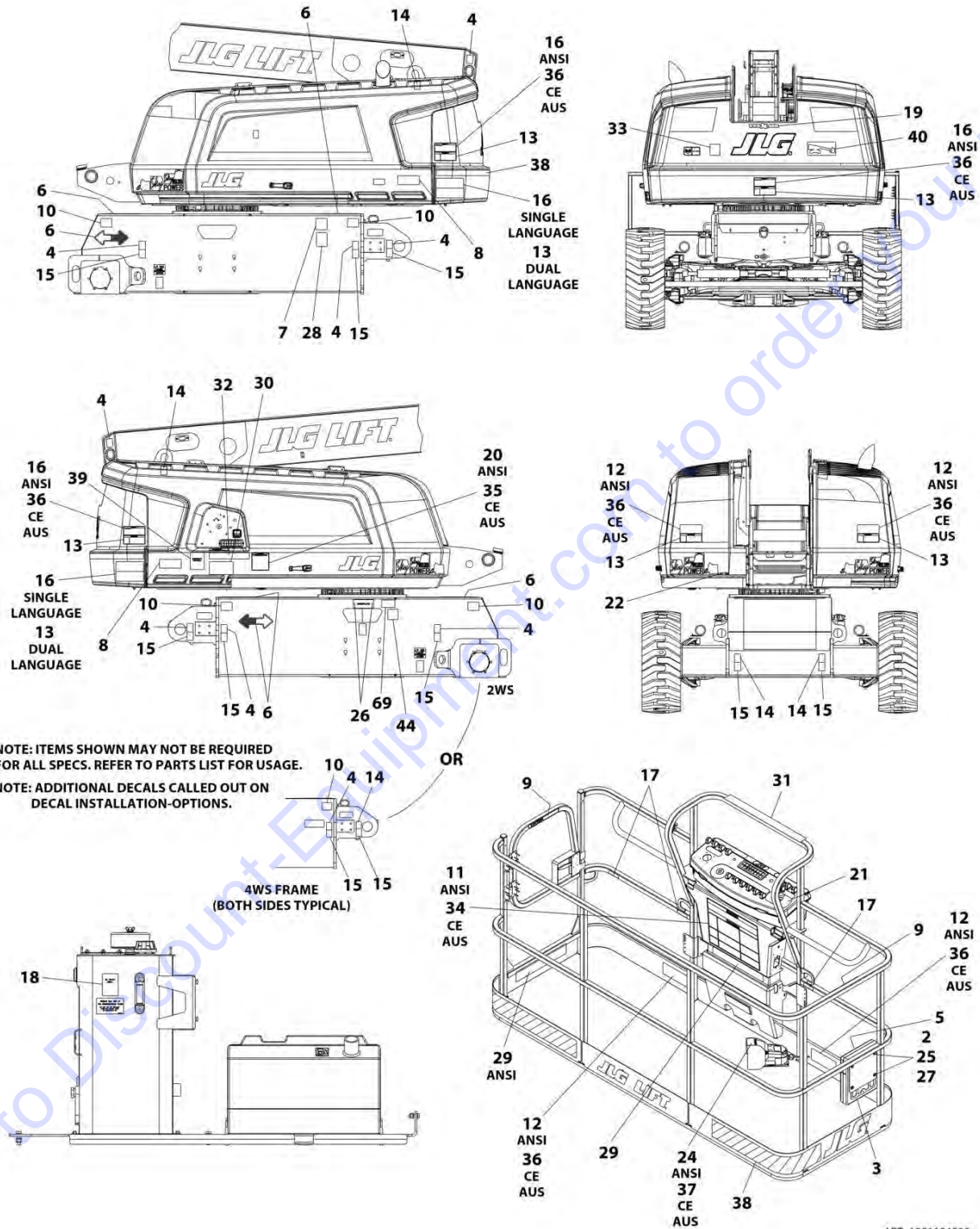
SECTION 9 - DECALS

FIGURE 9-16. DECAL INSTALLATION - 660SJ (CSA SPECS - ENGLISH/FRENCH LANGUAGES)

ITEM	PART NUMBER	QTY	DESCRIPTION	REV
	1001194226	Ref	DECAL INSTALLATION	E
2	0700610	4	Bolt M6 x 20	
3	91403230	1	Box, Manual Storage	
4	1701499	8	Decal - No Tie Down/Lift	
5	1701509	1	Decal - Manual	
6	1701529	4	Decal - Arrow	
7	See Note	1	Decal - Bar Code (Note: Not Available For Purchase)	
8	1702817	2	Decal - 660SJ	
9	1704000	2	Decal - No Hands	
10	1001216060	4	Decal - Maximum Tire Load	
11	1703924	1	Decal - Danger/Warning	
12	1703948	4	Decal - Warning/Crushing	
13	1703936	5	Decal - Electrocution	
14	1703811	4	Decal - Lifting Lug	
15	1703814	8	Decal - Tie Down	
16	1703942	3	Decal - Crushing	
17	1704277	3	Decal - Lanyard Attach	
18	1704412	1	Decal - Hydraulic Oil	
19	1704885	1	Decal - Website	
20	1705347	1	Decal - Warning/Inspection	
21	1705429	1	Decal - Drive/Steer Instruction	
22	3251243	1	Decal - 120V/60Hz	
24	1703984	1	Nameplate - Footswitch	
25	3290605	4	Nut M6	
26	3820001	2	Rivet	
27	4811700	8	Washer M6	
28	1001131269	1	Decal - Patent	
29	1001216749	2	Decal - Warning Dual Capacity	
30	1001216750	1	Decal - Warning Dual Capacity	
31	1001173262	1	Decal - Legend	
32	1001174313	1	Decal - Legend	
40	1001215615	1	Decal - Lift Diagram	
41	1705514	1	Decal - CSA	
43	1001228370	1	Decal - ICES (Canada) (SN 0300235168 through 0300237156)	
43	1001223453	1	Decal - ICES (Canada) (SN 0300237157 to Present)	
44	1001223971	1	Decal - Yearly Inspection	

SECTION 9 - DECALS

FIGURE 9-17. DECAL INSTALLATION - 660SJ (JAPANESE SPECS - ENGLISH/JAPANESE LANGUAGES)



ART_1001194230

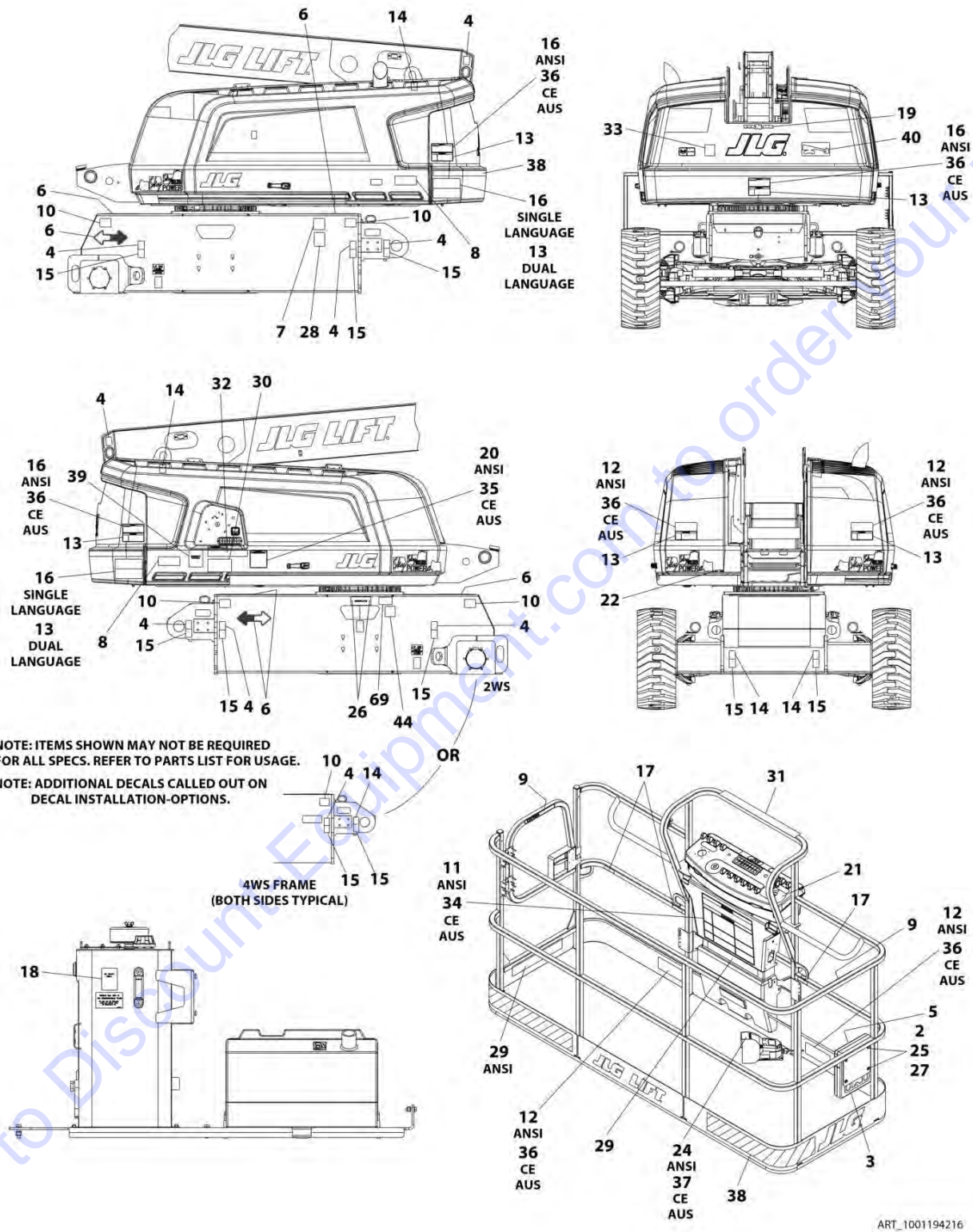
SECTION 9 - DECALS

FIGURE 9-17. DECAL INSTALLATION - 660SJ (JAPANESE SPECS - ENGLISH/JAPANESE LANGUAGES)

ITEM	PART NUMBER	QTY	DESCRIPTION	REV
	1001194230	Ref	DECAL INSTALLATION	D
2	0700610	4	Bolt M6 x 20	
3	91403230	1	Box, Manual Storage	
4	1701499	8	Decal - No Tie Down/Lift	
5	1701509	1	Decal - Manual	
6	1701529	4	Decal - Arrow	
7	See Note	NSS	Decal - Bar Code (Note: Not Available for Purchase)	
8	1702817	2	Decal - 660SJ	
10	1001216060	4	Decal - Maximum Tire Load	
11	1703926	1	Decal - Danger/Warning	
12	1703950	4	Decal - Crushing	
13	1703938	5	Decal - Electrocution	
14	1703811	4	Decal - Lifting Lug	
15	1703814	8	Decal - Tie Down	
16	1703944	3	Decal - Warning/Crushing	
17	1704277	2	Decal - Lanyard Attach	
18	1704412	1	Decal - Hydraulic Oil	
19	1704885	1	Decal - Website	
20	1705344	1	Decal - Warning/Inspection	
21	1705426	1	Decal - Drive/Steer Instruction	
22	3251243	1	Decal - 120V/60Hz	
24	1703980	1	Nameplate - Footswitch	
25	3290605	4	Nut M6	
26	3820001	2	Rivet	
27	4811700	8	Washer M6	
29	1001216751	2	Decal - Warning Dual Capacity	
30	1001216752	1	Decal - Warning Dual Capacity	
31	1001173262	1	Decal - Legend	
32	1001174313	1	Decal - Legend	
40	1001215615	1	Decal - Lift Diagram	
44	1001224053	1	Decal - Yearly Inspection	

SECTION 9 - DECALS

FIGURE 9-18. DECAL INSTALLATION - 660SJ (KOREAN SPECS - ENGLISH/KOREAN LANGUAGES)



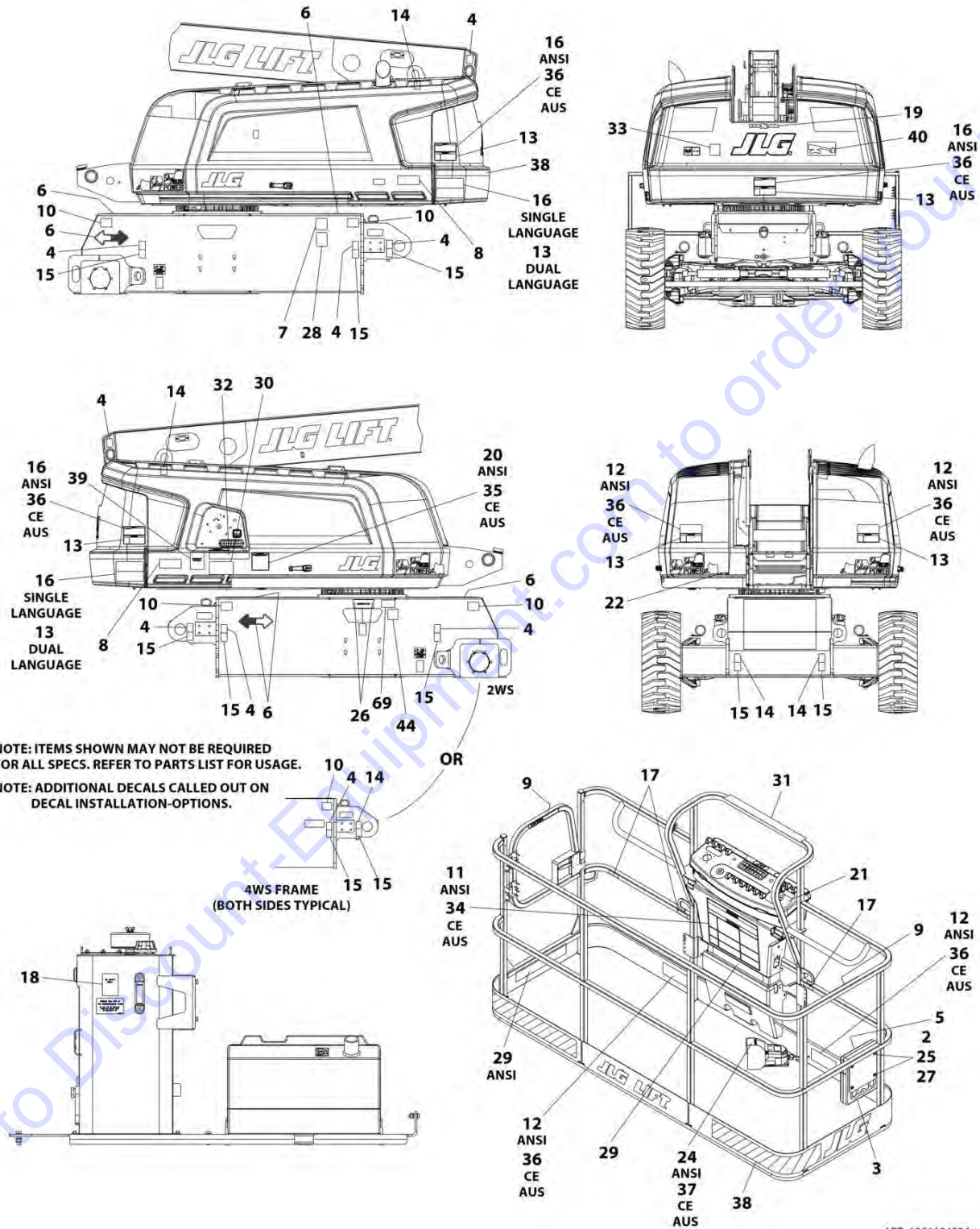
SECTION 9 - DECALS

FIGURE 9-18. DECAL INSTALLATION - 660SJ (KOREAN SPECS - ENGLISH/KOREAN LANGUAGES)

ITEM	PART NUMBER	QTY	DESCRIPTION	REV
	1001194216	Ref	DECAL INSTALLATION	D
2	0700610	4	Bolt M6 x 20	
3	91403230	1	Box, Manual Storage	
4	1701499	8	Decal - No Tie Down/Lift	
5	1701509	1	Decal - Manual	
6	1701529	4	Decal - Arrow	
7	See Note	NSS	Decal - Bar Code (Note: Not Available for Purchase)	
8	1702817	2	Decal - 600SJ	
9	1705969	2	Decal - No Hands	
10	1001216060	4	Decal - Maximum Tire Load	
11	1703927	1	Decal - Warning/Danger	
12	1703951	4	Decal - Warning/Crushing	
13	1703939	5	Decal - Danger Electrocutation	
14	1703811	4	Decal - Lifting Lug	
15	1703814	8	Decal - Tie Down	
16	1703945	3	Decal - Warning Crushing	
17	1704277	3	Decal - Lanyard Attach	
18	1704412	1	Decal - Hydraulic Oil	
19	1704885	1	Decal - Website	
20	1705345	1	Decal - Warning/Inspection	
21	1705427	1	Decal - Drive/Steer Instruction	
24	1703981	1	Nameplate - Footswitch	
25	3290605	4	Nut M6	
26	3820001	2	Rivet	
27	4811700	8	Washer M6	
29	1001216734	2	Decal - Warning Dual Capacity	
30	1001216735	1	Decal - Warning Dual Capacity	
31	1001173262	1	Decal - Legend	
32	1001174313	1	Decal - Legend	
40	1001215615	1	Decal - Lift Diagram	
44	1001224048	1	Decal - Yearly Inspection	

SECTION 9 - DECALS

FIGURE 9-19. DECAL INSTALLATION - 660SJ (LATIN AMERICAN SPECS - ENGLISH/SPANISH LANGUAGES)



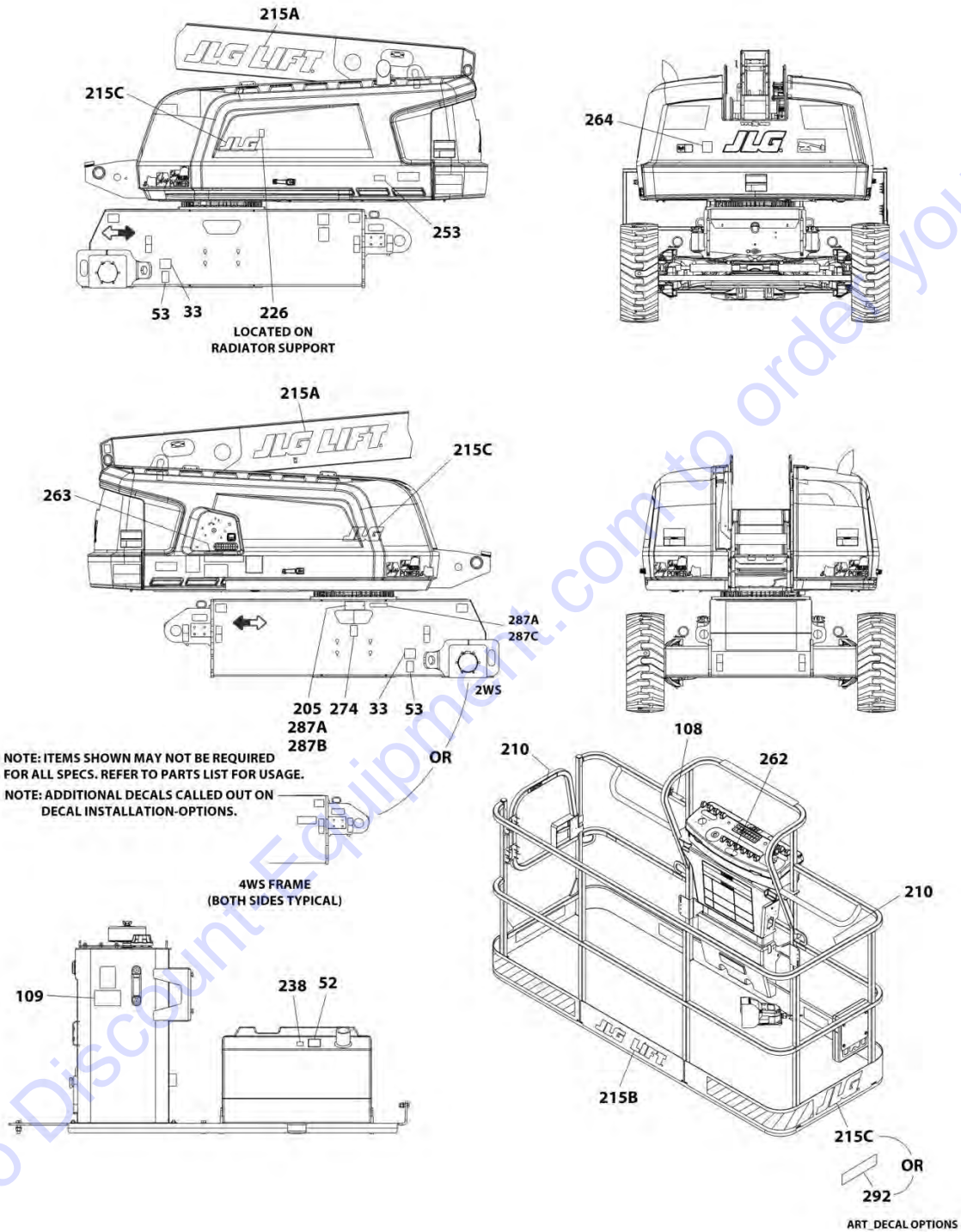
SECTION 9 - DECALS

FIGURE 9-19. DECAL INSTALLATION - 660SJ (LATIN AMERICAN SPECS - ENGLISH/SPANISH LANGUAGES)

ITEM	PART NUMBER	QTY	DESCRIPTION	REV
	1001194224	Ref	DECAL INSTALLATION	D
2	0700610	4	Bolt M6 x 20	
3	91403230	1	Box, Manual Storage	
4	1701499	8	Decal - No Tie Down/Lift	
5	1701509	1	Decal - Manual	
6	1701529	4	Decal - Arrow	
7	See Note	NSS	Decal - Bar Code (Note: Not Available for Purchase)	
8	1702817	2	Decal - 660SJ	
9	1704001	2	Decal - No Hands	
10	1001216060	4	Decal - Maximum Tire Load	
11	1703923	1	Decal - Warning/Danger	
12	1703947	4	Decal - Warning/Crushing	
13	1703935	5	Decal - Electrocutation	
14	1703811	4	Decal - Lifting Lug	
15	1703814	8	Decal - Tie Down	
16	1703941	3	Decal - Warning/Crushing	
17	1704277	3	Decal - Lanyard Attach	
18	1704412	1	Decal - Hydraulic Oil	
19	1704885	1	Decal - Website	
20	1705917	1	Decal - Warning/Inspection	
21	1705910	1	Decal - Drive/Steer Instruction	
22	3251243	1	Decal - 120V/60Hz	
24	1703983	1	Nameplate - Footswitch	
25	3290605	4	Nut M6	
26	3820001	2	Rivet	
27	4811700	8	Washer M6	
29	1001216747	2	Decal - Warning Dual Capacity	
30	1001216748	1	Decal - Warning Dual Capacity	
31	1001173262	1	Decal - Legend	
32	1001174313	1	Decal - Legend	
40	1001215615	1	Decal - Lift Diagram	
44	1001224049	1	Decal - Yearly Inspection	

SECTION 9 - DECALS

FIGURE 9-20. DECALS INSTALLATION - OPTIONS



SECTION 9 - DECALS

FIGURE 9-20. DECALS INSTALLATION - OPTIONS

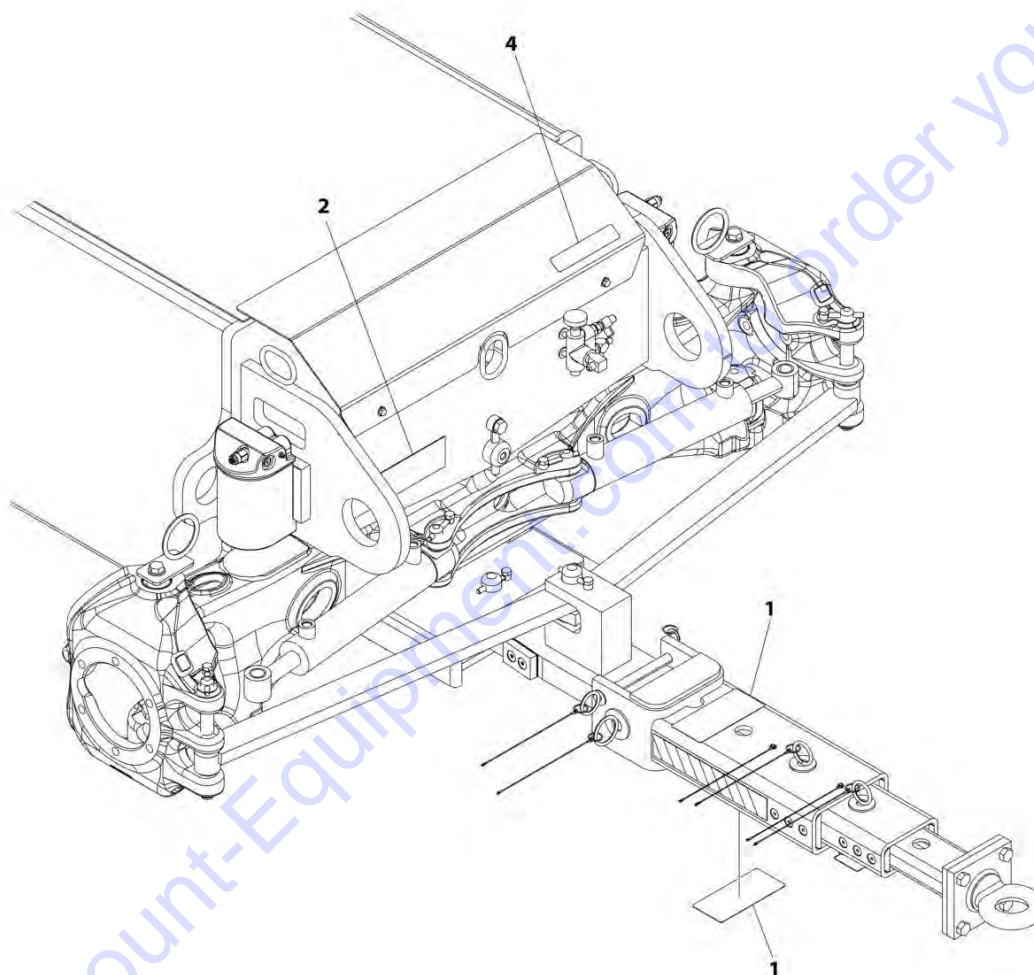
ITEM	PART NUMBER	QTY	DESCRIPTION	REV
	1001194233	Ref	DECAL INSTALLATION - REFERENCE CHART	L
	1001188600	Ref	DECAL INSTALLATION - OPTIONS	U
33	1700818	2	Decal - LP Gas Liquid Withdrawal System (ANSI & ANSI Export Specs)	
33	1704271	2	Decal - LP Gas Liquid Withdrawal System (CSA Spec)	
33	1702720	2	Decal - LP Gas Liquid Withdrawal System (ANSI Export Specs)	
33	1001119661	1	Decal - LP Gas Liquid Withdrawal System (ANSI, ANSI Export and China Specs)	
52	1701542	1	Decal - Gas	
52	1701505	1	Decal - Diesel Fuel	
53	1701543	1	Decal - LPG (Gas Machines Only)	
108	0256487	Ref	Proposition 65 Warning Decal Installation (Diesel Machines) (SN 0300235168 through 0300247539)	
108	1702962	1	Decal - Proposition 65 (Diesel Machines)	
108	1001231801	Ref	Decal - Proposition 65 Warning (Diesel Engines) (SN 0300247540 to Present)	
108	0256488	Ref	Proposition 65 Warning Decal Installation (Gas Machines) (SN 0300235168 through 0300247539)	
108	1702961	1	Decal - Proposition 65 (Gas Machines)	
108	1001231801	Ref	Decal - Proposition 65 Warning (Gas Engines) (SN 0300247540 to Present)	
109	1702788	1	Decal - Biodegradeable Hydraulic Fluid (All Specs except German Spec)	
109	1703479	1	Decal - Biodegradeable Hydraulic Fluid (German Spec)	
109	1704174	1	Decal - SYN Biodegradeable Hydraulic Fluid (All Specs except German Spec)	
109	1704175	1	Decal - SYN Biodegradeable Hydraulic Fluid (German Spec)	
188	0272312	Ref	Decal Installation - Tire Sealant (Not Shown)	
188	2902203	1	Decal Kit - Tire Sealant (Machines with Tire Sealant) (Not Shown)	
205	See Note	NSS	Nameplate - Manufacturers Serial Number (Note: Not Available for Purchase)	
210		Ref	Decal - No Hands Options (Machines with Platform Mesh/Soft-Touch Options):	
210	1702868	2	Decal - No Hands (ANSI/ANSI Export/Australian/CE Specs) (English Language)	
210	1704002	1	Decal - No Hands (Brazil Specs) (Portuguese & Spanish Languages)	
210	1705968	2	Decal - No Hands (China Specs) (English & Simplified Chinese Languages)	
210	1001116846	2	Decal - No Hands (China Specs) (English & Traditional Chinese Languages)	
210	1704000	2	Decal - No Hands (CSA Specs) (English & French Languages)	
210	1705969	2	Decal - No Hands (Korean Specs) (English & Korean Languages)	
210	1704001	2	Decal - No Hands (Latin American Specs) (English & Spanish Languages)	
	1001206816	Ref	Decal Installation - JLG Logo (Not Shown)	A
215A	1702861	AR	Decal - JLG Lift	
215B	1702774	1	Decal - JLG Lift	
215C	1702773	AR	Decal - JLG	
226		Ref	Decal - Warning Explosion/Fire Options (Diesel Engine Machines Only):	

SECTION 9 - DECALS

ITEM	PART NUMBER	QTY	DESCRIPTION	REV
226	1704972	1	Decal - Warning Explosion/Fire (ANSI/ANSI Export Spec)	
226	1706098	1	Decal - Warning Explosion/Fire (Australian and CE Specs)	
226	1706059	1	Decal - Warning Explosion/Fire (Brazil Spec - Dual Language English/Portuguese)	
226	1706060	1	Decal - Warning Explosion/Fire (Chinese Spec - Dual Language English/Chinese)	
226	1706064	1	Decal - Warning Explosion/Fire (CSA Spec - Dual Language English/French)	
226	1706062	1	Decal - Warning Explosion/Fire (Japanese Spec - Dual Language English/Japanese)	
226	1706061	1	Decal - Warning Explosion/Fire (Korean Spec - Dual Language English/Korean)	
226	1706063	1	Decal - Warning Explosion/Fire (Latin American - Dual Language English/Spanish)	
238	1001125387	1	Decal - Ultra Low Sulfur Fuel (ANSI & CSA Specs)	
238	1001139654	1	Decal - Ultra Low Sulfur Fuel (ANSI Export HRC, CE & Japanese Specs)	
253	1001143852	1	Decal - Emission Compliance (Machines with Diesel Engines) (ANSI Export, Australian, CE and China Specs) (Not Shown)	
262	1001141300	1	Decal - SkyGuard Override (Without Soft-Touch)	
262	1001141302	1	Decal - SkyGuard Override (With Soft-Touch)	
263	1001197408	1	Decal - MSSO (CE Specs)	
264	1001130492	1	Decal - Sound Power (Deutz D2011 Engines) (Australian and CE Specs)	
264	1705515	1	Decal - Sound Power (Deutz TD2.9L4 Engines) (Australian and CE Specs)	
274	1001214030	1	Decal - EAC Installation (CIS and Russia Specs)	
274A	1001173703	1	Decal - EAC	
	1001239371	1	ECO Label Installation	A
287A	3820001	8	Rivet	
287B	See Note	NSS	Decal - ECO Label (Note: Not Available for Purchase)	
287C	See Note	NSS	Decal - Plate Mein Code (Note: Not Available for Purchase)	
292	1001171335	1	Decal - Dual Capacity (600lbs/272kg & 1000lbs/454kg) (ANSI Spec)	
292	1001194234	1	Decal - Max Capacity (550lbs/250kg & 750lbs/340kg) (ANSI Spec)	
292	1001171359	1	Decal - Dual Capacity (600lbs/272kg & 1000lbs/454kg) (Brazil Spec - Dual Language Portuguese/Spanish)	
292	1001216745	1	Decal - Dual Capacity (550lbs/250kg & 750lbs/340kg) (Brazil Spec - Dual Language Portuguese/Spanish)	
292	1001171355	1	Decal - Dual Capacity (600lbs/272kg & 1000lbs/454kg) (Chinese Spec - Dual Language Traditional English/Chinese)	
292	1001216736	1	Decal - Dual Capacity (550lbs/250kg & 750lbs/340kg) (Chinese Spec - Dual Language Traditional English/Chinese)	
292	1001216739	1	Decal - Dual Capacity (600lbs/272kg & 1000lbs/454kg) (Chinese Spec - Dual Language Simplified English/Chinese)	
292	1001216741	1	Decal - Dual Capacity (550lbs/250kg & 750lbs/340kg) (Chinese Spec - Dual Language Simplified English/Chinese)	
292	1001171345	1	Decal - Dual Capacity (600lbs/272kg & 1000lbs/454kg) (Korean Spec - Dual Language English/Korean)	
292	1001216734	1	Decal - Dual Capacity (550lbs/250kg & 750lbs/340kg) (Korean Spec - Dual Language English/Korean)	
292	1001171349	1	Decal - Dual Capacity (600lbs/272kg & 1000lbs/454kg) (Latin American - Dual Language English/Spanish)	
292	1001216747	1	Decal - Dual Capacity (550lbs/250kg & 750lbs/340kg) (Latin American - Dual Language English/Spanish)	

SECTION 9 - DECALS

FIGURE 9-21. DECAL INSTALLATION - TOW (ANSI SPECS)



ART_100118894

SECTION 9 - DECALS

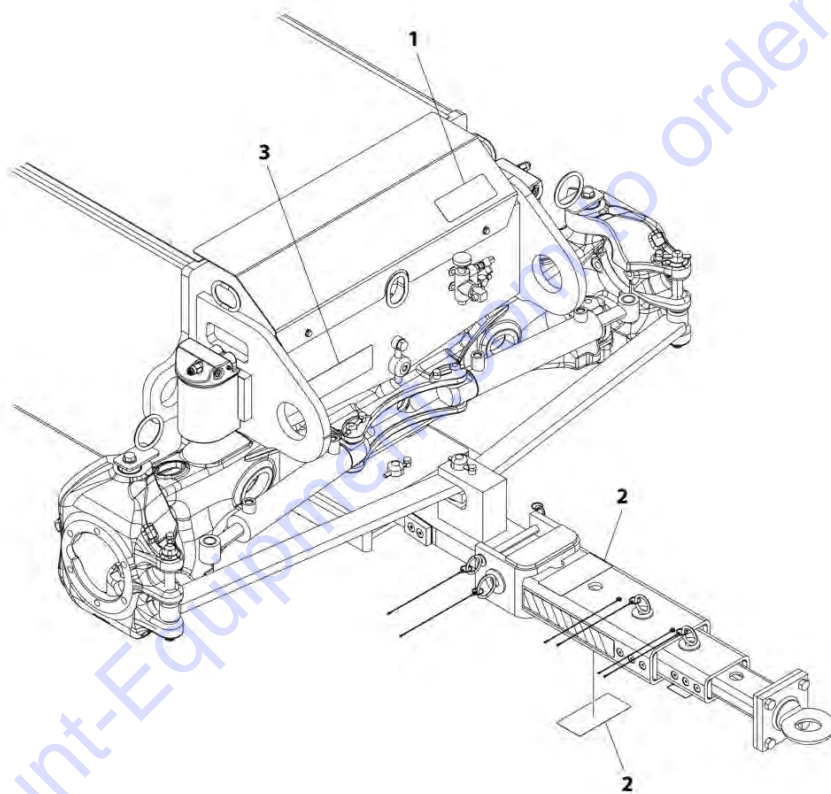
FIGURE 9-21. DECAL INSTALLATION - TOW (ANSI SPECS)

ITEM	PART NUMBER	QTY	DESCRIPTION	REV
	1001188894	Ref	DECAL INSTALLATION	B
1	1704578	2	Decal - Crushing	
2	1705090	1	Decal - Towing Instructions	
4	1001190159	1	Decal - Steer/Tow Select Valve	

Go to Discount-Equipment.com to order your parts

SECTION 9 - DECALS

FIGURE 9-22. DECAL INSTALLATION - TOW (CSA SPECS)



ART_1001188895

SECTION 9 - DECALS

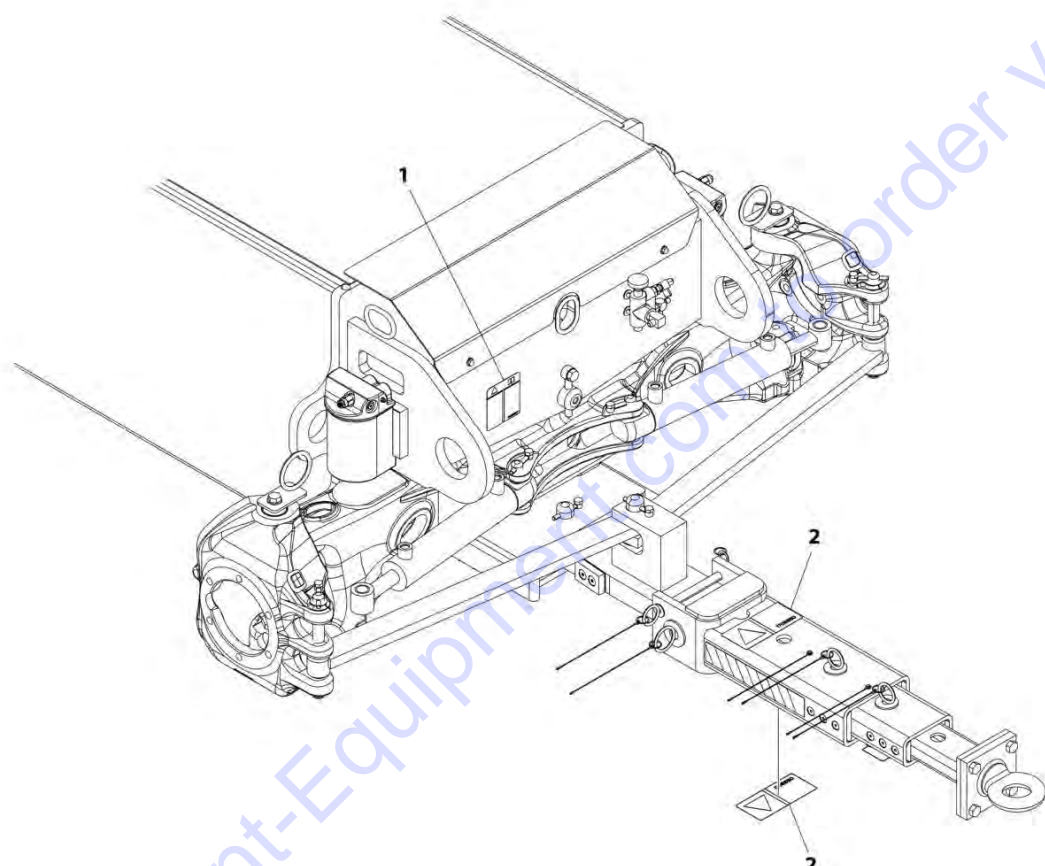
FIGURE 9-22. DECAL INSTALLATION - TOW (CSA SPECS)

ITEM	PART NUMBER	QTY	DESCRIPTION	REV
	1001188895	Ref	DECAL INSTALLATION	B
1	1704272	1	Decal - Steer/Tow Select Valve	
2	1704578	2	Decal - Crushing	
3	1705820	1	Decal - Towing Instructions	

Go to Discount-Equipment.com to order your parts

SECTION 9 - DECALS

FIGURE 9-23. DECAL INSTALLATION - TOW (ANSI EXPORT & CE SPECS)



ART_1001188896

SECTION 9 - DECALS

FIGURE 9-23. DECAL INSTALLATION - TOW (ANSI EXPORT & CE SPECS)

ITEM	PART NUMBER	QTY	DESCRIPTION	REV
	1001188896	Ref	DECAL INSTALLATION	C
1	1706957	1	Decal - Tow Bar and Steer Select	
2	1706960	2	Decal - Tow Bar Crushing	

Go to Discount-Equipment.com to order your parts

SECTION 10 - RECOMMENDED SERVICE PARTS STOCK

SECTION 10 - RECOMMENDED SERVICE PARTS STOCK

Go to Discount-Equipment.com to order your parts

SECTION 10 - RECOMMENDED SERVICE PARTS STOCK

FIGURE 10-1. RECOMMENDED SERVICE PARTS STOCK

ITEM	PART NUMBER	QTY	DESCRIPTION	REV
		Ref	Note: The following list will service one machine (built to current production per date on the front cover) with emergency repair parts which can be installed in the field. Parts from the list should be replaced when inventory is depleted to keep service parts stock supplied.	
		Ref	STANDARD PARTS	
	70010383	1	Element, Filter (Includes O-Ring)	
	70004653	1	Coil	
	80434249	1	Coil	
	70004595	1	Coil	
	70002386	1	Coil	
	70002814	12	Hydraulic Tank Service Kit	
	4360475	1	Switch, Mushroom	
	1001155045	1	Switch, Toggle	
	4360469	1	Switch, Key	
	2860030	1 Set	Key, Replacement	
	70004066	12	Element, Filter	
	70005683	1	Repair Section - Powertrack	
	70005335	12	Element, High Pressure Filter	
	70006122	1	Coil	
	4360407	1	Controller, Speed	
	4360387	1	Switch, Push Button	
	1001117174	1	Footswitch Assembly	
	1001159256	1	Switch, Toggle	
	1001161709	1	Switch, Toggle	
	1001212415	1	Controller, Drive and Steer	
	1001129555	1	Controller, Lift and Swing	
	1001161710	1	Switch, Toggle	
	1001137673	1	Switch, SkyGuard	
	70005576	1	Coil	
	70006004	1	Coil	
	1001196635	2	Fuse 3Amp	
	8229242	2	Fuse 5Amp	
	8229244	2	Fuse 15Amp	
	1001095704	1	Relay	
	1001129285	2	Diode	
	8229245	2	Fuse 30Amp	
		Ref	VARIABLE PARTS	
	1001219601	1	Sensor	
	1001187200	1	Module, Ground Control	
	1001142683	1	Module (Used with Blue or Red Beacons)	
	3740067	12	Relay (Deutz D2011 Engines)	
	70003783	12	Element, AC Filter (Deutz D2011 Engines)	
	7016331	12	Element, Oil Filter (Deutz D2011 Engine)	
	7016328	12	Filter, Fuel (Deutz D2011 Engines)	
	7027795	1	Module, Engine Control (ECU) (Deutz D2011 Engines)	
	3740067	1	Relay (Deutz D2011 (Stage V) Engines)	
	70003783	12	Element, AC Filter (Deutz D2011 (Stage V) Engines)	

SECTION 10 - RECOMMENDED SERVICE PARTS STOCK

ITEM	PART NUMBER	QTY	DESCRIPTION	REV
	7016331	12	Element, Oil Filter (Deutz D2011 (Stage V) Engines)	
	7016328	12	Filter, Fuel (Deutz D2011 (Stage V) Engines)	
	7027795	1	Module, Engine Control (ECU) (Deutz D2011 (Stage V) Engines)	
	1001138228	1	Relay (Deutz D2.9L4 - 49HP Engines)	
	70003783	12	Element, AC Filter (Deutz D2.9L4 - 49HP Engines)	
	7016331	12	Element, Oil Filter (Deutz D2.9L4 - 49HP Engines)	
	70025153	12	Element, Fuel Filter (Deutz D2.9L4 - 49HP Engines)	
	70025210	1	Module, Engine Control (ECM/ECU) (Deutz D2.9L4 - 49HP Engines)	
	1001138228	1	Relay (Deutz TD2.9L4 - 67HP Engines)	
	70005008	12	Element, AC Filter (Deutz TD2.9L4 - 67HP Engines)	
	7016331	12	Filter, Oil (Deutz TD2.9L4 - 67HP Engines)	
	70025153	12	Element, Fuel Filter (Deutz TD2.9L4 - 67HP Engines)	
	70025210	1	Module, Engine Control (ECM/ECU) (Deutz TD2.9L4 - 67HP Engines)	
	70005008	12	Element, AC Filter (Ford Engines)	
	70006213	12	Filter, Oil (Ford Engines)	
	70006155	1	Filter, Fuel (Ford Engines)	
	70006176	1	Module, Engine Control (ECU/GCP)	
	70006178	1	Plug, Spark (Ford Engines)	
	4360336	1	Switch, Toggle (Generator Options)	
	4360070	1	Circuit Breaker 15Amp (Machines with 4000W or 7500W Generator)	
	1001214831	1	Switch, Proximity (Boom)	
	1001170847	1	Sensor, Proximity	
	1001182570	1	Sensor, Proximity	
	1001211577	1	Sensor (Lower)	
	1001211578	1	Sensor (Upper) (600S)	
	1001211579	1	Sensor (Upper) (660SJ)	
	2940074	1	Latch (Machines with Gate Entry Platform)	
	1001185726	1	Module, Platform	
	4360331	1	Switch, Toggle (Machines with 4WS)	
	4360057	1	Switch, Limit (Machines with Soft-Touch Option)	
	4360477	1	Switch, Proximity (Machines with Overhead Soft-Touch Option)	
	1001181045	1	Breaker, Circuit 16A (CE Specs Machines with Single Breaker Box)	
	1001152479	1	Breaker, Circuit 16A Double (CE Specs Machines with 3 Breaker Box)	
	1001152482	1	Breaker, Circuit 30mA (CE Specs Machines with 3 Breaker Box)	
	80983191	2	Fuse - 10Amp (Deutz D2.9L4 - 49HP and Deutz TD2.9L4 - 67HP Engines)	
	3740080	1	Relay (Machines with 2500W Generator)	
	2400064	2	Fuse 5A (Deutz D2011 Engine Machines with 7500W SkyPower Generator)	

SECTION 11 - SPECIAL OPTIONS

Go to Discount-Equipment.com to order your parts

SECTION 11 - SPECIAL OPTIONS

FIGURE 11-1. SPECIAL OPTIONS

ITEM	PART NUMBER	QTY	DESCRIPTION	REV
	Note	Ref	Note: This list is to accommodate machines ordered with special equipment. Options may not be applicable to all models.	
		Ref	MISCELLANEOUS SPECIAL OPTIONS	
		Ref	Airline to Platform Installation Options:	
	1001192931	Ref	Airline Installation (600S)	
	1001194110	Ref	Airline Installation (600S Arctic Package)	
	1001193215	Ref	Airline Installation (660SJ)	
	1001194045	Ref	Airline Installation (660SJ Arctic Package)	
	1001194205	Ref	Airline Installation - Dual Lines (600S) (ANSI, ANSI Export, China & CSA Specs)	
	1001235884	Ref	Air Intake Shutoff Valve (Deutz TD2.9L4 -67HP Engines)	
	1001205017	Ref	Arctic Package Installation Kit - With Deutz TD2.9L4 -67HP Engines and Without SkyPower (600S)	
	1001205016	Ref	Arctic Package Installation Kit - With Deutz TD2.9L4 -67HP Engines and Without With SkyPower (600S)	
	1001205021	Ref	Arctic Package Installation Kit - With Deutz TD2.9L4 -67HP Engines and Without SkyPower (660SJ)	
	1001205020	Ref	Arctic Package Installation Kit - With Deutz TD2.9L4 -67HP Engines and Without With SkyPower (660SJ)	
	1001189169	Ref	Bellows Installation - Boom (600S)	
	1001189170	Ref	Bellows Installation - Boom (660SJ)	
	1001181778	Ref	Bellows Installation - Chassis (2WS)	
	1001181779	Ref	Bellows Installation - Chassis (4WS)	
	1001198884	Ref	Boom Cable/Hose Protection Installation (600S)	
	1001199095	Ref	Boom Cable/Hose Protection Installation (660SJ)	
	1001195235	Ref	Boom Wipers Installation (Standard Machines)	
	1001195236	Ref	Boom Wipers Installation (600S Shipyard Machines) (All Specs except Australian & CE Specs)	
	1001233047	Ref	Breather Heater Kit (Deutz Engines)	
		Ref	ClearSky (Telematics) Installations (Dealer Installed)	
	1001242409	Ref	ClearSky (Telematics) Access Control Installation Kit (Dealer Installed) (ANSI, ANSI Export, CSA and CE Specs)	
	1001243183	Ref	ClearSky (Telematics) Added-on Kit (Dealer Installed) (ANSI, ANSI Export, CSA and CE Specs)	
	1001234099	Ref	ClearSky Telematics Kit (Dealer Installed) (CE Specs)	
	1001243184	Ref	ClearSky (Telematics) Added-on Kit (Dealer Installed) (CE Specs)	
		Ref	ClearSky Telematics (Factory Installed)	
	1001227404	Ref	ClearSky Telematics Installation - Canbus Connection (Factory Installed) (ANSI & CSA Specs)	
	1001246524	Ref	ClearSky Telematics Installation - Canbus Connection (Factory Installed) (Australian Specs)	
	1001228947	Ref	ClearSky Telematics Installation - Canbus Connection (Factory Installed) (CE Specs)	
	1001246525	Ref	ClearSky Telematics Installation - Canbus Connection (Factory Installed) (China Specs)	
	1001229107	Ref	ClearSky Telematics Installation - 3 Wire Connection (Factory Installed) (ANSI & CSA Specs)	
	1001233237	Ref	ClearSky Telematics Installation - 3 Wire Connection (Factory Installed) (CE Specs)	
		Ref	Cold Weather Package Installation Options:	

SECTION 11 - SPECIAL OPTIONS

ITEM	PART NUMBER	QTY	DESCRIPTION	REV
	1001192489	Ref	Cold Weather Package Installation (Deutz TD2011L04 Engine Machines)	
	1001192475	Ref	Cold Weather Package Installation (Deutz D2.9L4 – 49HP and Deutz TD2.9L4 – 67HP Engines Machines)	
	1001219855	Ref	Cold Weather Package Installation (Ford Engine Machines)	
	1001239526	Ref	Container Transport Installation	
	1001195224	Ref	Counterweight Installation - Chassis (Required for Turf Tires)	
	1001191019	Ref	Cribbing Switch installation	
		Ref	Decal Installations Options:	
	1001120992	Ref	Decal - ClearSky (ANSI Spec) (ANSI, Australian, Brazilian and CSA Specs Only)	
	0257195	Ref	Decal - Government Warranty	
	1001200131	Ref	Decal - Quick Reference (Danish) (Lomax Rentals)	
	1001200129	Ref	Decal - Quick Reference (Dutch) (Lomax Rentals)	
	1001181145	Ref	Decal - Quick Reference (English) (Lomax Rentals)	
	1001200128	Ref	Decal - Quick Reference (French) (Lomax Rentals)	
	1001200130	Ref	Decal - Quick Reference (German) (Lomax Rentals)	
	1001200134	Ref	Decal - Quick Reference (Norwegian) (Lomax Rentals)	
	1001200133	Ref	Decal - Quick Reference (Spanish) (Lomax Rentals)	
	1001200132	Ref	Decal - Quick Reference (Swedish) (Lomax Rentals)	
	1001195220	Ref	Decal - Soft-Touch (600S) (ANSI, ANSI Export & CSA Specs)	
	1001195221	Ref	Decal - Soft-Touch (600S) (CE Specs)	
	1001195222	Ref	Decal - Soft-Touch (660SJ) (ANSI, ANSI Export & CSA Specs)	
	1001195223	Ref	Decal - Soft-Touch (660SJ) (Australian & CE Specs)	
		Ref	Decal Kits	
	1001108718	Ref	Platform Decal Kit (600S)	
	1001238895	Ref	Platform Decal Kit (660SJ)	
	1001119562	Ref	Platform Console Box Decal Kit (600S)	
	1001109259	Ref	Drive Orientation Kit (660SJ)	
		Ref	Electrical Connector Kits	
	1001148902	Ref	Amp/Tyco Electrical Connector Kit	
	1001148903	Ref	Deutsch DT Electrical Connector Kit	
	1001148904	Ref	Deutsch HD Electrical Connector Kit	
	1001148905	Ref	Packard Electrical Connector Kit	
	1001148906	Ref	Various Electrical Connectors Kit	
	1001220390	Ref	Engine Block Heater Installation (Ford Engine Machines)	
	1001192482	Ref	Fan Grille Installation (Deutz D2011 Engines)	
	1001172751	Ref	Fan Grille Installation (Deutz D2.9L4 - 49HP Engines)	
	1001192610	Ref	Fan Grille Installation (Deutz TD2.9L4 - 67HP Engines)	
		Ref	Filter Kits:	
		Ref	Combined Filter Kit (Hydraulic/Air and Fuel/Engine Oil)	
	1001238957	1	Deutz D2011 Engines	
	1001238961	1	Deutz TD2.9L4 - 67HP Engines	
	1001238960	1	Ford Engines	
	1001109692	1	Hydraulic/Air Filter	
	1001110133	1	Fuel/Engine Oil Filter (Deutz Engines Only)	
	1001139099	Ref	Fire Extinguisher installation (Platform Mounted)	
		Ref	Fluids	
		Ref	Coolant Options:	
	2300004	Ref	Machines without Arctic Package	
	2300041	Ref	Machines with Arctic Package	
	3020021	Ref	Engine Coupling Grease	

SECTION 11 - SPECIAL OPTIONS

ITEM	PART NUMBER	QTY	DESCRIPTION	REV
		Ref	Engine Oil Options:	
	3020016	Ref	Motor Oil (Deutz TD2011 Engine Machines without Arctic Package)	
	3020044	Ref	Motor Oil (Deutz TD2011 Engine Machines with Arctic Package)	
	1001136079	Ref	Motor Oil (Deutz D2.9L4 - 49 HP and Deutz TD2.9L4 - 67HP Engine Machines without Arctic Package)	
	1001136172	Ref	Motor Oil (Deutz D2.9L4 - 49 HP and Deutz TD2.9L4 - 67HP Engine Machines with Arctic Package)	
	1001190775	Ref	Motor Oil (Ford Engine Machines)	
		Ref	Hydraulic Fluids:	
	2300014	Ref	Mobil 424	
	2300027	Ref	Mobil 224H Bio	
	2300029	Ref	Mobil EAL ISO 46 Bio	
	2300016	Ref	Mobil DTE 10 EXCEL 32	
	2300019	Ref	Quaker State Quintolubric 888-46 Fire Resistant	
	2300039	Ref	Exxon Univis Hvl 26 (Machines with Arctic Package)	
	1001237883	Ref	Fall Arrest (Bolt-on) Add-on Kit (6ft/1.82m Platform (ANSI, ANSI Export, China, CSA & Japanese Specs Only) (Fits Platform p/ns 1001186384 & 1001228376)	
	1001237882	Ref	Fall Arrest (Bolt-on) Add-on Kit (8ft/2.4m Platform (ANSI, ANSI Export, China, CSA & Japanese Specs Only) (Fits Platform p/ns 1001186383)	
	1001117294	Ref	Footswitch Shield (Note: Move Decal to Shield)	
	1001202749	Ref	Fuel Cap Cover Installation (Black) (Note: Lock p/n 1001102157 must be Purchased Separately)	
	1001191395	Ref	Fuel Cap Cover Installation (Green) (Diesel Machines) (Note: Lock p/n 1001102157 must be Purchased Separately)	
	1001191394	Ref	Fuel Cap Cover Installation (Red) (Gas Machines) (Note: Lock p/n 1001102157 must be Purchased Separately)	
		Ref	Hood (Steel) Replacement Kit	
	1001126286	Ref	Deutz Engine Machines	
		Ref	Hostile Environment Installation Options:	
	1001238927	Ref	Hostile Environment Installation (600S - 2WS)	
	1001238928	Ref	Hostile Environment Installation (600S - 4WS)	
	1001238929	Ref	Hostile Environment Installation (660SJ - 2WS)	
	1001238930	Ref	Hostile Environment Installation (660SJ - 4WS)	
	1001195237	Ref	Hostile Package (Extreme) Installation (600S/660SJ - 2WS)	
	1001195238	Ref	Hostile Package (Extreme) Installation (600S/660SJ - 4WS)	
	1001189615	Ref	Kingpin Removal Kit	
	1001148971	Ref	Lanyard (Bolt-On) Kit Installation	
		Ref	Light Options:	
	1001190761	Ref	Chassis Illumination Lights Installation	
	1001190717	Ref	Headlights & Taillights Installation	
	1001120467	Ref	Platform Floodlights Installation	
	1001178951	Ref	Platform Mounted Strobe Light Installation	
	1001193521	Ref	Platform/Ground Dual Located Mounted Strobe Light Installation	
	1001120466	Ref	Platform Worklights Installation	
	1001183407	Ref	Low Temperature Cutout Installation (Russian Specs)	
		Ref	Oil Cooler Options:	
	1001195355	Ref	Oil Cooler Installation (Deutz TD2011 Engine)	
	1001242998	Ref	Oil Cooler Installation (Deutz D2.9L4 - 49HP Engine)	
	1001195354	Ref	Oil Cooler Installation (Deutz TD2.9L4 - 67HP Engine)	
	1001219854	Ref	Oil Cooler Installation (Ford Engine)	

SECTION 11 - SPECIAL OPTIONS

ITEM	PART NUMBER	QTY	DESCRIPTION	REV
	1001110982	Ref	Platform Bumpers Installation (Shipyard Spec Machines)	
		Ref	Platform Console Cover Installations	
	1001195304	Ref	Platform Console Cover Installation (Clear Polycarbonate)	
	1001110974	Ref	Platform Console Cover Installation (Steel) (All Specs)	
	1001125230	Ref	Platform Console Cover Installation (Steel) (Chinese Specs)	
	1001125229	Ref	Platform Console Cover Installation (Steel) (Korean Specs)	
		Ref	Platform Entry Kit	
	1001142504	Ref	Kit, Replace Swing Gate with Drop Bar	
	1001142505	Ref	Kit, Replace Drop Bar with Swing Gate	
		Ref	Platform Extension (Top Rail)	
	0272733	Ref	36in x 72in Platforms	
	0272725	Ref	36in x 96in Platforms	
		Ref	Platform Mesh to Top Rail Add-on Kits:	
	1001214552	Ref	30in x 4ft (76cm x 1.22m) with Gate	
	1001214559	Ref	30in x 5ft (76cm x 1.52m) with Gate	
	1001214560	Ref	30in x 6ft (91.5cm x 1.83m) with Gate	
	1001214561	Ref	36in x 6ft (91.5cm x 1.83m) with Gate	
	1001214562	Ref	36in x 8ft (91.5cm x 2.44m) with Gate	
		Ref	Platform Mesh to Top Rail Installations	
	0273147	Ref	30in x 4ft (76cm x 1.22m)	
	0273146	Ref	30in x 5ft (76cm x 1.52m)	
	0273149	Ref	36in x 6ft (91.5cm x 1.83m)	
	0273145	Ref	36in x 8ft (91.5cm x 2.44m)	
		Ref	Platform Mesh to Mid Rail Add-on Kits:	
	1001214478	Ref	30in x 4ft (76cm x 1.22m) with Gate	
	1001214515	Ref	30in x 5ft (76cm x 1.52m) with Gate	
	1001214540	Ref	36in x 6ft (91.5cm x 1.83m) with Gate	
	1001214548	Ref	36in x 8ft (91.5cm x 2.44m) with Gate	
		Ref	Platform Mesh to Mid Rail Installation	
	1001140318	Ref	30in x 4ft (76cm x 1.22m)	
	1001140315	Ref	30in x 5ft (76cm x 1.52m)	
	1001138772	Ref	36in x 6ft (91.5cm x 1.83m)	
	1001138773	Ref	36in x 8ft (91.5cm x 2.44m)	
	1580013	Ref	Platform Storage Tray (Corner Mounted)	
	1001238903	Ref	Platform Valve Hose Kit - 600S	
	1001238906	Ref	Platform Valve Hose Kit - 660SJ	
	1001233035	Ref	Pinion Shield Installation	
	2902232	Ref	SkyGlazier Kit (Includes 36in x 8ft (91.5cm x 2.44m) Platform)	
	1001101422	Ref	SkyGlazier Kit (Platform not Included)	
	1001137672	Ref	SkyGuard Installation Kit (Old Style Platform)	
	1001197016	Ref	SkyGuard Installation Kit (New Style Platform)	
	1001206311	Ref	SkyGuard Blue Beacon Installation Kit	
	1001217055	Ref	SkyPower Kit (Deutz TD2.9L4 Engine)	
	1001231235	Ref	SkyWelder Locking Bracket Installation	
		Ref	Tools for Service	
	7002840	1	Anti-Rotation Pin Removal Tool	
	8896941	1	Wire Stripper	
	7002821	1	Wire Crimper (To install wire ends to wires)	
	7002823	1	Pin/Socket Extractor - Universal (To Remove Pins/Sockets from Connectors)	
	4460467	1	Extractor - 16-18 Gauge (For Removal of Pin/Sockets from Deutsch Connectors)	

SECTION 11 - SPECIAL OPTIONS

ITEM	PART NUMBER	QTY	DESCRIPTION	REV
	4460510	1	Extractor - 12-14 Gauge (For Removal of Pin/Sockets from Deutsch Connectors)	
	7002822	1	Screwdriver, Potentiometer (To Adjust Drive Controllers)	
	7016654	1	Screwdriver, Magnetic	
	7004275	1	Seal Installation Tool - 1in	
	7004276	1	Seal Installation Tool - 1-1/2in	
	7002826	1	Seal Installation Tool - 2in	
	7016655	1	Wire Rope Sheave Gauge	
	7016652	1	Huck Bolt FASTER (For Small Huck Bolts Only)	
	1001137005	1	Software Cable Kit	
	2915096	Ref	Turntable Bearing Kit	
	1001238902	Ref	Upper Power Track Hose Kit - 600S	
	1001238904	Ref	Upper Power Track Hose Kit - 660SJ	
	1001238898	Ref	Wear Pad Kit	
	1001238907	Ref	Wire Rope Kit	

PART NUMBER INDEX

Go to Discount-Equipment.com to order your parts

PART NUMBER INDEX

0100009.....473, 477	0257728..... 535	0641608 .. 93, 95, 97, 517	0701016.... 136, 141, 148, 152, 297
0100011.... 17, 19, 21, 23, 25, 27, 51, 53, 55, 59, 61, 63, 65, 87, 91, 93, 95, 97, 101, 103, 105, 107, 109, 111, 136, 137, 140, 141, 143, 145, 148, 152, 155, 157, 163, 167, 170, 173, 177, 180, 187, 189, 192, 199, 203, 206, 209, 213, 216, 225, 229, 232, 237, 241, 244, 257, 261, 264, 269, 273, 276, 281, 299, 319, 321, 323, 325, 327, 329, 331, 333, 335, 337, 339, 341, 345, 349, 351, 355, 359, 363, 367, 371, 375, 379, 383, 388, 392, 396, 400, 403, 405, 411, 413, 415, 417, 419, 425, 427, 429, 431, 433, 437, 441, 445, 449, 453, 455, 459, 461, 463, 501, 503, 509, 511, 513, 515, 525, 527, 529, 531, 555, 561, 567, 671, 673, 675, 677, 679, 681, 683, 685, 687, 689, 691, 693	0270528..... 55 0272070..... 429 0272254..... 529 0272312..... 835 0272418.... 519, 521, 523 0272427..... 513 0272435... 373, 377, 381, 384 0272521..... 527 0272589..... 368 0272725..... 853 0272733..... 853 0273145..... 853 0273146..... 853 0273147..... 853 0273149..... 853 0273706..... 515 0273824..... 509 0275216.... 641, 643, 771 0275217... 645, 647, 773 0275452.... 649, 651, 775 0275453.... 653, 655, 777 0275454.... 657, 659, 779 0362910..... 55 0400075..... 101, 103 0440162... 163, 173, 187, 199, 209, 225, 237, 257, 269 0440233..... 83 04600004..... 223 04603585..... 223 0480100..... 535, 537 0480124..... 337, 339 0561508..... 396, 400 0630462... 509, 511, 513, 515 0630518.... 527, 529, 531 0630534... 555, 559, 561, 563 0630535..... 567, 569 0630568..... 474, 478 0630613. 93, 95, 97, 136, 140, 148, 152 0641404.... 473, 477, 525 0641405..... 517, 525 0641406..... 467 0641408..... 143, 145 0641409..... 155, 157 0641414... 473, 477, 501, 503, 505, 509, 511, 513, 515 0641416... 643, 647, 651, 655, 659, 661 0641418... 437, 441, 449, 453, 455, 459, 461, 463 0641420..... 445 0641424... 683, 685, 687, 689, 691, 693 0641504..... 136, 140 0641507..... 341, 345 0641508.... 337, 339, 349 0641511..... 55 0641514..... 535, 537 0641606.... 527, 529, 531 0641607... 93, 95, 97, 346	0641611..... 206, 216 0641616... 359, 363, 375, 379 0641618... 351, 355, 367, 371 0641772..... 341 0641812..... 429 0641814... 167, 177, 189, 203, 213, 229, 241, 261, 273 0642010..... 55 0642012.... 519, 521, 523 0642212.... 519, 521, 523 0642684.... 429, 431, 433 0681608.... 429, 431, 433 0681620.... 539, 541, 543 0681810..... 25, 27 0681814..... 451, 465 0681822..... 451, 465 0682016..... 25, 27 0682023..... 83 0682040..... 25, 27 0682424.... 539, 541, 543 0700408... 641, 643, 645, 647, 649, 651, 653, 655, 657, 659, 661 0700608... 105, 107, 109, 111 0700610... 101, 103, 337, 339, 469, 471, 797, 799, 801, 803, 805, 807, 809, 811, 813, 815, 817, 819, 821, 823, 825, 827, 829, 831, 833 0700612..... 469, 471 0700614... 163, 173, 187, 199, 209, 225, 237 0700615..... 157 0700616..... 155 0700618... 641, 645, 649, 653, 657 0700619... 105, 107, 109, 111, 143, 145, 257, 269 0700816..... 281 0700818... 281, 671, 673, 675, 677, 679, 681, 683, 685, 687, 689, 691, 693 0700819... 355, 359, 363, 367, 371, 375, 379, 383, 693, 719, 721 0700822... 671, 673, 675, 677, 679, 681, 683, 685, 687, 689, 691, 693 070101221, 23, 136, 140, 148, 152, 163, 173, 187, 199, 209, 225, 237, 257, 269 0701013..... 396, 400 0701014.... 19, 281, 469, 471 0701015. 93, 95, 97, 199, 209, 225, 237	0701018..... 403, 405 0701019..... 388, 392 0701022.... 163, 173, 187, 225, 237 0701026..... 335 0701028..... 396, 400 0701029..... 396, 400 0701032..... 411 0701215..... 319 0701216.... 136, 137, 141, 148, 152, 153 0701217.... 17, 87, 91, 93, 95, 97 0701219..... 19 0701220.... 136, 137, 140, 141, 148, 152, 153, 671, 673, 675, 677, 679, 681, 683, 685, 687, 689, 691, 693 0701221..... 93, 95, 97 0701222..... 319 0701617..... 23 0701620..... 25, 27 0710827..... 281 0711014..... 264, 276 0711015..... 325 0711018.... 163, 173, 187, 199, 209, 225, 237, 257, 269 0711020.... 264, 276, 325 0711214..... 206, 216 0711216..... 281 0711223..... 264, 276 0711224.... 170, 180, 192, 206, 216, 232, 244, 323, 325, 327, 329, 331, 333 0711627.... 170, 180, 192, 232, 244 0711629..... 23 0711635..... 388, 392 0721004..... 55 0721005.... 509, 511, 513, 515 0731005..... 93, 95, 97 0741605..... 232, 244 0741606..... 206, 216 0741607.... 55, 351, 355, 359, 363, 375, 379, 383 0760408..... 299 0760512.... 199, 209, 225, 237, 297 0760605..... 281 0760606.... 337, 339, 345, 351, 355, 359, 363, 367, 371, 375, 379, 383 0760607..... 206, 216 0760608.... 155, 341, 349, 351, 355, 359, 363, 367, 371, 375, 379, 383, 719, 721, 723, 725 0760610.... 143, 145, 170, 180, 192, 203, 206, 213, 216, 232, 244,

PART NUMBER INDEX

264, 276, 281, 351, 388, 392, 639, 667, 669	0761212 ... 206, 216, 351, 355, 359, 363, 367, 371, 375, 379, 392	0962449.....337	1001113743 517
0760612 ... 105, 107, 109, 111, 167, 177, 189, 229, 241, 261, 273, 309, 313	0761214 341, 345	0962520....351, 355, 359, 363, 367, 371, 375, 379, 383	1001113774 517
0760614 ... 127, 129, 131, 133, 234, 246, 311, 315, 396, 400	0761215 87, 91	1001026127.....163, 173, 187, 225, 237	1001113856 517
0760615 281, 719, 721	0761216 ... 349, 431, 433	1001080707.....95	1001113857 517
0760619 232, 244	0761415 ... 351, 355, 367, 371	1001090615.....517	1001113961 793
0760807 ... 281, 417, 419	0761615 17, 19	1001091102.....299, 667, 669	1001115044 257, 269
0760808 206, 216	0762016 ... 136, 137, 141, 148, 152, 153, 388, 392	1001095704.....793, 846	1001116290 155, 157
0760810 ... 140, 152, 206, 216, 233, 244, 257, 264, 269, 276, 433	0770814 333	1001096070.....351, 699	1001116693 761, 765
0760812 ... 143, 145, 206, 216, 264, 276, 341, 359, 375, 413, 415, 683, 685, 687, 689, 691, 693, 695	0771212 199, 209	1001096456.....21, 23	1001116694 757, 759
0760814 ... 206, 216, 232, 244, 257, 264, 269, 276, 299, 327, 331, 337, 339, 342, 345, 359, 375, 411, 413, 415, 671, 673, 675, 677, 679, 681	0771414 ... 170, 180, 192, 206, 216, 232, 244, 323, 327, 329, 331	1001097051.....785	1001116705 761, 765
0760815 ... 170, 180, 192, 206, 216, 264, 276	0771415 325, 333	1001097150.....697, 699, 701, 703	1001116720 753
0760816 ... 170, 180, 192, 234, 246, 299	0771416 ... 170, 180, 192, 232, 244	1001098122.....499, 761, 765	1001116727 729, 733
0760817 281	0771620 77	1001098764.....233, 246	1001116728 729, 733, 793
0760822 ... 411, 673, 675, 679	0772018 77, 163, 173, 187, 199, 209, 225, 237, 257, 269	1001098828.....433	1001116732 727, 741
0760824 411	0860038 ... 355, 359, 363, 371, 375, 379, 383, 639	1001099366.....519, 521, 523	1001116734 727, 741
0761009 ... 59, 61, 63, 65, 317, 396, 400, 411, 413, 415, 417, 419, 671, 673, 675, 677, 679, 681, 683, 685, 687, 689, 691, 693	0861538 ... 371, 375, 379, 383	1001099367.....519, 521, 523	1001116748 705, 767, 769
0761010 396, 400	0861572 367	1001099869.....337	1001116774 789
0761011 ... 388, 396, 400	0861731 ... 661, 775, 777, 779	1001100234.....337	1001116792 683, 685, 687, 689, 691, 693
0761012 ... 337, 339, 396, 400, 403, 405	0861781 771, 773	1001100321.....337	1001116808 789
0761014 95, 155, 157, 257, 265, 269, 277, 341, 397, 401, 403, 405, 433	0861880 697, 699	1001100341.....771	1001116845 803, 823
0761015 ... 136, 140, 170, 180, 192, 206, 216, 232, 244, 264, 276, 295, 297, 323, 325, 329, 333, 341, 411	0902888 ... 355, 359, 363, 367, 371, 375, 379, 383	1001100342.....773	1001116846 805, 825, 835
0761016 ... 127, 129, 131, 133, 206, 216, 232, 244, 264, 276, 293, 295, 349, 397, 401	0940049 140	1001100345.....775	1001116847 803, 823
0761017 ... 234, 246, 397, 401	0940092 ... 509, 511, 513, 515	1001100346.....779	1001116848 803, 823
0761019 383	0940094 ... 509, 511, 513, 515	1001100347.....777	1001116849 805, 825
0761210 ... 163, 173, 187, 199, 206, 209, 216, 225, 233, 238, 244	0940102 ... 519, 521, 523	1001100825.....261, 273, 305	1001116851 805, 825
	0940103 509, 513	1001101422.....853	1001116852 803, 823
	0940133 515	1001102858.....517	1001116863 805, 825
	0940177 511	1001102978.....321	1001116952 729, 733
	0961845 ... 437, 441, 445, 449, 453, 455, 459, 461, 463	1001103012.....793	1001116983 739
	0961893 ... 555, 559, 561, 563	1001104029.....355, 359, 363, 368, 372, 375, 379, 383	1001117025 727
	0961897 567	1001104498.....794	1001117057 741
	0961947 ... 403, 405, 409, 549	1001106736.....719, 721, 723, 725	1001117106 729
	0961948 400, 551	1001107854.....793	1001117172 499
	0961950 17, 19	1001108256.....511	1001117174 473, 477, 499, 846
	0961951 ... 170, 180, 192, 206, 216, 232, 244, 264, 276, 396, 400, 407	1001108718.....851	1001117294 852
	0962033 396, 400	1001109259.....851	1001117307 148, 152
	0962051 319, 321	1001109692.....851	1001117308 207, 217, 232, 244
	0962181 23	1001110133.....851	1001118282 727
	0962270 451, 465	1001110872.....663, 665	1001118378 765, 793
	0962335 403	1001110873.....355, 359, 363, 372, 375, 379, 383, 639	1001118384 761, 787
	0962336 ... 555, 557, 559, 561, 563	1001110926.....517	1001118388 753, 761, 787
	0962348 23	1001110935.....517	1001118878 207, 217
	0962355 405	1001110974.....853	10011189295, 163, 173, 187, 199, 209, 225, 237, 257, 269
	0962423 ... 388, 392, 396, 400, 553	1001110982.....853	1001119020 789
		1001112551.....817	1001119032 793
		1001112612.....789, 793	1001119051 163, 173, 187, 199, 209, 225, 237, 257, 269
		1001112796.....789	1001119280 337, 339, 345, 349
		1001113047.....155	1001119455 590, 596, 602, 608, 614, 620, 626, 632
		1001113386.....405	1001119562 851
		1001113643.....517	1001119619 781
		1001113680.....799, 819	
		1001113691.....517	
		1001113741.....517	

PART NUMBER INDEX

1001119620.....783, 785	1001136400..... 411	1001141304 207, 217, 234, 246	1001151393..... 117, 119, 121, 123
1001119661.....835	1001136402..... 411	1001141694 170, 180, 192, 207, 217	1001151856.....730, 734
1001120204.....671, 683	1001136461..... 411	1001141814 351, 367	1001152429.....368, 372, 749
1001120205.....671, 683	1001136469..... 411	1001141995 170, 180, 192, 265, 276	1001152456.....356, 360, 364
1001120328.....501, 503, 525, 719, 721, 767, 769	1001136571..... 396, 400	1001142501 199, 209, 225, 237	1001152457.....356, 360, 364
1001120466.....852	1001136575..... 396, 400	1001142504 853	1001152479.....703, 847
1001120467.....852	1001136583..... 396, 400	1001142505 853	1001152482.....703, 847
1001120851.....741	1001136587..... 396, 400	1001142643 360, 364, 376, 380	1001152483.....701, 703
1001120992.....851	1001136590..... 397, 401	1001142646 360, 364, 376, 380	1001152485.....669, 701
1001121172.....794	1001136592..... 396, 400	1001142683 127, 129, 131, 133, 846	1001152486.....669, 703
1001125229.....853	1001136834 207, 217, 232, 244	1001142736 127, 129, 131, 133, 789	1001152489.....207, 217, 233, 245
1001125230.....853	1001136975..... 163, 174, 187, 199, 209, 225, 237	1001142938 729, 734	1001152520.....368
1001125387.....836	1001137005..... 854	1001142940 734	1001152525.....356, 360, 364, 368, 372, 376, 380, 384
1001125492.....77	1001137032..... 388	1001142941 729, 734	1001152530.....356, 360, 364
1001125677.....762, 765, 767, 769, 794	1001137125..... 425, 427	1001143390 170, 180, 192, 207, 217	1001152532.....352, 356, 360, 364, 743
1001126009.....787	1001137276 232, 245	1001143645 671, 673, 675, 677, 679, 681, 683, 685, 687, 689, 691, 693	1001153197.....356
1001126286.....852	1001137672 853	1001143713 396, 400	1001153260.....356, 360, 364
1001126351.....729, 733	1001137673 501, 503, 846	1001143797 207, 217	1001153398.....396, 400
1001126352.....729, 733	1001138173 170, 180, 192, 264, 276	1001143852 836	1001154405..... 199, 209, 225, 237, 297
1001126356.....729, 733	1001138175 170, 180, 192, 264, 276	1001144116 207, 217	1001154726.....741
1001126357.....729, 733	1001138228 207, 217, 232, 245, 847	1001144433 473, 503	1001155041.....341
1001126362.....730, 734	1001138248 171, 181, 193, 207, 217, 234, 246, 264, 276	1001144629 439, 443, 447, 453, 457, 459	1001155043..... 113, 115
1001126363.....730, 734	1001138436 396, 400	1001146220 113, 115, 473, 477	1001155044..... 113, 115, 403, 405, 473, 477, 481, 483, 485, 487
1001126365.....730, 734	1001138459 388, 392	1001146368 170, 180, 183	1001155045..... 113, 115, 403, 405, 473, 477, 846
1001126384.....729, 733	1001138494 441, 445, 449, 453, 455, 459, 461, 463	1001146588 671, 673, 675, 677, 679, 681, 683, 685, 687, 689, 691, 693	1001155094..... 163, 173, 187, 199, 209, 225, 237, 257, 269
1001126391.....730, 734	1001138514 441, 445, 449, 455, 461, 463	1001147264 733	1001155441.....425, 427
1001128128.....727	1001138565 351	1001148138 341, 346	1001155823..... 199, 209, 225, 237
1001128527.....531	1001138566 351, 356, 359, 363	1001148139 93, 97	1001157520.....372, 376, 380, 384
1001128556.....531	1001138772 853	1001148650 396, 400	1001157521.....368, 372, 376, 380, 384
1001128901.....264, 276	1001138773 853	1001148675 663, 665	1001157525.....368
1001129285.....793, 846	1001138795 559	1001148902 851	1001157528.....368, 372, 376, 380, 384
1001129555.....846	1001138827 207, 217, 232, 245	1001148903 851	1001157592.....372, 376, 380, 384
1001129858.....355	1001138915 567, 569	1001148904 851	1001157891.....761, 765
1001130220.....105, 107, 109, 111, 127, 129, 131, 133, 163, 173, 187, 199, 209, 225, 237, 349, 351, 356, 359, 363, 368, 372, 375, 379, 383, 388, 392	1001139078 411	1001148905 851	1001158007.....368, 372, 376, 380, 384
1001130492.....836	1001139099 851	1001148906 851	1001158008.....356, 360, 364, 368, 372, 376, 381, 384
1001131269.....797, 807, 815, 827	1001139357 351, 356	1001148971 852	1001158363.....356, 360, 364
1001131802.....517	1001139384 143, 145, 155, 157	1001149160 281	1001159118.....663, 665
1001133245.....567, 569, 571	1001139654 836	1001149452 293, 295	1001159119.....663, 665
1001133714.....729, 734	1001139819 170, 180, 192	1001149469 293, 295	1001159120.....663, 665
1001133715.....730, 734	1001140312 217, 245	1001149639 265, 276	1001159121.....665
1001133956.....729, 733	1001140315 853	1001150324 17, 19	1001159186.....751, 761, 765
1001133957.....733	1001140318 853	1001150326 17, 19	
1001134488.....207, 217, 232, 244	1001140346 359, 363	1001150569 55	
1001134543.....77	1001140429 437, 441, 445, 449, 453, 455, 459, 461, 463	1001150570 55	
1001135138.....232, 244	1001140535 232, 245	1001150571 55	
1001135488.....396, 400	1001140564 207, 217, 233, 245	1001150918 173, 210, 237, 270	
1001135651.....730, 734	1001141300 836	1001151192 411	
1001135679.....207, 217, 232, 244	1001141302 836		
1001136079.....207, 233, 852			
1001136104.....383			
1001136172.....217, 244, 852			
1001136356.....355, 371			
1001136398.....411			

PART NUMBER INDEX

1001159256 473, 477, 846	1001170847..... 425, 427, 847	1001176208..... 397, 401	1001182138 505
1001161709 473, 477, 846	1001171131..... 663	1001176212..... 397, 401	1001182570 425, 427, 847
1001161710 257, 269, 481, 483, 485, 487, 846	1001171335..... 797, 836	1001176216..... 401	1001182694 21, 23
1001162538 ... 59, 61, 63, 65, 75	1001171336..... 797	1001176217 392, 400	1001182695 .. 21, 23, 565
1001163717 23	1001171341..... 809	1001176339..... 567	1001182697 21, 23
1001164726 155, 157	1001171342..... 809	1001176469..... 119, 123	1001183407 852
1001164817 547	1001171345..... 811, 836	1001176848..... 21, 23	1001183477 342
1001165035 163, 174, 187, 199, 209, 225, 237, 264, 276, 297	1001171346..... 811	1001176862..... 663	1001183926 388, 392
1001165388 171, 181, 193, 207, 217	1001171349..... 813, 836	1001177359..... 207, 217, 233, 245	1001184209 17, 19
1001165405 207, 217	1001171350..... 813	1001177519..... 567, 569	1001184213 23
1001165406 207, 217	1001171351..... 807	1001177520..... 567, 569	1001184216 19
1001165721 207, 217	1001171352..... 807	1001177521 567, 569	1001184327 152
1001165722 207, 217	1001171355..... 805, 836	1001177522..... 567, 569	1001184500 388, 392, 553
1001165849 207, 217	1001171356..... 805	1001177844..... 233, 245	1001184619 483
1001166538 473, 477, 493	1001171359..... 799, 836	1001178057 93, 95, 97, 99	1001184620 483
1001166539 474, 477, 495	1001171360..... 799	1001178788..... 207, 217	1001184621 483
1001166563 17, 19	1001171482..... 113, 115	1001178876..... 207, 217	1001184626 469, 471
1001166716 233, 245	1001171953..... 203, 213	1001178951..... 852	1001184691 19
1001166718 207, 217, 327, 331	1001172064..... 733, 794	1001179154..... 356, 360, 364, 372, 376, 380, 384	1001184725 299
1001166894 319, 321	1001172065..... 733	1001179836..... 341	1001184727 45
1001166921 207, 217	1001172615..... 140, 152	1001179837..... 341, 345	1001184728 45
1001166922 327	1001172663..... 433	1001179903..... 207, 217	1001184881 39, 45
1001166924 207, 217	1001172751..... 851	1001180001..... 341, 345	1001184913 397, 401
1001167042 233, 245	1001172760..... 474, 478	1001180015..... 19	1001184915 397, 401
1001167164 309, 311, 313, 315	1001173262..... 797, 799, 803, 805, 807, 809, 811, 813, 815, 819, 823, 825, 827, 829, 831, 833	1001180316..... 19	1001184917 397, 401
1001167565 433	1001173529..... 113, 115	1001180620..... 207, 217, 233, 245, 264, 276	1001184918 397, 401
1001167567 433	1001173535..... 266, 277	1001180822..... 397	1001184930 167, 177, 189, 203, 213, 229, 241, 261, 273, 290
1001167596 433	1001173703..... 836	1001180883..... 388, 396	1001184954 388, 549
1001167962 481	1001174231..... 388, 392	1001180884..... 388	1001184957 392, 551
1001167963 481	1001174250..... 388, 392	1001180885..... 392	1001185030 17, 19
1001168018 170, 180, 192, 207, 217, 233, 245, 265, 277, 323, 325, 327, 329, 331, 333	1001174251..... 388, 392	1001181045..... 697, 699, 847	1001185237 801
1001168099 207, 217	1001174252..... 388, 392	1001181145..... 851	1001185281 474, 478
1001168166 171, 180, 193, 207, 217, 233, 245	1001174253..... 388, 392	1001181243..... 342, 346	1001185596 43
1001168207 331	1001174254..... 388, 392	1001181325..... 105, 107, 109, 111	1001185597 45
1001168402 433	1001174256..... 388, 392	1001181770..... 21	1001185598 299
1001168950 207, 217	1001174313..... 797, 799, 803, 805, 807, 809, 811, 813, 815, 819, 823, 825, 827, 829, 831, 833	1001181771..... 489	1001185709 83
1001169046 136, 140, 155, 157	1001174486..... 163, 173, 174, 187, 257, 269, 293, 295	1001181772..... 23	1001185726 474, 478, 847
1001169054 207, 217, 233, 245, 265, 277	1001174630..... 411	1001181773..... 491	1001185842 77
1001169138 207, 217, 233, 245, 265, 277	1001174631..... 411	1001181774..... 17	1001185906 23
1001169582 85	1001174632..... 411	1001181775..... 19	1001185907 23
1001169661 580	1001174636..... 411	1001181778..... 850	1001185964 793
1001169967 207, 217, 233, 245, 265, 277	1001174673..... 136, 140, 143, 145, 411	1001181779..... 850	1001186186 140
1001170035 207, 217, 233, 245, 265, 277	1001174675..... 636	1001181787 21, 23	1001186333 451
1001170617 207, 217, 221	1001175073..... 319, 321	1001181788..... 21, 23	1001186334 465
1001170838 113, 115, 473, 477	1001175074..... 319	1001181790..... 21, 23	1001186346 101
	1001175346..... 567	1001181791..... 21, 23	1001186375 441
	1001175568..... 199, 209, 225, 237	1001181792... 21, 23, 565	1001186377 445
	1001175631..... 636	1001181793..... 21	1001186379 449
	1001175632..... 636	1001181795..... 43	1001186382 461
	1001175850..... 396, 400, 567	1001181796..... 43	1001186383 457
	1001175852..... 567	1001181797... 37, 39, 41, 43, 45	1001186384 447
	1001175998..... 397, 401	1001181895..... 217, 245	1001186386 443
	1001175999..... 397, 401	1001181899..... 234, 246	1001186387 439
		1001181923..... 671, 673, 675, 677, 679, 681, 683, 685, 687, 689, 691, 693	1001186426 233, 245, 265, 277
		1001181960..... 403, 405	1001186431 503, 761
		1001181962..... 403, 405	1001186432 753, 761, 787
		1001182046..... 403	1001186443 25
		1001182064..... 403, 405	1001186517 501, 503
			1001186541 397, 401
			1001186701 636

PART NUMBER INDEX

1001186806.....225	1001188340.....27	1001189979.....233, 245, 265, 277	1001191708.....505
1001186807.....237	1001188342.....576, 634	1001190143.....167, 177, 189, 203, 213, 229, 241, 261, 273	1001191856.....325
1001186808.....163	1001188343.....584, 634	1001190159.....839	1001192008.....333
1001186809.....173	1001188503.....23	1001190164.....170, 180, 192, 233, 245	1001192012.....101, 103
1001186811.....225, 229	1001188533.....709, 719, 721	1001190169.....59, 63, 67	1001192027.....392
1001186812.....229, 232	1001188534.....711, 723, 725	1001190194.....21, 23	1001192052.....392
1001186813.....237, 241	1001188535.....170, 180, 192, 233, 245	1001190286.....417, 419, 423	1001192086.....117
1001186814.....241, 244	1001188600.....835	1001190287.....413, 415, 421	1001192087.....121
1001186815.....163, 167	1001188622.....433	1001190326.....61, 65, 71	1001192088.....123
1001186816.....167, 170	1001188642.....719, 721, 723, 725, 793	1001190335.....95	1001192108.....105, 107, 113
1001186817.....173, 177	1001188643.....721, 725, 759	1001190338.....136, 140	1001192264.....119
1001186818.....177, 180	1001188644.....719, 721, 723, 725, 751	1001190441.....649	1001192265.....580, 634
1001186902.....233, 245, 249	1001188664.....101, 103	1001190442.....233, 245	1001192278.....379
1001186980.....321	1001188666.....101, 103	1001190444.....199, 209, 225, 237, 739	1001192279.....363
1001186981.....321	1001188667.....163, 173, 187	1001190476.....140	1001192280.....345
1001187022.....85	1001188668.....200, 210, 225, 237	1001190485.....657	1001192281.....119
1001187082.....170, 180, 192	1001188669.....200, 210, 225, 237	1001190493.....641	1001192282.....123
1001187200.....105, 107, 109, 111, 846	1001188670.....163, 173, 187	1001190495.....645	1001192284.....301
1001187308.....576, 584	1001188731.....636	1001190580.....403, 405, 409	1001192285.....303
1001187311.....576, 584	1001188732.....636	1001190717.....852	1001192400.....233, 245
1001187312.....576, 580, 584	1001188763.....576, 580	1001190756.....140, 152	1001192401.....794
1001187316.....584	1001188844.....433	1001190761.....852	1001192442.....329
1001187317.....576, 584	1001188889.....501	1001190773.....639	1001192443.....323
1001187318.....576, 580, 584	1001188893.....55	1001190774.....667	1001192466.....469
1001187348.....388, 407	1001188894.....839	1001190775.....265, 277, 852	1001192475.....851
1001187470.....91	1001188895.....841	1001190942.....233, 245, 265, 277	1001192482.....851
1001187508.....501	1001188896.....843	1001190985.....433	1001192483.....371
1001187521.....25, 27, 35	1001188898.....634	1001191008.....25, 27	1001192484.....355
1001187605.....425	1001188972.....173, 210, 237, 270	1001191019.....851	1001192485.....339
1001187606.....427	1001189001.....433	1001191020.....425, 427	1001192486.....367
1001187674.....507	1001189002.....433	1001191025.....233, 245	1001192487.....351
1001187681.....781	1001189003.....719, 721, 723, 725, 791	1001191048.....397, 401	1001192488.....337
1001187781.....265, 277	1001189004.....713, 719, 721, 723, 725	1001191115.....109, 111, 115	1001192489.....851
1001187808.....101, 103	1001189005.....705, 719, 721, 723, 725	1001191126.....113, 115	1001192490.....851
1001187855.....77, 80	1001189026.....170, 180, 192, 233, 245	1001191156.....301	1001192610.....851
1001187864.....51, 53	1001189067.....136, 140	1001191202.....397, 401	1001192641.....590, 596, 602, 608, 614, 620, 626, 632
1001187866.....53	1001189111.....723, 725, 769	1001191205.....397, 401	1001192651.....590, 602, 614, 626
1001187870.....51, 53	1001189119.....93, 97	1001191210.....111, 725	1001192654.....590, 602, 614, 626
1001187950.....136, 140, 141, 148, 152	1001189161.....170, 180, 192	1001191211.....105, 719	1001192655.....590, 602, 614, 626
1001187951.....136, 137, 140, 141, 148, 152	1001189169.....850	1001191271.....171, 181, 193	1001192658.....590, 596, 602, 608
1001187953.....87, 91	1001189170.....850	1001191273.....167, 177, 189, 307	1001192661.....590, 596, 602, 608, 614, 620, 626, 632
1001188125.....83	1001189171.....701	1001191328.....719, 721, 767	1001192663.....590, 596, 602, 608, 614, 620, 626, 632
1001188166.....59, 413	1001189172.....701	1001191384.....396, 400	1001192667.....590, 602, 614, 626
1001188167.....61, 415	1001189227.....323, 329	1001191385.....396, 400	1001192669.....590, 602, 614, 626
1001188168.....63, 417	1001189228.....97	1001191394.....852	1001192673.....590, 602, 614, 626
1001188169.....65, 419	1001189615.....852	1001191395.....852	1001192679.....590, 602, 614, 626
1001188187.....137, 141, 148, 153	1001189764.....95	1001191557.....125	1001192681.....590, 602, 614, 626
1001188194.....137, 141, 148, 152	1001189800.....95	1001191599.....251	1001192682.....590, 602, 614, 626
1001188236.....170, 181, 192, 727	1001189859.....397, 401	1001191610.....171, 181, 193, 233, 245, 265, 276, 323, 325, 329, 333	1001192684.....590, 596, 602, 608
1001188237.....233, 245, 729	1001189913.....233, 245	1001191620.....207, 217	
1001188257.....93			
1001188302.....413, 415, 417, 419			
1001188334.....87, 89			
1001188336.....91			
1001188337.....87			

PART NUMBER INDEX

1001192685 590, 596, 602, 608	1001193760..... 136, 140	1001195226.....685, 687, 691	1001199662 576, 580
1001192686 590, 596, 602, 608	1001193927..... 614, 620, 626, 632	1001195227.....671	1001199663 584
1001192687 590, 596, 602, 608	1001193928..... 614, 620, 626, 632	1001195228.....683	1001199881 671, 673, 675, 677, 679, 681, 683, 685, 687, 689, 691, 693
1001192688 590, 602, 614, 626	1001193929..... 614, 620, 626, 632	1001195229.....681	1001199883 93, 95, 97
1001192689 590, 602, 614, 626	1001193930..... 615, 620, 627, 632	1001195235.....850	1001199933 93, 95, 97
1001192690 163, 173, 187, 199, 209, 225, 238, 590, 596, 602, 608, 614, 620, 626, 632	1001193932..... 615, 620, 627, 632	1001195236.....850	1001200128 851
1001192693 590, 596, 602, 608, 614, 620, 626, 632	1001193933..... 615, 620, 627, 632	1001195237.....852	1001200129 851
1001192694 590, 596, 602, 608, 614, 620, 626, 632	1001193944..... 127	1001195238.....852	1001200130 851
1001192695 590, 596, 602, 608, 614, 620, 626, 632	1001194045..... 850	1001195304.....853	1001200131 851
1001192696 590, 596, 602, 608, 614, 620, 626, 632	1001194096..... 602, 634	1001195354.....852	1001200132 851
1001192698 590, 596, 602, 608, 614, 620, 626, 632	1001194097..... 626, 634	1001195355.....852	1001200133 851
1001192699 590, 596, 602, 608, 614, 620, 626, 632	1001194110..... 850	1001195357.....681	1001200134 851
1001192758 590, 603, 614, 626	1001194114..... 337, 339, 342, 346, 349, 741	1001195382.....553	1001200432 576, 584
1001192775 121	1001194197..... 651	1001195454 136, 141, 143	1001200433 584
1001192776 117	1001194198..... 655	1001195455 136, 141, 145	1001200435 170, 180, 193
1001192841 136, 140	1001194200..... 659	1001195525 671, 683	1001200491 433
1001192842 140, 152	1001194203..... 643	1001195535 152	1001200494 433
1001192843 140, 152	1001194204..... 647	1001195763 301	1001200731 163, 173, 187, 225, 237
1001192909 719, 723, 757	1001194205..... 850	1001195947 481	1001200745 233, 245
1001192910 388	1001194213..... 797	1001196222 474, 761	1001200791 170, 181, 193
1001192931 850	1001194214..... 815	1001196366 673, 675, 679	1001200910 127, 129
1001192989 109, 723	1001194215..... 811	1001196367 685, 687, 691	1001201090 683, 685, 687, 689, 691, 693
1001192990 107, 721	1001194216..... 831	1001196368 673, 675, 679, 685, 687, 691	1001201255 591, 596, 603, 608, 615, 621, 627, 633
1001192991 388	1001194217..... 805	1001196382 345, 352, 356, 360, 364, 368, 372, 376, 380, 384	1001201325 93
1001193018 641, 643, 645, 647, 649, 651, 653, 655, 657, 659, 661	1001194218..... 825	1001196390 21, 23	1001201326 97
1001193049 233, 245	1001194219..... 803	1001196398 163, 173, 187, 199, 209, 225, 237, 257, 269	1001201342 671, 673, 675, 677, 679, 681, 683, 685, 687, 689, 691, 693
1001193167 337, 339, 346	1001194220..... 823	1001196458 127, 131	1001201351 433
1001193168 143	1001194221..... 799	1001196634 210, 238, 255	1001201511 413, 415, 417, 419
1001193169 145	1001194222..... 819	1001196635 793, 846	1001201843 171, 181, 193, 323
1001193207 671	1001194223..... 813	1001197016 853	1001201844 171, 181, 193
1001193208 683	1001194224..... 833	1001197017 509, 511, 513, 515	1001202333 155, 157
1001193215 850	1001194225..... 807	1001197045 576, 580	1001202531 405
1001193238 485	1001194226..... 827	1001197268 311	1001202587 469, 473
1001193239 487	1001194227..... 801	1001197269 315	1001202687 433
1001193247 590, 634	1001194228..... 821	1001197386 311	1001202688 429, 431
1001193521 852	1001194229..... 809	1001197388 311	1001202749 852
1001193610 580	1001194230..... 829	1001197389 311, 315	1001202936 671, 673, 675, 677, 679, 681, 683, 685, 687, 689, 691, 693
1001193611 580	1001194232..... 817	1001197390 315	1001203423 591, 602, 615, 627
1001193756 485	1001194233..... 835	1001197392 315	1001203424 591, 596, 603, 609, 615, 621, 627, 633
1001193757 487	1001194234..... 815, 836	1001197408 836	1001203426 614, 621, 627, 633
1001193758 487	1001194235..... 815	1001197725 171, 181, 193, 233, 245	1001203430 591, 603, 615, 627
1001193759 614, 634	1001194236..... 817, 821	1001198631 25, 27	1001203431 163, 173, 187, 199, 209, 225,
	1001194329..... 603, 608, 627, 633	1001198884 850	
	1001194330..... 603, 608, 627, 633	1001199035 519	
	1001194365..... 661	1001199095 850	
	1001194888..... 157	1001199654 576, 580, 584	
	1001194956..... 677	1001199655 576, 584	
	1001194957..... 689	1001199656 576, 584	
	1001194961..... 681	1001199657 576, 580	
	1001194962..... 693	1001199658 576, 580	
	1001195039..... 199, 209	1001199659 584	
	1001195220..... 851	1001199660 584	
	1001195221..... 851	1001199661 576, 584	
	1001195222..... 851		
	1001195223..... 851		
	1001195224..... 851		
	1001195225..... 673, 675, 679		

PART NUMBER INDEX

238, 591, 596, 603, 609, 615, 621, 627, 633	1001209664 501, 503	1001214408 591, 597, 603, 609, 615, 621, 627, 633	1001216534 261, 273
1001203432 163, 173, 187, 199, 210, 226, 238, 257, 269, 591, 597, 603, 609, 615, 621, 627, 633	1001209948 671, 673, 675, 677, 679, 681, 683, 685, 687, 689, 691, 693	1001214478 853	1001216535 261, 273
1001203433 163, 174, 187, 199, 210, 226, 238, 591, 597, 603, 609, 615, 621, 627, 633	1001209949 671, 673, 675, 677, 679, 681, 683, 685, 687, 689, 691, 693	1001214515 853	1001216619 335
1001203628 553	1001209951 671, 673, 675, 677, 679, 681, 683, 685, 687, 689, 691, 693	1001214540 853	1001216630 429, 431, 433
1001203655 451	1001209953 671, 673, 675, 677, 679, 681, 683, 685, 687, 689, 691, 693	1001214548 853	1001216734 831, 836
1001203656 465	1001209957 683, 685, 687, 689, 691, 693	1001214552 853	1001216735 831
1001203719 397, 401, 719, 721	1001210448 281, 283	1001214559 853	1001216736 825, 836
1001203853 580	1001210762 140	1001214560 853	1001216737 825
1001203854 580	1001211042 229, 241	1001214561 853	1001216739 803, 836
1001203859 580	1001211049 669	1001214562 853	1001216740 803
1001203860 580	1001211577 425, 427, 847	1001214566 853	1001216741 823, 836
1001203885 170, 180, 192, 233, 245	1001211578 425, 847	1001214570 695	1001216742 823
1001204251 145	1001211579 427, 847	1001214571 695	1001216745 819, 836
1001204303 143	1001211580 425, 427	1001214827 281	1001216746 819
1001204389 591, 597, 603, 609	1001211581 425, 427	1001214831 396, 400, 847	1001216747 833, 836
1001204529 413, 415	1001211582 425, 427	1001215016 737	1001216748 833
1001204645 591, 597, 603, 609, 615, 621, 627, 633	1001211583 425	1001215091 737	1001216749 827
1001204690 671, 673, 675, 677, 679, 681, 683, 685, 687, 689, 691, 693	1001211584 427	1001215218 265, 277, 737	1001216750 827
1001204715 425, 427	1001211585 425, 427, 671	1001215219 257, 269	1001216751 829
1001204725 433	1001211586 425	1001215220 257, 269	1001216752 829
1001204902 297	1001211587 427	1001215228 474, 478	1001216768 281
1001204939 425, 427	1001211588 425, 427	1001215321 567, 569	1001216769 281
1001205016 850	1001211572 155	1001215384 281	1001216910 265, 277, 281
1001205017 850	1001211760 155	1001215534 737	1001216919 265, 277
1001205020 850	1001211761 155	1001215608 257	1001216947 261, 273
1001205021 850	1001211762 148, 152, 155	1001215609 269	1001217055 853
1001205824 591, 597, 603, 609, 615, 621, 627, 633	1001211767 157	1001215610 257, 261	1001217183 265, 277
1001205923 719, 721, 723, 725, 755	1001211773 157	1001215611 269, 273	1001217185 265, 277
1001205957 325	1001211774 148, 152, 157	1001215612 261, 264	1001217186 265, 277
1001206082 707, 719, 721, 723, 725	1001211794 281	1001215613 273, 276	1001217439 305
1001206311 853	1001212192 131	1001215615 797, 799, 801, 803, 805, 807, 809, 811, 813, 815, 817, 819, 821, 823, 825, 827, 829, 831, 833	1001217450 265, 277
1001206314 136, 140, 148, 152	1001212223 376, 379	1001215681 265, 277	1001217453 265, 277
1001206476 695	1001212333 148, 152	1001215899 265, 277	1001217543 265, 277
1001206816 835	1001212415 846	1001215974 265, 277	1001217563 261, 273
1001206880 140	1001213251 93, 97	1001216015 346	1001217593 265, 277
1001206920 429, 431	1001213447 761, 765	1001216059 797, 799, 801, 803, 805, 807, 809, 811, 813	1001217594 265, 277
1001207004 131, 133	1001213543 136, 140	1001216065 281	1001217595 265, 277
1001207105 485	1001213744 136, 140	1001216071 281	1001217647 265, 277
1001208017 47, 49	1001213794 136, 141	1001216075 265, 277	1001217648 265, 277
1001208874 59, 61, 63, 65	1001213810 281	1001216086 265, 277	1001218037 553
1001208994 433	1001213882 473, 478	1001216092 265, 277	1001218471 265, 277
1001209016 333	1001214030 836	1001216144 281	1001218539 95, 159
1001209431 19	1001214095 673, 675, 679, 685, 687, 691	1001216195 49	1001218559 265, 277
1001209432 695	1001214096 673, 675, 679, 685, 687, 691	1001216196 49	1001218565 265, 277
1001209474 695	1001214149 591, 603, 615, 627	1001216201 265, 277	1001218575 265, 277
		1001216212 737	1001218594 547
		1001216213 737	1001218676 95, 159
		1001216300 335	1001218930 384
		1001216390 384	1001219005 257, 269
		1001216391 349	1001219015 257, 269
		1001216392 305	1001219021 257, 269
		1001216393 278	1001219022 257, 269
		1001216531 266, 277	1001219024 257, 269
		1001216532 261, 273	1001219040 17, 547
		1001216533 261, 273	1001219128 159
			1001219138 148, 152
			1001219601 105, 107, 109, 111, 846
			1001219630 349
			1001219632 349
			1001219852 383
			1001219853 349
			1001219854 852
			1001219855 851
			1001220379 733

PART NUMBER INDEX

1001220390 851	1001225442.....266, 278	683, 685, 687, 689,	1001235532 200, 210,
1001220404 335	1001225510.....266, 278	691, 693	226, 238
1001220638 159	1001225580..... 503, 753	1001230635.....207, 217,	1001235699 164, 174,
1001220728 349	1001226098..... 249	233, 245	187
1001220903 591, 597,	1001226304.....693	1001230931705, 767,	1001235884 850
603, 609, 615, 621,	1001226400.....709, 711	769	1001236121 321
627, 633	1001226531.....695	1001231235.....853	1001236136 258, 270
1001220912 591, 597,	1001226872.....437	1001231310 136, 140	1001236263 303
603, 609, 615, 621,	1001227059..... 233, 245	1001231422 817	1001236303 103
627, 633	1001227075.....693	1001231801835	1001236304 695
1001220941 591, 597,	1001227367..... 143, 145	1001231805.....233, 245	1001236499 171, 181
603, 609	1001227404.....850	1001231846719, 721,	1001236504 695
1001221016 615, 621,	1001227527719, 721,	723, 725	1001236505 695
627, 633	723, 725	1001231949.....543	1001236552 525
1001221210 737	1001227633.....507	1001231950539, 541	1001236746 543
1001221397 261, 273	1001227634.....507	1001231956403, 405,	1001236747 539
1001221464 261, 273	1001227666.....266, 278	561	1001236891 539, 541,
1001221545 281	1001227667.....266, 278	1001231963561, 563	543
1001221942 257, 269	1001227769.....281	1001232010539, 541,	1001236895 539, 541,
1001221943 258, 270	1001227772.....281	543	543
1001221944 258, 270	1001227792.....425, 427	1001232011539, 541,	1001237550 317
1001222033 265, 277	1001227887..... 136, 141	543	1001237862 783, 785
1001222133 257, 269	1001227888..... 148, 152	1001232117549	1001237863 507, 785
1001222522 615, 621,	1001227985.....507	1001232164507	1001237864 507, 783
627, 633	1001227987.....507	1001232165507	1001237865 507, 781
1001222641 281	1001227996.....783, 785	100123229225, 27	1001237882 852
1001223042 265, 277	1001228012.....557	1001232642525	1001237883 852
1001223045 739	1001228013.....403, 563	1001232650525	1001238263 539, 541,
1001223055 797, 815	1001228079.....397, 401,	1001232667525	543
1001223122 341, 360,	569	1001232842210, 238,	1001238319 507
376	1001228177.....388, 392	255	1001238418 525, 787
1001223254 234, 246	1001228186.....677	1001233035853	1001238421 433
1001223255 234, 246	1001228187.....689	1001233047850	1001238463 541
1001223256 234, 246	1001228188.....677, 689	1001233237850	1001238472 525
1001223257 234, 246	1001228215.....437	1001233429311	1001238477 525
1001223453 797, 807,	1001228224507	1001233763210, 238,	1001238495 503
815, 827	1001228225507	255	1001238559 525
1001223584 266, 278	1001228226590, 602,	1001233895207, 217,	1001238663 103
1001223665 37	614, 626	233, 245, 733	1001238824 525
1001223666 37	1001228243459	1001233947317	1001238895 851
1001223667 37	1001228370797, 807,	1001233948317	1001238898 854
1001223668 39	815, 827	1001233949317	1001238902 854
1001223669 39	1001228375463	1001233953317	1001238903 853
1001223670 39	1001228376453	1001233954317	1001238904 854
1001223671 47	1001228377455	1001233955317	1001238906 853
1001223672 47	100122840693, 95, 97,	1001233966317	1001238907 854
1001223726 37, 39, 41	293, 295, 297	1001233967317	1001238927 852
1001223751 41	1001228809671, 683	1001234080317	1001238928 852
1001223752 41	1001228947850	1001234099850	1001238929 852
1001223753 41	1001228988531	1001234269317	1001238930 852
1001223923 265, 277	1001229019537	1001234270317	1001238954 93, 97
1001223971 807, 827	1001229020519	1001234281315	1001238957 851
1001224048 811, 831	1001229021523	1001234283315	1001238960 851
1001224049 813, 833	1001229022521	1001234299315	1001238961 851
1001224050 805, 825	1001229082519	1001234370311	1001239207 229, 241
1001224051 803, 823	1001229090537	1001234371311	1001239371 836
1001224052 799, 819	1001229091233, 245	1001234396171, 181,	1001239526 851
1001224053 809, 829	1001229107850	193	1001239563 307
1001224200 293	1001229108523	1001235011525	1001239710 325
1001224431 266	1001229111523	1001235013525	1001239715 325
1001224432 266	1001229112521	1001235457189, 192,	1001239716 337, 339
1001224486 266, 278	1001229118521	195	1001241366 203, 213
1001224489 266, 278	1001229341507	1001235469187	1001241729 317
1001224967 293, 295,	100122957295	1001235470187, 189	1001241835 187
297	1001229637671, 673,	1001235471189, 192	1001241965 525
1001225054 295	675, 677, 679, 681,	1001235513431	1001242409 850
1001225346 695			

PART NUMBER INDEX

1001242907.....715, 719, 721, 723, 725	1001247875 597, 609, 621, 633	1670603 661	1703797.....797, 815
1001242908.....717, 719, 721, 723, 725	1001247876 597, 609, 621, 633	1670829 ... 113, 115, 473, 477	1703804.....797, 815
1001242998.....852	1001247877 597, 609, 621, 633	1671092 ... 372, 376, 380, 384, 677, 681, 689, 693	1703805.....797, 815
1001243171.....136, 141, 148, 152	1001247878 597, 609, 621, 633	1671093 ... 529, 677, 681, 689, 693	1703811....797, 799, 801, 803, 805, 807, 809, 811, 813, 815, 817, 819, 821, 823, 825, 827, 829, 831, 833
1001243183.....850	1001247879 597, 609, 621, 633	1683053 555, 561	1703814....797, 799, 801, 803, 805, 807, 809, 811, 813, 815, 817, 819, 821, 823, 825, 827, 829, 831, 833
1001243184.....850	1001247881 597, 609, 621, 633	1683057 567	1703923.....813, 833
1001243261.....478, 765	1001247882 597, 609, 621, 633	1683609 403, 405, 555	1703924.....807, 827
1001243414.....136, 141, 148, 152	1001247883 596, 634	1684089 555, 561	1703925.....805, 825
1001243454.....471	1001247884 620, 634	1684090 555, 561	1703926.....809, 829
1001243459.....471, 477	1001247885 608, 634	1684290 547	1703927.....811, 831
1001243465.....133	1001247886 632, 634	1700818 835	1703928.....799, 819
1001243522.....141, 152	1001247994 597, 609, 621, 633	1701499 ... 797, 799, 801, 803, 805, 807, 809, 811, 813, 815, 817, 819, 821, 823, 825, 827, 829, 831, 833	1703935.....813, 833
1001243654.....136, 141	1001248012 559	1701505 ... 163, 173, 187, 199, 209, 225, 237, 835	1703936.....807, 827
1001243656.....207, 218	1001250981 597, 609, 621, 633	1701509 ... 519, 521, 523, 797, 799, 801, 803, 805, 807, 809, 811, 813, 815, 817, 819, 821, 823, 825, 827, 829, 831, 833	1703937.....803, 823
1001243742.....203, 206	1001250982 597, 609, 621, 633	1701518 ... 801, 817, 821	1703938.....809, 829
1001243743.....199, 203	1001251079 397, 401, 571	1701529 ... 797, 799, 801, 803, 805, 807, 809, 811, 813, 815, 817, 819, 821, 823, 825, 827, 829, 831, 833	1703939.....811, 831
1001243744.....199	1060341 ... 509, 511, 513, 515	1701542 ... 257, 269, 835	1703940....799, 819, 821
1001243850.....207, 218	1060343 ... 372, 376, 380, 384	1701543 ... 258, 270, 835	1703941.....813, 833
1001243895.....255	1060379 535, 537	1701643 47	1703942.....807, 827
1001244019.....331	1060584 55	1702565 473, 477	1703943.....805, 825
1001244023.....319	1060626 ... 173, 210, 237, 270	1702566 473, 477	1703944.....809, 829
1001244024.....327	1060903 ... 509, 511, 513, 515	1702567 473, 477	1703945.....811, 831
1001244025.....319	1060908 ... 697, 699, 701, 703	1702720 835	1703946.....799, 819
1001244119.....309	1060918 499	1702773 451, 465, 835	1703947.....813, 833
1001244120.....309	10702077 . 368, 372, 376, 380, 384	1702774 835	1703948.....807, 827
1001244121.....309	10702082 . 368, 372, 376, 380, 384	1702788 835	1703949.....805, 825
1001244122.....309	1120552 41	1702815 ... 797, 799, 801, 803, 805, 807, 809, 811, 813	1703950.....809, 829
1001244123.....309, 313	1120555 519, 521, 523	1702817 ... 815, 817, 819, 821, 823, 825, 827, 829, 831, 833	1703951.....811, 831
1001244374.....341	1260017 85	1702861 835	1703952.....799, 819
1001244375.....375	1320041 ... 639, 667, 669, 719, 721	1702868 ... 531, 797, 815, 835	1703953.....797, 815
1001244410.....359	1320043 719, 721	1702938 ... 509, 511, 513, 515	1703980.....809, 829
1001244464.....313	1320061 ... 163, 173, 199, 209, 225, 237, 270, 352, 356, 364, 368, 372, 380	1702941 ... 173, 210, 237, 270	1703981.....811, 831
1001244468.....313	1320070 171, 181, 193	1702942 ... 173, 210, 237, 270	1703982.....805, 825
1001244469.....313	1320110 264, 276	1702943 ... 173, 210, 237, 270	1703983.....813, 833
1001244470.....313	1320127 299	1702961 835	1703984.....807, 827
1001244507.....203, 213	1320176 184, 196, 301	1702962 835	1703985.....799, 819
1001244508.....203, 213	1320202 234, 246	1703162 ... 170, 180, 192, 206, 216, 232, 244, 264, 276	1704000....807, 827, 835
1001244878.....136, 148	1320218 299	1703479 835	1704001....813, 833, 835
1001244902.....136	1320302 527, 529, 531	1703683 535	1704002....799, 819, 835
1001245076.....148	1321283 257, 269		1704174.....835
1001245257.....213, 216	1321384 143, 145		1704175.....835
1001245274.....210, 213	1321716 341, 359, 375		1704260.....473, 477
1001245275.....209	1380147 319, 321		1704271.....835
1001246524.....850	1580012 467		1704272.....841
1001246525.....850	1580013 853		1704277....797, 799, 801, 803, 805, 807, 809, 811, 813, 815, 817, 819, 821, 823, 825, 827, 829, 831, 833
1001247865.....597, 609, 621, 633			1704412....797, 799, 801, 803, 805, 807, 809, 811, 813, 815, 817, 819, 821, 823, 825, 827, 829, 831, 833
1001247866.....597, 609, 621, 633			1704578.....839, 841
1001247867.....597, 609, 621, 633			1704885....797, 799, 803, 805, 807, 809, 811, 813, 815, 817, 819,
1001247868.....597, 609, 621, 633			
1001247869.....597, 609, 621, 633			
1001247871.....597, 609, 621, 633			
1001247872.....597, 609, 621, 633			
1001247873.....597, 609, 621, 633			

PART NUMBER INDEX

823, 825, 827, 829, 831, 833	2150812 576, 580, 584	2220582.... 576, 580, 590, 596, 602, 608, 614, 620, 626, 632	2300041 ... 216, 244, 277, 851
1704972 836	2180125 299	2220596..... 576, 580, 584	2400060 ... 210, 238, 255, 741, 749, 765
1705014 451, 465	2180348 ... 163, 173, 187, 257, 269	2220602..... 576, 580, 584	2400064 749, 847
1705090 839	2180387 299	2220603.... 590, 596, 602, 608, 614, 620, 626, 632	2410014 451, 465
1705305 531	2180388 299	2220606.... 591, 596, 603, 608, 615, 620, 627, 632	2420203 ... 339, 342, 345, 349
1705325 641, 643	2180389 299	2220618.... 590, 596, 602, 608, 614, 620, 626, 632	2460048 367, 371
1705336 797, 815	2180418 ... 257, 265, 269, 277, 299	2220628..... 576, 580, 584	2460051 349
1705344 809, 829	2180467 264, 276	2220637.... 591, 596, 603, 608, 615, 620, 627, 632	2460055 339
1705345 811, 831	2180832 ... 199, 209, 225, 238	2220726.... 591, 596, 603, 608, 615, 620, 627, 632	2540020 ... 125, 127, 129, 131, 133
1705347 807, 827	2220005 257, 269	2220733.... 591, 596, 603, 608, 615, 620, 627, 632	2560136 473, 477
1705349 799, 819	2220064 ... 257, 265, 269, 277	2220738.... 590, 596, 602, 608, 614, 620, 626, 632	2560187 ... 143, 145, 155, 157
1705351 797, 815	2220124 83	2220775.... 591, 596, 603, 608, 615, 620, 627, 632	2580024 ... 173, 209, 237, 270
1705358 ... 519, 521, 523	2220238 ... 591, 596, 603, 608, 615, 620, 627, 632	2220811..... 576, 580, 584	2580062 180
1705364 41	2220261 ... 265, 277, 299	2220852.... 590, 596, 602, 608, 614, 620, 626, 632	2600066 727
1705374 ... 355, 359, 363, 663, 665	2220313 ... 164, 174, 187, 199, 209, 225, 238	2220865.... 590, 596, 602, 608, 614, 620, 626, 632	2600281 ... 439, 443, 447, 453, 457, 459
1705375 ... 373, 377, 381, 384, 531	2220315 170, 180, 192	2220883... 33, 35, 75, 547, 549, 551, 555, 557, 559, 561, 563	2720015 ... 206, 216, 233, 245
1705387 ... 355, 359, 363, 373, 377, 381, 384	2220366 ... 590, 596, 602, 608, 614, 620, 626, 632	2220885..... 35, 555, 557, 559, 561, 563, 567, 569	2720058 ... 163, 173, 174, 187, 264, 276, 293, 295
1705426 809, 829	2220371 ... 576, 580, 584, 590, 596, 602, 608, 614, 620, 626, 632	2220886..... 33, 35	2720144 299
1705427 811, 831	2220372 ... 576, 580, 584, 591, 596, 602, 608, 614, 620, 626, 632	2220906.... 590, 596, 602, 608, 614, 620, 626, 632	2720398 171, 181, 193
1705429 807, 827	2220373 ... 576, 580, 590, 596, 602, 608, 614, 620, 626, 632	2220940.... 167, 177, 189, 203, 213, 229, 241, 261, 273	2720551 264
1705430 803, 823	2220375 ... 590, 596, 602, 608, 615, 620, 626, 632	2220946.... 167, 177, 189, 203, 213, 229, 241, 261, 273	2720552 209
1705460 ... 368, 373, 377, 381, 384	2220380 ... 591, 596, 603, 608, 615, 620, 627, 632	2220997.... 167, 177, 189, 203, 213, 229, 241, 261, 273	2780269 25, 27, 29
1705461 368	2220408 ... 167, 177, 189, 203, 213, 229, 241, 261, 273	2221024 299	2820001 819
1705489 351, 368	2220415 ... 576, 580, 584, 590, 596, 602, 608, 614, 620, 626, 632	2221040.... 576, 580, 584	2820019 745
1705514 ... 797, 807, 815, 827	2220418 299	2221048.... 614, 620, 626, 632	2820031 ... 337, 339, 341, 345, 349, 351, 355, 359, 363, 367, 371, 375, 379, 383
1705515 836	2220451 ... 167, 171, 177, 181, 189, 193, 203, 213, 229, 241, 261, 273, 590, 596, 603, 608, 615, 620, 627, 632	2221086..... 35, 590, 596, 602, 608, 614, 620, 626, 632	2820035 255
1705820 841	2220466 ... 590, 596, 602, 608, 614, 620, 626, 632	2221176.... 163, 164, 173, 174, 187, 257, 269	2820247 783, 785
1705822 801, 817, 821	2220468 ... 576, 580, 584, 590, 596, 602, 608, 614, 620, 626, 632	2221197 299	2840016 319, 321
1705828 801, 817, 821	2220472 ... 576, 580, 614, 620, 626, 632	2221344 584	2860030 ... 117, 119, 121, 123, 846
1705910 813, 833	2220473 ... 591, 596, 603, 608, 615, 620, 627, 632	2300004.... 206, 233, 265, 851	2900756 35
1705917 813, 833	2220479 ... 167, 177, 189, 203, 213, 229, 241, 261, 273	2300014 852	2900792 ... 549, 551, 555, 557, 559, 561, 563
1705921 801, 817, 821	2220500 576, 580, 584	2300016 852	2901303 555, 561, 563
1705961 801, 817	2220501 576, 580, 584	2300019 852	2902065 ... 171, 181, 193, 206, 216, 232, 244, 287
1705968 803, 823, 835	2220502 ... 576, 580, 584, 591, 596, 603, 608, 615, 620, 627, 632	2300027 852	2902203 835
1705969 811, 831, 835		2300029 852	2902212 519, 521, 523
1706059 836		2300039 852	2902217 527, 529
1706060 836			2902232 853
1706061 836			2902266 547
1706062 836			2902443 727, 729, 733
1706063 836			2902549 667, 697
1706064 836			2915096 854
1706098 836			2920028 ... 473, 477, 509, 511, 513, 515, 517
1706385 451, 465			2920029 ... 473, 477, 509, 511, 513, 515, 517
1706957 843			2920161 125
1706960 843			2940045 155
2030010 527, 529, 531			2940074 ... 439, 443, 447, 453, 457, 459, 847
2060025 170, 180, 192			2940173 ... 143, 145, 155, 157
2080040 ... 439, 443, 447, 453, 457, 459			3020008 25, 27
2080044 ... 683, 685, 687, 689, 691, 693			
2110810 576, 580, 584			
2110812 576, 580			
2111216 576, 580, 584			
2111616 ... 590, 596, 602, 608, 614, 620, 626, 632			
2131216 576, 580, 584			
2131616 ... 167, 177, 189, 203, 213, 229, 241, 261, 273			
2150808 576, 580, 584			

PART NUMBER INDEX

3020016..... 171, 193, 852	232, 244, 257, 264,	3311601 ... 136, 140, 148,	3573400..... 527, 529, 531
3020021..... 287, 851	269, 276, 299, 327,	152, 206, 216, 474,	3573642..... 527, 529, 531
3020037..... 203, 213	331, 337, 339, 341,	478, 525	3574091..... 513, 515
3020044..... 180, 852	345, 355, 359, 363,	3311605 ... 451, 465, 517,	3575359..... 509, 511
3160350..... 25, 27, 33	367, 371, 375, 379,	527, 529, 531	3577121..... 527, 529, 531
3220104..... 303	383, 411, 413, 415,	3311705 341	3580134..... 337
3251102.... 337, 339, 341,	417, 419, 425, 427,	3311805 429	3580158..... 337, 339
345, 349, 351, 355,	671, 673, 675, 677,	3312002 539, 541, 543	3580243..... 396, 400
359, 363	679, 681, 683, 685,	3312005 519, 521, 523	3580248..... 396, 400
3251242.... 647, 651, 655,	687, 689, 691, 693,	3312205 519, 521, 523	3580249..... 396, 400
659, 661	695, 719, 721	3331211 ... 170, 180, 192,	3580276..... 339, 342, 345
3251243.... 339, 341, 345,	3290806 433	206, 216, 232, 244,	3580314..... 383
349, 355, 359, 363,	329100193, 97, 206, 216,	264, 276, 323, 325,	3580317.... 351, 355, 359,
373, 377, 381, 384,	232, 244, 264, 276,	327, 329, 331, 333	363, 368, 372, 375,
797, 799, 803, 805,	396, 400, 433	3331611 ... 170, 180, 192,	379, 383
807, 809, 813, 815,	3291005 .93, 95, 97, 127,	232, 244	3580318.... 355, 359, 363,
819, 823, 825, 827,	129, 131, 133, 136,	3340787 411	372, 375, 379
829, 833	140, 143, 145, 148,	3340956 519, 521, 523	3580319..... 351, 368
3252347..... 797, 815	152, 157, 163, 170,	3380434 469, 471	3580320.... 206, 216, 232,
3252507.... 337, 645, 649,	173, 180, 187, 192,	3420372 55	244, 351, 355, 368, 372
653, 657	199, 206, 209, 216,	3420447 55	3580324..... 349
3252764.... 367, 371, 375,	225, 233, 237, 245,	3421565 55, 85	3641569..... 509, 511
379, 383	257, 264, 269, 276,	3421627 85	3740067.... 101, 103, 170,
3271601.... 136, 141, 148,	293, 295, 297, 323,	3422351 21, 23	180, 192, 846
152	325, 329, 333, 341,	3422417 396, 400	3740080..... 741, 847
3271605.... 539, 541, 543	388, 392, 403, 405,	3422424 396, 400	3740086..... 787
3271805..... 451, 465	411, 433, 469, 471	3422532 ... 167, 177, 189,	3760132..... 567, 569
3272001.... 539, 541, 543	3291007 ... 337, 339, 345,	203, 213, 229, 241,	3760170..... 55, 85
3280001..... 815	349	261, 273	3760356..... 567, 569
3290301..... 321	3291201 ... 341, 345, 351,	3422582 388	3760368..... 555, 561
3290405.... 257, 269, 299,	355, 359, 363, 367,	3422661 535, 537	3760369..... 567
641, 643, 645, 647,	372, 375, 379, 383, 433	3422793 392	3790012.... 257, 269, 403,
649, 651, 653, 655,	3291205 ... 19, 87, 91, 93,	3422841 55	405, 473, 477, 481,
657, 659, 661, 667, 669	95, 97, 136, 137, 140,	3422847 55	483, 485, 487, 489, 491
3290501.... 199, 209, 225,	141, 148, 152, 153,	3422848 23	3790152.... 167, 177, 189,
237	319, 321, 431, 433,	3422860 403, 405	203, 213, 229, 241,
3290505.... 125, 127, 129,	671, 673, 675, 677,	3422867 403, 405	261, 273
131, 133, 199, 209,	679, 681, 683, 685,	3430616 474, 478	3820001.... 797, 799, 801,
225, 237, 257, 269,	687, 689, 691, 693	3430820 319, 321	803, 805, 807, 809,
297, 337, 355, 359,	3291601 77, 396, 400	3450404 319, 321	811, 813, 817, 821,
363, 367, 371, 375,	3291605 388, 392	3460334 519, 521, 523	823, 825, 827, 829,
379, 383	3292001 .87, 91, 396, 400	3470003 474, 478	831, 833, 836
3290601.... 143, 145, 155,	3292201 396, 400	3480205 567	3820020.... 439, 443, 447,
157, 264, 276, 281	3300106 25, 27	3480210 555, 561	453, 457, 459
3290605.... 101, 103, 105,	3300151 ... 437, 441, 445,	3520028 342, 345, 349	384114321, 23, 163, 173,
107, 109, 111, 136,	449, 453, 455, 459,	3520034 ... 683, 685, 687,	187, 199, 209, 225,
140, 155, 167, 170,	461, 463, 527, 529, 531	689, 691, 693	237, 257, 269, 388,
177, 180, 189, 192,	3300243 429, 431, 433	3520054 ... 170, 180, 192,	396, 400, 403, 405, 433
203, 206, 213, 216,	3300353 473, 477	206, 216, 232, 244,	3841203..... 392
229, 232, 241, 244,	3300356 517	473, 477	3841258..... 17, 19
257, 261, 264, 269,	3300396 ... 356, 360, 364,	3520071 519, 521, 523	3841287..... 388, 392
273, 276, 309, 311,	368, 372, 376, 380, 384	3520072 ... 437, 439, 441,	3841340.... 671, 673, 675,
313, 315, 341, 351,	3300408 113, 115	443, 445, 447, 449,	677, 679, 681
469, 471, 639, 641,	3300430 501, 503, 505	451, 453, 455, 457,	3900054..... 451, 465
645, 649, 653, 657,	3310601 319	459, 461, 463, 465	3900267.... 356, 360, 364
667, 669, 719, 721,	3311001 ... 339, 341, 345,	3520182 505	3900283..... 429, 431
723, 725, 797, 799,	356, 360, 364, 368,	3520189 368	3900300.... 356, 360, 364
801, 803, 805, 807,	372, 376, 380, 384	3520192 368	3900349..... 474, 477
809, 811, 813, 815,	3311005 ... 349, 473, 477,	3520198 ... 437, 439, 441,	3900357.... 170, 180, 192
817, 819, 821, 823,	527, 529, 531	443, 445, 447, 449,	3900363..... 155, 157
825, 827, 829, 831, 833	3311401 ... 509, 511, 513,	453, 455, 457, 459,	3900364.... 136, 140, 264,
3290606.... 441, 445, 449,	515	461, 463	276
455, 461, 463	3311405 ... 525, 643, 647,	3539622 396, 400	3910606.... 355, 359, 363,
3290801..... 264, 276	651, 655, 659, 661, 695	3572009 55	372, 375, 379, 383,
3290805.... 101, 103, 143,	3311501 ... 140, 509, 511,	3572010 55	663, 665
145, 155, 157, 170,	513, 515	3572011 55	3910610..... 319, 639
180, 192, 206, 216,	3311505 535, 537	3572012 55	

PART NUMBER INDEX

3910804 ... 117, 119, 121, 123	673, 675, 677, 679, 681, 683, 685, 687, 689, 691, 693	4460205.....639, 747	4460510 854
3911018 ... 113, 115, 473, 477	4240033 ... 425, 427, 501, 503, 507, 525, 576, 580, 584	4460224.....473, 477	4460518 769, 789
3931408 501, 503	4240099 ... 125, 163, 173, 187, 199, 206, 209, 210, 216, 225, 234, 237, 238, 246, 255, 258, 270, 341, 509, 511, 513, 515, 517, 527, 529, 671, 673, 675, 677, 679, 681, 719, 721, 723, 725	4460225....743, 745, 751, 761, 765	4460536 713, 715, 791
3931424 501	4240149 ... 519, 521, 523	4460226....473, 477, 493, 496, 499, 751, 761, 765, 794	4460539... 713, 715, 757, 759, 791
3931464 567, 569	4280295 93, 97	4460227.89, 91, 761, 765	4460612 663, 665
3931508 567, 569	4280296 51, 53	4460234....473, 477, 509, 511, 513, 515	4460662... 517, 649, 651, 653, 655, 657, 659, 661
3931512 ... 206, 216, 232, 244	4360057 ... 509, 511, 513, 515, 847	4460247 794	4460703 729, 733
3931516 555, 561	4360070 ... 356, 360, 364, 368, 372, 376, 380, 384, 847	4460259.....761, 765, 794	4460708 762, 765
3931618 ... 167, 177, 189, 203, 213, 229, 241, 261, 273	4360331 489, 491, 847	4460260.....761, 765, 794	4460722 255
3931620 ... 167, 177, 229, 241, 261, 273, 567, 569	4360336 ... 337, 339, 341, 345, 349, 351, 355, 359, 363, 368, 372, 375, 379, 383, 847	4460265.....493, 496	4460742 749
3931628 ... 206, 216, 232, 244	4360387 ... 119, 123, 473, 477, 509, 511, 513, 515, 517, 846	4460267 761, 765	4460743 749
3931648 264, 276	4360407 473, 477, 846	4460268 743, 745	4460748 793
3960158 567, 569	4360469 ... 117, 119, 121, 123, 846	4460312 727, 794	4460761 761, 765
3960361 567, 569	4360475 ... 113, 115, 473, 477, 846	4460313....727, 729, 733, 757, 759	4460807 743, 745
3960389 317	4360477 517, 847	4460315 639	4460808 743, 745
3960407 170, 180, 192	4360517 89, 91	4460320 89, 91	4460836 767, 769, 793
3960422 ... 355, 359, 363, 372, 375, 379, 383, 639, 663, 665	4360542 ... 339, 342, 345, 349	4460346....355, 359, 363, 372, 375, 379, 383, 639	4460837 767, 769, 794
3960464 317	4400275 299	4460418.....751, 761, 765	4460844 753
3960469 ... 167, 177, 189, 229, 241, 261, 273	4420014 519, 521, 523	4460419.....751, 761, 765	4460865 707, 709, 711
3960526 25, 27	4420037 527, 529, 531	4460424 794	4460866... 707, 761, 765, 793
3980007 ... 173, 210, 237, 270	4420051 55, 801, 803, 805, 817, 821, 823, 825	4460425....356, 360, 364, 368, 372, 376, 380, 384, 509, 511, 513, 515, 663, 665	4460871 ... 751, 757, 759, 761, 765, 793
3990013 787	4420060 337	4460428 473, 477	4460872 757, 759
4010303 425, 427	4420062 535, 537	4460434 761, 765	4460873 761, 765, 793
4010308 321	4420066 ... 519, 521, 523	4460458 749, 793	4460874 761, 765, 793
4010405 667, 669	4420068 ... 509, 511, 513, 515	4460464.... 127, 129, 131, 133, 499, 517, 705, 707, 715, 741, 753, 755, 757, 759, 761, 765, 787, 789, 791, 793, 794	4460875 757, 759
4010510 ... 125, 127, 129, 131, 133	4420069 511	4460465.... 125, 127, 131, 356, 707, 709, 711, 713, 715, 717, 727, 729, 733, 737, 743, 745, 749, 753, 755, 757, 759, 761, 765, 767, 769, 789, 791, 793, 794	4460876 751, 761, 765
4010618 ... 441, 445, 449, 455, 461, 463	4460019 733	4460471....473, 477, 719, 721, 723, 725	4460877 793
4031505 507	4460027 ... 339, 342, 345, 349	4460473....707, 709, 711	4460878 757, 759
4031516 525	4460042 ... 727, 730, 734, 737, 794	4460496....473, 477, 719, 721, 723, 725	4460879 761, 765
4031608 337	4460043 ... 255, 729, 733, 749, 794	4460497....473, 477, 719, 721, 723, 725	4460884 ... 729, 733, 757, 759, 761, 765, 794
4031711 264, 276	4460049 ... 509, 513, 515	4460508.....507, 707, 793	4460887 761, 765, 793
4031914 ... 206, 216, 232, 244	4460071 ... 355, 359, 363, 372, 375, 379, 383, 499, 639	4460509.....707, 709, 711	4460889 ... 125, 127, 131, 133, 517, 793
4032014 ... 206, 216, 232, 244, 396, 400	4460134 747		4460891 ... 729, 733, 755, 757, 759, 767, 769, 789, 794
4032015 ... 351, 355, 368, 372	4460142 727		4460894 ... 713, 717, 727, 729, 733, 737, 793
4032020 396, 400	4460183 761, 765, 794		4460897 ... 127, 129, 131, 133, 517, 793
4060802 ... 337, 339, 341, 345, 349, 351, 355, 359, 363, 368, 372, 375, 379, 383	4460190 ... 339, 342, 345, 349		4460899 ... 715, 753, 757, 759, 781, 787, 791, 793
4060805 401			4460905 ... 751, 757, 759, 761, 765, 793
4060906 113, 115			4460906 741
4061032 200, 210			4460910 783
4070895 396, 400			4460911 757, 759, 781
4070896 396, 400			4460925 761, 765
4070939 396, 400			4460926 767, 769
4070940 396, 400			4460928 769, 789
4092009 396, 400			4460930 727, 729, 733
4100100 555, 561			4460931 794
4160149 396, 400			4460932... 705, 739, 755, 794
4240018 ... 299, 576, 580, 584, 663, 665, 671,			4460933... 761, 762, 765, 767, 769, 789, 793

PART NUMBER INDEX

4460959.....677, 681, 689, 693	4740036..... 55	4811900 ... 155, 157, 170, 180, 192, 206, 216, 232, 244, 257, 264, 269, 276, 281, 327, 331, 337, 339, 341, 345, 355, 359, 363, 368, 372, 375, 379, 383, 411, 413, 415, 417, 419, 425, 427, 433, 671, 673, 675, 677, 679, 681, 683, 685, 687, 689, 691, 693, 695, 719, 721	4891800.....429
4460960.....677, 681, 689, 693	4740111..... 21, 23	4811902 ... 101, 103, 140, 143, 145, 152, 233, 245, 264, 276, 281, 337, 339	4892000.....83
4460962.....529	4740155..... 23	4812000 ... 59, 61, 63, 65, 93, 95, 97, 136, 140, 143, 145, 148, 152, 155, 157, 163, 170, 173, 180, 187, 192, 199, 206, 209, 216, 225, 232, 237, 244, 257, 264, 269, 276, 281, 293, 295, 297, 317, 323, 325, 329, 333, 335, 337, 339, 341, 345, 349, 388, 392, 396, 400, 413, 415, 417, 419, 433, 469, 471, 671, 673, 675, 677, 679, 681, 683, 685, 687, 689, 691, 693	4892600.....429, 431, 433
4460963.....372, 376, 380, 384	4740158..... 17, 19	4812002 .93, 95, 97, 136, 140, 143, 145, 148, 152, 163, 173, 187, 199, 209, 225, 237, 257, 269, 335	4921827.....747
4460967.....356, 749, 794	4740362..... 469, 471	4812100 ... 87, 91, 93, 95, 97, 136, 137, 140, 141, 148, 152, 153, 163, 173, 187, 199, 206, 209, 216, 225, 238, 281, 319, 321, 349, 433, 671, 673, 675, 677, 679, 681, 683, 685, 687, 689, 691, 693	4922641.... 337, 339, 345, 349, 352, 356, 364, 368, 372, 380, 384
4460968.....337, 641, 643, 645, 647	4740393..... 25, 27	4812200 ... 206, 216, 327, 331	4922925.... 368, 372, 375, 380, 383, 745
4460970.....761, 765	4740397 ... 113, 115, 257, 269, 403, 405, 473, 477, 483, 487	4812300 25, 27, 170, 180, 192, 232, 244	4923174.....270
4461005.....727	4740439..... 403, 405	4812500 ... 137, 141, 148, 152, 153	4923379..... 171, 181
4461006.....727	4750600..... 319	4844816 403	4933218.....513, 636
4461008.....727, 730, 734	4751000 ... 55, 93, 95, 97, 339, 341, 345, 349, 527, 529, 531	4845582 535, 537	5240800.....299, 333
4461052.....727	4751400 ... 143, 145, 155, 157, 467, 473, 477, 505, 509, 511, 513, 515, 527, 529, 531, 695	4846295 55	5241000..... 19, 136, 140, 155, 157, 167, 171, 177, 181, 189, 193, 203, 213, 229, 233, 241, 246, 261, 264, 273, 276, 323, 325, 327, 329, 331, 333, 341, 345, 351, 355, 359, 363, 368, 372, 375, 379, 383, 431, 433
4461053.....727	4751500 55, 341, 345, 509, 511, 513, 515, 535, 537	4846296 55	5241200.... 17, 19, 25, 27, 167, 170, 177, 180, 189, 192, 203, 206, 213, 216, 229, 232, 241, 244, 261, 264, 273, 276, 323, 325, 327, 329, 331, 333, 341, 345, 351, 355, 359, 363, 368, 372, 375, 379, 383, 431, 433
4461054.....727, 739	4751600 ... 517, 527, 529, 531	4846573 429, 431	5241400.... 170, 180, 192, 232, 244, 323, 325, 329, 333, 351, 355, 368, 372
4461060.....727	4751800 ... 451, 465, 509, 511, 513, 515	4846627 527, 529, 531	5241600.....21, 23, 77
4461070....727, 729, 733, 789	4760600 639	4846673 513, 515	5242000.....77
4461071.....729, 733	4761400 467	4871700 ... 337, 339, 351, 355, 359, 363, 368, 372, 375, 379, 383	5250605.....281
4461073....727, 729, 733	4770600 319	4891500 349	5250608.....317
4461077.....781, 787	4811400 ... 321, 641, 643, 645, 647, 649, 651, 653, 655, 657, 659, 661	4891600 429, 431, 433	5250808.....317
4461095....727, 729, 733, 789	4811600 ... 125, 127, 129, 131, 133, 199, 209, 225, 237, 297, 337	4891800 429, 431, 433	5250810 51, 53, 143, 145, 206, 216, 232, 244, 413, 415, 417, 419
4461196.....771	4811602 ... 355, 359, 363, 368, 372, 375, 379, 383	4891900 429, 431, 433	5250812.... 136, 140, 425, 427
4461198.....771	4811700 ... 101, 103, 105, 107, 109, 111, 127, 129, 131, 133, 155, 157, 163, 167, 170, 173, 177, 180, 187, 189, 192, 199, 203, 209, 213, 225, 229, 232, 237, 241, 244, 257, 261, 264, 269, 273, 276, 281, 337, 339, 341, 345, 349, 351, 355, 359, 363, 368, 372, 375, 379, 383, 388, 392, 441, 445, 449, 455, 461, 463, 639, 641, 645, 649, 653, 657, 667, 669, 683, 685, 687, 689, 691, 693, 719, 721, 723, 725, 797, 799, 801, 803, 805, 807, 809, 811, 813, 815, 817, 819, 821, 823, 825, 827, 829, 831, 833	4891902 429, 431, 433	5251008.... 425, 427, 433
4461199.....773	4811800 ... 451, 465, 509, 511, 513, 515	4891900 429, 431, 433	5251009.... 59, 61, 63, 65, 101, 103
4461201.....773	4760600 639	4891900 429, 431, 433	5251012. 25, 27, 95, 163, 173, 187, 199, 209, 225, 234, 237, 246, 352, 356, 364, 368, 372, 380
4461205.....775, 777	4761400 467	4891900 429, 431, 433	5251014.... 105, 107, 109, 111, 136, 140, 148, 152
4461244.....775	4770600 319	4891900 429, 431, 433	5251016..... 17, 19, 433
4461245.....777	4811400 ... 321, 641, 643, 645, 647, 649, 651, 653, 655, 657, 659, 661	4891900 429, 431, 433	5260600.....281, 317
4461246.....779	4811600 ... 125, 127, 129, 131, 133, 199, 209, 225, 237, 297, 337	4891900 429, 431, 433	5260800.....317
4461249.....779	4811602 ... 355, 359, 363, 368, 372, 375, 379, 383	4891900 429, 431, 433	5261000.... 105, 107, 109, 111
4461271.....793	4811700 ... 101, 103, 105, 107, 109, 111, 127, 129, 131, 133, 155, 157, 163, 167, 170, 173, 177, 180, 187, 189, 192, 199, 203, 209, 213, 225, 229, 232, 237, 241, 244, 257, 261, 264, 269, 273, 276, 281, 337, 339, 341, 345, 349, 351, 355, 359, 363, 368, 372, 375, 379, 383, 388, 392, 441, 445, 449, 455, 461, 463, 639, 641, 645, 649, 653, 657, 667, 669, 683, 685, 687, 689, 691, 693, 719, 721, 723, 725, 797, 799, 801, 803, 805, 807, 809, 811, 813, 815, 817, 819, 821, 823, 825, 827, 829, 831, 833	4891900 429, 431, 433	5261018.... 105, 107, 109, 111
4520256.....47, 49	4811800 ... 451, 465, 509, 511, 513, 515	4891900 429, 431, 433	5272010.....264, 276
4520288.....37, 41, 43	4760600 639	4891900 429, 431, 433	5281918.... 671, 673, 675, 677, 679, 681, 683, 685, 687, 689, 691, 693
4530028.....527, 529, 533	4761400 467	4891900 429, 431, 433	
4568133.....55	4770600 319	4891900 429, 431, 433	
4640261.....55	4811400 ... 321, 641, 643, 645, 647, 649, 651, 653, 655, 657, 659, 661	4891900 429, 431, 433	
4640464.....713, 715	4811600 ... 125, 127, 129, 131, 133, 199, 209, 225, 237, 297, 337	4891900 429, 431, 433	
4640509....555, 557, 559, 561, 563	4811602 ... 355, 359, 363, 368, 372, 375, 379, 383	4891900 429, 431, 433	
4640858.....547	4811700 ... 101, 103, 105, 107, 109, 111, 127, 129, 131, 133, 155, 157, 163, 167, 170, 173, 177, 180, 187, 189, 192, 199, 203, 209, 213, 225, 229, 232, 237, 241, 244, 257, 261, 264, 269, 273, 276, 281, 337, 339, 341, 345, 349, 351, 355, 359, 363, 368, 372, 375, 379, 383, 388, 392, 441, 445, 449, 455, 461, 463, 639, 641, 645, 649, 653, 657, 667, 669, 683, 685, 687, 689, 691, 693, 719, 721, 723, 725, 797, 799, 801, 803, 805, 807, 809, 811, 813, 815, 817, 819, 821, 823, 825, 827, 829, 831, 833	4891900 429, 431, 433	
4640932.....551	4811800 ... 451, 465, 509, 511, 513, 515	4891900 429, 431, 433	
4640999.....549, 551	4760600 639	4891900 429, 431, 433	
4641122....37, 39, 41, 43, 45, 47, 49	4761400 467	4891900 429, 431, 433	
4641390.....553	4770600 319	4891900 429, 431, 433	
4711000....356, 360, 364, 368, 372, 376, 380, 384	4811400 ... 321, 641, 643, 645, 647, 649, 651, 653, 655, 657, 659, 661	4891900 429, 431, 433	
4711400....437, 441, 445, 449, 453, 455, 459, 461, 463, 501, 503, 505, 517, 525, 643, 647, 651, 655, 659, 661	4811600 ... 125, 127, 129, 131, 133, 199, 209, 225, 237, 297, 337	4891900 429, 431, 433	
4711500....206, 216, 232, 244	4811602 ... 355, 359, 363, 368, 372, 375, 379, 383	4891900 429, 431, 433	
4711600...93, 95, 97, 136, 141, 148, 152, 206, 216, 346, 429, 431, 474, 478, 539, 541, 543	4811700 ... 101, 103, 105, 107, 109, 111, 127, 129, 131, 133, 155, 157, 163, 167, 170, 173, 177, 180, 187, 189, 192, 199, 203, 209, 213, 225, 229, 232, 237, 241, 244, 257, 261, 264, 269, 273, 276, 281, 337, 339, 341, 345, 349, 351, 355, 359, 363, 368, 372, 375, 379, 383, 388, 392, 441, 445, 449, 455, 461, 463, 639, 641, 645, 649, 653, 657, 667, 669, 683, 685, 687, 689, 691, 693, 719, 721, 723, 725, 797, 799, 801, 803, 805, 807, 809, 811, 813, 815, 817, 819, 821, 823, 825, 827, 829, 831, 833	4891900 429, 431, 433	
4711700.....341	4811800 ... 451, 465, 509, 511, 513, 515	4891900 429, 431, 433	
4711800.....451, 465	4760600 639	4891900 429, 431, 433	
4712000....519, 521, 523, 539, 541, 543	4761400 467	4891900 429, 431, 433	
4712200....519, 521, 523	4770600 319	4891900 429, 431, 433	

PART NUMBER INDEX

70000123	337	70002156	291	70003709..	351, 355, 359, 363, 367, 371, 376, 380, 384	70004283	222
70000342	407, 409	70002157	291	70003783..	171, 181, 193, 207, 217, 846, 847	70004284	222
70000345 .	184, 196, 223, 251	7000216	29	70003784	473, 477	70004285	223
70000619 .	367, 371, 375, 379, 383	7000217	80	70003926...	567, 569, 571	70004414	93
70000699	553	70002176	290	70003928...	567, 569, 571	70004501	250
70000781	35	70002209	35	70003929...	567, 569, 571	70004504	223, 251
70000782	29	70002234	184, 196	70003930...	567, 569, 571	70004505	249
70000793	287	7000228	80	70003932	184, 196	70004506	249
70000794	33	7000229	80	70003975	35	70004507	249
70000795	33	70002291	376, 380	70003982...	567, 569, 571	70004508	249
70000800	183, 195	70002297 .	367, 371, 376, 380, 384	70003998	101, 103	70004509	249
70000851	184, 196	7000230	80	70004037	80	70004510	249
70000863 .	367, 371, 376, 379, 384	70002335	549	70004039	80	70004513	221, 250
70000912	183, 195	70002366	549	70004040	80	70004577	35
70000913	183, 195	70002381	549	70004041	80	70004584	67, 71
70000914	183, 195	70002386	75, 846	70004042	80	70004594	67, 71
70000915	183, 195	70002410	551	70004043	80	70004595	68, 72, 846
70000916	183, 195	7000246 .	367, 371, 376, 380, 383	70004044	80	70004596	68, 72
70000917	183, 195	7000246	80	70004045	80	70004597	68, 72
70000918	183, 195	7000247	80	70004047	81	70004598	68, 72
70000919	183, 195	7000248	80	70004051...	67, 68, 71, 72	70004602	67, 71
70001002	183, 195	7000253	80	70004052..	67, 68, 71, 72, 421, 423	70004607	67, 71
70001017	184, 196	7000255	80	70004053....	71, 421, 423	70004613	423
70001100 .	367, 371, 376, 379, 384	7000257	80	70004055	68, 71, 72	70004617	68, 72
70001103	97	7000263	80	70004056	184, 196	70004653 .	67, 68, 71, 72, 421, 423, 846
70001119	29	70002718 .	183, 195, 221, 249	70004058	184, 196	70004656	67, 71
70001126	183, 195	70002745	565	70004059	184, 196	70004657	67, 71
70001384 .	367, 371, 376, 379, 384	70002755	565	70004060	184, 196	70004659	67
70001423	183, 195	70002756	565	70004064	293, 295	70004660	67
70001435	183, 195	70002758	68, 72	70004065	293, 295	70004661	67, 71
70001498	184, 196	70002759	68, 72	70004066...	293, 295, 846	70004662	67, 71
70001696 ..	367, 371, 383	7000281	30	70004067	293, 295	70004668	67, 71
70001697 ..	407, 409	70002814	99, 846	70004068	293, 295	70004676 .	351, 355, 360, 363
70001847	183, 195	70002838	99	70004069	293, 295	70004677	351
70001850	183, 195	70002839	99	70004070	293, 295	70004678 .	351, 356, 360, 364
70001866	184, 196	70002842	547	70004092..	351, 355, 360, 363, 376, 380	70004679 .	351, 356, 360, 364
70001868	184, 196	70002902	499	70004094	376, 380	70004680 .	351, 356, 360, 364
70001870 .	183, 195, 221, 249	70002903	499	70004098	356, 360, 364, 376, 380	70004681	351
70001871	183, 195	70002904	499	70004099..	360, 363, 376, 380	70004682 .	351, 356, 360, 364
70001872	184, 196	70002905	499	70004103	184, 196	70004683	351
70001953 ..	367, 371, 384	70002962	35	70004155...	567, 569, 571	70004684	356
70001966 .	351, 355, 359, 363, 367, 371, 376, 380, 383, 384	70003003	183, 195	70004169...	367, 371, 384	70004685 ..	356, 360, 364
70001973 .	367, 371, 376, 380, 384	70003019	67, 71, 421, 423	70004171..	351, 355, 367, 371, 384	70004687	360, 364
70001974 .	367, 371, 376, 380, 384	70003027	67, 71, 421, 423	70004186..	561, 563, 567, 569, 571	70004738	493
70002063	75	70003085	549	70004199	99	70004739	493
70002066	80	70003136	183, 195	70004237	551	70004740	493
70002088 ..	367, 371, 384	70003456	183, 195	70004268	183, 195	70004741	493
70002112	99	70003457	183, 195	70004269	183, 195	70004742	493
70002134	291	70003464	183, 195	70004270	184, 196	70004743	493
70002146	291	70003468	183, 195	70004271	184, 196	70004744	493
70002147	291	70003469	183, 195	70004272	184, 196	70004745	493
70002148	291	70003470	183, 195	70004273	183, 195	70004746	493
70002149	291	70003472	183, 195	70004275	221	70004747	493
70002150	291	70003473	183, 195	70004276	251	70004748	493
70002151	291	70003475	183, 195	70004277	251	70004749	493
70002153	291	70003478	183, 195	70004280	221, 249	70004750	493
70002154	291	70003631 .	367, 371, 376, 380, 383	70004281	221	70004751	493
		70003708 .	351, 355, 359, 363, 367, 371, 376, 380, 384	70004282	222, 251	70004752	495
						70004753	495
						70004754	495
						70004755	495

PART NUMBER INDEX

70004756.....	495	70005648.....	251	70006115.....	67, 71	70006203.....	284
70004757.....	495	70005668.....	35	70006116.....	67, 71, 421, 423	70006205.....	284
70004758.....	495	70005669.....	35	70006117.....	67, 71	70006206.....	284
70004759.....	495	70005670.....	35	70006118.....	68, 72	70006207.....	284
70004760.....	495	70005671.....	407	70006119.....	68, 72	70006208.....	284
70004761.....	495	70005680.....	91	70006120.....	68, 72	70006213.....	284, 847
70004762.....	495	70005681.....	91	70006121.....	421, 423	70006215.....	284
70004763.....	495	70005682.....	413, 415, 417, 419	70006122.....	421, 423, 846	70006217.....	284
70004764.....	495	70005683.....	411, 846	70006123.....	71, 421, 423	70006219.....	284
70004765.....	495	70005684.....	411	70006124.....	71, 421, 423	70006221.....	284
70004766.....	495	70005693.....	549	70006125.....	421, 423	70006225.....	284
70004767.....	495	70005694.....	549	70006126.....	421, 423	70006232.....	284
70004768.....	495	70005695.....	549	70006128.....	71	70006233.....	283
70004769.....	495	70005696.....	549	70006134.....	281	70006235.....	284
70004770.....	495	70005697.....	549	70006135.....	281	70006236.....	284
70004771.....	495	70005698.....	551	70006136.....	281	70006260.....	553
70004772.....	495	70005699.....	551	70006145.....	283	70006261.....	553
70004773.....	495	70005700.....	551	70006147.....	283	70006264.....	249
70004774.....	495	70005701.....	551	70006150.....	283	70006265.....	249
70004775.....	495	70005702.....	551	70006151.....	283	70006266.....	249
70004795.....	99	70005703.....	551	70006152.....	283	70006304.....	80, 81
70004883.....	75	70005708.....	99	70006153.....	283	70006305.....	81
70004884.....	75	70005710.....	89	70006154.....	283	70006306.....	81
70004888.....	35	70005711.....	89	70006155.....	283, 847	70006307.....	81
70005008.....	233, 245, 265, 277, 847	70005712.....	89	70006157.....	283	70006308.....	81
70005171.....	221	70005713.....	89	70006158.....	283	70006309.....	81
70005172.....	221, 249	70005716.....	89	70006159.....	283	70006310.....	81
70005173.....	221, 249	70005920.....	249	70006160.....	283	70006313.....	81
70005174.....	221	70005922.....	249	70006161.....	283	70006314.....	95
70005176.....	222	70005923.....	250	70006162.....	283	70006356.....	167, 177, 189, 203, 213, 229, 241, 261, 273
70005177.....	222, 250	70005924.....	250	70006163.....	283	70006357.....	68, 72
70005180.....	222	70005925.....	250	70006164.....	283	70006438.....	569
70005181.....	222, 250	70005926.....	250	70006165.....	283	70006439.....	569
70005182.....	222	70005927.....	250	70006166.....	283	70006440.....	569
70005183.....	222	70005928.....	250	70006167.....	283	70006441.....	569
70005184.....	222, 250	70005929.....	250	70006168.....	283	70006537.....	89
70005185.....	222	70005930.....	250	70006169.....	283	70006538.....	89
70005186.....	222	70005931.....	250	70006170.....	283	70006552.....	351, 356, 359, 363
70005188.....	222, 251	70005932.....	251	70006171.....	283	70006553.....	351, 356, 359, 363
70005189.....	222, 251	70005933.....	251	70006172.....	283	70006568.....	557
70005191.....	223, 251	70005934.....	251	70006173.....	283	70006569.....	557
70005200.....	423	70005935.....	251	70006174.....	283	70006570.....	557
70005203.....	80	70005937.....	251	70006175.....	283	70006571.....	557
70005230.....	493	70005938.....	249	70006176.....	283, 847	70006572.....	557
70005335.....	413, 415, 417, 419, 846	70005942.....	249	70006177.....	283	70006649.....	559, 563
70005466.....	290	70005947.....	68, 71, 72	70006178.....	283, 847	70006650.....	559, 563
70005467.....	290	70005951.....	421, 423	70006179.....	283	70006734.....	559, 563
70005468.....	290	70005952.....	67, 72, 421, 423	70006180.....	283	70006735.....	559, 563
70005469.....	290	70006003.....	553	70006181.....	283	70006736.....	559, 563
70005470.....	290	70006004.....	553, 846	70006182.....	283	70006941.....	249
70005471.....	291	70006005.....	553	70006183.....	283	7000695.....	184, 196
70005472.....	291	70006006.....	553	70006184.....	283	70007108.....	284
70005474.....	291	70006093.....	376, 380	70006185.....	283	70010383.....	59, 61, 63, 65, 846
70005475.....	291	70006094.....	376, 380	70006186.....	283	7001909.....	80
70005476.....	291	70006095.....	376, 380	70006187.....	283	7001911.....	80
70005479.....	184, 196	70006096.....	376, 380	70006188.....	283	7001912.....	80
70005527.....	252	70006097.....	376, 380	70006189.....	283	7001913.....	29
70005563.....	553	70006106.....	565	70006191.....	283	7001931.....	80
70005570.....	553	70006107.....	565	70006194.....	283	7001985.....	80
70005571.....	553	70006108.....	565	70006195.....	283	70022564.....	551
70005572.....	553	70006109.....	67, 71	70006196.....	284	70023369.....	551
70005575.....	553	70006111.....	67, 71	70006197.....	284	70023859.....	67, 71
70005576.....	553, 846	70006112.....	67, 71	70006198.....	284		
70005627.....	421, 423	70006113.....	67, 71	70006199.....	284		
70005647.....	251	70006114.....	67, 71	70006200.....	284		
				70006202.....	284		

PART NUMBER INDEX

70023860 67, 71, 423	70025155 251	70025779 222	7012558 ... 339, 341, 345, 349
70023862 421, 423	70025158 250	70025781 222	7012925 553
70023915 557	70025159 222	70025877 251, 252	7012941 75
70024457 67, 71	70025160 221, 250	70026164 553	7012967 75, 553
70024473 222	70025161 221, 250	70026210 251	7012998 35
70024484 251	70025164 222, 251	70026995 251	7013189 91
70024488 249	70025165 222	70028185 249	7016319 125
70024494 249	70025166 223	7002821 853	7016328 ... 183, 195, 846, 847
70024502 221, 250	70025171 221	7002822 854	7016331 ... 183, 195, 221, 249, 846, 847
70024503 223	70025174 250	7002823 853	7016372 125
70024504 .. 221, 223, 250, 251	70025175 250	7002826 854	7016652 854
70024507 223, 251	70025176 221, 249	7002840 853	7016654 854
70024509 251	70025177 222	7004275 854	7016655 854
70024512 223	70025178 250	7004276 854	7017022 30
70024513 221, 250	70025179 .. 222, 250, 251	7005889 81	7017023 80
70024517 249	70025180 222, 250	7005891 81	7017027 29
70024904 221, 249	70025181 249	7007207 290	7017070 80
70024905 221, 249	70025182 221, 250	7007208 290	7017072 29, 80
70024906 221, 249	70025183 221, 250	7007412 291	7017080 80
70024910 222, 250	70025184 221, 250	7007413 290	7017082 81
70024912 222	70025185 221, 250	7007415 290	7017085 80
70024913 222	70025189 223	7007417 290	7017093 29
70024914 222, 251	70025191 222	7007418 290	7017095 29
70024915 222, 251	70025192 223, 251	7007419 290	7017142 407, 409
70024917 223, 251	70025195 221	7007420 290, 291	7017159 407, 409
70024918 223, 251	70025198 221	7007422 291	7017162 407, 409
70024920 .. 221, 223, 250, 251	70025200 222, 250	7007423 290	7017163 407, 409
70024922 251	70025201 222	7007425 290	7017164 407, 409
70024924 249	70025203 250	7007430 291	7017172 407, 409
70024925 221, 249	70025209 223	7007431 291	7017192 407, 409
70024961 221, 250	70025210 .. 222, 250, 847	7007434 291	7017195 407, 409
70025076 221, 249	70025211 223	7007435 290	7017410 75
70025077 251	70025212 251	7007437 33	7017467 553
70025082 221, 249	70025213 223	7007438 33, 290	7017496 553
70025084 222, 250	70025214 223	7007439 33, 290	7019680 ... 339, 342, 345, 349
70025088 221	70025215 222	7007441 291	7020043 93, 97
70025091 221, 249	70025216 222	7007442 290	7020108 ... 337, 339, 341, 345, 349
70025101 221, 250	70025217 223	7007443 290	7020109 ... 337, 339, 341, 345, 349
70025107 250	70025218 223	7007444 291	7020110 ... 337, 339, 341, 345, 349
70025109 222, 250	70025219 223	7007446 33, 290	7020111 ... 337, 339, 341, 345, 349
70025111 222, 249	70025220 223	7007448 290	7020175 ... 113, 115, 473, 477
70025112 250	70025221 222, 223	7007450 291	7020176 ... 113, 115, 473, 477
70025113 223	70025222 223	7007453 291	7020190 ... 337, 339, 341, 345, 349
70025115 222, 250	70025223 223	7007455 291	7020403 183, 195
70025120 223, 251	70025224 223	7007457 290	7020404 221
70025124 250	70025225 223	7007459 290	7020408 184, 196
70025130 251	70025226 222	7007463 290	7020431 183, 195
70025131 222, 251	70025226 222	7007464 290	7020465 ... 183, 195, 221, 249
70025132 251	70025228 222	7007465 290	7020468 183, 195
70025133 222, 250	70025231 222, 251	7007476 291	7020471 184, 196
70025135 221, 249	70025233 222, 251	7007477 291	7020479 184, 196
70025137 249	70025235 221, 250	7007484 290	7020487 183, 195
70025139 249	70025236 223	7007485 291	7020492 222, 250
70025140 221, 249	70025237 223	7007487 291	7021200 290
70025142 222	70025238 223	7007488 291	7021201 291
70025144 221, 249	70025239 221, 250	7007633 80	
70025145 221, 249	70025240 221, 250	7010116 290	
70025146 221, 249	70025241 223	7010117 291	
70025148 222, 250	70025242 251	7010119 291	
70025149 222, 251	70025245 251	7010121 290	
70025150 222	70025246 251	7010474 80	
70025151 221, 250	70025477 251	7010492 80	
70025152 249	70025580 553	7010543 75	
70025153 .. 221, 250, 847	70025582 553	7011112 549, 551	
70025154 221, 249	70025619 553	7012513 ... 337, 339, 341, 345, 349	
	70025660 249	7012514 ... 337, 339, 341, 345, 349	
	70025733 251		
	70025768 250		

PART NUMBER INDEX

7021202.....	290	7024470.....	533	7024867.....	33	80963067.....	793
7021203.....	291	7024471.....	533	7024871.....	33	80983191... 729, 733, 847	
7021206.....	291	7024472.....	533	7024874.....	290	82033995.....	265
7021207.....	290	7024473.....	533	7024875.....	290	8220045.... 727, 741, 794	
7021210.....	290	7024474.....	533	7024877.....	291	8220115.....	729, 733
7021212.....	290	7024475.....	533	7024881.....	35	8220125.....	793
7021214.....	290	7024478.....	533	7026188	367, 371, 384	8220164.....	727, 729
7021219.....	290	7024485 ...	367, 371, 383	7026199	341, 345, 349	8229242.... 729, 733, 765,	
7021220.....	290	7024488 ...	367, 371, 375,	7026511.....	91	793, 846	
7021221.....	291	379, 383		7026597 ...	367, 371, 376,	8229244.....	793, 846
7021222.....	291	7024489 ...	367, 371, 375,	380, 384		8229245....	741, 794, 846
7021223.....	291	379, 383		7026626 ...	367, 371, 376,	8310129....	519, 521, 523
7021232.....	291	7024560.....	184, 196	380, 384		8310614.....	23
7021233.....	290	7024579 ...	183, 195, 221,	7026631.....	183, 195	83304173.....	99
7021249.....	33	249		7027236.....	183, 195	8405006.....	264, 276
7021256.....	290, 291	7024598.....	319, 321	7027276.....	184, 196	8405007....	206, 216, 232,
7021275.....	33	7024704.....	80	7027404.....	284	244	
7021625.....	35	7024721.....	30	7027419.....	33	8405009....	206, 216, 232,
7021639.....	35	7024722.....	29	7027740.....	33	244, 265, 277	
7022162.....	283	7024723.....	30	7027773.....	533	8405102.....	264, 276
7022301.....	291	7024724.....	29	7027774.....	533	8405104....	206, 216, 232,
7022302.....	33	7024725.....	29	7027775.....	533	244, 264, 276	
7022311.....	33	7024726.....	29	7027776.....	533	8405202....	170, 180, 192,
7022313.....	33	7024727.....	29	7027777.....	533	206, 216	
7022314.....	33	7024728.....	29	7027778.....	533	8405203.....	264, 276
7022326.....	33	7024729.....	29	7027779.....	533	8405204.....	207, 217
7022328.....	33	7024730.....	29	7027780.....	533	8406003.....	425, 427
7022368.....	33	7024731.....	29	7027790.....	184, 196	8406109....	207, 217, 232,
7022371.....	33	7024732.....	29	7027791.....	184, 196	244, 264, 276	
7022372.....	33	7024733.....	29	7027792.....	184, 196	8406110....	127, 129, 131,
7022397.....	35	7024734.....	29	7027795 ...	183, 195, 846,	133, 163, 173, 187	
7022399.....	35	7024735.....	29	847		8406201....	207, 217, 266,
7022524.....	421, 423	7024736.....	29	7027796.....	183, 195	277	
7022527.....	67, 71	7024737.....	30	7027799 ...	367, 371, 376,	8410009.....	266, 277
7023821.....	68, 72	7024738.....	29	380, 383		8410011....	232, 244, 264,
7023910.....	33	7024739.....	29	7027887 ...	337, 339, 342,	276	
7023979.....	290	7024740.....	29	345, 349		8420231.....	266, 277
7024100.....	81	7024741.....	29	7274000040	352, 356,	85941018.....	257, 269
7024124.....	29	7024742.....	29	364, 368, 372, 380		88411013.....	695
7024125.....	29	7024743.....	29, 80	7300435 ...	170, 180, 192,	88521214... 539, 541, 543	
7024127.....	29	7024744.....	30	232, 244		8896941.....	853
7024129.....	29	7024763.....	80	77133137 .	671, 673, 675,	91203039.....	433
7024134.....	30	7024764.....	30	677, 679, 681, 683,		91401281.....	101
7024398.....	184, 196	7024765.....	30	685, 687, 689, 691, 693		91403230..	797, 799, 801,
7024441.....	99	7024766.....	30	77363233.....	743, 745	803, 805, 807, 809,	
7024462.....	533	7024784.....	81	80434249	67, 71, 846	811, 813, 815, 817,	
7024463.....	533	7024851.....	291	80484084.....	729, 733	819, 821, 823, 825,	
7024467.....	533	7024862.....	33	80633030 .	591, 596, 603,	827, 829, 831, 833	
7024469.....	533	7024865.....	33	608, 615, 620, 627, 632			

PARTS FINDER

**Search Website
by Part Number**



**Search Manual
Library For Parts
Manual & Lookup Part
Numbers – Purchase
or Request Quote**

**Can't Find Part or
Manual? Request Help
by Manufacturer,
Model & Description**

Discount-Equipment.com is your online resource for quality parts & equipment.

Florida: **561-964-4949** Outside Florida TOLL FREE: **877-690-3101**

Need parts?

Click on this link: <http://www.discount-equipment.com/category/5443-parts/> and choose one of the options to help get the right parts and equipment you are looking for. Please have the machine model and serial number available in order to help us get you the correct parts. If you don't find the part on the website or on one of the online manuals, please fill out the request form and one of our experienced staff members will get back to you with a quote for the right part that your machine needs.

We sell worldwide for the brands: Genie, Terex, JLG, MultiQuip, Mikasa, Essick, Whiteman, Mayco, Toro Stone, Diamond Products, Generac Magnum, Airman, Haulotte, Barreto, Power Blanket, Nifty Lift, Atlas Copco, Chicago Pneumatic, Allmand, Miller Curber, Skyjack, Lull, Skytrak, Tsurumi, Husquvarna Target, Stow, Wacker, Sakai, Mi-T-M, Sullair, Basic, Dynapac, MBW, Weber, Bartell, Bennar Newman, Haulotte, Ditch Runner, Menegotti, Morrison, Contec, Buddy, Crown, Edco, Wyco, Bomag, Laymor, EZ Trench, Bil-Jax, F.S. Curtis, Gehl Pavers, Heli, Honda, ICS/PowerGrit, IHI, Partner, Imer, Clipper, MMD, Koshin, Rice, CH&E, General Equipment, Amida, Coleman, NAC, Gradall, Square Shooter, Kent, Stanley, Tamco, Toku, Hatz, Kohler, Robin, Wisconsin, Northrock, Oztec, Toker TK, Rol-Air, APT, Wylie, Ingersoll Rand / Doosan, Innovatech, Con X, Ammann, Mecalac, Makinex, Smith Surface Prep, Small Line, Wanco, Yanmar