



---

# Illustrated Parts Manual

## Models

**600S**

**600SJ**

**660SJ**

SN 0300068000  
THROUGH 0300087000

P/N  
3121178

September 14, 2018 - Rev AJ

**ANSI**



An Oshkosh Corporation Company

# PARTS FINDER

**Search Website  
by Part Number**



**Search Manual  
Library For Parts  
Manual & Lookup Part  
Numbers – Purchase  
or Request Quote**

**Can't Find Part or  
Manual? Request Help  
by Manufacturer,  
Model & Description**

Discount-Equipment.com is your online resource for quality parts & equipment.

Florida: **561-964-4949** Outside Florida TOLL FREE: **877-690-3101**

## Need parts?

Click on this link: <http://www.discount-equipment.com/category/5443-parts/> and choose one of the options to help get the right parts and equipment you are looking for. Please have the machine model and serial number available in order to help us get you the correct parts. If you don't find the part on the website or on one of the online manuals, please fill out the request form and one of our experienced staff members will get back to you with a quote for the right part that your machine needs.

We sell worldwide for the brands: Genie, Terex, JLG, MultiQuip, Mikasa, Essick, Whiteman, Mayco, Toro Stone, Diamond Products, Generac Magnum, Airman, Haulotte, Barreto, Power Blanket, Nifty Lift, Atlas Copco, Chicago Pneumatic, Allmand, Miller Curber, Skyjack, Lull, Skytrak, Tsurumi, Husquvarna Target, Stow, Wacker, Sakai, Mi-T-M, Sullair, Basic, Dynapac, MBW, Weber, Bartell, Bennar Newman, Haulotte, Ditch Runner, Menegotti, Morrison, Contec, Buddy, Crown, Edco, Wyco, Bomag, Laymor, EZ Trench, Bil-Jax, F.S. Curtis, Gehl Pavers, Heli, Honda, ICS/PowerGrit, IHI, Partner, Imer, Clipper, MMD, Koshin, Rice, CH&E, General Equipment, Amida, Coleman, NAC, Gradall, Square Shooter, Kent, Stanley, Tamco, Toku, Hatz, Kohler, Robin, Wisconsin, Northrock, Oztec, Toker TK, Rol-Air, APT, Wylie, Ingersoll Rand / Doosan, Innovatech, Con X, Ammann, Mecalac, Makinex, Smith Surface Prep, Small Line, Wanco, Yanmar



## REVISION LOG

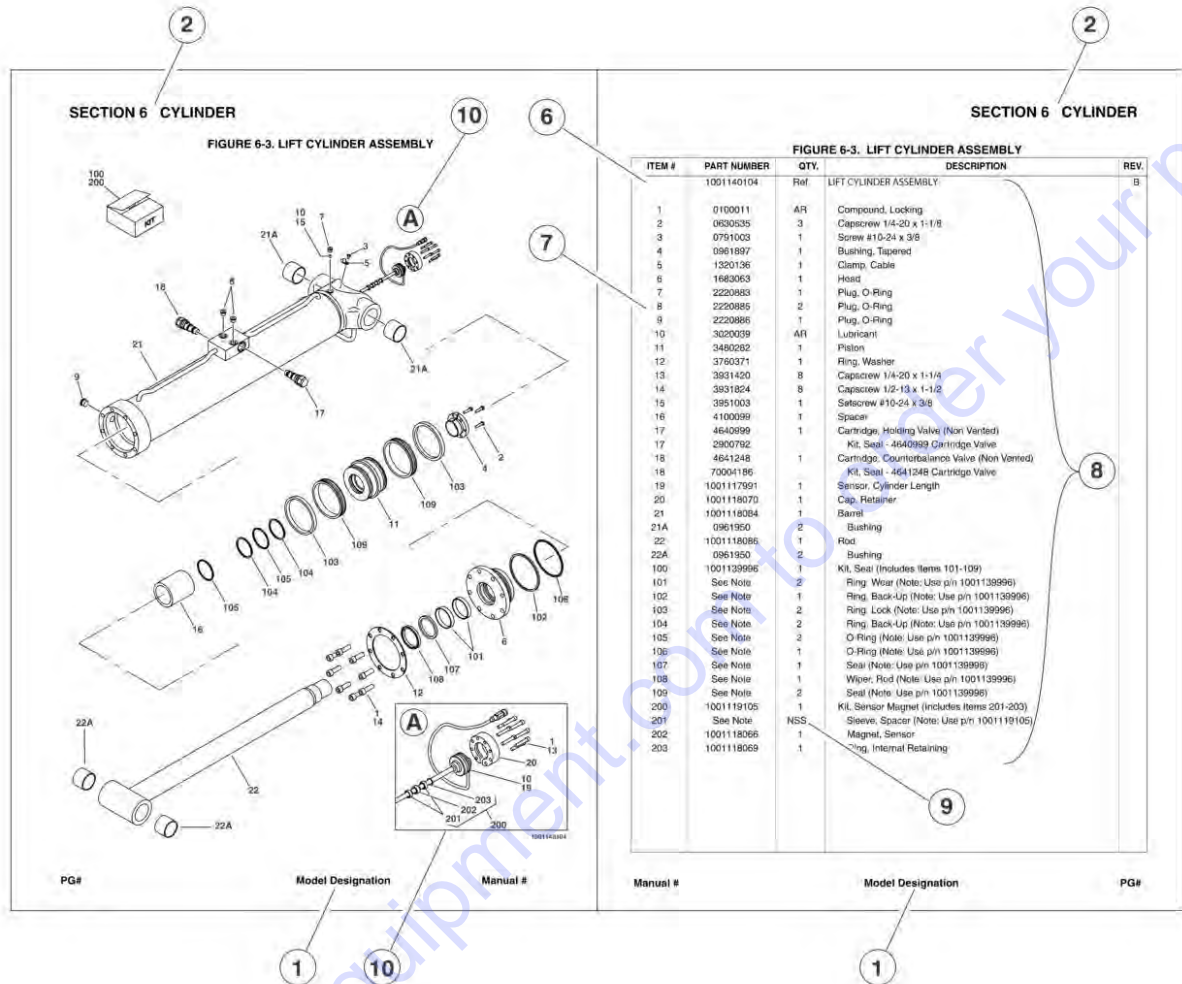
November 30, 2002 - A - Original Issue Of Manual (Edited to 0010574 Revision 18)  
January 17, 2003 - B - Revised Manual (Edited to 0010574 Revision 29)  
May 1, 2003 - C - Revised Manual (Edited to 0010574 Revision 34)  
December 11, 2003 - D - Revised Manual (Edited to 0010574 Revision 44 & 0010603 Revision 1)  
May 12, 2004 - E - Revised Manual (Edited to 0010603 Revision 6)  
August 26, 2004 - F - Revised Manual (Edited to 0010603 Revision 17)  
January 20, 2005 - G - Revised Manual (Edited to 0010603 Revision 19)  
June 1, 2005 - H - Revised Manual (Edited to 0010603 Revision 35)  
November 10, 2005 - I - Revised Manual  
May 18, 2006 - J - Revised Manual  
August 9, 2006 - K - Revised Manual  
January 15, 2007 - L - Revised Manual  
May 15, 2007 - M - Revised Manual  
September 19, 2007 - N - Revised Manual  
January 15, 2008 - O - Revised Manual  
June 15, 2008 - P - Revised Manual  
December 1, 2008 - Q - Revised Manual  
April 15, 2009 - R - Revised Manual  
October 15, 2009 - S - Revised Manual  
May 24, 2010 - T - Revised Manual  
March 15, 2011 - U - Revised Manual  
June 10, 2011 - V - Revised Manual  
September 14, 2011 - W - Revised Manual  
January 6, 2012 - X - Revised Manual  
April 20, 2012 - Y - Revised Manual  
July 27, 2012 - Z - Revised Manual  
November 8, 2012 - AA - Revised Manual  
March 15, 2013 - AB - Revised Manual  
April 25, 2013 - AC - Revised Manual  
June 14, 2013 - AD - Revised Manual

## REVISION LOG

**September 30, 2013 - AE - Revised Manual**  
**February 28, 2014 - AF - Revised Manual**  
**October 30, 2015 - AG - Revised Manual (Revision 4)**  
**March 14, 2017 - AH - Revised Manual**  
**February 9, 2018 - AI - Revised Manual**  
**September 14, 2018 - AJ - Revised Manual**

Go to [Discount-Equipment.com](http://Discount-Equipment.com) to order your parts

# GENERAL INFORMATION



## 1) MACHINE IDENTIFICATION

Machines are identified by model and in some cases a combination of models, serial number (SN) or regional standard (i.e ANSI, CE, CSA). Components may also be identified by SN or manufacturer. Common components that may be identified by these characteristics are engines and hydraulic components.

## 2) PARTS MANUAL ORGANIZATION

Product information in this manual is organized under section titles. Frame, Cylinder, Hydraulic and Electrical are a few examples. Each section is organized by figure and page number. The information within the Figure is then organized by item number, part number, description and corresponding illustration (s).

## 3) TABLE OF CONTENTS

A table of contents is found toward the beginning of the manual. Figure number, description and page number are provided for quick reference to the page containing the related information.

## 4) RECOMMENDED SPARE PARTS

The Recommended Spare Parts, located near the end of the manual, reference most frequently used maintenance parts.

## 5) PART NUMBER INDEX

A numerical index listing all part numbers and the corresponding page number(s) appears at the back of the manual.

## GENERAL INFORMATION

### 6) NON-SERVICED PARTS

In some instances, it is necessary to display non-serviced parts, assemblies or installations. In the case of assemblies and installations there will be a Ref in the Qty column. In case of parts that are not available for service within assemblies or components, there will be a NSS (Not Sold Separately) or NLA (No Longer Available) listed in the Qty. column of the manual.

### 7) PARTS LIST ITEM NUMBERS

Numbers shown in the item# column correspond to numbers used in the associated illustration (s). Item numbers which are missing from the sequence in the parts list are not used on that page

### 8) INDENTED PARTS DESCRIPTION

An indented part description is included in the item under which it is indented.

### 9) ABB REVIATION AND SYMBOLS

AC.....	.. Alternating Current	LCD .....	Liquid Crystal Display
ADE.....	..Advanced Design Electronics	LED .....	Light Emitting Diodes
ANSI .....	..American National Standards Institute	LH.....	.. Left Hand
AR.....	..As Required	LSS .....	..Load Sensing System
ASSY .....	.. Assembly	M(m).....	.. Metric/Meter
AUX.....	..Auxiliary	MM (mm) .....	..Milimeter
AWG.....	..American WireGauge	mA.....	.. Milliamps
B/M.....	.. Bill of Material	NLA.....	..No Longer Available
CE.....	..European Conformity	NPT .....	.. National Pipe T threads
CCW .....	..Counter Clockwise	NSS .....	..Not Sold Separately
cm.....	..Centimeter	OD.....	..Outside Diameter
CW.....	..Clockwise	ORB.....	.. O-Ring Bos s
CSA.....	..Canadian Standards Association	ORFS.....	.. O-Ring Face Seal
CYL.....	..Cylinder	OZ (oz).....	..Ounces
DIA.....	..Diameter	PG .....	..Page
DC.....	..Direct Current	P/N.....	..Part Number
EMS .....	.. Emergency Stop	qt.....	..Quarts
ENG .....	..Engine	QTY.....	..Quantity
FT (ft).....	..Feet	REF .....	..Reference
GA(Ga).....	..Gauge	REV .....	..Revision Level
HYD .....	..Hydraulic	RH.....	.. Right Hand
Hz.....	..Hertz	SAE.....	.. Society of Automotive Engineers
ID.....	..Inside Diameter	SN.....	..Serial Number
in.....	..inches	SPEC(S).....	..Specifications
ISO .....	..International Organization for Standards	T/T.....	..Turntable
JIC.....	..Joint Industry Council	UGM .....	..Universal Ground Module
KG .....	..Kilogram	V.....	.. Volts
L.....	..Liter	W.....	.. Watts
LB.....	..Pounds	#.....	.. Number

### 10) ILLUSTRATION REFERENCE LETTERS

When necessary, illustrations may contain reference letters that are intended to track information (i. e. hoses, harnesses) from one point to another or to track visual enlargement of components to show details that may be located in another area on the illustration.

*Note: Due to continuous product improvements, JLG Industries, Inc. reserves the right to make specification changes without prior notification. Contact JLG Industries, Inc. for updated information.*

# TABLE OF CONTENTS

SECTION 1 - FRAME.....	11
FIGURE 1-1. 2WD FRONT AXLE AND STEERING INSTALLATION (SN 0300068000 through 0300075605) .....	12
FIGURE 1-2. 2WD FRONT AXLE AND STEERING INSTALLATION (SN 0300075606 through 0300087000) .....	16
FIGURE 1-3. 4WD FRONT AXLE AND STEERING INSTALLATION (SN 0300068000 through 0300075605) .....	20
FIGURE 1-4. 4WD FRONT AXLE AND STEERING INSTALLATION (SN 0300075606 through 0300087000) .....	24
FIGURE 1-5. 4WS REAR STEERING INSTALLATION (SN 0300068000 through 0300075605) .....	28
FIGURE 1-6. 4WS REAR STEERING INSTALLATION (SN 0300075606 through 0300087000) .....	30
FIGURE 1-7. TIRE AND WHEEL DRIVE INSTALLATIONS.....	32
FIGURE 1-8. DRIVE HUB ASSEMBLY (SN 0300068000 through 0300075605) .....	36
FIGURE 1-9. DRIVE HUB ASSEMBLY (SN 0300075606 through 0300087000) .....	38
FIGURE 1-10. DRIVE MOTOR ASSEMBLY (SN 0300068000 through 0300075605) .....	42
FIGURE 1-11. DRIVE MOTOR ASSEMBLY (ORIGINAL EQUIPMENT) (SN 0300075606 through 0300087000).....	44
FIGURE 1-12. DRIVE MOTOR ASSEMBLY (SERVICE REPLACEMENT).....	48
FIGURE 1-13. DRIVE VALVES AND SHIELDS INSTALLATION (FRAME MOUNTED) (SN 0300068000 through 0300075605) .....	50
FIGURE 1-14. DRIVE VALVES AND SHIELDS INSTALLATION (FRAME MOUNTED) (SN 0300075606 through 0300087000) .....	52
FIGURE 1-15. TOW PACKAGE INSTALLATION (OPTIONAL) (SN 0300068000 through 0300075605) .....	56
FIGURE 1-16. TOW PACKAGE INSTALLATION (OPTIONAL) (SN 0300075606 through 0300087000) .....	60
SECTION 2 - TURNTABLE.....	63
FIGURE 2-1. CONTROL VALVES INSTALLATIONS.....	64
FIGURE 2-2. MAIN CONTROL VALVE ASSEMBLY.....	68
FIGURE 2-3. ACCESSORY VALVE ASSEMBLY.....	72
FIGURE 2-4. SWING DRIVE, TURNTABLE BEARING AND LOCK INSTALLATIONS.....	74
FIGURE 2-5. SWING HUB ASSEMBLY.....	76
FIGURE 2-6. SWING MOTOR ASSEMBLY.....	78
FIGURE 2-7. CATERPILLAR ENGINE INSTALLATION .....	82
FIGURE 2-8. DEUTZ ENGINE INSTALLATION (SN 0300068000 through 0300077489).....	90
FIGURE 2-9. DEUTZ ENGINE INSTALLATION (SN 0300077490 through 0300087000).....	96
FIGURE 2-10. FORD ENGINE INSTALLATION (SN 0300068000 through 0300079618).....	104
FIGURE 2-11. DUAL FUEL INSTALLATIONS (FORD MACHINE OPTION).....	112
FIGURE 2-12. FORD ENGINE INSTALLATION (SN 0300079619 through 0300087000).....	114
FIGURE 2-13. PISTON PUMP ASSEMBLY (SN 0300068000 through 0300075605).....	120
FIGURE 2-14. PISTON PUMP ASSEMBLY (SN 0300075606 through 0300087000).....	124
FIGURE 2-15. GEAR PUMP ASSEMBLY.....	130
FIGURE 2-16. TANK INSTALLATIONS.....	132
FIGURE 2-17. ROTARY COUPLING INSTALLATION (SN 0300068000 through 0300075605).....	136
FIGURE 2-18. ROTARY COUPLING INSTALLATION (SN 0300075606 through 0300087000).....	138
FIGURE 2-19. GROUND CONTROL BOX ASSEMBLY.....	142
FIGURE 2-20. ELECTRICAL OPTIONS INSTALLATION (TURNTABLE MOUNTED).....	146
FIGURE 2-21. ENGINE TRAY JACK INSTALLATION (OPTIONAL).....	150
FIGURE 2-22. HOODS AND LIFTING PLATE INSTALLATIONS.....	152
FIGURE 2-23. 2500W GENERATOR INSTALLATION - CATERPILLAR MACHINES (OPTIONAL).....	156
FIGURE 2-24. 2500W GENERATOR INSTALLATION - DEUTZ MACHINES (OPTIONAL) .....	160
FIGURE 2-25. 2500W GENERATOR INSTALLATION - FORD MACHINES (OPTIONAL) (SN 0300068000 through 0300079618) .....	164
.....	164
FIGURE 2-26. 2500W GENERATOR INSTALLATION - FORD MACHINES (OPTIONAL) (SN 0300079619 through 0300087000) .....	168
.....	168
FIGURE 2-27. 7500W SKYPOWER GENERATOR INSTALLATION - CATERPILLAR AND DEUTZ ENGINES (OPTIONAL) ...	172
FIGURE 2-28. 7500W SKYPOWER GENERATOR INSTALLATION - FORD ENGINES (OPTIONAL) .....	178
FIGURE 2-29. SKYAIR COMPRESSOR INSTALLATION.....	182
FIGURE 2-30. AIR COMPRESSOR ASSEMBLY.....	184
SECTION 3 - BOOM.....	187
FIGURE 3-1. BOOM INSTALLATION - 600S.....	188
FIGURE 3-2. BOOM INSTALLATION - 600SJ & 660SJ.....	192
FIGURE 3-3. MAIN BOOM ASSEMBLIES.....	198
FIGURE 3-4. ROTATOR ASSEMBLIES (FRONT ENTRY PLATFORM).....	202
FIGURE 3-5. ROTATOR ASSEMBLIES (SIDE ENTRY PLATFORM).....	206
FIGURE 3-6. POWER TRACK INSTALLATIONS.....	208
SECTION 4 - PLATFORM.....	211
FIGURE 4-1. PLATFORM COMPONENTS INSTALLATION (FRONT ENTRY PLATFORM) .....	212



# TABLE OF CONTENTS

FIGURE 4-2. PLATFORM COMPONENTS INSTALLATION (SIDE ENTRY PLATFORM).....	216
FIGURE 4-3. PLATFORM COMPONENTS INSTALLATION (FALL ARREST PLATFORM) .....	220
FIGURE 4-4. PLATFORM CONSOLE ASSEMBLY .....	222
FIGURE 4-5. CONTROLLER ASSEMBLY (LIFT AND SWING) (ORIGINAL EQUIPMENT).....	228
FIGURE 4-6. CONTROLLER ASSEMBLY (LIFT AND SWING) (SERVICE REPLACEMENT).....	230
FIGURE 4-7. CONTROLLER ASSEMBLY (LIFT AND SWING) (SERVICE REPLACEMENT).....	232
FIGURE 4-8. CONTROLLER ASSEMBLY (DRIVE AND STEER) (ORIGINAL EQUIPMENT) .....	236
FIGURE 4-9. CONTROLLER ASSEMBLY (DRIVE AND STEER) (SERVICE REPLACEMENT) .....	238
FIGURE 4-10. CONTROLLER ASSEMBLY (DRIVE AND STEER) (SERVICE REPLACEMENT) .....	240
FIGURE 4-11. SOFT TOUCH SYSTEM INSTALLATION (OPTIONAL).....	242
FIGURE 4-12. PLATFORM PADDING INSTALLATION (OPTIONAL) (SIDE ENTRY PLATFORM).....	244
FIGURE 4-13. SKYGLAZIER INSTALLATION (600S ONLY) .....	246
FIGURE 4-14. SKYWELDER/SKYCUTTER COMBO INSTALLATION (60HZ) .....	248
FIGURE 4-15. SKYWELDER INSTALLATION (50HZ).....	252
FIGURE 4-16. SKYWELDER INSTALLATION (60HZ).....	254
FIGURE 4-17. SKYCUTTER INSTALLATION .....	256
FIGURE 4-18. PLASMA CUTTER ASSEMBLY .....	258
FIGURE 4-19. PIPE RACKS INSTALLATION (ANSI & CSA SPECS) .....	260
FIGURE 4-20. WELDER ASSEMBLY .....	262
SECTION 5 - CYLINDER.....	265
FIGURE 5-1. AXLE LOCKOUT CYLINDER ASSEMBLY (SN 0300068000 through 0300075605).....	266
FIGURE 5-2. AXLE LOCKOUT CYLINDER ASSEMBLY (SN 0300075606 through 0300087000).....	268
FIGURE 5-3. LEVEL CYLINDER ASSEMBLY (PLATFORM SLAVE) - 600S (ORIGINAL EQUIPMENT).....	270
FIGURE 5-4. LEVEL CYLINDER ASSEMBLY (PLATFORM SLAVE) - 600S (SERVICE REPLACEMENT) .....	272
FIGURE 5-5. LEVEL CYLINDER ASSEMBLY (PLATFORM SLAVE) - 600S (SERVICE REPLACEMENT) .....	274
FIGURE 5-6. LEVEL CYLINDER ASSEMBLY (PLATFORM SLAVE) - 600SJ & 660SJ (ORIGINAL EQUIPMENT) .....	276
FIGURE 5-7. LEVEL CYLINDER ASSEMBLY (PLATFORM SLAVE) - 600SJ & 660SJ (SERVICE REPLACEMENT) .....	278
FIGURE 5-8. LEVEL CYLINDER ASSEMBLY (PLATFORM SLAVE) - 600SJ & 660SJ (SERVICE REPLACEMENT) .....	280
FIGURE 5-9. LIFT CYLINDER ASSEMBLY (BOOM).....	282
FIGURE 5-10. LIFT CYLINDER ASSEMBLY (JIB) - 600SJ & 660SJ (ORIGINAL EQUIPMENT).....	286
FIGURE 5-11. LIFT CYLINDER ASSEMBLY (JIB) - 600SJ & 660SJ (SERVICE REPLACEMENT).....	288
FIGURE 5-12. LIFT CYLINDER ASSEMBLY (JIB) - 600SJ & 660SJ (SERVICE REPLACEMENT).....	290
FIGURE 5-13. MASTER CYLINDER ASSEMBLY (ORIGINAL EQUIPMENT).....	292
FIGURE 5-14. MASTER CYLINDER ASSEMBLY - 600S (SERVICE REPLACEMENT) .....	296
FIGURE 5-15. MASTER CYLINDER ASSEMBLY - 600SJ/660SJ (SERVICE REPLACEMENT) .....	298
FIGURE 5-16. STEER CYLINDER ASSEMBLY .....	300
FIGURE 5-17. TELESCOPE CYLINDER ASSEMBLY .....	302
FIGURE 5-18. CYLINDER BELLOWS INSTALLATION (OPTIONAL) .....	304
SECTION 6 - HYDRAULIC .....	307
FIGURE 6-1. HYDRAULIC DIAGRAM - DRIVE AND STEER (2WD/2WS).....	308
FIGURE 6-2. HYDRAULIC DIAGRAM - DRIVE AND STEER (4WD/2WS) (SN 0300068000 through 0300075605) .....	312
FIGURE 6-3. HYDRAULIC DIAGRAM - DRIVE AND STEER (4WD/2WS) (SN 0300075606 through 0300087000) .....	316
FIGURE 6-4. HYDRAULIC DIAGRAM - OSCILLATING AXLE .....	318
FIGURE 6-5. HYDRAULIC DIAGRAM - STANDARD (SN 0300068000 through 0300075605) .....	320
FIGURE 6-6. HYDRAULIC DIAGRAM - STANDARD (SN 0300075606 through 0300087000) .....	324
FIGURE 6-7. HYDRAULIC DIAGRAM LIST.....	328
SECTION 7 - ELECTRICAL.....	331
FIGURE 7-1. ELECTRICAL DIAGRAM LIST .....	332
FIGURE 7-2. HARNESS COMPONENTS INSTALLATION .....	334
SECTION 8 - DECALS .....	347
FIGURE 8-1. DECAL INSTALLATION (ANSI SPEC).....	348
FIGURE 8-2. DECAL INSTALLATION (COUNTRY SPEC) .....	352
SECTION 9 - RECOMMENDED SERVICE PARTS STOCK .....	357
FIGURE 9-1. MODEL 600S/600SJ/660SJ STANDARD PARTS.....	358
FIGURE 9-2. MODEL 600S/600SJ/660SJ VARIABLE PARTS .....	360
SECTION 10 - SPECIAL OPTIONS .....	361

## TABLE OF CONTENTS

FIGURE 10-1. SPECIAL OPTIONS.....	362
PART NUMBER INDEX.....	367

Go to [Discount-Equipment.com](http://Discount-Equipment.com) to order your parts

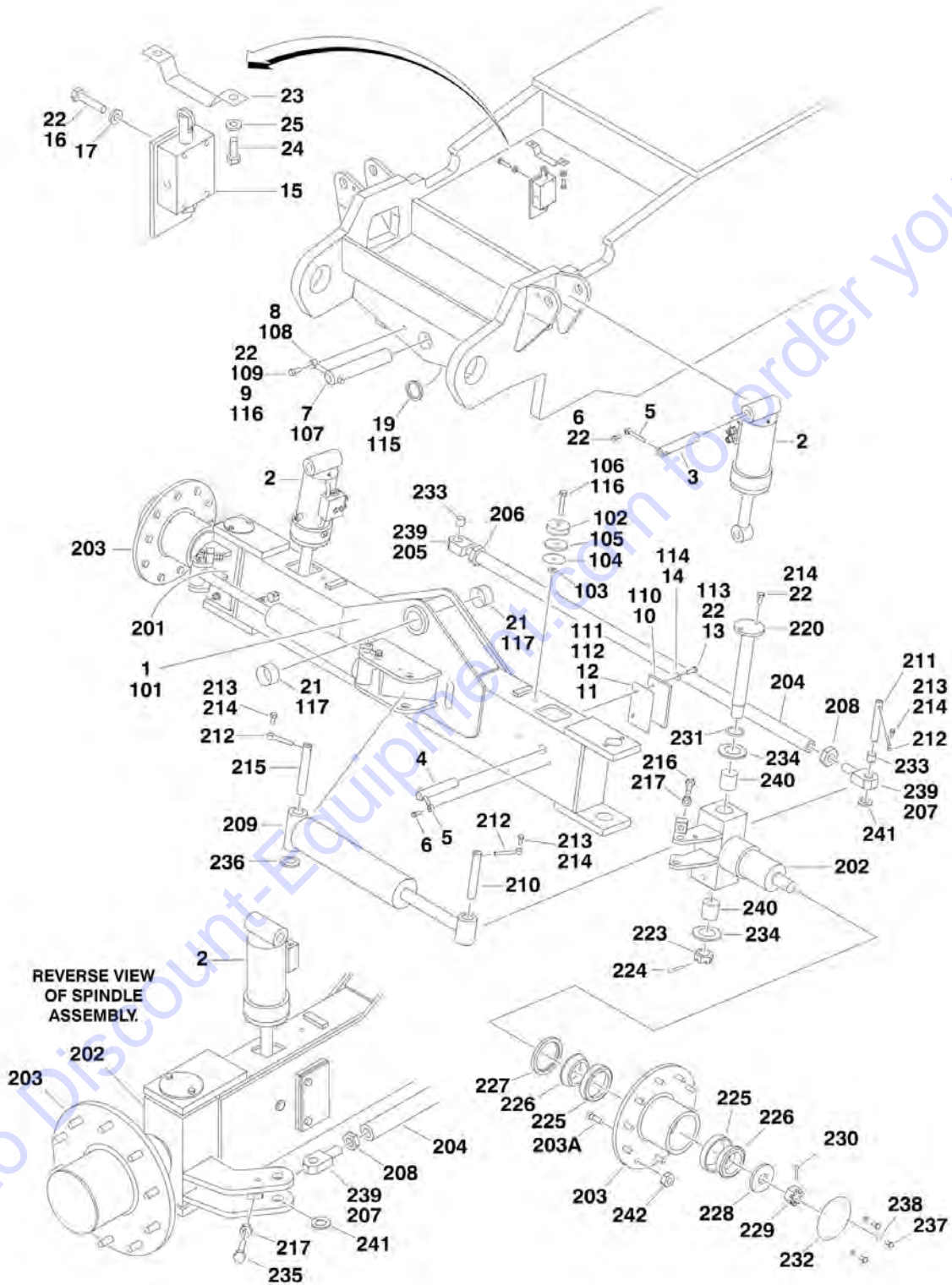


**SECTION 1 - FRAME**

Go to Discount-Equipment.com to order your parts

# SECTION 1 - FRAME

FIGURE 1-1. 2WD FRONT AXLE AND STEERING INSTALLATION (SN 0300068000 through 0300075605)



## SECTION 1 - FRAME

**FIGURE 1-1. 2WD FRONT AXLE AND STEERING INSTALLATION (SN 0300068000 through 0300075605)**

ITEM	PART NUMBER	QTY	DESCRIPTION	REV
	0256394	Ref	<b>AXLE INSTALLATIONS - OSCILLATING</b>	5
1	4844777	1	Axle Weldment	
2	1683078	2	Lockout Cylinder Assembly (See CYLINDER SECTION for Breakdown)	
3	3422333	2	Pin, Pivot	
4	3422332	2	Pin, Cylinder	
5	3841143	4	Keeper, Pin	
6	0641608	4	Bolt 3/8in-16NC x 1in	
7	3422591	1	Pin, Axle Pivot	
8	3841258	1	Keeper, Pin	
9	0642012	1	Bolt 5/8in-11NC x 1-1/2in	
10	3538047	2	Plate, Wear	
11	4070878	AR	Shim 1/16in	
12	4070879	AR	Shim 1/8in	
13	0641612	4	Bolt 3/8in-16NC x 1-1/2in	
14	4711600	4	Flatwasher 3/8in Thin	
15	4640871	1	Valve, Cam	
15	7012693	1	Seal Kit - 4640871 Valve	
15	7002840	1	Pin Removal Tool	
16	0641414	4	Bolt 1/4in-20NC x 1-3/4in	
17	4711400	4	Flatwasher 1/4in Thin	
19	4740158	1	Thrustwasher	
21	0961950	2	Bushing	
22	0100011	AR	Compound, Locking	
23	1100086	1	Cam	
24	0641814	2	Bolt 1/2in-13NC x 1-3/4in	
25	4751800	AR	Flatwasher 1/2in Regular	
	0256621	Ref	<b>AXLE INSTALLATIONS - FIXED</b>	4
101	4844777	1	Axle Weldment	
102	3539877	2	Plate, Stop	
103	3539878	2	Plate, Stop	
104	4070944	AR	Shim (.06)	
105	4070945	AR	Shim (.25)	
106	3931840	2	Screw 1/2in-13NC x 2-1/2in	
107	3422591	1	Pin, Pivot	
108	3841258	1	Keeper, Pin	
109	0642012	1	Bolt 5/8in-11NC x 1-1/2in	
110	3538047	2	Plate, Wear	
111	4070878	AR	Shim 1/16in	
112	4070879	AR	Shim 1/8in	
113	0641608	4	Bolt 3/8in-16NC x 1in	
114	4711600	4	Flatwasher 3/8in Thin	
115	4740158	1	Thrustwasher	
116	0100019	AR	Compound, Locking	
117	0961950	2	Bushing	
	0257732	Ref	<b>STEERING INSTALLATION</b>	2-A
201	4130353	1	Spindle - Right Side	
202	4130354	1	Spindle - Left Side	
203	2780188	2	Hub	

## SECTION 1 - FRAME

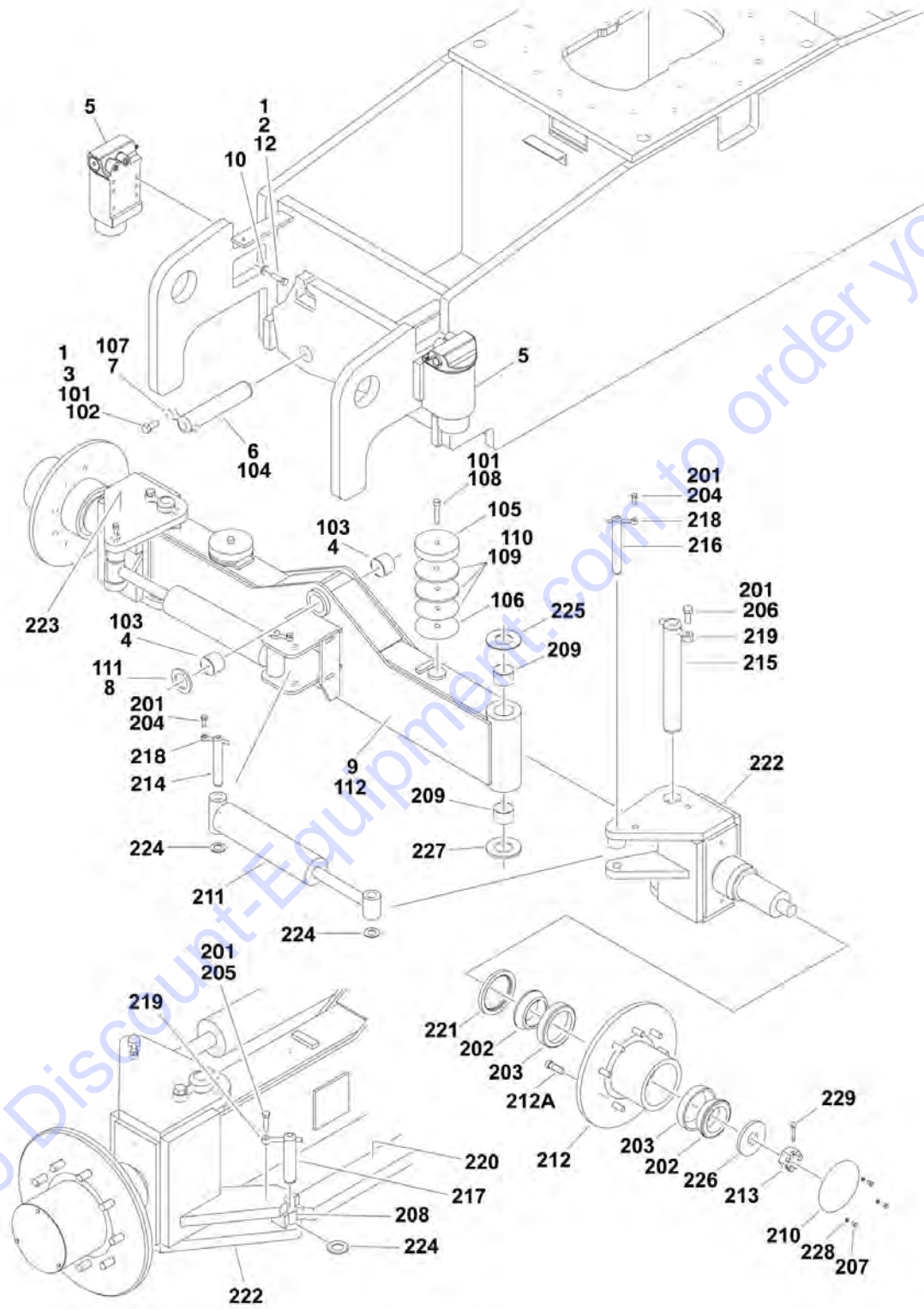
ITEM	PART NUMBER	QTY	DESCRIPTION	REV
203A	0630078	20	Stud, Wheel (10 Per Hub)	
204	3841236	1	Tie-Rod	
205	0561138	1	End, Tie-Rod (Right Side/RH Threads)	
206	3323002	1	Nut, Jam 1-1/4in-12NF (RH Threads)	
207	0561139	1	End, Tie-Rod (Left Side/LH Threads)	
208	3300229	1	Nut, Jam 1-1/4in-12NF (LH Threads)	
209	1683208	2	Steer Cylinder Assembly (See CYLINDER SECTION for Breakdown)	
210	3422351	2	Pin, Steer Cylinder	
211	3422352	2	Pin, Tie-Rod	
212	3841143	6	Shaft, Keeper	
213	0641608	6	Bolt 3/8in-16NC x 1in	
214	0100011	AR	Compound, Locking	
215	3422326	2	Pin, Steer Cylinder	
216	0682014	2	Bolt 5/8in-11NC x 1-3/4in (Grade 8)	
217	3312002	4	Nut, Jam 5/8in-11NC	
220	3422335	2	Kingpin	
222	0681610	4	Bolt 3/8in-16NC x 1-1/4in (Grade 8)	
223	3324203	2	Nut, Slotted 2in-4 1/2NF	
224	3451012	2	Pin, Cotter 5/8in x 3in	
225	0440171	4	Cup, Bearing - Inner	
226	0440170	4	Cone, Bearing - Inner	
227	3960343	2	Seal, Grease	
228	4740283	2	Flatwasher, Hardened	
229	3323403	2	Nut, Slotted 1-1/2in-6NF	
230	3451010	2	Pin, Cotter 5/8in x 2-1/2in	
231	3780187	4	O-Ring	
232	1120304	2	Cap, Hub	
233	0961977	2	Bearing	
234		Ref	Thrustwasher Options:	
234	4740463	2	Thrustwasher Top	
234	4740256	2	Thrustwasher Bottom	
235	0682012	2	Bolt 5/8in-11NC x 1-1/2in (Grade 8)	
236	4740111	4	Thrustwasher	
237	0721003	6	Bolt #10-24NC x 3/8in	
238	4761000	6	Lockwasher #10	
239	0100063	AR	Loctite RC609	
240	0962036	4	Bushing, Bronze	
241	4740067	2	Thrustwasher	
242	3300007	20	Lugnut (10 per wheel)	





# SECTION 1 - FRAME

FIGURE 1-2. 2WD FRONT AXLE AND STEERING INSTALLATION (SN 0300075606 through 0300087000)



## SECTION 1 - FRAME

**FIGURE 1-2. 2WD FRONT AXLE AND STEERING INSTALLATION (SN 0300075606 through 0300087000)**

ITEM	PART NUMBER	QTY	DESCRIPTION	REV
		Ref	<b>AXLE INSTALLATIONS - OSCILLATING</b>	
	0273081	Ref	<b>Axle Installations without Tow Package</b>	E
	0273379	Ref	<b>Axle Installations with Tow Package</b>	C
1	0100011	AR	Compound, Locking	
2	0641814	8	Bolt 1/2in-13NC x 1-3/4in	
3	0642012	1	Bolt 5/8in-11NC x 1-1/2in	
4	0961950	2	Bearing	
5	1684280	NLA	Lockout Cylinder Assembly (Use p/n 1001167359) (See CYLINDER SECTION for Breakdown) (Original Equipment)	
5	1001167359	1	Cylinder Replacement Kit (Kit Replaces p/n 1684280 with p/n 1684465 Cylinder)	
6	3422592	1	Pin, Pivot	
7	3841258	1	Keeper, Pin	
8	4740158	1	Thrustwasher	
9		Ref	Axle Weldment Options:	
9	4846814	1	Axle Weldment without Tow Package	
9	4846934	1	Axle Weldment with Tow Package	
10	4891800	8	Flatwasher 1/2in Hardened	
12	0100038	AR	Primer #7471	
	0273226	Ref	<b>AXLE INSTALLATIONS - FIXED</b>	A
101	0100011	AR	Compound, Locking	
102	0642012	1	Bolt 5/8in-11NC x 1-1/2in	
103	0961950	2	Bearing	
104	3422592	1	Pin, Pivot	
105	3539877	2	Plate, Stop	
106	3539878	2	Plate, Stop	
107	3841258	1	Keeper, Pin	
108	3931840	2	Screw 1/2in-13NC x 2-1/2in	
109	4070944	4	Shim (.06)	
110	4070945	4	Shim (.25)	
111	4740158	1	Thrustwasher	
112		Ref	Axle Weldment Options:	
112	4846814	1	Axle Weldment without Tow Package	
112	See Note	1	Axle Weldment with Tow Package (Note: Not Available for Purchase)	
		Ref	<b>STEERING INSTALLATIONS</b>	
	0273150	Ref	<b>Without Tow Package</b>	B
	0273422	Ref	<b>With Tow Package</b>	A
201	0100011	AR	Compound, Locking	
202	0440170	4	Cone, Bearing	
203	0440171	4	Cup, Bearing	
204	0641608	4	Bolt 3/8in-16NC x 1in	
205	0641612	2	Bolt 3/8in-16NC x 1-1/2in	
206	0642012	2	Bolt 5/8in-11NC x 1-1/2in	
207	0721003	6	Bolt #10-24NC x 3/8in	
208	0961977	2	Bushing	
209	0962131	4	Bearing	
210	1120304	2	Cap, Hub	
211	1683208	2	Steer Cylinder Assembly (See CYLINDER SECTION for Breakdown)	

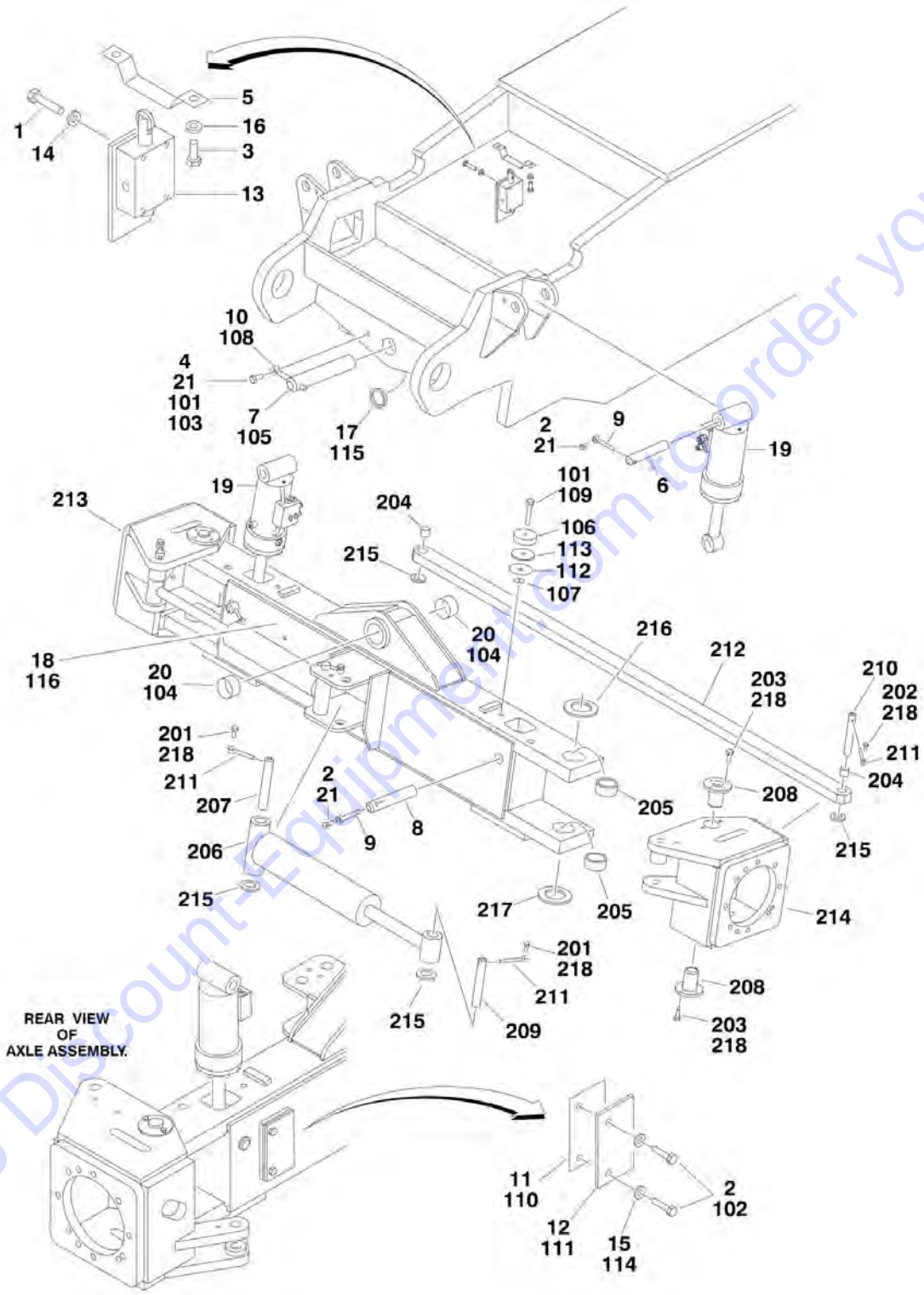
## SECTION 1 - FRAME

ITEM	PART NUMBER	QTY	DESCRIPTION	REV
212	2780271	2	Hub	
212A	0630490	18	Stud, Wheel (9 Per Hub)	
213	3324203	2	Nut, Slotted 2in-4 1/2NF	
214	3422326	2	Pin, Steer Cylinder	
215	3422900	2	Kingpin	
216		Ref	Pin, Steer Cylinder Options:	
216	3422902	2	Pin, Steer Cylinder Machines without Tow Package	
216	3422902	1	Pin, Steer Cylinder Machines with Tow Package (Left Side without Tow Link)	
216	3422567	1	Pin, Steer Cylinder Machines with Tow Package (Right Side with Tow Link)	
217	3422903	2	Pin, Tie-Rod	
218	3841143	6	Shaft, Keeper	
219	3841258	2	Shaft, Keeper	
220	3841510	1	Tie-Rod	
221	3960343	2	Seal, Grease	
222	4130396	1	Spindle - Left Side	
223		Ref	Spindle - Right Side Options:	
223	4130397	2	Spindle - Right Side Machines without Tow Package	
223	4130400	1	Spindle - Right Side Machines with Tow Package	
224	4740111	6	Thrustwasher	
225	4740256	2	Thrustwasher	
226	4740283	2	Flatwasher, Hardened	
227	4740263	2	Thrustwasher	
228	4761000	6	Lockwasher #10	
229	3451010	2	Pin, Cotter 5/8in x 2-1/2in	



# SECTION 1 - FRAME

FIGURE 1-3. 4WD FRONT AXLE AND STEERING INSTALLATION (SN 0300068000 through 0300075605)



## SECTION 1 - FRAME

**FIGURE 1-3. 4WD FRONT AXLE AND STEERING INSTALLATION (SN 0300068000 through 0300075605)**

ITEM	PART NUMBER	QTY	DESCRIPTION	REV
		Ref	<b>FRAME OPTIONS:</b>	
	2360376	1	Frame Weldment - 600S - 2WS	
	2360415	1	Frame Weldment - 600SJ - 2WS	
	2360414	1	Frame Weldment - 660SJ - 2WS	
	2360451	1	Frame Weldment - 600S - 4WS	
	2360453	1	Frame Weldment - 600SJ - 4WS	
	2360452	1	Frame Weldment - 660SJ - 4WS	
	0271003	Ref	<b>AXLE INSTALLATIONS - OSCILLATING</b>	B
1	0641414	4	Bolt 1/4in-20NC x 1-3/4in	
2	0641608	8	Bolt 3/8in-16NC x 1in	
3	0641814	2	Bolt 1/2in-13NC x 1-3/4in	
4	0642012	1	Bolt 5/8in-11NC x 1-1/2in	
5	1100086	1	Cam	
6	3422333	2	Pin, Pivot	
7	3422591	1	Pin, Axle Pivot	
8	3422904	2	Pin, Cylinder	
9	3841143	4	Keeper, Pin	
10	3841258	1	Keeper, Pin	
11	4070878	2	Shim 1/16in	
12	4070879	2	Shim 1/8in	
13	4640871	1	Valve, Cam	
13	7012693	1	Seal Kit - 4640871 Valve	
13	7002840	1	Pin Removal Tool	
14	4711400	4	Flatwasher 1/4in Thin	
15	4711600	4	Flatwasher 3/8in Thin	
16	4711800	4	Flatwasher 1/2in Thin	
17	4740158	1	Thrustwasher	
18	4846288	1	Axle Weldment	
19	1683078	2	Lockout Cylinder Assembly (See CYLINDER SECTION for Breakdown)	
20	0961950	2	Bushing	
21	0100011	AR	Compound, Locking	
	0271004	Ref	<b>AXLE INSTALLATIONS - FIXED</b>	A
101	0100011	AR	Compound, Locking	
102	0641608	4	Bolt 3/8in-16NC x 1in	
103	0642012	1	Bolt 5/8in-11NC x 1-1/2in	
104	0961950	2	Bushing	
105	3422591	1	Pin, Pivot	
106	3539877	2	Plate, Stop	
107	3539878	2	Plate, Stop	
108	3841258	1	Keeper, Pin	
109	3931840	2	Screw 1/2in-13NC x 2-1/2in	
110	4070878	2	Shim 1/16in	
111	4070879	2	Shim 1/8in	
112	4070944	AR	Shim (.06)	
113	4070945	AR	Shim (.25)	
114	4711600	4	Flatwasher 3/8in Thin	
115	4740158	1	Thrustwasher	
116	4846288	1	Axle Weldment	

## SECTION 1 - FRAME

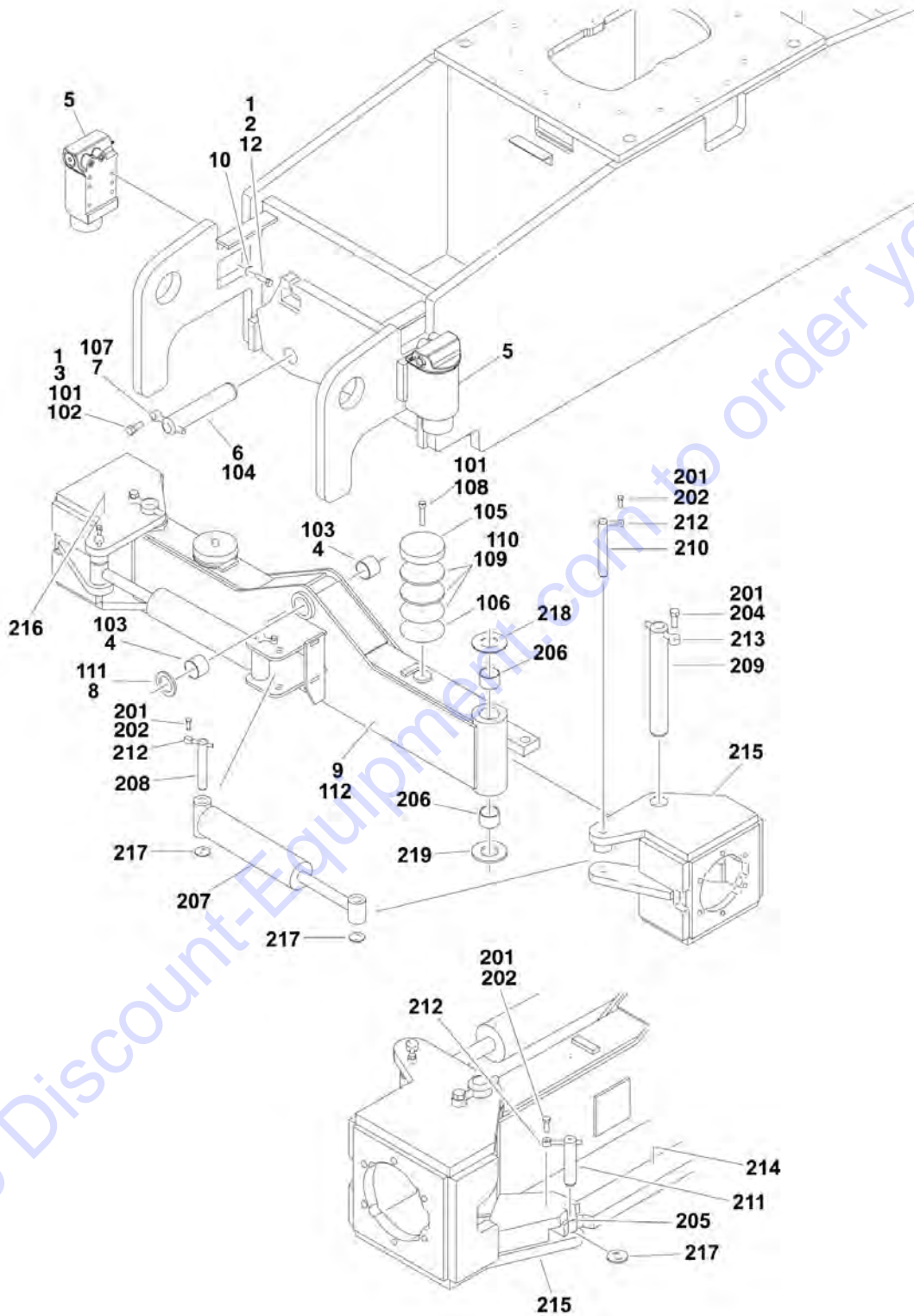
ITEM	PART NUMBER	QTY	DESCRIPTION	REV
	0270868	Ref	<b>STEERING INSTALLATION</b>	A
201	0641608	4	Bolt 3/8in-16NC x 1in	
202	0641612	2	Bolt 3/8in-16NC x 1-1/2in	
203	0681610	8	Bolt 3/8in-16NC x 1-1/4in (Grade 8)	
204	0961977	2	Bearing	
205	0962131	4	Bushing	
206	1683208	2	Steer Cylinder Assembly (See CYLINDER SECTION for Breakdown)	
207	3422326	2	Pin	
208	3422753	4	Kingpin	
209	3422902	2	Pin, Steer Cylinder	
210	3422903	2	Pin	
211	3841143	6	Shaft, Keeper	
212	3841510	1	Tie-Rod	
213	4130381	1	Spindle - Right Side	
214	4130382	1	Spindle - Left Side	
215	4740111	6	Thrustwasher	
216	4740256	2	Thrustwasher	
217	4740463	2	Thrustwasher	
218	0100011	AR	Compound, Locking	





# SECTION 1 - FRAME

FIGURE 1-4. 4WD FRONT AXLE AND STEERING INSTALLATION (SN 0300075606 through 0300087000)



## SECTION 1 - FRAME

**FIGURE 1-4. 4WD FRONT AXLE AND STEERING INSTALLATION (SN 0300075606 through 0300087000)**

ITEM	PART NUMBER	QTY	DESCRIPTION	REV
		Ref	<b>FRAME OPTIONS:</b>	
	2360615	1	Frame Weldment - 600S - 2WS	
	2360623	1	Frame Weldment - 600SJ - 2WS	
	2360624	1	Frame Weldment - 660SJ - 2WS	
	2360634	1	Frame Weldment - 600S - 4WS	
	2360635	1	Frame Weldment - 600SJ - 4WS	
	2360636	1	Frame Weldment - 660SJ - 4WS	
		Ref	<b>AXLE INSTALLATIONS - OSCILLATING</b>	
	0273081	Ref	<b>Axle Installations - Oscillating without Tow Package</b>	E
	0273379	Ref	<b>Axle Installations - Oscillating with Tow Package</b>	C
1	0100011	AR	Compound, Locking	
2	0641814	8	Bolt 1/2in-13NC x 1-3/4in	
3	0642012	1	Bolt 5/8in-11NC x 1-1/2in	
4	0961950	2	Bearing	
5	1684280	NLA	Lockout Cylinder Assembly (Use p/n 1001167359) (See CYLINDER SECTION for Breakdown) (Original Equipment)	
5	1001167359	1	Cylinder Replacement Kit (Kit Replaces p/n 1684280 with p/n 1684465 Cylinder)	
6	3422592	1	Pin, Pivot	
7	3841258	1	Keeper, Pin	
8	4740158	1	Thrustwasher	
9		Ref	Axle Weldment Options:	
9	4846814	1	Axle Weldment without Tow Package	
9	4846934	1	Axle Weldment with Tow Package	
10	4891800	8	Flatwasher 1/2in Hardened	
12	0100038	AR	Primer	
	0273226	Ref	<b>AXLE INSTALLATIONS - FIXED</b>	A
101	0100011	AR	Compound, Locking	
102	0642012	1	Bolt 5/8in-11NC x 1-1/2in	
103	0961950	2	Bearing	
104	3422592	1	Pin, Pivot	
105	3539877	2	Plate, Stop	
106	3539878	2	Plate, Stop	
107	3841258	1	Keeper, Pin	
108	3931840	2	Screw 1/2in-13NC x 2-1/2in	
109	4070944	4	Shim (.06)	
110	4070945	4	Shim (.25)	
111	4740158	1	Thrustwasher	
112		Ref	Axle Weldment Options:	
112	4846814	1	Axle Weldment without Tow Package	
112	See Note	1	Axle Weldment with Tow Package (Note: Not Available for Purchase)	
		Ref	<b>STEERING INSTALLATIONS</b>	
	0273080	Ref	<b>Steering Installations without Tow Package</b>	E
	0273394	Ref	<b>Steering Installations with Tow Package</b>	B
201	0100011	AR	Compound, Locking	
202	0641608	6	Bolt 3/8in-16NC x 1in	
204	0642012	2	Bolt 5/8in-11NC x 1-1/2in	
205	0961977	2	Bushing	

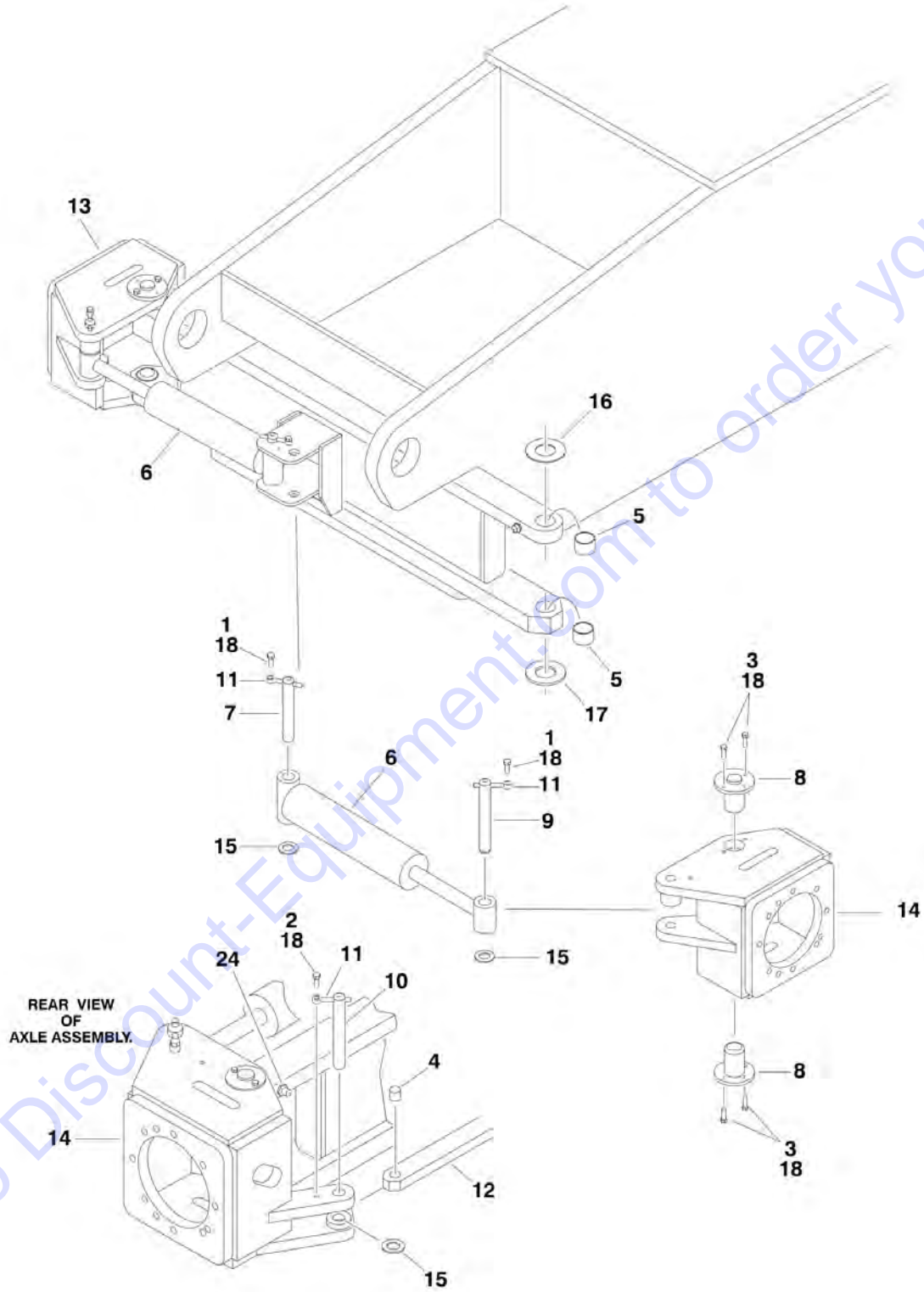
## SECTION 1 - FRAME

ITEM	PART NUMBER	QTY	DESCRIPTION	REV
206	0962131	4	Bearing	
207	1683208	2	Steer Cylinder Assembly (See CYLINDER SECTION for Breakdown)	
208	3422326	2	Pin, Steer Cylinder	
209	3422900	2	Kingpin	
210		Ref	Pin, Steer Cylinder Options:	
210	3422902	2	Machines without Tow Package	
210	3422902	1	Machines with Tow Package (Left Side without Tow Link)	
210	3422567	1	Machines with Tow Package (Right Side with Tow Link)	
211	3422903	2	Pin, Tie-Rod	
212	3841143	6	Shaft, Keeper	
213	3841258	2	Shaft, Keeper	
214	3841510	1	Tie-Rod	
215	4130394	1	Spindle - Left Side	
216		Ref	Spindle - Right Side Options:	
216	4130395	2	Spindle - Right Side Machines without Tow Package	
216	4130399	1	Spindle - Right Side Machines with Tow Package	
217	4740111	6	Thrustwasher	
218	4740256	2	Thrustwasher	
219	4740463	2	Thrustwasher	



# SECTION 1 - FRAME

FIGURE 1-5. 4WS REAR STEERING INSTALLATION (SN 0300068000 through 0300075605)



Go to Discount-Equipment.com to order your parts

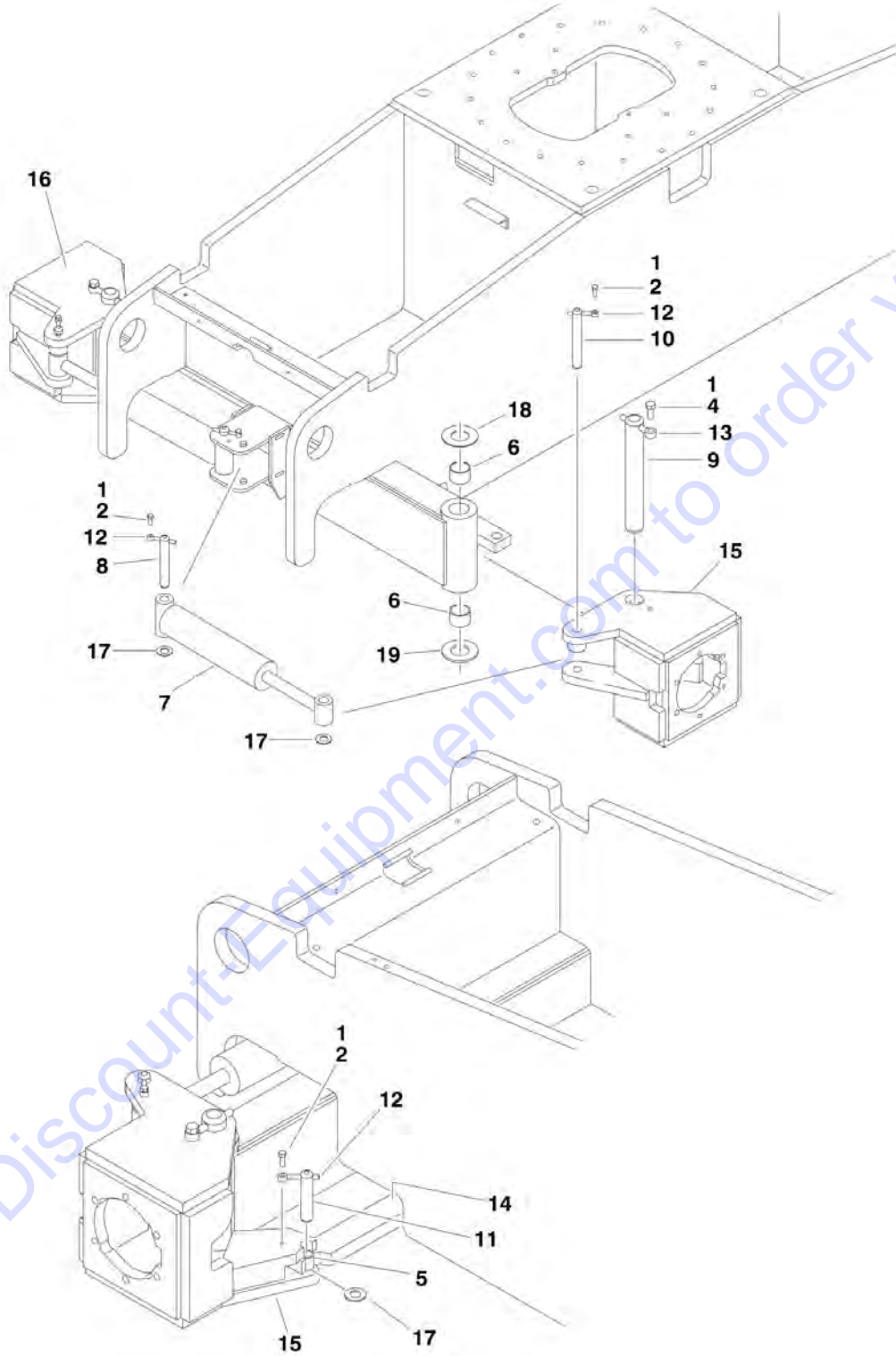
## SECTION 1 - FRAME

**FIGURE 1-5. 4WS REAR STEERING INSTALLATION (SN 0300068000 through 0300075605)**

ITEM	PART NUMBER	QTY	DESCRIPTION	REV
		Ref	<b>4WS REAR STEERING INSTALLATIONS OPTIONS:</b>	
	0257744	Ref	<b>4WS Installation - 2WD Machines</b>	2
	0271005	Ref	<b>4WS Installation - 4WD Machines</b>	1
	0270868	Ref	<b>STEERING INSTALLATION</b>	A
1	0641608	4	Bolt 3/8in-16NC x 1in	
2	0641612	2	Bolt 3/8in-16NC x 1-1/2in	
3	0681610	8	Bolt 3/8in-16NC x 1-1/4in (Grade 8)	
4	0961977	2	Bearing	
5	0962131	4	Bushing	
6	1683208	2	Steer Cylinder Assembly (See CYLINDER SECTION for Breakdown)	
7	3422326	2	Pin	
8	3422753	4	Kingpin	
9	3422902	2	Pin, Steer Cylinder	
10	3422903	2	Pin	
11	3841143	6	Shaft, Keeper	
12	3841510	1	Tie-Rod	
13	4130381	1	Spindle - Right Side	
14	4130382	1	Spindle - Left Side	
15	4740111	6	Thrustwasher	
16	4740256	2	Thrustwasher	
17	4740463	2	Thrustwasher	
18	0100011	AR	Compound, Locking	

# SECTION 1 - FRAME

FIGURE 1-6. 4WS REAR STEERING INSTALLATION (SN 0300075606 through 0300087000)



## SECTION 1 - FRAME

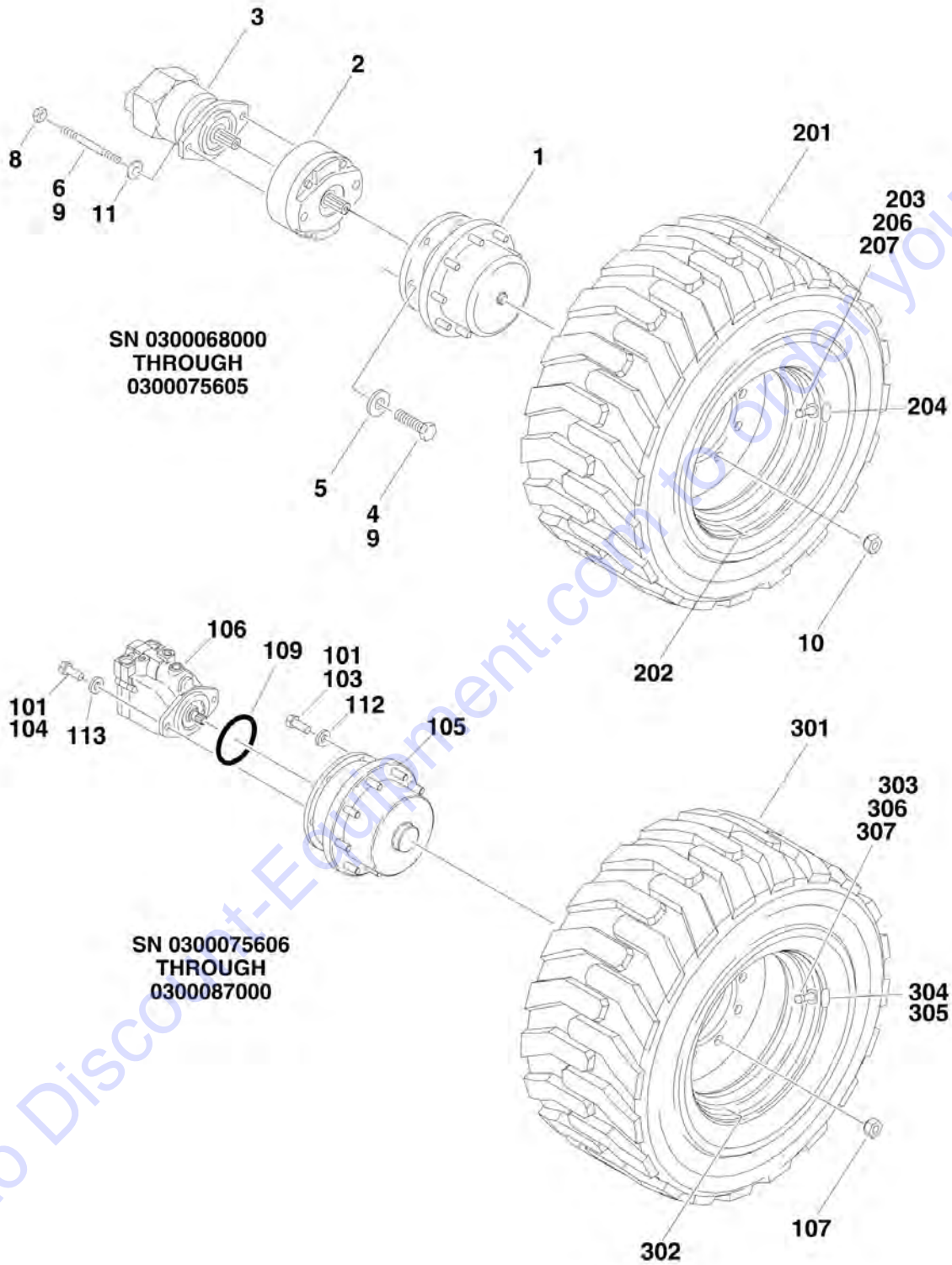
**FIGURE 1-6. 4WS REAR STEERING INSTALLATION (SN 0300075606 through 0300087000)**

ITEM	PART NUMBER	QTY	DESCRIPTION	REV
		Ref	<b>4WS REAR STEERING INSTALLATIONS OPTIONS:</b>	
	0273356	Ref	<b>4WS Installation - 2WD Machines</b>	1
	0273357	Ref	<b>4WS Installation - 4WD Machines</b>	1
	0273080	Ref	<b>STEERING INSTALLATION</b>	D
1	0100011	AR	Compound, Locking	
2	0641608	6	Bolt 3/8in-16NC x 1in	
4	0642012	2	Bolt 5/8in-11NC x 1-1/2in	
5	0961977	2	Bushing	
6	0962131	4	Bearing	
7	1683208	2	Steer Cylinder Assembly (See CYLINDER SECTION for Breakdown)	
8	3422326	2	Pin, Steer Cylinder	
9	3422900	2	Kingpin	
10	3422902	2	Pin, Steer Cylinder	
11	3422903	2	Pin, Tie-Rod	
12	3841143	6	Shaft, Keeper	
13	3841258	2	Shaft, Keeper	
14	3841510	1	Tie-Rod	
15	4130394	1	Spindle - Left Side	
16	4130395	1	Spindle - Right Side	
17	4740111	6	Thrustwasher	
18	4740256	2	Thrustwasher	
19	4740463	2	Thrustwasher	



# SECTION 1 - FRAME

## FIGURE 1-7. TIRE AND WHEEL DRIVE INSTALLATIONS



# SECTION 1 - FRAME

## FIGURE 1-7. TIRE AND WHEEL DRIVE INSTALLATIONS

ITEM	PART NUMBER	QTY	DESCRIPTION	REV
		Ref	<b>WHEEL DRIVE INSTALLATIONS (SN 0300068000 through 0300075605)</b>	
	0270121	Ref	<b>Wheel Drive Installation 2WD</b>	3-B
	0270120	Ref	<b>Wheel Drive Installation 4WD</b>	3-B
		Ref	<b>Note: 2WD Qty Shown. For 4WD, Double Qty Shown.</b>	
1	2780261	2	Drive Hub Assembly (See DRIVE HUB ASSEMBLY for Breakdown)	
2	0920117	NLA	Drive Brake Assembly (Use p/n 0920119)	
2	7000731	2	Gasket (Located between the Hub, Motor and Brake - Not Shown)	
2	7018612	2	Repair Kit - 0920117 & 0920119 Brakes (1 Per Assembly)	
		Ref	<b>Note: Other than Gasket, Repair Kit is Only Part Available.</b>	
3	3160204	2	Drive Motor Assembly (See DRIVE MOTOR ASSEMBLY for Breakdown)	
		Ref	<b>Note: Adjustment required when replacing complete motor - See Service Manual for adjustment.</b>	
4	0682016	16	Bolt 5/8in-11NC x 2in (Grade 8)	
5	4892000	16	Flatwasher 5/8in Hardened	
6	4300097	4	Stud 1/2in-13NC x 5-1/8in	
8	3311801	4	Nut 1/2in-13 NC	
9	0100011	AR	Compound, Locking	
10	3300007	20	Nut, Wheel	
11	4891800	4	Flatwasher 1/2in Hardened	
		Ref	<b>WHEEL DRIVE INSTALLATIONS (SN 0300075606 through 0300087000)</b>	
	0273049	Ref	<b>Wheel Drive Installations 2WD/2WS</b>	D
	0273367	Ref	<b>Wheel Drive Installations 2WD/4WS</b>	A
	0273048	Ref	<b>Wheel Drive Installations 4WD/2WS</b>	F
	0273366	Ref	<b>Wheel Drive Installations 4WD/4WS</b>	E
		Ref	<b>Note: 2WD Qty Shown. For 4WD, Double Qty Shown.</b>	
101	0100011	AR	Compound, Locking	
103	0681810	4	Bolt 1/2in-13NC x 1-1/4in (Grade 8)	
104	0682016	12	Bolt 5/8in-11NC x 2in (Grade 8)	
105	2780269	2	Drive Hub Assembly (See DRIVE HUB ASSEMBLY for Breakdown)	
106		Ref	Drive Motor Assembly Options:	
106	3160299	NLA	Drive Motor Assembly 2WD/2WS (Use p/n 3160349) (For p/n 3160299 - See DRIVE MOTOR ASSEMBLY (ORIGINAL EQUIPMENT) for Breakdown) (For 3160349 Motor - See DRIVE MOTOR ASSEMBLY (SERVICE REPLACEMENT) for Breakdown)	
106	3160300	NLA	Drive Motor Assembly 2WD/4WS, 4WD/2WS & 4WD/4WS (Use p/n 3160350) (For p/n 3160300 - See DRIVE MOTOR ASSEMBLY (ORIGINAL EQUIPMENT) for Breakdown) (For 3160350 Motor - See DRIVE MOTOR ASSEMBLY (SERVICE REPLACEMENT) for Breakdown)	
107	3300106	18	Nut, Wheel	
109	3790045	1	O-Ring	
112	4891800	4	Flatwasher 1/2in Hardened	
113		Ref	Flatwasher 5/8in Hardened Options:	
113	4892000	12	Flatwasher 5/8in Hardened ( <b>SN 0300068000 through 0300076042</b> )	
113	4740393	12	Flatwasher 5/8in Hardened ( <b>SN 0300076043 through</b>	

## SECTION 1 - FRAME

ITEM	PART NUMBER	QTY	DESCRIPTION	REV
		Ref	<b>0300087000)</b> <b>TIRE AND WHEEL INSTALLATIONS OPTIONS (SN 0300068000 through 0300075605)</b>	
	0271618	Ref	<b>Pneumatic - OTR Tires</b>	1
	0272297	Ref	<b>Pneumatic with Sealant - OTR Tires</b>	1
	0271619	Ref	<b>Foam-Filled - OTR Tires</b>	1
		Ref	Tire and Wheel Assembly Options: <b>(SN 0300068000 through 0300075605)</b>	
	0271614	2	Pneumatic - OTR Tire (Left Side)	B
	0272317	2	Pneumatic with Sealant - OTR Tire (Left Side)	B
	0271615	2	Pneumatic - OTR Tire (Right Side)	B
	0272318	2	Pneumatic with Sealant - OTR Tire (Right Side)	A
	0271616	2	Foam-Filled - OTR Tire (Left Side)	B
	0271617	2	Foam-Filled - OTR Tire (Right Side)	B
		Ref	<b>Note: Assemblies may require ballast/foam filling to manufacturer's specifications prior to installing on a machine. Refer to Operation and Safety or Service and Maintenance Manuals. Purchase individual tire and/or rim only if able to foam fill tire and wheel assembly, otherwise, purchase complete assembly. Note: Foam-Filled Tire and Wheel Assemblies Sold as Assemblies Only.</b>	
201	4520258	4	Tire 15 x 19.5 (1 Per Assembly)	
202	4860148	4	Rim, Wheel (1 Per Assembly)	
203	4640113	4	Valve, Air (1 Per Assembly)	
204	1702701	4	Decal - 95 PSI	
205	1705364	AR	Decal - Tire Sealant (With Sealant Only)	
206	1300019	AR	Chemical, Tire Sealant (Green) (With Sealant Only)	
207	1120552	AR	Cap, Valve Stem (Green) (With Sealant Only)	
		Ref	<b>TIRE AND WHEEL INSTALLATIONS OPTIONS</b>	
	0273001	Ref	<b>Pneumatic - OTR Tires</b>	1
	0273242	Ref	<b>Pneumatic with Sealant - OTR Tires</b>	1
	0274322	Ref	<b>Pneumatic Turf/Sand - OTR Tires</b>	1
	0273238	Ref	<b>Foam-Filled - OTR Tires</b>	1
	0274152	Ref	<b>Foam-Filled - OTR Tires (Non-Marking)</b>	1
		Ref	Tire and Wheel Assembly Options: <b>(SN 0300075606 through 0300087000)</b>	
	0272993	2	Pneumatic - OTR Tire (Right Side)	B
	0272992	2	Pneumatic - OTR Tire (Left Side)	B
	0273244	2	Pneumatic with Sealant - OTR Tire (Right Side)	A
	0273243	2	Pneumatic with Sealant - OTR Tire (Left Side)	B
	4520357	2	Pneumatic Turf/Sand - OTR Tire	A
	0273240	2	Foam-Filled - OTR Tire (Right Side)	B
	0273239	2	Foam-Filled - OTR Tire (Left Side)	B
	4520340	2	Foam-Filled - OTR Tire (Non-Marking) (Right Side)	B
	4520339	2	Foam-Filled - OTR Tire (Non-Marking) (Left Side)	B
		Ref	<b>Note: Assemblies may require ballast/foam filling to manufacturer's specifications prior to installing on a machine. Refer to Operation and Safety or Service and Maintenance Manuals. Purchase individual tire and/or rim only if able to foam fill tire and wheel assembly, otherwise, purchase complete assembly.</b>	
301	4520258	4	Tire 15 x 19.5 (1 Per Assembly)	
301	4520356	4	Tire 18 x 625 - Turf/Sand (1 Per Assembly)	
302	4860243	4	Rim, Wheel (1 Per Assembly)	

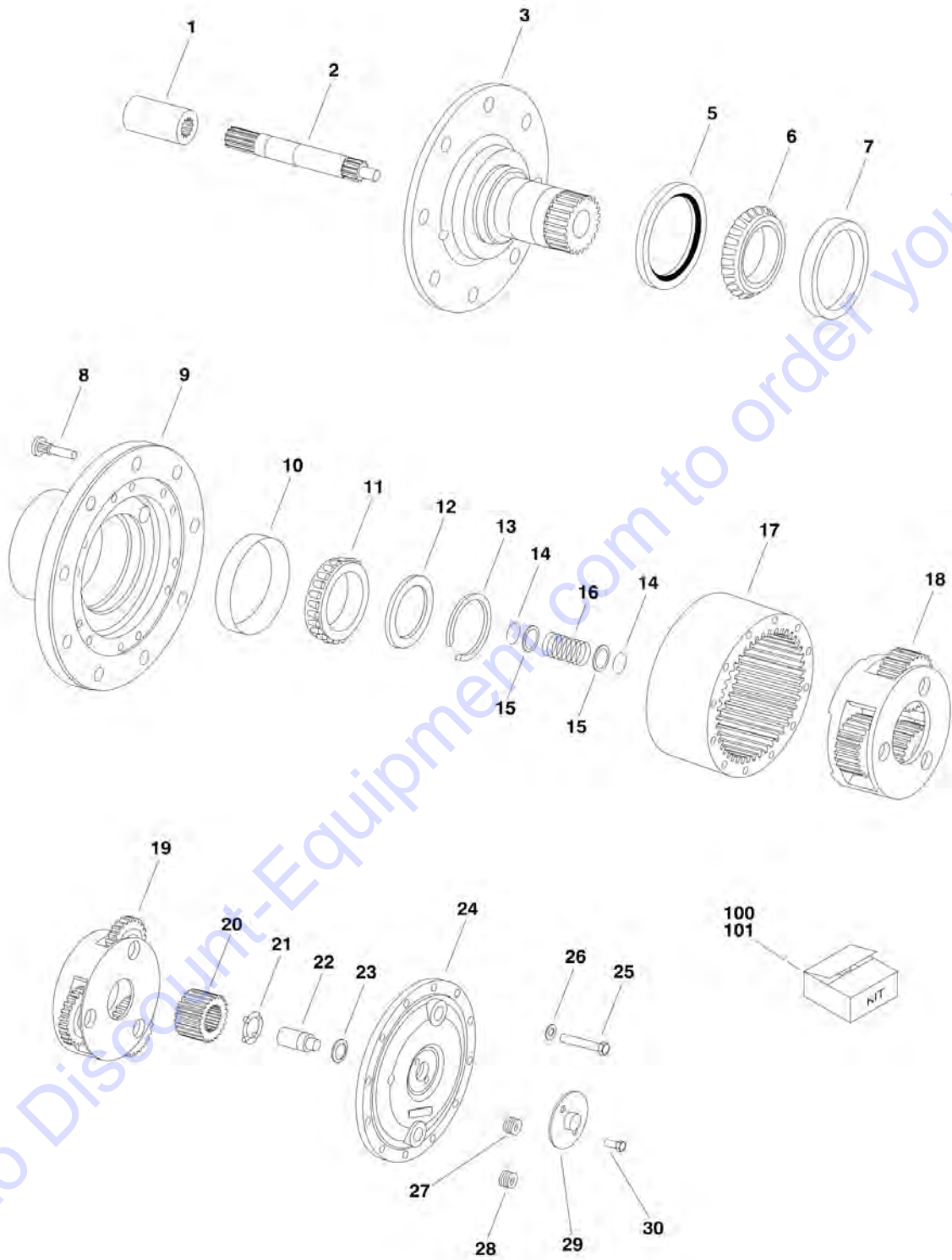
## SECTION 1 - FRAME

ITEM	PART NUMBER	QTY	DESCRIPTION	REV
302	4520355	4	Rim, Wheel - Turf/Sand (1 Per Assembly)	
303	4640113	4	Valve, Air (1 Per Assembly)	
304	1702701	4	Decal - 95 PSI	
304	1702137	4	Decal - 60 PSI (Turf/Sand Tires Only)	
305	1705364	AR	Decal - Tire Sealant (With Sealant Only)	
306	1120552	AR	Chemical, Tire Sealant (Green) (With Sealant Only)	
307	1300019	AR	Cap, Valve Stem (Green) (With Sealant Only)	

Go to Discount-Equipment.com to order your parts

# SECTION 1 - FRAME

FIGURE 1-8. DRIVE HUB ASSEMBLY (SN 0300068000 through 0300075605)



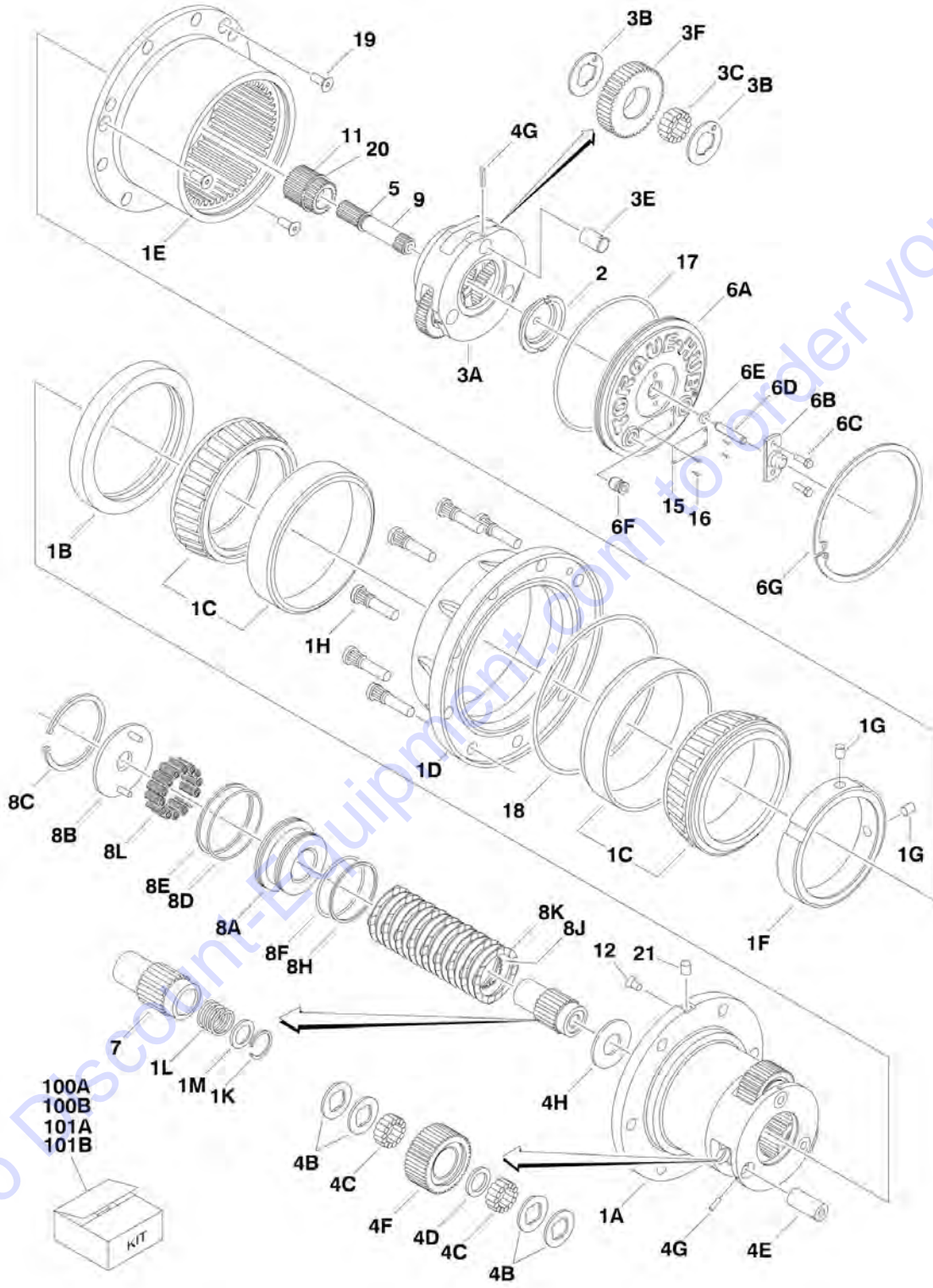
## SECTION 1 - FRAME

**FIGURE 1-8. DRIVE HUB ASSEMBLY (SN 0300068000 through 0300075605)**

ITEM	PART NUMBER	QTY	DESCRIPTION	REV
	2780261	Ref	<b>DRIVE HUB ASSEMBLY</b>	A
1	7014700	1	Coupling - 13 Teeth	
2	7014701	1	Shaft, Input - 13 Teeth	
3	7014731	1	Spindle	
5	7014703	1	Seal, Oil	
6	7014704	1	Cone, Bearing	
7	7014705	1	Cup, Bearing	
8	7014737	10	Bolt, Wheel	
9	7014734	1	Hub	
10	7014707	1	Cup, Bearing	
11	7014708	1	Cone, Bearing	
12	7001711	1	Thrustwasher	
13	7014709	1	Ring, Retaining Kit (Includes Qty 6 Retaining Rings)	
14	7014711	2	Ring, Retaining	
15	7014712	2	Thrustwasher	
16	7014710	1	Spring	
17	7014732	1	Gear, Ring	
18	7014736	1	Secondary Carrier Assembly	
19	7014735	1	Primary Carrier Assembly	
20	7014733	1	Gear, Sun - 15 Teeth	
21	7014722	1	Thrustwasher	
22	7014717	1	Plunger, Disengage	
23	7014718	1	O -Ring	
24	7014719	1	Cover, Hub	
25	7014721	12	Bolt	
26	7014720	12	Flatwasher	
27	7014725	1	Plug, Magnetic	
28	7014726	1	Plug, Pipe	
29	7014723	1	Cover, Disengage	
30	7014724	2	Bolt	
100	7014730	1	Seal Kit (Includes Items 5 & 13)	
101	7014729	1	Bearing and Seal Kit (Includes Items 5, 6, 7, 10, 11 & 13)	

# SECTION 1 - FRAME

FIGURE 1-9. DRIVE HUB ASSEMBLY (SN 0300075606 through 0300087000)



## SECTION 1 - FRAME

**FIGURE 1-9. DRIVE HUB ASSEMBLY (SN 0300075606 through 0300087000)**

ITEM	PART NUMBER	QTY	DESCRIPTION	REV
	2780269	Ref	<b>DRIVE HUB/BRAKE ASSEMBLY</b>	B
1	See Note	NLA	Spindle/Housing Assembly (Note: Not Available - Purchase p/n 2780269 Complete Replacement. See 1A-1M for Available Components)	
1A	7024729	1	Spindle	
1B	70001119	1	Seal	
1C	7024735	2	Bearing (Includes Cup and Cone)	
1D	2780269	1	Housing (Note: Not Available for Purchase)	
1E	7024730	1	Ring, Gear	
1F	7024744	1	Nut, Bearing	
1G	See Note	NLA	Setscrew 1/4in-28NF x 1/2in (Note: Use Item 100A, 100B, 101A or 101B)	
1H	7024732	9	Stud, Wheel	
1K	7024125	1	Ring, Retaining	
1L	7024124	1	Spring	
1M	7024129	1	Thrustwasher	
2	7024741	1	Thrustwasher	
3	See Note	NLA	Carrier Assembly (Note: Not Available for Purchase. See 3A-3F for Available Components)	
3A	7024725	1	Carrier	
3B	7024127	6	Thrustwasher	
3C	7024733	42	Bearing, Needle	
3E	7024724	3	Shaft, Planet	
3F	7024727	3	Gear, Planet	
4	See Note	NLA	Planet Gear Sub-Assembly (Note: Not Available for Purchase. See 4A-4H for Available Components)	
4B	7024740	12	Thrustwasher	
4C	7024734	84	Bearing, Needle	
4D	7024736	3	Spacer, Thrust	
4E	7024726	3	Shaft, Planet	
4F	7024728	3	Gear, Planet	
4G	7001913	6	Roll Pin	
4H	7024742	1	Thrustwasher	
5	7017027	1	Ring, Retaining	
6	See Note	NLA	Cover Assembly (Note: Not Available for Purchase. See 6A-6G for Available Components)	
6A	7024731	1	Plate, Cover	
6B	7017093	1	Cap, Disengage	
6C	7000216	2	Bolt 1/2in-20NC x 1/2in	
6D	7024739	1	Pin, Dowel	
6E	7017095	1	O-Ring	
6F	7017072	2	Plug, Pipe	
6G	7024738	1	Ring, Retaining	
7	7024722	1	Coupling	
8	See Note	NLA	Brake, Input (Note: Not Available for Purchase. See 8A-8L for Available Components)	
8A	70000782	1	Piston, Brake	
8B	7024743	1	Plate, Pressure	
8C	See Note	NSS	Ring, Retaining (Note: Use Item 101A or 101B)	
8D	See Note	NSS	O-Ring (Note: Use Item 100B or 101A)	
8E	See Note	NSS	Ring, Back-up (Note: Use Item 100B or 101A)	



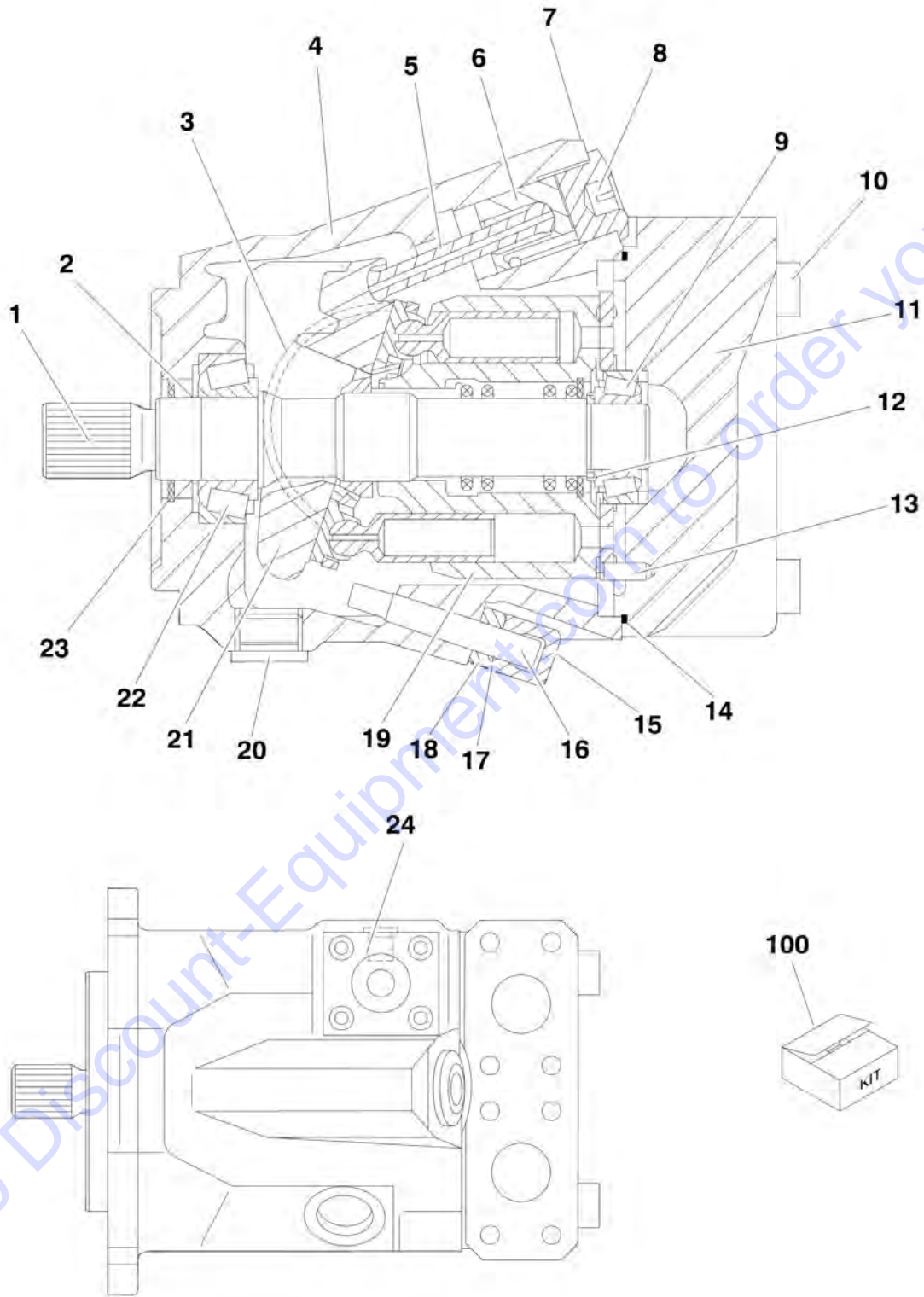
## SECTION 1 - FRAME

ITEM	PART NUMBER	QTY	DESCRIPTION	REV
8F	See Note	NSS	O-Ring (Note: Use Item 100B or 101A)	
8H	See Note	NSS	Ring, Back-up (Note: Use Item 100B or 101A)	
8J	7024764	8	Rotor, Brake	
8K	7024764	9	Stator, Brake	
8L	7024766	AR	Spring, Brake	
9	7024721	1	Shaft, Input	
11	7024723	1	Gear, Sun	
12	See Note	NSS	Plug (Note: Not Available - Purchase Locally)	
15	See Note	NSS	Plate, ID (Not Shown) (Note: Not Available for Purchase)	
16	7000281	4	Screw, Drive	
17	7024134	1	O-Ring	
18	7024744	1	O-Ring	
19	7017022	3	Screw, Countersunk 3/8in-16NC	
20	7024737	1	Ring, Retaining	
21	See Note	NSS	Plug (Note: Not Available - Purchase Locally)	
100		Ref	Seal Kit Options:	
100A	7024744	1	Hub Seal Kit (Includes Items 1B, 1F, 1G, 17, 18 & 19)	
100B	7024765	1	Brake Seal Kit (Includes Items 1G, 8C, 8D, 8E, 8F & 8H)	
101		Ref	Repair Kit Options:	
101A	7024764	1	Brake Lining Kit (Includes Items 1G, 8C, 8D, 8F, 8E, 8H, 8J & 8K)	
101B	7024766	1	Brake Spring Kit (Includes Items 1G, 8C & 8L)	



# SECTION 1 - FRAME

FIGURE 1-10. DRIVE MOTOR ASSEMBLY (SN 0300068000 through 0300075605)



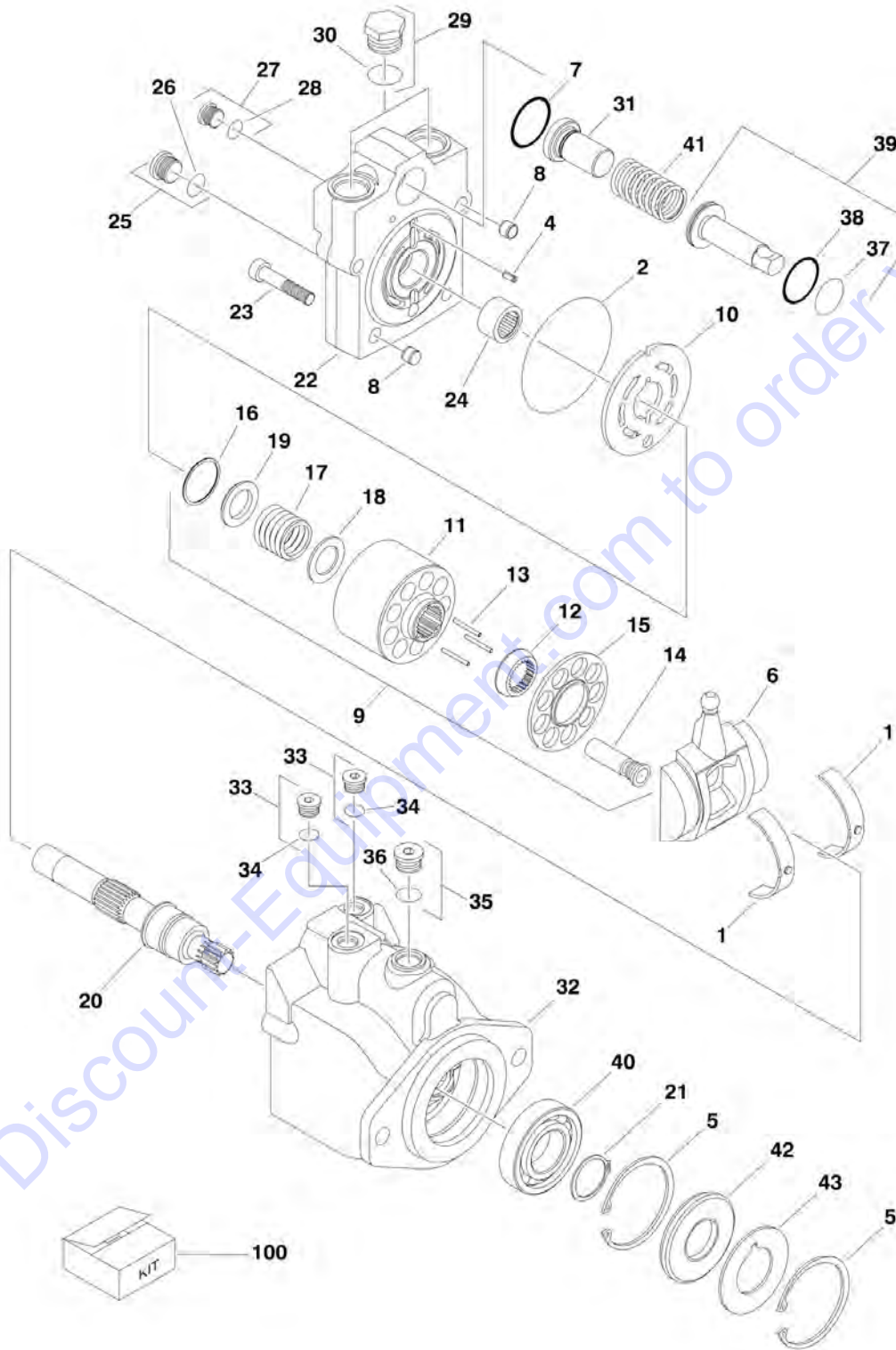
## SECTION 1 - FRAME

**FIGURE 1-10. DRIVE MOTOR ASSEMBLY (SN 0300068000 through 0300075605)**

ITEM	PART NUMBER	QTY	DESCRIPTION	REV
	3160204	Ref	<b>DRIVE MOTOR ASSEMBLY</b>	A
1	7012701	1	Shaft - 13 Teeth	
2	See Note	NSS	Seal, Shaft (Note: Use Item 100)	
3	7012702	2	Bearing, Cradle	
4	See Note	NSS	Housing (Note: Not Available - Purchase Complete Drive Motor Assembly)	
5	7012703	1	Rod, Piston	
6	7012704	1	Piston, Stroking	
7	See Note	NSS	O-Ring (Note: Use Item 100)	
8	7012705	1	Nut, Adapter	
9	7012706	1	Bearing, Roller	
10	7012707	4	Bolt, Metric Socket Head M12 x 65	
11	7012708	1	Block, Port	
12	7012709	1	Shim	
13	7012710	1	Pin, Dowel M6 x 18	
14	See Note	NSS	O-Ring (Note: Use Item 100)	
15	7012711	1	Nut, Cap M10 x 1	
16	7012712	1	Screw, Adjusting	
17	See Note	NSS	O-Ring (Note: Use Item 100)	
18	7012713	1	Nut, Jam M10 x 1	
19	7012716	1	Rotary Group Assembly	
20	See Note	NSS	Plug (Note: Not Available - Purchase Locally)	
21	7024036	1	Plate, Swash	
22	7012714	1	Bearing, Roller	
23	7012715	1	V-Ring	
24	7012700		Control Plate Assembly ( <b>Prior to SN 0300029852</b> )	
100	2900788	1	Seal Kit (Includes Items 2, 7, 14, 17 and O-Rings under Item 24)	

# SECTION 1 - FRAME

FIGURE 1-11. DRIVE MOTOR ASSEMBLY (ORIGINAL EQUIPMENT) (SN 0300075606 through 0300087000)



## SECTION 1 - FRAME

**FIGURE 1-11. DRIVE MOTOR ASSEMBLY (ORIGINAL EQUIPMENT) (SN 0300075606 through 0300087000)**

ITEM	PART NUMBER	QTY	DESCRIPTION	REV
		Ref	<b>DRIVE MOTOR ASSEMBLY</b>	
	3160299	Ref	<b>Drive Motor Assembly 2WD/2WS</b>	C
	3160300	Ref	<b>Drive Motor Assembly 2WD/4WS, 4WD/2WS &amp; 4WD/4WS</b>	C
		Ref	<b>Note: Original Equipment Motor p/n 3160299 &amp; p/n 3160300 uses 4 bolts to assemble the motor. Service Replacement Motor p/n 3160349 &amp; p/n 3160350 motors use 5 bolts to assemble the motor. Visually identify component before ordering parts. If equipped with p/n 3160349 or p/n 3160350 refer to next illustration.</b>	
1	7022302	2	Bearing, Journal	
2	See Note	NSS	O-Ring (Note: Use Item 100)	
3	See Note	NSS	O-Ring (Note: Use Item 100)	
4	7007446	1	Pin	
5	7007438	2	Ring, Retaining	
6	7024861	1	Swash Plate	
7	See Note	NSS	O-Ring (Note: Use Item 100)	
8	7007435	2	Pin	
9	7022320	1	Cylinder Block Kit (Includes Items 11-19)	
10	7024862	1	Plate, Valve	
11	7024863	1	Block, Cylinder	
12	7024864	1	Guide, Slipper Retainer	
13	7021275	3	Pin, Slipper Hold Down	
14	7024865	9	Piston Assembly	
15	7024866	1	Retainer, Slipper	
16	7022311	1	Ring, Retaining	
17	7024867	1	Spring	
18	7024868	1	Washer	
19	7022314	1	Retainer, Spring	
20	7023910	1	Shaft	
21	7007439	1	Ring, Retaining	
22	7024869	1	Cap, End - Axial	
23	7022368	4	Screw	
24	7021249	1	Bearing, Needle	
25	7022321	1	Plug (Includes Item 26)	
26	See Note	NSS	O-Ring (Note: Use Item 25 or 100)	
27	7022318	1	Plug (Includes Item 28)	
28	See Note	NSS	O-Ring (Note: Use Item 27 or 100)	
29	7027419	2	Plug (Includes Item 30)	
30	See Note	NSS	O-Ring (Note: Use Item 29 or 100)	
31		Ref	Seat, Spring Options:	
31	7024853	1	Seat, Spring 2WD/2WS	
31	7022372	1	Seat, Spring 2WD/4WS, 4WD/2WS & 4WD/4WS	
32	7022370	1	Housing	
33	7022318	2	Plug (Includes Item 34)	
34	See Note	NSS	O-Ring (Note: Use Item 33 or 100)	
35	7022321	1	Plug (Includes Item 36)	
36	See Note	NSS	O-Ring (Note: Use Item 35 or 100)	
37	See Note	NSS	O-Ring (Note: Use Item 100)	
38	See Note	NSS	Ring, Seal (Note: Use Item 100)	
39	7024871	1	Piston, Servo	

## SECTION 1 - FRAME

ITEM	PART NUMBER	QTY	DESCRIPTION	REV
40	7007437	1	Bearing	
41	7022326	1	Spring	
42	See Note	NSS	Seal, Lip (Note: Use Item 100)	
43	7022371	1	Washer, Support	
100	7022328	1	Seal Kit (Includes Items 2, 3, 7, 26, 28, 30, 34, 36, 37, 38 & 42)	

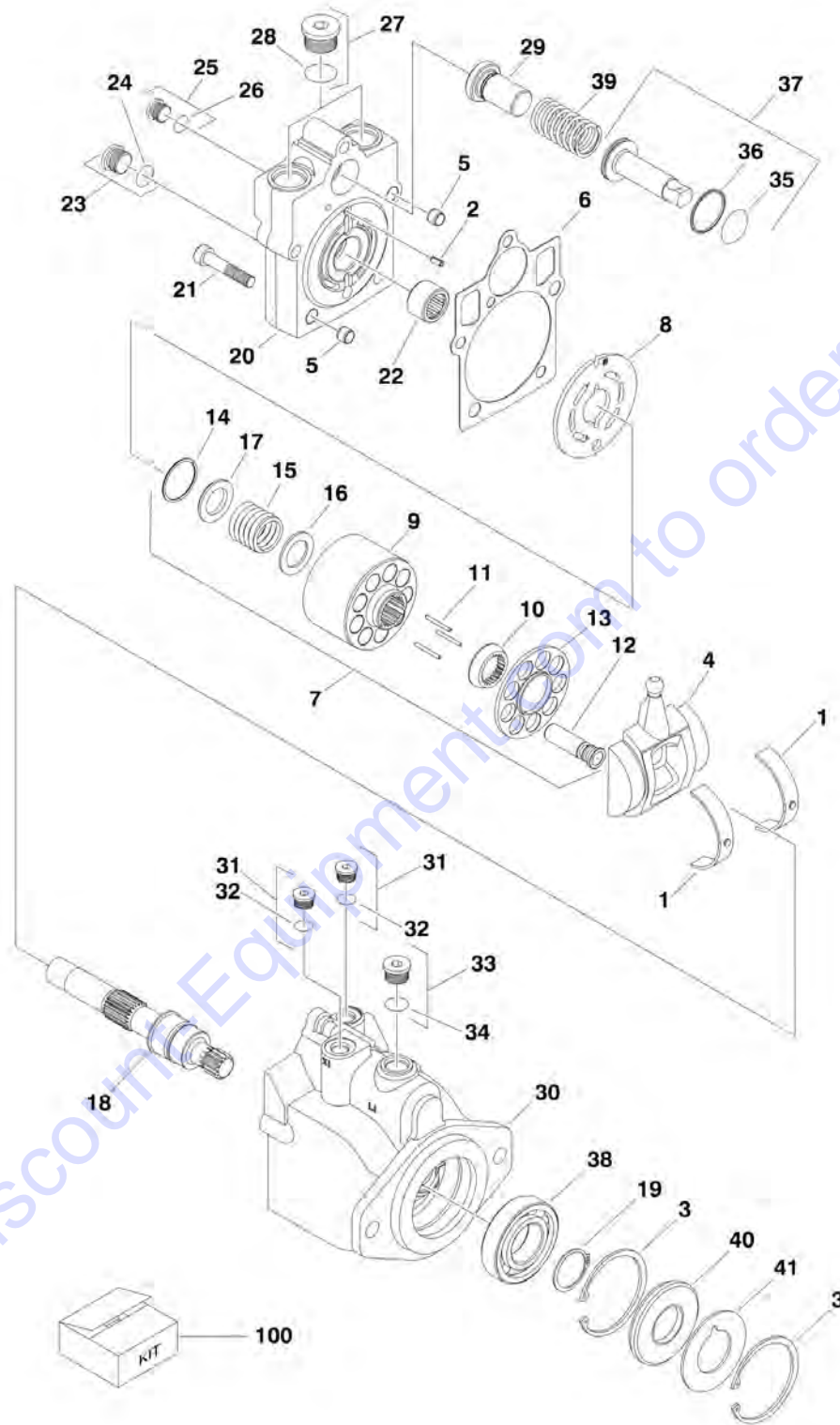
Go to Discount-Equipment.com to order your parts





# SECTION 1 - FRAME

## FIGURE 1-12. DRIVE MOTOR ASSEMBLY (SERVICE REPLACEMENT)



## SECTION 1 - FRAME

**FIGURE 1-12. DRIVE MOTOR ASSEMBLY (SERVICE REPLACEMENT)**

ITEM	PART NUMBER	QTY	DESCRIPTION	REV
		Ref	<b>DRIVE MOTOR ASSEMBLY</b>	
	3160349	Ref	<b>Service Replacement Motor for p/n 3120299</b>	B
	3160350	Ref	<b>Service Replacement Motor for p/n 3120300</b>	B
1	7022302	2	Bearing, Journal	
2	7007446	1	Pin	
3	7007438	2	Ring, Retaining	
4	70000794	1	Swash Plate	
5	See Note	NSS	Pin (Note: Not Available for Purchase)	
6	See Note	NSS	Gasket (Note: Use Item 100)	
7	7027740	1	Cylinder Block Kit (Includes Items 9-17)	
8	7024862	1	Plate, Valve	
9	7027740	1	Block, Cylinder	
10	7027740	1	Guide, Slipper Retainer	
11	7021275	3	Pin, Slipper Hold Down	
12	7024865	9	Piston Assembly	
13	7027740	1	Retainer, Slipper	
14	7022311	1	Ring, Retaining	
15	7024867	1	Spring	
16	7022313	1	Washer	
17	7022314	1	Retainer, Spring	
18	7023910	1	Shaft	
19	7007439	1	Ring, Retaining	
20	70000795	1	Cap, End - Axial	
21	7022368	5	Screw	
22	7021249	1	Bearing, Needle	
23	2220886	1	Plug (Includes Item 24)	
24	See Note	NSS	O-Ring (Note: Use Item 23 or 100)	
25	2220883	1	Plug (Includes Item 26)	
26	See Note	NSS	O-Ring (Note: Use Item 25 or 100)	
27	7027419	2	Plug (Includes Item 28)	
28	See Note	NSS	O-Ring (Note: Use Item 27 or 100)	
29		Ref	Seat, Spring Options:	
29	7024853	1	Seat, Spring 2WD/2WS	
29	7022372	1	Seat, Spring 2WD/4WS, 4WD/2WS & 4WD/4WS	
30	See Note	NSS	Housing (Note: Not Available - Purchase Complete Drive Motor Assembly)	
31	2220883	2	Plug (Includes Item 32)	
32	See Note	NSS	O-Ring (Note: Use Item 31 or 100)	
33	2220886	1	Plug (Includes Item 34)	
34	See Note	NSS	O-Ring (Note: Use Item 33 or 100)	
35	See Note	NSS	O-Ring (Note: Use Item 100)	
36	See Note	NSS	Ring, Seal (Note: Use Item 100)	
37	7024871	1	Piston, Servo	
38	7007437	1	Bearing	
39	7022326	1	Spring	
40	See Note	NSS	Seal, Lip (Note: Use Item 100)	
41	7022371	1	Washer, Support	
100	7022328	1	Seal Kit (Includes Items 6, 24, 26, 28, 32, 34, 35, 36 & 40)	

# PARTS FINDER

**Search Website  
by Part Number**



**Search Manual  
Library For Parts  
Manual & Lookup Part  
Numbers – Purchase  
or Request Quote**

**Can't Find Part or  
Manual? Request Help  
by Manufacturer,  
Model & Description**

Discount-Equipment.com is your online resource for quality parts & equipment.

Florida: **561-964-4949** Outside Florida TOLL FREE: **877-690-3101**

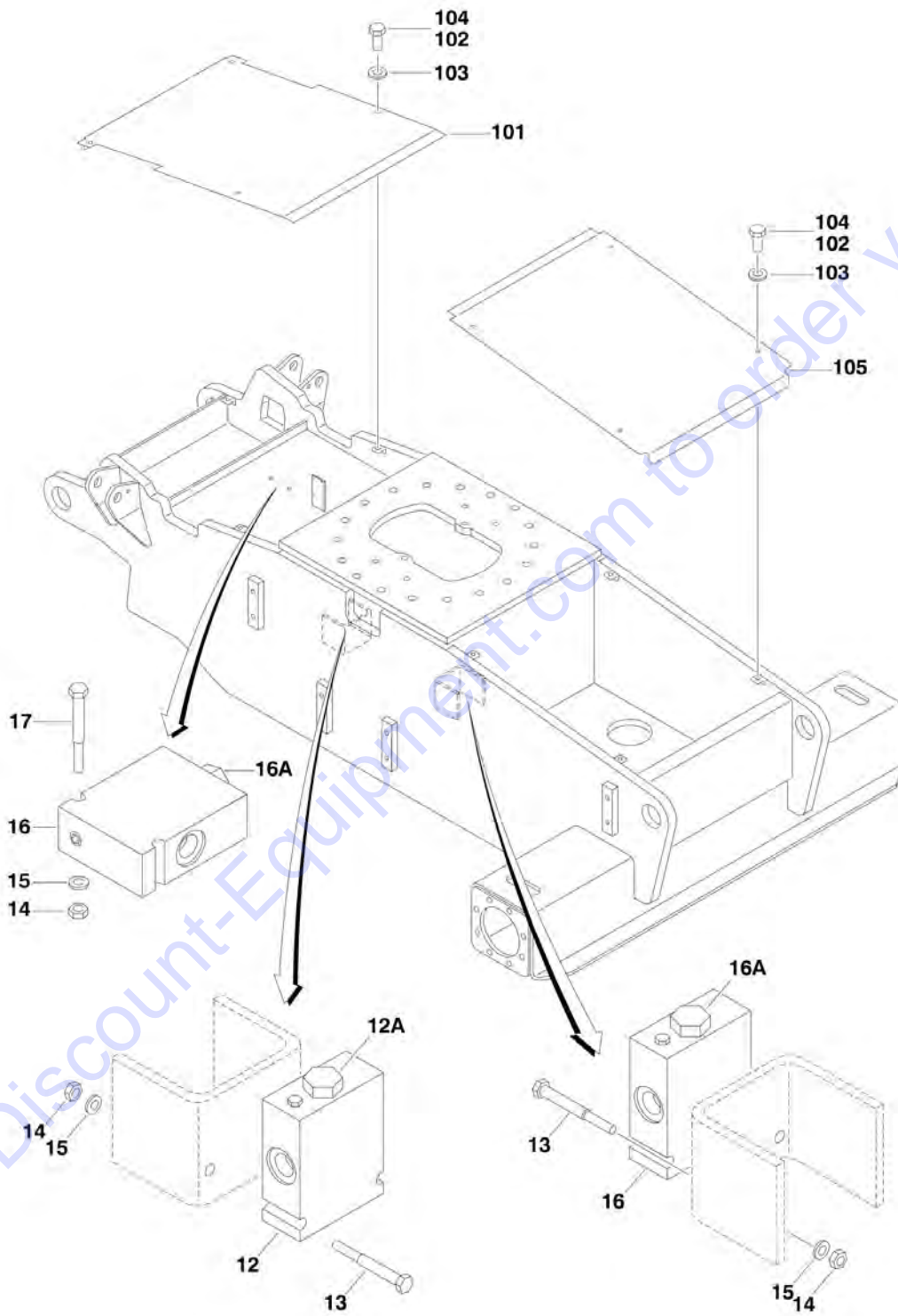
## Need parts?

Click on this link: <http://www.discount-equipment.com/category/5443-parts/> and choose one of the options to help get the right parts and equipment you are looking for. Please have the machine model and serial number available in order to help us get you the correct parts. If you don't find the part on the website or on one of the online manuals, please fill out the request form and one of our experienced staff members will get back to you with a quote for the right part that your machine needs.

We sell worldwide for the brands: Genie, Terex, JLG, MultiQuip, Mikasa, Essick, Whiteman, Mayco, Toro Stone, Diamond Products, Generac Magnum, Airman, Haulotte, Barreto, Power Blanket, Nifty Lift, Atlas Copco, Chicago Pneumatic, Allmand, Miller Curber, Skyjack, Lull, Skytrak, Tsurumi, Husquvarna Target, Stow, Wacker, Sakai, Mi-T-M, Sullair, Basic, Dynapac, MBW, Weber, Bartell, Bennar Newman, Haulotte, Ditch Runner, Menegotti, Morrison, Contec, Buddy, Crown, Edco, Wyco, Bomag, Laymor, EZ Trench, Bil-Jax, F.S. Curtis, Gehl Pavers, Heli, Honda, ICS/PowerGrit, IHI, Partner, Imer, Clipper, MMD, Koshin, Rice, CH&E, General Equipment, Amida, Coleman, NAC, Gradall, Square Shooter, Kent, Stanley, Tamco, Toku, Hatz, Kohler, Robin, Wisconsin, Northrock, Oztec, Toker TK, Rol-Air, APT, Wylie, Ingersoll Rand / Doosan, Innovatech, Con X, Ammann, Mecalac, Makinex, Smith Surface Prep, Small Line, Wanco, Yanmar

# SECTION 1 - FRAME

FIGURE 1-13. DRIVE VALVES AND SHIELDS INSTALLATION (FRAME MOUNTED) (SN 0300068000 through 0300075605)



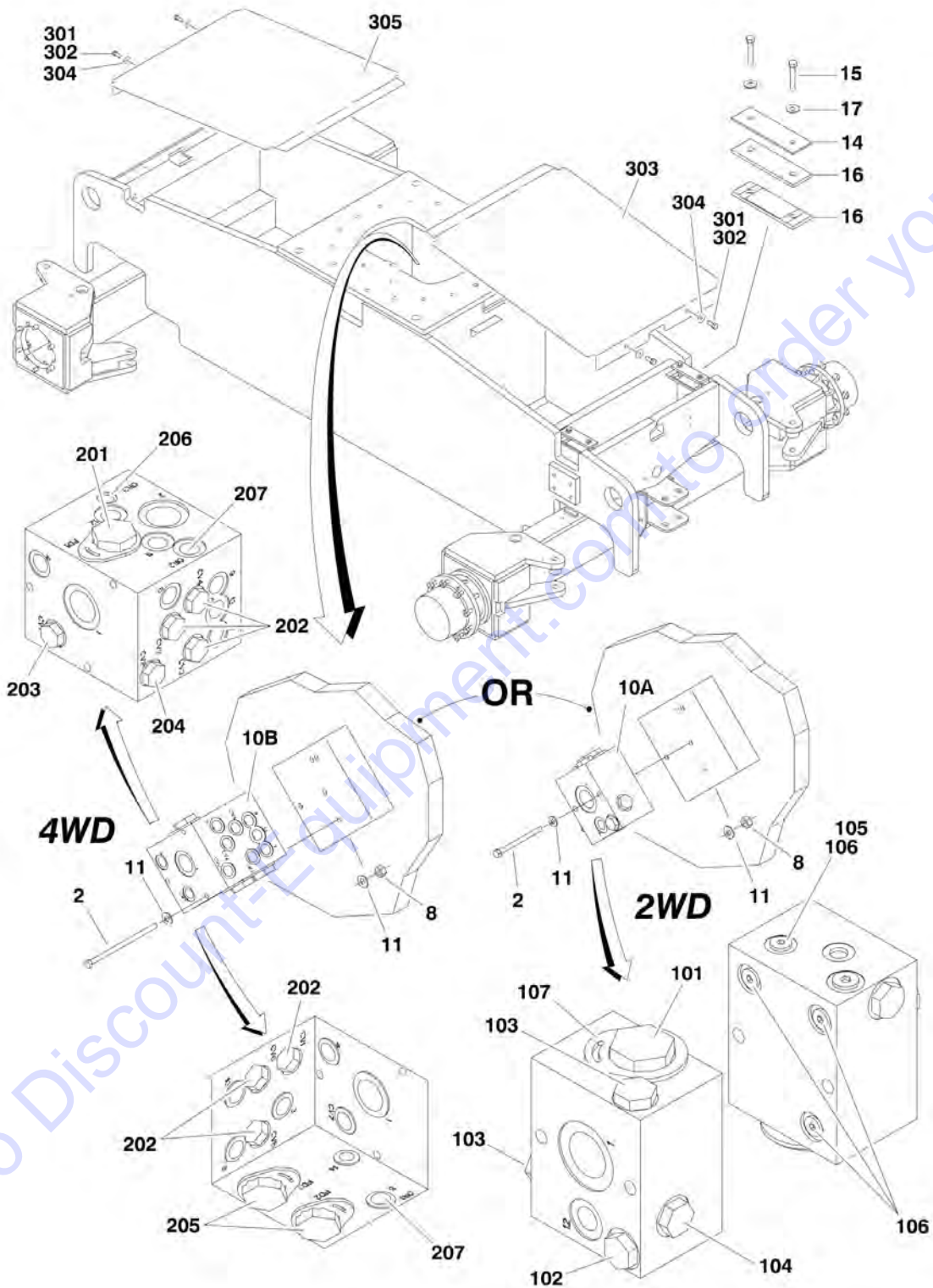
## SECTION 1 - FRAME

**FIGURE 1-13. DRIVE VALVES AND SHIELDS INSTALLATION (FRAME MOUNTED) (SN 0300068000 through 0300075605)**

ITEM	PART NUMBER	QTY	DESCRIPTION	REV
		Ref	<b>DRIVE VALVES INSTALLATION OPTIONS:</b>	
	0270121	Ref	<b>Drive Valves Installation 2WD</b>	3-B
	0270120	Ref	<b>Drive Valves Installation 4WD</b>	3-B
12	4640923	1	Valve, Flow Divider	
12A	7017442	1	Cartridge, Flow Divider	
12A	7012980	1	Seal Kit - 7017442 Cartridge	
12A	7012993	1	Plug, Orifice	
13	0641522	AR	Bolt 5/16in-18NC x 2-5/8in	
14	3311505	AR	Locknut 5/16in-18NC	
15	4751500	AR	Flatwasher 5/16in	
16		Ref	Flow Divider Valve Assembly Options:	
16	Not Required	0	Flow Divider Valve Assembly 2WD	
16	4640937	2	Flow Divider Valve Assembly 4WD	
16A	7012978	2	Cartridge (1 Per Valve)	
16A	7012980	2	Seal Kit - 7012978 Cartridge (1 Per Valve)	
16A	7012994	1	Plug, Orifice	
17	0641520	AR	Bolt 5/16in-18NC x 2-1/2in	
18	4060808	3.5 ft /1.06m	Shield, Flex Trim (Not Shown)	
		Ref	<b>FRAME SHIELDS INSTALLATION</b>	
	0254856	Ref	<b>Frame Shields Installation 2WS</b>	-
	0254857	Ref	<b>Frame Shields Installation 4WS</b>	-
101	4060870	1	Shield, Frame - Front	
102	0641608	AR	Bolt, 3/8in-16NC x 1in	
103	4751600	AR	Flatwasher, 3/8in	
104	0100011	AR	Compound, Locking	
105		Ref	Shield, Frame - Rear	
105	Not Required	0	Shield, Frame - Rear 2WS	
105	4060874	1	Shield, Frame - Rear 4WS	

# SECTION 1 - FRAME

FIGURE 1-14. DRIVE VALVES AND SHIELDS INSTALLATION (FRAME MOUNTED) (SN 0300075606 through 0300087000)



## SECTION 1 - FRAME

**FIGURE 1-14. DRIVE VALVES AND SHIELDS INSTALLATION (FRAME MOUNTED) (SN 0300075606 through 0300087000)**

ITEM	PART NUMBER	QTY	DESCRIPTION	REV
		Ref	<b>DRIVE VALVES INSTALLATION OPTIONS:</b>	
	0273049	Ref	<b>Drive Valves Installation 2WD/2WS</b>	D
	0273367	Ref	<b>Drive Valves Installation 2WD/4WS</b>	A
	0273048	Ref	<b>Drive Valves Installation 4WD/2WS</b>	F
	0273366	Ref	<b>Drive Valves Installation 4WD/4WS</b>	E
2		Ref	Bolt 5/16in-18NC Options:	
2	0641532	2	Bolt 4in Length 2WD	
2	0641552	3	Bolt 6-1/2in Length 4WD	
8	3311505	AR	Locknut 5/16in-18NC	
10		Ref	Flow Divider Valve Assembly Options:	
10A		Ref	2WD Options (See Items 101-107 for Breakdown):	
10A	4641287	1	2WD ( <b>SN 0300075606 through 0300086891</b> )	
10A	4641409	NLA	2WD (Use p/n 1001100120) ( <b>SN 0300086892 through 0300087000</b> )	
10B		Ref	4WD Options (See Items 201-207 for Breakdown):	
10B	4641280	1	4WD ( <b>SN 0300075606 through 0300086891</b> )	
10B	4641410	NLA	4WD (Use p/n 1001098503) ( <b>SN 0300086892 through 0300087000</b> )	
11	4711500	AR	Flatwasher 5/16in Thin	
14		Ref	Bar, Clamping	
14	Not Required	0	Bar, Clamping 2WD/2WS	
14	0363012	2	Bar, Clamping 2WD/2WS, 4WD/2WS & 4WD/4WS	
15	0641618	4	Bolt 3/8in-16NC x 2-1/4in	
16	3340911	4	Rubber, Clamp	
17	4751600	4	Flatwasher 3/8in Regular	
		Ref	<b>FLOW DIVIDER ASSEMBLIES 2WD</b>	
	4641287	Ref	<b>Flow Divider Assemblies (SN 0300075606 through 0300086891)</b>	C
	4641409	Ref	<b>Flow Divider Assemblies (SN 0300086892 through 0300087000)</b>	A
	1001100120	Ref	<b>Service Replacement for 4641409</b>	A
		Ref	<b>Note: Original Equipment Valve may have been replaced with Service Replacement Valve p/n 1001098503. Identify p/n stamped on Valve before ordering parts.</b>	
101	7023933	1	Valve, Cartridge (Flow Divider)	
101	7021625	1	Seal Kit - Flow Divider Cartridge	
102	7024850	1	Valve, Cartridge (Check) (Used with p/n 4641287)	
102	7024892	1	Valve, Cartridge (Check) (Used with p/n 4641409 & p/n 1001100120)	
102	7023936	1	Seal Kit - Check Cartridge	
103	7022397	2	Valve, Cartridge (Check)	
103	7022399	2	Seal Kit - Check Cartridge	
104	7023935	1	Valve, Cartridge (Check)	
104	7023936	1	Seal Kit - Check Cartridge	
105	70002063	1	Orifice (Used with p/n 1001100120)	
106	7017406	4	Plug (Used with p/n 1001100120)	
107	70000781	1	Kit, Lock Down (Used with p/n 1001100120)	
		Ref	<b>FLOW DIVIDER ASSEMBLIES (4WD)</b>	
	4641280	Ref	<b>Flow Divider Assemblies (SN 0300075606 through 0300086891)</b>	C

## SECTION 1 - FRAME

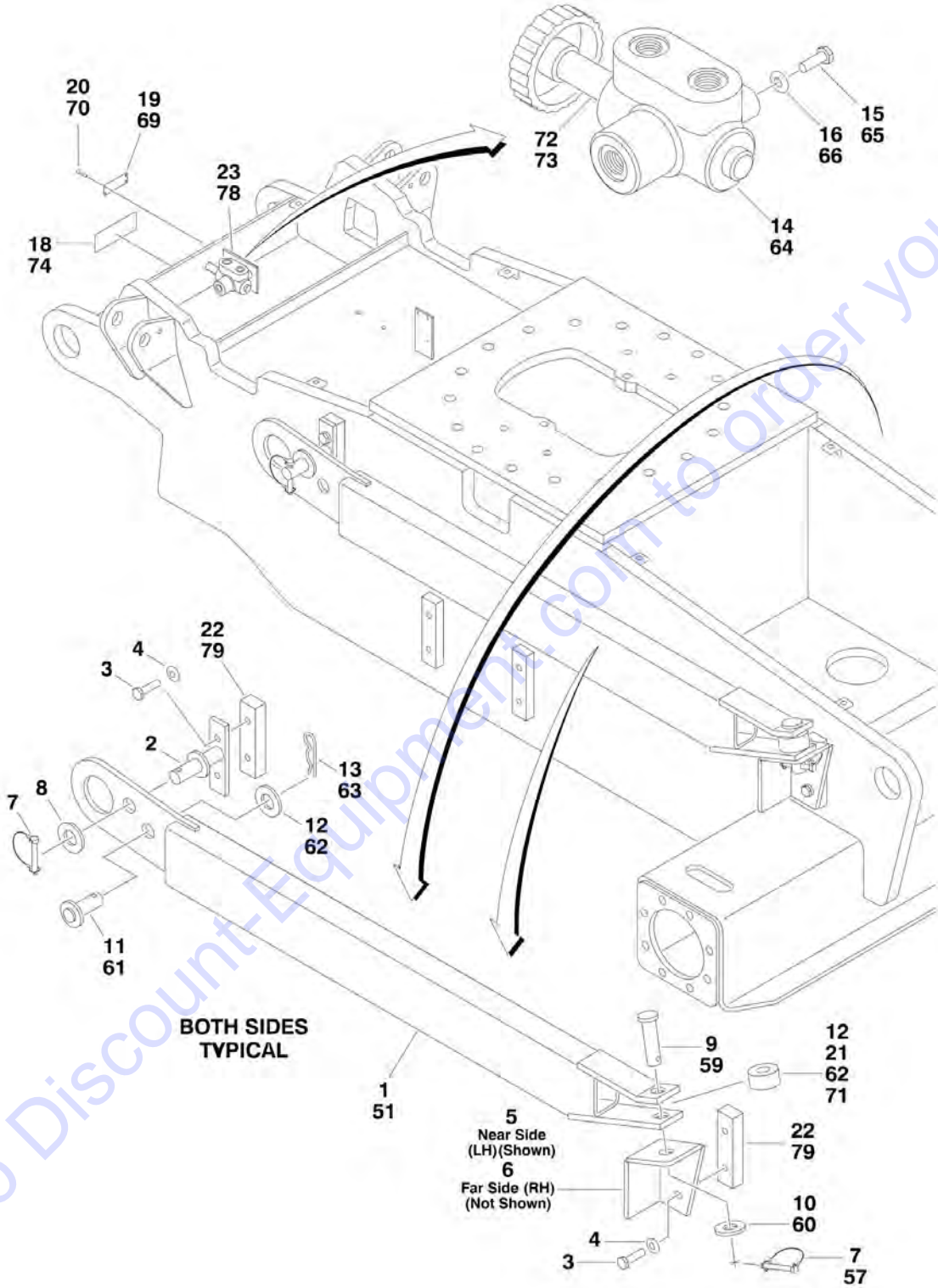
ITEM	PART NUMBER	QTY	DESCRIPTION	REV
	4641410	Ref	<b>Flow Divider Assemblies (SN 0300086892 through 0300087000)</b>	B
	1001098503	Ref	<b>Service Replacement for 4641410</b>	A
		Ref	<b>Note: Original Equipment Valve may have been replaced with Service Replacement Valve p/n 1001098503. Identify p/n stamped on Valve before ordering parts.</b>	
201	7023933	1	Valve, Cartridge (Flow Divider)	
201	7021625	1	Seal Kit - Flow Divider Cartridge	
202	7022397	6	Valve, Cartridge (Check) (Used with p/ns 4641280 & 4641410)	
202	70003408	6	Valve, Cartridge (Check) (Used with p/n 1001098503)	
202	7022399	6	Seal Kit - Check Cartridge	
203	7023935	1	Valve, Cartridge (Check)	
203	7023936	1	Seal Kit - Check Cartridge	
204	7024850	1	Valve, Cartridge (Check) (Used with p/n 4641280)	
204	7024892	1	Valve, Cartridge (Check) (Used with p/ns 4641410 & 1001098503)	
204	7023936	1	Seal Kit - Check Cartridge	
205	7023917	2	Valve, Cartridge (Flow Divider)	
205	7021625	2	Seal Kit - Flow Divider Cartridge	
206	70002063	1	Plug, Orifice	
207	70002064	2	Plug, Orifice	
		Ref	<b>FRAME SHIELDS INSTALLATION</b>	
	0273067	Ref	<b>Frame Shields Installation 2WS</b>	A
	0273362	Ref	<b>Frame Shields Installation 4WS</b>	A
301	0100011	AR	Compound, Locking	
302	0641607	AR	Bolt, 3/8in-16NC x 7/8in	
303	4061058	1	Shield, Frame - Front	
304	4751600	AR	Flatwasher, 3/8in Regular	
305		Ref	Shield, Frame - Rear	
305	Not Required	0	Shield, Frame - Rear 2WS	
305	4061058	1	Shield, Frame - Rear 4WS	





# SECTION 1 - FRAME

FIGURE 1-15. TOW PACKAGE INSTALLATION (OPTIONAL) (SN 0300068000 through 0300075605)



## SECTION 1 - FRAME

**FIGURE 1-15. TOW PACKAGE INSTALLATION (OPTIONAL) (SN 0300068000 through 0300075605)**

ITEM	PART NUMBER	QTY	DESCRIPTION	REV
		Ref	<b>TOW PACKAGE INSTALLATION - 2WS OPTIONS:</b>	
	0255363	Ref	<b>Tow Package Installation ANSI Spec Machines</b>	6
	0259424	Ref	<b>Tow Package Installation CSA Spec Machines</b>	1
1	4845281	2	Tow Bar Weldment	
2	4845283	2	Bracket, Tow Bar Storage (Front)	
3	0641608	8	Bolt 3/8in-16NC x 1in	
4	4711600	8	Flatwasher 3/8in	
5	4845282	1	Bracket, Tow Bar Storage (Rear Left Side)	
6	4845286	1	Bracket, Tow Bar Storage (Rear Right Side)	
7	3421453	4	Snap-Pin	
8	4712600	1	Flatwasher 1in Narrow	
9	3422552	2	Pin, Tow Bar	
10	4713400	2	Flatwasher 1-1/2in Narrow	
11	3422553	1	Pin, Tow Bar	
12	4713000	2	Flatwasher 1-1/4in	
13	3420592	2	Hairpin	
14	4640261	1	Valve, Tow	
15	0641505	2	Bolt 5/16in-18NC x 5/8in	
16	4711500	2	Flatwasher 5/16in	
18		Ref	Decal Options:	
18	1702968	1	Decal ANSI Spec Machines	
18	1704273	1	Decal CSA Spec Machines	
19		Ref	Nameplate Options:	
19	3250872	1	Nameplate ANSI Spec Machines	
19	1704272	1	Nameplate CSA Spec Machines	
20		Ref	Rivet Options:	
20	3820001	4	Rivet ANSI Spec Machines	
20	Not Required	0	Rivet CSA Spec Machines	
21	4566971	2	Spacer, Tube	
22	0362519	4	Bar, Tow Clamp	
23	3539662	1	Plate, Valve Mount	
		Ref	<b>TOW PACKAGE INSTALLATION - 4WS (OPTIONAL)</b>	
	0258886	Ref	<b>Tow Package Installation ANSI Spec Machines</b>	3-B
	0259425	Ref	<b>Tow Package Installation CSA Spec Machines</b>	1-A
51	4845281	2	Tow Bar Weldment	
52 to 56	Not Required	0	Not Required	
57	3421453	2	Snap-Pin	
58	Not Required	0	Not Required	
59	3422552	2	Pin, Tow Bar	
60	4713400	2	Flatwasher 1-1/4in	
61	3422553	1	Pin, Tow Bar	
62	4713000	2	Flatwasher 1-1/4in	
63	3420592	1	Hairpin	
64	4640261	1	Valve, Tow	
65	0641505	2	Bolt 5/16in-18NC x 5/8in	
66	4711500	2	Flatwasher 5/16in	
68	Not Required	0	Not Required	
69		Ref	Nameplate Options:	
69	3250872	1	Nameplate ANSI Spec Machines	
69	1704272	1	Nameplate CSA Spec Machines	

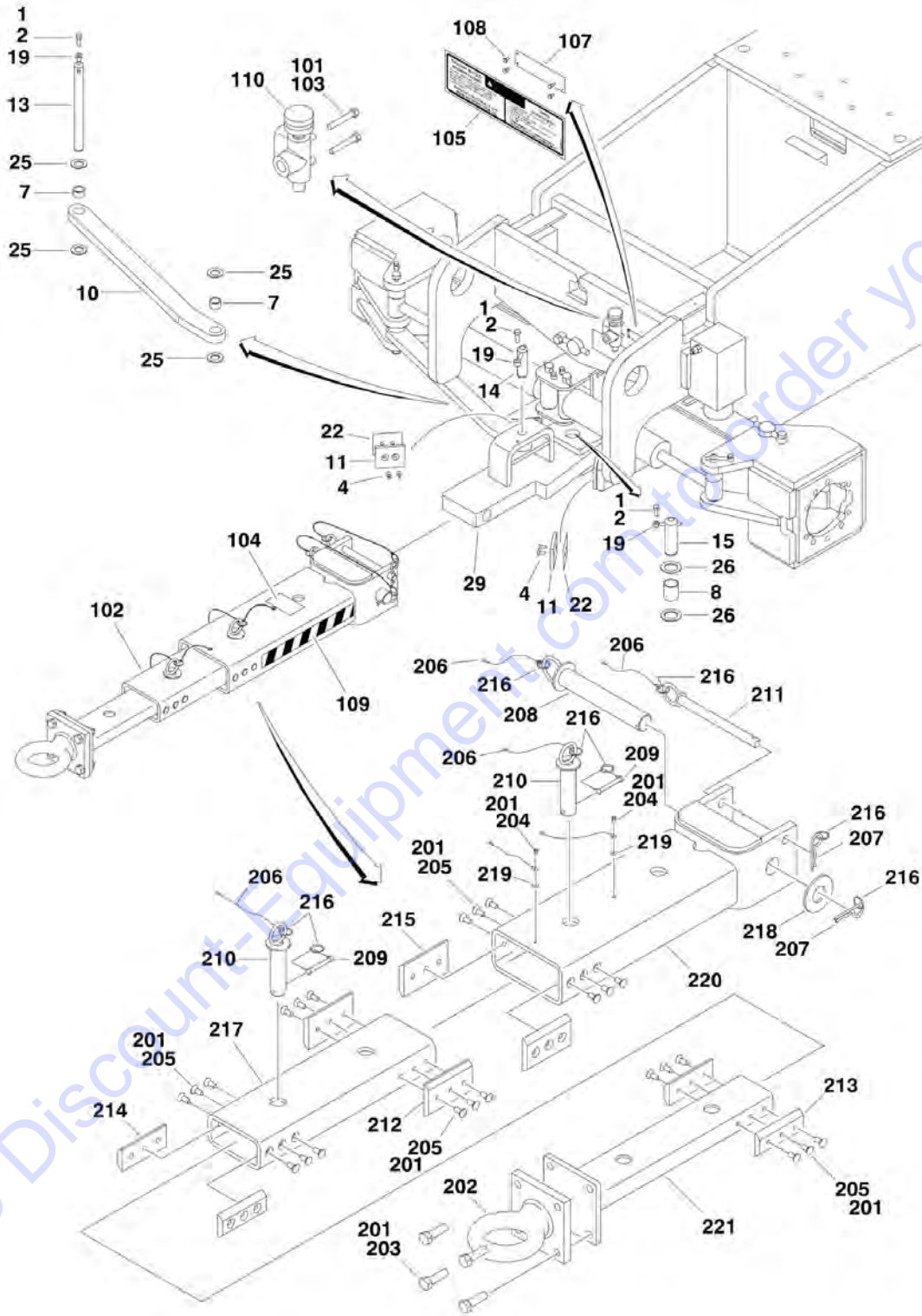
## SECTION 1 - FRAME

ITEM	PART NUMBER	QTY	DESCRIPTION	REV
70		Ref	Rivet Options:	
70	3820001	4	Rivet ANSI Spec Machines	
70	Not Required	0	Rivet CSA Spec Machines	
71	4566971	2	Spacer, Tube	
72		Ref	Rod, Extension Options:	
72	3841329	1	Rod, Extension ANSI Spec Machines	
72	3841322	1	Rod, Extension CSA Spec Machines	
73	4761600	1	Lockwasher 5/16in	
74		Ref	Decal Options:	
74	1703403	1	Decal ANSI Spec Machines	
74	1704276	1	Decal CSA Spec Machines	
75	1703404	2	Decal, Match Arrow (Not Shown)	
76	1703444	1	Decal (Not Shown)	
77		Ref	Decal (Not Shown) Options:	
77	1703450	1	Decal (Not Shown) ANSI Spec Machines	
77	1704274	1	Decal (Not Shown) CSA Spec Machines	
78	3539662	1	Plate, Valve Mount	
79	0362519	4	Bar (ANSI Spec Machines Only)	



# SECTION 1 - FRAME

FIGURE 1-16. TOW PACKAGE INSTALLATION (OPTIONAL) (SN 0300075606 through 0300087000)



## SECTION 1 - FRAME

**FIGURE 1-16. TOW PACKAGE INSTALLATION (OPTIONAL) (SN 0300075606 through 0300087000)**

ITEM	PART NUMBER	QTY	DESCRIPTION	REV
		Ref	<b>TOW PACKAGE INSTALLATION</b>	
	0273422	Ref	<b>Tow Package Installation 2WD</b>	A
	0273394	Ref	<b>Tow Package Installation 4WD</b>	A
1	0100011	AR	Compound, Locking	
2	0641608	3	Bolt 3/8in-16NC x 1in	
4	0741607	4	Screw, Countersunk 3/8in-16NC x 7/8in	
7	0962292	2	Bearing	
8	0962348	1	Bearing	
10	3010125	1	Link, Steer	
11	3340966	2	Pad, Stop	
13	3422567	1	Pin	
14	3422813	1	Pin	
15	3422848	1	Pin	
19	3841143	3	Keeper, Pin	
22	4071059	2	Shim	
25	4740111	3	Thrustwasher	
26	4740155	2	Thrustwasher	
29	4846935	1	Bar, Pivot	
		Ref	<b>TOW BAR INSTALLATION</b>	
	0273398	Ref	<b>Tow Bar Installation ANSI Spec</b>	B
	0273448	Ref	<b>Tow Bar Installation CSA Spec</b>	A
101	0100011	AR	Compound, Locking	
102	0270528	1	Bar Assembly (See Items 201-221 for Breakdown)	
103	0641516	2	Bolt 5/16in-18NC x 2in	
104	1704578	2	Decal - Crushing	
105		Ref	Decal - Towing Instructions Options:	
105	1705090	1	Decal - Towing ANSI Spec	
105	1705820	1	Decal - Towing CSA Spec	
107		Ref	Nameplate - Steer/Tow Select Valve Options:	
107	3250872	1	Nameplate - Steer/Tow ANSI Spec	
107	1704272	1	Nameplate - Steer/Tow CSA Spec	
108	3940604	4	Screw, Self-Tapping #6-32NF x 1/2in	
109	4420051	2 ft/.61m	Tape, Safety	
110	4640281	1	Valve, Select	
	0270528	Ref	<b>TOW BAR ASSEMBLY</b>	A
201	0100011	AR	Compound, Locking	
202	0362910	1	Pintle, Draw Eye	
203	0642010	4	Bolt 5/8in-11NC x 1-1/4in	
204	0721004	2	Screw, Hex Machine	
205	0741607	24	Screw, Countersunk 3/8in-16NC x 7/8in	
206	1060584	6	Cable, Lanyard	
207	3420372	2	Pin, Cotter	
208	3420447	1	Pin, Towing	
209	3421565	2	Pin, Snap	
210	3422841	2	Pin	
211	3422847	1	Pin	
212	3572009	2	Plate, Slide Stop	
213	3572010	2	Plate, Slide Stop	
214	3572011	2	Plate, Slide Stop	
215	3572012	2	Plate, Slide Stop	

## SECTION 1 - FRAME

ITEM	PART NUMBER	QTY	DESCRIPTION	REV
216	3760170	8	Ring, Split	
217	4568133	1	Tube, Tow Bar	
218	4740036	1	Flatwasher	
219	4751000	2	Flatwasher #10 Regular	
220	4846295	1	Tow Bar Attach Weldment	
221	4846296	1	Pintle Attach Weldment	

Go to Discount-Equipment.com to order your parts

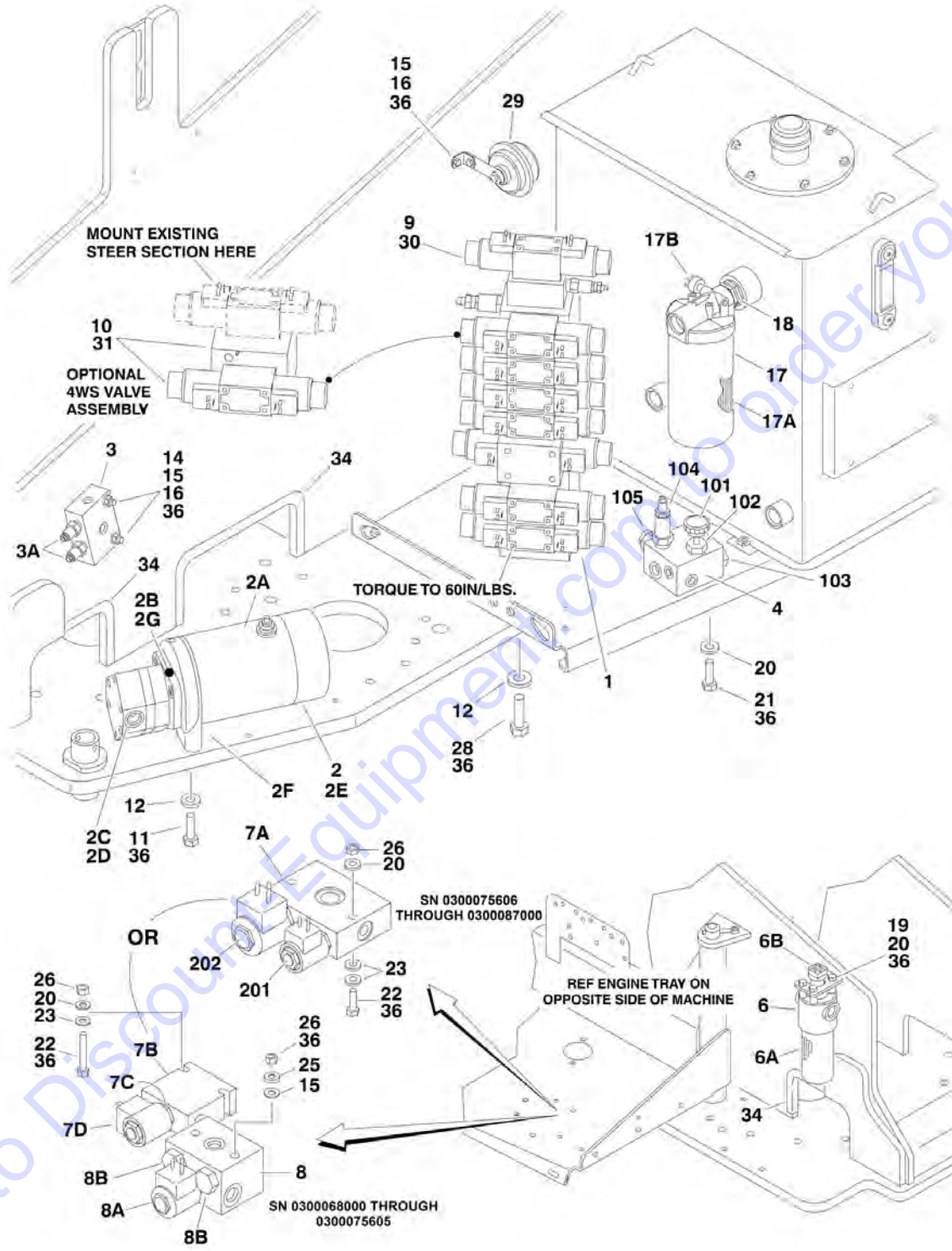


**SECTION 2 - TURNTABLE**

Go to Discount-Equipment.com to order your parts

# SECTION 2 - TURNTABLE

## FIGURE 2-1. CONTROL VALVES INSTALLATIONS



## SECTION 2 - TURNTABLE

### FIGURE 2-1. CONTROL VALVES INSTALLATIONS

ITEM	PART NUMBER	QTY	DESCRIPTION	REV
		Ref	<b>VALVES INSTALLATIONS</b>	
		Ref	<b>Valves Installations (SN 0300068000 through 0300075605)</b>	
	0255315	Ref	<b>Valves Installations 600S 2WS</b>	13
	0255446	Ref	<b>Valves Installations 600S 4WS</b>	12
	0255445	Ref	<b>Valves Installations 600SJ 2WS &amp; 660SJ 2WS</b>	14
	0255447	Ref	<b>Valves Installations 600SJ 4WS &amp; 660SJ 4WS</b>	12
		Ref	<b>Valves Installations (SN 0300075606 through 0300084826)</b>	
	0273082	Ref	<b>Valves Installations 600S 2WS</b>	3
	0273087	Ref	<b>Valves Installations 600S 4WS</b>	3
	0273086	Ref	<b>Valves Installations 600SJ 2WS &amp; 660SJ 2WS</b>	3
	0273088	Ref	<b>Valves Installations 600SJ 4WS &amp; 660SJ 4WS</b>	3
		Ref	<b>Valves Installations (SN 0300084827 through 0300087000)</b>	
	0274316	Ref	<b>Valves Installations 600S 2WS</b>	1
	0274317	Ref	<b>Valves Installations 600S 4WS</b>	1
	0274318	Ref	<b>Valves Installations 600SJ 2WS &amp; 660SJ 2WS</b>	1
	0274319	Ref	<b>Valves Installations 600SJ 4WS &amp; 660SJ 4WS</b>	1
1	4641096	1	Main Control Valve Assembly (See MAIN CONTROL VALVE ASSEMBLY for Breakdown)	
2	3600243	NLA	Auxiliary Pump Assembly (Use p/n 3600379) <b>(SN 0300068000 through 0300070772)</b>	
2	3600365	1	Auxiliary Pump Assembly <b>(SN 0300070773 through 0300087000)</b>	
2A	7013755	1	Replacement Motor (Pump p/n 3600243)	
2A	7013799	1	Brush Kit - 7013755	
2A	7004248	1	Replacement Motor without Endhead (Pump p/n 3600365/3600379)	
2A	7004290	1	Replacement Motor with Endhead (was p/n 7011067) (Pump p/n 3600365/3600379)	
2A	7011065	1	Brush Kit	
2B	7013711	1	Coupling (Pump p/n 3600243)	
2B	7011063	1	Coupling (Pump p/n 3600365/3600379)	
2C	7013796	1	Replacement Pump (Pump p/n 3600243)	
2C	See Note	1	Seal Kit (Note: Not Available - Purchase Individual Pieces)	
2C	7016700	1	Seal, Oil	
2C	7016701	1	O-Ring	
2C	7016702	1	O-Ring	
2C	7011064	1	Replacement Pump (Pump p/n 3600365/3600379)	
2C	7011066	1	Seal Kit	
2D	7022203	4	Bolt (Pump to Bracket) (Pump p/n 3600243)	
2D	7011043	4	Bolt (Pump to Endhead) (Pump p/n 3600365/3600379)	
2E	7016744	2	Bolt (Motor to Bracket) (Pump p/n 3600243)	
2E	See Note	2	Bolt (Motor to Endhead) (Pump p/n 3600365/3600379) (Note: Not Available for Purchase)	
2F	7011062	1	Endhead (Pump p/n 3600365/3600379)	
2G	7011044	1	Gasket (Pump p/n 3600365/3600379)	
3	4640908	1	Counterbalance Valve Assembly <b>(SN 0300068000 through 0300084826)</b>	
3A	7011328	2	Cartridge, Counterbalance	
3A	2900770	2	Seal, Kit - 7011328 Cartridge	
4	4640931	1	Manual Descent Valve Assembly (See Items 101-105 for Breakdown) <b>(SN 0300068000 through 0300070975)</b>	

## SECTION 2 - TURNTABLE

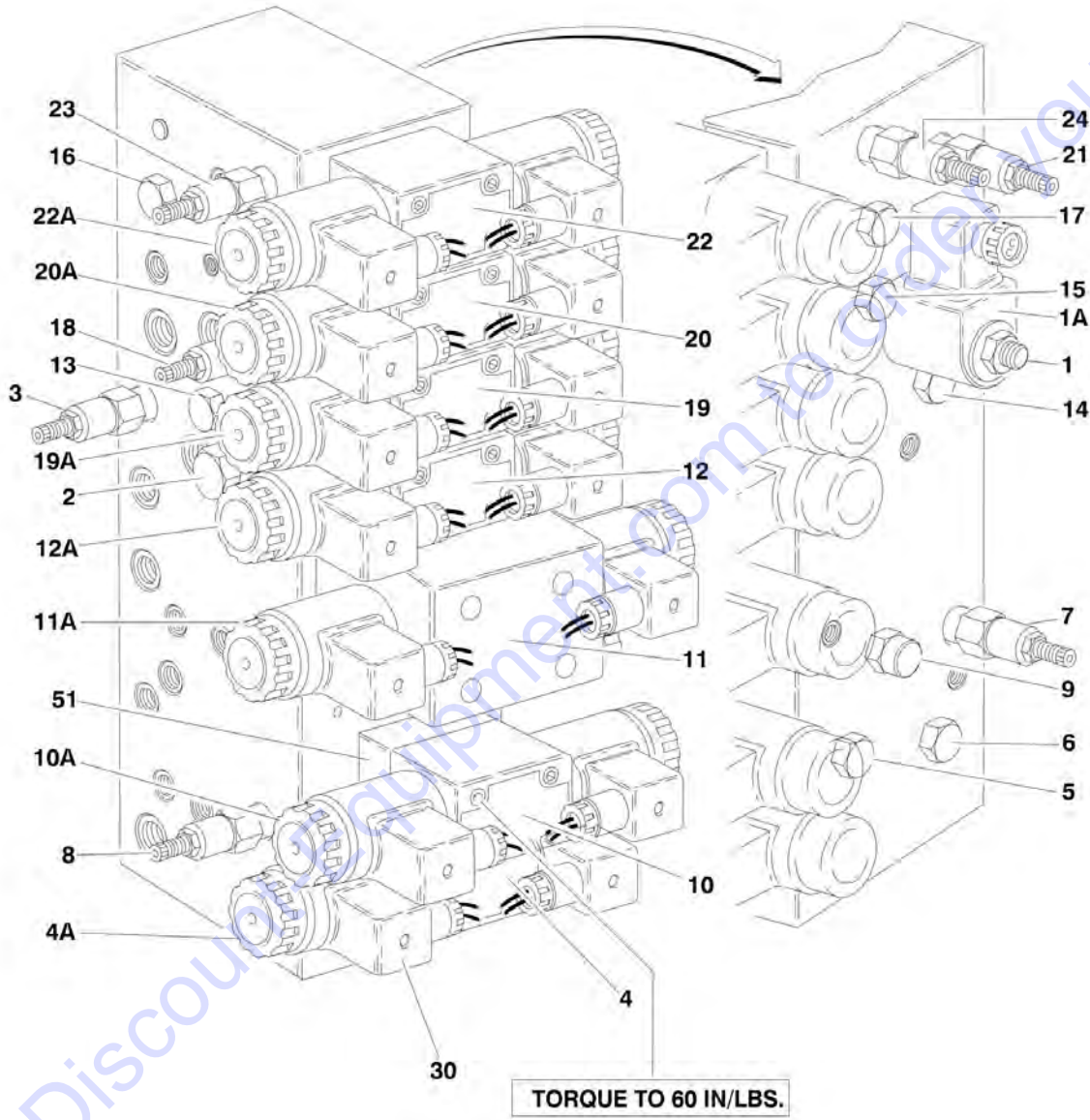
ITEM	PART NUMBER	QTY	DESCRIPTION	REV
6	2120146	1	Hydraulic Pressure Filter Assembly (SN 0300068000 through 0300084826)	
6	2120209	1	Hydraulic Pressure Filter Assembly (SN 0300084827 through 0300087000)	
6A	2120150	1	Element, Filter (Used with p/n 2120146)	
6A	2120210	1	Element, Filter (Used with p/n 2120209)	
6B	7016312	1	Indicator, Clogged (Used with p/n 2120146)	
6B	7020020	1	Indicator, Clogged (Used with p/n 2120209)	
6C	70000934	1	O-Ring, Filter Bowl (Not Shown - Used with p/n 2120209)	
7		Ref	Valve Assembly (Brake) Options:	
7A	4640907	1	Valve Assembly (Brake) (SN 0300068000 through 0300075605)	
7B	4641108	1	Valve Assembly (Brake) (See Items 201-202 for Breakdown) (SN 0300075606 through 0300087000)	
7C	7012941	1	Valve Assembly (Brake) Cartridge without Coil	
7C	7012907	1	Valve Assembly (Brake) Seal Kit - 7012941 Cartridge	
7D	7012944	1	Valve Assembly (Brake) Coil	
8	4640906	1	Valve Assembly (Two Speed Only) (SN 0300068000 through 0300075605)	
8A	7012974	1	Cartridge with Coil	
8A	7012907	1	Seal Kit - 7012974 Cartridge	
8B	7012944	1	Coil	
8C	See Note	2	Cartridge, Check (Note: Not Available for Purchase)	
8C	7012972	1	Seal Kit	
9		Ref	Valve Kit (Articulating Jib) Options:	
9	Not Required	0	Valve Kit (Articulating Jib) 600S	
9	4640921	1	Valve Kit (Articulating Jib) 600SJ & 660SJ (See ACCESSORY VALVE ASSEMBLY for Breakdown)	
10		Ref	4WS Valve Kit Options:	
10	Not Required	0	4WS Valve Kit 2WS Machines	
10	4640922	1	4WS Valve Kit 4WS Machines	
10	7012774	1	Control Valve Assembly	
10	7018912	2	Nut, Coil	
10	7012772	2	Coil	
10	7024014	2	Pipe, Pole	
10	7012773	1	Seal Kit - 7012774 Control Valve	
10	7017420	2	Valve, Cartridge	
10	7012998	2	Seal Kit - 7017420 Cartridge	
11	0641613	2	Bolt 3/8in-16NC x 1-5/8in	
12	4711600	5	Flatwasher 3/8in Thin	
14		Ref	Hardware Options:	
14	4891800	2	Hardware, Flatwasher 1/2in Hardened (SN 0300068000 through 0300074783)	
14	0641514	2	Hardware, Bolt 5/16in-18NC x 1-3/4in (SN 0300074784 through 0300075605)	
14	4891800	2	Hardware, Flatwasher 1/2in Hardened (SN 0300075606 through 0300087000)	
15	4711500	AR	Flatwasher 5/16in Thin	
16		Ref	Hardware Options:	
16	3311501	3	Hardware, Nut 5/16in-18NC (SN 0300068000 through 0300074783)	
16	0641506	1	Hardware, Bolt 5/16in-18NC x 3/4in (SN 0300074784 through 0300075605)	
16	3311501	3	Hardware, Nut 5/16in-18NC (SN 0300075606 through	

## SECTION 2 - TURNTABLE

ITEM	PART NUMBER	QTY	DESCRIPTION	REV
			<b>0300087000)</b>	
17	2120145	1	Return Filter Assembly (SN 0300068000 through 0300084826)	
17	2120164	1	Return Filter Assembly (SN 0300084827 through 0300087000)	
17A	2120149	1	Element, Filter (Used with p/n 2120146 & p/n 2120164)	
17B	7016313	1	Indicator Switch, Clogged (Used with p/n 2120145)	
17B	7020021	1	Indicator Switch, Clogged (Used with p/n 2120164)	
18	2220893	1	Fitting, Adapter	
19	0651406	AR	Bolt 1/4in-28NF x 3/4in	
20	4711400	AR	Flatwasher 1/4in Thin	
21	0651406	3	Bolt 1/4in-28NF x 3/4in (SN 0300068000 through 0300070975)	
22	0641418	2	Bolt 1/4in-20NC x 2-1/4in	
23	4891400	4	Flatwasher 1/4in Hardened (SN 0300068000 through 0300075605)	
24	0641508	2	Bolt 5/16in-18NC x 1in (SN 0300068000 through 0300075605)	
25	4891500	2	Flatwasher 5/16in Hardened (SN 0300068000 through 0300075605)	
26	3311405	2	Locknut 1/4in-20NC	
28	0641608	3	Bolt 3/8in-16NC x 1in	
29	0140001	1	Horn	
30		Ref	Harness Assembly (Jib Control) Options (Not Shown - See ELECTRICAL SECTION for Breakdown):	
30	Not Required	0	Harness Assembly (Jib Control) 600S	
30	4921927	1	Harness Assembly (Jib Control) 600SJ & 660SJ	
31		Ref	Harness Assembly (4WS Control) Options: (Not Shown - See ELECTRICAL SECTION for Breakdown):	
31	Not Required	0	Harness Assembly (4WS Control), 2WS Machines	
31	4921928	1	Harness Assembly (4WS Control), 4WS Machines	
34	4060918	40 in/10m	Flex-Trim	
36	0100011	AR	Compound, Locking	
	4640931	Ref	<b>MANUAL DESCENT VALVE ASSEMBLY (SN 0300068000 through 0300070975)</b>	
101	7012961	1	Knob	
102	7012954	1	Cartridge, Needle Valve	
102	7012953	1	Seal Kit - 7012954 Valve	
103	7012975	1	Cartridge, Check Valve	
103	7012540	1	Seal Kit - 7012975 Valve	
104	7012976	1	Cartridge, Relief Valve	
104	7012971	1	Seal Kit - 7012971 Valve	
105	7012977	1	Cartridge, Pilot Valve	
105	7012918	1	Seal Kit - 7012977 Valve	
	4641108	Ref	<b>VALVE ASSEMBLY (DUAL SELECT BRAKE/2 SPEED)</b>	B
201	7012941	1	Cartridge without Coil	
201	7010543	1	Seal Kit - 7012941 Cartridge	
201	7012944	1	Coil	
202	7012995	1	Cartridge without Coil	
202	7012518	1	Seal Kit - 7012995 Cartridge	
202	7012943	1	Coil	

# SECTION 2 - TURNTABLE

## FIGURE 2-2. MAIN CONTROL VALVE ASSEMBLY



## SECTION 2 - TURNTABLE

### FIGURE 2-2. MAIN CONTROL VALVE ASSEMBLY

ITEM	PART NUMBER	QTY	DESCRIPTION	REV
	4641096	Ref	<b>MAIN CONTROL VALVE ASSEMBLY</b>	A
1	7017410	1	Cartridge, Without Coil	
1	7012967	1	Seal Kit - 7017410 Cartridge	
1A	7012944	1	Coil	
2	7017464	1	Cartridge, Pressure Sensing	
2	7012518	1	Seal Kit	
3	7012912	1	Cartridge (Main Relief)	
3	7012998	1	Seal Kit	
4	70001976	1	Control Valve Assembly (Platform Level) (was p/n 7012770)	
4	7012773	1	Seal Kit	
4	7018942	4	Capscrew #10 x 2	
4A	7012772	2	Coil	
5	7012914	1	Cartridge, Check Valve	
5	7012918	1	Seal Kit - 7012914 Cartridge	
6	7012914	1	Cartridge, Check Valve	
6	7012918	1	Seal Kit - 7012914 Cartridge	
7	7012912	1	Cartridge, Relief Valve (Platform Level Backward)	
7	7012998	1	Seal Kit - 7012912 Cartridge	
8	7012912	1	Cartridge, Relief Valve (Platform Level Forward)	
8	7012998	1	Seal Kit - 7012912 Cartridge	
9	7012989	1	Cartridge, Flow Control	
9	7012953	1	Seal Kit - 7012989 Cartridge	
10	70001976	1	Control Valve Assembly (Platform Rotate) (was p/n 7012770)	
10	7012773	1	Seal Kit	
10	7018986	4	Capscrew #10 x 3-1/2	
10A	7012772	2	Coil	
11	70000579	1	Control Valve Assembly (Upper Tele) (was p/n 7012766)	
		Ref	<b>Note: Refer to Vendor P/N on Valve Nameplate before ordering Parts. P/N 7012766 is RR00567495 or R900567495. P/N 70000579 is R900930080.</b>	
11		Ref	Seal Kit Options:	
11	7012769	1	Seal Kit, 7012766 Valve	
11	70000583	1	Seal Kit, 70000579 Valve	
11	7018951	4	Capscrew 1/4 x 1-1/2	
11A		Ref	Coil Options:	
11A	7012772	1	Coil, 7012766 Valve (was p/n 7012768)	
11A	70000582	1	Coil, 70000579 Valve	
11A		Ref	Nut, Coil Options:	
11A	7018912	1	Nut, Coil, 7012766 Valve	
11A	70000580	1	Nut, Coil, 70000579 Valve	
12	7012775	1	Control Valve Assembly (Flow Control)	
12	7012773	1	Seal Kit	
12	7018942	4	Capscrew #10 x 2	
12A	7012772	2	Coil	
12A	7018912	2	Nut	
12A	7024015	2	Pipe, Pole	
13	7010542	1	Cartridge, Shuttle	
13	7010543	1	Seal Kit - 7010542 Cartridge	
14	7010542	1	Cartridge, Shuttle	
14	7010543	1	Seal Kit - 7010542 Cartridge	

## SECTION 2 - TURNTABLE

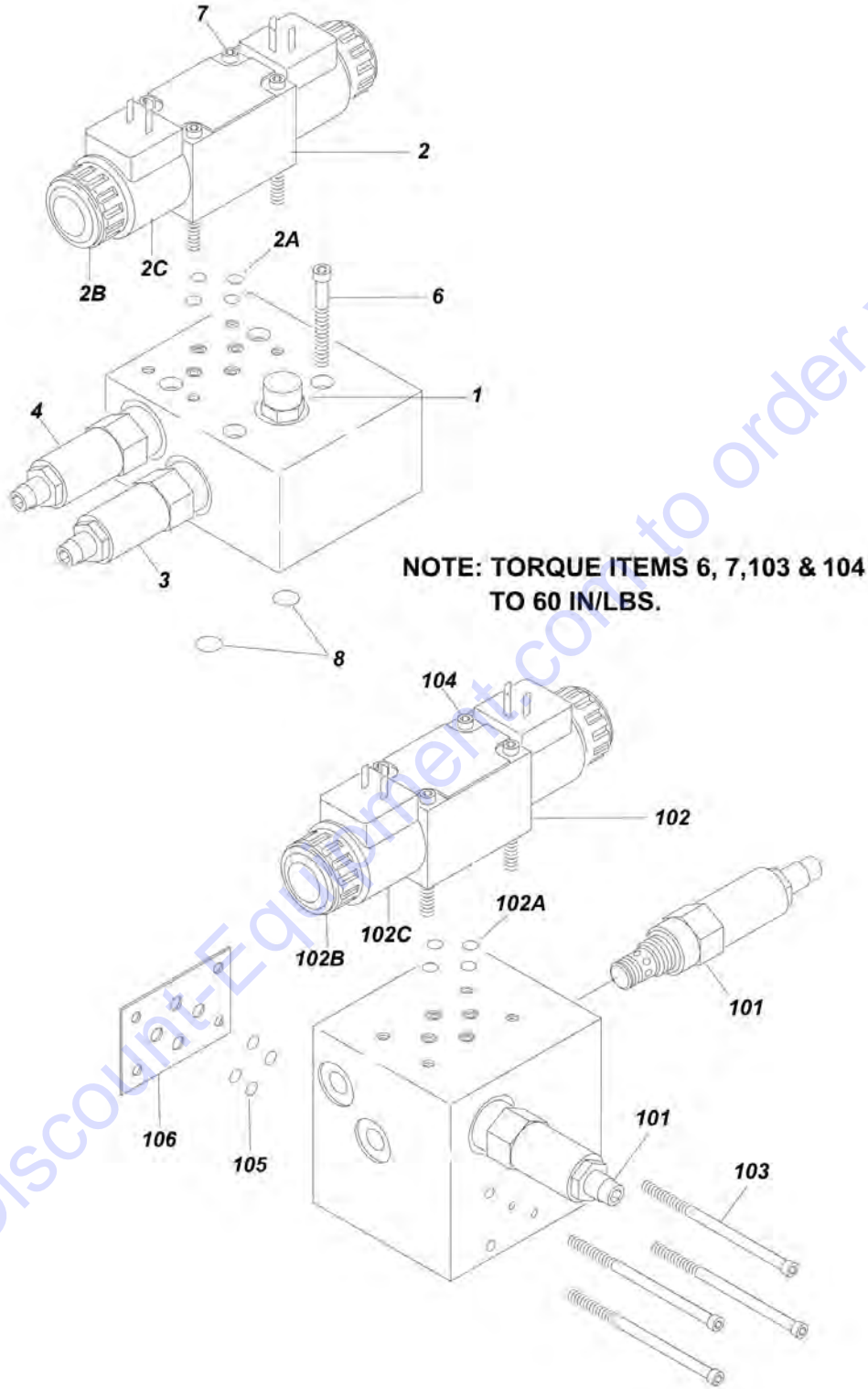
ITEM	PART NUMBER	QTY	DESCRIPTION	REV
15	7010542	1	Cartridge, Shuttle	
15	7010543	1	Seal Kit - 7010542 Cartridge	
16	7010542	1	Cartridge, Shuttle	
16	7010543	1	Seal Kit - 7010542 Cartridge	
17	7010542	1	Cartridge, Shuttle	
17	7010543	1	Seal Kit - 7010542 Cartridge	
18	7012912	1	Cartridge, Relief Valve (Upper Lift Down)	
18	7012998	1	Seal Kit - 7012912 Cartridge	
19	7012775	1	Control Valve Assembly (Upper Lift)	
19	7012773	1	Seal Kit	
19	7018942	4	Capscrew #10 x 2	
19A	7012772	2	Coil	
19A	7018912	2	Nut	
19A	7024015	2	Pipe, Pole	
20	7012775	1	Control Valve Assembly (Swing)	
20	7012773	1	Seal Kit	
20	7018942	4	Capscrew #10 x 2	
20A	7012772	2	Coil	
20A	7018912	2	Nut	
20A	7024015	2	Pipe, Pole	
21	7012912	1	Cartridge, Relief Valve (Swing)	
21	7012998	1	Seal Kit - 7012912 Cartridge	
22	7012774	1	Control Valve Assembly (Steer)	
22	7012773	1	Seal Kit	
22	7018942	4	Capscrew #10 x 2	
22A	7012772	2	Coil	
22A	7018912	2	Nut	
22A	7024014	2	Pipe, Pole	
23	7012912	1	Cartridge, Relief Valve (Steer Left)	
23	7012998	1	Seal Kit - 7012912 Cartridge	
24	7012912	1	Cartridge, Relief Valve (Steer Right)	
24	7012998	1	Seal Kit - 7012912 Cartridge	
30	4460499	15	Connector, Din with Diode (Part of Valve Harness)	
	2901763	Ref	<b>ROTATE SANDWICH VALVE KIT</b>	A
51	7021310	1	Block, Valve	





## SECTION 2 - TURNTABLE

FIGURE 2-3. ACCESSORY VALVE ASSEMBLY



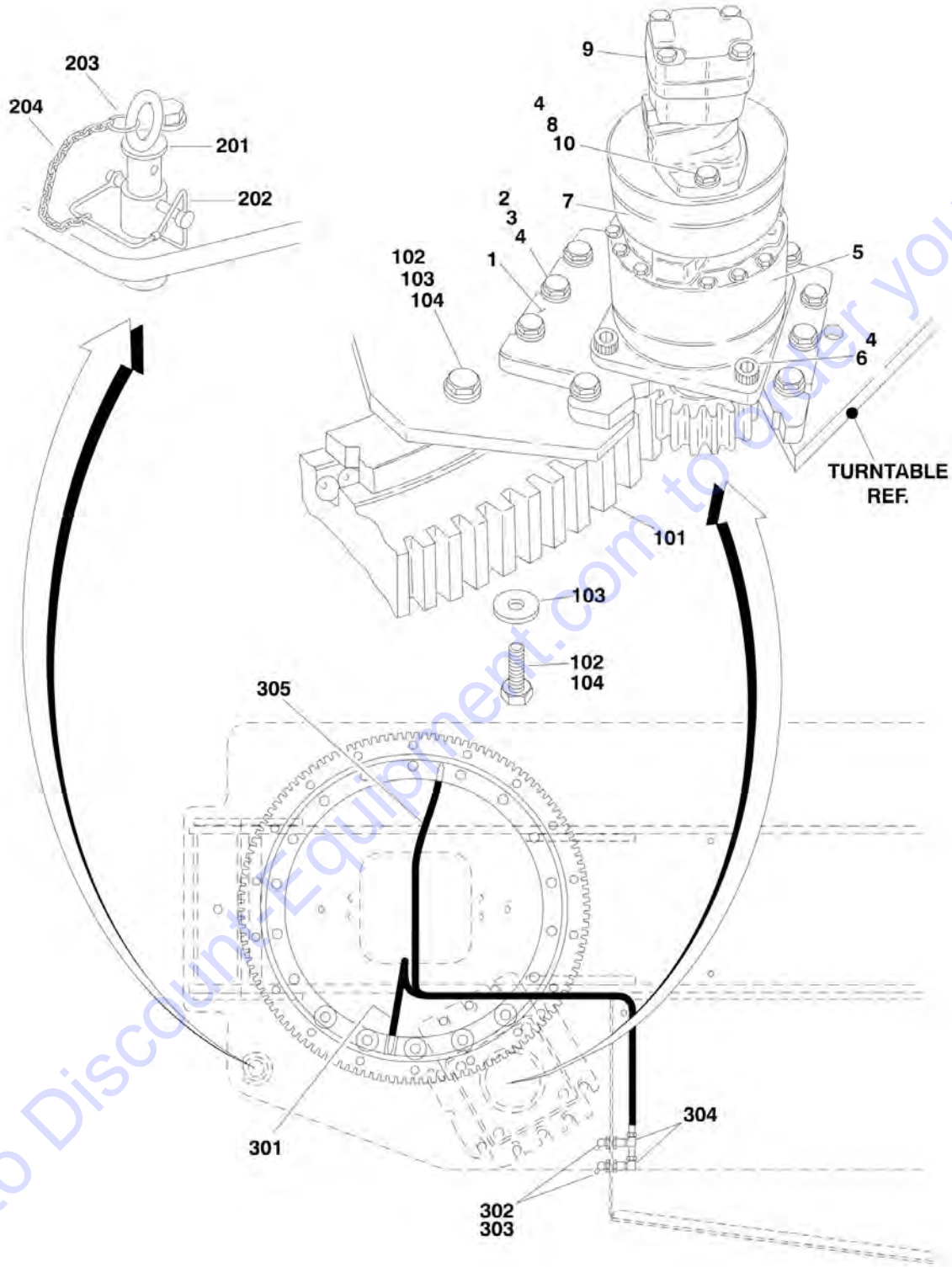
## SECTION 2 - TURNTABLE

**FIGURE 2-3. ACCESSORY VALVE ASSEMBLY**

ITEM	PART NUMBER	QTY	DESCRIPTION	REV
		Ref	<b>ACCESSORY VALVE ASSEMBLIES</b>	
	4640921	Ref	<b>ARTICULATING JIB VALVE ASSEMBLY</b>	D
1	7012965	1	Cartridge, Flow Control	
1	7012953	1	Seal Kit - 7012965 Cartridge	
2	70001976	1	Directional Control Valve Assembly (was p/n 7012770)	
2	7012773	1	Seal Kit	
2A	7018945	4	O-Ring	
2B	7018912	2	Nut	
2C	7012772	2	Coil	
3	7017421	1	Cartridge, Relief	
3	7012998	1	Seal Kit - 7017421 Cartridge	
4	7017422	1	Cartridge, Relief	
4	7012998	1	Seal Kit - 7017422 Cartridge	
5	4460499	2	Connector, DIN with Diode (Not Shown - Part of Valve Harness)	
6	7012777	4	Capscrew, Socket Head 5/16in-18NC x 2-1/4in (Used to Mount Valve Assembly)	
7	7018942	4	Capscrew, Socket Head #10-24NC x 2in	
8	7012776	2	O-Ring (Used to Mount Main Valve)	
	4640922	Ref	<b>4WS VALVE ASSEMBLY</b>	B
101	7017420	1	Cartridge, Relief	
101	7012998	1	Seal Kit - 7017420 Cartridge	
102	7012774	1	Directional Control Valve Assembly	
102	7012773	1	Seal Kit	
102A	7018945	4	O-Ring	
102B	7018912	2	Nut	
102C	7012772	2	Coil	
103	7018946	4	Capscrew, Socket Head #10-24NC x 5in (Used to Mount Main Valve)	
104	7018942	4	Capscrew, Socket Head #10-24NC x 2in	
105	7018948	4	O-Ring (Used to Mount Main Valve)	
106	7018947	1	Plate, O-Ring	

## SECTION 2 - TURNTABLE

FIGURE 2-4. SWING DRIVE, TURNTABLE BEARING AND LOCK INSTALLATIONS



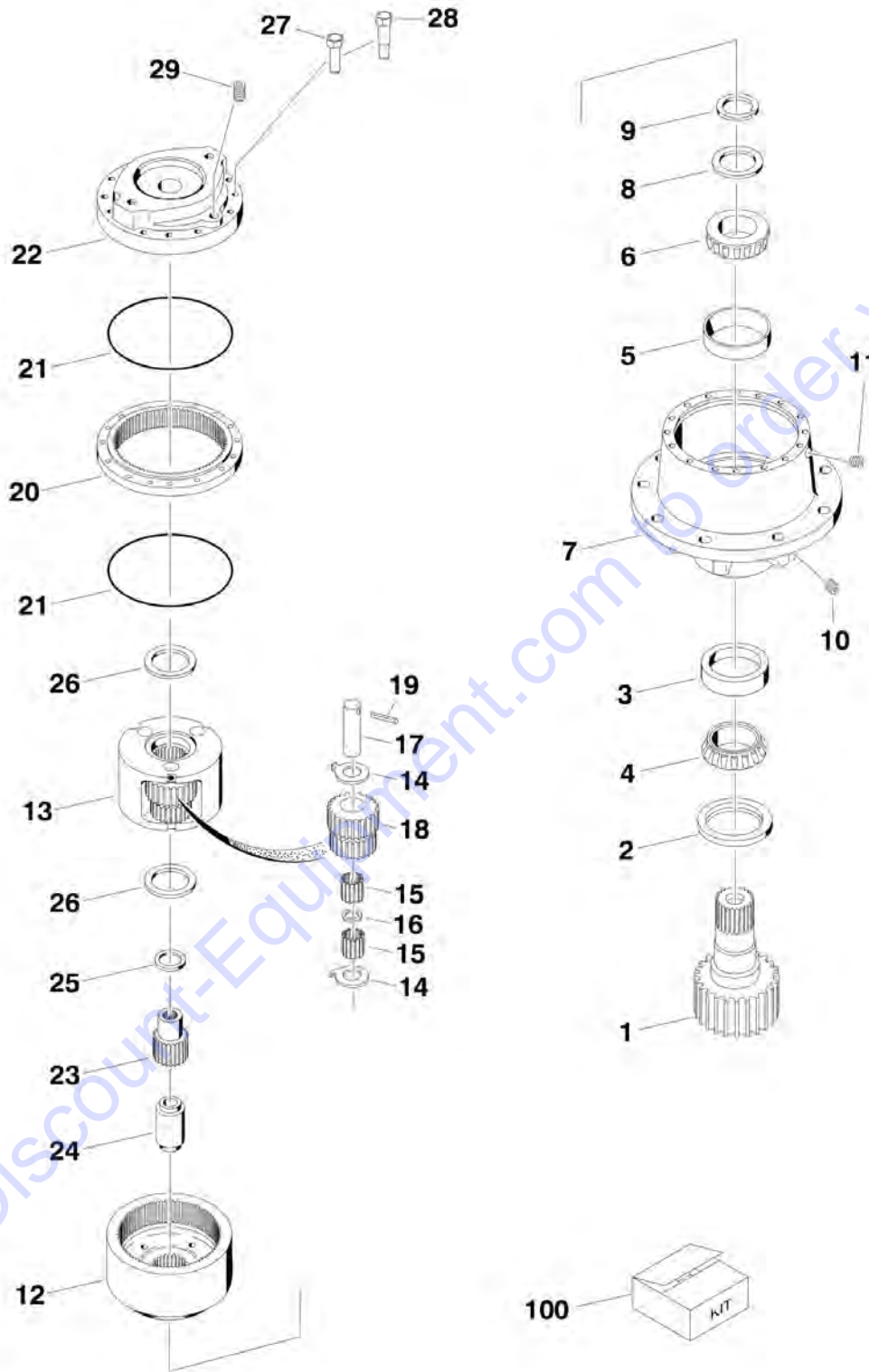
## SECTION 2 - TURNTABLE

**FIGURE 2-4. SWING DRIVE, TURNTABLE BEARING AND LOCK INSTALLATIONS**

ITEM	PART NUMBER	QTY	DESCRIPTION	REV
	0270329	Ref	<b>SWING DRIVE INSTALLATION</b>	A
1	3537318	1	Plate, Swing Drive Mounting	
2	0642018	10	Bolt 5/8in-11NC x 2-1/4in	
3	4892000	10	Flatwasher 5/8in Hardened	
4	0100011	AR	Compound, Locking	
5	2780205	1	Hub Assembly (See SWING HUB ASSEMBLY for Breakdown)	
6	3932224	2	Capscrew 3/4in-10NC x 1-1/2in	
7	0920119	1	Brake Assembly	
7	7007933	2	Gasket, Mounting Face	
7	7007990	2	O-Ring, Mounting Face	
7	7018612	1	Repair Kit - 0920119 Brake	
		Ref	<b>Note: Other than Gasket and O-Ring, Repair Kit is only part available.</b>	
8	0681836	2	Bolt 1/2in-13NC x 4-1/2in	
9		Ref	Motor Assembly Options (See SWING MOTOR ASSEMBLIES for Breakdown): (Note: Either p/n may be used as replacement)	
9	3160273	NLA	Motor Assembly, White Roller Stator Motor (Original Equipment) (Use p/n 1001110169)	
9	1001110169	1	Motor Assembly, Parker Motor (Service Replacement)	
10	4891800	2	Flatwasher 1/2in Hardened	
	0254798	Ref	<b>TURNTABLE BEARING INSTALLATION</b>	1-A
101	0440207	1	Bearing, Turntable	
102	0682016	36	Bolt 5/8in-11NC x 2in (Grade 8)	
103	4892000	36	Flatwasher 5/8in Hardened	
104	0100019	AR	Compound, Locking	
	0239585	Ref	<b>TURNTABLE LOCK INSTALLATION</b>	B
201	3421627	1	Pin	
202	3421565	1	Pin, Snap	
203	3760170	2	Ring, Quick Release	
204	1260017	9 in/23cm	Chain	
	0255316	Ref	<b>REMOTE BEARING LUBE INSTALLATION</b>	3
301	2751095	1	Hose, Grease (SN 0300068000 through 0300070975)	
302	2180344	AR	Fitting, Bulkhead	
303	2160003	AR	Fitting, Grease 45	
304	2220063	2	Fitting, 90	
305	2751032	1	Hose, Grease	

# SECTION 2 - TURNTABLE

## FIGURE 2-5. SWING HUB ASSEMBLY



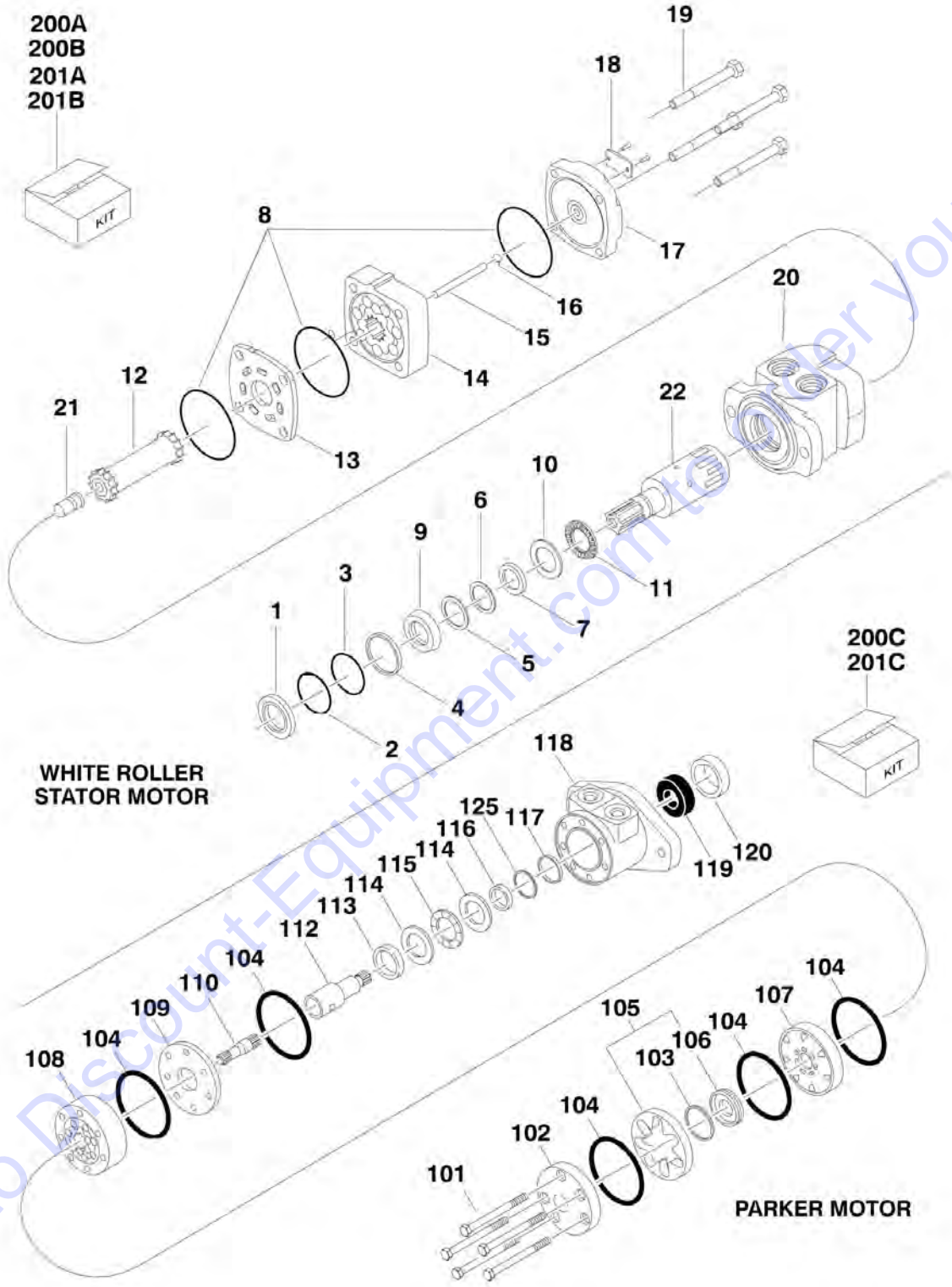
**SECTION 2 - TURNTABLE**

**FIGURE 2-5. SWING HUB ASSEMBLY**

ITEM	PART NUMBER	QTY	DESCRIPTION	REV
	2780205	Ref	<b>SWING HUB ASSEMBLY</b>	-
		Ref	<b>HOUSING ASSEMBLY</b>	
1	7010492	1	Shaft, Output	
2	7000228	1	Seal, Lip	
3	7000255	1	Cup, Bearing	
4	7000256	1	Cone, Bearing	
5	7000257	1	Cup, Bearing	
6	7000258	1	Cone, Bearing	
7	7017089	1	Housing	
8	7007633	1	Thrustwasher	
9	7000229	1	Ring, Retaining	
10	7010494	2	Pipe, Plug	
11	7001928	2	Pipe, Plug	
12	7000246	2	Gear, In O-Ring	
		Ref	<b>CARRIER ASSEMBLY</b>	
13	7001931	1	Carrier	
14	7001985	6	Thrustwasher, Tanged	
15	7001909	96	Bearing, Needle	
16	7000263	3	Spacer, Thrust	
17	7001911	3	Shaft, Planet	
18	7001987	3	Gear, Cluster	
19	7010474	3	Roll Pin	
20	7001988	1	Ring Gear	
21	7000230	1	O-Ring (Black)	
21	7017070	1	O-Ring (White)	
22	7000209	1	Cover, Input	
23	7010488	1	Gear, Sun	
24	7000269	1	Spacer, Input	
25	7000270	1	Thrustwasher	
26	7000253	2	Thrustwasher	
27	7000217	8	Bolt	
28	7000214	4	Bolt, Shoulder	
29	2200222	1	Pipe, Plug	
100	7024100	1	Seal Kit (Includes Items 2, 9, 21 & 26)	

# SECTION 2 - TURNTABLE

## FIGURE 2-6. SWING MOTOR ASSEMBLY





## SECTION 2 - TURNTABLE

### FIGURE 2-6. SWING MOTOR ASSEMBLY

ITEM	PART NUMBER	QTY	DESCRIPTION	REV
		Ref	<b>Note: Original Equipment may have been replaced with Service Replacement swing motor. Identify brand before ordering parts.</b>	
	3160273	Ref	<b>SWING MOTOR ASSEMBLY (WHITE ROLLER STATOR) (ORIGINAL EQUIPMENT)</b>	B
1	See Note	NSS	Seal, Dust (Note: Use Item 200A)	
2	See Note	NSS	Ring, Split Wire (Note: Use Item 200A)	
3	See Note	NSS	Shim, Metal Back-up (Note: Use Item 200A)	
4	See Note	NSS	Seal, High Pressure (Note: Use Item 200A)	
5	See Note	NSS	Shim, Metal Back-up (Note: Use Item 200A)	
6	See Note	NSS	Seal, Teflon Back-up (Note: Use Item 200A)	
7	See Note	NSS	Seal, Shaft (Note: Use Item 200A)	
8	See Note	NSS	Seal, Body (Note: Use Item 200A)	
9	See Note	NSS	Carrier, Seal (Note: Use Item 200B)	
10	See Note	NSS	Thrustwasher (Note: Use Item 200B)	
11	7016422	1	Bearing, Thrust	
12	7005889	1	Link, Drive	
13	7016423	1	Plate, Wear	
14	7005890	1	Rotor Assembly	
15	7005891	1	Pin, Drive Link	
16	See Note	NSS	Ball (Note: Use Item 201A)	
17	See Note	NSS	Cover, End (Note: Use Item 201A)	
18	See Note	NSS	Tag, I.D. (Note: Not Available for Purchase)	
19	7005892	4	Bolt	
20	7016425	1	Housing	
21	7005893	1	Plug, Cooling	
22	7016426	1	Shaft	
	1001110169	Ref	<b>SWING MOTOR ASSEMBLY (PARKER) (SERVICE REPLACEMENT)</b>	A
101	70002243	5	Bolt	
102	7004035	1	Cover, End	
103	See Note	NSS	Seal, Commutator (Note: Use Item 200C)	
104	See Note	NSS	Seal, Ring (Note: Use Item 200C)	
105	7024453	1	Commutator and Ring Assembly	
106	7024453	1	Ring	
107	7024379	1	Manifold	
108	70002208	1	Rotor Set	
109	7024380	1	Plate, Wear	
110	83304150	1	Link, Drive	
112	7024395	1	Shaft, Coupling	
113	7024381	1	Bushing, Bronze	
114	7004043	2	Thrustwasher	
115	7004044	1	Bearing, Thrust	
116	See Note	NSS	Seal, Inner (Note: Use Item 200C)	
117	See Note	NSS	Washer, Back-up (Note: Use Item 200C)	
118	See Note	1	Housing (Note: Not Available - Purchase Complete Swing Motor Assembly)	
119	7024390	1	Bearing	
120	See Note	NSS	Seal (Note: Use Item 200C)	
125	See Note	NSS	Washer, Back-up (Note: Use Item 200C)	
		Ref	<b>SEAL AND REPAIR KITS</b>	

## SECTION 2 - TURNTABLE

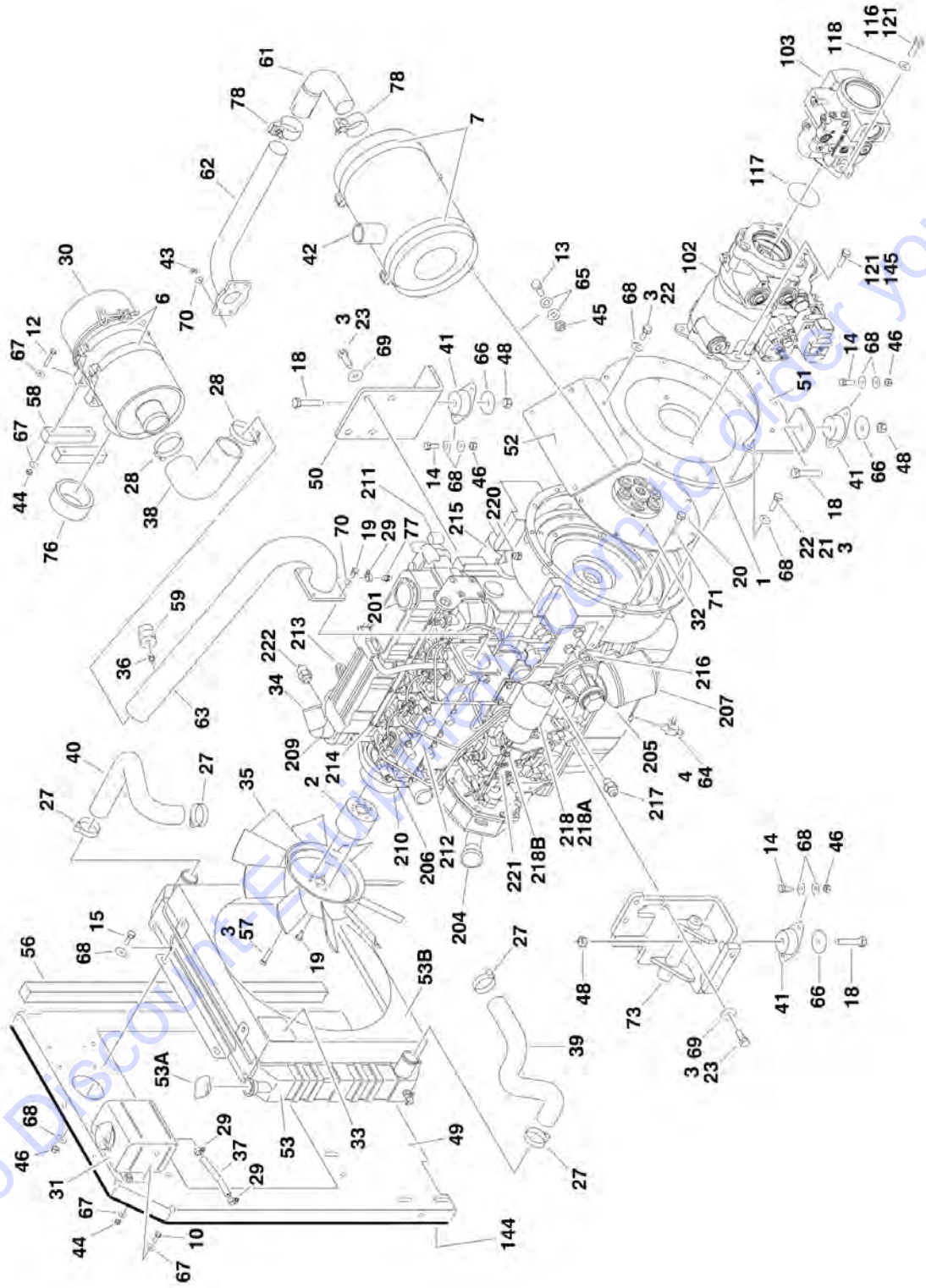
ITEM	PART NUMBER	QTY	DESCRIPTION	REV
200		Ref	Seal Kit Options:	
200		Ref	White Roller Stator Options:	
200A	7005881	1	White Roller Stator, Seal Kit (Includes Items 1-8)	
200B	7005882	1	White Roller Stator, Seal Carrier Kit (Includes Items 9 & 10)	
200		Ref	Parker Options:	
200C	7024389	1	Parker, Seal Kit (Includes Items 103, 104, 116, 117, 120 & 125)	
201		Ref	Repair Kit Options:	
201		Ref	White Roller Stator Options:	
201A	7016424	1	White Roller Stator, End Cover Kit (Includes Items 16 & 17)	
201B	7016427	1	White Roller Stator, Housing/Shaft Kit (Includes Items 20-22)	
201C	See Note	AR	Parker Options (Note: Purchase Individual Components)	

Go to Discount-Equipment.com to order your parts

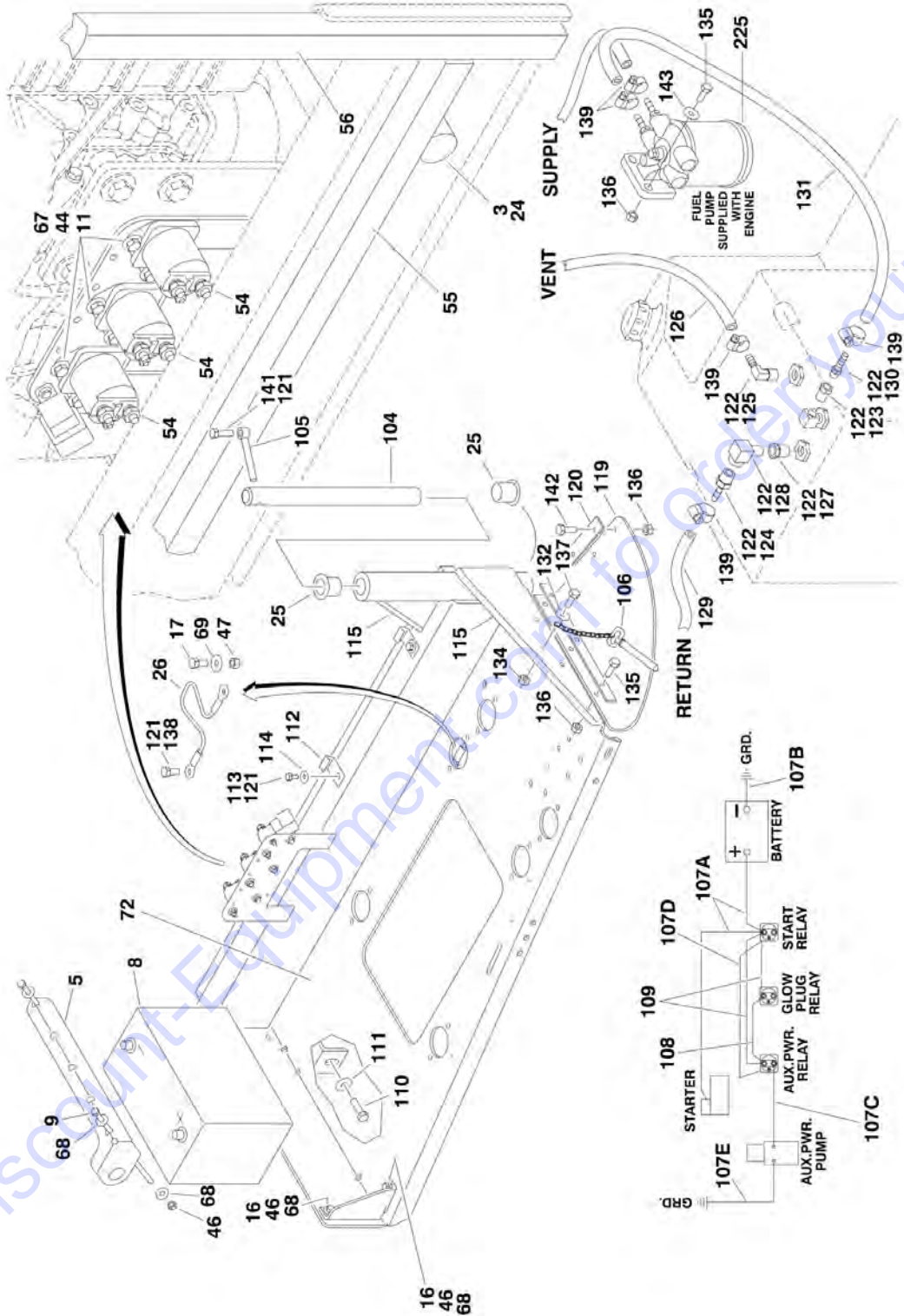


# SECTION 2 - TURNTABLE

## FIGURE 2-7. CATERPILLAR ENGINE INSTALLATION



SECTION 2 - TURNTABLE



## SECTION 2 - TURNTABLE

FIGURE 2-7. CATERPILLAR ENGINE INSTALLATION

ITEM	PART NUMBER	QTY	DESCRIPTION	REV
		Ref	<b>CATERPILLAR ENGINE ASSEMBLIES</b>	
	0272796	Ref	<b>Caterpillar Engine Assemblies (SN 0300068000 through 0300084826)</b>	F
	0274491	Ref	<b>Caterpillar Engine Assemblies (SN 0300084827 through 0300087000)</b>	B
1	0080181	1	Adaptor, Pump Mounting Plate	
2	0080243	1	Adaptor, Fan Spacer	
3	0100011	AR	Compound, Locking	
4	0100020	AR	Sealant, Thread	
5	0181727	1	Hold-Down, Battery	
6	0340041	2	Band, Mounting	
7	0340046	2	Band, Muffler	
8	0400075	1	Battery	
9	0630498	2	Rod, Hold-Down	
10	0641406	4	Bolt 1/4in-20NC x 3/4in	
11	0641407	6	Bolt 1/4in-20NC x 7/8in	
12	0701414	4	Bolt 1/4in-20NC x 3/4in	
13	0641507	4	Bolt 5/16in-18NC x 7/8in	
14	0641608	8	Bolt 3/8in-16NC x 1in	
15	0641609	4	Bolt 3/8in-16NC x 1-1/8in	
16	0641610	4	Bolt 3/8in-16NC x 1-1/4in	
17	0641808	1	Bolt 1/2in-13NC x 1in	
18	0641828	4	Bolt 1/2in-13NC x 2-1/2in	
19	0700808	8	Bolt M8 x 16mm	
20	0701010	8	Bolt M10 x 20mm	
21	0701012	4	Bolt M10 x 25mm	
22	0701015	8	Bolt M10 x 35mm	
23	0701214	8	Bolt M12 x 30mm	
24	0940070	1	Bumper, Rubber	
25	0961986	2	Bearing, Flange	
26	1060637	1	Lanyard	
27		Ref	Clamp, Hose Options:	
27	1320012	4	Clamp, Hose (SN 0300068000 through 0300084826)	
27	8405104	4	Clamp, Hose (SN 0300084827 through 0300087000)	
28	1320016	2	Clamp, Hose	
29		Ref	Clamp, Hose Options:	
29	1320022	3	Clamp, Hose (SN 0300068000 through 0300084826)	
29	8405009	3	Clamp, Hose (SN 0300084827 through 0300087000)	
30	1340060	1	Air Cleaner Assembly	
30	7012664	1	Element, Air Cleaner	
31	1580011	1	Container, Coolant Overflow	
32	1660239	1	Coupling, Pump	
33	1703162	2	Decal - Fan Blade	
34	2000194	1	Caterpillar Engine Assembly	
35	2060025	1	Fan	
36	2180798	1	Fitting (SN 0300068000 through 0300084826)	
37	2720058	0.33 ft /0.1m	Hose	
38	2720434	1	Elbow, Rubber	
39	2720509	1	Hose, Radiator (Bottom)	

## SECTION 2 - TURNTABLE

ITEM	PART NUMBER	QTY	DESCRIPTION	REV
40	2720510	1	Hose, Radiator (Top)	
41	3200406	4	Mount, Engine	
42	3220113	1	Muffler, Spark Arresting	
43	3290801	4	Nut m8 x 1.25	
44	3311405	14	Locknut 1/4in-20NC	
45	3311505	4	Locknut 5/16in-18NC	
46	3311605	18	Locknut 3/8in-16NC	
47	3311801	1	Nut 1/2in-13NC	
48	3311805	4	Locknut 1/2in-13NC	
49	3539872	1	Plate, Radiator Mounting	
50	3574206	1	Plate, Motor Mount	
51	3574207	1	Plate, Engine Mount (Rear)	
52	3574208	1	Bracket, Muffler	
53	3620047	1	Radiator	
53A	7027412	1	Cap, Radiator	
53B	70004182	1	Shroud, Fan	
54	3740067	3	Relay, Solenoid Assembly	
55	3960468	1	Seal, Foam Gasket	
56	3960469	1	Seal, Foam Gasket	
57	4031911	4	Bolt M8 x 35mm	
58	4220191	2	Block, Spacer	
59	4360392	1	Switch, Restrictor Indicator (SN 0300068000 through 0300084826)	
61	4567073	1	Tube, Exhaust	
62	4568721	1	Exhaust Tube Weldment	
63		Ref	Tube, Air Intake Weldment Options:	
63	4568788	1	Tube, Air Intake Weldment (SN 0300068000 through 0300084826)	
63	4569177	1	Tube, Air Intake Weldment (SN 0300084827 through 0300087000)	
64	4640750	1	Valve, Oil Drain	
65	4711500	8	Flatwasher 5/16in Thin	
66	4740274	4	Washer, Snubbing	
67	4751400	28	Flatwasher 1/4in Regular	
68	4751600	48	Flatwasher 3/8in Regular	
69	4751800	8	Flatwasher 1/2in Regular	
70	4811900	8	Flatwasher M8	
71	4832000	8	Lockwasher M10	
72	4846790	1	Tray Engine	
73	4846805	1	Mount, Engine/Generator - Left	
74	4922737	1	Harness, Relay Ground	
75	0721006	1	Bolt #10-24NC x 3/4in	
76	2720515	1	Seal, Air Cleaner	
77	2220767	1	Fitting	
78	70001017	2	Clamp	
		Ref	<b>CATERPILLAR ENGINE INSTALLATIONS</b>	
	0273521	Ref	<b>Caterpillar Engine Installations (SN 0300068000 through 0300075605)</b>	3
	0273594	Ref	<b>2WD (SN 0300075606 through 0300084826)</b>	2
	0274492	Ref	<b>2WD (SN 0300084827 through 0300087000)</b>	1
	0273595	Ref	<b>4WD (SN 0300075606 through 0300084826)</b>	2
	0274493	Ref	<b>4WD (SN 0300084827 through 0300087000)</b>	1

## SECTION 2 - TURNTABLE

ITEM	PART NUMBER	QTY	DESCRIPTION	REV
102		Ref	Piston Pump Assembly Options:	
102	3600260	1	Piston Pump Assembly (See PISTON PUMP ASSEMBLY for Breakdown) (SN 0300068000 through 0300075605)	
102	3600388	1	Piston Pump Assembly, 2WD (See PISTON PUMP ASSEMBLY for Breakdown) (SN 0300075606 through 0300087000)	
102	3600381	1	Piston Pump Assembly, 4WD (See PISTON PUMP ASSEMBLY for Breakdown) (SN 0300075606 through 0300087000)	
103	3600242	1	Gear Pump Assembly (See GEAR PUMP ASSEMBLY for Breakdown)	
104	3422446	1	Pin, Pivot	
105	3841143	1	Keeper, Pin	
106	3422532	1	Pin, Hitch	
107	2902296	1	Battery Cable Kit	
107A	7027000	1	Cable, Battery (Red)	
		Ref	<b>Note: Machines were built with Revisions A or B Cable Kit. Replacement p/n 7027000 will incorporate Item 107D. Discard Item 107D and install per illustration. (SN 0300068000 through 0300087000)</b>	
107B	7027004	1	Cable, Battery (Black)	
107C	7027002	1	Cable (Red)	
107D	7027001	1	Cable (Red) (No Longer Part of 2902296 Kit)	
107E	7027003	1	Cable (Black)	
108	1060904	1	Cable, Battery	
109	4922737	1	Harness, Relay Ground	
110	0642010	1	Bolt 5/8in-11NC x 1-1/4in	
111	4752000	1	Flatwasher 5/8in Regular	
112	1320223	3	J-Clip 1/2in	
113	0641606	3	Bolt 3/8in-16NC x 3/4in	
114	4711600	3	Flatwasher 3/8in Thin	
115	4060805	2 ft /0.7mm	Flex-Trim 1/4in	
116	3931620	2	Bolt 3/8in-16NC x 1-1/4in	
117	3790152	1	O-Ring	
118	4891600	2	Flatwasher 3/8in Hardened	
119	3380429	1	Panel, Rubber	
120	3539957	2	Plate, Support	
121	0100011	AR	Compound, Locking	
122	0100020	AR	Sealant, Thread	
123	2220273	2	Fitting, Reducer	
124	2180536	2	Fitting, Straight	
125	2220313	1	Fitting, 90	
126	2750532	6 ft/1.8m	Hose 3/8in	
127	2220250	1	Fitting, Reducer	
128	2220549	1	Fitting, 90	
129	2720271	15 ft/4.6m	Hose 3/16in	
130	2220794	1	Fitting, Barbed	
131	2720058	16 ft/4.9m	Hose	
132	4751400	4	Flatwasher 1/4in Regular	
133	0641608	2	Bolt 3/8in-16NC x 1in	
134	3311405	1	Locknut 1/4in-20NC	
135	0641507	5	Bolt 5/16in-18NC x 1-1/4in	
136	3311505	8	Locknut 5/16in-18NC	
137	0641407	1	Bolt 1/4in-20NC x 7/8in	



## SECTION 2 - TURNTABLE

ITEM	PART NUMBER	QTY	DESCRIPTION	REV
138	0641808	1	Bolt 1/2in-13NC x 1in	
139	1320022	7	Clamp, Hose	
140	1701505	1	Decal - Diesel (Not Shown - Located on Hood)	
141	0641610	1	Bolt 3/8in-16NC x 1-1/4in	
142	0641514	3	Bolt 5/16in-18NC x 1-3/4in	
143	4751500	3	Flatwasher 5/16in Regular	
144	3960389	5 ft/1.5m	Seal, Hood	
145	0641812	2	Bolt 1/2in-13NC x 1-3/4in	
	2000194	Ref	<b>ENGINE COMPONENTS</b>	D
201	7026800	1	Cap Oil Filler	
201	7026801	1	Gasket, Valve Cover	
202	7026802	1	Flywheel	
202	7026803	1	Gear, Ring (112 Teeth)	
203	7026804	1	Gasket (Not Shown - Between Flywheel Housing and Engine Block)	
203	7026805	1	Seal (Not Shown - Rear of Flywheel Housing)	
204	7026806	1	Cap, Filler	
204	7026807	1	Seal, Oil (Located in Front Housing)	
205	7026808	1	Plug, Oil Pan	
205	7026809	1	Gasket, Oil Pan	
206	7026810	1	V-Belt	
207	7026811	1	Filter, Oil	
		Ref	<b>Note: Machines with SkyPower use Remote Mounted Oil Filter - See SPECIAL OPTIONS SECTION. The same oil filter is used for all applications.</b>	
207	7026812	1	O-Ring (Between Bolt and Oil Filter Bracket)	
207	7026813	1	O-Ring (Between Oil Filter Bracket and Engine Block)	
208	7026819	1	Engine Cooler Assembly (Not Shown)	
208	7026816	2	O-Ring (Between Cover and Cooler)	
208	7026817	4	O-Ring (Between Cover and Cooler)	
208	7026818	1	Gasket (Between Cover and Engine Block)	
209	7026822	1	Thermostat	
209	7026821	1	Gasket (Between Regulator and Thermostat Housing)	
209	7026820	1	Gasket (Between Regulator and Engine Head)	
210		Ref	Pump, Water Options:	
		Ref	<b>Note: Customer must verify ENGINE SERIAL NUMBER before ordering replacement water pump.</b>	
210	7026823	1	<b>Engine (SN 0300075606 through Engine 34400832)</b>	
210	70001120	1	<b>Engine (SN 34400832 to Present)</b>	
210	70001742	1	Pulley, Water Pump	
210	7026824	1	Gasket (Between Pump and Pump Cover)	
210	7026825	1	Gasket (Between Pump Cover and Engine Block)	
211	7026826	1	Gasket, Exhaust Manifold	
211	7026827	1	Gasket, Exhaust	
212	7026829	1	Gasket, Intake Manifold	
212	7026828	1	Gasket, Intake	
213	7026831	1	Alternator	
214	7026832	4	Plug, Glow	
215	7026833	1	Starter	
216	7026834	1	Dipstick Oil Level	
217	1001097554	1	Switch, Oil Pressure (was p/n7026844)	
218	1600361	1	Actuator/Linkage Assembly - Throttle	

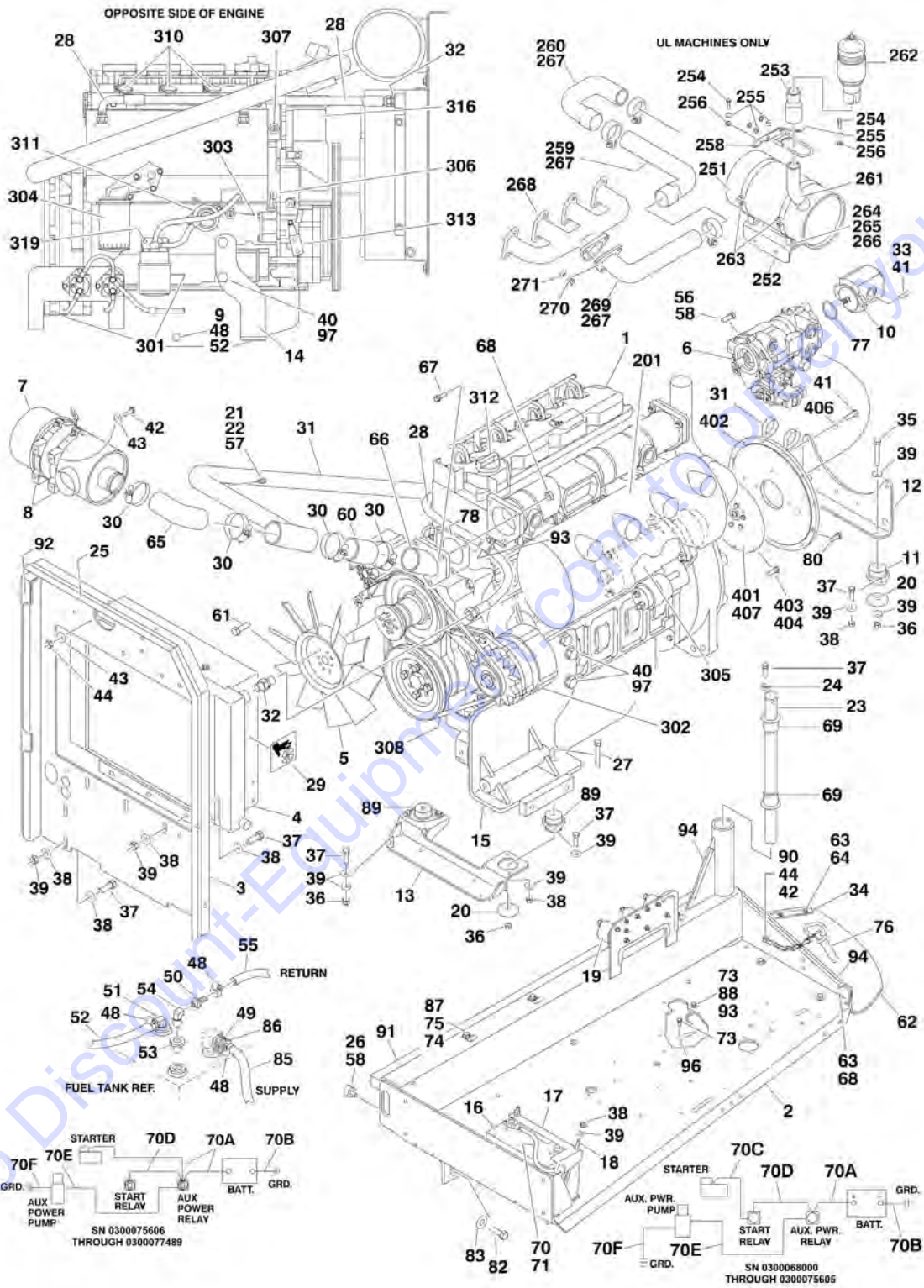
## SECTION 2 - TURNTABLE

ITEM	PART NUMBER	QTY	DESCRIPTION	REV
218A	1600361	1	Actuator and Electrical Connector Kit (was p/n 7026842)	
218A	7026835	1	Connector, Actuator	
218B	7026843	1	Linkage Kit	
220	7026841	1	Sensor, Speed Sensor	
220	7026836	1	Connector, Speed Sensor	
221	7026839	1	Pump, Fuel Supply	
222	7026840	1	Sensor, Water Temperature	
222	7026882	1	Seal, Sensor	
223	0902910	NLA	Mounting Bracket, Actuator (Use p/n 7026887)	
223	0903220	NLA	Mounting Bracket, Actuator (Use p/n 7026887)	
224	7026814	1	Valve, Relief - Engine Oil (Not Shown)	
224	7026815	1	Gasket, Relief Valve - Engine Oil (Not Shown)	
225	See Note	1	Fuel Filter/Water Separator (Note: Not Available for Purchase)	
225	7026830	1	Element, Fuel Filter/Water Separator	
226	2580055	1	Block Heater Kit (Not Shown) (was p/n 7026845)	
226	7026838	1	Gasket, Block Heater (Not Shown)	
226	70002841	1	Cord, Electrical (Not Shown)	



# SECTION 2 - TURNTABLE

FIGURE 2-8. DEUTZ ENGINE INSTALLATION (SN 0300068000 through 0300077489)



## SECTION 2 - TURNTABLE

**FIGURE 2-8. DEUTZ ENGINE INSTALLATION (SN 0300068000 through 0300077489)**

ITEM	PART NUMBER	QTY	DESCRIPTION	REV
		Ref	<b>DEUTZ ENGINE INSTALLATIONS</b>	
	0270763	Ref	<b>Deutz Engine Installations (SN 0300068000 through 0300075605)</b>	9-I
	0273593	Ref	<b>2WD (SN 0300075606 through 0300077489)</b>	2-B
	0273072	Ref	<b>4WD (SN 0300075606 through 0300077489)</b>	3-C
1	2000189	1	Engine - Deutz F4M1011F Diesel	
2	4845404	1	Tray Engine	
3	3539872	1	Plate, Radiator Mounting	
4	3620033	1	Cooler, Oil	
5	2060025	1	Fan	
6		Ref	Piston Pump Assembly Options:	
6	3600260	1	Piston Pump Assembly (See PISTON PUMP ASSEMBLY for Breakdown) <b>(SN 0300068000 through 0300075605)</b>	
6	3600388	1	Piston Pump Assembly 2WD (See PISTON PUMP ASSEMBLY for Breakdown) <b>(SN 0300075606 through 0300077489)</b>	
6	3600381	1	Piston Pump Assembly 4WD (See PISTON PUMP ASSEMBLY for Breakdown) <b>(SN 0300075606 through 0300077489)</b>	
7	1340060	1	Air Cleaner Assembly	
7	7012664	1	Element, Air Cleaner (Not Shown)	
8	0340041	2	Band, Mounting	
9	4640751	1	Valve, Oil Drain	
10	3600242	1	Gear Pump Assembly (See GEAR PUMP ASSEMBLY for Breakdown)	
11	3200378	2	Mount, Rubber Engine (Rear)	
12	3537420	1	Bracket, Engine Mounting - Rear	
13	3539971	1	Bracket, Engine Mounting - Front	
14	3537416	1	Support, Engine - Right	
15	4846566	1	Support, Engine - Left	
16	0400075	1	Battery	
17	0181727	1	Hold-Down, Battery	
18	0630498	2	Rod, Hold-Down	
19	3740067	2	Relay	
20	4740274	4	Washer, Snubbing	
21	4360392	1	Switch, Restrictor Indicator	
22	2180798	1	Fitting	
23	3422446	1	Pin, Pivot	
24	3841143	1	Keeper, Pin	
25	3960389	5 ft/1.5m	Seal	
26	0940070	1	Bumper, Rubber	
27	0641826	2	Bolt 1/2in-13NC x 3-1/4in	
28	2720398	2	Hose, Oil Cooler	
29	1703162	2	Nameplate - Fan Caution	
30	1320016	4	Clamp, Hose	
31	4567815	1	Tuning Tube Weldment	
32	2220451	2	Fitting, Straight	
33	3931620	2	Capscrew 3/8in-16NC x 1-1/4in	
34	3539957	2	Plate, Hold Down	
35	0641818	2	Bolt 1/2in-13NC x 2-1/4in	
36	3311805	4	Locknut 1/2in-13NC	
37	0641610	21	Bolt 3/8in-16NC x 1-1/4in	
38	3311605	22	Locknut 3/8in-16NC x 1-1/4in	

## SECTION 2 - TURNTABLE

ITEM	PART NUMBER	QTY	DESCRIPTION	REV
39	4751600	44	Flatwasher 3/8in Regular	
40	0701414	6	Bolt 1/4in-20NC x 3/4in	
41	4891600	2	Flatwasher 3/8in Hardened	
42	0641407	10	Bolt 1/4in-20NC x 7/8in	
43	4751400	17	Flatwasher 1/4in Regular	
44	3311405	10	Locknut 1/4in-20NC	
48	1320022	6	Clamp, Hose	
49	2220273	1	Fitting, Reducer	
50	2180536	1	Fitting, Straight	
51	2220313	1	Fitting, 90	
52	2750532	6 ft/1.83m	Hose 3/8in	
53	2220250	1	Fitting, Reducer	
54	2220459	1	Fitting, 90	
55	2720271	13.5 ft/4m	Hose 3/16in	
56	0641812	2	Bolt 1/2in-13NC x 1-1/2in	
57	0100020	AR	Sealant, Thread	
58	0100011	AR	Compound, Locking	
60	2720449	1	Coupling, Rubber Intake	
61	0700808	4	Bolt M8 x 16mm	
62	3380429	1	Panel, Rubber	
63	0641508	3	Bolt 5/16in-18NC x 1-1/4in	
64	0641514	3	Bolt 5/16in-18NC x 1-3/4in	
65	2720434	1	Elbow, Rubber	
66	4845395	1	Air Intake Adapter Weldment	
67	0641510	3	Bolt 5/16in-18NC x 1-1/4in	
68	3311505	AR	Locknut 5/16in-18NC	
69	0961986	2	Bushing, Flanged	
70	2901358	1	Battery Cable Kit (SN 0300068000 through 0300075605)	
70	2902296	1	Battery Cable Kit (SN 0300075606 through 0300077489)	
70A	7016800	1	Cable, Battery (Red) (Kit p/n 2901358)	
70A	7027000	1	Cable, Battery (Red) (Kit p/n 2902296)	
		Ref	<b>Note: Machines SN 0300068000 to SN 0300077489 were built with Revisions A or B Cable Kit. Replacement p/n 7027000 will incorporate Item 70D. Discard Item 70D and install per illustration.</b>	
70B	7016812	1	Cable, Battery (Black) (Kit p/n 2901358)	
70B	7027004	1	Cable, Battery (Black) (Kit p/n 2902296)	
70C	7016802	1	Cable (Red) (Kit p/n 2901358)	
70C	Not Required	0	Kit p/n 2902296	
70D	7016803	1	Cable (Red) (Kit p/n 2901358)	
70D	7027001	1	Cable (Red) (Kit p/n 2902296) (No Longer Part of 2902296 Kit)	
70E	7016824	1	Cable (Red) (Kit p/n 2901358)	
70E	7027003	1	Cable (Black) (Kit p/n 2902296)	
70F	7027002	1	Cable (Red) (Kit p/n 2902296)	
71	4460611	1	Terminal, Battery Jumper Post (SN 0300068000 through 0300075605)	
73	0641808	2	Bolt 1/2in-13NC x 1in	
74	1320223	3	J-Clip 1/2in	
75	0641606	3	Bolt 3/8in-16NC x 3/4in	
76	3422532	1	Pin, Hitch	
77	3790152	1	O-Ring	
78	3960407	1	Gasket	

## SECTION 2 - TURNTABLE

ITEM	PART NUMBER	QTY	DESCRIPTION	REV
79	4791400	4	Starwasher 1/4in	
80	0701012	4	Bolt M10 x 25mm	
81	0701015	4	Bolt M10 x 35mm	
82	0642010	1	Bolt 5/8in-11NC x 1-1/4in	
83	4752000	1	Flatwasher 5/8in Regular	
84	1701505	1	Decal - Diesel (Not Shown - Located on Hood)	
85	2720058	16 ft/4.9m	Hose	
86	2220794	1	Fitting, Barbed	
87	4711600	3	Flatwasher 3/8in Thin	
88	4751800	1	Flatwasher 1/2in Regular	
89	3200362	2	Mount, Rubber Engine (Front)	
90	4711400	1	Flatwasher 1/4in Thin	
91	3960468	1	Seal, Foam Gasket	
92	3960469	1	Seal, Foam Gasket	
93	3311801	1	Nut 1/2in-13NC	
94	4060805	3 ft/.88m	Flex-Trim 1/4in	
96	1060637	1	Lanyard	
97	4711900	6	Flatwasher 9/16in Thin	
		Ref	<b>MUFFLER INSTALLATIONS</b>	
	0256689	Ref	<b>Standard Equipment (Spark Arresting)</b>	-
	0256690	Ref	<b>Optional Equipment (Catalytic)</b>	-
201		Ref	Muffler Options:	
201	3220103	1	Muffler, Spark Arresting	
201	3220104	1	Muffler, Catalytic	
201		Ref	Muffler Components:	
201		Ref	Clamp Options:	
201	1320176	1	Clamp, Saddle Clamp Used on Spark Arresting	
201	70001017	1	Clamp, Band Clamp Used on Catalytic	
201	7024398	1	Clamp, Tube, Exhaust	
201	7024560	1	Clamp, Plug, Brass	
	0258568	Ref	<b>MUFFLER INSTALLATION (UL MACHINES)</b>	2
251	3220113	1	Muffler, Spark Arrestor	
252	3570754	1	Plate, Muffler Mount	
253	4845799	1	Weldment, Exhaust Tube	
254	3900232	5	Bolt, Button Head 3/8in-16NC x 1-1/4in	
255	4751600	5	Flatwasher 3/8in Regular	
256	3311601	5	Nut 3/8in-16NC	
257	0100011	AR	Compound, Locking	
258	0902472	1	Bracket	
259	4567429	1	Tube, Exhaust	
260	4567430	1	Tube, Exhaust	
261	4567431	1	Tube, Exhaust	
262	3220111	1	Spark Arrestor	
263	0340046	2	Band, Muffler	
264	0641507	4	Bolt 5/16in-18NC x 7/8in	
265	4711500	8	Flatwasher 5/16in Thin	
266	3311505	4	Locknut 5/16in-18NC	
267	4100025	3.5 ft /1.06m	Sleeve	
268	3100076	1	Manifold, Exhaust (UL Machines Only)	
269	4567428	1	Tube, Exhaust (UL Machines Only)	
270	0700812	3	Bolt M8 x 25mm (UL Machines Only)	

## SECTION 2 - TURNTABLE

ITEM	PART NUMBER	QTY	DESCRIPTION	REV
271	4831900	3	Lockwasher M8 (UL Machines Only)	
	2000189	Ref	<b>ENGINE COMPONENTS</b>	B
301	7016328	1	Filter, Fuel	
302	7000663	1	Alternator (was p/n 7020410)	
302	7020464	1	Regulator	
302	70003356	1	Pulley, Alternator	
302	70002234	1	Bracket, Adjustable	
303	7020461	1	Switch, Oil Pressure	
304	7016331	1	Filter, Oil	
305	7020479	1	Starter	
305	7026608	1	Relay	
305	70001498	1	Shield, Starter Heat (Not Shown)	
306	7026631	1	Dipstick Oil Level	
306	70001002	1	Tube, Dipstick	
306	7020487	1	O-Ring, Dipstick	
307	7020168	1	Switch, Engine Temperature	
307	7020480	1	Ring Seal, Engine Temperature Switch	
308	7020408	1	V-Belt	
310	7024318	4	Pump, Fuel Injection (was p/n 7020462)	
310	7026522	4	Injector, Fuel (Includes Nozzle Element) (Not Shown):	
311	7020463	1	Fuel, Pump Supply (was p/n 7024413)	
311	7020411	1	Gasket, Lift Pump	
312	7020465	2	Cap, Filler	
313	7020474	1	Pump, Oil Lube	
313	7020468	1	Ring Seal Oil Pump	
315	7024565	1	Sensor, Speed (was p/n 7020481) (Not Shown)	
316	7020458	1	Actuator, Throttle	
316	7027276	1	Spring, Actuator (was p/n 7026607)	
317	See Note	1	Flywheel/Ring Gear Assembly (Not Shown) (Note: Not Available for Purchase)	
317	7024579	1	Ring Gear Only (Not Shown)	
318	7020471	8	Gasket, Exhaust Manifold to Engine Block and Exhaust Manifold to Muffler (Not Shown)	
318	70002200	8	Stud	
318	70003476	8	Nut	
319	70001423	1	Bracket, Fuel Filter	
320	7020449	4	Gasket, Intake Manifold (Not Shown)	
321	7020431	1	Gasket, Valve Cover (Not Shown)	
322		Ref	Gasket, Head Options (Not Shown):	
322	70001681	1	Gasket, Head 1 Notch	
322	70002411	1	Gasket, Head 2 Notches	
322	70002530	1	Gasket, Head 3 Notches	
323	7020459	1	Thermostat (Located at rear of engine block - Not Shown)	
323	7020460	1	Spring, Compression	
324	7020488	1	Connector, Plug-in (Plug into Various Sensors - Oil, Temperature and Pressure - Not Shown)	
	0256847	Ref	<b>PUMP COUPLING INSTALLATION</b>	-
401	1660234	1	Coupling, Hayes	
402	0080163	1	Plate, Pump Adapter	
403	0700810	6	Bolt M8 x 20mm	
404	4831900	6	Lockwasher M8	
406	4832000	8	Lockwasher M10	



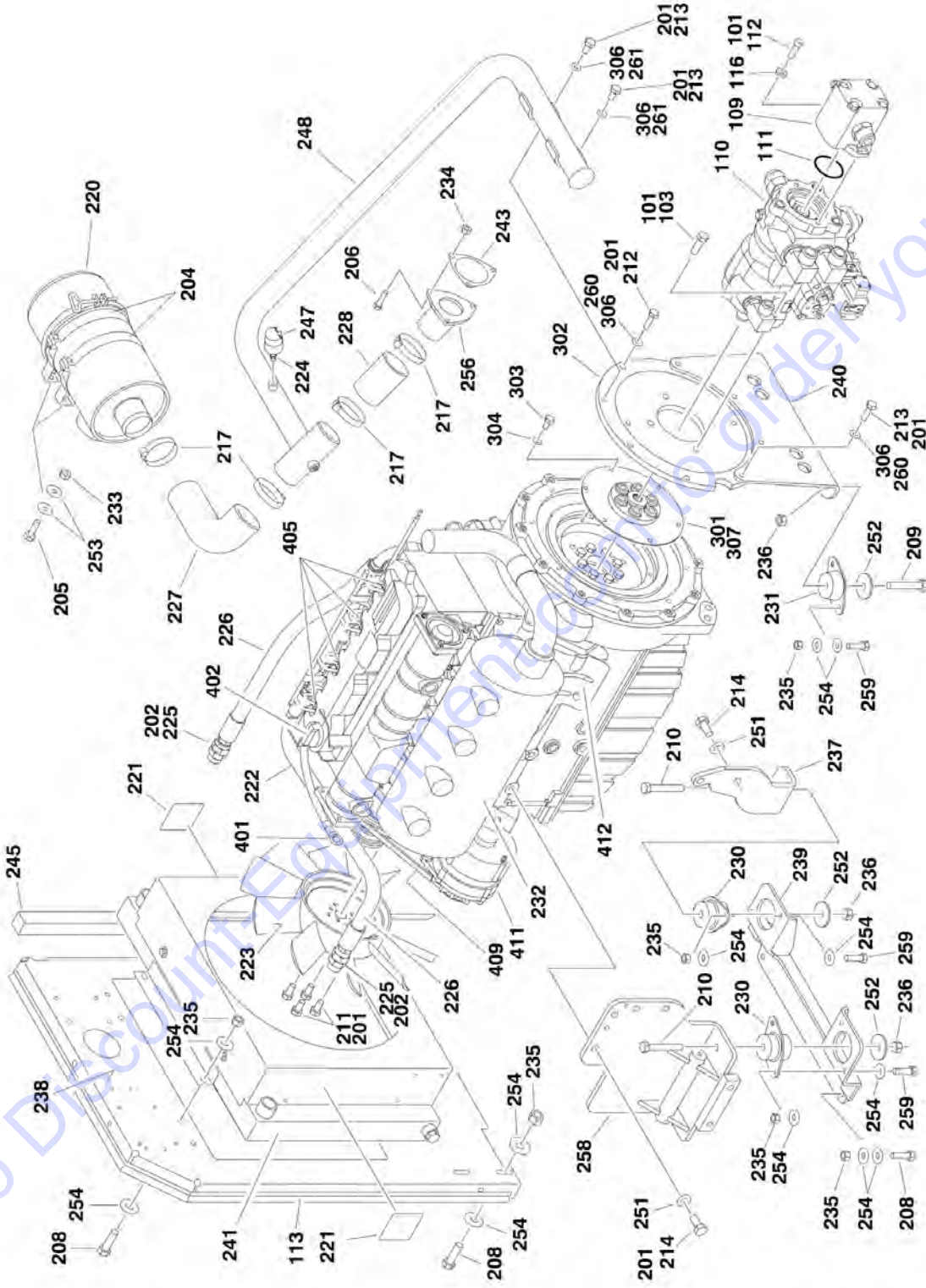
**SECTION 2 - TURNTABLE**

ITEM	PART NUMBER	QTY	DESCRIPTION	REV
407	3020021	AR	Grease, Coupling (Not Shown)	

Go to Discount-Equipment.com to order your parts

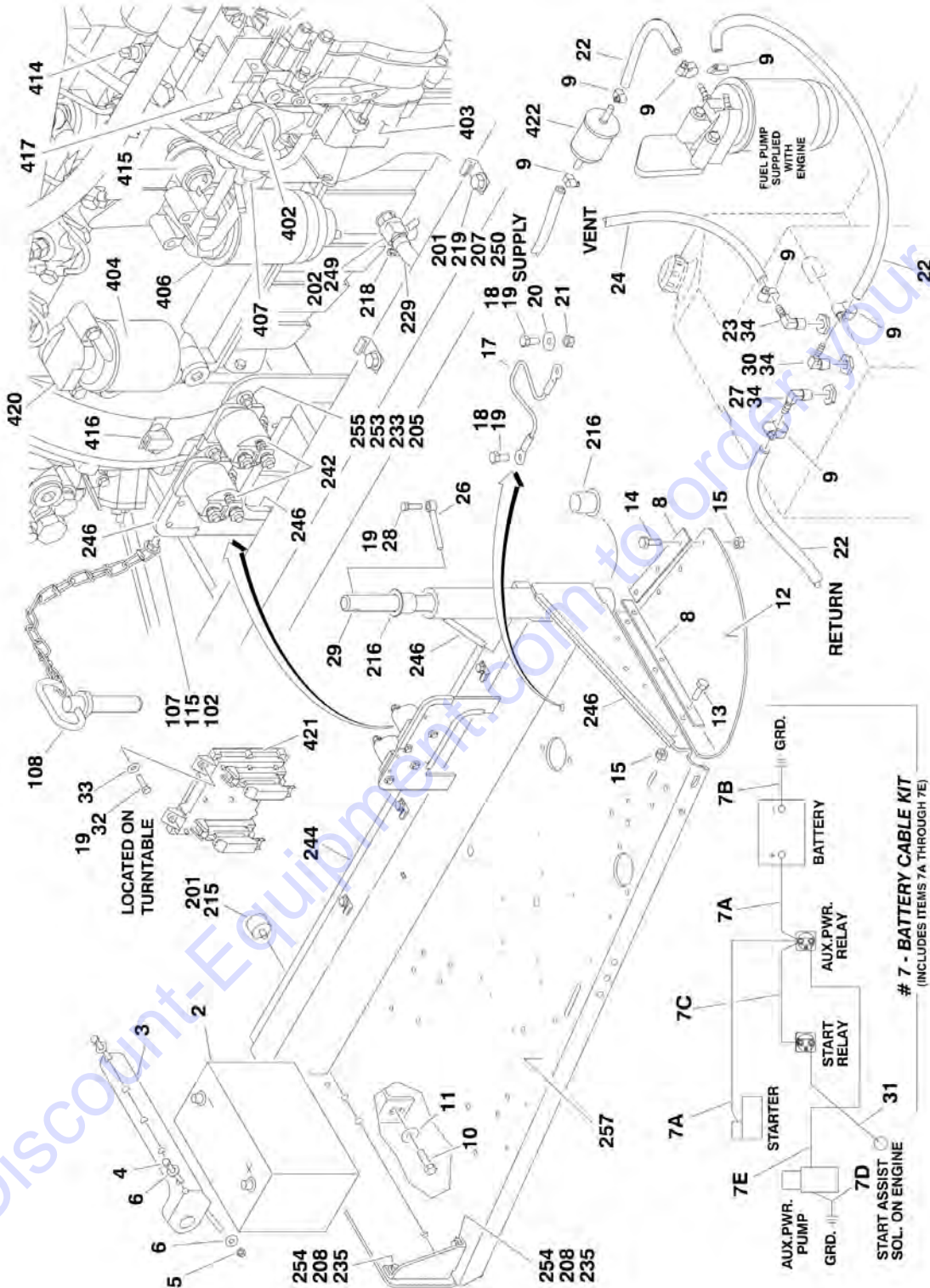
# SECTION 2 - TURNTABLE

FIGURE 2-9. DEUTZ ENGINE INSTALLATION (SN 0300077490 through 0300087000)



Go to [DragonParts.com](http://www.DragonParts.com) to order your parts

SECTION 2 - TURNTABLE



## SECTION 2 - TURNTABLE

FIGURE 2-9. DEUTZ ENGINE INSTALLATION (SN 0300077490 through 0300087000)

ITEM	PART NUMBER	QTY	DESCRIPTION	REV
		Ref	<b>DEUTZ ENGINE INSTALLATIONS</b>	
	0273692	Ref	<b>2WD (SN 0300068000 through 0300084826)</b>	5-B
	0274298	Ref	<b>2WD (SN 0300084827 through 0300087000)</b>	C
	0273693	Ref	<b>4WD (SN 0300068000 through 0300084826)</b>	5-C
	0274297	Ref	<b>4WD (SN 0300084827 through 0300087000)</b>	C
2	0400075	1	Battery	
3	0181727	1	Hold-Down, Battery	
4	0630498	2	Bolt, Battery Hold-Down	
5	3311605	2	Locknut 3/8in-16NC	
6	4751600	4	Flatwasher 3/8in Regular	
7	2902296	1	Battery Cable Kit	B
7A	7027000	1	Cable, Battery (Red)	
		Ref	<b>Note: Machines SN 0300077490 to SN 0300087000 were built with Revisions A or B Cable Kit. Replacement p/n 7027000 will incorporate Item 70C. Discard Item 70C and install per illustration.</b>	
7B	7027004	1	Cable, Battery (Black)	
7C	7027001	1	Cable (Red) (No Longer Part of 2902296 Kit)	
7D	7027003	1	Cable (Black)	
7E	7027002	1	Cable (Red)	
8	3539957	2	Plate, Hold-Down	
9	1320022	AR	Clamp, Hose	
10	0642010	1	Bolt 5/8in-11NC x 1-1/4in	
11	4752000	1	Flatwasher 5/8in Regular	
12	3380429	1	Panel, Rubber	
13	0641508	3	Bolt 5/16in-18NC x 1in	
14	0641514	3	Bolt 5/16in-18NC x 1-3/4in	
15	3311505	10	Locknut 5/16in-18NC	
16	1701505	1	Decal - Diesel (Not Shown - Located on Hood)	
17	1060637	1	Cable, Lanyard	
18	0641808	2	Bolt 1/2in-13NC x 1in	
19	0100011	AR	Compound, Locking	
20	4751800	1	Flatwasher 1/2in Regular	
21	3311801	1	Nut 1/2in-13NC	
22	2720058	30 ft/9.2m	Hose	
23	2220313	1	Fitting, 90	
24	2750532	6 ft/1.8m	Hose	
25	0100020	AR	Sealant, Pipe (Not Shown)	
26	3841143	1	Pin, Keeper	
27	2221176	1	Fitting, 90 Barbed	
28	0641610	1	Bolt 3/8in-16NC x 1-1/4in	
29	3422446	1	Pin, Pivot	
30	2180348	1	Fitting, Straight Barbed	
31	4922978	1	Harness, Start Assist Solenoid (SN 0300068000 through 0300084826)	
32	0641410	4	Bolt 1/4in-20NC x 1-1/4in (SN 0300084827 through 0300087000)	
33	4711400	4	Flatwasher 1/4in Thin (SN 0300084827 through 0300087000)	
34	0100020	AR	Sealant, Pipe #567	
		Ref	<b>ENGINE AND PUMP ASSEMBLIES</b>	
	2000220	Ref	<b>2WD (SN 0300068000 through 0300084826)</b>	D

# PARTS FINDER

**Search Website  
by Part Number**



**Search Manual  
Library For Parts  
Manual & Lookup Part  
Numbers – Purchase  
or Request Quote**

**Can't Find Part or  
Manual? Request Help  
by Manufacturer,  
Model & Description**

Discount-Equipment.com is your online resource for quality parts & equipment.

Florida: **561-964-4949** Outside Florida TOLL FREE: **877-690-3101**

## Need parts?

Click on this link: <http://www.discount-equipment.com/category/5443-parts/> and choose one of the options to help get the right parts and equipment you are looking for. Please have the machine model and serial number available in order to help us get you the correct parts. If you don't find the part on the website or on one of the online manuals, please fill out the request form and one of our experienced staff members will get back to you with a quote for the right part that your machine needs.

We sell worldwide for the brands: Genie, Terex, JLG, MultiQuip, Mikasa, Essick, Whiteman, Mayco, Toro Stone, Diamond Products, Generac Magnum, Airman, Haulotte, Barreto, Power Blanket, Nifty Lift, Atlas Copco, Chicago Pneumatic, Allmand, Miller Curber, Skyjack, Lull, Skytrak, Tsurumi, Husquvarna Target, Stow, Wacker, Sakai, Mi-T-M, Sullair, Basic, Dynapac, MBW, Weber, Bartell, Bennar Newman, Haulotte, Ditch Runner, Menegotti, Morrison, Contec, Buddy, Crown, Edco, Wyco, Bomag, Laymor, EZ Trench, Bil-Jax, F.S. Curtis, Gehl Pavers, Heli, Honda, ICS/PowerGrit, IHI, Partner, Imer, Clipper, MMD, Koshin, Rice, CH&E, General Equipment, Amida, Coleman, NAC, Gradall, Square Shooter, Kent, Stanley, Tamco, Toku, Hatz, Kohler, Robin, Wisconsin, Northrock, Oztec, Toker TK, Rol-Air, APT, Wylie, Ingersoll Rand / Doosan, Innovatech, Con X, Ammann, Mecalac, Makinex, Smith Surface Prep, Small Line, Wanco, Yanmar

## SECTION 2 - TURNTABLE

ITEM	PART NUMBER	QTY	DESCRIPTION	REV
	2000281	Ref	<b>2WD (SN 0300084827 through 0300087000)</b>	B
	2000221	Ref	<b>4WD (SN 0300068000 through 0300084826)</b>	E
	2000280	Ref	<b>4WD (SN 0300084827 through 0300087000)</b>	B
101	0100011	AR	Compound, Locking	
102	0641407	1	Bolt 1/4in-20NC x 7/8in	
103	0641812	2	Bolt 1/2in-13NC x 1-1/2in	
107	3311405	1	Locknut 1/4in-20NC	
108	3422532	1	Pin, Hitch	
109	3600395	1	Gear Pump Assembly with Fittings (See GEAR PUMP ASSEMBLY for Breakdown)	
110		Ref	Piston Pump Assembly with Fittings Options (See PISTON PUMP ASSEMBLY for Breakdown):	
110	3600394	1	Piston Pump Assembly 2WD	
110	3600396	1	Piston Pump Assembly 4WD	
111	3790152	1	O-Ring	
112	3931620	2	Capscrew 3/8in-16NC x 1-1/4in	
113	3960389	5 ft/1.5m	Seal	
115	4751400	1	Flatwasher 1/4in Regular	
116	4891800	2	Flatwasher 1/2in Hardened	
117	3020016	3.75 gl /14.19L	Oil, Motor (Not Shown)	
		Ref	<b>ENGINE ASSEMBLIES</b>	
	2000219	Ref	<b>Engine Assemblies (SN 0300068000 through 0300084826)</b>	F
	2000279	Ref	<b>Engine Assemblies (SN 0300084827 through 0300087000)</b>	C
	0256689	Ref	<b>MUFFLER INSTALLATION - SPARK ARRESTING</b>	-
	0256690	Ref	<b>MUFFLER INSTALLATION - CATALYTIC</b>	-
201	0100011	AR	Compound, Locking	
202	0100020	AR	Sealant, Pipe	
204	0340041	2	Band, Air Cleaner	
205	0641407	8	Bolt 1/4in-20NC x 7/8in	
206	0641510	3	Bolt 5/16in-18NC x 1-1/4in	
207	0641606	3	Bolt 3/8in-16NC x 3/4in	
208	0641610	12	Bolt 3/8in-16NC x 1-1/4in	
209	0641818	2	Bolt 1/2in-13NC x 2-1/4in	
210	0641826	2	Bolt 1/2in-13NC x 3-1/4in	
211	0700808	4	Bolt 8mm x 16mm	
212	0701012	2	Bolt 10mm x 25mm	
213		Ref	Bolt Options:	
213	0701015	4	Bolt 10mm x 35mm (SN 0300068000 through 0300084708)	
213	0701014	6	Bolt 10mm x 30mm (SN 0300084709 through 0300087000)	
214	0701414	6	Bolt 14mm x 30mm	
215	0940070	1	Bumper	
216	0961986	2	Bushing, Flanged	
217	1320016	4	Clamp	
218	1320022	1	Clamp, Hose	
219	1320223	4	J-Clip	
220	1340060	1	Air Cleaner Assembly Filter Element	
220	7012664	1	Element, Filter (Not Shown)	
221	1703162	2	Decal - Caution Fan Blade	
222		Ref	Engine, Deutz - F4M2011 Tier II Options:	
222	2000216	1	Engine, Deutz - F4M2011 Tier II (SN 0300077490 through 0300084826)	

## SECTION 2 - TURNTABLE

ITEM	PART NUMBER	QTY	DESCRIPTION	REV
222	2000274	1	Engine, Deutz - F4M2011 Tier II (SN 0300084827 through 0300087000)	
223	2060025	1	Fan	
224	2180798	1	Fitting (SN 0300068000 through 0300084826)	
225	2220451	2	Fitting, Straight	
226	2720398	2	Hose, Oil Cooler	
227	2720434	1	Elbow, Rubber	
228	2720449	1	Hose, Air Cleaner	
229	2750532	1 ft/30cm	Hose, Oil Drain	
230	3200362	2	Mount, Motor	
231	3200406	2	Mount, Motor	
232		Ref	Muffler Options:	
232	3220103	1	Muffler, Spark Arresting	
232	3220104	1	Muffler, Catalytic	
232		Ref	Muffler Components:	
232		Ref	Clamp Options:	
232	1320176	1	Clamp, Saddle Clamp Used on Spark Arresting	
232	70001017	1	Clamp, Band Clamp Used on Catalytic	
232	7024398	1	Clamp, Tube, Exhaust	
232	7024560	1	Clamp, Plug, Brass	
233	3311405	8	Locknut 1/4in-20NC	
234	3311505	3	Locknut 5/16in-18NC	
235	3311605	AR	Locknut 3/8in-16NC	
236	3311805	4	Locknut 1/2in-13NC	
237	3537416	1	Plate, Engine Mounting (Front Right Side)	
238	3539872	1	Plate, Radiator Mounting	
239	3539971	1	Plate, Engine Mounting (Front Bottom)	
240	3534978	1	Plate, Engine Mounting (Rear)	
241	3620033	1	Radiator	
242	3740067	2	Relay	
243	3960407	1	Gasket, Air Intake	
244	3960468	1	Seal	
245	3960469	1	Seal	
246	4060805	37 in/1m	Flex-Trim	
247	4360392	1	Indicator, Restriction (SN 0300068000 through 0300084826)	
248		Ref	Tube, Tuning Options:	
248	4567815	1	Tube, Tuning (SN 0300068000 through 0300084826)	
248	4569171	1	Tube, Tuning (SN 0300084827 through 0300087000)	
249	4640751	1	Valve, Oil Drain	
250	4711600	3	Flatwasher 3/8in Thin	
251	4711900	6	Flatwasher 9/16in Thin	
252	4740274	4	Washer, Snubbing	
253	4751400	16	Flatwasher 1/4in Regular	
254	4751600	40	Flatwasher 3/8in Regular	
255	4791400	4	Starwasher 1/4in	
256	4845395	1	Adapter, Air Intake	
257	4845404	1	Tray, Engine	
258	4846566	1	Plate, Engine Mounting (Front Left Side)	
259		Ref	Bolt Options:	
259	0641610	8	Bolt 3/8in-16NC x 1-1/4in (SN 0300068000 through 0300084708)	
259	0641608	8	Bolt 3/8in-16NC x 1in (SN 0300084709 through 0300087000)	

## SECTION 2 - TURNTABLE

ITEM	PART NUMBER	QTY	DESCRIPTION	REV
260	4711700	6	Flatwasher 7/16in Thin (SN 0300084709 through 0300087000)	
261	4751700	2	Flatwasher 7/16in Regular (SN 0300084709 through 0300087000)	
	0256847	Ref	<b>PUMP COUPLING INSTALLATION</b>	2
301	1660234	1	Coupling, Hayes	
302	0080163	1	Plate, Pump Adapter	
303	0700810	63	Bolt M8 x 20mm	
304	4831900	6	Lockwasher M8	
306	4832000	8	Lockwasher M10 (SN 0300068000 through 0300084708)	
307	3020021	AR	Grease, Coupling	
		Ref	<b>ENGINE COMPONENTS</b>	
	2000216	Ref	<b>Engine Components (SN 0300068000 through 0300084826)</b>	D
	2000274	Ref	<b>Engine Components (SN 0300084827 through 0300087000)</b>	A
401	7026631	1	Dipstick	
401	7020487	1	O-Ring, Dipstick (Not Shown)	
402	7020465	1	Cap, Filler	
403	70001850	1	Pump, Oil Lube (was p/ns 7020484 & 70000045)	
403	7020468	1	Seal Between Oil Pump and Engine Block (Not Shown)	
404	7016331	1	Filter, Oil	
405		Ref	Pump, Injector Options:	
405	7027246	4	Pump, Injector Series A Injector	
405	7027608	4	Pump, Injector Series B Injector	
405	7027609	4	Pump, Injector Series C Injector	
405	7027610	4	Pump, Injector Series D Injector	
405	7020447	4	Pump, Injector Gasket (1 per Injector)	
406	7016328	1	Filter, Fuel	
407	70000916	1	Pump, Fuel Supply (was p/n 7027238)	
407	70001435	1	Repair Kit for 70000916 Pump	
407	70000919	1	Hand Pump for 70000916 Pump	
407	70000918	1	Seal, Hand Pump for 70000916 Pump	
407		Ref	O-Seal Between Fuel Pump and Engine Block Options (Not Shown):	
407	7020411	1	O-Seal Between Fuel Pump and Engine Block 7027238 Pump	
407	70000917	1	O-Seal Between Fuel Pump and Engine Block 70000916 Pump	
408	7020449	4	Gasket, Intake Manifold (Not Shown)	
409	7020408	1	V-Belt	
410	7020471	4	Gasket, Exhaust Manifold to Engine Block (Not Shown)	
410	70002200	8	Stud	
410	70003476	8	Nut (Not Shown)	
410	7020471	4	Gasket, Exhaust Manifold to Exhaust Muffler (Not Shown)	
411	7000663	1	Alternator (was p/n 7020410)	
411	7020464		Regulator, Voltage (Not Shown)	
411	70002234	1	Bracket, Adjusting (Not Shown)	
412	7020479	1	Starter	
412	7026608	1	Relay	
412	70001498	1	Shield, Starter Heat	
413	7027793	1	Plug- In Connector (Not Shown)	
414	7027241	1	Transmitter, Temperature (Used on 2000219)	
414	7027791	1	Transmitter, Temperature (Used on 2000274)	
414	See Note	1	Ring, Sealing (Note: Not Available for Purchase)	
415	7020461	1	Sensor, Oil Pressure (Used on 2000219)	
415	7027790	1	Sensor, Oil Pressure (Used on 2000274)	



## SECTION 2 - TURNTABLE

ITEM	PART NUMBER	QTY	DESCRIPTION	REV
416	7024565	1	Sensor, Speed	
417	7020458	1	Actuator, Throttle (Used on 2000219)	
417	7027792	1	Actuator, Throttle (Used on 2000274)	
417	7027276	2	Spring, Actuator (Used on 2000274)	
418	7020459	1	Thermostat (Located at rear of engine block - Not Shown)	
418	7020460	1	Spring, Compression	
419		Ref	Flywheel Options (Not Shown):	
419	See Note	1	Flywheel (Note: Not Available for Purchase) <b>(SN 0300068000 through 0300084826)</b>	
419	70000264	1	Flywheel <b>(SN 0300084827 through 0300087000)</b>	
419	7024579	1	Ring Gear (Located on Flywheel - Not Shown)	
420		Ref	Sender, Temperature Options:	
420	7027236	1	Sender, Temperature <b>(SN 0300068000 through 0300084826)</b>	
420	See Note	1	Sender, Temperature (Note: Not Available for Purchase) <b>(SN 0300084827 through 0300087000)</b>	
421	7027795	1	Module, Control (Used on 2000274 Only) <b>(SN 0300084827 through 0300087000)</b>	
422	7027245	1	Filter, Fuel In-line	
423	7027239	1	Solenoid, Start	
424		Ref	Timing Belt/Idler Kit Options (Not Shown):	
424	70000800	1	Timing Belt/Idler Kit <b>(SN 0300068000 through 0300084826)</b>	
424	See Note	1	Timing Belt/Idler Kit (Note: Not Available for Purchase) <b>(SN 0300084827 through 0300087000)</b>	
425		Ref	Flywheel Options (Not Shown):	
425	See Note	1	Flywheel (Note: Not Available for Purchase) <b>(SN 0300068000 through 0300084826)</b>	
425	70000264	1	Flywheel <b>(SN 0300084827 through 0300087000)</b>	
425	7024579	1	Flywheel, Ring Gear (Located on Flywheel - Not Shown)	
426		Ref	Gasket, Head Options (Not Shown):	
426		Ref	Gasket for 2000274 Engines	
426	70003001	1	Gasket - 1 Notch	
426	70003002	1	Gasket - 2 Notch	
426	70003003	1	Gasket - 3 Notch	
426	See Note	1	Gasket for 2000216 Engines (Note: Not Available for Purchase)	
	0274233	Ref	<b>FUEL FILTER INSTALLATION (NOT SHOWN) (SN 0300077442 through 0300087000)</b>	A
	0100020	AR	Sealant, Pipe	
	0641610	2	Bolt 3/8in-16NC x 1-1/4in	
	1320022	2	Clamp	
	2120203	1	Filter	
	2221176	2	Fitting, 90	
	2720058	4.5 ft /1.4m	Hose	
	3311605	2	Locknut 3/8in-16NC	
	4751600	4	Flatwasher 3/8in Regular	





## SECTION 2 - TURNTABLE

**FIGURE 2-10. FORD ENGINE INSTALLATION (SN 0300068000 through 0300079618)**

ITEM	PART NUMBER	QTY	DESCRIPTION	REV
		Ref	<b>ENGINE ASSEMBLIES</b>	
	0270767	Ref	<b>Standard Gas Machines</b>	3/B
	0270765	Ref	<b>Dual Fuel Machines (SN 0300068000 through 0300071582)</b>	2-A
	0272896	Ref	<b>Dual Fuel Machines (SN 0300071583 through 0300075605)</b>	2-B
	0273592	Ref	<b>Dual Fuel Machines 2WD (SN 0300075606 through 0300079618)</b>	2-B
	0273224	Ref	<b>Dual Fuel Machines 4WD (SN 0300075606 through 0300079618)</b>	4-D
1		Ref	Engine - Ford LRG-425 Options:	
1	2000172	1	Engine - Ford LRG-425 Standard Gas Machines	
1	2000174	1	Engine - Ford LRG-425 Dual Fuel Machines <b>(SN 0300068000 through 0300071582)</b>	
1	2000193	1	Engine - Ford LRG-425 Dual Fuel Machines <b>(SN 0300071583 through 0300079618)</b>	
2		Ref	Piston Pump Assembly Options:	
2	3600260	1	Piston Pump Assembly (See PISTON PUMP ASSEMBLY for Breakdown) <b>(SN 0300068000 through 0300075605)</b>	
2	3600388	1	Piston Pump Assembly 2WD (See PISTON PUMP ASSEMBLY for Breakdown) <b>(SN 0300075606 through 0300079618)</b>	
2	3600381	1	Piston Pump Assembly 4WD (See PISTON PUMP ASSEMBLY for Breakdown) <b>(SN 0300075606 through 0300079618)</b>	
3	3600242	1	Gear Pump Assembly (See GEAR PUMP ASSEMBLY for Breakdown)	
4		Ref	Plate, Engine Mounting - Front Options:	
4	3539972	1	Plate, Engine Mounting - Front <b>(SN 0300068000 through 0300073347)</b>	
4	4846806	1	Plate, Engine Mounting - Front <b>(SN 0300073348 through 0300079618)</b>	
5	4566605	1	Tube, Spacer	
6	4640989	1	Valve, Oil Drain	
7	2750532	1 ft /30.5cm	Hose	
8	1320022	1	Clamp	
9	3571498	1	Plate, Module Mounting	
10	3790152	1	O-Ring	
11	0902539	1	Bracket, Fuel Filter/Pressure Regulator	
12	1320019	1	Clamp, Exhaust	
13	0701022	2	Bolt M10 x 70mm	
14	0701014	2	Bolt M10 x 30mm	
15	0700810	2	Bolt M8 x 20mm	
16	0641812	2	Bolt 1/2in-13NC x 1-1/2in	
17	0721014	2	Bolt #10-24NC x 1-3/4in	
18	0721006	3	Bolt #10-24NC x 3/4in	
19	4891600	2	Flatwasher 3/8in Hardened	
20	4751500	2	Flatwasher 5/16in Regular	
21	4751000	8	Flatwasher #10 Regular	
22	4761500	2	Lockwasher 5/16in	
23	3311005	5	Locknut #10-24NC	
24	0100011	AR	Compound, Locking	
25	0100020	AR	Sealant	
26	3931620	2	Screw 3/8in-16NC x 1-1/4in <b>(SN 0300068000 through 0300073555)</b>	

## SECTION 2 - TURNTABLE

ITEM	PART NUMBER	QTY	DESCRIPTION	REV
		Ref	<b>ENGINE INSTALLATIONS</b>	
	0270766	Ref	<b>Standard Gas Machines</b>	5-E
	0270764	Ref	<b>Dual Fuel Machines (SN 0300068000 through 0300071582)</b>	5-E
	0272049	Ref	<b>Dual Fuel Machines (SN 0300071583 through 0300075605)</b>	4-D
	0273597	Ref	<b>Dual Fuel Machines 2WD (SN 0300075606 through 0300079618)</b>	2-B
	0273225	Ref	<b>Dual Fuel Machines 4WD (SN 0300075606 through 0300079618)</b>	5-E
102		Ref	Mount, Radiator Options:	
102	3571692	1	Mount, Radiator Standard	
102	3571692	1	Mount, Radiator Dual Fuel (SN 0300068000 through 0300071582)	
102	3539872	1	Mount, Radiator Dual Fuel (SN 0300071583 through 0300079618)	
103		Ref	Battery Options:	
103	0400075	1	Battery (Wet)	
103	7016180	1	Battery (Dry)	
104	0181727	1	Battery Hold-Down	
105	0630498	2	Bolt, Tie-Down	
106	3620040	1	Radiator	
106	7019656	1	Cap, Radiator	
107	1600314	1	Controller, ECM Options: Standard Dual Fuel	
108		Ref	Tube, Air Intake Options:	
108	4846011	1	Tube, Air Intake Standard Gas Machines	
108	4846046	1	Tube, Air Intake Dual Fuel Machines	
109	3740067	1	Relay (Auxiliary Power)	
111	0080214	1	Spacer, Fan	
112	2060025	1	Fan	
113	1580011	1	Tank, Coolant Recovery	
114	0641606	4	Bolt 3/8in-16NC x 3/4in	
115	3380429	1	Panel, Rubber	
116	3200362	4	Mount, Rubber	
117	3539957	2	Plate, Hold-Down	
118	2720435	1	Hose, Radiator - Bottom (was p/ns 7016376 & 7019927)	
119	4360392	1	Indicator, Clogged Filter	
120	2220430	1	Fitting, Reducer	
121	1703162	2	Decal - Fan Blade	
122		Ref	Plate, Engine Mount (Front) Options:	
122	3570103	1	Plate, Engine Mount (Front) (SN 0300068000 through 0300073337)	
122	3574122	1	Plate, Engine Mount (Front) (SN 0300073338 through 0300079618)	
123	4845404	1	Tray Weldment	
124	3422446	1	Pin, Pivot	
125	3841143	1	Pin, Keeper	
126	2750532	5 ft/1.52m	Hose	
127	2220805	1	Fitting, Barbed 90	
128	1320060	1	Clamp (SN 0300068000 through 0300073337)	
129	1320012	AR	Clamp, Hose	
130	1320022	8	Clamp	
131	0641828	4	Bolt 1/2in-13NC x 3-1/2in	
132	4751800	1	Flatwasher 1/2in Regular	
133	3311805	4	Locknut 1/2in-13NC	

## SECTION 2 - TURNTABLE

ITEM	PART NUMBER	QTY	DESCRIPTION	REV
134	0641610	8	Bolt 3/8in-16NC x 1-1/4in	
135	0641608	AR	Bolt 3/8in-16NC x 1in	
136	4751600	AR	Flatwasher 3/8in Regular	
137	3311605	AR	Locknut 3/8in-16NC	
138	0641408	AR	Bolt 1/4in-20NC x 1in	
139	0641406	AR	Bolt 1/4in-20NC x 3/4in	
140	4751400	22	Flatwasher 1/4in Regular	
141	3311405	19	Locknut 1/4in-20NC	
142	4740274	4	Washer, Snubbing	
143	3960389	5 ft/1.52m	Seal	
144	0100011	AR	Compound, Locking	
145	2720472	1	Hose	
146	0100020	AR	Sealant	
147	2180467	2	Fitting, Barbed 90	
148	0940070	1	Bumper, Rubber	
149	4567879	1	Tube, Exhaust	
150	0701012	AR	Bolt M10 x 25mm	
151	4832000	4	Lockwasher M10	
152	1340060	1	Air Cleaner Assembly	
152	7012664	1	Element, Air Cleaner	
153	0340041	2	Band, Air Cleaner	
154	0080201	1	Elbow, Rubber	
155	1320016	AR	Clamp	
156	3311801	1	Nut 1/2in-13NC	
157	2720436	1	Hose, Radiator - Top (was p/n 7019926)	
158	0641808	AR	Bolt 1/2in-13NC x 1in	
159	2180798	1	Fitting, Restrictor Indicator	
160	2901362	1	Battery Cable Kit <b>(SN 0300068000 through 0300075605)</b>	C
160	2902297	1	Battery Cable Kit <b>(SN 0300075606 through 0300079618)</b>	A
160A	7016800	1	Cable, Battery (Red) (Kit p/n 2901362)	
160A	7027006	1	Cable, Battery (Red) (Kit p/n 2902297)	
160B	7016807	1	Cable, Battery (Black) (Kit p/n 2901362)	
160B	7027005	1	Cable, Battery (Black) (Kit p/n 2902297)	
160C	7016808	1	Cable (Red) (Kit p/n 2901362)	
160C	7027007	1	Cable (Red) (Kit p/n 2902297)	
160D	7016804	1	Cable (Red) (Kit p/n 2901362)	
160D	7027002	1	Cable (Red) (Kit p/n 2902297)	
160E	Not Required	0	Kit p/n 2901362	
160E	7027003	1	Cable (Black) (Kit p/n 2902297)	
161	4460611	1	Terminal, Battery Jumper Post <b>(SN 0300068000 through 0300075605)</b>	
162	2220250	2	Fitting, Reducer	
163	3572414	1	Plate, Fuel Pump Mounting	
164	2720058	12 ft/3.7m	Hose, Fuel Line	
167	1320223	3	Clamp	
168	3422532	1	Pin, Hitch	
169	3570133	1	Plate, Engine Mount (Rear)	
170	0642010	1	Bolt 5/8in-11NC x 1-1/4in	
171	4752000	1	Flatwasher 5/8in Regular	
172	0700819	4	Bolt M8 x 55mm	
173	4831900	4	Lockwasher M8	
174	0961986	2	Flange, Bearing	

## SECTION 2 - TURNTABLE

ITEM	PART NUMBER	QTY	DESCRIPTION	REV
175	1060637	1	Lanyard	
177	4060805	2.9 ft /0.88m	Flexible Trim 3/16in	
179	4711400	AR	Flatwasher 1/4in Thin	
180	3960468	1	Seal, Foam 1-1/4in x 1-1/4in x 47-1/4in	
181	3960469	1	Seal, Foam 1-1/4in x 1-1/4in x 32in	
182	0641410	3	Bolt 1/4in-20NC x 1-1/4in	
191	0641508	3	Bolt 5/16in-18NC x 1in	
192	0641514	3	Bolt 5/16in-18NC x 1-3/4in	
193	3311505	6	Locknut 5/16in-18NC	
194		Ref	Standoff, 1/4in x 2in Options:	
194	4568158	4	Standoff, 1/4in x 2in Standard	
194	4568158	4	Standoff, 1/4in x 2in Dual Fuel <b>(SN 0300068000 through 0300071582)</b>	
194	Not Required	0	Standoff, 1/4in x 2in Dual Fuel <b>(SN 0300071583 through 0300079618)</b>	
195		Ref	Bolt 1/4in-20NC x 3in Options:	
195	0641424	4	Bolt 1/4in-20NC x 3in Standard	
195	0641424	4	Bolt 1/4in-20NC x 3in Dual Fuel <b>(SN 0300068000 through 0300071582)</b>	
195	Not Required	0	Bolt 1/4in-20NC x 3in Dual Fuel <b>(SN 0300071583 through 0300079618)</b>	
196	0902572	1	Bracket, LP Mounting (Dual Fuel Only)	
197	0641808	1	Bolt 1/2in-13NC x 1in <b>(SN 0300071583 through 0300079618)</b>	
198	4771800	2	Starwasher 1/2in <b>(SN 0300071583 through 0300079618)</b>	
199	3574162	1	Plate, ECM/Relay Mount (Dual Fuel Only) <b>(SN 0300071583 through 0300079618)</b>	
200	0641414	4	Bolt 1/4in-20NC x 1-3/4in (Dual Fuel Only) <b>(SN 0300071583 through 0300079618)</b>	
201	0100048	AR	Grease, Dielectric (Not Shown)	
202	2180467	1	Fitting, 90 Barbed	
203	1320032	2	Clamp, Hose	
		Ref	<b>ENGINE COMPONENTS</b>	
	2000172	Ref	<b>Standard Gas Machines</b>	
	2000174	Ref	<b>Dual Fuel Machines (SN 0300068000 through 0300071582)</b>	
	2000193	Ref	<b>Dual Fuel Machines (SN 0300071583 through 0300079618)</b>	
301	3600377	1	Fuel Pump and Isolator Assembly (was p/n 7022133)	
301	7022134	1	Harness, Fuel Pump Wiring	
302	91083218	1	Filter, Fuel (was p/n 7022135)	
303	7019986	1	Starter (Not Shown)	
304	7019977	1	Alternator with Pulley and Regulator	
304	7000897	1	Alternator without Pulley and Regulator	
305		Ref	Actuator, Throttle Options:	
305	7023655	1	Actuator, Throttle <b>(SN 0300068000 through 0300071582)</b>	
305	7023683	1	Actuator, Throttle <b>(SN 0300071583 through 0300079618)</b>	
305	7023652	1	Plate, Actuator Adapter	
305	7023654	1	Gasket, Actuator to Adapter Plate	
305	7023653	2	Bolt (Adapter Plate to Intake Manifold)	
305	7023656	4	Bolt (Actuator to Adapter Plate)	
306	7019996	1	Sensor, Air Temperature (was p/n 7023661)	
306	7023662	1	Bracket, Air Temperature Sensor (Not Shown)	
307	7023663	1	Harness, ECM (was p/n 7022137) <b>(SN 0300068000 through 0300071582)</b>	

## SECTION 2 - TURNTABLE

ITEM	PART NUMBER	QTY	DESCRIPTION	REV
307	7023681	1	Harness, ECM (SN 0300071583 through 0300079618)	
308	7022139	1	Sensor, MAP	
309	7019994	1	Sensor, EGR (SN 0300068000 through 0300071582)	
309	7023682	1	Sensor, EGR (SN 0300071583 through 0300079618)	
310	2420187	1	Dipstick (was p/n 7022140)	
310	4564281		Tube, Dipstick (was p/n 7022146)	
311	7023658	1	Adapter, Rubber Air Horn	
312	7023637	1	Switch, Oil Pressure	
313	7021868	1	Filter, Oil (was p/n 7022147, 7022173 & 7014501)	
314	1660250	1	Coupling, Pump (was p/n 7016662)	
314	7019976	1	Flywheel (Not Shown)	
314	7012180	1	Ring Gear (Not Shown)	
314	7020120	1	Housing, Flywheel	
315	7019993	1	Pressure Regulator and Filter Assembly (was p/n 7022163)	
316	70002307	1	Gasket, Exhaust (Manifold to Pipe)	
316	7022143	1	Gasket, Exhaust (Manifold to Head) (Not Shown)	
317	7022158	3	Connector	
318	7022159	2	Connector	
319	7022160	1	Connector	
320	7022161	2	Tube, Supply	
321	7022162	2	Clamp	
322	7022178	1	Sensor, Crank	
322	7022179	1	Sensor, Camshaft (Not Shown)	
323	2720341	1	Hose, Air Outlet (was p/n 7022141)	
324	7019930	1	Coil, Ignition	
324	7022157	1	Ignition Wire Set	
324	7019932	4	Spark Plug (was p/n 7012595)	
325		Ref	Relay Options:	
325	7023613	3	Relay (SN 0300068000 through 0300071582)	
325	7023695	3	Relay (SN 0300071583 through 0300079618)	
327	7019925	1	PCV Valve (Not Shown)	
328	1600314	1	Module, EPM (was p/n 7023664) (SN 0300068000 through 0300071582)	
328	1600363	1	Module, EPM (was p/n 7023684) (SN 0300071583 through 0300079618)	
328	2915196	1	Update Kit - EPM Module Only (was p/n 7023686) (SN 0300068000 through 0300071582)	
329	7027402	1	Belt, Drive (was p/n 7019979)	
329	70002567	1	Tensioner, Belt	
330	7023657	1	Wire Assembly, TPS Adapter (Not Shown)	
331	7022149	1	Gasket Kit, Lower Manifold (Not Shown)	
331	7025124	1	Gasket Kit, Upper Manifold (was p/n 7022148) (Not Shown)	
331	7022144	1	Gasket, Upper Manifold Throttle (Not Shown)	
332	7022151	1	Cap, Oil Filler	
333	7022153	1	Pump, Water	
333	7022154	1	Gasket, Water Pump (Not Shown)	
333	7022155	1	Sensor, Water Temperature (Not Shown)	
333	7022156	1	Thermostat Assembly (Not Shown)	
333	7023644	1	Hose, Water Pump (By-Pass) (Not Shown)	
334	7022150	1	Belt, Timing	
335	7022152	1	Injector, Fuel (Not Shown)	
	3124114	1	Service Manual, Ford EFI System Diagnostic	



## SECTION 2 - TURNTABLE

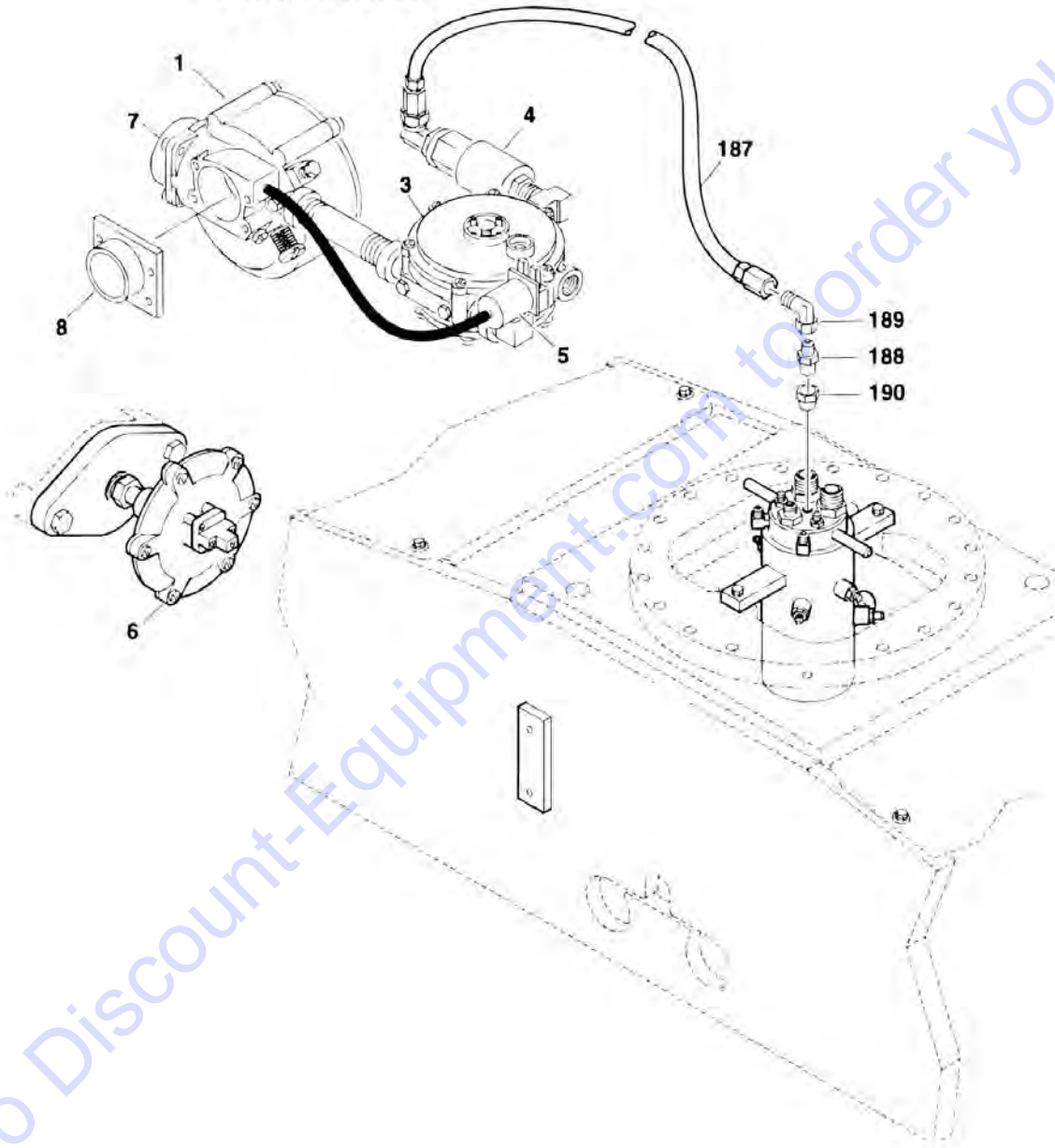
ITEM	PART NUMBER	QTY	DESCRIPTION	REV
		Ref	<b>MUFFLER INSTALLATIONS</b>	
	0258390	Ref	<b>Standard Spark Arresting</b>	1
	0258391	Ref	<b>Optional Catalytic</b>	1
	0258570	Ref	<b>UL - Spark Arresting</b>	2
401		Ref	Muffler Options:	
401	3220113	1	Muffler Standard Spark Arresting	
401	3220114	1	Muffler Optional Catalytic	
401	70001017	1	Muffler Clamp	
402	0340046	2	Band	
403	0902309	1	Bracket, Muffler	
404	0641508	4	Bolt 5/16in-18NC x 1in	
405	4711500	8	Flatwasher 5/16in Thin	
406	3311505	4	Locknut 5/16in-18NC	
407	4567073	1	Tube, Exhaust	
407	70001017	1	Clamp	
		Ref	<b>Note: Items 408 to 414 for UL Machines Only.</b>	
408	4845667	1	Tube, Exhaust	
409	3900232	5	Bolt, Button Head 3/8in-16NC x 1-1/4in	
410	4751600	7	Flatwasher 3/8in Regular	
411	3311601	5	Nut 3/8in-16NC	
412	0100011	AR	Compound, Locking	
413	0902472	1	Bracket, Exhaust Support	
414	4846817	1	Spark Arrestor	



# SECTION 2 - TURNTABLE

FIGURE 2-11. DUAL FUEL INSTALLATIONS (FORD MACHINE OPTION)

DUAL FUEL  
ENGINE  
COMPONENTS.



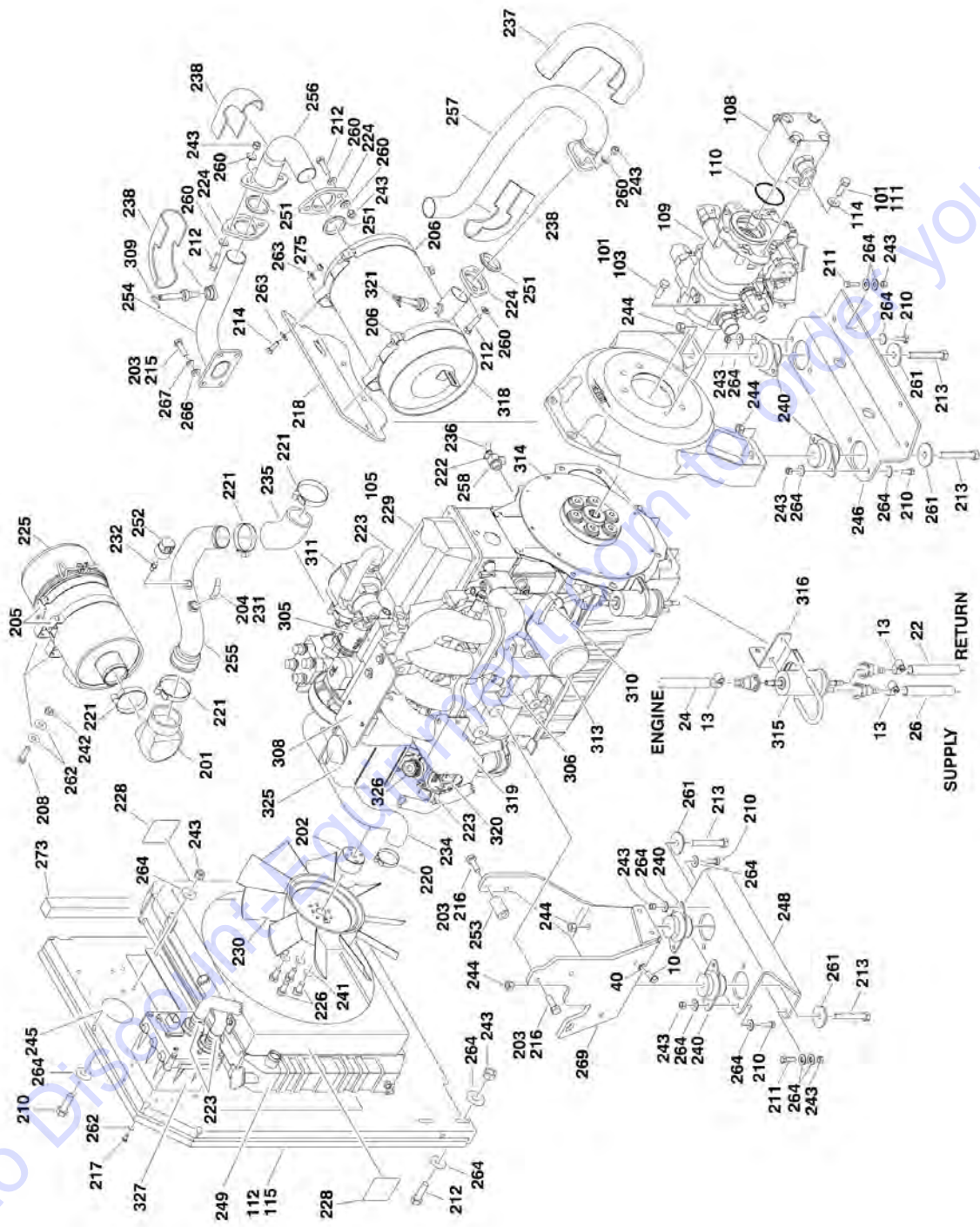
## SECTION 2 - TURNTABLE

**FIGURE 2-11. DUAL FUEL INSTALLATIONS (FORD MACHINE OPTION)**

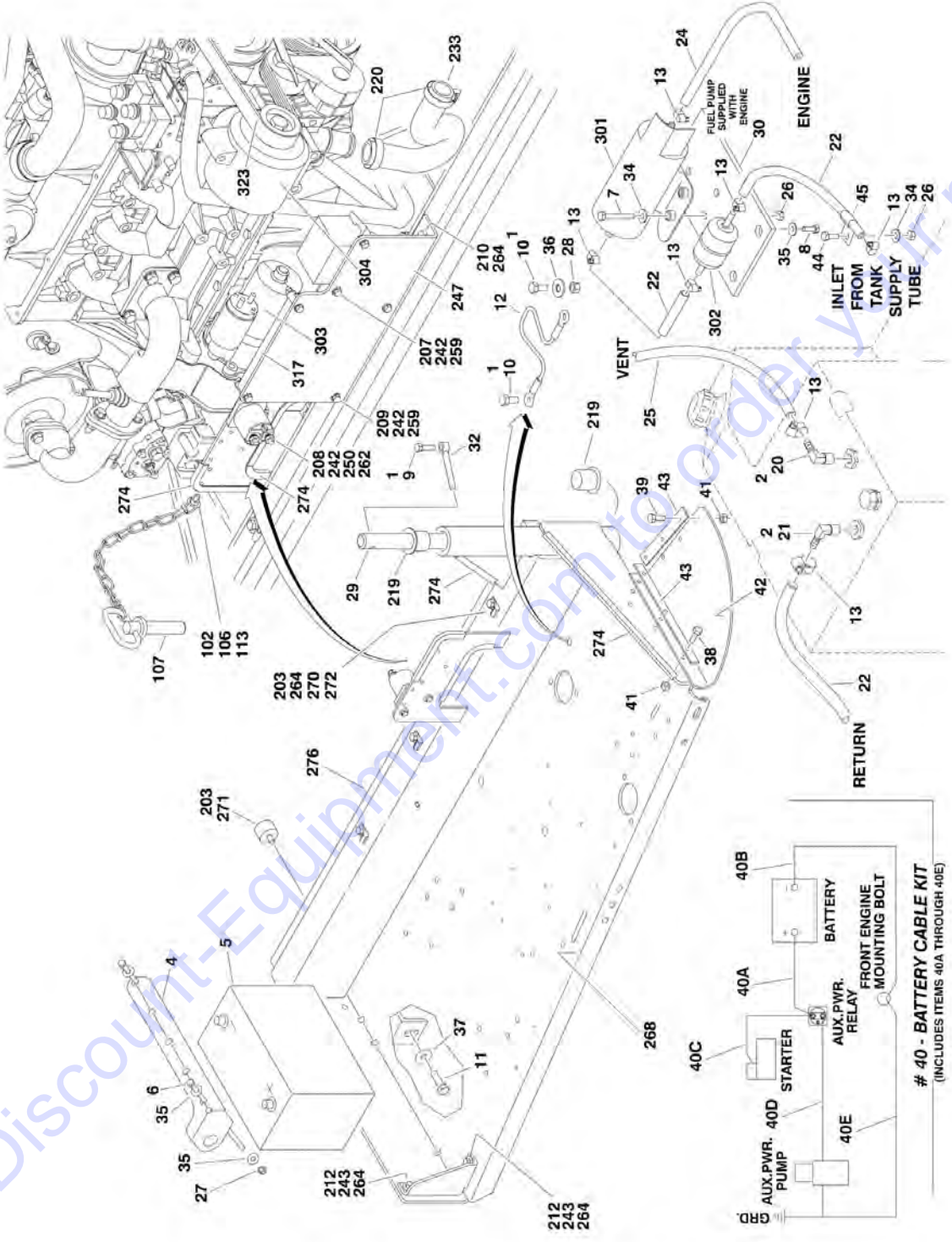
ITEM	PART NUMBER	QTY	DESCRIPTION	REV
		Ref	<b>DUAL FUEL ENGINE COMPONENTS ONLY (SN 0300068000 through 0300079618)</b>	
		Ref	<b>Note: For Machines built SN 0300079619 through 0300087000 refer to Engine Installation (FORD ENGINE INSTALLATION)</b>	
	2000174	Ref	<b>Dual Fuel Machines (SN 0300068000 through 0300071582)</b>	
	2000193	Ref	<b>Dual Fuel Machines (SN 0300071583 through 0300079619)</b>	
1	7022165	1	Mixer	
1	7022171	1	Repair Kit - 7022165 Mixer	
1	7023645	1	Gasket, Mixer	
3	7022167	1	Convertor	
3	7022170	1	Repair Kit - 7022167 Convertor	
4	7023680	1	Filter, LP Shut-Off (was p/n 7022169)	
4	7023679	1	Electrical Connector Kit (Includes (1) 2 Position Connector, 2 Pins & 2 Seals)	
5	7022168	1	Valve, Solenoid	
6	4360188	1	Switch, Vacuum	
7	7023603	1	Adaptor	
8	7022166	1	Adaptor	
		Ref	<b>DUAL FUEL MACHINE COMPONENTS</b>	
	0270764	Ref	<b>Dual Fuel Machine Components (SN 0300068000 through 03000671537)</b>	5-E
	0272049	Ref	<b>Dual Fuel Machine Components (SN 03000671538 through 03000679618)</b>	1-A
	0274018	Ref	<b>2WD (SN 03000679619 through 03000687000)</b>	B
	0274019	Ref	<b>4WD (SN 03000679619 through 03000687000)</b>	B
187	2720392	1	Hose	
188	2180418	1	Fitting, Straight	
189	2220064	1	Fitting, 90	
190	2220005	1	Fitting, Reducer	

# SECTION 2 - TURNTABLE

FIGURE 2-12. FORD ENGINE INSTALLATION (SN 0300079619 through 0300087000)



**SECTION 2 - TURNTABLE**



## SECTION 2 - TURNTABLE

FIGURE 2-12. FORD ENGINE INSTALLATION (SN 0300079619 through 0300087000)

ITEM	PART NUMBER	QTY	DESCRIPTION	REV
		Ref	<b>ENGINE INSTALLATIONS</b>	
	0274018	Ref	<b>2WD (SN 0300068000 through 0300084826)</b>	B
	0274490	Ref	<b>2WD (SN 0300084827 through 0300087000)</b>	B
	0274019	Ref	<b>4WD (SN 0300068000 through 0300084826)</b>	B
	0274489	Ref	<b>4WD (SN 0300084827 through 0300087000)</b>	B
1	0100011	AR	Compound, Locking	
2	0100020	AR	Sealant	
3	0100048	AR	Grease, Dielectric	
4	0181727	1	Angle, Battery Hold-Down	
5	0400075	1	Battery	
6	0630498	2	Bolt, Battery Hold-Down	
7		Ref	Bolt Options:	
7	0641410	2	Bolt 1/4in-20NC x 1-1/4in (SN 0300068000 through 0300084826)	
7	0641408	2	Bolt 1/4in-20NC x 1in (SN 0300084827 through 0300087000)	
8	0641606	1	Bolt 3/8in-16NC x 3/4in	
9	0641608	1	Bolt 3/8in-16NC x 1in	
10	0641808	2	Bolt 1/2in-13NC x 1in	
11	0642010	1	Bolt 5/8in-11NC x 1-1/4in	
12	1060637	1	Cable, Lanyard	
13	1320022	7	Clamp (Not Shown - Located on Turntable to clamp fuel line)	
14	1701542	1	Decal - Gas (Not Shown - Located on Hood)	
15	1701543	1	Decal - LP (Not Shown - Located on Frame)	
20	2220313	1	Fitting, 90	
21	2221176	1	Fitting, 90	
22	2720058	12 ft/3.7m	Hose, Fuel Line	
24	2720472	1	Hose, Fuel Line	
25	2720532	5 ft/1.5m	Hose, Fuel Line	
26	3311405	3	Locknut 1/4in-20NC	
27	3311605	2	Locknut 3/8in-16NC	
28	3311801	1	Nut 1/2in-13NC	
29	3422446	1	Pin	
30	3572414	1	Plate, Fuel Pump Mount	
32	3841143	1	Pin, Keeper	
34	4751400	3	Flatwasher 1/4in Regular	
35	4751600	5	Flatwasher 3/8in Regular	
36	4751800	1	Flatwasher 1/2in Regular	
37	4752000	1	Flatwasher 5/8in Regular	
38	0641508	3	Bolt 5/16in-18NC x 1in	
39	0641514	3	Bolt 5/16in-18NC x 1-3/4in	
40	2902297	1	Battery Cable Kit	A
40A	7027006	1	Cable, Battery (Red)	
40B	7027005	1	Cable, Battery (Black)	
40C	7027007	1	Cable (Red)	
40D	7027002	1	Cable (Red)	
40E	7027003	1	Cable (Black)	
41	3311505	6	Locknut 5/16in-18NC	
42	3380429	1	Panel, Rubber	
43	3539957	2	Plate	
44	0641406	1	Bolt 1/4in-20NC x 3/4in (SN 0300084827 through 0300087000)	

## SECTION 2 - TURNTABLE

ITEM	PART NUMBER	QTY	DESCRIPTION	REV
45	1320222	1	Clamp (SN 0300084827 through 0300087000)	
		Ref	<b>ENGINE AND PUMP ASSEMBLIES</b>	
	2000257	Ref	<b>2WD (SN 0300068000 through 0300084826)</b>	B
	2000298	Ref	<b>2WD (SN 0300084827 through 0300087000)</b>	A
	2000258	Ref	<b>4WD (SN 0300068000 through 0300084826)</b>	B
	2000297	Ref	<b>4WD (SN 0300084827 through 0300087000)</b>	A
101	0100011	AR	Compound, Locking	
102	0641407	1	Bolt 1/4in-20NC x 7/8in	
103	0641812	2	Bolt 1/2in-13NC x 1-1/2in	
105	3020016	1	Oil, Motor 15W-40 (Not Shown)	
106	3311405	1	Locknut 1/4in-20NC	
107	3422532	1	Pin, Hitch	
108		Ref	Piston Pump Assembly with Fittings Options (See PISTON PUMP ASSEMBLY for Breakdown):	
108	3600394	1	Piston Pump Assembly with Fittings 2WD	
108	3600396	1	Piston Pump Assembly with Fittings 4WD	
109	3600395	1	Load Sensing Pump Assembly with Fittings (See GEAR PUMP ASSEMBLY for Breakdown)	
110	3790152	1	O-Ring	
111	3931620	2	Bolt 3/8in-16NC x 1-1/4in	
112	3960389	5 ft/1.5m	Seal	
113	4751400	1	Flatwasher 1/4in Regular	
114	4891600	2	Flatwasher 3/8in Hardened	
115	2300004	2.63 gl /9.96L	Fluid, Anti Freeze	
		Ref	<b>ENGINE ASSEMBLIES</b>	
	2000211	Ref	<b>Engine Assemblies (SN 0300068000 through 0300084826)</b>	D
	2000296	Ref	<b>Engine Assemblies (SN 0300084827 through 0300087000)</b>	B
201	0080201	1	Adapter 90 Elbow	
202	0080214	1	Adapter, Fan Spacer	
203	0100011	AR	Compound, Locking	
204	0100020	AR	Sealant, Pipe	
205	0340041	2	Band, Air Cleaner	
206	0340046	2	Band, Muffler	
207	0641406	2	Bolt 1/4in-20NC x 3/4in	
208	0641408	6	Bolt 1/4in-20NC x 1in	
209	0641414	4	Bolt 1/4in-20NC x 1-3/4in	
210	0641608	14	Bolt 3/8in-16NC x 1in	
211	0641610	10	Bolt 3/8in-16NC x 1-1/4in	
212	0641612	8	Bolt 3/8in-16NC x 1-1/2in	
213	0641828	4	Bolt 1/2in-13NC x 3-1/2in	
214	0641507	4	Bolt 5/16in-18NC x 7/8in	
215	0701012	4	Bolt 10mm x 25mm	
216	0701014	4	Bolt 10mm x 30mm	
217	0760606	4	Bolt 6mm x 12mm	
218	0903079	1	Bracket, Muffler	
219	0961986	2	Bushing, Flanged	
220	1320012	4	Clamp	
221	1320016	3	Clamp	
222	1320022	1	Clamp, Hose	
223	1320033	8	Clamp, Hose	
224	1321138	3	Plate, Exhaust Flange	



## SECTION 2 - TURNTABLE

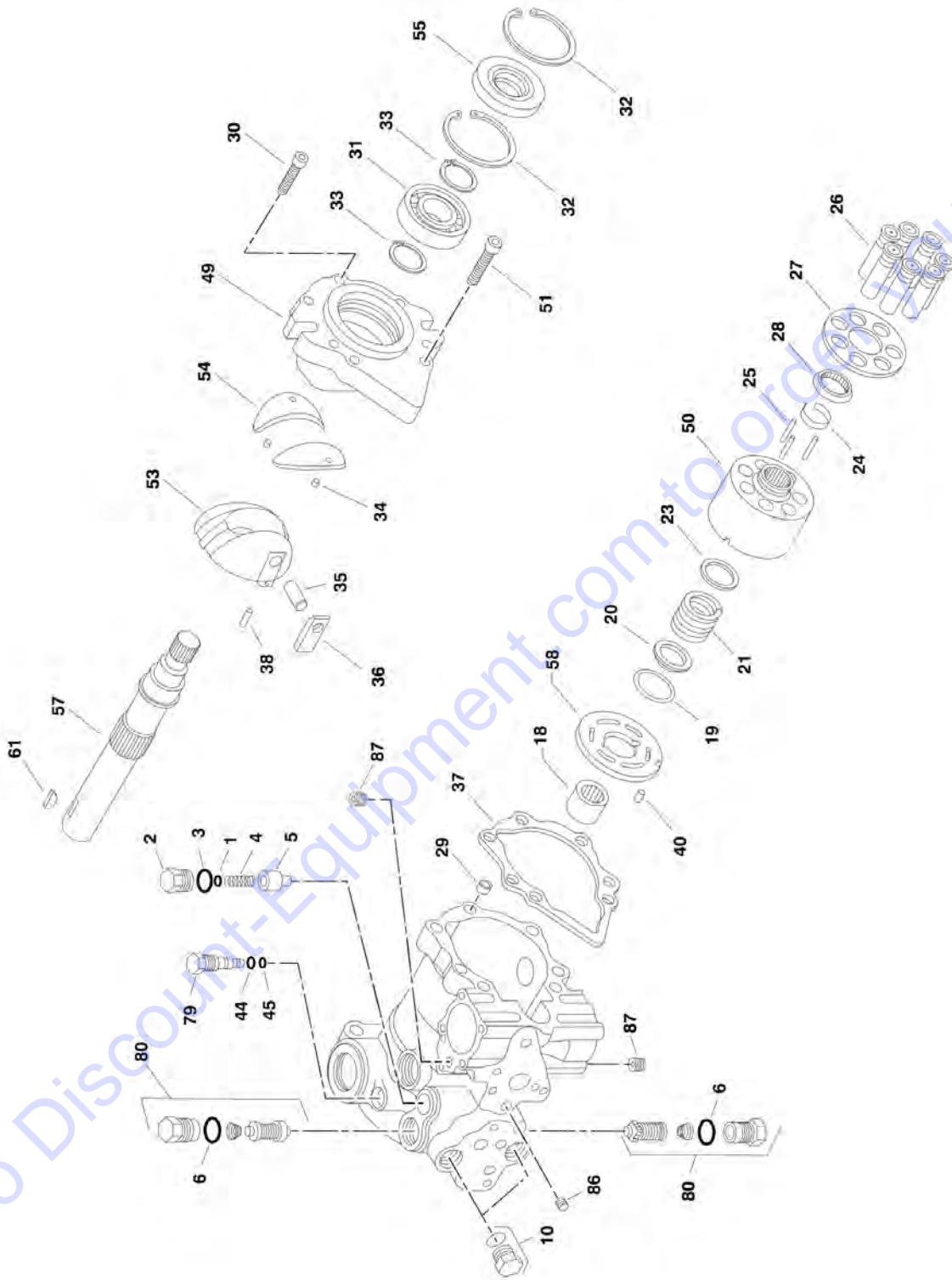
ITEM	PART NUMBER	QTY	DESCRIPTION	REV
225	1340060	1	Air Cleaner Assembly Filter Element	
225	7012664	1	Element, Filter (Not Shown)	
226	0700819	4	Bolt 8mm x 55mm	
227	4920385	7 ft/2.1m	Wire, Safety (Not Shown)	
228	1703162	2	Decal - Caution Fan Blade	
229	2000272	1	Engine (See Items 301-326 for Engine Components)	
230	2060025	1	Fan	
231	2180467	1	Fitting	
232	2180798	1	Fitting, Restriction Indicator <b>(SN 0300068000 through 0300084826)</b>	
233	2720435	1	Hose, Radiator (Bottom)	
234	2720436	1	Hose, Radiator (Upper)	
235	2720514	1	Hose, 45 Elbow	
236	2750532	6 in/15cm	Hose, Oil Drain	
237	2820172	1	Insulation, Exhaust (Shield)	
238	2820173	3	Insulation, Exhaust (Elbow)	
240	3200362	4	Mount, Motor	
241	4831900	4	Lockwasher M8	
242	3311405	12	Locknut 1/4in-20NC	
243	3311605	30	Locknut 3/8in-16NC	
244	3311805	4	Locknut 1/2in-13NC	
245	3539872	1	Plate, Radiator Mounting	
246	3572280	1	Plate, Engine Mount	
247	3574162	1	Plate, ECM/Relay Mount	
248	3574504	1	Plate, Engine Mount	
249	3620040	1	Radiator	
250	3740067	1	Relay	
251	3960591	3	Gasket, Exhaust	
252	4360392	1	Indicator, Restriction <b>(SN 0300068000 through 0300084826)</b>	
253	4566605	1	Tube, Spacer	
254	4567879	1	Tube, Exhaust	
255		Ref	Tube, Intake Options:	
255	4568951	1	Tube, Intake <b>(SN 0300068000 through 0300084826)</b>	
255	4569173	1	Tube, Intake <b>(SN 0300084827 through 0300087000)</b>	
256	4569083	1	Tube, Exhaust	
257	3460398	1	Pipe, Exhaust	
258	4640989	1	Valve, Oil Drain	
259	4711400	12	Flatwasher 1/4in Thin	
260	4711600	12	Flatwasher 3/8in Thin	
261	4740274	4	Washer, Snubbing	
262	4751400	14	Flatwasher 1/4in Regular	
263	4751500	8	Flatwasher 5/16in Regular	
264	4751600	51	Flatwasher 3/8in Regular	
266	4812000	4	Flatwasher M10	
267	4832000	4	Lockwasher M10	
268	4845404	1	Tray, Engine	
269	4846806	1	Plate, Engine Mounting	
270	0641606	1	Bolt 3/8in-16NC x 3/4in	
271	0940070	1	Bumper	
272	1320223	3	J-Clip	
273	3960469	1	Seal	
274	4060805	37 in/1m	Flex-Trim	

## SECTION 2 - TURNTABLE

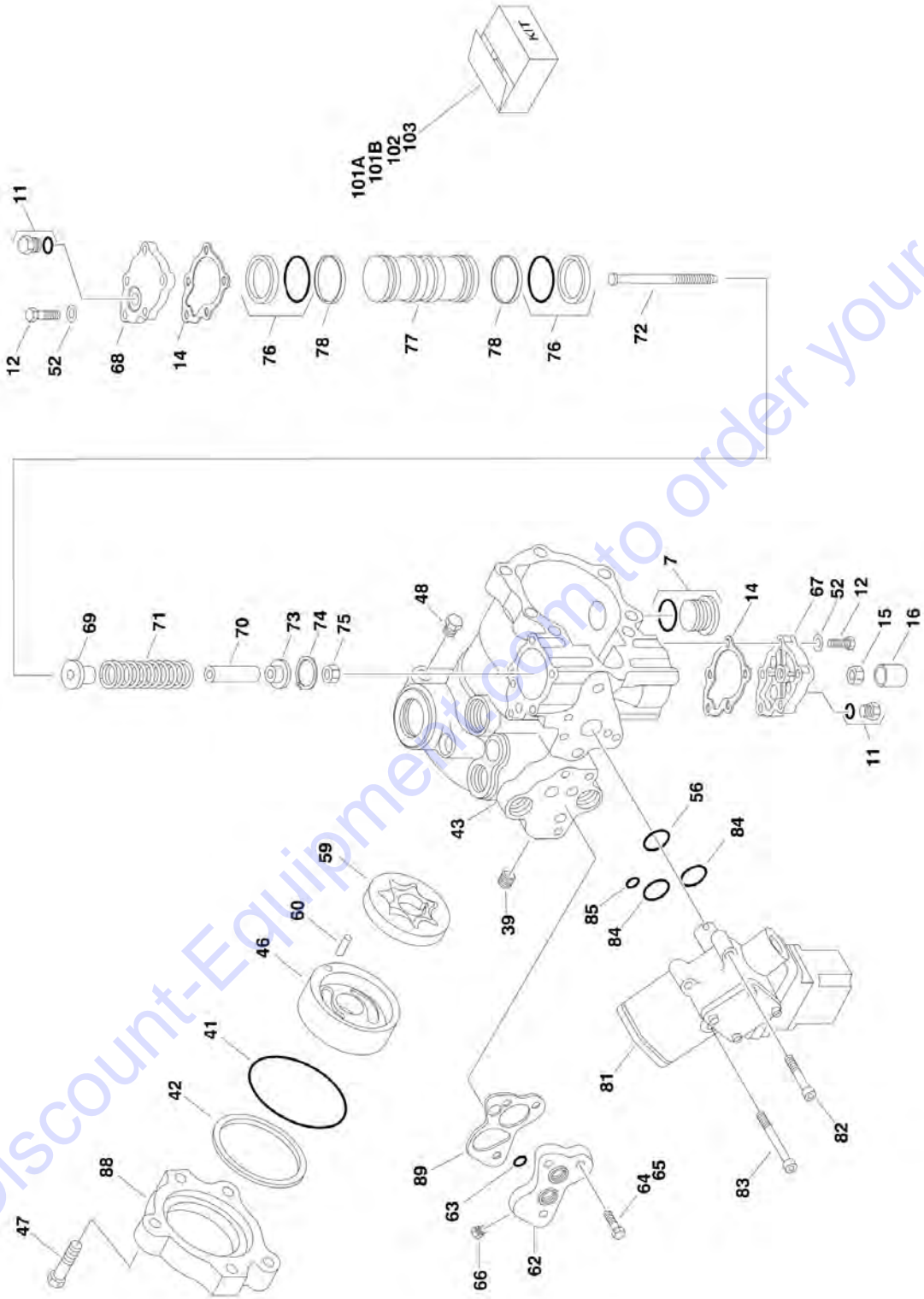
ITEM	PART NUMBER	QTY	DESCRIPTION	REV
275	3311505	4	Locknut 5/16in-18NC	
276	3960468	1	Seal	
	2000272	Ref	<b>ENGINE COMPONENTS</b>	B
301	3600377	1	Fuel Pump and Isolator Assembly (was p/ns 7022133 & 7027407)	
301	7022134	1	Harness, Fuel Pump	
302	91083218	1	Filter, Fuel (was p/n 7022135)	
303	7012679	1	Starter (was p/n 7027408)	
304	7019977	1	Alternator with Regulator and Pulley	
304	7000897	1	Alternator without Regulator and Pulley	
305	7023683	1	Actuator, Throttle	
305	7027404	1	Gasket, Actuator (Not Shown)	
306	7019996	1	Sensor, Air Temperature (was p/n 7023661)	
307	7023681	1	Harness, Engine Control (Not Shown) (was p/n 7027403)	
308	7022139	1	Sensor, MAP	
309	7023682	1	Sensor, EGR	
310	2420187	1	Dipstick (was p/n 7022140)	
310	4564281	1	Tube, Dipstick	
311	7027400	1	Mixer Assembly	
313	7021868	1	Filter, Oil (Was p/ns 7022147, 7022173 & 7014501)	
314	1660250	1	Coupling, Pump	
314	7019976	1	Flywheel Assembly (Not Shown)	
314	7012180	1	Ring Gear (Not Shown)	
315	7019993	1	Pressure Regulator and Filter Assembly	
316	0902539	1	Bracket	
317	1600374	1	Module, EPM	
317	7027413	1	Harness, EPM Jumper	
318	3220134	1	Muffler	
319	0903010	1	Bracket, LP Regulator	
320	7023698	1	Regulator, LP	
321	7019994	1	Sensor, EGR (was p/n 7027406)	
322	70002307	1	Gasket, Exhaust (Manifold to Pipe)	
322	7022143	1	Gasket, Exhaust (Manifold to Cylinder Head) (was p/n 7027401) (Not Shown)	
323	7027402	1	Belt, Drive	
324	7027405	4	Spark Plug (Not Shown)	
325	1580011	1	Bottle, Overflow	
326	7027409	1	LP Filter Shutoff with Leads	
327	7023699	1	Megajector	
327	7027410	1	Harness, Megajector	
327	70001690	1	Hose Kit - Megajector	
328	7019925	1	PCV Valve (Not Shown)	
329	7022155	1	Sensor, Water Temperature (Not Shown)	
330	70002567	1	Tensioner, Belt	
331	7022150	1	Belt, Timing (Not Shown)	

## SECTION 2 - TURNTABLE

FIGURE 2-13. PISTON PUMP ASSEMBLY (SN 0300068000 through 0300075605)



SECTION 2 - TURNTABLE



Go to Discount-Equipment.com to order your parts

## SECTION 2 - TURNTABLE

FIGURE 2-13. PISTON PUMP ASSEMBLY (SN 0300068000 through 0300075605)

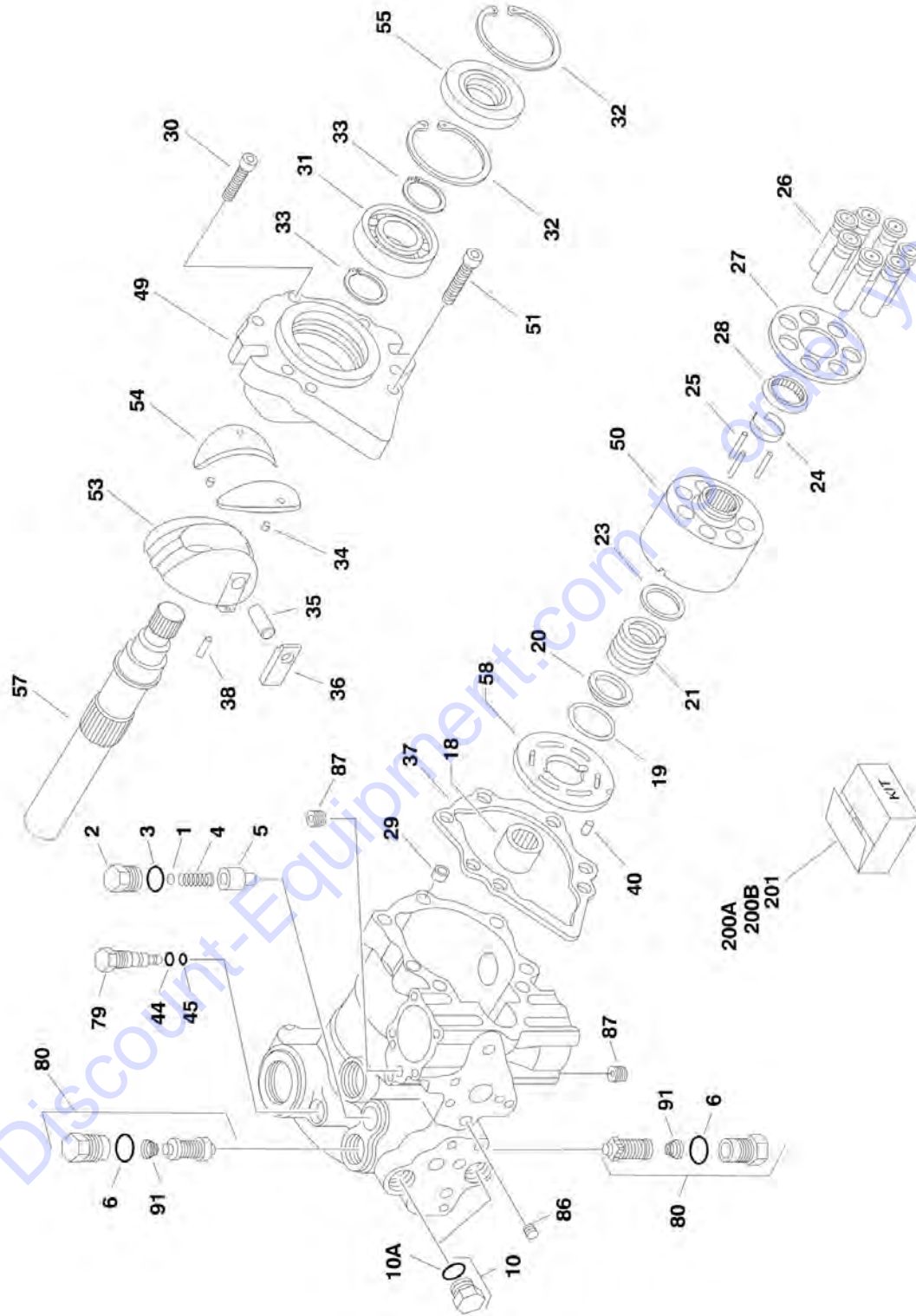
ITEM	PART NUMBER	QTY	DESCRIPTION	REV
	3600260	Ref	<b>PISTON PUMP ASSEMBLY</b>	-
1	7007413	1	Shim Kit	
2	7007414	1	Plug	
3	See Note	NSS	O-Ring (Note: Use Item 101A)	
4	7007416	1	Spring, Relief Valve	
5	7007417	1	Valve, Relief	
6	See Note	NSS	O-Ring (Note: Use Item 101A)	
7	7007419	2	Plug	
10	7007420	2	Plug	
11	7007208	2	Plug	
12	7007421	10	Screw	
14	See Note	NSS	Gasket, Servo Cover (Note: Use Item 101A)	
15	7007423	1	Nut, Special	
16	7007424	1	Cover, Adjustment	
18	7007425	1	Bearing, Needle	
19	See Note	NSS	Ring, Retaining (Note: Use Item 103)	
20	See Note	NSS	Washer (Note: Use Item 103)	
21	See Note	NSS	Spring (Note: Use Item 103)	
23	See Note	NSS	Washer (Note: Use Item 103)	
24	See Note	NSS	Retainer (Note: Use Item 103)	
25	See Note	NSS	Pin, Slipper Holddown (Note: Use Item 103)	
26	See Note	NSS	Piston Assembly (Note: Use Item 103)	
27	See Note	NSS	Retainer, Slipper (Note: Use Item 103)	
28	See Note	NSS	Guide, Retainer (Note: Use Item 103)	
29	7007435	1	Pin, Spring	
30	7007436	1	Screw, 12 Point Head	
31	7007437	1	Bearing, Ball	
32	7007438	2	Ring, Retainer	
33	7007439	2	Ring	
34	7007440	2	Pin, Spring	
35	7007441	1	Handle, Pin	
36	7007442	1	Sleeve, Bearing	
37	See Note	NSS	Gasket, Front Cover (Note: Use Item 101A)	
38	7007444	1	Pin	
39	7007445	1	Plug, Expansion	
40	See Note	NSS	Pin (Note: Use Item 103)	
41	See Note	NSS	O-Ring (Note: Use Item 101A or 102)	
42	See Note	NSS	Ring, Load Temper (Note: Use Item 101A or 102)	
43	7007449	1	Housing, Pump	
44	See Note	NSS	Ring, Back-up (Note: Use Item 101A)	
45	See Note	NSS	O-Ring (Note: Use Item 101A)	
46	See Note	NSS	Cover, Gerotor (Note: Use Item 102)	
47	7007453	3	Bolt, Hex	
48	7007208	1	Plug	
49	7007454	1	Cover, Front	
50	See Note	NSS	Block, Cylinder (Note: Use Item 103)	
51	7007456	6	Screw	
52	7001438	10	Washer	
53	See Note	NSS	Swash Plate (Note: Use Item 103)	
54	7007458	1	Journal, Bearing	

## SECTION 2 - TURNTABLE

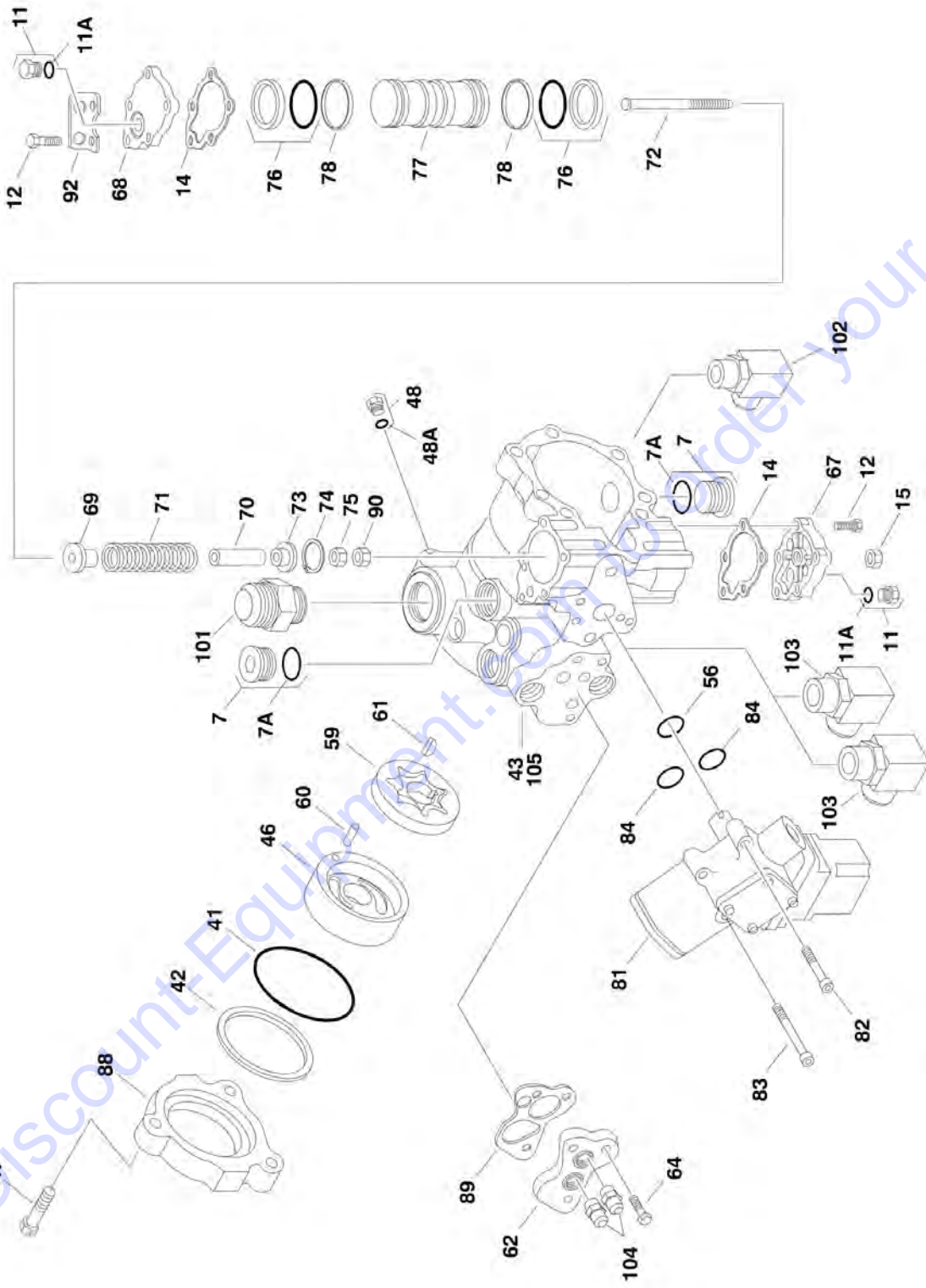
ITEM	PART NUMBER	QTY	DESCRIPTION	REV
55	7007459	1	Seal, Lip	
56	See Note	NSS	O-Ring (Note: Use Item 101A)	
57	7010121	1	Shaft, Main Pump	
58	7021214	1	Plate, Valve (Note: Use Item 103)	
59	7007463	1	Gerotor Assembly	
60	See Note	NSS	Pin (Note: Use Item 102)	
61	See Note	NSS	Key, Woodruff (Note: Use Item 102)	
62	7007466	1	Adaptor, Remote Filtration (Without By-Pass)	
63	See Note	NSS	O-Ring (Note: Use Item 101A)	
64	7007468	2	Screw	
65	7007469	2	Screw	
66	7007470	1	Plug	
67	7007471	1	Cover, Servo (With Adjuster)	
67	7007490	2	Stop, Servo (Not Shown)	
67	7007491	2	Nut, Special (Not Shown)	
67	7007492	2	Ring, External (Not Shown)	
68	7007482	1	Cover, Servo (Without Adjuster)	
69	7007483	1	Guide, Spring	
70	7007484	1	Stop, Servo	
71	7007485	1	Spring	
72	7007486	1	Screw	
73	7007487	1	Guide, Spring	
74	7007488	1	Ring, Retaining	
75	7007499	1	Locknut	
76	See Note	NSS	Ring, Piston (Note: Use Item 101A or 101B)	
77	7007494	1	Piston, Servo	
78	See Note	NSS	O-Ring (Note: Use Item 101A or 101B)	
79	7007472	1	Valve, Bypass	
80	7010122	2	Valve, Pressure Relief (Includes Item 6) (was p/n 7007473)	
81	7007474	1	Control, Dual Oil-Filled	
81	7007496	1	Coil Assembly (Pilot)	
81	7007497	1	Plug (Pump)	
81	7007498	1	Plug (Valve Harness)	
82	7007478	2	Screw	
83	7001498	2	Screw	
84	See Note	NSS	O-Ring (Note: Use Item 101A)	
85	See Note	NSS	O-Ring (Note: Use Item 101A)	
86	7007475	1	Plug, Orifice/Screen (.156)	
87	7007477	2	Plug, Orifice (.37)	
88	7007476	1	Adapter, Auxiliary Pump	
89	7010120	1	Spacer/Gasket	
101		Ref	Seal Kit Options:	
101A	2900752	1	Seal Kit - Complete (Includes Items 3, 6, 14, 37, 41, 42, 44, 45, 56, 63, 76, 78, 84 & 85)	
101B	7007412	1	Seal Kit - Servo Piston (Includes Items 76 & 78)	
102	2900826	1	Charge Pump Kit (Includes Items 41, 42, 46, 59, 60 & 61)	
103	2900827	1	Cylinder Block Kit (Includes Items 19-28, 40, 50, 53 & 58)	

# SECTION 2 - TURNTABLE

FIGURE 2-14. PISTON PUMP ASSEMBLY (SN 0300075606 through 0300087000)



SECTION 2 - TURNTABLE



Go to DiscountEquipment.com to order your parts



## SECTION 2 - TURNTABLE

FIGURE 2-14. PISTON PUMP ASSEMBLY (SN 0300075606 through 0300087000)

ITEM	PART NUMBER	QTY	DESCRIPTION	REV
		Ref	<b>PISTON PUMP ASSEMBLY</b>	
	3600388	Ref	<b>Piston Pump Assembly 2WD</b>	A
	3600381	Ref	<b>Piston Pump Assembly 4WD</b>	A
1	7007413	1	Shim Kit	
2	7024874	1	Plug (Pump Assembly p/n 3600388) 2WD	
2	7007414	1	Plug (Pump Assembly p/n 3600381) 4WD	
3	See Note	NSS	O-Ring (Note: Use Item 200A)	
4	7021200	1	Spring, Relief Valve	
5	7007417	1	Valve, Relief	
6	See Note	NSS	O-Ring (Note: Use Item 200A)	
7	7007419	2	Plug	
7A	7007418	2	O-Ring	
10	7007470	2	Plug	
10A	7021256	2	O-Ring	
11	7007470	2	Plug	
11A	7021256	2	O-Ring	
12	7021223	10	Screw	
14	See Note	NSS	Gasket, Servo Cover (Note: Use Item 200A)	
15	7007423	1	Nut, Special	
18	7007425	1	Bearing, Needle	
19	See Note	NSS	Ring, Retaining (Note: Use Item 201)	
20	See Note	NSS	Washer (Note: Use Item 201)	
21	See Note	NSS	Spring (Note: Use Item 201)	
23	See Note	NSS	Washer (Note: Use Item 201)	
24	See Note	NSS	Retainer (Note: Use Item 201)	
25	See Note	NSS	Pin, Slipper Holddown (Note: Use Item 201)	
26	See Note	NSS	Piston Assembly (Note: Use Item 201)	
27	See Note	NSS	Retainer, Slipper (Note: Use Item 201)	
28	See Note	NSS	Guide, Retainer (Note: Use Item 201)	
29	7007435	1	Pin, Spring	
30	7021202	1	Screw	
31	7007437	1	Bearing, Ball	
32	7007438	2	Ring, Retainer	
33	7007439	2	Ring	
34	7021203	2	Pin, Spring	
35	7007441	1	Handle, Pin	
36	7007442	1	Sleeve, Bearing	
37	See Note	NSS	Gasket, Front Cover (Note: Use Item 200A)	
38	7007444	1	Pin	
40	7007446	1	Pin	
41	See Note	NSS	O-Ring (Note: Use Item 200A)	
42	See Note	NSS	Ring, Load Temper (Note: Use Item 200A)	
43	7023977	1	Housing, Pump	
44	See Note	NSS	Ring, Back-up (Note: Use Item 200A)	
45	See Note	NSS	O-Ring (Note: Use Item 200A)	
46	7007452	1	Cover, Gerotor	
47	7007453	3	Bolt, Hex	
48	7007208	1	Plug	
48A	7007207	1	O-Ring	
49	7024875	1	Cover, Front (Pump Assembly p/n 3600388) 2WD	

## SECTION 2 - TURNTABLE

ITEM	PART NUMBER	QTY	DESCRIPTION	REV
49	7007454	1	Cover, Front (Pump Assembly p/n 3600381) 4WD	
50	7010116	1	Block, Cylinder (Note: Use Item 201)	
51	7021207	6	Screw	
53	7007457	1	Swash Plate	
54	7021210	1	Journal, Bearing (Pump Assembly p/n 3600388) 2WD	
54	7021212	1	Journal, Bearing (Pump Assembly p/n 3600381) 4WD	
55	See Note	NSS	Seal, Lip (Note: Use Item 200A)	
56	See Note	NSS	O-Ring (Note: Use Item 200A)	
57	7010121	1	Shaft, Main Pump	
58	7021214	1	Plate, Valve	
59	7007463	1	Gerotor Assembly	
60	7007464	1	Pin	
61	7007465	1	Key, Woodruff	
62	7007466	1	Adaptor, Remote Filtration (Without By-Pass)	
64	7021218	3	Screw	
67	7021220	1	Cover, Servo (Without Adjuster)	
68	7021219	1	Cover, Servo (Without Adjuster)	
69	7023979	1	Guide, Spring	
70	7007484	1	Stop, Servo	
71	7007485	1	Spring	
72	7021221	1	Screw	
73	7007487	1	Guide, Spring	
74	7007488	1	Ring, Retaining	
75	7021222	1	Locknut	
76	See Note	NSS	Ring, Piston (Note: Use Item 200A or 200B)	
77	7007494	1	Piston, Servo	
78	See Note	NSS	O-Ring (Note: Use Item 200A or 200B)	
79	7024877	1	Valve, Bypass (Pump Assembly p/n 3600388) 2WD	
79	7007472	1	Valve, Bypass (Pump Assembly p/n 3600381) 4WD	
80	7010122	2	Valve, Pressure Relief (Includes Item 6) (Pump Assembly p/n 3600388) 2WD	
80	7024851	2	Valve, Pressure Relief (Includes Item 6) (Pump Assembly p/n 3600381) 4WD	
81	7007474	1	Control, Dual Oil-Filled	
81	7007496	1	Coil Assembly (Pilot)	
81	7007497	1	Plug (Pump)	
81	7007498	1	Plug (Valve Harness)	
82	7001498	2	Screw	
83	7007478	2	Screw	
84	7001433	2	O-Ring (Note: Use Item 200A)	
86	7007475	1	Plug, Orifice/Screen (.156)	
87	7007477	2	Plug, Orifice (.37)	
88	7007476	1	Adapter, Auxiliary Pump	
89	7021217	1	Spacer/Gasket (Note: Use item 200A)	
90	7021206	1	Nut	
91	7024800	2	Spring	
92	7021201	1	Bracket, Lifting	
		Ref	<b>PISTON PUMP AND FITTING ASSEMBLIES</b>	
	3600394	Ref	<b>Piston Pump and Fitting Assemblies 2WD</b>	B
	3600396	Ref	<b>Piston Pump and Fitting Assemblies 4WD</b>	A
101	2220479	1	Fitting, Straight	
102	2220578	1	Fitting, 90	

## SECTION 2 - TURNTABLE

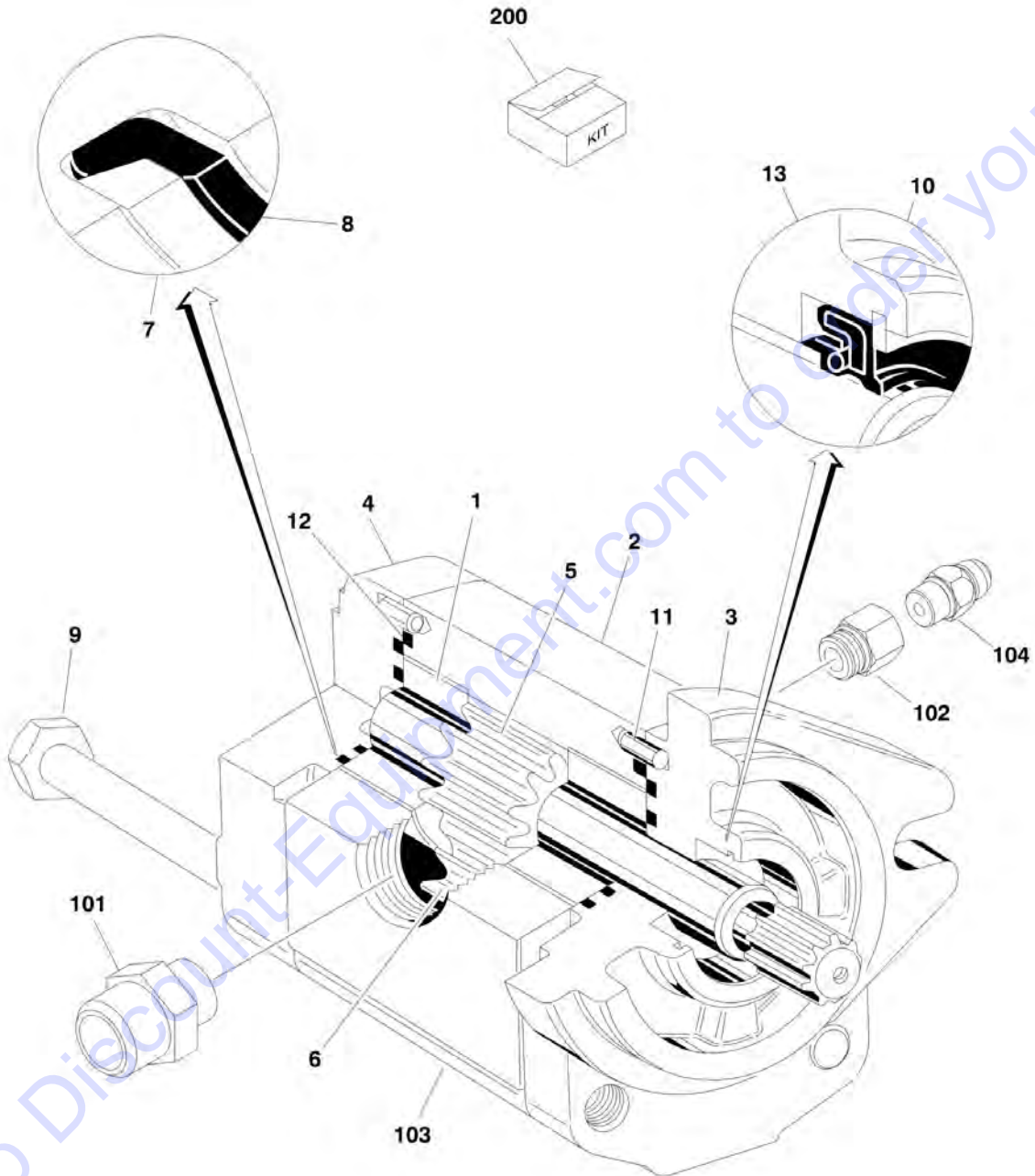
ITEM	PART NUMBER	QTY	DESCRIPTION	REV
103	2220646	2	Fitting, 90	
104	2220947	2	Fitting, Straight	
105		Ref	Pump Options (Includes Items 1-92)	
105	3600388	1	Pump 2WD	
105	3600381	1	Pump 4WD	
		Ref	<b>KIT OPTIONS:</b>	
200		Ref	Seal Kit Options:	
200A	7021232	1	Seal Kit - Complete (Includes Items 3, 6, 14, 37, 41, 42, 44, 45, 55, 56, 76, 78, 84 & 89)	
200B	7007412	1	Seal Kit - Servo Piston (Includes Items 76 & 78)	
201	7010116	1	Cylinder Block Kit (Includes Items 19-28 & 50)	

Go to Discount-Equipment.com to order your parts



## SECTION 2 - TURNTABLE

FIGURE 2-15. GEAR PUMP ASSEMBLY



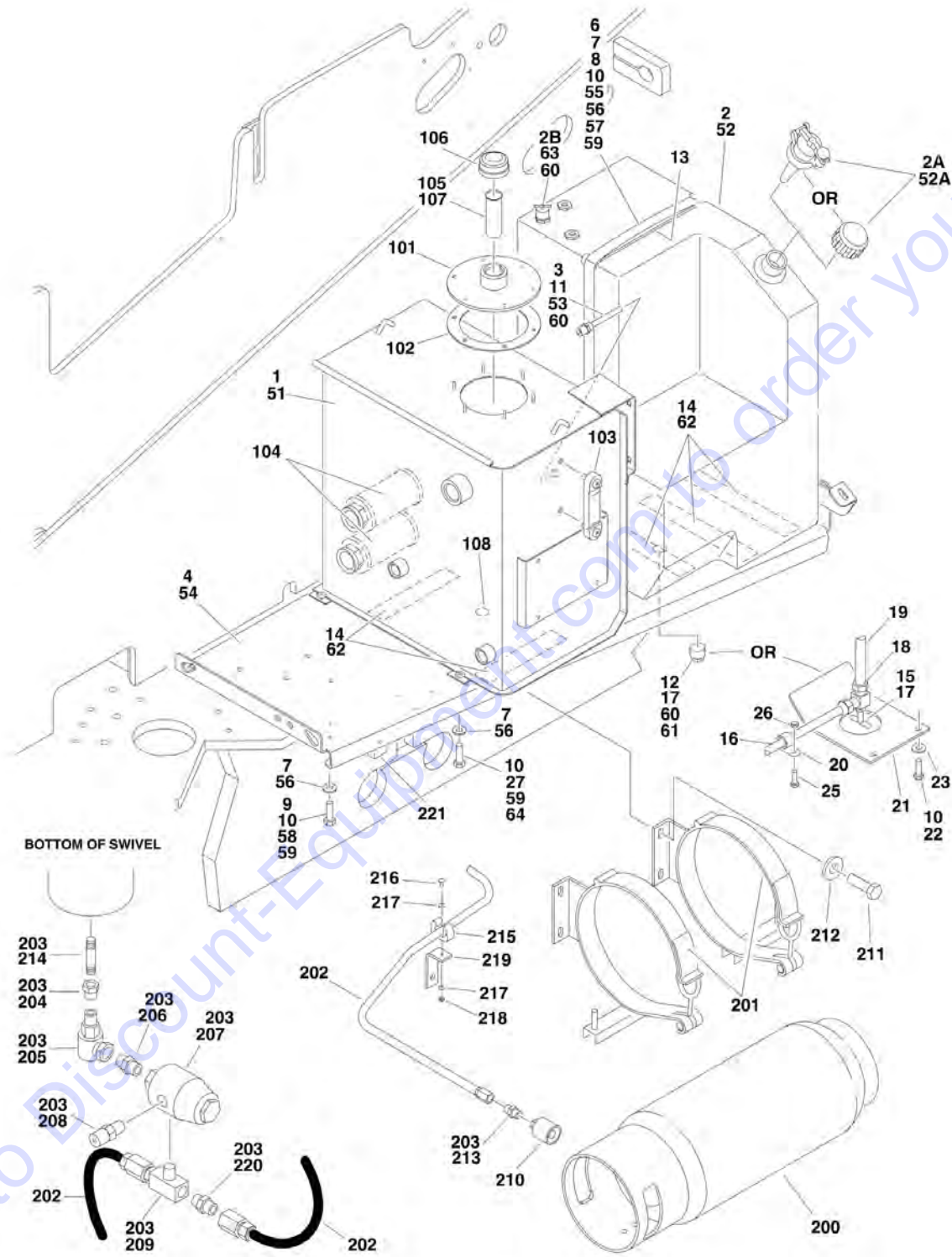
## SECTION 2 - TURNTABLE

### FIGURE 2-15. GEAR PUMP ASSEMBLY

ITEM	PART NUMBER	QTY	DESCRIPTION	REV
	3600242	Ref	<b>GEAR PUMP ASSEMBLY</b>	
1	7010105	2	Bearing/Bushing	
2	See Note	NLA	Housing (Note: Not Available - Purchase p/n 3600242 Complete Replacement)	
3	See Note	NLA	Flange (Note: Not Available - Purchase p/n 3600242 Complete Replacement)	
4	7010103	1	Cover	
5	7012987	1	Gear, Drive	
6	7012988	1	Gear, Idler	
7	See Note	NSS	Ring, Anti-Extrusion (Note: Use Item 200)	
8	See Note	NSS	Seal (Note: Use Item 200)	
9	See Note	4	Bolt (Note: Not Available for Purchase)	
10	7010104	1	Ring, Retaining	
11	See Note	4	Pin, Dowel (Note: Not Available for Purchase)	
12	See Note	NSS	Seal, O-Ring (Note: Use Item 200)	
13	See Note	NSS	Seal, Shaft (Note: Use Item 200)	
	3600395	Ref	<b>GEAR PUMP AND FITTING ASSEMBLY</b>	A
101	2220376	1	Fitting, Straight	
102	2220810	1	Fitting, Reducer	
103	3600242	1	Pump (Includes Items 1-13)	
104	4640744	1	Fitting, Check Valve	
		Ref	<b>KIT OPTIONS</b>	
200	7007489	1	Seal Kit (Includes Items 7, 8, 12 & 13)	

# SECTION 2 - TURNTABLE

## FIGURE 2-16. TANK INSTALLATIONS



## SECTION 2 - TURNTABLE

### FIGURE 2-16. TANK INSTALLATIONS

ITEM	PART NUMBER	QTY	DESCRIPTION	REV
		Ref	<b>TANKS INSTALLATIONS - NON U/L MACHINES</b>	
	0254849	Ref	<b>Diesel Machines</b>	9
	0271250	Ref	<b>Gas/Dual Fuel Machines</b>	3
1	4400449	1	Hydraulic Tank Assembly (See Items 101-108 for Breakdown)	
2	4400400	1	Tank, Fuel	
2A		Ref	Cap Options:	
2A	7016314	1	Standard Black Cap	
2A	1120484	1	Optional Red Cap (Gas/Dual Fuel Machines) (Not Included with Tank)	
2A	1120487	1	Optional Blue Cap (Diesel Machines) (Not Included with Tank)	
2B	7019658	1	Tube, Fuel Pick-up (With Fitting)	
3	4360436	1	Switch, Fuel Level	
4	4845393	1	Hydraulic Tray Weldment	
6	4240113	1	Strap, Tank	
7	4751600	12	Flatwasher 3/8in Regular	
8	3311601	AR	Nut 3/8in-16NC	
9	0641614	6	Bolt 3/8in-16NC x 1-3/4in	
10	0100011	AR	Compound, Locking	
11	0100079	AR	Sealant, Pipe	
12	2200233	1	Fitting	
13	4280295	25 in /44cm	Strip, Protective	
14	4420038	70 in /1.78m	Tape, Rubber	
		Ref	<b>Note: Items 15-24 Used on Gas Machines Only</b>	
15	4641022	1	Valve, Needle	
16	4568116	1	Tube, Fuel	
17	0100020	AR	Sealant	
18	0100062	AR	Retaining Compound #680	
19	4568119	1	Tube, Fuel	
20	1320245	1	Clamp	
21	3572423	1	Plate, Valve, Needle	
22	0641508	2	Bolt 5/16in-18NC x 1in	
23	4711500	4	Flatwasher 5/16in Thin	
24	3311505	2	Locknut 5/16in-18NC	
25	0641412	1	Bolt 1/4in-20NC x 1-1/2in	
26	3311405	1	Locknut 1/4in-20NC x 1-1/2in	
27	0641608	4	Bolt 3/8in-16NC x 1in	
		Ref	<b>TANKS INSTALLATION - U/L MACHINES</b>	
	0257705	Ref	<b>Gas/Diesel</b>	3
	0258607	Ref	<b>LP Gas Only</b>	2
51	4400449	1	Hydraulic Tank Assembly (See Items 101-108 for Breakdown)	D
52	4400407	1	Tank, Fuel (Not Required on LP Gas Only Machines)	
52A	7016314	1	Cap, Black Fuel (Not Required on LP Gas Only Machines)	
53	4360436	1	Switch, Fuel Level (Not Required on LP Gas Only Machines)	
54	4845393	1	Tray, Hydraulic	
56	4751600	AR	Flatwasher 3/8in Regular	
57	3311601	AR	Nut 3/8in-16NC	
58	0641614	6	Bolt 3/8in-16NC x 1-3/4in	
59	0100011	AR	Compound, Locking	



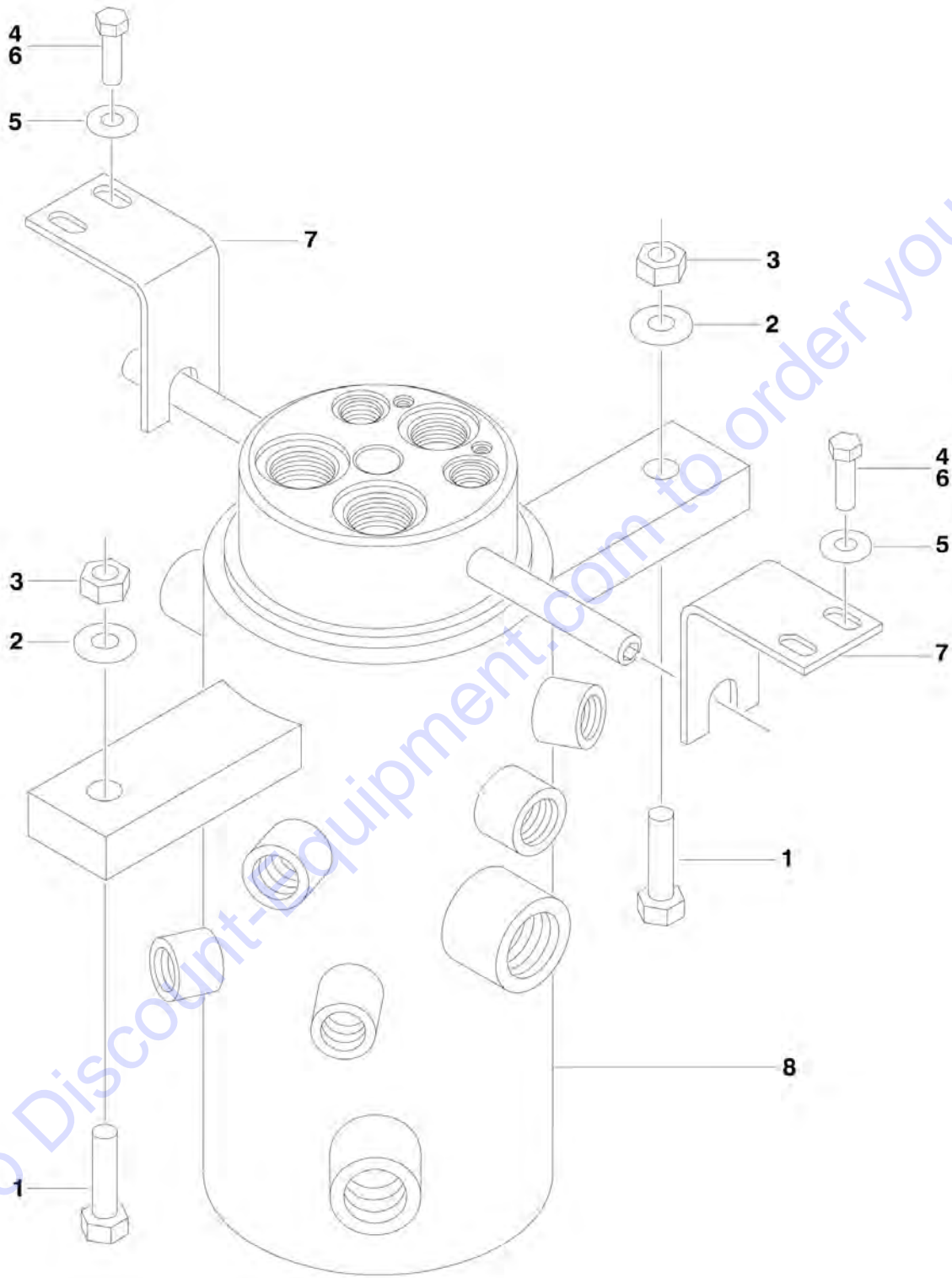
## SECTION 2 - TURNTABLE

ITEM	PART NUMBER	QTY	DESCRIPTION	REV
60	0100020	AR	Sealant, Pipe	
61	2200222	1	Plug, Pipe (Not Required on LP Gas Only Machines)	
62	4420038	AR	Molding	
63	4641022	1	Valve, Needle (Not Required on LP Gas Only Machines)	
64	0641608	4	Bolt 3/8in-16NC x 1in	
	4400449	Ref	<b>HYDRAULIC TANK ASSEMBLY</b>	A
101	7024439	1	Cover	
102	7024440	1	Gasket	
103	7024441	1	Gauge, Sight	
104	7024442	2	Strainer	
105	7024443	1	Filler Neck	
106	7024444	1	Cap, Vented	
107	7024445	1	Strainer	
108	7024446	1	Plug, Magnetic	
	0255524	Ref	<b>LP TANK BRACKETS INSTALLATION</b>	7
200		Ref	Tank, LP - 43.5 Lbs Options:	
200	4400275	1	Tank, LP - 43.5 Lbs (Aluminum)	
200	4400420	1	Tank, LP - 43.5 Lbs (Steel)	
201	1320220	2	Clamp	
201	1320127	2	Clamp, Toggle (1 Per Clamp)	
202	2720144	2	Hose	
203	0100020	AR	Sealant, Pipe	
204	2221019	1	Fitting, Reducer	
205	2180125	1	Fitting, 90 Swivel	
206	2220261	1	Fitting, Nipple	
207	2180388	1	Fitting, Bulkhead	
208	2180389	1	Valve, Relief	
209	2220418	1	Fitting, Tee	
210	2180387	2	Fitting, Straight	
211	0641606	8	Bolt 3/8in-16NC x 3/4in	
212	4751600	8	Flatwasher 3/8in Regular	
213	2180418	2	Fitting, Connector	
214	2221018	1	Fitting, Nipple	
215	1320218	2	Clamp, Spring	
216	3910808	2	Screw, Round Head #8-32NC x 1/2in	
217	4750800	4	Flatwasher #8 Regular	
218	3310805	2	Locknut #8-32NC	
219	0181949	2	Angle, Support	
220	2221024	2	Fitting, Union Ball Check	
221	0362519	4	Bar	



## SECTION 2 - TURNTABLE

FIGURE 2-17. ROTARY COUPLING INSTALLATION (SN 0300068000 through 0300075605)



**SECTION 2 - TURNTABLE**

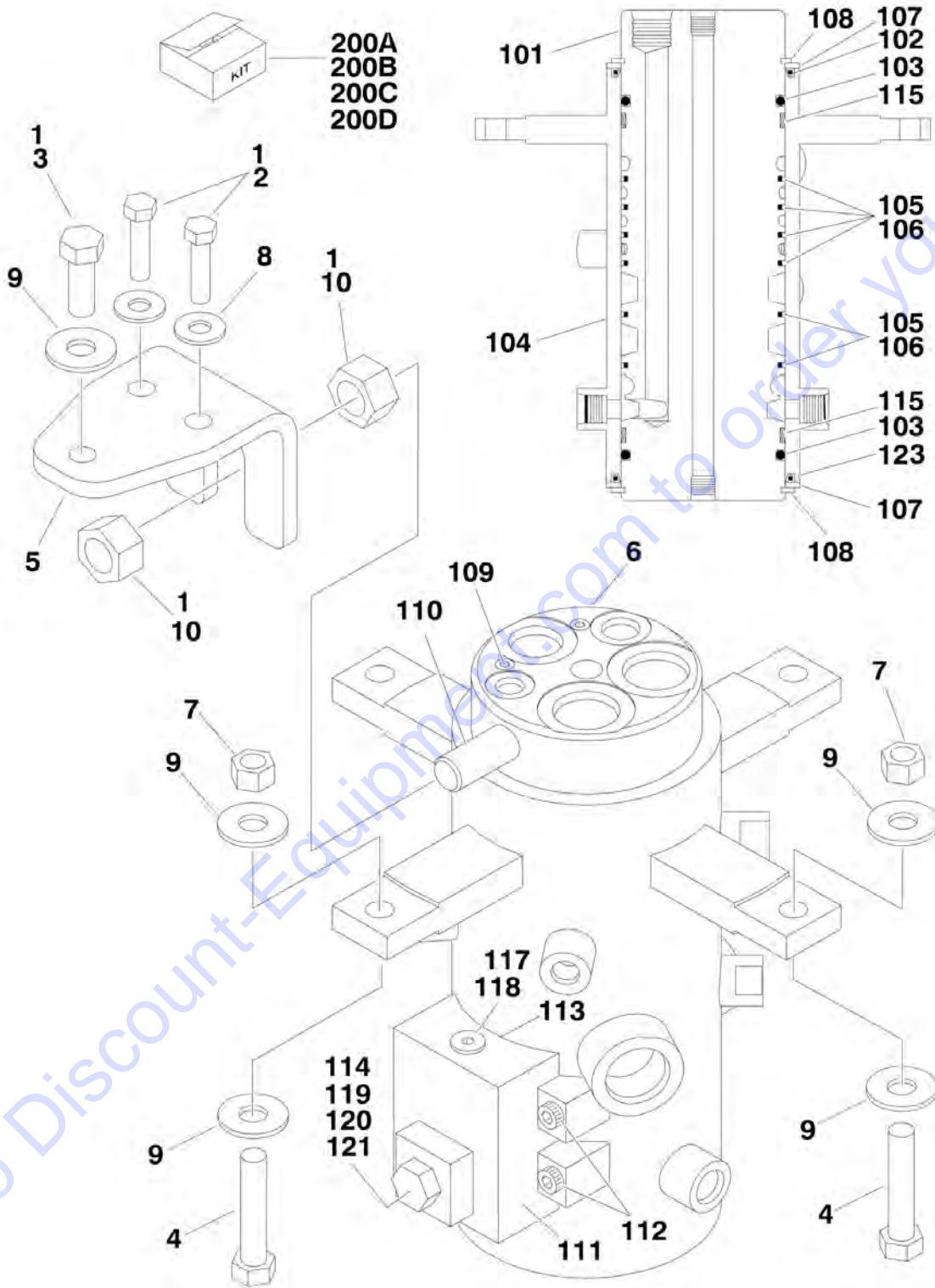
**FIGURE 2-17. ROTARY COUPLING INSTALLATION (SN 0300068000 through 0300075605)**

ITEM	PART NUMBER	QTY	DESCRIPTION	REV
		Ref	<b>ROTARY COUPLING INSTALLATIONS</b>	
	0255262	Ref	<b>Rotary Coupling Installations 2WS</b>	5
	0255294	Ref	<b>Rotary Coupling Installations 4WS</b>	2
1	0641820	2	Bolt 1/2in-13NC x 2-1/2in	
2	4751800	4	Flatwasher 1/2in	
3	3311805	2	Locknut 1/2in-13NC	
4	0641611	4	Bolt 3/8in-16NC x 1-3/8in	
5	4751600	4	Flatwasher 3/8in	
6	0100011	AR	Compound, Locking	
7	0902520	2	Bracket	
8		Ref	Coupling, Rotary Options:	
8	1660219	1	Coupling, Rotary 2WS	
8	1660223	1	Coupling, Rotary 4WS	
8		Ref	Seal Kit Options:	
8	7013187	1	Seal Kit 2WS	
8	7016342	1	Seal Kit 4WS	
8		Ref	Rebuilt Couplings Options:	
8	1660219RR	1	Rebuilt Couplings 2WS	
8	1660223RR	1	Rebuilt Couplings 4WS	

Go to Discount-Equipment.com to order your parts

## SECTION 2 - TURNTABLE

FIGURE 2-18. ROTARY COUPLING INSTALLATION (SN 0300075606 through 0300087000)



## SECTION 2 - TURNTABLE

**FIGURE 2-18. ROTARY COUPLING INSTALLATION (SN 0300075606 through 0300087000)**

ITEM	PART NUMBER	QTY	DESCRIPTION	REV
		Ref	<b>ROTARY COUPLING INSTALLATIONS</b>	
	0273052	Ref	<b>Rotary Coupling Installations 2WS</b>	D
	0273161	Ref	<b>Rotary Coupling Installations 4WS</b>	D
1	0100011	AR	Compound, Locking	
2	0641612	2	Bolt 3/8in-16NC x 1-1/2in	
3	0641811	1	Bolt 1/2in-13NC x 1-3/8in	
4	0641820	2	Bolt 1/2in-13NC x 2-1/2in	
5	0903056	1	Bracket	
6		Ref	Coupling, Rotary Options (See Items 101-121 for Breakdown):	
6	1660257	NLA	Coupling, Rotary 2WS (Use p/n 1660303)	
6	1660258	NLA	Coupling, Rotary 2WS (Use p/n 1660304)	
7	3271805	2	Locknut 1/2in-13NC	
8	4751600	2	Flatwasher 3/8in Regular	
9	4751800	5	Flatwasher 1/2in Regular	
10	3322201	2	Nut 3/4in-16NC	
		Ref	<b>ROTARY COUPLING ASSEMBLIES</b>	
	1660257	Ref	<b>Rotary Coupling Assemblies 2WS (Original Equipment)</b>	
	1660303	Ref	<b>Rotary Coupling Assemblies 2WS (Service Replacement)</b>	
	1660258	Ref	<b>Rotary Coupling Assemblies 4WS (Original Equipment)</b>	
	1660304	Ref	<b>Rotary Coupling Assemblies 4WS (Service Replacement)</b>	
			<b>Note: Original Equipment may have been replaced with Service Replacement part. Identify p/n stamped on rotary coupling before ordering parts.</b>	
101	See Note	NSS	Body (Note: Not Available - Purchase Complete Rotary Coupling Assembly)	
102		Ref	Seal, Oil Options:	
102	7026189	2	Seal, Oil 2WS (p/n 1660257)	
102	70001248	2	Seal, Oil 2WS (p/n 1660303)	
102	7026512	2	Seal, Oil 4WS	
103	See Note	NSS	O-Ring (Note: Use Item 200A or 200B)	
104	See Note	NSS	Housing (Note: Not Available - Purchase Complete Rotary Coupling Assembly)	
105		Ref	Seal, Cap	
105	See Note	NSS	Seal, Cap 2WS (Note: Use Item 200A or 200B)	
105	See Note	NSS	Seal, Cap 4WS (Note: Use Item 200C or 200D)	
106		Ref	O-RING	
106	See Note	NSS	O-Ring 2WS (Note: Use Item 200A or 200B)	
106	See Note	NSS	O-Ring 4WS (Note: Use Item 200C or 200D)	
107		Ref	Ring Options:	
107	7026503	2	Ring 2WS	
107	7026511	2	Ring 4WS	
108		Ref	Ring, Retaining Options:	
108	7026504	AR	Ring, Retaining 2WS	
108		Ref	Ring, Retaining (1660257 Coupling)	
108		Ref	Ring, Retaining (1660303 Coupling)	
108	7013189	AR	Ring, Retaining 4WS	
108		Ref	Ring, Retaining (1660258 Coupling)	
108		Ref	Ring, Retaining (1660304 Coupling)	
109		Ref	Plug, Pipe Options	
109		Ref	Plug, Pipe 2WS	
109	See Note	NSS	Plug, Pipe (1660257 Coupling) (Note: Not Available -	

## SECTION 2 - TURNTABLE

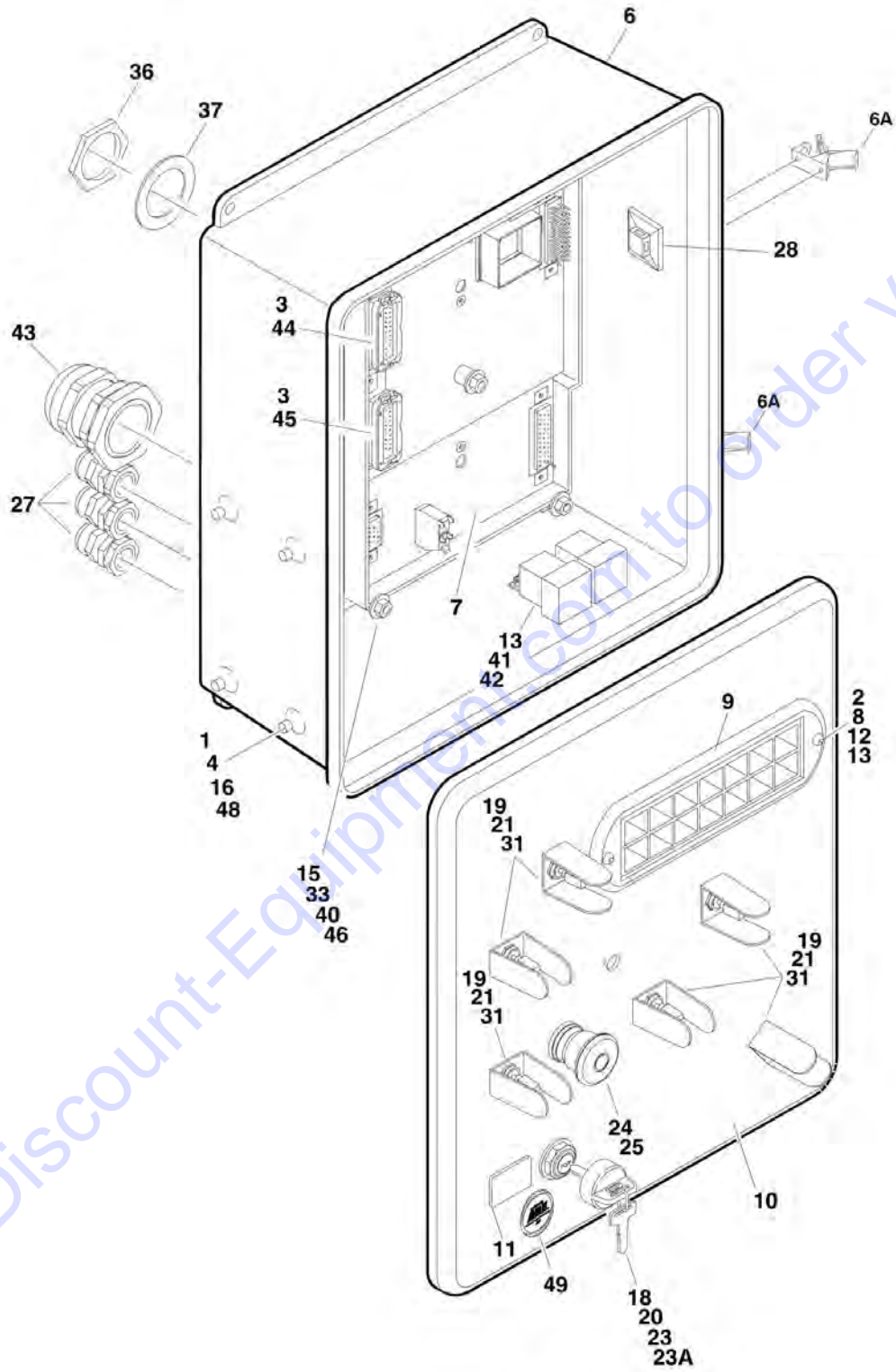
ITEM	PART NUMBER	QTY	DESCRIPTION	REV
109	8093461	2	Purchase Locally Plug, Pipe (1660303 Coupling)	
109		Ref	Plug, Pipe 4WS	
109	See Note	NSS	Plug, Pipe (1660258 Coupling) (Note: Not Available - Purchase Locally)	
109	8093461	4	Plug, Pipe (1660304 Coupling)	
110	See Note	NSS	Lug, Torque (Note: Not Available for Purchase)	
111	7024404	1	Block, Valve	
112	7026197	4	Bolt 5/16in-18NC x 1-1/4in	
113	See Note	NSS	O-Ring (Note: Use Item 200A, 200B, 200C or 200D)	
114	See Note	NSS	O-Ring (Note: Use Item 200A, 200B, 200C or 200D)	
115	See Note	NSS	Bearing (Note: Use Item 200A, 200B, 200C or 200D)	
117	7026505	1	Plug	
118	7026506	1	Valve, Check	
119	7026507	1	Plug	
120		Ref	Valve Block, Plunger Options:	
120	7026508	1	Valve Block, Plunger (1660257 & 1660258 Couplings)	
120	7024404	1	Valve Block, Plunger (1660303 & 1660304 Couplings)	
121	7026509	1	Spring, Compression	
122	See Note	NSS	Protective Netting (Not Shown) (1660303 & 1660304 Couplings) (Note: Not Available for Purchase)	
123		Ref	Seal Options:	
123	7026189	1	Seal (1660257 Coupling)	
123	70001248	1	Seal (1660303 Coupling)	
123	See Note	NSS	Seal (1660258 & 1660304 Couplings) (Note: Use Item 200C or 200D)	
200		Ref	Seal Kit Options:	
200A	7026510	1	Seal Kit (1660257 Coupling) (Includes Items 103, 105, 106 & 113-115. Items 102 & 123 must be purchased separately)	
200B	70001248	1	Seal Kit (1660303 Coupling) (Includes Items 102, 103, 105, 106, 113-115 & 123)	
200C	7026512	1	Seal Kit (1660258 Coupling) (Includes Items 102, 103, 105, 106, 113-115 & 123)	
200D	70001249	1	Seal Kit (1660304 Coupling) (Includes Items 102, 103, 105, 106, 113-115 & 123)	





# SECTION 2 - TURNTABLE

## FIGURE 2-19. GROUND CONTROL BOX ASSEMBLY



## SECTION 2 - TURNTABLE

### FIGURE 2-19. GROUND CONTROL BOX ASSEMBLY

ITEM	PART NUMBER	QTY	DESCRIPTION	REV
		Ref	<b>GROUND CONTROL BOX ASSEMBLIES</b>	
	0861619	Ref	Ground Control Box Assemblies (600S) with Caterpillar Engine (SN 0300068000 through 0300084826)	C
	0861696	Ref	Ground Control Box Assemblies (600S) with Caterpillar Engine (SN 0300084827 through 0300087000)	A
	0861620	Ref	Ground Control Box Assemblies (600SJ & 660SJ) with Caterpillar Engine (SN 0300068000 through 0300084826)	C
	0861697	Ref	Ground Control Box Assemblies (600SJ & 660SJ) with Caterpillar Engine (SN 0300084827 through 0300087000)	A
	0861480	Ref	Ground Control Box Assemblies (600S) with Deutz Engine (SN 0300068000 through 0300084826)	F
	0861685	Ref	Ground Control Box Assemblies (600S) with Deutz Engine (SN 0300084827 through 0300087000)	A
	0861481	Ref	Ground Control Box Assemblies (600SJ & 660SJ) with Deutz Engine (SN 0300068000 through 0300084826)	F
	0861686	Ref	Ground Control Box Assemblies (600SJ & 660SJ) with Deutz Engine (SN 0300084827 through 0300087000)	A
	0861478	Ref	Ground Control Box Assemblies (600S) with Ford Engine (SN 0300068000 through 0300084826)	F
	0861694	Ref	Ground Control Box Assemblies (600S) with Ford Engine (SN 0300084827 through 0300087000)	A
	0861479	Ref	Ground Control Box Assemblies (600SJ & 660SJ) with Ford Engine (SN 0300068000 through 0300084826)	E
	0861685	Ref	Ground Control Box Assemblies (600SJ & 660SJ) with Ford Engine (SN 0300084827 through 0300087000)	A
1	0100011	AR	Compound, Locking	
2	0630518	2	Capscrew, Button Head	
3	0100048	AR	Grease, Dielectric	
4	0641506	4	Bolt 5/16in-18NC x 3/4in	
6	0861389	1	Box, Fiberglass	
6A	7020246	2	Latch	
7		Ref	Module Options:	
		Ref	Note: Re-calibration Required when Replaced.	
7	1600327	NLA	Module Caterpillar and Deutz Engine (Use p/n 2915014) (SN 0300068000 through 0300077489)	
7	1600364	1	Module Caterpillar and Ford Engine (SN 0300077490 through 0300087000)	
7	1600364	1	Module Deutz Engine (SN 0300077490 through 0300084826)	
7	2915014	1	Update Kit (Includes Module, Cables, Programming Instructions and CD Software) (Use with 1600327 & 1600364)	
7	1600411	1	Module Deutz Engine (SN 0300084827 through 0300087000)	
8	1670829	1	Bezel	
9		Ref	Decal - Ground Control Display Options:	
9	1702610	1	Decal - Ground Control Display (SN 0300068000 through 0300084826)	
9	1705753	1	Decal - Ground Control Display (SN 0300084827 through 0300087000)	
10		Ref	Decal - Faceplate Options:	
10	1703465	1	Decal - Faceplate 600S	
10	1703466	1	Decal - Faceplate (600SJ/660SJ)	
11	2420172	1	Gauge, Hourmeter	
12	2760105	1	Housing, Display Light	
13	3300408	AR	Locknut, Plastic Insert	

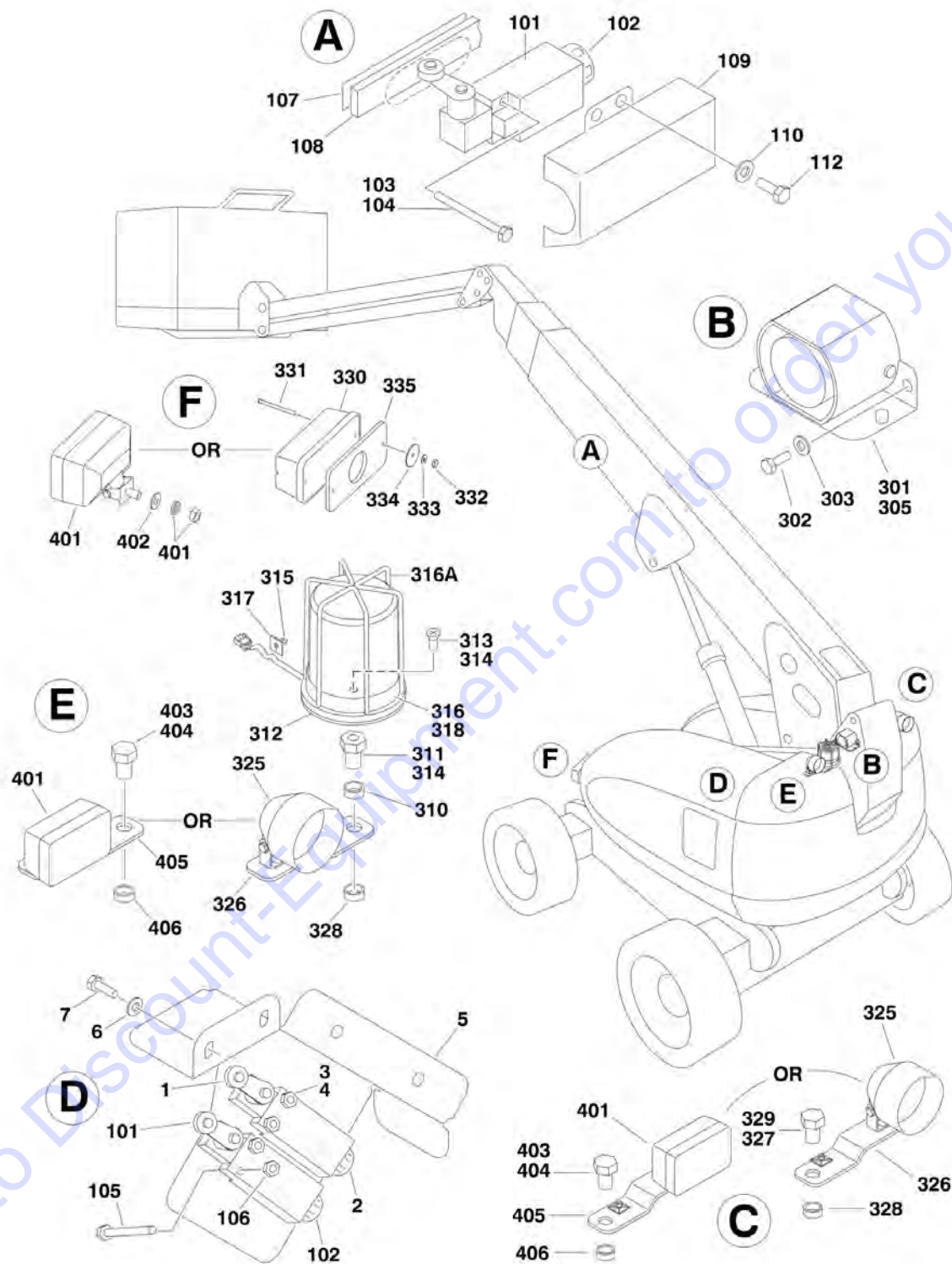
## SECTION 2 - TURNTABLE

ITEM	PART NUMBER	QTY	DESCRIPTION	REV
15	3311401	10	Nut 1/4in-20NC	
16	3539219	1	Plate, Reinforcement	
18	3910804	6	Screw #8-32NC x 1/4in	
19	4060906	6	Shield, Toggle Switch	
20	4070987	1	Shim (.015in)	
21	4360328	6	Switch, Toggle	
23	4360469	1	Switch, Key	
23A	2860030	1	Key Replacement	
24	4360475	1	Switch, Emergency Stop	
25	4360476	1	Switch, Contact Block	
26	4460234	2	Tie, Wire (Not Shown)	
27	4460426	AR	Connector, Strain Relief	
28	4460488	AR	Mounting Base, Terminal	
31	4740444	6	Washer, Special	
33	4751400	20	Flatwasher 1/4in Regular	
36	4460470	1	Nut, Terminal	
37	4460471	1	Lockwasher, Terminal	
40	0630548	5	Bolt	
41	3740049	AR	Relay	
42	3900268	AR	Screw, Flange #10 x 1/2in	
43	4460526	1	Connector, Strain Relief	
44	4460874	1	Connector, Natural	
44	4460905	4	Connector, Amp Seal Plug	
45	4460875	1	Connector, Gray	
46	4761400	AR	Lockwasher 1/4in	
47		Ref	Harness, Analyzer Cable Options (Not Shown - See ELECTRICAL SECTION for Breakdown):	
47	4922666	1	Harness, Analyzer Cable (SN 0300068000 through 0300084826)	
47	Not Required	1	Harness, Analyzer Cable (SN 0300084827 through 0300087000)	
48	3300205	4	Nut, Retainer	
49	1705132	1	Decal - ADE	
50	3520035	1	Plug, Cap (Not Shown)	



## SECTION 2 - TURNTABLE

FIGURE 2-20. ELECTRICAL OPTIONS INSTALLATION (TURNTABLE MOUNTED)



## SECTION 2 - TURNTABLE

**FIGURE 2-20. ELECTRICAL OPTIONS INSTALLATION (TURNTABLE MOUNTED)**

ITEM	PART NUMBER	QTY	DESCRIPTION	REV
		Ref	<b>ELECTRICAL OPTIONS INSTALLATIONS (TURNTABLE MOUNTED)</b>	
	0255335	Ref	<b>LIMIT SWITCH INSTALLATION - ABOVE HORIZONTAL</b>	6-F
1		Ref	Switch, Limit Options:	
1	4360322	NLA	Switch, Limit (Use p/n 4360578) (SN 0300068000 through 0300074440)	
1	4360549	NLA	Switch, Limit (Use p/n 4360578) (SN 0300074441 through 0300080872)	
1	4360578	1	Switch, Limit (SN 0300080873 through 0300087000)	
2		Ref	Connector, Strain Relief Options:	
2	4460428	1	Connector, Strain Relief (SN 0300068000 through 0300068965)	
2	4460968	1	Connector, Strain Relief (SN 0300074441 through 0300087000)	
3	3931028	2	Capscrew, Socket Head #10-24NC x 1 3/4in	
4	3311005	2	Locknut #10-24NC	
5	1670818	1	Cover, Limit Switch (SN 0300027349 through 0300087000)	
6	4751400	4	Flatwasher 1/4in Regular (SN 0300027349 through 0300087000)	
7	3931408	4	Bolt 1/4in-20NC x 1in (SN 0300027349 through 0300087000)	
	0255698	Ref	<b>LIMIT SWITCHES INSTALLATION - DUAL CAPACITY</b>	5-D
101		Ref	Switch, Limit Options:	
101	4360322	NLA	Switch, Limit (Use p/n 4360578) (SN 0300068000 through 0300074440)	
101	4360549	NLA	Switch, Limit (Use p/n 4360578) (SN 0300074441 through 0300080872)	
101	4360578	1	Switch, Limit (SN 0300080873 through 0300087000)	
102		Ref	Connector, Strain Relief Options:	
102	4460428	2	Connector, Strain Relief (SN 0300068000 through 0300074440)	
102	4460968	2	Connector, Strain Relief (SN 0300074441 through 0300087000)	
103	0100035	AR	Compound, Locking	
104	3930816	2	Capscrew, Socket Head #8-32NC x 1in	
105	3930828	2	Capscrew, Socket Head #8-32NC x 1-3/4in	
106	3310805	2	Locknut #8-32NC	
107	4420054	9 ft/2.7m	Tape, Double Sided	
108	0362528	1	Bar, Fiberglass	
109	1670824	1	Cover, Limit Switch	
110	4751400	4	Flatwasher 1/4in Regular	
112	0641403	4	Bolt 1/4in-20NC x 3/8in	
	0270833	Ref	<b>ALARMS INSTALLATIONS</b>	1
301	0257887	1	Alarm/Harness Assembly	
301	0140032	1	Alarm	
301	2820035	6 in/15cm	Loom	
301	4460424	1	Plug	
301	4460268	2	Socket	
302	0641406	2	Bolt 1/4in-20NC x 3/4in	
303	4711400	2	Flatwasher 1/4in Thin	
305	0100048	AR	Sealant, Silicone	
	0270805	Ref	<b>STROBE LIGHT INSTALLATION (AMBER) (OPTIONAL)</b>	2
		Ref	<b>Note: If machines are equipped with BLUE Strobe Light, See</b>	

# PARTS FINDER

**Search Website  
by Part Number**



**Search Manual  
Library For Parts  
Manual & Lookup Part  
Numbers – Purchase  
or Request Quote**

**Can't Find Part or  
Manual? Request Help  
by Manufacturer,  
Model & Description**

Discount-Equipment.com is your online resource for quality parts & equipment.

Florida: **561-964-4949** Outside Florida TOLL FREE: **877-690-3101**

## Need parts?

Click on this link: <http://www.discount-equipment.com/category/5443-parts/> and choose one of the options to help get the right parts and equipment you are looking for. Please have the machine model and serial number available in order to help us get you the correct parts. If you don't find the part on the website or on one of the online manuals, please fill out the request form and one of our experienced staff members will get back to you with a quote for the right part that your machine needs.

We sell worldwide for the brands: Genie, Terex, JLG, MultiQuip, Mikasa, Essick, Whiteman, Mayco, Toro Stone, Diamond Products, Generac Magnum, Airman, Haulotte, Barreto, Power Blanket, Nifty Lift, Atlas Copco, Chicago Pneumatic, Allmand, Miller Curber, Skyjack, Lull, Skytrak, Tsurumi, Husquvarna Target, Stow, Wacker, Sakai, Mi-T-M, Sullair, Basic, Dynapac, MBW, Weber, Bartell, Bennar Newman, Haulotte, Ditch Runner, Menegotti, Morrison, Contec, Buddy, Crown, Edco, Wyco, Bomag, Laymor, EZ Trench, Bil-Jax, F.S. Curtis, Gehl Pavers, Heli, Honda, ICS/PowerGrit, IHI, Partner, Imer, Clipper, MMD, Koshin, Rice, CH&E, General Equipment, Amida, Coleman, NAC, Gradall, Square Shooter, Kent, Stanley, Tamco, Toku, Hatz, Kohler, Robin, Wisconsin, Northrock, Oztec, Toker TK, Rol-Air, APT, Wylie, Ingersoll Rand / Doosan, Innovatech, Con X, Ammann, Mecalac, Makinex, Smith Surface Prep, Small Line, Wanco, Yanmar

## SECTION 2 - TURNTABLE

ITEM	PART NUMBER	QTY	DESCRIPTION	REV
			<b>SPECIAL OPTIONS SECTION SkyGuard Kit.</b>	
310	4220162	1	Spacer, Stop (SN 0300068000 to SN 0300069327 - Used with ECCO Model 6640 Only)	
311		Ref	Adapter Options:	
311	0630491	1	Adapter used with ECCO Model 6640	
311	0080241	1	Adapter used with ECCO Model 6650	
312	3539281	1	Plate, Mounting (SN 0300068000 to SN 0300069327 - Used with ECCO Model 6640 Only)	
313	0741606	1	Screw, Flathead Countersunk 3/8in-16NC x 3/4in (SN 0300068000 to SN 0300069327 - Used with ECCO Model 6640 Only)	
314	0100011	AR	Compound, Locking	
315	4240032	1	Wire-Tile	
316		Ref	Strobe Light/Guard/Harness Assembly Options:	
316	0255917	NLA	Strobe Light/Guard/Harness Assembly (Use p/n 0272507) <b>(SN 0300068000 through 0300069326)</b>	
316	0272507	1	Strobe Light/Guard/Harness Assembly (Includes Item 311 & 316A) <b>(SN 0300069327 through 0300087000)</b>	
316		Ref	Bulb, Replacement Options:	
316	7016380	1	Bulb for ECCO Model 6640	
316	70001941	1	Bulb for ECCO Model 6650	
316A		Ref	Guard Options:	
316A	4060907	1	Guard used with ECCO Model 6640	
316A	2920215	1	Guard used with ECCO Model 6650	
317	4460234	1	Clamp	
318	0100048	AR	Sealant, Silicone	
	0271552	Ref	<b>LIGHTS INSTALLATIONS (OPTIONAL)</b>	2
325	2920110	2	Headlight	
326	0902206	2	Bracket, Mounting	
327	0642612	1	Bolt 1in-8NC x 1-1/2in	
328	4220162	2	Spacer	
329	0100011	AR	Compound, Locking	
330	2920113	2	Taillight	
331	3911040	4	Screw, Machine #10-24NC x 2-1/2in	
332	3311005	4	Nut #10-24NC	
333	4751000	4	Flatwasher #10 Regular	
334	4740362	4	Washer, Fender	
335	3960461	2	Gasket	
337	4240032	21	Tie-Strap (Not Shown)	
338	4460234	21	Mount, Tie-Strap (Not Shown)	
339	4360336	1	Switch, Toggle (Not Shown - Located on Console)	
340	3790012	1	O-Ring (Not Shown - Located on Console)	
341	3820001	11	Rivet, Pop (Not Shown)	
	0274210	Ref	<b>CHASSIS ILLUMINATION LIGHT INSTALLATION</b>	1-A
401	2920157	4	Lamp, Worklight	
402	4740546	4	Washer, Rubber	
403	0100011	AR	Compound, Locking	
404	0642612	2	Bolt 1in-8NC x 1-1/2in	
405	0902206	2	Bracket, Light Mounting	
406	4220162	2	Spacer	
408	3790012	1	O-Ring (Not Shown - Located at Platform Console Box)	
409	4360336	1	Switch, Toggle (Not Shown - Located at Platform Console Box)	
410	4240032	21	Strap, Tie (Not Shown)	



**SECTION 2 - TURNTABLE**

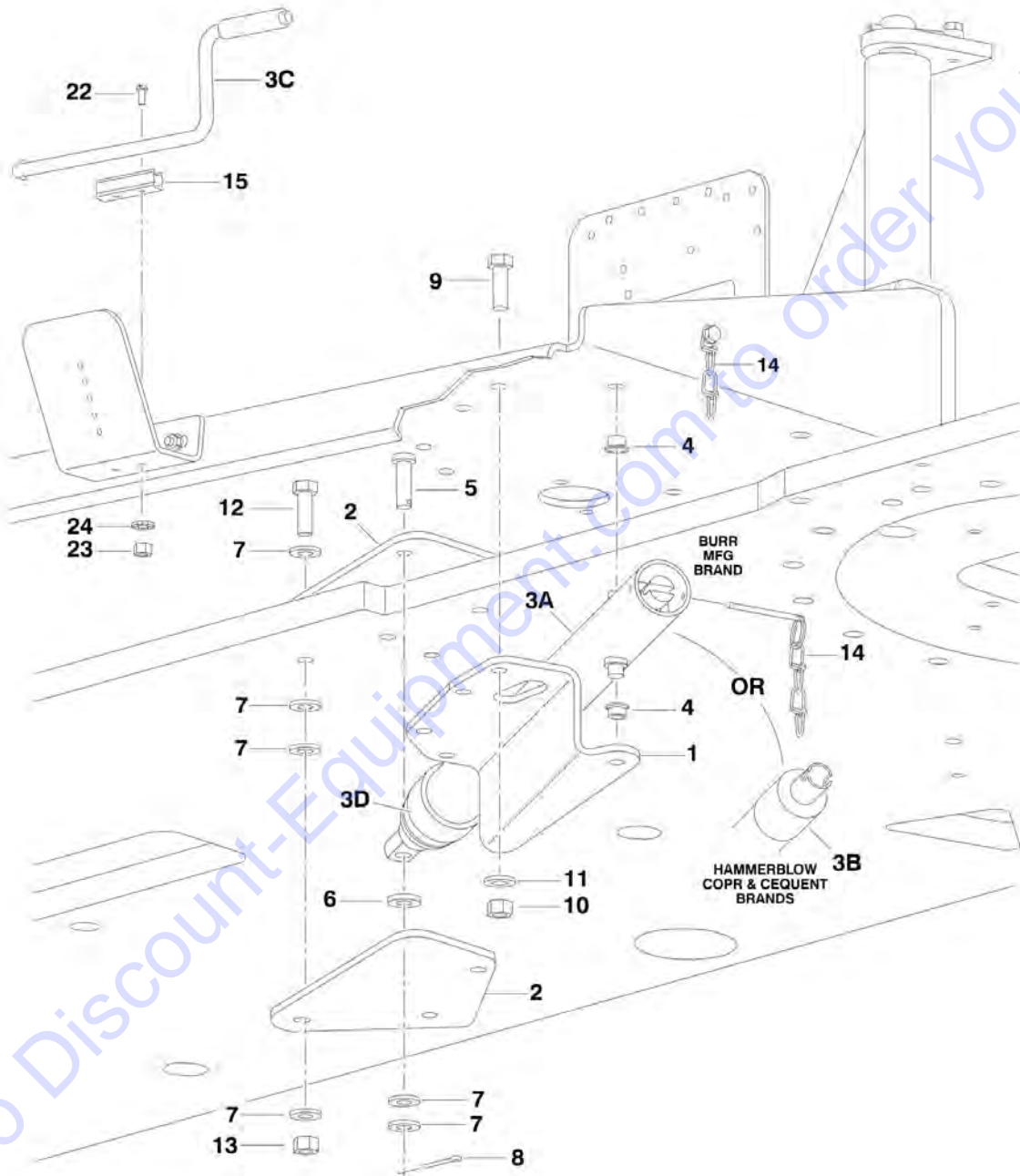
<b>ITEM</b>	<b>PART NUMBER</b>	<b>QTY</b>	<b>DESCRIPTION</b>	<b>REV</b>
411	4460234	21	Mount, Cable (Not Shown)	
412	3820001	11	Rivet, Pop (Not Shown)	

Go to Discount-Equipment.com to order your parts

## SECTION 2 - TURNTABLE

FIGURE 2-21. ENGINE TRAY JACK INSTALLATION (OPTIONAL)

NOTE: HANDLE LOCATED  
HERE SN 0300068771 THROUGH 0300087000.  
HANDLE LOCATED ON HOOD  
SN 0300068000 THROUGH 0300068770.



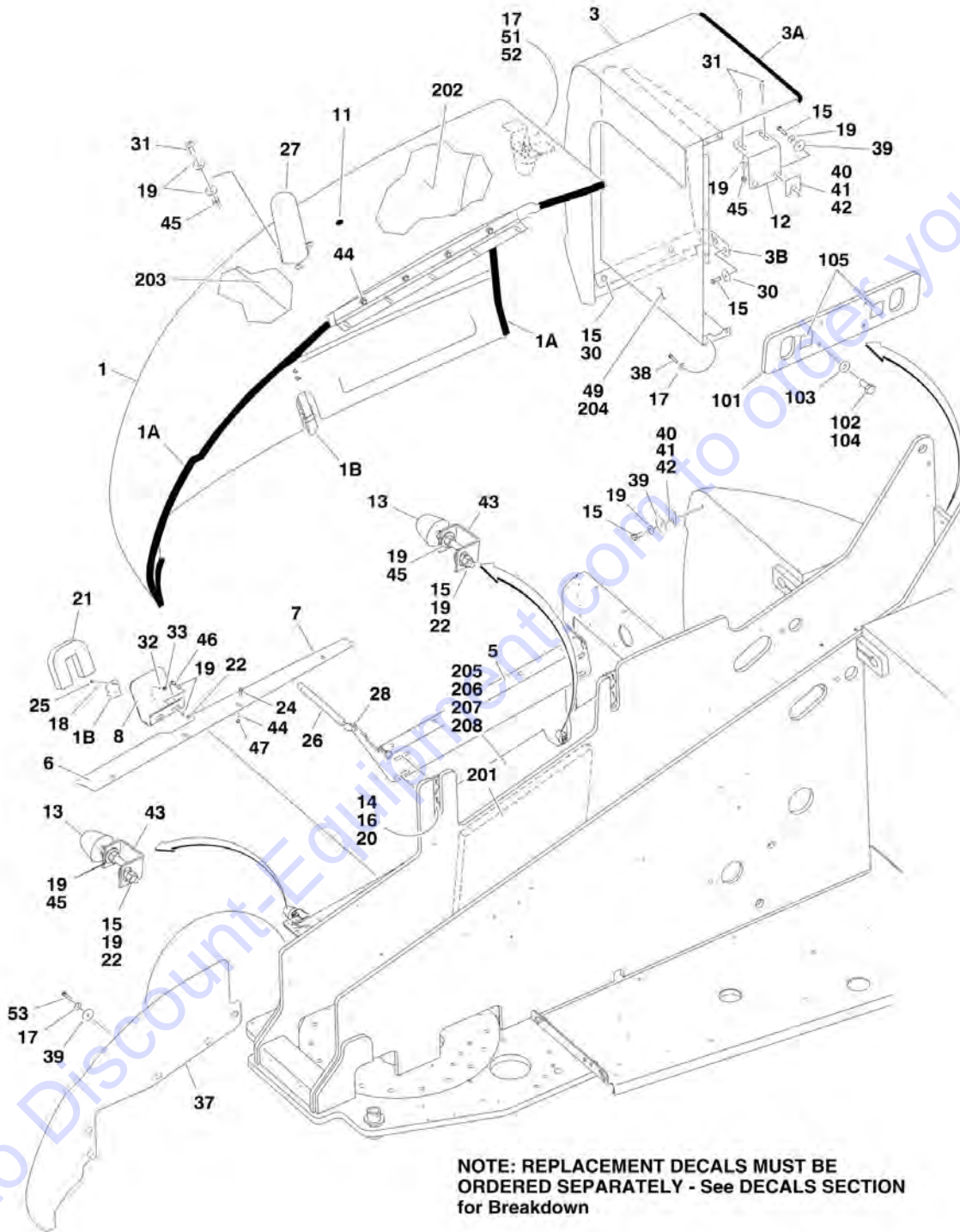
**SECTION 2 - TURNTABLE**

**FIGURE 2-21. ENGINE TRAY JACK INSTALLATION (OPTIONAL)**

ITEM	PART NUMBER	QTY	DESCRIPTION	REV
	0255881	Ref	<b>ENGINE TRAY JACK INSTALLATION</b>	3-G
1	3537445	1	Bracket	
2	3537446	2	Bracket	
3	2840016	1	Hydraulic Jack Assembly Options:	D
3A		Ref	Burr Manufacturing Brand	
3B		Ref	Hammerblow Corp and Sequent Brand	
3C		Ref	Handle Options:	
3C	7016374	1	Burr Manufacturing Brand	
3C	7024598	1	Hammerblow Corp Brand	
3D	7016322	1	Wiper (Burr Manufacturing Brand Only)	
4	0962051	2	Bushing, Flanged	
5	3430816	1	Pin, Clevis	
6	4891800	1	Flatwasher 1/2in Hardened	
7	4711800	6	Flatwasher 1/2in Thin	
8	3450404	1	Pin, Cotter 1/8in x 1in	
9	0641609	4	Bolt 3/8in-16NC x 1-1/8in	
10	3311605	4	Locknut 3/8in-16NC	
11	4891600	4	Flatwasher 3/8in Hardened	
12	0641818	4	Bolt 1/2in-13NC x 2-1/4in	
13	3311805	4	Locknut 1/2in-13NC	
14	3422530	1	Pin and Chain <b>(SN 0300068000 through 0300070643)</b>	
15	1380147	1	Clip, Spring	
22	3910608	2	Screw #6-32NC x 1in	
23	3310601	2	Nut #6-32NC	
24	4770600	2	Starwasher #6	

# SECTION 2 - TURNTABLE

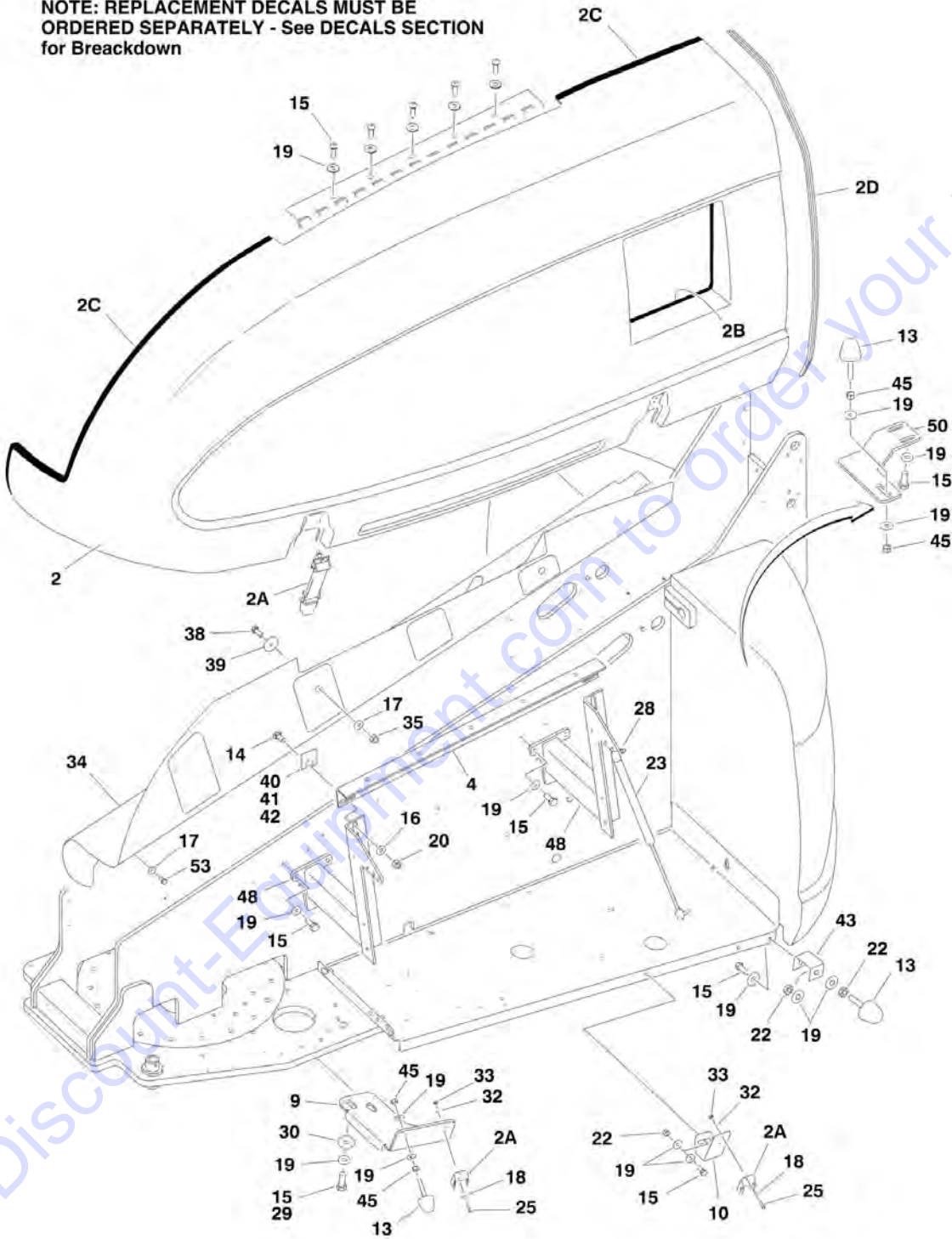
## FIGURE 2-22. HOODS AND LIFTING PLATE INSTALLATIONS



**NOTE: REPLACEMENT DECALS MUST BE ORDERED SEPARATELY - See DECALS SECTION for Breakdown**

SECTION 2 - TURNTABLE

NOTE: REPLACEMENT DECALS MUST BE ORDERED SEPARATELY - See DECALS SECTION for Breakdown



## SECTION 2 - TURNTABLE

FIGURE 2-22. HOODS AND LIFTING PLATE INSTALLATIONS

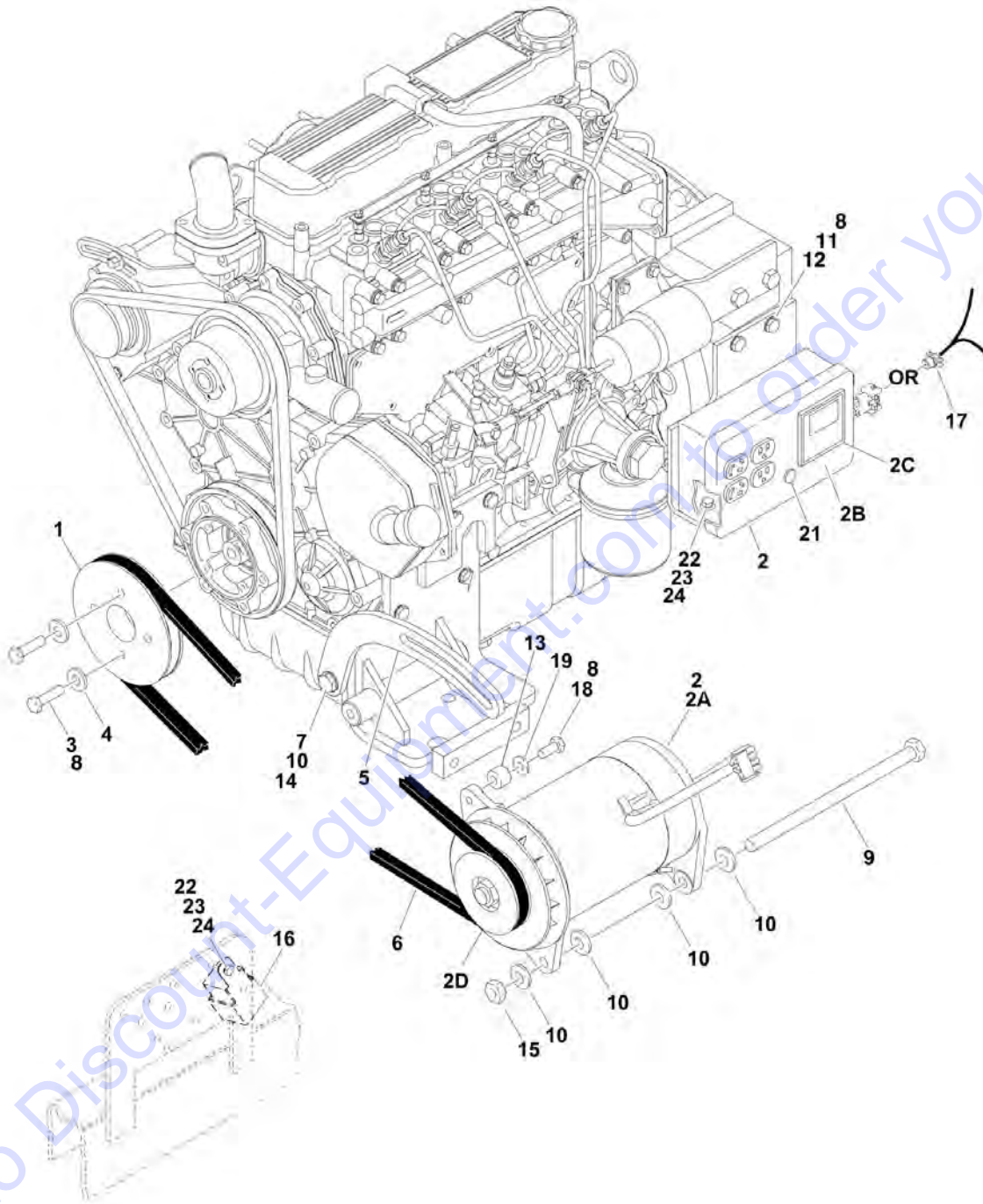
ITEM	PART NUMBER	QTY	DESCRIPTION	REV
		Ref	<b>Note: Steel Hood Replacement Kits are available for machines built with Deutz engines (Purchase p/n 1001126286) and Caterpillar/GM engines (Purchase p/n 1001126287). No kits are available for machines built with Ford Engines.</b>	
		Ref	<b>HOODS INSTALLATIONS</b>	
	0256830	Ref	<b>Hoods Installations Standard</b>	10-I
	0258578	Ref	<b>Hoods Installations U/L (SN 0300068000 through 0300079619)</b>	4
1		Ref	Hood Assembly - Engine Side Options:	
1	2680449	1	Hood Assembly - Engine Side Standard	
1	2680443	1	Hood Assembly - Engine Side U/L	
1	2600209	1	Hinge	
1A	3960464	65 in /1.67m	Seal	
1A	3960462	61 in /1.55m	Seal	
1B	2940088	1	Latch	
2		Ref	Hood Assembly - Tank Side Options:	
2	2680448	1	Hood Assembly - Tank Side Standard	
2	2680437	1	Hood Assembly - Tank Side U/L	
2	2600233	1	Hinge	
2A	2940088	2	Latch	
2B	3960438	53 in /1.35m	Seal	
2C	3960464	83 in /2.11m	Seal	
2D	3960462	55 in/1.4m	Seal	
3		Ref	Hood Assembly- Engine Spacer Options:	
3	2680450	1	Hood Assembly- Engine Spacer Standard	
3	2680435	1	Hood Assembly- Engine Spacer U/L	
3A	3960453	68 in /1.73m	Seal	
3B	7023366	1	Bracket	
4	0902416	1	Bracket, Hood Mounting	
5	0902351	1	Bracket, Hood Mounting	
6	3539934	1	Plate, Seal	
7	3960389	3.5 ft/1m	Seal	
8	0902491	1	Bracket, Latch	
9	0902223	1	Bracket, Latch	
10	0902143	1	Bracket, Latch	
11	3520033	2	Plug, Hole	
12	0902161	1	Bracket, Hood Spacer Mounting	
13	0940071	5	Bumper	
14	0630507	6	Bolt, Carriage 1/2in-13NC x 1-1/4in	
15	0641608	AR	Bolt 3/8in-16NC x 1in	
16	4740171	6	Flatwasher, Hardened	
17	4751500	9	Flatwasher 5/16in Regular	
18	4751000	12	Flatwasher #10 Regular	
19	4751600	AR	Flatwasher 3/8in Regular	
20	3311805	6	Locknut 1/2in-13NC	
21	3960470	1	Seal	
22	3311605	5	Locknut 3/8in-16NC	

## SECTION 2 - TURNTABLE

ITEM	PART NUMBER	QTY	DESCRIPTION	REV
23	4160139	2	Spring, Gas (Tank Side)	
24	0641406	4	Bolt 1/4in-20NC x 3/4in	
25	0721006	6	Screw #10-24NC x 3/4in	
26	4160143	2	Spring, Gas (Engine Side)	
27		Ref	Outlet, Exhaust Options:	
27	4845411	1	Outlet, Exhaust Standard	
27	Not Required	1	Outlet, Exhaust U/L	
28	3311505	4	Locknut 5/16in-18NC	
29	0100011	AR	Compound, Locking	
30	4740076	4	Washer, Fender	
31	3900232	5	Screw, Button Head 3/8in-16NC x 1-1/4in	
32	4761000	6	Lockwasher #10	
33	3311001	6	Nut #10-24NC	
34	1670771	1	Cover	
35	3311501	AR	Nut 5/16in-18NC	
36	0641512	2	Bolt 5/16in-18NC x 1-1/2in	
37	1670779	1	Cover, Side	
38	0641506	AR	Bolt 5/16in-18NC x 3/4in	
39	4740076	AR	Washer, Fender	
40	4070410	AR	Shim 1/16in	
41	4070411	AR	Shim 1/8in	
42	4070412	AR	Shim 3/16in	
43	0902219	2	Bracket, Bumper	
44	4751400	4	Flatwasher 1/4in Regular	
45	3311601	AR	Nut 3/8in-16NC	
46	0641609	2	Bolt 3/8in-16NC x 1-1/8in	
47	3311405	4	Locknut 1/4in-20NC	
48	4845356	2	Hood Mount Weldment	
49	3539979	1	Plate, Inlet Baffle (SN 0300068000 through 0300076512)	
50	0902384	1	Bracket, Hood Mount	
51	0940088	1	Hood, Bumper	
52	3321501	2	Nut 5/16in-24NF	
53	0641506	10	Bolt 5/16in-18NC x 3/4in (SN 0300074784 through 0300087000)	
	0256122	Ref	<b>LIFTING PLATE INSTALLATION</b>	1-B
101	3539590	1	Plate, Lifting	
102	0682014	4	Bolt 5/8in-11NC x 1-3/4in Grade 8	
103	4892000	4	Flatwasher 5/8in Hardened	
104	0100019	AR	Compound, Locking	
105	1701500	2	Decal - Tie Down/Lift	
	0256823	Ref	<b>NOISE REDUCTION INSTALLATION (DIESEL MACHINES)</b>	2
201	2820078	1	Foam, Acoustical	
202	2820079	1	Foam, Acoustical	
203	2820119	1	Foam, Acoustical	
204	2820081	1	Foam, Acoustical (SN 0300068000 through 0300076512)	
205	3539955	1	Plate, Baffle	
206	0641506	2	Bolt 5/16in-18NC x 3/4in	
207	4751500	2	Flatwasher 5/16in Regular	
208	0100011	AR	Compound, Locking (Not Shown)	

## SECTION 2 - TURNTABLE

FIGURE 2-23. 2500W GENERATOR INSTALLATION - CATERPILLAR MACHINES (OPTIONAL)





## SECTION 2 - TURNTABLE

**FIGURE 2-23. 2500W GENERATOR INSTALLATION - CATERPILLAR MACHINES (OPTIONAL)**

ITEM	PART NUMBER	QTY	DESCRIPTION	REV
		Ref	<b>GENERATOR INSTALLATION OPTIONS:</b>	
		Ref	<b>Generator Installation (SN 0300068000 through 0300077489)</b>	
	0273518	Ref	<b>Generator Installation 110V/60Hz</b>	3-C
	0273538	Ref	<b>Generator Installation 110V/50Hz</b>	3-C
	0273539	Ref	<b>Generator Installation 220V/50Hz</b>	3-C
		Ref	<b>Generator Installation (SN 0300077490 through 0300087000)</b>	
	0274081	Ref	<b>Generator Installation 110V/60Hz</b>	1-A
	0274090	Ref	<b>Generator Installation 110V/50Hz</b>	1-A
	0274087	Ref	<b>Generator Installation 220V/50Hz</b>	1-A
1	3580322	1	Pulley	
2		Ref	Generator and Control Box Assembly Options:	
2	2460032	1	Generator and Control Box Assembly 110V/60Hz (SN 0300068000 through 0300077489)	
2	2460055	1	Generator and Control Box Assembly 110V/60Hz (SN 0300077490 through 0300087000)	
2	2460039	1	Generator and Control Box Assembly 110V/50Hz (SN 0300068000 through 0300077489)	
2	2460057	1	Generator and Control Box Assembly 110V/50Hz (SN 0300077490 through 0300087000)	
2	2460013	1	Generator and Control Box Assembly 220V/50Hz (SN 0300068000 through 0300077489)	
2	2460056	1	Generator and Control Box Assembly 220V/50Hz (SN 0300077490 through 0300087000)	
2A		Ref	Replacement Generator Options:	
2A	7012558	1	110V/60Hz Replacement Generator	
2A	2460049	1	110V/50Hz Replacement Generator	
2A	1001100321	1	220V Replacement Generator	
		Ref	<b>Note: Replacement Generators come standard with p/n 3580134 pulley. This pulley may not be correct for all applications. Refer to pulley options below.</b>	
2A	7020193	1	Cable, Generator (Generator to Control Box)	
2A		Ref	Armature Options:	
2A	7026199	1	Armature 110V/60Hz Generator	
2A	70000122	1	Armature 110V/50Hz Generator	
2A	70000123	1	Armature 220V Generator	
2A	7020108	4	Brush	
2A	7020109	4	Holder, Brush	
2A	7012513	4	Cap, Brush Holder	
2A	7012514	1	Fan	
2A	7020110	1	Bell, Front	
2A	7020111	1	Bell Rear	
2A	7020190	2	Bearing	
2B		Ref	Control Box Options:	
2B	7003657	1	110V/60Hz Control Box (SN 0300068000 through 0300077489)	
2B	7019680	1	110V/60Hz Control Box (SN 0300077490 through 0300087000)	
2B	70002239	1	110V/50Hz Control Box (SN 0300068000 through 0300077489)	
2B	7019680	1	110V/50Hz Control Box (SN 0300077490 through 0300087000)	
2B	70002235	1	220V Control Box (SN 0300068000 through 0300077489)	

## SECTION 2 - TURNTABLE

ITEM	PART NUMBER	QTY	DESCRIPTION	REV
2B	70000127	1	220V Control Box (SN 0300077490 through 0300087000)	
2B		Ref	Breaker, Circuit Options:	
2B	4360542	1	Breaker 110V/60Hz	
2B	70002240	1	Breaker 110V/50Hz (SN 0300068000 through 0300077489)	
2B	4360542	1	Breaker 110V/50Hz (SN 0300077490 through 0300087000)	
2B	70000126	1	Breaker 220V	
2B		Ref	Receptacle Options:	
2B	4460190	AR	Receptacle, Standard 110V	
2B	4460027	AR	Receptacle, Twistlock 110V	
2B	70000124	AR	Receptacle, Double 220V	
2B	70000125	AR	Receptacle, Single 220V	
2B	2920162	1	Lamp	
2B	7020191	1	Switch, Toggle	
2B	3520028	1	Plug, Hole	
2C		Ref	Voltmeter Options:	
2C	2420203	1	Voltmeter 110V (was p/n 7010699)	
2C	7020192	1	Voltmeter 220V	
2D		Ref	Pulley Options:	
2D	3580276	1	Pulley for 110V/60Hz	
2D	3580134	1	Pulley for 110V/50Hz	
2D	3580134	1	Pulley for 220V	
2D	7027887	1	Key, Woodruff	
3	0700816	4	Bolt 8mm x 40mm	
4	4751900	4	Flatwasher 9/16in Regular	
5		Ref	Arm, Adjusting Options:	
5	0200742	1	Arm, Adjusting (SN 0300068000 through 0300074860)	
5	0200819	1	Arm, Adjusting (SN 0300074861 through 0300087000)	
6		Ref	V-Belt Options:	
6	0480121	1	V-Belt 110V/60Hz	
6	0480120	1	V-Belt 110V/50Hz	
6	0480120	1	V-Belt 220V/50Hz	
7	0641610	1	Bolt 3/8in-16NC x 1-1/4in	
8	0100011	AR	Compound, Locking	
9	0641772	1	Bolt 7/16in-14NC x 9in	
10	4751600	6	Flatwasher 3/8in Regular	
11	3574684	1	Plate, Box Mounting	
12	0701210	2	Bolt M12 x 20mm	
13		Ref	Bushing, Spacer Options:	
13	0962653	1	Bushing, Spacer (SN 0300068000 through 0300074860)	
13	0962563	1	Bushing, Spacer (SN 0300074861 through 0300087000)	
14	3311605	1	Locknut 3/8in-16NC	
15	3311705	1	Locknut 7/16in-14NC	
16	3740080	1	Relay	
17	4460023	1	Connector, Strain Relief (SN 0300068000 through 0300077489)	
18	0641508	1	Bolt 5/16in-18NC x 1in	
19	4751500	1	Flatwasher 5/16in Regular	
21	3520028	1	Plug, Hole (SN 0300068000 through 0300077489)	
22	0721006	3	Bolt #10-24NC x 3/4in	
23	3311005	3	Locknut #10-24NC	

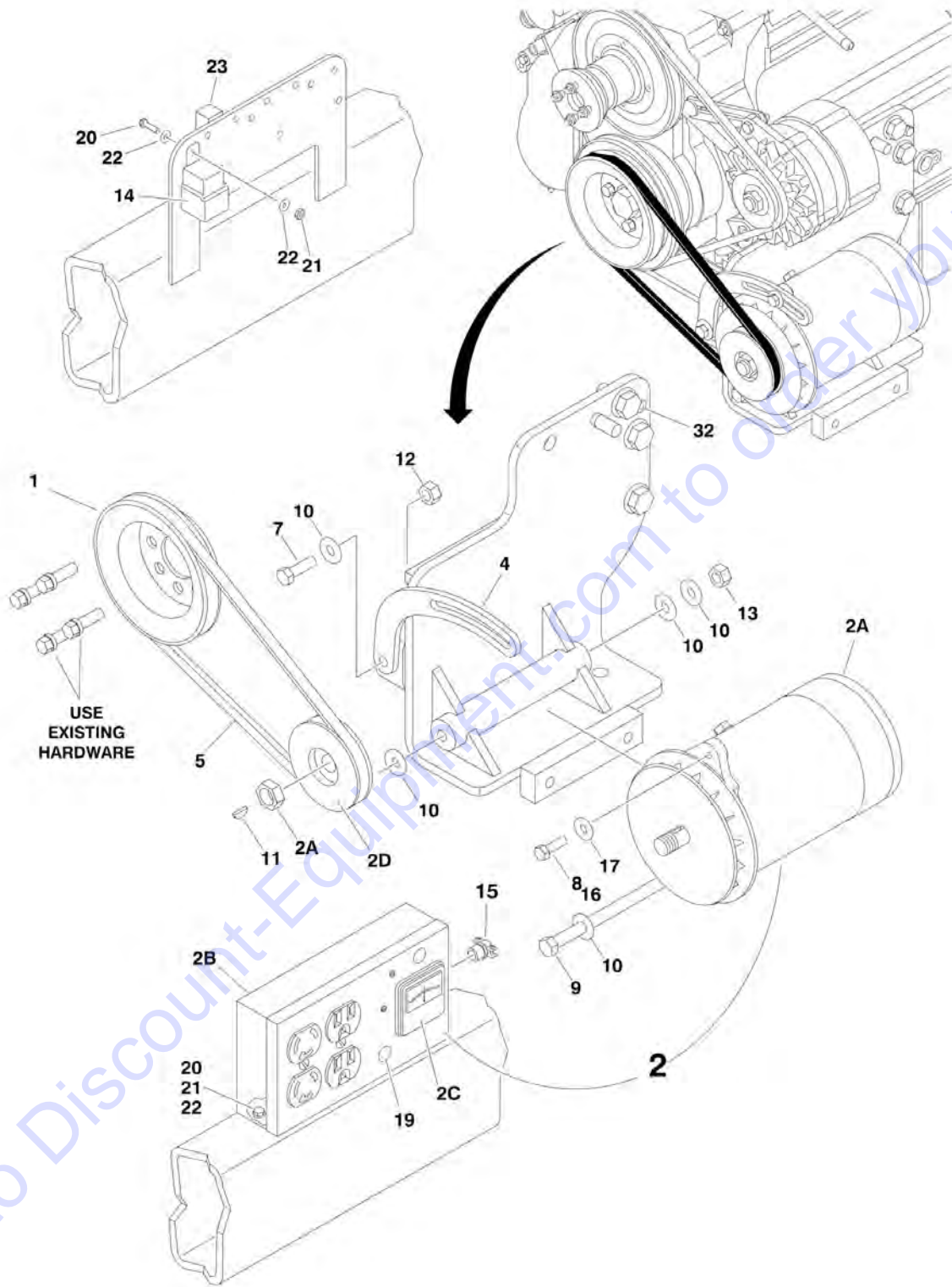
**SECTION 2 - TURNTABLE**

ITEM	PART NUMBER	QTY	DESCRIPTION	REV
24	4751000	6	Flatwasher #10 Regular	
25	4360336	1	Switch, Toggle (Not Shown - Located at Platform)	
26	4740397	1	Bushing (Not Shown - Located at Platform) <b>(SN 0300068000 through 0300074860)</b>	
27	4060802	1	Guard, Switch (Not Shown - Located at Platform)	
28		Ref	Decal - Voltage Options (Not Shown - Located at Platform):	
28	See Note	1	Decal - Voltage 110V/60Hz (Note: Not Available for Purchase)	
28	1705325	1	Decal - Voltage 110V/50Hz	
28	3252507	1	Decal - Voltage 220V/50Hz	
29	2820031	4 in/10cm	Heat Shrink (Not Shown - Located at Platform)	
30	3251102	1	Decal (Not Shown - Located at Platform)	

Go to Discount-Equipment.com to order your parts

## SECTION 2 - TURNTABLE

FIGURE 2-24. 2500W GENERATOR INSTALLATION - DEUTZ MACHINES (OPTIONAL)



# SECTION 2 - TURNTABLE

**FIGURE 2-24. 2500W GENERATOR INSTALLATION - DEUTZ MACHINES (OPTIONAL)**

ITEM	PART NUMBER	QTY	DESCRIPTION	REV
		Ref	<b>GENERATOR INSTALLATIONS</b>	
	0272480	Ref	<b>110V Generator (SN 0300068000 through 0300077489)</b>	3
	0274082	Ref	<b>110V Generator (SN 0300077490 through 0300087000)</b>	1
	0272481	Ref	<b>220V Generator (SN 0300068000 through 0300077489)</b>	3
	0274086	Ref	<b>220V Generator (SN 0300077490 through 0300087000)</b>	1
1	3580158	1	Pulley	
2		Ref	Generator and Control Box Assembly Options:	
2	2460032	1	Generator and Control Box Assembly 110Volt <b>(SN 0300068000 through 0300077489)</b>	
2	2460055	1	Generator and Control Box Assembly 110Volt <b>(SN 0300077490 through 0300087000)</b>	
2	2460013	1	Generator and Control Box Assembly 220Volt <b>(SN 0300068000 through 0300077489)</b>	
2	2460056	1	Generator and Control Box Assembly 220Volt <b>(SN 0300077490 through 0300087000)</b>	
2A		Ref	Replacement Generator Options:	
2A	7012558	1	110V Replacement Generator	
2A	1001100321	1	220V Replacement Generator	
		Ref	<b>Note: Replacement Generators come standard with p/n 3580134 pulley. This pulley may not be correct for all applications. Refer to pulley options below.</b>	
2A	7020193	1	Cable, Generator (Generator to Control Box)	
2A		Ref	Armature Options:	
2A	7026199	1	Armature 110V Generator	
2A	70000123	1	Armature 220V Generator	
2A	7020108	4	Brush	
2A	7020109	4	Holder, Brush	
2A	7012513	4	Cap, Brush Holder	
2A	7012514	1	Fan	
2A	7020110	1	Bell, Front	
2A	7020111	1	Bell Rear	
2A	7020190	2	Bearing	
2B		Ref	Control Box Options:	
2B	7003657	1	110V/60Hz Control Box <b>(SN 0300068000 through 0300077489)</b>	
2B	7019680	1	110V/60Hz Control Box <b>(SN 0300077490 through 0300087000)</b>	
2B	70002235	1	220V Control Box <b>(SN 0300068000 through 0300077489)</b>	
2B	70000127	1	220V Control Box <b>(SN 0300077490 through 0300087000)</b>	
2B		Ref	Breaker, Circuit Options:	
2B	4360542	1	Breaker 110V/60Hz	
2B	70000126	1	Breaker 220V	
2B		Ref	Receptacle Options:	
2B	4460190	AR	Receptacle, Standard 110V	
2B	4460027	AR	Receptacle, Twistlock 110V	
2B	70000124	AR	Receptacle, Double 220V	
2B	70000125	AR	Receptacle, Single 220V	
2B	2920162	1	Lamp	
2B	7020191	1	Switch, Toggle	
2B	3520028	1	Plug, Hole	
2C		Ref	Voltmeter Options:	

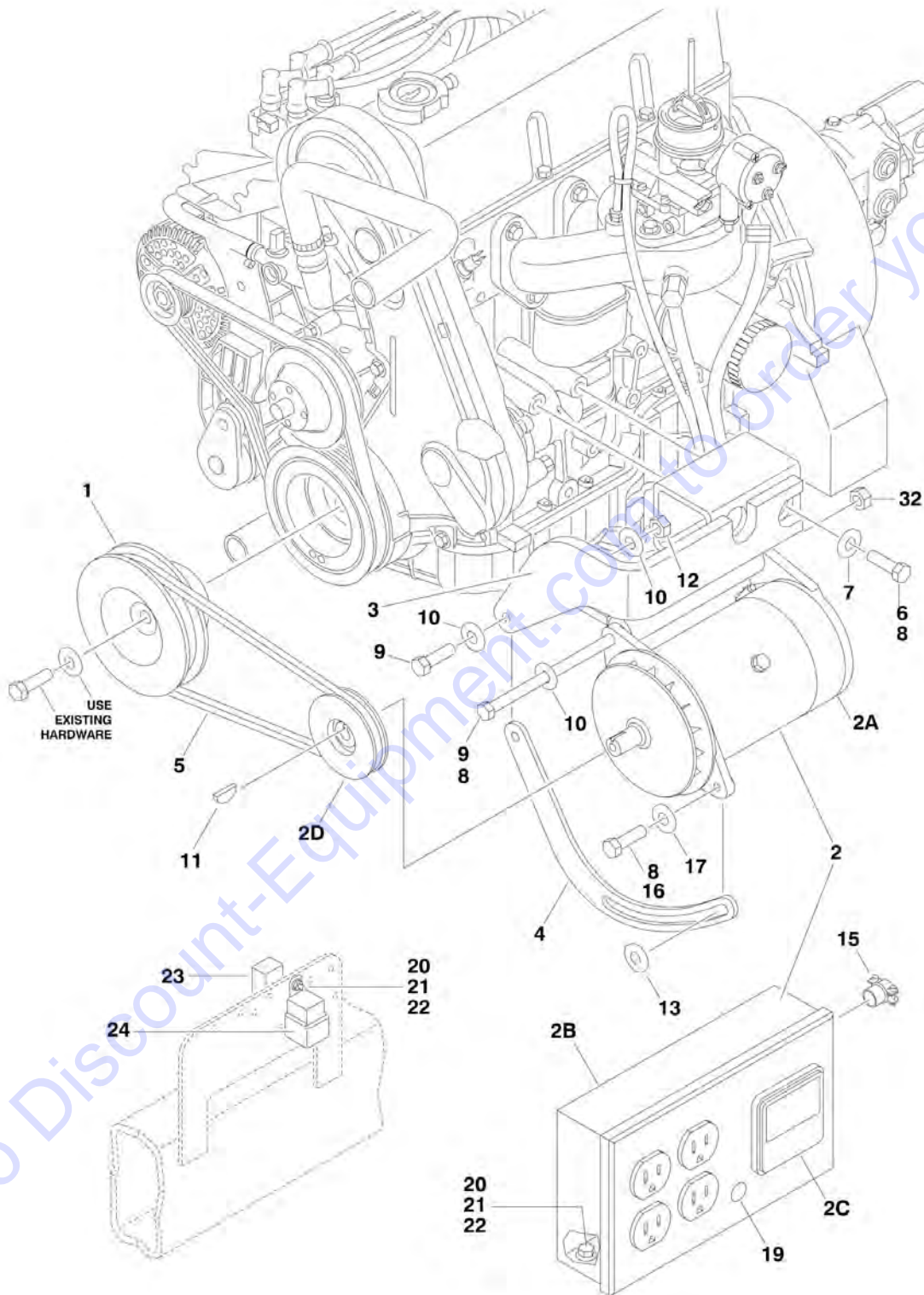
## SECTION 2 - TURNTABLE

ITEM	PART NUMBER	QTY	DESCRIPTION	REV
2C	2420203	1	Voltmeter 110V (was p/n 7010699)	
2C	7020192	1	Voltmeter 220V	
2D		Ref	Pulley Options:	
2D	3580276	1	Pulley for 110V/60Hz	
2D	3580134	1	Pulley for 220V	
4	0200742	1	Arm, Adjusting	
5		Ref	V-Belt Options:	
5	0480111	1	V-Belt 110Volt Assembly (SN 0300068000 through 0300068274)	
5	0480119	1	V-Belt 220Volt Assembly (SN 0300068000 through 0300068274)	
5	0480121	1	V-Belt 110Volt/220Volt Assembly (SN 0300068275 through 0300087000)	
7	0641610	1	Bolt 3/8in-16NC x 1-1/4in	
8	0100011	AR	Compound, Locking	
9	0641772	1	Bolt 7/16in-14NC x 9in	
10	4751600	6	Flatwasher 3/8in Regular	
11	2860012	1	Key, Woodruff	
12	3311605	1	Locknut 3/8in-16NC	
13	3311705	1	Locknut 7/16in-14NC	
14	3740080	1	Relay	
15	4460023	1	Connector, Strain Relief	
16	0641508	1	Bolt 5/16in-18NC x 1in	
17	4751500	AR	Flatwasher 5/16in Regular	
19	3520028	1	Plug, Hole (SN 0300068000 through 0300077489)	
20	0721006	4	Bolt #10-24NC x 3/4in	
21	3311005	4	Locknut #10-24NC	
22	4751000	9	Flatwasher #10 Regular	
23	4360294	1	Breaker, Circuit - 30 Amp (SN 0300068000 through 0300077489)	
25	4360336	1	Switch, Toggle (Not Shown - Located at Platform)	
26	4740397	1	Bushing (Not Shown - Located at Platform)	
27	4060802	1	Guard, Switch (Not Shown - Located at Platform)	
28		Ref	Decal Options (Not Shown - Located on Turntable)	
28	Not Required	0	Decal 110Volt	
28	3252507	1	Decal - 220V - 50/60Hz	
29	2820031	4 in/10cm	Heat Shrink (Not Shown - Located at Platform)	
30	3251102	1	Decal (Not Shown - Located at Platform)	



## SECTION 2 - TURNTABLE

FIGURE 2-25. 2500W GENERATOR INSTALLATION - FORD MACHINES (OPTIONAL) (SN 0300068000 through 0300079618)





**SECTION 2 - TURNTABLE**

**FIGURE 2-25. 2500W GENERATOR INSTALLATION - FORD MACHINES (OPTIONAL) (SN 0300068000 through 0300079618)**

ITEM	PART NUMBER	QTY	DESCRIPTION	REV
		Ref	<b>GENERATOR INSTALLATION OPTIONS:</b>	
	0271545	Ref	<b>110V Generator</b>	5
	0271546	Ref	<b>220V Generator</b>	4
1	3580250	1	Pulley	
2		Ref	Generator and Control Box Assembly Options:	
2	2460032	1	Generator and Control Box Assembly 110Volt Assembly ( <b>SN 0300068000 through 0300069574</b> )	C
2	2460044	1	Generator and Control Box Assembly 110Volt Assembly ( <b>SN 0300069575 through 0300079618</b> )	A
2	2460013	1	Generator and Control Box Assembly 220Volt Assembly	B
2A		Ref	Replacement Generator Options:	
2A	7012558	1	110V Replacement Generator	
2A	1001100321	1	220V Replacement Generator	
		Ref	<b>Note: Replacement Generators come standard with p/n 3580134 pulley. This pulley may not be correct for all applications. Refer to pulley options below.</b>	
2A	7020193	1	Cable, Generator (Generator to Control Box)	
2A		Ref	Armature Options:	
2A	7026199	1	Armature 110V Generator	
2A	70000123	1	Armature 220V Generator	
2A	7020108	4	Brush	
2A	7020109	4	Holder, Brush	
2A	7012513	4	Cap, Brush Holder	
2A	7012514	1	Fan	
2A	7020110	1	Bell, Front	
2A	7020111	1	Bell Rear	
2A	7020190	2	Bearing	
2B		Ref	Control Box Options:	
2B	7003657	1	110V Control Box	
2B	70002235	1	220V Control Box	
2B		Ref	Breaker, Circuit Options:	
2B	4360542	1	Breaker 110V	
2B	70000126	1	Breaker 220V	
2B		Ref	Receptacle Options:	
2B	4460190	AR	Receptacle, Standard 110V	
2B	4460027	AR	Receptacle, Twistlock 110V	
2B	70000124	AR	Receptacle, Double 220V	
2B	70000125	AR	Receptacle, Single 220V	
2B	2920162	1	Lamp	
2B	7020191	1	Switch, Toggle	
2B	3520028	1	Plug, Hole	
2C		Ref	Voltmeter Options:	
2C	2420203	1	Voltmeter 110V (was p/n 7010699)	
2C	7020192	1	Voltmeter 220V	
2D		Ref	Pulley Options:	
2D	3580276	1	Pulley 110V ( <b>SN 0300068000 through 0300069574</b> )	
2D	3580307	1	Pulley 110V ( <b>SN 0300069575 through 0300079618</b> )	
2D	3580134	1	Pulley 220V	
2D	7027887	1	Key, Woodruff	
3	0902756	1	Bracket, Generator Mounting	

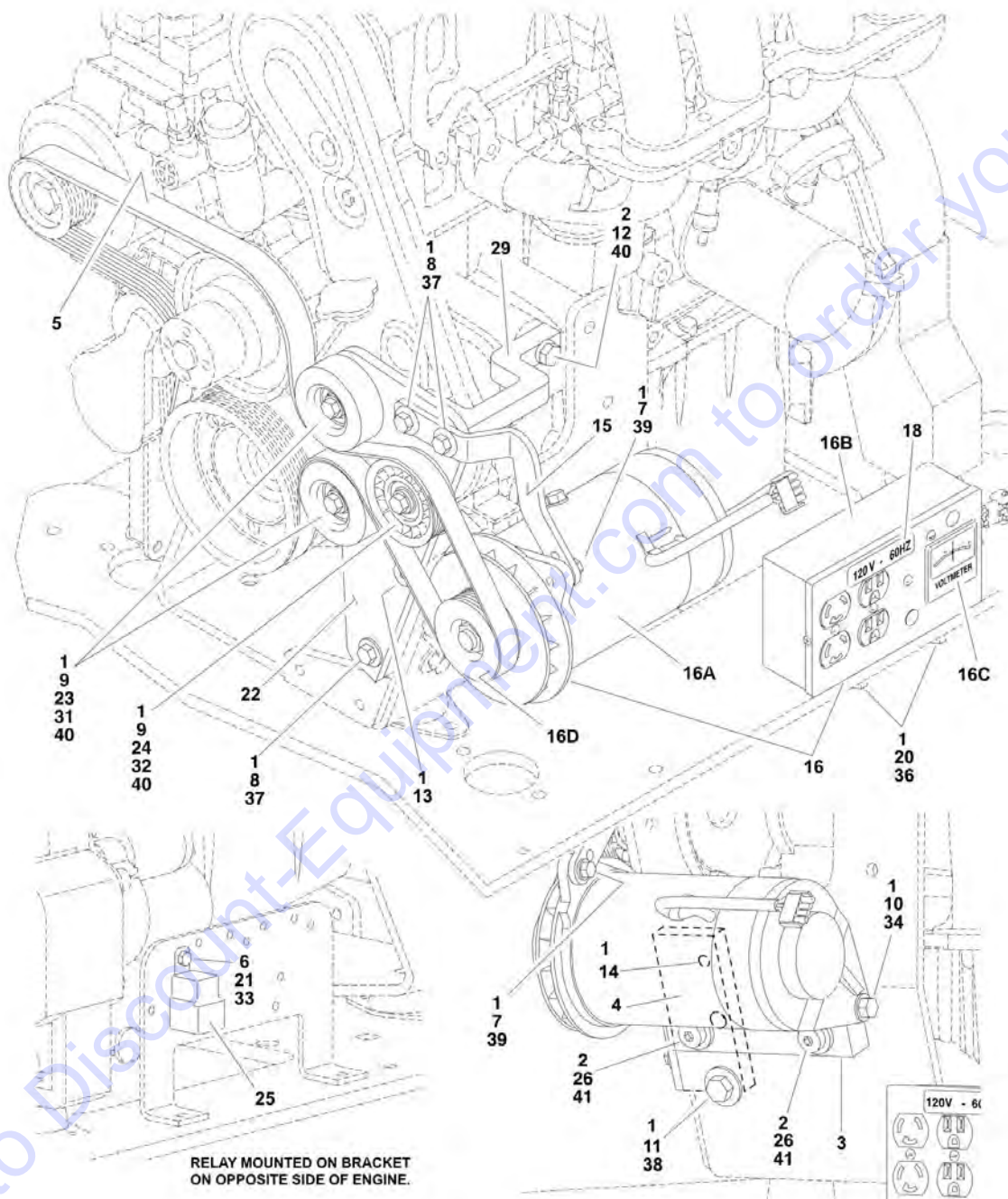
## SECTION 2 - TURNTABLE

ITEM	PART NUMBER	QTY	DESCRIPTION	REV
4	0200547	1	Arm, Adjusting	
5		Ref	V-Belt Options:	
5	0480111	1	V-Belt 110Volt Generator (SN 0300068000 through 0300069574)	
5	0480134	1	V-Belt 110Volt Generator (SN 0300069575 through 0300079618)	
5	0480050	1	V-Belt 220Volt Generator	
6	0701015	2	Bolt M10 x 35mm	
7	4812000	2	Flatwasher M10	
8	0100011	AR	Compound, Locking	
9	0641772	1	Bolt 7/16in-14NC x 9in	
10	4751600	6	Flatwasher 3/8in Regular	
11	2860012	1	Key, Woodruff	
12	3311605	1	Locknut 3/8in-16NC	
13	4564417	1	Spacer, Tube	
15	4460023	1	Connector, Strain Relief	
16	0641508	1	Bolt 5/16in-18NC x 1in	
17	4751500	2	Flatwasher 5/16in Regular	
19	3520028	1	Plug, Hole	
20	0721006	4	Bolt #10-24NC x 3/4in	
21	3311005	4	Locknut #10-24NC	
22	4751000	9	Flatwasher #10 Regular	
23	4360294	1	Breaker, Circuit - 30 Amp	
24	3740080	1	Relay, Bosch	
25	4360336	1	Switch, Toggle (Not Shown - Located at Platform)	
26	4740397	1	Bushing (Not Shown - Located at Platform)	
27	4060802	1	Guard, Switch (Not Shown - Located at Platform)	
29	2820031	4 in/10cm	Heat Shrink (Not Shown - Located at Platform)	
30	3251102	1	Decal (Not Shown - Located at Platform)	
32	3311705	1	Locknut 7/16in-14NC	



## SECTION 2 - TURNTABLE

FIGURE 2-26. 2500W GENERATOR INSTALLATION - FORD MACHINES (OPTIONAL) (SN 0300079619 through 0300087000)



## SECTION 2 - TURNTABLE

**FIGURE 2-26. 2500W GENERATOR INSTALLATION - FORD MACHINES (OPTIONAL) (SN 0300079619 through 0300087000)**

ITEM	PART NUMBER	QTY	DESCRIPTION	REV
		Ref	<b>GENERATOR INSTALLATION OPTIONS:</b>	
	0273507	Ref	<b>110V Generator with ADE System (SN 0300079612 through 0300087000)</b>	C
	0273511	Ref	<b>220V Generator with ADE System (SN 0300079612 through 0300087000)</b>	C
1	0100011	AR	Compound, Locking	
2	0100019	AR	Compound, Locking	
3	0363082	1	Bar, Generator Adjuster	
4	0363097	1	Bar, Pulley Mounting	
5	0480135	1	V-Belt	
6	0641405	1	Bolt 1/4in-20NC x 5/8in	
7	0641508	1	Bolt 5/16in-18NC x 1in	
8	0641611	3	Bolt 3/8in-16NC x 1-3/8in	
9	0641612	3	Bolt 3/8in-16NC x 1-1/2in	
10	0641718	2	Bolt 7/16in-14NC x 2-1/4in	
11	0641810	1	Bolt 1/2in-13NC x 1-1/4in	
12	0701015	1	Bolt 10mm x 35mm	
13	0741606	1	Screw, Countersunk 3/8in-16NC x 3/4in	
14	0741808	1	Screw, Countersunk 1/2in-13NC x 1in	
15	0902952	1	Bracket, Generator Mounting	
16		Ref	<b>Generator and Control Box Assembly Options:</b>	
16	2460051	1	110Volt Assembly	
16	2460052	1	220Volt Assembly	
16A		Ref	<b>Replacement Generator Options:</b>	
16A	7012558	1	110V Replacement Generator	
16A	1001100321	1	220V Replacement Generator	
		Ref	<b>Note: Replacement Generators come standard with p/n 3580134 pulley. This pulley may not be correct for all applications. Refer to pulley options below.</b>	
16A	7020193	1	Cable, Generator (Generator to Control Box)	
16A		Ref	<b>Armature Options:</b>	
16A	7026199	1	Armature 110V Generator	
16A	70000123	1	Armature 220V Generator	
16A	7020108	4	Brush	
16A	7020109	4	Holder, Brush	
16A	7012513	4	Cap, Brush Holder	
16A	7012514	1	Fan	
16A	7020110	1	Bell, Front	
16A	7020111	1	Bell Rear	
16A	7020190	2	Bearing	
16B		Ref	<b>Control Box Options:</b>	
16B	7019680	1	110V Control Box	
16B	70000127	1	220V Control Box	
16B		Ref	<b>Breaker, Circuit Options:</b>	
16B	4360542	1	Breaker 110V	
16B	70000126	1	Breaker 220V	
16B		Ref	<b>Receptacle Options:</b>	
16B	4460190	AR	Receptacle, Standard 110V	
16B	4460027	AR	Receptacle, Twistlock 110V	
16B	70000124	AR	Receptacle, Double 220V	

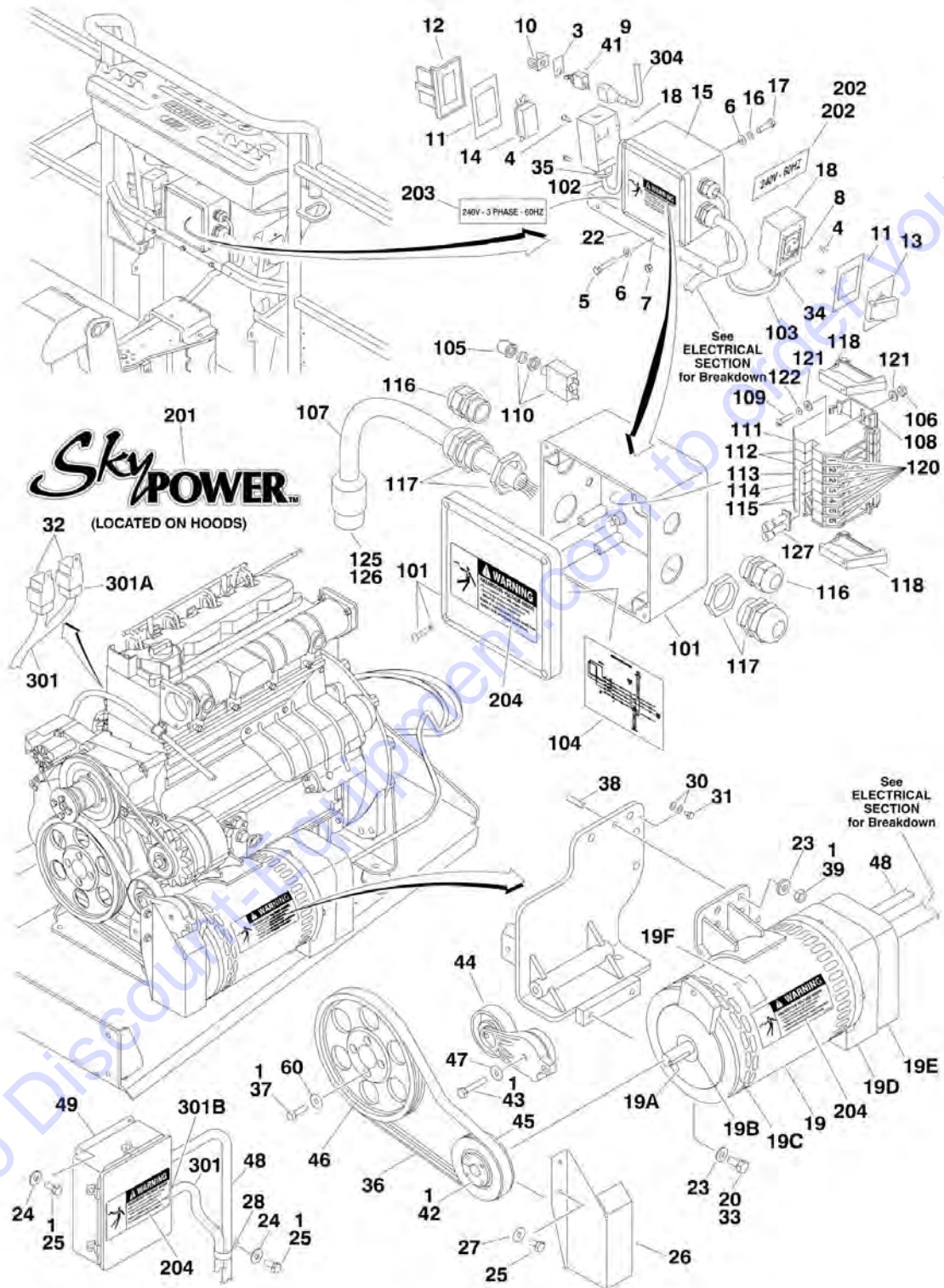
## SECTION 2 - TURNTABLE

ITEM	PART NUMBER	QTY	DESCRIPTION	REV
16B	70000125	AR	Receptacle, Single 220V	
16B	3520028	1	Plug, Hole	
16C		Ref	Voltmeter Options:	
16C	2420203	1	Voltmeter 110V (was p/n 7010699)	
16C	7020192	1	Voltmeter 220V	
16D		Ref	Pulley Options:	
16D	3580324	1	Pulley 110V	
16D	3580325	1	Pulley 220V	
16D	7027887	1	Key, Woodruff	
17	2820031	AR	Heat Shrink (Not Shown - Located at Platform)	
18		Ref	Decal	
18	1702590	1	110Volt Generator	
18	3251243	1	220Volt Generator	
19		Ref	Nameplate Options (Not Shown - Located at Platform):	
19	3252764	1	Nameplate <b>(SN 0300079619 through 0300085043)</b>	
19	3251102	1	Nameplate <b>(SN 0300085044 through 0300087000)</b>	
20	3311005	2	Locknut #10-24NC	
21	3311405	1	Locknut 1/4in-20NC	
22	3574225	1	Plate, Pulley Mounting	
23	3580312	2	Pulley, Idler	
24	3580313	1	Pulley, Grooved Idler	
25	3740080	1	Relay, Bosch	
26	3900322	2	Screw, Shoulder	
27	4060802	1	Guard, Switch (Not Shown - Located at Platform)	
28	4240018	AR	Tie-Strap	
29	4340738	1	Support, Idler Pulley	
30	4360336	1	Switch, Toggle (Not Shown - Located at Platform)	
31	4568734	2	Spacer, Tube (Idler Pulley Non-Grooved)	
32	4568735	1	Spacer, Tube (Idler Pulley Grooved)	
33	4711400	1	Flatwasher 1/4in Thin	
34	4711700	2	Flatwasher 7/16in Thin	
35	4740397	1	Spacer	
36	4751000	2	Flatwasher #10 Regular	
37	4751600	3	Flatwasher 3/8in Regular	
38	4751800	1	Flatwasher 1/2in Regular	
39	4891500	1	Flatwasher 5/16in Hardened	
40	4891600	4	Flatwasher 3/8in Hardened	
41	4892000	2	Flatwasher 5/8in Hardened	



## SECTION 2 - TURNTABLE

FIGURE 2-27. 7500W SKYPOWER GENERATOR INSTALLATION - CATERPILLAR AND DEUTZ ENGINES (OPTIONAL)





## SECTION 2 - TURNTABLE

**FIGURE 2-27. 7500W SKYPOWER GENERATOR INSTALLATION - CATERPILLAR AND DEUTZ ENGINES (OPTIONAL)**

ITEM	PART NUMBER	QTY	DESCRIPTION	REV
		Ref	<b>7500W SKYPOWER GENERATOR INSTALLATION (OPTIONAL)</b>	
	0273540	Ref	<b>60Hz and Caterpillar Engine</b>	G
	0273541	Ref	<b>50Hz and Caterpillar Engine</b>	G
	0272255	Ref	<b>60Hz and Deutz Engine</b>	G
	0272640	Ref	<b>60Hz and Deutz Engine (Brazilian Spec Only)</b>	E
	0272492	Ref	<b>50Hz and Deutz Engine</b>	F
		Ref	<b>Note: See ELECTRICAL SECTION for Boom Cable Installation.</b>	
1	0100011	AR	Compound, Locking	
3	3252764	1	Nameplate	
4	3910606	8	Screw #6-32NC x 3/8in	
5	0641516	3	Bolt 5/16in-18NC x 2in	
6	4711500	10	Flatwasher 5/16inThin	
7	3311505	3	Locknut 5/16in-18NC	
8	4460958	1	Receptacle, Female Twist-Lock - 60Hz (220-240V Single)	
8	See Note	NLA	Receptacle, Female Twist-Lock - 50Hz (220-240V Single) (Note: Not Available - Purchase Locally)	
9	4360336	1	Switch, Toggle	
10	4060802	1	Guard, Switch	
11	3960422	2	Gasket - 60HZ	
11	See Note	NLA	Gasket - 50Hz (Note: Not Available - Purchase Locally)	
12	4060700	1	Cover, Receptacle - 60HZ (Cover Side Hinged)	
12	See Note	1	Cover, Receptacle - 50Hz (Note: Not Available - Purchase Locally)	
13	4061043	1	Cover, Receptacle - 60HZ (Cover Side Hinged)	
13	See Note	NLA	Cover, Receptacle - 50Hz (Note: Not Available - Purchase Locally)	
14	4460346	1	Receptacle, Female - 60Hz (110-120V)	
14	See Note	NLA	Receptacle, Female - 50Hz (110-120V) (Note: Not Available - Purchase Locally)	
14	4460315	2	Terminal, Spade (60HZ Machines Only)	
15	0861542	1	Junction Box Assembly (See Items 101-127 for Breakdown)	
15	0861567	1	Junction Box Assembly (See Items 101-127 for Breakdown)	
16	4761500	4	Lockwasher 5/16in	
17	0641505	4	Bolt 5/16in-18NC x 5/8in	
17	0641508	4	Bolt 5/16in-18NC x 1in	
18	0860038	2	Box, Switch - 60Hz	
18	See Note	NLA	Box, Switch - 50Hz Spec (Note: Not Available - Purchase Locally)	
19		Ref	Generator Assembly Options:	
19	2460050	1	Generator Assembly Caterpillar Engine	
19	2460048	1	Generator Assembly Deutz Engine	
19	70001100	1	Rotor (Includes p/n 70001384 & 70000863) (Not Shown)	
19	70001384	1	Bearing, Ball Radial (Not Shown)	
19	70000863	1	Fan (Not Shown)	
19		Ref	Stator Options (Not Shown):	
19	70001969	1	Stator 2460050 Generator	
19	70002088	1	Stator 2460048 Generator	
19	70002297	1	Stud	
19	70003631	1	Brushholder Assembly (Not Shown) (was p/n 7024484)	

## SECTION 2 - TURNTABLE

ITEM	PART NUMBER	QTY	DESCRIPTION	REV
19A	70004171	1	Key (was p/n 7024561)	
19B	70001966	1	Bearing, Ball Radial (Located in Belt Tensioner Endbell)	
19C	70001953	1	Endbell, Belt Tensioner	
19D		Ref	Endbell, Brush Block Options (was p/n 70001385):	
19D	70004170	1	Endbell, Brush Block Caterpillar Engine Machines	
19D	70004169	1	Endbell, Brush Block Deutz Engine Machines	
19E	70004170	1	Shroud Caterpillar Engine (was p/ns 70001970 & 70001971)	
19E	70004169	1	Shroud Deutz Engine (was p/n 70002290)	
19E	7027799	1	Block, Connector 6 Position (Not Shown)	
19E	70002460	1	Nut, Brass (Attaches p/n 7027799 to Cover) (Not Shown)	
19E	7024485	1	Breaker, Circuit 30Amp (Not Shown)	
19E	70001696	1	Boot, Breaker (was p/n 7024486 - Not Shown)	
19E	7026597	1	Connector, with Leads (Not Shown)	
19E	7026626	1	Housing Plug and Pins (Not Shown)	
19E	7026188	1	Clamp, Cable (Not Shown)	
19E	70003708	1	Retaining Ring Internal (Not Shown)	
19E	70003709	1	Retaining Ring External (Not Shown)	
19E	70004170	1	Plate, End Panel Caterpillar Engine (was p/n 70001972)	
19E	70004169	1	Plate, End Panel Deutz Engine (was p/n 70002255)	
19E	70001974	1	Decal - Terminal Connections	
19F	70001973	1	Decal - Warning Moving Parts	
20	0641808	AR	Bolt 1/2in-13NC x 1in	
22	0902888	1	Bracket, Box Mounting	
23	4711800	AR	Flatwasher 1/2in Thin	
23	4891800	AR	Flatwasher 1/2in Harded	
24	4711400	AR	Flatwasher 1/4in Thin	
24	4751400	AR	Flatwasher 1/4in Regular	
24	4761400	AR	Lockwasher 1/4in	
25	0641404	AR	Bolt 1/4in-20NC x 1/2in	
25	0641405	AR	Bolt 1/4in-20NC x 5/8in	
25	0641408	AR	Bolt 1/4in-20NC x 1in	
26		Ref	Shield Options:	
26	Not Required	1	Shield Caterpillar Engine	
26	4061049	1	Shield Deutz Engine	
27	4751400	2	Flatwasher 1/4in Regular	
28	1320224	NLA	Clamp (Use p/n 1320318)	
29	4240018	AR	Tie-Strap (Not Shown)	
30	4791400	AR	Starwasher 1/4in	
31	0641403	1	Bolt 1/4in-20NC x 3/8in	
32	3740080	2	Relay	
33	0100019	AR	Compound, Locking	
34	4460051	1	Connector, Strain Relief - 60Hz	
34	See Note	NLA	Connector, Strain Relief - 50Hz (Note: Not Available - Purchase Locally)	
35	4460071	1	Connector, Strain Relief - 60Hz	
35	See Note	NLA	Connector, Strain Relief - 50Hz (Note: Not Available - Purchase Locally)	
36	0480129	1	Belt, Drive - 60Hz	
36	0480125	1	Belt, Drive - 50Hz Caterpillar Engine	
36	0480126	1	Belt, Drive - 50Hz Deutz Engine	
37	0700815	4	Bolt M8 x 35mm (Caterpillar Engine)	
37	4032015	4	Bolt M10 x 55mm (Deutz Engine)	

## SECTION 2 - TURNTABLE

ITEM	PART NUMBER	QTY	DESCRIPTION	REV
38	4300157	1	Stud	
39	3311801	1	Nut 1/2in-13NC	
40	0100062	1	Loctite (Not Shown)	
41	2820031	1	Insulator	
42	0962520	1	Bushing, Split Taper	
43	3931632	1	Bolt 3/8in-16NC x 2in (Caterpillar Engine)	
43	0641618	1	Bolt 3/8in-16NC x 2-1/4in (Deutz Engine)	
44	3580317	1	Tensioner, Belt	
45	3580318	1	Pulley - 60Hz Generator (was p/n 7024563)	
45	3580319	1	Pulley - 50Hz Generator (was p/n 7026187)	
46		Ref	Pulley Options:	
46	3580321	1	Pulley Caterpillar Engine	
46	3580320	1	Pulley Deutz Engine	
47	4711600	1	Flatwasher 3/8in Thin	
48	4922925	1	Harness, Generator	
49	0861538	1	Control Box Assembly - 60Hz (was p/n 7024487)	
49	0861572	1	Control Box Assembly - 50Hz (was p/n 7024487)	
49	7024488	1	Card, Circuit - Generator Power	
49	See Note	1	Fuse (Note: Not Available - Purchase Locally)	
49	7024489	1	Card, Circuit - Control	
49	70000619	1	Harness, Control Box (Internal)	
60	4811900	4	Flatwasher M8 (Caterpillar Engine Only)	
		Ref	<b>JUNCTION BOX ASSEMBLY</b>	
	0861542	Ref	<b>60HZ SPECS</b>	C
	0861567	Ref	<b>50Hz Specs</b>	B
101	0861541	1	Box, Junction	
102	1060494	2 ft/ 0.6m	Cable, ELECTRICAL 12/3 - 60Hz Spec	
102	See Note	2 ft/ 0.6m	Cable, ELECTRICAL 12/3 - 50Hz Spec (Note: Not Available - Purchase Locally)	
103	1060708	2.5 ft/ 0.76m	Cable, Electrical 10/3 - 60Hz Spec	
103	See Note	2.5 ft/ 0.76m	Cable, Electrical 10/3 - 50Hz Spec (Note: Not Available - Purchase Locally)	
104	1705376	1	Decal - Wiring Schematic	
105	3300396	1	Cover, Fuse	
106	3310601	2	Nut #6-32NC	
107	1060343	1.5 ft /0.46m	Cable, Electrical 10/4 (60Hz Spec Only)	
108		Ref	Rail, Relay Options:	
108	3640986	1	Rail, Relay (SN 0300068000 through 0300072912)	
108	3641533	1	Rail, Relay (SN 0300072913 through 0300087000)	
109	3910610	2	Bolt #6-32NC x 5/8in	
110	4360070	1	Circuit Breaker - 15 Amp	
111	4460411	2	Marker Strip #1	
112	4460412	4	Marker Strip #2	
113	4460413	2	Marker Strip #3	
114	4460414	2	Marker Strip #4	
115	4460415	4	Marker Strip #5	
116	4460425	2	Strain Relief, Terminal	
117	4460426	2	Connector, Strain Relief	
118	4460607	2	Terminal, End Stop	
119	4460956	1	Terminal, Block End	

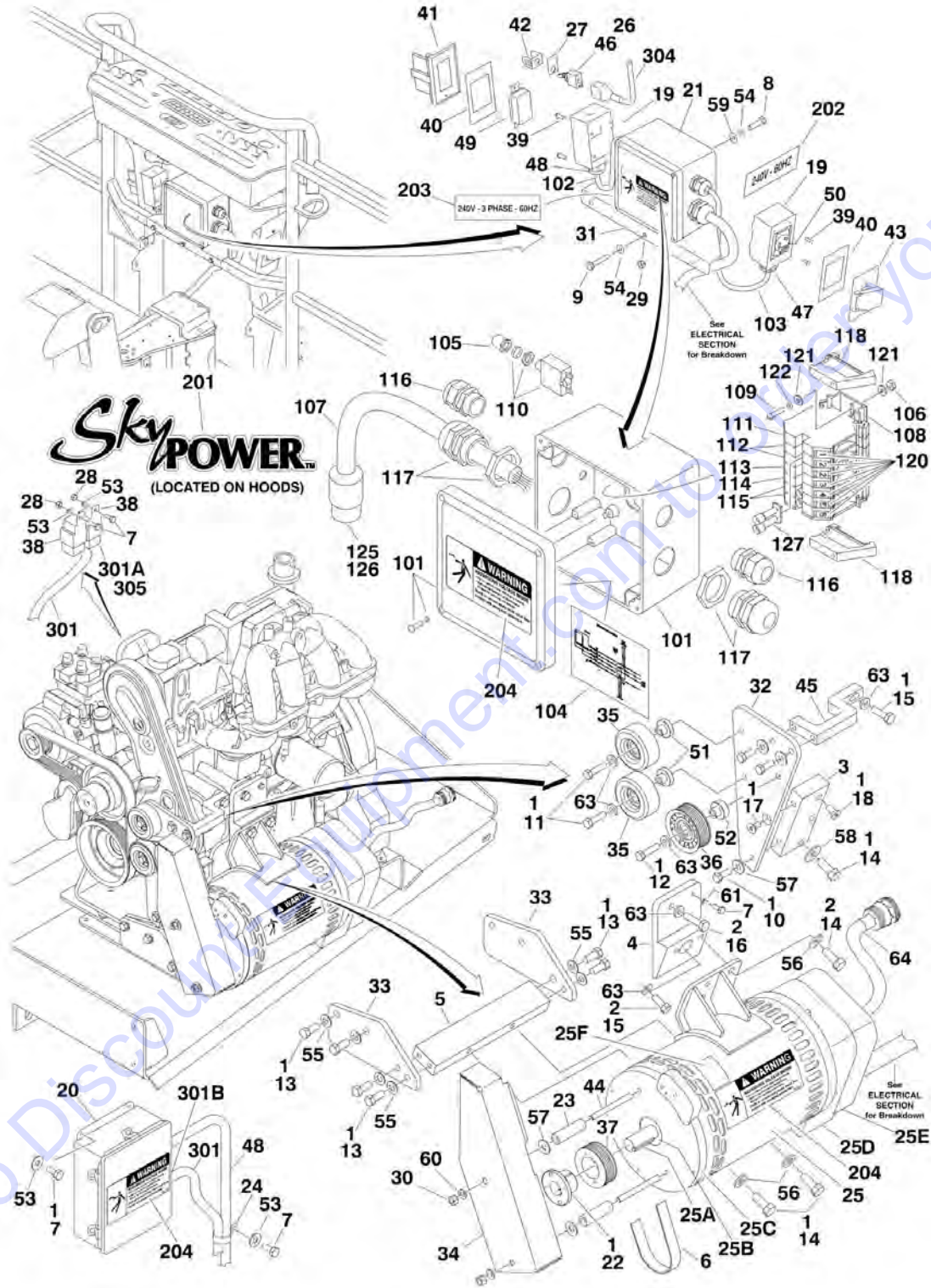
## SECTION 2 - TURNTABLE

ITEM	PART NUMBER	QTY	DESCRIPTION	REV
120	4460957	7	Terminal, Block	
121	4750600	4	Flatwasher, #6 Regular	
122	4760600	2	Lockwasher #6	
125	1671092	1	Cover	
126	4460963	1	Connector	
127	4461001	2	Cross Connector - 2 Position (SN 0300072913 through 0300087000)	
		Ref	<b>DECAL INSTALLATION</b>	
	0272435	Ref	<b>60Hz Specs</b>	A
	0272589	Ref	<b>50Hz Specs</b>	A
201	1705460	2	Decal - SkyPower	
202	1705374	1	Decal - 240V - 60Hz (60Hz Spec Only)	
203	1705375	1	Decal - 240V - 3 Phase - 60Hz Spec	
203	1705461	1	Decal - 240V - 3 Phase - 50Hz Spec	
204	1705387	3	Decal, Hazardous Voltage - 60Hz Spec	
204	1705489	3	Decal, Hazardous Voltage - 50Hz Spec	
	4933264	Ref	<b>ELECTRICAL DIAGRAM COMPONENTS</b>	C
301	4922757	1	Generator Harness	3-C
301A	4460374	2	Plug, Sealed Relay	
301A	4460375	7	Terminal	
301B	4460967	1	Plug, Male - 3 Position	
301B	4460465	3	Socket, Female	
301C	2400060	1	Fuseholder (Not Shown)	
301C	2400064	1	Fuse - 5 Amp (Not Shown)	
304	4922641	1	Switch Harness	



## SECTION 2 - TURNTABLE

FIGURE 2-28. 7500W SKYPOWER GENERATOR INSTALLATION - FORD ENGINES (OPTIONAL)



## SECTION 2 - TURNTABLE

**FIGURE 2-28. 7500W SKYPOWER GENERATOR INSTALLATION - FORD ENGINES (OPTIONAL)**

ITEM	PART NUMBER	QTY	DESCRIPTION	REV
	0272817	Ref	<b>7500W SKYPOWER GENERATOR INSTALLATION (OPTIONAL)</b>	H
		Ref	<b>Note: See ELECTRICAL SECTION for Boom Cable Installation.</b>	
1	0100011	AR	Compound, Locking	
2	0100019	AR	Compound, Locking	
3	0363097	1	Bar, Pulley Mount	
4	0363201	1	Bar, Generator Mount (Top)	
5	0363202	1	Bar, Generator Mount (Bottom)	
6	0480130	1	Belt, Generator	
7	0641405	8	Bolt 1/4in-20NC x 5/8in	
8	0641505	4	Bolt 5/16in-18NC x 5/8in	
9	0641516	3	Bolt 5/16in-18NC x 2in	
10	0641608	3	Bolt 3/8in-16NC x 1in	
11	0641611	2	Bolt 3/8in-16NC x 1-3/8in	
12	0641612	1	Bolt 3/8in-16NC x 1-1/2in	
13	0641708	8	Bolt 7/16in-14NC x 1in	
14	0641810	5	Bolt 1/2in-13NC x 1-1/4in	
15	0701015	2	Bolt M10 x 35mm	
16	0701016	1	Bolt M10 x 40mm	
17	0741606	1	Screw, Flathead Countersunk 3/8in-16NC x 3/4in	
18	0741808	1	Screw, Flathead Countersunk 1/2in-13NC x 1in	
19	0860038	2	Box, Switch	
20	0861538	1	Control Box Assembly (was p/n 7024487)	
20	7024488	1	Card, Circuit - Generator Power	
20	See Note	NSS	Fuse (Note: Not Available - Purchase Locally)	
20	7024489	1	Card, Circuit - Control	
20	70000619	1	Harness, Control Box (Internal)	
21	0861542	1	Junction Box Assembly (See Items 201-222 for Breakdown)	
22	0962520	1	Bushing, Split Taper	
23	0962521	2	Spacer, Tube	
24		Ref	Clamp Options:	
24	1320041	1	Clamp 1/2in (SN 0300068000 through 0300080689)	
24	1320224	1	Clamp 5/8in (SN 0300080690 through 0300087000)	
25	2460048	1	Generator Assembly	
25	70001100	1	Rotor (Includes p/n 70001384 & 70000863) (Not Shown)	
25	70001384	1	Bearing, Ball Radial (Not Shown)	
25	70000863	1	Fan (Not Shown)	
25	70002088	1	Stator Options (Not Shown)	
25	70002297	1	Stud	
25	70003631	1	Brushholder Assembly (Not Shown) (was p/n 7024484)	
25A	70004171	1	Key (was p/n 7024561)	
25B	70001966	1	Bearing, Ball Radial (Located in Belt Tensioner Endbell)	
25C	70001953	1	Endbell, Belt Tensioner	
25D	70004169	1	Endbell, Brush Block (was p/n 70001385)	
25E	70004169	1	Shroud (was p/n 70002290)	
25E	7027799	1	Block, Connector 6 Position (Not Shown)	
25E	70002460	1	Nut, Brass (Attaches p/n 7027799 to Cover) (Not Shown)	
25E	7024485	1	Breaker, Circuit 30Amp (Not Shown)	
25E	70001696	1	Boot, Breaker (was p/n 7024486 - Not Shown)	
25E	7026597	1	Connector, with Leads (Not Shown)	
25E	7026626	1	Housing Plug and Pins (Not Shown)	

## SECTION 2 - TURNTABLE

ITEM	PART NUMBER	QTY	DESCRIPTION	REV
25E	7026188	1	Clamp, Cable (Not Shown)	
25E	70004169	1	Plate, End Panel (was p/n 70002255)	
25E	70001974	1	Decal - Terminal Connections	
25F	70001973	1	Decal - Warning Moving Parts	
26	2820031	1	Insulator	
27	3252764	1	Nameplate	
28	3311405	6	Locknut 1/4in-20NC	
29	3311505	3	Locknut 5/16in-18NC	
30	3311601	2	Nut 3/8in-16NC	
31	0902888	1	Bracket, Box Mounting	
32	3574225	1	Plate, Pulley Mounting	
33	3574229	2	Plate, Gusset Generator Mounting	
34	3574262	1	Plate, Shield	
35	3580312	2	Pulley, Idler	
36	3580313	1	Pulley, Idler Grooved	
37	3580314	1	Pulley, Drive Grooved	
38	3740080	2	Relay	
39	3910606	8	Screw #6-32NC x 3/8in	
40	3960422	2	Gasket	
41	4060700	1	Cover, Receptacle	
42	4060802	1	Guard, Switch	
43	4061043	1	Cover, Receptacle	
44	4300111	2	Stud, Chain Assembly	
45	4340738	1	Support, Idler Pulley Mount	
46	4360336	1	Switch, Toggle	
47	4460051	1	Connector, Strain Relief	
48	4460071	1	Connector, Strain Relief	
49	4460346	1	Receptacle	
50	4460958	1	Receptacle, Female Twist-Lock	
51	4568734	2	Tube, Spacer Pulley	
52	4568735	1	Tube, Spacer Pulley Grooved	
53	4711400	11	Flatwasher 1/4in Thin	
54	4711500	10	Flatwasher 5/16in Thin	
55	4711700	8	Flatwasher 7/16in Thin	
56	4711800	4	Flatwasher 1/2in Thin	
57	4751600	5	Flatwasher 3/8in Regular	
58	4751800	1	Flatwasher 1/2in Regular	
59	4761500	4	Lockwasher 5/16in	
60	4761600	2	Lockwasher 3/8in	
61	4791400	1	Starwasher 1/4in	
63	4891600	6	Flatwasher 3/8in Hardened	
64	4922925	1	Harness, Generator	
	0861542	Ref	<b>JUNCTION BOX ASSEMBLY</b>	C
101	0861541	1	Box, Junction	
102	1060494	2 ft/0.6m	Cable, Electrical 12/3	
103	1060708	2.5 ft /0.76m	Cable, Electrical 10/3	
104	1705376	1	Decal - Wiring Schematic	
105	3300396	1	Cover, Fuse	
106	3310601	2	Nut #6-32NC	
107	1060343	1.5 ft /0.46m	Cable, Electrical 10/4	

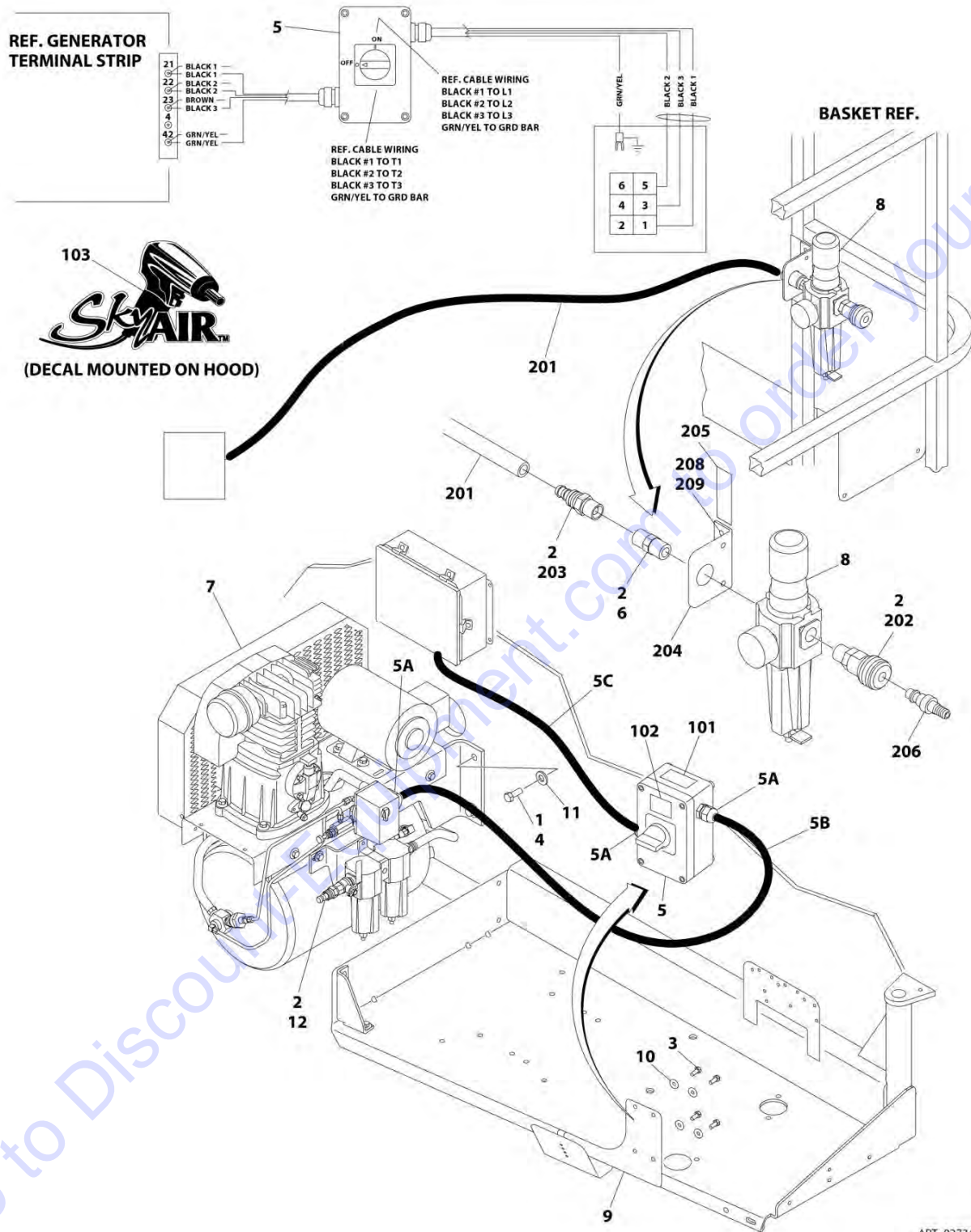


## SECTION 2 - TURNTABLE

ITEM	PART NUMBER	QTY	DESCRIPTION	REV
108		Ref	Rail, Relay Options:	
108	3640986	1	Rail, Relay <b>(SN 0300068000 through 0300072912)</b>	
108	3641533	1	Rail, Relay <b>(SN 0300072913 through 0300087000)</b>	
109	3910610	2	Bolt #6-32NC x 5/8in	
110	4360070	1	Circuit Breaker - 15 Amp	
111	4460411	2	Marker Strip #1	
112	4460412	4	Marker Strip #2	
113	4460413	2	Marker Strip #3	
114	4460414	2	Marker Strip #4	
115	4460415	4	Marker Strip #5	
116	4460425	2	Strain Relief, Terminal	
117	4460426	2	Connector, Strain Relief	
118	4460607	2	Terminal, End Stop	
119	4460956	1	Terminal, Block End	
120	4460957	7	Terminal, Block	
121	4750600	4	Flatwasher, #6 Regular	
122	4760600	2	Lockwasher #6	
125	1671092	1	Cover	
126	4460963	1	Connector	
127	4461001	2	Cross Connector - 2 Position <b>(SN 0300072913 through 0300087000)</b>	
	0272435	Ref	<b>DECAL INSTALLATION</b>	A
201	1705460	2	Decal - SkyPower	
202	1705374	1	Decal - 240V - 60Hz	
203	1705375	1	Decal - 240V - 3 Phase	
204	1705387	3	Decal, Hazardous Voltage	
	4933283	Ref	<b>ELECTRICAL DIAGRAM COMPONENTS</b>	1-A
301	4922905	1	Generator Harness	2-B
301A	4460374	2	Plug, Sealed Relay	
301A	4460375	7	Terminal	
301B	4460967	1	Plug, Male - 3 Position	
301B	4460465	3	Socket, Female	
301C	2400060	2	Fuseholder (Not Shown)	
301C	2400064	2	Fuse - 5 Amp (Not Shown)	
304	4922641	1	Switch Harness	
305	4460375	1	Terminal	

# SECTION 2 - TURNTABLE

## FIGURE 2-29. SKYAIR COMPRESSOR INSTALLATION



ART\_0273450

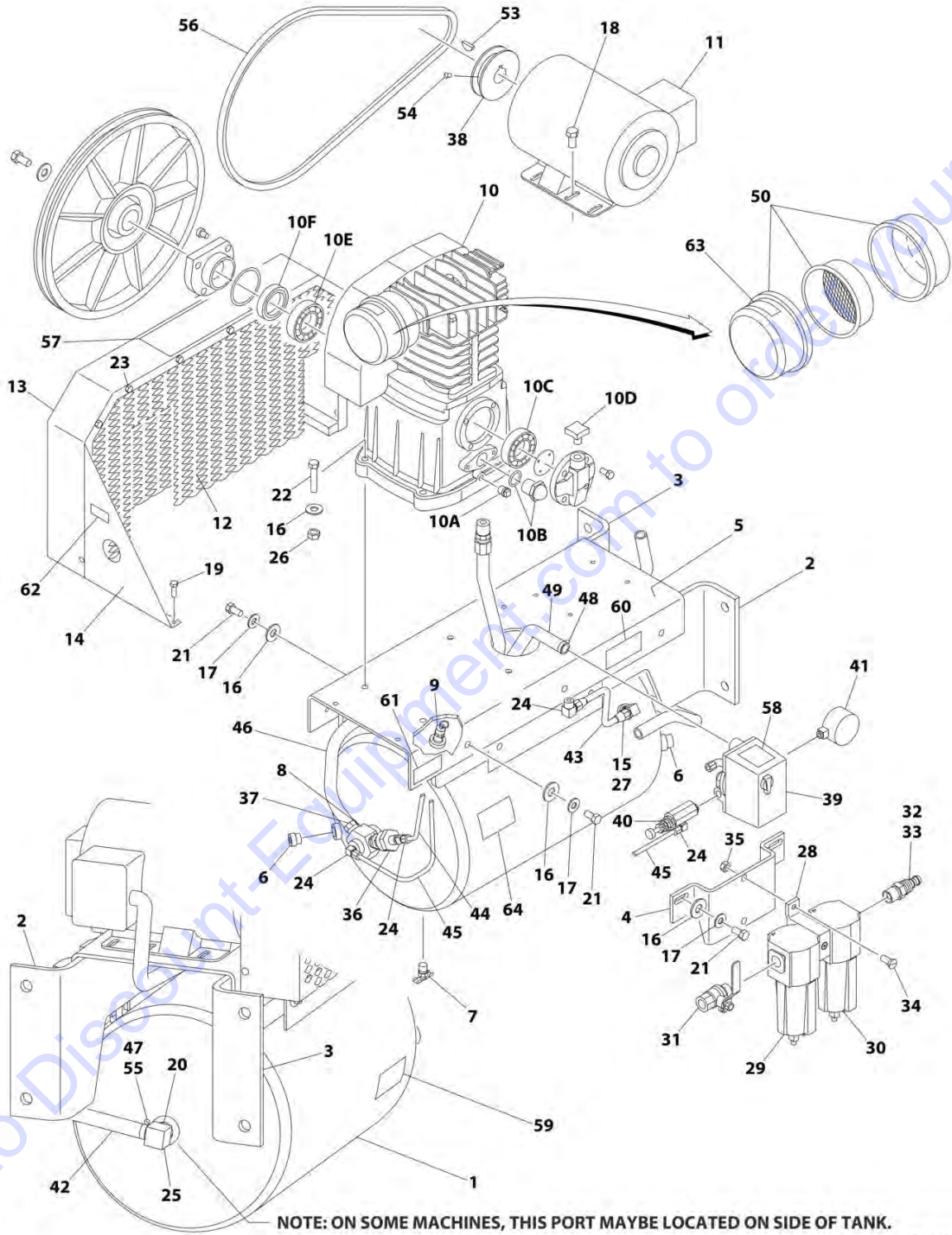
## SECTION 2 - TURNTABLE

### FIGURE 2-29. SKYAIR COMPRESSOR INSTALLATION

ITEM	PART NUMBER	QTY	DESCRIPTION	REV
	0273450	Ref	<b>SKYAIR COMPRESSOR INSTALLATION</b>	B
1	0100019	AR	Compound, Locking	
2	0100020	AR	Sealant #567	
3	0641506	4	Bolt 5/16 x 3/4	
4	0641810	4	Bolt 1/2 x 1-1/4	
5	0861642	1	Control Box Assembly	
5A	4460633	3	Connector, Strain Relief	
5B	70002948	AR	Cable, Electrical - 12/4	
5C	70002948	AR	Cable, Electrical - 12/4	
6	2220252	1	Fitting, Adapter	
7	3600386	1	Compressor, Assembly (See COMPRESSOR ASSEMBLY for Breakdown)	
8	3720021	1	Filter/Regulator Assembly	
8	7027781	1	Service Kit (Includes Gaskets and Seals)	
8	7027782	1	Filter	
8	7027784	1	Gauge	
8	7027783	1	Valve, Drain	
9	4340749	1	Bracket, Control Box	
10	4751500	4	Washer 5/16	
11	4751800	4	Washer 1/2	
12	2220750	1	Fitting	
	0273687	Ref	<b>DECAL INSTALLATION</b>	A
101	1705836	1	Decal - Hazard Voltage	
102	1705837	1	Decal - Air Compressor	
103	1705886	2	Decal - SkyAir	
		Ref	<b>AIRLINE INSTALLATION</b>	
	0255388	Ref	600S	2
	0255389	Ref	660SJ	2
201	2753942	1	Hose (600S)	
201	2753943	1	Hose (660SJ)	
202	2220747	1	Fitting	
203	2220750	1	Fitting	
204	0902317	1	Bracket	
205	3251158	2	Decal - Airline	
206	2220829	1	Fitting	
207	1320044	1	Clamp (Not Shown - Located on Turntable)	
208	2080040	2	Fastener	
209	2080046	1	Fastener, Nut	
211	4711400	1	Washer 1/4 (Not Shown - Located on Turntable)	
213	0641406	1	Bolt 1/4 x 3/4 (Not Shown - Located on Turntable)	

# SECTION 2 - TURNTABLE

## FIGURE 2-30. AIR COMPRESSOR ASSEMBLY



ART\_3600386

## SECTION 2 - TURNTABLE

### FIGURE 2-30. AIR COMPRESSOR ASSEMBLY

ITEM	PART NUMBER	QTY	DESCRIPTION	REV
	3600386	Ref	<b>AIR COMPRESSOR ASSEMBLY</b>	B
1	7026632	1	Tank	
2	See Note	1	Bracket, Mounting (Note: Not Available for Purchase)	
3	See Note	1	Bracket, Mounting (Note: Not Available for Purchase)	
4	See Note	1	Bracket, Regulator Mounting (Note: Not Available for Purchase)	
5	See Note	1	Deck (Note: Not Available for Purchase)	
6	See Note	2	Plug (Note: Not Available for Purchase)	
7	7026633	1	Valve, Drain	
8	7026634	1	Valve, Check	
9	7026635	1	Valve, Safety	
10	7026636	1	Pump Assembly	
10	7026659	1	Gasket and Seal Kit	
10A	7026651	1	Plug, Oil Drain	
10B	7026652	1	Gauge, Oil Sight	
10C	7026653	1	Bearing	
10D	7026654	1	Cap, Oil Fill	
10E	7026655	1	Bearing	
10F	7026656	1	Seal	
11	7026637	1	Motor Assembly	
11	See Note	1	Brush Kit (Note: Not Available for Purchase)	
12	See Note	1	Screen, Inner (Note: Not Available for Purchase)	
13	See Note	1	Guard, Belt (Note: Not Available for Purchase)	
14	See Note	2	Support (Note: Not Available for Purchase)	
15	See Note	1	Bushing (Note: Not Available for Purchase)	
16	4751600	18	Washer 3/8	
17	4761600	10	Washer 3/8	
18	0641506	4	Bolt 5/16 x 3/4	
19	0641406	8	Bolt 1/4 x 3/4	
20	See Note	1	Bushing (Note: Not Available for Purchase)	
21	0641610	10	Bolt 3/8 x 1-1/4	
22	0641616	4	Bolt 3/8 x 2	
23	See Note	10	Bolt 1/4 x 1/2 (Note: Not Available for Purchase)	
24	See Note	4	Fitting (Note: Not Available for Purchase)	
25	See Note	1	Fitting, Barbed (Note: Not Available for Purchase)	
26	3311605	4	Nut 3/8	
27	See Note	1	Fitting, Compression (Note: Not Available for Purchase)	
28	See Note	1	Bracket, Mounting (Note: Not Available for Purchase)	
29	7026660	1	Filter, Oil Removal	
30	7026661	1	Filter, Water Removal	
31	70001663	1	Valve, Ball Shut-Off	
32	See Note	1	Bushing (Note: Not Available for Purchase)	
33	See Note	1	Fitting, Barbed (Note: Not Available for Purchase)	
34	See Note	2	Screw 1/4 x 1 (Note: Not Available for Purchase)	
35	3311405	2	Nut 1/4	
36	See Note	1	Unloader (Note: Not Available for Purchase)	
37	See Note	1	Fitting (Note: Not Available for Purchase)	
38	See Note	1	Pulley (Note: Not Available for Purchase)	
39	7026638	1	Switch, Pressure	
40	7026639	1	Valve, Pilot	
41	7026640	1	Gauge	

## SECTION 2 - TURNTABLE

ITEM	PART NUMBER	QTY	DESCRIPTION	REV
42	See Note	1	Hose (Note: Not Available for Purchase)	
43	See Note	1	Tube, Feed (Note: Not Available for Purchase)	
44	See Note	1	Tube (Note: Not Available for Purchase)	
45	See Note	1	Tube (Note: Not Available for Purchase)	
46	See Note	1	Aftercooler (Note: Not Available for Purchase)	
47	See Note	2	Clamp (Note: Not Available for Purchase)	
48	See Note	2	Clamp (Note: Not Available for Purchase)	
49	See Note	1	Harness, Wiring (Note: Not Available for Purchase)	
50	7026658	1	Filter Assembly	
50	7026641	1	Element, Filter	
51	See Note	23 oz	Oil, Compressor (Note: Not Available for Purchase)	
52	0100020	AR	Sealant	
53	See Note	1	Key (Note: Not Available for Purchase)	
54	See Note	2	Setscrew (Note: Not Available for Purchase)	
55	See Note	2	Cover, Clamp End (Note: Not Available for Purchase)	
56	7026642	1	Belt	
57	7026643	1	Decal - Unit Warning	
58	7026644	1	Decal - Pressure Switch Warning	
59	7026645	1	Decal - Drain Tank Warning	
60	7026646	1	Decal - Compressor Maintenance	
61	7026647	1	Decal - Initial Oil Fill	
62	7026648	1	Decal - Hot Surfaces Warning	
63	7026649	1	Decal - Paper Element Cleaning	
64	7026650	1	Decal - Dual Control	

**SECTION 3 - BOOM**

Go to Discount-Equipment.com to order your parts

# SECTION 3 - BOOM

## FIGURE 3-1. BOOM INSTALLATION - 600S

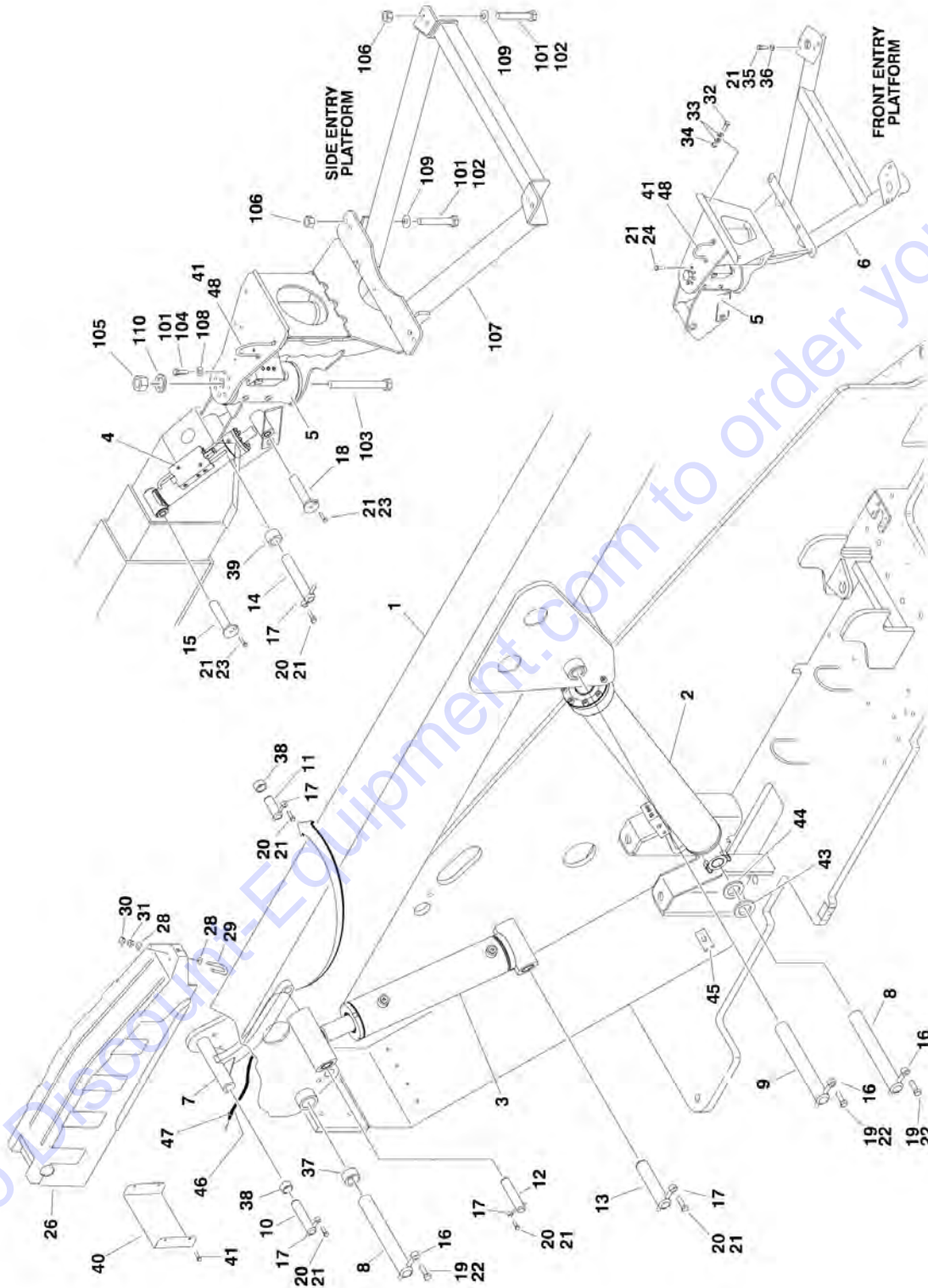




FIGURE 3-1. BOOM INSTALLATION - 600S

ITEM	PART NUMBER	QTY	DESCRIPTION	REV
		Ref	<b>BOOM AND CYLINDERS INSTALLATION</b>	
	0256318	Ref	<b>Boom and Cylinders Installation 600S (Front Entry Platform Machines)</b>	6
	0272133	Ref	<b>Boom and Cylinders Installation 600S (Side Entry Platform Machines) (SN 0300068000 through 0300073985)</b>	2
	0273369	Ref	<b>Boom and Cylinders Installation 600S (Side Entry Platform Machines) (SN 0300073986 through 0300087000)</b>	1
1		Ref	Boom Assembly - 600S Options (See MAIN BOOM ASSEMBLIES for Breakdown):	
1	0801009	1	Boom Assembly - 600S (SN 0300068000 through 0300073985)	
1	0801381	1	Boom Assembly - 600S (SN 0300073986 through 0300087000)	
2		Ref	Boom Lift Cylinder Assembly Options (See CYLINDER SECTION for Breakdown):	
2	1683275	1	Boom Lift Cylinder Assembly (Original Equipment) (SN 0300068000 through 0300070974)	
2	1683666	NLA	Boom Lift Cylinder Assembly (Use p/n 1001112468) (Original Equipment) (SN 0300070975 through 0300087000)	
2	1001112468	NLA	Boom Lift Cylinder Assembly (Service Replacement)	
3		Ref	Master Cylinder Assembly Options (See CYLINDER SECTION for Breakdown):	
3	1683266	NLA	Master Cylinder Assembly (Use p/n 1001228002) (Original Equipment)	
3	1001228002	1	Master Cylinder Assembly (Service Replacement)	
4		Ref	Platform Level Cylinder Assembly Options See CYLINDER SECTION for Breakdown):	
4	1683415	NLA	Platform Level Cylinder Assembly (Use p/n 1001228008) (Original Equipment)	
4	1001223512	NLA	Platform Level Cylinder Assembly (Use p/n 1001228008) (Service Replacement)	
4	1001228008	1	Platform Level Cylinder Assembly (Service Replacement)	
5		Ref	Rotator Assembly Options:	
5	0060075	1	Rotator Assembly Front Entry Platform (p/n was 0060034) (See ROTATOR ASSEMBLIES (FRONT ENTRY PLATFORM) for Breakdown)	
5	0060067	1	Rotator Assembly Side Entry Platform (See ROTATOR ASSEMBLIES (SIDE ENTRY PLATFORM) for Breakdown)	
6		Ref	Support, Platform Options:	
6	4844790	1	Support, Platform Front Entry Platform	
6	See Note	Ref	Support, Platform Side Entry Platform (Note: See Items 101-110)	
7	4844944	NLA	Link, Push (Use p/n 1001094043)	
8	3422564	2	Pin (Cylinder Pivot - T/T End and Boom Pivot)	
9	3422568	1	Pin (Lift Cylinder Pivot - Boom End)	
10	3422566	1	Pin (Link - T/T End)	
11	3422557	1	Pin (Link - Boom End)	
12	3422567	1	Pin (Master Cylinder - Boom End)	
13	3422565	1	Pin (Master Cylinder - T/T End)	
14	3422562	1	Pin (Rotator)	
15	3422569	1	Pin (Level Cylinder - Boom End)	
16	3841258	3	Keeper, Pin	
17	3841143	5	Keeper, Pin	

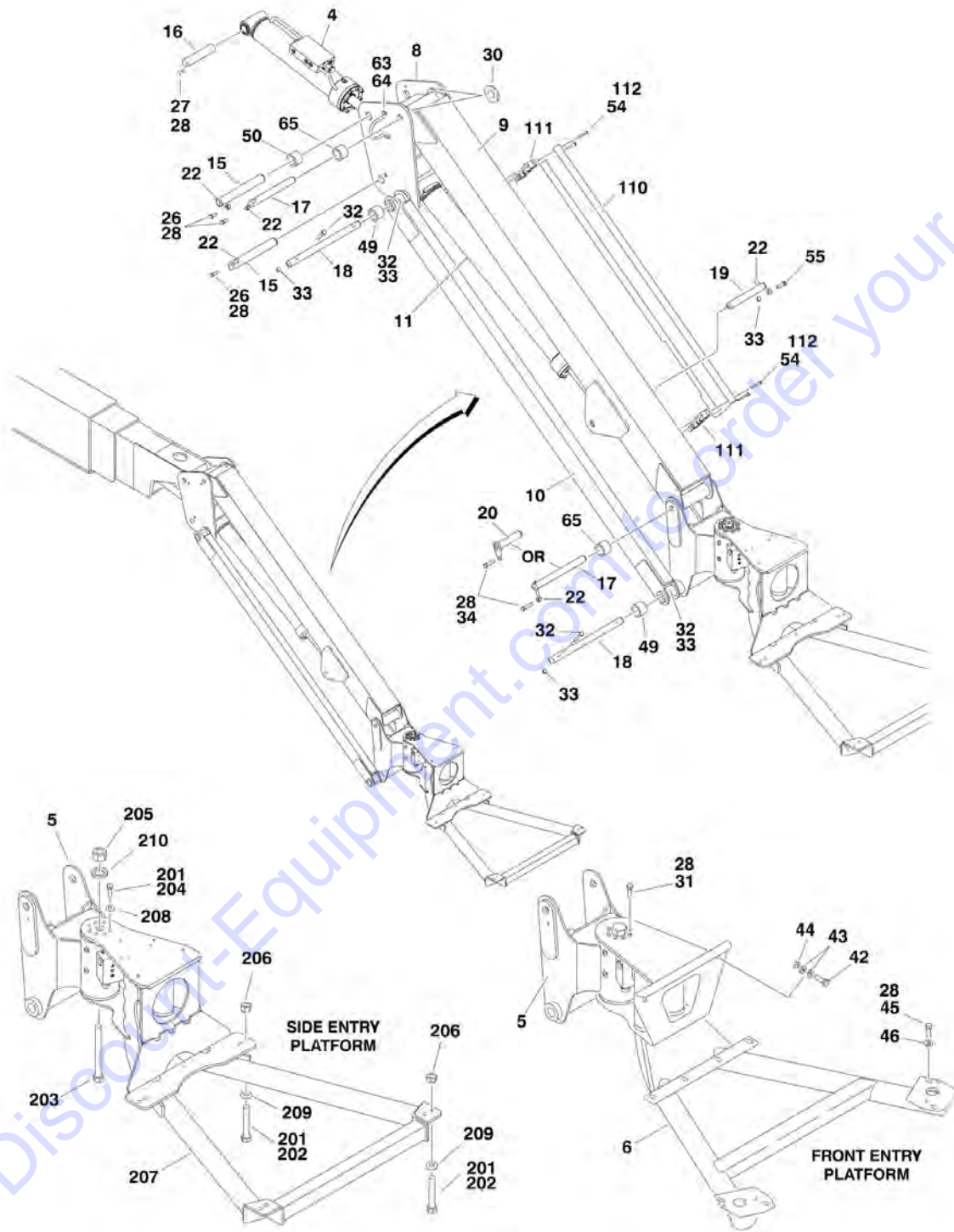
## SECTION 3 - BOOM

ITEM	PART NUMBER	QTY	DESCRIPTION	REV
18	3422580	1	Pin (Level Cylinder - Rotator End)	
19	0642012	3	Bolt 5/8in-11NC x 1-1/2in	
20	0641608	5	Bolt 3/8in-16NC x 1in	
21	0100011	AR	Compound, Locking	
22	0100019	AR	Compound, Locking	
23	0741607	2	Screw, Countersunk 3/8in-16NC x 7/8in	
24	0641810	6	Bolt 1/2in-13NC x 2-1/2in (Front Entry Platform)	
26	1671055	1	Cover, Boom	
28	4751400	4	Flatwasher 1/4in Regular	
29	0630458	1	U-Bolt	
30	3311402	4	Nut, Jam 1/4in-20NC	
31	3311401	2	Locknut 1/4in-20NC	
32	0641820	4	Bolt 1/2in-13NC x 2-1/2in (Front Entry Platform)	
33	4711800	8	Flatwasher 1/2in Thin (Front Entry Platform)	
34	3311805	4	Locknut 1/2in-13NC (Front Entry Platform)	
35	0681610	4	Bolt 3/8in-16NC x 1-1/4in (Grade 8) (Front Entry Platform)	
36	4711600	4	Flatwasher 3/8in Thin (Front Entry Platform)	
37	0961950	2	Bushing	
38	0962006	3	Bushing	
39	0961951	2	Bushing	
40	3539563	1	Cover	
41	0641604	6	Bolt 3/8in-16NC x 1/2in	
43	4740314	AR	Thrustwasher	
44	4740158	AR	Thrustwasher	
45	1320235	1	Clamp, Staff	
46	4100033	2 ft/.3m	Sleeve	
47	4240033	2	Tie-Strap	
48	3841340	1	Loop, Hose	
		Ref	<b>SUPPORT INSTALLATIONS (SIDE ENTRY PLATFORM)</b>	
	0272070	Ref	<b>Machines without Load Sensing and without SkyGlazier</b>	C
	See Note	Ref	<b>Machines without Load Sensing and with SkyGlazier (Note: For CE Spec Machines Refer to JLG Supplement p/n 3124242 for Components)</b>	
	See Note	Ref	<b>Machines with Load Sensing and without SkyGlazier (Note: For CE Spec Machines Refer to JLG Supplement p/n 3124287 for Components)</b>	
	See Note	Ref	<b>Machines with Load Sensing and with SkyGlazier (Note: For CE Spec Machines Refer to JLG Supplement p/n 3124287 for Components)</b>	
101	0100011	AR	Compound, Locking	
102	0641812	8	Bolt 1/2in-13NC x 1-1/2in	
103	0642684	1	Bolt 1in-8NC x 10-1/2in	
104	0681608	8	Bolt 3/8in-16NC x 1in (Grade 8)	
105	3272605	1	Locknut 1in-8NC	
106	3311805	8	Locknut 1/2in-13NC	
107	4846573	1	Support, Platform	
108	4891600	8	Flatwasher 3/8in Hardened	
109	4891800	8	Flatwasher 1/2in Hardened	
110	4892600	1	Flatwasher 1in Hardened	





# SECTION 3 - BOOM



## SECTION 3 - BOOM

FIGURE 3-2. BOOM INSTALLATION - 600SJ & 660SJ

ITEM	PART NUMBER	QTY	DESCRIPTION	REV
		Ref	<b>BOOM AND CYLINDERS INSTALLATIONS</b>	
	0271320	Ref	<b>Boom and Cylinders Installation 600SJ (Front Entry Platform Machines)</b>	3
	0272139	Ref	<b>Boom and Cylinders Installation 600SJ (Side Entry Platform Machines)</b>	3
	0271319	Ref	<b>Boom and Cylinders Installation 660SJ (Front Entry Platform Machines)</b>	3
	0272137	Ref	<b>Boom and Cylinders Installation 660SJ (Side Entry Platform Machines)</b>	3
1		Ref	Boom Assembly Options: (See MAIN BOOM ASSEMBLIES for Breakdown)	
1	0801035	1	Boom Assembly 600SJ (SN 0300068000 through 0300073985)	
1	0801389	1	Boom Assembly 600SJ (SN 0300073986 through 0300087000)	
1	0801010	1	Boom Assembly 660SJ (SN 0300068000 through 0300073985)	
1	0801388	1	Boom Assembly 660SJ (SN 0300073986 through 0300087000)	
2		Ref	Boom Lift Cylinder Assembly Options (See CYLINDER SECTION for Breakdown):	
2	1683275	1	Boom Lift Cylinder Assembly (Original Equipment) (SN 0300068000 through 0300070974)	
2	1683666	NLA	Boom Lift Cylinder Assembly (Use p/n 1001112468) (Original Equipment) (SN 0300070975 through 0300087000)	
2	1001112468	NLA	Boom Lift Cylinder Assembly (Service Replacement)	
3		Ref	Master Cylinder Assembly Options (See CYLINDER SECTION for Breakdown):	
3	1683263	NLA	Master Cylinder Assembly (Use p/n 1001228052) (Original Equipment)	
3	1001228052	1	Master Cylinder Assembly (Service Replacement)	
4		Ref	Platform Level Cylinder Assembly Options (See CYLINDER SECTION for Breakdown):	
4	1683418	NLA	Platform Level Cylinder Assembly (Original Equipment) (Use p/n 1001228051)	
4	1001223331	NLA	Platform Level Cylinder Assembly (Use p/n 1001228051) (Service Replacement)	
4	1001228051	1	Platform Level Cylinder Assembly (Service Replacement)	
5		Ref	Rotator Assembly Options:	
5	0060031	NLA	Rotator Assembly Front Entry Platform (See ROTATOR ASSEMBLIES (FRONT ENTRY PLATFORM) for Breakdown) (Use Kit p/n 1001103095 - Includes p/n 0060074 actuator, attaching pin and hardware)	
5	0060066	1	Rotator Assembly Side Entry Platform (See ROTATOR ASSEMBLIES (SIDE ENTRY PLATFORM) for Breakdown)	
6		Ref	Support, Platform Options:	
6	4844790	1	Front Entry Platform	
6	See Note	1	Side Entry Platform (Note: See Items 201-210)	
7	4844944	NLA	Link, Push (Use p/n 1001094043)	
8	4844815	1	Pivot	
9	4844816	1	Tube (Top)	
10	4844817	2	Tube (Bottom)	
11		Ref	Articulating Jib Lift Cylinder Assembly Options (See CYLINDER SECTION for Breakdown):	

## SECTION 3 - BOOM

ITEM	PART NUMBER	QTY	DESCRIPTION	REV
11	1683258	1	Articulating Jib Lift Cylinder Assembly (Original Equipment) (SN <b>0300068000 through 0300070974</b> )	
11	1683609	NLA	Articulating Jib Lift Cylinder Assembly (Use p/n 1001248012) (Original Equipment) (SN <b>0300070975 through 0300087000</b> )	
11	1001228012	NLA	Articulating Jib Lift Cylinder Assembly (Use p/n 1001248012) (Service Replacement)	
11	1001248012	1	Articulating Jib Lift Cylinder Assembly (Service Replacement)	
12	3422564	2	Pin (Boom Pivot and Lift Cylinder Pivot - T/T End)	
13	3422568	1	Pin (Boom Lift Cylinder - Boom End)	
14	3422566	2	Pin (Link - T/T End and Master Cylinder - T/T End)	
15	3422561	2	Pin (Articulating Jib Cylinder - Pivot End and Pivot - Boom End)	
16	3422583	1	Pin (Articulating Jib Level Cylinder - Boom End)	
17	3422860	2	Pin (Top Tube - Pivot End)	
18	3422861	2	Pin (Bottom Tube - Both Ends)	
19	3422867	1	Pin (Articulating Jib Lift Cylinder - Top Tube End)	
20	3422563	1	Pin (Top Tube - Rotator End)	
21	3841258	3	Keeper, Pin	
22	3841143	9	Keeper, Pin	
23	3422557	1	Pin (Link - Boom)	
24	3422574	1	Pin (Master Cylinder - Boom End)	
25	0642012	3	Bolt 5/8in-11NC x 1-1/2in	
26	0641608	7	Bolt 3/8in-16NC x 1in	
27	0741607	1	Screw, Countersunk 3/8in-16NC x 7/8in	
28	0100011	AR	Compound, Locking	
29	0100019	AR	Compound, Locking	
30	4740439	2	Thrustwasher	
31	0641810	6	Bolt 1/2in-13NC x 1-1/4in (Front Entry Platform)	
32	0641618	4	Bolt 3/8in-16NC x 2-1/4in	
33	3311605	5	Locknut 3/8in-16NC	
34	0641614	1	Bolt 3/8in-16NC x 1-3/4in	
36	1671055	1	Cover, Boom	
38	4751400	4	Flatwasher 1/4in Regular	
39	0630458	1	U-Bolt	
40	3311402	4	Nut, Jam 1/4in-20NC	
41	3311402	2	Locknut 1/4in-20NC	
42	0641820	4	Bolt 1/2in-13NC x 2-1/2in (Front Entry Platform)	
43	4711800	8	Flatwasher 1/2in Thin (Front Entry Platform)	
44	3311805	4	Locknut 1/2in-13NC (Front Entry Platform)	
45	0681610	4	Bolt 3/8in-16NC x 1-1/4in (Grade 8) (Front Entry Platform)	
46	4711600	4	Flatwasher 3/8in Thin (Front Entry Platform)	
47	0961950	2	Bushing	
48	0962006	3	Bushing	
49	0961947	10	Bushing	
50	0961951	2	Bushing	
51	3539563	1	Cover	
52	0641604	4	Bolt 3/8in-16NC x 1/2in	
54	2080044	4	Rivnut	
55	0641611	1	Bolt 3/8in-16NC x 1-3/8in	
58	4740314	AR	Thrustwasher	
59	4740158	AR	Thrustwasher	
60	1320235	1	Clamp	
61	4100033	2 ft/.6m	Sleeve, Abrasion	

## SECTION 3 - BOOM

ITEM	PART NUMBER	QTY	DESCRIPTION	REV
62	4240033	2	Tie-Strap	
63	3841340	1	Clamp, Loop	
64	0641606	2	Bolt 3/8in-16NC x 3/4in	
65	0962335	4	Bushing	
		Ref	<b>BOOM CABLES INSTALLATION</b>	
	0270738	Ref	<b>Boom Cables Installation 600SJ - 2WS</b>	2
	0256939	Ref	<b>Boom Cables Installation 600SJ - 4WS</b>	3
	0270736	Ref	<b>Boom Cables Installation 660SJ - 2WS</b>	2
	0256936	Ref	<b>Boom Cables Installation 660SJ - 4WS</b>	2
110	1670769	1	Cover	
111	0561237	2	Clamp, Block	
112	0641416	4	Bolt 1/4in-20NC x 2in	
		Ref	<b>SUPPORT INSTALLATIONS (SIDE ENTRY PLATFORM)</b>	
	0272070	Ref	<b>Machines without Load Sensing and without SkyGlazier</b>	C
		Ref	<b>CE Spec Machines:</b>	
	See Note	Ref	<b>Machines without Load Sensing and with SkyGlazier (Note: For Replacement Parts, Go to Discount-equipment.com and Request Manual p/n 3124242)</b>	
	See Note	Ref	<b>Machines with Load Sensing and without SkyGlazier (Note: For Replacement Parts, Go to Discount-equipment.com and Request Manual p/n 3124287)</b>	
	See Note	Ref	<b>Machines with Load Sensing and with SkyGlazier (Note: For Replacement Parts, Go to Discount-equipment.com and Request Manual p/n 3124287)</b>	
201	0100011	AR	Compound, Locking	
202	0641812	8	Bolt 1/2in-13NC x 1-1/2in	
203	0642684	1	Bolt 1in-8NC x 10-1/2in	
204	0681608	8	Bolt 3/8in-16NC x 1in (Grade 8)	
205	3272605	1	Locknut 1in-8NC	
206	3311805	8	Locknut 1/2in-13NC	
207	4846573	1	Support, Platform	
208	4891600	8	Flatwasher 3/8in Hardened	
209	4891800	8	Flatwasher 1/2in Hardened	
210	4892600	1	Flatwasher 1in Hardened	



# PARTS FINDER

**Search Website  
by Part Number**



**Search Manual  
Library For Parts  
Manual & Lookup Part  
Numbers – Purchase  
or Request Quote**

**Can't Find Part or  
Manual? Request Help  
by Manufacturer,  
Model & Description**

Discount-Equipment.com is your online resource for quality parts & equipment.

Florida: **561-964-4949** Outside Florida TOLL FREE: **877-690-3101**

## Need parts?

Click on this link: <http://www.discount-equipment.com/category/5443-parts/> and choose one of the options to help get the right parts and equipment you are looking for. Please have the machine model and serial number available in order to help us get you the correct parts. If you don't find the part on the website or on one of the online manuals, please fill out the request form and one of our experienced staff members will get back to you with a quote for the right part that your machine needs.

We sell worldwide for the brands: Genie, Terex, JLG, MultiQuip, Mikasa, Essick, Whiteman, Mayco, Toro Stone, Diamond Products, Generac Magnum, Airman, Haulotte, Barreto, Power Blanket, Nifty Lift, Atlas Copco, Chicago Pneumatic, Allmand, Miller Curber, Skyjack, Lull, Skytrak, Tsurumi, Husquvarna Target, Stow, Wacker, Sakai, Mi-T-M, Sullair, Basic, Dynapac, MBW, Weber, Bartell, Bennar Newman, Haulotte, Ditch Runner, Menegotti, Morrison, Contec, Buddy, Crown, Edco, Wyco, Bomag, Laymor, EZ Trench, Bil-Jax, F.S. Curtis, Gehl Pavers, Heli, Honda, ICS/PowerGrit, IHI, Partner, Imer, Clipper, MMD, Koshin, Rice, CH&E, General Equipment, Amida, Coleman, NAC, Gradall, Square Shooter, Kent, Stanley, Tamco, Toku, Hatz, Kohler, Robin, Wisconsin, Northrock, Oztec, Toker TK, Rol-Air, APT, Wylie, Ingersoll Rand / Doosan, Innovatech, Con X, Ammann, Mecalac, Makinex, Smith Surface Prep, Small Line, Wanco, Yanmar



# SECTION 3 - BOOM

## FIGURE 3-3. MAIN BOOM ASSEMBLIES

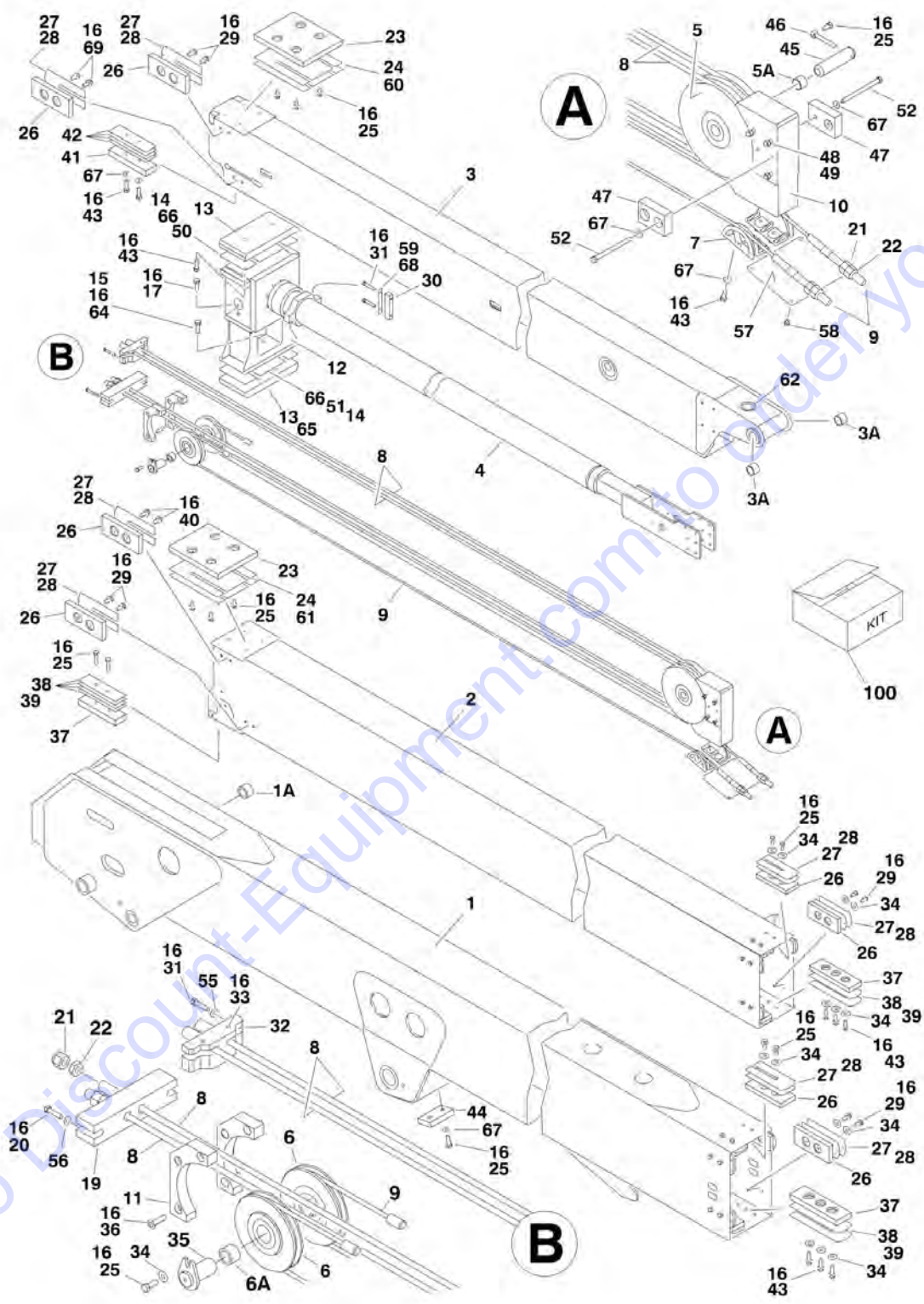


FIGURE 3-3. MAIN BOOM ASSEMBLIES

ITEM	PART NUMBER	QTY	DESCRIPTION	REV
		Ref	<b>MAIN BOOM ASSEMBLY OPTIONS:</b>	
	0801009	Ref	<b>Main Boom Assembly 600S (SN 0300068000 through 0300073985)</b>	23-P
	0801381	Ref	<b>Main Boom Assembly 600S (SN 0300073986 through 0300087000)</b>	3-C
	0801035	Ref	<b>Main Boom Assembly 600SJ (SN 0300068000 through 0300073985)</b>	18-K
	0801389	Ref	<b>Main Boom Assembly 600SJ (SN 0300073986 through 0300087000)</b>	3-C
	0801010	Ref	<b>Main Boom Assembly 660SJ (SN 0300068000 through 0300073985)</b>	20-M
	0801388	Ref	<b>Main Boom Assembly 660SJ (SN 0300073986 through 0300087000)</b>	3-C
1		Ref	Base Weldment Options:	
1	0801011	1	Base Weldment 600S	
1	0801036	1	Base Weldment 600SJ	
1	0801011	1	Base Weldment 660SJ	
1A	0961950	2	Bushing	
2		Ref	Mid Weldment Options:	
2	0801012	1	Mid Weldment 600S & 660SJ (SN 0300068000 through 0300073985)	
2	0801372	1	Mid Weldment 600S & 660SJ (SN 0300073986 through 0300087000)	
2	0801037	1	Mid Weldment 600SJ (SN 0300068000 through 0300073985)	
2	0801373	1	Mid Weldment 600SJ (SN 0300073986 through 0300087000)	
3		Ref	Fly Weldment Options:	
3	0801065	1	Fly Weldment 600S	
3	0801038	1	Fly Weldment 600SJ	
3	0801014	1	Fly Weldment 660SJ	
3A	0961951	2	Bushing (600SJ & 660SJ Only)	
4		Ref	Telescope Cylinder Assembly Options: (See CYLINDER SECTION for Breakdown)	
4	1683618	1	Telescope Cylinder Assembly 600S & 660SJ	
4	1683620	1	Telescope Cylinder Assembly 600SJ	
5	3580241	1	Sheave Assembly (Extend)	2-B
5A	0961951	2	Bushing	
6	3580243	2	Sheave Assembly (Retract)	1-A
6A	0961951	2	Bushing (1 Per Sheave)	
7	1220078	2	Block, Sheave	
8		Ref	Cable (Extend) Options:	
8	3890005	2	Cable (Extend) 600S & 660SJ	
8	3890007	2	Cable (Extend) 600SJ	
9		Ref	Cable (Retract) Options:	
9	3890006	2	Cable (Retract) 600S & 660SJ	
9	3890008	2	Cable (Retract) 600SJ	
10	3580248	1	Guard, Sheave (Extend)	
11	3580249	2	Guard, Sheave (Retract)	
12	4846319	1	Support, Wear Pad	
13	3340844	1	Pad, Wear	
14	4070975	AR	Shim.05 (SN 0300068000 through 0300072078)	
15	0641608	AR	Bolt 3/8in-16NC x 1in (SN 0300068000 through 0300082631)	
16	0100011	AR	Compound, Locking	

## SECTION 3 - BOOM

ITEM	PART NUMBER	QTY	DESCRIPTION	REV
17		Ref	Bolt Options:	
17	0681612	4	Bolt 3/8in-16NC x 1-1/2in (Grade 8) (SN 0300068000 through 0300082631)	
17	0681610	4	Bolt 3/8in-16NC x 1-1/4in (Grade 8) (SN 0300082632 through 0300087000)	
19	0561184	1	Block, Cable	
20	0641824	2	Bolt 1/2in-13NC x 3in	
21	3312201	4	Nut 3/4in-10NC	
22	3300241	4	Locknut, Special 3/4in-10NC	
23	3340757	2	Pad, Wear	
24	4070896	4	Shim (.06) (Without Slide-In Slots)	
25	0641607	AR	Bolt 3/8in-16NC x 7/8in	
26	3340881	20	Pad, Wear	
27	4070897	28	Shim (.05) (Without Slide-In Slots)	
28	4070898	24	Shim (.12) (Without Slide-In Slots)	
29		Ref	Bolt Options:	
29	0641605	16	Bolt 3/8in-16NC x 5/8in (SN 0300068000 through 0300082631)	
29	0641606	24	Bolt 3/8in-16NC x 3/4in (SN 0300082632 through 0300087000)	
30	0561185	2	Block	
31	0641618	6	Bolt 3/8in-16NC x 2-1/4in	
32	0561183	1	Block, Cable	
33	3951608	2	Setscrew 3/8in-16NC x 1in	
34	4711600	AR	Flatwasher 3/8in Thin	
35	3422424	2	Pin (Retract Sheave)	
36	0741612	6	Screw, Countersunk 3/8in-16NC x 1-1/2in	
37	3340871	5	Pad, Wear	
38	4070863	12	Shim (.12)	
39	4070864	12	Shim (.05)	
40	0641613	AR	Bolt 3/8in-16NC x 1-5/8in	
41	3340758	2	Pad, Wear	
42	4070895	8	Shim (.06)	
43		Ref	Bolt Options:	
43	0641610	14	Bolt 3/8in-16NC x 1-1/4in (SN 0300068000 through 0300082631)	
43	0641608	22	Bolt 3/8in-16NC x 1in (SN 0300082632 through 0300087000)	
44	0561076	1	Block	
45	3422417	2	Pin (Extend Sheave)	
46	3841143	1	Keeper, Pin	
47	3340755	2	Pad, Wear	
48	0641634	4	Bolt 3/8in-16NC x 4-1/4in	
49	3311605	4	Locknut 3/8in-16NC	
50	4070976	1	Shim (.12)	
51	4071004	1	Shim (.25)	
52		Ref	Bolt Options:	
52	0641640	2	Bolt 3/8in-16NC x 5in (SN 0300068000 through 0300082631)	
52	0641638	2	Bolt 3/8in-16NC x 4-3/4in (SN 0300082632 through 0300087000)	
55	4891600	6	Flatwasher 3/8in Hardened	
56	4891800	2	Flatwasher 1/2in Hardened	
57	3539622	1	Plate, Cover	
58	0641403	4	Bolt 1/4in-20NC x 3/8in	

## SECTION 3 - BOOM

ITEM	PART NUMBER	QTY	DESCRIPTION	REV
59	4070929	AR	Shim	
60	4070939	AR	Shim 16Ga (With Slide-In Slots)	
61	4070940	AR	Shim 16Ga (With Slide-In Slots)	
62	4060805	6 in/16cm	Flex-Trim	
63	1670836	8	Cover, Boom (Not Shown)	
64	0681608	4	Bolt 3/8in-16NC x 1in	
65	3340900	1	Pad, Wear	
66	4071005	AR	Shim	
67	4751600	12	Flatwasher 3/8in Regular <b>(SN 0300082632 through 0300087000)</b>	
68	4071007	AR	Shim <b>(SN 0300082632 through 0300087000)</b>	
69	0641614	4	Bolt 3/8in-16NC x 1-3/4in <b>(SN 0300082632 through 0300087000)</b>	
100	2901986	1	Kit, Wear Pad Support (Includes Items 12, 16, 51, 64, 65 & 66)	

Go to Discount-Equipment.com to order your parts

# SECTION 3 - BOOM

## FIGURE 3-4. ROTATOR ASSEMBLIES (FRONT ENTRY PLATFORM)

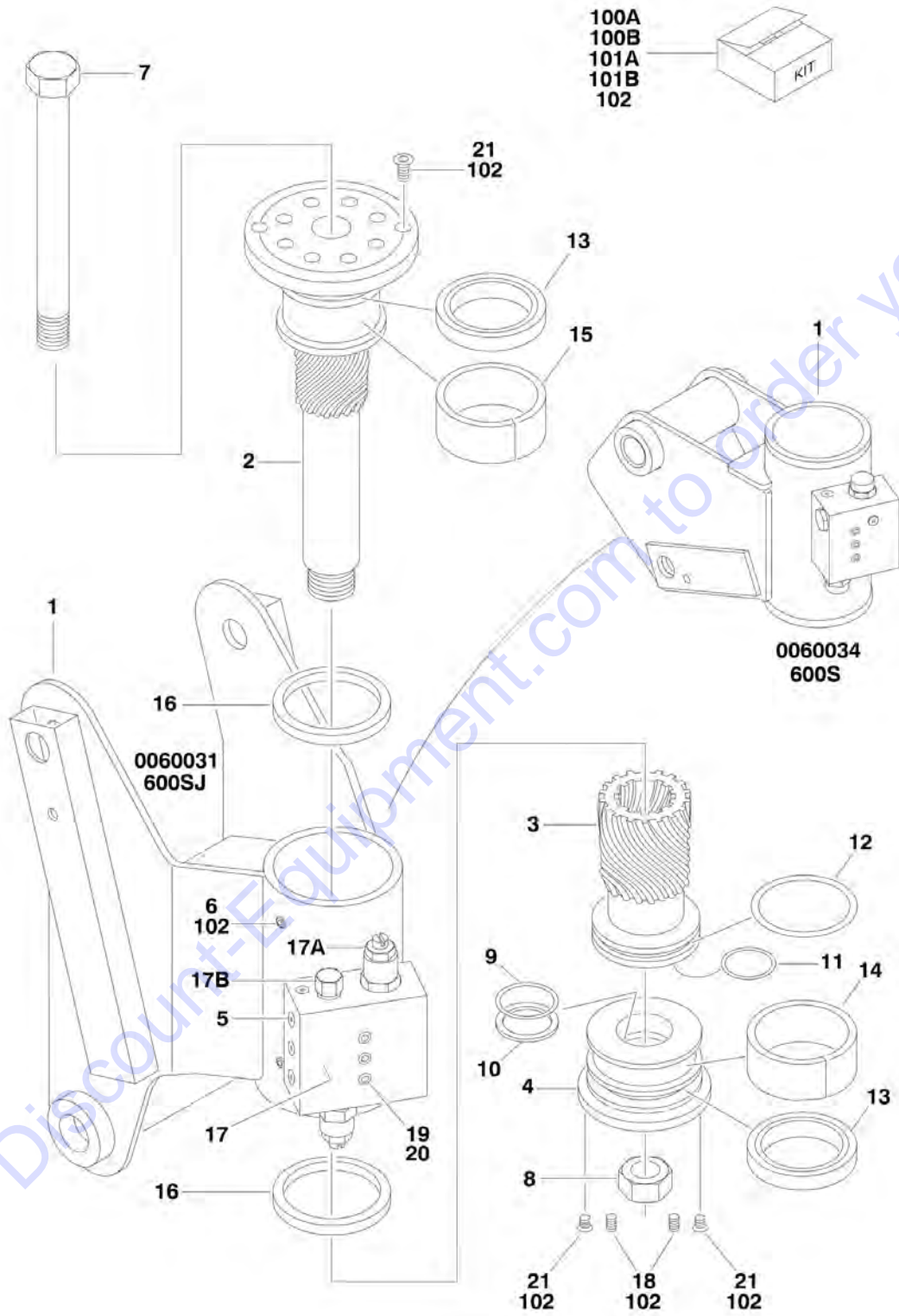


FIGURE 3-4. ROTATOR ASSEMBLIES (FRONT ENTRY PLATFORM)

ITEM	PART NUMBER	QTY	DESCRIPTION	REV
		Ref	<b>ROTATOR ASSEMBLIES</b>	
		Ref	<b>Note: Recommended replacement rotator uses spacer plate bolted on the top with 8 capscrews (Not shown - located at item 2). Actual production rotator does not use spacer plate.</b>	
	0060034	Ref	<b>Rotator Assemblies 600S (Original Equipment)</b>	G
	0060075	Ref	<b>Rotator Assemblies 600S (Service Replacement)</b>	B
	0060031	Ref	<b>Rotator Assemblies 600SJ &amp; 660SJ (Original Equipment)</b>	H
	See Note	Ref	<b>Rotator Assemblies 600SJ &amp; 660SJ (Service Replacement)</b> <b>(Note: For 600SJ &amp; 660SJ, the recommended replacement rotator kit p/n 1001103095 (Includes 0060074 actuator assembly, attaching pin and hardware)</b>	
1	See Note	NSS	Housing/Ring Gear Assembly (Note: Not Available - Purchase Complete Rotator Assembly)	
2		Ref	Shaft Weldment Options:	
2	7017177	1	0060034 & 0060031 Rotators (was p/n 7017117)	
2	7017162	1	0060075 & 0060074 Rotators	
2	See Note	NSS	Plate, Spacer (Not Shown) (0060075 & 0060074 Rotators Only) (Note: Not Available for Purchase)	
3		Ref	Piston/Sleeve Options:	
3	7017115	1	Piston/Sleeve 0060034 & 0060031 Rotators	
3	7017163	1	Piston/Sleeve 0060075 & 0060074 Rotators	
4		Ref	Cap, End Options:	
4	7017174	1	Cap, End 0060034 Rotators	
4	7017174	1	Cap, End 0060031 Rotators (was p/n 7017116)	
4	7017164	1	Cap, End 0060075 & 0060074 Rotators	
5	See Note	NSS	Plug, Port (Note: Not Available - Purchase Locally)	
6	7017142	2	Plug	
7	7017119	1	Bolt 1in-8NC x 11in	
8	3272605	1	Locknut 1in-8NC	
9	See Note	NSS	Seal, Cap (Note: Use Item 100A or 100B)	
10	See Note	NSS	Ring, Back-up (Cap) (Note: Use Item 100A or 100B)	
11	See Note	NSS	Seal, Rod (Note: Use Item 100A or 100B)	
12	See Note	NSS	Seal, Piston (Note: Use Item 100A or 100B)	
13	See Note	NSS	Packing, Bearing (Note: Use Item 100A or 100B)	
14	See Note	NSS	Bearing, Cap (Note: Use Item 101A or 101B)	
15	See Note	NSS	Bearing, Shaft (Note: Use Item 101A or 101B)	
16	See Note	NSS	Thrustwasher (Note: Use Item 101A or 101B)	
17		Ref	Valve Assembly Options:	
17	7017183	1	Valve Assembly 0060034 & 0060031 Rotators (was p/n 7017101)	
17	7017183	1	Valve Assembly 0060075 & 0060074 Rotators	
17A		Ref	Cartridge, Valve Options:	
17A	7011331	2	Cartridge for Helac p/n 24736	
17A	7017193	2	Cartridge for Helac p/n 27600	
17A	2900770	2	Seal Kit - 7011331 Valve	
17A	See Note	NSS	Seal Kit - 7017193 Valve (Note: Not Available for Purchase - Use p/n 7017193)	
17B		Ref	Cartridge, Valve Options:	
17B	7011332	2	Cartridge for Helac p/n 24736	
17B	See Note	NSS	Cartridge for Helac p/n 27600 (Not Shown - Located on Side of Valve Block) (Note: Purchase Complete Valve Assembly)	
17B	7011346	2	Seal Kit - 7011332 Valve	



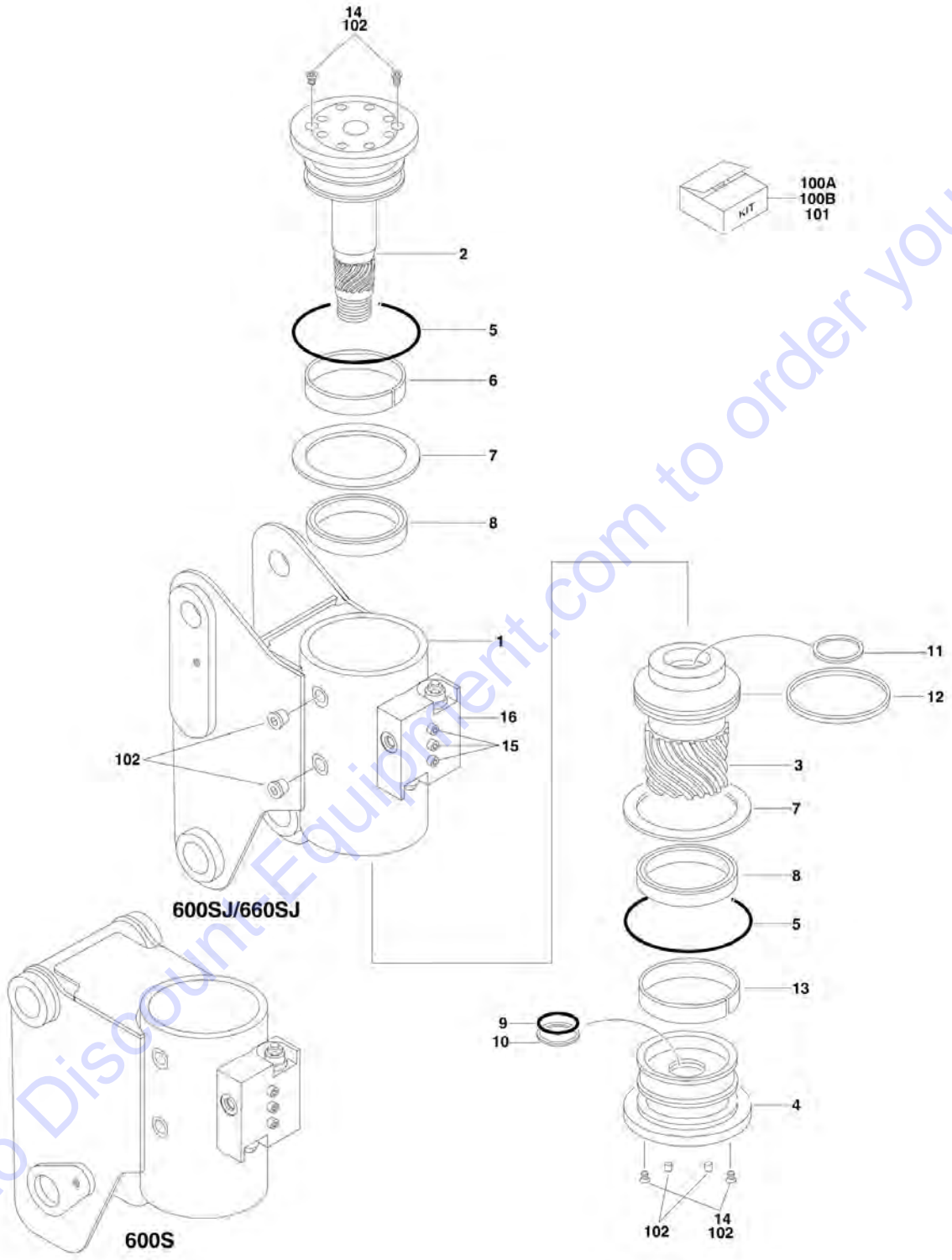
## SECTION 3 - BOOM

ITEM	PART NUMBER	QTY	DESCRIPTION	REV
17B	See Note	NSS	Seal Kit - Valve Located on Side of Block (Note: Purchase Valve Assembly)	
18	7017118	2	Setscrew/Pin	
19	See Note	NSS	Capscrew 1/4in-20NC x 1-1/2 (Grade 8) (Note: Not Available for Purchase)	
20	3790110	3	O-Ring (Located between Valve and Actuator Housing)	
21	70001697	4	Screw, Countersunk 1/4in-20NC x 3/8in (Grade 8)	
		Ref	<b>KIT OPTIONS</b>	
100		Ref	Seal Kit Options (Includes Items 9-13 & 102):	
100A	7017157	1	Seal Kit for 0060034 & 0060031 Rotators	
100B	7017158	1	Seal Kit for 0060075 & 0060074 Rotators	
101		Ref	Bearing Kit Options (Includes Items 14-16):	
101A	7017156	1	Bearing Kit for 0060034 & 0060031 Rotators (Original Equipment)	
101B	7017159	1	Bearing Kit for 0060075 & 0060074 Rotators (Service Replacement)	
102	7017142	1	Hardware Kit (Includes Items 6, 18 & 21) (Part of Item 100)	



# SECTION 3 - BOOM

## FIGURE 3-5. ROTATOR ASSEMBLIES (SIDE ENTRY PLATFORM)



## SECTION 3 - BOOM

**FIGURE 3-5. ROTATOR ASSEMBLIES (SIDE ENTRY PLATFORM)**

ITEM	PART NUMBER	QTY	DESCRIPTION	REV
		Ref	<b>ROTATOR ASSEMBLIES</b>	
	0060067	Ref	<b>Rotator Assemblies 600S</b>	A
	0060066	Ref	<b>Rotator Assemblies 600SJ &amp; 660SJ</b>	A
1	See Note	NSS	Housing/Ring Gear Assembly (Note: Not Available - Purchase Complete Rotator Assembly)	
2	7017162	1	Shaft Weldment	
2	7017195	2	Bushing, Shaft	
3	7017163	1	Piston/Sleeve Assembly	
4	7017164	1	Cap, End	
5	See Note	NSS	O-Ring (Note: Use Item 100A or 100B)	
6	See Note	NSS	Bearing, Shaft (Note: Use Item 101)	
7	See Note	NSS	Thrustwasher (Note: Use Item 101)	
8	See Note	NSS	Packing, Bearing (Note: Use Item 100A or 100B)	
9	See Note	NSS	Seal, Cap (Note: Use Item 100A or 100B)	
10	See Note	NSS	Ring, Back-Up Cap (Note: Use Item 100A or 100B)	
11	See Note	NSS	Seal, Rod (Note: Use Item 100A or 100B)	
12	See Note	NSS	Seal, Piston (Note: Use Item 100A or 100B)	
13	7017159	1	Bearing, Cap	
14	70001697	4	Screw, Countersunk 1/4in-20NC x 3/8in (Grade 8)	
15	See Note	NSS	Capscrew 1/4in-20NC x 1-1/2 (Grade 8) (Note: Not Available for Purchase)	
16	7017183	1	Valve Assembly	
16	7017193	2	Cartridge, Valve	
16	See Note	NSS	Seal Kit - 7017193 Valve (Note: Use p/n 7017193)	
16	See Note	NSS	Cartridge, Valve (Not Shown - Located on Side of Block) (Note: Use p/n 7017183)	
16	See Note	NSS	Seal Kit - Valve Located on Side of Block (Note: Use p/n 7017183)	
		Ref	<b>KIT OPTIONS</b>	
100		Ref	Seal Kit Options (Includes Items 5, 8-12 & 102):	
100A	7017158	1	Seal Kit - Standard	
100B	70000342	1	Seal Kit - Low Temperature	
101	7017159	1	Bearing Kit (Includes Items 6, 7 & 13)	
102	See Note	NSS	Hardware Kit (Includes Items 14, 2 Setscrews and 2 Plugs) (Note: Use Item 100)	

# SECTION 3 - BOOM

## FIGURE 3-6. POWER TRACK INSTALLATIONS

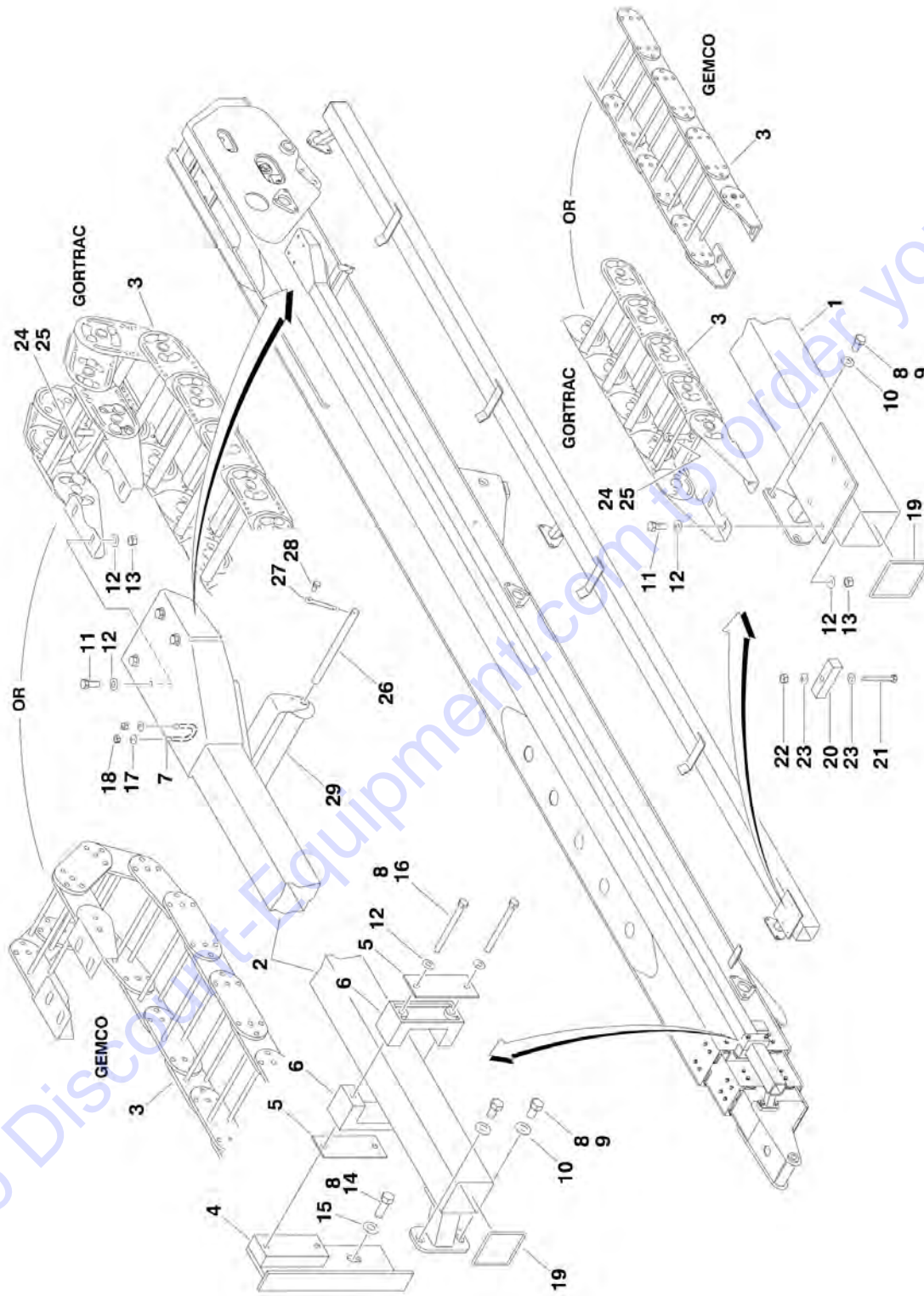


FIGURE 3-6. POWER TRACK INSTALLATIONS

ITEM	PART NUMBER	QTY	DESCRIPTION	REV
		Ref	<b>POWER TRACK INSTALLATIONS</b>	
	0271372	Ref	<b>Power Track Installations 600SJ</b>	3
	0270804	Ref	<b>Power Track Installations 600S/660SJ</b>	4
1		Ref	Rail Options:	
1	4845819	1	Rail 600S/660SJ	
1	4846392	1	Rail 600SJ	
2		Ref	Tube Options:	
2	4845671	1	Tube 600S/660SJ	
2	4846391	1	Tube 600SJ	
3		Ref	Power Track Assembly Options:	
		Ref	<b>Note: Various Power Tracks use on this model. Identify brand before ordering parts.</b>	
3		Ref	Power Track Assembly 600S/660SJ Power Track Assembly	
3	1180345	NLA	Gemco Brand Power Track (Use p/n 1001099832)	
3	7016530	AR	Power Track Repair Section (Includes 18 Link Pin, 4 Radius Links, 2 Carrier Links, 1 Rod Carrier, 1 Spring Loaded Rod, 1 Carrier Weldment and 12 Bearing Plates)	
3	7006138	1	Power Track - Pin Kit (Includes 1 pin, 1 Retaining Ring and 4 Washers)	
3	1001099832	1	Gortrac Brand Power Track	
3	70002005	AR	Power Track - Section Repair Kit	
3	70002006	1	Power Track - Bracket Kit	
3	70004643	2	Clamp with Hardware	
3		Ref	Power Track Assembly 600SJ Power Track Assembly	
3	1180359	NLA	Gemco Brand Power Track (Use p/n 1001099839)	
3	7016530	AR	Power Track Repair Section (Includes 18 Link Pin, 4 Radius Links, 2 Carrier Links, 1 Rod Carrier, 1 Spring Loaded Rod, 1 Carrier Weldment and 12 Bearing Plates)	
3	7006138	1	Power Track - Pin Kit (Includes 1 pin, 1 Retaining Ring and 4 Washers)	
3	1001099839	1	Gortrac Brand Power Track	
3	70002007	AR	Power Track - 1 Section Repair Kit	
3	70002006	1	Power Track - Bracket Kit	
4	4845677	1	Bracket (SN 0300068000 through 0300073986)	
5	3538758	AR	Plate	
6	3340764	2	Pad, Wear	
7	0630458	1	U-Bolt	
8	0100011	AR	Compound, Locking	
9	0641807	11	Bolt 1/2in-13NC x 7/8in	
10	4711800	11	Flatwasher 1/2in Thin	
11	0641608	8	Bolt 3/8in-16NC x 1in	
12	4711600	18	Flatwasher 3/8in Thin	
13	3311605	8	Locknut 3/8in-16NC	
14	0642612	1	Bolt 1in-8NC x 1-1/2in (SN 0300068000 through 0300073986)	
15	4712600	1	Flatwasher 1in Thin (SN 0300068000 through 0300073986)	
16	0641648	2	Bolt 3/8in-16NC x 6in (SN 0300068000 through 0300073986)	
17	4711400	2	Flatwasher 1/4in Thin	
18	3311405	2	Locknut 1/4in-20NC	
19	4060803	3 ft/0.9m	Shield, Trim	
20	1320247	1	Clamp, Nylon	
21	0641522	1	Bolt 5/16in-18NC x 2-3/4in	

## SECTION 3 - BOOM

ITEM	PART NUMBER	QTY	DESCRIPTION	REV
22	3311505	1	Locknut 5/16in-18NC	
23	4711500	2	Flatwasher 5/16in Thin	
24	4070994	2	Shim	
25	4070995	2	Shim	
26	3841013	1	Roller, Rod	
27	3450806	1	Pin, Cotter	
28	0641404	1	Bolt 1/4in-20NC x 1/2in	
29	3860050	1	Roller	

Go to Discount-Equipment.com to order your parts

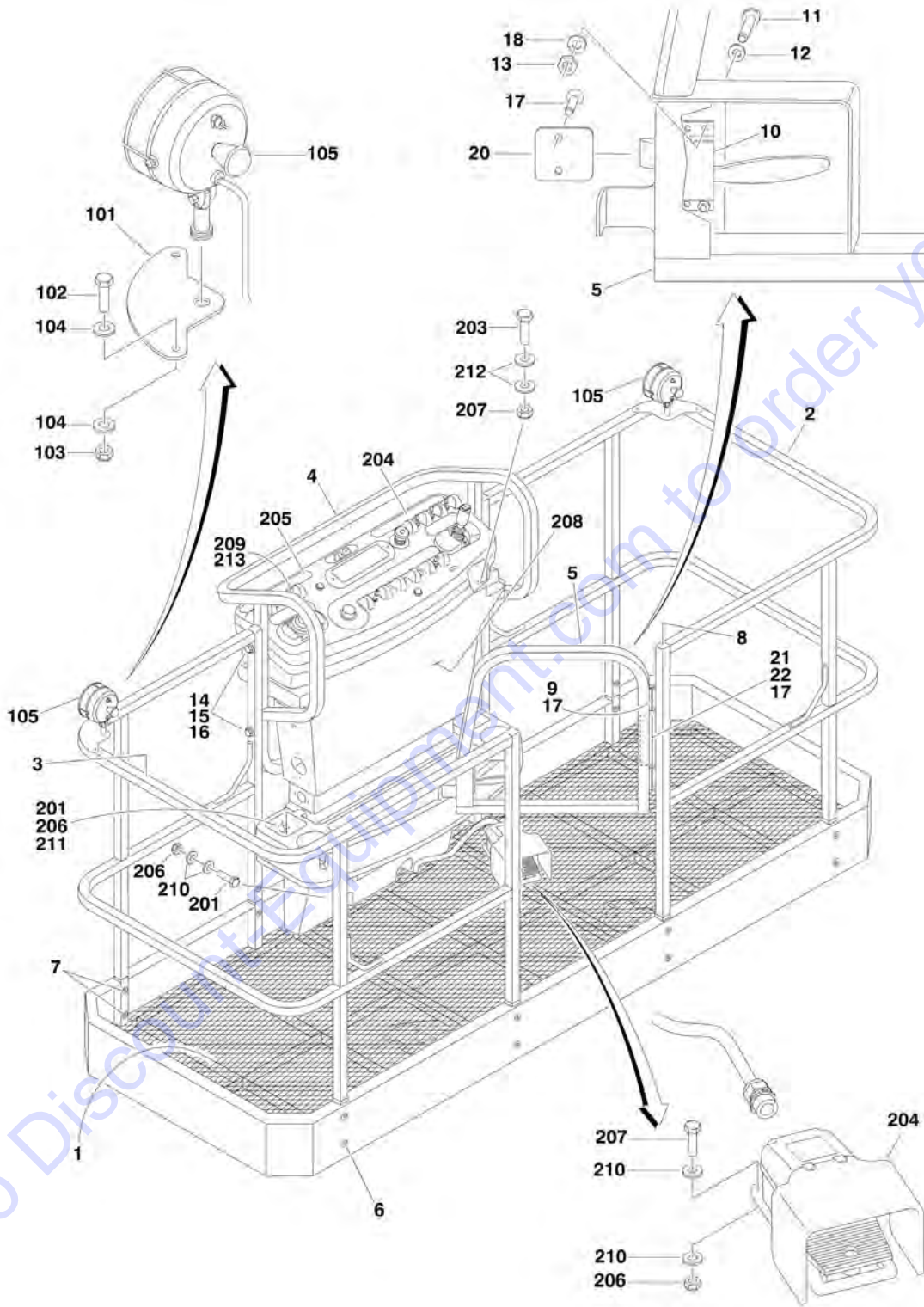
**SECTION 4 - PLATFORM**

Go to Discount-Equipment.com to order your parts



# SECTION 4 - PLATFORM

## FIGURE 4-1. PLATFORM COMPONENTS INSTALLATION (FRONT ENTRY PLATFORM)



## SECTION 4 - PLATFORM

**FIGURE 4-1. PLATFORM COMPONENTS INSTALLATION (FRONT ENTRY PLATFORM)**

ITEM	PART NUMBER	QTY	DESCRIPTION	REV
		Ref	<b>PLATFORM ASSEMBLIES:</b>	
	3510760	Ref	<b>4ft (1.2m) with Self-Closing Gate</b>	3
	3510728	Ref	<b>5ft (1.52m) with Self-Closing Gate</b>	3
	3510497	Ref	<b>6ft (1.83m) Standard</b>	7
	3510542	Ref	<b>6ft (1.83m) with Self-Closing Gate</b>	3
	3510545	Ref	<b>6ft (1.83m) With Mesh to Top Rail and Standard Gate</b>	-
	3510565	Ref	<b>6ft (1.83m) with Mesh to Top Rail and Self-Closing Gate</b>	3
	3510488	Ref	<b>8ft (2.44m) Standard</b>	7
	3510543	Ref	<b>8ft (2.44m) with Self-Closing Gate</b>	3
	3510546	Ref	<b>8ft (2.44m) with Mesh to Top Rail and Standard Gate</b>	-
	3510566	Ref	<b>8ft (2.44m) with Mesh to Top Rail and Self-Closing Gate</b>	4
1		Ref	Floor Weldment Options:	
1	4846253	1	Floor Weldment 4ft Platform	
1	4846101	1	Floor Weldment 5ft Platform	
1	4844954	1	Floor Weldment 6ft Platform	
1	4844928	1	Floor Weldment 8ft Platform	
2		Ref	Rail Weldment - Right Side Options:	
2	4846254	1	Rail Weldment 4ft Platform Standard	
2	4846102	1	Rail Weldment 5ft Platform Standard	
2	4844955	1	Rail Weldment 6ft Platform Standard	
2	4845408	1	Rail Weldment 6ft Platform with Mesh Top Rail	
2	4844924	1	Rail Weldment 8ft Platform Standard	
2	4845412	1	Rail Weldment 8ft Platform with Mesh Top Rail	
3		Ref	Rail Weldment - Left Side Options:	
3	4846255	1	Rail Weldment 4ft Platform Standard	
3	4846103	1	Rail Weldment 5ft Platform Standard	
3	4844956	1	Rail Weldment 6ft Platform Standard	
3	4845409	1	Rail Weldment 6ft Platform with Mesh Top Rail	
3	4844925	1	Rail Weldment 8ft Platform Standard	
3	4845413	1	Rail Weldment 8ft Platform with Mesh Top Rail	
4	4845328	1	Rail Weldment - Back	
5		Ref	Gate Weldment Options:	
5	4845327	1	Gate Weldment Standard Gate	
5	4845410	1	Gate Weldment Standard Gate with Mesh Top Rail	
5	4845426	1	Gate Weldment Self-Closing Gate	
5	4845469	1	Gate Weldment Self-Closing Gate with Mesh Top Rail	
6	3900207	AR	Fastener	
		Ref	<b>Note: P/N 3900207 Fastener may be replaced with P/N 0641416 Bolt, P/N 4751400 Flatwasher, P/N 3311405 Locknut and P/N3300151 Acorn Type Nut. Acorn type nut is required to meet industry safety requirements.</b>	
7	3300393	AR	Collar	
8	3520072	AR	Plug, Cap	
9		Ref	Hinge Options:	
9	2600216	2	Hinge Standard Gate	
9	2600287	2	Hinge Self-Closing Gate	
10	2940074	1	Latch	
11	3911008	4	Screw #10-24NC x 1/2in	
12	4751000	4	Flatwasher #10 Regular	
13	3311005	4	Locknut #10-24NC	

## SECTION 4 - PLATFORM

ITEM	PART NUMBER	QTY	DESCRIPTION	REV
14	0641524	4	Bolt 5/16in-18NC x 3in	
15	3311505	4	Locknut 5/16in-18NC	
16	4751500	4	Flatwasher 5/16in Regular	
17	2080040	13	Fastener	
18	4761000	4	Lockwasher #10	
20	3539685	1	Plate, Latch	
21		Ref	Stop, Gate Options:	
21	4220165	1	Stop, Gate Standard Gate	
21	4220165	1	Stop, Gate Self-Closing Gate	
22	4060803	6 ft/1.8m	Trim	
		Ref	<b>WORKLIGHTS INSTALLATIONS (optional)</b>	
	0270814	Ref	<b>Worklights Installations (Optional) (SN 0300068000 through 0300074440)</b>	3-D
	0273486	Ref	<b>Worklights Installations (Optional) 600S (SN 0300074441 through 0300087000)</b>	C
	0273490	Ref	<b>Worklights Installations (Optional) 600SJ (SN 0300074441 through 0300087000)</b>	C
	0273491	Ref	<b>Worklights Installations (Optional) 660SJ (SN 0300074441 through 0300087000)</b>	C
101	3536089	2	Plate, Mounting	
102	0641414	4	Bolt 1/4in-20NC x 1-3/4in	
103	3311405	4	Locknut 1/4in-20NC	
104	4711400	8	Flatwasher 1/4in Thin	
105	2920140	2	Worklight	
105	7016399	2	Bulb, Replacement (1 Per Worklight)	
106	4240099	10	Tie-Strap (Not Shown)	
107	2820035	9	Loom, Vinyl (Not Shown)	
109		Ref	Connector, Strain Relief Options (Not Shown - Located on Bottom of Console Box):	
109	4460598	1	Connector, Strain Relief (SN 0300068000 through 0300074440)	
109	4460426	1	Connector, Strain Relief (SN 0300074441 through 0300087000)	
110	4920018	AR	Wire, Black 16 Ga (Not Shown) (SN 0300068000 through 0300074440)	
		Ref	<b>CONSOLE BOX INSTALLATIONS</b>	
	0272298	Ref	<b>Console Box Installations 2WD</b>	A
	0271940	Ref	<b>Console Box Installations 4WD</b>	A
201	0641406	4	Bolt 1/4in-20NC x 3/4in	
202	0641408	3	Bolt 1/4in-20NC x 1in	
203	0641610	4	Bolt 3/8in-16NC x 1-1/4in	
204		Ref	Console Box and Footswitch Assembly (See PLATFROM CONSOLE ASSEMBLY for Breakdown)	
205	1702676	1	Decal - Horn	
206	3311405	7	Locknut 1/4in-20NC	
207	3311605	4	Locknut 3/8in-16NC	
208	3380434	1	Panel, Decal Mount	
209		Ref	Switch Options:	
209	4360336	1	Switch 2WD	
209	4360331	1	Switch 4WD	
210	4740362	7	Flatwasher 1/4in Fender	
211	4751400	4	Flatwasher 1/4in Regular	
212	4751600	8	Flatwasher 3/8in Regular	

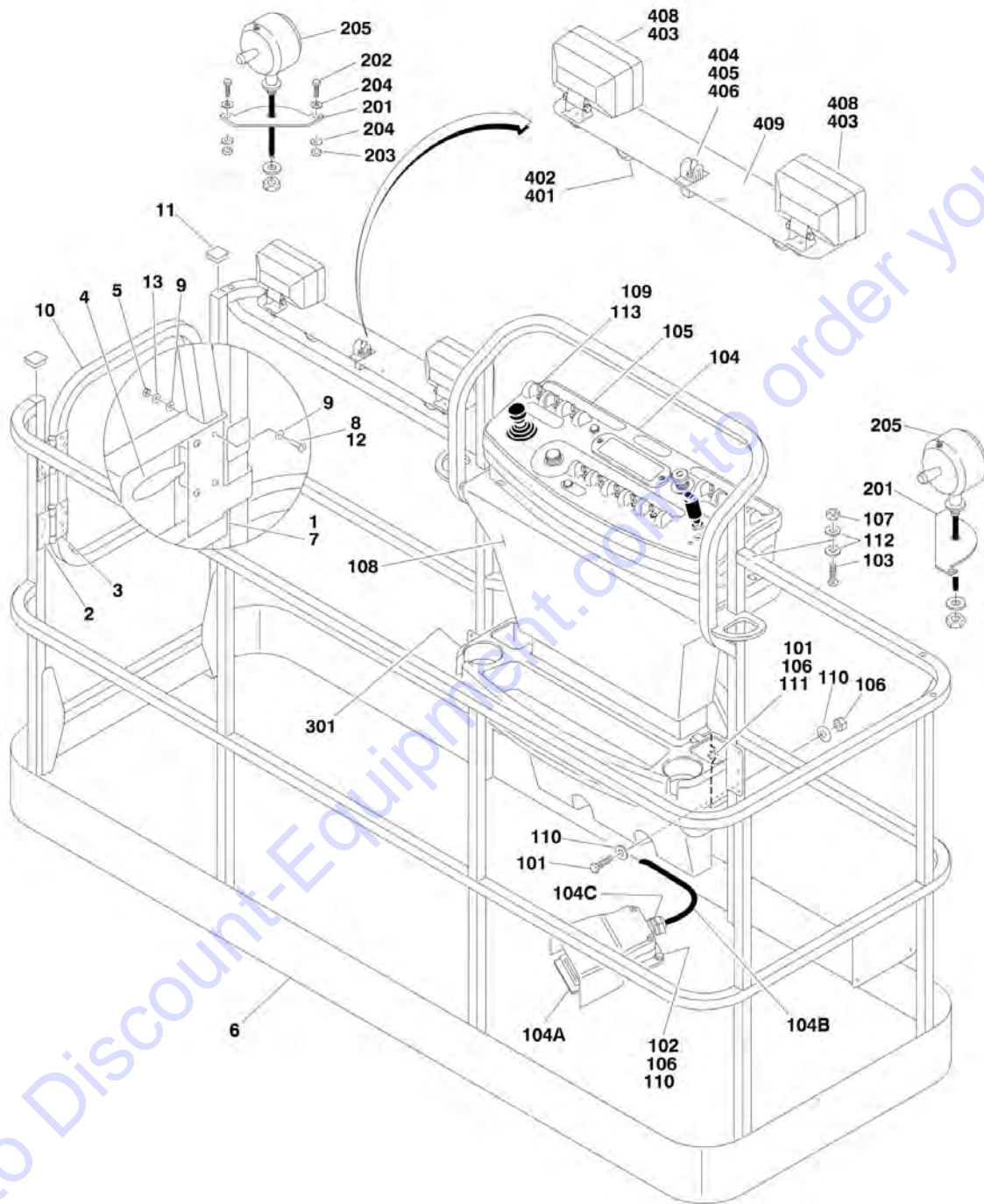
## SECTION 4 - PLATFORM

ITEM	PART NUMBER	QTY	DESCRIPTION	REV
213	3790012	1	O-Ring	

Go to Discount-Equipment.com to order your parts

# SECTION 4 - PLATFORM

## FIGURE 4-2. PLATFORM COMPONENTS INSTALLATION (SIDE ENTRY PLATFORM)



## SECTION 4 - PLATFORM

**FIGURE 4-2. PLATFORM COMPONENTS INSTALLATION (SIDE ENTRY PLATFORM)**

ITEM	PART NUMBER	QTY	DESCRIPTION	REV
		Ref	<b>PLATFORM ASSEMBLIES:</b>	
	3510830	Ref	<b>4ft (1.22m) with No Mesh (SN 0300068809 through 0300087000)</b>	B-E
	3510831	Ref	<b>5ft (1.52m) with No Mesh (SN 0300068809 through 0300087000)</b>	B-E
	3510833	Ref	<b>6ft (1.83m) with No Mesh (SN 0300068809 through 0300087000)</b>	B-E
	3510832	Ref	<b>6ft (1.83m) with No Mesh</b>	B-E
	3510822	Ref	<b>8ft (2.44m) with No Mesh</b>	B-E
		Ref	<b>Note: Original Equipment platform may have been replaced with Service Replacement platform. Identify platform before ordering parts.</b>	
		Ref	<b>Note: When replacing 8ft/2.44m platform with Soft Touch option, new Soft Touch Rail p/n 4846673 must be purchased to accommodate limit switch locations.</b>	
		Ref	<b>Note: When replacing platform on machines with SkyCutter option, new bracket p/n 1001145405 must be purchased to accommodate SkyCutter components.</b>	
1	0100040	AR	Sealant, Adhesive ( <b>SN 0300068000 through 0300073444</b> )	
2	2080040	16	Fastener, Huck	
3	2600281	2	Hinge, Self-Closing	
4	2940074	1	Latch	
5	3311001	4	Nut #10-24NC ( <b>SN 0300068000 through 0300077332</b> )	
6	See Note	NSS	Platform Weldment (Note: Purchase Complete Platform Assembly)	
7	3520072	1	Cap-Plug	
8		Ref	Hardware Options:	
8	3911008	4	Hardware Screw #10-24NC x 1in ( <b>SN 0300068000 through 0300077332</b> )	
8	3820020	4	Hardware Pop Rivet ( <b>SN 0300077333 through 0300087000</b> )	
9	4751000	AR	Flatwasher #10 Regular ( <b>SN 0300068000 through 0300077332</b> )	
10		Ref	Gate Weldment Options:	
10	4846452	1	Gate Weldment Gate for Original Equipment Platform p/n 3510830, 3510831, 3510832, 3510833, 3510822	
10	1001144629	1	Gate Weldment Gate for Service Replacement Platform p/ns 1001144023, 1001144024, 1001144025, 1001144026, 1001144027	
11	3520198	2	Plug, Square	
12	0100011	AR	Compound, Locking ( <b>SN 0300073444 through 0300077332</b> )	
13	4761000	4	Lockwasher #10 ( <b>SN 0300073444 through 0300077332</b> )	
		Ref	<b>CONSOLE BOX INSTALLATIONS</b>	
	0272298	Ref	<b>2WD (SN 0300068000 through 0300069777)</b>	A
	0271940	Ref	<b>2WD/4WD</b>	A
101	0641406	4	Bolt 1/4in-20NC x 3/4in	
102	0641408	3	Bolt 1/4in-20NC x 1in	
103	0641610	4	Bolt 3/8in-16NC x 1-1/4in	
104		Ref	Platform Console Box Assembly (See PLATFORM CONSOLE ASSEMBLY for Breakdown)	
104A	0272970	1	Footswitch Assembly (Includes Footswitch and Items 104B & 104C)	
		Ref	<b>Note: Assembly p/n 0272970 may use either p/n 4360031 or p/n 1001117320. If Original Equipment was replaced as an "assembly," p/n 1001117320 may have been used as part of</b>	

## SECTION 4 - PLATFORM

ITEM	PART NUMBER	QTY	DESCRIPTION	REV
			<b>the Service Replacement. Identify component before ordering parts.</b>	
104A		Ref	Footswitch Less Cable Options:	
104A	4360031	1	Footswitch Less Cable Original Equipment	
104A	1001117320	1	Footswitch Less Cable Service Replacement	
104A		Ref	Block, Contact Options (see Note Above):	
104A	7000625	2	Contact Block for 4360031 Footswitch	
104A	70003483	1	Contact Block for 1001117320 Footswitch	
104B	1060918	7 ft/2.14m	Cable, Electrical - 18/3	
104C	4460071	1	Connector, Strain Relief	
105	1702676	1	Decal - Horn	
106	3311405	7	Locknut 1/4in-20NC	
107	3311605	4	Locknut 3/8in-16NC	
108	3380434	1	Panel, Decal Mount	
109		Ref	Switch Options:	
109	4360336	1	Switch 2WD	
109	4360331	1	Switch 4WD	
110	4740362	7	Flatwasher 1/4in Fender	
111	4751400	4	Flatwasher 1/4in Regular	
112	4751600	8	Flatwasher 3/8in Regular	
113	3790012	1	O-Ring	
		Ref	<b>WORKLIGHTS INSTALLATIONS (OPTIONAL)</b>	
	0270814	Ref	<b>Worklights Installations (Optional) (SN 0300068000 through 0300074440)</b>	3-E
	0273486	Ref	<b>Worklights Installations (Optional) 600S (SN 0300074441 through 0300087000)</b>	C
	0273490	Ref	<b>Worklights Installations (Optional) 600SJ (SN 0300074441 through 0300087000)</b>	C
	0273491	Ref	<b>Worklights Installations (Optional) 660SJ (SN 0300074441 through 0300087000)</b>	C
201	3536089	2	Plate, Mounting	
202	0641414	4	Bolt 1/4in-20NC x 1-3/4in	
203	3311405	4	Locknut 1/4in-20NC	
204	4711400	8	Flatwasher 1/4in Thin	
205	2920140	2	Worklight	
205	7016399	2	Bulb, Replacement (1 Per Worklight)	
206	4240099	10	Tie-Strap (Not Shown)	
207	2820035	9	Loom, Vinyl (Not Shown)	
209		Ref	Connector, Strain Relief Options (Not Shown - Located at Console Box):	
209	4460598	1	Connector, Strain Relief <b>(SN 0300068000 through 0300074440)</b>	
209	4460426	1	Connector, Strain Relief <b>(SN 0300074441 through 0300087000)</b>	
		Ref	<b>TRAY INSTALLATIONS (OPTIONAL)</b>	
301	1580012	1	Tray, Storage (Center)	
302	1580013	1	Tray, Storage (Rail Mounted - Not Shown)	
	0274209	Ref	<b>FLOODLIGHT INSTALLATION</b>	A
401	0641518	2	Bolt 5/16in-18NC x 2-1/4in	
402	2560173	2	Handle	
403	2920157	2	Lamp, Work Light	
404	3250585	1	Nameplate - Light On	
405	4060802	1	Guard, Switch	

## SECTION 4 - PLATFORM

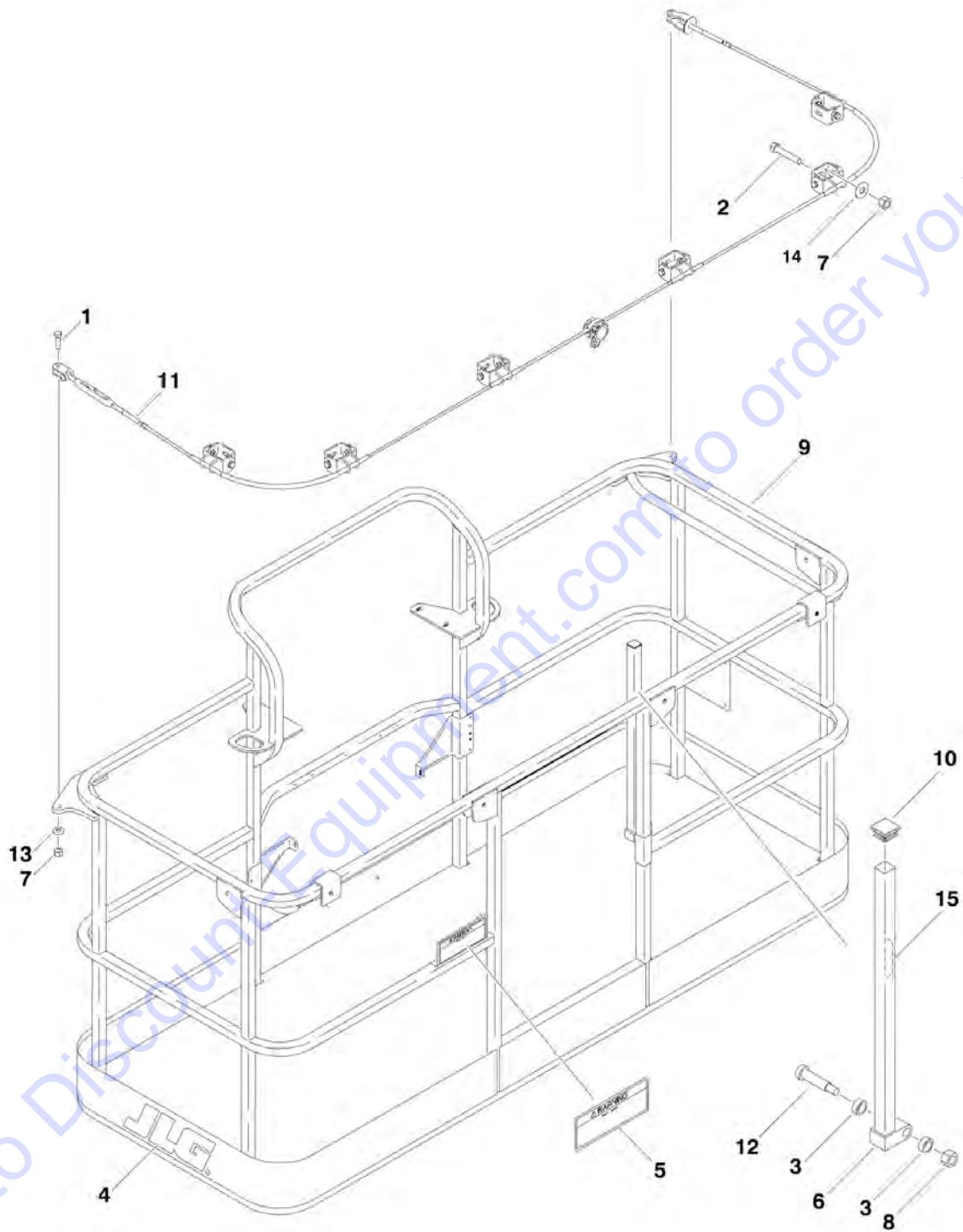
ITEM	PART NUMBER	QTY	DESCRIPTION	REV
406	4360336	1	Switch, Toggle	
407	4420037	1	Tape, Insulation (Not Shown)	
408	4751800	2	Flatwasher 1/2in Regular	
409	4846561	1	Mount, Light	
410	4922888	1	Harness 12/3 (Not Shown)	

Go to Discount-Equipment.com to order your parts



# SECTION 4 - PLATFORM

FIGURE 4-3. PLATFORM COMPONENTS INSTALLATION (FALL ARREST PLATFORM)



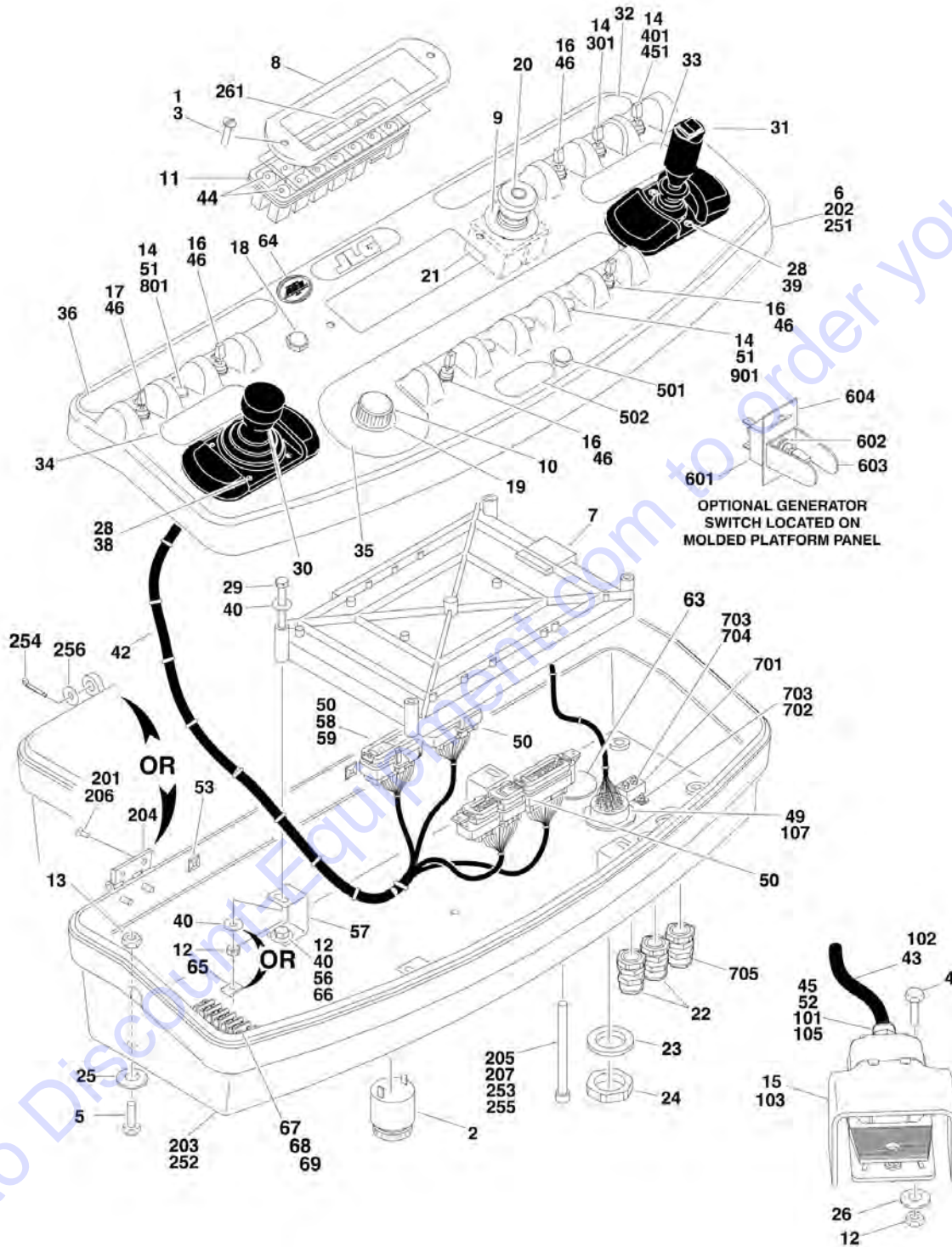
## SECTION 4 - PLATFORM

**FIGURE 4-3. PLATFORM COMPONENTS INSTALLATION (FALL ARREST PLATFORM)**

ITEM	PART NUMBER	QTY	DESCRIPTION	REV
	3510868	Ref	<b>PLATFORM ASSEMBLY (FALL ARREST)</b>	B
1	0681814	2	Bolt 1/2in-13NC x 1-3/4in (Grade 8)	
2	0681822	6	Bolt 1/2in-13NC x 2-3/4in (Grade 8)	
3	0962270	2	Bearing, Oilite	
4	1702773	1	Decal - JLG	
5	1705014	1	Decal - Safety	
6	2410014	1	Gate Weldment	
7	3271805	8	Locknut 1/2in-13NC (Grade 8)	
8	3311605	1	Locknut 3/8in-16NC	
9	See Note	NSS	Platform Weldment (Purchase Platform Assembly) (Note: Purchase Complete Platform Assembly)	
10	3520072	1	Cap-Plug	
11	3890040	1	Cable, Fall Arrest	
12	3900054	1	Bolt 1/2in-13NC x 1-3/4in	
13	4711800	2	Flatwasher 1/2in Thin	
14	4751800	6	Flatwasher 1/2in Regular	
15	1706385	1	Decal - Drop Bar <b>(SN 0300085919 through 0300087000)</b>	

# SECTION 4 - PLATFORM

## FIGURE 4-4. PLATFORM CONSOLE ASSEMBLY



## SECTION 4 - PLATFORM

**FIGURE 4-4. PLATFORM CONSOLE ASSEMBLY**

ITEM	PART NUMBER	QTY	DESCRIPTION	REV
		Ref	<b>CONSOLE BOX AND FOOTSWITCH ASSEMBLIES</b>	
	See Note	Ref	<b>Console Box and Footswitch Assemblies (Note: See Item 6 Note) (SN 0300068000 through 0300068964)</b>	
		Ref	<b>Note: No exact SN break exists. SN 0300068000 to 0300068964 may use either p/n 0861477 or p/n 0861511</b>	
	0861511	Ref	<b>Console Box and Footswitch Assemblies (SN 0300068965 through 0300087000)</b>	F
1	0100035	AR	Compound, Locking	
2	0140011	1	Alarm	
3	0630464	AR	Screw, Button Head #10-24NC x 1/2in	
4	0641408	3	Bolt 1/4in-20NC x 1in	
5	0641610	AR	Bolt 3/8in-16NC x 1-1/4in	
6		Ref	Box, Console Options:	
		Ref	<b>Note: No exact SN break exists. SN 0300068000 to SN 0300068964 may use either box.</b>	
6	0861414	1	Box, Console - Aluminum (See Items 201- 208 for Breakdown)	
6	0861537	1	Box, Console - Die Cast (See Items 251- 256 for Breakdown)	
7		Ref	Controller, Module Options:	
		Ref	Note: Re-calibration Required when Replaced.	
7		Ref	Controller, Module Deutz Engine:	
7	1600313	1	Controller, Module Deutz Engine <b>(SN 0300068000 through 0300077489)</b>	
7	1600375	1	Controller, Module Deutz Engine <b>(SN 0300077490 through 0300087000)</b>	
7	1600313	1	Ford Engine	
8	1670829	1	Bezel	
9	1704260	1	Decal - EMS	
10	2560136	1	Handle, Knob	
11	2760105	1	Housing, Display Light	
12	3311405	11	Locknut 1/4in-20NC	
13	3311605	4	Locknut 3/8in-16NC	
14		Ref	Plug, Hole 1/2in Options:	
14	3520028	6	Plug, Hole 1/2in <b>(SN 0300068000 through 0300077482)</b>	
14	3520054	6	Plug, Hole 1/2in <b>(SN 0300077483 through 0300087000)</b>	
15	See Note	1	Footswitch Assembly (Note: See Items 101-107 for Breakdown)	
16	4360328	4	Switch, Toggle	
17	4360331	1	Switch, Toggle	
18	4360387	1	Switch, Pushbutton	
19	4360407	1	Controller, Speed	
19	See Note	NSS	Gasket "Top Hat" (Included with Switch) (Note: Not Available - Purchase Complete Controller)	
19	70003784	1	Seal	
20	4360475	1	Switch, Emergency Stop	
20	7020175	1	Cap, Red	
20	7020176	1	Contact Block	
21	4360476	1	Block, Contact	
22	4460428	2	Connector, Strain Relief	
23	4460471	1	Lockwasher, Terminal	
24	4460470	1	Nut, Terminal	
25	4751600	4	Flatwasher 3/8in Regular	

## SECTION 4 - PLATFORM

ITEM	PART NUMBER	QTY	DESCRIPTION	REV
26	4740362	AR	Flatwasher 1/4in Fender	
28	0641404	8	Bolt 1/4in-20NC x 1/2in	
29		Ref	Bolt Options:	
29	0641416	4	Bolt 1/4in-20NC x 2in <b>(SN 0300068000 through 0300077489)</b>	
29	0641414	4	Bolt 1/4in-20NC x 1-3/4in <b>(SN 0300077490 through 0300087000)</b>	
30	1600317	NLA	Controller Assembly (Lift and Swing) (See CONTROLLER ASSEMBLY (LIFT AND SWING) for Breakdown) (Use p/n 1001129555)	
31	1600318	NLA	Controller Assembly (Drive and Steer) (See CONTROLLER ASSEMBLY (DRIVE AND STEER) for Breakdown) (Use p/n 1001212415)	
32		Ref	Decal (Stop) Options:	
32	1702564	1	Decal <b>(SN 0300068000 through 0300072391)</b>	
32	1704997	1	Decal <b>(SN 0300072392 through 0300087000)</b>	
33	1702565	1	Decal (Drive and Steer)	
34	1702566	1	Decal (Lift and Swing)	
35	1702567	1	Decal (Function Speed)	
36	1702676	1	Decal (Horn)	
38	4340678	1	Support, Hand	
39	4340684	1	Support, Hand	
40	4751400	16	Flatwasher 1/4in Regular	
41	4922666	1	Harness, Analyzer Cable (Not Shown)	
41	4460871	4	Terminal, Socket	
41	4460761	1	Housing - 4 Position	
41	4460227	4	Pin	
42	4922639	1	Harness, Platform Box	
43	1060918	7 ft/2.1m	Cable, 18/3	
44	2920129	12	Bulb, Light	
45	4460071	1	Connector, Strain Relief	
46	3790012	5	O-Ring	
49	4460464	1	Terminal, Deutsch	
50		Ref	Terminal, Socket	
50	See Note	NSS	Terminal, Socket (Note: See Item 6 Note) <b>(SN 0300068000 through 0300068964)</b>	
50	4460226	2	Terminal, Socket <b>(SN 0300068965 through 0300087000)</b>	
51	0100009	AR	Sealant	
52	0100020	AR	Loctite #567	
53	4460488	1	Terminal, Mounting Base	
54	4460234	AR	Wire Tie (Not Shown)	
56	0641404	4	Bolt 1/4in-20NC x 1/2in	
57	0902751	4	Bracket, Card Support	
58	4460905	5	Connector, Amp Seal Plug	
59	0100048	AR	Grease, Dielectric	
60	4460226	2	Socket, Female (Not Shown - Used with Footswitch) (See ELECTRICAL SECTION for Breakdown)	
61	4460708	2	Connector, Female - 15 Position (Not Shown - See ELECTRICAL SECTION for Breakdown)	
62	4460905	5	Seal, Plug (Not Shown - Used with Footswitch) (See ELECTRICAL SECTION for Breakdown)	
63	1671037	1	Cover	
64	1705132	1	Decal - ADE	
65	3300353	4	Nut, Tinnerman	

## SECTION 4 - PLATFORM

ITEM	PART NUMBER	QTY	DESCRIPTION	REV
66	0100081	AR	Loctite #454	
67	0721008	1	Bolt #10-24NC x 1in (SN 0300071160 through 0300087000)	
68	3311001	1	Nut #10-24NC (SN 0300071160 through 0300087000)	
69	4460007	1	Bar, Buss (SN 0300071160 through 0300087000)	
	0272970	Ref	<b>FOOT SWITCH ASSEMBLY (Includes Items 102 &amp; 105)</b>	A
		Ref	<b>Note: Assembly p/n 0272970 may use either p/n 4360031 or p/n 1001117320. If Original Equipment was replaced as an "assembly," p/n 1001117320 may have been used as part of the Service Replacement. Identify component before ordering parts.</b>	
101	0100020	AR	Pipe Sealant	
102	1060918	7 ft/2.1m	Cable, 18/3	
103		Ref	Footswitch Less Cable Options:	
103	4360031	1	Footswitch Less Cable Original Equipment	
103	1001117320	1	Footswitch Less Cable Service Replacement	
103		Ref	Block, Contact Options (see Note Above):	
103	7000625	2	Contact Block for 4360031 Footswitch	
103	70003483	1	Contact Block for 1001117320 Footswitch	
105	4460071	1	Connector, Strain Relief	
106	4460226	2	Socket, Female (Not Shown - Used with Footswitch) (See ELECTRICAL SECTION for Breakdown)	
107	4460464	1	Terminal, Deutsch	
	0861414	Ref	<b>CONSOLE BOX ASSEMBLY See Note Under Item 6 for Usage.</b>	C
201	0100011	AR	Compound, Locking	
202	See Note	NLA	Console Top (Note: Not Available - Purchase Complete Console Box Assembly)	
203	See Note	NLA	Console Bottom (Note: Not Available - Purchase Complete Console Box Assembly)	
204	2600211	2	Hinge	
205	3311601	1	Nut 3/8in-16NC	
206	3900224	8	Screw Countersunk	
207	3931672	1	Screw 3/8in-16NC x 4-1/2in	
208	3520174	3	Plug, Hole 3/16in (Not Shown) (Located on back of console box)	
	0861537	Ref	<b>CONSOLE BOX ASSEMBLY See Note Under Item 6 for Usage.</b>	C
251	See Note	NLA	Console Top (Note: Not Available - Purchase Complete Console Box Assembly)	
252	See Note	NLA	Console Bottom (Note: Not Available - Purchase Complete Console Box Assembly)	
253	3311601	1	Nut 3/8in-16NC	
254	3450304	NLA	Pin, Cotter (Use p/n 3420156)	
255	0630568	1	Screw 3/8in-16NC x 4-1/2in	
256	4711500	2	Flatwasher 5/16in Thin	
	0256631	Ref	<b>LIGHT PANEL DECAL INSTALLATION</b>	-
261	1702387	1	Decal - Display	
	0270764	Ref	<b>DUAL FUEL SWITCH INSTALLATION</b>	4
301	4360336	1	Switch, Toggle	
301	3790012	1	O-Ring	
	0271552	Ref	<b>HEAD AND TAIL LIGHTS INSTALLATIONS (OPTIONAL)</b>	2
401	4360336	1	Switch, Toggle	
401	3790012	1	O-Ring	
	0274210	Ref	<b>CHASSIS ILLUMINATION LIGHT INSTALLATION</b>	1-A
451	4360336	1	Switch, Toggle	
451	3790012	1	O-Ring	

## SECTION 4 - PLATFORM

ITEM	PART NUMBER	QTY	DESCRIPTION	REV
		Ref	<b>SOFT TOUCH SYSTEM INSTALLATION (OPTIONAL)</b>	
	0273824	Ref	<b>6FT PLATFORM</b>	A
	0272427	Ref	<b>8FT PLATFORM</b>	C
501	4360387	1	Switch, Pushbutton	
502	1702938	1	Decal - Soft Touch Override	
		Ref	<b>GENERATOR INSTALLATION (OPTIONAL)</b>	
	0272480	Ref	<b>110V DEUTZ</b>	2
	0272481	Ref	<b>220V DEUTZ</b>	2
	0271545	Ref	<b>110V FORD</b>	4
	0271546	Ref	<b>220v FORD</b>	4
601	4360336	1	Switch, Toggle	
602	4740397	1	Bushing	
603	4060802	1	Guard, Switch	
604	3251102	1	Decal - Generator ON/OFF	
		Ref	<b>PLATFORM WORKLIGHT INSTALLATION (OPTIONAL)</b>	
	0270814	Ref	<b>Platform Worklight Installation (Optional) (SN 0300068000 through 0300074440)</b>	3-E
	0273486	Ref	<b>Platform Worklight Installation (Optional) 600S (SN 0300074441 through 0300087000)</b>	C
	0273490	Ref	<b>Platform Worklight Installation (Optional) 600SJ (SN 0300074441 through 0300087000)</b>	C
	0273491	Ref	<b>Platform Worklight Installation (Optional) 660SJ (SN 0300074441 through 0300087000)</b>	C
701	4360232	1	Breaker, Circuit - 15Amp (SN 0300068000 through 0300074440)	
702	0721003	2	Bolt #10-24NC x 3/8in (SN 0300068000 through 0300074440)	
703	4761000	4	Lockwasher #10 (SN 0300068000 through 0300074440)	
704	3311001	2	Nut #10-24NC (SN 0300068000 through 0300074440)	
705		Ref	Connector, Strain Relief Options:	
705	4460598	1	Connector, Strain Relief (SN 0300068000 through 0300074420)	
705	4460426	1	Connector, Strain Relief (SN 0300074421 through 0300087000)	
		Ref	<b>4WS COMPONENTS INSTALLATION</b>	
801	4360331	1	Switch, Toggle	
801	3790012	1	O-Ring	
		Ref	<b>JIB SWITCH INSTALLATION (600SJ &amp; 660SJ ONLY)</b>	
901	4360328	1	Switch, Toggle	
901	3790012	1	O-Ring	

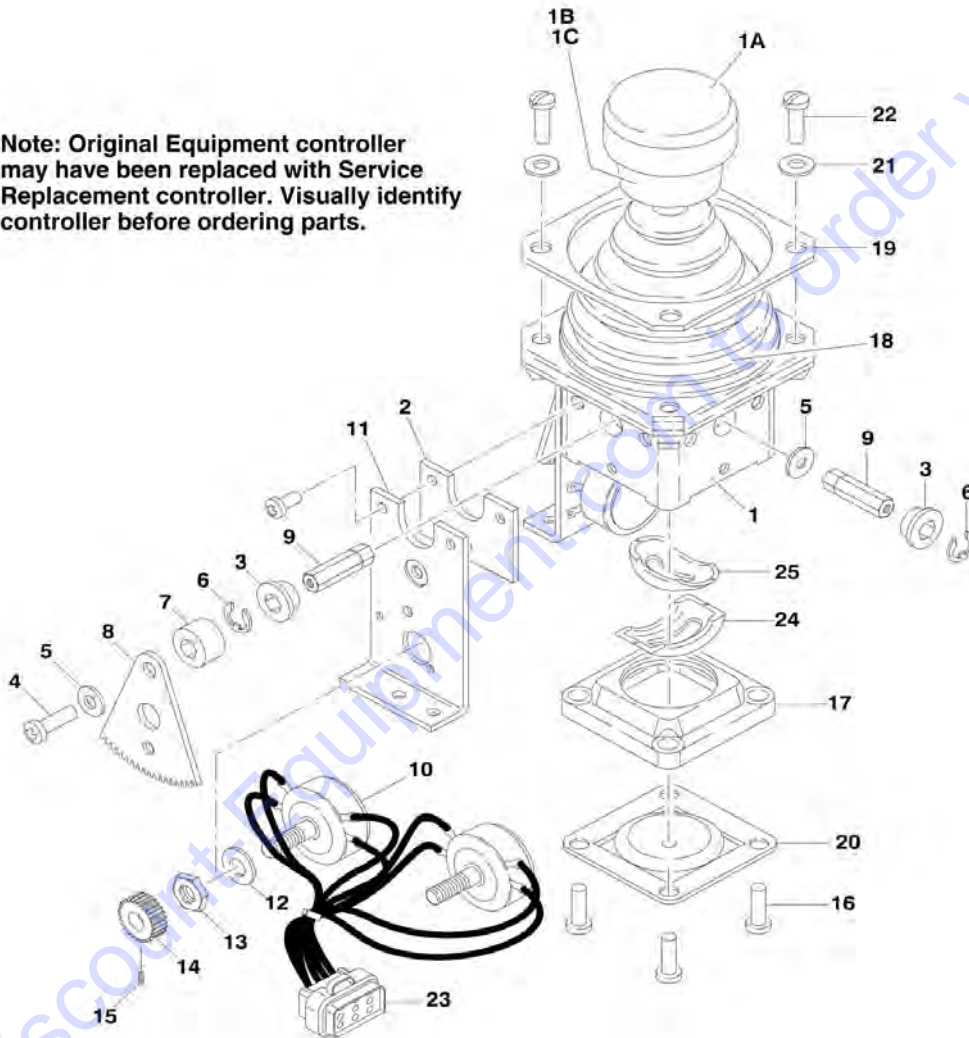




# SECTION 4 - PLATFORM

FIGURE 4-5. CONTROLLER ASSEMBLY (LIFT AND SWING) (ORIGINAL EQUIPMENT)

Note: Original Equipment controller may have been replaced with Service Replacement controller. Visually identify controller before ordering parts.



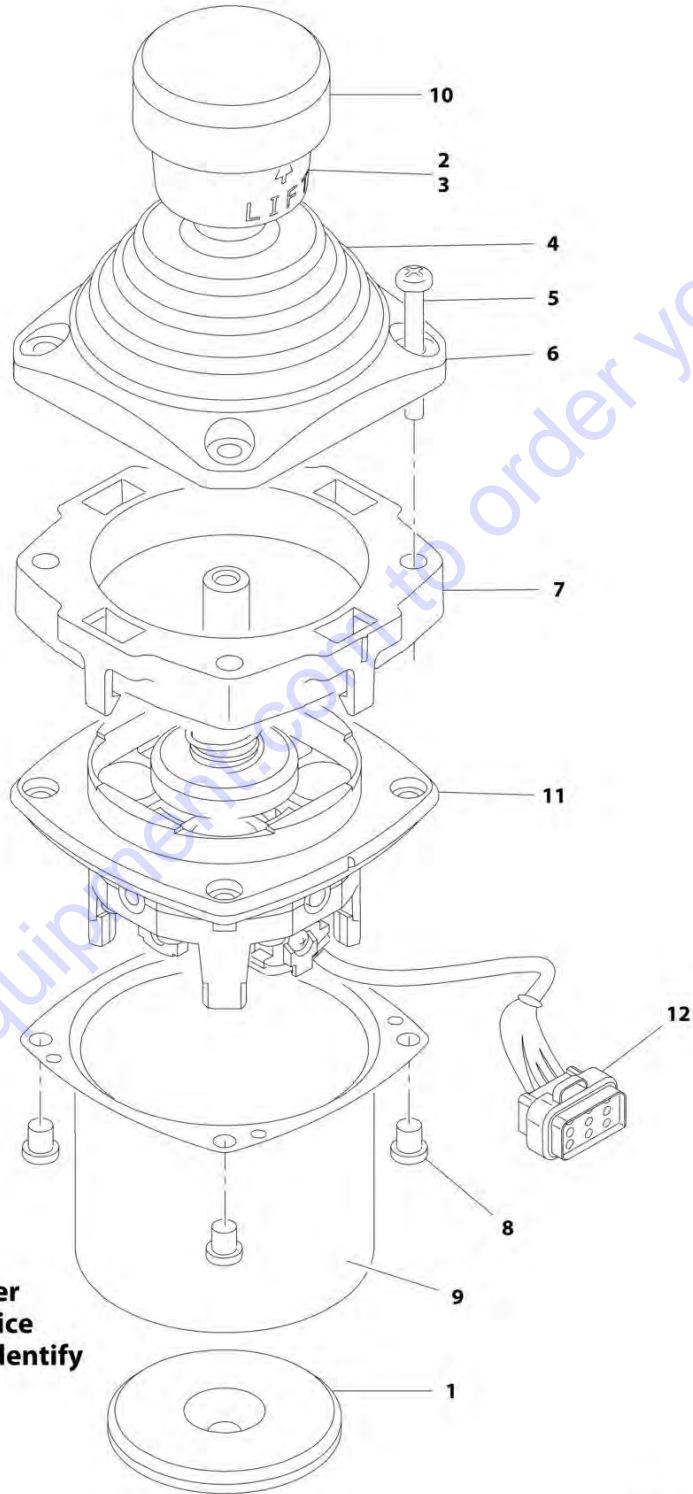
## SECTION 4 - PLATFORM

**FIGURE 4-5. CONTROLLER ASSEMBLY (LIFT AND SWING) (ORIGINAL EQUIPMENT)**

ITEM	PART NUMBER	QTY	DESCRIPTION	REV
		Ref	<b>Note: Original Equipment controller may have been replaced with Service Replacement controller. Visually identify controller before ordering parts.</b>	
	1600317	Ref	<b>CONTROLLER ASSEMBLY (ORIGINAL EQUIPMENT)</b>	B
		Ref	<b>Note: Use p/n 1001129555 Kit as replacement.</b>	
1	7019141	1	Mechanical Assembly (Includes Base, Handle Stem and Items 1A, 1B, 1C & 18)	
1A	7019197	1	Handle Cap and Rod	
1B	7003928	1	Spring	
1C	7022808	1	Cap, Lift	
2	7019171	2	Plate	
3	7019111	4	Bearing, Gear	
4	7019143	2	Screw	
5	7019144	2	Spacer, Cam	
6	7019145	4	E-Clip	
7	7019174	2	Spacer	
8	7003977	2	Gear, Drive	
9		Ref	Shaft Options:	
9	7019147	2	Shaft, Short	
9	7019177	2	Shaft, Long	
10	7022818	2	Potentiometer	
11	7019142	2	Plate	
12	7003992	2	Washer	
13	7003993	2	Nut	
14	7003976	2	Gear, Slave	
15	7019149	2	Setscrew	
16	7022816	4	Screw	
17	7019150	1	Gate	
18	7022814	1	Boot	
19	7022815	1	Bezel	
20	See Note	NSS	Detent, Center (Note: Use p/n 1001129555)	
21	7003953	4	Washer	
22	7022817	4	Screw	
23	7022819	1	Plug, Male 8 Position (Natural)	
23	4460871	8	Socket, Female	
24	7019122	1	Gimble, Outer	
25	7019123	1	Gimble, Inner	

## SECTION 4 - PLATFORM

FIGURE 4-6. CONTROLLER ASSEMBLY (LIFT AND SWING) (SERVICE REPLACEMENT)



**Note: Original Equipment controller may have been replaced with Service Replacement controller. Visually identify controller before ordering parts.**

ART\_1001118417

## SECTION 4 - PLATFORM

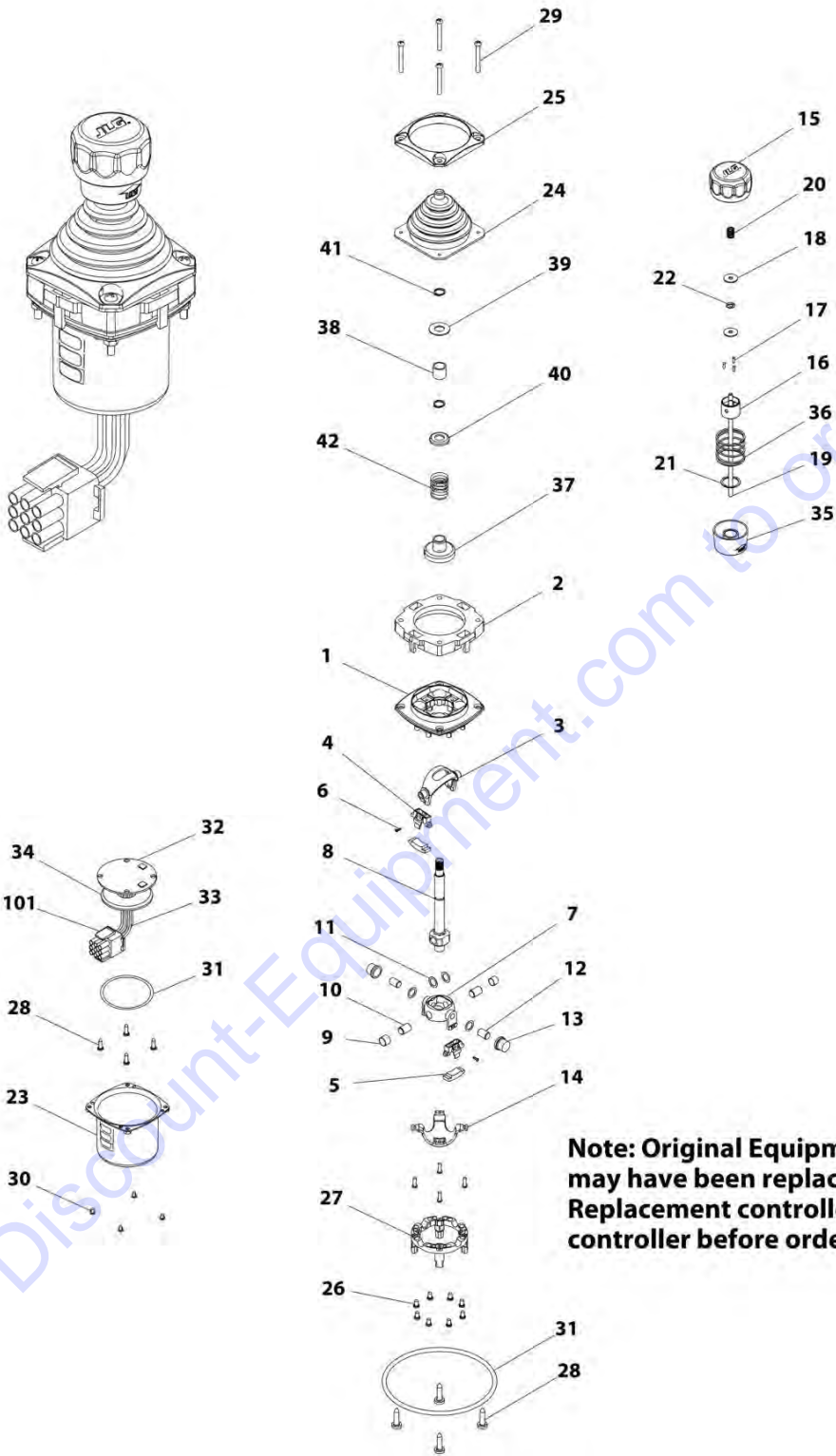
**FIGURE 4-6. CONTROLLER ASSEMBLY (LIFT AND SWING) (SERVICE REPLACEMENT)**

ITEM	PART NUMBER	QTY	DESCRIPTION	REV
		Ref	<b>Note: Original Equipment controller may have been replaced with Service Replacement controller. Visually identify controller before ordering parts.</b>	
	1001118417	Ref	<b>CONTROLLER ASSEMBLY (LIFT AND SWING) (SERVICE REPLACEMENT)</b>	A
		Ref	<b>Note: Use p/n 1001129555 as Replacement.</b>	
1	70002730	1	Gasket	
2	7003928	1	Spring	
3	7022808	1	Cap, Lift	
4	70002731	1	Boot	
5	70002732	4	Screw	
6	7022815	1	Bezel	
7	70002733	1	Adapter	
8	70002734	4	Screw	
9	70002735	1	Can, Enclosure	
10	70002906	1	Cap	
11	See Note	NSS	Mechanical Assembly (Note: Purchase Kit p/n 1001129555)	
12	7022819	1	Connector - 8 Position	
12	4460871	6	Socket, Female	

Go to Discount-Equipment.com to order your parts

# SECTION 4 - PLATFORM

## FIGURE 4-7. CONTROLLER ASSEMBLY (LIFT AND SWING) (SERVICE REPLACEMENT)



ART\_1001166539

## SECTION 4 - PLATFORM

**FIGURE 4-7. CONTROLLER ASSEMBLY (LIFT AND SWING) (SERVICE REPLACEMENT)**

ITEM	PART NUMBER	QTY	DESCRIPTION	REV
		Ref	<b>Note: Original Equipment controller may have been replaced with Service Replacement controller. Visually identify controller before ordering parts.</b>	
	1001166539	Ref	<b>CONTROLLER ASSEMBLY (LIFT AND SWING) (SERVICE REPLACEMENT)</b>	A
		Ref	<b>Note: Use p/n 1001129555 as Replacement.</b>	
1	See Note	NSS	Main Cast Body (Note: Not Available - Purchase complete Assembly)	
2	70004752	1	Adapter	
3	See Note	NSS	Pivot Arm, Plastic (Note: Not Available - Purchase Complete Assembly)	
4	See Note	NSS	Holder, Magnet (Note: Not Available - Purchase Complete Assembly)	
5	See Note	NSS	Arc, Magnet (Note: Not Available - Purchase Complete Assembly)	
6	See Note	NSS	Screw (Note: Not Available for Purchase)	
7	See Note	NSS	Pivot Arm, Cast (Note: Not Available - Purchase Complete Assembly)	
8	See Note	NSS	Shaft, Main (Note: Not Available - Purchase Complete Assembly)	
9	See Note	NSS	Bearing (Note: Not Available - Purchase Complete Assembly)	
10	See Note	NSS	Pin (Note: Not Available - Purchase Complete Assembly)	
11	See Note	NSS	Shim (Note: Not Available - Purchase Complete Assembly)	
12	See Note	NSS	Pin (Note: Not Available - Purchase Complete Assembly)	
13	See Note	NSS	Bearing (Note: Not Available - Purchase Complete Assembly)	
14	See Note	NSS	Dome, Centering (Note: Not Available - Purchase Complete Assembly)	
15	70004753	1	Cap	
16	70004754	1	Insert, Cap	
17	70004755	3	Pin	
18	70004756	2	Washer	
19	70004757	1	Pin, Centering	
20	70004758	1	Spring	
21	70004759	1	Ring, Retaining	
22	70004760	1	E-Ring	
23	70004761	1	Can, Enclosure	
24	70004762	1	Boot	
25	70004763	1	Bezel	
26	See Note	NSS	Screw (Note: Not Available for Purchase)	
27	See Note	NSS	Base Mounting (Note: Not Available - Purchase Complete Assembly)	
28	See Note	NSS	Screw (Note: Not Available for Purchase)	
29	70004764	4	Screw	
30	70004765	4	Screw	
31	70004766	1	O-Ring	
32	See Note	NSS	Plate (Note: Not Available - Purchase Complete Assembly)	
33	See Note	NSS	Harness (Note: Not Available - Purchase Complete Assembly)	
34	70004767	1	Grommet, Rubber	
35	70004768	1	Housing	
36	70004769	1	Spring	
37	70004770	1	Stopper	
38	70004771	1	Spacer	
39	70004772	1	Washer	

## SECTION 4 - PLATFORM

ITEM	PART NUMBER	QTY	DESCRIPTION	REV
40	70004773	1	Disc	
41	70004774	2	Ring, Retaining	
42	70004775	1	Spring	
101	4460265	1	Connector - 9 Position	
101	4460226	6	Socket, Female	

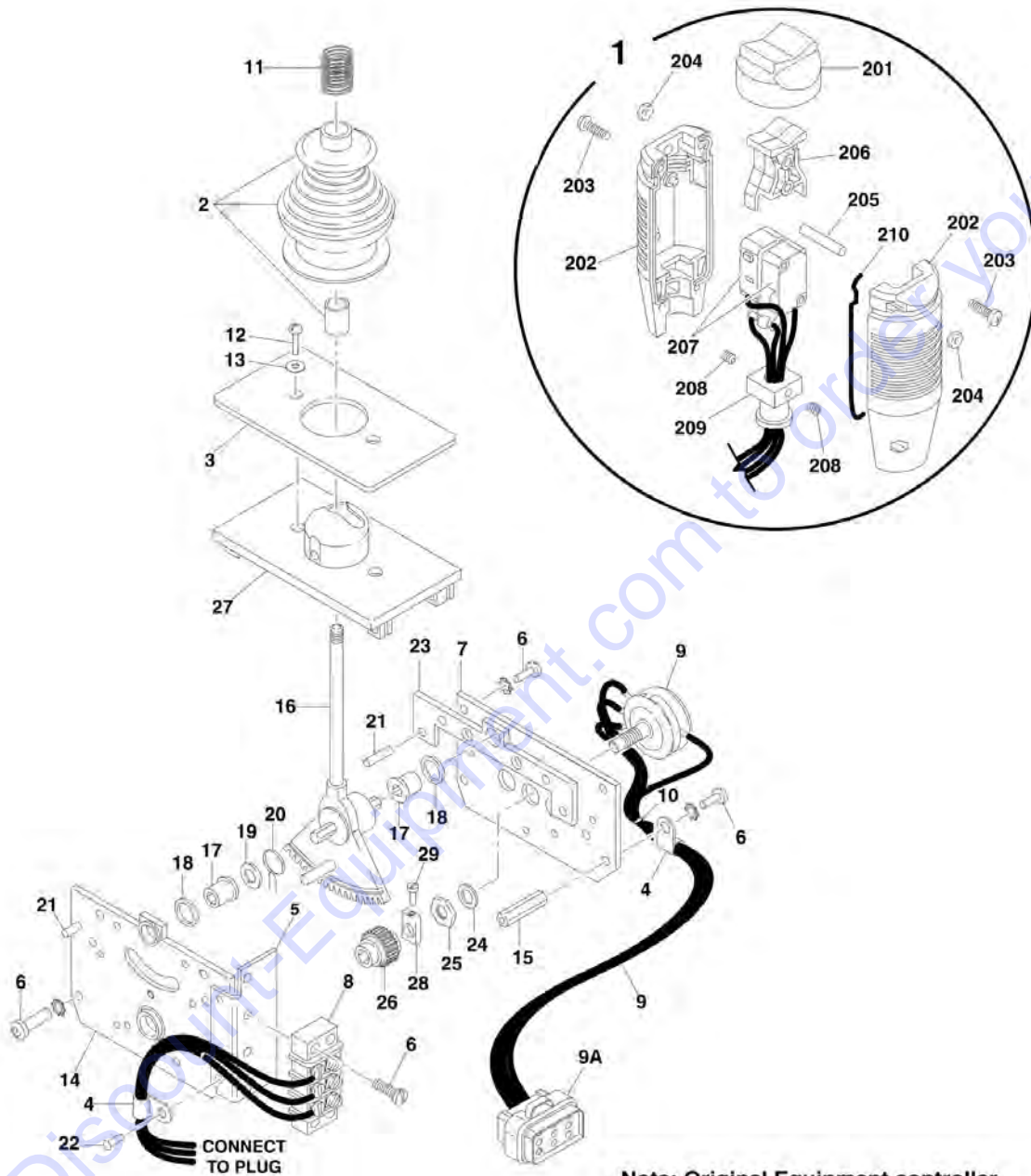
Go to Discount-Equipment.com to order your parts





# SECTION 4 - PLATFORM

## FIGURE 4-8. CONTROLLER ASSEMBLY (DRIVE AND STEER) (ORIGINAL EQUIPMENT)



**Note:** Original Equipment controller may have been replaced with Service Replacement controller. Visually identify controller before ordering parts.

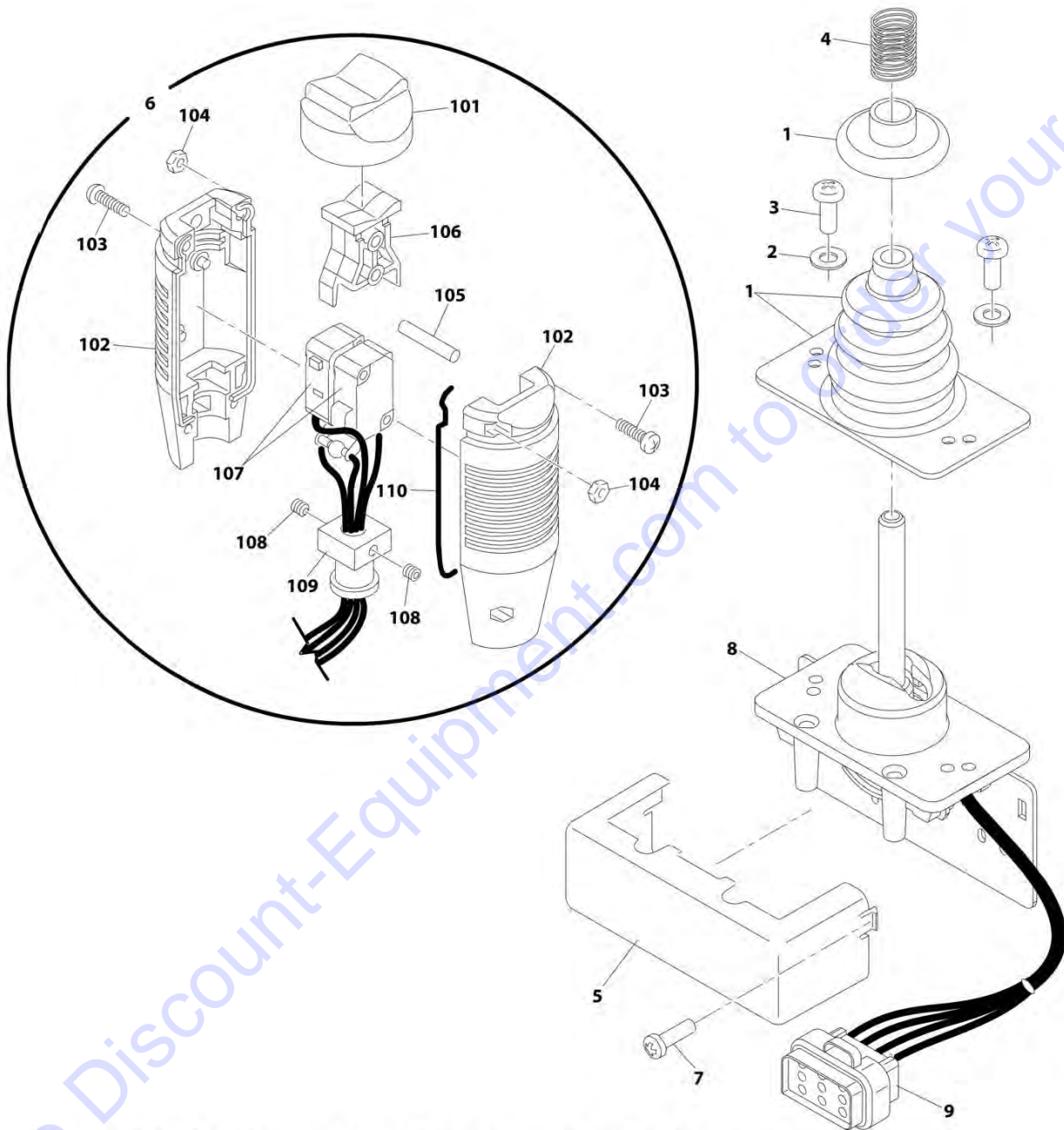
## SECTION 4 - PLATFORM

**FIGURE 4-8. CONTROLLER ASSEMBLY (DRIVE AND STEER) (ORIGINAL EQUIPMENT)**

ITEM	PART NUMBER	QTY	DESCRIPTION	REV
		Ref	<b>Note: Original Equipment controller may have been replaced with Service Replacement controller. Visually identify controller before ordering parts.</b>	
	1600318	Ref	<b>CONTROLLER ASSEMBLY (ORIGINAL EQUIPMENT)</b>	C
		Ref	<b>Note: Use p/n 1001212415 as Replacement.</b>	
1	7022812	1	Handle Assembly (See Items 201-210 for Breakdown)	
2	7019161	1	Boot and Sleeve	
3	7003933	1	Gasket	
4	7019154	2	Clamp, Wire	
5	7022823	1	Bracket, Mounting	
6	7003994	1	Screw	
7	7022822	1	Plate, Pot Mounting	
8	7003986	1	Strip, Terminal - 3 Position	
9	7022824	1	Electric Assembly	
9A	1001113961	1	Plug, Male - 8 Position (Black) (was p/n 7022825)	
9A	4460871	7	Socket, Female	
10	7019151	AR	Tie-Strap	
11	7019162	1	Spring	
12	7003969	2	Screw	
13	7003941	2	Washer	
14	See Note	NSS	Plate, Mounting (Left Side) (Note: Use p/n 1001166538)	
15	7019115	2	Stand-Off	
16	7019155	1	Shaft 8mm	
17	7019111	2	Bearing	
18	7019110	2	Spacer, Head Gear	
19	7019112	1	Washer	
20	7003946	1	Spring, Return	
21	7019103	4	Pin	
22	See Note	1	Rivet (Note: Not Available - Purchase Locally)	
23	7019168	1	Plate, Mounting (Right Side)	
24	7003992	1	Washer	
25	7003993	1	Nut	
26	7003935	1	Gear, Slave	
27	7019160	1	Plate, Base	
28	7019114	1	Coupling, Potentiometer	
29	See Note	1	Screw, Cup Point (Note: Not Available - Purchase Locally)	
	7022812	Ref	<b>HANDLE ASSEMBLY</b>	
201	7003972	1	Boot, Switch	
202	7003973	2	Half, Handle	
203	7003980	4	Screw	
204	7019167	4	Nut	
205	7019164	1	Axle	
206	7019165	1	Rocker	
207	7019196	1	Wiring Assembly	
207	7019166	2	Switch, Micro	
208	7003983	2	Setscrew	
209	7019194	1	Coupling	
210	7003989	2	Gasket	

## SECTION 4 - PLATFORM

FIGURE 4-9. CONTROLLER ASSEMBLY (DRIVE AND STEER) (SERVICE REPLACEMENT)



**Note: Original Equipment controller may have been replaced with Service Replacement controller. Visually identify controller before ordering parts.**

ART\_1001118416

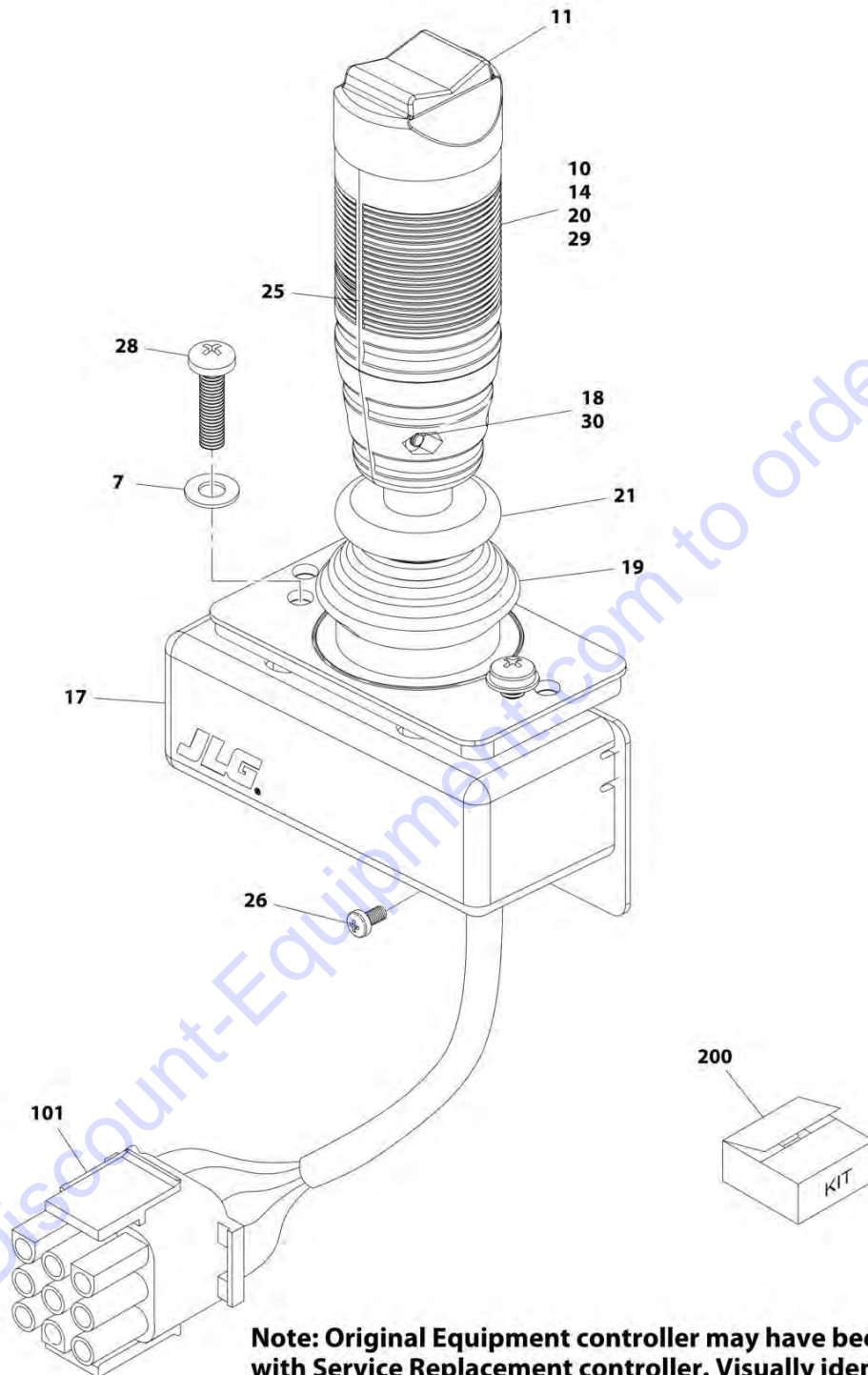
## SECTION 4 - PLATFORM

**FIGURE 4-9. CONTROLLER ASSEMBLY (DRIVE AND STEER) (SERVICE REPLACEMENT)**

ITEM	PART NUMBER	QTY	DESCRIPTION	REV
		Ref	<b>Note: Original Equipment controller may have been replaced with Service Replacement controller. Visually identify controller before ordering parts.</b>	
	1001118416	Ref	<b>CONTROLLER ASSEMBLY (DRIVE AND STEER) (SERVICE REPLACEMENT)</b>	A
		Ref	<b>Note: Use p/n 1001212415 as Replacement.</b>	
1	70002724	1	Boot and Control Lock Assembly	
2	7003941	2	Washer	
3	70002725	2	Screw	
4	7019162	1	Spring	
5	70002726	1	Enclosure	
6	70002727	1	Handle Assembly (See Items 101-110 for Breakdown)	
7	70002728	1	Screw	
8	See Note	NSS	Mechanical Assembly (Note: Use p/n 1001166538)	
9	1001113961	1	Plug, Male - 8 Position (Black) (was p/n 7022825)	
9	4460871	7	Socket, Female	
	70002727	Ref	<b>HANDLE ASSEMBLY</b>	
101	7003972	1	Boot, Switch	
102	7003973	2	Half, Handle	
103	7003980	4	Screw	
104	7019167	4	Nut	
105	7019164	1	Axle	
106	7019165	1	Rocker	
107	70002729	1	Wiring Assembly	
107	7003982	2	Switch, Micro	
108	7003983	2	Setscrew	
109	7019194	1	Coupling	
110	7003989	2	Gasket	

## SECTION 4 - PLATFORM

FIGURE 4-10. CONTROLLER ASSEMBLY (DRIVE AND STEER) (SERVICE REPLACEMENT)



**Note: Original Equipment controller may have been replaced with Service Replacement controller. Visually identify controller before ordering parts.**

ART\_1001166538

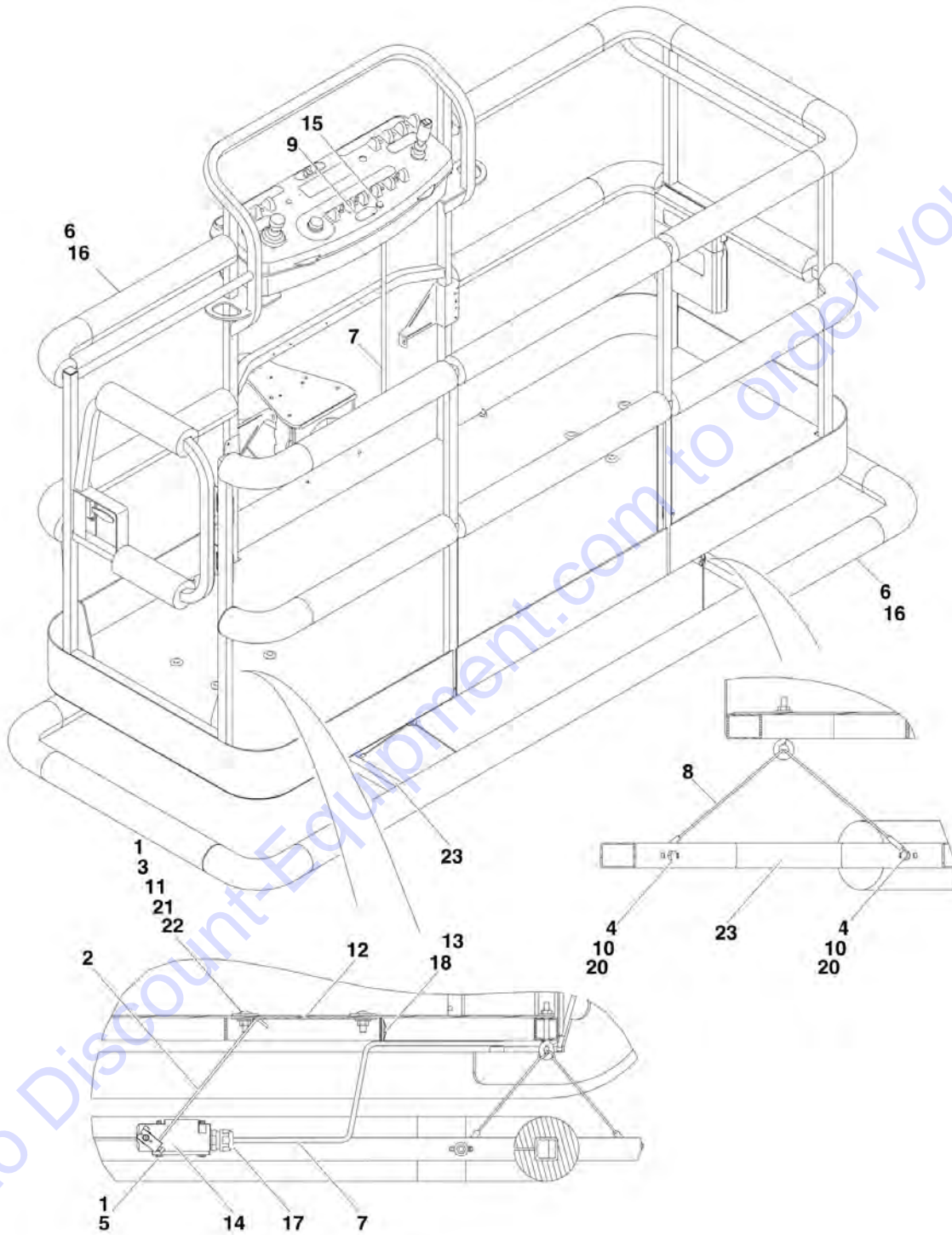
## SECTION 4 - PLATFORM

**FIGURE 4-10. CONTROLLER ASSEMBLY (DRIVE AND STEER) (SERVICE REPLACEMENT)**

ITEM	PART NUMBER	QTY	DESCRIPTION	REV
		Ref	<b>Note: Original Equipment controller may have been replaced with Service Replacement controller. Visually identify controller before ordering parts.</b>	
	1001166538	Ref	<b>CONTROLLER ASSEMBLY (DRIVE AND STEER) (SERVICE REPLACEMENT)</b>	A
		Ref	<b>Note: Use p/n 1001212415 as Replacement.</b>	
7	70004738	2	Washer	
10	70004739	1	Roller	
11	70004740	1	Boot, Switch	
14	70004741	2	Half, Handle	
17	70004742	1	Enclosure	
18	70004743	4	Nut	
19	70004744	NLA	Boot, Controller (Note: Use Item 200)	
20	70004745	NLA	Tube, Locking (Note: Use Item 200)	
21	70004746	NLA	Disc, Locking (Note: Use Item 200)	
25	70004747	2	Seal, Rope	
26	70004748	1	Screw M3 x 6	
28	70004749	2	Screw M5 x 20	
29	70004750	1	Pin, Dowel	
30	70004751	4	Screw M3 x 16	
101	4460265	1	Connector - 9 Position	
101	4460226	7	Socket, Female	
200	70005230	1	Boot Kit (Includes Items 19-21)	

# SECTION 4 - PLATFORM

## FIGURE 4-11. SOFT TOUCH SYSTEM INSTALLATION (OPTIONAL)



## SECTION 4 - PLATFORM

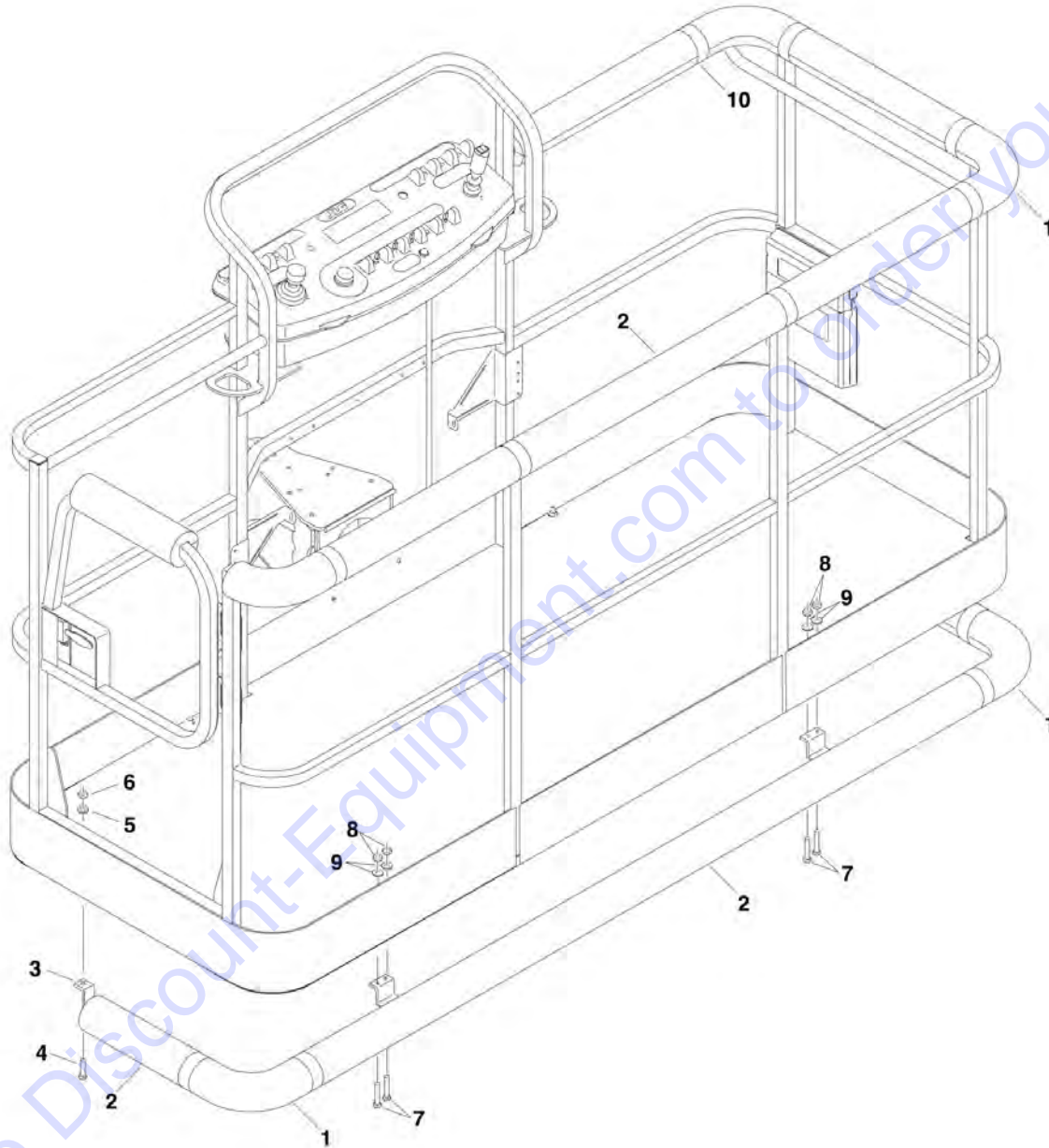
**FIGURE 4-11. SOFT TOUCH SYSTEM INSTALLATION (OPTIONAL)**

ITEM	PART NUMBER	QTY	DESCRIPTION	REV
		Ref	<b>SOFT TOUCH SYSTEM INSTALLATIONS</b>	
	0273824	Ref	<b>6ft Platforms (Side Entry Platform)</b>	A
	0272427	Ref	<b>8ft Platforms (Side Entry Platform)</b>	C
	0273706	Ref	<b>8ft/2.4m Platforms with Fall Arrest</b>	A
1	0100011	AR	Compound, Locking	
2	0200048	2	Arm, Switch	
3	0630462	8	Bolt, Carriage	
4	0641414	8	Bolt 1/4in-20NC x 1-3/4in	
5	0721005	4	Bolt #10-24NC x 5/8in	
6		Ref	Bumper Kits (Includes Corners and Enough Straight Material for One Platform)	
6	0940134	1	6ft Platform	
6	0940103	1	8ft Platform	
6	0940133	1	8ft/2.4m Platforms with Fall Arrest	
6	0940092	1	Bumper (Corner) Options:	
6	0940092	12	6ft/8ft Platform	
6	0940092	8	8ft/2.4m Platforms with Fall Arrest	
6	0940094	AR	Bumper (12ft Length)	
7	1060341		Cable, Electrical - 16/2 Options:	
7		Ref	Cable, 6ft Platform	
7		Ref	Cable, 8ft Platform	
8	1060903	4	Wire Rope and Eyebolt Assembly	
9	1702938	1	Decal - Soft Touch Override	
10	3311401	8	Nut 1/4in-20NC	
11	3311501	8	Nut 5/16in-18NC	
12		Ref	Plate, Switch Strike Options:	
12	3575359	2	Plate, Switch Strike 6ft Platform	
12	3574091	2	Plate, Switch Strike 8ft Platform	
13	4240099	7	Tie-Strap	
14	4360057	2	Switch, Limit	
15	4360387	1	Switch, Push Button	
16	4420068	1	Tape, Adhesive	
17	4460049	2	Connector, Strain Relief	
18	4460234	7	Tie-Strap	
19	4460425	1	Connector, Strain Relief	
20	4751400	8	Flatwasher 1/4in	
21	4751500	12	Flatwasher 5/16in	
22	4751800	8	Flatwasher 1/2in	
23		Ref	Rail, Soft Touch Options:	
23	3641569	1	6ft Platform	
23	4846673	1	8ft Platform	
100		Ref	Soft Touch Add-on Kit Options (Includes required components to add option to existing machines) (Not Shown):	
		Ref	<b>Note: May not be available for all machines depending on existing options. Contact Discount-equipment before ordering.</b>	
100	1001121592	1	Soft Touch Add-on Kit 3ft x 6ft (.9m x 1.83m) Platform	
100	1001121593	1	Soft Touch Add-on Kit 3ft x 6ft (.9m x 2.44m) Platform	



## SECTION 4 - PLATFORM

FIGURE 4-12. PLATFORM PADDING INSTALLATION (OPTIONAL) (SIDE ENTRY PLATFORM)



## SECTION 4 - PLATFORM

**FIGURE 4-12. PLATFORM PADDING INSTALLATION (OPTIONAL) (SIDE ENTRY PLATFORM)**

ITEM	PART NUMBER	QTY	DESCRIPTION	REV
	0273542	Ref	<b>PADDING INSTALLATION</b>	A
1	0940092	4	Bumper, Pad (Corner)	
2	0940094	9 ft/2.7m	Bumper, Pad (Square Tubing)	
3	0940131	1	Bumper, Rail	
4	0641516	2	Bolt 5/16in-18NC x 2in	
5	4751500	2	Flatwasher 5/16in	
6	3311505	2	Locknut 5/16in-18NC	
7	0641813	4	Bolt 1/2in-13NC x 1-5/8in	
8	3311805	4	Locknut 1/2in-13NC	
9	4891800	4	Flatwasher 1/2in (Hardened)	
10	4420068	30 ft/9.1m	Tape	

Go to Discount-Equipment.com to order your parts

# PARTS FINDER

**Search Website  
by Part Number**



**Search Manual  
Library For Parts  
Manual & Lookup Part  
Numbers – Purchase  
or Request Quote**

**Can't Find Part or  
Manual? Request Help  
by Manufacturer,  
Model & Description**

Discount-Equipment.com is your online resource for quality parts & equipment.

Florida: **561-964-4949** Outside Florida TOLL FREE: **877-690-3101**

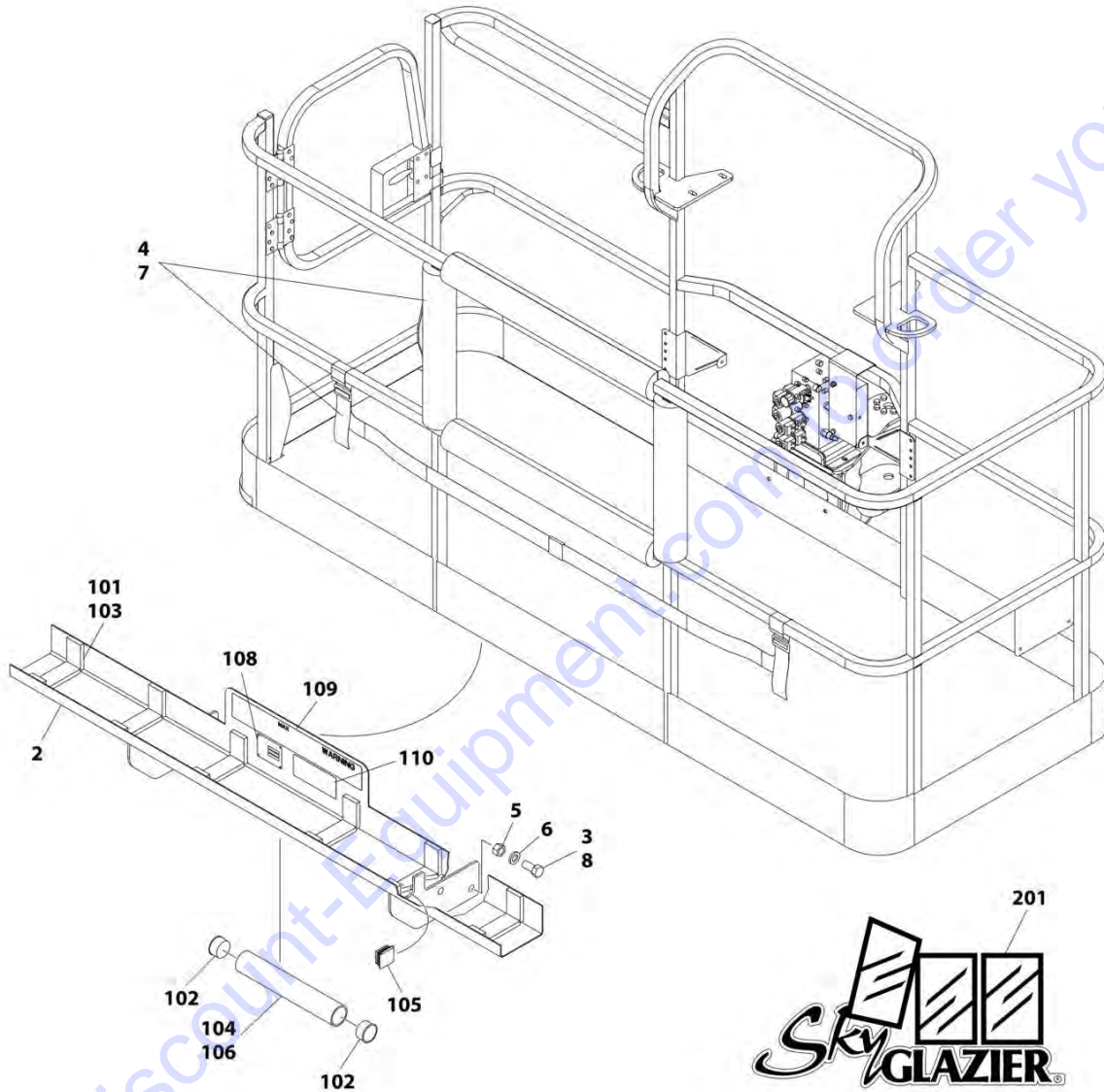
## Need parts?

Click on this link: <http://www.discount-equipment.com/category/5443-parts/> and choose one of the options to help get the right parts and equipment you are looking for. Please have the machine model and serial number available in order to help us get you the correct parts. If you don't find the part on the website or on one of the online manuals, please fill out the request form and one of our experienced staff members will get back to you with a quote for the right part that your machine needs.

We sell worldwide for the brands: Genie, Terex, JLG, MultiQuip, Mikasa, Essick, Whiteman, Mayco, Toro Stone, Diamond Products, Generac Magnum, Airman, Haulotte, Barreto, Power Blanket, Nifty Lift, Atlas Copco, Chicago Pneumatic, Allmand, Miller Curber, Skyjack, Lull, Skytrak, Tsurumi, Husquvarna Target, Stow, Wacker, Sakai, Mi-T-M, Sullair, Basic, Dynapac, MBW, Weber, Bartell, Bennar Newman, Haulotte, Ditch Runner, Menegotti, Morrison, Contec, Buddy, Crown, Edco, Wyco, Bomag, Laymor, EZ Trench, Bil-Jax, F.S. Curtis, Gehl Pavers, Heli, Honda, ICS/PowerGrit, IHI, Partner, Imer, Clipper, MMD, Koshin, Rice, CH&E, General Equipment, Amida, Coleman, NAC, Gradall, Square Shooter, Kent, Stanley, Tamco, Toku, Hatz, Kohler, Robin, Wisconsin, Northrock, Oztec, Toker TK, Rol-Air, APT, Wylie, Ingersoll Rand / Doosan, Innovatech, Con X, Ammann, Mecalac, Makinex, Smith Surface Prep, Small Line, Wanco, Yanmar

# SECTION 4 - PLATFORM

## FIGURE 4-13. SKYGLAZIER INSTALLATION (600S ONLY)



ART\_0272395

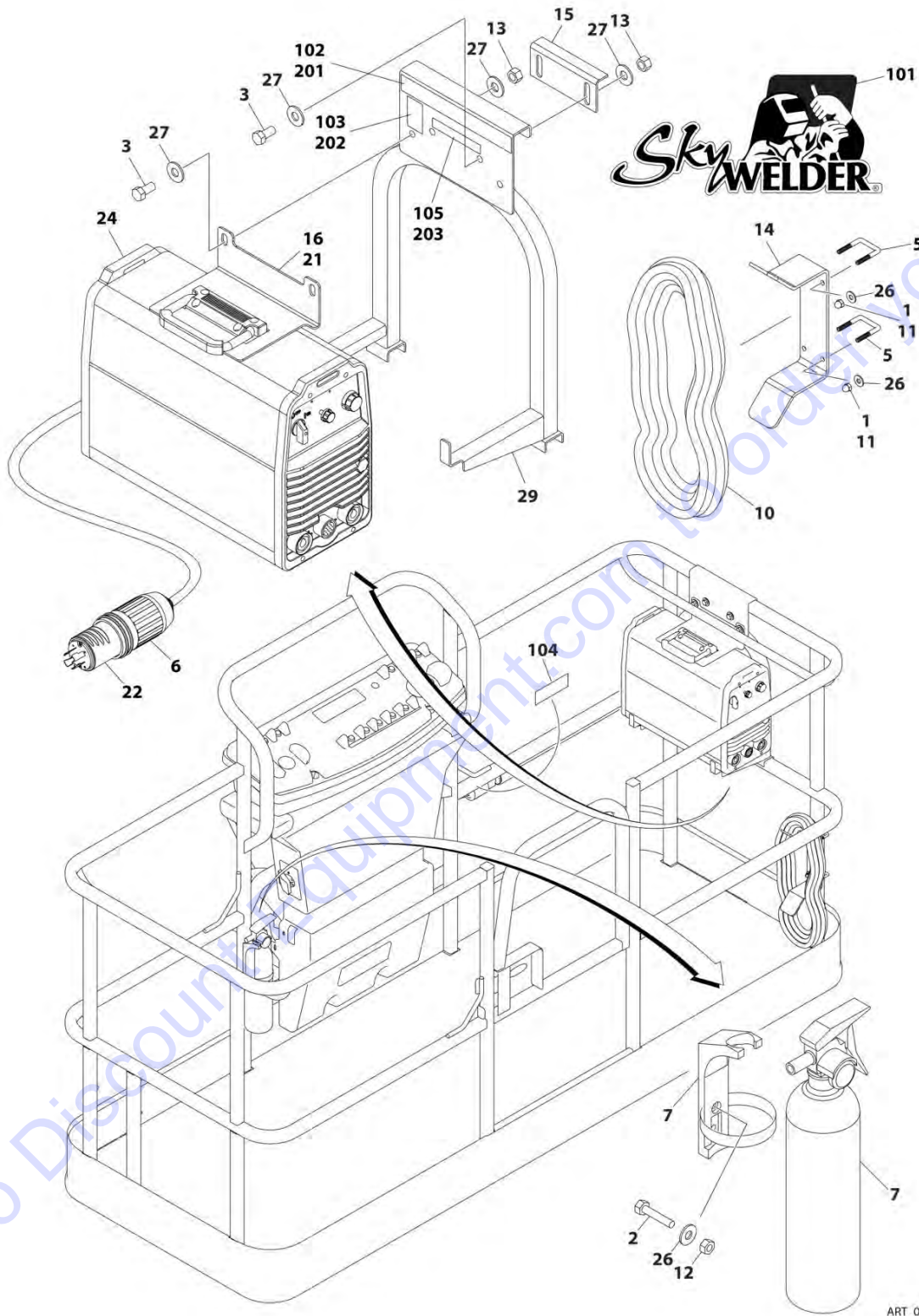
## SECTION 4 - PLATFORM

**FIGURE 4-13. SKYGLAZIER INSTALLATION (600S ONLY)**

ITEM	PART NUMBER	QTY	DESCRIPTION	REV
	0272395	Ref	<b>SKYGLAZIER INSTALLATION (ANSI AND CSA SPECS)</b>	3
	0272955	Ref	<b>SKYGLAZIER INSTALLATION (BRAZIL SPECS)</b>	C
	0272387	Ref	<b>SKYGLAZIER INSTALLATION (LATIN AMERICAN SPECS)</b>	C
		Ref	Note: Only Available on 600S for Brazil and Latin American Specs. Available on 600S & 660SJ for ANSI, ANSI Export, Australian and CSA Specs.	
2	0272391	1	Tray Assembly (ANSI and CSA Specs) (See Items 101-110 for Breakdown)	
2	0272951	1	Tray Assembly (BRAZIL Specs) (See Items 101-110 for Breakdown)	
3	0642214	4	Bolt 3/4 x 1-3/4	
4	2902212	1	Bumpers and Strap Kit	
4	0940102	1	Bumper Only	
4	4240149	1	Strap Only	
5	3312201	4	Nut 3/4	
6	4892200	4	Washer 3/4	
7	4420014	AR	Tape	
8	0100011	AR	Compound, Locking	
	0272391	Ref	<b>TRAY ASSEMBLY (ANSI AND CSA SPECS)</b>	3
	0272951	Ref	<b>TRAY ASSEMBLY (BRAZIL SPECS)</b>	E
	0272948	Ref	<b>TRAY ASSEMBLY (LATIN AMERICAN SPECS)</b>	E
101	0100081	AR	Adhesive	
102	1120555	2	Cap, Tube	
103	3340956	1	Pad Kit	
104	3460334	1	Tube	
105	3520071	2	Plug	
106	4420066	AR	Tape, Double Sided	
108	See Note	NSS	Nameplate - Serial Number (Note: Not Available for Purchase)	
109	1705312	1	Decal - Glazier Capacity (ANSI and CSA Specs)	
109	1001163297	2	Decal - Glazier Capacity (Brazil Specs)	
109	1001163296	2	Decal - Glazier Capacity (Latin American Specs)	
110	1701509	2	Decal - Manual	
	0272418	Ref	<b>SKYGLAZIER DECAL INSTALLATION</b>	4
201	1705358	2	Decal - SkyGlazier	

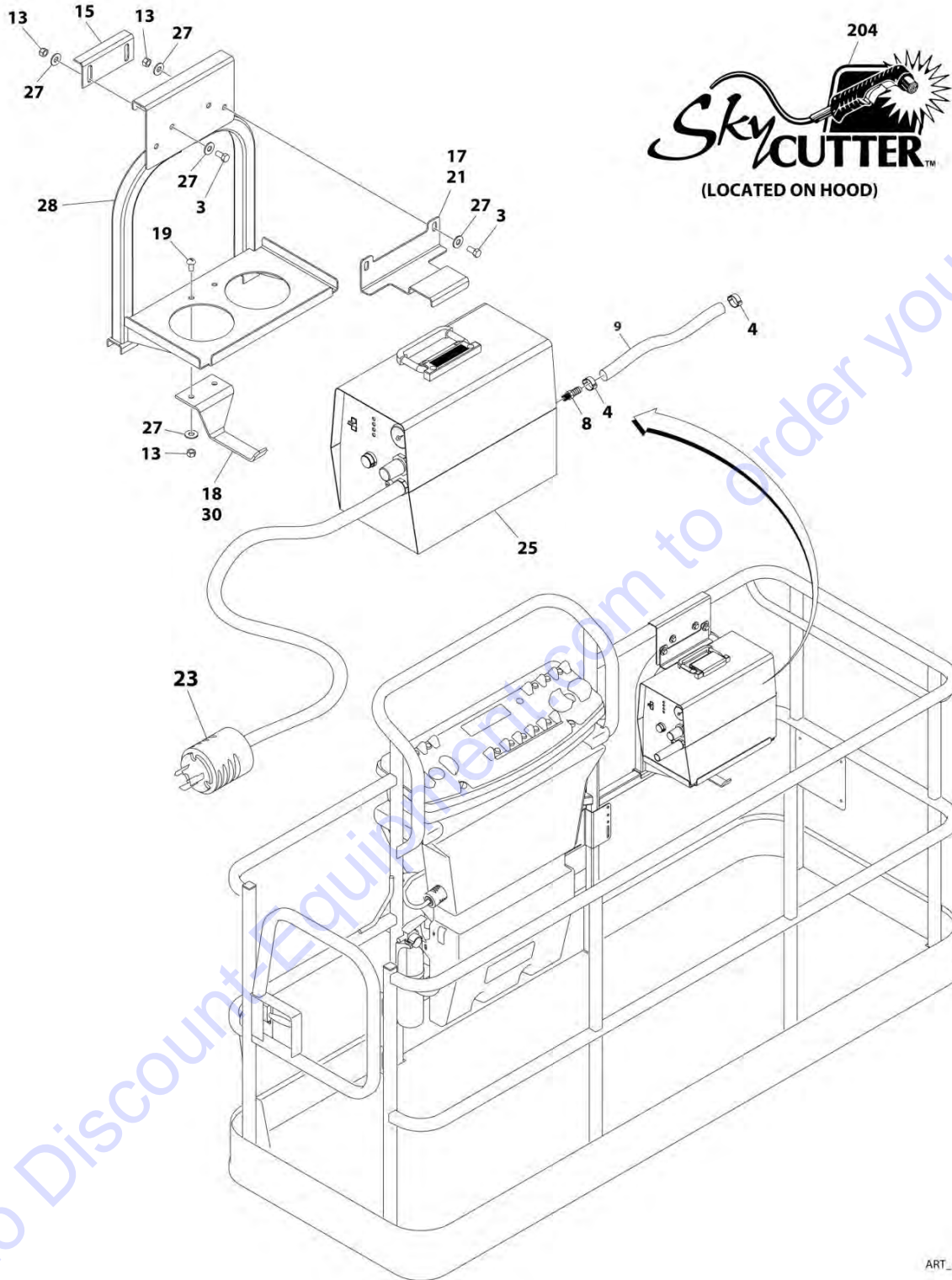
# SECTION 4 - PLATFORM

## FIGURE 4-14. SKYWELDER/SKYCUTTER COMBO INSTALLATION (60HZ)



ART\_0273353\_10F2

# SECTION 4 - PLATFORM



Go to DiscountEquipment.com to order your parts

ART\_0273353\_20F2

## SECTION 4 - PLATFORM

FIGURE 4-14. SKYWELDER/SKYCUTTER COMBO INSTALLATION (60HZ)

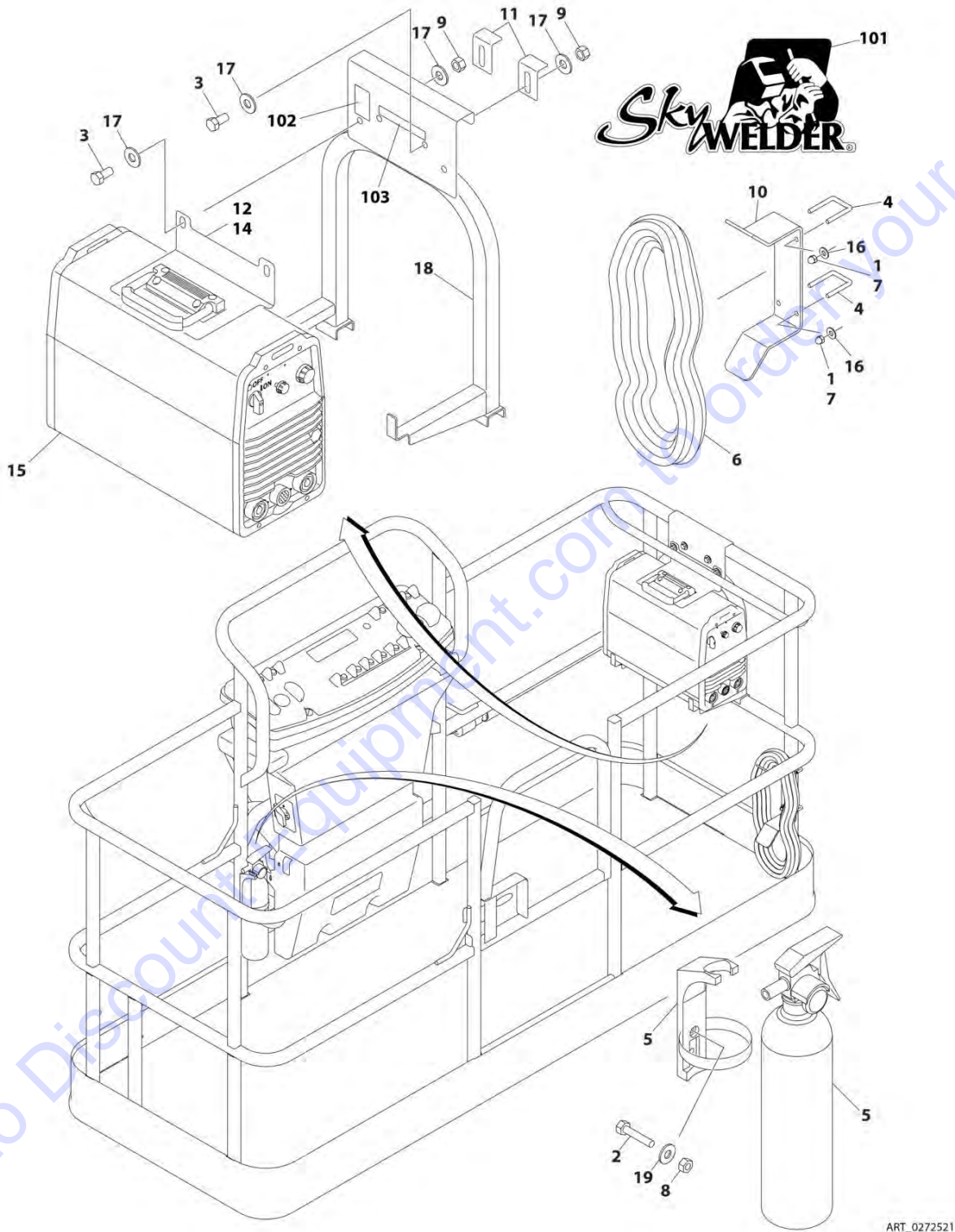
ITEM	PART NUMBER	QTY	DESCRIPTION	REV
	0273353	Ref	<b>SKYWELDER/SKYCUTTER COMBO INSTALLATION (60HZ)</b>	B
		Ref	<b>Note: ANSI, ANSI Export &amp; CSA Spec Only.</b>	
1	0100011	AR	Compound, Locking	
2	0641406	2	Bolt 1/4 x 3/4	
3	0641606	4	Bolt 3/8 x 3/4	
4	1320177	2	Clamp	
5	1320302	2	Clamp	
6	1671093	1	Cover, Plug	
7	2030010	1	Extinguisher, Fire	
8	2180832	1	Fitting, Barbed/NPT	
9	2720160	4.5 ft/ 1.37m	Hose	
10	2902217	1	Weld Leads Kit	
11	3300151	4	Nut 1/4	
12	3311405	2	Nut 1/4	
13	3311605	4	Nut 3/8	
14	3573400	1	Bracket	
15	3573641	2	Angle	
16	3573642	1	Plate	
17	3573643	1	Plate	
18	3574543	1	Plate	
19	3911612	2	Screw 3/8 x 3/4	
20	4240099	AR	Tie-Strap (Not Shown)	
21	4420037	2.36 ft/ .71m	Tape	
22	4460962	1	Plug, Twist Lock	
23	4460971	1	Plug, Twist Lock	
24	4530022	1	Welder Assembly (See WELDER ASSEMBLY for Breakdown)	
25	4530024	1	Plasma Cutter Assembly (See PLASMA CUTTER ASSEMBLY for Breakdown)	
26	4751400	6	Washer 1/4	
27	4751600	18	Washer 3/8	
28	4846571	1	Support	
29	4846627	1	Support	
30	2820038	AR	Heat Shrink	
	0272448	Ref	<b>SKYWELDER DECAL INSTALLATION</b>	B
101	1705355	2	Decal - SkyWelder	
102	1702868	1	Decal - No Hands	
103	1705305	1	Decal - Weld Leads	
104	1705375	1	Decal - 240V - 3 Phase - 60 Hz	
105	1705466	NLA	Decal - Weight (Use p/n 1001228988)	
	0272599	Ref	<b>SKYCUTTER DECAL INSTALLATION</b>	B
201	1702868	1	Decal - No Hands	
202	1705305	1	Decal - Weld Leads	
203	1705466	NLA	Decal - Weight (Use p/n 1001228988)	
204	1705490	2	Decal - SkyCutter	





# SECTION 4 - PLATFORM

## FIGURE 4-15. SKYWELDER INSTALLATION (50HZ)



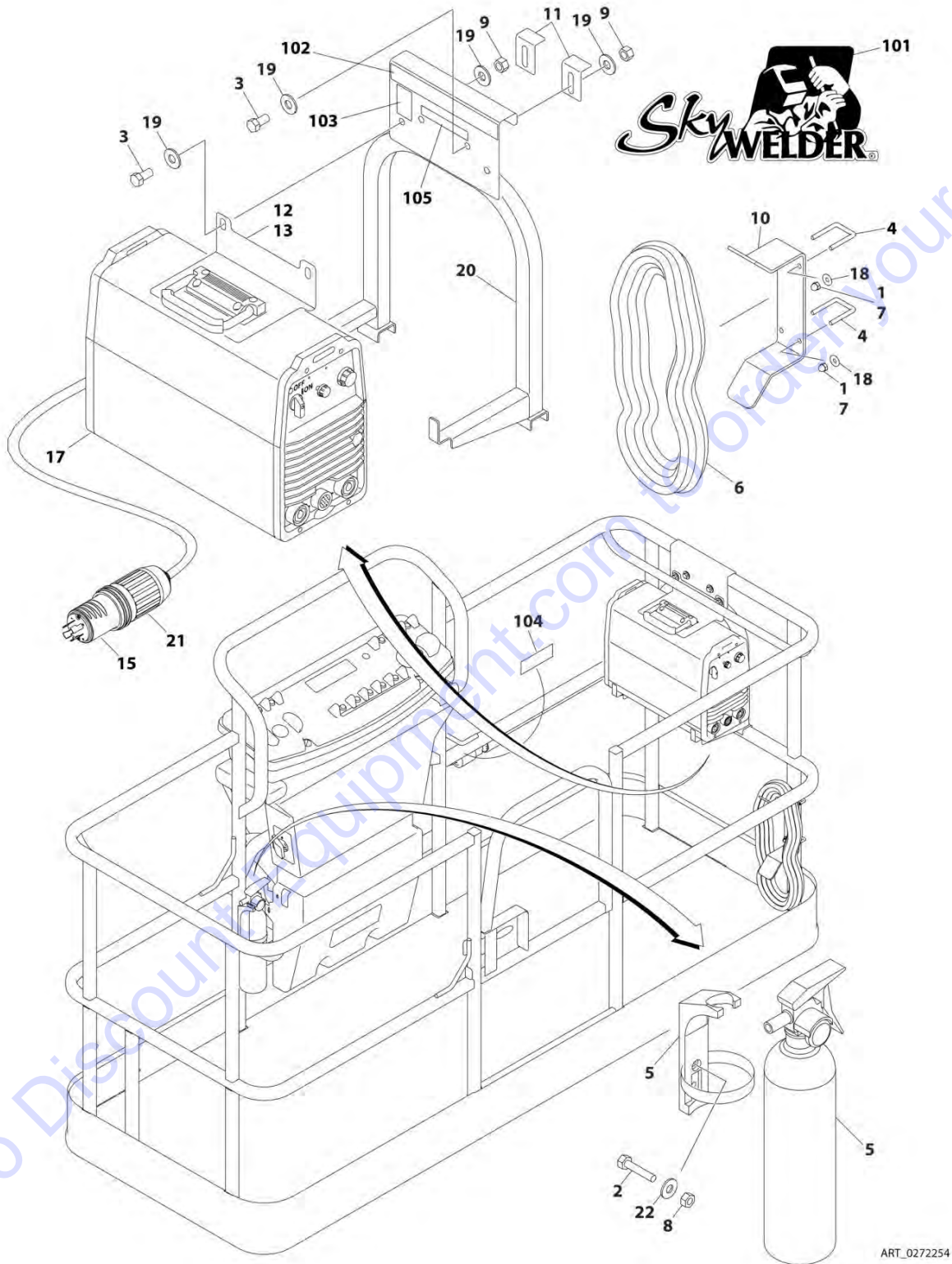
## SECTION 4 - PLATFORM

**FIGURE 4-15. SKYWELDER INSTALLATION (50HZ)**

ITEM	PART NUMBER	QTY	DESCRIPTION	REV
	0272521	Ref	<b>SKYWELDER INSTALLATION (50HZ)</b>	D
1	0100011	AR	Compound, Locking	
2	0630518	2	Screw #10 x 3/4	
3	0641606	4	Bolt 3/8 x 3/4	
4	1320302	2	U-Clamp	
5	2030010	1	Extinguisher, Fire	
6	2902217	1	Weld Leads Kit	
7	3300151	4	Nut 1/4	
8	3311005	2	Nut #10	
9	3311605	4	Nut 3/8	
10	3573400	1	Bracket	
11	3577121	2	Angle	
12	3573642	1	Plate	
13	4240099	AR	Tie-Strap (Not Shown)	
14	4420037	AR	Tape	
15	4530028	1	Welder Assembly (See WELDER ASSEMBLY for Breakdown)	
16	4751400	4	Washer 1/4	
17	4751600	8	Washer 3/8	
18	4846627	1	Support	
19	4751000	2	Washer #10	
	0272588	Ref	<b>SKYWELDER DECAL INSTALLATION</b>	B
101	1705355	2	Decal - SkyWelder	
102	1705305	1	Decal - Weld Lead	
103	1705466	NLA	Decal - Weight (Use p/n 1001228988)	

# SECTION 4 - PLATFORM

## FIGURE 4-16. SKYWELDER INSTALLATION (60HZ)



ART\_0272254

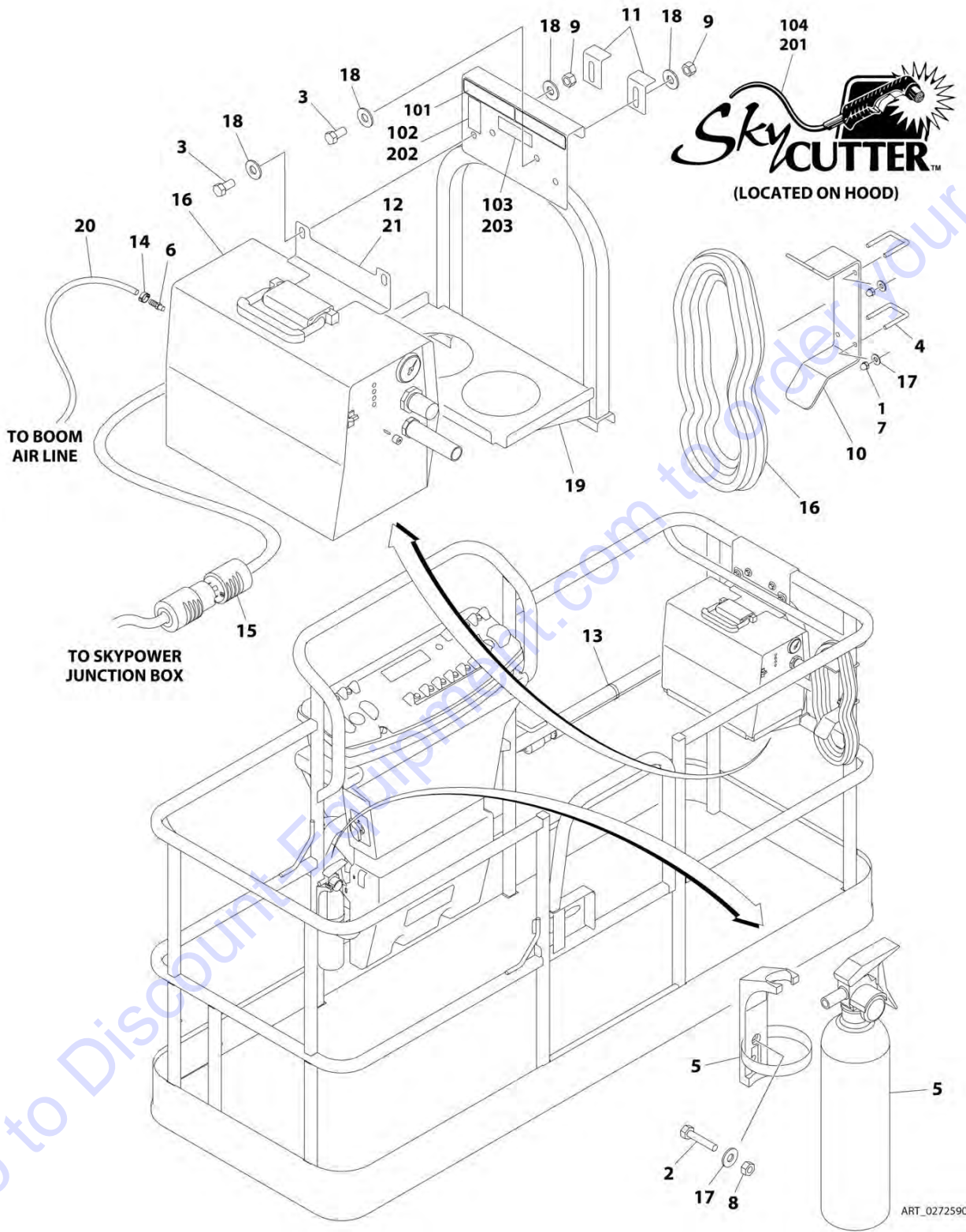
## SECTION 4 - PLATFORM

**FIGURE 4-16. SKYWELDER INSTALLATION (60HZ)**

ITEM	PART NUMBER	QTY	DESCRIPTION	REV
	0272254	Ref	<b>SKYWELDER INSTALLATION (60HZ)</b>	I
1	0100011	AR	Compound, Locking	
2	0630518	2	Screw #10 x 3/4	
3	0641606	4	Bolt 3/8 x 3/4	
4	1320302	2	U-Clamp	
5	2030010	1	Extinguisher, Fire	
6	2902217	1	Weld Leads Kit	
7	3300151	4	Nut 1/4	
8	3311005	2	Nut #10	
9	3311605	4	Nut 3/8	
10	3573400	1	Bracket	
11	3577121	2	Angle	
12	3573642	1	Plate	
13	4420037	AR	Tape	
14	4240099	AR	Tie-Strap (Not Shown)	
15	4460962	1	Plug, Male Twistlock	
17	4530028	1	Welder Assembly (See WELDER ASSEMBLY for Breakdown)	
18	4751400	4	Washer 1/4	
19	4751600	8	Washer 3/8	
20	4846627	1	Support	
21	1671093	1	Cover, Plug	
22	4751000	2	Washer #10	
	0272448	Ref	<b>SKYWELDER DECAL INSTALLATION</b>	B
101	1705355	2	Decal - SkyWelder	
102	1702868	1	Decal - No Hands	
103	1705305	1	Decal - Weld Lead	
104	1705375	1	Decal - 240V - 3 Phase - 60Hz	
105	1705466	NLA	Decal - Weight (Use p/n 1001228988)	

# SECTION 4 - PLATFORM

## FIGURE 4-17. SKYCUTTER INSTALLATION



## SECTION 4 - PLATFORM

**FIGURE 4-17. SKYCUTTER INSTALLATION**

ITEM	PART NUMBER	QTY	DESCRIPTION	REV
		Ref	<b>SKYCUTTER INSTALLATION</b>	
	0272590	Ref	<b>SkyCutter Installation - 60Hz Power Supply</b>	D
	0272606	Ref	<b>SkyCutter Installation - 50Hz Power Supply</b>	D
		Ref	<b>Note: When replacing platform on machines with SkyCutter option, new bracket p/n 1001145405 must be purchased to accommodate SkyCutter components.</b>	
1	0100011	AR	Compound, Locking	
2	0641406	2	Bolt 1/4 x 3/4	
3	0641606	4	Bolt 3/8 x 3/4	
4	1320302	2	Clamp	
5	2030010	1	Extinguisher, Fire	
6	2180832	1	Fitting, NPT/Barbed	
7	3300151	4	Nut 1/4	
8	3311405	2	Nut 1/4	
9	3311605	4	Nut 3/8	
10	3573400	1	Bracket, Cable	
11	3573641	2	Plate, Clamp (Use p/n 3577121)	
12	3573643	1	Plate, Top Support	
13	4240099	AR	Tie, Wire	
14	1320177	2	Clamp, Hose	
15	4460971	1	Plug, Twistlock	
16	4530024	1	Plasma Cutter Assembly - 60Hz Power Supply (See PLASMA CUTTER ASSEMBLY for Breakdown)	
16	4530025	1	Plasma Cutter Assembly - 50Hz Power Supply (See PLASMA CUTTER ASSEMBLY for Breakdown)	
17	4751400	6	Washer 1/4	
18	4751600	8	Washer 3/8	
19	4846571	1	Support	
20	2720160	4 ft/1.2m	Hose	
21	4420037	AR	Tape, Insulation	
	0272599	Ref	<b>SKYCUTTER DECAL INSTALLATION (ANSI, ANSI Export and CSA Specs)</b>	A
101	1702868	1	Decal - No Hands (60Hz Power Supply Only)	
102	1705305	1	Decal - Weld Lead	
103	1705466	1	Decal - Weight	
104	1705490	2	Decal - SkyCutter	
	0272607	Ref	<b>SKYCUTTER DECAL INSTALLATION (JAPANESE SPECS)</b>	A
201	1705490	2	Decal - SkyCutter	
202	1705305	1	Decal - Weld Lead	
203	1705466	1	Decal - Weight	





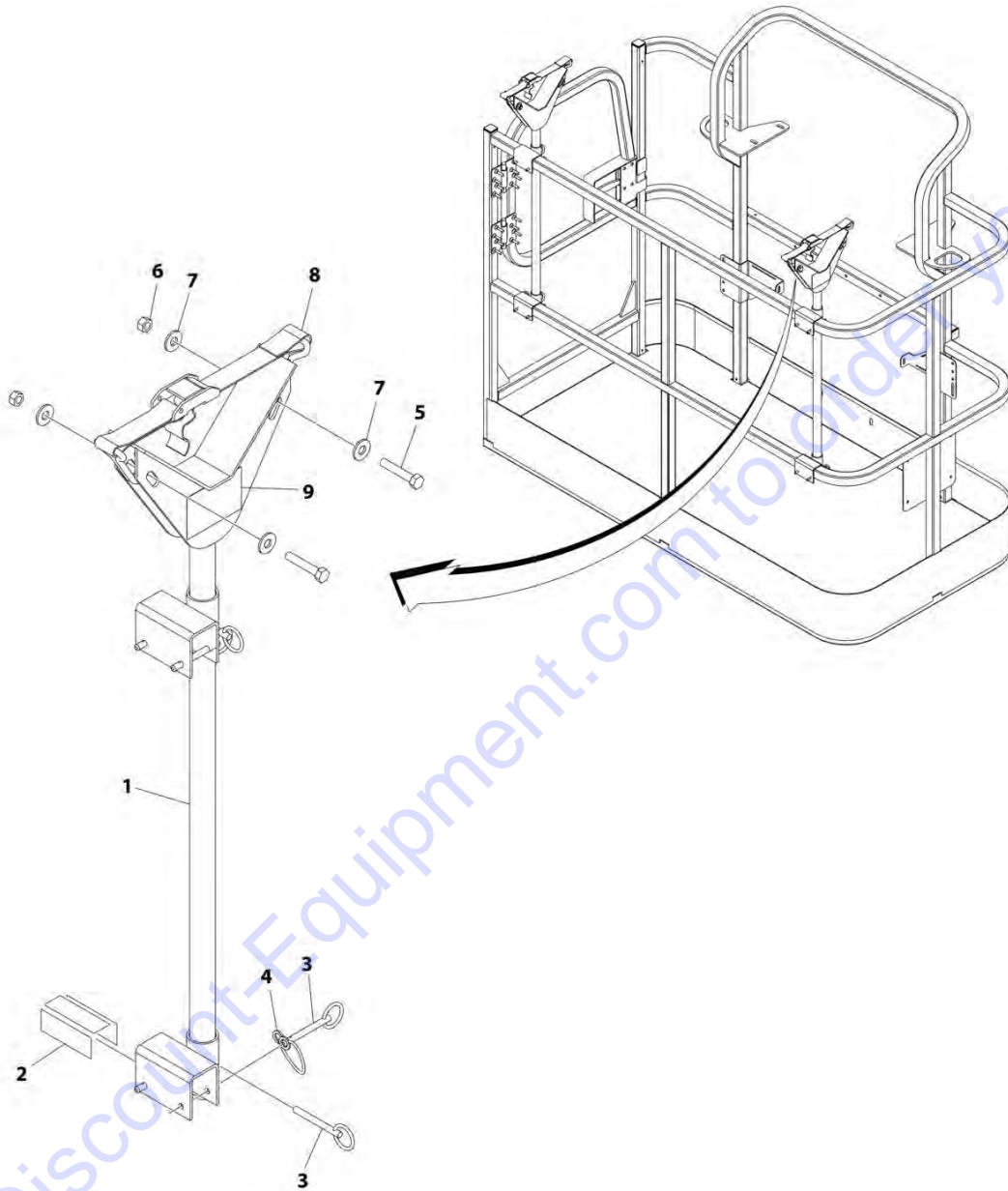
## SECTION 4 - PLATFORM

**FIGURE 4-18. PLASMA CUTTER ASSEMBLY**

ITEM	PART NUMBER	QTY	DESCRIPTION	REV
		Ref	<b>PLASMA CUTTER ASSEMBLY</b>	
	4530024	Ref	<b>Plasma Cutter Assembly - 60Hz Power Supply</b>	D
	4530025	Ref	<b>Plasma Cutter Assembly - 50Hz Power Supply</b>	D
		Ref	<b>Note: For other components see your Miller Dealer.</b>	
1	7024519	1	Circuit Card - 60Hz Power Supply	
1	7024538	1	Circuit Card - 50Hz Power Supply	
2	7024520	1	Switch	
3	7024521	10 ft/ 3m	Cable, Power - 60Hz Power Supply	
3	7024539	10 ft/ 3m	Cable, Power - 50Hz Power Supply	
4	7024522	1	Filter, Air	
5	7024523	1	Valve, Air - 60Hz Power Supply	
5	7024540	1	Valve, Air - 50Hz Power Supply	
6	7024524	1	Regulator, Air	
7	7024525	1	Circuit Card - 60Hz Power Supply	
7	7024541	1	Circuit Card - 50Hz Power Supply	
8	7024526	1	Torch Assembly (See Items 101-203 for Breakdown)	
9	7024527	1	Clamp	
10	7024528	1	Knob	
11	7024529	1	Gauge, Air	
	7024526	Ref	<b>TORCH ASSEMBLY</b>	
101	7024530	1	O-Ring	
102	7024531	1	Electrode	
103	7024532	1	Cup, Retaining	
104	7024533	1	Swirl Ring	
105	7024534	1	Tip	
201	7024535	1	Handle, Torch	
202	7024536	1	Switch	
203	7024537	1	Trigger	

# SECTION 4 - PLATFORM

## FIGURE 4-19. PIPE RACKS INSTALLATION (ANSI & CSA SPECS)



ART\_0257728

## SECTION 4 - PLATFORM

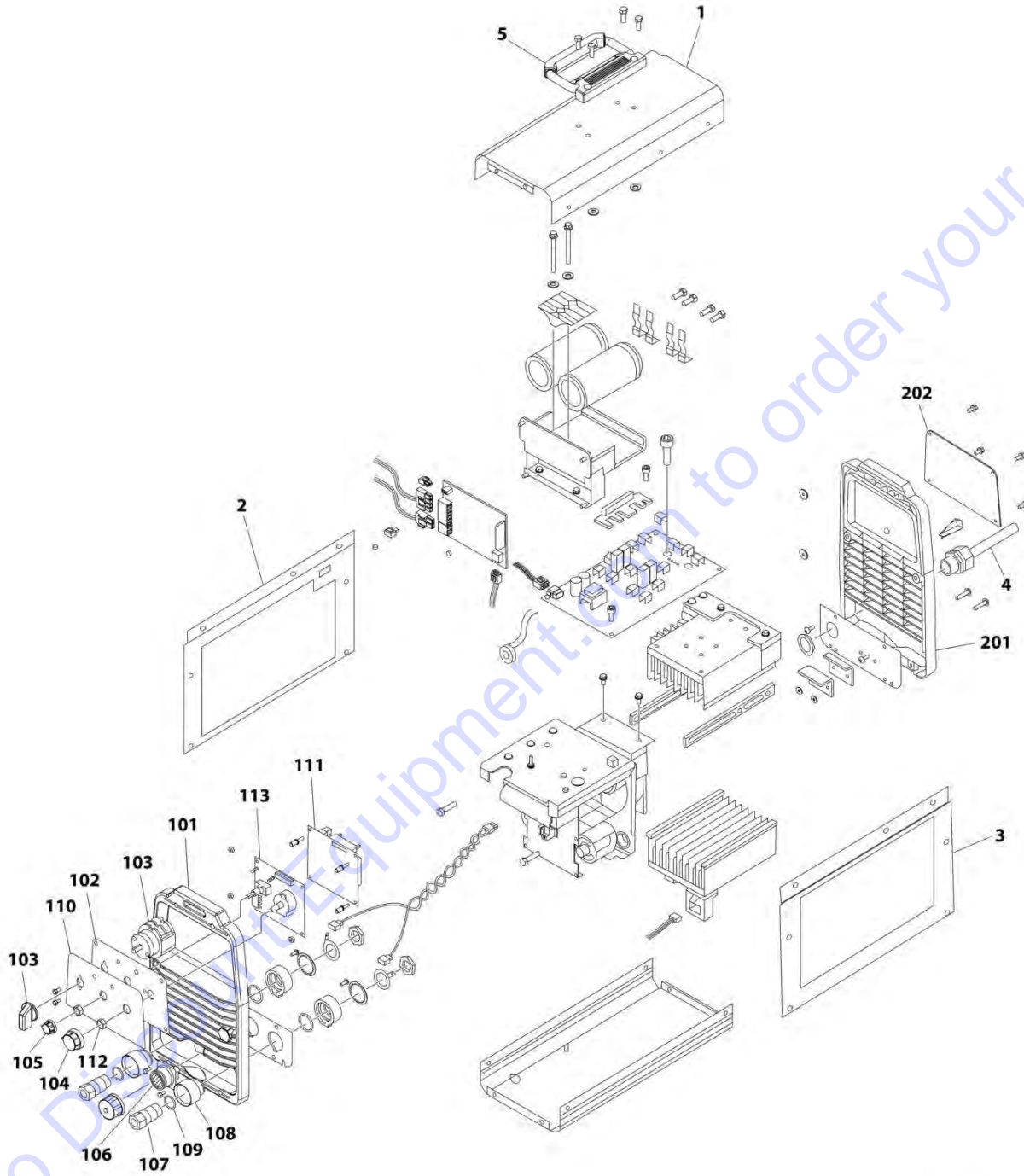
**FIGURE 4-19. PIPE RACKS INSTALLATION (ANSI & CSA SPECS)**

ITEM	PART NUMBER	QTY	DESCRIPTION	REV
	0257728	Ref	<b>PIPE RACKS INSTALLATION (ANSI &amp; CSA SPECS)</b>	2/C
1	4845582	2	Rack, Pipe	
2	4420062	AR	Tape	
3	3422661	10	Pin	
4	1060379	4	Lanyard	
5	0641514	4	Bolt 5/16 x 1-3/4	
6	3311505	4	Nut 5/16	
7	4751500	8	Washer 5/16	
8	0480100	2	Tie-Down	
9	1703683	2	Decal - Capacity	

Go to Discount-Equipment.com to order your parts

# SECTION 4 - PLATFORM

## FIGURE 4-20. WELDER ASSEMBLY



ART\_4530028

## SECTION 4 - PLATFORM

### FIGURE 4-20. WELDER ASSEMBLY

ITEM	PART NUMBER	QTY	DESCRIPTION	REV
	4530028	Ref	<b>WELDER ASSEMBLY</b>	B
		Ref	<b>Note: For Other Components, contact your Miller Welder Dealer.</b>	
1	7027773	1	Cover, Top	
1	7027774	1	Decal - Static Precautionary Warning	
2	See Note	NSS	Panel, LH Side (Note: Part of Item 1. Purchase Item 1)	
3	See Note	NSS	Panel, RH Side (Note: Part of Item 1. Purchase Item 1)	
4	7024467	1	Cable, Power	
4	7027775	1	Decal - Electrical Shock Warning (Not Shown)	
5	7027776	1	Handle, Carrying	
101	7024462	1	Panel, Front	
102	7024463	1	Panel, Console	
103	7024469	1	Switch with Lead	
104	7024470	1	Knob	
105	7024471	1	Knob	
106	7024472	1	Receptacle with Leads and Plugs	
107	7024473	2	Receptacle, Twistlock Female	
108	7024474	2	Insulator	
109	7024475	2	O-Ring	
110	7027777	1	Nameplate	
111	7027779	1	Circuit Card Assembly (Process Control)	
112	7024478	2	Nut	
113	7027778	1	Circuit Card Assembly (Operator Interface)	
201	7024462	1	Panel, Rear	
202	7027780	1	Panel, Cover	

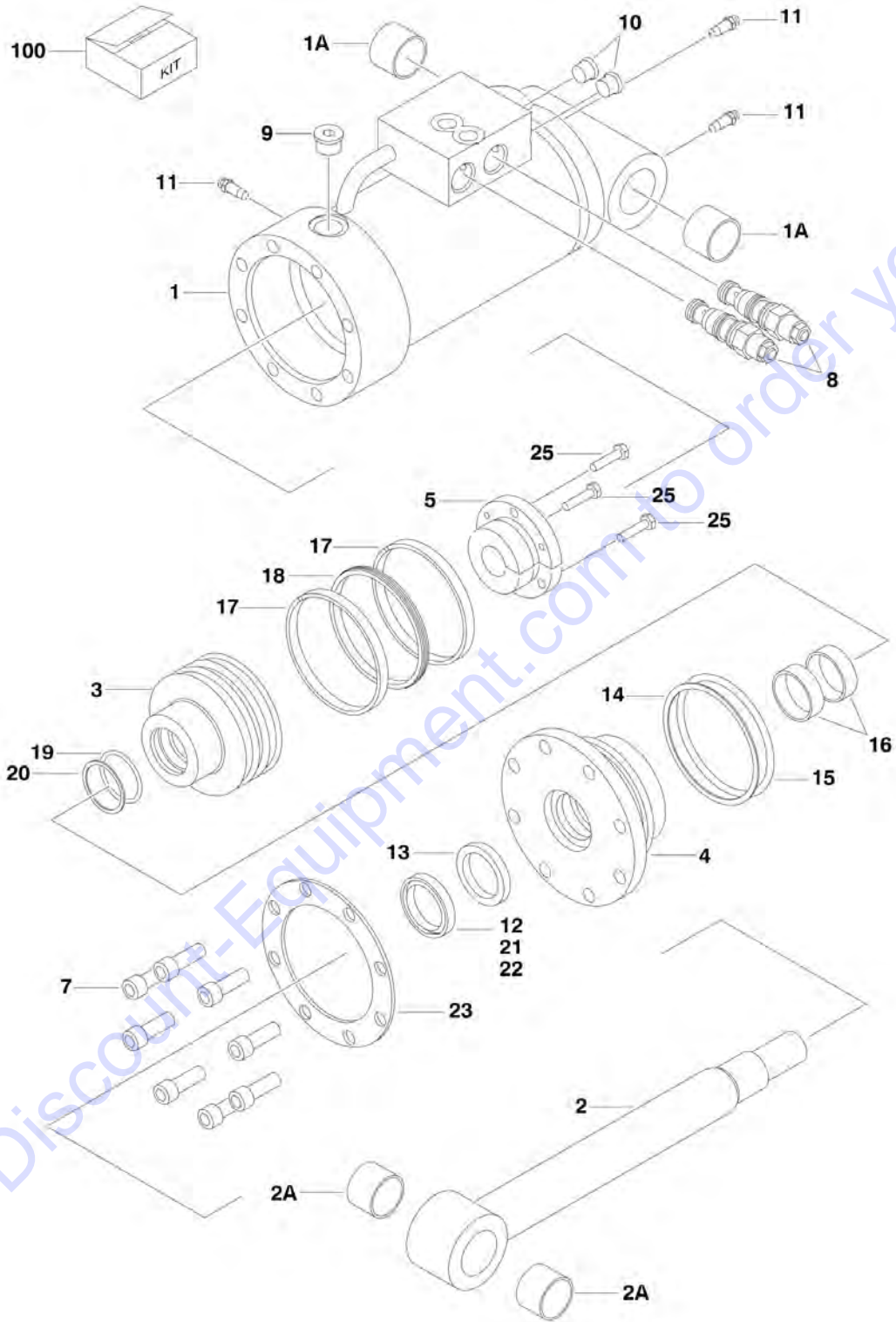


**SECTION 5 - CYLINDER**

Go to Discount-Equipment.com to order your parts

# SECTION 5 - CYLINDER

FIGURE 5-1. AXLE LOCKOUT CYLINDER ASSEMBLY (SN 0300068000 through 0300075605)





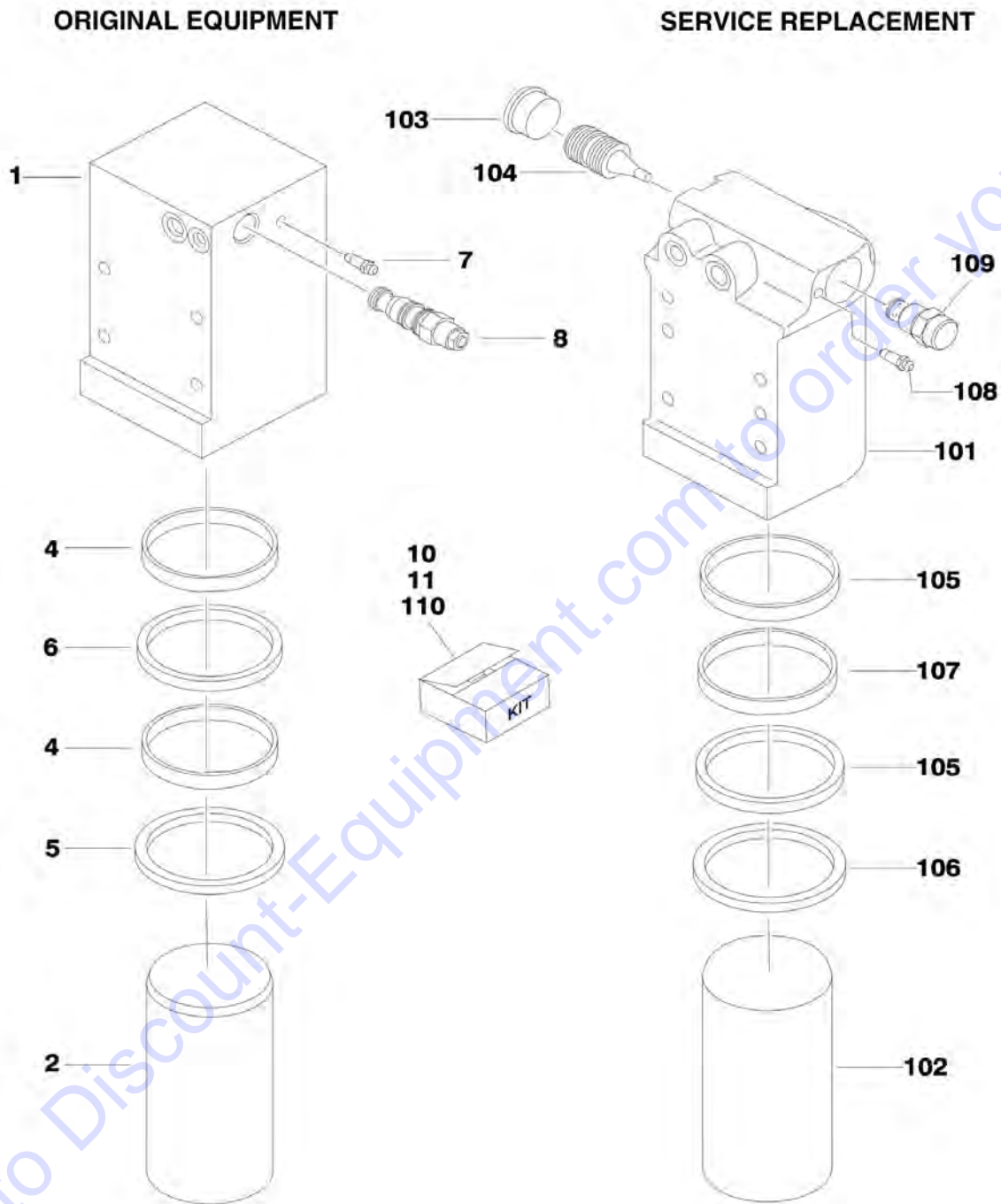
## SECTION 5 - CYLINDER

**FIGURE 5-1. AXLE LOCKOUT CYLINDER ASSEMBLY (SN 0300068000 through 0300075605)**

ITEM	PART NUMBER	QTY	DESCRIPTION	REV
	1683078	Ref	<b>AXLE LOCKOUT CYLINDER ASSEMBLY</b>	H
1	1684191	1	Barrel Weldment	
1A	0962496	2	Bushing	
2	1683986	1	Rod Weldment	
2A	0962496	2	Bushing	
3	3480176	1	Piston	
4	1683059	1	Head	
5	0961895	1	Bushing	
7	3931720	8	Bolt, Socket Head 7/16in-14NC x 1-1/4in	
8	4641162	2	Cartridge, Valve (Counterbalance)	
8	2900770	2	Seal Kit - 4641162 Valve (1 Per Assembly)	
9	2220886	1	Plug, O-Ring	
10	2220885	2	Plug, O-Ring	
11	4640858	3	Valve, Bleeder	
12	See Note	NSS	Wiper (Note: Use Item 100)	
13	See Note	NSS	Seal, Rod (Note: Use Item 100)	
14	See Note	NSS	O-Ring (Note: Use Item 100)	
15	See Note	NSS	Ring, Back-up (Note: Use Item 100)	
16	See Note	NSS	Ring, Wear (Note: Use Item 100)	
17	See Note	NSS	Ring, Wear (Note: Use Item 100)	
18	See Note	NSS	T-Seal (Note: Use Item 100)	
19	See Note	NSS	O-Ring (Note: Use Item 100)	
20	See Note	NSS	Ring, Back-up (Note: Use Item 100)	
21	0100011	AR	Compound, Locking	
22	0100038	AR	Primer, Locking	
23	3760367	1	Ring, Washer	
25	0630535	3	Screw, Socket Head 1/4in-20NC x 1-1/8in	
100	2901271	1	Seal Kit - 1683078 Cylinder (Includes Items 12-20)	

# SECTION 5 - CYLINDER

FIGURE 5-2. AXLE LOCKOUT CYLINDER ASSEMBLY (SN 0300075606 through 0300087000)



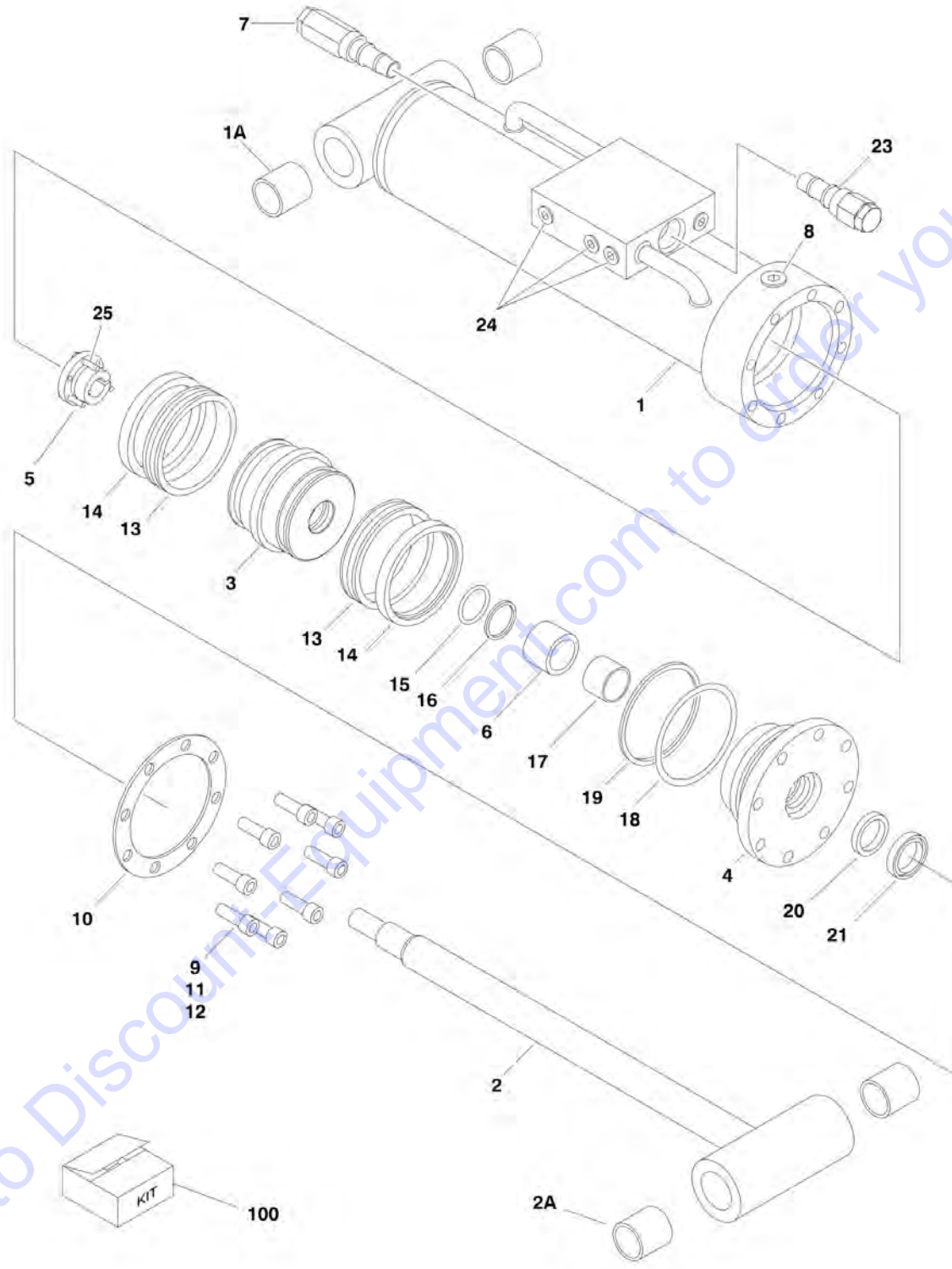
## SECTION 5 - CYLINDER

**FIGURE 5-2. AXLE LOCKOUT CYLINDER ASSEMBLY (SN 0300075606 through 0300087000)**

ITEM	PART NUMBER	QTY	DESCRIPTION	REV
	1684280	Ref	<b>AXLE LOCKOUT CYLINDER ASSEMBLY</b>	G
		Ref	<b>Note: Service Kit p/n 1001167359 may have been installed as a Service Replacement. Kit uses p/n 1684465 Cylinder. In kit has been installed, Use Item 101-109 for Service.</b>	
1	1684289	1	Barrel	
2	1684290	1	Rod	
4	See Note	NSS	Ring, Wear (Note: Use Item 10)	
5	See Note	NSS	Wiper (Note: Use Item 10)	
6	See Note	NSS	Seal, Rod (Note: Use Item 10)	
7	4640476	1	Bleeder	
8	4641319	1	Cartridge, Valve	
8	7024879	1	Seal Kit	
10	2902266	1	Seal Kit (Includes Items 4-6)	
11	1001167359	1	Cylinder Replacement Kit (Kit Replaces p/n 1684280 with p/n 1684465 Cylinder)	
	1684465	Ref	<b>AXLE LOCKNUT CYLINDER ASSEMBLY</b>	J
		Ref	<b>Note: Original Equipment components may have been replaced with Service Replacement components part. Identify p/n stamped on cylinder before ordering parts.</b>	
101	0370026	1	Barrel	
102	1684290	1	Rod	
103	2220890	1	Plug	
104	3480288	1	Piston, Pilot	
105	See Note	NSS	Ring, Wear (Note: Use Item 110)	
106	See Note	NSS	Wiper (Note: Use Item 110)	
107	See Note	NSS	Seal, Rod (Note: Use Item 110)	
108	4640858	1	Bleeder	
109	4641390	1	Cartridge, Valve	
109	7017496	1	Seal, Kit	
110	2902266	1	Seal Kit (Includes Items 4-6)	

# SECTION 5 - CYLINDER

FIGURE 5-3. LEVEL CYLINDER ASSEMBLY (PLATFORM SLAVE) - 600S (ORIGINAL EQUIPMENT)



Go to DiscountEquipment.com to order your parts

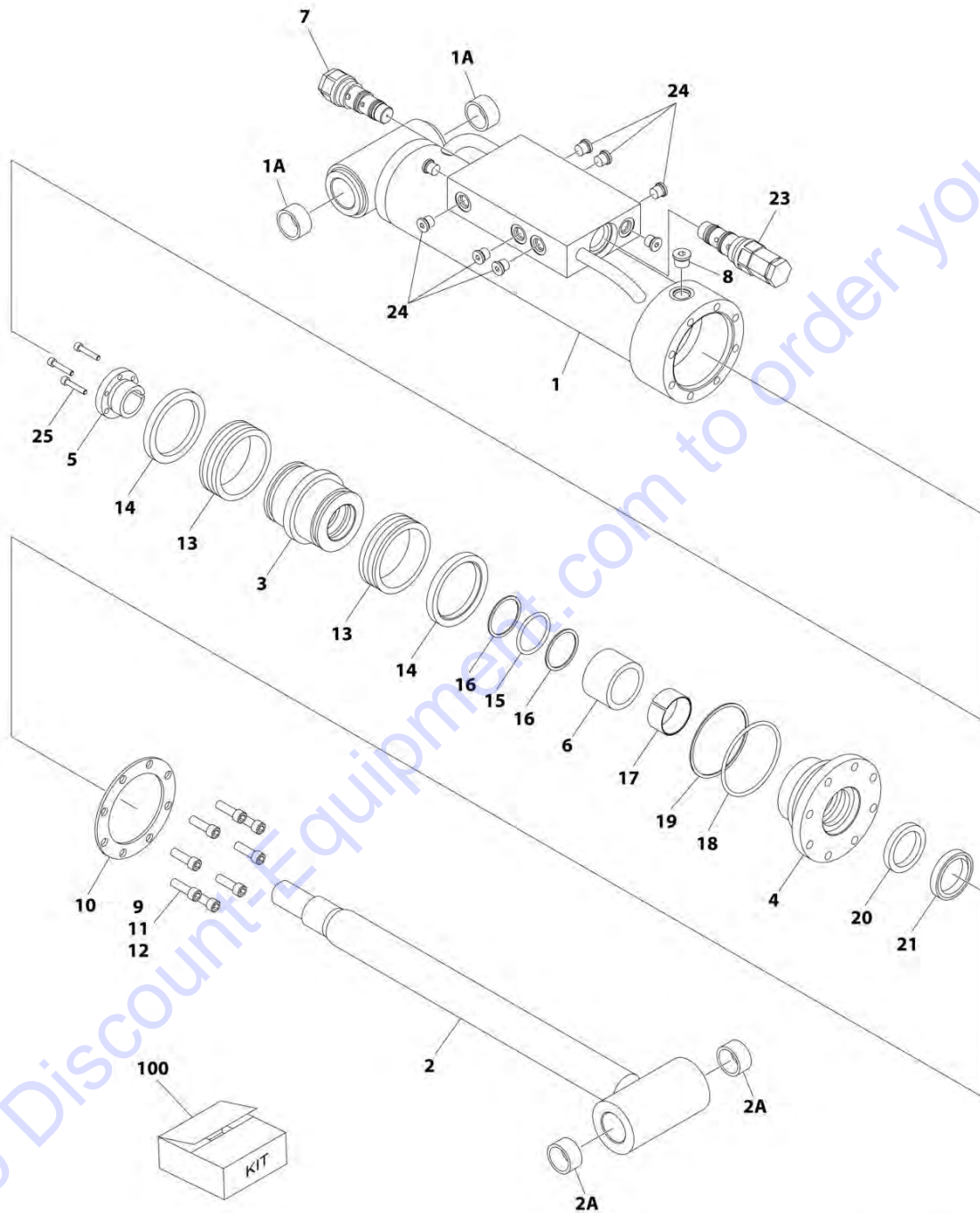
## SECTION 5 - CYLINDER

**FIGURE 5-3. LEVEL CYLINDER ASSEMBLY (PLATFORM SLAVE) - 600S (ORIGINAL EQUIPMENT)**

ITEM	PART NUMBER	QTY	DESCRIPTION	REV
	1683415	Ref	<b>LEVEL CYLINDER ASSEMBLY (PLATFORM SLAVE) - 600S (Original Equipment)</b>	C
		Ref	Note: Original Cylinder May Have Been Replaced with Service Replacement. Identify PN Stamped on Cylinder Before Ordering Parts.	
1	1683977	1	Barrel Weldment	
1A	0961947	2	Bushing	
2	1683976	1	Rod Weldment	
2A	0961947	2	Bushing	
3	3480210	1	Piston	
4	1683053	1	Head	
5	0961893	1	Bushing, Tapered	
6	4566468	1	Spacer	
7	4640509	1	Cartridge, Valve	
7	2900792	1	Seal Kit - 4640509 Valve	
8	2220885	1	Plug, O-Ring	
9	3931516	8	Capscrew, Socket Head 5/16in-18NC x 1in	
10	3760368	1	Ring, Washer	
11	0100011	AR	Compound, Locking	
12	0100038	AR	Primer, Locking	
13	See Note	NSS	Seal (Note: Use Item 100)	
14	See Note	NSS	Ring, Lock (Note: Use Item 100)	
15	See Note	NSS	O-Ring (Note: Use Item 100)	
16	See Note	NSS	Ring, Back-up (Note: Use Item 100)	
17	See Note	NSS	Ring, Wear (Note: Use Item 100)	
18	See Note	NSS	O-Ring (Note: Use Item 100)	
19	See Note	NSS	Ring, Back-up (Note: Use Item 100)	
20	See Note	NSS	Seal, Rod (Note: Use Item 100)	
21	See Note	NSS	Wiper (Note: Use Item 100)	
23	4640932	1	Cartridge, Valve	
23	7011112	1	Seal Kit - 4640932 Valve	
24	2220883	8	Plug, O-Ring	
25	0630534	3	Screw, Socket Head #10-24NC x 1in	
100	2901303	1	Seal Kit (Includes Items 13-21)	

# SECTION 5 - CYLINDER

FIGURE 5-4. LEVEL CYLINDER ASSEMBLY (PLATFORM SLAVE) - 600S (SERVICE REPLACEMENT)



ART\_1001223512

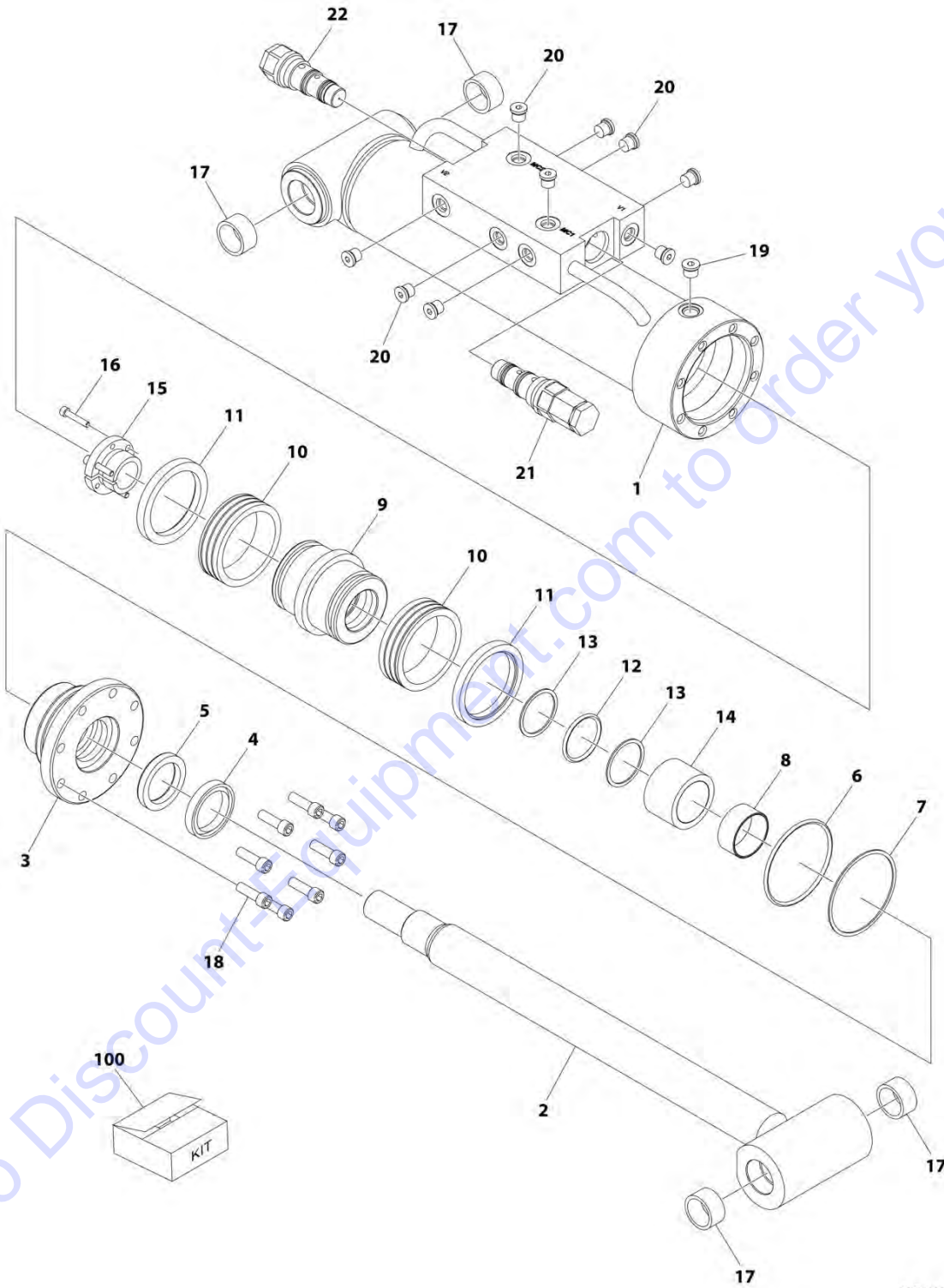
## SECTION 5 - CYLINDER

**FIGURE 5-4. LEVEL CYLINDER ASSEMBLY (PLATFORM SLAVE) - 600S (SERVICE REPLACEMENT)**

ITEM	PART NUMBER	QTY	DESCRIPTION	REV
	1001223512	Ref	<b>LEVEL CYLINDER ASSEMBLY (PLATFORM SLAVE) - 600S (SERVICE REPLACEMENT)</b> Note: Original Cylinder May Have Been Replaced with Service Replacement. Identify PN Stamped on Cylinder Before Ordering Parts.	B
		Ref		
1	1001223511	1	Barrel Weldment	
1A	0961947	2	Bushing	
2	1683976	1	Rod Weldment	
2A	0961947	2	Bushing	
3	3480210	1	Piston	
4	1683053	1	Head	
5	0961893	1	Bushing, Tapered	
6	4566468	1	Spacer	
7	4640509	1	Cartridge, Valve	
7	2900792	1	Seal Kit 4640509 Valve	
8	2220885	1	Plug, O-Ring	
9	3931516	8	Capscrew 5/16 x 1	
10	3760368	1	Ring, Washer	
11	0100011	AR	Compound, Locking	
12	0100038	AR	Primer, Locking	
13	See Note	NSS	Seal (Note: Use Item 100)	
14	See Note	NSS	Ring, Lock (Note: Use Item 100)	
15	See Note	NSS	O-Ring (Note: Use Item 100)	
16	See Note	NSS	Ring, Back-up (Note: Use Item 100)	
17	See Note	NSS	Ring, Wear (Note: Use Item 100)	
18	See Note	NSS	O-Ring (Note: Use Item 100)	
19	See Note	NSS	Ring, Back-up (Note: Use Item 100)	
20	See Note	NSS	Seal, Rod (Note: Use Item 100)	
21	See Note	NSS	Wiper (Note: Use Item 100)	
23	4640932	1	Cartridge, Valve	
23	7011112	1	Seal Kit 4640932 Valve	
24	2220883	8	Plug, O-Ring	
25	0630534	3	Screw #10 x 1	
100	2901303	1	Seal Kit (Includes Items 13-21)	

# SECTION 5 - CYLINDER

## FIGURE 5-5. LEVEL CYLINDER ASSEMBLY (PLATFORM SLAVE) - 600S (SERVICE REPLACEMENT)



ART\_1001228008



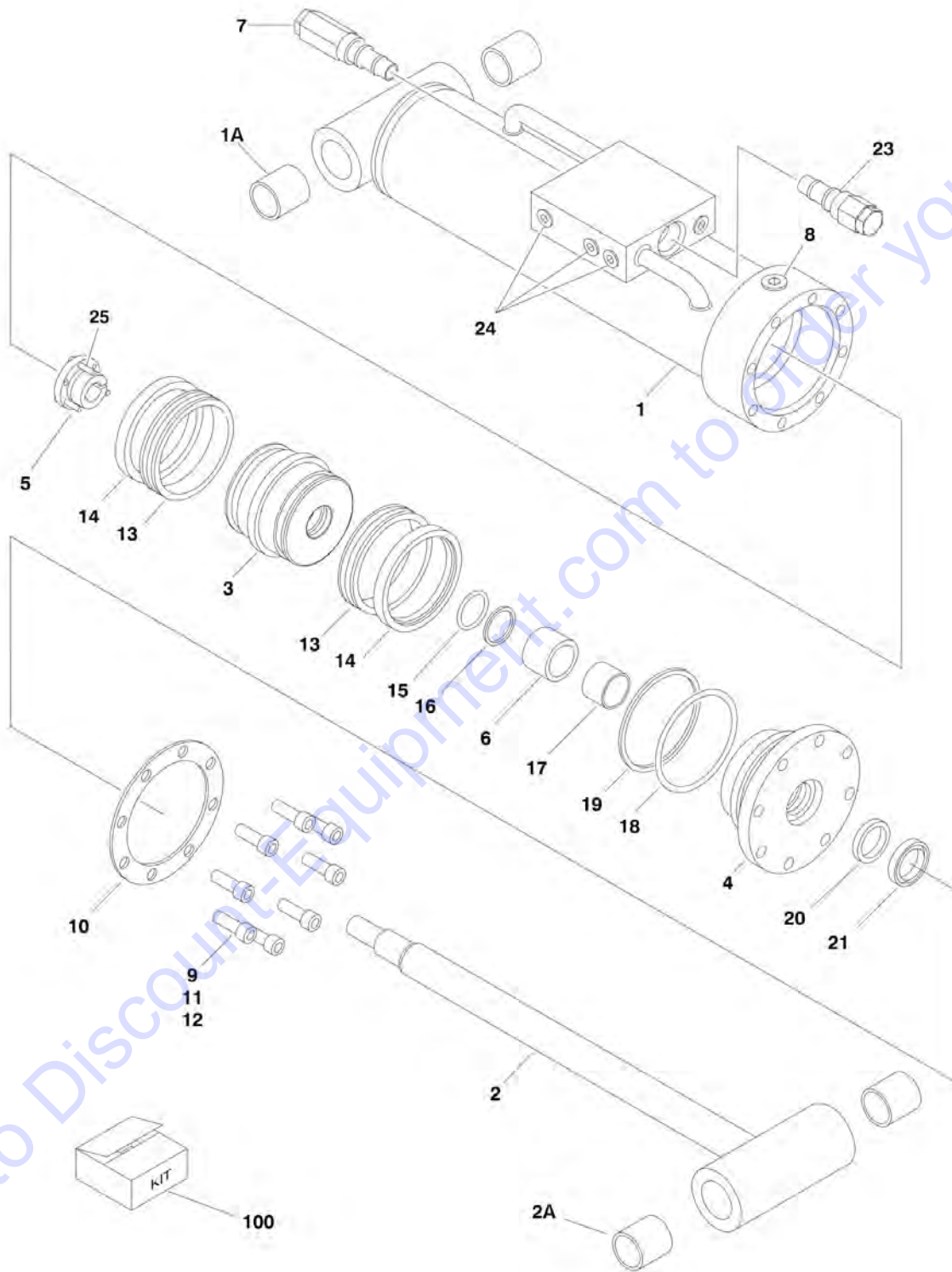
## SECTION 5 - CYLINDER

**FIGURE 5-5. LEVEL CYLINDER ASSEMBLY (PLATFORM SLAVE) - 600S (SERVICE REPLACEMENT)**

ITEM	PART NUMBER	QTY	DESCRIPTION	REV
	1001228008	Ref	LEVEL CYLINDER ASSEMBLY - PLATFORM SLAVE	B
		Ref	Note: Original Cylinder may have been replaced with Service Replacement. Identify PN Stamped on Cylinder Before Ordering Parts.	
1	See Note	NSS	Barrel (Note: Use p/n 1001228008)	
2	70006648	1	Rod	
3	70006649	1	Head	
4	See Note	NSS	Wiper (Note: Use Item 100)	
5	See Note	NSS	Seal Rod (Note: Use Item 100)	
6	See Note	NSS	O-Ring (Note: Use Item 100)	
7	See Note	NSS	Ring, Back-up (Note: Use Item 100)	
8	See Note	NSS	Ring, Wear (Note: Use Item 100)	
9	70006650	1	Piston	
10	See Note	NSS	Seal (Note: Use Item 100)	
11	See Note	NSS	Ring, Lock (Note: Use Item 100)	
12	See Note	NSS	O-Ring (Note: Use Item 100)	
13	See Note	NSS	Ring, Back-up (Note: Use Item 100)	
14	70006651	1	Spacer	
15	0961893	1	Bushing, Tapered	
16	0630534	3	Bolt #10 x 1	
17	0961947	4	Bushing	
18	3931516	8	Capscrew, Socket Head	
19	2220885	1	Plug, O-Ring	
20	2220883	10	Plug, O-Ring	
21	4640932	1	Cartridge, Valve	
21	7011112	1	Seal Kit - 4640932 Valve	
22	4640509	1	Cartridge, Valve	
22	2900792	1	Seal Kit - 4640509 Valve	
100	2901303	1	Seal Kit - 1001228008 Cylinder (Includes Items 4-8 & 10-13)	

# SECTION 5 - CYLINDER

FIGURE 5-6. LEVEL CYLINDER ASSEMBLY (PLATFORM SLAVE) - 600SJ & 660SJ (ORIGINAL EQUIPMENT)



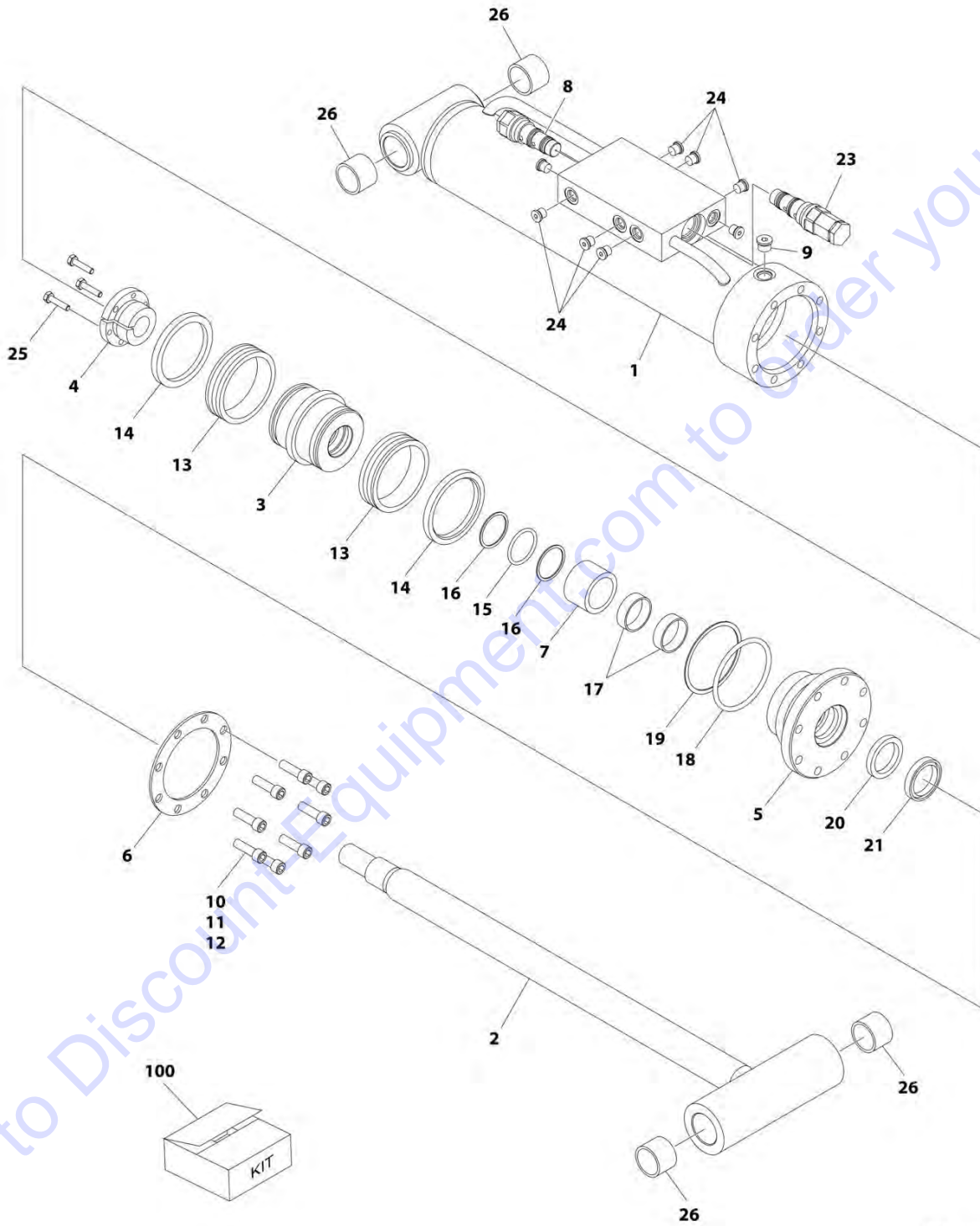
## SECTION 5 - CYLINDER

**FIGURE 5-6. LEVEL CYLINDER ASSEMBLY (PLATFORM SLAVE) - 600SJ & 660SJ (ORIGINAL EQUIPMENT)**

ITEM	PART NUMBER	QTY	DESCRIPTION	REV
	1683418	Ref	<b>LEVEL CYLINDER ASSEMBLY (PLATFORM SLAVE) - 600SJ &amp; 660SJ (ORIGINAL EQUIPMENT)</b>	D
		Ref		
1	1683952	1	Barrel Weldment (Note: Item 1A not included - Purchase Separately)	
1A	0961951	2	Bushing	
2	1683963	1	Rod Weldment (Note: Item 2A not included - Purchase Separately)	
2A	0961951	2	Bushing	
3	3480188	1	Piston	
4	1683055	1	Head	
5	0961894	1	Bushing, Tapered	
6	4566468	1	Spacer	
7	4640509	1	Cartridge, Valve	
7	2900792	1	Seal Kit - 4640509 Valve	
8	2220885	1	Plug, O-Ring	
9	3931620	8	Capscrew, Socket Head 3/8in-16NC x 1-1/4in	
10	3760369	1	Ring, Washer	
11	0100011	AR	Compound, Locking	
12	0100038	AR	Primer, Locking (Not Shown)	
13	See Note	NSS	Seal (Note: Use Item 100)	
14	See Note	NSS	Ring, Lock (Note: Use Item 100)	
15	See Note	NSS	O-Ring (Note: Use Item 100)	
16	See Note	NSS	Ring, Back-up (Note: Use Item 100)	
17	See Note	NSS	Ring, Wear (Note: Use Item 100)	
18	See Note	NSS	O-Ring (Note: Use Item 100)	
19	See Note	NSS	Ring, Back-up (Note: Use Item 100)	
20	See Note	NSS	Seal, Rod (Note: Use Item 100)	
21	See Note	NSS	Wiper (Note: Use Item 100)	
23	4640932	1	Cartridge, Valve	
23	7011112	1	Seal Kit - 4640932 Valve	
24	2220883	8	Plug, O-Ring	
25	0630535	3	Screw, Socket Head 1/4in-20NC x 1-1/8in	
100	2901301	1	Seal Kit - 1683418 Cylinder (Includes Items 13-21)	

# SECTION 5 - CYLINDER

## FIGURE 5-7. LEVEL CYLINDER ASSEMBLY (PLATFORM SLAVE) - 600SJ & 660SJ (SERVICE REPLACEMENT)



ART\_1001223331

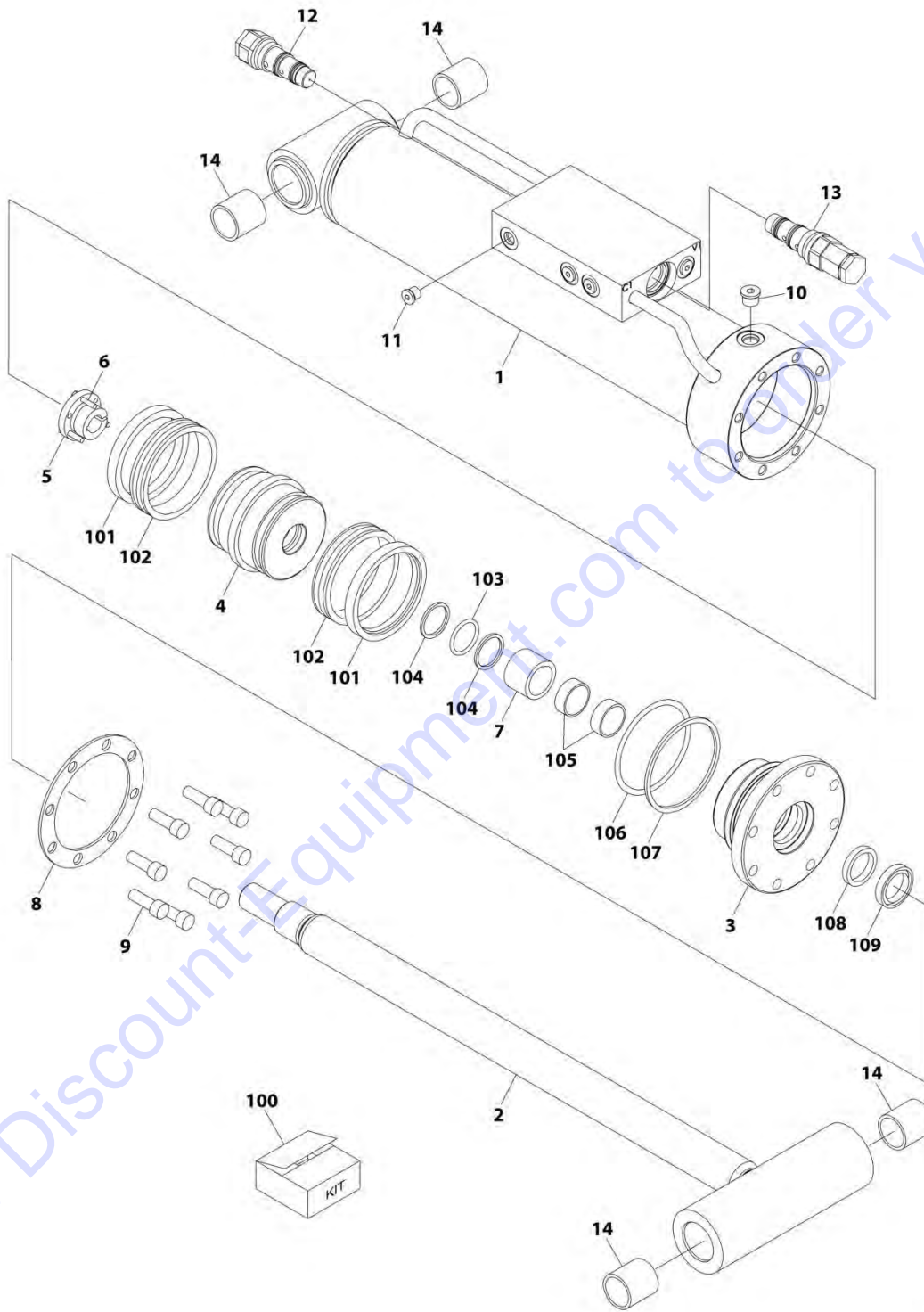
## SECTION 5 - CYLINDER

**FIGURE 5-7. LEVEL CYLINDER ASSEMBLY (PLATFORM SLAVE) - 600SJ & 660SJ (SERVICE REPLACEMENT)**

ITEM	PART NUMBER	QTY	DESCRIPTION	REV
	1001223331	Ref	<b>LEVEL CYLINDER ASSEMBLY (PLATFORM SLAVE) - 600SJ &amp; 660SJ (SERVICE REPLACEMENT)</b>  Note: Original Cylinder May Have Been Replaced with Service Replacement. Identify PN Stamped on Cylinder Before Ordering Parts.	B
		Ref		
1	1001223332	1	Barrel Weldment	
2	1683963	1	Rod Weldment	
3	3480188	1	Piston	
4	0961894	1	Bushing, Tapered	
5	1683055	1	Head	
6	3760369	1	Ring, Washer	
7	4566468	1	Spacer	
8	4640509	1	Cartridge, Valve	
8	2900792	1	Seal Kit - 4640509 Valve	
9	2220885	1	Plug, O-Ring	
10	3931620	8	Capscrew 3/8 x 1-1/4	
11	0100011	AR	Compound, Locking	
12	0100038	AR	Primer, Locking	
13	See Note	NSS	Seal (Note: Use Item 100)	
14	See Note	NSS	Ring, Lock (Note: Use Item 100)	
15	See Note	NSS	O-Ring (Note: Use Item 100)	
16	See Note	NSS	Ring, Back-up (Note: Use Item 100)	
17	See Note	NSS	Ring, Wear (Note: Use Item 100)	
18	See Note	NSS	O-Ring (Note: Use Item 100)	
19	See Note	NSS	Ring, Back-up (Note: Use Item 100)	
20	See Note	NSS	Seal, Rod (Note: Use Item 100)	
21	See Note	NSS	Wiper (Note: Use Item 100)	
23	4640932	1	Cartridge, Valve	
23	7011112	1	Seal Kit 4640932 Valve	
24	2220883	8	Plug, O-Ring	
25	0630535	3	Screw #10 x 1	
26	0961951	4	Bushing	
100	2901303	1	Seal Kit (Includes Items 13-21)	

# SECTION 5 - CYLINDER

## FIGURE 5-8. LEVEL CYLINDER ASSEMBLY (PLATFORM SLAVE) - 600SJ & 660SJ (SERVICE REPLACEMENT)



ART\_1001228051

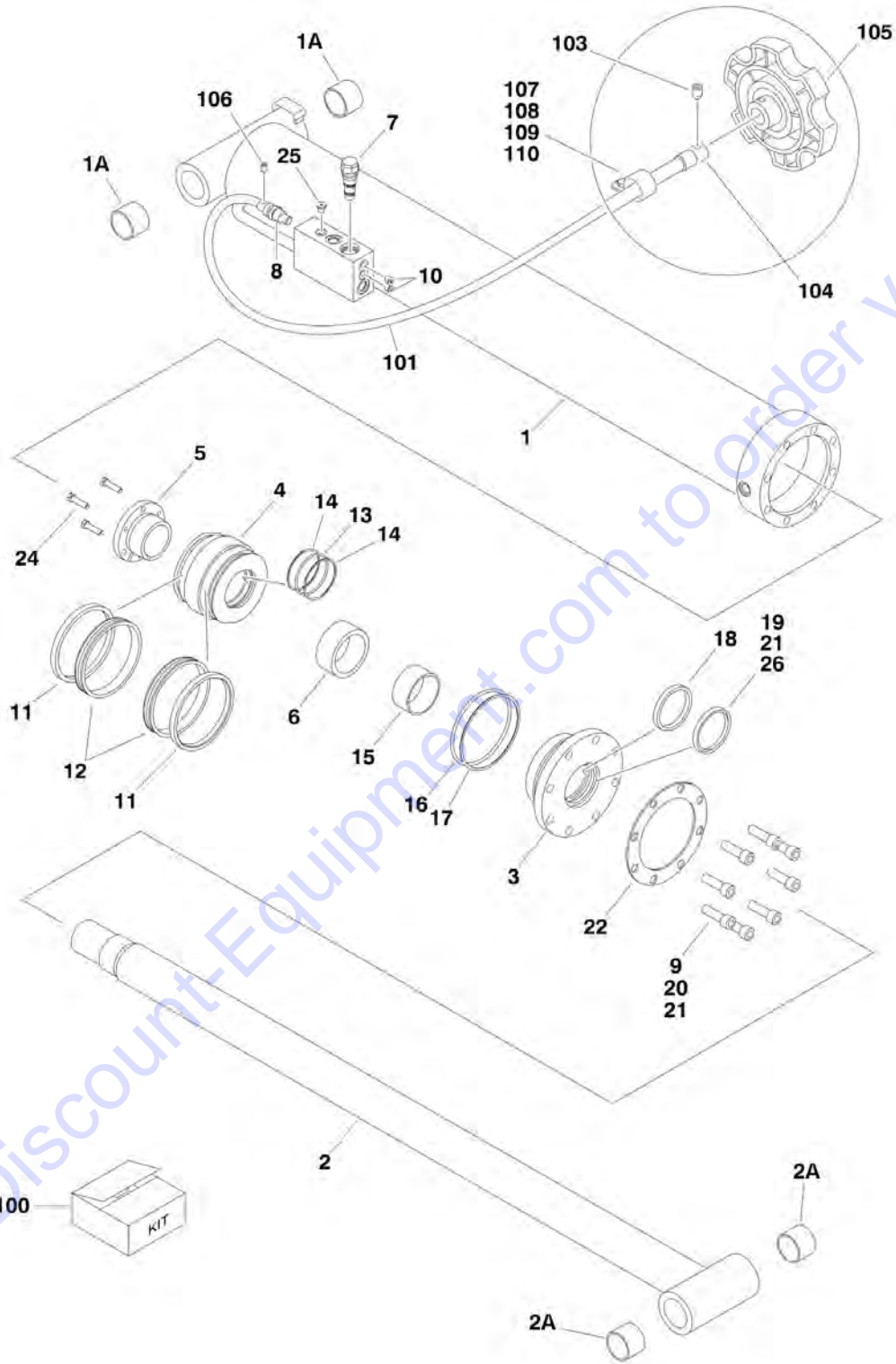
## SECTION 5 - CYLINDER

**FIGURE 5-8. LEVEL CYLINDER ASSEMBLY (PLATFORM SLAVE) - 600SJ & 660SJ (SERVICE REPLACEMENT)**

ITEM	PART NUMBER	QTY	DESCRIPTION	REV
	1001228051	Ref	LEVEL CYLINDER ASSEMBLY	A
		Ref	Note: Original Cylinder May Have Been Replaced with Service Replacement. Identify PN Stamped on Cylinder Before Ordering Parts.	
1	See Note	NSS	Barrel (Note: Use p/n 1001228051)	
2	70006823	1	Rod	
3	70006446	1	Head	
4	70006445	1	Piston	
5	70006444	1	Bushing, Tapered	
6	0630535	3	Bolt 1/4 x 1-1/8	
7	70006443	1	Spacer	
8	70006822	1	Ring, Washer	
9	3931620	8	Capscrew 3/8 x 1-1/4	
10	2220885	1	Plug, O-Ring	
11	2220883	8	Plug, O-Ring	
12	4640509	1	Cartridge, Valve	
12	2900792	1	Seal Kit - 4640509 Valve	
13	4640932	1	Cartridge, Valve	
13	7011112	1	Seal Kit - 4640932 Valve	
14	0961951	4	Bushing	
100	1001138796	1	Seal Kit - 1001228051 Cylinder (Includes Items 101-109)	
101	See Note	NSS	Ring, Lock (Note: Use Item 100)	
102	See Note	NSS	Seal (Note: Use Item 100)	
103	See Note	NSS	O-Ring (Note: Use Item 100)	
104	See Note	NSS	Ring, Back-up (Note: Use Item 100)	
105	See Note	NSS	Ring, Wear (Note: Use Item 100)	
106	See Note	NSS	O-Ring (Note: Use Item 100)	
107	See Note	NSS	Ring, Back-up (Note: Use Item 100)	
108	See Note	NSS	Seal, Rod (Note: Use Item 100)	
109	See Note	NSS	Wiper (Note: Use Item 100)	

# SECTION 5 - CYLINDER

## FIGURE 5-9. LIFT CYLINDER ASSEMBLY (BOOM)





## SECTION 5 - CYLINDER

### FIGURE 5-9. LIFT CYLINDER ASSEMBLY (BOOM)

ITEM	PART NUMBER	QTY	DESCRIPTION	REV
		Ref	<b>Note: Original Equipment Cylinder may have been replaced with Service Replacement Cylinder. Identify p/n stamped on cylinder before ordering parts.</b>	
		Ref	<b>LIFT CYLINDER ASSEMBLY (BOOM) OPTIONS:</b>	
	1683275	Ref	<b>Main Lift Cylinder Assembly (SN 0300068000 through 0300070974)</b>	H
	1683666	Ref	<b>Main Lift Cylinder Assembly (Original Equipment) (SN 0300070975 through 0300087000)</b>	D
	100112468	Ref	<b>Main Lift Cylinder Assembly (Service Replacement for p/n 1682666)</b>	B
1	1683955	NLA	Barrel Weldment (Use p/n 100112467)	
1A	0961950	2	Bushing	
2	1683954	1	Rod Weldment	
2A	0961950	2	Bushing	
3	1683067	1	Head	
4	3480206	1	Piston	
5	0961898	1	Bushing, Tapered (Use item #24 in place of supplied bolts)	
6	4566501	1	Spacer, Tube	
7	4640509	1	Cartridge, Valve	
7	2900792	1	Seal Kit - 4640509 Valve	
8	4640799	1	Cartridge, Valve (Used on 1683275 Cylinder)	
8	7010545	1	Seal Kit - 4640799 Valve	
8	2220887	1	Plug, O-Ring (Used on 1683666 Cylinder)	
9	3932032	8	Bolt, Socket Head 5/16in-11NC x 2in	
10	2220883	2	Plug, O-Ring	
11	See Note	NSS	Ring, Lock (Note: Use Item 100)	
12	See Note	NSS	Seal, Hydrolock (Note: Use Item 100)	
13	See Note	NSS	O-Ring (Note: Use Item 100)	
14	See Note	NSS	Ring, Back-up (Note: Use Item 100)	
15	See Note	NSS	Ring, Wear (Note: Use Item 100)	
16	See Note	NSS	O-Ring (Note: Use Item 100)	
17	See Note	NSS	Ring, Back-up (Note: Use Item 100)	
18	See Note	NSS	Seal, Rod (Note: Use Item 100)	
19	See Note	NSS	Wiper (Note: Use Item 100)	
20	0100011	AR	Compound, Locking	
21	0100038	AR	Primer, Locking	
22	3760372	1	Washer, Ring	
24	0630536	3	Screw, Socket Head 3/8in-16NC x 1-1/2in	
25	2220235	1	Plug, O-Ring (SN 0300070975 through 0300087000)	
26	0100063	AR	Loctite #609 (SN 0300070975 through 0300087000)	
100	2901285	1	Seal Kit - Includes Items 11-19	
	0256212	Ref	<b>MANUAL DESCENT INSTALLATION (SN 0300068000 through 0300070975)</b>	3-B
101	1060617	1	Cable	
103	3900230	2	Setscrew #10-32NF x 3/8in	
104	0080220	1	Adapter	
105	2560144	1	Knob	
106	3950803	1	Setscrew #8-32NC x 3/8in	
107	1320070	1	Clamp	
108	0641408	1	Bolt 1/4in-20NC x 1in	
109	3311405	1	Locknut 1/4in-20NC	

## SECTION 5 - CYLINDER

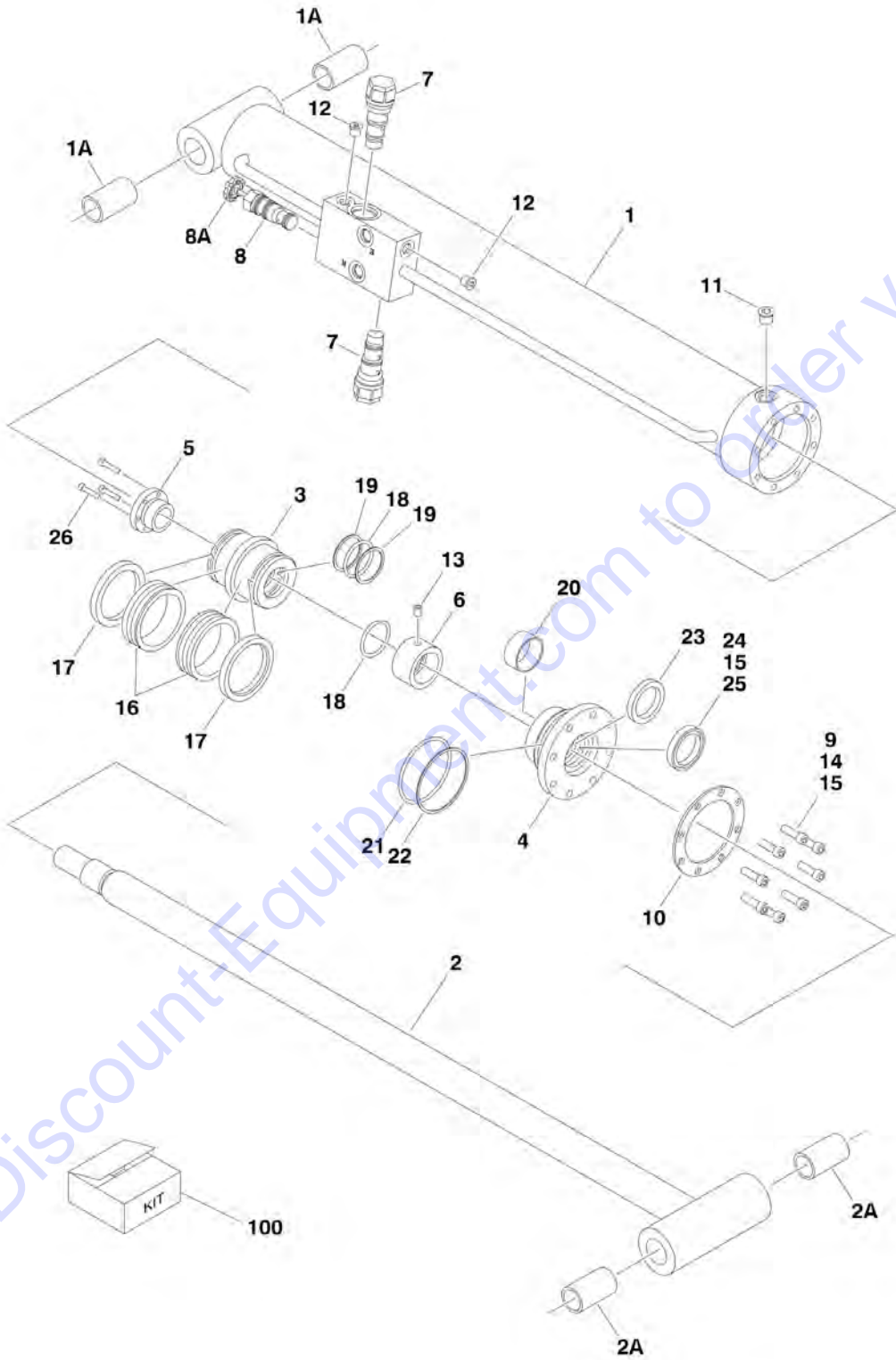
ITEM	PART NUMBER	QTY	DESCRIPTION	REV
110	4751400	2	Flatwasher 1/4in Regular	

Go to Discount-Equipment.com to order your parts



# SECTION 5 - CYLINDER

FIGURE 5-10. LIFT CYLINDER ASSEMBLY (JIB) - 600SJ & 660SJ (ORIGINAL EQUIPMENT)



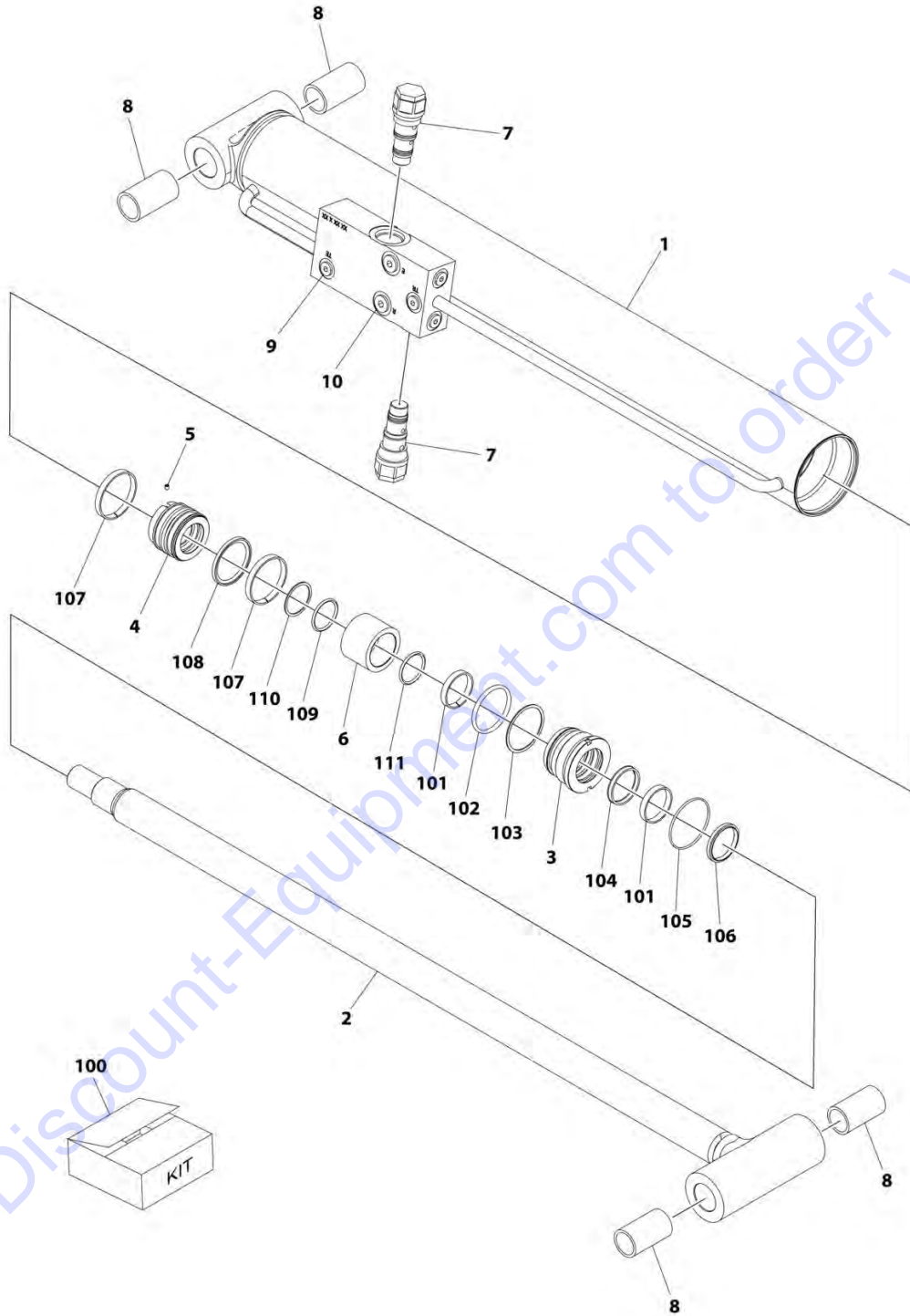
## SECTION 5 - CYLINDER

**FIGURE 5-10. LIFT CYLINDER ASSEMBLY (JIB) - 600SJ & 660SJ (ORIGINAL EQUIPMENT)**

ITEM	PART NUMBER	QTY	DESCRIPTION	REV
		Ref	<b>LIFT CYLINDER ASSEMBLY (JIB): (ORIGINAL EQUIPMENT)</b>	
	1683258	Ref	<b>Lift Cylinder Assembly (Jib) (SN 0300068000 through 0300070974)</b>	E
	1683609	Ref	<b>Lift Cylinder Assembly (Jib) (SN 0300070975 through 0300087000)</b>	G
		Ref	Note: Original Cylinder May Have Been Replaced with Service Replacement. Identify PN Stamped on Cylinder Before Ordering Parts.	
1	1684092	1	Barrel Weldment	
1A	0962336	2	Bushing	
2	1684090	1	Rod Weldment	
2A	0962336	2	Bushing	
3	3480210	1	Piston	
4	1683053	1	Head	
5	0961893	1	Bushing, Tapered	
6		Ref	Spacer, Tube Options:	
6	4566471	1	Spacer, Tube <b>(SN 0300068000 through 0300079598)</b>	
6	4100100	1	Spacer, Tube <b>(SN 0300079599 through 0300087000)</b>	
7	4640509	2	Cartridge, Valve	
7	2900792	2	Seal Kit - 4640509 Valve	
8	4640902	1	Cartridge, Valve <b>(SN 0300068000 through 0300070975)</b>	
8	7012953	1	Seal Kit - 4640902 Valve	
8A	7012961	1	Knob	
9	3931516	8	Capscrew, Socket Head 5/16in-18NC x 1in	
10	3760368	1	Ring, Washer	
11	2220885	1	Plug, O-Ring #6	
12	2220883	2	Plug, O-Ring #4	
13	3900141	1	Setscrew 1/4in-20NC x 3/8in <b>(SN 0300068000 through 0300079599)</b>	
14	0100011	AR	Compound, Locking	
15	0100038	AR	Primer, Locking	
16	See Note	NSS	Seal (Note: Use Item 100)	
17	See Note	NSS	Ring, Lock (Note: Use Item 100)	
18	See Note	NSS	O-Ring (Note: Use Item 100)	
19	See Note	NSS	Ring, Back-up (Note: Use Item 100)	
20	See Note	NSS	Ring, Wear (Note: Use Item 100)	
21	See Note	NSS	O-Ring (Note: Use Item 100)	
22	See Note	NSS	Ring, Back-up (Note: Use Item 100)	
23	See Note	NSS	Seal, Rod (Note: Use Item 100)	
24	See Note	NSS	Wiper (Note: Use Item 100)	
25	0100063	AR	Loctite #609 <b>(SN 0300070975 through 0300079599)</b>	
26	0630534	3	Screw, Socket Head #10-24NC x 1in	
100	2901303	1	Seal Kit - 1683258 Cylinder (Includes Items 16-24)	

# SECTION 5 - CYLINDER

FIGURE 5-11. LIFT CYLINDER ASSEMBLY (JIB) - 600SJ & 660SJ (SERVICE REPLACEMENT)



ART\_1001228012

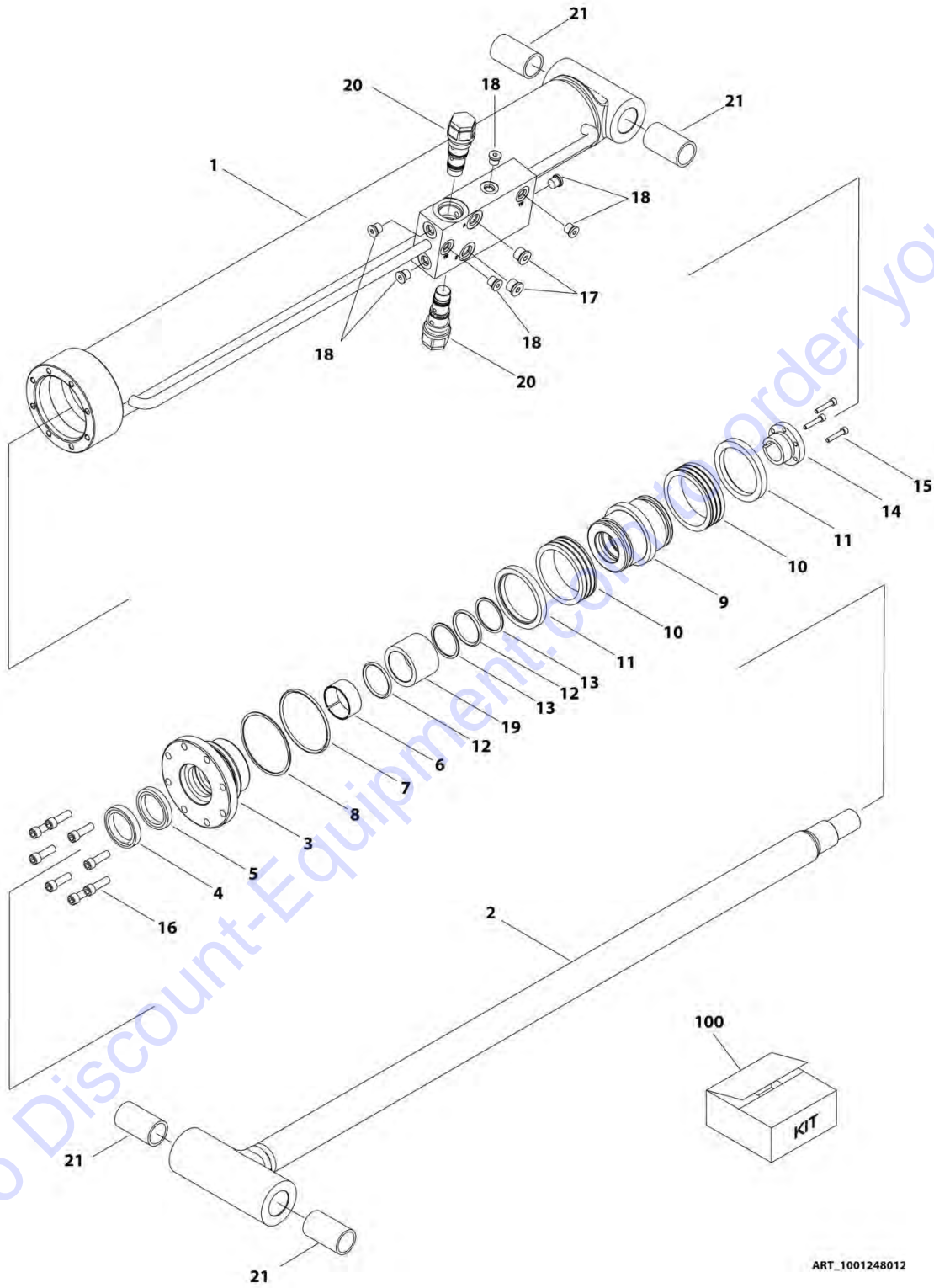
## SECTION 5 - CYLINDER

**FIGURE 5-11. LIFT CYLINDER ASSEMBLY (JIB) - 600SJ & 660SJ (SERVICE REPLACEMENT)**

ITEM	PART NUMBER	QTY	DESCRIPTION	REV
	1001228012	Ref	LIFT CYLINDER ASSEMBLY - JIB	C
		Ref	Note: Original Cylinder May Have Been Replaced with Service Replacement. Identify PN Stamped on Cylinder Before Ordering Parts.	
1	See Note	NSS	Barrel (Note: Not Available for Purchase)	
2	70006572	1	Rod	
3	70006571	1	Head	
4	70006570	1	Piston	
5	70023915	1	Screw	
6	70006569	1	Spacer	
7	4640509	2	Cartridge, Valve	
7	2900792	2	Seal Kit - 4640509 Valve	
8	0962336	4	Bushing	
9	2220883	6	Plug, O-Ring	
10	2220885	2	Plug, O-Ring	
100	70006568	1	Seal Kit (Includes Items 101-111)	
101	See Note	NSS	Ring, Wear (Note: Use Item 100)	
102	See Note	NSS	O-Ring (Note: Use Item 100)	
103	See Note	NSS	Ring, Back-up (Note: Use Item 100)	
104	See Note	NSS	Seal, Rod (Note: Use Item 100)	
105	See Note	NSS	O-Ring (Note: Use Item 100)	
106	See Note	NSS	Wiper (Note: Use Item 100)	
107	See Note	NSS	Ring, Wear (Note: Use Item 100)	
108	See Note	NSS	Seal (Note: Use Item 100)	
109	See Note	NSS	O-Ring (Note: Use Item 100)	
110	See Note	NSS	Ring, Back-up (Note: Use Item 100)	
111	See Note	NSS	O-Ring (Note: Use Item 100)	

# SECTION 5 - CYLINDER

## FIGURE 5-12. LIFT CYLINDER ASSEMBLY (JIB) - 600SJ & 660SJ (SERVICE REPLACEMENT)



ART\_1001248012



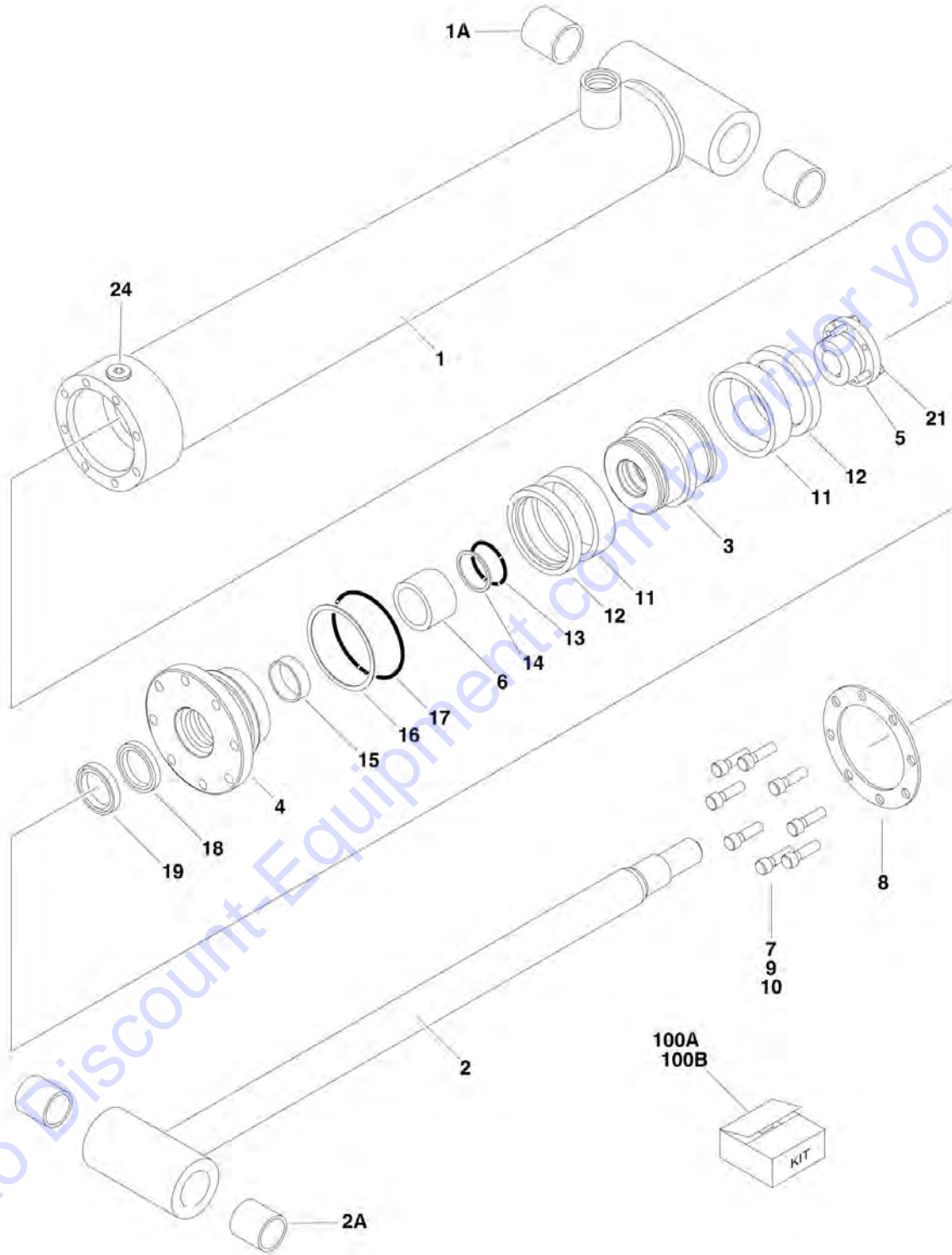
## SECTION 5 - CYLINDER

**FIGURE 5-12. LIFT CYLINDER ASSEMBLY (JIB) - 600SJ & 660SJ (SERVICE REPLACEMENT)**

ITEM	PART NUMBER	QTY	DESCRIPTION	REV
	1001248012	Ref	LIFT CYLINDER ASSEMBLY - JIB	A
		Ref	Note: Original Cylinder May Have Been Replaced with Service Replacement. Identify PN Stamped on Cylinder Before Ordering Parts.	
1	See Note	NSS	Barrel (Note: Not Available for Purchase)	
2	70006734	1	Rod	
3	70006649	1	Head	
4	See Note	NSS	Wiper (Note: Use Item 100)	
5	See Note	NSS	Seal, Rod (Note: Use Item 100)	
6	See Note	NSS	Ring, Wear (Note: Use Item 100)	
7	See Note	NSS	O-Ring (Note: Use Item 100)	
8	See Note	NSS	Ring, Back-up (Note: Use Item 100)	
9	70006650	1	Piston	
10	See Note	NSS	Seal (Note: Use Item 100)	
11	See Note	NSS	Ring, Lock (Note: Use Item 100)	
12	See Note	NSS	O-Ring (Note: Use Item 100)	
13	See Note	NSS	Ring, Back-up (Note: Use Item 100)	
14	0961893	1	Bushing, Tapered	
15	0630534	3	Capscrew, Socket Head #10 x 1	
16	70006735	8	Capscrew 5/16	
17	2220885	2	Plug, O-Ring	
18	2220883	6	Plug, O-Ring	
19	70006736	1	Spacer	
20	4640509	2	Cartridge, Valve	
20	2900792	2	Seal Kit - 4640509 Valve	
21	0962336	4	Bushing	
100	1001138795	1	Seal Kit (Includes Items 4-8 & 10-13)	

# SECTION 5 - CYLINDER

## FIGURE 5-13. MASTER CYLINDER ASSEMBLY (ORIGINAL EQUIPMENT)



Go to [Discount-Equipment.com](http://Discount-Equipment.com) to order your parts

## SECTION 5 - CYLINDER

**FIGURE 5-13. MASTER CYLINDER ASSEMBLY (ORIGINAL EQUIPMENT)**

ITEM	PART NUMBER	QTY	DESCRIPTION	REV
	1683266	Ref	<b>MASTER CYLINDER ASSEMBLY - 600S (ORIGINAL EQUIPMENT)</b>	C
	1683263	Ref	<b>MASTER CYLINDER ASSEMBLY - 600SJ/660SJ (ORIGINAL EQUIPMENT)</b>	E
		Ref	Note: Original Cylinder May Have Been Replaced with Service Replacement. Identify PN Stamped on Cylinder Before Ordering Parts.	
1		Ref	Barrel Options:	
1	1683972	1	Barrel 600S (Note: Includes Item 1A)	
1	1683949	1	Barrel 600SJ/660SJ (Note: Item 1A not included - Purchase Separately)	
1A		Ref	Bushing Options:	
1A	0961947	2	Bushing 600S	
1A	0961951	2	Bushing 600SJ/660SJ	
2		Ref	Rod Options:	
2	1683973	1	Rod 600S (Note: Includes Item 1A)	
2	1683962	1	Rod 600SJ/660SJ (Note: Item 2A not included - Purchase Separately)	
2A		Ref	Bushing Options:	
2A	0961947	2	Bushing 600S	
2A	0961951	2	Bushing 600SJ/660SJ	
3		Ref	Piston Options:	
3	3480210	1	Piston 600S	
3	3480188	1	Piston 600SJ/660SJ	
4		Ref	Head Options:	
4	1683053	1	Head 600S	
4	1683055	1	Head 600SJ/660SJ	
5		Ref	Bushing, Tapered Options:	
5	0961893	1	Bushing, Tapered 600S	
5	0961894	1	Bushing, Tapered 600SJ/660SJ	
6	4566468	1	Spacer, Tube	
7		Ref	Capscrew Options:	
7	3931516	8	Capscrew 600S - Capscrew 5/16in-18NC x 1in	
7	3931620	8	Capscrew 600SJ/660SJ - Capscrew 3/8in-16NC x 1-1/4in	
8		Ref	Ring, Washer Options:	
8	3760368	1	Ring, Washer 600S	
8	3760369	1	Ring, Washer 600SJ/660SJ	
9	0100011	AR	Compound, Locking	
10	0100038	AR	Primer, Locking	
11	See Note	NSS	Seal (Note: Use Item 100A or 100B)	
12	See Note	NSS	Ring, Lock (Note: Use Item 100A or 100B)	
13	See Note	NSS	O-Ring (Note: Use Item 100A or 100B)	
14	See Note	NSS	Ring, Back-up (Note: Use Item 100A or 100B)	
15	See Note	NSS	Ring, Wear (Note: Use Item 100A or 100B)	
16	See Note	NSS	O-Ring (Note: Use Item 100A or 100B)	
17	See Note	NSS	Ring, Back-up (Note: Use Item 100A or 100B)	
18	See Note	NSS	Seal, Rod (Note: Use Item 100A or 100B)	
19	See Note	NSS	Wiper (Note: Use Item 100A or 100B)	
21		Ref	Screw Options:	
21	0630534	3	Screw 600S - Screw, Socket Head #10-24NC x 1in	
21	0630535	3	Screw 600SJ/660SJ - Screw, Socket Head 1/4in-20NC x 1-	

## SECTION 5 - CYLINDER

ITEM	PART NUMBER	QTY	DESCRIPTION	REV
24	2220885	1	1/8in Fitting, Plug (600SJ/660SJ - 1683263 Cylinder Only)	
100		Ref	Seal Kit (Includes Items 11-19)	
100A	2901303	1	Seal Kit 600S	
100B	2901301	1	Seal Kit 600SJ/660SJ	

Go to Discount-Equipment.com to order your parts

# PARTS FINDER

**Search Website  
by Part Number**



**Search Manual  
Library For Parts  
Manual & Lookup Part  
Numbers – Purchase  
or Request Quote**

**Can't Find Part or  
Manual? Request Help  
by Manufacturer,  
Model & Description**

Discount-Equipment.com is your online resource for quality parts & equipment.

Florida: **561-964-4949** Outside Florida TOLL FREE: **877-690-3101**

## Need parts?

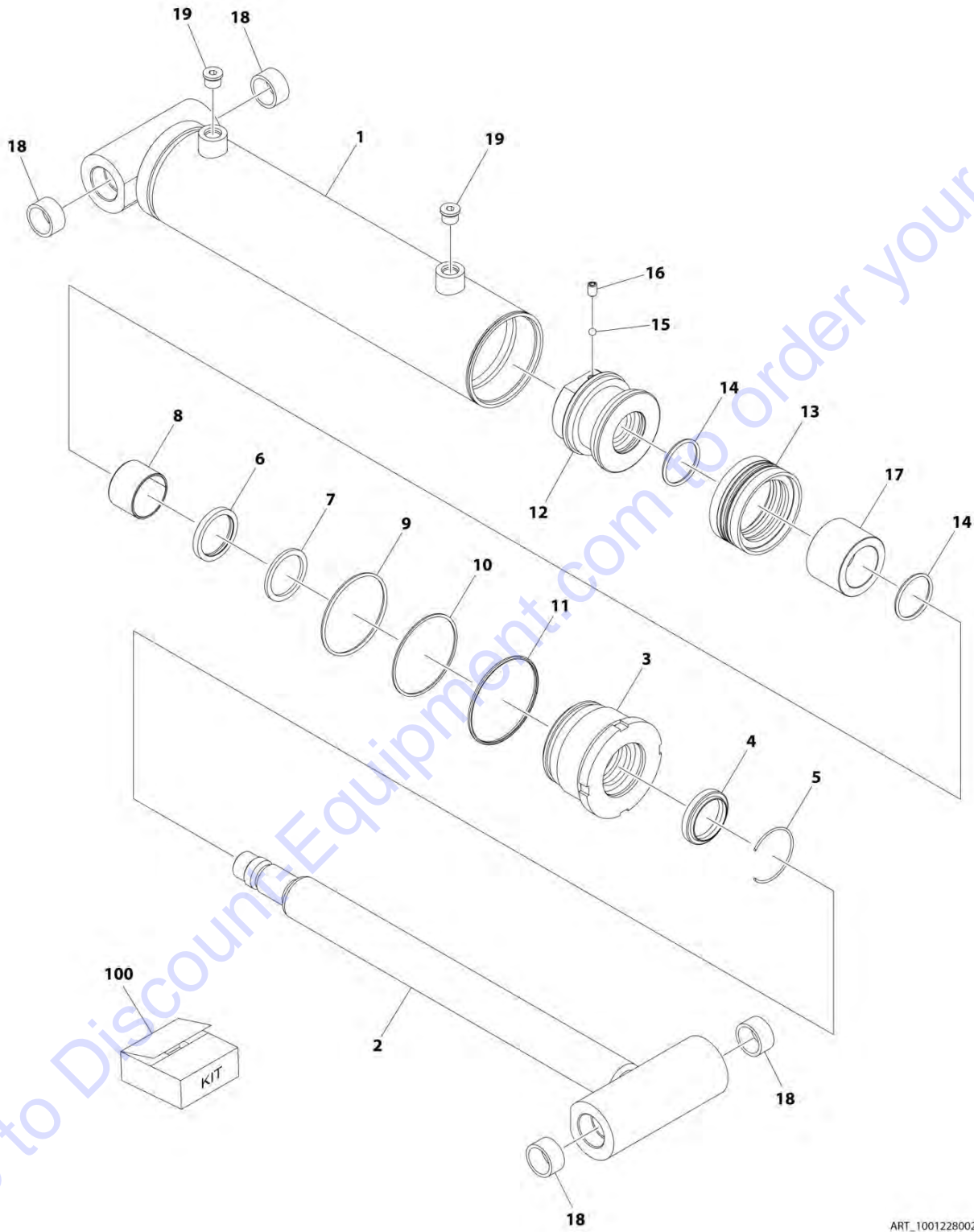
Click on this link: <http://www.discount-equipment.com/category/5443-parts/> and choose one of the options to help get the right parts and equipment you are looking for. Please have the machine model and serial number available in order to help us get you the correct parts. If you don't find the part on the website or on one of the online manuals, please fill out the request form and one of our experienced staff members will get back to you with a quote for the right part that your machine needs.

We sell worldwide for the brands: Genie, Terex, JLG, MultiQuip, Mikasa, Essick, Whiteman, Mayco, Toro Stone, Diamond Products, Generac Magnum, Airman, Haulotte, Barreto, Power Blanket, Nifty Lift, Atlas Copco, Chicago Pneumatic, Allmand, Miller Curber, Skyjack, Lull, Skytrak, Tsurumi, Husquvarna Target, Stow, Wacker, Sakai, Mi-T-M, Sullair, Basic, Dynapac, MBW, Weber, Bartell, Bennar Newman, Haulotte, Ditch Runner, Menegotti, Morrison, Contec, Buddy, Crown, Edco, Wyco, Bomag, Laymor, EZ Trench, Bil-Jax, F.S. Curtis, Gehl Pavers, Heli, Honda, ICS/PowerGrit, IHI, Partner, Imer, Clipper, MMD, Koshin, Rice, CH&E, General Equipment, Amida, Coleman, NAC, Gradall, Square Shooter, Kent, Stanley, Tamco, Toku, Hatz, Kohler, Robin, Wisconsin, Northrock, Oztec, Toker TK, Rol-Air, APT, Wylie, Ingersoll Rand / Doosan, Innovatech, Con X, Ammann, Mecalac, Makinex, Smith Surface Prep, Small Line, Wanco, Yanmar



# SECTION 5 - CYLINDER

## FIGURE 5-14. MASTER CYLINDER ASSEMBLY - 600S (SERVICE REPLACEMENT)



## SECTION 5 - CYLINDER

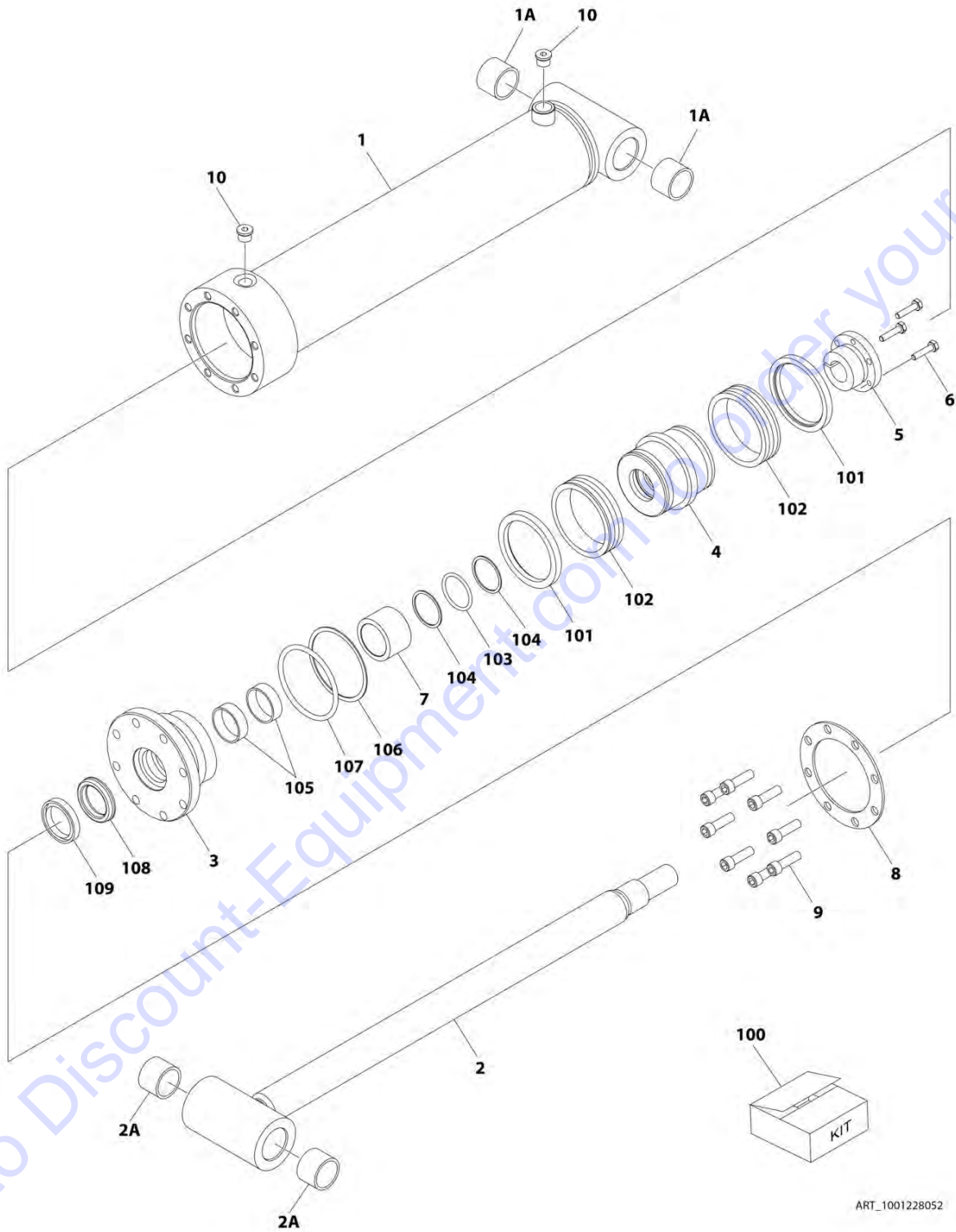
**FIGURE 5-14. MASTER CYLINDER ASSEMBLY - 600S (SERVICE REPLACEMENT)**

ITEM	PART NUMBER	QTY	DESCRIPTION	REV
	1001228002	Ref	MASTER CYLINDER ASSEMBLY	B
		Ref	Note: Original Cylinder May Have Been Replaced with Service Replacement. Identify PN Stamped on Cylinder Before Ordering Parts.	
1	See Note	NSS	Barrel (Note: Not Available for Purchase)	
2	70006774	1	Rod	
3	70006599	1	Head	
4	See Note	NSS	Wiper Rod (Note: Use Item 100)	
5	70002373	1	Ring, Retaining	
6	See Note	NSS	Seal, Rod (Note: Use Item 100)	
7	See Note	NSS	Ring, Back-up (Note: Use Item 100)	
8	See Note	NSS	Ring, Wear (Note: Use Item 100)	
9	See Note	NSS	O-Ring (Note: Use Item 100)	
10	See Note	NSS	Ring, Back-up (Note: Use Item 100)	
11	See Note	NSS	O-Ring (Note: Use Item 100)	
12	70006597	1	Piston	
13	See Note	NSS	Seal Piston (Note: Use Item 100)	
14	See Note	NSS	O-Ring (Note: Use Item 100)	
15	70022564	1	Ball	
16	70006601	1	Setscrew	
17	70006775	1	Spacer	
18	0961947	4	Bushing	
19	70023371	2	Plug, O-Ring	
100	70006776	1	Seal Kit (Includes Items 4, 6-11, 13 & 14)	



# SECTION 5 - CYLINDER

## FIGURE 5-15. MASTER CYLINDER ASSEMBLY - 600SJ/660SJ (SERVICE REPAACEMENT)



ART\_1001228052

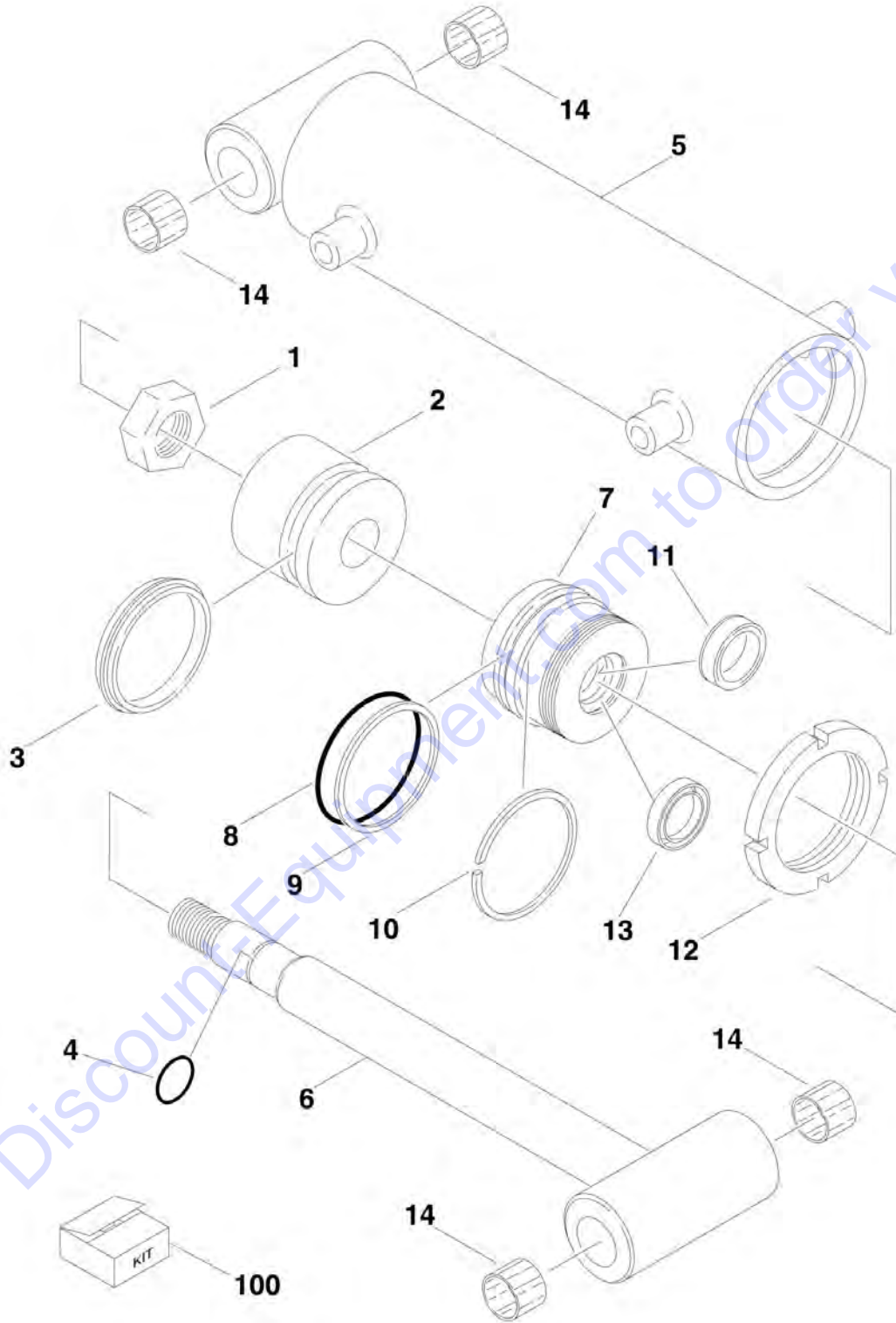
## SECTION 5 - CYLINDER

**FIGURE 5-15. MASTER CYLINDER ASSEMBLY - 600SJ/660SJ (SERVICE REPAACEMENT)**

ITEM	PART NUMBER	QTY	DESCRIPTION	REV
	1001228052	Ref	<b>MASTER CYLINDER ASSEMBLY - 600SJ/660SJ (SERVICE REPAACEMENT)</b>	A
		Ref		
1	See Note	NSS	Barrel Weldment (Note: Not Available for Purchase)	
1A	0961951	2	Bushing	
2	70006447	1	Rod Weldment	
2A	0961951	2	Bushing	
3	70006446	1	Head	
4	70006445	1	Piston	
5	70006444	1	Bushing, Tapered	
6	0630535	3	Capscrew 1/4 x 1-1/8	
7	70006443	1	Spacer	
8	70006442	1	Ring, Washer	
9	3931620	8	Capscrew 3/8 x 1-1/4	
10	2220885	2	Plug, O-Ring	
100	1001138796	1	Seal Kit (Includes Items 12-21)	
101	See Note	NSS	Ring, Wear (Note: Use Item 100)	
102	See Note	NSS	Seal, Piston (Note: Use Item 100)	
103	See Note	NSS	O-Ring (Note: Use Item 100)	
104	See Note	NSS	Ring, Back-up (Note: Use Item 100)	
105	See Note	NSS	Ring, Wear (Note: Use Item 100)	
106	See Note	NSS	O-Ring (Note: Use Item 100)	
107	See Note	NSS	Ring, Back-up (Note: Use Item 100)	
108	See Note	NSS	Seal, Rod (Note: Use Item 100)	
109	See Note	NSS	Wiper, Rod (Note: Use Item 100)	

# SECTION 5 - CYLINDER

## FIGURE 5-16. STEER CYLINDER ASSEMBLY



## SECTION 5 - CYLINDER

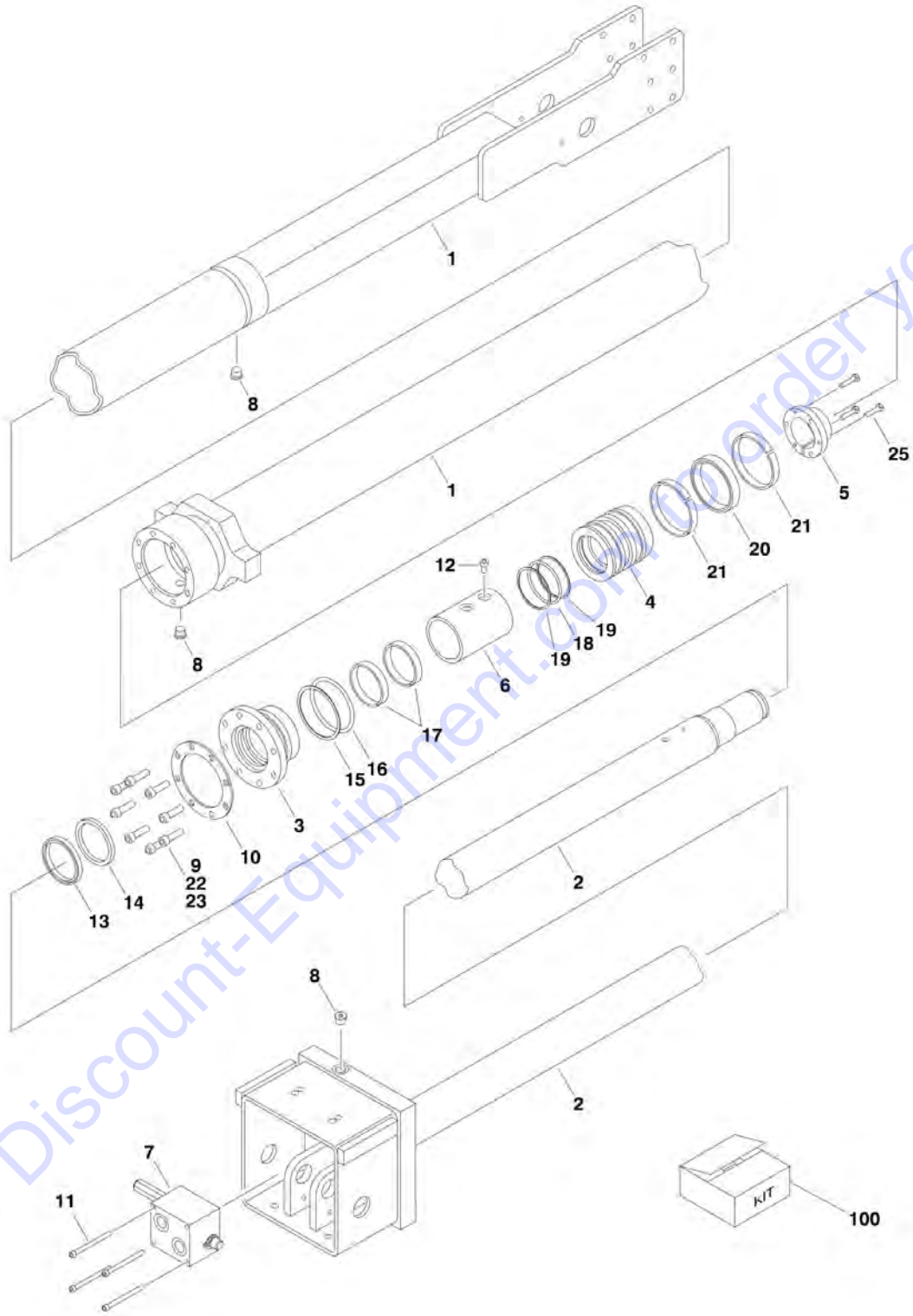
**FIGURE 5-16. STEER CYLINDER ASSEMBLY**

ITEM	PART NUMBER	QTY	DESCRIPTION	REV
	1683208	Ref	<b>STEER CYLINDER ASSEMBLY</b>	C
1	7001626	1	Locknut	
2	7001627	1	Piston	
3	See Note	NSS	Seal (Note: Use Item 100)	
4	See Note	NSS	O-Ring (Note: Use Item 100)	
5	See Note	1	Barrel Weldment (Note: Not Available - Purchase Complete Steer Cylinder Assembly)	
6	7001633	1	Rod Weldment	
7	7001629	1	Head	
8	See Note	NSS	O-Ring (Note: Use Item 100)	
9	See Note	NSS	Ring, Back-up (Note: Use Item 100)	
10	See Note	NSS	Ring, Retainer (Note: Use Item 100)	
11	See Note	NSS	Seal, Lip (Note: Use Item 100)	
12	7001630	1	Nut, Spanner	
13	See Note	NSS	Wiper (Note: Use Item 100)	
14	0961977	4	Bushings	
100	7001625	1	Seal Kit - 1683208 (Includes Items 3, 4, 8-11 & 13)	

Go to Discount-Equipment.com to order your parts

# SECTION 5 - CYLINDER

## FIGURE 5-17. TELESCOPE CYLINDER ASSEMBLY



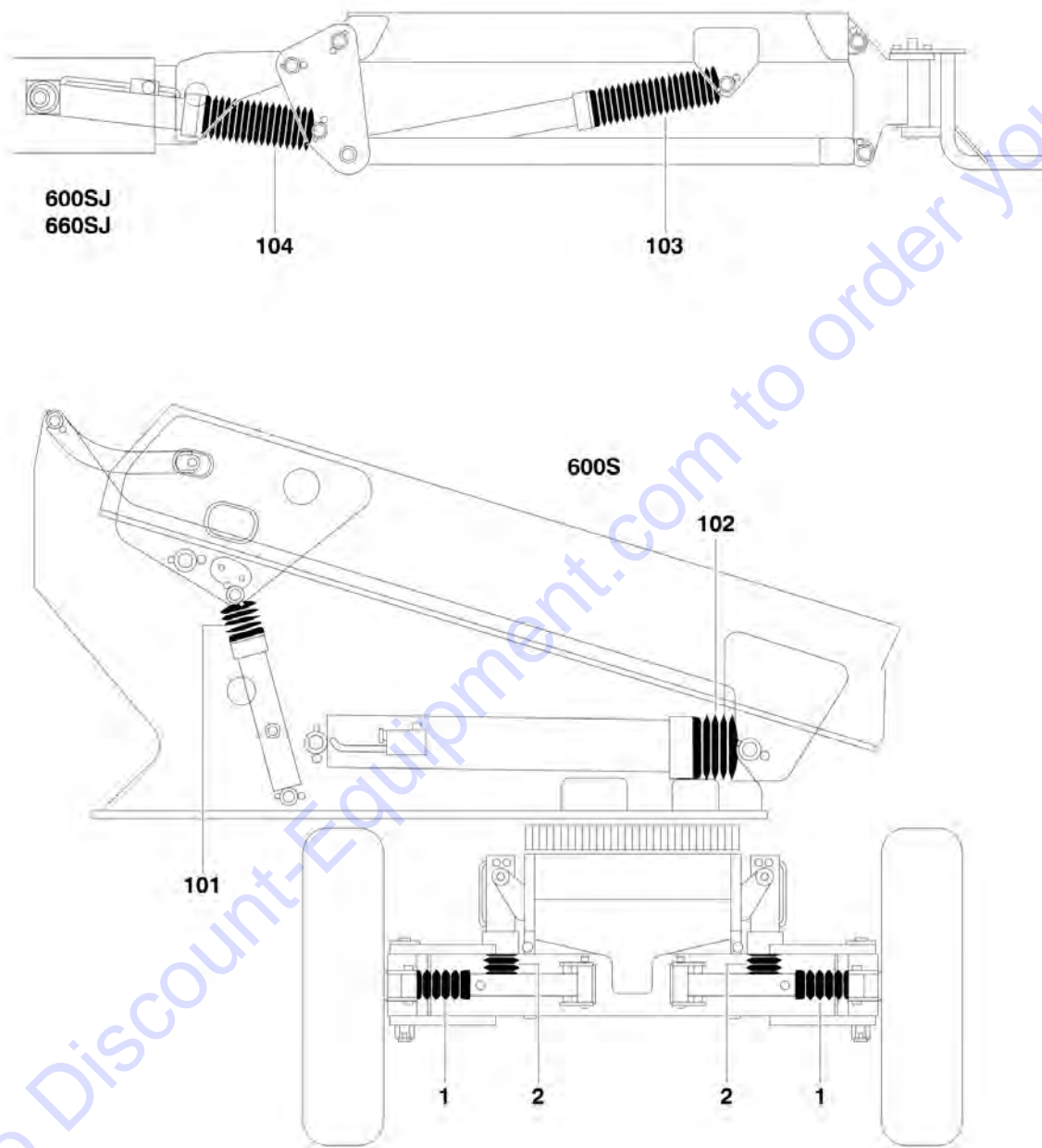
## SECTION 5 - CYLINDER

**FIGURE 5-17. TELESCOPE CYLINDER ASSEMBLY**

ITEM	PART NUMBER	QTY	DESCRIPTION	REV
		Ref	<b>TELESCOPE CYLINDER ASSEMBLY</b>	
	1683618	Ref	<b>Telescope Cylinder Assembly 600S &amp; 660SJ</b>	3-D
	1683620	Ref	<b>Telescope Cylinder Assembly 600SJ</b>	2-C
1		Ref	Barrel Options:	
1	1683619	1	Barrel 600S & 660SJ	
1	1683621	1	Barrel 600SJ	
2		Ref	Rod Options:	
2	1683250	1	Rod 600S & 660SJ	
2	1683359	1	Rod 600SJ	
3	1683057	1	Head	
4	3480205	1	Piston	
5	0961897	1	Bushing, Tapered	
6	4566644	1	Spacer, Tube	
7	4641028	1	Valve Assembly (No serviceable parts - sold as assembly only)	
7	7024397	2	O-Rings Between Valve Block and Cylinder	
8	2220885	6	Plug, O-Ring	
9	3931620	8	Capscrew 3/8in-16NC x 1-1/4in	
10	3760369	1	Ring, Washer	
11	3931448	4	Capscrew 1/4in-20NC x 3in	
12	3931508	1	Capscrew 5/16in-18NC x 1/2in	
13	See Note	NSS	Wiper (Note: Use Item 100)	
14	See Note	NSS	Seal, Rod (Note: Use Item 100)	
15	See Note	NSS	O-Ring (Note: Use Item 100)	
16	See Note	NSS	Ring, Back-up (Note: Use Item 100)	
17	See Note	NSS	Ring, Wear (Note: Use Item 100)	
18	See Note	NSS	O-Ring (Note: Use Item 100)	
19	See Note	NSS	Ring, Back-up (Note: Use Item 100)	
20	See Note	NSS	T-Seal (Note: Use Item 100)	
21	See Note	NSS	Ring, Wear (Note: Use Item 100)	
22	0100011	AR	Compound, Locking	
23	0100038	AR	Primer, Locking	
25	0630535	3	Bolt 1/4in-20NC x 1-1/8in	
100	2901284	1	Seal Kit (Includes Items 13-21)	

# SECTION 5 - CYLINDER

## FIGURE 5-18. CYLINDER BELLOWS INSTALLATION (OPTIONAL)



## SECTION 5 - CYLINDER

**FIGURE 5-18. CYLINDER BELLOWS INSTALLATION (OPTIONAL)**

ITEM	PART NUMBER	QTY	DESCRIPTION	REV
		Ref	<b>BELLOWS INSTALLATION - FRAME</b>	
	0255353	Ref	<b>2WS with Oscillating Axle</b>	
	0255354	Ref	<b>2WS with Fixed Axle</b>	
	0255355	Ref	<b>4WS with Oscillating Axle</b>	
	0255356	Ref	<b>4WS with Fixed Axle</b>	
1	0460150	AR	Bellows, Cylinder (1 Per Steer Cylinder)	
2	0460158	AR	Bellows, Cylinder (1 Per Lockout Cylinder)	
	0255929	Ref	<b>BELLOWS INSTALLATION - BOOM (600S)</b>	
101	0460152	1	Bellows, Cylinder (Master Cylinder)	
102	0460153	1	Bellows, Cylinder (Lift Cylinder)	
103	Not Required	0	Not Required	
104	0460152	1	Bellows, Cylinder (Platform Level Cylinder)	
	0255930	Ref	<b>BELLOWS INSTALLATION - BOOM (600SJ &amp; 660SJ)</b>	
101	0460151	1	Bellows, Cylinder (Master Cylinder)	
102	0460153	1	Bellows, Cylinder (Lift Cylinder)	
103	0460161		Bellows, Cylinder (Articulating Jib Lift Cylinder)	
104	0460160	1	Bellows, Cylinder (Platform Level Cylinder)	



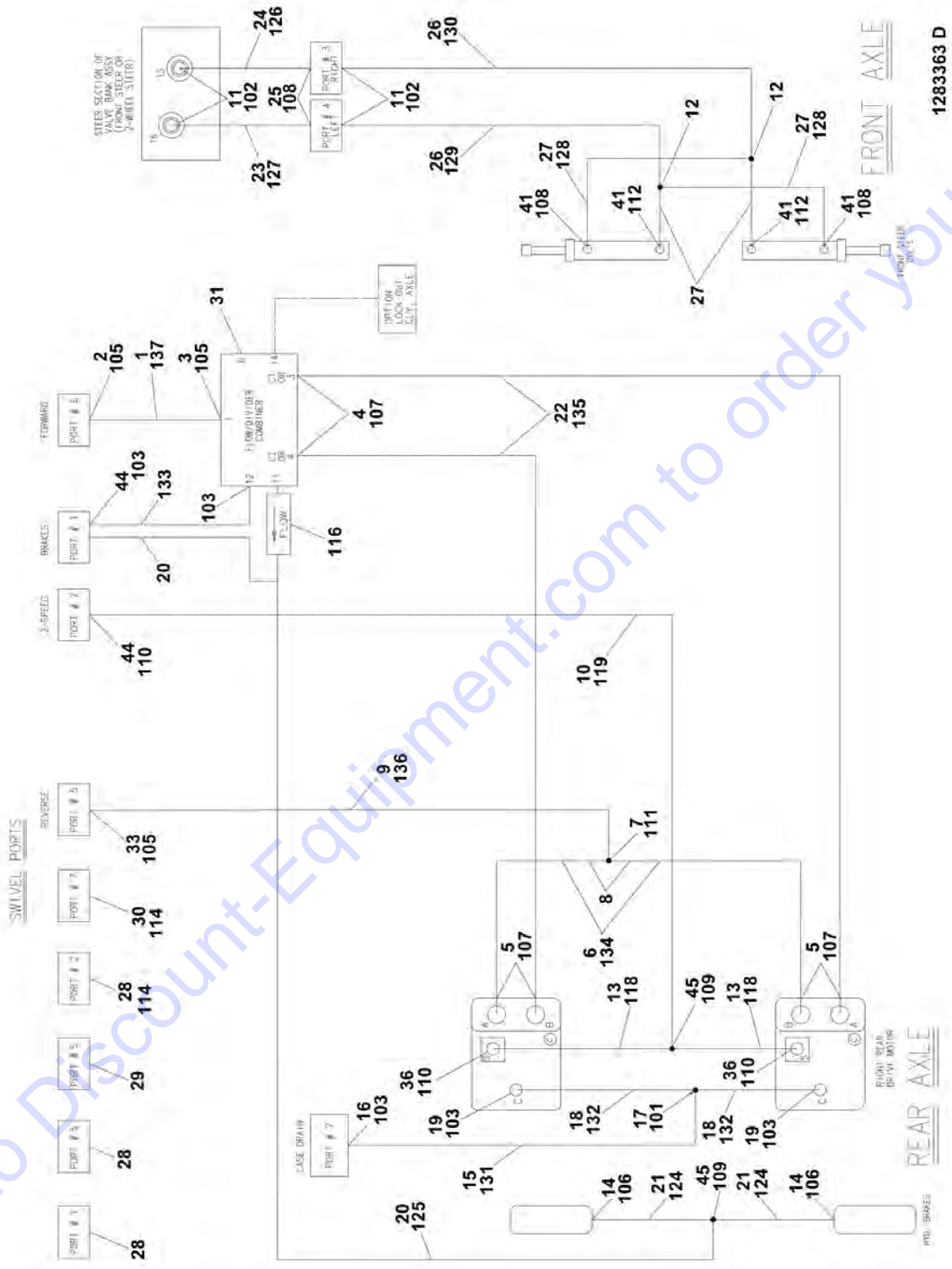


**SECTION 6 - HYDRAULIC**

Go to [Discount-Equipment.com](http://Discount-Equipment.com) to order your parts

# SECTION 6 - HYDRAULIC

## FIGURE 6-1. HYDRAULIC DIAGRAM - DRIVE AND STEER (2WD/2WS)



1283363 D

## SECTION 6 - HYDRAULIC

**FIGURE 6-1. HYDRAULIC DIAGRAM - DRIVE AND STEER (2WD/2WS)**

ITEM	PART NUMBER	QTY	DESCRIPTION	REV
		Ref	<b>DRIVE AND STEER HYDRAULIC DIAGRAM - (2WD/2WS)</b>	
	2792184	Ref	<b>Machines (SN 0300068000 through 0300075605)</b>	3
1	2752322	1	Hose	
2	2220646	1	Fitting, 90	
3	2220377	2	Fitting, Straight	
4	2220568	2	Fitting, 45	
5	2220465	4	Fitting, Straight	
6	2752245	2	Hose	
7	2220363	1	Fitting, Tee	
8	2220710	2	Fitting, Reducer	
9	2752345	1	Hose	
10	2751016	1	Hose	
11	2220371	4	Fitting, Straight	
12	2220490	2	Fitting, Tee	
13	2751013	2	Hose	
14	2220466	1	Fitting, 90	
15	2752812	1	Hose	
16	2220375	1	Fitting, Straight	
17	2220362	1	Fitting, Tee	
18	2752807	2	Hose	
19	2220671	2	Fitting, 90	
20	2752584	1	Hose	
21	2752592	2	Hose	
22	2752258	2	Hose	
23	2752632	1	Hose	
24	2752478	1	Hose	
25	2220473	2	Fitting, 90	
26	2752462	2	Hose	
27	2752963	4	Hose	
28	2220237	3	Fitting, O-Ring Plug	
29	2220242	1	Fitting, O-Ring Plug	
30	2220240	1	Fitting, O-Ring Plug	
31	2220235	1	Fitting, O-Ring Plug	
33	2220365	1	Fitting, 45	
36	2220502	2	Fitting, 45	
41	2220473	4	Fitting, 90	
44	2220582	2	Fitting, Straight	
45	2220504	2	Fitting, Tee	
	2792616	Ref	<b>Machines (SN 0300075606 through 0300087000)</b>	2
101	2220362	1	Fitting, Tee	
102	2220371	4	Fitting, Straight	
103	2220373	5	Fitting, Straight	
105	2220377	3	Fitting, Straight	
106	2220415	2	Fitting, Straight	
107	2220451	6	Fitting, Straight	
108	2220473	4	Fitting, 90	
109	2220504	2	Fitting, Tee	
110	2220582	3	Fitting, Straight	
111	2221170	1	Fitting, Tee	
112	2220606	2	Fitting, Tee	

## SECTION 6 - HYDRAULIC

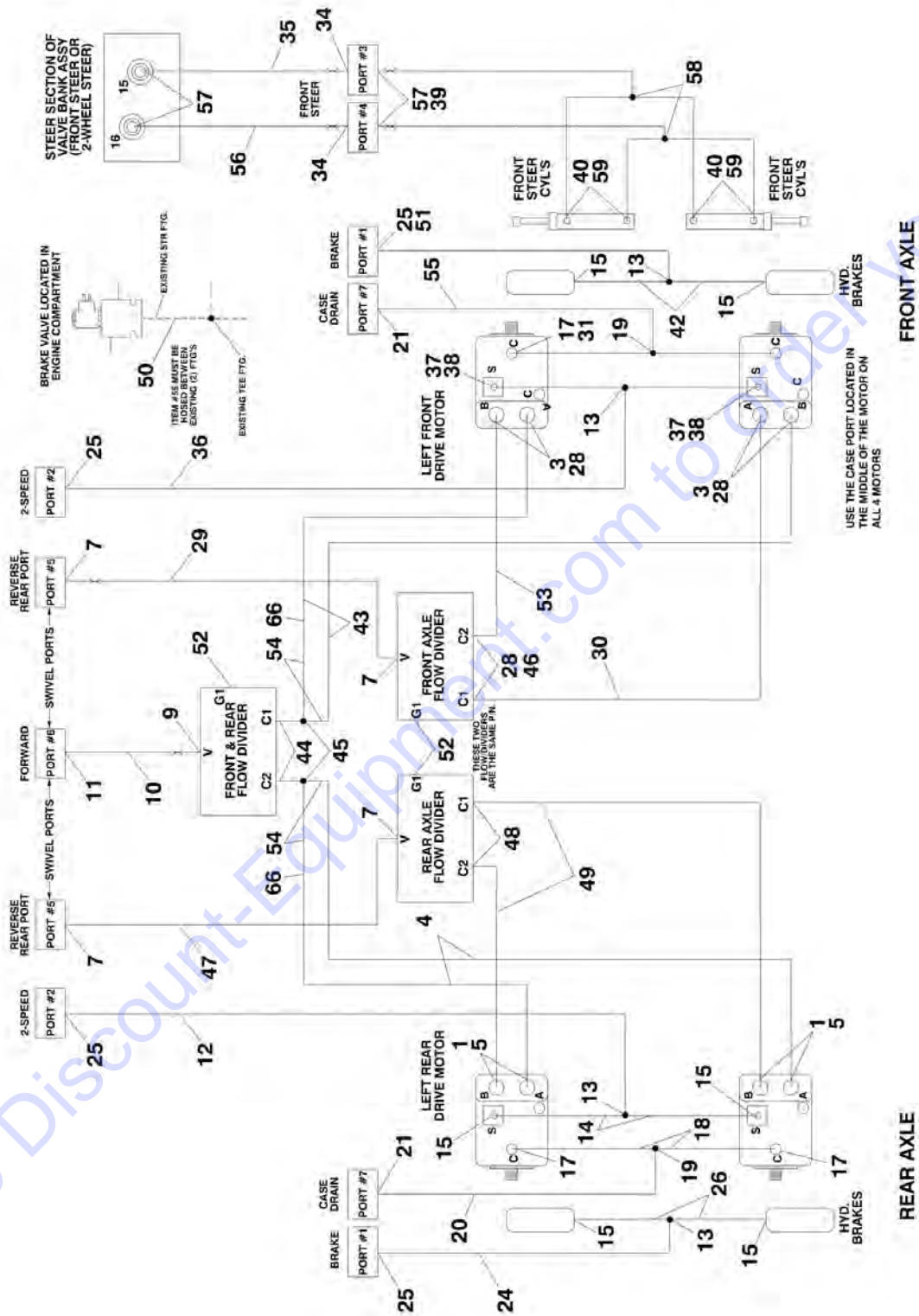
ITEM	PART NUMBER	QTY	DESCRIPTION	REV
114	2220307	2	Fitting, Plug	
116	4641307	1	Valve, Check	
118	2753925	2	Hose	
119	2753924	1	Hose	
124	2752592	2	Hose	
125	2752910	1	Hose	
126	2752478	1	Hose	
127	2752632	1	Hose	
128	2753397	2	Hose	
129	2752475	1	Hose	
130	2752611	1	Hose	
131	2752928	1	Hose	
132	2753929	2	Hose	
133	2752929	1	Hose	
134	2753969	2	Hose	
135	2753967	2	Hose	
136	2752341	1	Hose	
137	2753435	1	Hose	

Go to Discount-Equipment.com to order your parts



# SECTION 6 - HYDRAULIC

FIGURE 6-2. HYDRAULIC DIAGRAM - DRIVE AND STEER (4WD/2WS) (SN 0300068000 through 0300075605)



## SECTION 6 - HYDRAULIC

**FIGURE 6-2. HYDRAULIC DIAGRAM - DRIVE AND STEER (4WD/2WS) (SN 0300068000 through 0300075605)**

ITEM	PART NUMBER	QTY	DESCRIPTION	REV
	2792186	Ref	<b>DRIVE AND STEER HYDRAULIC DIAGRAM - 4WD/2WS</b>	8
1	2220465	4	Fitting, 90	
3	2220500	4	Fitting, 45	
4	2752398	2	Hose	
5	2220622	4	Fitting, Reducer	
7	2220435	4	Fitting, Straight	
9	2220377	1	Fitting, Straight	
10	2752322	1	Hose	
11	2220646	1	Fitting, 90	
12	2751016	1	Hose	
13	2220504	4	Fitting, Tee	
14	2751013	2	Hose	
15	2220466	6	Fitting, 90	
17	2220671	4	Fitting, 90	
18	2752807	2	Hose	
19	2220362	2	Fitting, Tee	
20	2752812	1	Hose	
21	2220375	2	Fitting, Straight	
24	2752584	1	Hose	
25	2220582	4	Fitting, Straight	
26	2752592	2	Hose	
28	2220833	6	Fitting, Reducer	
29	2752256	1	Hose	
30	2752888	1	Hose	
31	2752898	2	Hose	
34	2220472	2	Fitting, 90	
35	2752478	1	Hose	
36	2751021	1	Hose	
37	2752918	2	Hose	
38	2220502	2	Fitting, 45	
39	2752462	2	Hose	
40	2752963	4	Hose	
42	2752909	2	Hose	
43	2752889	2	Hose	
44	2220550	2	Fitting, Reducer	
45	2220738	2	Fitting, Tee	
46	2220596	2	Fitting, 90	
47	2752249	1	Hose	
48	2220800	2	Fitting, Straight	
49	2752389	2	Hose	
50	2220914	1	Orifice (.043)	
51	2752443	1	Hose	
52	2220235	3	Plug #4	
53	2752893	1	Hose	
54	2220622	4	Fitting, Reducer	
55	2752810	1	Hose	
56	2752632	1	Hose	
57	2220582	4	Fitting, Straight	
58	2220363	1	Fitting, Tee	



## SECTION 6 - HYDRAULIC

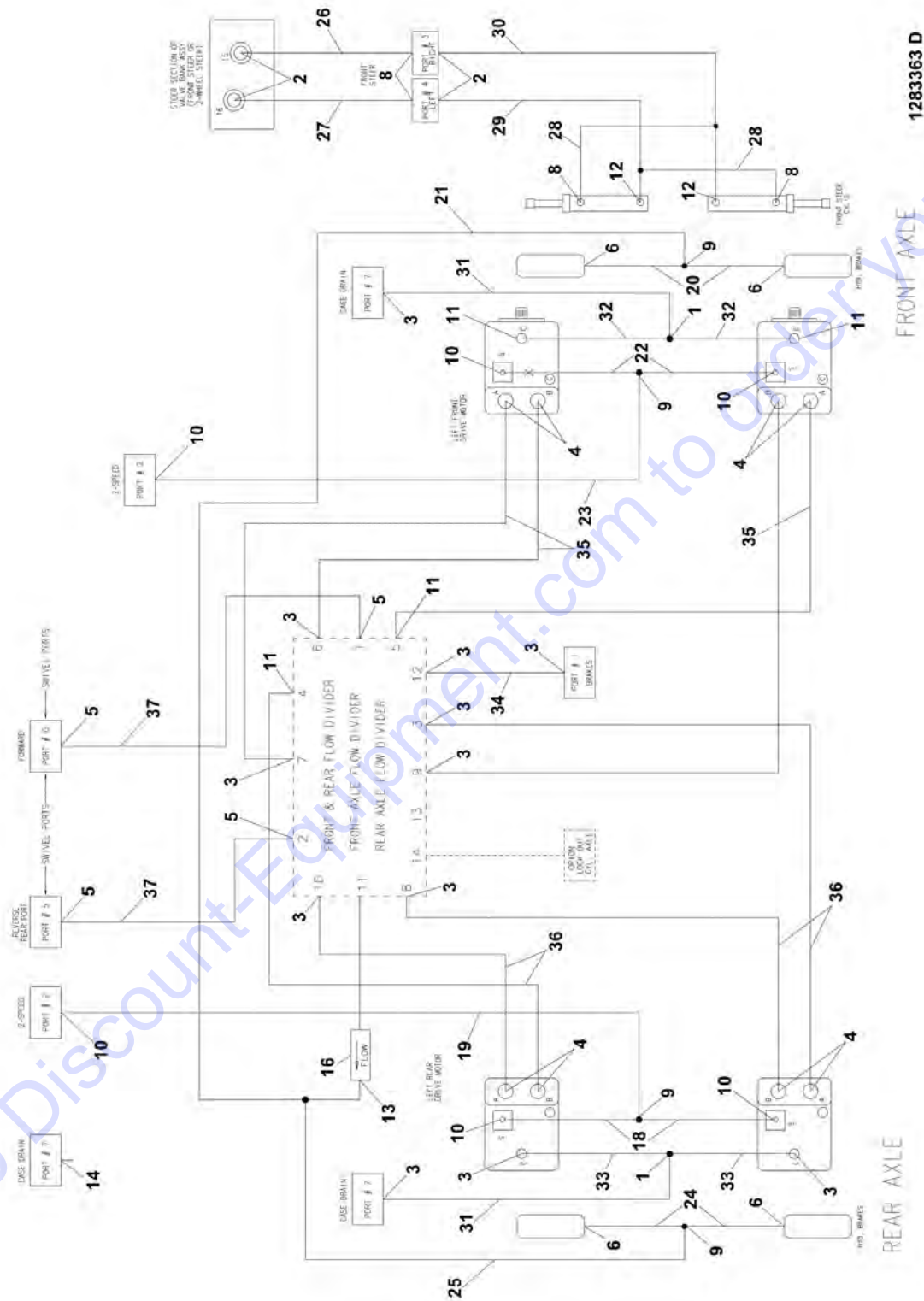
ITEM	PART NUMBER	QTY	DESCRIPTION	REV
59	2220472	2	Fitting, 90	
60 to 65	Not Required	0	Not Required	
66	2220386	2	Fitting, 90	

Go to Discount-Equipment.com to order your parts



# SECTION 6 - HYDRAULIC

FIGURE 6-3. HYDRAULIC DIAGRAM - DRIVE AND STEER (4WD/2WS) (SN 0300075606 through 0300087000)



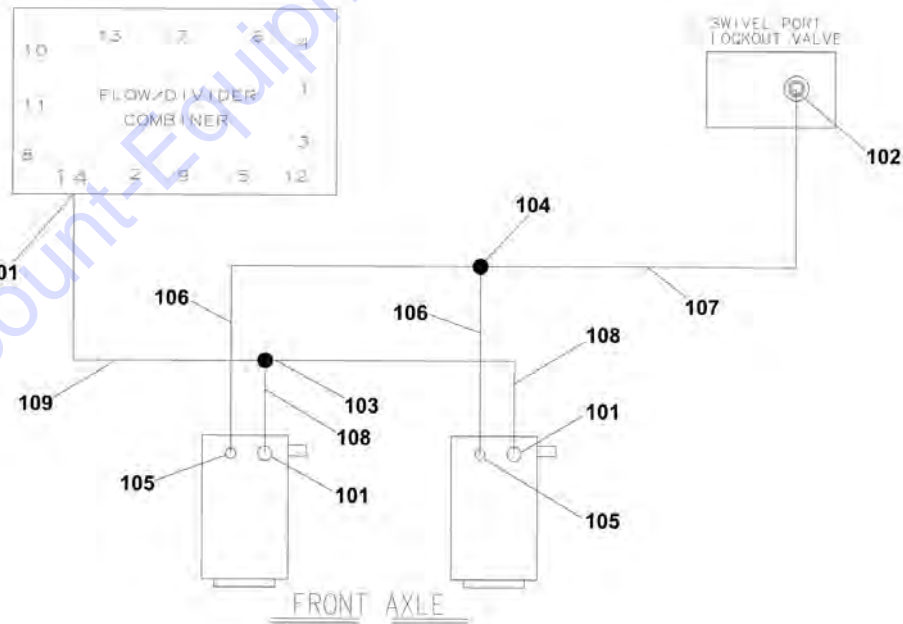
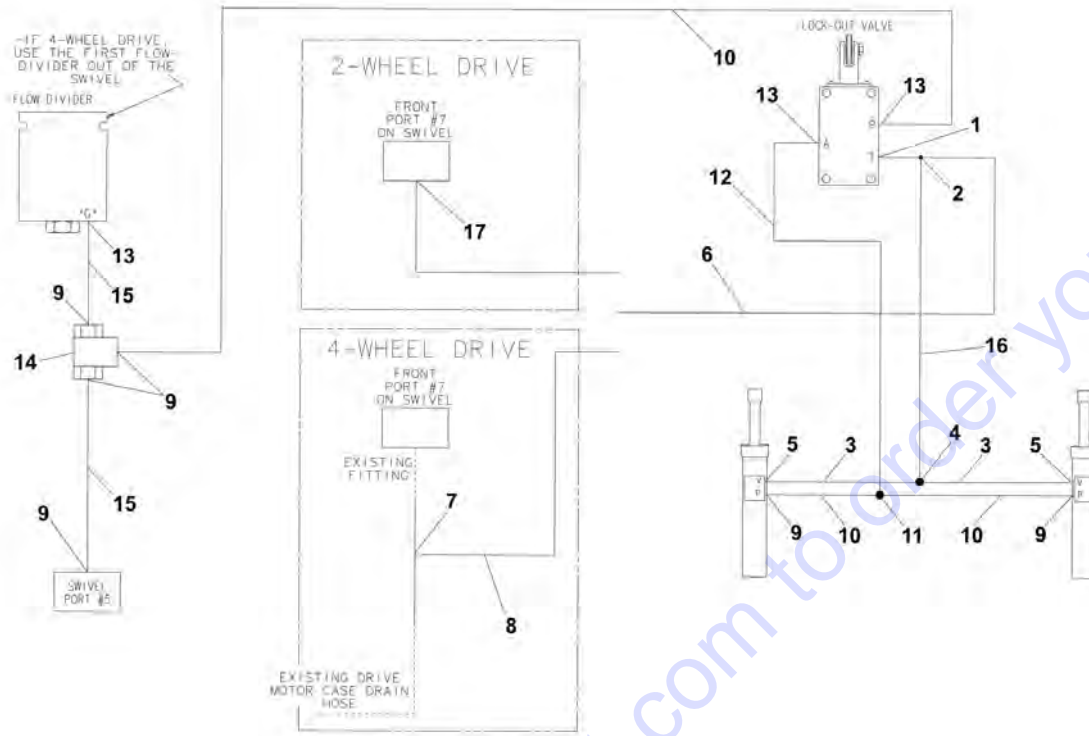
## SECTION 6 - HYDRAULIC

**FIGURE 6-3. HYDRAULIC DIAGRAM - DRIVE AND STEER (4WD/2WS) (SN 0300075606 through 0300087000)**

ITEM	PART NUMBER	QTY	DESCRIPTION	REV
	2792607	Ref	<b>DRIVE AND STEER HYDRAULIC DIAGRAM - 4WD/2WS</b>	3
1	2220362	2	Fitting, Tee	
2	2220371	4	Fitting, Straight	
3	2220373	12	Fitting, Straight	
4	2220375	8	Fitting, Straight	
5	2220377	4	Fitting, Straight	
6	2220415	4	Fitting, Straight	
8	2220473	4	Fitting, 90	
9	2220504	4	Fitting, Tee	
10	2220582	6	Fitting, Straight	
11	2220596	4	Fitting, 90	
12	2220606	2	Fitting, Tee	
13	2220861	1	Fitting, Tee	
14	2220237	1	Plug	
16	4641284	1	Valve, Check	
18	2753925	2	Hose	
19	2753924	1	Hose	
20	2753926	2	Hose	
21	2752909	1	Hose	
22	2752574	2	Hose	
23	2752977	1	Hose	
24	2752592	2	Hose	
25	2752910	1	Hose	
26	2752478	1	Hose	
27	2752632	1	Hose	
28	2753397	2	Hose	
29	2752475	1	Hose	
30	2752611	1	Hose	
31	2752928	2	Hose	
32	2753928	2	Hose	
33	2753929	2	Hose	
34	2752929	1	Hose	
35	2753931	4	Hose	
36	2753930	4	Hose	
37		Ref	Hose Options:	
37	2753435	2	Hose (SN 0300075606 through 0300081123)	
37	2752331	2	Hose (SN 0300081124 through 0300087000)	

# SECTION 6 - HYDRAULIC

## FIGURE 6-4. HYDRAULIC DIAGRAM - OSCILLATING AXLE



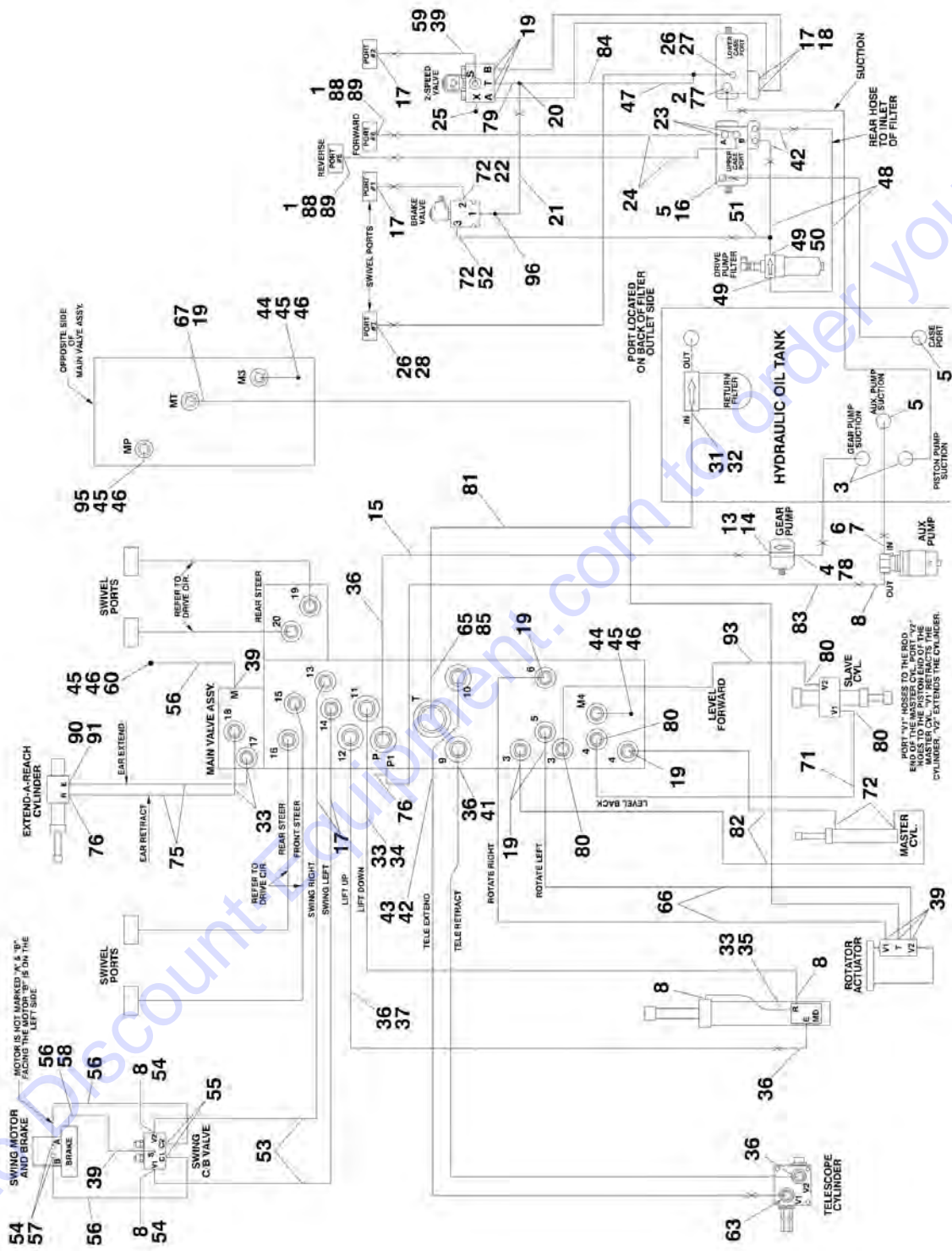
## SECTION 6 - HYDRAULIC

**FIGURE 6-4. HYDRAULIC DIAGRAM - OSCILLATING AXLE**

ITEM	PART NUMBER	QTY	DESCRIPTION	REV
		Ref	<b>AXLE LOCKOUT HYDRAULIC DIAGRAM - OSCILLATING AXLE</b>	
	2792204	Ref	<b>Machines (SN 0300068000 through 0300075605)</b>	3
1	2220603	1	Fitting, Straight	
2	2220635	1	Fitting, Tee	
3	2752822	2	Hose	
4	2220490	1	Fitting, Tee	
5	2220371	2	Fitting, Straight	
6	2752823	1	Hose	
7	2220385	1	Fitting, Tee	
8	2220619	1	Fitting, Reducer	
9	2220582	6	Fitting, Straight	
10	2751397	3	Hose	
11	2220504	1	Fitting, Tee	
12	2751015	1	Hose	
13	2220415	3	Fitting, Straight	
14	4640939	1	Valve, Shuttle	
15	2751020	2	Hose	
16	2752824	1	Hose	
17	2220577	1	Fitting, Straight	
	2792612	Ref	<b>Machines (SN 0300075606 through 0300087000)</b>	1
101	2220371	3	Fitting, Straight	
102	2220468	1	Fitting, Straight	
103	2220490	1	Fitting, Tee	
104	2220504	1	Fitting, Tee	
105	2220415	2	Fitting, Straight	
106	2751434	2	Hose	
107	2751410	1	Hose	
108	2753933	2	Hose	
109	2752462	1	Hose	

# SECTION 6 - HYDRAULIC

FIGURE 6-5. HYDRAULIC DIAGRAM - STANDARD (SN 0300068000 through 0300075605)



## SECTION 6 - HYDRAULIC

**FIGURE 6-5. HYDRAULIC DIAGRAM - STANDARD (SN 0300068000 through 0300075605)**

ITEM	PART NUMBER	QTY	DESCRIPTION	REV
		Ref	<b>STANDARD HYDRAULIC DIAGRAM</b>	
	2792179	Ref	<b>Standard Hydraulic Diagram 600S</b>	21
	2792181	Ref	<b>Standard Hydraulic Diagram 600SJ</b>	19
	2792180	Ref	<b>Standard Hydraulic Diagram 660SJ</b>	21
1	2220377	2	Fitting, Straight	
2	2752752	1	Hose	
3	2220380	2	Fitting, Straight	
4	2220376	1	Fitting, Straight	
5	2220578	3	Fitting, 90	
6	2752653	1	Hose	
7	2220408	1	Fitting, Straight	
8	2220628	5	Fitting, 90	
13	2220810	1	Fitting, Reducer	
14	4640744	1	Fitting, Check Valve	
15	2752504	1	Hose	
16	2752654	1	Hose	
17	2220582	AR	Fitting, Straight	
18	2751427	2	Hose	
19	2220415	AR	Fitting, Straight	
20	2220605	1	Fitting, Tee	
21	2752573	1	Hose	
22	2752594	1	Hose	
23	2220646	2	Fitting, 90	
24	2752340	2	Hose	
25	2220235	1	Fitting, Plug	
26	2220375	2	Fitting, Straight	
27	2220385	1	Fitting, Tee	
28	2752514	1	Hose	
31	2220921	1	Fitting, Reducer	
32	2220498	1	Fitting, 45	
33	2220372	AR	Fitting, Straight	
34	2752631	1	Hose	
35	2752632	1	Hose	
36	2220373	5	Fitting, Straight	
37	2752515	1	Hose	
38	2752587	1	Hose (SN 0300068000 through 0300070974)	
39	2220466	AR	Fitting, 90	
40	2220596	2	Fitting, 90 (SN 0300068000 through 0300070974)	
41		Ref	Hose Options:	
41	2752516	1	Hose (SN 0300068000 through 0300070974)	
41	2751474	1	Hose (SN 0300070975 through 0300087000)	
42	2220947	3	Fitting, Straight	
43	2752762	1	Hose	
44	2220873	AR	Fitting, Straight Nipple	
45	2220428	AR	Fitting, Quick Coupling	
46	2220429	AR	Fitting, Dust Cap	
47	2220618	1	Fitting, Reducer	
48	2752763	2	Hose	
49	2220906	2	Fitting, 90	
50	2220948	1	Fitting, Tee	



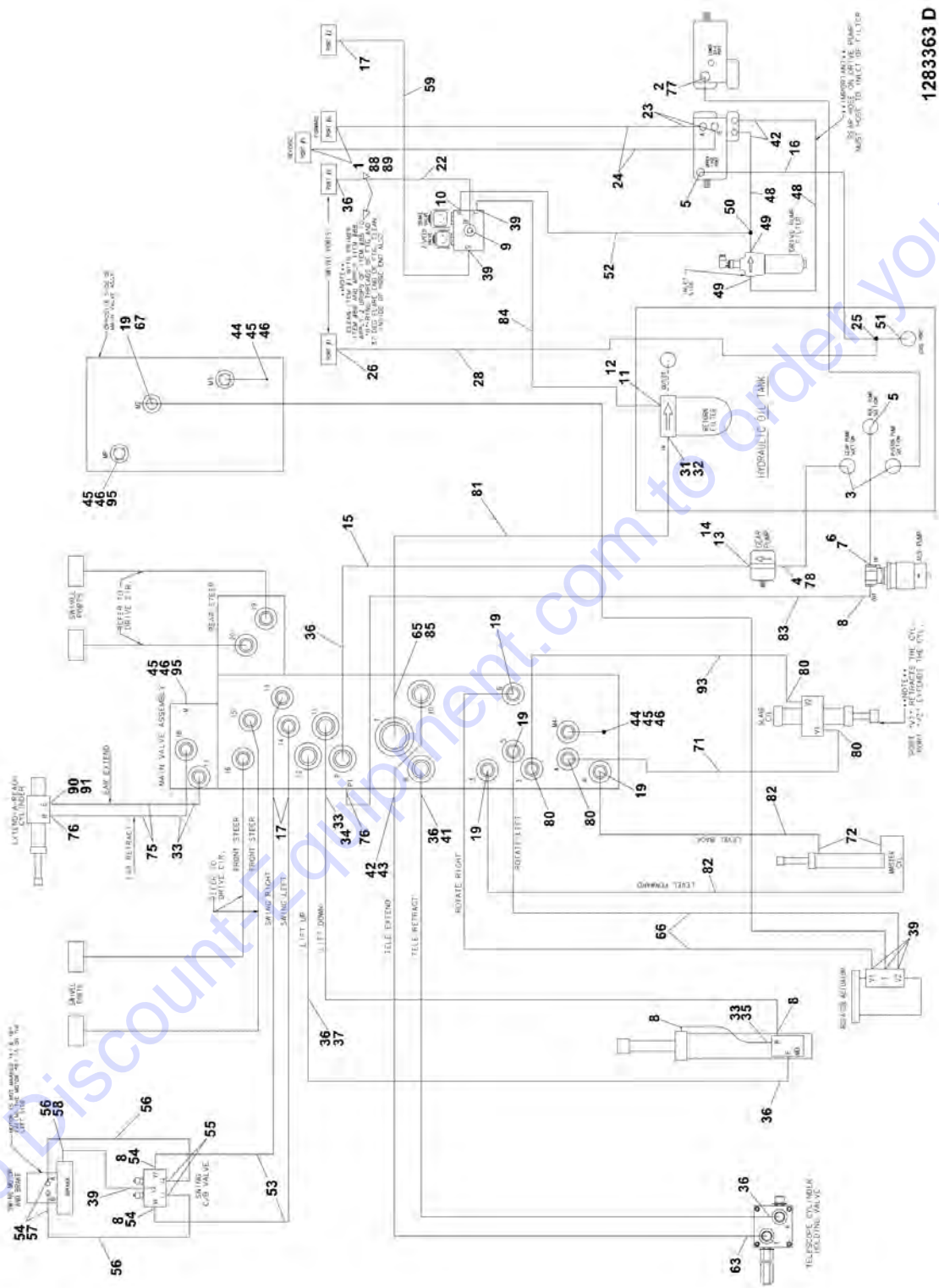
## SECTION 6 - HYDRAULIC

ITEM	PART NUMBER	QTY	DESCRIPTION	REV
51	2220618	1	Fitting, Reducer	
52	2752580	1	Hose	
53	2752588	2	Hose	
54	2220609	4	Fitting, Reducer	
55	2220468	2	Fitting, Straight	
56	2752981	AR	Hose	
57	2220497	2	Fitting, Straight	
58	2220502	1	Fitting, 45	
59	2751396	1	Hose	
60		Ref	Fitting, Straight Options:	
60	2220414	AR	Fitting, Straight 600S/660SJ	
60	Not Required	0	Fitting, Straight 600SJ	
61	2752433	1	Hose <b>(SN 0300068000 through 0300070974)</b>	
62	2220462	1	Fitting, 90 <b>(SN 0300068000 through 0300070974)</b>	
63	2220950	1	Fitting, 45	
64	2752517	1	Hose <b>(SN 0300068000 through 0300070974)</b>	
65	2220974	1	Fitting, Long Straight	
66		Ref	Hose Options:	
66	2752598	2	Hose 600S & 600SJ	
66	2752596	2	Hose 660SJ	
67		Ref	Hose Options:	
67	2752599	1	Hose 600S & 600SJ	
67	2752597	1	Hose 660SJ	
71		Ref	Hose Options:	
71	2752633	AR	Hose 600S & 660SJ	
71	2751868	AR	Hose 600SJ	
72	2220472	4	Fitting, 90	
75		Ref	Hose Options:	
75	2752633	2	Hose 660SJ	
75	2753048	2	Hose 600SJ	
76	2220473	AR	Fitting, 90	
77	2220479	1	Fitting, Straight	
78	2752753	1	Hose	
79	2220909	1	Fitting, Restrictor	
80	2220603	4	Fitting, Straight	
81	2752783	1	Hose	
82	2752591	2	Hose	
83	2752643	1	Hose	
84	2752981	1	Hose	
85	2220409	1	Fitting, 45	
87	2220574	1	Fitting, Straight <b>(SN 0300068000 through 0300070974)</b>	
88	0100011	AR	Compound, Locking	
89	0100038	AR	Loctite, Primer	
90	2180724	1	Fitting, 90 (600SJ & 660SJ Only)	
91	2180380	1	Fitting, Pipe Plug (600SJ & 660SJ Only)	
92	1703533	1	Decal - Hose Tags (Not Shown)	
93	2753083	1	Hose (600SJ & 660SJ Only)	
94	4240018	7	Tie-Strap (Not Shown)	
95	2220873	1	Fitting, Nipple	
96	2220914	1	Fitting, Restrictor	



# SECTION 6 - HYDRAULIC

FIGURE 6-6. HYDRAULIC DIAGRAM - STANDARD (SN 0300075606 through 0300087000)



1283363 D

## SECTION 6 - HYDRAULIC

**FIGURE 6-6. HYDRAULIC DIAGRAM - STANDARD (SN 0300075606 through 0300087000)**

ITEM	PART NUMBER	QTY	DESCRIPTION	REV
		Ref	<b>STANDARD HYDRAULIC DIAGRAM</b>	
	2792608	Ref	<b>Standard Hydraulic Diagram 600S</b>	6
	2792614	Ref	<b>Standard Hydraulic Diagram 600SJ</b>	5
	2792613	Ref	<b>Standard Hydraulic Diagram 660SJ</b>	4
1	2220377	2	Fitting, Straight	
2	2752752	1	Hose	
3	2220380	2	Fitting, Straight	
4	2220376	1	Fitting, Straight	
5	2220578	2	Fitting, 90	
6	2752653	1	Hose	
7	2220408	1	Fitting, Straight	
8	2220628	5	Fitting, 90	
9	2220596	1	Fitting, 90	
10	2220474	1	Fitting, 90	
11	2220574	1	Fitting, 90	
12	0100020	AR	Sealant, Pipe	
13	2220810	1	Fitting, Reducer	
14	4640744	1	Fitting, Check Valve	
15	2752504	1	Hose	
16	2752654	1	Hose	
17	2220582	3	Fitting, Straight	
19	2220415	5	Fitting, Straight	
22	2752502	1	Hose	
23	2220646	2	Fitting, 90	
24	2752340	2	Hose	
25	2220407	1	Fitting, 90	
26	2220375	1	Fitting, Straight	
28	2753968	1	Hose	
31	2220921	1	Fitting, Reducer	
32	2220498	1	Fitting, 45	
33	2220372	AR	Fitting, Straight	
34	2752631	1	Hose	
35	2752632	1	Hose	
36	2220373	6	Fitting, Straight	
37	2752515	1	Hose	
39	2220466	6	Fitting, 90	
41	2751474	1	Hose	
42	2220947	3	Fitting, Straight	
43	2752762	1	Hose	
44	2220873	2	Fitting, Straight Nipple	
45	2220428	AR	Fitting, Quick Coupling	
46	2220429	AR	Fitting, Dust Cap	
47	2220618	1	Fitting, Reducer	
48	2752763	2	Hose	
49		Ref	Fitting, 90 Options:	
49	2220906	2	Fitting, 90 (SN 0300075606 through 0300084826)	
49	2221042	2	Fitting, 90 (SN 0300084827 through 0300087000)	
50	2220948	1	Fitting, Tee	
51	2220738	1	Fitting, Tee	
52	2753957	1	Hose	

## SECTION 6 - HYDRAULIC

ITEM	PART NUMBER	QTY	DESCRIPTION	REV
53	2752588	2	Hose	
54	2220609	AR	Fitting, Reducer	
55	2220468	2	Fitting, Straight	
56	2752981	3	Hose	
57	2220497	2	Fitting, Straight	
58	2220502	1	Fitting, 45	
59	2751396	1	Hose	
63	2220950	1	Fitting, 45	
65	2220974	1	Fitting, Long Straight	
66		Ref	Hose Options:	
66	2752598	2	Hose 600S & 600SJ	
66	2752596	2	Hose 660SJ	
67		Ref	Hose Options:	
67	2752599	1	Hose 600S & 600SJ	
67	2752597	1	Hose 660SJ	
71		Ref	Hose Options:	
71	2752633	AR	Hose 600S & 660SJ	
71	2751868	AR	Hose 600SJ (SN 0300075606 through 0300087911)	
71	2753048	AR	Hose 600SJ (SN 0300087912 through 0300087000)	
72	2220472	AR	Fitting, 90	
75		Ref	Hose Options:	
75	Not Required	0	Hose 600S	
75	2753048	2	Hose 600SJ	
75	2752633	AR	Hose 660SJ	
76	2220473	AR	Fitting, 90	
77	2220479	1	Fitting, Straight	
78	2752753	1	Hose	
80	2220603	4	Fitting, Straight	
81	2752783	1	Hose	
82	2752591	2	Hose	
83	2752643	1	Hose	
84	2753325	1	Hose	
85	2220409	1	Fitting, 45	
88	0100011	AR	Compound, Locking	
89	0100038	AR	Loctite, Primer	
90	2180724	1	Fitting, 90 (600SJ & 660SJ Only)	
91	2180380	1	Fitting, Pipe Plug (600SJ & 660SJ Only)	
92	1703533	2	Decal - Hose Tags (Not Shown)	
93		Ref	Hose Options:	
93	2752633	1	Hose 600S & 660SJ	
93	2752633	1	Hose 600SJ (SN 0300075606 through 0300087911)	
93	2753048	1	Hose 600SJ (SN 0300087912 through 0300087000)	
94	4240018	7	Tie-Strap (Not Shown)	
95	2220873	1	Fitting, Nipple	



# SECTION 6 - HYDRAULIC

## FIGURE 6-7. HYDRAULIC DIAGRAM LIST

ITEM	PART NUMBER	QTY	DESCRIPTION	REV
		Ref	<b>Note: Information on diagrams not shown is available from Discount-equipment.com.</b>	
		Ref	<b>Drive and Steer Hydraulic Diagrams:</b>	
		Ref	Drive and Steer Hydraulic Diagrams (SN 0300068000 through 0300075605)	
	2792184	Ref	2WD/2WS Machines	
	2792185	Ref	2WD/4WS Machines	
	2792186	Ref	4WD/2WS Machines	
	2792187	Ref	4WD/4WS Machines	
		Ref	Drive and Steer Hydraulic Diagrams (SN 0300075606 through 0300087000)	
	2792616	Ref	2WD/2WS Machines	
	2792617	Ref	2WD/4WS Machines	
	2792607	Ref	4WD/2WS Machines	
	2792615	Ref	4WD/4WS Machines	
		Ref	<b>Axle Lockout Hydraulic Diagram</b>	
	2792204	Ref	Axle Lockout Hydraulic Diagram (SN 0300068000 through 0300075605)	
	2792612	Ref	Axle Lockout Hydraulic Diagram (SN 0300075606 through 0300087000)	
		Ref	<b>Loop Flushing Hydraulic Diagram</b>	
	2792660	Ref	2WD	
	2792659	Ref	4WD	
		Ref	<b>Oil Cooler Hydraulic Diagrams:</b>	
	0256762	Ref	<b>Deutz Engine</b>	
	1282665	Ref	<b>Deutz Engine</b>	
	0272041	Ref	<b>Ford Engine</b>	
	1283309	Ref	<b>Ford Engine</b>	
		Ref	<b>Standard Hydraulic Diagrams:</b>	
		Ref	Standard Hydraulic Diagrams (SN 0300068000 through 0300075605)	
	2792179	Ref	Standard Hydraulic Diagrams 600S	
	1282380	Ref	Standard Hydraulic Diagrams 600S	
	2792181	Ref	Standard Hydraulic Diagrams 600SJ	
	1282380	Ref	Standard Hydraulic Diagrams 600SJ	
	2792180	Ref	Standard Hydraulic Diagrams 660SJ	
	1282380	Ref	Standard Hydraulic Diagrams 660SJ	
		Ref	Standard Hydraulic Diagrams (SN 0300075606 through 0300087000)	
	2792608	Ref	Standard Hydraulic Diagrams 600S	
	1283363	Ref	Standard Hydraulic Diagrams 600S	
	2792614	Ref	Standard Hydraulic Diagrams 600SJ	
	1283363	Ref	Standard Hydraulic Diagrams 600SJ	
	2792613	Ref	Standard Hydraulic Diagrams 660SJ	
	1283363	Ref	Standard Hydraulic Diagrams 660SJ	
		Ref	<b>Standard Hydraulic Schematic</b>	
	2792176	Ref	Standard Hydraulic Schematic (SN 0300068000 through 0300075605)	
	2792605	Ref	Standard Hydraulic Schematic (SN 0300075606 through 0300087000)	

## SECTION 6 - HYDRAULIC

ITEM	PART NUMBER	QTY	DESCRIPTION	REV
		Ref	<b>Tool Hydraulic Diagrams:</b>	
	2792325	Ref	Tool Hydraulic Diagrams 600S	
	2792326	Ref	Tool Hydraulic Diagrams 600SJ	
	2792327	Ref	Tool Hydraulic Diagrams 660SJ	
		Ref	<b>Tow Hydraulic Diagram</b>	
	2792266	Ref	2WS (SN 0300068000 through 0300075605)	
	2792315	Ref	4WS (SN 0300068000 through 0300075605)	
	2792630	Ref	Tow Hydraulic Diagram (SN 0300075606 through 0300087000)	

Go to Discount-Equipment.com to order your parts





**SECTION 7 - ELECTRICAL**

Go to [Discount-Equipment.com](http://Discount-Equipment.com) to order your parts

# SECTION 7 - ELECTRICAL

## FIGURE 7-1. ELECTRICAL DIAGRAM LIST

ITEM	PART NUMBER	QTY	DESCRIPTION	REV
		Ref	<b>ALARM ELECTRICAL DIAGRAM</b>	
	4933025	Ref	<b>Motion Alarm</b>	1
	1282937	Ref	<b>Motion Alarm</b>	A
	4933026	Ref	<b>Travel Alarm</b>	1
	1282937	Ref	<b>Travel Alarm</b>	A
		Ref	<b>DRIVE CUT-OUT ELECTRICAL DIAGRAMS</b>	
	4932990	Ref	<b>Above Elevation</b>	2
	1282828	Ref	<b>Above Elevation</b>	B
	4932993	Ref	<b>Above Elevation Tilt</b>	2
	1282828	Ref	<b>Above Elevation Tilt</b>	B
	3640493	1	Rail, Mounting	
	4460607	2	Stop, Terminal	
	4120013	1	Socket, Relay	
	3740058	1	Relay 4PDT	
	3740063	1	Spring, Relay	
	4933307	Ref	<b>DRIVE/STEER CUT-OUT ELECTRICAL DIAGRAMS</b>	A
	4932986	Ref	<b>ENGINE LOW OIL SHUTDOWN ELECTRICAL DIAGRAM</b>	2-B
	4933313	Ref	<b>FLOOD LIGHTS ELECTRICAL DIAGRAM</b>	1-A
		Ref	<b>GENERATOR ELECTRICAL DIAGRAMS</b>	
	4933215	Ref	<b>110Volt (SN 0300068000 through 0300077489)</b>	1-B
	4933216	Ref	<b>220 Volt (SN 0300068000 through 0300077489)</b>	1-B
	4933300	Ref	<b>110/220 Volt (SN 0300077490 through 0300087000)</b>	1-A
	4933217	Ref	<b>GLOW PLUG DIAGRAM</b>	B
		Ref	<b>LIGHTS ELECTRICAL DIAGRAM</b>	
	4933219	Ref	<b>Headlight/Taillight and Chassis Illumination Lights Harness</b>	1-B
	4922643	1	Harness (Located in Ground Console Box)	
	3740049	1	Relay	
		Ref	<b>OIL COOLER ELECTRICAL DIAGRAMS</b>	
	0256762	Ref	<b>Deutz Engine</b>	4
	1282665	Ref	<b>Deutz Engine</b>	D
	0272041	Ref	<b>Ford Engine</b>	1
	1283309	Ref	<b>Ford Engine</b>	B
	4922509	Ref	<b>PLATFORM ELECTRICAL DIAGRAM</b>	
	4933218	Ref	<b>PLATFORM SOFT TOUCH SYSTEM ELECTRICAL DIAGRAM</b>	1-B
		Ref	<b>PLATFORM WORKLIGHTS ELECTRICAL DIAGRAMS</b>	
	0270814	Ref	<b>Platform Worklights Electrical Diagrams (SN 0300068000 through 0300074440)</b>	3-E
	0273486	Ref	<b>Platform Worklights Electrical Diagrams (600S) (SN 0300074441 through 0300087000)</b>	C
	0273490	Ref	<b>Platform Worklights Electrical Diagrams (600SJ) (SN 0300074441 through 0300087000)</b>	B
	0273491	Ref	<b>Platform Worklights Electrical Diagrams (660SJ) (SN 0300074441 through 0300087000)</b>	B
	4933263	Ref	<b>POWER TOOL ELECTRICAL DIAGRAM</b>	1-B
		Ref	<b>REMOTE CONTROL ELECTRICAL DIAGRAMS:</b>	
	4922847	Ref	Harness, Remote Control Box	1-A
	4922863	Ref	Harness, Cable Remote Control	1-A
	4933274	Ref	Electrical Diagram	A
		Ref	<b>STANDARD ELECTRICAL DIAGRAMS</b>	

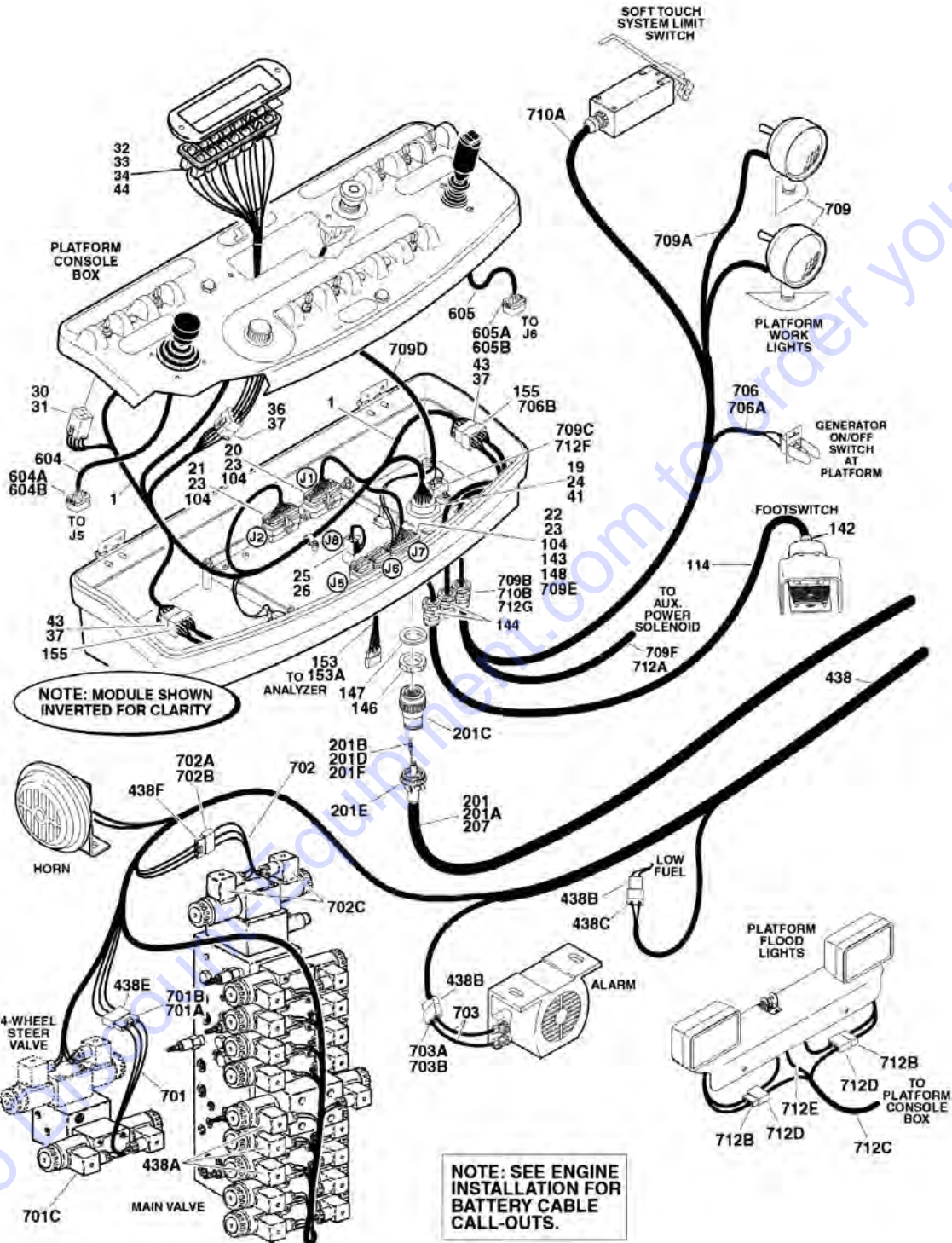
## SECTION 7 - ELECTRICAL

ITEM	PART NUMBER	QTY	DESCRIPTION	REV
	4933291	Ref	<b>Caterpillar Engine</b>	2-B
	4933222	Ref	<b>Deutz Engine (SN 0300068000 through 0300084826)</b>	4-D
	4933318	Ref	<b>Deutz Engine (SN 0300084827 through 0300087000)</b>	D
	4933221	Ref	<b>Ford EFI Engine (SN 0300068000 through 0300084826)</b>	3-C
	4933327	Ref	<b>Ford EFI Engine (SN 0300084827 through 0300087000)</b>	1-A
		Ref	<b>STANDARD ELECTRICAL SCHEMATIC</b>	
	1870132	Ref	<b>Caterpillar and Ford Engine Machines</b>	G
	1870132	Ref	<b>Deutz Engine Machines (SN 0300069000 through 0300084826)</b>	G
	1870191	Ref	<b>Deutz Engine Machines (SN 0300084827 through 0300087000)</b>	A
	0270805	Ref	<b>STROBE LIGHT ELECTRICAL DIAGRAM</b>	2
	1283235	Ref	<b>STROBE LIGHT ELECTRICAL DIAGRAM</b>	E

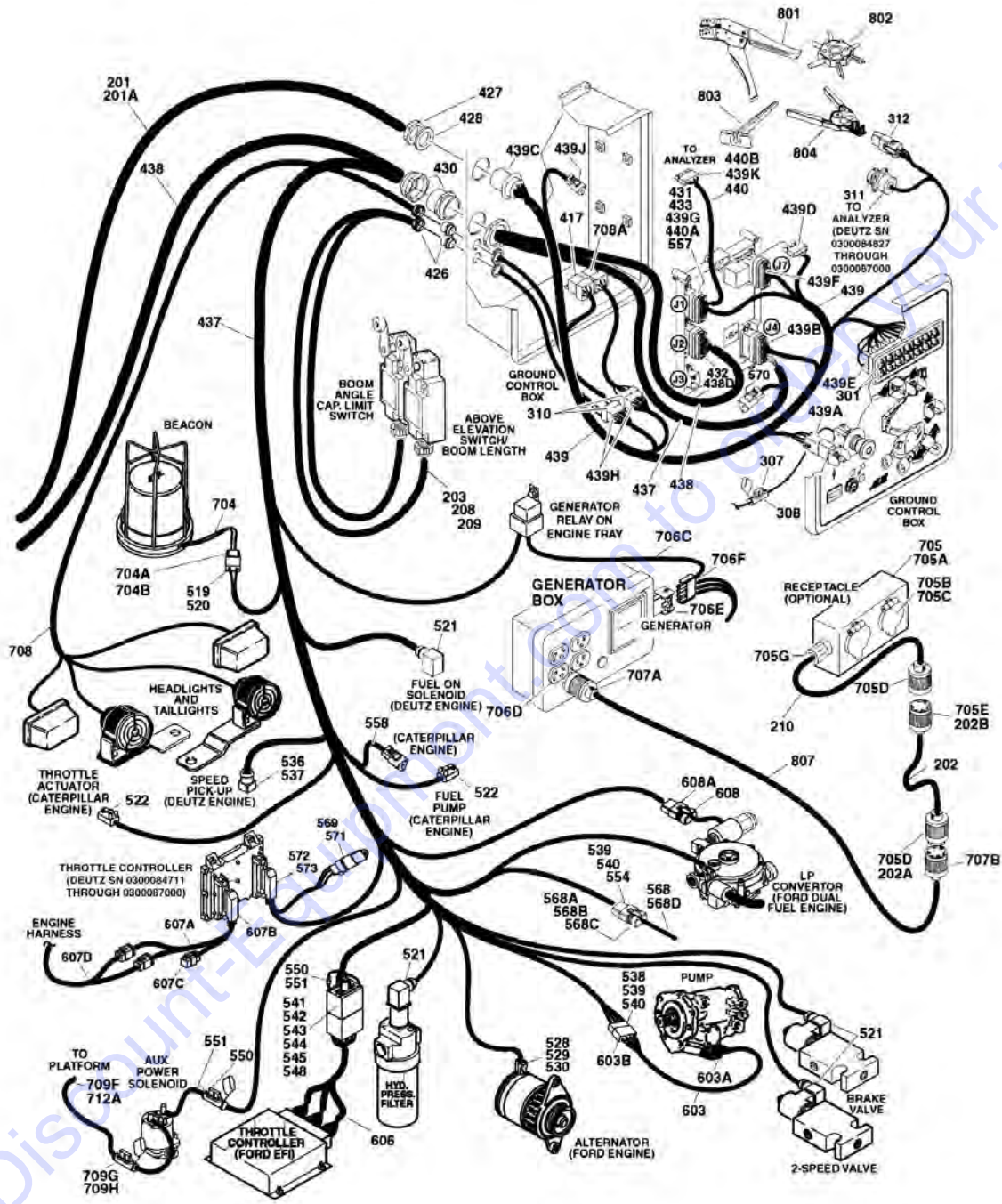
Go to Discount-Equipment.com to order your parts

# SECTION 7 - ELECTRICAL

## FIGURE 7-2. HARNESS COMPONENTS INSTALLATION



# SECTION 7 - ELECTRICAL



## SECTION 7 - ELECTRICAL

### FIGURE 7-2. HARNESS COMPONENTS INSTALLATION

ITEM	PART NUMBER	QTY	DESCRIPTION	REV
	4922639	Ref	<b>PLATFORM BOX HARNESS ASSEMBLY</b>	5-F
1	4922639	1	Harness, Console Box	
19	4460866	1	Connector - 19 Position	
20	4460874	1	Connector - 35 Position (Natural)	
21	4460875	1	Connector - 35 Position (Gray)	
22	4460873	1	Connector - 35 Position (Black)	
23	4460871	77	Socket, Female	
24	4460464	7	Pin, Male (16 Gauge)	
25	4460879	1	Terminal, Housing 2 Position	
26	4460887	2	Terminal, (12 Gauge)	
30	4460418	8	Connector - 6 Position	
31	4460419	24	Terminal, Female	
32	4120035	12	Base, Light	
36	4460225	1	Connector - 6 Position	
37	4460227	30	Pin, Male	
41	4460508	3	Pin, Male (12 Gauge)	
43	4460434	2	Connector - 15 Position	
44	2920129	12	Bulb, Light	
		Ref	<b>PLATFORM BOX ASSEMBLY COMPONENTS</b>	
104	0100048	AR	Grease, Dielectric	
114	1060918	8 ft/2.4m	Cable, Electrical - 18/3	
142	4460071	1	Connector, Strain Relief	
143	4460226	2	Socket, Female	
144	4460428	2	Connector, Strain Relief	
146	4460470	1	Nut, Terminal	
147	4460471	1	Lockwasher, Terminal	
148	4460905	5	Seal, Plug	
153	4922666	1	Harness, Analyzer Cable	2-B
153	4460226	4	Socket, Female (Not Shown - Located at J2)	
153A	4460761	1	Connector, Female - 4 Position	
153A	4460227	4	Pin, Male	
155	4460708	2	Terminal, 15 Pin Mate-N-Loc	
		Ref	<b>BOOM CABLES INSTALLATION</b>	
		Ref	<b>Boom Cables Installation 600S</b>	
	0270733	Ref	<b>Boom Cables Installation ANSI, ANSI Export, Brazilian, CSA, Japanese Specs without 7500W Generator</b>	4
	0270734	Ref	<b>Boom Cables Installation Latin American Specs without 7500W Generator</b>	5
	0272483	Ref	<b>Boom Cables Installation ANSI, ANSI Export, CSA Specs with 7500W Generator</b>	2
	0272484	Ref	<b>Boom Cables Installation Brazilian, Japanese, Latin American Specs with 7500W Generator</b>	2
		Ref	<b>Boom Cables Installation 600SJ - 2WS</b>	
	0270738	Ref	<b>Boom Cables Installation (600SJ) ANSI, ANSI Export, Brazilian, CSA, Japanese, Latin American Specs without 7500W Generator</b>	3
	0272488	Ref	<b>Boom Cables Installation (600SJ) ANSI, ANSI Export, CSA, Latin American Specs with 7500W Generator</b>	2
	0272487	Ref	<b>Boom Cables Installation (600SJ) Brazilian, Japanese Specs with 7500W Generator</b>	2
		Ref	<b>Boom Cables Installation 660SJ</b>	3

## SECTION 7 - ELECTRICAL

ITEM	PART NUMBER	QTY	DESCRIPTION	REV
	0270736	Ref	<b>Boom Cables Installation (660SJ) ANSI, ANSI Export, Brazilian, CSA, Japanese, Latin American Specs without 7500W Generator</b>	3
	0272485	Ref	<b>Boom Cables Installation (660SJ) ANSI, ANSI Export, CSA, Latin American Specs with 7500W Generator</b>	2
	0272486	Ref	<b>Boom Cables Installation (660SJ) Brazilian, Japanese Specs with 7500W Generator</b>	2
201		Ref	Harness, Main Boom Options:	
201	4922468	1	Harness, Main Boom 600S - ANSI, ANSI Export, CSA, Brazilian, Japanese, Latin American Spec	
201	4922466	1	Harness, Main Boom 600SJ - ANSI, ANSI Export, CSA, Brazilian, Japanese, Latin American Spec	
201	4922467	1	Harness, Main Boom 660SJ - ANSI, ANSI Export, CSA, Brazilian, Japanese, Latin American Spec	
201A	1060896	Ref	Cable Options:	
201A	1060896	67 ft /20.4m	Cable 600S - 2WS	
201A	1060896	69 ft/21m	Cable 600SJ - 2WS	
201A	1060896	75 ft /22.8m	Cable 660SJ - 2WS	
201B	4460465	22	Socket, Female - #16	
201C	4460865	1	Connector - 19 Position	
201D	4460509	8	Socket, Female - #12	
201E	4460473	1	Clamp, Cable	
201F	4460466	4	Seal, Plug	
202		Ref	Harness Options: (Does not include plug ends)	
202	4922889	1	Harness 600S - ANSI, ANSI Export, CSA, Brazilian, Japanese Spec without 7500W Generator	
202	4922884	1	Harness 600S - Latin American Spec without 7500W Generator	
202	4922792	1	Harness 600S - ANSI, ANSI Export, CSA Spec with 7500W Generator	
202	4922887	1	Harness 600SJ - ANSI, ANSI Export, CSA, Brazilian, Japanese, Latin American Spec without 7500W Generator	
202	4922790	1	Harness 600SJ - ANSI, ANSI Export, CSA, Latin American Spec with 7500W Generator	
202	4922888	1	Harness 660SJ - ANSI, ANSI Export, CSA, Brazilian, Japanese, Latin American Spec without 7500W Generator	
202	4922791	1	Harness 660SJ - ANSI, ANSI Export, CSA, Latin American Spec with 7500W Generator	
202		Ref	Cable, Electrical - 12/3 Options (Without 7500W Generator):	
202	1060494	69.5 ft /21.8m	Cable, Electrical - 12/3, 600S - ANSI, ANSI Export, CSA, Brazilian, Japanese Spec	
202	1060461	69.5 ft /21.8m	Cable, Electrical - 12/3, 600S - Latin American Spec	
202	1060494	71 ft /21.6m	Cable, Electrical - 12/3, 600SJ - ANSI, ANSI Export, CSA, Brazilian, Japanese, Latin American Spec	
202	1060494	77 ft /23.5m	Cable, Electrical - 12/3, 660SJ - ANSI, ANSI Export, CSA, Brazilian, Japanese, Latin American Spec	
202	1060945	Ref	Cable, Electrical - 8/5 Options (With 7500W Generator):	
202	1060945	85 ft /25.9m	Cable, Electrical - 8/5, 600S - ANSI, ANSI Export, CSA Spec	
202	1060945	85 ft /25.9m	Cable, Electrical - 8/5, 600SJ - ANSI, ANSI Export, CSA, Latin American Spec	
202	1060945	90.5 ft /27.6m	Cable, Electrical - 8/5, 660SJ - ANSI, ANSI Export, CSA, Latin American Spec	



## SECTION 7 - ELECTRICAL

ITEM	PART NUMBER	QTY	DESCRIPTION	REV
202A	4460205	1	Plug, Male (110V)	
202B	4460134	1	Connector, Female (110V)	
203		Ref	Cable, Electrical - 18/2 Boom Horizontal Limit Switch Options:	
203	1061026	1	Cable, Electrical 600S - ANSI, ANSI Export, Brazilian, CSA, Japanese Specs without 7500W Generator	
203	Not Required	1	Cable, Electrical 600S - Latin American Spec without 7500W Generator	
203	Not Required	1	Cable, Electrical 600S - ANSI, ANSI Export, CSA Spec with 7500W Generator	
203	Not Required	1	Cable, Electrical 600S - Brazilian, Japanese Spec with 7500W Generator	
203	1061027	1	Cable, Electrical 600SJ/660SJ - ANSI, ANSI Export, CSA, Brazilian, Japanese, Latin American Spec without 7500W Generator	
203	1061027	1	Cable, Electrical 600SJ/660SJ - ANSI, ANSI Export, CSA, Latin American Spec with 7500W Generator	
203	Not Required	1	Cable, Electrical 600SJ/660SJ - Brazilian, Japanese Spec with 7500W Generator	
203	1060680	Ref	Cable, Electrical - 18/2 Options:	
203	1060680	25.5 ft /7.8m	Cable, Electrical - 18/2 (600S)	
203	1060680	13.5 ft /4.2m	Cable, Electrical - 18/2 (600SJ/660SJ)	
207		Ref	Sleeve, Nylon Options: (Not Shown)	
207	4100026	10 ft/3.0m	Sleeve, Nylon 600S - 2WS	
207	Not Required	0	Sleeve, Nylon 600SJ/660SJ - 2WS	
208		Ref	Cable, Electrical - 18/2 (600S - 2WS Only) Options:	
208	1061027	2	Cable, Electrical 600S - ANSI, ANSI Export, Brazilian, CSA, Japanese Specs	
208	Not Required	0	Cable, Electrical 600S - Latin American Spec without 7500W Generator	
208	Not Required	0	Cable, Electrical 600S - Brazilian, Japanese, Latin American Spec with 7500W Generator	
208	1060680	13.5 ft /4.2m	Cable, Electrical 600S - 2WS	
209		Ref	Cable, Electrical - 18/2 Boom Length Options:	
209	Not Required	1	Cable, Electrical - 18/2 Boom Length 600S - ANSI, ANSI Export, CSA, Brazilian, Japanese Spec without 7500W Generator	
209	1061026	1	Cable, Electrical - 18/2 Boom Length 600S - Latin American Spec without 7500W Generator	
209	1061026	1	Cable, Electrical - 18/2 Boom Length 600S - ANSI, ANSI Export, CSA, Brazilian, Japanese Spec with 7500W Generator	
209	Not Required	1	Cable, Electrical - 18/2 Boom Length 600SJ/660SJ - ANSI, ANSI Export, CSA, Brazilian, Japanese, Latin American Spec without 7500W Generator	
209	Not Required	1	Cable, Electrical - 18/2 Boom Length 600SJ/660SJ - ANSI, ANSI Export, CSA, Latin American Spec with 7500W Generator	
209	1061026	1	Cable, Electrical - 18/2 Boom Length 600SJ/660SJ - Brazilian, Japanese Spec with 7500W Generator	
		Ref	<b>GROUND CONTROL BOX DIAGRAMS</b>	
		Ref	<b>Caterpillar Engine</b>	
	4933291	Ref	<b>Caterpillar Engine (SN 0300068000 through 0300084826)</b>	2-B
	4933328	Ref	<b>Caterpillar Engine (SN 0300084827 through 0300087000)</b>	1-A
		Ref	<b>Deutz Engine</b>	

## SECTION 7 - ELECTRICAL

ITEM	PART NUMBER	QTY	DESCRIPTION	REV
	4933222	Ref	<b>Deutz Engine (SN 0300068000 through 0300084826)</b>	4-D
	4933318	Ref	<b>Deutz Engine (SN 0300084827 through 0300087000)</b>	D
		Ref	<b>Ford EFI Engine</b>	
	4933221	Ref	<b>Ford EFI Engine (SN 0300068000 through 0300084826)</b>	3-C
	4933327	Ref	<b>Ford EFI Engine (SN 0300084827 through 0300087000)</b>	1-A
301	2920129	AR	Bulb, Light	
307	2400065	1	Fuse, 30Amp	
308	2400066	1	Fuse, Holder with Cover	
310	4460708	2	Receptacle, Female - 15 Position	
310	4460226	13	Socket, Female	
310	4922637	1	Harness, Jumper (Not Shown)	
310	4922636	1	Harness, Jumper (Not Shown)	
311	4461072		Receptacle, Female - 12 Position (Deutz Engine Only) <b>(SN 0300084827 through 0300087000)</b>	
311	4461074	1	Shell, Receptacle <b>(SN 0300084827 through 0300087000)</b>	
311	4461071	4	Socket, Female (Gold) <b>(SN 0300084827 through 0300087000)</b>	
311	4461073	1	Cap, Dust (Deutz) <b>(SN 0300084827 through 0300087000)</b>	
311	2902443	1	Kit, Receptacle <b>(SN 0300084827 through 0300087000)</b>	
312	4460894	1	Plug, Male - 6 Position (Deutz Engine Only) <b>(SN 0300084827 through 0300087000)</b>	
312	4460892	1	Connector, Terminal <b>(SN 0300084827 through 0300087000)</b>	
		Ref	<b>GROUND CONTROL BOX COMPONENTS</b>	
417	3740049	1	Relay	
426	4460426	2	Connector, Strain Relief	
427	4460470	1	Nut, Terminal	
428	4460471	1	Lockwasher, Terminal	
430	4460526	1	Connector, Strain Relief	
431	4460874	1	Connector (Natural)	
432	4460875	1	Connector (Gray)	
433	4460905	4	Connector, Amp Seal Plug	
437		Ref	Engine Harness Assembly (Not Shown - See 501 to 573 for Breakdown)	
437	4922921	1	Engine Harness Assembly Caterpillar Engine <b>(SN 0300068000 through 0300084826)</b>	
437	4923227	1	Engine Harness Assembly Caterpillar Engine <b>(SN 0300084827 through 0300087000)</b>	
437	4922515	1	Engine Harness Assembly Deutz Engine Machines <b>(SN 0300068000 through 0300084826)</b>	
437	4923212	1	Engine Harness Assembly Deutz Engine Machines <b>(SN 0300084827 through 0300087000)</b>	
437	4922514	1	Engine Harness Assembly Ford Engine Machines <b>(SN 0300068000 through 0300084826)</b>	
437	4923226	1	Engine Harness Assembly Ford Engine <b>(SN 0300084827 through 0300087000)</b>	
438		Ref	Valve Harness Assembly Options:	
438	4922513	1	Valve Harness Assembly <b>(SN 0300068000 through 0300084826)</b>	3-D
438	4923206	1	Valve Harness Assembly <b>(SN 0300084827 through 0300087000)</b>	2-B
438A	4460880	15	Connector, DIN	
438B	4460320	2	Connector, Female- 2 Position	
438B	4460267	5	Pin, Male	
438C	4460424	1	Connector, Male- 2 Position	

## SECTION 7 - ELECTRICAL

ITEM	PART NUMBER	QTY	DESCRIPTION	REV
438C	4460268	5	Pin, Female	
438D	4460871	AR	Socket, Female	
438E	4460326	1	Connector, Male - 3 Position	
438E	4460267	7	Pin, Male	
438F	4460445	1	Connector, Female - 3 Position	
438F	4460268	5	Pin, Female	
439		Ref	Ground Control Box Harness Assembly Options:	
439	4922648	1	Ground Control Box Harness Assembly (SN 0300068000 through 0300084826)	4-E
439	4923213	1	Ground Control Box Harness Assembly Deutz Engine (SN 0300084827 through 0300087000)	B
439	4923229	1	Ground Control Box Harness Assembly Caterpillar and Ford Engine (SN 0300084827 through 0300087000)	1-A
439A	4460418	7	Connector, Female- 6 Position	
439A	4460419	21	Socket, Female	
439B	4460876	1	Connector, 35- Position	
439B	4460871	AR	Socket, Female	
439B	4460905	2	Seal, Plug	
439C	4460866	1	Connector - 19 Position	
439C	4460464	7	Pin, Male Deutsch (16 Gauge)	
439D	4460878	1	Housing, Terminal- 4 Position	
439D	4460887	3	Terminal (12 Gauge)	
439E	4120035	AR	Base, Light	
439E	4460634	AR	Terminal (16 Gauge)	
439F	4460873	1	Connector, 35- Position (Black)	
439F	4460871	AR	Socket, Female	
439F	4460635	5	Terminal (12 Gauge)	
439G	4460871	AR	Socket, Female	
439H	4460434	2	Plug, Male 15- Position	
439H	4460227	AR	Pin	
439I	3990010	2	Diode - 6 Amp (Not Shown)	
439J	4460536	1	Connector, Female - 3 Position (Deutz Engine Machines Only) (SN 0300084827 through 0300087000)	
439J	4460943	3	Socket, Female (SN 0300084827 through 0300087000)	
439K	4460761	1	Connector, Female - 4 Position (Deutz Engine Machines Only) (SN 0300084827 through 0300087000)	
439K	4460227	3	Pin, Male (SN 0300084827 through 0300087000)	
440	4922666	1	Cable, Analyzer (SN 0300068000 through 0300084826)	2-B
440A	4460226	4	Cable Socket, Female	
440B	4460761	1	Cable Connector, Female 4- Position	
440B	4460227	4	Pin, Male	
441		Ref	Ground Control Box Wiring Diagram (Not Shown - See Items 301 to 312 for Breakdown)	
441	4933291	1	Ground Control Box Wiring Diagram Caterpillar Engine (SN 0300068000 through 0300084826)	
441	4933328	1	Ground Control Box Wiring Diagram Caterpillar Engine (SN 0300084827 through 0300087000)	
441	4933222	1	Ground Control Box Wiring Diagram Deutz Engine (SN 0300068000 through 0300084826)	
441	4933318	1	Ground Control Box Wiring Diagram Deutz Engine (SN 0300084827 through 0300087000)	
441	4933221	1	Ground Control Box Wiring Diagram Ford Engine (SN 0300068000 through 0300084826)	
441	4933327	1	Ground Control Box Wiring Diagram Ford Engine (SN	

## SECTION 7 - ELECTRICAL

ITEM	PART NUMBER	QTY	DESCRIPTION	REV
			<b>0300084827 through 0300087000)</b>	
		Ref	<b>ENGINE HARNESS ASSEMBLY</b>	
		Ref	<b>Caterpillar Engine</b>	
	4922921	Ref	<b>Caterpillar Engine (SN 0300068000 through 0300084826)</b>	3-C
	4923227	Ref	<b>Caterpillar Engine (SN 0300084827 through 0300087000)</b>	1-A
		Ref	<b>Deutz Engine</b>	
	4922515	Ref	<b>Deutz Engine (SN 0300068000 through 0300084826)</b>	5-E
	4923212	Ref	<b>Deutz Engine (SN 0300084827 through 0300087000)</b>	C
		Ref	<b>Ford Engine</b>	
	4922514	Ref	<b>Ford Engine (SN 0300068000 through 0300084826)</b>	9-I
	4923226	Ref	<b>Ford Engine (SN 0300084827 through 0300087000)</b>	2-B
519	4460424	1	Receptacle, Female - 2 Position	
520	4460268	AR	Socket, Female	
521	4460880	AR	DIN Connector without Diode	
522	4460891	2	Connector, Male - 2 Position (Caterpillar Engine Only)	
522	4460465	7	Socket, Female	
528	4460582	3	Terminal (Ford Engine Only)	
529	4460580	1	Lock, Terminal (Ford Engine Only)	
530	4460579	1	Housing - 3 Position (Ford Engine Only)	
536	4460890	1	Housing - 2 Position (Deutz Engine Only)	
537	4460889	2	Terminal (Deutz Engine Only)	
538	4460460	1	Connector, Male - 4 Position	
539	4460457	AR	Terminal, Female	
540	4460458	AR	Seal, Terminal	
541	4460713	1	Connector, Housing 42 Position (Ford Engine Only)	
542	4460725	1	Connector Wedge Lock, Center (Ford Engine Only)	
543	4460726	2	Connector Wedge Lock, Side (Ford Engine Only)	
544	4460800	29	Connector, Plug (Ford Engine Only)	
545	4460799	7	Pin, Male (Ford Engine Only)	
548	4460728	3	Pin, Male (Ford Engine Only)	
550	2400061	AR	Fuse (Ford Engine Only)	
551	2400060	2	Holder, Fuse (Ford Engine Only)	
554	4460742	1	Connector, Male - 2 Position (Ford Engine Only)	
557	4460871	AR	Socket, Female	
558	4460539	1	Connector, Male - 3 Position (Caterpillar Engine Only)	
558	4460944	3	Socket, Female	
567	2400065	1	Fuse, 30Amp (Ford Engine) <b>(SN 0300073350 through 0300087000)</b>	
568	3730120	1	Resistor Assembly (Ford Engine) <b>(SN 0300073350 through 0300087000)</b>	
568A	4460978	1	Resistor Assembly Receptacle, Male - 2 Position	
568B	4460979	2	Resistor Assembly Pin, Male	
568C	4460458	2	Resistor Assembly Seal, Terminal	
568D	3730121	1	Resistor Assembly Resistor	
		Ref	<b>Note: Items 569-573 is used on Deutz Engine Only from SN 0300084827 to SN 0300087000 Only.</b>	
569	4461070	1	Connector, Receptacle with Resistor (3 Position)	
570	4460539	1	Connector, Male - 3 Position	
570	4460944	3	Socket, Female	
571	4461095	1	Connector, Male - 3 Position	
571	4460944	3	Socket, Female	
572	4461052	1	Connector, Receptacle - 25 Position	

## SECTION 7 - ELECTRICAL

ITEM	PART NUMBER	QTY	DESCRIPTION	REV
572	4461005	5	Terminal (Gold)	
572	4461006	5	Seal, Terminal	
572	4461060	2	Terminal (Tin)	
572	4461054	2	Seal, Terminal	
573	4461053	1	Cover, Plug	
		Ref	<b>STANDARD HARNESS COMPONENTS</b>	
603	See Note	1	Pump Harness (Note: Not Available for Purchase)	
603A	7007497	1	Plug (Pump End)	
603B	7007498	1	Plug (Engine Harness End)	
604	See Note	1	Controller Harness Assembly (Lift and Swing) (Note: Not Available for Purchase)	
604A	7022819	1	Plug, Male - 8 Position (Natural)	
604B	4460871	8	Socket, Female	
605	See Note	1	Controller Harness/Circuit Board Assembly (Drive and Steer) (Note: Not Available for Purchase)	
605A	7022825	1	Plug, Male - 8 Position (Black)	
605B	4460871	7	Socket, Female	
606	See Note	1	Ford Engine Harness (For replacement parts refer to Ford engine dealer) (Ford Engine Machines) (Note: Not Available for Purchase)	
607		Ref	Deutz Engine Harness Components (For replacement parts refer to Deutz engine dealer) <b>(SN 0300084827 through 0300087000)</b>	
607A	7027796	1	Deutz Engine Harness (Not Shown) <b>(SN 0300084827 through 0300087000)</b>	
607B	4461052	1	Connector, Receptacle - 25 Position <b>(SN 0300084827 through 0300087000)</b>	
607B	4461053	1	Cover, Plug <b>(SN 0300084827 through 0300087000)</b>	
607B	4461005	5	Terminal (Gold) <b>(SN 0300084827 through 0300087000)</b>	
607B	4461006	5	Seal, Terminal <b>(SN 0300084827 through 0300087000)</b>	
607B	4461060	2	Terminal (Tin) <b>(SN 0300084827 through 0300087000)</b>	
607B	4461054	2	Seal, Terminal <b>(SN 0300084827 through 0300087000)</b>	
607B	4461008	18	Plug, Hole <b>(SN 0300084827 through 0300087000)</b>	
607C	7027793	1	Connector <b>(SN 0300084827 through 0300087000)</b>	
607D	7027794	1	Deutz Engine Harness <b>(SN 0300084827 through 0300087000)</b>	
608	See Note	1	Dual Fuel Shut-Off Filter Harness (Note: Not Available for Purchase)	
608A	7023679	1	Electrical Connector Kit (Includes [1] 2 Position Connector, 2 Pins and 2 Seals)	
		Ref	<b>OPTIONAL HARNESS COMPONENTS</b>	
701	4921928	1	4WS Valve Harness	
701A	4460268	3	Socket, Female	
701B	4460445	1	Connector, Female - 3 Position	
701C	4460499	2	Connector, DIN with Diode	
702	4921927	1	Jib Valve Harness (600SJ & 660SJ Only)	
702A	4460326	1	Plug, Male - 3 Position	
702B	4460267	3	Pin, Male	
702C	4460499	2	Connector, DIN with Diode	
703	0257887	1	Alarm Harness (Includes Alarm)	
703A	4460424	1	Plug, Male - 2 Position	
703B	4460268	2	Socket, Female	
704		Ref	Strobe Light Harness Options (Includes Strobe Light):	
704	0255917	1	Strobe Light Harness <b>(SN 0300068000 through 0300069326)</b>	
704	0272507	1	Strobe Light Harness <b>(SN 0300069327 through 0300087000)</b>	

## SECTION 7 - ELECTRICAL

ITEM	PART NUMBER	QTY	DESCRIPTION	REV
704A	4460320	1	Connector, Female - 2 Position	
704B	4460267	2	Pin, Male	
705		Ref	AC to Platform Receptacle Components Options:	
705	0256113	AR	AC to Platform 110V GFI Receptacle	2
705	0257175	AR	AC to Platform 220V Receptacle	2
705A	0860038	1	Box, Switch	
705B		Ref	Receptacle Options:	
705B	4460346	1	Receptacle 110V GFI	
705B	4460125	1	Receptacle 220V	
705C		Ref	Shield, Cover Options:	
705C	4060700	1	Shield, Cover 110V GFI	
705C	4060092	1	Shield, Cover 220V	
705D		Ref	Plug, Male Options:	
705D	4460205	2	Plug, Male 110V GFI	
705D	4460233	2	Plug, Male 220V	
705E		Ref	Connector, Female Options:	
705E	4460134	2	Connector, Female 110V GFI	
705E	4460701	2	Connector, Female 220V	
705F		Ref	Harness-Receptacle Box to Boom Options:	
705F	4921801	1	Harness-Receptacle 110V	
705F	See Note	1	Harness-Receptacle 220V (Note: Not Available for Purchase)	
705F	1060494	18 in /47cm	Cable, Electrical - 12/3	
705G	4460071	1	Connector, Strain Relief	
706		Ref	Generator Electrical Components	
706	4933215	AR	Generator Electrical Components 110V <b>(SN 0300068000 through 0300077489)</b>	1-B
706	4933216	AR	Generator Electrical Components 220V <b>(SN 0300068000 through 0300077489)</b>	1-B
706	4933300	AR	Generator Electrical Components 110V/220V <b>(SN 0300077490 through 0300087000)</b>	1-A
706	3990010	1	Diode - 6 Amp (Not Shown)	
706A	4922641	1	Harness - On/Off Switch	
706B	4460226	2	Socket, Female	
706C		Ref	Powermite Control Box to Relay Options:	
706C	4922482	1	Powermite Control Box to Relay <b>(SN 0300068000 through 0300079611)</b>	
706C	4922970	1	Powermite Control Box to Relay <b>(SN 0300079612 through 0300087000)</b>	
706D	4460027	1	Receptacle, Twist Lock (110V Only)	
706E	4460961	1	Connector, Female - 4 Position <b>(SN 0300077490 through 0300087000)</b>	
706E	4460705	4	Pin, Male	
706F	4460321	1	Connector, Male - 4 Position <b>(SN 0300077490 through 0300087000)</b>	
706F	4460906	4	Socket, Female	
707	4921827	1	Generator to Rear of Boom Harness (110V)	
707	4921954	1	Generator to Rear of Boom Harness (220V)	
		Ref	<b>Note: Harness used to connect AC at platform harness to generator receptacle to power platform receptacle.</b>	
707	1060494	26 ft/8m	Cable, Electrical - 12/3	
707A	4460205	1	Plug, Male (110V)	
707A	4460233	1	Plug, Male (220V)	

# PARTS FINDER

**Search Website  
by Part Number**



**Search Manual  
Library For Parts  
Manual & Lookup Part  
Numbers – Purchase  
or Request Quote**

**Can't Find Part or  
Manual? Request Help  
by Manufacturer,  
Model & Description**

Discount-Equipment.com is your online resource for quality parts & equipment.

Florida: **561-964-4949** Outside Florida TOLL FREE: **877-690-3101**

**Need parts?**

Click on this link: <http://www.discount-equipment.com/category/5443-parts/> and choose one of the options to help get the right parts and equipment you are looking for. Please have the machine model and serial number available in order to help us get you the correct parts. If you don't find the part on the website or on one of the online manuals, please fill out the request form and one of our experienced staff members will get back to you with a quote for the right part that your machine needs.

We sell worldwide for the brands: Genie, Terex, JLG, MultiQuip, Mikasa, Essick, Whiteman, Mayco, Toro Stone, Diamond Products, Generac Magnum, Airman, Haulotte, Barreto, Power Blanket, Nifty Lift, Atlas Copco, Chicago Pneumatic, Allmand, Miller Curber, Skyjack, Lull, Skytrak, Tsurumi, Husquvarna Target, Stow, Wacker, Sakai, Mi-T-M, Sullair, Basic, Dynapac, MBW, Weber, Bartell, Bennar Newman, Haulotte, Ditch Runner, Menegotti, Morrison, Contec, Buddy, Crown, Edco, Wyco, Bomag, Laymor, EZ Trench, Bil-Jax, F.S. Curtis, Gehl Pavers, Heli, Honda, ICS/PowerGrit, IHI, Partner, Imer, Clipper, MMD, Koshin, Rice, CH&E, General Equipment, Amida, Coleman, NAC, Gradall, Square Shooter, Kent, Stanley, Tamco, Toku, Hatz, Kohler, Robin, Wisconsin, Northrock, Oztec, Toker TK, Rol-Air, APT, Wylie, Ingersoll Rand / Doosan, Innovatech, Con X, Ammann, Mecalac, Makinex, Smith Surface Prep, Small Line, Wanco, Yanmar

## SECTION 7 - ELECTRICAL

ITEM	PART NUMBER	QTY	DESCRIPTION	REV
707B	4460134	1	Receptacle, Female (110V)	
707B	4460701	1	Receptacle, Female (220V)	
708	See Note	1	Headlight and Taillight and Chassis Illumination Lights Harness (Note: Not Available for Purchase)	
708	1060341	37 ft /11.3m	Cable, Electrical - 16/2	
708A	3740049	1	Relay	
708B	4922643	1	Harness, Bag (Located at Ground Control Box) (Not Shown)	
709		Ref	Platform Worklights Components	
709A	2920140	2	Platform Worklights External Harness (Includes Light and Wire Only)	
709B		Ref	Connector, Strain Relief Options:	
709B	4460598	1	Connector, Strain Relief (SN 0300068000 through 0300074440)	
709B	4460426	1	Connector, Strain Relief (SN 0300074441 through 0300087000)	
709C	4360232	1	Circuit Breaker, 15Amp (SN 0300068000 through 0300074440)	
709D	4922498	1	Platform Worklights Internal Harness (SN 0300068000 through 0300074440)	
709E	4460871	3	Socket, Female (SN 0300068000 through 0300074440)	
		Ref	<b>Note: Items 709F-709H SN 0300074441 to SN 0300087000.</b>	
709F		Ref	Platform Worklights Harness Options:	
709F	4922888	1	Platform Worklights Harness 600S/600SJ	
709F	4922964	1	Platform Worklights Harness 660SJ	
709F	1060494	Ref	Cable, Electrical - 12/3 Options:	
709F	1060494	77 ft /23.5mm	Cable, Electrical - 12/3 (600S/600SJ)	
709F	1060494	83 ft /25.3mm	Cable, Electrical - 12/3 (660SJ)	
709G	2400070	1	Fuse	
709H	2400066	1	Holder, Fuse	
710	See Note	1	Soft-Touch System Harness (Note: Not Available for Purchase)	
710A	1060341	16 ft/4.9m	Cable, Electrical - 16/3	
710B	4460425	1	Connector, Strain Relief	
711	Not Required	0	Not Required	
712	4933313	1	Floodlights Harness Components	
712A	1060494	77 ft /23.5m	Electrical Cable 12/3 (Aux Relay to Console Box)	
712B	4460320	2	Plug, Male - 2 Position	
712B	4460227	4	Pin, Male	
712C	4922764	1	Floodlight Harness (Lights to Switch)	
712D	4460424	2	Connector, Female - 2 Position	
712D	4460226	4	Socket, Female	
712E	1060977	1	Cord, 2 Wire Coiled (Console Box Circuit Breaker to Switch)	
712F	4360232	1	Circuit Breaker - 15 Amp	
712G	4460425	1	Strain, Relief	
		Ref	<b>TOOLS</b>	
801	7002821	1	Crimper (For Wire to Pin/Socket Connections)	
802	7002823	1	Extractor (For Removal of Pin/Socket from Connectors)	
803	4460467	1	Extractor, Pin (Blue 16-18 Gauge) (For Removal of Pin/Socket from Connectors)	
803	4460510	1	Extractor, Pin (Yellow 12-14 Gauge) (For Removal of Pin/Socket from Connectors)	



## SECTION 7 - ELECTRICAL

ITEM	PART NUMBER	QTY	DESCRIPTION	REV
804	7002828	1	Stripper, Wire	
805	2901443	1	Analyzer Kit (Not Shown)	

Go to Discount-Equipment.com to order your parts

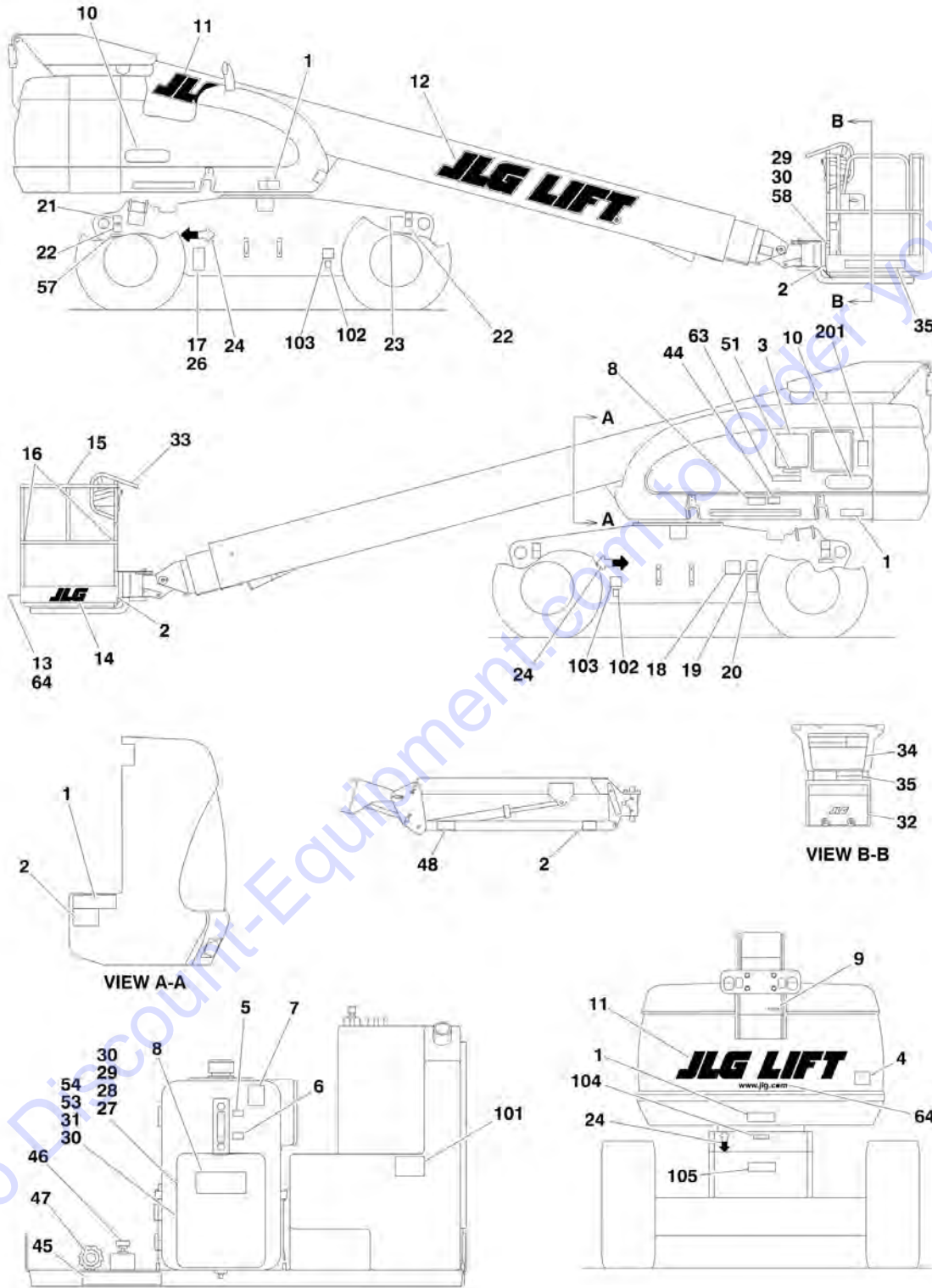


**SECTION 8 - DECALS**

Go to Discount-Equipment.com to order your parts

# SECTION 8 - DECALS

## FIGURE 8-1. DECAL INSTALLATION (ANSI SPEC)



## SECTION 8 - DECALS

**FIGURE 8-1. DECAL INSTALLATION (ANSI SPEC)**

ITEM	PART NUMBER	QTY	DESCRIPTION	REV
		Ref	<b>STANDARD DECAL INSTALLATIONS</b>	
	0271014	Ref	<b>Decal - JLG</b>	3
	0255329	Ref	<b>Standard Decal Installations 600S ANSI Spec</b>	17
	0255333	Ref	<b>Standard Decal Installations 600SJ ANSI Spec</b>	17
	0255331	Ref	<b>Standard Decal Installations 660SJ ANSI Spec</b>	18
1	1703805	4	Decal - Danger/Electrocution	
2	1703804	AR	Decal - Warning/Crushing	
3	1703798	1	Decal - Danger/Warning	
4	3251813	1	Decal - USA	
5	1701502	1	Decal - High Oil Level	
6	1701503	1	Decal - Low Oil Level	
7	1701504	1	Decal - Hydraulic Oil	
8	1701509	1	Decal - Manual	
9		Ref	Nameplate Options:	
9	3251243	1	Nameplate 120V-60Hz	
9	3252507	1	Nameplate 220V-50/60Hz	
10		Ref	Decal - Model Options:	
10	1702815	2	Decal - Model 600S	
10	1702816	2	Decal - Model 600SJ	
10	1702817	2	Decal - Model 660SJ	
11	1702861	3	Decal - JLG Lift (8in)	
12	1702862	1	Decal - JLG Lift (12in) <b>(SN 0300068000 through 0300069980)</b>	
13	1702774	1	Decal - JLG Lift (3-1/2in)	
14	1702773	2	Decal - JLG (5in)	
15	1702868	2	Decal - No Hands	
16	1704277	AR	Decal - Attach Lanyard Here	
17	See Note	NSS	Nameplate - Serial Number (Note: Not Available for Purchase)	
18	1702153	1	Decal - Inspection	
19	See Note	NSS	Decal - Bar Code (Note: Not Available for Purchase)	
20	1700584	1	Decal - Patent	
21	1701499	2	Decal - No Tie Down/Lift	
22	1702300	4	Decal - Tie Down/Lift	
23	1701500	2	Decal - Tie Down/Lift	
24	1701529	4	Decal- Arrow	
26	3820001	4	Rivet	
27	0641408	4	Bolt 1/4in-20NC x 1in	
28	1060279	1	Cable, Lanyard	
29	3311405	AR	Locknut 1/4in-20NC	
30	4751400	AR	Flatwasher 1/4in	
31	0860520	1	Box, Manual Storage	
32	3380434	1	Panel, Pedestal <b>(SN 0300068000 through 0300076512)</b>	
33	1702784	1	Decal - Legend	
34	1703797	1	Decal - Danger/Warning	
35		Ref	Decal - 500LBS Max Capacity Options:	
35	1704096	2	Decal Standard - 600S	
35	1701645	2	Decal Standard - 600SJ & 660SJ	
44	1702901	1	Decal - Manual Descent <b>(SN 0300068000 through 0300070916)</b>	
45	1702902	1	Decal - Manual Descent <b>(SN 0300068000 through 0300070916)</b>	
46	1702903	1	Decal - Manual Descent <b>(SN 0300068000 through 0300070916)</b>	
47	1702904	1	Decal - Manual Descent <b>(SN 0300068000 through 0300070916)</b>	

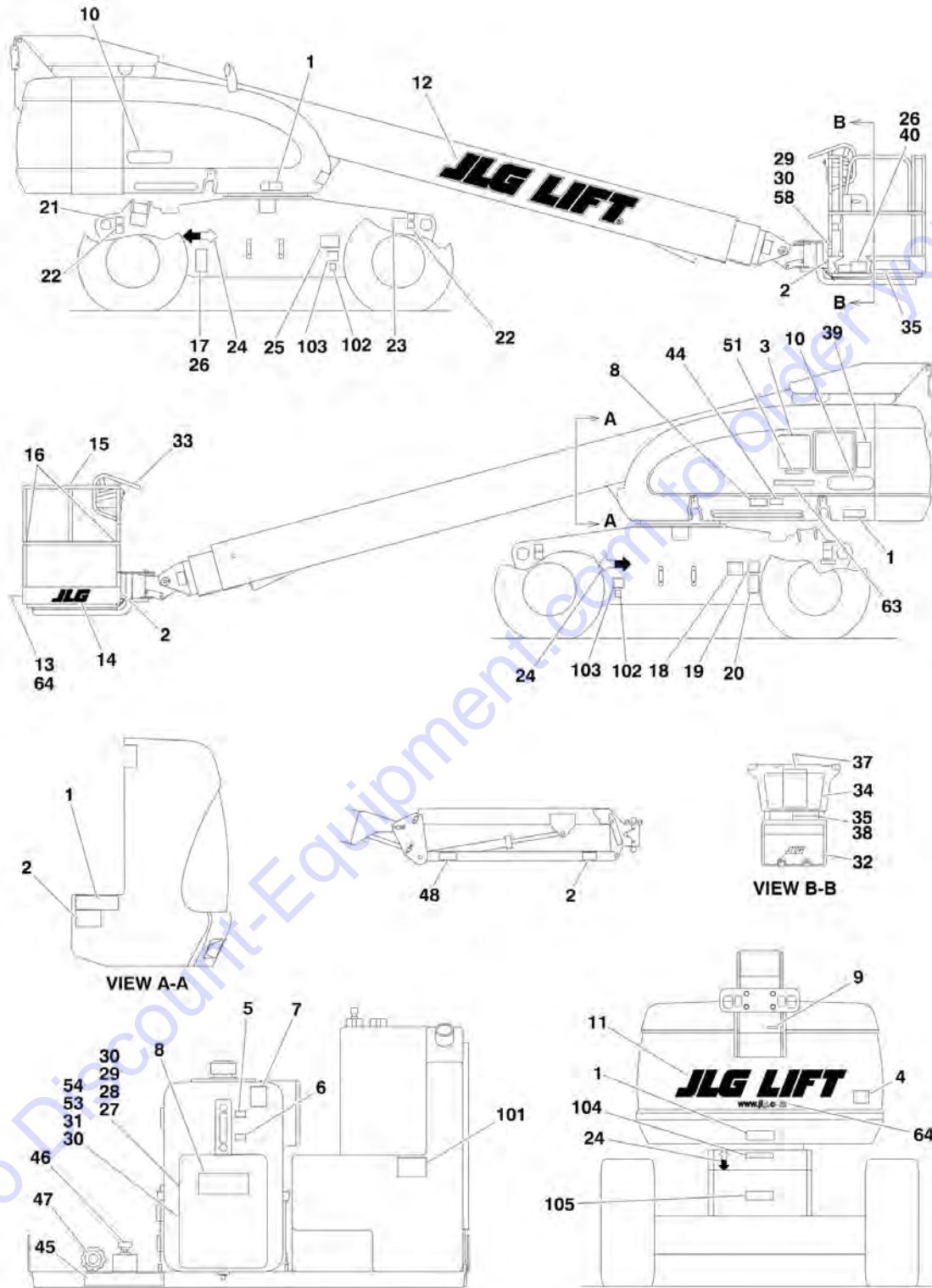
## SECTION 8 - DECALS

ITEM	PART NUMBER	QTY	DESCRIPTION	REV
48	1702908	1	Decal - Manual Descent <b>(SN 0300068000 through 0300070916)</b>	
51		Ref	Decal - 500LBS Max Capacity Options:	
51	1702966	1	Decal Standard (600S)	
51	1702688	1	Decal Standard (600SJ & 660SJ)	
53	0641406	4	Bolt 1/4in-20NC x 3/4in	
54	0100011	AR	Compound, Locking	
57	1703470	4	Decal - Tire Load	
58	0641414	2	Bolt 1/4in-20NC x 1-3/4in <b>(SN 0300068000 through 0300076512)</b>	
63	1703808	1	Decal - Legend	
64	1704885	2	Decal - Website	
		Ref	<b>DECAL INSTALLATION (OPTIONAL PARTS)</b>	
101		Ref	Decal - Fuel	
101	1701542	1	Decal - Ford Engine Machines	
101	1701505	1	Decal - Deutz Engine Machines	
102	1701543	1	Decal - LP Gas (Dual Fuel and LP Only Machines)	
103	1700818	1	Decal - LP Gas Liquid withdrawal System (Dual Fuel and LP Only Machines)	
104	3250872	1	Nameplate - Steer/Tow Selection (Machines with Tow Package Only)	
105		Ref	Decal - Tow Instructions Options: (Machines with Tow Package Only)	
105	1702305	1	Decal - Tow Instructions 2WD	
105	1703403	1	Decal - Tow Instructions 4WD	
	0272341	Ref	<b>DECAL INSTALLATION TIRE SEALANT</b>	1
201	1705363	1	Decal - Tire Sealant Large	



# SECTION 8 - DECALS

## FIGURE 8-2. DECAL INSTALLATION (COUNTRY SPEC)





## SECTION 8 - DECALS

**FIGURE 8-2. DECAL INSTALLATION (COUNTRY SPEC)**

ITEM	PART NUMBER	QTY	DESCRIPTION	REV
		Ref	<b>DECAL INSTALLATIONS</b>	
	0255330	Ref	<b>Decal Installations 600S Common Decals</b>	12
	0255334	Ref	<b>Decal Installations 600SJ Common Decals</b>	12
	0255332	Ref	<b>Decal Installations 660SJ Common Decals</b>	13
	0257493	Ref	<b>Decal Installations 600S Brazilian Spec</b>	5
	0257494	Ref	<b>Decal Installations 600SJ &amp; 660SJ Brazilian Spec</b>	5
	0259328	Ref	<b>Decal Installations 600S CSA Spec</b>	11
	0259329	Ref	<b>Decal Installations 600SJ CSA Spec</b>	13
	0259330	Ref	<b>Decal Installations 660SJ CSA Spec</b>	13
	0273537	Ref	<b>Decal Installations 660SJ English, Chinese Spec</b>	3
	0273536	Ref	<b>Decal Installations 600S English, Korean Spec</b>	3
	0256258	Ref	<b>Decal Installations 600S Japanese Spec</b>	3
	0256575	Ref	<b>Decal Installations 600SJ &amp; 660SJ Japanese Spec</b>	4
	0256673	Ref	<b>Decal Installations 600S Latin American Spanish Spec</b>	15
	0256663	Ref	<b>Decal Installations 600SJ Latin American Spanish Spec</b>	9
	0256672	Ref	<b>Decal Installations 660SJ Latin American Spanish Spec</b>	11
1		Ref	Decal - Electrocutation Options:	
1	Not Required	0	Decal - Electrocutation Brazilian Spec and Japanese Spec	
1	1703937	4	Decal - Electrocutation Chinese Spec	
1	1703936	4	Decal - Electrocutation CSA Spec	
1	1703939	4	Decal - Electrocutation Korean Spec	
1	1702585	4	Decal - Electrocutation Latin American Spec	
2		Ref	Decal - Crushing Options:	
2	1701518	5	Decal - Crushing Brazilian Spec and Japanese Spec	
2	1703949	3	Decal - Crushing Chinese Spec	
2	1703948	3	Decal - Crushing CSA Spec	
2	1703951	3	Decal - Crushing Korean Spec	
2	1702583	3	Decal - Crushing Latin American Spec	
3		Ref	Decal - Danger/Warning Options:	
3	Not Required	0	Decal - Danger/Warning Brazilian Spec and Japanese Spec	
3	1703931	1	Decal - Danger/Warning Chinese Spec	
3	1703930	1	Decal - Danger/Warning CSA Spec	
3	1703933	1	Decal - Danger/Warning Korean Spec	
3	1702971	1	Decal - Danger/Warning Latin American Spec	
4		Ref	Decal - USA Options:	
4	Not Required	0	Decal - USA, Brazilian, Chinese, Japanese Spec and Korean Spec	
4	3251813	1	Decal - USA, CSA and Latin American Spec	
5	1701502	1	Decal - High Oil Level	
6	1701503	1	Decal - Low Oil Level	
7	1701504	1	Decal - Hydraulic Oil	
8	1701509	1	Decal - Manual	
9		Ref	Decal - AC to Platform Options:	
9	Not Required	0	Decal - AC to Platform Brazilian, Chinese, Japanese Spec and Korean Spec	
9	1703453	1	Decal - AC to Platform AC (Latin American Spec)	
9	3251243	1	Decal - AC to Platform 120V-60Hz	
9	3252507	1	Decal - AC to Platform 220V-50/60Hz	
10		Ref	Decal - Model Designation Options:	
10	1702815	2	Decal - Model Designation 600S	

## SECTION 8 - DECALS

ITEM	PART NUMBER	QTY	DESCRIPTION	REV
10	1702816	2	Decal - Model Designation 600SJ	
10	1702817	2	Decal - Model Designation 660SJ	
11	1702861	1	Decal - JLG Lift (8in)	
12	1702862	1	Decal - JLG Lift (12in)	
13	1702774	1	Decal - JLG Lift (3-1/2in)	
14	1702773	2	Decal - JLG (5in)	
15		Ref	Decal - No Hands Options:	
15	1703899	2	Decal - No Hands Brazilian Spec	
15	1704000	2	Decal - No Hands CSA Spec	
15	Not Required	0	Decal - No Hands Chinese, Japanese Spec and Korean Spec	
15	1702975	1	Decal - No Hands Latin American Spec	
16		Ref	Decal - Attach Lanyard Here Options:	
16	1704277	AR	Decal - Attach Lanyard Here Brazilian, Chinese, CSA, Korean and Latin American Spec	
16	Not Required	0	Decal - Attach Lanyard Here Japanese Specs	
17	See Note	NSS	Nameplate - Serial Number (Note: Not Available for Purchase)	
18		Ref	Decal - Inspection Options:	
18	Not Required	0	Decal - Brazilian, Chinese, Japanese Spec and Korean Spec	
18	1704006	2	Decal - CSA Spec	
18	1702552	1	Decal - Latin American Spec	
19	See Note	NSS	Decal - Bar Code (Note: Not Available for Purchase)	
20		Ref	Decal - Patent Options:	
20	1700584	1	Decal - Patent Brazilian, Chinese, Japanese Spec and Korean Spec	
20	1702573	1	Decal - Patent Latin American Spec	
21	1701499	2	Decal - No Tie Down /Lift	
22	1702300	4	Decal - Tie Down /Lift	
23	1701500	2	Decal - Tie Down /Lift	
24	1701529	4	Decal- Arrow	
25		Ref	Decal - Warning Options:	
25	Not Required	0	Decal - Warning Brazilian, Chinese, Japanese Spec and Korean Spec	
25	1702581	1	Decal - Warning Latin American Spec	
26	3820001	AR	Rivet	
27	0641408	1	Bolt 1/4in-20NC x 1in	
28	1060279	1	Cable, Lanyard	
29	3311405	AR	Locknut 1/4in-20NC	
30	4751400	AR	Flatwasher 1/4in	
31	0860520	1	Box, Manual Storage	
32	3380434	1	Panel, Pedestal <b>(SN 0300068000 through 0300076512)</b>	
33		Ref	Decal - Legend Options:	
33	Not Required	0	Decal - Legend Brazilian, Chinese, Japanese Spec and Korean Spec	
33	1702784	2	Decal - Legend CSA Spec	
33	1702972	1	Latin American Spec	
34		Ref	Decal - Danger/Warning Options:	
34	Not Required	0	Decal - Danger/Warning Brazilian Spec and Japanese Spec	
34	1703925	1	Decal - Danger/Warning Chinese Spec	
34	1703924	2	Decal - Danger/Warning CSA Spec	
34	1703927	1	Decal - Danger/Warning Korean Spec	
34	1702973	1	Decal - Danger/Warning Latin American Spec	
35		Ref	Decal - Maximum Capacity Options:	

## SECTION 8 - DECALS

ITEM	PART NUMBER	QTY	DESCRIPTION	REV
35	Not Required	0	Decal Brazilian Spec and Japanese Spec	
35	1703996	1	Decal Chinese Spec - 660SJ	
35	1704099	2	Decal CSA Spec - 600S	
35	1703996	2	Decal CSA Spec - 600SJ/660SJ	
35	1704103	1	Decal Korean Spec - 600S	
35	1704100	2	Decal Latin American Spec - 600S	
35	1702974	2	Decal Latin American Spec - 600SJ/660SJ	
37		Ref	Nameplate - Capacity Options:	
37	1703536	1	Nameplate - Capacity Brazilian Spec	
37	1701924	1	Nameplate - Capacity Japanese Spec	
37	Not Required	0	Nameplate - Capacity Chinese, CSA, Korean and Latin American Spec	
38		Ref	Nameplate - Caution Options:	
38	1703538	1	Nameplate - Caution Brazilian Spec	
38	1703188	1	Nameplate - Caution Japanese Spec	
38	Not Required	0	Nameplate - Caution Chinese, CSA, Korean and Latin American Spec	
39		Ref	Nameplate - Caution Options:	
39	1703548	1	Nameplate - Caution Brazilian Spec	
39	1701923	1	Nameplate - Caution Japanese Spec	
39	Not Required	0	Nameplate - Caution Chinese, CSA, Korean and Latin American Spec	
40		Ref	Decal - Footswitch Options:	
40	3252540	1	Decal - Footswitch Brazilian Spec	
40	1703982	1	Decal - Footswitch Chinese Spec	
40	3252347	1	Decal - Footswitch CSA Spec (Part of Footswitch)	
40	3252220	1	Decal - Footswitch Japanese Spec	
40	1703981	1	Decal - Footswitch Korean Spec	
40	3252489	1	Decal - Footswitch Latin American Spec	
44		Ref	Decal - Manual Descent Options:	
44	1703543	1	Decal - Manual Descent Brazilian Spec <b>(SN 0300068000 through 0300070916)</b>	
44	1704116	1	Decal - Manual Descent CSA Spec <b>(SN 0300068000 through 0300070916)</b>	
44	1703004	1	Decal - Manual Descent Japanese Spec <b>(SN 0300068000 through 0300070916)</b>	
44	1702976	1	Decal - Manual Descent Latin American Spec <b>(SN 0300068000 through 0300070916)</b>	
45		Ref	Decal - Manual Descent Options:	
45	1703542	1	Decal - Manual Descent Brazilian Spec <b>(SN 0300068000 through 0300070916)</b>	
45	1704269	1	Decal - Manual Descent CSA Spec <b>(SN 0300068000 through 0300070916)</b>	
45	1703005	1	Decal - Manual Descent Japanese Spec <b>(SN 0300068000 through 0300070916)</b>	
45	1702977	1	Decal - Manual Descent Latin American Spec <b>(SN 0300068000 through 0300070916)</b>	
46	1702903	1	Decal - Manual Descent #1 <b>(SN 0300068000 through 0300070916)</b>	
47	1702904	1	Decal - Manual Descent #2 <b>(SN 0300068000 through 0300070916)</b>	
48		Ref	Decal Options: (600SJ & 660SJ Only)	
48	1703541	1	Decal Brazilian Spec (No Hands) <b>(SN 0300068000 through 0300070916)</b>	

## SECTION 8 - DECALS

ITEM	PART NUMBER	QTY	DESCRIPTION	REV
48	1704270	1	Decal CSA Spec (Manual Descent) (SN 0300068000 through 0300070916)	
48	1703006	1	Decal Japanese Spec (No Hands) (SN 0300068000 through 0300070916)	
48	1702978		Decal Latin American Spec (No Hands) (SN 0300068000 through 0300070916)	
51		Ref	Decal - Capacity Options:	
51	Not Required	0	Decal - Capacity Brazilian Spec and Japanese Spec	
51	1704112	1	Decal - Capacity Chinese Spec - 660SJ	
51	1704107	1	Decal - Capacity CSA Spec (600S)	
51	1702688	1	Decal - Capacity CSA Spec (600SJ & 660SJ) (SN 0300068000 through 0300073985)	
51	1704112	1	Decal - Capacity CSA Spec (600SJ & 660SJ) (SN 0300073986 through 0300087000)	
51	1704111	1	Decal - Capacity Korean Spec - 600S	
51	1704108	1	Decal - Capacity Latin American Spec	
53	0641406	4	Bolt 1/4in-20NC x 3/4in	
54	0100011	AR	Compound, Locking	
57		Ref	Decal - Tire Load Options:	
57	1703470	4	Decal - Tire Load Brazilian, CSA, Spec and Latin American Spec	
57	1703472	4	Decal - Tire Load Chinese Spec	
57	1703470	4	Decal - Tire Load Korean Spec - 600S	
58	0641414	2	Bolt 1/4in-20NC x 1-3/4in (SN 0300068000 through 0300076512)	
63		Ref	Decal - Legend Options:	
63	Not Required	0	Decal - Legend Brazilian, Chinese, Japanese, Korean and Latin American Specs	
63	1703808	1	Decal - Legend CSA Spec	
64	1704885	2	Decal - Website	
		Ref	<b>DECAL INSTALLATION (OPTIONAL PARTS)</b>	
101		Ref	Decal - Fuel Options:	
101	1701505	1	Decal - Diesel	
101	1701542	1	Decal - Gas	
102	1701543	1	Decal - LP Gas (Dual Fuel Machines Only)	
103		Ref	Decal - Liquid withdrawal System Options: (Dual Fuel Machines Only)	
103	Not Required	0	Decal - Brazilian Spec and Japanese Spec	
103	1700818	2	Decal - Chinese and Korean Spec	
103	1704271	2	Decal - CSA Spec	
103	1702720	2	Decal - Latin American Spec	
104		Ref	Nameplate - Steer/Tow Selection (Machines with Tow Package Only)	
104	Not Required	0	Nameplate - Brazilian, Chinese, Japanese, Korean and Latin American Spec	
104	1704272	1	Nameplate - CSA Spec	
105		Ref	Decal - Tow Instructions Options: (Machines with Tow Package Only)	
105	Not Required	0	Decal - Brazilian, Chinese, Japanese, Korean and Latin American Spec	
105	1704273	1	Decal - CSA Spec 2WD	
105	1704276	1	CSA Spec 4WD	

**SECTION 9 - RECOMMENDED SERVICE PARTS STOCK**

**SECTION 9 - RECOMMENDED SERVICE PARTS STOCK**

Go to [Discount-Equipment.com](http://Discount-Equipment.com) to order your parts

## SECTION 9 - RECOMMENDED SERVICE PARTS STOCK

FIGURE 9-1. MODEL 600S/600SJ/660SJ STANDARD PARTS

ITEM	PART NUMBER	QTY	DESCRIPTION	REV
	Note	Ref	<b>Note: The following list will service one machine (built to current production per date on the front cover) with emergency repair parts which can be installed in the field. Parts from the list should be replaced when inventory is depleted to keep service parts stock supplied. For further information, go to Discount-equipment.com.</b>	
		Ref	<b>STANDARD PARTS</b>	
	2120150	4	Element Filter	
	7020020	1	Switch, Indicator	
	7012944	1	Coil	
	7012772	1	Coil	
	2120149	1	Element, Filter	
	7020021	1	Switch, Indicator	
	70000582	1	Coil	
	7012664	1 doz	Element, Air Cleaner	
	3740067	1	Relay	
	4360392	1	Switch, Indicator	
	7024444	1	Breather, Hydraulic Tank	
	4360328	1	Switch, Toggle	
	4360469	1	Switch, Key	
	2860030	1	Key, Replacement	
	4360475	1	Switch, Mushroom	
	3740049	1	Relay	
	2940074	1	Latch	
	4360331	1	Switch, Toggle	
	4360407	1	Controller, Speed	
	4360387	1	Switch, Push Button	
	1001129555	1	Controller (Lift and Swing)	
	1001212415	1	Controller (Drive and Steer)	
	2400065	2	Fuse, 30Amp	
	3990010	2	Diode	



## SECTION 9 - RECOMMENDED SERVICE PARTS STOCK

FIGURE 9-2. MODEL 600S/600SJ/660SJ VARIABLE PARTS

ITEM	PART NUMBER	QTY	DESCRIPTION	REV
	Note	Ref	<b>Note: The following list will service one machine (built to current production per date on the front cover) with emergency repair parts which can be installed in the field. Parts from the list should be replaced when inventory is depleted to keep service parts stock supplied. For further information, go to <a href="http://Discount-equipment.com">Discount-equipment.com</a>.</b>	
		Ref	<b>VARIABLE PARTS</b>	
	7026830	1 doz	Filter, Fuel (Caterpillar Engine Machines)	
	7026811	1 doz	Filter, Oil (Caterpillar Engine Machines)	
	7016328	1 doz	Filter, Fuel (Deutz Engine Machines)	
	7016331	1 doz	Filter, Oil (Deutz Engine Machines)	
	91083218	1 doz	Filter, Fuel (Ford Engine Machines)	
	7021868	1 doz	Filter, Oil (Ford Engine Machines)	
	1600364	1	Module - ADE (Ground Control) (Caterpillar and Ford Engine)	
	1600411	1	Module - ADE (Ground Control) (Deutz Engine)	
	4360578	1	Switch, Limit	
	3740080	1	Relay (Machines with Generator)	
	4360336	1	Switch, Toggle (Machines with Generator)	
	70002005	1	Powertrack Repair Section (600S) (Gortrac Brand)	
	70002007	1	Powertrack Repair Section (660SJ) (Gortrac Brand)	
	7016530	2	Power Track - Repair Section (Gemco Brand)	
	7006138	24	Power Track - Pin Kit (Gemco Brand)	
	4360336	1	Switch, Toggle (Machines with Dual Fuel)	
	4360336	1	Switch, Toggle (Machines with Headlights)	
	4360232	1	Breaker, Circuit (Machines with Worklights)	
	1600375	1	Module - ADE (Platform Control)	



**SECTION 10 - SPECIAL OPTIONS**

Go to Discount-Equipment.com to order your parts

## SECTION 10 - SPECIAL OPTIONS

FIGURE 10-1. SPECIAL OPTIONS

ITEM	PART NUMBER	QTY	DESCRIPTION	REV
	Note	Ref	<b>Note: This list is to accommodate machines ordered with special equipment. Options may not be applicable to all models. For more specific parts information go to Discount-equipment.com.</b>	
		Ref	<b>MISCELLANEOUS SPECIAL OPTIONS</b>	
		Ref	<b>Airline to Platform Installation Options:</b>	
	0255388	Ref	Installation 1/2in 600S & 600SJ	
	0255389	Ref	Installation 1/2in 660SJ	
	0255400	Ref	<b>Alternator Installation - Enclosed</b>	
	0274219	Ref	<b>Battery Disconnect Switch</b>	
	0270723	Ref	<b>Beacon Light Installation (On Platform)</b>	
	0256273	Ref	<b>Boom Wipers Installation (Brush Type)</b>	
	0273834	Ref	<b>Cable Installation - 600S (Fog Cannon)</b>	
	0256789	Ref	<b>Camera Mount Assembly</b>	
		Ref	<b>ClearSky Telematics Kit (Dealer Installed)</b>	
	1001102841	Ref	<b>ANSI Spec</b>	
	1001102842	Ref	<b>ANSI Export/CE/Japanese Specs</b>	
	1001139132	Ref	<b>Australian Spec</b>	
	1001104985	Ref	<b>CSA Spec</b>	
		Ref	<b>Note: Refer to ClearSky (Telematics) Manual p/n 3128499 for Service Parts.</b>	
		Ref	<b>Cold Weather Package Installation Options:</b>	
	0273575	Ref	Cold Weather Package Installation, Caterpillar Engine	
	0256060	Ref	Cold Weather Package Installation, Deutz	
	0271548	Ref	Cold Weather Package Installation, Deutz (With Glow/Plugs)	
	0255386	Ref	Cold Weather Package Installation, Ford	
		Ref	<b>Container - Tray Storage Options:</b>	
	1580012	1	Container - Tray Storage, Center	
	1580013	1	Container - Tray Storage, Rail	
		Ref	<b>Decal Options:</b>	
	1702788	1	Decal - Biodegradable Hydraulic Fluid Decal	
	1704174	1	Decal - Biodegradable (Synthetic) Hydraulic Fluid Decal	
	0253550	Ref	Decal - CSA Decal Installation	
	0274455	Ref	Decal - FedEx Decal Installation	
	0257195	Ref	Decal - Government Warranty Decal Installation	
	0273246	Ref	Decal - Hertz Decals Installation	
	0274528	Ref	Decal - Head and Engquist Equipment L.L.C (H and E)	
	0256957	Ref	Decal - Lanyard Attach Decal Installation (GM K-1 Spec)	
	0274243	Ref	Decal - National Equipment Services (NES) Decals Installation	
	0270465	Ref	Decal - Nations Rent Decals Installation	
	1702868	Ref	Decal - No Hands Decal (Platform with Mesh to Top Rail)	
	1704000	Ref	Decal - No Hands Decal - CSA (Platform with Mesh to Top Rail)	
	0256487	Ref	Decal - Prop 65 Warning Decal Installation (Diesel Machines) (California Spec)	
	0256488	Ref	Decal - Prop 65 Warning Decal Installation (Gasoline Machines) (California Spec)	
	0271107	Ref	Decal - Sunbelt	
	0271893	Ref	Decal - United Rentals	
		Ref	<b>Decal Kits</b>	
	2900967	Ref	Decal Kit - Complete (600S)	

## SECTION 10 - SPECIAL OPTIONS

ITEM	PART NUMBER	QTY	DESCRIPTION	REV
	2900970	Ref	Decal Kit - Complete (660SJ)	
	2900937	Ref	Decal Kit - Country Spec (Brazil and Japanese Spec) (600S)	
	2910045	Ref	Decal Kit - Country Spec (Brazil Spec) (600SJ & 660SJ)	
	1001193633	Ref	Decal Kit - Machine	
	1001108718	Ref	Decal Kit - Platform (600S)	
	1001238725	Ref	Decal Kit - Platform (600SJ/660SJ)	
	1001119562	Ref	Decal Kit - Platform Console Box	
	2902394	Ref	<b>Drive/Steer Cutout Kit</b>	
		Ref	<b>Electrical Connector Kits</b>	
	1001148902	Ref	Amp/Tyco Electrical Connector Kit	
	1001148903	Ref	Deutsch DT Electrical Connector Kit	
	1001148904	Ref	Deutsch HD Electrical Connector Kit	
	1001148905	Ref	Packard Electrical Connector Kit	
	1001148906	Ref	Various Electrical Connectors Kit	
	0274196	Ref	<b>Engine Installations - UL</b>	
		Ref	<b>Engine Block Heater Installations:</b>	
	2580055	Ref	<b>Caterpillar Engine Machines</b>	
	0274227	Ref	<b>Deutz Engine Machines</b>	
	0258696	Ref	<b>Ford Engine Machines</b>	
	0257157	Ref	<b>Ether Start Installation (Deutz Engine Machines)</b>	
		Ref	<b>Filter Kits:</b>	
		Ref	Combined Filter Kit (Hydraulic/Air and Fuel/Engine Oil)	
		Ref	Caterpillar Engines	
	2915137	NLA	Caterpillar Engines (Use p/n 1001110994) <b>(SN 0300068000 through 0300084826)</b>	
	1001114031	NLA	Caterpillar Engines (Use p/n 1001110994) <b>(SN 0300068000 through 0300084826)</b>	
	1001110994	1	Caterpillar Engines <b>(SN 0300068000 through 0300084826)</b>	
	1001114123	NLA	Caterpillar Engines (Use p/n 1001110991) <b>(SN 0300084827 through 0300087000)</b>	
	1001114124	NLA	Caterpillar Engines (Use p/n 1001110991) <b>(SN 0300084827 through 0300087000)</b>	
	1001110991	1	Caterpillar Engines <b>(SN 0300084827 through 0300087000)</b>	
		Ref	Deutz Engines	
	2910463	NLA	Deutz Engines (Use p/n 1001110993) <b>(SN 0300068000 through 0300084826)</b>	
	1001110993	1	Deutz Engines <b>(SN 0300068000 through 0300084827)</b>	
	1001114036	NLA	Deutz Engines (Use p/n 1001110990) <b>(SN 0300084827 through 0300087000)</b>	
	1001110990	1	Deutz Engines <b>(SN 0300084827 through 0300087000)</b>	
		Ref	Ford Engines	
	1001114041	NLA	Ford LRG-425 (Use p/n 1001114042) <b>(SN 0300068000 through 0300084827)</b>	
	1001114042	1	Ford LRG-425 <b>(SN 0300084827 through 0300087000)</b>	
	2910460	NLA	Ford LRG-425 with EFI (Use p/n 1001114039) <b>(SN 0300068000 through 0300084827)</b>	
	1001114039	1	Ford LRG-425 with EFI <b>(SN 0300068000 through 0300084827)</b>	
		Ref	Hydraulic/Air Filter	
	2910924	NLA	Caterpillar, Deutz and Ford - 300 Hour (Use p/n 1001109692) <b>(SN 0300068000 through 0300084826)</b>	
	1001109692	1	Caterpillar, Deutz and Ford - 300 Hour	
	1001114132	NLA	Deutz Engines - 300 Hour (Use p/n 1001109684) <b>(SN 0300084827 through 0300087000)</b>	

## SECTION 10 - SPECIAL OPTIONS

ITEM	PART NUMBER	QTY	DESCRIPTION	REV
	1001109684	1	Deutz Engines - 300 Hour	
	1001110133	1	Fuel/Engine Oil Filter (Deutz Engines Only)	
	4060959	Ref	<b>Footswitch Shield (Note: Move Decal to Shield)</b>	
	1120362	Ref	<b>Fuel Cap with Gauge</b>	
	2902232	Ref	<b>Glazier Tray Kit (9K Helac) (w/Platform)</b>	
	1001101422	Ref	<b>Glazier Tray Kit (w/o Platform)</b>	
		Ref	<b>Glow Plugs Installation (Deutz Engine Machines) Options:</b>	
	0271333	Ref	<b>Glow Plugs Installation (Deutz Engine Machines) (SN 0300068000 through 0300082631)</b>	
	0271912	Ref	<b>Glow Plugs Installation (Deutz Engine Machines) (SN 0300082632 through 0300087000)</b>	
	2901691	Ref	<b>Glow Plugs in Intake Kit (Deutz Engine Machines)</b>	
	0861675	Ref	<b>Ground Control Box Assembly (UL Machines)</b>	
		Ref	<b>Hood (Steel) Replacement Kit</b>	
	1001126287	Ref	<b>Caterpillar Engine Machines</b>	
	1001126286	Ref	<b>Deutz Engine Machines</b>	
	See Note	Ref	<b>Ford Engines Machines (Note: Not Available for Purchase)</b>	
		Ref	<b>Hose Kits:</b>	
	1001187491	Ref	<b>Hose Kit - Boom (Upper) (600S)</b>	
	1001187493	Ref	<b>Hose Kit - Boom (Upper) (600SJ) (SN 0300068000 through 0300075605)</b>	
	1001187494	Ref	<b>Hose Kit - Boom (Upper) (600SJ) (SN 0300075606 through 0300077912)</b>	
	1001187495	Ref	<b>Hose Kit - Boom (Upper) (600SJ) (SN 0300077913 through 0300087000)</b>	
	1001187497	Ref	<b>Hose Kit - Boom (Upper) (660SJ) (SN 0300068000 through 0300075605)</b>	
	1001187498	Ref	<b>Hose Kit - Boom (Upper) (660SJ) (SN 0300075606 through 0300087000)</b>	
		Ref	<b>Hostile Environment Add-On Kits</b>	
	1001204925	Ref	<b>Hostile Environment Add-On Kit (600S)</b>	
	1001204926	Ref	<b>Hostile Environment Add-On Kit (660SJ)</b>	
		Ref	<b>Hydraulic Fluids Options:</b>	
	2300014	Ref	Hydraulic Fluids, Mobil 424	
	2300027	Ref	Hydraulic Fluids, Mobil 224H Bio	
	2300029	Ref	Hydraulic Fluids, Mobil EAL ISO 46 Bio	
	2300016	Ref	Hydraulic Fluids, Mobil DTE 13M	
	2300019	Ref	Hydraulic Fluids, Quaker State Quintolubric 888-46 Fire Res.	
	0255439	Ref	<b>Intercom Communication System Installation</b>	
	1001189615	Ref	<b>Kingpin Removal Kit</b>	
	1001148971	Ref	<b>Lanyard (Bolt-On) Kit Installation</b>	
		Ref	<b>Loop Flushing Installations</b>	
	0273741	Ref	<b>Loop Flushing Installations 2WD</b>	
	0273738	Ref	<b>Loop Flushing Installations 4WD</b>	
	1001147699	Ref	<b>Manual Storage Box Relocation Kit</b>	
		Ref	<b>Oil Cooler Installations</b>	
	0256762	Ref	Deutz Engine Machines	
	1282665	Ref	Deutz Engine Machines	
	0272041	Ref	Ford Engine Machines	
	1283309	Ref	Ford Engine Machines	
		Ref	<b>Oxy-Acetylene Lines to Platform Installation Options:</b>	
	0255390	Ref	<b>Oxy-Acetylene Lines to Platform Installation 600S &amp; 600SJ</b>	
	0255391	Ref	<b>Oxy-Acetylene Lines to Platform Installation 660SJ</b>	

## SECTION 10 - SPECIAL OPTIONS

ITEM	PART NUMBER	QTY	DESCRIPTION	REV
	0257728	Ref	<b>Pipe Jack Installation</b>	
	0258703	Ref	<b>Platform Console Cover Installation</b>	
	1001205175	Ref	<b>Platform Console Cover Add-On Kit</b>	
		Ref	<b>Platform Entry Kit</b>	
	1001142504	Ref	<b>Kit, Replace Swing Gate with Drop Bar</b>	
	1001142505	Ref	<b>Kit, Replace Drop Bar with Swing Gate</b>	
		Ref	<b>Platform Huck Fasteners Replacement Hardware</b>	
	0641416	AR	Bolt 1/4in-20NC x 2in	
	3311405	AR	Locknut 1/4in-20NC	
	4711400	AR	Flatwasher 1/4in	
	3300151	AR	Acorn Nut 1/4in-20NC	
		Ref	<b>Platform Mesh to Top Rail Installation (Side-Entry)</b>	
	0273147	Ref	<b>30in x 48in Platform</b>	
	0273146	Ref	<b>30in x 60in Platform</b>	
	0273148	Ref	<b>30in x 72in Platform</b>	
	0273149	Ref	<b>36in x 72in Platform</b>	
	0273145	Ref	<b>36in x 96in Platform</b>	
	1001149730	Ref	<b>Platform Mid Rail Repair Kit</b>	
		Ref	<b>Platform Top Rail Extension (With Side Entry)</b>	
	0272733	Ref	<b>3ft x 6ft Platforms</b>	
	0272725	Ref	<b>3ft x 8ft Platforms</b>	
	2910073	Ref	<b>Power Track Hose and Clamp Kit</b>	
	1320247	1	Clamp, Nylon	
	0641522	1	Bolt 5/16in-18NC x 2-3/4in	
	3311505	1	Locknut 5/16in-18NC	
	4711500	2	Flatwasher 5/16in	
	2753084	1	Hose	
	0861586	Ref	<b>Remote Control Box</b>	
	0861653	Ref	<b>Remote Control Box (600S Only)</b>	
	4240151	1	Strap Assembly	
	4923045	1	Harness Remote Control Cable	
	0861681	Ref	<b>Remote Control Box - Tethered (600S Only)</b>	
		Ref	<b>Note: For Breakdown of Remote Control Box Refer to Manual p/n 3128930</b>	
	2902300	Ref	<b>Remote Oil Filter Kit - Required on Caterpillar Engine to Allow Sky Power 7500 Watt Generator to Fit (SN 0300068000 through 0300078183)</b>	
	3574696	1	Bracket, Mounting Remote Filter	
		Ref	<b>SkyGuard Component Options:</b>	
	1001149560	Ref	SkyGuard Complete Add-On Kit (Non-UGM Machines)	
	1001137672	Ref	SkyGuard Installation Kit (Old Style Platform)	
	1001197016	Ref	SkyGuard Installation Kit (New Style Platform)	
	1001137440	1	SkyGuard Sensor Harness	
	1001186431	2	Relay	
	1001143256	NLA	SkyGuard Blue Beacon Kit (Use p/n 1001206311)	
	1001206311	Ref	SkyGuard Blue Beacon Kit	
	1001116159	Ref	<b>SkyPower Kit - 7500W Generator (Deutz Engines)</b>	
	1001228357	Ref	<b>Telematics Retrofit Harness Kit (Machines with UGM)</b>	
	0272302	Ref	<b>Tire Sealant Installation</b>	
	0272312	Ref	<b>Tire Sealant Decal Installation</b>	
	2902203	1	Kit, Tire Sealant Decal	
		Ref	<b>Tools for Service</b>	

## SECTION 10 - SPECIAL OPTIONS

ITEM	PART NUMBER	QTY	DESCRIPTION	REV
	7002840	1	Antirotaion Pin Removal Tool	
	8896941	1	Wire Stripper	
	7002821	1	Wire Crimper (To install wire ends to wires)	
	7002823	1	Pin/Socket Extractor - Universal (To Remove Pins/Sockets from Connectors)	
	4460467	1	Extractor - 16-18 Gauge (For Removal of Pin/Sockets from Deutsch Connectors)	
	4460510	1	Extractor - 12-14 Gauge (For Removal of Pin/Sockets from Deutsch Connectors)	
	7002822	1	Screwdriver, Potentiometer (To Adjust Drive Controllers)	
	7016654	1	Screwdriver, Magnetic	
	7004275	1	Seal Installation Tool - 1in	
	7004276	1	Seal Installation Tool - 1-1/2in	
	7002826	1	Seal Installation Tool - 2in	
	7016655	1	Wire Rope Sheave Gauge	
	7016652	1	Huck Bolt FASTER (For Small Huck Bolts Only)	
		Ref	<b>Tool (Hydraulic) Installations Options:</b>	
	0272347	Ref	Tool (Hydraulic) Installations 600S	
	0272348	Ref	Tool (Hydraulic) Installations 600SJ	
	0272349	Ref	Tool (Hydraulic) Installations 660SJ	
	2915087	Ref	<b>Turntable Bearing Kit</b>	
	0258918	Ref	<b>Utility Rack Installation</b>	
	2910169	Ref	<b>Wear Pad Kit</b>	
	2910172	Ref	<b>Wire Rope Kit</b>	

**PART NUMBER INDEX**

Go to [Discount-Equipment.com](http://Discount-Equipment.com) to order your parts

# PART NUMBER INDEX

0060031.....	194, 203	0255330.....	353	0258570.....	110	0272302.....	365
0060034.....	203	0255331.....	349	0258578.....	154	0272312.....	365
0060066.....	194, 207	0255332.....	353	0258607.....	133	0272317.....	34
0060067.....	189, 207	0255333.....	349	0258696.....	363	0272318.....	34
0060075.....	189, 203	0255334.....	353	0258703.....	365	0272341.....	350
0080163.....	94, 101	0255335.....	147	0258886.....	57	0272347.....	366
0080181.....	84	0255353.....	305	0258918.....	366	0272348.....	366
0080201.....	107, 117	0255354.....	305	0259328.....	353	0272349.....	366
0080214.....	106, 117	0255355.....	305	0259329.....	353	0272387.....	247
0080220.....	283	0255356.....	305	0259330.....	353	0272391.....	247
0080241.....	148	0255363.....	57	0259424.....	57	0272395.....	247
0080243.....	84	0255386.....	362	0259425.....	57	0272418.....	247
0100009.....	224	0255388.....	183, 362	0270120.....	33, 51	0272427.....	226, 243
0100011.....	13, 14, 17, 21, 22, 25, 29, 31, 33, 51, 54, 61, 67, 75, 84, 86, 92, 93, 98, 99, 105, 107, 110, 116, 117, 133, 137, 139, 143, 148, 155, 158, 162, 166, 169, 173, 179, 190, 195, 196, 199, 209, 217, 225, 243, 247, 250, 253, 255, 257, 267, 271, 273, 277, 279, 283, 287, 293, 303, 322, 326, 350, 356	0255389.....	183, 362	0270121.....	33, 51	0272435.....	176, 181
0100019.....	13, 75, 155, 169, 174, 179, 183, 190, 195	0255390.....	364	0270329.....	75	0272448.....	250, 255
0100020.....	84, 86, 92, 98, 99, 102, 105, 107, 116, 117, 133, 134, 183, 186, 224, 225, 325	0255391.....	364	0270465.....	362	0272480.....	161, 226
0100035.....	147, 223	0255400.....	362	0270528.....	61	0272481.....	161, 226
0100038.....	17, 25, 267, 271, 273, 277, 279, 283, 287, 293, 303, 322, 326	0255439.....	364	0270723.....	362	0272483.....	336
0100040.....	217	0255445.....	65	0270733.....	336	0272484.....	336
0100048.....	108, 116, 143, 147, 148, 224, 336	0255446.....	65	0270734.....	336	0272485.....	337
0100062.....	133, 175	0255447.....	65	0270736.....	196, 337	0272486.....	337
0100063.....	14, 283, 287	0255524.....	134	0270738.....	196, 336	0272487.....	336
0100079.....	133	0255698.....	147	0270763.....	91	0272488.....	336
0100081.....	225, 247	0255881.....	151	0270764.....	106, 113, 225	0272492.....	173
0140001.....	67	0255917.....	148, 342	0270765.....	105	0272507.....	148, 342
0140011.....	223	0255929.....	305	0270766.....	106	0272521.....	253
0140032.....	147	0255930.....	305	0270767.....	105	0272588.....	253
0181727.....	84, 91, 98, 106, 116	0256060.....	362	0270804.....	209	0272589.....	176
0181949.....	134	0256113.....	343	0270805.....	147, 333	0272590.....	257
0200048.....	243	0256122.....	155	0270814.....	214, 218, 226, 332	0272599.....	250, 257
0200547.....	166	0256212.....	283	0270833.....	147	0272606.....	257
0200742.....	158, 162	0256258.....	353	0270868.....	22, 29	0272607.....	257
0200819.....	158	0256273.....	362	0271003.....	21	0272640.....	173
0239585.....	75	0256318.....	189	0271004.....	21	0272725.....	365
0253550.....	362	0256394.....	13	0271005.....	29	0272733.....	365
0254798.....	75	0256487.....	362	0271014.....	349	0272796.....	84
0254849.....	133	0256488.....	362	0271107.....	362	0272817.....	179
0254856.....	51	0256575.....	353	0271250.....	133	0272896.....	105
0254857.....	51	0256621.....	13	0271319.....	194	0272948.....	247
0255262.....	137	0256631.....	225	0271320.....	194	0272951.....	247
0255294.....	137	0256663.....	353	0271333.....	364	0272955.....	247
0255315.....	65	0256672.....	353	0271372.....	209	0272970.....	217, 225
0255316.....	75	0256673.....	353	0271372.....	209	0272992.....	34
0255329.....	349	0256689.....	93, 99	0271545.....	165, 226	0272993.....	34
		0256690.....	93, 99	0271546.....	165, 226	0273001.....	34
		0256762.....	328, 332, 364	0271548.....	362	0273048.....	33, 53
		0256789.....	362	0271552.....	148, 225	0273049.....	33, 53
		0256823.....	155	0271614.....	34	0273052.....	139
		0256830.....	154	0271615.....	34	0273067.....	54
		0256847.....	94, 101	0271616.....	34	0273072.....	91
		0256936.....	196	0271617.....	34	0273080.....	25, 31
		0256939.....	196	0271618.....	34	0273081.....	17, 25
		0256957.....	362	0271619.....	34	0273082.....	65
		0257157.....	363	0271893.....	362	0273086.....	65
		0257175.....	343	0271912.....	364	0273087.....	65
		0257195.....	362	0271940.....	214, 217	0273088.....	65
		0257493.....	353	0272041.....	328, 332, 364	0273145.....	365
		0257494.....	353	0272049.....	106, 113	0273146.....	365
		0257705.....	133	0272070.....	190, 196	0273147.....	365
		0257728.....	261, 365	0272133.....	189	0273148.....	365
		0257732.....	13	0272137.....	194	0273149.....	365
		0257744.....	29	0272139.....	194	0273150.....	17
		0257887.....	147, 342	0272254.....	255	0273161.....	139
		0258390.....	110	0272255.....	173	0273224.....	105
		0258391.....	110	0272297.....	34	0273225.....	106
		0258568.....	93	0272298.....	214, 217	0273226.....	17, 25



## PART NUMBER INDEX

0273238 ..... 34	0274298 ..... 98	0630534.....271, 273, 275, 287, 291, 293	0641613 ..... 66, 200
0273239 ..... 34	0274316 ..... 65	0630535.....267, 277, 279, 281, 293, 299, 303	0641614 .... 133, 195, 201
0273240 ..... 34	0274317 ..... 65	0630536.....283	0641616 ..... 185
0273242 ..... 34	0274318 ..... 65	0630548.....144	0641618 ..... 53, 175, 195, 200
0273243 ..... 34	0274319 ..... 65	0630568.....225	0641634 ..... 200
0273244 ..... 34	0274322 ..... 34	0641403.....147, 174, 200	0641638 ..... 200
0273246 ..... 362	0274455 ..... 362	0641404.....174, 210, 224	0641640 ..... 200
0273353 ..... 250	0274489 ..... 116	0641405.....169, 174, 179	0641648 ..... 209
0273356 ..... 31	0274490 ..... 116	0641406.....84, 107, 116, 117, 147, 155, 183, 185, 214, 217, 250, 257, 350, 356	0641708 ..... 179
0273357 ..... 31	0274491 ..... 84	0641407....84, 86, 92, 99, 117	0641718 ..... 169
0273362 ..... 54	0274492 ..... 85	0641408....107, 116, 117, 174, 214, 217, 223, 283, 349, 354	0641772 .... 158, 162, 166
0273366 ..... 33, 53	0274493 ..... 85	0641410.....98, 108, 116	0641807 ..... 209
0273367 ..... 33, 53	0274528 ..... 362	0641412.....133	0641808 ... 84, 87, 92, 98, 107, 108, 116, 174
0273369 ..... 189	0340041 .84, 91, 99, 107, 117	0641414 13, 21, 108, 117, 214, 218, 224, 243, 350, 356	0641810... 169, 179, 183, 190, 195
0273379 ..... 17, 25	0340046 84, 93, 110, 117	0641416.....196, 224, 365	0641811 ..... 139
0273394 ..... 25, 61	0362519 ..... 57, 58, 134	0641418.....67	0641812 .87, 92, 99, 105, 117, 190, 196
0273398 ..... 61	0362528 ..... 147	0641424 ..... 108	0641813 ..... 245
0273422 ..... 17, 61	0362910 ..... 61	0641505.....57, 173, 179	0641814 .... 13, 17, 21, 25
0273448 ..... 61	0363012 ..... 53	0641506.....66, 143, 155, 183, 185	0641818 ..... 91, 99, 151
0273450 ..... 183	0363082 ..... 169	0641507...84, 86, 93, 117	0641820 ... 137, 139, 190, 195
0273486 ... 214, 218, 226, 332	0363097 ..... 169, 179	0641508..67, 92, 98, 108, 110, 116, 133, 158, 162, 166, 169, 173	0641824 ..... 200
0273490 ... 214, 218, 226, 332	0363201 ..... 179	0641510.....92, 99	0641826 ..... 91, 99
0273491 ... 214, 218, 226, 332	0363202 ..... 179	0641512.....155	0641828 ..... 84, 106, 117
0273507 ..... 169	0370026 ..... 269	0641514....66, 87, 92, 98, 108, 116, 261	0642010... 61, 86, 93, 98, 107, 116
0273511 ..... 169	0400075 .84, 91, 98, 106, 116	0641516.....61, 173, 179, 245	0642012 ... 13, 17, 21, 25, 31, 190, 195
0273518 ..... 157	0440170 ..... 14, 17	0641518.....218	0642018 ..... 75
0273521 ..... 85	0440171 ..... 14, 17	0641520.....51	0642214 ..... 247
0273536 ..... 353	0440207 ..... 75	0641522.....51, 209, 365	0642612 ..... 148, 209
0273537 ..... 353	0460150 ..... 305	0641524.....214	0642684 ..... 190, 196
0273538 ..... 157	0460151 ..... 305	0641532.....53	0651406 ..... 67
0273539 ..... 157	0460152 ..... 305	0641552.....53	0681608 .... 190, 196, 201
0273540 ..... 173	0460153 ..... 305	0641604.....190, 195	0681610 . 14, 22, 29, 190, 195, 200
0273541 ..... 173	0460158 ..... 305	0641605.....200	0681612 ..... 200
0273542 ..... 245	0460160 ..... 305	0641606..86, 92, 99, 106, 116, 118, 134, 196, 200, 250, 253, 255, 257	0681810 ..... 33
0273575 ..... 362	0460161 ..... 305	0641607.....54, 200	0681814 ..... 221
0273592 ..... 105	0480050 ..... 166	0641608....13, 14, 17, 21, 22, 25, 29, 31, 51, 57, 61, 67, 84, 86, 100, 107, 116, 117, 133, 134, 154, 179, 190, 195, 199, 200, 209	0681822 ..... 221
0273593 ..... 91	0480100 ..... 261	0641609.....84, 151, 155	0681836 ..... 75
0273594 ..... 85	0480111 ..... 162, 166	0641610.....84, 87, 91, 98, 99, 100, 102, 107, 117, 158, 162, 185, 200, 214, 217, 223	0682012 ..... 14
0273595 ..... 85	0480119 ..... 162	0641611 .... 137, 169, 179, 195	0682014 ..... 14, 155
0273597 ..... 106	0480120 ..... 158	0641612....13, 17, 22, 29, 117, 139, 169, 179	0682016 ..... 33, 75
0273687 ..... 183	0480121 ..... 158, 162		0700808 ..... 84, 92, 99
0273692 ..... 98	0480125 ..... 174		0700810 ..... 94, 101, 105
0273693 ..... 98	0480126 ..... 174		0700812 ..... 93
0273706 ..... 243	0480129 ..... 174		0700815 ..... 174
0273738 ..... 364	0480130 ..... 179		0700816 ..... 158
0273741 ..... 364	0480134 ..... 166		0700819 ..... 107, 118
0273824 ..... 226, 243	0480135 ..... 169		0701010 ..... 84
0273834 ..... 362	0561076 ..... 200		0701012 .84, 93, 99, 107, 117
0274018 ..... 113, 116	0561138 ..... 14		0701014 ..... 99, 105, 117
0274019 ..... 113, 116	0561139 ..... 14		0701015 .84, 93, 99, 166, 169, 179
0274081 ..... 157	0561183 ..... 200		0701016 ..... 179
0274082 ..... 161	0561184 ..... 200		0701022 ..... 105
0274086 ..... 161	0561185 ..... 200		0701210 ..... 158
0274087 ..... 157	0561237 ..... 196		0701214 ..... 84
0274090 ..... 157	0630078 ..... 14		0701414 ..... 84, 92, 99
0274152 ..... 34	0630458 .... 190, 195, 209		0721003 ..... 14, 17, 226
0274196 ..... 363	0630462 ..... 243		0721004 ..... 61
0274209 ..... 218	0630464 ..... 223		
0274210 ..... 148, 225	0630490 ..... 18		
0274219 ..... 362	0630491 ..... 148		
0274227 ..... 363	0630498 .84, 91, 98, 106, 116		
0274233 ..... 102	0630507 ..... 154		
0274243 ..... 362	0630518 .... 143, 253, 255		
0274297 ..... 98			

## PART NUMBER INDEX

0721005.....243	0902572 ..... 108	1001109692 ..... 363	1001223332.....279
0721006.....85, 105, 155, 158, 162, 166	0902751 ..... 224	1001110133 ..... 364	1001223511.....273
0721008.....225	0902756 ..... 165	1001110169 ..... 75, 79	1001223512..... 189, 273
0721014.....105	0902888 ..... 174, 180	1001110990 ..... 363	1001228002..... 189, 297
0741606.....148, 169, 179	0902910 ..... 88	1001110991 ..... 363	1001228008..... 189, 275
0741607.....61, 190, 195	0902952 ..... 169	1001110993 ..... 363	1001228012..... 195, 289
0741612.....200	0903010 ..... 119	1001110994 ..... 363	1001228051..... 194, 281
0741808.....169, 179	0903056 ..... 139	1001112468 ..... 189, 194, 283	1001228052..... 194, 299
0760606.....117	0903079 ..... 117	1001113961 ..... 237, 239	1001228357..... 365
0801009.....189, 199	0903220 ..... 88	1001114031 ..... 363	1001238725..... 363
0801010.....194, 199	0920117 ..... 33	1001114036 ..... 363	1001248012..... 195, 291
0801011.....199	0920119 ..... 75	1001114039 ..... 363	1060279..... 349, 354
0801012.....199	0940070 . 84, 91, 99, 107, 118	1001114041 ..... 363	1060341..... 243, 344
0801014.....199	0940071 ..... 154	1001114042 ..... 363	1060343..... 175, 180
0801035.....194, 199	0940088 ..... 155	1001114123 ..... 363	1060379..... 261
0801036.....199	0940092 ..... 243, 245	1001114124 ..... 363	1060461..... 337
0801037.....199	0940094 ..... 243, 245	1001114132 ..... 363	1060494.... 175, 180, 337, 343, 344
0801038.....199	0940102 ..... 247	1001116159 ..... 365	1060584..... 61
0801065.....199	0940103 ..... 243	1001117320 ..... 218, 225	1060617..... 283
0801372.....199	0940131 ..... 245	1001118416 ..... 239	1060637.. 84, 93, 98, 108, 116
0801373.....199	0940133 ..... 243	1001118417 ..... 231	1060680..... 338
0801381.....189, 199	0940134 ..... 243	1001119562 ..... 363	1060708..... 175, 180
0801388.....194, 199	0961893... 271, 273, 275, 287, 291, 293	1001121592 ..... 243	1060896..... 337
0801389.....194, 199	0961894 ... 277, 279, 293	1001121593 ..... 243	1060903..... 243
0860038..... 173, 179, 343	0961895 ..... 267	1001126286 ..... 364	1060904..... 86
0860520..... 349, 354	0961897 ..... 303	1001126287 ..... 364	1060918.... 218, 224, 225, 336
0861389..... 143	0961898 ..... 283	1001129555 ..... 358	1060945..... 337
0861414..... 223, 225	0961947 ... 195, 271, 273, 275, 293, 297	1001137440 ..... 365	1060977..... 344
0861478..... 143	0961950 ... 13, 17, 21, 25, 190, 195, 199, 283	1001137672 ..... 365	1061026..... 338
0861479..... 143	0961951 ... 190, 195, 199, 277, 279, 281, 293, 299	1001138795 ..... 291	1061027..... 338
0861480..... 143	0961977 ... 14, 17, 22, 25, 29, 31, 301	1001138796 ..... 281, 299	1100086..... 13, 21
0861481..... 143	0961986 . 84, 92, 99, 107, 117	1001139132 ..... 362	1120304..... 14, 17
0861511..... 223	0962006 ..... 190, 195	1001142504 ..... 365	1120362..... 364
0861537..... 223, 225	0962036 ..... 14	1001142505 ..... 365	1120484..... 133
0861538..... 175, 179	0962051 ..... 151	1001143256 ..... 365	1120487..... 133
0861541..... 175, 180	0962131 ... 17, 22, 26, 29, 31	1001144629 ..... 217	1120552..... 34, 35
0861542.... 173, 175, 179, 180	0962270 ..... 221	1001147699 ..... 364	1120555..... 247
0861567..... 173, 175	0962292 ..... 61	1001148902 ..... 363	1180345..... 209
0861572..... 175	0962335 ..... 196	1001148903 ..... 363	1180359..... 209
0861586..... 365	0962336 ... 287, 289, 291	1001148904 ..... 363	1220078..... 199
0861619..... 143	0962348 ..... 61	1001148905 ..... 363	1260017..... 75
0861620..... 143	0962349 ..... 267	1001148906 ..... 363	1282380..... 328
0861642..... 183	0962496 ..... 267	1001148971 ..... 364	1282665.... 328, 332, 364
0861653..... 365	0962520 ..... 175, 179	1001149560 ..... 365	1282828..... 332
0861675..... 364	0962521 ..... 179	1001149730 ..... 365	1282937..... 332
0861681..... 365	0962563 ..... 158	1001163296 ..... 247	1283235..... 333
0861685..... 143	0962653 ..... 158	1001163297 ..... 247	1283309.... 328, 332, 364
0861686..... 143	1001097554 ..... 87	1001166538 ..... 241	1283363..... 328
0861686..... 143	1001098503 ..... 54	1001166539 ..... 233	1300019..... 34, 35
0861694..... 143	1001099832 ..... 209	1001167359 .. 17, 25, 269	1320012..... 84, 106, 117
0861696..... 143	1001099839 ..... 209	1001186431 ..... 365	1320016.. 84, 91, 99, 107, 117
0861697..... 143	1001100120 ..... 53	1001187491 ..... 364	1320019..... 105
0902143..... 154	1001100321 .... 157, 161, 165, 169	1001187493 ..... 364	1320022.... 84, 87, 92, 98, 99, 102, 105, 106, 116, 117
0902161..... 154	1001101422 ..... 364	1001187494 ..... 364	1320032..... 108
0902206..... 148	1001102841 ..... 362	1001187495 ..... 364	1320033..... 117
0902219..... 155	1001102842 ..... 362	1001187497 ..... 364	1320041..... 179
0902223..... 154	1001104985 ..... 362	1001187498 ..... 364	1320044..... 183
0902309..... 110	1001108718 ..... 363	1001187498 ..... 364	1320060..... 106
0902317..... 183	1001109684 ..... 364	1001189615 ..... 364	1320070..... 283
0902351..... 154		1001193633 ..... 363	1320127..... 134
0902384..... 155		1001197016 ..... 365	1320176..... 93, 100
0902416..... 154		1001204925 ..... 364	
0902472..... 93, 110		1001204926 ..... 364	
0902491..... 154		1001205175 ..... 365	
0902520..... 137		1001206311 ..... 365	
0902539..... 105, 119		1001212415 ..... 358	
		1001223331 ..... 194, 279	

## PART NUMBER INDEX

1320177 ..... 250, 257	1683415 ..... 189, 271	1702815..... 349, 353	1704000 ..... 354, 362
1320218 ..... 134	1683418 ..... 194, 277	1702816..... 349, 354	1704006 ..... 354
1320220 ..... 134	1683609 ..... 195, 287	1702817..... 349, 354	1704096 ..... 349
1320222 ..... 117	1683618 ..... 199, 303	1702861..... 349, 354	1704099 ..... 355
1320223 . 86, 92, 99, 107, 118	1683619 ..... 303	1702862..... 349, 354	1704100 ..... 355
1320224 ..... 174, 179	1683620 ..... 199, 303	1702868... 250, 255, 257, 349, 362	1704103 ..... 355
1320235 ..... 190, 195	1683621 ..... 303	1702901..... 349	1704107 ..... 356
1320245 ..... 133	1683666 .... 189, 194, 283	1702902..... 349	1704108 ..... 356
1320247 ..... 209, 365	1683949 ..... 293	1702903..... 349, 355	1704111 ..... 356
1320302 ... 250, 253, 255, 257	1683952 ..... 277	1702904..... 349, 355	1704112 ..... 356
1321138 ..... 117	1683954 ..... 283	1702908..... 350	1704116 ..... 355
1340060 . 84, 91, 99, 107, 118	1683955 ..... 283	1702908..... 350	1704174 ..... 362
1380147 ..... 151	1683962 ..... 293	1702938..... 226, 243	1704260 ..... 223
1580011 ..... 84, 106, 119	1683963 ..... 277, 279	1702966..... 350	1704269 ..... 355
1580012 ..... 218, 362	1683972 ..... 293	1702968..... 57	1704270 ..... 356
1580013 ..... 218, 362	1683973 ..... 293	1702971..... 353	1704271 ..... 356
1600313 ..... 223	1683976 ..... 271, 273	1702972..... 354	1704272 ..... 57, 61, 356
1600314 ..... 106, 109	1683977 ..... 271	1702973..... 354	1704273 ..... 57, 356
1600317 ..... 224, 229	1683986 ..... 267	1702974..... 355	1704274 ..... 58
1600318 ..... 224, 237	1684090 ..... 287	1702975..... 354	1704276 ..... 58, 356
1600327 ..... 143	1684092 ..... 287	1702976..... 355	1704277 ..... 349, 354
1600361 ..... 87, 88	1684191 ..... 267	1702977..... 355	1704578 ..... 61
1600363 ..... 109	1684280 ..... 17, 25, 269	1702978..... 356	1704885 ..... 350, 356
1600364 ..... 143, 360	1684289 ..... 269	1703004..... 355	1704997 ..... 224
1600374 ..... 119	1684290 ..... 269	1703005..... 355	1705014 ..... 221
1600375 ..... 223, 360	1684465 ..... 269	1703006..... 356	1705090 ..... 61
1600411 ..... 143, 360	1700584 ..... 349, 354	1703162 . 84, 91, 99, 106, 118	1705132 ..... 144, 224
1660219 ..... 137	1700818 ..... 350, 356	1703188..... 355	1705305 ... 250, 253, 255, 257
1660219RR ..... 137	1701499 ..... 349, 354	1703403..... 58, 350	1705312 ..... 247
1660223 ..... 137	1701500 .... 155, 349, 354	1703404..... 58	1705325 ..... 159
1660223RR ..... 137	1701502 ..... 349, 353	1703444..... 58	1705355 ... 250, 253, 255
1660234 ..... 94, 101	1701503 ..... 349, 353	1703450..... 58	1705358 ..... 247
1660239 ..... 84	1701504 ..... 349, 353	1703453..... 353	1705363 ..... 350
1660250 ..... 109, 119	1701505 . 87, 93, 98, 350, 356	1703465..... 143	1705364 ..... 34, 35
1660257 ..... 139	1701509 .... 247, 349, 353	1703466..... 143	1705374 ..... 176, 181
1660258 ..... 139	1701518 ..... 353	1703470..... 350, 356	1705375 ... 176, 181, 250, 255
1660303 ..... 139	1701529 ..... 349, 354	1703472..... 356	1705376 ..... 175, 180
1660304 ..... 139	1701542 ... 116, 350, 356	1703533..... 322, 326	1705387 ..... 176, 181
1670769 ..... 196	1701543 ... 116, 350, 356	1703536..... 355	1705460 ..... 176, 181
1670771 ..... 155	1701645 ..... 349	1703538..... 355	1705461 ..... 176
1670779 ..... 155	1701923 ..... 355	1703541..... 355	1705466 ... 250, 253, 255, 257
1670818 ..... 147	1701924 ..... 355	1703542..... 355	1705489 ..... 176
1670824 ..... 147	1702137 ..... 35	1703543..... 355	1705490 ..... 250, 257
1670829 ..... 143, 223	1702153 ..... 349	1703548..... 355	1705753 ..... 143
1670836 ..... 201	1702300 ..... 349, 354	1703683..... 261	1705820 ..... 61
1671037 ..... 224	1702305 ..... 350	1703797 ..... 349	1705836 ..... 183
1671055 ..... 190, 195	1702387 ..... 225	1703798..... 349	1705837 ..... 183
1671092 ..... 176, 181	1702552 ..... 354	1703804..... 349	1705886 ..... 183
1671093 ..... 250, 255	1702564 ..... 224	1703805..... 349	1706385 ..... 221
1683053 ... 271, 273, 287, 293	1702565 ..... 224	1703808..... 350, 356	1870132 ..... 333
1683055 .... 277, 279, 293	1702566 ..... 224	1703899..... 354	1870191 ..... 333
1683057 ..... 303	1702567 ..... 224	1703924..... 354	2000172 ..... 105, 108
1683059 ..... 267	1702573 ..... 354	1703925..... 354	2000174 ... 105, 108, 113
1683067 ..... 283	1702581 ..... 354	1703927..... 354	2000189 ..... 91, 94
1683078 ..... 13, 21, 267	1702583 ..... 353	1703930..... 353	2000193 ... 105, 108, 113
1683208 ... 14, 17, 22, 26, 29, 31, 301	1702585 ..... 353	1703931..... 353	2000194 ..... 84, 87
1683250 ..... 303	1702590 ..... 170	1703933..... 353	2000211 ..... 117
1683258 ..... 195, 287	1702610 ..... 143	1703936..... 353	2000216 ..... 99, 101
1683263 ..... 194, 293	1702676 ... 214, 218, 224	1703937..... 353	2000219 ..... 99
1683266 ..... 189, 293	1702688 ..... 350, 356	1703939..... 353	2000220 ..... 98
1683275 .... 189, 194, 283	1702701 ..... 34, 35	1703948..... 353	2000221 ..... 99
1683359 ..... 303	1702720 ..... 356	1703949..... 353	2000257 ..... 117
	1702773 ... 221, 349, 354	1703951..... 353	2000258 ..... 117
	1702774 ..... 349, 354	1703981..... 355	2000272 ..... 118, 119
	1702784 ..... 349, 354	1703982..... 355	
	1702788 ..... 362	1703996..... 355	

# PART NUMBER INDEX

2000274.....100, 101	2220386 ..... 314	2220873 ... 321, 322, 325,	2460057.....157
2000279.....99	2220407 ..... 325	326	2560136.....223
2000280.....99	2220408 ..... 321, 325	2220883 ..... 49, 271, 273,	2560144.....283
2000281.....99	2220409 ..... 322, 326	275, 277, 279, 281,	2560173.....218
2000296.....117	2220414 ..... 322	283, 287, 289, 291	2580055.....88, 363
2000297.....117	2220415 ... 309, 317, 319,	2220885 ... 267, 271, 273,	2600209.....154
2000298.....117	321, 325	275, 277, 279, 281,	2600211.....225
2030010....250, 253, 255,	2220418 ..... 134	287, 289, 291, 294,	2600216.....213
257	2220428 ..... 321, 325	299, 303	2600233.....154
2060025 84, 91, 100, 106,	2220429 ..... 321, 325	2220886 ..... 49, 267	2600281.....217
118	2220430 ..... 106	2220887 ..... 283	2600287.....213
2080040.....183, 214, 217	2220435 ..... 313	2220890 ..... 269	2680435.....154
2080044.....195	2220451 ..... 91, 100, 309	2220893 ..... 67	2680437.....154
2080046.....183	2220459 ..... 92	2220906 ..... 321, 325	2680443.....154
2120145.....67	2220462 ..... 322	2220909 ..... 322	2680448.....154
2120146.....66	2220465 ..... 309, 313	2220914 ..... 313, 322	2680449.....154
2120149.....67, 358	2220466 ... 309, 313, 321,	2220921 ..... 321, 325	2680450.....154
2120150.....66, 358	325	2220947 ... 128, 321, 325	2720058....84, 86, 93, 98,
2120164.....67	2220468 ... 319, 322, 326	2220948 ..... 321, 325	102, 107, 116
2120203.....102	2220472 ... 313, 314, 322,	2220950 ..... 322, 326	2720144.....134
2120209.....66	326	2220974 ..... 322, 326	2720160.....250, 257
2120210.....66	2220473 ... 309, 317, 322,	2221018 ..... 134	2720271.....86, 92
2160003.....75	326	2221019 ..... 134	2720341.....109
2180125.....134	2220474 ..... 325	2221024 ..... 134	2720392.....113
2180344.....75	2220479 ... 127, 322, 326	2221042 ..... 325	2720398.....91, 100
2180348.....98	2220490 ..... 309, 319	2221170 ..... 309	2720434.....84, 92, 100
2180380.....322, 326	2220497 ..... 322, 326	2221176 ... 98, 102, 116	2720435.....106, 118
2180387.....134	2220498 ..... 321, 325	2300004 ..... 117	2720436.....107, 118
2180388.....134	2220500 ..... 313	2300014 ..... 364	2720449.....92, 100
2180389.....134	2220502 ... 309, 313, 322,	2300016 ..... 364	2720472.....107, 116
2180418.....113, 134	326	2300019 ..... 364	2720509.....84
2180467....107, 108, 118	2220504 ... 309, 313, 317,	2300027 ..... 364	2720510.....85
2180536.....86, 92	319	2300029 ..... 364	2720514.....118
2180724.....322, 326	2220549 ..... 86	2360376 ..... 21	2720515.....85
2180798 84, 91, 100, 107,	2220550 ..... 313	2360414 ..... 21	2720532.....116
118	2220568 ..... 309	2360415 ..... 21	2750532..86, 92, 98, 100,
2180832.....250, 257	2220574 ..... 322, 325	2360451 ..... 21	105, 106, 118
2200222.....77, 134	2220577 ..... 319	2360452 ..... 21	2751013.....309, 313
2200233.....133	2220578 ... 127, 321, 325	2360453 ..... 21	2751015.....319
2220005.....113	2220582 ... 309, 313, 317,	2360615 ..... 25	2751016.....309, 313
2220063.....75	319, 321, 325	2360623 ..... 25	2751020.....319
2220064.....113	2220596 ... 313, 317, 321,	2360624 ..... 25	2751021.....313
2220235....283, 309, 313,	325	2360634 ..... 25	2751032.....75
321	2220603 ... 319, 322, 326	2360635 ..... 25	2751095.....75
2220237.....309, 317	2220605 ..... 321	2360636 ..... 25	2751396.....322, 326
2220240.....309	2220606 ..... 309, 317	2400060 ... 176, 181, 341	2751397.....319
2220242.....309	2220609 ..... 322, 326	2400061 ..... 341	2751410.....319
2220250.....86, 92, 107	2220618 ... 321, 322, 325	2400064 ..... 176, 181	2751427.....321
2220252.....183	2220619 ..... 319	2400065 ... 339, 341, 358	2751434.....319
2220261.....134	2220622 ..... 313	2400066 ..... 339, 344	2751474.....321, 325
2220273.....86, 92	2220628 ..... 321, 325	2400070 ..... 344	2751868.....322, 326
2220307.....310	2220635 ..... 319	2410014 ..... 221	2752245.....309
2220313...86, 92, 98, 116	2220646 ... 128, 309, 313,	2420172 ..... 143	2752249.....313
2220362....309, 313, 317	321, 325	2420187 ..... 109, 119	2752256.....313
2220363.....309, 313	2220671 ..... 309, 313	2420203 ... 158, 162, 165,	2752258.....309
2220365.....309	2220710 ..... 309	170	2752322.....309, 313
2220371....309, 317, 319	2220738 ..... 313, 325	2460013 .... 157, 161, 165	2752331.....317
2220372.....321, 325	2220747 ..... 183	2460032 .... 157, 161, 165	2752340.....321, 325
2220373....309, 317, 321,	2220750 ..... 183	2460039 ..... 157	2752341.....310
325	2220767 ..... 85	2460044 ..... 165	2752345.....309
2220375....309, 313, 317,	2220794 ..... 86, 93	2460048 ..... 173, 179	2752389.....313
321, 325	2220800 ..... 313	2460049 ..... 157	2752398.....313
2220376....131, 321, 325	2220805 ..... 106	2460050 ..... 173	2752433.....322
2220377....309, 313, 317,	2220810....131, 321, 325	2460051 ..... 169	2752443.....313
321, 325	2220829 ..... 183	2460052 ..... 169	2752462....309, 313, 319
2220380.....321, 325	2220833 ..... 313	2460055 ..... 157, 161	2752475.....310, 317
2220385.....319, 321	2220861 ..... 317	2460056 ..... 157, 161	

## PART NUMBER INDEX

2752478 ... 309, 310, 313, 317	2753942 ..... 183	2901303.....271, 273, 275, 279, 287, 294	3252347 ..... 355
2752502 ..... 325	2753943 ..... 183	2901358.....92	3252489 ..... 355
2752504 ..... 321, 325	2753957 ..... 325	2901362.....107	3252507 ... 159, 162, 349, 353
2752514 ..... 321	2753967 ..... 310	2901443.....345	3252540 ..... 355
2752515 ..... 321, 325	2753968 ..... 325	2901691.....364	3252764 ... 170, 173, 180
2752516 ..... 321	2753969 ..... 310	2901763.....70	3271805 ..... 139, 221
2752517 ..... 322	2760105 ..... 143, 223	2901986.....201	3272605 ... 190, 196, 203
2752573 ..... 321	2780188 ..... 13	2902203.....365	3290801 ..... 85
2752574 ..... 317	2780205 ..... 75, 77	2902212.....247	3300007 ..... 14, 33
2752580 ..... 322	2780261 ..... 33, 37	2902217 ... 250, 253, 255	3300106 ..... 33
2752584 ..... 309, 313	2780269 ..... 33, 39	2902232.....364	3300151 ... 250, 253, 255, 257, 365
2752587 ..... 321	2780271 ..... 18	2902266.....269	3300205 ..... 144
2752588 ..... 322, 326	2792176 ..... 328	2902296.....86, 92, 98	3300229 ..... 14
2752591 ..... 322, 326	2792179 ..... 321, 328	2902297 ..... 107, 116	3300241 ..... 200
2752592 ... 309, 310, 313, 317	2792180 ..... 321, 328	2902300.....365	3300353 ..... 224
2752594 ..... 321	2792181 ..... 309, 328	2902394.....363	3300393 ..... 213
2752596 ..... 322, 326	2792184 ..... 309, 328	2902443.....339	3300396 ..... 175, 180
2752597 ..... 322, 326	2792185 ..... 328	2910045.....363	3300408 ..... 143
2752598 ..... 322, 326	2792186 ..... 313, 328	2910073.....365	3310601 ... 151, 175, 180
2752599 ..... 322, 326	2792187 ..... 328	2910169.....366	3310805 ..... 134, 147
2752611 ..... 310, 317	2792204 ..... 319, 328	2910172.....366	3311001 ... 155, 217, 225, 226
2752631 ..... 321, 325	2792266 ..... 329	2910460.....363	3311005 ... 105, 147, 148, 158, 162, 166, 170, 213, 253, 255
2752632 ... 309, 310, 313, 317, 321, 325	2792315 ..... 329	2910924.....363	3311401 ... 144, 190, 243
2752633 ..... 322, 326	2792325 ..... 329	2915014.....143	3311402 ..... 190, 195
2752643 ..... 322, 326	2792326 ..... 329	2915087.....366	3311405 ... 67, 85, 86, 92, 99, 100, 107, 116, 117, 118, 133, 155, 170, 180, 185, 209, 214, 218, 223, 250, 257, 283, 349, 354, 365
2752653 ..... 321, 325	2792327 ..... 329	2915137.....363	3311501 ..... 66, 155, 243
2752654 ..... 321, 325	2792605 ..... 328	2915196.....109	3311505 ... 51, 53, 85, 86, 92, 93, 98, 100, 108, 110, 116, 119, 133, 155, 173, 180, 210, 214, 245, 261, 365
2752752 ..... 321, 325	2792607 ..... 317, 328	2920110.....148	3311601 ..... 93, 110, 133, 155, 180, 225
2752753 ..... 322, 326	2792608 ..... 325, 328	2920113.....148	3311605 . 85, 91, 98, 100, 102, 107, 116, 118, 151, 154, 158, 162, 166, 185, 195, 200, 209, 214, 218, 221, 223, 250, 253, 255, 257
2752762 ..... 321, 325	2792612 ..... 319, 328	2920129 ... 224, 336, 339	3311705 ... 158, 162, 166
2752763 ..... 321, 325	2792613 ..... 325, 328	2920140 ... 214, 218, 344	3311801 ... 33, 85, 93, 98, 107, 116, 175
2752783 ..... 322, 326	2792614 ..... 325, 328	2920157 ..... 148, 218	3311805 85, 91, 100, 106, 118, 137, 151, 154, 190, 195, 196, 245
2752807 ..... 309, 313	2792615 ..... 328	2920162 ... 158, 161, 165	3312002 ..... 14
2752810 ..... 313	2792616 ..... 309, 328	2920215 ..... 148	3312201 ..... 200, 247
2752812 ..... 309, 313	2792617 ..... 328	2940074 ... 213, 217, 358	3321501 ..... 155
2752822 ..... 319	2792630 ..... 329	2940088 ..... 154	332201 ..... 139
2752823 ..... 319	2792659 ..... 328	3010125 ..... 61	3323002 ..... 14
2752824 ..... 319	2792660 ..... 328	3020016 ..... 99, 117	3323403 ..... 14
2752888 ..... 313	2820031 ... 159, 162, 166, 170, 175, 180	3020021 ..... 95, 101	3324203 ..... 14, 18
2752889 ..... 313	2820035 ... 147, 214, 218	3100076 ..... 93	3340755 ..... 200
2752893 ..... 313	2820038 ..... 250	3124114 ..... 109	3340757 ..... 200
2752898 ..... 313	2820078 ..... 155	3160204 ..... 33, 43	3340758 ..... 200
2752909 ..... 313, 317	2820079 ..... 155	3160273 ..... 75, 79	3340764 ..... 209
2752910 ..... 310, 317	2820081 ..... 155	3160299 ..... 33, 45	3340844 ..... 199
2752918 ..... 313	2820119 ..... 155	3160300 ..... 33, 45	
2752928 ..... 310, 317	2820172 ..... 118	3160349 ..... 49	
2752929 ..... 310, 317	2820173 ..... 118	3160350 ..... 49	
2752963 ..... 309, 313	2840016 ..... 151	3200362 ... 93, 100, 106, 118	
2752977 ..... 317	2860012 ..... 162, 166	3200378 ..... 91	
2752981 ..... 322, 326	2860030 ..... 144, 358	3200406 ..... 85, 100	
2753048 ..... 322, 326	2900752 ..... 123	3220103 ..... 93, 100	
2753083 ..... 322	2900770 ... 65, 203, 267	3220104 ..... 93, 100	
2753084 ..... 365	2900788 ..... 43	3220111 ..... 93	
2753325 ..... 326	2900792 ... 271, 273, 275, 277, 279, 281, 283, 287, 289, 291	3220113 ..... 85, 93, 110	
2753397 ..... 310, 317	2900826 ..... 123	3220114 ..... 110	
2753435 ..... 310, 317	2900827 ..... 123	3220134 ..... 119	
2753924 ..... 310, 317	2900937 ..... 363	3250585 ..... 218	
2753925 ..... 310, 317	2900967 ..... 362	3250872 ..... 57, 61, 350	
2753926 ..... 317	2900970 ..... 363	3251102 ... 159, 162, 166, 170, 226	
2753928 ..... 317	2901271 ..... 267	3251158 ..... 183	
2753929 ..... 310, 317	2901284 ..... 303	3251243 ... 170, 349, 353	
2753930 ..... 317	2901285 ..... 283	3251813 ..... 349, 353	
2753931 ..... 317	2901301 ..... 277, 294	3252220 ..... 355	
2753933 ..... 319			

# PART NUMBER INDEX

3340871.....200	3451012..... 14	3572009..... 61	3720021.....183
3340881.....200	3460334..... 247	3572010..... 61	3730120.....341
3340900.....201	3460398..... 118	3572011..... 61	3730121.....341
3340911.....53	3480176..... 267	3572012..... 61	3740049.... 144, 332, 339, 344, 358
3340956.....247	3480188.... 277, 279, 293	3572280..... 118	3740058.....332
3340966.....61	3480205..... 303	3572414..... 107, 116	3740063.....332
3380429..86, 92, 98, 106, 116	3480206..... 283	3572423..... 133	374006785, 91, 100, 106, 118, 358
3380434....214, 218, 349, 354	3480210 ... 271, 273, 287, 293	3573400 ... 250, 253, 255, 257	3740080.... 158, 162, 166, 170, 174, 180, 360
3420372.....61	3480288..... 269	3573641..... 250, 257	3760170.....62, 75
3420447.....61	3510488..... 213	3573642.... 250, 253, 255	3760367.....267
3420592.....57	3510497..... 213	3573643..... 250, 257	3760368....271, 273, 287, 293
3421453.....57	3510542..... 213	3574091..... 243	3760369....277, 279, 293, 303
3421565.....61, 75	3510543..... 213	3574122..... 106	3760372.....283
3421627.....75	3510545..... 213	3574162..... 108, 118	3780187..... 14
3422326.... 14, 18, 22, 26, 29, 31	3510546..... 213	3574206..... 85	3790012.... 148, 215, 218, 224, 225, 226
3422332.....13	3510565..... 213	3574207..... 85	3790045.....33
3422333.....13, 21	3510566..... 213	3574208..... 85	3790110.....204
3422335.....14	3510728..... 213	3574225..... 170, 180	3790152..86, 92, 99, 105, 117
3422351.....14	3510760..... 213	3574229..... 180	3820001 57, 58, 148, 149, 349, 354
3422352.....14	3510822..... 217	3574262..... 180	3820020.....217
3422417.....200	3510830..... 217	3574504..... 118	3841013.....210
3422424.....200	3510831..... 217	3574543..... 250	3841143.... 13, 14, 18, 21, 22, 26, 29, 31, 61, 86, 91, 98, 106, 116, 189, 195, 200
3422446..86, 91, 98, 106, 116	3510832..... 217	3574684..... 158	3841236..... 14
3422530.....151	3510833..... 217	3574696..... 365	3841258.... 13, 17, 18, 21, 25, 26, 31, 189, 195
3422532..86, 92, 99, 107, 117	3510868..... 221	3575359..... 243	3841322.....58
3422552.....57	3520028 ... 158, 161, 162, 165, 166, 170, 223	3577121..... 253, 255	3841329.....58
3422553.....57	3520033..... 154	3580134 .... 158, 162, 165	3841340..... 190, 196
3422557..... 189, 195	3520035..... 144	3580158..... 161	3841510.... 18, 22, 26, 29, 31
3422561.....195	3520054..... 223	3580241..... 199	3860050.....210
3422562.....189	3520071..... 247	3580243..... 199	3890005.....199
3422563.....195	3520072 ... 213, 217, 221	3580248..... 199	3890006.....199
3422564..... 189, 195	3520174..... 225	3580249..... 199	3890007.....199
3422565.....189	3520198..... 217	3580250..... 165	3890008.....199
3422566..... 189, 195	3534978..... 100	3580276 .... 158, 162, 165	3890040.....221
3422567 ... 18, 26, 61, 189	3536089..... 214, 218	3580307..... 165	3900054.....221
3422568..... 189, 195	3537318..... 75	3580312..... 170, 180	3900141.....287
3422569.....189	3537416..... 91, 100	3580313..... 170, 180	3900207.....213
3422574.....195	3537420..... 91	3580314..... 180	3900224.....225
3422580.....190	3537445..... 151	3580317..... 175	3900230.....283
3422583.....195	3537446..... 151	3580318..... 175	3900232..... 93, 110, 155
3422591.....13, 21	3538047..... 13	3580319..... 175	3900268.....144
3422592.....17, 25	3538758..... 209	3580320..... 175	3900322.....170
3422661.....261	3539219..... 144	3580321..... 175	3910606..... 173, 180
3422753.....22, 29	3539281..... 148	3580322..... 157	3910608..... 151
3422813.....61	3539563..... 190, 195	3580324..... 170	3910610..... 175, 181
3422841.....61	3539590..... 155	3580325..... 170	3910804.....144
3422847.....61	3539622..... 200	3600242 86, 91, 105, 131	3910808.....134
3422848.....61	3539662..... 57, 58	3600243..... 65	3911008.....213, 217
3422860.....195	3539685..... 214	3600260 86, 91, 105, 122	3911040.....148
3422861.....195	353987285, 91, 100, 106, 118	3600365..... 65	3911612.....250
3422867.....195	3539877 ... 13, 17, 21, 25	3600377..... 108, 119	3930816.....147
3422900..... 18, 26, 31	3539878 ... 13, 17, 21, 25	3600381 86, 91, 105, 126, 128	3930828.....147
3422902.... 18, 22, 26, 29, 31	3539934..... 154	3600386..... 183, 185	3931028.....147
3422903.... 18, 22, 26, 29, 31	3539955..... 155	3600388 86, 91, 105, 126, 128	3931408.....147
3422904.....21	3539957 .86, 91, 98, 106, 116	3600394 ..... 99, 117, 127	
3430816.....151	3539971..... 91, 100	3600395 ..... 99, 117, 131	
3450304.....225	3539972..... 105	3600396 ..... 99, 117, 127	
3450404.....151	3539979..... 155	3620033..... 91, 100	
3450806.....210	3570103..... 106	3620040..... 106, 118	
3451010.....14, 18	3570133..... 107	3620047..... 85	
	3570754..... 93	3640493..... 332	
	3571498..... 105	3640986..... 175, 181	
	3571692..... 106	3641533..... 175, 181	
		3641569..... 243	

## PART NUMBER INDEX

3931448 ..... 303	4070945 .... 13, 17, 21, 25	4360407 ..... 223, 358	4460425 ... 175, 181, 243, 344
3931508 ..... 303	4070975 ..... 199	4360436 ..... 133	4460426 ... 144, 175, 181, 214, 218, 226, 339, 344
3931516 ... 271, 273, 275, 287, 293	4070976 ..... 200	4360469 ..... 144, 358	4460428 .... 147, 223, 336
3931620 . 86, 91, 99, 105, 117, 277, 279, 281, 293, 299, 303	4070987 ..... 144	4360475 .... 144, 223, 358	4460434 ..... 336, 340
3931632 ..... 175	4070994 ..... 210	4360476 ..... 144, 223	4460445 ..... 340, 342
3931672 ..... 225	4070995 ..... 210	4360542 .... 158, 161, 165, 169	4460457 ..... 341
3931720 ..... 267	4071004 ..... 200	4360549 ..... 147	4460458 ..... 341
3931840 .... 13, 17, 21, 25	4071005 ..... 201	4360578 ..... 147, 360	4460460 ..... 341
3932032 ..... 283	4071007 ..... 201	4400275 ..... 134	4460464 ... 224, 225, 336, 340
3932224 ..... 75	4071059 ..... 61	4400400 ..... 133	4460465 ... 176, 181, 337, 341
3940604 ..... 61	4100025 ..... 93	4400407 ..... 133	4460466 ..... 337
3950803 ..... 283	4100026 ..... 338	4400420 ..... 134	4460467 ..... 344, 366
3951608 ..... 200	4100033 ..... 190, 195	4400449 ..... 133, 134	4460470 ... 144, 223, 336, 339
3960343 ..... 14, 18	4100100 ..... 287	4420014 ..... 247	4460471 ... 144, 223, 336, 339
3960389 . 87, 91, 99, 107, 117, 154	4120013 ..... 332	4420037 .... 219, 250, 253, 255, 257	4460473 ..... 337
3960407 ..... 92, 100	4130353 ..... 13	4420038 ..... 133, 134	4460488 ..... 144, 224
3960422 ..... 173, 180	4130354 ..... 13	4420051 ..... 61	4460499 ..... 70, 73, 342
3960438 ..... 154	4130381 ..... 22, 29	4420054 ..... 147	4460508 ..... 336
3960453 ..... 154	4130382 ..... 22, 29	4420062 ..... 261	4460509 ..... 337
3960461 ..... 148	4130394 ..... 26, 31	4420066 ..... 247	4460510 ..... 344, 366
3960462 ..... 154	4130395 ..... 26, 31	4420068 ..... 243, 245	4460526 ..... 144, 339
3960464 ..... 154	4130396 ..... 18	4420067 ..... 225	4460536 ..... 340
3960468 85, 93, 100, 108, 119	4130397 ..... 18	4460023 .... 158, 162, 166	4460539 ..... 341
3960469 85, 93, 100, 108, 118	4130399 ..... 26	4460027 .... 158, 161, 165, 169, 343	4460579 ..... 341
3960470 ..... 154	4130400 ..... 18	4460049 ..... 243	4460580 ..... 341
3960591 ..... 118	4160139 ..... 155	4460051 ..... 174, 180	4460582 ..... 341
3990010 .... 340, 343, 358	4160143 ..... 155	4460071 .... 174, 180, 218, 224, 225, 336, 343	4460598 ... 214, 218, 226, 344
4031911 ..... 85	4220162 ..... 148	4460125 ..... 343	4460607 .... 175, 181, 332
4032015 ..... 174	4220165 ..... 214	4460134 .... 338, 343, 344	4460611 ..... 92, 107
4060092 ..... 343	4220191 ..... 85	4460190 .... 158, 161, 165, 169	4460633 ..... 183
4060700 .... 173, 180, 343	4240018 ... 170, 174, 322, 326	4460205 ..... 338, 343	4460634 ..... 340
4060802 ... 159, 162, 166, 170, 173, 180, 218, 226	4240032 ..... 148	4460225 ..... 336	4460635 ..... 340
4060803 ..... 209, 214	4240033 ..... 190, 196	4460226 .... 224, 225, 234, 241, 336, 339, 340, 343, 344	4460701 ..... 343, 344
4060805 86, 93, 100, 108, 118, 201	4240099 ... 214, 218, 243, 250, 253, 255, 257	4460227 .... 224, 336, 340, 344	4460705 ..... 343
4060808 ..... 51	4240113 ..... 133	4460233 ..... 343	4460708 ... 224, 336, 339
4060870 ..... 51	4240149 ..... 247	4460234 .... 144, 148, 149, 224, 243	4460713 ..... 341
4060874 ..... 51	4240151 ..... 365	4460265 ..... 234, 241	4460725 ..... 341
4060906 ..... 144	4280295 ..... 133	4460267 ... 339, 340, 342, 343	4460726 ..... 341
4060907 ..... 148	4300097 ..... 33	4460268 .... 147, 340, 341, 342	4460728 ..... 341
4060918 ..... 67	4300111 ..... 180	4460315 ..... 173	4460742 ..... 341
4060959 ..... 364	4300157 ..... 175	4460320 .... 339, 343, 344	4460761 ... 224, 336, 340
4061043 ..... 173, 180	4340678 ..... 224	4460321 ..... 343	4460799 ..... 341
4061049 ..... 174	4340684 ..... 224	4460326 ..... 340, 342	4460800 ..... 341
4061058 ..... 54	4340738 ..... 170, 180	4460346 .... 173, 180, 343	4460865 ..... 337
4070410 ..... 155	4340749 ..... 183	4460374 ..... 176, 181	4460866 ..... 336, 340
4070411 ..... 155	4360031 ..... 218, 225	4460375 ..... 176, 181	4460871 ... 224, 229, 231, 237, 239, 336, 340, 341, 342, 344
4070412 ..... 155	4360057 ..... 243	4460411 ..... 175, 181	4460873 ..... 336, 340
4070863 ..... 200	4360070 ..... 175, 181	4460412 ..... 175, 181	4460874 .... 144, 336, 339
4070864 ..... 200	4360188 ..... 113	4460413 ..... 175, 181	4460875 .... 144, 336, 339
4070878 ..... 13, 21	4360232 ... 226, 344, 360	4460414 ..... 175, 181	4460876 ..... 340
4070879 ..... 13, 21	4360294 ..... 162, 166	4460415 ..... 175, 181	4460878 ..... 340
4070895 ..... 200	4360322 ..... 147	4460418 ..... 336, 340	4460879 ..... 336
4070896 ..... 200	4360328 ... 144, 223, 226, 358	4460419 ..... 336, 340	4460880 ..... 339, 341
4070897 ..... 200	4360331 ... 214, 218, 223, 226, 358	4460424 .... 147, 339, 341, 342, 344	4460887 ..... 336, 340
4070898 ..... 200	4360336 ... 148, 159, 162, 166, 170, 173, 180, 214, 218, 219, 225, 226, 360		4460889 ..... 341
4070929 ..... 201	4360387 ... 223, 226, 243, 358		4460890 ..... 341
4070939 ..... 201	4360392 85, 91, 100, 106, 118, 358		4460891 ..... 341
4070940 ..... 201			4460892 ..... 339
4070944 .... 13, 17, 21, 25			

# PART NUMBER INDEX

4460894.....	339	4569171.....	100	4740171.....	154	4844790.....	189, 194
4460905....	144, 224, 336, 339, 340	4569173.....	118	4740256 ...	14, 18, 22, 26, 29, 31	4844815.....	194
4460906.....	343	4569177.....	85	4740263.....	18	4844816.....	194
4460943.....	340	4640113.....	34, 35	4740274 85, 91, 100, 107, 118		4844817.....	194
4460944.....	341	4640261.....	57	4740283.....	14, 18	4844924.....	213
4460956.....	175, 181	4640281.....	61	4740314.....	190, 195	4844925.....	213
4460957.....	176, 181	4640476.....	269	4740362 ...	148, 214, 218, 224	4844928.....	213
4460958.....	173, 180	4640509 ...	271, 273, 275, 277, 279, 281, 283, 287, 289, 291	4740393.....	33	4844944.....	189, 194
4460961.....	343	4640744 ...	131, 321, 325	4740397 ...	159, 162, 166, 170, 226	4844954.....	213
4460962.....	250, 255	4640750.....	85	4740439.....	195	4844955.....	213
4460963.....	176, 181	4640751.....	91, 100	4740444.....	144	4844956.....	213
4460967.....	176, 181	4640799.....	283	4740463 ...	14, 22, 26, 29, 31	4845281.....	57
4460968.....	147	4640858.....	267, 269	4750800.....	134	4845282.....	57
4460971.....	250, 257	4640871.....	13, 21	4751000 ....	62, 105, 148, 154, 159, 162, 166, 170, 213, 217, 253, 255	4845283.....	57
4460978.....	341	4640902.....	287	4751400 ...	85, 86, 92, 99, 100, 107, 116, 117, 118, 144, 147, 155, 174, 190, 195, 214, 218, 224, 243, 250, 253, 255, 257, 284, 349, 354	4845286.....	57
4460979.....	341	4640906.....	66	4751500 51, 87, 105, 118, 154, 155, 158, 162, 166, 183, 214, 243, 245, 261		4845327.....	213
4461001.....	176, 181	4640907.....	66	4751600 ...	51, 53, 54, 85, 92, 93, 98, 100, 102, 107, 110, 116, 118, 133, 134, 137, 139, 154, 158, 162, 166, 170, 180, 185, 201, 214, 218, 223, 250, 253, 255, 257	4845328.....	213
4461005.....	342	4640908.....	65	4751700.....	101	4845356.....	155
4461006.....	342	4640921.....	66, 73	4751800 ...	13, 85, 93, 98, 106, 116, 137, 139, 170, 180, 183, 219, 221, 243	4845393.....	133
4461008.....	342	4640922.....	66, 73	4752000 .	86, 93, 98, 107, 116	4845395.....	92, 100
4461052.....	341, 342	4640923.....	51	4760600.....	176, 181	4845404.....	91, 100, 106, 118
4461053.....	342	4640931.....	65, 67	4761000 14, 18, 155, 214, 217, 226		4845408.....	213
4461054.....	342	4640932 ...	271, 273, 275, 277, 279, 281	4761400.....	144, 174	4845409.....	213
4461060.....	342	4640937.....	51	4761500 ....	105, 173, 180	4845410.....	213
4461070.....	341	4640939.....	319	4761600.....	58, 180, 185	4845411.....	155
4461071.....	339	4640989.....	105, 118	4770600.....	151	4845412.....	213
4461072.....	339	4641022.....	133, 134	4771800.....	108	4845413.....	213
4461073.....	339	4641028.....	303	4791400 ....	93, 100, 174, 180	4845426.....	213
4461074.....	339	4641096.....	65, 69	4811900.....	85, 175	4845469.....	213
4461095.....	341	4641108.....	66, 67	4812000.....	118, 166	4845582.....	261
4520258.....	34	4641162.....	267	4831900 ....	94, 101, 107, 118	4845667.....	110
4520339.....	34	4641280.....	53	4832000 85, 94, 101, 107, 118		4845671.....	209
4520340.....	34	4641284.....	317	4844777.....	13	4845677.....	209
4520355.....	35	4641287.....	53			4845799.....	93
4520356.....	34	4641287.....	53			4845819.....	209
4520357.....	34	4641307.....	310			4846011.....	106
4530022.....	250	4641319.....	269			4846016.....	106
4530024....	250, 257, 259	4641390.....	269			4846101.....	213
4530025.....	257, 259	4641409.....	53			4846102.....	213
4530028....	253, 255, 263	4641410.....	53, 54			4846103.....	213
4564281.....	109, 119	4711400 ...	13, 21, 67, 93, 98, 108, 118, 147, 170, 174, 180, 183, 209, 214, 218, 365			4846103.....	213
4564417.....	166	4711500 ...	53, 57, 66, 85, 93, 110, 133, 173, 180, 210, 225, 365			4846253.....	213
4566468....	271, 273, 277, 279, 293	4711600 ...	13, 21, 57, 66, 86, 93, 100, 118, 175, 190, 195, 200, 209			4846254.....	213
4566471.....	287	4711700 ....	101, 170, 180			4846255.....	213
4566501.....	283	4711800 ....	21, 151, 174, 180, 190, 195, 209, 221			4846288.....	21
4566605.....	105, 118	4711900.....	93, 100			4846295.....	62
4566644.....	303	4712600.....	57, 209			4846296.....	62
4566971.....	57, 58	4713000.....	57			4846319.....	199
4567073.....	85, 110	4713400.....	57			4846391.....	209
4567428.....	93	4740036.....	62			4846392.....	209
4567429.....	93	4740067.....	14			4846452.....	217
4567430.....	93	4740076.....	155			4846561.....	219
4567431.....	93	4740111 ...	14, 18, 22, 26, 29, 31, 61			4846566.....	91, 100
4567815.....	91, 100	4740155.....	61			4846571.....	250, 257
4567879.....	107, 118	4740158 ...	13, 17, 21, 25, 190, 195			4846573.....	190, 196
4568116.....	133					4846627....	250, 253, 255
4568119.....	133					4846673.....	243
4568133.....	62					4846790.....	85
4568158.....	108					4846805.....	85
4568721.....	85					4846806.....	105, 118
4568734.....	170, 180					4846814.....	17, 25
4568735.....	170, 180					4846817.....	110
4568788.....	85					4846934.....	17, 25
4568951.....	118					4846935.....	61
4569083.....	118					4860148.....	34
						4860243.....	34
						4891400.....	67



## PART NUMBER INDEX

4891500 .....	67, 170	4933218 .....	332	70001974 .....	174, 180	70004171 .....	174, 179
489160086, 92, 105, 117, 151, 170, 180, 190, 196, 200		4933219 .....	332	70001976 .....	69, 73	70004182 .....	85
4891800 ... 17, 25, 33, 66, 75, 99, 151, 174, 190, 196, 200, 245		4933221 ... 333, 339, 340		70002005 .....	209, 360	70004643 .....	209
4892000 33, 75, 155, 170		4933222 ... 333, 339, 340		70002006 .....	209	70004738 .....	241
4892200 .....	247	4933263 .....	332	70002007 .....	209, 360	70004739 .....	241
4892600 .....	190, 196	4933264 .....	176	70002063 .....	53, 54	70004740 .....	241
4920018 .....	214	4933274 .....	332	70002064 .....	54	70004741 .....	241
4920385 .....	118	4933283 .....	181	70002088 .....	173, 179	70004742 .....	241
4921801 .....	343	4933291 ... 333, 338, 340		7000209 .....	77	70004743 .....	241
4921827 .....	343	4933300 .....	332, 343	7000214 .....	77	70004744 .....	241
4921927 .....	67, 342	4933307 .....	332	7000216 .....	39	70004745 .....	241
4921928 .....	67, 342	4933313 .....	332, 344	7000217 .....	77	70004746 .....	241
4921954 .....	343	4933318 ... 333, 339, 340		70002200 .....	94, 101	70004747 .....	241
4922466 .....	337	4933327 ... 333, 339, 340		70002208 .....	79	70004748 .....	241
4922467 .....	337	4933328 .....	338, 340	70002234 .....	94, 101	70004749 .....	241
4922468 .....	337	70000122 .....	157	70002235 ... 157, 161, 165		70004750 .....	241
4922482 .....	343	70000123 . 157, 161, 165, 169		70002239 .....	157	70004751 .....	241
4922498 .....	344	70000124 . 158, 161, 165, 169		70002240 .....	158	70004752 .....	233
4922509 .....	332	70000125 . 158, 161, 165, 170		70002243 .....	79	70004753 .....	233
4922513 .....	339	70000126 . 158, 161, 165, 169		7000228 .....	77	70004754 .....	233
4922514 .....	339, 341	70000127 .. 158, 161, 169		7000229 .....	77	70004755 .....	233
4922515 .....	339, 341	70000264 .....	102	70002297 .....	173, 179	70004756 .....	233
4922636 .....	339	70000342 .....	207	7000230 .....	77	70004757 .....	233
4922637 .....	339	70000579 .....	69	70002307 .....	109, 119	70004758 .....	233
4922639 .....	224, 336	70000580 .....	69	70002373 .....	297	70004759 .....	233
4922641 ... 176, 181, 343		70000582 .....	69, 358	70002411 .....	94	70004760 .....	233
4922643 .....	332, 344	70000583 .....	69	7000246 .....	77	70004761 .....	233
4922648 .....	340	70000619 .....	175, 179	70002460 .....	174, 179	70004762 .....	233
4922666 ... 144, 224, 336, 340		70000781 .....	53	7000253 .....	77	70004763 .....	233
4922737 .....	85, 86	70000782 .....	39	70002530 .....	94	70004764 .....	233
4922757 .....	176	70000788 .....	49	7000255 .....	77	70004765 .....	233
4922764 .....	344	70000794 .....	49	7000256 .....	77	70004766 .....	233
4922790 .....	337	70000795 .....	49	70002567 .....	109, 119	70004767 .....	233
4922791 .....	337	70000800 .....	102	7000257 .....	77	70004768 .....	233
4922792 .....	337	70000863 .....	173, 179	7000258 .....	77	70004769 .....	233
4922847 .....	332	70000916 .....	101	7000263 .....	77	70004770 .....	233
4922863 .....	332	70000917 .....	101	7000269 .....	77	70004771 .....	233
4922884 .....	337	70000918 .....	101	7000270 .....	77	70004772 .....	233
4922887 .....	337	70000919 .....	101	70002724 .....	239	70004773 .....	234
4922888 ... 219, 337, 344		70000934 .....	66	70002725 .....	239	70004774 .....	234
4922889 .....	337	70001002 .....	94	70002726 .....	239	70004775 .....	234
4922905 .....	181	70001007 .....	85, 93, 100, 110	70002727 .....	239	70005230 .....	241
4922921 .....	339, 341	70001100 .....	173, 179	70002728 .....	239	7000625 .....	218, 225
4922925 .....	175, 180	70001119 .....	39	70002729 .....	239	70006442 .....	299
4922964 .....	344	70001120 .....	87	70002730 .....	231	70006443 .....	281, 299
4922970 .....	343	70001248 .....	139, 140	70002731 .....	231	70006444 .....	281, 299
4922978 .....	98	70001249 .....	140	70002732 .....	231	70006445 .....	281, 299
4923045 .....	365	70001384 .....	173, 179	70002733 .....	231	70006446 .....	281, 299
4923206 .....	339	70001423 .....	94	70002734 .....	231	70006447 .....	299
4923212 .....	339, 341	70001435 .....	101	70002735 .....	231	70006568 .....	289
4923213 .....	340	70001498 .....	94, 101	7000281 .....	40	70006569 .....	289
4923226 .....	339, 341	70001663 .....	185	70002841 .....	88	70006570 .....	289
4923227 .....	339, 341	70001681 .....	94	70002906 .....	231	70006571 .....	289
4923229 .....	340	70001690 .....	119	70002948 .....	183	70006572 .....	289
4932986 .....	332	70001696 .....	174, 179	70003001 .....	102	70006597 .....	297
4932990 .....	332	70001697 .....	204, 207	70003002 .....	102	70006599 .....	297
4932993 .....	332	70001742 .....	87	70003003 .....	102	70006601 .....	297
4933025 .....	332	70001850 .....	101	70003356 .....	94	7000663 .....	94, 101
4933026 .....	332	70001941 .....	148	70003408 .....	54	70006648 .....	275
4933215 .....	332, 343	70001953 .....	174, 179	70003476 .....	94, 101	70006649 .....	275, 291
4933216 .....	332, 343	70001966 .....	174, 179	70003483 .....	218, 225	70006650 .....	275, 291
4933217 .....	332	70001969 .....	173	70003631 .....	173, 179	70006651 .....	275
		70001973 .....	174, 180	70003708 .....	174	70006734 .....	291
				70003709 .....	174	70006735 .....	291
				70003784 .....	223	70006736 .....	291
				70004169 ... 174, 179, 180		70006774 .....	297
				70004170 .....	174	70006775 .....	297

# PART NUMBER INDEX

70006776.....297	7007207.....126	7010104.....131	7012918.....67, 69
70006822.....281	7007208.....122, 126	7010105.....131	7012941.....66, 67
70006823.....281	7007412.....123, 128	7010116.....127, 128	7012943.....67
7000731.....33	7007413.....122, 126	7010120.....123	7012944...66, 67, 69, 358
7000897.....108, 119	7007414.....122, 126	7010121.....123, 127	7012953...67, 69, 73, 287
7001433.....127	7007416.....122	7010122.....123, 127	7012954.....67
7001438.....122	7007417.....122, 126	7010474.....77	7012961.....67, 287
7001498.....123, 127	7007418.....126	7010488.....77	7012965.....73
7001625.....301	7007419.....122, 126	7010492.....77	7012967.....69
7001626.....301	7007420.....122	7010494.....77	7012971.....67
7001627.....301	7007421.....122	7010542.....69, 70	7012972.....66
7001629.....301	7007423.....122, 126	7010543.....67, 69, 70	7012974.....66
7001630.....301	7007424.....122	7010545.....283	7012975.....67
7001633.....301	7007425.....122, 126	7011043.....65	7012976.....67
7001711.....37	7007435.....45, 122, 126	7011044.....65	7012977.....67
7001909.....77	7007436.....122	7011062.....65	7012978.....51
7001911.....77	7007437.46, 49, 122, 126	7011063.....65	7012980.....51
7001913.....39	7007438.45, 49, 122, 126	7011064.....65	7012987.....131
7001928.....77	7007439.45, 49, 122, 126	7011065.....65	7012988.....131
7001931.....77	7007440.....122	7011066.....65	7012989.....69
7001985.....77	7007441.....122, 126	7011112 ... 271, 273, 275, 277, 279, 281	7012993.....51
7001987.....77	7007442.....122, 126	7011328.....65	7012994.....51
7001988.....77	7007444.....122, 126	7011331.....203	7012995.....67
70022564.....297	7007445.....122	7011332.....203	7012998....66, 69, 70, 73
70023371.....297	7007446.....45, 49, 126	7011346.....203	7013187.....137
70023915.....289	7007449.....122	7012180.....109, 119	7013189.....139
7002821.....344, 366	7007452.....126	7012513 ... 157, 161, 165, 169	7013711.....65
7002822.....366	7007453.....122, 126	7012514 ... 157, 161, 165, 169	7013755.....65
7002823.....344, 366	7007454.....122, 127	7012518.....67, 69	7013796.....65
7002826.....366	7007456.....122	7012540.....67	7013799.....65
7002828.....345	7007457.....127	7012558 ... 157, 161, 165, 169	7014700.....37
7002840.....13, 21, 366	7007458.....122	7012664 . 84, 91, 99, 107, 118, 358	7014701.....37
7003657.....157, 161, 165	7007459.....123	7012679.....119	7014703.....37
7003928.....229, 231	7007463.....123, 127	7012693.....13, 21	7014704.....37
7003933.....237	7007464.....127	7012700.....43	7014705.....37
7003935.....237	7007465.....127	7012701.....43	7014707.....37
7003941.....237, 239	7007466.....123, 127	7012702.....43	7014708.....37
7003946.....237	7007468.....123	7012703.....43	7014709.....37
7003953.....229	7007469.....123	7012704.....43	7014710.....37
7003969.....237	7007470.....123, 126	7012705.....43	7014711.....37
7003972.....237, 239	7007471.....123	7012706.....43	7014712.....37
7003973.....237, 239	7007472.....123, 127	7012707.....43	7014717.....37
7003976.....229	7007474.....123, 127	7012708.....43	7014718.....37
7003977.....229	7007475.....123, 127	7012709.....43	7014719.....37
7003980.....237, 239	7007476.....123, 127	7012710.....43	7014720.....37
7003982.....239	7007477.....123, 127	7012711.....43	7014721.....37
7003983.....237, 239	7007478.....123, 127	7012712.....43	7014722.....37
7003986.....237	7007482.....123	7012713.....43	7014723.....37
7003989.....237, 239	7007483.....123	7012714.....43	7014724.....37
7003992.....229, 237	7007484.....123, 127	7012715.....43	7014725.....37
7003993.....229, 237	7007485.....123, 127	7012716.....43	7014726.....37
7003994.....237	7007486.....123	7012717.....43	7014729.....37
7004035.....79	7007487.....123, 127	7012718.....43	7014730.....37
7004043.....79	7007488.....123, 127	7012719.....43	7014731.....37
7004044.....79	7007489.....131	7012720.....43	7014732.....37
7004248.....65	7007490.....123	7012721.....43	7014733.....37
7004275.....366	7007491.....123	7012722 ... 66, 69, 70, 73, 358	7014734.....37
7004276.....366	7007492.....123	7012723 ... 66, 69, 70, 73	7014735.....37
7004290.....65	7007494.....123, 127	7012724.....66, 70, 73	7014736.....37
7005881.....80	7007496.....123, 127	7012725.....69, 70	7014737.....37
7005882.....80	7007497 ... 123, 127, 342	7012726.....73	7016180.....106
7005889.....79	7007498 ... 123, 127, 342	7012727.....73	7016312.....66
7005890.....79	7007499.....123	7012728.....66	7016313.....67
7005891.....79	7007633.....77	7012729.....66	7016314.....133
7005892.....79	7007933.....75	7012907.....66	7016322.....151
7005893.....79	7007990.....75	7012912.....69, 70	7016328.....94, 101, 360
7006138.....209, 360	7010103.....131	7012914.....69	7016331.....94, 101, 360

## PART NUMBER INDEX

7016342.....	137	7019110.....	237	7020411.....	94, 101	7022203.....	65
7016374.....	151	7019111.....	229, 237	7020431.....	94	7022302.....	45, 49
7016380.....	148	7019112.....	237	7020447.....	101	7022311.....	45, 49
7016399.....	214, 218	7019114.....	237	7020449.....	94, 101	7022313.....	49
7016422.....	79	7019115.....	237	7020458.....	94, 102	7022314.....	45, 49
7016423.....	79	7019122.....	229	7020459.....	94, 102	7022318.....	45
7016424.....	80	7019123.....	229	7020460.....	94, 102	7022320.....	45
7016425.....	79	7019141.....	229	7020461.....	94, 101	7022321.....	45
7016426.....	79	7019142.....	229	7020463.....	94	7022326.....	46, 49
7016427.....	80	7019143.....	229	7020464.....	94, 101	7022328.....	46, 49
7016530.....	209, 360	7019144.....	229	7020465.....	94, 101	7022368.....	45, 49
7016652.....	366	7019145.....	229	7020468.....	94, 101	7022370.....	45
7016654.....	366	7019147.....	229	7020471.....	94, 101	7022371.....	46, 49
7016655.....	366	7019149.....	229	7020474.....	94	7022372.....	45, 49
7016700.....	65	7019150.....	229	7020479.....	94, 101	7022397.....	53, 54
7016701.....	65	7019151.....	237	7020480.....	94	7022399.....	53, 54
7016702.....	65	7019154.....	237	7020487.....	94, 101	7022808.....	229, 231
7016744.....	65	7019155.....	237	7020488.....	94	7022812.....	237
7016800.....	92, 107	7019160.....	237	7021200.....	126	7022814.....	229
7016802.....	92	7019161.....	237	7021201.....	127	7022815.....	229, 231
7016803.....	92	7019162.....	237, 239	7021202.....	126	7022816.....	229
7016804.....	107	7019164.....	237, 239	7021203.....	126	7022817.....	229
7016807.....	107	7019165.....	237, 239	7021206.....	127	7022818.....	229
7016808.....	107	7019166.....	237	7021207.....	127	7022819.....	229, 231, 342
7016812.....	92	7019167.....	237, 239	7021210.....	127	7022822.....	237
7016824.....	92	7019168.....	237	7021212.....	127	7022823.....	237
7017022.....	40	7019171.....	229	7021214.....	123, 127	7022824.....	237
7017027.....	39	7019174.....	229	7021217.....	127	7022825.....	342
7017070.....	77	7019177.....	229	7021218.....	127	7023366.....	154
7017072.....	39	7019194.....	237, 239	7021219.....	127	7023603.....	113
7017089.....	77	7019196.....	237	7021220.....	127	7023613.....	109
7017093.....	39	7019197.....	229	7021221.....	127	7023637.....	109
7017095.....	39	7019656.....	106	7021222.....	127	7023644.....	109
7017115.....	203	7019658.....	133	7021223.....	126	7023645.....	113
7017118.....	204	7019680.....	157, 161, 169	7021232.....	128	7023652.....	108
7017119.....	203	7019925.....	109, 119	7021249.....	45, 49	7023653.....	108
7017142.....	203, 204	7019930.....	109	7021256.....	126	7023654.....	108
7017156.....	204	7019932.....	109	7021275.....	45, 49	7023655.....	108
7017157.....	204	7019976.....	109, 119	7021310.....	70	7023656.....	108
7017158.....	204, 207	7019977.....	108, 119	7021625.....	53, 54	7023657.....	109
7017159.....	204, 207	7019986.....	108	7021868.....	109, 119, 360	7023658.....	109
7017162.....	203, 207	7019993.....	109, 119	7022134.....	108, 119	7023662.....	108
7017163.....	203, 207	7019994.....	109, 119	7022139.....	109, 119	7023663.....	108
7017164.....	203, 207	7019996.....	108, 119	7022143.....	109, 119	7023679.....	113, 342
7017174.....	203	7020020.....	66, 358	7022144.....	109	7023680.....	113
7017177.....	203	7020021.....	67, 358	7022149.....	109	7023681.....	109, 119
7017183.....	203, 207	7020108.....	157, 161, 165, 169	7022150.....	109, 119	7023682.....	109, 119
7017193.....	203, 207	7020109.....	157, 161, 165, 169	7022151.....	109	7023683.....	108, 119
7017195.....	207	7020110.....	157, 161, 165, 169	7022152.....	109	7023695.....	109
7017406.....	53	7020111.....	157, 161, 165, 169	7022153.....	109	7023698.....	119
7017410.....	69	7020120.....	109	7022154.....	109	7023699.....	119
7017420.....	66, 73	7020168.....	94	7022155.....	109, 119	7023910.....	45, 49
7017421.....	73	7020175.....	223	7022156.....	109	7023917.....	54
7017422.....	73	7020176.....	223	7022157.....	109	7023933.....	53, 54
7017442.....	51	7020190.....	157, 161, 165, 169	7022158.....	109	7023935.....	53, 54
7017464.....	69	7020191.....	158, 161, 165	7022159.....	109	7023936.....	53, 54
7017496.....	269	7020192.....	158, 162, 165, 170	7022160.....	109	7023977.....	126
7018612.....	33, 75	7020193.....	157, 161, 165, 169	7022161.....	109	7023979.....	127
7018912.....	66, 69, 70, 73	7020246.....	143	7022162.....	109	7024014.....	66, 70
7018942.....	69, 70, 73	7020408.....	94, 101	7022165.....	113	7024015.....	69, 70
7018945.....	73			7022166.....	113	7024036.....	43
7018946.....	73			7022167.....	113	7024100.....	77
7018947.....	73			7022168.....	113	7024124.....	39
7018948.....	73			7022170.....	113	7024125.....	39
7018951.....	69			7022171.....	113	7024127.....	39
7018986.....	69			7022178.....	109	7024129.....	39
7019103.....	237			7022179.....	109	7024134.....	40

## PART NUMBER INDEX

7024318.....	94	7024725.....	39	7026633.....	185	7026836.....	88
7024379.....	79	7024726.....	39	7026634.....	185	7026838.....	88
7024380.....	79	7024727.....	39	7026635.....	185	7026839.....	88
7024381.....	79	7024728.....	39	7026636.....	185	7026840.....	88
7024389.....	80	7024729.....	39	7026637.....	185	7026841.....	88
7024390.....	79	7024730.....	39	7026638.....	185	7026843.....	88
7024395.....	79	7024731.....	39	7026639.....	185	7026882.....	88
7024397.....	303	7024732.....	39	7026640.....	185	7027000.....	86, 92, 98
7024398.....	93, 100	7024733.....	39	7026641.....	186	7027001.....	86, 92, 98
7024404.....	140	7024734.....	39	7026642.....	186	7027002.....	86, 92, 98, 107, 116
7024439.....	134	7024735.....	39	7026643.....	186	7027003.....	86, 92, 98, 107, 116
7024440.....	134	7024736.....	39	7026644.....	186	7027004.....	86, 92, 98
7024441.....	134	7024737.....	40	7026645.....	186	7027005.....	107, 116
7024442.....	134	7024738.....	39	7026646.....	186	7027006.....	107, 116
7024443.....	134	7024739.....	39	7026647.....	186	7027007.....	107, 116
7024444.....	134, 358	7024740.....	39	7026648.....	186	7027236.....	102
7024445.....	134	7024741.....	39	7026649.....	186	7027239.....	102
7024446.....	134	7024742.....	39	7026650.....	186	7027241.....	101
7024453.....	79	7024743.....	39	7026651.....	185	7027245.....	102
7024462.....	263	7024744.....	39, 40	7026652.....	185	7027246.....	101
7024463.....	263	7024764.....	40	7026653.....	185	7027276.....	94, 102
7024467.....	263	7024765.....	40	7026654.....	185	7027400.....	119
7024469.....	263	7024766.....	40	7026655.....	185	7027402.....	109, 119
7024470.....	263	7024800.....	127	7026656.....	185	7027404.....	119
7024471.....	263	7024850.....	53, 54	7026658.....	186	7027405.....	119
7024472.....	263	7024851.....	127	7026659.....	185	7027409.....	119
7024473.....	263	7024853.....	45, 49	7026660.....	185	7027410.....	119
7024474.....	263	7024861.....	45	7026661.....	185	7027412.....	85
7024475.....	263	7024862.....	45, 49	7026800.....	87	7027413.....	119
7024478.....	263	7024863.....	45	7026801.....	87	7027419.....	45, 49
7024485.....	174, 179	7024864.....	45	7026802.....	87	7027608.....	101
7024488.....	175, 179	7024865.....	45, 49	7026803.....	87	7027609.....	101
7024489.....	175, 179	7024866.....	45	7026804.....	87	7027610.....	101
7024519.....	259	7024867.....	45, 49	7026805.....	87	7027740.....	49
7024520.....	259	7024868.....	45	7026806.....	87	7027773.....	263
7024521.....	259	7024869.....	45	7026807.....	87	7027774.....	263
7024522.....	259	7024871.....	45, 49	7026808.....	87	7027775.....	263
7024523.....	259	7024874.....	126	7026809.....	87	7027776.....	263
7024524.....	259	7024875.....	126	7026810.....	87	7027777.....	263
7024525.....	259	7024877.....	127	7026811.....	87, 360	7027778.....	263
7024526.....	259	7024879.....	269	7026812.....	87	7027779.....	263
7024527.....	259	7024892.....	53, 54	7026813.....	87	7027780.....	263
7024528.....	259	7025124.....	109	7026814.....	88	7027781.....	183
7024529.....	259	7026188.....	174, 180	7026815.....	88	7027782.....	183
7024530.....	259	7026189.....	139, 140	7026816.....	87	7027783.....	183
7024531.....	259	7026197.....	140	7026817.....	87	7027784.....	183
7024532.....	259	7026199.....	157, 161, 165, 169	7026818.....	87	7027790.....	101
7024533.....	259	7026503.....	139	7026819.....	87	7027791.....	101
7024534.....	259	7026504.....	139	7026820.....	87	7027792.....	102
7024535.....	259	7026505.....	140	7026821.....	87	7027793.....	101, 342
7024536.....	259	7026506.....	140	7026822.....	87	7027794.....	342
7024537.....	259	7026507.....	140	7026823.....	87	7027795.....	102
7024538.....	259	7026508.....	140	7026824.....	87	7027796.....	342
7024539.....	259	7026509.....	140	7026825.....	87	7027799.....	174, 179
7024540.....	259	7026510.....	140	7026826.....	87	7027887.....	158, 165, 170
7024541.....	259	7026511.....	139	7026827.....	87	8093461.....	140
7024560.....	93, 100	7026512.....	139, 140	7026828.....	87	83304150.....	79
7024565.....	94, 102	7026512.....	139, 140	7026829.....	87	8405009.....	84
7024579.....	94, 102	7026522.....	94	7026830.....	88, 360	8405104.....	84
7024598.....	151	7026597.....	174, 179	7026831.....	87	8896941.....	366
7024721.....	40	7026608.....	94, 101	7026832.....	87	91083218.....	108, 119, 360
7024722.....	39	7026626.....	174, 179	7026833.....	87		
7024723.....	40	7026631.....	94, 101	7026834.....	87		
7024724.....	39	7026632.....	185	7026835.....	88		

# PARTS FINDER

**Search Website  
by Part Number**



**Search Manual  
Library For Parts  
Manual & Lookup Part  
Numbers – Purchase  
or Request Quote**

**Can't Find Part or  
Manual? Request Help  
by Manufacturer,  
Model & Description**

Discount-Equipment.com is your online resource for quality parts & equipment.

Florida: **561-964-4949** Outside Florida TOLL FREE: **877-690-3101**

## Need parts?

Click on this link: <http://www.discount-equipment.com/category/5443-parts/> and choose one of the options to help get the right parts and equipment you are looking for. Please have the machine model and serial number available in order to help us get you the correct parts. If you don't find the part on the website or on one of the online manuals, please fill out the request form and one of our experienced staff members will get back to you with a quote for the right part that your machine needs.

We sell worldwide for the brands: Genie, Terex, JLG, MultiQuip, Mikasa, Essick, Whiteman, Mayco, Toro Stone, Diamond Products, Generac Magnum, Airman, Haulotte, Barreto, Power Blanket, Nifty Lift, Atlas Copco, Chicago Pneumatic, Allmand, Miller Curber, Skyjack, Lull, Skytrak, Tsurumi, Husquvarna Target, Stow, Wacker, Sakai, Mi-T-M, Sullair, Basic, Dynapac, MBW, Weber, Bartell, Bennar Newman, Haulotte, Ditch Runner, Menegotti, Morrison, Contec, Buddy, Crown, Edco, Wyco, Bomag, Laymor, EZ Trench, Bil-Jax, F.S. Curtis, Gehl Pavers, Heli, Honda, ICS/PowerGrit, IHI, Partner, Imer, Clipper, MMD, Koshin, Rice, CH&E, General Equipment, Amida, Coleman, NAC, Gradall, Square Shooter, Kent, Stanley, Tamco, Toku, Hatz, Kohler, Robin, Wisconsin, Northrock, Oztec, Toker TK, Rol-Air, APT, Wylie, Ingersoll Rand / Doosan, Innovatech, Con X, Ammann, Mecalac, Makinex, Smith Surface Prep, Small Line, Wanco, Yanmar