



Illustrated Parts Manual

Models

600S

600SJ

660SJ

PRIOR TO
SN 0300068000

P/N
3120842

September 14, 2018 - Rev AM



An Oshkosh Corporation Company

PARTS FINDER

**Search Website
by Part Number**



**Search Manual
Library For Parts
Manual & Lookup Part
Numbers – Purchase
or Request Quote**

**Can't Find Part or
Manual? Request Help
by Manufacturer,
Model & Description**

Discount-Equipment.com is your online resource for quality parts & equipment.

Florida: **561-964-4949** Outside Florida TOLL FREE: **877-690-3101**

Need parts?

Click on this link: <http://www.discount-equipment.com/category/5443-parts/> and choose one of the options to help get the right parts and equipment you are looking for. Please have the machine model and serial number available in order to help us get you the correct parts. If you don't find the part on the website or on one of the online manuals, please fill out the request form and one of our experienced staff members will get back to you with a quote for the right part that your machine needs.

We sell worldwide for the brands: Genie, Terex, JLG, MultiQuip, Mikasa, Essick, Whiteman, Mayco, Toro Stone, Diamond Products, Generac Magnum, Airman, Haulotte, Barreto, Power Blanket, Nifty Lift, Atlas Copco, Chicago Pneumatic, Allmand, Miller Curber, Skyjack, Lull, Skytrak, Tsurumi, Husquvarna Target, Stow, Wacker, Sakai, Mi-T-M, Sullair, Basic, Dynapac, MBW, Weber, Bartell, Bennar Newman, Haulotte, Ditch Runner, Menegotti, Morrison, Contec, Buddy, Crown, Edco, Wyco, Bomag, Laymor, EZ Trench, Bil-Jax, F.S. Curtis, Gehl Pavers, Heli, Honda, ICS/PowerGrit, IHI, Partner, Imer, Clipper, MMD, Koshin, Rice, CH&E, General Equipment, Amida, Coleman, NAC, Gradall, Square Shooter, Kent, Stanley, Tamco, Toku, Hatz, Kohler, Robin, Wisconsin, Northrock, Oztec, Toker TK, Rol-Air, APT, Wylie, Ingersoll Rand / Doosan, Innovatech, Con X, Ammann, Mecalac, Makinex, Smith Surface Prep, Small Line, Wanco, Yanmar

REVISION LOG

NOTES:

ADE SYSTEM

Most 600S, 600SJ and 660SJ machines from SN 0300061927 incorporate the ADE System, but no clean SN break exist. The following machine serial numbers prior to SN 0300061927 also utilize the ADE System: 0300058993, 0300058998, 0300059222, 0300059223, 0300059275, 0300059281, 0300059315, 0300059319, 0300059352, 0300059358, 0300059631, 0300059769, 0300060253, 0300060254, 0300060286, 0300060642, 0300060645, 0300061120, 0300061257, 0300061402, 0300061440, 0300061491, 0300061833, 0300061840, 0300061875 and 0300061878. A machine that incorporates ADE System can be outwardly identified by the analyzer connection at the base of the platform console box.



MANUAL REVISION LOG:

May 1996 - A - Original Issue Of Manual

January, 1998 - B - Revised (Manual edited to 0010512 Revision 43)

December, 1998 - C - Revised (Manual edited to 0010512 Revision 53)

June 25, 1999 - D - Revised (Manual edited to 0010512 Revision 59)

February 18, 2000 - E - Revised (Manual edited to 0010512 Revision 66)

April 25, 2001 - F - Revised (Manual edited to 0010512 Revision 79)

(Manual edited to 0010574 Revision 3 ADE System)

February 20, 2002 - G - Revised (Manual edited to 0010574 Revision 9)

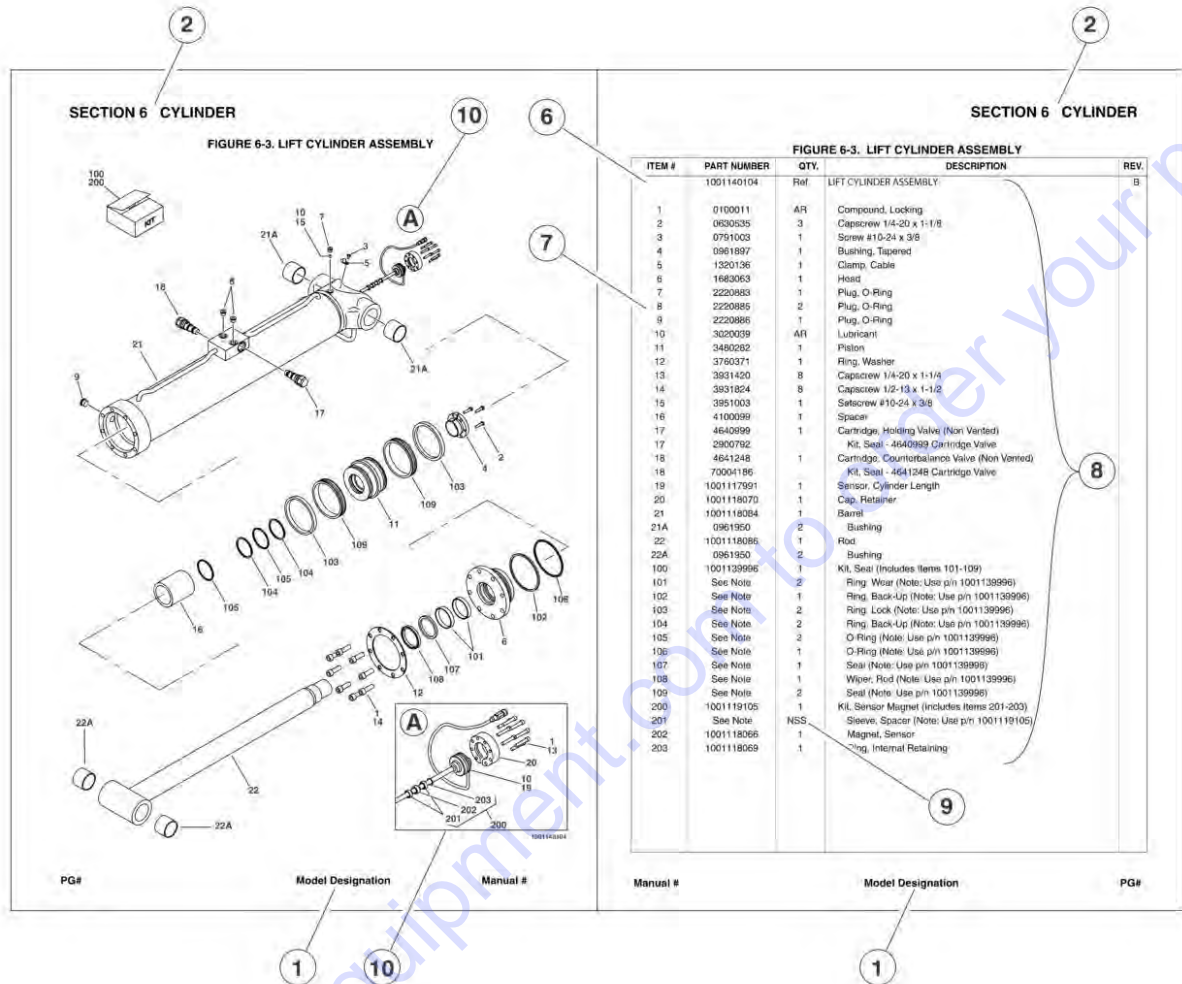
May 24, 2002 - H - Revised (Manual edited to 0010574 Revision 18)

November 30, 2002 - I - Added "Prior to SN 0300068000" to Front Cover. Refer to Parts Manual 3121856 for Machines Built SN 0300068000 to Present.

REVISION LOG

January 20, 2003 - J - Revised Manual
May 1, 2003 - K - Revised Manual
December 9, 2003 - L - Revised Manual
May 27, 2005 - M - Revised Manual
November 10, 2005 - N - Revised Manual
May 18, 2006 - O - Revised Manual
August 9, 2006 - P - Revised Manual
January 12, 2007 - Q - Revised Manual
May 15, 2007 - R - Revised Manual
September 18, 2007 - S - Revised Manual
June 15, 2008 - T - Revised Manual
December 1, 2008 - U - Revised Manual
April 15, 2009 - V - Revised Manual
October 15, 2009 - W - Revised Manual
May 24, 2010 - X - Revised Manual
March 15, 2011 - Y - Revised Manual
June 10, 2011 - Z - Revised Manual
September 14, 2011 - AA - Revised Manual
January 6, 2012 - AB - Revised Manual
April 20, 2012 - AC - Revised Manual
July 27, 2012 - AD - Revised Manual
November 8, 2012 - AE - Revised Manual
March 15, 2013 - AF - Revised Manual
June 14, 2013 - AG - Revised Manual
September 30, 2013 - AH - Revised Manual
February 28, 2014 - AI - Revised Manual
October 30, 2015 - AJ - Revised Manual (Revision 4)
March 14, 2017 - AK - Revised Manual
January 31, 2018 - AL - Revised Manual
September 14, 2018 - AM - Revised Manual

GENERAL INFORMATION



1) MACHINE IDENTIFICATION

Machines are identified by model and in some cases a combination of models, serial number (SN) or regional standard (i.e ANSI, CE, CSA). Components may also be identified by SN or manufacturer. common components that may be identified by these characteristics are engines and hydraulic components.

2) PARTS MANUAL ORGANIZATION

Product information in this manual is organized under section titles. Frame, Cylinder, Hydraulic and Electrical are a few examples. Each section is organized by figure and page number. The information within the Figure is then organized by item number, part number, description and corresponding illustration (s).

3) TABLE OF CONTENTS

A table of contents is found toward the beginning of the manual. Figure number, description and page number are provided for quick reference to the page containing the related information.

4) RECOMMENDED SPARE PARTS

The Recommended Spare Parts, located near the end of the manual, reference most frequently used maintenance parts.

5) PART NUMBER INDEX

A numerical index listing all part numbers and the corresponding page number(s) appears at the back of the manual.

GENERAL INFORMATION

6) NON-SERVICED PARTS

In some instances, it is necessary to display non-serviced parts, assemblies or installations. In the case of assemblies and installations there will be a Ref in the Qty column. In case of parts that are not available for service within assemblies or components, there will be a NSS (Not Sold Separately) or NLA (No Longer Available) listed in the Qty. column of the manual.

7) PARTS LIST ITEM NUMBERS

Numbers shown in the item# column correspond to numbers used in the associated illustration (s). Item numbers which are missing from the sequence in the parts list are not used on that page

8) INDENTED PARTS DESCRIPTION

An indented part description is included in the item under which it is indented.

9) ABB REVIATION AND SYMBOLS

AC.....	.. Alternating Current	LCD Liquid Crystal Display
ADE.....	..Advanced Design Electronics	LED Light Emitting Diodes
ANSIAmerican National Standards Institute	LH.....	.. Left Hand
AR.....	..As Required	LSSLoad Sensing System
ASSY Assembly	M(m).....	.. Metric/Meter
AUX.....	..Auxiliary	MM (mm).....	..Milimeter
AWG.....	..American WireGauge	mA.....	.. Milliamps
B/M.....	.. Bill of Material	NLA.....	..No Longer Available
CE.....	..European Conformity	NPT National Pipe T threads
CCWCounter Clockwise	NSSNot Sold Separately
cm.....	.. Centimeter	OD.....	..Outside Diameter
CW.....	..Clockwise	ORB.....	.. O-Ring Boss
CSA.....	..Canadian Standards Association	ORFS.....	.. O-Ring Face Seal
CYL.....	..Cylinder	OZ (oz).....	..Ounces
DIA.....	..Diameter	PGPage
DC.....	..Direct Current	P/N.....	..Part Number
EMS Emergency Stop	qt.....	..Quarts
ENGEngine	QTY.....	..Quantity
FT(ft).....	..Feet	REFReference
GA(Ga).....	..Gauge	REVRevision Level
HYDHydraulic	RH.....	.. Right Hand
Hz.....	..Hertz	SAE.....	.. Society of Automotive Engineers
ID.....	..Inside Diameter	SN.....	..Serial Number
in.....	..inches	SPEC(S).....	..Specifications
ISOInternational Organization for Standards	T/T.....	..Turntable
JIC.....	..Joint Industry Council	UGMUniversal Ground Module
KGKilogram	V.....	.. Volts
L.....	..Liter	W.....	.. Watts
LBPounds	#.....	.. Number

10) ILLUSTRATION REFERENCE LETTERS

When necessary, illustrations may contain reference letters that are intended to track information (i. e. hoses, harnesses) from one point to another or to track visual enlargement of components to show details that may be located in another area on the illustration.

Note: Due to continuous product improvements, JLG Industries, Inc. reserves the right to make specification changes without prior notification. Contact JLG Industries, Inc. for updated information.

TABLE OF CONTENTS

SECTION 1 - FRAME.....	9
FIGURE 1-1. 2WD FRONT AXLE AND STEERING INSTALLATIONS.....	10
FIGURE 1-2. 4WD FRONT AXLE AND STEERING INSTALLATIONS.....	14
FIGURE 1-3. 4WS REAR STEERING INSTALLATIONS.....	18
FIGURE 1-4. TIRE AND WHEEL DRIVE INSTALLATIONS.....	22
FIGURE 1-5. DRIVE HUB ASSEMBLY (Prior to SN 0300064395).....	26
FIGURE 1-6. DRIVE HUB ASSEMBLY (SN 0300064395 through 0300068000).....	30
FIGURE 1-7. DRIVE BRAKE ASSEMBLY.....	32
FIGURE 1-8. DRIVE MOTOR ASSEMBLY - REXROTH.....	36
FIGURE 1-9. DRIVE VALVES AND SHIELDS INSTALLATION (FRAME MOUNTED).....	38
FIGURE 1-10. TOW PACKAGE INSTALLATION (OPTIONAL).....	40
SECTION 2 - TURNTABLE.....	43
FIGURE 2-1. CONTROL VALVES INSTALLATIONS.....	44
FIGURE 2-2. MAIN CONTROL VALVE ASSEMBLY.....	48
FIGURE 2-3. ACCESSORY VALVE ASSEMBLY.....	52
FIGURE 2-4. SWING DRIVE, TURNTABLE BEARING AND LOCK INSTALLATIONS.....	54
FIGURE 2-5. SWING HUB ASSEMBLY.....	56
FIGURE 2-6. SWING BRAKE ASSEMBLY.....	58
FIGURE 2-7. SWING MOTOR ASSEMBLIES.....	62
FIGURE 2-8. DEUTZ ENGINE INSTALLATION (Prior to SN 0300030041).....	66
FIGURE 2-9. DEUTZ ENGINE INSTALLATION - WITH NOISE REDUCTION (SN 0300030041 through 0300068000).....	72
FIGURE 2-10. 2500W GENERATOR INSTALLATION - DEUTZ MACHINES (OPTIONAL).....	80
FIGURE 2-11. 7500W SKYPOWER GENERATOR INSTALLATION - DEUTZ ENGINES (OPTIONAL).....	84
FIGURE 2-12. PISTON PUMP ASSEMBLY.....	88
FIGURE 2-13. GEAR PUMP ASSEMBLY.....	92
FIGURE 2-14. TANK INSTALLATIONS.....	94
FIGURE 2-15. ROTARY COUPLING INSTALLATION.....	98
FIGURE 2-16. GROUND CONTROL BOX ASSEMBLY (Prior to SN 0300061927).....	100
FIGURE 2-17. GROUND CONTROL BOX ASSEMBLY (ADE SYSTEM) (SN 0300061927 through 0300068000).....	104
FIGURE 2-18. ELECTRICAL OPTIONS INSTALLATION (TURNTABLE MOUNTED).....	108
FIGURE 2-19. ENGINE TRAY JACK INSTALLATION (OPTIONAL).....	112
FIGURE 2-20. HOODS AND LIFTING PLATE INSTALLATIONS - WITHOUT NOISE REDUCTION (Prior to SN 0300027943).....	114
FIGURE 2-21. HOODS AND LIFTING PLATE INSTALLATIONS - WITH NOISE REDUCTION (SN 0300027943 through 0300068000).....	118
SECTION 3 - BOOM.....	123
FIGURE 3-1. BOOM INSTALLATIONS - 600S.....	124
FIGURE 3-2. BOOM INSTALLATIONS - 600SJ & 660SJ.....	128
FIGURE 3-3. MAIN BOOM ASSEMBLIES.....	134
FIGURE 3-4. ROTATOR ASSEMBLIES (FRONT ENTRY PLATFORM).....	138
FIGURE 3-5. ROTATOR ASSEMBLIES (SIDE ENTRY PLATFORM).....	142
FIGURE 3-6. POWER TRACK INSTALLATIONS - PLASTIC TRACK (Prior to SN 0300060842).....	144
FIGURE 3-7. POWER TRACK INSTALLATIONS - STEEL TRACK (SN 0300060842 through 0300068000).....	148
SECTION 4 - PLATFORM.....	151
FIGURE 4-1. PLATFORM COMPONENTS INSTALLATION (AUSTRALIAN SPEC WITH FRONT ENTRY PLATFORM).....	152
FIGURE 4-2. PLATFORM COMPONENTS INSTALLATION (EN280 AND CE SPEC WITH FRONT ENTRY PLATFORM).....	156
FIGURE 4-3. PLATFORM COMPONENTS INSTALLATION (SIDE ENTRY).....	160
FIGURE 4-4. PLATFORM CONSOLE ASSEMBLY (Prior to SN 0300061927).....	164
FIGURE 4-5. PLATFORM CONSOLE ASSEMBLY (ADE SYSTEM) (SN 0300061927 through 0300068000).....	170
FIGURE 4-6. CONTROLLER ASSEMBLY (SWING AND LIFT) (ORIGINAL EQUIPMENT) (Prior to SN 0300039654).....	176
FIGURE 4-7. CONTROLLER ASSEMBLY (SWING AND LIFT) (SERVICE REPLACEMENT) (SN 0300039654 through 0300061926).....	180
FIGURE 4-8. CONTROLLER ASSEMBLY (SWING AND LIFT) (ADE SYSTEM) (ORIGINAL EQUIPMENT) (SN 0300061927 through 0300068000).....	182
FIGURE 4-9. CONTROLLER ASSEMBLY (LIFT AND SWING) (SERVICE REPLACEMENT) (SN 0300061927 through 0300068000).....	184
FIGURE 4-10. CONTROLLER ASSEMBLY (LIFT AND SWING) (SERVICE REPLACEMENT) (SN 0300061927 through 0300068000).....	186
FIGURE 4-11. CONTROLLER ASSEMBLY (DRIVE AND STEER) (ORIGINAL EQUIPMENT) (Prior to SN 0300039654).....	190

TABLE OF CONTENTS

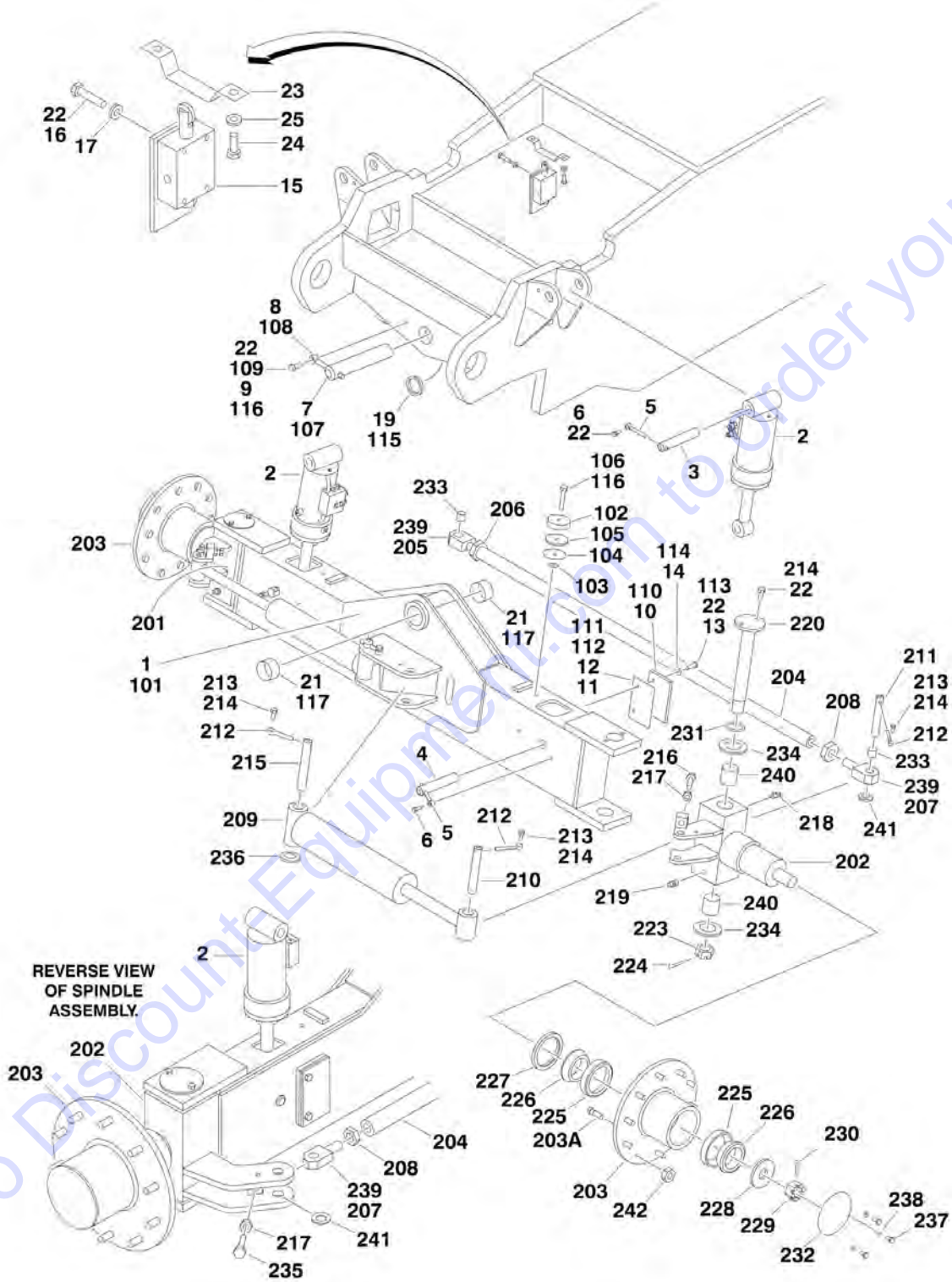
FIGURE 4-12. CONTROLLER ASSEMBLY (DRIVE AND STEER) (SERVICE REPLACEMENT) (SN 0300039654 through 0300061926)	194
FIGURE 4-13. CONTROLLER ASSEMBLY (DRIVE AND STEER) (ADE SYSTEM) (ORIGINAL EQUIPMENT) (SN 0300061927 through 0300068000)	196
FIGURE 4-14. CONTROLLER ASSEMBLY (DRIVE AND STEER) (SERVICE REPLACEMENT) (SN 0300061927 through 0300068000)	198
FIGURE 4-15. CONTROLLER ASSEMBLY (DRIVE AND STEER) (SERVICE REPLACEMENT) (SN 0300061927 through 0300068000)	200
FIGURE 4-16. SOFT TOUCH SYSTEM INSTALLATION (OPTIONAL)	202
FIGURE 4-17. LOAD SENSING SYSTEM INSTALLATION (FRENCH SPEC) (Prior to SN 0300067891)	206
FIGURE 4-18. PLATFORM SUPPORT (LOAD SENSING) (SN 0300067891 through 0300068000)	208
SECTION 5 - CYLINDER	211
FIGURE 5-1. AXLE LOCKOUT CYLINDER ASSEMBLY	212
FIGURE 5-2. LEVEL CYLINDER ASSEMBLY (PLATFORM SLAVE) - 600S (ORIGINAL EQUIPMENT)	214
FIGURE 5-3. LEVEL CYLINDER ASSEMBLY (PLATFORM SLAVE) - 600S (SERVICE REPLACEMENT)	216
FIGURE 5-4. LEVEL CYLINDER ASSEMBLY (PLATFORM SLAVE) - 600S (SERVICE REPLACEMENT)	218
FIGURE 5-5. LEVEL CYLINDER ASSEMBLY (PLATFORM SLAVE) - 600SJ & 660SJ (ORIGINAL EQUIPMENT)	220
FIGURE 5-6. LEVEL CYLINDER ASSEMBLY (PLATFORM SLAVE) - 600SJ & 660SJ (SERVICE REPLACEMENT)	224
FIGURE 5-7. LEVEL CYLINDER ASSEMBLY (PLATFORM SLAVE) - 600SJ & 660SJ (SERVICE REPLACEMENT)	226
FIGURE 5-8. LIFT CYLINDER ASSEMBLY - (BOOM)	228
FIGURE 5-9. LIFT CYLINDER ASSEMBLY (JIB) - 600SJ & 660SJ	230
FIGURE 5-10. MASTER CYLINDER ASSEMBLY (ORIGINAL EQUIPMENT)	232
FIGURE 5-11. MASTER CYLINDER ASSEMBLY - 600S (SERVICE REPLACEMENT)	236
FIGURE 5-12. MASTER CYLINDER ASSEMBLY - 600SJ/660SJ (SERVICE REPLACEMENT)	238
FIGURE 5-13. STEER CYLINDER ASSEMBLY	240
FIGURE 5-14. TELESCOPE CYLINDER ASSEMBLY	242
FIGURE 5-15. CYLINDER BELLOWS INSTALLATIONS (OPTIONAL)	244
SECTION 6 - HYDRAULIC	247
FIGURE 6-1. HYDRAULIC DIAGRAM - DRIVE AND STEER (2WD/2WS)	248
FIGURE 6-2. HYDRAULIC DIAGRAM - DRIVE AND STEER (4WD/2WS)	250
FIGURE 6-3. HYDRAULIC DIAGRAM - OSCILLATING AXLE	254
FIGURE 6-4. HYDRAULIC DIAGRAM - STANDARD	256
FIGURE 6-5. HYDRAULIC DIAGRAM LIST	260
SECTION 7 - ELECTRICAL	261
FIGURE 7-1. ELECTRICAL DIAGRAM LIST	262
FIGURE 7-2. HARNESS COMPONENTS INSTALLATION (Prior to SN 0300061927)	266
FIGURE 7-3. HARNESS COMPONENTS INSTALLATION (ADE SYSTEM) (SN 0300061927 through 0300064499)	274
FIGURE 7-4. HARNESS COMPONENTS INSTALLATION (ADE SYSTEM) (SN 0300064499 through 0300068000)	280
SECTION 8 - DECALS	289
FIGURE 8-1. DECALS INSTALLATION - STANDARD	290
SECTION 9 - RECOMMENDED SERVICE PARTS STOCK	295
FIGURE 9-1. MODELS 600S/600SJ/660SJ STANDARD PARTS	296
FIGURE 9-2. MODELS 600S/600SJ/660SJ VARIABLE PARTS	298
SECTION 10 - SPECIAL OPTIONS	299
FIGURE 10-1. SPECIAL OPTIONS	300
PART NUMBER INDEX	303

SECTION 1 - FRAME

Go to Discount-Equipment.com to order your parts

SECTION 1 - FRAME

FIGURE 1-1. 2WD FRONT AXLE AND STEERING INSTALLATIONS



SECTION 1 - FRAME

FIGURE 1-1. 2WD FRONT AXLE AND STEERING INSTALLATIONS

ITEM	PART NUMBER	QTY	DESCRIPTION	REV
		Ref	AXLE INSTALLATIONS - OSCILLATING	
	0254817	Ref	Axle Installations - Oscillating Standard Machines (Prior to SN 0300041810)	8
	0256394	Ref	Axle Installations - Oscillating Standard Machines (SN 0300041810 through 0300068000)	5
1	4844777	1	Axle Weldment	
2	1683078	2	Lockout Cylinder Assembly (See CYLINDER SECTION for Breakdown)	
3	3422333	2	Pin, Pivot	
4	3422332	2	Pin, Cylinder	
5	3841143	4	Keeper, Pin	
6	0641608	4	Bolt 3/8in-16NC x 1in	
7		Ref	Pin, Axle Pivot Options:	
7	3422325	NLA	Pin, Axle Pivot Standard Machines (Use p/n 3422591) (Prior to SN 0300041810)	
7	3422591	1	Pin, Axle Pivot Standard Machines (SN 0300041810 through 0300068000)	
8	3841258	1	Keeper, Pin	
9	0642012	1	Bolt 5/8in-11NC x 1-1/2in	
10	3538047	2	Plate, Wear	
11	4070878	AR	Shim 1/16in	
12	4070879	AR	Shim 1/8in	
13	0641612	4	Bolt 3/8in-16NC x 1-1/2in	
14	4711600	4	Flatwasher 3/8in Thin	
15	4640871	1	Valve, Cam	
15	7012693	1	Seal Kit - 4640871 Valve	
15	7002840	1	Pin Removal Tool	
16	0641414	4	Bolt 1/4in-20NC x 1-3/4in	
17	4711400	4	Flatwasher 1/4in Thin	
19	4740158	1	Thrustwasher	
21	0961950	2	Bushing	
22	0100011	AR	Compound, Locking	
23	1100086	1	Cam	
24	0641814	2	Bolt 1/2in-13NC x 1-3/4in	
25	4751800	AR	Flatwasher 1/2in Regular	
		Ref	AXLE INSTALLATIONS - FIXED	
	0254845	Ref	Axle Installations - Fixed Standard Machines (Prior to SN 0300041810)	5
	0256621	Ref	Axle Installations - Fixed Standard Machines (SN 0300041810 through 0300068000)	4
101	4844777	1	Axle Weldment	
102	3539877	2	Plate, Stop	
103	3539878	2	Plate, Stop	
104	4070944	AR	Shim (.06)	
105	4070945	AR	Shim (.25)	
106		Ref	Hardware Options:	
106	0641820	2	Hardware Bolt 1/2in-13NC x 2-1/2in (Prior to SN 0300038047)	
106	3931840	2	Hardware Screw 1/2in-13NC x 2-1/2in (SN 0300038047 through 0300068000)	
107		Ref	Pin, Pivot Options:	
107	3422325	NLA	Pin, Pivot Standard Machines (Use p/n 3422591) (Prior to SN 0300041810)	

SECTION 1 - FRAME

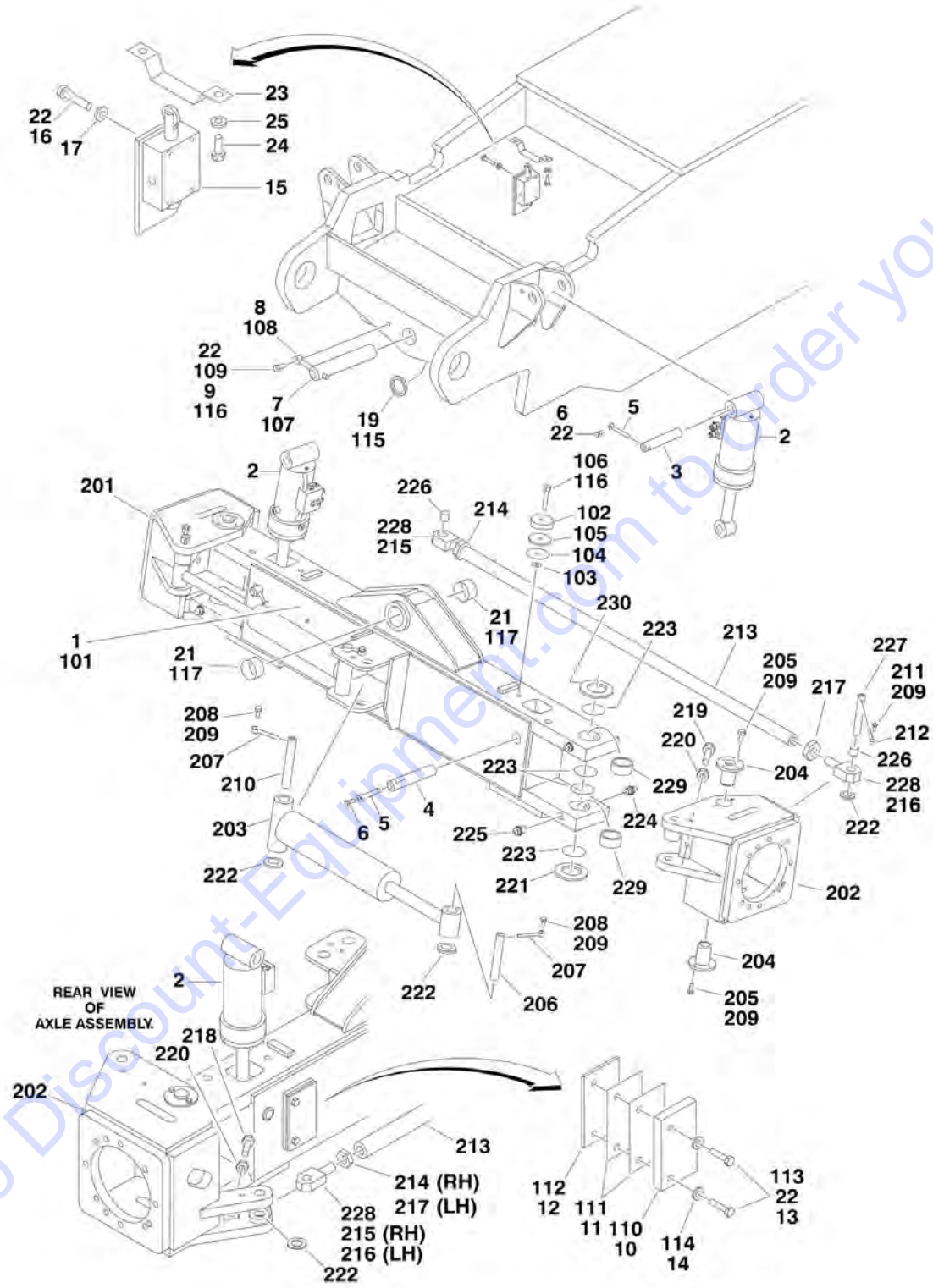
ITEM	PART NUMBER	QTY	DESCRIPTION	REV
107	3422591	1	Pin, Pivot Standard Machines (SN 0300041810 through 0300068000)	
108	3841258	1	Keeper, Pin	
109	0642012	1	Bolt 5/8in-11NC x 1-1/2in	
110	3538047	2	Plate, Wear	
111	4070878	AR	Shim 1/16in	
112	4070879	AR	Shim 1/8in	
113	0641608	4	Bolt 3/8in-16NC x 1in	
114	4711600	4	Flatwasher 3/8in Thin	
115	4740158	1	Thrustwasher	
116	0100019	AR	Compound, Locking	
117	0961950	2	Bushing	
		Ref	STEERING INSTALLATIONS	
	0254944	Ref	Steering Installations (Prior to SN 0300034646)	7-E
	0257732	Ref	Steering Installations (SN 0300034646 through 0300068000)	2-A
201		Ref	Spindle - Right Side Options:	
201	4130312	1	Spindle - Right Side (Prior to SN 0300034646)	
201	4130353	1	Spindle - Right Side (SN 0300034646 through 0300068000)	
202		Ref	Spindle - Left Side Options:	
202	4130311	1	Spindle - Left Side (Prior to SN 0300034646)	
202	4130354	1	Spindle - Left Side (SN 0300034646 through 0300068000)	
203	2780188	2	Hub	
203A	0630078	20	Stud, Wheel (10 Per Hub)	
204	3841236	1	Tie-Rod	
205	0561138	1	End, Tie-Rod (Right Side/RH Threads)	
206	3323002	1	Nut, Jam 1-1/4in-12NF (RH Threads)	
207	0561139	1	End, Tie-Rod (Left Side/LH Threads)	
208	3300229	1	Nut, Jam 1-1/4in-12NF (LH Threads)	
209	1683208	2	Steer Cylinder Assembly (See CYLINDER SECTION for Breakdown)	
210	3422351	2	Pin, Steer Cylinder	
211	3422352	2	Pin, Tie-Rod	
212	3841143	6	Shaft, Keeper	
213	0641608	6	Bolt 3/8in-16NC x 1in	
214	0100011	AR	Compound, Locking	
215	3422326	2	Pin, Steer Cylinder	
216	0682014	2	Bolt 5/8in-11NC x 1-3/4in (Grade 8)	
217	3312002	4	Nut, Jam 5/8in-11NC	
218	2160002	2	Fitting, Grease (Prior to SN 0300034646)	
219	4640812	2	Valve Relief (Prior to SN 0300034646)	
220	3422335	2	Kingpin	
222	0681610	4	Bolt 3/8in-16NC x 1-1/4in (Grade 8)	
223	3324203	2	Nut, Slotted 2in-4 1/2NF	
224	3451012	2	Pin, Cotter 5/8in x 3in	
225	0440171	4	Cup, Bearing - Inner	
226	0440170	4	Cone, Bearing - Inner	
227	3960343	2	Seal, Grease	
228	4740283	2	Flatwasher, Hardened	
229	3323403	2	Nut, Slotted 1-1/2in-6NF	
230	3451010	2	Pin, Cotter 5/8in x 2-1/2in	
231	3780187	4	O-Ring	
232	1120304	2	Cap, Hub	

SECTION 1 - FRAME

ITEM	PART NUMBER	QTY	DESCRIPTION	REV
233	0961977	2	Bearing	
234		Ref	Thrustwasher Options:	
234	4740314	4	Thrustwasher (Prior to SN 0300034646)	
234	4740463	2	Thrustwasher (Top) (SN 0300034646 through 0300068000)	
234	4740256	2	Thrustwasher (Bottom) (SN 0300034646 through 0300068000)	
235	0682012	2	Bolt 5/8in-11NC x 1-1/2in (Grade 8)	
236		Ref	Thrustwasher Options:	
236	0440091	4	Thrustwasher (Prior to SN 0300035329)	
236	4740111	4	Thrustwasher (SN 0300035329 through 0300068000)	
237	0721003	6	Bolt #10-24NC x 3/8in	
238	4761000	6	Lockwasher #10	
239	0100063	AR	Loctite RC609	
240		Ref	Bushing, Bronze Options:	
240	0961883	4	Bushing, Bronze (Prior to SN 0300034646)	
240	0962036	4	Bushing, Bronze (SN 0300034646 through 0300068000)	
241	4740067	2	Thrustwasher	
242	3300007	20	Lugnut (10 per wheel)	

SECTION 1 - FRAME

FIGURE 1-2. 4WD FRONT AXLE AND STEERING INSTALLATIONS



SECTION 1 - FRAME

FIGURE 1-2. 4WD FRONT AXLE AND STEERING INSTALLATIONS

ITEM	PART NUMBER	QTY	DESCRIPTION	REV
		Ref	AXLE INSTALLATIONS - OSCILLATING	
	0254818	Ref	Axle Installations – Oscillating Standard Machines (Prior to SN 0300038047)	6
	0257747	Ref	Axle Installations – Oscillating Standard Machines (SN 0300038047 through 0300041809)	5
	0257749	Ref	Axle Installations – Oscillating Standard Machines (SN 0300041810 through 0300061703)	5
	0271003	Ref	Axle Installations – Oscillating Standard Machines (SN 0300061704 through 0300068000)	B
1		Ref	Axle Weldment Options:	
1	4844690	1	Axle Weldment (Prior to SN 0300038047)	
1	4845588	1	Axle Weldment (SN 0300038047 through 0300061703)	
1	4846288	1	Axle Weldment (SN 0300061704 through 0300068000)	
2	1683078	2	Lockout Cylinder Assembly (See CYLINDER SECTION for Breakdown)	
3	3422333	2	Pin, Pivot	
4		Ref	Pin, Cylinder Options:	
4	3422332	2	Pin, Cylinder (Prior to SN 0300061704)	
4	3422904	2	Pin, Cylinder (SN 0300061704 through 0300068000)	
5	3841143	4	Keeper, Pin	
6	0641608	4	Bolt 3/8in-16NC x 1in	
7		Ref	Pin, Axle Pivot Options:	
7	3422325	NLA	Pin, Axle Pivot Standard Machines (Use p/n 3422591) (Prior to SN 0300041810)	
7	3422591	1	Pin, Axle Pivot Standard Machines (SN 0300041810 through 0300068000)	
8	3841258	1	Keeper, Pin	
9	0642012	1	Bolt 5/8in-11NC x 1-1/2in	
10	3538047	2	Plate, Wear (Prior to SN 0300061704)	
11	4070878	AR	Shim 1/16in	
12	4070879	AR	Shim 1/8in	
13	0641608	4	Bolt 3/8in-16NC x 1in	
14	4711600	4	Flatwasher 3/8in Thin	
15	4640871	1	Valve, Cam	
15	7012693	1	Seal Kit - 4640871 Valve	
15	7002840	1	Pin Removal Tool	
16	0641414	4	Bolt 1/4in-20NC x 1-3/4in	
17	4711400	4	Flatwasher 1/4in Thin	
19	4740158	1	Thrustwasher	
21	0961950	2	Bushing	
22	0100011	AR	Compound, Locking	
23	1100086	1	Cam	
24	0641814	2	Bolt 1/2in-13NC x 1-3/4in	
25		Ref	Flatwasher 1/2in Options:	
25	4751800	AR	Flatwasher 1/2in (Regular) (Prior to SN 0300061704)	
25	4711800	AR	Flatwasher 1/2in (Thin) (SN 0300061704 through 0300068000)	
		Ref	AXLE INSTALLATIONS - FIXED	
	0254846	Ref	Axle Installations - Fixed Standard Machines (Prior to SN 0300038047)	2
	0257748	Ref	Axle Installations - Fixed Standard Machines (SN 0300038047 through 0300041809)	3
	0257750	Ref	Axle Installations - Fixed Standard Machines (SN 0300041810	4

SECTION 1 - FRAME

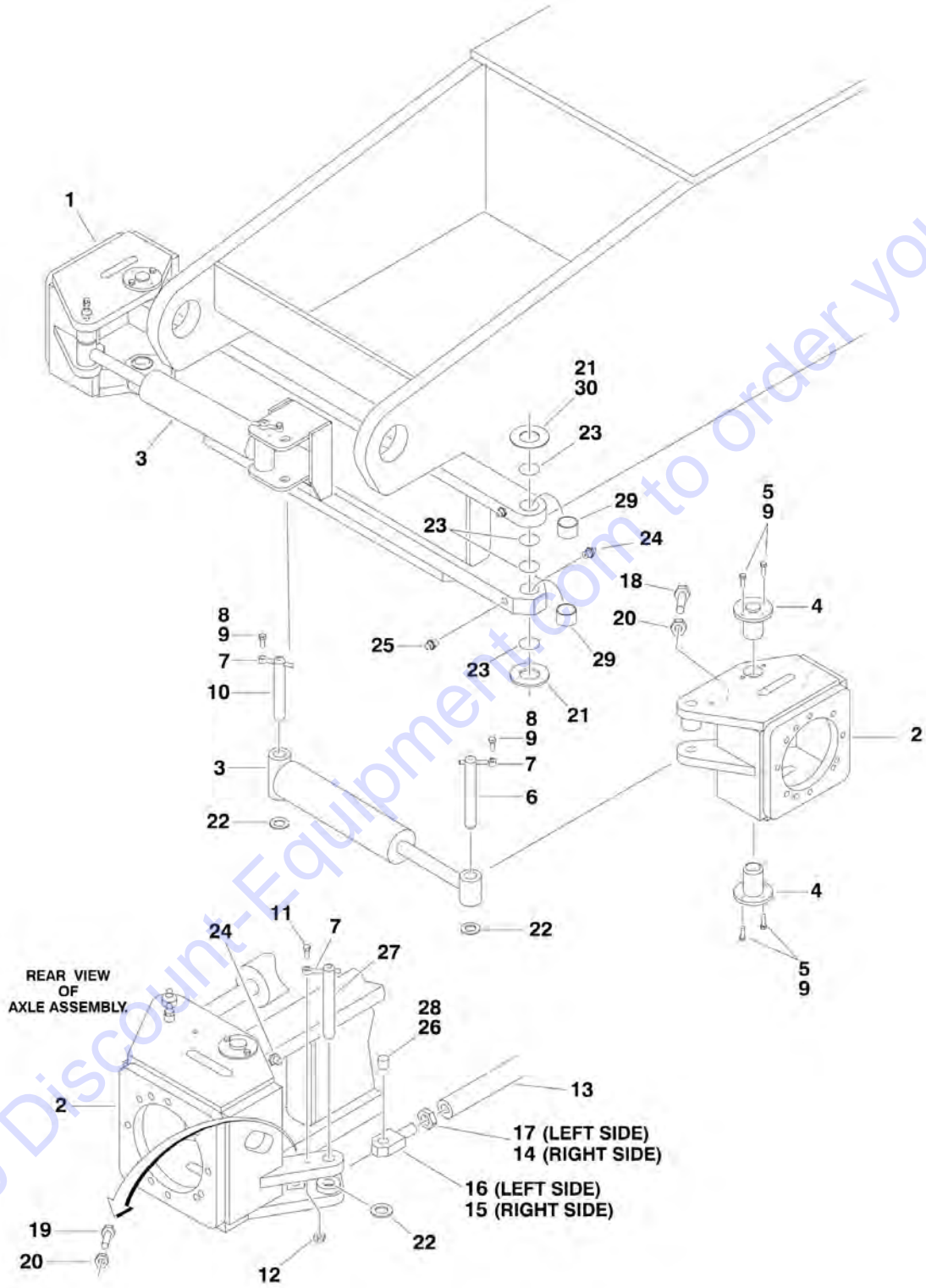
ITEM	PART NUMBER	QTY	DESCRIPTION	REV
	0271004	Ref	through 0300061703) Axle Installations - Fixed Standard Machines (SN 0300061704 through 0300068000)	A
101		Ref	Axle Weldment Options:	
101	4844777	1	Axle Weldment (Prior to SN 0300061704)	
101	4846288	1	Axle Weldment (SN 03000617041 through 0300068000)	
102	3539877	2	Plate, Stop	
103	3539878	2	Plate, Stop	
104	4070944	AR	Shim (.06)	
105	4070945	AR	Shim (.25)	
106		Ref	Hardware Options:	
106	0641820	2	Hardware Bolt 1/2in-13NC x 2-1/2in (Prior to SN 0300038047)	
106	3931840	2	Hardware Screw 1/2in-13NC x 2-1/2in (SN 0300038047 through 0300068000)	
107		Ref	Pin, Pivot Options:	
107	3422325	NLA	Pin, Pivot Standard Machines (Use p/n 3422591) (Prior to SN 0300041810)	
107	3422591	1	Pin, Pivot Standard Machines (SN 0300041810 through 0300068000)	
108	3841258	1	Keeper, Pin	
109	0642012	1	Bolt 5/8in-11NC x 1-1/2in	
110	3538047	2	Plate, Wear (Prior to SN 0300061704)	
111	4070878	AR	Shim 1/16in	
112	4070879	AR	Shim 1/8in	
113	0641608	4	Bolt 3/8in-16NC x 1in	
114	4711600	4	Flatwasher 3/8in Thin	
115	4740158	1	Thrustwasher	
116	0100019	AR	Compound, Locking	
117	0961950	2	Bushing	
		Ref	STEERING INSTALLATIONS	
	0254942	Ref	Steering Installations (Prior to SN 0300038047)	5-D
	0257731	Ref	Steering Installations (SN 0300038047 through 0300061703)	3
	0270868	Ref	Steering Installations (SN 0300061704 through 0300068000)	A
201		Ref	Spindle - Right Side Options:	
201	4130308	1	Spindle - Right Side (Prior to SN 0300061704)	
201	4130381	1	Spindle - Right Side (SN 0300061704 through 0300068000)	
202		Ref	Spindle - Left Side Options:	
202	4130309	1	Spindle - Left Side (Prior to SN 0300061704)	
202	4130382	1	Spindle - Left Side (SN 0300061704 through 0300068000)	
203	1683208	2	Steer Cylinder Assembly (See CYLINDER SECTION for Breakdown)	
204		Ref	Kingpin Options:	
204	3422330	4	Kingpin (Prior to SN 0300047411)	
204	3422753	4	Kingpin (SN 0300047411 through 0300068000)	
205	0681610	8	Bolt 3/8in-16NC x 1-1/4in (Grade 8)	
206		Ref	Pin, Steer Cylinder Options:	
206	3422327	2	Pin, Steer Cylinder (Prior to SN 0300061704)	
206	3422902	2	Pin, Steer Cylinder (SN 0300061704 through 0300068000)	
207	3841143	6	Shaft, Keeper	
208	0641608	4	Bolt 3/8in-16NC x 1in	
209	0100011	AR	Compound, Locking	
210	3422326	2	Pin, Steer Cylinder	

SECTION 1 - FRAME

ITEM	PART NUMBER	QTY	DESCRIPTION	REV
211	0641612	2	Bolt 3/8in-16NC x 1-1/2in	
212	3311605	2	Locknut 3/8in-16NC (Prior to SN 0300061704)	
213		Ref	Tie-Rod Options:	
213	3841234	1	Tie-Rod (Prior to SN 0300061704)	
213	3841510	1	Tie-Rod (SN 0300061704 through 0300068000)	
214	3323002	1	Nut, Jam 1-1/4in-12NF (RH Threads) (Prior to SN 0300061704)	
215	0561138	1	End, Tie-Rod (Right Side/RH Threads) (Prior to SN 0300061704)	
216	0561139	1	End, Tie-Rod (Left Side/LH Threads) (Prior to SN 0300061704)	
217	3300229	1	Nut, Jam 1-1/4in-12NF (LH Threads) (Prior to SN 0300061704)	
218	0682014	2	Bolt 5/8in-11NC x 1-3/4in (Grade 8) (Prior to SN 0300061704)	
219	0682016	2	Bolt 5/8in-11NC x 2in (Grade 8) (Prior to SN 0300061704)	
220	3312002	4	Nut, Jam 5/8in-11NC (Prior to SN 03000 61704)	
221		Ref	Thrustwasher Options:	
221	4740391	2	Thrustwasher (Prior to SN 0300038047)	
221	4740463	2	Thrustwasher (SN 0300038047 through 0300068000)	
222	4740111	6	Thrustwasher	
223	3780187	8	O-Ring (Prior to SN 0300038047)	
224	4640812	4	Valve Relief (Prior to SN 0300038047)	
225	2160002	4	Fitting, Grease (Prior to SN 0300038047)	
226	0961977	2	Bearing	
227		Ref	Pin Options:	
227	3422328	2	Pin (Prior to SN 0300061704)	
227	3422903	2	Pin (SN 0300061704 through 0300068000)	
228	0100063	AR	Loctite RC609 (Prior to SN 0300061704)	
229		Ref	Bushing Options:	
229	0961850	4	Bushing (Prior to SN 0300038047)	
229	0962131	4	Bushing (SN 0300038047 through 0300068000)	
230		Ref	Thrustwasher Options:	
230	4740449	2	Thrustwasher (Prior to SN 0300038047)	
230	4740256	2	Thrustwasher (SN 0300038047 through 0300068000)	

SECTION 1 - FRAME

FIGURE 1-3. 4WS REAR STEERING INSTALLATIONS



SECTION 1 - FRAME

FIGURE 1-3. 4WS REAR STEERING INSTALLATIONS

ITEM	PART NUMBER	QTY	DESCRIPTION	REV
		Ref	4WS REAR STEERING INSTALLATIONS OPTIONS:	
		Ref	4WS Installation - 2WD Machines	
	0254945	Ref	4WS Installation - 2WD Machines (Prior to SN 0300038047)	1
	0257744	Ref	4WS Installation - 2WD Machines (SN 0300038047 through 0300068000)	1
		Ref	4WS Installation - 4WD Machines	
	0254943	Ref	4WS Installation - 4WD Machines (Prior to SN 0300038047)	1
	0257743	Ref	4WS Installation - 4WD Machines (SN 0300038047 through 0300061703)	1
	0271005	Ref	4WS Installation - 4WD Machines (SN 0300061704 through 0300068000)	1
		Ref	STEERING INSTALLATIONS	
	0254942	Ref	Steering Installations (Prior to SN 0300038047)	5-D
	0257731	Ref	Steering Installations (SN 0300038047 through 0300061703)	3
	0270868	Ref	Steering Installations (SN 0300061704 through 0300068000)	A
1		Ref	Spindle - Right Side Options:	
1	4130308	1	Spindle - Right Side (Prior to SN 0300061704)	
1	4130381	1	Spindle - Right Side (SN 0300061704 through 0300068000)	
2		Ref	Spindle - Left Side Options:	
2	4130309	1	Spindle - Left Side (Prior to SN 0300061704)	
2	4130382	1	Spindle - Left Side (SN 0300061704 through 0300068000)	
3	1683208	2	Steer Cylinder Assembly (See CYLINDER SECTION for Breakdown)	
4		Ref	Kingpin Options:	
4	3422330	4	Kingpin (Prior to SN 0300047411)	
4	3422753	4	Kingpin (SN 0300047411 through 0300068000)	
5	0681610	8	Bolt 3/8in-16NC x 1-1/4in (Grade 8)	
6		Ref	Pin, Steer Cylinder Options:	
6	3422327	2	Pin, Steer Cylinder (Prior to SN 0300061704)	
6	3422902	2	Pin, Steer Cylinder (SN 0300061704 through 0300068000)	
7	3841143	6	Shaft, Keeper	
8	0641608	4	Bolt 3/8in-16NC x 1in	
9	0100011	AR	Compound, Locking	
10	3422326	2	Pin, Steer Cylinder	
11	0641612	2	Bolt 3/8in-16NC x 1-1/2in	
12	3311605	2	Locknut 3/8in-16NC (Prior to SN 0300061704)	
13		Ref	Tie-Rod Options:	
13	3841234	1	Tie-Rod (Prior to SN 0300061704)	
13	3841510	1	Tie-Rod (SN 0300061704 through 0300068000)	
14	3323002	1	Nut, Jam 1-1/4in-12NF (RH Threads) (Prior to SN 0300061704)	
15	0561138	1	End, Tie-Rod (Right Side/RH Threads) (Prior to SN 0300061704)	
16	0561139	1	End, Tie-Rod (Left Side/LH Threads) (Prior to SN 0300061704)	
17	3300229	1	Nut, Jam 1-1/4in-12NF (LH Threads) (Prior to SN 0300061704)	
18	0682014	2	Bolt 5/8in-11NC x 1-3/4in (Grade 8) (Prior to SN 0300061704)	
19	0682016	2	Bolt 5/8in-11NC x 2in (Grade 8) (Prior to SN 0300061704)	
20	3312002	4	Nut, Jam 5/8in-11NC (Prior to SN 0300061704)	
21		Ref	Thrustwasher Options:	
21	4740391	2	Thrustwasher (Prior to SN 0300038047)	
21	4740463	2	Thrustwasher (SN 0300038047 through 0300068000)	
22	4740111	6	Thrustwasher	

SECTION 1 - FRAME

ITEM	PART NUMBER	QTY	DESCRIPTION	REV
23	3780187	8	O-Ring (Prior to SN 0300038047)	
24	4640812	4	Valve Relief (Prior to SN 0300038047)	
25	2160002	4	Fitting, Grease (Prior to SN 0300038047)	
26	0961977	2	Bearing	
27		Ref	Pin Options:	
27	3422328	2	Pin (Prior to SN 0300061704)	
27	3422903	2	Pin (SN 0300061704 through 0300068000)	
28	0100063	AR	Loctite RC609 (Prior to SN 0300061704)	
29		Ref	Bushing Options:	
29	0961850	4	Bushing (Prior to SN 0300038047)	
29	0962131	4	Bushing (SN 0300038047 through 0300068000)	
30		Ref	Thrustwasher Options:	
30	4740449	2	Thrustwasher (Prior to SN 0300038047)	
30	4740256	2	Thrustwasher (SN 0300038047 through 0300068000)	

SECTION 1 - FRAME

FIGURE 1-4. TIRE AND WHEEL DRIVE INSTALLATIONS

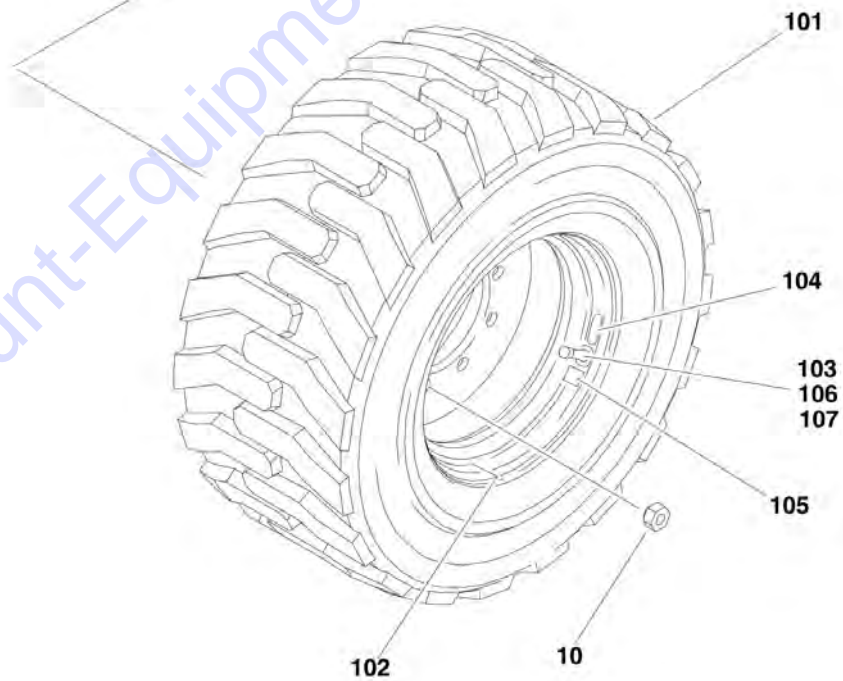
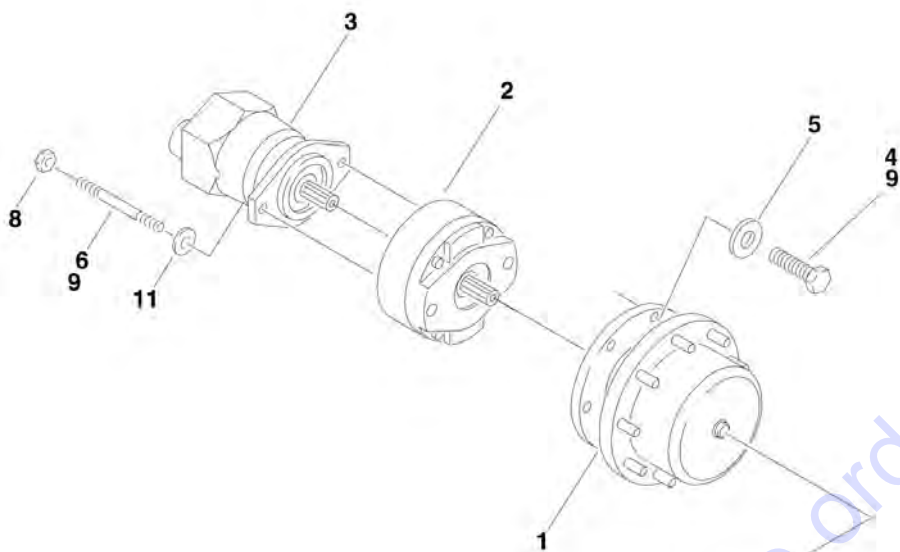


FIGURE 1-4. TIRE AND WHEEL DRIVE INSTALLATIONS

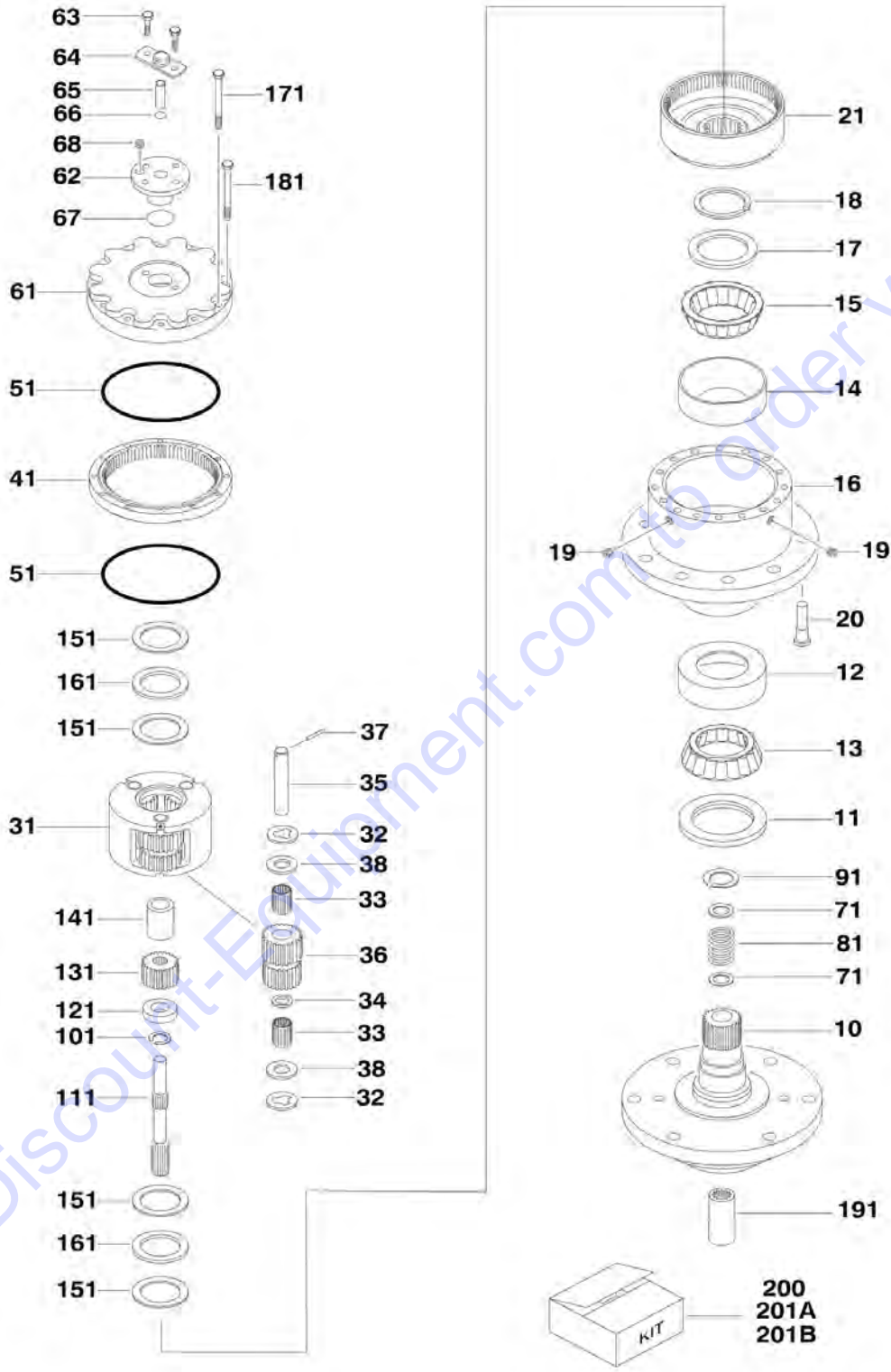
ITEM	PART NUMBER	QTY	DESCRIPTION	REV
		Ref	WHEEL DRIVE INSTALLATIONS OPTIONS:	
		Ref	Wheel Drive Installations 2WD, 2WS/4WS	
	0254975	Ref	Wheel Drive Installations 2WD, 2WS/4WS (Prior to SN 0300056536)	5
	0270121	Ref	Wheel Drive Installations 2WD, 2WS/4WS (SN 0300056536 through 0300068000)	3
		Ref	Wheel Drive Installations 4WD, 2WS/4WS	
	0254976	Ref	Wheel Drive Installations 4WD, 2WS/4WS (Prior to SN 0300056536)	7
	0270120	Ref	Wheel Drive Installations 4WD, 2WS/4WS (SN 0300056536 through 0300068000)	3
1		Ref	Drive Hub Assembly Options:	
1		Ref	2WD, 2WS/4WS Options:	
1	2780114	2	2WD, 2WS/4WS (See DRIVE HUB ASSEMBLY for Breakdown) (Prior to SN 0300064395)	
1	2780261	2	2WD, 2WS/4WS (See DRIVE HUB ASSEMBLY for Breakdown) (SN 0300064395 through 0300068000)	
1		Ref	4WD, 2WS/4WS Options:	
1	2780136	4	4WD, 2WS/4WS (See DRIVE HUB ASSEMBLY for Breakdown) (Prior to SN 0300064395)	
1	2780261	4	4WD, 2WS/4WS (See DRIVE HUB ASSEMBLY for Breakdown) (SN 0300064395 through 0300068000)	
2		Ref	Drive Brake Assembly Options: (See DRIVE BRAKE ASSEMBLY for Breakdown)	
2	0920084	NLA	Drive Brake Assembly (Note: Use p/n 0920110) (Prior to SN 0300033476)	
2	0920110	AR	Drive Brake Assembly (SN 0300033476 through 0300056535)	
2	0920117	NLA	Drive Brake Assembly (Use p/n 0920119) (SN 0300056536 through 0300068000)	
2	7000731	2	Gasket (Located between Hub/Brake/Motor - Not Shown)	
3	3160204	AR	Drive Motor Assembly (See DRIVE MOTOR ASSEMBLY - REXROTH for Breakdown)	
		Ref	Note: Adjustment required when replacing complete motor - See Service Manual for adjustment.	
4	0682016	AR	Bolt 5/8in-11NC x 2in (Grade 8)	
5		Ref	Flatwasher 5/8in Options:	
5	4712000	AR	Flatwasher 5/8in (Thin) (Prior to SN 0300037066)	
5	4892000	AR	Flatwasher 5/8in (Hardened) (SN 0300037066 through 0300068000)	
6		Ref	Stud Options:	
6	4300092	AR	Stud 1/2in-13NC x 5-1/2in	
6	4300097	AR	Stud 1/2in-13NC x 5-1/8in	
8	3311801	AR	Nut 1/2in -13 NC	
9	0100011	AR	Compound, Locking	
10	3300007	20	Nut, Wheel	
11	4891800	AR	Flatwasher 1/2in Hardened	
		Ref	TIRE AND WHEEL INSTALLATIONS OPTIONS:	
	0255302	Ref	Foam-Filled - Denman Tires (Prior to SN 0300033703)	1
	0257874	Ref	Foam-Filled - Galaxy Tires (SN 0300033703 through 0300064779)	1
	0271619	Ref	Foam-Filled - OTR Tires (SN 0300064780 through 0300068000)	1
		Ref	Note: Recommend using Galaxy Tires in place of Denman.	
		Ref	Tire and Wheel Assembly Options: (See Items 101-104 for	

SECTION 1 - FRAME

ITEM	PART NUMBER	QTY	DESCRIPTION	REV
		Ref	Breakdown)	
	0255301	2	Foam-Filled (Prior to SN 0300033703) Denman Tire (Left Side)	3-B
	0255300	2	Denman Tire (Right Side)	3-B
		Ref	Foam-Filled (SN 0300033703 through 0300064780)	
	0257867	2	Galaxy Tire (Left Side)	1-A
	0257866	2	Galaxy Tire (Right Side)	1-A
		Ref	Foam-Filled (SN 0300064780 through 0300068000)	
	0271616	2	OTR Tire (Left Side)	A
	0271617	2	OTR Tire (Right Side)	A
		Ref	Note: Assemblies may require ballast/foam filling to manufacturer's specifications prior to installing on a machine. Refer to Operation and Safety or Service and Maintenance Manuals. Purchase individual tire and/or rim only if able to foam fill tire and wheel assembly, otherwise, purchase complete assembly.	
101		Ref	Tire 15 x 19.5 (1 Per Assembly)	
101	4520142	NLA	Denman Tire (Use p/ns 4520200 & 1703504)	
101	4520258	AR	Galaxy Tire (p/n was 4520200) (Prior to SN 0300064780)	
101	4520258	AR	OTR Tire (SN 0300064780 through 0300068000)	
102	4860148	AR	Rim, Wheel (1 Per Assembly)	
103	4640113	AR	Valve, Air (1 Per Assembly)	
104 to 107	Not Required	0	Not Required	
	0256196	Ref	WHEEL COVER INSTALLATION (OPTIONAL) (NOT SHOWN)	2
201	1670776	4	Cover, Wheel	
202	0641550	20	Bolt 5/16in - 18NC x 6-1/4in	
203	0100011	AR	Compound, Locking	

SECTION 1 - FRAME

FIGURE 1-5. DRIVE HUB ASSEMBLY (Prior to SN 0300064395)



Go to Discount-Equipment.com to order your parts

SECTION 1 - FRAME

FIGURE 1-5. DRIVE HUB ASSEMBLY (Prior to SN 0300064395)

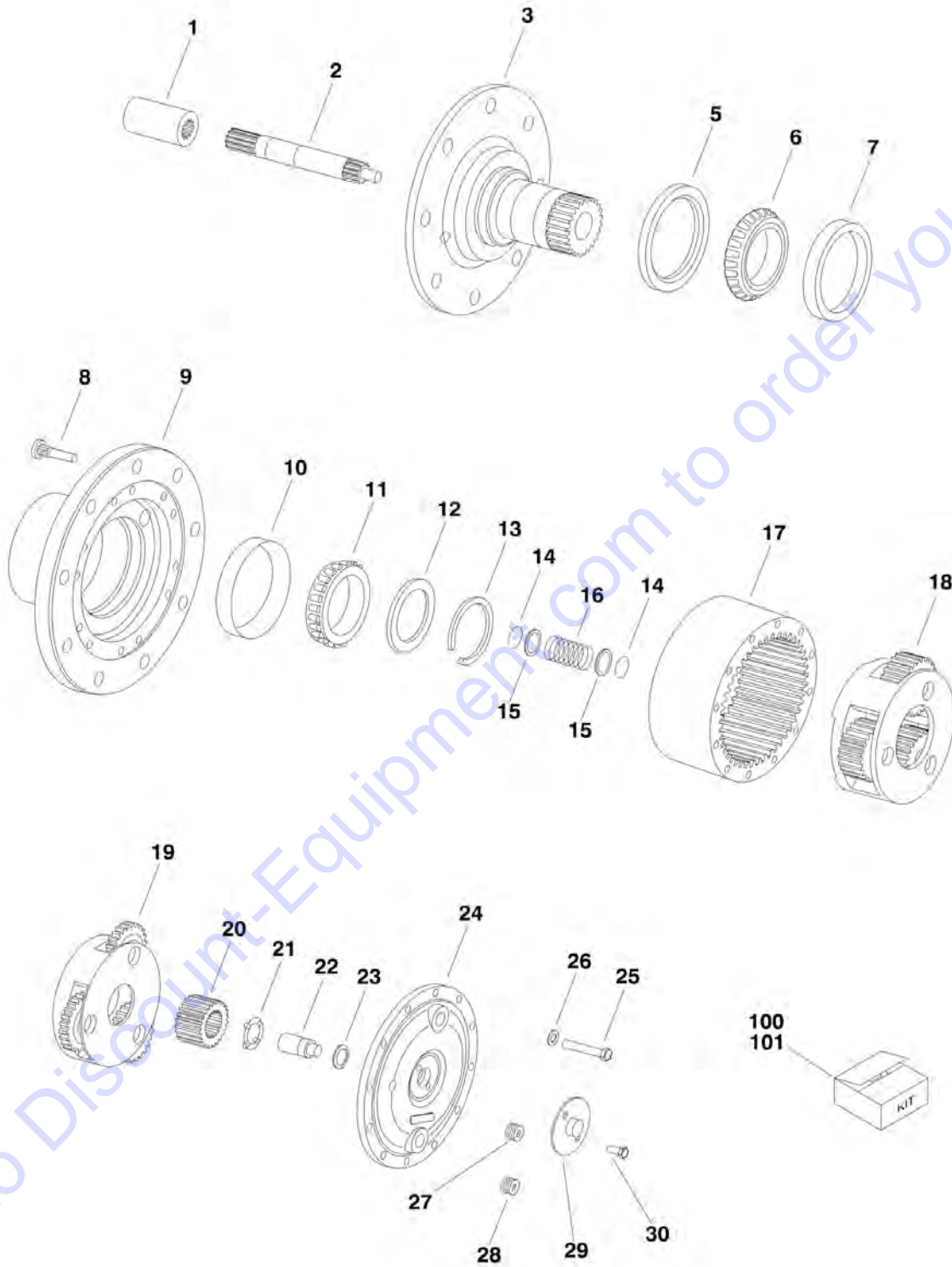
ITEM	PART NUMBER	QTY	DESCRIPTION	REV
	2780114	Ref	DRIVE HUB ASSEMBLY 2WD (43:1 RATIO)	A
	2780136	Ref	DRIVE HUB ASSEMBLY 4WD (53.58:1 RATIO)	A
10		Ref	Hub Spindle Assemblies	
10		Ref	Spindle Options:	
10	7001937	1	Spindle 2780114 Hub	
10	7007644	1	Spindle 2780136 Hub	
11	See Note	NSS	Seal (Note: Use Item 200 or 201A)	
12	7000272	1	Cup, Bearing	
13	7000273	1	Cone, Bearing	
14	7000274	1	Cup, Bearing	
15	7000275	1	Cone, Bearing	
16	7000276	1	Hub	
17	See Note	NSS	Spacer (Note: Use Item 200 or 201A)	
18	See Note	NSS	Ring, Retaining (Note: Use Item 200 or 201A)	
19	7001928	2	Plug, Pipe	
20	7000265	10	Stud, Wheel	
21	7001917	1	Internal Gear	
		Ref	Carrier Assembly Options:	
	7001918	Ref	Carrier Assembly 2780114 Hub	
	7007694	Ref	Carrier Assembly 2780136 Hub	
31	7001900	1	Carrier	
32	See Note	NSS	Thrustwasher (Note: Use Item 201B)	
33	7001902	84	Roller, Needle	
34	See Note	NSS	Spacer (Note: Use Item 201B)	
35	7001904	3	Shaft, Pinion	
36	See Note	NSS	Gear, Cluster (Note: Use Item 201B)	
37	7001906	3	Rollpin	
38	See Note	NSS	Thrustwasher (Note: Use Item 201B)	
41	7000279	1	Ring, Gear	
51	See Note	NSS	O-Ring (Note: Use Item 200 or 201A)	
	7000218	Ref	Cover Assembly	
61	7000280	1	Cover	
62	See Note	NSS	Cap, Cover (Note: Use Item 201A)	
63	7000220	4	Bolt 1/4in-20NC x 3/4in	
64	See Note	NSS	Cap, Disconnect (Note: Use Item 201A)	
65	See Note	NSS	Rod, Disconnect (Note: Use Item 201A)	
66	See Note	NSS	O-Ring (Note: Use Item 201A)	
67	See Note	NSS	O-Ring (Note: Use Item 201A)	
68	7000243	1	Plug	
71	7000282	2	Washer	
81	7000283	1	Spring	
91	7000284	1	Ring, Retaining	
101	7000285	1	Ring, Retaining	
111		Ref	Shaft, Input Options:	
111	7000222	1	Shaft, Input 2780114 Hub	
111	7007649	1	Shaft, Input 2780136 Hub	
121		Ref	Thrust Spacer Options:	
121	7000286	1	Thrust Spacer 2780114 Hub	
121	7000293	1	Thrust Spacer 2780136 Hub	
131		Ref	Gear, Input Options:	

SECTION 1 - FRAME

ITEM	PART NUMBER	QTY	DESCRIPTION	REV
131	7000221	1	Gear, Input 2780114 Hub	
131	7001940	1	Gear, Input 2780136 Hub	
141		Ref	Thrust Spacer Options:	
141	Not Required	0	Thrust Spacer 2780114 Hub	
141	7000295	1	Thrust Spacer 2780136 Hub	
151	7000287	4	Thrustwasher	
161	7000288	2	Bearing, Thrust	
171	7000289	8	Bolt 3/8in-16NC x 2-1/2in (Grade 8)	
181	7000225	4	Bolt, Shoulder	
191	7000290	1	Coupling	
200	2900202	1	Seal Kit (Includes Items 11, 17, 18, & 51)	
201		Ref	Repair Kits Options:	
201A	2900138	1	Disconnect and Seal Kit (Includes Items 11, 17, 18, 51, 62 & 64-67)	
201B	7001927	1	Cluster Gear Kit (Includes Items 32, 34, 36, 37 & 38)	

SECTION 1 - FRAME

FIGURE 1-6. DRIVE HUB ASSEMBLY (SN 0300064395 through 0300068000)



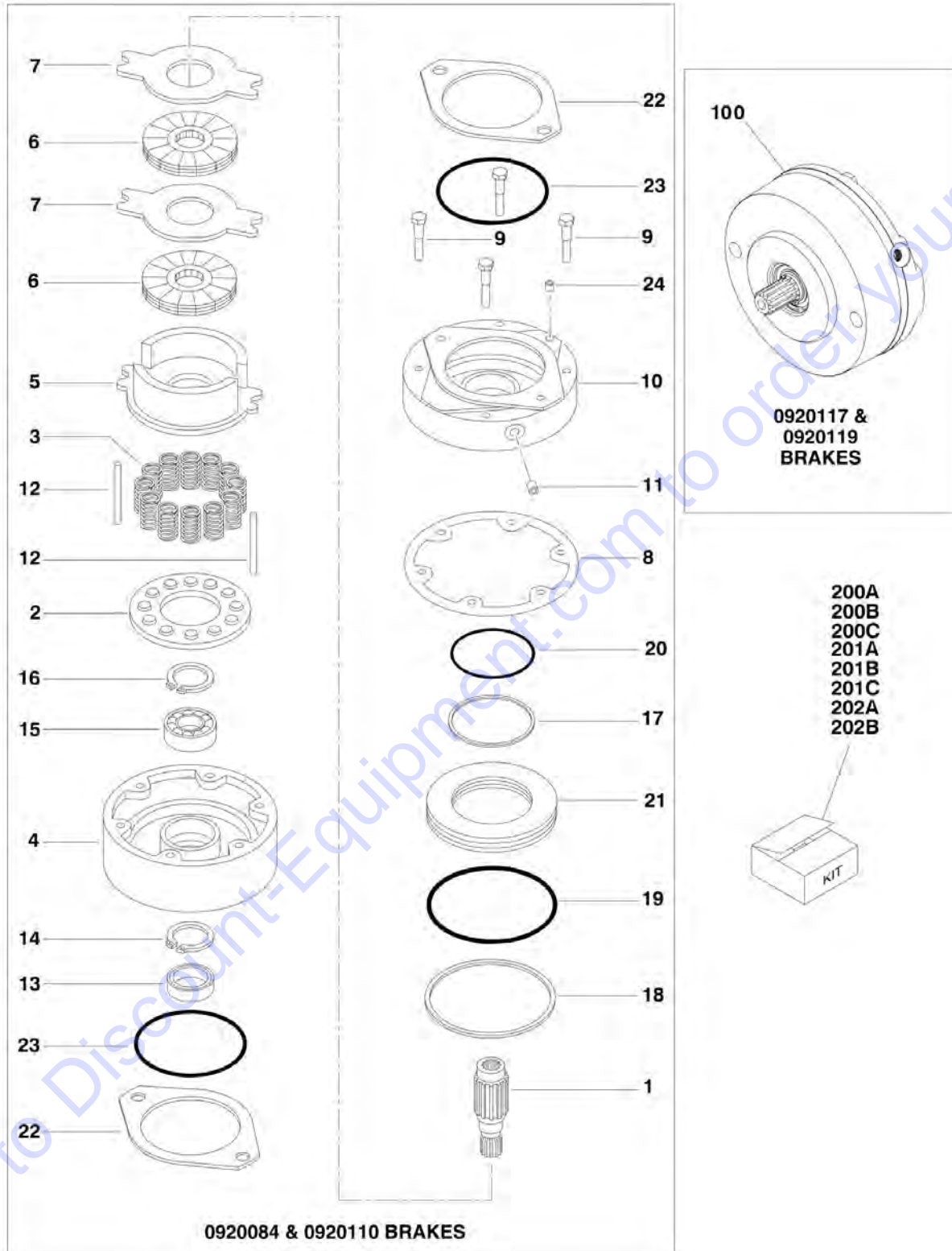
SECTION 1 - FRAME

FIGURE 1-6. DRIVE HUB ASSEMBLY (SN 0300064395 through 0300068000)

ITEM	PART NUMBER	QTY	DESCRIPTION	REV
	2780261	Ref	DRIVE HUB ASSEMBLY	A
1	7014700	1	Coupling - 13 Teeth	
2	7014701	1	Shaft, Input - 13 Teeth	
3	7014731	1	Spindle	
5	7014703	1	Seal, Oil	
6	7014704	1	Cone, Bearing	
7	7014705	1	Cup, Bearing	
8	7014737	10	Bolt, Wheel	
9	7014734	1	Hub	
10	7014707	1	Cup, Bearing	
11	7014708	1	Cone, Bearing	
12	7001711	1	Thrustwasher	
13	7014709	1	Ring, Retaining Kit (Kit Includes Qty 6 Retaining Rings)	
14	7014711	2	Ring, Retaining	
15	7014712	2	Thrustwasher	
16	7014710	1	Spring	
17	7014732	1	Gear, Ring	
18	7014736	1	Secondary Carrier Assembly	
19	7014735	1	Primary Carrier Assembly	
20	7014733	1	Gear, Sun - 15 Teeth	
21	7014722	1	Thrustwasher	
22	7014717	1	Plunger, Disengage	
23	7014718	1	O -Ring	
24	7014719	1	Cover, Hub	
25	7014721	12	Bolt	
26	7014720	12	Flatwasher	
27	7014725	1	Plug, Magnetic	
28	7014726	1	Plug, Pipe	
29	7014723	1	Cover, Disengage	
30	7014724	2	Bolt	
100	7014730	1	Seal Kit (Includes Items 5 & 13)	
101	7014729	1	Bearing and Seal Kit (Includes Items 5, 6, 7, 10, 11 & 13)	

SECTION 1 - FRAME

FIGURE 1-7. DRIVE BRAKE ASSEMBLY



SECTION 1 - FRAME

FIGURE 1-7. DRIVE BRAKE ASSEMBLY

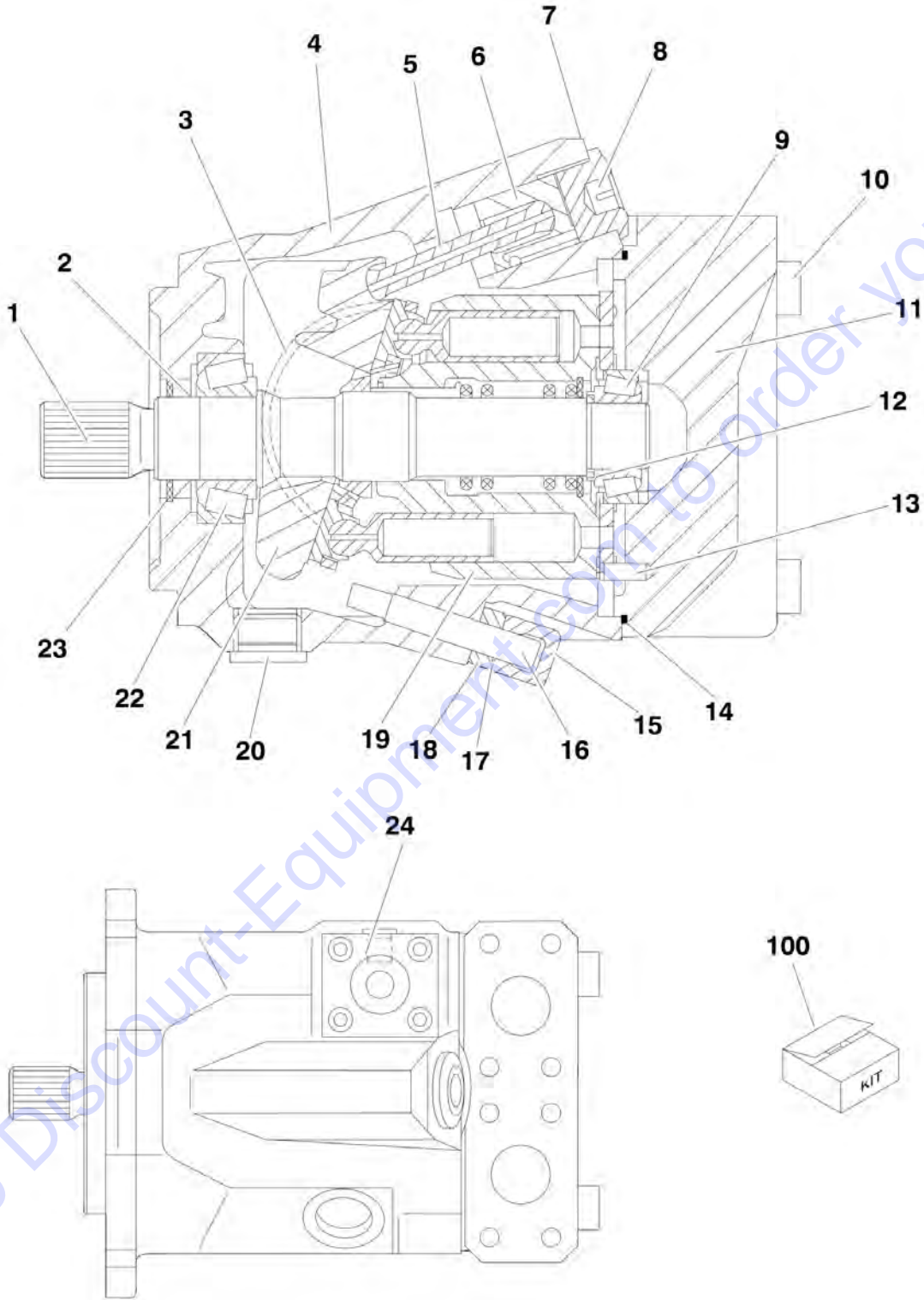
ITEM	PART NUMBER	QTY	DESCRIPTION	REV
		Ref	DRIVE BRAKE ASSEMBLY OPTIONS:	
	0920084	Ref	Drive Brake Assembly (Original Equipment) (Prior to SN 0300033476)	A
	0920110	Ref	Drive Brake Assembly (Service Replacement) (Prior to SN 0300033476)	B
	0920110	Ref	Drive Brake Assembly (Original Equipment) (SN 0300033476 through 0300056536)	B
1	7011712	1	Shaft	
2		Ref	Guide, Spring Options:	
2	7011717	1	Guide, Spring 0920084 Brake (Prior to SN 0300033476)	
2	7018606	1	Guide, Spring 0920110 Brake (SN 0300033476 through 0300056536)	
3		Ref	Spring Options:	
3	7007979	6	Spring 0920084 Brake (Inner) (Prior to SN 0300033476)	
3	7007980	6	Spring 0920084 Brake (Outer) (Prior to SN 0300033476)	
3	7007970	6	Spring 0920110 Brake (Red) (SN 0300033476 through 0300056536)	
3	7018602	3	Spring 0920110 Brake (Blue) (SN 0300033476 through 0300056536)	
4		Ref	Housing Options:	
4	7011713	1	Housing 0920084 Brake (Prior to SN 0300033476)	
4	7018605	1	Housing 0920110 Brake (SN 0300033476 through 0300056536)	
5		Ref	Return Plate and Separator Assembly Options:	
5	See Note	NSS	Return, Plate - 0920084 Brake (Note: Use Item 201A or 201B) (Prior to SN 0300033476)	
5	7011715	2	Separator Assembly - 0920084 Brake (Prior to SN 0300033476)	
5	7011714	4	Pin	
5	7007983	2	Separator	
5	See Note	NSS	Return Plate and Separator - 0920110 Brake (Note: Use Item 201A or 201B) (SN 0300033476 through 0300056536)	
6	See Note	NSS	Rotor (Note: Use Item 201A or 201B)	
7	See Note	NSS	Stator (Note: Use Item 201A or 201B)	
8	See Note	NSS	Seal, Case (Note: Use Item 200A, 200B, 201A or 201B)	
9		Ref	Bolt, Washer Head Options:	
9	7007985	4	Bolt, Washer Head 0920084 Brake (Prior to SN 0300033476)	
9	7018607	4	Bolt, Washer Head 0920110 Brake (SN 0300033476 through 0300056536)	
10	7007986	1	Cover	
11		Ref	Hardware Options:	
11	7000796	1	Screw, Bleeder (Prior to SN 0300033906)	
11	7018609	1	Plug, Pipe (SN 0300033906 through 0300056536)	
12	7007987	2	Pin, Dowel	
13	See Note	NSS	Seal, Oil (Note: Use Item 200A or 200B)	
14	7011716	1	Ring, Retaining	
15	See Note	NSS	Bearing (Note: Use Item 200B)	
16	7007977	1	Ring, Retaining	
17	See Note	NSS	Ring, Back-up (Note: Use Item 200A)	
18	See Note	NSS	Ring, Back-up (Note: Use Item 200A)	
19	See Note	NSS	O-Ring (Note: Use Item 200A)	
20	See Note	NSS	O-Ring (Note: Use Item 200A)	

SECTION 1 - FRAME

ITEM	PART NUMBER	QTY	DESCRIPTION	REV
21		Ref	Piston Options:	
21	7007923	1	Piston 0920084 Brake (Prior to SN 0300033476)	
21	7018603	1	Piston 0920110 Brake (SN 0300033476 through 0300056536)	
22	7007933	2	Gasket	
23	See Note	NSS	O-Ring (Note: Use Item 200A, 200B, 201A or 201B)	
24	7007924	1	Plug, Pipe	
100		Ref	DRIVE BRAKE ASSEMBLY (SN 0300056536 through 0300068000)	
100	0920117	Ref	Drive Brake Assembly (Original Equipment)	
100	0920119	Ref	Drive Brake Assembly (Service Replacement)	
100	7000731	2	Gasket (Located Between Hub, Motor and Brake - Not Shown)	
		Ref	Note: Other than Gasket, Item 202B Repair Kit is the only item available.	
		Ref	KIT OPTIONS	
200		Ref	Seal Kit Options:	
200A	2900766	1	Seal Kit - 0920084 & 0920110 Brake (Includes Items 8, 13, 17, 18, 19, 20, 22 & 23) (Prior to SN 0300056536)	
200B	2900768	1	Seal Kit - 0920084 & 0920110 Brake (Includes Items 8, 13, 15, 22 & 23) (Prior to SN 0300056536)	
200C	7018612	1	Seal Kit - 0920117 & 0920119 Brake (SN 0300056536 through 0300068000)	
201		Ref	Lining Kit Options:	
201A	2900767	1	Lining Kit - 0920084 Brake (Includes Items 5, 6, 7, 8, 22 & 23) (Prior to SN 0300033476)	
201B	7018608	1	Lining Kit - 0920110 Brake (Includes Items 5, 6, 7, 8, 22 & 23) (SN 0300033476 through 0300056535)	
201C	7018612	1	Lining Kit - 0920117 & 0920119 Brake (SN 0300056536 through 0300068000)	
202		Ref	Repair Kits	
202A	See Note	NSS	Repair Kit - 0920084 & 0920110 Brake (Note: Not Available for Purchase) (Prior to SN 0300056536)	
202B	7018612	1	Repair Kit - 0920117 & 0920119 Brake (SN 0300056536 through 0300068000)	

SECTION 1 - FRAME

FIGURE 1-8. DRIVE MOTOR ASSEMBLY - REXROTH



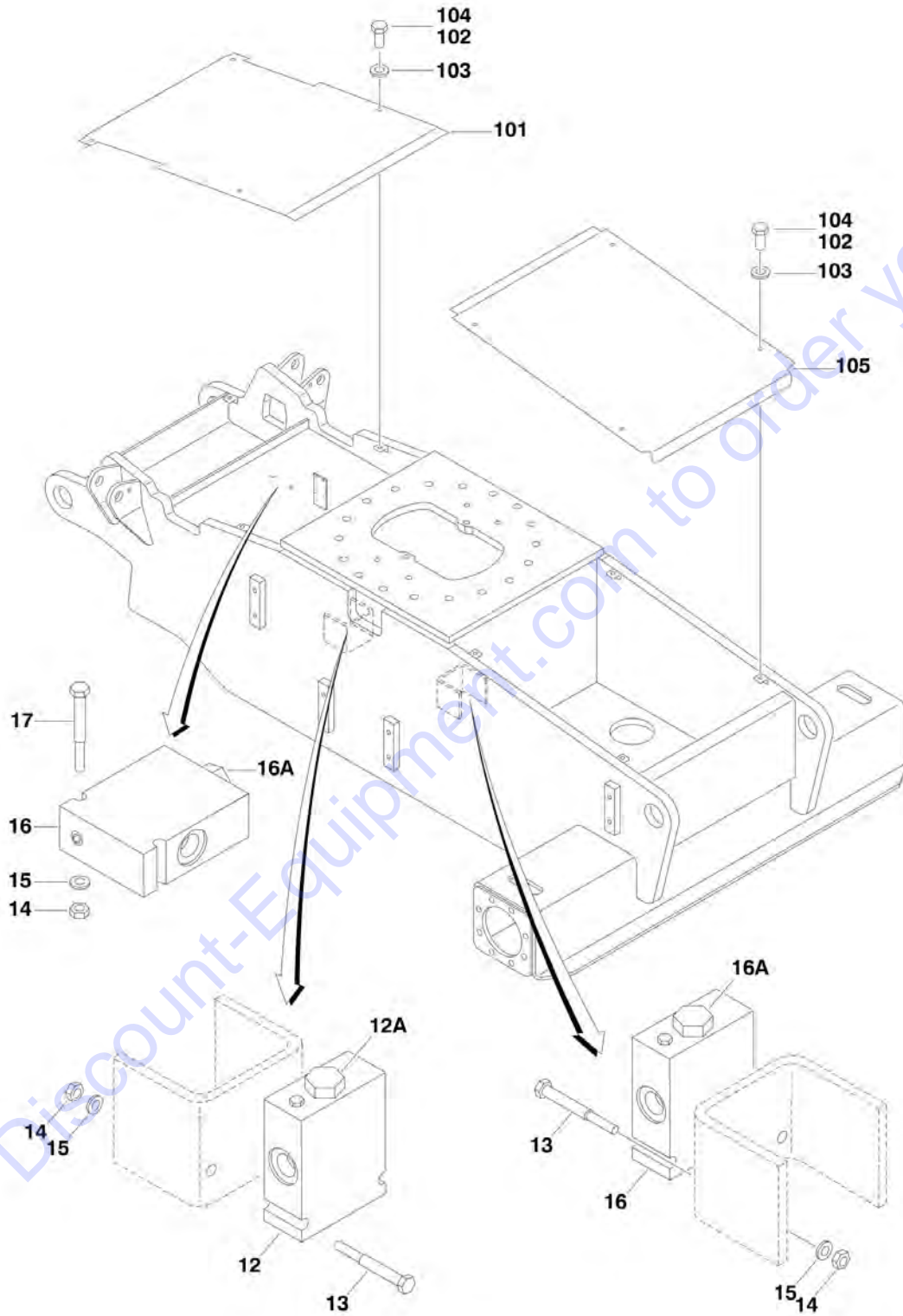
SECTION 1 - FRAME

FIGURE 1-8. DRIVE MOTOR ASSEMBLY - REXROTH

ITEM	PART NUMBER	QTY	DESCRIPTION	REV
	3160204	Ref	DRIVE MOTOR ASSEMBLY	A
1	7012701	1	Shaft - 13 Teeth	
2	See Note	NSS	Seal, Shaft (Note: Use Item 100)	
3	7012702	2	Bearing, Cradle	
4	See Note	NSS	Housing (Note: Not Available - Purchase Complete Drive Motor Assembly)	
5	7012703	1	Rod, Piston	
6	7012704	1	Piston, Stroking	
7	See Note	NSS	O-Ring (Note: Use Item 100)	
8	7012705	1	Nut, Adapter	
9	7012706	1	Bearing, Roller	
10	7012707	4	Bolt, Metric Socket Head M12 x 65	
11	7012708	1	Block, Port	
12	7012709	1	Shim	
13	7012710	1	Pin, Dowel M6 x 18	
14	See Note	NSS	O-Ring (Note: Use Item 100)	
15	7012711	1	Nut, Cap M10 x 1	
16	7012712	1	Screw, Adjusting	
17	See Note	NSS	O-Ring (Note: Use Item 100)	
18	7012713	1	Nut, Jam M10 x 1	
19	7012716	1	Rotary Group Assembly	
20	See Note	NSS	Plug (Note: Not Available - Purchase Locally)	
21	7024036	1	Plate, Swash	
22	7012714	1	Bearing, Roller	
23	7012715	1	V-Ring	
24	7012700	1	Control Plate Assembly	
100	2900788	1	Seal Kit (Includes Items 2, 7, 14, 17 and O-Rings under Item 24)	

SECTION 1 - FRAME

FIGURE 1-9. DRIVE VALVES AND SHIELDS INSTALLATION (FRAME MOUNTED)



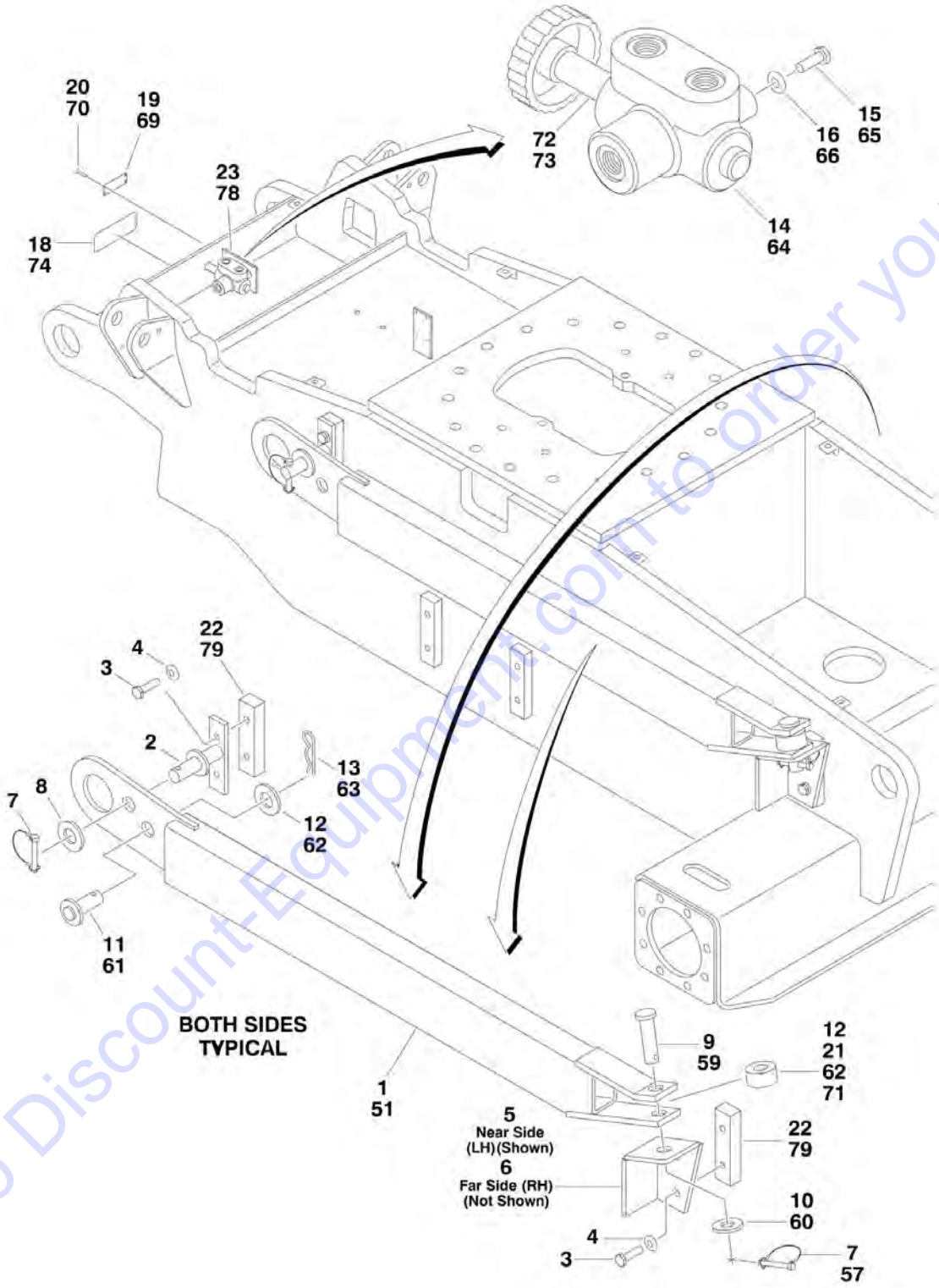
SECTION 1 - FRAME

FIGURE 1-9. DRIVE VALVES AND SHIELDS INSTALLATION (FRAME MOUNTED)

ITEM	PART NUMBER	QTY	DESCRIPTION	REV
		Ref	DRIVE VALVES INSTALLATION OPTIONS:	
	0254975	Ref	Drive Valves Installation 2WD (Prior to SN 0300056536)	5
	0270121	Ref	Drive Valves Installation 2WD (SN 0300056536 through 0300068000)	3
	0254976	Ref	Drive Valves Installation 4WD (Prior to SN 0300056536)	7
	0270120	Ref	Drive Valves Installation 4WD (SN 0300056536 through 0300068000)	3
12	4640923	1	Valve, Flow Divider	
12A	7017442	1	Cartridge, Flow Divider	
12A	7012980	1	Seal Kit - 7017442 Cartridge	
12A	7012993	1	Plug, Orifice	
13	0641522	AR	Bolt 5/16in-18NC x 2-5/8in	
14	3311505	AR	Locknut 5/16in-18NC	
15	4751500	AR	Flatwasher 5/16in Regular	
16		Ref	Flow Divider Valve Assembly Options:	
16	Not Required	0	Flow Divider Valve Assembly 2WD	
16	4640937	2	Flow Divider Valve Assembly 4WD	
16A	7012978	2	Cartridge (1 Per Valve)	
16A	7012980	2	Seal Kit - 7012978 Cartridge (1 Per Valve)	
16A	7012994	1	Plug, Orifice	
17	0641520	AR	Bolt 5/16in-18NC x 2-1/2in	
18	4060808	3.5 ft /1.06m	Shield, Flex Trim (Not Shown) (SN 0300067816 through 0300068000)	
		Ref	FRAME SHIELDS INSTALLATION OPTIONS:	
	0254856	Ref	Frame Shields Installation 2WS	-
	0254857	Ref	Frame Shields Installation 4WS	-
101	4060870	1	Shield, Frame - Front	
102	0641608	AR	Bolt, 3/8in -16NC x 1in	
103	4751600	AR	Flatwasher, 3/8in Regular	
104	0100011	AR	Compound, Locking	
105		Ref	Shield, Frame - Rear	
105	Not Required	0	Shield, Frame - Rear 2WS	
105	4060874	1	Shield, Frame - Rear 4WS	

SECTION 1 - FRAME

FIGURE 1-10. TOW PACKAGE INSTALLATION (OPTIONAL)



SECTION 1 - FRAME

FIGURE 1-10. TOW PACKAGE INSTALLATION (OPTIONAL)

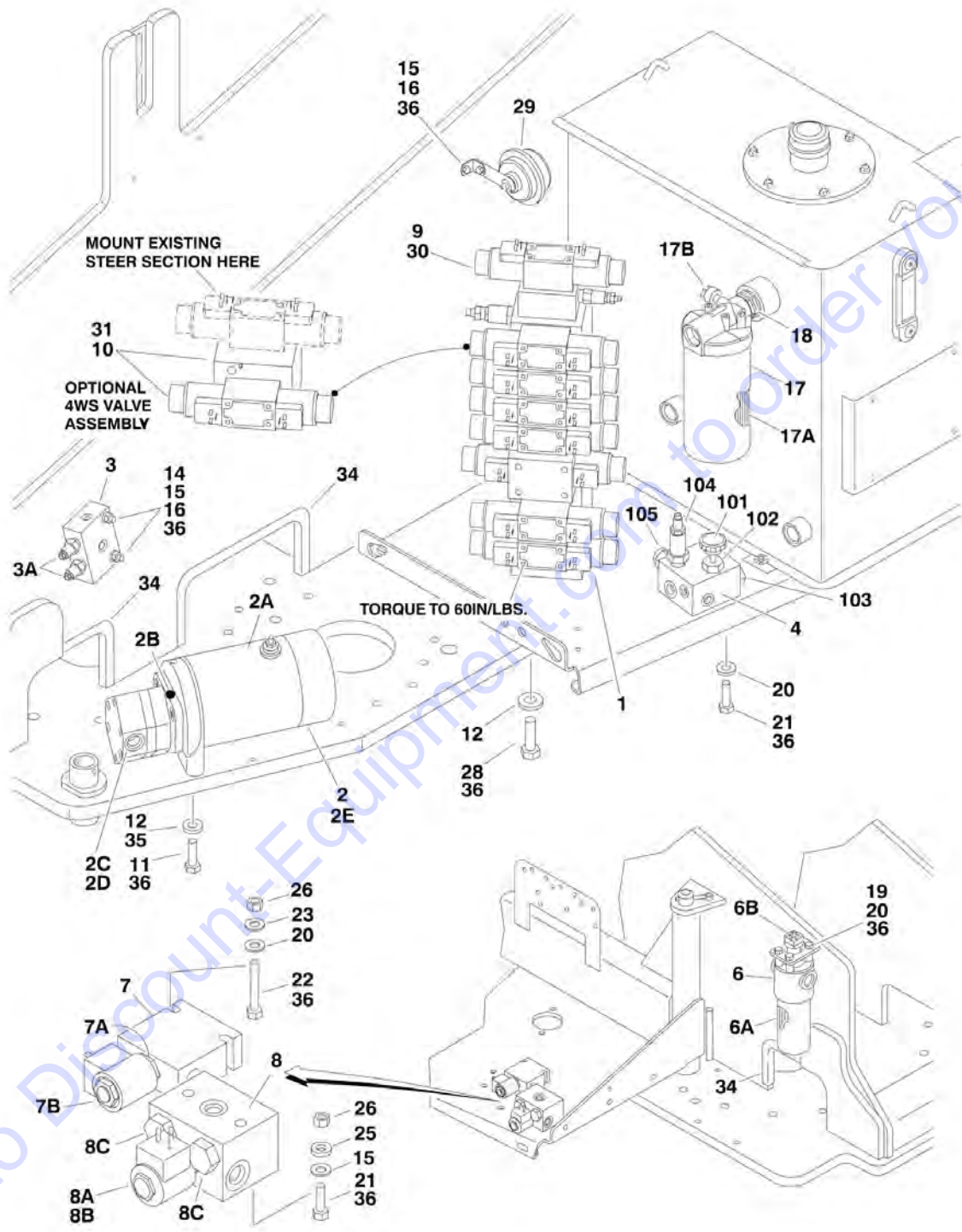
ITEM	PART NUMBER	QTY	DESCRIPTION	REV
	0255363	Ref	TOW PACKAGE INSTALLATION - 2WS	6
1	4845281	2	Tow Bar Weldment	
2	4845283	2	Bracket, Tow Bar Storage (Front)	
3	0641608	8	Bolt 3/8in-16NC x 1in	
4	4711600	8	Flatwasher 3/8in Thin	
5	4845282	1	Bracket, Tow Bar Storage (Rear Left Side)	
6	4845286	1	Bracket, Tow Bar Storage (Rear Right Side)	
7	3421453	4	Snap-Pin	
8	4712600	1	Flatwasher 1in Thin	
9	3422552	2	Pin, Tow Bar	
10	4713400	2	Flatwasher 1-1/2in Thin	
11	3422553	1	Pin, Tow Bar	
12	4713000	2	Flatwasher 1-1/4in Thin	
13	3420592	2	Hairpin	
14	4640261	1	Valve, Tow	
15	0641505	2	Bolt 5/16in-18NC x 5/8in	
16	4711500	2	Flatwasher 5/16in Thin	
18	1702968	1	Decal	
19	3250872	1	Nameplate	
20	3820001	4	Rivet	
21	4566971	2	Spacer, Tube	
22	0362519	4	Bar, Tow Clamp (SN 0300039820 through 0300068000)	
23	3539662	1	Plate, Valve Mount (SN 0300039820 through 0300068000)	
	0258886	Ref	TOW PACKAGE INSTALLATION - 4WS (OPTIONAL)	3-B
51	4845281	2	Tow Bar Weldment	
52 to 56	Not Required	0	Not Required	
57	3421453	2	Snap-Pin	
58	Not Required	0	Not Required	
59	3422552	2	Pin, Tow Bar	
60	4713400	2	Flatwasher 1-1/4in Thin	
61	3422553	1	Pin, Tow Bar	
62	4713000	2	Flatwasher 1-1/4in Thin	
63	3420592	1	Hairpin	
64	4640261	1	Valve, Tow	
65	0641505	2	Bolt 5/16in-18NC x 5/8in	
66	4711500	2	Flatwasher 5/16in Thin	
68	Not Required	0	Not Required	
69	3250872	1	Nameplate	
70	3820001	4	Rivet	
71		Ref	Spacer, Tube Options:	
71	4567172	2	Spacer, Tube (Prior to SN 0300042668)	
71	4566971	2	Spacer, Tube (SN 0300042668 through 0300068000)	
72	3841329	1	Rod, Extension	
73	4761600	1	Lockwasher 5/16in	
74	1703403	1	Decal	
75	1703404	2	Decal, Match Arrow (Not Shown)	
76	1703444	1	Decal (Not Shown)	
77	1703450	1	Decal (Not Shown)	
78	3539662	1	Plate, Valve Mount	
79	0362519	4	Bar (Standard Machines) (SN 0300046459 through 0300068000)	

SECTION 2 - TURNTABLE

Go to Discount-Equipment.com to order your parts

SECTION 2 - TURNTABLE

FIGURE 2-1. CONTROL VALVES INSTALLATIONS



SECTION 2 - TURNTABLE

FIGURE 2-1. CONTROL VALVES INSTALLATIONS

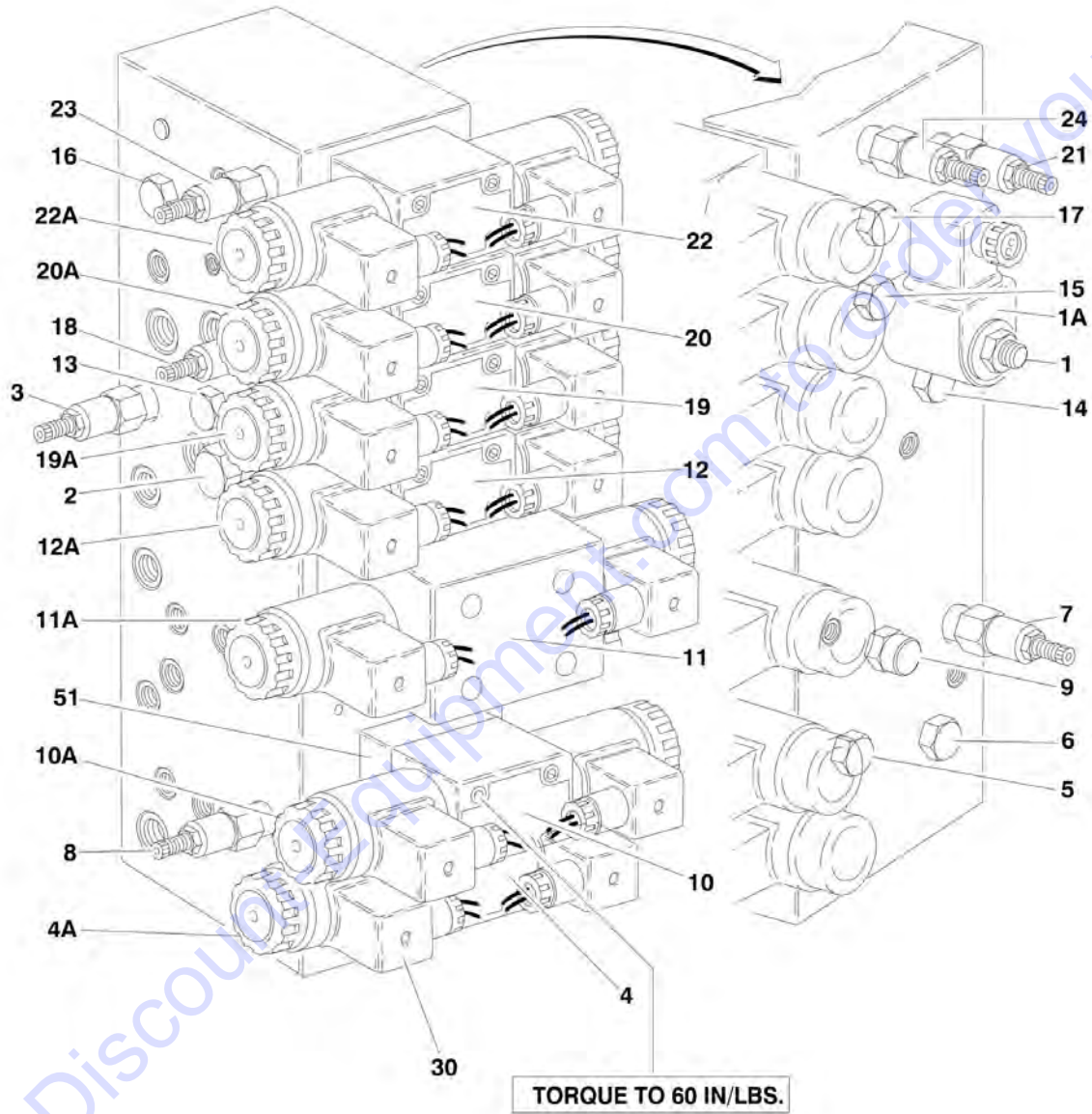
ITEM	PART NUMBER	QTY	DESCRIPTION	REV
		Ref	VALVES INSTALLATIONS	
	0255315	Ref	Valves Installations 600S 2WS	10
	0255446	Ref	Valves Installations 600S 4WS	9
	0255445	Ref	Valves Installations 600SJ 2WS & 660SJ 2WS	11
	0255447	Ref	Valves Installations 600SJ 4WS & 660SJ 4WS	9
1		Ref	Main Control Valve Assembly Options (See MAIN CONTROL VALVE ASSEMBLY for Breakdown):	
1	4640919	NLA	Main Control Valve Assembly (Use p/n 4641096) (Prior to SN 0300041265)	
1	4641096	1	Main Control Valve Assembly (SN 0300041265 through 0300068000)	
2	3600243	1	Auxiliary Pump Assembly	
2A	7013755	1	Replacement Motor	
2A	7013799	1	Brush Kit - 7013755	
2B	7013711	1	Coupling	
2C	7013796	1	Replacement Pump	
2C	See Note	1	Seal Kit (Note: Not Available - Purchase Individual Pieces)	
2C	7016700	1	Seal, Oil	
2C	7016701	1	O-Ring	
2C	7016702	1	O-Ring	
2D	7022203	4	Bolt (Pump to Bracket)	
2E	7016744	2	Bolt (Motor to Bracket)	
3	4640908	1	Counterbalance Valve Assembly	
3A	7011328	2	Cartridge, Counterbalance	
3A	2900770	2	Seal, Kit - 7011328 Cartridge	
4	4640931	1	Manual Descent Valve Assembly (See Items 101-105 for Breakdown)	
6	2120146	1	Hydraulic Pressure Filter Assembly	
6A	2120150	1	Element, Filter	
6B	7016312	1	Indicator, Clogged	
7	4640907	1	Valve Assembly (Brake)	
7A	7012941	1	Cartridge without Coil	
7A	7012907	1	Seal Kit - 7012941 Cartridge	
7B	7012944	1	Coil	
8	4640906	1	Valve Assembly (Two Speed)	
8A	7012974	1	Cartridge with Coil	
8A	7012907	1	Seal Kit - 7012974 Cartridge	
8B	7012944	1	Coil	
8C	See Note	NSS	Cartridge, Check (Note: Use Item 8)	
8C	7012972	1	Seal Kit	
9		Ref	Valve Kit (Articulating Jib) Options:	
9	Not Required	0	Valve Kit (Articulating Jib) 600S	
9	4640921	1	Valve Kit (Articulating Jib) 600SJ & 660SJ (See ACCESSORY VALVE ASSEMBLY for Breakdown)	
10		Ref	Valve Kit 4WS Options:	
10	Not Required	0	Valve Kit without 4WS	
10	4640922	1	Valve Kit with 4WS (See ACCESSORY VALVE ASSEMBLY for Breakdown)	
10	7012774	1	Control Valve Assembly	
10	7018912	2	Nut, Coil	
10	7012772	2	Coil	

SECTION 2 - TURNTABLE

ITEM	PART NUMBER	QTY	DESCRIPTION	REV
10	7024014	2	Pipe, Pole	
10	7012773	1	Seal Kit - 7012774 Control Valve	
10	7017420	2	Valve, Cartridge	
10	7012998	2	Seal Kit - 7017420 Cartridge	
11	0641613	2	Bolt 3/8in-16NC x 1-5/8in	
12	4711600	5	Flatwasher 3/8in Thin	
14	4891800	2	Flatwasher 1/2in Hardened	
15	4711500	5	Flatwasher 5/16in Thin	
16	3311501	3	Nut 5/16in-18NC	
17	2120145	1	Return Filter Assembly	
17A	2120149	1	Element, Filter	
17B	7016313	1	Indicator Switch, Clogged	
18	2220893	1	Fitting, Adapter	
19	0651406	4	Bolt 1/4in-28NF x 3/4in	
20	4711400	11	Flatwasher 1/4in Thin	
21	0651406	3	Bolt 1/4in-28NF x 3/4in	
22	0641416	2	Bolt 1/4in-20NC x 2in	
23	4891400	4	Flatwasher 1/4in Hardened	
24	0641508	2	Bolt 5/16in-18NC x 1in	
25	4891500	2	Flatwasher 5/16in Hardened	
26	3311405	2	Locknut 1/4in-20NC	
28	0641608	3	Bolt 3/8in-16NC x 1in	
29	0140001	1	Horn	
30		Ref	Harness Assembly (Jib Control) Options (Not Shown - See ELECTRICAL SECTION for Breakdown):	
30	Not Required	0	Harness Assembly (Jib Control) 600S	
30	4921771	1	Harness Assembly (Jib Control) 600SJ & 660SJ (Prior to SN 0300035129)	
30	4921927	1	Harness Assembly (Jib Control) 600SJ & 660SJ (SN 0300035129 through 0300068000)	
31		Ref	Harness Assembly (4WS Control) Options: (Not Shown - See ELECTRICAL SECTION for Breakdown):	
31	Not Required	0	Harness Assembly (4WS Control) without 4WS	
31	4921772	1	Harness Assembly (4WS Control) with 4WS (Prior to SN 0300035129)	
31	4921928	1	Harness Assembly (4WS Control) with 4WS (SN 0300035129 through 0300068000)	
34	4060918	40 in/10m	Flex-Trim	
35	4891600	4	Flatwasher 3/8in Hardened (Prior to SN 0300038808)	
36	0100011	AR	Compound, Locking	
	4640931	Ref	MANUAL DESCENT VALVE ASSEMBLY	
101	7012961	1	Knob	
102	7012954	1	Cartridge, Needle Valve	
102	7012953	1	Seal Kit - 7012954 Valve	
103	7012975	1	Cartridge, Check Valve	
103	7012540	1	Seal Kit - 7012975 Valve	
104	7012976	1	Cartridge, Relief Valve	
104	7012971	1	Seal Kit - 7012971 Valve	
105	7012977	1	Cartridge, Pilot Valve	
105	7012918	1	Seal Kit - 7012977 Valve	

SECTION 2 - TURNTABLE

FIGURE 2-2. MAIN CONTROL VALVE ASSEMBLY



SECTION 2 - TURNTABLE

FIGURE 2-2. MAIN CONTROL VALVE ASSEMBLY

ITEM	PART NUMBER	QTY	DESCRIPTION	REV
		Ref	MAIN CONTROL VALVE ASSEMBLY	
	4640919	Ref	Main Control Valve Assembly (Prior to SN 0300041265)	C
	4641096	Ref	Main Control Valve Assembly (SN 0300041265 through 0300068000)	A
1	7017410	1	Cartridge, without Coil	
1	7012967	1	Seal Kit - 7017410 Cartridge	
1A	7012944	1	Coil	
2	7017411	1	Cartridge, Pressure Sensing (Use with Valve p/n 4640919)	
2	7012518	1	Seal Kit	
2	7017464	1	Cartridge, Pressure Sensing (Use with Valve p/n 4641096)	
2	7012518	1	Seal Kit	
3	7017418	1	Cartridge (Main Relief) (Use with Valve p/n 4640919)	
3	7012998	1	Seal Kit	
3	7012912	1	Cartridge (Main Relief) (Use with Valve p/n 4641096)	
3	7012998	1	Seal Kit	
4	70001976	1	Control Valve Assembly (Platform Level) (was p/n 7012770)	
4	7012773	1	Seal Kit	
4A	7012772	2	Coil	
5	7012914	1	Cartridge, Check Valve	
5	7012918	1	Seal Kit - 7012914 Cartridge	
6	7012914	1	Cartridge, Check Valve	
6	7012918	1	Seal Kit - 7012914 Cartridge	
7	7017428	1	Cartridge, Relief Valve (Use with Valve p/n 4640919)	
7	7012998	1	Seal Kit - 7017428 Cartridge	
7	7012912	1	Cartridge, Relief Valve (Use with Valve p/n 4641096)	
7	7012998	1	Seal Kit - 7012912 Cartridge	
8	7017427	1	Cartridge, Relief Valve (Use with Valve p/n 4640919)	
8	7010541	1	Seal Kit - 7017427 Cartridge	
8	7012912	1	Cartridge, Relief Valve (Use with Valve p/n 4641096)	
8	7012998	1	Seal Kit - 7012912 Cartridge	
9	7012989	1	Cartridge, Flow Control	
9	7012953	1	Seal Kit - 7012989 Cartridge	
10	70001976	1	Control Valve Assembly (Platform Rotate) (was p/n 7012770)	
10	7012773	1	Seal Kit	
10	7018986	4	Capscrew #10 x 3-1/2	
10A	7012772	2	Coil	
11	70000579	1	Control Valve Assembly (Upper Tele) (was p/n 7012766)	
		Ref	Note: Refer to Vendor p/n on Valve Nameplate before ordering Parts. p/n 7012766 is RR00567495 or R900567495. p/n 70000579 is R900930080.	
11		Ref	Seal Kit Options:	
11	7012769	1	Seal Kit 7012766 Valve	
11	70000583	1	Seal Kit 70000579 Valve	
11	7018951	4	Capscrew 1/4 x 1-1/2	
11A		Ref	Coil Options:	
11A	7012772	1	Coil 7012766 Valve (was p/n 7012768)	
11A	70000582	1	Coil 70000579 Valve	
11A		Ref	Nut, Coil Options:	
11A	7018912	1	Nut, Coil 7012766 Valve	
11A	70000580	1	Nut, Coil 70000579 Valve	

PARTS FINDER

**Search Website
by Part Number**



**Search Manual
Library For Parts
Manual & Lookup Part
Numbers – Purchase
or Request Quote**

A screenshot of the "Search Manuals" form. The form is titled "Search Manuals" and contains several input fields for "Find", "Serial Number", "Year", "Make", "Model", "Part Number", "Part Name", and "Category". There is a "Search" button at the bottom of the form.

**Can't Find Part or
Manual? Request Help
by Manufacturer,
Model & Description**

A screenshot of the "Parts Order Form". The form is titled "Parts Order Form" and contains several input fields for "Manufacturer", "Model", "Description", "Part Number", "Part Name", "Quantity", "Price", and "Comments". There is a "Submit" button at the bottom of the form.

Discount-Equipment.com is your online resource for quality parts & equipment.

Florida: **561-964-4949** Outside Florida TOLL FREE: **877-690-3101**

Need parts?

Click on this link: <http://www.discount-equipment.com/category/5443-parts/> and choose one of the options to help get the right parts and equipment you are looking for. Please have the machine model and serial number available in order to help us get you the correct parts. If you don't find the part on the website or on one of the online manuals, please fill out the request form and one of our experienced staff members will get back to you with a quote for the right part that your machine needs.

We sell worldwide for the brands: Genie, Terex, JLG, MultiQuip, Mikasa, Essick, Whiteman, Mayco, Toro Stone, Diamond Products, Generac Magnum, Airman, Haulotte, Barreto, Power Blanket, Nifty Lift, Atlas Copco, Chicago Pneumatic, Allmand, Miller Curber, Skyjack, Lull, Skytrak, Tsurumi, Husquvarna Target, Stow, Wacker, Sakai, Mi-T-M, Sullair, Basic, Dynapac, MBW, Weber, Bartell, Bennar Newman, Haulotte, Ditch Runner, Menegotti, Morrison, Contec, Buddy, Crown, Edco, Wyco, Bomag, Laymor, EZ Trench, Bil-Jax, F.S. Curtis, Gehl Pavers, Heli, Honda, ICS/PowerGrit, IHI, Partner, Imer, Clipper, MMD, Koshin, Rice, CH&E, General Equipment, Amida, Coleman, NAC, Gradall, Square Shooter, Kent, Stanley, Tamco, Toku, Hatz, Kohler, Robin, Wisconsin, Northrock, Oztec, Toker TK, Rol-Air, APT, Wylie, Ingersoll Rand / Doosan, Innovatech, Con X, Ammann, Mecalac, Makinex, Smith Surface Prep, Small Line, Wanco, Yanmar

SECTION 2 - TURNTABLE

ITEM	PART NUMBER	QTY	DESCRIPTION	REV
12	7012775	1	Control Valve Assembly (Flow Control)	
12	7012773	1	Seal Kit	
12	7018942	4	Capscrew #10 x 2	
12A	7012772	2	Coil	
12A	7018912	2	Nut	
12A	7024015	2	Pipe, Pole	
13	7010542	1	Cartridge, Shuttle	
13	7010543	1	Seal Kit - 7010542 Cartridge	
14	7010542	1	Cartridge, Shuttle	
14	7010543	1	Seal Kit - 7010542 Cartridge	
15	7010542	1	Cartridge, Shuttle	
15	7010543	1	Seal Kit - 7010542 Cartridge	
16	7010542	1	Cartridge, Shuttle	
16	7010543	1	Seal Kit - 7010542 Cartridge	
17	7010542	1	Cartridge, Shuttle	
17	7010543	1	Seal Kit - 7010542 Cartridge	
18	7017420	1	Cartridge, Relief Valve (Use with Valve p/n 4640919)	
18	7012998	1	Seal Kit - 7017420 Cartridge	
18	7012912	1	Cartridge, Relief Valve (Use with Valve p/n 4641096)	
18	7012998	1	Seal Kit - 7012912 Cartridge	
19	7012775	1	Control Valve Assembly (Upper Lift)	
19	7012773	1	Seal Kit	
19	7018942	4	Capscrew #10 x 2	
19A	7012772	2	Coil	
19A	7018912	2	Nut	
19A	7024015	2	Pipe, Pole	
20	7012775	1	Control Valve Assembly (Swing)	
20	7012773	1	Seal Kit	
20	7018942	4	Capscrew #10 x 2	
20A	7012772	2	Coil	
20A	7018912	2	Nut	
20A	7024015	2	Pipe, Pole	
21	7017423	1	Cartridge, Relief Valve (Use with Valve p/n 4640919)	
21	7012998	1	Seal Kit - 7017423 Cartridge	
21	7012912	1	Cartridge, Relief Valve (Use with Valve p/n 4641096)	
21	7012998	1	Seal Kit - 7012912 Cartridge	
22	7012774	1	Control Valve Assembly (Steer)	
22	7012773	1	Seal Kit	
22	7018942	4	Capscrew #10 x 2	
22A	7012772	2	Coil	
22A	7018912	2	Nut	
22A	7024014	2	Pipe, Pole	
23	7017428	1	Cartridge, Relief Valve (Use with Valve p/n 4640919)	
23	7012998	1	Seal Kit - 7017428 Cartridge	
23	7012912	1	Cartridge, Relief Valve (Use with Valve p/n 4641096)	
23	7012998	1	Seal Kit - 7012912 Cartridge	
24	7017428	1	Cartridge, Relief Valve (Use with Valve p/n 4640919)	
24	7012998	1	Seal Kit - 7017428 Cartridge	
24	7012912	1	Cartridge, Relief Valve (Use with Valve p/n 4641096)	
24	7012998	1	Seal Kit - 7012912 Cartridge	
30	4460499	15	Connector, Din with Diode (Part of Valve Harness)	

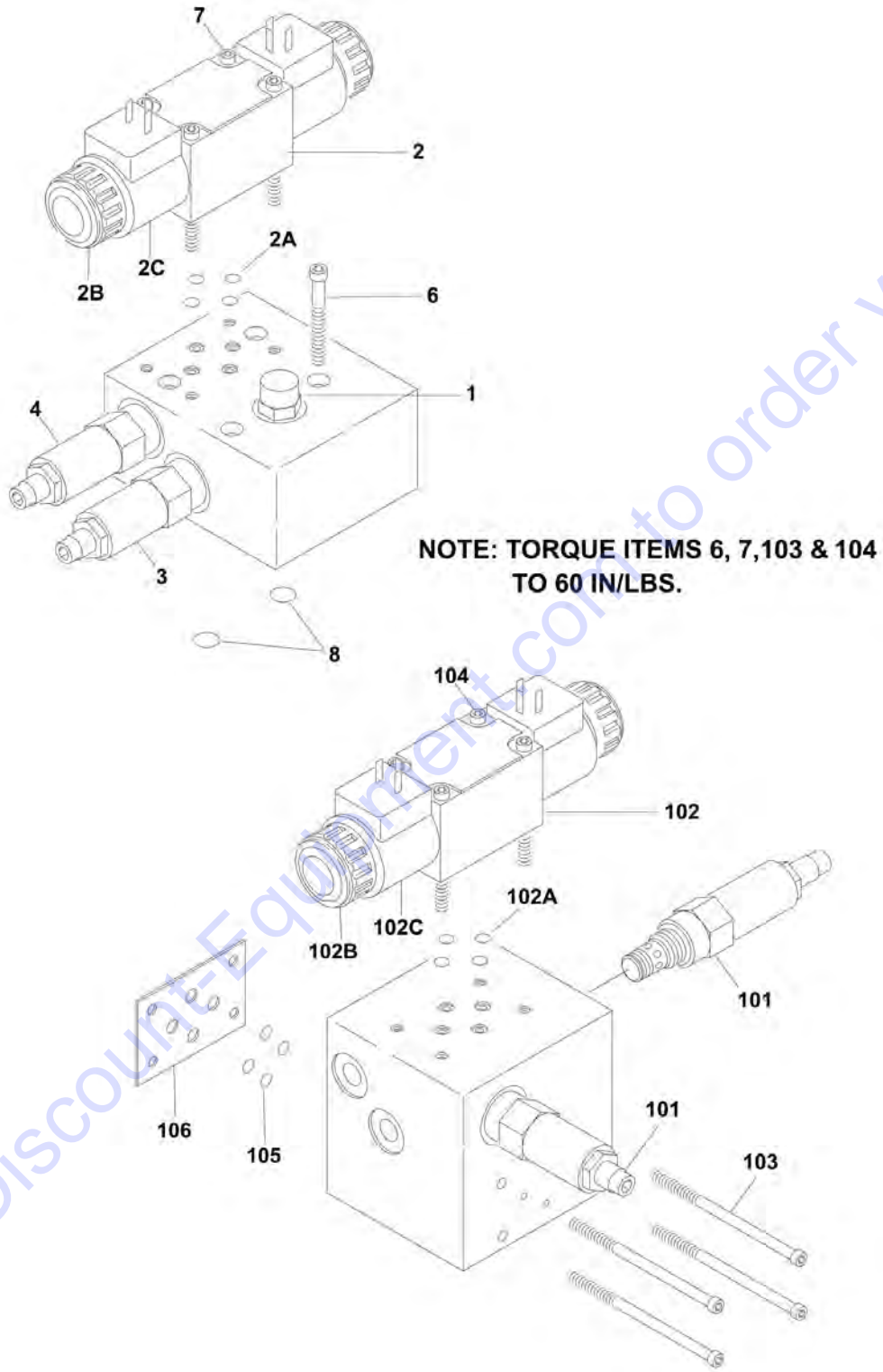
SECTION 2 - TURNTABLE

ITEM	PART NUMBER	QTY	DESCRIPTION	REV
	2901763	Ref	ROTATE SANDWICH VALVE KIT	A
51	7021310	1	Block, Valve	

Go to Discount-Equipment.com to order your parts

SECTION 2 - TURNTABLE

FIGURE 2-3. ACCESSORY VALVE ASSEMBLY



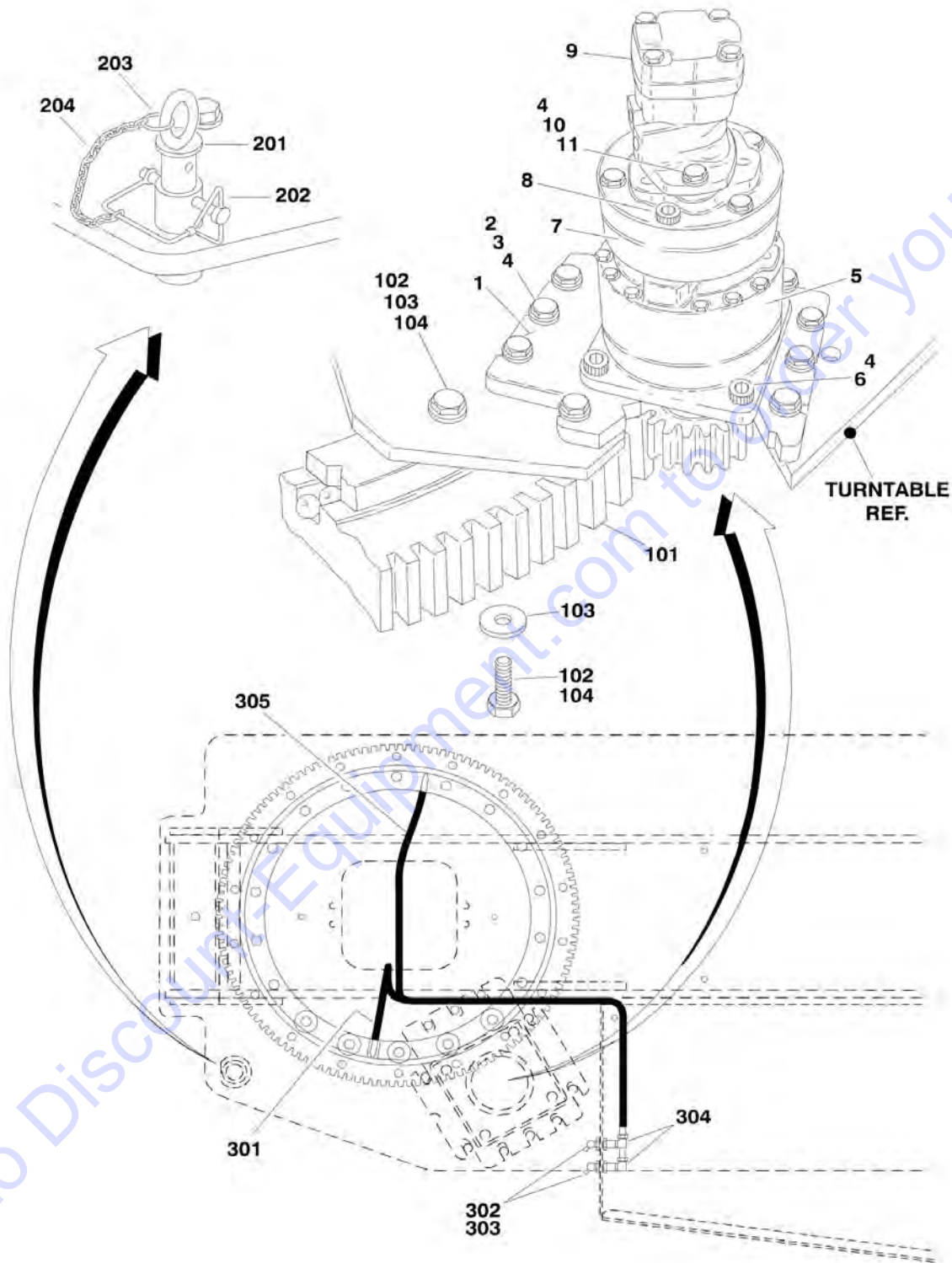
SECTION 2 - TURNTABLE

FIGURE 2-3. ACCESSORY VALVE ASSEMBLY

ITEM	PART NUMBER	QTY	DESCRIPTION	REV
		Ref	ACCESSORY VALVE ASSEMBLIES	
	4640921	Ref	Articulating Jib Valve Assembly	D
1	7012965	1	Cartridge, Flow Control	
1	7012953	1	Seal Kit - 7012965 Cartridge	
2	70001976	1	Directional Control Valve Assembly (was p/n 7012770)	
2	7012773	1	Seal Kit	
2A	7018945	4	O-Ring	
2B	7018912	2	Nut	
2C	7012772	2	Coil	
3	7017421	1	Cartridge, Relief	
3	7012998	1	Seal Kit - 7017421 Cartridge	
4	7017422	1	Cartridge, Relief	
4	7012998	1	Seal Kit - 7017422 Cartridge	
5	4460499	2	Connector, DIN with Diode (Not Shown - Part of Valve Harness)	
6	7012777	4	Capscrew, Socket Head 5/16in-18NC x 2-1/4in (Used to Mount Valve Assembly)	
7	7018942	4	Capscrew, Socket Head #10-24NC x 2in	
8	7012776	2	O-Ring (Used to Mount Main Valve)	
	4640922	Ref	4WS Valve Assembly	B
101	7017420	1	Cartridge, Relief	
101	7012998	1	Seal Kit - 7017420 Cartridge	
102	7012774	1	Directional Control Valve Assembly	
102	7012773	1	Seal Kit	
102A	7018945	4	R-Ring	
102B	7018912	2	Nut	
102C	7012772	2	Coil	
103	7018946	4	Capscrew, Socket Head #10-24NC x 5in (Used to Mount Main Valve)	
104	7018942	4	Capscrew, Socket Head #10-24NC x 2in	
105	7018948	4	O-Ring (Used to Mount Main Valve)	
106	7018947	1	Plate, O-Ring	

SECTION 2 - TURNTABLE

FIGURE 2-4. SWING DRIVE, TURNTABLE BEARING AND LOCK INSTALLATIONS



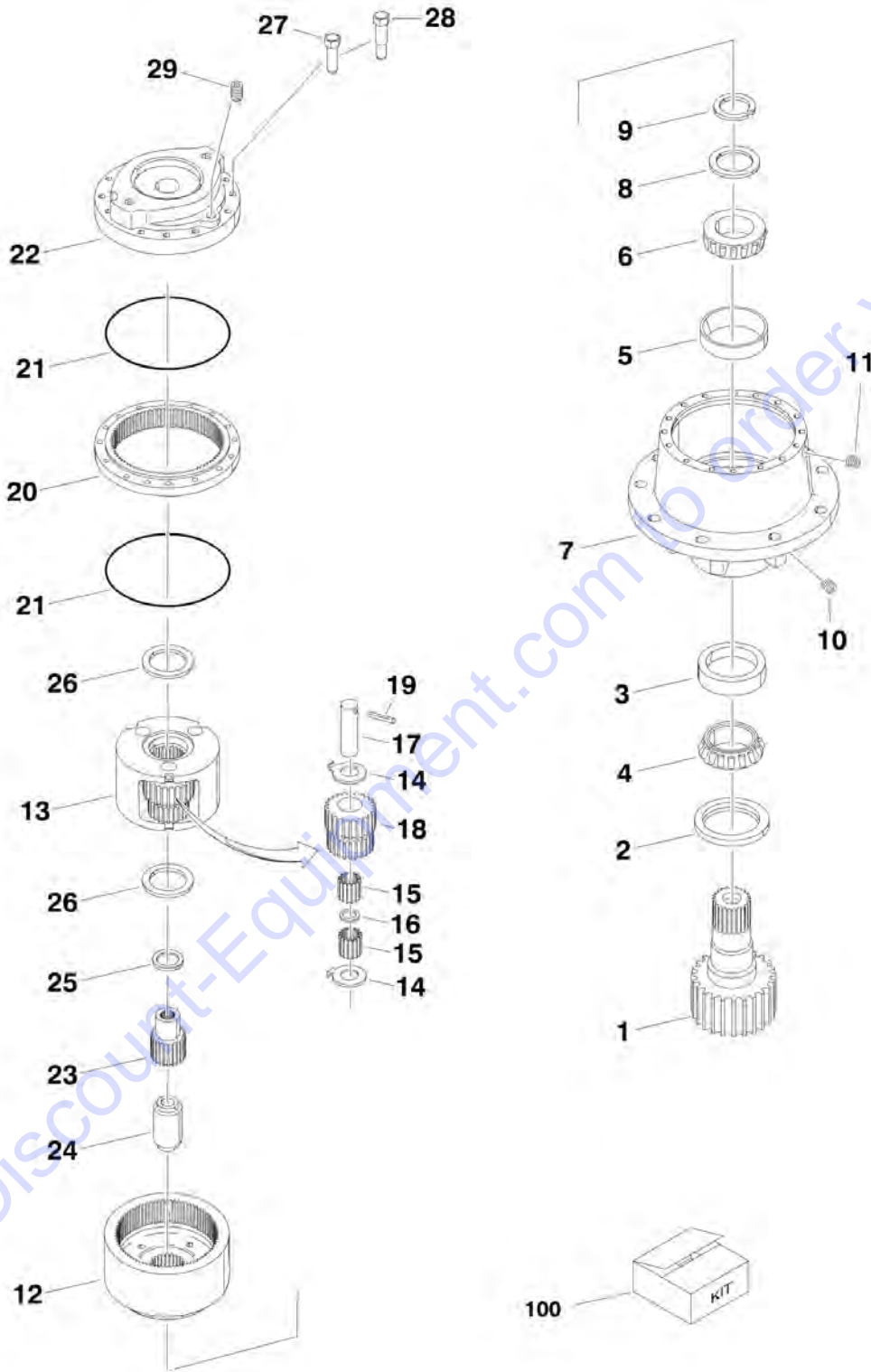
SECTION 2 - TURNTABLE

FIGURE 2-4. SWING DRIVE, TURNTABLE BEARING AND LOCK INSTALLATIONS

ITEM	PART NUMBER	QTY	DESCRIPTION	REV
		Ref	SWING DRIVE INSTALLATIONS	
	0255025	Ref	Swing Drive Installations (Prior to SN 0300064566)	3-B
	0270329	Ref	Swing Drive Installations (SN 0300064566 through 0300068000)	A
1	3537318	1	Plate, Swing Drive Mounting	
2	0642018	10	Bolt 5/8in-11NC x 2-1/4in	
3	4892000	10	Flatwasher 5/8in Hardened	
4	0100011	AR	Compound, Locking	
5	2780205	1	Hub Assembly (See SWING HUB ASSEMBLY for Breakdown)	
6	3932224	4	Bolt 1/2in-13NC x 1-1/2in	
7		Ref	Brake Assembly Options (See SWING BRAKE ASSEMBLY for Breakdown):	
7	0920083	NLA	Brake Assembly (Note: Use p/n 0920109) (Prior to SN 0300033476)	
7	0920109	1	Brake Assembly (SN 0300033476 through 0300064565)	
7	0920119	1	Brake Assembly (SN 0300064566 through 0300068000)	
8	3931860	2	Bolt Socket Head 1/2in-13NC x 3-3/4in (Prior to SN 0300064566)	
9		Ref	Motor Assembly Options (See SWING MOTOR ASSEMBLIES for Breakdown):	
9	3160200	1	Motor Assembly White Roller Stator Motor (Prior to SN 0300064566)	
9	3160273	NLA	Motor Assembly White Roller Stator Motor (Use p/n 1001110169) (SN 0300064566 through 0300068000)	
9	1001110169	1	Parker Motor (Service Replacement) (SN 0300064566 through 0300068000)	
		Ref	Note: For Machines SN 0300064566 through 0300068000, either p/n may be used as a replacement.	
10		Ref	Bolt Options:	
10	0641811	2	Bolt 1/2in-13NC x 1-3/8in (Prior to SN 0300064566)	
10	0681836	2	Bolt 1/2in-13NC x 4-1/2in (SN 0300064566 through 0300068000)	
11	4891800	2	Flatwasher 1/2in Hardened	
	0254798	Ref	TURNTABLE BEARING INSTALLATION	A
101	0440207	1	Bearing, Turntable	
102	0682016	36	Bolt 5/8in - 11NC x 2in (Grade 8)	
103	4892000	36	Flatwasher, 5/8in Hardened	
104	0100019	AR	Compound, Locking	
	0239585	Ref	TURNTABLE LOCK INSTALLATION	B
201	3421627	1	Pin	
202	3421565	1	Pin, Snap	
203	3760170	2	Ring, Quick Release	
204	1260017	9 in/23cm	Chain	
	0255316	Ref	REMOTE BEARING LUBE INSTALLATION	2
301	2751095	1	Hose, Grease	
302	2180344	2	Fitting, Bulkhead	
303	2160003	2	Fitting, Grease 45	
304	2220063	2	Fitting, 90	
305	2751032	1	Hose, Grease	

SECTION 2 - TURNTABLE

FIGURE 2-5. SWING HUB ASSEMBLY



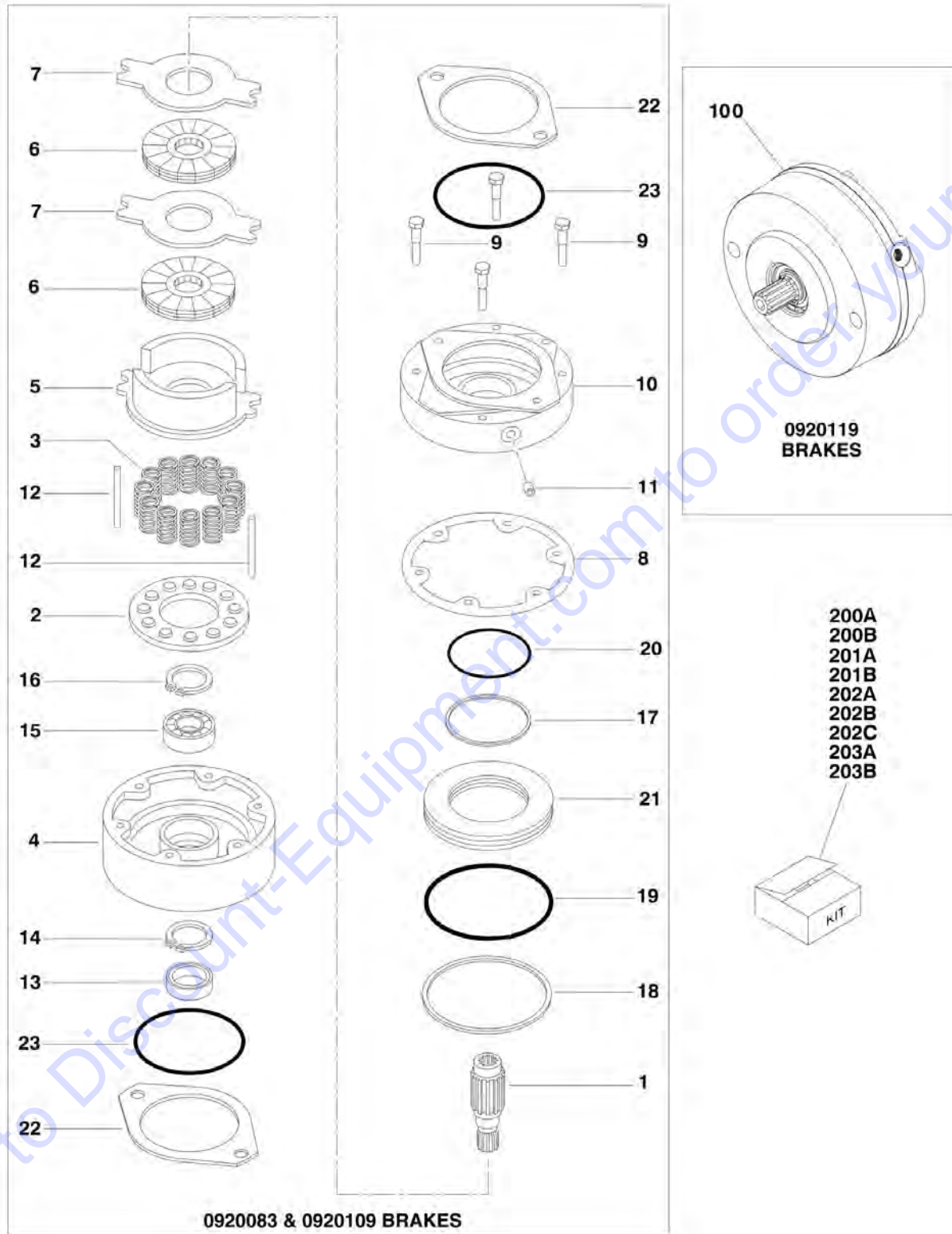
SECTION 2 - TURNTABLE

FIGURE 2-5. SWING HUB ASSEMBLY

ITEM	PART NUMBER	QTY	DESCRIPTION	REV
	2780205	Ref	SWING HUB ASSEMBLY	-
		Ref	Housing Assembly	
1	7010492	1	Shaft, Output	
2	7000228	1	Seal, Lip	
3	7000255	1	Cup, Bearing	
4	7000256	1	Cone, Bearing	
5	7000257	1	Cup, Bearing	
6	7000258	1	Cone, Bearing	
7	7017089	1	Housing	
8	7007633	1	Thrustwasher	
9	7000229	1	Ring, Retaining	
10	7010494	2	Pipe, Plug	
11	7001928	2	Pipe, Plug	
12	7000246	2	Gear, In O-Ring	
		Ref	Carrier Assembly	
13	7001931	1	Carrier	
14	7001985	6	Thrustwasher, Tanged	
15	7001909	96	Bearing, Needle	
16	7000263	3	Spacer, Thrust	
17	7001911	3	Shaft, Planet	
18	7001987	3	Gear, Cluster	
19	7010474	3	Rollpin	
20	7001988	1	Ring Gear	
21	7000230	1	O-Ring (Black)	
21	7017070	1	O-Ring (White)	
22	7000209	1	Cover, Input	
23	7010488	1	Gear, Sun	
24	7000269	1	Spacer, Input	
25	7000270	1	Thrustwasher	
26	7000253	2	Thrustwasher	
27	7000217	8	Bolt	
28	7000214	4	Bolt, Shoulder	
29	2200222	1	Pipe, Plug	
100	7024100	1	Seal Kit (Includes Items 2, 9, 21 & 26)	

SECTION 2 - TURNTABLE

FIGURE 2-6. SWING BRAKE ASSEMBLY



SECTION 2 - TURNTABLE

FIGURE 2-6. SWING BRAKE ASSEMBLY

ITEM	PART NUMBER	QTY	DESCRIPTION	REV
		Ref	SWING BRAKE ASSEMBLY OPTIONS:	
	0920083	Ref	Swing Brake Assembly (Prior to SN 0300033476)	A
	0920109	Ref	Swing Brake Assembly (SN 0300033476 through 0300064566)	B
1	7011720	1	Shaft	
2		Ref	Guide, Spring Options:	
2	7011717	1	Guide, Spring 0920083 Brake (Prior to SN 0300033476)	
2	7018606	1	Guide, Spring 0920109 Brake (SN 0300033476 through 0300064566)	
3		Ref	Spring Options:	
3	7007979	6	Spring 0920083 Brake (Inner) (Prior to SN 0300033476)	
3	7007980	6	Spring 0920083 Brake (Outer) (Prior to SN 0300033476)	
3	7007970	6	Spring 0920109 Brake (Red) (SN 0300033476 through 0300064566)	
3	7018602	3	Spring 0920109 Brake (Blue) (SN 0300033476 through 0300064566)	
4		Ref	Housing Options:	
4	7011713	1	Housing 0920083 Brake (Prior to SN 0300033476)	
4	7018605	1	Housing 0920109 Brake (SN 0300033476 through 0300064566)	
5		Ref	Return Plate and Separator Assembly Options:	
5	2900767	1	Plate, Return - 0920083 Brake (Prior to SN 0300033476)	
5	7011715	2	Separator Assembly - 0920083 Brake (Prior to SN 0300033476)	
5	7011714	4	Pin	
5	7007983	2	Separator	
5	7018608	1	Plate, Return/Separator - 0920109 Brake (SN 0300033476 through 0300064566)	
6	See Note	NSS	Rotor (Note: Use Item 200A, 201A, 202A, 202B or 203B)	
7	See Note	NSS	Stator (Note: Use Item 200A, 201A, 202A, 202B or 203B)	
8	See Note	NSS	Seal, Oil (Note: Use Item 200A, 201A, 202A, 202B or 203B)	
9		Ref	Bolt, Washer Head Options:	
9	7007985	4	Bolt, Washer Head 0920083 Brake (Prior to SN 0300033476)	
9	7018607	4	Bolt, Washer Head 0920109 Brake (SN 0300033476 through 0300064566)	
10	7011719	1	Cover	
11		Ref	Hardware Options:	
11	7007914	1	Screw, Bleeder (Prior to SN 0300033906)	
11	7018609	1	Plug, Pipe (SN 0300033906 through 0300064566)	
12	7007987	2	Pin, Dowel	
13	See Note	NSS	Seal, Oil (Note: Use Item 200A, 201A or 203B)	
14	7011716	1	Ring, Retaining	
15	See Note	NSS	Bearing (Note: Use Item 201A or 203B)	
16	7007977	1	Ring, Retaining	
17	See Note	NSS	Ring, Back-up (Note: Use Item 200A or 203B)	
18	See Note	NSS	Ring, Back-up (Note: Use Item 200A or 203B)	
19	See Note	NSS	O-Ring (Note: Use Item 200A or 203B)	
20	See Note	NSS	O-Ring (Note: Use Item 200A or 203B)	
21		Ref	Piston Options:	
21	7007923	1	Piston 0920083 Brake (Prior to SN 0300033476)	
21	7018603	1	Piston 0920109 Brake (SN 0300033476 through 0300064566)	
22	7007934	2	Gasket	

SECTION 2 - TURNTABLE

ITEM	PART NUMBER	QTY	DESCRIPTION	REV
23	See Note	NSS	O-Ring (Note: Use Item 200A, 201A, 202A, 202B or 203B)	
100	0920119	Ref	SWING BRAKE ASSEMBLY (SN 0300064566 through 0300068000)	B
100	7007933	2	Gasket, Mounting Face	
100	7007990	2	O-Ring, Mounting Face	
		Ref	Note: Other than Gasket and O-Ring, Item 203B Repair Kit is only part available.	
		Ref	KIT OPTIONS	
200		Ref	Seal Kit Options:	
200A	2900766	1	Seal Kit - 0920083 & 0920109 Brakes (Includes Items 8, 13, 17, 18, 19, 20, 22 & 23) (Prior to SN 0300064566)	
200B	7018612	1	Seal Kit - 0920119 Brake (SN 0300064566 through 0300068000)	B
201		Ref	Bearing Kit Options:	
201A	2900768	1	Bearing Kit - 0920083 & 0920109 Brakes (Includes Items 8, 13, 14, 15, 16, 22 & 23) (Prior to SN 0300064566)	
201B	7018612	1	Bearing Kit - 0920119 Brake (SN 0300064566 through 0300068000)	
202		Ref	Lining Kit Options:	
202A	2900767	1	Lining Kit - 0920083 Brake (Includes Items 5 Return Plate, 6, 7, 8, 22 & 23) (Prior to SN 0300033476)	
202B	7018608	1	Lining Kit - 0920109 Brake (Includes Items 5 Return/Separator Plate, 6, 7, 8, 22 & 23) (SN 0300033476 through 0300064565)	
202C	7018612	1	Lining Kit - 0920119 Brake (SN 0300064566 through 0300068000)	
203		Ref	Repair Kit Options:	
203A	See Note	NSS	Repair Kit - 0920083 & 0920109 Brakes (Note: Not Available - Purchase Individual Items) (Prior to SN 0300064566)	
203B	7018612	1	Repair Kit - 0920119 Brake (SN 0300064566 through 0300068000)	

SECTION 2 - TURNTABLE

FIGURE 2-7. SWING MOTOR ASSEMBLIES

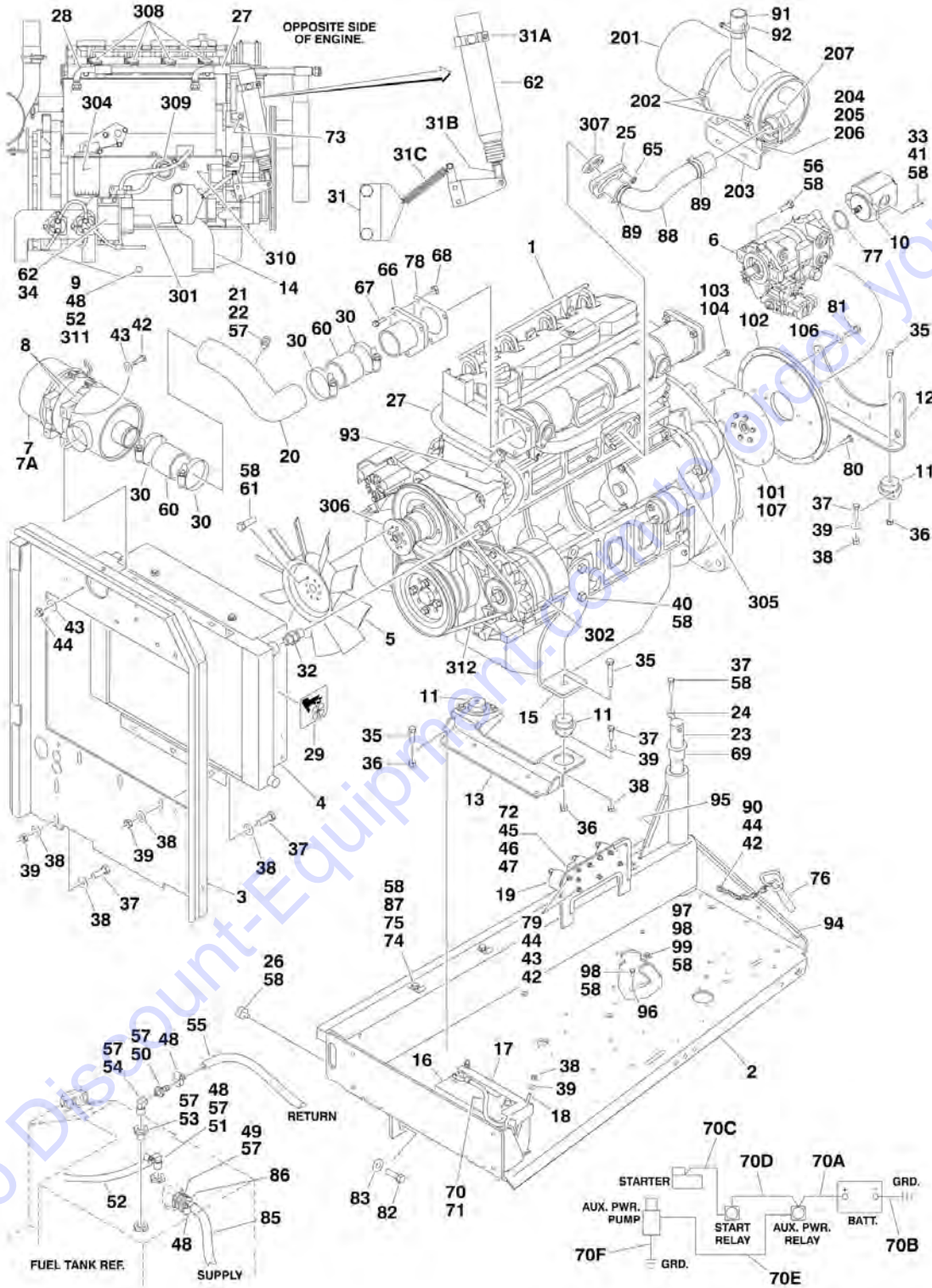
ITEM	PART NUMBER	QTY	DESCRIPTION	REV
		Ref	Note: Original Equipment may have been replaced with Service Replacement swing motor. Identify brand before ordering parts.	
		Ref	SWING MOTOR ASSEMBLY OPTIONS:	
	3160200	Ref	Swing Motor Assembly White Roller Stator Motor (Prior to SN 0300064566)	C
	3160273	Ref	Swing Motor Assembly White Roller Stator Motor (Original Equipment) (SN 0300064566 through 0300068000)	B
1	See Note	NSS	Seal, Dust (Note: Use Item 200A)	
2	See Note	NSS	Ring, Split Wire (Note: Use Item 200A)	
3	See Note	NSS	Shim, Metal Back-up (Note: Use Item 200A)	
4	See Note	NSS	Seal, High Pressure (Note: Use Item 200A)	
5	See Note	NSS	Shim, Metal Back-up (Note: Use Item 200A)	
6	See Note	NSS	Seal, Teflon Back-up (Note: Use Item 200A)	
7	See Note	NSS	Seal, Shaft (Note: Use Item 200A)	
8	See Note	NSS	Seal, Body (Note: Use Item 200A)	
9	See Note	NSS	Carrier, Seal (Note: Use Item 200B)	
10	See Note	NSS	Thrustwasher (Note: Use Item 200B)	
11		Ref	Bearing, Thrust Options:	
11	7005842	1	Bearing, Thrust 3160200 Motor (Prior to SN 0300064566)	
11	7016422	1	Bearing, Thrust 3160273 Motor (SN 0300064566 through 0300068000)	
12	7005889	1	Link, Drive	
13		Ref	Plate, Wear Options:	
13	7005845	1	Plate, Wear 3160200 Motor (Prior to SN 0300064566)	
13	7016423	1	Plate, Wear 3160273 Motor (SN 0300064566 through 0300068000)	
14	7005890	1	Rotor Assembly	
15	7005891	1	Pin, Drive Link	
16	See Note	NSS	Ball (Note: Use Item 201A or 201B)	
17	See Note	NSS	Cover, End (Note: Use Item 201A or 201B)	
18	See Note	NLA	Tag, I.D. (Note: Not Available to Purchase)	
19	7005892	4	Bolt	
20		Ref	Housing Options:	
20	7005841	1	Housing 3160200 Motor (Prior to SN 0300064566)	
20	7016425	1	Housing 3160273 Motor (SN 0300064566 through 0300068000)	
21	7005893	1	Plug, Cooling	
22		Ref	Shaft Options:	
22	7005894	1	Shaft 3160200 Motor (Prior to SN 0300064566)	
22	7016426	1	Shaft 3160273 Motor (SN 0300064566 through 0300068000)	
	1001110169	Ref	SWING MOTOR ASSEMBLY (PARKER)(SERVICE REPLACEMENT)	A
101	70002243	5	Bolt	
102	7004035	1	Cover, End	
103	See Note	NSS	Seal, Commutator (Note: Use Item 200C)	
104	See Note	NSS	Seal, Ring (Note: Use Item 200C)	
105	7024453	1	Commutator and Ring Assembly	
106	7024453	1	Ring	
107	7024379	1	Manifold	
108	70002208	1	Rotor Set	

SECTION 2 - TURNTABLE

ITEM	PART NUMBER	QTY	DESCRIPTION	REV
109	7024380	1	Plate, Wear	
110	83304150	1	Link, Drive	
112	7024395	1	Shaft, Coupling	
113	7024381	1	Bushing, Bronze	
114	7004043	2	Thrustwasher	
115	7004044	1	Bearing, Thrust	
116	See Note	NSS	Seal, Inner (Note: Use Item 200C)	
117	See Note	NSS	Washer, Back-up (Note: Use Item 200C)	
118	1001110169	1	Housing (Note: Not Available - Purchase Complete Swing Motor Assembly)	
119	7024390	1	Bearing	
120	See Note	NSS	Seal (Note: Use Item 200C)	
125	See Note	NSS	Washer, Back-up (Note: Use Item 200C)	
		Ref	SEAL AND REPAIR KITS	
200		Ref	Seal Kit Options:	
200		Ref	White Roller Stator Options:	
200A	7005881	1	Seal Kit (Includes Items 1-8)	
200B	7005882	1	Seal Carrier Kit (Includes Items 9 & 10)	
200		Ref	Parker Options:	
200C	7024389	1	Seal Kit (Includes Items 103, 104, 116,117,120 & 125)	
201		Ref	Repair Kit Options:	
201		Ref	White Roller Stator Options:	
201A	7005848	1	White Roller Stator End Cover Kit - 3160200 Motor (Includes Items 16 & 17) (Prior to SN 0300064566)	
201B	7016424	1	White Roller Stator End Cover Kit - 3160327 Motor (Includes Items 16 & 17) (SN 0300064566 through 0300068000)	
201C	7005895	1	White Roller Stator Housing/Shaft Kit - 3160200 Motor (Includes Items 20-22) (Prior to SN 0300064566)	
201D	7016427	1	White Roller Stator Housing/Shaft Kit - 3160327 Motor (Includes Items 20-22) (SN 0300064566 through 0300068000)	
201E	See Note	AR	Parker Options (Note: Not Available - Purchase Individual Components)	

SECTION 2 - TURNTABLE

FIGURE 2-8. DEUTZ ENGINE INSTALLATION (Prior to SN 0300030041)



SECTION 2 - TURNTABLE

FIGURE 2-8. DEUTZ ENGINE INSTALLATION (Prior to SN 0300030041)

ITEM	PART NUMBER	QTY	DESCRIPTION	REV
	0255326	Ref	DEUTZ ENGINE INSTALLATION	11-J
1	2000132	1	Engine - Deutz F4M1011F Diesel	
2	4844961	1	Tray Engine	
3	3538724	1	Plate, Radiator Mounting	
4	3620033	1	Cooler, Oil	
5	2060025	1	Fan	
6	3600164	1	Piston Pump Assembly (See PISTON PUMP ASSEMBLY for Breakdown)	
7	1340056	1	Air Cleaner Assembly	
7A	7012664	1	Element, Air Cleaner	
8	0340041	2	Band, Mounting	
9	4640751	1	Valve, Oil Drain	
10	3600242	1	Gear Pump Assembly (See GEAR PUMP ASSEMBLY for Breakdown)	
11	3200378	4	Mount, Rubber Engine	
12	3537420	1	Bracket, Engine Mounting - Rear	
13	3537691	1	Bracket, Engine Mounting - Front	
14	3537416	1	Support, Engine - Right	
15	3537417	1	Support, Engine - Left	
16	0400075	1	Battery	
17	0181727	1	Hold-Down, Battery	
18	0630498	2	Rod, Hold-Down	
19	3740067	2	Relay	
20	4845080	1	Tube, Air Intake	
21	4360392	1	Switch, Restrictor Indicator	
22	2180798	1	Fitting	
23	3422446	1	Pin, Pivot	
24	3841143	1	Keeper, Pin	
25	4844623	1	Tube, Exhaust	
26	0940070	1	Bumper, Rubber	
27	2720397	1	Hose, Oil Cooler - Left (36in)	
28	2720398	1	Hose, Oil Cooler - Right (30in)	
29		Ref	Nameplate - Fan Caution Options:	
29	3250914	2	Nameplate - Fan Caution (Prior to SN 0300027660)	
29	1703162	2	Nameplate - Fan Caution (SN 0300027660 through 0300068000)	
30	1320016	4	Clamp, Hose	
31	2901392	1	Throttle Mounting Kit	
31A	7008833	1	Bracket, Throttle	
31B	7008835	1	Coupling, Ball Joint	
31C		Ref	Spring Options:	
31C	7008836	1	Spring (Addco Version)	
31C	7027250	1	Spring (Deutz Version)	
31D	7023340	AR	Screw, Shoulder 3/8in x 3/8in (Not Shown)	
32	2220451	2	Fitting, Straight	
33	3931620	2	Bolt, Socket Head 3/8in-16NC x 1-1/4in	
34	0902243	1	Bracket, Control Module Mounting	
35	0641816	4	Bolt 1/2in-13NC x 2in	
36	3311805	4	Locknut 1/2in-13NC	
37	0641610	21	Bolt 3/8in-16NC x 1-1/4in	

SECTION 2 - TURNTABLE

ITEM	PART NUMBER	QTY	DESCRIPTION	REV
38	3311605	22	Locknut 3/8in-16NC	
39	4751600	44	Flatwasher 3/8in Regular	
40	0701414	4	Bolt M14 x 30mm	
41	4891600	2	Flatwasher 3/8in Hardened	
42	0641406	12	Bolt 1/4in-20NC x 3/4in	
43	4751400	20	Flatwasher 1/4in Regular	
44	3311405	13	Locknut 1/4in-20NC	
45	0721004	2	Bolt #10-24NC x 5/8in	
46	3311005	2	Locknut #10-24NC	
47	4751000	2	Flatwasher #10 Regular	
48	1320022	6	Clamp, Hose	
49	2220273	2	Fitting, Reducer	
50	2180536	1	Fitting, Straight	
51	2220313	1	Fitting,90	
52	2750532	6 ft /1.83m	Hose 3/8in	
53	2220250	1	Fitting, Reducer	
54	2220459	1	Fitting, 90	
55	2720271	15 ft/4.6m	Hose 3/16in	
56	0641812	4	Bolt 1/2in-13NC x 1-1/2in	
57	0100020	AR	Sealant, Thread	
58	0100011	AR	Compound, Locking	
60	2720351	6 in/15cm	Coupling, Rubber Intake	
61	0700810	4	Bolt M8 x 20mm	
62	0060033	NLA	Actuator Assembly (Use p/n 2910000) (See ELECTRICAL SECTION for Breakdown)	
65	3290801	3	Nut M8	
66	0080177	1	Air Intake Adapter Weldment	
67	0641510	3	Bolt 5/16in-18NC x 1-1/4in	
68	3311505	3	Locknut 5/16in-18NC	
69	0961986	2	Bushing, Flanged	
70	2901358	1	Battery Cable Kit	
70A	7016800	1	Cable, Battery (Red)	
70B	7016812	1	Cable, Battery (Black)	
70C	7016802	1	Cable (Red)	
70D	7016803	1	Cable (Red)	
70E	7016804	1	Cable (Red)	
70F	7016805	1	Cable (Black) (Prior to SN 0300025556)	
71	4460611	1	Terminal, Battery Jumper Post	
72	4360294	1	Breaker, Circuit - 30Amp	
73	1320222	1	J-Clip 3/8in	
74	1320223	3	J-Clip 1/2in	
75	0641606	3	Bolt 3/8in-16NC x 3/4in	
76	3422532	1	Pin, Hitch	
77	3790152	1	O-Ring	
78	3960407	1	Gasket	
79	4791400	4	Starwasher 1/4in	
80	0701012	4	Bolt M10 x 25mm	
81	0701015	4	Bolt M10 x 35mm	
82	0642010	1	Bolt 5/8in-11NC x 1-1/4in	
83	4752000	1	Flatwasher 5/8in Regular	
84	1701505	1	Decal - Diesel (Not Shown - Located on Hood)	

SECTION 2 - TURNTABLE

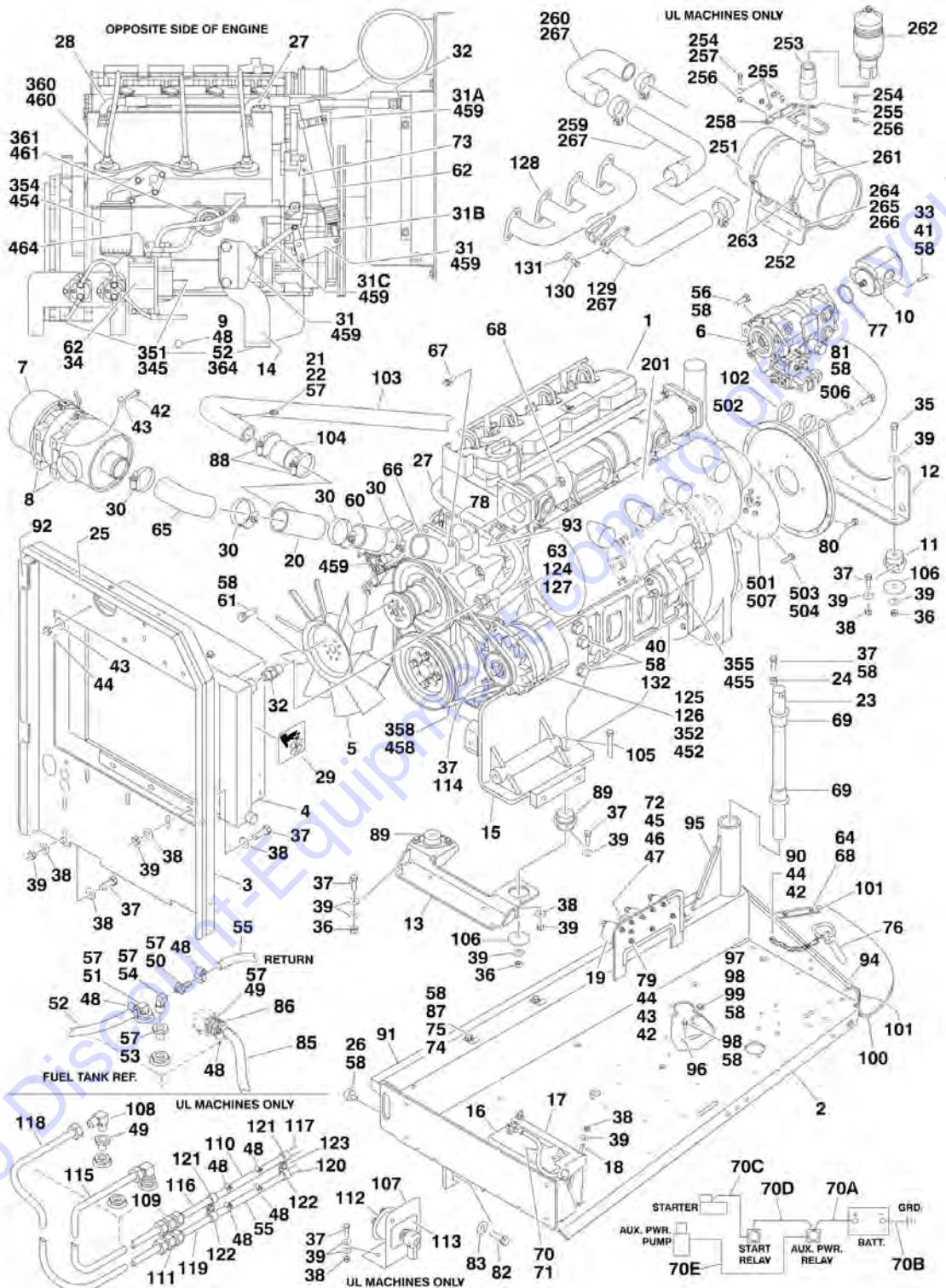
ITEM	PART NUMBER	QTY	DESCRIPTION	REV
85	2720058	16 ft/4.9m	Hose	
86	2220794	1	Fitting, Barbed	
87	4711600	3	Flatwasher 3/8in Thin	
88	4100025	19 in /49cm	Sleeve, Fiberglass	
89	4920385	2 ft/60cm	Wire	
90	4711400	1	Flatwasher 1/4in Thin	
91	4566986	1	Tube, Adapter	
92	1320019	1	Clamp, Exhaust	
93	1320060	1	Clamp, Hose	
94	4060805	7 in/18cm	Flex-Trim 1/4in (SN 0300025556 through 0300028190)	
95	4060804	16 in /40cm	Flex-Trim 3/16in (SN 0300025556 through 0300028190)	
96	1060637	1	Lanyard (SN 0300025556 through 0300028190)	
97	0641808	2	Bolt 1/2in-13NC x 1in (SN 0300025556 through 0300028190)	
98	3311801	1	Nut 1/2in-13NC (SN 0300025556 through 0300028190)	
99	4751800	1	Flatwasher 1/2in Regular (SN 0300025556 through 0300028190)	
	0256191	Ref	PUMP COUPLING INSTALLATION	-
101		Ref	Coupling, Hayes Options:	
101	1660184	1	Coupling, Hayes 13 Tooth Pump (Originally Equipped)	
101	1660234	1	Coupling, Hayes 15 Tooth Pump (Option for field replacement)	
102	0080163	1	Plate, Pump Adapter	
103	0700810	6	Bolt M8 x 20mm	
104	4831900	6	Lockwasher M8	
106	4832000	8	Lockwasher M10	
107	3020021	AR	Grease, Coupling	
		Ref	MUFFLER INSTALLATIONS	
	0255875	Ref	Standard Equipment	-
	0255876	Ref	Optional Purifier	-
201		Ref	Muffler Options:	
201	3220100	1	Muffler Standard Spark Arresting	
201	3220101	1	Muffler Optional Catalytic Purifier	
202	0340041	2	Band, Clamp	
203	0902217	1	Bracket	
204	0641508	4	Bolt 5/16in-18NC x 1in	
205	4711500	8	Flatwasher 5/16in Thin	
206	3311505	4	Locknut 5/16in-18NC	
207	1320019	1	Clamp, Exhaust	
	2000132	Ref	ENGINE COMPONENTS	
301		Ref	Fuel Filter/Water Separator options:	
301	7016328	1	Fuel Filter/Water Separator Element, Filter (Thumbscrew Mounted)	
301	7020023	1	Fuel Filter/Water Separator Element, Filter (Spin-On) (was p/n 7012598)	
302	7000663	1	Alternator (was p/n 7016329, 7020436 & 7020410)	
302	70002234	1	Bracket, Adjustable Mounting Strap	
303	7016330	1	Switch, Oil Pressure (Not Shown)	
304	7016331	1	Filter, Oil	
305	7016332	1	Starter	
306	70000787	1	Support, Fan	
307	7000699	1	Gasket, Exhaust (Doughnut) (Fits Between Pipe Flange and Manifold)	

SECTION 2 - TURNTABLE

ITEM	PART NUMBER	QTY	DESCRIPTION	REV
308		Ref	Pump, Fuel Injector Options:	
		Ref	Note: Customer must supply Engine Serial Number before ordering.	
308	7012599	4	Pump, Fuel Injector Option 1	
308	7020427	4	Pump, Fuel Injector Option 2	
309		Ref	Pump, Fuel Supply Lift Options;	
		Ref	Note: Customer must supply Engine Serial Number before ordering.	
309	7012698	1	Pump, Fuel Supply Lift Option 1	
309	7024413	1	Pump, Fuel Supply Lift Option 2 (was p/n 7020428)	
309	7020411	1	Gasket, Fuel Supply Lift Pump	
309	7016309	1	Washer, Copper	
309	7020419	1	Hose, Fuel Return (Not Shown)	
310	7019607	1	Solenoid, Fuel Shutdown	
311	7020404	1	Ring, Sealing - Oil Drain	
312	7020408	1	V-Belt	
313	7020418	1	Dipstick (Not Shown)	
314	7020431	1	Gasket, Head (Not Shown)	
315	See Note	NLA	Flywheel/Ring Gear Assembly (Not Shown) (Note: Not Available for Purchase)	
315	7020477	1	Ring Gear Only (Not Shown)	
316	7024565	1	Sensor, Speed (Not Shown)	
317	7027250	1	Spring, Actuator (Not Shown)	

SECTION 2 - TURNTABLE

FIGURE 2-9. DEUTZ ENGINE INSTALLATION - WITH NOISE REDUCTION (SN 0300030041 through 0300068000)



SECTION 2 - TURNTABLE

FIGURE 2-9. DEUTZ ENGINE INSTALLATION - WITH NOISE REDUCTION (SN 0300030041 through 0300068000)

ITEM	PART NUMBER	QTY	DESCRIPTION	REV
		Ref	DEUTZ ENGINE INSTALLATIONS	
	0256753	Ref	Engine Assembly and Installation (Standard) (SN 0300030041 through 0300061926)	6-G
	0270763	Ref	Engine Assembly and Installation - ADE System (SN 0300061927 through 0300068000)	8-G
	0257702	Ref	Engine Assembly and Installation (UL)	8-D
1		Ref	Engine - Deutz F4M1011F Diesel Options:	
1	2000146	1	Engine - Deutz F4M1011F Diesel Standard Machines	
1	2000146	1	Engine - Deutz F4M1011F Diesel UL Machines	
1	2000173	1	Engine - Deutz F4M1011F Diesel ADE System (SN 0300030041 through 0300065607)	
1	2000189	1	Engine - Deutz F4M1011F Diesel ADE System (SN 0300065608 through 0300068000)	
2	4845404	1	Tray Engine	
3		Ref	Plate, Radiator Mounting Options:	
3	3539872	1	Plate, Radiator Mounting Standard/ADE System Machines	
3	3571421	1	Plate, Radiator Mounting UL Machines (SN 0300039457 through 0300068000)	
4	3620033	1	Cooler, Oil	
5	2060025	1	Fan	
6	3600260	1	Piston Pump Assembly (See PISTON PUMP ASSEMBLY for Breakdown)	
7		Ref	Air Cleaner Assembly Options:	
7	1340060	1	Air Cleaner Assembly Standard/ADE System Machines	
7A	7012664	1	Air Cleaner Assembly Element	
7A	1340050	1	Air Cleaner Assembly UL Machines (SN 0300039457 through 0300068000)	
7A	7010638	1	Air Cleaner Assembly Element	
8	0340041	2	Band, Mounting	
9	4640751	1	Valve, Oil Drain	
10	3600242	1	Gear Pump Assembly (See GEAR PUMP ASSEMBLY for Breakdown)	
11	3200378	2	Mount, Rubber Engine (Rear)	
12	3537420	1	Bracket, Engine Mounting - Rear	
13	3539971	1	Bracket, Engine Mounting - Front	
14	3537416	1	Support, Engine - Right	
15		Ref	Support, Engine - Left Options:	
15	3537417	1	Support, Engine - Left (SN 0300030041 through 0300064394)	
15	4846479	1	Support, Engine - Left (SN 0300064395 through 0300068274)	
15	4846566	1	Support, Engine - Left (SN 0300068275 through 0300068000)	
16	0400075	1	Battery	
17	0181727	1	Hold-Down, Battery	
18	0630498	2	Rod, Hold-Down	
19	3740067	2	Relay	
20		Ref	Tee, Air Intake Tube Options:	
20	4567112	1	Tee, Air Intake Tube (Standard Only) (Prior to SN 0300042668)	
20	4845080	1	Weldment, Air Intake Tube (UL Machines Only)	
21	4360392	1	Switch, Restrictor Indicator	
22	2180798	1	Fitting	
23	3422446	1	Pin, Pivot	

SECTION 2 - TURNTABLE

ITEM	PART NUMBER	QTY	DESCRIPTION	REV
24	3841143	1	Keeper, Pin	
25	3960389	5 ft/1.5m	Seal	
26	0940070	1	Bumper, Rubber	
27		Ref	Hose, Oil Cooler - Left Options:	
27	2720397	1	Hose, Oil Cooler - Left, Hose 36in (SN 0300030041 through 0300034756)	
27	2720398	1	Hose, Oil Cooler - Left, Hose 30in (SN 0300034757 through 0300068000)	
28	2720398	1	Hose, Oil Cooler - Right (30in)	
29	1703162	2	Nameplate - Fan Caution	
30	1320016	4	Clamp, Hose	
31	2901392	1	Throttle Mounting Kit (SN 0300030041 through 0300061927)	
31A	7008833	1	Bracket, Throttle (SN 0300030041 through 0300061927)	
31B	7008835	1	Coupling, Ball Joint (SN 0300030041 through 0300061927)	
31C		Ref	Spring Options: (SN 0300030041 through 0300061927)	
31C	7008836	1	Spring (Addco Version)	
31C	7027250	1	Spring (Deutz Version)	
31D	7023340	AR	Screw, Shoulder 3/8in x 3/8in (Not Shown) (SN 0300030041 through 0300061927)	
32	2220451	2	Fitting, Straight	
33	3931620	2	Capscrew, Socket Head 3/8in-16NC x 1-1/4in	
34		Ref	Bracket, Control Module Mounting Options:	
34	0902243	1	Bracket, Control Module Mounting (SN 0300030041 through 0300044123)	
34	0902511	1	Bracket, Control Module Mounting (SN 0300044124 through 0300061927)	
35	0641818	2	Bolt 1/2in-13NC x 2-1/4in	
36	3311805	4	Locknut 1/2in-13NC	
37	0641610	AR	Bolt 3/8-16NC x 1-1/4in	
38	3311605	AR	Locknut 3/8in-16NC	
39	4751600	AR	Flatwasher 3/8in Regular	
40	0701414	AR	Bolt 1/4in-20NC x 3/4in	
41	4891600	2	Flatwasher 3/8in Hardened	
42	0641407	13	Bolt 1/4in-20NC x 7/8in	
43	4751400	20	Flatwasher 1/4in Regular	
44	3311405	13	Locknut 1/4in-20NC	
45	0721005	2	Bolt #10-24NC x 5/8in (SN 0300030041 through 0300061927)	
46	3321005	2	Locknut #10-24NC (SN 0300030041 through 0300061927)	
47	4751000	2	Flatwasher #10 Regular (SN 0300030041 through 0300061927)	
48	1320022	6	Clamp, Hose	
49	2220273	2	Fitting, Reducer	
50	2180536	1	Fitting, Straight	
51	2220313	1	Fitting, 90	
52	2750532	6 ft/1.83m	Hose 3/8in	
53	2220250	1	Fitting, Reducer	
54	2220459	1	Fitting, 90	
55	2720271	15 ft/4.6m	Hose 3/16in	
56	0641812	4	Bolt 1/2in-13NC x 1-1/2in	
57	0100020	AR	Sealant, Thread	
58	0100011	AR	Compound, Locking	
60		Ref	Coupling, Rubber Intake Options:	
60	2720351	6 in/15cm	Coupling, Rubber Intake (SN 0300030041 through 0300067978)	

SECTION 2 - TURNTABLE

ITEM	PART NUMBER	QTY	DESCRIPTION	REV
60	2720449	2	Coupling, Rubber Intake (SN 0300067979 through 0300068000)	
61	0700808	4	Bolt M8 x 16mm	
62	0060033	NLA	Actuator Assembly (Use p/n 2910000) (See ELECTRICAL SECTION for Breakdown) (SN 0300030041 through 0300061927)	
63	0641508	AR	Bolt 5/16in-18NC x 1-1/4in	
64	3900272	3	Screw 5/16in-18NC x 1-3/4in (SN 0300030041 through 0300061927)	
65	2720434	1	Elbow, Rubber	
66	4845395	1	Air Intake Adapter Weldment	
67	0641510	3	Bolt 5/16in-18NC x 1-1/4in	
68	3311505	7	Locknut 5/16in-18NC	
69	0961986	2	Bushing, Flanged	
70	2901358	1	Battery Cable Kit (Standard/ADE System Machines)	
70A	7016800	1	Cable, Battery (Red)	
70B	7016812	1	Cable, Battery (Black)	
70C	7016802	1	Cable (Red)	
70D	7016803	1	Cable (Red)	
70E	7016804	1	Cable (Red)	
70F	Not Required	0	Not Required	
70	2901540	1	Battery Cable Kit (UL Machines Only)	
70A	7016826	1	Cable, Battery (Red)	
70B	7016812	1	Cable, Battery (Black)	
70C	7016845	1	Cable (Red)	
70D	7016815	1	Cable (Red)	
70E	7016816	1	Cable (Red)	
70F	7016827	1	Cable (Red)	
71	4460611	1	Terminal, Battery Jumper Post	
72	4360294	1	Breaker, Circuit - 30Amp (SN 0300030041 through 0300061927)	
73	1320222	1	J-Clip 3/8in	
74	1320223	3	J-Clip 1/2in	
75	0641606	3	Bolt 3/8in-16NC x 3/4in	
76		Ref	Pin, Hitch Options:	
76	3422532	1	Pin, Hitch Standard/ADE System Machines	
76	3422533	1	Pin, Hitch UL Machines	
77	3790152	1	O-Ring	
78	3960407	1	Gasket	
79	4791400	4	Starwasher 1/4in	
80	0701012	4	Bolt M10 x 25mm	
81	0701015	4	Bolt M10 x 35mm	
82	0642010	1	Bolt 5/8in-11NC x 1-1/4in	
83	4752000	1	Flatwasher 5/8in	
84	1701505	1	Decal - Diesel (Not Shown - Located on Hood)	
85	2720058	16 ft/4.9m	Hose	
86	2220794	1	Fitting, Barbed	
87	4711600	3	Flatwasher 3/8in Thin	
88	1320031	2	Clamp Only (SN 0300030041 through 0300042667)	
89	3200362	2	Mount, Rubber Engine (Front)	
90	4711400	1	Flatwasher 1/4in Thin	
91	3960468	1	Seal, Foam Gasket	

SECTION 2 - TURNTABLE

ITEM	PART NUMBER	QTY	DESCRIPTION	REV
92	3960469	1	Seal, Foam Gasket	
93	1320060	1	Clamp, Hose Only (SN 0300030041 through 0300034756)	
94	4060805	2.9 ft /0.88m	Flex-Trim 1/4in	
95	4060804	16 in /40cm	Flex-Trim 3/16in (SN 0300030041 through 030067815)	
96	1060637	1	Lanyard	
97	0641808	2	Bolt 1/2in-13NC x 1in	
98	3311801	1	Nut 1/2in-13NC	
99	4751800	AR	Flatwasher 1/2in Regular	
100	3380429	1	Panel, Rubber	
101	3539957	2	Plate, Hold Down	
102	1320131	2	Clamp Only (SN 0300030041 through 0300042667)	
103		Ref	Tuning Tube Weldment Options:	
103	4845394	1	Tuning Tube Weldment (SN 0300030041 through 0300042667)	
103	4567815	1	Tuning Tube Weldment (SN 0300042668 through 0300068000)	
104	2720423	1	Hose Only (SN 0300030041 through 0300042667)	
105	0641826	2	Bolt 1/2in-13NC x 3-1/4in	
106	4740274	4	Washer, Snubbing	
107	3570238	1	Plate, Switch Mounting (UL Machines Only)	
108	2180703	1	Fitting, 90 (UL Machines Only)	
109	2221023	1	Fitting, Union (UL Machines Only)	
110		Ref	Hose (UL Machines Only) Options:	
110	2720339	NLA	Hose (UL Machines Only) (Use p/n 2720058) (SN 0300030041 through 0300064779)	
110	2720058	1.66 ft /0.6m	Hose (UL Machines Only) (SN 0300064780 through 0300068000)	
111	2221028	1	Fitting, Union (UL Machines Only)	
112	4360256	1	Switch, Battery Disconnect (UL Machines Only)	
113	1703476	1	Decal, Battery Disconnect (UL Machines Only)	
114	4567576	1	Spacer, Tube (UL Machines Only)	
115	4567404	1	Tubing, Fuel (UL Machines Only)	
116	4567403	1	Tubing, Fuel (UL Machines Only)	
117	4567574	1	Tubing, Fuel (UL Machines Only)	
118	4567580	1	Tubing, Fuel (UL Machines Only)	
119	4567581	1	Tubing, Fuel (UL Machines Only)	
120	4567573	1	Tubing, Fuel (UL Machines Only)	
121	1320245	5	Clamp (UL Machines Only)	
122	1320244	5	Clamp (UL Machines Only)	
123	3931408	5	Bolt 1/4in-20NC x 1/2in (UL Machines Only)	
124	0902417	1	Bracket, Alternator (UL Machines Only)	
125	0160020	1	Alternator (UL) 72Amp (UL Machines Only)	
126	3580259	1	Pulley, Alternator (UL Machines Only)	
127	4751500	1	Flatwasher 5/16in Regular (UL Machines Only)	
128	3100076	1	Manifold, Exhaust (UL Machines Only)	
129	4567428	1	Weldment, Exhaust Tube (UL Machines Only)	
130	0700812	3	Bolt 8mm x 25mm (UL Machines Only)	
131	4831900	3	Lockwasher 8mm (UL Machines Only)	
132	4711900	6	Flatwasher 9/16in Thin	
		Ref	Muffler Installations	
	0256689	Ref	Standard Equipment (Spark Arresting)	-

SECTION 2 - TURNTABLE

ITEM	PART NUMBER	QTY	DESCRIPTION	REV
	0256690	Ref	Optional Equipment (Catalytic)	-
201		Ref	Muffler Options:	
201	3220103	1	Muffler Spark Arresting	
201	3220104	1	Muffler Catalytic	
201		Ref	Muffler Components:	
201		Ref	Clamp Options:	
201	1320176	1	Saddle Clamp Used on Spark Arresting	
201	70001017	1	Band Clamp Used on Catalytic	
201	7024398	1	Tube, Exhaust	
201	7024560	1	Plug, Brass	
	0258568	Ref	Muffler Installation - UL	2
251	3220113	1	Muffler, Spark Arrestor	
252	3570754	1	Plate, Muffler Mount	
253	4845799	1	Weldment, Exhaust Tube	
254	3900232	5	Bolt, Button Head 3/8in-16NC x 1-1/4in	
255	4751600	5	Flatwasher 3/8in Regular	
256	3311601	5	Nut 3/8in-16NC	
257	0100011	AR	Compound, Locking	
258	0902472	1	Bracket	
259	4567429	1	Tube, Exhaust	
260	4567430	1	Tube, Exhaust	
261	4567431	1	Tube, Exhaust	
262	3220111	1	Spark Arrestor	
263	0340046	2	Band, Muffler	
264	0641507	4	Bolt 5/16in-18NC x 7/8in	
265	4711500	8	Flatwasher 5/16in Thin	
266	3311505	4	Locknut 5/16in-18NC	
267	4100025	3.5 ft /1.06m	Sleeve	
	2000146	Ref	ENGINE COMPONENTS (UL AND NON-ADE MACHINES)	
351		Ref	Fuel Filter/Water Separator options:	
351	7016328	1	Fuel Filter/Water Separator Element, Filter (Thumbscrew Mounted) (was p/n 7016639)	
351	7020023	1	Fuel Filter/Water Separator Element, Filter (Spin-On) (was p/n 7012598)	
352	7000663	1	Alternator (was p/n 7016329, 7020436 & 7020410)	
353	7016330	1	Switch, Oil Pressure (Not Shown)	
353	7020025		Switch, Oil Temperature (Not Shown)	
354	7016331	1	Filter, Oil (was p/n 7016641)	
354	See Note	1	Head, Oil Filter (Note: Not Available for Purchase)	
354	70002813	1	Seal, Oil Filter Head to Engine Block	
355	7016332	1	Starter	
356	7016640	1	Dipstick Kit - Engine Oil (Not Shown)	
356	70001002		Tube, Dipstick (Not Shown)	
357	7020025	1	Switch, Engine Temperature (Not Shown)	
358	7020414	1	V-Belt	
359	7019607	1	Throttle Shutdown (was p/n 7016359)	
360		Ref	Pump, Fuel Injector Options:	
		Ref	Note: Customer must supply Engine Serial Number before ordering.	
360	7012599	4	Option 1	
360	7020022	4	Option 2	

SECTION 2 - TURNTABLE

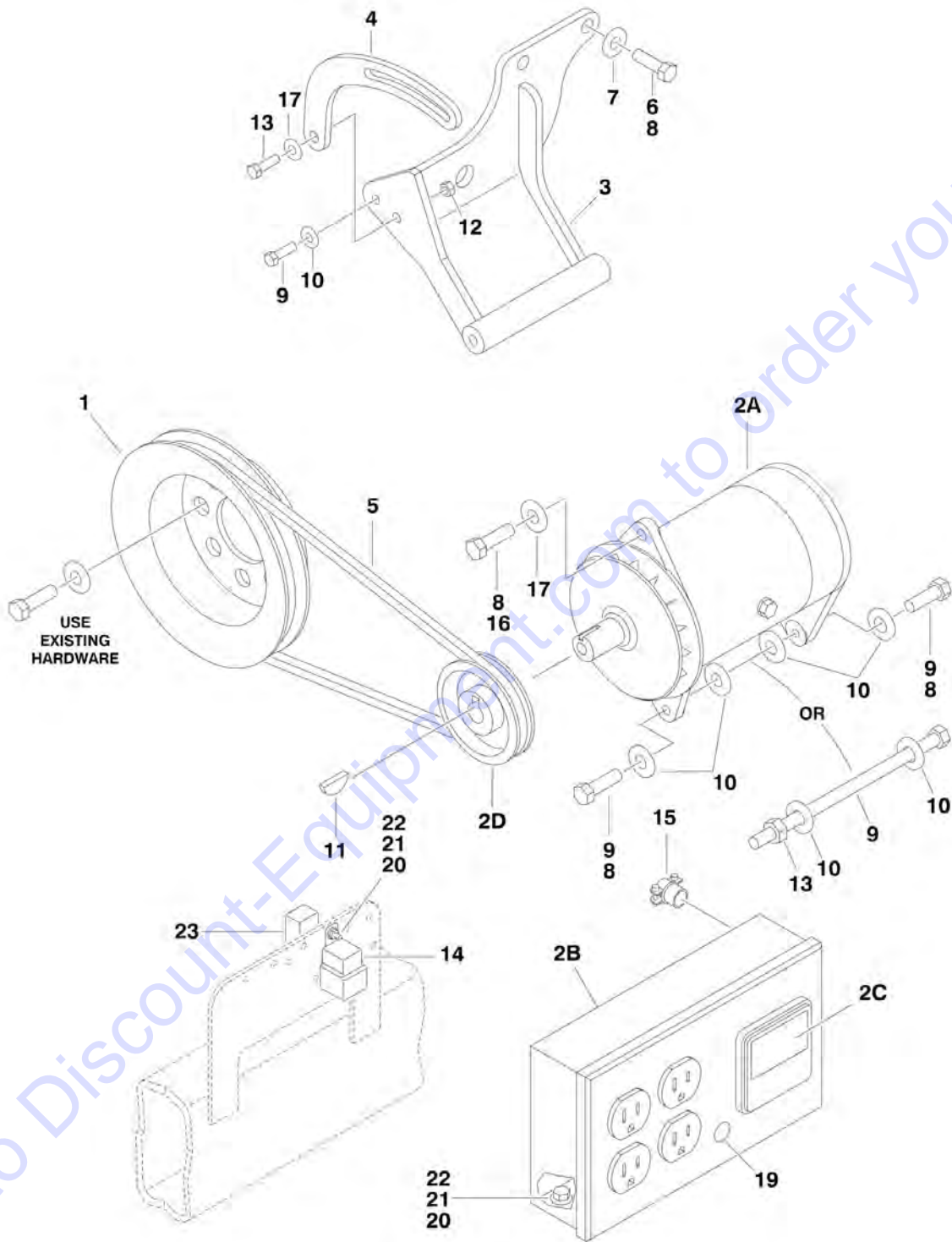
ITEM	PART NUMBER	QTY	DESCRIPTION	REV
360	7020427	4	Option 3	
360	7026522	4	Injector, Fuel (Includes Nozzle Element) (Not Shown)	
360	7020425	4	Nozzle (Not Shown)	
361	7020463	1	Fuel, Pump Supply	
361	7020411	1	Gasket, Lift Pump	
361	7020419	1	Hose, Fuel Return	
362	7020431	1	Gasket, Valve Cover (Not Shown)	
363	7020027	1	Flywheel/Ring Gear Assembly (Not Shown)	
363	7020477	1	Ring Gear Only (Not Shown)	
364	7020404	1	Ring, Sealing - Oil Drain	
365		Ref	Gasket, Cylinder Head Options (Not Shown):	
365	70001681	1	Gasket, Cylinder Head 1 Notch	
365	70002411	1	Gasket, Cylinder Head 2 Notches	
365	70002530	1	Gasket, Cylinder Head 3 Notches	
366	7000699	1	Gasket, Exhaust (Doughnut) (Fits Between Pipe Flange and Manifold - Not Shown)	
367	7020404	1	Washer, Oil Drain Plug (Not Shown)	
368	7027250	1	Spring, Actuator (Not Shown)	
369	7020471	4	Gasket, Exhaust Manifold to Engine Block (Not Shown)	
370	7020465	1	Cap, Oil Fill (Not Shown)	
		Ref	ENGINE COMPONENTS (ADE MACHINES)	
	2000173	Ref	Engine Components (SN 0300061927 through 0300065607)	
	2000189	Ref	Engine Components (SN 0300065608 through 0300068000)	
451	7016328	1	Filter, Fuel	
451	70001423	1	Bracket, Fuel Filter	
452	7000663	1	Alternator (Non-UL) (was p/n 7020410)	
452	7020464	1	Regulator, Voltage	
452	70003556		Pulley, Alternator (Non-UL Machines)	
452	70002234	1	Bracket, Adjustable	
453	7020461	1	Switch, Oil Pressure (Not Shown)	
454	7016331	1	Filter, Oil	
455		Ref	Starter Options:	
455	7016332	1	Starter 2000173 Engine (SN 0300061927 through 0300065608)	
455	7020479	1	Starter 2000189 Engine (SN 0300065508 through 0300068000)	
455	7026608	1	Relay, Starter	
455	7026608	1	Starter 2000189 Engine (SN 0300065508 through 0300068000)	
455	70001498	1	Shield, Starter	
456		Ref	Dipstick Oil Level Options (Not Shown):	
456	7020418	1	Dipstick Oil Level 2000173 Engine (SN 0300061927 through 0300065608)	
456	7026631	1	Dipstick Oil Level 2000189 Engine (SN 0300065508 through 0300068000)	
456		Ref	Tube, Dipstick Options (Not Shown):	
456	See Note	1	Tube, Dipstick 2000173 Engine (Note: Not Available for Purchase) (SN 0300061927 through 0300065608)	
456	70001002	1	Tube, Dipstick 2000189 Engine (SN 0300065508 through 0300068000)	
456	7020487	1	O-Ring, Dipstick Options (Not Shown):	
457	7020168	1	Switch, Engine Temperature (Not Shown)	
457	7020480	1	Ring Seal, Engine Temperature Switch (Not Shown)	

SECTION 2 - TURNTABLE

ITEM	PART NUMBER	QTY	DESCRIPTION	REV
458	7020408	1	V-Belt	
459	7020458	1	Actuator, Throttle	
459	7027276	1	Spring, Actuator (was p/n 7026607)	
460	7024318	4	Fuel, Injection Pump (was p/n 7020462)	
460	7026522	4	Injector, Fuel (Includes Nozzle Element) (Not Shown)	
461	7020463	1	Fuel, Pump Supply (was p/n 7024413)	
461	7020411	1	Gasket, Lift Pump	
462	7020449	4	Gasket, Intake Manifold (Not Shown)	
463	7020471	4	Gasket, Exhaust Manifold to Engine Block (Not Shown)	
463	70002200	AR	Stud	
464	70001423	1	Head, Fuel Filter	
465		Ref	Flywheel/Ring Gear Assembly Options (Not Shown):	
465	7020027	1	Flywheel/Ring Gear Assembly 2000173 Engine (SN 0300061927 through 0300065608)	
465	See Note	1	Flywheel/Ring Gear Assembly 2000189 Engine (Note: Not Available for Purchase) (SN 0300065508 through 0300068000)	
465		Ref	Ring Gear Only Options (Not Shown):	
465	See Note	1	Ring Gear Only 2000173 Engine (Note: Not Available for Purchase) (SN 0300061927 through 0300065608)	
465	7024579	1	Ring Gear Only 2000189 Engine (SN 0300065508 through 0300068000)	
466	7020431	1	Gasket, Valve Cover (Not Shown)	
467	7020459	1	Thermostat (Not Shown)	
468	7020460	AR	Spring, Compression (Not Shown)	
469	7020465	2	Cap, Filler (Not Shown)	
470	7024565	1	Sensor, Speed (was p/n 7020481) (Not Shown)	
471		Ref	Connector, Plug-in Options (Plug into Various Sensors - Oil, Temperature and Pressure - Not Shown):	
471	See Note	1	Connector, Plug-in 2000173 Engine (Note: Not Available for Purchase) (SN 0300061927 through 0300065608)	
471	7020488	1	Connector, Plug-in 2000189 Engine (SN 0300065508 through 0300068000)	
472	7020474	1	Pump, Oil Lube (Not Shown)	
472	7020468	1	Ring Seal Oil Pump Options (Not Shown)	
473		Ref	Gasket, Head Options (Not Shown):	
473	70001681	1	Gasket, Head 1 Notch Gasket	
473	70002411	1	Gasket, Head 2 Notch Gasket	
473	70002530	1	Gasket, Head 3 Notches	
	0256847	Ref	PUMP COUPLING INSTALLATION	
501	1660234	1	Coupling, Hayes	
502	0080163	1	Plate, Pump Adapter	
503	0700810	6	Bolt 8mm x 20mm	
504	4831900	6	Lockwasher M8	
506	4832000	8	Lockwasher M10	
507	3020021	AR	Grease, Coupling	

SECTION 2 - TURNTABLE

FIGURE 2-10. 2500W GENERATOR INSTALLATION - DEUTZ MACHINES (OPTIONAL)



SECTION 2 - TURNTABLE

FIGURE 2-10. 2500W GENERATOR INSTALLATION - DEUTZ MACHINES (OPTIONAL)

ITEM	PART NUMBER	QTY	DESCRIPTION	REV
		Ref	2500W GENERATOR INSTALLATION OPTIONS:	
		Ref	Generator Installation (Prior to SN 0300035129)	
	0255396	Ref	Generator Installation 110V/60Hz Generator	3
	0257160	Ref	Generator Installation 220V/50Hz Generator	2
		Ref	Generator Installation (SN 0300035129 through 0300061926)	
	0257853	Ref	Generator Installation 110V/60Hz Generator	3
	0257857	Ref	Generator Installation 220V/50Hz Generator	4
		Ref	Generator Installation (SN 0300061927 through 0300063908)	
	0270801	Ref	Generator Installation 110V/60Hz Generator - ADE System	1
	0270810	Ref	Generator Installation 220V/50Hz Generator - ADE System	1
		Ref	Generator Installation (SN 0300063909 through 0300068042)	
	0271544	Ref	Generator Installation 110V/60Hz Generator - ADE System	3
	0271547	Ref	Generator Installation 220V/50Hz Generator - ADE System	4
		Ref	Generator Installation (SN 0300068043 through 0300068000)	
	0272480	Ref	Generator Installation 110V/60Hz Generator - ADE System	1
	0272482	Ref	Generator Installation 110V/50Hz Generator - ADE System	1
	0272481	Ref	Generator Installation 220V/50Hz Generator - ADE System	1
		Ref	Generator Installation (SN 0300066588 through 0300068043)	
	0272293	Ref	Generator Installation 110V/50Hz Generator - ADE System	1
		Ref	Note: Refer to SPECIAL OPTIONS SECTION for Generator 7500W 50Hz Installation.	
1	3580158	1	Pulley	
2		Ref	Generator and Control Box Assembly Options:	
2	2460011	1	Generator and Control Box Assembly 110V/60Hz Assembly (Prior to SN 0300064963)	I
2	2460032	1	Generator and Control Box Assembly 110V/60Hz Assembly (SN 0300064963 through 0300068000)	C
2	2460039	1	Generator and Control Box Assembly 110V/50Hz Assembly (SN 0300064963 through 0300068000)	B
2	2460013	1	Generator and Control Box Assembly 220Volt Assembly (Prior to SN 0300064963)	B
2	2460034	1	Generator and Control Box Assembly 220Volt Assembly (SN 0300064963 through 0300066745)	B
2	2460013	1	Generator and Control Box Assembly 220Volt Assembly (SN 0300066746 through 0300068000)	B
2A		Ref	Replacement Generator Options:	
2A	7012558	1	Replacement Generator 110V/60Hz Replacement Generator	
2A	2460049	1	Replacement Generator 110V/50Hz Replacement Generator	
2A	1001100321	1	Replacement Generator 220V Replacement Generator	
2A	7020193	1	Cable, Generator (Generator to Control Box)	
2A		Ref	Armature Options:	
2A	7026199	1	Armature 110V/60Hz Generator	
2A	70000122	1	Armature 110V/50Hz Generator	
2A	70000123	1	Armature 220V Generator	
2A	7020108	4	Brush	
2A	7020109	4	Holder, Brush	
2A	7012513	4	Cap, Brush Holder	
2A	7012514	1	Fan	
2A	7020110	1	Bell, Front	
2A	7020111	1	Bell Rear	

SECTION 2 - TURNTABLE

ITEM	PART NUMBER	QTY	DESCRIPTION	REV
2A	7020190	2	Bearing	
2B		Ref	Control Box Options:	
2B	7003657	1	Control Box 110V/60Hz Control Box	
2B	70002239	1	Control Box 110V/50Hz Control Box	
2B	70002235	1	Control Box 220V Control Box	
		Ref	Note: Replacement 110V control box comes with (2) standard receptacle p/n 4460190. Optional industrial twist lock receptacle p/n 4460027 must be ordered separately.	
2B		Ref	Breaker, Circuit Options:	
2B	4360542	1	Breaker 110V/60Hz	
2B	70002240	1	Breaker 110V/50Hz	
2B	70000126	1	Breaker 220V	
2B		Ref	Receptacle Options:	
2B	4460190	AR	Receptacle, Standard 110V	
2B	4460027	AR	Receptacle, Twistlock 110V	
2B	70000124	AR	Receptacle, Double 220V	
2B	70000125	AR	Receptacle, Single 220V	
2B	2920162	1	Lamp	
2B	7020191	1	Switch, Toggle	
2B	3520028	1	Plug, Hole	
2C		Ref	Voltmeter Options:	
2C	2420203	1	Voltmeter 110V (was p/n 7010699)	
2C	7020192	1	Voltmeter 220V	
2D		Ref	Pulley Options:	
2D	3580134	1	Pulley for 110V/60Hz (Prior to SN 0300064963)	
2D	3580276	1	Pulley for 110V/60Hz (SN 0300064963 through 0300068000)	
2D	3580134	1	Pulley for 110V/50Hz	
2D	3580134	1	Pulley for 220V (Prior to SN 0300064963)	
2D	3580276	1	Pulley for 220V (SN 0300064963 through 0300068000)	
2D	7027887	1	Key, Woodruff	
3		Ref	Bracket, Generator Mounting Options:	
3	4845184	1	Bracket, Generator Mounting (Prior to SN 0300034200)	
3	4845531	1	Bracket, Generator Mounting (SN 0300034200 through 0300064395)	
4		Ref	Arm, Adjusting Options:	
4	0200530	1	Arm, Adjusting (Prior to SN 0300064395)	
4	0200741	1	Arm, Adjusting (SN 0300064395 through 0300068042)	
4	0200742	1	Arm, Adjusting (SN 0300068043 through 0300068000)	
5		Ref	V-Belt Options:	
5	0480050	1	V-Belt (Prior to SN 0300064395)	
5	0480119	1	V-Belt (SN 0300064395 through 0300068000)	
5	0480120	1	110V 50Hz (SN 0300066588 through 0300068000)	
6	0711414	2	Bolt 14mm x 30mm (Prior to SN 0300064395)	
7		Ref	Hardware Options:	
7	4751900	2	Hardware Flatwasher 9/16in Regular (Prior to SN 0300064395)	
7	0641610	1	Hardware Bolt 3/8in-16NC x 1-1/4in (SN 0300064395 through 0300068000)	
8	0100011	AR	Compound, Locking	
9		Ref	Bolt Options:	
9	0681612	3	Bolt 3/8in-16NC x 1-1/2in (Prior to SN 0300064395)	
9	0641772	1	Bolt 7/16in-14NC x 9in (SN 0300064395 through	

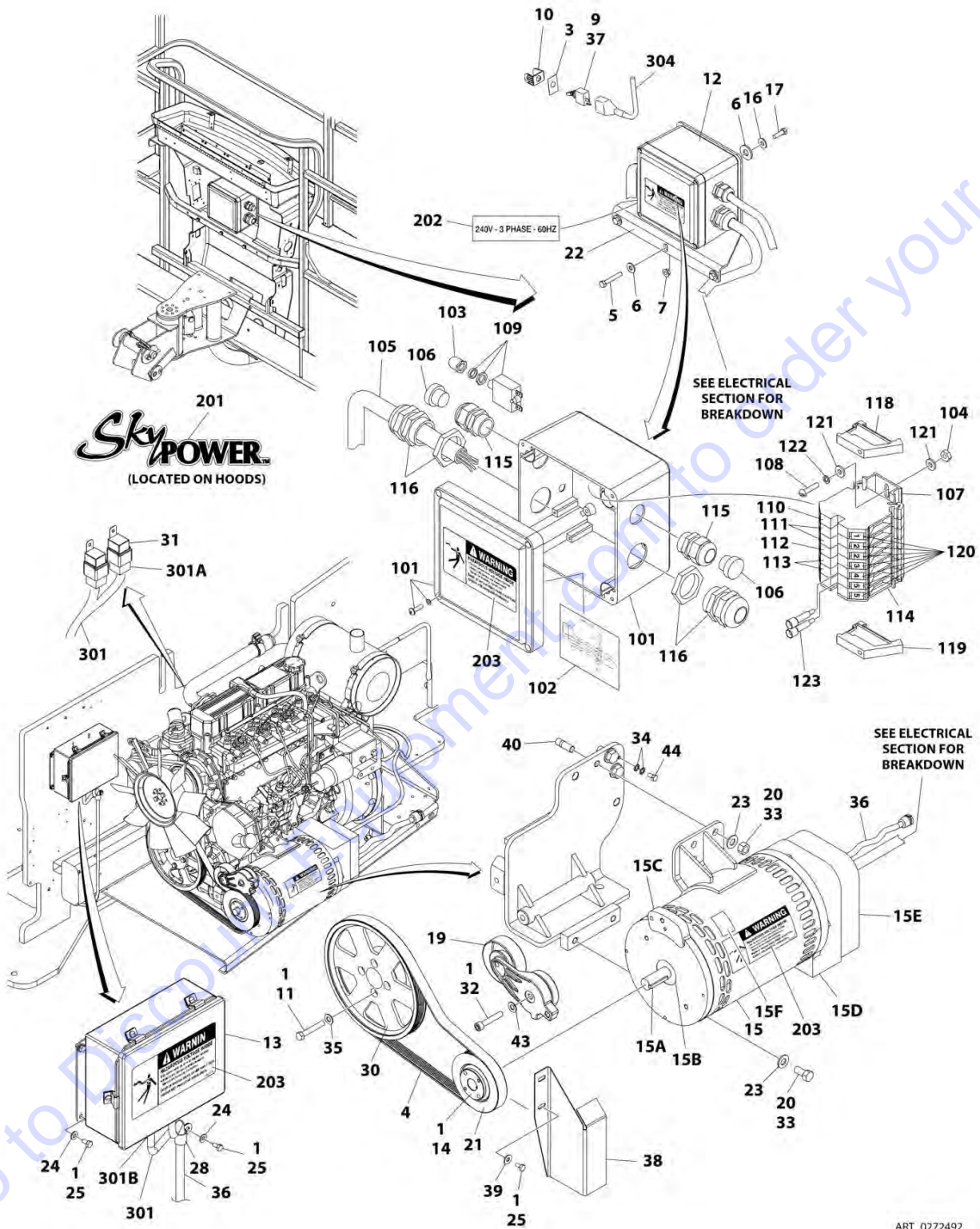
SECTION 2 - TURNTABLE

ITEM	PART NUMBER	QTY	DESCRIPTION	REV
			0300068000)	
10	4751600	6	Flatwasher 3/8in Regular	
11	2860012	1	Key, Woodruff	
12	3311605	1	Locknut 3/8in-16NC	
13		Ref	Hardware Options:	
13	0700819	1	Bolt 8mm x 55mm (Prior to SN 0300064395)	
13	3311705	1	Locknut 7/16in-14NC (SN 0300064395 through 0300068000)	
14	3740080	1	Relay	
15	4460023	1	Connector, Strain Relief	
16	0641508	1	Bolt 5/16in-18NC x 1in	
17	4751500	AR	Flatwasher 5/16in Regular	
19	3520028	1	Plug, Hole	
20	0721006	4	Bolt #10-24NC x 3/4in	
21	3311005	4	Locknut #10-24NC	
22	4751000	9	Flatwasher #10 Regular	
23	4360294	1	Breaker, Circuit - 30Amp	
25	4360336	1	Switch, Toggle (Not Shown - Located at Platform)	
26	4740397	1	Bushing (Not Shown - Located at Platform)	
27	4060802	1	Guard, Switch (Not Shown - Located at Platform)	
29	2820031	4 in/10cm	Heat Shrink (Not Shown - Located at Platform)	
30	3251102	1	Decal (Not Shown - Located at Platform)	

Go to Discount-Equipment.com to order your parts

SECTION 2 - TURNTABLE

FIGURE 2-11. 7500W SKYPOWER GENERATOR INSTALLATION - DEUTZ ENGINES (OPTIONAL)



SECTION 2 - TURNTABLE

FIGURE 2-11. 7500W SKYPOWER GENERATOR INSTALLATION - DEUTZ ENGINES (OPTIONAL)

ITEM	PART NUMBER	QTY	DESCRIPTION	REV
	0272492	Ref	7500W SKYPOWER GENERATOR INSTALLATION - DEUTZ ENGINES (OPTIONAL)	F
		Ref	Note: See ELECTRICAL SECTION for Boom Cable Installation.	
1	0100011	AR	Compound, Locking	
3	3252764	1	Nameplate	
4	0480125	1	Belt, Drive (Caterpillar Engine)	
4	0480126	1	Belt, Drive (Deutz Engine)	
5	0641516	3	Bolt 5/16 x 2	
6	4711500	10	Flatwasher 5/16inThin	
7	3311505	3	Locknut 5/16in-18NC	
8	0641406	1	Bolt 1/4 x 3/4 (Not Shown - Located on Turntable)	
9	4360336	1	Switch, Toggle	
10	4060802	1	Guard, Switch	
11	0700815	4	Bolt M8 x 35mm (Caterpillar Engine)	
11	4032015	4	Bolt M10 x 55mm (Deutz Engine)	
12	0861567	1	Junction Box Assembly (See Items 101-123 for Breakdown)	
13	0861572	1	Control Box Assembly	
14	0962520	1	Bushing, Split Taper	
15		Ref	Generator Assembly Options:	
15	2460050	1	Generator Assembly (Caterpillar Engine)	
15	2460048	1	Generator Assembly (Deutz Engine)	
15	70001100	1	Rotor (Includes p/n 70001384 & 70000863) (Not Shown)	
15	70001384	1	Bearing, Ball Radial (Not Shown)	
15	70000863	1	Fan (Not Shown)	
15		Ref	Stator Options (Not Shown):	
15	70001969	1	Stator 2460050 Generator	
15	70002088	1	Stator 2460048 Generator	
15	70002297	1	Stud	
15	70003631	1	Brushholder Assembly (Not Shown) (was p/n 7024484)	
15A	70004171	1	Key (was p/n 7024561)	
15B	70001966	1	Bearing, Ball Radial (Located in Belt Tensioner Endbell)	
15C	70001953	1	Endbell, Belt Tensioner	
15D		Ref	Endbell, Brush Block Options (was p/n 70001385):	
15D	70004170	1	Endbell, Brush Block Caterpillar Engine Machines	
15D	70004169	1	Endbell, Brush Block Deutz Engine Machines	
15E	70004170	1	Shroud Caterpillar Engine (was p/ns 70001970 & 70001971)	
15E	70004169	1	Shroud Deutz Engine (was p/n 70002290)	
15E	7027799	1	Block, Connector 6 Position (Not Shown)	
15E	70002460	1	Nut, Brass (Attaches p/n 7027799 to Cover) (Not Shown)	
15E	7024485	1	Breaker, Circuit 30Amp (Not Shown)	
15E	70001696	1	Boot, Breaker (was p/n 7024486 - Not Shown)	
15E	7026597	1	Connector, with Leads (Not Shown)	
15E	7026626	1	Housing Plug and Pins (Not Shown)	
15E	7026188	1	Clamp, Cable (Not Shown)	
15E	70003708	1	Retaining Ring Internal (Not Shown)	
15E	70003709	1	Retaining Ring External (Not Shown)	
15E	70004170	1	Plate, End Panel Caterpillar Engine (was p/n 70001972)	
15E	70004169	1	Plate, End Panel Deutz Engine (was p/n 70002255)	
15E	70001974	1	Decal - Terminal Connections	
15F	70001973	1	Decal - Warning Moving Parts	

SECTION 2 - TURNTABLE

ITEM	PART NUMBER	QTY	DESCRIPTION	REV
16	4761500	4	Lockwasher 5/16in	
17	0641505	4	Bolt 5/16 x 5/8	
18	3311405	1	Locknut 1/4in-20NC (Not Shown - Located on Turntable)	
19	3580317	1	Tensioner, Belt	
20	0641808	AR	Bolt 1/2 x 1	
20	3311801	1	Nut 1/2in-13NC (Deutz Engine Only)	
21	3580319	1	Pulley (was p/n 7026187)	
22	0902888	1	Bracket, Box Mounting	
23	4711800	AR	Flatwasher 1/2in Thin	
24	4711400	5	Flatwasher 1/4in Thin	
25	0641404	AR	Bolt 1/4in-20NC x 1/2in	
28	1320224	NLA	Clamp (Use p/n 1320318)	
29	4240018	AR	Tie-Strap (Not Shown)	
30		Ref	Pulley Options:	
30	3580321	1	Pulley (Caterpillar Engine)	
30	3580320	1	Pulley (Deutz Engine)	
31	3740080	2	Relay	
32	3931632	1	Bolt 3/8in-16NC x 2in (Caterpillar Engine)	
32	0641618	1	Bolt 3/8in-16NC x 2-1/4in (Deutz Engine)	
33	0100019	AR	Compound, Locking	
34	4791400	AR	Starwasher 1/4in	
35	4811900	4	Flatwasher M8 (Caterpillar Engine Only)	
36	4922925	1	Harness, Generator	
37	2820031	1	Insulator	
38		Ref	Shield Options:	
38	Not Required	1	Shield Caterpillar Engine	
38	4061049	1	Shield Deutz Engine	
39	4751400	AR	Flatwasher 1/4in Regular (Deutz Engine Only)	
40	4300157	1	Stud (Deutz Engine Only)	
42	0100062	1	Loctite (Not Shown) (Deutz Engine Only)	
43	4711600	1	Flatwasher 3/8in Thin (Deutz Engine Only)	
44	0641403	1	Bolt 1/4in-20NC x 3/8in	
	0861567	Ref	JUNCTION BOX ASSEMBLY	B
101	0861541	1	Box, Junction	
102	1705376	1	Decal - Wiring Schematic	
103	3300396	1	Cover, Fuse	
104	3310601	2	Nut #6-32NC	
105	3520189	1	Plug	
106	3520192	2	Plug	
107		Ref	Rail, Relay Options:	
107	3640986	1	Rail, Relay (SN 0300068000 through 0300072912)	
107	3641533	1	Rail, Relay (SN 0300072913 through 0300087000)	
108	3910610	2	Bolt #6 x 5/8	
109	4360070	1	Circuit Breaker - 15 Amp	
110	4460411	2	Marker Strip #1	
111	4460412	4	Marker Strip #2	
112	4460413	2	Marker Strip #3	
113	4460414	2	Marker Strip #4	
114	4460415	4	Marker Strip #5	
115	4460425	2	Strain Relief, Terminal	
116	4460426	2	Connector, Strain Relief	

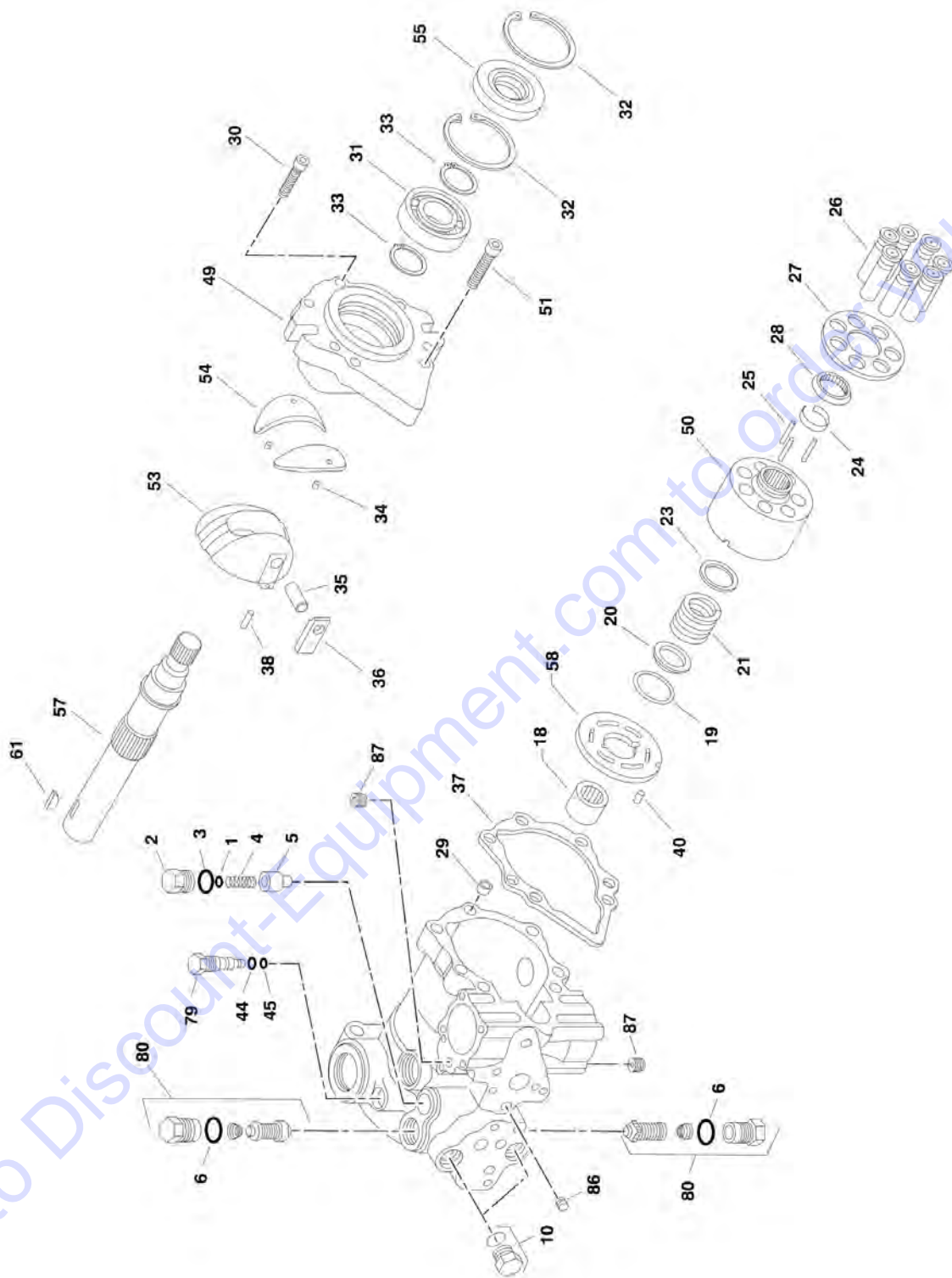
SECTION 2 - TURNTABLE

ITEM	PART NUMBER	QTY	DESCRIPTION	REV
118	4460607	2	Terminal, End Stop	
119	4460956	1	Terminal, Block End	
120	4460957	7	Terminal, Block	
121	4750600	4	Flatwasher, #6 Regular	
122	4760600	1	Lockwasher #6	
123	4461001	2	Cross Connector - 2 Position (SN 0300072913 through 0300087000)	
	0272589	Ref	DECAL INSTALLATION	A
201	1705460	2	Decal - SkyPower	
202	1705461	1	Decal - 240V - 3 Phase	
203	1705489	3	Decal, Hazardous Voltage	
	4933264	Ref	ELECTRICAL DIAGRAM COMPONENTS	C
301	4922757	1	Generator Harness	3-C
301A	4460374	2	Plug, Sealed Relay	
301A	4460375	7	Terminal	
301B	4460967	1	Plug, Male - 3 Position	
301B	4460465	3	Socket, Female	
301C	2400060	1	Fuseholder (Not Shown)	
301C	2400064	1	Fuse - 5 Amp (Not Shown)	
304	4922641	1	Switch Harness	

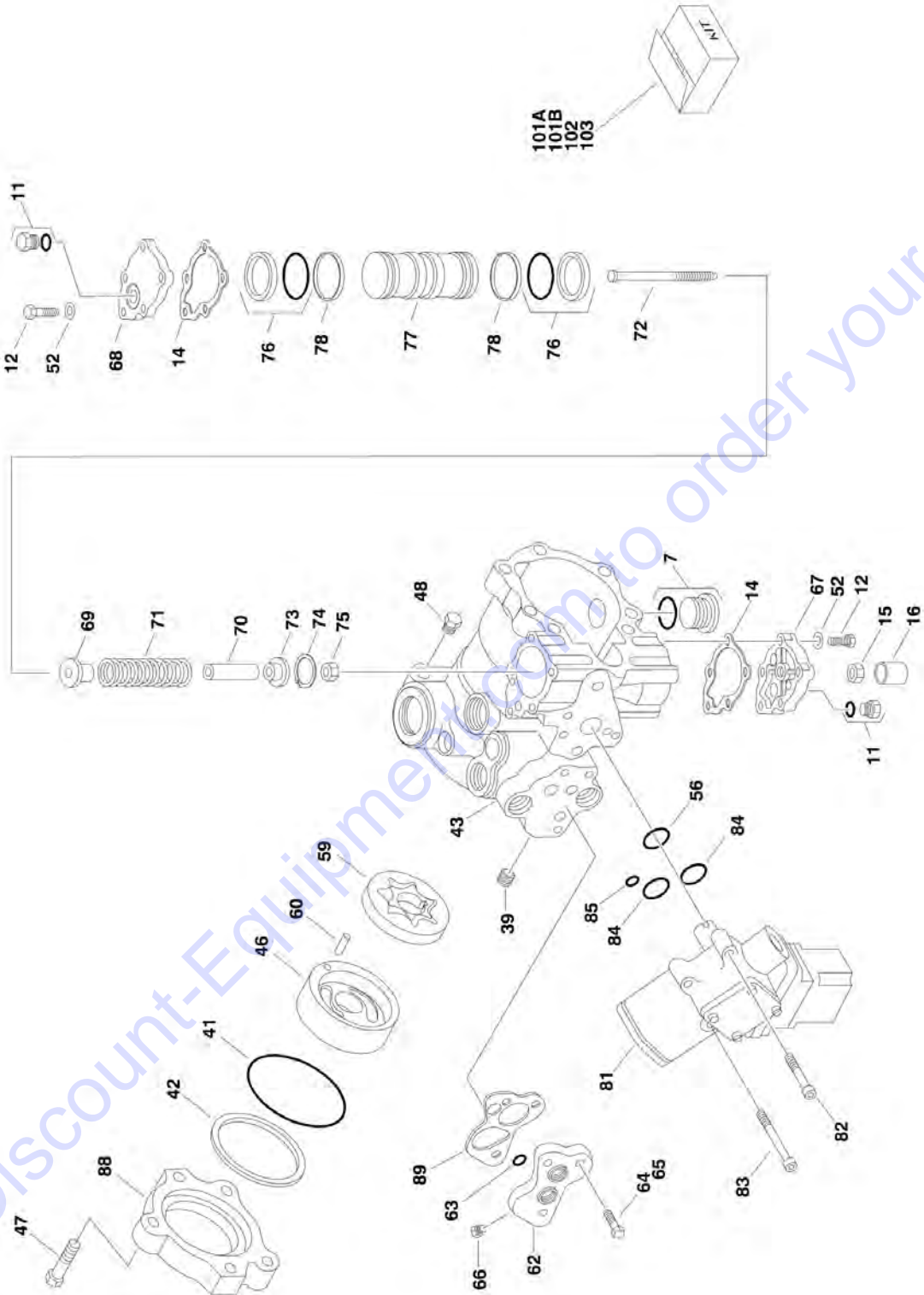
Go to Discount-Equipment.com to order your parts

SECTION 2 - TURNTABLE

FIGURE 2-12. PISTON PUMP ASSEMBLY



SECTION 2 - TURNTABLE



Go to Discount-Equipment.com to order your parts

SECTION 2 - TURNTABLE

FIGURE 2-12. PISTON PUMP ASSEMBLY

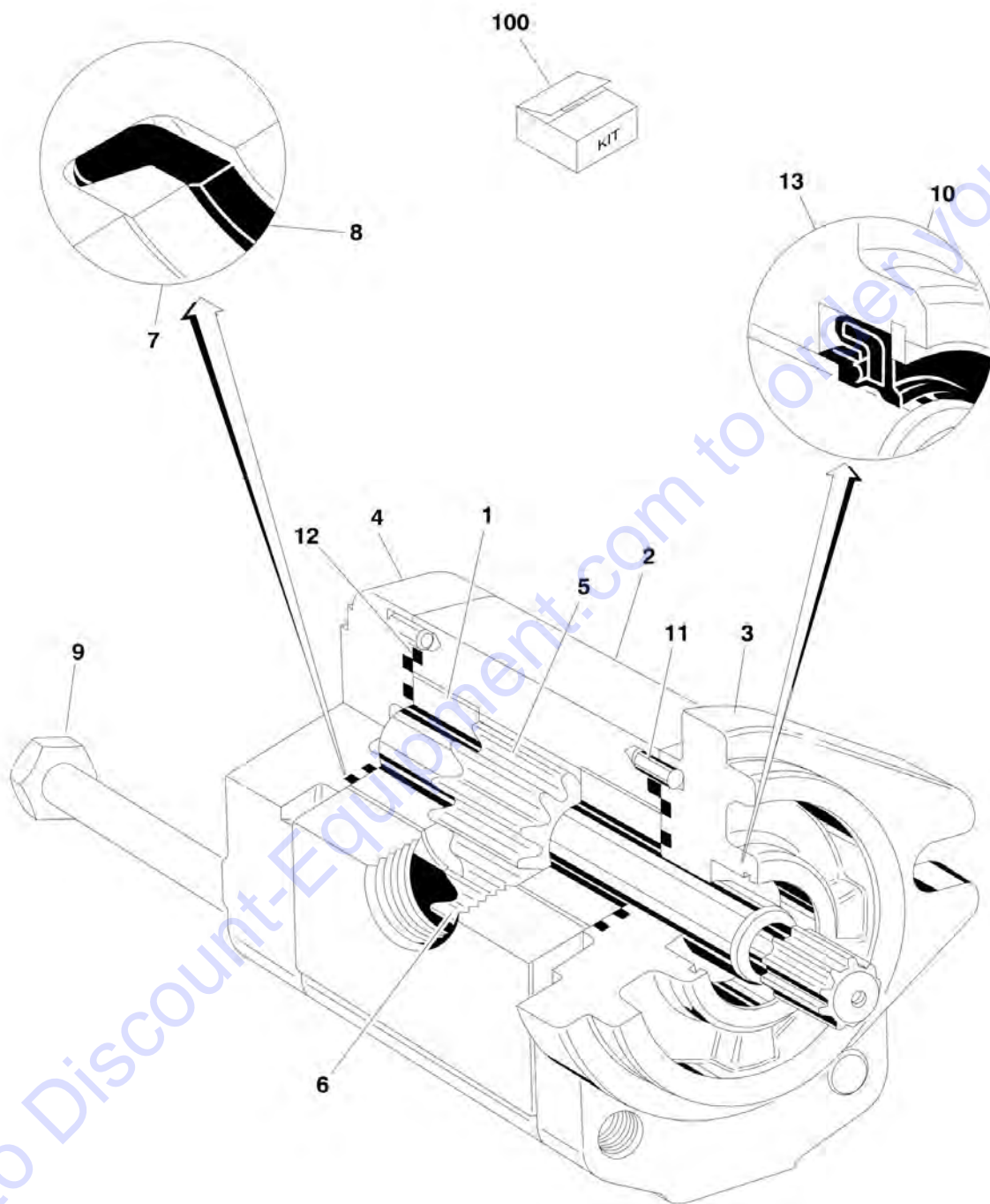
ITEM	PART NUMBER	QTY	DESCRIPTION	REV
		Ref	PISTON PUMP ASSEMBLIES	
	3600164	Ref	13 Tooth Pump Spline (Prior to SN 0300029318)	A
	3600260	Ref	15 Tooth Pump Spline (SN 0300029318 through 0300068000)	-
1	7007413	1	Shim Kit	
2	7007414	1	Plug	
3	See Note	NSS	O-Ring (Note: Use Item 101A)	
4	7007416	1	Spring, Relief Valve	
5	7007417	1	Valve, Relief	
6	See Note	NSS	O-Ring (Note: Use Item 101A)	
7	7007419	2	Plug	
10	7007420	2	Plug	
11	7007208	2	Plug	
12	7007421	10	Screw	
14	See Note	NSS	Gasket, Servo Cover (Note: Use Item 101A)	
15	7007423	1	Nut, Special	
16	7007424	1	Cover, Adjustment	
18	7007425	1	Bearing, Needle	
19	2900827	1	Ring, Retaining	
20	See Note	NSS	Washer (Note: Use Item 103)	
21	See Note	NSS	Spring (Note: Use Item 103)	
23	See Note	NSS	Washer (Note: Use Item 103)	
24	See Note	NSS	Retainer (Note: Use Item 103)	
25	See Note	NSS	Pin, Slipper Holddown (Note: Use Item 103)	
26	See Note	NSS	Piston Assembly (Note: Use Item 103)	
27	See Note	NSS	Retainer, Slipper (Note: Use Item 103)	
28	See Note	NSS	Guide, Retainer (Note: Use Item 103)	
29	7007435	1	Pin, Spring	
30	7007436	1	Screw, 12 Point Head	
31	7007437	1	Bearing, Ball	
32	7007438	2	Ring, Retainer	
33	7007439	2	Ring	
34	7007440	2	Pin, Spring	
35	7007441	1	Handle, Pin	
36	7007442	1	Sleeve, Bearing	
37	See Note	NSS	Gasket, Front Cover (Note: Use Item 103)	
38	7007444	1	Pin	
39	7007445	1	Plug, Expansion	
40	2900827	1	Pin	
41	See Note	1	O-Ring (Note: Use Item 101A or 102)	
42	See Note	1	Ring, Load Temper (Note: Use Item 101A or 102)	
43	7007449	1	Housing, Pump	
44	See Note	NSS	Ring, Back-up (Note: Use Item 101A)	
45	See Note	NSS	O-Ring (Note: Use Item 101A)	
46	2900826	1	Cover, Gerotor	
47	7007453	3	Bolt, Hex	
48	7007208	1	Plug	
49	7007454	1	Cover, Front	
50	2900827	1	Block, Cylinder	
51	7007456	6	Screw	
52	7001438	10	Washer	

SECTION 2 - TURNTABLE

ITEM	PART NUMBER	QTY	DESCRIPTION	REV
53	2900827	1	Swash Plate	
54	7007458	1	Journal, Bearing	
55	7007459	1	Seal, Lip	
56	See Note	NSS	O-Ring (Note: Use Item 101A or 103)	
57		Ref	Shaft, Main Pump Options:	
57	7007461	1	Shaft, Main Pump 13 Tooth Spline (Prior to SN 0300029318)	
57	7010121	1	Shaft, Main Pump 15 Tooth Spline (SN 0300029318 through 0300068000)	
58	7021214	1	Plate, Valve	
59	7007463	1	Gerotor Assembly	
60	See Note	NSS	Pin (Note: Use Item 102)	
61	See Note	NSS	Key, Woodruff (Note: Use Item 102)	
62	7007466	1	Adaptor, Remote Filtration (Without By-Pass)	
63	See Note	NSS	O-Ring (Note: Use Item 101A)	
64	7007468	2	Screw	
65	7007469	2	Screw	
66	7007470	1	Plug	
67	7007471	1	Cover, Servo (With Adjuster)	
67	7007490	2	Stop, Servo (Not Shown)	
67	7007491	2	Nut, Special (Not Shown)	
67	7007492	2	Ring, External (Not Shown)	
68	7007482	1	Cover, Servo (Without Adjuster)	
69	7007483	1	Guide, Spring	
70	7007484	1	Stop, Servo	
71	7007485	1	Spring	
72	7007486	1	Screw	
73	7007487	1	Guide, Spring	
74	7007488	1	Ring, Retaining	
75	7007499	1	Locknut	
76	See Note	2	Ring, Piston (Note: Use Item 101A or 101B)	
77	7007494	1	Piston, Servo	
78	See Note	2	O-Ring (Note: Use Item 101A or 101B)	
79	7007472	1	Valve, Bypass	
80	7010122	2	Valve, Pressure Relief (Includes Item 6) (was p/n 7007473)	
81	7007474	1	Control, Dual Oil-Filled	
81	7007496	1	Coil Assembly (Pilot)	
81	7007497	1	Plug (Pump)	
81	7007498	1	Plug (Valve Harness)	
82	7007478	2	Screw	
83	7001498	2	Screw	
84	See Note	NSS	O-Ring (Note: Use Item 101A)	
85	See Note	NSS	O-Ring (Note: Use Item 101A)	
86	7007475	1	Plug, Orifice/Screen (.156)	
87	7007477	2	Plug, Orifice (.37)	
88	7007476	1	Adapter, Auxiliary Pump	
89	7010120	1	Spacer/Gasket	
101		Ref	Seal Kit Options:	
101A	2900752	1	Seal Kit - Complete (Includes Items 3, 6, 14, 37, 41, 42, 44, 45, 55, 56, 63, 76, 78, 84 & 85)	
101B	7007412	1	Seal Kit - Servo Piston (Includes Items 76 & 78)	
102	2900826	1	Charge Pump Kit (Includes Items 41, 42, 46, 59, 60 & 61)	
103	2900827	1	Cylinder Block Kit (Includes Items 19-28, 40, 50, 53 & 58)	

SECTION 2 - TURNTABLE

FIGURE 2-13. GEAR PUMP ASSEMBLY



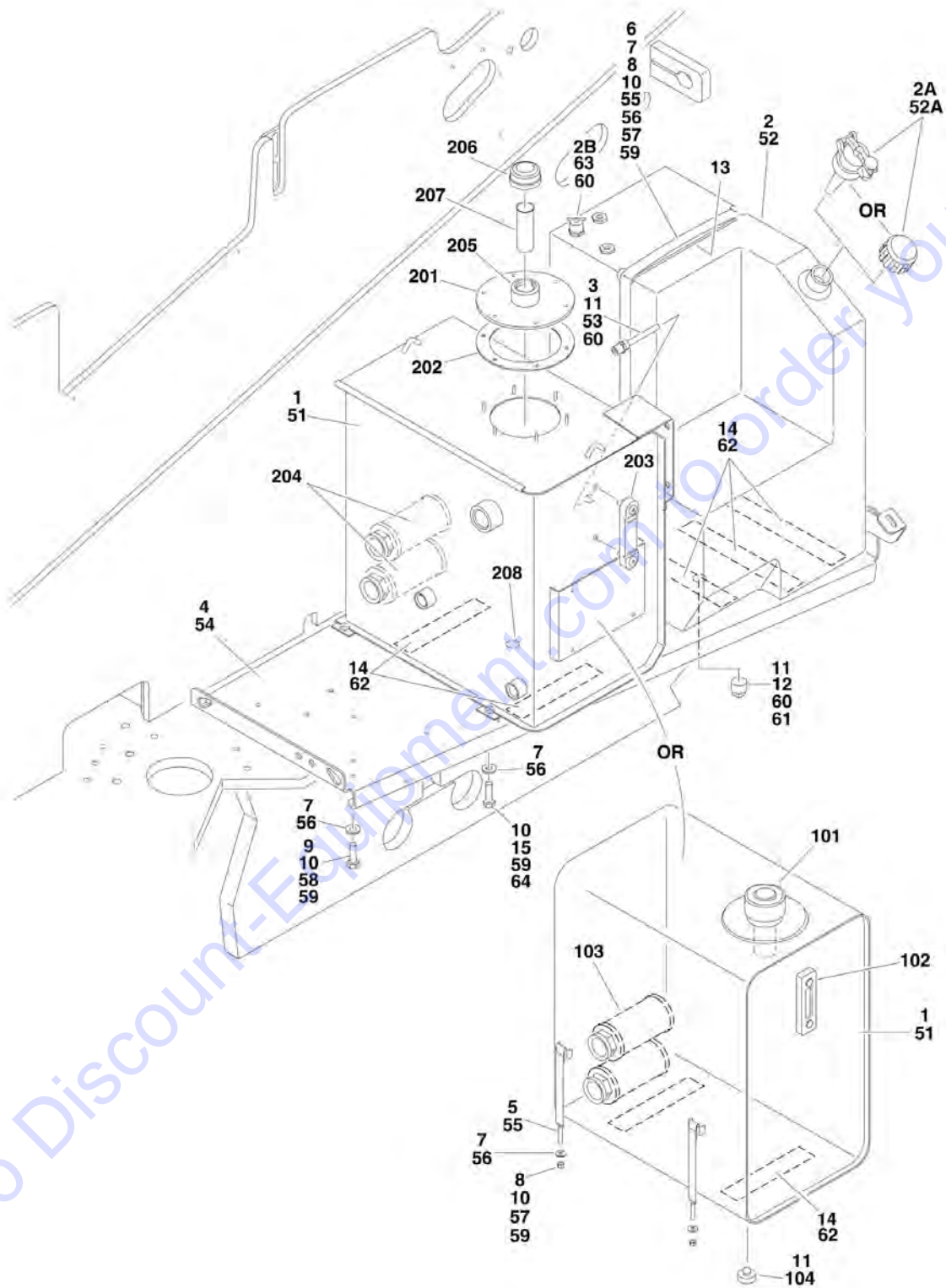
SECTION 2 - TURNTABLE

FIGURE 2-13. GEAR PUMP ASSEMBLY

ITEM	PART NUMBER	QTY	DESCRIPTION	REV
	3600242	Ref	GEAR PUMP ASSEMBLY	
1	7010105	2	Bearing/Bushing	
2	See Note	NSS	Housing (Note: Not Available - Purchase p/n 3600242 Complete Replacement)	
3	See Note	NSS	Flange (Note: Not Available - Purchase p/n 3600242 Complete Replacement)	
4	7010103	1	Cover	
5	7012987	1	Gear, Drive	
6	7012988	1	Gear, Idler	
7	7007489	2	Ring, Anti-Extrusion	
8	7007489	2	Seal	
9	See Note	NSS	Bolt (Note: Not Available for Purchase)	
10	7010104	1	Ring, Retaining	
11	See Note	NSS	Pin, Dowel (Note: Not Available for Purchase)	
12	7007489	2	Seal, O-Ring	
13	7007489	1	Seal, Shaft	
100	7007489	1	Seal Kit (Includes Items 7, 8, 12 & 13)	

SECTION 2 - TURNTABLE

FIGURE 2-14. TANK INSTALLATIONS



SECTION 2 - TURNTABLE

FIGURE 2-14. TANK INSTALLATIONS

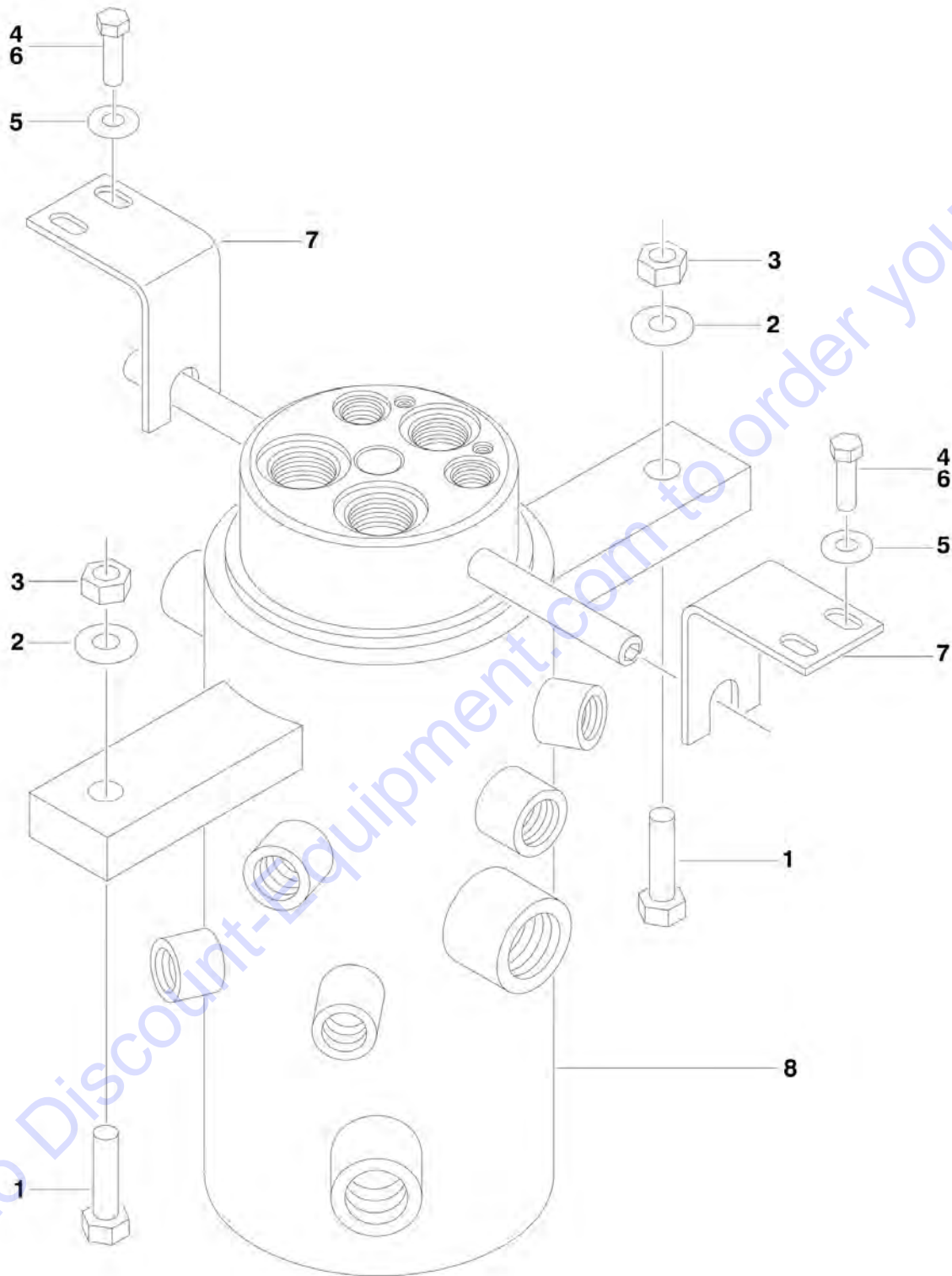
ITEM	PART NUMBER	QTY	DESCRIPTION	REV
		Ref	TANKS INSTALLATION (STANDARD MACHINES)	
	0254849	Ref	Standard Without Locking Fuel Tank	9
	0257483	Ref	Optional With Locking Fuel Tank (Diesel Machines) (Prior to SN 0300048907)	2
1		Ref	Hydraulic Tank Assembly Options:	
1	4400375	1	Tank, Hydraulic (See Items 101-104 for Breakdown)	
1	4400449	1	Tank, Hydraulic (See Items 201-208 for Breakdown)	
2		Ref	Tank, Fuel Options:	
2	4400376	1	Tank, Fuel (Prior to SN 0300030687)	
2	4400400	1	Tank, Fuel (SN 0300030687 through 0300068000)	
2A		Ref	Cap Options:	
2A	7016314	1	Standard Black Cap	
2A	1120484	1	Optional Red Cap (Gas/Dual Fuel Machines) (Not Included with Tank)	
2A	1120487	1	Optional Blue Cap (Diesel Machines) (Not Included with Tank)	
2B	7019658	1	Tube, Fuel Pick-up (With Fitting) (SN 0300030687 through 0300068000)	
3	4360436	1	Switch, Fuel Level	
4		Ref	Hydraulic Tray Weldment Options:	
4	See Note	1	Hydraulic Tray Weldment (Note: Recommend using p/n 4845393 in place of original p/n 3538759) (Prior to May 1996)	
4	4845393	1	Hydraulic Tray Weldment (May 1996 through 0300068000)	
5	4240112	4	Strap, Tank	
6	4240113	1	Strap, Tank	
7	4751600	12	Flatwasher 3/8in Regular	
8	3311601	AR	Nut 3/8in-16NC	
9	0641614	6	Bolt 3/8in-16NC x 1-3/4in	
10	0100011	AR	Compound, Locking	
11	0100020	AR	Sealant, Pipe	
12	2200222	1	Fitting	
13	4280295	25 in /44cm	Strip, Protective	
14	4420038	70 in /1.78m	Tape, Rubber	
15	0641608	4	Bolt 3/8in-16NC x 1in	
	0257705	Ref	TANKS INSTALLATION (UL MACHINES)	3
51		Ref	Hydraulic Tank Assembly Options:	
51	4400375	1	Tank, Hydraulic (See Items 101-104 for Breakdown)	
51	4400449	1	Tank, Hydraulic (See Items 201-208 for Breakdown)	
52	4400376	1	Tank, Fuel	
52A	1120367	1	Cap, Black Fuel	
53	4360436	1	Switch, Fuel Level	
54	4845393	1	Weldment, Hydraulic Tray	
55	4240112	AR	Strap	
56	4751600	AR	Flatwasher 3/8in Regular	
57	3311601	AR	Nut 3/8in-16NC	
58	0641614	6	Bolt 3/8in-16NC x 1-3/4in	
59	0100011	AR	Compound, Locking	
60	0100020	AR	Sealant, Pipe	
61	2200222	1	Plug, Pipe	
62	4420038	AR	Molding	

SECTION 2 - TURNTABLE

ITEM	PART NUMBER	QTY	DESCRIPTION	REV
63	4641022	1	Valve, Needle	
64	0641608	4	Bolt 3/8in-16NC x 1in	
	4400375	Ref	HYDRAULIC TANK ASSEMBLY	F
101		Ref	Filler/Breather Assembly Options:	
101	7014803	1	Filler/Breather Assembly (Prior to June 1997)	
101	7014810	1	Filler/Breather Assembly (June 1997 through 0300068000)	
101	7014811	1	Filler/Breather Assembly Cap, Breather (Fits Both 7014803 & 7014810)	
101	7014816	1	Filler/Breather Assembly Screen	
102	7014802	1	Gauge, Sight	
103	7014801	1	Strainer 1-1/4inNPT	
104	7014813	1	Plug, Magnetic	
	4400449	Ref	HYDRAULIC TANK ASSEMBLY	A
201	7024439	1	Cover	
202	7024440	1	Gasket	
203	7024441	1	Gauge, Sight	
204	7024442	2	Strainer	
205	7024443	1	Filler Neck	
206	7024444	1	Cap, Vented	
207	7024445	1	Strainer	
208	7024446	1	Plug, Magnetic	

SECTION 2 - TURNTABLE

FIGURE 2-15. ROTARY COUPLING INSTALLATION



PARTS FINDER

**Search Website
by Part Number**



**Search Manual
Library For Parts
Manual & Lookup Part
Numbers – Purchase
or Request Quote**

A screenshot of the "Search Manuals" form. The form has a title "Search Manuals" and a subtitle "Please enter the model number or serial number of the machine you are looking for." It includes input fields for "Find" (with a dropdown menu), "Serial Number", "Model", "Part Number", "Part Name", and "Category". There is a "Search" button at the bottom.

**Can't Find Part or
Manual? Request Help
by Manufacturer,
Model & Description**

A screenshot of the "Parts Order Form". The form has a title "Parts Order Form" and a subtitle "Please fill out the form below." It includes a "Manufacturer" dropdown menu, a "Model" dropdown menu, a "Description" text area, and a "Part Number" text area. There is a "Submit" button at the bottom.

Discount-Equipment.com is your online resource for quality parts & equipment.

Florida: **561-964-4949** Outside Florida TOLL FREE: **877-690-3101**

Need parts?

Click on this link: <http://www.discount-equipment.com/category/5443-parts/> and choose one of the options to help get the right parts and equipment you are looking for. Please have the machine model and serial number available in order to help us get you the correct parts. If you don't find the part on the website or on one of the online manuals, please fill out the request form and one of our experienced staff members will get back to you with a quote for the right part that your machine needs.

We sell worldwide for the brands: Genie, Terex, JLG, MultiQuip, Mikasa, Essick, Whiteman, Mayco, Toro Stone, Diamond Products, Generac Magnum, Airman, Haulotte, Barreto, Power Blanket, Nifty Lift, Atlas Copco, Chicago Pneumatic, Allmand, Miller Curber, Skyjack, Lull, Skytrak, Tsurumi, Husquvarna Target, Stow, Wacker, Sakai, Mi-T-M, Sullair, Basic, Dynapac, MBW, Weber, Bartell, Bennar Newman, Haulotte, Ditch Runner, Menegotti, Morrison, Contec, Buddy, Crown, Edco, Wyco, Bomag, Laymor, EZ Trench, Bil-Jax, F.S. Curtis, Gehl Pavers, Heli, Honda, ICS/PowerGrit, IHI, Partner, Imer, Clipper, MMD, Koshin, Rice, CH&E, General Equipment, Amida, Coleman, NAC, Gradall, Square Shooter, Kent, Stanley, Tamco, Toku, Hatz, Kohler, Robin, Wisconsin, Northrock, Oztec, Toker TK, Rol-Air, APT, Wylie, Ingersoll Rand / Doosan, Innovatech, Con X, Ammann, Mecalac, Makinex, Smith Surface Prep, Small Line, Wanco, Yanmar

SECTION 2 - TURNTABLE

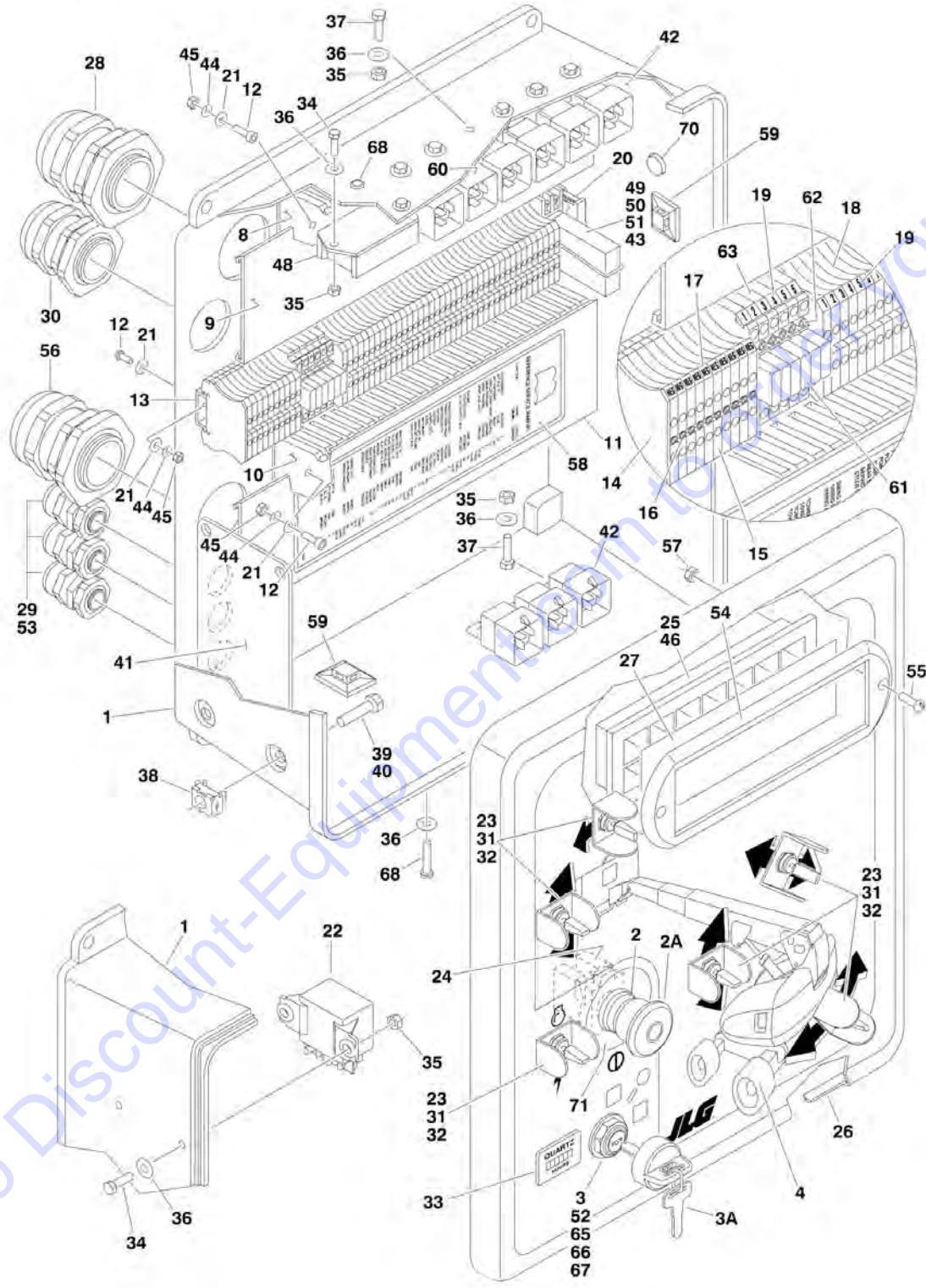
FIGURE 2-15. ROTARY COUPLING INSTALLATION

ITEM	PART NUMBER	QTY	DESCRIPTION	REV
		Ref	ROTARY COUPLING INSTALLATIONS	
	0255262	Ref	Rotary Coupling Installations 2WS	5
	0255294	Ref	Rotary Coupling Installations 4WS	2
1	0641820	2	Bolt 1/2in-13NC x 2-1/2in	
2	4751800	4	Flatwasher 1/2in Regular	
3	3311805	2	Locknut 1/2in-13NC	
4	0641611	4	Bolt 3/8in-16NC x 1-3/8in	
5	4751600	4	Flatwasher 3/8in Regular	
6	0100011	AR	Compound, Locking	
7		Ref	Bracket	
7	0902109	NLA	Bracket (Use p/n 0902520) (Prior to SN 0300041296)	
7	0902520	2	Bracket (SN 0300041296 through 0300068000)	
8		Ref	Coupling, Rotary Options:	
8	1660219	1	Coupling, Rotary 2WS	
8	1660223	1	Coupling, Rotary 4WS	
8		Ref	Seal Kit Options:	
8	7013187	1	Seal Kit 2WS	
8	7016342	1	Seal Kit 4WS	

Go to Discount-Equipment.com to order your parts

SECTION 2 - TURNTABLE

FIGURE 2-16. GROUND CONTROL BOX ASSEMBLY (Prior to SN 0300061927)



SECTION 2 - TURNTABLE

FIGURE 2-16. GROUND CONTROL BOX ASSEMBLY (Prior to SN 0300061927)

ITEM	PART NUMBER	QTY	DESCRIPTION	REV
		Ref	GROUND CONTROL BOX ASSEMBLIES	
		Ref	Deutz Engine Options:	
	0861046	Ref	Deutz Engine 600S (Prior to SN 0300035129)	3
	0861127	Ref	Deutz Engine 600S (SN 0300035129 through 0300061927)	7
	0861047	Ref	Deutz Engine 600SJ & 660SJ (Prior to SN 0300035129)	3
	0861128	Ref	Deutz Engine 600SJ & 660SJ (SN 0300035129 through 0300061927)	7
		Ref	Deutz Engine - UL Options:	
	0861242	Ref	Deutz Engine - UL 600S (SN 0300039457 through 0300061927)	3-C
	0861243	Ref	Deutz Engine - UL 600SJ & 660SJ (SN 0300039457 through 0300061927)	3-C
1		Ref	Box, Fiberglass Options:	
1	0860978	1	Box, Fiberglass (Prior to SN 0300035129)	
1	0861132	1	Box, Fiberglass (SN 0300035129 through 0300044644)	
1	0861303	1	Box, Fiberglass (SN 0300044645 through 0300061927)	
2		Ref	Switch, Emergency Stop Options:	
2	4360395	1	Switch, Emergency Stop (Prior to SN 0300036019)	
2	4360289	1	Switch, Emergency Stop (SN 0300035129 through 0300044644)	
2	4360475	1	Switch, Emergency Stop (SN 0300044645 through 0300061927)	
2A		Ref	Cap Options:	
2A	7016315	1	Cap, Red (Used on Switch p/n 4360395)	
2A	7012611	1	Cap, Mushroom Head (Used on Switch p/n 4360289)	
2A	7012612	1	Boot (Used on Switch p/n 4360289)	
2A	7020175	1	Cap, Red (Used on Switch p/n 4360475)	
2A	7020176	1	Contact Block (Used on Switch p/n 4360475)	
3		Ref	Switch, Key Options:	
3	4360319	1	Switch, Key (Prior to SN 0300044645)	
3	4360470	1	Switch, Key (SN 0300044645 through 0300061927)	
3A		Ref	Key Replacement Options:	
3A	7012560	1 Set	Key Replacement (Used on Switch p/n 4360319) (Prior to SN 0300044645)	
3A	2860030	1 Set	Key Replacement (Used on Switch p/n 4360470) (SN 0300044645 through 0300061927)	
4		Ref	Decal - Faceplate Options:	
4	1702632	1	Decal - Faceplate 600S (Prior to SN 0300035129)	
4	1703465	1	Decal - Faceplate 600S (SN 0300035129 through 0300061927)	
4	1702536	1	Decal - Faceplate 600SJ & 660SJ (Prior to SN 0300035129)	
4	1703466	1	Decal - Faceplate 600SJ & 660SJ (SN 0300035129 through 0300061927)	
5		Ref	Engine Harness Assembly (See ELECTRICAL SECTION for Breakdown)	
5	4921737	1	Deutz Engine Machines (Prior to SN 0300035129)	
5	4921925	1	Deutz Engine Machines (SN 0300035129 through 0300061927)	
5	4922185	1	Deutz Engine Machines - UL (SN 0300039457 through 0300061927)	
6		Ref	Valve Harness Assembly Options: (See ELECTRICAL SECTION for Breakdown)	

SECTION 2 - TURNTABLE

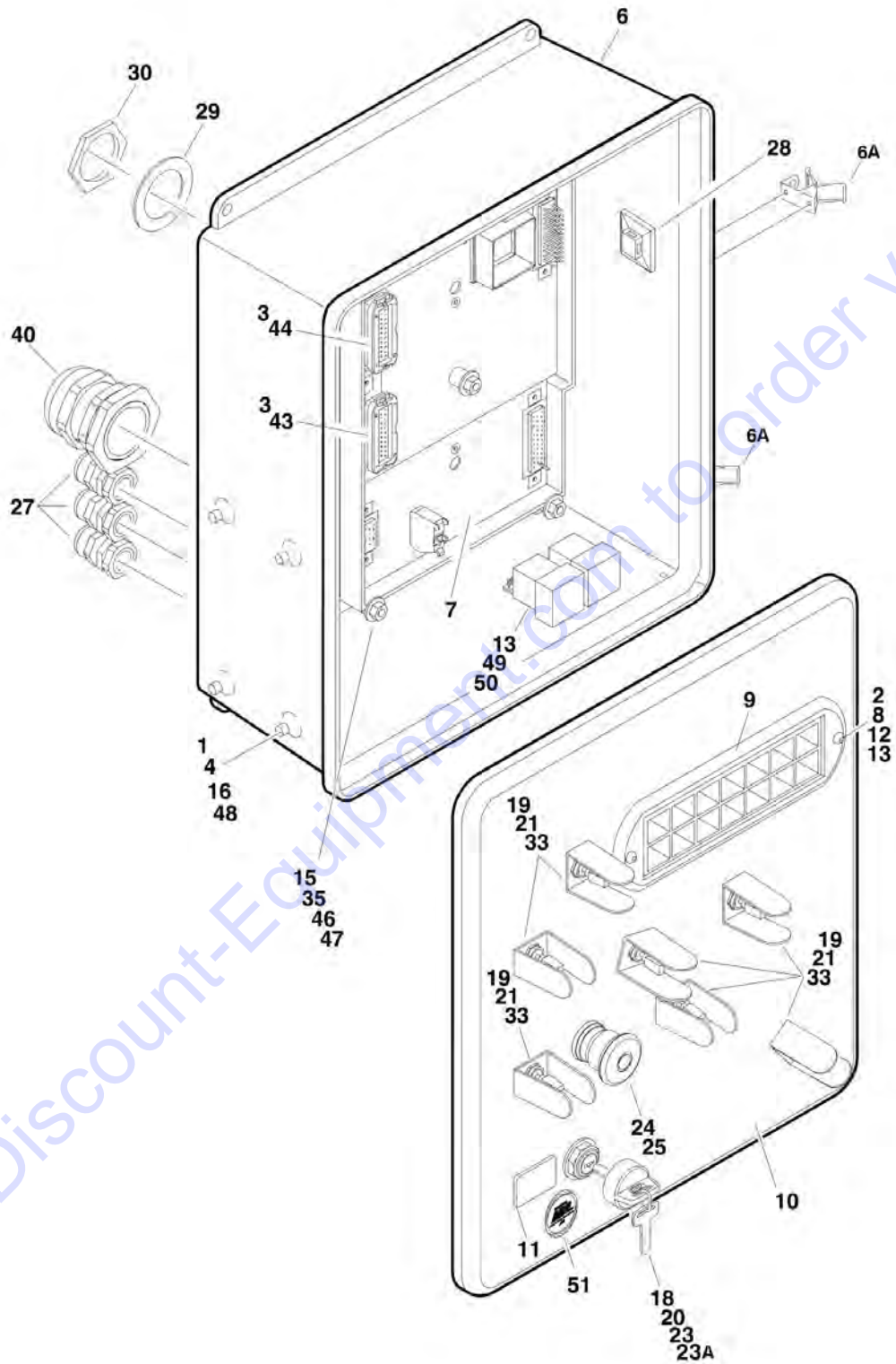
ITEM	PART NUMBER	QTY	DESCRIPTION	REV
6	4921735	1	Valve Harness Assembly (Prior to SN 0300026233)	
6	4921849	1	Valve Harness Assembly (SN 0300026233 through 0300035128)	
6	4921923	1	Valve Harness Assembly (SN 0300035129 through 0300061927)	
6	4922164	1	UL Machines Only (SN 0300039457 through 0300061927)	
8	1840012	1	Duct, Wiring - 2in/5cm	
9	1840013	1	Duct, Cover - 2in/5cm	
10	1840014	1	Duct, Wiring - 3in/7.6cm	
11	1840015	1	Duct, Cover - 3in/7.6cm	
12	3910608	6	Screw #6-32NC x 1/2in	
13	3640970	1	Rail	
14	4460602	1	Barrier, Terminal	
15	4460601	10	Block, Terminal	
16	4460603	1	Bussbar - 10 Position (Requires being cut into (2) 5 position bussbars)	
17	4460631	AR	Marker, Terminal (Negative)	
18	4460600	AR	Block, Terminal	
19	4460628	AR	Marker, Terminal (1-50)	
20	4460607	1	Stop, Terminal	
21	4750600	12	Flatwasher #6 Regular	
22	3740112	1	Relay, Bosch	
23	4360314	AR	Switch, Toggle	
24		Ref	Switch, Contact Block Options:	
24	4360282	1	Switch, Contact Block (Prior to SN 0300044645)	
24	4360476	1	Switch, Contact Block (SN 0300044645 through 0300061927)	
25	2760105	1	Housing, Display Light	
26	4420038	4 in/10cm	Insulation, Adhesive Foam	
27	1702610	1	Decal - Ground Control Display	
28	4460526	1	Connector, Strain Relief	
29	4460428	3	Connector, Strain Relief	
30	4460426	1	Connector, Strain Relief	
31	4740444	AR	Washer, Special	
32	4060906	AR	Shield, Toggle Switch	
33	2420172	1	Gauge, Hourmeter	
34	0721005	AR	Screw #10-24NC x 5/8in	
35	3311001	AR	Nut #10-24NC	
36	4751000	AR	Flatwasher #10 Regular	
37		Ref	Screw Options:	
37	0721004	AR	Screw #10-24NC (Prior to SN 0300057373)	
37	3900268	AR	Screw #10-24NC x 1/2in (SN 0300057373 through 0300061927)	
38	3300205	4	Nut, Retainer	
39	0641506	4	Bolt 5/16in-18NC x 3/4in	
40	0100011	AR	Compound, Locking	
41	3539219	1	Plate, Reinforcement	
42	3740049	AR	Relay - SPDT	
43		Ref	Marker, Terminal (Ignition) Options:	
43	4460630	1	Marker, Terminal (Ignition) Standard	
43	4460759	1	Marker, Terminal (Ignition) UL	
44	4760600	6	Lockwasher #6	

SECTION 2 - TURNTABLE

ITEM	PART NUMBER	QTY	DESCRIPTION	REV
45	3310601	6	Nut #6-32NC	
46	3700010	1	Reflector Only (Prior to SN 0300027331)	
49	4120013	1	Socket, Relay (Not Required on UL Machines)	
50	3740058	1	Relay (Not Required on UL Machines)	
51	3740063	1	Spring, Relay (Not Required on UL Machines)	
52	3300390	1	Nut with Weather Resistant Boot (Prior to SN 0300044645)	
53	3520054	1	Plug, Hole (SN 0300028933 through 0300035128)	
54	1670829	1	Bezel (SN 0300035129 through 0300061927)	
55	0630518	2	Capscrew, Button Head (SN 0300035129 through 0300061927)	
56		Ref	Connector, Strain Relief Options:	
56	4460526	1	Connector, Strain Relief (Prior to SN 0300035129)	
56	4460711	1	Connector, Strain Relief (SN 0300035129 through 0300061927)	
57	3300408	AR	Locknut, Plastic Insert (SN 0300035129 through 0300061927)	
58	1703622	1	Decal - Service Manual Reference (SN 0300035129 through 0300061927)	
59	4460234	6	Base, Tie-Strap (SN 0300035129 through 0300061927)	
60	3740132	AR	Relay (UL Machines Only)	
61	2400057	6	Fuse, 15Amp (UL Machines Only)	
62	4460760	1	Terminal, Bridge Bar (UL Machines Only)	
63	4460758	6	Block, Terminal (UL Machines Only)	
65	4070991	1	Shim (.125) (SN 0300044645 through 0300061927)	
66	4070987	1	Shim (.015) (SN 0300044645 through 0300061927)	
67	3910804	6	Screw #8-32NC x 1/4in (SN 0300044645 through 0300061927)	
68	3520174	5	Plug (SN 0300057373 through 0300061927)	
69	0100009	AR	Adhesive (Not Shown) (SN 0300057373 through 0300061927)	
70	3520026	1	Plug (SN 0300057373 through 0300061927)	
71	1704260	1	Decal - EMS (SN 0300058931 through 0300061924)	

SECTION 2 - TURNTABLE

FIGURE 2-17. GROUND CONTROL BOX ASSEMBLY (ADE SYSTEM) (SN 0300061927 through 0300068000)



SECTION 2 - TURNTABLE

FIGURE 2-17. GROUND CONTROL BOX ASSEMBLY (ADE SYSTEM) (SN 0300061927 through 0300068000)

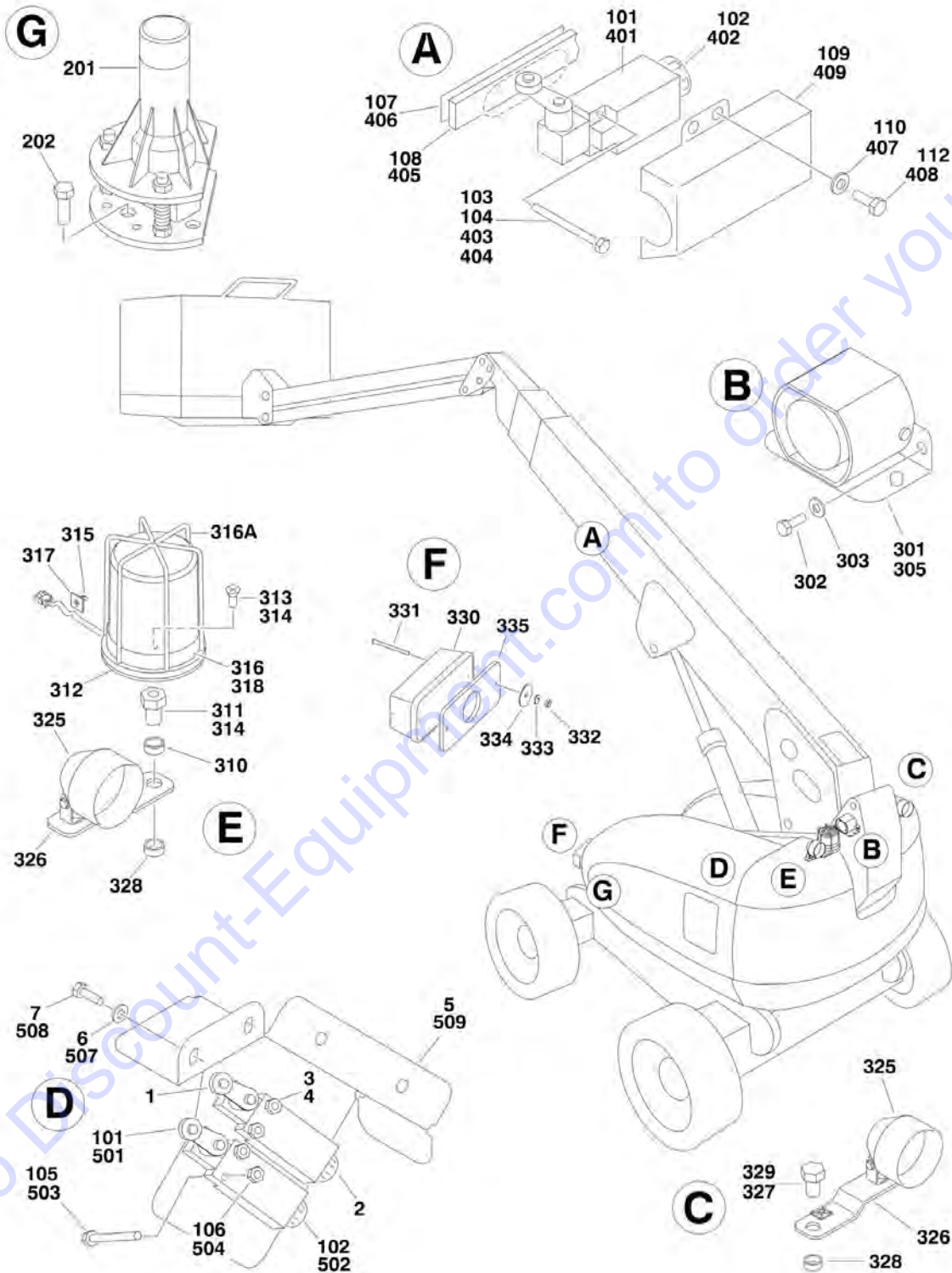
ITEM	PART NUMBER	QTY	DESCRIPTION	REV
		Ref	GROUND CONTROL BOX ASSEMBLIES	
		Ref	Deutz Engine Options:	
	0861396	Ref	Deutz Engine 600S (SN 0300061927 through 0300063908)	G
	0861482	Ref	Deutz Engine 600S (SN 0300063909 through 0300068000)	D
	0861397	Ref	Deutz Engine 600SJ & 660SJ (SN 0300061927 through 0300063908)	G
	0861483	Ref	Deutz Engine 600SJ & 660SJ (SN 0300063909 through 0300068000)	D
1	0100011	AR	Compound, Locking	
2	0630518	2	Capscrew, Button Head	
3	0100048	AR	Grease, Dielectric	
4	0641506	4	Bolt 5/16in-18NC x 3/4in	
6	0861389	1	Box, Fiberglass	
6A	7020246	2	Latch	
7		Ref	Module, Ground Control Options:	
		Ref	Note: Re-calibration Required when Replaced.	
7	1600312	1	Module, Ground Control (SN 0300061927 through 0300063908)	
7	1600327	NLA	Module, Ground Control (Use p/n 2915014) (SN 0300063909 through 0300068000)	
8	1670829	1	Bezel	
9	1702610	1	Decal - Ground Control Display	
10		Ref	Decal - Faceplate Options:	
10	1703465	1	Decal - Faceplate 600S	
10	1703466	1	Decal - Faceplate 600SJ/660SJ	
11	2420172	1	Gauge, Hourmeter	
12	2760105	1	Housing, Display Light	
13	3300408	AR	Locknut, Plastic Insert	
15	3311401	10	Nut 1/4in-20NC	
16	3539219	1	Plate, Reinforcement	
18	3910804	6	Screw #8-32NC x 1/4in	
19	4060906	6	Shield, Toggle Switch	
20		Ref	Shim Options:	
20	4070991	1	Shim (.125in) (SN 0300061927 through 0300063908)	
20	4070987	1	Shim (.015in) (SN 0300063909 through 0300068000)	
21	4360328	6	Switch, Toggle	
23	4360470	1	Switch, Key	
23A	2860030	1 Set	Key Replacement	
24	4360475	1	Switch, Emergency Stop	
25	4360476	1	Switch, Contact Block	
26	4460234	2	Tie, Wire (Not Shown)	
27		Ref	Connector, Strain Relief Options:	
27	4460428	3	Connector, Strain Relief (SN 0300061927 through 0300063908)	
27	4460426	2	Connector, Strain Relief (SN 0300063909 through 0300068000)	
28	4460488	7	Mounting Base, Terminal	
29	4460471	1	Lockwasher, Terminal	
30	4460470	1	Nut, Terminal	
33	4740444	6	Washer, Special	

SECTION 2 - TURNTABLE

ITEM	PART NUMBER	QTY	DESCRIPTION	REV
35	4751400	20	Flatwasher 1/4in Regular	
40	4460526	1	Connector, Strain Relief	
43	4460875	1	Connector, Gray	
44	4460874	1	Connector, Natural	
45		Ref	Harness, Analyzer Cable Options (Not Shown):	
45	4922485	1	Harness, Analyzer Cable (SN 0300061927 through 0300063908)	
45	4922666	1	Harness, Analyzer Cable (SN 0300063909 through 0300068000)	
46	0630548	5	Bolt	
47	4761400	15	Lockwasher 1/4in	
48	3300205	4	Nut, Retainer	
49	3740049	AR	Relay	
50	3900268	AR	Screw, Flange #10 x 1/2in	
51	1705132	1	Decal - ADE (SN 0300068130 through 0300068000)	
52	3520035	1	Plug, Cap (Not Shown)	

SECTION 2 - TURNTABLE

FIGURE 2-18. ELECTRICAL OPTIONS INSTALLATION (TURNTABLE MOUNTED)



SECTION 2 - TURNTABLE

FIGURE 2-18. ELECTRICAL OPTIONS INSTALLATION (TURNTABLE MOUNTED)

ITEM	PART NUMBER	QTY	DESCRIPTION	REV
		Ref	ELECTRICAL OPTIONS INSTALLATIONS (TURNTABLE MOUNTED)	
	0255335	Ref	Limit Switch Installation - Above Horizontal	2-D
1	4360322	1	Switch, Limit	
2	4460428	1	Connector, Strain Relief	
3	3930828	2	Capscrew, Socket Head #8-32NC x 1-3/4in	
4	3310805	2	Locknut #8-32NC	
5	1670818	1	Cover, Limit Switch (SN 0300027349 through 0300068000)	
6	4751400	4	Flatwasher 1/4in Regular (SN 0300027349 through 0300068000)	
7	3931408	4	Bolt 1/4in-20NC x 1in (SN 0300027349 through 0300068000)	
	0255698	Ref	Limit Switches Installation - Dual Capacity (Australian Spec Only)	4-D
101	4360322	2	Switch, Limit	
102	4460428	2	Connector, Strain Relief	
103	0100035	AR	Compound, Locking	
104	3930816	2	Capscrew, Socket Head #8-32NC x 1in	
105	3930828	2	Capscrew, Socket Head #8-32NC x 1-3/4in	
106	3310805	2	Locknut #8-32NC	
107	4420060	9 ft/2.7m	Tape, Double Sided	
108	0362528	1	Bar, Fiberglass	
109	1670824	1	Cover, Limit Switch (SN 0300027349 through 0300068000)	
110	4751400	4	Flatwasher 1/4in Regular (SN 0300027349 through 0300068000)	
112	0641403	4	Bolt 1/4in-20NC x 3/8in (SN 0300027349 through 0300068000)	
		Ref	Tilt Indicator Switch Installation Options:	
	0255362	Ref	Tilt Indicator Switch Installation (Prior to SN 0300061927)	-
	0271501	Ref	Tilt Indicator Switch Installation (ADE System) (SN 0300061927 through 0300068000)	1
201	4360416	1	Switch, Level Sensing	
202	0641406	2	Bolt 1/4in-20NC x 3/4in	
203	3311405	2	Locknut 1/4in-20NC	
		Ref	Alarms Installations	
	0255368	Ref	Alarms Installations (Colored Wiring) (Prior to SN 0300035129)	2
	0257886	Ref	Alarms Installations (Numbered Colored Wiring) (SN 0300035129 through 0300061926)	1
	0270833	Ref	Alarms Installations (ADE System) (SN 0300061927 through 0300068000)	1
301		Ref	Alarm/Harness Assembly Options:	
301	0255914	1	Alarm/Harness Assembly (Colored Wiring) (Prior to SN 0300035129)	
301	0257887	1	Alarm/Harness Assembly (Numbered Colored Wiring) (SN 0300035129 through 0300068000)	
302	0641406	2	Bolt 1/4in-20NC x 3/4in	
303	4711400	2	Flatwasher 1/4in Thin	
305	0100048	AR	Sealant, Silicone	
		Ref	STROBE LIGHT INSTALLATIONS (AMBER) (OPTIONAL)	
	0255393	Ref	Strobe Light Installations (Amber) (Optional) (Colored Wiring) (Prior to SN 0300035129)	1
	0257885	Ref	Strobe Light Installations (Amber) (Optional) (Numbered Colored Wiring) (SN 0300035129 through 0300061926)	2

SECTION 2 - TURNTABLE

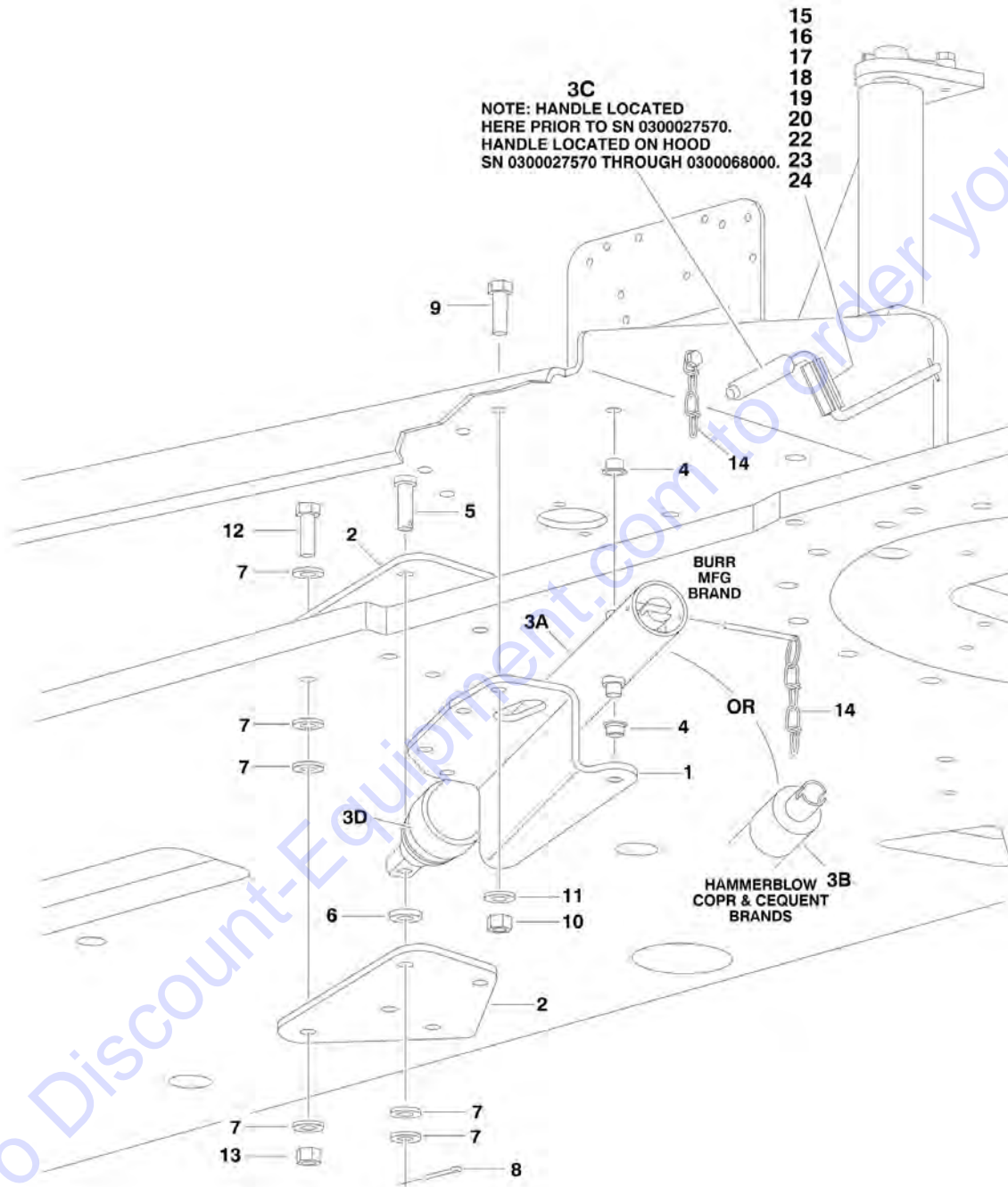
ITEM	PART NUMBER	QTY	DESCRIPTION	REV
	0270805	Ref	Strobe Light Installations (Amber) (Optional) (ADE System) (SN 0300061927 through 0300068000)	1
		Ref	Note: If machines are equipped with BLUE Strobe Light, See SPECIAL OPTIONS SECTION SkyGuard Kit.	
310	4220162	1	Spacer, Stop (Used with ECCO Model 6640 Only)	
311		Ref	Adapter Options:	
311	0630491	1	Adapter used with ECCO Model 6640	
311	0080241	1	Adapter used with ECCO Model 6650	
312	3539281	1	Plate, Mounting (Used with ECCO Model 6640 Only)	
313	0741606	1	Screw, Flathead Countersunk 3/8in-16NC x 3/4in (Used with ECCO Model 6640 Only)	
314	0100011	AR	Compound, Locking	
315	4240032	1	Wire-Tile	
316	0255917	NLA	Strobe Light/Guard/Harness Assembly (Use p/n 0272507) (Note: p/n 0272507 Includes Items 311 & 316A)	
316		Ref	Bulb, Replacement Options:	
316	7016380	1	Bulb for ECCO Model 6640	
316	70001941	1	Bulb for ECCO Model 6650	
316A		Ref	Guard Options:	
316A	4060907	1	Guard used with ECCO Model 6640	
316A	2920215	1	Guard used with ECCO Model 6650	
317	4460234	1	Clamp	
318	0100048	AR	Sealant, Silicone	
		Ref	Lights Installations (Optional)	
	0255387	Ref	Lights Installations (Optional) (Colored Wiring) (Prior to SN 0300035129)	2
	0257884	Ref	Lights Installations (Optional) (Numbered Colored Wiring) (SN 0300035129 through 0300061926)	1
	0270802	Ref	Lights Installations (Optional) (ADE System) (SN 0300061927 through 0300063908)	1
	0271552	Ref	Lights Installations (Optional) (ADE System) (SN 0300063909 through 0300068000)	2
325	2920110	2	Headlight	
326	0902206	2	Bracket, Mounting	
327	0642612	1	Bolt 1in-8NC x 1-1/2in	
328	4220162	2	Spacer	
329	0100011	AR	Compound, Locking	
330	2920113	2	Taillight	
331	3911040	4	Screw, Machine #10-24NC x 2-1/2in	
332	3311005	4	Nut #10-24NC	
333	4751000	4	Flatwasher #10 Regular	
334	4740362	4	Washer, Fender	
335	3960461	2	Gasket	
337	4240032	21	Tie-Strap (Not Shown)	
338	4460234	21	Mount, Tie-Strap (Not Shown)	
339	4360336	1	Switch, Toggle (Not Shown - Located on Console)	
340	3790012	1	O-Ring (Not Shown - Located on Console)	
341	3820001	11	Rivet, Pop (Not Shown) (SN 0300065778 through 0300068000)	
		Ref	TRANSPORT SWITCH INSTALLATION (EN280 AND CE SPEC)	
	0256305	Ref	Transport Switch Installation (EN280 & CE Spec) 600S & 660SJ	1
	0256306	Ref	Transport Switch Installation (EN280 & CE Spec) 600SJ	1
401	4360322	1	Switch, Limit	

SECTION 2 - TURNTABLE

ITEM	PART NUMBER	QTY	DESCRIPTION	REV
402	4460428	1	Connector, Strain Relief	
403	3930828	2	Capscrew, Socket Head #8-32NC x 1-3/4in	
404	3310805	2	Locknut #8-32NC	
405		Ref	Bar, Fiberglass Options:	
405	0362609	1	Bar, Fiberglass 600S & 660SJ	
405	0362610	1	Bar, Fiberglass 600SJ	
406	4420060	AR	Tape, Double-Sided	
407	4751400	4	Flatwasher 1/4in Regular Only (SN 0300027349 through 0300068000)	
408	3931403	4	Bolt 1/4in-20NC x 3/8in Only (SN 0300027349 through 0300068000)	
409	1670824	1	Cover, Limit Switch Only (SN 0300027349 through 0300068000)	
		Ref	8M DRIVE CUT-OUT INSTALLATIONS	
	0256312	Ref	8m Drive Cut-Out Installations (Prior to SN 0300035129)	1
	0257882	Ref	8m Drive Cut-Out Installations (SN 0300035129 through 0300068000)	1
501	4360322	1	Switch, Limit	
502	4460428	1	Connector, Strain Relief	
503	3930828	2	Capscrew, Socket Head #8-32NC x 1-3/4in	
504	3310805	2	Locknut #8-32NC	
505	1060016	15.09 ft /4.6m	Cable, Electrical - 16/3 (Not Shown)	
507	4751400	2	Flatwasher 1/4in Regular Only (SN 0300027349 through 0300068000)	
508	3931408	2	Bolt, Socket Head 1/4in-20NC x 3/8in Only (SN 0300027349 through 0300068000)	
509	1670821	1	Cover, Limit Switch Only (SN 0300027349 through 0300068000)	

SECTION 2 - TURNTABLE

FIGURE 2-19. ENGINE TRAY JACK INSTALLATION (OPTIONAL)



Go to Discount-Equipment.com to order your parts

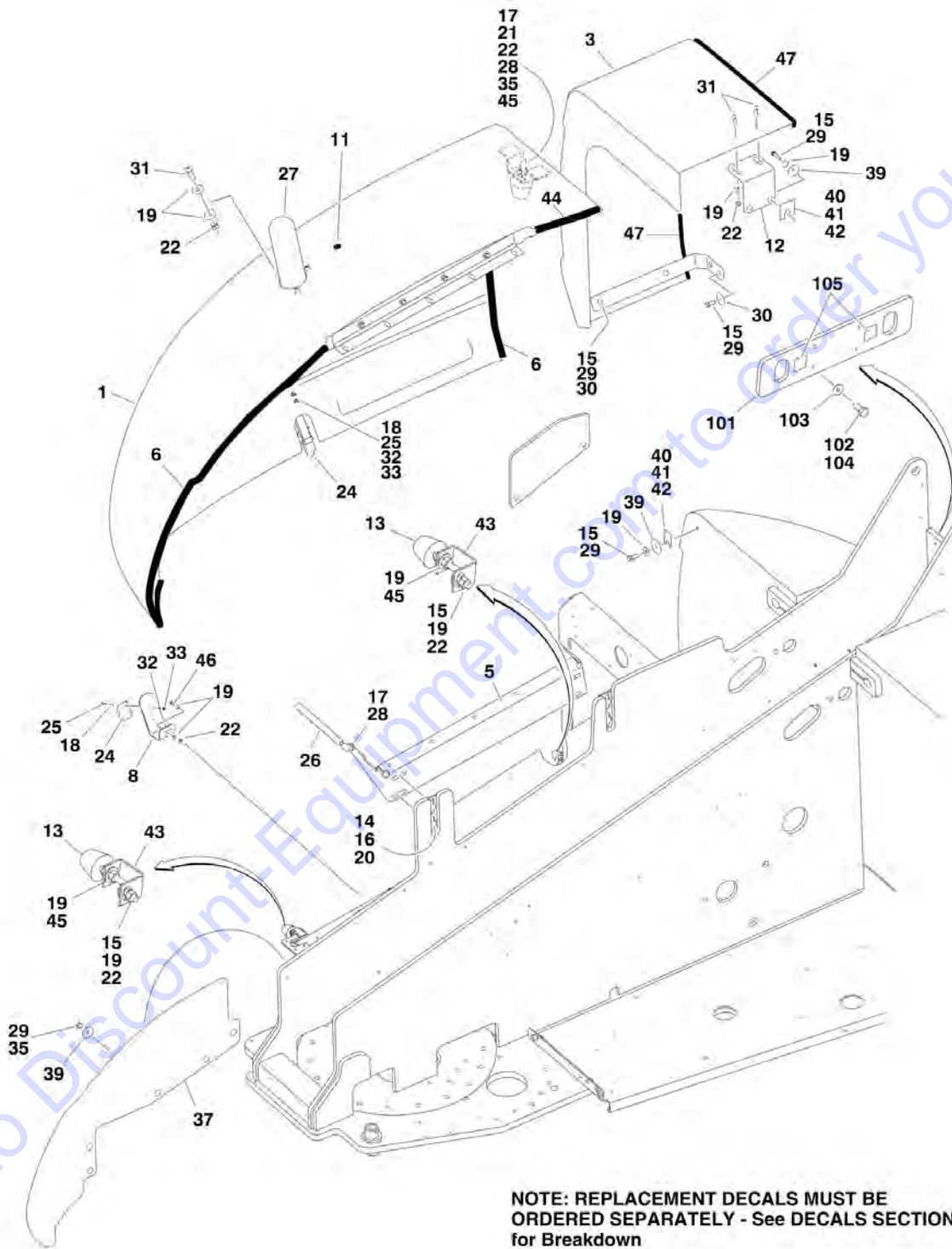
SECTION 2 - TURNTABLE

FIGURE 2-19. ENGINE TRAY JACK INSTALLATION (OPTIONAL)

ITEM	PART NUMBER	QTY	DESCRIPTION	REV
	0255881	Ref	ENGINE TRAY JACK INSTALLATION	2-D
1	3537445	1	Bracket	
2	3537446	2	Bracket	
3	2840016	1	Hydraulic Jack Assembly Options:	D
3A		Ref	Hydraulic Jack Assembly Burr Manufacturing Brand	
3B		Ref	Hydraulic Jack Assembly Hammerblow Corp Brand	
3C		Ref	Handle Options:	
3C	7016374	1	Handle Burr Manufacturing Brand	
3C	7024598	1	Handle Hammerblow Corp and Sequent Brands	
3D	7016322	1	Wiper (Burr Manufacturing Brand Only)	
4	0962051	2	Bushing, Flanged	
5	3430816	1	Pin, Clevis	
6	4891800	1	Flatwasher 1/2in Hardened	
7	4711800	6	Flatwasher 1/2in Thin	
8	3450404	1	Pin, Cotter 1/8in x 1in	
9	0641609	4	Bolt 3/8in-16NC x 1-1/8in	
10	3311605	4	Locknut 3/8in-16NC	
11	4891600	4	Flatwasher 3/8in Hardened	
12	0641818	4	Bolt 1/2in-13NC x 2-1/4in	
13	3311805	4	Locknut 1/2in-13NC	
14	3422530	1	Pin and Chain	
15	1380147	1	Clip, Spring	
16	3910610	2	Screw, Machine #6-32NC x 1-1/8in (Prior to SN 0300027570)	
17	3310601	2	Nut #6-32NC (Prior to SN 0300027570)	
18	4750600	2	Flatwasher #6 Regular (Prior to SN 0300027570)	
19	4751000	2	Flatwasher #10 Regular (Prior to SN 0300027570)	
20	0100011	AR	Compound, Locking (Prior to SN 0300027570)	
22	3910608	2	Screw #6-32NC x 1in (SN 0300027570 through 0300068000)	
23	3310601	2	Nut #6-32NC (SN 0300027658 through 0300068000)	
24	4770600	2	Starwasher #6 (SN 0300027658 through 0300068000)	

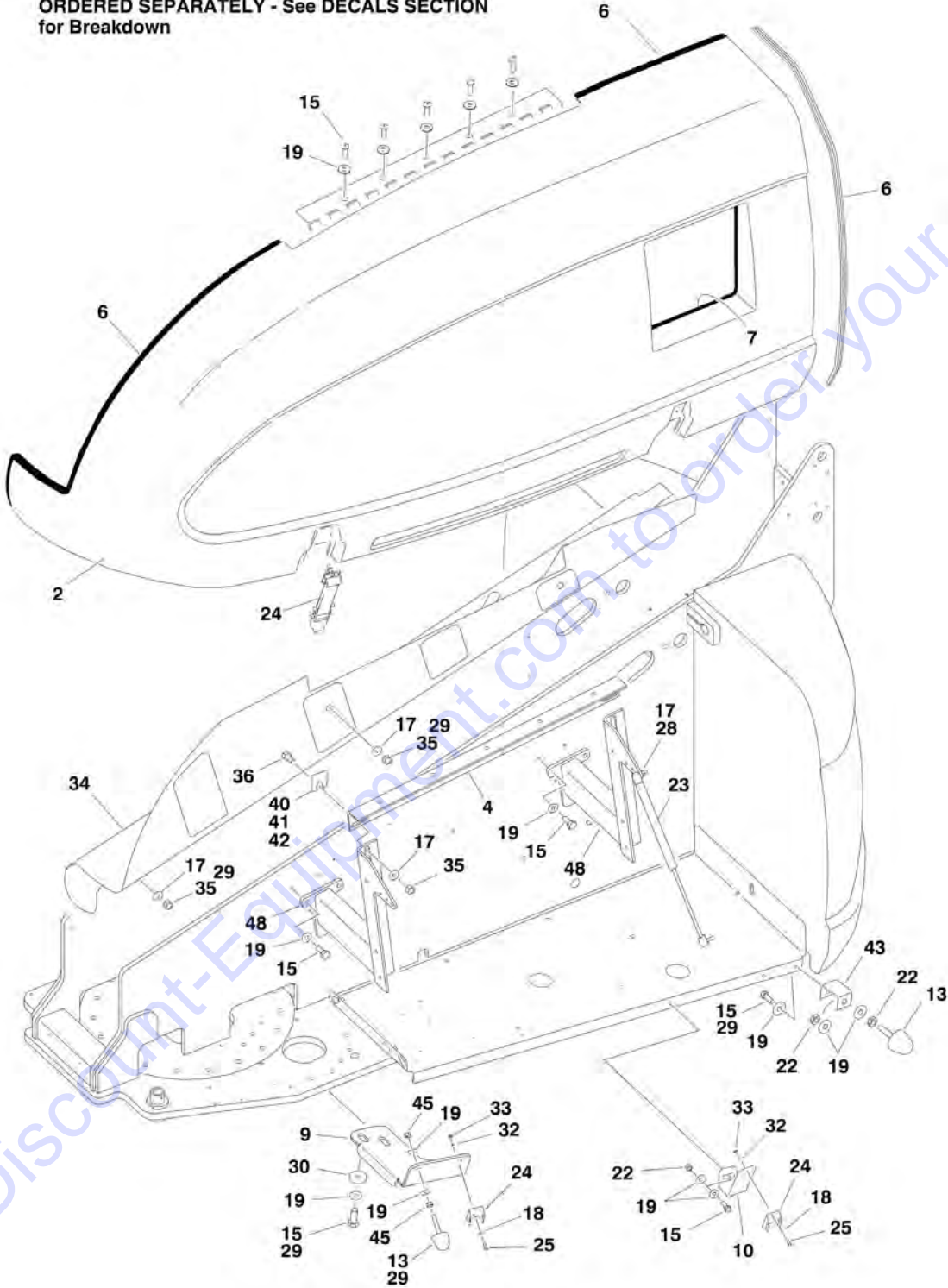
SECTION 2 - TURNTABLE

FIGURE 2-20. HOODS AND LIFTING PLATE INSTALLATIONS - WITHOUT NOISE REDUCTION (Prior to SN 0300027943)



SECTION 2 - TURNTABLE

NOTE: REPLACEMENT DECALS MUST BE ORDERED SEPARATELY - See DECALS SECTION for Breakdown



Go to Discount-Equipment.com to order your parts

SECTION 2 - TURNTABLE

FIGURE 2-20. HOODS AND LIFTING PLATE INSTALLATIONS - WITHOUT NOISE REDUCTION (Prior to SN 0300027943)

ITEM	PART NUMBER	QTY	DESCRIPTION	REV
		Ref	Note: Steel Hood Replacement Kits are available for machines built with Deutz engines. Purchase p/n 1001126286. No kits are available for machines built with Continental, Ford or Isuzu Engines.	
	0255296	Ref	HOODS INSTALLATION	11
1	2680420	1	Hood Assembly - Engine Side	
2	2680421	NLA	Hood Assembly - Tank Side (Use p/n 2680437)	
3	2680422	1	Hood Assembly- Engine Spacer	
4	0902138	NLA	Bracket, Hood Mounting (Use p/n 0902416)	
5	0902139	1	Bracket, Gas Spring	
6	3960462	72 ft /21.9m	Trim - Strip (Part of Items 1 & 2)	
7	3960447	55 in/1.4m	Trim - Strip (Part of Items 1 & 2)	
8	0902222	1	Bracket, Latch	
9	0902223	1	Bracket, Latch	
10	0902143	1	Bracket, Latch	
11	3520033	2	Plug, Hole	
12	0902161	1	Bracket, Hood Spacer Mounting	
13	0940071	5	Bumper	
14	0630507	6	Bolt, Carriage 1/2in-13NC x 1-1/4in	
15	0641608	26	Bolt 3/8in-16NC x 1in	
16	4740171	6	Flatwasher, Hardened	
17	4751500	AR	Flatwasher 5/16in Regular	
18	4751000	12	Flatwasher #10 Regular	
19	4751600	45	Flatwasher 3/8in Regular	
20	3311805	6	Locknut 1/2in-13NC	
21		Ref	Bumper Options: (Part of Item 1)	
21	0940049	NLA	Bumper (Use p/n 0940071) (Prior to SN 0300027329)	
21	0940071	1	Bumper (Trim to acquire proper fit) (SN 0300027329 through 0300027943)	
22	3311605	AR	Locknut 3/8in-16NC	
23	4160139	2	Spring, Gas (Tank Side)	
24	2940088	3	Latch (Part of Items 1 & 2)	
25	0721006	AR	Screw #10-24NC x 3/4in	
26	4160143	2	Spring, Gas (Engine Side)	
27	4845243	1	Outlet, Exhaust	
28	3311505	AR	Locknut 5/16in-18NC	
29	0100011	AR	Compound, Locking	
30	4740076	4	Washer, Fender	
31	3900232	5	Screw, Button Head 3/8in-16NC x 1-1/4in	
32	4761000	AR	Lockwasher #10	
33	3311001	AR	Nut #10-24NC	
34	1670771	1	Cover	
35	3311501	AR	Nut 5/16in-18NC	
36	0641512	2	Bolt 5/16in-18NC x 1-1/2in	
37	1670779	1	Cover, Side	
38	1670780	1	Cover, Side	
39	4740076	10	Washer, Fender	
40	4070410	AR	Shim 1/16in	
41	4070411	AR	Shim 1/8in	

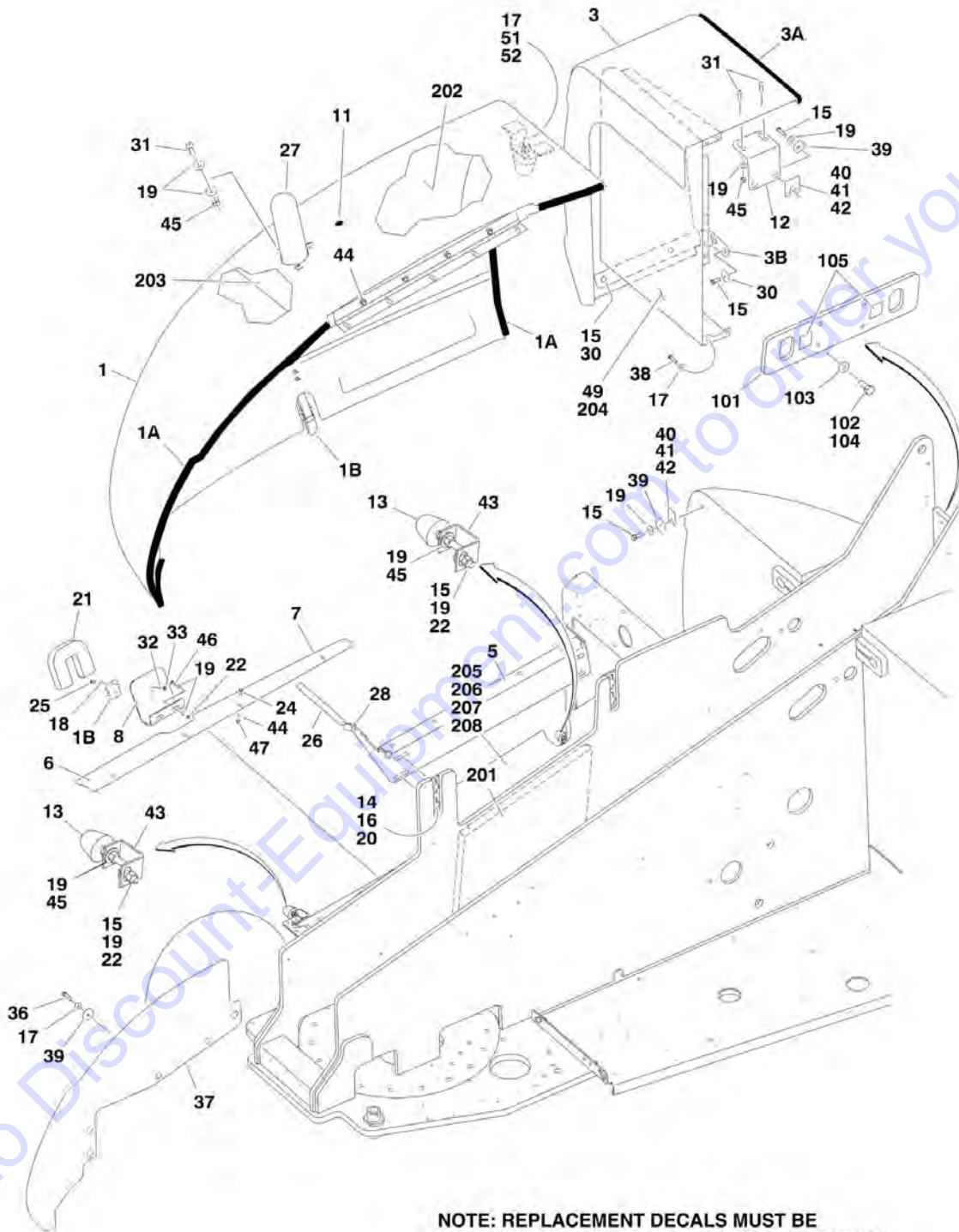
SECTION 2 - TURNTABLE

ITEM	PART NUMBER	QTY	DESCRIPTION	REV
42	4070412	AR	Shim 3/16in	
43	0902219	2	Bracket, Bumper	
44	3960464	13 ft/4m	Seal (Part of Items 1 & 2)	
45	3311601	14	Nut 3/8in-16NC	
46	0641612	1	Bolt 3/8in-16NC x 1-1/2in	
47	3960453	AR	Seal (Part of Item 3)	
48	4845356	2	Hood Mount Weldment	
	0256122	Ref	LIFTING PLATE INSTALLATION	1-B
101	3539590	1	Plate, Lifting	
102	0682014	4	Bolt 5/8in-11NC x 1-3/4in (Grade 8)	
103	4892000	4	Flatwasher 5/8in Hardened	
104	0100019	AR	Compound, Locking	
105	1701500	2	Decal - Tie Down/Lift	

Go to Discount-Equipment.com to order your parts

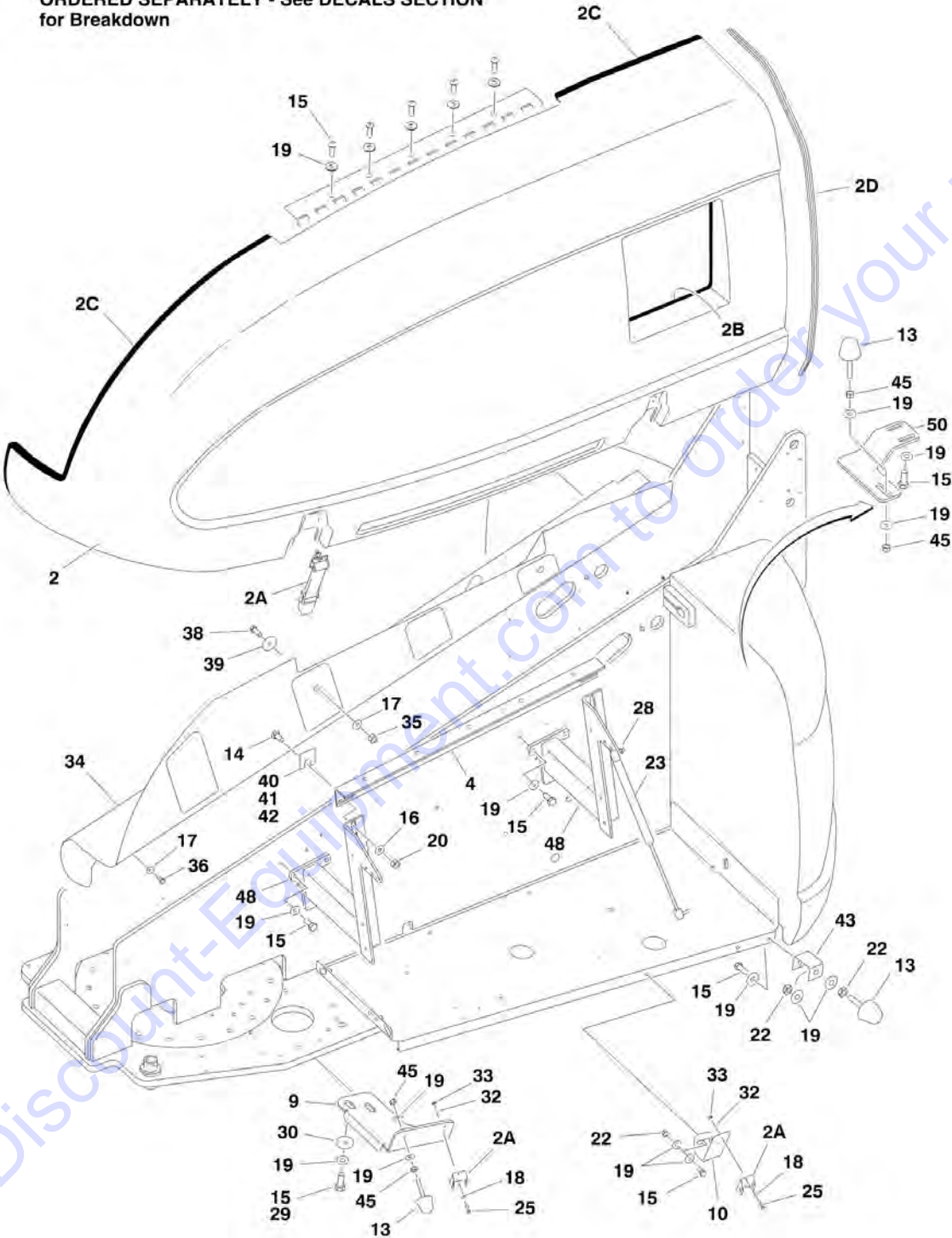
SECTION 2 - TURNTABLE

FIGURE 2-21. HOODS AND LIFTING PLATE INSTALLATIONS - WITH NOISE REDUCTION (SN 0300027943 through 0300068000)



SECTION 2 - TURNTABLE

NOTE: REPLACEMENT DECALS MUST BE ORDERED SEPARATELY - See DECALS SECTION for Breakdown



SECTION 2 - TURNTABLE

FIGURE 2-21. HOODS AND LIFTING PLATE INSTALLATIONS - WITH NOISE REDUCTION (SN 0300027943 through 0300068000)

ITEM	PART NUMBER	QTY	DESCRIPTION	REV
		Ref	Note: Steel Hood Replacement Kits are available for machines built with Deutz engines. Purchase p/n 1001126286. No kits are available for machines built with Continental, Ford or Isuzu Engines.	
		Ref	HOODS INSTALLATIONS	
	0256830	Ref	Standard	7-G
	0258578	Ref	UL (SN 0300039457 through 0300068000)	3
1		Ref	Hood Assembly - Engine Side Options:	
1	2680420	1	Hood Assembly - Engine Side Standard (Prior to SN 0300038047)	
1	2680449	1	Hood Assembly - Engine Side Standard (SN 0300038047 through 0300068000)	
1	2680443	1	UL	
1	2600209	1	Hinge	
1A	3960464	65 in /1.67m	Seal	
1A	3960462	61 in /1.55m	Seal	
1B	2940088	1	Latch	
2		Ref	Hood Assembly - Tank Side Options:	
2	2680421	1	Hood Assembly - Tank Side Standard (Prior to SN 0300038047)	
2	2680448	1	Hood Assembly - Tank Side Standard (SN 0300038047 through 0300068000)	
2	2680437	1	UL	
2	2600233	1	Hinge	
2A	2940088	2	Latch	
2B	3960438	53 in /1.35m	Seal	
2C	3960464	83 in /2.11m	Seal	
2D	3960462	55 in/1.4m	Seal	
3		Ref	Hood Assembly- Engine Spacer Options:	
3	2680435	1	Hood Assembly- Engine Spacer Standard (Prior to SN 0300038047)	
3	2680450	1	Hood Assembly- Engine Spacer Standard (SN 0300038047 through 0300068000)	
3	2680435	1	UL	
3A	3960453	68 in /1.73m	Seal	
3B	7023366	1	Bracket	
4		Ref	Bracket, Hood Mounting Options:	
4	0902138	1	Bracket, Hood Mounting (Prior to SN 0300035860)	
4	0902416	1	Bracket, Hood Mounting (SN 0300035860 through 0300068000)	
5	0902351	1	Bracket, Hood Mounting	
6	3539934	1	Plate, Seal	
7	3960389	3.5 ft/1m	Seal	
8		Ref	Bracket, Latch Options:	
8	0902358	1	Bracket, Latch (Prior to SN 0300038808)	
8	0902491	1	Bracket, Latch (SN 0300038808 through 0300068000)	
9	0902223	1	Bracket, Latch	

SECTION 2 - TURNTABLE

ITEM	PART NUMBER	QTY	DESCRIPTION	REV
10	0902143	1	Bracket, Latch	
11	3520033	2	Plug, Hole	
12	0902161	1	Bracket, Hood Spacer Mounting	
13	0940071	5	Bumper	
14	0630507	6	Bolt, Carriage 1/2in-13NC x 1-1/4in	
15	0641608	AR	Bolt 3/8in-16NC x 1in	
16	4740171	6	Flatwasher, Hardened	
17	4751500	15	Flatwasher 5/16in Regular	
18	4751000	12	Flatwasher #10 Regular	
19	4751600	AR	Flatwasher 3/8in Regular	
20	3311805	6	Locknut 1/2in-13NC	
21	3960470	1	Seal	
22	3311605	5	Locknut 3/8in-16NC	
23	4160139	2	Spring, Gas (Tank Side)	
24	0641406	4	Bolt 1/4in-20NC x 3/4in	
25	0721006	6	Screw #10-24NC x 3/4in	
26	4160143	2	Spring, Gas (Engine Side)	
27		Ref	Outlet, Exhaust Options:	
27	4845411	1	Standard	
27	Not Required	0	UL	
28	3311505	4	Locknut 5/16in-18NC	
29	0100011	AR	Compound, Locking	
30	4740076	4	Washer, Fender	
31	3900232	5	Screw, Button Head 3/8in-16NC x 1-1/4in	
32	4761000	6	Lockwasher #10	
33	3311001	6	Nut #10-24NC	
34	1670771	1	Cover	
35	3311501	12	Nut 5/16in-18NC	
36	0641512	2	Bolt 5/16in-18NC x 1-1/2in	
37	1670779	1	Cover, Side	
38	0641506	6	Bolt 5/16in-18NC x 3/4in	
39	4740076	AR	Washer, Fender	
40	4070410	AR	Shim 1/16in	
41	4070411	AR	Shim 1/8in	
42	4070412	AR	Shim 3/16in	
43	0902219	2	Bracket, Bumper	
44	4751400	4	Flatwasher 1/4in Regular	
45	3311601	AR	Nut 3/8in-16NC	
46	0641609	2	Bolt 3/8in-16NC x 1-1/8in	
47	3311405	4	Locknut 1/4in-20NC	
48	4845356	2	Hood Mount Weldment	
49	3539979	1	Plate, Inlet Baffle	
50	0902384	1	Bracket, Hood Mount	
51	0940088	1	Hood, Bumper (SN 0300039820 through 0300068000)	
52	3321501	2	Nut 5/16in-24NF (SN 0300039820 through 0300068000)	
	0256122	Ref	LIFTING PLATE INSTALLATION	
101	3539590	1	Plate, Lifting	1-B
102	0682014	4	Bolt 5/8in-11NC x 1-3/4in (Grade 8)	
103	4892000	4	Flatwasher 5/8in Hardened	
104	0100019	AR	Compound, Locking	
105	1701500	2	Decal - Tie Down/Lift	

SECTION 2 - TURNTABLE

ITEM	PART NUMBER	QTY	DESCRIPTION	REV
	0256823	Ref	NOISE REDUCTION INSTALLATION (DIESEL MACHINES)	-
201	2820078	1	Foam, Acoustical	
202	2820079	1	Foam, Acoustical	
203	2820080	1	Foam, Acoustical	
204	2820081	1	Foam, Acoustical	
205	3539955	1	Plate, Baffle	
206	0641506	2	Bolt 5/16in-18NC x 3/4in	
207	4751500	2	Flatwasher 5/16in Regular	
208	0100011	AR	Compound, Locking (Not Shown)	

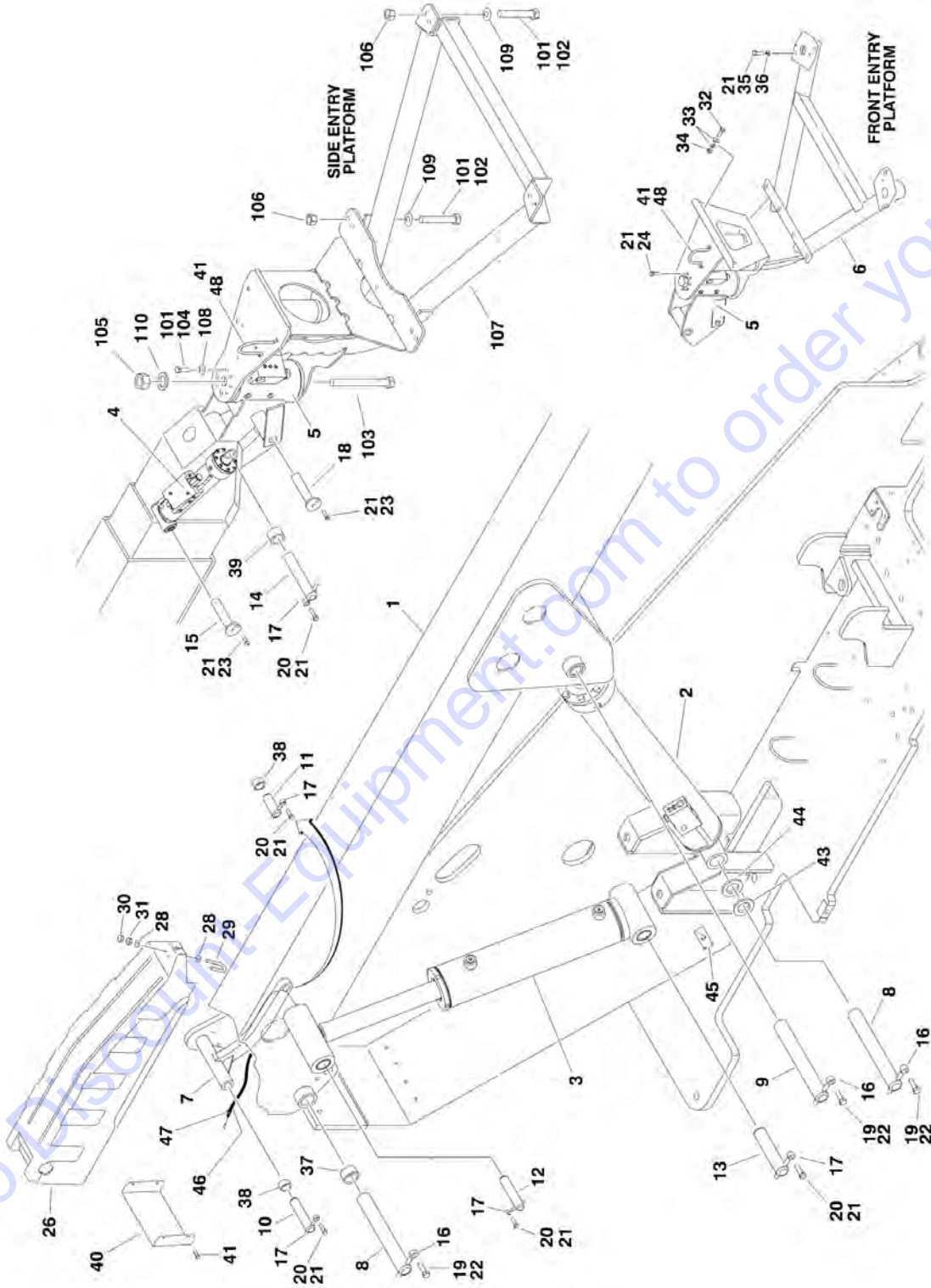
Go to Discount-Equipment.com to order your parts

SECTION 3 - BOOM

Go to Discount-Equipment.com to order your parts

SECTION 3 - BOOM

FIGURE 3-1. BOOM INSTALLATIONS - 600S



SECTION 3 - BOOM

FIGURE 3-1. BOOM INSTALLATIONS - 600S

ITEM	PART NUMBER	QTY	DESCRIPTION	REV
		Ref	BOOM AND CYLINDERS INSTALLATION OPTIONS:	
	0255290	Ref	Boom and Cylinders Installation 600S (Front Entry Platform Machines) (Prior to SN 0300061927)	9
	0271327	Ref	Boom and Cylinders Installation 600S (Front Entry Platform Machines) (SN 0300061927 through 0300068000)	3
	0272132	Ref	Boom and Cylinders Installation 600S (Side Entry Platform)	2
1		Ref	Boom Assembly - 600S (See MAIN BOOM ASSEMBLIES for Breakdown)	
1	0801071	1	Boom Assembly - 600S (Prior to SN 0300067538)	
1	0801340	1	Boom Assembly - 600S (SN 0300067538 through 0300068000)	
2	1683275	1	Lift Cylinder Assembly (See CYLINDER SECTION for Breakdown)	
3	1683266	NLA	Master Cylinder Assembly (Use p/n 1001228002) (See CYLINDER SECTION for Breakdown) (Original Equipment)	
3	1001228002	1	Master Cylinder Assembly (See CYLINDER SECTION for Breakdown) (Service Replacement)	
4		Ref	Platform Level Cylinder Assembly Options: (See CYLINDER SECTION for Breakdown)	
4	1683271	1	Platform Level Cylinder Assembly (Original Equipment) (Prior to SN 0300024714)	
4	1683415	NLA	Platform Level Cylinder Assembly (Use p/n 1001228008) (Original Equipment) (SN 0300024714 through 0300068000)	
4	1001223512	NLA	Platform Level Cylinder Assembly (Use p/n 1001228008) (Service Replacement)	
4	1001228008	1	Platform Level Cylinder Assembly (Service Replacement)	
5		Ref	Rotator Assembly Options:	
5	0060034	NLA	Front Entry Platform (Use p/n 0060075) (See ROTATOR ASSEMBLIES (FRONT ENTRY PLATFORM) for Breakdown)	
5	0060067	1	Side Entry Platform (See ROTATOR ASSEMBLIES (SIDE ENTRY PLATFORM) for Breakdown)	
6		Ref	Support, Platform Options:	
6	4844790	1	Front Entry Platform (Prior to SN 0300037428)	
6	4845682	1	Front Entry Platform (SN 0300037428 through 0300042667)	
6	4845703	1	Front Entry Platform (SN 0300042668 through 0300053546)	
6	4846081	1	Front Entry Platform (SN 0300053547 through 0300068000)	
6	See Note	1	Side Entry Platform (Note: See Items 101-110)	
7	4844944	NLA	Link, Push (Use p/n 1001094043)	
8		Ref	Pin (Cylinder Pivot - T/T End and Boom Pivot) Options:	
8	3422433	NLA	Pin (Cylinder Pivot - T/T End and Boom Pivot) (Use p/n 3422564) (Prior to SN 0300041810)	
8	3422564	2	Pin (Cylinder Pivot - T/T End and Boom Pivot) (SN 0300041810 through 0300068000)	
9		Ref	Pin (Lift Cylinder Pivot - Boom End) Options:	
9	3422437	NLA	Pin (Lift Cylinder Pivot - Boom End) (Use p/n 3422568) (Prior to SN 0300041810)	
9	3422568	1	Pin (Lift Cylinder Pivot - Boom End) (SN 0300041810 through 0300068000)	
10		Ref	Pin (Link - T/T End) Options:	
10	3422435	NLA	Pin (Link - T/T End) (Use p/n 3422566) (Prior to SN 0300041810)	
10	3422566	1	Pin (Link - T/T End) (SN 0300041810 through 0300068000)	
11		Ref	Pin (Link - Boom End) Options:	

SECTION 3 - BOOM

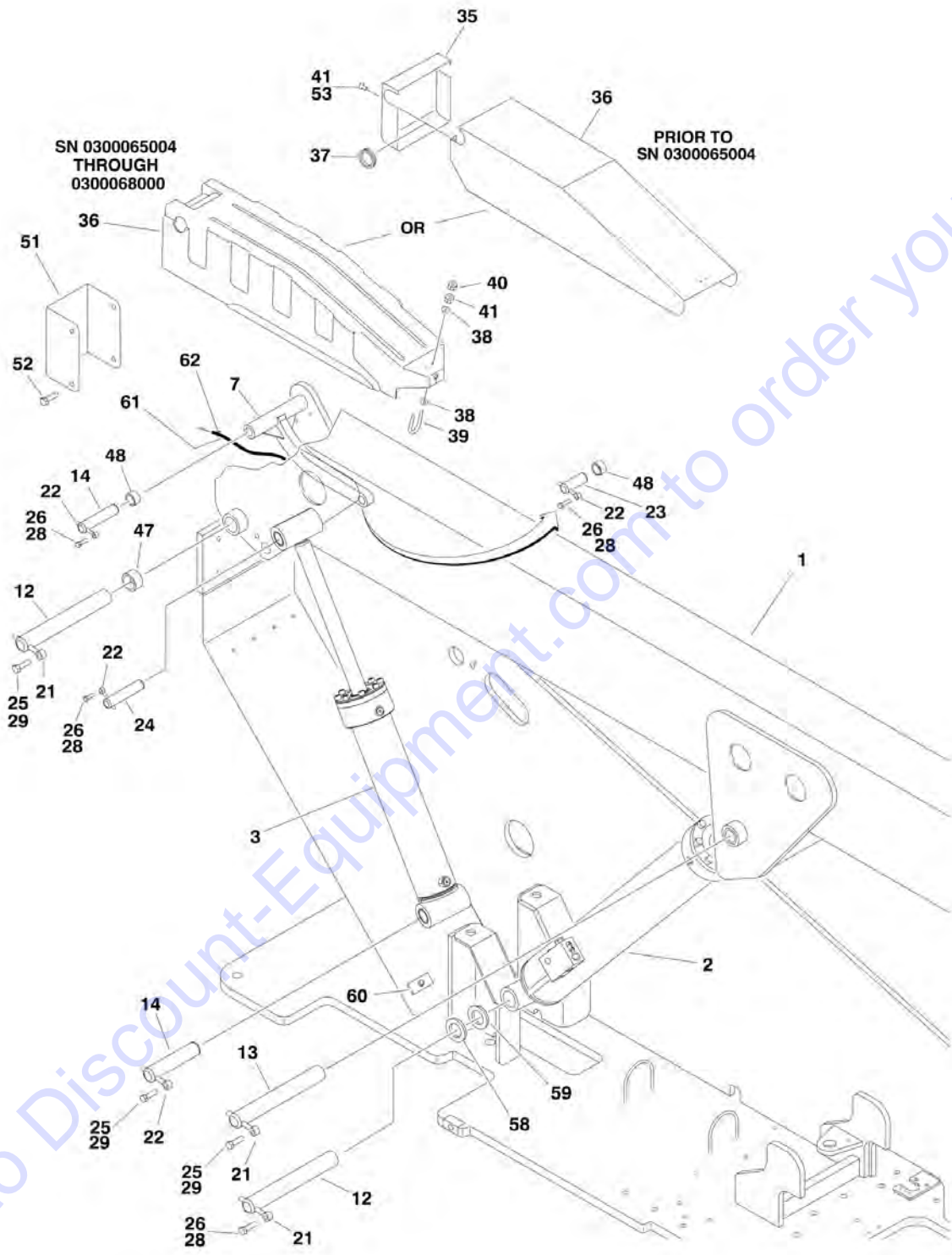
ITEM	PART NUMBER	QTY	DESCRIPTION	REV
11	3422418	NLA	Pin (Link - Boom End) (Use p/n 3422557) (Prior to SN 0300041810)	
11	3422557	1	Pin (Link - Boom End) (SN 0300041810 through 0300068000)	
12		Ref	Pin (Master Cylinder - Boom End) Options:	
12	3422436	NLA	Pin (Master Cylinder - Boom End) (Use p/n 3422567) (Prior to SN 0300041810)	
12	3422567	1	Pin (Master Cylinder - Boom End) (SN 0300041810 through 0300068000)	
13		Ref	Pin (Master Cylinder - T/T End) Options:	
13	3422434	NLA	Pin (Master Cylinder - T/T End) (Use p/n 3422565) (Prior to SN 0300041810)	
13	3422565	1	Pin (Master Cylinder - T/T End) (SN 0300041810 through 0300068000)	
14		Ref	Pin (Rotator) Options:	
14	3422425	NLA	Pin (Rotator) (Use p/n 3422562) (Prior to SN 0300041810)	
14	3422562	1	Pin (Rotator) (SN 0300041810 through 0300068000)	
15		Ref	Pin (Level Cylinder - Boom End) Options:	
15	3422438	NLA	Pin (Level Cylinder - Boom End) (Use p/n 3422569) (Prior to SN 0300041810)	
15	3422569	1	Pin (Level Cylinder - Boom End) (SN 0300041810 through 0300068000)	
16	3841258	3	Keeper, Pin	
17	3841143	5	Keeper, Pin	
18		Ref	Pin (Level Cylinder - Rotator End) Options:	
18	3422489	NLA	Pin (Level Cylinder - Rotator End) (Use p/n 3422580) (Prior to SN 0300041810)	
18	3422580	1	Pin (Level Cylinder - Rotator End) (SN 0300041810 through 0300068000)	
19	0642012	3	Bolt 5/8in-11NC x 1-1/2in	
20	0641608	5	Bolt 3/8in-16NC x 1in	
21	0100011	AR	Compound, Locking	
22	0100019	AR	Compound, Locking	
23	0741607	2	Screw, Countersunk 3/8in-16NC x 7/8in	
24	0641810	6	Bolt 1/2in-13NC x 2-1/2in (Prior to SN 0300067538)	
25	3539475	1	Cover, Boom End (Back) (Prior to SN 0300065004)	
26		Ref	Cover, Boom Options:	
26	3539476	1	Cover, Boom End (Top and Sides) (Prior to SN 0300065004)	
26	1671055	1	Cover (SN 0300065004 through 0300068000)	
27	0962057	2	Bushing (Prior to SN 0300065004)	
28		Ref	Hardware Options:	
28	3340800	1	Hardware Pad, Wear (Prior to SN 0300065004)	
28	4751400	4	Hardware Flatwasher 1/4in Regular (SN 0300065004 through 0300068000)	
29	0630458	1	U-Bolt	
30	3311402	4	Nut, Jam 1/4in-20NC	
31		Ref	Hardware Options:	
31	0641407	4	Hardware Bolt 1/4in-20NC x 7/8in (Prior to SN 0300065004)	
31	3311401	2	Hardware Locknut 1/4in-20NC (SN 0300065004 through 0300068000)	
32	0641820	4	Bolt 1/2in-13NC x 2-1/2in	
33	4711800	8	Flatwasher 1/2in Thin (Front Entry Platform)	
34	3311805	4	Locknut 1/2in-13NC (Front Entry Platform)	
35	0681610	4	Bolt 3/8in-16NC x 1-1/4in (Grade 8) (Front Entry Platform)	
36	4711600	4	Flatwasher 3/8in Thin (Front Entry Platform)	

SECTION 3 - BOOM

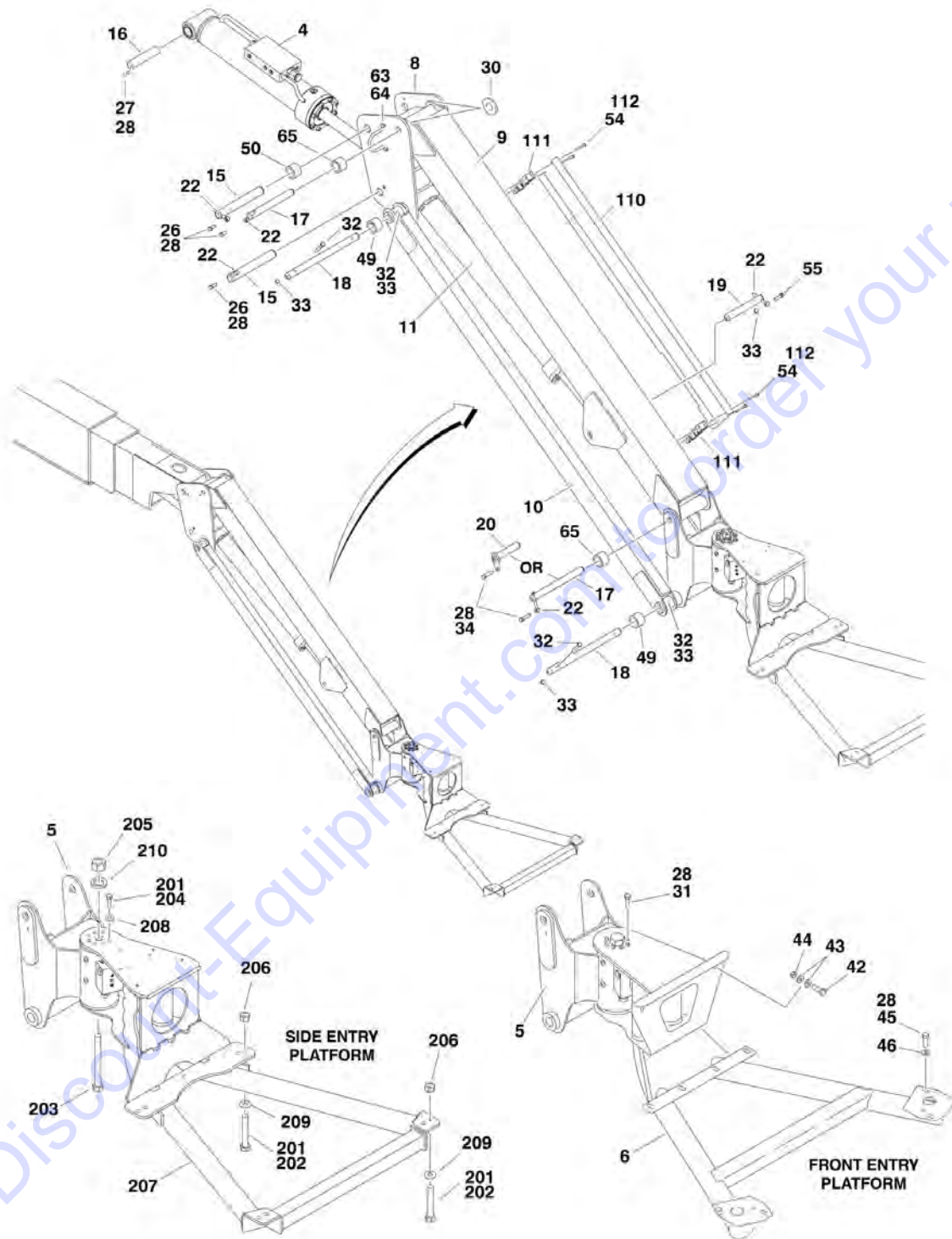
ITEM	PART NUMBER	QTY	DESCRIPTION	REV
37	0961950	2	Bushing	B
38	0962006	3	Bushing	
39	0961951	2	Bushing	
40	3539563	1	Cover	
41	0641604	6	Bolt 3/8in-16NC x 1/2in	
42	2080043	4	Rivnut (Prior to SN 0300065004)	
43	4740314	AR	Thrustwasher	
44	4740158	AR	Thrustwasher	
45	1320235	1	Clamp, Staff (SN 0300027200 through 0300068000)	
46	4100033	2 ft/.3m	Sleeve (SN 0300027200 through 0300068000)	
47	4240033	2	Tie-Strap (SN 0300027200 through 0300068000)	
48	3841340	1	Loop, Hose (SN 0300027200 through 0300068000)	
		Ref	SUPPORT INSTALLATIONS (SIDE ENTRY PLATFORM)	
	0272070	Ref	Australian Spec	
	See Note	Ref	CE Spec (Note: For CE Spec Machines Refer to JLG Supplement p/n 3124287 for Components)	
101	0100011	AR	Compound, Locking	
102	0641812	8	Bolt 1/2in-13NC x 1-1/2in	
103	0642682	1	Bolt 1in-8NC x 10-1/4in	
104	0681608	8	Bolt 3/8in-16NC x 1in (Grade 8)	
105	3272605	1	Locknut 1in-8NC	
106	3311805	8	Locknut 1/2in-13NC	
107	4846573	1	Support, Platform	
108	4891600	8	Flatwasher 3/8in Hardened	
109	4891800	8	Flatwasher 1/2in Hardened	
110	4892600	1	Flatwasher 1in(Hardened)	

SECTION 3 - BOOM

FIGURE 3-2. BOOM INSTALLATIONS - 600SJ & 660SJ



SECTION 3 - BOOM



SECTION 3 - BOOM

FIGURE 3-2. BOOM INSTALLATIONS - 600SJ & 660SJ

ITEM	PART NUMBER	QTY	DESCRIPTION	REV
		Ref	BOOM AND CYLINDERS INSTALLATIONS	
	0255292	Ref	Boom and Cylinders Installation 600SJ (Front Entry Platform Machines) (Prior to SN 0300061927)	10
	0271318	Ref	Boom and Cylinders Installation 600SJ (Front Entry Platform Machines) (SN 0300061927 through 0300068000)	3
	0272134	Ref	Boom and Cylinders Installation 600SJ (Side Entry Platform Machines)	2
	0255291	Ref	Boom and Cylinders Installation 660SJ (Front Entry Platform Machines) (Prior to SN 0300061927)	11
	0271317	Ref	Boom and Cylinders Installation 660SJ (Front Entry Platform Machines) (SN 0300061927 through 0300068000)	3
	0272130	Ref	Boom and Cylinders Installation 660SJ (Side Entry Platform)	2
1		Ref	Boom Assembly Options: (See MAIN BOOM ASSEMBLIES for Breakdown)	
1	0801073	1	Boom Assembly 600SJ (Prior to SN 0300067538)	
1	0801341	1	Boom Assembly 600SJ (SN 0300067538 through 0300068000)	
1	0801072	1	Boom Assembly 660SJ (Prior to SN 0300067538)	
1	0801336	1	Boom Assembly 660SJ (SN 0300067538 through 0300068000)	
2	1683275	1	Boom Lift Cylinder Assembly (See CYLINDER SECTION for Breakdown)	
3	1683263	NLA	Master Cylinder Assembly (Use p/n 1001228052) (See CYLINDER SECTION for Breakdown) (Original Equipment)	
3	1001228052	1	Master Cylinder Assembly (See CYLINDER SECTION for Breakdown) (Service Replacement)	
4		Ref	Platform Level Cylinder Assembly Options (See CYLINDER SECTION for Breakdown):	
4	1683253	1	Platform Level Cylinder Assembly (Original Equipment) (Prior to SN 0300024714)	
4	1683418	NLA	Platform Level Cylinder Assembly (Use p/n 1001228051) (Original Equipment) (SN 0300024714 through 0300068000)	
4	1001223331	NLA	Platform Level Cylinder Assembly (Use p/n 1001228051) (Service Replacement)	
4	1001228051	1	Platform Level Cylinder Assembly (Service Replacement)	
5		Ref	Rotator Assembly Options:	
5	0060031	NLA	Front Entry Platform (See ROTATOR ASSEMBLIES (FRONT ENTRY PLATFORM) for Breakdown) (Use Kit p/n 1001103095 - Includes p/n 0060074 actuator, attaching pin and hardware)	
5	0060066	1	Side Entry Platform (See ROTATOR ASSEMBLIES (SIDE ENTRY PLATFORM) for Breakdown)	
6		Ref	Support, Platform Options:	
6	4844790	1	Front Entry Platform Machines (Prior to SN 0300037428)	
6	4845682	1	Front Entry Platform Machines (SN 0300037428 through 0300042667)	
6	4845703	1	Front Entry Platform Machines (SN 0300042668 through 0300053546)	
6	4846081	1	Front Entry Platform Machines (SN 0300053547 through 0300068000)	
6	See Note	1	Side Entry Platform (Note: See Items 201-210)	
7	4844944	NLA	Link, Push (Use p/n 1001094043)	
8	4844815	1	Pivot	
9	4844816	1	Tube (Top)	
10	4844817	2	Tube (Bottom)	

SECTION 3 - BOOM

ITEM	PART NUMBER	QTY	DESCRIPTION	REV
11	1683258	1	Articulating Jib Lift Cyl Assembly (See CYLINDER SECTION for Breakdown)	
12		Ref	Pin (Boom Pivot and Lift Cylinder Pivot - T/T End) Options:	
12	3422433	NLA	Pin (Boom Pivot and Lift Cylinder Pivot - T/T End) (Use p/n 3422564) (Prior to SN 0300041810)	
12	3422564	2	Pin (Boom Pivot and Lift Cylinder Pivot - T/T End) (SN 0300041810 through 0300068000)	
13		Ref	Pin (Boom Lift Cylinder - Boom End) Options:	
13	3422437	NLA	Pin (Boom Lift Cylinder - Boom End) (Use p/n 3422568) (Prior to SN 0300041810)	
13	3422568	1	Pin (Boom Lift Cylinder - Boom End) (SN 0300041810 through 0300068000)	
14		Ref	Pin (Link - T/T End and Master Cylinder - T/T End) Options:	
14	3422435	NLA	Pin (Link - T/T End and Master Cylinder - T/T End) (Use p/n 3422566) (Prior to SN 0300041810)	
14	3422566	2	Pin (Link - T/T End and Master Cylinder - T/T End) (SN 0300041810 through 0300068000)	
15		Ref	Pin (Articulating Jib Cylinder - Pivot End and Pivot - Boom End) Options:	
15	3422422	NLA	Pin (Articulating Jib Cylinder - Pivot End and Pivot - Boom End) (Use p/n 3422561) (Prior to SN 0300041810)	
15	3422561	2	Pin (Articulating Jib Cylinder - Pivot End and Pivot - Boom End) (SN 0300041810 through 0300068000)	
16		Ref	Pin (Articulating Jib Level Cylinder - Boom End) Options:	
16	3422440	NLA	Pin (Articulating Jib Level Cylinder - Boom End) (Use p/n 3422583) (Prior to SN 0300041810)	
16	3422583	1	Pin (Articulating Jib Level Cylinder - Boom End) (SN 0300041810 through 0300068000)	
17		Ref	Pin (Top Tube - Pivot End) Options:	
17	3422419	NLA	Pin (Top Tube - Pivot End) (Use p/n 3422860) (Prior to SN 0300041810)	
17	3422558	NLA	Pin (Top Tube - Pivot End) (Use p/n 3422860) (SN 0300041810 through 0300053994)	
17	3422860	2	Pin (Top Tube - Pivot End) (SN 0300053995 through 0300068000)	
18		Ref	Pin (Bottom Tube - Both Ends) Options:	
18	3422420	NLA	Pin (Bottom Tube - Both Ends) (Use p/n 3422861) (Prior to SN 0300041810)	
18	3422559	NLA	Pin (Bottom Tube - Both Ends) (Use p/n 3422861) (SN 0300041810 through 0300053994)	
18	3422861	2	Pin (Bottom Tube - Both Ends) (SN 0300053995 through 0300068000)	
19		Ref	Pin (Articulating Jib Lift Cylinder - Top Tube End) Options:	
19	3422421	NLA	Pin (Articulating Jib Lift Cylinder - Top Tube End) (Use p/n 3422867) (Prior to SN 0300041810)	
19	3422560	NLA	Pin (Articulating Jib Lift Cylinder - Top Tube End) (Use p/n 3422867) (SN 0300041810 through 0300053994)	
19	3422867	1	Pin (Articulating Jib Lift Cylinder - Top Tube End) (SN 0300053995 through 0300068000)	
20		Ref	Pin (Top Tube - Rotator End) Options:	
20	3422432	NLA	Pin (Top Tube - Rotator End) (Use p/n 3422563) (Prior to SN 0300041810)	
20	3422563	1	Pin (Top Tube - Rotator End) (SN 0300041810 through 0300067538)	
21	3841258	3	Keeper, Pin	
22	3841143	9	Keeper, Pin	

SECTION 3 - BOOM

ITEM	PART NUMBER	QTY	DESCRIPTION	REV
23		Ref	Pin (Link - Boom) Options:	
23	3422418	NLA	Pin (Link - Boom) (Use p/n 3422557) (Prior to SN 0300041810)	
23	3422557	1	Pin (Link - Boom) (SN 0300041810 through 0300068000)	
24		Ref	Pin (Master Cylinder - Boom End) Options:	
24	3422445	NLA	Pin (Master Cylinder - Boom End) (Use p/n 3422574) (Prior to SN 0300041810)	
24	3422574	1	Pin (Master Cylinder - Boom End) (SN 0300041810 through 0300068000)	
25	0642012	3	Bolt 5/8in-11NC x 1-1/2in	
26	0641608	7	Bolt 3/8in-16NC x 1in	
27	0741607	1	Screw, Countersunk 3/8in-16NC x 7/8in	
28	0100011	AR	Compound, Locking	
29	0100019	AR	Compound, Locking	
30	4740439	2	Thrustwasher	
31	0641808	6	Bolt 1/2in-13NC x 1in (600SJ) (Front Entry Platform)	
31	0641810	6	Bolt 1/2in-13NC x 1-1/4in (660SJ) (Front Entry Platform)	
32	0641618	4	Bolt 3/8in-16NC x 2-1/4in	
33	3311605	5	Locknut 3/8in-16NC	
34	0641614	1	Bolt 3/8in-16NC x 1-3/4in	
35	3539475	1	Cover, Boom End (Back) (Prior to SN 0300065004)	
36		Ref	Cover, Boom Options:	
36	3539476	1	Cover, Boom End (Top and Sides) (Prior to SN 0300065004)	
36	1671055	1	Cover (SN 0300065004 through 0300068000)	
37	0962057	2	Bushing (Prior to SN 0300065004)	
38		Ref	Hardware Options:	
38	3340800	1	Hardware Pad, Wear (Prior to SN 0300065004)	
38	4751400	4	Hardware Flatwasher 1/4in Regular (SN 0300065004 through 0300068000)	
39	0630458	1	U-Bolt	
40	3311402	4	Nut, Jam 1/4in-20NC	
41		Ref	Hardware Options:	
41	0641407	4	Hardware Bolt 1/4in-20NC x 7/8in (Prior to SN 0300065004)	
41	3311405	2	Hardware Locknut 1/4in-20NC (SN 0300065004 through 0300068000)	
42	0641820	4	Bolt 1/2in-13NC x 2-1/2in (Front Entry Platform Machines)	
43	4711800	8	Flatwasher 1/2in Thin (Front Entry Platform Machines)	
44	3311805	4	Locknut 1/2in-13NC (Front Entry Platform Machines)	
45	0681610	4	Bolt 3/8in-16NC x 1-1/4in (Grade 8) (Front Entry Platform)	
46	4711600	4	Flatwasher 3/8in Thin (Front Entry Platform Machines)	
47	0961950	2	Bushing	
48	0962006	3	Bushing	
49	0961947	6	Bushing	
50	0961951	2	Bushing	
51	3539563	1	Cover	
52	0641604	4	Bolt 3/8in-16NC x 1/2in	
53	2080043	4	Rivnut (Prior to SN 0300065004)	
54	2080044	4	Rivnut	
55	0641611	1	Bolt 3/8in-16NC x 1-3/8in	
58	4740314	AR	Thrustwasher	
59	4740158	AR	Thrustwasher	
60	1320235	1	Clamp (SN 0300027200 through 0300068000)	
61	4100033	2 ft/.6m	Sleeve, Abrasion (SN 0300027200 through 0300068000)	

SECTION 3 - BOOM

ITEM	PART NUMBER	QTY	DESCRIPTION	REV
62	4240033	2	Tie-Strap (SN 0300027200 through 0300068000)	
63	3841340	1	Clamp, Loop (SN 0300027200 through 0300068000)	
64	0641606	2	Bolt 3/8in-16NC x 3/4in (SN 0300027200 through 0300068000)	
65	0962335	4	Bushing (SN 0300053995 through 0300068000)	
		Ref	BOOM CABLES INSTALLATION	
	0255897	Ref	Boom Cables Installation 600SJ - 2WS (Prior to SN 0300061927)	7
	0270737	Ref	Boom Cables Installation 600SJ - 2WS (ADE System) (SN 0300061927 through 0300068000)	2
	0256940	Ref	Boom Cables Installation 600SJ - 4WS	3
	0255868	Ref	Boom Cables Installation 660SJ - 2WS (Prior to SN 0300061927)	9
	0270735	Ref	Boom Cables Installation 660SJ - 2WS (ADE System) (SN 0300061927 through 0300068000)	2
	0256937	Ref	Boom Cables Installation 660SJ - 4WS	3
110	1670769	1	Cover	
111	0561237	2	Clamp, Block	
112	0641416	4	Bolt 1/4in-20NC x 2in	
		Ref	SUPPORT INSTALLATIONS (SIDE ENTRY PLATFORM)	
	0272070	Ref	Australian Spec	B
	See Note	Ref	CE Spec (Note: For CE Spec Machines Refer to JLG Supplement p/n 3124287 for Components)	
201	0100011	AR	Compound, Locking	
202	0641812	8	Bolt 1/2in-13NC x 1-1/2in	
203	0642682	1	Bolt 1in-8NC x 10-1/4in	
204	0681608	8	Bolt 3/8in-16NC x 1in (Grade 8)	
205	3272605	1	Locknut 1in-8NC	
206	3311805	8	Locknut 1/2in-13NC	
207	4846573	1	Support, Platform	
208	4891600	8	Flatwasher 3/8in Hardened	
209	4891800	8	Flatwasher 1/2in Hardened	
210	4892600	1	Flatwasher 1in Hardened	

SECTION 3 - BOOM

FIGURE 3-3. MAIN BOOM ASSEMBLIES

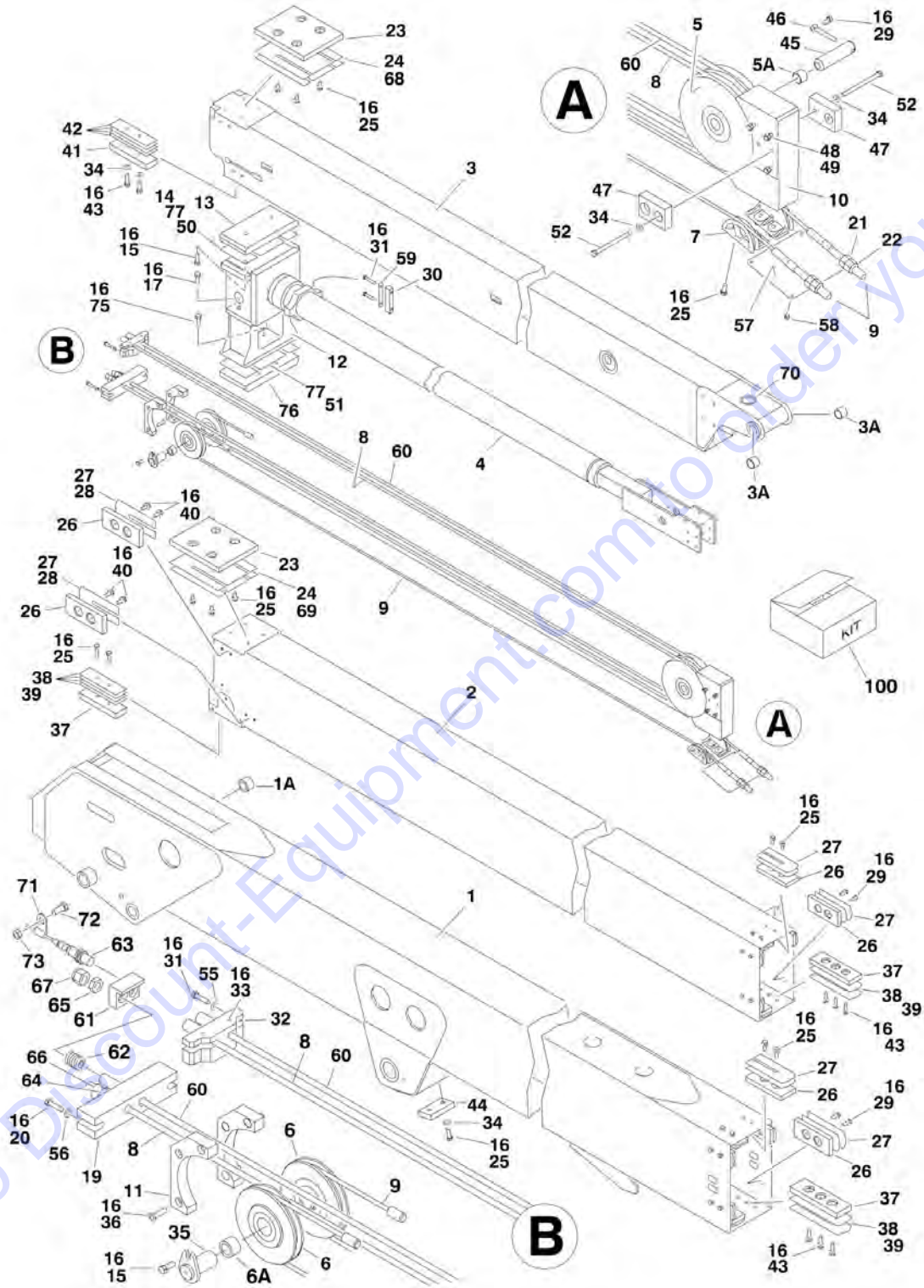


FIGURE 3-3. MAIN BOOM ASSEMBLIES

ITEM	PART NUMBER	QTY	DESCRIPTION	REV
		Ref	MAIN BOOM ASSEMBLY OPTIONS:	
	0801071	Ref	Main Boom Assembly 600S (Prior to SN 0300067538)	14-H
	0801340	Ref	Main Boom Assembly 600S (SN 0300067538 through 0300068000)	2-B
	0801073	Ref	Main Boom Assembly 600SJ (Prior to SN 0300067538)	12-H
	0801341	Ref	Main Boom Assembly 600SJ (SN 0300067538 through 0300068000)	2-B
	0801072	Ref	Main Boom Assembly 660SJ (Prior to SN 0300067538)	11-H
	0801336	Ref	Main Boom Assembly 660SJ (SN 0300067538 through 0300068000)	2-B
1		Ref	Base Weldment Options:	
1	0801011	1	Base Weldment 600S (Prior to SN 0300043309)	
1	0801167	1	Base Weldment 600S (SN 0300043309 through 0300063250)	
1	0801011	1	Base Weldment 600S (SN 0300063251 through 0300068000)	
1	0801036	1	Base Weldment 600SJ	
1	0801011	1	Base Weldment 660SJ	
1A	0961950	2	Bushing	
2		Ref	Mid Weldment Options:	
2	0801012	1	Mid Weldment 600S & 660SJ	
2	0801037	1	Mid Weldment 600SJ	
3		Ref	Fly Weldment Options:	
3	0801065	1	Fly Weldment 600S	
3	0801038	1	Fly Weldment 600SJ	
3	0801014	1	Fly Weldment 660SJ	
3A	0961951	2	Bushing (600SJ & 660SJ Only)	
4		Ref	Telescope Cylinder Assembly Options: (See CYLINDER SECTION for Breakdown)	
4	1683248	1	Telescope Cylinder Assembly 600SJ & 660SJ (Prior to SN 0300034517)	
4	1683618	1	Telescope Cylinder Assembly 600S & 660SJ (SN 0300034517 through 0300068000)	
4	1683357	1	Telescope Cylinder Assembly 600SJ (Prior to SN 0300034517)	
4	1683620	1	Telescope Cylinder Assembly 600SJ (SN 0300034517 through 0300068000)	
5	3580241	1	Sheave Assembly (Extend)	2-B
5A	0961951	2	Bushing	
6	3580243	2	Sheave Assembly (Retract)	1-A
6A	0961951	2	Bushing (1 Per Sheave)	
7		Ref	Block, Sheave Options:	
7	3580244	2	Block, Sheave (Prior to SN 0300041810)	
7	1220078	2	Block, Sheave (SN 0300041810 through 0300068000)	
8		Ref	Cable (Extend) Options:	
8	3890010	1	Cable (Extend) 600S & 660SJ	
8	3890011	1	Cable (Extend) 600SJ	
9		Ref	Cable (Retract) Options:	
9	3890006	2	Cable (Retract) 600S & 660SJ	
9	3890008	2	Cable (Retract) 600SJ	
10	3580248	1	Guard, Sheave (Extend)	
11	3580249	2	Guard, Sheave (Retract)	
12		Ref	Support, Wear Pad Options:	
12	4845105	1	Support, Wear Pad (Prior to SN 0300038808)	

SECTION 3 - BOOM

ITEM	PART NUMBER	QTY	DESCRIPTION	REV
12	1220042	1	Support, Wear Pad (SN 0300038808 through 0300056364)	
12	4846319	1	Support, Wear Pad (SN 0300056365 through 0300068000)	
13		Ref	Pad, Wear Options:	
13	3340759	1	Pad, Wear (Prior to SN 0300038808)	
13	3340844	1	Pad, Wear (SN 0300038808 through 0300068000)	
14		Ref	Shim.05 Options:	
14	4070909	6	Shim.05 (Prior to SN 0300038808)	
14	4070975	3	Shim.05 (SN 0300038808 through 0300068000)	
15	0641608	10	Bolt 3/8in-16NC x 1in	
16	0100011	AR	Compound, Locking	
17	0681612	4	Bolt 3/8in-16NC x 1-1/2in (Grade 8)	
19	0561245	1	Block, Cable	
20	0641824	2	Bolt 1/2in-13NC x 3in	
21	3312201	4	Nut 3/4in-10NC	
22	3300241	4	Locknut, Special 3/4in-10NC	
23	3340757	2	Pad, Wear	
24	4070896	4	Shim (.06) (Without Slide-In Slots)	
25	0641607	20	Bolt 3/8in-16NC x 7/8in	
26		Ref	Pad, Wear Options:	
26	3340756	20	Pad, Wear (Prior to SN 0300064395)	
26	3340881	20	Pad, Wear (SN 0300064395 through 0300068000)	
27	4070897	28	Shim (.05) (Without Slide-In Slots)	
28	4070898	24	Shim (.12) (Without Slide-In Slots)	
29	0641605	16	Bolt 3/8in-16NC x 5/8in	
30	0561185	2	Block	
31	0641618	6	Bolt 3/8in-16NC x 2-1/4in	
32	0561183	1	Block, Cable	
33	3951608	2	Setscrew 3/8in-16NC x 1in	
34	4711600	14	Flatwasher 3/8in Thin	
35	3422424	2	Pin (Retract Sheave)	
36	0741612	6	Screw, Countersunk 3/8in-16NC x 1-1/2in	
37		Ref	Pad, Wear Options:	
37	3340705	5	Pad, Wear (Prior to SN 0300064395)	
37	3340871	5	Pad, Wear (SN 0300064395 through 0300068000)	
38	4070863	12	Shim (.12)	
39	4070864	12	Shim (.05)	
40	0641613	8	Bolt 3/8in-16NC x 1-5/8in	
41	3340758	2	Pad, Wear	
42	4070895	8	Shim (.06)	
43	0641610	14	Bolt 3/8in-16NC x 1-1/4in	
44	0561076	1	Block	
45	3422417	2	Pin (Extend Sheave)	
46	3841143	1	Keeper, Pin	
47	3340755	2	Pad, Wear	
48	0641634	4	Bolt 3/8in-16NC x 4-1/4in	
49	3311605	4	Locknut 3/8in-16NC	
50		Ref	Shim (.12) Options:	
50	4070910	1	Shim (.12) (Prior to SN 0300038808)	
50	4070976	1	Shim (.12) (SN 0300038808 through 0300068000)	
51		Ref	Shim (.25) Options:	
51	4070911	1	Shim (.25) (Prior to SN 0300038808)	

SECTION 3 - BOOM

ITEM	PART NUMBER	QTY	DESCRIPTION	REV
51	4070977	1	Shim (.25) (SN 0300038808 through 0300056364)	
51	4071004	1	Shim (.25) (SN 0300056365 through 0300068000)	
52	0641640	2	Bolt 3/8in-16NC x 5in	
55	4891600	6	Flatwasher 3/8in Hardened	
56	4891800	2	Flatwasher 1/2in Hardened	
57	3539622	1	Plate, Cover	
58	0641403	4	Bolt 1/4in-20NC x 3/8in	
59	4070929	AR	Shim	
60		Ref	Cable (Extend) Options:	
60	3890009	1	Cable (Extend) 600S & 660SJ	
60	3890012	1	Cable (Extend) 600SJ	
61		Ref	Plate, Spring Mounting Options:	
61	3539680	1	Plate, Spring Mounting (Prior to SN 0300067538)	
61	0561508	1	Plate, Spring Mounting (SN 0300067538 through 0300068000)	
62	4160149	1	Spring	
63		Ref	Switch, Proximity Options:	
63	4360429	1	Switch, Proximity (Prior to SN 0300067538)	
63	4360506	1	Switch, Proximity (SN 0300067538 through 0300068000)	
64	3300399	1	Nut, Jam 7/8in-9NC	
65	3300400	1	Nut, Jam 5/8in-11NC	
66	3300242	1	Locknut 7/8in-9NC	
67	3300240	1	Locknut 5/8in-11NC	
68	4070939	AR	Shim 16Ga (With Slide-In Slots)	
69	4070940	AR	Shim 16Ga (With Slide-In Slots)	
70	4060805	6 in/16cm	Flex-Trim (SN 0300027207 through 0300068000)	
71		Ref	Clamp Options:	
71	1320041	1	Clamp (SN 0300031374 through 0300067537)	
71	1320244	1	Clamp (SN 0300067538 through 0300068000)	
72	0641406	1	Bolt 1/4in-20NC x 3/4in (SN 0300031374 through 0300068000)	
73	3311401	1	Nut 1/4in-20NC (SN 0300031374 through 0300068000)	
74	1670836	8	Cover, Boom (Not Shown) (SN 0300034047 through 0300068000)	
75	0681608	4	Bolt 3/8in-16NC x 1in (SN 0300056365 through 0300068000)	
76		Ref	Pad, Wear Options:	
76	3340759	1	Pad, Wear (Prior to SN 0300038808)	
76	3340844	1	Pad, Wear (SN 0300038808 through 0300056364)	
76	3340900	1	Pad, Wear (SN 0300056365 through 0300068000)	
77	4071005	AR	Shim (SN 0300056365 through 0300068000)	
100	2901986	1	Kit, Wear Pad Support (Includes Items 12, 51, 75, 76 & 77)	

SECTION 3 - BOOM

FIGURE 3-4. ROTATOR ASSEMBLIES (FRONT ENTRY PLATFORM)

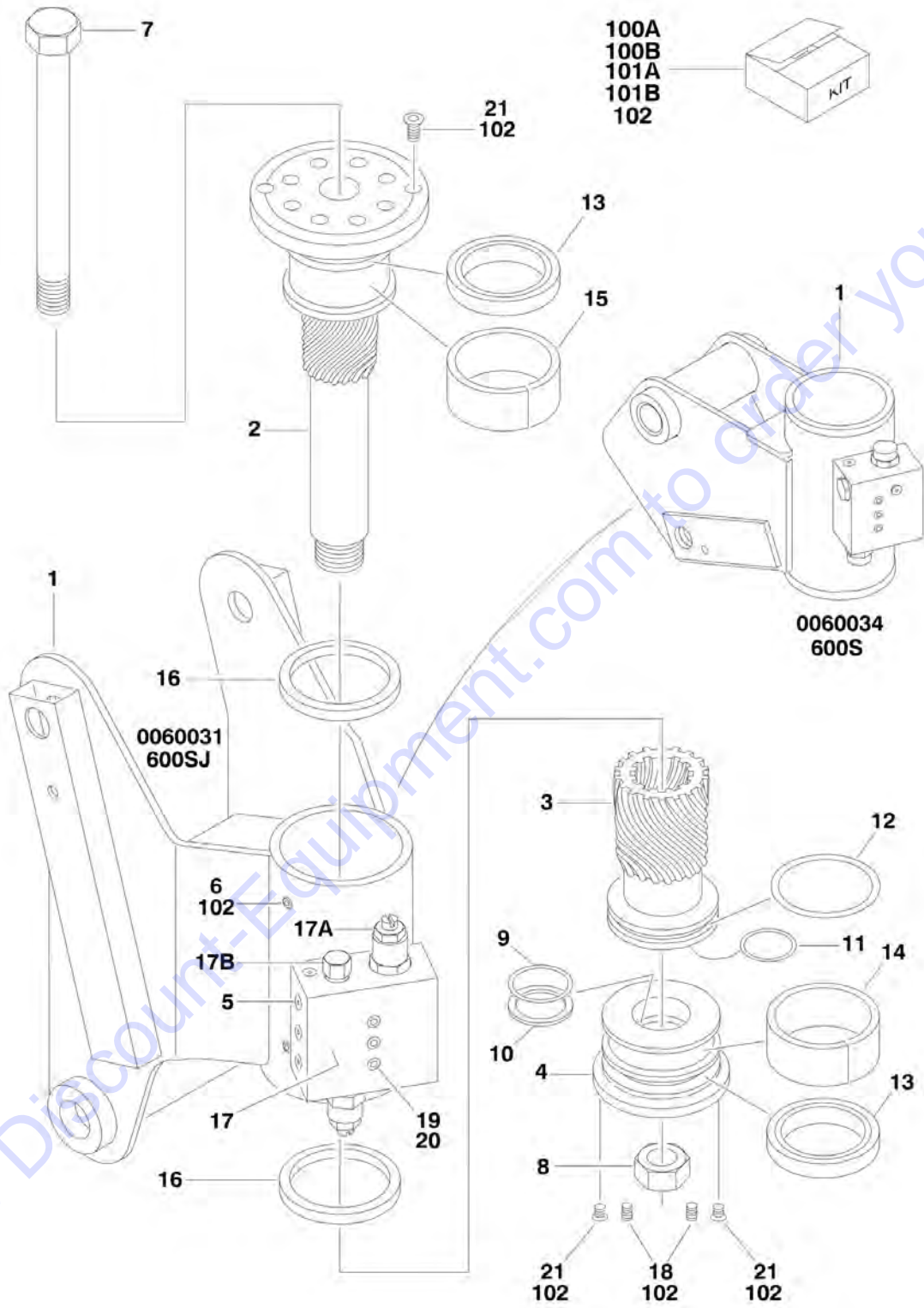


FIGURE 3-4. ROTATOR ASSEMBLIES (FRONT ENTRY PLATFORM)

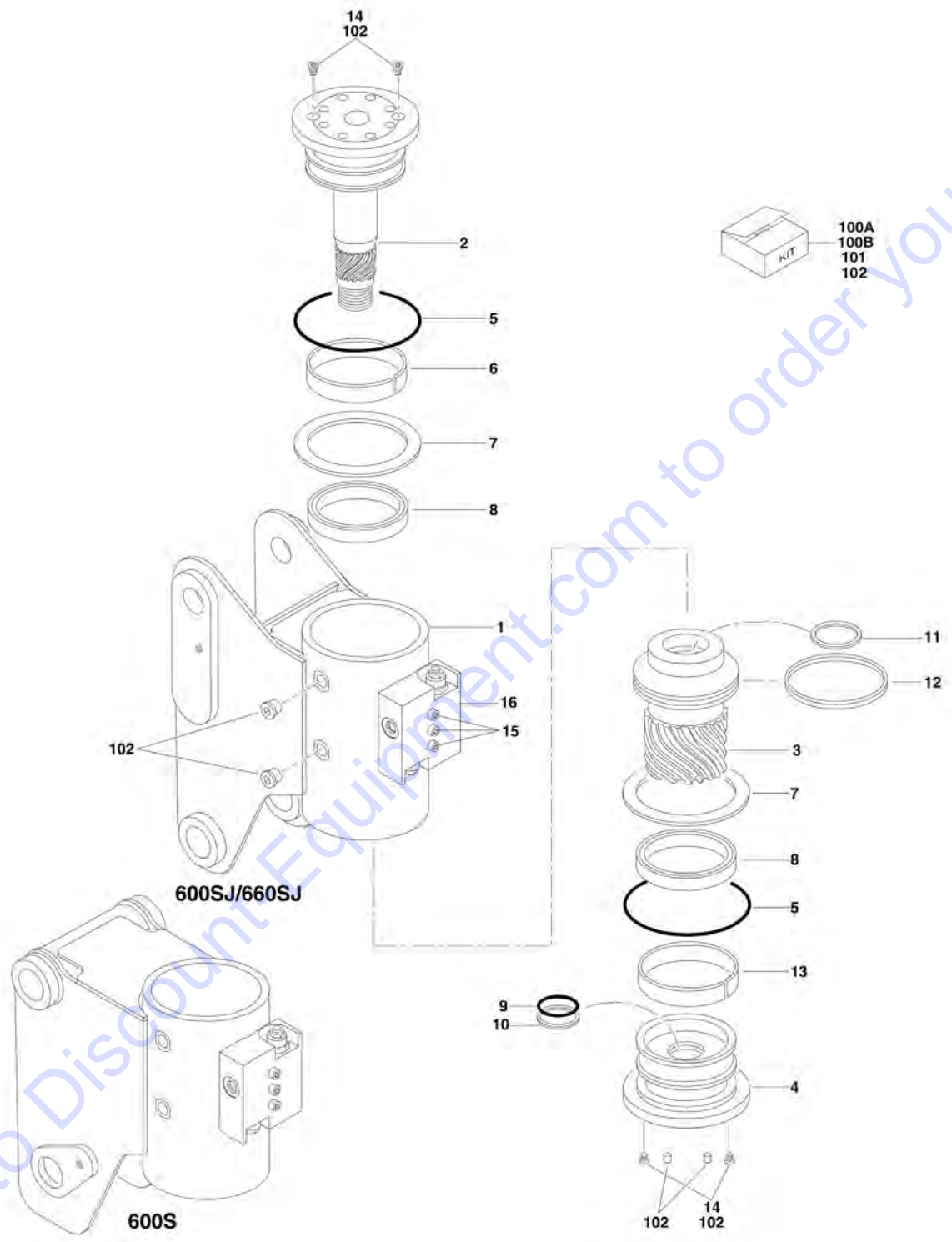
ITEM	PART NUMBER	QTY	DESCRIPTION	REV
		Ref	ROTATOR ASSEMBLIES	
		Ref	Note: Service replacement rotator uses spacer plate bolted on the top with 8 capscrews (Not shown - located at Item 2) Original Equipment rotator does not use spacer plate.	
	0060034	Ref	Rotator Assemblies 600S (Original Equipment)	G
	0060075	Ref	Rotator Assemblies 600S (Service Replacement)	B
	0060031	Ref	Rotator Assemblies 600SJ & 660SJ (Original Equipment)	H
	See Note	Ref	Rotator Assemblies 600SJ & 660SJ (Service Replacement)	
			Note: For 600SJ & 660SJ, use service replacement rotator kit p/n 1001103095 (includes 0060074 actuator assembly, attaching pin and hardware).	
1	See Note	NSS	Housing/Ring Gear Assembly (Note: Not Available - Purchase Complete Rotator Assembly)	
2		Ref	Shaft Weldment Options:	
2	7017177	1	Shaft Weldment 0060034 & 0060031 Rotators (was p/n 7017117)	
2	7017162	1	Shaft Weldment 0060075 & 0060074 Rotators	
2	See Note	NSS	Plate, Spacer (Not Shown) (0060075 & 0060074 Rotators Only) (Note: Not Available for Purchase)	
3		Ref	Piston/Sleeve Options:	
3	7017115	1	Piston/Sleeve 0060034 & 0060031 Rotators	
3	7017163	1	Piston/Sleeve 0060075 & 0060074 Rotators	
4		Ref	Cap, End Options:	
4	7017174	1	Cap, End 0060034 Rotators	
4	7017174	1	Cap, End 0060031 Rotators (was p/n 7017116)	
4	7017164	1	Cap, End 0060075 & 0060074 Rotators	
5	See Note	6	Plug, Port (Note: Not Available - Purchase Locally)	
6	7017142	2	Plug	
7	7017102	1	Tie-Rod/Locknut Assembly (Prior to SN 0300039950)	
7	7017119	1	Bolt 1in-8NC x 11in (SN 0300039950 through 0300067538)	
8	3272605	AR	Locknut 1in-8NC (SN 0300039950 through 0300067538)	
9	See Note	NSS	Seal, Cap (Note: Use Item 100A or 100B)	
10	See Note	NSS	Ring, Back-up (Cap) (Note: Use Item 100A or 100B)	
11	See Note	NSS	Seal, Rod (Note: Use Item 100A or 100B)	
12	See Note	NSS	Seal, Piston (Note: Use Item 100A or 100B)	
13	See Note	NSS	Packing, Bearing (Note: Use Item 100A or 100B)	
14	See Note	NSS	Bearing, Cap (Note: Use Item 100A or 100B)	
15	See Note	NSS	Bearing, Shaft (Note: Use Item 100A or 100B)	
16	See Note	NSS	Thrustwasher (Note: Use Item 100A or 100B)	
17		Ref	VALVE ASSEMBLY OPTIONS:	
17	7017183	1	Valve Assembly 0060034 & 0060031 Rotators (was p/n 7017101)	
17	7017183	1	Valve Assembly 0060075 & 0060074 Rotators	
17A		Ref	Cartridge, Valve Options:	
17A	7011331	2	Cartridge for Helac p/n 24736	
17A	7017193	2	Cartridge for Helac p/n 27600	
17A	2900770	2	Seal Kit - 7011331 Valve	
17A	See Note	NSS	Seal Kit - 7017193 Valve (Note: Purchase Complete Cartridge)	
17B		Ref	Cartridge, Valve Options:	
17B	7011332	2	Cartridge for Helac p/n 24736	
17B	See Note	NSS	Cartridge for Helac p/n 27600 (Not Shown - Located on Side	

SECTION 3 - BOOM

ITEM	PART NUMBER	QTY	DESCRIPTION	REV
17B	7011346	2	of Valve Block) (Note: Not Available for Purchase)	
17B	See Note	NSS	Seal Kit - 7011332 Valve	
18	7017142	2	Seal Kit - Valve Located on Side of Block (Note: Purchase Valve Assembly)	
19	See Note	3	Setscrew/Pin	
20	3790110	3	Capscrew 1/4in-20NC x 1-1/2 (Grade 8) (Note: Purchase Locally)	
21	70001697	4	O-Ring (Located between Valve and Actuator Housing)	
			Screw, Countersunk 1/4in-20NC x 3/8in Grade 8	
		Ref	Kit Options	
100		Ref	Seal Kit Options (Includes Items 9-13 & 102):	
100A	7017157	1	Seal Kit for 0060034 & 0060031 Rotators	
100B	7017158	1	Seal Kit for 0060075 & 0060074 Rotators	
101		Ref	Bearing Kit Options (Includes Items 14-16):	
101A	7017156	1	Bearing Kit for 0060034 & 0060031 Rotators (Original Equipment)	
101B	7017159	1	Bearing Kit for 0060075 & 0060074 Rotators (Service Replacement)	
102	7017142	1	Hardware Kit (Includes Items 6, 18 & 21) (Part of Item 100)	

SECTION 3 - BOOM

FIGURE 3-5. ROTATOR ASSEMBLIES (SIDE ENTRY PLATFORM)



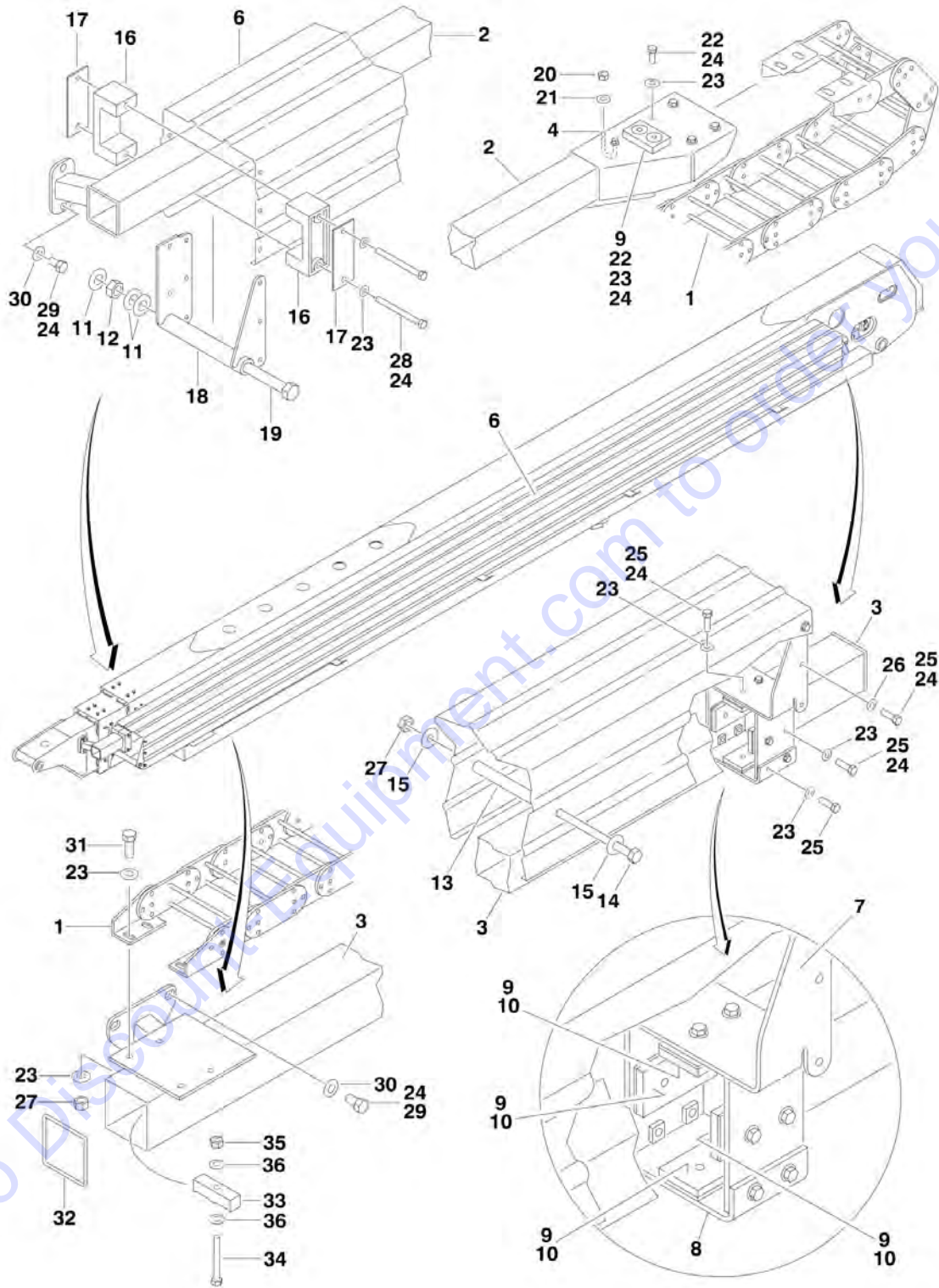
SECTION 3 - BOOM

FIGURE 3-5. ROTATOR ASSEMBLIES (SIDE ENTRY PLATFORM)

ITEM	PART NUMBER	QTY	DESCRIPTION	REV
		Ref	ROTATOR ASSEMBLIES	
	0060067	Ref	Rotator Assemblies 600S	A
	0060066	Ref	Rotator Assemblies 600SJ & 660SJ	A
1	See Note	NSS	Housing/Ring Gear Assembly (Note: Not Available - Purchase Complete Rotator Assembly)	
2	7017162	1	Shaft Weldment	
	7017195	2	Bushing, Shaft	
3	7017163	1	Piston/Sleeve Assembly	
4	7017164	1	Cap, End	
5	See Note	NSS	O-Ring (Note: Use Item 100A or 100B)	
6	7017159	1	Bearing, Shaft	
7	7017159	2	Thrustwasher	
8	See Note	NSS	Packing, Bearing (Note: Use Item 100A or 100B)	
9	See Note	NSS	Seal, Cap (Note: Use Item 100A or 100B)	
10	See Note	NSS	Ring, Back-Up Cap (Note: Use Item 100A or 100B)	
11	See Note	NSS	Seal, Rod (Note: Use Item 100A or 100B)	
12	See Note	NSS	Seal, Piston (Note: Use Item 100A or 100B)	
13	7017159	1	Bearing, Cap	
14	70001697	4	Screw, Countersunk 1/4in-20NC x 3/8in Grade 8	
15	See Note	3	Capscrew 1/4in-20NC x 1-1/2 (Grade 8) (Note: Purchase Locally)	
16	7017183	1	Valve Assembly	
16	7017193	2	Cartridge, Valve	
16	See Note	NSS	Seal Kit - 7017193 Valve (Note: Purchase Complete Cartridge)	
16	See Note	NSS	Cartridge, Valve (Not Shown - Located on Side of Block) (Note: Purchase Valve Assembly)	
16	See Note	NSS	Seal Kit - Valve Located on Side of Block (Note: Purchase Valve Assembly)	
		Ref	Kit Options	
100		Ref	Seal Kit Options (Includes Items 5, 8-12 & 102):	
100A	7017158	1	Seal Kit - Standard	
100B	70000342	1	Seal Kit - Low Temperature	
101	7017159	1	Bearing Kit (Includes Items 6, 7 & 13)	
102	See Note	1	Hardware Kit (Includes Items 14, 2 Setscrews/Pins & 2 Plugs) (Note: Use Item 100)	

SECTION 3 - BOOM

FIGURE 3-6. POWER TRACK INSTALLATIONS - PLASTIC TRACK (Prior to SN 0300060842)



SECTION 3 - BOOM

FIGURE 3-6. POWER TRACK INSTALLATIONS - PLASTIC TRACK (Prior to SN 0300060842)

ITEM	PART NUMBER	QTY	DESCRIPTION	REV
		Ref	Note: Before ordering parts, check machines built prior to SN 0300060842 for either plastic or steel power track. Machines may have a conversion kit installed which replaces plastic power tracks to steel power tracks.	
		Ref	- If a machines has steel power tracks, refer to the next figure for replacement components.	
		Ref	- To replace the plastic power track with a steel power track, use Conversion Kit p/n 2902114 for 600S & 660SJ or p/n 2902115 for 600SJ.	
		Ref	POWER TRACK INSTALLATIONS	
	0255293	Ref	Power Track Installations 600S & 660SJ (Optional on 600S Only)	5-B
	0255303	Ref	Power Track Installations 600SJ	4-B
1		Ref	Carrier Options:	
1	1180340	1	Carrier 600S & 660SJ	
1	7019300	83	Carrier Link	
1	7019301	1	Carrier Bracket, End	
1	7019303	1	Carrier Separator	
1	1180341	1	Carrier 600SJ	
1	7019300	83	Carrier Link	
1	7019302	1	Carrier Bracket, End	
1	7019303	1	Carrier Separator	
2		Ref	Tube, Push Options:	
2	4844968	1	Tube, Push 600S & 660SJ	
2	4844989	1	Tube, Push 600SJ	
3		Ref	Rail Options:	
3	4844963	1	Rail 600S & 660SJ	
3	4844990	1	Rail 600SJ	
4	0630458	1	U-Bolt	
6		Ref	Cover Options:	
6	1670749	1	Cover 600S & 660SJ	
6	1670750	1	Cover 600SJ	
7	4844966	1	Block, Slide	
8	3538749	1	Plate	
9	3340763	5	Pad, Wear	
10	4070904	6	Shim	
11	4712600	3	Flatwasher 1in Thin	
12	3312602	1	Nut, Jam 1in-8NC	
13	3841264	AR	Rod	
14	0641676	AR	Bolt 3/8in-16NC x 9-1/2in	
15	4740076	AR	Washer, Fender	
16	3340764	2	Pad, Wear	
17	3538758	2	Plate	
18	4844967	1	Support	
19	0630493	1	Bolt 1in-8NC x 12in	
20	3311405	2	Locknut 1/4in-20NC	
21	4711400	2	Flatwasher 1/4in Thin	
22	0641605	6	Bolt 3/8in-16NC x 5/8in	
23	4711600	22	Flatwasher 3/8in Thin	
24	0100011	AR	Compound, Locking	
25	0641606	16	Bolt 3/8in-16NC x 3/4in	

SECTION 3 - BOOM

ITEM	PART NUMBER	QTY	DESCRIPTION	REV
26	4751600	12	Flatwasher 3/8in Regular	
27	3311605	AR	Locknut 3/8in-16NC	
28	0641644	2	Bolt 3/8in-16NC x 5-1/2in	
29	0641807	8	Bolt 1/2in-13NC x 7/8in	
30	4711800	8	Flatwasher 1/2in Thin	
31	0641608	4	Bolt 3/8in-16NC x 1in	
32	4060804	4 ft/1.2m	Shield, Trim	
33	1320247	1	Clamp, Nylon (SN 0300037438 through 0300060842)	
34	0641522	1	Bolt 5/16in-18NC x 2-3/4in (SN 0300037438 through 0300060842)	
35	3311505	1	Locknut 5/16in-18NC (SN 0300037438 through 0300060842)	
36	4711500	2	Flatwasher 5/16in Thin (SN 0300037438 through 0300060842)	

PARTS FINDER

**Search Website
by Part Number**



**Search Manual
Library For Parts
Manual & Lookup Part
Numbers – Purchase
or Request Quote**

**Can't Find Part or
Manual? Request Help
by Manufacturer,
Model & Description**

Discount-Equipment.com is your online resource for quality parts & equipment.

Florida: **561-964-4949** Outside Florida TOLL FREE: **877-690-3101**

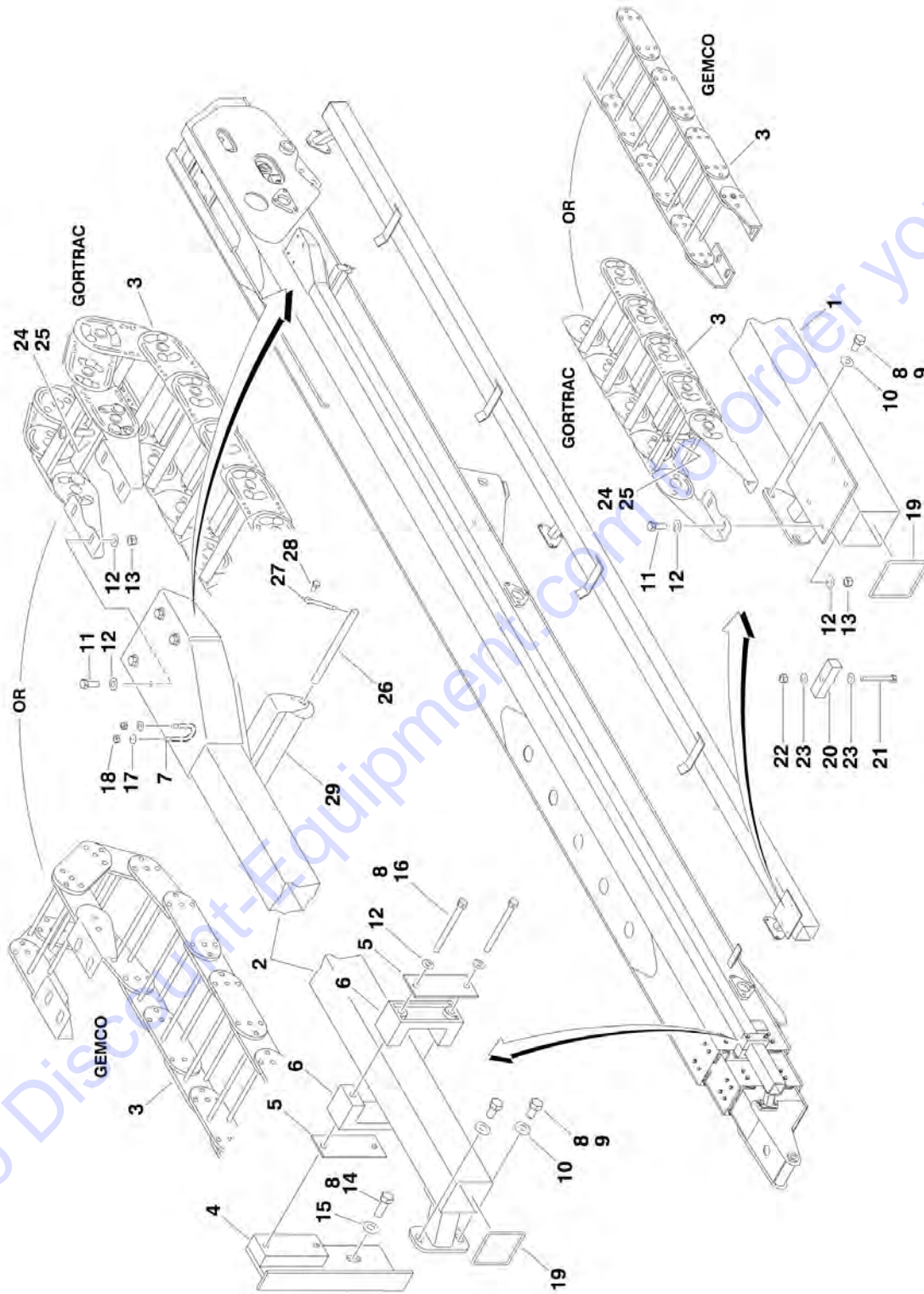
Need parts?

Click on this link: <http://www.discount-equipment.com/category/5443-parts/> and choose one of the options to help get the right parts and equipment you are looking for. Please have the machine model and serial number available in order to help us get you the correct parts. If you don't find the part on the website or on one of the online manuals, please fill out the request form and one of our experienced staff members will get back to you with a quote for the right part that your machine needs.

We sell worldwide for the brands: Genie, Terex, JLG, MultiQuip, Mikasa, Essick, Whiteman, Mayco, Toro Stone, Diamond Products, Generac Magnum, Airman, Haulotte, Barreto, Power Blanket, Nifty Lift, Atlas Copco, Chicago Pneumatic, Allmand, Miller Curber, Skyjack, Lull, Skytrak, Tsurumi, Husquvarna Target, Stow, Wacker, Sakai, Mi-T-M, Sullair, Basic, Dynapac, MBW, Weber, Bartell, Bennar Newman, Haulotte, Ditch Runner, Menegotti, Morrison, Contec, Buddy, Crown, Edco, Wyco, Bomag, Laymor, EZ Trench, Bil-Jax, F.S. Curtis, Gehl Pavers, Heli, Honda, ICS/PowerGrit, IHI, Partner, Imer, Clipper, MMD, Koshin, Rice, CH&E, General Equipment, Amida, Coleman, NAC, Gradall, Square Shooter, Kent, Stanley, Tamco, Toku, Hatz, Kohler, Robin, Wisconsin, Northrock, Oztec, Toker TK, Rol-Air, APT, Wylie, Ingersoll Rand / Doosan, Innovatech, Con X, Ammann, Mecalac, Makinex, Smith Surface Prep, Small Line, Wanco, Yanmar

SECTION 3 - BOOM

FIGURE 3-7. POWER TRACK INSTALLATIONS - STEEL TRACK (SN 0300060842 through 0300068000)



SECTION 3 - BOOM

FIGURE 3-7. POWER TRACK INSTALLATIONS - STEEL TRACK (SN 0300060842 through 0300068000)

ITEM	PART NUMBER	QTY	DESCRIPTION	REV
		Ref	POWER TRACK INSTALLATIONS	
	0257988	Ref	Power Track Installations 600S (SN 0300060842 through 0300061926)	5-E
	0271243	Ref	Power Track Installations 600SJ (SN 0300060842 through 0300061926)	1-E
	0271242	Ref	Power Track Installations 660SJ (SN 0300060842 through 0300061926)	1-E
	0271372	Ref	Power Track Installations 600SJ (ADE System) (SN 0300061927 through 0300068000)	2
	0270804	Ref	Power Track Installations 600S/660SJ (ADE System) (SN 0300061927 through 0300068000)	3
1		Ref	Rail Options:	
1	4845819	1	Rail 600S/660SJ	
1	4846392	1	Rail 600SJ	
2		Ref	Tube Options:	
2	4845671	1	Tube 600S/660SJ	
2	4846391	1	Tube 600SJ	
3		Ref	Power Track Assembly Options:	
		Ref	Note: Various Power Tracks use on this model. Identify brand before ordering parts.	
		Ref	Power Track Assembly 600S/660SJ	
3	1180345	NLA	Gemco Brand Power Track (Use p/n 1001099832)	
3	7016530	AR	Power Track - Repair Section (Includes 18 Link Pin, 4 Radius Links, 2 Carrier Links, 1 Rod Carrier, 1 Spring Loaded Rod, 1 Carrier Weldment and 12 Bearing Plates)	
3	7006138	1	Power Track - Pin Kit (Includes 1 pin, 1 Retaining Ring and 4 Washers)	
3	1001099832	1	Gortrac Brand Power Track	
3	70002005	AR	Power Track - Section Repair Kit	
3	70002006	1	Power Track - Bracket Kit	
3	70004643	2	Clamp with Hardware	
3		Ref	Power Track Assembly 600SJ	
3	1180359	NLA	Gemco Brand Power Track (Use p/n 1001099839)	
3	7016530	AR	Power Track - Repair Section (Includes 18 Link Pin, 4 Radius Links, 2 Carrier Links, 1 Rod Carrier, 1 Spring Loaded Rod, 1 Carrier Weldment and 12 Bearing Plates)	
3	7006138	1	Power Track - Pin Kit (Includes 1 pin, 1 Retaining Ring and 4 Washers)	
3	1001099839	1	Gortrac Brand Power Track	
3	70002007	AR	Power Track - Section Repair Kit	
3	70002006	1	Power Track - Bracket Kit	
4	4845677	1	Bracket	
5	3538758	AR	Plate	
6	3340764	2	Pad, Wear	
7	0630458	1	U-Bolt	
8	0100011	AR	Compound, Locking	
9	0641807	11	Bolt 1/2in-13NC x 7/8in	
10	4711800	11	Flatwasher 1/2in Thin	
11	0641608	8	Bolt 3/8in-16NC x 1in	
12	4711600	18	Flatwasher 3/8in Thin	
13	3311605	8	Locknut 3/8in-16NC	

SECTION 3 - BOOM

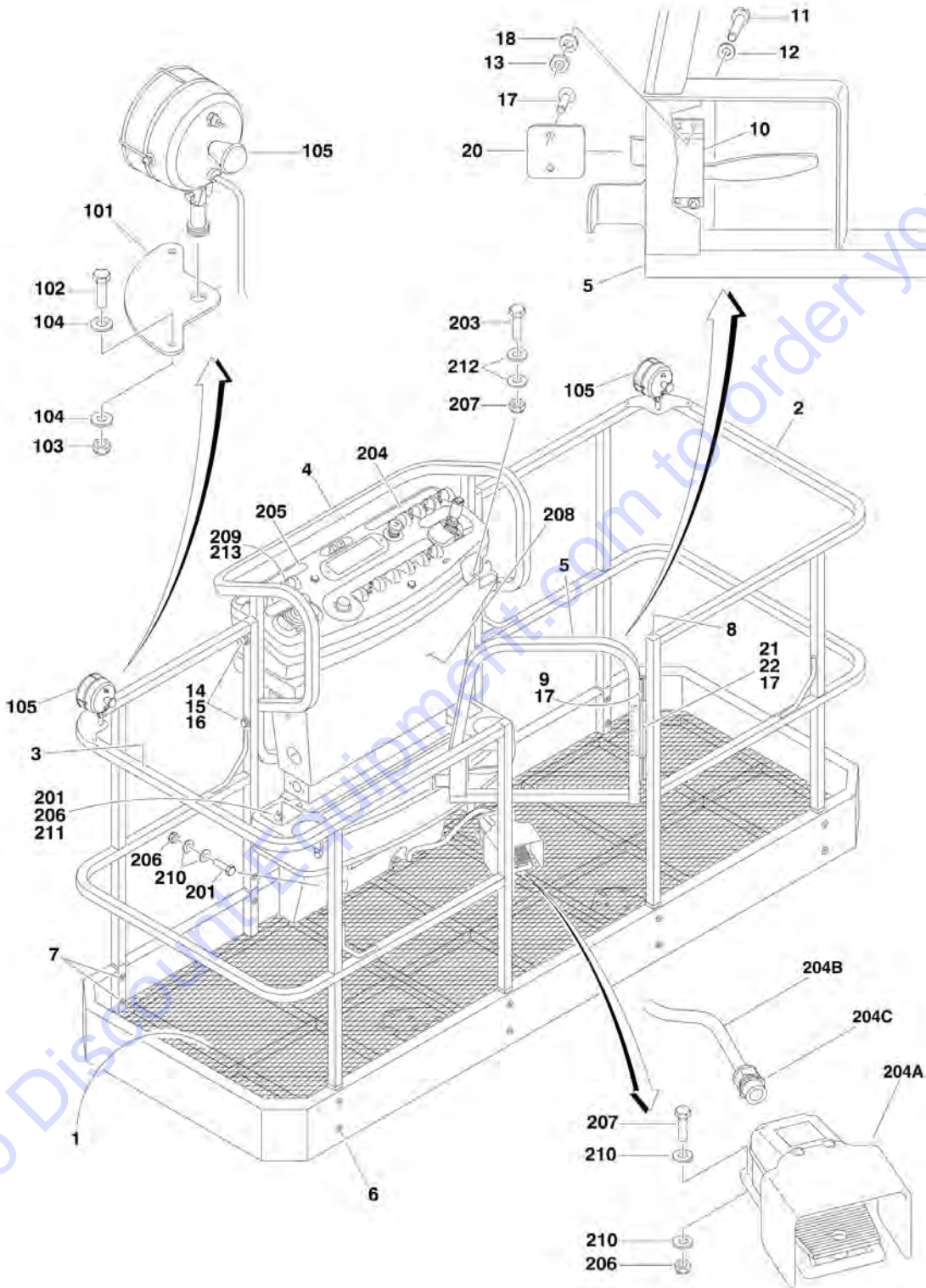
ITEM	PART NUMBER	QTY	DESCRIPTION	REV
14	0642612	1	Bolt 1in-8NC x 1-1/2in	
15	4712600	1	Flatwasher 1in Thin	
16	0641648	2	Bolt 3/8in-16NC x 6in	
17	4711400	2	Flatwasher 1/4in Thin	
18	3311405	2	Locknut 1/4-20NC	
19	4060803	3 ft/0.9m	Shield, Trim	
20	1320247	1	Clamp, Nylon (SN 0300041861 through 0300068000)	
21	0641522	1	Bolt 5/16in-18NC x 2-3/4in (SN 0300041861 through 0300068000)	
22	3311505	1	Locknut 5/16in-18NC (SN 0300041861 through 0300068000)	
23	4711500	2	Flatwasher 5/16in Thin (SN 0300041861 through 0300068000)	
24	4070994	2	Shim (SN 0300047101 through 0300068000)	
25	4070995	2	Shim (SN 0300047101 through 0300068000)	
26	3841013	1	Roller, Rod (SN 0300060842 through 0300068000)	
27	3450806	1	Pin, Cotter (SN 0300060842 through 0300068000)	
28	0641404	1	Bolt 1/4in-20NC x 1/2in (SN 0300060842 through 0300068000)	
29	3860050	1	Roller (SN 0300060842 through 0300068000)	

SECTION 4 - PLATFORM

Go to Discount-Equipment.com to order your parts

SECTION 4 - PLATFORM

FIGURE 4-1. PLATFORM COMPONENTS INSTALLATION (AUSTRALIAN SPEC WITH FRONT ENTRY PLATFORM)



SECTION 4 - PLATFORM

FIGURE 4-1. PLATFORM COMPONENTS INSTALLATION (AUSTRALIAN SPEC WITH FRONT ENTRY PLATFORM)

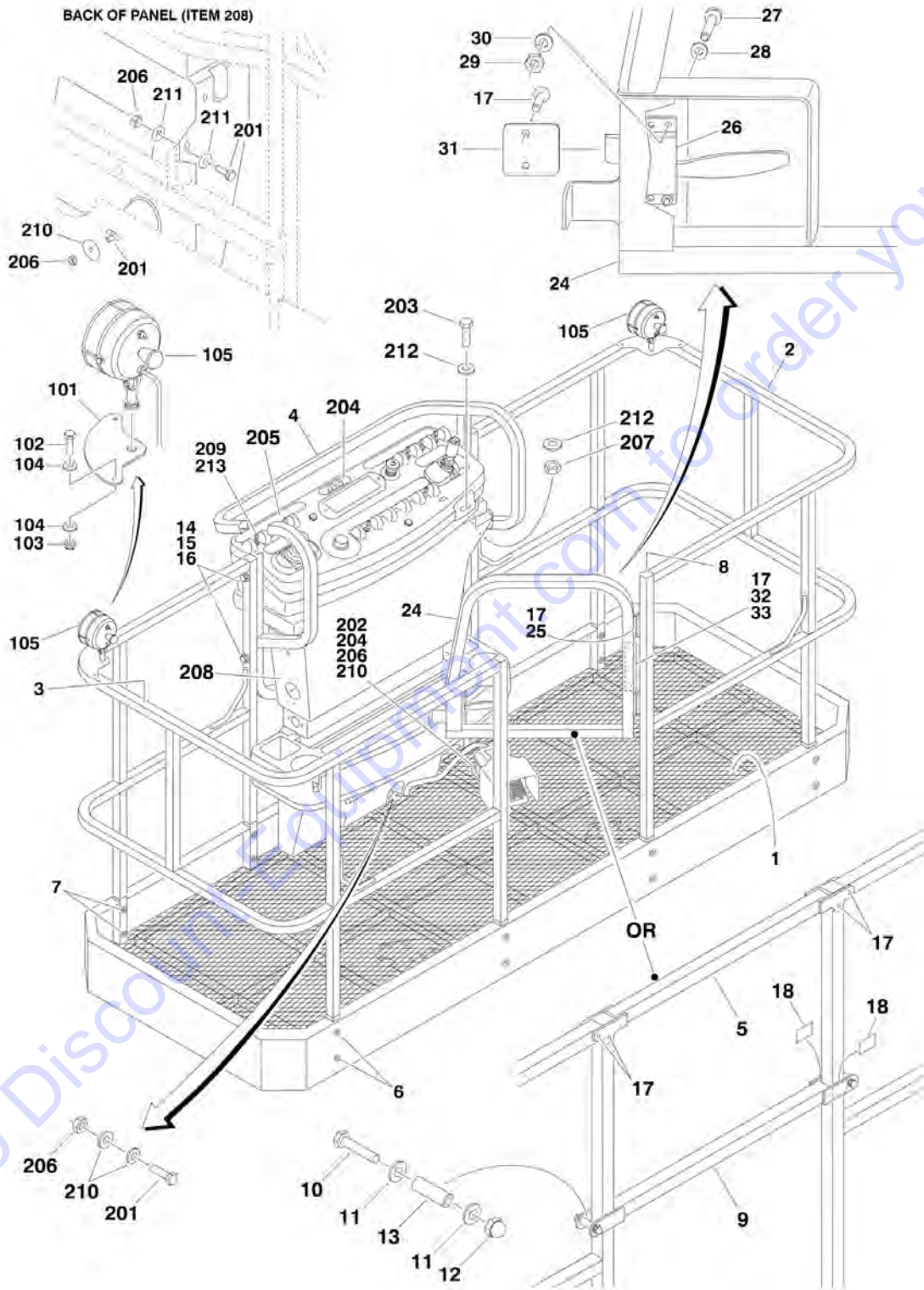
ITEM	PART NUMBER	QTY	DESCRIPTION	REV
		Ref	PLATFORM ASSEMBLIES:	
	3510542	Ref	6ft (1.83m) with Mesh to Mid Rail and Self-Closing Gate	2
	3510543	Ref	8ft (2.44m) with Mesh to Mid Rail and Self-Closing Gate	2
1		Ref	Floor Weldment Options:	
1	4844954	1	Floor Weldment 6ft/1.83m Platform	
1	4844928	1	Floor Weldment 8ft/2.44m Platform	
2		Ref	Rail Weldment - Right Side Options:	
2	4844955	1	Rail Weldment - Right Side 6ft/1.83m Platform with Mesh Mid Rail	
2	4844924	1	Rail Weldment - Right Side 8ft/2.44m Platform with Mesh Mid Rail	
3		Ref	Rail Weldment - Left Side Options:	
3	4844956	1	Rail Weldment - Left Side 6ft/1.83m Platform with Mesh Mid Rail	
3	4844925	1	Rail Weldment - Left Side 8ft/2.44m Platform with Mesh Mid Rail	
4		Ref	Rail Weldment - Back Options:	
4	4844927	1	Rail Weldment - Back (Prior to SN 030026233)	
4	4845328	1	Rail Weldment - Back (SN 030026233 through 030067889)	
5		Ref	Gate Weldment Options:	
5	4845327	1	Gate Weldment (Prior to SN 030027649)	
5	4845426	1	Gate Weldment (SN 030027649 through 030067889)	
6	3900207	16	Fastener (Note: p/n 3900207 Fastener may be replaced with p/n 0641416 Bolt, p/n 4751400 Flatwasher, p/n 3311405 Locknut and p/n 3300151 Acorn Type Nut. Acorn type nut is required to meet industry safety requirements.)	
7	3300393	16	Collar	
8	3520072	4	Plug, Cap	
9	2600219	2	Hinge	
10	2940074	1	Latch	
11	3911008	4	Screw #10-24NC x 1/2in	
12	4751000	4	Flatwasher #10 Regular	
13	3311005	4	Locknut #10-24NC	
14	0641524	4	Bolt 5/16in-18NC x 3in	
15	3311505	4	Locknut 5/16in-18NC	
16	4751500	4	Flatwasher 5/16in Regular	
17	2080040	13	Fastener	
18	4761000	4	Lockwasher 3/8in	
20	3539685	1	Plate, Latch	
21		Ref	Stop, Gate Options:	
21	4220168	1	Stop, Gate (Prior to SN 030030834)	
21	4220165	1	Stop, Gate (SN 030030834 through 030067889)	
22	4060803	6 ft/1.8m	Trim	
		Ref	WORKLIGHTS INSTALLATIONS (OPTIONAL)	
	0255392	Ref	Worklights Installations (Optional) (Colored Wiring) (Prior to SN 0300035129)	2-B
	0258048	Ref	Worklights Installations (Optional) (Numbered Colored Wiring) (SN 0300035129 through 0300061926)	2-F
	0270814	Ref	Worklights Installations (Optional) (ADE System) (SN 0300061927 through 0300068000)	3-D
101	3536089	2	Plate, Mounting	

SECTION 4 - PLATFORM

ITEM	PART NUMBER	QTY	DESCRIPTION	REV
102	0641414	4	Bolt 1/4in-20NC x 1-3/4in	
103	3311405	4	Locknut 1/4in-20NC	
104	4711400	8	Flatwasher 1/4in Thin	
105	2920140	2	Worklight	
105	7016399	2	Bulb, Replacement (1 Per Worklight)	
106	4240099	10	Tie-Strap (Not Shown)	
107	2820035	9	Loom, Vinyl (Not Shown)	
109	4460598	1	Connector, Strain Relief (Not Shown - Located at Console Box)	
110		Ref	Wire Options: (Not Shown)	
110	4921028	AR	Wire, White/Brown 16 Ga (Prior to SN 030035129)	
110	4920018	AR	Wire, Black 16 Ga (SN 030035129 through 030068000)	
		Ref	CONSOLE BOX INSTALLATIONS	
	0272298	Ref	Console Box Installations 2WD	A
	0271940	Ref	Console Box Installations 4WD	A
201	0641406	4	Bolt 1/4in-20NC x 3/4in	
202	0641408	3	Bolt 1/4in-20NC x 1in	
203	0641610	4	Bolt 3/8in-16NC x 1-1/4in	
204		Ref	Console Box and Footswitch Assembly (See PLATFORM CONSOLE ASSEMBLY AND PLATFORM CONSOLE ASSEMBLY for Breakdown)	
204A	0272970	1	Footswitch Assembly (Includes Footswitch and Items 204B & 204C)	
	Note	Ref	Note: Assembly p/n 0272970 may use either p/n 4360031 or p/n 100117320. If Original Equipment was replaced as an "assembly," p/n 100117320 may have been used as part of the Service Replacement. Identify component before ordering parts.	
204A		Ref	Footswitch Less Cable Options:	
204A	4360031	1	Original Equipment	
204A	100117320	1	Service Replacement	
204A		Ref	Block, Contact Options (See Note Above):	
204A	7000625	2	Contact Block for 4360031 Footswitch	
204A	70003483	1	Contact Block for 100117320 Footswitch	
204B	1060918	7 ft/2.14m	Cable, Electrical - 18/3	
204C	4460071	1	Connector, Strain Relief	
205	1702676	1	Decal - Horn	
206	3311405	7	Locknut 1/4in-20NC	
207	3311605	4	Locknut 3/8in-16NC	
208	3380434	1	Panel, Decal Mount	
209		Ref	Switch Options:	
209	4360336	1	Switch, SPST 2WD	
209	4360331	1	Switch, DPDT-CO 4WD	
210	4740362	7	Flatwasher 1/4in Fender	
211	4751400	4	Flatwasher 1/4in Regular	
212	4751600	8	Flatwasher 3/8in Regular	
213	3790012	1	O-Ring	

SECTION 4 - PLATFORM

FIGURE 4-2. PLATFORM COMPONENTS INSTALLATION (EN280 AND CE SPEC WITH FRONT ENTRY PLATFORM)



SECTION 4 - PLATFORM

FIGURE 4-2. PLATFORM COMPONENTS INSTALLATION (EN280 AND CE SPEC WITH FRONT ENTRY PLATFORM)

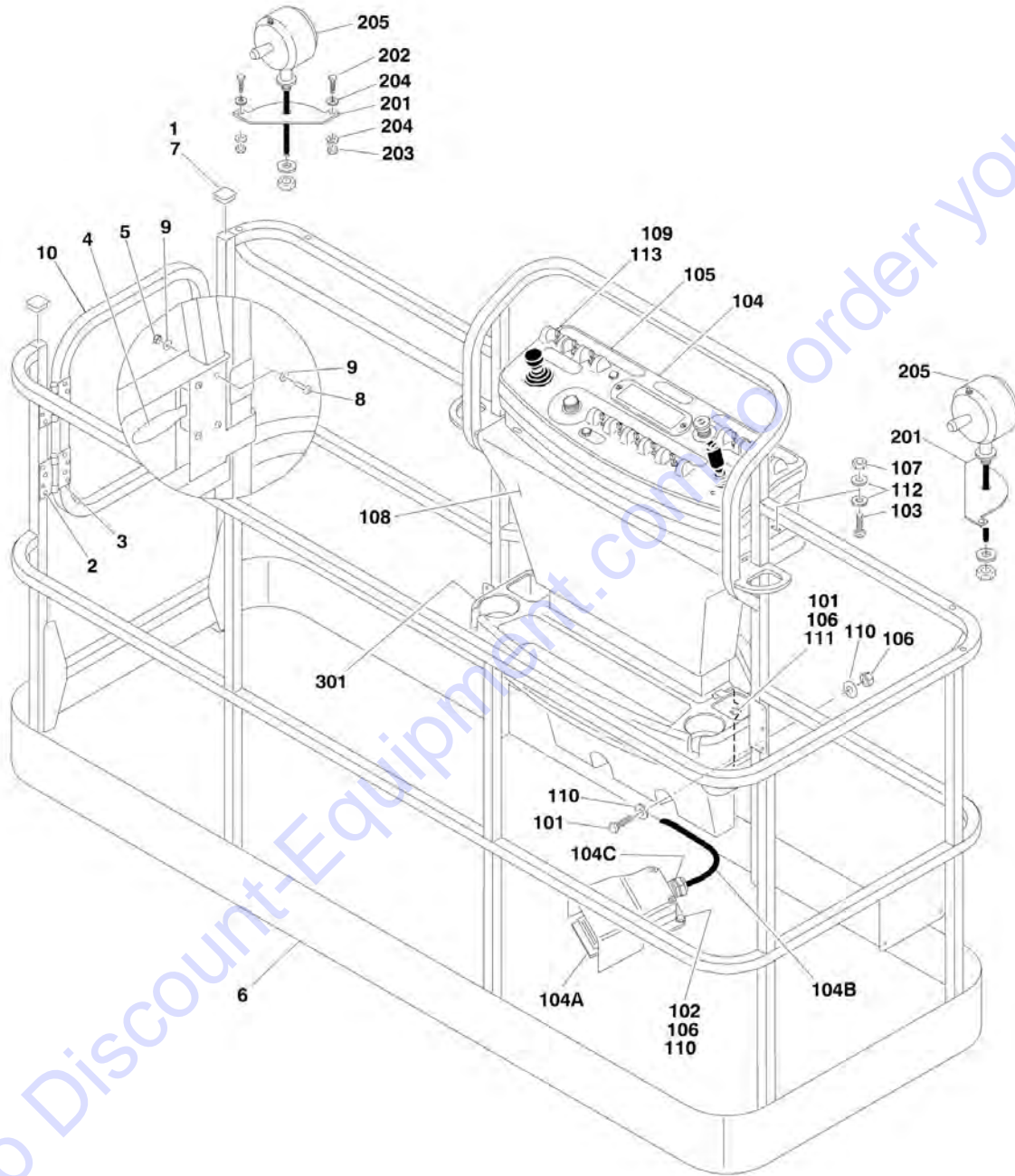
ITEM	PART NUMBER	QTY	DESCRIPTION	REV
		Ref	PLATFORM ASSEMBLIES:	
	3510751	Ref	5ft (1.52m) Platform with Drop Bar	2
	3510499	Ref	6ft (1.83m) Platform with Drop Bar	3
	3510537	Ref	6ft (1.83m) Platform with Self-Closing Gate	2
	3510763	Ref	6ft (1.83m) Platform with Drop Bar (Mesh to Mid Rail)	1
	3510500	Ref	8ft (2.44m) Platform with Drop Bar	2
	3510538	Ref	8ft (2.44m) Platform with Self-Closing Gate	2
	3510764	Ref	8ft (2.44m) Platform with Drop Bar (Mesh to Mid Rail)	1
1		Ref	Floor Weldment Options:	
1	4846184	1	Floor Weldment 5ft/1.52m Platform	
1	4845290	1	Floor Weldment 6ft/1.83m Platform	
1	4845289	1	Floor Weldment 8ft/2.44m Platform	
2		Ref	Rail Weldment - Right Side Options:	
2	4846194	1	Rail Weldment - Right Side 5ft/1.52m Platform	
2	4844955	1	Rail Weldment - Right Side 6ft/1.83m Platform	
2	4846228	1	Rail Weldment - Right Side 6ft/1.83m Platform (Mesh to Mid Rail)	
2	4844924	1	Rail Weldment - Right Side 8ft/2.44m Platform	
2	4846240	1	Rail Weldment - Right Side 8ft/2.44m Platform (Mesh to Mid Rail)	
3		Ref	Rail Weldment - Left Side Options:	
3	4846195	1	Rail Weldment - Left Side 5ft/1.52m Platform	
3	4844956	1	Rail Weldment - Left Side 6ft/1.83m Platform	
3	4846229	1	Rail Weldment - Left Side 6ft/1.83m Platform (Mesh to Mid Rail)	
3	4844925	1	Rail Weldment - Left Side 8ft/2.44m Platform	
3	4846241	1	Rail Weldment - Left Side 8ft/2.44m Platform (Mesh to Mid Rail)	
4	4845328	1	Rail Weldment - Back	
5	4845287	1	Rail Weldment - Top (Drop Bar Platform Only)	
6	3900207	AR	Fastener (Note: p/n 3900207 Fastener may be replaced with p/n 0641416 Bolt, p/n 4751400 Flatwasher, p/n 3311405 Locknut and p/n 3300151 Acorn Type Nut. Acorn type nut is required to meet industry safety requirements.	
7	3300393	AR	Collar	
8	3520072	4	Plug, Cap	
9	4845288	1	Bar, Drop (Drop Bar Platform Only)	
10	0641418	2	Bolt 1/4in-20NC x 2-1/4in	
11	4740411	4	Washer, Nylon	
12	3300151	2	Nut, Acorn 1/4in-20NC	
13	0961845	2	Bushing	
14	0641524	4	Bolt 5/16in-18NC x 3in	
15	3311505	4	Locknut 5/16in-18NC	
16	4751500	4	Flatwasher 5/16in Regular	
17	2080040	AR	Fastener	
18	4420055	7 in/18cm	Tape (Drop Bar Platform Only)	
24		Ref	Weldment, Gate Options: (Self-Closing Gate Only)	
24	4845327	1	Weldment, Gate (Prior to SN 030027649)	
24	4845426	1	Weldment, Gate (SN 030027649 through 030068000)	
25		Ref	Hinge Options (Self-Closing Gate Only):	
25	2600219	2	Hinge (Prior to SN 030027649)	
25	2600287	2	Hinge (SN 030027649 through 030068000)	

SECTION 4 - PLATFORM

ITEM	PART NUMBER	QTY	DESCRIPTION	REV
26	2940074	1	Latch (Self-Closing Gate Only)	
27	3911016	4	Screw #10-24NC x 2in (Self-Closing Gate Only)	
28	4751000	4	Flatwasher #10 Regular (Self-Closing Gate Only)	
29	3311005	4	Locknut #10-24NC (Self-Closing Gate Only)	
30	4761000	4	Lockwasher #10 (Self-Closing Gate Only) (Prior to SN 030067889)	
31	3539685	1	Plate, Latch (Self-Closing Gate Only)	
32	4220164	1	Stop, Gate (Self-Closing Gate Only)	
33	4060803	6 ft/1.8m	Trim (Self-Closing Gate Only)	
		Ref	WORKLIGHTS INSTALLATIONS (OPTIONAL)	
	0255392	Ref	Worklights Installations (Colored Wiring) (Prior to SN 0300035129)	2-B
	0258048	Ref	Worklights Installations (Numbered Colored Wiring) (SN 0300035129 through 0300061926)	2-E
	0270814	Ref	Worklights Installations (ADE System) (SN 0300061927 through 0300068000)	3-D
101	3536089	2	Plate, Mounting	
102	0641414	4	Bolt 1/4in-20NC x 1-3/4in	
103	3311405	4	Locknut 1/4in-20NC	
104	4711400	8	Flatwasher 1/4in Thin	
105	2920140	2	Worklight	
105	7016399	2	Bulb, Replacement (1 Per Worklight)	
106	4240099	10	Tie-Strap (Not Shown)	
107	2820035	9	Loom, Vinyl (Not Shown)	
109	4460598	1	Connector, Strain Relief (Not Shown - Located at Console Box)	
110		Ref	Wire Options: (Not Shown)	
110	4921028	AR	Wire, White/Brown 16 Ga (Prior to SN 030035129)	
110	4920018	AR	Wire, Black 16 Ga (SN 030035129 through 030068000)	
		Ref	CONSOLE BOX INSTALLATIONS	
	0272298	Ref	Console Box Installations 2WD	A
	0271940	Ref	Console Box Installations 4WD	A
201	0641406	4	Bolt 1/4in-20NC x 3/4in	
202	0641408	3	Bolt 1/4in-20NC x 1in	
203	0641610	4	Bolt 3/8in-16NC x 1-1/4in	
204		Ref	Console Box and Footswitch Assembly (See PLATFORM CONSOLE ASSEMBLY AND PLATFORM CONSOLE ASSEMBLY (ADE SYSTEM) for Breakdown)	
205	1702676	1	Decal - Horn	
206	3311405	7	Locknut 1/4in-20NC	
207	3311605	4	Locknut 3/8in-16NC	
208	3380434	1	Panel, Decal Mount	
209		Ref	Switch Options:	
209	4360336	1	Switch, SPST 2WD	
209	4360331	1	Switch, DPDT-CO 4WD	
210	4740362	7	Flatwasher 1/4in Fender	
211	4751400	4	Flatwasher 1/4in Regular	
212	4751600	8	Flatwasher 3/8in Regular	
213	3790012	1	O-Ring	

SECTION 4 - PLATFORM

FIGURE 4-3. PLATFORM COMPONENTS INSTALLATION (SIDE ENTRY)



SECTION 4 - PLATFORM

FIGURE 4-3. PLATFORM COMPONENTS INSTALLATION (SIDE ENTRY)

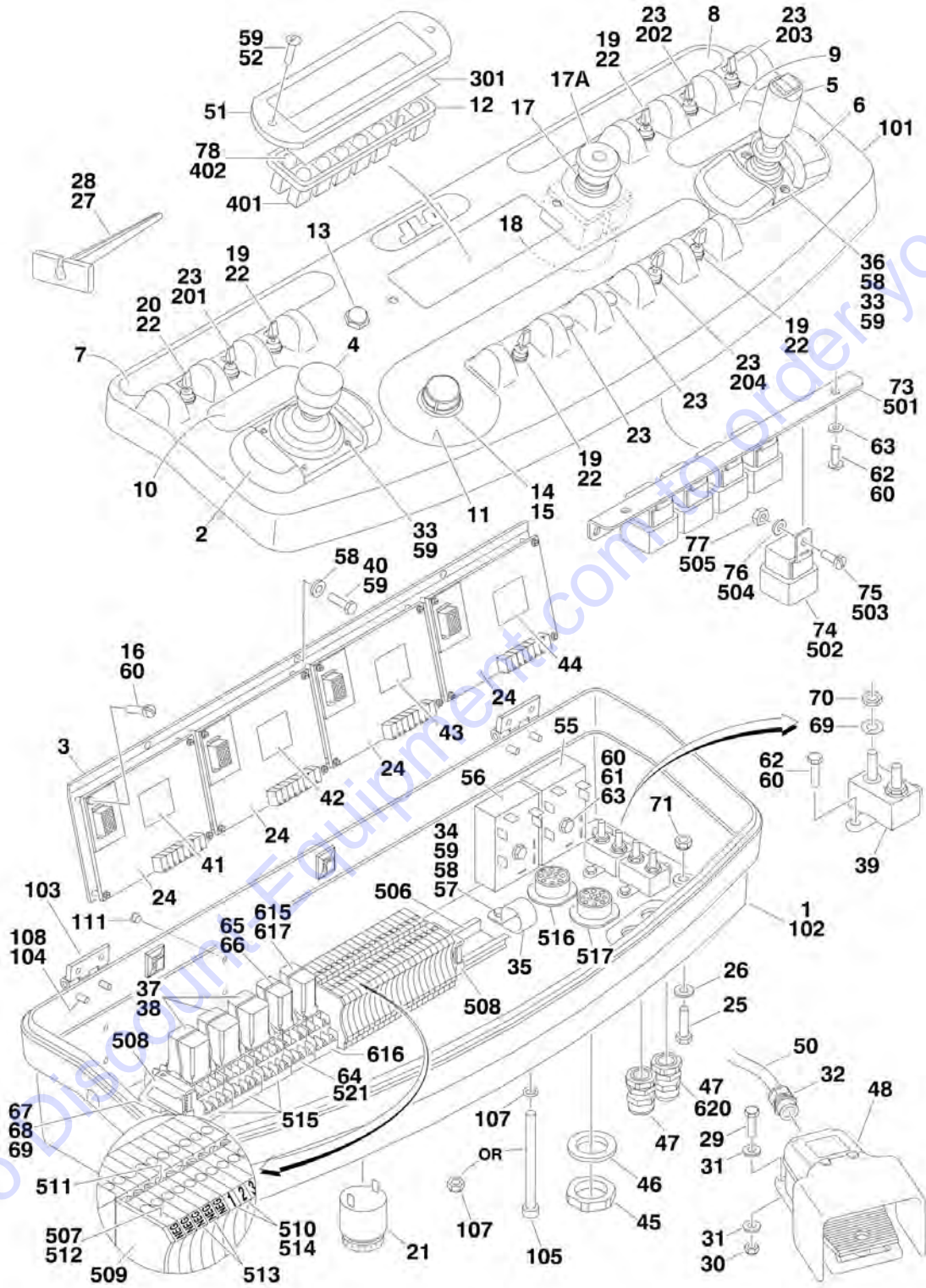
ITEM	PART NUMBER	QTY	DESCRIPTION	REV
		Ref	PLATFORM ASSEMBLIES:	
	3510822	Ref	8ft (2.44m) with No Mesh	A
		Ref	Note: Use p/n 1001144023 as replacement for p/n 3510822.	
	3510833	Ref	6ft (1.83m) with No Mesh	A
		Ref	Note: Use p/n 1001144024 as replacement for p/n 3510833.	
		Ref	Note: Original Equipment platform may have been replaced with Service Replacement platform. Identify platform before ordering parts.	
1	0100040	AR	Sealant, Adhesive	
2	2080040	16	Fastener, Huck	
3	2600281	2	Hinge, Self-Closing	
4	2940074	1	Latch	
5	3311001	4	Nut #10-24NC	
6	See Note	1	Platform Weldment (Note: Purchase Complete Platform Assembly)	
7	3520072	2	Cap-Plug	
8	3911008	4	Screw #10-24NC x 1in	
9	4751000	8	Flatwasher #10 Regular	
10	4846452	1	Gate Weldment	
10		Ref	Gate for Original Equipment Platform p/n 3510822 & 3510833	
10		Ref	Gate for Service Replacement Platform p/ns 1001144023 & 1001144024	
		Ref	CONSOLE BOX INSTALLATIONS	
	0272298	Ref	Console Box Installations 2WD	A
	0271940	Ref	Console Box Installations 4WD	A
101	0641406	4	Bolt 1/4in-20NC x 3/4in	
102	0641408	3	Bolt 1/4in-20NC x 1in	
103	0641610	4	Bolt 3/8in-16NC x 1-1/4in	
104		Ref	Platform Console Box Assembly (See PLATFORM CONSOLE ASSEMBLY AND PLATFORM CONSOLE ASSEMBLY (ADE SYSTEM) for Breakdown)	
104A	0272970	1	Footswitch Assembly (Includes Footswitch and Items 104B & 104C)	
		Ref	Note: Assembly p/n 0272970 may use either p/n 4360031 or p/n 1001117320. If Original Equipment was replaced as an assembly, p/n 1001117320 may have been used as part of the Service Replacement. Identify component before ordering parts.	
104A		Ref	Footswitch Less Cable Options:	
104A	4360031	1	Original Equipment	
104A	1001117320	1	Service Replacement	
104A		Ref	Block, Contact Options (See Note Above):	
104A	7000625	2	Contact Block for 4360031 Footswitch	
104A	70003483	1	Contact Block for 1001117320 Footswitch	
104B	1060918	7 ft/2.14m	Cable, Electrical - 18/3	
104C	4460071	1	Connector, Strain Relief	
105	1702676	1	Decal - Horn	
106	3311405	7	Locknut 1/4in-20NC	
107	3311605	4	Locknut 3/8in-16NC	
108	3380434	1	Panel, Decal Mount	
109		Ref	Switch Options:	
109	4360336	1	Switch, SPST 2WD	

SECTION 4 - PLATFORM

ITEM	PART NUMBER	QTY	DESCRIPTION	REV
109	4360331	1	Switch, DPDT-CO 4WD	
110	4740362	7	Flatwasher 1/4in Fender	
111	4751400	4	Flatwasher 1/4in Regular	
112	4751600	8	Flatwasher 3/8in Regular	
113	3790012	1	O-Ring	
	0270814	Ref	WORKLIGHTS INSTALLATIONS (OPTIONAL)	3-D
201	3536089	2	Plate, Mounting	
202	0641414	4	Bolt 1/4in-20NC x 1-3/4in	
203	3311405	4	Locknut 1/4in-20NC	
204	4711400	8	Flatwasher 1/4in Thin	
205	2920140	2	Worklight	
205	7016399	2	Bulb, Replacement (1 Per Worklight)	
206	4240099	10	Tie-Strap (Not Shown)	
207	2820035	9	Loom, Vinyl (Not Shown)	
209	4460598	1	Connector, Strain Relief (Not Shown - Located at Console Box)	
		Ref	TRAY INSTALLATIONS (OPTIONAL)	
301	1580012	1	Tray, Storage (Center)	
302	1580013	1	Tray, Storage (Rail Mounted - Not Shown)	

SECTION 4 - PLATFORM

FIGURE 4-4. PLATFORM CONSOLE ASSEMBLY (Prior to SN 0300061927)



SECTION 4 - PLATFORM

FIGURE 4-4. PLATFORM CONSOLE ASSEMBLY (Prior to SN 0300061927)

ITEM	PART NUMBER	QTY	DESCRIPTION	REV
		Ref	CONSOLE BOX AND FOOTSWITCH ASSEMBLIES	
	0860996	Ref	Console Box and Footswitch Assemblies (Colored Wiring) (Prior to SN 0300035129)	7-E
	0861138	Ref	Console Box and Footswitch Assemblies (Numbered Colored Wiring) (SN 0300035129 through 0300061927)	8-D
1	0860984	1	Box, Console Assembly (See Items 101-108 for Breakdown)	
2	4340678	1	Support, Hand	
3	3538819	1	Plate, Mounting	
4		Ref	OEM Controller Assembly (Swing and Lift) Options:	
4	1600242	1	OEM Controller Assembly (Swing and Lift) (See CONTROLLER ASSEMBLY (SWING AND LIFT) for Breakdown) (Prior to SN 030039654)	
4	1600284	1	OEM Controller Assembly (Swing and Lift) (See CONTROLLER ASSEMBLY (SWING AND LIFT) for Breakdown) (SN 030039654 through 030061927)	
5		Ref	OEM Controller Assembly (Drive and Steer) Options:	
5	1600239	1	OEM Controller Assembly (Drive and Steer) (See CONTROLLER ASSEMBLY (DRIVE AND STEER) for Breakdown) (Prior to SN 030039654)	
5	1600283	1	OEM Controller Assembly (Drive and Steer) (See CONTROLLER ASSEMBLY (DRIVE AND STEER) for Breakdown) (SN 030039654 through 030061927)	
6	4340684	1	Support, Hand	
7	1702676	1	Decal (Horn/Drive Speed/Level)	
8	1702564	1	Decal (Stop)	
9	1702565	1	Decal (Drive and Steer)	
10	1702566	1	Decal (Lift and Swing)	
11	1702567	1	Decal (Speed/Lower Lift/Tele/Rotate/Jib)	
12	2760105	1	Housing, Display Light	
13	4360387	1	Switch, Pushbutton	
14	2560136	1	Knob, Speed Control	
15	4360407	1	Controller, Speed	
15	See Note	1	Gasket "Top Hat" (Included with Switch) (Note: Not Available - Purchase Complete Controller)	
15	70003784	1	Seal	
16	3910610	16	Screw #6-32NC x 5/8in	
17		Ref	Switch, Emergency Stop Options:	
17	4360395	1	Switch, Emergency Stop (Prior to SN 030036019)	
17	4360289	1	Switch, Emergency Stop (SN 030035129 through 030044644)	
17	4360475	1	Switch, Emergency Stop (SN 030044645 through 030061927)	
17A		Ref	Cap Options:	
17A	7016315	1	Cap, Red (Used on Switch p/n 4360395)	
17A	7012611	1	Cap, Mushroom Head (Used on Switch p/n 4360289)	
17A	7012612	1	Cap Boot (Used on Switch p/n 4360289)	
17A	7020175	1	Cap, Red (Used on Switch p/n 4360475)	
17A	7020176	1	Cap Contact Block (Used on Switch p/n 4360475)	
18		Ref	Block, Contact Options:	
18	4360282	1	Block, Contact (Prior to SN 030044645)	
18	4360476	1	Block, Contact (SN 030044645 through 030061927)	
19	4360314	4	Switch, Toggle	
20	4360331	1	Switch, Toggle	
21	0140026	1	Alarm	

SECTION 4 - PLATFORM

ITEM	PART NUMBER	QTY	DESCRIPTION	REV
22	3790012	5	O-Ring	
23	3520028	6	Plug, Hole (For switch call-outs at these locations, refer to options installation below)	
24	1600218	4	Card, Control	
24	7016346	4	Fuse - 5Amp (1Per Card)	
25		Ref	Bolt Options:	
25	0641606	4	Bolt 3/8in-16NC x 3/4in (Prior to SN 030039778)	
25	0641610	4	Bolt 3/8in-16NC x 1-1/4in (SN 030039778 through 030061927)	
26	4751600	4	Flatwasher 3/8in Regular	
27	4460467	1	Tool, Pin Extraction (Blue 16-18 Gauge) (Not Shown)	
28	4460510	1	Tool, Pin Extraction (Yellow 12-14 Gauge) (Not Shown)	
29	0641408	3	Bolt 1/4in-20NC x 1in	
30	3311405	3	Locknut 1/4in-20NC	
31	4740362	3	Flatwasher 1/4in Fender	
32	4460071	1	Connector, Strain Relief	
33	0641404	8	Bolt 1/4in-20NC x 1/2in	
34	3311401	1	Nut 1/4in-20NC	
35	1320060	1	Clamp	
36	1320095	1	Clamp	
37	3740058	3	Relay - 4PDT	
38	3740063	3	Spring, Relay	
39	4360232	2	Breaker, Circuit - 15Amp	
40	0641406	3	Bolt 1/4in-20NC x 3/4in	
41	1703090	1	Decal - Control Card (Lift)	
42	1703091	1	Decal - Control Card (Swing)	
43	1703092	1	Decal - Control Card (Flow Control)	
44	1703093	1	Decal - Control Card (Drive)	
45	4460470	2	Nut, Conduit	
46	4460471	2	Washer	
47	4460428	2	Connector, Strain Relief	
48	See Note	Ref	Footswitch (Note: See PLATFORM COMPONENTS INSTALLATION for Service Parts)	
51	1670829	1	Bezel	
52	0630464	2	Screw, Button Head #10-24NC x 1/2in	
55	3740113	1	Relay, Time Delay	
56	3740115	1	Relay, Time Delay	
57	0641406	1	Bolt 1/4in-20NC x 3/4in	
58	4751400	5	Flatwasher 1/4in Regular	
59	0100011	AR	Compound, Locking	
60	0100035	AR	Compound, Locking	
61	0721010	2	Screw, Machine #10-24NC x 1-1/4in	
62	0721003	2	Screw, Machine #10-24NC x 3/8in	
63	4751000	2	Flatwasher #10 Regular	
64	4120012	1	Base, Relay	
65	3740057	1	Relay - DPDT	
66	3740066	1	Spring, Relay	
67	0721004	2	Bolt #10-32NF x 1/2in	
68	4711000	2	Flatwasher #10 Thin	
69	4761000	6	Lockwasher #10	
70	3311001	4	Nut #10-24NC	
71	3311605	4	Locknut 3/8in-16NC	
72	1704260	1	Decal - EMS (SN 030044645 through 030061927)	

SECTION 4 - PLATFORM

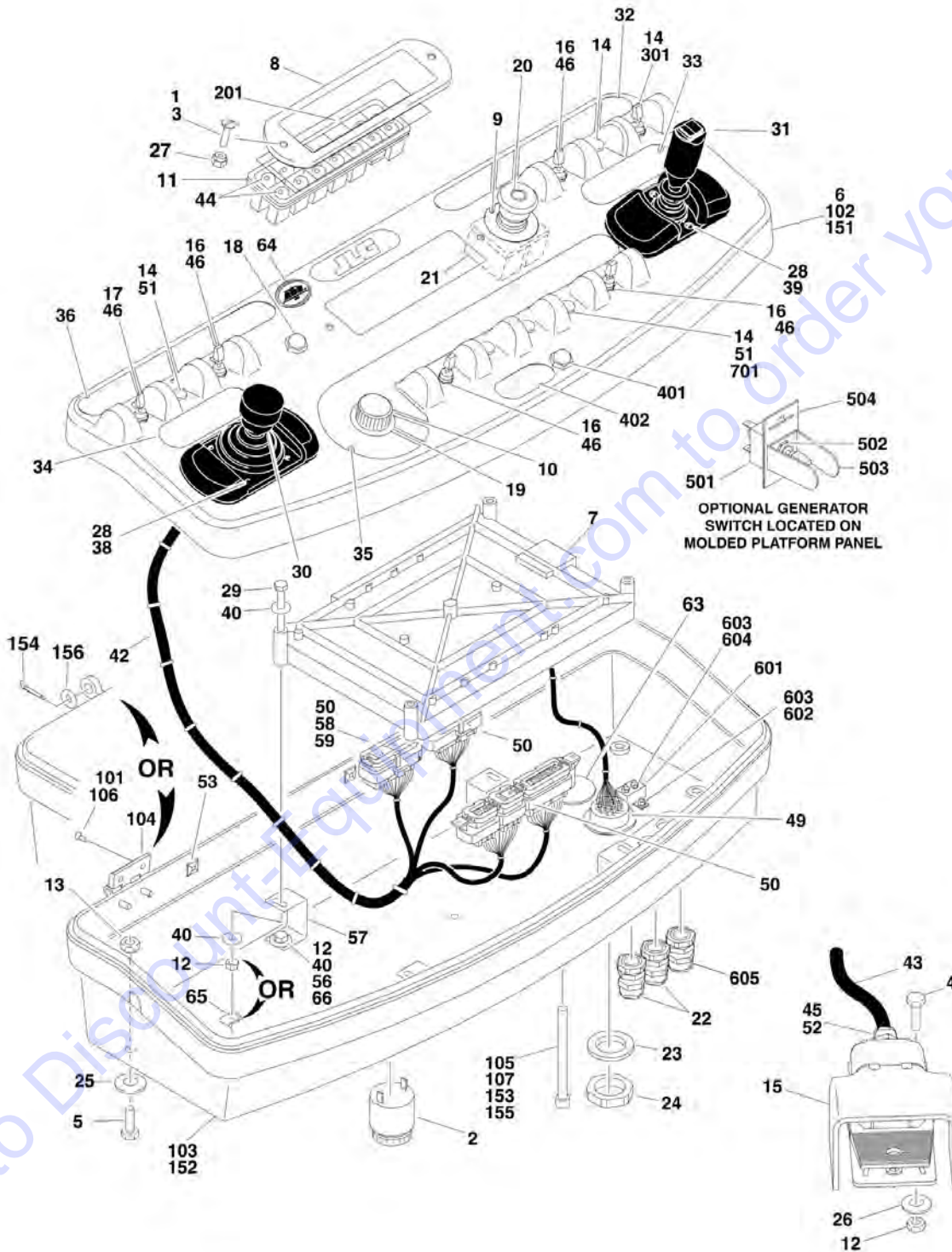
ITEM	PART NUMBER	QTY	DESCRIPTION	REV
73	3539275	1	Plate, Relay Mounting (SN 030049954 through 030061927)	
74	3740049	5	Relay, Bosch (SN 030049954 through 030061927)	
75	0721003	5	Screw #10-24NC x 3/8in (SN 030049954 through 030061927)	
76	4751000	5	Flatwasher #10 Regular (SN 030049954 through 030061927)	
77	3311005	5	Locknut #10-24NC (SN 030049954 through 030061927)	
78	2920129	12	Bulb, Light (SN 030049954 through 030061927)	
	0860984	Ref	CONSOLE BOX ASSEMBLY	6-E
101	See Note	NSS	Lid, Cast (Note: Use p/n 0860984)	
102	See Note	NSS	Bottom, Box (Note: Use p/n 0860984)	
103	2600211	2	Hinge	
104	3900224	8	Capscrew, Socket Head Countersunk 6mm x 16mm	
105	3931672	1	Capscrew, Socket Head 3/8in-16NC x 4-1/2in	
107		Ref	Fastener Options:	
107	3790109	NLA	O-Ring (Use p/n 3311601 Nut) (Prior to May 1996)	
107	3311601	1	Nut 3/8in-16NC	
108	0100011	AR	Compound, Locking	
111	3520173	4	Plug (SN 030038808 through 030061927)	
		Ref	CONSOLE BOX OPTIONS:	
201		Ref	4WS Switch Option Components	
201	4360331	1	Switch, Toggle	
201	3790012	1	O-Ring	
202		Ref	Dual Switch Option Components	
202	4360336	1	Switch, Toggle	
202	3790012	1	O-Ring	
203		Ref	Lights Switch Option Components	
203	4360336	1	Switch, Toggle	
203	3790012	1	O-Ring	
204		Ref	Articulating Jib Switch Option Components	
204	4360314	1	Switch, Toggle	
204	3790012	1	O-Ring	
		Ref	LIGHT PANEL DECAL INSTALLATIONS	
	0256632	Ref	EN280 and CE Spec	-
	0256633	Ref	Australian Spec	-
301		Ref	Decal - Display Options:	
301	1703084	1	Decal - Display EN280 and CE Spec	
301	1703085	1	Decal - Display Australian Spec	
		Ref	HARNES COMPONENTS	
401	4120035	7	Base, Light	
402	2920129	7	Bulb, Light	
		Ref	ELECTRICAL COMPONENTS INSTALLATIONS:	
	0860996	Ref	Electrical Components Installations (Colored Wiring) (Prior to SN 0300035129)	7-E
	4921994	Ref	Electrical Components Installations (Numbered Colored Wiring) (SN 0300035129 through 0300061927)	3-F
		Ref	Note: Prior to SN 0300035129 the following components are part of the console assembly. SN 0300035129 through 0300068000, parts are available as a harness which is part of the console assembly.	
501	3539275	1	Plate, Relay Mounting (Prior to SN 030049954)	
502	3740049	8	Relay, Bosch (Prior to SN 030049954)	
503	0721003	8	Screw #10-24NC x 3/8in (Prior to SN 030049954)	
504	4751000	8	Flatwasher #10 Regular (Prior to SN 030049954)	

SECTION 4 - PLATFORM

ITEM	PART NUMBER	QTY	DESCRIPTION	REV
505	3311005	8	Locknut #10-24NC (Prior to SN 030049954)	
506		Ref	Track Options:	
506	3640970	1	Track (Prior to SN 030035129)	
506	3641182	1	Track (SN 030035129 through 030061927)	
507		Ref	Block, Terminal Options:	
507	4460600	10	Block, Terminal (Prior to SN 030035129)	
507	4460601	10	Block, Terminal (SN 030035129 through 030061927)	
508	4460607	2	Stop, End	
509	4460602	1	Barrier, Terminal	
510	4460629	2	Marker, Terminal (6-15)	
511	4460603	1	Bar, Buss - 10 Position (Cut into [2] 5 Position Bars)	
512		Ref	Block, Terminal Options:	
512	4460601	10	Block, Terminal (Prior to SN 030035129)	
512	4460600	10	Block, Terminal (SN 030035129 through 030061927)	
513	4460631	1	Marker, Terminal (Negative)	
514	4460632	1	Marker, Terminal (1-5)	
515	4120013	3	Socket, Relay	
516	4460613	1	Connector - 21 Position	
517	4460503	1	Connector - 31 Position	
519	4240032	20	Tie-Strap (Not Shown)	
520	4240018	10	Tie-Strap (Not Shown)	
521	4120012	1	Relay, Socket	
	0259233	Ref	BPE LOAD SENSING DEVICE INSTALLATION (FRENCH SPEC) (SN 0300058378 through 0300061927)	4-C
	0271474	Ref	BPE LOAD SENSING DEVICE INSTALLATION (FRENCH SPEC) (SN 0300058378 through 0300061927)	2-B
615	3740057	1	Relay	
616	4120012	1	Base, Relay	
617	3740066	1	Spring, Relay	
620	4460428	1	Relief, Strain	

SECTION 4 - PLATFORM

FIGURE 4-5. PLATFORM CONSOLE ASSEMBLY (ADE SYSTEM) (SN 0300061927 through 0300068000)



SECTION 4 - PLATFORM

FIGURE 4-5. PLATFORM CONSOLE ASSEMBLY (ADE SYSTEM) (SN 0300061927 through 0300068000)

ITEM	PART NUMBER	QTY	DESCRIPTION	REV
		Ref	CONSOLE BOX AND FOOTSWITCH ASSEMBLIES	
	0861388	Ref	Console Box and Footswitch Assemblies (SN 0300061927 through 0300063909)	F
	See Note	Ref	Console Box and Footswitch Assemblies (Note: SN 0300063910 through SN 0300064498 use either p/n 0861388 or p/n 0861477 platform console box. See Note in ELECTRICAL SECTION Harness Components if further identification is required.)	
	0861477	Ref	Console Box and Footswitch Assemblies (SN 0300064499 through 0300067724)	B
	See Note	Ref	Console Box and Footswitch Assemblies (Note: See Item 6 Note) (SN 0300067725 through 0300068964)	
	0861511	Ref	Console Box and Footswitch Assemblies (SN 0300068965 through 0300068000)	A
1	0100035	AR	Compound, Locking	
2	0140011	1	Alarm	
3	0630464	AR	Screw, Button Head #10-24NC x 1/2in	
4	0641408	3	Bolt 1/4in-20NC x 1in	
5	0641610	AR	Bolt 3/8in-16NC x 1-1/4in	
6		Ref	Box, Console Options:	
		Ref	Note: No exact SN break exists. SN 0300067725 through 0300068000 may use either box.	
6	0861414	1	Box, Console - Aluminum (See Items 101-108 for Breakdown)	
6	0861537	1	Box, Console - Die Cast (See Items 151-156 for Breakdown)	
7	1600313	1	Controller, Module	
		Ref	Note: Re-calibration Required when Replaced.	
8	1670829	1	Bezel	
9	1704260	1	Decal - EMS	
10	2560136	1	Handle, Knob	
11	2760105	1	Housing, Display Light	
12	3311405	11	Locknut 1/4in-20NC	
13	3311605	4	Locknut 3/8in-16NC	
14	3520028	6	Plug, Hole 1/2in	
15	See Note	Ref	Footswitch	
		Ref	Note: See PLATFORM COMPONENTS INSTALLATION for Service Parts.	
16	4360328	4	Switch, Toggle	
17	4360331	1	Switch, Toggle	
18	4360387	1	Switch, Pushbutton	
19	4360407	1	Controller, Speed	
19	See Note	1	Gasket "Top Hat" (Included with Switch) (Note: Not Available - Purchase Complete Controller)	
19	70003784	1	Seal	
20	4360475	1	Switch, Emergency Stop	
20	7020175	1	Cap, Red	
20	7020176	1	Contact Block	
21	4360476	1	Block, Contact	
22	4460428	2	Connector, Strain Relief	
23	4460471	1	Lockwasher, Terminal	
24	4460470	1	Nut, Terminal	
25	4751600	4	Flatwasher 3/8in Regular	

SECTION 4 - PLATFORM

ITEM	PART NUMBER	QTY	DESCRIPTION	REV
26	4740362	AR	Flatwasher 1/4in Fender	
27	3300408	2	Insert, Nylon (SN 030061927 through 030067724)	
28	0641404	8	Bolt 1/4in-20NC x 1/2in	
29		Ref	Bolt Options:	
29	0641418	4	Bolt 1/4in-20NC x 2-1/4in (SN 030061927 through 030067724)	
29	0641416	4	Bolt 1/4in-20NC x 2in (SN 030067725 through 030068000)	
30	1600317	NLA	Controller Assembly (Swing and Lift) (See CONTROLLER ASSEMBLY (SWING AND LIFT) for Breakdown) (Use p/n 1001129555)	
31	1600318	NLA	Controller Assembly (Drive and Steer) (See CONTROLLER ASSEMBLY (DRIVE AND STEER) for Breakdown) (Use p/n 1001212415)	
32	1702564	1	Decal (Stop)	
33	1702565	1	Decal (Drive and Steer)	
34	1702566	1	Decal (Lift and Swing)	
35	1702567	1	Decal (Function Speed)	
36	1702676	1	Decal (Horn)	
38	4340678	1	Support, Hand	
39	4340684	1	Support, Hand	
40	4751400	AR	Flatwasher 1/4in Regular	
41		Ref	Harness, Analyzer Cable (Not Shown)	
41	4922485	1	Harness, Analyzer Cable (SN 030061927 through 030063908)	
41	4922666	1	Harness, Analyzer Cable (SN 030063909 through 030068000)	
41	4460871	4	Terminal, Socket	
41	4460761	1	Housing - 4 Position	
41	4460227	4	Pin	
42		Ref	Harness, Platform Box Options:	
42	4922509	1	Harness, Platform Box (SN 030061927 through 030063908)	
42	4922639	1	Harness, Platform Box (SN 030063909 through 030068000)	
43		Ref	Cable Options:	
43	1060330	7 ft/2.1m	Cable, 16/3 (SN 030061927 through 030063908)	
43	1060918	7 ft/2.1m	Cable, 18/3 (SN 030063909 through 030068000)	
44	2920129	12	Bulb, Light	
45	4460071	1	Connector, Strain Relief	
46	3790012	5	O-Ring	
49	4460464	1	Terminal, Deutsch	
50		Ref	Terminal, Socket	
50	4460871	2	Use with p/n 0861414 Box	
50	4460226	2	Use with p/n 0861537 Box	
51	0100009	AR	Sealant	
52	0100020	AR	Loctite #567	
53	4460488	1	Terminal, Mounting Base	
54	4460234	AR	Wire Tie (Not Shown)	
56		Ref	Bolt Options:	
56	0641406	4	Bolt 1/4in-20NC x 3/4in (SN 030061927 through 030067724)	
56	0641404	4	Bolt 1/4in-20NC x 1/2in (SN 030067725 through 030068000)	
57	0902751	4	Bracket, Card Support	
58	4460905	5	Connector, Amp Seal Plug	
59	0100048	AR	Grease, Dielectric	
60	4460226	2	Socket, Female (Not Shown - Used with Footswitch) (See ELECTRICAL SECTION for Location)	
61	4460708	2	Connector, Female - 15 Position (Not Shown - See ELECTRICAL SECTION for Location)	

SECTION 4 - PLATFORM

ITEM	PART NUMBER	QTY	DESCRIPTION	REV
62	4460905	5	Seal, Plug (Not Shown - Used with Footswitch) (See ELECTRICAL SECTION for Location)	
63	1671037	1	Cover (SN 030067816 through 030068000)	
64	1705132	1	Decal - ADE (SN 030067816 through 030068000)	
65	3300353	4	Nut, Tinnerman (SN 030067816 through 030068000)	
66	0100081	AR	Loctite #454 (SN 030064398 through 030068000)	
	0861414	Ref	CONSOLE BOX ASSEMBLY See Note Under Item 6 for Usage.	C
101	0100011	AR	Compound, Locking	
102	See Note	1	Console Top (Note: Not Available - Purchase Complete Console Box Assembly)	
103	See Note	1	Console Bottom (Note: Not Available - Purchase Complete Console Box Assembly)	
104	2600211	2	Hinge	
105	3311601	1	Nut 3/8in-16NC	
106	3900224	8	Screw Countersunk	
107	3931672	1	Screw 3/8in-16NC x 4-1/2in	
108	3520174	3	Plug, Hole 3/16in (Not Shown) (Located on back of console box)	
	0861537	Ref	CONSOLE BOX ASSEMBLY See Note Under Item 6 for Usage.	A
151	See Note	1	Console Top (Note: Not Available - Purchase Complete Console Box Assembly)	
152	See Note	1	Console Bottom (Note: Not Available - Purchase Complete Console Box Assembly)	
153	3311601	1	Nut 3/8in-16NC	
154	3450304	2	Pin, Cotter	
155	3931672	1	Screw 3/8in-16NC x 4-1/2in	
156	4711500	2	Flatwasher 5/16 Thin	
		Ref	LIGHT PANEL DECAL INSTALLATION	
	0256632	Ref	Euro Spec	-
	0256633	Ref	Australian Spec	-
201		Ref	Decal - Display Options:	
201	1703084	1	Euro Spec	
201	1703085	1	Australian Spec	
		Ref	HEAD AND TAIL LIGHTS INSTALLATIONS (OPTIONAL)	
	0270802	Ref	Head and Tail Lights Installations (Optional) (SN 0300061927 through 0300063908)	1
	0271552	Ref	Head and Tail Lights Installations (Optional) (SN 0300063909 through 0300068000)	1
301	4360336	1	Switch, Toggle	
301	3790012	1	O-Ring	
		Ref	SOFT TOUCH SYSTEM INSTALLATION (OPTIONAL)	
		Ref	6ft Platform	
	0270795	Ref	6ft Platform (SN 0300061927 through 0300063908)	3
	0271550	Ref	6ft Platform (SN 0300063909 through 0300068000)	1
		Ref	8ft Platform	
	0270796	Ref	8ft Platform (SN 0300061927 through 0300063908)	2
	0271551	Ref	8ft Platform (SN 0300063909 through 0300068000)	1
401	4360387	1	Switch, Pushbutton	
402	1702938	1	Decal - Soft Touch Override	
		Ref	GENERATOR INSTALLATION (OPTIONAL)	
	0270801	Ref	110V DEUTZ (SN 0300061927 through 0300063908)	1
	0271544	Ref	110V DEUTZ (SN 0300063909 through 0300068000)	3
	0270810	Ref	220V DEUTZ (SN 0300061927 through 0300063908)	1
	0271547	Ref	220V DEUTZ (SN 0300063909 through 0300068000)	3

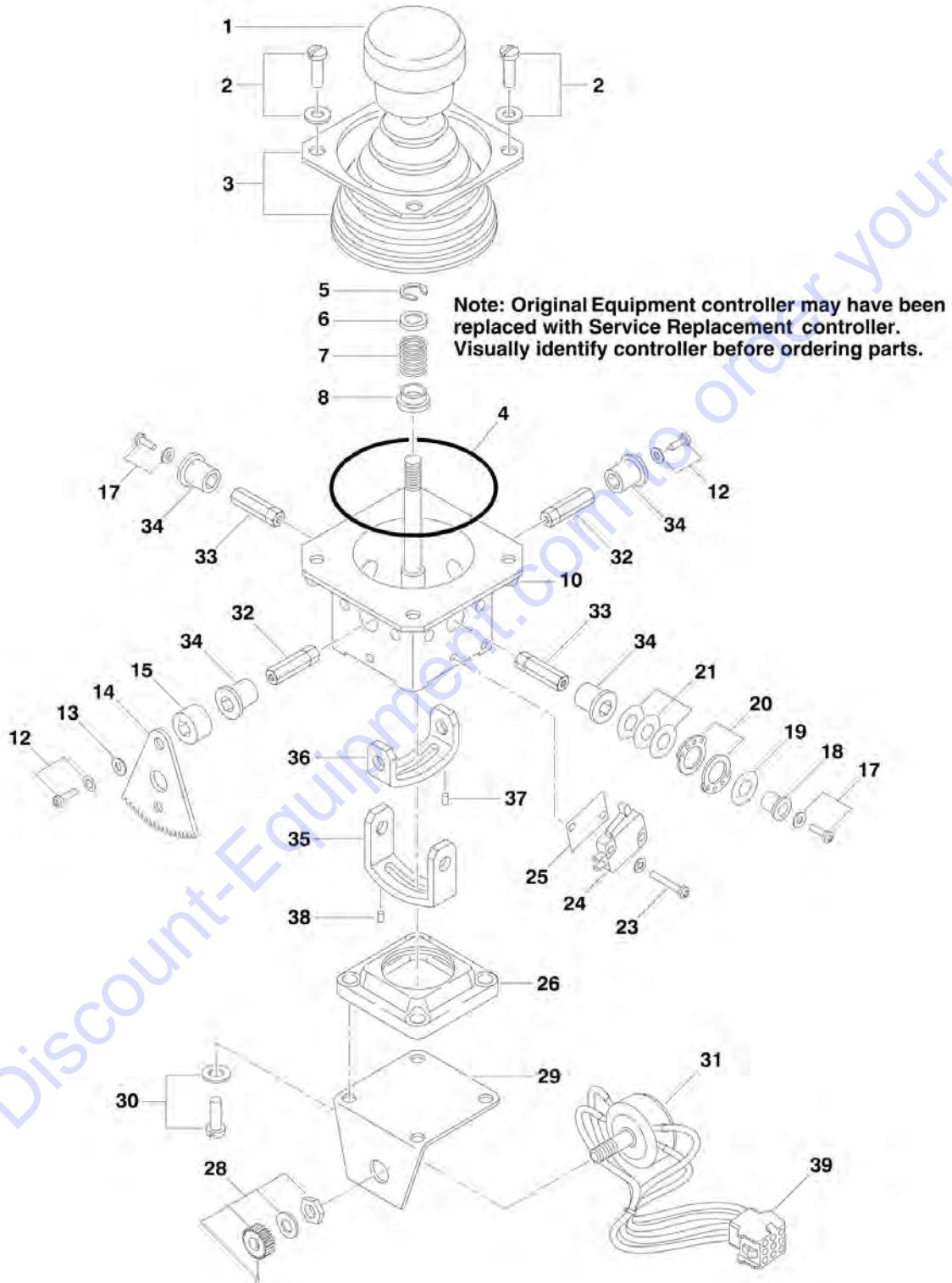
SECTION 4 - PLATFORM

ITEM	PART NUMBER	QTY	DESCRIPTION	REV
501	4360336	1	Switch, Toggle	3
502	4740397	1	Bushing	
503	4060802	1	Guard, Switch	
504	3251102	1	Decal - Generator ON/OFF	
	0270814	Ref	PLATFORM WORKLIGHT INSTALLATION (OPTIONAL)	
601	4360232	1	Breaker, Circuit - 15Amp	
602	0721003	2	Bolt #10-24NC x 3/8in	
603	4761000	4	Lockwasher #10	
604	3311001	2	Nut #10-24NC	
605	4460598	1	Connector, Strain Relief	
		Ref	JIB SWITCH INSTALLATION (600SJ & 660SJ ONLY)	
701	4360328	1	Switch, Toggle	
701	3790012	1	O-Ring	

Go to Discount-Equipment.com to order your parts

SECTION 4 - PLATFORM

FIGURE 4-6. CONTROLLER ASSEMBLY (SWING AND LIFT) (ORIGINAL EQUIPMENT) (Prior to SN 0300039654)



SECTION 4 - PLATFORM

FIGURE 4-6. CONTROLLER ASSEMBLY (SWING AND LIFT) (ORIGINAL EQUIPMENT) (Prior to SN 0300039654)

ITEM	PART NUMBER	QTY	DESCRIPTION	REV
		Ref	Note: Original Equipment controller may have been replaced with Service Replacement controller. Visually identify controller before ordering parts.	
	1600242	Ref	CONTROLLER ASSEMBLY	A
		Ref	Note: Purchase Controller p/n 1600284 for Complete Controller Replacement.	
1	7003951	1	Knob, Handle	
2	See Note	4	Screw M14 x 25mm (Note: Not Available - Purchase Locally)	
2	See Note	4	Washer (Note: Not Available - Purchase Locally)	
3	7022813	1	Plate (was p/n 7003954)	
3	7022813	1	Boot (was p/n 7003955)	
4	7003956	1	O-Ring	
5	7003957	1	Ring, Retaining	
6	7003959	1	Retainer, Spring	
7	7003958	1	Spring, Return	
8	7003960	1	Bushing, Nylon Shaft	
10	1600284	1	Casting, Handle (Note: Not Available for Purchase)	
12	See Note	2/2	Screw M3 x.05/Starwasher M3 (Note: Not Available for Purchase)	
13	See Note	2	Spacer (Note: Not Available for Purchase)	
14	7003977	2	Gear, Drive	
15	See Note	2	Bearing (Note: Not Available for Purchase)	
17	See Note	2	Screw M3 (Note: Not Available - Purchase Locally)	
17	See Note	2	Washer, Wavy (Note: Not Available - Purchase Locally)	
18	7019193	2	Coupling, Cam	
19	See Note	2	Spacer, Cam (Note: Not Available for Purchase)	
20	See Note	4	Cam, 4 Hole (Note: Not Available for Purchase)	
21	See Note	6	Cam (Note: Not Available for Purchase)	
23	See Note	4/4	Screw/Washer (Note: Not Available - Purchase Locally)	
24	7003961	2	Micro-Switch	
25	See Note	2	Insulator (Note: Not Available for Purchase)	
26	1600284	1	Gate (Note: Not Available for Purchase)	
28	7003976	2	Gear	
28	See Note	2	Setscrew (Note: Not Available - Purchase Locally)	
28	See Note	2	Spacer (Note: Not Available - Purchase Locally)	
28	See Note	2	Nut (Note: Not Available for Purchase)	
29	1600284	1	Plate, Pot Mounting (Note: Not Available for Purchase)	
30	See Note	4/4	Screw M4 x 14/Washer M4 (Note: Not Available - Purchase Locally)	
31	7003974	2	Potentiometer	
32	7019192	1	Pin	
33	7019104	2	Pin	
34	7019111	2	Bushing	
35	7019122	1	Limiter, Gate - Outer	
36	7019123	1	Limiter, Gate - Inner	
37	See Note	1	Setscrew (Note: Not Available - Purchase Locally)	
38	See Note	1	Setscrew (Note: Not Available - Purchase Locally)	
39	4460266	1	Cap, Connector - 9 Pin	
39	4460268	8	Socket, Female	
39	4460265	1	Plug - 9 Pin (Part of Platform Wiring) (Not Shown)	

SECTION 4 - PLATFORM

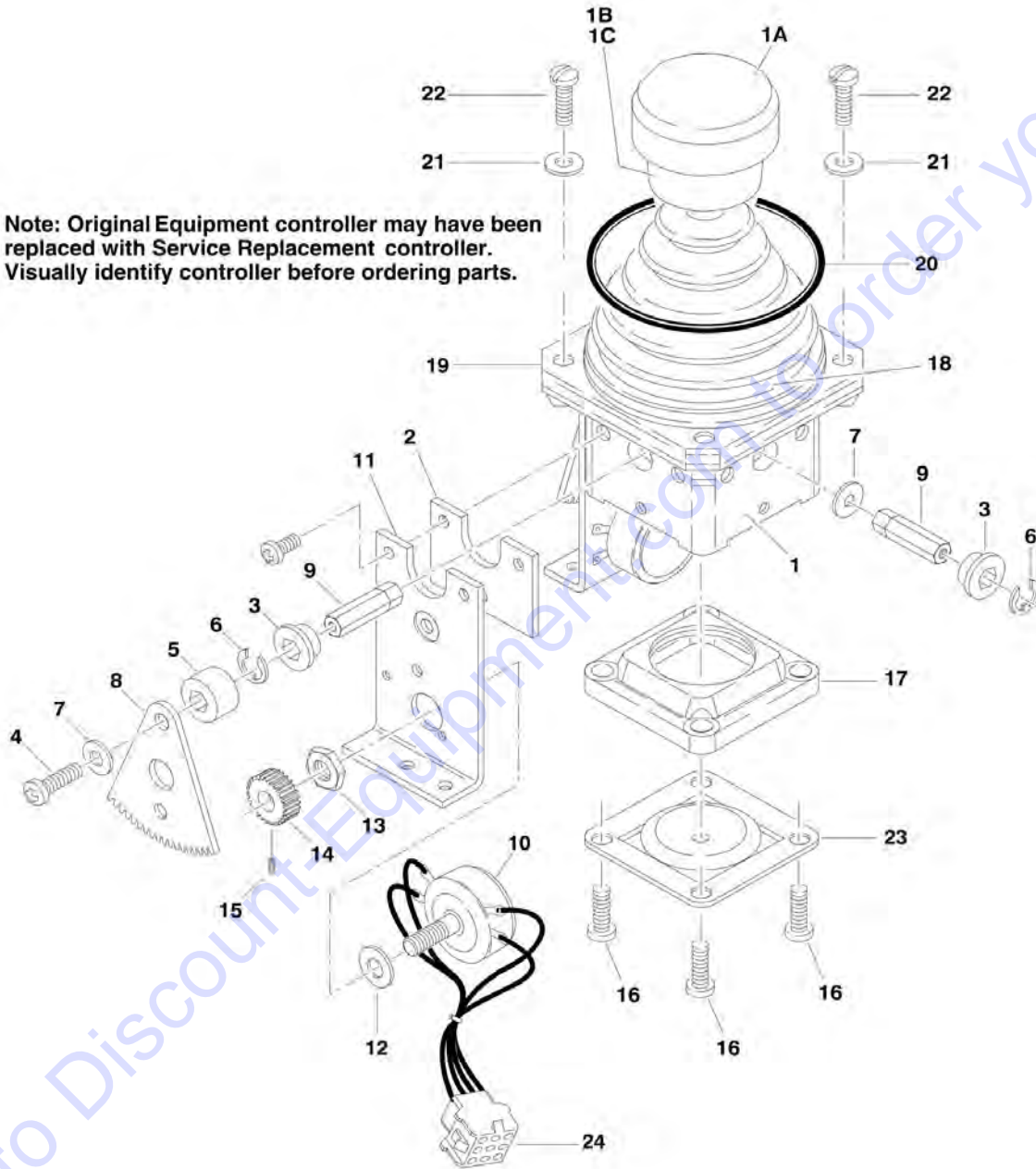
ITEM	PART NUMBER	QTY	DESCRIPTION	REV
39	4460267	8	Pin, Male (Part of Platform Wiring) (Not Shown)	

Go to Discount-Equipment.com to order your parts

SECTION 4 - PLATFORM

FIGURE 4-7. CONTROLLER ASSEMBLY (SWING AND LIFT) (SERVICE REPLACEMENT) (SN 0300039654 through 0300061926)

Note: Original Equipment controller may have been replaced with Service Replacement controller. Visually identify controller before ordering parts.



SECTION 4 - PLATFORM

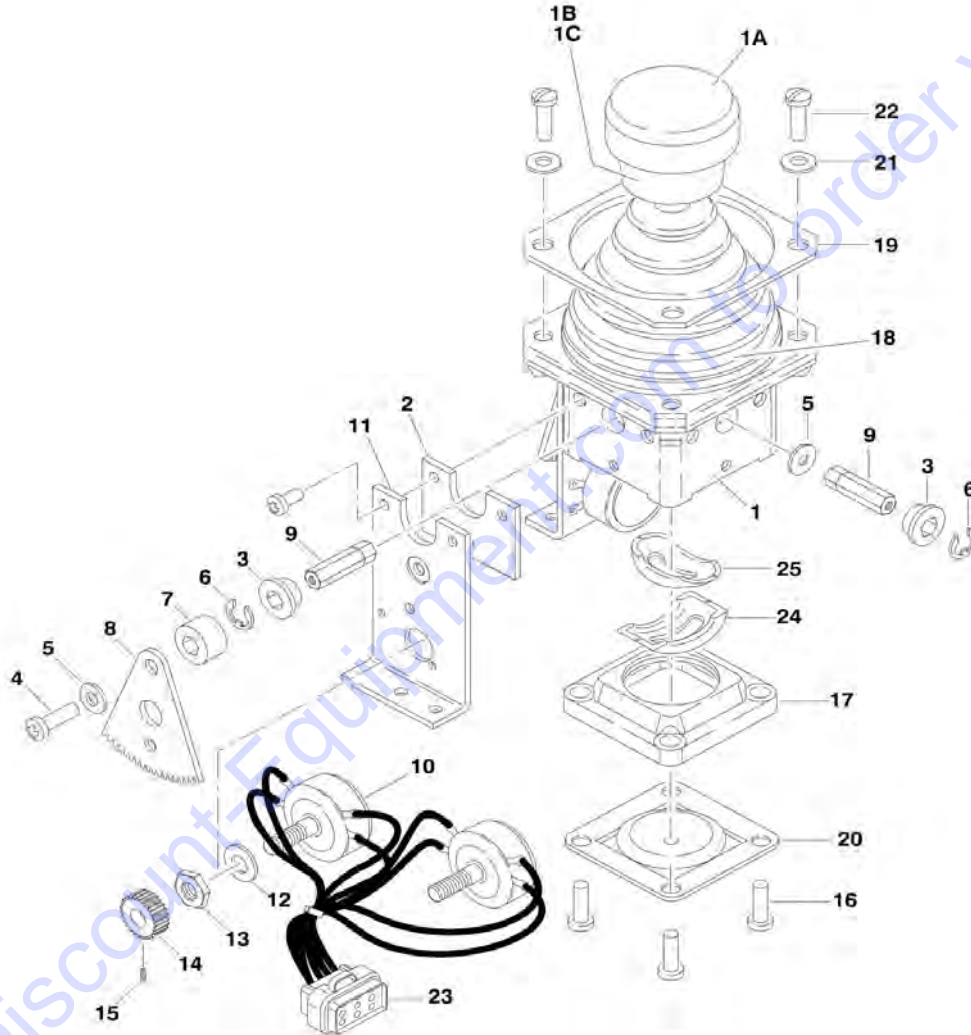
FIGURE 4-7. CONTROLLER ASSEMBLY (SWING AND LIFT) (SERVICE REPLACEMENT) (SN 0300039654 through 0300061926)

ITEM	PART NUMBER	QTY	DESCRIPTION	REV
		Ref	Note: Original Equipment controller may have been replaced with Service Replacement controller. Visually identify controller before ordering parts.	
	1600284	Ref	CONTROLLER ASSEMBLY	A
1	7019141	1	Mechanical Assembly (Includes Base, Handle Stem and Items 1A, 1B, 1C & 18)	
1A	7019197	1	Handle Cap and Rod	
1B	7003928	1	Spring	
1C	7022808	1	Cap, Lift	
2	7019171	2	Plate	
3	7019111	4	Bearing, Gear	
4	7019143	2	Screw	
5	7019144	2	Spacer, Cam	
6	7019145	4	E-Clip	
7	7019174	2	Spacer	
8	7003977	2	Gear, Drive	
9	7019147	4	Shaft	
10	7003974	2	Potentiometer	
11	7019142	2	Plate	
12	7003992	2	Washer	
13	7003993	2	Nut	
14	7003976	2	Gear, Slave	
15	7019149	2	Setscrew	
16	7003952	4	Screw	
17	7019150	1	Gate	
18	7022813	1	Boot (was p/n 7003955)	
19	7022813	1	Plate, Plastic (was p/n 7003954)	
20	7003956	1	Gasket	
21	7003953	4	Washer	
22	7019137	4	Screw	
23	1600284	1	Center, Detent (Note: Not Available for Purchase)	
24	4460266	1	Connector - 9 Pin	
24	4460268	8	Socket, Female	
24	4460265	1	Plug - 9 Pin (Part of Platform Wiring) (Not Shown)	
24	4460267	8	Pin, Male (Part of Platform Wiring) (Not Shown)	

SECTION 4 - PLATFORM

FIGURE 4-8. CONTROLLER ASSEMBLY (SWING AND LIFT) (ADE SYSTEM) (ORIGINAL EQUIPMENT)
(SN 0300061927 through 0300068000)

Note: Original Equipment controller may have been replaced with Service Replacement controller. Visually identify controller before ordering parts.



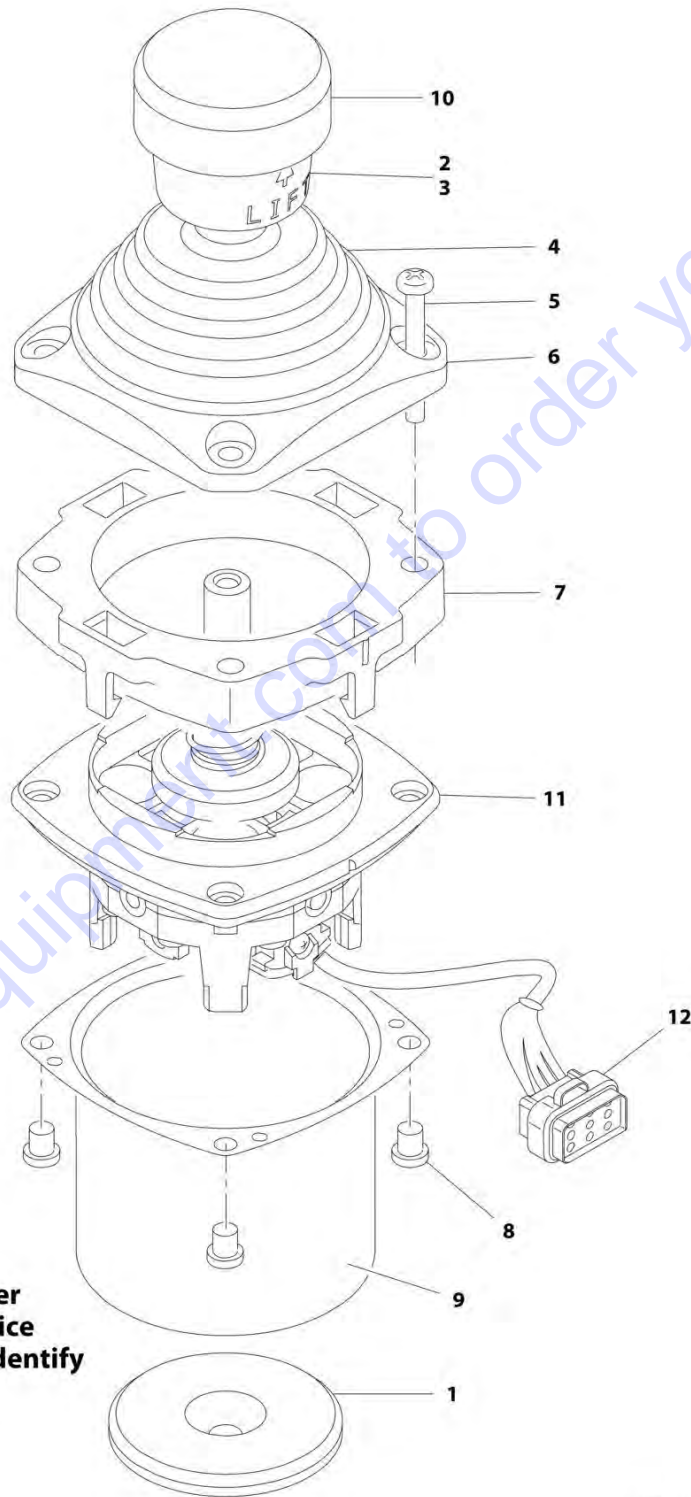
SECTION 4 - PLATFORM

**FIGURE 4-8. CONTROLLER ASSEMBLY (SWING AND LIFT) (ADE SYSTEM) (ORIGINAL EQUIPMENT)
(SN 0300061927 through 0300068000)**

ITEM	PART NUMBER	QTY	DESCRIPTION	REV
		Ref	Note: Original Equipment controller may have been replaced with Service Replacement controller. Visually identify controller before ordering parts.	
	1600317	Ref	CONTROLLER ASSEMBLY	B
		Ref	Note: Purchase Controller Kit p/n 1001129555 for Complete Controller Replacement.	
1	7019141	1	Mechanical Assembly (Includes Base, Handle Stem and Items 1A, 1B, 1C & 18)	
1A	7019197	1	Handle Cap and Rod	
1B	7003928	1	Spring	
1C	7022808	1	Cap, Lift	
2	7019171	2	Plate	
3	7019111	4	Bearing, Gear	
4	7019143	2	Screw	
5	7019144	2	Spacer, Cam	
6	7019145	4	E-Clip	
7	7019174	2	Spacer	
8	7003977	2	Gear, Drive	
9		Ref	Shaft Options:	
9	7019147	2	Shaft, Short	
9	7019177	2	Shaft, Long	
10	7022818	2	Potentiometer	
11	7019142	2	Plate	
12	7003992	2	Washer	
13	7003993	2	Nut	
14	7003976	2	Gear, Slave	
15	7019149	2	Setscrew	
16	7022816	4	Screw	
17	7019150	1	Gate	
18	7022814	1	Boot	
19	7022815	1	Bezel	
20	See Note	NSS	Detent, Center (Note: Use p/n 1001129555)	
21	7003953	4	Washer	
22	7022817	4	Screw	
23	7022819	1	Plug, Male 8 Position (Natural)	
23	4460871	8	Socket, Female	
24	7019122	1	Gimble, Outer	
25	7019123	1	Gimble, Inner	

SECTION 4 - PLATFORM

FIGURE 4-9. CONTROLLER ASSEMBLY (LIFT AND SWING) (SERVICE REPLACEMENT) (SN 0300061927 through 0300068000)



Note: Original Equipment controller may have been replaced with Service Replacement controller. Visually identify controller before ordering parts.

ART_1001118417

SECTION 4 - PLATFORM

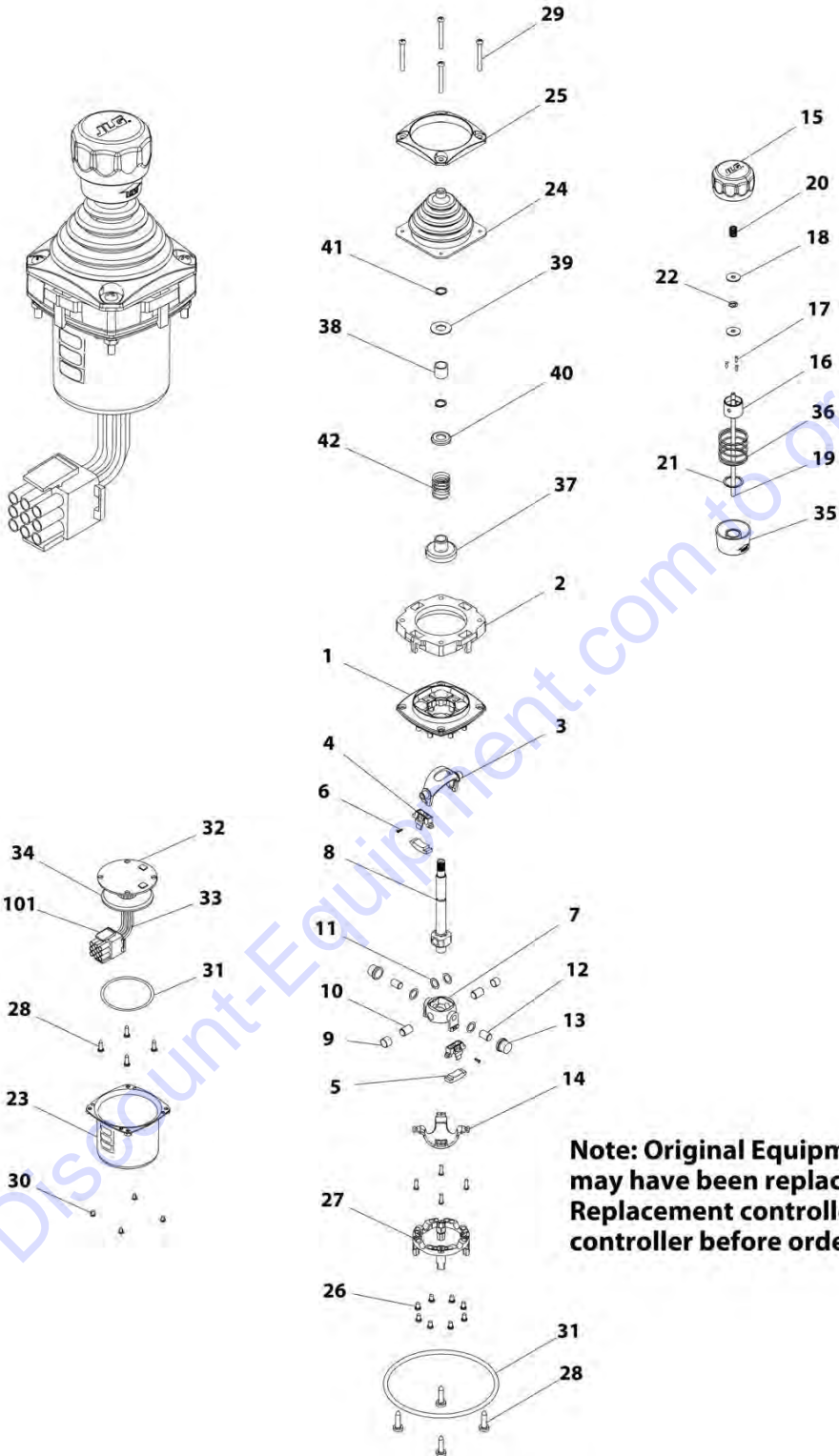
FIGURE 4-9. CONTROLLER ASSEMBLY (LIFT AND SWING) (SERVICE REPLACEMENT) (SN 0300061927 through 0300068000)

ITEM	PART NUMBER	QTY	DESCRIPTION	REV
		Ref	Note: Original Equipment controller may have been replaced with Service Replacement controller. Visually identify controller before ordering parts.	
	1001118417	Ref	CONTROLLER ASSEMBLY (LIFT AND SWING) (SERVICE REPLACEMENT)	A
		Ref	Note: Use p/n 1001129555 as Replacement.	
1	70002730	1	Gasket	
2	7003928	1	Spring	
3	7022808	1	Cap, Lift	
4	70002731	1	Boot	
5	70002732	4	Screw	
6	7022815	1	Bezel	
7	70002733	1	Adapter	
8	70002734	4	Screw	
9	70002735	1	Can, Enclosure	
10	70002906	1	Cap	
11	See Note	NSS	Mechanical Assembly (Note: Use p/n 1001129555)	
12	7022819	1	Connector - 8 Position	
12	4460871	6	Socket, Female	

Go to Discount-Equipment.com to order your parts

SECTION 4 - PLATFORM

FIGURE 4-10. CONTROLLER ASSEMBLY (LIFT AND SWING) (SERVICE REPLACEMENT) (SN 0300061927 through 0300068000)



Note: Original Equipment controller may have been replaced with Service Replacement controller. Visually identify controller before ordering parts.

ART_1001166539

SECTION 4 - PLATFORM

FIGURE 4-10. CONTROLLER ASSEMBLY (LIFT AND SWING) (SERVICE REPLACEMENT) (SN 0300061927 through 0300068000)

ITEM	PART NUMBER	QTY	DESCRIPTION	REV
		Ref	Note: Original Equipment controller may have been replaced with Service Replacement controller. Visually identify controller before ordering parts.	
	1001166539	Ref	CONTROLLER ASSEMBLY (LIFT AND SWING) (SERVICE REPLACEMENT)	A
		Ref	Note: Use p/n 1001129555 as Replacement.	
1	See Note	NSS	Main Cast Body (Note: Not Available - Purchase Complete Assembly)	
2	70004752	1	Adapter	
3	See Note	NSS	Pivot Arm, Plastic (Note: Not Available - Purchase Complete Assembly)	
4	See Note	NSS	Holder, Magnet (Note: Not Available - Purchase Complete Assembly)	
5	See Note	NSS	Arc, Magnet (Note: Not Available - Purchase Complete Assembly)	
6	See Note	NSS	Screw (Note: Not Available for Purchase)	
7	See Note	NSS	Pivot Arm, Cast (Note: Not Available - Purchase Complete Assembly)	
8	See Note	NSS	Shaft, Main (Note: Not Available - Purchase Complete Assembly)	
9	See Note	NSS	Bearing (Note: Not Available - Purchase Complete Assembly)	
10	See Note	NSS	Pin (Note: Not Available - Purchase Complete Assembly)	
11	See Note	NSS	Shim (Note: Not Available - Purchase Complete Assembly)	
12	See Note	NSS	Pin (Note: Not Available - Purchase Complete Assembly)	
13	See Note	NSS	Bearing (Note: Not Available - Purchase Complete Assembly)	
14	See Note	NSS	Dome, Centering (Note: Not Available - Purchase Complete Assembly)	
15	70004753	1	Cap	
16	70004754	1	Insert, Cap	
17	70004755	3	Pin	
18	70004756	2	Washer	
19	70004757	1	Pin, Centering	
20	70004758	1	Spring	
21	70004759	1	Ring, Retaining	
22	70004760	1	E-Ring	
23	70004761	1	Can, Enclosure	
24	70004762	1	Boot	
25	70004763	1	Bezel	
26	See Note	NSS	Screw (Note: Not Available for Purchase)	
27	See Note	NSS	Base Mounting (Note: Not Available - Purchase Complete Assembly)	
28	See Note	NSS	Screw (Note: Not Available for Purchase)	
29	70004764	4	Screw	
30	70004765	4	Screw	
31	70004766	1	O-Ring	
32	See Note	NSS	Plate (Note: Not Available - Purchase Complete Assembly)	
33	See Note	NSS	Harness (Note: Not Available - Purchase Complete Assembly)	
34	70004767	1	Grommet, Rubber	
35	70004768	1	Housing	
36	70004769	1	Spring	
37	70004770	1	Stopper	
38	70004771	1	Spacer	
39	70004772	1	Washer	

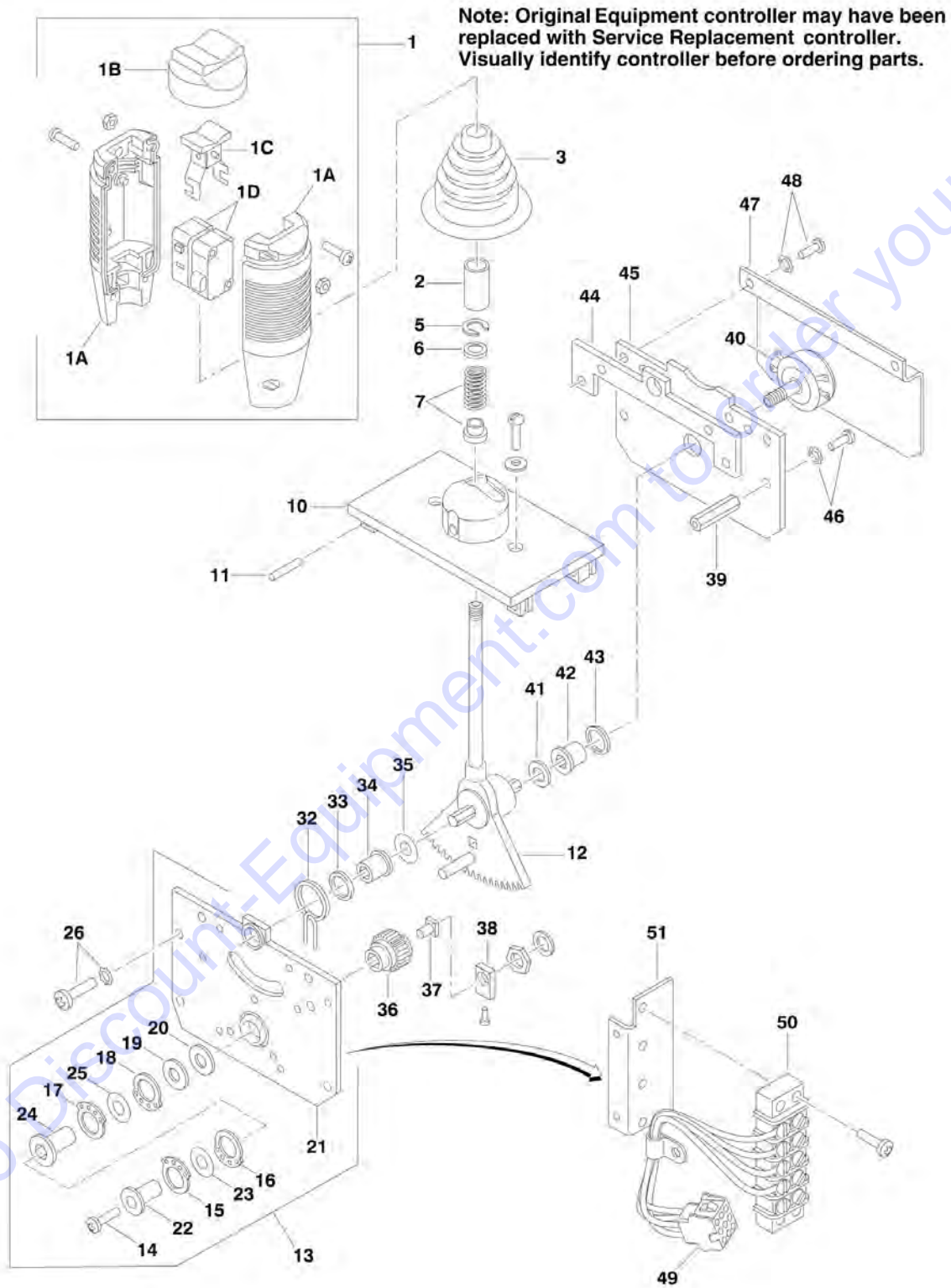
SECTION 4 - PLATFORM

ITEM	PART NUMBER	QTY	DESCRIPTION	REV
40	70004773	1	Disc	
41	70004774	2	Ring, Retaining	
42	70004775	1	Spring	
101	4460265	1	Connector - 9 Position	
101	4460226	6	Socket, Female	

Go to Discount-Equipment.com to order your parts

SECTION 4 - PLATFORM

FIGURE 4-11. CONTROLLER ASSEMBLY (DRIVE AND STEER) (ORIGINAL EQUIPMENT) (Prior to SN 0300039654)



SECTION 4 - PLATFORM

FIGURE 4-11. CONTROLLER ASSEMBLY (DRIVE AND STEER) (ORIGINAL EQUIPMENT) (Prior to SN 0300039654)

ITEM	PART NUMBER	QTY	DESCRIPTION	REV
		Ref	Note: Original Equipment controller may have been replaced with Service Replacement controller. Visually identify controller before ordering parts.	
	1600239	Ref	CONTROLLER ASSEMBLY (ORIGINAL EQUIPMENT)	C
		Ref	Note: Purchase Controller p/n 1600283 for Complete Controller Replacement.	
1	7003978	1	Handle Assembly	
1A	7003973	2	Half, Handle	
1B	7003972	1	Boot, Switch	
1C	7003981	1	Rocker	
1D	7003982	2	Switch, Micro	
2	7003984	1	Coupling	
3	7003966	1	Boot	
5	7003957	1	Ring, Retainer	
6	7003967	1	Flatwasher	
7	7003968	1	Detent, Assembly	
10	1600283	1	Plate, Base (Note: Not Available for Purchase)	
11	See Note	1	Pin (Note: Not Available for Purchase)	
12	7003963	1	Shaft/Gear Assembly	
13	1600283	1	Micro Cam Assembly (Includes Items 14-25) (Note: Not Available for Purchase)	
14	Not Serviced	1	Screw	
15	See Note	1	Cam, 4 Hole (Note: Not Available for Purchase)	
16	See Note	1	Cam, 4 Hole (Note: Not Available for Purchase)	
17	See Note	1	Cam, 4 Hole (Note: Not Available for Purchase)	
18	See Note	1	Cam, 4 Hole (Note: Not Available for Purchase)	
19	See Note	1	Spacer, Cam (Note: Not Available for Purchase)	
20	See Note	1	Spacer, Cam (Note: Not Available for Purchase)	
21	1600283	1	Plate, Cam - Left Side (Note: Not Available for Purchase)	
22	See Note	1	Coupling, Cam (Note: Not Available for Purchase)	
23	See Note	1	Spacer, Cam (Note: Not Available for Purchase)	
24	See Note	1	Coupling, Cam (Note: Not Available for Purchase)	
25	See Note	1	Spacer, Cam (Note: Not Available for Purchase)	
26	See Note	4	Screw (Note: Not Available - Purchase Locally)	
26	See Note	4	Washer (Note: Not Available - Purchase Locally)	
32	7003946	1	Spring, Return	
33	See Note	1	Spacer (Note: Not Available for Purchase)	
34	See Note	1	Bearing (Note: Not Available for Purchase)	
35	See Note	1	Washer, Cam Retainer (Note: Not Available for Purchase)	
36	See Note	1	Gear, Slave (Note: Not Available for Purchase)	
37	See Note	1	Nut/Cam Assembly (Note: Not Available for Purchase)	
38	See Note	1	Coupling, Potentiometer (Note: Not Available for Purchase)	
39	See Note	2	Stand-Off (Note: Not Available for Purchase)	
40	7003974	1	Potentiometer	
41	See Note	1	Washer, Cam Retainer (Note: Not Available for Purchase)	
42	See Note	1	Bearing (Note: Not Available for Purchase)	
43	See Note	1	Spacer (Note: Not Available for Purchase)	
44	1600283	1	Plate, Mounting (Note: Not Available for Purchase)	
45	1600283	1	Plate, Potentiometer (Note: Not Available for Purchase)	
46	See Note	2	Screw (Note: Not Available - Purchase Locally)	

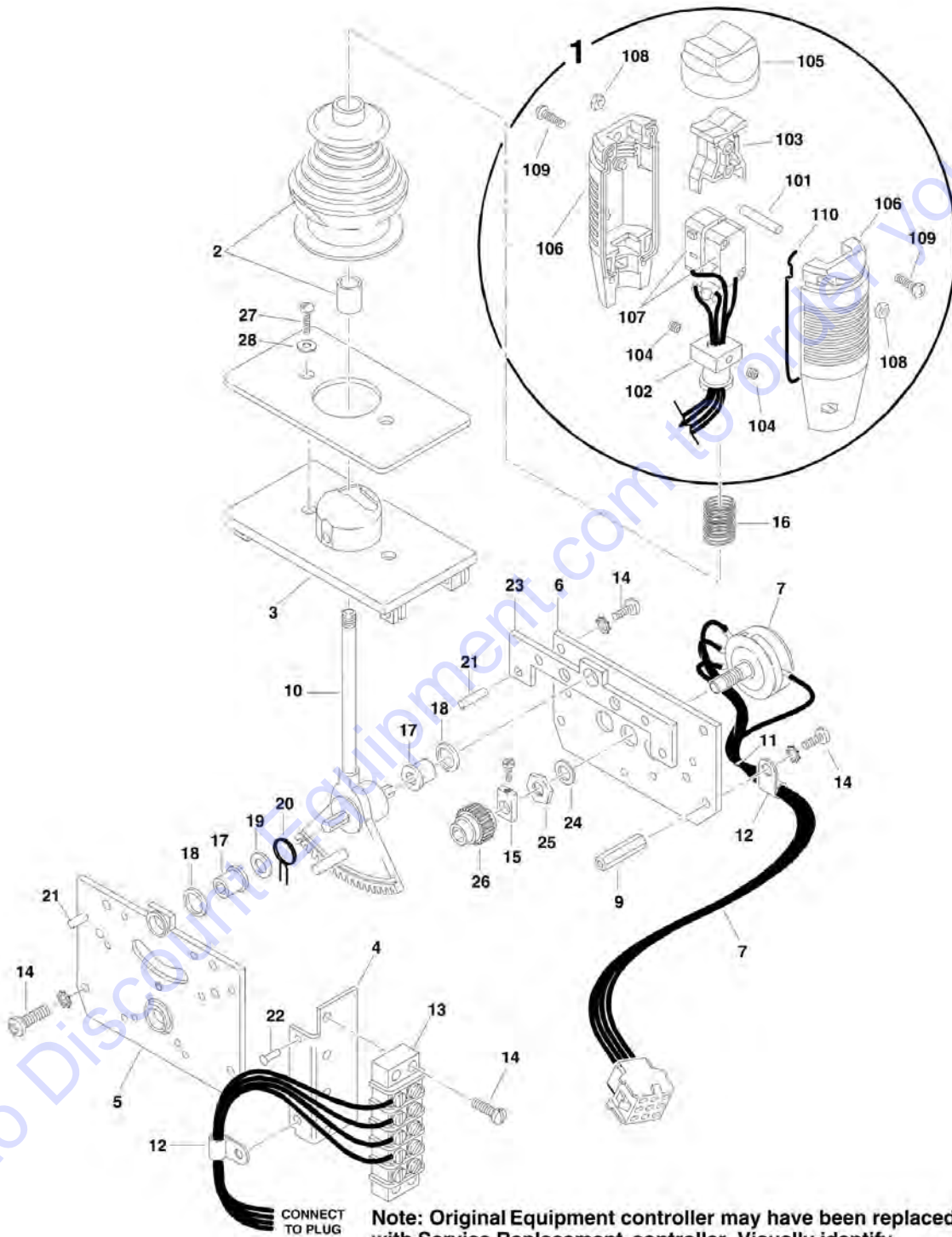
SECTION 4 - PLATFORM

ITEM	PART NUMBER	QTY	DESCRIPTION	REV
46	See Note	2	Washer (Note: Not Available - Purchase Locally)	
47	1600283	1	Heat Shrink (Note: Not Available - Purchase Locally)	
48	See Note	2	Screw (Note: Not Available - Purchase Locally)	
48	See Note	2	Washer (Note: Not Available - Purchase Locally)	
49	4460266	1	Connector, Amp (9Pin)	
49	4460268	7	Socket (Not Shown)	
49	4460265	1	Plug, Amp (9Pin) (Not Shown - Part of Harness)	
49	4460267	7	Pin (Not Shown - Part of Harness)	
50	7003886	1	Strip, Terminal - 3 Position	
50	See Note	1	Strip, Terminal - 5 Position (Note: Not Available for Purchase)	
51	7003985	1	Brace	

Go to Discount-Equipment.com to order your parts

SECTION 4 - PLATFORM

FIGURE 4-12. CONTROLLER ASSEMBLY (DRIVE AND STEER) (SERVICE REPLACEMENT) (SN 0300039654 through 0300061926)



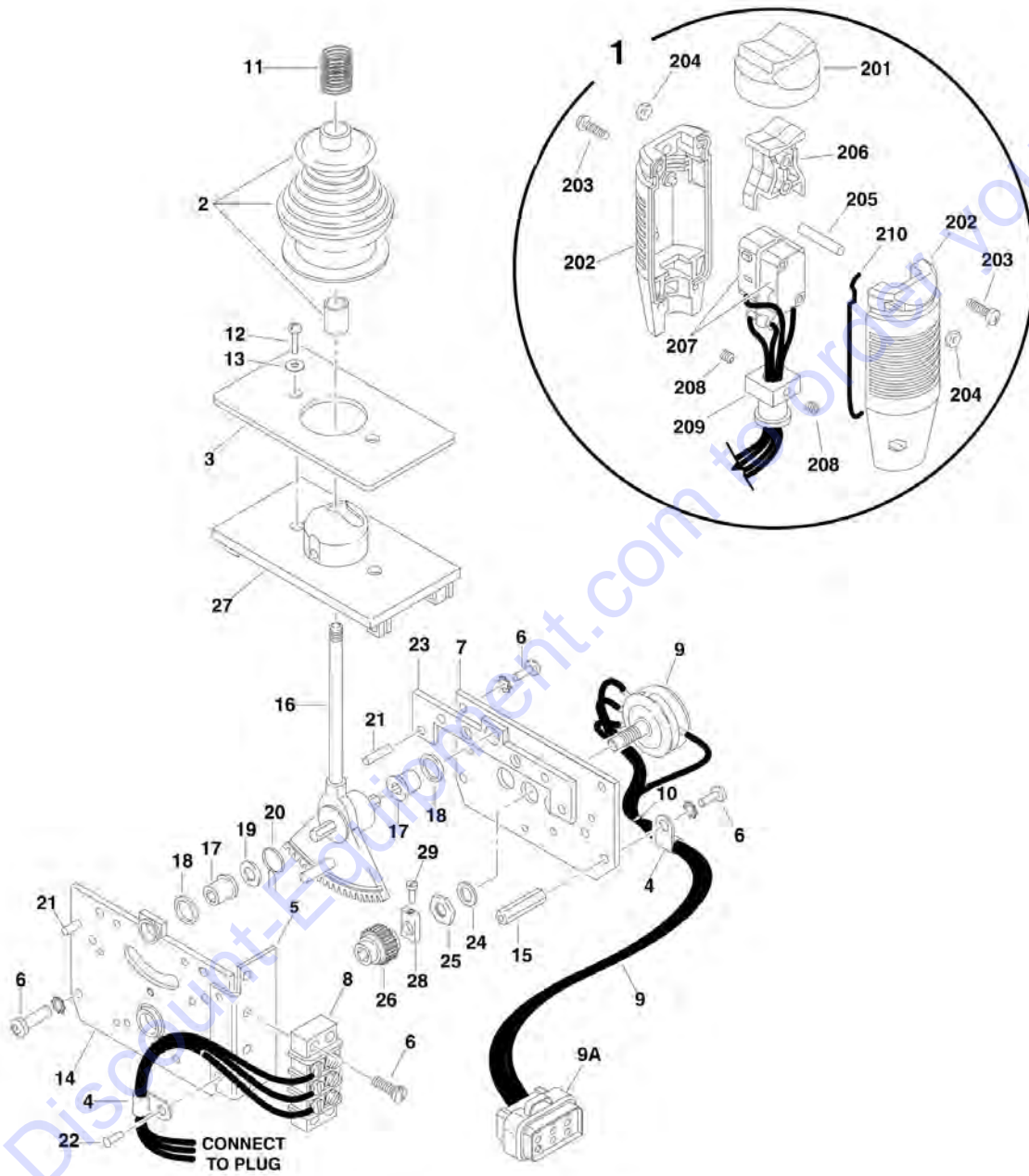
SECTION 4 - PLATFORM

FIGURE 4-12. CONTROLLER ASSEMBLY (DRIVE AND STEER) (SERVICE REPLACEMENT) (SN 0300039654 through 0300061926)

ITEM	PART NUMBER	QTY	DESCRIPTION	REV
		Ref	Note: Original Equipment controller may have been replaced with Service Replacement controller. Visually identify controller before ordering parts.	
	1600283	Ref	CONTROLLER ASSEMBLY	B
1	7022810	1	Handle Assembly (See Items 101-110 for Breakdown)	
2	7019161	1	Boot and Sleeve	
3	7019160	1	Cast Housing Assembly	
4	7019159	1	Bracket, Mounting	
5	7019158	1	Plate, Mounting (Left Side)	
6	7019157	1	Plate, Pot Mounting	
7	7019156	1	Electric Assembly	
9	7019115	2	Stand-Off	
10	7019155	1	Shaft 8mm	
11	7019151	AR	Tie-Strap	
12	7019154	2	Clamp, Wire	
13	7019153	1	Strip, Terminal - 5 Position	
14	7019117	8	Screw	
15	7019163	1	Potentiometer Coupling Assembly	
16	7019162	1	Spring	
17	7019111	2	Bearing	
18	7019110	2	Spacer, Head Gear	
19	7019112	1	Washer	
20	7003946	1	Spring, Return	
21	7019103	4	Pin	
22	See Note	1	Rivet (Note: Not Available - Purchase Locally)	
23	7019168	1	Plate, Mounting (Right Side)	
24	7003992	1	Washer	
25	7003993	1	Nut	
26	7003935	1	Gear, Slave	
27	7003969	2	Screw	
28	7003941	2	Washer	
	7022810	Ref	HANDLE ASSEMBLY	
101	7019164	1	Axle	
102	7019194	1	Coupling	
103	7019165	1	Rocker	
104	7003983	2	Setscrew	
105	7003972	1	Boot, Switch	
106	7003973	2	Half, Handle	
107	7019166	2	Switch, Micro	
108	7019167	4	Nut	
109	7003980	4	Screw	
110	7003989	2	Gasket	

SECTION 4 - PLATFORM

FIGURE 4-13. CONTROLLER ASSEMBLY (DRIVE AND STEER) (ADE SYSTEM) (ORIGINAL EQUIPMENT) (SN 0300061927 through 0300068000)



Note: Original Equipment controller may have been replaced with Service Replacement controller. Visually identify controller before ordering parts.

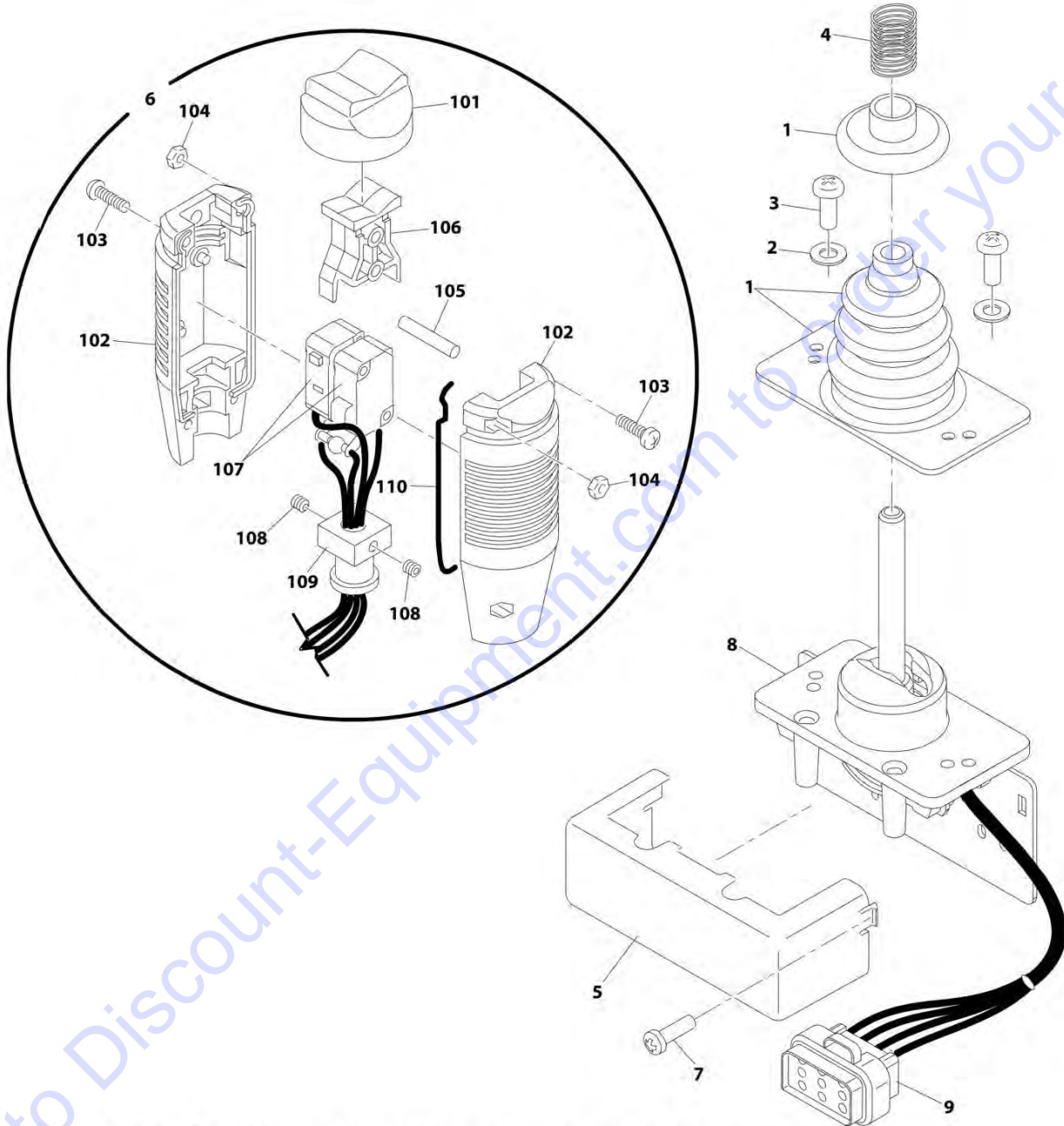
SECTION 4 - PLATFORM

FIGURE 4-13. CONTROLLER ASSEMBLY (DRIVE AND STEER) (ADE SYSTEM) (ORIGINAL EQUIPMENT) (SN 0300061927 through 0300068000)

ITEM	PART NUMBER	QTY	DESCRIPTION	REV
		Ref	Note: Original Equipment controller may have been replaced with Service Replacement controller. Visually identify controller before ordering parts.	
	1600318	Ref	CONTROLLER ASSEMBLY (ORIGINAL EQUIPMENT)	C
		Ref	Note: Use p/n 1001212415 as Replacement.	
1	7022812	1	Handle Assembly (See Items 201-210 for Breakdown)	
2	7019161	1	Boot and Sleeve	
3	7003933	1	Gasket	
4	7019154	2	Clamp, Wire	
5	7022823	1	Bracket, Mounting	
6	7003994	1	Screw	
7	7022822	1	Plate, Pot Mounting	
8	7003986	1	Strip, Terminal - 3 Position	
9	7022824	1	Electric Assembly	
9A	1001113961	1	Plug, Male - 8 Position (Black) (was p/n 7022825)	
9A	4460871	7	Socket, Female	
10	7019151	AR	Tie-Strap	
11	7019162	1	Spring	
12	7003969	2	Screw	
13	7003941	2	Washer	
14	See Note	NSS	Plate, Mounting (Left Side) (Note: Use p/n 1001166538)	
15	7019115	2	Stand-Off	
16	7019155	1	Shaft 8mm	
17	7019111	2	Bearing	
18	7019110	2	Spacer, Head Gear	
19	7019112	1	Washer	
20	7003946	1	Spring, Return	
21	7019103	4	Pin	
22	See Note	1	Rivet (Note: Not Available - Purchase Locally)	
23	7019168	1	Plate, Mounting (Right Side)	
24	7003992	1	Washer	
25	7003993	1	Nut	
26	7003935	1	Gear, Slave	
27	7019160	1	Plate, Base	
28	7019114	1	Coupling, Potentiometer	
29	See Note	1	Screw, Cup Point (Note: Not Available - Purchase Locally)	
	7022812	Ref	HANDLE ASSEMBLY	
201	7003972	1	Boot, Switch	
202	7003973	2	Half, Handle	
203	7003980	4	Screw	
204	7019167	4	Nut	
205	7019164	1	Axle	
206	7019165	1	Rocker	
207	7019196	1	Wiring Assembly	
207	7019166	2	Switch, Micro	
208	7003983	2	Setscrew	
209	7019194	1	Coupling	
210	7003989	2	Gasket	

SECTION 4 - PLATFORM

FIGURE 4-14. CONTROLLER ASSEMBLY (DRIVE AND STEER) (SERVICE REPLACEMENT) (SN 0300061927 through 0300068000)



Note: Original Equipment controller may have been replaced with Service Replacement controller. Visually identify controller before ordering parts.

ART_100118416

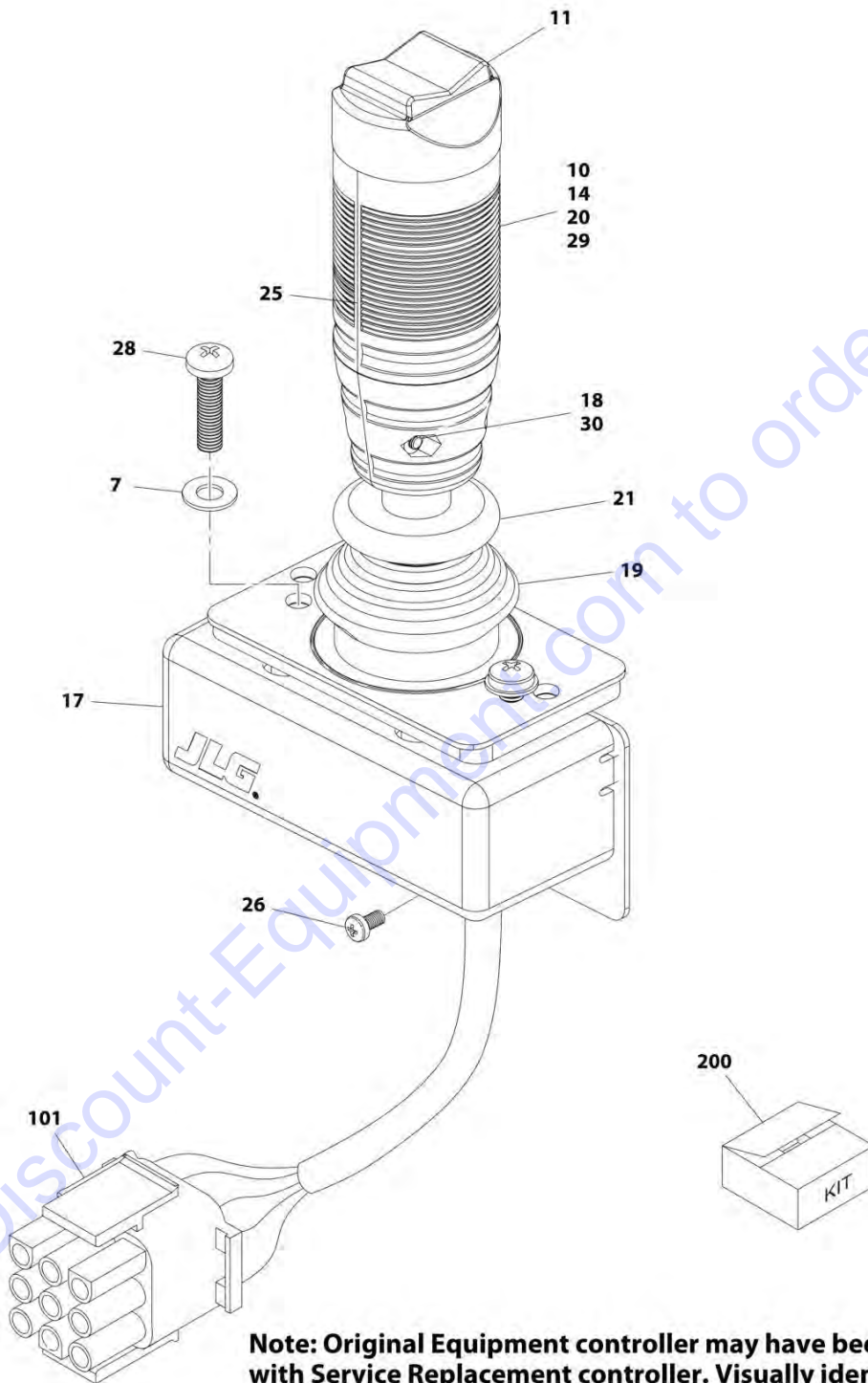
SECTION 4 - PLATFORM

FIGURE 4-14. CONTROLLER ASSEMBLY (DRIVE AND STEER) (SERVICE REPLACEMENT) (SN 0300061927 through 0300068000)

ITEM	PART NUMBER	QTY	DESCRIPTION	REV
		Ref	Note: Original Equipment controller may have been replaced with Service Replacement controller. Visually identify controller before ordering parts.	
	1001118416	Ref	CONTROLLER ASSEMBLY (DRIVE AND STEER) (SERVICE REPLACEMENT)	A
		Ref	Note: Use p/n 1001212415 as Replacement.	
1	70002724	1	Boot and Control Lock Assembly	
2	7003941	2	Washer	
3	70002725	2	Screw	
4	7019162	1	Spring	
5	70002726	1	Enclosure	
6	70002727	1	Handle Assembly (See Items 101-110 for Breakdown)	
7	70002728	1	Screw	
8	See Note	NSS	Mechanical Assembly (Note: Use p/n 1001166538)	
9	1001113961	1	Plug, Male - 8 Position (Black) (was p/n 7022825)	
9	4460871	7	Socket, Female	
	70002727	Ref	HANDLE ASSEMBLY	
101	7003972	1	Boot, Switch	
102	7003973	2	Half, Handle	
103	7003980	4	Screw	
104	7019167	4	Nut	
105	7019164	1	Axle	
106	7019165	1	Rocker	
107	70002729	1	Wiring Assembly	
107	7003982	2	Switch, Micro	
108	7003983	2	Setscrew	
109	7019194	1	Coupling	
110	7003989	2	Gasket	

SECTION 4 - PLATFORM

FIGURE 4-15. CONTROLLER ASSEMBLY (DRIVE AND STEER) (SERVICE REPLACEMENT) (SN 0300061927 through 0300068000)



ART_1001166538

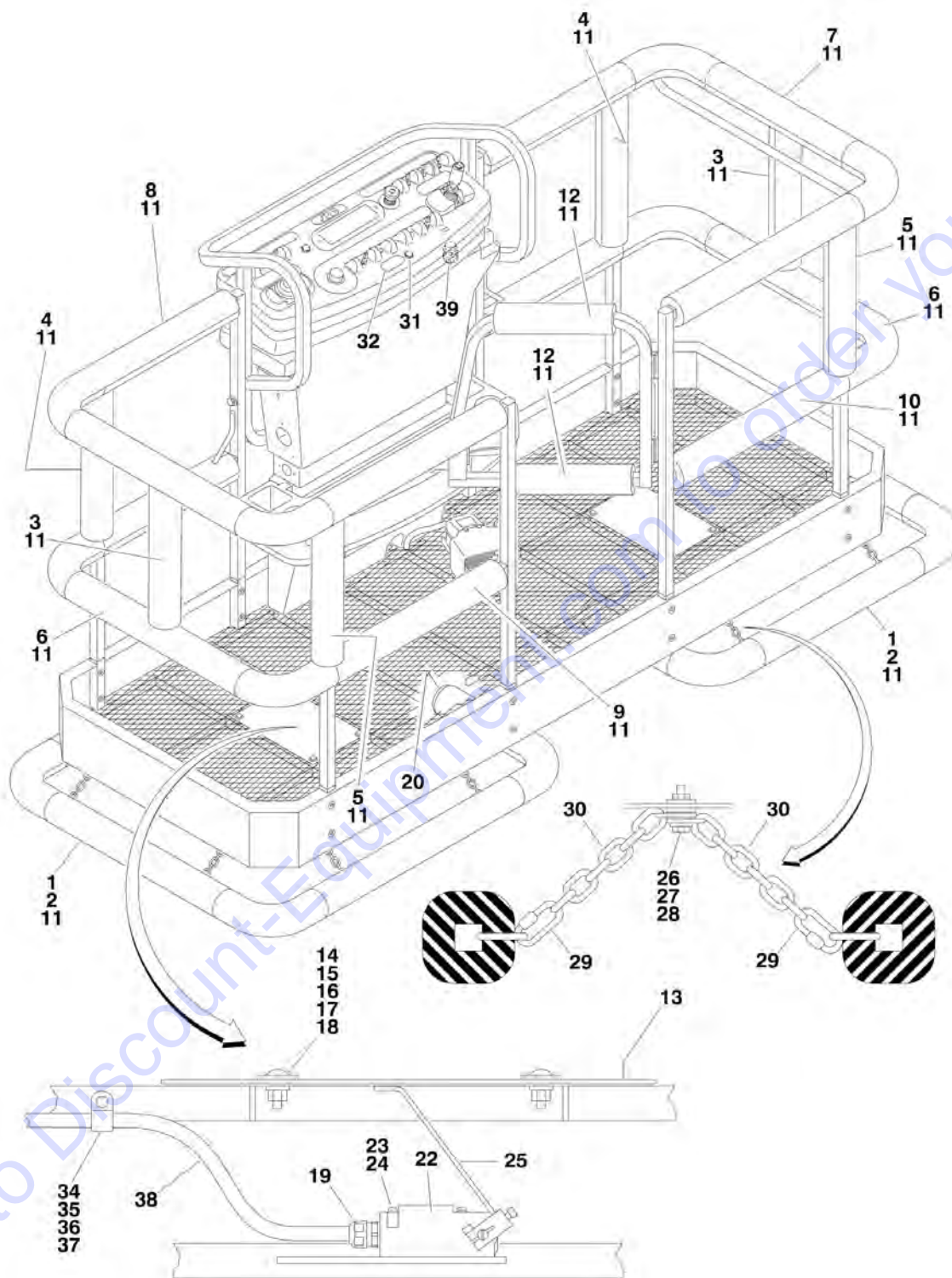
SECTION 4 - PLATFORM

FIGURE 4-15. CONTROLLER ASSEMBLY (DRIVE AND STEER) (SERVICE REPLACEMENT) (SN 0300061927 through 0300068000)

ITEM	PART NUMBER	QTY	DESCRIPTION	REV
		Ref	Note: Original Equipment controller may have been replaced with Service Replacement controller. Visually identify controller before ordering parts.	
	1001166538	Ref	CONTROLLER ASSEMBLY (DRIVE AND STEER) (SERVICE REPLACEMENT)	A
		Ref	Note: Use p/n 1001212415 as Replacement.	
7	70004738	2	Washer	
10	70004739	1	Roller	
11	70004740	1	Boot, Switch	
14	70004741	2	Half, Handle	
17	70004742	1	Enclosure	
18	70004743	4	Nut	
19	70004744	NLA	Boot, Controller (Note: Use Item 200)	
20	70004745	NLA	Tube, Locking (Note: Use Item 200)	
21	70004746	NLA	Disc, Locking (Note: Use Item 200)	
25	70004747	2	Seal, Rope	
26	70004748	1	Screw, M3 x 6	
28	70004749	2	Screw, M5 x 20	
29	70004750	1	Pin, Dowel	
30	70004751	4	Screw, M3 x 16	
101	4460265	1	Connector - 9 Position	
101	4460226	7	Socket, Female	
200	70005230	1	Boot Kit (Includes Items 19-21)	

SECTION 4 - PLATFORM

FIGURE 4-16. SOFT TOUCH SYSTEM INSTALLATION (OPTIONAL)



SECTION 4 - PLATFORM

FIGURE 4-16. SOFT TOUCH SYSTEM INSTALLATION (OPTIONAL)

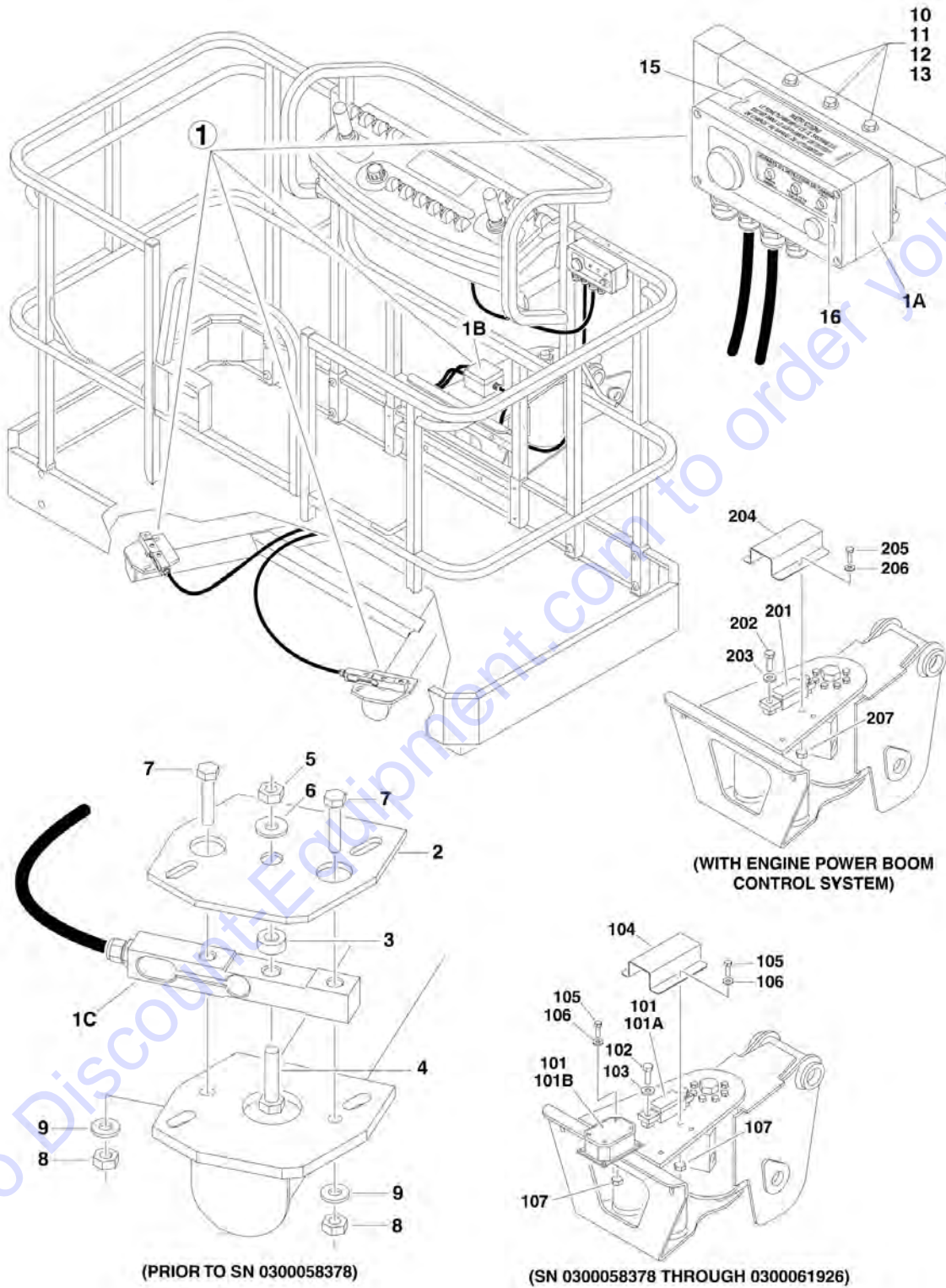
ITEM	PART NUMBER	QTY	DESCRIPTION	REV
		Ref	SOFT TOUCH SYSTEM INSTALLATIONS OPTIONS:	
		Ref	Soft Touch System Installations (Prior to SN 0300035129)	
	0255885	Ref	Soft Touch System Installations 6ft/1.8m Platforms	3
	0255886	Ref	Soft Touch System Installations 8ft/2.4m Platforms	3
		Ref	Soft Touch System Installations (SN 0300035129 through 0300061926)	
	0257849	Ref	Soft Touch System Installations 6ft/1.8m Platforms	1
	0257850	Ref	Soft Touch System Installations 8ft/2.4m Platforms	1
		Ref	Soft Touch System Installations (SN 0300061927 through 0300063908)	
	0270795	Ref	Soft Touch System Installations 6ft/1.8m Platforms - ADE System	3
	0270796	Ref	Soft Touch System Installations 8ft/2.4m Platforms - ADE System	2
		Ref	Soft Touch System Installations (SN 0300063909 through 0300068000)	
	0271550	Ref	Soft Touch System Installations 6ft/1.8m Platforms - ADE System	1
	0271551	Ref	Soft Touch System Installations 8ft/2.4m Platforms - ADE System	1
1		Ref	Rail Weldment Options:	
1	4845308	2	Rail Weldment 6ft/1.8m Platforms	
1	4845309	2	Rail Weldment 8ft/2.4m Platforms	
2		Ref	Cover, Rail Options:	
2	1670804	2	Cover, Rail 6ft/1.8m Platforms	
2	1670803	2	Cover, Rail 8ft/2.4m Platforms	
3	1670787	2	Cover, End Post	
4	1670785	2	Cover, Front Right Post	
5	1670786	2	Cover, Front Left Post	
6	1670793	2	Cover, End Mid Rail	
7		Ref	Cover, Right End Top Options:	
7	1670798	1	Cover, Right End Top 6ft/1.8m Platforms	
7	1670796	1	Cover, Right End Top 8ft/2.4m Platforms	
8		Ref	Cover, Left End Top Options:	
8	1670797	1	Cover, Left End Top 6ft/1.8m Platforms	
8	1670795	1	Cover, Left End Top 8ft/2.4m Platforms	
9		Ref	Cover, Left End Mid Options:	
9	1670799	1	Cover, Left End Mid 6ft/1.8m Platforms	
9	1670789	1	Cover, Left End Mid 8ft/2.4m Platforms	
10		Ref	Cover, Right End Mid Options:	
10	1670801	1	Cover, Right End Mid 6ft/1.8m Platforms	
10	1670791	1	Cover, Right End Mid 8ft/2.4m Platforms	
11	0940038	70 ft /21.4m	Padding, Bumper	
12	1670788	2	Cover, Gate	
13	3539719	2	Plate, Switch Strike	
14	0630462	8	Bolt, Carriage	
15	4761500	8	Lockwasher 5/16in	
16	4751800	8	Flatwasher 1/2in	
17	3311501	8	Nut 5/16in-18NC	
18	4751500	8	Flatwasher 5/16in	

SECTION 4 - PLATFORM

ITEM	PART NUMBER	QTY	DESCRIPTION	REV
19	4460049	2	Connector, Strain Relief	
20	3530072	4	Plug, Cap	
22	4360057	2	Switch, Limit	
23	0731005	4	Bolt #10-32NC x 5/8in	
24	4751000	4	Lockwasher #10	
25	0200550	2	Arm, Switch	
26	0641612	8	Bolt 3/8in-16NC x 1-1/2in	
27	4751600	40	Flatwasher 3/8in	
28	3311605	8	Locknut 3/8in-16NC	
29	3010088	16	Link, Quick	
30	1260136	10 ft/3m	Chain	
31	4360387	1	Switch, Push Button	
32	1702938	1	Decal - Soft Touch Override	
34	1320040	4	Clamp	
35	0641406	4	Bolt 1/4in-20NC x 3/4in	
36	4711400	8	Flatwasher 1/4in	
37	3311405	4	Locknut 1/4in-20NC	
38		Ref	Cable Options:	
38	1060341	16 ft/4.9m	Cable, Electrical - 16/2 (Prior to SN 030029105)	
38	1060330	16 ft/4.9m	Cable, Electrical - 16/3 (SN 030029105 through 030063909)	
38	1060341	16 ft/4.9m	Cable, Electrical - 16/2 (Prior to SN 030063909)	
39		Ref	Connector, Strain Relief Options:	
39	4460428	1	Connector, Strain Relief (Prior to SN 030029105)	
39	4460425	1	Connector, Strain Relief (SN 030029105 through 030068000)	
100		Ref	Soft Touch Add-on Kit Options (Includes required components to add option to existing machines) (Not Shown):	
		Ref	Note: May not be available for all machines depending on existing options.	
100	See Note	1	Soft Touch Add-on Kit 3ft x 6ft (.9m x 1.83m) Platform (Note: Not Available for Purchase) (Prior to SN 030067763)	
100	1001121592	1	Soft Touch Add-on Kit 3ft x 6ft (.9m x 1.83m) Platform (SN 030067763 through 030069000)	
100	See Note	1	Soft Touch Add-on Kit 3ft x 8ft (.9m x 2.44m) Platform (Note: Not Available for Purchase) (Prior to SN 030067763)	
100	1001121593	1	Soft Touch Add-on Kit 3ft x 6ft (.9m x 2.44m) Platform (SN 030067763 through 030069000)	

SECTION 4 - PLATFORM

FIGURE 4-17. LOAD SENSING SYSTEM INSTALLATION (FRENCH SPEC) (Prior to SN 0300067891)



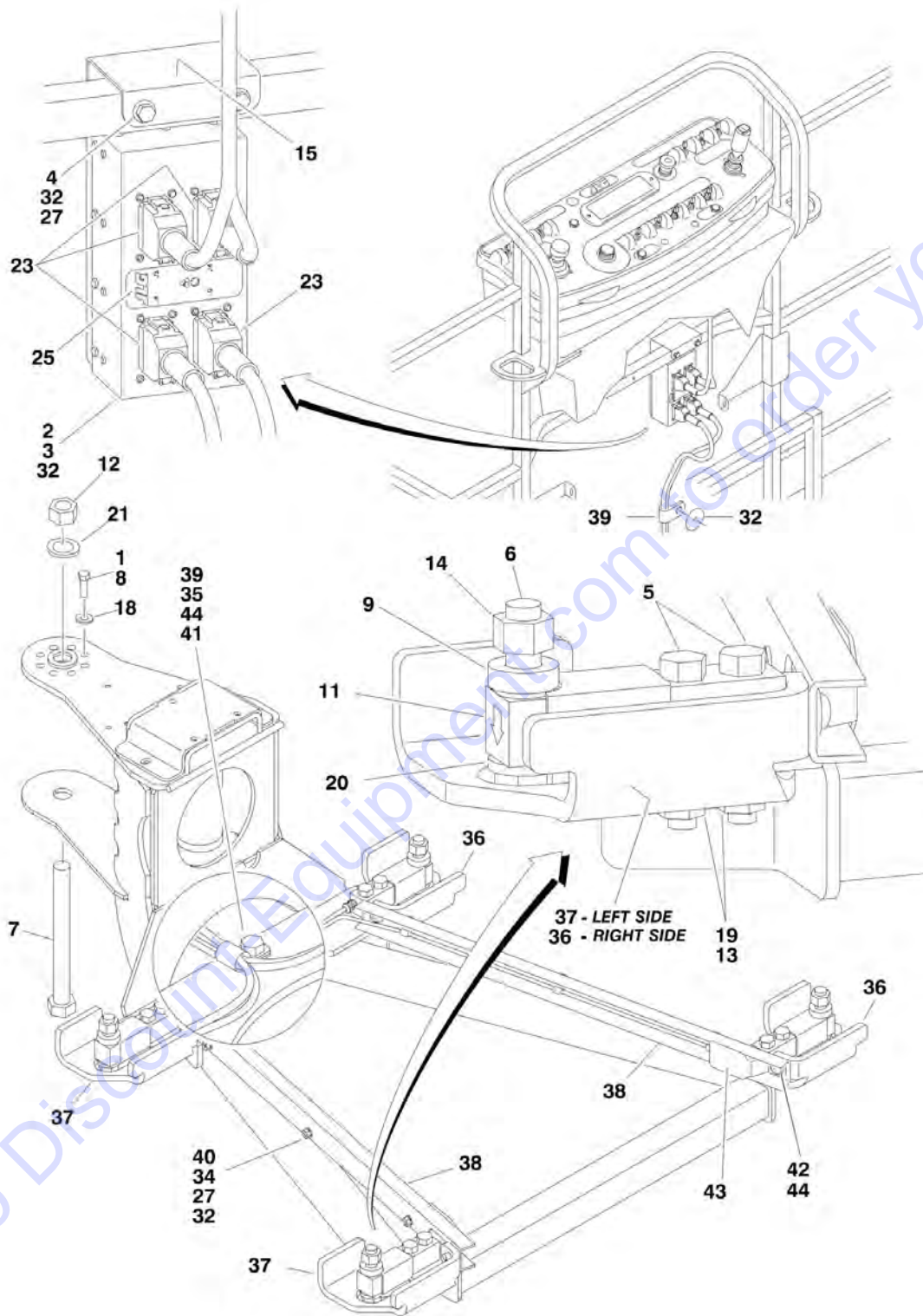
SECTION 4 - PLATFORM

FIGURE 4-17. LOAD SENSING SYSTEM INSTALLATION (FRENCH SPEC) (Prior to SN 0300067891)

ITEM	PART NUMBER	QTY	DESCRIPTION	REV
	0257997	Ref	PLATFORM LOAD SENSING DEVICE INSTALLATION (FRENCH SPEC) (Prior to SN 0300058378)	3-A
1	2901557	1	Load Sensing Assembly	
1A	7020057	1	Display Unit - 12V DC.	
1B	7020058	1	Converter (Junction Box)	
1C	7020059	2	Load Cell	
2	3570740	2	Plate, Spacer	
3	0962180	2	Spacer, Load Cell	
4	0641818	2	Bolt 1/2in-13NC x 2-1/4in	
5	3311805	2	Locknut 1/2in-13NC	
6	4751800	2	Flatwasher 1/2in Regular	
7	0641616	4	Bolt 3/8in-16NC x 2in	
8	3300143	4	Locknut 3/8in-16NC	
9	4751600	4	Flatwasher 3/8in Regular	
10	0641416	3	Bolt 1/4in-20NC x 2in	
11	3311401	3	Nut 1/4in-20NC	
12	4751400	3	Flatwasher 1/4in Regular	
13	4761400	3	Washer, Spring Lock 1/4in	
15	1703791	1	Decal - Instruction Load Sensing System	
16	1703801	1	Decal - Load Sensing Device Lights	
17	3124025	1	Manual Supplement (Not Shown)	
	0259233	Ref	PLATFORM LOAD SENSING DEVICE INSTALLATION (FRENCH SPEC) (SN 0300058378 through 0300061926)	4-C
	0271474	Ref	PLATFORM LOAD SENSING DEVICE INSTALLATION (FRENCH SPEC) (SN 0300058378 through 0300061926)	2-B
101	2901811	1	Load Sensing Assembly	
101A	3990109	1	Transducer, Pressure	
101B	7023332	1	Card, Control	
101B	7023331	1	Fuse	
101B	7023333	1	Holder, Fuse	
102	0701010	2	Bolt 10mm x 20mm	
103	4812000	2	Flatwasher 10mm	
104	1670900	1	Cover, Load Cell	
105	0641407	4	Bolt 1/4in-20NC x 7/8in	
106	4761400	4	Washer, Spring Lock 1/4in	
107	3311401	4	Nut 1/4in-20NC	
	0270835	Ref	PLATFORM LOAD SENSING DEVICE INSTALLATION (FRENCH SPEC) (ADE SYSTEM) (SN 0300061927 through 0300067891)	2-D
	0271543	Ref	PLATFORM LOAD SENSING DEVICE (LIFT DOWN) INSTALLATION (FRENCH SPEC) (ADE SYSTEM) (SN 0300063909 through 0300067891)	1-A
201	3990109	1	Transducer, Pressure	
202	0701010	2	Bolt 10mm x 20mm	
203	4812000	2	Flatwasher 10mm	
204	1670900	1	Cover, Load Cell	
205	0641407	2	Bolt 1/4in-20NC x 7/8in	
206	4761400	2	Washer, Spring Lock 1/4in	
207	3311401	2	Nut 1/4in-20NC	
209	4460871		Terminal, Socket (Not Shown) (Located in Console Box)	

SECTION 4 - PLATFORM

FIGURE 4-18. PLATFORM SUPPORT (LOAD SENSING) (SN 0300067891 through 0300068000)



SECTION 4 - PLATFORM

FIGURE 4-18. PLATFORM SUPPORT (LOAD SENSING) (SN 0300067891 through 0300068000)

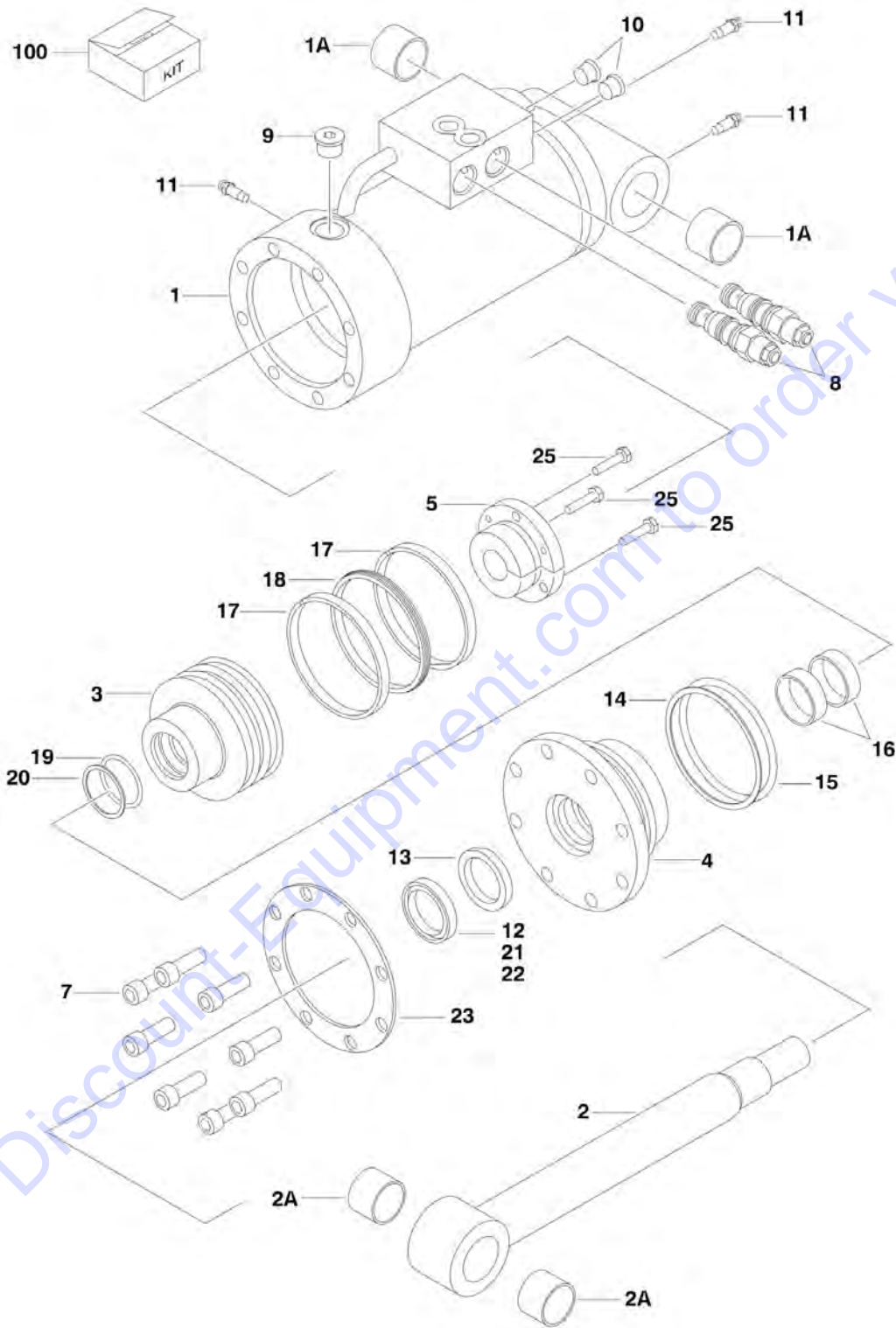
ITEM	PART NUMBER	QTY	DESCRIPTION	REV
	0272071	Ref	SUPPORT AND LOAD SENSING SYSTEM INSTALLATION (CE SPEC)	E
1	0100011	AR	Compound, Locking	
2	0272050	1	Electronic Interface Module (Serviceable Only as a Complete Assembly)	
3	0700608	3	Bolt M6 x 16mm	
4	0641414	2	Bolt 1/4in-20NC x 1-3/4in	
5	0641822	8	Bolt 1/2in-13NC x 2-3/4in	
6	0642024	4	Bolt 5/8in-11NC x 3in	
7	0642682	1	Bolt 1in-8NC x 10-1/4in	
8	0681610	8	Bolt 3/8in-16NC x 1-1/4in	
9	0962450	4	Bushing, Spacer	
11	0272727	4	Load Cell Assembly (See ELECTRICAL SECTION for Breakdown)	
12	3272605	1	Nut 1in-8NC	
13	3311805	8	Locknut 1/2in-13NC	
14	3312005	4	Locknut 5/8in-11NC	
15	3573515	1	Plate, Mounting Bracket	
17	4846573	1	Weldment, Long Support	
18	4891600	8	Flatwasher 3/8in Hardened	
19	4891800	8	Flatwasher 1/2in Hardened	
20	4892000	4	Flatwasher 5/8in Hardened	
21	4892600	1	Flatwasher 1in Hardened	
23	0100048	AR	Grease, Dielectric	
25	1705165	1	Decal - EIM Status	
27	3311405	8	Locknut 1/4in-20NC	
28	4240033	AR	Tie-Strap (Not Shown)	
32	4711400	14	Flatwasher 1/4in Thin	
34	0630407	6	Screw, Button Head 1/4in-20NC x 5/8in	
35	0641607	1	Bolt 3/8in-16NC x 7/8in	
36	0902886	2	Guard, Load Cell (Right)	
37	0902887	2	Guard, Load Cell (Left)	
38	1271538	2	Channel, Wire	
39	1320070	2	Clamp	
40	1320136	6	Clamp	
41	3311605	1	Locknut 3/8in-16NC	
42	3900283	4	Screw, Button Head 3/8in-16NC x 3/4in	
43	4061054	2	Shield	
44	4711600	5	Flatwasher 3/8in Thin	

SECTION 5 - CYLINDER

Go to Discount-Equipment.com to order your parts

SECTION 5 - CYLINDER

FIGURE 5-1. AXLE LOCKOUT CYLINDER ASSEMBLY



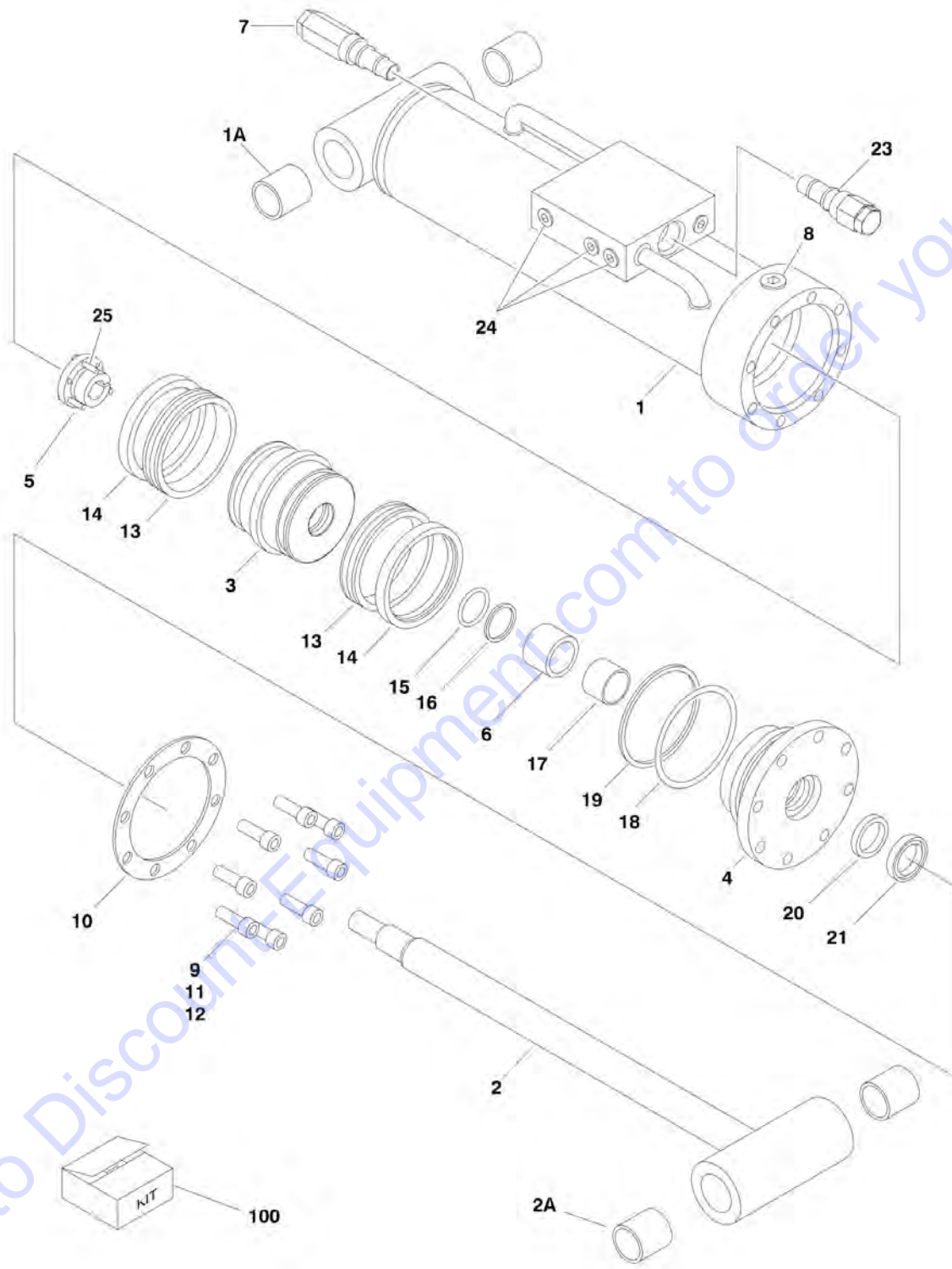
SECTION 5 - CYLINDER

FIGURE 5-1. AXLE LOCKOUT CYLINDER ASSEMBLY

ITEM	PART NUMBER	QTY	DESCRIPTION	REV
	1683078	Ref	AXLE LOCKOUT CYLINDER ASSEMBLY	G
1		Ref	Barrel Weldment Options:	
1	1683079	NLA	Barrel Weldment (Use p/n 1684191) (Prior to SN 0300056902)	
1	1683987	NLA	Barrel Weldment (Use p/n 1684191) (SN 0300056902 through 0300065397)	
1	1684191	1	Barrel Weldment (SN 0300065398 through 0300068000)	
1A	0962496	2	Bushing	
2		Ref	Rod Weldment Options:	
2	1683081	NLA	Rod Weldment (Use p/n 1683986) (Prior to SN 0300056902)	
2	1683986	1	Rod Weldment (SN 0300056902 through 0300068000)	
2A	0962496	2	Bushing	
3	3480176	1	Piston	
4	1683059	1	Head	
5	0961895	1	Bushing	
7	3931720	8	Bolt, Socket Head 7/16in-14NC x 1-1/4in	
8		Ref	Cartridge, Valve (Counterbalance) Options:	
8	4640525	2	Cartridge, Valve (Counterbalance) (Prior to SN 0300056902)	
8	4641162	2	Cartridge, Valve (Counterbalance) (SN 0300056902 through 0300068000)	
8	2900770	2	Seal Kit - 4640525/4641162 Valve (1 Per Assembly)	
9	2220886	1	Plug, O-Ring	
10	2220885	2	Plug, O-Ring	
11	4640858	3	Valve, Bleeder	
12	See Note	NSS	Wiper (Note: Use Item 100)	
13	See Note	NSS	Seal, Rod (Note: Use Item 100)	
14	See Note	NSS	O-Ring (Note: Use Item 100)	
15	See Note	NSS	Ring, Back-up (Note: Use Item 100)	
16	See Note	NSS	Ring, Wear (Note: Use Item 100)	
17	See Note	NSS	Ring, Wear (Note: Use Item 100)	
18	See Note	NSS	T-Seal (Note: Use Item 100)	
19	See Note	NSS	O-Ring (Note: Use Item 100)	
20	See Note	NSS	Ring, Back-up (Note: Use Item 100)	
21	0100011	AR	Compound, Locking	
22	0100038	AR	Primer, Locking	
23	3760367	1	Ring, Washer	
25	0630535	3	Screw, Socket Head 1/4in-20NC x 1-1/8in	
100	2901271	1	Seal Kit - 1683078 Cylinder (Includes Items 12-20)	

SECTION 5 - CYLINDER

FIGURE 5-2. LEVEL CYLINDER ASSEMBLY (PLATFORM SLAVE) - 600S (ORIGINAL EQUIPMENT)



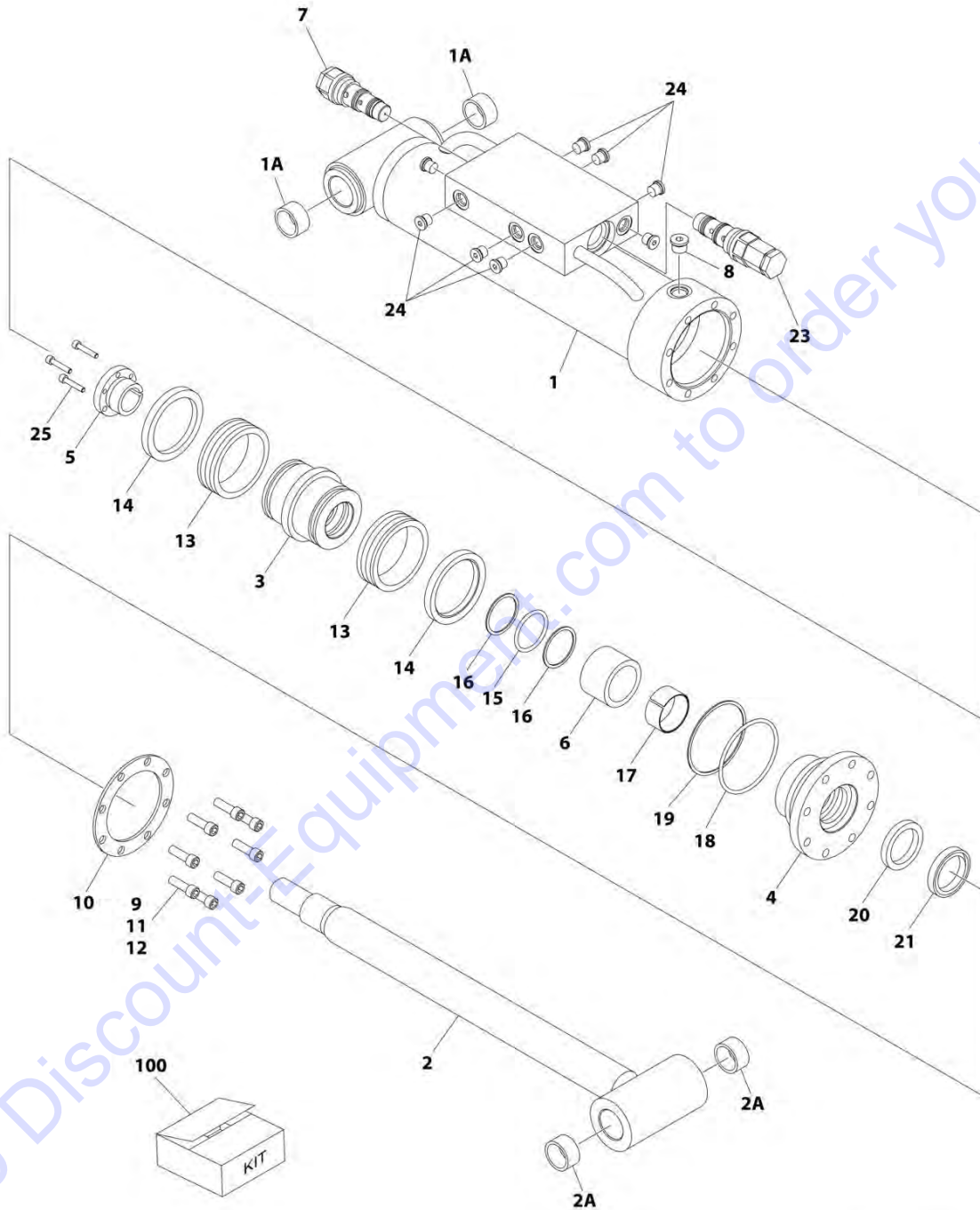
SECTION 5 - CYLINDER

FIGURE 5-2. LEVEL CYLINDER ASSEMBLY (PLATFORM SLAVE) - 600S (ORIGINAL EQUIPMENT)

ITEM	PART NUMBER	QTY	DESCRIPTION	REV
		Ref	LEVEL CYLINDER ASSEMBLY (PLATFORM SLAVE) - 600S	
	1683271	Ref	Level Cylinder Assembly (Platform Slave) - 600S (Original Equipment) (Prior to SN 0300024714)	1-A
	1683415	Ref	Level Cylinder Assembly (Platform Slave) - 600S (Original Equipment) (SN 0300024714 through 0300068000)	C
		Ref	Note: Original Cylinder May Have Been Replaced with Service Replacement. Identify PN Stamped on Cylinder Before Ordering Parts.	
1		Ref	Barrel Weldment Options:	
1	1683272	1	Barrel Weldment (Prior to SN 0300024714)	
1	1683416	1	Barrel Weldment (SN 0300024714 through 0300053551)	
1	1683977	1	Barrel Weldment (SN 0300053552 through 0300068000)	
1A	0961947	2	Bushing	
2		Ref	Rod Weldment Options:	
2	1683274	1	Rod Weldment (Prior to SN 0300053552)	
2	1683976	1	Rod Weldment (SN 0300053552 through 0300068000)	
2A	0961947	2	Bushing	
3	3480210	1	Piston	
4	1683053	1	Head	
5	0961893	1	Bushing, Tapered	
6	4566468	1	Spacer	
7	4640509	1	Cartridge, Valve	
7	2900792	1	Seal Kit - 4640509 Valve	
8	2220885	1	Plug, O-Ring	
9	3931516	8	Capscrew, Socket Head 5/16in-18NC x 1in	
10	3760368	1	Ring, Washer	
11	0100011	AR	Compound, Locking	
12	0100038	AR	Primer, Locking	
13	See Note	NSS	Seal (Note: Use Item 100)	
14	See Note	NSS	Ring, Lock (Note: Use Item 100)	
15	See Note	NSS	O-Ring (Note: Use Item 100)	
16	See Note	NSS	Ring, Back-up (Note: Use Item 100)	
17	See Note	NSS	Ring, Wear (Note: Use Item 100)	
18	See Note	NSS	O-Ring (Note: Use Item 100)	
19	See Note	NSS	Ring, Back-up (Note: Use Item 100)	
20	See Note	NSS	Seal, Rod (Note: Use Item 100)	
21	See Note	NSS	Wiper (Note: Use Item 100)	
23		Ref	Cartridge, Valve Options:	
23	4640509	1	Cartridge, Valve (Prior to SN 0300024714)	
23	4640932	1	Cartridge, Valve (SN 0300024714 through 0300068000)	
23		Ref	Seal Kit Options:	
23	2900792	1	Seal Kit 4640509 Valve (Prior to SN 0300024714)	
23	7011112	1	Seal Kit 4640932 Valve (SN 0300024714 through 0300068000)	
24		Ref	Plug, O-Ring Options:	
24	2220885	4	Plug, O-Ring (Prior to SN 0300024714)	
24	2220883	8	Plug, O-Ring (SN 0300024714 through 0300068000)	
25	0630534	3	Screw, Socket Head #10-24NC x 1in	
100	2901303	1	Seal Kit (Includes Items 13-21)	

SECTION 5 - CYLINDER

FIGURE 5-3. LEVEL CYLINDER ASSEMBLY (PLATFORM SLAVE) - 600S (SERVICE REPLACEMENT)



ART_1001223512

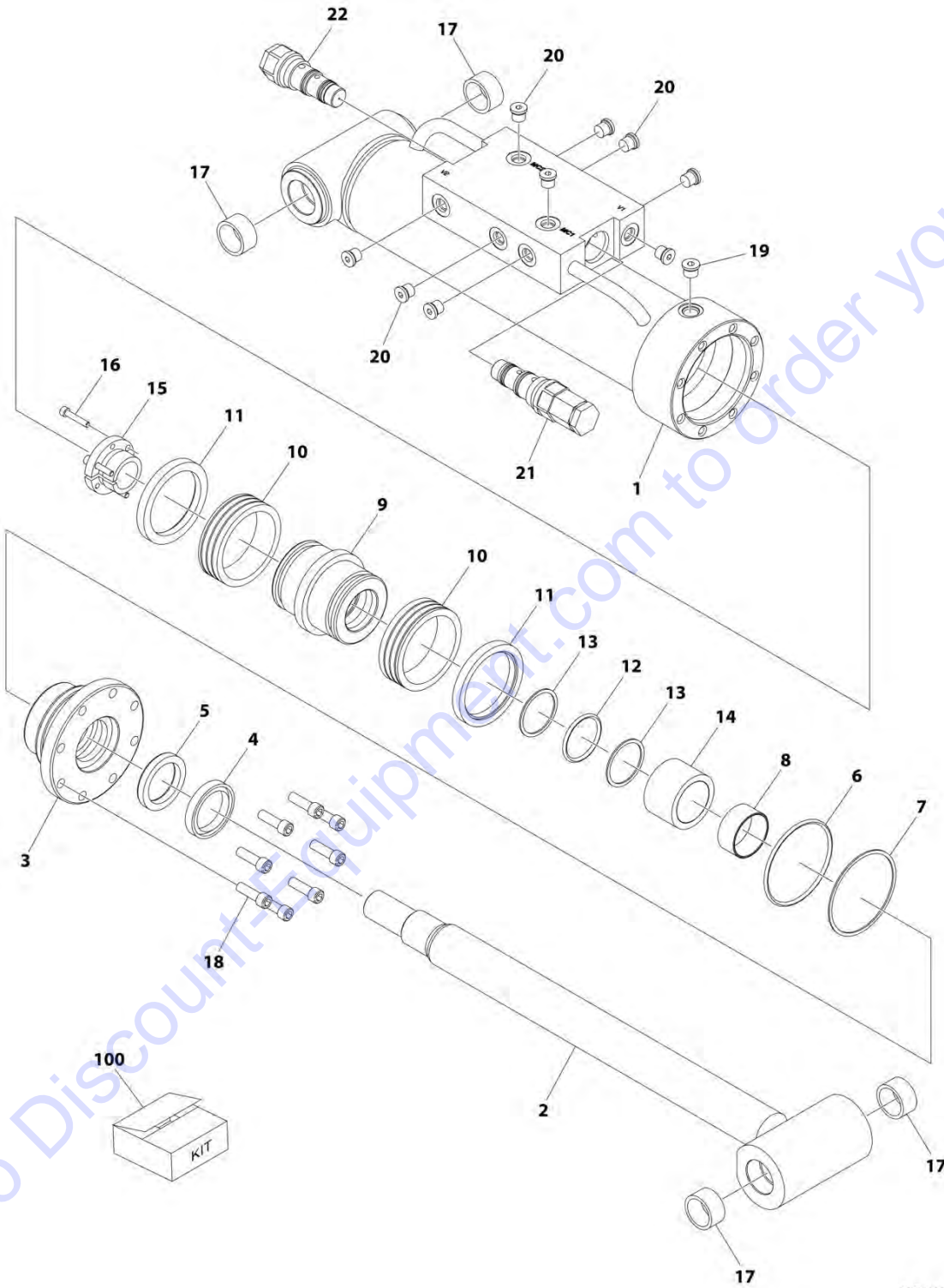
SECTION 5 - CYLINDER

FIGURE 5-3. LEVEL CYLINDER ASSEMBLY (PLATFORM SLAVE) - 600S (SERVICE REPLACEMENT)

ITEM	PART NUMBER	QTY	DESCRIPTION	REV
	1001223512	Ref	LEVEL CYLINDER ASSEMBLY (PLATFORM SLAVE) - 600S (SERVICE REPLACEMENT) Note: Original Cylinder May Have Been Replaced with Service Replacement. Identify PN Stamped on Cylinder Before Ordering Parts.	B
		Ref		
1	1001223511	1	Barrel Weldment	
1A	0961947	2	Bushing	
2	1683976	1	Rod Weldment	
2A	0961947	2	Bushing	
3	3480210	1	Piston	
4	1683053	1	Head	
5	0961893	1	Bushing, Tapered	
6	4566468	1	Spacer	
7	4640509	1	Cartridge, Valve	
7	2900792	1	Seal Kit - 4640509 Valve	
8	2220885	1	Plug, O-Ring	
9	3931516	8	Capscrew 5/16 x 1	
10	3760368	1	Ring, Washer	
11	0100011	AR	Compound, Locking	
12	0100038	AR	Primer, Locking	
13	See Note	NSS	Seal (Note: Use Item 100)	
14	See Note	NSS	Ring, Lock (Note: Use Item 100)	
15	See Note	NSS	O-Ring (Note: Use Item 100)	
16	See Note	NSS	Ring, Back-up (Note: Use Item 100)	
17	See Note	NSS	Ring, Wear (Note: Use Item 100)	
18	See Note	NSS	O-Ring (Note: Use Item 100)	
19	See Note	NSS	Ring, Back-up (Note: Use Item 100)	
20	See Note	NSS	Seal, Rod (Note: Use Item 100)	
21	See Note	NSS	Wiper (Note: Use Item 100)	
23	4640932	1	Cartridge, Valve	
23	7011112	1	Seal Kit 4640932 Valve	
24	2220883	8	Plug, O-Ring	
25	0630534	3	Screw #10 x 1	
100	2901303	1	Seal Kit (Includes Items 13-21)	

SECTION 5 - CYLINDER

FIGURE 5-4. LEVEL CYLINDER ASSEMBLY (PLATFORM SLAVE) - 600S (SERVICE REPLACEMENT)



ART_1001228008

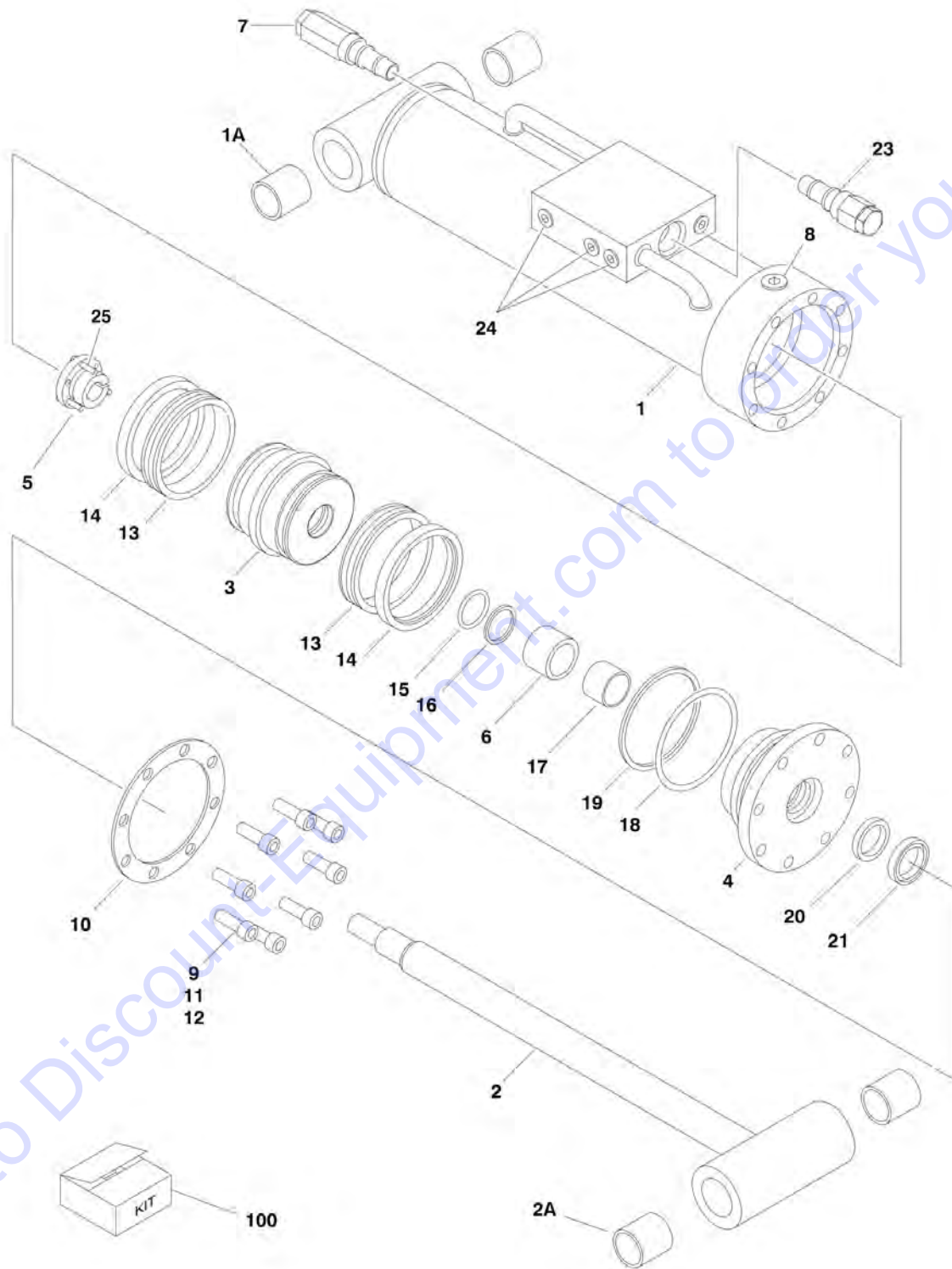
SECTION 5 - CYLINDER

FIGURE 5-4. LEVEL CYLINDER ASSEMBLY (PLATFORM SLAVE) - 600S (SERVICE REPLACEMENT)

ITEM	PART NUMBER	QTY	DESCRIPTION	REV
	1001228008	Ref	LEVEL CYLINDER ASSEMBLY - PLATFORM SLAVE	B
		Ref	Note: Original Cylinder may have been replaced with Service Replacement. Identify PN Stamped on Cylinder Before Ordering Parts.	
1	See Note	NSS	Barrel (Note: Use p/n 1001228008)	
2	70006648	1	Rod	
3	70006649	1	Head	
4	See Note	NSS	Wiper (Note: Use Item 100)	
5	See Note	NSS	Seal Rod (Note: Use Item 100)	
6	See Note	NSS	O-Ring (Note: Use Item 100)	
7	See Note	NSS	Ring, Back-up (Note: Use Item 100)	
8	See Note	NSS	Ring, Wear (Note: Use Item 100)	
9	70006650	1	Piston	
10	See Note	NSS	Seal (Note: Use Item 100)	
11	See Note	NSS	Ring, Lock (Note: Use Item 100)	
12	See Note	NSS	O-Ring (Note: Use Item 100)	
13	See Note	NSS	Ring, Back-up (Note: Use Item 100)	
14	70006651	1	Spacer	
15	0961893	1	Bushing, Tapered	
16	0630534	3	Bolt #10 x 1	
17	0961947	4	Bushing	
18	3931516	8	Capscrew, Socket Head	
19	2220885	1	Plug, O-Ring	
20	2220883	10	Plug, O-Ring	
21	4640932	1	Cartridge, Valve	
21	7011112	1	Seal Kit - 4640932 Valve	
22	4640509	1	Cartridge, Valve	
22	2900792	1	Seal Kit - 4640509 Valve	
100	2901303	1	Seal Kit - 1001228008 Cylinder (Includes Items 4-8 & 10-13)	

SECTION 5 - CYLINDER

FIGURE 5-5. LEVEL CYLINDER ASSEMBLY (PLATFORM SLAVE) - 600SJ & 660SJ (ORIGINAL EQUIPMENT)



SECTION 5 - CYLINDER

FIGURE 5-5. LEVEL CYLINDER ASSEMBLY (PLATFORM SLAVE) - 600SJ & 660SJ (ORIGINAL EQUIPMENT)

ITEM	PART NUMBER	QTY	DESCRIPTION	REV
		Ref	LEVEL CYLINDER ASSEMBLY (PLATFORM SLAVE) - 600SJ & 660SJ (ORIGINAL EQUIPMENT)	
	1683253	Ref	Level Cylinder Assembly (Platform Slave) - 600SJ & 660SJ (Prior to SN 0300024714)	1-B
	1683418	Ref	Level Cylinder Assembly (Platform Slave) - 600SJ & 660SJ (SN 0300024714 through 0300068000)	D
		Ref	Note: Original Cylinder May Have Been Replaced with Service Replacement. Identify PN Stamped on Cylinder Before Ordering Parts.	
1		Ref	Barrel Weldment Options:	
1	1683254	1	Barrel Weldment (Note: Includes Item 1A) (Prior to SN 0300024714)	
1	1683419	1	Barrel Weldment (Note: Includes Item 1A) (SN 0300024714 through 0300052686)	
1	1683952	1	Barrel Weldment (Note: Item 1A not Included - Purchase Separately) (SN 0300052687 through 0300068000)	
1A	0961951	2	Bushing	
2		Ref	Rod Weldment Options:	
2	1683333	1	Rod Weldment (Note: Includes Item 2A) (Prior to SN 0300052687)	
2	1683963	1	Rod Weldment (Note: Item 2A not Included - Purchase Separately) (SN 0300052687 through 0300068000)	
2A	0961951	2	Bushing	
3	3480188	1	Piston	
4	1683055	1	Head	
5	0961894	1	Bushing, Tapered	
6	4566468	1	Spacer	
7	4640509	1	Cartridge, Valve	
7	2900792	1	Seal Kit - 4640509 Valve	
8	2220885	1	Plug, O-Ring	
9	3931620	8	Capscrew, Socket Head 3/8in-16NC x 1-1/4in	
10	3760369	1	Ring, Washer	
11	0100011	AR	Compound, Locking	
12	0100038	AR	Primer, Locking	
13	See Note	NSS	Seal (Note: Use Item 100)	
14	See Note	NSS	Ring, Lock (Note: Use Item 100)	
15	See Note	NSS	O-Ring (Note: Use Item 100)	
16	See Note	NSS	Ring, Back-up (Note: Use Item 100)	
17	See Note	NSS	Ring, Wear (Note: Use Item 100)	
18	See Note	NSS	O-Ring (Note: Use Item 100)	
19	See Note	NSS	Ring, Back-up (Note: Use Item 100)	
20	See Note	NSS	Seal, Rod (Note: Use Item 100)	
21	See Note	NSS	Wiper (Note: Use Item 100)	
23		Ref	Cartridge, Valve Options:	
23	4640509	1	Cartridge, Valve (Prior to SN 0300024714)	
23	4640932	1	Cartridge, Valve (SN 0300024714 through 0300068000)	
23		Ref	Seal Kit Options:	
23	2900792	1	Seal Kit 4640509 Valve (Prior to SN 0300024714)	
23	7011112	1	Seal Kit 4640932 Valve (SN 0300024714 through 0300068000)	
24		Ref	Plug, O-Ring Options:	

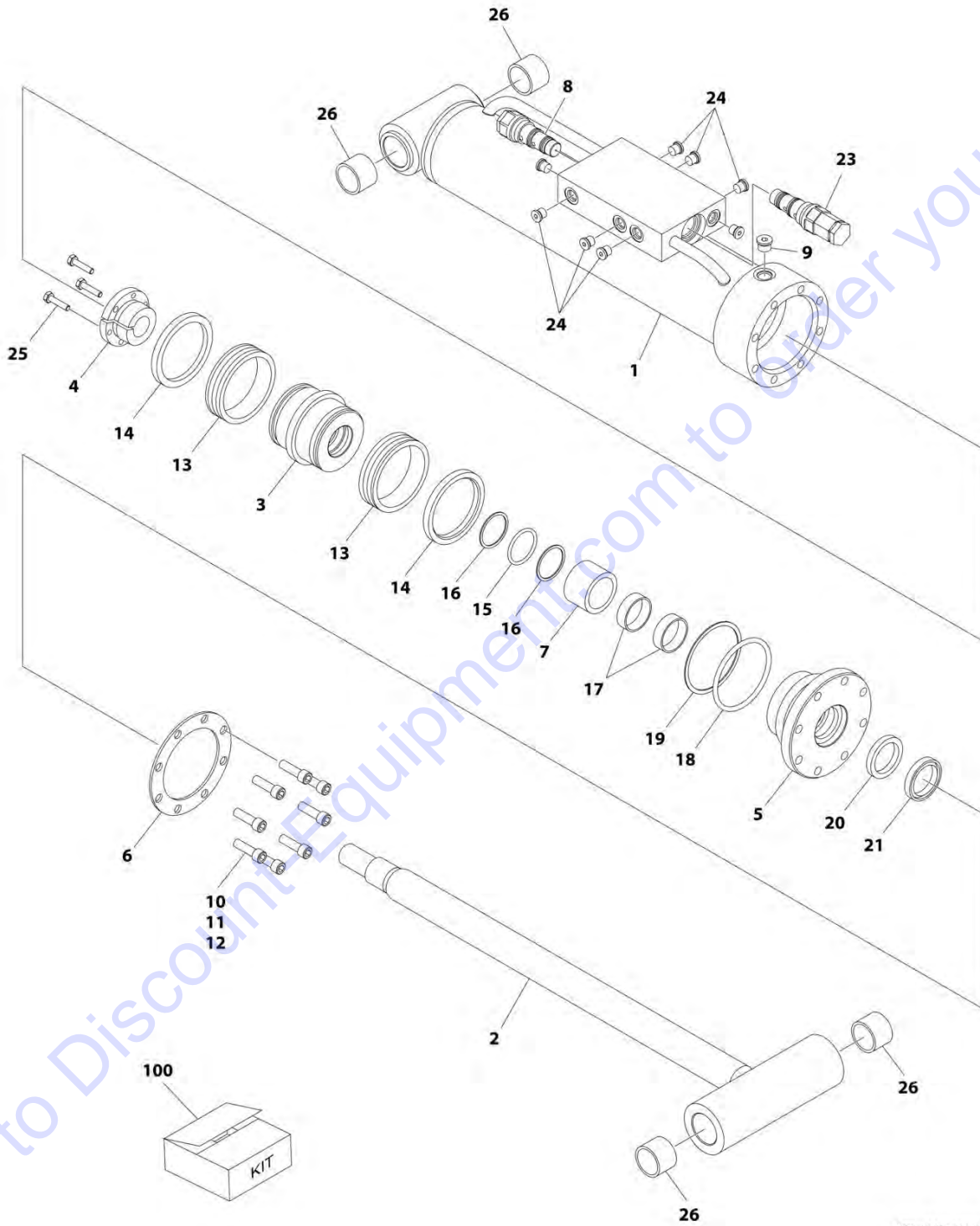
SECTION 5 - CYLINDER

ITEM	PART NUMBER	QTY	DESCRIPTION	REV
24	2220885	4	Plug, O-Ring (Prior to SN 0300024714)	
24	2220883	8	Plug, O-Ring (SN 0300024714 through 0300068000)	
25	0630535	3	Screw, Socket Head 1/4in-20NC x 1-1/8in	
100	2901301	1	Seal Kit (Includes Items 13-21)	

Go to Discount-Equipment.com to order your parts

SECTION 5 - CYLINDER

FIGURE 5-6. LEVEL CYLINDER ASSEMBLY (PLATFORM SLAVE) - 600SJ & 660SJ (SERVICE REPLACEMENT)



ART_1001223331

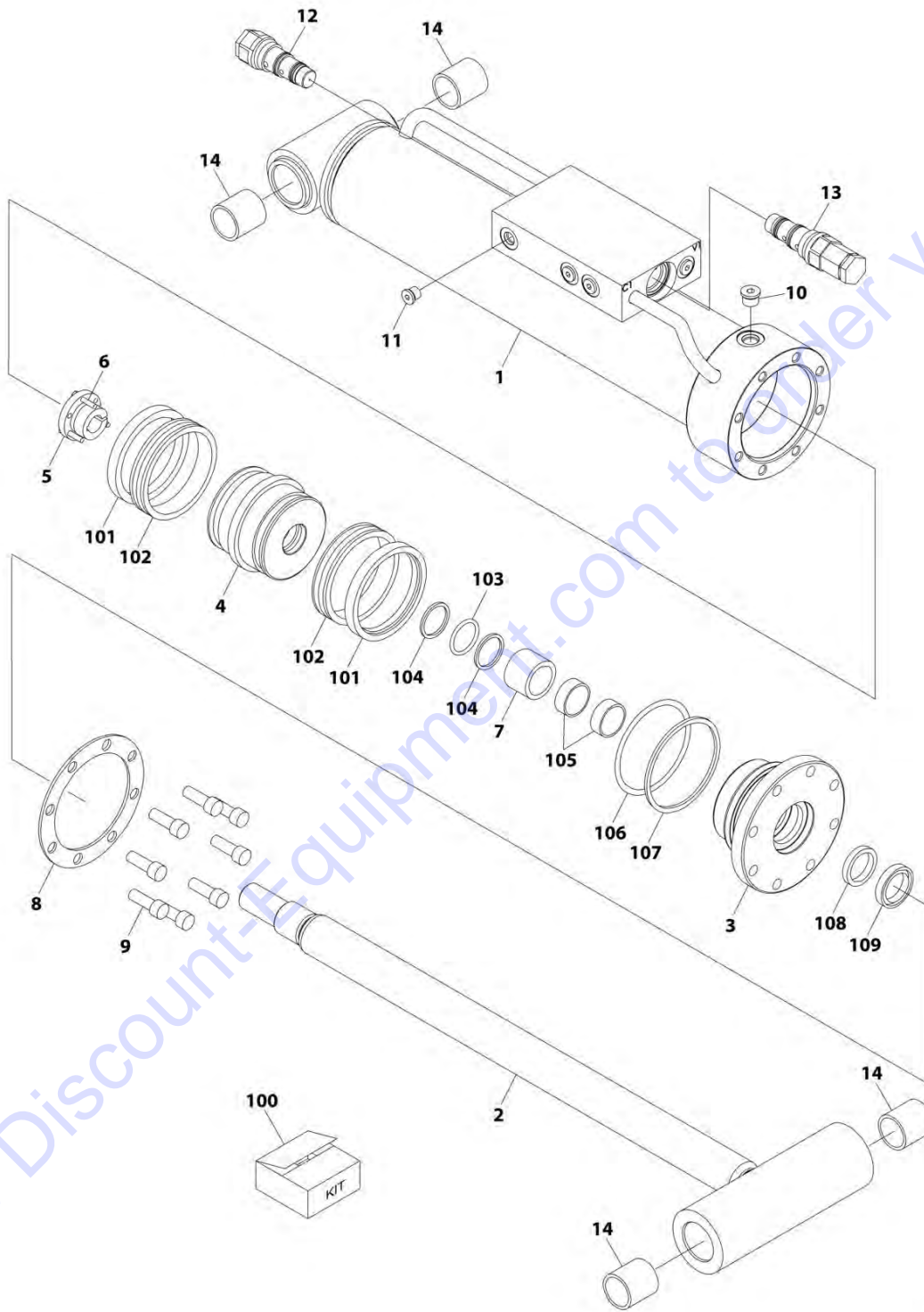
SECTION 5 - CYLINDER

FIGURE 5-6. LEVEL CYLINDER ASSEMBLY (PLATFORM SLAVE) - 600SJ & 660SJ (SERVICE REPLACEMENT)

ITEM	PART NUMBER	QTY	DESCRIPTION	REV
	1001223331	Ref	LEVEL CYLINDER ASSEMBLY (PLATFORM SLAVE) - 600SJ & 660SJ (SERVICE REPLACEMENT) Note: Original Cylinder May Have Been Replaced with Service Replacement. Identify PN Stamped on Cylinder Before Ordering Parts.	B
		Ref		
1	1001223332	1	Barrel Weldment	
2	1683963	1	Rod Weldment	
3	3480188	1	Piston	
4	0961894	1	Bushing, Tapered	
5	1683055	1	Head	
6	3760369	1	Ring, Washer	
7	4566468	1	Spacer	
8	4640509	1	Cartridge, Valve	
8	2900792	1	Seal Kit - 4640509 Valve	
9	2220885	1	Plug, O-Ring	
10	3931620	8	Capscrew 3/8 x 1-1/4	
11	0100011	AR	Compound, Locking	
12	0100038	AR	Primer, Locking	
13	See Note	NSS	Seal (Note: Use Item 100)	
14	See Note	NSS	Ring, Lock (Note: Use Item 100)	
15	See Note	NSS	O-Ring (Note: Use Item 100)	
16	See Note	NSS	Ring, Back-up (Note: Use Item 100)	
17	See Note	NSS	Ring, Wear (Note: Use Item 100)	
18	See Note	NSS	O-Ring (Note: Use Item 100)	
19	See Note	NSS	Ring, Back-up (Note: Use Item 100)	
20	See Note	NSS	Seal, Rod (Note: Use Item 100)	
21	See Note	NSS	Wiper (Note: Use Item 100)	
23	4640932	1	Cartridge, Valve	
23	7011112	1	Seal Kit 4640932 Valve	
24	2220883	8	Plug, O-Ring	
25	0630535	3	Screw #10 x 1	
26	0961951	4	Bushing	
100	2901303	1	Seal Kit (Includes Items 13-21)	

SECTION 5 - CYLINDER

FIGURE 5-7. LEVEL CYLINDER ASSEMBLY (PLATFORM SLAVE) - 600SJ & 660SJ (SERVICE REPLACEMENT)



ART_1001228051

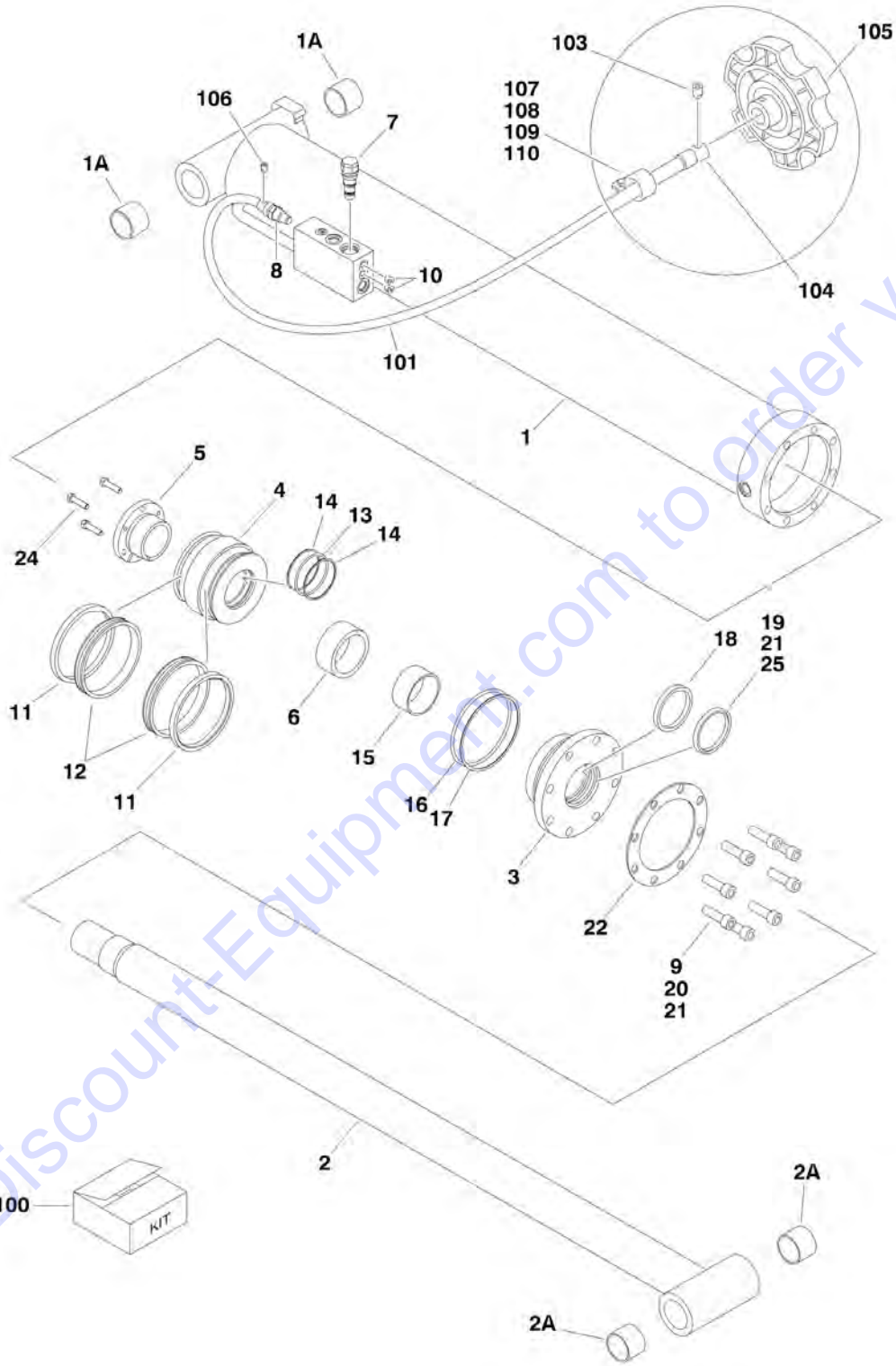
SECTION 5 - CYLINDER

FIGURE 5-7. LEVEL CYLINDER ASSEMBLY (PLATFORM SLAVE) - 600SJ & 660SJ (SERVICE REPLACEMENT)

ITEM	PART NUMBER	QTY	DESCRIPTION	REV
	1001228051	Ref	LEVEL CYLINDER ASSEMBLY	A
		Ref	Note: Original Cylinder May Have Been Replaced with Service Replacement. Identify PN Stamped on Cylinder Before Ordering Parts.	
1	See Note	NSS	Barrel (Note: Use p/n 1001228051)	
2	70006823	1	Rod	
3	70006446	1	Head	
4	70006445	1	Piston	
5	70006444	1	Bushing, Tapered	
6	0630535	3	Bolt 1/4 x 1-1/8	
7	70006443	1	Spacer	
8	70006822	1	Ring, Washer	
9	3931620	8	Capscrew 3/8 x 1-1/4	
10	2220885	1	Plug, O-Ring	
11	2220883	8	Plug, O-Ring	
12	4640509	1	Cartridge, Valve	
12	2900792	1	Seal Kit - 4640509 Valve	
13	4640932	1	Cartridge, Valve	
13	7011112	1	Seal Kit - 4640932 Valve	
14	0961951	4	Bushing	
100	1001138796	1	Seal Kit - 1001228051 Cylinder (Includes Items 101-109)	
101	See Note	NSS	Ring, Lock (Note: Use Item 100)	
102	See Note	NSS	Seal (Note: Use Item 100)	
103	See Note	NSS	O-Ring (Note: Use Item 100)	
104	See Note	NSS	Ring, Back-up (Note: Use Item 100)	
105	See Note	NSS	Ring, Wear (Note: Use Item 100)	
106	See Note	NSS	O-Ring (Note: Use Item 100)	
107	See Note	NSS	Ring, Back-up (Note: Use Item 100)	
108	See Note	NSS	Seal, Rod (Note: Use Item 100)	
109	See Note	NSS	Wiper (Note: Use Item 100)	

SECTION 5 - CYLINDER

FIGURE 5-8. LIFT CYLINDER ASSEMBLY - (BOOM)



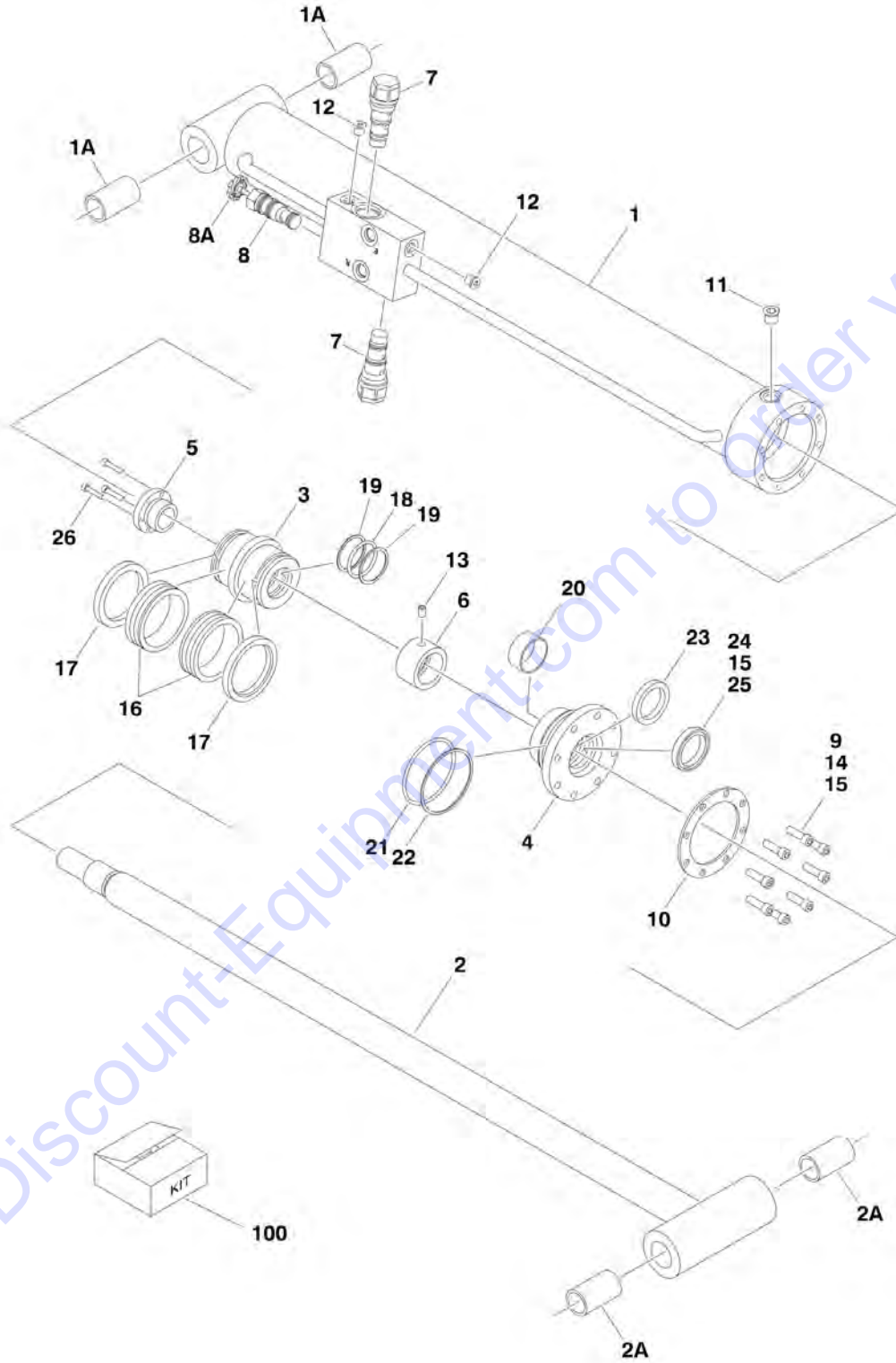
SECTION 5 - CYLINDER

FIGURE 5-8. LIFT CYLINDER ASSEMBLY - (BOOM)

ITEM	PART NUMBER	QTY	DESCRIPTION	REV
	1683275	Ref	LIFT CYLINDER ASSEMBLY - (BOOM)	G
1		Ref	Barrel Weldment Options:	
1	1683276	1	Barrel Weldment (Prior to SN 0300053547)	
1	1683955	NLA	Barrel Weldment (Use p/n 1001112467) (SN 0300053547 through 0300068000)	
1A	0961950	2	Bushing	
2		Ref	Rod Weldment Options:	
2	1683278	1	Rod Weldment (Prior to SN 0300053547)	
2	1683954	1	Rod Weldment (SN 0300053547 through 0300068000)	
2A	0961950	2	Bushing	
3	1683067	1	Head	
4	3480206	1	Piston	
5	0961898	1	Bushing, Tapered (Use Item #24 in place of supplied bolts)	
6	4566501	1	Spacer, Tube	
7	4640509	1	Cartridge, Valve	
7	2900792	1	Seal Kit - 4640509 Valve	
8	4640799	1	Cartridge, Valve	
8	7010545	1	Seal Kit - 4640799 Valve	
9	3932032	8	Bolt, Socket Head 5/16in-11NC x 2in	
10	2220883	2	Plug, O-Ring	
11	See Note	NSS	Ring, Lock (Note: Use Item 100)	
12	See Note	NSS	Seal, Hydrolock (Note: Use Item 100)	
13	See Note	NSS	O-Ring (Note: Use Item 100)	
14	See Note	NSS	Ring, Back-up (Note: Use Item 100)	
15	See Note	NSS	Ring, Wear (Note: Use Item 100)	
16	See Note	NSS	O-Ring (Note: Use Item 100)	
17	See Note	NSS	Ring, Back-up (Note: Use Item 100)	
18	See Note	NSS	Seal, Rod (Note: Use Item 100)	
19	See Note	NSS	Wiper (Note: Use Item 100)	
20	0100011	AR	Compound, Locking	
21	0100038	AR	Primer, Locking	
22	3760372	1	Washer, Ring	
24	0630536	3	Screw, Socket Head 3/8in-16NC x 1-1/2in	
25	0100063	AR	Loctite, RC 609	
100	2901285	1	Seal Kit - 1683275 Cylinder (Includes Items 11-19)	
	0256212	Ref	MANUAL DESCENT INSTALLATION	3-B
101	1060617	1	Cable	
103	3900230	2	Setscrew #10-32NF x 3/8in	
104	0080220	1	Adapter	
105	2560144	1	Knob	
106	3950803	1	Setscrew #8-32NC x 3/8in	
107	1320070	1	Clamp (SN 0300036657 through 0300068000)	
108	0641408	1	Bolt 1/4in-20NC x 1in (SN 0300036657 through 0300068000)	
109		Ref	Nut Options:	
109	3311402	1	Nut, Jam 1/4in-20NC (SN 0300036657 through 0300043317)	
109	3311405	1	Locknut 1/4in-20NC (SN 0300043318 through 0300068000)	
110	4751400	2	Flatwasher 1/4in Regular (SN 0300036657 through 0300068000)	

SECTION 5 - CYLINDER

FIGURE 5-9. LIFT CYLINDER ASSEMBLY (JIB) - 600SJ & 660SJ



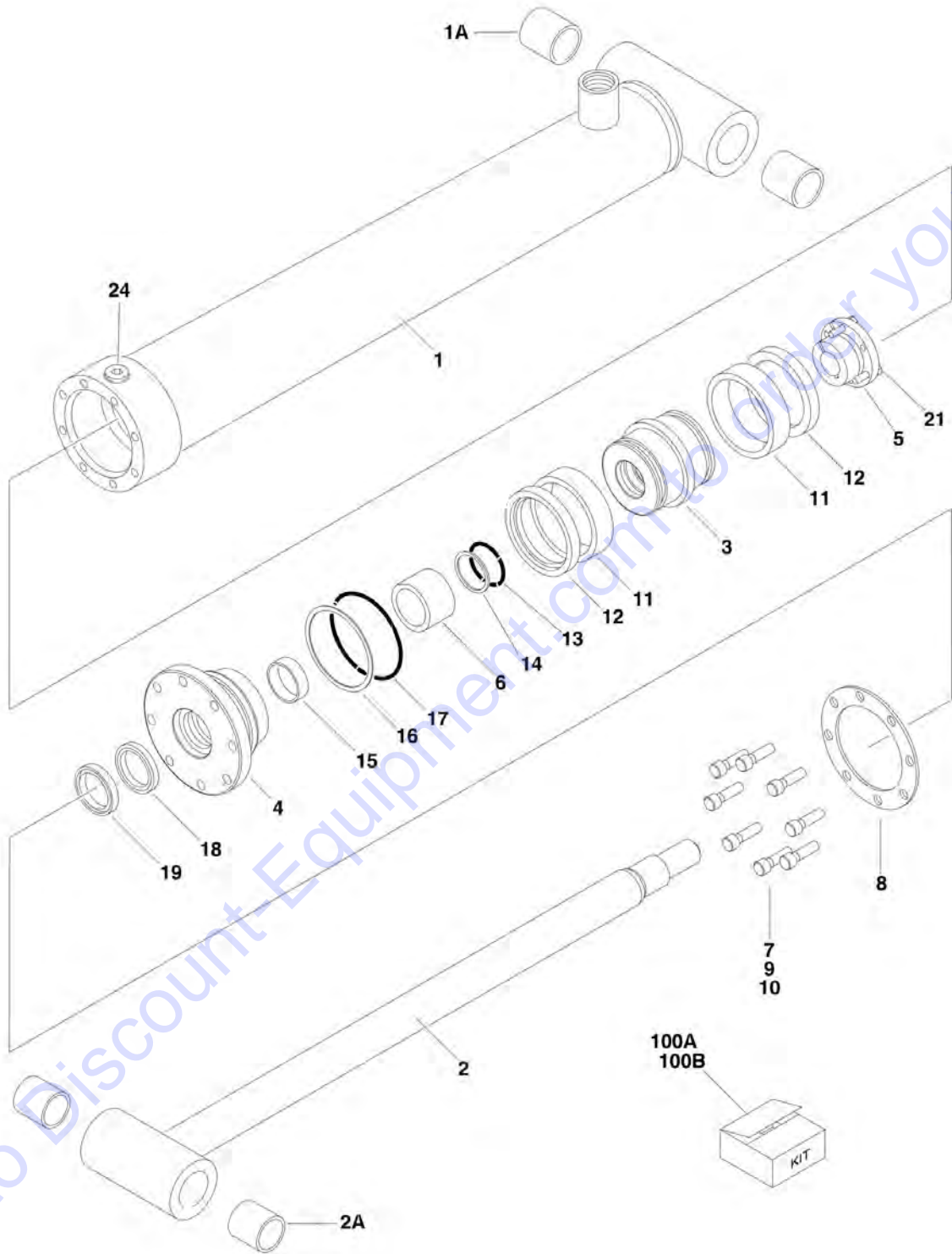
SECTION 5 - CYLINDER

FIGURE 5-9. LIFT CYLINDER ASSEMBLY (JIB) - 600SJ & 660SJ

ITEM	PART NUMBER	QTY	DESCRIPTION	REV
	1683258	Ref	LIFT CYLINDER ASSEMBLY (JIB) - 600SJ & 660SJ	C
1		Ref	Barrel Weldment Options:	
1	1683259	1	Barrel Weldment (Prior to SN 0300053547)	
1	1684092	1	Barrel Weldment (SN 0300053547 through 0300068000)	
1A		Ref	Bushing Options:	
1A	0961947	2	Bushing (Prior to SN 0300053995)	
1A	0962336	2	Bushing (SN 0300053995 through 0300068000)	
2		Ref	Rod Weldment Options:	
2	1683261	1	Rod Weldment (Prior to SN 0300053547)	
2	1684090	1	Rod Weldment (SN 0300053547 through 0300068000)	
2A		Ref	Bushing Options:	
2A	0961947	2	Bushing (Prior to SN 0300053995)	
2A	0962336	2	Bushing (SN 0300053995 through 0300068000)	
3	3480210	1	Piston	
4	1683053	1	Head	
5	0961893	1	Bushing, Tapered	
6	4566471	1	Spacer	
7	4640509	2	Cartridge, Valve	
7	2900792	2	Seal Kit - 4640509 Valve	
8	4640902	1	Cartridge, Valve	
8	7012953	1	Seal Kit - 4640902 Valve	
8A	7012961	1	Knob	
9	3931516	8	Capscrew, Socket Head 5/16in-18NC x 1in	
10	3760368	1	Ring, Washer	
11	2220885	1	Plug, O-Ring #6	
12	2220883	2	Plug, O-Ring #4	
13	3900141	1	Setscrew 1/4in-20NC x 3/8in	
14	0100011	AR	Compound, Locking	
15	0100038	AR	Primer, Locking	
16	See Note	NSS	Seal (Note: Use Item 100)	
17	See Note	NSS	Ring, Lock (Note: Use Item 100)	
18	See Note	NSS	O-Ring (Note: Use Item 100)	
19	See Note	NSS	Ring, Back-up (Note: Use Item 100)	
20	See Note	NSS	Ring, Wear (Note: Use Item 100)	
21	See Note	NSS	O-Ring (Note: Use Item 100)	
22	See Note	NSS	Ring, Back-up (Note: Use Item 100)	
23	See Note	NSS	Seal, Rod (Note: Use Item 100)	
24	See Note	NSS	Wiper (Note: Use Item 100)	
26	0630534	3	Screw, Socket Head #10-24NC x 1in	
100	2901303	1	Seal Kit - 1683258 Cylinder (Includes Items 16-24)	

SECTION 5 - CYLINDER

FIGURE 5-10. MASTER CYLINDER ASSEMBLY (ORIGINAL EQUIPMENT)



SECTION 5 - CYLINDER

FIGURE 5-10. MASTER CYLINDER ASSEMBLY (ORIGINAL EQUIPMENT)

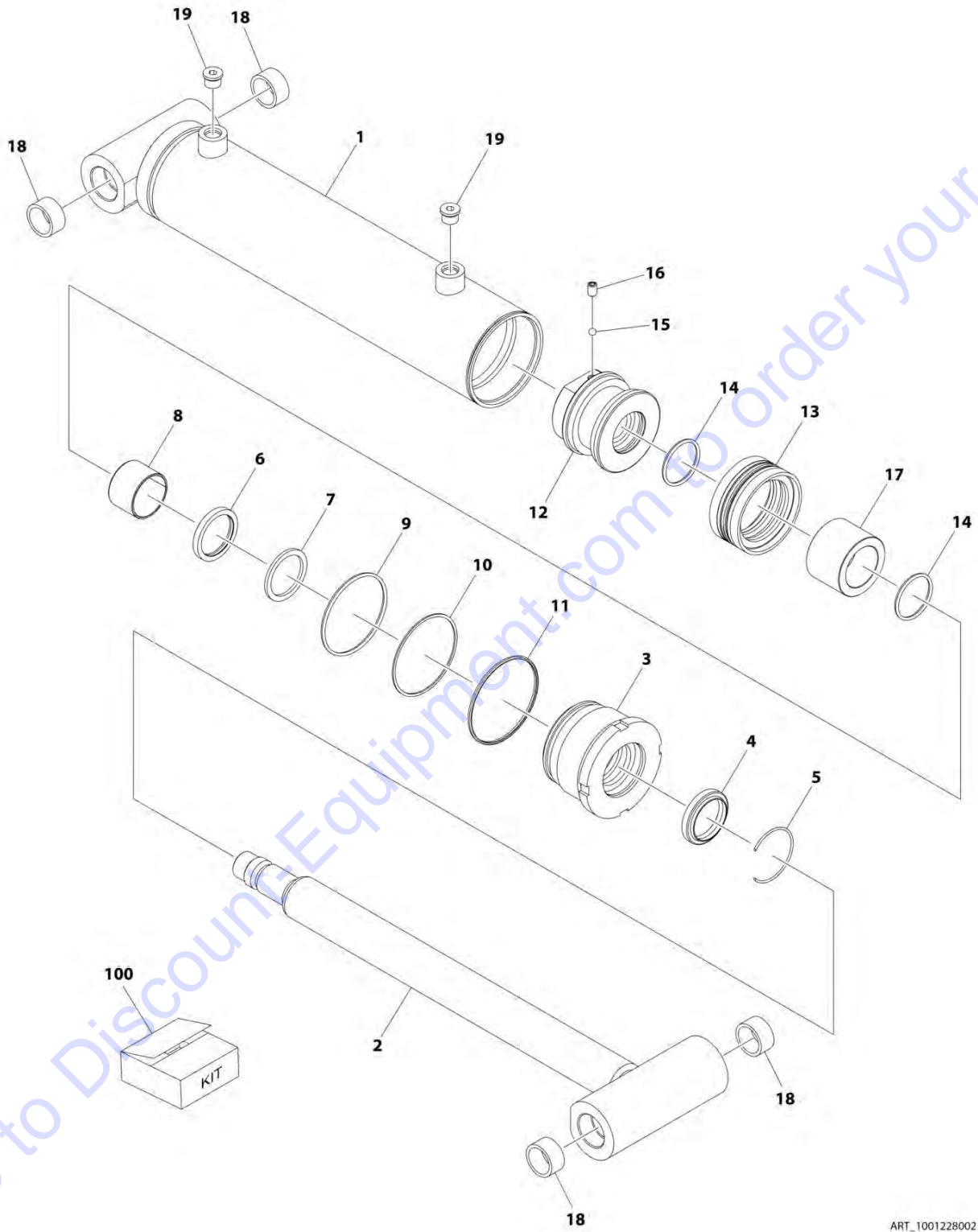
ITEM	PART NUMBER	QTY	DESCRIPTION	REV
	1683266	Ref	MASTER CYLINDER ASSEMBLY - 600S (ORIGINAL EQUIPMENT)	C
	1683263	Ref	MASTER CYLINDER ASSEMBLY - 600SJ/660SJ (ORIGINAL EQUIPMENT)	E
		Ref	Note: Original Cylinder May Have Been Replaced with Service Replacement. Identify PN Stamped on Cylinder Before Ordering Parts.	
1		Ref	Barrel Options:	
1	1683267	1	Barrel 600S (Note: Includes Item 1A) (Prior to SN 0300053552)	
1	1683972	1	Barrel 600S (Note: Includes Item 1A) (SN 0300053552 through 0300068000)	
1	1683264	1	Barrel 600SJ/660SJ (Note: Includes Item 1A) (Prior to SN 0300052687)	
1	1683949	1	Barrel 600SJ/660SJ (Note: Item 1A not included - Purchase Separately) (SN 0300052687 through 0300068000)	
1A		Ref	Bushing Options:	
1A	0961947	2	Bushing 600S	
1A	0961951	2	Bushing 600SJ/660SJ	
2		Ref	Rod Options:	
2	1683269	1	Rod 600S (Note: Includes Item 2A) (Prior to SN 0300053552)	
2	1683973	1	Rod 600S (Note: Includes Item 2A) (SN 0300053552 through 0300068000)	
2	1683256	1	Rod 600SJ/660SJ (Note: Includes Item 2A) (Prior to SN 0300052687)	
2	1683962	1	Rod 600SJ/660SJ (Note: Item 2A not included - Purchase Separately) (SN 0300052687 through 0300068000)	
2A		Ref	Bushing Options:	
2A	0961947	2	Bushing 600S	
2A	0961951	2	Bushing 600SJ/660SJ	
3		Ref	Piston Options:	
3	3480210	1	Piston 600S	
3	3480188	1	Piston 600SJ/660SJ	
4		Ref	Head Options:	
4	1683053	1	Head 600S	
4	1683055	1	Head 600SJ/660SJ	
5		Ref	Bushing, Tapered Options:	
5	0961893	1	Bushing, Tapered 600S	
5	0961894	1	Bushing, Tapered 600SJ/660SJ	
6	4566468	1	Spacer, Tube	
7		Ref	Capscrew Options:	
7	3931516	8	600S - Capscrew 5/16in-18NC x 1in	
7	3931620	8	600SJ/660SJ - Capscrew 3/8in-16NC x 1-1/4in	
8		Ref	Ring, Washer Options:	
8	3760368	1	Ring, Washer 600S	
8	3760369	1	Ring, Washer 600SJ/660SJ	
9	0100011	AR	Compound, Locking	
10	0100038	AR	Primer, Locking	
11	See Note	NSS	Seal (Note: Use Item 100A or 100B)	
12	See Note	NSS	Ring, Lock (Note: Use Item 100A or 100B)	
13	See Note	NSS	O-Ring (Note: Use Item 100A or 100B)	
14	See Note	NSS	Ring, Back-up (Note: Use Item 100A or 100B)	

SECTION 5 - CYLINDER

ITEM	PART NUMBER	QTY	DESCRIPTION	REV
15	See Note	NSS	Ring, Wear (Note: Use Item 100A or 100B)	
16	See Note	NSS	O-Ring (Note: Use Item 100A or 100B)	
17	See Note	NSS	Ring, Back-up (Note: Use Item 100A or 100B)	
18	See Note	NSS	Seal, Rod (Note: Use Item 100A or 100B)	
19	See Note	NSS	Wiper (Note: Use Item 100A or 100B)	
21		Ref	Screw Options:	
21	0630534	3	600S - Screw, Socket Head #10-24NC x 1in	
21	0630535	3	600SJ/660SJ - Screw, Socket Head 1/4in-20NC x 1-1/8in	
24	2220885	1	Fitting, Plug (600SJ/660SJ - 1683263 Cylinder Only)	
100		Ref	Seal Kit (Includes Items 11-19)	
100A	2901303	1	Seal Kit 600S	
100B	2901301	1	Seal Kit 600SJ/660SJ	

SECTION 5 - CYLINDER

FIGURE 5-11. MASTER CYLINDER ASSEMBLY - 600S (SERVICE REPLACEMENT)



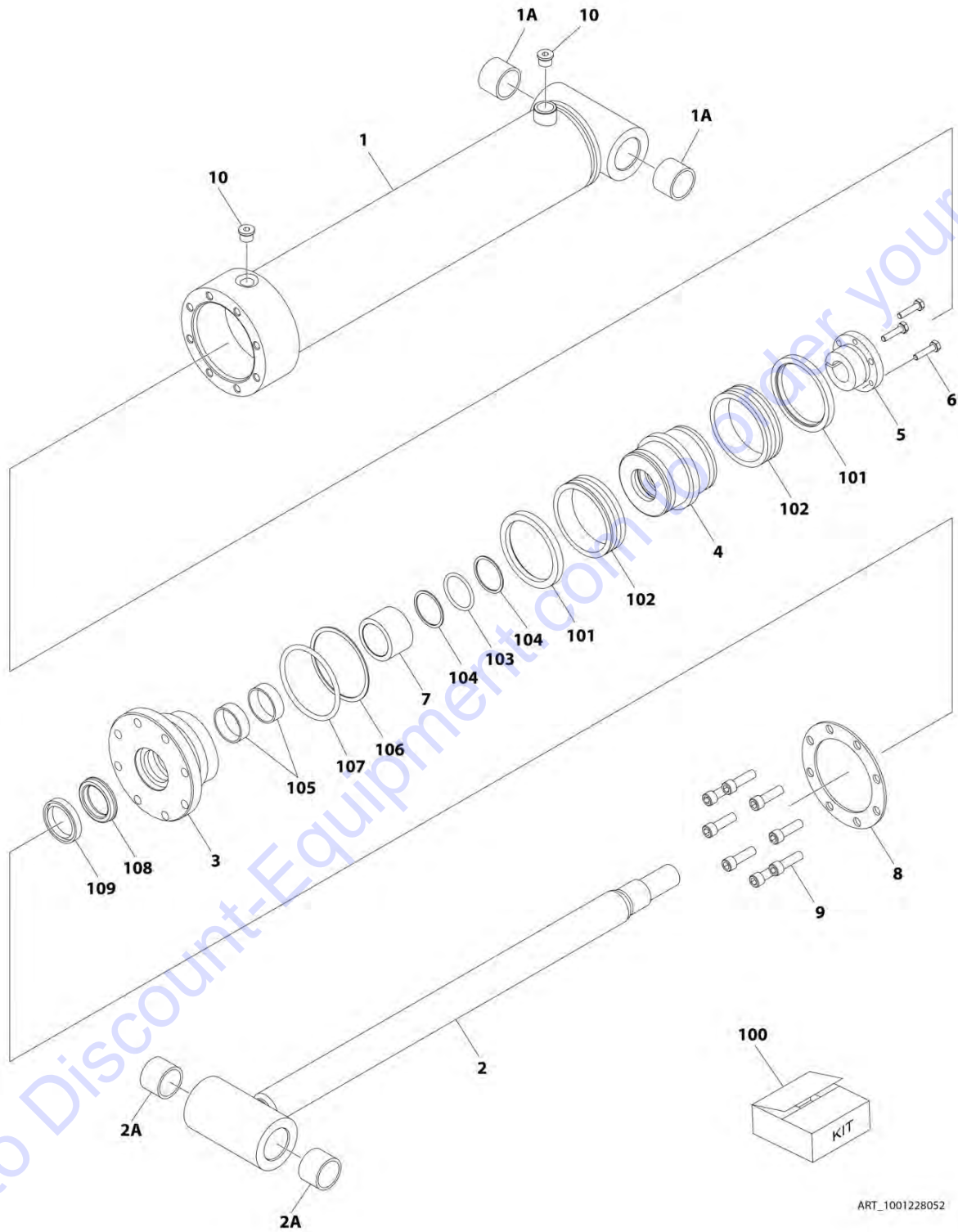
SECTION 5 - CYLINDER

FIGURE 5-11. MASTER CYLINDER ASSEMBLY - 600S (SERVICE REPLACEMENT)

ITEM	PART NUMBER	QTY	DESCRIPTION	REV
	1001228002	Ref	MASTER CYLINDER ASSEMBLY	B
		Ref	Note: Original Cylinder May Have Been Replaced with Service Replacement. Identify PN Stamped on Cylinder Before Ordering Parts.	
1	See Note	NSS	Barrel (Note: Not Available for Purchase)	
2	70006774	1	Rod	
3	70006599	1	Head	
4	See Note	NSS	Wiper Rod (Note: Use Item 100)	
5	70002373	1	Ring, Retaining	
6	See Note	NSS	Seal, Rod (Note: Use Item 100)	
7	See Note	NSS	Ring, Back-up (Note: Use Item 100)	
8	See Note	NSS	Ring, Wear (Note: Use Item 100)	
9	See Note	NSS	O-Ring (Note: Use Item 100)	
10	See Note	NSS	Ring, Back-up (Note: Use Item 100)	
11	See Note	NSS	O-Ring (Note: Use Item 100)	
12	70006597	1	Piston	
13	See Note	NSS	Seal Piston (Note: Use Item 100)	
14	See Note	NSS	O-Ring (Note: Use Item 100)	
15	70022564	1	Ball	
16	70006601	1	Setscrew	
17	70006775	1	Spacer	
18	0961947	4	Bushing	
19	70023371	2	Plug, O-Ring	
100	70006776	1	Seal Kit (Includes Items 4, 6-11, 13 & 14)	

SECTION 5 - CYLINDER

FIGURE 5-12. MASTER CYLINDER ASSEMBLY - 600SJ/660SJ (SERVICE REPAACEMENT)



ART_1001228052

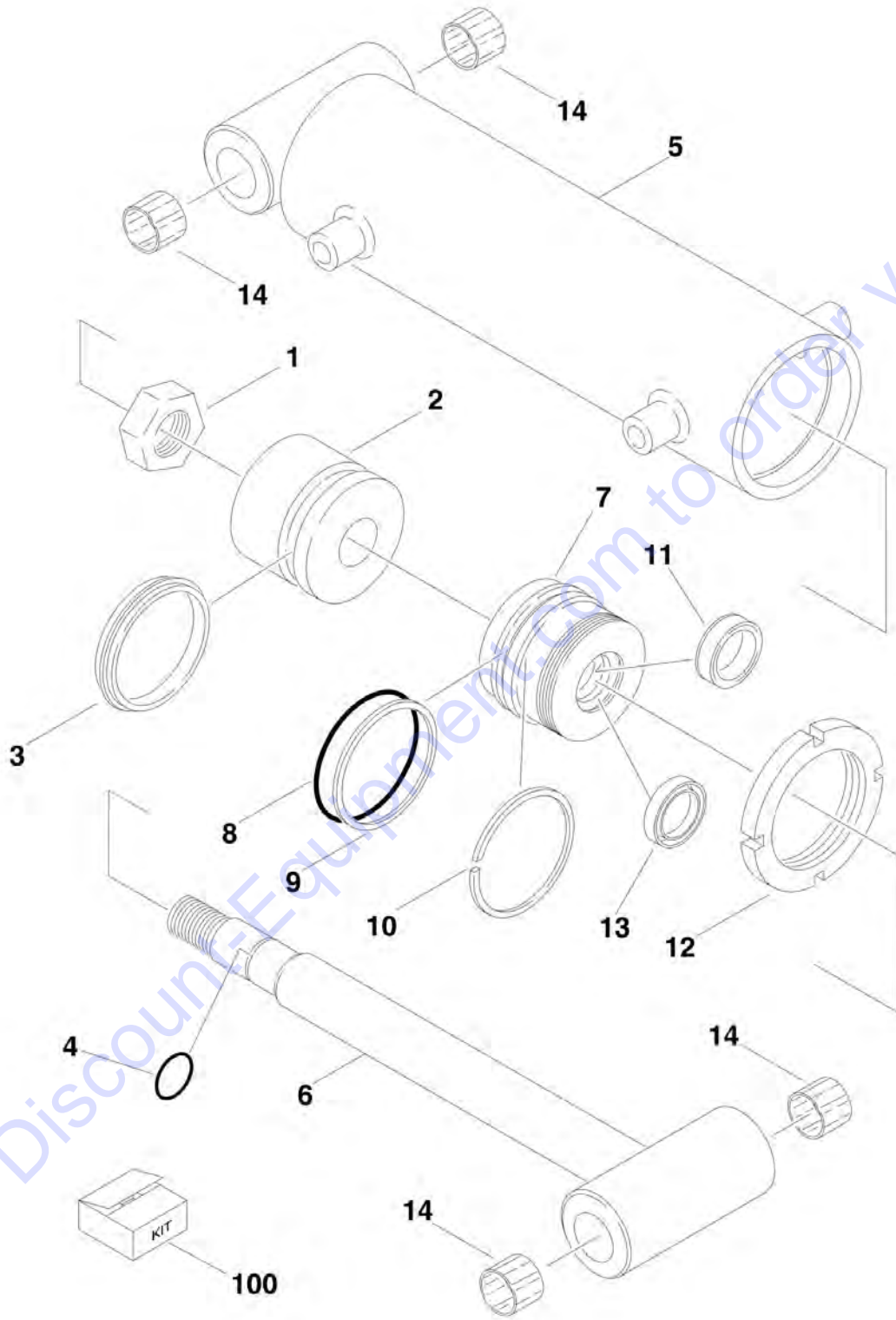
SECTION 5 - CYLINDER

FIGURE 5-12. MASTER CYLINDER ASSEMBLY - 600SJ/660SJ (SERVICE REPAACEMENT)

ITEM	PART NUMBER	QTY	DESCRIPTION	REV
	1001228052	Ref	MASTER CYLINDER ASSEMBLY - 600SJ/660SJ (SERVICE REPAACEMENT)	A
		Ref		
1	See Note	NSS	Barrel Weldment (Note: Not Available for Purchase)	
1A	0961951	2	Bushing	
2	70006447	1	Rod Weldment	
2A	0961951	2	Bushing	
3	70006446	1	Head	
4	70006445	1	Piston	
5	70006444	1	Bushing, Tapered	
6	0630535	3	Capscrew 1/4 x 1-1/8	
7	70006443	1	Spacer	
8	70006442	1	Ring, Washer	
9	3931620	8	Capscrew 3/8 x 1-1/4	
10	2220885	2	Plug, O-Ring	
100	1001138796	1	Seal Kit (Includes Items 12-21)	
101	See Note	NSS	Ring, Wear (Note: Use Item 100)	
102	See Note	NSS	Seal, Piston (Note: Use Item 100)	
103	See Note	NSS	O-Ring (Note: Use Item 100)	
104	See Note	NSS	Ring, Back-up (Note: Use Item 100)	
105	See Note	NSS	Ring, Wear (Note: Use Item 100)	
106	See Note	NSS	O-Ring (Note: Use Item 100)	
107	See Note	NSS	Ring, Back-up (Note: Use Item 100)	
108	See Note	NSS	Seal, Rod (Note: Use Item 100)	
109	See Note	NSS	Wiper, Rod (Note: Use Item 100)	

SECTION 5 - CYLINDER

FIGURE 5-13. STEER CYLINDER ASSEMBLY



SECTION 5 - CYLINDER

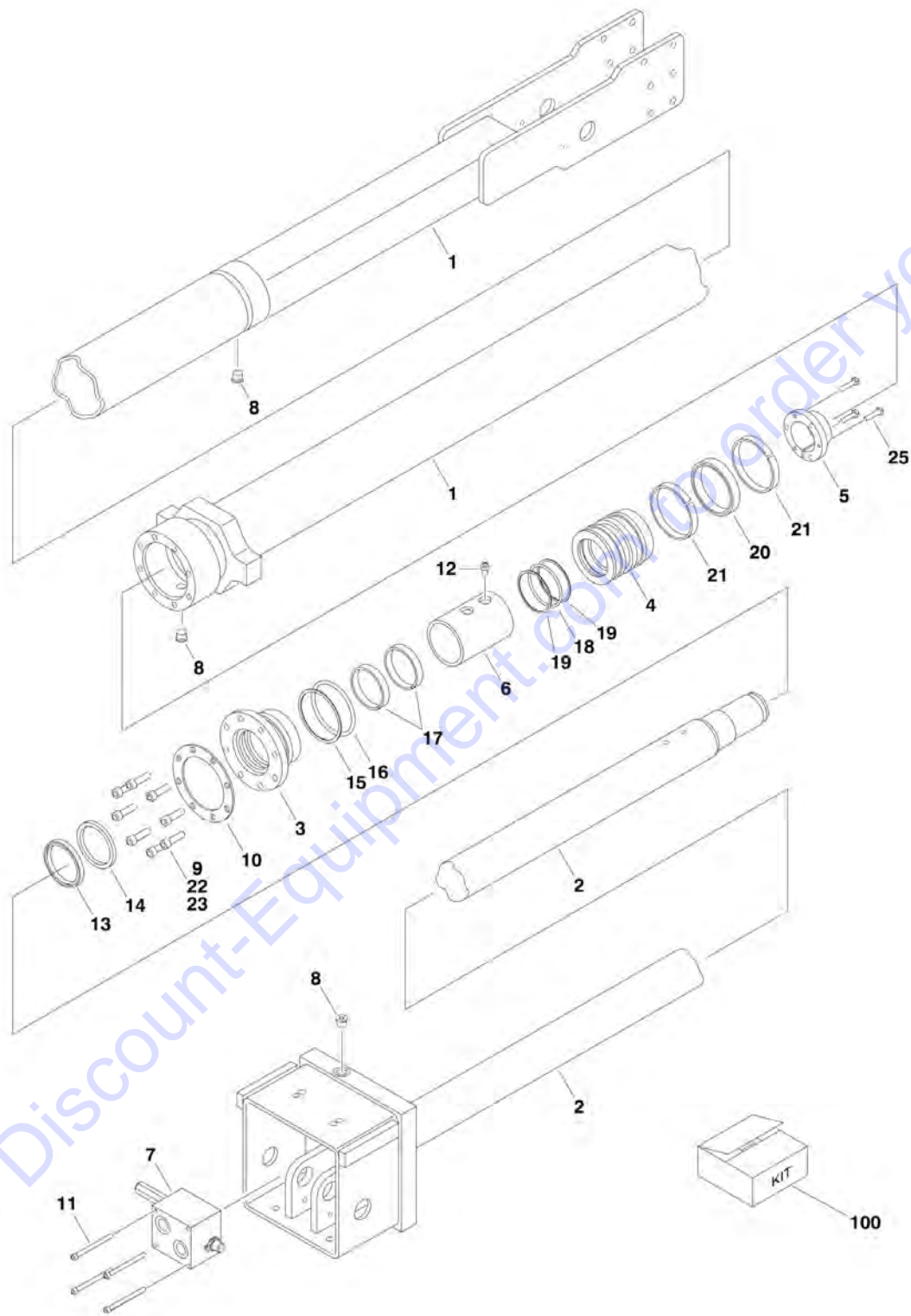
FIGURE 5-13. STEER CYLINDER ASSEMBLY

ITEM	PART NUMBER	QTY	DESCRIPTION	REV
	1683208	Ref	STEER CYLINDER ASSEMBLY	C
1	7001626	1	Locknut	
2	7001627	1	Piston	
3	See Note	NSS	Seal (Note: Use Item 100)	
4	See Note	NSS	O-Ring (Note: Use Item 100)	
5	1683208	1	Barrel Weldment (Note: Not Available - Purchase Complete Steer Cylinder Assembly)	
6	7001633	1	Rod Weldment	
7	7001629	1	Head	
8	See Note	NSS	O-Ring (Note: Use Item 100)	
9	See Note	NSS	Ring, Back-up (Note: Use Item 100)	
10	See Note	NSS	Ring, Retainer (Note: Use Item 100)	
11	See Note	NSS	Seal, Lip (Note: Use Item 100)	
12	7001630	1	Nut, Spanner	
13	See Note	NSS	Wiper (Note: Use Item 100)	
14	0961977	4	Bushings	
100	7001625	1	Seal Kit (Includes Items 3, 4, 8-11 & 13)	

Go to Discount-Equipment.com to order your parts

SECTION 5 - CYLINDER

FIGURE 5-14. TELESCOPE CYLINDER ASSEMBLY



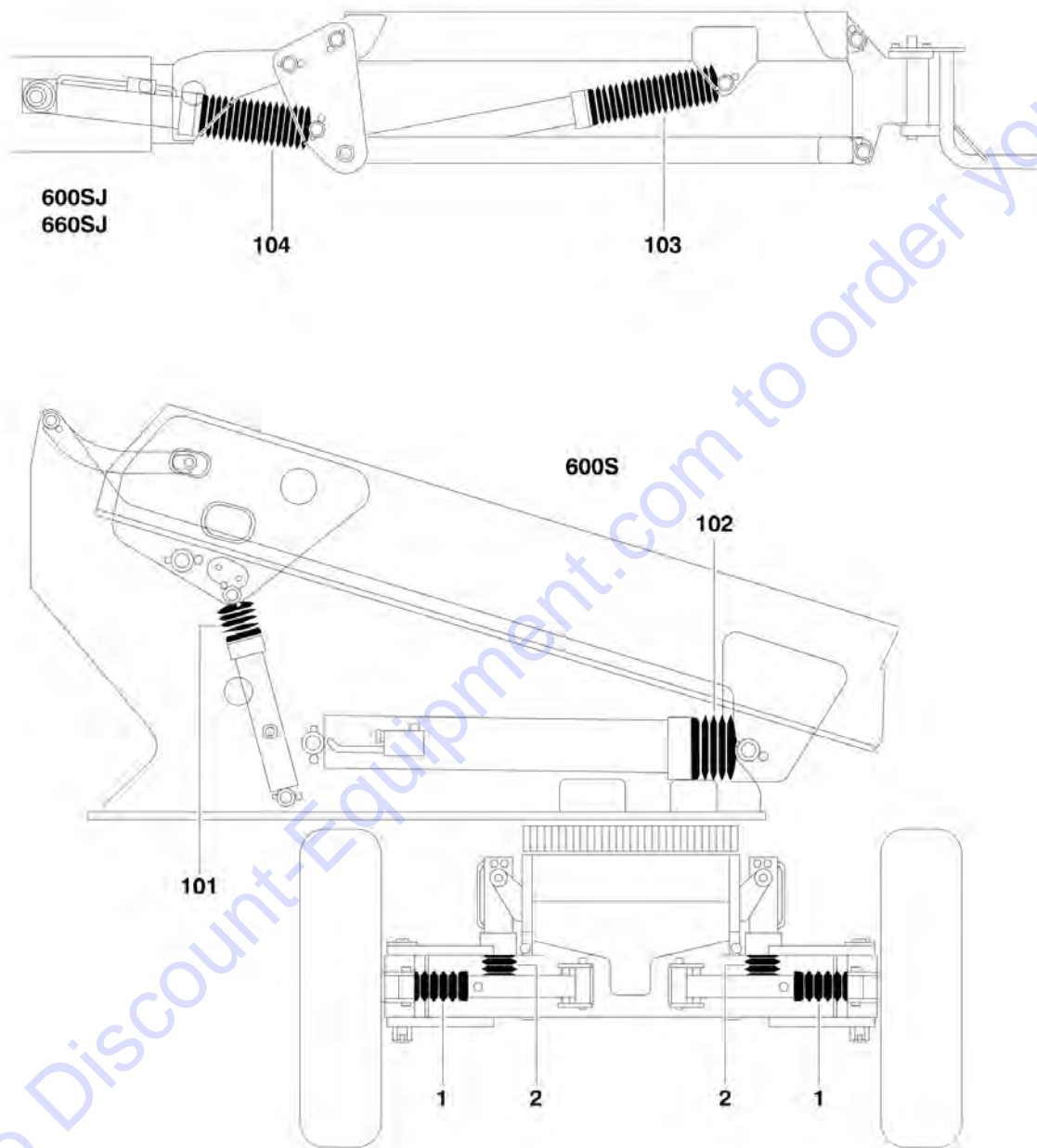
SECTION 5 - CYLINDER

FIGURE 5-14. TELESCOPE CYLINDER ASSEMBLY

ITEM	PART NUMBER	QTY	DESCRIPTION	REV
		Ref	TELESCOPE CYLINDER ASSEMBLY	
	1683248	Ref	Telescope Cylinder Assembly 600S & 660SJ (Prior to SN 0300034517)	2-G
	1683618	Ref	Telescope Cylinder Assembly 600S & 660SJ (SN 0300034517 through 0300068000)	3-D
	1683357	Ref	Telescope Cylinder Assembly 600SJ (Prior to SN 0300034517)	1-C
	1683620	Ref	Telescope Cylinder Assembly 600SJ (SN 0300034517 through 0300068000)	2-C
1		Ref	Barrel Options:	
1	1683249	1	Barrel 600S & 660SJ (Prior to SN 0300034517)	
1	1683619	1	Barrel 600S & 660SJ (SN 0300034517 through 0300068000)	
1	1683358	1	Barrel 600SJ (Prior to SN 0300034517)	
1	1683621	1	Barrel 600SJ (SN 0300034517 through 0300068000)	
2		Ref	Rod Options:	
2	1683250	1	Rod 600S & 660SJ	
2	1683359	1	Rod 600SJ	
3	1683057	1	Head	
4	3480205	1	Piston	
5	0961897	1	Bushing, Tapered	
6	4566644	1	Spacer, Tube	
7		Ref	Valve Assembly Options: (No serviceable parts - sold as assembly only)	
7	4640862	1	Valve Assembly (Prior to SN 0300034517)	
7	4641028	1	Valve Assembly (SN 0300034517 through 0300068000)	
7	7024397	2	O-Rings Between Valve Block and Cylinder	
8	2220885	6	Plug, O-Ring	
9	3931620	8	Capscrew 3/8in-16NC x 1-1/4in	
10	3760369	1	Ring, Washer	
11	3931448	4	Capscrew 1/4in-20NC x 3in	
12	3931508	1	Capscrew 5/16in-18NC x 1/2in	
13	See Note	NSS	Wiper (Note: Use Item 100)	
14	See Note	NSS	Seal, Rod (Note: Use Item 100)	
15	See Note	NSS	O-Ring (Note: Use Item 100)	
16	See Note	NSS	Ring, Back-up (Note: Use Item 100)	
17	See Note	NSS	Ring, Wear (Note: Use Item 100)	
18	See Note	NSS	O-Ring (Note: Use Item 100)	
19	See Note	NSS	Ring, Back-up (Note: Use Item 100)	
20	See Note	NSS	T-Seal (Note: Use Item 100)	
21	See Note	NSS	Ring, Wear (Note: Use Item 100)	
22	0100011	AR	Compound, Locking	
23	0100038	AR	Primer, Locking	
25	0630535	3	Bolt 1/4in-20NC x 1-1/8in	
100	2901284	1	Seal Kit (Includes Items 13-21)	

SECTION 5 - CYLINDER

FIGURE 5-15. CYLINDER BELLOWS INSTALLATIONS (OPTIONAL)



SECTION 5 - CYLINDER

FIGURE 5-15. CYLINDER BELLOWS INSTALLATIONS (OPTIONAL)

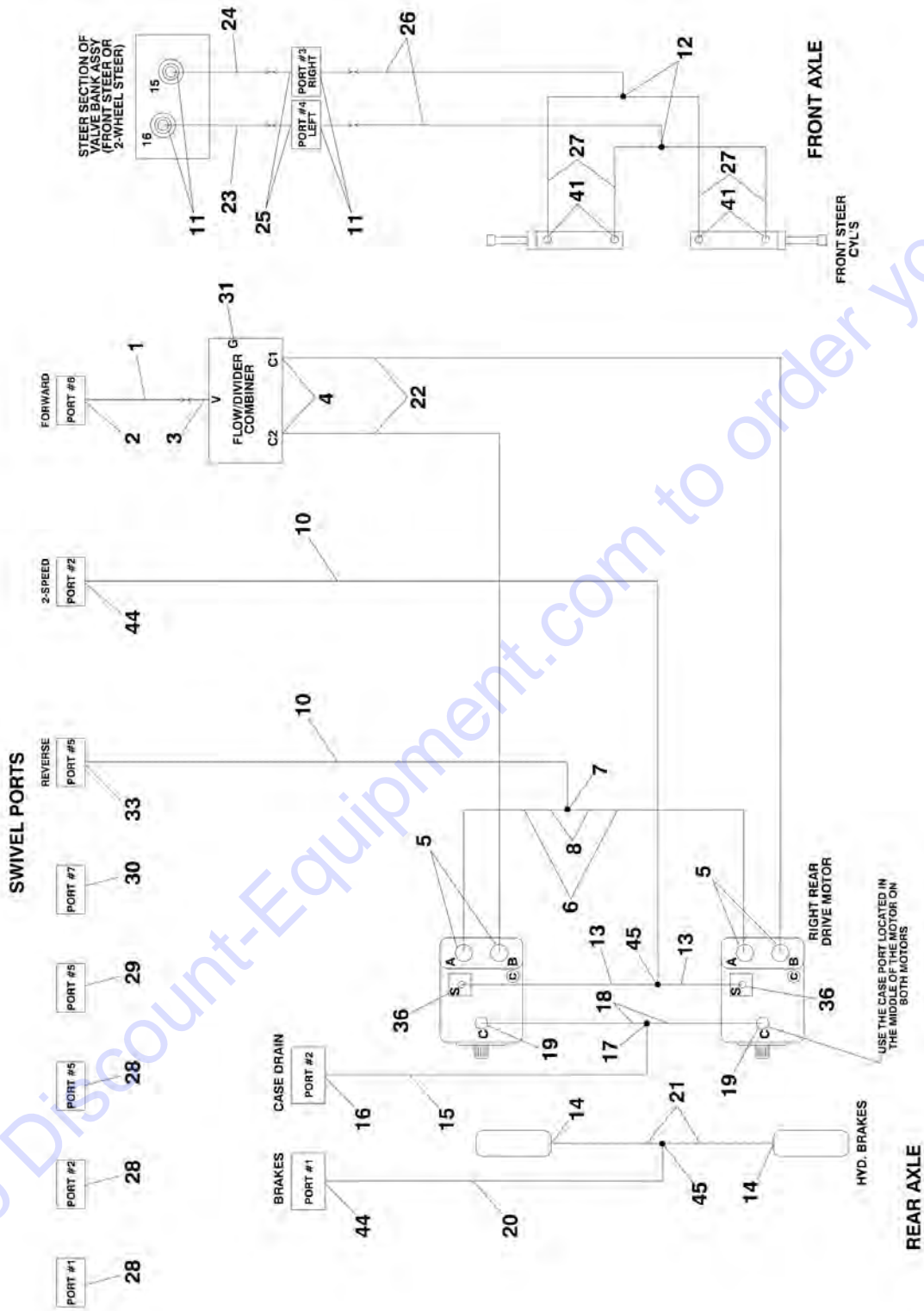
ITEM	PART NUMBER	QTY	DESCRIPTION	REV
		Ref	BELLOWS INSTALLATION - FRAME	
	0255353	Ref	2WS with Oscillating Axle	
	0255354	Ref	2WS with Fixed Axle	
	0255355	Ref	4WS with Oscillating Axle	
	0255356	Ref	4WS with Fixed Axle	
1	0460150	AR	Bellows, Cylinder (1 Per Steer Cylinder)	
2	0460158	AR	Bellows, Cylinder (1 Per Lockout Cylinder)	
	0255929	Ref	BELLOWS INSTALLATION - BOOM (600S)	
101	0460152	1	Bellows, Cylinder (Master Cylinder)	
102	0460153	1	Bellows, Cylinder (Lift Cylinder)	
103	Not Required	0	Not Required	
104	0460152	1	Bellows, Cylinder (Platform Level Cylinder)	
	0255930	Ref	BELLOWS INSTALLATION - BOOM (600SJ & 660SJ)	
101	0460151	1	Bellows, Cylinder (Master Cylinder)	
102	0460153	1	Bellows, Cylinder (Lift Cylinder)	
103	0460161		Bellows, Cylinder (Articulating Jib Lift Cylinder)	
104	0460160	1	Bellows, Cylinder (Platform Level Cylinder)	

SECTION 6 - HYDRAULIC

Go to Discount-Equipment.com to order your parts

SECTION 6 - HYDRAULIC

FIGURE 6-1. HYDRAULIC DIAGRAM - DRIVE AND STEER (2WD/2WS)



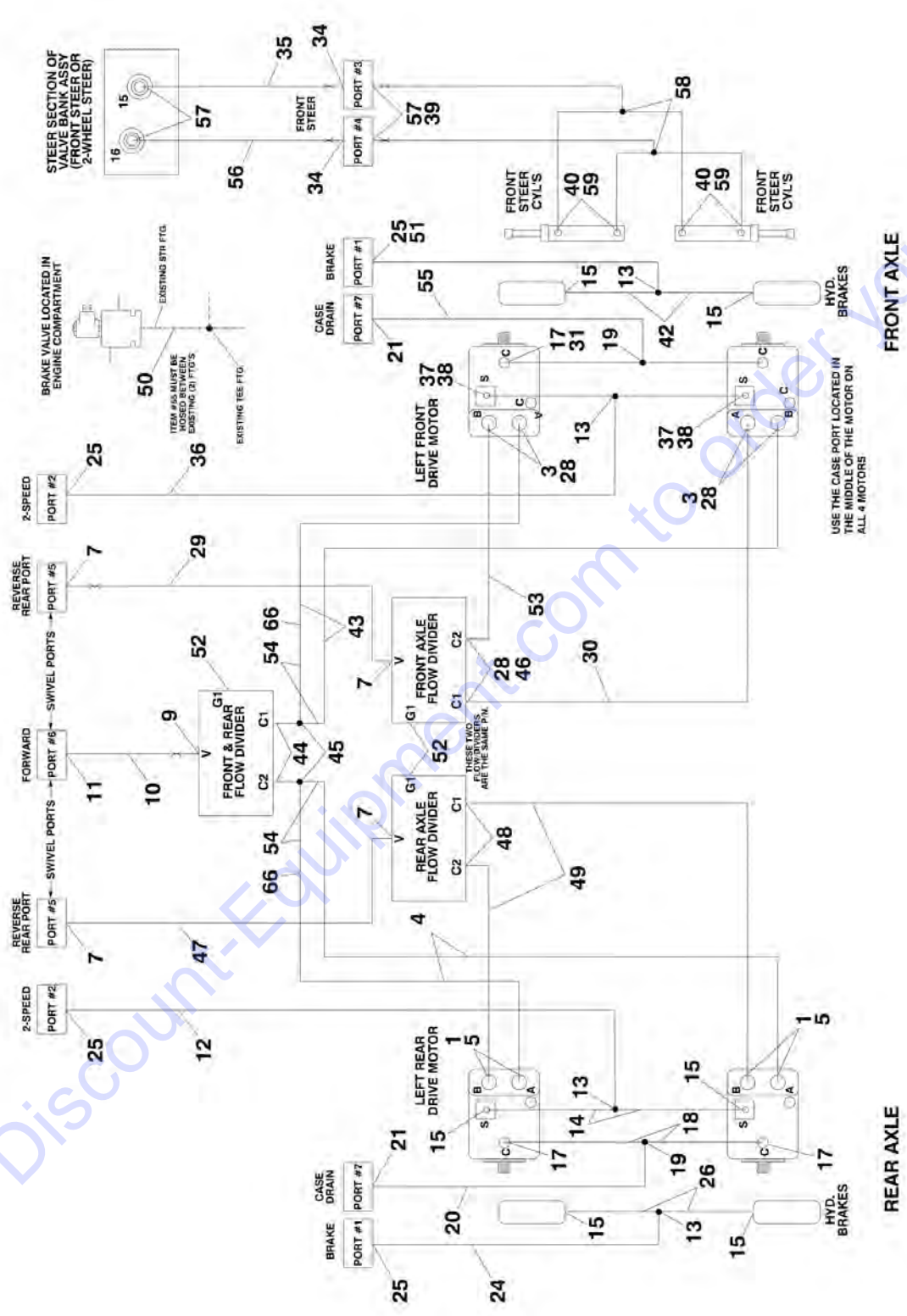
SECTION 6 - HYDRAULIC

FIGURE 6-1. HYDRAULIC DIAGRAM - DRIVE AND STEER (2WD/2WS)

ITEM	PART NUMBER	QTY	DESCRIPTION	REV
	2792184	Ref	HYDRAULIC DIAGRAM - DRIVE AND STEER (2WD/2WS)	3
1	2752322	1	Hose	
2	2220646	1	Fitting, 90	
3	2220377	2	Fitting, Straight	
4	2220568	2	Fitting, 45	
5	2220465	4	Fitting, Straight	
6	2752245	2	Hose	
7	2220363	1	Fitting, Tee	
8	2220710	2	Fitting, Reducer	
9	2752345	1	Hose	
10	2751016	1	Hose	
11	2220371	4	Fitting, Straight	
12	2220490	2	Fitting, Tee	
13	2751013	2	Hose	
14	2220466	1	Fitting, 90	
15	2752812	1	Hose	
16	2220375	1	Fitting, Straight	
17	2220362	1	Fitting, Tee	
18	2752807	2	Hose	
19	2220671	2	Fitting, 90	
20	2752584	1	Hose	
21	2752592	2	Hose	
22	2752258	2	Hose	
23	2752632	1	Hose	
24	2752478	1	Hose	
25	2220473	2	Fitting, 90	
26	2752462	2	Hose	
27	2752963	4	Hose	
28	2220237	3	Fitting, O-Ring Plug	
29	2220242	1	Fitting, O-Ring Plug	
30	2220240	1	Fitting, O-Ring Plug	
31	2220235	1	Fitting, O-Ring Plug	
33	2220365	1	Fitting, 45	
36	2220502	2	Fitting, 45	
41	2220473	4	Fitting, 90	
44	2220582	2	Fitting, Straight	
45	2220504	2	Fitting, Tee	

SECTION 6 - HYDRAULIC

FIGURE 6-2. HYDRAULIC DIAGRAM - DRIVE AND STEER (4WD/2WS)



SECTION 6 - HYDRAULIC

FIGURE 6-2. HYDRAULIC DIAGRAM - DRIVE AND STEER (4WD/2WS)

ITEM	PART NUMBER	QTY	DESCRIPTION	REV
	2792186	Ref	DRIVE HYDRAULIC DIAGRAM - 4WD/2WS	8
1	2220465	4	Fitting, 90	
3	2220500	4	Fitting, 45	
4	2752398	2	Hose	
5	2220622	4	Fitting, Reducer	
7	2220435	4	Fitting, Straight	
9	2220377	1	Fitting, Straight	
10	2752322	1	Hose	
11	2220646	1	Fitting, 90	
12	2751016	1	Hose	
13	2220504	4	Fitting, Tee	
14	2751013	2	Hose	
15	2220466	6	Fitting, 90	
17	2220671	4	Fitting, 90	
18	2752807	2	Hose	
19	2220362	2	Fitting, Tee	
20	2752812	1	Hose	
21	2220375	2	Fitting, Straight	
24	2752584	1	Hose	
25	2220582	4	Fitting, Straight	
26	2752592	2	Hose	
28	2220833	6	Fitting, Reducer	
29	2752256	1	Hose	
30	2752888	1	Hose	
31	2752898	2	Hose	
34	2220472	2	Fitting, 90	
35	2752478	1	Hose	
36	2751021	1	Hose	
37	2752918	2	Hose	
38	2220502	2	Fitting, 45	
39	2752462	2	Hose	
40	2752963	4	Hose	
42	2752909	2	Hose	
43	2752889	2	Hose	
44	2220550	2	Fitting, Reducer	
45	2220738	2	Fitting, Tee	
46	2220596	2	Fitting, 90	
47	2752249	1	Hose	
48	2220800	2	Fitting, Straight	
49	2752389	2	Hose	
50	2220914	1	Orifice (.043)	
51	2752443	1	Hose	
52	2220235	3	Plug #4	
53	2752893	1	Hose	
54	2220622	4	Fitting, Reducer	
55	2752810	1	Hose	
56	2752632	1	Hose	
57	2220582	4	Fitting, Straight	
58	2220363	1	Fitting, Tee	
59	2220472	2	Fitting, 90	

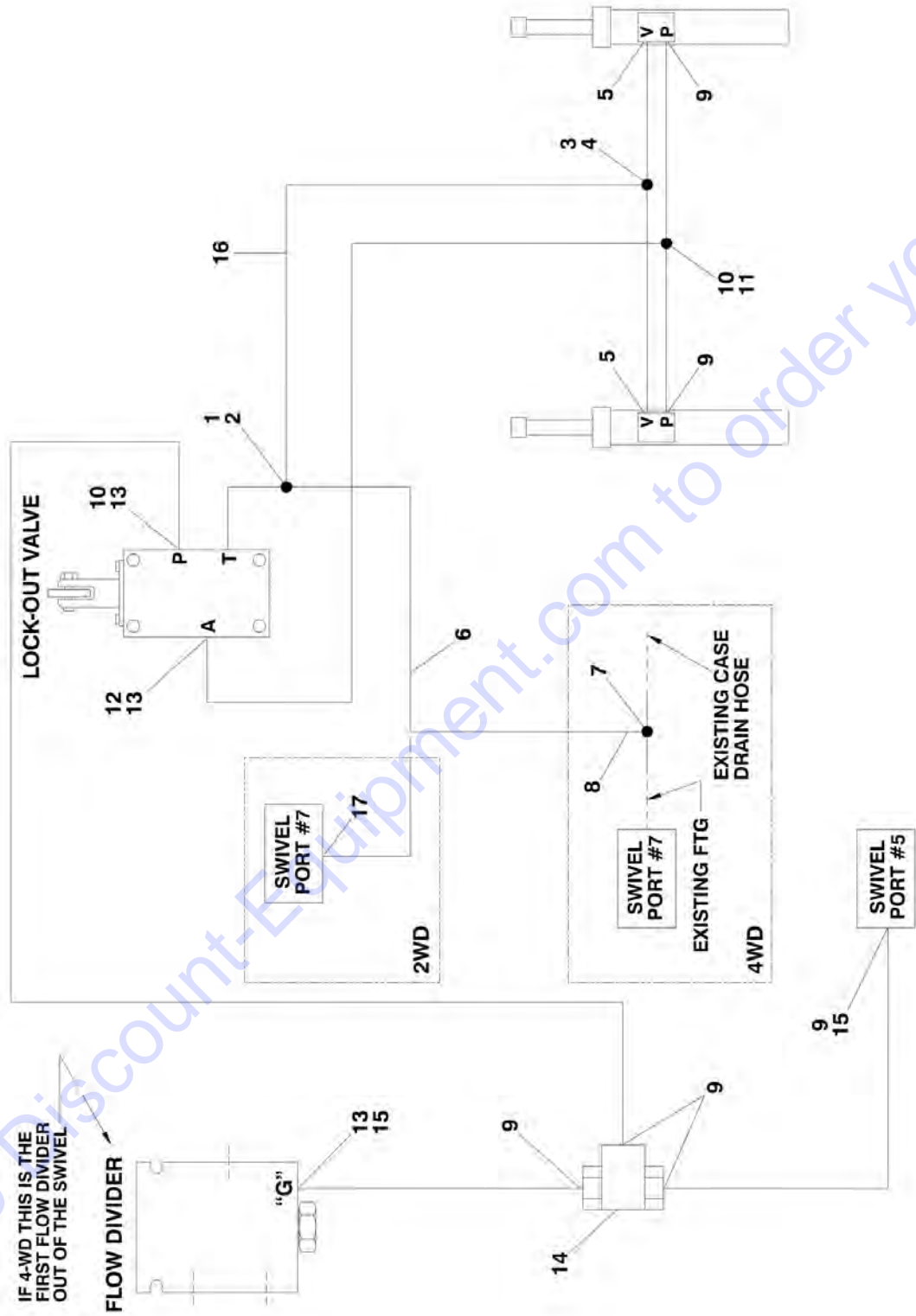
SECTION 6 - HYDRAULIC

ITEM	PART NUMBER	QTY	DESCRIPTION	REV
60 to 65	Not Required	0	Not Required	
66	2220386	2	Fitting, 90	

Go to Discount-Equipment.com to order your parts

SECTION 6 - HYDRAULIC

FIGURE 6-3. HYDRAULIC DIAGRAM - OSCILLATING AXLE



SECTION 6 - HYDRAULIC

FIGURE 6-3. HYDRAULIC DIAGRAM - OSCILLATING AXLE

ITEM	PART NUMBER	QTY	DESCRIPTION	REV
	2792204	Ref	AXLE LOCKOUT HYDRAULIC DIAGRAM - OSCILLATING AXLE	3
1	2220603	1	Fitting, Straight	
2	2220635	1	Fitting, Tee	
3	2752822	2	Hose	
4	2220490	1	Fitting, Tee	
5	2220371	2	Fitting, Straight	
6	2752823	1	Hose	
7	2220385	1	Fitting, Tee	
8	2220619	1	Fitting, Reducer	
9	2220582	6	Fitting, Straight	
10	2751397	3	Hose	
11	2220504	1	Fitting, Tee	
12	2751015	1	Hose	
13	2220415	3	Fitting, Straight	
14	4640939	1	Valve, Shuttle	
15	2751020	2	Hose	
16	2752824	1	Hose	
17	2220577	1	Fitting, Straight	

Go to Discount-Equipment.com to order your parts

PARTS FINDER

**Search Website
by Part Number**



**Search Manual
Library For Parts
Manual & Lookup Part
Numbers – Purchase
or Request Quote**

A screenshot of the "Search Manuals" form. The form has a title "Search Manuals" and a subtitle "Please enter the model number or part number to search for a manual." Below the subtitle are several input fields: "Find" (with a dropdown menu), "Serial Number" (with a dropdown menu), "Year" (with a dropdown menu), "Serial" (text input), "Part Number" (text input), "Part Name" (text input), and "Category" (text input). There is a "Search" button at the bottom of the form.

**Can't Find Part or
Manual? Request Help
by Manufacturer,
Model & Description**

A screenshot of the "Parts Order Form". The form has a title "Parts Order Form" and a subtitle "Please fill out the form below." Below the subtitle are several input fields: "Manufacturer" (text input), "Model" (text input), "Description" (text input), "Part Number" (text input), "Part Name" (text input), "Quantity" (text input), "Unit Price" (text input), "Total Price" (text input), "Tax" (text input), "Shipping" (text input), "Notes" (text input), and "Comments" (text input). There is a "Submit" button at the bottom of the form.

Discount-Equipment.com is your online resource for quality parts & equipment.

Florida: **561-964-4949** Outside Florida TOLL FREE: **877-690-3101**

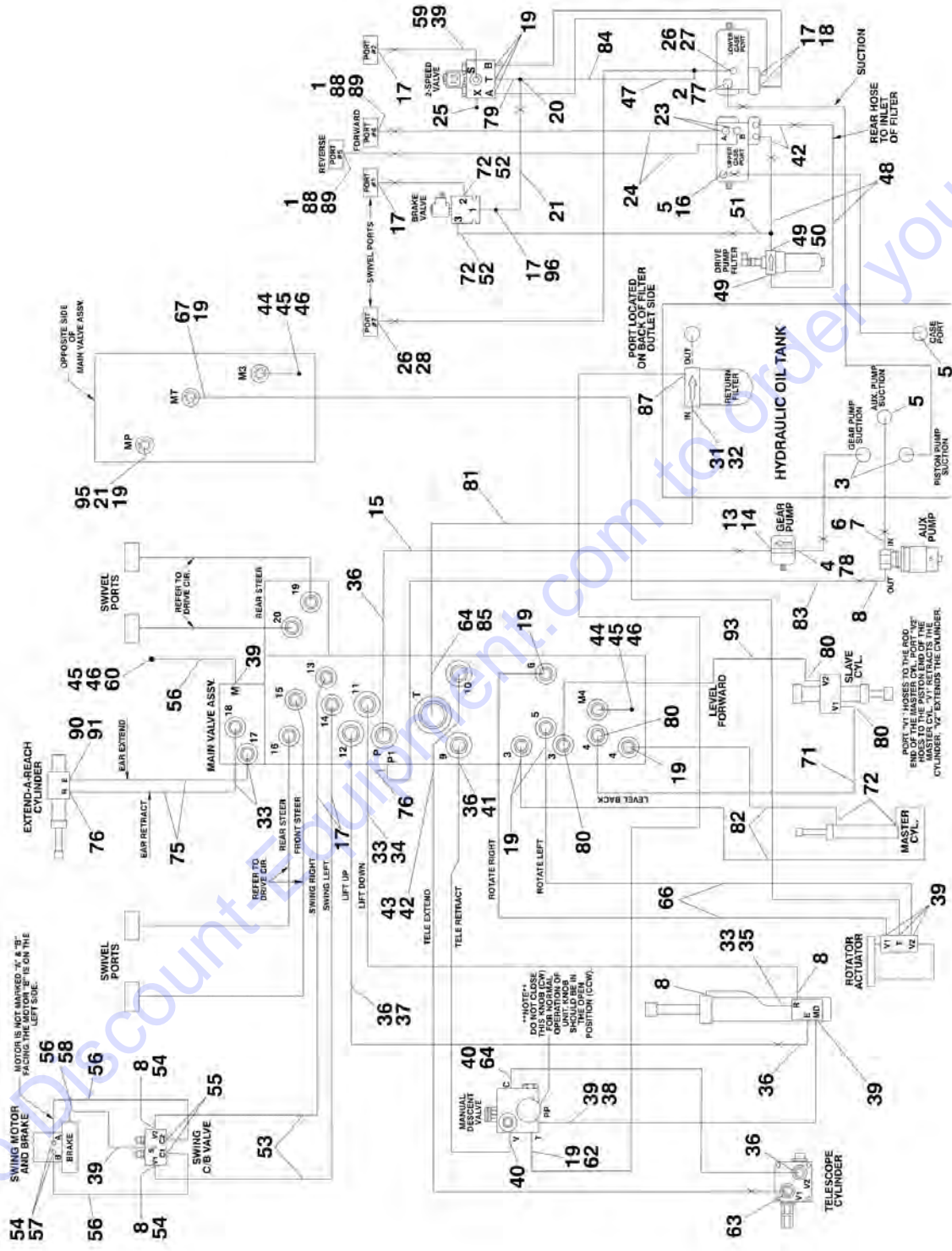
Need parts?

Click on this link: <http://www.discount-equipment.com/category/5443-parts/> and choose one of the options to help get the right parts and equipment you are looking for. Please have the machine model and serial number available in order to help us get you the correct parts. If you don't find the part on the website or on one of the online manuals, please fill out the request form and one of our experienced staff members will get back to you with a quote for the right part that your machine needs.

We sell worldwide for the brands: Genie, Terex, JLG, MultiQuip, Mikasa, Essick, Whiteman, Mayco, Toro Stone, Diamond Products, Generac Magnum, Airman, Haulotte, Barreto, Power Blanket, Nifty Lift, Atlas Copco, Chicago Pneumatic, Allmand, Miller Curber, Skyjack, Lull, Skytrak, Tsurumi, Husquvarna Target, Stow, Wacker, Sakai, Mi-T-M, Sullair, Basic, Dynapac, MBW, Weber, Bartell, Bennar Newman, Haulotte, Ditch Runner, Menegotti, Morrison, Contec, Buddy, Crown, Edco, Wyco, Bomag, Laymor, EZ Trench, Bil-Jax, F.S. Curtis, Gehl Pavers, Heli, Honda, ICS/PowerGrit, IHI, Partner, Imer, Clipper, MMD, Koshin, Rice, CH&E, General Equipment, Amida, Coleman, NAC, Gradall, Square Shooter, Kent, Stanley, Tamco, Toku, Hatz, Kohler, Robin, Wisconsin, Northrock, Oztec, Toker TK, Rol-Air, APT, Wylie, Ingersoll Rand / Doosan, Innovatech, Con X, Ammann, Mecalac, Makinex, Smith Surface Prep, Small Line, Wanco, Yanmar

SECTION 6 - HYDRAULIC

FIGURE 6-4. HYDRAULIC DIAGRAM - STANDARD



SECTION 6 - HYDRAULIC

FIGURE 6-4. HYDRAULIC DIAGRAM - STANDARD

ITEM	PART NUMBER	QTY	DESCRIPTION	REV
		Ref	STANDARD HYDRAULIC DIAGRAM	
	2792179	Ref	Standard Hydraulic Diagram 600S	17
	2792181	Ref	Standard Hydraulic Diagram 600SJ	16
	2792180	Ref	Standard Hydraulic Diagram 660SJ	18
1	2220377	2	Fitting, Straight	
2	2752752	1	Hose	
3	2220380	2	Fitting, Straight	
4	2220376	1	Fitting, Straight	
5	2220578	3	Fitting, 90	
6	2752653	1	Hose	
7	2220408	1	Fitting, Straight	
8	2220628	5	Fitting, 90	
13	2220810	1	Fitting, Reducer	
14	4640744	1	Fitting, Check Valve	
15	2752504	1	Hose	
16	2752654	1	Hose	
17	2220582	7	Fitting, Straight	
18	2751427	2	Hose	
19	2220415	9	Fitting, Straight	
20	2220605	1	Fitting, Tee	
21	2752573	1	Hose	
22	2752594	1	Hose	
23	2220646	2	Fitting, 90	
24	2752340	2	Hose	
25	2220235	1	Fitting, Plug	
26	2220375	2	Fitting, Straight	
27	2220385	1	Fitting, Tee	
28	2752514	1	Hose	
31	2220921	1	Fitting, Reducer	
32	2220498	1	Fitting, 45	
33	2220372	AR	Fitting, Straight	
34	2752631	1	Hose	
35	2752632	1	Hose	
36	2220373	5	Fitting, Straight	
37	2752515	1	Hose	
38	2752587	1	Hose	
39	2220466	AR	Fitting, 90	
40	2220596	2	Fitting, 90	
41	2752516	1	Hose	
42	2220947	3	Fitting, Straight	
43	2752762	1	Hose	
44	2220873	AR	Fitting, Straight Nipple	
45	2220428	AR	Fitting, Quick Coupling	
46	2220429	AR	Fitting, Dust Cap	
47	2220618	1	Fitting, Reducer	
48	2752763	2	Hose	
49	2220906	2	Fitting, 90	
50	2220948	1	Fitting, Tee	
51	2220618	1	Fitting, Reducer	
52	2752580	1	Hose	

SECTION 6 - HYDRAULIC

ITEM	PART NUMBER	QTY	DESCRIPTION	REV
53	2752588	2	Hose	
54	2220609	4	Fitting, Reducer	
55	2220468	2	Fitting, Straight	
56		Ref	Hose Options:	
56	2752444	AR	Hose (Prior to SN 0300037634)	
56	2752981	AR	Hose (SN 0300037634 through 0300068000)	
57	2220497	2	Fitting, Straight	
58	2220502	1	Fitting, 45	
59	2751396	1	Hose	
60		Ref	Fitting, Straight Options:	
60	2220414	AR	Fitting, Straight 600S/660SJ	
60	2220414	AR	Fitting, Straight 600SJ (Prior to SN 0300058648)	
60	Not Required	0	Fitting, Straight 600SJ (SN 0300058648 through 0300068000)	
61	2752433	1	Hose	
62	2220462	1	Fitting, 90	
63	2220950	1	Fitting, 45	
64	2752517	1	Hose	
65	2220974	1	Fitting, Long Straight	
66		Ref	Hose Options:	
66	2752598	2	Hose 600S & 600SJ	
66	2752596	2	Hose 660SJ	
67		Ref	Hose Options:	
67	2752599	1	Hose 600S & 600SJ	
67	2752597	1	Hose 660SJ	
71		Ref	Hose Options:	
71	2752633	AR	Hose 600S & 660SJ	
71	2751868	AR	Hose 600SJ	
72	2220472	4	Fitting, 90	
75		Ref	Hose Options:	
75	2752633	2	Hose 660SJ	
75	2753048	2	Hose 600SJ	
76	2220473	AR	Fitting, 90	
77	2220479	1	Fitting, Straight	
78	2752753	1	Hose	
79	2220909	1	Fitting, Restrictor	
80	2220603	4	Fitting, Straight	
81	2752783	1	Hose	
82	2752591	2	Hose	
83	2752643	1	Hose	
84	2752981	1	Hose	
85	2220409	1	Fitting, 45	
87	2220574	1	Fitting, Straight	
88	0100011	AR	Compound, Locking	
89	0100038	AR	Loctite, Primer	
90	2180724	1	Fitting, 90 (600SJ & 660SJ Only)	
91	2180380	1	Fitting, Pipe Plug (600SJ & 660SJ Only)	
92	1703533	1	Decal - Hose Tags (Not Shown)	
93	2753083	1	Hose (600SJ & 660SJ Only)	
94	4240018	7	Tie-Strap (Not Shown)	
95	2220873	1	Fitting, Nipple (SN 0300058648 through 0300068000)	
96	2220914	1	Fitting, Restrictor (SN 0300061073 through 0300068000)	

SECTION 6 - HYDRAULIC

FIGURE 6-5. HYDRAULIC DIAGRAM LIST

ITEM	PART NUMBER	QTY	DESCRIPTION	REV
		Ref		
		Ref	Drive and Steer Hydraulic Diagrams:	
	2792184	Ref	2WD/2WS Machines	
	2792185	Ref	2WD/4WS Machines	
	2792186	Ref	4WD/2WS Machines	
	2792187	Ref	4WD/4WS Machines	
	2792204	Ref	Axle Lockout Hydraulic Diagram	
		Ref	Oil Cooler Hydraulic Diagrams:	
	0256779	Ref	Continental Engine	
	1282668	Ref	Continental Engine	
	0256762	Ref	Deutz Engine	
	1282665	Ref	Deutz Engine	
		Ref	Standard Hydraulic Diagrams:	
	2792179	Ref	Standard Hydraulic Diagrams 600S	
	1282380	Ref	Standard Hydraulic Diagrams 600S	
	2792181	Ref	Standard Hydraulic Diagrams 600SJ	
	1282380	Ref	Standard Hydraulic Diagrams 600SJ	
	2792180	Ref	Standard Hydraulic Diagrams 660SJ	
	1282380	Ref	Standard Hydraulic Diagrams 660SJ	
	2792176	Ref	Standard Hydraulic Schematic	
		Ref	Tool Hydraulic Diagrams:	
	2792325	Ref	Tool Hydraulic Diagrams 600S	
	2792326	Ref	Tool Hydraulic Diagrams 600SJ	
	2792327	Ref	Tool Hydraulic Diagrams 660SJ	
		Ref	Tow Hydraulic Diagram	
	2792266	Ref	Tow Hydraulic Diagram 2WS	
	2792315	Ref	Tow Hydraulic Diagram 4WS	

SECTION 7 - ELECTRICAL

Go to Discount-Equipment.com to order your parts

SECTION 7 - ELECTRICAL

FIGURE 7-1. ELECTRICAL DIAGRAM LIST

ITEM	PART NUMBER	QTY	DESCRIPTION	REV
		Ref	Note use either p/n 0861388 or p/n 0861477 platform console box. See Note in ELECTRICAL SECTION Harness Components if further identification is required. (SN 0300063910 through 0300064498)	
		Ref	ALARM ELECTRICAL DIAGRAMS:	
	4932783	Ref	Alarm (Prior to SN 0300035129)	-
	1282474	Ref	Alarm (Prior to SN 0300035129)	A
	4932903	Ref	Motion Alarm (SN 0300035129 through 0300037116)	2
	1282685	Ref	Motion Alarm (SN 0300035129 through 0300037116)	D
	4933025	Ref	Motion Alarm (SN 0300037117 through 0300068000)	1
	1282937	Ref	Motion Alarm (SN 0300037117 through 0300068000)	A
	4932902	Ref	Travel Alarm (SN 0300035129 through 0300037116)	1
	1282685	Ref	Travel Alarm (SN 0300035129 through 0300037116)	D
	4933026	Ref	Travel Alarm (SN 0300037117 through 0300068000)	1
	1282937	Ref	Travel Alarm (SN 0300037117 through 0300068000)	A
		Ref	DRIVE CUT-OUT ELECTRICAL DIAGRAMS:	
	4932894	Ref	Above Elevation (Prior to SN 0300035129)	1
	1282672	Ref	Above Elevation (Prior to SN 0300035129)	-
	4932990	Ref	Above Elevation (SN 0300035129 through 0300068000)	2
	1282828	Ref	Above Elevation (SN 0300035129 through 0300068000)	B
	4932896	Ref	Above Elevation Tilt (Prior to SN 0300035129)	1
	1282672	Ref	Above Elevation Tilt (Prior to SN 0300035129)	-
	4932993	Ref	Above Elevation Tilt (SN 0300035129 through 0300068000)	2
	1282828	Ref	Above Elevation Tilt (SN 0300035129 through 0300068000)	B
	4932852	Ref	8 Meter (Prior to SN 0300035129)	1
	1282672	Ref	8 Meter (Prior to SN 0300035129)	-
	4932991	Ref	8 Meter (SN 0300035129 through 0300068000)	2
	1282828	Ref	8 Meter (SN 0300035129 through 0300035129)	B
	3640493	1	Rail, Mounting	
	4460607	2	Stop, Terminal	
	4120013	1	Socket, Relay	
	3740058	1	Relay 4PDT	
	3740063	1	Spring, Relay	
	4932900	Ref	DUAL CAPACITY ELECTRICAL DIAGRAM (AUSTRALIAN SPEC)	1-A
		Ref	ENGINE LOW OIL SHUTDOWN ELECTRICAL DIAGRAMS:	
	4932977	Ref	Engine low oil shutdown electrical (Prior to SN 0300035129)	1-A
	4932986	Ref	Engine low oil shutdown electrical (SN 0300035129 through 0300068000)	2-B
		Ref	GENERATOR ELECTRICAL DIAGRAMS:	
		Ref	110Volt	
	4932828	Ref	Generator Electrical Diagrams (Prior to SN 0300035129)	2-C
	4932915	Ref	Generator Electrical Diagrams (SN 0300035129 through 0300056088)	2-C
	4933150	Ref	Generator Electrical Diagrams (SN 0300056089 through 0300061926)	2-B
		Ref	110Volt (ADE SYSTEM)	
	4933158	Ref	Generator Electrical Diagrams (SN 0300061927 through 0300063909)	1-A
	See Note	Ref	Generator Electrical Diagrams (Note: See Note at Top) (SN	

SECTION 7 - ELECTRICAL

ITEM	PART NUMBER	QTY	DESCRIPTION	REV
	4933215	Ref	0300063910 through 0300064498) Generator Electrical Diagrams (SN 0300064499 through 0300068000)	1-A
		Ref	220 Volt	
	4932940	Ref	Generator Electrical Diagrams (Prior to SN 0300035129)	-
	4932989	Ref	Generator Electrical Diagrams (SN 0300035129 through 0300056088)	1-A
	4933149	Ref	Generator Electrical Diagrams (SN 0300056089 through 0300061926)	2-B
		Ref	220 Volt (ADE SYSTEM)	
	4933162	Ref	Generator Electrical Diagrams (SN 0300061927 through 0300063909)	1-A
	See Note	Ref	Generator Electrical Diagrams (Note: See Note at Top) (SN 0300063910 through 0300064498)	
	4933216	Ref	Generator Electrical Diagrams (SN 0300064499 through 0300068000)	1-A
		Ref	GLOW PLUG DIAGRAMS:	
	4933175	Ref	Glow Plug Diagram (Prior to SN 0300061927)	B
	4922542	1	Harness	
	4933189	Ref	Glow Plug Diagram (ADE System) (SN 0300061927 through 0300063909)	A
	See Note	Ref	Glow Plug Diagram (ADE System) (Note: See Note at Top) (SN 0300063910 through 0300064498)	
	4933217	Ref	Glow Plug Diagram (ADE System) (SN 0300064499 through 0300068000)	B
		Ref	LIGHTS ELECTRICAL DIAGRAMS:	
	4932839	Ref	Headlight/Taillight (Prior to SN 0300035129)	1-A
	4932917	Ref	Headlight/Taillight (SN 0300035129 through 0300061926)	3-D
	4922095	1	Harness (Located in Platform Console Box)	
	3740049	1	Relay	
	4932917	Ref	Headlight/Taillight (ADE System) (SN 0300061927 through 0300063909)	3-D
	4922095	1	Harness (Located in Ground Console Box)	
	3740049	1	Relay	
	See Note	Ref	Headlight/Taillight (ADE System) (Note: See Note at Top) (SN 0300063910 through 0300064498)	
	4933219	Ref	Headlight/Taillight (ADE System) (SN 0300064499 through 0300068000)	1-B
	4922643	1	Harness (Located in Ground Console Box)	
	3740049	1	Relay	
		Ref	OIL COOLER ELECTRICAL DIAGRAMS:	
	0256779	Ref	Continental Engine	
	1282668	Ref	Continental Engine	
	0256762	Ref	Deutz Engine	
	1282665	Ref	Deutz Engine	
		Ref	PLATFORM ELECTRICAL DIAGRAMS:	
	4932849	Ref	Platform Electrical Diagrams (Prior to SN 0300035129)	5-H
	4932974	Ref	Platform Electrical Diagrams (SN 0300035129 through 0300061926)	7-F
	4922509	Ref	ADE System (SN 0300061927 through 0300068000)	D
		Ref	PLATFORM LOAD SENSING DEVICE INSTALLATION (FRENCH SPEC) ELECTRICAL DIAGRAMS:	
	4933006	Ref	Platform Load Sensing Device Installation (French Spec) Electrical Diagrams (Prior to SN 0300058378)	A
	0259233	Ref	Platform Load Sensing Device Installation (French Spec)	C

SECTION 7 - ELECTRICAL

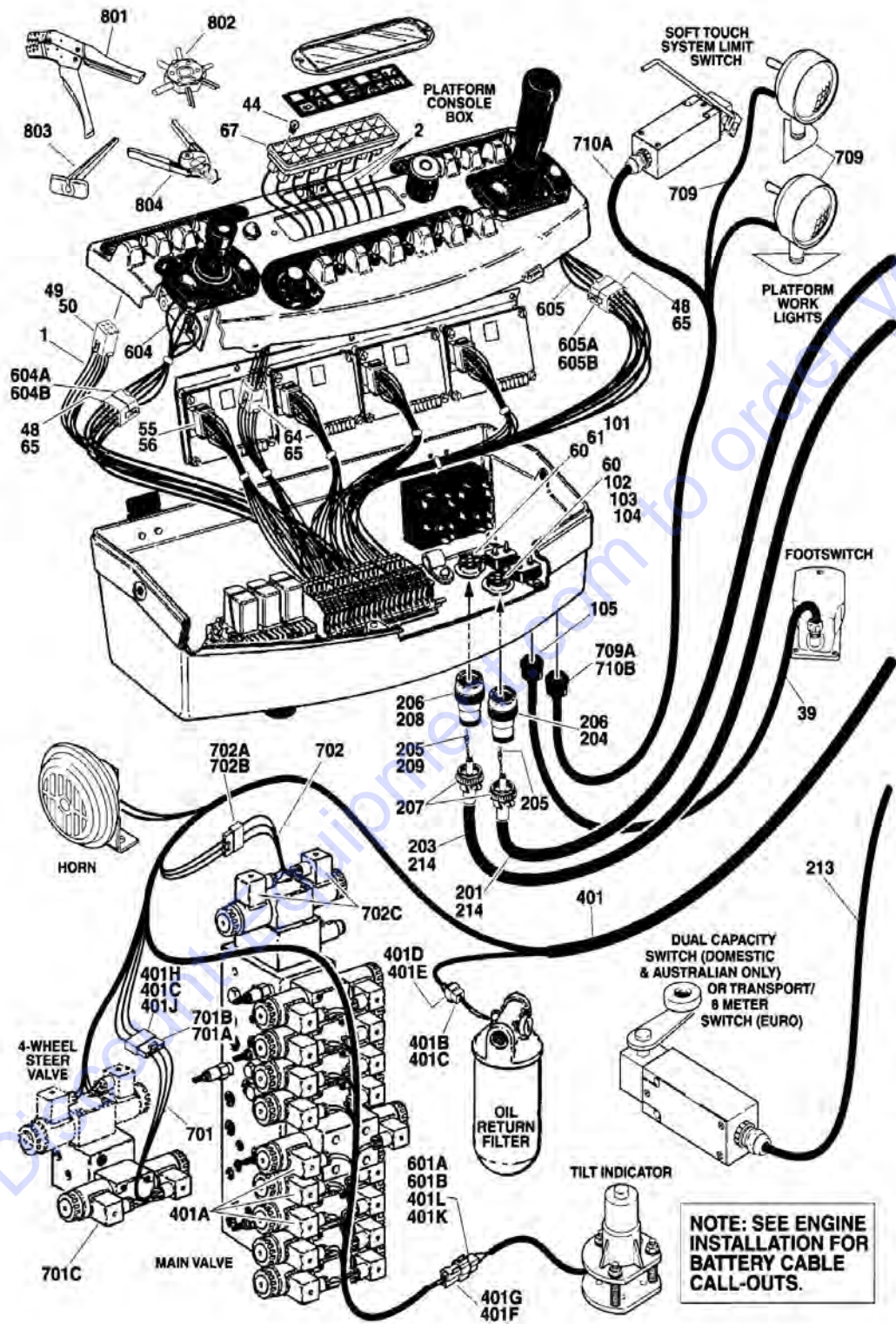
ITEM	PART NUMBER	QTY	DESCRIPTION	REV
	0271474	Ref	Electrical Diagrams (SN 0300058378 through 0300061926) Platform Load Sensing Device Installation (French Spec) Electrical Diagrams (Lift Down) (SN 0300058378 through 0300061926)	1-A
	0270835	Ref	Platform Load Sensing Device Installation (French Spec) Electrical Diagrams (SN 0300061927 through 0300068000)	B
	0271543	Ref	Platform Load Sensing Device Installation (French Spec) Electrical Diagrams (Lift Down) (SN 0300063909 through 0300068000)	1-A
	4932815	Ref	PLATFORM SOFT TOUCH SYSTEM ELECTRICAL DIAGRAMS: Platform soft touch system electrical Diagrams (Prior to SN 0300035129)	-
	4932980	Ref	Platform soft touch system electrical Diagrams (SN 0300035129 through 0300061927)	2-C
	3740057	1	Relay (Located in Platform Console Box)	
	4120012	1	Socket, Relay (Located in Platform Console Box)	
	3740066	1	Spring, Relay (Located in Platform Console Box)	
	3740049	1	Relay (Located in Platform Console Box)	
	4460600	1	Block, Terminal (Located in Platform Console Box)	
		Ref	PLATFORM SOFT TOUCH SYSTEM ELECTRICAL DIAGRAMS: (ADE SYSTEM)	
	4933156	Ref	Platform soft touch system electrical: (ADE System) (SN 0300061927 through 0300063909)	1-A
	See Note	Ref	Platform soft touch system electrical: (ADE System) (Note: See Note at Top) (SN 0300063910 through 0300064498)	
	4933218	Ref	Platform soft touch system electrical: (ADE System) (SN 0300064499 through 0300068000)	1-B
		Ref	PLATFORM WORKLIGHTS ELECTRICAL DIAGRAMS:	
	0255392	Ref	Platform soft touch system electrical (Prior to SN 0300035129)	2-B
	0258048	Ref	Platform soft touch system electrical (SN 0300035129 through 0300061926)	2-E
	0270814	Ref	ADE System (SN 0300061927 through 0300068000)	3-D
		Ref	POWER TOOL ELECTRICAL DIAGRAMS	
	4932971	Ref	Power Tool Electrical Diagrams (Prior to SN 0300066201)	2-A
	4933263	Ref	Power Tool Electrical Diagrams (SN 0300066201 through 0300068000)	1-B
		Ref	REMOTE CONTROL ELECTRICAL DIAGRAMS:	
	4932958	Ref	Remote Control Box	2-B
	4932959	Ref	Junction Box	3-B
		Ref	STANDARD ELECTRICAL DIAGRAMS:	
		Ref	Deutz Engine	
	4932853	Ref	Deutz Engine (Prior to SN 0300035129)	5-F
	4932975	Ref	Deutz Engine (SN 0300035129 through 0300061926)	6-F
		Ref	Deutz Engine (ADE System)	
	4933169	Ref	Deutz Engine (ADE System) (SN 0300061927 through 0300063909)	5-G
	See Note	Ref	Deutz Engine (ADE System) (Note: See Note at Top) (SN 0300063910 through 0300064498)	
	4933222	Ref	Deutz Engine (ADE System) (SN 0300064499 through 0300068000)	2-B
		Ref	Deutz Engine - UL	
	4933062	Ref	Deutz Engine - UL (SN 0300039457 through 0300068000)	1-A
		Ref	STANDARD ELECTRICAL SCHEMATICS:	
	1870044	Ref	Deutz (Prior to SN 0300035129)	F

SECTION 7 - ELECTRICAL

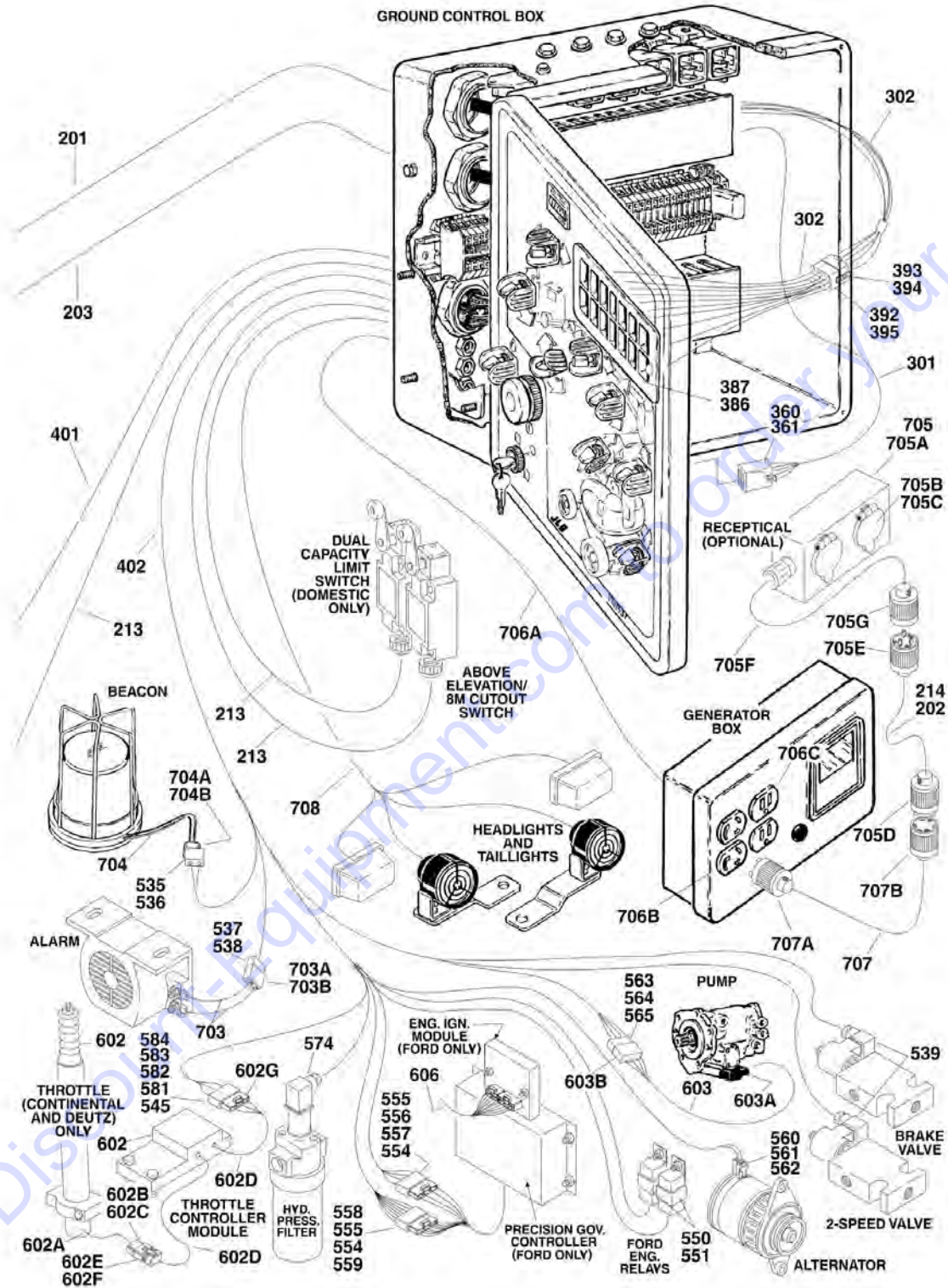
ITEM	PART NUMBER	QTY	DESCRIPTION	REV
	1870054	Ref	Deutz (SN 0300035129 through 0300061926)	G
	1870087	Ref	Deutz - UL (SN 0300039457 through 0300068000)	A
	1870050	Ref	Australian Spec (Prior to SN 0300035129)	B
	1870071	Ref	Australian Spec (SN 0300035129 through 0300068000)	C
	1870132	Ref	Deutz/Ford EFI (ADE System) (SN 0300061927 through 0300068000)	C
		Ref	STROBE LIGHT ELECTRICAL DIAGRAM:	
	4932812	Ref	Strobe Light Electrical Diagrams (Prior to SN 0300035129)	-
	1282474	Ref	Strobe Light Electrical Diagrams (Prior to SN 0300035129)	-
	4932904	Ref	Strobe Light Electrical Diagrams (SN 0300035129 through 0300036476)	2
	1282685	Ref	Strobe Light Electrical Diagrams (SN 0300035129 through 0300036476)	D
	4933027	Ref	Strobe Light Electrical Diagrams (SN 0300036477 through 0300061926)	1
	1282829	Ref	Strobe Light Electrical Diagrams (SN 0300036477 through 0300061926)	A
	0270805	Ref	Strobe Light Electrical Diagrams ADE System (SN 0300061927 through 0300068000)	1
	1283235	Ref	Strobe Light Electrical Diagrams (SN 0300061927 through 0300068000)	B

SECTION 7 - ELECTRICAL

FIGURE 7-2. HARNESS COMPONENTS INSTALLATION (Prior to SN 0300061927)



SECTION 7 - ELECTRICAL



SECTION 7 - ELECTRICAL

FIGURE 7-2. HARNESS COMPONENTS INSTALLATION (Prior to SN 0300061927)

ITEM	PART NUMBER	QTY	DESCRIPTION	REV
		Ref	HARNESS COMPONENTS INSTALLATION	
		Ref	PLATFORM BOX HARNESS ASSEMBLY	
	4932849	Ref	Platform Box Harness Assembly (Colored Wiring) (Prior to SN 0300035129)	5-H
	4921994	Ref	Platform Box Harness Assembly (Numbered Colored Wiring) (SN 0300035129 through 0300061927)	3-F
	4932974	1	Platform Box Harness Assembly (Numbered Colored Wiring) (SN 0300035129 through 0300061927)	7-F
1	See Note	NSS	Harness, Switch (Made from individual Wires) (Note: Not Available for Purchase)	
2	See Note	NSS	Harness, Light Panel (Made from individual Wires) (Note: Not Available for Purchase)	
39		Ref	Cable, Electrical - 12/4 Options:	
39	1060012	7 ft/2.13m	Cable, Electrical - 12/4 (Prior to SN 0300060641)	
39	1060515	7 ft/2.13m	Cable, Electrical - 12/4 (SN 0300060641 through 0300061927)	
44	2920129	12	Bulb, Light	
48	4460265	2	Plug, Male - 9 Position	
49	4460418	8	Connector - 6 Position	
50	4460419	AR	Terminal, Female	
55		Ref	Connector - 15 Position Options:	
55	4460620	4	Connector - 15 Position (Prior to SN 0300035129)	
55	4460720	4	Connector - 15 Position (SN 0300035129 through 0300061927)	
56		Ref	Socket, Female Options:	
56	4460621	43	Socket, Female (Prior to SN 0300035129)	
56	4460721	43	Socket, Female (SN 0300035129 through 0300061927)	
60	4460464	40	Pin, Male (16 Gauge)	
61	4460508	4	Pin, Male (12 Gauge)	
62	3990001	13	Diode - 3Amp (Not Shown)	
64	4460225	1	Connector, Plug - 3 Position	
65	4460267	21	Pin, Male	
66	3990010	11	Diode - 6Amp (Not Shown)	
68	4120035	12	Base, Light	
		Ref	PLATFORM BOX ASSEMBLY COMPONENTS	
101	4460613	1	Receptacle - 21Pin	
102	4460503	1	Receptacle - 3 Pin	
103	4460470	2	Nut, Conduit	
104	4460471	2	Washer	
105	4460428	1	Connector, Strain Relief	
		Ref	BOOM CABLES INSTALLATION	
	0255879	Ref	Boom Cables Installation 600S - 2WS	10
	0256938	Ref	Boom Cables Installation 600S - 4WS	5
	0255897	Ref	Boom Cables Installation 600SJ - 2WS	9
	0256940	Ref	Boom Cables Installation 600SJ - 4WS	4
	0255868	Ref	Boom Cables Installation 660SJ - 2WS	10
	0256937	Ref	Boom Cables Installation 660SJ - 4WS	4
201	1060516	Ref	Cable, Electrical - 16/30 Options: (Does not Include Terminals)	
201	1060516	68.5 ft /20.9m	Cable, Electrical - 16/30, 600S	
201	1060516	70 ft /21.3m	Cable, Electrical - 16/30, 600SJ	

SECTION 7 - ELECTRICAL

ITEM	PART NUMBER	QTY	DESCRIPTION	REV
201	1060516	76 ft /23.2m	Cable, Electrical - 16/30, 660SJ	
202	1060461	1	Cable, Electrical - 12/3 Options: (Does not Include Terminals)	
202	1060461	69.5 ft /21.2m	Cable, Electrical - 12/3, 600S	
202	1060461	71 ft /21.6m	Cable, Electrical - 12/3, 600SJ	
202	1060461	77 ft/23.5	Cable, Electrical - 12/3, 660SJ	
203		Ref	Cable, Electrical Options: (Does not Include Terminals)	
203	1060602	69.5 ft /21.2m	Cable, Electrical 600S - 2WS (12/4 & 16/4)	
203	1060603	69.5 ft /21.2m	Cable, Electrical 600S - 4WS (12/4 & 16/10)	
203	1060602	71 /21.6m	Cable, Electrical 600SJ - 2WS (12/4 & 16/4)	
203	1060603	76 ft /23.2m	Cable, Electrical 600SJ - 4WS (12/4 & 16/10)	
203	1060602	77 ft /23.5m	Cable, Electrical 660SJ - 2WS (12/4 & 16/4)	
203	1060603	82 ft/25m	Cable, Electrical 660SJ - 4WS (12/4 & 16/10)	
204	4460502	1	Connector - 31 Position	
205	4460465	AR	Socket, Female - #16	
206	4460466	14	Seal, Plug	
207	4460473	2	Clamp, Cable	
208	4460614	1	Plug, Connector (19 Pin)	
209	4460509	4	Socket, Female - #12	
213	1060016	25.5 ft /9.1m	Cable, Boom Length	
214	4100026	10 ft/3m	Sleeve, Nylon (600S Only)	
		Ref	GROUND CONTROL BOX DIAGRAMS	
		Ref	Note: Numbered Wiring Starts with SN 0300035129	
	4932853	Ref	Deutz Engine (Prior to SN 0300035129)	5-F
	4932975	Ref	Deutz Engine (SN 0300035129 through 0300061927)	5-E
	4933062	Ref	Deutz Engine - UL (SN 0300039457 through 0300061927)	1-B
301		Ref	Harness, Switch Options:	
301	See Note	NSS	Harness, Switch (Made from Individual Wires) (Note: Not Available for Purchase) (Prior to SN 0300035129)	
301	4921993	AR	Harness, Switch (Includes Items 360 & 361) (SN 0300035129 through 0300061927)	5-E
301	4922167	AR	UL Machines (Includes Items 360 & 361) (SN 0300035129 through 0300061927)	1-A
302		Ref	Harness Assembly - Light Panel Options:	
302	See Note	NSS	Harness Assembly - Light Panel (Made from Individual Wires) (Note: Not Available for Purchase) (Prior to SN 0300035129)	
302	4922002	AR	Harness Assembly - Light Panel (SN 0300035129 through 0300061927)	
303		Ref	Sub-Harness - Start Options (Not Shown):	
303	See Note	NSS	Sub-Harness - Start (Made from Individual Wires) (Note: Not Available for Purchase) (Prior to SN 0300035129)	
303	4922008	AR	Sub-Harness - Start - Deutz Engine (SN 0300035129 through 0300061927)	
360	4460418	AR	Connector - 6 Position	
361	4460419	AR	Socket, Female	
384	3990010	AR	Diode 6Amp (Not Shown)	
386	4120035	AR	Base, Light	
386	4460634	AR	Insert, Terminal (Single Wire)	

SECTION 7 - ELECTRICAL

ITEM	PART NUMBER	QTY	DESCRIPTION	REV
386	4460635	AR	Insert, Terminal (Double Wire)	
387	2920129	AR	Bulb, Light	
388	3990001	7	Diode 3Amp (Not Shown)	
389	3730099	1	Resistor 750 Ohm (Not Shown) (Prior to SN 0300056089)	
391		Ref	Resistor 500 Ohm (Not Shown - Located at Alternator Light)	
391	3730022	1	Resistor 500 Ohm (Not Shown - Located at Alternator Light) (Prior to SN 0300036499)	
391	3730023	1	Resistor 500 Ohm (Not Shown - Located at Alternator Light) (SN 0300036499 through 0300061927)	
392	4460267	6	Pin, Male	
393	4460268	6	Socket, Female	
394	4460224	1	Connector, Female	
395	4460225	1	Connector, Male	
		Ref	GROUND CONTROL BOX ASSEMBLY COMPONENTS	
		Ref	Note: Numbered Wiring Starts with SN 0300035129	
401		Ref	Valve Harness Assembly Options:	
401	4921735	1	Valve Harness Assembly (Prior to SN 0300026233)	3-D
401	4921849	1	Valve Harness Assembly (SN 0300026233 through 0300035128)	A
401	4921923	1	Valve Harness Assembly (SN 0300035129 through 0300061927)	3-E
401	4922164	1	UL (SN 0300039457 through 0300061927)	2-C
401A	4460499	19	DIN Connector with Diode	
401B	4460320	2	Plug, Male - 2 Position (Not Required on UL Machines)	
401C	4460267	AR	Pin, Male	
401D	4460424	1	Receptacle, Female - 2 Position (Not Required on UL Machines)	
401E	4460268	5	Socket, Female (Not Required on UL Machines)	
401F		Ref	Housing, Terminal - 6 Position Options:	
401F	4460539	1	Housing, Terminal - 6 Position (Prior to SN 0300026233)	
401F	4460225	1	Housing, Terminal - 6 Position (SN 0300026233 through 0300061927)	
401G	4460465	3	Socket, Female (Prior to SN 0300026233)	
401G	4460267	3	Pin, Male (SN 0300026233 through 0300061927)	
401H	4460326	1	Plug, Male - 3 Position	
401J	4460445	1	Connector, Female - 3 Position	
401K	4460536	1	Connector, Deutsch - 3 Position (Prior to SN 0300026233)	
401K	See Note:	AR	Connector - 6 Position (SN 0300026233 through 0300061927)	
401L	4460464	3	Pin, Male (Prior to SN 0300026233)	
401L	See Note:	AR	Pin (SN 0300026233 through 0300061927)	
		Ref	Note: SN 0300026233 through 0300068000, # 401K & 401L are no longer part of Valve Harness. See Tilt Indicator Harness.	
402		Ref	Engine Harness Assembly Options: (See Items 501-584 for Breakdown)	
402	4921737	1	Deutz Engine (Prior to SN 0300035129)	4-D
402	4921925	1	Deutz Engine (SN 0300035129 through 0300061927)	6-G
402	4922185	1	Deutz Engine (UL) (SN 0300035129 through 0300061927)	2-B
	4922077	Ref	ENGINE HARNESS ASSEMBLY - CONTINENTAL AND DEUTZ ENGINE OPTIONS:	
		Ref	Note: Numbered Wiring Starts with SN 0300035129	
	4921737	Ref	Deutz (Prior to SN 0300035129)	4-E
	4921925	Ref	Deutz (SN 0300035129 through 0300061927)	6-G
	4922185	Ref	Deutz (UL) (SN 0300035129 through 0300061927)	2-C

SECTION 7 - ELECTRICAL

ITEM	PART NUMBER	QTY	DESCRIPTION	REV
528	4460268	12	Socket, Female	
529	4460267	12	Pin, Male	
535	4460424	1	Receptacle, Female - 2 Position	
536	4460268	2	Socket, Female	
537	4460320	1	Connector, Female - 2 Position	
538	4460267	2	Pin, Male	
539	4460499	3	DIN Connector with Diode	
545	4460445	1	Housing, Terminal - 3 Position (Prior to SN 0300044047)	
547	4460265	1	Plug, Male - 9 Position	
548	4460266	1	Connector, Female - 9 Position	
550 to 551	Not Required	0	Not Required	
554 to 562	Not Required	0	Not Required	
563	4460460	1	Connector, Male - 4 Position	
564	4460457	4	Terminal, Female	
565	4460458	4	Seal, Terminal	
574	4460449	1	DIN Connector without Diode	
575 to 580	Not Required	0	Not Required	
581	4460777	1	Housing - 4 Position (SN 0300044047 through 0300061927)	
582	4460591	1	Terminal, Lock (SN 0300044047 through 0300061927)	
583	4460589	3	Socket (SN 0300044047 through 0300061927)	
584	4460608	3	Seal, Cable (SN 0300044047 through 0300061927)	
		Ref	STANDARD HARNESS COMPONENTS	
		Ref	Note: Numbered Wiring Starts with SN 0300035129	
601	See Note	1	Tilt Indicator Harness (Note: Not Available for Purchase)	
601A	See Note	AR	Pin (Prior to SN 0300026233)	
601A	4460268	6	Socket, Female (SN 0300026233 through 0300061927)	
601B	See Note	1	Plug (Prior to SN 0300026233)	
601B	4460224	1	Connector, Female - 6 Position (SN 0300026233 through 0300061927)	
		Ref	Note, # 601A & 601B are part of Valve Harness. See Valve Harness. (Prior to SN 0300026233)	
602	See Note	NSS	Throttle Actuator/Controller Harness (Note: Not Available for Purchase)	
602	0060033	NLA	Throttle Actuator and Controller Assembly (Use p/n 2910000)	
602	7008833	1	Mounting Clamp Kit (Not Shown)	
602	7008836	1	Spring, Retract (Not Shown)	
602A	See Note	NSS	Throttle Actuator and Harness (Note: Not Available - Use p/n 2910000)	
602A	7016336	1	Boot Kit	
602B	See Note	NSS	Pin, Male (Note: Use p/n 2910000)	
602C	See Note	NSS	Connector, Male (Note: Use p/n 2910000)	
602D	2910001	NLA	Controller and Harness (Note: Use p/n 2910000)	
602E	See Note	NSS	Socket, Female (Note: Use p/n 2910000)	
602F	See Note	NSS	Connector, Female (Note: Use p/n 2910000)	
602G	See Note	NSS	Plug, Male - 4 Position ((Note: Use p/n 2910000)	
602G	4460693	4	Pin, Male	
602G	4460591	1	Clip	
602G	4460608	4	Seal, Terminal	
603	See Note	NSS	Sunstrand Pump Harness (Note: Not Available for Purchase)	
603A	7007497	1	Plug (Pump End)	
603B	7007498	1	Plug (Engine Harness End)	
604	See Note	NSS	Controller Harness Assembly (Lift and Swing) (Note: Purchase	

SECTION 7 - ELECTRICAL

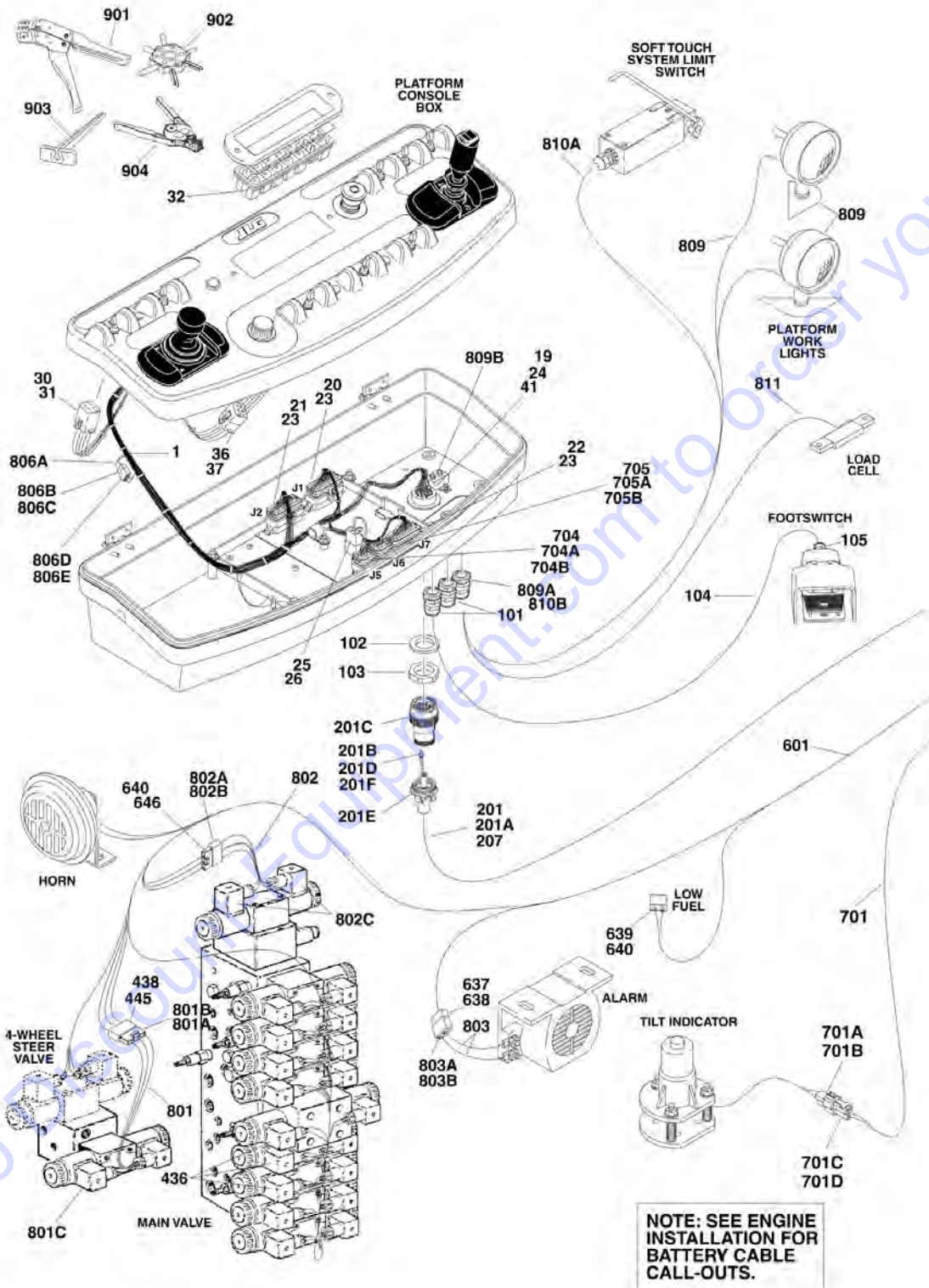
ITEM	PART NUMBER	QTY	DESCRIPTION	REV
604A	4460266	1	Controller) Connector, Female - 9 Position	
604B	4460268	7	Socket, Female	
605	See Note	NSS	Controller Harness/Circuit Board Assembly (Drive and Steer) (Note: Purchase Controller)	
605A	4460266	1	Connector, Female - 9 Position	
605B	4460268	7	Socket, Female	
606	Not Required	0	Not Required	
		Ref	OPTIONAL HARNESS COMPONENTS	
		Ref	Note: Numbered Wiring Starts with SN 0300035129	
701		Ref	4WS Valve Harness Options:	
701	4921772	1	4WS Valve Harness (Prior to SN 0300035129)	
701	4921928	1	4WS Valve Harness (SN 0300035129 through 0300061927)	
701A	4460268	3	Socket, Female	
701B	4460445	1	Connector, Female - 3 Position	
701C	4460499	2	Connector, DIN with Diode	
702		Ref	Jib Valve Harness Options: (600SJ & 660SJ Only)	
702	4921771	1	Jib Valve Harness (Prior to SN 0300035129)	
702	4921927	1	Jib Valve Harness (SN 0300035129 through 0300061927)	
702A	4460326	1	Plug, Male - 3 Position	
702B	4460267	3	Pin, Male	
702C	4460499	2	Connector, DIN with Diode	
703		Ref	Alarm Harness Options: (Includes Alarm)	
703	0255914	1	Alarm Harness (Prior to SN 0300035129)	
703	0257887	1	Alarm Harness (SN 0300035129 through 0300061927)	
703A	4460424	1	Plug, Male - 2 Position	
703B	4460268	2	Socket, Female	
704	0255917	1	Strobe Light Harness (Includes Strobe Light)	
704A	4460320	1	Connector, Female - 2 Position	
704B	4460267	2	Pin, Male	
705	0256201	Ref	AC (110V) to Platform Receptacle Components	2-A
705A	See Note	NSS	Box, Switch (Note: Not Available for Purchase)	
705B	See Note	NSS	Receptacle (Note: Not Available for Purchase)	
705C	See Note	NSS	Shield, Cover (Note: Not Available for Purchase)	
705D	See Note	NSS	Plug, Male (Note: Not Available for Purchase)	
705E	4460710	1	Connector, Female	
705F	4921820	1	Harness-Receptacle Box to Boom (110V)	2-B
705F	1060461	30 in /76cm	Cable, Electrical - 12/3	
705G	4460709	1	Plug, Male	
705H	0961127	1	Bushing, Snap (Not Shown)	
706		Ref	Generator Electrical Components	
706	4932828	Ref	110V (Prior to SN 0300035129)	2-C
706	4932915	Ref	110V (SN 0300035129 through 0300061927)	2-C
706	4932940	Ref	220V (Prior to SN 0300035129)	1-A
706	4932989	Ref	220V (SN 0300035129 through 0300061927)	1-B
706	3990010	1	Diode - 6Amp (Not Shown)	
706A		Ref	Harness - On/Off Switch Options: (Powermite Control Box to Ground Control Box)	
706A	4921828	1	Harness - On/Off Switch (Prior to SN 0300035129)	
706A	4921938	1	Harness - On/Off Switch (SN 0300035129 through 0300061927)	

SECTION 7 - ELECTRICAL

ITEM	PART NUMBER	QTY	DESCRIPTION	REV
706B	4460027	1	Receptacle, Electrical (Industrial) (110V)	
706B	4460125	1	Receptacle, Electrical (220V)	
706C	4460190	1	Receptacle, Electrical (Standard) (110V)	
706C	4460125	1	Receptacle, Electrical (220V)	
707	4921956	1	Generator to Rear of Boom Harness (110V)	
		Ref	Note: Harness used to connect AC at platform harness to generator receptacle to power platform receptacle.	
707	1060494	26 ft/8m	Cable, Electrical - 12/3	
707A	4460205	1	Plug, Male (110V)	
707A	4460233	1	Plug, Male (220V)	
707B	4460134	1	Receptacle, Female (110V)	
707B	4460701	1	Receptacle, Female (220V)	
708	See Note	1	Lights Harness (Note: Not Available for Purchase)	
708	3740049	1	Relay (Not Shown)	
708	1060341	37 ft /11.3m	Cable, Electrical - 16/2	
709	2920140	2	Platform Worklights Harness (Includes Light and Wire Only)	
709	2820035	9 ft/2.8m	Loom, Vinyl	
709A	4460598	1	Connector, Strain Relief	
709A	4460442	2	Terminal (Not Shown-Located in Platform Console)	
710	See Note	NSS	Soft Touch System Harness (Note: Not Available for Purchase)	
710A		Ref	Cable, Electrical Options:	
710A	1060330	16 ft/4.9m	Cable, Electrical - 16/2 (Prior to SN 0300029105)	
710A	1060341	16 ft/4.9m	Cable, Electrical - 16/3 (SN 0300029105 through 0300061927)	
710B		Ref	Connector, Strain Relief Options:	
710B	4460428	1	Connector, Strain Relief (Prior to SN 0300029105)	
710B	4460425	1	Connector, Strain Relief (SN 0300029105 through 0300061927)	
		Ref	TOOLS	
	4921850	1	Service Harness (For Setting Deutz Throttle Actuator)	
	4922012	1	Service Harness (For Setting Circuit Cards)	
801	7002821	1	Crimper (For Wire to Pin/Socket Connections)	
802	7002823	1	Extractor (For Removal of Pin/Socket from Connectors)	
803	4460467	1	Extractor, Pin (Blue 16-18 Gauge) (For Removal of Pin/Socket from Connectors)	
803	4460510	1	Extractor, Pin (Yellow 12-14 Gauge) (For Removal of Pin/Socket from Connectors)	
804	7002828	1	Stripper, Wire	

SECTION 7 - ELECTRICAL

FIGURE 7-3. HARNESS COMPONENTS INSTALLATION (ADE SYSTEM) (SN 0300061927 through 0300064499)



Go to www.goodyearparts.com to order your parts

SECTION 7 - ELECTRICAL

FIGURE 7-3. HARNESS COMPONENTS INSTALLATION (ADE SYSTEM) (SN 0300061927 through 0300064499)

ITEM	PART NUMBER	QTY	DESCRIPTION	REV
		Ref	Note use either p/n 0861388 or p/n 0861477 platform console box. Determine appropriate console by the presence of (2) white 15 position connectors inside console box. If present, use Figure 7-9. If not present, use Figure 7-10. (SN 0300063910 through 0300064498)	
	4922509	Ref	PLATFORM BOX HARNESS ASSEMBLY	3-D
1	4922509	1	Harness, Console Box	
19	4460866	1	Connector - 19 Position	
20	4460874	1	Connector - 35 Position (Natural)	
21	4460875	1	Connector - 35 Position (Gray)	
22	4460873	1	Connector - 35 Position (Black)	
23	4460871	48	Socket, Female	
24	4460464	7	Pin, Male (16 Gauge)	
25	4460879	1	Terminal, Housing 2 Position	
26	4460887	2	Terminal, (12 Gauge)	
30	4460418	4	Connector - 6 Position	
31	4460419	12	Terminal, Female	
32	4120035	7	Base, Light	
36	4460225	1	Connector - 6 Position	
37	4460227	6	Pin	
41	4460508	3	Pin, Male (12 Gauge)	
		Ref	PLATFORM BOX ASSEMBLY COMPONENTS	
101	4460428	2	Connector, Strain Relief	
102	4460470	1	Nut, Conduit	
103	4460471	1	Washer	
104	1060330	7 ft/2.1m	Cable, Electrical - 16/3	
105	4460071	1	Connector, Strain Relief	
106	4460226	2	Socket, Female	
107	4922485	1	Harness, Analyzer Cable (Not Shown - Located on bottom front of console box)	
107	4460871	4	Terminal, Socket	
107	4460761	1	Housing - 4 Position	
107	4460227	4	Pin	
		Ref	BOOM CABLES INSTALLATION	
	0270734	Ref	Boom Cables Installation 600S - 2WS	3
	0270737	Ref	Boom Cables Installation 600SJ - 2WS	2
	0270735	Ref	Boom Cables Installation 660SJ - 2WS	2
201		Ref	Harness, Main Boom Options:	
201	4922468	1	Harness, Main Boom 600S - 2WS	
201	4922466	1	Harness, Main Boom 600SJ - 2WS	
201	4922467	1	Harness, Main Boom 660SJ - 2WS	
201A	1060896	Ref	Cable Options:	
201A	1060896	67 ft /20.4m	Cable 600S - 2WS	
201A	1060896	69 ft/21m	Cable 600SJ - 2WS	
201A	1060896	75 ft /22.8m	Cable 660SJ - 2WS	
201B	4460465	22	Socket, Female - #16	
201C	4460865	1	Connector - 19 Position	
201D	4460509	8	Socket, Female - #12	

SECTION 7 - ELECTRICAL

ITEM	PART NUMBER	QTY	DESCRIPTION	REV
201E	4460473	1	Clamp, Cable	
201F	4460466	4	Seal, Plug	
202	1060461	Ref	Cable, Electrical - 12/3 Options: (Does not include plug ends)	
202	1060461	69.5 ft /21.8m	Cable, Electrical - 12/3, 600S - 2WS	
202	1060461	71 ft /21.6m	Cable, Electrical - 12/3, 600SJ - 2WS	
202	1060461	77 ft /23.5m	Cable, Electrical - 12/3, 660SJ - 2WS	
203	1060680	25.5 ft /7.6m	Cable, Electrical - 18/2 Boom Length	
207		Ref	Sleeve, Nylon Options:	
207	4100026	10 ft/3.0m	Sleeve, Nylon 600S - 2WS	
207	Not Required	0	Sleeve, Nylon 600SJ/660SJ - 2WS	
		Ref	GROUND CONTROL BOX DIAGRAMS	
	4933169	Ref	Deutz Engine	5-G
301	2920129	6	Bulb, Light	
306	4460871	6	Socket, Female	
307	2400065	1	Fuse, 30Amp (Not Shown)	
308	2400066	1	Fuse, Holder with Cover (Not Shown)	
	4922475	Ref	GROUND CONTROL HARNESS ASSEMBLY	5-F
434	4460419	21	Terminal, Female	
435	4460418	7	Connector - 6 Position	
438	4460871	34	Socket, Female	
439	4460876	1	Connector - 35 Position (Blue)	
442	4460464	7	Pin, Male (16 Gauge)	
443	4460866	1	Connector - 19 Position	
444	4460878	1	Housing, Terminal - 4 Position	
445	4460887	3	Terminal	
451	4120035	6	Base, Light	
454	4460508	3	Pin, Male (12 Gauge)	
455	4460873	1	Connector - 35 Position (Black)	
		Ref	ENGINE HARNESS ASSEMBLY	
	4922515	Ref	DEUTZ ENGINE	4-D
501	4922515	1	Harness, Assembly	
517	4460424	1	Receptacle, Female - 2 Position	
518	4460268	2	Socket, Female	
519	4460880	4	DIN Connector without Diode	
528	4460460	1	Connector, Male - 4 Position	
529	4460457	4	Terminal, Female	
530	4460458	4	Seal, Terminal	
537	4460890	1	Housing - 2 Position	
538	4460889	2	Terminal	
539	4460871	20	Socket, Female	
	4922513	Ref	Valve Harness Assembly	3-D
601	4922513	1	Harness, Assembly	
636	4460880	15	DIN Connector	
637	4460320	2	Connector, Female - 2 Position	
638	4460267	5	Pin, Male	
639	4460424	1	Connector, Male - 2 Position	
640	4460268	5	Pin, Female	
641	4460871	28	Socket, Female	

SECTION 7 - ELECTRICAL

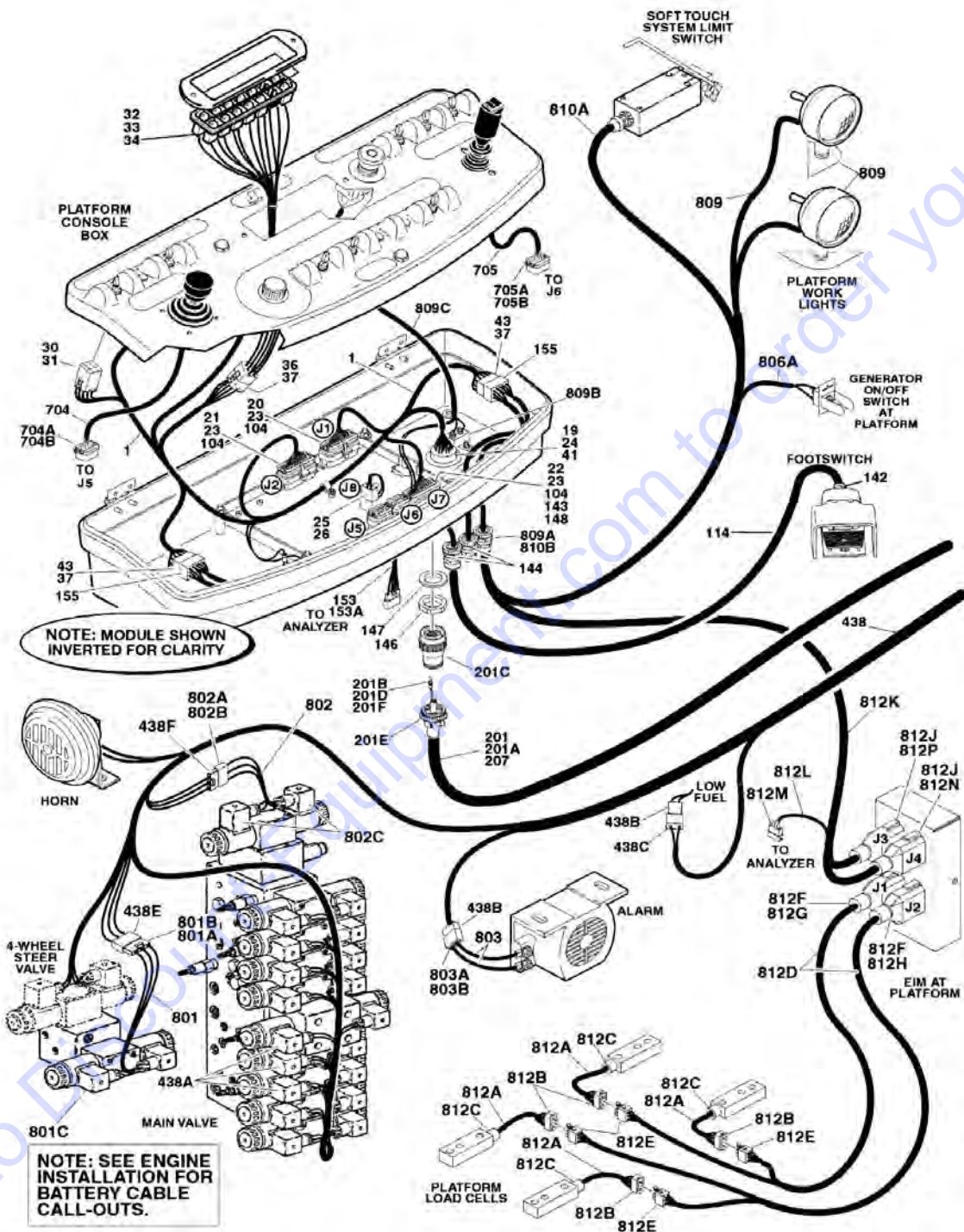
ITEM	PART NUMBER	QTY	DESCRIPTION	REV
645	4460326	1	Connector, Male - 3 Position	
646	4460445	1	Connector, Female - 3 Position	
		Ref	STANDARD HARNESS COMPONENTS	
701	4922621	1	Tilt Indicator Harness	
701A	4460226	4	Pin	
701B	4460224	1	Connector, Female - 6 Position	
701C	4460227	4	Pin	
701D	4460225	1	Connector, Female - 6 Position	
701E	4460871	4	Socket, Female	
703	See Note	NSS	Pump Harness (Note: Not Available for Purchase)	
703A	7007497	1	Plug (Pump End)	
703B	7007498	1	Plug (Engine Harness End)	
704	See Note	NSS	Controller Harness Assembly (Lift and Swing) (Note: Purchase Controller)	
704A	7022819	1	Plug, Male - 8 Position (Natural)	
704B	4460871	8	Socket, Female	
705	See Note	NSS	Controller Harness/Circuit Board Assembly (Drive and Steer) (Note: Purchase Controller)	
705A	7022825	1	Plug, Male - 8 Position (Black)	
705B	4460871	7	Socket, Female	
706 to 707	Not Required	0	Not Required	
		Ref	OPTIONAL HARNESS COMPONENTS	
801	4921928	1	4WS Valve Harness	
801A	4460268	3	Socket, Female	
801B	4460445	1	Connector, Female - 3 Position	
801C	4460499	2	Connector, DIN with Diode	
802	4921927	1	Jib Valve Harness (600SJ & 660SJ Only)	
802A	4460326	1	Plug, Male - 3 Position	
802B	4460267	3	Pin, Male	
802C	4460499	2	Connector, DIN with Diode	
803	0257887	1	Alarm Harness (Includes Alarm)	
803A	4460424	1	Plug, Male - 2 Position	
803B	4460268	2	Socket, Female	
804	0255917	1	Strobe Light Harness (Includes Strobe Light)	
804A	4460320	1	Connector, Female - 2 Position	
804B	4460267	2	Pin, Male	
805	0256201	Ref	AC to Platform Receptacle Components	2-A
805A	See Note	NSS	Box, Switch (Note: Not Available - Purchase Locally)	
805B	See Note	NSS	Receptacle (Note: Not Available - Purchase Locally)	
805C	See Note	NSS	Shield, Cover (Note: Not Available - Purchase Locally)	
805D	4460709	1	Plug, Male	
805E	4460710	1	Connector, Female	
805F	4921820	1	Harness-Receptacle Box to Boom	
805F	1060461	2.5 ft /0.76m	Cable, Electrical - 12/3	
805G	4460071	1	Connector, Strain Relief	
806		Ref	Generator Electrical Components	
806	4933158	Ref	110V	1-A
806	4933162	Ref	220V	1-A
806	3990010	1	Diode - 6Amp (Not Shown)	
806A	4922483	1	Harness - On/Off Switch	
806B	4460320	1	Connector, Female - 2 Position	

SECTION 7 - ELECTRICAL

ITEM	PART NUMBER	QTY	DESCRIPTION	REV
806C	4460267	2	Pin, Male	
806D	4460424	1	Plug, Male - 2 Position	
806E	4460268	2	Socket, Female	
806F	4922482	1	Powermite Control Box to Relay	
806G	4460027	1	Receptacle, Electrical (Industrial) (110V)	
806G	4460125	1	Receptacle, Electrical (220V)	
806H	4460190	1	Receptacle, Electrical (Standard) (110V)	
806H	4460125	1	Receptacle, Electrical (220V)	
807	4921956	1	Generator to Rear of Boom Harness (220V)	
		Ref	Note: Harness used to connect AC at platform harness to generator receptacle to power platform receptacle.	
807	1060461	20 ft/6m	Cable, Electrical - 12/3	
807A	See Note	NLA	Plug, Male (220V) (Note: Not Available - Purchase Locally)	
807B	See Note	NLA	Receptacle, Female (220V) (Note: Not Available - Purchase Locally)	
808	See Note	NSS	Lights Harness (Note: Not Available for Purchase)	
808	1060341	37 ft /11.3m	Cable, Electrical - 16/2	
808A	3740049	1	Relay	
808B	4922484	1	Harness, Bag (Located at Ground Control Box) (Not Shown)	
809	2920140	2	Platform Worklights Harness (Includes Light and Wire Only)	
809	2820035	9 ft/2.8m	Loom, Vinyl	
809A	4460598	1	Connector, Strain Relief	
809B	4360232	1	Circuit Breaker, 15Amp	
810	See Note	NSS	Soft Touch System Harness (Note: Not Available for Purchase)	
810A	1060341	16 ft/4.9m	Cable, Electrical - 16/3	
810B	4460425	1	Connector, Strain Relief	
811	See Note	NSS	Load Cell Harness (Purchase Load Cell) (Note: Not Available for Purchase)	
811	4460871	4	Terminal, Socket	
		Ref	TOOLS	
901	7002821	1	Crimper (For Wire to Pin/Socket Connections)	
902	7002823	1	Extractor (For Removal of Pin/Socket from Connectors)	
903	4460467	1	Extractor, Pin (Blue 16-18 Gauge) (For Removal of Pin/Socket from Connectors)	
903	4460510	1	Extractor, Pin (Yellow 12-14 Gauge) (For Removal of Pin/Socket from Connectors)	
904	7002828	1	Stripper, Wire	
905	2901443	1	Analyzer Kit (Not Shown)	

SECTION 7 - ELECTRICAL

FIGURE 7-4. HARNESS COMPONENTS INSTALLATION (ADE SYSTEM) (SN 0300064499 through 0300068000)



SECTION 7 - ELECTRICAL

FIGURE 7-4. HARNESS COMPONENTS INSTALLATION (ADE SYSTEM) (SN 0300064499 through 0300068000)

ITEM	PART NUMBER	QTY	DESCRIPTION	REV
		Ref	Note: SN 0300063910 through 0300064498 use either p/n 0861388 or 0861477 platform console box. Determine appropriate console by the presence of (2) white 15 position connectors inside the console box. If present use this figure. If not present, use previous figure.	
	4922639	Ref	PLATFORM BOX HARNESS ASSEMBLY	2-A
1	4922639	1	Harness, Console Box	
19	4460866	1	Connector - 19 Position	
20	4460874	1	Connector - 35 Position (Natural)	
21	4460875	1	Connector - 35 Position (Gray)	
22	4460873	1	Connector - 35 Position (Black)	
23	4460871	70	Socket, Female	
24	4460464	7	Pin, Male (16 Gauge)	
25	4460879	1	Terminal, Housing 2 Position	
26	4460887	2	Terminal, (12 Gauge)	
30	4460418	8	Connector - 6 Position	
31	4460419	24	Terminal, Female	
32	4120035	12	Base, Light	
36	4460225	1	Connector - 6 Position	
37	4460227	28	Pin, Male	
41	4460508	3	Pin, Male (12 Gauge)	
43	4460434	2	Connector - 15 Position	
		Ref	PLATFORM BOX ASSEMBLY COMPONENTS	
104	0100048	AR	Grease, Dielectric	
114	1060918	8 ft/2.4m	Cable, Electrical - 18/3	
142	4460071	1	Connector, Strain Relief	
143	4460226	2	Socket, Female	
144	4460428	2	Connector, Strain Relief	
146	4460470	1	Nut, Terminal	
147	4460471	1	Lockwasher, Terminal	
148	4460905	5	Seal, Plug	
153	4922666	1	Harness, Analyzer Cable	1-A
153	4460226	4	Socket, Female (Not Shown - Located at J2)	
153A	4460761	1	Connector, Female - 4 Position	
153A	4460227	4	Pin, Male	
155	4460708	2	Terminal, 15 Pin Mate-N-Loc	
		Ref	BOOM CABLES INSTALLATION	
	0270734	Ref	Boom Cables Installation 600S - 2WS	3
	0270737	Ref	Boom Cables Installation 600SJ - 2WS	2
	0270738	Ref	Boom Cables Installation 660SJ - 2WS	2
	0272483	Ref	Boom Cables Installation 600S - 2WS (SkyPower) (7500W 60Hz)	1
	0272488	Ref	Boom Cables Installation 600SJ - 2WS (SkyPower) (7500W 60Hz)	1
	0272485	Ref	Boom Cables Installation 660SJ - 2WS (SkyPower) (7500W 60Hz)	1
201		Ref	Harness, Main Boom Options:	
201	4922468	1	Harness, Main Boom 600S - 2WS	
201	4922466	1	Harness, Main Boom 600SJ - 2WS	
201	4922467	1	Harness, Main Boom 660SJ - 2WS	

SECTION 7 - ELECTRICAL

ITEM	PART NUMBER	QTY	DESCRIPTION	REV
201A	1060896	Ref	Cable Options:	
201A	1060896	67 ft /20.4m	Cable 600S - 2WS	
201A	1060896	69 ft/21m	Cable 600SJ - 2WS	
201A	1060896	75 ft /22.8m	Cable 660SJ - 2WS	
201B	4460465	22	Socket, Female - #16	
201C	4460865	1	Connector - 19 Position	
201D	4460509	8	Socket, Female - #12	
201E	4460473	1	Clamp, Cable	
201F	4460466	4	Seal, Plug	
202		Ref	Cable, Electrical - 12/3 Options: (Does not include plug ends)	
202	1060461	69.5 ft /21.8m	Cable, Electrical - 12/3, 600S - 2WS	
202	1060461	71 ft /21.6m	Cable, Electrical - 12/3, 600SJ - 2WS	
202	1060461	77 ft /23.5m	Cable, Electrical - 12/3, 660SJ - 2WS	
202	4922792	1	Cable, Electrical - 12/3, 600S - 2WS (SkyPower) (7500W 60Hz)	
202	4922790	1	Cable, Electrical - 12/3, 600SJ - 2WS (SkyPower) (7500W 60Hz)	
202	4922791	1	Cable, Electrical - 12/3, 660SJ - 2WS (SkyPower) (7500W 60H)	
202A	4460205	1	Plug, Male (110V)	
202B	4460134	1	Connector, Female (110V)	
203	1060680	Ref	Cable, Electrical - 18/2 Boom Length	
203	1060680	55.5 ft /16.9m	Cable, Electrical - 18/2 Boom Length 600S - 2WS	
203	1060680	15 ft/4.6m	Cable, Electrical - 18/2 Boom Length 600SJ/660SJ - 2WS	
207		Ref	Sleeve, Nylon Options: (Not Shown)	
207	4100026	10 ft/3.0m	Sleeve, Nylon 600S - 2WS	
207	Not Required	0	Sleeve, Nylon 600SJ/660SJ - 2WS	
		Ref	GROUND CONTROL BOX DIAGRAMS	
	4933222	Ref	Deutz Engine	2-B
301	2920129	6	Bulb, Light	
307	2400065	1	Fuse, 30Amp	
308	2400066	1	Fuse, Holder with Cover	
310	4460708	2	Receptacle, Female - 15 Position	
310	4460226	13	Socket, Female	
310	4922637	1	Harness, Jumper (Not Shown)	
310	4922636	1	Harness, Jumper (Not Shown)	
		Ref	GROUND CONTROL BOX COMPONENTS	
417	3740049	1	Relay	
426	4460426	2	Connector, Strain Relief	
427	4460470	1	Nut, Terminal	
428	4460471	1	Lockwasher, Terminal	
430	4460526	1	Connector, Strain Relief	
431	4460874	1	Connector (Natural)	
432	4460875	1	Connector (Gray)	
433	4460905	4	Connector, Amp Seal Plug	
437	4922515	1	Engine Harness Assembly (Not Shown - See 501-568 for Breakdown)	
438	4922513	1	Valve Harness Assembly	3-D

SECTION 7 - ELECTRICAL

ITEM	PART NUMBER	QTY	DESCRIPTION	REV
438A	4460880	15	Connector, DIN	
438B	4460320	2	Connector, Female- 2 Position	
438B	4460267	5	Pin, Male	
438C	4460424	1	Connector, Male- 2 Position	
438C	4460268	5	Pin, Female	
438D	4460871	AR	Socket, Female	
438E	4460326	1	Connector, Male - 3 Position	
438E	4460267	7	Pin, Male	
438F	4460445	1	Connector, Female - 3 Position	
438F	4460268	5	Pin, Female	
439	4922648	1	Ground Control Box Harness Assembly	2-B
439A	4460418	7	Connector, Female- 6 Position	
439A	4460419	21	Socket, Female	
439B	4460876	1	Connector, 35- Position	
439B	4460871	AR	Socket, Female	
439B	4460905	2	Seal, Plug	
439C	4460866	1	Connector - 19 Position	
439C	4460464	7	Pin, Male Deutsch (16 Gauge)	
439D	4460878	1	Housing, Terminal- 4 Position	
439D	4460887	3	Terminal (12 Gauge)	
439E	4120035	6	Base, Light	
439E	4460634	7	Terminal (16 Gauge)	
439F	4460873	1	Connector, 35- Position (Black)	
439F	4460871	AR	Socket, Female	
439F	4460635	5	Terminal (12 Gauge)	
439G	4460871	AR	Socket, Female	
439H	4460434	2	Plug, Male 15- Position	
439H	4460227	AR	Pin	
439I	3990010	2	Diode - 6Amp (Not Shown)	
440	4922666	1	Cable, Analyzer	1-A
440A	4460226	4	Socket, Female	
440B	4460761	1	Connector, Female 4- Position	
440B	4460227	4	Pin, Male	
441	4933222	1	Ground Control Box Wiring Diagram (Not Shown - See Items 301-310 for Breakdown)	
	4922515	Ref	DEUTZ ENGINE HARNESS ASSEMBLY	5-E
501	4922515	1	Harness, Assembly	
519	4460424	1	Receptacle, Female - 2 Position	
520	4460268	2	Socket, Female	
521	4460880	4	DIN Connector without Diode	
536	4460890	1	Housing - 2 Position	
537	4460889	2	Terminal	
538	4460460	1	Connector, Male - 4 Position	
539	4460457	4	Terminal, Female	
540	4460458	4	Seal, Terminal	
557	4460871	20	Socket, Female	
	4922513	Ref	Valve Harness Assembly	3-D
601	4922513	1	Harness, Assembly	
636	4460880	15	DIN Connector	
637	4460320	2	Connector, Female - 2 Position	
638	4460267	5	Pin, Male	
639	4460424	1	Connector, Male - 2 Position	

SECTION 7 - ELECTRICAL

ITEM	PART NUMBER	QTY	DESCRIPTION	REV
640	4460268	5	Pin, Female	
641	4460871	28	Socket, Female	
645	4460326	1	Connector, Male - 3 Position	
646	4460445	1	Connector, Female - 3 Position	
		Ref	STANDARD HARNESS COMPONENTS	
703	See Note	1	Pump Harness (Note: Not Available for Purchase)	
703A	7007497	1	Plug (Pump End)	
703B	7007498	1	Plug (Engine Harness End)	
704	See Note	NSS	Controller Harness Assembly (Lift and Swing) (Note: Purchase Controller)	
704A	7022819	1	Connector, Male - 9 Position	
704B	7022820	8	Socket, Female	
705	See Note	NSS	Controller Harness/Circuit Board Assembly (Drive and Steer) (Note: Purchase Controller)	
705A	7022825	1	Connector, Female - 9 Position	
705B	7022820	7	Socket, Female	
		Ref	OPTIONAL HARNESS COMPONENTS	
801	4921928	1	4WS Valve Harness	
801A	4460268	3	Socket, Female	
801B	4460445	1	Connector, Female - 3 Position	
801C	4460499	2	Connector, DIN with Diode	
802	4921927	1	Jib Valve Harness (600SJ & 660SJ Only)	
802A	4460326	1	Plug, Male - 3 Position	
802B	4460267	3	Pin, Male	
802C	4460499	2	Connector, DIN with Diode	
803	0257887	1	Alarm Harness (Includes Alarm)	
803A	4460424	1	Plug, Male - 2 Position	
803B	4460268	2	Socket, Female	
804	0255917	1	Strobe Light Harness (Includes Strobe Light)	
804A	4460320	1	Connector, Female - 2 Position	
804B	4460267	2	Pin, Male	
805	0256201	Ref	AC to Platform Receptacle Components	3
805A	See Note	NLA	Box, Switch (Note: Not Available - Purchase Locally)	
805B	See Note	NLA	Receptacle (Note: Not Available - Purchase Locally)	
805C	See Note	NLA	Shield, Cover (Note: Not Available - Purchase Locally)	
805D	4460709	1	Plug, Male	
805E	4460710	1	Connector, Female (SN 0300064499 through 0300065780)	
805F	4921820	1	Harness-Receptacle Box to Boom (SN 0300064499 through 0300065780)	
805F	1060461	2.5 ft /0.76m	Cable, Electrical - 12/3	
805G	4460071	1	Connector, Strain Relief	
806		Ref	Generator Electrical Components	
806	4933215	Ref	110V	1-A
806	4933216	Ref	220V	1-A
806	3990010	1	Diode - 6Amp (Not Shown)	
806A	4922641	1	Harness - On/Off Switch	
806B	4922482	1	Harness - Powermite Control Box to Relay	
807	4921827	1	Generator to Rear of Boom Harness (110V)	
807	4921954	1	Generator to Rear of Boom Harness (220V)	
		Ref	Note: Harness used to connect AC at platform harness to generator receptacle to power platform receptacle.	

SECTION 7 - ELECTRICAL

ITEM	PART NUMBER	QTY	DESCRIPTION	REV
807	1060494	26 ft/8m	Cable, Electrical - 12/3	
807A	4460205	1	Plug, Male (110V)	
807A	4460233	1	Plug, Male (220V)	
807B	4460134	1	Receptacle, Female (110V)	
807B	4460701	1	Receptacle, Female (220V)	
808	See Note	NSS	Lights Harness (Note: Not Available for Purchase)	
808	1060341	37 ft /11.3m	Cable, Electrical - 16/2	
808A	3740049	1	Relay	
808B	4922643	1	Harness, Bag (Located at Ground Control Box) (Not Shown)	
809	2920140	2	Platform Worklights Harness (External) (Includes Light and Wire Only)	
809	2820035	9 ft/2.8m	Loom, Vinyl	
809A	4460598	1	Connector, Strain Relief	
809B	4360232	1	Circuit Breaker, 15Amp	
809C	4922498	1	Platform Worklights Harness (Internal)	
809D	4460871	3	Socket, Female	
810	See Note	NSS	Soft Touch System Harness (Note: Not Available for Purchase)	
810A	1060341	16 ft/4.9m	Cable, Electrical - 16/3	
810B	4460425	1	Connector, Strain Relief	
812		Ref	Platform Load Cell Wiring Diagram (CE Spec Only)(was p/n 4933265 & 4922766)	
812	4933265	1	Platform Load Cell Wiring Diagram (CE Spec Only) (was p/n 4933265 & 4922766) (SN 0300068000 through 0300069920)	1-B
812	4933272	1	Platform Load Cell Wiring Diagram (CE Spec Only) (was p/n 4933265 & 4922766) (SN 0300069921 through 0300068000)	1-A
812	0272071	1	Platform Load Cell Wiring Diagram (CE Spec Only) (was p/n 4933265 & 4922766) (SN 0300069921 through 0300068000)	F
812	4922766	NLA	EIM/Load Cell Harness (Note: Use Items 812A-812P as Required)	2-B
812A	0272727	4	Load Cell and Harness	A
812B	4460899	4	Connector, Female - 6 Position	
812B	4460464	16	Pin, Male	
812B	2820163	AR	Heat Shrink	
812C	See Note	4	Connector, Strain Relief (Note: Not Available for Purchase)	
812D	4922843	4	Load Cell Harness	1-A
812E	4460894	4	Plug, Male - 6 Position	
812E	4460465	16	Socket, Female	
812F	4460465	16	Socket, Female	
812G	0840055	1	Boot	
812G	0100048	AR	Grease Dielectric	
812G	2820030	AR	Heat Shrink	
812G	4460466	4	Plug, Sealing	
812G	4460933	1	Plug, Male - 12 Position (Gray)	
812H	0840055	1	Boot	
812H	0100048	AR	Grease Dielectric	
812H	2820030	AR	Heat Shrink	
812H	4460466	4	Plug, Sealing	
812H	4460836	1	Plug, Male - 12 Position (Black)	
812J	0100048	AR	Grease Dielectric	
812J	2820030	AR	Heat Shrink	
812K	4922844	1	EIM Power Harness	1-A
812L	4922705	1	Analyzer Harness	1-A

SECTION 7 - ELECTRICAL

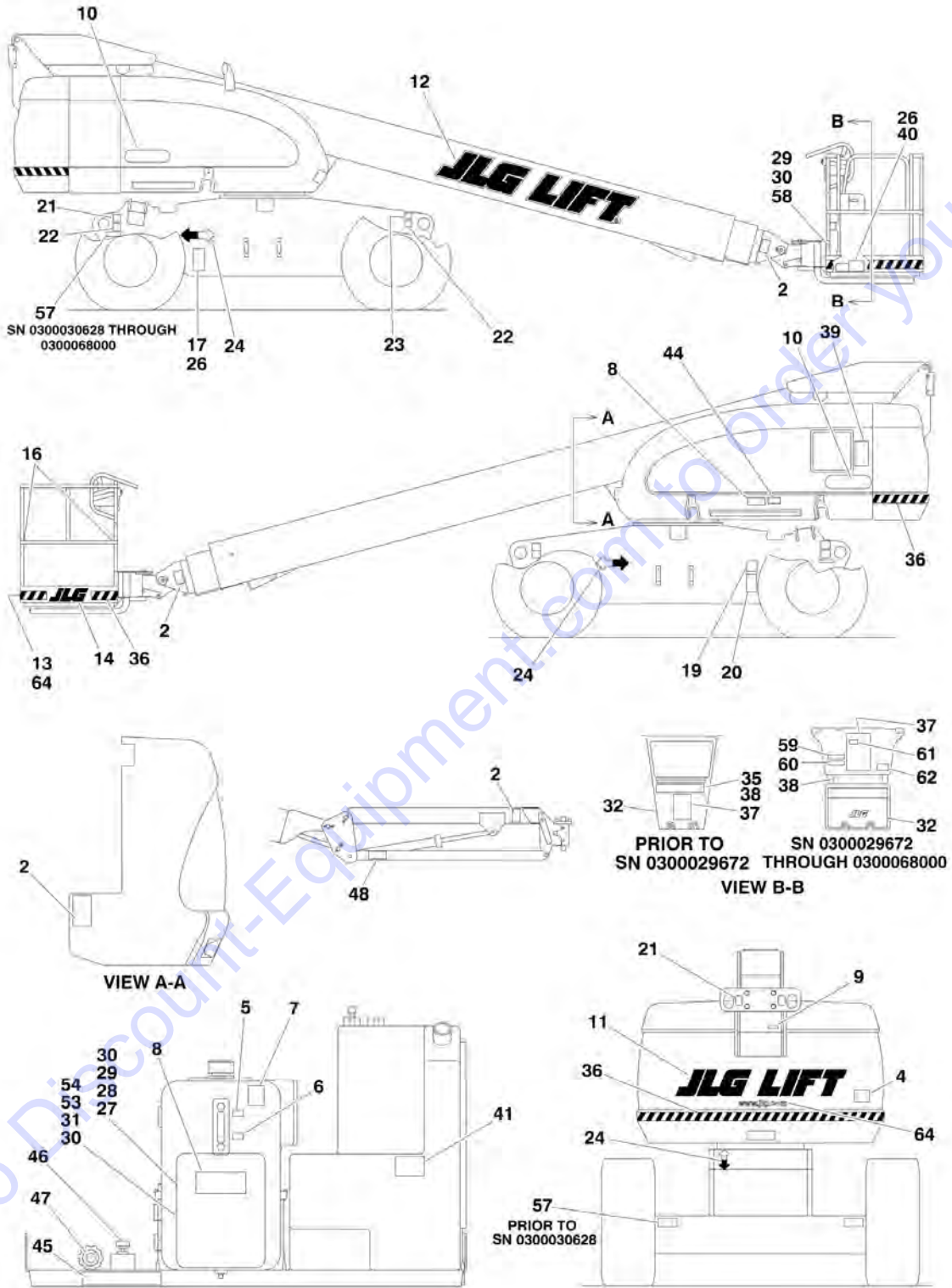
ITEM	PART NUMBER	QTY	DESCRIPTION	REV
812M	4460761	1	Connector, Female - 4 Position	
812M	4460227	4	Pin, Male	
812N	0840055	1	Boot	
812N	4460934	1	Plug, Male - 12 Position (Green)	
812N	4460466	2	Plug, Sealing	
812N	4460465	2	Socket, Female	
812N	2820030	AR	Heat Shrink	
812N	0100048	AR	Grease Dielectric	
812P	0840055	1	Boot	
812P	4460935	1	Plug, Male - 12 Position (Brown)	
812P	4460466	2	Plug, Sealing	
812P	4460465	2	Socket, Female	
812P	2820030	AR	Heat Shrink	
812P	0100048	AR	Grease Dielectric	
		Ref	TOOLS	
901	7002821	1	Crimper (For Wire to Pin/Socket Connections)	
902	7002823	1	Extractor (For Removal of Pin/Socket from Connectors)	
903	4460467	1	Extractor, Pin (Blue 16-18 Gauge) (For Removal of Pin/Socket from Connectors)	
903	4460510	1	Extractor, Pin (Yellow 12-14 Gauge) (For Removal of Pin/Socket from Connectors)	
904	7002828	1	Stripper, Wire	
905	2901443	1	Analyzer Kit (Not Shown)	

SECTION 8 - DECALS

Go to Discount-Equipment.com to order your parts

SECTION 8 - DECALS

FIGURE 8-1. DECALS INSTALLATION - STANDARD



SECTION 8 - DECALS

FIGURE 8-1. DECALS INSTALLATION - STANDARD

ITEM	PART NUMBER	QTY	DESCRIPTION	REV
		Ref	STANDARD DECAL INSTALLATIONS	
	0255330	Ref	Standard Decal Installations 600S Common Parts	8
	0255334	Ref	Standard Decal Installations 600SJ Common Parts	7
	0255332	Ref	Standard Decal Installations 660SJ Common Parts	8
	0256622	Ref	Standard Decal Installations 600S Australian Spec	7
	0256634	Ref	Standard Decal Installations 600SJ & 660SJ Australian Spec	7
	0256256	Ref	Standard Decal Installations 600S Dutch Spec	3
	0256573	Ref	Standard Decal Installations 600SJ & 660SJ Dutch Spec	3
	0256253	Ref	Standard Decal Installations 600S French Spec	4
	0256570	Ref	Standard Decal Installations 600SJ & 660SJ French Spec	4
	0256254	Ref	Standard Decal Installations 600S German Spec	3
	0256571	Ref	Standard Decal Installations 600SJ & 660SJ German Spec	3
	0256255	Ref	Standard Decal Installations 600S Italian Spec	4
	0256572	Ref	Standard Decal Installations 600SJ & 660SJ Italian Spec	3
	0256257	Ref	Standard Decal Installations 600S Spanish Spec	3
	0256574	Ref	Standard Decal Installations 600SJ & 660SJ Spanish Spec	3
	0256252	Ref	Standard Decal Installations 600S UK Spec	4
	0256569	Ref	Standard Decal Installations 600SJ & 660SJ UK Spec	4
	0257733	Ref	Warning Stripes Installation (EN280 and CE Specs)	1
2	1701518	3	Decal - Crushing	
4		Ref	Decal Options:	
4	1702928	1	Decal CE Spec Only (Prior to SN 0300065608)	
4	1705084	1	Decal Sound Power Level (SN 0300065608 through 0300068000)	
4	Not Required	0	Decal Australian Spec and EN280 Spec	
5	1701502	1	Decal - High Oil Level	
6	1701503	1	Decal - Low Oil Level	
7	1701504	1	Decal - Hydraulic Oil	
8	1701509	2	Decal - Manual	
9		Ref	Decal - 240/50HZ Options:	
9	Not Required	0	Decal - 240/50HZ CE Spec and EN280 Spec	
9	3251242	1	Australian Spec (SN 0300034921 through 0300068000)	
10		Ref	Decal - Model Options:	
10	1702815	2	Decal - Model 600S	
10	1702816	2	Decal - Model 600SJ	
10	1702817	2	Decal - Model 660SJ	
11	1702861	1	Decal - JLG Lift (8in)	
12	1702862	1	Decal - JLG Lift (12in)	
13	1702774	1	Decal - JLG Lift (3 1/2in)	
14	1702773	2	Decal - JLG (5in)	
16		Ref	Decal - Attach Lanyard Here Options:	
16	Not Required	0	Decal - Attach Lanyard Here CE Spec and EN280 Spec	
16	1702612	4	Decal - Attach Lanyard Here Australian Spec (SN 0300034921 through 0300061065)	
16	1704277	4	Decal - Attach Lanyard Here Australian Spec (SN 0300061066 through 0300068000)	
17	See Note	NSS	Nameplate - Serial Number (Note: Not Available for Purchase)	
19	See Note	NSS	Decal - Bar Code (Note: Not Available for Purchase)	
20	1700584	1	Decal - Patent	
21	1701499	2	Decal - No Tie Down /Lift	

SECTION 8 - DECALS

ITEM	PART NUMBER	QTY	DESCRIPTION	REV
22	1702300	4	Decal - Tie Down /Lift	
23	1701500	2	Decal - Tie Down /Lift	
24	1701529	4	Decal- Arrow	
26	3820001	4	Rivet	
27	0641408	1	Bolt 1/4in-20NC x 1in	
28	1060279	1	Cable, Lanyard	
29	3311405	7	Locknut 1/4in-20NC	
30	4751400	10	Flatwasher 1/4in	
31	0860520	1	Box, Manual Storage	
32		Ref	Panel, Pedestal Options:	
32	See Note	1	Panel, Pedestal Metal (Note: Replace original p/n 3380423 with p/n 3380434) (Prior to SN 0300029672)	
32	3380434	1	Panel, Pedestal Poly (SN 0300029672 through 0300068000)	
36	4420051	17.4 ft /5.3m	Decal - Warning Stripes	
37		Ref	Nameplate - Capacity Options:	
37	1690697	1	Nameplate - Capacity Australian Spec (Prior to SN 0300061066)	
37	1703992	1	Nameplate - Capacity Australian Spec (SN 0300061066 through 0300068000)	
37	1701567	1	Nameplate - Capacity Dutch Spec (Prior to SN 0300027329)	
37	1701596	1	Nameplate - Capacity Dutch Spec (SN 0300027329 through 0300068000)	
37	1690697	1	Nameplate - Capacity French Spec	
37	1690697	1	Nameplate - Capacity German Spec	
37	1690697	1	Nameplate - Capacity Italian Spec	
37	1690697	1	Nameplate - Capacity Spanish Spec	
37	1690697	1	Nameplate - Capacity UK Spec	
38		Ref	Nameplate - Caution Options:	
38	1690696	1	Nameplate - Caution Australian Spec (Prior to SN 0300027329)	
38	1703183	1	Nameplate - Caution Australian Spec (SN 0300027329 through 0300061066)	
38	1701596	1	Nameplate - Caution Dutch Spec (Prior to SN 0300027329)	
38	1703186	1	Nameplate - Caution Dutch Spec (SN 0300027329 through 0300068000)	
38	1693286	1	Nameplate - Caution French Spec (Prior to SN 0300027329)	
38	1703184	1	Nameplate - Caution French Spec (SN 0300027329 through 0300068000)	
38	1693288	1	Nameplate - Caution German Spec (Prior to SN 0300027329)	
38	1703190	1	Nameplate - Caution German Spec (SN 0300027329 through 0300068000)	
38	1701601	1	Nameplate - Caution Italian Spec (Prior to SN 0300027329)	
38	1703185	1	Nameplate - Caution Italian Spec (SN 0300027329 through 0300068000)	
38	1701794	1	Nameplate - Caution Spanish Spec (Prior to SN 0300027329)	
38	1703187	1	Nameplate - Caution Spanish Spec (SN 0300027329 through 0300068000)	
38	1690696	1	Nameplate - Caution UK Spec (Prior to SN 0300027329)	
38	1703183	1	Nameplate - Caution UK Spec (SN 0300027329 through 0300068000)	
39		Ref	Nameplate - Caution Options:	
39	1691483	1	Nameplate - Caution Australian Spec	
39	1701596	1	Nameplate - Caution Dutch Spec	

SECTION 8 - DECALS

ITEM	PART NUMBER	QTY	DESCRIPTION	REV
39	1693289	1	Nameplate - Caution French Spec	
39	1693291	1	Nameplate - Caution German Spec	
39	1701602	1	Nameplate - Caution Italian Spec	
39	1701798	1	Nameplate - Caution Spanish Spec	
39	1691483	1	Nameplate - Caution UK Spec	
40		Ref	Nameplate - Footswitch Options:	
40	3252347	1	Nameplate - Footswitch Australian Spec	
40	1703518	1	Nameplate - Footswitch Dutch Spec	
40	1693292	1	Nameplate - Footswitch French Spec	
40	1693294	1	Nameplate - Footswitch German Spec	
40	1701600	1	Nameplate - Footswitch Italian Spec	
40	1701791	1	Nameplate - Footswitch Spanish Spec	
40	3252347	1	Nameplate - Footswitch UK Spec	
41	1701505	1	Decal - Fuel (Diesel)	
44		Ref	Decal - Manual Descent Options:	
44	1702901	1	Decal - Manual Descent Australian Spec	
44	1702996	1	Decal - Manual Descent Dutch Spec	
44	1702984	1	Decal - Manual Descent French Spec	
44	1702988	1	Decal - Manual Descent German Spec	
44	1702992	1	Decal - Manual Descent Italian Spec	
44	1703000	1	Decal - Manual Descent Spanish Spec	
44	1702901	1	Decal - Manual Descent UK Spec	
45		Ref	Decal - Manual Descent Options:	
45	1702902	1	Decal - Manual Descent Australian Spec	
45	1702997	1	Decal - Manual Descent Dutch Spec	
45	1702985	1	Decal - Manual Descent French Spec	
45	1702989	1	Decal - Manual Descent German Spec	
45	1702993	1	Decal - Manual Descent Italian Spec	
45	1703001	1	Decal - Manual Descent Spanish Spec	
45	1702902	1	Decal - Manual Descent UK Spec	
46	1702903	1	Decal - Manual Descent #1	
47	1702904	1	Decal - Manual Descent #2	
48		Ref	Decal - No Hands Options: (600SJ & 660SJ Only)	
48	1702908	1	Decal - No Hands Australian Spec	
48	1702998	1	Decal - No Hands Dutch Spec	
48	1702986	1	Decal - No Hands French Spec	
48	1702990	1	Decal - No Hands German Spec	
48	1702994	1	Decal - No Hands Italian Spec	
48	1703002	1	Decal - No Hands Spanish Spec	
48	1702908	1	Decal - No Hands UK Spec	
53	0641406	4	Bolt 1/4in-20NC x 3/4in	
54	0100011	AR	Compound, Locking	
57		Ref	Decal - Wheel Load Options:	
57	1703098	4	Decal - Wheel Load All Models (Prior to SN 0300029852)	
57	1703470	4	Decal - Wheel Load 600S (SN 0300029852 through 0300068000)	
57	1703471	4	Decal - Wheel Load 600SJ (SN 0300029852 through 0300068000)	
57	1703472	4	Decal - Wheel Load 660SJ (SN 0300029852 through 0300068000)	
58	0641414	2	Bolt 1/4in-20NC x 1-3/4in	
59		Ref	Decal - Maintenance Options:	

SECTION 8 - DECALS

ITEM	PART NUMBER	QTY	DESCRIPTION	REV
59	Not Required	0	Decal - Maintenance CE Spec and EN280 Spec	
59	1703663	1	Decal - Maintenance Australian Spec (SN 0300034921 through 0300061066)	
60		Ref	Decal - Caution (Safety Harness) Options:	
60	Not Required	0	Decal - Caution (Safety Harness) CE Spec and EN280 Spec	
60	1703664	1	Decal - Caution (Safety Harness) Australian Spec (SN 0300034921 through 0300061066)	
61		Ref	Decal - Platform Capacity (600S Only) Options:	
61	Not Required	0	Decal - Platform Capacity CE Spec and EN280 Spec	
61	1703675	1	Decal - Platform Capacity Australian Spec (SN 0300034921 through 0300061066)	
62		Ref	Decal - Danger (Electrical Hazard) Options:	
62	Not Required	0	Decal - Danger (Electrical Hazard) CE Spec and EN280 Spec	
62	1703665	1	Decal - Danger (Electrical Hazard) Australian Spec (SN 0300034921 through 0300061066)	
64	1704885	2	Decal - Website (SN 0300057135 through 0300068000)	
		Ref	OPTIONAL DECALS	
101	3250872	1	Nameplate - Steer/Tow Selection (Machines with Tow Package Only)	
102		Ref	Decal - Tow Instructions Options: (Machines with Tow Package Only)	
102	1702305	1	2WD (Machines with Tow Package Only)	
102	1703403	1	4WD (Machines with Tow Package Only)	

SECTION 9 - RECOMMENDED SERVICE PARTS STOCK

SECTION 9 - RECOMMENDED SERVICE PARTS STOCK

Go to Discount-Equipment.com to order your parts

SECTION 9 - RECOMMENDED SERVICE PARTS STOCK

FIGURE 9-1. MODELS 600S/600SJ/660SJ STANDARD PARTS

ITEM	PART NUMBER	QTY	DESCRIPTION	REV
	Note	Ref	Note: The following list will service machines (built to current production per date on the front cover) with emergency repair parts which can be installed in the field. Parts from the list should be replaced when inventory is depleted to keep service parts stock supplied.	
		Ref	STANDARD PARTS	
	7012944	1	Coil	
	2120150	4	Element Filter	
	7016312	1	Switch, Indicator	
	2120149	1	Element, Filter	
	7016313	1	Switch, Indicator	
	7012772	1	Coil	
	70000582	1	Coil	
	7012664	1 doz	Element, Air Cleaner	
	3740067	1	Relay	
	4360392	1	Switch, Indicator	
	4360294	1	Breaker, Circuit	
	7014811	1	Breather, Hydraulic Tank	
	4360475	1	Switch, Mushroom	
	4360470	1	Switch, Key	
	2860030	1	Key, Replacement	
	4360328	1	Switch, Toggle	
	4360476	1	Contact, Switch Block	
	3740049	1	Relay	
	2940074	1	Latch	
	4360387	1	Switch, Push Button	
	4360407	1	Controller, Speed	
	4360331	1	Switch, Toggle	
	4360232	1	Breaker, Circuit	
	1001129555	1	Controller (Lift and Swing)	
	1001212415	1	Controller (Drive and Steer)	
	3990010	2	Diode	

SECTION 9 - RECOMMENDED SERVICE PARTS STOCK

FIGURE 9-2. MODELS 600S/600SJ/660SJ VARIABLE PARTS

ITEM	PART NUMBER	QTY	DESCRIPTION	REV
	Note	Ref	Note: The following list will service machines (built to current production per date on the front cover) with emergency repair parts which can be installed in the field. Parts from the list should be replaced when inventory is depleted to keep service parts stock supplied.	
		Ref	VARIABLE PARTS	
	7016328	1 doz	Filter, Fuel (Deutz Engine)	
	7016331	1 doz	Filter, Oil (Deutz Engine)	
	7016330	1	Switch, Pressure (Deutz Engine)	
	3740080	1	Relay (Machines with Generator Option)	
	4360294	1	Breaker, Circuit (Machines with Generator Option)	
	4360336	1	Switch, Toggle (Machines with Generator Option)	
	70002005	1	Powertrack Repair Section (Gortrac Brand)	
	7016530	2	Power Track - Repair Section (Gemco Brand)	
	7006138	24	Power Track - Pin Kit (Gemco Brand)	

SECTION 10 - SPECIAL OPTIONS

Go to Discount-Equipment.com to order your parts

SECTION 10 - SPECIAL OPTIONS

FIGURE 10-1. SPECIAL OPTIONS

ITEM	PART NUMBER	QTY	DESCRIPTION	REV
	Note	Ref	Note: This list is to accommodate machines ordered with special equipment. Options may not be applicable to all models.	
		Ref	MISCELLANEOUS SPECIAL OPTIONS	
		Ref	Airline to Platform Installation Options:	
	0255388	Ref	Airline to Platform Installation 1/2in 600S & 600SJ	
	0255389	Ref	Airline to Platform Installation 1/2in 660SJ	
	0270723	Ref	Beacon Light Installation (On Platform)	
	0256273	Ref	Boom Wipers Installation (Brush Type)	
	0256789	Ref	Camera Mount Assembly	
		Ref	ClearSky Telematics Kit (Dealer Installed)	
	1001102841	Ref	ANSI Spec	
	1001102842	Ref	ANSI Export/CE/Japanese Specs	
	1001139132	Ref	Australian Spec	
	1001104985	Ref	CSA Spec	
		Ref	Note: Refer to ClearSky (Telematics) Manual p/n 3128499 for Service Parts.	
	0256060	Ref	Cold Weather Package Installation - Deutz	
		Ref	Cold Weather Package Installations - Deutz (With Glow/Plugs)	
	0258927	Ref	Deutz (With Glow/Plugs) (Prior to SN 0300061927)	
	0271326	Ref	Deutz (With Glow/Plugs) (SN 0300061927 through 0300063908)	
	0271548	Ref	Deutz (With Glow/Plugs) (SN 0300063909 through 0300068000)	
		Ref	Container - Tray Storage Options:	
	1580012	1	Container - Tray Storage Center	
	1580013	1	Container - Tray Storage Rail	
		Ref	Decal Installations Options:	
	0256763	Ref	Decal - 265kg Capacity Rating (600S)	
	0256764	Ref	Decal - 265kg Capacity Rating (600S)	
	0256770	Ref	Decal - 265kg Capacity Rating (600SJ)	
	0256773	Ref	Decal - 265kg Capacity Rating (600SJ)	
	0256771	Ref	Decal - 265kg Capacity Rating (660SJ)	
	0256774	Ref	Decal - 265kg Capacity Rating (660SJ)	
	1702788	1	Decal - Biodegradable Hydraulic Fluid	
	1703479	1	Decal - Biodegradable Hydraulic Fluid (German)	
	1704174	1	Decal - Biodegradable Hydraulic Fluid (Synthetic)	
	1704175	1	Decal - Biodegradable Hydraulic Fluid (German) (Synthetic)	
	0272589	Ref	Decal - Generator (Refer to Accessories Book #3124242 for Service Parts)	
	0272588	Ref	Decal - Welder (Refer to Accessories Book #3124242 for Service Parts)	
		Ref	Decal Kits	
	2900974	Ref	Decal Kit - Country Spec (Australian Spec)	
	2900937	Ref	Decal Kit - Country Spec (CE Spec)	
	1001193633	Ref	Decal Kit - Machine	
	1001108718	Ref	Decal Kit - Platform	
	1001119562	Ref	Decal Kit - Platform Console Box	
		Ref	Electrical Connector Kits	
	1001148902	Ref	Amp/Tyco Electrical Connector Kit	
	1001148903	Ref	Deutsch DT Electrical Connector Kit	

SECTION 10 - SPECIAL OPTIONS

ITEM	PART NUMBER	QTY	DESCRIPTION	REV
	1001148904	Ref	Deutsch HD Electrical Connector Kit	
	1001148905	Ref	Packard Electrical Connector Kit	
	1001148906	Ref	Various Electrical Connectors Kit	
	0257157	Ref	Ether Start Installation (Deutz Engine Machines)	
		Ref	Filter Kits (Deutz Engine Only):	
		Ref	Combined Filter Kit (Hydraulic/Air and Fuel/Engine Oil)	
	2910931	1	With Noise Reduction (Prior to SN 0300064249)	
	2910464	NLA	Without Noise Reduction (Use p/n 1001114043) (Prior to SN 0300030041)	
	2910463	NLA	Without Noise Reduction (Use p/n 1001110993) (SN 0300030041 through 0300068000)	
	2910924	NLA	Hydraulic/Air Filter (Use p/n 1001109692)	
	1001110133	1	Fuel/Engine Oil Filter	
	4060959	Ref	Footswitch Shield (Note: Move Decal to Shield)	
	2902232	Ref	Glazier Tray Kit (9K Helac)	
		Ref	Glow Plugs Installation (Deutz Engine Machines)	
	0258928	Ref	Glow Plugs Installation (Deutz Engine Machines) (Prior to SN 0300061927)	
	0271333	Ref	Glow Plugs Installation (Deutz Engine Machines) (SN 0300061927 through 0300068000)	
	2901691	Ref	Glow Plugs at Intake Kit (Deutz Engine Machines)	
	1001126286	Ref	Hood (Steel) Replacement Kit	
	1001187493	Ref	Hose Kit (Prior to SN 0300066869)	
	1001187494	Ref	Hose Kit (SN 0300066870 through 0300068000)	
		Ref	Hostile Environment Add-On Kits	
	1001204925	Ref	Hostile Environment Add-On Kit (600S)	
	1001204926	Ref	Hostile Environment Add-On Kit (660SJ)	
	0255439	Ref	Intercom Communication System Installation	
	1001189615	Ref	Kingpin Removal Kit	
	1001148971	Ref	Lanyard (Bolt-On) Kit Installation	
	1001147699	Ref	Manual Storage Box Relocation Kit	
	0256762	Ref	Oil Cooler Installation - Deutz Engine Machines	
	1282665	Ref	Oil Cooler Installation - Deutz Engine Machines	
		Ref	Oxy-Acetylene Lines to Platform Installation Options:	
	0255390	Ref	Oxy-Acetylene Lines to Platform Installation 600S & 600SJ	
	0255391	Ref	Oxy-Acetylene Lines to Platform Installation 660SJ	
	0258703	Ref	Platform Console Cover Installation	
	1001205175	Ref	Platform Console Cover Add-On Kit	
		Ref	Platform Entry Kit (Side Entry Platforms Only)	
	1001142504	Ref	Kit, Replace Swing Gate with Drop Bar	
	1001142505	Ref	Kit, Replace Drop Bar with Swing Gate	
		Ref	Platform Huck Fasteners Replacement Hardware	
	0641416	AR	Bolt 1/4in-20NC x 2in	
	3311405	AR	Locknut 1/4in-20NC	
	4711400	AR	Flatwasher 1/4in Thin	
	3300151	AR	Acorn Nut 1/4in-20NC	
	2910073	Ref	Power Track Hose and Clamp Kit	
	1320247	1	Clamp, Nylon	
	0641522	1	Bolt 5/16in-18NC x 2-3/4in	
	3311505	1	Locknut 5/16in-18NC	
	4711500	2	Flatwasher 5/16in	
	2753084	1	Hose	

SECTION 10 - SPECIAL OPTIONS

ITEM	PART NUMBER	QTY	DESCRIPTION	REV
		Ref	Safe Load System Installation - French Spec Options:	
	0257997	Ref	Safe Load System Installation - French Spec (Prior to SN 0300053547)	
	0259233	Ref	Safe Load System Installation - French Spec (SN 0300053547 through 0300068000)	
		Ref	SkyGuard Component Options:	
	1001149560	Ref	SkyGuard Complete Add-on Kit (Non-UGM Machines)	
	1001137672	Ref	SkyGuard Platform Sensor Kit	
	1001137440	1	SkyGuard Sensor Harness	
	1001186431	2	Relay	
	1001143256	Ref	SkyGuard Blue Beacon Kit	
	1001228357	Ref	Telematics Retrofit Harness Kit (Machines with UGM)	
	0272302	Ref	Tire Sealant Installation	
	0272312	Ref	Tire Sealant Decal Installation	
	2902203	1	Kit, Tire Sealant Decal	
	0270511	Ref	Top Rail Extension Installation (6ft/1.83m)	
	0271771	Ref	Top Rail Extension Installation (8ft/2.44m)	
		Ref	Tools for Service	
	7002840	1	Anti-rotation Pin Removal Tool	
	8896941	1	Wire Stripper	
	7002821	1	Wire Crimper (To install wire ends to wires)	
	7002823	1	Pin/Socket Extractor - Universal (To Remove Pins/Sockets from Connectors)	
	4460467	1	Extractor - 16-18 Gauge (For Removal of Pin/Sockets from Deutsch Connectors)	
	4460510	1	Extractor - 12-14 Gauge (For Removal of Pin/Sockets from Deutsch Connectors)	
	7002822	1	Screwdriver, Potentiometer (To Adjust Drive Controllers)	
	7016654	1	Screwdriver, Magnetic	
	7004275	1	Seal Installation Tool - 1in	
	7004276	1	Seal Installation Tool - 1-1/2in	
	7002826	1	Seal Installation Tool - 2in	
	7016655	1	Wire Rope Sheave Gauge	
	7016652	1	Huck Bolt Faster (For Small Huck Bolts Only)	
	4921850	1	Throttle Service Harness	
	4922012	1	Rexroth Card Service Harness	
		Ref	Tool (Hydraulic) Installations Options:	
	0257415	Ref	Tool (Hydraulic) Installations 600S (Prior to SN 0300066201)	
	0272347	Ref	Tool (Hydraulic) Installations 600S (SN 0300066201 through 0300068000)	
	0257434	Ref	Tool (Hydraulic) Installations 600SJ (Prior to SN 0300066201)	
	0272348	Ref	Tool (Hydraulic) Installations 600SJ (SN 0300066201 through 0300068000)	
	0257435	Ref	Tool (Hydraulic) Installations 660SJ (Prior to SN 0300066201)	
	0272349	Ref	Tool (Hydraulic) Installations 660SJ (SN 0300066201 through 0300068000)	
	0257728	Ref	Tube Rack Installation	
		Ref	Weld Leads to Platform Installation Options:	
	0255399	Ref	Weld Leads to Platform Installation 600S & 600SJ	
	0255895	Ref	Weld Leads to Platform Installation 660SJ	
	0272521	Ref	Welder Installation (Stick 250A) (Refer to Accessories Book #3124242 for Service Parts)	

PART NUMBER INDEX

Go to Discount-Equipment.com to order your parts

PART NUMBER INDEX

0060031.....	130, 139	0255300.....	24	0256572.....	291	0259233.....	168, 207, 263, 302
0060033.....	68, 75, 271	0255301.....	24	0256573.....	291	0270120.....	23, 39
0060034.....	125, 139	0255302.....	23	0256574.....	291	0270121.....	23, 39
0060066.....	130, 143	0255303.....	145	0256621.....	11	0270329.....	55
0060067.....	125, 143	0255315.....	45	0256622.....	291	0270511.....	302
0060075.....	139	0255316.....	55	0256632.....	167, 173	0270723.....	300
0080163.....	69, 79	0255326.....	67	0256633.....	167, 173	0270734.....	276, 282
0080177.....	68	0255330.....	291	0256634.....	291	0270735.....	133, 276
0080220.....	229	0255332.....	291	0256689.....	76	0270737.....	133, 276, 282
0080241.....	110	0255334.....	291	0256690.....	77	0270738.....	282
0100009.....	103, 172	0255335.....	109	0256753.....	73	0270763.....	73
0100011.....	11, 12, 15, 16, 19, 23, 24, 39, 46, 55, 68, 74, 77, 82, 85, 95, 99, 102, 105, 110, 113, 116, 121, 122, 126, 127, 132, 133, 136, 145, 149, 166, 167, 173, 209, 213, 215, 217, 221, 225, 229, 231, 233, 243, 258, 293	0255353.....	245	0256762.....	260, 263, 301	0270795.....	173, 203
0100019.....	12, 16, 55, 86, 117, 121, 126, 132	0255354.....	245	0256763.....	300	0270796.....	173, 203
0100020.....	68, 74, 95, 172	0255355.....	245	0256764.....	300	0270801.....	81, 173
0100035.....	109, 166, 171	0255356.....	245	0256770.....	300	0270802.....	110, 173
0100038.....	213, 215, 217, 221, 225, 229, 231, 233, 243, 258	0255362.....	109	0256771.....	300	0270804.....	149
0100040.....	161	0255363.....	41	0256773.....	300	0270805.....	110, 265
0100048.....	105, 109, 110, 172, 209, 282, 286, 287	0255368.....	109	0256774.....	300	0270810.....	81, 173
0100062.....	86	0255387.....	110	0256779.....	260, 263	0270814.....	153, 158, 162, 174, 264
0100063.....	13, 17, 20, 229	0255388.....	300	0256789.....	300	0270833.....	109
0100081.....	173	0255389.....	300	0256823.....	122	0270835.....	207, 264
0140001.....	46	0255390.....	301	0256830.....	120	0270868.....	16, 19
0140011.....	171	0255391.....	301	0256847.....	79	0271003.....	15
0140026.....	165	0255392.....	153, 158, 264	0256937.....	133, 268	0271004.....	16
0160020.....	76	0255393.....	109	0256938.....	268	0271005.....	19
0181727.....	67, 73	0255396.....	81	0256940.....	133, 268	0271242.....	149
0200530.....	82	0255399.....	302	0257157.....	301	0271243.....	149
0200550.....	204	0255439.....	301	0257160.....	81	0271317.....	130
0200741.....	82	0255445.....	45	0257415.....	302	0271318.....	130
0200742.....	82	0255446.....	45	0257434.....	302	0271326.....	300
0239585.....	55	0255447.....	45	0257435.....	302	0271327.....	125
0254798.....	55	0255698.....	109	0257483.....	95	0271333.....	301
0254817.....	11	0255868.....	133, 268	0257702.....	73	0271372.....	149
0254818.....	15	0255875.....	69	0257705.....	95	0271474.....	168, 207, 264
0254845.....	11	0255876.....	69	0257728.....	302	0271501.....	109
0254846.....	15	0255879.....	268	0257731.....	16, 19	0271543.....	207, 264
0254849.....	95	0255881.....	113	0257732.....	12	0271544.....	81, 173
0254856.....	39	0255885.....	203	0257733.....	291	0271547.....	81, 173
0254942.....	16, 19	0255886.....	203	0257743.....	19	0271548.....	300
0254943.....	19	0255895.....	302	0257744.....	19	0271550.....	173, 203
0254944.....	12	0255897.....	133, 268	0257747.....	15	0271551.....	173, 203
0254945.....	19	0255899.....	109, 272	0257748.....	15	0271552.....	110, 173
0254975.....	23, 39	0255914.....	109, 272	0257749.....	15	0271616.....	24
0254976.....	23, 39	0255917.....	110, 272, 278, 285	0257750.....	15	0271617.....	24
0255025.....	55	0255929.....	245	0257849.....	203	0271619.....	23
0255262.....	99	0255930.....	245	0257850.....	203	0271771.....	302
0255290.....	125	0256060.....	300	0257853.....	81	0271940.....	154, 158, 161
0255291.....	130	0256122.....	117, 121	0257857.....	81	0272050.....	209
0255292.....	130	0256191.....	69	0257866.....	24	0272070.....	127, 133
0255293.....	145	0256196.....	24	0257867.....	24	0272071.....	209, 286
0255294.....	99	0256201.....	272, 278, 285	0257874.....	23	0272130.....	130
0255296.....	116	0256212.....	229	0257882.....	111	0272132.....	125
		0256252.....	291	0257884.....	110	0272134.....	130
		0256253.....	291	0257885.....	109	0272293.....	81
		0256254.....	291	0257886.....	109	0272298.....	154, 158, 161
		0256255.....	291	0257887.....	109, 272, 278, 285	0272302.....	302
		0256256.....	291	0257988.....	149	0272312.....	302
		0256257.....	291	0257997.....	207, 302	0272347.....	302
		0256273.....	300	0258048.....	153, 158, 264	0272348.....	302
		0256305.....	110	0258568.....	77	0272349.....	302
		0256306.....	110	0258578.....	120	0272480.....	81
		0256312.....	111	0258703.....	301	0272481.....	81
		0256394.....	11	0258886.....	41	0272482.....	81
		0256569.....	291	0258927.....	300	0272483.....	282
		0256570.....	291	0258928.....	301		
		0256571.....	291				

PART NUMBER INDEX

0272485	282	0641414 11, 15, 154, 158,	0681612.....	82, 136	0861572	85	
0272488	282	162, 209, 293	0681836.....	55	0902109	99	
0272492	85	0641416 46, 133, 172,	0682012.....	13	0902138	116, 120	
0272521	302	207, 301	0682014.. 12, 17, 19, 117,	121	0902139	116	
0272588	300	0641418 157, 172	0682016..... 17, 19, 23, 55	0700608.....	209	0902143	116, 121
0272589	87, 300	0641505 41, 86	0700608.....	209	0902161	116, 121	
0272727	209, 286	0641506 ... 102, 105, 121,	0700808.....	75	0902206	110	
0272970	154, 161	122	0700810.....	68, 69, 79	0902217	69	
0340041	67, 69, 73	0641507 77	0700812.....	76	0902219	117, 121	
0340046	77	0641508 46, 69, 75, 83	0700815.....	85	0902222	116	
0362519	41	0641510 68, 75	0700819.....	83	0902223	116, 120	
0362528	109	0641512 116, 121	0701010.....	207	0902243	67, 74	
0362609	111	0641516 85	0701012.....	68, 75	0902351	120	
0362610	111	0641520 39	0701015.....	68, 75	0902358	120	
0400075	67, 73	0641522 39, 146, 150,	0701414.....	68, 74	0902384	121	
0440091	13	301	0711414.....	82	0902416	120	
0440170	12	0641524 153, 157	0721003..... 13, 166, 167,	174	0902417	76	
0440171	12	0641550 24	0721004..... 68, 102, 166	0721005.....	74, 102	0902472	77
0440207	55	0641604 127, 132	0721006..... 83, 116, 121	0721010.....	166	0902491	120
0460150	245	0641605 136, 145	0721010.....	166	0902511	74	
0460151	245	0641606 68, 75, 133, 145,	0731005.....	204	0902520	99	
0460152	245	166	0741606.....	110	0902751	172	
0460153	245	0641607 136, 209	0741607.....	126, 132	0902886	209	
0460158	245	0641608 ... 11, 12, 15, 16,	0741612.....	136	0902887	209	
0460160	245	19, 39, 41, 46, 95, 96,	0801011.....	135	0902888	86	
0460161	245	116, 121, 126, 132,	0801012.....	135	0920083	55, 59	
0480050	82	136, 146, 149	0801014.....	135	0920084	23, 33	
0480119	82	0641609 113, 121	0801036.....	135	0920109	55, 59	
0480120	82	0641610 . 67, 74, 82, 136,	0801037.....	135	0920110	23, 33	
0480125	85	154, 158, 161, 166, 171	0801038.....	135	0920117	23, 34	
0480126	85	0641611 99, 132	0801065.....	135	0920119	34, 55, 60	
0561076	136	0641612 . 11, 17, 19, 117,	0801071.....	125, 135	0940038	203	
0561138	12, 17, 19	204	0801072.....	130, 135	0940049	116	
0561139	12, 17, 19	0641613 46, 136	0801073.....	130, 135	0940070	67, 74	
0561183	136	0641614 95, 132	0801167.....	135	0940071	116, 121	
0561185	136	0641616 207	0801336.....	130, 135	0940088	121	
0561237	133	0641618 86, 132, 136	0801340.....	125, 135	0961127	272	
0561245	136	0641634 136	0801341.....	130, 135	0961845	157	
0561508	137	0641640 137	0840055.....	286, 287	0961850	17, 20	
0630078	12	0641644 146	0860520.....	292	0961883	13	
0630407	209	0641648 150	0860978.....	101	0961893 ... 215, 217, 219,	231, 233	
0630458 ... 126, 132, 145,	149	0641676 145	0860984.....	165, 167	0961894 ... 221, 225, 233		
0630462	203	0641772 82	0860996.....	165, 167	0961895	213	
0630464	166, 171	0641807 146, 149	0861046.....	101	0961897	243	
0630491	110	0641808 .. 69, 76, 86, 132	0861047.....	101	0961898	229	
0630493	145	0641810 126, 132	0861127.....	101	0961947 ... 132, 215, 217,	219, 231, 233, 237	
0630498	67, 73	0641811 55	0861128.....	101	0961950 ... 11, 12, 15, 16,	127, 132, 135, 229	
0630507	116, 121	0641812 68, 74, 127, 133	0861132.....	101	0961951 ... 127, 132, 135,	221, 225, 227, 233, 239	
0630518	103, 105	0641814 11, 15	0861242.....	101	0961977 ... 13, 17, 20, 241		
0630534 ... 215, 217, 219,	231, 234	0641816 67	0861243.....	101	0961986	68, 75	
0630535 ... 213, 222, 225,	227, 234, 239, 243	0641818 74, 113, 207	0861303.....	101	0962006	127, 132	
0630536	229	0641820 . 11, 16, 99, 126,	0861388.....	171	0962036	13	
0630548	106	132	0861389.....	105	0962051	113	
0641403 86, 109, 137		0641822 209	0861396.....	105	0962057	126, 132	
0641404 86, 150, 166,	172	0641824 136	0861397.....	105	0962131	17, 20	
0641406 68, 85, 109, 121,	137, 154, 158, 161,	0641826 76	0861414.....	171, 173	0962180	207	
166, 172, 204, 293		0642010 68, 75	0861477.....	171	0962335	133	
0641407 74, 126, 132,	207	0642012 ... 11, 12, 15, 16,	0861482.....	105	0962336	231	
0641408 ... 154, 158, 161,	166, 171, 229, 292	126, 132	0861483.....	105	0962450	209	
		0642018 55	0861511.....	171	0962496	213	
		0642024 209	0861537.....	171, 173	0962520	85	
		0642612 110, 150	0861541.....	86	1001099832	149	
		0642682 127, 133, 209	0861567.....	85, 86	1001099839	149	
		0651406 46					
		0681608 127, 133, 137					
		0681610 . 12, 16, 19, 126,					
		132, 209					

PART NUMBER INDEX

1001100321.....81	1060680..... 277, 283	1660234..... 69, 79	1683416.....215
1001102841.....300	1060896..... 276, 283	1670749..... 145	1683418..... 130, 221
1001102842.....300	1060918... 154, 161, 172, 282	1670750..... 145	1683419.....221
1001104985.....300	1100086..... 11, 15	1670769..... 133	1683618..... 135, 243
1001108718.....300	1120304..... 12	1670771..... 116, 121	1683619.....243
1001110133.....301	1120367..... 95	1670776..... 24	1683620..... 135, 243
1001110169...55, 63, 64	1120484..... 95	1670779..... 116, 121	1683621.....243
1001113961..... 197, 199	1180340..... 145	1670780..... 116	1683949.....233
1001117320..... 154, 161	1180341..... 145	1670785..... 203	1683952..... 221
1001118416..... 199	1180345..... 149	1670786..... 203	1683954.....229
1001118417..... 185	1180359..... 149	1670787..... 203	1683955.....229
1001119562..... 300	1220042..... 136	1670788..... 203	1683962.....233
1001121592..... 204	1220078..... 135	1670789..... 203	1683963..... 221, 225
1001121593..... 204	1260017..... 55	1670791..... 203	1683972.....233
1001126286..... 301	1260136..... 204	1670793..... 203	1683973.....233
1001129555..... 296	1271538..... 209	1670795..... 203	1683976..... 215, 217
1001137440..... 302	1282380..... 260	1670796..... 203	1683977.....215
1001137672..... 302	1282474..... 262, 265	1670797..... 203	1683986.....213
1001138796..... 227, 239	1282665... 260, 263, 301	1670798..... 203	1683987.....213
1001139132..... 300	1282668..... 260, 263	1670799..... 203	1684090.....231
1001142504..... 301	1282672..... 262	1670801..... 203	1684092.....231
1001142505..... 301	1282685..... 262, 265	1670803..... 203	1684191.....213
1001143256..... 302	1282828..... 262	1670804..... 203	1690696.....292
1001147699..... 301	1282829..... 265	1670818..... 109	1690697.....292
1001148902..... 300	1282937..... 262	1670821..... 111	1691483..... 292, 293
1001148903..... 300	1283235..... 265	1670824..... 109, 111	1693286.....292
1001148904..... 301	1320016..... 67, 74	1670829... 103, 105, 166, 171	1693288.....292
1001148905..... 301	1320019..... 69	1670836..... 137	1693289.....293
1001148906..... 301	1320022..... 68, 74	1670900..... 207	1693291.....293
1001148971..... 301	1320031..... 75	1671037..... 173	1693292.....293
1001149560..... 302	1320040..... 204	1671055..... 126, 132	1693294.....293
1001166538..... 201	1320041..... 137	1683053... 215, 217, 231, 233	1700584.....291
1001166539..... 187	1320060..... 69, 76, 166	1683055... 221, 225, 233	1701499.....291
1001186431..... 302	1320070..... 209, 229	1683057..... 243	1701500... 117, 121, 292
1001187493..... 301	1320095..... 166	1683059..... 213	1701502.....291
1001187494..... 301	1320131..... 76	1683067..... 229	1701503.....291
1001189615..... 301	1320136..... 209	1683078..... 11, 15, 213	1701504.....291
1001189615..... 301	1320176..... 77	1683079..... 213	1701505..... 68, 75, 293
1001193633..... 300	1320222..... 68, 75	1683081..... 213	1701509.....291
1001204925..... 301	1320223..... 68, 75	1683208.. 12, 16, 19, 241	1701518.....291
1001204926..... 301	1320224..... 86	1683248..... 135, 243	1701529.....292
1001205175..... 301	1320235..... 127, 132	1683249..... 243	1701567.....292
1001212415..... 296	1320244..... 76, 137	1683250..... 243	1701596.....292
1001223331..... 130, 225	1320245..... 76	1683253..... 130, 221	1701600.....293
1001223332..... 225	1320247... 146, 150, 301	1683254..... 221	1701602.....293
1001223511..... 217	1340050..... 73	1683256..... 233	1701791.....293
1001223512..... 125, 217	1340056..... 67	1683258..... 131, 231	1701794.....292
1001228002..... 125, 237	1340060..... 73	1683259..... 231	1701798.....293
1001228008..... 125, 219	1380147..... 113	1683261..... 231	1702300.....292
1001228051..... 130, 227	1580012..... 162, 300	1683263..... 130, 233	1702305.....294
1001228052..... 130, 239	1580013..... 162, 300	1683264..... 233	1702536.....101
1001228357..... 302	1600218..... 166	1683266..... 125, 233	1702564..... 165, 172
1060012..... 268	1600239..... 165, 191	1683267..... 233	1702565..... 165, 172
1060016..... 111, 269	1600242..... 165, 177	1683269..... 233	1702566..... 165, 172
1060279..... 292	1600283... 165, 191, 192, 195	1683271..... 125, 215	1702567..... 165, 172
1060330... 172, 204, 273, 276	1600284... 165, 177, 181	1683272..... 215	1702610..... 102, 105
1060341... 204, 273, 279, 286	1600312..... 105	1683274..... 215	1702612.....291
1060461... 269, 272, 277, 278, 279, 283, 285	1600313..... 171	1683275... 125, 130, 229	1702632.....101
1060494..... 273, 286	1600317..... 172, 183	1683276..... 229	1702676... 154, 158, 161, 165, 172
1060515..... 268	1600318..... 172, 197	1683278..... 229	1702773.....291
1060516..... 268, 269	1600327..... 105	1683278..... 229	1702774.....291
1060602..... 269	1660184..... 69	1683333..... 221	1702788.....300
1060603..... 269	1660219..... 99	1683357..... 135, 243	1702815.....291
1060617..... 229	1660223..... 99	1683358..... 243	1702816.....291
1060637..... 69, 76		1683359..... 243	1702817.....291
		1683415..... 125, 215	

PART NUMBER INDEX

1702861	291	1705165	209	2220466	249, 251, 257	2460050	85
1702862	291	1705376	86	2220468	258	2560136	165, 171
1702901	293	1705460	87	2220472	251, 258	2560144	229
1702902	293	1705461	87	2220473	249, 258	2600209	120
1702903	293	1705489	87	2220479	258	2600211	167, 173
1702904	293	1840012	102	2220490	249, 255	2600219	153, 157
1702908	293	1840013	102	2220497	258	2600233	120
1702928	291	1840014	102	2220498	257	2600281	161
1702938	173, 204	1840015	102	2220500	251	2600287	157
1702968	41	1870044	264	2220502	249, 251, 258	2680420	116, 120
1702984	293	1870050	265	2220504	249, 251, 255	2680421	116, 120
1702985	293	1870054	265	2220550	251	2680422	116
1702986	293	1870071	265	2220568	249	2680435	120
1702988	293	1870087	265	2220574	258	2680437	120
1702989	293	1870132	265	2220577	255	2680443	120
1702990	293	2000132	67, 69	2220578	257	2680448	120
1702992	293	2000146	73, 77	2220582	249, 251, 255, 257	2680449	120
1702993	293	2000173	73, 78	2220596	251, 257	2680450	120
1702994	293	2000189	73, 78	2220603	255, 258	2720058	69, 75, 76
1702996	293	2060025	67, 73	2220605	257	2720271	68, 74
1702997	293	2080040	153, 157, 161	2220609	258	2720339	76
1702998	293	2080043	127, 132	2220618	257	2720351	68, 74
1703000	293	2080044	132	2220619	255	2720397	67, 74
1703001	293	2120145	46	2220622	251	2720398	67, 74
1703002	293	2120146	45	2220628	257	2720423	76
1703084	167, 173	2120149	46, 296	2220635	255	2720434	75
1703085	167, 173	2120150	45, 296	2220646	249, 251, 257	2720449	75
1703090	166	2160002	12, 17, 20	2220671	249, 251	2750532	68, 74
1703091	166	2160003	55	2220710	249	2751013	249, 251
1703092	166	2180344	55	2220738	251	2751015	255
1703093	166	2180380	258	2220794	69, 75	2751016	249, 251
1703098	293	2180536	68, 74	2220800	251	2751020	255
1703162	67, 74	2180703	76	2220810	257	2751021	251
1703183	292	2180724	258	2220833	251	2751032	55
1703184	292	2180798	67, 73	2220873	257, 258	2751095	55
1703185	292	2200222	57, 95	2220883	215, 217, 219, 222, 225, 227, 229, 231	2751396	258
1703186	292	2220063	55	2220885	213, 215, 217, 219, 221, 222, 225, 227, 231, 234, 239, 243	2751397	255
1703187	292	2220235	249, 251, 257	2220886	213	2751427	257
1703190	292	2220237	249	2220893	46	2751868	258
1703403	41, 294	2220240	249	2220906	257	2752245	249
1703404	41	2220242	249	2220909	258	2752249	251
1703444	41	2220250	68, 74	2220914	251, 258	2752256	251
1703450	41	2220273	68, 74	2220921	257	2752258	249
1703465	101, 105	2220313	68, 74	2220947	257	2752322	249, 251
1703466	101, 105	2220362	249, 251	2220948	257	2752340	257
1703470	293	2220363	249, 251	2220950	258	2752345	249
1703471	293	2220365	249	2220974	258	2752389	251
1703472	293	2220371	249, 255	2221023	76	2752398	251
1703476	76	2220372	257	2221028	76	2752433	258
1703479	300	2220373	257	2400057	103	2752443	251
1703518	293	2220375	249, 251, 257	2400060	87	2752444	258
1703533	258	2220376	257	2400064	87	2752462	249, 251
1703622	103	2220377	249, 251, 257	2400065	277, 283	2752478	249, 251
1703663	294	2220380	257	2400066	277, 283	2752504	257
1703664	294	2220385	255, 257	2420172	102, 105	2752514	257
1703665	294	2220386	252	2420203	82	2752515	257
1703675	294	2220408	257	2460011	81	2752516	257
1703791	207	2220409	258	2460013	81	2752517	258
1703801	207	2220414	258	2460032	81	2752573	257
1703992	292	2220415	255, 257	2460034	81	2752580	257
1704174	300	2220428	257	2460039	81	2752584	249, 251
1704175	300	2220429	257	2460048	85	2752587	257
1704260	103, 166, 171	2220435	251	2460049	81	2752588	258
1704277	291	2220451	67, 74			2752591	258
1704885	294	2220459	68, 74			2752592	249, 251
1705084	291	2220462	258			2752594	257
1705132	106, 173	2220465	249, 251			2752596	258

PART NUMBER INDEX

2752597.....258	2900766.....34, 60	3272605 ... 127, 133, 139, 209	3340844.....136, 137
2752598.....258	2900767.....34, 59, 60	3290801.....68	3340871.....136
2752599.....258	2900768.....34, 60	3300007.....13, 23	3340881.....136
2752631.....257	2900770.....45, 139, 213	3300143.....207	3340900.....137
2752632.....249, 251, 257	2900788.....37	3300151.....157, 301	3380429.....76
2752633.....258	2900792... 215, 217, 219, 221, 225, 227, 229, 231	3300205.....102, 106	3380434... 154, 158, 161, 292
2752643.....258	2900826.....90, 91	3300229.....12, 17, 19	3420592.....41
2752653.....257	2900827.....90, 91	3300240.....137	3421453.....41
2752654.....257	2900937.....300	3300241.....136	3421565.....55
2752752.....257	2900974.....300	3300242.....137	3421627.....55
2752753.....258	2901271.....213	3300353.....173	3422325.....11, 15, 16
2752762.....257	2901284.....243	3300390.....103	3422326.....12, 16, 19
2752763.....257	2901285.....229	3300393.....153, 157	3422327.....16, 19
2752783.....258	2901301.....222, 234	3300396.....86	3422328.....17, 20
2752807.....249, 251	2901303... 215, 217, 219, 225, 231, 234	3300399.....137	3422330.....16, 19
2752810.....251	2901358.....68, 75	3300400.....137	3422332.....11, 15
2752812.....249, 251	2901392.....67, 74	3300408... 103, 105, 172	3422333.....11, 15
2752822.....255	2901443.....279, 287	3310601.....86, 103, 113	3422335.....12
2752823.....255	2901540.....75	3310805.....109, 111	3422351.....12
2752824.....255	2901557.....207	3311001... 102, 116, 121, 161, 166, 174	3422352.....12
2752888.....251	2901691.....301	3311005 68, 83, 110, 153, 158, 167, 168	3422417.....136
2752889.....251	2901763.....51	3311401... 105, 126, 137, 166, 207	3422418.....126, 132
2752893.....251	2901811.....207	3311402... 126, 132, 229	3422419.....131
2752898.....251	2901986.....137	3311405... 46, 68, 74, 86, 109, 121, 132, 145, 150, 154, 158, 161, 162, 166, 171, 204, 209, 229, 292, 301	3422420.....131
2752909.....251	2902203.....302	3311501.....46, 116, 121, 203	3422421.....131
2752918.....251	2902232.....301	3311505... 39, 68, 69, 75, 77, 85, 116, 121, 146, 150, 153, 157, 301	3422422.....131
2752963.....249, 251	2910001.....271	3311601 77, 95, 117, 121, 167, 173	3422424.....136
2752981.....258	2910073.....301	3311605... 17, 19, 68, 74, 83, 113, 116, 121, 132, 136, 146, 149, 154, 158, 161, 166, 171, 204, 209	3422425.....126
2753048.....258	2910463.....301	3311705.....83	3422432.....131
2753083.....258	2910464.....301	3311801... 23, 69, 76, 86	3422433.....125, 131
2753084.....301	2910924.....301	3311805... 67, 74, 99, 113, 116, 121, 126, 127, 132, 133, 207, 209	3422434.....126
2760105... 102, 105, 165, 171	2910931.....301	3312002.....12, 17, 19	3422435.....125, 131
2780114.....23, 27	2920110.....110	3312005.....209	3422436.....126
2780136.....23, 27	2920113.....110	3312201.....136	3422437.....125, 131
2780188.....12	2920129... 167, 172, 268, 270, 277, 283	3312602.....145	3422438.....126
2780205.....55, 57	2920140... 154, 158, 162, 273, 279, 286	3321005.....74	3422440.....131
2780261.....23, 31	2920162.....82	3321501.....121	3422445.....132
2792176.....260	2920215.....110	3323002.....12, 17, 19	3422446.....67, 73
2792179.....257, 260	2940074... 153, 158, 161, 296	3323403.....12	3422489.....126
2792180.....257, 260	2940088.....116, 120	3324203.....12	3422530.....113
2792181.....257, 260	3010088.....204	3340705.....136	3422532.....68, 75
2792184.....249, 260	3020021.....69, 79	3340755.....136	3422533.....75
2792185.....260	3100076.....76	3340756.....136	3422552.....41
2792186.....251, 260	3124025.....207	3340757.....136	3422553.....41
2792187.....260	3160200.....55, 63	3340758.....136	3422557.....126, 132
2792204.....255, 260	3160204.....23, 37	3340759.....136, 137	3422558.....131
2792266.....260	3160273.....55, 63	3340763.....145	3422559.....131
2792315.....260	3200362.....75	3340764.....145, 149	3422560.....131
2792325.....260	3200378.....67, 73	3340800.....126, 132	3422561.....131
2792326.....260	3220100.....69		3422562.....126
2792327.....260	3220101.....69		3422563.....131
2820030.....286, 287	3220103.....77		3422564.....125, 131
2820031.....83, 86	3220104.....77		3422565.....126
2820035... 154, 158, 162, 273, 279, 286	3220111.....77		3422566.....125, 131
2820078.....122	3220113.....77		3422567.....126
2820079.....122	3250872.....41, 294		3422568.....125, 131
2820080.....122	3250914.....67		3422569.....126
2820081.....122	3251102.....83, 174		3422574.....132
2820163.....286	3251242.....291		3422580.....126
2840016.....113	3252347.....293		3422583.....131
2860012.....83	3252764.....85		3422591... 11, 12, 15, 16
2860030... 101, 105, 296			3422753.....16, 19
2900138.....28			3422860.....131
2900202.....28			3422861.....131
2900752.....91			3422867.....131
			3422902.....16, 19

PART NUMBER INDEX

3422903 17, 20	3539971 73	3841236.....12	4060805 69, 76, 137
3422904 15	3539979 121	3841258....11, 12, 15, 16, 126, 131	4060808 39
3430816 113	3570238 76	3841264.....145	4060870 39
3450304 173	3570740 207	3841329.....41	4060874 39
3450404 113	3570754 77	3841340.....127, 133	4060906 102, 105
3450806 150	3571421 73	3841510.....17, 19	4060907 110
3451010 12	3573515 209	3860050.....150	4060918 46
3451012 12	3580134 82	3890006.....135	4060959 301
3480176 213	3580158 81	3890008.....135	4061049 86
3480188 221, 225, 233	3580241 135	3890009.....137	4061054 209
3480205 243	3580243 135	3890010.....135	4070410 116, 121
3480206 229	3580244 135	3890011.....135	4070411 116, 121
3480210 ... 215, 217, 231, 233	3580248 135	3890012.....137	4070412 117, 121
3510499 157	3580249 135	3900141.....231	4070863 136
3510500 157	3580259 76	3900207.....153, 157	4070864 136
3510537 157	3580276 82	3900224.....167, 173	4070878 ... 11, 12, 15, 16
3510538 157	3580317 86	3900230.....229	4070879 ... 11, 12, 15, 16
3510542 153	3580319 86	3900232.....77, 116, 121	4070895 136
3510543 153	3580320 86	3900268.....102, 106	4070896 136
3510751 157	3580321 86	3900272.....75	4070897 136
3510763 157	3600164 67, 90	3900283.....209	4070898 136
3510764 157	3600242 67, 73, 93	3910608.....102, 113	4070904 145
3510822 161	3600243 45	3910610.....86, 113, 165	4070909 136
3510833 161	3600260 73, 90	3910804.....103, 105	4070910 136
3520026 103	3620033 67, 73	3911008.....153, 161	4070911 136
3520028 82, 83, 166, 171	3640493 262	3911016.....158	4070929 137
3520033 116, 121	3640970 102, 168	3911040.....110	4070939 137
3520035 106	3640986 86	3930816.....109	4070940 137
3520054 103	3641182 168	3930828.....109, 111	4070944 11, 16
3520072 ... 153, 157, 161	3641533 86	3931403.....111	4070945 11, 16
3520173 167	3700010 103	3931408.....76, 109, 111	4070975 136
3520174 103, 173	3730022 270	3931448.....243	4070976 136
3520189 86	3730023 270	3931508.....243	4070977 137
3520192 86	3730099 270	3931516...215, 217, 219, 231, 233	4070987 103, 105
3530072 204	3740049 ... 102, 106, 167, 263, 264, 273, 279, 283, 286, 296	3931620 67, 74, 221, 225, 227, 233, 239, 243	4070991 103, 105
3536089 ... 153, 158, 162	3740057 ... 166, 168, 264	3931632.....86	4070994 150
3537318 55	3740058 ... 103, 166, 262	3931672.....167, 173	4070995 150
3537416 67, 73	3740063 ... 103, 166, 262	3931720.....213	4071004 137
3537417 67, 73	3740066 ... 166, 168, 264	3931840.....11, 16	4071005 137
3537420 67, 73	3740067 67, 73, 296	3931860.....55	4100025 69, 77
3537445 113	3740080 83, 86, 298	3932032.....229	4100026 ... 269, 277, 283
3537446 113	3740112 102	3932224.....55	4100033 127, 132
3537691 67	3740113 166	3950803.....229	4120012 ... 166, 168, 264
3538047 ... 11, 12, 15, 16	3740115 166	3951608.....136	4120013 ... 103, 168, 262
3538724 67	3740132 103	3960343.....12	4120035 ... 167, 268, 269, 276, 277, 282, 284
3538749 145	3760170 55	3960389.....74, 120	4130308 16, 19
3538758 145, 149	3760367 213	3960407.....68, 75	4130309 16, 19
3538819 165	3760368 ... 215, 217, 231, 233	3960438.....120	4130311 12
3539219 102, 105	3760369 ... 221, 225, 233, 243	3960447.....116	4130312 12
3539275 167	3760372 229	3960453.....117, 120	4130353 12
3539281 110	3780187 12, 17, 20	3960461.....110	4130354 12
3539475 126, 132	3790012 ... 110, 154, 158, 162, 166, 167, 172, 173, 174	3960462.....116, 120	4130381 16, 19
3539476 126, 132	3790109 167	3960464.....117, 120	4130382 16, 19
3539563 127, 132	3790110 140	3960468.....75	4160139 116, 121
3539590 117, 121	3790152 68, 75	3960469.....76	4160143 116, 121
3539622 137	3820001 41, 110, 292	3960470 121	4160149 137
3539662 41	3841013 150	3990001.....268, 270	4220162 110
3539680 137	3841143 ... 11, 12, 15, 16, 19, 67, 74, 126, 131, 136	3990010....268, 269, 272, 278, 284, 285, 296	4220164 158
3539685 153, 158	3841234 17, 19	3990109.....207	4220165 153
3539719 203		4032015.....85	4220168 153
3539872 73		4060802.....83, 85, 174	4240018 86, 168, 258
3539877 11, 16		4060803....150, 153, 158	4240032 110, 168
3539878 11, 16		4060804.....69, 76, 146	4240033 ... 127, 133, 209
3539934 120			4240099 ... 154, 158, 162
3539955 122			4240112 95
3539957 76			4240113 95

PART NUMBER INDEX

4280295.....95	4460234 ... 103, 105, 110, 172	4460526 ... 102, 103, 106, 283	4460933.....286
4300092.....23	4460265 ... 177, 181, 188, 192, 201, 268, 271	4460536 270	4460934.....287
4300097.....23	4460266 ... 177, 181, 192, 271, 272	4460539 270	4460935.....287
4300157.....86	4460267 ... 178, 181, 192, 268, 270, 271, 272, 277, 278, 279, 284, 285	4460589 271	4460956.....87
4340678.....165, 172	4460268 ... 177, 181, 192, 270, 271, 272, 277, 278, 279, 284, 285	4460591 271	4460957.....87
4340684.....165, 172	4460320 ... 270, 271, 272, 277, 278, 284, 285	4460598 ... 154, 158, 162, 174, 273, 279, 286	4460967.....87
4360031.....154, 161	4460326 ... 270, 272, 278, 284, 285	4460600 102, 168, 264	4461001.....87
4360057.....204	4460374 87	4460601 102, 168	4520142.....24
4360070.....86	4460375 87	4460602 102, 168	4520258.....24
4360232....166, 174, 279, 286, 296	4460411 86	4460603 102, 168	4566468....215, 217, 221, 225, 233
4360256.....76	4460412 86	4460607 87, 102, 168, 262	4566471.....231
4360282.....102, 165	4460413 86	4460608 271	4566501.....229
4360289.....101, 165	4460414 86	4460611 68, 75	4566644.....243
4360294...68, 75, 83, 296, 298	4460415 86	4460613 168, 268	4566971.....41
4360314....102, 165, 167	4460418 ... 268, 269, 276, 277, 282, 284	4460614 269	4566986.....69
4360319.....101	4460419 ... 268, 269, 276, 277, 282, 284	4460620 268	4567112.....73
4360322....109, 110, 111	4460424 ... 270, 271, 272, 277, 278, 279, 284, 285	4460621 268	4567172.....41
4360328....105, 171, 174, 296	4460425 86, 204, 273, 279, 286	4460628 102	4567403.....76
4360331....154, 158, 162, 165, 167, 171, 296	4460426 86, 102, 105, 283	4460629 168	4567404.....76
4360336 83, 85, 110, 154, 158, 161, 167, 173, 174, 298	4460428 ... 102, 105, 109, 111, 166, 168, 171, 204, 268, 273, 276, 282	4460630 102	4567428.....76
4360387....165, 171, 173, 204, 296	4460434 282, 284	4460631 102, 168	4567429.....77
4360392.....67, 73, 296	4460442 273	4460632 168	4567430.....77
4360395.....101, 165	4460445 ... 270, 271, 272, 278, 284, 285	4460633 168	4567431.....77
4360407.....165, 171, 296	4460449 271	4460634 269, 284	4567573.....76
4360416.....109	4460457 ... 271, 277, 284	4460635 270, 284	4567574.....76
4360429.....137	4460458 ... 271, 277, 284	4460693 271	4567576.....76
4360436.....95	4460460 ... 271, 277, 284	4460701 273, 286	4567580.....76
4360470....101, 105, 296	4460464 ... 172, 268, 270, 276, 277, 282, 284, 286	4460708 ... 172, 282, 283	4567581.....76
4360475....101, 105, 165, 171, 296	4460465 87, 269, 270, 276, 283, 286, 287	4460709 272, 278, 285	4567815.....76
4360476....102, 105, 165, 171, 296	4460466 ... 269, 277, 283, 286, 287	4460710 272, 278, 285	4640113.....24
4360506.....137	4460467 ... 166, 273, 279, 287, 302	4460711 103	4640261.....41
4360542.....82	4460470 ... 105, 166, 171, 268, 276, 282, 283	4460720 268	4640509....215, 217, 219, 221, 225, 227, 229, 231
4400375.....95, 96	4460471 ... 105, 166, 171, 268, 276, 282, 283	4460721 268	4640525.....213
4400376.....95	4460473 ... 269, 277, 283	4460758 103	4640744.....257
4400400.....95	4460488 105, 172	4460759 102	4640751.....67, 73
4400449.....95, 96	4460499 50, 53, 270, 271, 272, 278, 285	4460760 103	4640799.....229
4420038.....95, 102	4460502 269	4460761 ... 172, 276, 282, 284, 287	4640812.....12, 17, 20
4420051.....292	4460503 168, 268	4460777 271	4640858.....213
4420055.....157	4460508 ... 268, 276, 277, 282	4460836 286	4640862.....243
4420060.....109, 111	4460509 269, 276, 283	4460865 276, 283	4640871.....11, 15
4460023.....83	4460510 ... 166, 273, 279, 287, 302	4460866 ... 276, 277, 282, 284	4640902.....231
4460027.....82, 273, 279	4460526 269	4460871 ... 172, 183, 185, 197, 199, 207, 276, 277, 278, 279, 282, 284, 285, 286	4640906.....45
4460049.....204	4460537 286	4460873 ... 276, 277, 282, 284	4640907.....45
4460071....154, 161, 166, 172, 276, 278, 282, 285	4460538 286	4460874 ... 106, 276, 282, 283	4640908.....45
4460125.....273, 279	4460539 286	4460875 ... 106, 276, 282, 283	4640919.....45, 49
4460134....273, 283, 286	4460588 286	4460876 277, 284	4640921.....45, 53
4460190.....82, 273, 279	4460589 286	4460877 277, 284	4640922.....45, 53
4460205....273, 283, 286	4460590 286	4460878 277, 284	4640923.....39
4460224....270, 271, 278	4460591 286	4460879 276, 282	4640931.....45, 46
4460225....268, 270, 276, 278, 282	4460592 286	4460880 277, 284	4640932....215, 217, 219, 221, 225, 227
4460226....172, 188, 201, 276, 278, 282, 283, 284	4460593 286	4460887 ... 276, 277, 282, 284	4640937.....39
4460227....172, 276, 278, 282, 284, 287	4460594 286	4460888 277, 284	4640939.....255
4460233.....273, 286	4460595 ... 172, 173, 282, 283, 284	4460889 277, 284	4641022.....96
		4460890 277, 284	4641028.....243
		4460894 286	4641096.....45, 49
		4460899 286	4641162.....213
		4460905 ... 172, 173, 282, 283, 284	4711000.....166
			4711400....11, 15, 46, 69, 75, 86, 109, 145, 150, 154, 158, 162, 204, 209, 301
			4711500....41, 46, 69, 77, 85, 146, 150, 173, 301

PART NUMBER INDEX

4711600 ... 11, 12, 15, 16, 41, 46, 69, 75, 86, 126, 132, 136, 145, 149, 209	4844924 153, 157	4891800..23, 46, 55, 113, 127, 133, 137, 209	4932783 262
4711800 15, 86, 113, 126, 132, 146, 149	4844925 153, 157	4892000 23, 55, 117, 121, 209	4932812 265
4711900 76	4844927 153	4892600..... 127, 133, 209	4932815 264
4712000 23	4844928 153	4920018..... 154, 158	4932828 262, 272
4712600 41, 145, 150	4844944 125, 130	4920385..... 69	4932839 263
4713000 41	4844954 153	4921028..... 154, 158	4932849 263, 268
4713400 41	4844955 153, 157	4921735..... 102, 270	4932852 262
4740067 13	4844956 153, 157	4921737 101, 270	4932853 264, 269
4740076 116, 121, 145	4844961 67	4921771 46, 272	4932894 262
4740111 13, 17, 19	4844963 145	4921772..... 46, 272	4932896 262
4740158... 11, 12, 15, 16, 127, 132	4844966 145	4921820..... 272, 278, 285	4932900 262
4740171 116, 121	4844967 145	4921827 285	4932902 262
4740256 13, 17, 20	4844968 145	4921828..... 272	4932903 262
4740274 76	4844989 145	4921849 102, 270	4932904 265
4740283 12	4845080 67, 73	4921850..... 273, 302	4932915 262, 272
4740314 13, 127, 132	4845105 135	4921923..... 102, 270	4932917 263
4740362... 110, 154, 158, 162, 166, 172	4845184 82	4921925..... 101, 270	4932940 263, 272
4740391 17, 19	4845243 116	4921927 46, 272, 278, 285	4932958 264
4740397 83, 174	4845281 41	4921928..... 46, 272, 278, 285	4932959 264
4740411 157	4845282 41	4921938..... 272	4932971 264
4740439 132	4845283 41	4921954..... 285	4932974 263, 268
4740444 102, 105	4845286 41	4921956..... 273, 279	4932975 264, 269
4740449 17, 20	4845287 157	4921993 269	4932977 262
4740463 13, 17, 19	4845288 157	4921994 167, 268	4932980 264
4750600 87, 102, 113	4845289 157	4922002..... 269	4932986 262
4751000 . 68, 74, 83, 102, 110, 113, 116, 121, 153, 158, 161, 166, 167, 204	4845290 157	4922008..... 269	4932989 263, 272
4751400 . 68, 74, 86, 106, 109, 111, 121, 126, 132, 154, 158, 162, 166, 172, 207, 229, 292	4845308 203	4922012..... 273, 302	4932990 262
4751500 . 39, 76, 83, 116, 121, 122, 153, 157, 203	4845309 203	4922077 270	4932991 262
4751600 ... 39, 68, 74, 77, 83, 95, 99, 116, 121, 146, 154, 158, 162, 166, 171, 204, 207	4845327 153, 157	4922095..... 263	4932993 262
4751800 ... 11, 15, 69, 76, 99, 203, 207	4845328 153, 157	4922164..... 102, 270	4933006 263
4751900 82	4845356 117, 121	4922167..... 269	4933025 262
4752000 68, 75	4845393 95	4922185..... 101, 270	4933026 262
4760600 87, 102	4845394 76	4922185..... 101, 270	4933027 265
4761000 13, 116, 121, 153, 158, 166, 174	4845395 75	4922185..... 101, 270	4933062 264, 269
4761400 106, 207	4845404 73	4922185..... 101, 270	4933149 263
4761500 86, 203	4845411 121	4922185..... 101, 270	4933150 262
4761600 41	4845426 153, 157	4922466..... 276, 282	4933156 264
4770600 113	4845531 82	4922467..... 276, 282	4933158 262, 278
4791400 68, 75, 86	4845588 15	4922468..... 276, 282	4933162 263, 278
4811900 86	4845671 149	4922475..... 277	4933169 264, 277
4812000 207	4845677 149	4922482..... 279, 285	4933175 263
4831900 69, 76, 79	4845682 125, 130	4922483..... 278	4933189 263
4832000 69, 79	4845703 125, 130	4922484..... 279	4933215 263, 285
4844623 67	4845799 77	4922485..... 106, 172, 276	4933216 263, 285
4844690 15	4845819 149	4922498..... 286	4933217 263
4844777 11, 16	4846081 125, 130	4922509..... 172, 263, 276	4933218 264
4844790 125, 130	4846184 157	4922513..... 277, 283, 284	4933219 263
4844815 130	4846184 157	4922515..... 277, 283, 284	4933222 ... 264, 283, 284
4844816 130	4846194 157	4922542 263	4933263 264
4844817 130	4846195 157	4922621 278	4933264 87
	4846228 157	4922636..... 283	4933265 286
	4846229 157	4922637..... 283	4933272 286
	4846240 157	4922639..... 172, 282	70000122 81
	4846241 157	4922641 87, 285	70000123 81
	4846288 15, 16	4922643..... 263, 286	70000124 82
	4846319 136	4922648..... 284	70000125 82
	4846391 149	4922666..... 106, 172, 282, 284	70000126 82
	4846392 149	4922705..... 286	70000342 143
	4846452 161	4922757..... 87	70000579 49
	4846479 73	4922766..... 286	70000580 49
	4846566 73	4922790..... 283	70000582 49, 296
	4846573 127, 133, 209	4922791..... 283	70000583 49
	4860148 24	4922792..... 283	70000787 69
	4891400 46	4922843..... 286	70000863 85
	4891500 46	4922844..... 286	70001002 77, 78
	4891600 . 46, 68, 74, 113, 127, 133, 137, 209	4922925..... 86	70001017 77
			70001100 85

PART NUMBER INDEX

70001384.....85	7000276.....27	70006443.....227, 239	7003957.....177, 191
70001423.....78, 79	7000279.....27	70006444.....227, 239	7003958.....177
70001498.....78	7000280.....27	70006445.....227, 239	7003959.....177
70001681.....78, 79	70002813.....77	70006446.....227, 239	7003960.....177
70001696.....85	7000282.....27	70006447.....239	7003961.....177
70001697.....140, 143	7000283.....27	70006597.....237	7003963.....191
70001941.....110	7000284.....27	70006599.....237	7003966.....191
70001953.....85	7000285.....27	70006601.....237	7003967.....191
70001966.....85	7000286.....27	7000663.....69, 77, 78	7003968.....191
70001969.....85	7000287.....28	70006648.....219	7003969.....195, 197
70001973.....85	7000288.....28	70006649.....219	7003972.....191, 195, 197, 199
70001974.....85	7000289.....28	70006650.....219	7003973.....191, 195, 197, 199
70001976.....49, 53	7000290.....28	70006651.....219	7003974.....177, 181, 191
70002005.....149, 298	70002906.....185	70006774.....237	7003976.....177, 181, 183
70002006.....149	7000293.....27	70006775.....237	7003977.....177, 181, 183
70002007.....149	7000295.....28	70006776.....237	7003978.....191
70002088.....85	70003483.....154, 161	70006822.....227	7003980.....195, 197, 199
7000209.....57	70003556.....78	70006823.....227	7003981.....191
7000214.....57	70003631.....85	7000699.....69, 78	7003982.....191, 199
7000217.....57	70003708.....85	7000731.....23, 34	7003983.....195, 197, 199
7000218.....27	70003709.....85	7000796.....33	7003984.....191
7000220.....27	70003784.....165, 171	7001438.....90	7003985.....192
70002200.....79	70004169.....85	7001498.....91	7003986.....197
70002208.....63	70004170.....85	7001625.....241	7003989.....195, 197, 199
7000221.....28	70004171.....85	7001626.....241	7003992.....181, 183, 195, 197
7000222.....27	70004643.....149	7001627.....241	7003993.....181, 183, 195, 197
70002234.....69, 78	70004738.....201	7001629.....241	7003994.....197
70002235.....82	70004739.....201	7001630.....241	7004035.....63
70002239.....82	70004740.....201	7001633.....241	7004043.....64
70002240.....82	70004741.....201	7001711.....31	7004044.....64
70002243.....63	70004742.....201	7001900.....27	7004275.....302
7000225.....28	70004743.....201	7001902.....27	7004276.....302
7000228.....57	70004744.....201	7001904.....27	7005841.....63
7000229.....57	70004745.....201	7001906.....27	7005842.....63
70002297.....85	70004746.....201	7001909.....57	7005845.....63
7000230.....57	70004747.....201	7001911.....57	7005848.....64
70002373.....237	70004748.....201	7001917.....27	7005881.....64
70002411.....78, 79	70004749.....201	7001918.....27	7005882.....64
7000243.....27	70004750.....201	7001927.....28	7005889.....63
7000246.....57	70004751.....201	7001928.....27, 57	7005890.....63
70002460.....85	70004752.....187	7001931.....57	7005891.....63
7000253.....57	70004753.....187	7001937.....27	7005892.....63
70002530.....78, 79	70004754.....187	7001940.....28	7005893.....63
7000255.....57	70004755.....187	7001985.....57	7005894.....63
7000256.....57	70004756.....187	7001987.....57	7005895.....64
7000257.....57	70004757.....187	7001988.....57	7006138.....149, 298
7000258.....57	70004758.....187	70022564.....237	7007208.....90
7000263.....57	70004759.....187	70023371.....237	7007412.....91
7000265.....27	70004760.....187	7002821... 273, 279, 287, 302	7007413.....90
7000269.....57	70004761.....187	7002822.....302	7007414.....90
7000270.....57	70004762.....187	7002823... 273, 279, 287, 302	7007416.....90
7000272.....27	70004763.....187	7002826.....302	7007417.....90
70002724.....199	70004764.....187	7002828... 273, 279, 287	7007419.....90
70002725.....199	70004765.....187	7002840.....11, 15, 302	7007420.....90
70002726.....199	70004766.....187	7003657.....82	7007421.....90
70002727.....199	70004767.....187	7003886.....192	7007423.....90
70002728.....199	70004768.....187	7003928... 181, 183, 185	7007424.....90
70002729.....199	70004769.....187	7003933.....197	7007425.....90
7000273.....27	70004770.....187	7003935.....195, 197	7007435.....90
70002730.....185	70004771.....187	7003941... 195, 197, 199	7007436.....90
70002731.....185	70004772.....187	7003946... 191, 195, 197	7007437.....90
70002732.....185	70004773.....188	7003951.....177	7007438.....90
70002733.....185	70004774.....188	7003952.....181	7007439.....90
70002734.....185	70004775.....188	7003953.....181, 183	
70002735.....185	70005230.....201	7003956.....177, 181	
7000274.....27	7000625.....154, 161		
7000275.....27	70006442.....239		

PART NUMBER INDEX

7007440..... 90	7010121..... 91	7012944..... 45, 49, 296	7016322..... 113
7007441..... 90	7010122..... 91	7012953... 46, 49, 53, 231	7016328... 69, 77, 78, 298
7007442..... 90	7010474..... 57	7012954..... 46	7016330..... 69, 77, 298
7007444..... 90	7010488..... 57	7012961..... 46, 231	7016331... 69, 77, 78, 298
7007445..... 90	7010492..... 57	7012965..... 53	7016332..... 69, 77, 78
7007449..... 90	7010494..... 57	7012967..... 49	7016336..... 271
7007453..... 90	7010541..... 49	7012971..... 46	7016342..... 99
7007454..... 90	7010542..... 50	7012972..... 45	7016346..... 166
7007456..... 90	7010543..... 50	7012974..... 45	7016374..... 113
7007458..... 91	7010545..... 229	7012975..... 46	7016380..... 110
7007459..... 91	7010638..... 73	7012976..... 46	7016399... 154, 158, 162
7007461..... 91	7011112 ... 215, 217, 219, 221, 225, 227	7012977..... 46	7016422..... 63
7007463..... 91	7011328..... 45	7012978..... 39	7016423..... 63
7007466..... 91	7011331..... 139	7012980..... 39	7016424..... 64
7007468..... 91	7011332..... 139	7012987..... 93	7016425..... 63
7007469..... 91	7011346..... 140	7012988..... 93	7016426..... 63
7007470..... 91	7011712..... 33	7012989..... 49	7016427..... 64
7007471..... 91	7011713..... 33, 59	7012993..... 39	7016530..... 149, 298
7007472..... 91	7011714..... 33, 59	7012994..... 39	7016640..... 77
7007474..... 91	7011715..... 33, 59	7012998... 46, 49, 50, 53	7016652..... 302
7007475..... 91	7011716..... 33, 59	7013187..... 99	7016654..... 302
7007476..... 91	7011717..... 33, 59	7013711..... 45	7016655..... 302
7007477..... 91	7011719..... 59	7013755..... 45	7016700..... 45
7007478..... 91	7011720..... 59	7013796..... 45	7016701..... 45
7007482..... 91	7012513..... 81	7013799..... 45	7016702..... 45
7007483..... 91	7012514..... 81	7014700..... 31	7016744..... 45
7007484..... 91	7012518..... 49	7014701..... 31	7016800..... 68, 75
7007485..... 91	7012540..... 46	7014703..... 31	7016802..... 68, 75
7007486..... 91	7012558..... 81	7014704..... 31	7016803..... 68, 75
7007487..... 91	7012560..... 101	7014705..... 31	7016804..... 68, 75
7007488..... 91	7012599..... 70, 77	7014707..... 31	7016805..... 68
7007489..... 93	7012611..... 101, 165	7014708..... 31	7016812..... 68, 75
7007490..... 91	7012612..... 101, 165	7014709..... 31	7016815..... 75
7007491..... 91	7012664..... 67, 73, 296	7014710..... 31	7016816..... 75
7007492..... 91	7012693..... 11, 15	7014711..... 31	7016826..... 75
7007494..... 91	7012698..... 70	7014712..... 31	7016827..... 75
7007496..... 91	7012700..... 37	7014717..... 31	7016845..... 75
7007497 ... 91, 271, 278, 285	7012701..... 37	7014718..... 31	7016847..... 57
7007498 ... 91, 271, 278, 285	7012702..... 37	7014719..... 31	7017070..... 57
7007499..... 91	7012703..... 37	7014720..... 31	7017089..... 57
7007633..... 57	7012704..... 37	7014721..... 31	7017102..... 139
7007644..... 27	7012705..... 37	7014722..... 31	7017115..... 139
7007649..... 27	7012706..... 37	7014723..... 31	7017119..... 139
7007694..... 27	7012707..... 37	7014724..... 31	7017142..... 139, 140
7007914..... 59	7012708..... 37	7014725..... 31	7017156..... 140
7007923..... 34, 59	7012709..... 37	7014726..... 31	7017157..... 140
7007924..... 34	7012710..... 37	7014729..... 31	7017158..... 140, 143
7007933..... 34, 60	7012711..... 37	7014730..... 31	7017159..... 140, 143
7007934..... 59	7012712..... 37	7014731..... 31	7017162..... 139, 143
7007970..... 33, 59	7012713..... 37	7014732..... 31	7017163..... 139, 143
7007977..... 33, 59	7012714..... 37	7014733..... 31	7017164..... 139, 143
7007979..... 33, 59	7012715..... 37	7014734..... 31	7017174..... 139
7007980..... 33, 59	7012716..... 37	7014735..... 31	7017177..... 139
7007983..... 33, 59	7012769..... 49	7014736..... 31	7017183..... 139, 143
7007985..... 33, 59	7012772 ... 45, 49, 50, 53, 296	7014737..... 31	7017193..... 139, 143
7007986..... 33	7012773 ... 46, 49, 50, 53	7014801..... 96	7017195..... 143
7007987..... 33, 59	7012774..... 45, 50, 53	7014802..... 96	7017410..... 49
7007990..... 60	7012775..... 50	7014803..... 96	7017411..... 49
7008833..... 67, 74, 271	7012776..... 53	7014810..... 96	7017418..... 49
7008835..... 67, 74	7012777..... 53	7014811..... 96, 296	7017420..... 46, 50, 53
7008836..... 67, 74, 271	7012907..... 45	7014813..... 96	7017421..... 53
7010103..... 93	7012912..... 49, 50	7014816..... 96	7017422..... 53
7010104..... 93	7012914..... 49	7016309..... 70	7017423..... 50
7010105..... 93	7012918..... 46, 49	7016312..... 45, 296	7017427..... 49
7010120..... 91	7012941..... 45	7016313..... 46, 296	7017428..... 49, 50
		7016314..... 95	7017442..... 39
		7016315..... 101, 165	7017464..... 49
			7018602..... 33, 59

PART NUMBER INDEX

7018603.....34, 59	7019161 195, 197	7020414 77	7023340.....67, 74
7018605.....33, 59	7019162 195, 197, 199	7020418 70, 78	7023366.....120
7018606.....33, 59	7019163 195	7020419 70, 78	7024014.....46, 50
7018607.....33, 59	7019164 195, 197, 199	7020425 78	7024015.....50
7018608.....34, 59, 60	7019165 195, 197, 199	7020427 70, 78	7024036.....37
7018609.....33, 59	7019166 195, 197	7020431 70, 78, 79	7024100.....57
7018612.....34, 60	7019167 195, 197, 199	7020449 79	7024318.....79
7018912....45, 49, 50, 53	7019168 195, 197	7020458 79	7024379.....63
7018942.....50, 53	7019171 181, 183	7020459 79	7024380.....64
7018945.....53	7019174 181, 183	7020460 79	7024381.....64
7018946.....53	7019177 183	7020461 78	7024389.....64
7018947.....53	7019192 177	7020463 78, 79	7024390.....64
7018948.....53	7019193 177	7020464 78	7024395.....64
7018951.....49	7019194 195, 197, 199	7020465 78, 79	7024397.....243
7018986.....49	7019196 197	7020468 79	7024398.....77
7019103.....195, 197	7019197 181, 183	7020471 78, 79	7024413.....70
7019104.....177	7019300 145	7020474 79	7024439.....96
7019110.....195, 197	7019301 145	7020477 70, 78	7024440.....96
7019111 177, 181, 183, 195, 197	7019302 145	7020479 78	7024441.....96
7019112.....195, 197	7019303 145	7020480 78	7024442.....96
7019114.....197	7019607 70, 77	7020487 78	7024443.....96
7019115.....195, 197	7019658 95	7020488 79	7024444.....96
7019117.....195	7020022 77	7021214 91	7024445.....96
7019122.....177, 183	7020023 69, 77	7021310 51	7024446.....96
7019123.....177, 183	7020025 77	7022203 45	7024453.....63
7019137.....181	7020027 78, 79	7022808 181, 183, 185	7024485.....85
7019141.....181, 183	7020057 207	7022810 195	7024560.....77
7019142.....181, 183	7020058 207	7022812 197	7024565.....70, 79
7019143.....181, 183	7020059 207	7022813 177, 181	7024579.....79
7019144.....181, 183	7020108 81	7022814 183	7024598.....113
7019145.....181, 183	7020109 81	7022815 183, 185	7026188.....85
7019147.....181, 183	7020110 81	7022816 183	7026199.....81
7019149.....181, 183	7020111 81	7022817 183	7026522.....78, 79
7019150.....181, 183	7020168 78	7022818 183	7026597.....85
7019151.....195, 197	7020175 101, 165, 171	7022819 ... 183, 185, 278, 285	7026608.....78
7019153.....195	7020176 101, 165, 171	7022820 285	7026626.....85
7019154.....195, 197	7020190 82	7022822 197	7026631.....78
7019155.....195, 197	7020191 82	7022823 197	7027250....67, 70, 74, 78
7019156.....195	7020192 82	7022824 197	7027276.....79
7019157.....195	7020193 81	7022825 278, 285	7027799.....85
7019158.....195	7020246 105	7023331 207	7027887.....82
7019159.....195	7020404 70, 78	7023332 207	83304150.....64
7019160.....195, 197	7020408 70, 79	7023333 207	8896941.....302
	7020411 70, 78, 79		

PARTS FINDER

**Search Website
by Part Number**



**Search Manual
Library For Parts
Manual & Lookup Part
Numbers – Purchase
or Request Quote**

A screenshot of the "Search Manuals" form. The form has a title "Search Manuals" and a subtitle "Please enter the model number and serial number of your machine." Below the subtitle are several input fields: "Find" (with a dropdown menu), "Serial Number" (with a dropdown menu), "Year" (with a dropdown menu), "Make" (with a dropdown menu), "Part Number" (with a dropdown menu), and "Category" (with a dropdown menu). There is a "Search" button at the bottom of the form.

**Can't Find Part or
Manual? Request Help
by Manufacturer,
Model & Description**

A screenshot of the "Parts Order Form". The form has a title "Parts Order Form" and a subtitle "Please fill out the form below." Below the subtitle are several input fields: "Manufacturer" (with a dropdown menu), "Model" (with a dropdown menu), "Description" (with a text area), "Part Number" (with a dropdown menu), "Quantity" (with a text input field), "Price" (with a text input field), "Contact Name" (with a text input field), "Phone" (with a text input field), "Email" (with a text input field), and "Address" (with a text input field). There is a "Submit" button at the bottom of the form.

Discount-Equipment.com is your online resource for quality parts & equipment.

Florida: **561-964-4949** Outside Florida TOLL FREE: **877-690-3101**

Need parts?

Click on this link: <http://www.discount-equipment.com/category/5443-parts/> and choose one of the options to help get the right parts and equipment you are looking for. Please have the machine model and serial number available in order to help us get you the correct parts. If you don't find the part on the website or on one of the online manuals, please fill out the request form and one of our experienced staff members will get back to you with a quote for the right part that your machine needs.

We sell worldwide for the brands: Genie, Terex, JLG, MultiQuip, Mikasa, Essick, Whiteman, Mayco, Toro Stone, Diamond Products, Generac Magnum, Airman, Haulotte, Barreto, Power Blanket, Nifty Lift, Atlas Copco, Chicago Pneumatic, Allmand, Miller Curber, Skyjack, Lull, Skytrak, Tsurumi, Husquvarna Target, Stow, Wacker, Sakai, Mi-T-M, Sullair, Basic, Dynapac, MBW, Weber, Bartell, Bennar Newman, Haulotte, Ditch Runner, Menegotti, Morrison, Contec, Buddy, Crown, Edco, Wyco, Bomag, Laymor, EZ Trench, Bil-Jax, F.S. Curtis, Gehl Pavers, Heli, Honda, ICS/PowerGrit, IHI, Partner, Imer, Clipper, MMD, Koshin, Rice, CH&E, General Equipment, Amida, Coleman, NAC, Gradall, Square Shooter, Kent, Stanley, Tamco, Toku, Hatz, Kohler, Robin, Wisconsin, Northrock, Oztec, Toker TK, Rol-Air, APT, Wylie, Ingersoll Rand / Doosan, Innovatech, Con X, Ammann, Mecalac, Makinex, Smith Surface Prep, Small Line, Wanco, Yanmar